

| | | | | | | | | |
|-------|------|----|----|--------------|--------------|-----|-------|------------|
| Model | Year | MG | SG | Illustration | Restrictions | UPD | 18:23 | 22.01.2010 |
| 911 | 1973 | 0 | 01 | 001-00 | | 248 | | |

| Pos | Part Number | Description | Remark | Qty | Model |
|-----|------------------|-------------------------------------------|--------|-----|-------|
| >> | >>911 721 002 00 | tool jack box with bulbs | | 1 | |
| - | 644 721 010 01 | tool bag | | 1 | |
| - | 477 012 203 A | spark plug wrench | | 1 | |
| - | 901 721 221 00 | rim wrench 19 | | 1 | |
| - | 999 195 011 02 | double-end spanner 8 X 9 | | 1 | |
| - | 999 195 012 02 | double-end spanner 10 X 11 | | 1 | |
| - | 999 195 007 02 | double-end spanner 12 X 13 | | 1 | |
| - | 999 195 014 02 | double-end spanner 14 X 15 | | 1 | |
| - | 999 195 015 02 | double-end spanner 17 X 19 | | 1 | |
| - | 999 571 017 02 | ring wrench 19/22 | | 1 | |
| - | 999 191 002 02 | screwdriver | | 1 | |
| - | 900 137 001 02 | phillips screwdriver B 2 | | 1 | |
| - | 999 107 003 02 | universal pliers | | 1 | |
| - | 999 192 176 50 | narrow v-belt 9,5 X 710 | | 1 | |
| - | 911 722 201 02 | tyre pressure gauge | | 1 | |
| - | 911 721 013 00 | bag with 5 fuse | | 1 | |
| - | 911 721 702 00 | retaining bracket for v-belt pulley | | 1 | |
| - | 901 721 327 00 | glycerine | | 1 | |
| - | 900 066 003 02 | allen key 10 | | 1 | |

| | | | | | | | | |
|-------|------|----|----|--------------|--------------|-----|-------|------------|
| Model | Year | MG | SG | Illustration | Restrictions | UPD | 18:23 | 22.01.2010 |
| 911 | 1973 | 0 | 01 | 001-00 | | 248 | | |

| Pos | Part Number | Description | Remark | Qty | Model |
|-----|------------------|-------------------------------------------|--------|-----|-------|
| >> | >>911 721 002 00 | tool bag with contents comprising: | | 1 | |
| - | 914 721 015 10 | tool bag | | 1 | |
| - | 477 012 203 A | spark plug wrench | | 1 | |
| - | 901 721 221 00 | rim wrench 19 | | 1 | |
| - | 999 195 011 02 | double-end spanner 8 X 9 | | 1 | |
| - | 999 195 012 02 | double-end spanner 10 X 11 | | 1 | |
| - | 999 195 007 02 | double-end spanner 12 X 13 | | 1 | |
| - | 999 195 014 02 | double-end spanner 14 X 15 | | 1 | |
| - | 999 195 015 02 | double-end spanner 17 X 19 | | 1 | |
| - | 999 571 017 02 | ring wrench | | 1 | |
| - | 999 191 002 02 | screwdriver | | 1 | |
| - | 900 137 001 02 | phillips screwdriver B 2 | | 1 | |
| - | 999 107 003 02 | universal pliers | | 1 | |
| - | 999 192 176 50 | narrow v-belt 9,5 X 710 | | 1 | |
| - | 911 721 013 00 | bag with 5 fuse | | 1 | |
| - | 911 721 702 00 | retaining bracket for v-belt pulley | | 1 | |
| >> | >>902 721 001 21 | tool bag with contents comprising: | | 1 | |
| - | 644 721 010 01 | tool bag | | 1 | |
| - | 902 721 201 20 | spark plug wrench | | 1 | |
| - | 901 721 221 00 | rim wrench 19 | | 1 | |
| - | 999 195 011 02 | double-end spanner 8 X 9 | | 1 | |

| | | | | | | | | |
|-------|------|----|----|--------------|--------------|-----|-------|------------|
| Model | Year | MG | SG | Illustration | Restrictions | UPD | 18:23 | 22.01.2010 |
| 911 | 1973 | 0 | 01 | 001-00 | | 248 | | |

| Pos | Part Number | Description | Remark | Qty | Model |
|-----|----------------|-------------------------------|--------|-----|-------|
| - | 999 195 012 02 | double-end spanner 10 X 11 | | 1 | |
| - | 999 195 007 02 | double-end spanner 12 X 13 | | 1 | |
| - | 999 195 014 02 | double-end spanner 14 X 15 | | 1 | |
| - | 999 195 015 02 | double-end spanner 17 X 19 | | 1 | |
| - | 999 571 002 02 | ring wrench 36 | | 1 | |
| - | 999 191 002 02 | screwdriver | | 1 | |
| - | 900 137 001 02 | phillips screwdriver B 2 | | 1 | |
| - | 999 107 003 02 | universal pliers | | 1 | |
| - | 999 192 176 50 | narrow v-belt 9,5 X 825 | | 1 | |
| - | 644 721 013 00 | bag with 5 fuse | | 1 | |
| - | 901 721 327 00 | glycerine jack | | 1 | |
| - | 914 721 010 10 | jack | -71 | 1 | |
| - | 914 721 011 10 | jack box with bulbs | 72- | 1 | |
| - | 901 631 090 11 | box with bulbs 12 V | | 1 | |

| | | | | | | | | |
|-------|------|----|----|--------------|--------------|-----|-------|------------|
| Model | Year | MG | SG | Illustration | Restrictions | UPD | 18:23 | 22.01.2010 |
| 911 | 1973 | 0 | 01 | 001-05 | | 248 | | |

| Pos | Part Number | Description | Remark | Qty | Model |
|-----|----------------|--------------------------------------------------------|--------|-----|-------------|
| | | stickers | | | |
| - | 901 006 502 00 | sticker firing order | | 1 | |
| - | 901 006 503 00 | sticker adjustment valve clearance | | 1 | |
| - | 901 006 504 01 | sticker engine-oil level | -72 | 1 | |
| - | 911 006 504 00 | sticker engine-oil level | 73- | 1 | |
| - | 901 006 505 00 | sticker tyre pressure normal not for (USA) | -72 | 1 | |
| - | 901 006 505 01 | sticker tyre pressure normal not for (USA) | 73- | 1 | |
| - | 901 006 505 01 | sticker tyre pressure | 73 | 1 | CARRERA 2.7 |
| - | 911 006 521 00 | sticker tyre pressure | (AUS) | 1 | CARRERA 2.7 |
| - | 911 006 522 00 | sticker tyre pressure | (AUS) | 1 | 911 |
| - | 901 006 507 00 | sticker tyre pressure 200 KM/H | -72 | 1 | |
| - | 901 006 508 00 | sticker generator regulator | | 1 | |
| - | 911 006 509 01 | sticker ignition point | 70 | 1 | 911 T |
| - | 901 006 509 00 | sticker ignition point | -71 | 1 | 911 T |
| - | 911 006 510 00 | sticker ignition point | -71 | 1 | 911 E/S |
| - | 901 006 510 01 | sticker ignition point | -71 | 1 | 911 E/S |
| - | 911 006 511 00 | sticker ignition point | 72- | 1 | 911 |

PORSCHE

PET

PORSCHE

| | | | | | | | | |
|-------|------|----|----|--------------|--------------|-----|-------|------------|
| Model | Year | MG | SG | Illustration | Restrictions | UPD | 18:23 | 22.01.2010 |
| 911 | 1973 | 0 | 01 | 001-05 | | 248 | | |

| Pos | Part Number | Description | Remark | Qty | Model |
|-----|----------------|------------------------------------|------------------|-----|----------------|
| - | 911 006 508 00 | sticker ignition point | 72- | 1 | CARRERA 2.7 |
| - | 911 006 509 04 | sticker emission control system | (USA) -71 (J) | 1 | 911 T (CAL) |
| - | 911 701 102 00 | sticker 2.2 L | | 1 | |
| - | 911 701 107 00 | sticker "OIL" | | 1 | |

PORSCHE

PET

PORSCHE

| | | | | | | | | |
|-------|------|----|----|--------------|--------------|-----|-------|------------|
| Model | Year | MG | SG | Illustration | Restrictions | UPD | 18:24 | 22.01.2010 |
| 911 | 1973 | 0 | 01 | 001-10 | | 248 | | |

| Pos | Part Number | Description | Remark | Qty | Model |
|-----|------------------|--------------------------------------------------------------------|--------|-----|------------------|
| >> | >>911 721 905 01 | spare parts bag spare parts bag with contents comprising: | -71 | 1 | 911 T 911 T-V |
| - | 914 721 902 10 | bag | | 1 | |
| - | 914 721 013 10 | bag with fuse | | 1 | |
| - | 901 602 960 00 | contact breaker point - bosch - | | 1 | |
| - | 999 170 111 90 | spark plug BOSCH W 230 T 30 | | 3 | |
| - | 901 105 901 50 | set of valve springs | | 1 | |
| - | 901 105 417 00 | collet divided | | 2 | |
| - | 911 104 193 00 | valve stem seal | | 1 | |
| - | 901 105 370 02 | adjusting screw for valve | | 2 | |
| - | 999 034 005 00 | nut | | 2 | |
| - | 911 107 176 00 | drain plug | | 1 | |
| - | 900 123 011 30 | sealing ring A 22 X 27 | | 1 | |
| - | 901 101 391 00 | gasket for oil strainer | | 2 | |
| - | 901 609 309 00 | screened connector with rubber cap | | 2 | |
| - | 911 108 948 00 | gasket set for carburettor - ZENITH - | | 1 | |
| - | 911 423 401 06 | clutch cable | | 1 | |
| - | 911 423 205 03 | lever | | 1 | |
| - | N 011 007 3 | hexagon nut M 7 | | 1 | |
| - | 901 104 191 00 | cylinder base gasket | | 3 | |
| - | 908 104 391 00 | cylinder head gasket | | 3 | |

| | | | | | | | | |
|-------|------|----|----|--------------|--------------|-----|-------|------------|
| Model | Year | MG | SG | Illustration | Restrictions | UPD | 18:24 | 22.01.2010 |
| 911 | 1973 | 0 | 01 | 001-10 | | 248 | | |

| Pos | Part Number | Description | Remark | Qty | Model |
|-----|------------------|-------------------------------------------------|--------|-----|---------|
| - | 901 105 193 03 | gasket crankcase and chain case | | 1 | |
| - | 901 105 191 03 | gasket for chain case left | | 1 | |
| - | 901 105 192 03 | gasket for chain case right | | 1 | |
| - | 901 105 194 03 | gasket for lid upper | | 2 | |
| - | 901 105 195 04 | gasket for lid lower | | 2 | |
| - | 901 105 197 00 | gasket | | 1 | |
| - | 999 701 124 40 | o-ring | | 4 | |
| >> | >>911 721 906 06 | spare parts bag with contents comprising: | 72- | 1 | 911 T-E |
| - | 914 721 902 10 | bag | | 1 | |
| - | 914 721 013 10 | bag with fuse | | 1 | |
| - | 901 602 960 00 | contact breaker point | | 1 | |
| - | 999 170 111 90 | spark plug - beru - | | 3 | |
| - | 901 105 901 50 | set of valve springs | | 1 | |
| - | 901 105 901 51 | set of valve springs | | 1 | |
| - | 901 105 417 00 | collet divided | | 2 | |
| - | 901 104 193 00 | valve stem seal | | 1 | |
| - | 901 105 370 02 | adjusting screw for valve | | 2 | |
| - | 999 034 005 00 | nut | | 2 | |
| - | 911 107 176 00 | drain plug | | 1 | |

| | | | | | | | | |
|-------|------|----|----|--------------|--------------|-----|-------|------------|
| Model | Year | MG | SG | Illustration | Restrictions | UPD | 18:24 | 22.01.2010 |
| 911 | 1973 | 0 | 01 | 001-10 | | 248 | | |

| Pos | Part Number | Description | Remark | Qty | Model |
|-----|----------------|---------------------------------------------------|--------|-----|---------|
| - | 900 123 011 30 | sealing ring A 22 X 27 | | 1 | |
| - | 901 101 391 00 | gasket for oil strainer | | 2 | |
| - | 901 609 309 00 | screened connector screened connector | | 2 | |
| - | 999 192 030 40 | toothed belt for injection pump | | 1 | |
| - | 911 423 401 06 | clutch cable | | 1 | |
| - | 911 423 205 03 | lever | | 1 | |
| - | N 011 007 3 | hexagon nut M 7 | | 1 | |
| - | 901 104 191 00 | cylinder head gasket | | 3 | |
| - | 908 104 391 00 | sealing ring GE | | 3 | |
| - | 901 105 193 03 | sealing ring crankcase and chain case | | 1 | 911 E/S |
| - | 901 105 191 03 | gasket for chain case lid left | | 1 | |
| - | 901 105 192 03 | gasket for chain case lid right | | 1 | |
| - | 901 105 194 03 | gasket for camshaft housing lid upper | | 2 | |
| - | 901 105 195 04 | gasket for camshaft housing lid lower | | 2 | |
| - | 901 105 197 00 | gasket for sealing ring | | 1 | |

| | | | | | | | | |
|-------|------|----|----|--------------|--------------|-----|-------|------------|
| Model | Year | MG | SG | Illustration | Restrictions | UPD | 18:24 | 22.01.2010 |
| 911 | 1973 | 0 | 01 | 001-10 | | 248 | | |

| Pos | Part Number | Description | Remark | Qty | Model |
|-----|------------------|-------------------------------------------------|--------|-----|---------|
| - | 999 701 124 40 | o-ring 67,5 X 75,5 X 4 | | 1 | |
| >> | >>911 721 906 01 | spare parts bag with contents comprising: | | 1 | 911 E/S |
| - | 914 721 902 10 | bag | | 1 | |
| - | 914 721 013 10 | bag with fuse | | 1 | |
| - | 901 602 960 00 | contact breaker point - bosch - | | 1 | |
| - | 999 170 022 91 | spark plug - bosch - | | 3 | |
| - | 616 105 432 03 | valve spring | | 1 | |
| - | 901 105 417 00 | collet divided | | 2 | |
| - | 911 104 193 00 | valve seal | | 1 | |
| - | 901 105 370 02 | adjusting screw for valve | | 2 | |
| - | 999 034 005 00 | nut | | 2 | |
| - | 901 107 176 00 | drain plug | | 1 | |
| - | 900 123 011 30 | sealing ring | | 1 | |
| - | 901 101 391 00 | sealing ring for oil strainer | | 2 | |
| - | 901 609 309 00 | screened connector with rubber cap | | 2 | |
| - | 999 192 030 40 | toothed belt for injection pump | | 1 | |
| - | 911 423 401 06 | clutch cable | | 1 | |
| - | 911 423 205 03 | lever | | 1 | |
| - | N 011 007 3 | hexagon nut M 7 | | 1 | |
| - | 901 104 191 00 | cylinder base gasket | | 3 | |
| - | 908 104 391 00 | cylinder head gasket | | 3 | |

PORSCHE

PET

PORSCHE

| | | | | | | | | |
|-------|------|----|----|--------------|--------------|-----|-------|------------|
| Model | Year | MG | SG | Illustration | Restrictions | UPD | 18:24 | 22.01.2010 |
| 911 | 1973 | 0 | 01 | 001-10 | | 248 | | |

| Pos | Part Number | Description | Remark | Qty | Model |
|-----|----------------|---------------------------------------------------|--------|-----|-------|
| - | 901 105 193 03 | gasket for crankcase and chain case | | 2 | |
| - | 901 105 191 03 | gasket for chain case lid left | | 1 | |
| - | 901 105 192 03 | gasket for chain case lid right | | 1 | |
| - | 901 105 194 03 | gasket for lid camshaft housing upper | | 2 | |
| - | 901 105 195 04 | gasket for lid camshaft housing lower | | 2 | |
| - | 901 105 197 00 | gasket | | 1 | |
| - | 999 701 124 40 | o-ring | | 1 | |

| | | | | | | | | |
|-------|------|----|----|--------------|--------------|-----|-------|------------|
| Model | Year | MG | SG | Illustration | Restrictions | UPD | 18:24 | 22.01.2010 |
| 911 | 1973 | 0 | 01 | 001-15 | | 248 | | |

| Pos | Part Number | Description | Remark | Qty | Model |
|-----|----------------|---------------------------------------------------------------------------|--------|-----|-------|
| - | 644 802 101 51 | suitcase bag | | X | |
| - | 901 802 101 00 | suitcase leather black 75 X 58 X 21 | | X | |
| - | 901 802 951 00 | suitcase leather black for rear luggage dump 70 X 44 X 19 | | X | |
| - | 901 802 015 01 | luggage strap 1 set | | X | |
| - | 644 802 015 01 | expander | | X | |
| - | 901 802 102 00 | suitcase leather black for rear luggage dump 46 X 36 X 12 | | X | |
| - | 901 802 111 00 | luggage strap 1 set | | X | |
| - | 901 802 103 00 | suitcase SKAI-DUR black for rear luggage dump 46 X 36 X 12 | | X | |
| - | 901 802 103 01 | bag leather | | X | |
| - | 901 802 103 01 | bag SKAI | | X | |

PORSCHE

PET

PORSCHE

| | | | | | | | | |
|-------|------|----|----|--------------|--------------|-----|-------|------------|
| Model | Year | MG | SG | Illustration | Restrictions | UPD | 18:24 | 22.01.2010 |
| 911 | 1973 | 0 | 01 | 001-20 | | 248 | | |

| Pos | Part Number | Description | Remark | Qty | Model |
|-----|------------------|-------------------------------------------------------------|--------|-----|-------|
| >> | >>901 701 051 22 | number plate mount type label | | 1 | |
| >> | >>901 701 051 23 | number plate mount installation set front and rear | | 1 | |
| - | 901 701 111 05 | body type label | | 1 | |
| - | 900 093 001 02 | type label with paint identification | | 4 | |

| | | | | | | | | |
|-------|------|----|----|--------------|--------------|-----|-------|------------|
| Model | Year | MG | SG | Illustration | Restrictions | UPD | 18:24 | 22.01.2010 |
| 911 | 1973 | 0 | 02 | 002-00 | | 248 | | |

| Pos | Part Number | Description | Remark | Qty | Model |
|-----|----------------|--------------------------------------------------------------------------------------------------------------|--------|-----|-------|
| - | 695 361 901 02 | accessories snow chains edge chain 1 set 165 SR 15 M+S 165 HR 15 M+S-E 165 VR 15 M+S-E | | 1 | |
| - | 901 361 901 00 | edge chain 1 set 185 SR 14 M+S 185 HR 14 M+S-E 185/70 SR 15 M+S 185/70 VR 15 M+S-E | | 1 | |
| - | 911 361 909 00 | snow chains 1 set 165 SR 15 M+S 165 HR 15 M+S-E 165 VR 15 M+S-E | | 1 | |
| - | 911 361 902 00 | grouser chain 1 set 185 SR 14 M+S 185 HR 14 M+S-E 185/70 SR 15 M+S 185/70 VR 15 M+S-E | | 1 | |

PORSCHE

PET

PORSCHE

| | | | | | | | | |
|-------|------|----|----|--------------|--------------|-----|-------|------------|
| Model | Year | MG | SG | Illustration | Restrictions | UPD | 18:24 | 22.01.2010 |
| 911 | 1973 | 0 | 02 | 002-05 | | 248 | | |

| Pos | Part Number | Description | Remark | Qty | Model |
|-----|------------------|-------------------------------------------------------------------------|--------|-----|-------|
| | | accessories roof rack ski rack towing lug vehicle cover | | | |
| - | 901 801 010 01 | roof rack with ski rack chrome | | 1 | |
| - | 901 801 953 00 | leather strap 1 set | | 1 | |
| - | 901 801 015 20 | ski rack | | 1 | COUPE |
| - | 901 801 013 40 | ski rack | | 1 | TARGA |
| - | 901 801 951 00 | strap for ski fastening 1 set | | 1 | |
| - | 901 801 950 00 | strap for ski fastening | | 1 | |
| - | 901 802 951 00 | luggage strap 1 set | | 1 | |
| - | 644 802 015 01 | expander | | 1 | |
| >> | >>901 506 031 01 | towing lug comprising: | -71 | 1 | |
| - | 901 506 301 00 | towing lug | | 1 | |
| - | 901 506 302 01 | bracket | | 1 | |
| - | 900 067 081 02 | pan-head screw M 8 X 35 | | 2 | |
| >> | >>901 721 919 01 | towing lug comprising: | | 1 | |
| - | 901 506 031 01 | towing lug | | 2 | |
| - | 900 027 005 02 | lock ring A 8 | | 2 | |
| - | 900 067 081 02 | pan-head screw M 8 X 35 | | 2 | |
| - | PCG 043 203 01 | vehicle cover porsche crest Ohne Spoiler Aussenspiegel left | | 1 | 911 |

PORSCHE

PET

PORSCHE

| | | | | | | | | |
|-------|------|----|----|--------------|--------------|-----|-------|------------|
| Model | Year | MG | SG | Illustration | Restrictions | UPD | 18:24 | 22.01.2010 |
| 911 | 1973 | 0 | 02 | 002-05 | | 248 | | |

| Pos | Part Number | Description | Remark | Qty | Model |
|-----|----------------|----------------------------------------------------------------------------------|--------|-----|-------|
| - | PCG 043 202 01 | vehicle cover porsche crest Ohne Spoiler Aussenspiegel left right | | 1 | 911 |
| - | PCG 043 202 02 | vehicle cover porsche crest with spoiler Aussenspiegel left right | | 1 | 911 |

| | | | | | | | | |
|-------|------|----|----|--------------|--------------|-----|-------|------------|
| Model | Year | MG | SG | Illustration | Restrictions | UPD | 18:25 | 22.01.2010 |
| 911 | 1973 | 0 | 03 | 003-00 | | 248 | | |

| Pos | Part Number | Description | Remark | Qty | Model |
|-----|------------------|-----------------------------------------------------------------------------|--------|-----|-------|
| | | antenna loudspeaker radio installation parts suppression set | | | |
| - | 901 645 301 00 | telescopic antenna | | 1 | |
| - | 911 645 033 00 | automatic antenna | | 1 | |
| - | 901 645 301 05 | automatic antenna installation only right | | 1 | |
| | | loudspeaker | | | |
| >> | >>911 645 902 00 | installation set loudspeaker comprising: | | 1 | |
| - | 901 645 501 00 | loudspeaker | | 1 | |
| - | 900 144 034 07 | tapping screw B 4,2 X 16 | | 4 | |
| - | 999 591 334 02 | prestole cage | | 4 | |
| - | 999 591 108 12 | washer | | 4 | |
| - | 901 612 101 00 | wiring harness NR. 68 - BLAUPUNKT - - PHILIPS - | | 1 | |
| - | 901 612 102 00 | wiring harness NR. 69 - BECKER - | | 1 | |
| | | radio installation parts | | | |
| >> | >>901 645 111 01 | installation set without loudspeaker for - BLAUPUNKT - radio | | 1 | |
| >> | >>901 645 111 03 | installation set for - PHILLIPS - radio | | 1 | |
| >> | >>911 645 950 00 | installation set for - BLAUPUNKT - radio suppression set | | 1 | |

| | | | | | | | | |
|-------|------|----|----|--------------|--------------|-----|-------|------------|
| Model | Year | MG | SG | Illustration | Restrictions | UPD | 18:25 | 22.01.2010 |
| 911 | 1973 | 0 | 03 | 003-00 | | 248 | | |

| Pos | Part Number | Description | Remark | Qty | Model |
|-----|------------------|-----------------------------------------------------------------------------------------------------------|--------|-----|-------|
| >> | >>911 619 901 00 | suppression set for cars with generator - bosch - comprising: | | 1 | |
| - | 901 609 309 00 | screened connector for ignition lead | | 6 | |
| - | 111 905 449 A | cap | | 6 | |
| - | 999 659 034 40 | water protection cap | | 6 | |
| - | 999 619 121 00 | screened connector for distributor | | 7 | |
| - | 999 659 002 50 | water protection cap | | 7 | |
| - | 901 612 107 00 | ground strap | | 2 | |
| - | 911 619 001 00 | electromagnetic interference suppre | | 1 | |
| - | 999 619 126 01 | condenser for wiper motor and pump | | 2 | |
| - | 999 507 001 02 | speed nut B 4,2 | | 1 | |
| - | 900 143 007 02 | oval-head sheetmetal screw B 4,2 X 13 | | 1 | |
| - | 900 114 014 01 | shake-proof washer A 4,3 | | 1 | |
| >> | >>911 619 901 01 | suppression set for cars with - MOTOROLA - - MARCHAL - - S.E.V. - generator comprising: | | 1 | |
| - | 901 609 309 00 | screened connector for ignition lead | | 1 | |
| - | 111 905 449 A | cap | | 6 | |
| - | 999 659 034 40 | water protection cap | | 6 | |
| - | 999 619 121 00 | screened connector for distributor | | 7 | |

| | | | | | | | | |
|-------|------|----|----|--------------|--------------|-----|-------|------------|
| Model | Year | MG | SG | Illustration | Restrictions | UPD | 18:25 | 22.01.2010 |
| 911 | 1973 | 0 | 03 | 003-00 | | 248 | | |

| Pos | Part Number | Description | Remark | Qty | Model |
|-----|----------------|-----------------------------------------------------------------------|--------|-----|-------|
| - | 999 659 002 50 | water protection cap | | 7 | |
| - | 999 619 126 01 | condenser for wiper motor and pump | | 2 | |
| - | 901 612 107 00 | ground strap | | 2 | |
| - | 901 619 007 00 | suppressor condenser terminal DF regulator | | 1 | |
| - | 999 511 036 02 | clip D | | 1 | |
| - | 901 619 004 00 | connecting cable | | 1 | |
| - | 901 619 003 00 | electromagnetic interference suppre terminal DF regulator | | 1 | |
| - | 900 151 028 02 | washer 4,3 | | 2 | |
| - | N 015 429 2 | speed nut B 4,2 | | 1 | |
| - | 900 025 002 02 | washer 4,3 | | 1 | |
| - | 900 187 013 02 | hexagon-head tapping screw BZ 4,2 X 13 | | 1 | |
| - | 999 507 001 02 | speed nut B 4,2 | | 1 | |
| - | 900 143 007 02 | oval-head sheetmetal screw B 4,2 | | 1 | |
| - | 900 114 014 01 | shake-proof washer A 4,3 | | 1 | |
| - | 122 035 281 | suppression set for screened connector for distributor | (F) | 1 | |
| - | 901 612 107 00 | ground strap | | 2 | |

PORSCHE

PET

PORSCHE

| | | | | | | | | |
|-------|------|----|----|--------------|--------------|-----|-------|------------|
| Model | Year | MG | SG | Illustration | Restrictions | UPD | 18:25 | 22.01.2010 |
| 911 | 1973 | 0 | 04 | 004-00 | | 248 | | |

| Pos | Part Number | Description | Remark | Qty | Model |
|-----|----------------|---------------------------------------------|--------|-----|-------|
| - | 901 722 801 00 | lacquers spraying can indicate colour | | X | |
| - | 644 722 801 00 | paint touch-up applicator | | X | |

| | | | | | | | | |
|-------|------|----|----|--------------|--------------|-----|-------|------------|
| Model | Year | MG | SG | Illustration | Restrictions | UPD | 18:25 | 22.01.2010 |
| 911 | 1973 | 1 | 01 | 101-00 | | 248 | | |

| Pos | Part Number | Description | Remark | Qty | Model |
|-----|------------------|-------------------------------------------------------------------------------------------------------------------------------------------------|--------|-----|-------------|
| | | replacement engine complete run in power tested and ready for installation regulator switch included loose delivered | | | |
| - | > 911 100 130 00 | engine 911/03 | -71 | 1 | 911 T |
| - | > 911 100 160 00 | engine 911/06 | -71 | 1 | 911 T:SPM |
| - | > 911 100 110 00 | engine 911/01 with injection system | -71 | 1 | 911 E |
| - | > 911 100 140 00 | engine 911/04 with injection system | -71 | 1 | 911 E:SPM |
| - | > 911 100 120 00 | engine 911/02 with injection system | -71 | 1 | 911 S |
| - | > 911 100 157 00 | engine 911/57 | 72 | 1 | 911 T-V |
| - | > 911 100 157 01 | engine 911/57 | 73- | 1 | 911 T-V |
| - | > 911 100 167 00 | engine 911/67 | 72 | 1 | 911 T-V |
| - | > 911 100 167 01 | engine 911/67 | 73- | 1 | 911 T-V:SPM |
| - | > 911 100 152 00 | engine 911/52 with injection system | 72 | 1 | 911 E |
| - | > 911 100 152 01 | replacement engine 911/52 with injection system | 73- | 1 | 911 E |
| - | 911 100 153 00 | engine 911/53 with injection system | 72 | 1 | 911 S |

PORSCHE

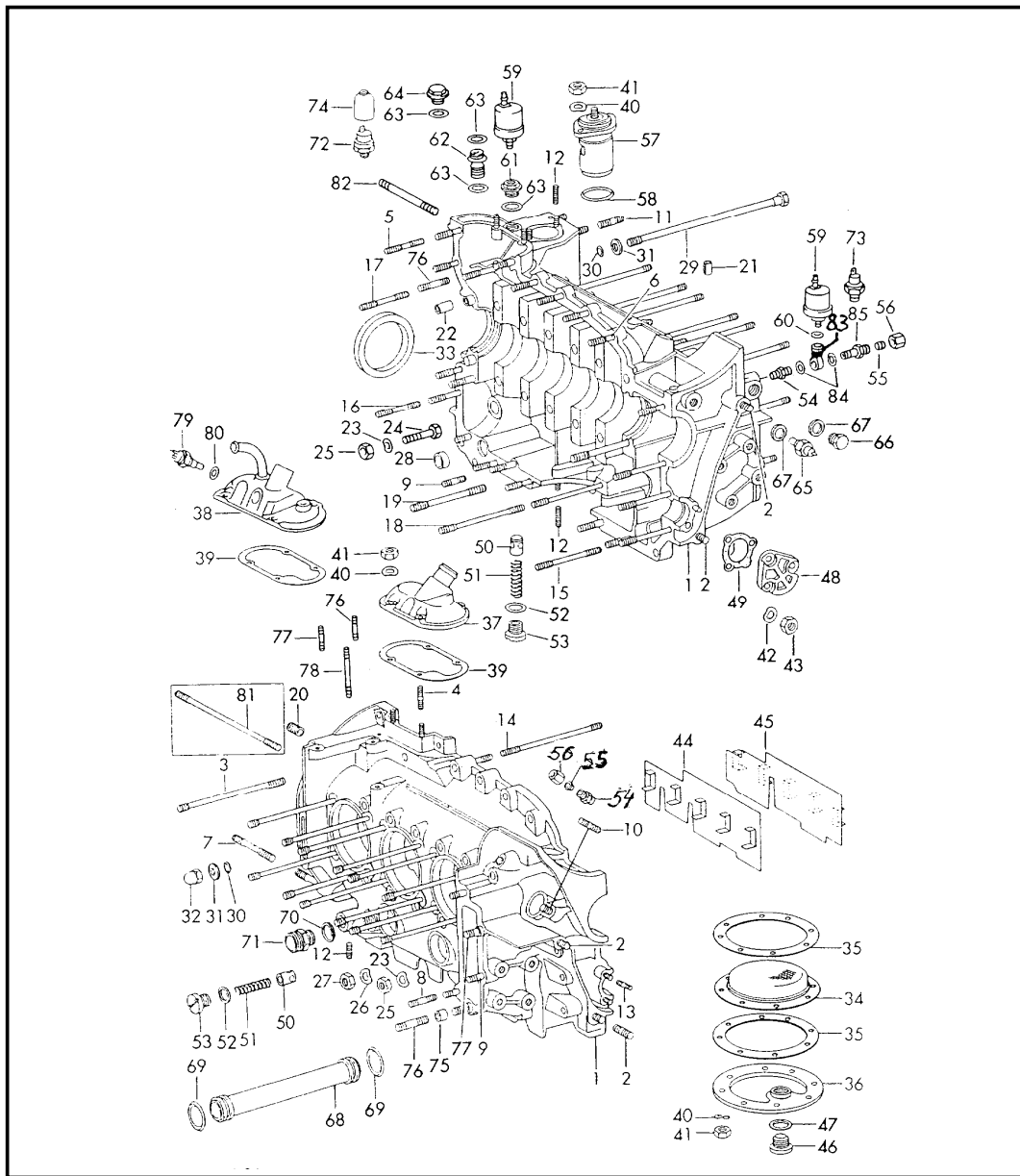
PET

PORSCHE

| | | | | | | | | |
|-------|------|----|----|--------------|--------------|-----|-------|------------|
| Model | Year | MG | SG | Illustration | Restrictions | UPD | 18:25 | 22.01.2010 |
| 911 | 1973 | 1 | 01 | 101-00 | | 248 | | |

| Pos | Part Number | Description | Remark | Qty | Model |
|-----|------------------|----------------------------------------------|--------|-----|-------------|
| - | > 911 100 153 01 | engine 911/53 with injection system | 73- | 1 | 911 S |
| - | 911 100 162 00 | engine 911/62 with injection system | 72 | 1 | 911 E:SPM |
| - | 911 100 162 01 | engine 911/62 with injection system | 73- | 1 | 911 E:SPM |
| - | 911 100 163 00 | engine 911/63 with injection system | 72 | 1 | 911 S:SPM |
| - | 911 100 163 01 | engine 911/63 with injection system | 73- | 1 | 911 S:SPM |
| - | > 911 100 183 00 | engine 911/83 with injection system | 73- | 1 | CARRERA |
| - | 911 100 191 00 | engine 911/91 | 73- | 1 | 911 T-K |
| - | 911 100 196 00 | engine 911/96 | 73- | 1 | 911 T-K:SPM |

| | | | | | | | | | | | |
|-------|------|----|----|--------------|--------------|-----|-------|------------|---------|-----|---------|
| Model | Year | MG | SG | Illustration | Restrictions | UPD | 18:25 | 22.01.2010 | PORSCHE | PET | PORSCHE |
| 911 | 1973 | 1 | 01 | 101-05 | | 248 | | | | | |



| Pos | Part Number | Description | Remark | Qty | Model |
|-----|----------------|-------------------------------------|--------|--------|-----------------------------------|
| 1 | 901 101 912 00 | crankcase | | | |
| | | crankcase with studs | -71 | 1 | 911 T/E/S |
| | | order also: | | | |
| - | 901 101 201 00 | spacer sleeve | -70 | X | 911 T/E/S |
| (1) | 911 101 912 02 | crankcase with studs | 72- | 1 | 911 T-E/E/S 911 T-V 911 T-K |
| (1) | 911 101 915 00 | crankcase with studs | 73- | 1 | CARRERA 2.7 |
| 2 | 999 062 090 02 | stud for engine carrier M 10 X 40 | | 2 | |
| (2) | 999 062 039 02 | stud for engine carrier left upper | | 1 | |
| (2) | 999 061 056 02 | stud for engine carrier right upper | | 1 | |
| 3 | 901 101 172 03 | stud | 70- | 24 | 911 T/E/S 911 T-V 911 T-K |
| (3) | 911 101 172 00 | stud | 73- | 24 | CARRERA 2.7 |
| 4 | 999 062 085 02 | stud BM 6 X 20 | | 4 | |
| 5 | 999 062 115 02 | stud BM 8 X 32 | | 12 | |
| 6 | 999 062 010 02 | stud BM 8 X 35 | | 1 | |
| 7 | 999 061 034 02 | stud not for sportomatic | | 2 | |
| 8 | 999 062 007 02 | stud for chain case BM 8 X 22 | -71 | 4 5 | |

| | | | | | | | | | | | |
|-------|------|----|----|--------------|--------------|-----|-------|------------|---------|-----|---------|
| Model | Year | MG | SG | Illustration | Restrictions | UPD | 18:25 | 22.01.2010 | PORSCHE | PET | PORSCHE |
| 911 | 1973 | 1 | 01 | 101-05 | | 248 | | | | | |

| Pos | Part Number | Description | Remark | Qty | Model | Pos | Part Number | Description | Remark | Qty | Model |
|-----|----------------|-----------------------------------------------------------|------------|----------|-------|------|----------------|----------------------------------------------------|--------|----------|-----------------------------------|
| 9 | 999 062 006 02 | stud for chain case and oil pump BM 8 X 20 | 72- | 5 | | 25 | 900 084 004 02 | hexagon nut M 8 | -71 | 21 22 | |
| 10 | 900 061 004 02 | stud BM 8 X 12 | -71 72- | 1 | | 25 | 900 084 004 03 | hexagon nut M 8 | -71 | 21 22 | |
| 11 | 900 061 057 02 | stud BM 8 X 15 | | 4 | | 26 | N 012 242 3 | spring washer B 10 X 18 | -71 | 1 | |
| 12 | 999 062 055 02 | stud BM 6 X 12 | | 12 | | (26) | N 012 242 3 | spring washer B 10 X 18 | 72- | 1 | |
| 13 | 999 062 002 02 | stud BM 6 X 15 | | 3 | | 27 | 900 157 002 02 | hexagon nut M 10 | | 1 | |
| 14 | 901 101 174 00 | stud | | 2 | | 28 | 999 704 172 50 | sealing ring | | 1 | |
| 15 | N 014 432 4 | stud BM 8 X 78 | | 3 | | 29 | 901 101 173 00 | screw | | 11 | |
| 16 | 999 062 075 02 | stud BM 8 X 48 | | 2 | | 30 | 999 701 006 40 | o-ring | | 24 | |
| 17 | 999 062 138 02 | stud BM 8 X 52 | | 1 | | 31 | 901 101 161 01 | washer | -71 | 24 | |
| 18 | 999 062 051 02 | stud BM 8 X 108 | | 1 | | (31) | 901 101 161 01 | washer | 72- | 24 | |
| 19 | 999 062 217 08 | screw BM 10 X 85 | | 1 | | 32 | 999 070 004 02 | cap nut | | 13 | |
| 20 | 999 504 062 02 | threaded bush | | 2 | | 33 | 999 113 057 52 | radial sealing ring 65 X 85 X 10 | | 1 | |
| 21 | 900 095 025 01 | tensioning sleeve 8 X 16 | | 1 | | (33) | 901 102 911 00 | radial sealing ring undersize 64,5 X 85 X 10 | | 1 | |
| 22 | 901 101 195 00 | dowel sleeve | | 2 | | 34 | 901 101 380 01 | oil strainer | | 1 | |
| 23 | 900 031 014 30 | washer 8,4 | -71 | 21 22 | | 35 | 901 101 391 00 | gasket | | 2 | |
| 24 | 900 074 134 02 | hexagon-head bolt M 8 X 45 | 72- | 1 | | 36 | 930 101 902 00 | lid technical information gr.1 nr.1/85 | | 1 | |
| - | 999 151 022 02 | washer | -71 | 1 | | 37 | 901 107 073 02 | lid for bleeder | | 1 | 911 T 911 T-V 911 T-K |
| - | 900 025 007 02 | washer for ground strap 20 X 8,4 X 2 | 72- | 1 | | 38 | 911 107 071 00 | lid for bleeder | | 1 | 911 E/S 911 T-E CARRERA 2.7 |
| | | | | | | 39 | 901 107 791 01 | gasket | | 1 | |
| | | | | | | 40 | 900 028 008 01 | spring washer B 6 | -70 | 14 | |
| | | | | | | (40) | N 012 226 5 | spring washer B 6 | 71- | 14 | |

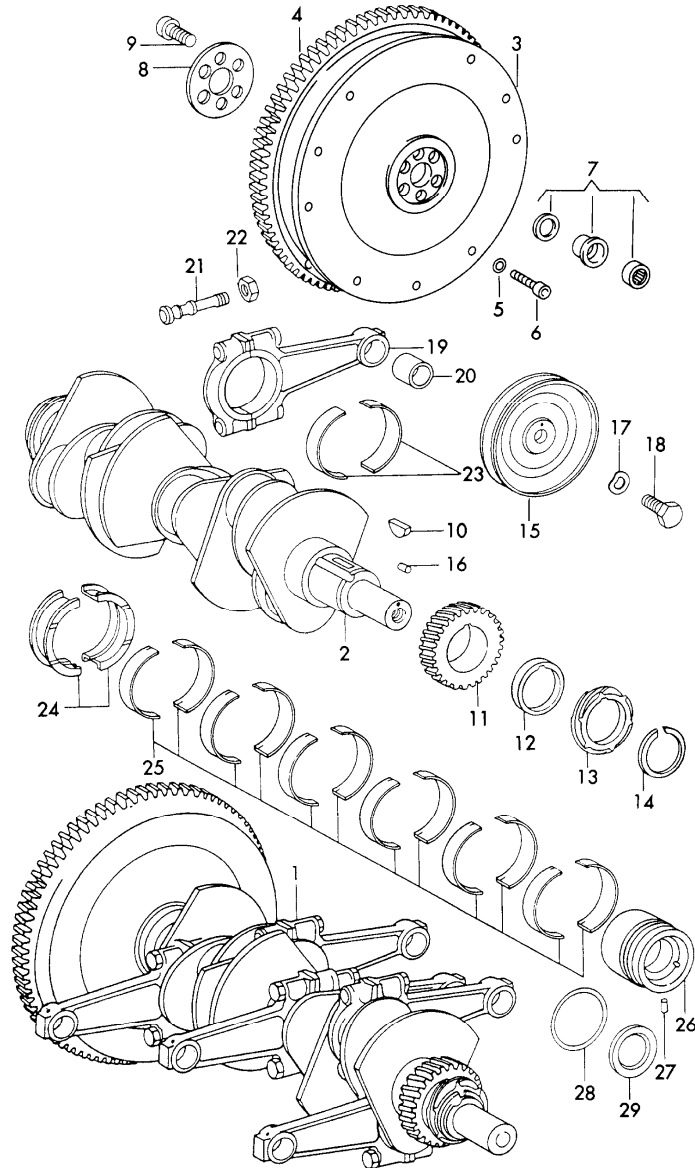
| | | | | | | | | | | | |
|-------|------|----|----|--------------|--------------|-----|-------|------------|---------|-----|---------|
| Model | Year | MG | SG | Illustration | Restrictions | UPD | 18:25 | 22.01.2010 | PORSCHE | PET | PORSCHE |
| 911 | 1973 | 1 | 01 | 101-05 | | 248 | | | | | |

| Pos | Part Number | Description | Remark | Qty | Model | Pos | Part Number | Description | Remark | Qty | Model |
|------|----------------|---------------------------|-------------------|-------------|---------------------------------|------|----------------|---------------------------------------------------|------------|--------|-----------------------------------|
| 41 | 900 076 010 02 | hexagon nut M 6 | | 14 | | (57) | 930 107 765 00 | oil thermostat | 72- | 1 | |
| 42 | 900 031 011 30 | washer 6,4 | | 3 | | 58 | 999 701 053 50 | sealing ring 39,2 X 3 | | 1 | |
| 43 | 900 084 010 02 | hexagon nut M 6 | | 3 | | 59 | 901 741 551 01 | pressure transmitter see group 9/01/00 | | 1 | SPM |
| 44 | 901 101 035 01 | oil strainer left | -71 | 1 | | - | N 013 808 3 | sealing ring A 10 X 16 | -70 71- | 1 1 | 911 S 911 E/S:SPM |
| 45 | 901 101 036 01 | oil strainer right | -71 | 1 | | 60 | 911 107 710 00 | sealing ring | 73- | 1 | |
| 46 | 911 107 176 01 | magnetic screw | 70- | 1 | | 61 | 901 101 175 01 | reducing socket | -71 72- | 1 | 911 T:SPM 911 T-V |
| (46) | 911 107 176 00 | magnetic screw | 71 | 1 | | 62 | 901 110 133 00 | connection piece for sportomatic | 70- 72- | 1 | 911 E/S 911 T-E CARRERA 2.7 |
| 47 | 900 123 011 30 | sealing ring A 22 X 27 | -71 | 1 | | 63 | 900 123 044 30 | sealing ring A 18 X 22 for sportomatic | -71 72- | 1 | 911 T 911 T-V 911 T-K |
| (47) | 900 123 011 20 | sealing ring A 22 X 27 | 72- | 1 | | (63) | 900 123 044 30 | sealing ring A 18 X 22 for sportomatic | 70- 72- | 2 | 911 E/S 911 T-E CARRERA 2.7 |
| 48 | 911 105 162 00 | cover | | 1 | | 64 | N 016 161 1 | screw plug A 18 X 1,5 | 73- | 1 | 911 T-K |
| 49 | 901 105 198 04 | gasket for cover | | 1 | | 65 | 901 641 632 00 | remote temperature sensor | | 1 | |
| 50 | 901 107 512 01 | piston | | 2 | | 66 | 900 124 002 02 | screw plug AM 14 X 1,5 | -71 72- | 1 | 911 T/E SPM |
| 51 | 901 107 531 00 | compression spring | | 2 | | 67 | 900 123 007 30 | sealing ring A 14 X 18 see group 9/01/00 | | 1 | |
| 52 | 900 123 071 30 | sealing ring A 18 X 24 | | 2 | | 68 | 901 107 351 01 | oil tube | | 4 | |
| 53 | 999 064 010 02 | screw plug | -70 | 2 | | 69 | 999 701 113 50 | o-ring | | 8 | |
| (53) | 999 064 026 02 | screw plug | 71- | 2 | | 70 | 900 123 011 30 | sealing ring A 22 X 27 | | 1 | |
| 54 | 901 107 375 00 | screw socket | 70- 72- 72- | 2 1 1 | 911 T/E/S 911 T-V 911 T-K | 71 | 900 136 013 02 | union A 16 | -71 | 1 | |
| - | 900 123 005 30 | sealing ring A 12 X 16 | 70- 72- 72- | 2 1 1 | 911 T/E/S 911 T-V 911 T-K | (71) | 999 136 008 09 | connection piece A 16 | 72- | 1 | |
| 55 | N 020 825 1 | cutting ring LL 8 | | 2 | | | | | | | |
| 56 | 900 104 003 02 | union nut ALL 8 | | 2 | | | | | | | |
| 57 | 901 107 751 00 | oil thermostat | -71 | 1 | | | | | | | |

| | | | | | | | | | | | |
|-------|------|----|----|--------------|--------------|-----|-------|------------|---------|-----|---------|
| Model | Year | MG | SG | Illustration | Restrictions | UPD | 18:25 | 22.01.2010 | PORSCHE | PET | PORSCHE |
| 911 | 1973 | 1 | 01 | 101-05 | | 248 | | | | | |

| Pos | Part Number | Description | Remark | Qty | Model | Pos | Part Number | Description | Remark | Qty | Model |
|------|----------------|------------------------------------------------|-------------------------|-------------|----------------------------------------------------------------------|-----|----------------|-----------------------------|--------|-----|---------|
| 72 | 911 613 571 00 | oil pressure switch not for sportomatic | 70- 72- | 1 | 911 T 911 E 911 T-V | 84 | 900 123 005 30 | sealing ring A 12 X 15,5 | 73- | 1 | 911 T-K |
| 73 | 911 606 230 00 | oil pressure switch not for sportomatic | 73- | 1 | 911 T-K | 85 | 911 107 709 00 | screw socket | 73- | 1 | 911 T-K |
| 74 | 999 659 009 40 | water protection cap not for sportomatic | 70- 72- | 1 | 911 T 911 E 911 T-V | | | | | | |
| 75 | 901 101 145 00 | dowel sleeve for chain case | | 4 | | | | | | | |
| 76 | 999 062 009 02 | stud BM 8 X 28 | -71 | 3 | 911 T/E/S 911 T-V 911 T-E/E/S CARRERA 2.7 911 T-K | | | | | | |
| 77 | 999 062 008 02 | stud BM 8 X 25 | -71 71 72- 72- | 4 2 3 | 911 E/S 911 T 911 T-V 911 T-E/E/S CARRERA 2.7 911 T-K | | | | | | |
| 78 | 999 062 147 02 | stud BM 8 X 62 | 70- | 1 | 911 E/S 911 T-E CARRERA 2.7 911 T-K | | | | | | |
| 79 | 911 617 117 00 | temperature switch | 70- | 1 | 911 E/S 911 T-E CARRERA 2.7 | | | | | | |
| 80 | 900 123 007 70 | sealing ring A 14 X 18 | 70- | 1 | 911 E/S 911 T-E CARRERA 2.7 | | | | | | |
| 81 | 999 062 099 02 | stud BM 10 X 105 | | 2 | SPM | | | | | | |
| 82 | 999 062 192 02 | stud BM 10 X 102 not for sportomatic | | 1 | | | | | | | |
| (82) | 999 062 192 02 | stud BM 10 X 102 for sportomatic | 72- | 1 | CARRERA 2.7 | | | | | | |
| 83 | 914 355 531 00 | ring fitting | 73- | 1 | 911 T-K | | | | | | |

| | | | | | | | | | | | |
|-------|------|----|----|--------------|--------------|-----|-------|------------|---------|-----|---------|
| Model | Year | MG | SG | Illustration | Restrictions | UPD | 18:25 | 22.01.2010 | PORSCHE | PET | PORSCHE |
| 911 | 1973 | 1 | 02 | 102-00 | | 248 | | | | | |



| Pos | Part Number | Description | Remark | Qty | Model |
|-----|------------------|------------------------------------------------------------------------------|--------|-----|--------------------------------------------------|
| 1 | ----- | crankshaft and connecting rods | | | |
| 1 | ----- | crankshaft with flywheel and connecting rod not available single parts order | 70- | 1 | 911 T/E/S 911 T-V CARRERA 2.7 911 T-K |
| 2 | > 901 102 011 00 | crankshaft | -71 | 1 | 911 E/S |
| (2) | > 901 102 011 00 | crankshaft | -71 | 1 | 911 T |
| (2) | > 916 102 016 00 | crankshaft | 72- | 1 | 911 T-E/E/S 911 T-V CARRERA 2.7 911 T-K |
| 3 | > 911 102 201 11 | flywheel | | 1 | |
| 4 | 911 116 239 00 | starter ring | | 1 | |
| 5 | ----- | lock ring see group 3/01/00 | | 9 | |
| 6 | ----- | pan-head screw see group 3/01/00 | | 9 | |
| 7 | 901 102 025 01 | bush complete | | 1 | |
| 8 | 901 102 162 04 | washer for mount flywheel | | 1 | |
| 9 | 911 102 171 00 | screw for mount flywheel not for sportomatic | | 6 | |
| (9) | 999 067 009 01 | pan-head screw | | 6 | SPM |
| 10 | 901 102 147 00 | woodruff key | | 1 | |
| 11 | 901 102 111 00 | timing gear for number 0 | | 1 | |

| | | | | | | | | | | | |
|-------|------|----|----|--------------|--------------|-----|-------|------------|---------|-----|---------|
| Model | Year | MG | SG | Illustration | Restrictions | UPD | 18:25 | 22.01.2010 | PORSCHE | PET | PORSCHE |
| 911 | 1973 | 1 | 02 | 102-00 | | 248 | | | | | |

| Pos | Part Number | Description | Remark | Qty | Model | Pos | Part Number | Description | Remark | Qty | Model |
|------|----------------|------------------------------------------------------|--------|-----|-------|------|------------------|-----------------------------------------------------|--------|-----|-------|
| (11) | 901 102 111 10 | timing gear for number 1 | | 1 | | (19) | 911 103 015 33 | connecting rod weight group: 4 = 663 -672 GR | 72- | 6 | |
| 12 | 901 102 145 00 | intermediate ring | | 1 | | (19) | 911 103 015 34 | connecting rod weight group: 4 = 672 -681 GR | 72- | 6 | |
| 13 | 901 102 115 00 | drive wheel | | 1 | | (19) | 911 103 015 35 | connecting rod weight group: 5 = 681 - 690 GR | 72- | 6 | |
| 14 | 901 102 148 00 | circlip | | 1 | | (19) | 911 103 015 36 | connecting rod weight group: 6 = 690 - 699 GR | 72- | 6 | |
| 15 | 911 102 017 50 | v-belt pulley | | 1 | | (19) | 911 103 015 37 | connecting rod weight group: 7 =699 - 708 GR | 72- | 6 | |
| 16 | 900 012 060 00 | straight pin 5 M 6 X 10 | | 1 | | (19) | 911 103 015 38 | connecting rod weight group: 8 = 708 - 717 GR | 72- | 6 | |
| 17 | 900 028 014 01 | spring washer B 12 | | 1 | | 20 | 901 103 131 01 | connecting rod bush | | 6 | |
| 18 | 999 093 005 02 | hexagon-head bolt M 12 X 1,5 X 22 | | 1 | | 21 | 901 103 171 00 | connecting rod bolt | -71 | 12 | |
| 19 | 911 103 013 21 | connecting rod weight group: 1 = 700 - 709 GR | 71 | 6 | | 21 | 914 103 171 00 | connecting rod bolt | 72- | 12 | |
| (19) | 911 103 013 22 | connecting rod weight group: 2 = 709 - 718 GR. | -71 | 6 | | 22 | 901 103 173 00 | connecting rod nut | | 12 | |
| (19) | 911 103 013 23 | connecting rod weight group: 3 = 718 - 727 GR. | -71 | 6 | | 23 | 901 103 141 00 | connecting-rod bearing | -71 | 12 | |
| (19) | 911 103 013 24 | connecting rod weight group: 4 = 727 - 736 GR. | -71 | 6 | | 23 | 914 103 141 00 | connecting-rod bearing | 72- | 12 | |
| (19) | 911 103 013 25 | connecting rod weight group: 5 = 736 - 745 GR. | -71 | 6 | | (23) | 901 103 141 50 | connecting-rod bearing undersize 0.25 mm | -71 | 12 | |
| (19) | 911 103 013 26 | connecting rod weight group: 6 = 745 - 754 GR. | -71 | 6 | | (23) | 914 103 141 50 | connecting-rod bearing undersize 0.25 mm | 72- | 12 | |
| (19) | 911 103 013 27 | connecting rod weight group: 7 = 754 - 763 GR. | -71 | 6 | | (23) | 901 103 141 60 | connecting-rod bearing undersize 0.50 mm | -71 | 12 | |
| (19) | 911 103 013 28 | connecting rod weight group: 8 = 763 - 772 GR. | -71 | 6 | | (23) | 914 103 141 60 | connecting-rod bearing undersize 0.50 mm | 72- | 12 | |
| (19) | 911 103 015 32 | connecting rod weight group: 4 = 654 -663 GR | 72- | 6 | | (23) | 901 103 141 70 | connecting-rod bearing undersize 0,75 mm | -71 | 12 | |
| | | | | | | (23) | 914 103 141 70 | connecting-rod bearing undersize 0,75 mm | 72- | 12 | |
| | | | | | | >> | >>911 101 901 00 | set of crankshaft bearings comprising: | | 1 | |

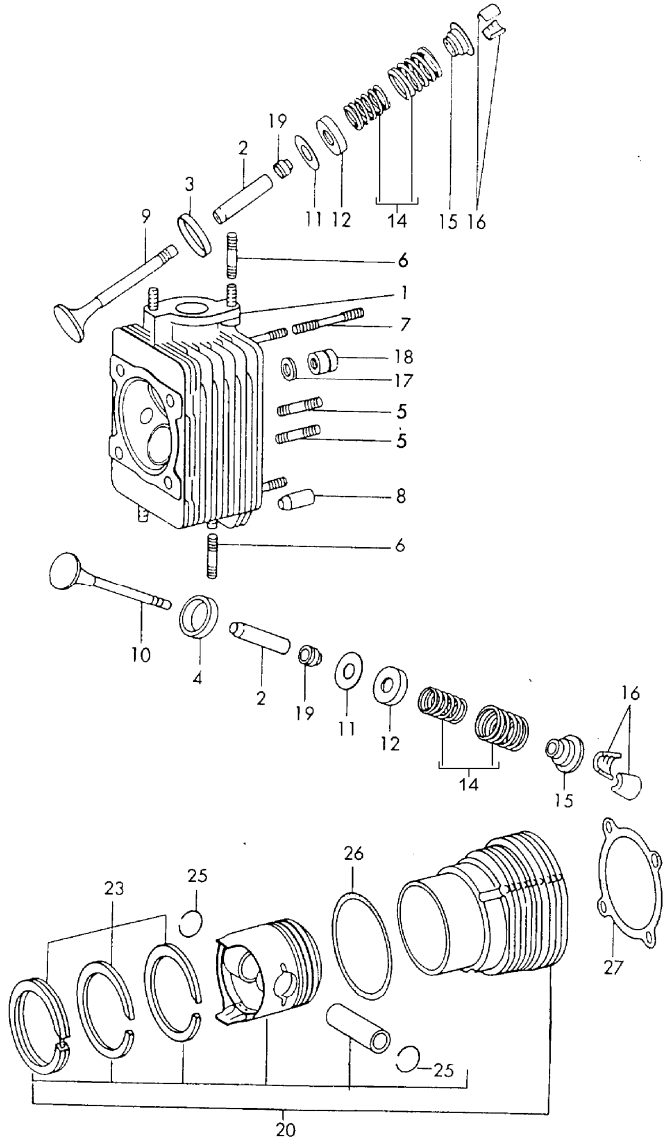
| | | | | | | | | | | | |
|-------|------|----|----|--------------|--------------|-----|-------|------------|---------|-----|---------|
| Model | Year | MG | SG | Illustration | Restrictions | UPD | 18:25 | 22.01.2010 | PORSCHE | PET | PORSCHE |
| 911 | 1973 | 1 | 02 | 102-00 | | 248 | | | | | |

| Pos | Part Number | Description | Remark | Qty | Model | Pos | Part Number | Description | Remark | Qty | Model |
|------|------------------|-------------------------------------------------------------------------|--------|-----|-------|------|------------------|------------------------------------------------------------------------------------------------------|--------|-----|-------|
| (24) | 901 101 131 00 | bearing shell I | | 2 | | >> | >>911 101 901 60 | set of crankshaft bearings oversize 0.25 mm outer comprising: | | 1 | |
| (25) | 901 101 132 00 | bearing shell II - VII | | 12 | | | | | | | |
| (26) | 901 101 138 03 | bearing shell VIII | | 1 | | (24) | 901 101 131 60 | bearing shell I | | 2 | |
| >> | >>911 101 901 50 | set of crankshaft bearings undersize 0.25 mm inner comprising: | | 1 | | (25) | 901 101 132 60 | bearing shell II - VII | | 12 | |
| (24) | 901 101 131 50 | bearing shell I | | 2 | | (26) | 901 101 138 63 | bearing sleeve for bearing VIII | | 1 | |
| (25) | 901 101 132 50 | bearing shell II - VII | | 12 | | >> | >>911 101 901 70 | set of crankshaft bearings oversize 0.25 mm outer undersize 0.25 mm inner comprising: | | 1 | |
| (26) | 901 101 138 53 | bearing sleeve for bearing VIII | | 1 | | (24) | 901 101 131 70 | bearing shell I | | 2 | |
| >> | >>911 101 901 55 | set of crankshaft bearings undersize 0.50 mm inner comprising: | | 1 | | (25) | 901 101 132 70 | bearing shell II - VII | | 12 | |
| (24) | 901 101 131 55 | bearing shell I | | 2 | | (26) | 901 101 138 73 | bearing sleeve for bearing VIII | | 1 | |
| (25) | 901 101 132 55 | bearing shell II - VII | | 12 | | >> | >>911 101 901 75 | set of crankshaft bearings oversize 0.25 mm outer undersize 0.50 mm inner comprising: | | 1 | |
| (26) | 901 101 138 58 | bearing sleeve for bearing VIII | | 1 | | (24) | 901 101 131 75 | bearing shell I | | 2 | |
| >> | >>911 101 901 65 | set of crankshaft bearings undersize 0,75 mm inner comprising: | | 1 | | (25) | 901 101 132 75 | bearing shell II - VII | | 12 | |
| (24) | 901 101 131 65 | bearing shell I | | 2 | | (26) | 901 101 138 78 | bearing sleeve for bearing VIII | | 1 | |
| (25) | 901 101 132 65 | bearing shell II - VII | | 12 | | | | | | | |
| (26) | 901 101 138 68 | bearing sleeve for bearing VIII | | 1 | | | | | | | |

| | | | | | | | | | | | |
|-------|------|----|----|--------------|--------------|-----|-------|------------|---------|-----|---------|
| Model | Year | MG | SG | Illustration | Restrictions | UPD | 18:25 | 22.01.2010 | PORSCHE | PET | PORSCHE |
| 911 | 1973 | 1 | 02 | 102-00 | | 248 | | | | | |

| Pos | Part Number | Description | Remark | Qty | Model | Pos | Part Number | Description | Remark | Qty | Model |
|------|------------------|------------------------------------------------------------------------------------------------------|--------|-----|-------|-----|-------------|-------------|--------|-----|-------|
| >> | >>911 101 901 85 | set of crankshaft bearings oversize 0.25 mm outer undersize 0,75 mm inner comprising: | | 1 | | | | | | | |
| (24) | 901 101 131 85 | bearing shell I | | 2 | | | | | | | |
| (25) | 901 101 132 85 | bearing shell II - VII | | 12 | | | | | | | |
| (26) | 901 101 138 88 | bearing sleeve for bearing VIII | | 1 | | | | | | | |
| 27 | 900 012 061 00 | straight pin 5 H 8 X 10 | | 1 | | | | | | | |
| 28 | 900 174 041 40 | sealing ring | | 1 | | | | | | | |
| 29 | 999 113 049 50 | radial sealing ring 30 X 50 X 10 | | 1 | | | | | | | |
| (29) | 999 113 291 40 | sealing ring undersize 29,5 X 50 X 10 | | 1 | | | | | | | |

| | | | | | | | | | | | |
|-------|------|----|----|--------------|--------------|-----|-------|------------|---------|-----|---------|
| Model | Year | MG | SG | Illustration | Restrictions | UPD | 18:26 | 22.01.2010 | PORSCHE | PET | PORSCHE |
| 911 | 1973 | 1 | 03 | 103-00 | | 248 | | | | | |

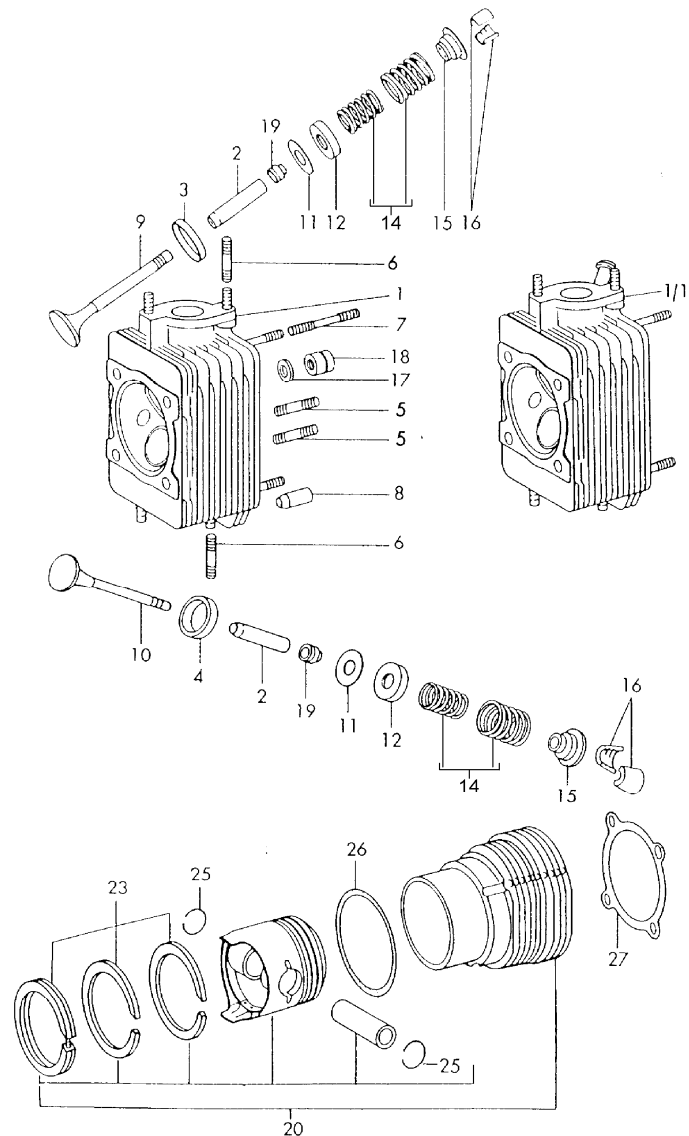


| Pos | Part Number | Description | Remark | Qty | Model |
|-------|----------------|----------------------------------------------------------------------|--------|-----|---------|
| | | | -71 | | |
| (1) > | 911 104 006 01 | cylinder head cylinder with piston | | 6 | 911 T |
| (1) > | 911 104 007 00 | cylinder head with studs with valves ready for installation | | 6 | 911 E |
| (1) > | 911 104 008 00 | cylinder head with studs with valves ready for installation | | 6 | 911 S |
| 1 | 911 104 036 01 | cylinder head with studs without valves | | 6 | 911 T |
| (1) | 911 104 037 00 | cylinder head with studs without valves | | 6 | 911 E |
| (1) | 911 104 038 00 | cylinder head with studs without valves | | 6 | 911 S |
| 2 | 930 104 321 50 | valve guide 1st oversize | | 12 | |
| (2) | 901 104 321 61 | valve guide 2nd oversize | | 12 | |
| 3 | 911 104 311 51 | valve seat ring for intake oversize | | 6 | |
| 4 | 911 104 315 50 | valve seat ring for exhaust oversize | | 6 | |
| 5 | 900 061 006 01 | stud BM 8 X 20 SN 1115 | | 24 | |
| 6 | 900 061 007 01 | stud BM 8 X 22 SN 1115 | | 12 | 911 E/S |
| (6) | 900 061 008 01 | stud BM 8 X 25 SN 1115 | | 12 | 911 T |
| 7 | 900 061 012 01 | stud BM 8 X 50 SN 1115 | | 24 | |

| | | | | | | | | | | | |
|-------|------|----|----|--------------|--------------|-----|-------|------------|---------|-----|---------|
| Model | Year | MG | SG | Illustration | Restrictions | UPD | 18:26 | 22.01.2010 | PORSCHE | PET | PORSCHE |
| 911 | 1973 | 1 | 03 | 103-00 | | 248 | | | | | |

| Pos | Part Number | Description | Remark | Qty | Model | Pos | Part Number | Description | Remark | Qty | Model |
|------|------------------|---------------------------------------------------|--------|-----|-------|------|----------------|------------------------------------------|--------|-----|---------|
| 8 | 999 012 006 00 | straight pin | | 12 | | (20) | 911 103 916 02 | cylinder with piston complete group 6 | | 6 | 911 E |
| 9 | 911 105 411 20 | intake valve | | 6 | | | | | | | |
| 10 | 911 105 415 50 | exhaust valve | | 6 | | (20) | 911 103 918 02 | cylinder with piston complete group 5 | | 6 | 911 S |
| 11 | 930 105 461 00 | washer | | X | | | | | | | |
| 12 | 901 105 463 00 | ring | | 12 | | (20) | 911 103 918 02 | cylinder with piston complete group 6 | | 6 | 911 S |
| 14 | 901 105 901 50 | set of valve springs outer and inner | | 12 | | 23 | 911 103 901 01 | set of piston rings | | X | 911 T/E |
| 14 | 901 105 901 51 | set of valve springs outer and inner | | 12 | | (23) | 911 103 902 01 | set of piston rings | | X | 911 S |
| 15 | 901 105 421 03 | concave washer | | 12 | | (23) | 911 103 906 01 | set of piston rings - SCHMIDT - | | X | 911 T |
| 16 | 901 105 417 00 | collet divided | | 24 | | (23) | 911 103 901 26 | set of piston rings \$ 84,25 | | X | 911 T/E |
| 17 | 999 031 083 01 | washer | | 24 | | (23) | 911 103 901 50 | set of piston rings \$ 84,50 | -70 | X | 911 T/E |
| 18 | 901 104 382 02 | cylinder head nut | | 24 | | (23) | 911 103 945 25 | piston ring \$ 84,25 | | X | 911 S |
| 19 | 911 104 193 00 | valve seal | | 12 | | (23) | 911 103 902 50 | set of piston rings \$ 84,50 | -70 | X | 911 S |
| 20 | > 911 103 914 01 | cylinder with piston complete group 5 - mahle - | | 6 | 911 T | (23) | 911 103 906 26 | set of piston rings \$ 84,25 - SCHMIDT - | | X | 911 T |
| (20) | 911 103 914 02 | cylinder with piston complete group 6 - mahle - | | 6 | 911 T | (23) | 911 103 906 50 | set of piston rings \$ 84,50 - SCHMIDT - | -70 | X | 911 T |
| (20) | > 911 103 914 01 | cylinder with piston complete group 5 - SCHMIDT - | | 6 | 911 T | 25 | 900 178 002 00 | circlip | | 12 | 911 T/E |
| (20) | 911 103 914 02 | cylinder with piston complete group 6 - SCHMIDT - | | 6 | 911 T | (25) | 901 103 381 00 | circlip | | 12 | 911 S |
| (20) | > 911 103 916 01 | cylinder with piston complete group 5 | | 6 | 911 E | 26 | 901 104 191 00 | cylinder base gasket 0,25 MM | | 6 | |
| | | | | | | (26) | 901 104 191 02 | gasket 0,5 MM | | X | |
| | | | | | | 27 | 908 104 391 00 | cylinder head gasket | | 6 | |

| | | | | | | | | | | | |
|-------|------|----|----|--------------|--------------|-----|-------|------------|---------|-----|---------|
| Model | Year | MG | SG | Illustration | Restrictions | UPD | 18:26 | 22.01.2010 | PORSCHE | PET | PORSCHE |
| 911 | 1973 | 1 | 03 | 103-05 | | 248 | | | | | |



| Pos | Part Number | Description | Remark | Qty | Model |
|-------|----------------|-------------------------------------------------------------------------------------------|--------|-----|-------------|
| | | | 72- | | |
| (1) > | 911 104 006 01 | cylinder head cylinder with piston | | 6 | 911 T-V |
| (1/1) | 911 104 002 00 | cylinder head with studs with valves ready for installation | | 6 | 911 T-K |
| (1) > | 911 104 004 00 | cylinder head with studs with valves ready for installation | | 6 | 911 T-E |
| (1) | 911 104 004 X | cylinder head exchange with studs with valves ready for installation | | X | 911 T-E |
| (1) > | 911 104 007 00 | cylinder head with studs with valves ready for installation | | 6 | 911 E |
| (1) > | 911 104 008 00 | cylinder head with studs with valves ready for installation | | 6 | 911 S |
| (1) > | 911 104 008 00 | cylinder head with studs with valves - NACHARBEIT ERFORDERLICH Fase anbringen | | 6 | CARRERA 2.7 |
| 1 | 911 104 036 01 | cylinder head with studs without valves | | 6 | 911 T-V |
| 1/1 | 911 104 032 00 | cylinder head with studs without valves | | 6 | 911 T-K |
| (1) | 911 104 034 00 | cylinder head with studs without valves | | 6 | 911 T-E |
| (1) | 911 104 037 00 | cylinder head with studs without valves | | 6 | 911 E |

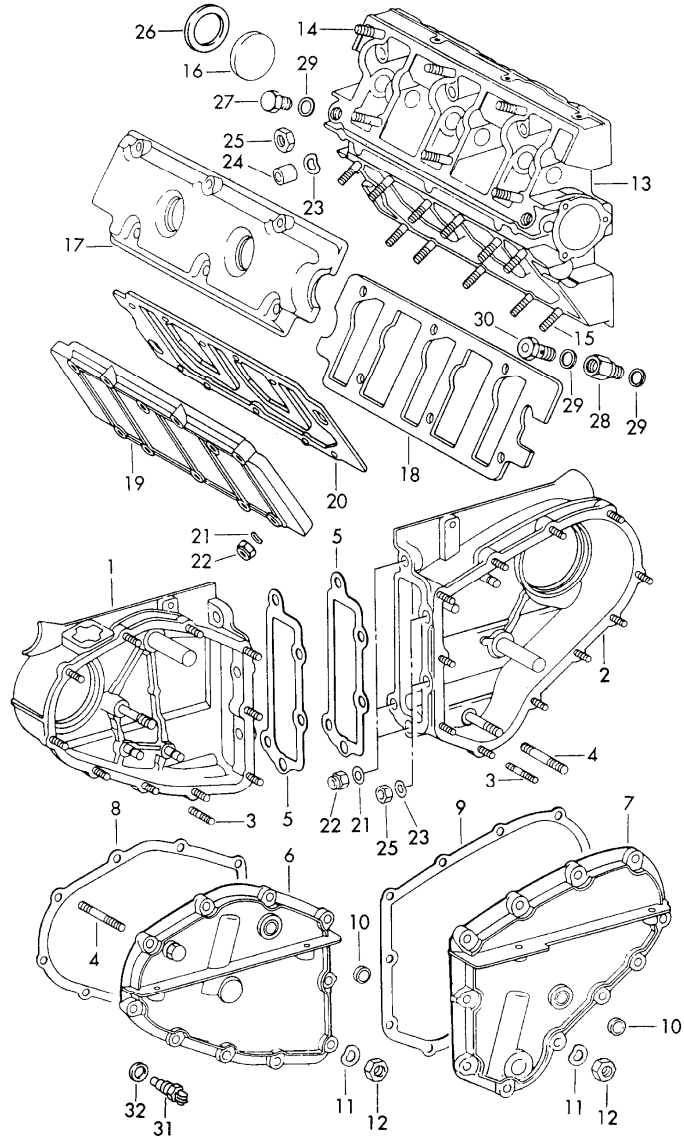
| | | | | | | | | | | | |
|-------|------|----|----|--------------|--------------|-----|-------|------------|---------|-----|---------|
| Model | Year | MG | SG | Illustration | Restrictions | UPD | 18:26 | 22.01.2010 | PORSCHE | PET | PORSCHE |
| 911 | 1973 | 1 | 03 | 103-05 | | 248 | | | | | |

| Pos | Part Number | Description | Remark | Qty | Model | Pos | Part Number | Description | Remark | Qty | Model |
|-----|----------------|-----------------------------------------------|--------|-----|----------------------------|--------|----------------|---------------------------------------------------------------|--------|-----|--------------------|
| (1) | 911 104 038 00 | cylinder head with studs without valves | | 6 | 911 S CARRERA 2.7 | 17 | 999 031 083 01 | washer | | 24 | |
| 2 | 930 104 321 50 | valve guide 1st oversize | | 12 | | 18 | 901 104 382 02 | cylinder head nut | | 24 | |
| (2) | 901 104 321 61 | valve guide 2nd oversize | | 12 | | 19 | 911 104 193 00 | valve seal | | 12 | |
| 3 | 911 104 311 51 | valve seat ring for intake oversize | | 6 | | 20 | PCG 503 189 0 | cylinder with piston complete Fa. Mahle only by sets | | 6 | 911 T-E 911 T-V |
| 4 | 911 104 315 50 | valve seat ring for exhaust oversize | | 6 | | (20) | 911 103 942 01 | cylinder with piston complete group 5 - mahle - | | 6 | 911 T-E 911 T-V |
| 5 | 900 061 006 01 | stud BM 8 X 20 SN 1115 | | 24 | | (20) | 911 103 942 02 | cylinder with piston complete group 6 - mahle - | | 6 | 911 T-E 911 T-V |
| 6 | 900 061 007 01 | stud BM 8 X 22 SN 1115 | | 12 | 911 T-E/E/S CARRERA 2.7 | 20 | PCG 503 159 0 | cylinder with piston complete Fa. Mahle only by sets | | 6 | 911 T-K |
| (6) | 900 061 008 01 | stud BM 8 X 25 SN 1115 | | 12 | 911 T-V 911 T-K | (20) | 911 103 940 01 | cylinder with piston complete group 5 | | 6 | 911 T-K |
| 7 | 900 061 012 01 | stud BM 8 X 50 SN 1115 | | 24 | | (20) | 911 103 940 02 | cylinder with piston complete group 6 | | 6 | 911 T-K |
| 8 | 999 012 006 00 | straight pin | | 12 | | (20) > | 911 103 942 05 | cylinder with piston complete group 5 - SCHMIDT - | | 6 | 911 T-E 911 T-V |
| 9 | 911 105 411 20 | intake valve | | 6 | | (20) > | 911 103 942 06 | cylinder with piston complete group 6 - SCHMIDT - | | 6 | 911 T-E 911 T-V |
| 10 | 911 105 415 50 | exhaust valve | | 6 | | (20) > | 911 103 943 01 | cylinder with piston complete group 5 | | 6 | 911 E |
| 11 | 930 105 461 00 | washer | | X | | (20) | 911 103 943 02 | cylinder with piston complete group 6 | | 6 | 911 E |
| 12 | 901 105 463 00 | ring | | 12 | | (20) | 911 103 944 02 | cylinder with piston complete group 5 | | 6 | 911 S |
| 14 | 901 105 901 50 | set of valve springs outer and inner | | 12 | | | | | | | |
| 14 | 901 105 901 51 | set of valve springs outer and inner | | 12 | | | | | | | |
| 15 | 901 105 421 03 | concave washer | | 12 | | | | | | | |
| 16 | 901 105 417 00 | collet divided | | 24 | | | | | | | |

| | | | | | | | | | | | |
|-------|------|----|----|--------------|--------------|-----|-------|------------|---------|-----|---------|
| Model | Year | MG | SG | Illustration | Restrictions | UPD | 18:26 | 22.01.2010 | PORSCHE | PET | PORSCHE |
| 911 | 1973 | 1 | 03 | 103-05 | | 248 | | | | | |

| Pos | Part Number | Description | Remark | Qty | Model | Pos | Part Number | Description | Remark | Qty | Model |
|------|----------------|-------------------------------------------------------------------------|--------|-----|-------------------------------------|------|----------------|---------------------------------|--------|-----|---------|
| (20) | 911 103 944 02 | cylinder with piston | | 6 | 911 S | (23) | 911 103 941 50 | set of piston rings \$ 84,50 | | X | 911 T-K |
| (20) | 911 103 928 01 | cylinder with piston complete group 5 | 73- | 6 | CARRERA 2.7 | | | | | | |
| (20) | 911 103 928 01 | cylinder with piston complete group 6 not available | 73- | 6 | CARRERA 2.7 | | | | | | |
| 23 | 911 103 945 00 | set of piston rings TYP 911/51-53/57 TYP 911/61-63/67 | | X | 911 T-E/E/S 911 T-V | | | | | | |
| (23) | 911 103 941 00 | set of piston rings | | X | 911 T-K | | | | | | |
| (23) | 911 103 934 00 | set of piston rings | 73- | X | CARRERA 2.7 | | | | | | |
| 25 | 900 178 002 00 | circlip C 22 | | 12 | 911 T-E/E 911 T-V 911 T-K | | | | | | |
| (25) | 901 103 381 00 | circlip | | 12 | 911 S CARRERA 2.7 | | | | | | |
| 26 | 901 104 191 00 | cylinder base gasket 0,25 MM | | 6 | 911 T/E/S 911 T-V 911 T-K | | | | | | |
| 26 | 901 104 191 02 | gasket 0,5 MM | | X | 911 T/E/S 911 T-V 911 T-K | | | | | | |
| (26) | 911 104 192 00 | cylinder base gasket | 73- | 6 | CARRERA 2.7 | | | | | | |
| 27 | 908 104 391 00 | ce-seal ring | | 6 | 911 T/E/S 911 T-V 911 T-K | | | | | | |
| (27) | 912 104 314 00 | ce-seal ring \$ 84,25 | 73- | 6 | CARRERA 2.7 | | | | | | |
| (23) | 911 103 945 25 | set of piston rings \$ 84,25 TYP 911/51-53/57 TYP 911/61-63/67 | | X | 911 T-E/E/S 911 T-V | | | | | | |
| (23) | 911 103 901 50 | set of piston rings \$ 84,50 TYP 911/51-53/57 TYP 911/61-63/67 | | X | 911 T-E/E/S 911 T-V | | | | | | |
| (23) | 911 103 941 25 | set of piston rings \$ 84,25 | | X | 911 T-K | | | | | | |

| | | | | | | | | | | | |
|-------|------|----|----|--------------|--------------|-----|-------|------------|---------|-----|---------|
| Model | Year | MG | SG | Illustration | Restrictions | UPD | 18:26 | 22.01.2010 | PORSCHE | PET | PORSCHE |
| 911 | 1973 | 1 | 03 | 103-10 | | 248 | | | | | |



| Pos | Part Number | Description | Remark | Qty | Model |
|-----|----------------|------------------------------------------|--------|-----|--------------------|
| | | chain case camshaft housing | | | |
| 1 | 901 105 061 02 | chain case | /L | 1 | |
| 2 | 901 105 062 02 | chain case | /R | 1 | |
| 3 | 999 062 102 02 | stud BM 6 X 22 | | 21 | |
| 4 | 900 061 012 02 | stud BM 8 X 50 | | 2 | |
| 5 | 901 105 193 03 | gasket crankcase and chain case | | 2 | |
| 6 | 930 105 063 01 | lid chain case | /L | 1 | |
| 7 | 901 105 064 03 | lid chain case | /R | 1 | |
| 8 | 901 105 191 03 | gasket | /L | 1 | |
| 9 | 901 105 192 03 | gasket | /R | 1 | |
| 10 | 900 036 008 02 | lid 15 | | 2 | |
| 11 | 900 031 011 30 | washer 6,4 | | 21 | |
| 12 | 900 084 010 02 | hexagon nut M 6 | | 21 | |
| 13 | 901 105 021 05 | camshaft housing complete | | 2 | |
| 14 | 999 062 009 02 | stud BM 8 X 28 | | 12 | |
| 15 | 999 062 010 02 | stud BM 8 X 35 | | 22 | |
| - | 901 105 379 00 | stopper | 72- | 4 | |
| 16 | 901 105 161 01 | lid | 72- | 2 | 911 T-V 911 T-K |
| | | | 70- | 1 | 911 T/E/S |
| | | | 72- | | CARRERA 2.7 |
| 17 | 901 105 115 03 | lid for camshaft housing upper | | 2 | |

| | | | | | | | | | | | |
|-------|------|----|----|--------------|--------------|-----|-------|------------|---------|-----|---------|
| Model | Year | MG | SG | Illustration | Restrictions | UPD | 18:26 | 22.01.2010 | PORSCHE | PET | PORSCHE |
| 911 | 1973 | 1 | 03 | 103-10 | | 248 | | | | | |

| Pos | Part Number | Description | Remark | Qty | Model | Pos | Part Number | Description | Remark | Qty | Model |
|------|----------------|---------------------------------------------------|------------|-----|-----------------------------------|-----|-------------|-------------|--------|-----|-------|
| 18 | 901 105 194 03 | gasket for lid camshaft housing upper | | 2 | | | | | | | |
| 19 | 930 105 116 00 | lid for camshaft housing lower | | 2 | | | | | | | |
| 20 | 901 105 195 04 | gasket for camshaft housing lower | | 2 | | | | | | | |
| 21 | 900 031 014 30 | washer 8,4 | | X | | | | | | | |
| 22 | 900 084 004 02 | hexagon nut M 8 | | X | | | | | | | |
| 22 | 900 084 004 03 | hexagon nut M 8 | | X | | | | | | | |
| 23 | N 012 241 1 | spring washer BM 8 X 15 | -70 | X | | | | | | | |
| (23) | N 012 241 8 | spring washer BM 8 X 15 | 71- | X | | | | | | | |
| 24 | 901 111 271 00 | nut | | 6 | | | | | | | |
| 25 | 900 076 025 02 | hexagon nut M 8 | | X | | | | | | | |
| 26 | 999 113 068 50 | radial sealing ring BA 35 X 47 X 7 | 70- 72- | 1 | 911 E/S 911 T-E CARRERA 2.7 | | | | | | |
| 27 | 901 105 374 00 | screw plug | | 2 | | | | | | | |
| 28 | 901 105 361 01 | intermediate piece | | 2 | | | | | | | |
| 29 | 900 123 005 30 | sealing ring A 12 X 16 | | 6 | | | | | | | |
| 30 | 900 134 006 02 | banjo bolt A 6 | | 2 | | | | | | | |
| 31 | 911 617 117 00 | temperature switch | 72- | 1 | 911 T-K | | | | | | |
| 32 | 900 123 007 00 | gasket A 14 X 18 | 72- | 1 | 911 T-K | | | | | | |

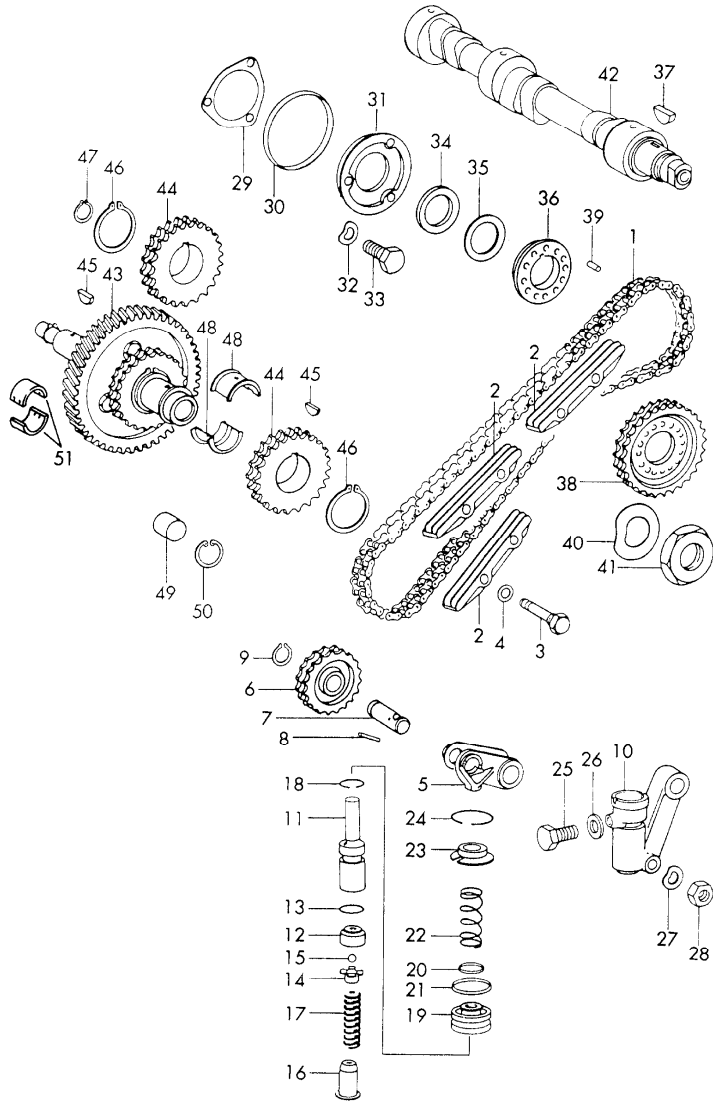
| | | | | | | | | | | | |
|-------|------|----|----|--------------|--------------|-----|-------|------------|---------|-----|---------|
| Model | Year | MG | SG | Illustration | Restrictions | UPD | 18:26 | 22.01.2010 | PORSCHE | PET | PORSCHE |
| 911 | 1973 | 1 | 03 | 103-15 | | 248 | | | | | |

| Pos | Part Number | Description | Remark | Qty | Model |
|------|------------------|-----------------------------------------------------------------------|--------|-----|-------|
| | | | | | |
| 1 | 901 105 529 00 | valve control left | | 1 | |
| 2 | 911 105 222 05 | timing chain | | 1 | |
| 3 | 901 105 226 03 | guide rail | | 3 | |
| 4 | 901 105 226 03 | bolt for guide rail | | 4 | |
| 4 | * 900 123 066 30 | sealing ring A 10 X 16 | | 4 | |
| 5 | 901 105 505 02 | chain wheel support | /L | 1 | |
| 6 | 901 105 055 00 | sprocket | /L | 1 | |
| 7 | 901 105 056 01 | bolt complete | | 1 | |
| 8 | 900 197 010 00 | tensioning sleeve 3 X 22 | | 1 | |
| 9 | N 012 415 1 | circlip 15 X 1 | | 1 | |
| 10 | 901 105 050 01 | housing complete | | 1 | |
| 0-26 | * 901 105 049 02 | chain adjuster complete | | 1 | |
| - | 911 105 901 00 | repair kit comprising: picture 12-15,18,20,21,24,26 see group 1/98/05 | | 1 | |
| 11 | 930 105 559 00 | piston for chain adjuster | | 1 | |
| 12 | * --- --- --- -- | intermediate piece | | 1 | |
| 13 | * --- --- --- -- | o-ring OR 10-1 | | 1 | |
| 14 | * --- --- --- -- | housing for ball valve | | 1 | |
| 15 | * --- --- --- -- | ball | | 1 | |
| 16 | 930 105 523 00 | spring guide | | 1 | |

| | | | | | | | | | | | |
|-------|------|----|----|--------------|--------------|-----|-------|------------|---------|-----|---------|
| Model | Year | MG | SG | Illustration | Restrictions | UPD | 18:26 | 22.01.2010 | PORSCHE | PET | PORSCHE |
| 911 | 1973 | 1 | 03 | 103-15 | | 248 | | | | | |

| Pos | Part Number | Description | Remark | Qty | Model | Pos | Part Number | Description | Remark | Qty | Model |
|------|------------------|----------------------------|--------|-----|-------|------|----------------|-------------------------------------------|--------|--------|------------------------|
| 17 | 916 105 534 00 | compression spring | | 1 | | 36 | 901 105 583 01 | flange for sprocket | | 1 | |
| 18 | 900 152 005 00 | circlip B 16 | | 1 | | 37 | 900 118 005 00 | woodruff key 4 X 5 | | 1 | |
| 19 | 901 105 557 01 | piston | | 1 | | 38 | 901 105 546 02 | sprocket II | | 1 | |
| 20 | * --- --- --- -- | o-ring CR 8,3 - 2,4 | | 1 | | 39 | 900 243 001 00 | straight pin 6 H 8 X 14 | | 1 | |
| 21 | * --- --- --- -- | o-ring CR 20,3 - 2,4 | | 1 | | 40 | 900 028 021 01 | spring washer B 30 | | 1 | |
| 22 | 930 105 535 01 | compression spring | | 1 | | 41 | 901 105 172 00 | nut for camshaft | /L | 1 | |
| 23 | 930 105 568 00 | concave washer | | 1 | | 42 | 901 105 133 01 | camshaft | /L | 70-72- | 1 911 T 911 T-V |
| 24 | * --- --- --- -- | circlip B 28 | | 1 | | (42) | 911 105 141 00 | camshaft | /L | 73- | 1 911 T-K |
| 25 | 930 105 573 00 | bleeder screw | | 1 | | (42) | 901 105 181 00 | camshaft for engine with injection system | /L | 70- | 1 911 E |
| 26 | * --- --- --- -- | sealing ring A 6,5 X 9,5 | | 1 | | (42) | 901 105 183 01 | camshaft for engine with injection system | /L | 70-72- | 1 911 S CARRERA 2.7 |
| 27 | N 012 241 1 | spring washer B 8 X 15 | -70 | 1 | | 43 | 900 095 017 01 | tensioning sleeve 5 X 24 | | 2 | SPM |
| (27) | N 012 241 8 | spring washer B 8 X 15 | 71- | 1 | | 44 | 901 105 342 04 | rocker shaft | | 12 | |
| 28 | 900 076 025 02 | hexagon nut M 8 | | 1 | | 45 | 999 067 008 00 | pan-head screw | | 12 | |
| 29 | 901 105 197 00 | gasket for sealing ring | | 1 | | 46 | 901 105 344 02 | bush | | 12 | |
| 30 | 999 701 124 40 | o-ring 67,5 X 75,5 X 4 | | 1 | | 47 | 901 105 376 02 | nut | | 12 | |
| 31 | 930 105 196 00 | cover | | 1 | | 48 | 930 105 043 00 | rocker arm | | 12 | |
| 32 | 900 028 008 01 | spring washer B 6 | -70 | 3 | | 49 | 901 105 370 02 | adjusting screw | | 12 | |
| (32) | N 012 226 5 | spring washer B 6 | 71- | 3 | | 50 | 999 034 005 00 | nut | | 12 | |
| 33 | 900 075 017 02 | hexagon-head bolt M 6 X 25 | | 3 | | | | | | | |
| 34 | 901 105 562 00 | thrust washer | | 1 | | | | | | | |
| 35 | 901 105 561 00 | shim | | X | | | | | | | |

| | | | | | | | | | | | |
|-------|------|----|----|--------------|--------------|-----|-------|------------|---------|-----|---------|
| Model | Year | MG | SG | Illustration | Restrictions | UPD | 18:26 | 22.01.2010 | PORSCHE | PET | PORSCHE |
| 911 | 1973 | 1 | 03 | 103-20 | | 248 | | | | | |



| Pos | Part Number | Description | Remark | Qty | Model |
|------|-------------------|-----------------------------------------------------------------------|--------|-----|-------|
| | | valve control right | | | |
| 1 | 901 105 529 00 | timing chain | | 1 | |
| 2 | 911 105 222 05 | guide rail | | 3 | |
| 3 | 901 105 226 03 | bolt for guide rail | | 4 | |
| 4 | * 900 123 066 30 | sealing ring A 10 X 16 | | 4 | |
| 5 | 901 105 506 02 | chain wheel support | /R | 1 | |
| 6 | 901 105 055 00 | sprocket | | 1 | |
| 7 | 901 105 056 01 | bolt complete | | 1 | |
| 8 | 900 197 010 00 | tensioning sleeve 3 X 22 | | 1 | |
| 9 | N 012 415 1 | circlip 15 X 1 | | 1 | |
| 10 | 901 105 050 01 | housing complete | | 1 | |
| 0-26 | 901 105 049 01 | chain adjuster complete | | 1 | |
| - | 911 105 901 00 | repair kit comprising: picture 12-15,18,20,21,24,26 see group 1/98/05 | | 1 | |
| 11 | 930 105 559 00 | piston for chain adjuster | | 1 | |
| 12 | * --- --- --- --- | intermediate piece | | 1 | |
| 13 | * --- --- --- --- | o-ring OR 10-1 | | 1 | |
| 14 | * --- --- --- --- | housing for ball valve | | 1 | |
| 15 | * --- --- --- --- | ball | | 1 | |
| 16 | 930 105 523 00 | spring guide | | 1 | |

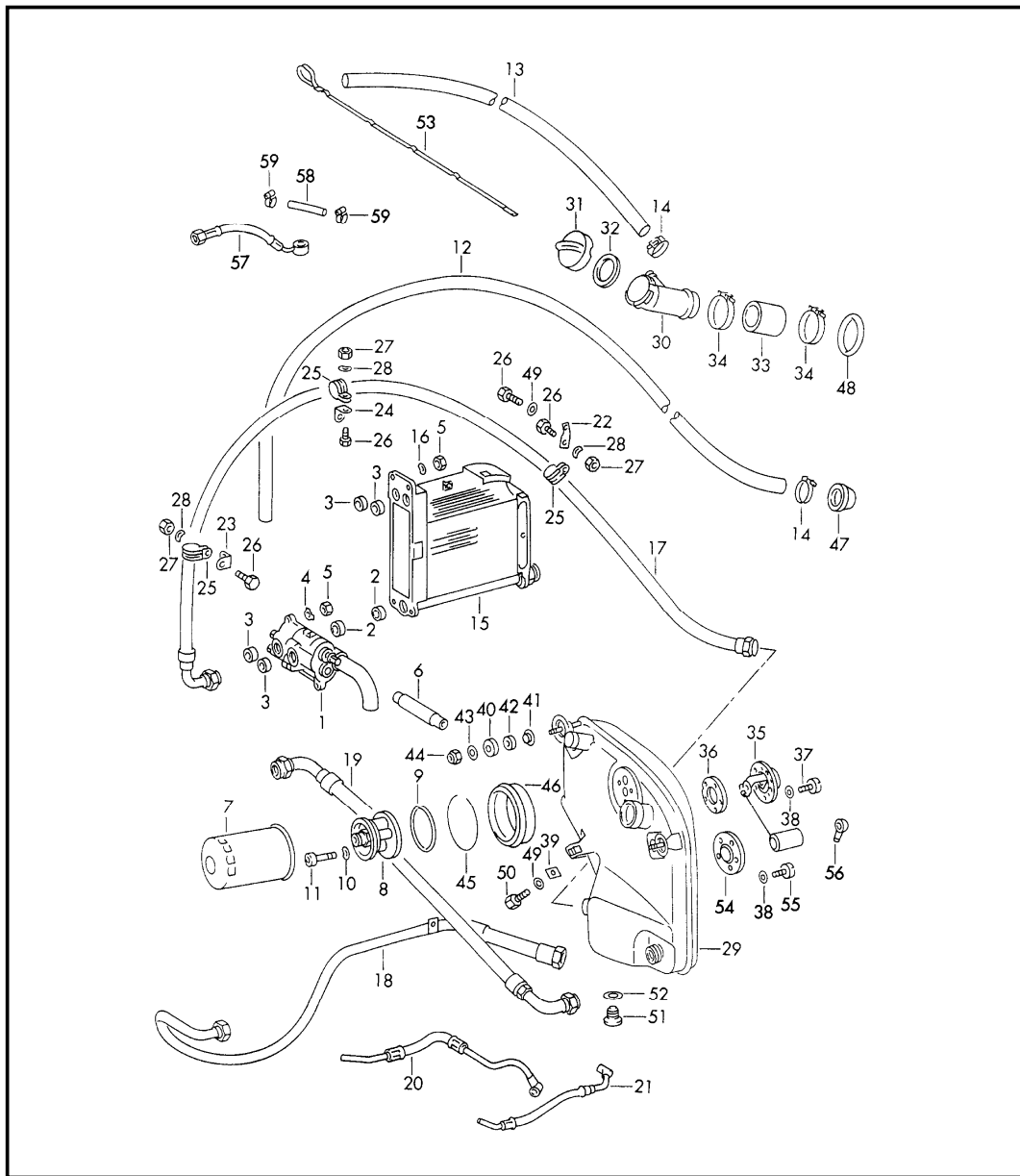
| | | | | | | | | | | | |
|-------|------|----|----|--------------|--------------|-----|-------|------------|---------|-----|---------|
| Model | Year | MG | SG | Illustration | Restrictions | UPD | 18:26 | 22.01.2010 | PORSCHE | PET | PORSCHE |
| 911 | 1973 | 1 | 03 | 103-20 | | 248 | | | | | |

| Pos | Part Number | Description | Remark | Qty | Model | Pos | Part Number | Description | Remark | Qty | Model |
|------|-------------------|----------------------------|--------|-----|-------|--------|------------------|-------------------------------------------|-----------|-----|-------------------|
| 17 | 916 105 534 00 | compression spring | | 1 | | 36 | 901 105 583 01 | flange for sprocket | | 1 | |
| 18 | * --- --- --- --- | circlip B 16 | | 1 | | 37 | 900 118 005 00 | woodruff key 4 X 5 | | 1 | |
| 19 | 901 105 557 01 | piston | | 1 | | 38 | 901 105 546 02 | sprocket II | | 1 | |
| 20 | * --- --- --- --- | o-ring CR 8,3 - 2,4 | | 1 | | 39 | 900 243 001 00 | straight pin 6 H 8 X 14 | | 1 | |
| 21 | * --- --- --- --- | o-ring CR 20,3 - 2,4 | | 1 | | 40 | 900 028 021 01 | spring washer B 30 | | 1 | |
| 22 | 930 105 535 01 | compression spring | | 1 | | 41 | 901 105 172 00 | nut for camshaft | | 1 | |
| 23 | 930 105 568 00 | concave washer | | 1 | | 42 | 901 105 134 00 | camshaft | /R 70-72- | 1 | 911 T 911 T-V |
| 24 | * --- --- --- --- | circlip B 28 | | 1 | | (42) | 911 105 142 00 | camshaft | /R 73- | 1 | 911 T-K |
| 25 | 930 105 573 00 | bleeder screw | | 1 | | (42) | 911 105 142 03 | camshaft | /R 73- | 1 | 911 T-K |
| 26 | * --- --- --- --- | sealing ring A 6,5 X 9,5 | | 1 | | (42) | 901 105 110 05 | camshaft for engine with injection system | /R 70- | 1 | 911 E |
| 27 | N 012 241 1 | spring washer B 8 X 15 | -70 | 1 | | (42) | 901 105 110 07 | camshaft for engine with injection system | /R 70- | 1 | 911 E |
| (27) | N 012 241 8 | spring washer B 8 X 15 | 71- | 1 | | (42) A | 901 105 168 00 | camshaft | /R 70- | 1 | 911 S |
| 28 | 900 076 025 02 | hexagon nut M 8 | | 1 | | (42) | 901 105 168 01 | camshaft for engine with injection system | /R 70-72- | 1 | 911 S CARRERA 2.7 |
| 29 | 901 105 197 00 | gasket for sealing ring | | 1 | | 43 | > 930 105 013 01 | intermediate shaft size 0 | | 1 | |
| 30 | 999 701 124 40 | o-ring 67,5 X 75,5 X 4 | | 1 | | (43) | > 930 105 013 11 | intermediate shaft size 1 | WW | 1 | |
| 31 | 930 105 196 00 | cover | | 1 | | 44 | 901 105 125 04 | sprocket | | 2 | |
| 32 | 900 028 008 01 | spring washer B 6 | -70 | 3 | | 45 | 900 118 010 00 | woodruff key | | 2 | |
| (32) | N 012 226 5 | spring washer B 6 | 71- | 3 | | | | | | | |
| 33 | 900 075 017 02 | hexagon-head bolt M 6 X 25 | | 3 | | | | | | | |
| 34 | 901 105 562 00 | thrust washer | | 1 | | | | | | | |
| 35 | 901 105 561 00 | shim | | X | | | | | | | |

| | | | | | | | | | | | |
|-------|------|----|----|--------------|--------------|-----|-------|------------|---------|-----|---------|
| Model | Year | MG | SG | Illustration | Restrictions | UPD | 18:26 | 22.01.2010 | PORSCHE | PET | PORSCHE |
| 911 | 1973 | 1 | 03 | 103-20 | | 248 | | | | | |

| Pos | Part Number | Description | Remark | Qty | Model | Pos | Part Number | Description | Remark | Qty | Model |
|-----|----------------|---------------------------------------------|--------|-----|-------|-----|-------------|-------------|--------|-----|-------|
| 46 | 900 041 025 01 | circlip 36 X 1,75 | | 2 | | | | | | | |
| 47 | 900 041 026 01 | circlip 13 X 1 | | 1 | | | | | | | |
| 48 | 916 101 137 00 | thrust bearing for intermediate shaft | | 2 | | | | | | | |
| 49 | 901 105 275 00 | stopper | | 1 | | | | | | | |
| 50 | N 012 296 1 | circlip 16 X 1 | | 1 | | | | | | | |
| 51 | 901 101 135 00 | thrust bearing for intermediate shaft | 71- | 2 | | | | | | | |

| | | | | | | | | | | | |
|-------|------|----|----|--------------|--------------|-----|-------|------------|---------|-----|---------|
| Model | Year | MG | SG | Illustration | Restrictions | UPD | 18:27 | 22.01.2010 | PORSCHE | PET | PORSCHE |
| 911 | 1973 | 1 | 04 | 104-00 | | 248 | | | | | |



| Pos | Part Number | Description | Remark | Qty | Model |
|------|----------------|-------------------------------------------------|-----------|-----|-------------|
| | | engine lubrication | -71 | | |
| 1 | 901 107 002 06 | oil pump | | 1 | |
| 2 | 999 704 173 50 | sealing ring | | 2 | |
| 3 | 999 704 172 50 | sealing ring | | 4 | |
| 4 | 999 039 001 00 | tab washer | | 3 | |
| 5 | 900 076 025 02 | hexagon nut M 8 | | 7 | |
| 6 | 901 107 121 00 | connecting shaft | | 1 | |
| 7 | 901 107 203 09 | oil filter | | 1 | |
| 8 | 901 107 025 00 | bracket | | 1 | 911 T/E |
| 9 | 999 701 100 50 | o-ring | | 1 | |
| 10 | 900 028 003 01 | spring washer A 6 | | 3 | |
| 11 | 900 067 067 02 | pan-head screw M 6 X 40 | | 3 | 911 T/E |
| 12 | 901 107 394 00 | connecting hose crankcase - oil tank | | 1 | |
| 13 | 901 107 394 00 | connecting hose oil tank - air cleaner | | 1 | |
| 14 | 999 512 356 02 | hose clamp | | 4 | |
| 15 | 901 107 041 02 | oil cooler | | 1 | |
| 16 | N 012 241 1 | spring washer B 8 X 15 | -70 71 | 4 | |
| (16) | N 012 241 8 | spring washer B 8 X 15 | | 4 | |
| 17 | 901 107 331 12 | breather hose engine - oil tank | | 1 | |
| 18 | 901 107 720 01 | pressure line engine - oil tank | | 1 | 911 T/E:SPM |

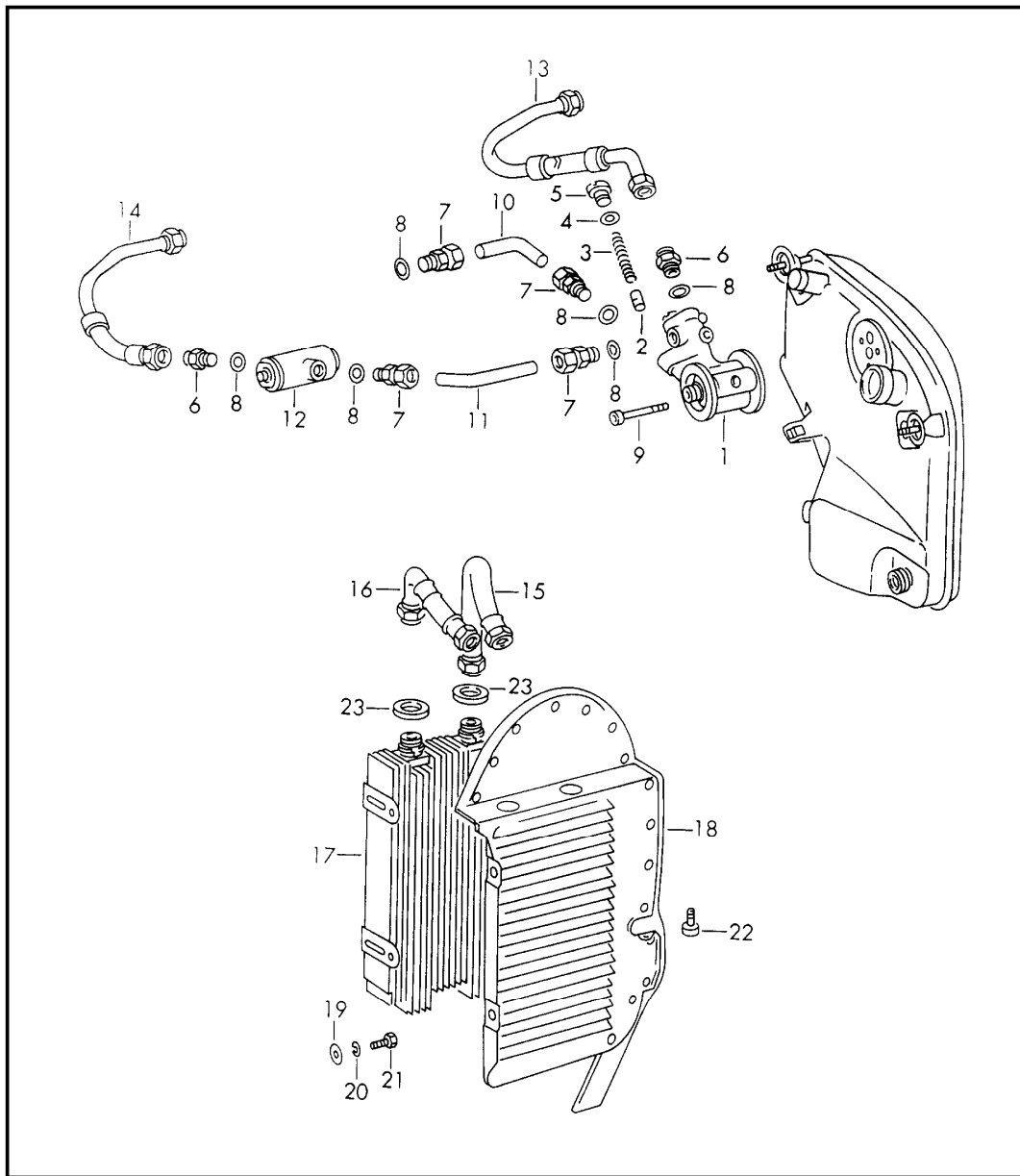
| | | | | | | | | | | | |
|-------|------|----|----|--------------|--------------|-----|-------|------------|---------|-----|---------|
| Model | Year | MG | SG | Illustration | Restrictions | UPD | 18:27 | 22.01.2010 | PORSCHE | PET | PORSCHE |
| 911 | 1973 | 1 | 04 | 104-00 | | 248 | | | | | |

| Pos | Part Number | Description | Remark | Qty | Model | Pos | Part Number | Description | Remark | Qty | Model |
|-----|----------------|---------------------------------------------------------|--------|-----|-------|------|----------------|-------------------------------------------|-----------|-----|--------------------|
| 19 | 901 107 301 12 | breather hose | | 1 | | 35 | 901 641 541 00 | oil-level sender | -70 71 | 1 | SPM 911 E/S:SPM |
| 19 | 901 107 301 13 | breather hose engine - oil tank | | 1 | | 36 | 914 201 891 00 | gasket | | 1 | |
| 20 | 901 107 347 01 | oil hose complete | /L | 1 | | 37 | N 014 760 3 | pan-head screw M 5 X 12 | -70 71 | 5 | SPM 911 E/S:SPM |
| 21 | 901 107 348 00 | oil hose complete | /R | 1 | | 38 | 900 025 003 30 | washer | -70 | 5 | SPM 911 E/S:SPM |
| 22 | 901 107 355 00 | support not for sportomatic | | 1 | | 39 | 901 501 909 20 | intermediate layer | | 1 | |
| 23 | 901 423 369 00 | retaining bracket not for sportomatic | | 1 | | 40 | 901 107 661 00 | washer | | 2 | |
| 24 | 901 107 357 00 | retaining bracket not for sportomatic | | 1 | | 41 | 901 107 692 00 | washer | | 2 | |
| 25 | 999 511 065 02 | pipe clamp not for sportomatic | | 3 | | 42 | 901 107 693 01 | washer | | 2 | |
| 26 | 900 075 010 02 | hexagon-head bolt M 6 X 12 not for sportomatic | | 3 | | 43 | 900 151 008 02 | washer B 8,4 | | 2 | |
| 27 | 900 076 010 02 | hexagon nut M 6 not for sportomatic | | 3 | | 44 | 999 090 004 02 | hexagon nut M 8 | | 2 | |
| 28 | 900 028 008 01 | spring washer B 6 not for sportomatic | | 3 | | 45 | 901 107 281 00 | circlip | | 1 | |
| | | | | 71 | | 46 | 901 107 291 00 | sealing ring for oil filter | | 1 | |
| | | | | 71 | | 47 | 901 107 695 00 | sealing sleeve for breather adapter | | 1 | |
| 29 | 911 107 001 15 | oil tank | | 1 | | 48 | 901 107 696 00 | sealing ring | | 1 | |
| 30 | 901 107 640 02 | filler neck | | 1 | | 49 | N 011 524 7 | washer 6,4 | | 2 | |
| 31 | 901 201 271 00 | fuel tank cap with gasket | | 1 | | 50 | N 010 215 13 | hexagon-head bolt M 6 X 15 | | 1 | |
| 32 | 901 201 272 00 | sealing ring | | 1 | | 51 | 911 107 176 01 | magnetic screw | -70 | 1 | |
| 33 | 901 107 694 00 | hose | | 1 | | (51) | 911 107 176 00 | magnetic screw | 71 | 1 | |
| 34 | 999 512 348 02 | hose clamp | | 2 | | 52 | 900 123 011 30 | sealing ring A 22 X 27 AL | | 1 | |
| | | | | | | 53 | 901 107 770 00 | oil level dipstick | | 1 | |

| | | | | | | | | | | | |
|-------|------|----|----|--------------|--------------|-----|-------|------------|---------|-----|---------|
| Model | Year | MG | SG | Illustration | Restrictions | UPD | 18:27 | 22.01.2010 | PORSCHE | PET | PORSCHE |
| 911 | 1973 | 1 | 04 | 104-00 | | 248 | | | | | |

| Pos | Part Number | Description | Remark | Qty | Model | Pos | Part Number | Description | Remark | Qty | Model |
|-----|----------------|-------------------------------------------------------------------------------|-----------|-----|--------------------|-----|-------------|-------------|--------|-----|-------|
| 54 | 901 107 636 00 | lid without sender for oil-level sender not for sportomatic | 71 | 1 | 911 T | | | | | | |
| 55 | N 010 225 4 | hexagon-head bolt M 5 X 8 not for sportomatic M 5 X 8 | | 5 | 911 T | | | | | | |
| 56 | 999 659 011 50 | water protection cap | -70 71 | 1 | SPM 911 E/S:SPM | | | | | | |
| 57 | 901 110 041 01 | hose line for injection pump | | 1 | 911 E/S:SPM | | | | | | |
| - | 999 180 029 50 | hose C SN 710 | | * | | | | | | | |
| 58 | - | hose 10 X 60 | | 1 | 911 E/S:SPM | | | | | | |
| 59 | 999 512 134 02 | hose clamp | | 2 | 911 E/S:SPM | | | | | | |

| | | | | | | | | | | | |
|-------|------|----|----|--------------|--------------|-----|-------|------------|---------|-----|---------|
| Model | Year | MG | SG | Illustration | Restrictions | UPD | 18:27 | 22.01.2010 | PORSCHE | PET | PORSCHE |
| 911 | 1973 | 1 | 04 | 104-05 | | 248 | | | | | |

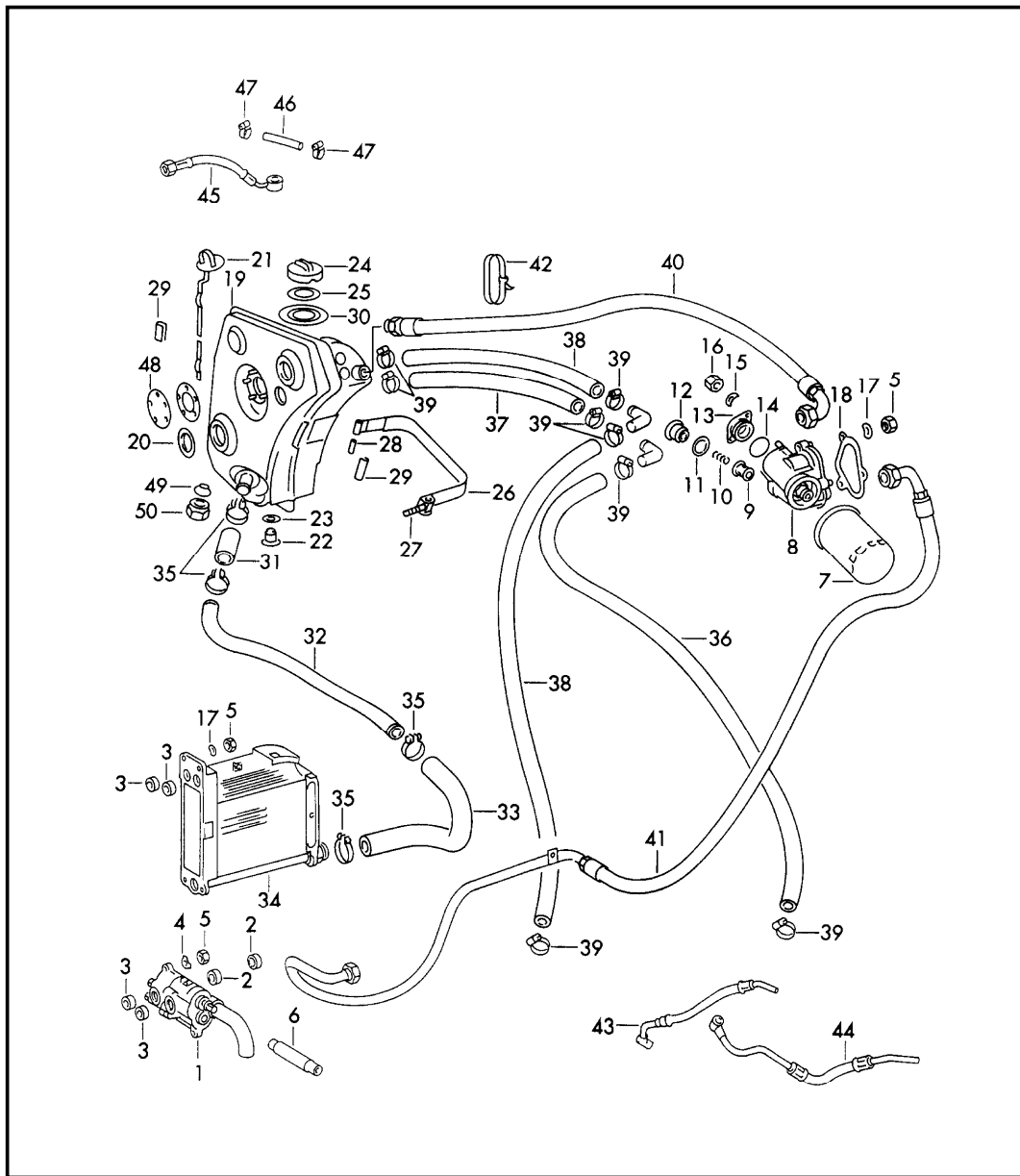


| Pos | Part Number | Description | Remark | Qty | Model |
|-----|----------------|------------------------------------------------------------|--------|-----|-------|
| | | engine lubrication auxiliary units for TYP 901/10 | -71 | | 911 S |
| 1 | 901 107 901 00 | bracket | | 1 | |
| 2 | 901 107 512 01 | piston | | 1 | |
| 3 | 901 107 531 00 | compression spring | | 1 | |
| 4 | 900 123 071 30 | sealing ring C 18 X 24 AL MG SI F 32 | | 1 | |
| 5 | 999 064 010 02 | screw plug | | 1 | |
| 6 | 900 136 013 02 | union A 16 | | 2 | |
| 7 | PCG 107 012 02 | threaded joint AM 18 X 11 | | 4 | |
| 8 | 900 123 011 30 | sealing ring A 22 X 27 AL | | 6 | |
| 9 | 900 067 092 02 | pan-head screw M 6 X 70 | | 3 | |
| 10 | 901 107 726 00 | oil tube bracket - oil thermostat | | 1 | |
| 11 | 901 107 727 00 | oil tube oil thermostat - bracket | | 1 | |
| 12 | 901 107 801 01 | oil thermostat | | 1 | |
| 13 | 901 107 362 00 | oil hose oil cooler - bracket rear | | 1 | |
| 14 | 901 107 363 00 | oil pipe oil thermostat - oil cooler rear | | 1 | |
| 15 | 901 107 364 00 | oil hose oil thermostat - oil cooler front | | 1 | |

| | | | | | | | | | | | |
|-------|------|----|----|--------------|--------------|-----|-------|------------|---------|-----|---------|
| Model | Year | MG | SG | Illustration | Restrictions | UPD | 18:27 | 22.01.2010 | PORSCHE | PET | PORSCHE |
| 911 | 1973 | 1 | 04 | 104-05 | | 248 | | | | | |

| Pos | Part Number | Description | Remark | Qty | Model | Pos | Part Number | Description | Remark | Qty | Model |
|-----|----------------|------------------------------------------------------|--------|-----|-------|-----|-------------|-------------|--------|-----|-------|
| 16 | 901 107 361 10 | breather hose oil cooler - bracket front | | 1 | | | | | | | |
| 17 | 901 107 046 00 | oil cooler right | | 1 | | | | | | | |
| 18 | 901 107 085 00 | cover plate complete right | | 1 | | | | | | | |
| - | 901 107 191 00 | gasket for cover plate | | 1 | | | | | | | |
| - | 901 107 192 00 | gasket for cover plate | | 1 | | | | | | | |
| - | 900 190 013 02 | tubular rivet 4 X 8 X 8 | | 10 | | | | | | | |
| 19 | 900 151 008 02 | washer B 8,4 | | 2 | | | | | | | |
| 20 | 900 142 002 01 | lock ring B 8 | | 2 | | | | | | | |
| 21 | 900 067 057 02 | pan-head screw M 8 X 20 | | 2 | | | | | | | |
| 22 | N 013 960 5 | oval-head sheetmetal screw B 3,9 X 9,5 | | 1 | | | | | | | |
| 23 | 901 107 717 00 | sealing ring | | 2 | | | | | | | |

| | | | | | | | | | | | |
|-------|------|----|----|--------------|--------------|-----|-------|------------|---------|-----|---------|
| Model | Year | MG | SG | Illustration | Restrictions | UPD | 18:27 | 22.01.2010 | PORSCHE | PET | PORSCHE |
| 911 | 1973 | 1 | 04 | 104-15 | | 248 | | | | | |



| Pos | Part Number | Description | Remark | Qty | Model |
|-----|----------------|-------------------------------------------------------|--------|-------------|------------------------|
| | | engine lubrication | | 72 | 911 T-E/E/S 911 T-V |
| 1 | 901 107 002 06 | oil pump | | 1 | |
| 2 | 999 704 173 50 | sealing ring | | 2 | |
| 3 | 999 704 172 50 | sealing ring | | 4 | |
| 4 | 999 039 001 00 | tab washer | | 3 | |
| 5 | 900 076 025 02 | hexagon nut M 8 | | * | |
| | | oil cooler bracket | | 4 3 | |
| | | oil pump | | 3 | |
| 6 | 901 107 121 00 | connecting shaft | | 1 | |
| 7 | 916 107 754 00 | oil filter | | 1 | |
| 8 | 916 107 028 01 | bracket with stud union and screw plug | | 1 | 911 T-E/E 911 T-V |
| 9 | 930 107 076 00 | piston | | 1 | |
| 10 | 900 280 001 00 | compression spring 2 X 12,5 X 71 | | 1 | |
| 11 | 900 123 075 30 | sealing ring A 32 X 38 AL | | 1 | |
| 12 | 916 107 276 00 | screw plug | | 1 | |
| 13 | 916 101 175 00 | flange | | 1 | 911 T-E/E 911 T-V |
| 14 | 999 701 053 50 | sealing ring 39,2 X 3 - SIMRIT O-RING - | | 1 | |
| 15 | N 012 226 5 | spring washer B 6 | | 2 | |
| 16 | 900 076 010 02 | hexagon nut M 6 | | 2 | |
| 17 | N 012 241 8 | spring washer B 8 X 15 bracket oil cooler | | * 3 4 | |

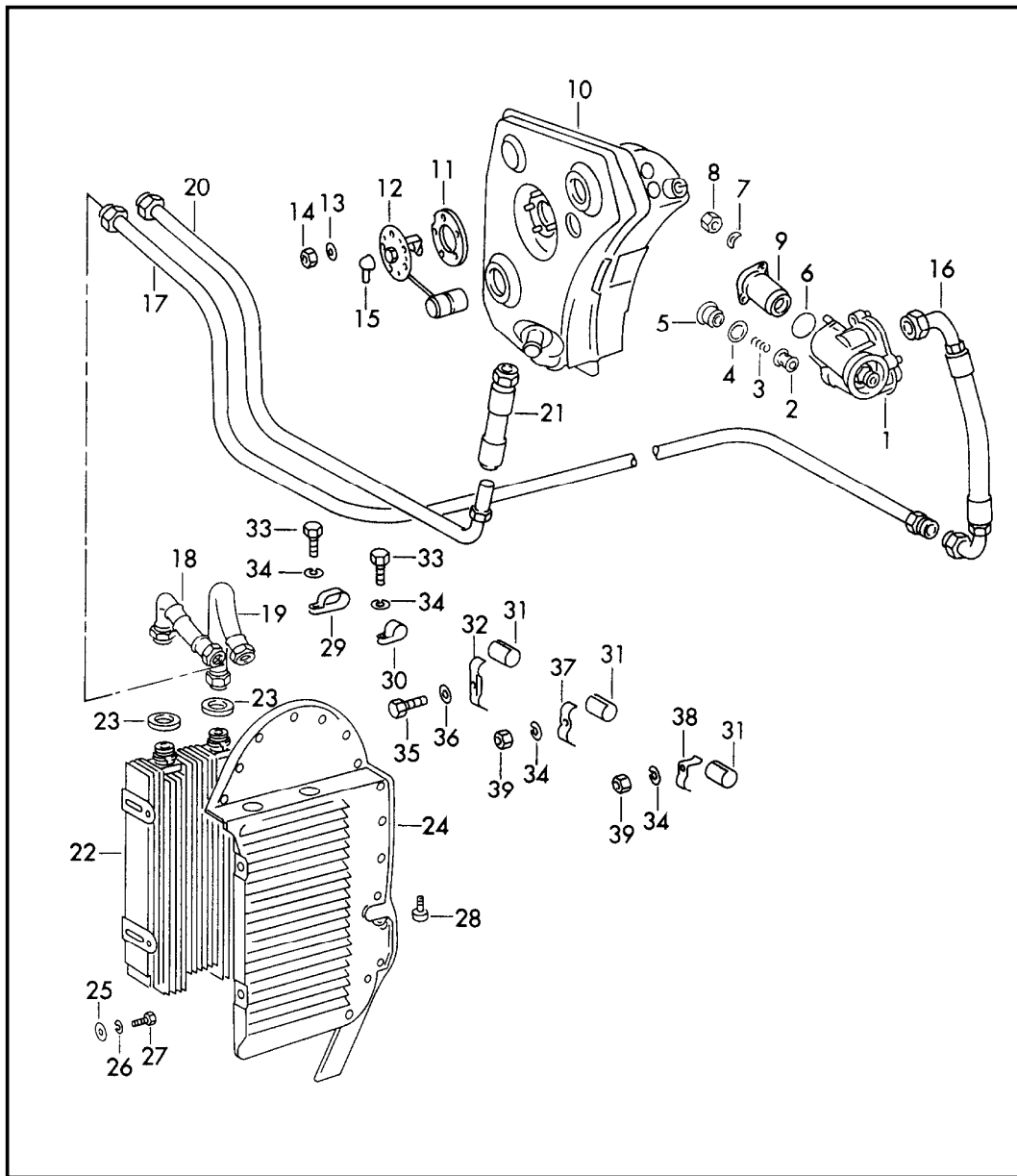
| | | | | | | | | | | | |
|-------|------|----|----|--------------|--------------|-----|-------|------------|---------|-----|---------|
| Model | Year | MG | SG | Illustration | Restrictions | UPD | 18:27 | 22.01.2010 | PORSCHE | PET | PORSCHE |
| 911 | 1973 | 1 | 04 | 104-15 | | 248 | | | | | |

| Pos | Part Number | Description | Remark | Qty | Model | Pos | Part Number | Description | Remark | Qty | Model |
|-----|------------------|--------------------------------------------------------|--------|-----|----------------------|-----|----------------|-------------------------------------------------------------------|--------|-----|-------------|
| 18 | 916 107 191 00 | gasket for bracket | | 1 | 911 T-E/E 911 T-V | 35 | 999 512 091 00 | hose clamp S 40/15 SKZ | | 4 | |
| 19 | 911 207 010 00 | oil tank not for sportomatic | | 1 | | 36 | 901 107 394 00 | connecting hose inner engine 645 MM | | 1 | |
| | | not for sportomatic | | | | 37 | 901 107 394 03 | connecting hose outer engine 400 MM | | 1 | |
| 20 | 911 207 307 00 | pot for oil tank | | 3 | | 38 | 901 107 394 04 | connecting hose inner and outer air cleaner 470 MM | | 2 | |
| 21 | 911 207 041 00 | oil level dipstick | | 1 | | | | | | | |
| 22 | 911 107 176 01 | screw plug | | 1 | | | | | | | |
| 23 | 900 123 011 20 | sealing ring A 22 X 27 CU | | 1 | | - | 911 501 539 00 | angled pipe | | 2 | |
| 24 | PCG 207 271 00 | fuel tank cap blue B 40 G with rubber seal | | 1 | | 39 | 999 512 356 02 | hose clamp 22-36 X 9 | | 8 | |
| 25 | 911 207 901 01 | rubber seal | | 1 | | 40 | 911 207 315 01 | hose line bracket - oil tank | | 1 | |
| 26 | 911 207 070 00 | restraining strap for oil tank | | 1 | | 41 | 911 107 720 11 | breather hose engine - bracket | | 1 | |
| 27 | 911 207 274 00 | screw M 8 X 60 for restraining strap | | 1 | | 42 | 999 513 010 40 | cable strap 250 MM | | 1 | |
| 28 | 900 197 033 00 | tensioning sleeve 5 X 55 | | 2 | | 43 | 901 107 347 01 | oil hose crankcase - camshaft housing | /L | 1 | |
| 29 | 911 207 275 00 | edge protection 50 MM | | 2 | | 44 | 901 107 348 00 | oil hose crankcase - camshaft housing | /R | 1 | |
| 30 | 911 207 387 00 | sealing ring for oil tank | | 1 | | 45 | 901 110 041 01 | hose line for injection pump | | 1 | 911 T-E/E/S |
| 31 | 911 207 301 01 | connecting hose oil tank | | 1 | | | | | | | |
| 32 | 911 207 317 00 | intake manifold | | 1 | | - | 999 180 029 50 | hose return line injection pump C 11 X 17,5 | | * | |
| 33 | 911 207 318 01 | suction hose | | 1 | | | | | | | |
| 34 | > 911 107 041 00 | oil cooler | | 1 | | | | | | | |

| | | | | | | | | | | | |
|-------|------|----|----|--------------|--------------|-----|-------|------------|---------|-----|---------|
| Model | Year | MG | SG | Illustration | Restrictions | UPD | 18:27 | 22.01.2010 | PORSCHE | PET | PORSCHE |
| 911 | 1973 | 1 | 04 | 104-15 | | 248 | | | | | |

| Pos | Part Number | Description | Remark | Qty | Model | Pos | Part Number | Description | Remark | Qty | Model |
|-----|----------------|----------------------------|--------|-----|----------------------|-----|-------------|-------------|--------|-----|-------|
| 46 | - | 60 MM | | 1 | 911 T-E/E/S | | | | | | |
| 47 | 999 512 134 02 | hose clamp 13-19 X 9 | | 2 | 911 T-E/E/S | | | | | | |
| 48 | 901 107 636 00 | lid for oil tank | | 1 | 911 T-E/E 911 T-V | | | | | | |
| 49 | 911 207 685 00 | catch | | 1 | 911 T-E/E 911 T-V | | | | | | |
| 50 | 900 126 006 02 | union nut 20 M 30 X 1,5 | | 1 | 911 T-E/E 911 T-V | | | | | | |

| | | | | | | | | | | | |
|-------|------|----|----|--------------|--------------|-----|-------|------------|---------|-----|---------|
| Model | Year | MG | SG | Illustration | Restrictions | UPD | 18:27 | 22.01.2010 | PORSCHE | PET | PORSCHE |
| 911 | 1973 | 1 | 04 | 104-20 | | 248 | | | | | |

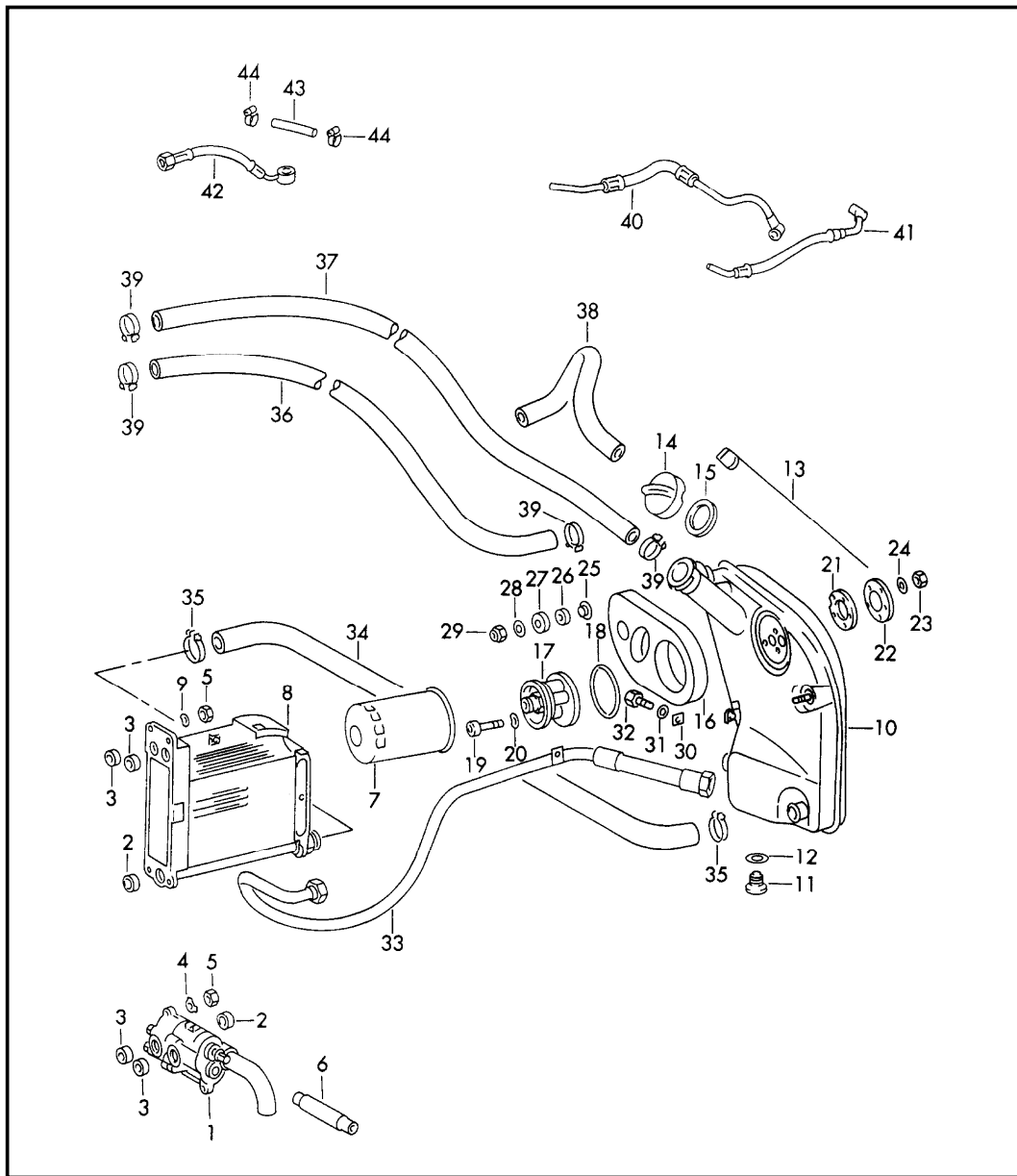


| Pos | Part Number | Description | Remark | Qty | Model |
|------|----------------|------------------------------------------------------|--------|-----|------------------------|
| | | engine lubrication auxiliary units for TYP 911/53/63 | | 72 | 911 T-E/E/S 911 T-V |
| 1 | 916 107 028 00 | bracket | | 1 | 911 S |
| 2 | 930 107 076 00 | piston | | 1 | 911 S |
| 3 | 900 280 001 00 | compression spring 2 X 12,5 X 71 | | 1 | 911 S |
| 4 | 900 123 075 30 | sealing ring A 32 X 38 AL | | 1 | 911 S |
| 5 | 916 107 276 00 | screw plug | | 1 | 911 S |
| 6 | 999 701 053 50 | sealing ring 39,2 X 3 - SIMRIT O-RING - | | 1 | 911 S |
| 7 | N 012 226 5 | spring washer B 6 | | 2 | 911 S |
| 8 | 900 076 010 02 | hexagon nut M 6 | | 1 | 911 S |
| 9 | 930 107 765 00 | oil thermostat | | 1 | 911 S |
| 10 | 911 207 010 00 | oil tank not for sportomatic | | 1 | 911 S |
| (10) | 911 207 021 00 | oil tank not for sportomatic | SPM | 1 | 911 S |
| 11 | 914 201 891 00 | gasket (911/53,61,62,63,67) | | 1 | 911 S |
| 12 | 901 641 541 00 | oil-level sender | | 1 | 911 S |
| 13 | 900 025 003 30 | washer 5,3 125 AL | | 5 | |
| 14 | 900 076 027 02 | nut M 5 | | 5 | |
| 15 | 999 659 011 50 | water protection cap | | 1 | 911 S |
| 16 | 911 207 028 02 | hose line bracket - intake tube | | 1 | 911 S |

| | | | | | | | | | | | |
|-------|------|----|----|--------------|--------------|-----|-------|------------|---------|-----|---------|
| Model | Year | MG | SG | Illustration | Restrictions | UPD | 18:27 | 22.01.2010 | PORSCHE | PET | PORSCHE |
| 911 | 1973 | 1 | 04 | 104-20 | | 248 | | | | | |

| Pos | Part Number | Description | Remark | Qty | Model | Pos | Part Number | Description | Remark | Qty | Model |
|-----|----------------|-------------------------------------------|--------|-----|----------------------|------|----------------|----------------------------------------|--------|-----|----------------------|
| 17 | 911 207 025 01 | intake tube oil cooler front | | 1 | 911 S | (31) | 964 207 302 00 | hose piece for mount oil tube | | 10 | 911 S |
| 18 | 911 207 027 03 | hose line supply | | 1 | 911 S | 32 | 911 207 303 00 | support for oil tube | | 3 | 911 S |
| 19 | 911 207 029 02 | hose line return line | | 1 | 911 S | 33 | 900 378 030 09 | hexagon-head bolt M 6 X 20 | | 4 | 911 S |
| 20 | 911 207 026 01 | return pipe | | 1 | 911 S | 34 | 900 027 014 01 | lock ring B 6 | | 1 | 911 T-E/E 911 T-V |
| 21 | 911 207 030 01 | hose line return line - oil tank | | 1 | 911 S | (34) | 900 027 014 01 | lock ring B 6 | | 5 | 911 S |
| 22 | 911 107 046 00 | oil cooler | /R | 1 | 911 S | 35 | 900 187 010 02 | tapping screw BZ 6,3 X 19 | | 3 | 911 S |
| 23 | 901 107 717 00 | sealing ring | | 2 | | 36 | N 011 524 7 | washer B 6,4 | | 3 | 911 S |
| 24 | 901 107 085 00 | cover plate complete | /R | 1 | 911 S | 37 | 911 207 304 00 | pipe clamp | | 1 | 911 S |
| - | 901 107 191 00 | gasket upper part | | 1 | 911 S | 38 | 911 207 309 00 | support for intake manifold | | 1 | 911 T-E/E 911 T-V |
| - | 901 107 192 00 | gasket side section | | 1 | 911 S | 39 | 900 076 010 02 | hexagon nut M 6 | | 1 | |
| - | 900 190 013 02 | tubular rivet B 4 X 8 X 8 | | 15 | 911 S | | | | | | |
| 25 | 900 151 008 02 | washer B 8,4 | | 2 | 911 S | | | | | | |
| 26 | 900 142 002 01 | lock ring B 8 | | 2 | 911 S | | | | | | |
| 27 | 900 067 057 02 | pan-head screw M 8 X 20 | | 2 | 911 S | | | | | | |
| 28 | N 013 960 5 | oval-head sheetmetal screw B 3,9 X 9,5 | | 1 | 911 S | | | | | | |
| 29 | 999 511 084 02 | pipe clamp RSGU 1100 20 X 25/15 | | 1 | 911 S | | | | | | |
| 30 | 999 511 080 02 | pipe clamp RSGU 1100 22/15 | | 3 | 911 S | | | | | | |
| 31 | 964 207 302 00 | hose piece for mount oil tube | | 1 | 911 T-E/E 911 T-V | | | | | | |

| | | | | | | | | | | | |
|-------|------|----|----|--------------|--------------|-----|-------|------------|---------|-----|---------|
| Model | Year | MG | SG | Illustration | Restrictions | UPD | 18:27 | 22.01.2010 | PORSCHE | PET | PORSCHE |
| 911 | 1973 | 1 | 04 | 104-25 | | 248 | | | | | |

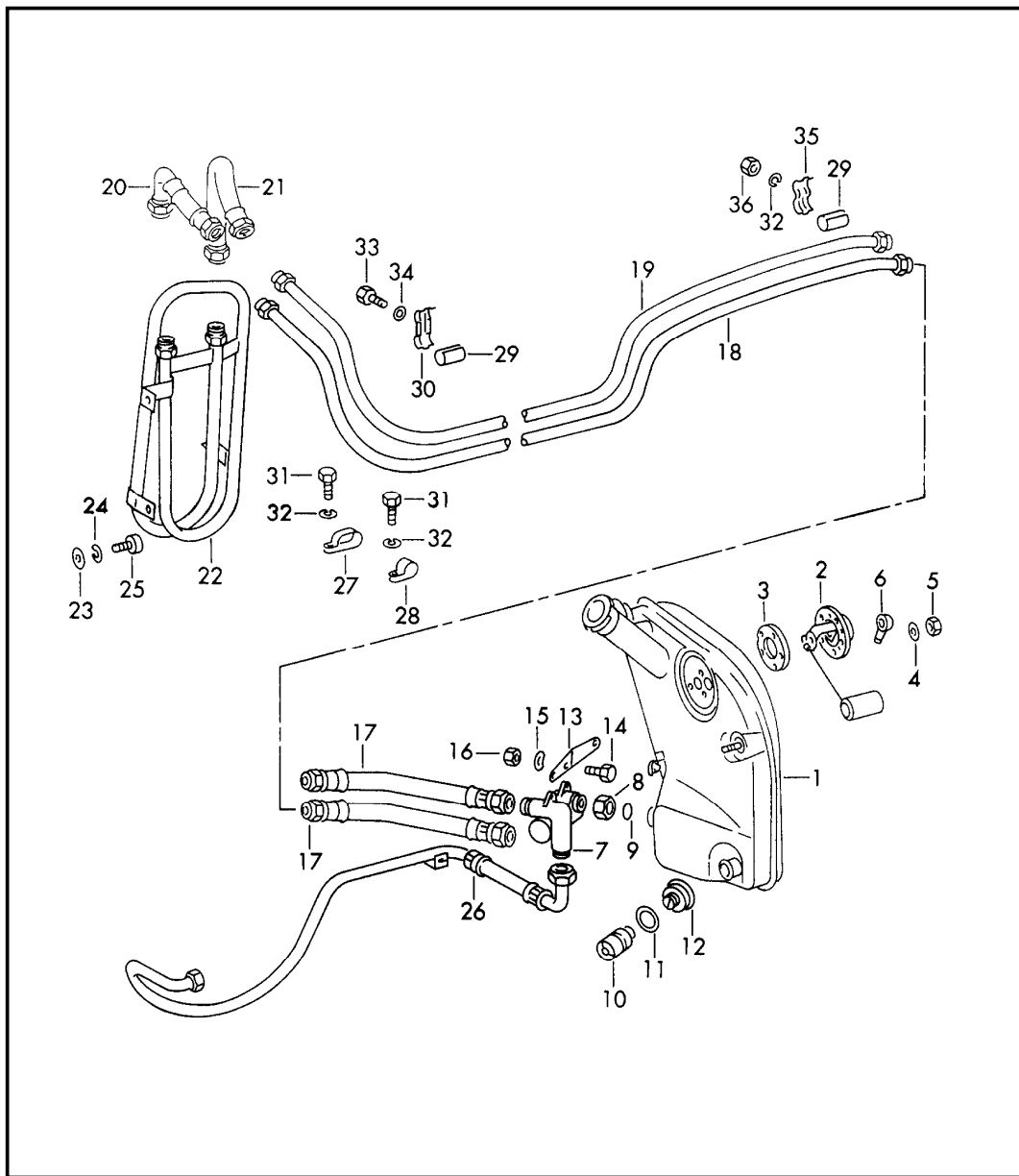


| Pos | Part Number | Description | Remark | Qty | Model |
|-----|----------------|------------------------------------|--------|-----|-------|
| | | engine lubrication | 73- | | |
| 1 | 901 107 002 06 | oil pump | | 1 | |
| 2 | 999 704 173 50 | sealing ring | | 2 | |
| 3 | 999 704 172 50 | sealing ring | | 4 | |
| 4 | 999 039 001 00 | tab washer | | 3 | |
| 5 | 900 076 025 02 | hexagon nut M 8 | | * | |
| | | oil cooler | | 4 | |
| | | oil pump | | 3 | |
| 6 | 901 107 121 00 | connecting shaft | | 1 | |
| 7 | 916 107 754 00 | oil filter | | 1 | |
| 8 | 911 107 041 00 | oil cooler | | 1 | |
| 9 | N 012 241 8 | spring washer B 8 X 15 | | 4 | |
| 10 | 911 107 006 11 | oil tank not for sportomatic | | 1 | |
| 11 | 911 107 176 01 | screw plug | | 1 | |
| 12 | 900 123 011 20 | sealing ring A 22 X 27 CU | | 1 | |
| 13 | 911 107 731 01 | oil level dipstick | | 1 | |
| 14 | 911 107 072 00 | fuel tank cap | | 1 | |
| 15 | 901 201 272 00 | sealing ring | | 1 | |
| 16 | 911 107 192 03 | gasket oil tank - body | | 1 | |
| 17 | 911 107 671 00 | bracket for oil filter | | 1 | |
| 18 | 999 701 100 50 | o-ring R 72-4 | | 1 | |
| 19 | 900 067 067 02 | pan-head screw M 6 X 40 | | 3 | |
| 20 | 900 028 003 01 | spring washer A 6 | | 3 | |

| | | | | | | | | | | | |
|-------|------|----|----|--------------|--------------|-----|-------|------------|---------|-----|---------|
| Model | Year | MG | SG | Illustration | Restrictions | UPD | 18:27 | 22.01.2010 | PORSCHE | PET | PORSCHE |
| 911 | 1973 | 1 | 04 | 104-25 | | 248 | | | | | |

| Pos | Part Number | Description | Remark | Qty | Model | Pos | Part Number | Description | Remark | Qty | Model |
|-----|----------------|------------------------------------------------------|--------|-----|---------------------------------|-----|------------------|----------------------------------------------------------|--------|-----|----------------------------|
| 21 | 914 201 891 00 | gasket for oil tank | | 1 | | 37 | 930 107 399 00 | connecting hose oil tank - | | 1 | 911 T-V |
| 22 | 901 107 636 00 | lid for oil tank not for sportomatic | | 1 | 911 T-E/E 911 T-V 911 T-K | 38 | A 911 107 393 00 | air cleaner 560 MM | | 1 | 911 T-K |
| 23 | 900 076 027 02 | nut M 5 | | 5 | | 38 | 911 107 393 01 | connecting hose oil tank - | | 1 | 911 T-K |
| 24 | 900 025 003 30 | washer 5,3 | | 5 | | 39 | 999 512 356 02 | air cleaner | | 4 | |
| 25 | 901 107 692 00 | washer | | 2 | | 40 | 901 107 347 01 | hose clamp 22 X 36 X 9 | /L | 1 | |
| 26 | 901 107 693 01 | washer | | 2 | | 41 | 901 107 348 00 | oil hose | /R | 1 | |
| 27 | 901 107 661 00 | washer | | 2 | | 42 | 901 110 041 01 | oil hose | | 1 | 911 T-E/E/S CARRERA 2.7 |
| 28 | 900 151 008 02 | washer B 8,4 | | 2 | | 43 | 999 180 029 50 | hose line intake injection pump | | 1 | 911 T-E/E/S CARRERA 2.7 |
| 29 | 999 090 004 02 | hexagon nut M 8 | | 2 | | 44 | 999 512 134 02 | hose return line injection pump 11 X 17,5 NX 60 | | 2 | 911 T-E/E/S CARRERA 2.7 |
| 30 | 901 501 909 20 | intermediate layer | | 1 | | | | hose clamp 13-19 X 9 | | | |
| 31 | N 011 524 7 | washer 6,4 | | 1 | | | | | | | |
| 32 | 900 075 057 02 | hexagon-head bolt | | 1 | | | | | | | |
| - | 901 501 930 22 | support | | 1 | | | | | | | |
| 33 | 911 107 722 00 | oil pipe engine - oil tank | | 1 | 911 T-E/E 911 T-V 911 T-K | | | | | | |
| 34 | 911 107 233 00 | suction hose | | 1 | | | | | | | |
| 35 | 999 512 091 00 | hose clamp S 40/15 SK-1 4571 | | 2 | | | | | | | |
| 36 | 901 107 394 00 | connecting hose engine - oil tank 645 MM | | 1 | | | | | | | |

| | | | | | | | | | | | |
|-------|------|----|----|--------------|--------------|-----|-------|------------|---------|-----|---------|
| Model | Year | MG | SG | Illustration | Restrictions | UPD | 18:27 | 22.01.2010 | PORSCHE | PET | PORSCHE |
| 911 | 1973 | 1 | 04 | 104-30 | | 248 | | | | | |

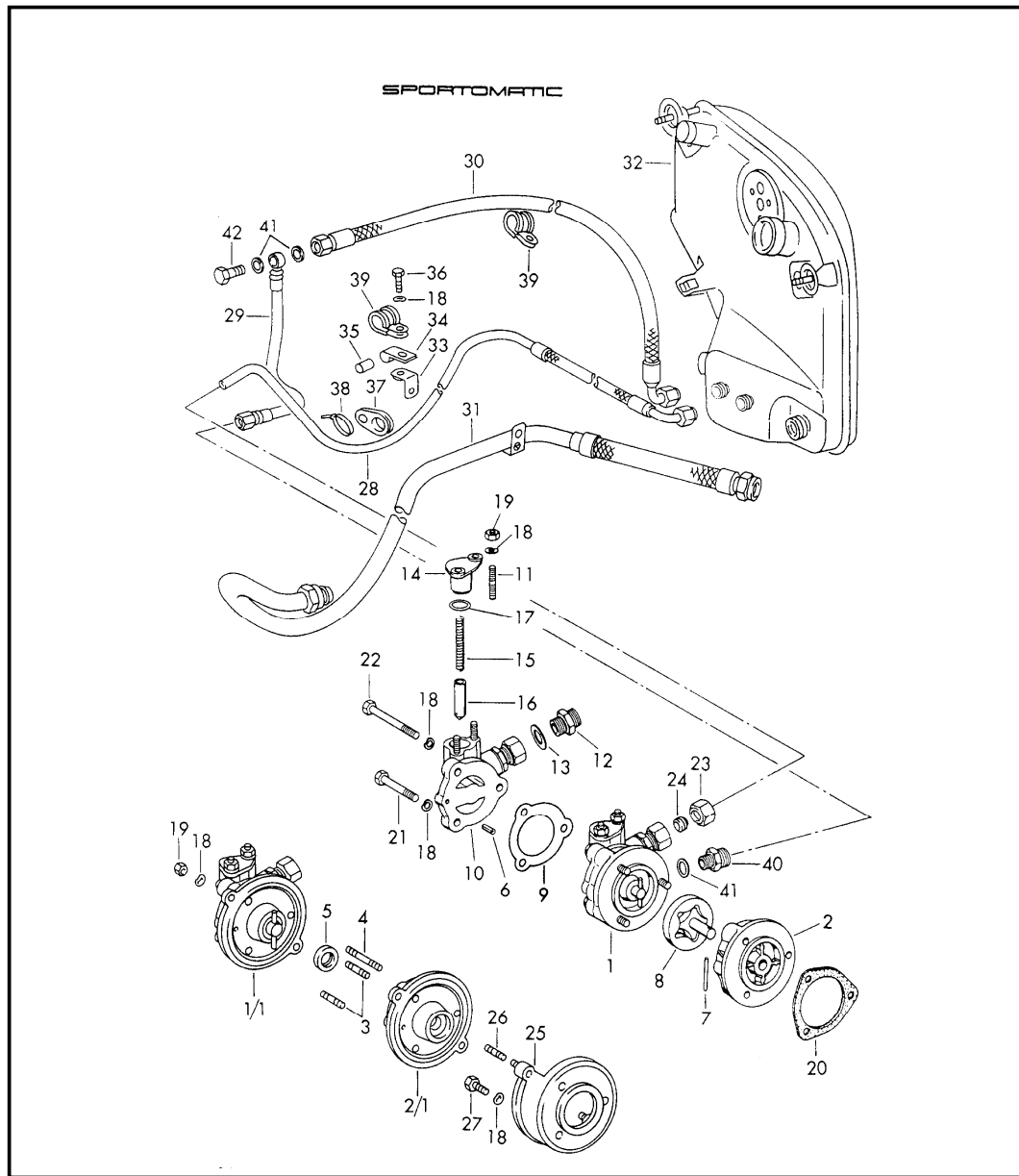


| Pos | Part Number | Description | Remark | Qty | Model |
|-----|----------------|------------------------------------------------------------|--------|-----|----------------------|
| | | engine lubrication auxiliary units for TYP 911/53/63/83/88 | 73- | | |
| 1 | 911 107 006 11 | oil tank not for sportomatic | | 1 | 911 S |
| (1) | 911 107 006 02 | oil tank | SPM | 1 | 911 S |
| 2 | 901 641 541 00 | oil-level sender | | 1 | 911 S CARRERA 2.7 |
| 3 | 914 201 891 00 | gasket | | 1 | |
| 4 | 900 025 003 30 | washer 5,3 125 AL | | 5 | |
| 5 | 900 076 027 02 | nut M 5 | | 5 | |
| 6 | 999 659 011 50 | water protection cap | | 1 | 911 S CARRERA 2.7 |
| 7 | 911 107 015 00 | regulator housing | | 1 | 911 S CARRERA 2.7 |
| 8 | 911 107 157 00 | union nut | | 1 | 911 S CARRERA 2.7 |
| 9 | 911 107 156 01 | sealing ring | | 1 | 911 S CARRERA 2.7 |
| 10 | 911 107 152 00 | regulator insert | | 1 | 911 S CARRERA 2.7 |
| 11 | 900 123 136 30 | sealing ring A 42 X 49 AL | | 1 | 911 S CARRERA 2.7 |
| 12 | 911 107 155 00 | screw plug | | 1 | 911 S CARRERA 2.7 |
| 13 | 911 107 159 00 | retaining bracket | | 1 | 911 S CARRERA 2.7 |
| 14 | 900 075 057 02 | hexagon-head bolt M 6 X 16 | | 2 | 911 S CARRERA 2.7 |
| 15 | 900 028 003 01 | spring washer A 6 | | 2 | 911 S CARRERA 2.7 |
| 16 | 900 076 010 02 | hexagon nut M 6 | | 2 | 911 S CARRERA 2.7 |

| | | | | | | | | | | | |
|-------|------|----|----|--------------|--------------|-----|-------|------------|---------|-----|---------|
| Model | Year | MG | SG | Illustration | Restrictions | UPD | 18:27 | 22.01.2010 | PORSCHE | PET | PORSCHE |
| 911 | 1973 | 1 | 04 | 104-30 | | 248 | | | | | |

| Pos | Part Number | Description | Remark | Qty | Model | Pos | Part Number | Description | Remark | Qty | Model |
|-----|----------------|----------------------------------------------------------------|--------|-----|----------------------|-----|----------------|------------------------------|--------|-----|----------------------|
| 17 | 911 107 361 00 | hose line regulator housing intake and return line | | 2 | 911 S CARRERA 2.7 | 32 | 900 027 014 01 | lock ring B 6 | | 3 | 911 S CARRERA 2.7 |
| 18 | 911 207 043 01 | intake tube | | 1 | 911 S CARRERA 2.7 | 33 | 900 187 010 02 | tapping screw BZ 6,3 X 19 | | 3 | 911 S CARRERA 2.7 |
| 19 | 911 207 044 01 | return pipe | | 1 | 911 S CARRERA 2.7 | 34 | N 011 524 7 | washer B 6,4 | | 3 | 911 S CARRERA 2.7 |
| 20 | 911 207 027 03 | hose line intake - radiator coil | | 1 | 911 S CARRERA 2.7 | 35 | 911 207 237 00 | support for oil tube | | 1 | 911 S CARRERA 2.7 |
| 21 | 911 207 029 02 | hose line return line - radiator coil | | 1 | 911 S CARRERA 2.7 | 36 | 900 076 010 02 | hexagon nut M 6 | | 1 | 911 S CARRERA 2.7 |
| 22 | 911 107 047 00 | radiator coil | | 1 | 911 S CARRERA 2.7 | | | | | | |
| 23 | 900 151 008 02 | washer B 8,4 | | 2 | 911 S CARRERA 2.7 | | | | | | |
| 24 | 900 142 002 01 | lock ring B 8 | | 2 | 911 S CARRERA 2.7 | | | | | | |
| 25 | 900 067 057 02 | pan-head screw M 8 X 20 | | 2 | 911 S CARRERA 2.7 | | | | | | |
| 26 | 911 107 724 10 | oil pipe engine - regulator housing oil tank | | 1 | 911 S CARRERA 2.7 | | | | | | |
| 27 | 999 511 084 02 | pipe clamp RSGU 1100 20 X 25/15 | | 1 | 911 S CARRERA 2.7 | | | | | | |
| 28 | 999 511 080 02 | pipe clamp RSGU 1100 22/15 | | 3 | 911 S CARRERA 2.7 | | | | | | |
| 29 | 964 207 302 00 | hose piece for mount oil tube | | 8 | 911 S CARRERA 2.7 | | | | | | |
| 30 | 911 207 303 00 | support for oil tube | | 3 | 911 S CARRERA 2.7 | | | | | | |
| 31 | 900 378 030 09 | hexagon-head bolt M 6 X 20 | | 3 | 911 S CARRERA 2.7 | | | | | | |

| | | | | | | | | | | | |
|-------|------|----|----|--------------|--------------|-----|-------|------------|---------|-----|---------|
| Model | Year | MG | SG | Illustration | Restrictions | UPD | 18:28 | 22.01.2010 | PORSCHE | PET | PORSCHE |
| 911 | 1973 | 1 | 04 | 104-35 | | 248 | | | | | |

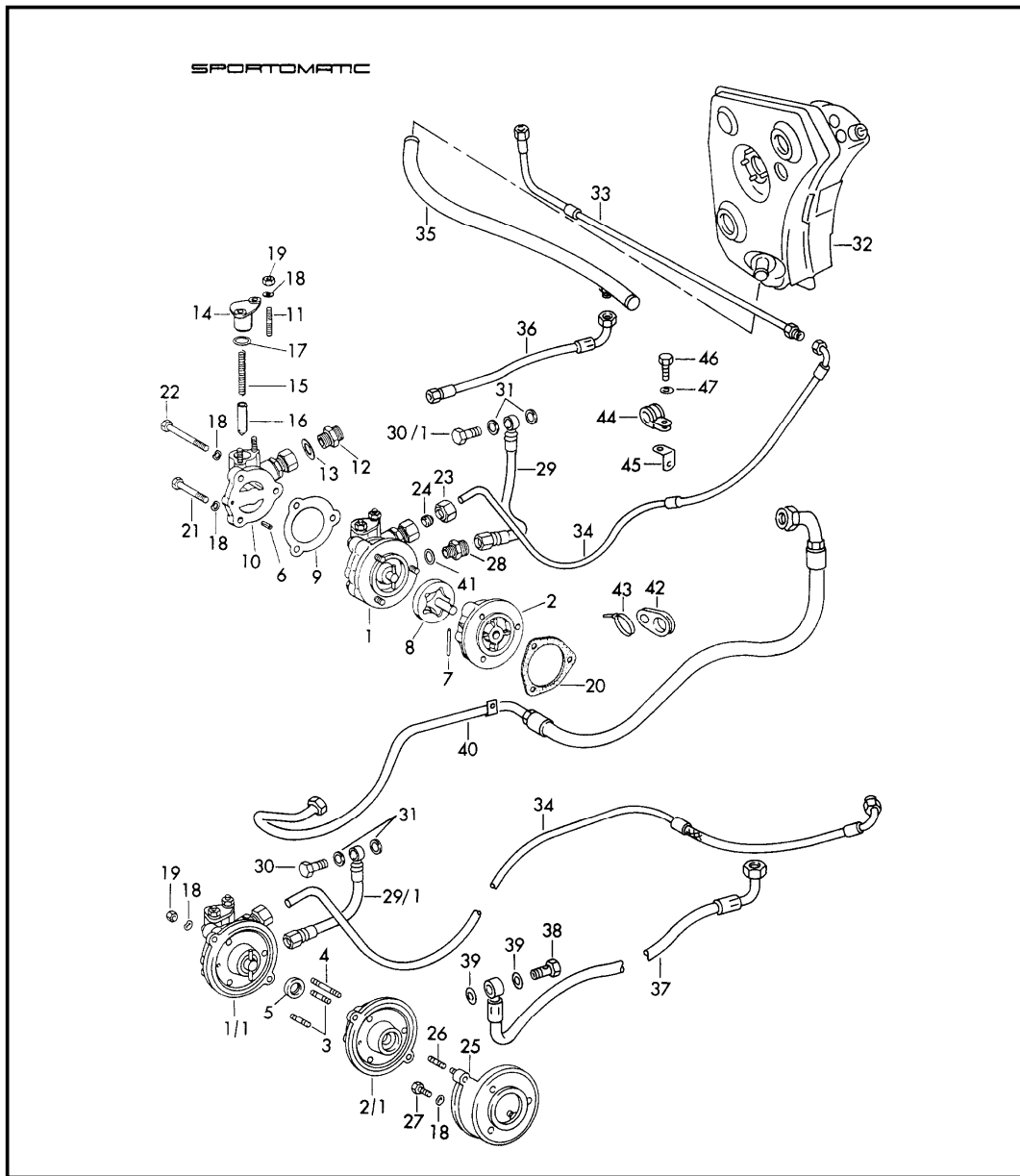


| Pos | Part Number | Description | Remark | Qty | Model |
|-----|----------------|-----------------------------------------|--------|-----|---------|
| | | oil supply for converter sportomatic | -71 | | 911 T/E |
| 1 | 905 107 006 04 | oil pump for converter | | 1 | 911 T |
| 1/1 | 905 107 008 00 | oil pump for converter | | 1 | 911 E |
| 2 | 905 107 101 03 | rotor housing | | 1 | 911 T |
| 2/1 | 905 107 102 01 | rotor housing | | 1 | 911 E |
| 3 | 900 061 085 01 | stud BM 6 X 20 | | 2 | 911 E |
| 4 | 900 061 159 01 | stud BM 6 X 38 | | 1 | 911 E |
| 5 | 999 113 099 40 | radial sealing ring BA SI 12,7 X 22 X 6 | | 1 | 911 E |
| 6 | 900 197 017 00 | tensioning sleeve 4 X 14 | | 1 | |
| 7 | 900 302 001 00 | straight pin 4 M 6 X 32 | | 1 | |
| 8 | 905 107 901 01 | rotor set | | 1 | |
| 9 | 905 107 191 02 | gasket | | 1 | |
| 10 | 905 107 015 04 | lid complete | | 1 | |
| 11 | 999 062 002 02 | stud BM 6 X 15 | | 2 | |
| 12 | 999 099 011 02 | union AM 10 -11 | | 1 | |
| 13 | 900 123 008 30 | sealing ring A 14 X 20 | | 1 | |
| 14 | 905 107 141 03 | flat connector | | 1 | |
| 15 | 905 107 142 01 | compression spring | | 1 | |
| 16 | 905 107 143 01 | slide | | 1 | |
| 17 | 999 701 135 50 | o-ring | | 1 | |

| | | | | | | | | | | | |
|-------|------|----|----|--------------|--------------|-----|-------|------------|---------|-----|---------|
| Model | Year | MG | SG | Illustration | Restrictions | UPD | 18:28 | 22.01.2010 | PORSCHE | PET | PORSCHE |
| 911 | 1973 | 1 | 04 | 104-35 | | 248 | | | | | |

| Pos | Part Number | Description | Remark | Qty | Model | Pos | Part Number | Description | Remark | Qty | Model |
|-----|----------------|--------------------------------------------------------------|--------|-----|-------|-----|----------------|--------------------------------|--------|-----|-------|
| 18 | 900 028 008 01 | spring washer B 6 | | X | | 35 | 901 108 591 00 | boot | | 1 | |
| 19 | 900 076 010 02 | hexagon nut M 6 | | X | | 36 | N 010 215 13 | hexagon-head bolt M 6 X 15 | | 1 | |
| 20 | 901 105 197 00 | gasket | | 1 | 911 T | 37 | 905 107 173 00 | spacer rubber | | 1 | |
| 21 | 900 074 111 02 | hexagon-head bolt M 6 X 50 | | 2 | 911 T | 38 | 999 513 002 40 | hose clamp | | 1 | |
| 22 | 900 074 022 02 | hexagon-head bolt M 6 X 65 | | 1 | 911 T | 39 | 999 511 076 02 | clamp | | 2 | |
| 23 | 999 104 007 02 | union nut A-10-11 | | 1 | | 40 | 999 136 007 02 | union | | 1 | |
| 24 | 999 103 001 02 | cutting ring B-10-11 | | 1 | | 41 | 900 123 043 30 | sealing ring A 12 X 15,5 AL | | 3 | |
| 25 | 901 107 011 00 | intermediate flange | | 1 | 911 E | 42 | 999 134 012 02 | banjo bolt | | 1 | |
| 26 | 900 061 055 01 | stud BM 6 X 12 | | 2 | 911 E | | | | | | |
| 27 | 900 075 014 02 | hexagon-head bolt M 6 X 18 | | 3 | 911 E | | | | | | |
| 28 | 905 107 037 00 | oil pipe complete oil tank - oil pump | | 1 | | | | | | | |
| 29 | 905 107 038 02 | pressure line complete oil pump - switch housing | | 1 | | | | | | | |
| 30 | 905 107 019 00 | oil hose complete switch housing - oil tank | | 1 | | | | | | | |
| 31 | 901 107 720 01 | oil pipe complete engine - oil tank | | 1 | | | | | | | |
| 32 | 911 107 001 56 | oil tank | | 1 | | | | | | | |
| 33 | 905 107 021 00 | retaining bracket | | 1 | | | | | | | |
| 34 | 999 511 007 02 | clip | | 1 | | | | | | | |

| | | | | | | | | | | | |
|-------|------|----|----|--------------|--------------|-----|-------|------------|---------|-----|---------|
| Model | Year | MG | SG | Illustration | Restrictions | UPD | 18:28 | 22.01.2010 | PORSCHE | PET | PORSCHE |
| 911 | 1973 | 1 | 04 | 104-40 | | 248 | | | | | |



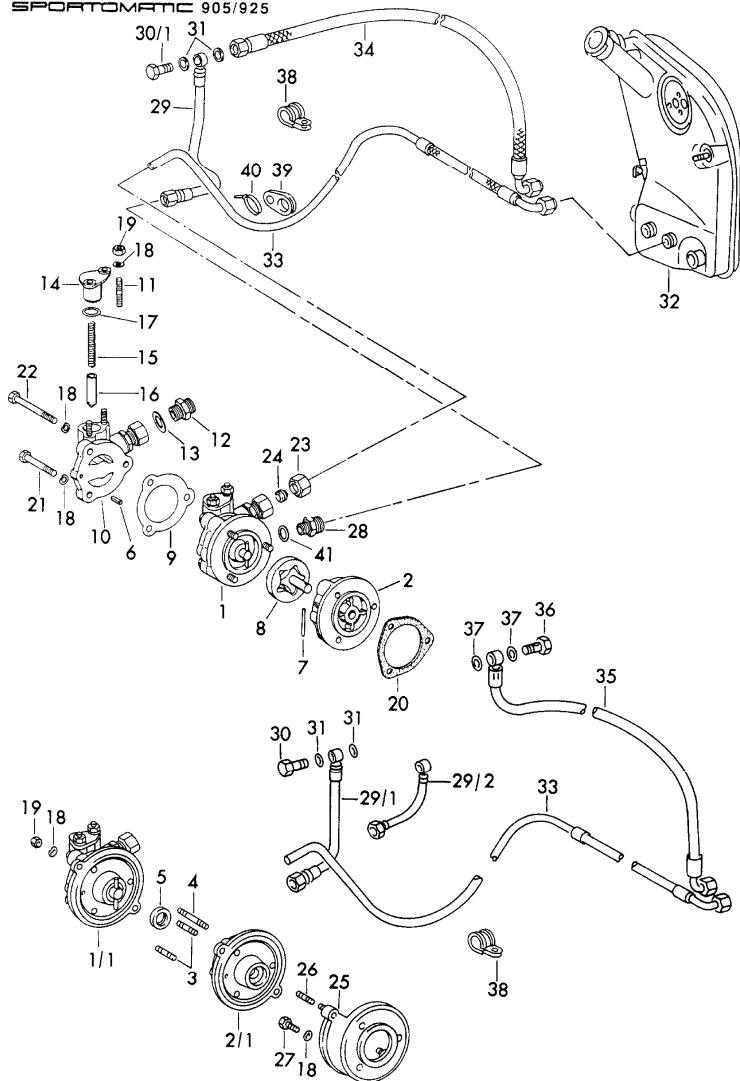
| Pos | Part Number | Description | Remark | Qty | Model |
|-----|----------------|--------------------------------------|--------|-----|------------------------|
| | | oil supply for converter sportomatic | | 72 | 911 T-E/E/S 911 T-V |
| 1 | 905 107 006 04 | oil pump for converter | | 1 | 911 T-V |
| 1/1 | 905 107 008 00 | oil pump for converter | | 1 | 911 T-E/E/S |
| 2 | 905 107 101 03 | rotor housing | | 1 | 911 T-V |
| 2/1 | 905 107 102 01 | rotor housing | | 1 | 911 T-E/E/S |
| 3 | 900 061 085 01 | stud BM 6 X 20 | | 2 | 911 T-E/E/S |
| 4 | 900 061 159 01 | stud BM 6 X 38 | | 1 | 911 T-E/E/S |
| 5 | 999 113 099 40 | radial sealing ring 12,7 X 22 X 6 | | 1 | 911 T-E/E/S |
| 6 | 900 197 017 00 | tensioning sleeve 4 X 14 | | 1 | |
| 7 | 900 302 001 00 | straight pin 4 M 6 X 32 | | 1 | |
| 8 | 905 107 901 01 | rotor set | | 1 | |
| 9 | 905 107 191 02 | gasket | | 1 | |
| 10 | 905 107 015 04 | lid | | 1 | |
| 11 | 999 062 002 02 | stud BM 6 X 15 | | 2 | |
| 12 | 999 099 011 02 | union AM 10 -11 | | 1 | |
| 13 | 900 123 008 30 | gasket A 14 X 20 | | 1 | |
| 14 | 905 107 141 03 | flat connector | | 1 | |
| 15 | 905 107 142 01 | compression spring | | 1 | |
| 16 | 905 107 143 01 | slide | | 1 | |
| 17 | 999 701 135 50 | o-ring B 15 X 2,5 | | 1 | |

| | | | | | | | | | | | |
|-------|------|----|----|--------------|--------------|-----|-------|------------|---------|-----|---------|
| Model | Year | MG | SG | Illustration | Restrictions | UPD | 18:28 | 22.01.2010 | PORSCHE | PET | PORSCHE |
| 911 | 1973 | 1 | 04 | 104-40 | | 248 | | | | | |

| Pos | Part Number | Description | Remark | Qty | Model | Pos | Part Number | Description | Remark | Qty | Model |
|------|----------------|-------------------------------------------------|--------|-----|-------------|-----|----------------|-------------------------------------------------------------------|--------|-----|-------------|
| 18 | N 012 226 5 | spring washer B 6 | | X | | - | 911 356 203 00 | boot | | 3 | |
| 19 | 900 076 010 02 | hexagon nut M 6 | | X | | 34 | 905 107 037 00 | oil pipe oil tank - pump | | 1 | |
| 20 | 901 105 197 00 | gasket | | 1 | 911 T-V | 35 | 911 207 023 00 | intake manifold | | 1 | |
| 21 | 900 074 111 02 | hexagon-head bolt M 6 X 50 | | 2 | 911 T-V | 36 | 905 301 117 00 | return line for intake manifold | | 1 | 911 T-V |
| 22 | 900 074 022 02 | hexagon-head bolt M 6 X 65 | | 1 | 911 T-V | 37 | 925 301 117 01 | return line for intake manifold | | 1 | 911 T-E/E/S |
| 23 | 999 104 007 02 | union nut A-10-11 | | 1 | | 38 | 900 134 002 02 | banjo bolt A 10 | | 1 | 911 T-E/E/S |
| 24 | 999 103 001 02 | cutting ring B-10-11 | | 1 | | 39 | 900 123 019 30 | sealing ring A 16 X 22 AL | | 2 | 911 T-E/E/S |
| 25 | 901 107 011 00 | intermediate flange | | 1 | 911 T-E/E/S | 40 | 911 107 720 11 | breather hose engine - bracket not for sportomatic | | 1 | |
| 26 | 900 061 055 01 | stud BM 6 X 12 | | 2 | 911 T-E/E/S | 41 | 900 123 043 30 | sealing ring A 12 X 15,5 AL | | 1 | |
| 27 | 900 075 014 02 | hexagon-head bolt M 6 X 18 | | 3 | 911 T-E/E/S | 42 | 905 107 173 00 | spacer rubber | | 2 | |
| 28 | 999 136 007 02 | union pump | | 1 | | 43 | 999 513 002 40 | hose clamp | | 2 | |
| 29 | 905 107 038 02 | pressure pipe pump - converter housing | | 1 | 911 T-V | 44 | N 020 607 1 | clamp | | X | |
| 29/1 | 925 125 038 05 | pressure pipe pump - converter housing | | 1 | 911 T-E/E/S | 45 | 905 107 021 00 | retaining bracket | | 1 | 911 T-E/E/S |
| 30 | 900 134 006 02 | banjo bolt A 6 | | 1 | 911 T-E/E/S | 46 | N 010 215 13 | hexagon-head bolt M 6 X 15 | | 1 | 911 T-E/E/S |
| 30/1 | 999 134 012 02 | banjo bolt M 12 X 1 | | 1 | 911 T-V | 47 | 900 028 008 01 | spring washer B 6 | | 1 | 911 T-E/E/S |
| 31 | 900 123 006 30 | sealing ring A 12 X 18 AL | | 2 | | | | | | | |
| 32 | 911 207 021 00 | oil tank | | 1 | | | | | | | |
| 33 | 911 207 031 00 | oil pipe oil tank - pump | | 1 | | | | | | | |

| | | | | | | | | | | | |
|-------|------|----|----|--------------|--------------|-----|-------|------------|---------|-----|---------|
| Model | Year | MG | SG | Illustration | Restrictions | UPD | 18:28 | 22.01.2010 | PORSCHE | PET | PORSCHE |
| 911 | 1973 | 1 | 04 | 104-45 | | 248 | | | | | |

SPORTOMATIC 905/925



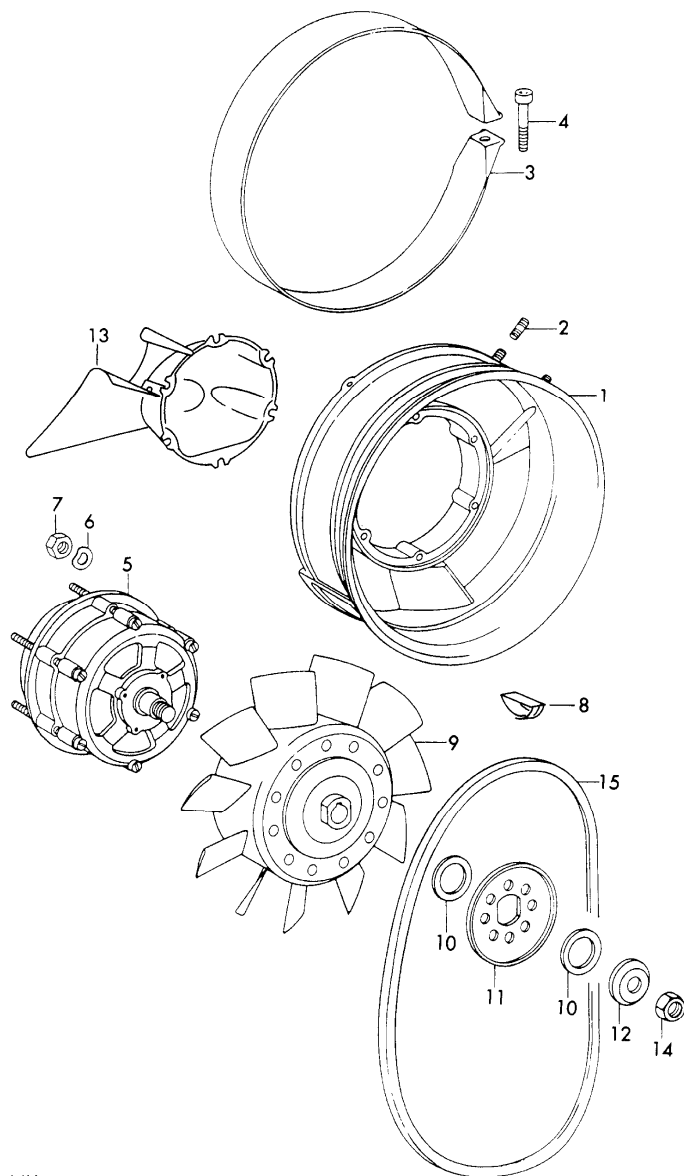
| Pos | Part Number | Description | Remark | Qty | Model |
|-----|----------------|------------------------------------|--------|-----|----------------------------|
| | | | 73- | | |
| 1 | 905 107 006 04 | oil pump for converter sportomatic | | 1 | 911 T-V 911 T-K |
| 1/1 | 905 107 008 00 | oil pump for converter | | 1 | 911 T-E/E/S CARRERA 2.7 |
| 2 | 905 107 101 03 | rotor housing | | 1 | 911 T-V 911 T-K |
| 2/1 | 905 107 102 01 | rotor housing | | 1 | 911 T-E/E/S CARRERA 2.7 |
| 3 | 900 061 085 01 | stud BM 6 X 20 | | 2 | 911 T-E/E/S CARRERA 2.7 |
| 4 | 900 061 159 01 | stud BM 6 X 38 | | 1 | 911 T-E/E/S CARRERA 2.7 |
| 5 | 999 113 099 40 | radial sealing ring | | 1 | 911 T-E/E/S CARRERA 2.7 |
| 6 | 900 197 017 00 | tensioning sleeve 4 X 14 | | 1 | |
| 7 | 900 302 001 00 | straight pin 4 M 6 X 32 | | 1 | |
| 8 | 905 107 901 01 | rotor set | | 1 | |
| 9 | 905 107 191 02 | gasket | | 1 | |
| 10 | 905 107 015 04 | lid | | 1 | |
| 11 | 999 062 002 02 | stud BM 6 X 15 | | 2 | |
| 12 | 999 099 011 02 | union AM 10 -11 | | 1 | |
| 13 | 900 123 008 30 | gasket A 14 X 20 | | 1 | |
| 14 | 905 107 141 03 | flat connector | | 1 | |
| 15 | 905 107 142 01 | compression spring | | 1 | |
| 16 | 905 107 143 01 | slide | | 1 | |
| 17 | 999 701 135 50 | o-ring B 15 X 2,5 | | 1 | |

| | | | | | | | | | | | |
|-------|------|----|----|--------------|--------------|-----|-------|------------|---------|-----|---------|
| Model | Year | MG | SG | Illustration | Restrictions | UPD | 18:28 | 22.01.2010 | PORSCHE | PET | PORSCHE |
| 911 | 1973 | 1 | 04 | 104-45 | | 248 | | | | | |

| Pos | Part Number | Description | Remark | Qty | Model | Pos | Part Number | Description | Remark | Qty | Model |
|------|----------------|-------------------------------------------------|--------|-----|----------------------------|-----|----------------|---------------------------------------------------------|--------|-----|---------------------------------------|
| 18 | N 012 226 5 | spring washer B 6 | | X | | 32 | 911 107 006 02 | oil tank | | 1 | |
| 19 | 900 076 010 02 | hexagon nut M 6 | | X | | 33 | 905 107 037 00 | oil pipe pump for converter for oil tank | | 1 | |
| 20 | 901 105 197 00 | gasket | | 1 | 911 T-V 911 T-K | | | | | | |
| 21 | 900 074 111 02 | hexagon-head bolt M 6 X 50 | | 2 | 911 T-V | 34 | 905 301 117 01 | return line | | 1 | 911 T-V |
| 22 | 900 074 022 02 | hexagon-head bolt M 6 X 65 | | 1 | 911 T-V 911 T-K | 35 | 925 301 117 02 | return line | | 1 | 911 T-E/E/S CARRERA 2.7 911 T-K |
| 23 | 999 104 007 02 | union nut A-10-11 | | 1 | | 36 | 900 134 002 02 | banjo bolt A 10 | | 1 | 911 T-E/E/S CARRERA 2.7 911 T-K |
| 24 | 999 103 001 02 | cutting ring B-10-11 | | 1 | | 37 | 900 123 019 30 | sealing ring A 16 X 22 AL | | 2 | 911 T-E/E/S CARRERA 2.7 911 T-K |
| 25 | 901 107 011 00 | intermediate flange | | 1 | 911 T-E/E/S CARRERA 2.7 | | | | | | |
| 26 | 900 061 055 01 | stud BM 6 X 12 | | 2 | 911 T-E/E/S CARRERA 2.7 | 38 | N 020 607 1 | clamp RSGU 1100/20/20 | | X | |
| 27 | 900 075 014 02 | hexagon-head bolt M 6 X 18 | | 3 | 911 T-E/E/S CARRERA 2.7 | 39 | 905 107 173 00 | spacer rubber | | 2 | |
| 28 | 999 136 007 02 | union pump | | 1 | | 40 | 999 513 002 40 | hose clamp | | 2 | |
| 29 | 905 107 038 02 | pressure pipe pump - converter housing | | 1 | 911 T-V | 41 | 900 123 043 30 | sealing ring A 12 X 15,5 AL | | 1 | |
| 29/1 | 925 125 038 05 | pressure pipe pump - converter housing | | 1 | 911 T-E/E/S CARRERA 2.7 | | | | | | |
| 29/2 | 925 125 038 06 | pressure pipe pump - converter housing | | 1 | 911 T-K | | | | | | |
| 30 | 900 134 006 02 | banjo bolt A 6 | | 1 | 911 T-E/E/S CARRERA 2.7 | | | | | | |
| 30/1 | 999 134 012 02 | banjo bolt | | 1 | 911 T-V 911 T-K | | | | | | |
| 31 | 900 123 006 30 | sealing ring A 12 X 18 AL | | 2 | | | | | | | |

| | | | | | | | | | | | |
|-------|------|----|----|--------------|--------------|-----|-------|------------|---------|-----|---------|
| Model | Year | MG | SG | Illustration | Restrictions | UPD | 18:28 | 22.01.2010 | PORSCHE | PET | PORSCHE |
| 911 | 1973 | 1 | 05 | 105-00 | | 248 | | | | | |

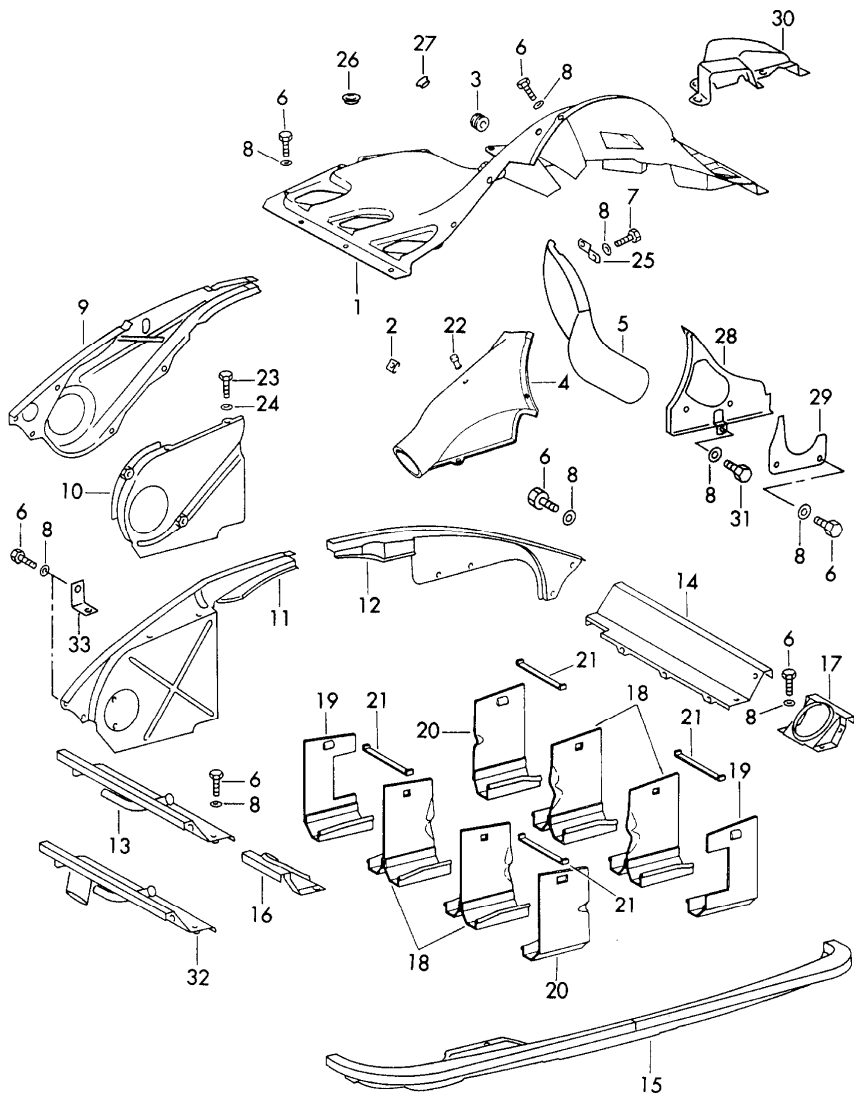
| Pos | Part Number | Description | Remark | Qty | Model |
|------|----------------|-------------------------------------------|--------|-----|-------|
| 1 | 901 106 011 00 | air cooling fan housing complete | | 1 | |
| 2 | 900 061 057 01 | stud BM 8 X 15 | -70 | 2 | |
| (2) | 900 061 057 02 | stud BM 8 X 15 | 71- | 2 | |
| 3 | 901 106 251 03 | clamp | -70 | 1 | |
| (3) | 901 106 251 02 | clamp | 71 | 1 | |
| (3) | 964 106 251 20 | clip | 72- | 1 | |
| 4 | 900 075 126 02 | hexagon-head bolt M 8 X 40 | -70 | 2 | |
| (4) | 900 074 134 02 | hexagon-head bolt M 8 X 45 | 71 | 2 | |
| (4) | N 014 715 3 | pan-head screw M 8 X 45 | 72- | 2 | |
| 5 | - | generator see group 9/01/00 | | 1 | |
| 6 | 900 028 008 01 | spring washer B 6 | | 1 | |
| 7 | 900 076 010 02 | hexagon nut M 6 | | 6 | |
| 8 | 900 118 006 00 | woodruff key 4 X 6,5 | | 1 | |
| 9 | 901 106 010 03 | impeller complete | | 1 | |
| 10 | 901 105 561 00 | shim | | X | |
| 11 | 901 603 421 01 | pulley half | | 1 | |
| 12 | 901 603 427 01 | tensioning cap for generator - bosch - | | 1 | |
| (12) | 901 603 428 00 | tensioning cap for generator - MOTOROLA - | | 1 | |



| | | | | | | | | | | | |
|-------|------|----|----|--------------|--------------|-----|-------|------------|---------|-----|---------|
| Model | Year | MG | SG | Illustration | Restrictions | UPD | 18:28 | 22.01.2010 | PORSCHE | PET | PORSCHE |
| 911 | 1973 | 1 | 05 | 105-00 | | 248 | | | | | |

| Pos | Part Number | Description | Remark | Qty | Model | Pos | Part Number | Description | Remark | Qty | Model |
|------|----------------|-----------------------------------------|--------|-----|-------|-----|-------------|-------------|--------|-----|-------|
| 13 | 911 106 033 00 | hub extension complete | | 1 | | | | | | | |
| 14 | 900 078 005 01 | hexagon nut M 14 X 1,5 - bosch - | | 1 | | | | | | | |
| (14) | 901 603 905 00 | hexagon nut M 16 X 1 - MOTOROLA - | | 1 | | | | | | | |
| 15 | 999 192 176 50 | narrow v-belt | | 1 | | | | | | | |

| | | | | | | | | | | | |
|-------|------|----|----|--------------|--------------|-----|-------|------------|---------|-----|---------|
| Model | Year | MG | SG | Illustration | Restrictions | UPD | 18:28 | 22.01.2010 | PORSCHE | PET | PORSCHE |
| 911 | 1973 | 1 | 05 | 105-05 | | 248 | | | | | |



| Pos | Part Number | Description | Remark | Qty | Model |
|-----|----------------|-------------------------------------------------|--------|-----|-------------------|
| 1 | 911 106 901 02 | air duct and engine cover | | 1 | 911 E |
| (1) | 911 106 901 02 | air duct complete upper green | -71 | 1 | 911 E |
| (1) | 911 106 032 01 | air duct complete upper red not for sportomatic | -71 | 1 | 911 S |
| (1) | 911 106 901 03 | air duct complete upper red | 72- | 1 | 911 S CARRERA 2.7 |
| (1) | 911 106 901 00 | air duct complete upper black | -71 | 1 | 911 T |
| (1) | 911 106 901 00 | air duct complete upper black | 72- | 1 | 911 T-V |
| (1) | 911 106 901 01 | air duct complete upper yellow | 72- | 1 | 911 T-E |
| (1) | 911 106 901 04 | air duct complete upper black | 72- | 1 | 911 T-K |
| 2 | 999 507 003 02 | speed nut B 6,3 | | 6 | |
| 3 | 999 702 007 50 | rubber sleeve | | 1 | |
| 4 | 901 106 321 02 | hot air socket | /L/H | 1 | |
| - | 999 613 017 40 | covering for tie-wrap | | 1 | |

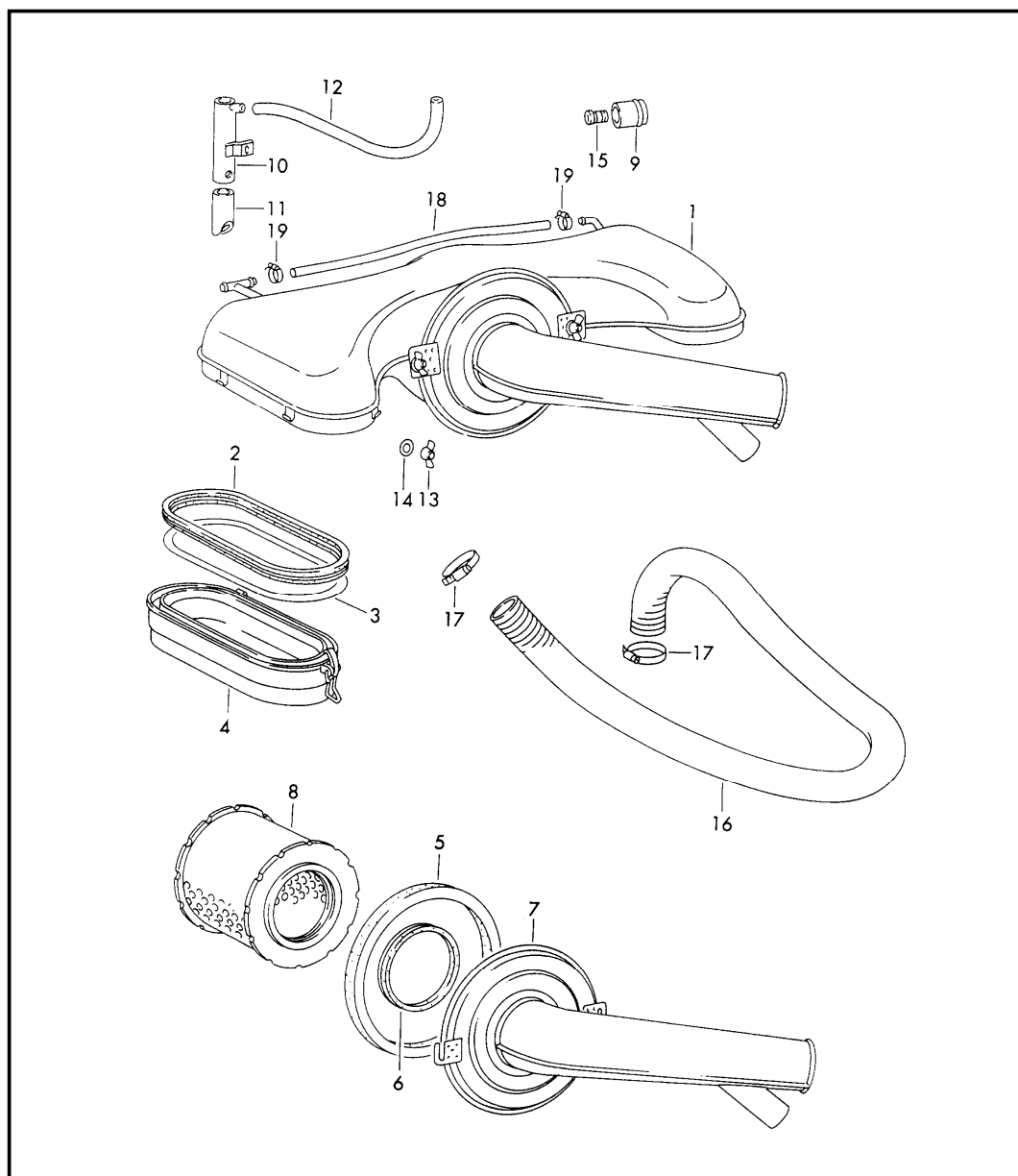
| | | | | | | | | | | | |
|-------|------|----|----|--------------|--------------|-----|-------|------------|---------|-----|---------|
| Model | Year | MG | SG | Illustration | Restrictions | UPD | 18:28 | 22.01.2010 | PORSCHE | PET | PORSCHE |
| 911 | 1973 | 1 | 05 | 105-05 | | 248 | | | | | |

| Pos | Part Number | Description | Remark | Qty | Model | Pos | Part Number | Description | Remark | Qty | Model |
|------|----------------|----------------------------------------------|--------|------------------------|------------------------------------------------------|------|----------------|----------------------------------|----------|-----------------|-----------------------------------|
| (4) | 911 106 321 00 | hot air socket | /L/H | 1 | | 13 | 901 106 083 02 | engine cover complete | /L | -71 72- | 1 911 T/E/S 911 T-V 911 T-K |
| - | N 020 902 1 | tie-wrap | | 1 | | | | | | | |
| 5 | 911 106 327 00 | hot air socket | /R/H | 1 | | 14 | 901 106 084 00 | engine cover complete | /R | 70- | 1 |
| 6 | 900 075 010 02 | hexagon-head bolt M 6 X 12 | | X | | 15 | 901 106 085 05 | engine cover complete | /H | -71 72- | 1 911 T/E/S 911 T-V 911 T-K |
| (6) | 900 075 057 02 | hexagon-head bolt M 6 X 16 | | 2 | | (15) | 911 106 085 00 | engine cover complete | /H | 72- | 1 911 T-E/E/S CARRERA 2.7 |
| 7 | 900 187 015 02 | hexagon-head tapping screw B 6,3 X 16 | | -71 72- 5 4 | | 16 | 901 106 825 00 | cover for air hose | /L | | 1 |
| 8 | N 011 524 7 | washer 6,4 | | X | | 17 | 901 106 826 00 | cover for air hose | /R | | 1 |
| 9 | 901 106 702 00 | engine cover I not for sportomatic | /L/V | 70- 72- 72- 1 | 911 E/S 911 T-E CARRERA 2.7 | 18 | 901 106 035 01 | air baffle plate centre complete | | | 4 |
| (9) | 901 106 703 00 | engine cover I | /L/V | 70- 72- 1 | 911 E:SPM 911 T-E:SPM 911 S:SPM CARRERA 2.7 | 19 | 901 106 041 00 | air baffle plate complete | /L/V/R/H | | 2 |
| 10 | 901 106 071 01 | engine cover II not for sportomatic | /L/V | 70- 72- 1 | 911 E/S 911 T-E CARRERA 2.7 | 20 | 901 106 039 01 | air baffle plate complete | /R/V/L/H | | 2 |
| (10) | 901 106 071 00 | engine cover II | /L/V | 70- 72- 1 | 911 E:SPM 911 T-E:SPM 911 S:SPM CARRERA 2.7 | 21 | 901 106 339 01 | leaf spring | | 70- 72- 4 | 911 E/S CARRERA 2.7 |
| 11 | 901 106 081 03 | engine cover complete not for sportomatic | /L/V | -71 72- 1 | 911 T 911 T-V | (21) | 930 106 228 00 | leaf spring | | 70- 72- 4 | 911 T 911 T-V 911 T-K |
| (11) | 901 106 081 04 | engine cover complete not for sportomatic | /L/V | 73- 1 | 911 T-K | 22 | 999 703 013 50 | stopper | | -71 1 | |
| (11) | 905 106 081 03 | engine cover complete | /L/V | -71 72- 1 | 911 T:SPM 911 T-V:SPM | 23 | N 010 208 5 | hexagon-head bolt M 6 X 8 | | | 2 |
| (11) | 905 106 081 04 | engine cover complete | /L/V | 73- 1 | 911 T-K:SPM | 24 | N 011 524 7 | washer 6,4 | | | X |
| 12 | 911 106 802 00 | engine cover | /R/V | 1 | | - | 999 025 108 02 | washer 6,4 X 14 X 1,5 | | 72- 2 | |
| | | | | | | 25 | 911 106 331 00 | support | | | 1 |
| | | | | | | 26 | 999 703 056 40 | stopper plastic material | | 70- 72 1 | 911 E/S 911 T-E CARRERA 2.7 |
| | | | | | | 27 | 911 108 291 00 | stopper | | -71 1 | 911 T/E/S |

| | | | | | | | | | | | |
|-------|------|----|----|--------------|--------------|-----|-------|------------|---------|-----|---------|
| Model | Year | MG | SG | Illustration | Restrictions | UPD | 18:28 | 22.01.2010 | PORSCHE | PET | PORSCHE |
| 911 | 1973 | 1 | 05 | 105-05 | | 248 | | | | | |

| Pos | Part Number | Description | Remark | Qty | Model | Pos | Part Number | Description | Remark | Qty | Model |
|------|----------------|-------------------------------------------|--------|-----|-------|----------------------------|-------------|-------------|--------|-----|-------|
| (27) | 999 703 092 40 | stopper 9 X 18,5/14 | | 72- | 1 | | | | | | |
| 28 | 911 106 036 00 | cover plate | /R/H | | 1 | | | | | | |
| 29 | 911 106 827 00 | closing plate | /R/H | | 1 | | | | | | |
| 30 | 911 106 406 00 | air duct for oil cooler | | 72- | 1 | | | | | | |
| 31 | 900 187 015 02 | hexagon-head tapping screw B 6,3 X 16 | | -71 | 1 | | | | | | |
| (31) | 900 187 010 02 | hexagon-head tapping screw BZ 6,3 X 19 | | 72- | 1 | | | | | | |
| 32 | 901 106 083 04 | engine cover complete | /L | 72- | 1 | 911 T-E/E/S CARRERA 2.7 | | | | | |
| 33 | 911 106 324 00 | bracket | | 72- | 1 | 911 T-V | | | | | |

| | | | | | | | | | | | |
|-------|------|----|----|--------------|--------------|-----|-------|------------|---------|-----|---------|
| Model | Year | MG | SG | Illustration | Restrictions | UPD | 18:29 | 22.01.2010 | PORSCHE | PET | PORSCHE |
| 911 | 1973 | 1 | 06 | 106-00 | | 248 | | | | | |

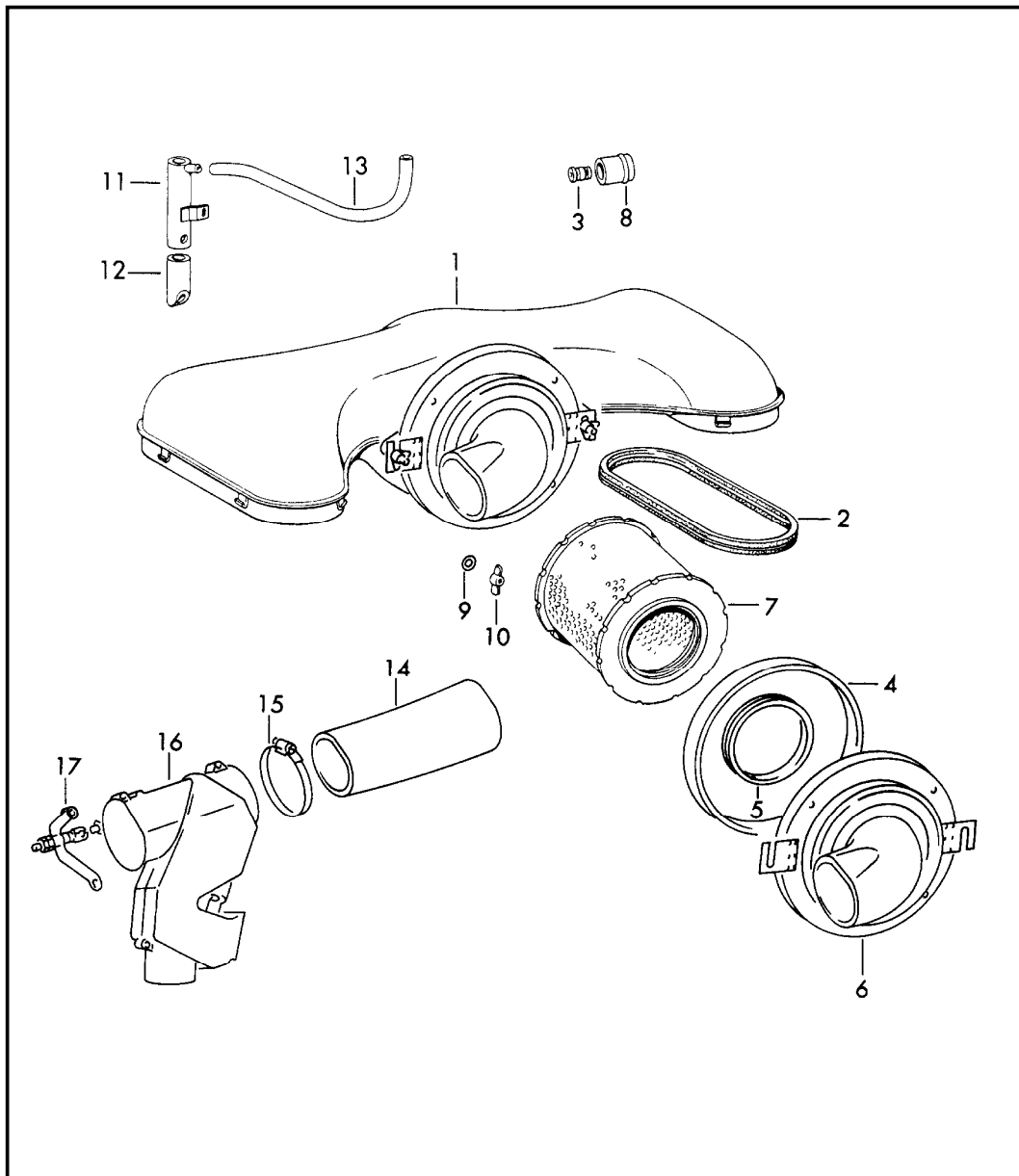


| Pos | Part Number | Description | Remark | Qty | Model |
|------|----------------|--------------------------------------------------------------------------------------|------------|-----|----------------------|
| | | air cleaner system for - ZENITH carburettor | -71 72- | | 911 T/E/S 911 T-V |
| 1 | 911 108 001 02 | air cleaner system plastic material without picture NR. 2, 3 and 9 | -71 | 1 | 911 T |
| (1) | 911 108 027 00 | air cleaner system plastic material without picture NR. 2, 3 and 9 | -71 | 1 | 911 E/S |
| (1) | 911 108 002 02 | air cleaner system plastic material without picture NR. 2, 3 and 9 | 72- | 1 | 911 T-V |
| 2 | 901 108 214 03 | gasket | -71 | 2 | 911 T/E/S |
| (2) | 901 108 214 03 | gasket | 72- | 2 | 911 T-V |
| 3 | 911 108 356 00 | intermediate layer | 72- | 2 | 911 T-V |
| 4 | 911 108 014 00 | connecting piece plastic material complete | | 2 | |
| 5 | 901 108 215 00 | gasket | | 1 | |
| 6 | 901 108 983 00 | gasket | | 1 | |
| 7 | 911 108 043 01 | lid complete | -71 | 1 | 911 T/E/S |
| (7) | 911 108 046 00 | lid complete | 72- | 1 | 911 T-V |
| 8 | 901 108 955 11 | filter element | | 1 | |
| 9 | 901 107 729 00 | backfire grid | | 1 | |
| 10 | 911 108 021 00 | pipe | -71 | 1 | 911 T/E/S |
| (10) | 911 108 021 02 | pipe | 72- | 1 | 911 T-V |

| | | | | | | | | | | | |
|-------|------|----|----|--------------|--------------|-----|-------|------------|---------|-----|---------|
| Model | Year | MG | SG | Illustration | Restrictions | UPD | 18:29 | 22.01.2010 | PORSCHE | PET | PORSCHE |
| 911 | 1973 | 1 | 06 | 106-00 | | 248 | | | | | |

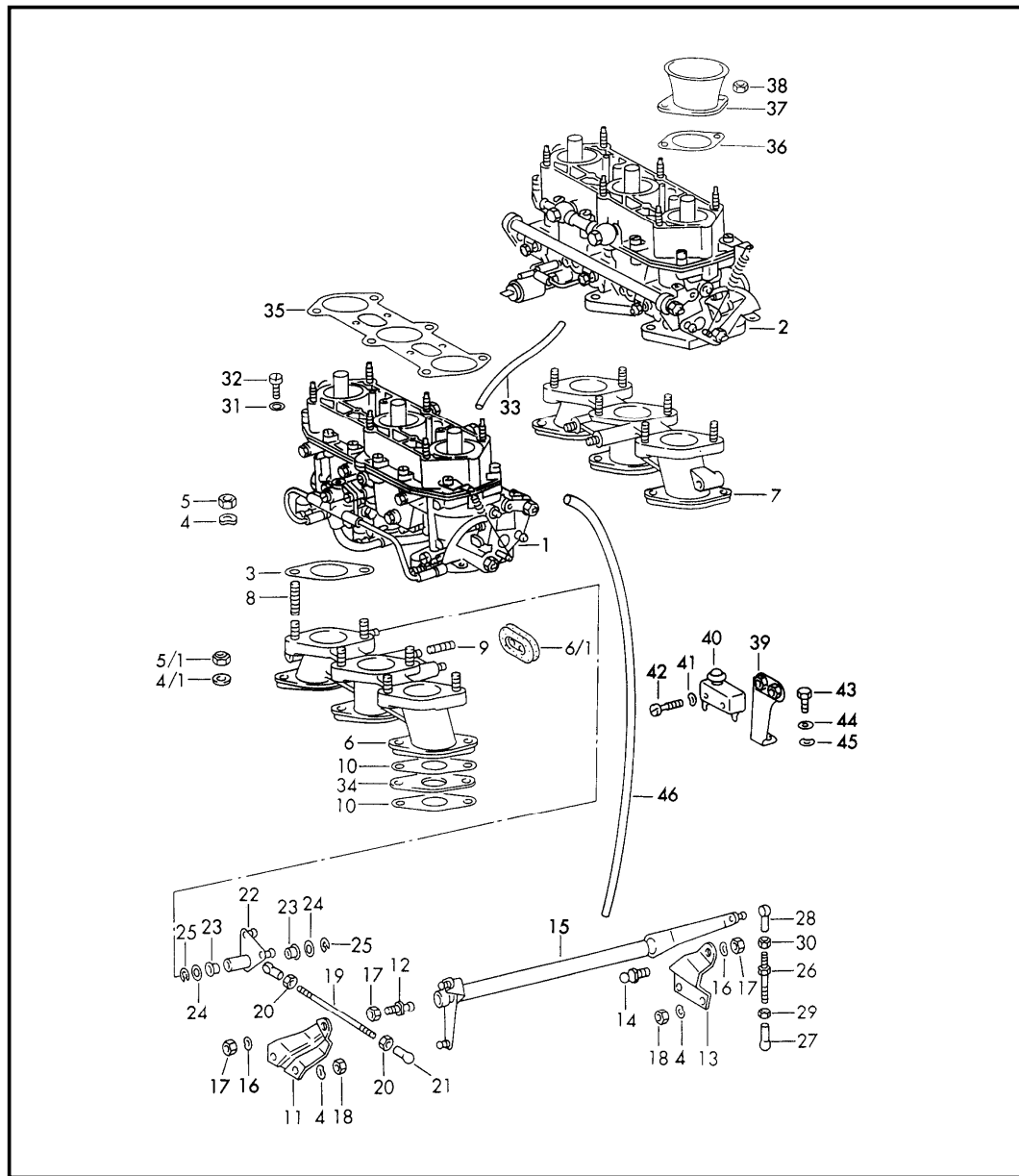
| Pos | Part Number | Description | Remark | Qty | Model | Pos | Part Number | Description | Remark | Qty | Model |
|------|------------------|----------------------------|-----------|-----|----------------------|-----|-------------|-------------|--------|-----|-------|
| 11 | 253 260 180 | valve | | 1 | | | | | | | |
| - | 999 180 030 50 | fuel hose C 7 X 12 | | * | | | | | | | |
| 12 | - | 285 MM | | 1 | | | | | | | |
| 13 | 900 029 003 40 | winged nut M 8 | | 2 | | | | | | | |
| 14 | 900 151 006 09 | washer B 6,4 | -70 | 2 | 911 T/E/S | | | | | | |
| (14) | 900 025 038 40 | washer 8,4 | 71 72- | 2 | 911 T/E/S 911 T-V | | | | | | |
| 15 | 911 108 291 00 | stopper | | 1 | | | | | | | |
| 16 | 901 108 291 00 | hose | -71 | 1 | 911 T/E/S | | | | | | |
| (16) | 911 110 295 02 | breather hose | 72- | 1 | 911 T-V | | | | | | |
| 17 | 999 512 551 00 | hose clamp 25 X 42 X 9 | -71 | 2 | 911 T/E/S | | | | | | |
| (17) | 999 512 132 02 | hose clamp 20 - 30 X 9 | 72- | 2 | 911 T-V | | | | | | |
| - | 999 181 167 50 | hose C 4,5 X 9,5 PN 710 | -71 | * | 911 E/S | | | | | | |
| 18 | - | 465 MM | | 1 | | | | | | | |
| 19 | A 999 512 082 02 | hose clamp | -71 | 2 | 911 E/S | | | | | | |

| | | | | | | | | | | | |
|-------|------|----|----|--------------|--------------|-----|-------|------------|---------|-----|---------|
| Model | Year | MG | SG | Illustration | Restrictions | UPD | 18:29 | 22.01.2010 | PORSCHE | PET | PORSCHE |
| 911 | 1973 | 1 | 06 | 106-05 | | 248 | | | | | |



| Pos | Part Number | Description | Remark | Qty | Model |
|-----|----------------|---------------------------------------------------|--------|-----|-------|
| | | air cleaner system for injection system | 72- | | |
| 1 | 911 108 002 00 | air cleaner system without picture NR. 2, 3 and 8 | | 1 | |
| 2 | 901 108 214 03 | gasket | | 2 | |
| 3 | 911 108 291 00 | stopper | | 1 | |
| 4 | 901 108 215 00 | gasket | | 1 | |
| 5 | 901 108 983 00 | gasket | | 1 | |
| 6 | 911 108 044 00 | lid complete | | 1 | |
| 7 | 901 108 955 11 | filter element | | 1 | |
| 8 | 901 107 729 00 | backfire grid | | 1 | |
| 9 | 900 025 038 40 | washer 8,4 | | 2 | |
| 10 | 900 029 003 40 | winged nut M 8 | | 2 | |
| 11 | 911 108 021 02 | pipe | | 1 | |
| 12 | 253 260 180 | valve | | 1 | |
| - | 999 180 030 50 | fuel hose C 7 X 12 | | * | |
| 13 | - | 285 MM | | 1 | |
| 14 | 911 108 272 00 | hose | | 1 | |
| 15 | 999 512 181 02 | hose clamp 57 - 76 X 9 | | 1 | |
| 16 | 911 108 015 00 | regulator housing | | 1 | |
| 17 | 911 108 061 00 | lever for regulator housing | | 1 | |

| | | | | | | | | | | | |
|-------|------|----|----|--------------|--------------|-----|-------|------------|---------|-----|---------|
| Model | Year | MG | SG | Illustration | Restrictions | UPD | 18:29 | 22.01.2010 | PORSCHE | PET | PORSCHE |
| 911 | 1973 | 1 | 07 | 107-00 | | 248 | | | | | |



| Pos | Part Number | Description | Remark | Qty | Model |
|-----|----------------|-------------------------------------------------------|------------|-----|------------------|
| | | carburettor - ZENITH- | -71 72- | | 911 T 911 T-V |
| 1 | 911 108 121 00 | carburettor 40 TIN | /L -71 | 1 | |
| (1) | 911 108 123 01 | carburettor 40 TIN | /L -71 | 1 | SPM |
| (1) | 911 108 123 02 | carburettor 40 TIN | /L 72- | 1 | 911 T-V |
| 2 | 911 108 122 01 | carburettor 40 TIN | /R -71 | 1 | |
| (2) | 911 108 124 02 | carburettor 40 TIN | /R -71 | 1 | SPM |
| (2) | 911 108 124 03 | carburettor 40 TIN | /R 72- | 1 | 911 T-V |
| 3 | 901 108 398 01 | gasket for carburettor | | 6 | |
| 4 | N 012 241 1 | spring washer B 8 X 15 | -70 | 16 | |
| (4) | N 012 241 8 | spring washer B 8 X 15 | 71- | 16 | |
| 4/1 | 900 031 014 30 | washer 8,4 | | 12 | |
| 5 | 502 08 310 | nut | | 12 | |
| 5/1 | 999 084 601 02 | lock nut M 8 | | 12 | |
| 6 | 901 108 039 04 | intake manifold complete not for sportomatic | /L | 1 | |
| 6/1 | 999 703 076 50 | rubber sleeve for intake manifold | | 2 | |
| 7 | 901 108 040 13 | intake manifold complete | /R | 1 | |
| 8 | 900 061 007 01 | stud BM 8 X 22 | | 12 | |
| 9 | 900 061 022 01 | stud M 8 X 12 | | 4 | |

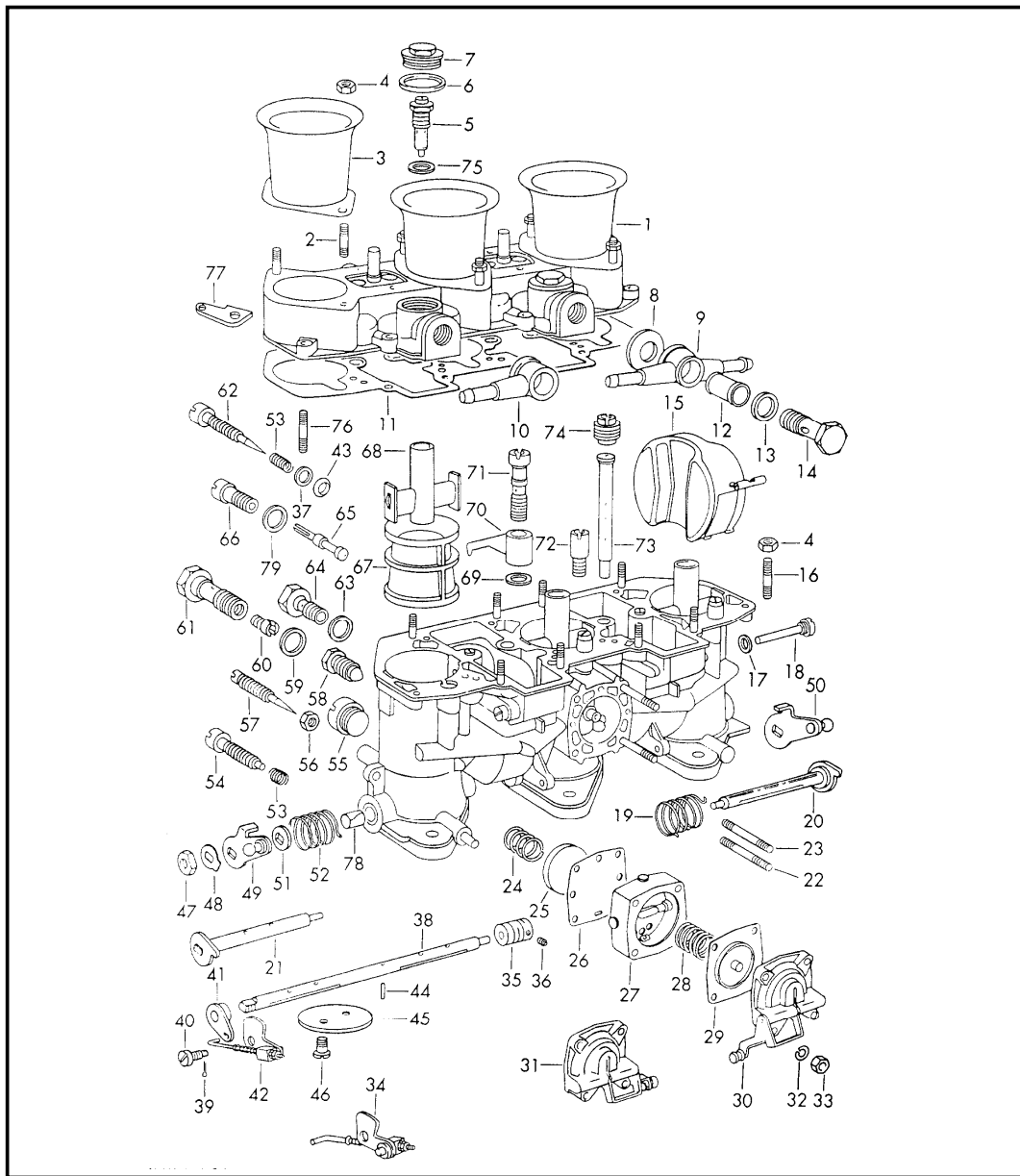
| | | | | | | | | | | | |
|-------|------|----|----|--------------|--------------|-----|-------|------------|---------|-----|---------|
| Model | Year | MG | SG | Illustration | Restrictions | UPD | 18:29 | 22.01.2010 | PORSCHE | PET | PORSCHE |
| 911 | 1973 | 1 | 07 | 107-00 | | 248 | | | | | |

| Pos | Part Number | Description | Remark | Qty | Model | Pos | Part Number | Description | Remark | Qty | Model |
|------|----------------|----------------------------------|--------|-----|-------|------|----------------|-------------------------------|--------|-----|-------|
| 10 | 901 108 391 04 | gasket for intake manifold | | 12 | | 26 | 901 108 089 00 | push rod complete | | 2 | |
| 11 | 901 108 843 00 | bearing lever | /L | 1 | | 27 | 900 169 010 02 | ball socket A 8 left | | 2 | |
| 12 | 999 167 020 02 | ball pin | | 1 | | 28 | N 015 521 3 | ball socket A 8 | | 2 | |
| 13 | 901 108 844 00 | bearing lever | /R | 1 | | 29 | 900 076 029 02 | hexagon nut M 5 left | | 2 | |
| 14 | 999 167 020 02 | ball pin | | 1 | | 30 | 900 076 027 02 | hexagon nut M 5 | | 2 | |
| 15 | 911 108 071 00 | actuating lever complete | | 1 | | 31 | 900 028 018 01 | spring washer B 4 | -70 | 8 | |
| 16 | N 012 241 1 | spring washer B 8 X 15 | | 2 | | (31) | N 012 224 3 | spring washer B 4 | 71- | 8 | |
| (16) | N 012 241 8 | spring washer B 8 X 15 | | 2 | | 32 | 900 014 073 02 | pan-head screw M 4 X 10 | | 8 | |
| 17 | N 011 118 11 | hexagon nut BM 8 | | 3 | | 34 | 901 108 131 00 | intermediate flange | | 6 | |
| 18 | 502 08 310 | nut | | 4 | | 35 | 911 100 977 00 | gasket | | 2 | |
| 19 | 901 108 648 00 | pull rod | | 1 | | 36 | 911 110 391 00 | gasket | | 6 | |
| 20 | 900 076 027 02 | hexagon nut M 5 | | 2 | | 37 | PCG 108 322 01 | intake trumpet \$ 46 | | 6 | |
| 21 | N 015 521 3 | ball socket A 8 | | 2 | | 38 | N 021 196 1 | lock nut M 5 | | 12 | |
| (22) | 901 108 710 00 | reverse lever | | 1 | | 39 | 911 108 127 00 | support | | 1 | |
| (22) | 901 108 720 00 | reverse lever | | 1 | | 40 | 901 613 106 00 | microswitch | | 1 | |
| 23 | 901 423 253 00 | bearing sleeve | | 2 | | 41 | 900 028 018 01 | spring washer B 4 | | 2 | |
| - | 900 089 011 02 | washer 4 | | 1 | SPM | 42 | 900 014 091 02 | pan-head screw BM 4 X 25 | | 2 | |
| - | 900 028 018 01 | spring washer B 4 | | 1 | SPM | 43 | N 010 215 13 | hexagon-head bolt M 6 X 15 | 71- | 1 | |
| - | N 012 224 3 | spring washer B 4 | | 1 | SPM | 44 | 900 151 006 09 | washer B 6,4 | 71- | 1 | |
| - | 900 067 080 02 | pan-head screw M 4 X 10 | | 1 | SPM | 45 | N 012 226 5 | spring washer B6 | 72- | 1 | |
| 24 | 900 031 001 02 | washer 8,4 | | 2 | | | | | | | |
| 25 | 900 116 009 01 | lock washer 6 | | 2 | | | | | | | |

| | | | | | | | | | | | |
|-------|------|----|----|--------------|--------------|-----|-------|------------|---------|-----|---------|
| Model | Year | MG | SG | Illustration | Restrictions | UPD | 18:29 | 22.01.2010 | PORSCHE | PET | PORSCHE |
| 911 | 1973 | 1 | 07 | 107-00 | | 248 | | | | | |

| Pos | Part Number | Description | Remark | Qty | Model | Pos | Part Number | Description | Remark | Qty | Model |
|-----|----------------|----------------------------------------------------------------------------|--------|-----|-------|-----|-------------|-------------|--------|-----|-------|
| - | 999 180 093 50 | hose C 3 X 6,5 | 72- | * | | | | | | | |
| 46 | - | 465 MM of carburettor left until vacuum unit distributor | | 1 | | | | | | | |

| | | | | | | | | | | | |
|-------|------|----|----|--------------|--------------|-----|-------|------------|---------|-----|---------|
| Model | Year | MG | SG | Illustration | Restrictions | UPD | 18:29 | 22.01.2010 | PORSCHE | PET | PORSCHE |
| 911 | 1973 | 1 | 07 | 107-05 | | 248 | | | | | |



| Pos | Part Number | Description | Remark | Qty | Model |
|-----|----------------|------------------------------------------------------------|--------|-----|-------|
| | | repair material for carburettor - WEBER - 40 IDTP 1 3C/3C1 | -71 | | 911 T |
| | | installation from engine number 911/03 and 911/06 (EUROPA) | | | |
| 1 | 901 100 930 01 | lid with stud | | 1 | |
| 2 | 901 100 932 00 | stud | | 6 | |
| 3 | PCG 108 322 01 | intake trumpet | | 3 | |
| 4 | 901 100 814 00 | nut | | 16 | |
| 5 | 901 100 934 00 | carburettor needle valve | | 2 | |
| 6 | PCG 100 914 00 | sealing ring | | 2 | |
| 7 | 901 100 801 00 | screw plug | | 2 | |
| 8 | 901 100 915 00 | sealing ring | | 2 | |
| 9 | 901 100 935 00 | connecting piece | | 1 | |
| 10 | 901 100 936 00 | connecting piece | | 1 | |
| 11 | 901 100 937 00 | gasket | | 1 | |
| 12 | 901 100 808 00 | fuel strainer | | 2 | |
| 13 | 901 100 916 00 | sealing ring | | 2 | |
| 14 | 901 100 938 00 | screw plug | | 2 | |
| 15 | 901 100 807 00 | float | | 2 | |
| 15 | 901 100 807 01 | float | | 2 | |
| 16 | 901 100 813 00 | stud | | 9 | |
| 17 | 901 100 917 00 | sealing ring | | 2 | |
| 18 | 901 100 811 00 | screw for float axle | | 2 | |
| 19 | 901 100 939 00 | spring | | 1 | |

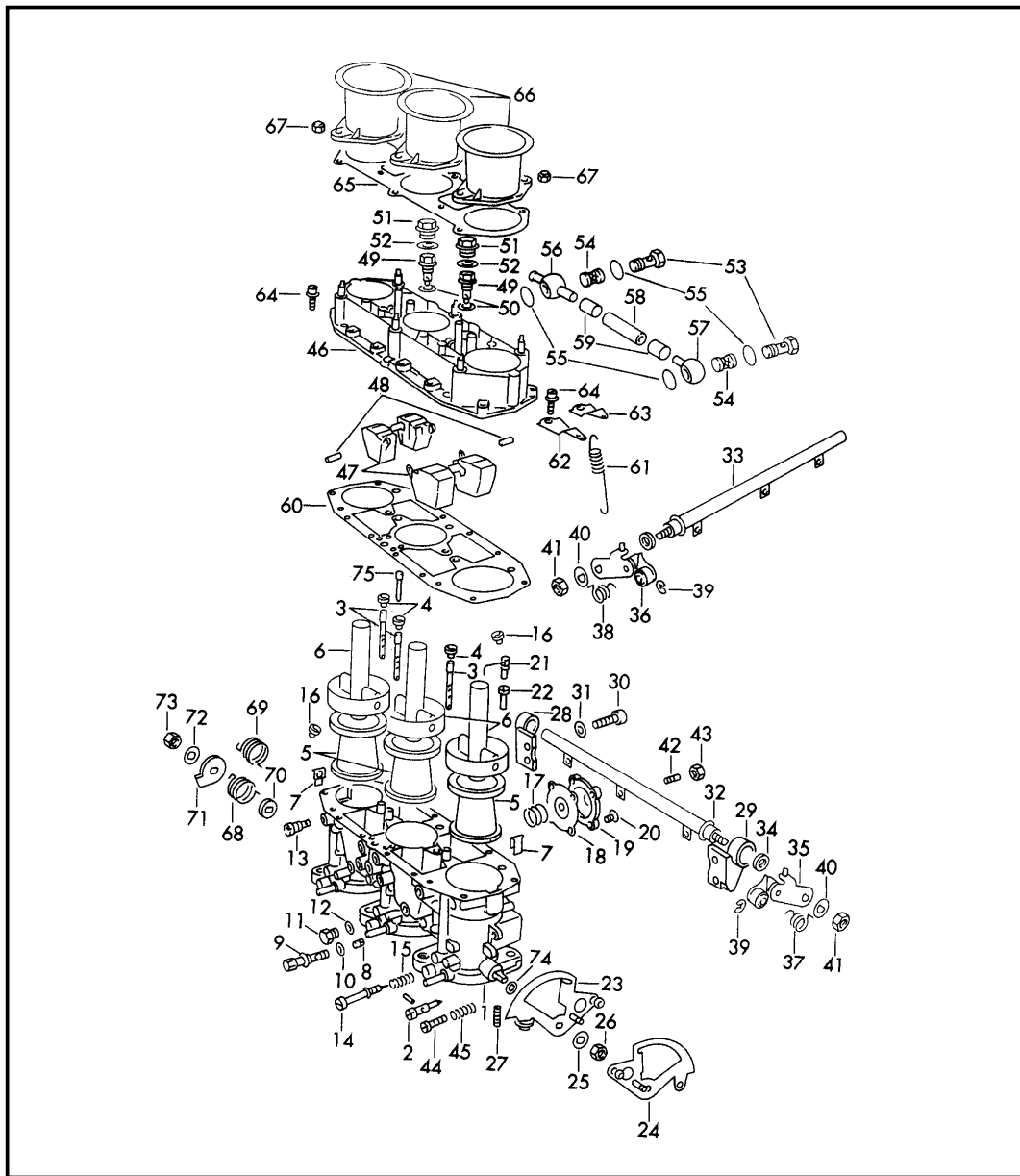
| | | | | | | | | | | | |
|-------|------|----|----|--------------|--------------|-----|-------|------------|---------|-----|---------|
| Model | Year | MG | SG | Illustration | Restrictions | UPD | 18:29 | 22.01.2010 | PORSCHE | PET | PORSCHE |
| 911 | 1973 | 1 | 07 | 107-05 | | 248 | | | | | |

| Pos | Part Number | Description | Remark | Qty | Model | Pos | Part Number | Description | Remark | Qty | Model |
|-----|----------------|--------------------------|--------|-----|-------|-----|----------------|------------------------------------|--------|-----|-------|
| 20 | 901 100 941 01 | throttle shaft | /L | 1 | | 45 | 901 100 965 00 | throttle valve | | 3 | |
| 21 | 901 100 940 01 | throttle shaft | /R | 1 | | 46 | 901 100 966 01 | screw | | 6 | |
| 22 | 901 100 942 00 | stud | | 2 | | 47 | 901 100 803 00 | nut | | 6 | |
| 23 | 901 100 943 01 | stud | | 2 | | 48 | 901 100 967 01 | spacer | | 1 | |
| 24 | 901 100 944 00 | spring | | 1 | | 49 | 901 100 969 02 | throttle lever | /L | 1 | |
| 25 | 901 100 945 00 | valve | | 1 | | 50 | 901 100 968 02 | throttle lever | /R | 1 | |
| 26 | 901 100 946 00 | diaphragm | | 1 | | 51 | 901 100 971 01 | spacer | | 1 | |
| 27 | 901 100 947 00 | lower part pump | | 1 | | 52 | 901 100 972 00 | spring | | 1 | |
| 28 | 901 100 948 00 | spring | | 1 | | 53 | 901 100 805 00 | spring | | 4 | |
| 29 | 901 100 949 00 | diaphragm | | 1 | | 54 | 901 100 804 00 | adjusting screw for throttle valve | | 1 | |
| 30 | 901 100 951 00 | lid pump | /L | 1 | | 55 | 901 100 973 00 | screw | | 3 | |
| 31 | 901 100 950 00 | lid pump | /R | 1 | | 56 | 901 100 809 00 | nut | | 3 | |
| 32 | 901 100 952 00 | lock ring | | 4 | | 57 | 901 100 974 00 | adjusting screw | | 3 | |
| 33 | 901 100 953 01 | nut | | 4 | | 58 | 901 100 976 01 | fastening screw | | 3 | |
| 34 | 901 100 912 01 | linkage | /R | 1 | | 59 | 901 100 977 00 | sealing ring | | 3 | |
| 35 | 901 100 955 01 | connecting piece elastic | | 1 | | 60 | 901 100 978 04 | main vent 110 | | 3 | |
| 36 | 901 100 954 03 | screw | | 4 | | 61 | 901 100 979 00 | jet carrier | | 3 | |
| 37 | 901 100 956 02 | spacer | | 2 | | 62 | PCG 100 980 02 | adjusting screw | | 3 | |
| 38 | 901 100 958 01 | shaft | | 1 | | 63 | 901 100 918 00 | sealing ring | | 2 | |
| 39 | 616 100 812 00 | retaining spring | | 2 | | 64 | 901 100 806 00 | drain plug | | 2 | |
| 40 | 901 100 960 01 | screw for axle float | | 1 | | 65 | 901 100 981 02 | idle jet 0,55 | | 3 | |
| 41 | 901 100 961 00 | lever | | 1 | | 66 | 901 100 982 00 | jet carrier | | 3 | |
| 42 | 901 100 911 01 | linkage | | 1 | | 67 | 901 100 983 03 | venturi \$ 27 | | 3 | |
| 43 | 901 100 998 00 | sealing ring | | 1 | | 68 | 901 100 985 00 | booster 4,50 | | 3 | |
| 44 | 901 100 812 00 | pin | | 1 | | 69 | 901 100 919 00 | sealing ring | | 3 | |

| | | | | | | | | | | | |
|-------|------|----|----|--------------|--------------|-----|-------|------------|---------|-----|---------|
| Model | Year | MG | SG | Illustration | Restrictions | UPD | 18:29 | 22.01.2010 | PORSCHE | PET | PORSCHE |
| 911 | 1973 | 1 | 07 | 107-05 | | 248 | | | | | |

| Pos | Part Number | Description | Remark | Qty | Model | Pos | Part Number | Description | Remark | Qty | Model |
|------|----------------|----------------------------|--------|-----|-------|-----|-------------|-------------|--------|-----|-------|
| 70 | 901 100 986 00 | pump jet 0,50 | | 3 | | | | | | | |
| - | 901 100 986 05 | pump jet 0,50 + 2 MM | | 3 | | | | | | | |
| 71 | 901 100 987 00 | pressure valve | | 3 | | | | | | | |
| 72 | 901 100 810 00 | suction valve | | 1 | | | | | | | |
| (73) | 901 100 988 04 | mixing tube F 1 | | 3 | | | | | | | |
| (74) | 901 100 989 08 | air correction jet 185 | | 3 | | | | | | | |
| 75 | 901 100 990 01 | sealing ring 1 MM | | X | | | | | | | |
| (75) | 901 100 995 00 | sealing ring 0,25 MM | | X | | | | | | | |
| (75) | 901 100 996 00 | sealing ring 0,50 MM | | X | | | | | | | |
| 76 | 901 100 802 00 | stud | | 1 | | | | | | | |
| 77 | 901 100 993 00 | bracket | | 1 | | | | | | | |
| 78 | 901 100 997 00 | bush (TEFLON) | | 2 | | | | | | | |
| 79 | 901 100 998 00 | sealing ring | | 3 | | | | | | | |

| | | | | | | | | | | | |
|-------|------|----|----|--------------|--------------|-----|-------|------------|---------|-----|---------|
| Model | Year | MG | SG | Illustration | Restrictions | UPD | 18:29 | 22.01.2010 | PORSCHE | PET | PORSCHE |
| 911 | 1973 | 1 | 07 | 107-10 | | 248 | | | | | |



| Pos | Part Number | Description | Remark | Qty | Model |
|-----|----------------|---------------------------------------------------|------------|-----|------------------|
| | | repair material for carburettor - ZENITH - 40 TIN | -71 72- | | 911 T 911 T-V |
| - | 911 108 121 00 | carburettor | /L | -71 | 1 |
| - | 911 108 122 01 | carburettor | /R | -71 | 1 |
| - | 911 108 123 02 | carburettor | /L | 72- | 1 |
| - | 911 108 124 02 | carburettor | /R | 72- | 1 |
| 2 | 911 100 923 00 | adjusting screw | | | 6 |
| - | 911 100 924 00 | pin | | | 6 |
| 3 | 911 100 925 00 | mixing tube \$ 4,3 | | | 6 |
| - | 911 100 917 00 | bush \$ 4,3 for mixing tube | -70 | | 6 |
| 4 | 901 108 940 00 | air correction jet 195 | | | 6 |
| (4) | 901 108 940 03 | air correction jet 210 | | 72- | 6 |
| 5 | 911 100 926 00 | venturi | | -71 | 6 |
| (5) | 911 100 926 01 | venturi 28,5 | | 72- | 6 |
| 6 | 911 100 927 01 | booster | | | 6 |
| 7 | 911 100 928 00 | spring | | | 6 |
| 8 | 911 100 929 00 | main vent 115 | | -71 | 6 |
| (8) | 911 100 929 03 | main vent 120 | | 72- | 6 |
| 9 | 911 100 930 00 | support | | | 6 |
| 10 | 901 108 976 00 | sealing ring | | | 6 |
| 11 | 911 100 931 00 | screw plug | | | 4 |
| - | PCG 100 900 00 | screw plug | | | 6 |
| 12 | 911 100 932 01 | sealing ring | | -71 | 4 |

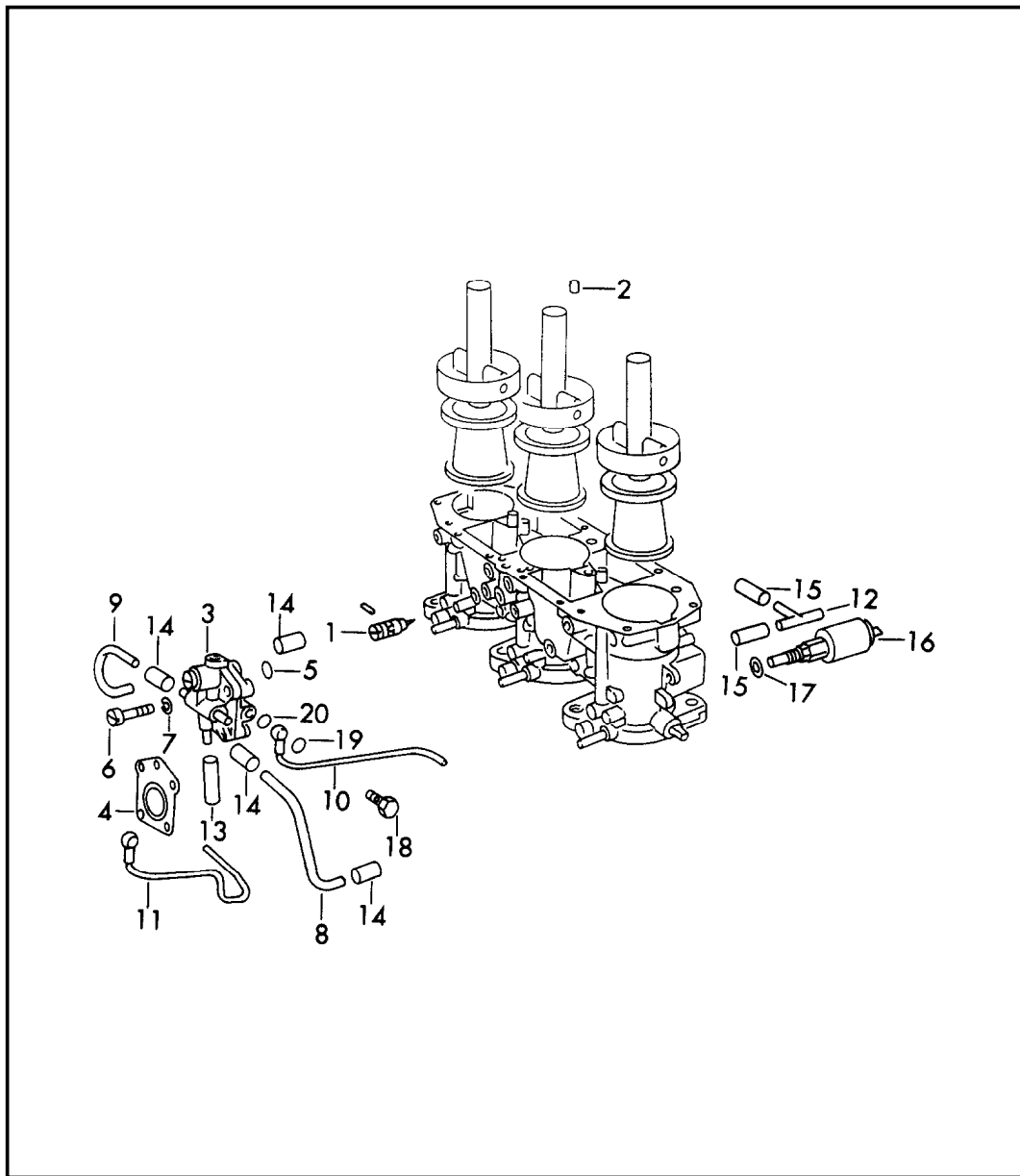
| | | | | | | | | | | | |
|-------|------|----|----|--------------|--------------|-----|-------|------------|---------|-----|---------|
| Model | Year | MG | SG | Illustration | Restrictions | UPD | 18:29 | 22.01.2010 | PORSCHE | PET | PORSCHE |
| 911 | 1973 | 1 | 07 | 107-10 | | 248 | | | | | |

| Pos | Part Number | Description | Remark | Qty | Model | Pos | Part Number | Description | Remark | Qty | Model |
|------|----------------|-------------------------|--------|-----|-------|-----|----------------|-------------------------------|--------|-----|-------|
| (12) | 911 100 932 00 | sealing ring | 72- | 4 | | 33 | 911 100 952 01 | shaft complete | | 1 | |
| 13 | 911 100 999 01 | idle jet 47,5 P | -71 | 6 | | 34 | 911 100 953 00 | washer | | 2 | |
| (13) | 911 100 999 01 | nozzle 47,5 P | 72- | 6 | | 35 | 911 100 920 00 | lever complete | | 1 | |
| 14 | 911 100 933 00 | adjusting screw | | 6 | | 36 | 911 100 921 00 | lever complete | | 1 | |
| 15 | 911 100 934 00 | compression spring | | 6 | | 37 | 911 100 954 00 | spring | | 1 | |
| 16 | 911 100 935 00 | valve | | 6 | | 38 | 911 100 922 00 | spring | | 1 | |
| 17 | 911 100 936 00 | spring | | 6 | | 39 | 911 100 955 00 | retainer | | 2 | |
| 18 | 911 100 937 00 | diaphragm complete | | 6 | | 40 | 911 100 915 00 | lock washer | | 2 | |
| 19 | 911 100 938 00 | lid | | 6 | | 41 | 911 100 946 00 | hexagon nut | | 2 | |
| 20 | 911 100 939 00 | oval-head screw | | 24 | | 42 | 911 100 947 00 | threaded pin | | 6 | |
| 21 | 911 100 940 00 | injection pipe complete | | 6 | | 43 | 901 108 977 00 | hexagon nut | | 6 | |
| - | PCG 100 940 40 | o-ring | | 6 | | 44 | 911 100 957 00 | adjusting screw idle speed | | 2 | |
| 22 | 911 100 941 00 | pin | | 6 | | 45 | 911 100 934 00 | compression spring | | 2 | |
| - | 911 100 942 00 | spring washer | | 2 | | 46 | 911 100 959 00 | lid | | 2 | |
| 23 | - | deleted | | | | 47 | 911 100 960 00 | float | | 4 | |
| - | 911 100 944 00 | cam disc complete | -71 | 1 | | 48 | 911 100 961 00 | axle float | | 8 | |
| 23 | 911 100 943 00 | cam disc | /L | 1 | | 49 | 911 100 962 00 | carburettor needle valve | | 4 | |
| 24 | 911 100 943 01 | cam disc | /R | 1 | | 50 | 911 100 963 00 | sealing ring | | 4 | |
| 25 | 911 100 945 00 | tab washer | | 2 | | 51 | 911 100 964 00 | screw plug | | 4 | |
| 26 | 911 100 946 00 | hexagon nut | | 2 | | 52 | 911 100 965 00 | sealing ring | | 4 | |
| (27) | 911 100 958 00 | threaded pin | 72- | 1 | | 53 | 911 100 966 00 | banjo bolt | | 4 | |
| 28 | 911 100 948 00 | bearing bracket | /L | 2 | | 54 | 911 100 967 00 | strainer | | 4 | |
| 29 | 911 100 949 00 | bearing bracket | /R | 2 | | 55 | 911 100 968 00 | sealing ring | | 8 | |
| 30 | 911 100 950 00 | pan-head screw | | 8 | | 56 | 911 100 969 00 | ring piece | | 2 | |
| 31 | N 012 026 3 | lock ring | | 8 | | 57 | 911 100 970 00 | ring piece | | 2 | |
| 32 | 911 100 952 00 | shaft complete | | 1 | | 58 | 999 180 030 50 | fuel hose | | 2 | |

| | | | | | | | | | | | |
|-------|------|----|----|--------------|--------------|-----|-------|------------|---------|-----|---------|
| Model | Year | MG | SG | Illustration | Restrictions | UPD | 18:29 | 22.01.2010 | PORSCHE | PET | PORSCHE |
| 911 | 1973 | 1 | 07 | 107-10 | | 248 | | | | | |

| Pos | Part Number | Description | Remark | Qty | Model | Pos | Part Number | Description | Remark | Qty | Model |
|------|----------------|-------------------|--------|-----|-------|-----|-------------|-------------|--------|-----|-------|
| 59 | 911 100 972 00 | hose sleeve | | 4 | | | | | | | |
| 60 | PCG 100 973 00 | gasket | | 2 | | | | | | | |
| 61 | 911 100 974 00 | return spring | | 2 | | | | | | | |
| 62 | 911 100 975 00 | retaining bracket | /L | 1 | | | | | | | |
| 63 | 911 100 983 00 | retaining bracket | /R | 1 | | | | | | | |
| 64 | 911 100 976 00 | pan-head screw | | 24 | | | | | | | |
| 65 | 911 100 977 00 | gasket | | 2 | | | | | | | |
| 66 | PCG 108 322 01 | intake trumpet | | 6 | | | | | | | |
| | | \$ 46 | | | | | | | | | |
| (66) | - | funnel | | 6 | | | | | | | |
| | | \$ 46 | | | | | | | | | |
| 67 | N 021 196 1 | lock nut | | 12 | | | | | | | |
| | | M 5 | | | | | | | | | |
| (67) | - | hexagon nut | | 12 | | | | | | | |
| | | M 5 | | | | | | | | | |
| 68 | 911 100 980 00 | spring | | 1 | | | | | | | |
| 69 | 911 100 980 00 | spring | | 1 | | | | | | | |
| 70 | 911 100 981 00 | washer | | 2 | | | | | | | |
| 71 | 911 100 982 00 | lever | | 2 | | | | | | | |
| 72 | 911 100 945 00 | lock washer | | 2 | | | | | | | |
| 73 | 911 100 946 00 | hexagon nut | | 2 | | | | | | | |
| - | 911 100 987 01 | seat | | 2 | | | | | | | |
| 74 | 911 100 942 00 | spring washer | | 2 | | | | | | | |
| 75 | - | nozzle | | 2 | | | | | | | |

| | | | | | | | | | | | |
|-------|------|----|----|--------------|--------------|-----|-------|------------|---------|-----|---------|
| Model | Year | MG | SG | Illustration | Restrictions | UPD | 18:30 | 22.01.2010 | PORSCHE | PET | PORSCHE |
| 911 | 1973 | 1 | 07 | 107-15 | | 248 | | | | | |

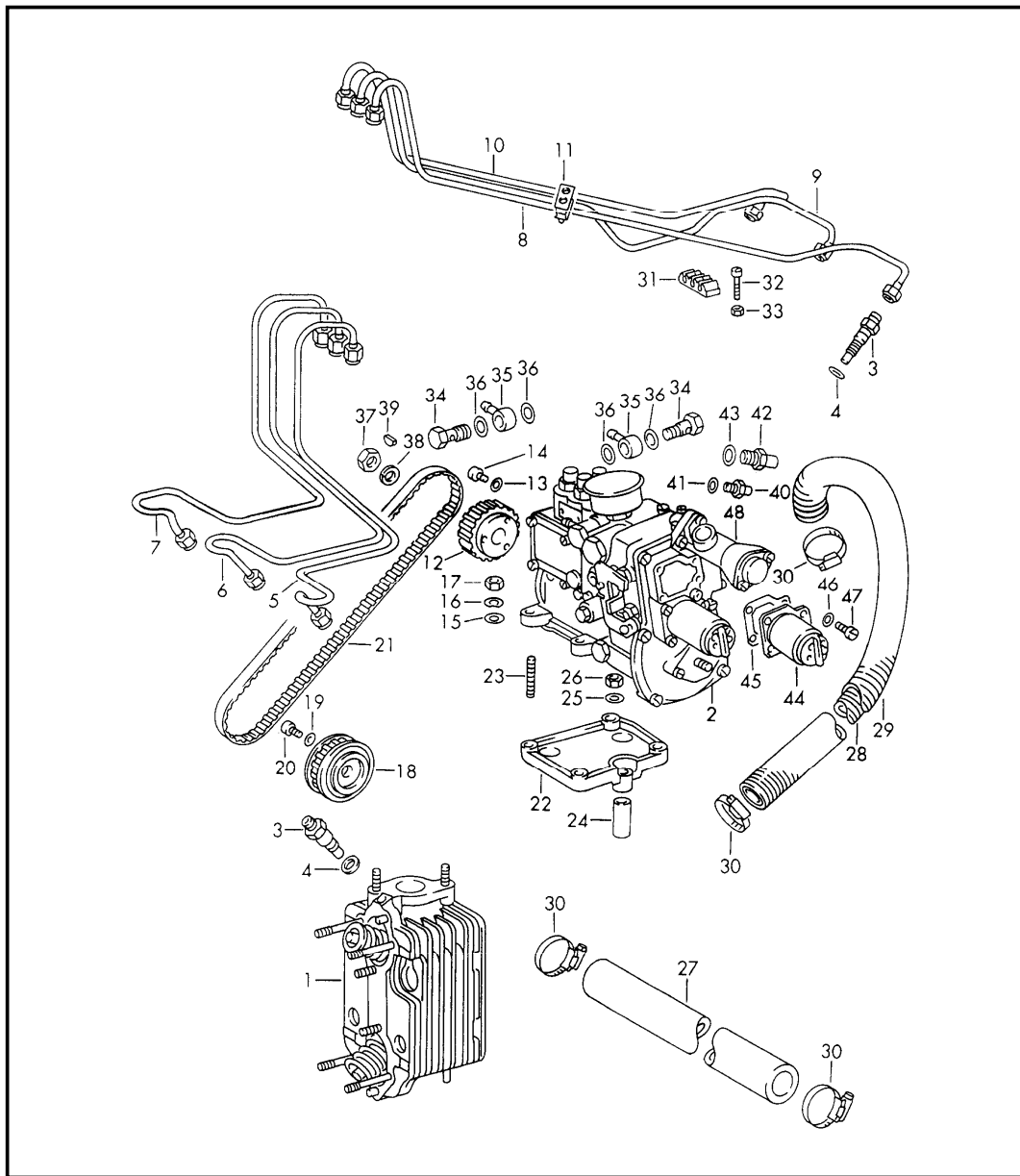


| Pos | Part Number | Description | Remark | Qty | Model |
|------|----------------|---------------------------------------------------------------|------------|-----|----------------------------|
| | | repair material for carburettor - ZENITH - 40 TIN | -71 72- | | 911 T 911 T VERGASER |
| | | repair material for carburettor see group 1/07/07 | | | |
| 1 | 911 100 923 01 | adjusting screw | | 2 | |
| - | 911 100 985 00 | pin | | 2 | |
| 2 | 911 100 986 00 | nozzle | | 2 | |
| 3 | 911 100 987 00 | valve | | 2 | |
| 4 | 911 100 937 01 | diaphragm | | 2 | |
| 5 | 911 100 989 00 | o-ring | | 2 | |
| 6 | 911 100 990 00 | screw | | 4 | |
| 7 | 911 100 991 00 | lock ring | | 4 | |
| 8 | 911 100 992 00 | pipe | | 2 | |
| 9 | 911 100 993 00 | pipe | | 2 | |
| 10 | 911 100 994 00 | pipe complete | | 1 | |
| 11 | 911 100 984 00 | pipe | | 1 | |
| 12 | 911 100 902 00 | distributor line | | 1 | |
| 13 | 911 100 995 00 | hose | | 2 | |
| 14 | 999 180 035 50 | breather hose | | 8 | |
| 15 | 999 181 281 50 | vacuum hose | | 2 | |
| 16 | 911 605 101 00 | solenoid valve | | 1 | |
| 17 | 911 100 998 02 | sealing ring | -71 | 1 | |
| (17) | 911 100 998 02 | gasket | 72- | 1 | |
| 18 | 911 100 997 00 | banjo bolt | | 2 | |
| 19 | 911 100 998 00 | gasket | | 2 | |
| 20 | 911 100 998 00 | gasket | | 2 | |

| | | | | | | | | | | | |
|-------|------|----|----|--------------|--------------|-----|-------|------------|---------|-----|---------|
| Model | Year | MG | SG | Illustration | Restrictions | UPD | 18:30 | 22.01.2010 | PORSCHE | PET | PORSCHE |
| 911 | 1973 | 1 | 07 | 107-15 | | 248 | | | | | |

| Pos | Part Number | Description | Remark | Qty | Model | Pos | Part Number | Description | Remark | Qty | Model |
|-----|----------------|------------------------------------------------|--------|-----|-------|-----|-------------|-------------|--------|-----|-------|
| - | 911 100 987 02 | spring for diaphragm picture NR. 4 | 72- | 2 | | | | | | | |
| - | 911 100 987 01 | seat for diaphragm picture NR. 4 | 72- | 2 | | | | | | | |

| | | | | | | | | | | | |
|-------|------|----|----|--------------|--------------|-----|-------|------------|---------|-----|---------|
| Model | Year | MG | SG | Illustration | Restrictions | UPD | 18:30 | 22.01.2010 | PORSCHE | PET | PORSCHE |
| 911 | 1973 | 1 | 07 | 107-20 | | 248 | | | | | |



| Pos | Part Number | Description | Remark | Qty | Model |
|-----|------------------|--------------------------------------------------------|--------|-----|-------------------------|
| | | injection system | -71 | | 911 E/S |
| | | cylinder head and injection pump | 72- | | 911 T-E/E/S CARRERA 2.7 |
| 1 | > 911 104 007 00 | cylinder head | -72 | 1 | 911 E |
| (1) | > 911 104 008 00 | cylinder head | -72 | 1 | 911 S |
| (1) | > 911 104 008 00 | cylinder head - NACHARBEIT ERFORDERLICH Fase anbringen | 73- | 1 | CARRERA 2.7 |
| (1) | > 911 104 004 00 | cylinder head | 72- | 1 | 911 T-E |
| (1) | 911 104 004 X | cylinder head exchange | 72- | 1 | 911 T-E |
| 2 | > 911 110 221 00 | injection pump | -71 | 1 | 911 E |
| (2) | > 911 110 222 00 | injection pump | -71 | 1 | 911 S |
| (2) | > 911 110 251 00 | injection pump | 72- | 1 | 911 T-E |
| (2) | > 911 110 252 00 | injection pump | 72- | 1 | 911 E |
| (2) | > 911 110 253 00 | injection pump | 72- | 1 | 911 S |
| (2) | > 911 110 254 00 | injection pump | 72- | 1 | CARRERA 2.7 |
| 3 | 901 110 271 00 | injector valve | | 6 | |
| 4 | N 013 812 2 | sealing ring A 12 X 15,5 | | 6 | |
| 5 | 911 110 021 00 | injection line cylinder 1 complete | | 1 | |
| 6 | 911 110 022 00 | injection line cylinder 2 complete | | 1 | |
| 7 | 911 110 023 00 | injection line cylinder 3 complete | | 1 | |
| 8 | 911 110 024 01 | injection line cylinder 4 complete | | 1 | |
| 9 | 911 110 025 00 | injection line cylinder 5 complete | | 1 | |

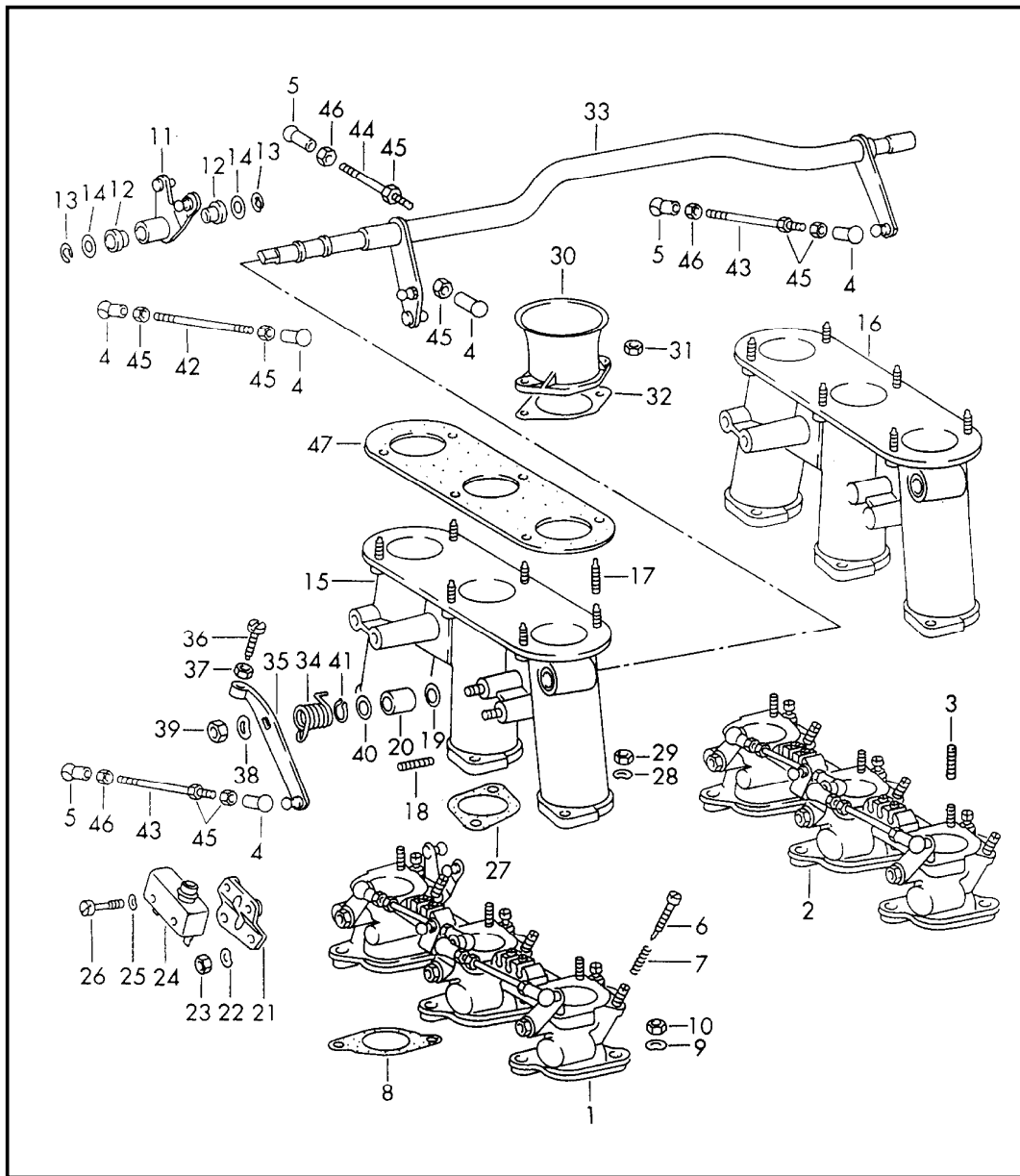
| | | | | | | | | | | | |
|-------|------|----|----|--------------|--------------|-----|-------|------------|---------|-----|---------|
| Model | Year | MG | SG | Illustration | Restrictions | UPD | 18:30 | 22.01.2010 | PORSCHE | PET | PORSCHE |
| 911 | 1973 | 1 | 07 | 107-20 | | 248 | | | | | |

| Pos | Part Number | Description | Remark | Qty | Model | Pos | Part Number | Description | Remark | Qty | Model |
|------|----------------|------------------------------------------|--------|-----|-------|------|----------------|----------------------------------------------|------------|-----|---------|
| 10 | 911 110 026 00 | injection line cylinder 6 complete | | 1 | | 24 | 901 110 236 00 | spacer tube | -72 72- | 1 | 911 T-K |
| 11 | 911 110 333 00 | clamp | | 1 | | 25 | N 012 241 1 | spring washer B 8X15 | -72 72- | 3 | 911 T-K |
| 12 | 901 110 022 00 | gear wheel injection pump | | 1 | | 26 | 900 076 025 02 | hexagon nut M 8 | -72 72- | 3 | 911 T-K |
| 13 | 900 028 003 01 | spring washer A 6 | -70 | 3 | | 27 | 000 043 205 21 | hose internal diameter 25 440 MM | | 1 | |
| (13) | N 012 226 5 | spring washer A 6 | 71- | 3 | | 28 | 901 110 295 00 | hose | | 1 | |
| - | 901 110 238 00 | washer | | 1 | | 29 | PCG 110 296 00 | hose | | 1 | |
| 14 | 900 067 009 02 | pan-head screw M 6 X 15 | | 3 | | 30 | 999 512 551 00 | hose clamp 25 X 42 X 9 | | 2 | |
| 15 | 900 025 007 02 | washer 8,4 | | 4 | | (30) | 999 512 132 02 | hose clamp 20 X 30 X 9 | | 2 | |
| 16 | N 012 241 1 | spring washer B 8 X 15 | -70 | 4 | | 31 | 916 110 330 00 | support for injection line complete | -71 | 4 | |
| (16) | N 012 241 8 | spring washer B 8 X 15 | 71- | 4 | | 32 | 900 014 093 02 | pan-head screw AM 3 X 22 | -71 | 8 | |
| 17 | 502 08 310 | nut | | 4 | | 33 | 900 076 001 02 | hexagon nut M 3 | | 8 | |
| 18 | 901 110 023 00 | gear wheel camshaft | | 1 | | 34 | 901 110 917 00 | banjo bolt | -71 | 2 | |
| 19 | 900 028 003 01 | spring washer A 6 | -70 | 2 | | (34) | 911 108 910 00 | banjo bolt | 72- | 2 | |
| (19) | N 012 226 5 | spring washer A 6 | 71- | 2 | | 35 | 901 108 995 00 | ring piece | -71 | 2 | |
| 20 | 900 067 009 02 | pan-head screw M 6 X 15 | -71 | 2 | | (35) | 911 108 912 00 | ring piece | 72- | 2 | |
| (20) | 900 067 008 02 | pan-head screw M 6 X 12 | 72- | 2 | | 36 | 901 108 994 00 | sealing ring | -71 | 4 | |
| 21 | 999 192 030 40 | toothed belt | | 1 | | (36) | 911 108 911 00 | sealing ring | 72- | 4 | |
| 22 | 901 110 027 00 | bracket | | 1 | | 37 | 900 078 003 00 | hexagon nut M 12 | -71 | 1 | |
| 23 | 900 061 007 01 | stud BM 8 X 22 SN 1115 | -71 | 4 | | 38 | 900 028 014 01 | lock ring B 12 | | 1 | |
| (23) | 999 062 007 02 | stud BM 8 X 22 | 72- | 4 | | 39 | N 012 706 1 | spring 3 X 6,5 | | 1 | |

| | | | | | | | | | | | |
|-------|------|----|----|--------------|--------------|-----|-------|------------|---------|-----|---------|
| Model | Year | MG | SG | Illustration | Restrictions | UPD | 18:30 | 22.01.2010 | PORSCHE | PET | PORSCHE |
| 911 | 1973 | 1 | 07 | 107-20 | | 248 | | | | | |

| Pos | Part Number | Description | Remark | Qty | Model | Pos | Part Number | Description | Remark | Qty | Model |
|-----|----------------|------------------------------------------|--------|-----|-------|-----|-------------|-------------|--------|-----|-------|
| 40 | 901 110 918 00 | adapter intake | | 1 | | | | | | | |
| 41 | 900 123 033 20 | sealing ring A 10 X 13,5 | | 1 | | | | | | | |
| 42 | 901 110 919 00 | adapter return line | | 1 | | | | | | | |
| 43 | N 013 849 2 | sealing ring A 14 X 18 | | 1 | | | | | | | |
| 44 | 911 110 911 00 | solenoid switch | | 1 | | | | | | | |
| 45 | 901 110 922 00 | gasket | | 1 | | | | | | | |
| 46 | 901 110 923 00 | lock ring | | 4 | | | | | | | |
| 47 | 900 014 058 02 | pan-head screw AM 5 X 12 | | 4 | | | | | | | |
| 48 | 901 110 924 00 | thermostat for hot air complete | | 1 | | | | | | | |
| - | 901 110 925 00 | insulating piece | | 1 | | | | | | | |
| - | 900 014 081 02 | pan-head screw M 6 X 18 | | 2 | | | | | | | |
| - | 901 110 926 00 | insulating bush | | 2 | | | | | | | |
| - | 901 110 927 00 | sealing ring | | 1 | | | | | | | |

| | | | | | | | | | | | |
|-------|------|----|----|--------------|--------------|-----|-------|------------|---------|-----|---------|
| Model | Year | MG | SG | Illustration | Restrictions | UPD | 18:30 | 22.01.2010 | PORSCHE | PET | PORSCHE |
| 911 | 1973 | 1 | 07 | 107-25 | | 248 | | | | | |



| Pos | Part Number | Description | Remark | Qty | Model |
|------|----------------|----------------------------------------------------------|--------|-----|-----------|
| | | injection system throttle body | -71 | | 911 E/S |
| 1 | 911 110 083 50 | throttle body not for sportomatic | /L | 1 | 911 E |
| (1) | 911 110 085 50 | throttle body not for sportomatic | /L | 1 | 911 S |
| (1) | 911 110 083 51 | throttle body exchange | /L | 1 | 911 E SPM |
| - | 901 110 111 00 | bearing sleeve for throttle shaft | | 12 | |
| 2 | 911 110 084 50 | throttle body | /R | 1 | 911 E |
| (2) | 911 110 085 50 | throttle body not for sportomatic | /R | 1 | 911 S |
| 3 | 999 062 071 02 | stud BM 6 X 16 | | 12 | |
| 4 | 999 169 002 02 | ball socket | | 5 | |
| 5 | 999 169 001 02 | ball socket left thread | | 5 | |
| 6 | 901 110 112 01 | adjusting screw | | 6 | |
| 7 | 901 110 119 01 | spring | | 6 | |
| 8 | 901 108 391 04 | gasket for throttle body | | 6 | 911 E |
| (8) | 901 108 391 05 | gasket for throttle body not for sportomatic | | 6 | 911 S |
| 9 | 900 031 014 30 | washer 8,4 | | 12 | |
| 10 | 999 084 601 02 | hexagon nut M 8 | | 12 | |
| 11 | 901 110 007 00 | reverse lever not for sportomatic | | 1 | |
| (11) | 901 110 077 00 | reverse lever | | 1 | 911 E SPM |

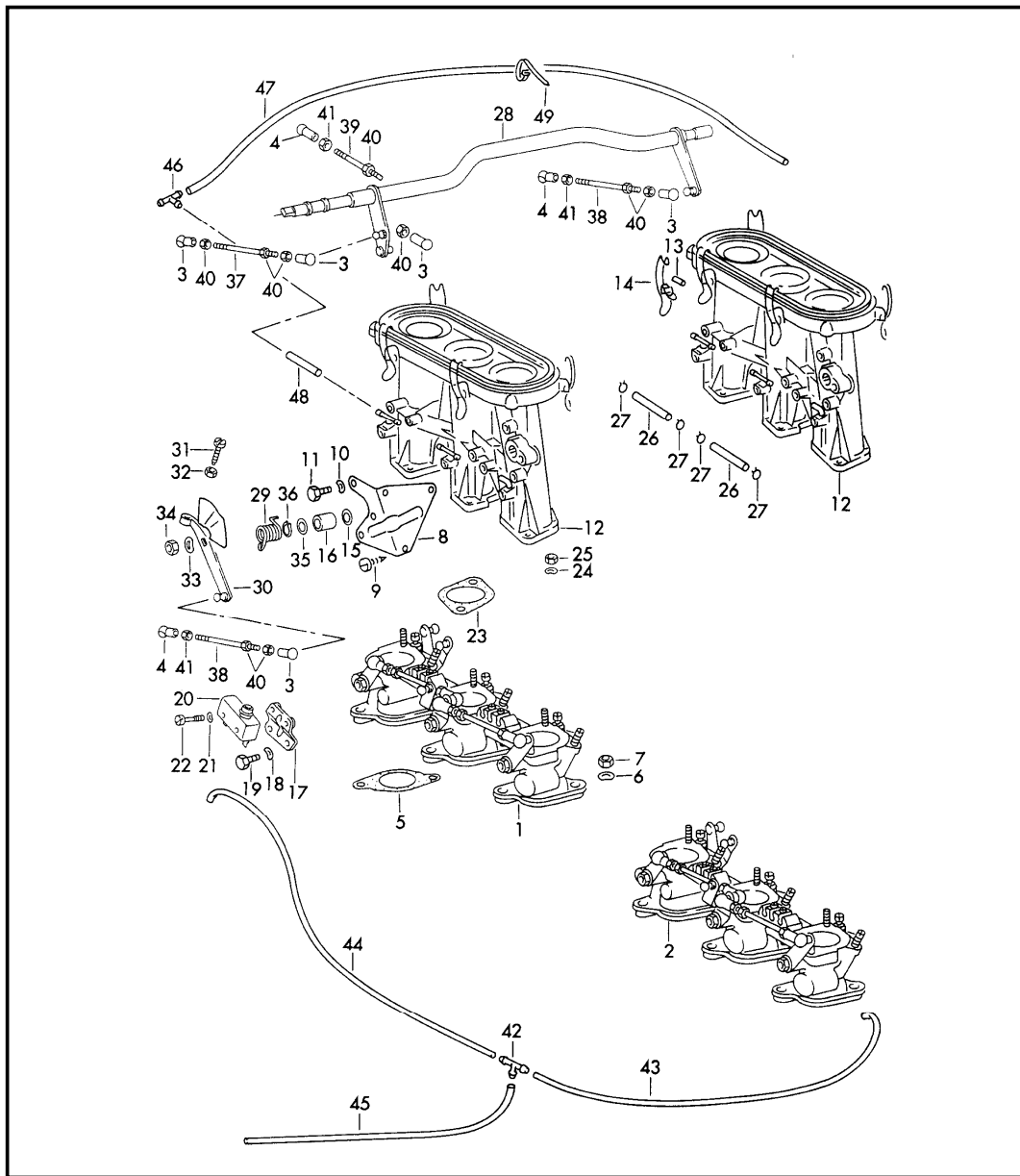
| | | | | | | | | | | | |
|-------|------|----|----|--------------|--------------|-----|-------|------------|---------|-----|---------|
| Model | Year | MG | SG | Illustration | Restrictions | UPD | 18:30 | 22.01.2010 | PORSCHE | PET | PORSCHE |
| 911 | 1973 | 1 | 07 | 107-25 | | 248 | | | | | |

| Pos | Part Number | Description | Remark | Qty | Model | Pos | Part Number | Description | Remark | Qty | Model |
|------|----------------|---------------------------------------------------|--------|-----|-----------|------|----------------|-------------------------------------------|--------|-----|-----------|
| 12 | 901 423 253 00 | bearing sleeve | | 2 | | 25 | 900 028 018 01 | spring washer B 4 | | 2 | |
| 13 | 900 116 009 01 | lock washer 6 | | 2 | | 26 | 900 014 091 02 | pan-head screw BM 4 X 25 | | 2 | |
| 14 | 900 031 001 02 | washer 8,4 | | 2 | | 27 | 911 110 191 01 | gasket for intake manifold | | 6 | |
| 15 | 911 110 031 01 | filler tube complete not for sportomatic | /L | 1 | 911 E | 28 | 900 028 008 01 | spring washer B 6 | -70 | 12 | |
| (15) | 911 110 031 01 | intake pipe complete | /L | 1 | 911 E SPM | (28) | N 012 226 5 | spring washer B 6 | 71- | 12 | |
| (15) | 911 110 033 01 | intake pipe complete not for sportomatic | /L | 1 | 911 S | 29 | 900 076 010 02 | hexagon nut M 6 | | 12 | |
| 16 | 911 110 031 01 | filler tube complete | /R | 1 | 911 E | 30 | 911 110 322 03 | funnel \$ 42 not for sportomatic | | 6 | 911 S |
| (16) | 911 110 033 01 | intake pipe complete not for sportomatic | /R | 1 | 911 S | (30) | 911 110 322 02 | funnel \$ 38 | | 6 | 911 E SPM |
| 17 | 999 061 079 01 | stud | | 12 | | - | 911 110 139 00 | washer | | 12 | |
| 18 | 900 061 055 01 | stud BM 6 X 12 | | 2 | | 31 | N 021 196 1 | lock nut M 5 | | 12 | |
| 19 | 900 234 019 01 | shim 12 X 18 X 1 | | 1 | | 32 | 911 110 391 00 | gasket | | 6 | |
| 20 | 999 201 035 00 | needle sleeve 12 X 18 X 16 | | 2 | | 33 | 901 110 057 00 | deflection roller complete | | 1 | |
| 21 | 901 110 036 00 | support for microswitch | | 1 | | 34 | 901 110 131 00 | steering knuckle spring | | 1 | |
| 22 | 900 028 008 01 | spring washer B 6 | | -70 | 2 | 35 | 901 110 059 02 | lever | | 1 | |
| (22) | N 012 226 5 | spring washer B 6 | | 71- | 2 | 36 | 999 014 007 02 | pan-head screw | | 1 | |
| 23 | 900 076 010 02 | hexagon nut M 6 | | 2 | | 37 | 900 076 027 02 | hexagon nut M 5 | | 1 | |
| 24 | 901 613 106 00 | microswitch intake manifold | | 1 | | 38 | 999 523 102 02 | lock washer M 8 | | 1 | |
| | | | | | | 39 | 900 076 025 02 | hexagon nut M 8 SW 13 | | 1 | |
| | | | | | | 40 | 900 234 019 01 | shim 12 X 18 X 1 | | 1 | |
| | | | | | | 41 | 900 041 005 01 | circlip 12 X 1 | | 1 | |

| | | | | | | | | | | | |
|-------|------|----|----|--------------|--------------|-----|-------|------------|---------|-----|---------|
| Model | Year | MG | SG | Illustration | Restrictions | UPD | 18:30 | 22.01.2010 | PORSCHE | PET | PORSCHE |
| 911 | 1973 | 1 | 07 | 107-25 | | 248 | | | | | |

| Pos | Part Number | Description | Remark | Qty | Model | Pos | Part Number | Description | Remark | Qty | Model |
|-----|----------------|-----------------------------------|--------|-----|-------|-----|-------------|-------------|--------|-----|-------|
| 42 | 901 110 611 00 | pull rod | | 1 | | | | | | | |
| 43 | 901 110 062 00 | push rod | | 2 | | | | | | | |
| 44 | 901 110 063 00 | push rod | | 2 | | | | | | | |
| 45 | 900 076 027 02 | hexagon nut M 5 | | 8 | | | | | | | |
| 46 | 900 076 029 02 | hexagon nut M 5 left thread | | 3 | | | | | | | |
| 47 | 901 110 192 00 | gasket | | 2 | | | | | | | |

| | | | | | | | | | | | |
|-------|------|----|----|--------------|--------------|-----|-------|------------|---------|-----|---------|
| Model | Year | MG | SG | Illustration | Restrictions | UPD | 18:30 | 22.01.2010 | PORSCHE | PET | PORSCHE |
| 911 | 1973 | 1 | 07 | 107-30 | | 248 | | | | | |



| Pos | Part Number | Description | Remark | Qty | Model |
|-----|----------------|---------------------------------------------|--------|-----|----------------------------|
| | | injection system throttle body | 72- | | 911 T-E/E/S CARRERA 2.7 |
| 1 | 911 110 081 10 | throttle body not for sportomatic | /L | 1 | 911 T-E |
| (1) | 911 110 081 11 | throttle body | /L | 1 | 911 T-E: SPM |
| (1) | 911 110 083 10 | throttle body not for sportomatic | /L | 1 | 911 E |
| (1) | 911 110 083 11 | throttle body | /L | 1 | 911 E SPM |
| (1) | 911 110 085 10 | throttle body not for sportomatic | /L | 1 | 911 S CARRERA 2.7 |
| (1) | 911 110 085 11 | throttle body | /L | 1 | 911 S SPM CARRERA 2.7 |
| 2 | 911 110 082 00 | throttle body | /R | 1 | 911 T-E |
| (2) | 911 110 084 00 | throttle body | /R | 1 | 911 E |
| (2) | 911 110 085 10 | throttle body | /R | 1 | 911 S CARRERA 2.7 |
| - | 901 110 111 00 | bearing sleeve for throttle shaft | | 12 | |
| 3 | 999 169 002 02 | ball socket | | 5 | |
| 4 | 999 169 001 02 | ball socket left thread | | 3 | |
| 5 | 901 108 391 04 | gasket for throttle body | | 6 | 911 T-E/E |
| (5) | 901 108 391 05 | gasket for throttle body | | 6 | 911 S CARRERA 2.7 |
| 6 | 900 031 014 30 | washer 8,4 | | 12 | |
| 7 | 999 084 601 02 | hexagon nut M 8 | | 12 | |
| 8 | 911 108 325 00 | fastening angle for regulator housing | | 1 | |

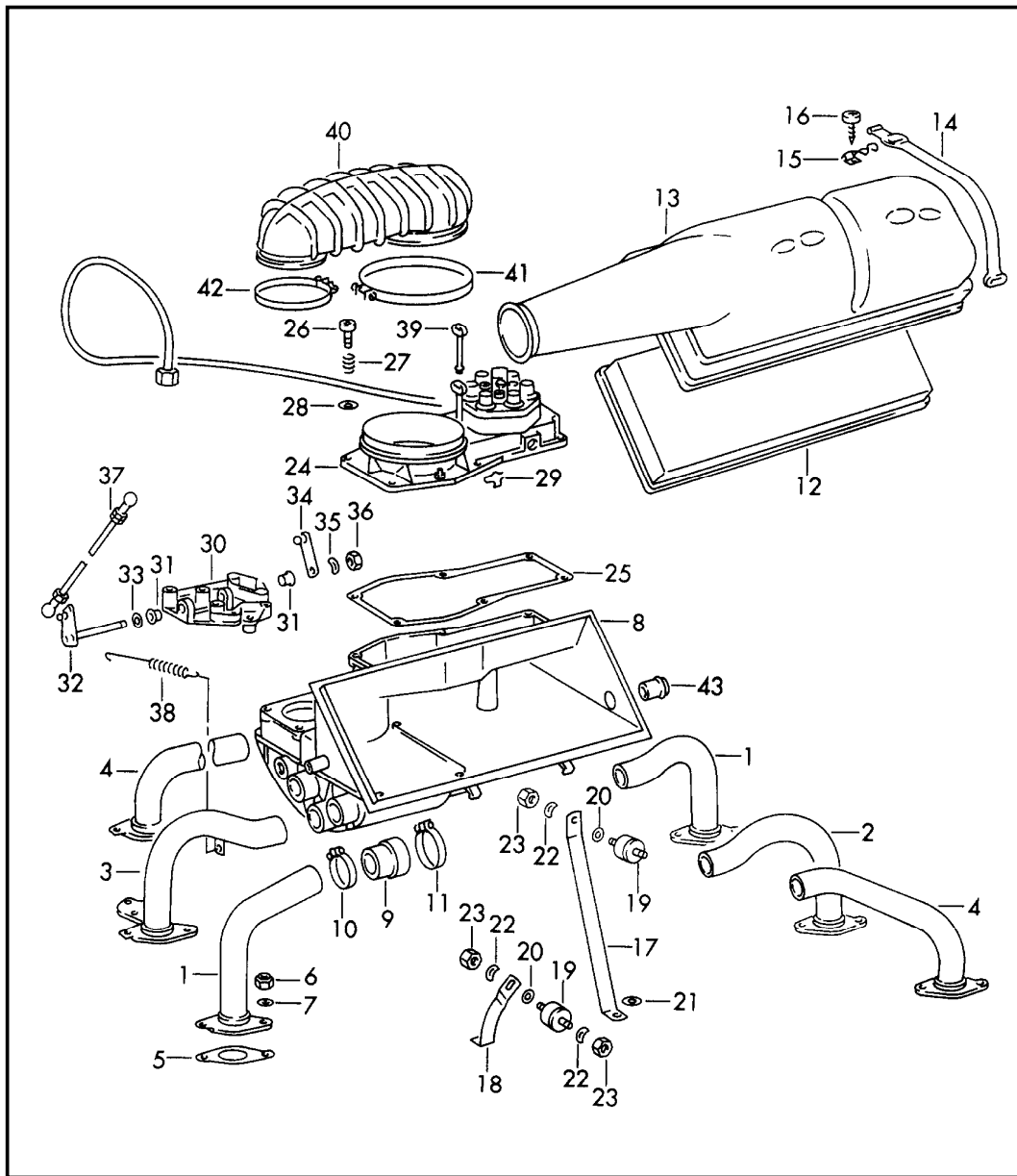
| | | | | | | | | | | | |
|-------|------|----|----|--------------|--------------|-----|-------|------------|---------|-----|---------|
| Model | Year | MG | SG | Illustration | Restrictions | UPD | 18:30 | 22.01.2010 | PORSCHE | PET | PORSCHE |
| 911 | 1973 | 1 | 07 | 107-30 | | 248 | | | | | |

| Pos | Part Number | Description | Remark | Qty | Model | Pos | Part Number | Description | Remark | Qty | Model |
|------|----------------|-------------------------------------------|--------|-----|----------------------|-----|----------------|-------------------------------------------|--------|-----|-------|
| 9 | 901 110 077 00 | oval-head sheetmetal screw BZ 5,5 X 13 | | 3 | | - | 999 181 167 50 | hose 4,5 X 9,5 X 110 | | * | |
| 10 | N 012 226 5 | spring washer B 6 | | 3 | | 26 | - | 110 intake pipe | | 4 | |
| 11 | 900 075 010 02 | hexagon-head bolt M 6 X 12 | | 3 | | 27 | 999 512 185 02 | hose clamp | | 8 | |
| 12 | 911 110 063 02 | intake pipe | /L/R | 1 | 911 S CARRERA 2.7 | 28 | 911 110 073 00 | deflection roller complete | | 1 | |
| (12) | 911 110 065 02 | intake pipe | /L/R | 1 | 911 E | 29 | 901 110 131 00 | steering knuckle spring | | 1 | |
| - | 911 110 075 00 | distributing piece | | 4 | | 30 | 911 110 054 00 | lever | | 1 | |
| - | 911 110 078 00 | angled pipe | | 2 | | 31 | 999 014 007 02 | pan-head screw | | 1 | |
| 13 | 900 197 028 00 | tensioning sleeve 5 X 14 | | 8 | | 32 | 900 076 027 02 | hexagon nut M 5 | | 1 | |
| 14 | 911 108 167 00 | catch | | 8 | | 33 | 999 523 102 02 | lock washer M 8 | | 1 | |
| 15 | 900 234 019 01 | shim 12 X 18 X 1 | | 1 | | 34 | 900 076 025 02 | hexagon nut M 8 SW 13 | | 1 | |
| 16 | 999 201 035 00 | needle sleeve 12 X 18 X 16 | | 2 | | 35 | 900 234 019 01 | shim 12 X 18 X 1 | | 1 | |
| 17 | 901 110 036 00 | support for microswitch | | 1 | | 36 | 900 041 005 01 | circlip 12 X 1 | | 1 | |
| 18 | N 012 226 5 | spring washer B 6 | | 2 | | 37 | 901 110 611 00 | pull rod | | 1 | |
| 19 | 900 075 010 02 | hexagon nut M 6 | | 2 | | 38 | 901 110 062 00 | push rod | | 2 | |
| 20 | 901 613 106 00 | microswitch intake manifold | | 1 | | 39 | 901 110 063 00 | push rod | | 1 | |
| 21 | 900 028 018 01 | spring washer B 4 | | 2 | | 40 | 900 076 027 02 | hexagon nut M 5 | | 8 | |
| 22 | 900 014 091 02 | pan-head screw BM 4 X 25 | | 2 | | 41 | 900 076 029 02 | hexagon nut M 5 left thread | | 3 | |
| 23 | 911 110 191 01 | gasket for intake pipe | | 6 | | 42 | 999 137 004 40 | hose connection | | 2 | |
| 24 | N 012 226 5 | spring washer B 6 | | 12 | | - | 999 180 093 50 | hose C 3 X 6,5 | | * | |
| 25 | 900 076 010 02 | hexagon nut M 6 | | 12 | | 43 | - | 500 throttle body right t-socket | | 1 | |
| | | | | | | - | 999 180 093 50 | hose C 3 X 6,5 | | * | |

| | | | | | | | | | | | |
|-------|------|----|----|--------------|--------------|-----|-------|------------|---------|-----|---------|
| Model | Year | MG | SG | Illustration | Restrictions | UPD | 18:30 | 22.01.2010 | PORSCHE | PET | PORSCHE |
| 911 | 1973 | 1 | 07 | 107-30 | | 248 | | | | | |

| Pos | Part Number | Description | Remark | Qty | Model | Pos | Part Number | Description | Remark | Qty | Model |
|-----|----------------|----------------------------------------------------------------------------------|--------|-----|-------|-----|-------------|-------------|--------|-----|-------|
| 44 | - | 180 throttle body left t-socket | | 1 | | | | | | | |
| - | 999 180 093 50 | hose C 3 X 6,5 | | * | | | | | | | |
| 45 | - | 275 vacuum unit distributor t-socket | | 1 | | | | | | | |
| - | 911 602 103 00 | pipe clamp 7 | | 1 | | | | | | | |
| - | 999 513 002 40 | hose clamp for mount hose 900.100.295.00/296.00 regulator housing | | 1 | | | | | | | |
| 46 | 999 137 005 40 | hose connection | | 1 | | | | | | | |
| - | 999 181 167 50 | hose C 4,5 X 9,5 | | * | | | | | | | |
| 47 | - | 550 joining socket intake pipe right | | 1 | | | | | | | |
| - | 999 181 167 50 | hose C 4,5 X 9,5 | | * | | | | | | | |
| 48 | - | 35 joining socket intake pipe left | | 1 | | | | | | | |
| 49 | N 020 902 1 | tie-wrap 6,5 X 120 | | 1 | | | | | | | |

| | | | | | | | | | | | |
|-------|------|----|----|--------------|--------------|-----|-------|------------|---------|-----|---------|
| Model | Year | MG | SG | Illustration | Restrictions | UPD | 18:30 | 22.01.2010 | PORSCHE | PET | PORSCHE |
| 911 | 1973 | 1 | 07 | 107-35 | | 248 | | | | | |

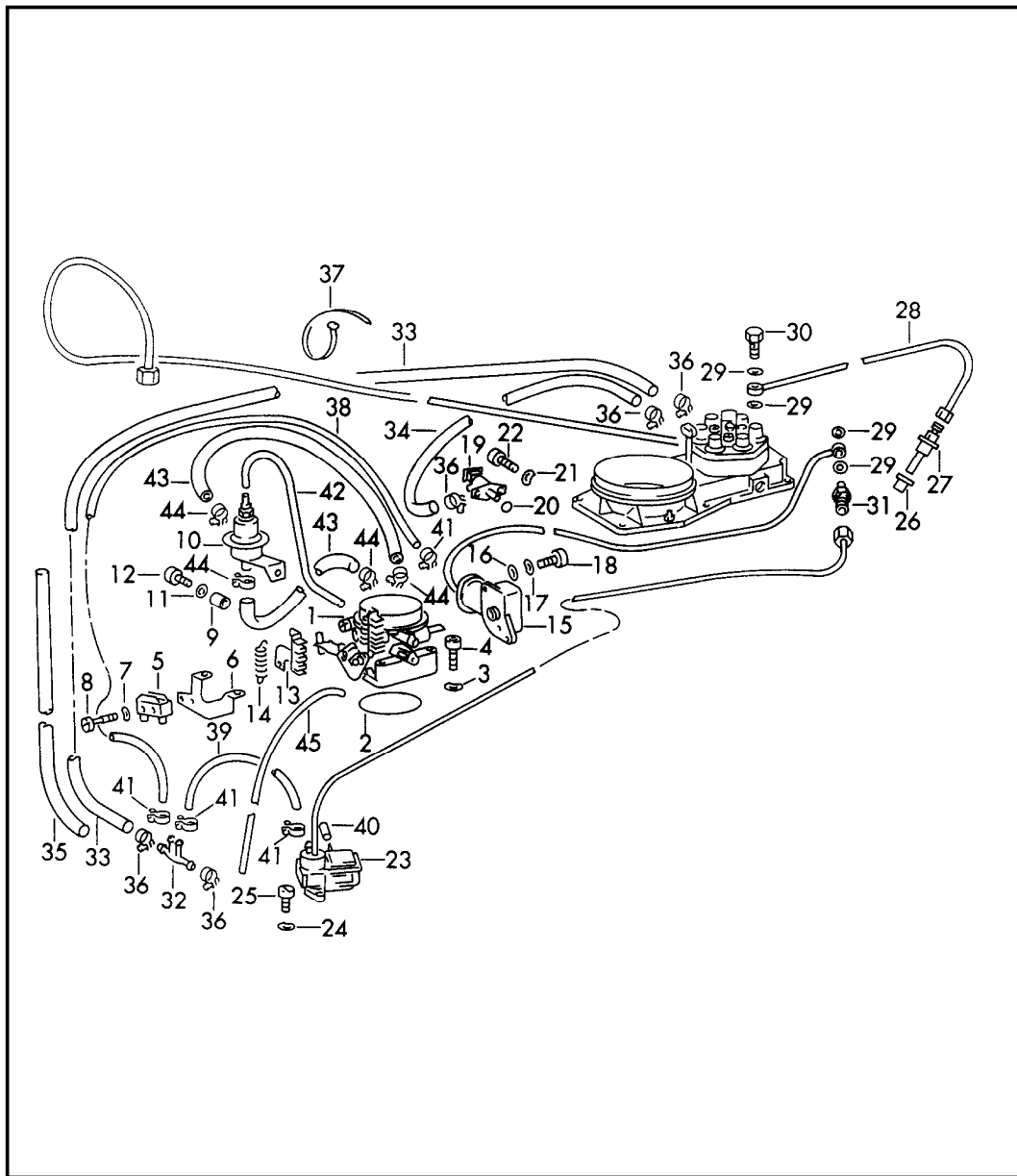


| Pos | Part Number | Description | Remark | Qty | Model |
|-----|----------------|------------------------------------------------------------|--------|-----|---------|
| | | injection system with air cleaner and mixture control unit | 72- | | 911 T-K |
| 1 | 911 110 037 01 | intake pipe cylinder 1 and cylinder 6 | | 2 | |
| 2 | 911 110 088 01 | intake pipe cylinder 5 | | 1 | |
| 3 | 911 110 088 02 | intake pipe cylinder 2 | | 1 | |
| - | 999 513 002 40 | tie-wrap | | 1 | SPM |
| 4 | 911 110 089 01 | intake pipe cylinder 3 and cylinder 4 | | 2 | |
| 5 | 901 108 391 04 | gasket see group 1/07/00 | | 6 | |
| 6 | 999 084 601 02 | hexagon nut M 8 | | 12 | |
| 7 | 900 025 007 02 | washer A 8,4 | | 1 | |
| 8 | 911 110 140 00 | housing | | 1 | |
| 9 | 911 110 885 01 | rubber sleeve for intake pipe | | 6 | |
| 10 | 999 512 195 02 | hose clamp S 39/9 | | 6 | |
| 11 | 999 512 196 02 | hose clamp S 42/9 | | 6 | |
| 12 | 911 110 185 02 | filter element | | 1 | |
| 13 | 911 110 183 00 | lid for air cleaner | | 1 | |
| 14 | 911 110 365 01 | rubber strap for air cleaner | | 2 | |

| | | | | | | | | | | | |
|-------|------|----|----|--------------|--------------|-----|-------|------------|---------|-----|---------|
| Model | Year | MG | SG | Illustration | Restrictions | UPD | 18:30 | 22.01.2010 | PORSCHE | PET | PORSCHE |
| 911 | 1973 | 1 | 07 | 107-35 | | 248 | | | | | |

| Pos | Part Number | Description | Remark | Qty | Model | Pos | Part Number | Description | Remark | Qty | Model |
|-----|----------------|-------------------------------------------------|--------|-----|-------|-----|----------------|-----------------------------------|--------|-----|-------|
| 15 | 911 110 356 01 | support lid air cleaner | | 2 | | 33 | 900 031 001 02 | washer 8,4 | | 1 | |
| 16 | 900 143 126 02 | tapping screw BZ 5,5 X 13 | | 2 | | 34 | 911 110 110 00 | lever | | 1 | |
| 17 | 911 110 133 01 | strut | | 1 | | 35 | N 012 241 8 | spring washer B 8 X 15 | | 1 | |
| 18 | 911 110 132 00 | strut | | 1 | | 36 | 900 076 025 02 | hexagon nut M 8 | | 1 | |
| 19 | 911 110 154 00 | bonded rubber buffer | | 2 | | 37 | 911 110 077 01 | pull rod complete | | 1 | |
| 20 | 900 025 007 02 | washer A 8,4 | | 2 | | 38 | 911 110 165 02 | tension spring | | 1 | |
| 21 | 900 151 008 02 | washer A 8,4 | | 2 | | 39 | 911 110 934 00 | stopper for adjusting screw | | 1 | |
| 22 | N 012 241 8 | spring washer B 8 X 15 | | 2 | | 40 | 911 110 358 02 | air box | | 1 | |
| 23 | 900 076 025 02 | hexagon nut M 8 | | 2 | | 41 | 999 512 303 02 | hose clamp S 32/9 | | 1 | |
| 24 | 911 110 915 00 | mixture control unit with fuel line | | 1 | | 42 | 999 512 302 02 | hose clamp S 86/9 | | 1 | |
| - | 911 110 094 01 | fuel line filter mixture control unit | | 1 | | 43 | 901 107 729 00 | backfire grid | | 1 | |
| 25 | 911 110 394 02 | gasket for mixture control unit | | 1 | | | | | | | |
| 26 | 900 067 089 02 | pan-head screw M 6 X 25 | | 6 | | | | | | | |
| 27 | 911 110 364 00 | compression spring | | 6 | | | | | | | |
| 28 | 900 031 011 02 | washer 6,4 | | 6 | | | | | | | |
| 29 | 911 110 921 00 | clamp for damper air flow sensor plate | | 1 | | | | | | | |
| 30 | 911 110 234 00 | bracket | | 1 | | | | | | | |
| 31 | 901 423 253 00 | bearing sleeve | | 2 | | | | | | | |
| 32 | 911 110 060 01 | lever complete | | 1 | | | | | | | |

| | | | | | | | | | | | |
|-------|------|----|----|--------------|--------------|-----|-------|------------|---------|-----|---------|
| Model | Year | MG | SG | Illustration | Restrictions | UPD | 18:30 | 22.01.2010 | PORSCHE | PET | PORSCHE |
| 911 | 1973 | 1 | 07 | 107-40 | | 248 | | | | | |



| Pos | Part Number | Description | Remark | Qty | Model |
|-----|----------------|--------------------------------------------------------------------------|--------|-----|---------|
| | | injection system with fuel line valves flap connection and warm-up valve | 72- | | 911 T-K |
| 1 | 911 110 247 01 | flap connection \$ 56 | | 1 | |
| - | 911 110 923 00 | compression spring | | 1 | |
| - | 911 110 924 00 | throttle screw | | 1 | |
| 2 | 999 701 124 40 | o-ring 67,5 X 5 | | 1 | |
| 3 | N 012 226 5 | spring washer B 6 | | 4 | |
| 4 | 900 067 013 02 | pan-head screw M 6 X 35 | | 4 | |
| 5 | 911 613 106 00 | microswitch | | 1 | |
| 6 | 911 110 580 00 | support | | 1 | |
| 7 | 900 028 018 01 | spring washer B 4 | | 2 | |
| 8 | 900 014 091 02 | pan-head screw BM 4 X 25 | | 2 | |
| 9 | 911 110 591 00 | spacer sleeve | | 1 | |
| 10 | 022 133 551 | valve | | 1 | |
| 11 | N 011 524 7 | washer B 6,4 | | 1 | |
| 12 | 900 067 089 02 | pan-head screw M 6 X 25 | | 1 | |
| 13 | 911 110 918 00 | support complete flap connection | | 1 | |
| 14 | 930 110 497 00 | tension spring | | 1 | |
| 15 | 911 110 916 00 | throttle valve valve | | 1 | |

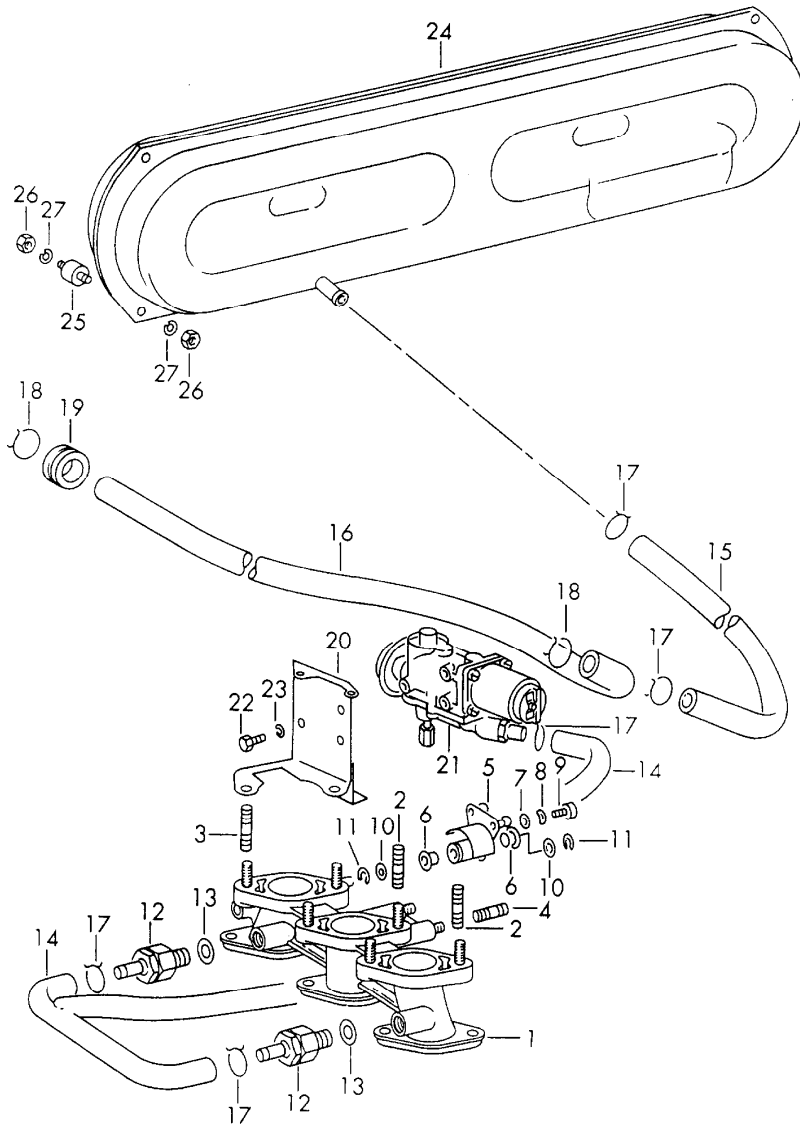
| | | | | | | | | | | | |
|-------|------|----|----|--------------|--------------|-----|-------|------------|---------|-----|---------|
| Model | Year | MG | SG | Illustration | Restrictions | UPD | 18:30 | 22.01.2010 | PORSCHE | PET | PORSCHE |
| 911 | 1973 | 1 | 07 | 107-40 | | 248 | | | | | |

| Pos | Part Number | Description | Remark | Qty | Model | Pos | Part Number | Description | Remark | Qty | Model |
|------|----------------|---------------------------------------------------------------|--------|-----|-------|-----|------------------|---------------------------------------------------------------------------------|--------|-----|-------|
| - | 911 110 096 00 | fuel line fuel distributor - throttle valve valve | | 1 | | 31 | 911 110 159 00 | screw socket | | 2 | |
| 16 | N 011 556 2 | washer 5,3 | | 2 | | 32 | 911 110 134 02 | adapter | | 1 | |
| 17 | N 012 005 3 | lock ring B 5 | | 2 | | 33 | 999 181 152 50 | fuel hose C 7,5 X 13,5 X 630 mixture control unit - reducing socket | | 1 | |
| 18 | 900 067 003 02 | pan-head screw M 5 X 15 | | 2 | | 34 | 999 181 265 50 | fuel hose C 7,5 X 13,5 X 410 mixture control unit - start valve | | 1 | |
| 19 | 911 606 101 00 | start valve | | 1 | | - | 999 181 152 50 | fuel hose C 7,5 X 13,5 | | * | |
| 20 | 999 701 144 50 | o-ring | | 1 | | 35 | - | 330 MM reducing socket - fuel supply line | | 1 | |
| 21 | 900 028 007 02 | spring washer B 5 | | 2 | | 36 | 999 512 160 02 | hose clamp 5/13/9 | | 6 | |
| 22 | 900 067 134 02 | pan-head screw M 5 X 8 | | 2 | | 37 | 999 513 002 40 | hose clamp for fuel line | | 1 | |
| 23 | 911 110 927 00 | warm-up valve with fuel line | | 1 | | - | 999 181 167 50 | hose C 4,5 X 10,5 | | * | |
| - | 911 110 097 01 | fuel line mixture control unit - warm-up valve | | 1 | | 38 | - | 360 MM valve throttle valve - distributing piece | | 1 | |
| 24 | N 012 226 5 | spring washer A 6 | | 2 | | - | 999 181 167 50 | hose C 4,5 X 10,5 | | * | |
| 25 | N 014 740 2 | pan-head screw M 6 X 16 | | 2 | | 39 | - | 300 MM warm-up valve - reducing socket | | 1 | |
| 26 | 911 110 922 00 | boot for nozzle | | 6 | | 40 | 911 110 285 00 | hose sleeve | | 1 | |
| 27 | 911 110 355 01 | injector valve | | 6 | | 41 | A 999 512 082 02 | hose clamp S 10,9 | | 4 | |
| 28 | 911 110 093 00 | injection line | | 6 | | - | 999 181 167 50 | hose C 4,5 X 9,5 | | * | |
| (28) | 911 110 093 01 | injection line for cylinder 4 air conditioner | | 1 | | 42 | - | 230 MM | | 1 | |
| 29 | 900 123 050 20 | sealing ring A 8 X 11,5 | | 14 | | | | | | | |
| 30 | 911 110 899 00 | banjo bolt | | 6 | | | | | | | |

| | | | | | | | | | | | |
|-------|------|----|----|--------------|--------------|-----|-------|------------|---------|-----|---------|
| Model | Year | MG | SG | Illustration | Restrictions | UPD | 18:30 | 22.01.2010 | PORSCHE | PET | PORSCHE |
| 911 | 1973 | 1 | 07 | 107-40 | | 248 | | | | | |

| Pos | Part Number | Description | Remark | Qty | Model | Pos | Part Number | Description | Remark | Qty | Model |
|-----|----------------|-------------------------|--------|-----|-------|-----|-------------|-------------|--------|-----|-------|
| - | 999 180 121 50 | vacuum hose C 9 X 15 | | * | | | | | | | |
| 43 | - | 190 MM | | 2 | | | | | | | |
| 44 | N 023 570 2 | hose clamp S 15/9 | | 4 | | | | | | | |
| 45 | 999 180 093 50 | hose C 3 X 6,5 X 650 | | 1 | | | | | | | |

| | | | | | | | | | | | |
|-------|------|----|----|--------------|--------------|-----|-------|------------|---------|-----|---------|
| Model | Year | MG | SG | Illustration | Restrictions | UPD | 18:31 | 22.01.2010 | PORSCHE | PET | PORSCHE |
| 911 | 1973 | 1 | 07 | 107-45 | | 248 | | | | | |

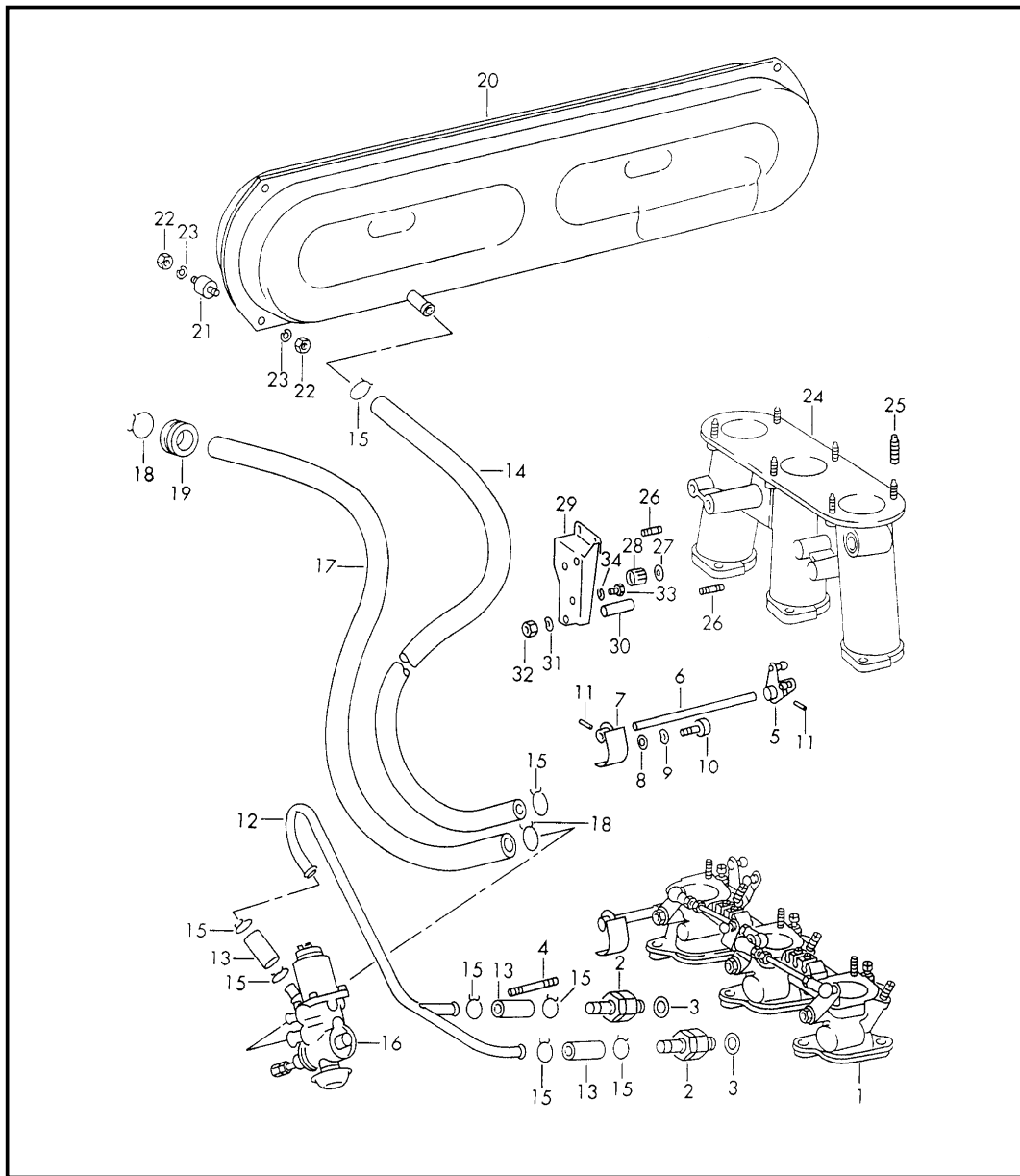


| Pos | Part Number | Description | Remark | Qty | Model |
|-----|----------------|------------------------------------------------------|--------|-----|-----------|
| | | vacuum system for clutch release | -71 | | 911 T:SPM |
| 1 | 905 108 031 04 | intake manifold complete | /L | 1 | |
| 2 | 900 061 007 01 | stud BM 8 X 22 | | 8 | |
| 3 | 900 061 007 01 | stud BM 8 X 22 | | 4 | |
| 4 | 900 061 022 01 | stud M 8 X 12 | | 4 | |
| 5 | 905 108 070 20 | reverse lever | | 1 | |
| 6 | 901 423 253 00 | bearing sleeve | | 2 | |
| 7 | 900 089 011 02 | washer 4 | | 1 | |
| 8 | 900 028 018 01 | spring washer B 4 | -70 | 1 | |
| (8) | N 012 224 3 | spring washer B 4 | 71- | 1 | |
| 9 | 900 067 080 02 | pan-head screw M 4 X 10 | | 1 | |
| 10 | 900 031 001 02 | washer 8,4 | | 2 | |
| 11 | 900 116 009 01 | lock washer 6 | | 2 | |
| 12 | 905 116 725 00 | check valve | | 2 | |
| 13 | 900 123 008 30 | sealing ring A 14 X 20 | | 2 | |
| 14 | 905 108 075 00 | vacuum hose complete intake manifold - control valve | | 1 | |
| 15 | 905 108 702 00 | vacuum hose control valve - vacuum tank | | 1 | |

| | | | | | | | | | | | |
|-------|------|----|----|--------------|--------------|-----|-------|------------|---------|-----|---------|
| Model | Year | MG | SG | Illustration | Restrictions | UPD | 18:31 | 22.01.2010 | PORSCHE | PET | PORSCHE |
| 911 | 1973 | 1 | 07 | 107-45 | | 248 | | | | | |

| Pos | Part Number | Description | Remark | Qty | Model | Pos | Part Number | Description | Remark | Qty | Model |
|-----|----------------|-------------------------------------------------------------------|--------|-----|-------|-----|-------------|-------------|--------|-----|-------|
| 16 | 905 108 703 00 | vacuum hose control valve - servo-motor | | 1 | | | | | | | |
| 17 | 999 512 140 02 | hose clamp \$ 19,05 | | 5 | | | | | | | |
| 18 | 999 512 141 02 | hose clamp \$ 22,23 | | 2 | | | | | | | |
| 19 | 999 702 064 50 | rubber sleeve | | 1 | | | | | | | |
| 20 | 905 108 034 20 | support for start valve and control valve complete | | 1 | | | | | | | |
| 21 | 905 108 370 00 | control valve | | 1 | | | | | | | |
| 22 | 900 075 010 02 | hexagon-head bolt M 6 X 12 | | 3 | | | | | | | |
| 23 | 900 028 008 01 | spring washer B 6 | | 3 | | | | | | | |
| 24 | 905 116 033 00 | vacuum tank | | 1 | | | | | | | |
| 25 | 901 504 853 20 | bearing | | 4 | | | | | | | |
| 26 | 900 076 010 02 | hexagon nut M 6 | | 8 | | | | | | | |
| 27 | N 012 007 2 | lock ring B 6 | | 8 | | | | | | | |

| | | | | | | | | | | | |
|-------|------|----|----|--------------|--------------|-----|-------|------------|---------|-----|---------|
| Model | Year | MG | SG | Illustration | Restrictions | UPD | 18:31 | 22.01.2010 | PORSCHE | PET | PORSCHE |
| 911 | 1973 | 1 | 07 | 107-50 | | 248 | | | | | |

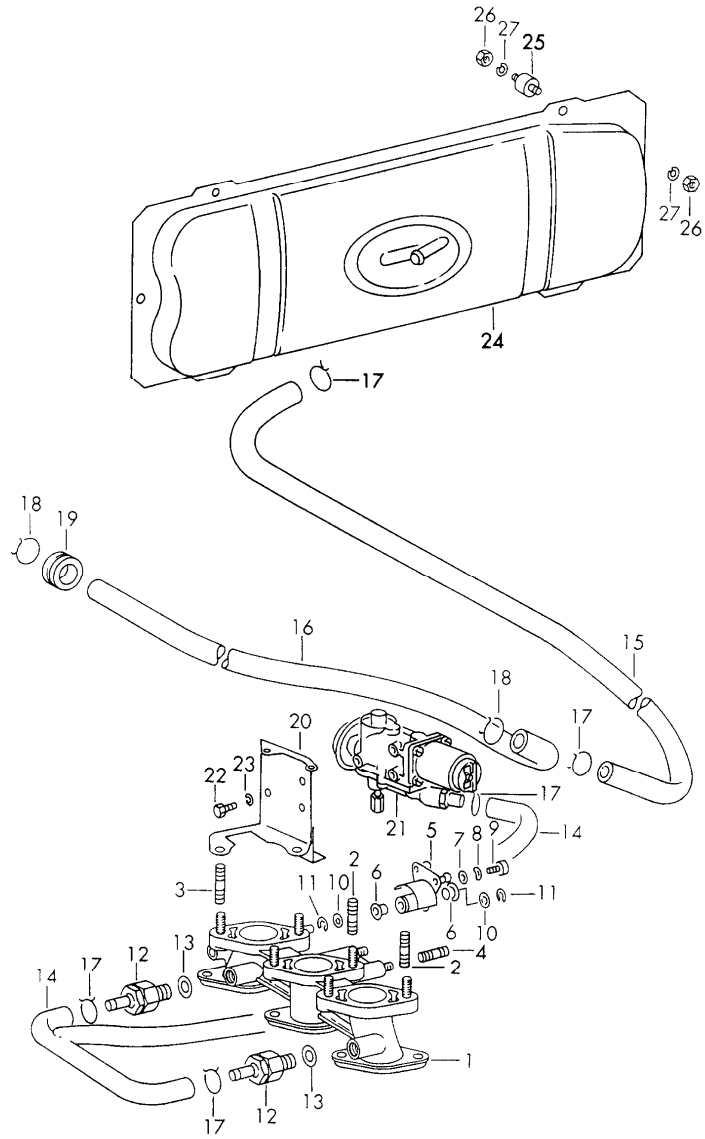


| Pos | Part Number | Description | Remark | Qty | Model |
|-----|----------------|---------------------------------------------------|--------|-----|-----------|
| | | vacuum system for clutch release injection system | | -71 | 911 E:SPM |
| 1 | 911 110 083 51 | throttle body | /L | -70 | 1 |
| (1) | 911 110 083 50 | throttle body | /L | 71- | 1 |
| 2 | 905 116 725 00 | check valve | | | 2 |
| 3 | 900 123 008 30 | sealing ring A 14 X 20 | | | 2 |
| 4 | 999 062 123 02 | stud BM 6 X 45 | | | 1 |
| 5 | 901 110 077 00 | reverse lever complete | | | 1 |
| 6 | 905 108 402 00 | shaft | | | 1 |
| 7 | 905 108 032 01 | disc cam complete | | | 1 |
| 8 | 900 089 011 02 | washer 4 | | | 1 |
| 9 | 900 028 018 01 | spring washer B 4 | | -70 | 1 |
| (9) | N 012 224 3 | spring washer B 4 | | 71- | 1 |
| 10 | 900 067 080 02 | pan-head screw M 4 X 10 | | | 1 |
| 11 | 900 308 002 00 | clamping pin 2,5 X 14 | | | 2 |
| 12 | 905 108 704 00 | vacuum line intake manifold - control valve | | | 1 |
| 13 | 905 108 707 00 | connecting hose | | | 3 |
| - | 999 180 029 50 | hose | | | * |
| 14 | 905 108 702 01 | vacuum hose control valve - vacuum tank | | | 1 |
| 15 | 999 512 140 02 | hose clamp \$ 19,05 | | | 8 |

| | | | | | | | | | | | |
|-------|------|----|----|--------------|--------------|-----|-------|------------|---------|-----|---------|
| Model | Year | MG | SG | Illustration | Restrictions | UPD | 18:31 | 22.01.2010 | PORSCHE | PET | PORSCHE |
| 911 | 1973 | 1 | 07 | 107-50 | | 248 | | | | | |

| Pos | Part Number | Description | Remark | Qty | Model | Pos | Part Number | Description | Remark | Qty | Model |
|-----|----------------|--------------------------------------------------|--------|-----|-------|-----|-------------|-------------|--------|-----|-------|
| 16 | 905 108 370 00 | control valve | | 1 | | | | | | | |
| 17 | 905 108 703 00 | vacuum hose control valve - servo-motor | | 1 | | | | | | | |
| 18 | 999 512 141 02 | hose clamp \$ 22,23 | | 2 | | | | | | | |
| 19 | 999 702 064 50 | rubber sleeve | | 1 | | | | | | | |
| 20 | 905 116 033 00 | vacuum tank | | 1 | | | | | | | |
| 21 | 901 504 853 20 | bearing | | 4 | | | | | | | |
| 22 | 900 076 010 02 | hexagon nut M 6 | | 8 | | | | | | | |
| 23 | 900 027 014 01 | lock ring B 6 | | 8 | | | | | | | |
| 24 | 911 110 031 01 | intake pipe complete | /L | 1 | | | | | | | |
| 25 | 999 061 079 01 | stud | | 6 | | | | | | | |
| 26 | 900 061 055 01 | stud BM 6 X 12 | | 4 | | | | | | | |
| 27 | 900 234 019 01 | shim 12 X 18 X 1 | | 1 | | | | | | | |
| 28 | 999 201 035 00 | needle sleeve 12 X 18 X 16 | | 1 | | | | | | | |
| 29 | 905 108 331 00 | support for control valve | | 1 | | | | | | | |
| 30 | 905 108 333 00 | spacer sleeve | | 1 | | | | | | | |
| 31 | 900 028 008 01 | spring washer B 6 | | 3 | | | | | | | |
| 32 | 900 076 010 02 | hexagon nut M 6 | | 3 | | | | | | | |
| 33 | 900 075 010 02 | hexagon-head bolt M 6 X 12 | | 3 | | | | | | | |
| 34 | 900 028 008 01 | spring washer B 6 | | 3 | | | | | | | |

| | | | | | | | | | | | |
|-------|------|----|----|--------------|--------------|-----|-------|------------|---------|-----|---------|
| Model | Year | MG | SG | Illustration | Restrictions | UPD | 18:31 | 22.01.2010 | PORSCHE | PET | PORSCHE |
| 911 | 1973 | 1 | 07 | 107-55 | | 248 | | | | | |

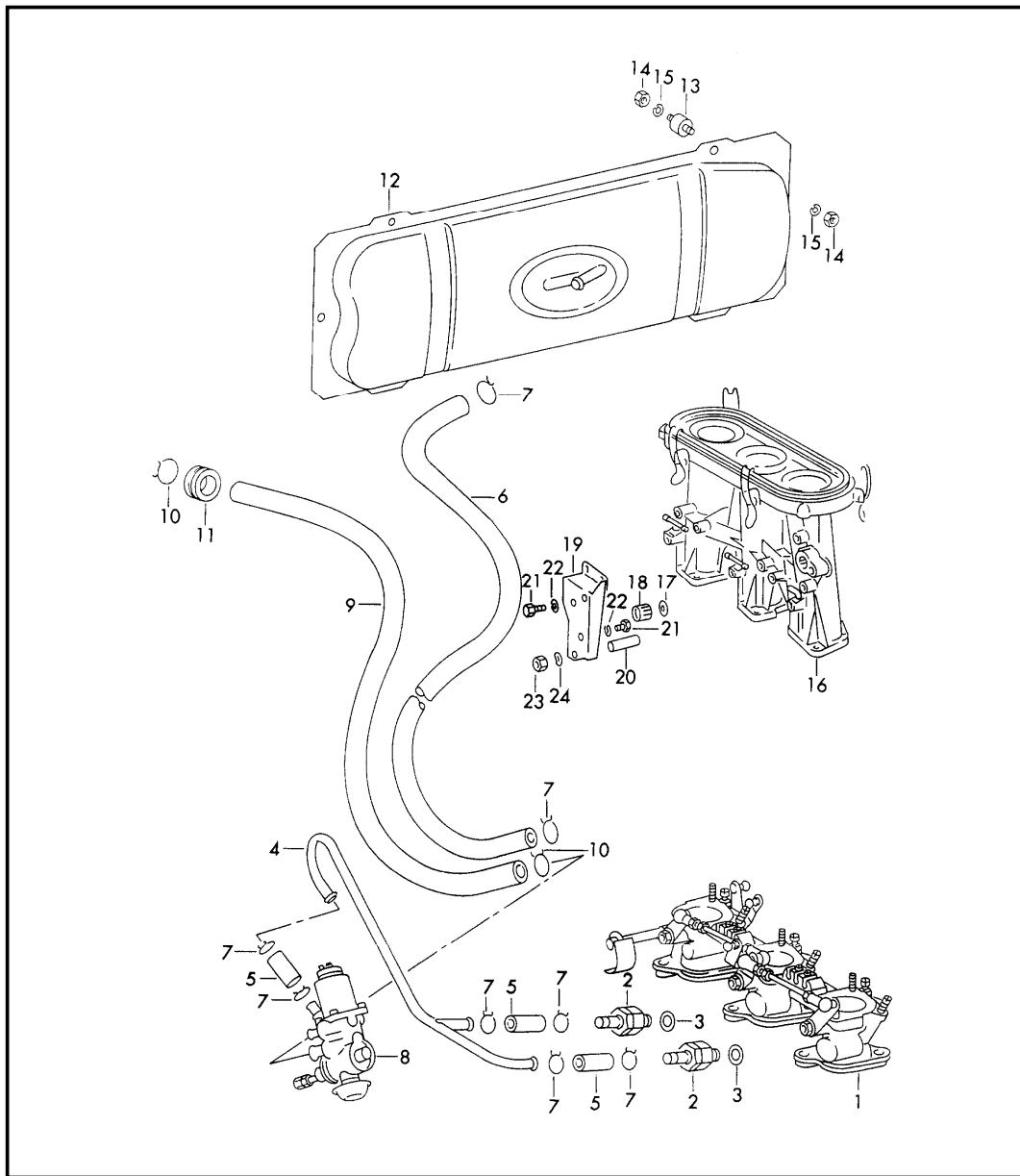


| Pos | Part Number | Description | Remark | Qty | Model |
|-----|----------------|------------------------------------------------------|--------|-----|-------------|
| | | vacuum system for clutch release | 72- | | 911 T-V:SPM |
| 1 | 905 108 031 04 | intake manifold complete | /L | 1 | |
| 2 | 900 061 007 01 | stud BM 8 X 22 | | 4 | |
| 3 | 900 061 007 01 | stud BM 8 X 22 | | 2 | |
| 4 | 900 061 022 01 | stud M 8 X 12 | | 4 | |
| 5 | 905 108 070 20 | reverse lever | | 1 | |
| 6 | 901 423 253 00 | bearing sleeve | | 2 | |
| 7 | 900 089 011 02 | washer 4 | | 1 | |
| 8 | N 012 224 3 | spring washer B 4 | | 1 | |
| 9 | 900 067 080 02 | pan-head screw M 4 X 10 | | 1 | |
| 10 | 900 031 001 02 | washer 8,4 | | 2 | |
| 11 | 900 116 009 01 | lock washer 6 | | 2 | |
| 12 | 905 116 725 00 | check valve | | 2 | |
| 13 | 900 123 008 30 | sealing ring A 14 X 20 | | 2 | |
| 14 | 905 108 075 00 | vacuum hose complete intake manifold - control valve | | 1 | |
| 15 | 905 108 702 00 | vacuum hose control valve - vacuum tank | | 1 | |
| 16 | 905 108 703 00 | vacuum hose control valve - servo-motor | | 1 | |

| | | | | | | | | | | | |
|-------|------|----|----|--------------|--------------|-----|-------|------------|---------|-----|---------|
| Model | Year | MG | SG | Illustration | Restrictions | UPD | 18:31 | 22.01.2010 | PORSCHE | PET | PORSCHE |
| 911 | 1973 | 1 | 07 | 107-55 | | 248 | | | | | |

| Pos | Part Number | Description | Remark | Qty | Model | Pos | Part Number | Description | Remark | Qty | Model |
|-----|----------------|---------------------------------------------|--------|-----|-------|-----|-------------|-------------|--------|-----|-------|
| 17 | 999 512 140 02 | hose clamp \$ 19,05 | | 5 | | | | | | | |
| 18 | 999 512 141 02 | hose clamp \$ 22,23 | | 2 | | | | | | | |
| 19 | 999 702 064 50 | rubber sleeve | | 1 | | | | | | | |
| 20 | 905 108 034 20 | support for control valve complete | | 1 | | | | | | | |
| 21 | 905 108 370 00 | control valve | | 1 | | | | | | | |
| 22 | 900 075 010 02 | hexagon-head bolt M 6 X 12 | | 3 | | | | | | | |
| 23 | N 012 226 5 | spring washer B 6 | | 3 | | | | | | | |
| 24 | 911 116 033 00 | vacuum tank | | 1 | | | | | | | |
| 25 | 901 504 853 20 | bearing | | 4 | | | | | | | |
| 26 | 900 076 010 02 | hexagon nut M 6 | | 8 | | | | | | | |
| 27 | N 012 007 2 | lock ring B 6 | | 8 | | | | | | | |

| | | | | | | | | | | | |
|-------|------|----|----|--------------|--------------|-----|-------|------------|---------|-----|---------|
| Model | Year | MG | SG | Illustration | Restrictions | UPD | 18:31 | 22.01.2010 | PORSCHE | PET | PORSCHE |
| 911 | 1973 | 1 | 07 | 107-60 | | 248 | | | | | |

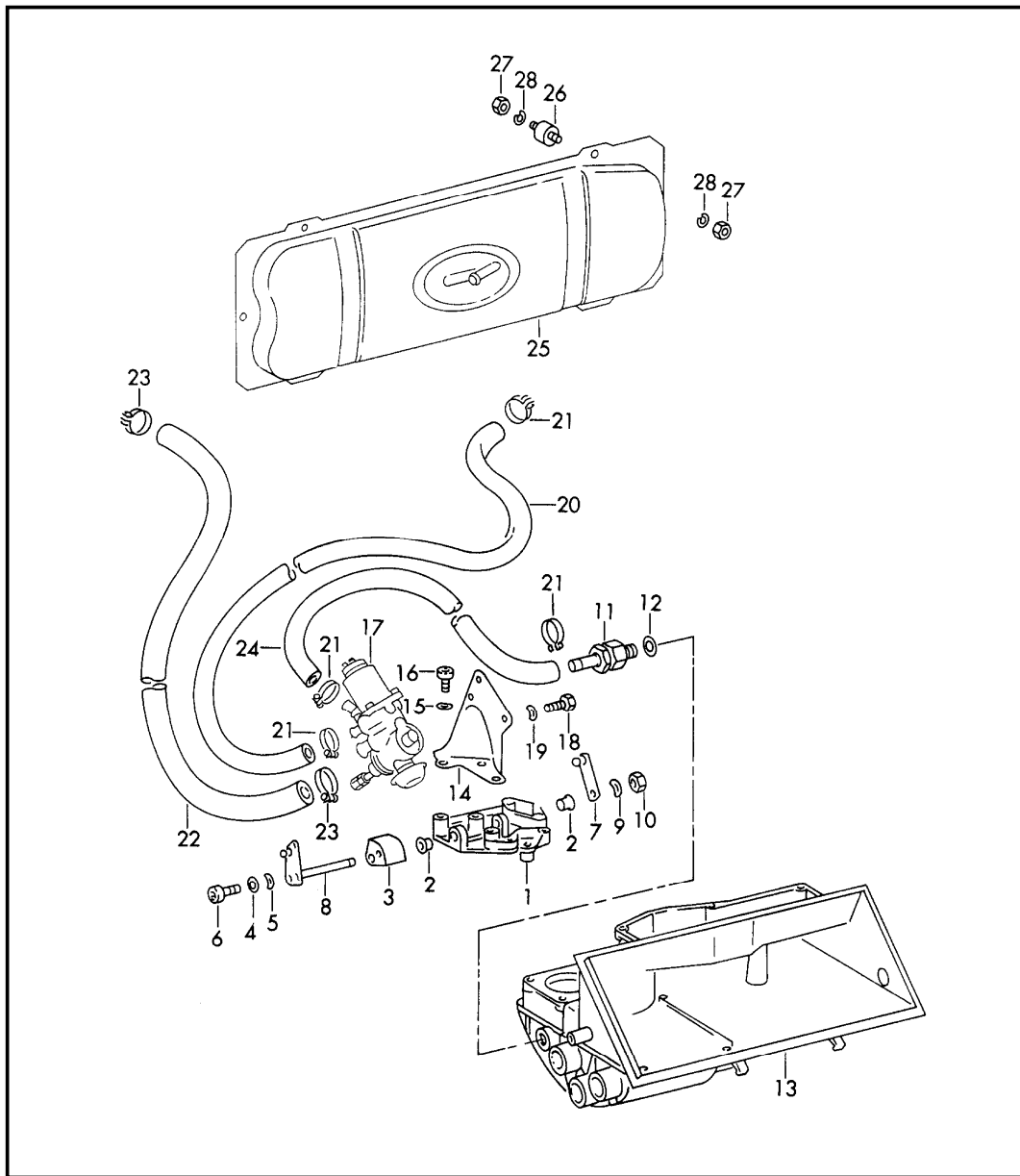


| Pos | Part Number | Description | Remark | Qty | Model |
|-----|----------------|-------------------------------------------------------------------|--------|-----|-------------------------|
| | | vacuum system for clutch release injection system for sportomatic | 72- | | 911 T-E/E/S CARRERA 2.7 |
| 1 | 911 110 081 11 | throttle body | /L | 72- | 1 911 T-E |
| (1) | 911 110 083 11 | throttle body | /L | 72- | 1 911 E |
| (1) | 911 110 085 11 | throttle body | /L | 72- | 1 911 S CARRERA 2.7 |
| 2 | 905 116 725 00 | check valve | | 2 | |
| 3 | 900 123 008 30 | sealing ring A 14 X 20 | | 2 | |
| 4 | 905 108 704 00 | vacuum line intake manifold - control valve | | 1 | |
| 5 | 905 108 707 00 | connecting hose | | 3 | |
| - | 999 180 029 50 | hose | | * | |
| 6 | 905 108 702 01 | vacuum hose control valve - vacuum tank | | 1 | |
| 7 | 999 512 140 02 | hose clamp \$ 19,05 | | 8 | |
| 8 | 905 108 370 01 | control valve | | 1 | |
| 9 | 905 108 703 00 | vacuum hose control valve - servo-motor | | 1 | |
| 10 | 999 512 141 02 | hose clamp \$ 22,23 | | 2 | |
| 11 | 999 702 064 50 | rubber sleeve | | 1 | |
| 12 | 911 116 033 00 | vacuum tank | | 1 | |
| 13 | 901 504 853 20 | bearing | | 4 | |
| 14 | 900 076 010 02 | hexagon nut M 6 | | 8 | |
| 15 | 900 027 014 01 | lock ring B 6 | | 8 | |

| | | | | | | | | | | | |
|-------|------|----|----|--------------|--------------|-----|-------|------------|---------|-----|---------|
| Model | Year | MG | SG | Illustration | Restrictions | UPD | 18:31 | 22.01.2010 | PORSCHE | PET | PORSCHE |
| 911 | 1973 | 1 | 07 | 107-60 | | 248 | | | | | |

| Pos | Part Number | Description | Remark | Qty | Model | Pos | Part Number | Description | Remark | Qty | Model |
|-----|----------------|---------------------------------|--------|-----|-------|-----|-------------|-------------|--------|-----|-------|
| 16 | 911 110 063 02 | intake pipe complete | /L | 1 | | | | | | | |
| 17 | 900 234 019 01 | shim 12 X 18 X 1 | | 1 | | | | | | | |
| 18 | 999 201 035 00 | needle sleeve 12 X 18 X 16 | | 1 | | | | | | | |
| 19 | 905 108 331 00 | support for control valve | | 1 | | | | | | | |
| 20 | 905 108 333 00 | spacer sleeve | | 1 | | | | | | | |
| 21 | 900 075 010 02 | hexagon-head bolt M 6 X 12 | | 5 | | | | | | | |
| 22 | N 012 226 5 | spring washer B 6 | | 5 | | | | | | | |
| 23 | 900 076 010 02 | hexagon nut M 6 | | 3 | | | | | | | |
| 24 | N 012 226 5 | spring washer B 6 | | 3 | | | | | | | |

| | | | | | | | | | | | |
|-------|------|----|----|--------------|--------------|-----|-------|------------|---------|-----|---------|
| Model | Year | MG | SG | Illustration | Restrictions | UPD | 18:31 | 22.01.2010 | PORSCHE | PET | PORSCHE |
| 911 | 1973 | 1 | 07 | 107-65 | | 248 | | | | | |

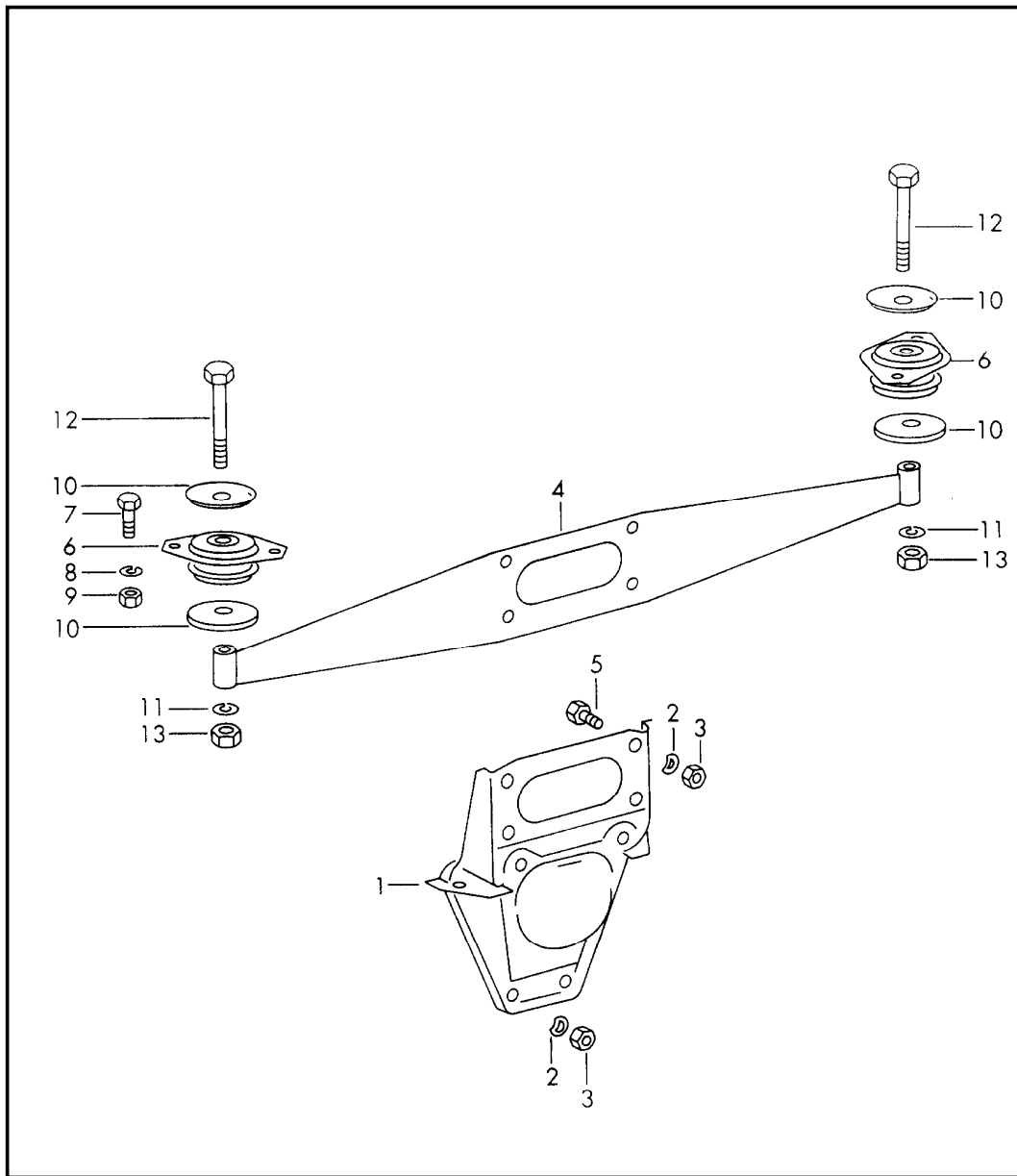


| Pos | Part Number | Description | Remark | Qty | Model |
|-----|----------------|----------------------------------|--------|-----|---------|
| | | vacuum system for clutch release | 72- | | 911 T-K |
| 1 | 911 110 234 00 | bracket | | 1 | |
| 2 | 901 423 253 00 | bearing sleeve | | 2 | |
| 3 | 911 125 027 01 | disc cam | | 1 | SPM |
| 4 | 900 089 011 02 | washer 4 | | 1 | SPM |
| 5 | N 012 224 3 | spring washer B 4 | | 1 | SPM |
| 6 | 900 067 080 02 | pan-head screw M 4 X 10 | | 1 | SPM |
| 7 | 911 110 110 00 | lever | | 1 | |
| 8 | 911 110 060 01 | lever complete | | 1 | |
| 9 | N 012 241 8 | spring washer B 8 X 15 | | 1 | |
| 10 | 900 076 025 02 | hexagon nut M 8 | | 1 | |
| 11 | 905 116 725 00 | check valve | | 1 | SPM |
| 12 | 900 123 007 70 | sealing ring A 14 X 18 | | 1 | SPM |
| 13 | 911 110 140 00 | housing air cleaner | | 1 | |
| 14 | 911 125 331 01 | support for control valve | | 1 | SPM |
| 15 | N 012 241 8 | spring washer B 8 X 15 | | 3 | SPM |
| 16 | N 014 707 2 | pan-head screw M 8 X 15 | | 3 | SPM |
| 17 | 905 108 370 00 | control valve | | 1 | SPM |
| 18 | 900 075 010 02 | hexagon-head bolt M 6 X 12 | | 3 | SPM |
| 19 | N 012 226 5 | spring washer B 6 | | 3 | SPM |

| | | | | | | | | | | | |
|-------|------|----|----|--------------|--------------|-----|-------|------------|---------|-----|---------|
| Model | Year | MG | SG | Illustration | Restrictions | UPD | 18:31 | 22.01.2010 | PORSCHE | PET | PORSCHE |
| 911 | 1973 | 1 | 07 | 107-65 | | 248 | | | | | |

| Pos | Part Number | Description | Remark | Qty | Model | Pos | Part Number | Description | Remark | Qty | Model |
|-----|----------------|--------------------------------------------------------------------|--------|-----|-------|-----|-------------|-------------|--------|-----|-------|
| 20 | 911 125 703 00 | vacuum hose 12 X 3,5 X 450 control valve - vacuum tank | | 1 | SPM | | | | | | |
| 21 | 999 512 056 02 | hose clamp S 18/9 | | 4 | SPM | | | | | | |
| 22 | 999 181 282 50 | vacuum hose 15 X 3,5 X 350 control valve - servo-motor | | 1 | SPM | | | | | | |
| 23 | N 023 565 3 | hose clamp S 21/9 | | 1 | SPM | | | | | | |
| 24 | 999 181 282 50 | vacuum hose 12 X 3,5 X 360 | | 1 | SPM | | | | | | |
| 25 | 911 116 033 00 | vacuum tank | | 1 | SPM | | | | | | |
| 26 | 901 504 853 20 | bearing | | 4 | SPM | | | | | | |
| 27 | 900 076 010 02 | hexagon nut M 6 | | 8 | SPM | | | | | | |
| 28 | 900 027 014 01 | lock ring B 6 | | 8 | SPM | | | | | | |

| | | | | | | | | | | | |
|-------|------|----|----|--------------|--------------|-----|-------|------------|---------|-----|---------|
| Model | Year | MG | SG | Illustration | Restrictions | UPD | 18:32 | 22.01.2010 | PORSCHE | PET | PORSCHE |
| 911 | 1973 | 1 | 09 | 109-00 | | 248 | | | | | |



| Pos | Part Number | Description | Remark | Qty | Model |
|-----|----------------|--------------------------------------|--------|-----|-------|
| | | engine suspension rear | | | 911 |
| 1 | 901 115 014 04 | bracket M 090 9001 >> | | 1 | |
| 2 | N 012 242 3 | spring washer B 10 X 18 | | 8 | |
| 3 | 900 157 002 02 | hexagon nut M 10 | | 8 | |
| 4 | 930 375 011 01 | bracket | | 1 | |
| 5 | 900 156 006 02 | hexagon-head bolt M 10 X 18 | | 4 | |
| 6 | 911 375 043 00 | bearing | -70 | 2 | |
| (6) | 911 375 043 00 | bearing | 71- | 2 | |
| 7 | N 010 335 5 | hexagon-head bolt M 8X35 | | 4 | |
| 8 | 900 027 015 02 | lock ring B 8 | | 4 | |
| 9 | 900 076 025 02 | hexagon nut M 8 | | 4 | |
| 10 | 901 305 311 00 | seat | | 4 | |
| 11 | 999 523 109 02 | lock washer M 12 | | 2 | |
| 12 | 900 082 026 01 | hexagon-head bolt M 12 X 1,5 X 92 | | 2 | |
| 13 | 900 076 016 02 | hexagon nut M 12 X 1,5 | | 2 | |

| | | | | | | | | |
|-------|------|----|----|--------------|--------------|-----|-------|------------|
| Model | Year | MG | SG | Illustration | Restrictions | UPD | 18:32 | 22.01.2010 |
| 911 | 1973 | 1 | 98 | 198-00R | | 248 | | |

| Pos | Part Number | Description | Remark | Qty | Model |
|-----|------------------|---------------------------------------------------------------------------------|------------|-----|------------------|
| >> | >>911 100 903 00 | gasket set piston rings | | | |
| | | gasket set for engine with - ZENITH - carburettor comprising: | -71 72- | X | 911 T 911 T-V |
| - | 999 704 172 50 | sealing ring | | 5 | |
| - | 999 701 006 40 | o-ring | | 24 | |
| - | 999 113 057 52 | radial sealing ring 65 X 85 X 10 | | 1 | |
| - | 999 113 049 50 | radial sealing ring 30 X 50 X 10 | | 1 | |
| - | 900 174 041 40 | sealing ring | | 1 | |
| - | 901 101 391 00 | sealing ring for oil strainer | | 2 | |
| - | 900 123 011 30 | sealing ring A 22 X 27 AL | | 4 | |
| - | 901 104 391 01 | cylinder head gasket | | 6 | |
| - | 901 104 191 00 | cylinder base gasket | | 6 | |
| - | 901 104 193 00 | valve stem seal | | 12 | |
| - | 901 105 193 03 | gasket for crank - chain case | | 2 | |
| - | 901 105 197 00 | gasket for sealing ring | | 2 | |
| - | 999 701 124 40 | o-ring 67,5 X 75,4 X 4 | | 2 | |
| - | 901 105 191 03 | gasket for chain case | /L | 1 | |
| - | 901 105 192 03 | gasket for chain case | /R | 1 | |

PORSCHE

PET

PORSCHE

| | | | | | | | | |
|-------|------|----|----|--------------|--------------|-----|-------|------------|
| Model | Year | MG | SG | Illustration | Restrictions | UPD | 18:32 | 22.01.2010 |
| 911 | 1973 | 1 | 98 | 198-00R | | 248 | | |

| Pos | Part Number | Description | Remark | Qty | Model |
|-----|----------------|--------------------------------------------|--------|-----|---------|
| - | 901 105 194 03 | gasket for camshaft housing upper | | 2 | |
| - | 901 105 195 04 | gasket for camshaft housing lower | | 2 | |
| - | 901 105 198 04 | gasket for cover | | 1 | |
| - | 900 123 008 30 | sealing ring A 14 X 20 AL | | 3 | |
| - | 900 123 005 30 | sealing ring A 12 X 16 AL | | 12 | |
| - | 900 123 044 30 | sealing ring A 18 X 22 CU | | 2 | |
| - | 900 123 066 30 | sealing ring A 10 X 16 ALMG | | 8 | |
| - | 999 701 596 40 | o-ring 8,3 X 2,4 | | 2 | |
| - | 999 701 596 40 | o-ring 20,3 X 2,4 | | 2 | |
| - | 900 123 061 20 | sealing ring A 6,5 X 9,5 CU | | 2 | |
| - | 999 704 173 50 | sealing ring | | 2 | |
| - | 999 701 100 50 | o-ring | | 1 | |
| - | 900 123 071 30 | sealing ring A 18 X 24 AL MG | | 2 | |
| - | 999 701 113 50 | o-ring | | 8 | |
| - | 999 701 053 50 | sealing ring 39,2 X 3 | | 1 | |
| - | 905 107 191 02 | gasket | | 1 | |
| - | 999 701 135 50 | o-ring | | 1 | |
| - | 901 107 791 01 | gasket for bleeder | | 1 | |
| - | 900 123 043 30 | sealing ring A 12 X 15,5 | -71 | 3 | 911 T |
| - | 900 123 006 30 | sealing ring A 12 X 15,5 | 72- | 3 | 911 T-V |

PORSCHE

PET

PORSCHE

| | | | | | | | | |
|-------|------|----|----|--------------|--------------|-----|-------|------------|
| Model | Year | MG | SG | Illustration | Restrictions | UPD | 18:32 | 22.01.2010 |
| 911 | 1973 | 1 | 98 | 198-00R | | 248 | | |

| Pos | Part Number | Description | Remark | Qty | Model |
|-----|----------------|------------------------------------------------------|------------|----------|------------------|
| - | 900 123 007 70 | sealing ring for bleeder A 143 X 18 IT | | 1 | |
| - | 901 108 391 04 | gasket for intake manifold | | 6 | |
| - | 901 108 398 01 | gasket for carburettor | | 6 | |
| - | 901 111 193 00 | gasket | | 2 | |
| - | 930 111 191 13 | gasket | | 6 | |
| - | 900 123 008 30 | sealing ring A 14 X 20 AL | -71 | 2 | 911 T |
| - | 900 123 008 30 | sealing ring A 14 X 20 AL | 72- | 2 | 911 T-V |
| - | 911 602 102 01 | sealing ring | 72- | 1 | 911 T-V |
| - | 999 701 101 50 | sealing ring | -71 | 1 | 911 T |
| - | 900 123 007 30 | sealing ring A 14 X 18 AL | | 2 | |
| - | 901 108 976 00 | sealing ring | | 6 | |
| - | 911 100 932 00 | sealing ring | | 4 | |
| - | 911 100 963 00 | sealing ring | | 4 | |
| - | 911 100 965 00 | sealing ring | | 4 | |
| - | 911 100 968 00 | sealing ring | | 8 | |
| - | PCG 100 973 00 | gasket for lid | | 2 | |
| - | 911 100 977 00 | gasket | | 2 | |
| - | 911 100 998 02 | sealing ring | | 1 | |
| - | 911 100 998 00 | gasket | | 4 | |
| - | 900 031 014 30 | washer 8,4 AL for camshaft housing lower | -71 72- | 11 34 | 911 T 911 T-V |
| - | 900 031 011 30 | washer 6,4 AL | | 21 | 911 T-V |

| | | | | | | | | |
|-------|------|----|----|--------------|--------------|-----|-------|------------|
| Model | Year | MG | SG | Illustration | Restrictions | UPD | 18:32 | 22.01.2010 |
| 911 | 1973 | 1 | 98 | 198-00R | | 248 | | |

| Pos | Part Number | Description | Remark | Qty | Model |
|-----|------------------|--------------------------------------------------------------|--------|-----|---------|
| >> | >>911 100 901 00 | gasket set for with injection system comprising: | 72- | X | 911 T-K |
| - | 900 123 007 30 | sealing ring A 14 X 18 AL | | 1 | |
| - | 999 704 172 50 | sealing ring | | 5 | |
| - | 999 701 006 40 | o-ring | | 24 | |
| - | 999 113 057 52 | radial sealing ring | | 1 | |
| - | 900 174 041 40 | sealing ring | | 1 | |
| - | 900 123 044 30 | sealing ring A 18 X 22 AL | | 1 | |
| - | 901 101 391 00 | gasket for oil strainer | | 2 | |
| - | 900 123 011 20 | sealing ring A 22 X 27 CU | | 1 | |
| - | 999 113 049 50 | radial sealing ring | | 1 | |
| - | 908 104 391 00 | cylinder head gasket | | 6 | |
| - | 901 104 191 00 | cylinder base gasket | | 6 | |
| - | 911 104 193 00 | valve stem seal | | 12 | |
| - | 901 105 193 03 | gasket for - chain case | | 2 | |
| - | 900 123 066 30 | sealing ring A 10 X 16 AL | | 8 | |
| - | 999 701 596 40 | o-ring 8,3 X 2,4 | | 2 | |
| - | 999 701 596 40 | o-ring 20,3 X 2,4 | | 2 | |
| - | 999 701 298 40 | o-ring 10 X 1,3 | | 2 | |
| - | 900 123 061 20 | sealing ring A 6,5 X 9,5 CU | | 2 | |
| - | 901 105 197 00 | gasket for sealing ring | | 3 | |

| | | | | | | | | |
|-------|------|----|----|--------------|--------------|-----|-------|------------|
| Model | Year | MG | SG | Illustration | Restrictions | UPD | 18:32 | 22.01.2010 |
| 911 | 1973 | 1 | 98 | 198-00R | | 248 | | |

| Pos | Part Number | Description | Remark | Qty | Model |
|-----|----------------|--------------------------------------------|--------|-----|-------|
| - | 999 701 124 40 | o-ring 67,5 X 75,4 X 4 | | 3 | |
| - | 901 105 191 03 | gasket for chain case | /L | 1 | |
| - | 901 106 192 03 | gasket for chain case | /R | 1 | |
| - | 900 123 005 30 | sealing ring A 12 X 16 AL | | 11 | |
| - | 901 105 194 03 | gasket for camshaft housing upper | | 2 | |
| - | 901 105 195 04 | gasket for camshaft housing lower | | 2 | |
| - | 901 105 198 04 | gasket for cover | | 1 | |
| - | 999 704 173 50 | sealing ring | | 2 | |
| - | 900 123 011 30 | gasket A 22 X 27 AL | | 1 | |
| - | 999 701 113 50 | o-ring | | 8 | |
| - | 999 701 053 50 | sealing ring 39,2 X 3 | | 1 | |
| - | 900 123 043 30 | sealing ring A 12 X 15,5 AL | | 1 | |
| - | 911 107 710 00 | sealing ring | | 1 | |
| - | 900 123 071 30 | sealing ring A 18 X 24 AL | | 2 | |
| - | 901 107 791 01 | gasket for bleeder | | 1 | |
| - | 901 108 391 04 | gasket for intake pipe | | 6 | |
| - | 911 110 394 02 | gasket for mixture control unit | | 1 | |
| - | 900 123 050 20 | sealing ring A 8 X 11,5 CU | | 14 | |

| | | | | | | | | |
|-------|------|----|----|--------------|--------------|-----|-------|------------|
| Model | Year | MG | SG | Illustration | Restrictions | UPD | 18:32 | 22.01.2010 |
| 911 | 1973 | 1 | 98 | 198-00R | | 248 | | |

| Pos | Part Number | Description | Remark | Qty | Model |
|-----|------------------|------------------------------------------------------------------------|------------|-----|--------------------|
| - | 900 123 008 30 | sealing ring A 14 X 20 AL | | 1 | |
| - | 999 701 144 50 | o-ring OR 6-2 37 PAB/769 | | 1 | |
| - | 901 111 193 00 | gasket | | 2 | |
| - | 905 107 191 02 | gasket | | 1 | |
| - | 999 701 135 50 | o-ring R 15 X 2,5 | | 1 | |
| - | 900 123 006 30 | sealing ring A 12 X 18 AL | | 2 | |
| - | 900 123 007 70 | sealing ring A 14 X 18 IT | | 1 | |
| - | 930 111 191 13 | gasket | | 6 | |
| - | 911 602 102 01 | sealing ring | | 1 | |
| - | 900 031 014 30 | washer 8,4 AL for camshaft housing lid lower | | 34 | |
| - | 900 031 011 30 | washer 6,4 AL | | 21 | |
| >> | >>911 100 905 00 | gasket set for engine with injection system comprising: | 70- 72- | X | 911 E/S 911 T-E |
| - | 999 704 172 50 | sealing ring | | 5 | |
| - | 999 701 006 40 | o-ring | | 24 | |
| - | 999 113 057 52 | radial sealing ring 65 X 85 X 10 | | 1 | |
| - | 999 113 049 50 | radial sealing ring 30 X 50 X 10 | | 1 | |
| - | 900 174 041 40 | sealing ring | | 1 | |
| - | 901 101 391 00 | sealing ring for oil strainer | | 2 | |
| - | 900 123 011 30 | sealing ring A 22 X 27 AL | | 10 | |
| - | 901 104 391 01 | cylinder head gasket | | 6 | |

| | | | | | | | | |
|-------|------|----|----|--------------|--------------|-----|-------|------------|
| Model | Year | MG | SG | Illustration | Restrictions | UPD | 18:32 | 22.01.2010 |
| 911 | 1973 | 1 | 98 | 198-00R | | 248 | | |

| Pos | Part Number | Description | Remark | Qty | Model |
|-----|----------------|--------------------------------------------|--------|-----|-------------|
| - | 901 104 191 00 | cylinder base gasket | | 6 | |
| - | 911 104 193 00 | valve stem seal | | 12 | |
| - | 901 105 193 03 | gasket for crank - chain case | | 2 | |
| - | 901 105 197 00 | gasket for sealing ring | | 2 | |
| - | 999 701 124 40 | o-ring 67,5 X 75,4 X 4 | | 2 | |
| - | 901 105 191 03 | gasket for chain case | /L | 1 | |
| - | 901 105 192 03 | gasket for chain case | /R | 1 | |
| - | 901 105 194 03 | gasket for camshaft housing upper | | 2 | |
| - | 901 105 195 04 | gasket for camshaft housing lower | | 2 | |
| - | 901 105 198 04 | gasket for cover | | 1 | |
| - | 900 123 008 30 | sealing ring A 14 X 20 AL | | 3 | |
| - | 900 123 005 30 | sealing ring A 12 X 16 AL | | 12 | |
| - | 900 123 044 30 | sealing ring A 18 X 22 CU | | 2 | |
| - | 900 123 066 30 | sealing ring A 10 X 16 | | 8 | |
| - | 999 701 596 40 | o-ring 8,3 X 2,4 | -71 | 2 | 911 E/S |
| - | 999 701 596 40 | o-ring 8,3 X 2,4 | 72- | 2 | 911 T-E/E/S |
| - | 999 701 596 40 | o-ring 20,3 X 2,4 | -71 | 2 | 911 E/S |

PORSCHE

PET

PORSCHE

| | | | | | | | | |
|-------|------|----|----|--------------|--------------|-----|-------|------------|
| Model | Year | MG | SG | Illustration | Restrictions | UPD | 18:32 | 22.01.2010 |
| 911 | 1973 | 1 | 98 | 198-00R | | 248 | | |

| Pos | Part Number | Description | Remark | Qty | Model |
|-----|----------------|-----------------------------------------------------------|------------|-----|----------------------|
| - | 999 701 596 40 | o-ring 20,3 X 2,4 | 72- | 2 | 911 T-E/E/S |
| - | 900 123 061 20 | sealing ring A 6,5 X 9,5 CU | | 2 | |
| - | 999 113 068 50 | radial sealing ring BA 35 X 47 X 7 | | 1 | |
| - | 999 704 173 50 | sealing ring | | 2 | |
| - | 999 701 100 50 | o-ring | | 1 | |
| - | 900 123 071 30 | sealing ring A 18 X 24 | | 3 | |
| - | 901 107 717 00 | sealing ring | | 2 | |
| - | 999 701 113 50 | o-ring | | 8 | |
| - | 999 701 053 50 | sealing ring 39,2 X 3 | | 1 | |
| - | 999 113 099 40 | radial sealing ring BA SI 12,7 X 22 X 6 12,7 X 22,6 | -71 72- | 1 | 911 E 911 T-E/E/S |
| - | 905 107 191 02 | gasket | -71 72- | 1 | 911 E 911 T-E/E/S |
| - | 999 701 135 50 | o-ring | | 1 | |
| - | 901 107 791 01 | gasket for bleeder | | 1 | |
| - | 900 123 006 30 | sealing ring A 12 X 18 AL | 72- | 3 | 911 T-E/E/S |
| - | 900 123 043 30 | sealing ring A 12 X 15,5 AL | | 3 | |
| - | 900 123 007 70 | sealing ring for bleeder | | 1 | |
| - | 901 111 193 00 | gasket | | 2 | |
| - | 930 111 191 13 | gasket | | 6 | |
| - | 901 110 192 00 | gasket | -71 | 2 | 911 E/S |
| - | N 013 812 2 | sealing ring A 12 X 15,5 CU | | 6 | |
| - | 911 602 102 01 | sealing ring | 72- | 1 | 911 T-E/E/S |
| - | 999 701 101 50 | sealing ring | | 1 | |

| | | | | | | | | |
|-------|------|----|----|--------------|--------------|-----|-------|------------|
| Model | Year | MG | SG | Illustration | Restrictions | UPD | 18:32 | 22.01.2010 |
| 911 | 1973 | 1 | 98 | 198-00R | | 248 | | |

| Pos | Part Number | Description | Remark | Qty | Model |
|-----|------------------|------------------------------------------------------------------------|------------|----------|------------------------|
| - | 900 123 007 30 | sealing ring A 14 X 18 AL | | 2 | |
| - | 901 108 391 04 | gasket for throttle body | 70- 72- | 6 | 911 E 911 T-E |
| - | 901 108 391 05 | gasket for throttle body | 70- | 6 | 911 S |
| - | 911 110 191 01 | gasket for intake pipe | | 6 | |
| - | 901 108 994 00 | sealing ring | -71 | 4 | 911 E/S |
| - | 911 108 911 00 | sealing ring | 72- | 4 | 911 T-E/E/S |
| - | 900 123 033 20 | sealing ring A 10 X 13,5 CU | | 1 | |
| - | N 013 849 2 | sealing ring | -71 72- | 1 | 911 E/S 911 T-E/E/S |
| - | 901 110 922 00 | plate | | 1 | |
| - | 900 031 014 30 | washer 8,4AL for camshaft housing lid lower | -71 72- | 11 34 | 911 E/S 911 T-E/E/S |
| - | 900 031 011 30 | washer 6,4 AL | 72- | 21 | 911 T-E/E/S |
| >> | >>911 100 907 00 | gasket set for engine with injection system comprising: | 72- | 1 | CARRERA 2.7 |
| - | 900 123 007 30 | sealing ring 14 X 18 AL | | 1 | |
| - | 999 704 172 50 | sealing ring | | 5 | |
| - | 999 701 006 40 | o-ring | | 24 | |
| - | 999 113 057 52 | radial sealing ring 65 X 85 X 10 | | 1 | |
| - | 901 101 391 00 | gasket for oil strainer | | 2 | |
| - | 900 123 011 30 | sealing ring A 22 X 27 AL | | 2 | |

PORSCHE

PET

PORSCHE

| | | | | | | | | |
|-------|------|----|----|--------------|--------------|-----|-------|------------|
| Model | Year | MG | SG | Illustration | Restrictions | UPD | 18:32 | 22.01.2010 |
| 911 | 1973 | 1 | 98 | 198-00R | | 248 | | |

| Pos | Part Number | Description | Remark | Qty | Model |
|-----|----------------|---------------------------------------------------|--------|-----|-------|
| - | 999 113 049 50 | radial sealing ring 30 X 50 X 10 | | 1 | |
| - | 900 174 041 40 | sealing ring R 50 X 4 | | 1 | |
| - | 911 104 192 00 | cylinder base gasket | | 6 | |
| - | 912 104 314 00 | cylinder head gasket | | 6 | |
| - | 911 104 193 00 | valve stem seal | | 12 | |
| - | 901 105 193 03 | gasket | | 2 | |
| - | 900 123 066 30 | sealing ring A 10 X 16 AL MG SI | | 8 | |
| - | 999 701 596 40 | o-ring OR 8,3 - 2,4 | | 2 | |
| - | 999 701 596 40 | o-ring OR 20 -2,4 | | 2 | |
| - | 999 701 298 40 | o-ring OR 10 - 1,3 | | 2 | |
| - | 900 123 061 20 | sealing ring A 6,5 X 9,5 CU | | 2 | |
| - | 901 105 197 00 | gasket for sealing ring | | 2 | |
| - | 999 701 124 40 | o-ring 67,5 X 75,5 X 4 | | 2 | |
| - | 901 105 191 03 | gasket | | 1 | |
| - | 901 105 192 03 | gasket | | 1 | |
| - | 900 123 005 30 | sealing ring A 12 X 16 AL | | 10 | |
| - | 999 113 068 50 | radial sealing ring | | 1 | |
| - | 901 105 194 03 | gasket for camshaft housing lid upper | | 2 | |
| - | 901 105 195 04 | gasket for camshaft housing lid lower | | 2 | |
| - | 901 105 198 04 | gasket for cover | | 1 | |

| | | | | | | | | |
|-------|------|----|----|--------------|--------------|-----|-------|------------|
| Model | Year | MG | SG | Illustration | Restrictions | UPD | 18:32 | 22.01.2010 |
| 911 | 1973 | 1 | 98 | 198-00R | | 248 | | |

| Pos | Part Number | Description | Remark | Qty | Model |
|-----|----------------|--------------------------------|--------|-----|-------|
| - | 999 704 173 50 | sealing ring | | 2 | |
| - | 900 123 011 30 | sealing ring A 22 X 27 AL | | 1 | |
| - | 900 123 044 30 | sealing ring A 18 X 22 CU | | 2 | |
| - | 999 701 113 50 | o-ring R 25 - 6 | | 8 | |
| - | 999 701 053 50 | sealing ring 39,2 X 3 | | 1 | |
| - | 900 123 071 30 | sealing ring A 18 X 24 AL | | 2 | |
| - | 901 107 791 01 | gasket for bleeder | | 1 | |
| - | 999 701 100 50 | o-ring R 72 - 4 | | 1 | |
| - | 900 123 136 30 | sealing ring A 42 X 49 AL | | 1 | |
| - | N 013 812 2 | sealing ring A 12 X 15,5 CU | | 6 | |
| - | 901 108 391 05 | gasket | | 6 | |
| - | 901 108 214 03 | gasket | | 2 | |
| - | 911 110 191 01 | gasket | | 6 | |
| - | 901 111 193 00 | gasket | | 2 | |
| - | 999 113 099 40 | radial sealing ring | | 1 | |
| - | 905 107 191 02 | gasket | | 1 | |
| - | 900 123 008 30 | gasket A 14 X 20 AL | | 3 | |
| - | 900 123 043 30 | sealing ring A 12 X 15,5 AL | | 1 | |
| - | 999 701 135 50 | o-ring R 15 X 2,5 | | 1 | |
| - | 930 111 191 13 | gasket | | 6 | |
| - | 911 602 102 01 | sealing ring | | 1 | |
| - | 900 123 007 70 | sealing ring A 14 X 18 IT | | 1 | |
| - | N 013 808 3 | sealing ring A 10 X 16 CU | | 1 | |

| | | | | | | | | |
|-------|------|----|----|--------------|--------------|-----|-------|------------|
| Model | Year | MG | SG | Illustration | Restrictions | UPD | 18:32 | 22.01.2010 |
| 911 | 1973 | 1 | 98 | 198-00R | | 248 | | |

| Pos | Part Number | Description | Remark | Qty | Model |
|-----|------------------|---------------------------------------------------------------------------------------|------------|-----|------------------|
| - | 901 108 911 00 | sealing ring | | 4 | |
| - | 900 123 033 20 | sealing ring A 10 X 13,5 CU | | 1 | |
| - | N 013 849 2 | sealing ring A 14 X 18 CU | | 1 | |
| - | 901 110 922 00 | plate | | 1 | |
| - | 900 031 014 30 | washer 8,4 AL | | 34 | |
| - | 900 031 011 30 | washer 6,4 AL | | 21 | |
| >> | >>911 108 948 00 | gasket set for - ZENITH 40 TIN - carburettor TYP 911/57/67 comprising: | -71 72- | X | 911 T 911 T-V |
| - | 901 108 398 01 | gasket for carburettor | | 6 | |
| - | 901 108 976 00 | sealing ring | | 6 | |
| - | 911 100 932 00 | sealing ring | | 4 | |
| - | 911 100 937 00 | diaphragm complete | | 6 | |
| - | 911 100 963 00 | sealing ring | | 4 | |
| - | 911 100 965 00 | sealing ring | | 4 | |
| - | 911 100 968 00 | sealing ring | | 8 | |
| - | PCG 100 973 00 | gasket | | 2 | |
| - | 911 100 977 00 | gasket for connecting piece | | 2 | |
| - | 911 100 937 01 | diaphragm | | 2 | |
| - | 911 100 989 00 | o-ring | | 2 | |
| - | 911 100 998 02 | sealing ring | | 1 | |
| - | 911 100 998 00 | gasket | | 4 | |

| | | | | | | | | |
|-------|------|----|----|--------------|--------------|-----|-------|------------|
| Model | Year | MG | SG | Illustration | Restrictions | UPD | 18:32 | 22.01.2010 |
| 911 | 1973 | 1 | 98 | 198-00R | | 248 | | |

| Pos | Part Number | Description | Remark | Qty | Model |
|-----|------------------|--------------------------------------------------------------------------------------------------------------|--------|-----|---------|
| >> | >>911 103 901 01 | set of piston rings for - mahle - piston \$ 84 MM TYP 911/01/04 and TYP 911/03/06/07/08 | -71 | X | 911 T/E |
| >> | >>911 103 901 26 | set of piston rings for piston \$ 84,25 MM | -71 | X | 911 T/E |
| >> | >>911 103 901 50 | set of piston rings for piston \$ 84,50 MM | -70 | X | 911 T/E |
| >> | >>911 103 902 01 | set of piston rings for piston \$ 84 MM TYP 911/02 | -71 | X | 911 S |
| >> | >>911 103 945 25 | piston ring for piston \$ 84,25 MM | -71 | X | 911 S |
| >> | >>911 103 902 50 | set of piston rings for piston \$ 84,50 MM | -70 | X | 911 S |
| >> | >>911 103 906 01 | set of piston rings for piston - SCHMIDT - \$ 84 MM TYP 911/03/06/07/08 | -71 | X | 911 T |
| >> | >>911 103 906 26 | set of piston rings for piston \$ 84,25 MM | -71 | X | 911 T |
| >> | >>911 103 906 50 | set of piston rings for piston \$ 84,50 MM | -70 | X | 911 T |

| | | | | | | | | |
|-------|------|----|----|--------------|--------------|-----|-------|------------|
| Model | Year | MG | SG | Illustration | Restrictions | UPD | 18:32 | 22.01.2010 |
| 911 | 1973 | 1 | 98 | 198-00R | | 248 | | |

| Pos | Part Number | Description | Remark | Qty | Model |
|-----|------------------|---------------------------------------------------------------------------------------------------------------------------------|--------|-----|------------------------|
| >> | >>911 103 945 00 | set of piston rings for - mahle - and - SCHMIDT - piston \$ 84 MM TYP 911/51 - 53/57 TYP 911/61 - 63/67 | 72- | X | 911 T-E/E/S 911 T-V |
| >> | >>911 103 941 00 | set of piston rings for piston \$ 84 MM | 73- | X | 911 T-K |
| >> | >>911 103 945 25 | set of piston rings for piston \$ 84,25 MM | 72- | X | 911 T-E/E/S 911 T-V |
| >> | >>911 103 941 25 | set of piston rings for piston \$ 84,25MM | 73- | X | 911 T-K |
| >> | >>911 103 941 50 | set of piston rings for piston \$ 84,50 MM | 73- | X | 911 T-K |
| >> | >>911 103 945 50 | set of piston rings for piston \$ 84,50 MM | 72- | X | 911 T-E/E/S 911 T-V |
| >> | >>911 103 934 00 | set of piston rings for piston \$ 90 MM | 72- | X | CARRERA 2.7 |

PORSCHE

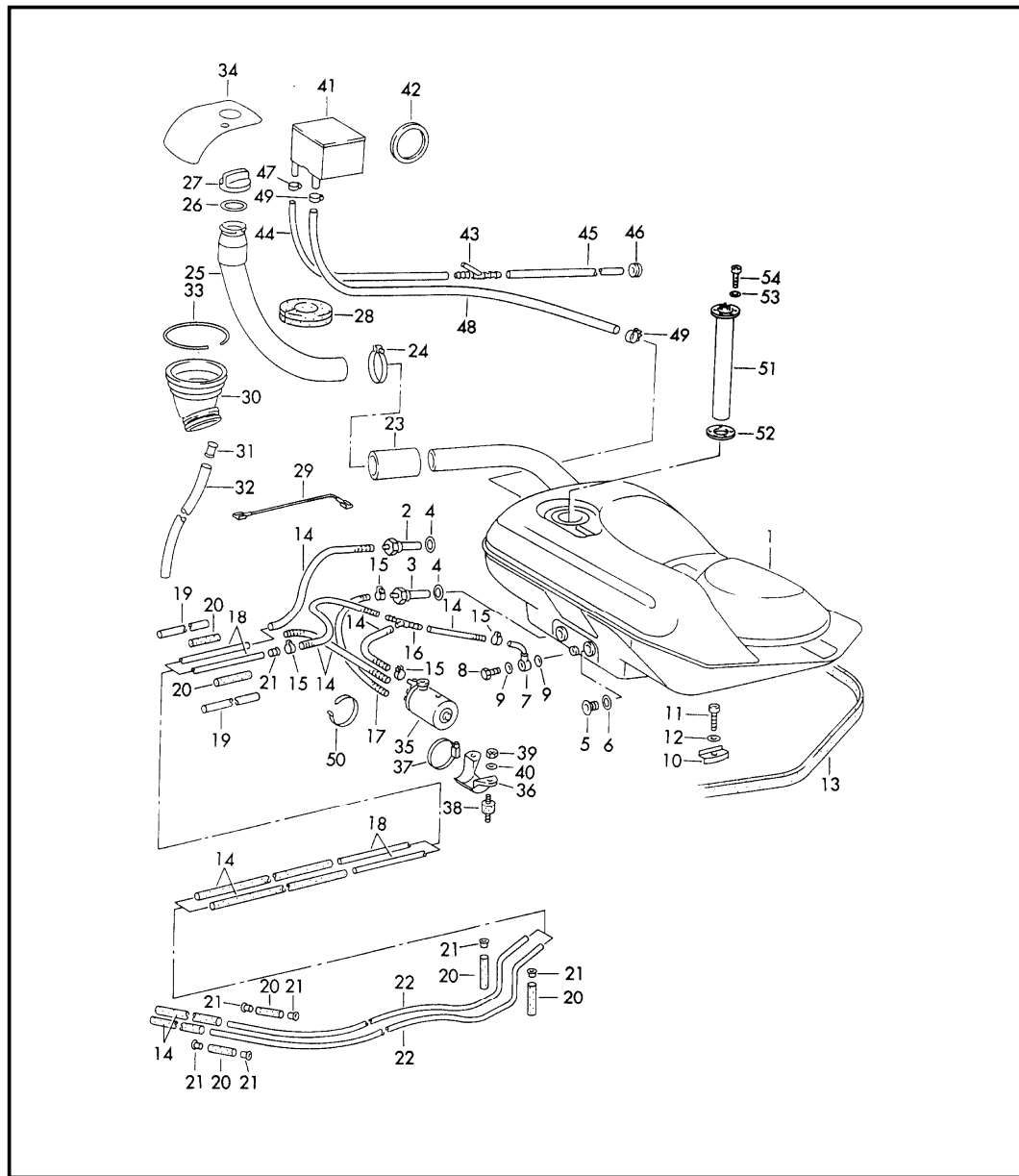
PET

PORSCHE

| | | | | | | | | |
|-------|------|----|----|--------------|--------------|-----|-------|------------|
| Model | Year | MG | SG | Illustration | Restrictions | UPD | 18:32 | 22.01.2010 |
| 911 | 1973 | 1 | 98 | 198-05R | | 248 | | |

| Pos | Part Number | Description | Remark | Qty | Model |
|-----|------------------|-------------------------------------|--------|-----|----------------------------------------------------------|
| | | repair kit for chain adjuster | 72- | | 911 T/E/S 911 T VERGASER CARRERA 2.7 911 T-K |
| >> | >>911 105 901 00 | repair kit for chain adjuster | | X | |
| - | 930 105 585 00 | intermediate piece | | 1 | |
| - | 999 701 298 40 | o-ring OR 10 - 1 | | 1 | |
| - | 930 105 511 03 | needle cage for ball valve | | 1 | |
| - | 900 108 005 00 | ball 5 MM | | 1 | |
| - | 900 906 014 00 | circlip B 16 | | 1 | |
| - | 999 701 596 40 | o-ring CR 8,3 - 2,4 | | 1 | |
| - | 999 701 596 40 | o-ring CR 20,3 - 2,4 | | 1 | |
| - | 900 906 028 00 | circlip B 28 | | 1 | |
| - | 900 123 061 20 | gasket | | 1 | |

| | | | | | | | | | | | |
|-------|------|----|----|--------------|--------------|-----|-------|------------|---------|-----|---------|
| Model | Year | MG | SG | Illustration | Restrictions | UPD | 18:32 | 22.01.2010 | PORSCHE | PET | PORSCHE |
| 911 | 1973 | 2 | 01 | 201-00 | | 248 | | | | | |

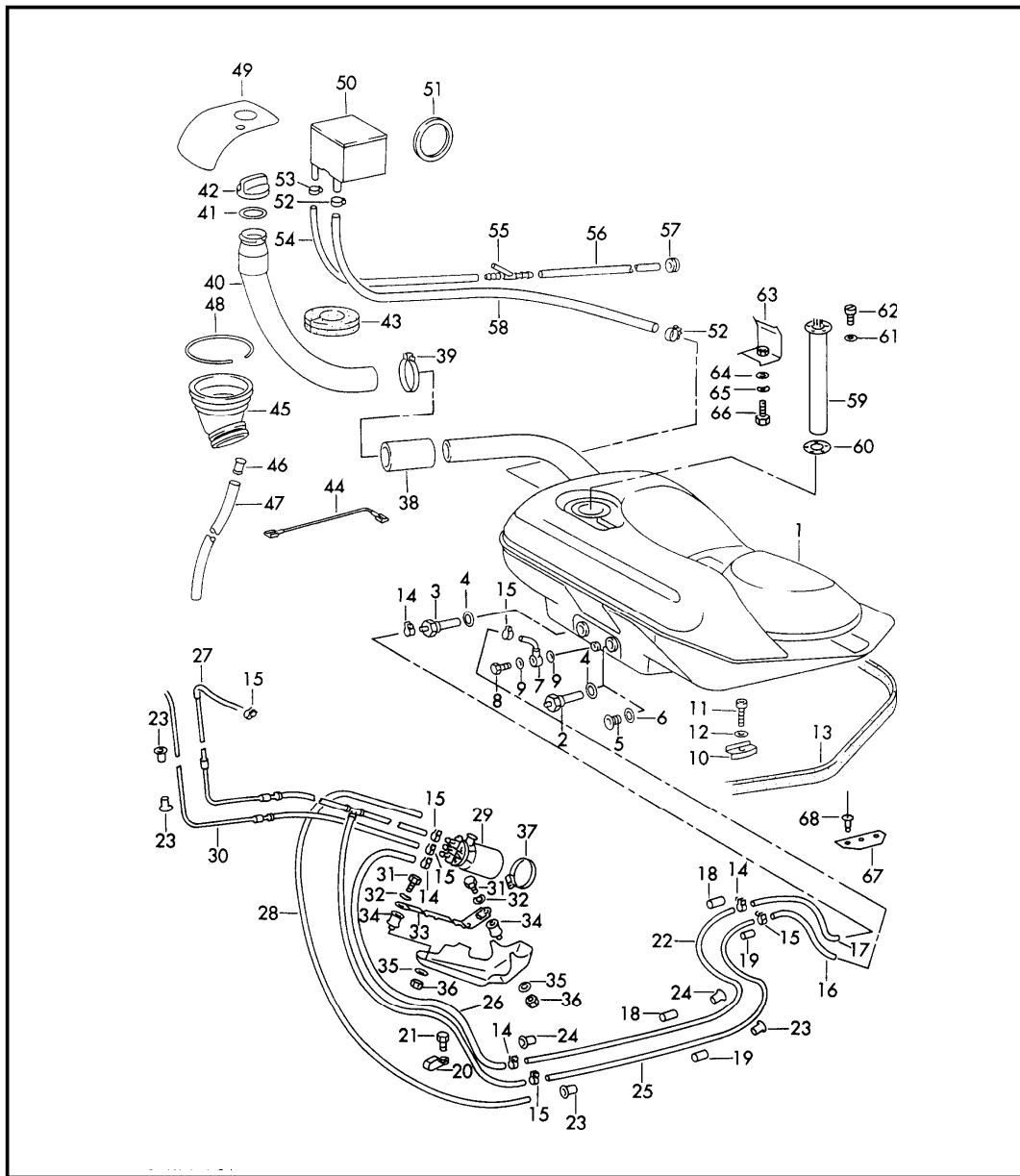


| Pos | Part Number | Description | Remark | Qty | Model |
|-----|----------------|----------------------------------------|------------|---------|------------------|
| | | fuel system lines with fuel pump front | -71 | | |
| 1 | 901 201 010 22 | fuel tank 62 L | | 1 | |
| 2 | 901 201 023 04 | threaded joint \varnothing 6 MM | | 1 | 911 T |
| 3 | 901 201 023 05 | fuel tank cap \varnothing 8 MM | | 1 | 911 E/S |
| 4 | N 013 827 3 | sealing ring A 22 X 27 | | 2 | |
| 5 | 900 219 001 30 | screw plug M 22 X 1,5 | | 1 | |
| 6 | 900 123 011 30 | sealing ring A 22 X 27 | | 1 | |
| 7 | 901 356 049 00 | ring piece | -70 71- | 1 | 911 E/S 911 T |
| 8 | 900 134 007 02 | banjo bolt A 8 | -70 71- | 1 | 911 E/S 911 T |
| 9 | 900 123 007 60 | sealing ring A 14 X 18 | -70 71- | 2 | 911 E/S 911 T |
| 10 | 901 201 311 00 | bracket | | 3 | |
| 11 | N 014 725 2 | pan-head screw M 8 X 25 | | 3 | |
| 12 | 900 031 001 02 | washer 8,4 | | 3 | |
| 13 | 901 504 932 20 | seal | | 1 | |
| 14 | 999 180 030 50 | fuel hose | | * | |
| 15 | 999 512 055 02 | hose clamp | | 2 13 | 911 T 911 E/S |
| 16 | 901 356 461 00 | hose connection | | 1 | 911 E/S |
| 17 | N 020 359 1 | hose | | * | 911 E/S |
| 18 | 901 108 531 00 | control line centre | | 2 | 911 E/S |
| 18 | 901 108 531 01 | control line centre | | 2 | 911 E/S |

| | | | | | | | | | | | |
|-------|------|----|----|--------------|--------------|-----|-------|------------|---------|-----|---------|
| Model | Year | MG | SG | Illustration | Restrictions | UPD | 18:32 | 22.01.2010 | PORSCHE | PET | PORSCHE |
| 911 | 1973 | 2 | 01 | 201-00 | | 248 | | | | | |

| Pos | Part Number | Description | Remark | Qty | Model | Pos | Part Number | Description | Remark | Qty | Model |
|------|------------------|-----------------------------------------------|--------|-----|---------|------|----------------|-------------------------------------------|--------|-----|-----------|
| (18) | 901 108 531 00 | fuel line centre not for sportomatic | | 1 | 911 T | (35) | 901 608 105 00 | fuel pump see group 2/01/25 | | 1 | 911 E/S |
| (18) | 901 108 531 01 | fuel line centre not for sportomatic | | 1 | 911 T | (35) | 901 608 105 01 | fuel pump see group 2/01/25 | | 1 | 911 E/S |
| 19 | 000 043 205 20 | protective tube | | * | | 36 | 901 356 505 01 | bracket | | 1 | 911 T/E/S |
| 20 | 914 356 203 00 | boot | | 7 | | 37 | 999 512 164 02 | hose clamp | | 1 | 911 T/E/S |
| 21 | 914 356 201 00 | rubber sleeve | | 6 | 911 E/S | 38 | 901 501 864 00 | silentbloc bearing | | 2 | 911 E/S |
| | | | | 4 | 911 T | 39 | 900 076 010 02 | hexagon nut M 6 | | 4 | 911 E/S |
| 22 | 901 356 532 00 | fuel line rear | | 2 | 911 E/S | 40 | 900 027 014 01 | lock ring B 6 | | 4 | 911 E/S |
| | | | | 1 | 911 T | 41 | 901 201 062 22 | container for bleeding | | 1 | |
| 23 | 911 201 515 00 | hose \$ 50 MM | | 1 | | 42 | 901 201 618 22 | rubber ring | | 1 | |
| 24 | 999 512 348 02 | hose clamp | | 2 | | 43 | 901 201 619 22 | intermediate piece | | 1 | |
| 25 | 901 201 051 20 | filler neck | | 1 | | 44 | 901 201 602 22 | breather hose | | 1 | |
| 26 | 901 201 272 00 | sealing ring | | 1 | | 45 | 901 201 603 22 | breather hose | | 1 | |
| 27 | 901 201 271 00 | lid with gasket | | 1 | | - | 999 651 128 00 | hose clamp | | 1 | |
| 28 | 911 201 095 00 | gasket | | 1 | | 46 | 999 702 074 50 | rubber sleeve | | 1 | |
| 29 | 901 612 303 20 | ground strap filler neck NR.27 | | 1 | | 47 | 999 512 160 02 | hose clamp | | 1 | |
| 30 | 901 201 591 20 | sleeve | | 1 | | 48 | 901 201 601 24 | breather hose for fuel tank 62 L | | 1 | |
| 31 | 911 201 593 00 | overflow socket | | 1 | | 49 | N 023 565 3 | hose clamp | | 2 | |
| 32 | 901 201 931 00 | overflow hose | | 1 | | 50 | 999 513 002 40 | hose clamp | | 1 | |
| 33 | 999 152 004 00 | circlip | | 1 | | 51 | 901 741 801 00 | sender | 71- | 1 | 911 T/E/S |
| 34 | 911 201 279 01 | protective flap | | 1 | | 52 | 477 919 133 | sealing ring | 71 | 1 | 911 T/E/S |
| 35 | > 911 608 107 00 | fuel pump | | 1 | 911 T | 53 | 900 025 003 30 | washer | 71- | 5 | 911 T/E/S |
| 35 | 911 608 107 01 | fuel pump | | 1 | 911 T | 54 | 900 014 058 02 | pan-head screw AM 5 X 12 | 71- | 5 | 911 T/E/S |
| 35 | 911 608 107 X | fuel pump | | 1 | 911 T | | | | | | |

| | | | | | | | | | | | |
|-------|------|----|----|--------------|--------------|-----|-------|------------|---------|-----|---------|
| Model | Year | MG | SG | Illustration | Restrictions | UPD | 18:32 | 22.01.2010 | PORSCHE | PET | PORSCHE |
| 911 | 1973 | 2 | 01 | 201-05 | | 248 | | | | | |



| Pos | Part Number | Description | Remark | Qty | Model |
|-----|----------------|---------------------------------------------------------|-------------------|-----|------------------------------------------------|
| | | fuel system lines with fuel pump rear | 71- 72- | | 911 T/E/S 911 T-V CARRERA 2.7 911 T-K |
| 1 | 901 201 010 22 | fuel tank 62 L | -71 72- | 1 | 911 E/S 911 T 911 T-V |
| (1) | 911 201 010 25 | fuel tank 62 L | | 1 | 911 T-K |
| (1) | 911 201 010 00 | fuel tank 85 L | 73- 72- | 1 | 911 E/S CARRERA 2.7 911 T:M |
| 2 | 901 201 023 04 | threaded joint \varnothing 6 MM with optional heating | -71 71- 72- | 1 | 911 E/S 911 T VERGASER |
| (2) | 901 201 023 04 | fuel tank cap | 72- | 1 | 911 E/S CARRERA 2.7 911 T-V:M |
| 3 | 901 201 023 05 | fuel tank cap \varnothing 8 MM | -71 | 1 | 911 E/S 911 T-V |
| (3) | 901 201 023 05 | fuel tank cap | 72- | 1 | 911 E/S CARRERA 2.7 911 T-V:M |
| 4 | N 013 827 3 | sealing ring A 22 X 27 | -71 | 2 | 911 T/E/S |
| (4) | 900 123 011 20 | sealing ring A 22 X 27 | 72- | 2 | 911 T-V 911 T-K |
| (4) | 911 201 241 00 | sealing ring | 72- 72- | 2 | 911 E/S CARRERA 2.7 911 T-V:M |
| - | 901 356 461 00 | hose connection for optional heating | 72- | * | 911 T/E/S:M 911 T-V CARRERA 2.7 |
| 5 | 900 219 001 30 | screw plug M 22 X 1,5 | -71 72- | 1 | 911 T/E/S 911 T-V 911 T-K |
| 6 | 900 123 011 30 | sealing ring A 22 X 27 | -71 | 1 | 911 T/E/S |
| 7 | 901 356 049 00 | ring piece | -71 72- 72- | 1 | 911 E/S 911 T 911 T-V |

| | | | | | | | | | | | |
|-------|------|----|----|--------------|--------------|-----|-------|------------|---------|-----|---------|
| Model | Year | MG | SG | Illustration | Restrictions | UPD | 18:32 | 22.01.2010 | PORSCHE | PET | PORSCHE |
| 911 | 1973 | 2 | 01 | 201-05 | | 248 | | | | | |

| Pos | Part Number | Description | Remark | Qty | Model | Pos | Part Number | Description | Remark | Qty | Model |
|------|----------------|----------------------------------------------|------------|-------------|----------------------------------------------|------|----------------|----------------------------------------------|--------|-----|--------------------------|
| 8 | 900 134 007 02 | banjo bolt A 8 | -71 | 1 | 911 E/S 911 T 911 T-V | - | 999 180 058 50 | fuel hose C 9 X 15 | | * | |
| 9 | 900 123 007 60 | sealing ring A 14 X 18 | -71 | 2 | 911 T/E/S | 17 | - | 330 MM container intake pipe centre | | 1 | |
| (9) | N 013 849 2 | sealing ring A 14 X 18 | 72- | 2 | 911 T-V | 18 | 911 356 203 00 | protective grommet | -71 | 2 | 911 T/E/S |
| - | 911 201 141 00 | filter complete | 72- | 1 | 911 T-K | 19 | 914 356 203 00 | protective grommet | -71 | 3 | 911 T/E/S |
| - | 911 201 143 00 | sealing ring | 72- | 1 | 911 T-K | 20 | 999 511 091 02 | pipe clamp | 72- | 1 | |
| 10 | 901 201 311 00 | bracket | -71 | 3 | 911 E/S 911 T-V 911 T-K | 21 | 900 187 104 02 | tapping screw B 4,8 X 13 | 72- | 1 | |
| (10) | 911 201 311 00 | bracket | 73- 73- | 2 | 911 E/S CARRERA 2.7 911 T-V | 22 | 911 356 505 01 | fuel line intake pipe centre | | 1 | |
| 11 | N 014 725 2 | pan-head screw M 8 X 25 | -71 | 3 | 911 T/E/S 911 T-V 911 T-K | (22) | 911 356 073 00 | fuel line intake pipe centre | 72- | 1 | 911 T-K |
| (11) | 900 067 057 02 | pan-head screw M 8 X 20 | 73- | 2 | 911 E/S CARRERA 2.7 911 T-V:M | 23 | 914 356 201 00 | rubber sleeve | -71 | 4 | |
| 12 | 900 031 001 02 | washer 8,4 | -71 | 3 | 911 E/S 911 T-V 911 T-K | 24 | 914 356 202 00 | rubber sleeve | | 2 | |
| (12) | 900 025 007 02 | washer 8,4 | 72- | 2 | 911 E/S CARRERA2.7 911 T-V | 25 | 901 108 531 00 | control line return line centre | | 1 | |
| 13 | 901 504 932 20 | seal | | 1 | | 25 | 901 108 531 01 | control line return line centre | | 1 | |
| 14 | N 023 570 2 | hose clamp | | 4 | | - | 999 180 125 50 | fuel hose C 9 X 15 | -71 | * | |
| 15 | 999 512 174 02 | hose clamp | -71 72- | 5 5 6 | 911 T 911 T-V 911 T/E/S CARRERA 2.7 | 26 | - | 850 MM intake pipe centre pump | 72- | | |
| - | 999 180 025 50 | fuel hose C 7 X 12 | | * | | - | 999 180 147 50 | fuel hose C 9 X 15 | 72- | * | |
| 16 | - | 350 MM return line centre container | 72- | 1 | | (26) | - | 760 MM intake pipe centre pump | | 1 | |
| | | | | | | 27 | 911 356 064 01 | return line | -71 | 1 | 911 E/S |
| | | | | | | (27) | 911 356 064 02 | return line | 72- | 1 | 911 T/E/S CARRERA 2.7 |

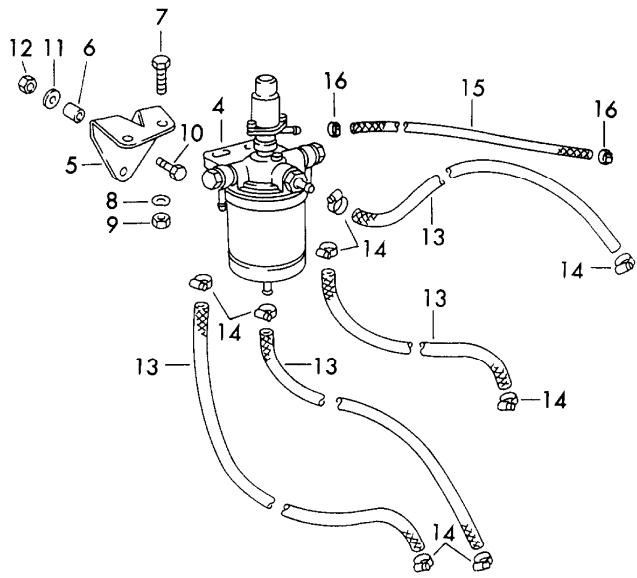
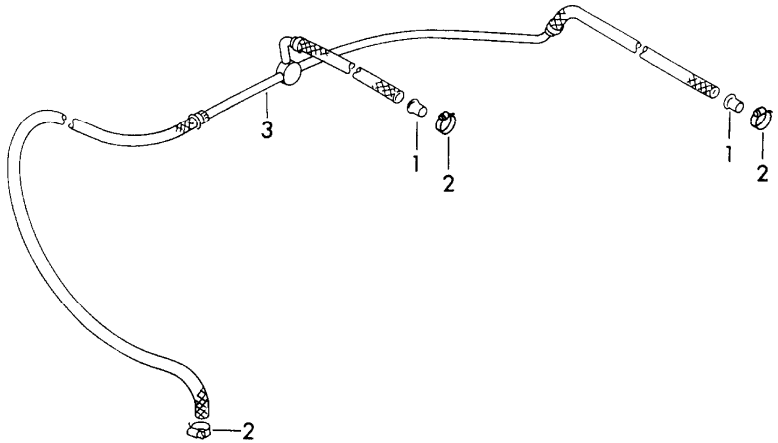
| | | | | | | | | | | | |
|-------|------|----|----|--------------|--------------|-----|-------|------------|---------|-----|---------|
| Model | Year | MG | SG | Illustration | Restrictions | UPD | 18:32 | 22.01.2010 | PORSCHE | PET | PORSCHE |
| 911 | 1973 | 2 | 01 | 201-05 | | 248 | | | | | |

| Pos | Part Number | Description | Remark | Qty | Model | Pos | Part Number | Description | Remark | Qty | Model |
|------|----------------|-------------------------------------------------|------------|-----|---------------------------------|------|----------------|---------------------------------------|--------|-----|------------------------|
| | | | | | CARRERA 2.7 | 32 | 900 028 008 01 | spring washer B 6 | -71 | 2 | |
| (27) | 911 356 064 30 | return line | 72- | 1 | 911 T-K | (32) | N 012 007 2 | lock ring B 6 | 72- | 2 | |
| - | 999 180 030 50 | fuel hose C 7 X 12 | -71 | * | 911 T | | | | | | |
| 28 | - | 800 MM pump return line centre | | 1 | | 33 | 911 608 120 00 | support | | 1 | |
| | | | | | | 34 | 999 703 303 00 | silentbloc bearing | | 2 | |
| | | | | | | 35 | 900 027 014 01 | lock ring B 6 | | 2 | |
| - | 999 180 030 50 | fuel hose C 7 X 12 | 72- | * | 911 T-V | | | | | | |
| (28) | - | 780 MM pump return line centre | | 1 | | 36 | 900 076 010 02 | hexagon nut M 6 | | 2 | |
| | | | | | | 37 | 999 512 164 02 | hose clamp | | 1 | |
| 29 | 901 608 105 00 | fuel pump | 71- 72- | 1 | 911 E/S 911 T CARRERA 2.7 | (38) | 911 201 515 00 | hose 50 X 58 X 100 | -71 | 1 | 911 T/E/S |
| 29 | 901 608 105 01 | fuel pump | 71- 72- | 1 | 911 E/S 911 T CARRERA 2.7 | (38) | 911 201 515 00 | hose piece 50 X 58 X 100 | 72- | 1 | 911 T-V 911 T-K |
| | | | | | | (38) | 901 201 108 00 | connecting hose | 73- | 1 | 911 E/S CARRERA 2.7 |
| (29) | 911 608 107 00 | fuel pump | 71- | 1 | 911 T | 39 | 999 512 348 02 | hose clamp | | 2 | |
| (29) | 911 608 107 X | fuel pump | 71- 72- | 1 | 911 T 911 T-V | 40 | 901 201 051 20 | filler neck | | 1 | |
| (29) | 911 608 107 01 | fuel pump | 71- 72- | 1 | 911 T 911 T-V | 41 | 901 201 272 00 | sealing ring for lid | | 1 | |
| (29) | 911 608 110 02 | fuel pump | 72- | 1 | 911 T-K | 42 | 901 201 271 00 | lid | | 1 | |
| (29) | 911 608 110 03 | fuel pump | 72- | 1 | 911 T-K | 43 | 911 201 095 00 | gasket | | 1 | |
| 30 | 911 356 066 31 | pressure line pressure line pressure line | -71 | 1 | | 44 | 901 612 303 20 | ground strap filler neck NR. 46 | | 1 | |
| (30) | 911 356 066 02 | fuel line pressure line pressure line | 72- | 1 | | 45 | 901 201 591 20 | sleeve | | 1 | |
| (30) | 911 356 066 31 | pressure line pressure line pressure line | 72- | 1 | 911 T-K | 46 | 911 201 593 00 | overflow socket | | 1 | |
| | | | | | | 47 | 901 201 931 00 | overflow hose | | 1 | |
| | | | | | | 48 | 999 152 004 00 | circlip | | 1 | |
| 31 | N 010 208 5 | hexagon-head bolt M 6 | | 2 | | 49 | 911 201 279 01 | protective flap | | 1 | |
| | | | | | | 50 | 901 201 062 22 | container for bleeding | | 1 | |

| | | | | | | | | | | | |
|-------|------|----|----|--------------|--------------|-----|-------|------------|---------|-----|---------|
| Model | Year | MG | SG | Illustration | Restrictions | UPD | 18:32 | 22.01.2010 | PORSCHE | PET | PORSCHE |
| 911 | 1973 | 2 | 01 | 201-05 | | 248 | | | | | |

| Pos | Part Number | Description | Remark | Qty | Model | Pos | Part Number | Description | Remark | Qty | Model |
|------|----------------|--------------------------------|------------|-----|-------------------------------------------|-----|----------------|----------------|--------|-----|------------------------|
| 51 | 901 201 618 22 | rubber ring | | 1 | | 67 | 911 201 313 00 | threaded plate | 72- | 2 | 911 E/S CARRERA 2.7 |
| 52 | N 023 565 3 | hose clamp | | 2 | | 68 | 999 190 103 02 | rivet \$ 4 | 72- | 4 | 911 E/S CARREA 2.7 |
| 53 | 999 512 160 02 | hose clamp | | 1 | | | | | | | |
| - | 901 201 602 22 | breather hose 9 X 12 | | * | | | | | | | |
| 54 | - | 550 MM | | 1 | | | | | | | |
| 55 | 901 201 619 22 | intermediate piece | | 1 | | | | | | | |
| 56 | 901 201 603 22 | breather hose 9 X 12 X 1000 | | 1 | | | | | | | |
| - | 999 651 128 00 | cable clamp | | 1 | | | | | | | |
| 57 | 999 702 074 50 | rubber sleeve | | 1 | | | | | | | |
| 58 | 901 201 601 24 | breather hose 15 X 21 X 920 | -71 72- | 1 | 911 T/E/S 911 T-V 911 T-K | | | | | | |
| (58) | 911 201 623 00 | breather hose 15 X 21 X 770 | 72- | 1 | 911 E/S CARRERA 911 T-V 911 T-K | | | | | | |
| 59 | 901 741 801 00 | sender | -71 | 1 | | | | | | | |
| (59) | 901 741 801 00 | sender | 72- | 1 | | | | | | | |
| 60 | 477 919 133 | sealing ring | | 1 | | | | | | | |
| 61 | 900 025 003 30 | washer 5,3 | | 5 | | | | | | | |
| 62 | 900 014 058 02 | pan-head screw AM 5 X 12 | -71 | 5 | 911 T/E/S 911 T VERGASER 911 T-K | | | | | | |
| (62) | 900 014 100 02 | pan-head screw AM 5 X 16 | 72- | 5 | 911 E/S CARRERA 2.7 | | | | | | |
| 63 | 911 201 037 00 | retaining bar | 72- | 1 | 911 E/S CARRERA 2.7 | | | | | | |
| 64 | 900 025 007 02 | washer 8,4 | 72- | 1 | 911 E/S CARRERA 2.7 | | | | | | |
| 65 | 900 027 005 01 | lock ring A 8 | 72- | 1 | 911 E/S CARRERA 2.7 | | | | | | |
| 66 | 900 075 085 02 | hexagon-head bolt | 72- | 1 | 911 E/S CARRERA 2.7 | | | | | | |

| | | | | | | | | | | | |
|-------|------|----|----|--------------|--------------|-----|-------|------------|---------|-----|---------|
| Model | Year | MG | SG | Illustration | Restrictions | UPD | 18:33 | 22.01.2010 | PORSCHE | PET | PORSCHE |
| 911 | 1973 | 2 | 01 | 201-15 | | 248 | | | | | |

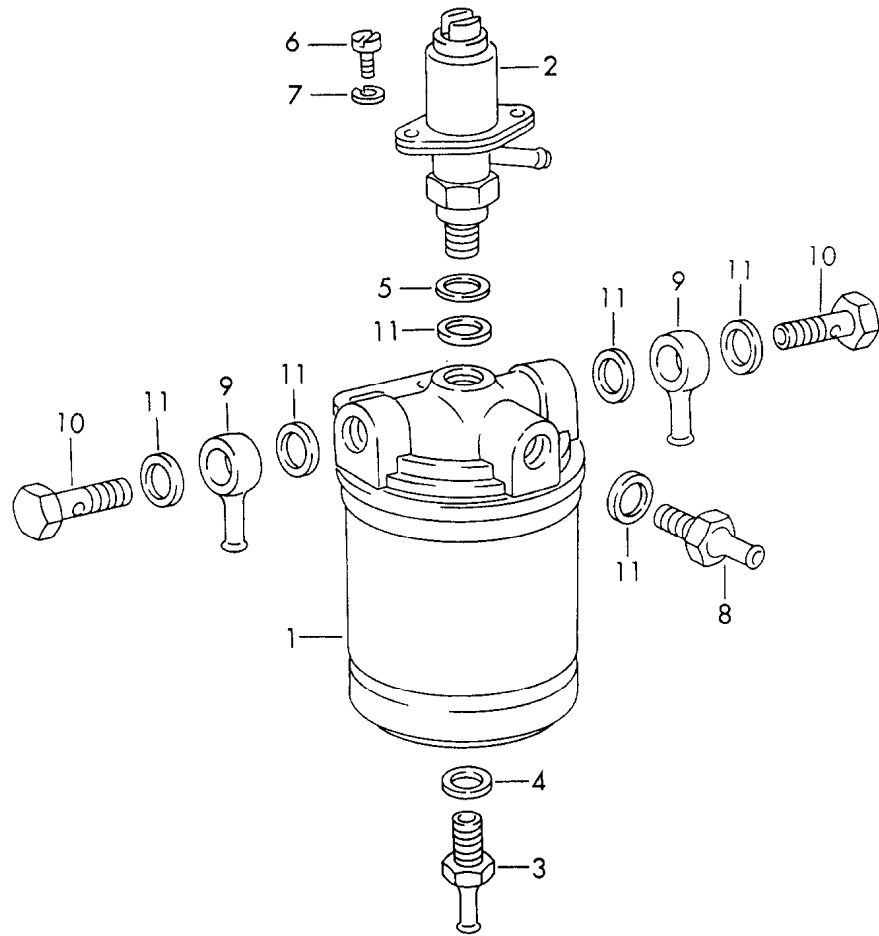


| Pos | Part Number | Description | Remark | Qty | Model |
|------|----------------|----------------------------------------------|------------|-----|--------------------------------------------|
| | | fuel filter with lines | 72- | | 911 T/E/S CARRERA 2.7 911 T-K |
| (3) | 901 108 051 06 | control line complete pressure line | 72- | 1 | 911 T-V |
| - | 999 512 181 02 | hose clamp | 72- | 1 | 911 T-K |
| (4) | 911 110 184 00 | fuel filter | 72- | 1 | 911 T-K |
| 5 | 901 108 541 00 | fastening angle | 70- | 1 | 911 E/S 911 T CARRERA 2.7 |
| (5) | 911 356 541 01 | fastening angle | | 1 | 911 T-K |
| 6 | 901 504 859 20 | hose piece | 71- | 3 | 911 E/S 911 T CARRERA 2.7 911 T-K |
| - | 477 209 083 | fuel accumulator | 72- | 1 | 911 T-K |
| - | 999 512 216 02 | hose clamp 28 - 48 X 9 | 72- | 1 | 911 T-K |
| - | 911 356 076 00 | connecting line fuel accumulator fuel filter | 72- | 1 | 911 T-K |
| 7 | 999 075 041 02 | hexagon-head bolt M 10 X 25 | 70- | 2 | 911 E/S 911 T CARRERA 2.7 |
| 8 | N 012 230 1 | spring washer B 10 | 70- | 2 | 911 E/S 911 T CARRERA 2.7 |
| 9 | N 011 010 6 | hexagon nut M 10 | 70- | 2 | 911 E/S 911 T CARRERA 2.7 |
| 10 | 900 074 015 02 | hexagon-head bolt M 6 X 30 | 70- | 3 | 911 E/S 911 T CARRERA 2.7 911 T-K |
| (11) | 999 025 108 02 | washer | 72- | 3 | 911 T CARRERA 2.7 911 T-K |
| 12 | 900 084 010 02 | hexagon nut M 6 | 70- 72- | 3 | 911 E/S 911 T CARRERA 2.7 911 T-K |

| | | | | | | | | | | | |
|-------|------|----|----|--------------|--------------|-----|-------|------------|---------|-----|---------|
| Model | Year | MG | SG | Illustration | Restrictions | UPD | 18:33 | 22.01.2010 | PORSCHE | PET | PORSCHE |
| 911 | 1973 | 2 | 01 | 201-15 | | 248 | | | | | |

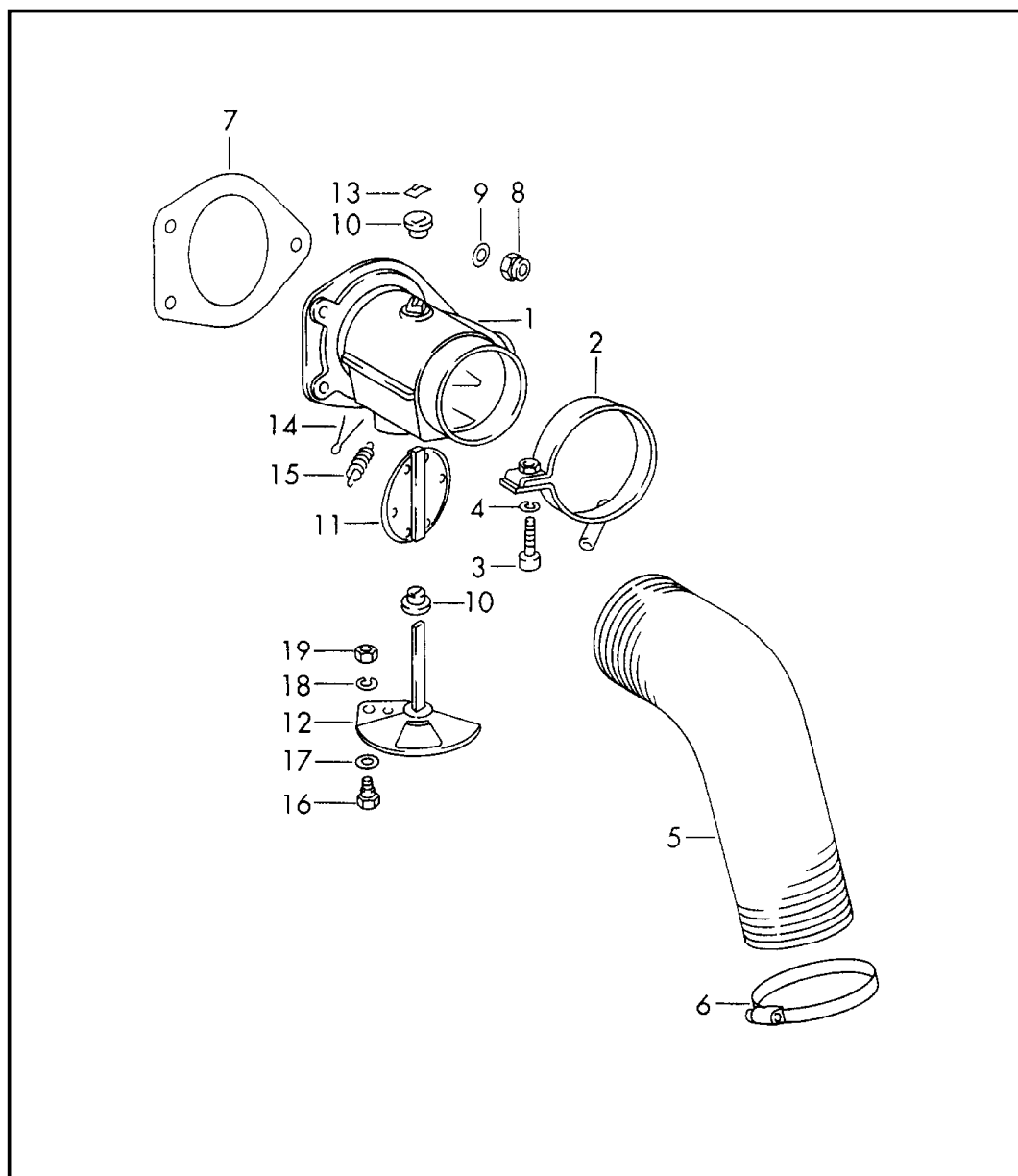
| Pos | Part Number | Description | Remark | Qty | Model | Pos | Part Number | Description | Remark | Qty | Model |
|------|------------------|-----------------------------------|------------|-----|---------------------------------|-----|-------------|-------------|--------|-----|-------|
| (13) | - | 570 MM | | 3 | | | | | | | |
| - | 999 180 030 50 | fuel hose C 7 X 12 | 72- | * | 911 T/E/S CARRERA 2.7 | | | | | | |
| (13) | - | 620 MM | | 2 | | | | | | | |
| - | 999 180 030 50 | fuel hose C 7 X 12 | 72- | * | 911 T/E/S CARRERA 2.7 | | | | | | |
| (13) | - | 240 MM | | 1 | | | | | | | |
| - | 999 180 030 50 | fuel hose C 7 X 12 | 72- | * | 911 T/E/S | | | | | | |
| (13) | - | 180 MM | | 1 | | | | | | | |
| (13) | 911 356 074 01 | pressure line fuel accumulator | 72- | 1 | 911 T-K | | | | | | |
| (14) | 999 512 174 02 | hose clamp | 71- 72- | 6 | 911 E/S 911 T CARRERA 2.7 | | | | | | |
| | | | 72- | 2 | 911 T-K | | | | | | |
| 15 | - | 275 MM | | 1 | | | | | | | |
| - | 999 181 167 50 | hose C 4,5 X 9,5 | 72- | * | 911 T/E/S CARRERA 2.7 | | | | | | |
| (15) | - | 400 MM | | 1 | | | | | | | |
| 16 | A 999 512 082 02 | hose clamp | 70- 72- | 2 | 911 E/S 911 T CARRERA 2.7 | | | | | | |

| | | | | | | | | | | | |
|-------|------|----|----|--------------|--------------|-----|-------|------------|---------|-----|---------|
| Model | Year | MG | SG | Illustration | Restrictions | UPD | 18:33 | 22.01.2010 | PORSCHE | PET | PORSCHE |
| 911 | 1973 | 2 | 01 | 201-20 | | 248 | | | | | |



| Pos | Part Number | Description | Remark | Qty | Model |
|------|----------------|----------------------------------------------------|--------|-----|---------------------------------|
| | | repair material for fuel filter - bosch - | 72- | | 911 E/S 911 T CARRERA 2.7 |
| 1-11 | 901 110 232 00 | fuel filter - bosch - | | 1 | |
| 1 | PCG 110 909 10 | filter element | | 1 | |
| 2 | 901 110 911 00 | solenoid valve complete | | 1 | |
| 3 | 901 110 912 00 | connection piece lower | | 1 | |
| 4 | 900 123 006 25 | sealing ring A 12 X 18 | | 1 | |
| 5 | 901 110 920 00 | shim | | 1 | |
| 6 | 901 110 913 00 | bleeder screw | | 1 | |
| 7 | 901 110 914 00 | sealing ring | | 1 | |
| 8 | 901 110 915 00 | overflow valve | | 1 | |
| 9 | 901 110 916 00 | ring piece | | 1 | |
| 10 | 901 110 917 00 | banjo bolt | | 1 | |
| 11 | N 013 849 2 | sealing ring A 14 X 18 | | 6 | |

| | | | | | | | | | | | |
|-------|------|----|----|--------------|--------------|-----|-------|------------|---------|-----|---------|
| Model | Year | MG | SG | Illustration | Restrictions | UPD | 18:33 | 22.01.2010 | PORSCHE | PET | PORSCHE |
| 911 | 1973 | 2 | 02 | 202-00 | | 248 | | | | | |

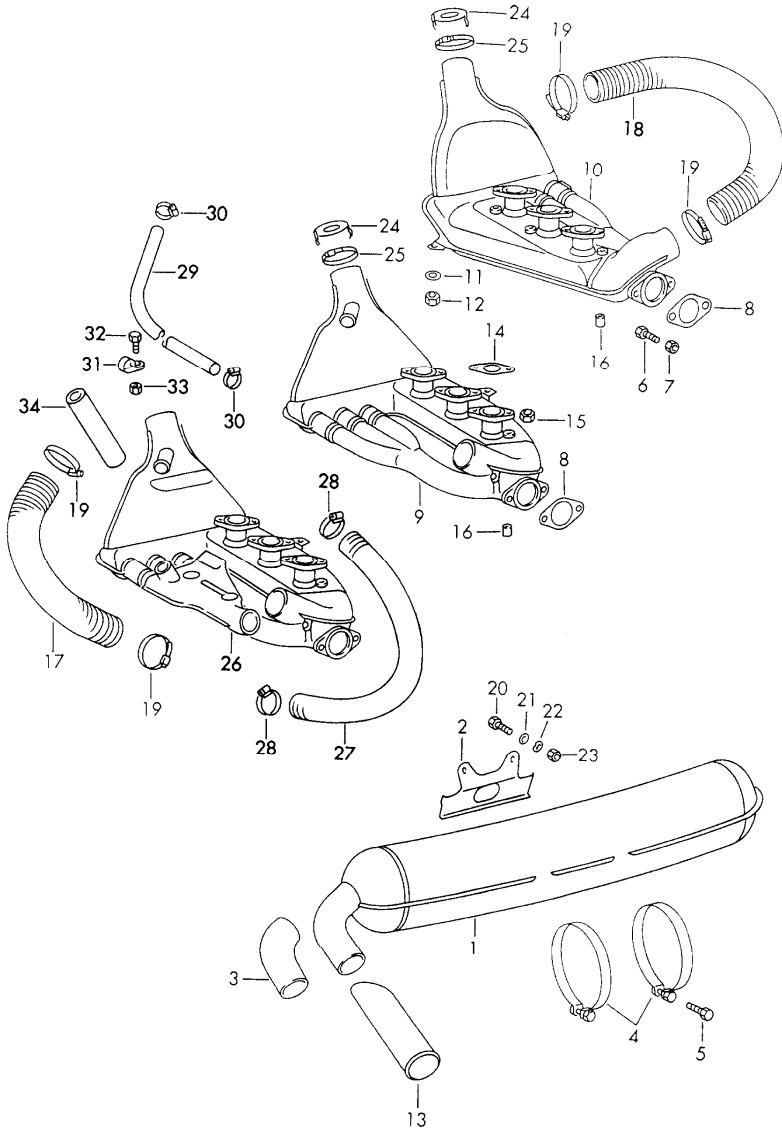


| Pos | Part Number | Description | Remark | Qty | Model |
|------|----------------|-------------------------------|------------|-----|------------------------------------------------|
| | | heating air supply | 70- 72- | | 911 T/E/S 911 T-V CARRERA 2.7 911 T-K |
| 1 | 911 211 013 00 | heat control box | /L | 1 | |
| (1) | 911 211 014 00 | heat control box | /R | 1 | |
| 2 | 901 211 051 21 | pipe clamp | /L | 1 | |
| (2) | 901 211 052 21 | pipe clamp | /R | 1 | |
| 3 | 900 119 014 02 | pan-head screw M 6 X 20 | -71 | 2 | |
| (3) | 900 378 030 09 | hexagon-head bolt M 6 X 20 | 72- | 2 | |
| 4 | 900 027 014 01 | lock ring B 6 | | 2 | |
| 5 | 930 211 622 01 | connecting hose 250 MM | -71 | 2 | |
| (5) | 902 211 922 20 | connecting hose 250 MM | 72- | 2 | |
| 6 | 999 512 349 02 | hose clamp | | 2 | |
| 7 | 911 211 297 00 | gasket | | 2 | |
| 8 | 900 084 010 02 | hexagon nut M 6 | | 6 | |
| 9 | N 011 524 7 | washer 6,4 | | 6 | |
| 10 | 901 211 255 21 | bearing | | 4 | |
| 11 | 901 211 028 22 | air flap | | 2 | |
| 12 | 901 211 035 21 | rotary slide | /L | 1 | |
| (12) | 901 211 036 21 | rotary slide | /R | 1 | |
| 13 | 999 507 222 02 | mecano-speed-fix | | 2 | |
| 14 | 900 021 014 02 | cotter pin 3 X 15 | | 2 | |
| 15 | 999 522 013 01 | spring | | 2 | |
| 16 | 901 211 683 00 | clamping screw | | 2 | |
| 17 | 999 025 042 02 | washer | | 2 | |

| | | | | | | | | | | | |
|-------|------|----|----|--------------|--------------|-----|-------|------------|---------|-----|---------|
| Model | Year | MG | SG | Illustration | Restrictions | UPD | 18:33 | 22.01.2010 | PORSCHE | PET | PORSCHE |
| 911 | 1973 | 2 | 02 | 202-00 | | 248 | | | | | |

| Pos | Part Number | Description | Remark | Qty | Model | Pos | Part Number | Description | Remark | Qty | Model |
|-----|----------------|--------------------|--------|-----|-------|-----|-------------|-------------|--------|-----|-------|
| 18 | 900 027 011 01 | lock ring B 4 | | 2 | | | | | | | |
| 19 | N 011 004 6 | hexagon nut M 4 | | 2 | | | | | | | |

| | | | | | | | | | | | |
|-------|------|----|----|--------------|--------------|-----|-------|------------|---------|-----|---------|
| Model | Year | MG | SG | Illustration | Restrictions | UPD | 18:33 | 22.01.2010 | PORSCHE | PET | PORSCHE |
| 911 | 1973 | 2 | 02 | 202-05 | | 248 | | | | | |

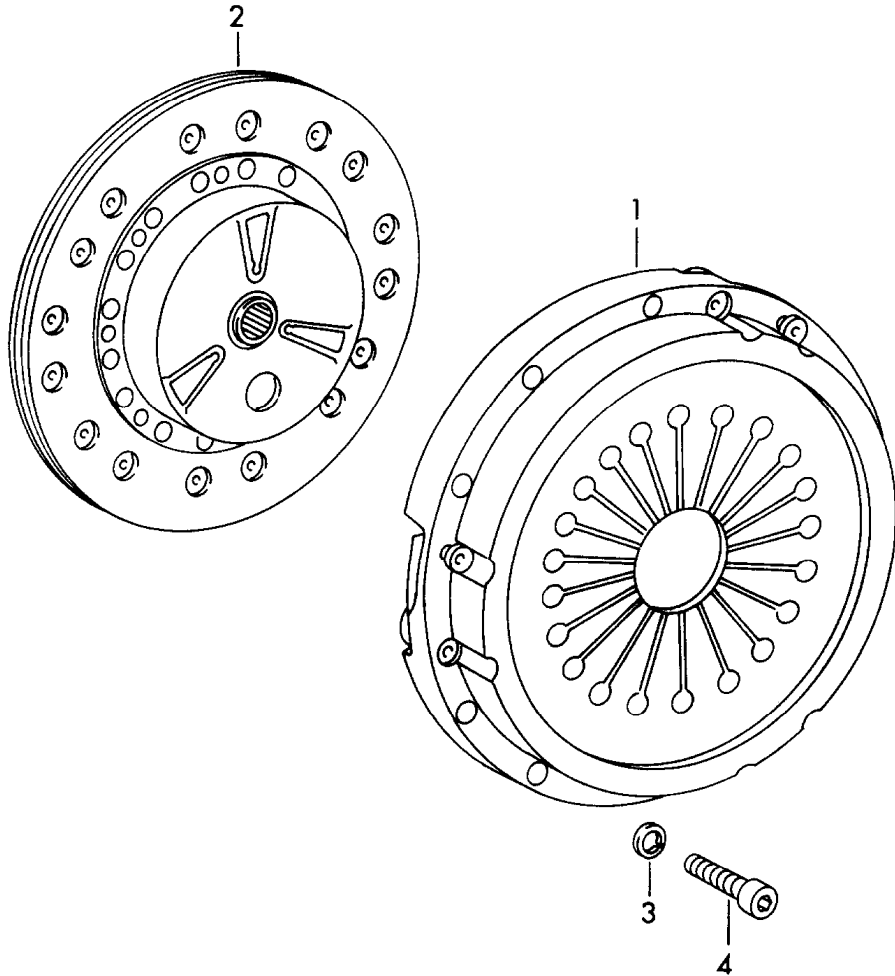


| Pos | Part Number | Description | Remark | Qty | Model |
|-----|----------------|-------------------------------------------|--------|-----|------------------------------------------------|
| | | exhaust system | | 72- | 911 T/E/S 911 T-V CARRERA 2.7 911 T-K |
| 1 | 911 111 025 00 | exhaust silencer | | 1 | |
| 2 | 901 111 151 04 | bracket | | 1 | |
| 3 | 901 111 287 00 | exhaust pipe | | 1 | |
| 4 | 901 111 157 04 | clamp for exhaust silencer | | 2 | |
| 5 | 900 067 161 02 | pan-head screw M 10 X 45 | | -71 | 2 |
| 5 | 900 067 161 02 | pan-head screw M 10 X 50 | | 72- | 2 |
| 6 | 900 075 148 02 | hexagon-head bolt M 10 X 32 | | 4 | |
| 7 | 999 084 002 02 | hexagon nut M 10 | | 4 | |
| 8 | 901 111 193 00 | gasket | | 2 | |
| 9 | 911 211 021 60 | heat exchanger complete with cap | /L | 1 | 911 T-V 911 T-K |
| 10 | 911 211 022 10 | heat exchanger complete | /R | -70 | 1 |
| 10 | 911 211 022 10 | heat exchanger complete | /R | 1 | |
| 11 | 900 028 008 01 | spring washer B 6 | | -71 | 2 |
| 11 | N 012 226 5 | spring washer B 6 | | 72- | 2 |
| 12 | 900 076 010 02 | hexagon nut M 6 | | -71 | 2 |
| 12 | 900 076 025 02 | hexagon nut M 6 | | 72- | 2 |
| 13 | 901 111 245 01 | ornamental exhaust pipe | | 1 | |
| 14 | 930 111 191 13 | gasket | | 6 | |

| | | | | | | | | | | | |
|-------|------|----|----|--------------|--------------|-----|-------|------------|---------|-----|---------|
| Model | Year | MG | SG | Illustration | Restrictions | UPD | 18:33 | 22.01.2010 | PORSCHE | PET | PORSCHE |
| 911 | 1973 | 2 | 02 | 202-05 | | 248 | | | | | |

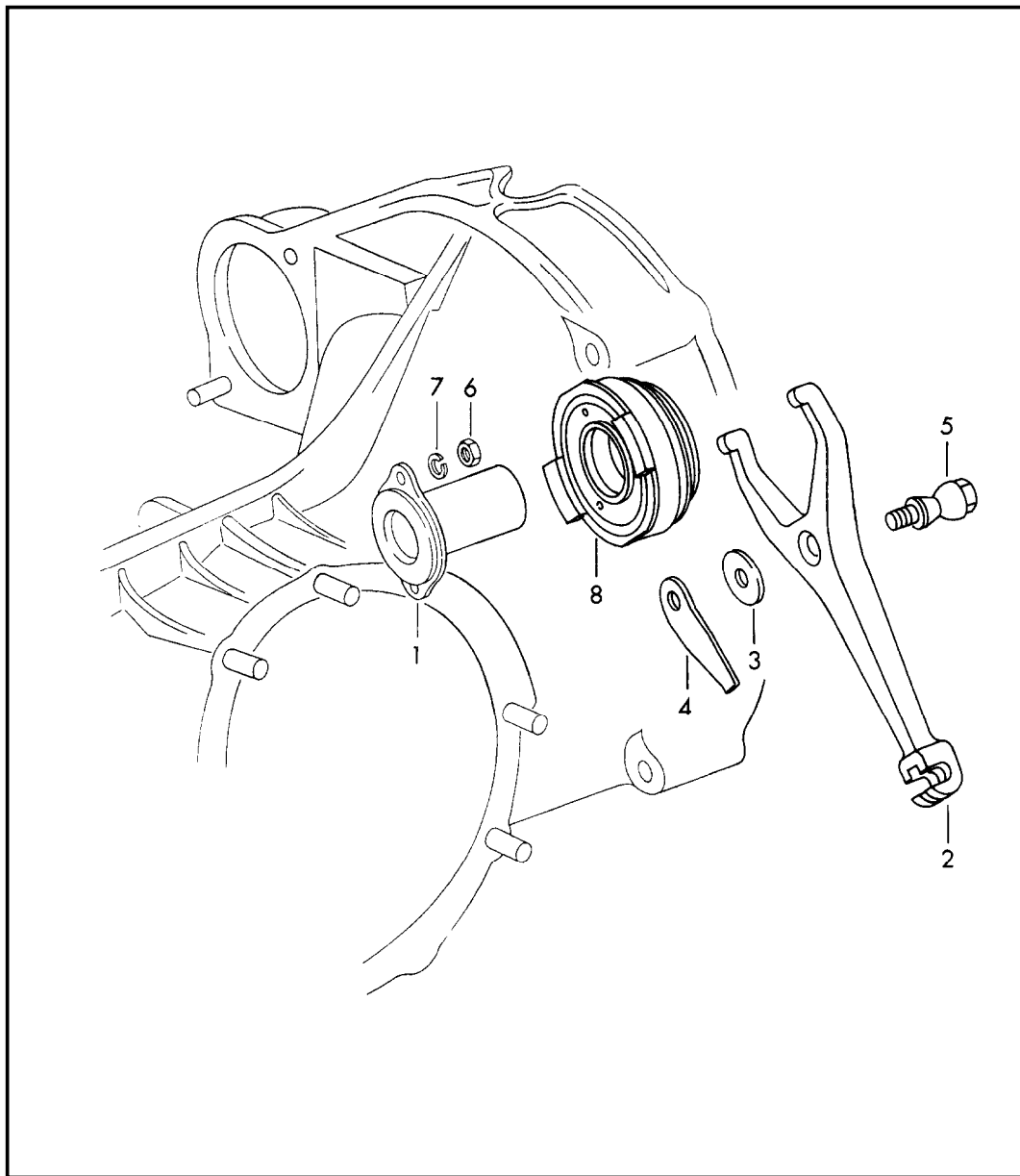
| Pos | Part Number | Description | Remark | Qty | Model | Pos | Part Number | Description | Remark | Qty | Model |
|-----|----------------|------------------------------------------------------|--------|-----|-------|--------------------------|----------------|----------------------------------------------------------|--------|-----|--------------------------|
| 15 | 900 076 025 02 | hexagon nut M 8 | | 6 | | 32 | 900 075 010 02 | hexagon-head bolt M 6 X 12 | 72- | 1 | 911 T-V |
| 16 | 999 085 001 02 | nut M 8 | | 6 | | 33 | 900 076 010 02 | hexagon nut M 6 | 72- | 1 | 911 T-V |
| 17 | 901 211 194 00 | heater hose | /L | 1 | | 34 | 911 106 329 00 | flexible pipe front engine cover heat exchanger | 73- | 1 | 911 T/E/S CARRERA 2.7 |
| 18 | 901 211 194 00 | heater hose | /R | 1 | | | | | | | |
| 19 | 999 512 349 02 | hose clamp | | 4 | | | | | | | |
| 20 | 900 075 078 02 | hexagon-head bolt M 8 X 15 | | 2 | | | | | | | |
| 21 | 900 025 007 02 | washer 8,4 | | 2 | | | | | | | |
| 22 | N 012 241 1 | spring washer B 8 X 15 | | -70 | 2 | | | | | | |
| 22 | N 012 241 8 | spring washer B 8 X 15 | | 71- | 2 | | | | | | |
| 23 | 900 076 025 02 | hexagon nut M 8 | | 2 | | | | | | | |
| 24 | 901 211 321 00 | cover for rally car without heating | | -71 | 2 | 911 S | | | | | |
| 25 | 999 512 349 02 | hose clamp for cars without heating | | -71 | 2 | 911 S | | | | | |
| 26 | 911 211 021 14 | heat exchanger complete with cap | /L | 72- | 1 | 911 T/E/S CARRERA 2.7 | | | | | |
| 27 | 911 108 151 00 | flexible pipe heat exchanger regulator housing | | 72- | 1 | 911 T/E/S CARRERA 2.7 | | | | | |
| 28 | 999 512 348 02 | hose clamp 38 - 58 X 9 | | 72- | 2 | 911 T/E/S CARRERA 2.7 | | | | | |
| 29 | 911 110 295 02 | flexible pipe engine cover heat exchanger | | | 1 | 911 T-V | | | | | |
| 30 | 999 512 132 02 | hose clamp 20 - 30 X 9 | | 72- | 2 | 911 T-V | | | | | |
| 31 | 999 511 088 02 | pipe clamp RS 1000.28/15 | | 72- | 1 | 911 T-V | | | | | |

| | | | | | | | | | | | |
|-------|------|----|----|--------------|--------------|-----|-------|------------|---------|-----|---------|
| Model | Year | MG | SG | Illustration | Restrictions | UPD | 18:33 | 22.01.2010 | PORSCHE | PET | PORSCHE |
| 911 | 1973 | 3 | 01 | 301-00 | | 248 | | | | | |



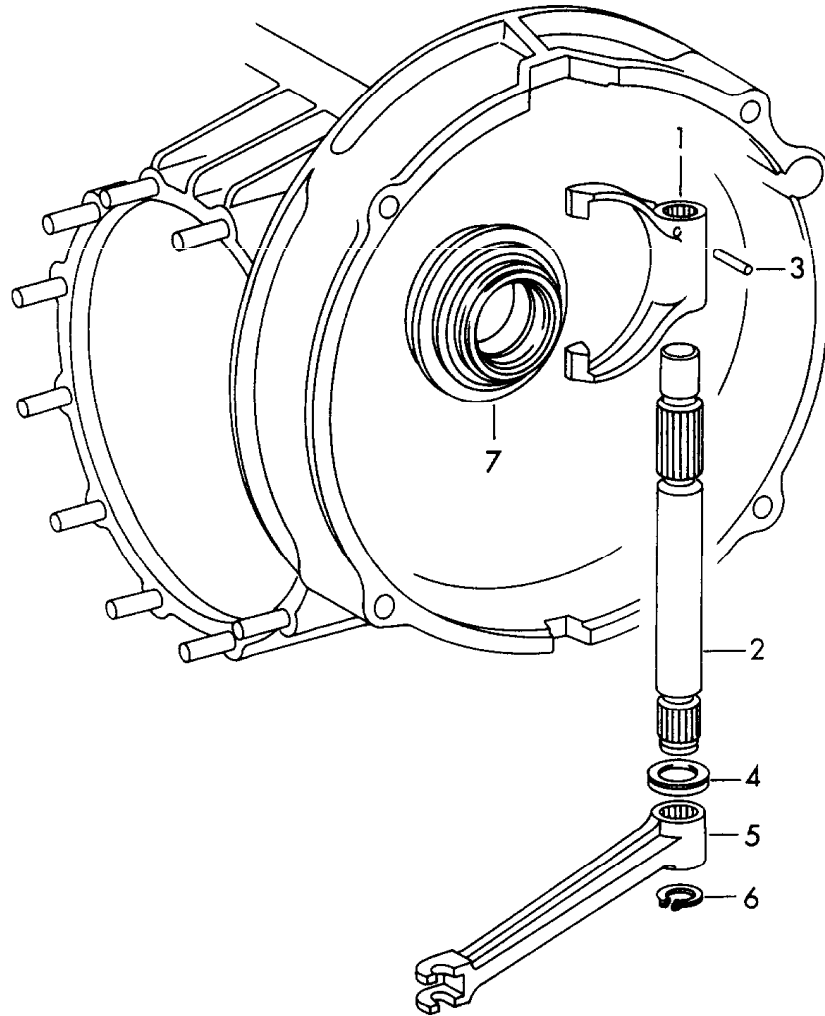
| Pos | Part Number | Description | Remark | Qty | Model |
|-------|----------------|-------------------------------|--------|-----|------------------------------------------------|
| | | clutch | | | |
| 1 > | 911 116 001 05 | pressure plate | -71 | 1 | 911 T/E/S |
| (1) A | 915 116 001 10 | pressure plate | 72- | 1 | 911 T-E/S 911 T-V 911 T-K |
| (1) > | 915 116 001 27 | pressure plate | 72- | 1 | 911 T-E/S 911 T-V 911 T-K |
| (1) A | 915 116 001 14 | pressure plate | 72- | 1 | CARRERA 2.7 |
| (1) > | 915 116 001 27 | pressure plate | 72- | 1 | CARRERA 2.7 |
| 2 | 911 116 011 04 | clutch plate | 70 | 1 | 911 T/E/S |
| (2) A | 911 116 011 02 | clutch plate | 71 | 1 | 911 T/E/S |
| (2) | 911 116 011 07 | clutch plate | 71 | 1 | 911 T/E/S |
| (2) A | 915 116 011 14 | clutch plate | 72- | 1 | 911 T-E/S 911 T-V CARRERA 2.7 911 T-K |
| (2) | 915 116 011 22 | clutch plate | 72- | 1 | 911 T-E/S 911 T-V CARRERA 2.7 911 T-K |
| 3 | 900 027 015 02 | lock ring B 8 | | 9 | |
| 4 | 900 067 090 02 | hexagon-head bolt M 8 X 42 | | 9 | |
| - | 915 116 911 00 | repair kit for clutch | 72- | 1 | 911 T-E/S 911 T-V CARRERA 2.7 911 T-K |

| | | | | | | | | | | | |
|-------|------|----|----|--------------|--------------|-----|-------|------------|---------|-----|---------|
| Model | Year | MG | SG | Illustration | Restrictions | UPD | 18:34 | 22.01.2010 | PORSCHE | PET | PORSCHE |
| 911 | 1973 | 3 | 01 | 301-05 | | 248 | | | | | |



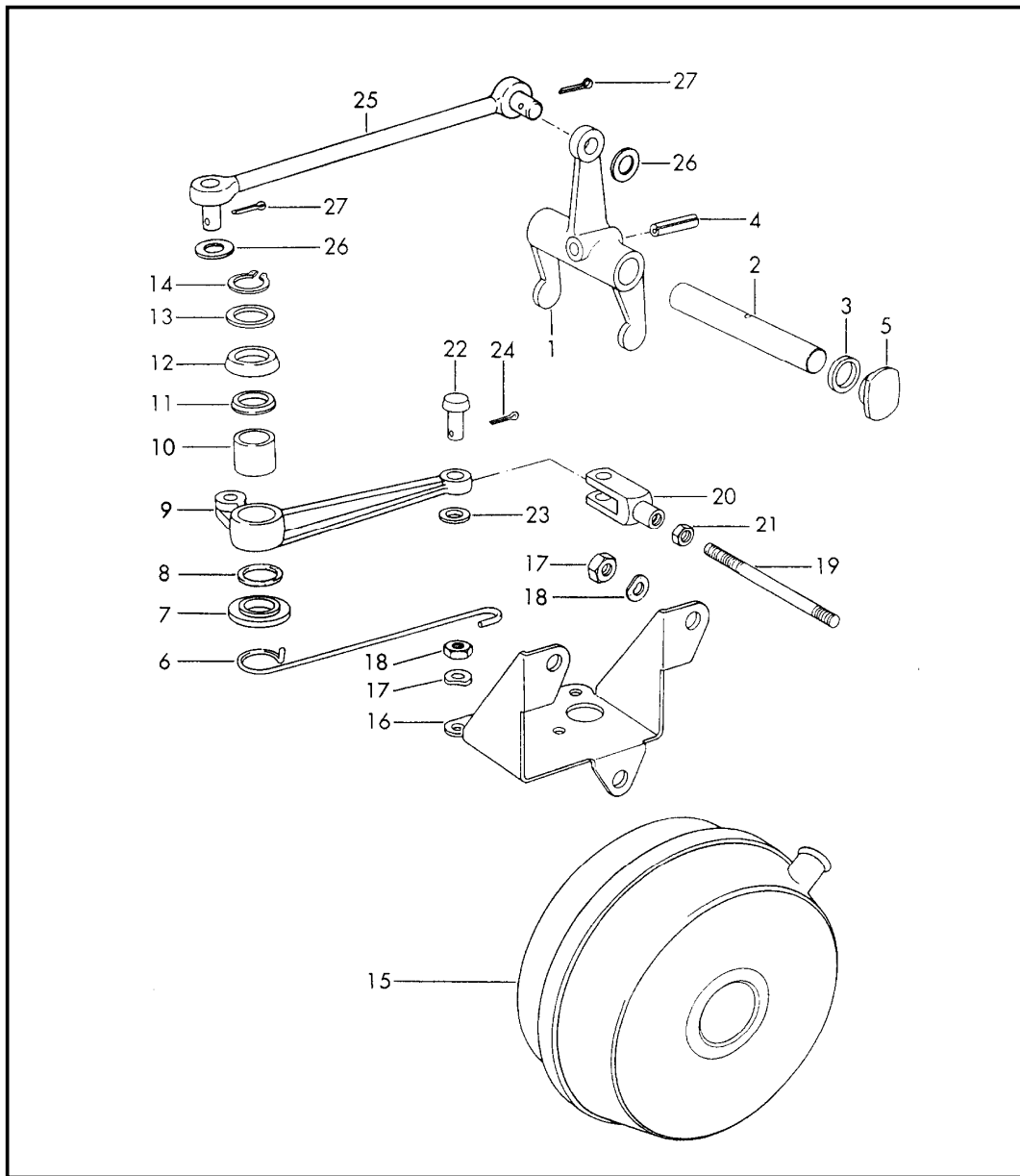
| Pos | Part Number | Description | Remark | Qty | Model |
|-----|----------------|------------------------|--------|-----|-------|
| | | clutch release | -71 | | |
| 1 | 911 116 087 00 | guide tube | | 1 | |
| 2 | 911 116 712 01 | release fork | | 1 | |
| 3 | 911 116 743 01 | washer | | 1 | |
| 4 | 911 116 774 01 | leaf spring | | 1 | |
| 5 | 911 116 772 11 | ball pin | | 1 | |
| 6 | 900 076 010 02 | hexagon nut M 6 | | 2 | |
| 7 | 900 027 014 01 | lock ring B 6 | | 2 | |
| 8 | 911 116 081 02 | clutch release bearing | | 1 | |

| | | | | | | | | | | | |
|-------|------|----|----|--------------|--------------|-----|-------|------------|---------|-----|---------|
| Model | Year | MG | SG | Illustration | Restrictions | UPD | 18:34 | 22.01.2010 | PORSCHE | PET | PORSCHE |
| 911 | 1973 | 3 | 01 | 301-10 | | 248 | | | | | |



| Pos | Part Number | Description | Remark | Qty | Model |
|-----|----------------|-----------------------------|--------|-----|-------|
| | | clutch release | 72- | | |
| 1 | 915 116 712 01 | release fork | | 1 | |
| 2 | 915 116 133 03 | bellcrank | | 1 | |
| 3 | 900 095 050 00 | tensioning sleeve 4 X 26 | | 1 | |
| 4 | 915 301 139 00 | sealing ring | | 1 | |
| 5 | 915 116 713 01 | clutch release lever | | 1 | |
| 6 | N 012 418 1 | circlip 18 X 1,2 | | 1 | |
| 7 | 915 116 082 80 | clutch release bearing | | 1 | |

| | | | | | | | | | | | |
|-------|------|----|----|--------------|--------------|-----|-------|------------|---------|-----|---------|
| Model | Year | MG | SG | Illustration | Restrictions | UPD | 18:34 | 22.01.2010 | PORSCHE | PET | PORSCHE |
| 911 | 1973 | 3 | 01 | 301-15 | | 248 | | | | | |

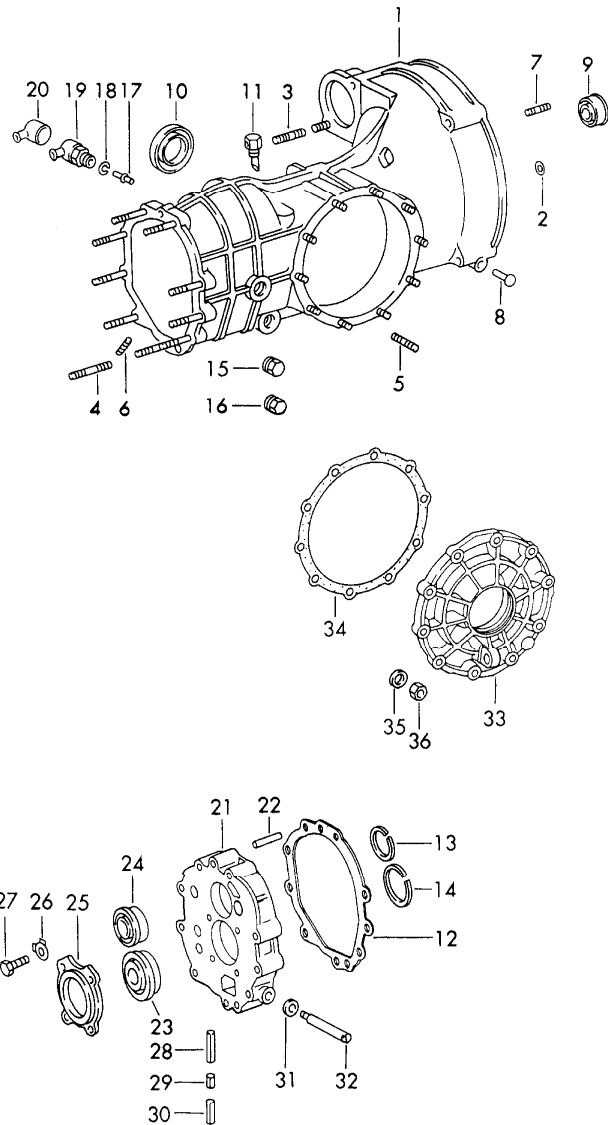


| Pos | Part Number | Description | Remark | Qty | Model |
|------|----------------|-----------------------------|------------|-----|--------------------------------------------------|
| | | clutch release sportomatic | -71 72- | | 911 T/E 911 T-E/E/S 911 T-V CARRERA 2.7 |
| 1 | 905 116 711 01 | clutch release lever | | 1 | |
| 2 | 905 116 709 00 | clutch lever shaft | | 1 | |
| 3 | 905 116 712 00 | spacer ring | | 2 | |
| 4 | 900 095 013 00 | tensioning sleeve 4 X 20 | | 1 | |
| 5 | 905 116 713 00 | cap | | 2 | |
| 6 | 905 116 714 00 | spring | | 1 | |
| 7 | 905 116 708 00 | washer | | 1 | |
| 8 | 999 701 169 40 | o-ring | | 1 | |
| 9 | 905 116 071 00 | intermediate shift lever | | 1 | |
| 10 | 905 116 701 01 | bush | | 1 | |
| 11 | 905 116 719 01 | spacer | | 1 | |
| 12 | 999 704 019 50 | sleeve T 25 - 1 | | 1 | |
| 13 | 900 234 006 02 | shim 15 X 22 X 1 | | 1 | |
| 14 | N 012 415 1 | circlip 15 X 1 | | 1 | |
| 15 | 905 116 721 01 | servo-motor 135 X 60 | | 1 | |
| 16 | 905 116 715 10 | servo-motor support | -71 72- | 1 | 911 T/E 911 T-V |
| (16) | 925 116 715 00 | servo-motor support | 72- | 1 | 911 T-E/E/S CARRERA 2.7 |
| 17 | 900 076 025 02 | hexagon nut M 8 | | 6 | |
| 18 | 900 027 005 01 | lock ring A 8 | | 6 | |
| 19 | 905 116 716 00 | pull rod | | 1 | |
| 20 | 900 166 002 02 | clevis G 6 X 24 | | 1 | |

| | | | | | | | | | | | |
|-------|------|----|----|--------------|--------------|-----|-------|------------|---------|-----|---------|
| Model | Year | MG | SG | Illustration | Restrictions | UPD | 18:34 | 22.01.2010 | PORSCHE | PET | PORSCHE |
| 911 | 1973 | 3 | 01 | 301-15 | | 248 | | | | | |

| Pos | Part Number | Description | Remark | Qty | Model | Pos | Part Number | Description | Remark | Qty | Model |
|------|----------------|-------------------------|------------|-----|----------------------------|-----|-------------|-------------|--------|-----|-------|
| 21 | 900 076 010 02 | hexagon nut M 6 | | 1 | | | | | | | |
| 22 | 905 116 717 00 | bolt for pull rod | | 1 | | | | | | | |
| 23 | 900 089 005 02 | washer 6 | | 1 | | | | | | | |
| 24 | 900 021 002 00 | cotter pin 1,5 X 10 | | 1 | | | | | | | |
| 25 | 905 116 070 01 | push rod | -71 72- | 1 | 911 T/E 911 T-V | | | | | | |
| (25) | 925 116 751 04 | push rod | 72- | 1 | 911 T-E/E/S CARRERA 2.7 | | | | | | |
| 26 | 900 025 007 02 | washer 8,4 | | 2 | | | | | | | |
| 27 | 900 021 008 00 | cotter pin 2 X 15 | | 2 | | | | | | | |

| | | | | | | | | | | | |
|-------|------|----|----|--------------|--------------|-----|-------|------------|---------|-----|---------|
| Model | Year | MG | SG | Illustration | Restrictions | UPD | 18:34 | 22.01.2010 | PORSCHE | PET | PORSCHE |
| 911 | 1973 | 3 | 02 | 302-00 | | 248 | | | | | |



| Pos | Part Number | Description | Remark | Qty | Model |
|-----|----------------|---------------------------------------------------------------------------------------------------------------------------------------------------------------------------------------------------------------------------------------------------------------------------------------|--------|-----|--------------------------------------------------------------------------------------------------|
| | | replacement transmission case transmission case chilled casting | -70 | | 911 T/E/S |
| 1 | 901 301 010 02 | transmission case G 509 0001 >> 509 0462 G 519 0001 >> 519 1141 G 519 5001 >> 519 5209 G 709 0001 >> 709 0223 G 719 0001 >> 719 2526 G 739 0001 >> 739 0002 G 739 1001 >> 739 1001 G 739 2001 >> 739 2007 G 739 3001 >> 739 3003 G 739 4001 >> 739 4004 | | 1 | 902/04 902/05 902/06 901/06 901/07 901/75 901/76 901/77 901/78 901/79 |
| - | 999 504 040 02 | bush M 8 | | 1 | |
| 2 | 901 116 773 01 | sealing washer G 509 0001 >> 509 0462 G 519 0001 >> 519 1141 G 519 5001 >> 519 5209 G 709 0001 >> 709 0223 G 719 0001 >> 719 2526 G 739 0001 >> 739 0002 G 739 1001 >> 739 1001 G 739 2001 >> 739 2007 G 739 3001 >> 739 3003 G 739 4001 >> 739 4004 | | 1 | 902/04 902/05 902/06 901/06 901/07 901/75 901/76 901/77 901/78 901/79 |
| 3 | 900 061 014 02 | stud BM 10 X 22 | | 1 | |
| 4 | 900 061 012 01 | stud BM 8 X 50 G 509 0001 >> 509 0462 G 519 0001 >> 519 1141 G 519 5001 >> 519 5209 G 709 0001 >> 709 0223 G 719 0001 >> 719 2526 G 739 0001 >> 739 0002 G 739 1001 >> 739 1001 G 739 2001 >> 739 2007 G 739 3001 >> 739 3003 G 739 4001 >> 739 4004 | | 9 | 902/04 902/05 902/06 901/06 901/07 901/75 901/76 901/77 901/78 901/79 |

| | | | | | | | | | | | |
|-------|------|----|----|--------------|--------------|-----|-------|------------|---------|-----|---------|
| Model | Year | MG | SG | Illustration | Restrictions | UPD | 18:34 | 22.01.2010 | PORSCHE | PET | PORSCHE |
| 911 | 1973 | 3 | 02 | 302-00 | | 248 | | | | | |

| Pos | Part Number | Description | Remark | Qty | Model | Pos | Part Number | Description | Remark | Qty | Model |
|-----|------------------|-----------------------------------------------------------------------------------------------------------------------------------------------------------------------------------------------------------------------------------------------------------------------------------------------------------|--------|-----|--------------------------------------------------------------------------------------------------|------|------------------|---------------------------------------------------------------------------------------------------------------------------------------------------------------------------------------------------------------------------------------------------------------------------------------|--------|-----|--------------------------------------------------------------------------------------------------|
| 5 | 900 061 007 01 | stud BM 8 X 22 G 509 0001 >> 509 0462 G 519 0001 >> 519 1141 G 519 5001 >> 519 5209 G 709 0001 >> 709 0223 G 719 0001 >> 719 2526 G 739 0001 >> 739 0002 G 739 1001 >> 739 1001 G 739 2001 >> 739 2007 G 739 3001 >> 739 3003 G 739 4001 >> 739 4004 | | 10 | 902/04 902/05 902/06 901/06 901/07 901/75 901/76 901/77 901/78 901/79 | 12 | * 901 301 191 01 | gasket 0,1 MM G 509 0001 >> 509 0462 G 519 0001 >> 519 1141 G 519 5001 >> 519 5209 G 709 0001 >> 709 0223 G 719 0001 >> 719 2526 G 739 0001 >> 739 0002 G 739 1001 >> 739 1001 G 739 2001 >> 739 2007 G 739 3001 >> 739 3003 G 739 4001 >> 739 4004 | | X | 902/04 902/05 902/06 901/06 901/07 901/75 901/76 901/77 901/78 901/79 |
| 6 | 900 061 057 02 | stud BM 8 X 15 | | 2 | | (12) | * 901 301 191 02 | gasket 0,15 MM G 509 0001 >> 509 0462 G 519 0001 >> 519 1141 G 519 5001 >> 519 5209 G 709 0001 >> 709 0223 G 719 0001 >> 719 2526 G 739 0001 >> 739 0002 G 739 1001 >> 739 1001 G 739 2001 >> 739 2007 G 739 3001 >> 739 3003 G 739 4001 >> 739 4004 | | X | 902/04 902/05 902/06 901/06 901/07 901/75 901/76 901/77 901/78 901/79 |
| 7 | 999 062 001 02 | stud BM 6 X 10 | | 2 | | | | | | | |
| 8 | 900 093 005 02 | grooved nail 6 X 20 G 509 0001 >> 509 0462 G 519 0001 >> 519 1141 G 519 5001 >> 519 5209 G 709 0001 >> 709 0223 G 719 0001 >> 719 2526 G 739 0001 >> 739 0002 G 739 1001 >> 739 1001 G 739 2001 >> 739 2007 G 739 3001 >> 739 3003 G 739 4001 >> 739 4004 | | 1 | 902/04 902/05 902/06 901/06 901/07 901/75 901/76 901/77 901/78 901/79 | (12) | * 901 301 191 03 | gasket 0,2 MM G 509 0001 >> 509 0462 G 519 0001 >> 519 1141 G 519 5001 >> 519 5209 G 709 0001 >> 709 0223 G 719 0001 >> 719 2526 G 739 0001 >> 739 0002 G 739 1001 >> 739 1001 G 739 2001 >> 739 2007 G 739 3001 >> 739 3003 G 739 4001 >> 739 4004 | | X | 902/04 902/05 902/06 901/06 901/07 901/75 901/76 901/77 901/78 901/79 |
| 9 | * 999 113 048 50 | sealing ring | | 1 | | | | | | | |
| 10 | * 999 113 058 50 | radial sealing ring 45 X 65 X 10/1 G 509 0001 >> 509 0462 G 519 0001 >> 519 1141 G 519 5001 >> 519 5209 G 709 0001 >> 709 0223 G 719 0001 >> 719 2526 G 739 0001 >> 739 0002 G 739 1001 >> 739 1001 G 739 2001 >> 739 2007 G 739 3001 >> 739 3003 G 739 4001 >> 739 4004 | | 2 | 902/04 902/05 902/06 901/06 901/07 901/75 901/76 901/77 901/78 901/79 | 13 | 999 042 301 01 | circlip SB 52 | | 2 | |
| | | | | | | 14 | 999 041 305 01 | circlip SB 79 | | 1 | |
| | | | | | | 15 | 999 064 019 02 | screw plug | | 1 | |
| 11 | 904 301 071 00 | bleeder | | 1 | | 16 | 999 064 020 02 | screw plug with magnet | | 1 | |
| | | | | | | 17 | 901 303 017 01 | cam follower for switch back-up light | | 1 | |
| | | | | | | 18 | N 012 432 1 | lock washer 2,3 | | 1 | |

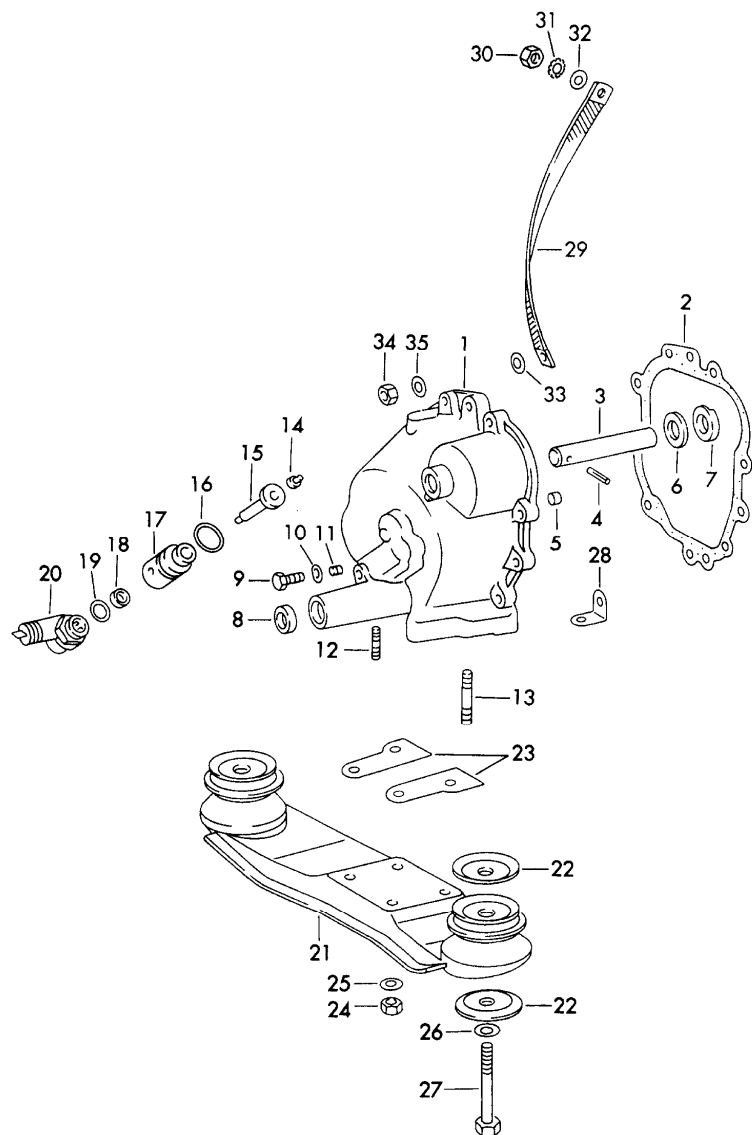
| | | | | | | | | | | | |
|-------|------|----|----|--------------|--------------|-----|-------|------------|---------|-----|---------|
| Model | Year | MG | SG | Illustration | Restrictions | UPD | 18:34 | 22.01.2010 | PORSCHE | PET | PORSCHE |
| 911 | 1973 | 3 | 02 | 302-00 | | 248 | | | | | |

| Pos | Part Number | Description | Remark | Qty | Model | Pos | Part Number | Description | Remark | Qty | Model |
|-----|----------------|-------------------------------------------------------------------------------------------------------------------------------------------------------------------------------------------------------------------------------------------------------------------------------------------------|--------|-----|--------------------------------------------------------------------------------------------------|-----|----------------|---------------------------------------------------------------------------------------------------------------------------------------------------------------------------------------------------------------------------------------------------------------------------------------------------|--------|-----|--------------------------------------------------------------------------------------------------|
| 19 | 914 613 541 02 | back-up light switch without protection cap | | 1 | | 26 | 999 039 001 00 | tab washer G 509 0001 >> 509 0462 G 519 0001 >> 519 1141 G 519 5001 >> 519 5209 G 709 0001 >> 709 0223 G 719 0001 >> 719 2526 G 739 0001 >> 739 0002 G 739 1001 >> 739 1001 G 739 2001 >> 739 2007 G 739 3001 >> 739 3003 G 739 4001 >> 739 4004 | | 4 | 902/04 902/05 902/06 901/06 901/07 901/75 901/76 901/77 901/78 901/79 |
| 20 | 914 613 491 00 | protection cap | | 1 | | | | | | | |
| 21 | 901 301 221 01 | intermediate plate G 509 0001 >> 509 0462 G 519 0001 >> 519 1141 G 519 5001 >> 519 5209 G 709 0001 >> 709 0223 G 719 0001 >> 719 2526 G 739 0001 >> 739 0002 G 739 1001 >> 739 1001 G 739 2001 >> 739 2007 G 739 3001 >> 739 3003 G 739 4001 >> 739 4004 | | 1 | 902/04 902/05 902/06 901/06 901/07 901/75 901/76 901/77 901/78 901/79 | 27 | N 010 239 11 | hexagon-head bolt M 8 X 18 G 509 0001 >> 509 0462 G 519 0001 >> 519 1141 G 519 5001 >> 519 5209 G 709 0001 >> 709 0223 G 719 0001 >> 719 2526 G 739 0001 >> 739 0002 G 739 1001 >> 739 1001 G 739 2001 >> 739 2007 G 739 3001 >> 739 3003 G 739 4001 >> 739 4004 | | 4 | 902/04 902/05 902/06 901/06 901/07 901/75 901/76 901/77 901/78 901/79 |
| 22 | 900 012 027 00 | straight pin 10 M 6 X 45 G 509 0001 >> 509 0462 G 519 0001 >> 519 1141 G 519 5001 >> 519 5209 G 709 0001 >> 709 0223 G 719 0001 >> 719 2526 G 739 0001 >> 739 0002 G 739 1001 >> 739 1001 G 739 2001 >> 739 2007 G 739 3001 >> 739 3003 G 739 4001 >> 739 4004 | | 2 | 902/04 902/05 902/06 901/06 901/07 901/75 901/76 901/77 901/78 901/79 | 28 | 901 303 241 01 | bush for gear lock detent | | 1 | |
| | | | | | | 29 | 901 303 242 01 | bush for gear lock detent | | 1 | |
| 23 | 999 052 016 00 | four-point bearing | | 1 | | 30 | 901 303 243 01 | bush for gear lock detent | | 1 | |
| 24 | 999 053 025 00 | angular-contact bearing | | 1 | | 31 | N 012 241 1 | spring washer B 8 G 509 0001 >> 509 0462 G 519 0001 >> 519 1141 G 519 5001 >> 519 5209 G 709 0001 >> 709 0223 G 719 0001 >> 719 2526 G 739 0001 >> 739 0002 G 739 1001 >> 739 1001 G 739 2001 >> 739 2007 G 739 3001 >> 739 3003 G 739 4001 >> 739 4004 | | 1 | 902/04 902/05 902/06 901/06 901/07 901/75 901/76 901/77 901/78 901/79 |
| 25 | 901 301 251 01 | tensioning plate G 509 0001 >> 509 0462 G 519 0001 >> 519 1141 G 519 5001 >> 519 5209 G 709 0001 >> 709 0223 G 719 0001 >> 719 2526 G 739 0001 >> 739 0002 G 739 1001 >> 739 1001 G 739 2001 >> 739 2007 G 739 3001 >> 739 3003 G 739 4001 >> 739 4004 | | 1 | 902/04 902/05 902/06 901/06 901/07 901/75 901/76 901/77 901/78 901/79 | 32 | 914 301 307 00 | bolt for reverse lever | | 1 | |

| | | | | | | | | | | | |
|-------|------|----|----|--------------|--------------|-----|-------|------------|---------|-----|---------|
| Model | Year | MG | SG | Illustration | Restrictions | UPD | 18:34 | 22.01.2010 | PORSCHE | PET | PORSCHE |
| 911 | 1973 | 3 | 02 | 302-00 | | 248 | | | | | |

| Pos | Part Number | Description | Remark | Qty | Model | Pos | Part Number | Description | Remark | Qty | Model |
|-----|------------------|---------------------------------------------------------------------------------------------------------------------------------------------------------------------------------------------------------------------------------------------------------------------------------------------------|--------|-----|--------------------------------------------------------------------------------------------------|-----|-------------|-------------|--------|-----|-------|
| 33 | 914 301 311 01 | transmission cover lateral G 509 0001 >> 509 0462 G 519 0001 >> 519 1141 G 519 5001 >> 519 5209 G 709 0001 >> 709 0223 G 719 0001 >> 719 2526 G 739 0001 >> 739 0002 G 739 1001 >> 739 1001 G 739 2001 >> 739 2007 G 739 3001 >> 739 3003 G 739 4001 >> 739 4004 | | 1 | 902/04 902/05 902/06 901/06 901/07 901/75 901/76 901/77 901/78 901/79 | | | | | | |
| 34 | * 901 301 391 01 | gasket G 509 0001 >> 509 0462 G 519 0001 >> 519 1141 G 519 5001 >> 519 5209 G 709 0001 >> 709 0223 G 719 0001 >> 719 2526 G 739 0001 >> 739 0002 G 739 1001 >> 739 1001 G 739 2001 >> 739 2007 G 739 3001 >> 739 3003 G 739 4001 >> 739 4004 | | 1 | 902/04 902/05 902/06 901/06 901/07 901/75 901/76 901/77 901/78 901/79 | | | | | | |
| 35 | N 012 241 1 | spring washer B 8 G 509 0001 >> 509 0462 G 519 0001 >> 519 1141 G 519 5001 >> 519 5209 G 709 0001 >> 709 0223 G 719 0001 >> 719 2526 G 739 0001 >> 739 0002 G 739 1001 >> 739 1001 G 739 2001 >> 739 2007 G 739 3001 >> 739 3003 G 739 4001 >> 739 4004 | | 19 | 902/04 902/05 902/06 901/06 901/07 901/75 901/76 901/77 901/78 901/79 | | | | | | |
| 36 | 900 076 025 02 | hexagon nut M 8 G 509 0001 >> 509 0462 G 519 0001 >> 519 1141 G 519 5001 >> 519 5209 G 709 0001 >> 709 0223 G 719 0001 >> 719 2526 G 739 0001 >> 739 0002 G 739 1001 >> 739 1001 G 739 2001 >> 739 2007 G 739 3001 >> 739 3003 G 739 4001 >> 739 4004 | | 19 | 902/04 902/05 902/06 901/06 901/07 901/75 901/76 901/77 901/78 901/79 | | | | | | |

| | | | | | | | | | | | |
|-------|------|----|----|--------------|--------------|-----|-------|------------|---------|-----|---------|
| Model | Year | MG | SG | Illustration | Restrictions | UPD | 18:34 | 22.01.2010 | PORSCHE | PET | PORSCHE |
| 911 | 1973 | 3 | 02 | 302-05 | | 248 | | | | | |



| Pos | Part Number | Description | Remark | Qty | Model |
|-----|------------------|------------------------------------------------------------------------------------------------------------------------------------------------------------------------------------------------------------------------------------------------------------------------------------------------------------------------------------|--------|-----|----------------------------------------------------------------------------------------------------------------------------|
| | | transmission cover transmission suspension chilled casting and die casting | -70 | | |
| 1 | 901 301 031 02 | transmission cover chilled casting (STIFTSCHRAUBEN LOSE) G 509 0001 >> 509 0462 G 519 0001 >> 519 1141 G 519 5001 >> 519 5209 G 709 0001 >> 709 0223 G 719 0001 >> 719 2526 G 739 0001 >> 739 0002 G 739 1001 >> 739 1001 G 739 2001 >> 739 2007 G 739 3001 >> 739 3003 G 739 4001 >> 739 4004 | | 1 | 902/04 902/05 902/06 901/06 901/07 901/75 901/76 901/77 901/78 901/79 |
| (1) | 901 301 031 12 | transmission cover die casting G 700 0001 >> 700 9999 G 710 0001 >> 710 9999 G 770 0001 >> 770 3000 G 730 9101 >> 730 9200 G 730 9201 >> 730 9300 G 730 9301 >> 730 9400 G 730 9401 >> 730 9500 G 730 9501 >> 730 9600 G 720 0001 >> 720 9999 | | 1 | 911.300/00 911.300/01 911.300/01 911.300/80 911.300/81 911.300/82 911.300/83 911.300/84 905.300/20 |
| 2 | * 901 301 392 01 | gasket chilled casting | | 1 | |
| (2) | * 901 301 392 12 | gasket die casting | | 1 | |
| 3 | 901 302 255 01 | bolt for reverse idler gear | | 1 | |
| 4 | 900 095 019 01 | tensioning sleeve 5 X 30 | | 1 | |
| 5 | 901 318 244 01 | bearing sleeve | | 1 | |
| 6 | 901 302 296 01 | thrust washer | | 1 | |
| 7 | 901 302 266 01 | thrust washer | | 1 | |
| 8 | * 900 112 001 50 | radial sealing ring B 15 X 24 X 7 chilled casting | | 1 | |

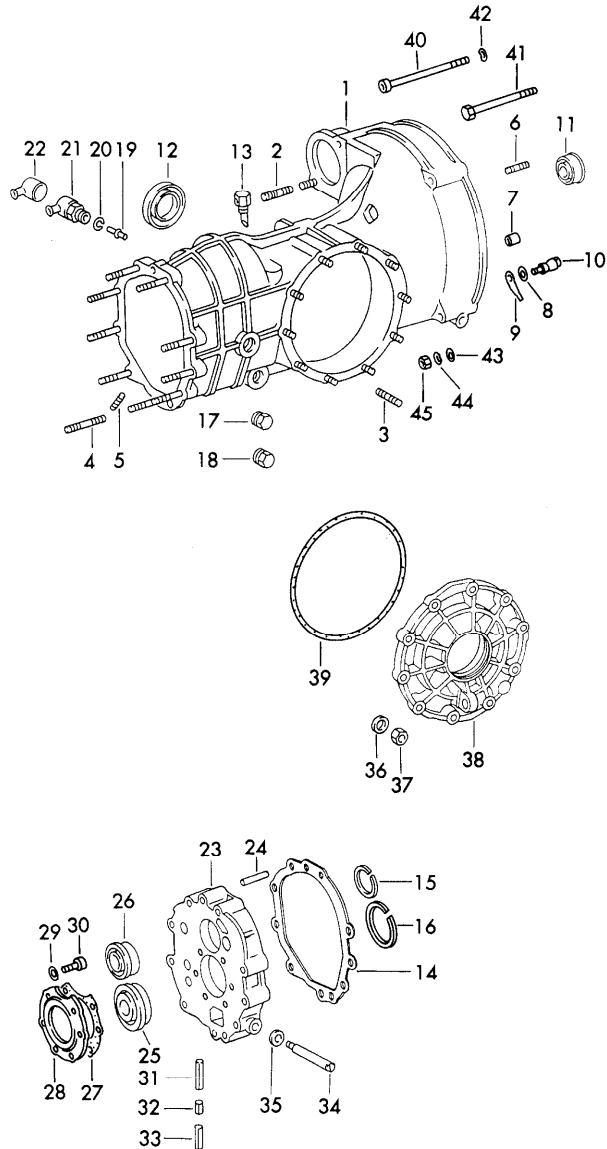
| | | | | | | | | | | | |
|-------|------|----|----|--------------|--------------|-----|-------|------------|---------|-----|---------|
| Model | Year | MG | SG | Illustration | Restrictions | UPD | 18:34 | 22.01.2010 | PORSCHE | PET | PORSCHE |
| 911 | 1973 | 3 | 02 | 302-05 | | 248 | | | | | |

| Pos | Part Number | Description | Remark | Qty | Model | Pos | Part Number | Description | Remark | Qty | Model |
|------|------------------|---------------------------------------------------------------------------------------------------------------------------------------------------------------------------------------------------------------------------------------------------------------------------------------------------------------------|--------|-----|--------------------------------------------------------------------------------------------------|------|------------------|---------------------------------------------------------------------------------------------------------------------------------------------------------------------------------------------------------------------------------------------------------------------------------------|--------|-----|--------------------------------------------------------------------------------------------------|
| (8) | * 999 113 185 40 | shaft sealing ring A 15 X 24 X 7 die casting | | 1 | | 12 | 900 061 057 01 | stud BM 8 X 15 G 509 0001 >> 509 0462 G 519 0001 >> 519 1141 G 519 5001 >> 519 5209 G 709 0001 >> 709 0223 G 719 0001 >> 719 2526 G 739 0001 >> 739 0002 G 739 1001 >> 739 1001 G 739 2001 >> 739 2007 G 739 3001 >> 739 3003 G 739 4001 >> 739 4004 | | 4 | 902/04 902/05 902/06 901/06 901/07 901/75 901/76 901/77 901/78 901/79 |
| 9 | 901 318 272 03 | hexagon-head bolt die casting | | 1 | | | | | | | |
| (9) | 901 318 272 02 | hexagon-head bolt chilled casting G 509 0001 >> 509 0462 G 519 0001 >> 519 1141 G 519 5001 >> 519 5209 G 709 0001 >> 709 0223 G 719 0001 >> 719 2526 G 739 0001 >> 739 0002 G 739 1001 >> 739 1001 G 739 2001 >> 739 2007 G 739 3001 >> 739 3003 G 739 4001 >> 739 4004 | | 1 | 902/04 902/05 902/06 901/06 901/07 901/75 901/76 901/77 901/78 901/79 | (12) | 999 062 005 02 | stud BM 8 X 18 die casting | | 2 | |
| 10 | N 012 241 1 | spring washer B 8 chilled casting G 509 0001 >> 509 0462 G 519 0001 >> 519 1141 G 519 5001 >> 519 5209 G 709 0001 >> 709 0223 G 719 0001 >> 719 2526 G 739 0001 >> 739 0002 G 739 1001 >> 739 1001 G 739 2001 >> 739 2007 G 739 3001 >> 739 3003 G 739 4001 >> 739 4004 | | 1 | 902/04 902/05 902/06 901/06 901/07 901/75 901/76 901/77 901/78 901/79 | 13 | 900 061 006 01 | stud BM 8 X 20 G 509 0001 >> 509 0462 G 519 0001 >> 519 1141 G 519 5001 >> 519 5209 G 709 0001 >> 709 0223 G 719 0001 >> 719 2526 G 739 0001 >> 739 0002 G 739 1001 >> 739 1001 G 739 2001 >> 739 2007 G 739 3001 >> 739 3003 G 739 4001 >> 739 4004 | | 2 | 902/04 902/05 902/06 901/06 901/07 901/75 901/76 901/77 901/78 901/79 |
| (10) | 900 031 001 02 | washer 8,4 die casting | | 1 | | 14 | 901 318 273 01 | stop pin | | 1 | |
| 11 | 999 504 003 00 | threaded insert heli-coil chilled casting G 509 0001 >> 509 0462 G 519 0001 >> 519 1141 G 519 5001 >> 519 5209 G 709 0001 >> 709 0223 G 719 0001 >> 719 2526 G 739 0001 >> 739 0002 G 739 1001 >> 739 1001 G 739 2001 >> 739 2007 G 739 3001 >> 739 3003 G 739 4001 >> 739 4004 | | 2 | 902/04 902/05 902/06 901/06 901/07 901/75 901/76 901/77 901/78 901/79 | 15 | 901 318 333 01 | stub shaft for drive shaft crown wheel 7/31 | | 1 | |
| (11) | 999 504 070 00 | threaded insert heli-coil | | 1 | | 16 | * 999 701 084 50 | o-ring 25,3-2,4 | | 1 | |
| | | | | | | 17 | 901 318 243 12 | guide bush | | 1 | |
| | | | | | | 18 | * 999 113 036 50 | radial sealing ring BA-FG 10 X 18 X 6 | | 1 | |
| | | | | | | 19 | 914 318 261 01 | sealing washer | | 1 | |
| | | | | | | 20 | 911 318 029 00 | v-drive complete | | 1 | |

| | | | | | | | | | | | |
|-------|------|----|----|--------------|--------------|-----|-------|------------|---------|-----|---------|
| Model | Year | MG | SG | Illustration | Restrictions | UPD | 18:34 | 22.01.2010 | PORSCHE | PET | PORSCHE |
| 911 | 1973 | 3 | 02 | 302-05 | | 248 | | | | | |

| Pos | Part Number | Description | Remark | Qty | Model | Pos | Part Number | Description | Remark | Qty | Model |
|------|----------------|-----------------------------------------------------------------------------------------------------------------------------------------------------------------------------------------------------------------------------------------------------------------------------------------------------------|--------|-----|--------------------------------------------------------------------------------------------------|------|----------------|--------------------------------------------------------------------------------------------------------------------------------------------------------------------------------------------------------------------------------------------------------------------------------------------------------------------|--------|-----|--------------------------------------------------------------------------------------------------|
| 21 | 901 375 031 00 | transmission carrier G 509 0001 >> 509 0462 G 519 0001 >> 519 1141 G 519 5001 >> 519 5209 G 709 0001 >> 709 0223 G 719 0001 >> 719 2526 G 739 0001 >> 739 0002 G 739 1001 >> 739 1001 G 739 2001 >> 739 2007 G 739 3001 >> 739 3003 G 739 4001 >> 739 4004 | | 1 | 902/04 902/05 902/06 901/06 901/07 901/75 901/76 901/77 901/78 901/79 | 31 | N 012 132 2 | shake-proof washer A 8,4 die casting | | 1 | |
| (21) | 901 375 031 00 | transmission carrier die casting | | 1 | | (31) | N 012 132 2 | shake-proof washer A 8,4 chilled casting G 509 0001 >> 509 0462 G 519 0001 >> 519 1141 G 519 5001 >> 519 5209 G 709 0001 >> 709 0223 G 719 0001 >> 719 2526 G 739 0001 >> 739 0002 G 739 1001 >> 739 1001 G 739 2001 >> 739 2007 G 739 3001 >> 739 3003 G 739 4001 >> 739 4004 | | 1 | 902/04 902/05 902/06 901/06 901/07 901/75 901/76 901/77 901/78 901/79 |
| 22 | 901 305 311 00 | seat chilled casting | | 4 | | | | | | | |
| (22) | 901 305 311 00 | seat die casting | | 2 | | 32 | 900 025 025 02 | washer 8,4 die casting | | 1 | |
| 23 | 901 375 311 00 | plate die casting | | 2 | | (32) | 900 025 025 02 | washer B 8,4 chilled casting G 509 0001 >> 509 0462 G 519 0001 >> 519 1141 G 519 5001 >> 519 5209 G 709 0001 >> 709 0223 G 719 0001 >> 719 2526 G 739 0001 >> 739 0002 G 739 1001 >> 739 1001 G 739 2001 >> 739 2007 G 739 3001 >> 739 3003 G 739 4001 >> 739 4004 | | 2 | 902/04 902/05 902/06 901/06 901/07 901/75 901/76 901/77 901/78 901/79 |
| 24 | 999 090 101 02 | mid-grip nut | | 4 | | | | | | | |
| 25 | 900 031 001 02 | washer 8,4 | | 4 | | | | | | | |
| 26 | 900 027 017 02 | lock ring B 12 | | 2 | | | | | | | |
| 27 | 901 305 317 00 | hexagon-head bolt | | 2 | | | | | | | |
| 28 | 901 423 369 00 | retaining bracket chilled casting | | 2 | | | | | | | |
| 29 | 999 611 918 20 | ground strap | | 1 | | 33 | 999 151 022 02 | washer 20 X 8,4 X 2 die casting | | 2 | |
| 30 | 900 076 030 02 | hexagon nut M 8 die casting | | 1 | | 34 | 999 090 101 02 | mid-grip nut die casting | | X | |
| (30) | 900 076 030 02 | hexagon nut M 8 chilled casting G 509 0001 >> 509 0462 G 519 0001 >> 519 1141 G 519 5001 >> 519 5209 G 709 0001 >> 709 0223 G 719 0001 >> 719 2526 G 739 0001 >> 739 0002 G 739 1001 >> 739 1001 G 739 2001 >> 739 2007 G 739 3001 >> 739 3003 G 739 4001 >> 739 4004 | | 1 | 902/04 902/05 902/06 901/06 901/07 901/75 901/76 901/77 901/78 901/79 | 35 | 900 031 001 02 | washer 8,4 die casting | | X | |

| | | | | | | | | | | | |
|-------|------|----|----|--------------|--------------|-----|-------|------------|---------|-----|---------|
| Model | Year | MG | SG | Illustration | Restrictions | UPD | 18:34 | 22.01.2010 | PORSCHE | PET | PORSCHE |
| 911 | 1973 | 3 | 02 | 302-10 | | 248 | | | | | |



| Pos | Part Number | Description | Remark | Qty | Model |
|-----|----------------|-------------------------------------------|--------|-----|------------|
| | | replacement transmission case die casting | -71 | | |
| 1 | 911 301 010 00 | transmission case complete | | 1 | |
| | | G 700 0001 >> 700 9999 | -70 | | 911.300/00 |
| | | G 710 0001 >> 710 9999 | | | 911.300/01 |
| | | G 770 0001 >> 770 3000 | | | 911.300/01 |
| | | G 730 9101 >> 730 9200 | | | 911.300/80 |
| | | G 730 9201 >> 730 9300 | | | 911.300/81 |
| | | G 730 9301 >> 730 9400 | | | 911.300/82 |
| | | G 730 9401 >> 730 9500 | | | 911.300/83 |
| | | G 730 9501 >> 730 9600 | | | 911.300/84 |
| | | G 720 0001 >> 720 9999 | | | 905.300/20 |
| 2 | 900 061 014 02 | stud BM 10 X 22 | | 1 | |
| 3 | 999 062 044 02 | stud | | 10 | |
| 4 | 999 062 046 02 | stud BM 8 X 65 | | 9 | |
| 5 | 900 061 057 02 | stud BM 8 X 15 | | 2 | |
| 6 | 999 062 001 02 | stud BM 6 X 10 | | 2 | |
| 7 | 911 301 037 00 | bush | | 1 | |
| | | G 700 0001 >> 700 9999 | -70 | | 911.300/00 |
| | | G 710 0001 >> 710 9999 | | | 911.300/01 |
| | | G 770 0001 >> 770 3000 | | | 911.300/01 |
| | | G 730 9101 >> 730 9200 | | | 911.300/80 |
| | | G 730 9201 >> 730 9300 | | | 911.300/81 |
| | | G 730 9301 >> 730 9400 | | | 911.300/82 |
| | | G 730 9401 >> 730 9500 | | | 911.300/83 |
| | | G 730 9501 >> 730 9600 | | | 911.300/84 |
| | | G 720 0001 >> 720 9999 | | | 905.300/20 |
| 8 | 911 116 743 01 | washer see group 3/01/05 | | 1 | |
| | | G 700 0001 >> 700 9999 | -70 | | 911.300/00 |
| | | G 710 0001 >> 710 9999 | | | 911.300/01 |
| | | G 770 0001 >> 770 3000 | | | 911.300/01 |
| | | G 730 9101 >> 730 9200 | | | 911.300/80 |
| | | G 730 9201 >> 730 9300 | | | 911.300/81 |
| | | G 730 9301 >> 730 9400 | | | 911.300/82 |
| | | G 730 9401 >> 730 9500 | | | 911.300/83 |
| | | G 730 9501 >> 730 9600 | | | 911.300/84 |
| | | G 720 0001 >> 720 9999 | | | 905.300/20 |

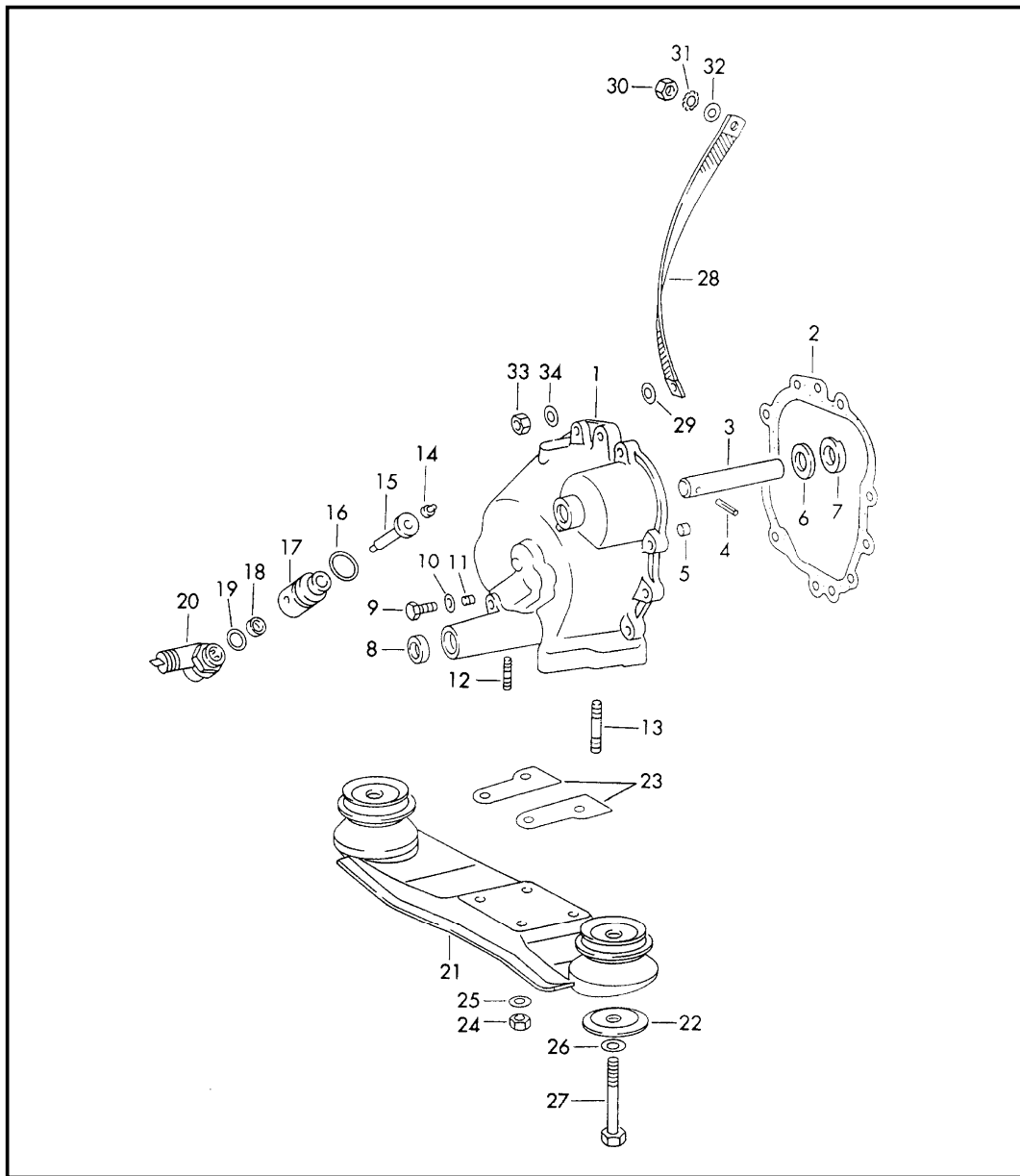
| | | | | | | | | | | | |
|-------|------|----|----|--------------|--------------|-----|-------|------------|---------|-----|---------|
| Model | Year | MG | SG | Illustration | Restrictions | UPD | 18:34 | 22.01.2010 | PORSCHE | PET | PORSCHE |
| 911 | 1973 | 3 | 02 | 302-10 | | 248 | | | | | |

| Pos | Part Number | Description | Remark | Qty | Model | Pos | Part Number | Description | Remark | Qty | Model |
|------|------------------|-------------------------------------|--------|-----|------------|-----|----------------|---------------------------------|--------|-----|-------|
| 9 | 911 116 774 01 | leaf spring see group 3/01/05 | | 1 | | 21 | 914 613 541 02 | back-up light switch | | 1 | |
| | | G 700 0001 >> 700 9999 | -70 | | 911.300/00 | 22 | 914 613 491 00 | rubber cap | | 1 | |
| | | G 710 0001 >> 710 9999 | | | 911.300/01 | 23 | 911 301 221 00 | intermediate plate | | 1 | |
| | | G 770 0001 >> 770 3000 | | | 911.300/01 | 24 | 900 012 028 00 | straight pin 10 M 6 X 50 | | 2 | |
| | | G 730 9101 >> 730 9200 | | | 911.300/80 | 25 | 999 052 016 00 | four-point bearing | | 1 | |
| | | G 730 9201 >> 730 9300 | | | 911.300/81 | 26 | 999 053 025 00 | angular-contact bearing | | 1 | |
| | | G 730 9301 >> 730 9400 | | | 911.300/82 | 27 | 901 301 255 13 | plate | | 1 | |
| | | G 730 9401 >> 730 9500 | | | 911.300/83 | 28 | 901 301 035 13 | tensioning plate | | 1 | |
| | | G 730 9501 >> 730 9600 | | | 911.300/84 | 29 | 900 025 007 02 | washer | | 6 | |
| | | G 720 0001 >> 720 9999 | | | 905.300/20 | 30 | 999 509 010 00 | pan-head screw | | 6 | |
| 10 | 911 116 772 11 | ball pin see group 3/01/05 | | 1 | | 31 | 901 303 241 01 | bush for gear lock detent | | 1 | |
| | | G 700 0001 >> 700 9999 | -70 | | 911.300/00 | 32 | 901 303 242 01 | bush for gear lock detent | | 1 | |
| | | G 710 0001 >> 710 9999 | | | 911.300/01 | 33 | 901 303 243 01 | bush for gear lock detent | | 1 | |
| | | G 770 0001 >> 770 3000 | | | 911.300/01 | 34 | 914 301 307 00 | bolt for reverse lever | | 1 | |
| | | G 730 9101 >> 730 9200 | | | 911.300/80 | 35 | 900 031 001 02 | washer 8,4 | | 1 | |
| | | G 730 9201 >> 730 9300 | | | 911.300/81 | 36 | 900 031 001 02 | washer 8,4 | | 16 | |
| | | G 730 9301 >> 730 9400 | | | 911.300/82 | 37 | 999 090 101 02 | mid-grip nut | | 19 | |
| | | G 730 9401 >> 730 9500 | | | 911.300/83 | 38 | 911 301 311 00 | transmission cover lateral | | 1 | |
| | | G 730 9501 >> 730 9600 | | | 911.300/84 | | | | | | |
| | | G 720 0001 >> 720 9999 | | | 905.300/20 | | | | | | |
| 11 | * 999 113 048 50 | radial sealing ring | | 1 | | | | | | | |
| 12 | * 999 113 130 50 | radial sealing ring 45 X 68 X 10 | | 2 | | | | | | | |
| 13 | 904 301 071 00 | bleeder | | 1 | | | | | | | |
| 14 | * 901 301 191 21 | gasket 0,1 MM | | X | | | | | | | |
| (14) | * 901 301 191 22 | gasket 0,15 MM | | X | | | | | | | |
| (14) | * 901 301 191 23 | gasket 0,2 MM | | X | | | | | | | |
| 15 | 999 042 301 01 | circlip SB 52 | | 2 | | | | | | | |
| 16 | 999 041 305 01 | circlip SB 79 | | 1 | | | | | | | |
| 17 | 999 064 019 02 | screw plug | | 1 | | | | | | | |
| 18 | 999 064 020 02 | screw plug with magnet | | 1 | | | | | | | |
| 19 | 901 303 017 01 | cam follower | | 1 | | | | | | | |
| 20 | N 012 432 1 | lock washer | | 1 | | | | | | | |

| | | | | | | | | | | | |
|-------|------|----|----|--------------|--------------|-----|-------|------------|---------|-----|---------|
| Model | Year | MG | SG | Illustration | Restrictions | UPD | 18:34 | 22.01.2010 | PORSCHE | PET | PORSCHE |
| 911 | 1973 | 3 | 02 | 302-10 | | 248 | | | | | |

| Pos | Part Number | Description | Remark | Qty | Model | Pos | Part Number | Description | Remark | Qty | Model |
|-----|-----------------|--------------------------------|--------|-----|-------|-----|-------------|-------------|--------|-----|-------|
| 39 | * 113 301 185 A | gasket | | 1 | | | | | | | |
| 40 | 900 067 074 02 | pan-head screw M 10 X 110 | | 1 | | | | | | | |
| 41 | 900 155 023 02 | hexagon-head bolt M 10 X 72 | | 1 | | | | | | | |
| 42 | 901 604 581 00 | spring washer | | 1 | | | | | | | |
| 43 | 900 031 005 02 | washer \$ 10,5 | | 3 | | | | | | | |
| 44 | 999 523 103 01 | lock washer M 10 | | 3 | | | | | | | |
| 45 | 900 157 002 02 | hexagon nut M 10 | | 2 | | | | | | | |

| | | | | | | | | | | | |
|-------|------|----|----|--------------|--------------|-----|-------|------------|---------|-----|---------|
| Model | Year | MG | SG | Illustration | Restrictions | UPD | 18:35 | 22.01.2010 | PORSCHE | PET | PORSCHE |
| 911 | 1973 | 3 | 02 | 302-15 | | 248 | | | | | |

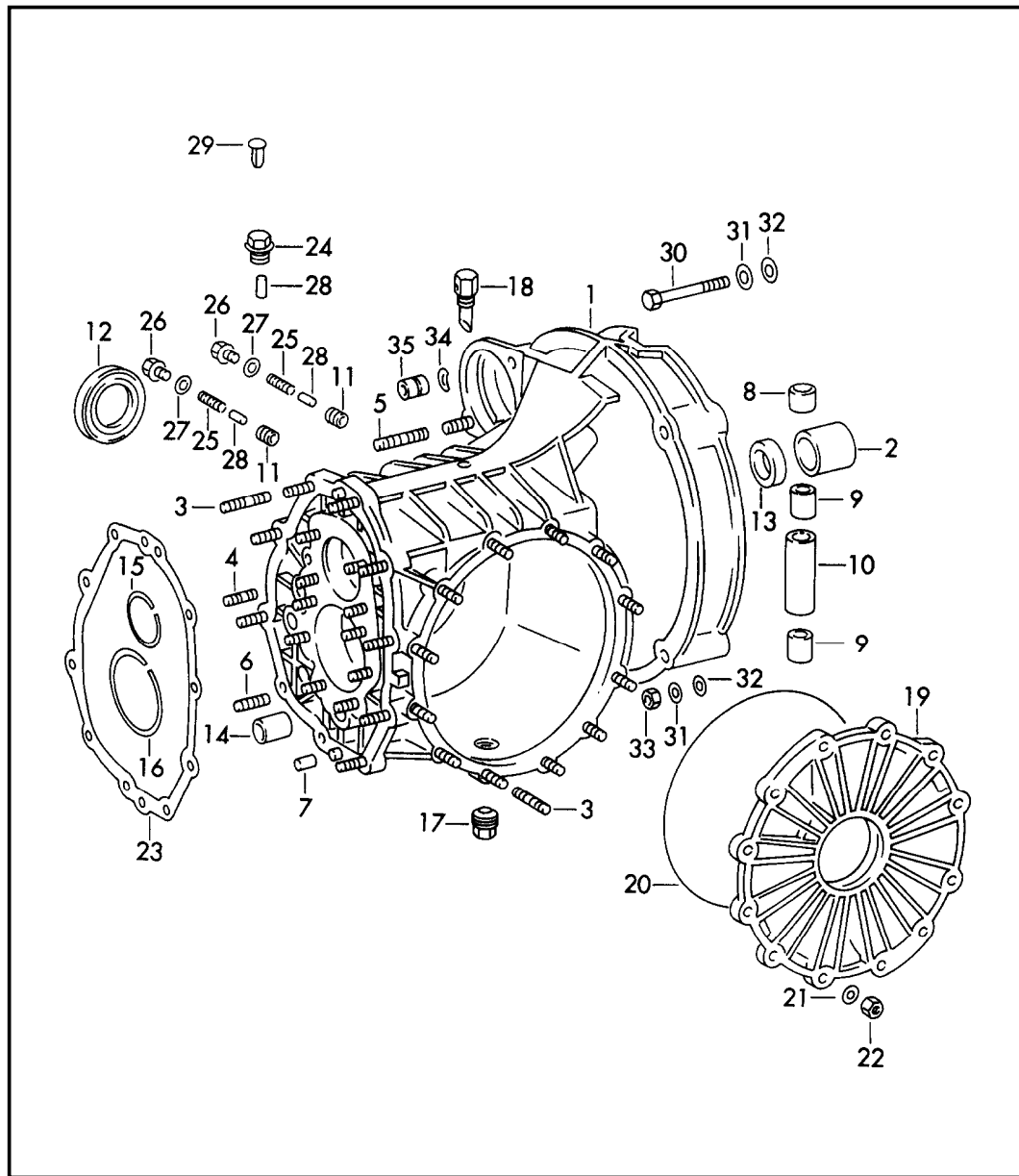


| Pos | Part Number | Description | Remark | Qty | Model |
|-----|------------------|--------------------------------------------------------------|--------|-----|-------|
| | | transmission cover transmission suspension die casting | 71 | | |
| 1 | 901 301 031 12 | transmission cover | | 1 | |
| 2 | * 901 301 392 12 | gasket | | 1 | |
| 3 | 901 302 255 01 | bolt for reverse idler gear | | 1 | |
| 4 | 900 095 019 01 | tensioning sleeve 5 X 30 | | 1 | |
| 5 | 901 318 244 01 | bearing sleeve | | 1 | |
| 6 | 901 302 296 01 | thrust washer | | 1 | |
| 7 | 901 302 266 01 | thrust washer for reverse gear | | 1 | |
| 8 | * 999 113 185 40 | shaft sealing ring A 15 X 24 X 7 | | 1 | |
| 9 | 901 318 272 03 | hexagon-head bolt | | 1 | |
| 10 | 900 031 001 02 | washer 8,4 | | 1 | |
| 11 | 999 504 070 00 | threaded insert heli-coil | | 1 | |
| 12 | 999 062 005 02 | stud BM 8 X 18 | | 2 | |
| 13 | 999 062 008 02 | stud BM 8 X 25 | | 2 | |
| 14 | 901 318 273 01 | stop pin | | 1 | |
| 15 | 901 318 333 01 | stub shaft | | 1 | |
| 16 | * 999 701 084 50 | o-ring OR 25,3 - 2,4 | | 1 | |
| 17 | 901 318 243 12 | guide bush | | 1 | |
| 18 | * 999 113 036 50 | radial sealing ring BA-FG 10 X 18 X 6 | | 1 | |
| 19 | 914 318 261 01 | sealing washer | | 1 | |
| 20 | 911 318 029 00 | v-drive | | 1 | |
| 21 | 901 375 031 00 | transmission carrier | | 1 | |

| | | | | | | | | | | | |
|-------|------|----|----|--------------|--------------|-----|-------|------------|---------|-----|---------|
| Model | Year | MG | SG | Illustration | Restrictions | UPD | 18:35 | 22.01.2010 | PORSCHE | PET | PORSCHE |
| 911 | 1973 | 3 | 02 | 302-15 | | 248 | | | | | |

| Pos | Part Number | Description | Remark | Qty | Model | Pos | Part Number | Description | Remark | Qty | Model |
|-----|----------------|-----------------------------|--------|-----|-------|-----|-------------|-------------|--------|-----|-------|
| 22 | 901 305 311 00 | seat | | 2 | | | | | | | |
| 23 | 901 375 311 00 | plate | | 2 | | | | | | | |
| 24 | 999 090 101 02 | mid-grip nut | | 4 | | | | | | | |
| 25 | 900 031 001 02 | washer 8,4 | | 4 | | | | | | | |
| 26 | 900 027 017 02 | lock ring B 12 | | 2 | | | | | | | |
| 27 | 901 305 317 00 | hexagon-head bolt | | 2 | | | | | | | |
| 28 | 999 611 918 20 | ground strap | | 1 | | | | | | | |
| 29 | 999 151 022 02 | washer 20 X 8,4 X 2 | | 2 | | | | | | | |
| 30 | 900 076 030 02 | hexagon nut M 8 | | 1 | | | | | | | |
| 31 | N 012 132 2 | shake-proof washer A 8,4 | | 1 | | | | | | | |
| 32 | 900 025 025 02 | washer 8,4 | | 1 | | | | | | | |
| 33 | 999 090 101 02 | mid-grip nut | | X | | | | | | | |
| 34 | 900 031 001 02 | washer 8,4 | | X | | | | | | | |

| | | | | | | | | | | | |
|-------|------|----|----|--------------|--------------|-----|-------|------------|---------|-----|---------|
| Model | Year | MG | SG | Illustration | Restrictions | UPD | 18:35 | 22.01.2010 | PORSCHE | PET | PORSCHE |
| 911 | 1973 | 3 | 02 | 302-20 | | 248 | | | | | |

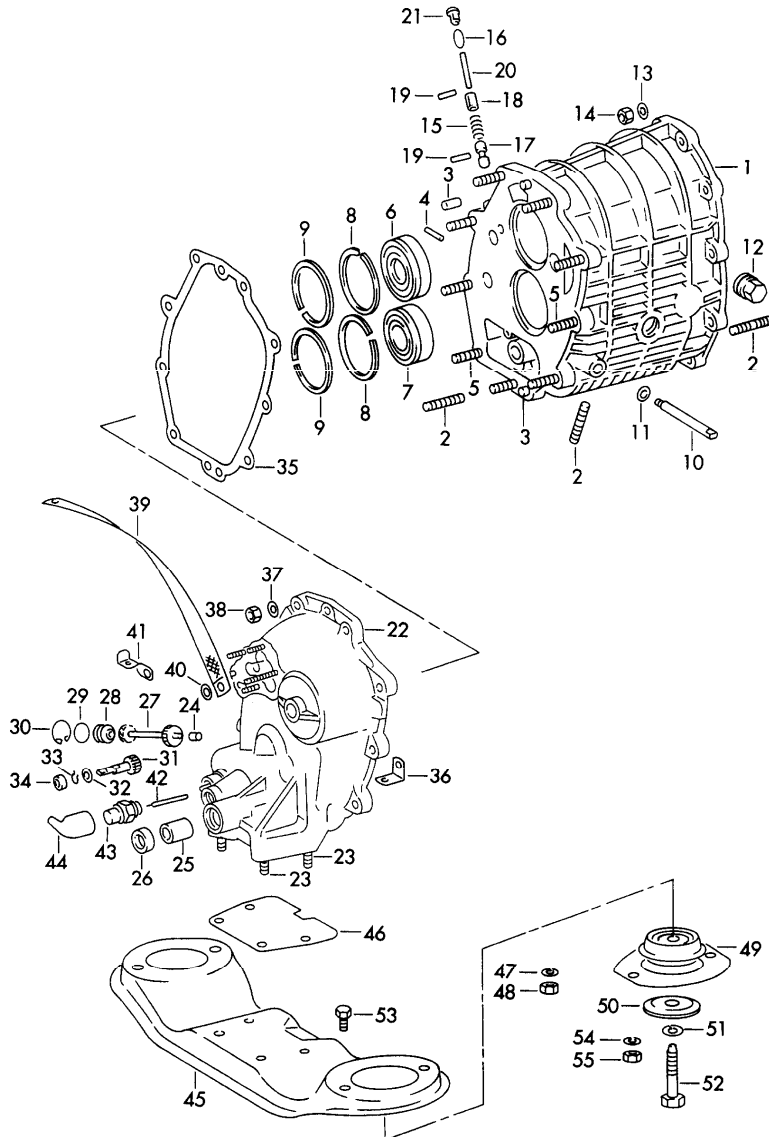


| Pos | Part Number | Description | Remark | Qty | Model |
|------|------------------|-----------------------------------------------------------------------|--------|-----|-------|
| | | transmission case TYP 915 | 72- | | |
| 1 | 915 301 901 03 | transmission case complete | | 1 | |
| 2 | - | guide tube | | 1 | |
| 3 | 999 062 139 02 | stud BM 8 X 26 | | 20 | |
| 4 | 999 062 073 02 | stud BM 8 X 20 | | 4 | |
| 5 | 999 062 182 02 | stud BM 10 X 25 | | 1 | |
| 6 | 999 062 073 02 | stud BM 8 X 20 | | 6 | |
| 7 | 900 012 110 00 | straight pin 10 M 6 X 14 | | 2 | |
| 8 | 915 301 125 01 | bearing sleeve I | | 1 | |
| 9 A | 915 301 129 00 | bush for transmission | | 2 | |
| 9 | 915 301 129 01 | bush for transmission | | 2 | |
| 10 | 915 301 133 00 | pipe | | 1 | |
| 11 | 999 504 047 00 | heli-coil threaded insert | | 2 | |
| 12 | * 999 113 183 40 | radial shaft seal | | 2 | |
| 13 | * 915 302 381 00 | shaft sealing ring G 733 7575 >> G 723 0507 >> G 783 0838 >> | | 1 | |
| (13) | * 999 113 182 40 | shaft sealing ring G >> 733 7374 G >> 723 0507 G >> 783 0830 | | 1 | |
| 14 | 915 303 249 00 | sleeve | | 1 | |
| 15 | 999 041 327 01 | circlip SB 62 | | 1 | |

| | | | | | | | | | | | |
|-------|------|----|----|--------------|--------------|-----|-------|------------|---------|-----|---------|
| Model | Year | MG | SG | Illustration | Restrictions | UPD | 18:35 | 22.01.2010 | PORSCHE | PET | PORSCHE |
| 911 | 1973 | 3 | 02 | 302-20 | | 248 | | | | | |

| Pos | Part Number | Description | Remark | Qty | Model | Pos | Part Number | Description | Remark | Qty | Model |
|-----|------------------|---------------------------------------------------------------------------------------------|--------|-----|-----------------------------------|-----|----------------|----------------------------|--------|-----|-------|
| 16 | 915 301 122 00 | circlip SB 80 G >> 732 2781 and G >> 722 0304 not for CARRERA 2.7 | | 1 | 911 T-E/E/S 911 T-V 911 T-K | 33 | 900 157 002 02 | hexagon nut M 10 | | 2 | |
| | | | | | | 34 | N 012 242 3 | spring washer B 10 X 18 | | 2 | |
| | | | | | | 35 | 901 104 382 02 | cylinder head nut | | 2 | |
| 17 | 999 064 020 02 | screw plug with magnet M 24 X 1,5 | | 1 | | | | | | | |
| 18 | 904 301 071 00 | bleeder | | 1 | | | | | | | |
| 19 | 915 301 311 00 | transmission cover lateral | | 1 | | | | | | | |
| 20 | * 999 701 392 40 | o-ring | | 1 | | | | | | | |
| 21 | 900 031 001 02 | washer 8,4 | | 12 | | | | | | | |
| 22 | 999 090 101 02 | mid-grip nut | | 12 | | | | | | | |
| 23 | * 915 301 191 00 | gasket | | 1 | | | | | | | |
| 24 | 900 065 014 02 | screw plug M 16 X 1,5 G >> 732 8537 and G >> 722 1133 not for CARRERA 2.7 | | 1 | 911 T-E/E/S 911 T-V 911 T-K | | | | | | |
| 25 | 915 303 232 00 | spring | | 2 | | | | | | | |
| 26 | 900 075 352 02 | hexagon-head bolt M 10 X 8 | | 2 | | | | | | | |
| 27 | * 900 123 066 30 | sealing ring A 10 X 16 | | 2 | | | | | | | |
| 28 | 915 303 131 00 | detent short | | 3 | | | | | | | |
| 29 | 915 301 126 00 | locking bolt | | 1 | | | | | | | |
| 30 | 900 155 023 02 | hexagon-head bolt M 10 X 72 | | 1 | | | | | | | |
| 31 | 999 523 103 01 | lock washer M 10 | | 2 | | | | | | | |
| 32 | 900 031 005 02 | washer 10,5 | | 5 | | | | | | | |

| | | | | | | | | | | | |
|-------|------|----|----|--------------|--------------|-----|-------|------------|---------|-----|---------|
| Model | Year | MG | SG | Illustration | Restrictions | UPD | 18:35 | 22.01.2010 | PORSCHE | PET | PORSCHE |
| 911 | 1973 | 3 | 02 | 302-25 | | 248 | | | | | |



| Pos | Part Number | Description | Remark | Qty | Model |
|-----|----------------|---------------------------------------------------------------------------|--------|-----|-------|
| | | gear housing complete transmission case front and transmission suspension | 72- | | |
| 1 | 915 301 902 00 | gear housing complete | | 1 | |
| 2 | 999 062 139 02 | stud BM 8 X 26 | | 13 | |
| 3 | 900 012 110 00 | straight pin 10 M 6 X 14 | | 2 | |
| 4 | - | straight pin 5 M 6 X 20 | | 1 | |
| 5 | 999 062 044 02 | stud BM 8 X 30 | | 2 | |
| 6 | 999 110 025 00 | cylindrical-roller bearing | | 1 | |
| 7 | 999 110 017 00 | cylindrical-roller bearing | | 1 | |
| 8 | 900 111 001 00 | circlip SP 62 | | 2 | |
| 9 | 999 152 031 01 | circlip SB 68 | | 2 | |
| 10 | 914 301 307 00 | bolt for reverse lever | | 1 | |
| 11 | 900 031 001 02 | washer 8,4 | | 1 | |
| 12 | 999 064 019 02 | screw plug | | 1 | |
| 13 | 900 031 001 02 | washer 8,4 | | 10 | |
| 14 | 999 090 101 02 | mid-grip nut | | 10 | |
| 15 | 915 303 232 00 | spring | | 1 | |
| 16 | 915 303 131 00 | detent short | | 1 | |
| 17 | 915 303 130 00 | detent long | | 1 | |
| 18 | 915 303 135 00 | sleeve | | 1 | |

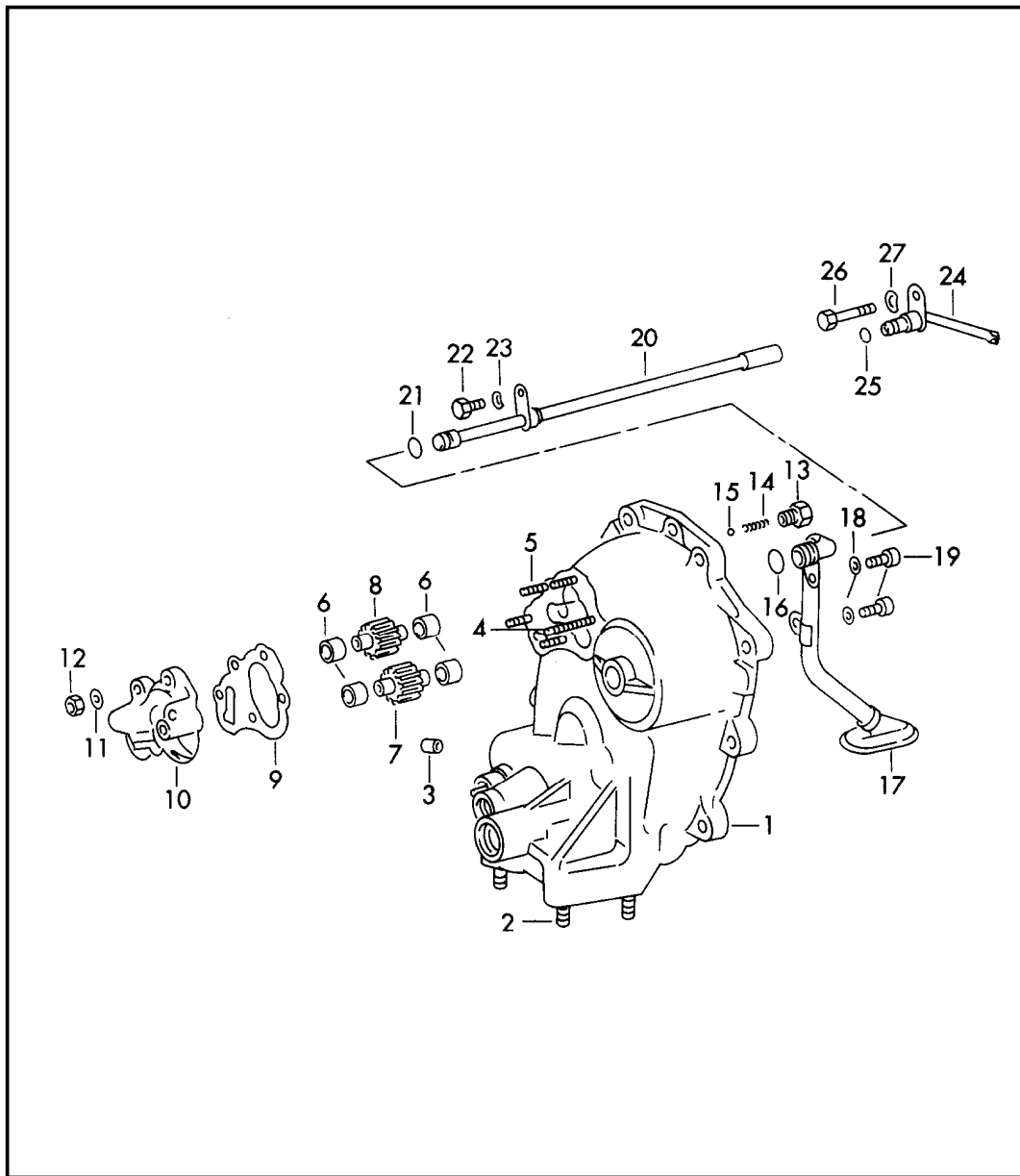
| | | | | | | | | | | | |
|-------|------|----|----|--------------|--------------|-----|-------|------------|---------|-----|---------|
| Model | Year | MG | SG | Illustration | Restrictions | UPD | 18:35 | 22.01.2010 | PORSCHE | PET | PORSCHE |
| 911 | 1973 | 3 | 02 | 302-25 | | 248 | | | | | |

| Pos | Part Number | Description | Remark | Qty | Model | Pos | Part Number | Description | Remark | Qty | Model |
|------|------------------|------------------------------------------------------------------------------------------------------------|--------|-----|-------|-----|------------------|------------------------------------------|--------|-----|-------|
| 19 | 900 308 009 00 | spiral clamping pin 3,5 X 18 | | 2 | | 33 | N 012 407 1 | outer ring 7 X 0,8 | | 1 | |
| 20 | 915 303 271 00 | pin | | 1 | | 34 | * 999 113 175 40 | shaft sealing ring | | 1 | |
| 21 | 915 301 126 00 | locking bolt | | 1 | | 35 | * 915 301 351 00 | gasket for gear housing | | 1 | |
| 22 | 915 301 903 01 | transmission cover front complete for CARRERA 2.7 G 783 0871 >> | | 1 | | 36 | 901 423 369 00 | retaining bracket for clutch cable | | 1 | |
| 23 | 999 062 006 02 | stud BM 8 X 20 not for CARRERA 2.7 | | 4 | | 37 | 900 031 001 02 | washer 8,4 | | 9 | |
| 24 | 915 318 339 00 | bearing sleeve not for CARRERA 2.7 | | 1 | | 38 | 999 090 101 02 | mid-grip nut | | 9 | |
| - | 999 703 385 40 | stopper not for CARRERA 2.7 | | 1 | | 39 | 999 611 920 20 | ground strap | | 1 | |
| (22) | - | transmission cover front complete for transmission with oil pump see group 3/02/30 | | 1 | | 40 | 999 151 022 02 | washer 20 X 8,4 X 2 | | 2 | |
| 25 | 915 303 249 00 | sleeve | | 1 | | 41 | 915 301 369 00 | clip | | 1 | |
| 26 | * 999 113 185 40 | shaft sealing ring A 15 X 24 X 7 | | 1 | | 42 | 915 303 145 00 | cam follower | | 1 | |
| 27 | 915 318 033 00 | shaft | | 1 | | 43 | 914 613 541 02 | back-up light switch | | 1 | |
| 28 | 915 318 307 00 | dowel sleeve | | 1 | | 44 | 914 613 491 00 | protection cap | | 1 | |
| 29 | * 999 701 349 40 | o-ring | | 1 | | 45 | 911 375 033 01 | transmission carrier | | 1 | |
| 30 | 900 042 004 01 | circlip 22 X 1 | | 1 | | 46 | 911 375 311 00 | plate | | 1 | |
| 31 | 915 318 034 00 | shaft wheel 4 | | 1 | | 47 | 900 031 001 02 | washer 8,4 | | 4 | |
| 32 | 915 318 337 00 | thrust washer | | 1 | | 48 | 999 090 101 02 | mid-grip nut | | 4 | |
| | | | | | | 49 | 911 375 043 00 | transmission mounting | | 2 | |
| | | | | | | 50 | 901 305 311 00 | seat | | 2 | |
| | | | | | | 51 | 900 027 017 02 | lock ring B 12 | | 2 | |
| | | | | | | 52 | 901 305 317 00 | hexagon-head bolt | | 2 | |
| | | | | | | 53 | 900 075 087 02 | hexagon-head bolt M 8 X 16 | | 4 | |
| | | | | | | 54 | 900 027 015 02 | lock ring B 8 | | 4 | |
| | | | | | | 55 | 900 076 025 02 | hexagon nut M 8 | | 4 | |

| | | | | | | | | | | | |
|-------|------|----|----|--------------|--------------|-----|-------|------------|---------|-----|---------|
| Model | Year | MG | SG | Illustration | Restrictions | UPD | 18:35 | 22.01.2010 | PORSCHE | PET | PORSCHE |
| 911 | 1973 | 3 | 02 | 302-25 | | 248 | | | | | |

| Pos | Part Number | Description | Remark | Qty | Model | Pos | Part Number | Description | Remark | Qty | Model |
|-----|----------------|-------------------------------------------------------------------|--------|-----|-------|-----|-------------|-------------|--------|-----|-------|
| - | 911 385 035 00 | protective plate stone guard for engine and transmission | | X | | | | | | | |

| | | | | | | | | | | | |
|-------|------|----|----|--------------|--------------|-----|-------|------------|---------|-----|---------|
| Model | Year | MG | SG | Illustration | Restrictions | UPD | 18:35 | 22.01.2010 | PORSCHE | PET | PORSCHE |
| 911 | 1973 | 3 | 02 | 302-30 | | 248 | | | | | |

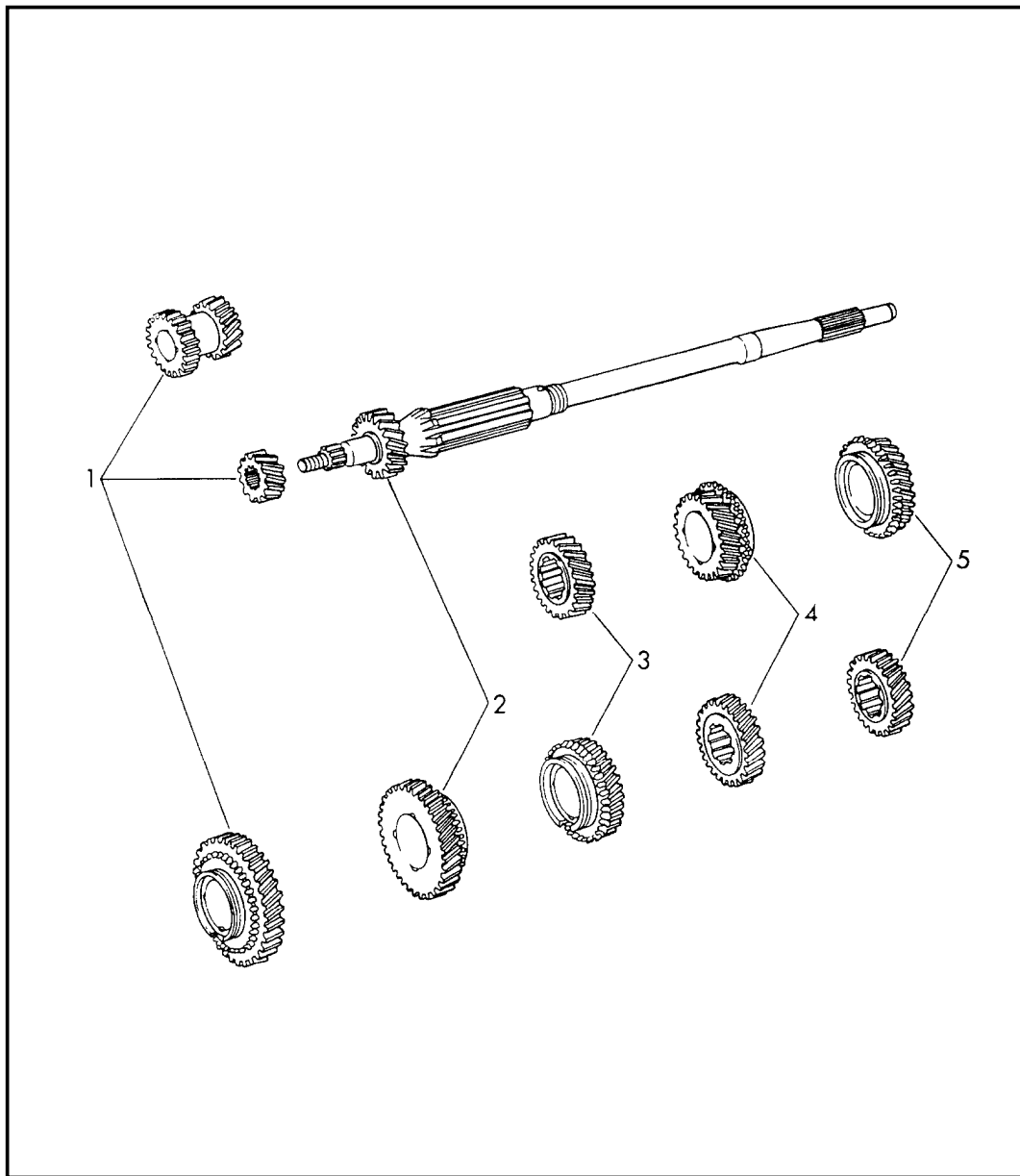


| Pos | Part Number | Description | Remark | Qty | Model |
|-----|------------------|-------------------------------------------------------|--------|-----|-------------|
| | | transmission oil pump G >> 783 0870 | 72- | | CARRERA 2.7 |
| 1 | 915 301 903 00 | transmission cover front complete | | 1 | |
| 2 | 999 062 006 02 | stud BM 8 X 20 | | 4 | |
| 3 | 915 318 339 00 | bearing sleeve | | 1 | |
| - | 999 703 385 40 | stopper | | 1 | |
| 4 | 900 061 159 02 | stud BM 6 X 38 | | 1 | |
| 5 | 999 062 003 02 | stud BM 6 X 18 | | 4 | |
| 6 | 915 307 243 01 | bearing sleeve | | 4 | |
| 7 | 915 307 240 00 | oil pump gear | | 1 | |
| 8 | 915 307 241 00 | oil pump gear | | 1 | |
| 9 | * 915 307 311 00 | gasket 0,15 MM | | X | |
| (9) | * 915 307 311 01 | gasket 0,2 MM | | X | |
| 10 | 915 307 033 00 | lid oil pump complete with bearing sleeve | | 1 | |
| 11 | 900 031 011 02 | washer 6,4 | | 5 | |
| 12 | 999 090 102 02 | mid-grip nut M 6 | | 5 | |
| 13 | 915 307 319 00 | screw plug | | 1 | |
| 14 | 915 307 321 00 | spring | | 1 | |
| 15 | N 025 667 2 | ball 9 MM V | | 1 | |
| 16 | * 999 701 012 40 | ring | | 1 | |
| 17 | 915 307 035 01 | pipe | | 1 | |

| | | | | | | | | | | | |
|-------|------|----|----|--------------|--------------|-----|-------|------------|---------|-----|---------|
| Model | Year | MG | SG | Illustration | Restrictions | UPD | 18:35 | 22.01.2010 | PORSCHE | PET | PORSCHE |
| 911 | 1973 | 3 | 02 | 302-30 | | 248 | | | | | |

| Pos | Part Number | Description | Remark | Qty | Model | Pos | Part Number | Description | Remark | Qty | Model |
|-----|------------------|-------------------------------|--------|-----|-------|-----|-------------|-------------|--------|-----|-------|
| 18 | 900 027 014 01 | lock ring B 6 | | 2 | | | | | | | |
| 19 | 900 067 009 02 | pan-head screw M 6 X 15 | | 2 | | | | | | | |
| 20 | 915 307 036 01 | pressure pipe | | 1 | | | | | | | |
| 21 | * 999 701 281 40 | o-ring | | 1 | | | | | | | |
| 22 | 900 075 010 02 | hexagon-head bolt M 6 X 12 | | 1 | | | | | | | |
| 23 | 900 028 008 01 | spring washer B 6 | | 1 | | | | | | | |
| 24 | 915 307 039 01 | pressure pipe | | 1 | | | | | | | |
| 25 | * 999 701 345 40 | o-ring | | 1 | | | | | | | |
| 26 | N 010 347 5 | hexagon-head bolt M 6 X 35 | | 1 | | | | | | | |
| 27 | 900 028 008 01 | spring washer B6 | | 1 | | | | | | | |

| | | | | | | | | | | | |
|-------|------|----|----|--------------|--------------|-----|-------|------------|---------|-----|---------|
| Model | Year | MG | SG | Illustration | Restrictions | UPD | 18:35 | 22.01.2010 | PORSCHE | PET | PORSCHE |
| 911 | 1973 | 3 | 03 | 303-00 | | 248 | | | | | |



| Pos | Part Number | Description | Remark | Qty | Model |
|-----|----------------|--------------------------------------------------------------------------------------------------------|--------|-----|------------------|
| | | gear wheel sets 5-speed transmission | -71 | | |
| | | gear wheel sets 901/07 standard | -70 | | 911 E/S 911 T |
| 1 | 911 302 903 00 | gear set 1st gear Z = 11:34 (A) fixed gear wheel loose gear wheel reverse idler gear | | 1 | |
| | | | | 1 | |
| | | | | 1 | |
| | | | | 1 | |
| 2 | 911 302 904 00 | drive shaft and gear wheel II 2nd gear Z = 18:34 (F) drive shaft loose gear wheel | | 1 | |
| | | | | 1 | |
| 3 | 901 302 909 10 | gear wheel pair 3rd gear Z = 22:29 (M) fixed gear wheel loose gear wheel | | 1 | |
| | | | | 1 | |
| 4 | 904 302 929 10 | gear wheel pair 4th speed Z = 25:26 (S) loose gear wheel fixed gear wheel | | 1 | |
| | | | | 1 | |
| 5 | 901 302 918 10 | gear wheel pair 5th gear Z = 29:23 (X) loose gear wheel fixed gear wheel | | 1 | |
| | | | | 1 | |
| | | gear wheel sets 902/06 + 902.300/16 standard | -70 | | |
| 1 | 911 302 903 00 | gear set 1st gear Z = 11:34 (A) loose gear wheel fixed gear wheel reverse idler gear | | 1 | |
| | | | | 1 | |
| | | | | 1 | |

| | | | | | | | | | | | |
|-------|------|----|----|--------------|--------------|-----|-------|------------|---------|-----|---------|
| Model | Year | MG | SG | Illustration | Restrictions | UPD | 18:35 | 22.01.2010 | PORSCHE | PET | PORSCHE |
| 911 | 1973 | 3 | 03 | 303-00 | | 248 | | | | | |

| Pos | Part Number | Description | Remark | Qty | Model | Pos | Part Number | Description | Remark | Qty | Model |
|-----|----------------|--------------------------------------------------------------------------------------------------------------|--------|-----|------------------|-----|----------------|---------------------------------------------------------------------------------------------------------|--------|-----|----------------------------|
| 2 | 911 302 907 00 | drive shaft and gear wheel II 2nd gear Z = 18:32 (GA) fixed gear wheel loose gear wheel | | 1 | | 4 | 904 302 929 10 | gear wheel pair 4th speed Z = 25:26 (S) loose gear wheel fixed gear wheel | | 1 | |
| 3 | 904 302 916 10 | gear wheel pair 3rd gear Z = 23:28 (O) fixed gear wheel loose gear wheel | | 1 | | 5 | 901 302 918 10 | gear wheel pair 5th gear Z = 29:23 (Z) loose gear wheel fixed gear wheel | | 1 | |
| 4 | 904 302 921 10 | gear wheel pair 4th speed Z = 26:25 (U) loose gear wheel fixed gear wheel | | 1 | | 1 | 911 302 903 00 | gear wheel sets 911.300/01 standard | 70- | | 911 E/S 911 T |
| 5 | 901 302 918 10 | gear wheel pair 5th gear Z = 29:33 (Z) loose gear wheel fixed gear wheel | | 1 | | 2 | 911 302 907 00 | gear set 1st gear Z = 11:34 (A) fixed gear wheel loose gear wheel reverse idler gear | | 1 | |
| | | gear wheel sets 901/07 + 901.300/13 standard | -70 | | 911 E/S 911 T | 3 | 904 302 916 10 | drive shaft and gear wheel II 2nd gear Z = 18:32 (GA) drive shaft loose gear wheel | | 1 | |
| 1 | 911 302 903 00 | gear set 1st gear Z = 11:34 (A) fixed gear wheel loose gear wheel reverse idler gear | | 1 | | 4 | 904 302 930 10 | gear wheel pair 3rd gear Z = 23:28 (O) fixed gear wheel loose gear wheel | | 1 | |
| 2 | 911 302 904 00 | drive shaft and gear wheel II 2nd gear Z = 18:34 (F) fixed gear wheel loose gear wheel | | 1 | | 5 | 911 302 906 00 | gear wheel pair 4th speed Z = 27:25 (V) fixed gear wheel loose gear wheel | | 1 | |
| 3 | 901 302 909 10 | gear wheel pair 3rd gear Z = 22:29 (M) fixed gear wheel loose gear wheel | | 1 | | | | gear wheel pair 5th gear Z = 29:22 (ZA) fixed gear wheel loose gear wheel | | 1 | |
| | | | | 1 | | | | gear wheel sets 901/75 + 901.300/80 911.300/80 standard transmission ratio | 70- | | 911 E/S/T:M 911 S COUPE |

| | | | | | | | | | | | |
|-------|------|----|----|--------------|--------------|-----|-------|------------|---------|-----|---------|
| Model | Year | MG | SG | Illustration | Restrictions | UPD | 18:35 | 22.01.2010 | PORSCHE | PET | PORSCHE |
| 911 | 1973 | 3 | 03 | 303-00 | | 248 | | | | | |

| Pos | Part Number | Description | Remark | Qty | Model | Pos | Part Number | Description | Remark | Qty | Model |
|-----|----------------|------------------------------------------------------------------------------------------------------|--------|-----|----------------------------|-----|----------------|-----------------------------------------------------------------------------------------------------|--------|-----|----------------------------|
| 1 | 911 302 909 00 | gear set 1st gear Z = 14:37 (B) loose gear wheel fixed gear wheel reverse idler gear | | 1 | | 3 | 901 302 908 10 | gear wheel pair 3rd gear Z = 20:31 (I) fixed gear wheel loose gear wheel | | 1 | |
| (2) | 904 302 101 00 | drive shaft | | 1 | | 4 | 904 302 919 10 | gear wheel pair 4th speed Z =22:29 (M) loose gear wheel fixed gear wheel | | 1 | |
| 2 | 911 302 910 00 | gear wheel pair 2nd gear Z = 18:32 (GA) fixed gear wheel loose gear wheel | | 1 | | 5 | 901 302 910 10 | gear wheel pair 5th gear Z = 23:28 (O) loose gear wheel fixed gear wheel | | 1 | |
| 3 | 901 302 909 10 | gear wheel pair 3rd gear Z = 22:29 (M) fixed gear wheel loose gear wheel | | 1 | | | | gear wheel sets 901/78 + 901.300/83 911.300/83 transmission ratio for fast races | 70- | 1 | 911 E/S/T:M 911 S COUPE |
| 4 | 901 302 912 10 | gear wheel pair 4th speed Z = 26:26 (T) loose gear wheel fixed gear wheel | | 1 | | 1 | 911 302 914 00 | gear set 1st gear Z = 15:36 (C) loose gear wheel fixed gear wheel reverse idler gear | | 1 | |
| 5 | 901 302 913 10 | gear wheel pair 5th gear Z = 28:23 (Y) loose gear wheel fixed gear wheel | | 1 | | (2) | 904 302 101 00 | drive shaft | | 1 | |
| | | gear wheel sets 901/76 + 901.300/81 911.300/81 hill-climb transmission ratio | 70- | 1 | 911 E/S/T:M 911 S COUPE | 2 | 911 302 915 00 | gear wheel pair 2nd gear Z = 20:32 (HA) fixed gear wheel loose gear wheel | | 1 | |
| 1 | 911 302 911 00 | gear set 1st gear Z = 12:34 (AA) loose gear wheel fixed gear wheel reverse idler gear | | 1 | | 3 | 904 302 916 10 | gear wheel pair 3rd gear Z = 23:28 (O) fixed gear wheel loose gear wheel | | 1 | |
| (2) | 904 302 101 00 | drive shaft | | 1 | | 4 | 901 302 912 10 | gear wheel pair 4th speed Z = 26:26 (T) loose gear wheel fixed gear wheel | | 1 | |
| 2 | 911 302 912 00 | gear wheel pair 2nd gear Z = 17:34 (E) fixed gear wheel loose gear wheel | | 1 | | 5 | 901 302 913 10 | gear wheel pair 5th gear Z = 28:23 (Y) loose gear wheel fixed gear wheel | | 1 | |

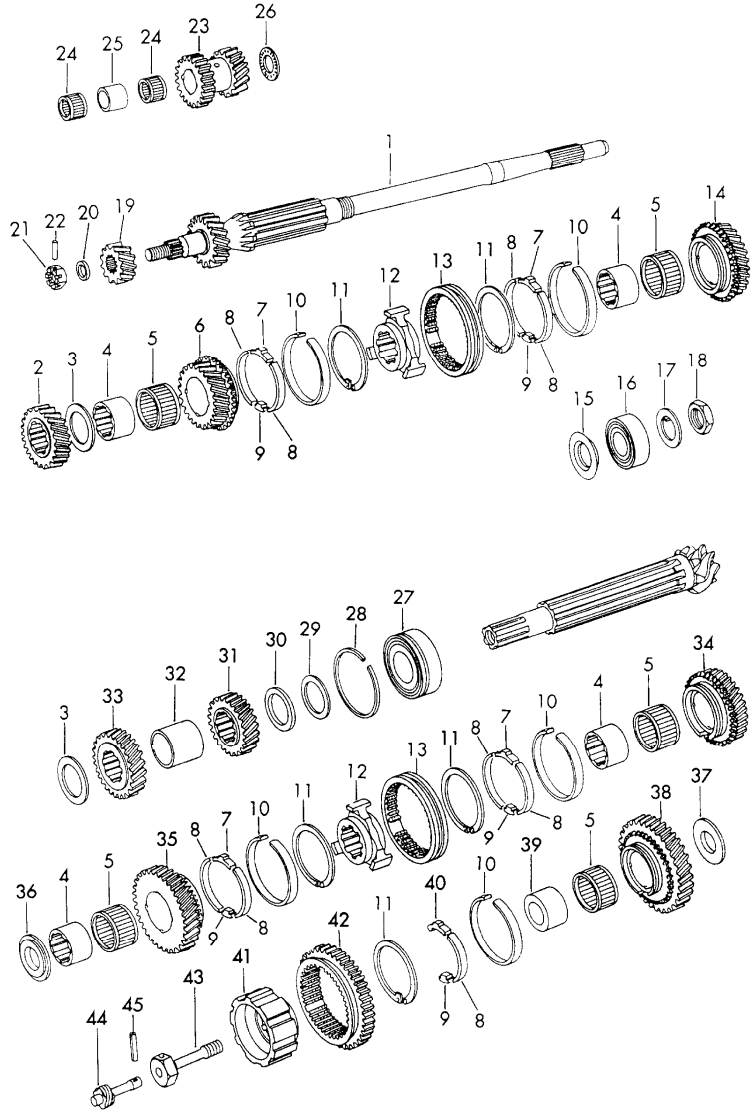
| | | | | | | | | | | | |
|-------|------|----|----|--------------|--------------|-----|-------|------------|---------|-----|---------|
| Model | Year | MG | SG | Illustration | Restrictions | UPD | 18:35 | 22.01.2010 | PORSCHE | PET | PORSCHE |
| 911 | 1973 | 3 | 03 | 303-00 | | 248 | | | | | |

| Pos | Part Number | Description | Remark | Qty | Model | Pos | Part Number | Description | Remark | Qty | Model |
|-----|----------------|------------------------------------------------------------------------------------------------------|--------|-----|----------------------------|-----|----------------|------------------------------------------------------------------------------------------------------|--------|-------------|-------|
| | | gear wheel sets 901/79 + 901.300/84 911.300/84 nuerburgring transmission ratio | 70- | | 911 E/S/T:M 911 S COUPE | 3 | 904 302 927 10 | gear wheel pair 3rd gear Z = 21:31 (I) fixed gear wheel loose gear wheel | | 1 1 1 | |
| 1 | 911 302 909 00 | gear set 1st gear Z = 14:37 (B) loose gear wheel fixed gear wheel reverse idler gear | | 1 | | 4 | 901 302 910 10 | gear wheel pair 4th speed Z = 23:28 (O) loose gear wheel fixed gear wheel | | 1 1 1 | |
| (2) | 904 302 101 00 | drive shaft | | 1 | | 5 | 904 302 929 10 | gear wheel pair 5th gear Z = 25:26 (S) loose gear wheel fixed gear wheel | | 1 1 1 | |
| 2 | 911 302 915 00 | gear wheel pair 2nd gear Z = 20:32 (HA) fixed gear wheel loose gear wheel | | 1 | | | | gear wheel sets for - 911 S- | | 1 1 | |
| 3 | 901 302 909 10 | gear wheel pair 3rd gear Z = 22:29 (M) fixed gear wheel loose gear wheel | | 1 | | 1 | 911 302 911 00 | gear set 1st gear Z = 12:34 (AA) loose gear wheel fixed gear wheel reverse idler gear | | 1 | |
| 4 | 901 302 911 10 | gear wheel pair 4th speed Z = 25:27 (R) loose gear wheel fixed gear wheel | | 1 | | (1) | 911 302 909 00 | gear set 1st gear Z = 14:37 (B) loose gear wheel fixed gear wheel reverse idler gear | | 1 | |
| 5 | 904 302 930 10 | gear wheel pair 5th gear Z = 27:25 (V) loose gear wheel fixed gear wheel | | 1 | | (1) | 911 302 914 00 | gear set 1st gear Z = 15:36 (C) loose gear wheel fixed gear wheel reverse idler gear | | 1 | |
| | | gear wheel sets 901/77 + 901.300/82 911.300/82 airfield transmission ratio | 70- | | 911 E/S/T:M 911 S COUPE | | | | | | |
| 1 | 911 302 911 00 | gear set 1st gear Z = 12:34 (AA) loose gear wheel fixed gear wheel reverse idler gear | | 1 | | (2) | 904 302 101 00 | drive shaft | | 1 | |
| (2) | 904 302 101 00 | drive shaft | | 1 | | 2 | 911 302 912 00 | gear wheel pair 2nd gear Z = 17:34 (E) fixed gear wheel loose gear wheel | | 1 | |
| 2 | 911 302 913 00 | gear wheel pair 2nd gear Z = 18:34 (F) fixed gear wheel loose gear wheel | | 1 | | (2) | 911 302 913 00 | gear wheel pair 2nd gear Z = 18:34 (F) fixed gear wheel loose gear wheel | | 1 | |

| | | | | | | | | | | | |
|-------|------|----|----|--------------|--------------|-----|-------|------------|---------|-----|---------|
| Model | Year | MG | SG | Illustration | Restrictions | UPD | 18:35 | 22.01.2010 | PORSCHE | PET | PORSCHE |
| 911 | 1973 | 3 | 03 | 303-00 | | 248 | | | | | |

| Pos | Part Number | Description | Remark | Qty | Model | Pos | Part Number | Description | Remark | Qty | Model |
|-----|----------------|---------------------------------------------------------------------------------------|--------|-----|-------|-----|----------------|---------------------------------------------------------------------------------------|--------|-----|-------|
| (2) | 911 302 910 00 | gear wheel pair 2nd gear Z = 18:32 (GA) fixed gear wheel loose gear wheel | | 1 | | (4) | 901 302 912 10 | gear wheel pair 4th speed Z = 26:26 (T) loose gear wheel fixed gear wheel | | 1 | |
| (2) | 911 302 915 00 | gear wheel pair 2nd gear Z = 20:32 (HA) fixed gear wheel loose gear wheel | | 1 | | 5 | 901 302 910 10 | gear wheel pair 5th gear Z = 23:28 (O) loose gear wheel fixed gear wheel | | 1 | |
| 3 | 901 302 908 10 | gear wheel pair 3rd gear Z = 20:31 (I) fixed gear wheel loose gear wheel | | 1 | | (5) | 904 302 929 10 | gear wheel pair 5th gear Z = 25:26 (S) loose gear wheel fixed gear wheel | | 1 | |
| (3) | 904 302 927 10 | gear wheel pair 3rd gear Z = 21:31 (J) fixed gear wheel loose gear wheel | | 1 | | (5) | 904 302 930 10 | gear wheel pair 5th gear Z = 25:27 (V) loose gear wheel fixed gear wheel | | 1 | |
| (3) | 901 302 909 10 | gear wheel pair 3rd gear Z = 22:29 (M) fixed gear wheel loose gear wheel | | 1 | | (5) | 901 302 913 10 | gear wheel pair 5th gear Z = 28:23 (Y) loose gear wheel fixed gear wheel | | 1 | |
| (3) | 904 302 916 10 | gear wheel pair 3rd gear Z = 23:28 (O) fixed gear wheel loose gear wheel | | 1 | | | | | | | |
| 4 | 904 302 919 10 | gear wheel pair 4th speed Z = 22:29 (M) loose gear wheel fixed gear wheel | | 1 | | | | | | | |
| (4) | 901 302 910 10 | gear wheel pair 4th speed Z = 23:28 (O) loose gear wheel fixed gear wheel | | 1 | | | | | | | |
| (4) | 901 302 911 10 | gear wheel pair 4th speed Z = 25:27 (R) loose gear wheel fixed gear wheel | | 1 | | | | | | | |

| | | | | | | | | | | | |
|-------|------|----|----|--------------|--------------|-----|-------|------------|---------|-----|---------|
| Model | Year | MG | SG | Illustration | Restrictions | UPD | 18:36 | 22.01.2010 | PORSCHE | PET | PORSCHE |
| 911 | 1973 | 3 | 03 | 303-05 | | 248 | | | | | |

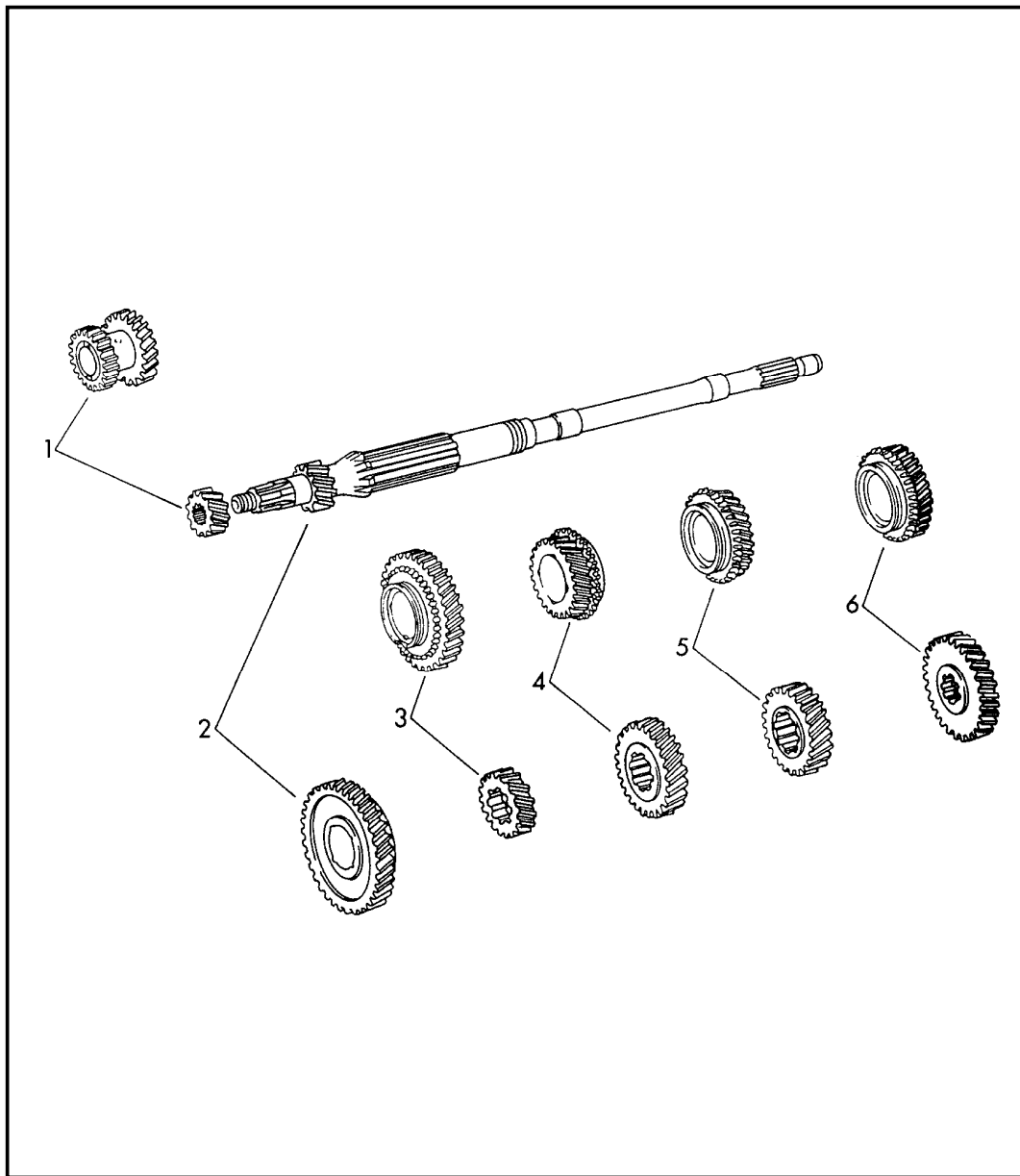


| Pos | Part Number | Description | Remark | Qty | Model |
|-----|-------------------|----------------------------------------------------------|--------|-----|-------|
| | | gears and shafts 5-speed transmission | -71 | | |
| | | gear wheel sets see group 3/03/00 | | | |
| 1 | * --- --- --- --- | drive shaft | | 1 | |
| 2 | * --- --- --- --- | fixed gear wheel 3rd gear | | 1 | |
| 3 | 901 302 294 01 | thrust washer | | 2 | |
| 4 | 901 302 261 01 | bush for needle-roller bearing 2. - 5th gear | | 4 | |
| 5 | 999 201 104 00 | needle cage 1. - 5th gear | | 5 | |
| 6 | * --- --- --- --- | loose gear wheel 4th speed | | 1 | |
| 7 | 911 302 315 00 | stone 2. - 5th gear | | 4 | |
| 8 | 911 302 316 00 | brake band 1. - 5th gear | | 9 | |
| 9 | 911 302 317 01 | stop 1. - 5th gear | | 5 | |
| 10 | 911 302 301 06 | synchroniser ring 1. - 5th gear | | 5 | |
| 11 | 911 302 311 01 | circlip 1. - 5th gear | | 5 | |
| 12 | 901 302 402 02 | guide sleeve 2. - 5th gear | | 2 | |
| 13 | 911 302 411 10 | shift sleeve 2. - 5th gear | | 2 | |

| | | | | | | | | | | | |
|-------|------|----|----|--------------|--------------|-----|-------|------------|---------|-----|---------|
| Model | Year | MG | SG | Illustration | Restrictions | UPD | 18:36 | 22.01.2010 | PORSCHE | PET | PORSCHE |
| 911 | 1973 | 3 | 03 | 303-05 | | 248 | | | | | |

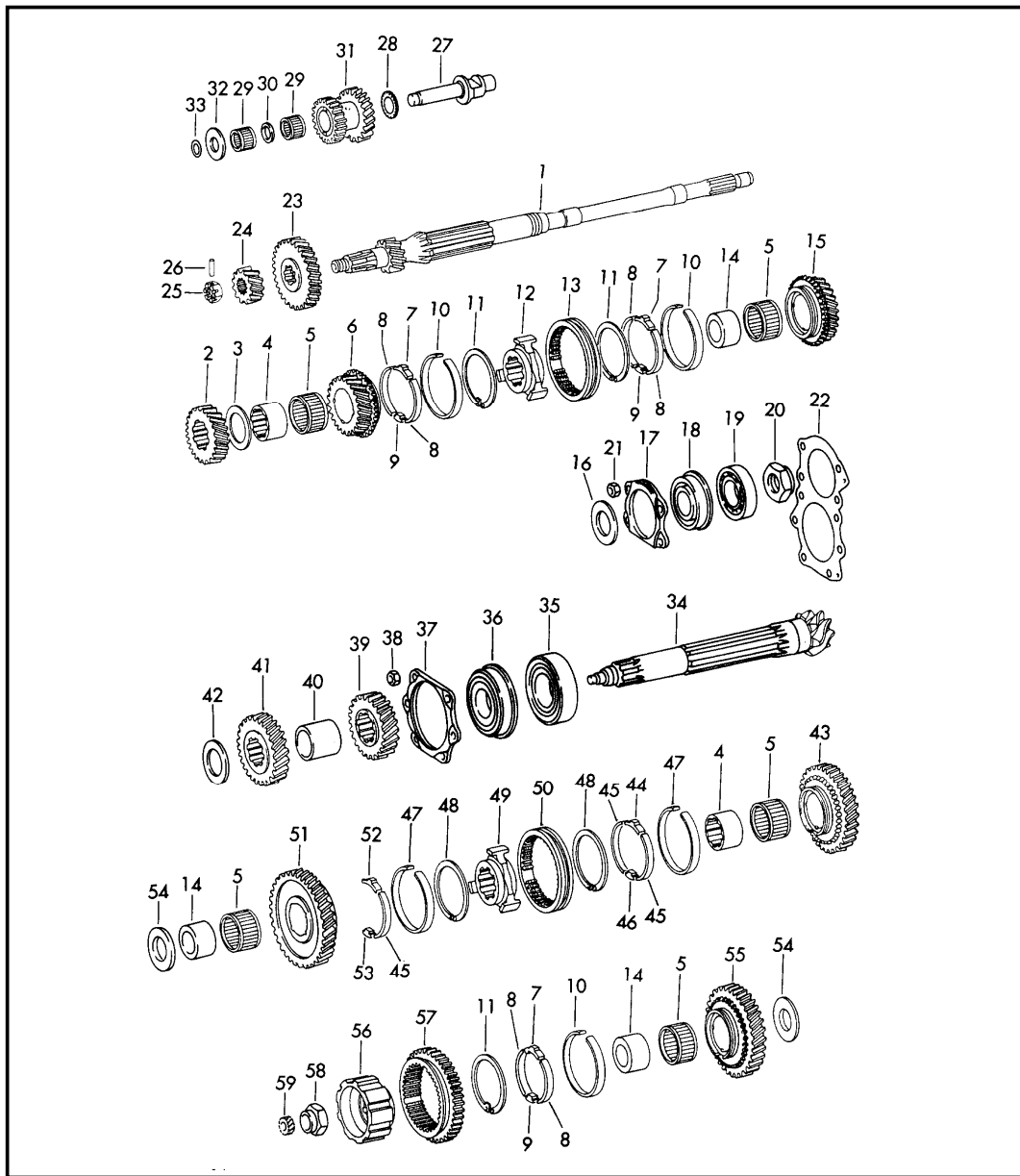
| Pos | Part Number | Description | Remark | Qty | Model | Pos | Part Number | Description | Remark | Qty | Model |
|------|------------------|-------------------------------------|--------|-----|-------|------|------------------|---------------------------------------------------------|--------|-----|-------|
| 14 | * --- --- --- -- | loose gear wheel 5th gear | | 1 | | 34 | * --- --- --- -- | loose gear wheel 3rd gear | | 1 | |
| 15 | 901 302 268 01 | spacer | | 1 | | 35 | * --- --- --- -- | loose gear wheel 2nd gear | | 1 | |
| 16 | 999 110 008 00 | cylindrical-roller bearing | | 1 | | 36 | 901 302 269 01 | thrust washer | | 1 | |
| 17 | 999 038 001 00 | tab washer | | 1 | | 37 | 901 302 291 01 | thrust washer | | 1 | |
| 18 | 999 183 001 00 | hexagon nut | | 1 | | 38 | * --- --- --- -- | loose gear wheel 1st gear | | 1 | |
| 19 | * --- --- --- -- | fixed gear wheel 1st gear | | 1 | | 39 | 901 302 262 01 | bush for needle-roller bearing 1st gear | | 1 | |
| 20 | 999 031 066 00 | washer 14,3 X 21,5 X 3 | | 1 | | 40 | 901 302 318 02 | stone 1st gear | | 1 | |
| 21 | 999 079 011 02 | castle nut M 14 X 1,5 | | 1 | | 41 | 901 302 401 02 | guide sleeve 1st gear | | 1 | |
| 22 | 900 309 004 00 | roll pin 3 X 18 | | 1 | | 42 | 911 302 226 00 | shifting gear for 1st gear and reverse gear | | 1 | |
| 23 | * --- --- --- -- | reverse idler gear | | 1 | | 43 | 901 302 271 01 | elastic bolt | | 1 | |
| 24 | 999 201 012 00 | needle cage INA K 20/17 | | 2 | | 44 | 901 318 331 01 | shaft 7/31 | | 1 | |
| 25 | 901 302 263 01 | sleeve for reverse idler gear | | 1 | | (44) | 901 318 331 11 | shaft 6/29 | -70 | 1 | |
| 26 | 999 202 001 00 | axial needle bearing cage | | 1 | | 45 | 900 197 002 00 | tensioning sleeve 4 X 28 | | 1 | |
| 27 | 999 110 007 00 | cylindrical-roller bearing | | 1 | | | | | | | |
| 28 | 900 111 002 00 | circlip SP 72 | | 1 | | | | | | | |
| 29 | 901 302 297 01 | adjusting shim 0,25 MM | | X | | | | | | | |
| (29) | 901 302 297 11 | adjusting shim 0,30 MM | | X | | | | | | | |
| (29) | 901 302 297 21 | adjusting shim 0,40 MM | | X | | | | | | | |
| 30 | 901 302 298 01 | spacer | | 1 | | | | | | | |
| 31 | * --- --- --- -- | fixed gear wheel 5th gear | | 1 | | | | | | | |
| 32 | 901 302 265 01 | spacer sleeve | | 1 | | | | | | | |
| 33 | * --- --- --- -- | fixed gear wheel 4th speed | | 1 | | | | | | | |

| | | | | | | | | | | | |
|-------|------|----|----|--------------|--------------|-----|-------|------------|---------|-----|---------|
| Model | Year | MG | SG | Illustration | Restrictions | UPD | 18:36 | 22.01.2010 | PORSCHE | PET | PORSCHE |
| 911 | 1973 | 3 | 03 | 303-10 | | 248 | | | | | |



| Pos | Part Number | Description | Remark | Qty | Model |
|-----|----------------|---------------------------------------------------------------------------------------------|--------|-----|------------------------|
| | | gear wheel sets 5-speed transmission | 72- | | |
| | | gear wheel sets 915.300/02 | | | |
| 1 | 915 302 912 04 | gear wheel pair for reverse gear reverse gear wheel NR. 1 reverse idler gear | | 1 | |
| 2 | 915 302 901 04 | gear set 1st gear Z = 11:35 drive shaft loose gear wheel | | 1 | |
| 3 | 915 302 902 39 | gear wheel pair 2nd gear Z = 18:33 loose gear wheel fixed gear wheel | | 1 | |
| 4 | 923 302 903 23 | gear wheel pair 3rd gear Z = 23:29 fixed gear wheel loose gear wheel | | 1 | |
| 5 | 915 302 904 74 | gear wheel pair 4th speed Z = 26:25 loose gear wheel fixed gear wheel | | 1 | 911 T-E/E/S 911 T-V |
| (5) | 915 302 904 40 | gear wheel pair 4th speed Z = 27:25 loose gear wheel fixed gear wheel | | 1 | CARRERA 2.7 911 T-K |
| 6 | 923 302 905 48 | gear wheel pair 5th gear Z = 29:22 loose gear wheel fixed gear wheel | | 1 | 911 T-E/E/S 911 T-V |
| (6) | 915 302 905 50 | gear wheel pair 5th gear Z = 29:21 loose gear wheel fixed gear wheel | | 1 | CARRERA 2.7 911 T-K |

| | | | | | | | | | | | |
|-------|------|----|----|--------------|--------------|-----|-------|------------|---------|-----|---------|
| Model | Year | MG | SG | Illustration | Restrictions | UPD | 18:36 | 22.01.2010 | PORSCHE | PET | PORSCHE |
| 911 | 1973 | 3 | 03 | 303-15 | | 248 | | | | | |



| Pos | Part Number | Description | Remark | Qty | Model |
|-----|----------------|---------------------------------------------|--------|-----|-------|
| | | gears and shafts 5-speed transmission | 72- | | |
| | | gear wheel sets see group 3/03/10 | | | |
| 1 | * --- --- --- | drive shaft | | 1 | |
| 2 | * --- --- --- | fixed gear wheel 2nd gear | | 1 | |
| 3 | 915 302 292 00 | thrust washer | | 1 | |
| 4 | 915 302 262 00 | bush | | 2 | |
| 5 | 999 201 470 00 | needle cage | | 5 | |
| 6 | * --- --- --- | loose gear wheel 3rd gear | | 1 | |
| 7 | 911 302 315 00 | stone 3. - 5th gear | | 3 | |
| 8 | 911 302 316 00 | brake band 3. - 5th gear | | 6 | |
| 9 | 911 302 317 01 | stop 3. - 5th gear | | 3 | |
| 10 | 911 302 301 06 | synchroniser ring 3. - 5th gear | | 3 | |
| 11 | 911 302 311 01 | circlip | | 3 | |
| 12 | 901 302 402 02 | guide sleeve | | 1 | |
| 13 | 911 302 411 10 | shift sleeve | | 1 | |
| 14 | 915 302 261 00 | bush | | 3 | |
| 15 | * --- --- --- | loose gear wheel 4th speed | | 1 | |
| 16 | 915 302 294 01 | thrust washer | | 1 | |
| 17 | 915 302 121 03 | tensioning plate | | 1 | |
| 18 | 999 052 030 00 | four-point bearing | | 1 | |
| 19 | 999 110 032 00 | cylindrical-roller bearing | | 1 | |

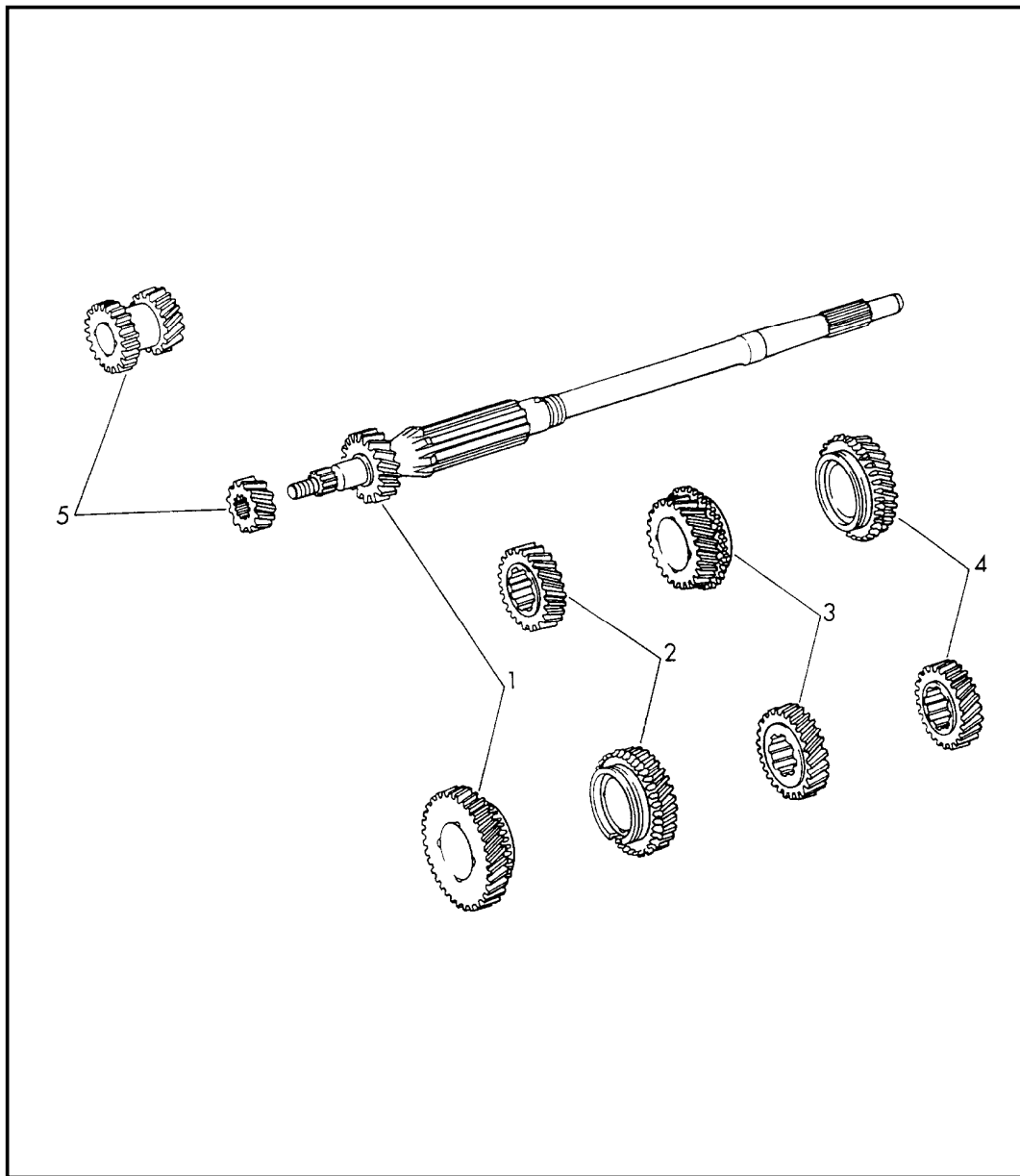
| | | | | | | | | | | | |
|-------|------|----|----|--------------|--------------|-----|-------|------------|---------|-----|---------|
| Model | Year | MG | SG | Illustration | Restrictions | UPD | 18:36 | 22.01.2010 | PORSCHE | PET | PORSCHE |
| 911 | 1973 | 3 | 03 | 303-15 | | 248 | | | | | |

| Pos | Part Number | Description | Remark | Qty | Model | Pos | Part Number | Description | Remark | Qty | Model |
|------|------------------|-------------------------------------|--------|-----|-------|-----|------------------|-------------------------------|--------|-----|-------|
| 20 | 999 034 033 00 | hexagon nut | | 1 | | 37 | 915 302 123 04 | tensioning plate | | 1 | |
| 21 | 502 08 310 | nut M 8 | | 4 | | 38 | 502 08 310 | nut M 8 | | 6 | |
| - | 900 142 002 01 | lock ring 8 | | 4 | | - | 900 142 002 01 | lock ring 8 | | 6 | |
| 22 | 915 302 268 03 | adjusting shim 0,10 MM | | X | | 39 | * --- --- --- -- | fixed gear wheel 4th speed | | 1 | |
| (22) | 915 302 268 04 | adjusting shim 0,15 MM | | X | | 40 | 915 302 265 01 | spacer sleeve | | 1 | |
| (22) | 915 302 268 05 | adjusting shim 0,20 MM | | X | | 41 | * --- --- --- -- | fixed gear wheel 3rd gear | | 1 | |
| 23 | * --- --- --- -- | fixed gear wheel 5th gear | | 1 | | 42 | 915 302 293 00 | thrust washer | | 1 | |
| 24 | * --- --- --- -- | reverse gear NR. 1 | | 1 | | 43 | * --- --- --- -- | loose gear wheel 2nd gear | | 1 | |
| 25 | 900 079 009 00 | castle nut M 18 X 1,5 | | 1 | | 44 | 915 302 315 01 | stone 2nd gear | | 1 | |
| 26 | 900 309 005 00 | spiral clamping pin 4 X 26 | | 1 | | 45 | 915 302 316 01 | brake band | | 3 | |
| 27 | 915 302 228 03 | bolt for reverse idler gear | | 1 | | 46 | 915 302 321 00 | stop | | 1 | |
| 28 | 999 202 001 00 | axial needle bearing cage | | 1 | | 47 | 915 302 301 04 | synchroniser ring | | 2 | |
| 29 | 999 201 107 00 | needle cage | | 2 | | 48 | 915 302 311 01 | circlip | | 2 | |
| 30 | 915 302 231 00 | intermediate ring | | 1 | | 49 | 915 302 401 00 | guide sleeve | | 1 | |
| 31 | * --- --- --- -- | reverse idler gear | | 1 | | 50 | 915 302 411 00 | shift sleeve | | 1 | |
| 32 | 915 302 229 01 | thrust washer | | 1 | | 51 | * --- --- --- -- | loose gear wheel 1st gear | | 1 | |
| 33 | 999 701 169 40 | o-ring | | 1 | | 52 | 915 302 318 00 | stone 1st gear | | 1 | |
| 34 | --- --- --- -- | drive shaft see group 5/01/00 | | 1 | | 53 | 915 302 321 00 | stop | | 1 | |
| 35 | A 999 110 146 00 | cylindrical-roller bearing | | 1 | | 54 | 915 302 291 00 | thrust washer | | 2 | |
| 35 | 999 110 146 01 | cylindrical-roller bearing | | 1 | | 55 | * --- --- --- -- | loose gear wheel 5th gear | | 1 | |
| 36 | 999 052 043 00 | four-point bearing | | 1 | | 56 | 915 302 405 01 | guide sleeve | | 1 | |
| 37 | 915 302 123 03 | tensioning plate | | 1 | | 57 | 915 302 227 09 | shifting gear | | 1 | |
| | | | | | | 58 | 915 302 282 00 | collar nut | | 1 | |

| | | | | | | | | | | | |
|-------|------|----|----|--------------|--------------|-----|-------|------------|---------|-----|---------|
| Model | Year | MG | SG | Illustration | Restrictions | UPD | 18:36 | 22.01.2010 | PORSCHE | PET | PORSCHE |
| 911 | 1973 | 3 | 03 | 303-15 | | 248 | | | | | |

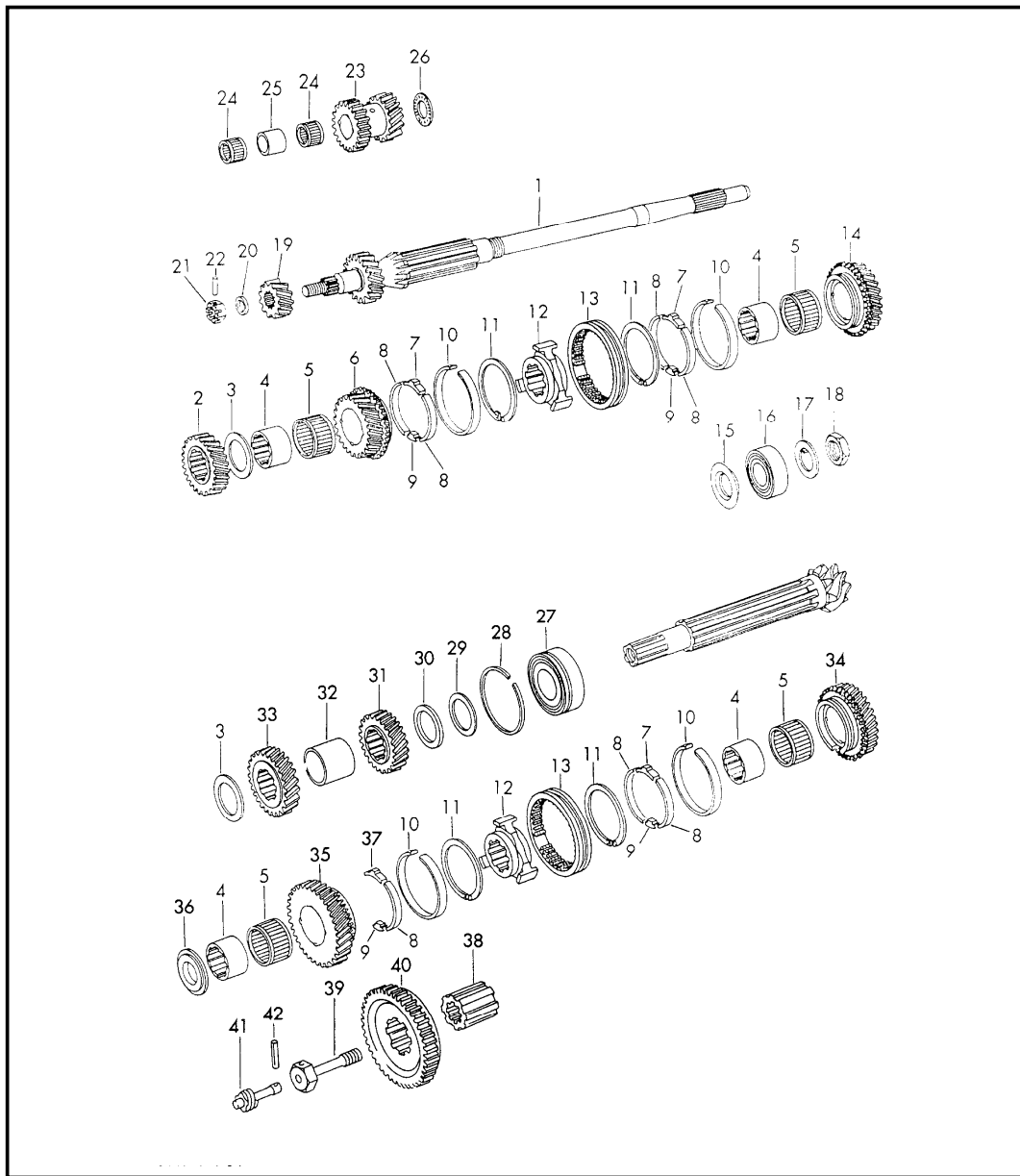
| Pos | Part Number | Description | Remark | Qty | Model | Pos | Part Number | Description | Remark | Qty | Model |
|-----|----------------|----------------------------------|--------|-----|-------|-----|-------------|-------------|--------|-----|-------|
| 59 | 915 318 331 00 | wheel 1 for speedometer | | 1 | | | | | | | |

| | | | | | | | | | | | |
|-------|------|----|----|--------------|--------------|-----|-------|------------|---------|-----|---------|
| Model | Year | MG | SG | Illustration | Restrictions | UPD | 18:36 | 22.01.2010 | PORSCHE | PET | PORSCHE |
| 911 | 1973 | 3 | 03 | 303-20 | | 248 | | | | | |



| Pos | Part Number | Description | Remark | Qty | Model |
|-----|----------------|--------------------------------------------------------------------------------------------------------|--------|-----|---------------------------|
| | | gear wheel sets 4-speed transmission | -71 | | |
| | | gear wheel sets 901/06 + 300/12 | /LL M | | 911 E/S 911 E 911 T |
| | | 911.300/00 standard | | | |
| 1 | 911 302 905 00 | drive shaft and gear wheel II 1st gear Z = 11:34 (A) drive shaft loose gear wheel | | 1 | |
| 2 | 905 302 907 00 | gear wheel pair 2nd gear Z = 19:31 (HB) fixed gear wheel loose gear wheel | | 1 | |
| 3 | 904 302 929 10 | gear wheel pair 3rd gear Z = 25:26 (S) fixed gear wheel loose gear wheel | | 1 | |
| 4 | 901 302 918 10 | gear wheel pair 4th speed Z = 29:23 (Z) fixed gear wheel loose gear wheel | -70 | 1 | |
| (4) | 911 302 906 00 | gear wheel pair 4th speed Z = 29:22 (ZA) fixed gear wheel loose gear wheel | | 71 | 1 |
| 5 | 902 302 902 00 | gear wheel I and reverse idler gear fixed gear wheel reverse idler gear | | 1 | |

| | | | | | | | | | | | |
|-------|------|----|----|--------------|--------------|-----|-------|------------|---------|-----|---------|
| Model | Year | MG | SG | Illustration | Restrictions | UPD | 18:36 | 22.01.2010 | PORSCHE | PET | PORSCHE |
| 911 | 1973 | 3 | 03 | 303-25 | | 248 | | | | | |

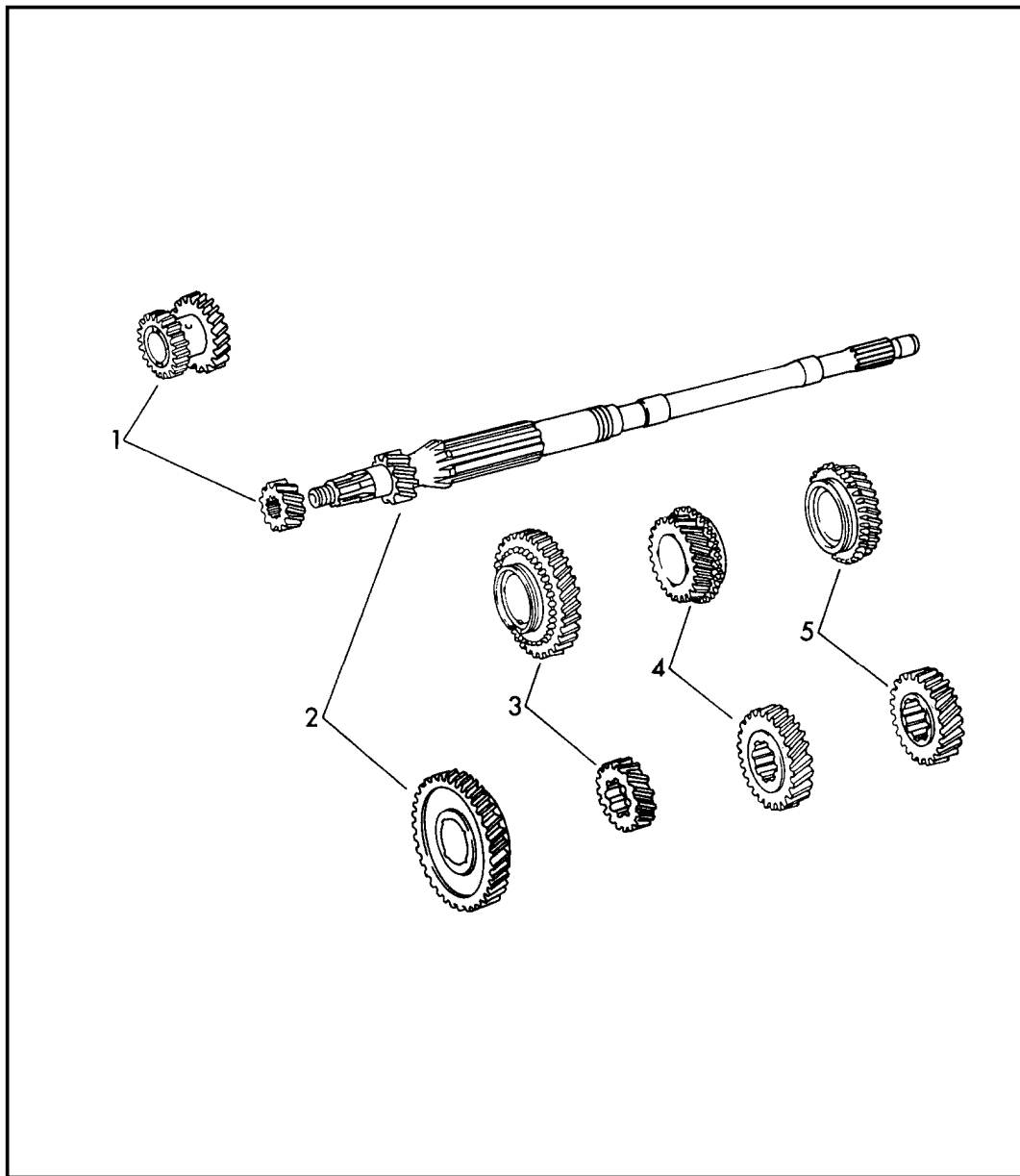


| Pos | Part Number | Description | Remark | Qty | Model |
|-----|----------------|-----------------------------------------------------------|------------|-----|------------------|
| | | gears and shafts 4-speed transmission | -70 -71 | | 911 E/S 911 T |
| | | gear wheel sets see group 3/03/20 | | | |
| 1 | * - - - - - | drive shaft | | 1 | |
| 2 | * - - - - - | fixed gear wheel 2nd gear | | 1 | |
| 3 | 901 302 294 01 | thrust washer | | 2 | |
| 4 | 901 302 261 01 | bush for needle-roller bearing 1. - 4th speed | | 4 | |
| 5 | 999 201 104 00 | needle cage 1. - 4th speed | | 4 | |
| 6 | * - - - - - | loose gear wheel 3rd gear | | 1 | |
| 7 | 911 302 315 00 | stone 2. - 4th speed | | 3 | |
| 8 | 911 302 316 00 | brake band 1. - 4th speed | | 7 | |
| 9 | 911 302 317 01 | stop 1. - 4th speed | | 4 | |
| 10 | 911 302 301 06 | synchroniser ring 1. - 4th speed | | 4 | |
| 11 | 911 302 311 01 | circlip 1. - 4th speed | | 4 | |
| 12 | 901 302 402 02 | guide sleeve 1. - 4th speed | | 2 | |
| 13 | 911 302 411 10 | shift sleeve 1. - 4th speed | | 2 | |

| | | | | | | | | | | | |
|-------|------|----|----|--------------|--------------|-----|-------|------------|---------|-----|---------|
| Model | Year | MG | SG | Illustration | Restrictions | UPD | 18:36 | 22.01.2010 | PORSCHE | PET | PORSCHE |
| 911 | 1973 | 3 | 03 | 303-25 | | 248 | | | | | |

| Pos | Part Number | Description | Remark | Qty | Model | Pos | Part Number | Description | Remark | Qty | Model |
|------|------------------|-------------------------------------|--------|-----|-------|------|------------------|-------------------------------------|--------|-----|-------|
| 14 | * --- --- --- -- | loose gear wheel 4th speed | | 1 | | 34 | * --- --- --- -- | loose gear wheel 2nd gear | | 1 | |
| 15 | 901 302 268 01 | spacer | | 1 | | 35 | * --- --- --- -- | loose gear wheel 1st gear | | 1 | |
| 16 | 999 110 008 00 | cylindrical-roller bearing | | 1 | | 36 | 901 302 269 01 | thrust washer | | 1 | |
| 17 | 999 038 001 00 | tab washer | | 1 | | 37 | 901 302 318 02 | stone 1st gear | | 1 | |
| 18 | 999 183 001 00 | hexagon nut | | 1 | | 38 | 902 302 257 00 | spline shaft sleeve | | 1 | |
| 19 | * --- --- --- -- | fixed gear wheel 1st gear | | 1 | | 39 | 901 302 271 01 | elastic bolt | | 1 | |
| 20 | 999 031 066 00 | washer 14,3 X 21,5 X 3 | | 1 | | 40 | 902 302 224 00 | sliding gear for reverse gear | | 1 | |
| 21 | 999 079 011 02 | castle nut M 14 X 1,5 | | 1 | | 41 | 901 318 331 01 | shaft 7/31 | -71 | 1 | |
| 22 | 900 309 004 00 | roll pin 3 X 18 | | 1 | | (41) | 901 318 331 11 | shaft 6/29 | -70 | 1 | |
| 23 | * --- --- --- -- | reverse idler gear | | 1 | | 42 | 900 197 002 00 | tensioning sleeve 4 X 28 | | 1 | |
| 24 | 999 201 012 00 | needle cage INA K20/17 | | 2 | | | | | | | |
| 25 | 901 302 263 01 | sleeve for reverse idler gear | | 1 | | | | | | | |
| 26 | 999 202 001 00 | axial needle bearing cage | | 1 | | | | | | | |
| 27 | 999 110 007 00 | cylindrical-roller bearing | | 1 | | | | | | | |
| 28 | 900 111 002 00 | circlip SP 72 | | 1 | | | | | | | |
| 29 | 901 302 297 01 | adjusting shim 0,25 MM | | X | | | | | | | |
| (29) | 901 302 297 11 | adjusting shim 0,30 MM | | X | | | | | | | |
| (29) | 901 302 297 21 | adjusting shim 0,40 MM | | X | | | | | | | |
| 30 | 901 302 298 01 | spacer | | 1 | | | | | | | |
| 31 | * --- --- --- -- | fixed gear wheel 4th speed | | 1 | | | | | | | |
| 32 | 901 302 265 01 | spacer sleeve | | 1 | | | | | | | |
| 33 | * --- --- --- -- | fixed gear wheel 3rd gear | | 1 | | | | | | | |

| | | | | | | | | | | | |
|-------|------|----|----|--------------|--------------|-----|-------|------------|---------|-----|---------|
| Model | Year | MG | SG | Illustration | Restrictions | UPD | 18:37 | 22.01.2010 | PORSCHE | PET | PORSCHE |
| 911 | 1973 | 3 | 03 | 303-30 | | 248 | | | | | |

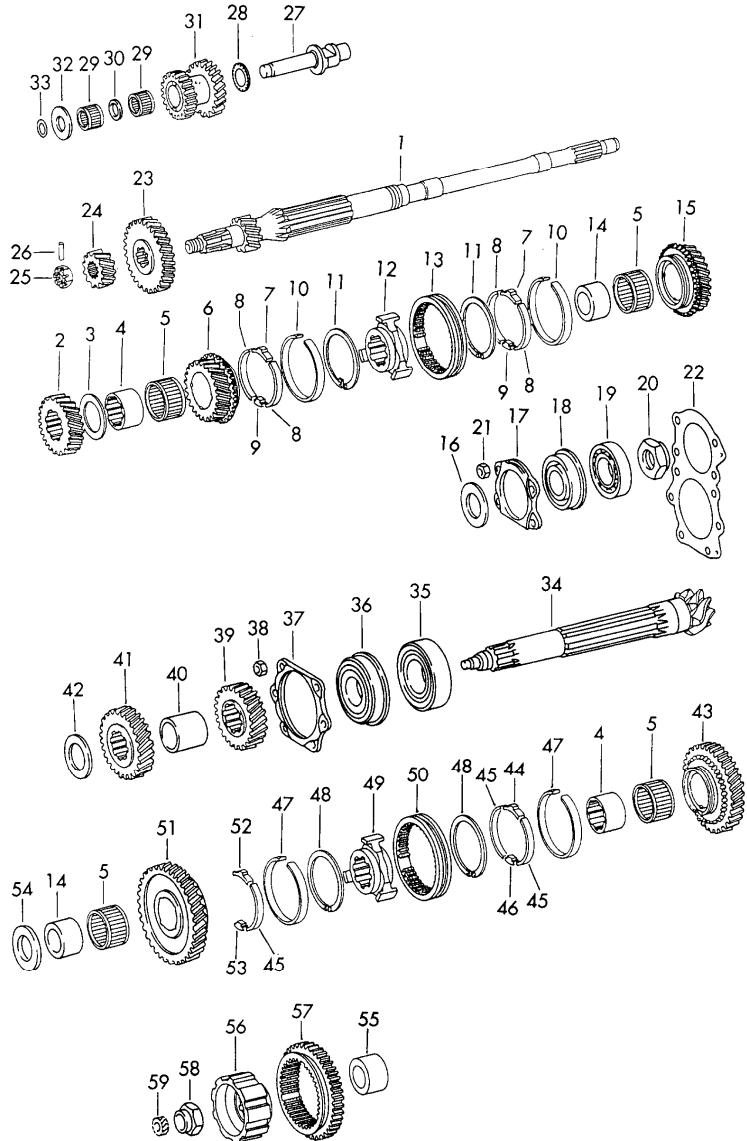


| Pos | Part Number | Description | Remark | Qty | Model |
|-----|----------------|---------------------------------------------------------------------------------------------|--------|--------|-----------------------------------|
| | | gear wheel sets 4-speed transmission | 72- | | |
| | | gear wheel sets 915.300/12 | | | 911 T-E/E/S 911 T-V 911 T-K |
| 1 | 915 302 912 04 | gear wheel pair for reverse gear reverse gear wheel NR. 1 reverse idler gear | | 1 | |
| 2 | 915 302 901 04 | gear set 1st gear Z = 11:35 drive shaft loose gear wheel | | 1 | |
| 3 | 915 302 902 24 | gear wheel pair 2nd gear Z = 18:32 loose gear wheel fixed gear wheel | | 1 | |
| 4 | 923 302 904 13 | gear wheel pair 3rd gear Z = 24:27 fixed gear wheel loose gear wheel | | 1 | |
| 5 | 915 302 904 60 | gear set 4th speed Z = 28:23 loose gear wheel fixed gear wheel | | 1 | |
| | | gear wheel sets 915.300/18 | | | CARRERA 2.7 |
| 1 | 915 302 912 04 | gear wheel pair for reverse gear reverse gear wheel NR. 1 reverse idler gear | | 1 1 | |
| 2 | 915 302 901 04 | gear wheel pair 1st gear Z = 11:35 drive shaft loose gear wheel | | 1 | |

| | | | | | | | | | | | |
|-------|------|----|----|--------------|--------------|-----|-------|------------|---------|-----|---------|
| Model | Year | MG | SG | Illustration | Restrictions | UPD | 18:37 | 22.01.2010 | PORSCHE | PET | PORSCHE |
| 911 | 1973 | 3 | 03 | 303-30 | | 248 | | | | | |

| Pos | Part Number | Description | Remark | Qty | Model | Pos | Part Number | Description | Remark | Qty | Model |
|-----|----------------|-----------------------------------------------------------------------------------|--------|-----|-------|-----|-------------|-------------|--------|-----|-------|
| 3 | 923 302 902 33 | gear wheel pair 2nd gear Z = 20:32 loose gear wheel fixed gear wheel | | 1 | | | | | | | |
| 4 | 915 302 904 20 | gear wheel pair 3rd gear Z = 25:26 fixed gear wheel loose gear wheel | | 1 | | | | | | | |
| 5 | 915 302 904 50 | gear wheel pair 4th speed Z = 29:22 loose gear wheel fixed gear wheel | | 1 | | | | | | | |

| | | | | | | | | | | | |
|-------|------|----|----|--------------|--------------|-----|-------|------------|---------|-----|---------|
| Model | Year | MG | SG | Illustration | Restrictions | UPD | 18:37 | 22.01.2010 | PORSCHE | PET | PORSCHE |
| 911 | 1973 | 3 | 03 | 303-35 | | 248 | | | | | |

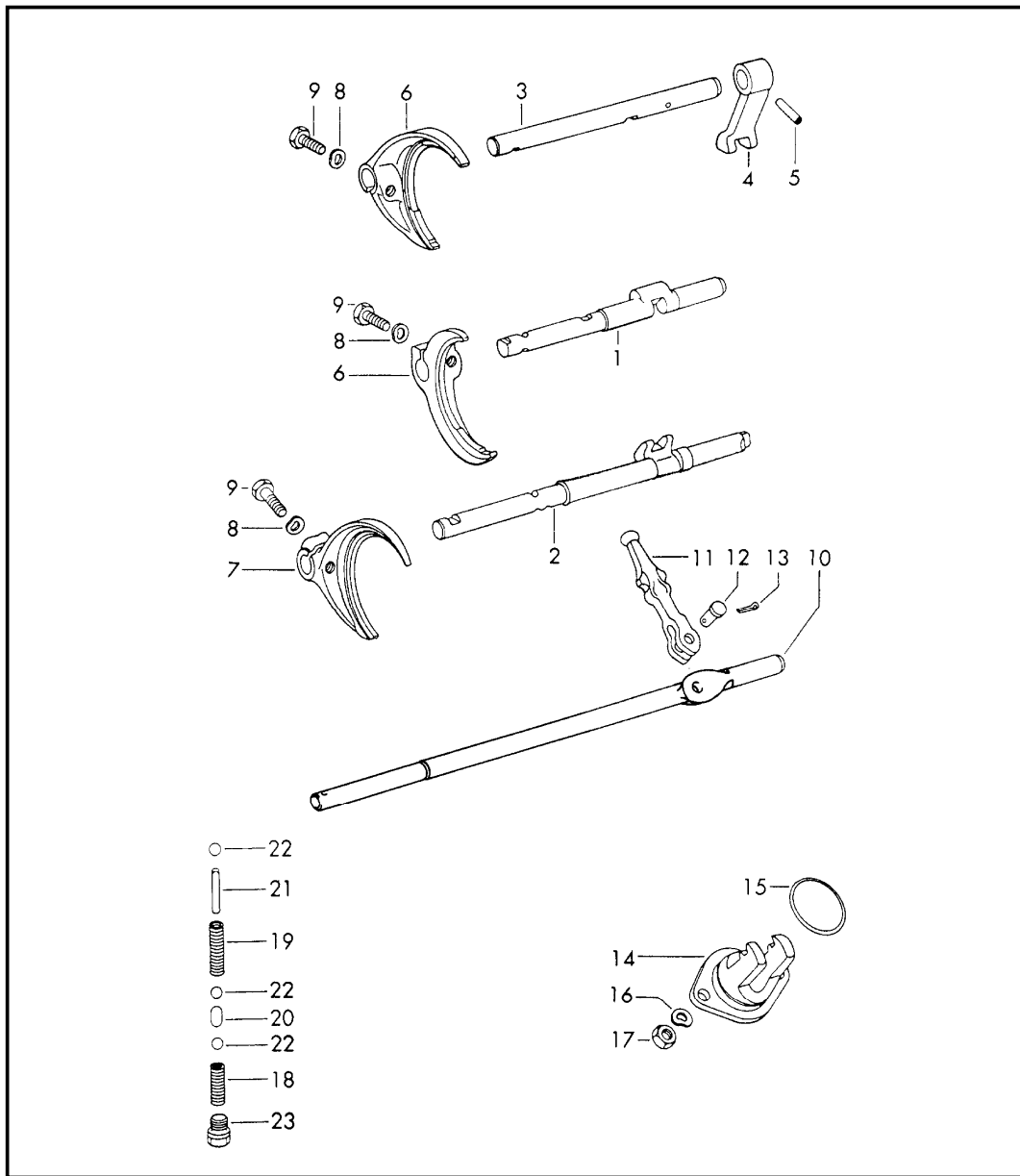


| Pos | Part Number | Description | Remark | Qty | Model |
|-----|----------------|---------------------------------------------|--------|-----|-------|
| | | gears and shafts 4-speed transmission | 72- | | |
| | | gear wheel sets see group 3/03/30 | | | |
| 1 | * - - - - - | drive shaft | | 1 | |
| 2 | * - - - - - | fixed gear wheel 2nd gear | | 1 | |
| 3 | 915 302 292 00 | thrust washer | | 1 | |
| 4 | 915 302 262 00 | bush | | 2 | |
| 5 | 999 201 470 00 | needle cage | | 4 | |
| 6 | * - - - - - | loose gear wheel 3rd gear | | 1 | |
| 7 | 911 302 315 00 | stone 3. - 4th speed | | 2 | |
| 8 | 911 302 316 00 | brake band 3. - 4th speed | | 4 | |
| 9 | 911 302 317 01 | stop 3. - 4th speed | | 2 | |
| 10 | 911 302 301 06 | synchroniser ring 3. - 4th speed | | 2 | |
| 11 | 911 302 311 01 | circlip | | 2 | |
| 12 | 901 302 402 02 | guide sleeve | | 1 | |
| 13 | 911 302 411 10 | shift sleeve | | 1 | |
| 14 | 915 302 261 00 | bush | | 2 | |
| 15 | * - - - - - | loose gear wheel 4th speed | | 1 | |
| 16 | 915 302 294 01 | thrust washer | | 1 | |
| 17 | 915 302 121 03 | tensioning plate | | 1 | |
| 18 | 999 052 030 00 | four-point bearing | | 1 | |
| 19 | 999 110 032 00 | cylindrical-roller bearing | | 1 | |

| | | | | | | | | | | | |
|-------|------|----|----|--------------|--------------|-----|-------|------------|---------|-----|---------|
| Model | Year | MG | SG | Illustration | Restrictions | UPD | 18:37 | 22.01.2010 | PORSCHE | PET | PORSCHE |
| 911 | 1973 | 3 | 03 | 303-35 | | 248 | | | | | |

| Pos | Part Number | Description | Remark | Qty | Model | Pos | Part Number | Description | Remark | Qty | Model |
|------|------------------|-------------------------------------|--------|-----|-------|-----|------------------|----------------------------------|--------|-----|-------|
| 20 | 999 034 033 00 | hexagon nut | | 1 | | 38 | 502 08 310 | nut M 8 | | 6 | |
| 21 | 502 08 310 | nut M 8 | | 4 | | - | 900 142 002 01 | lock ring 8 | | 6 | |
| - | 900 142 002 01 | lock ring 8 | | 4 | | 39 | * --- --- --- -- | fixed gear wheel 4th speed | | 1 | |
| 22 | 915 302 268 03 | adjusting shim 0,10 MM | | X | | 40 | 915 302 265 01 | spacer sleeve | | 1 | |
| (22) | 915 302 268 04 | adjusting shim 0,15 MM | | X | | 41 | * --- --- --- -- | fixed gear wheel 3rd gear | | 1 | |
| (22) | 915 302 268 05 | adjusting shim 0,20 MM | | X | | 42 | 915 302 293 00 | thrust washer | | 1 | |
| 23 | 915 302 277 00 | spacer sleeve | | 1 | | 43 | * --- --- --- -- | loose gear wheel 2nd gear | | 1 | |
| 24 | * --- --- --- -- | reverse gear NR. 1 | | 1 | | 44 | 915 302 315 01 | stone 2nd gear | | 1 | |
| 25 | 900 079 009 00 | castle nut M 18 X 1,5 | | 1 | | 45 | 915 302 316 01 | brake band | | 3 | |
| 26 | 900 309 005 00 | spiral clamping pin 4 X 26 | | 1 | | 46 | 915 302 321 00 | stop | | 1 | |
| 27 | 915 302 228 03 | bolt for reverse idler gear | | 1 | | 47 | 915 302 301 04 | synchroniser ring | | 2 | |
| 28 | 999 202 001 00 | axial needle bearing cage | | 1 | | 48 | 915 302 311 01 | circlip | | 2 | |
| 29 | 999 201 107 00 | needle cage | | 2 | | 49 | 915 302 401 00 | guide sleeve | | 1 | |
| 30 | 915 302 231 00 | intermediate ring | | 1 | | 50 | 915 302 411 00 | shift sleeve | | 1 | |
| 31 | * --- --- --- -- | reverse idler gear | | 1 | | 51 | * --- --- --- -- | loose gear wheel 1st gear | | 1 | |
| 32 | 915 302 229 01 | thrust washer | | 1 | | 52 | 915 302 318 00 | stone 1st gear | | 1 | |
| 33 | 999 701 169 40 | o-ring | | 1 | | 53 | 915 302 321 00 | stop | | 1 | |
| 34 | --- --- --- -- | drive shaft see group 5/01/00 | | 1 | | 54 | 915 302 291 00 | thrust washer | | 1 | |
| 35 | A 999 110 146 00 | cylindrical-roller bearing | | 1 | | 55 | 915 302 278 01 | spacer sleeve | | 1 | |
| 35 | 999 110 146 01 | cylindrical-roller bearing | | 1 | | 56 | 915 302 405 01 | guide sleeve | | 1 | |
| 36 | 999 052 043 00 | four-point bearing | | 1 | | 57 | 915 302 227 09 | shifting gear | | 1 | |
| 37 | 915 302 123 03 | tensioning plate | | 1 | | 58 | 915 302 282 00 | collar nut | | 1 | |
| 37 | 915 302 123 04 | tensioning plate | | 1 | | 59 | 915 318 331 00 | wheel 1 for speedometer | | 1 | |

| | | | | | | | | | | | |
|-------|------|----|----|--------------|--------------|-----|-------|------------|---------|-----|---------|
| Model | Year | MG | SG | Illustration | Restrictions | UPD | 18:37 | 22.01.2010 | PORSCHE | PET | PORSCHE |
| 911 | 1973 | 3 | 04 | 304-00 | | 248 | | | | | |

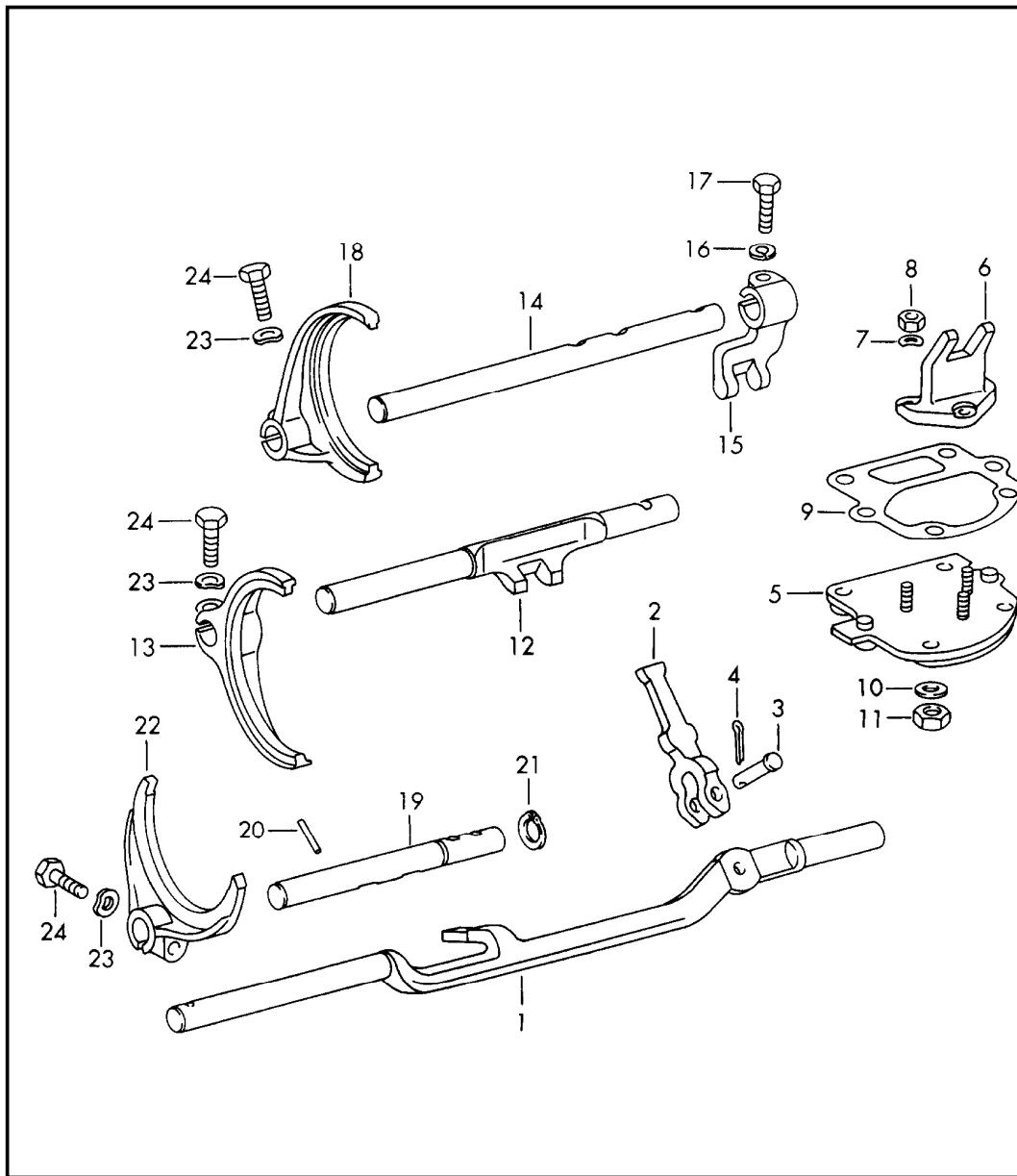


| Pos | Part Number | Description | Remark | Qty | Model |
|-----|----------------|---------------------------------------------------|--------|-----|-------|
| | | shift rods shift forks | -71 | | |
| | | 4-speed and 5-speed transmission | | | |
| 1 | 901 303 101 01 | gear shift rod 2. - 3rd gear | | 1 | |
| 2 | 901 303 141 02 | gear shift rod 1st gear and reverse gear | | 1 | |
| 3 | 901 303 103 01 | gear shift rod 4. - 5th gear | | 1 | |
| 4 | 901 303 161 01 | contact | | 1 | |
| 5 | 900 309 003 00 | roll pin 5 X 24 | | 1 | |
| 6 | 901 303 111 01 | shift fork 2. - 5th gear | | 2 | |
| 7 | 901 303 151 01 | shift fork 1st gear and reverse gear | | 1 | |
| 8 | N 012 241 1 | spring washer B 8 | | 3 | |
| 9 | 900 075 083 02 | hexagon-head bolt M 8 X 25 | | 3 | |
| 10 | 901 303 132 11 | gear shift rod | | 1 | |
| 11 | 901 303 133 01 | shift lever | | 1 | |
| 12 | 901 303 171 01 | bolt | | 1 | |
| 13 | N 012 512 1 | cotter pin 2 X 12 | | 1 | |
| 14 | 911 303 129 00 | fork | | 1 | |
| 15 | 999 701 359 40 | o-ring | | 1 | |

| | | | | | | | | | | | |
|-------|------|----|----|--------------|--------------|-----|-------|------------|---------|-----|---------|
| Model | Year | MG | SG | Illustration | Restrictions | UPD | 18:37 | 22.01.2010 | PORSCHE | PET | PORSCHE |
| 911 | 1973 | 3 | 04 | 304-00 | | 248 | | | | | |

| Pos | Part Number | Description | Remark | Qty | Model | Pos | Part Number | Description | Remark | Qty | Model |
|------|----------------|---------------------------------------------------------------------------------------------------------------------------------------------------------------------------------------------------------------------------------------------------------------------------------------------------|--------|-----|------------------------------------------------------------------------------------------------------------------------------------------|-----|-------------|-------------|--------|-----|-------|
| (15) | 901 303 191 01 | gasket for fork old version | | 1 | | | | | | | |
| 16 | 900 027 015 02 | lock ring B 8 | | 2 | | | | | | | |
| 17 | 900 076 025 02 | hexagon nut M 8 | | 2 | | | | | | | |
| 18 | 901 303 231 01 | spring reversing gear lock | | 1 | | | | | | | |
| 19 | 901 303 232 01 | spring for gear lock detent 2. - 5th gear | | 1 | | | | | | | |
| 20 | 901 303 211 01 | detent for gear lock detent | | 1 | | | | | | | |
| 21 | 901 303 271 01 | pin for gear lock detent | | 1 | | | | | | | |
| 22 | N 025 667 2 | ball 9 MM | | 3 | | | | | | | |
| 23 | 999 065 001 02 | screw plug chilled casting G 509 0001 >> 509 0462 G 519 0001 >> 519 1141 G 519 5001 >> 519 5209 G 709 0001 >> 709 0223 G 719 0001 >> 719 2526 G 739 0001 >> 739 0002 G 739 1001 >> 739 1001 G 739 2001 >> 739 2007 G 739 3001 >> 739 3003 G 739 4001 >> 739 4004 | -70 | 1 | 902/04 902/05 902/06 901/06 901/07 901/75 901/76 901/77 901/78 901/79 | | | | | | |
| (23) | 999 065 004 02 | screw plug die casting G 509 1001 >> 509 9999 G 539 0101 >> 539 9999 G 519 1501 >> 519 4999 G 709 1001 >> 709 9999 G 719 3001 >> 719 9999 G 739 0101 >> 739 0999 G 739 1101 >> 739 1999 G 739 2101 >> 739 2999 G 739 3101 >> 739 3999 G 739 4101 >> 739 4999 | -71 | 1 | 902.300/14 902.300/60 902.300/16 901.300/12 901.300/13 901.300/80 901.300/81 901.300/82 901.300/83 901.300/84 | | | | | | |

| | | | | | | | | | | | |
|-------|------|----|----|--------------|--------------|-----|-------|------------|---------|-----|---------|
| Model | Year | MG | SG | Illustration | Restrictions | UPD | 18:37 | 22.01.2010 | PORSCHE | PET | PORSCHE |
| 911 | 1973 | 3 | 04 | 304-05 | | 248 | | | | | |

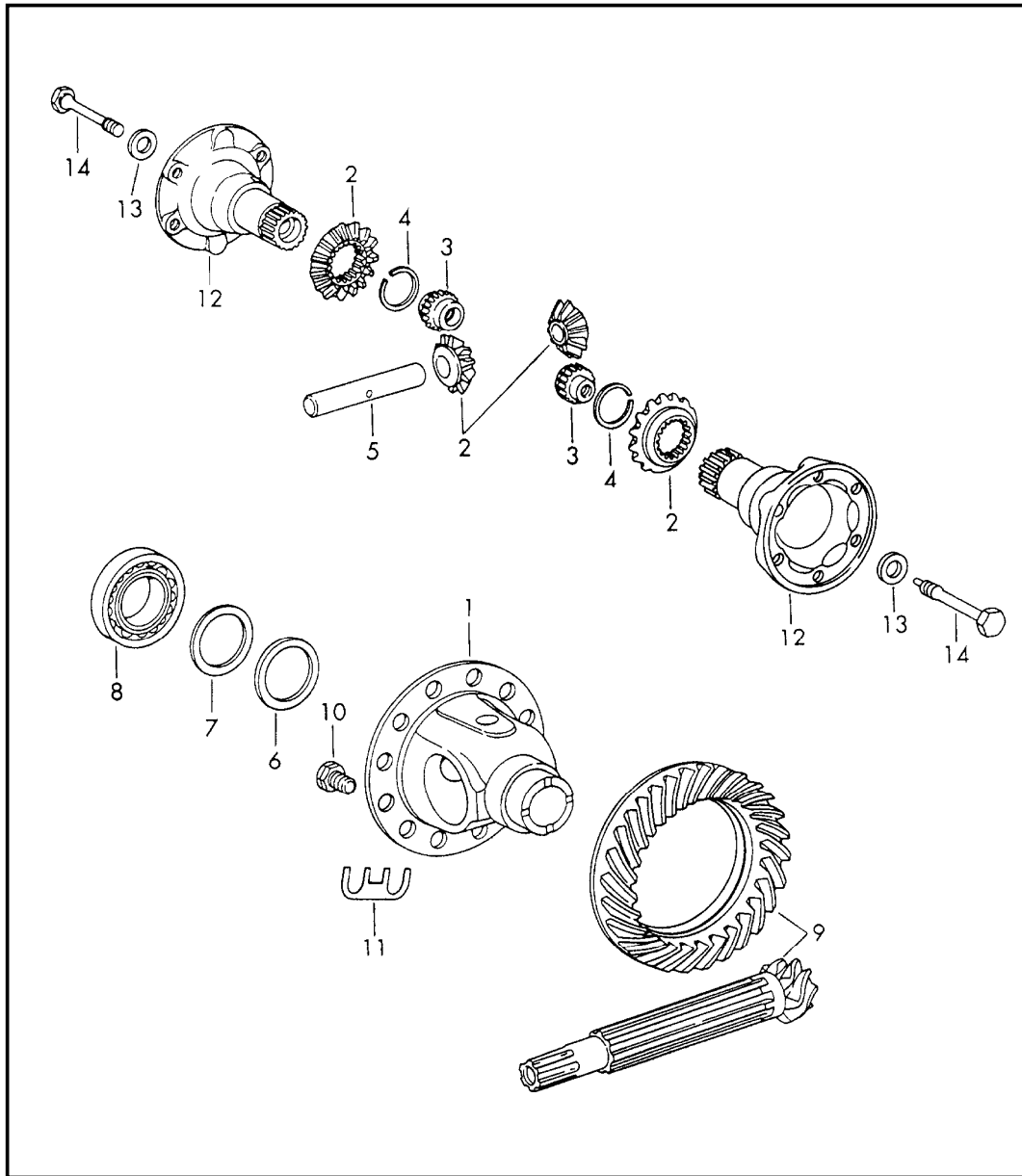


| Pos | Part Number | Description | Remark | Qty | Model |
|-----|----------------|-------------------------------------------|--------|-----|-------|
| | | shift rods shift forks | 72- | | |
| | | 4-speed and 5-speed transmission | | | |
| 1 | 915 303 132 00 | gear shift rod | | 1 | |
| 2 | 915 303 133 00 | shift lever | | 1 | |
| 3 | 901 303 171 01 | bolt | | 1 | |
| 4 | N 012 512 1 | cotter pin 2 X 12 | | 1 | |
| 5 | 915 303 023 02 | shift cover | | 1 | |
| 6 | 915 303 129 09 | fork | | 1 | |
| 7 | 900 027 014 01 | lock ring B 6 | | 3 | |
| 8 | 900 076 010 02 | hexagon nut M 6 | | 3 | |
| 9 | 915 303 225 00 | gasket | | 1 | |
| 10 | 900 031 001 02 | washer 8,4 | | 4 | |
| 11 | 999 090 101 02 | mid-grip nut | | 4 | |
| 12 | 915 303 101 00 | gear shift rod 1.- 2nd gear | | 1 | |
| 13 | 915 303 111 00 | shift fork 1.- 2nd gear | | 1 | |
| 14 | 915 303 103 50 | gear shift rod 3.- 4th speed | | 1 | |
| 15 | 915 303 115 09 | shift fork | | 1 | |
| 16 | 900 027 015 02 | lock ring B 8 | | 1 | |
| 17 | 900 075 136 02 | hexagon-head bolt M 8 X 28 | | 1 | |
| 18 | 915 303 112 00 | shift fork 3.- 4th speed | | 1 | |

| | | | | | | | | | | | |
|-------|------|----|----|--------------|--------------|-----|-------|------------|---------|-----|---------|
| Model | Year | MG | SG | Illustration | Restrictions | UPD | 18:37 | 22.01.2010 | PORSCHE | PET | PORSCHE |
| 911 | 1973 | 3 | 04 | 304-05 | | 248 | | | | | |

| Pos | Part Number | Description | Remark | Qty | Model | Pos | Part Number | Description | Remark | Qty | Model |
|-----|----------------|---------------------------------------------------------------------------------|--------|-----|-------|-----|-------------|-------------|--------|-----|-------|
| 19 | 915 303 105 09 | gear shift rod reverse gear - 5th gear | | 1 | | | | | | | |
| 20 | 900 309 005 00 | spiral clamping pin 4 X 26 | | 1 | | | | | | | |
| 21 | N 012 415 1 | circlip 15 X 1 only for 4-speed transmission gear lock detent | | 1 | | | | | | | |
| 22 | 915 303 113 01 | shift fork reverse gear - 5th gear | | 1 | | | | | | | |
| 23 | N 012 241 1 | spring washer B 8 X 15 | | 3 | | | | | | | |
| 24 | 900 075 136 02 | hexagon-head bolt M 8 X 28 | | 3 | | | | | | | |

| | | | | | | | | | | | |
|-------|------|----|----|--------------|--------------|-----|-------|------------|---------|-----|---------|
| Model | Year | MG | SG | Illustration | Restrictions | UPD | 18:37 | 22.01.2010 | PORSCHE | PET | PORSCHE |
| 911 | 1973 | 3 | 05 | 305-00 | | 248 | | | | | |

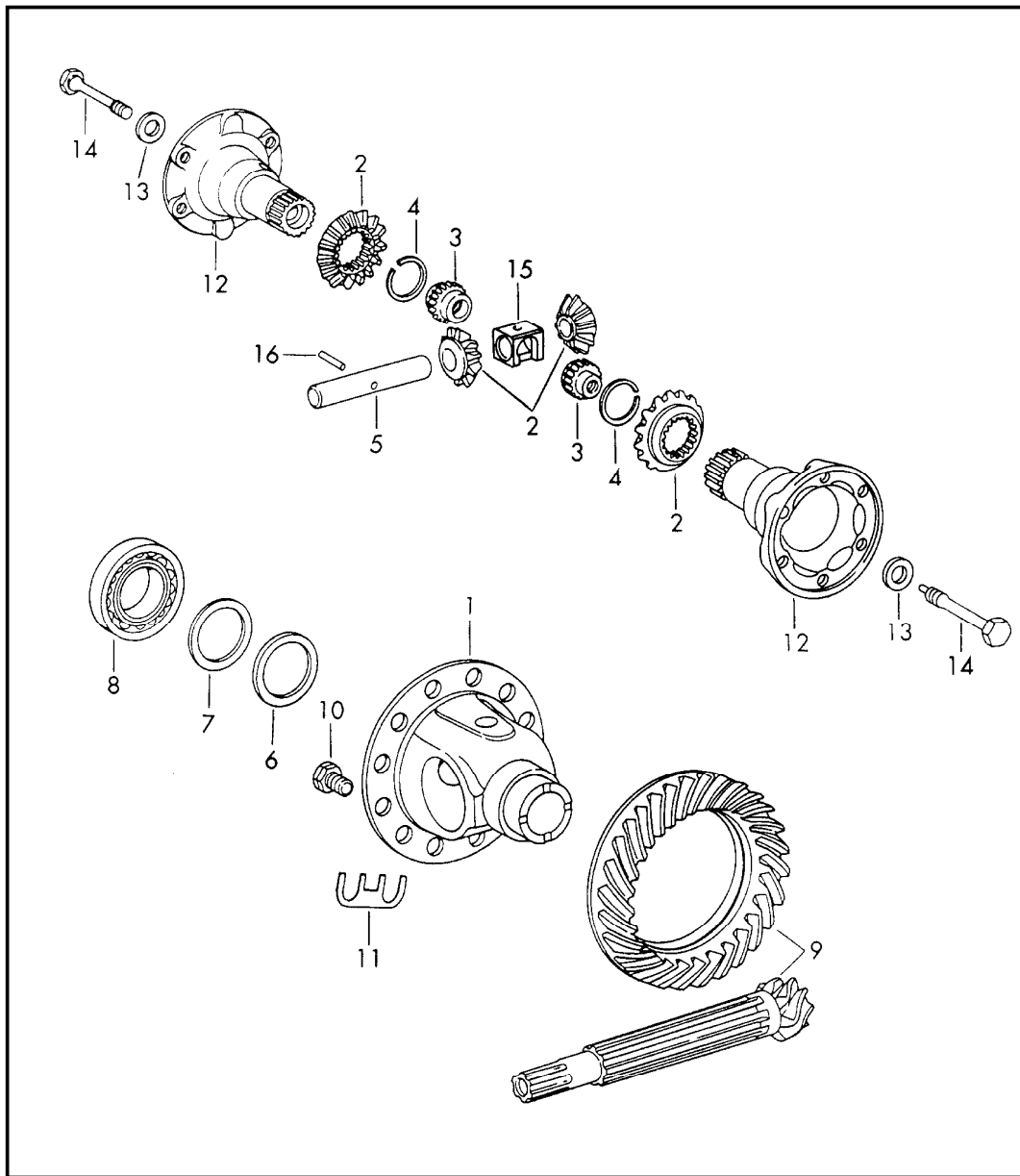


| Pos | Part Number | Description | Remark | Qty | Model |
|-----|----------------|---------------------------------------------------------------------------|--------|-----|-------------|
| | | differential with chilled casting or die casting housing without armature | 70 | | |
| 1 | 901 332 211 01 | transmission case chilled casting | | 1 | |
| (1) | 905 332 212 00 | transmission case | | 1 | 911 T/E:SPM |
| 2 | 901 332 902 00 | differential pinions set | | 1 | |
| 3 | 901 332 206 13 | threaded piece | | 2 | |
| 4 | 999 152 014 00 | circlip | | 2 | |
| 6 | 901 332 265 01 | spacer ring 2,5 MM | | 2 | |
| (6) | 901 332 265 02 | spacer ring 2,6 MM | | 2 | |
| (6) | 901 332 265 03 | spacer ring 2,7 MM | | 2 | |
| (6) | 901 332 265 04 | spacer ring 2,8 MM | | 2 | |
| (6) | 901 332 265 05 | spacer ring 2,9 MM | | 2 | |
| (6) | 901 332 265 06 | spacer ring 3,0 MM | | 2 | |
| (6) | 901 332 265 07 | spacer ring 3,1 MM | | 2 | |
| (6) | 901 332 265 08 | spacer ring 3,2 MM | | 2 | |
| (6) | 901 332 265 09 | spacer ring 3,3 MM | | 2 | |
| (6) | 901 332 265 10 | spacer ring 3,4 MM | | 2 | |
| (6) | 901 332 265 11 | spacer ring 3,5 MM | | 2 | |
| (6) | 901 332 265 12 | spacer ring 3,6 MM | | 2 | |

| | | | | | | | | | | | |
|-------|------|----|----|--------------|--------------|-----|-------|------------|---------|-----|---------|
| Model | Year | MG | SG | Illustration | Restrictions | UPD | 18:37 | 22.01.2010 | PORSCHE | PET | PORSCHE |
| 911 | 1973 | 3 | 05 | 305-00 | | 248 | | | | | |

| Pos | Part Number | Description | Remark | Qty | Model | Pos | Part Number | Description | Remark | Qty | Model |
|-----|----------------|----------------------------------------------|--------|-----|-------|------|----------------|------------------------------------------------------------------------------|--------|-----|-------------|
| (6) | 901 332 265 13 | spacer ring 3,7 MM | | 2 | | 8 | 999 059 008 00 | ball bearing for chilled casting | | 2 | |
| | | spacer ring for die casting housing | | | | (8) | 999 059 027 00 | ball bearing for die casting | | 2 | |
| (6) | 915 332 265 00 | adjusting ring 2,4 MM | | 2 | | 9 | 901 302 901 02 | ring gear and pinion shaft 7:31 | | 1 | |
| (6) | 915 332 265 01 | adjusting ring 2,5 MM | | 2 | | (9) | 905 302 901 01 | ring gear and pinion shaft 7:27 | | 1 | 911 T/E:SPM |
| (6) | 915 332 265 02 | adjusting ring 2,6 MM | | 2 | | 10 | 901 332 276 00 | hexagon-head bolt M 12 X 1,5 | | 12 | |
| (6) | 915 332 265 03 | adjusting ring 2,7 MM | | 2 | | (10) | 915 332 276 00 | hexagon-head bolt M 12 X 1,25 | | 12 | |
| (6) | 915 332 265 04 | adjusting ring 2,8 MM | | 2 | | (10) | 901 332 276 11 | hexagon-head bolt M 12 X 1,5 only for limited-slip differential | | 12 | |
| (6) | 915 332 265 05 | adjusting ring 2,9 MM | | 2 | | (10) | 928 332 276 03 | hexagon-head bolt M 12 X 1,25 only for limited-slip differential | | 12 | |
| (6) | 915 332 265 06 | adjusting ring 3,0 MM | | 2 | | 11 | 901 332 285 01 | tab washer | | 6 | |
| (6) | 915 332 265 07 | adjusting ring 3,1 MM | | 2 | | (11) | 905 332 285 00 | tab washer | | 6 | 911 T/E:SPM |
| (6) | 915 332 265 08 | adjusting ring 3,2 MM | | 2 | | 12 | 901 332 209 15 | joint flange - LOEBRO - for chilled casting | | 2 | |
| (6) | 915 332 265 09 | adjusting ring 3,3 MM | | 2 | | (12) | 901 332 209 21 | joint flange - LOEBRO - for die casting | | 2 | |
| (6) | 915 332 265 10 | adjusting ring 3,4 MM | | 2 | | 13 | 901 332 261 11 | washer | | 2 | |
| (6) | 915 332 265 11 | adjusting ring 3,5 MM | | 2 | | 14 | 901 332 275 11 | elastic bolt | | 2 | |
| (6) | 915 332 265 12 | adjusting ring 3,6 MM | | 2 | | | | | | | |
| (6) | 915 332 265 13 | adjusting ring 3,7 MM | | 2 | | | | | | | |
| 7 | 901 332 263 01 | washer for chilled casting | | 2 | | | | | | | |
| (7) | 915 332 263 00 | adjusting ring for die casting | | 2 | | | | | | | |

| | | | | | | | | | | | |
|-------|------|----|----|--------------|--------------|-----|-------|------------|---------|-----|---------|
| Model | Year | MG | SG | Illustration | Restrictions | UPD | 18:38 | 22.01.2010 | PORSCHE | PET | PORSCHE |
| 911 | 1973 | 3 | 05 | 305-05 | | 248 | | | | | |



| Pos | Part Number | Description | Remark | Qty | Model |
|-----|----------------|------------------------------------------------------------------------------------|--------|-----|-------|
| | | differential for manual transmission TYP 915 and sportomatic TYP 925 with armature | | | |
| 1 | 911 332 212 00 | transmission case | | 1 | |
| 2 | 911 332 902 00 | differential pinions set | 70-71 | 1 | |
| 2 | 911 332 212 00 | differential pinions set | 72- | 1 | |
| 3 | 911 332 206 01 | threaded piece | | 2 | |
| 4 | 999 152 014 00 | circlip | | 2 | |
| 5 | 911 332 207 00 | differential bolt | | 1 | |
| 6 | 915 332 265 00 | adjusting ring 2,4 MM | | 2 | |
| (6) | 915 332 265 01 | adjusting ring 2,5 MM | | 2 | |
| (6) | 915 332 265 02 | adjusting ring 2,6 MM | | 2 | |
| (6) | 915 332 265 03 | adjusting ring 2,7 MM | | 2 | |
| (6) | 915 332 265 04 | adjusting ring 2,8 MM | | 2 | |
| (6) | 915 332 265 05 | adjusting ring 2,9 MM | | 2 | |
| (6) | 915 332 265 06 | adjusting ring 3,0 MM | | 2 | |
| (6) | 915 332 265 07 | adjusting ring 3,1 MM | | 2 | |
| (6) | 915 332 265 08 | adjusting ring 3,2 MM | | 2 | |
| (6) | 915 332 265 09 | adjusting ring 3,3 MM | | 2 | |
| (6) | 915 332 265 10 | adjusting ring 3,4 MM | | 2 | |

| | | | | | | | | | | | |
|-------|------|----|----|--------------|--------------|-----|-------|------------|---------|-----|---------|
| Model | Year | MG | SG | Illustration | Restrictions | UPD | 18:38 | 22.01.2010 | PORSCHE | PET | PORSCHE |
| 911 | 1973 | 3 | 05 | 305-05 | | 248 | | | | | |

| Pos | Part Number | Description | Remark | Qty | Model | Pos | Part Number | Description | Remark | Qty | Model |
|------|----------------|----------------------------------------------------------------------------------------------|--------|-----|-------|-----|----------------|--------------------|--------|-----|-------|
| (6) | 915 332 265 11 | adjusting ring 3,5 MM | | 2 | | 13 | 901 332 261 11 | washer | | 2 | |
| (6) | 915 332 265 12 | adjusting ring 3,6 MM | | 2 | | 14 | 901 332 275 12 | elastic bolt | | 2 | |
| (6) | 915 332 265 13 | adjusting ring 3,7 MM | | 2 | | 15 | 911 332 208 00 | armature | | 2 | |
| 7 | 915 332 263 00 | adjusting ring | | 2 | | 16 | 900 308 005 00 | roll pin 6 X 28 | | 2 | |
| 8 | 999 059 027 00 | ball bearing | | 2 | | | | | | | |
| 9 | 901 302 901 02 | ring gear and pinion shaft 7:31 | -71 | 1 | | | | | | | |
| (9) | 915 302 911 16 | ring gear and pinion shaft 7:31 | 72- | 1 | | | | | | | |
| (9) | 905 302 901 01 | ring gear and pinion shaft 7:27 | -71 | 1 | SPM | | | | | | |
| (9) | 925 302 911 00 | ring gear and pinion shaft 7:27 | 72- | 1 | SPM | | | | | | |
| 10 | 901 332 276 00 | hexagon-head bolt M 12 X 1,5 | | 12 | | | | | | | |
| (10) | 915 332 276 00 | hexagon-head bolt M 12 X 1,25 | | 12 | | | | | | | |
| (10) | 901 332 276 11 | hexagon-head bolt M 12 X 1,5 only for limited-slip differential | -71 | 12 | | | | | | | |
| (10) | 928 332 276 03 | hexagon-head bolt M 12 X 1,25 satin black metallic for limited-slip differential | -71 | 12 | | | | | | | |
| (10) | 928 332 276 03 | hexagon-head bolt M 12 X 1,25 only for limited-slip differential | 72- | 12 | | | | | | | |
| 11 | 901 332 285 01 | tab washer | | 6 | | | | | | | |
| 12 | 911 332 209 00 | joint flange | -71 | 2 | | | | | | | |
| (12) | 915 332 209 01 | joint flange | 72- | 2 | | | | | | | |
| (12) | 925 332 209 04 | joint flange | | 2 | SPM | | | | | | |

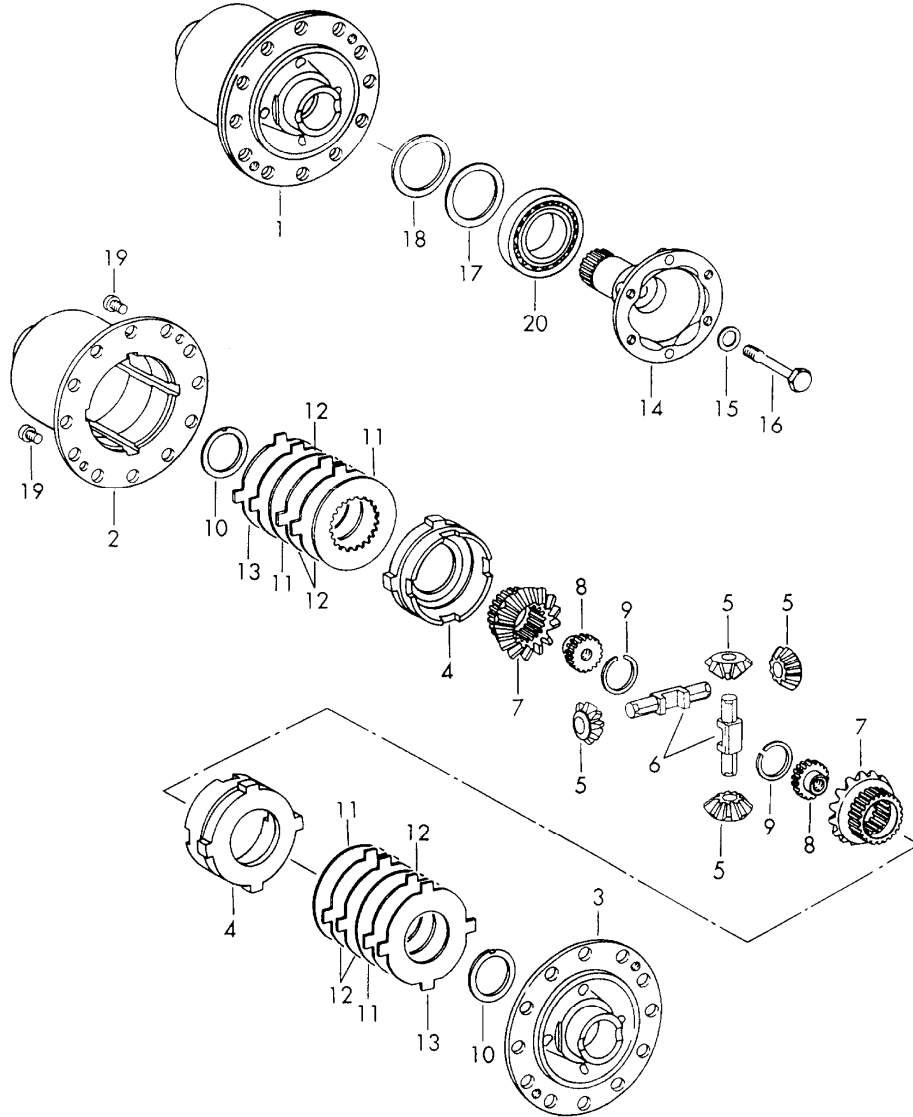
| | | | | | | | | | | | |
|-------|------|----|----|--------------|--------------|-----|-------|------------|---------|-----|---------|
| Model | Year | MG | SG | Illustration | Restrictions | UPD | 18:38 | 22.01.2010 | PORSCHE | PET | PORSCHE |
| 911 | 1973 | 3 | 05 | 305-10 | | 248 | | | | | |

| | | SPORTOMATIC | | | | | | | | | |
|-----|----------------|--------------------------------------|--------|-----|-------|--|--|--|--|--|--|
| Pos | Part Number | Description | Remark | Qty | Model | | | | | | |
| | | differential for sportomatic TYP 905 | | | SPM | | | | | | |
| 1 | 905 332 212 00 | transmission case | | 1 | | | | | | | |
| 2 | 901 332 902 00 | differential pinions set | | 1 | | | | | | | |
| 3 | 901 332 206 13 | threaded piece | | 2 | | | | | | | |
| 4 | 999 152 014 00 | circlip | | 2 | | | | | | | |
| 5 | 901 332 207 04 | differential bolt | | 1 | | | | | | | |
| 6 | 901 332 265 01 | spacer ring 2,5 MM | | 2 | | | | | | | |
| (6) | 901 332 265 02 | spacer ring 2,6 MM | | 2 | | | | | | | |
| (6) | 901 332 265 03 | spacer ring 2,7 MM | | 2 | | | | | | | |
| (6) | 901 332 265 04 | spacer ring 2,8 MM | | 2 | | | | | | | |
| (6) | 901 332 265 05 | spacer ring 2,9 MM | | 2 | | | | | | | |
| (6) | 901 332 265 06 | spacer ring 3,0 MM | | 2 | | | | | | | |
| (6) | 901 332 265 07 | spacer ring 3,1 MM | | 2 | | | | | | | |
| (6) | 901 332 265 08 | spacer ring 3,2 MM | | 2 | | | | | | | |
| (6) | 901 332 265 09 | spacer ring 3,3 MM | | 2 | | | | | | | |
| (6) | 901 332 265 10 | spacer ring 3,4 MM | | 2 | | | | | | | |
| (6) | 901 332 265 11 | spacer ring 3,5 MM | | 2 | | | | | | | |
| (6) | 901 332 265 12 | spacer ring 3,6 MM | | 2 | | | | | | | |
| (6) | 901 332 265 13 | spacer ring 3,7 MM | | 2 | | | | | | | |
| 7 | 901 332 263 01 | washer | | 2 | | | | | | | |

| | | | | | | | | | | | |
|-------|------|----|----|--------------|--------------|-----|-------|------------|---------|-----|---------|
| Model | Year | MG | SG | Illustration | Restrictions | UPD | 18:38 | 22.01.2010 | PORSCHE | PET | PORSCHE |
| 911 | 1973 | 3 | 05 | 305-10 | | 248 | | | | | |

| Pos | Part Number | Description | Remark | Qty | Model | Pos | Part Number | Description | Remark | Qty | Model |
|------|----------------|------------------------------------|--------|-----|-------|-----|-------------|-------------|--------|-----|-------|
| 8 | 999 059 008 00 | ball bearing | | 2 | | | | | | | |
| 9 | 905 302 901 01 | ring gear and pinion shaft 7:27 | | 1 | | | | | | | |
| 10 | 901 332 276 00 | hexagon-head bolt M 12 x 1,5 | | 12 | | | | | | | |
| (10) | 915 332 276 00 | hexagon-head bolt M 12 X 1,25 | | 12 | | | | | | | |
| 11 | 905 332 285 00 | tab washer | | 6 | | | | | | | |
| 12 | 901 332 209 15 | joint flange | | 2 | | | | | | | |
| 13 | 901 332 261 11 | washer | | 2 | | | | | | | |
| 14 | 901 332 275 12 | elastic bolt | | 2 | | | | | | | |
| 15 | 911 332 208 00 | armature | | 2 | | | | | | | |
| 16 | 900 308 005 00 | roll pin 6 X 28 | | 2 | | | | | | | |

| | | | | | | | | | | | |
|-------|------|----|----|--------------|--------------|-----|-------|------------|---------|-----|---------|
| Model | Year | MG | SG | Illustration | Restrictions | UPD | 18:38 | 22.01.2010 | PORSCHE | PET | PORSCHE |
| 911 | 1973 | 3 | 05 | 305-15 | | 248 | | | | | |

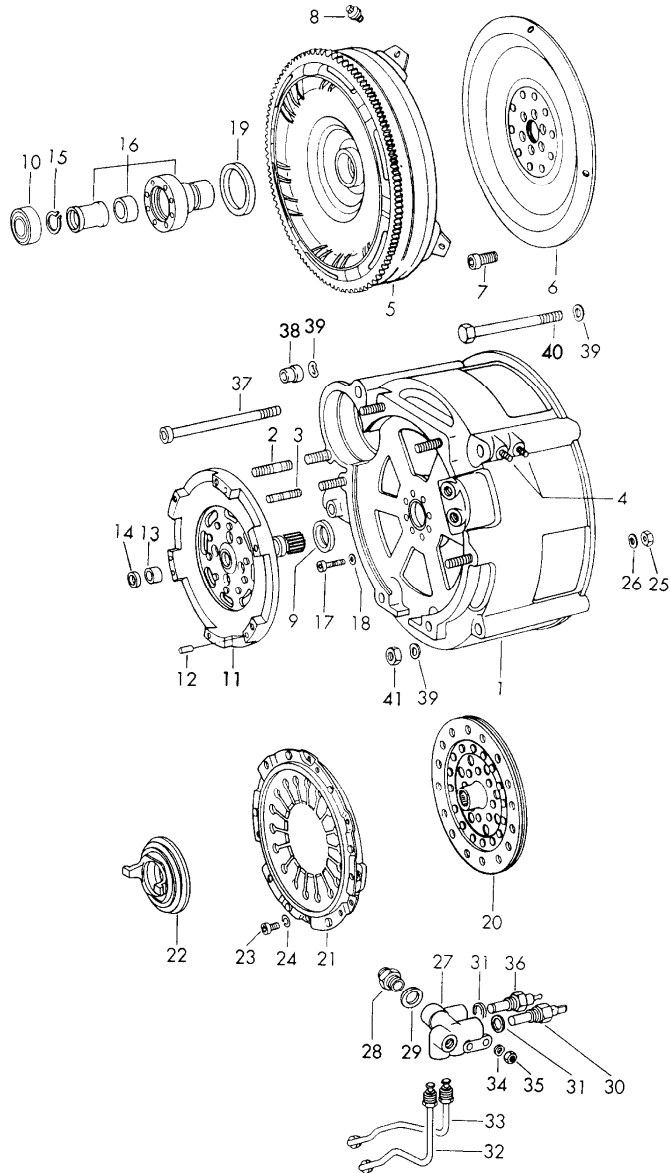


| Pos | Part Number | Description | Remark | Qty | Model |
|------|----------------|----------------------------|--------|-----|-------|
| | | limited-slip differential | | | |
| 1 | 901 332 053 13 | limited-slip differential | | 1 | |
| 2 | 901 332 055 13 | housing | | 1 | |
| 3 | 901 332 506 11 | housing cover | | 1 | |
| 4 | 901 332 511 11 | thrust ring | | 2 | |
| 5 | 915 332 531 02 | bevel pinion | | 4 | |
| 6 | 915 332 541 02 | differential shaft | | 2 | |
| 7 | 901 332 535 11 | shaft bevel gear | | 2 | |
| 8 | 901 332 206 12 | threaded piece | | 2 | |
| 9 | 999 152 014 00 | circlip SW 32 | | 2 | |
| 10 | 901 332 561 11 | thrust washer | | 2 | |
| 11 | 901 332 551 21 | inner disc 2,0 MM | | 4 | |
| (11) | 901 332 551 22 | inner disc 1,9 MM | | X | |
| (11) | 901 332 551 23 | inner disc 2,1 MM | | X | |
| 12 | 901 332 552 11 | disc with external splines | | 6 | |
| 13 | 928 332 555 00 | cup spring | | 2 | |
| 14 | 901 332 209 21 | joint flange | -70 | 2 | |
| (14) | 915 332 209 21 | joint flange | 71- | 2 | |
| 15 | 901 332 261 11 | washer | | 2 | |
| 16 | 901 332 275 12 | elastic bolt | | 2 | |
| 17 | 915 332 263 00 | adjusting ring | | 2 | |
| 18 | 915 332 265 00 | adjusting ring 2,4 MM | | 2 | |
| (18) | 915 332 265 01 | adjusting ring 2,5 MM | | X | |
| (18) | 915 332 265 02 | adjusting ring 2,6 MM | | X | |
| (18) | 915 332 265 03 | adjusting ring 2,7 MM | | X | |

| | | | | | | | | | | | |
|-------|------|----|----|--------------|--------------|-----|-------|------------|---------|-----|---------|
| Model | Year | MG | SG | Illustration | Restrictions | UPD | 18:38 | 22.01.2010 | PORSCHE | PET | PORSCHE |
| 911 | 1973 | 3 | 05 | 305-15 | | 248 | | | | | |

| Pos | Part Number | Description | Remark | Qty | Model | Pos | Part Number | Description | Remark | Qty | Model |
|------|----------------|----------------------------|--------|-----|-------|-----|-------------|-------------|--------|-----|-------|
| (18) | 915 332 265 04 | adjusting ring 2,8 MM | | X | | | | | | | |
| (18) | 915 332 265 05 | adjusting ring 2,9 MM | | X | | | | | | | |
| (18) | 915 332 265 06 | adjusting ring 3,0 MM | | X | | | | | | | |
| (18) | 915 332 265 07 | adjusting ring 3,1 MM | | X | | | | | | | |
| (18) | 915 332 265 08 | adjusting ring 3,2 MM | | X | | | | | | | |
| (18) | 915 332 265 09 | adjusting ring 3,3 MM | | X | | | | | | | |
| (18) | 915 332 265 10 | adjusting ring 3,4 MM | | X | | | | | | | |
| (18) | 915 332 265 11 | adjusting ring 3,5 MM | | X | | | | | | | |
| (18) | 915 332 265 12 | adjusting ring 3,6 MM | | X | | | | | | | |
| (18) | 915 332 265 13 | adjusting ring 3,7 MM | | X | | | | | | | |
| 19 | 900 119 002 00 | pan-head screw M 6 X 10 | | 2 | | | | | | | |
| 20 | 999 059 027 00 | taper roller bearing | | 2 | | | | | | | |

| | | | | | | | | | | | |
|-------|------|----|----|--------------|--------------|-----|-------|------------|---------|-----|---------|
| Model | Year | MG | SG | Illustration | Restrictions | UPD | 18:38 | 22.01.2010 | PORSCHE | PET | PORSCHE |
| 911 | 1973 | 3 | 06 | 306-00 | | 248 | | | | | |

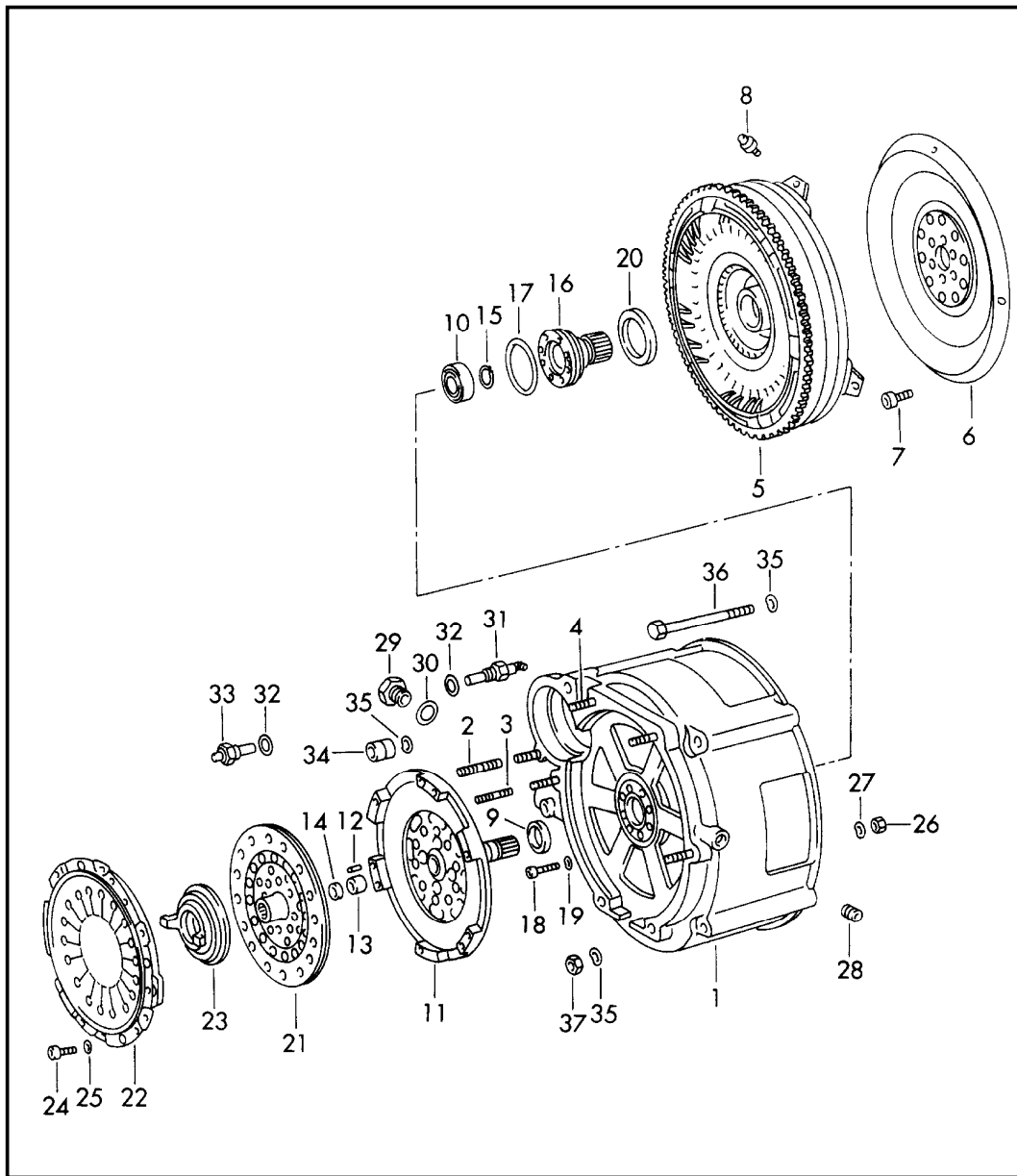


| Pos | Part Number | Description | Remark | Qty | Model |
|-----|----------------|--------------------------------------------------------|--------|-----|------------|
| | | converter and converter housing TYP 905/21 sportomatic | -71 | | 911 T/E |
| | | converter housing with stud | 72- | | 911 T-V |
| 1 | 905 301 007 01 | converter housing with stud | | 1 | |
| 2 | 900 061 014 01 | stud BM 10 X 22 | | 1 | |
| (3) | 900 061 009 01 | stud BM 8 X 28 | | 1 | |
| 3 | 900 061 007 01 | stud BM 8 X 22 | | 3 | |
| 4 | 999 062 002 02 | stud BM 6 X 15 | | 2 | |
| 5 | 905 116 002 20 | torque converter with starter ring | | 1 | |
| | | G 700 0001 >> 700 9999 | -70 | | 911.300/00 |
| | | G 710 0001 >> 710 9999 | | | 911.300/01 |
| | | G 770 0001 >> 770 3000 | | | 911.300/01 |
| | | G 730 9101 >> 730 9200 | | | 911.300/80 |
| | | G 730 9201 >> 730 9300 | | | 911.300/81 |
| | | G 730 9301 >> 730 9400 | | | 911.300/82 |
| | | G 730 9401 >> 730 9500 | | | 911.300/83 |
| | | G 730 9501 >> 730 9600 | | | 911.300/84 |
| | | G 720 0001 >> 720 9999 | | | 905.300/20 |
| 6 | 905 116 024 11 | drive plate | | 1 | |
| 7 | 999 067 009 01 | pan-head screw | | 6 | |
| 8 | 905 116 026 00 | 12 point socket | | 4 | |
| 9 | PCG 113 071 50 | radial shaft seal 25 X 35 X 6 | | 1 | |
| 10 | 900 052 027 00 | deep-groove ball bearing 6004 | | 1 | |
| 11 | 905 116 027 10 | turbine shaft | | 1 | |
| 12 | 999 012 018 00 | straight pin | | 3 | |
| 13 | 999 201 021 00 | needle sleeve HK 1210 INA | | 1 | |
| 14 | PCG 201 301 00 | shaft sealing ring 12 X 18 X 3 INA | | 1 | |

| | | | | | | | | | | | |
|-------|------|----|----|--------------|--------------|-----|-------|------------|---------|-----|---------|
| Model | Year | MG | SG | Illustration | Restrictions | UPD | 18:38 | 22.01.2010 | PORSCHE | PET | PORSCHE |
| 911 | 1973 | 3 | 06 | 306-00 | | 248 | | | | | |

| Pos | Part Number | Description | Remark | Qty | Model | Pos | Part Number | Description | Remark | Qty | Model |
|------|----------------|----------------------------------------------------------------------------------------------------------------------------------------------------------------------------------------------------------------------------------------------------------|--------|-----|----------------------------------------------------------------------------------------------------------------------------|------|----------------|---------------------------------|------------|--------|-------|
| 15 | N 012 420 1 | circlip 20 X 1,2 | | 1 | | 29 | 900 123 019 20 | sealing ring A 16 X 22 CU | | 1 | |
| 16 | 905 116 020 01 | free wheel lock bracket complete | | 1 | | 30 | 905 613 102 04 | temperature switch | | 1 | |
| 17 | 999 186 002 01 | pan-head screw | | 8 | | 31 | 900 123 007 30 | sealing ring A 14 X 18 AL | | 2 | |
| 18 | N 013 804 2 | sealing ring A 6 X 10 | | 8 | | 32 | 905 301 013 10 | pressure pipe complete | | 1 | |
| 19 | 999 113 189 40 | radial sealing ring 45 X 60 X 7 | | 1 | | 33 | 905 301 014 10 | return pipe complete | -71 | 1 | |
| 20 | 905 116 254 20 | clutch plate G 700 0001 >> 700 9999 G 710 0001 >> 710 9999 G 770 0001 >> 770 3000 G 730 9101 >> 730 9200 G 730 9201 >> 730 9300 G 730 9301 >> 730 9400 G 730 9401 >> 730 9500 G 730 9501 >> 730 9600 G 720 0001 >> 720 9999 | -70 | 1 | 911.300/00 911.300/01 911.300/01 911.300/80 911.300/81 911.300/82 911.300/83 911.300/84 905.300/20 | (33) | 905 301 014 11 | return pipe complete | 72- | 1 | |
| | | | | | | 34 | 900 028 008 01 | spring washer B 6 | | 2 | |
| | | | | | | 35 | 900 076 010 02 | hexagon nut M 6 | | 2 | |
| | | | | | | 36 | 901 641 632 00 | remote temperature sensor | | 1 | |
| 21 | 905 116 255 10 | pressure plate G 700 0001 >> 700 9999 G 710 0001 >> 710 9999 G 770 0001 >> 770 3000 G 730 9101 >> 730 9200 G 730 9201 >> 730 9300 G 730 9301 >> 730 9400 G 730 9401 >> 730 9500 G 730 9501 >> 730 9600 G 720 0001 >> 720 9999 | -70 | 1 | 911.300/00 911.300/01 911.300/01 911.300/80 911.300/81 911.300/82 911.300/83 911.300/84 905.300/20 | 37 | 900 067 078 02 | pan-head screw M 10 X 150 | -71 | 1 | |
| | | | | | | 38 | 901 104 382 02 | cylinder head nut | 72- | 1 | |
| | | | | | | 39 | N 012 242 3 | spring washer B 10 X 18 | -71 72- | 4 5 | |
| | | | | | | 40 | 900 155 018 02 | hexagon-head bolt M 10 X 110 | /L | 1 | |
| | | | | | | 41 | 900 157 002 02 | hexagon nut M 10 | | 2 | |
| 22 | 925 116 081 00 | clutch release bearing | | 1 | | | | | | | |
| 23 | 999 067 010 01 | pan-head screw | | 6 | | | | | | | |
| 24 | N 012 026 3 | lock ring 6 | | 6 | | | | | | | |
| 25 | N 011 010 6 | hexagon nut M 10 | | 2 | | | | | | | |
| 26 | N 012 242 3 | spring washer B 10 X 18 | | 2 | | | | | | | |
| 27 | 905 301 125 11 | switch housing | | 1 | | | | | | | |
| 28 | 900 129 009 02 | double socket 8 | -71 | 1 | | | | | | | |
| (28) | 905 301 014 11 | union A 10 | 72- | 1 | | | | | | | |

| | | | | | | | | | | | |
|-------|------|----|----|--------------|--------------|-----|-------|------------|---------|-----|---------|
| Model | Year | MG | SG | Illustration | Restrictions | UPD | 18:38 | 22.01.2010 | PORSCHE | PET | PORSCHE |
| 911 | 1973 | 3 | 06 | 306-05 | | 248 | | | | | |

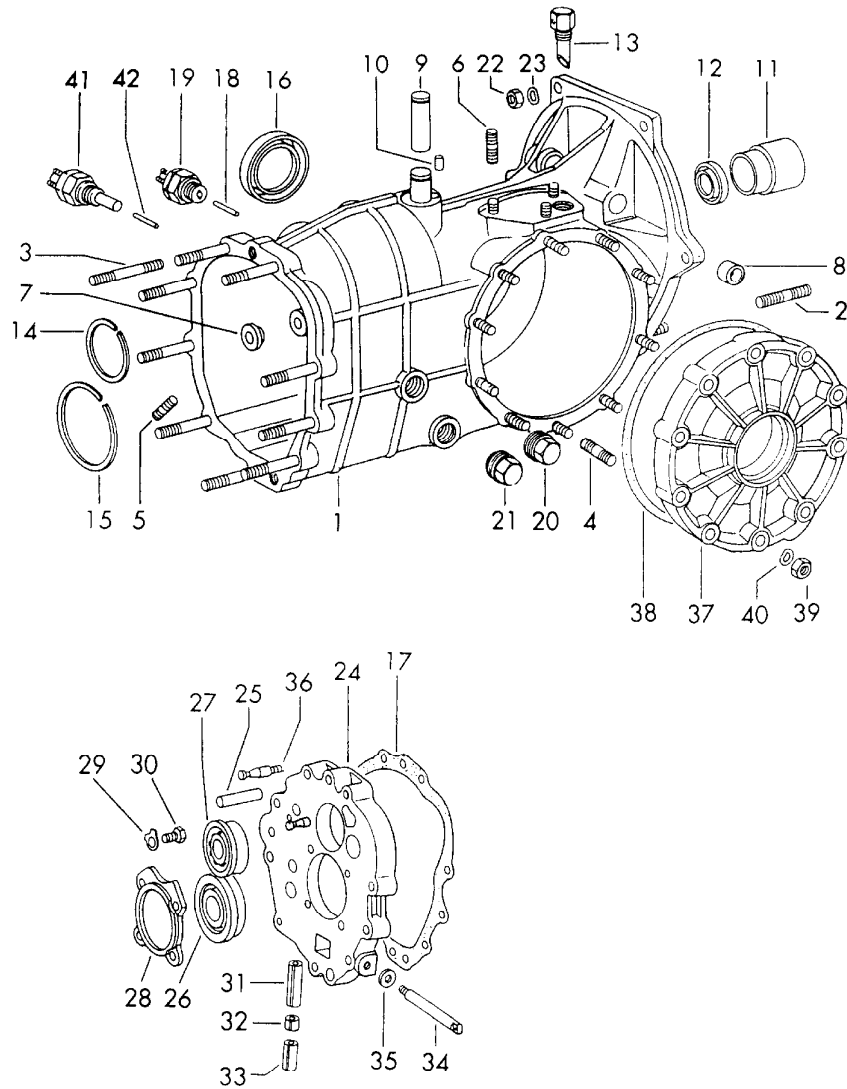


| Pos | Part Number | Description | Remark | Qty | Model |
|-----|----------------|-----------------------------------------------------|--------|-----|-------------------------|
| | | converter and converter housing TYP 925 sportomatic | 72- | | 911 T-E/E/S CARRERA 2.7 |
| 1 | 925 301 007 00 | converter housing with stud | | 1 | |
| 2 | 900 061 014 02 | stud BM 10 X 22 | | 1 | |
| 3 | 999 062 008 02 | stud BM 8 X 25 | | 3 | |
| 4 | 999 062 009 02 | stud BM 8 X 28 | | 1 | |
| 5 | 905 116 002 20 | converter with starter ring not for - CARRERA 2.7- | | 1 | 911 T-E/E |
| (5) | 925 116 005 00 | converter with starter ring not for - CARRERA 2.7- | | 1 | 911 S |
| 6 | 905 116 024 11 | drive plate not for - CARRERA 2.7- | | 1 | |
| 7 | 999 067 009 01 | pan-head screw | | 6 | |
| 8 | 905 116 026 00 | 12 point socket not for - CARRERA 2,7 - | | 4 | |
| 9 | 999 113 205 40 | shaft sealing ring 26 X 37 X 7 | | 1 | |
| 10 | 900 052 095 00 | deep-groove ball bearing 6204 | | 1 | |
| 11 | 925 116 027 00 | turbine shaft | | 1 | |
| 12 | 999 012 018 00 | straight pin | | 3 | |
| 13 | 999 201 021 00 | needle sleeve HK 1210 INA | | 1 | |
| 14 | PCG 201 301 00 | shaft sealing ring 12 X 18 X 3 INA | | 1 | |

| | | | | | | | | | | | |
|-------|------|----|----|--------------|--------------|-----|-------|------------|---------|-----|---------|
| Model | Year | MG | SG | Illustration | Restrictions | UPD | 18:38 | 22.01.2010 | PORSCHE | PET | PORSCHE |
| 911 | 1973 | 3 | 06 | 306-05 | | 248 | | | | | |

| Pos | Part Number | Description | Remark | Qty | Model | Pos | Part Number | Description | Remark | Qty | Model |
|-----|------------------|--------------------------------------------|--------|-----|-------|-----|----------------|---------------------|--------|-----|-------|
| 15 | N 042 364 1 | circlip 20 X 1,75 | | 1 | | 37 | 900 157 002 02 | hexagon nut M 10 | | 2 | |
| 16 | 925 116 020 01 | free wheel lock bracket complete | | 1 | | | | | | | |
| 17 | 999 701 397 40 | o-ring OR 72 - 2,5 | | 1 | | | | | | | |
| 18 | 999 186 002 01 | pan-head screw | | 8 | | | | | | | |
| 19 | N 013 804 2 | sealing ring A 6 X 10 CU | | 8 | | | | | | | |
| 20 | 999 113 189 40 | shaft sealing ring | | 1 | | | | | | | |
| 21 | > 925 116 254 02 | clutch plate | | 1 | | | | | | | |
| 22 | 925 116 255 05 | clutch pressure plate | | 1 | | | | | | | |
| 23 | 925 116 081 00 | clutch release bearing | | 1 | | | | | | | |
| 24 | 999 067 010 01 | pan-head screw | | 6 | | | | | | | |
| 25 | N 012 026 3 | lock ring 6 | | 6 | | | | | | | |
| 26 | N 011 010 6 | hexagon nut M 10 | | 2 | | | | | | | |
| 27 | N 012 242 3 | spring washer B 10 X 18 | | 2 | | | | | | | |
| 28 | 999 504 090 00 | threaded insert heli-coil M 12 X 1,5 | | 1 | | | | | | | |
| 29 | 925 301 115 00 | screw socket | | 1 | | | | | | | |
| 30 | 900 123 060 30 | sealing ring A 24 X 29 AL | | 1 | | | | | | | |
| 31 | 905 613 102 04 | temperature switch | | 1 | | | | | | | |
| 32 | 900 123 007 30 | sealing ring A 14 X 18 AL | | 1 | | | | | | | |
| 33 | 901 641 632 00 | remote temperature sensor | | 1 | | | | | | | |
| 34 | 901 104 382 02 | cylinder head nut | | 2 | | | | | | | |
| 35 | N 012 242 3 | spring washer B 10 X 18 | | 5 | | | | | | | |
| 36 | 900 155 018 02 | hexagon-head bolt M 10 X 110 | | 1 | | | | | | | |

| | | | | | | | | | | | |
|-------|------|----|----|--------------|--------------|-----|-------|------------|---------|-----|---------|
| Model | Year | MG | SG | Illustration | Restrictions | UPD | 18:38 | 22.01.2010 | PORSCHE | PET | PORSCHE |
| 911 | 1973 | 3 | 07 | 307-00 | | 248 | | | | | |



| Pos | Part Number | Description | Remark | Qty | Model |
|-----|----------------|-----------------------------------|--------|-----|------------|
| | | transmission case sportomatic | -71 | | 911 T/E |
| 1 | 905 301 010 20 | transmission case | | 1 | |
| | | G 700 0001 >> 700 9999 | -70 | | 911.300/00 |
| | | G 710 0001 >> 710 9999 | | | 911.300/01 |
| | | G 770 0001 >> 770 3000 | | | 911.300/01 |
| | | G 730 9101 >> 730 9200 | | | 911.300/80 |
| | | G 730 9201 >> 730 9300 | | | 911.300/81 |
| | | G 730 9301 >> 730 9400 | | | 911.300/82 |
| | | G 730 9401 >> 730 9500 | | | 911.300/83 |
| | | G 730 9501 >> 730 9600 | | | 911.300/84 |
| | | G 720 0001 >> 720 9999 | | | 905.300/20 |
| 2 | 900 061 118 02 | stud BM 10 X 28 | | 2 | |
| - | 900 061 138 01 | stud BM 8 X 52 | -70 | 1 | |
| | | G 700 0001 >> 700 9999 | | | 911.300/00 |
| | | G 710 0001 >> 710 9999 | | | 911.300/01 |
| | | G 770 0001 >> 770 3000 | | | 911.300/01 |
| | | G 730 9101 >> 730 9200 | | | 911.300/80 |
| | | G 730 9201 >> 730 9300 | | | 911.300/81 |
| | | G 730 9301 >> 730 9400 | | | 911.300/82 |
| | | G 730 9401 >> 730 9500 | | | 911.300/83 |
| | | G 730 9501 >> 730 9600 | | | 911.300/84 |
| | | G 720 0001 >> 720 9999 | | | 905.300/20 |
| 3 | 900 061 012 01 | stud BM 8 X 50 | | 8 | |
| (3) | 900 061 138 01 | stud BM 8 X 52 | | 71 | |
| 4 | 900 061 007 01 | stud BM 8 X 22 | | 9 | |
| 5 | 900 061 057 01 | stud BM 8 X 15 | | 2 | |
| 6 | 900 061 004 02 | stud BM 8 X 12 | | 3 | |
| 7 | 905 302 291 00 | thrust ring | | 1 | |
| 8 | 905 116 727 00 | bush for clutch lever shaft | | 2 | |
| 9 | 905 116 707 01 | bearing pin | | 1 | |
| 10 | 999 095 102 00 | clamping pin S 5 X 12 | | 1 | |
| 11 | 905 116 813 01 | guide tube | | 1 | |

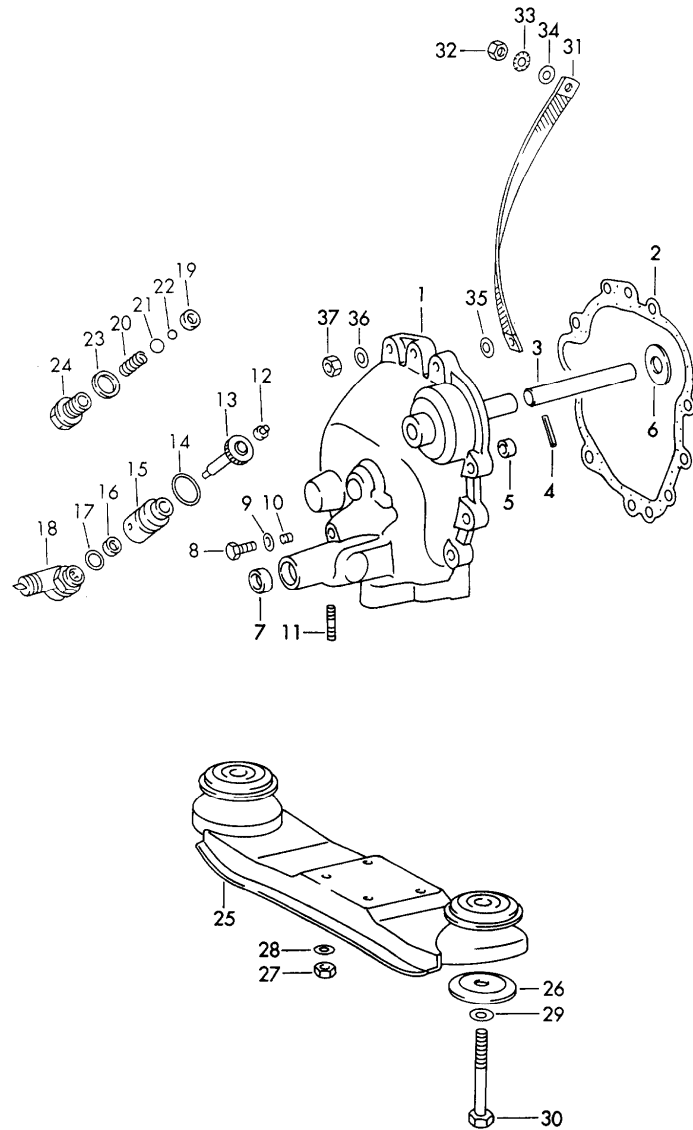
| | | | | | | | | | | | |
|-------|------|----|----|--------------|--------------|-----|-------|------------|---------|-----|---------|
| Model | Year | MG | SG | Illustration | Restrictions | UPD | 18:38 | 22.01.2010 | PORSCHE | PET | PORSCHE |
| 911 | 1973 | 3 | 07 | 307-00 | | 248 | | | | | |

| Pos | Part Number | Description | Remark | Qty | Model | Pos | Part Number | Description | Remark | Qty | Model |
|------|------------------|-----------------------------------------------|--------|-----|-------|------|------------------|-----------------------------------------------------------------------------------------------------------------------------------------------------------------------------------------------------------------------------------------------------------|--------|-----|----------------------------------------------------------------------------------------------------------------------------|
| 12 | * 999 113 286 40 | shaft sealing ring 22 X 35 X 8 | | 1 | | 29 | 999 039 001 00 | tab washer | | 4 | |
| 13 | 904 301 071 00 | bleeder | | 1 | | 30 | N 010 239 11 | hexagon-head bolt M 8 X 18 | | 4 | |
| 14 | 999 042 301 01 | circlip SB 52 | | 2 | | 31 | 901 303 241 01 | bush for gear lock detent | | 1 | |
| 15 | 999 041 305 01 | circlip SB 79 | | 1 | | 32 | 905 303 242 00 | bush for gear lock detent | | 1 | |
| 16 | * 999 113 058 50 | radial sealing ring 45 X 65 X 10 | | 2 | | 33 | 905 303 243 00 | bush for gear lock detent | | 1 | |
| 17 | * 905 301 191 00 | gasket for transmission case 0,10 MM | | X | | 34 | 914 301 307 00 | bolt for reverse lever | | 1 | |
| (17) | * 905 301 191 01 | gasket for transmission case 0,15 MM | | X | | 35 | N 012 241 1 | spring washer B 8 | | 1 | |
| (17) | * 905 301 191 02 | gasket for transmission case 0,20 MM | | X | | 36 | 905 303 136 00 | bolt | | 1 | |
| 18 | 905 303 245 02 | cam follower for switch | | 1 | | 37 | 905 301 311 11 | transmission cover lateral | | 1 | |
| 19 | 905 613 051 02 | back-up light switch | | 1 | | 38 | * 999 701 286 40 | o-ring 160 X 3 | | 1 | |
| 20 | 999 064 019 02 | screw plug | | 1 | | (38) | * 905 301 391 00 | gasket for transmission cover lateral without groove old version | | 1 | |
| 21 | 999 064 020 02 | screw plug with magnet | | 1 | | 39 | 900 076 025 02 | hexagon nut M 8 | | X | |
| 22 | 900 076 025 02 | hexagon nut M 8 | | 4 | | 40 | N 012 241 1 | spring washer B 8 X 15 | | X | |
| 23 | N 012 241 1 | spring washer B 8 X 15 | | 4 | | 41 | 905 613 101 02 | bridging switch G 700 0001 >> 700 9999 G 710 0001 >> 710 9999 G 770 0001 >> 770 3000 G 730 9101 >> 730 9200 G 730 9201 >> 730 9300 G 730 9301 >> 730 9400 G 730 9401 >> 730 9500 G 730 9501 >> 730 9600 G 720 0001 >> 720 9999 | | 1 | 911.300/00 911.300/01 911.300/01 911.300/80 911.300/81 911.300/82 911.300/83 911.300/84 905.300/20 |
| 24 | 905 301 221 01 | intermediate plate | | 1 | | | | | | | |
| 25 | 900 012 027 00 | straight pin 10 M 6 X 45 | | 2 | | | | | | | |
| 26 | 999 052 016 00 | four-point bearing | | 1 | | | | | | | |
| 27 | 999 053 025 00 | angular-contact bearing | | 1 | | | | | | | |
| 28 | 901 301 251 01 | tensioning plate | | 1 | | | | | | | |

| | | | | | | | | | | | |
|-------|------|----|----|--------------|--------------|-----|-------|------------|---------|-----|---------|
| Model | Year | MG | SG | Illustration | Restrictions | UPD | 18:38 | 22.01.2010 | PORSCHE | PET | PORSCHE |
| 911 | 1973 | 3 | 07 | 307-00 | | 248 | | | | | |

| Pos | Part Number | Description | Remark | Qty | Model | Pos | Part Number | Description | Remark | Qty | Model |
|-----|----------------|----------------------------------------------------------------------------------------------------------------------------------------------------------------------------------------------------------------------------------------------------------------------------------|--------|-----|----------------------------------------------------------------------------------------------------------------------------|-----|-------------|-------------|--------|-----|-------|
| 42 | 914 303 246 10 | cam follower for bridging switch G 700 0001 >> 700 9999 G 710 0001 >> 710 9999 G 770 0001 >> 770 3000 G 730 9101 >> 730 9200 G 730 9201 >> 730 9300 G 730 9301 >> 730 9400 G 730 9401 >> 730 9500 G 730 9501 >> 730 9600 G 720 0001 >> 720 9999 | | 1 | 911.300/00 911.300/01 911.300/01 911.300/80 911.300/81 911.300/82 911.300/83 911.300/84 905.300/20 | | | | | | |

| | | | | | | | | | | | |
|-------|------|----|----|--------------|--------------|-----|-------|------------|---------|-----|---------|
| Model | Year | MG | SG | Illustration | Restrictions | UPD | 18:39 | 22.01.2010 | PORSCHE | PET | PORSCHE |
| 911 | 1973 | 3 | 07 | 307-05 | | 248 | | | | | |

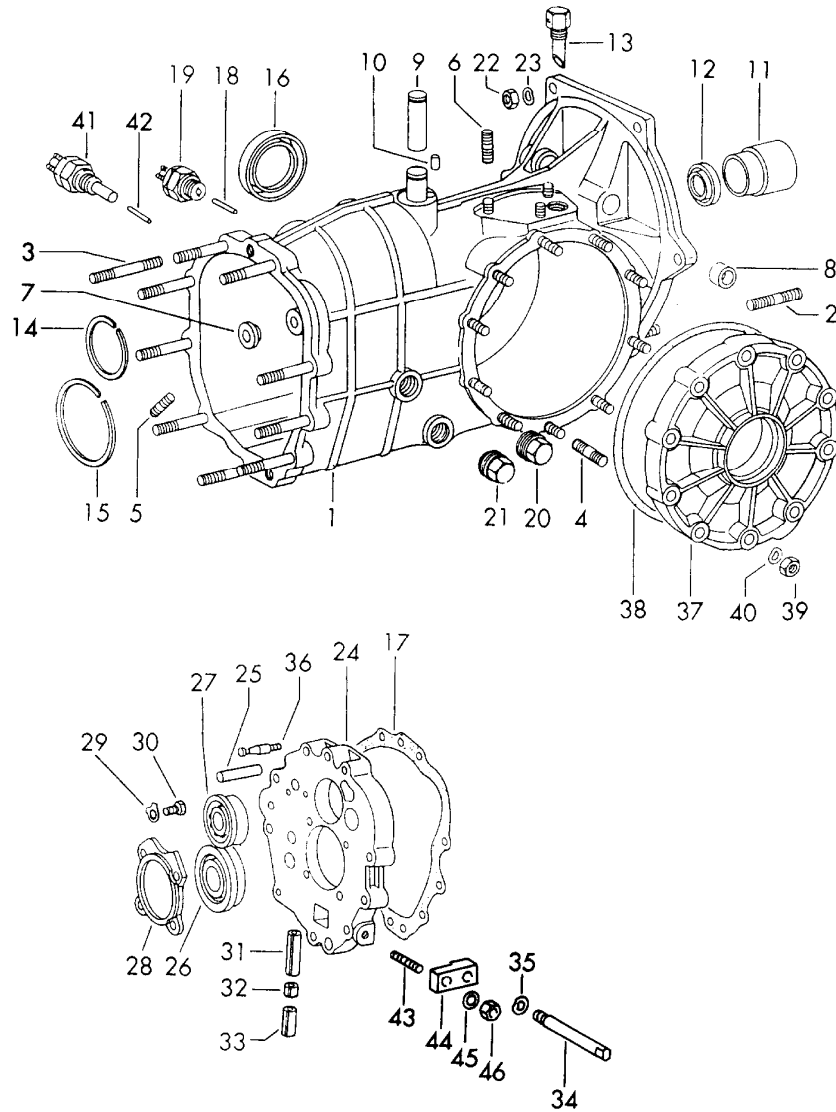


| Pos | Part Number | Description | Remark | Qty | Model |
|-----|------------------|----------------------------------------------------------------------------------------------------------------------------------------------------------------------------------------------------------------------------------------------------------------------------------------|--------|-----|----------------------------------------------------------------------------------------------------------------------------|
| | | transmission cover transmission suspension sportomatic | -71 | | 911 T/E |
| 1 | 905 301 031 20 | transmission cover complete with studs G 700 0001 >> 700 9999 G 710 0001 >> 710 9999 G 770 0001 >> 770 3000 G 730 9101 >> 730 9200 G 730 9201 >> 730 9300 G 730 9301 >> 730 9400 G 730 9401 >> 730 9500 G 739 9501 >> 730 9600 G 720 0001 >> 720 9999 | -70 | 1 | 911.300/00 911.300/01 911.300/01 911.300/80 911.300/81 911.300/82 911.300/83 911.300/84 905.300/20 |
| 2 | 905 301 392 02 | gasket for transmission cover front | | 1 | |
| 3 | 905 302 255 00 | bolt for reverse idler gear | | 1 | |
| 4 | 900 095 019 01 | tensioning sleeve 5 X 30 | | 1 | |
| 5 | 901 318 244 01 | bearing sleeve | | 1 | |
| 6 | 905 302 292 00 | thrust washer for reverse gear | | 1 | |
| 7 | * 999 113 185 40 | shaft sealing ring A 15 X 24 X 7 | | 1 | |
| 8 | 901 318 272 03 | hexagon-head bolt | | 1 | |
| 9 | 900 031 001 02 | washer 8,4 | | 1 | |
| 10 | 999 504 070 00 | threaded insert heli-coil | | 1 | |
| 11 | 900 061 057 01 | stud BM 8 X 15 | | 4 | |
| 12 | 901 318 273 01 | stop pin | | 1 | |
| 13 | 905 318 333 10 | stub shaft for speedometer drive | | 1 | |
| 14 | * 999 701 084 50 | o-ring 25,3 X 2,4 | | 1 | |

| | | | | | | | | | | | |
|-------|------|----|----|--------------|--------------|-----|-------|------------|---------|-----|---------|
| Model | Year | MG | SG | Illustration | Restrictions | UPD | 18:39 | 22.01.2010 | PORSCHE | PET | PORSCHE |
| 911 | 1973 | 3 | 07 | 307-05 | | 248 | | | | | |

| Pos | Part Number | Description | Remark | Qty | Model | Pos | Part Number | Description | Remark | Qty | Model |
|-----|------------------|--------------------------------------|--------|-----|-------|-----|----------------|---------------------------|--------|-----|-------|
| 15 | 901 318 243 12 | guide bush | | 1 | | 36 | N 012 241 1 | spring washer B 8 X 15 | | X | |
| 16 | * 999 113 036 50 | radial sealing ring BA 10 X 8 X 6 | | 1 | | 37 | 900 076 025 02 | hexagon nut M 8 | | X | |
| 17 | 914 318 261 01 | sealing washer | | 1 | | | | | | | |
| 18 | 911 318 029 00 | v-drive | | 1 | | | | | | | |
| 19 | 905 303 236 00 | washer | | 1 | | | | | | | |
| 20 | 905 303 237 00 | spring for parking lock | | 1 | | | | | | | |
| 21 | N 025 667 2 | ball for parking lock 9 MM | | 1 | | | | | | | |
| 22 | 900 108 010 00 | ball for parking lock 7 MM | | 1 | | | | | | | |
| 23 | * N 013 849 2 | sealing ring A 14 X 18 CU | | 1 | | | | | | | |
| 24 | 905 303 238 00 | screw plug | | 1 | | | | | | | |
| 25 | 905 305 031 01 | transmission carrier | | 1 | | | | | | | |
| 26 | 901 305 311 00 | seat | 71 | 4 | | | | | | | |
| 27 | 999 090 101 02 | mid-grip nut | | 4 | | | | | | | |
| 28 | 900 031 001 02 | washer 8,4 | | 4 | | | | | | | |
| 29 | 900 027 017 02 | lock ring B 12 | | 2 | | | | | | | |
| 30 | 901 305 317 00 | hexagon-head bolt | | 2 | | | | | | | |
| 31 | 999 611 918 20 | ground strap | | 1 | | | | | | | |
| 32 | 900 076 030 02 | hexagon nut M 8 | | 1 | | | | | | | |
| 33 | N 012 132 2 | shake-proof washer A 8 | | 1 | | | | | | | |
| 34 | 900 025 025 02 | washer 8,4 | | 2 | | | | | | | |
| 35 | 999 151 022 02 | washer 20 X 8,4 X 2 | | 2 | | | | | | | |

| | | | | | | | | | | | |
|-------|------|----|----|--------------|--------------|-----|-------|------------|---------|-----|---------|
| Model | Year | MG | SG | Illustration | Restrictions | UPD | 18:39 | 22.01.2010 | PORSCHE | PET | PORSCHE |
| 911 | 1973 | 3 | 07 | 307-10 | | 248 | | | | | |

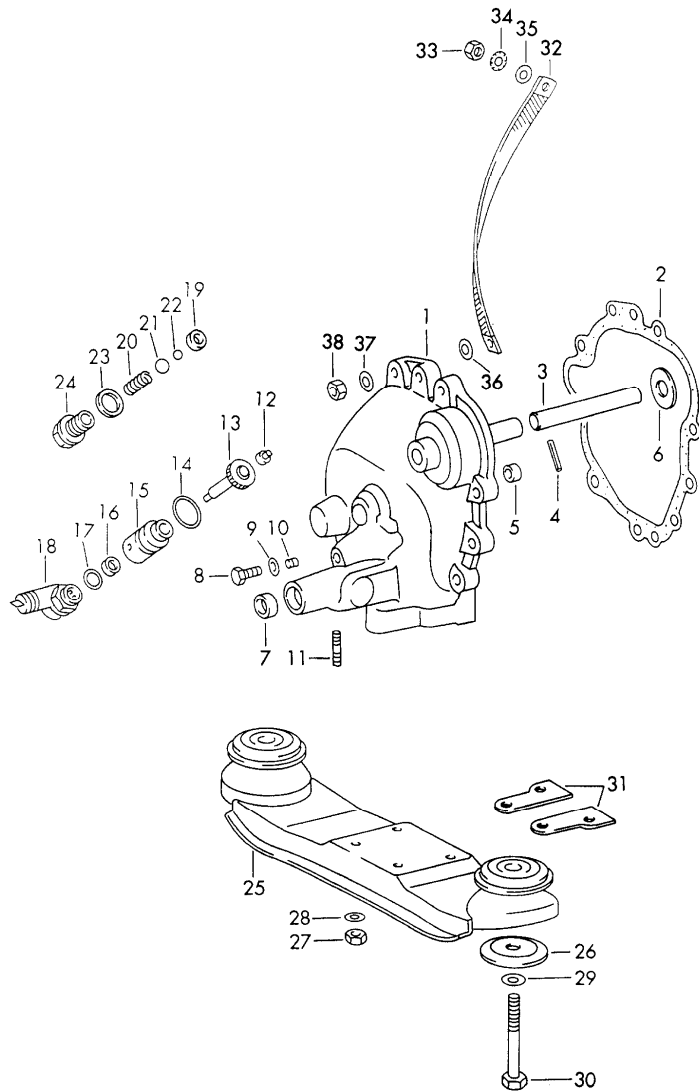


| Pos | Part Number | Description | Remark | Qty | Model |
|-----|------------------|------------------------------------------|--------|-----|---------|
| | | transmission case sportomatic TYP 905/21 | 72- | | 911 T-V |
| 1 | 905 301 010 20 | transmission case | | 1 | |
| 2 | 900 061 118 02 | stud BM 10 X 28 | | 2 | |
| 3 | 900 061 012 01 | stud BM 8 X 50 | | 8 | |
| (3) | 900 061 138 01 | stud BM 8 X 52 | | 1 | |
| 4 | 900 061 007 01 | stud BM 8 X 22 | | 9 | |
| 5 | 900 061 057 01 | stud BM 8 X 15 | | 2 | |
| 6 | 900 061 004 02 | stud BM 8 X 12 | | 3 | |
| 7 | 905 302 291 00 | thrust ring | | 1 | |
| 8 | 905 116 727 00 | bush | | 2 | |
| 9 | 905 116 707 01 | bearing pin | | 1 | |
| 10 | 999 095 102 00 | clamping pin S 5 X 12 | | 1 | |
| 11 | 905 116 813 01 | guide tube | | 1 | |
| 12 | * 999 113 286 40 | shaft sealing ring 22 X 35 X 8 | | 1 | |
| 13 | 904 301 071 00 | bleeder | | 1 | |
| 14 | 999 042 301 01 | circlip SB 52 | | 2 | |
| 15 | 999 041 305 01 | circlip SB 79 | | 1 | |
| 16 | * 999 113 058 50 | radial sealing ring 45 X 65 X 10 | | 2 | |
| 17 | * 905 301 191 00 | gasket for transmission case 0,10 MM | | X | |

| | | | | | | | | | | | |
|-------|------|----|----|--------------|--------------|-----|-------|------------|---------|-----|---------|
| Model | Year | MG | SG | Illustration | Restrictions | UPD | 18:39 | 22.01.2010 | PORSCHE | PET | PORSCHE |
| 911 | 1973 | 3 | 07 | 307-10 | | 248 | | | | | |

| Pos | Part Number | Description | Remark | Qty | Model | Pos | Part Number | Description | Remark | Qty | Model |
|------|------------------|-----------------------------------------------|--------|-----|-------|-----|------------------|----------------------------------------|--------|-----|-------|
| (17) | * 905 301 191 01 | gasket for transmission case 0,15 MM | | X | | 35 | 900 031 001 02 | washer 8,4 | | 2 | |
| (17) | * 905 301 191 02 | gasket for transmission case 0,20 MM | | X | | 36 | 905 303 136 00 | bolt | | 1 | |
| 18 | 905 303 245 02 | cam follower for switch | | 1 | | 37 | 905 301 311 11 | transmission cover lateral | | 1 | |
| 19 | 905 613 051 02 | back-up light switch | | 1 | | 38 | * 999 701 286 40 | o-ring 160 X 3 | | 1 | |
| 20 | 999 064 019 02 | screw plug | | 1 | | 39 | 900 076 025 02 | hexagon nut M 8 | | X | |
| 21 | 999 064 020 02 | screw plug with magnet | | 1 | | 40 | N 012 241 1 | spring washer B 8 X 15 | | X | |
| 22 | 900 076 025 02 | hexagon nut M 8 | | 4 | | 41 | 905 613 101 02 | bridging switch | | 1 | |
| 23 | N 012 241 1 | spring washer B 8 X 15 | | 4 | | 42 | 914 303 246 10 | cam follower for bridging switch | | 1 | |
| 24 | 905 301 221 01 | intermediate plate | | 1 | | 43 | 905 301 351 00 | stud | | 1 | |
| 25 | 900 012 027 00 | straight pin 10 M 6 X 45 | | 2 | | 44 | 905 423 321 00 | intermediate piece | | 1 | |
| 26 | 999 052 016 00 | four-point bearing | | 1 | | 45 | 900 025 007 02 | washer 8,4 | | 1 | |
| 27 | 999 053 025 00 | angular-contact bearing | | 1 | | 46 | 999 090 101 02 | mid-grip nut | | 1 | |
| 28 | 901 301 251 01 | tensioning plate | | 2 | | | | | | | |
| 29 | 999 039 001 00 | tab washer | | 4 | | | | | | | |
| 30 | N 010 239 11 | hexagon-head bolt M 8 X 18 | | 4 | | | | | | | |
| 31 | 901 303 241 01 | bush for gear lock detent | | 1 | | | | | | | |
| 32 | 905 303 242 00 | bush for gear lock detent | | 1 | | | | | | | |
| 33 | 905 303 243 00 | bush for gear lock detent | | 1 | | | | | | | |
| 34 | 914 301 307 00 | bolt | | 1 | | | | | | | |

| | | | | | | | | | | | |
|-------|------|----|----|--------------|--------------|-----|-------|------------|---------|-----|---------|
| Model | Year | MG | SG | Illustration | Restrictions | UPD | 18:39 | 22.01.2010 | PORSCHE | PET | PORSCHE |
| 911 | 1973 | 3 | 07 | 307-15 | | 248 | | | | | |

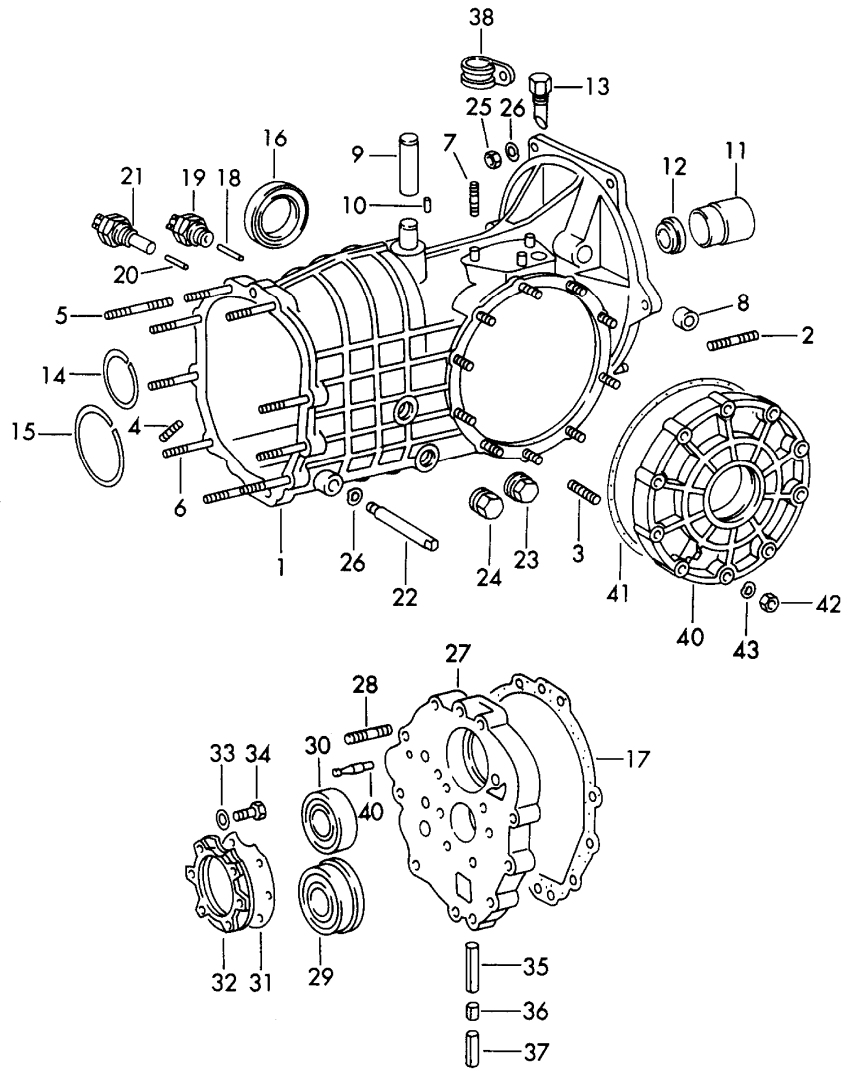


| Pos | Part Number | Description | Remark | Qty | Model |
|-----|------------------|----------------------------------------------------------------------------|--------|-----|---------|
| | | transmission cover transmission suspension sportomatic TYP 905/21 | 72- | | 911 T-V |
| 1 | 905 301 031 20 | transmission cover complete | | 1 | |
| 2 | 905 301 392 02 | gasket for transmission cover front | | 1 | |
| 3 | 905 302 255 00 | bolt for reverse idler gear | | 1 | |
| 4 | 900 095 019 01 | tensioning sleeve 5 X 30 | | 1 | |
| 5 | 901 318 244 01 | bearing sleeve | | 1 | |
| 6 | 905 302 292 00 | thrust washer | | 1 | |
| 7 | * 999 113 185 40 | shaft sealing ring B 15 X 24 X 7 | | 1 | |
| 8 | 901 318 272 03 | hexagon-head bolt | | 1 | |
| 9 | 900 031 001 02 | washer 8,4 | | 1 | |
| 10 | 999 504 070 00 | threaded insert heli-coil | | 1 | |
| 11 | 900 061 057 01 | stud BM 8 X 15 | | 4 | |
| 12 | 901 318 273 01 | stop pin for reverse gear | | 1 | |
| 13 | 905 318 333 10 | stub shaft for speedometer drive | | 1 | |
| 14 | * 999 701 084 50 | o-ring 25,3 X 2,4 | | 1 | |
| 15 | 901 318 243 12 | guide bush | | 1 | |
| 16 | * 999 113 036 50 | radial sealing ring BA 10 X 8 X 6 | | 1 | |
| 17 | * 914 318 261 01 | sealing washer | | 1 | |
| 18 | 911 318 029 00 | v-drive | | 1 | |

| | | | | | | | | | | | |
|-------|------|----|----|--------------|--------------|-----|-------|------------|---------|-----|---------|
| Model | Year | MG | SG | Illustration | Restrictions | UPD | 18:39 | 22.01.2010 | PORSCHE | PET | PORSCHE |
| 911 | 1973 | 3 | 07 | 307-15 | | 248 | | | | | |

| Pos | Part Number | Description | Remark | Qty | Model | Pos | Part Number | Description | Remark | Qty | Model |
|-----|----------------|-------------------------------------|--------|-----|-------|-----|-------------|-------------|--------|-----|-------|
| 19 | 905 303 236 00 | washer | | 1 | | | | | | | |
| 20 | 905 303 237 00 | spring for parking lock | | 1 | | | | | | | |
| 21 | N 025 667 2 | ball for parking lock 9 MM | | 1 | | | | | | | |
| 22 | 900 108 010 00 | ball for parking lock 7 MM | | 1 | | | | | | | |
| 23 | N 013 849 2 | sealing ring A 14 X 18 CU | | 1 | | | | | | | |
| 24 | 905 303 238 00 | screw plug | | 1 | | | | | | | |
| 25 | 905 305 031 01 | transmission carrier | | 1 | | | | | | | |
| 26 | 901 305 311 00 | seat | | 4 | | | | | | | |
| 27 | 999 090 101 02 | mid-grip nut | | 4 | | | | | | | |
| 28 | 900 031 001 02 | washer 8,4 | | 4 | | | | | | | |
| 29 | 900 027 017 02 | lock ring B 12 | | 2 | | | | | | | |
| 30 | 901 305 317 00 | hexagon-head bolt | | 2 | | | | | | | |
| 31 | 901 375 311 00 | plate | | 2 | | | | | | | |
| 32 | 999 611 918 20 | ground strap | | 1 | | | | | | | |
| 33 | 900 076 030 02 | hexagon nut M 8 | | 1 | | | | | | | |
| 34 | N 012 132 2 | shake-proof washer A 8 | | 1 | | | | | | | |
| 35 | 900 025 025 02 | washer 8,4 | | 2 | | | | | | | |
| 36 | 999 151 022 02 | washer 20 X 8,4 X 2 | | 2 | | | | | | | |
| 37 | N 012 241 1 | spring washer B 8 X 15 | | X | | | | | | | |
| 38 | 900 076 025 02 | hexagon nut M 8 | | X | | | | | | | |

| | | | | | | | | | | | |
|-------|------|----|----|--------------|--------------|-----|-------|------------|---------|-----|---------|
| Model | Year | MG | SG | Illustration | Restrictions | UPD | 18:39 | 22.01.2010 | PORSCHE | PET | PORSCHE |
| 911 | 1973 | 3 | 07 | 307-20 | | 248 | | | | | |

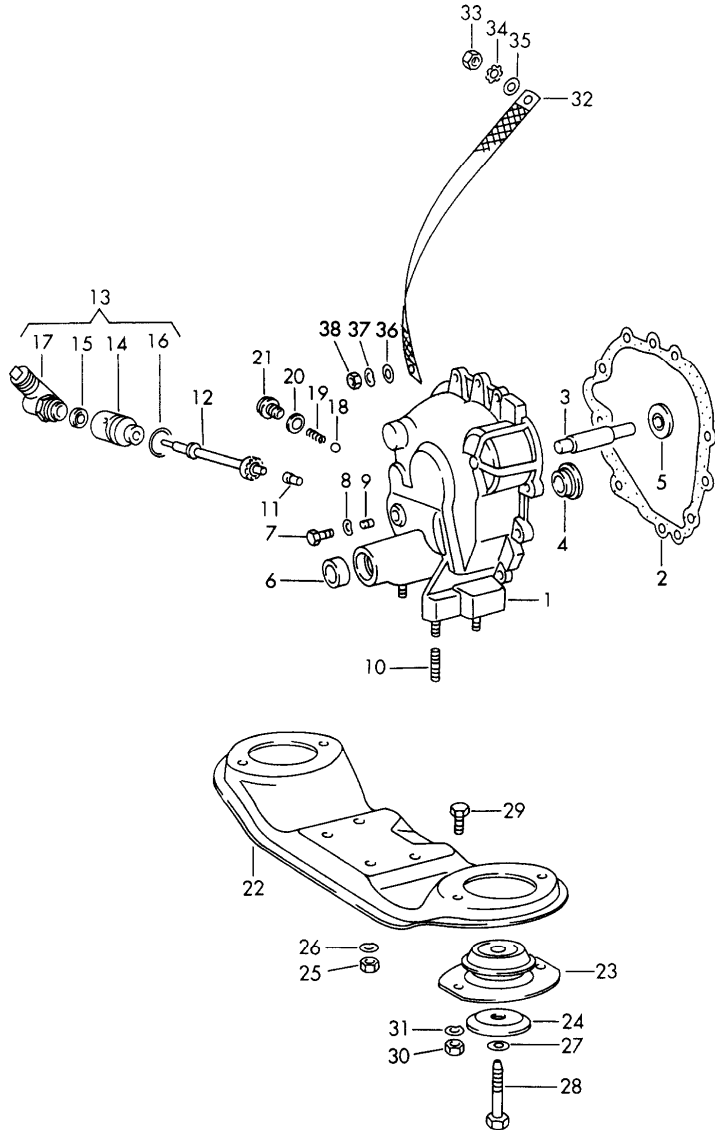


| Pos | Part Number | Description | Remark | Qty | Model |
|-----|------------------|---------------------------------------|--------|-----|---------------------------------------|
| | | transmission case sportomatic TYP 925 | 72- | | 911 T-E/E/S CARRERA 2.7 911 T-K |
| 1 | 925 301 010 10 | transmission case complete with studs | | 1 | |
| 2 | 900 061 118 02 | stud BM 10 X 28 | | 2 | |
| 3 | 999 062 008 02 | stud BM 8 X 25 | | 10 | |
| 4 | 900 061 057 02 | stud BM 8 X 15 | | 2 | |
| 5 | 900 061 070 02 | stud BM 8 X 55 | | 8 | |
| 6 | 900 061 050 02 | stud BM 8 X 60 | | 1 | |
| 7 | 900 061 004 02 | stud BM 8 X 12 | | 3 | |
| 8 | 905 116 727 00 | bush for clutch lever shaft | | 2 | |
| 9 | 905 116 707 01 | bearing pin | | 1 | |
| 10 | 900 309 017 00 | spiral clamping pin 5 X 12 | | 1 | |
| 11 | 905 116 813 01 | guide tube | | 1 | |
| 12 | * 999 113 286 40 | shaft sealing ring | | 1 | |
| 13 | 904 301 071 00 | bleeder | | 1 | |
| 14 | 999 042 301 01 | circlip SB 52 | | 3 | |
| 15 | 999 041 305 01 | circlip SB 79 | | 1 | |
| 16 | * 999 113 183 40 | radial shaft seal 45 X 68 X 10 | | 2 | |
| 17 | * 925 301 191 00 | gasket for transmission case 0,10 MM | | X | |

| | | | | | | | | | | | |
|-------|------|----|----|--------------|--------------|-----|-------|------------|---------|-----|---------|
| Model | Year | MG | SG | Illustration | Restrictions | UPD | 18:39 | 22.01.2010 | PORSCHE | PET | PORSCHE |
| 911 | 1973 | 3 | 07 | 307-20 | | 248 | | | | | |

| Pos | Part Number | Description | Remark | Qty | Model | Pos | Part Number | Description | Remark | Qty | Model |
|------|------------------|-----------------------------------------------|--------|-----|-------|-----|------------------|---------------------------------|--------|-----|-------|
| (17) | * 925 301 191 01 | gasket for transmission case 0,15 MM | | X | | 35 | 901 303 241 01 | bush for gear lock detent | | 1 | |
| (17) | * 925 301 191 02 | gasket for transmission case 0,20 MM | | X | | 36 | 905 303 242 00 | bush for gear lock detent | | 1 | |
| 18 | 905 303 245 02 | cam follower for switch | | 1 | | 37 | 905 303 243 00 | bush for gear lock detent | | 1 | |
| 19 | 905 613 051 02 | back-up light switch | | 1 | | 38 | N 020 607 1 | clamp | | 1 | |
| 20 | 914 303 246 10 | cam follower for bridging switch | | 1 | | 39 | 905 303 136 00 | bolt | | 1 | |
| 21 | 905 613 101 02 | bridging switch | | 1 | | 40 | 925 301 311 01 | transmission cover lateral | | 1 | |
| 22 | 914 301 307 00 | bolt for reverse lever | | 1 | | 41 | * 999 701 376 40 | o-ring 170 X 3,5 | | 1 | |
| 23 | 999 064 019 02 | screw plug | | 1 | | 42 | 999 090 101 02 | mid-grip nut | | X | |
| 24 | 999 064 020 02 | screw plug with magnet | | 1 | | 43 | 900 031 001 02 | washer 8,4 | | X | |
| 25 | 999 090 101 02 | mid-grip nut | | 4 | | | | | | | |
| 26 | 900 031 001 02 | washer 8,4 | | 5 | | | | | | | |
| 27 | 925 301 221 00 | intermediate plate | | 1 | | | | | | | |
| 28 | 900 012 027 00 | straight pin 10 M 6 X 40 | | 2 | | | | | | | |
| 29 | 999 052 016 00 | four-point bearing | | 1 | | | | | | | |
| 30 | 900 052 096 00 | deep-groove ball bearing 6306 | | 1 | | | | | | | |
| 31 | 925 301 255 00 | plate | | 1 | | | | | | | |
| 32 | 925 301 035 00 | tensioning plate | | 1 | | | | | | | |
| 33 | 900 025 007 02 | washer 8,4 | | 6 | | | | | | | |
| 34 | 900 075 083 02 | hexagon-head bolt M 8 X 35 | | 4 | | | | | | | |

| | | | | | | | | | | | |
|-------|------|----|----|--------------|--------------|-----|-------|------------|---------|-----|---------|
| Model | Year | MG | SG | Illustration | Restrictions | UPD | 18:39 | 22.01.2010 | PORSCHE | PET | PORSCHE |
| 911 | 1973 | 3 | 07 | 307-25 | | 248 | | | | | |

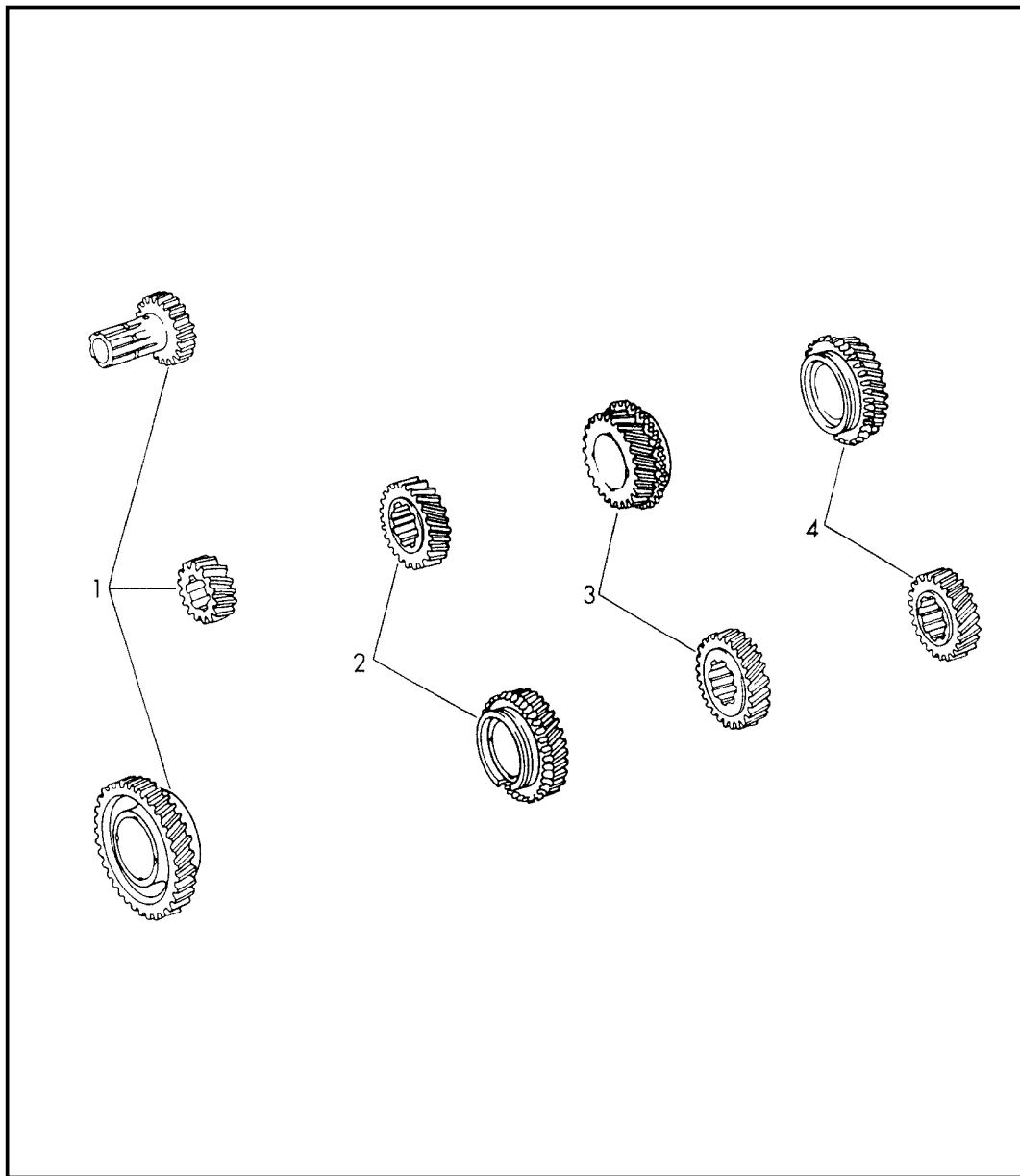


| Pos | Part Number | Description | Remark | Qty | Model |
|-----|------------------|-------------------------------------------------------------------------|--------|-----|--------------------------------------|
| | | transmission cover transmission suspension sportomatic TYP 925 | 72- | | 911 T-E/E/S CARRERA 2.7 911T-K |
| 1 | 925 301 031 02 | transmission cover front | | 1 | |
| 2 | * 925 301 392 00 | gasket | | 1 | |
| 3 | 925 302 255 00 | bolt for reverse idler gear | | 1 | |
| 4 | 925 302 292 00 | thrust washer | | 1 | |
| 5 | 925 302 291 00 | thrust washer | | 1 | |
| 6 | * 999 113 185 40 | shaft sealing ring A 15 X 24 X 7 | | 1 | |
| 7 | 901 318 272 03 | hexagon-head bolt | | 1 | |
| 8 | 900 031 001 02 | washer 8,4 | | 1 | |
| 9 | 999 504 070 00 | threaded insert heli-coil M 8 X 10 | | 1 | |
| 10 | 999 062 006 02 | stud BM 8 X 20 | | 4 | |
| 11 | 915 318 339 00 | bearing sleeve | | 1 | |
| 12 | 925 318 031 05 | shaft | | 1 | |
| 13 | 925 318 045 00 | speedometer drive complete | | 1 | |
| 14 | 915 318 341 20 | guide bush | | 1 | |
| 15 | * 999 113 175 40 | shaft sealing ring 6 X 15 X 6 | | 1 | |
| 16 | * 999 701 084 50 | o-ring 25,3 X 2,4 | | 1 | |
| 17 | 925 318 029 01 | v-drive | | 1 | |
| 18 | N 025 667 2 | ball for parking lock 9 MM | | 1 | |

| | | | | | | | | | | | |
|-------|------|----|----|--------------|--------------|-----|-------|------------|---------|-----|---------|
| Model | Year | MG | SG | Illustration | Restrictions | UPD | 18:39 | 22.01.2010 | PORSCHE | PET | PORSCHE |
| 911 | 1973 | 3 | 07 | 307-25 | | 248 | | | | | |

| Pos | Part Number | Description | Remark | Qty | Model | Pos | Part Number | Description | Remark | Qty | Model |
|-----|------------------|-------------------------------|--------|-----|-------|-----|-------------|-------------|--------|-----|-------|
| 19 | 905 303 237 00 | spring for parking lock | | 1 | | | | | | | |
| 20 | * 900 123 007 30 | sealing ring A 14 X 18 AL | | 1 | | | | | | | |
| 21 | 925 303 238 00 | screw plug | | 1 | | | | | | | |
| 22 | 911 375 033 01 | transmission carrier | | 1 | | | | | | | |
| 23 | 911 375 043 00 | bearing | | 2 | | | | | | | |
| 24 | 901 305 311 00 | seat | | 2 | | | | | | | |
| 25 | 999 090 101 02 | mid-grip nut | | 4 | | | | | | | |
| 26 | 900 031 001 02 | washer 8,4 | | 4 | | | | | | | |
| 27 | 900 027 017 02 | lock ring B 12 | | 2 | | | | | | | |
| 28 | 901 305 317 00 | hexagon-head bolt | | 2 | | | | | | | |
| 29 | 900 075 087 02 | hexagon-head bolt M 8 X 16 | | 4 | | | | | | | |
| 30 | 900 076 025 02 | hexagon nut M 8 | | 4 | | | | | | | |
| 31 | 900 027 015 02 | lock ring B 8 | | 4 | | | | | | | |
| 32 | 999 611 918 20 | ground strap | | 1 | | | | | | | |
| 33 | 900 076 030 02 | hexagon nut M 8 | | 1 | | | | | | | |
| 34 | N 012 132 2 | shake-proof washer A 8,4 | | 1 | | | | | | | |
| 35 | 900 025 025 02 | washer 8,4 | | 1 | | | | | | | |
| 36 | 999 151 022 02 | washer 20 X 8,4 X 2 | | 2 | | | | | | | |
| 37 | 900 031 001 02 | washer 8,4 | | X | | | | | | | |
| 38 | 999 090 101 02 | mid-grip nut | | X | | | | | | | |

| | | | | | | | | | | | |
|-------|------|----|----|--------------|--------------|-----|-------|------------|---------|-----|---------|
| Model | Year | MG | SG | Illustration | Restrictions | UPD | 18:40 | 22.01.2010 | PORSCHE | PET | PORSCHE |
| 911 | 1973 | 3 | 08 | 308-00 | | 248 | | | | | |

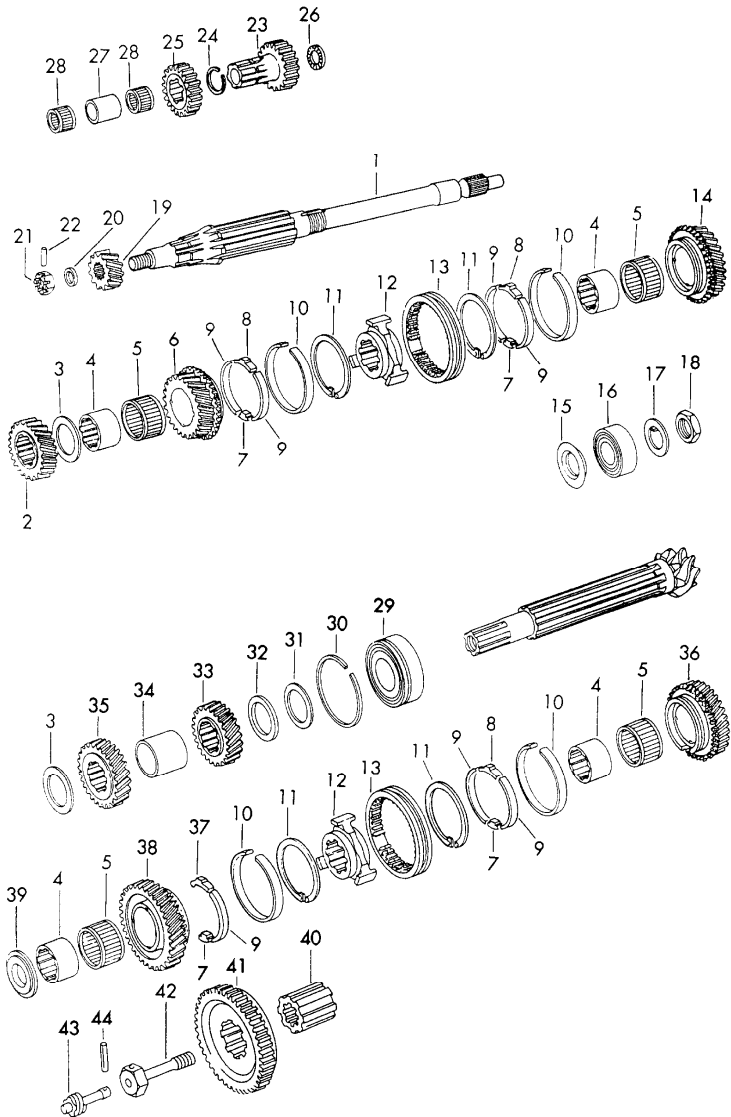


| Pos | Part Number | Description | Remark | Qty | Model |
|-----|----------------|--------------------------------------------------------------------------------------------------------------------|------------|-----|----------------------|
| | | gear wheel sets for 4-speed transmission sportomatic | -71 72- | | 911 T/E/S 911 T-V |
| | | gear wheel sets for TYP 905/13 | -70 | | 911 T/E/S |
| 1 | 905 302 906 10 | gear set 1st gear Z = 15:36 (C) wheel 2 for reverse gear fixed gear wheel loose gear wheel | | 1 | |
| 2 | 905 302 907 00 | gear wheel pair 2nd gear Z = 19:31 (HB) fixed gear wheel loose gear wheel | | 1 | |
| 3 | 901 302 910 10 | gear wheel pair 3rd gear Z = 23:28 (O) fixed gear wheel loose gear wheel | | 1 | |
| 4 | 904 302 930 10 | gear wheel pair 4th speed Z = 27:25 (V) fixed gear wheel loose gear wheel | | 1 | |
| | | gear wheel sets for TYP 905.300/20 + TYP 905.300/21 | -71 72- | | 911 T/E/S 911 T-V |
| 1 | 905 302 906 10 | gear set 1st gear Z = 15:36 (C) wheel 2 for reverse gear fixed gear wheel loose gear wheel | | 1 | |

| | | | | | | | | | | | |
|-------|------|----|----|--------------|--------------|-----|-------|------------|---------|-----|---------|
| Model | Year | MG | SG | Illustration | Restrictions | UPD | 18:40 | 22.01.2010 | PORSCHE | PET | PORSCHE |
| 911 | 1973 | 3 | 08 | 308-00 | | 248 | | | | | |

| Pos | Part Number | Description | Remark | Qty | Model | Pos | Part Number | Description | Remark | Qty | Model |
|-----|----------------|---------------------------------------------------------------------------------------|--------|-----|-------|-----|-------------|-------------|--------|-----|-------|
| 2 | 901 302 908 10 | gear wheel pair 2nd gear Z = 20:31 (I) fixed gear wheel loose gear wheel | | 1 | | | | | | | |
| 3 | 904 302 920 10 | gear wheel pair 3rd gear Z = 24:27 (Q) fixed gear wheel loose gear wheel | | 1 | | | | | | | |
| 4 | 904 302 924 10 | gear wheel pair 4th speed Z = 28:24 (X) fixed gear wheel loose gear wheel | | 1 | | | | | | | |

| | | | | | | | | | | | |
|-------|------|----|----|--------------|--------------|-----|-------|------------|---------|-----|---------|
| Model | Year | MG | SG | Illustration | Restrictions | UPD | 18:40 | 22.01.2010 | PORSCHE | PET | PORSCHE |
| 911 | 1973 | 3 | 08 | 308-05 | | 248 | | | | | |

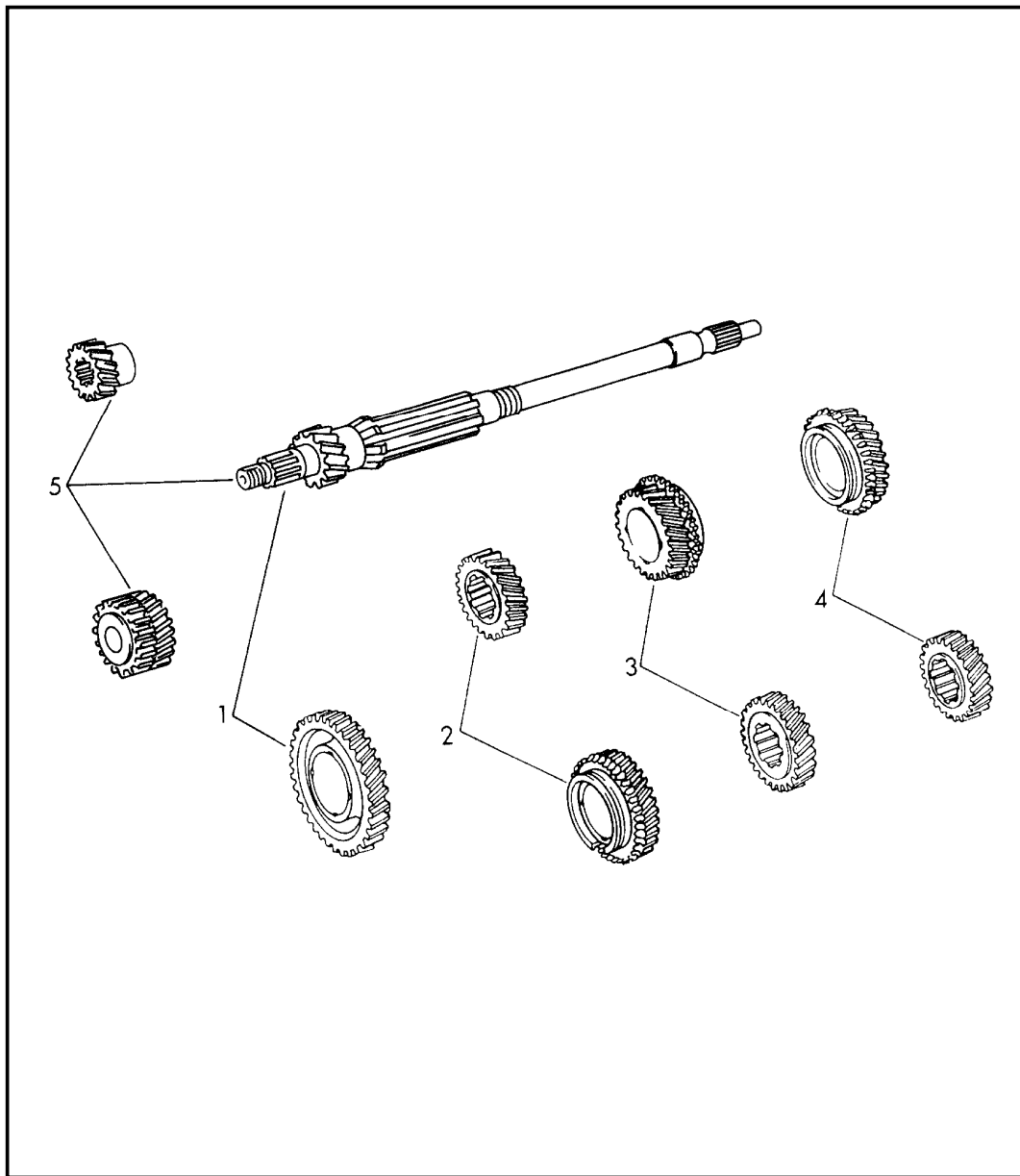


| Pos | Part Number | Description | Remark | Qty | Model |
|------|------------------|----------------------------------------------|-------------------|-----|-----------------------------|
| | | gears and shafts sportomatic | -70 -71 72- | | 911 S 911 T/E 911 T-V |
| | | gear wheel sets see group 3/08/00 | | | |
| 1 | 905 302 101 00 | drive shaft | | 1 | |
| 2 | * --- --- --- -- | fixed gear wheel 2nd gear | | 1 | |
| 3 | 901 302 294 01 | thrust washer | | 2 | |
| 4 | 901 302 261 01 | bush for needle-roller bearing 1.- 4th speed | | 4 | |
| 5 | 999 201 104 00 | needle cage 1.- 4th speed | | 4 | |
| (5) | 999 201 470 00 | needle cage 1.- 4th speed | 72- | 4 | 911 T VERGASER |
| 6 | * --- --- --- -- | loose gear wheel 3rd gear | | 1 | |
| 7 | 911 302 317 01 | stop 1.- 4th speed | | 4 | |
| 8 | 911 302 315 00 | stone 2.- 4th speed | | 3 | |
| 9 | 911 302 316 00 | brake band 1.- 4th speed | | 7 | |
| 10 | 925 302 301 02 | synchroniser ring 1.- 4th speed | | 4 | |
| 11 | 911 302 311 01 | circlip 1.- 4th speed | | 4 | |
| (11) | 911 302 311 01 | circlip 1.- 4th speed | 72- | 4 | 911 T VERGASER |

| | | | | | | | | | | | |
|-------|------|----|----|--------------|--------------|-----|-------|------------|---------|-----|---------|
| Model | Year | MG | SG | Illustration | Restrictions | UPD | 18:40 | 22.01.2010 | PORSCHE | PET | PORSCHE |
| 911 | 1973 | 3 | 08 | 308-05 | | 248 | | | | | |

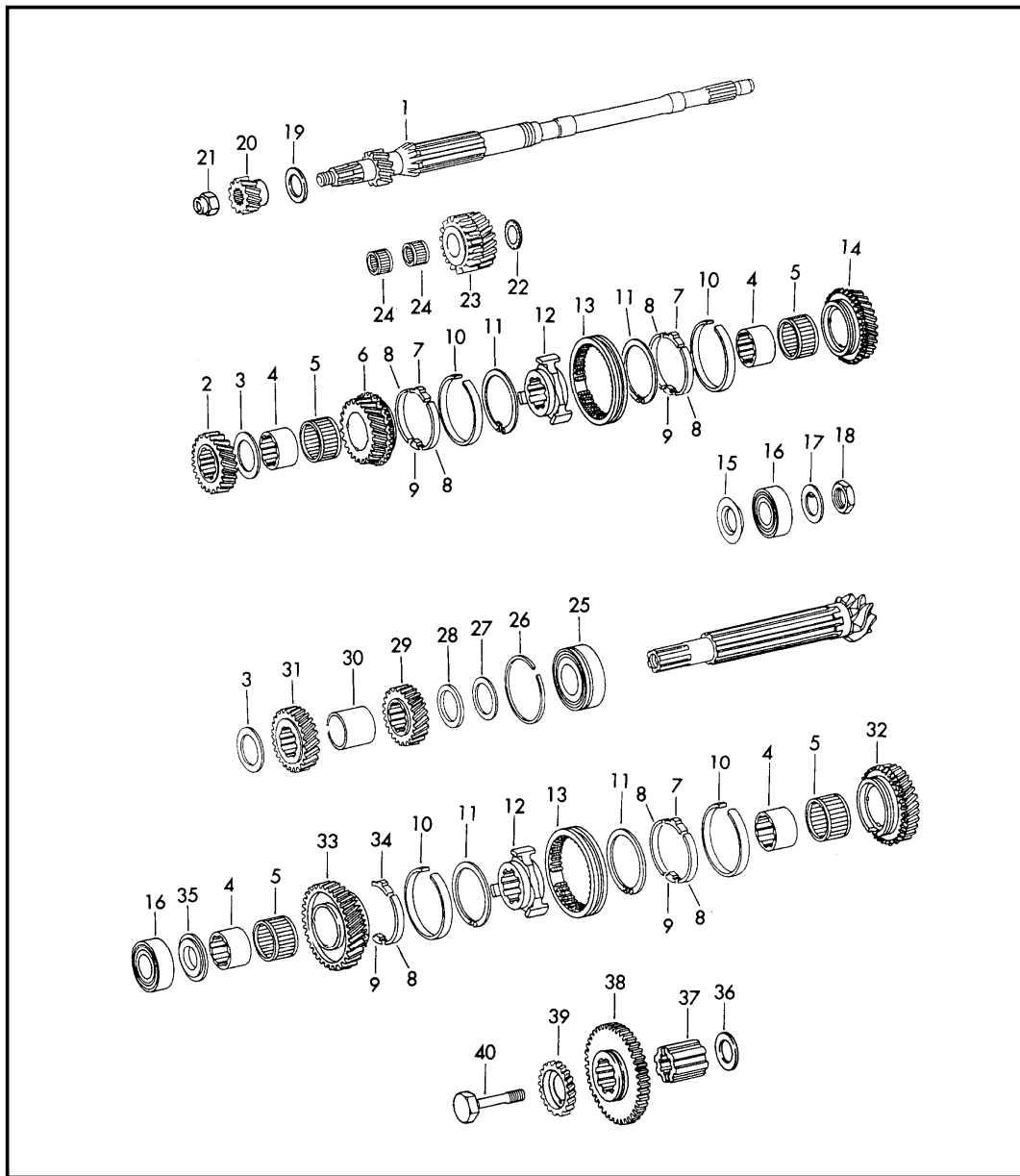
| Pos | Part Number | Description | Remark | Qty | Model | Pos | Part Number | Description | Remark | Qty | Model |
|-----|------------------|--------------------------------------------|--------|-----|-------|------|------------------|-------------------------------------|--------|-----|-------|
| 12 | 901 302 402 02 | guide sleeve 2. - 4th speed | | 2 | | 31 | 901 302 297 01 | adjusting shim 0,25 MM | | X | |
| 13 | 911 302 411 10 | shift sleeve 1. - 4th speed | | 2 | | (31) | 901 302 297 11 | adjusting shim 0,30 MM | | X | |
| 14 | * --- --- --- -- | loose gear wheel 4th speed | | 1 | | (31) | 901 302 297 21 | adjusting shim 0,40 MM | | X | |
| 15 | 901 302 268 01 | spacer | | 1 | | 32 | 901 302 298 01 | spacer | | 1 | |
| 16 | 999 110 008 00 | cylindrical-roller bearing | | 1 | | 33 | * --- --- --- -- | fixed gear wheel 4th speed | | 1 | |
| 17 | 999 038 001 00 | tab washer | | 1 | | 34 | 901 302 265 01 | spacer sleeve | | 1 | |
| 18 | 999 183 001 00 | hexagon nut M 24 X 1,5 | | 1 | | 35 | * --- --- --- -- | fixed gear wheel 3rd gear | | 1 | |
| 19 | * --- --- --- -- | fixed gear wheel 1st gear | | 1 | | 36 | * --- --- --- -- | loose gear wheel 2nd gear | | 1 | |
| 20 | 999 031 067 00 | washer | | 1 | | 37 | 901 302 318 02 | stone for 1st gear | | 1 | |
| 21 | 999 079 011 02 | castle nut | | 1 | | 38 | * --- --- --- -- | loose gear wheel 1st gear | | 1 | |
| 22 | 900 309 004 00 | roll pin 3 X 18 | | 1 | | 39 | 901 302 269 01 | thrust washer | | 1 | |
| 23 | * --- --- --- -- | gear wheel II for reverse gear | | 1 | | 40 | 905 302 257 00 | spline shaft sleeve | | 1 | |
| 24 | 999 041 309 01 | circlip | | 1 | | 41 | 905 302 224 02 | sliding gear for reverse gear | | 1 | |
| 25 | 905 302 223 00 | gear wheel III for reverse gear | | 1 | | 42 | 901 302 271 01 | elastic bolt | | 1 | |
| 26 | 999 202 003 00 | needle-roller bearing | | 1 | | 43 | 905 318 331 10 | shaft | | 1 | |
| 27 | 905 302 265 00 | spacer sleeve for reverse idler gear | | 1 | | 44 | 900 197 002 00 | tensioning sleeve 4 X 28 | | 1 | |
| 28 | 999 201 106 00 | needle cage INA K 14 X 18 X 15 | | 2 | | | | | | | |
| 29 | 999 110 007 00 | cylindrical-roller bearing | | 1 | | | | | | | |
| 30 | 900 111 002 00 | circlip SP 72 | | 1 | | | | | | | |

| | | | | | | | | | | | |
|-------|------|----|----|--------------|--------------|-----|-------|------------|---------|-----|---------|
| Model | Year | MG | SG | Illustration | Restrictions | UPD | 18:40 | 22.01.2010 | PORSCHE | PET | PORSCHE |
| 911 | 1973 | 3 | 08 | 308-10 | | 248 | | | | | |



| Pos | Part Number | Description | Remark | Qty | Model |
|-----|----------------|---------------------------------------------------------------------------------------|--------|-----|---------------------------------------|
| | | gear wheel sets 4-speed transmission sportomatic | 72- | | 911 T-E/E/S CARRERA 2.7 911 T-K |
| | | gear wheel sets 925.300/00 925.300/01 | | | |
| 1 | 925 302 901 00 | gear set 1st gear Z = 15:36 (C) drive shaft loose gear wheel | | 1 | |
| 2 | 901 302 908 10 | gear wheel pair 2nd gear Z = 20:31 (I) loose gear wheel fixed gear wheel | | 1 | |
| 3 | 904 302 920 10 | gear wheel pair 3rd gear Z = 24:27 (Q) loose gear wheel fixed gear wheel | | 1 | |
| 4 | 904 302 924 10 | gear wheel pair 4th speed Z = 28:24 (X) loose gear wheel fixed gear wheel | | 1 | |
| 5 | 925 302 912 00 | gear set reverse gear gear wheel I reverse idler gear | | 1 | |

| | | | | | | | | | | | |
|-------|------|----|----|--------------|--------------|-----|-------|------------|---------|-----|---------|
| Model | Year | MG | SG | Illustration | Restrictions | UPD | 18:40 | 22.01.2010 | PORSCHE | PET | PORSCHE |
| 911 | 1973 | 3 | 08 | 308-15 | | 248 | | | | | |

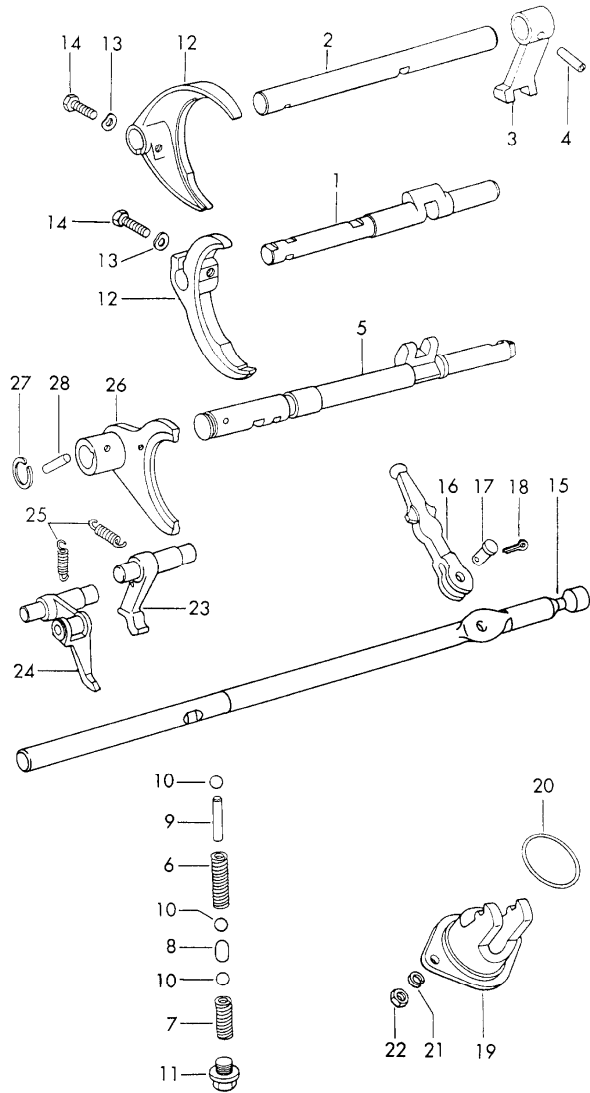


| Pos | Part Number | Description | Remark | Qty | Model |
|-----|------------------|-----------------------------------|--------|-----|-------|
| | | gears and shafts sportomatic | 72- | | |
| | | gear wheel sets see group 3/08/10 | | | |
| 1 | * --- --- --- -- | drive shaft | | 1 | |
| 2 | * --- --- --- -- | fixed gear wheel 2nd gear | | 1 | |
| 3 | 901 302 294 01 | thrust washer | | 2 | |
| 4 | 901 302 261 01 | bush | | 4 | |
| 5 | 999 201 470 00 | needle cage | | 4 | |
| 6 | * --- --- --- -- | loose gear wheel 3rd gear | | 1 | |
| 7 | 911 302 315 00 | stone 2. - 4th speed | | 3 | |
| 8 | 911 302 316 00 | brake band | | 7 | |
| 9 | 911 302 317 01 | stop | | 4 | |
| 10 | 925 302 301 02 | synchroniser ring | | 4 | |
| 11 | 911 302 311 01 | circlip | | 4 | |
| 12 | 901 302 402 02 | guide sleeve | | 2 | |
| 13 | 911 302 411 10 | shift sleeve | | 2 | |
| 14 | * --- --- --- -- | loose gear wheel 4th speed | | 1 | |
| 15 | 925 302 270 00 | thrust washer | | 1 | |
| 16 | 999 110 008 00 | cylindrical-roller bearing | | 2 | |
| 17 | 999 038 001 00 | tab washer | | 1 | |
| 18 | 999 183 001 00 | hexagon nut | | 4 | |
| 19 | 925 302 259 00 | spacer ring | | 1 | |
| 20 | * --- --- --- -- | gear wheel I for reverse gear | | 1 | |
| 21 | 925 302 283 00 | collar nut | | 1 | |

| | | | | | | | | | | | |
|-------|------|----|----|--------------|--------------|-----|-------|------------|---------|-----|---------|
| Model | Year | MG | SG | Illustration | Restrictions | UPD | 18:40 | 22.01.2010 | PORSCHE | PET | PORSCHE |
| 911 | 1973 | 3 | 08 | 308-15 | | 248 | | | | | |

| Pos | Part Number | Description | Remark | Qty | Model | Pos | Part Number | Description | Remark | Qty | Model |
|------|------------------|-------------------------------------|--------|-----|-------|-----|-------------|-------------|--------|-----|-------|
| 22 | 999 202 001 00 | axial needle bearing cage | | 1 | | | | | | | |
| 23 | * --- --- --- -- | reverse idler gear | | 1 | | | | | | | |
| 24 | 999 201 106 00 | needle cage | | 2 | | | | | | | |
| 25 | 999 110 007 00 | cylindrical-roller bearing | | 1 | | | | | | | |
| 26 | 900 111 002 00 | circlip SP 72 | | 1 | | | | | | | |
| 27 | 901 302 297 01 | adjusting shim 0,25 MM | | X | | | | | | | |
| (27) | 901 302 297 11 | adjusting shim 0,30 MM | | X | | | | | | | |
| (27) | 901 302 297 21 | adjusting shim 0,40 MM | | X | | | | | | | |
| 28 | 925 302 299 00 | spacer ring | | 1 | | | | | | | |
| 29 | * --- --- --- -- | fixed gear wheel 4th speed | | 1 | | | | | | | |
| 30 | 901 302 265 01 | spacer sleeve | | 1 | | | | | | | |
| 31 | * --- --- --- -- | fixed gear wheel 3rd gear | | 1 | | | | | | | |
| 32 | * --- --- --- -- | loose gear wheel 2nd gear | | 1 | | | | | | | |
| 33 | * --- --- --- -- | loose gear wheel 1st gear | | 1 | | | | | | | |
| 34 | 901 302 318 02 | stone 1st gear | | 1 | | | | | | | |
| 35 | 901 302 268 01 | spacer | | 1 | | | | | | | |
| 36 | 925 302 281 00 | spacer | | 1 | | | | | | | |
| 37 | 925 302 257 00 | spline shaft sleeve | | 1 | | | | | | | |
| 38 | 925 302 224 00 | sliding gear for reverse gear | | 1 | | | | | | | |
| 39 | 925 318 331 01 | drive wheel for speedometer | | 1 | | | | | | | |
| 40 | 925 302 271 00 | elastic bolt | | 1 | | | | | | | |

| | | | | | | | | | | | |
|-------|------|----|----|--------------|--------------|-----|-------|------------|---------|-----|---------|
| Model | Year | MG | SG | Illustration | Restrictions | UPD | 18:40 | 22.01.2010 | PORSCHE | PET | PORSCHE |
| 911 | 1973 | 3 | 09 | 309-00 | | 248 | | | | | |

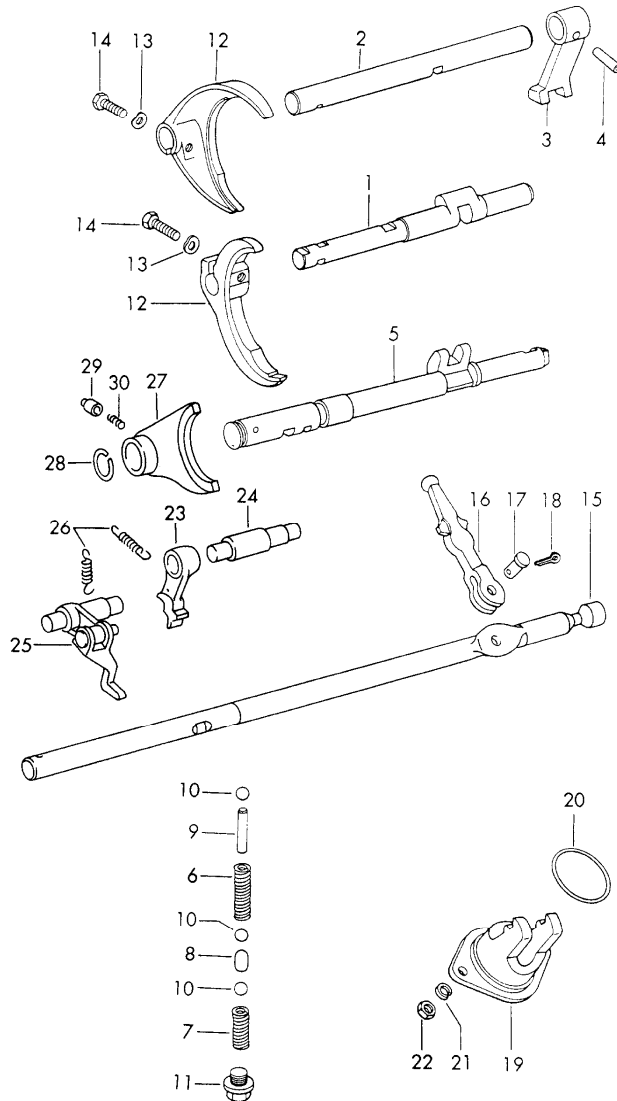


| Pos | Part Number | Description | Remark | Qty | Model |
|-----|----------------|--------------------------------------------------------------------|--------|-----|---------|
| | | shift rods | -71 | | 911 T/E |
| | | shift forks | 72- | | 911 T-V |
| | | TYP 905 | | | |
| | | sportomatic | | | |
| 1 | 901 303 101 01 | gear shift rod 1st/2nd gear | | 1 | |
| 2 | 901 303 103 01 | gear shift rod 3rd/4th gear | | 1 | |
| 3 | 901 303 161 01 | contact | | 1 | |
| 4 | 900 309 003 00 | roll pin 5 X 24 | | 1 | |
| 5 | 905 303 141 03 | gear shift rod for reverse gear | | 1 | |
| 6 | 901 303 232 01 | compression spring for gear lock detent 1. - 4th speed | | 1 | |
| 7 | 905 303 232 01 | compression spring for gear lock detent reverse gear | | 1 | |
| 8 | 905 303 211 00 | detent for gear lock detent | | 1 | |
| 9 | 901 303 271 01 | pin for gear lock detent | | 1 | |
| 10 | N 025 667 2 | ball 9 MM | | 3 | |
| 11 | 999 065 001 02 | screw plug | | 1 | |
| 12 | 901 303 111 01 | shift fork for forward speed | | 2 | |
| 13 | N 012 241 1 | spring washer B 8 X 15 | | 2 | |
| 14 | 900 075 083 02 | hexagon-head bolt M 8 X 25 | | 2 | |

| | | | | | | | | | | | |
|-------|------|----|----|--------------|--------------|-----|-------|------------|---------|-----|---------|
| Model | Year | MG | SG | Illustration | Restrictions | UPD | 18:40 | 22.01.2010 | PORSCHE | PET | PORSCHE |
| 911 | 1973 | 3 | 09 | 309-00 | | 248 | | | | | |

| Pos | Part Number | Description | Remark | Qty | Model | Pos | Part Number | Description | Remark | Qty | Model |
|------|------------------|----------------------------------------------------------------------------------------------------------------------------------------------------------------------------------------------------------------------------------------------------------|--------|-----|----------------------------------------------------------------------------------------------------------------------------|-----|-------------|-------------|--------|-----|-------|
| 15 | 905 303 132 20 | gear shift rod G 700 0001 >> 700 9999 G 730 0001 >> 710 9999 G 770 0001 >> 770 3000 G 730 9101 >> 730 9200 G 730 9201 >> 730 9300 G 730 9301 >> 730 9400 G 730 9401 >> 730 9500 G 730 9501 >> 730 9600 G 720 0001 >> 720 9999 | -70 | 1 | 911.300/00 911.300/01 911.300/01 911.300/80 911.300/81 911.300/82 911.300/83 911.300/84 905.300/20 | | | | | | |
| 16 | 901 303 133 01 | shift lever | | 1 | | | | | | | |
| 17 | 901 303 171 01 | bolt | | 1 | | | | | | | |
| 18 | N 012 512 1 | cotter pin 2 X 12 | | 1 | | | | | | | |
| 19 | 911 303 129 00 | fork | | 1 | | | | | | | |
| 20 | * 999 701 359 40 | o-ring | | 1 | | | | | | | |
| (20) | * 901 303 191 01 | gasket for fork old version | | 1 | | | | | | | |
| 21 | 900 027 015 02 | lock ring B 8 | | 2 | | | | | | | |
| 22 | 900 076 025 02 | hexagon nut M 8 | | 2 | | | | | | | |
| 23 | 905 303 013 00 | stop for gear lock detent | | 1 | | | | | | | |
| 24 | 905 303 015 00 | lever for parking lock | | 1 | | | | | | | |
| 25 | 905 303 235 00 | tension spring | | 2 | | | | | | | |
| 26 | 905 303 151 04 | shift fork for reverse gear | | 1 | | | | | | | |
| 27 | 999 041 301 01 | circlip SW 18 | | 1 | | | | | | | |
| 28 | 905 303 149 00 | bolt | | 1 | | | | | | | |

| | | | | | | | | | | | |
|-------|------|----|----|--------------|--------------|-----|-------|------------|---------|-----|---------|
| Model | Year | MG | SG | Illustration | Restrictions | UPD | 18:41 | 22.01.2010 | PORSCHE | PET | PORSCHE |
| 911 | 1973 | 3 | 09 | 309-05 | | 248 | | | | | |



| Pos | Part Number | Description | Remark | Qty | Model |
|-----|----------------|--------------------------------------------------------------------|--------|-----|----------------------------|
| | | shift rods shift forks TYP 925 sportomatic | 72- | | 911 T-E/E/S CARRERA 2.7 |
| 1 | 901 303 101 01 | gear shift rod 1st/2nd gear | | 1 | |
| 2 | 901 303 103 01 | gear shift rod 3rd/4th gear | | 1 | |
| 3 | 901 303 161 01 | contact | | 1 | |
| 4 | 900 309 003 00 | roll pin 5 X 24 | | 1 | |
| 5 | 925 303 141 01 | gear shift rod for reverse gear | | 1 | |
| 6 | 901 303 232 01 | compression spring for gear lock detent 1. - 4th speed | | 1 | |
| 7 | 905 303 232 01 | compression spring for gear lock detent reverse gear | | 1 | |
| 8 | 905 303 211 00 | detent for gear lock detent | | 1 | |
| 9 | 901 303 271 01 | pin for gear lock detent | | 1 | |
| 10 | N 025 667 2 | ball 9 MM | | 3 | |
| 11 | 999 065 004 02 | screw plug | | 1 | |
| 12 | 901 303 111 01 | shift fork for forward speed | | 2 | |
| 13 | N 012 241 1 | spring washer B 8 X 15 | | 2 | |
| 14 | 900 075 083 02 | hexagon-head bolt M 8 X 25 | | 2 | |
| 15 | 905 303 132 20 | gear shift rod | | 1 | |
| 16 | 901 303 133 01 | shift lever | | 1 | |

| | | | | | | | | | | | |
|-------|------|----|----|--------------|--------------|-----|-------|------------|---------|-----|---------|
| Model | Year | MG | SG | Illustration | Restrictions | UPD | 18:41 | 22.01.2010 | PORSCHE | PET | PORSCHE |
| 911 | 1973 | 3 | 09 | 309-05 | | 248 | | | | | |

| Pos | Part Number | Description | Remark | Qty | Model | Pos | Part Number | Description | Remark | Qty | Model |
|-----|------------------|-----------------------------------|--------|-----|-------|-----|-------------|-------------|--------|-----|-------|
| 17 | 901 303 171 01 | bolt | | 1 | | | | | | | |
| 18 | N 012 512 1 | cotter pin 2 X 12 | | 1 | | | | | | | |
| 19 | 911 303 129 00 | fork | | 1 | | | | | | | |
| 20 | * 999 701 359 40 | o-ring OR 40 X 1,5 | | 1 | | | | | | | |
| 21 | 900 027 015 02 | lock ring B 8 | | 2 | | | | | | | |
| 22 | 900 076 025 02 | hexagon nut M 8 | | 2 | | | | | | | |
| 23 | 925 303 137 01 | stop for gear lock detent | | 1 | | | | | | | |
| 24 | 925 303 138 00 | shaft | | 1 | | | | | | | |
| 25 | 925 303 015 02 | lever for parking lock | | 1 | | | | | | | |
| 26 | 905 303 235 00 | tension spring | | 2 | | | | | | | |
| 27 | 925 303 151 00 | shift fork for reverse gear | | 1 | | | | | | | |
| 28 | 999 041 301 01 | circlip SW 18 | | 1 | | | | | | | |
| 29 | 925 303 149 01 | locking bolt | | 1 | | | | | | | |
| 30 | 925 303 148 01 | spring | | 1 | | | | | | | |

| | | | | | | | | |
|-------|------|----|----|--------------|--------------|-----|-------|------------|
| Model | Year | MG | SG | Illustration | Restrictions | UPD | 18:41 | 22.01.2010 |
| 911 | 1973 | 3 | 98 | 398-00R | | 248 | | |

| Pos | Part Number | Description | Remark | Qty | Model |
|-----|------------------|----------------------------------------------------------------------------------------------------------------------------------------------------------------------------------------------------------------------------------------|--------|-----|--------------------|
| >> | >>901 300 010 06 | replacement transmission repair kits gasket set transmission complete 901/06 1st gear Z = 11:34 2nd gear Z = 19:31 3rd gear Z = 25:26 4th speed Z = 29:23 with differential normal | -70 | 1 | 911 T/E 911 S:M |
| >> | >>901 300 012 07 | transmission complete 901/07 not available replacement transmission 901.300/13 901 300 012 13 | -70 | 1 | 911 E/S 911 T:M |
| >> | >>901 300 012 75 | transmission complete 901/75 1st gear Z = 14:37 2nd gear Z = 18:32 3rd gear Z = 22:29 4th speed Z = 26:26 5th gear Z = 28:23 with differential normal | -70 | 1 | 911 T/S/E:M |
| << | 901 300 012 76 | transmission complete 901/76 1st gear Z = 12:34 2nd gear Z = 17:34 3rd gear Z = 20:31 4th speed Z = 22:29 5th gear Z = 23:28 with differential normal | -70 | 1 | 911 T/E/S:M |

| | | | | | | | | |
|-------|------|----|----|--------------|--------------|-----|-------|------------|
| Model | Year | MG | SG | Illustration | Restrictions | UPD | 18:41 | 22.01.2010 |
| 911 | 1973 | 3 | 98 | 398-00R | | 248 | | |

| Pos | Part Number | Description | Remark | Qty | Model |
|-----|------------------|----------------------------------------------------------------------------------------------------------------------------------------------------------------------------------------------------|--------|-----|-------------|
| >> | >>901 300 012 77 | transmission complete 901/77 1st gear Z = 12:34 2nd gear Z = 18:34 3rd gear Z = 21:31 4th speed Z = 23:28 5th gear Z = 25:26 with differential normal | -70 | 1 | 911 T/E/S:M |
| >> | >>901 300 012 78 | transmission complete 901/78 1st gear Z = 15:36 2nd gear Z = 20:32 3rd gear Z = 23:28 4th speed Z = 26:26 5th gear Z = 28:23 with differential normal | -70 | 1 | 911 T/E/S:M |
| >> | >>901 300 012 79 | transmission complete 901/79 1st gear Z = 14:37 2nd gear Z = 20:32 3rd gear Z = 22:29 4th speed Z = 25:27 5th gear Z = 27:25 with differential normal | -70 | 1 | 911 T/E/S:M |
| >> | >>901 300 901 00 | gasket set for transmission with chilled casting comprising: | -70 | 1 | 911 T/E/S |
| - | 999 113 058 50 | radial sealing ring 45 X 65 X 10 | | 2 | |

PORSCHE

PET

PORSCHE

| | | | | | | | | |
|-------|------|----|----|--------------|--------------|-----|-------|------------|
| Model | Year | MG | SG | Illustration | Restrictions | UPD | 18:41 | 22.01.2010 |
| 911 | 1973 | 3 | 98 | 398-00R | | 248 | | |

| Pos | Part Number | Description | Remark | Qty | Model |
|-----|----------------|------------------------------------------------|--------|-----|-------|
| - | 900 112 001 50 | radial sealing ring B 15 X 24 X 7 | | 1 | |
| - | 999 111 001 00 | shaft sealing ring 15 X 24 X 7 | | 1 | |
| - | 901 301 191 01 | gasket for transmission case 0,1 MM | | 2 | |
| - | 901 301 191 02 | gasket for transmission case 0,15 MM | | 2 | |
| - | 901 301 191 03 | gasket for transmission case 0,2 MM | | 2 | |
| - | 999 113 048 50 | sealing frame | | 1 | |
| - | 900 123 009 30 | sealing ring A 18 X 24 AL | | 2 | |
| - | 999 113 036 50 | radial sealing ring | | 1 | |
| - | 999 701 084 50 | o-ring 25,3 - 2,4 | | 1 | |
| - | 901 301 392 01 | gasket for transmission cover | | 1 | |
| - | 901 301 391 01 | gasket for transmission cover lateral | | 1 | |
| - | 900 123 011 30 | sealing ring A 22 X 27 AL | | 1 | |
| - | 901 303 191 01 | gasket | | 1 | |
| - | 901 116 773 01 | sealing washer | | 1 | |

| | | | | | | | | |
|-------|------|----|----|--------------|--------------|-----|-------|------------|
| Model | Year | MG | SG | Illustration | Restrictions | UPD | 18:41 | 22.01.2010 |
| 911 | 1973 | 3 | 98 | 398-00R | | 248 | | |

| Pos | Part Number | Description | Remark | Qty | Model |
|-----|------------------|--------------------------------------------------------------------------------------------------------------------------------------------------------------------------------------------------------|--------|-----|-----------|
| >> | >>901 300 012 80 | transmission complete 901.300/80 1st gear Z = 14:37 2nd gear Z = 18:32 3rd gear Z = 22:29 4th speed Z = 26:26 5th gear Z = 28:23 with differential normal | -70 | 1 | 911 T/E/S |
| >> | >>901 300 012 81 | transmission complete 901.300/81 1st gear Z = 12:34 2nd gear Z = 17:34 3rd gear Z = 20:31 4th speed Z = 22:29 5th gear Z = 23:28 with differential normal | -70 | 1 | 911 T/E/S |
| >> | >>901 300 012 82 | transmission complete 901.300/82 1st gear Z = 12:34 2nd gear Z = 18:34 3rd gear Z = 21:31 4th speed Z = 23:28 5th gear Z = 25:26 with differential normal | -70 | 1 | 911 T/E/S |

| | | | | | | | | |
|-------|------|----|----|--------------|--------------|-----|-------|------------|
| Model | Year | MG | SG | Illustration | Restrictions | UPD | 18:41 | 22.01.2010 |
| 911 | 1973 | 3 | 98 | 398-00R | | 248 | | |

| Pos | Part Number | Description | Remark | Qty | Model |
|-----|------------------|--------------------------------------------------------------------------------------------------------------------------------------------------------------------------------------------------------|--------|-----|-----------|
| >> | >>901 300 012 83 | transmission complete 901.300/83 1st gear Z = 15:36 2nd gear Z = 20:32 3rd gear Z = 23:28 4th speed Z = 26:26 5th gear Z = 28:23 with differential normal | -70 | 1 | 911 T/E/S |
| >> | >>901 300 012 84 | transmission complete 901.300/84 1st gear Z = 14:37 2nd gear Z = 20:32 3rd gear Z = 22:29 4th speed Z = 25:27 5th gear Z = 27:25 with differential normal | -70 | 1 | 911 T/E/S |
| >> | >>911 300 010 00 | transmission complete 911.300/00 1st gear Z = 11:34 2nd gear Z = 19:31 3rd gear Z = 25:26 4th speed Z = 29:22 with differential normal | -71 | 1 | 911 T |

| | | | | | | | | |
|-------|------|----|----|--------------|--------------|-----|-------|------------|
| Model | Year | MG | SG | Illustration | Restrictions | UPD | 18:41 | 22.01.2010 |
| 911 | 1973 | 3 | 98 | 398-00R | | 248 | | |

| Pos | Part Number | Description | Remark | Qty | Model |
|-----|------------------|--------------------------------------------------------------------------------------------------------------------------------------------------------------------------------------------------------|--------|-----|--------------------|
| >> | >>911 300 012 01 | transmission complete 911.300/01 1st gear Z = 11:34 2nd gear Z = 18:32 3rd gear Z = 23:28 4th speed Z = 27:25 5th gear Z = 29:22 with differential normal | -71 | 1 | 911 E/S 911 T:M |
| >> | >>911 300 012 80 | transmission complete 911.300/80 1st gear Z = 14:37 2nd gear Z = 18:32 3rd gear Z = 22:29 4th speed Z = 26:26 5th gear Z = 28:23 with differential normal | -71 | 1 | 911 S COUPE |
| >> | >>911 300 012 81 | transmission complete 911.300/81 1st gear Z = 12:34 2nd gear Z = 17:34 3rd gear Z = 20:31 4th speed Z = 22:29 5th gear Z = 23:28 with differential normal | -71 | 1 | 911 S COUPE |

| | | | | | | | | |
|-------|------|----|----|--------------|--------------|-----|-------|------------|
| Model | Year | MG | SG | Illustration | Restrictions | UPD | 18:41 | 22.01.2010 |
| 911 | 1973 | 3 | 98 | 398-00R | | 248 | | |

| Pos | Part Number | Description | Remark | Qty | Model |
|-----|------------------|--------------------------------------------------------------------------------------------------------------------------------------------------------------------------------------------------------|--------|-----|----------------|
| >> | >>911 300 012 82 | transmission complete 911.300/82 1st gear Z = 12:34 2nd gear Z = 18:34 3rd gear Z = 21:31 4th speed Z = 23:28 5th gear Z = 25:26 with differential normal | -71 | 1 | 911 S COUPE |
| >> | >>911 300 012 83 | transmission complete 911.300/83 1st gear Z = 15:36 2nd gear Z = 20:32 3rd gear Z = 23:28 4th speed Z = 26:26 5th gear Z = 28:23 with differential normal | -71 | 1 | 911 S COUPE |
| >> | >>911 300 012 84 | transmission complete 911.300/84 1st gear Z = 14:37 2nd gear Z = 20:32 3rd gear Z = 22:29 4th speed Z = 25:27 5th gear Z = 27:25 with differential normal | -71 | 1 | 911 S COUPE |

| | | | | | | | | |
|-------|------|----|----|--------------|--------------|-----|-------|------------|
| Model | Year | MG | SG | Illustration | Restrictions | UPD | 18:41 | 22.01.2010 |
| 911 | 1973 | 3 | 98 | 398-00R | | 248 | | |

| Pos | Part Number | Description | Remark | Qty | Model |
|-----|------------------|--------------------------------------------------------------------------------------------------------------------------------------------------------------------------------------------------------|-----------|-----|--------------------|
| >> | >>911 300 012 01 | transmission complete 911.300/01 1st gear Z = 11:34 2nd gear Z = 18:32 3rd gear Z = 23:28 4th speed Z = 27:25 5th gear Z = 29:22 with differential normal | 71 | 1 | 911 E/S 911 T:M |
| >> | >>901 300 916 00 | gasket set for transmission from die casting housing comprising: | -71 | 1 | 911 T/E/S |
| - | 999 113 185 40 | shaft sealing ring shaft sealing ring A 15 X 24 X 7 | -70 71 | 1 | |
| - | 901 301 191 21 | gasket for transmission case 0,1 MM | | 1 | |
| - | 901 301 191 22 | gasket for transmission case 0,15 MM | | 1 | |
| - | 901 301 191 23 | gasket for transmission case 0,2 MM | | 1 | |
| - | 999 113 048 50 | radial sealing ring 20 X 40 X 16 | | 1 | |
| - | 999 113 036 50 | radial sealing ring BA 10 X 18 X 6 | | 1 | |
| - | 999 701 084 50 | o-ring OR 25,3-2,4 | | 1 | |
| - | 901 303 191 01 | gasket | -70 | 1 | |
| - | 999 113 130 50 | radial sealing ring DG-FG 45 X 68 X 10 | | 2 | |

| | | | | | | | | |
|-------|------|----|----|--------------|--------------|-----|-------|------------|
| Model | Year | MG | SG | Illustration | Restrictions | UPD | 18:41 | 22.01.2010 |
| 911 | 1973 | 3 | 98 | 398-00R | | 248 | | |

| Pos | Part Number | Description | Remark | Qty | Model |
|-----|------------------|----------------------------------------------------------------------------------------------------------------------------------------------------------------------------------------------------------------------------------|--------|-----|-----------------------------------|
| - | 901 301 392 12 | gasket for transmission cover | | 1 | |
| - | 113 301 185 A | gasket for transmission cover lateral 177 X 3,5 | | 1 | |
| - | 901 303 191 01 | gasket for fork old version | 71 | 1 | |
| - | 999 701 359 40 | o-ring OR 40 X 1,5 | | 1 | |
| >> | >>915 300 010 12 | transmission complete ready for installation 915.300/12 1st gear Z = 11:35 2nd gear Z = 18:32 3rd gear Z = 24:27 4th speed Z = 28:23 with differential normal | 72- | 1 | 911 T-E/E/S 911 T-V 911 T-K |
| >> | >>915 300 010 02 | transmission complete ready for installation 915.300/02 1st gear Z = 11:35 2nd gear Z = 18:33 3rd gear Z = 23:29 4th speed Z = 26:25 5th gear Z = 29:22 with differential normal | | 1 | 911 T-E/E/S 911 T-V 911 T-K |

| | | | | | | | | |
|-------|------|----|----|--------------|--------------|-----|-------|------------|
| Model | Year | MG | SG | Illustration | Restrictions | UPD | 18:41 | 22.01.2010 |
| 911 | 1973 | 3 | 98 | 398-00R | | 248 | | |

| Pos | Part Number | Description | Remark | Qty | Model |
|-----|------------------|---------------------------------------------------------------------------------------------------------------------------------------------------------------------------------------------------------------------------------------------------------------------|--------|-----|-------------|
| >> | >>915 300 010 18 | 4-speed transmission with oil pump complete ready for installation TYP 915.300/18 1st gear Z = 11:35 2nd gear Z = 20:32 3rd gear Z = 25:26 4th speed Z = 29:22 with differential normal | 72- | 1 | CARRERA 2.7 |
| >> | >>915 300 010 08 | 5-speed transmission with oil pump complete ready for installation TYP 915.300/08 1st gear Z = 11:35 2nd gear Z = 18:33 3rd gear Z = 23:29 4th speed Z = 27:25 5th gear Z = 29:21 with differential normal | 72- | 1 | CARRERA 2.7 |
| >> | >>915 300 911 00 | gasket set for transmission TYP 915 without oil pump | 72- | 1 | |
| - | 915 301 139 00 | sealing ring | | 1 | |
| - | 999 113 183 40 | radial shaft seal 45 X 68 X 10 | | 2 | |
| - | 999 113 182 40 | shaft sealing ring 23 X 40 X 10 | | 1 | |
| - | 915 302 381 00 | shaft sealing ring 23 X 35 X 8/11 | | 1 | |
| - | 999 701 392 40 | o-ring OR 195 X 3,5 | | 1 | |

| | | | | | | | | |
|-------|------|----|----|--------------|--------------|-----|-------|------------|
| Model | Year | MG | SG | Illustration | Restrictions | UPD | 18:41 | 22.01.2010 |
| 911 | 1973 | 3 | 98 | 398-00R | | 248 | | |

| Pos | Part Number | Description | Remark | Qty | Model |
|-----|------------------|----------------------------------------------------------------------------------------------------------------------------------------------------------------------------------------------|--------|-----|---------|
| - | 915 301 191 00 | gasket | | 1 | |
| - | 900 123 066 30 | sealing ring A 10 X 16 AL | | 2 | |
| - | 999 113 185 40 | shaft sealing ring 15 X 24 X7 | | 1 | |
| - | 999 701 349 40 | o-ring 17,5 X 2,4 | | 1 | |
| - | 999 113 175 40 | shaft sealing ring 6 X 15 X 6 | | 1 | |
| - | 915 301 351 00 | gasket | | 1 | |
| - | 999 701 169 40 | o-ring 14,3 X 2,4 | | 1 | |
| - | 915 303 225 00 | gasket for transmission with oil pump gaskets group 3/02/30 order | | 1 | |
| >> | >>905 300 010 13 | transmission with converter ready for installation 905/13 sportomatic 1st gear Z = 15:36 2nd gear Z = 19:31 3rd gear Z = 23:28 4th speed Z = 27:25 | -70 | 1 | 911 T/E |
| >> | >>905 300 010 20 | transmission complete 905.300/20 sportomatic 1st gear Z = 15:36 2nd gear Z = 20:31 3rd gear Z = 24:27 4th speed Z = 28:24 with differential normal | -71 | 1 | 911 T/E |

| | | | | | | | | |
|-------|------|----|----|--------------|--------------|-----|-------|------------|
| Model | Year | MG | SG | Illustration | Restrictions | UPD | 18:41 | 22.01.2010 |
| 911 | 1973 | 3 | 98 | 398-00R | | 248 | | |

| Pos | Part Number | Description | Remark | Qty | Model |
|-----|------------------|-----------------------------------------------------------------|------------|-----|--------------------|
| >> | >>905 300 902 00 | gasket set for sportomatic transmission comprising: | -71 72- | 1 | 911 T/E 911 T-V |
| - | PCG 113 071 50 | radial shaft seal 25 X 35 X 6 | | 1 | |
| - | PCG 201 301 00 | shaft sealing ring 12 X 18 X 3 | | 1 | |
| - | 999 113 189 40 | shaft sealing ring 45 X 60 X 7 | | 1 | |
| - | 900 123 019 20 | sealing ring A 16 X 22 CU | | 1 | |
| - | 900 123 007 30 | sealing ring A 14 X 18 AL | | 2 | |
| - | 999 113 286 40 | shaft sealing ring 22 X 35 X 8 | | 1 | |
| - | 999 113 058 50 | radial sealing ring 45 X 65 X 10 | | 2 | |
| - | 905 301 191 00 | gasket for transmission case 0,10 MM | | 1 | |
| - | 905 301 191 01 | gasket for transmission case 0,15 MM | | 1 | |
| - | 905 301 191 02 | gasket for transmission case 0,20 MM | | 1 | |
| - | 999 113 185 40 | shaft sealing ring A 15 X 24 X 7 | | 1 | |
| - | 999 701 084 50 | o-ring 25,3 X 2,4 | | 1 | |
| - | 905 301 392 02 | gasket for transmission cover front | | 1 | |
| - | N 013 849 2 | sealing ring A 14 X 18 CU | | 1 | |
| - | 999 701 286 40 | o-ring 160 X 3 | | 1 | |

| | | | | | | | | |
|-------|------|----|----|--------------|--------------|-----|-------|------------|
| Model | Year | MG | SG | Illustration | Restrictions | UPD | 18:41 | 22.01.2010 |
| 911 | 1973 | 3 | 98 | 398-00R | | 248 | | |

| Pos | Part Number | Description | Remark | Qty | Model |
|-----|------------------|--------------------------------------------------------------------------------------------------------------------------------------------------------------------------------------------------------------------------------------------|--------|-----|---------|
| - | 999 701 359 40 | o-ring 40 X 15 for transmission with transmission cover lateral and fork old version without o-ring gaskets order also: | | 1 | |
| - | 905 301 391 00 | gasket for transmission cover lateral | | 1 | |
| - | 901 303 191 01 | gasket for fork | | 1 | |
| >> | >>905 300 010 21 | transmission with converter complete ready for installation 905.300/21 sportomatic 1st gear Z = 15:36 2nd gear Z =20:31 3rd gear Z = 24:27 4th speed Z = 28:24 with differential normal | 72- | 1 | 911 T-V |

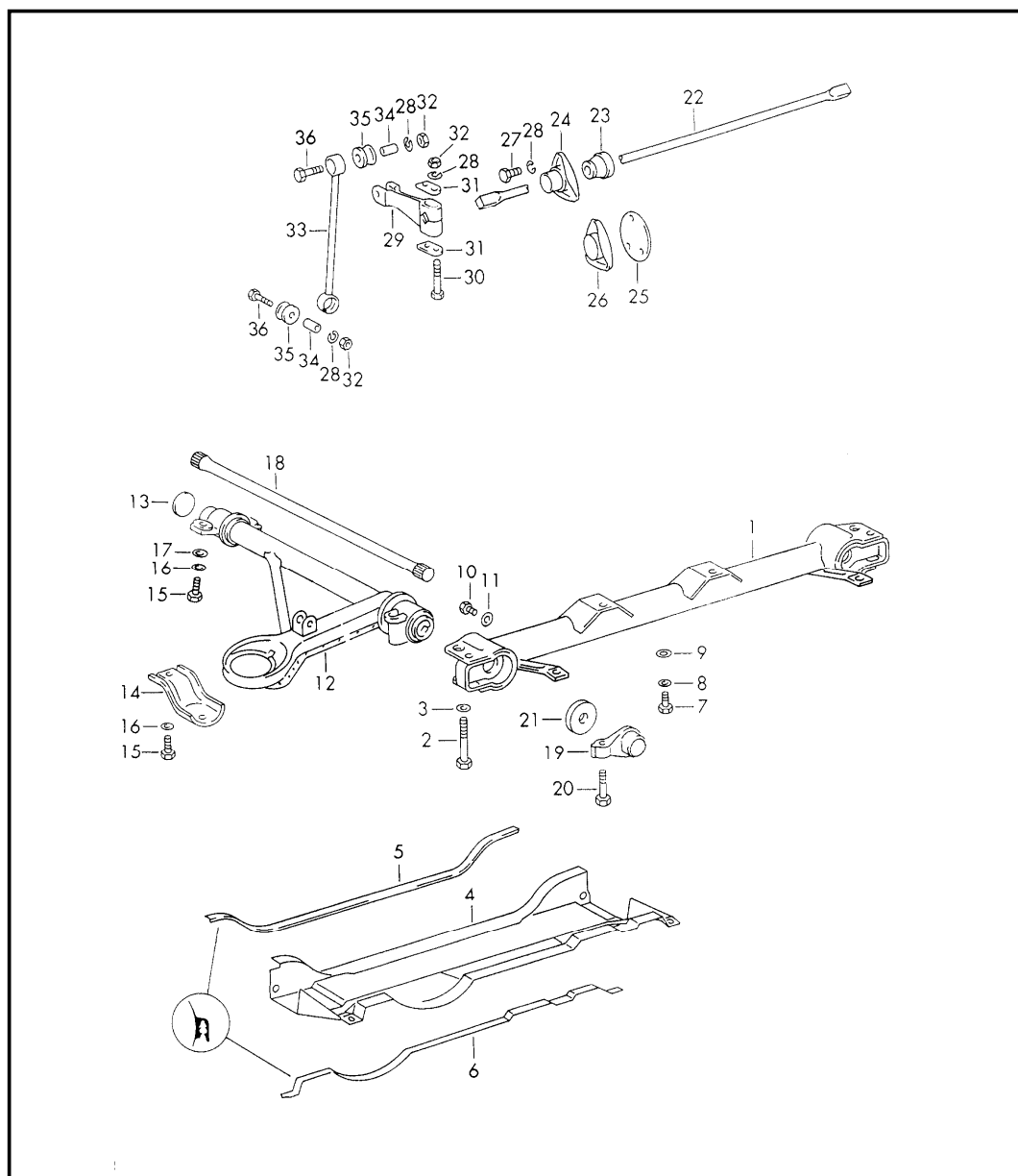
| | | | | | | | | |
|-------|------|----|----|--------------|--------------|-----|-------|------------|
| Model | Year | MG | SG | Illustration | Restrictions | UPD | 18:41 | 22.01.2010 |
| 911 | 1973 | 3 | 98 | 398-00R | | 248 | | |

| Pos | Part Number | Description | Remark | Qty | Model |
|-----|------------------|----------------------------------------------------------------------------------------------------------------------------------------------------------------------------------------------------------------------------------------------------------|--------|-----|------------------------|
| >> | >>925 300 010 00 | transmission with converter complete ready for installation 925.300/00 sportomatic 1st gear Z = 15:36 2nd gear Z = 20:31 3rd gear Z = 24:27 4th speed Z = 28:24 with differential normal | 72- | 1 | 911 T-E/E 911 T-K |
| >> | >>925 300 010 01 | transmission with S- torque converter complete ready for installation 925.300/01 sportomatic 1st gear Z = 15:36 2nd gear Z = 20:31 3rd gear Z = 24:27 4th speed Z = 28:24 with differential normal | 72- | 1 | 911 S |
| >> | >>925 300 911 00 | gasket set for transmission TYP 925 sportomatic comprising: | 72- | 1 | 911 T-E/E/S 911 T-K |
| - | 999 113 205 40 | shaft sealing ring 26 X 37 X 7 | | 1 | |
| - | PCG 201 301 00 | shaft sealing ring 12 X 18 X 3 | | 1 | |
| - | 999 701 397 40 | o-ring 72 X 2,5 | | 1 | |
| - | N 013 804 2 | sealing ring A 6 X 10 CU | | 8 | |
| - | 999 113 189 40 | shaft sealing ring | | 1 | |

| | | | | | | | | |
|-------|------|----|----|--------------|--------------|-----|-------|------------|
| Model | Year | MG | SG | Illustration | Restrictions | UPD | 18:41 | 22.01.2010 |
| 911 | 1973 | 3 | 98 | 398-00R | | 248 | | |

| Pos | Part Number | Description | Remark | Qty | Model |
|-----|----------------|-----------------------------------|--------|-----|-------|
| - | 900 123 060 30 | sealing ring A 24 X 29 AL | | 1 | |
| - | 900 123 007 30 | sealing ring A 14 X 18 AL | | 2 | |
| - | 999 113 286 40 | shaft sealing ring | | 1 | |
| - | 999 113 183 40 | radial shaft seal 45 X 68 X10 | | 2 | |
| - | 925 301 191 00 | gasket 0,1 MM | | 1 | |
| - | 925 301 191 01 | gasket 0,15MM | | 1 | |
| - | 925 301 191 02 | gasket 0,2 MM | | 1 | |
| - | 999 113 175 40 | shaft sealing ring 6 X 15 X 6 | | 1 | |
| - | 999 701 084 50 | o-ring 25,3 X 2,4 | | 1 | |
| - | 999 113 185 40 | shaft sealing ring 15 X 24 X 7 | | 1 | |
| - | 925 301 392 00 | gasket | | 1 | |
| - | 900 123 007 30 | sealing ring 14 X 18 AL | | 1 | |
| - | 999 701 376 40 | o-ring 170 X 3,5 | | 1 | |
| - | 999 701 359 40 | o-ring 40 X 1,5 | | 1 | |

| | | | | | | | | | | | |
|-------|------|----|----|--------------|--------------|-----|-------|------------|---------|-----|---------|
| Model | Year | MG | SG | Illustration | Restrictions | UPD | 18:41 | 22.01.2010 | PORSCHE | PET | PORSCHE |
| 911 | 1973 | 4 | 01 | 401-00 | | 248 | | | | | |



| Pos | Part Number | Description | Remark | Qty | Model |
|-----|----------------|------------------------------------------------------|---------|-----|----------------------|
| | | front axle stabiliser | | | |
| 1 | 901 341 013 04 | auxiliary support for cars with spring strut | -71 | 1 | 911 E 911 T/E/S:M |
| 1 | 901 341 013 03 | auxiliary support for cars with shock absorber strut | -71 | 1 | 911 T/S |
| (1) | 911 341 013 05 | auxiliary support for cars with shock absorber strut | 72- | 1 | |
| 2 | 900 082 020 02 | hexagon-head bolt M 12 X 1,5 X 80 | | 2 | |
| 3 | 900 027 017 02 | lock ring B 12 not for | | 2 | CARRERA 2.7 |
| (3) | 900 028 027 02 | spring washer B 12 | | 2 | CARRERA 2.7 |
| 4 | 911 341 161 00 | protective plate | /LL -71 | 1 | |
| (4) | 911 341 162 00 | protective plate | /RL -71 | 1 | |
| (4) | 911 341 161 02 | protective plate fuel tank 62 L | 72- | 1 | |
| (4) | 911 341 025 01 | protective plate fuel tank 85 L | /LL 72- | 1 | |
| (4) | 911 341 026 01 | protective plate fuel tank 85 L | /RL 72- | 1 | |
| 5 | 901 341 165 00 | sealing rubber | -71 | 1 | |
| (5) | 901 341 181 00 | sealing rubber | 72- | 1 | |
| 6 | 901 341 166 00 | sealing rubber | /LL -71 | 1 | |
| (6) | 901 341 165 00 | sealing rubber | /RL -71 | 1 | |
| (6) | 901 341 166 00 | sealing rubber | 72- | 1 | |
| 7 | 900 075 040 02 | hexagon-head bolt M 10 X 20 | | 2 | |
| 8 | 900 027 016 02 | lock ring B 10 not for | | 2 | CARRERA 2.7 |

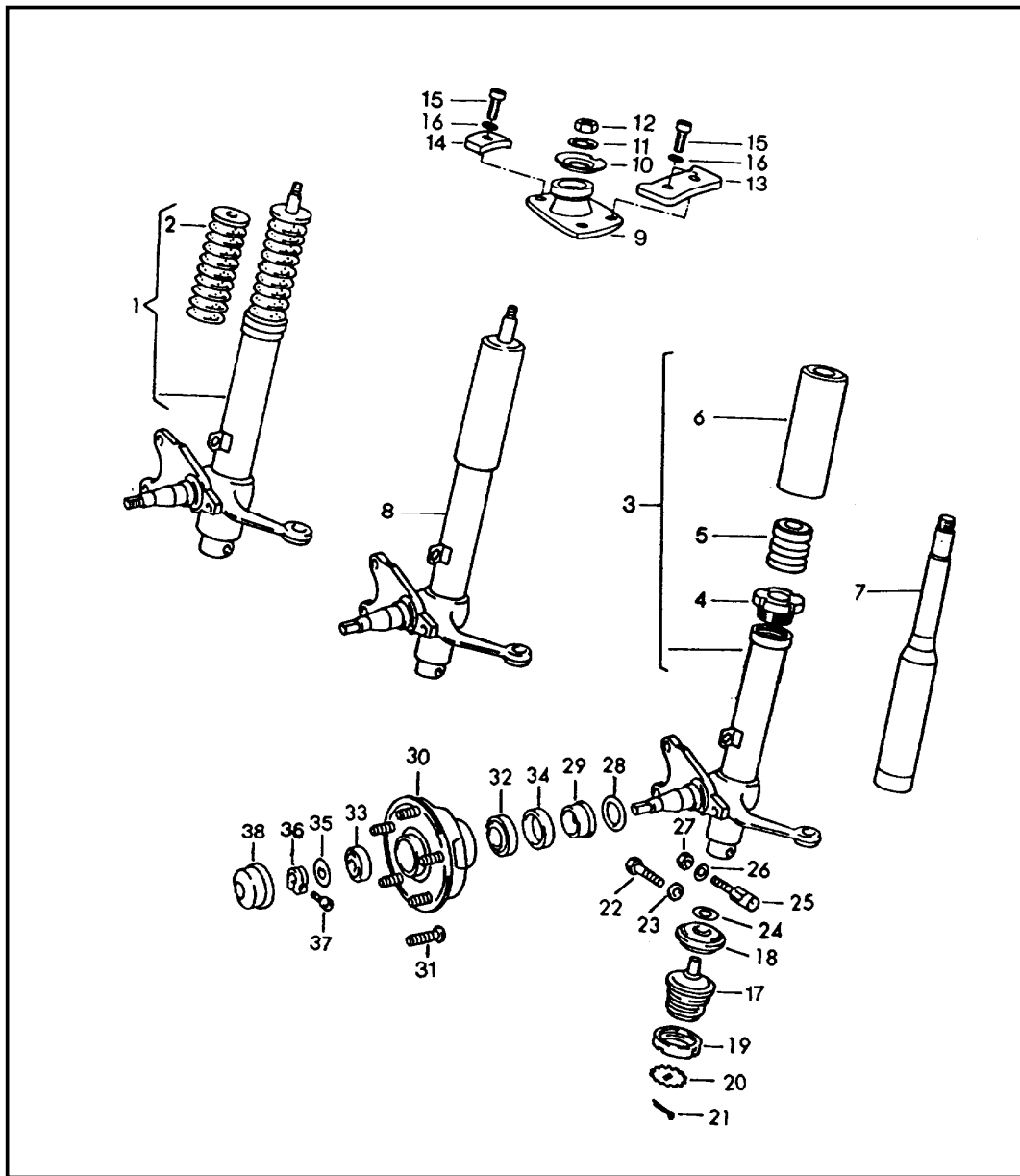
| | | | | | | | | | | | |
|-------|------|----|----|--------------|--------------|-----|-------|------------|---------|-----|---------|
| Model | Year | MG | SG | Illustration | Restrictions | UPD | 18:41 | 22.01.2010 | PORSCHE | PET | PORSCHE |
| 911 | 1973 | 4 | 01 | 401-00 | | 248 | | | | | |

| Pos | Part Number | Description | Remark | Qty | Model | Pos | Part Number | Description | Remark | Qty | Model |
|------|----------------|---------------------------------------------------|--------|-----|--------------------------------------------|------|----------------|-------------------------------|--------|-----|--------------------------------------------|
| (8) | 900 028 032 02 | spring washer B 10 | | 2 | CARRERA 2.7 | 19 | 901 341 033 00 | reverse lever | | 2 | 911 T/S 911 E CARRERA 2.7 COMFORT |
| 9 | 900 025 008 02 | washer 10,5 | | 2 | | | | not for | -71 | | |
| 10 | N 010 235 3 | hexagon-head bolt M 8 X 10 | | 2 | | 20 | 911 341 115 00 | adjusting screw not for | -71 | 2 | 911 T/S COMFORT |
| 11 | N 012 241 1 | spring washer B 8 X 15 | | 2 | | (20) | 911 341 115 00 | adjusting screw not for | 72- | 2 | 911 T/E/S CARRERA 2.7 |
| 12 | 911 341 901 00 | wishbone for cars with shock absorber strut | /L | 1 | 911 T/S 911 E CARRERA 2.7 | (20) | 911 341 115 00 | adjusting screw | | 2 | CARRERA 2.7 |
| (12) | 911 341 902 00 | wishbone for cars with shock absorber strut | /R | 1 | 911 T/S 911 E CARRERA 2.7 | 21 | 901 341 475 00 | gasket | | 2 | 911 T/S 911 E CARRERA 2.7 COMFORT |
| 12 | 911 341 901 00 | wishbone for cars with spring strut | /L | 1 | 911 E 911 T/E/S:M | 22 | 901 343 703 03 | stabiliser \$ 15 | | 1 | 911 S CARRERA 2.7 911 T/E 911 T-K |
| (12) | 911 341 902 00 | wishbone for cars with spring strut | /R | 1 | 911 E 911 T/E/S:M | 23 | 901 343 792 02 | rubber mounting | | 2 | 911 S CARRERA 2.7 911 T/E 911 T-K |
| 13 | 900 040 008 01 | cover plate 28 | | 2 | 911 T/S 911 E CARRERA 2.7 911 E | 24 | 901 343 754 01 | stabiliser mounting | | 2 | 911 S CARRERA 2.7 911 T/E 911 T-K |
| 14 | 901 341 159 00 | protective bracket | | 2 | | 25 | 901 343 766 00 | sealing washer not for | | 2 | 911 T/E 911 T-K |
| 15 | N 010 275 3 | hexagon-head bolt M 10 X 35 | | 6 | | 26 | 901 343 765 00 | cap not for | | 2 | 911 T/E 911 T-K |
| 16 | 900 027 016 02 | lock ring B 10 | | 6 | | 27 | 900 075 083 02 | hexagon-head bolt M 8 X 25 | -71 | 6 | 911 S 911 T/E:M |
| 17 | 900 025 008 02 | washer 10,5 | | 4 | | (27) | 900 075 087 02 | hexagon-head bolt M 8 X 16 | -71 | 6 | 911 T/E/S CARRERA 2.7 |
| 18 | 901 343 101 12 | torsion bar | /L | 1 | 911 T/S 911 E CARRERA 2.7 COMFORT | 28 | 900 027 015 02 | lock ring B 8 | | X | |
| (18) | 901 343 102 12 | torsion bar | /R | 1 | 911 T/S 911 E CARRERA 2.7 COMFORT | 29 | 901 343 713 01 | lever stabiliser | | 2 | 911 S CARRERA 2.7 911 T/E 911 T-K |
| | | not for | | | | 30 | 900 074 135 02 | hexagon-head bolt M 8 X 62 | | 4 | 911 S CARRERA 2.7 911 T/E 911 T-K |
| | | not for | | | | | | not for | | | |

| | | | | | | | | | | | |
|-------|------|----|----|--------------|--------------|-----|-------|------------|---------|-----|---------|
| Model | Year | MG | SG | Illustration | Restrictions | UPD | 18:41 | 22.01.2010 | PORSCHE | PET | PORSCHE |
| 911 | 1973 | 4 | 01 | 401-00 | | 248 | | | | | |

| Pos | Part Number | Description | Remark | Qty | Model | Pos | Part Number | Description | Remark | Qty | Model |
|-----|----------------|------------------------------------------|--------|-----|--------------------------------------------|-----|-------------|-------------|--------|-----|-------|
| 31 | 901 343 763 00 | guide plate not for | | 4 | 911 S CARRERA 2.7 911 T/E 911 T-K | | | | | | |
| 32 | 900 076 025 02 | hexagon nut M 8 not for | | X | 911 S CARRERA 2.7 911 T/E 911 T-K | | | | | | |
| 33 | 901 343 076 03 | suspension not for | | 2 | 911 S CARRERA 2.7 911 T/E 911 T-K | | | | | | |
| 34 | 901 343 737 00 | spacer tube not for | | 4 | 911 S CARRERA 2.7 911 T/E 911 T-K | | | | | | |
| 35 | 901 343 783 00 | rubber mounting not for | | 4 | 911 S CARRERA 2.7 911 T/E 911 T-K | | | | | | |
| 36 | 900 074 130 02 | hexagon-head bolt M 8 X 40 not for | | 4 | 911 S CARRERA 2.7 911 T/E 911 T-K | | | | | | |

| | | | | | | | | | | | |
|-------|------|----|----|--------------|--------------|-----|-------|------------|---------|-----|---------|
| Model | Year | MG | SG | Illustration | Restrictions | UPD | 18:41 | 22.01.2010 | PORSCHE | PET | PORSCHE |
| 911 | 1973 | 4 | 02 | 402-00 | | 248 | | | | | |



| Pos | Part Number | Description | Remark | Qty | Model |
|-----|----------------|----------------------------------------------------------------------------------------|--------|-----|---------------|
| 1 | 901 341 083 01 | spring strut shock absorber strut | /L | -71 | 1 911 E |
| (1) | 901 341 084 01 | spring strut - boge - see classic technical information 8/93 | /R | -71 | 1 911 E |
| 1 | 901 341 083 10 | spring strut s-calliper - koni - see classic technical information 8/93 | /L | 72- | 1 911 T/E/S:M |
| (1) | 901 341 084 10 | spring strut s-calliper - koni - see classic technical information 8/93 | /R | 72- | 1 911 T/E/S:M |
| 2 | 901 343 302 00 | spring | | 2 | |
| 3 | 911 341 043 01 | shock absorber strut outer part - boge - m calliper M 18 X 1 | /L | 1 | |
| (3) | 911 341 044 01 | shock absorber strut outer part - boge - m calliper M 18 X 1 | /R | 1 | |
| 3 | 911 341 043 02 | shock absorber strut outer part - boge - s-calliper M 18 X 1 | /L | 1 | |
| (3) | 911 341 044 02 | shock absorber strut outer part - boge - s-calliper M 18 X 1 | /R- | 1 | |
| 4 | 911 341 804 00 | screw plug | | 2 | |

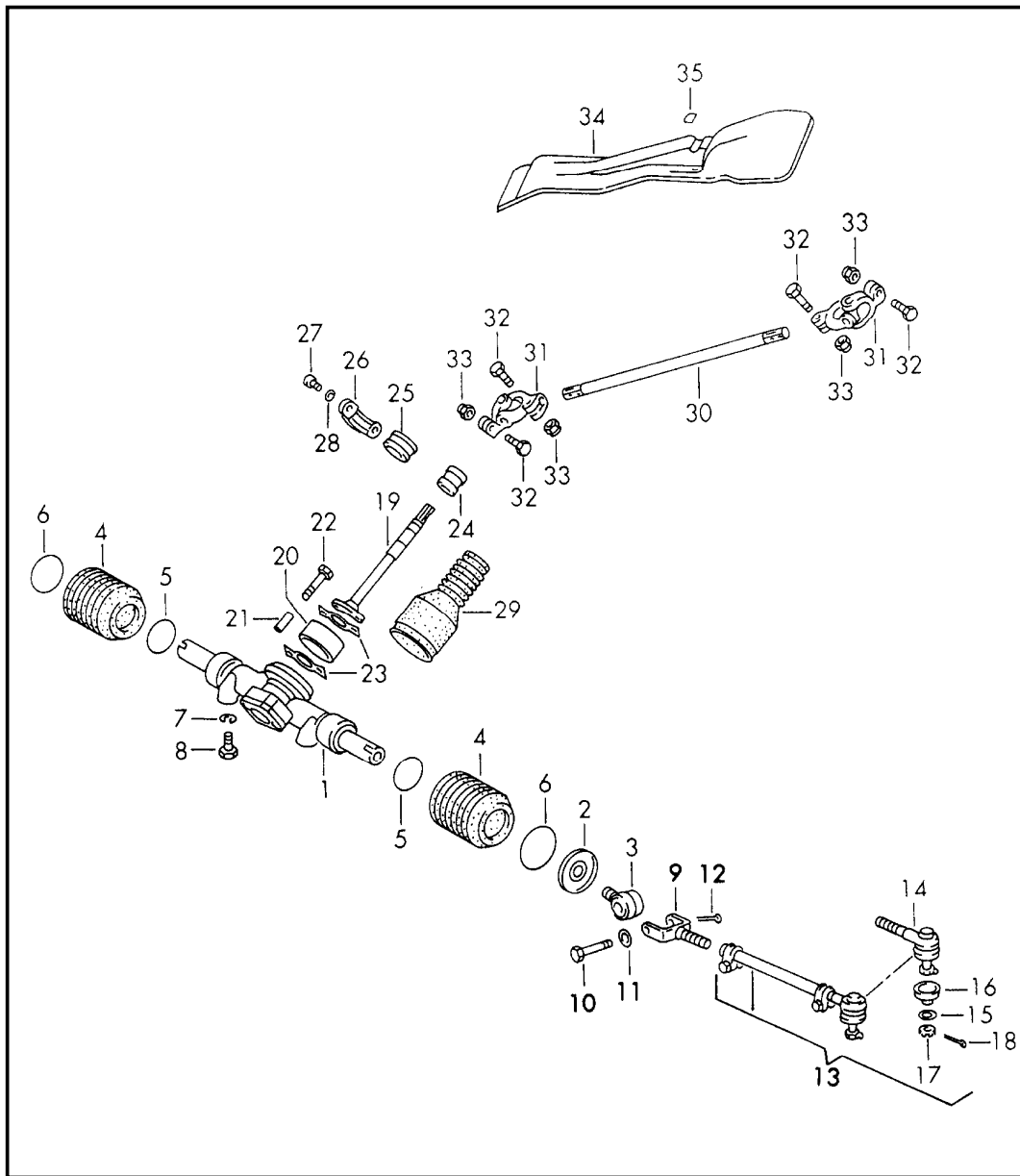
| | | | | | | | | | | | |
|-------|------|----|----|--------------|--------------|-----|-------|------------|---------|-----|---------|
| Model | Year | MG | SG | Illustration | Restrictions | UPD | 18:41 | 22.01.2010 | PORSCHE | PET | PORSCHE |
| 911 | 1973 | 4 | 02 | 402-00 | | 248 | | | | | |

| Pos | Part Number | Description | Remark | Qty | Model | Pos | Part Number | Description | Remark | Qty | Model |
|-----|----------------|----------------------------------------------------|--------|-----|------------------------------|-----|----------------|--------------------------------------------------------------------------------------|--------|-----|-------|
| 5 | 901 343 301 00 | rubber stop - boge - - koni - | | 2 | | 17 | 901 341 049 00 | ball joint for shock absorber strut with clamping slot | -71 | 2 | |
| 6 | 911 341 805 01 | protective tube | | 2 | | | | | | | |
| 7 | PCG 341 903 00 | insert for - boge - outer part | | 2 | | 17 | 911 341 049 01 | ball joint for shock absorber strut with DOPPELKEILKLEMMUNG | | 2 | |
| 7 | PCG 341 904 00 | insert for - KONI- outer part | | 2 | | 18 | 901 341 049 00 | ball joint | | 2 | |
| 8 | 911 341 943 00 | shock absorber strut s-calliper - bilstein - | /L | 71- | 1 911 T/E/S:M 1 X | 20 | 901 341 426 00 | tab washer | | 2 | |
| (8) | 911 341 944 00 | shock absorber strut s-calliper - bilstein - | /R | 71- | 1 911 T/E/S:M 1 X | 21 | N 012 521 1 | cotter pin 2 X 20 | | 2 | |
| 8 | 911 341 041 33 | shock absorber strut s-calliper - bilstein - | /L | 73- | 1 911 T/E/S:M CARRERA 2.7 | 22 | 900 075 111 01 | hexagon-head bolt M 10 X 30 only together with ball joint 901.341.049.00 | -71 | 2 | |
| (8) | 911 341 042 33 | shock absorber strut s-calliper - bilstein - | /R | 73- | 1 911 T/E/S:M CARRERA 2.7 | 23 | 999 523 103 01 | lock washer only together with ball joint 901.341.049.00 | -71 | 2 | |
| 9 | 911 341 018 00 | supporting mount for shock absorber strut | | 2 | | 24 | 901 341 659 00 | desk pad only together with ball joint 901.341.049.00 | -71 | 2 | |
| (9) | 911 341 019 00 | supporting mount for spring strut | | 2 | | 25 | 911 341 119 06 | threaded pin only together with ball joint 911.341.049.01 | | 2 | |
| 10 | 901 341 629 00 | support washer | | 2 | | 26 | 900 089 006 02 | washer only together with ball joint 911.341.049.01 | | 2 | |
| 11 | 900 038 002 01 | tab washer 14 | | 2 | | 27 | 999 084 019 02 | lock nut M 8 only together with ball joint 911.341.049.01 | | 2 | |
| 12 | N 011 021 3 | hexagon nut M 14 X 1,5 | | 2 | | 28 | 999 701 084 50 | o-ring OR 25,3 - 2,4 | | 2 | |
| 13 | 911 501 933 00 | double-bore pressure plate | | 2 | | 29 | 901 341 623 00 | spacer ring | | 2 | |
| 14 | 911 501 934 00 | one-bore pressure plate | | 2 | | | | | | | |
| 15 | 900 067 063 02 | pan-head screw M 10 X 20 | | 6 | | | | | | | |
| 16 | 999 523 103 01 | lock washer | | X | | | | | | | |

| | | | | | | | | | | | |
|-------|------|----|----|--------------|--------------|-----|-------|------------|---------|-----|---------|
| Model | Year | MG | SG | Illustration | Restrictions | UPD | 18:41 | 22.01.2010 | PORSCHE | PET | PORSCHE |
| 911 | 1973 | 4 | 02 | 402-00 | | 248 | | | | | |

| Pos | Part Number | Description | Remark | Qty | Model | Pos | Part Number | Description | Remark | Qty | Model |
|------|----------------|---------------------------------------------------------|--------|-----|-------|-----|-------------|-------------|--------|-----|-------|
| 30 | 901 341 065 04 | front wheel hub | | 2 | | | | | | | |
| 31 | 904 341 671 00 | wheel bolt standard dimension knurling 14,8 MM | | 10 | | | | | | | |
| (31) | 904 341 671 00 | wheel bolt oversize knurling 15 MM | | X | | | | | | | |
| 32 | 999 059 006 00 | taper roller bearing inner | | 2 | | | | | | | |
| 33 | 999 059 065 00 | taper roller bearing outer | | 2 | | | | | | | |
| 34 | 477 405 641 | radial sealing ring | | 2 | | | | | | | |
| 35 | 901 341 663 00 | thrust washer 16 MM | | 2 | | | | | | | |
| 35 | 911 341 663 00 | thrust washer 18 MM | | 2 | | | | | | | |
| 36 | 914 341 671 00 | clamping nut M 16 X 1 | | 2 | | | | | | | |
| 36 | 911 341 673 00 | clamping nut M 18 X 1 | | 2 | | | | | | | |
| 37 | 999 119 001 01 | pan-head screw M 7 X 18 | | 2 | | | | | | | |
| 38 | 914 341 684 00 | cap | | 2 | | | | | | | |

| | | | | | | | | | | | |
|-------|------|----|----|--------------|--------------|-----|-------|------------|---------|-----|---------|
| Model | Year | MG | SG | Illustration | Restrictions | UPD | 18:41 | 22.01.2010 | PORSCHE | PET | PORSCHE |
| 911 | 1973 | 4 | 03 | 403-00 | | 248 | | | | | |

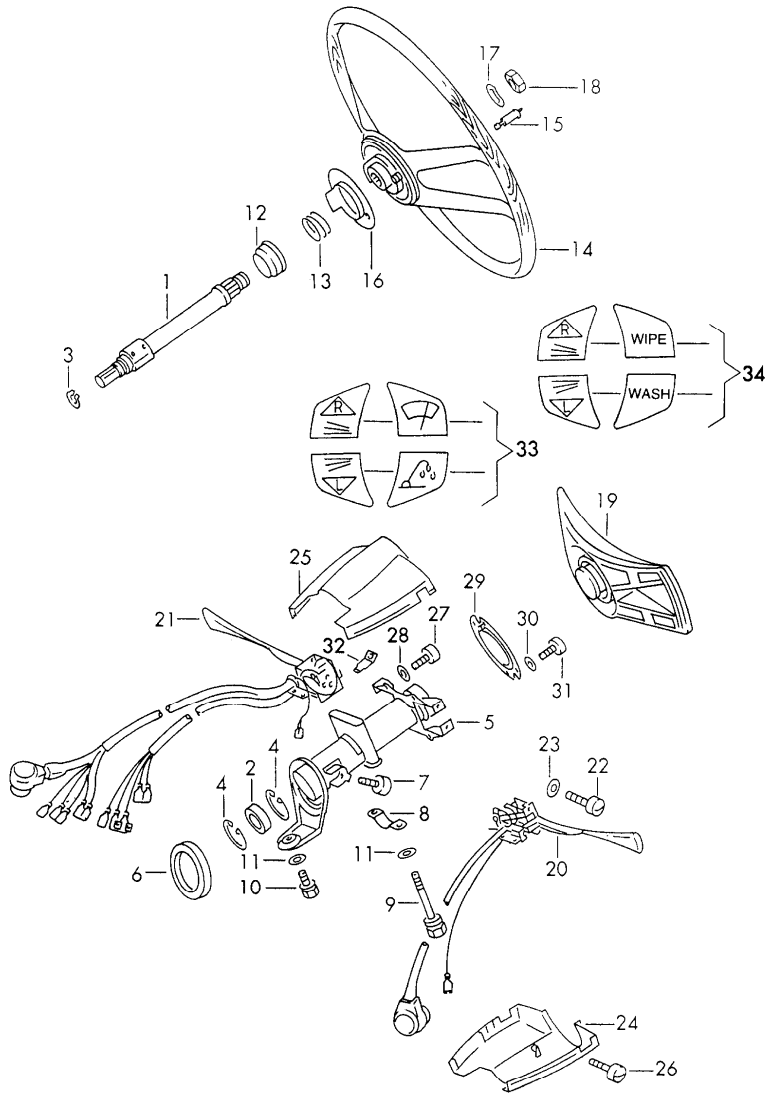


| Pos | Part Number | Description | Remark | Qty | Model |
|-------|----------------|-----------------------------------|--------|-----|---------|
| | | steering gear steering linkage | | | |
| 1 | 901 347 010 02 | steering gear | -71 | 1 | 911 E |
| (1) | 914 347 010 01 | steering gear | -71 | 1 | 911 T/S |
| (1) > | 914 347 010 06 | steering gear | 72- | 1 | |
| 2 | 901 347 056 02 | bellow support | | 2 | |
| 3 | 914 347 057 00 | articulated bush | | 2 | |
| 4 | 901 347 191 02 | bellows | | 2 | |
| 5 | 901 347 308 00 | retainer spring | | 2 | |
| 6 | 901 347 309 00 | retainer spring | | 2 | |
| 7 | 900 027 016 02 | lock ring B 10 | | 2 | |
| 8 | N 010 253 7 | hexagon-head bolt M 10 X 22 | | 2 | |
| 9 A | 901 347 315 01 | joint fork | | 2 | |
| 9 | 901 347 315 03 | joint fork | | 2 | |
| 10 | 911 347 327 00 | hexagon-head bolt | | 2 | |
| 11 | 999 523 103 01 | lock washer M 10 | | 2 | |
| 12 | 900 021 008 00 | cotter pin 2 X 15 | | 2 | |
| 13 | 911 347 031 00 | tie rod | -71 | 2 | |
| (13) | 911 347 031 00 | tie rod | 72- | 2 | |
| 14 | 911 347 322 04 | ball joint | -71 | 2 | |
| (14) | 911 347 322 04 | ball joint | 72- | 2 | |
| 15 | 901 347 539 00 | retainer | -71 | 4 | |
| 16 | 911 347 322 04 | ball joint | -71 | 4 | |
| 17 | N 011 210 1 | castle nut M 10 X 1 | | 2 | |
| 18 | 900 021 013 00 | cotter pin 2 X 25 | | 2 | |
| 19 | 901 347 210 03 | steering shaft | -71 | 1 | |

| | | | | | | | | | | | |
|-------|------|----|----|--------------|--------------|-----|-------|------------|---------|-----|---------|
| Model | Year | MG | SG | Illustration | Restrictions | UPD | 18:41 | 22.01.2010 | PORSCHE | PET | PORSCHE |
| 911 | 1973 | 4 | 03 | 403-00 | | 248 | | | | | |

| Pos | Part Number | Description | Remark | Qty | Model | Pos | Part Number | Description | Remark | Qty | Model |
|------|----------------|-------------------------------------|--------|-----|-------|-----|-------------|-------------|--------|-----|-------|
| (19) | 901 347 210 03 | steering shaft | 72- | 1 | | | | | | | |
| 20 | 901 347 201 02 | steering coupling | | 1 | | | | | | | |
| 21 | 901 347 215 00 | stop bush | | 4 | | | | | | | |
| 22 | 900 074 129 02 | hexagon-head bolt M 8 X 42 | | 4 | | | | | | | |
| 23 | 901 347 248 00 | tab washer | | 2 | | | | | | | |
| 24 | 901 347 241 01 | steering shaft bearing | | 1 | | | | | | | |
| 25 | 901 347 223 03 | rubber mounting | | 1 | | | | | | | |
| 26 | 901 347 221 00 | housing | | 1 | | | | | | | |
| 27 | 900 186 002 02 | pan-head screw M 8 X 15 | | 2 | | | | | | | |
| 28 | 900 142 002 01 | lock ring B 8 | | 2 | | | | | | | |
| 29 | 901 347 393 01 | sealing bellows | | 1 | | | | | | | |
| 30 | 911 347 211 01 | intermed. steering shaft | /LL | 1 | | | | | | | |
| (30) | 911 347 212 01 | intermed. steering shaft not for | /RL | 1 | TARGA | | | | | | |
| 31 | 930 347 025 00 | universal joint | | 2 | | | | | | | |
| 32 | N 010 335 5 | hexagon-head bolt M 8 X 35 | | 4 | | | | | | | |
| 33 | N 021 194 1 | lock nut M 8 | | 4 | | | | | | | |
| 34 | 901 347 067 00 | cover | /LL | 1 | | | | | | | |
| (34) | 901 347 068 00 | cover not for | /RL | 1 | TARGA | | | | | | |
| 35 | 999 507 209 01 | speed nut | | 2 | | | | | | | |

| | | | | | | | | | | | |
|-------|------|----|----|--------------|--------------|-----|-------|------------|---------|-----|---------|
| Model | Year | MG | SG | Illustration | Restrictions | UPD | 18:41 | 22.01.2010 | PORSCHE | PET | PORSCHE |
| 911 | 1973 | 4 | 03 | 403-05 | | 248 | | | | | |



| Pos | Part Number | Description | Remark | Qty | Model |
|------|----------------|-------------------------------------------------------------------------------------|------------|-----|--------------------|
| | | steering shaft steering wheel steering column switch | | | |
| 1 | 901 347 061 01 | steering shaft | | 1 | |
| 2 | 900 052 031 00 | deep-groove ball bearing | | 1 | |
| 3 | 900 041 008 00 | circlip 17 X 1 | | 1 | |
| 4 | 900 042 008 00 | circlip 35 X 1,5 | | 2 | |
| 5 | 911 347 073 00 | steering outer tube | /LL | 1 | |
| (5) | 911 347 072 01 | steering outer tube not for | /RL | 1 | TARGA |
| 6 | 911 347 713 00 | gasket | | 1 | |
| 7 | 900 146 044 02 | oval-head screw AM 6 X 10 not for | /RL | 1 | TARGA |
| (7) | 900 228 002 02 | threaded pin M 8 X 16 | /LL | 1 | |
| - | 900 076 044 02 | hexagon nut | /LL | 1 | |
| 8 | 901 347 755 00 | clip | | 1 | |
| 9 | 901 347 754 00 | shear bolt | | 2 | |
| 10 | 901 347 753 00 | shear bolt | | 1 | |
| 11 | 999 523 102 02 | washer M 8 PN | | 3 | |
| 12 | 914 347 711 00 | steering shaft bearing | | 1 | |
| 13 | 914 347 713 00 | compression spring | | 1 | |
| 14 | 901 347 081 00 | steering wheel hard rubber \$ 400 | -72 72 | 1 | 911 T 911 T-V/E |
| (14) | 901 347 081 10 | steering wheel leather \$ 400 see classic technical information 4/94 | -72 -72 | 1 | 911 S 911 T/E:M |

| | | | | | | | | | | | |
|-------|------|----|----|--------------|--------------|-----|-------|------------|---------|-----|---------|
| Model | Year | MG | SG | Illustration | Restrictions | UPD | 18:41 | 22.01.2010 | PORSCHE | PET | PORSCHE |
| 911 | 1973 | 4 | 03 | 403-05 | | 248 | | | | | |

| Pos | Part Number | Description | Remark | Qty | Model | Pos | Part Number | Description | Remark | Qty | Model |
|------|----------------|---------------------------------------------------------------------------------------------------------|--------|-----|----------------------------|------|----------------|--------------------------------------------------------------------------|---------------|-----|-------|
| (14) | 911 347 082 00 | steering wheel plastic material \$ 400 see classic technical information 4/94 not for | 73- | 1 | | 21 | --- --- --- -- | wiper switch see group 9/03/20 | | 1 | |
| | | | | | CARRERA 2.7 | 22 | 900 014 069 02 | pan-head screw AM 3 X 8 | | 4 | |
| (14) | 911 347 084 00 | steering wheel leather \$ 380 | 73- | 1 | CARRERA 2.7 | 23 | 900 115 007 01 | serrated lock washer A 3,2 | | 4 | |
| | | | | | | 24 | 901 613 312 01 | switch housing lower part | | 1 | |
| (14) | 901 347 081 05 | steering wheel hard rubber with elevated hub see classic technical information 4/94 | -71 | 1 | 911 T/E/S:M 911 T/E:M | 25 | 901 613 311 01 | switch housing upper part | | 1 | |
| | | | | | | 26 | 900 014 079 02 | pan-head screw AM 3 X 10 | | 2 | |
| (14) | 901 347 081 15 | steering wheel leather with elevated hub see classic technical information 4/94 | -72 | 1 | 911 T/E/S:M | 27 | 900 014 046 02 | pan-head screw AM 4 X 10 | | 4 | |
| | | | | | | 28 | N 012 116 1 | serrated lock washer A 4,3 | | 4 | |
| (14) | 911 347 082 05 | steering wheel plastic material with elevated hub see classic technical information 4/94 | 73- | 1 | 911 T/E/S:M CARRERA 2.7 | 29 | 901 613 915 00 | contact plate | | 1 | |
| | | | | | | 30 | 900 014 046 02 | pan-head screw M 4 X 10 | | 2 | |
| | | | | | | 31 | N 012 116 1 | serrated lock washer A 4,3 | | 2 | |
| 15 | 914 347 831 00 | contact pin | | 1 | | 32 | 999 652 315 02 | flat plug | | 1 | |
| (15) | 914 347 832 00 | contact pin with elevated hub | | 1 | | 33 | 901 559 330 00 | cap with symbol 1 set for light and windscreen washer system | | 1 | |
| 16 | 901 613 325 05 | cancelling ring | | 1 | | | | | | | |
| - | 900 269 006 07 | countersunk-head screw | | 2 | | | | | | | |
| 17 | N 012 239 1 | spring washer B 18 | | 1 | | (33) | 901 559 330 01 | logo | (CDN) (J) (S) | 1 | |
| 18 | 900 078 007 02 | hexagon nut M 18 X 1,5 | | 1 | | | | 1 set for light and windscreen washer system | | | |
| 19 | 914 613 805 12 | horn button not for | | 1 | CARRERA 2.7 | 34 | 901 559 330 01 | cap with symbol 1 set for light and windscreen washer system | (USA) | 1 | |
| (19) | 914 613 805 12 | horn button | | 1 | CARRERA 2.7 | | | | | | |
| 20 | --- --- --- -- | direction indicator switch see group 9/03/20 | | 1 | | | | | | | |

| | | | | | | | | |
|-------|------|----|----|--------------|--------------|-----|-------|------------|
| Model | Year | MG | SG | Illustration | Restrictions | UPD | 18:42 | 22.01.2010 |
| 911 | 1973 | 4 | 98 | 498-00R | | 248 | | |

| Pos | Part Number | Description | Remark | Qty | Model |
|-----|------------------|-------------------------------------------------------------------------------------------------------------------------------------------------------------------------------------------------------------------------------------------------------------------------------------------------------|------------|-----|------------------------------------------------------------------------------------------------------------------------------------------------|
| >> | >>PCG 341 903 00 | repair kits vibration damper for shock absorber strut m calliper - boge - 911.341.921.00 911.341.922.00 901.341.079.01 901.341.080.01 for shock absorber strut s-calliper - boge - 911.341.923.00 911.341.924.00 901.341.079.00 901.341.080.00 | -71 | 1 | 911 T |
| >> | >>PCG 341 904 00 | vibration damper for shock absorber strut m calliper - koni - 911.341.931.00 911.341.932.00 901.341.079.11 901.341.080.11 for shock absorber strut s-calliper - koni - 911.341.925.00 911.341.926.00 901.341.079.10 901.341.080.10 | -70 | 1 | 911 T:COUPE |
| >> | >>PCG 341 903 00 | vibration damper for shock absorber strut s-calliper - boge - 911.341.079.00 911.341.080.00 911.341.079.02 911.341.080.02 F >>91131 00531 F >>91131 10331 F >>91132 00161 F >>91132 10131 F >>91133 00187 F >>91135 00161 F >>91135 10138 | -71 -71 | 2 | 911 S:COUPE 911 T:COUPE 911 TE-COUPE 911 TE-TARGA 911 E -COUPE 911 E -TARGA 911 S -COUPE 911 TV-COUPE 911 TV-TARGA |

| | | | | | | | | |
|-------|------|----|----|--------------|--------------|-----|-------|------------|
| Model | Year | MG | SG | Illustration | Restrictions | UPD | 18:42 | 22.01.2010 |
| 911 | 1973 | 4 | 98 | 498-00R | | 248 | | |

| Pos | Part Number | Description | Remark | Qty | Model |
|-----|------------------|----------------------------------------------------------------------------------------------------------------------------------------------------------------------------------------------------------------------------------------------------------------------------------------|--------|-----|--------------------------------------------------------------------------------------------------------------|
| >> | >>PCG 341 903 00 | vibration damper for shock absorber strut m calliper - boge - 911.341.079.04 911.341.080.04 911.341.079.05 911.341.080.05 F 91131 00532>> F 91131 10332>> F 91132 00162>> F 91132 10132>> F 91133 00188>> F 91135 00162>> F 91135 10139>> | | 2 | 911 TE-COUPE 911 TE-TARGA 911 E -COUPE 911 E -TARGA 911 S -COUPE 911 TV-COUPE 911 TV-TARGA |
| >> | >>PCG 341 904 00 | vibration damper for shock absorber strut m calliper - koni - 911.341.079.10 911.341.080.10 | | 2 | |
| >> | >>911 343 901 00 | stabiliser installation set \$ 15 | /V | 1 | 911 T/E:M |
| - | 901 343 703 03 | stabiliser \$ 15 | | 1 | |
| - | 901 343 792 02 | rubber mounting | | 1 | |
| - | 901 343 754 01 | stabiliser mounting | | 1 | |
| - | 900 075 083 02 | hexagon-head bolt M 8 X 25 | | 6 | |
| - | 900 027 015 02 | lock ring B 8 | | 8 | |
| - | 901 343 713 01 | lever stabiliser | | 2 | |
| - | 900 074 135 02 | hexagon-head bolt M 8 X 62 | | 4 | |
| - | 901 343 763 00 | guide plate | | 4 | |
| - | 900 076 025 02 | hexagon nut M8 | | 8 | |
| - | 901 343 076 03 | suspension | | 2 | |
| - | 901 343 737 00 | spacer tube | | 4 | |
| - | 901 343 783 00 | rubber mounting | | 4 | |

PORSCHE

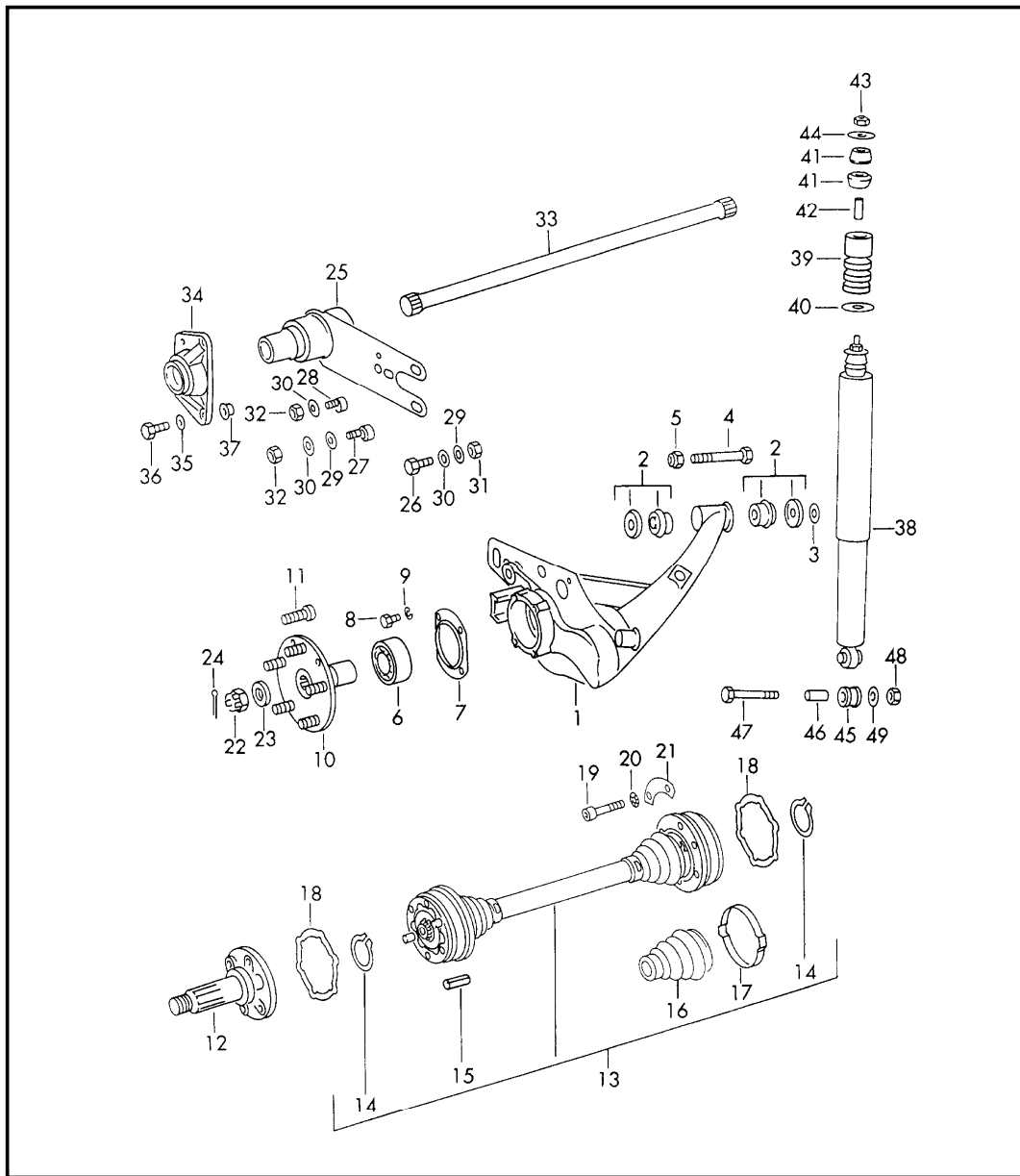
PET

PORSCHE

| | | | | | | | | |
|-------|------|----|----|--------------|--------------|-----|-------|------------|
| Model | Year | MG | SG | Illustration | Restrictions | UPD | 18:42 | 22.01.2010 |
| 911 | 1973 | 4 | 98 | 498-00R | | 248 | | |

| Pos | Part Number | Description | Remark | Qty | Model |
|-----|----------------|-------------------------------|--------|-----|-------|
| - | 900 074 130 02 | hexagon-head bolt M 8 X 40 | | 4 | |

| | | | | | | | | | | | |
|-------|------|----|----|--------------|--------------|-----|-------|------------|---------|-----|---------|
| Model | Year | MG | SG | Illustration | Restrictions | UPD | 18:42 | 22.01.2010 | PORSCHE | PET | PORSCHE |
| 911 | 1973 | 5 | 01 | 501-00 | | 248 | | | | | |



| Pos | Part Number | Description | Remark | Qty | Model |
|-----|----------------|----------------------------------------------------------------------------------------------------------|--------|-----|-------------|
| | | rear axle | | | |
| 1 | 901 331 053 36 | rear-axle trailing arm left | -71 | 1 | |
| (1) | 911 331 053 05 | rear-axle trailing arm left | 72- | 1 | 911 T/E/S |
| (1) | 911 331 053 20 | rear-axle trailing arm left | | 1 | CARRERA 2.7 |
| (1) | 911 331 053 10 | rear-axle trailing arm left F 91136 01409>> | | 1 | CARRERA 2.7 |
| (1) | 901 331 054 36 | rear-axle trailing arm right | -71 | 1 | |
| (1) | 911 331 054 05 | rear-axle trailing arm right | 72- | 1 | 911 T/E/S |
| (1) | 911 331 054 20 | rear-axle trailing arm right | | 1 | CARRERA 2.7 |
| (1) | 911 331 054 10 | rear-axle trailing arm right F 91136 01409>> | | 1 | CARRERA 2.7 |
| 2 | 901 331 059 00 | flange mounting | | 4 | |
| 3 | N 011 534 4 | washer 15 | | 2 | |
| 4 | 900 082 016 01 | hexagon-head bolt M 14 X 1,5 X 85 | -71 | 2 | |
| 4 | 900 082 055 02 | hexagon-head bolt M 14 X 1,5 X 77 | 72- | 2 | |
| 5 | N 021 225 3 | lock nut M 14 X 1,5 | -71 | 2 | |
| 5 | 999 084 014 02 | hexagon nut M 14 X 1,5 | 72- | 2 | |
| 6 | 999 053 035 00 | ball bearing | | 2 | |
| 6 | 999 053 053 00 | angular-contact bearing oversize for rear-axle trailing arm PCG.331.053.20 PCG.331.053.20 | | X | |
| 7 | 901 331 561 00 | lid | | 2 | |

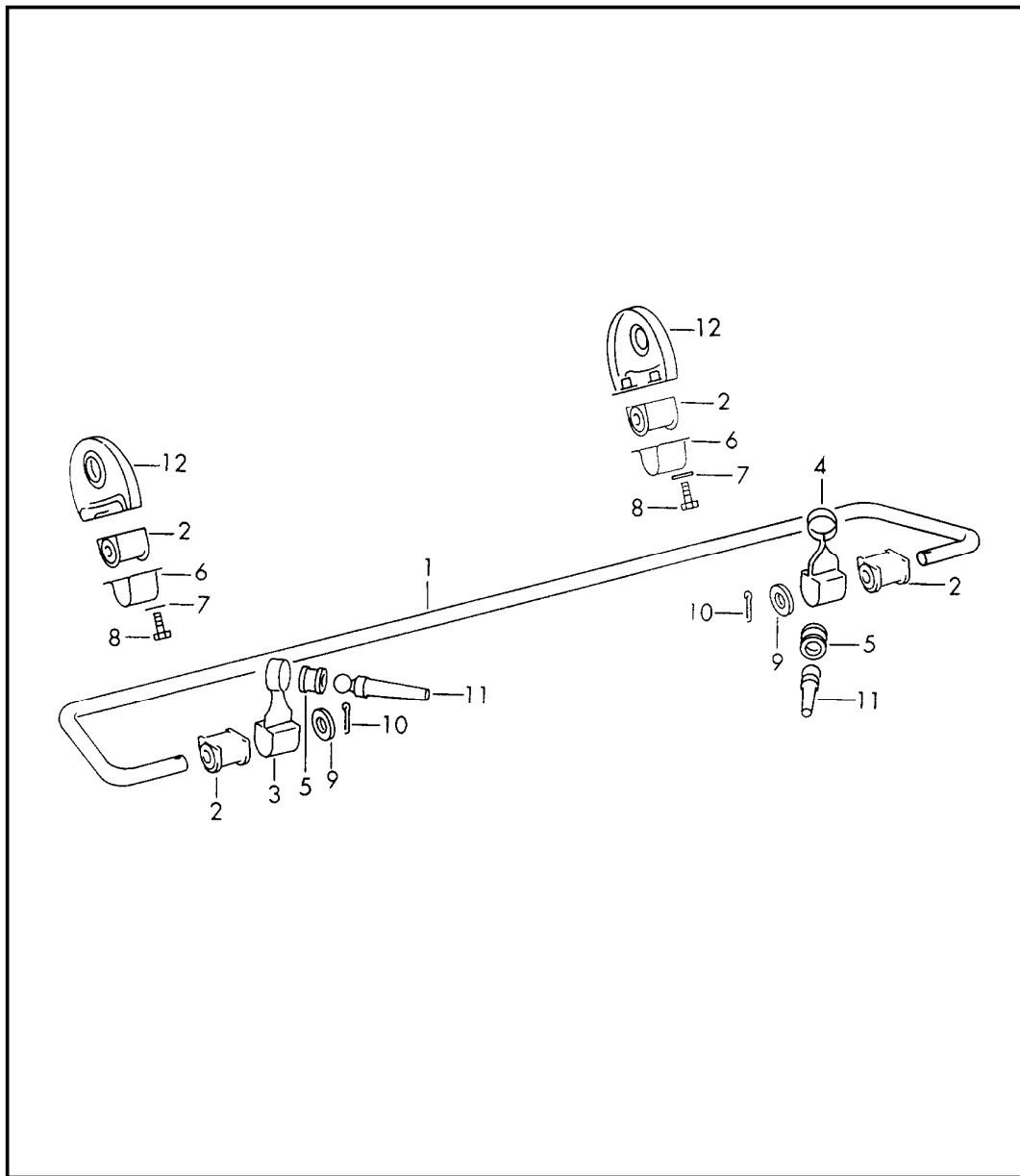
| | | | | | | | | | | | |
|-------|------|----|----|--------------|--------------|-----|-------|------------|---------|-----|---------|
| Model | Year | MG | SG | Illustration | Restrictions | UPD | 18:42 | 22.01.2010 | PORSCHE | PET | PORSCHE |
| 911 | 1973 | 5 | 01 | 501-00 | | 248 | | | | | |

| Pos | Part Number | Description | Remark | Qty | Model | Pos | Part Number | Description | Remark | Qty | Model |
|------|------------------|--------------------------------------|--------|-----|-------------|------|----------------|------------------------------------------------------------------------------------------------------------------------------------------------------|--------|-----|--------------------------------------------------------------------------------------------------------------------------|
| 8 | N 010 239 11 | hexagon-head bolt M 8 X 18 | | 8 | | 24 | N 012 538 1 | cotter pin 4 X 40 | | 2 | |
| 9 | 900 027 015 02 | lock ring B 8 | | 8 | | 25 | 901 333 003 01 | rear axle strut | | 2 | |
| 10 | 901 331 065 09 | rear-wheel hub with wheel bolt | | 2 | 911 T/E/S | 26 | N 010 116 1 | hexagon-head bolt M 12 X 1,5 X 28 | | 4 | |
| 10 | 901 331 065 07 | rear-wheel hub with wheel bolt | | 2 | CARRERA 2.7 | 27 | 901 333 133 09 | eccentric | | 2 | |
| 11 | 904 341 671 00 | wheel bolt | | 10 | 911 T/E/S | 28 | 901 333 133 05 | eccentric | | 2 | |
| 11 | 901 331 671 00 | wheel bolt | | 10 | CARRERA 2.7 | 29 | 901 333 143 02 | washer | | 10 | |
| - | 901 352 413 00 | spacer ring | | 2 | CARRERA 2.7 | 30 | 999 523 109 02 | lock washer M 12 | | 8 | |
| 12 | 901 332 232 00 | drive shaft | | 2 | | 31 | N 011 020 8 | hexagon nut M 12 X 1,5 | | 4 | |
| 13 | > 911 332 033 08 | drive shaft complete | | 2 | | 32 | 900 078 017 02 | hexagon nut M 12 X 1,5 | | 4 | |
| - | 911 332 032 02 | joint | | 4 | | 33 | 901 333 101 05 | torsion bar left \$ 23 | | 1 | |
| 14 | 999 041 012 01 | circlip | | 4 | | (33) | 901 333 102 05 | torsion bar right \$ 23 | | 1 | |
| 15 | 999 095 019 00 | clamping pin S 10 X 20 | | 8 | | 34 | 901 333 153 00 | housing | | 2 | |
| 16 | 901 332 293 12 | dust bellows | | 4 | | 35 | 900 025 008 02 | washer 10,5 | | 2 | |
| - | 911 332 295 02 | protection cap | | 4 | | 36 | 900 075 042 02 | hexagon-head bolt M 10 X 28 | | 8 | |
| 17 | 911 332 257 00 | clip & 73 X 6 | | 4 | | 37 | 901 331 107 00 | spacer ring | | 2 | |
| 18 | 901 332 297 00 | gasket | | 4 | | 38 | PCG 333 051 01 | vibration damper - koni - | -71 | 2 | 911 T/E/S |
| 19 | 900 067 229 09 | pan-head screw M 10 X 48 | | 16 | | 38 | PCG 333 051 02 | vibration damper - koni - | 72- | 2 | |
| (19) | 900 067 087 01 | pan-head screw M 10 X 55 | | 16 | | | | F >>91131 00531 F >>91131 10331 F >>91132 00161 F >>91132 10131 F >>91133 00187 F >>91133 10134 F >>91135 00161 F >>91135 10138 | | | 911 TE COUPE 911 TE TARGA 911 E COUPE 911 E TARGA 911 S COUPE 911 S TARGA 911 TV COUPE 911 TV TARGA |
| 20 | 999 523 103 01 | lock washer M 10 | | 16 | | | | | | | |
| 21 | 911 332 191 00 | plate | | 8 | | | | | | | |
| (21) | 901 332 192 00 | plate | -71 | 8 | | | | | | | |
| 22 | 901 332 806 00 | castle nut | | 2 | | | | | | | |
| 23 | 999 025 046 01 | washer | | 2 | | | | | | | |

| | | | | | | | | | | | |
|-------|------|----|----|--------------|--------------|-----|-------|------------|---------|-----|---------|
| Model | Year | MG | SG | Illustration | Restrictions | UPD | 18:42 | 22.01.2010 | PORSCHE | PET | PORSCHE |
| 911 | 1973 | 5 | 01 | 501-00 | | 248 | | | | | |

| Pos | Part Number | Description | Remark | Qty | Model | Pos | Part Number | Description | Remark | Qty | Model |
|------|----------------|--------------------------------------------------------------------------------------------------------------------------------------------------------------------------------------|--------|-----|--------------------------------------------------------------------------------------------------------------------------|-----|-------------|--------------------------------|--------|-----|-------|
| 38 | 911 333 051 01 | vibration damper - boge - F 91131 00532>> F 91131 10332>> F 91132 00162>> F 91132 10132>> F 91133 00188>> F 91133 10135>> F 91135 00162>> F 91135 10139>> | | 2 | 911 TE COUPE 911 TE TARGA 911 E COUPE 911 E TARGE 911 S COUPE 911 S TARGA 911 TV COUPE 911 TV TARGA | 48 | N 022 141 1 | lock nut M 12 X 1,5 | -71 | 2 | |
| (48) | 999 084 033 02 | | | | | | | uni-stop nut U 112 14 X 1,5 | 72- | 2 | |
| 49 | 999 025 058 01 | | | | | | | washer | -71 | 2 | |
| (49) | 999 025 062 02 | | | | | | | washer | 72- | 2 | |
| (38) | PCG 333 051 01 | vibration damper - koni - | -71 | 2 | 911 T:M 911 S | | | | | | |
| (38) | PCG 333 051 02 | vibration damper - koni - | 72- | X | 911 T/E/S:M | | | | | | |
| (38) | 911 333 051 30 | vibration damper - bilstein - | -72 | X | 911 T/E/S:M | | | | | | |
| (38) | 911 333 051 34 | vibration damper - bilstein - | 73- | X | 911 T/E/S:M CARRERA 2.7 | | | | | | |
| 39 | 901 333 301 03 | additional spring | -71 | 2 | | | | | | | |
| (39) | 911 333 301 04 | additional spring | 72- | 2 | | | | | | | |
| 40 | 901 333 511 00 | stop washer - boge - | | 2 | | | | | | | |
| (40) | 901 333 511 12 | stop washer - koni - | | 2 | | | | | | | |
| 41 | 911 333 521 00 | articulated ring | | 4 | | | | | | | |
| 42 | 911 333 522 00 | articulated bush | | 2 | | | | | | | |
| 43 | 900 084 013 02 | hexagon nut M 10 X 1 | | 2 | | | | | | | |
| 44 | 911 333 523 00 | washer | | 2 | | | | | | | |
| 45 | 901 333 795 01 | rubber mounting | -71 | 2 | | | | | | | |
| (45) | 911 333 795 00 | rubber mounting - boge - | 72- | 2 | | | | | | | |
| (45) | 911 333 795 11 | rubber mounting - koni - | 72- | 2 | | | | | | | |
| 46 | 901 333 513 00 | bush | | 2 | | | | | | | |
| 47 | 900 082 110 02 | hexagon-head bolt M 12 X 1,5 X 85 | -71 | 2 | | | | | | | |
| (47) | 900 082 049 02 | hexagon-head bolt M 14 X 1,5 X 95 | 72- | 2 | | | | | | | |

| | | | | | | | | | | | |
|-------|------|----|----|--------------|--------------|-----|-------|------------|---------|-----|---------|
| Model | Year | MG | SG | Illustration | Restrictions | UPD | 18:42 | 22.01.2010 | PORSCHE | PET | PORSCHE |
| 911 | 1973 | 5 | 02 | 502-00 | | 248 | | | | | |



| Pos | Part Number | Description | Remark | Qty | Model |
|------|----------------|-------------------------------------------------------------------------|--------|-----|-----------------------------------|
| | | stabiliser rear axle | | | 911 S CARRERA 2.7 911 T/E:M |
| 1 | 901 333 701 04 | stabiliser \$ 15 MM | | 1 | |
| 2 | 901 333 793 02 | rubber mounting \$ 15 MM | | 4 | |
| 3 | 901 333 731 01 | tab left | | 1 | |
| 4 | 901 333 732 01 | tab right | | 1 | |
| 5 | 901 343 782 00 | articulated bush | | 2 | |
| 6 | 901 333 753 01 | supporting bow | | 2 | |
| 7 | 900 027 015 02 | lock ring B 8 | | 4 | |
| 8 | N 010 239 11 | hexagon-head bolt M 8 X 18 | | 4 | |
| 9 | 900 089 010 02 | washer 16 | | 2 | |
| 10 | 900 021 026 00 | cotter pin 4 X 25 picture 11+12 for subsequent installation | | 2 | |
| 11 | 901 331 571 07 | articulated bolt | | 2 | |
| 12 | 901 333 901 01 | bracket | -71 | 2 | |
| (12) | 911 501 180 00 | bracket | 72- | 2 | |

| | | | | | | | | |
|-------|------|----|----|--------------|--------------|-----|-------|------------|
| Model | Year | MG | SG | Illustration | Restrictions | UPD | 18:42 | 22.01.2010 |
| 911 | 1973 | 5 | 98 | 598-00R | | 248 | | |

| Pos | Part Number | Description | Remark | Qty | Model |
|-----|------------------|----------------------------------------|--------|-----|-----------|
| >> | >>901 333 901 02 | installation set stabiliser rear | | 1 | 911 T/E:M |
| - | 901 333 701 04 | stabiliser \$ 15 MM | | 1 | |
| - | 901 333 793 02 | rubber mounting | | 4 | |
| - | 901 333 731 01 | tab left | | 1 | |
| - | 901 333 732 01 | tab right | | 1 | |
| - | 901 343 782 00 | articulated bush | | 2 | |
| - | 901 333 753 01 | supporting bow | | 2 | |
| - | 900 027 015 02 | lock ring B 8 | | 4 | |
| - | N 010 239 11 | hexagon-head bolt M 8 X 18 | | 4 | |
| - | 900 089 010 02 | washer | | 2 | |
| - | 900 021 026 00 | cotter pin 4 X 25 | | 2 | |
| - | 901 331 571 02 | articulated bolt | | 2 | |
| - | 901 333 901 01 | bracket | | 1 | |

| | | | | | | | | | | | |
|-------|------|----|----|--------------|--------------|-----|-------|------------|---------|-----|---------|
| Model | Year | MG | SG | Illustration | Restrictions | UPD | 18:42 | 22.01.2010 | PORSCHE | PET | PORSCHE |
| 911 | 1973 | 6 | 01 | 601-00 | | 248 | | | | | |

| Pos | Part Number | Description | Remark | Qty | Model |
|-----|----------------|--------------------------------------------------------------------------------------------------------------------------------------------------------------------------------------|--------|-----|-------|
| | | wheels | | | |
| 1 | 911 361 022 00 | perforated disc wheel prime coated 5 1/2 J X 15 H2 ET 42 | | 5 | |
| 1 | 911 361 022 20 | perforated disc wheel chrome 5 1/2 J X 15 H2 ET 42 | | 5 | |
| (1) | 911 361 021 00 | perforated disc wheel silver metallic 6 J X 15 ET 36 | | 5 | |
| 2 | N 020 112 1 | ball seat nut A 14 | | 20 | |
| 3 | 901 361 301 04 | hub cap with bores | | 4 | |
| 4 | 999 591 339 02 | tapping nut | | 12 | |
| 5 | 901 559 801 01 | badge matte chrome | | 4 | |
| (5) | 644 559 801 00 | badge gold-plated | | 4 | |
| - | 901 361 121 00 | retainer spring for valve | | 5 | |
| | | balance weight for perforated disc wheel 901.361.015.10/20 and perforated disc wheel aluminium 911.361.016.00 inner and perforated disc wheel steel | | | |
| 7 | 928 361 410 00 | balance weight 10 G | | X | |
| (7) | 928 361 411 00 | balance weight 20 G | | X | |
| (7) | 928 361 412 00 | balance weight 30 G | | X | |

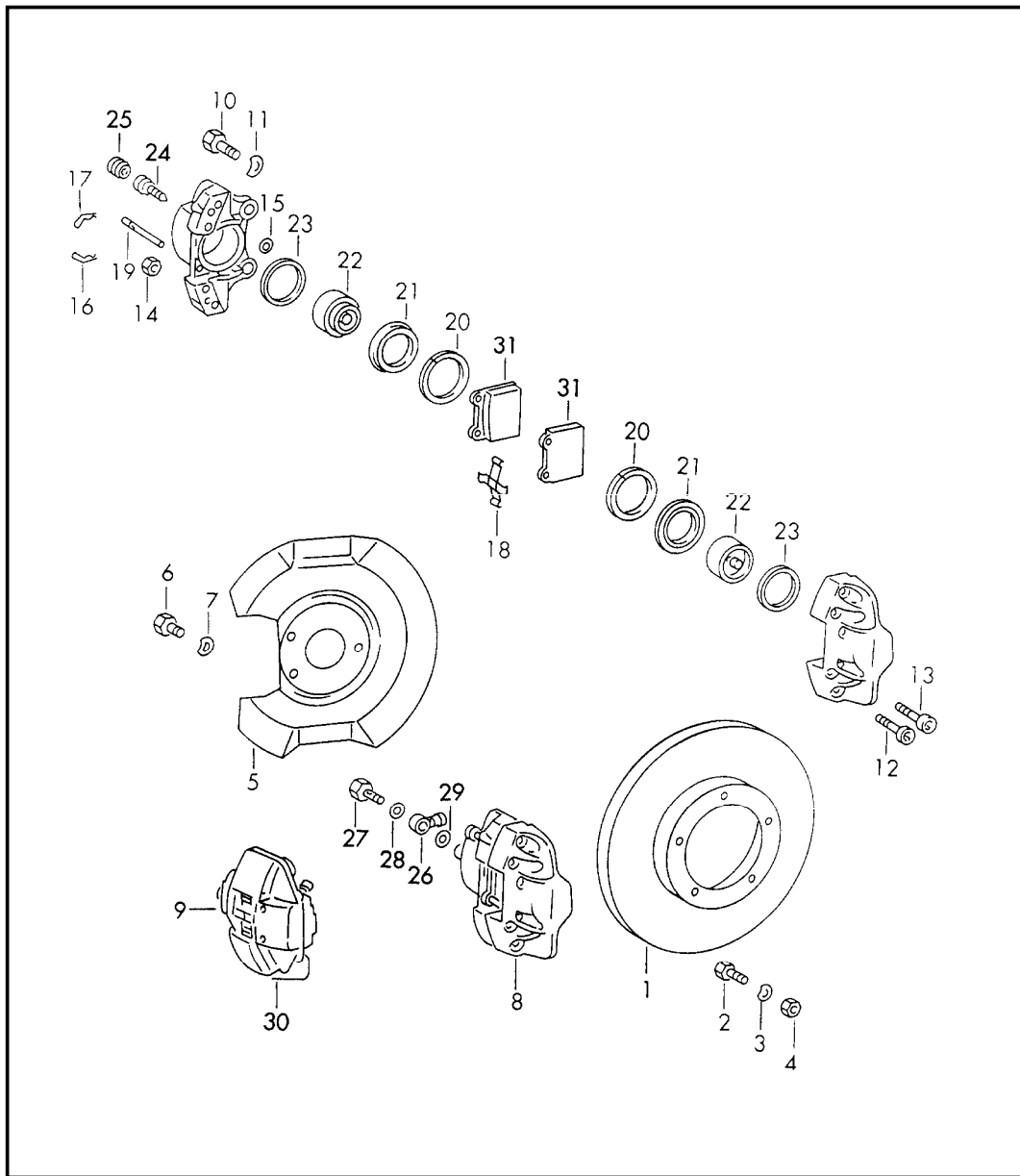
| | | | | | | | | | | | |
|-------|------|----|----|--------------|--------------|-----|-------|------------|---------|-----|---------|
| Model | Year | MG | SG | Illustration | Restrictions | UPD | 18:42 | 22.01.2010 | PORSCHE | PET | PORSCHE |
| 911 | 1973 | 6 | 01 | 601-00 | | 248 | | | | | |

| Pos | Part Number | Description | Remark | Qty | Model | Pos | Part Number | Description | Remark | Qty | Model |
|-----|----------------|--------------------------------------------------------------------------------------------|--------|-----|-------|------|----------------|--------------------------------------------------------------------------------------------------------------------------------------------------|--------|-----|-------|
| (7) | 928 361 413 00 | balance weight 40 G | | X | | (11) | 911 361 032 00 | hub cap silver for internal diameter 71 mm | | 4 | |
| (7) | 928 361 414 00 | balance weight 50 G | | X | | | | | | | |
| (7) | 928 361 415 00 | balance weight 80 G | | X | | (11) | 911 361 032 28 | hub cap black for internal diameter 71 mm | | 4 | |
| (7) | 928 361 416 00 | balance weight 70 G | | X | | | | | | | |
| (7) | 928 361 417 00 | balance weight 80 G | | X | | (11) | SOW 911 038 11 | hub cap black crest coloured | | 4 | |
| 8 | 914 361 441 00 | retainer spring | | X | | | | | | | |
| 9 | 911 361 020 00 | perforated disc wheel aluminium polished and anodised 6 J X 15 | | 5 | | | | balance stick-on weight for perforated disc wheel aluminium 901.361.012.06 911.361.016.00 901.361.017.00 and light alloy | | | |
| (9) | 911 361 016 90 | perforated disc wheel aluminium polished and anodised 5 1/2 J X 14 H2 ET 41 | | 5 | | 12 | 901 361 410 00 | balance stick-on weight 10 G | | X | |
| (9) | 901 361 017 00 | perforated disc wheel magnesium die casting 5 1/2 J X 15 ET 42 | | 5 | | (12) | 901 361 411 00 | balance stick-on weight 20 G | | X | |
| (9) | 911 361 020 10 | perforated disc wheel light alloy 6 J X 15 H2 ET 36 | | 5 | | (12) | 901 361 412 00 | balance stick-on weight 30 G | | X | |
| (9) | 911 361 020 11 | perforated disc wheel light alloy 7 J X 15 H2 ET 23,3 | | 2 | | (12) | 901 361 413 00 | balance stick-on weight 40 G | | X | |
| (9) | 911 361 023 40 | alloy wheel light alloy die casting 6 J X 15 H2 ET 36 | | 4 | | (12) | 901 361 414 00 | balance stick-on weight 50 G | | X | |
| 10 | 999 182 003 36 | wheel nut | | 20 | | (12) | 901 361 415 00 | balance stick-on weight 60 G | | X | |
| 11 | 901 361 032 00 | hub cap for internal diameter 66 mm | | 4 | | (12) | 901 361 417 00 | balance stick-on weight emergency wheel | | X | |
| | | | | | | - | 911 361 020 10 | perforated disc wheel light alloy 6 J X 15 | | 1 | |
| | | | | | | - | 911 361 022 00 | perforated disc wheel steel 5 1/2 J X 15 | | 1 | |

| | | | | | | | | | | | |
|-------|------|----|----|--------------|--------------|-----|-------|------------|---------|-----|---------|
| Model | Year | MG | SG | Illustration | Restrictions | UPD | 18:42 | 22.01.2010 | PORSCHE | PET | PORSCHE |
| 911 | 1973 | 6 | 01 | 601-00 | | 248 | | | | | |

| Pos | Part Number | Description | Remark | Qty | Model | Pos | Part Number | Description | Remark | Qty | Model |
|-----|----------------|--------------------------------------------------|--------|-----|-------|-----|-------------|-------------|--------|-----|-------|
| - | 900 265 001 50 | rubber valve \$ 11,5 | | 1 | | | | | | | |
| - | 911 361 506 01 | tyre 165-15/4.75/10.00-15 SST | | 1 | | | | | | | |
| - | 911 361 510 00 | small electric compressor | | 1 | | | | | | | |
| - | 996 361 521 00 | boot for impeller | | 1 | | | | | | | |
| - | 911 361 522 00 | cover foil 700 X 700 X 0,2 | | 1 | | | | | | | |
| - | 999 914 001 40 | plastic gloves 4- pieces in pairs | | 1 | | | | | | | |
| - | 911 722 201 02 | tyre pressure gauge not for - CARRERA 2.7- | | 1 | | | | | | | |

| | | | | | | | | | | | |
|-------|------|----|----|--------------|--------------|-----|-------|------------|---------|-----|---------|
| Model | Year | MG | SG | Illustration | Restrictions | UPD | 18:43 | 22.01.2010 | PORSCHE | PET | PORSCHE |
| 911 | 1973 | 6 | 02 | 602-00 | | 248 | | | | | |



| Pos | Part Number | Description | Remark | Qty | Model |
|-----|----------------|-------------------------------------------------------------|--------|-----|--------------------------------------------------------------------|
| 1 | 901 351 041 16 | disc brake front | | 2 | |
| 2 | 900 075 079 02 | brake disc vented | | 10 | |
| 3 | N 012 241 1 | hexagon-head bolt M 8 X 22 | | 10 | |
| 4 | 900 076 025 02 | spring washer B 8 | | 10 | |
| 5 | 901 351 801 17 | hexagon nut M 8 | | 10 | |
| 5 | 901 351 801 17 | protective plate front | -71 | 2 | 911 T 911 T-V/T-E 911 E |
| (5) | 901 351 801 17 | protective plate front | -71 | 2 | 911 T:M 911 E/S 911 S CARRERA 2.7 911 T-V/T-E 911 E |
| 6 | N 010 235 3 | spring washer B 8 | | 6 | |
| 7 | N 012 241 1 | hexagon-head bolt M 8 X 10 | | 6 | |
| 8 | 911 351 907 00 | spring washer B 8 X 15 | | 6 | |
| 8 | 911 351 907 00 | fixed calliper (M) front left without pad | -71 | 1 | 911 T 911 T-V/T-E 911 E |
| (8) | 911 351 908 00 | fixed calliper (M) front right without pad | -71 | 1 | 911 T 911 T-V/T-E 911 E |
| 9 | 901 351 975 10 | fixed calliper (S) front left without pad brake disc vented | -71 | 1 | 911 T:M 911 E/S |

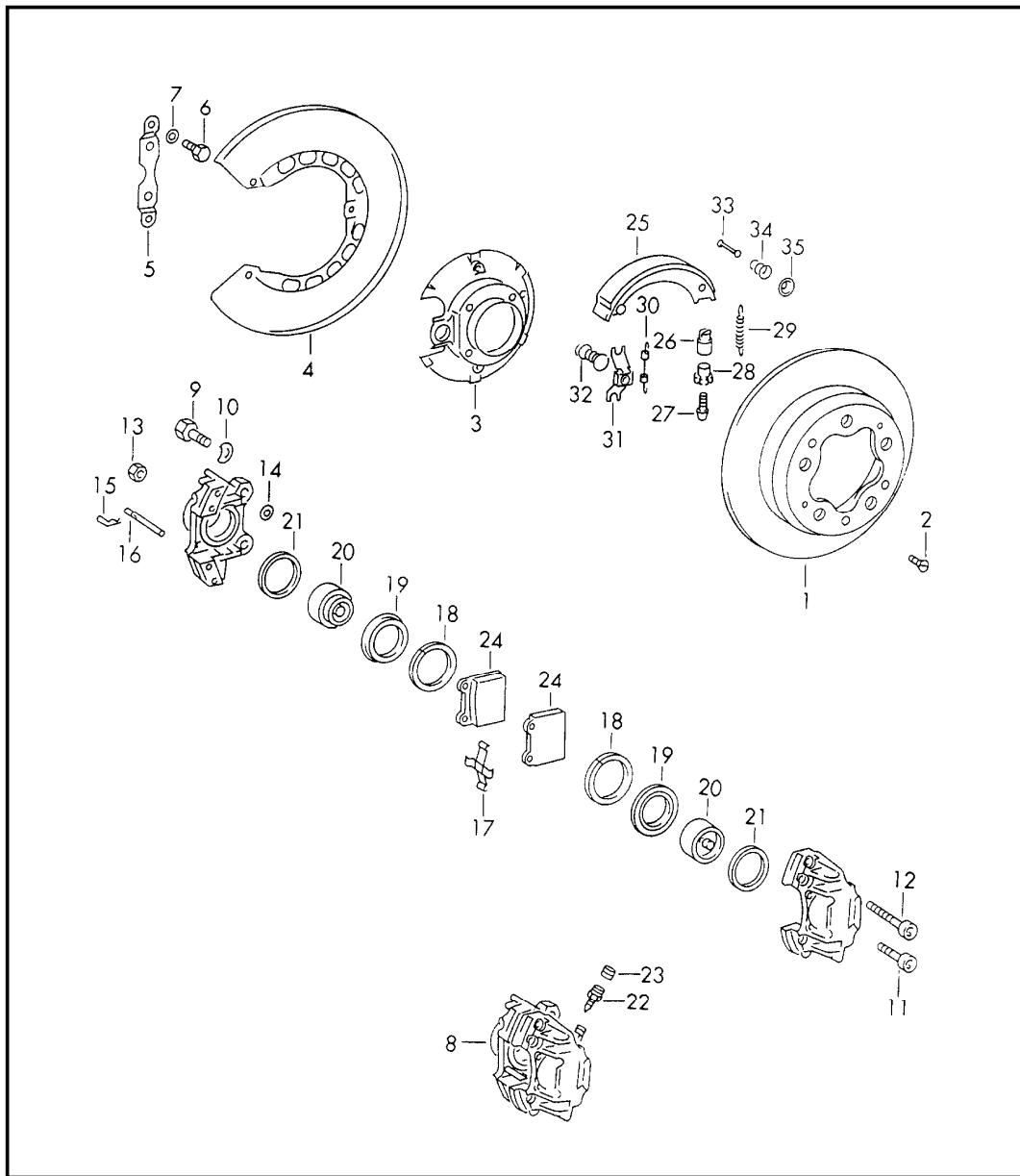
| | | | | | | | | | | | |
|-------|------|----|----|--------------|--------------|-----|-------|------------|---------|-----|---------|
| Model | Year | MG | SG | Illustration | Restrictions | UPD | 18:43 | 22.01.2010 | PORSCHE | PET | PORSCHE |
| 911 | 1973 | 6 | 02 | 602-00 | | 248 | | | | | |

| Pos | Part Number | Description | Remark | Qty | Model | Pos | Part Number | Description | Remark | Qty | Model |
|------|----------------|--------------------------------------------------------------------------------|------------|-----|----------------------------------------------|------|----------------|-----------------------------------------------------|------------|-----|--------------------------------------------------------------------|
| (9) | 901 351 976 10 | fixed calliper (S) front right without pad brake disc vented | -71 | 1 | 911 T:M 911 E/S | (18) | 901 351 916 15 | expanding spring | -71 | 2 | 911 T:M 911 E/S 911 S CARRERA 2.7 911 T-V/T-E 911 E |
| (9) | 911 351 935 00 | fixed calliper (S) front left without pad brake disc vented | 72- | 1 | 911 S CARRERA 2.7 911 T-V/T-E 911 E | 19 | 901 351 913 16 | retaining pin | -71 72- | 4 | 911 T 911 T-V/T-E 911 E |
| (9) | 911 351 936 00 | fixed calliper (S) front right without pad brake disc vented | 72- | 1 | 911 S CARRERA 2.7 911 T-V/T-E 911 E | (19) | 901 351 986 00 | retaining pin | -71 72- | 4 | 911 T:M 911 E/S 911 S CARRERA 2.7 911 T-V/T-E 911 E |
| 10 | 900 083 023 02 | hexagon-head bolt M 12 X 1,5 X 30 | | 4 | | 20 | - | clamping ring see group 6/98/00 | -71 72- | X | 911 T 911 T-V/T-E 911 E |
| (10) | 900 083 023 01 | hexagon-head bolt M 12 X 1,5 X 30 | 71- | 4 | | 21 | - | protection cap see group 6/98/00 | -71 72- | X | 911 T:M 911 E/S 911 S 911 T-V/T-E 911 E |
| 11 | 900 028 014 01 | spring washer B 12 | | 4 | | 22 | 901 351 097 10 | piston | -71 72- | 4 | 911 T 911 T-V/T-E 911 E |
| 12 | 901 351 945 10 | pan-head screw | -71 72- | 4 | 911 T 911 T-V/T-E 911 E | (22) | 901 351 988 00 | piston for s-calliper housing with X | -70 | 4 | 911 T:M 911 E/S |
| 13 | 901 351 946 10 | pan-head screw | -71 72- | 4 | 911 T 911 T-V/T-E 911 E | (22) | 911 351 918 00 | piston | 71 72- | 4 | 911 T:M 911 E/S 911 S 911 T-V/T-E 911 E |
| 14 | N 011 008 8 | hexagon nut M 8 | -71 72- | 8 | 911 T 911 T-V/T-E 911 E | 23 | - | gasket see group 6/98/00 | -71 72- | X | 911 T:M 911 E/S 911 S CARRERA 2.7 911 T-V/T-E 911 E |
| 15 | 901 351 928 10 | sealing ring | -71 72- | 4 | 911 T 911 T-V/T-E 911 E | 24 | 901 352 977 10 | ventilation valve complete | -71 72- | 2 | 911 T 911 T-V/T-E 911 E |
| 16 | 901 351 955 10 | safety seal | | 2 | | | | | | | |
| 17 | 901 351 955 10 | safety seal | | 2 | | | | | | | |
| 18 | 901 351 916 14 | expanding spring | -71 72- | 2 | 911 T 911 T-V/T-E 911 E | | | | | | |

| | | | | | | | | | | | |
|-------|------|----|----|--------------|--------------|-----|-------|------------|---------|-----|---------|
| Model | Year | MG | SG | Illustration | Restrictions | UPD | 18:43 | 22.01.2010 | PORSCHE | PET | PORSCHE |
| 911 | 1973 | 6 | 02 | 602-00 | | 248 | | | | | |

| Pos | Part Number | Description | Remark | Qty | Model | Pos | Part Number | Description | Remark | Qty | Model |
|------|----------------|----------------------------|------------|-----|--------------------------------------------------------------------|------|----------------|----------------------------------------------------------------------|------------|-----|--------------------------------------------------------------------|
| (24) | 911 351 919 00 | ventilation valve complete | -71 72- | 4 | 911 T:M 911 E/S 911 S CARRERA 2.7 911 T-V/T-E 911 E | 30 | 901 351 991 00 | compensating line left front | -71 72- | 2 | 911 T:M 911 E/S 911 S CARRERA 2.7 911 T-V/T-E 911 E |
| 25 | 901 351 927 10 | dust boot | -71 72- | 2 | 911 T 911 T-V/T-E 911 E | (30) | 901 351 992 00 | compensating line right front | -71 72- | 2 | 911 T:M 911 E/S 911 S CARRERA 2.7 911 T-V/T-E 911 E |
| (25) | 901 351 927 10 | dust boot | -71 72- | 4 | 911 T:M 911 E/S 911 S CARRERA 2.7 911 T-V/T-E 911 E | 31 | 911 352 950 04 | brake pad repair set without mounting parts for m calliper | | 1 | 911 T/E |
| 26 | 914 355 531 00 | ring fitting | -71 72- | 2 | 911 T 911 T-V/T-E 911 E | 31 | 911 351 950 07 | brake pad repair set without mounting parts for s-calliper aluminium | | 1 | 911 S 911 T/E:M CARRERA 2.7 |
| (26) | 914 355 531 00 | ring fitting | -71 72- | 2 | 911 T:M 911 E/S 911 S CARRERA 2.7 911 T-V/T-E 911 E | | | | | | |
| 27 | 901 355 531 00 | banjo bolt | | 2 | | | | | | | |
| 28 | 904 355 902 00 | sealing ring outer | -71 72- | 2 | 911 T 911 T-V/T-E 911 E | | | | | | |
| (28) | 900 123 005 22 | sealing ring outer | -71 72- | 2 | 911 T:M 911 E/S 911 S CARRERA 2.7 911 T-V/T-E 911 E | | | | | | |
| 29 | 904 355 904 00 | sealing ring inner | -71 72- | 2 | 911 T 911 T-V/T-E 911 E | | | | | | |
| (29) | 900 123 004 22 | sealing ring inner | -71 72- | 2 | 911 T:M 911 E/S 911 S CARRERA 2.7 911 T-V/T-E 911 E | | | | | | |

| | | | | | | | | | | | |
|-------|------|----|----|--------------|--------------|-----|-------|------------|---------|-----|---------|
| Model | Year | MG | SG | Illustration | Restrictions | UPD | 18:43 | 22.01.2010 | PORSCHE | PET | PORSCHE |
| 911 | 1973 | 6 | 03 | 603-00 | | 248 | | | | | |

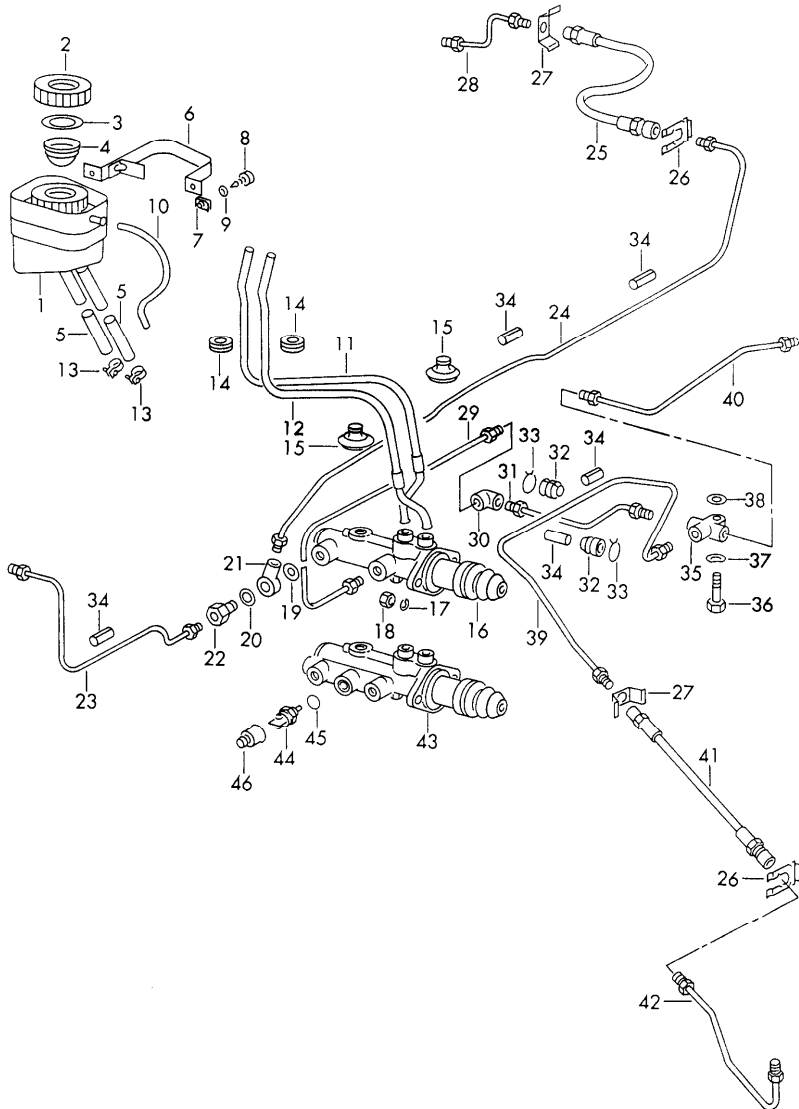


| Pos | Part Number | Description | Remark | Qty | Model |
|-----|----------------|-------------------------------------------------------------|------------|--------|-------|
| 1 | 901 352 041 14 | disc brake rear | | 2 | |
| 2 | 900 013 037 02 | countersunk-head screw AM 6 X 12 | | 4 | |
| 3 | 901 352 081 14 | brake mounting plate | | 2 | |
| 4 | 901 352 801 20 | protective plate | -71 | 2 | |
| (4) | 911 352 083 00 | brake mounting plate | 72- | 2 | |
| 5 | 914 352 085 00 | retaining bar | | 2 | |
| 6 | N 010 235 3 | hexagon-head bolt M 8 X 10 | -71 72- | 6 2 | |
| 7 | N 012 241 1 | spring washer B 8 X 15 | -71 72- | 6 2 | |
| 8 | 911 352 907 00 | fixed calliper (M) rear left without pad brake disc vented | | 1 | |
| (8) | 911 352 908 00 | fixed calliper (M) rear right without pad brake disc vented | | 1 | |
| 9 | 900 083 023 02 | hexagon-head bolt M 12 X 1,5 X 30 | 70- | 4 | |
| (9) | 900 083 023 01 | hexagon-head bolt M 12 X 1,5 X 30 | 71 | 4 | |
| 10 | 900 028 014 01 | spring washer B 12 | | 4 | |
| 11 | 901 352 978 12 | pan-head screw | | 4 | |
| 12 | 901 352 978 13 | pan-head screw | | 4 | |
| 13 | 901 352 979 10 | hexagon nut | | 8 | |
| 14 | 901 351 928 10 | sealing ring | | 8 | |
| 15 | 901 351 955 10 | safety seal | | 4 | |

| | | | | | | | | | | | |
|-------|------|----|----|--------------|--------------|-----|-------|------------|---------|-----|---------|
| Model | Year | MG | SG | Illustration | Restrictions | UPD | 18:43 | 22.01.2010 | PORSCHE | PET | PORSCHE |
| 911 | 1973 | 6 | 03 | 603-00 | | 248 | | | | | |

| Pos | Part Number | Description | Remark | Qty | Model | Pos | Part Number | Description | Remark | Qty | Model |
|------|----------------|---------------------------------------------------|--------|-----|-------|-----|-------------|-------------|--------|-----|-------|
| 16 | 901 352 991 01 | retaining pin | | 4 | | | | | | | |
| 17 | 901 351 916 14 | expanding spring | | 2 | | | | | | | |
| 18 | - | clamping ring see group 6/98/00 | | X | | | | | | | |
| 19 | - | protection cap see group 6/98/00 | | X | | | | | | | |
| 20 | 901 352 993 00 | piston | | 4 | | | | | | | |
| 21 | - | gasket see group 6/98/00 | | X | | | | | | | |
| 22 | 901 352 977 10 | ventilation valve | | 2 | | | | | | | |
| 23 | 901 351 927 10 | dust boot | | 2 | | | | | | | |
| 24 | 911 352 950 04 | brake pad repair set without mounting parts | | 1 | | | | | | | |
| 25 | 911 352 097 10 | brake shoe with pad without asbestos | | 4 | | | | | | | |
| 26 | 911 352 944 00 | support bush | -70 | 2 | | | | | | | |
| (26) | 911 352 944 00 | support bush | 71- | 2 | | | | | | | |
| 27 | 901 352 943 10 | adjusting screw | | 2 | | | | | | | |
| (27) | 911 352 098 00 | adjusting screw complete | 71- | 2 | | | | | | | |
| 28 | 911 352 098 00 | adjusting screw | -70 | 2 | | | | | | | |
| 29 | 901 352 932 10 | return spring | | 2 | | | | | | | |
| 30 | 901 352 954 10 | return spring | | 2 | | | | | | | |
| 31 | 911 352 090 00 | expanding bow | | 4 | | | | | | | |
| 32 | 901 352 953 10 | compression spring | | 2 | | | | | | | |
| 33 | 901 352 959 10 | roll pin | | 4 | | | | | | | |
| 34 | 901 352 957 10 | compression spring | | 4 | | | | | | | |
| 35 | 901 352 955 10 | concave washer | | 4 | | | | | | | |

| | | | | | | | | | | | |
|-------|------|----|----|--------------|--------------|-----|-------|------------|---------|-----|---------|
| Model | Year | MG | SG | Illustration | Restrictions | UPD | 18:43 | 22.01.2010 | PORSCHE | PET | PORSCHE |
| 911 | 1973 | 6 | 04 | 604-00 | | 248 | | | | | |



| Pos | Part Number | Description | Remark | Qty | Model |
|------|----------------|--------------------------------------------------|--------|--------------|-------|
| 1 | 901 355 013 00 | brake fluid reservoir brake master cylinder | | -70 1 | |
| (1) | 911 355 013 13 | brake fluid reservoir with lid | | 71- 1 | |
| 2 | 901 355 905 00 | lid | | -70 1 | |
| (2) | 911 355 905 02 | lid | | 71- 1 | |
| 3 | 901 355 908 00 | gasket | | 1 | |
| 4 | 211 611 381 B | strainer | | 1 | |
| 5 | 901 355 927 02 | hose piece 50 MM | /LL | -70 2 71- | |
| (5) | 901 355 927 01 | hose piece 150 MM | /RL | 71- 2 | |
| 6 | 901 355 015 00 | retaining strap | | 1 | |
| 7 | N 015 429 2 | speed nut B 4,2 | | 2 | |
| 8 | 900 143 007 02 | oval-head sheetmetal screw B 4,2 X 13 | | 2 | |
| 9 | 900 151 028 02 | washer B 4,3 | | 2 | |
| 10 | 999 181 204 40 | hose overflow hose | | * | |
| 11 | PCG 355 061 00 | connecting line for brake circuit front | /LL | 1 | |
| (11) | 901 355 644 00 | line for brake circuit front | /RL | 1 | |
| - | 901 355 927 02 | hose piece 50 MM | /RL | 1 | |
| - | 901 355 618 00 | connecting piece | /RL | 1 | |

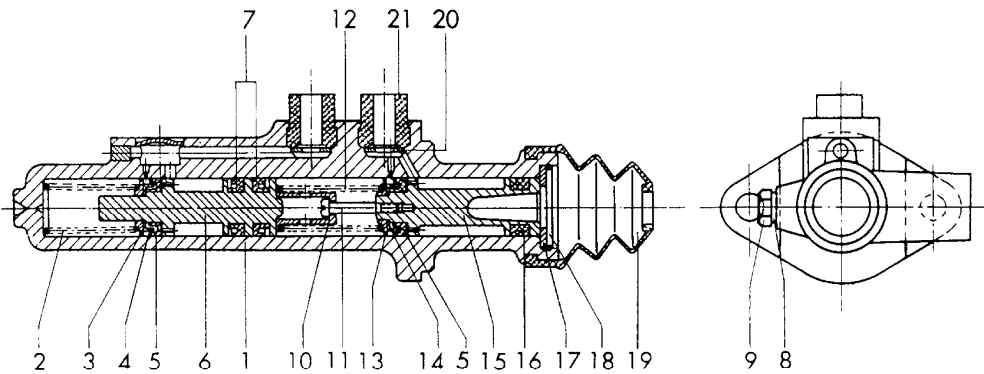
| | | | | | | | | | | | |
|-------|------|----|----|--------------|--------------|-----|-------|------------|---------|-----|---------|
| Model | Year | MG | SG | Illustration | Restrictions | UPD | 18:43 | 22.01.2010 | PORSCHE | PET | PORSCHE |
| 911 | 1973 | 6 | 04 | 604-00 | | 248 | | | | | |

| Pos | Part Number | Description | Remark | Qty | Model | Pos | Part Number | Description | Remark | Qty | Model |
|------|----------------|----------------------------------------|--------|-----|-------|------|----------------|----------------------------|--------|-----|-------|
| 12 | PCG 355 063 00 | connecting line for brake circuit rear | /LL | 1 | | 24 | 901 355 620 01 | brake line front right | /LL | 1 | |
| (12) | 901 355 650 00 | line for brake circuit rear | /RL | 1 | | (24) | 901 355 628 00 | brake line front right | /RL | 1 | |
| - | 901 355 927 02 | hose piece 50 MM | /RL | 1 | | 25 | 901 355 632 01 | brake hose front | | 2 | |
| - | 901 355 618 00 | connecting piece | /RL | 1 | | 26 | 914 355 665 00 | brake hose bracket | -71 | 4 | |
| 13 | 999 512 055 02 | hose clamp | | 2 | | 26 | 113 611 715 A | brake hose bracket | | 4 | |
| 14 | 999 702 076 50 | rubber sleeve | /LL | 2 | | (26) | 113 611 715 A | brake hose bracket | 72- | 4 | |
| (14) | 999 702 076 50 | rubber sleeve | /RL | 4 | | 27 | 803 611 715 | retainer spring | | 4 | |
| 15 | 999 702 065 50 | rubber sleeve | | 2 | | 28 | 914 355 603 00 | brake line front | | 2 | |
| 16 | 901 355 012 00 | brake master cylinder | | 1 | | 29 | 901 355 612 00 | connecting line | /LL | 1 | |
| - | 999 703 075 40 | stopper | | 1 | | (29) | 901 355 624 00 | connecting line | /RL | -71 | 1 |
| 17 | 900 027 015 02 | lock ring B 8 | | 2 | | (29) | 911 355 643 01 | brake line | /RL | 72- | 1 |
| 18 | 900 076 025 02 | hexagon nut M 8 | | 2 | | 30 | 901 355 615 00 | angled pipe | | 1 | |
| 19 | 904 355 904 00 | gasket \$ 10 MM | | 1 | | 31 | 901 355 611 01 | brake line | -71 | 1 | |
| 20 | 904 355 902 00 | gasket \$ 12 MM | | 2 | | 31 | 901 355 611 02 | brake line | -71 | 1 | |
| 21 | 914 355 531 00 | ring fitting | | 1 | | (31) | 911 355 611 01 | brake line | 72- | 1 | |
| 22 | 914 355 534 00 | banjo bolt | | 2 | | 32 | 914 355 651 00 | rubber sleeve | | 2 | |
| 23 | 901 355 619 00 | brake line front left | /LL | 1 | | 33 | 914 355 652 00 | clamp | | 2 | |
| (23) | 901 355 626 00 | brake line front left | /RL | 1 | | 34 | 914 355 691 00 | hose piece | | 6 | |
| 24 | 901 355 620 00 | brake line front right | /LL | 1 | | 35 | 914 355 667 00 | distributor | | 1 | |
| | | | | | | 36 | 900 075 017 02 | hexagon-head bolt M 6 X 25 | | 1 | |
| | | | | | | 37 | 900 028 008 01 | spring washer B 6 | | 1 | |
| | | | | | | 38 | 900 151 006 09 | washer B 6,4 | | 1 | |
| | | | | | | 39 | 901 355 627 01 | connecting line rear left | -71 | 1 | |

| | | | | | | | | | | | |
|-------|------|----|----|--------------|--------------|-----|-------|------------|---------|-----|---------|
| Model | Year | MG | SG | Illustration | Restrictions | UPD | 18:43 | 22.01.2010 | PORSCHE | PET | PORSCHE |
| 911 | 1973 | 6 | 04 | 604-00 | | 248 | | | | | |

| Pos | Part Number | Description | Remark | Qty | Model | Pos | Part Number | Description | Remark | Qty | Model |
|------|----------------|-----------------------------------------------------|--------|-----|----------------------------|-----|-------------|-------------|--------|-----|-------|
| (39) | 911 355 627 00 | connecting line rear left | 72- | 1 | 911 T-E/E/S 911 T-V/T-K | | | | | | |
| (39) | 911 355 627 01 | connecting line rear left | 72- | 1 | CARRERA 2.7 | | | | | | |
| (39) | 911 355 627 02 | connecting line rear left F 91136 01409>> | 72- | 1 | CARRERA 2.7 | | | | | | |
| 40 | 901 355 653 00 | connecting line rear right | -71 | 1 | | | | | | | |
| (40) | 911 355 653 00 | connecting line rear right | 72- | 1 | | | | | | | |
| (40) | 911 355 653 01 | connecting line rear right F 91136 01409>> | 72- | 1 | CARRERA 2.7 | | | | | | |
| 41 | 901 355 631 01 | brake hose rear 240 MM | | 2 | | | | | | | |
| 42 | 901 355 621 01 | brake line rear left | | 1 | | | | | | | |
| (42) | 901 355 622 01 | brake line rear right | | 1 | | | | | | | |
| 43 | 911 355 012 02 | brake master cylinder with warning function | /LL | 1 | | | | | | | |
| 44 | 901 613 115 00 | warning contact | /LL | 1 | | | | | | | |
| 45 | 999 701 343 40 | o-ring | /LL | 1 | | | | | | | |
| 46 | 914 613 491 00 | protection cap | /LL | 1 | | | | | | | |

| | | | | | | | | | | | |
|-------|------|----|----|--------------|--------------|-----|-------|------------|---------|-----|---------|
| Model | Year | MG | SG | Illustration | Restrictions | UPD | 18:43 | 22.01.2010 | PORSCHE | PET | PORSCHE |
| 911 | 1973 | 6 | 04 | 604-05 | | 248 | | | | | |

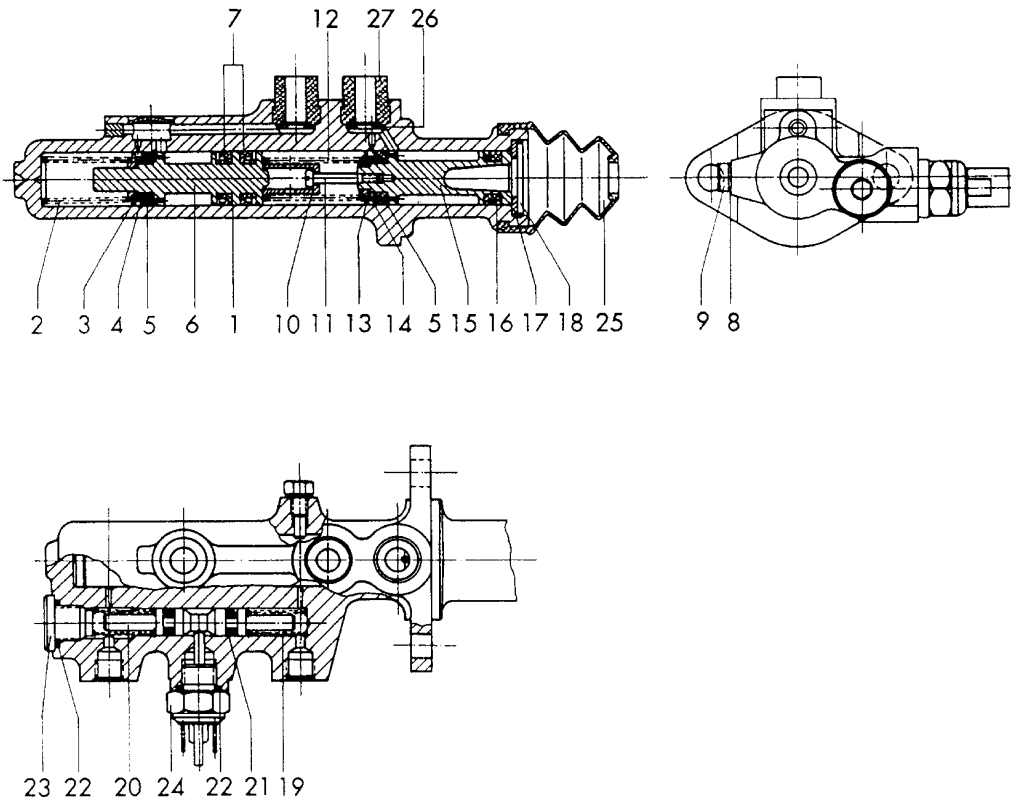


| Pos | Part Number | Description | Remark | Qty | Model |
|------|----------------|----------------------------------------------------------------------------------|--------|-----|-------|
| | | brake master cylinder \$ 19,05 without warning function single parts | | | |
| - | 901 355 012 00 | brake master cylinder complete | | 1 | |
| 1 | - | housing | | 1 | |
| 2 | - | compression spring | | 1 | |
| 3 | - | concave washer | | 1 | |
| 4 * | - | support ring | | 1 | |
| 5 * | - | boot | | 2 | |
| 6 * | - | piston with washer | | 1 | |
| 7 * | - | boot | | 2 | |
| 8 * | - | sealing ring | | 1 | |
| 9 | - | stop screw | | 1 | |
| 10 | - | sleeve | | | |
| 11 | - | stop screw | | | |
| 12 | - | compression spring | | | |
| 13 | - | concave washer | | 1 | |
| 14 * | - | support ring | | 1 | |
| 15 * | - | piston with washer | | 1 | |
| 16 * | - | boot | | 1 | |
| 17 | - | stop washer | | 1 | |
| 18 * | - | circlip | | 1 | |
| 19 | 901 355 924 00 | protection cap | | 1 | |
| 20 | 901 355 936 00 | washer | | 2 | |
| 21 | 901 355 929 00 | stopper | | 2 | |

| | | | | | | | | | | | |
|-------|------|----|----|--------------|--------------|-----|-------|------------|---------|-----|---------|
| Model | Year | MG | SG | Illustration | Restrictions | UPD | 18:43 | 22.01.2010 | PORSCHE | PET | PORSCHE |
| 911 | 1973 | 6 | 04 | 604-05 | | 248 | | | | | |

| Pos | Part Number | Description | Remark | Qty | Model | Pos | Part Number | Description | Remark | Qty | Model |
|-----|----------------|------------------------------------|--------|-----|-------|-----|-------------|-------------|--------|-----|-------|
| - | 901 355 930 00 | repair kit see group 6/98/00 | | X | | | | | | | |

| | | | | | | | | | | | |
|-------|------|----|----|--------------|--------------|-----|-------|------------|---------|-----|---------|
| Model | Year | MG | SG | Illustration | Restrictions | UPD | 18:43 | 22.01.2010 | PORSCHE | PET | PORSCHE |
| 911 | 1973 | 6 | 04 | 604-10 | | 248 | | | | | |



| Pos | Part Number | Description | Remark | Qty | Model |
|------|----------------|-------------------------------------------------------------------------------|--------|-----|-------|
| - | 911 355 012 02 | brake master cylinder \$ 19,05 with warning function single parts | /LL | | |
| - | 911 355 012 02 | brake master cylinder complete | | 1 | |
| 1 | - | housing | | 1 | |
| 2 | - | compression spring | | 1 | |
| 3 | - | concave washer | | 1 | |
| 4 * | - | support ring | | 1 | |
| 5 * | - | boot | | 2 | |
| 6 * | - | piston with washer | | 1 | |
| 7 * | - | boot | | 2 | |
| 8 * | - | sealing ring | | 1 | |
| 9 | - | stop screw | | 1 | |
| 10 | - | sleeve | | | |
| 11 | - | stop screw | | | |
| 12 | - | compression spring | | | |
| 13 | - | concave washer | | 1 | |
| 14 * | - | support ring | | 1 | |
| 15 * | - | piston with washer | | 1 | |
| 16 * | - | boot | | 1 | |
| 17 | - | stop washer | | 1 | |
| 18 * | - | circlip | | 1 | |
| 19 | - | compression spring | | 2 | |
| 20 | - | piston | | 2 | |
| 21 | - | boot | | 2 | |
| 22 | 999 701 343 40 | o-ring | | 2 | |

| | | | | | | | | | | | |
|-------|------|----|----|--------------|--------------|-----|-------|------------|---------|-----|---------|
| Model | Year | MG | SG | Illustration | Restrictions | UPD | 18:43 | 22.01.2010 | PORSCHE | PET | PORSCHE |
| 911 | 1973 | 6 | 04 | 604-10 | | 248 | | | | | |

| Pos | Part Number | Description | Remark | Qty | Model | Pos | Part Number | Description | Remark | Qty | Model |
|-----|----------------|------------------------------------|--------|-----|-------|-----|-------------|-------------|--------|-----|-------|
| 23 | - | threaded joint | | 1 | | | | | | | |
| 24 | 901 613 115 00 | warning contact | | 1 | | | | | | | |
| 25 | 901 355 924 00 | protection cap | | 1 | | | | | | | |
| 26 | 901 355 936 00 | washer | | 2 | | | | | | | |
| 27 | 901 355 929 00 | stopper | | 2 | | | | | | | |
| - | 901 355 930 00 | repair kit see group 6/98/00 | | X | | | | | | | |

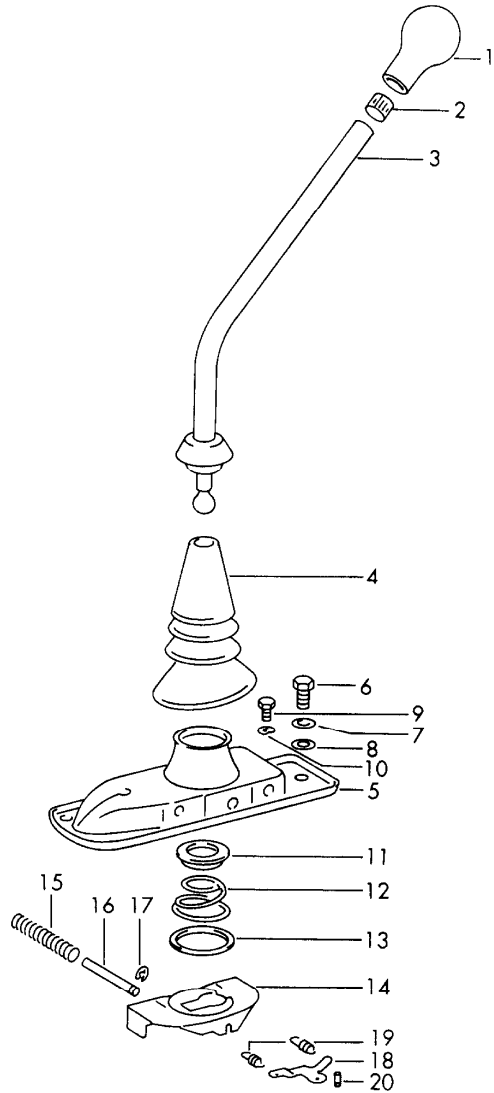
| | | | | | | | | |
|-------|------|----|----|--------------|--------------|-----|-------|------------|
| Model | Year | MG | SG | Illustration | Restrictions | UPD | 18:44 | 22.01.2010 |
| 911 | 1973 | 6 | 98 | 698-00R | | 248 | | |

| Pos | Part Number | Description | Remark | Qty | Model |
|-----|------------------|-------------------------------------------------------------------------------------|------------|-----|------------------------------------------------------------------------|
| | | repair kits | | | |
| | | front axle | | | |
| >> | >>911 352 950 04 | brake pad repair set without mounting parts for m calliper | -71 72- | 1 | 911 T 911 T-V/T-E 911 E |
| >> | >>911 351 950 07 | brake pad repair set without mounting parts for s-calliper aluminium | -71 | 1 | 911 S/E 911 T:M |
| >> | >>901 351 964 11 | gasket set for m calliper comprising: | -71 72- | 2 | 911 T 911 T-V/T-E 911 E |
| - | 901 351 908 12 | gasket for piston | | 2 | |
| - | 901 351 918 10 | protection cap | | 2 | |
| - | 901 351 917 10 | clamping ring | | 2 | |
| - | 901 351 955 10 | safety seal | | 1 | |
| - | 901 351 955 10 | safety seal | | 1 | |
| >> | >>901 351 998 00 | gasket set for s-calliper comprising: | -71 72- | 2 | 911 E/S 911 T:M 911 S CARRERA 2.7 911 T-V:M 911 T-E/E:M |
| - | 901 351 908 12 | gasket for piston | | 2 | |
| - | 901 351 987 00 | protection cap | | 2 | |
| - | 901 351 955 10 | safety seal | | 2 | |
| | | rear axle | | | |
| >> | >>911 352 950 04 | brake pad repair set without mounting parts for m calliper | | 1 | |
| >> | >>901 352 998 00 | gasket set for m calliper | | 2 | |

| | | | | | | | | |
|-------|------|----|----|--------------|--------------|-----|-------|------------|
| Model | Year | MG | SG | Illustration | Restrictions | UPD | 18:44 | 22.01.2010 |
| 911 | 1973 | 6 | 98 | 698-00R | | 248 | | |

| Pos | Part Number | Description | Remark | Qty | Model |
|-----|------------------|---------------------------------------------------------------------------------------------------------------------|--------|-----|-------|
| - | 901 352 908 12 | gasket for piston | | 2 | |
| - | 901 352 998 00 | gasket set | | 2 | |
| - | 901 352 988 00 | clamping ring | | 2 | |
| - | 901 351 955 10 | safety seal | | 1 | |
| - | 901 351 955 10 | safety seal | | 1 | |
| >> | >>901 355 930 00 | repair kit for brake master cylinder \$ 19,05 with and without warning function comprising: | | 1 | |
| - | 901 355 931 00 | piston | | 1 | |
| - | 914 355 911 00 | boot | | 2 | |
| - | 901 355 934 00 | piston | | 1 | |
| - | 911 355 915 00 | boot | | 1 | |
| - | 901 355 949 00 | sealing ring | | 1 | |
| - | 911 355 917 00 | circlip | | 1 | |
| - | 901 355 924 00 | protection cap | | 1 | |

| | | | | | | | | | | | |
|-------|------|----|----|--------------|--------------|-----|-------|------------|---------|-----|---------|
| Model | Year | MG | SG | Illustration | Restrictions | UPD | 18:44 | 22.01.2010 | PORSCHE | PET | PORSCHE |
| 911 | 1973 | 7 | 01 | 701-00 | | 248 | | | | | |



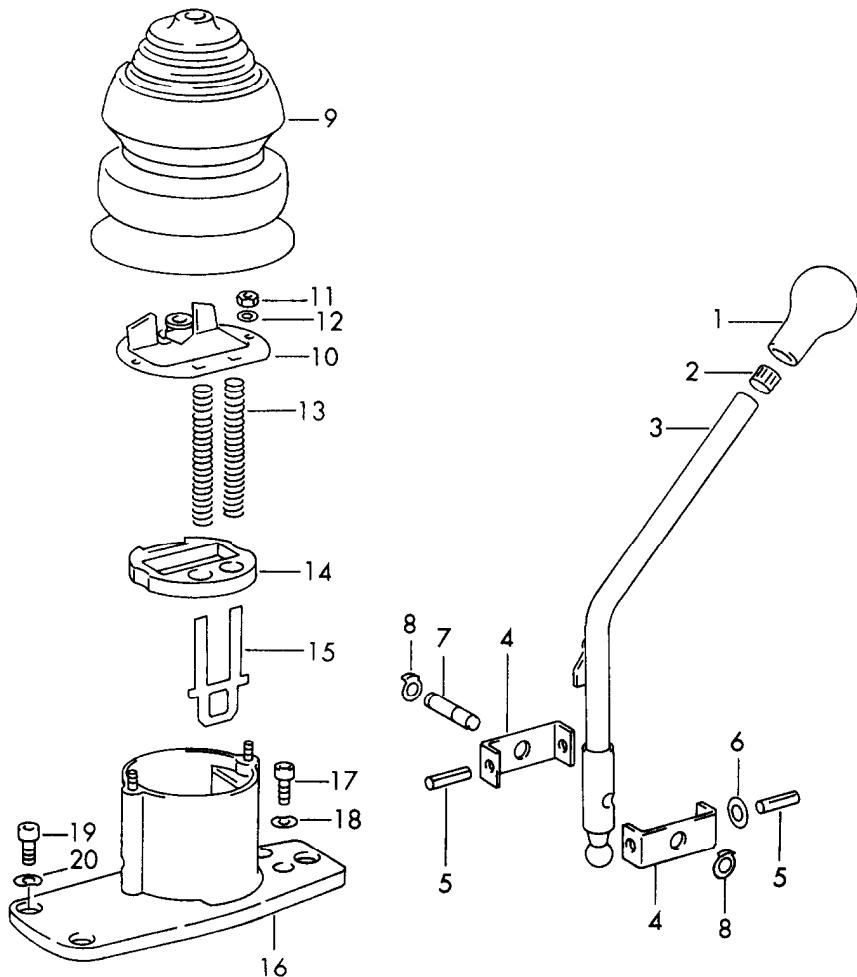
| Pos | Part Number | Description | Remark | Qty | Model |
|-----|----------------|----------------------------------------------------------------------------------|--------|-----|--------------------|
| | | gearshift lever transmission control 4th/5th gear model year -71/72- | | | |
| 1 | 901 424 013 00 | gearshift knob 4-speed | -71 | 1 | 911 T 911 E/S:M |
| (1) | 901 424 014 00 | gearshift knob 5-speed | -71 | 1 | 911 E/S 911 T:M |
| (1) | 911 424 069 01 | gearshift knob 4-speed | 72- | 1 | |
| (1) | 911 424 071 01 | gearshift knob 5-speed | 72- | 1 | |
| 2 | 999 532 001 00 | spacer | | 1 | |
| 3 | 914 424 016 00 | gearshift lever | -71 | 1 | |
| (3) | 914 424 016 00 | gearshift lever | 72- | 1 | |
| 4 | 914 424 901 00 | sleeve | | 1 | |
| 5 | 901 424 015 02 | gearshift bracket | -71 | 1 | |
| (5) | 914 424 019 00 | gearshift bracket 4-speed | 72- | 1 | |
| (5) | 911 424 019 04 | gearshift bracket 5-speed | 72- | 1 | |
| 6 | 900 075 078 02 | hexagon-head bolt M 8 X 15 | | 3 | |
| 7 | 900 027 015 02 | lock ring B 8 | | 3 | |
| 8 | 900 025 007 02 | washer 8,4 | | 1 | |
| 9 | N 010 210 13 | hexagon-head bolt M 6 X 10 | | 2 | |
| 10 | 900 028 008 01 | spring washer B 6 | | 2 | |
| 11 | 901 424 132 00 | guide for compression spring | | 1 | |
| 12 | 914 424 131 00 | compression spring | | 1 | |
| 13 | 901 424 135 00 | guide ring | | 1 | |

| | | | | | | | | | | | |
|-------|------|----|----|--------------|--------------|-----|-------|------------|---------|-----|---------|
| Model | Year | MG | SG | Illustration | Restrictions | UPD | 18:44 | 22.01.2010 | PORSCHE | PET | PORSCHE |
| 911 | 1973 | 7 | 01 | 701-00 | | 248 | | | | | |

| Pos | Part Number | Description | Remark | Qty | Model | Pos | Part Number | Description | Remark | Qty | Model |
|------|----------------|-------------------------------|--------|-----|-------|-----|-------------|-------------|--------|-----|-------|
| 14 | 901 424 017 00 | stop plate | | 1 | | | | | | | |
| (14) | 911 424 061 00 | stop plate 4-speed | | 1 | | | | | | | |
| (14) | 911 424 061 00 | stop plate 5-speed | | 1 | | | | | | | |
| 15 | 901 424 133 00 | compression spring | -71 | 2 | | | | | | | |
| 15 | 911 424 133 03 | compression spring | 72- | 2 | | | | | | | |
| 16 | 901 424 115 00 | pin | | 2 | | | | | | | |
| 17 | N 012 435 1 | washer | | 4 | | | | | | | |
| 18 | 911 424 137 00 | pawl 5-speed | 72- | 1 | | | | | | | |
| 19 | 911 424 134 00 | return spring 5-speed | 72- | 2 | | | | | | | |
| 20 | 900 308 013 00 | roll pin 3 X 10 5-speed | 72- | 1 | | | | | | | |

| | | | | | | | | | | | |
|-------|------|----|----|--------------|--------------|-----|-------|------------|---------|-----|---------|
| Model | Year | MG | SG | Illustration | Restrictions | UPD | 18:44 | 22.01.2010 | PORSCHE | PET | PORSCHE |
| 911 | 1973 | 7 | 01 | 701-05 | | 248 | | | | | |

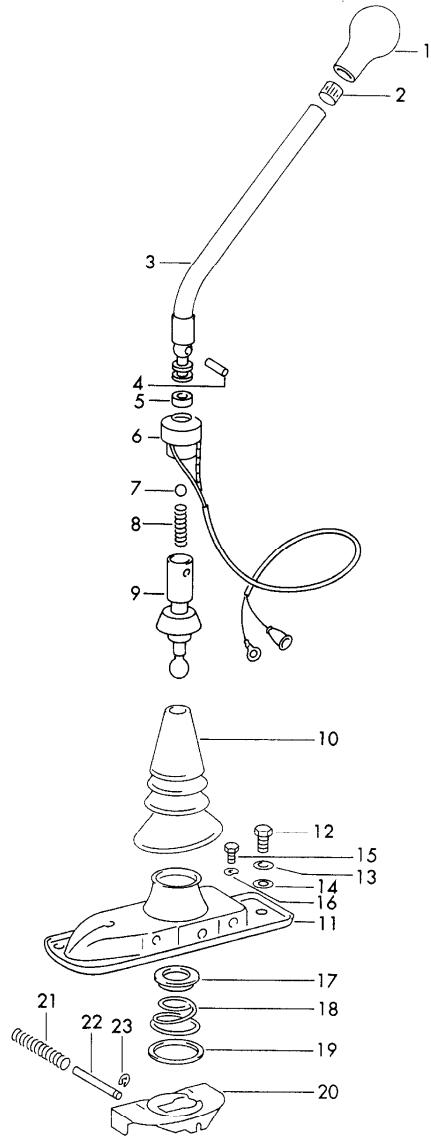
| Pos | Part Number | Description | Remark | Qty | Model |
|------|----------------|-------------------------------------------------------------------------------|--------|--------|-------|
| | | gearshift lever transmission control 4th/5th gear model year -73- | | | |
| 1 | 911 424 069 01 | gearshift knob 4-speed | | 1 | |
| (1) | 911 424 071 01 | gearshift knob 5-speed | | 1 | |
| 2 | 999 532 001 00 | spacer | | 1 | |
| 3 | 911 424 017 05 | gearshift lever | | 1 | |
| 4 | 911 424 123 03 | fork | | 2 | |
| 5 | 900 197 035 01 | tensioning sleeve 8 X 28 | | 2 | |
| 6 | 911 424 187 00 | shim 0,1 MM | | X | |
| (6) | 911 424 187 01 | shim 0,2 MM | | X 1 | |
| 7 | 911 424 129 06 | bearing pin | | 1 | |
| 8 | 999 166 027 02 | circlip | | 2 | |
| 9 | 911 424 181 01 | sleeve | | 1 | |
| 10 | 911 424 063 04 | pawl carrier plate 4-speed | | 1 | |
| (10) | 911 424 063 02 | mounting plate 5-speed | | 1 | |
| 11 | 900 076 010 02 | hexagon nut M 6 | | 2 | |
| 12 | 900 027 014 01 | lock ring B 6 | | 2 | |
| 13 | 911 424 131 01 | compression spring | | 2 | |
| 14 | 911 424 147 00 | buffer plate | | 1 | |
| 15 | 911 424 144 00 | guide plate | | 1 | |
| 16 | 911 424 019 05 | gearshift bracket | | 1 | |
| 17 | 900 067 011 02 | pan-head screw M 6 X 20 | | 2 | |



| | | | | | | | | | | | |
|-------|------|----|----|--------------|--------------|-----|-------|------------|---------|-----|---------|
| Model | Year | MG | SG | Illustration | Restrictions | UPD | 18:44 | 22.01.2010 | PORSCHE | PET | PORSCHE |
| 911 | 1973 | 7 | 01 | 701-05 | | 248 | | | | | |

| Pos | Part Number | Description | Remark | Qty | Model | Pos | Part Number | Description | Remark | Qty | Model |
|-----|----------------|----------------------------|--------|-----|-------|-----|-------------|-------------|--------|-----|-------|
| 18 | 900 028 008 01 | spring washer B 6 | | 2 | | | | | | | |
| 19 | 900 067 057 02 | pan-head screw M 8 X 20 | | 3 | | | | | | | |
| 20 | N 012 241 1 | spring washer B 8 | | 3 | | | | | | | |

| | | | | | | | | | | | |
|-------|------|----|----|--------------|--------------|-----|-------|------------|---------|-----|---------|
| Model | Year | MG | SG | Illustration | Restrictions | UPD | 18:44 | 22.01.2010 | PORSCHE | PET | PORSCHE |
| 911 | 1973 | 7 | 01 | 701-10 | | 248 | | | | | |

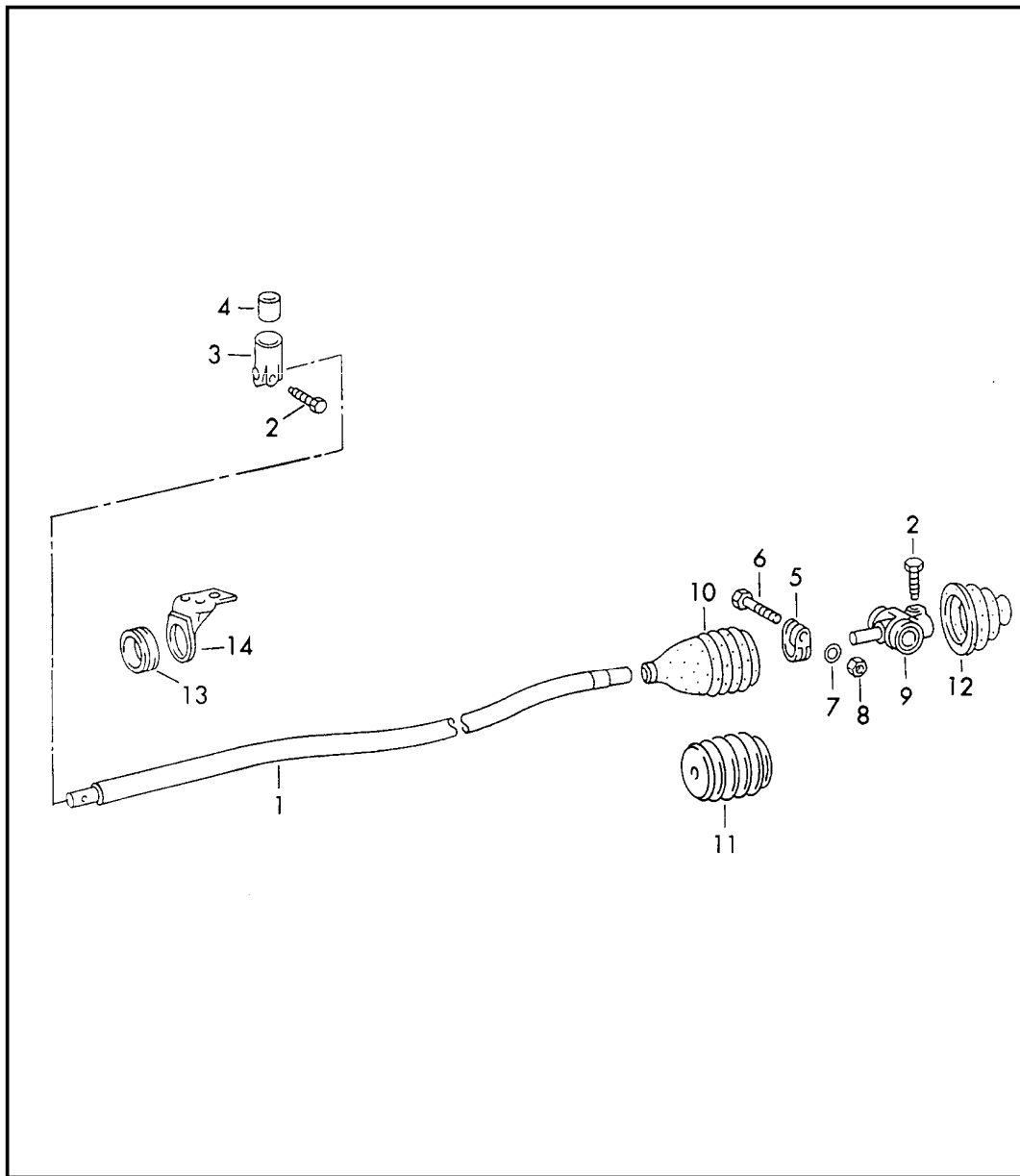


| Pos | Part Number | Description | Remark | Qty | Model |
|-----|----------------|------------------------------|--------|-----|-------|
| | | gearshift lever sportomatic | | | SPM |
| 1 | 911 424 077 01 | gearshift knob 4-speed | | 1 | |
| 2 | 999 532 001 00 | spacer | | 1 | |
| 3 | 905 424 023 02 | gearshift lever | /LL | 1 | |
| (3) | 905 424 026 00 | gearshift lever | /RL | 1 | |
| 4 | 905 424 107 02 | straight pin | | 1 | |
| 5 | 905 424 234 02 | stop ring | | 1 | |
| 6 | 905 613 039 00 | contacts | | 1 | |
| 7 | 900 108 012 00 | ball 10 MM | | 1 | |
| 8 | 905 424 111 02 | compression spring | | 1 | |
| 9 | 905 424 024 02 | lower part gearshift lever | | 1 | |
| 10 | 914 424 901 00 | sleeve | | 1 | |
| 11 | 901 424 015 02 | gearshift bracket | | 1 | |
| 12 | 900 075 078 02 | hexagon-head bolt M 8 X 15 | | 3 | |
| 13 | 900 027 015 02 | lock ring B 8 | | 3 | |
| 14 | 900 025 007 02 | washer 8,4 | | 1 | |
| 15 | N 010 210 13 | hexagon-head bolt M 6 X 10 | | 2 | |
| 16 | 900 028 008 01 | spring washer B 6 | | 2 | |
| 17 | 901 424 132 00 | guide for compression spring | | 1 | |
| 18 | 914 424 131 00 | compression spring | | 1 | |
| 19 | 901 424 135 00 | guide ring | | 1 | |
| 20 | 901 424 017 00 | stop plate | | 1 | |
| 21 | 901 424 133 00 | compression spring | | 2 | |

| | | | | | | | | | | | |
|-------|------|----|----|--------------|--------------|-----|-------|------------|---------|-----|---------|
| Model | Year | MG | SG | Illustration | Restrictions | UPD | 18:44 | 22.01.2010 | PORSCHE | PET | PORSCHE |
| 911 | 1973 | 7 | 01 | 701-10 | | 248 | | | | | |

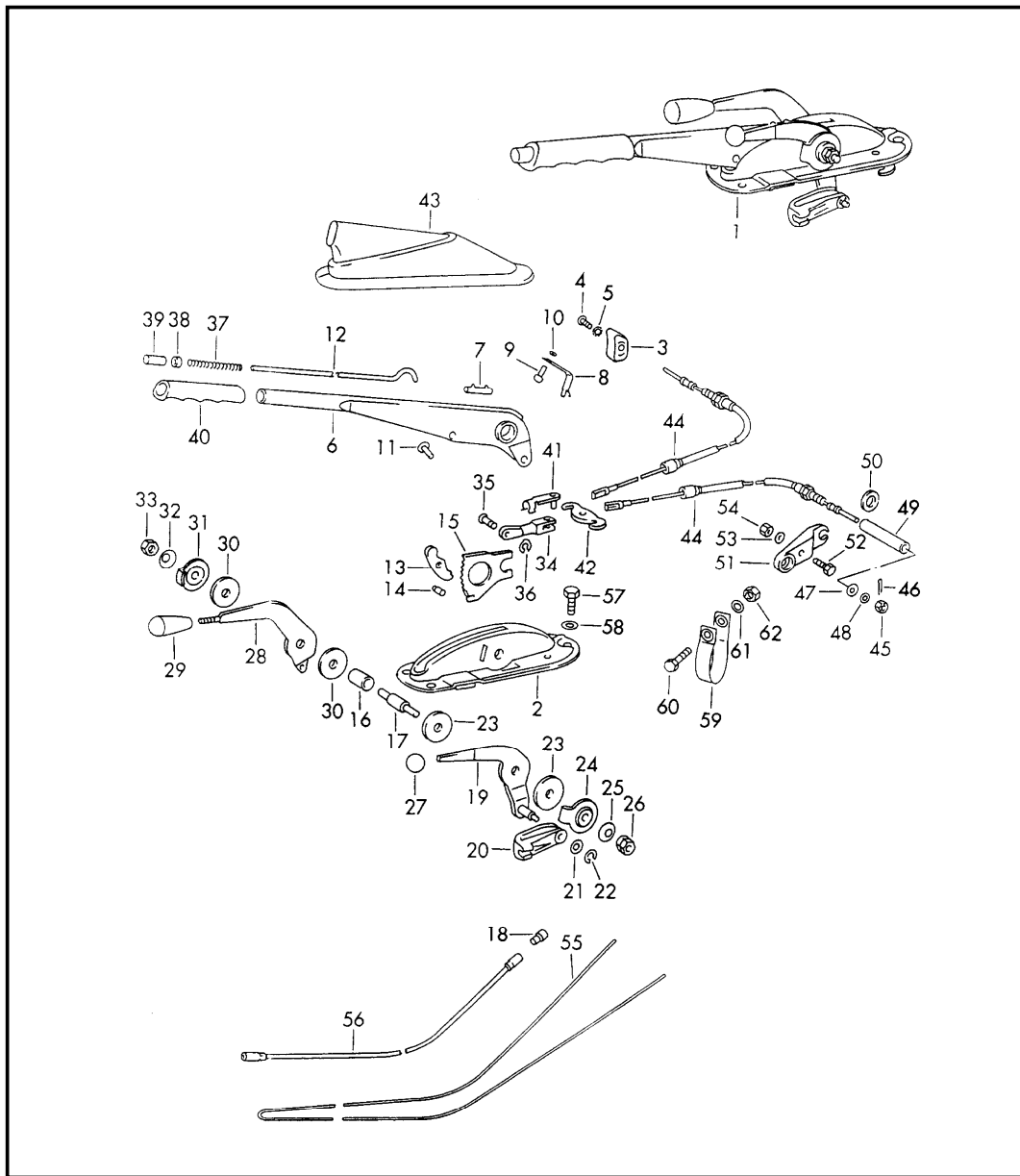
| Pos | Part Number | Description | Remark | Qty | Model | Pos | Part Number | Description | Remark | Qty | Model |
|-----|----------------|-------------|--------|-----|-------|-----|-------------|-------------|--------|-----|-------|
| 22 | 901 424 115 00 | pin | | 2 | | | | | | | |
| 23 | N 012 435 1 | washer | | 4 | | | | | | | |

| | | | | | | | | | | | |
|-------|------|----|----|--------------|--------------|-----|-------|------------|---------|-----|---------|
| Model | Year | MG | SG | Illustration | Restrictions | UPD | 18:44 | 22.01.2010 | PORSCHE | PET | PORSCHE |
| 911 | 1973 | 7 | 01 | 701-15 | | 248 | | | | | |



| Pos | Part Number | Description | Remark | Qty | Model |
|------|------------------|-----------------------------------------|--------|-----|-------|
| | | gear shift rod and shift rod coupling | | | |
| 1 | 901 424 021 01 | gear shift rod | -71 | 1 | |
| (1) | 911 424 020 00 | gear shift rod sportomatic only TYP 925 | 72- | 1 | |
| (1) | 901 424 021 01 | gear shift rod TYP 905 | 72- | 1 | SPM |
| 2 | 901 424 229 00 | conical screw | | 2 | |
| 3 | 930 424 241 00 | head shift rod | | 1 | |
| 4 | 911 424 139 00 | ball socket | | 1 | |
| 5 | 914 424 214 00 | clamp | | 1 | |
| 6 | N 010 335 5 | hexagon-head bolt M 8 X 35 | | 1 | |
| 7 | 999 523 102 02 | lock washer 8 | | 1 | |
| 8 | 900 076 025 02 | hexagon nut M 8 | | 1 | |
| 9 | 911 424 024 04 | shift rod coupling | | 1 | |
| 10 | 901 424 292 01 | sleeve inner | -71 | 1 | |
| 10 | 911 424 292 00 | sleeve inner sportomatic only TYP 925 | 72- | 1 | |
| 11 | 901 424 292 01 | sleeve inner TYP 905 | 72- | 1 | SPM |
| 12 | 901 424 293 00 | sleeve outer | -71 | 1 | |
| (12) | 911 424 294 00 | sleeve outer | 72- | 1 | |
| 13 | 914 424 224 00 | friction ring | | 1 | |
| 14 | A 930 424 031 00 | bearing bracket | | 1 | |
| 14 | 930 424 031 01 | bearing bracket | | 1 | |

| | | | | | | | | | | | |
|-------|------|----|----|--------------|--------------|-----|-------|------------|---------|-----|---------|
| Model | Year | MG | SG | Illustration | Restrictions | UPD | 18:45 | 22.01.2010 | PORSCHE | PET | PORSCHE |
| 911 | 1973 | 7 | 01 | 701-20 | | 248 | | | | | |



| Pos | Part Number | Description | Remark | Qty | Model |
|-----|----------------|-------------------------------------------------------------------------------|--------|-----|-------|
| | | handbrake manual throttle heating actuator | | | |
| 1 | 901 424 051 02 | parking-brake lever complete | -71 | 1 | |
| (1) | 911 424 051 01 | parking-brake lever complete | 72- | 1 | |
| 2 | 901 424 058 02 | bearing bracket | | 1 | |
| 3 | 901 613 521 20 | contact switch for indicator light handbrake see group 9/03/10 | -71 | 1 | |
| (3) | 911 613 165 00 | contact switch for indicator light handbrake see group 9/03/10 | 72- | 1 | |
| 4 | 900 015 025 02 | oval-head screw AM 4 X 15 | | 1 | |
| 5 | N 012 116 1 | serrated lock washer A 4,3 | | 1 | |
| 6 | 911 424 059 00 | parking-brake lever | | 1 | |
| 7 | 901 424 509 01 | stop | | 1 | |
| 8 | 901 613 523 20 | contact bow for indicator light handbrake see group 9/03/10 | | 1 | |
| 9 | 900 055 001 20 | buttonhead rivet 2,6 X 6 | | 1 | |
| 10 | 900 031 012 10 | washer 2,8 | | 1 | |
| 11 | 900 206 003 00 | tubular rivet 5 X 0,5 X 10 | | 1 | |
| 12 | 901 424 567 03 | push rod | | 1 | |
| 13 | 901 424 508 00 | pawl | | 1 | |

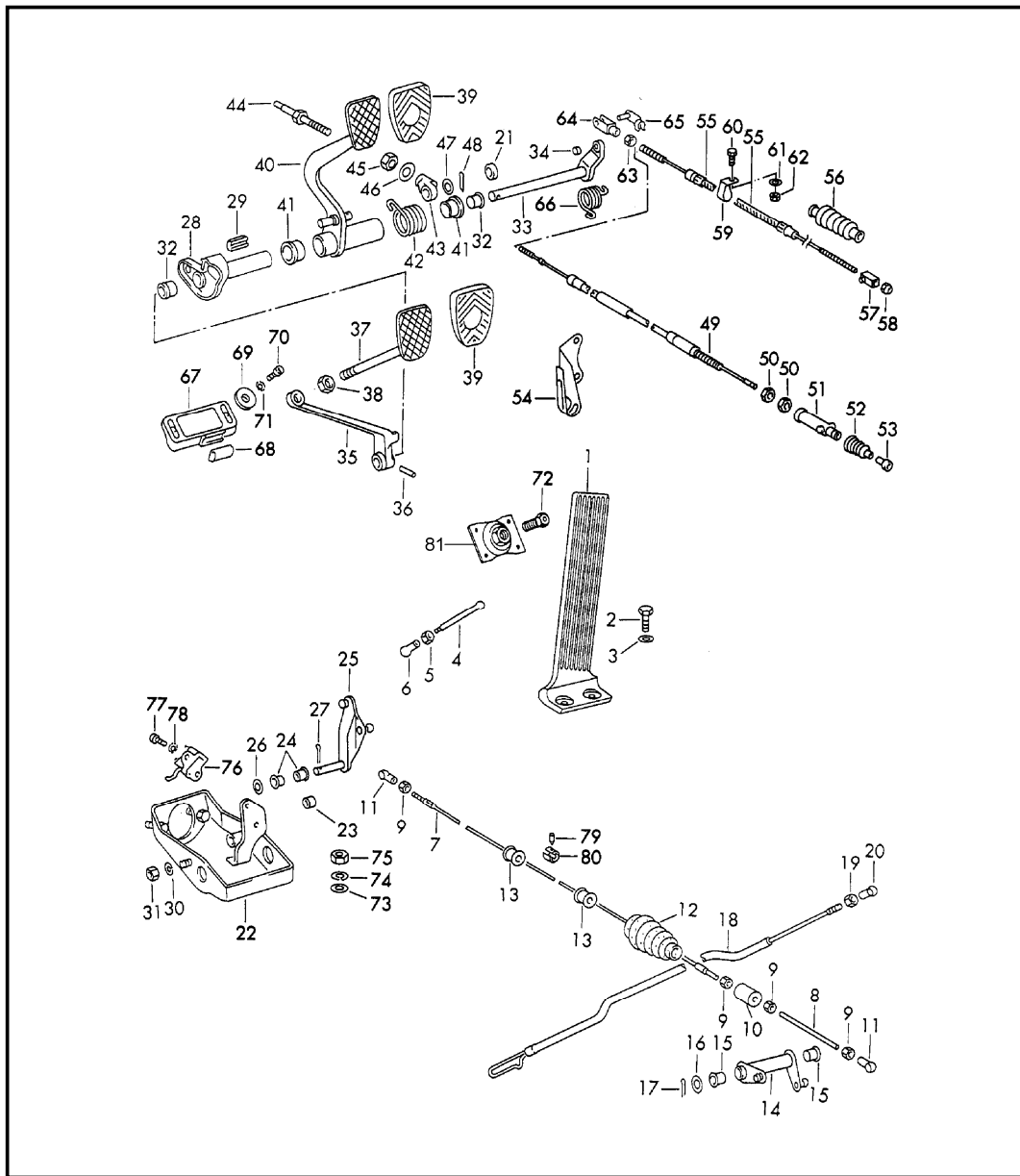
| | | | | | | | | | | | |
|-------|------|----|----|--------------|--------------|-----|-------|------------|---------|-----|---------|
| Model | Year | MG | SG | Illustration | Restrictions | UPD | 18:45 | 22.01.2010 | PORSCHE | PET | PORSCHE |
| 911 | 1973 | 7 | 01 | 701-20 | | 248 | | | | | |

| Pos | Part Number | Description | Remark | Qty | Model | Pos | Part Number | Description | Remark | Qty | Model |
|-----|----------------|---------------------------------|--------|-----|-------|------|----------------|-------------------------------|--------|-----|-------|
| 14 | 901 424 511 00 | bolt | | 1 | | 33 | 999 084 019 02 | hexagon nut M 8 | | 1 | |
| 15 | 914 424 541 00 | locking segment | | 1 | | 34 | 901 424 569 01 | fork | | 1 | |
| 16 | 901 424 513 00 | spacer sleeve | | 1 | | 35 | 999 166 010 02 | bolt A6 X 16 X 13 | | 2 | |
| 17 | 901 424 519 00 | bolt | | 1 | | 36 | 999 166 008 02 | kl-lock 6 ESN 09 | | 1 | |
| 18 | 914 504 319 00 | grommet | | 2 | | 37 | 901 424 543 00 | compression spring | | 1 | |
| 19 | 901 424 037 00 | lever for manual throttle | | 1 | | 38 | 901 424 593 01 | ring | | 1 | |
| 20 | 901 424 317 00 | valve lever | | 1 | | 39 | 901 424 523 01 | push button | | 1 | |
| 21 | N 011 524 7 | washer 6,4 | | 1 | | 40 | 901 424 521 01 | handle | | 1 | |
| 22 | N 012 435 1 | washer 5 | | 1 | | 41 | 999 166 001 02 | bolt 6 X 24 | | 1 | |
| 23 | 911 424 737 00 | washer 223535 | | 2 | | 42 | 901 424 568 00 | turnbuckle | | 1 | |
| 24 | 911 424 735 04 | disc | | 1 | | 43 | 923 424 591 00 | sleeve | | 1 | |
| 25 | 999 523 006 00 | cup spring | | 2 | | 44 | 901 424 551 13 | parking-brake cable | | 2 | |
| 26 | 999 084 019 02 | hexagon nut M 8 | | 1 | | 45 | 900 079 012 02 | castle nut M 6 | | 2 | |
| 27 | 901 424 323 00 | handle manual throttle | -71 | 1 | | 46 | N 012 507 1 | cotter pin 1,5 X 15 | | 2 | |
| 27 | 901 424 323 00 | handle manual throttle | 72- | 1 | | 47 | 900 151 006 09 | washer B 6,4 | | 2 | |
| 28 | 901 424 711 03 | lever for heating | -71 | 1 | | 48 | N 011 524 7 | washer 6,4 | | X | |
| 28 | 901 424 711 03 | lever for heating | 72- | 1 | | 49 | 901 424 557 01 | spacer tube | | 2 | |
| 29 | 914 424 792 01 | handle | -71 | 1 | | 51 | 901 424 561 01 | guide left | | 1 | |
| 29 | 914 424 792 01 | handle | 72- | 1 | | (51) | 901 424 562 01 | guide right | | 1 | |
| 30 | 911 424 737 00 | washer | | 2 | | 52 | 900 075 014 02 | hexagon-head bolt M 6 X 18 | | 2 | |
| 31 | 911 424 735 04 | disc | | 1 | | 53 | 900 028 008 01 | spring washer B 6 | | 2 | |
| 32 | 999 523 006 00 | cup spring | | 1 | | 54 | 900 076 010 02 | hexagon nut M 6 | | 2 | |

| | | | | | | | | | | | |
|-------|------|----|----|--------------|--------------|-----|-------|------------|---------|-----|---------|
| Model | Year | MG | SG | Illustration | Restrictions | UPD | 18:45 | 22.01.2010 | PORSCHE | PET | PORSCHE |
| 911 | 1973 | 7 | 01 | 701-20 | | 248 | | | | | |

| Pos | Part Number | Description | Remark | Qty | Model | Pos | Part Number | Description | Remark | Qty | Model |
|-----|----------------|-------------------------------|--------|-----|-------|-----|-------------|-------------|--------|-----|-------|
| 55 | 901 424 701 05 | wire pull for heating | | 1 | | | | | | | |
| 56 | 901 424 704 01 | guide | | 2 | | | | | | | |
| 57 | 900 075 078 02 | hexagon-head bolt M 8 X 15 | | 3 | | | | | | | |
| 58 | 900 027 015 02 | lock ring B 8 | | 3 | | | | | | | |
| 59 | 999 706 009 80 | suspension strap | -71 | 1 | | | | | | | |
| 59 | 911 424 341 01 | suspension strap | -71 | 1 | | | | | | | |
| 59 | 999 706 012 80 | suspension strap | 72- | 1 | | | | | | | |
| 60 | 900 075 057 02 | hexagon-head bolt M 6 X 16 | | 1 | | | | | | | |
| 61 | 900 028 008 01 | spring washer B 6 | | 1 | | | | | | | |
| 62 | 900 076 010 02 | hexagon nut M 6 | | 1 | | | | | | | |

| | | | | | | | | | | | |
|-------|------|----|----|--------------|--------------|-----|-------|------------|---------|-----|---------|
| Model | Year | MG | SG | Illustration | Restrictions | UPD | 18:45 | 22.01.2010 | PORSCHE | PET | PORSCHE |
| 911 | 1973 | 7 | 02 | 702-00 | | 248 | | | | | |



| Pos | Part Number | Description | Remark | Qty | Model |
|------|----------------|----------------------------------------------------------------|--------|-----|------------------------|
| | | pedals for cars with manual transmission | /LL | | |
| 1 | 901 423 010 00 | accelerator pedal | | 1 | |
| 2 | N 010 215 13 | hexagon-head bolt M 6 X 15 | | 2 | |
| 3 | 900 151 006 09 | washer B 6,4 | | 2 | |
| 4 | 914 423 227 00 | push rod | | 1 | |
| 5 | 900 076 027 02 | hexagon nut M 5 | | 2 | |
| 6 | N 015 521 3 | ball socket A 8 | | 2 | |
| 7 | PCG 423 024 00 | throttle linkage | | 1 | |
| 8 | 901 423 223 01 | extension rod | | 2 | |
| 9 | 900 076 027 02 | hexagon nut M 5 | | 4 | |
| 10 | 911 423 081 02 | connecting piece | | 1 | 911 T |
| (10) | 911 423 081 02 | connecting piece | | 1 | 911 E/S CARRERA 2.7 |
| 11 | N 015 521 3 | ball socket A 8 | | 2 | |
| 12 | 911 423 593 01 | sealing sleeve | | 1 | |
| 13 | 901 423 227 00 | bush | | 3 | |
| 14 | 901 423 027 03 | reverse lever | -71 | 1 | |
| (14) | 911 423 017 01 | reverse lever use also: 911.423.227.00 900.910.096.02 | 72- | 1 | |
| 15 | 914 423 211 00 | bush | | 2 | |
| 16 | 900 025 008 02 | washer 10,5 | | 1 | |
| 17 | N 012 530 1 | cotter pin 3 X 15 | | 1 | |
| 18 | 901 423 026 03 | throttle linkage | -71 | 1 | |

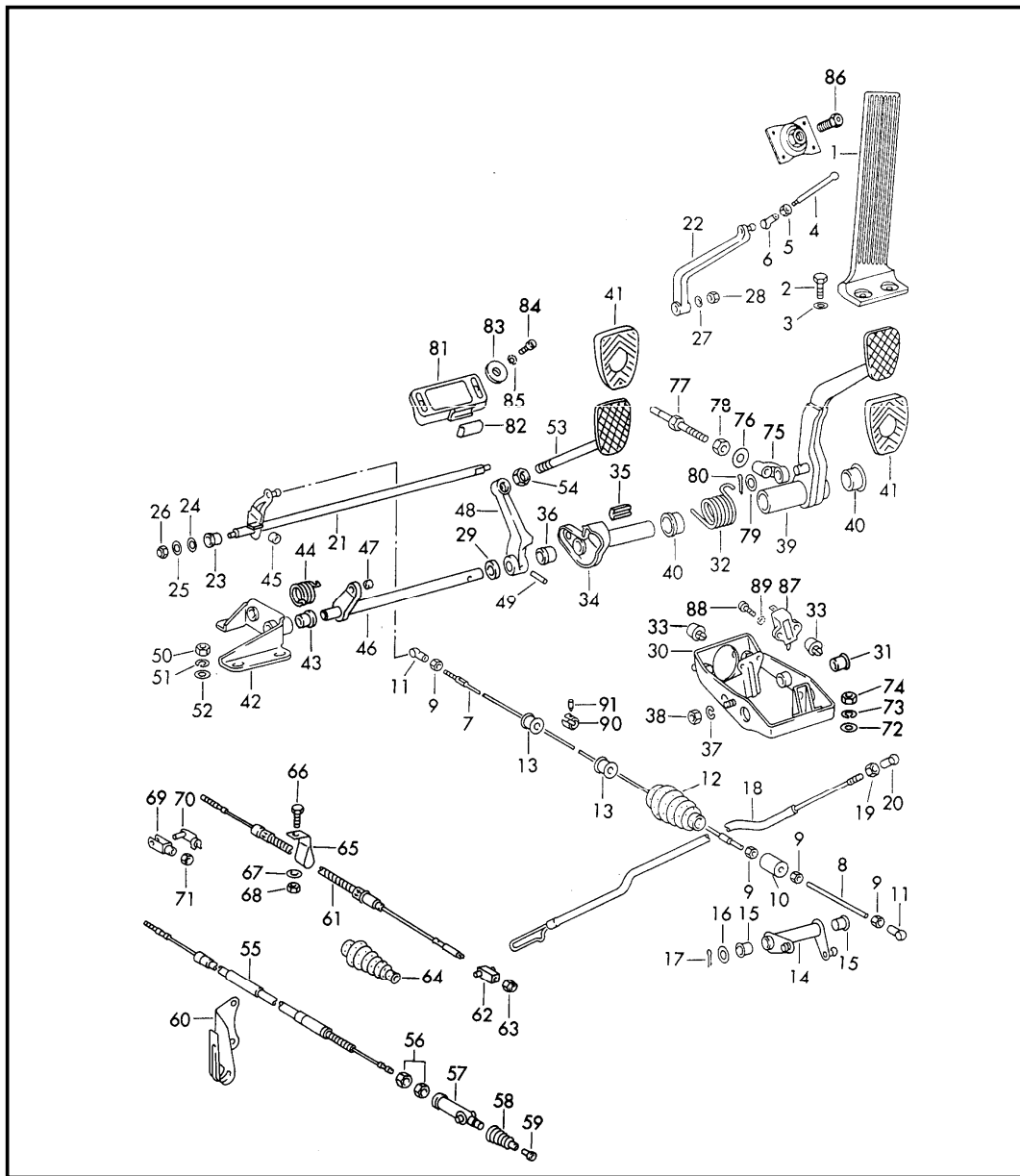
| | | | | | | | | | | | |
|-------|------|----|----|--------------|--------------|-----|-------|------------|---------|-----|---------|
| Model | Year | MG | SG | Illustration | Restrictions | UPD | 18:45 | 22.01.2010 | PORSCHE | PET | PORSCHE |
| 911 | 1973 | 7 | 02 | 702-00 | | 248 | | | | | |

| Pos | Part Number | Description | Remark | Qty | Model | Pos | Part Number | Description | Remark | Qty | Model |
|------|----------------|----------------------------|--------|-----|----------------------------|------|----------------|----------------------------|--------|-----|-------|
| (18) | PCG 423 016 00 | throttle linkage | 72- | 1 | 911 T-V/E/S CARRERA 2.7 | (36) | 900 309 002 00 | clamping pin 6 X 28 | 72- | 1 | |
| (18) | 911 423 043 00 | throttle linkage | 72- | 1 | 911 T-K | 37 | 901 423 033 00 | clutch pedal upper part | | 1 | |
| 19 | 900 076 027 02 | hexagon nut M 5 | | 1 | | 38 | 900 183 002 02 | hexagon nut M 14 X 1,5 | | 1 | |
| 20 | N 015 521 3 | ball socket A 8 | -70 | 1 | | 39 | 914 423 210 00 | rubber pad | | 2 | |
| (20) | 911 423 147 00 | ball socket | 71- | 1 | | 40 | 901 423 053 02 | brake pedal | | 1 | |
| 21 | 911 423 219 03 | spacer sleeve | | 1 | | 41 | 911 423 542 00 | bush | | 2 | |
| 22 | 911 423 065 02 | bearing bracket | | 1 | | 42 | 901 423 531 00 | return spring | | 1 | |
| 23 | 901 423 193 00 | rubber stop | | 1 | | 43 | 901 423 507 02 | intermediate piece | | 1 | |
| 24 | 901 423 253 00 | bearing sleeve | | 2 | | 44 | 901 423 057 04 | piston rod | | 1 | |
| 25 | 901 423 250 02 | reverse lever front | | 1 | | 45 | 900 158 003 02 | hexagon nut M 10 | | 1 | |
| 26 | 900 031 001 02 | washer 8,4 | | 1 | | 46 | 901 423 157 00 | stop washer | | 1 | |
| 27 | 900 021 008 00 | cotter pin 2 X 15 | | 1 | | 47 | N 011 564 2 | washer 13 | | 1 | |
| 28 | 901 423 035 00 | bearing tube | | 1 | | 48 | 900 021 015 00 | cotter pin 3 X 20 | | 1 | |
| 29 | 901 423 391 00 | rubber stop | | 1 | | 49 | 911 423 210 01 | clutch cable | -71 | 1 | |
| 30 | 900 027 015 02 | lock ring B 8 | | 3 | | 50 | 900 078 019 02 | hexagon nut | -71 | 2 | |
| 31 | N 011 151 3 | hexagon nut M 8 | | 1 | | 51 | 911 423 212 00 | articulated piece | -71 | 1 | |
| 32 | 911 423 341 01 | bush | -71 | 2 | | 52 | 914 423 922 02 | sealing sleeve | -71 | 1 | |
| (32) | 911 423 341 01 | bush | 72- | 2 | | 53 | 911 423 213 00 | nipple | -71 | 1 | |
| 33 | 911 423 027 00 | clutch pedal shaft | -71 | 2 | | 54 | 911 423 215 00 | guide | -71 | 1 | |
| (33) | 911 423 027 01 | clutch pedal shaft | 72- | 2 | | 55 | 911 423 401 00 | clutch cable | 72- | 1 | |
| 34 | 901 423 343 00 | bush | | 1 | | 56 | 914 423 922 02 | sealing sleeve | 72- | 1 | |
| - | 911 423 219 03 | spacer sleeve | | 1 | | 57 | 911 423 205 03 | lever | 72- | 1 | |
| 35 | 901 423 312 00 | clutch pedal lower part | | 1 | | 58 | N 011 007 3 | hexagon nut | 72- | 1 | |
| 36 | 900 309 002 00 | roll pin S 6 X 28 | -71 | 1 | | 59 | 999 706 009 80 | suspension strap | 72- | 1 | |
| | | | | | | 59 | 911 424 341 01 | suspension strap | 72- | 1 | |
| | | | | | | 60 | 900 075 057 02 | hexagon-head bolt | 72- | 1 | |

| | | | | | | | | | | | |
|-------|------|----|----|--------------|--------------|-----|-------|------------|---------|-----|---------|
| Model | Year | MG | SG | Illustration | Restrictions | UPD | 18:45 | 22.01.2010 | PORSCHE | PET | PORSCHE |
| 911 | 1973 | 7 | 02 | 702-00 | | 248 | | | | | |

| Pos | Part Number | Description | Remark | Qty | Model | Pos | Part Number | Description | Remark | Qty | Model |
|-----|----------------|------------------------------|--------|-----|-------------|-----|----------------|----------------------------------|--------|-----|-------------|
| 61 | 900 028 008 01 | spring washer | 72- | 1 | | - | 911 423 367 00 | bearing pin | | 2 | CARRERA 2.7 |
| 62 | 900 076 010 02 | hexagon nut M 6 | 72- | 1 | | - | 911 423 431 00 | bolt | | 1 | CARRERA 2.7 |
| 63 | 900 076 010 02 | hexagon nut M 6 | | 1 | | - | 911 423 433 00 | spring | | 1 | CARRERA 2.7 |
| 64 | 900 166 002 02 | clevis G 6 X 24 | | 1 | | - | 911 423 435 00 | concave washer | | 1 | CARRERA 2.7 |
| 55 | 999 166 001 02 | bolt | | 1 | | 81 | 901 551 065 20 | stop for accelerator pedal | | 1 | |
| 66 | 901 423 317 00 | steering knuckle spring | | 1 | | | | | | | |
| 67 | 901 423 360 00 | stop for clutch pedal | | 1 | | | | | | | |
| 68 | 901 423 391 00 | rubber stop 30 MM | | 1 | | | | | | | |
| 69 | 901 423 368 00 | desk pad | | 2 | | | | | | | |
| 70 | 900 119 025 02 | pan-head screw M 5 X 15 | | 2 | | | | | | | |
| 71 | N 012 130 2 | shake-proof washer A 5,3 | | 2 | | | | | | | |
| 72 | 901 551 671 20 | hexagon-head bolt | | 1 | | | | | | | |
| 73 | 900 025 007 02 | washer 8,4 | | 2 | | | | | | | |
| 74 | 900 027 015 02 | lock ring B 8 | | 2 | | | | | | | |
| 75 | 900 076 025 02 | hexagon nut M 8 | | 2 | | | | | | | |
| 76 | 911 613 411 00 | brake light switch | | 1 | | | | | | | |
| 77 | 900 146 011 02 | oval-head screw AM 4 X 10 | | 2 | | | | | | | |
| 78 | 900 114 014 01 | shake-proof washer A 4,3 | | 2 | | | | | | | |
| 79 | 901 424 319 00 | screw nipple | | 1 | | | | | | | |
| 80 | N 013 114 1 | pin | | 1 | | | | | | | |
| - | 911 423 355 01 | spring | | 1 | CARRERA 2.7 | | | | | | |
| - | 900 918 001 01 | circlip A 12 | | 1 | CARRERA 2.7 | | | | | | |

| | | | | | | | | | | | |
|-------|------|----|----|--------------|--------------|-----|-------|------------|---------|-----|---------|
| Model | Year | MG | SG | Illustration | Restrictions | UPD | 18:45 | 22.01.2010 | PORSCHE | PET | PORSCHE |
| 911 | 1973 | 7 | 02 | 702-05 | | 248 | | | | | |



| Pos | Part Number | Description | Remark | Qty | Model |
|------|----------------|-----------------------------------------------------------------|--------|-----|---------|
| | | pedals for cars with manual transmission | /RL | | |
| 1 | 901 423 010 00 | accelerator pedal | | 1 | |
| 2 | N 010 215 13 | hexagon-head bolt M 6 X 15 | | 2 | |
| 3 | 900 151 006 09 | washer B 6,4 | | 2 | |
| 4 | 914 423 227 00 | push rod | | 1 | |
| 5 | 900 076 027 02 | hexagon nut M 5 | | 2 | |
| 6 | N 015 521 3 | ball socket A 8 | | 2 | |
| 7 | PCG 423 024 00 | throttle linkage | | 1 | |
| 8 | 901 423 223 01 | extension rod | | 2 | |
| 9 | 900 076 027 02 | hexagon nut M 5 | | 4 | |
| 10 | 911 423 081 02 | connecting piece | | 1 | 911 T |
| (10) | 911 423 081 02 | connecting piece | | 1 | 911 E/S |
| 11 | N 015 521 3 | ball socket A 8 | | 2 | |
| 12 | 911 423 593 01 | sealing sleeve | | 1 | |
| 13 | 901 423 227 00 | bush | | 2 | |
| 14 | 901 423 027 03 | reverse lever | -71 | 1 | |
| (14) | 911 423 017 01 | reverse lever use also: 911.423.227.00 900.910.0096.02 | 72- | 1 | |
| 15 | 914 423 211 00 | bush | | 2 | |
| 16 | 900 025 008 02 | washer 10,5 | | 1 | |
| 17 | N 012 530 1 | cotter pin 3 X 15 | | 1 | |
| 18 | 901 423 026 03 | throttle linkage | -71 | 1 | |

| | | | | | | | | | | | |
|-------|------|----|----|--------------|--------------|-----|-------|------------|---------|-----|---------|
| Model | Year | MG | SG | Illustration | Restrictions | UPD | 18:45 | 22.01.2010 | PORSCHE | PET | PORSCHE |
| 911 | 1973 | 7 | 02 | 702-05 | | 248 | | | | | |

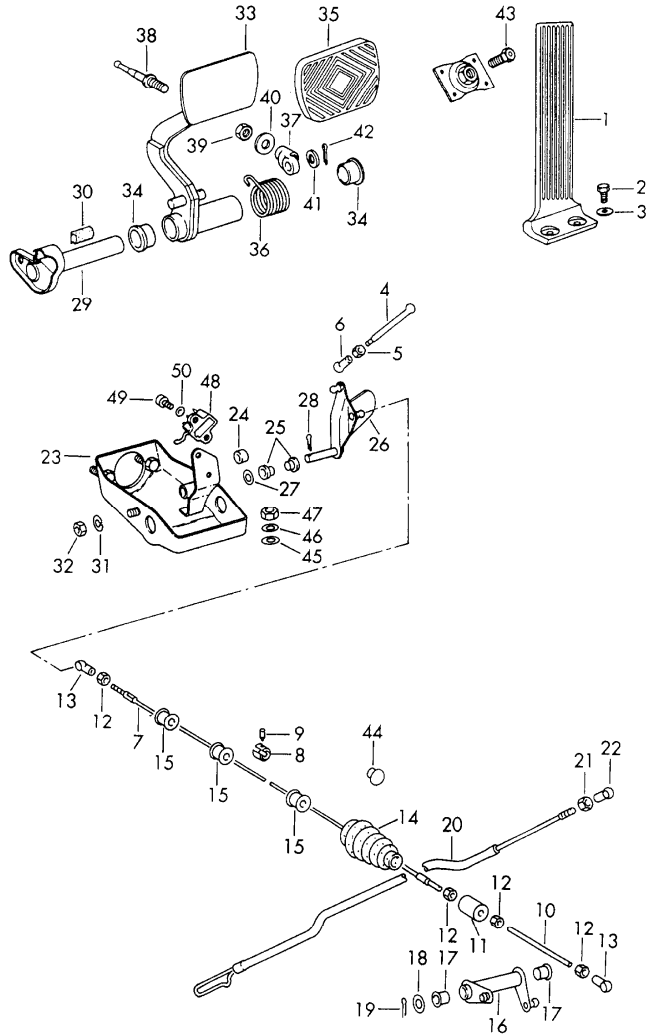
| Pos | Part Number | Description | Remark | Qty | Model | Pos | Part Number | Description | Remark | Qty | Model |
|------|----------------|----------------------------------------|--------|-----|---------|------|----------------|----------------------------|--------|-----|-------|
| (18) | PCG 423 016 00 | throttle linkage not for 911 T-K | 72- | 1 | | 38 | N 011 151 3 | hexagon nut M 8 | | 1 | |
| (18) | 911 423 043 00 | throttle linkage | 72- | 1 | 911 T-K | 39 | 901 423 054 01 | brake pedal | | 1 | |
| 19 | 900 076 027 02 | hexagon nut M 5 | | 1 | | 40 | 911 423 542 00 | bush | | 2 | |
| 20 | N 015 521 3 | ball socket A 8 | -70 | 1 | | 41 | 914 423 210 00 | rubber pad | | 2 | |
| (20) | 911 423 147 00 | ball socket | 71- | 1 | | 42 | 901 423 013 00 | bearing bracket left | | 1 | |
| 21 | 901 423 556 00 | shaft for accelerator control | | 1 | | 43 | 911 423 341 01 | bush | | 1 | |
| 22 | 901 423 022 00 | lever | | 1 | | 44 | 901 423 318 00 | steering knuckle spring | | 1 | |
| 23 | 914 423 211 00 | bearing sleeve | | 1 | | 45 | 901 423 193 00 | rubber stop | | 1 | |
| 24 | 911 423 225 00 | washer | | 3 | | 46 | 911 423 028 00 | clutch pedal shaft | -71 | 1 | |
| 25 | 900 151 006 09 | washer B 6,4 | | 1 | | (46) | 911 423 028 04 | clutch pedal shaft | 72- | 1 | |
| 26 | 900 084 010 02 | hexagon nut M 6 | | 1 | | 47 | 901 423 343 00 | bush | | 1 | |
| 27 | 900 028 008 01 | spring washer B 6 | | 1 | | 48 | 901 423 314 00 | clutch pedal lower part | | 1 | |
| 28 | 900 076 010 02 | hexagon nut M 6 | | 1 | | 49 | 900 309 002 00 | roll pin S 6 X 28 | -71 | 1 | |
| 29 | 911 423 219 03 | spacer sleeve | | 1 | | (49) | 900 309 002 00 | clamping pin | 72- | 1 | |
| 30 | 911 423 066 00 | bearing bracket | | 1 | | 50 | 900 076 025 02 | hexagon nut M 8 | | 3 | |
| 31 | 914 423 211 00 | bush | | 1 | | 51 | 900 027 015 02 | lock ring B 8 | | 3 | |
| 32 | 901 423 532 00 | return spring | | 1 | | 52 | 900 025 007 02 | washer 8,4 | | 3 | |
| 33 | 901 423 528 00 | rubber stop | | 1 | | 53 | 911 423 078 00 | clutch pedal upper part | | 1 | |
| 34 | 901 423 034 00 | bearing tube | | 1 | | 54 | 900 183 002 02 | hexagon nut M 14 X 1,5 | | 1 | |
| 35 | 901 423 391 00 | rubber stop | | 1 | | 55 | 911 423 210 01 | clutch cable | -71 | 1 | |
| 36 | 911 423 341 01 | bush | -71 | 2 | | 56 | 900 078 019 02 | hexagon nut | -71 | 2 | |
| (36) | 911 423 341 01 | bush | 72- | 2 | | 57 | 911 423 212 00 | articulated piece | -71 | 1 | |
| 37 | 900 027 015 02 | lock ring B 8 | | 3 | | 58 | 914 423 922 02 | sealing sleeve | -71 | 1 | |
| | | | | | | 59 | 911 423 213 00 | nipple | -71 | 1 | |

| | | | | | | | | | | | |
|-------|------|----|----|--------------|--------------|-----|-------|------------|---------|-----|---------|
| Model | Year | MG | SG | Illustration | Restrictions | UPD | 18:45 | 22.01.2010 | PORSCHE | PET | PORSCHE |
| 911 | 1973 | 7 | 02 | 702-05 | | 248 | | | | | |

| Pos | Part Number | Description | Remark | Qty | Model | Pos | Part Number | Description | Remark | Qty | Model |
|-----|----------------|--------------------------|--------|-----|-------|------|----------------|------------------------------|--------|-----|-------|
| 60 | 911 423 215 00 | guide | -71 | 1 | | 81 | 901 423 360 00 | stop for clutch pedal | | 1 | |
| 61 | 911 423 401 00 | clutch cable | 72- | 1 | | | | | | | |
| 62 | 911 423 205 03 | lever | 72- | 1 | | 82 | 901 423 391 00 | rubber stop 30 MM | | 1 | |
| 63 | N 011 007 3 | hexagon nut | 72- | 1 | | 83 | 901 423 368 00 | desk pad | | 2 | |
| 64 | 914 423 922 02 | sealing sleeve | 72- | 1 | | 84 | 900 119 025 02 | pan-head screw M 5 X 15 | | 2 | |
| 65 | 999 706 009 80 | suspension strap | 72- | 1 | | 85 | N 012 130 2 | shake-proof washer A 5,3 | | 2 | |
| 65 | 911 424 341 01 | suspension strap | 72- | 1 | | 86 | 901 551 671 20 | hexagon-head bolt | | 1 | |
| 66 | 900 075 057 02 | hexagon-head bolt M 6 | 72- | 1 | | 87 | 911 613 411 00 | brake light switch | -71 | 1 | |
| 67 | 900 028 008 01 | spring washer B 6 | 72- | 1 | | (87) | 911 613 411 00 | brake light switch | 72- | 1 | |
| 68 | 900 076 010 02 | hexagon nut M 6 | 72- | 1 | | 88 | 900 146 011 02 | oval-head screw AM 4 X 10 | | 2 | |
| 69 | 900 166 002 02 | clevis G 6 X 24 | | 1 | | 89 | 900 114 014 01 | shake-proof washer A 4,3 | | 2 | |
| 70 | 999 166 001 02 | bolt | | 1 | | 90 | 901 424 319 00 | screw nipple | | 1 | |
| 71 | N 011 007 3 | hexagon nut M 7 | | 1 | | 91 | N 013 114 1 | pin | | 1 | |
| 72 | 900 025 007 02 | washer 8,4 | | 2 | | | | | | | |
| 73 | 900 027 015 02 | lock ring B 8 | | 2 | | | | | | | |
| 74 | 900 076 025 02 | hexagon nut M 8 | | 2 | | | | | | | |
| 75 | 901 423 507 02 | intermediate piece | | 1 | | | | | | | |
| 76 | 901 423 157 00 | stop washer | | 1 | | | | | | | |
| 77 | 901 423 057 04 | piston rod | | 1 | | | | | | | |
| 78 | 900 158 003 02 | hexagon nut M 10 | | 1 | | | | | | | |
| 79 | N 011 564 2 | washer 13 | | 1 | | | | | | | |
| 80 | 900 021 015 00 | cotter pin 3 X 20 | | 1 | | | | | | | |

| | | | | | | | | | | | |
|-------|------|----|----|--------------|--------------|-----|-------|------------|---------|-----|---------|
| Model | Year | MG | SG | Illustration | Restrictions | UPD | 18:45 | 22.01.2010 | PORSCHE | PET | PORSCHE |
| 911 | 1973 | 7 | 02 | 702-10 | | 248 | | | | | |

SPORTOMATIC



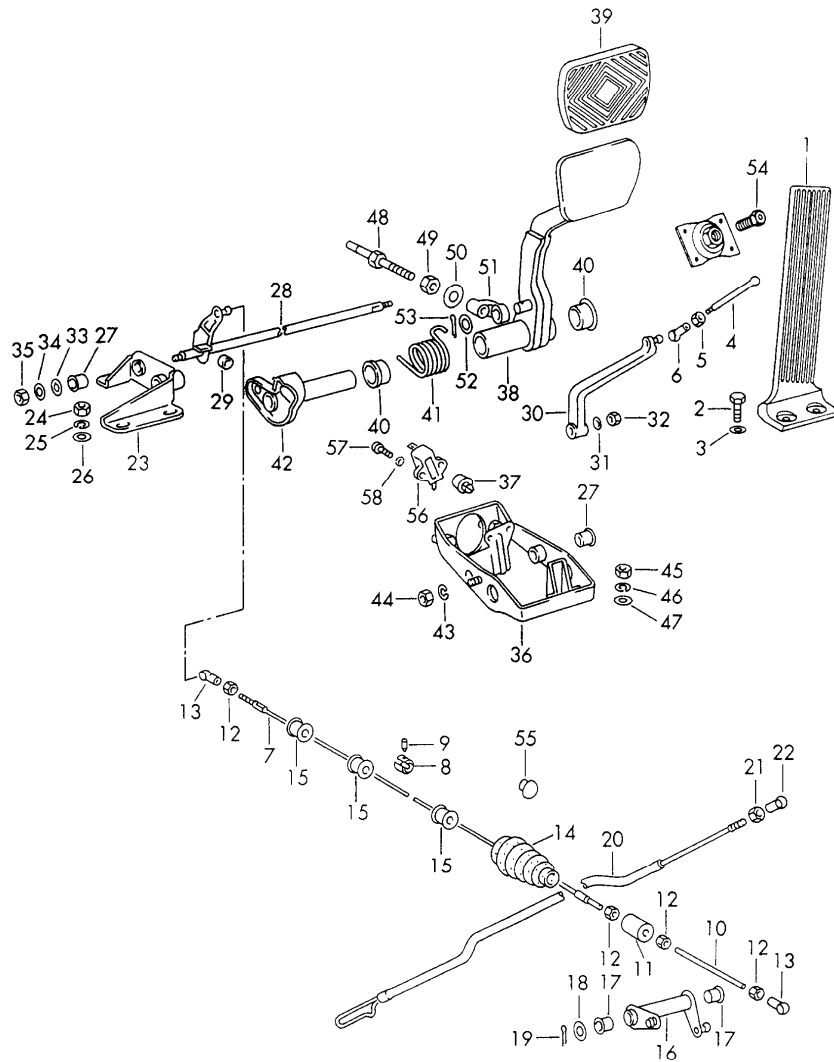
| Pos | Part Number | Description | Remark | Qty | Model |
|------|----------------|--------------------------------------------------------------------------------|--------|-----|-------|
| | | pedals | /LL | | SPM |
| 1 | 901 423 010 00 | accelerator pedal | | 1 | |
| 2 | N 010 215 13 | hexagon-head bolt M 6 X 15 | | 2 | |
| 3 | 900 151 006 09 | washer B 6,4 | | 2 | |
| 4 | 914 423 227 00 | push rod | | 1 | |
| 5 | 900 076 027 02 | hexagon nut M 5 | | 1 | |
| 6 | N 015 521 3 | ball socket A 8 | | 1 | |
| 7 | 905 423 024 00 | throttle linkage | | 1 | |
| 8 | 901 424 319 00 | screw nipple | | 1 | |
| 9 | N 013 114 1 | pin M 5.8 | | 1 | |
| 10 | 901 423 223 01 | extension rod | | 1 | |
| 11 | 911 423 081 02 | connecting piece | | 1 | 911 T |
| (11) | 911 423 081 02 | connecting piece | | 1 | 911 E |
| 12 | 900 076 027 02 | hexagon nut M 5 | | 4 | |
| 13 | N 015 521 3 | ball socket A 8 | | 2 | |
| 14 | 914 423 593 00 | sealing sleeve | | 1 | |
| 15 | 901 423 227 00 | bush | | 3 | |
| 16 | 901 423 027 03 | reverse lever with bush | -71 | 1 | |
| (16) | 911 423 017 01 | reverse lever with bush use also: 911.423.227.00 900.910.096.02 | 72- | 1 | |
| 17 | 914 423 211 00 | bush | | 2 | |
| 18 | 900 025 008 02 | washer 10,5 | | 1 | |

| | | | | | | | | | | | |
|-------|------|----|----|--------------|--------------|-----|-------|------------|---------|-----|---------|
| Model | Year | MG | SG | Illustration | Restrictions | UPD | 18:45 | 22.01.2010 | PORSCHE | PET | PORSCHE |
| 911 | 1973 | 7 | 02 | 702-10 | | 248 | | | | | |

| Pos | Part Number | Description | Remark | Qty | Model | Pos | Part Number | Description | Remark | Qty | Model |
|------|----------------|------------------------|--------|-----|----------------------|-----|----------------|------------------------------|--------|-----|-------|
| 19 | N 012 530 1 | cotter pin 3 X 15 | | 1 | | 38 | 901 423 057 04 | piston rod | | 1 | |
| 20 | 905 423 026 02 | throttle linkage | -71 | 1 | 911 T | 39 | 900 158 003 02 | hexagon nut M 10 | | 1 | |
| (20) | 905 423 026 05 | pull rod | 72- | 1 | 911 T-V | 40 | 901 423 157 00 | stop washer | | 1 | |
| (20) | 905 423 026 03 | throttle linkage | -71 | 1 | 911 E | 41 | N 011 564 2 | washer 13 | | 1 | |
| (20) | 905 423 026 05 | throttle linkage | 72- | 1 | 911 E | 42 | 900 021 015 00 | cotter pin 3 X 20 | | 1 | |
| 21 | 900 076 027 02 | hexagon nut M 5 | | 1 | | 43 | 901 551 671 20 | hexagon-head bolt | | 1 | |
| 22 | N 015 521 3 | ball socket A 8 | -71 | 1 | | 44 | 999 703 005 40 | cap plug | | 1 | |
| 22 | N 015 521 3 | ball socket A 8 | 72- | 1 | 911 T-V/T-E 911 E | 45 | 900 025 007 02 | washer 8,4 | | 2 | |
| (22) | 911 423 147 00 | ball socket | 72- | 1 | 911 T-K | 46 | 900 027 015 02 | lock ring B 8 | | 2 | |
| 23 | 911 423 065 02 | bearing bracket | | 1 | | 47 | 900 076 025 02 | hexagon nut M 8 | | 2 | |
| 24 | 901 423 193 00 | rubber stop | | 1 | | 48 | 911 613 411 00 | brake light switch | | 1 | |
| 25 | 901 423 253 00 | bearing sleeve | | 2 | | 49 | 900 146 011 02 | oval-head screw AM 4 X 10 | | 2 | |
| 26 | 901 423 250 02 | reverse lever front | | 1 | | 50 | 900 114 014 01 | shake-proof washer A 4,3 | | 2 | |
| 27 | 900 031 001 02 | washer 8,4 | | 1 | | | | | | | |
| 28 | 900 021 008 00 | cotter pin 2 X 15 | | 1 | | | | | | | |
| 29 | 905 423 035 00 | bearing tube | | 1 | | | | | | | |
| 30 | 905 423 391 00 | protective strip | | 1 | | | | | | | |
| 31 | 900 027 015 02 | lock ring B 8 | | 1 | | | | | | | |
| 32 | N 011 151 3 | hexagon nut M 8 | | 1 | | | | | | | |
| 33 | 905 423 053 00 | brake pedal | | 1 | | | | | | | |
| 34 | 911 423 542 00 | bush | | 2 | | | | | | | |
| 35 | 905 423 511 00 | rubber pad | | 1 | | | | | | | |
| 36 | 905 423 531 00 | return spring | | 1 | | | | | | | |
| 37 | 901 423 507 02 | intermediate piece | | 1 | | | | | | | |

| | | | | | | | | | | | |
|-------|------|----|----|--------------|--------------|-----|-------|------------|---------|-----|---------|
| Model | Year | MG | SG | Illustration | Restrictions | UPD | 18:45 | 22.01.2010 | PORSCHE | PET | PORSCHE |
| 911 | 1973 | 7 | 02 | 702-15 | | 248 | | | | | |

SPORTOMATIC

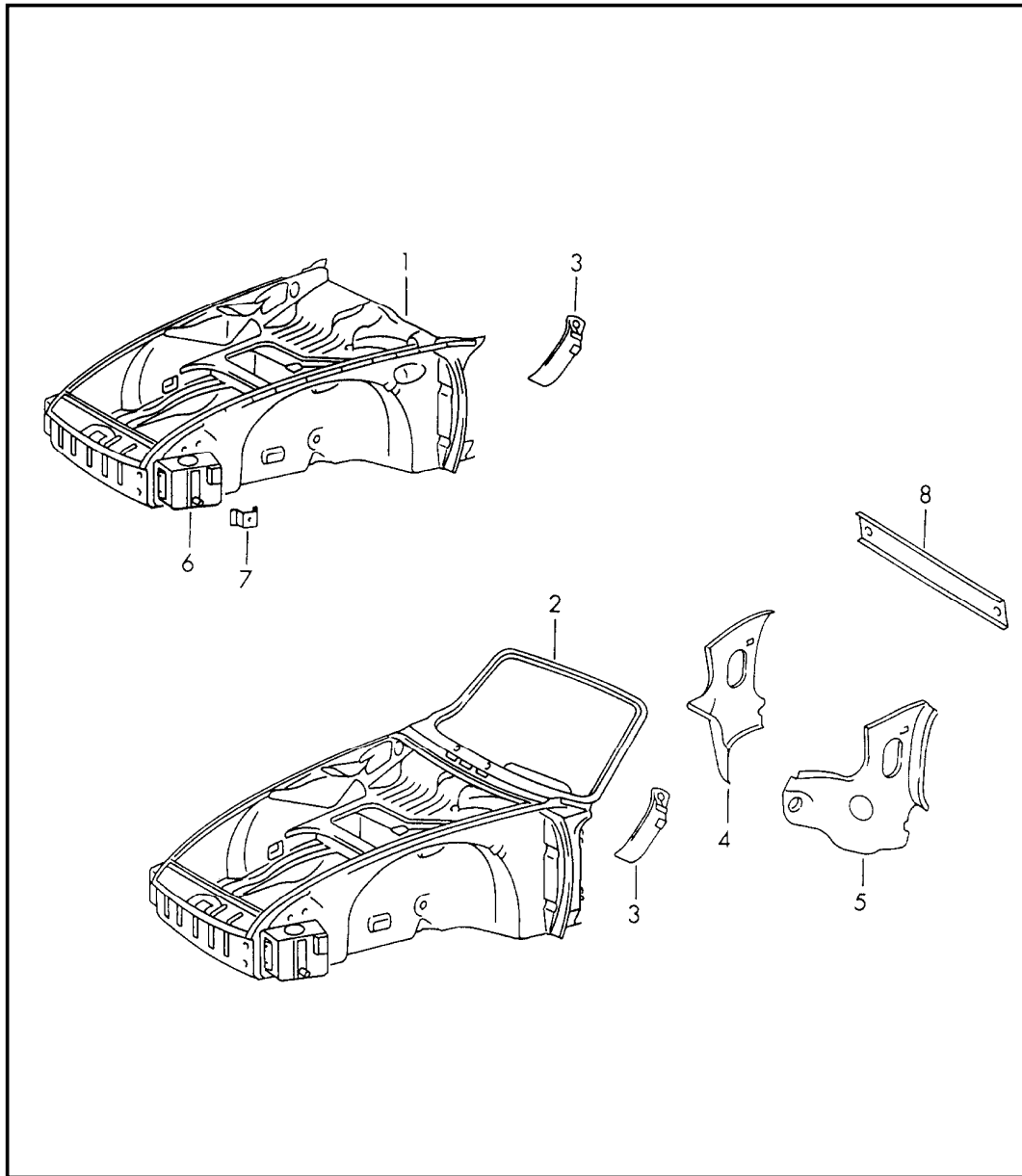


| Pos | Part Number | Description | Remark | Qty | Model |
|------|----------------|--------------------------------------------------------------------------------|--------|-----|-------------|
| | | pedals | /RL | | SPM |
| 1 | 901 423 010 00 | accelerator pedal | | 1 | |
| 2 | N 010 215 13 | hexagon-head bolt M 6 X 15 | | 2 | |
| 3 | 900 151 006 09 | washer B 6,4 | | 2 | |
| 4 | 914 423 227 00 | push rod | | 1 | |
| 5 | 900 076 027 02 | hexagon nut M 5 | | 1 | |
| 6 | N 015 521 3 | ball socket A 8 | | 1 | |
| 7 | 905 423 024 00 | throttle linkage | -71 | 1 | |
| (7) | PCG 423 024 00 | throttle linkage | 72- | 1 | |
| 8 | 901 424 319 00 | screw nipple | | 1 | |
| 9 | N 013 114 1 | pin | | 1 | |
| 10 | 901 423 223 01 | extension rod | | 1 | |
| 11 | 911 423 081 02 | connecting piece | | 1 | 911 T-V/T-K |
| (11) | 911 423 081 02 | connecting piece | | 1 | 911 T-E/E/S |
| 12 | 900 076 027 02 | hexagon nut M 5 | | 4 | |
| 13 | N 015 521 3 | ball socket A 8 | | 2 | |
| 14 | 911 423 593 01 | sealing sleeve | | 1 | |
| 15 | 901 423 227 00 | bush | | 3 | |
| 16 | 901 423 027 03 | reverse lever with bush | -71 | 1 | |
| (16) | 911 423 017 01 | reverse lever with bush use also: 911.423.227.00 900.910.096.02 | 72- | 1 | |
| 17 | 914 423 211 00 | bush | | 2 | |
| 18 | 900 025 008 02 | washer 10,5 | | 1 | |

| | | | | | | | | | | | |
|-------|------|----|----|--------------|--------------|-----|-------|------------|---------|-----|---------|
| Model | Year | MG | SG | Illustration | Restrictions | UPD | 18:45 | 22.01.2010 | PORSCHE | PET | PORSCHE |
| 911 | 1973 | 7 | 02 | 702-15 | | 248 | | | | | |

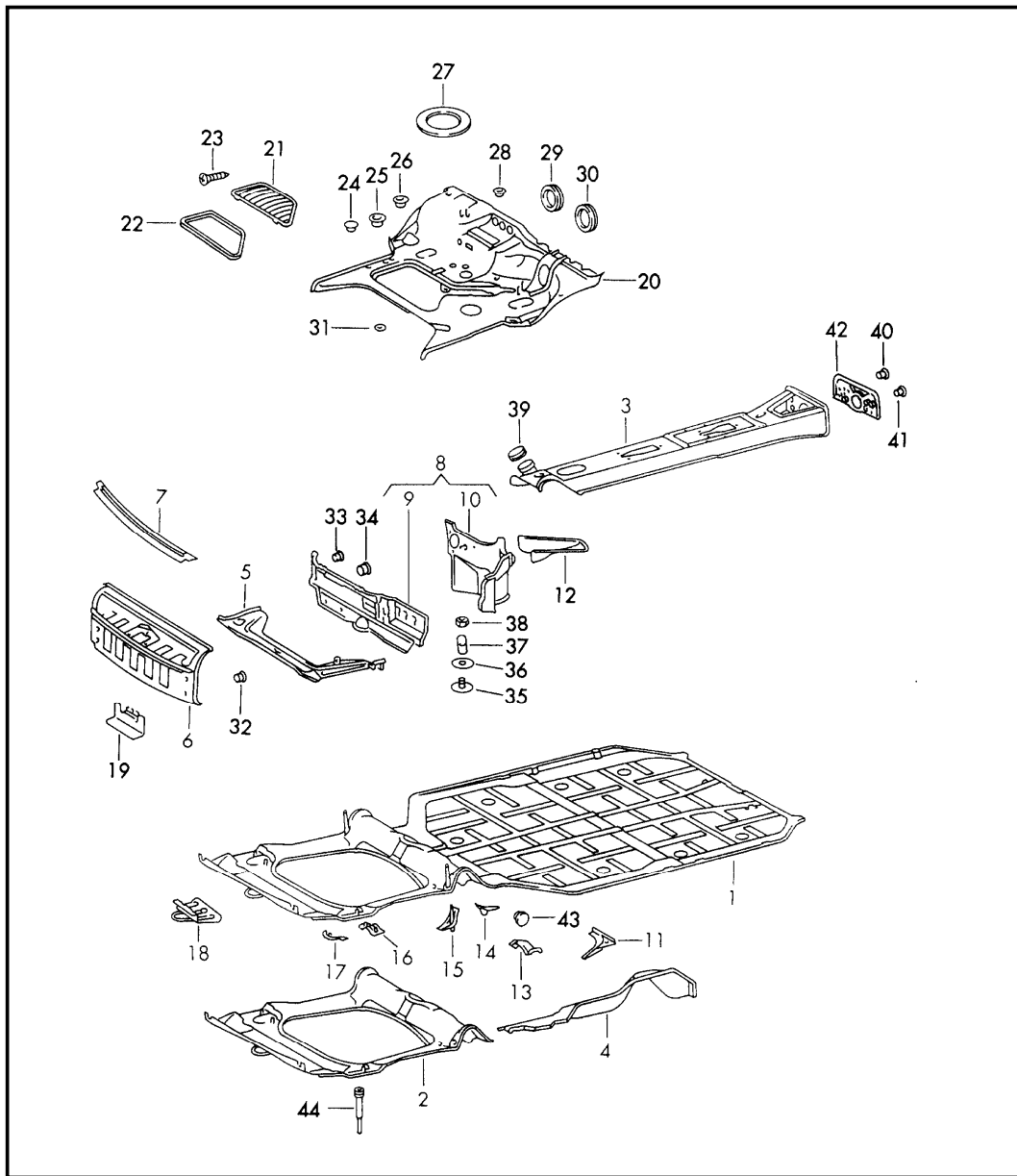
| Pos | Part Number | Description | Remark | Qty | Model | Pos | Part Number | Description | Remark | Qty | Model |
|------|----------------|-------------------------|--------|-----|-------------|------|----------------|------------------------------|--------|-----|-------|
| 19 | N 012 530 1 | cotter pin 3 X 15 | | 1 | | 37 | 901 423 528 00 | rubber stop | | 1 | |
| 20 | 905 423 026 02 | throttle linkage | -71 | 1 | 911 T | 38 | 905 423 054 00 | brake pedal | | 1 | |
| (20) | 905 423 026 03 | throttle linkage | -71 | 1 | 911 E | 39 | 905 423 511 00 | rubber pad | | 1 | |
| (20) | 905 423 026 05 | pull rod | 72- | 1 | 911 T-V | 40 | 911 423 542 00 | bush | | 2 | |
| (20) | 905 423 026 05 | throttle linkage | 72- | 1 | 911 T-E/E/S | 41 | 901 423 532 00 | return spring | | 1 | |
| (20) | 905 423 026 30 | throttle linkage | 72- | 1 | 911 T-K | 42 | 905 423 035 00 | bearing tube | | 1 | |
| 21 | 900 076 027 02 | hexagon nut M 5 | | 1 | | - | 905 423 391 00 | protective strip | | 1 | |
| 22 | N 015 521 3 | ball socket A 8 | | 1 | | 43 | 900 027 015 02 | lock ring B 8 | | 1 | |
| (22) | 911 423 147 00 | ball socket | 72- | 1 | 911 T-K | 44 | N 011 151 3 | hexagon nut M 8 | | 1 | |
| 23 | 901 423 013 00 | bearing bracket left | | 1 | | 45 | 900 076 025 02 | hexagon nut M 8 | | 2 | |
| 24 | 900 076 025 02 | hexagon nut M 8 | | 3 | | 46 | 900 027 015 02 | lock ring B 8 | | 2 | |
| 25 | 900 027 015 02 | lock ring B 8 | | 3 | | 47 | 900 025 007 02 | washer 8,4 | | 2 | |
| 26 | 900 025 007 02 | washer 8,4 | | 3 | | 48 | 901 423 057 04 | piston rod | | 1 | |
| 27 | 914 423 211 00 | bush | | 1 | | 49 | 900 158 003 02 | hexagon nut M 10 | | 1 | |
| 28 | 901 423 556 00 | shaft | | 1 | | 50 | 901 423 157 00 | washer | | 1 | |
| 29 | 901 423 193 00 | rubber stop | | 1 | | 51 | 901 423 507 02 | intermediate piece | | 1 | |
| 30 | 901 423 022 00 | lever | | 1 | | 52 | N 011 564 2 | washer 13 | | 1 | |
| 31 | 900 028 008 01 | spring washer B 6 | | 1 | | 53 | 900 021 015 00 | cotter pin 3 X 20 | | 1 | |
| 32 | 900 076 010 02 | hexagon nut M 6 | | 1 | | 54 | 901 551 671 20 | hexagon-head bolt | | 1 | |
| 33 | 911 423 225 00 | washer | | 3 | | 55 | 999 703 005 40 | stopper | | 1 | |
| 34 | 900 151 006 09 | washer B 6,4 | | 1 | | 56 | 911 613 411 00 | brake light switch | -71 | 1 | |
| 35 | 900 084 010 02 | hexagon nut M 6 | | 1 | | (56) | 911 613 411 00 | brake light switch | 72- | 1 | |
| 36 | 911 423 066 00 | bearing bracket | | 1 | | 57 | 900 146 011 02 | oval-head screw AM 4 X 10 | | 2 | |
| | | | | | | 58 | 900 114 014 01 | shake-proof washer A 4,3 | | 2 | |

| | | | | | | | | | | | |
|-------|------|----|----|--------------|--------------|-----|-------|------------|---------|-----|---------|
| Model | Year | MG | SG | Illustration | Restrictions | UPD | 18:45 | 22.01.2010 | PORSCHE | PET | PORSCHE |
| 911 | 1973 | 8 | 01 | 801-05 | | 248 | | | | | |



| Pos | Part Number | Description | Remark | Qty | Model |
|-----|----------------|--------------------|--------|-----|-------------|
| | | body front section | | | |
| 1 | 911 501 005 23 | body front section | /LL | 1 | COUPE+TARGA |
| (1) | 911 501 005 24 | body front section | /RL | 1 | COUPE |
| 2 | 911 501 005 42 | body front section | /LL | 1 | TARGA |
| (2) | 911 501 005 43 | body front section | /RL | 1 | TARGA |
| 3 | 901 501 411 21 | connecting piece | /L | 1 | COUPE |
| (3) | 901 501 411 41 | connecting piece | /L | 1 | TARGA |
| (3) | 901 501 412 21 | connecting piece | /R | 1 | COUPE |
| (3) | 901 501 412 41 | connecting piece | /R | 1 | TARGA |
| 4 | 901 501 918 41 | gusset plate | /LL/R | 1 | TARGA |
| 4 | 911 501 130 41 | gusset plate | /RL/R | 1 | TARGA |
| 5 | 901 501 917 41 | gusset plate | /L | 1 | TARGA |
| (6) | 901 501 504 00 | battery box | /R | 1 | |
| 6 | 901 501 503 00 | battery box | /L | 1 | |
| | | GRV | | | |
| 7 | 901 501 509 00 | support | | -70 | 2 |
| 8 | 911 501 347 00 | cowl panel support | /LL | 1 | |

| | | | | | | | | | | | |
|-------|------|----|----|--------------|--------------|-----|-------|------------|---------|-----|---------|
| Model | Year | MG | SG | Illustration | Restrictions | UPD | 18:46 | 22.01.2010 | PORSCHE | PET | PORSCHE |
| 911 | 1973 | 8 | 01 | 801-10 | | 248 | | | | | |

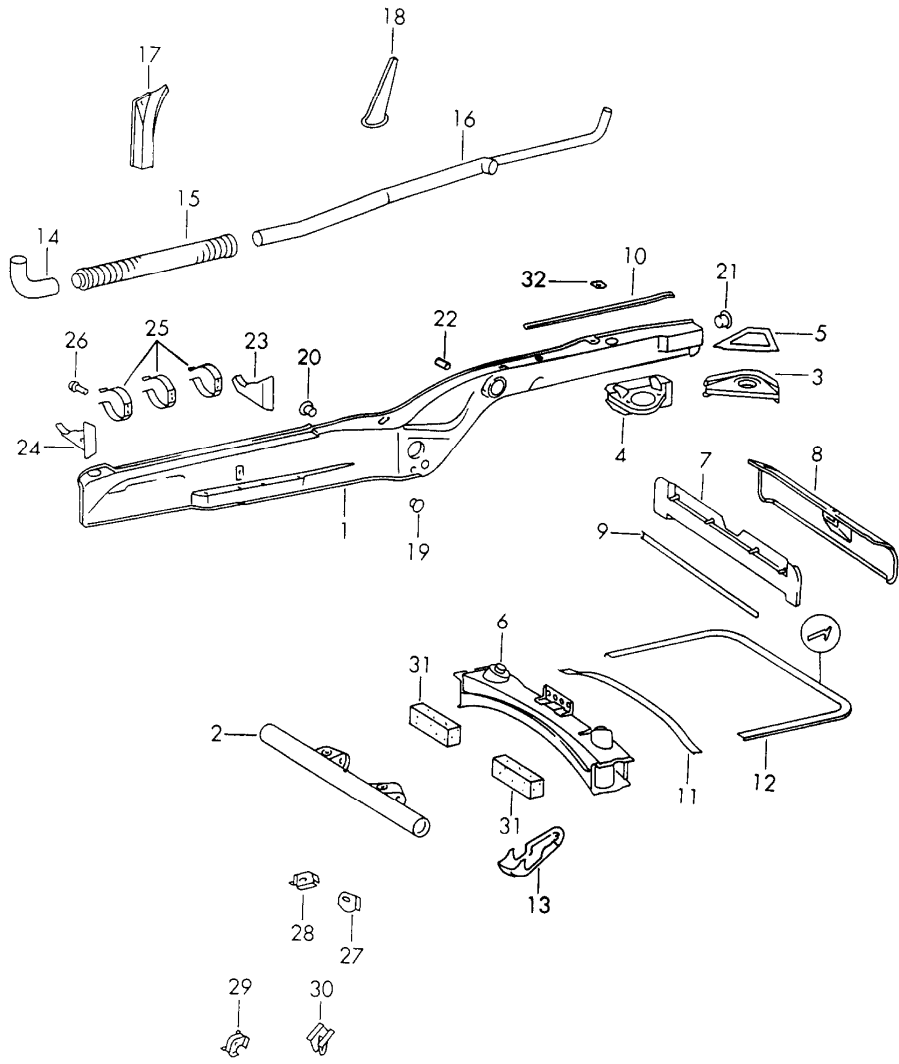


| Pos | Part Number | Description | Remark | Qty | Model |
|------|----------------|--------------------------|---------|-----|-------|
| | | frame front | | | |
| 1 | 911 501 051 00 | floorpan | /LL | 1 | |
| (1) | 911 501 052 00 | floorpan | /RL -70 | 1 | |
| (1) | 901 501 052 35 | floorpan | /RL 72- | 1 | |
| 2 | 911 501 580 00 | floorpan | /LL | 1 | |
| (2) | 911 501 580 02 | floorpan | /RL | 1 | COUPE |
| 3 | 911 501 061 05 | tunnel | /LL -71 | 1 | |
| (3) | 911 501 061 16 | tunnel | /LL 72- | 1 | |
| - | 911 504 107 00 | cover | /V | 1 | |
| (3) | 911 501 061 10 | tunnel | /RL -71 | 1 | |
| (3) | 911 501 061 11 | tunnel | /RL 72- | 1 | |
| 4 | 901 501 023 21 | fuel tank support holder | /L | 1 | |
| (4) | 901 501 024 23 | fuel tank support holder | /LL/R | 1 | |
| (4) | 901 501 024 24 | fuel tank support holder | /RL/R | 1 | COUPE |
| 5 | 901 501 049 21 | fuel tank support | | 1 | 911 |
| (5) | 902 501 049 21 | fuel tank support | | 1 | 912 |
| 6 | 901 501 031 21 | cross panel | | 1 | |
| 7 | 901 501 310 20 | bracket | | 1 | |
| 8 | 901 501 030 36 | box wall | | 1 | |
| 9 | 901 501 041 37 | cross panel | | 1 | |
| 10 | 901 501 043 33 | box wall | | 1 | |
| 11 | 901 501 457 20 | bracket | /L | 1 | |
| (11) | 901 501 458 20 | bracket | /R | 1 | |
| 12 | 901 501 354 32 | cup | /LL | 1 | |
| (12) | 901 501 356 20 | cup | /RL | 1 | |
| 13 | 901 501 427 20 | reinforcement | | 2 | |
| 14 | 901 501 063 23 | bracket | | 2 | |
| 15 | 901 501 359 20 | axle mounting | /L | 1 | |

| | | | | | | | | | | | |
|-------|------|----|----|--------------|--------------|-----|-------|------------|---------|-----|---------|
| Model | Year | MG | SG | Illustration | Restrictions | UPD | 18:46 | 22.01.2010 | PORSCHE | PET | PORSCHE |
| 911 | 1973 | 8 | 01 | 801-10 | | 248 | | | | | |

| Pos | Part Number | Description | Remark | Qty | Model | Pos | Part Number | Description | Remark | Qty | Model |
|------|----------------|---------------------------------------|--------|-----|-------|-----|----------------|-------------------|--------|-----|-------|
| (15) | 901 501 360 20 | axle mounting | /R | 1 | | 32 | 999 703 033 40 | stopper \$ 25 | | 4 | |
| 16 | 901 501 409 21 | reinforcement plate | /L | 1 | | 33 | 999 703 060 40 | stopper \$ 5 | | 2 | |
| (16) | 901 501 410 21 | reinforcement plate | /R | 1 | | 34 | 999 703 075 40 | stopper \$ 15 | | 1 | 911 T |
| 17 | 901 501 407 22 | corner reinforcement | /L | 1 | | 35 | 902 504 079 20 | lid | | 1 | |
| (17) | 901 501 408 22 | corner reinforcement | /R | 1 | | 36 | 999 704 203 40 | sealing washer | | 1 | |
| 18 | 901 501 530 20 | towing lug | | 1 | | 37 | 901 504 755 20 | tensioning spring | | 1 | |
| 19 | 901 501 478 20 | engine carrier | | 1 | | 38 | 999 084 102 02 | lock nut | | 1 | |
| 20 | 911 501 035 00 | boot floor plate | /LL | -72 | 1 | 39 | 902 572 571 20 | cap | | 1 | |
| (20) | 911 501 035 04 | boot floor plate | /LL | 73- | 1 | 40 | 999 703 083 40 | stopper \$ 14 | | 1 | |
| (20) | 901 501 036 22 | boot floor plate | /RL | | 1 | 41 | 999 703 092 40 | stopper \$ 14 | | 2 | |
| 21 | 901 504 043 02 | cover | /LL | | 1 | 42 | 911 501 066 00 | end plate | | 2 | |
| (21) | 902 504 044 01 | cover | /RL | | 1 | 43 | 999 703 033 40 | stopper \$ 25 | | 4 | |
| (22) | 902 504 491 20 | gasket | /LL | -72 | 1 | 44 | 911 025 612 00 | grommet | | 2 | |
| (22) | 911 504 491 02 | gasket | /LL | 73- | 1 | | | | | | |
| 22 | 901 504 491 32 | gasket | /RL | | 1 | | | | | | |
| (22) | 901 504 491 30 | gasket version optional heating | | | 1 | | | | | | |
| 23 | 900 144 034 07 | tapping screw B 4,2 X 16 | | | 4 | | | | | | |
| 24 | 999 703 083 40 | stopper \$ 14 | | | 1 | | | | | | |
| 25 | 999 703 057 40 | stopper \$ 18 | | | 1 | | | | | | |
| 26 | 999 703 098 40 | stopper \$ 19 | | | 1 | | | | | | |
| 27 | 901 504 747 00 | lid | | | 1 | | | | | | |
| 28 | 999 703 058 40 | stopper \$ 16 | | | 1 | | | | | | |
| 29 | 999 703 066 50 | stopper | | | 3 | | | | | | |
| 30 | 999 703 067 50 | stopper | | | 3 | | | | | | |
| 31 | 111 801 177 | rubber valve | | | 4 | | | | | | |

| | | | | | | | | | | | |
|-------|------|----|----|--------------|--------------|-----|-------|------------|---------|-----|---------|
| Model | Year | MG | SG | Illustration | Restrictions | UPD | 18:46 | 22.01.2010 | PORSCHE | PET | PORSCHE |
| 911 | 1973 | 8 | 01 | 801-15 | | 248 | | | | | |

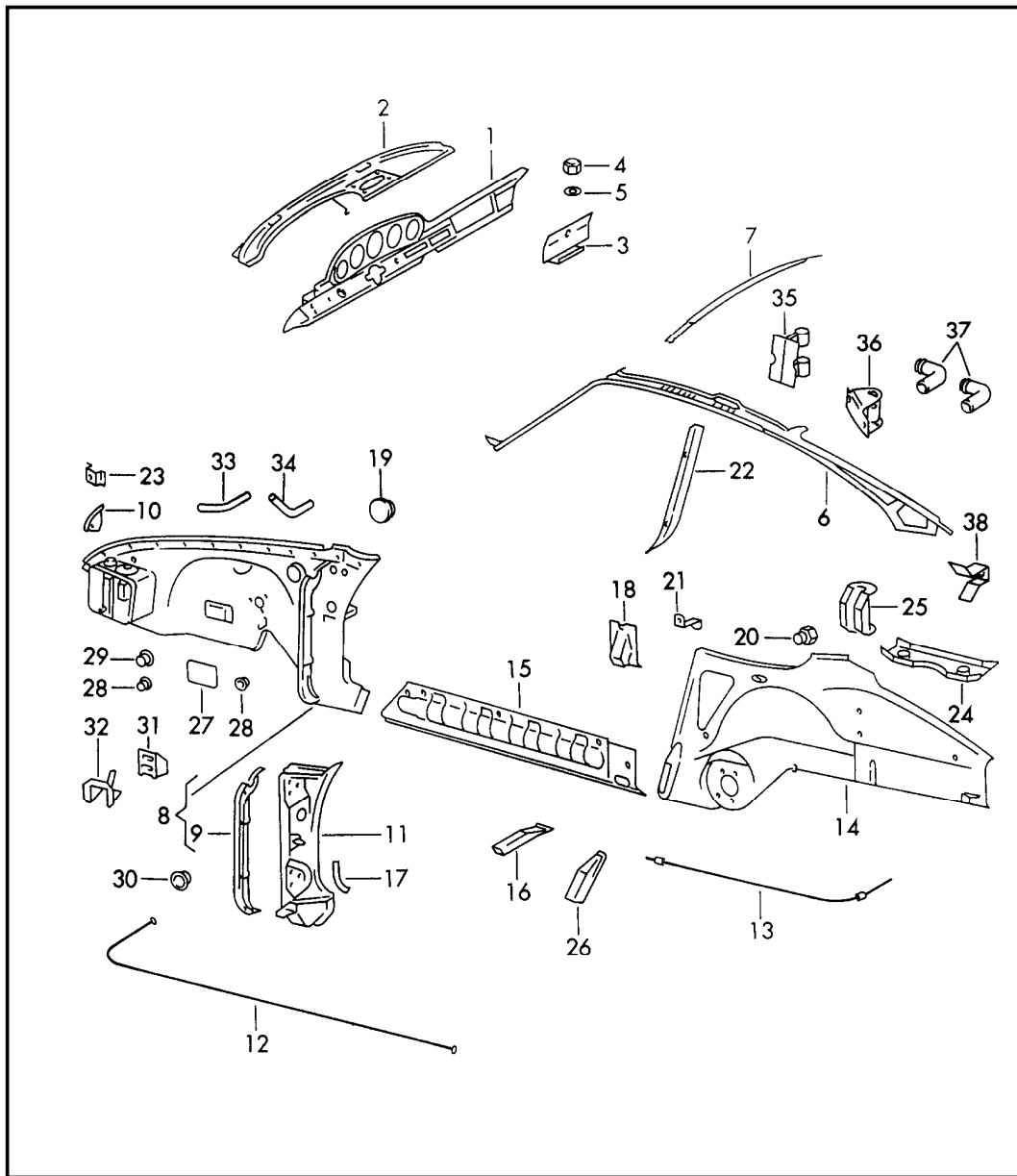


| Pos | Part Number | Description | Remark | Qty | Model |
|------|----------------|-----------------------------------------|--------|-----|---------------|
| | | frame centre rear | | | |
| (1) | 901 501 961 23 | side member | /L | -71 | 1 911 COUPE |
| (1) | 911 501 961 23 | side member | /L | 72- | 1 911 COUPE |
| (1) | 902 501 961 23 | side member | /L | | 1 912 COUPE |
| (1) | 901 501 961 43 | side member | /L | -71 | 1 911 TARGA |
| (1) | 911 501 961 44 | side member | /L | 72- | 1 911 TARGA |
| (1) | 902 501 961 43 | side member | /L | | 1 912 TARGA |
| (1) | 901 501 962 23 | side member | /R | -71 | 1 911 COUPE |
| (1) | 911 501 962 24 | side member | /R | 72- | 1 911 COUPE |
| (1) | 902 501 962 23 | side member | | | 1 912 COUPE |
| (1) | 901 501 962 43 | side member | /R | -71 | 1 911 TARGA |
| (1) | 911 501 962 43 | side member | /R | 72- | 1 911 TARGA |
| (1) | 902 501 962 43 | side member | /R | | 1 912 TARGA |
| 2 | 911 331 010 01 | rear-axle cross-tube | | -72 | 1 |
| 2 | 911 331 010 02 | rear-axle cross-tube | | 73- | 1 |
| (2) | 911 331 039 00 | rear-axle cross-tube F 91136 01409>> | | | 1 CARRERA 2.7 |
| 3 | 901 501 083 20 | engine mounting | /H | | 2 911 |
| (4) | 902 501 083 21 | engine mounting | /H/L | | 1 912 |
| 4 | 902 501 084 21 | engine mounting | /H/R | | 1 912 |
| 5 | 902 501 847 21 | corner reinforcement | | | 2 912 |
| 6 | 911 501 075 01 | cross member | /H | | 1 |
| 7 | 911 501 830 00 | cross member inner | /H | | 1 |
| 8 | 901 501 087 20 | cross member outer | /H | | 1 |
| 9 | 901 501 797 20 | profile rail | /H | | 1 |
| 10 | 901 501 796 20 | profile rail | /R | | 1 |
| (10) | 901 501 795 20 | profile rail | /L | | 1 |

| | | | | | | | | | | | |
|-------|------|----|----|--------------|--------------|-----|-------|------------|---------|-----|---------|
| Model | Year | MG | SG | Illustration | Restrictions | UPD | 18:46 | 22.01.2010 | PORSCHE | PET | PORSCHE |
| 911 | 1973 | 8 | 01 | 801-15 | | 248 | | | | | |

| Pos | Part Number | Description | Remark | Qty | Model | Pos | Part Number | Description | Remark | Qty | Model |
|------|----------------|---------------------------------------------------------|--------|-----|-----------|------|----------------|-----------------------------------|--------|-----|-------|
| 11 | 901 504 991 20 | engine compartment seal | /V | 1 | 912/911 T | 23 | 901 501 263 20 | pipe bracket | /L | 2 | |
| (11) | 911 504 115 00 | engine compartment seal | /V | 1 | 911 E/S | 24 | 901 501 264 20 | pipe bracket | /R | 2 | |
| 12 | 901 504 993 21 | engine compartment seal | | 1 | | 25 | 901 501 128 20 | retainer spring | | 6 | |
| (13) | 911 501 670 00 | engine bracket for stabiliser and fuel pump | | 71 | 1 | 26 | N 013 411 1 | rivet 3 X 6 | | 12 | |
| 13 | 911 501 023 01 | bracket for fuel pump | 72- | 1 | | 27 | 901 502 615 40 | bracket | | 1 | |
| 14 | 901 572 211 21 | hot air duct | /V | -72 | 2 | 28 | 901 502 038 40 | bracket | /R | 1 | |
| 14 | 911 572 211 01 | hot air duct | /V | 73- | 2 | (28) | 901 502 037 40 | bracket | /L | 1 | |
| 15 | 911 572 025 02 | muffler not closed | | -72 | 2 | 29 | 911 501 041 00 | bearing back seat | | 1 | |
| 15 | 911 572 025 02 | muffler short not closed | | 73- | 2 | 30 | 911 501 729 00 | bracket pneumatic spring mount | | 1 | |
| 16 | 901 572 024 24 | hot air duct | /H/R | -71 | 1 | 31 | 911 504 930 00 | strap | | 2 | |
| 16 | 911 572 024 00 | hot air duct | /H/R | 72- | 1 | 32 | 901 501 117 20 | mounting plate | | 2 | |
| (16) | 901 572 023 24 | hot air duct | /H/L | -71 | 1 | | | | | | |
| (16) | 911 572 221 02 | hot air duct | /H/L | 72- | 1 | | | | | | |
| 17 | 901 501 218 21 | post bracket | /V/R | | 1 | | | | | | |
| (17) | 901 501 217 21 | post bracket | /V/L | | 1 | | | | | | |
| 18 | 901 501 142 21 | bracket | /R | | 1 | | | | | | |
| (18) | 901 501 141 21 | bracket | /L | | 1 | | | | | | |
| 19 | 999 703 043 40 | stopper \$ 12 | | | 6 | | | | | | |
| 20 | 999 703 048 40 | stopper \$ 15 | | | 4 | | | | | | |
| 20 | 911 504 102 00 | stopper | | 72- | 4 | | | | | | |
| 21 | 999 703 098 40 | stopper \$ 19 | | | 1 | | | | | | |
| 22 | 644 501 163 00 | threaded bush | | | 2 | | | | | | |

| | | | | | | | | | | | |
|-------|------|----|----|--------------|--------------|-----|-------|------------|---------|-----|---------|
| Model | Year | MG | SG | Illustration | Restrictions | UPD | 18:46 | 22.01.2010 | PORSCHE | PET | PORSCHE |
| 911 | 1973 | 8 | 01 | 801-20 | | 248 | | | | | |



| Pos | Part Number | Description | Remark | Qty | Model |
|-----|----------------|------------------------------------|--------|-----|---------|
| | | interior panelling | | | COUPE |
| (1) | 911 502 021 00 | dashboard for cars without sunroof | /LL | -71 | 1 COUPE |
| (1) | 911 502 021 02 | dashboard for cars without sunroof | /LL | 72- | 1 COUPE |
| (1) | 911 502 021 42 | dashboard for cars with sunroof | /LL | -72 | 1 COUPE |
| (1) | 911 502 021 42 | dashboard | /LL | -71 | 1 TARGA |
| (1) | 911 502 021 42 | dashboard | /LL | 72- | 1 TARGA |
| (1) | 911 502 022 41 | dashboard for cars without sunroof | /RL | -72 | 1 |
| (1) | 911 502 022 41 | dashboard for cars without sunroof | /RL | 73- | 1 |
| (1) | 911 502 022 30 | dashboard for cars with sunroof | /RL | -72 | 1 |
| 2 | 901 502 023 26 | dashboard | /LL | -72 | 1 |
| 2 | 901 502 023 44 | dashboard | /LL | 73- | 1 |
| (2) | 901 502 024 26 | dashboard | /RL | -72 | 1 |
| (2) | 911 502 024 44 | dashboard | /RL | 73- | 1 |
| (3) | 911 552 010 00 | glove compartment cover | | -70 | 1 |
| (3) | 911 552 010 01 | glove compartment cover | | 71- | 1 |
| 4 | 999 084 102 02 | lock nut | | -71 | 2 |
| 4 | 999 090 002 02 | lock nut M 5 | | 71- | 4 |
| 5 | 900 025 003 02 | washer 5,3 | | -71 | 2 |
| 5 | 900 025 003 02 | washer 5,3 | | 71- | 4 |
| - | 900 146 003 02 | oval-head screw AM 5 X 10 | | 71- | 2 |
| 6 | 901 502 025 10 | roof frame | /L | | 1 |

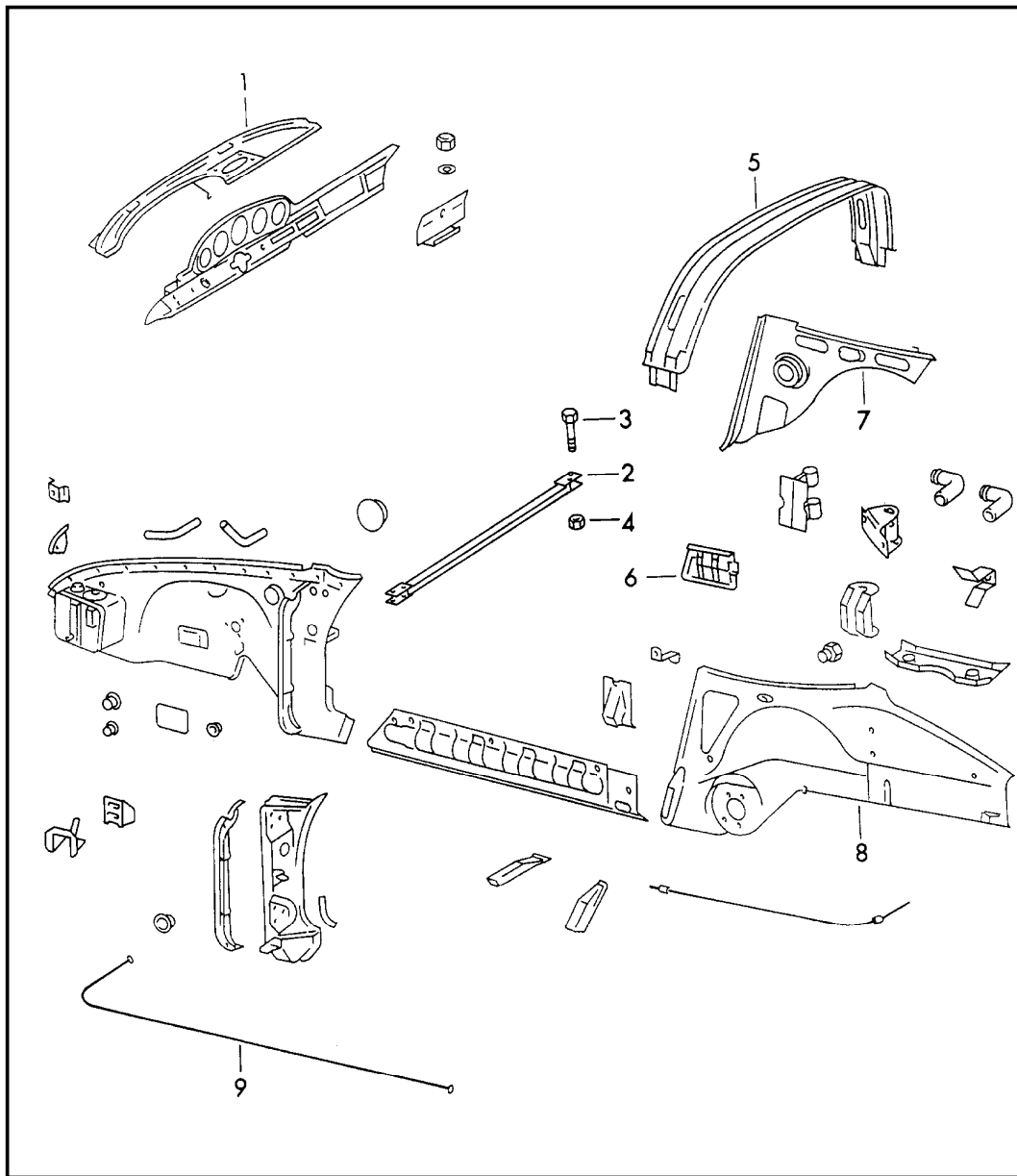
| | | | | | | | | | | | |
|-------|------|----|----|--------------|--------------|-----|-------|------------|---------|-----|---------|
| Model | Year | MG | SG | Illustration | Restrictions | UPD | 18:46 | 22.01.2010 | PORSCHE | PET | PORSCHE |
| 911 | 1973 | 8 | 01 | 801-20 | | 248 | | | | | |

| Pos | Part Number | Description | Remark | Qty | Model | Pos | Part Number | Description | Remark | Qty | Model |
|------|----------------|---------------------------------------------------------------------------------------------|--------|-------------|-------|-------|----------------|----------------------------------|-------------------------------|-----|---------|
| (6) | 901 502 026 10 | roof frame | /R | 1 | | (15) | 911 501 124 00 | side member | /R | 1 | |
| 7 | 901 502 220 02 | cross piece for windscreen | | 1 | | 16 | 901 501 153 21 | mounting | | 1 | |
| 8 | 911 501 033 00 | wheel housing | /L | -71 | 1 | 17 | 901 501 305 20 | angular bracket | /L | 1 | |
| 8 | 911 501 033 09 | wheel housing | /L | 72- | 1 | (17) | 901 501 306 20 | angular bracket | /R | 1 | |
| (8) | 911 501 034 20 | wheel housing | /R | -71 | 1 | COUPE | 18 | 901 501 151 22 | mounting | 2 | |
| (8) | 911 501 034 11 | wheel housing | /R | 72- | 1 | | 19 | 999 703 031 40 | stopper \$ 30 | 2 | |
| (8) | 911 501 034 00 | wheel housing | /LL/R | -71 | 1 | TARGA | 20 | 901 803 127 10 | fastening screw | -71 | 2 |
| - | 901 501 503 00 | battery box | /L | 1 | | 21 | 901 501 130 00 | retaining bracket switch unit | -70 | 1 | |
| | GRV | prime coated | | | | | | | | | |
| - | 901 501 504 00 | battery box | /R | 1 | | 22 | 901 502 245 00 | profile | /L | 1 | |
| | GRV | prime coated | | | | (22) | 901 502 246 00 | profile | /R | 1 | |
| 9 | 901 501 053 00 | wing joining plate | /L | 1 | | 23 | 901 501 509 00 | support horn | -71 | 2 | |
| 9 | 911 501 053 00 | wing joining plate | /L | 1 | | 24 | 901 501 085 21 | mounting piece bumper | | 2 | |
| (9) | 901 501 054 01 | wing joining plate | /R | -71 | 1 | | 25 | 911 501 115 00 | reinforcement side section | | 1 |
| (9) | 901 501 054 01 | wing joining plate | /R | 72- | 1 | | 26 | 901 501 145 20 | bracket | /L | 1 |
| 10 | 901 501 303 00 | corner plate | /L | 72- | 1 | | (26) | 901 501 146 22 | bracket | /R | -70 |
| 10 | 901 501 304 00 | corner plate | /R | 72- | 1 | | (26) | 901 501 146 20 | bracket | /R | 72- |
| 11 | 911 501 039 00 | hinge pillar | /L | 1 | | 27 | 911 504 101 00 | cover plate | | 2 | |
| (11) | 911 501 040 00 | hinge pillar | /R | 1 | | 28 | 999 703 094 40 | stopper \$ 12,5 | | 2 | |
| 12 | 901 502 181 22 | guide tube | /V | 1 | | 29 | 999 703 095 40 | stopper \$ 17,7 | -72 | 1 | |
| 13 | 911 502 483 00 | guide tube | /H | 1 | | (29) | 999 703 103 40 | stopper \$ 23,5 | 73- | 1 | |
| 14 | PCG 501 017 00 | wheel housing use also: 911.501.257.01 PCG.501.157.00 it is necessary to rework | /L | 1 1 4 | COUPE | 30 | 999 703 103 40 | stopper \$ 22,0 | | 1 | 911 T/E |
| (14) | PCG 501 018 00 | wheel housing use also: 911.501.258.01 PCG.501.157.00 it is necessary to rework | /R | 1 1 4 | COUPE | 31 | 911 201 317 00 | support | -70 | 1 | |
| 15 | 911 501 123 00 | side member | /L | -71 | 1 | 32 | 901 201 034 60 | mounting | -70 | 1 | |
| 15 | 911 501 123 01 | side member | /L | 72- | 1 | | | | | | |

| | | | | | | | | | | | |
|-------|------|----|----|--------------|--------------|-----|-------|------------|---------|-----|---------|
| Model | Year | MG | SG | Illustration | Restrictions | UPD | 18:46 | 22.01.2010 | PORSCHE | PET | PORSCHE |
| 911 | 1973 | 8 | 01 | 801-20 | | 248 | | | | | |

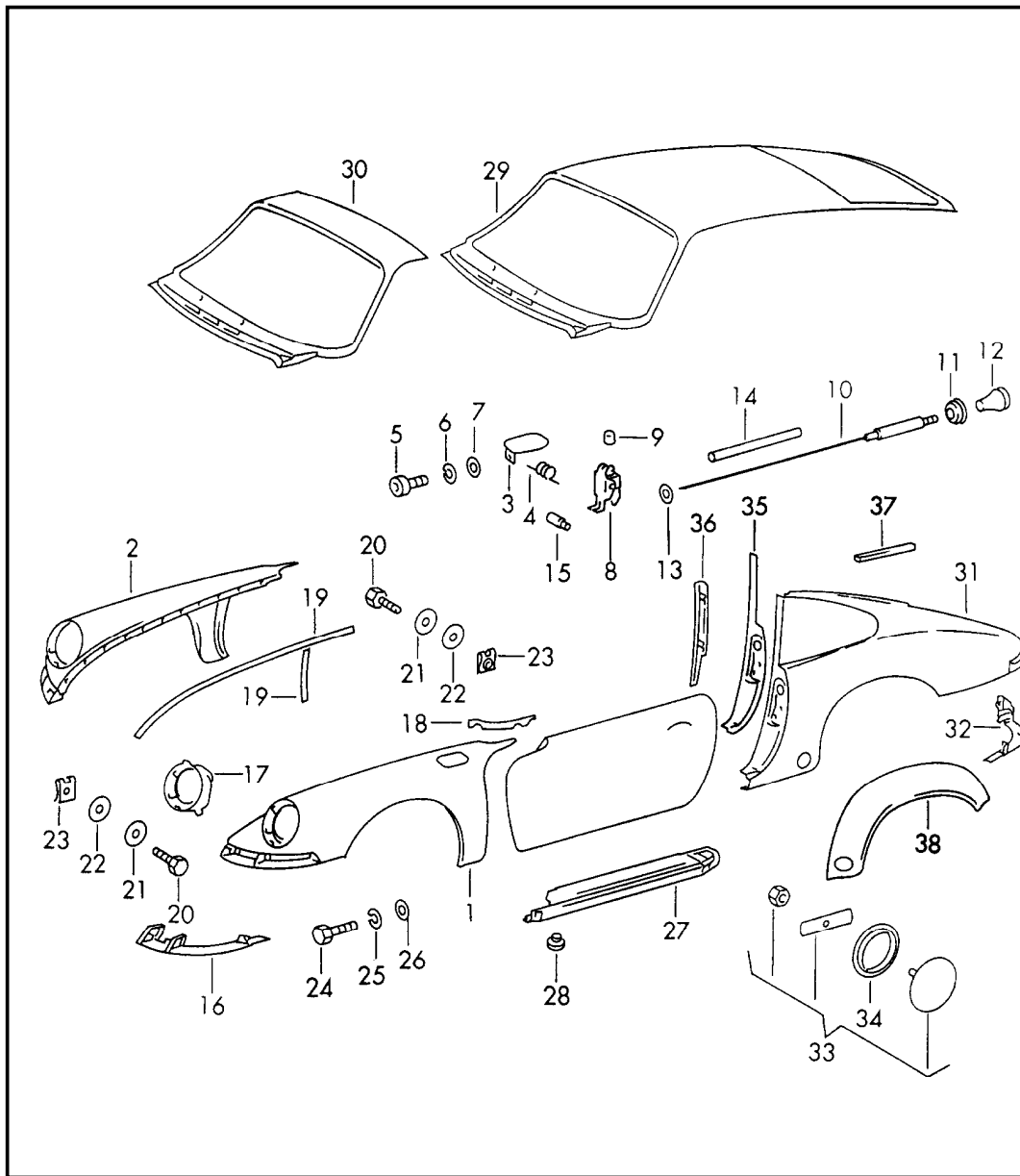
| Pos | Part Number | Description | Remark | Qty | Model | Pos | Part Number | Description | Remark | Qty | Model |
|-----|----------------|----------------------------------------------|--------|-----|-------|-----|-------------|-------------|--------|-----|----------------------|
| 35 | 911 501 777 00 | hinge for wheel housing | /V | -72 | 1 | | | | | | |
| 36 | 911 207 024 00 | support for wheel housing | | -72 | 1 | | | | | | |
| 37 | 911 501 539 00 | angled pipe | | | 2 | | | | | | |
| 38 | 911 501 125 00 | threaded support mount for oil tube | | 72- | 2 | | | | | | 911 S CARRERA 2.7 |

| | | | | | | | | | | | |
|-------|------|----|----|--------------|--------------|-----|-------|------------|---------|-----|---------|
| Model | Year | MG | SG | Illustration | Restrictions | UPD | 18:46 | 22.01.2010 | PORSCHE | PET | PORSCHE |
| 911 | 1973 | 8 | 01 | 801-25 | | 248 | | | | | |



| Pos | Part Number | Description | Remark | Qty | Model |
|-----|----------------|--------------------------------------------------------------------------------------------------------------------|--------|--------|-------|
| | | interior panelling | | | TARGA |
| 1 | 901 502 023 44 | dashboard | | 1 | |
| 2 | 901 501 086 40 | cross tube | | 1 | |
| 3 | 900 074 038 02 | hexagon-head bolt M8 X 40 | | 4 | |
| 4 | 900 084 004 02 | hexagon nut M8 | | 4 | |
| 4 | 900 084 004 03 | hexagon nut M8 | | 4 | |
| 5 | 901 565 001 46 | roll-over bar for cars with convertible top | | 1 | |
| (5) | 901 565 001 45 | roll-over bar for cars with rear window | | 1 | |
| 6 | 911 501 203 40 | filler plate | /L | 1 | |
| (6) | 911 501 204 40 | filler plate | /R | 1 | |
| 7 | 901 501 205 41 | rear bulkhead | /L -71 | 1 | |
| (7) | 911 501 205 40 | rear bulkhead | /L 72- | 1 | |
| (7) | 901 501 206 41 | rear bulkhead | /R -71 | 1 | |
| (7) | 911 501 206 40 | rear bulkhead | /R 72- | 1 | |
| 8 | PCG 501 017 40 | wheel housing use also: 911.501.257.01 PCG.501.157.00 it is necessary to rework | /L | 1 4 | |
| (8) | PCG 501 018 40 | wheel housing GRV prime coated use also: 911.501.258.01 PCG.501.157.00 it is necessary to rework | /R | 1 | |
| 9 | 901 502 181 41 | guide tube for cable control | /V | 1 | |

| | | | | | | | | | | | |
|-------|------|----|----|--------------|--------------|-----|-------|------------|---------|-----|---------|
| Model | Year | MG | SG | Illustration | Restrictions | UPD | 18:46 | 22.01.2010 | PORSCHE | PET | PORSCHE |
| 911 | 1973 | 8 | 01 | 801-30 | | 248 | | | | | |



| Pos | Part Number | Description | Remark | Qty | Model |
|------|----------------|-------------------------------|--------|-----|-------|
| | | exterior panelling | | | COUPE |
| 1 | 901 503 031 23 | wing with tank filler neck | /L | 1 | |
| (1) | 901 503 031 25 | wing without tank filler neck | /L -70 | 1 | |
| 2 | 901 503 032 23 | wing | /R | 1 | |
| 3 | 901 504 031 20 | lid tank filler neck | | 1 | |
| 4 | 911 504 331 00 | spring | | 1 | |
| 5 | 900 067 051 02 | pan-head screw M5 X 10 | | 3 | |
| 6 | N 012 005 3 | lock ring B5 | | 3 | |
| 7 | 900 025 003 02 | washer 5,3 | | 3 | |
| 8 | 901 504 034 20 | bearing | | 3 | |
| 9 | 911 025 679 00 | buffer | | 1 | |
| 10 | 901 504 317 21 | wire pull | | 1 | |
| 11 | 901 511 791 21 | rubber washer | | 1 | |
| 12 | 901 552 822 00 | knob | | 1 | |
| 13 | 914 504 319 00 | grommet | | 1 | |
| - | 999 702 020 50 | rubber sleeve | | 1 | |
| 14 | 901 504 385 20 | connecting tube | | 1 | |
| 15 | 999 230 002 02 | screw nipple | | 1 | |
| 16 | 901 503 043 23 | bar | /L | 1 | |
| | | GRV prime coated | | | |
| (16) | 901 503 044 23 | bar | /R | 1 | |
| | | GRV prime coated | | | |
| 17 | 901 631 015 23 | headlamp casing | | 2 | |
| 18 | 901 503 394 22 | wing seal | | 2 | |

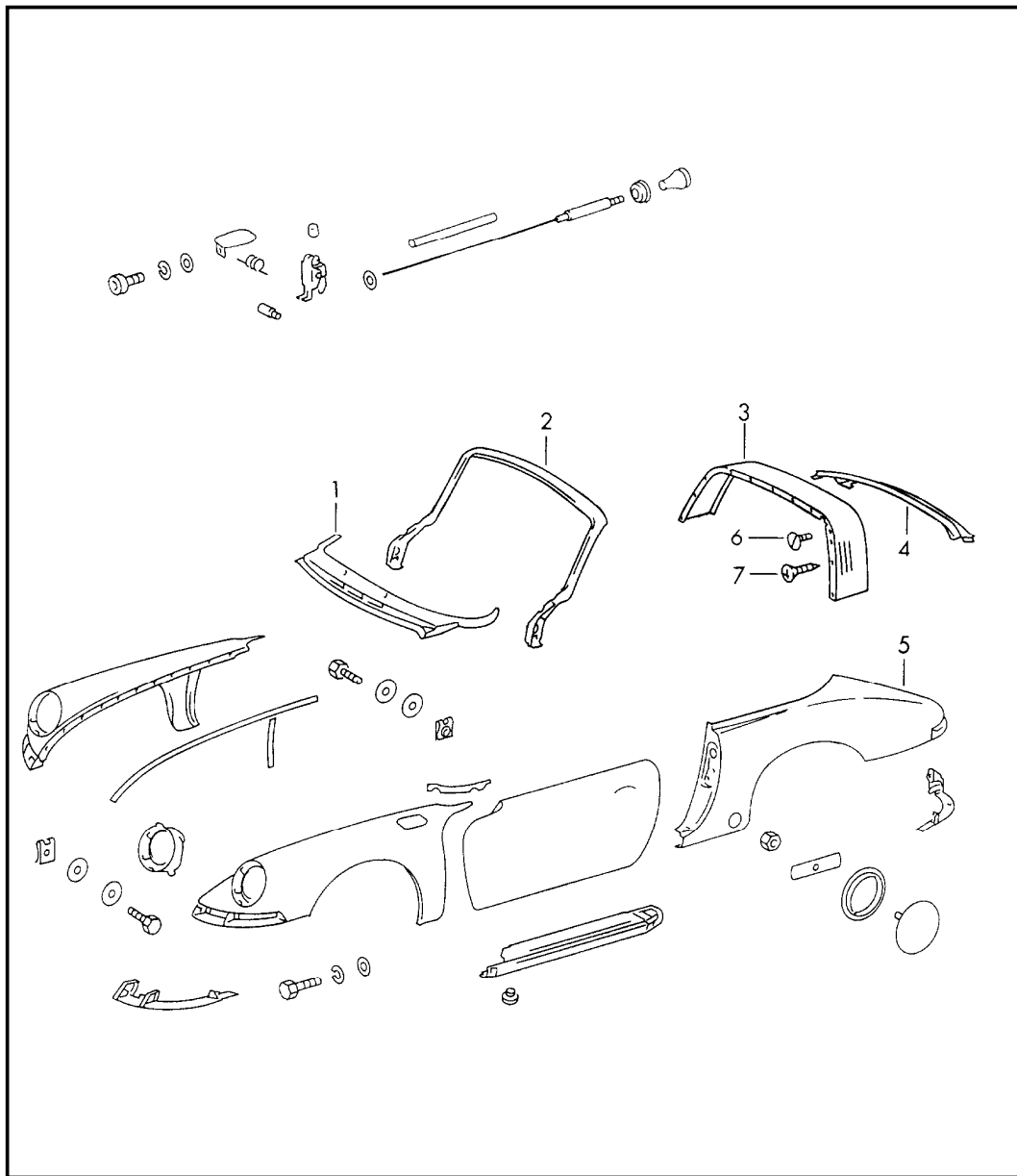
| | | | | | | | | | | | |
|-------|------|----|----|--------------|--------------|-----|-------|------------|---------|-----|---------|
| Model | Year | MG | SG | Illustration | Restrictions | UPD | 18:46 | 22.01.2010 | PORSCHE | PET | PORSCHE |
| 911 | 1973 | 8 | 01 | 801-30 | | 248 | | | | | |

| Pos | Part Number | Description | Remark | Qty | Model | Pos | Part Number | Description | Remark | Qty | Model |
|------|----------------|------------------------------------------------------------------|--------|-----|---------------|------|----------------|-------------------------------------------------------------------|--------|-----|---------------|
| 19 | 000 043 129 00 | sealing strap 25 X 2 | | X | | | GRV | prime coated with lock pillar Nacharbeit Erforderlich !! | | | |
| 20 | 900 187 010 02 | hexagon-head tapping screw BZ6,3 X 19 | | 20 | | | | | | | |
| 21 | 900 151 006 09 | washer B6,4 | | 20 | | (31) | 901 503 062 22 | wing with lock pillar | /R | -71 | 1 |
| 22 | 999 704 157 40 | washer | | 20 | | (31) | 911 503 062 01 | side section with lock pillar | /R | 72 | 1 |
| 23 | 999 591 327 02 | speed nut B6,3 | | 20 | | (31) | 911 503 062 03 | side section with lock pillar | /R | 73- | 1 |
| 24 | 900 378 030 09 | hexagon-head bolt M6 X 20 | -71 | 18 | | (31) | 911 503 046 00 | side section | /R | 73- | 1 CARRERA 2.7 |
| (24) | 900 075 224 02 | hexagon-head bolt M6 X 12 | 72- | 18 | | | GRV | prime coated with lock pillar Nacharbeit Erforderlich !! | | | |
| 25 | 900 027 014 01 | lock ring B6 | | 18 | | | | | | | |
| 26 | 900 151 006 09 | washer B6,4 | | 18 | | 32 | 901 503 073 23 | support | /L | | 1 |
| 27 | 911 503 401 00 | door sill it is necessary to rework | /L | -71 | 1 | (32) | 901 503 074 23 | support | /R | | 1 |
| 27 | 911 503 401 02 | door sill it is necessary to rework | /L | 72- | 1 | 33 | 901 504 079 00 | spring cover | | | 2 |
| (27) | 911 503 402 00 | door sill it is necessary to rework | /R | -71 | 1 | 33 | 901 504 079 00 | spring cover | | 72- | 2 CARRERA 2.7 |
| (27) | 911 503 402 02 | door sill it is necessary to rework | /R | 72- | 1 | 34 | 901 504 759 01 | desk pad | | | 2 |
| 28 | 999 703 033 40 | stopper | | 2 | | 35 | 911 502 041 00 | lock pillar | /L | 72- | 1 |
| 29 | 901 503 051 01 | outer roof panel | | 1 | | (35) | 911 502 042 01 | lock pillar | /R | 72- | 1 |
| (29) | 901 503 051 06 | outer roof panel with sunroof frame | | 1 | | 36 | 911 502 043 01 | lock pillar inner panel | /L | | 1 |
| 30 | 901 503 090 21 | windscreen frame | | 1 | | (36) | 911 502 044 01 | lock pillar inner panel | /R | | 1 |
| 31 | 911 503 061 00 | side section with lock pillar it is necessary to rework | /L | 1 | | 37 | 901 504 933 20 | seal | | -71 | 1 |
| (31) | 911 503 045 00 | side section | /L | 73- | 1 CARRERA 2.7 | (37) | 911 504 933 00 | seal | /L | 72- | 1 |
| | | | | | | (37) | 911 504 934 00 | seal | /R | 72- | 1 |
| | | | | | | 38 | 911 503 607 03 | weldable piece | /L | | 1 |
| | | | | | | | GRV | prime coated wing it is necessary to rework | | | |
| | | | | | | (38) | 911 503 608 03 | weldable piece | /R | | 1 |

| | | | | | | | | | | | |
|-------|------|----|----|--------------|--------------|-----|-------|------------|---------|-----|---------|
| Model | Year | MG | SG | Illustration | Restrictions | UPD | 18:46 | 22.01.2010 | PORSCHE | PET | PORSCHE |
| 911 | 1973 | 8 | 01 | 801-30 | | 248 | | | | | |

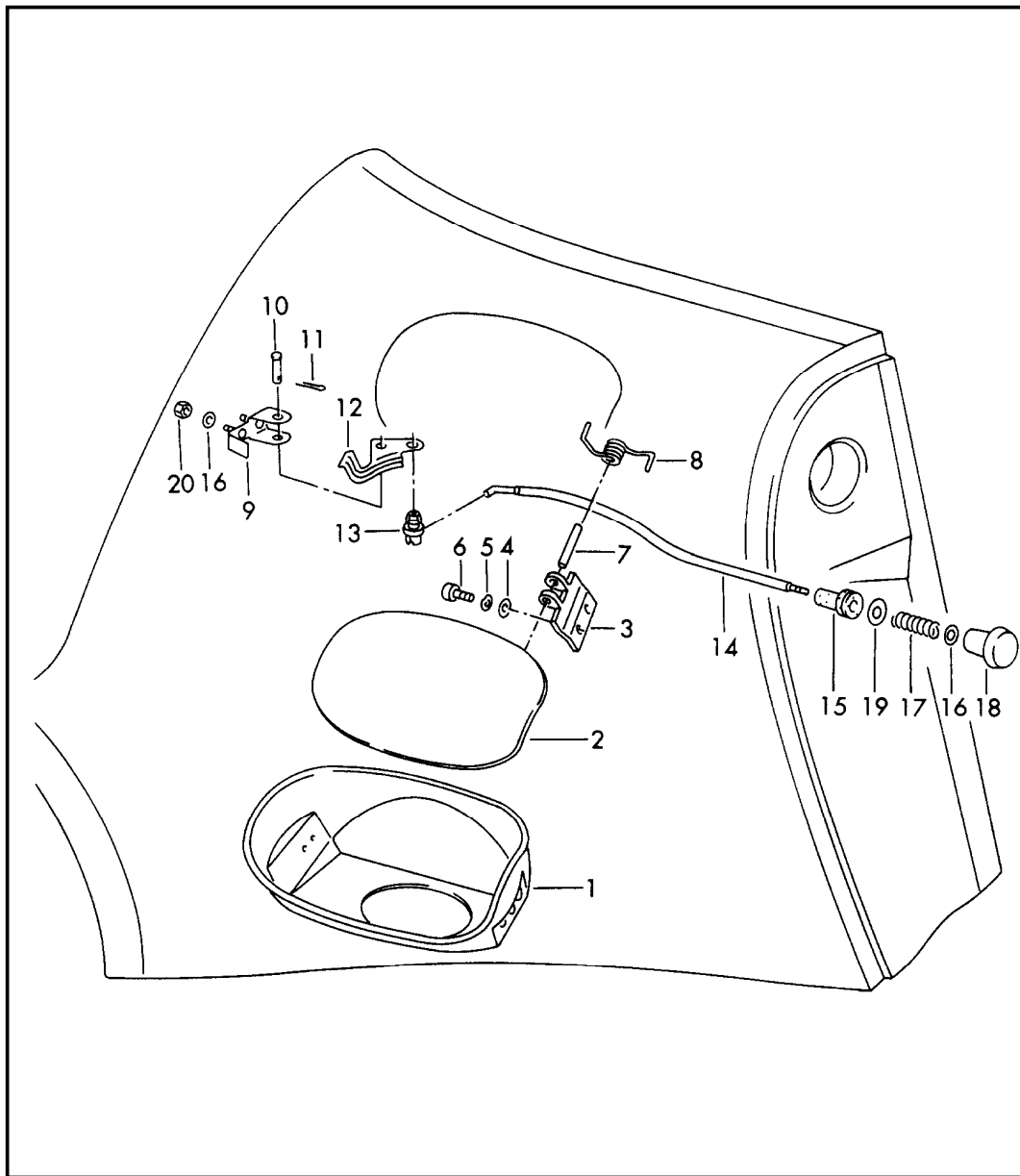
| Pos | Part Number | Description | Remark | Qty | Model | Pos | Part Number | Description | Remark | Qty | Model |
|-----|-------------|---------------------------------------------------|--------|-----|-------|-----|-------------|-------------|--------|-----|-------|
| | GRV | prime coated wing it is necessary to rework | | | | | | | | | |

| | | | | | | | | | | | |
|-------|------|----|----|--------------|--------------|-----|-------|------------|---------|-----|---------|
| Model | Year | MG | SG | Illustration | Restrictions | UPD | 18:47 | 22.01.2010 | PORSCHE | PET | PORSCHE |
| 911 | 1973 | 8 | 01 | 801-35 | | 248 | | | | | |



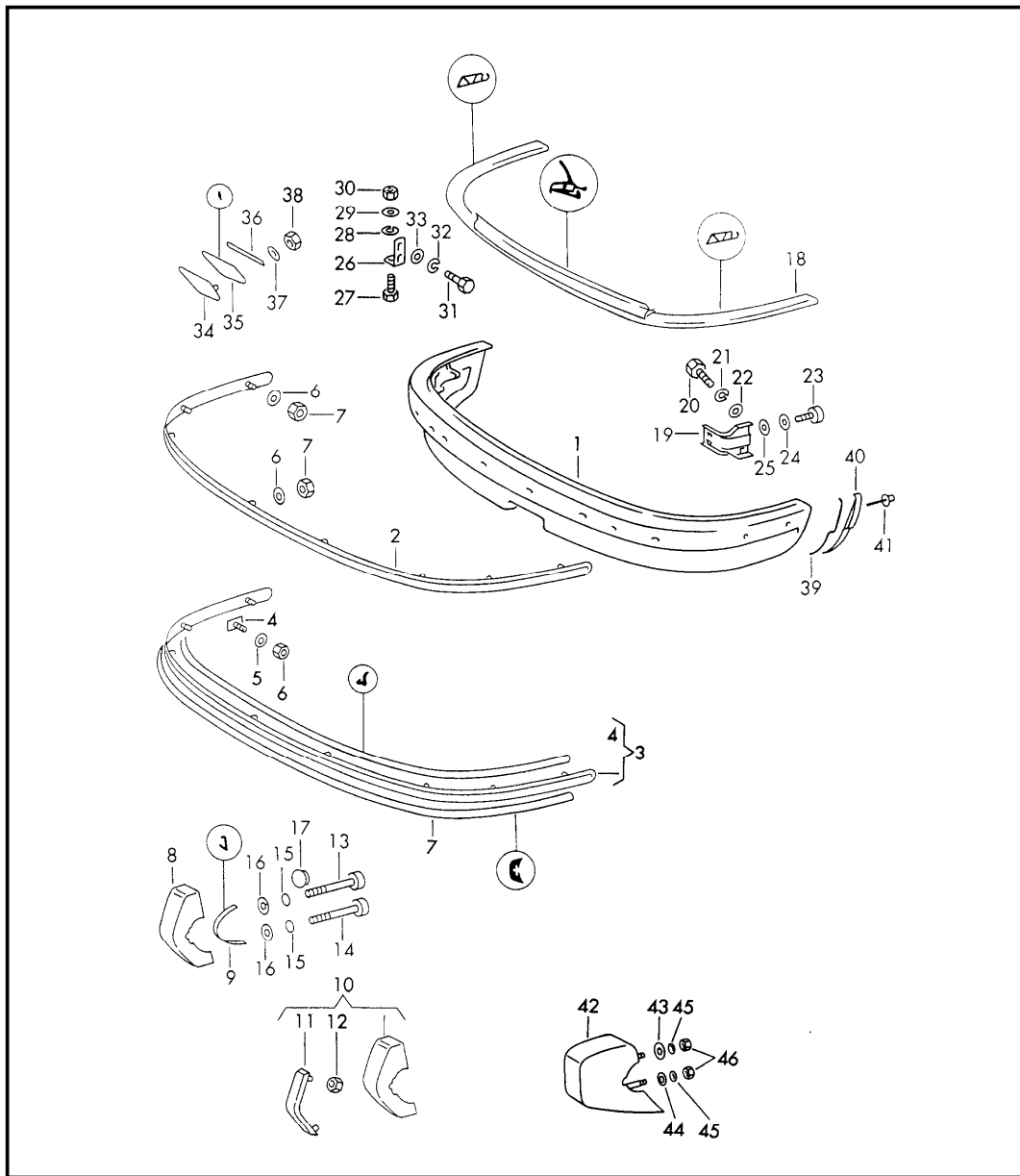
| Pos | Part Number | Description | Remark | Qty | Model |
|-----|----------------|-----------------------------------------------------------------------------------------------|--------|-----|-------|
| | | exterior panelling | | | TARGA |
| 1 | 901 503 057 41 | scuttle | | 1 | |
| 2 | 901 502 091 00 | windscreen frame | | 1 | |
| 3 | 901 565 011 45 | lining | | 1 | |
| 4 | 901 503 322 40 | rear end | | 1 | |
| 5 | 911 503 061 40 | side section with lock pillar it is necessary to rework it is necessary to rework | /L | 1 | |
| (5) | 911 503 062 43 | side section with lock pillar it is necessary to rework | /R | 1 | |
| (5) | 911 503 062 41 | side section with lock pillar it is necessary to rework it is necessary to rework | /R | 72 | 1 |
| 6 | 901 801 153 40 | screw plug | | 4 | |
| (7) | N 013 957 5 | tapping screw B3,5 X 9,5 | | 15 | |
| 7 | 900 140 015 00 | rais. counters. h. tap. s. B3,5 X 9,5 | | 8 | |

| | | | | | | | | | | | |
|-------|------|----|----|--------------|--------------|-----|-------|------------|---------|-----|---------|
| Model | Year | MG | SG | Illustration | Restrictions | UPD | 18:47 | 22.01.2010 | PORSCHE | PET | PORSCHE |
| 911 | 1973 | 8 | 01 | 801-40 | | 248 | | | | | |



| Pos | Part Number | Description | Remark | Qty | Model |
|-----|----------------|---------------------------|--------|-----|-------|
| | | oil inlet | -72 | | |
| 1 | 911 503 076 01 | pot | | 1 | |
| 2 | 911 504 415 01 | lid | | 1 | |
| 3 | 911 504 416 03 | hinge | | 1 | |
| 4 | N 011 524 7 | washer 6,4 | | 2 | |
| 5 | N 012 007 2 | lock ring A6 | | 2 | |
| 6 | 900 067 009 02 | pan-head screw M6 X 15 | | 2 | |
| 7 | 644 504 315 00 | hinge bolt | | 1 | |
| 8 | 911 504 331 00 | spring | | 1 | |
| 9 | 911 503 077 00 | bearing bracket | | 1 | |
| 10 | 900 087 030 02 | bolt 4 X 22 X 20 | | 1 | |
| 11 | N 012 503 1 | cotter pin 1 X 10 | | 1 | |
| 12 | 911 504 418 00 | lever | | 1 | |
| 13 | 911 531 563 00 | linkage clip | | 1 | |
| 14 | 911 504 420 00 | push rod | | 1 | |
| 15 | 999 702 072 50 | rubber sleeve | | 1 | |
| 16 | 900 025 003 02 | washer 5,3 | | 3 | |
| 17 | 911 504 419 00 | compression spring | | 1 | |
| 18 | 901 552 822 00 | knob | | 1 | |
| 19 | 900 151 027 02 | washer 5,3 | | 1 | |
| 20 | 999 084 102 02 | hexagon nut | | 2 | |

| | | | | | | | | | | | |
|-------|------|----|----|--------------|--------------|-----|-------|------------|---------|-----|---------|
| Model | Year | MG | SG | Illustration | Restrictions | UPD | 18:47 | 22.01.2010 | PORSCHE | PET | PORSCHE |
| 911 | 1973 | 8 | 02 | 802-00 | | 248 | | | | | |



| Pos | Part Number | Description | Remark | Qty | Model |
|------|----------------|--------------------------------------|--------|-----|-------------------|
| | | bumper front | | | |
| (1) | 901 505 011 21 | bumper | -72 | 1 | |
| (1) | 911 505 011 05 | bumper | 73- | 1 | 911 T |
| | | GRV prime coated | | | |
| 1 | 911 505 028 00 | spoiler bumper | 72 | 1 | |
| (1) | 911 505 011 06 | bumper bumper | 73- | 1 | |
| (1) | 911 505 011 25 | spoiler bumper | 73- | 1 | CARRERA 2,7 |
| - | 911 505 309 25 | lid | | 1 | |
| 2 | 901 505 041 32 | moulding | | 1 | |
| (2) | 901 505 041 32 | moulding version without bumper horn | -72 | 1 | |
| 3 | 901 505 045 51 | retaining strip | | 1 | |
| 4 | 901 505 155 20 | screw | | 8 | |
| 5 | 900 025 003 02 | washer 5,3 | | 16 | |
| 6 | N 021 196 1 | lock nut M5 | | 16 | |
| 7 | 901 505 405 51 | protective strip | /V | 1 | |
| (8) | 901 505 031 26 | bumper horn | /L -71 | 1 | 911 T |
| (8) | 901 505 032 26 | bumper horn | /R -71 | 1 | 911 T |
| 9 | 999 911 182 40 | pipng | | 4 | |
| 10 | 901 505 031 51 | bumper horn | /L -71 | 1 | 911 E/S |
| (10) | 901 505 031 26 | bumper horn | /L -70 | 1 | 911 T :M |
| (10) | 901 505 031 27 | bumper horn | /L 71 | 1 | 911 T :M |
| (10) | 911 505 017 03 | bumper horn | /L 72- | 1 | 911 S CARRERA 2.7 |
| (10) | 901 505 031 26 | bumper horn | /L 72- | 1 | 911 T/E |

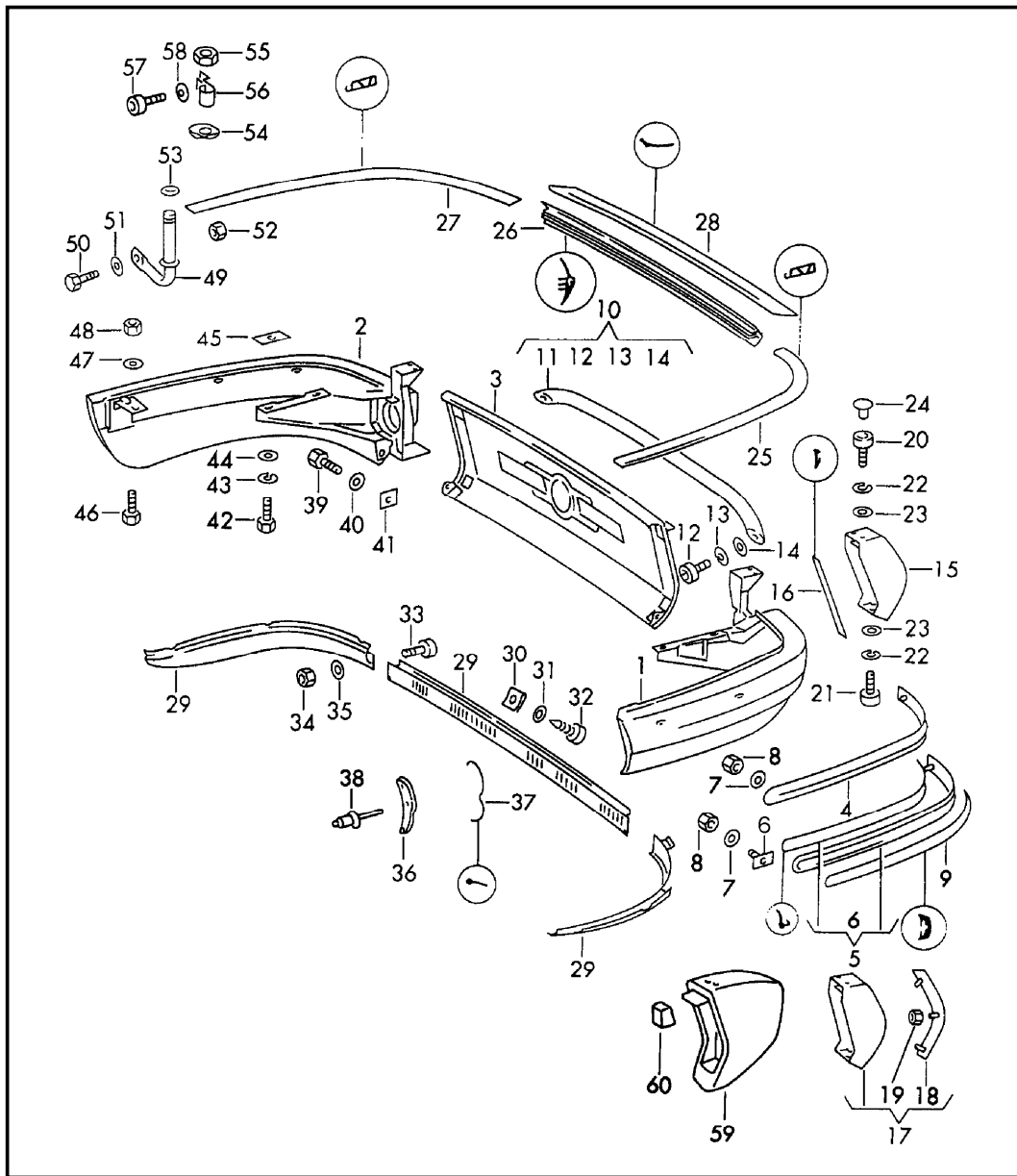
| | | | | | | | | | | | |
|-------|------|----|----|--------------|--------------|-----|-------|------------|---------|-----|---------|
| Model | Year | MG | SG | Illustration | Restrictions | UPD | 18:47 | 22.01.2010 | PORSCHE | PET | PORSCHE |
| 911 | 1973 | 8 | 02 | 802-00 | | 248 | | | | | |

| Pos | Part Number | Description | Remark | Qty | Model | Pos | Part Number | Description | Remark | Qty | Model |
|------|----------------|-------------------------------|----------|-----|-------|-------------------------|-------------|----------------|-------------------------------|-----|-------|
| (10) | 911 505 017 00 | bumper horn black | /L | 72- | 1 | 911 T/E:M | - | 911 559 542 01 | adhesive tape guards red | | X |
| (10) | 911 505 017 01 | bumper horn black | /L :M | 72- | 1 | 911S:M CARRERA 2.7 | - | 911 559 542 02 | adhesive tape green | | X |
| (10) | 911 505 018 03 | bumper horn | /R | -71 | 1 | 911 E/S | 19 | 901 505 037 00 | support | | 2 |
| (10) | 911 505 018 02 | bumper horn | /R | -70 | 1 | 911 T :M | 20 | 900 075 083 02 | hexagon-head bolt M8 X 25 | -71 | 4 |
| (10) | 901 505 032 27 | bumper horn | /R | 71 | 1 | 911 T :M | 20 | 900 075 210 02 | hexagon-head bolt M8 X 22 | 72- | 4 |
| (10) | 911 505 018 03 | bumper horn | /R | 72- | 1 | 911 S :M | 21 | 900 027 015 02 | lock ring B8 | | 4 |
| (10) | 911 505 018 02 | bumper horn | /R | 72- | 1 | 911 T/E:M | 22 | 900 151 007 02 | washer 8,4 | | 4 |
| (10) | 911 505 018 01 | bumper horn black | :M | | 1 | 911 S :M CARRERA 2.7 | 23 | 999 514 004 02 | pan-head screw M10 X 20 | | 2 |
| 11 | 901 505 901 21 | rubber buffer | | | 2 | | (23) | 900 075 040 02 | hexagon-head bolt M10 X 20 | | 2 |
| 12 | 900 076 010 02 | hexagon nut M6 | | | 4 | | 24 | 999 523 103 02 | lock washer | | 2 |
| 13 | 999 514 002 02 | pan-head screw M8 X 100 | | -71 | 2 | | 25 | 900 025 008 02 | washer B10,5 | | 2 |
| (13) | N 010 391 4 | hexagon-head bolt M8 X 100 | | 72- | 2 | | 26 | 901 505 135 01 | support | | 2 |
| 14 | 999 514 003 02 | pan-head screw M8 X 60 | | -71 | 2 | | 27 | 900 075 079 02 | hexagon-head bolt M8 X 22 | | 2 |
| (14) | N 010 360 6 | hexagon-head bolt M8 X 60 | | 72- | 2 | | 28 | 900 027 015 02 | lock ring B8 | | 2 |
| 15 | 999 523 102 02 | lock washer | | | 4 | | 29 | 900 151 008 02 | washer B8,4 | | 2 |
| 16 | 900 025 008 02 | washer 8,4 | | | 2 | | 30 | 900 076 025 02 | hexagon nut M8 | | 2 |
| (16) | 900 025 007 02 | washer 8,4 | | | 2 | | 31 | 900 075 079 02 | hexagon-head bolt M8 X 22 | | 4 |
| 17 | 999 703 065 50 | round buffer | | -72 | 4 | | 32 | 900 027 015 02 | lock ring B8 | | 4 |
| (17) | 311 611 849 | stopper | | 73- | 4 | | 33 | 900 025 007 02 | washer 8,4 | | 4 |
| 18 | 901 505 091 20 | seal | | | 1 | | 34 | 902 505 056 21 | lid | /R | 1 |
| - | 911 559 542 00 | adhesive tape blue | | | X | | (34) | 902 505 055 21 | lid | /L | 1 |

| | | | | | | | | | | | |
|-------|------|----|----|--------------|--------------|-----|-------|------------|---------|-----|---------|
| Model | Year | MG | SG | Illustration | Restrictions | UPD | 18:47 | 22.01.2010 | PORSCHE | PET | PORSCHE |
| 911 | 1973 | 8 | 02 | 802-00 | | 248 | | | | | |

| Pos | Part Number | Description | Remark | Qty | Model | Pos | Part Number | Description | Remark | Qty | Model |
|------|----------------|--------------------------------------------------------|--------|-----|-------|-----|-------------|-------------|--------|-----|-------|
| 35 | 902 505 153 20 | pipng | | 2 | | | | | | | |
| 36 | 902 505 145 21 | retaining bar | | 2 | | | | | | | |
| 37 | 900 151 006 09 | washer B6,4 | | 4 | | | | | | | |
| 38 | 999 084 103 02 | lock nut | | 4 | | | | | | | |
| - | 999 911 084 40 | pipng | | * | | | | | | | |
| 39 | - | 260 MM | | | | | | | | | |
| 40 | 901 505 157 00 | plate | /L | 1 | | | | | | | |
| (40) | 901 505 158 00 | plate | /R | 1 | | | | | | | |
| - | 999 190 101 30 | blind rivet for 901.505.157.00 901.505.158.00 | | 2 | | | | | | | |
| 41 | 999 190 101 30 | rivet | | 8 | | | | | | | |
| - | 900 143 042 00 | oval-head sheetmetal screw B2,9 X 9,5 | | 8 | | | | | | | |

| | | | | | | | | | | | |
|-------|------|----|----|--------------|--------------|-----|-------|------------|---------|-----|---------|
| Model | Year | MG | SG | Illustration | Restrictions | UPD | 18:47 | 22.01.2010 | PORSCHE | PET | PORSCHE |
| 911 | 1973 | 8 | 02 | 802-05 | | 248 | | | | | |



| Pos | Part Number | Description | Remark | Qty | Model |
|-----|----------------|--------------------------------------|--------|-----|---------------|
| - | 911 505 020 12 | bumper rear | | | |
| | | bumper plastic material with bracket | 72- | 1 | CARRERA 2,7 |
| 1 | 901 505 021 21 | bumper outer part | /L | -72 | 1 |
| 1 | 911 505 021 02 | bumper GRV prime coated outer part | /L | 73- | 1 |
| (1) | 911 505 021 01 | bumper outer part steel | /L | 73- | 1 CARRERA 2,7 |
| 2 | 901 505 022 21 | bumper outer part | /R | -72 | 1 |
| 2 | 911 505 022 02 | bumper GRV prime coated outer part | /R | 73- | 1 |
| (2) | 911 505 022 01 | bumper outer part steel | /R | 73- | 1 CARRERA 2,7 |
| 3 | 901 505 023 20 | centre part centre part | | | 1 |
| 4 | 901 505 043 02 | moulding | | | 2 |
| 5 | 901 505 046 51 | moulding | | | 2 |
| (5) | 911 505 097 00 | moulding | | | 2 CARRERA 2,7 |
| 6 | 901 505 155 20 | screw | | | 8 |
| 7 | 900 025 003 02 | washer 5,3 | | | 8 |
| 8 | N 021 196 1 | lock nut | | | 8 |
| 9 | 901 505 417 51 | protective strip | | | 2 |
| - | 911 559 541 00 | adhesive tape blue | | | X |
| - | 911 559 541 01 | adhesive tape guards red | | | X |

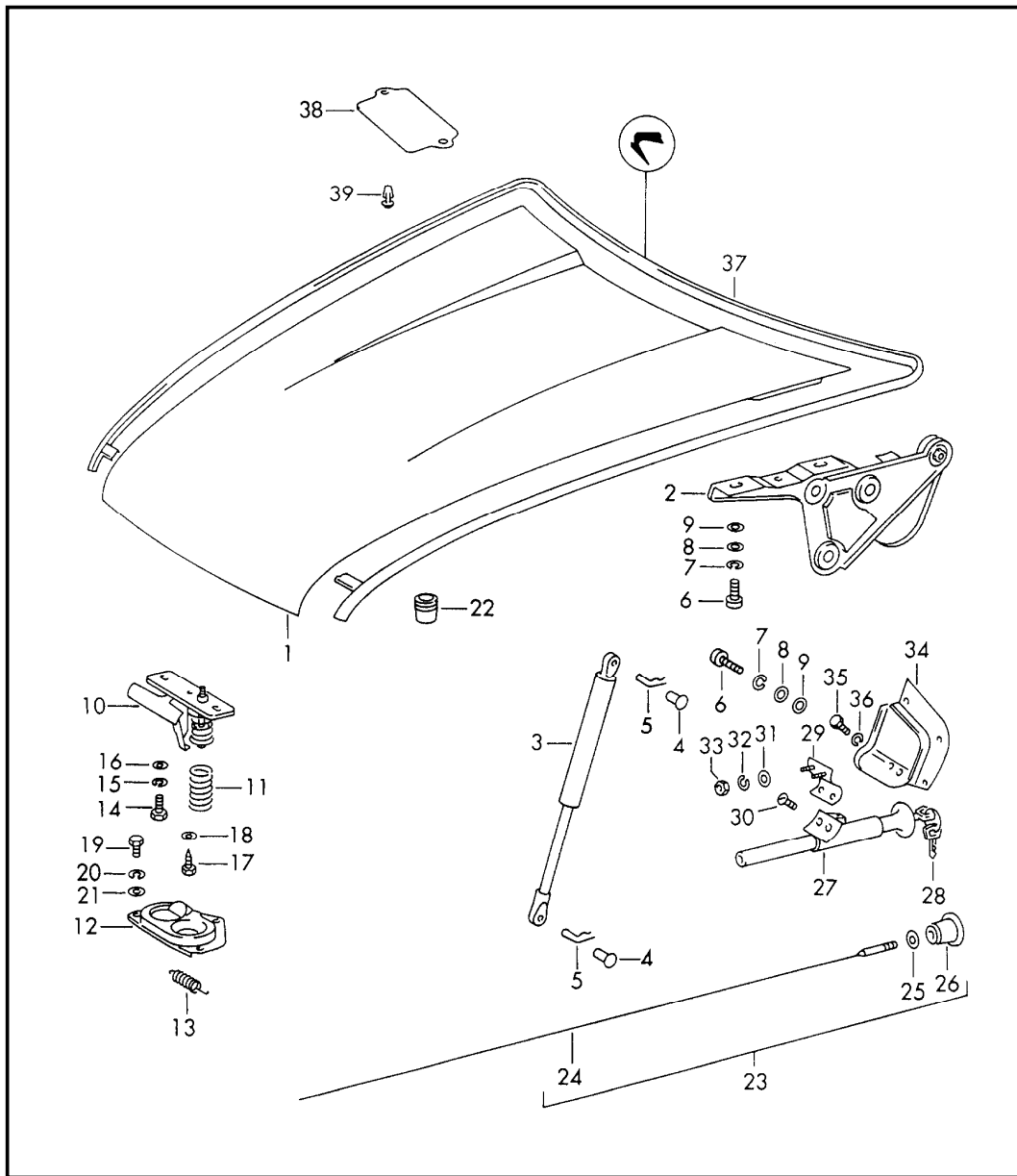
| | | | | | | | | | | | |
|-------|------|----|----|--------------|--------------|-----|-------|------------|---------|-----|---------|
| Model | Year | MG | SG | Illustration | Restrictions | UPD | 18:47 | 22.01.2010 | PORSCHE | PET | PORSCHE |
| 911 | 1973 | 8 | 02 | 802-05 | | 248 | | | | | |

| Pos | Part Number | Description | Remark | Qty | Model | Pos | Part Number | Description | Remark | Qty | Model |
|------|----------------|-----------------------------------------------------------|--------|-----|-------|------|----------------|----------------------------------------------------|--------|-----|---------------|
| - | 911 559 541 02 | adhesive tape green | | X | | 24 | 999 703 043 40 | stopper | | 4 | |
| 10 | 901 505 921 00 | impact protection | | 1 | | 25 | 901 505 093 20 | seal | /L | 2 | |
| 11 | 902 505 340 95 | impact protection | | 1 | | 26 | 901 505 497 20 | seal centre | | 2 | |
| 12 | 900 067 057 02 | pan-head screw M8 X 20 | | 2 | | 27 | 901 505 094 20 | seal | /R | 1 | |
| 13 | 900 027 015 02 | lock ring B8 | | 2 | | 28 | 901 512 901 00 | sealing strip | | 1 | |
| 14 | 900 025 007 02 | washer 8,4 | | 2 | | 29 | 901 505 904 00 | rear apron single parts see group 8/98/15 | | 1 | |
| 15 | 901 505 033 20 | bumper horn | | 2 | | 30 | N 015 429 2 | speed nut | | 9 | |
| (15) | 902 505 033 95 | bumper horn for impact protection 902.505.340.95 | | 2 | | 31 | 900 025 002 02 | washer 4,3 | | 9 | |
| 16 | 999 911 182 40 | pipng | | 2 | | 32 | 900 143 031 02 | oval-head sheetmetal screw B4,2 X9 | | 9 | |
| 17 | 901 505 033 20 | bumper horn | | 2 | | 33 | 900 146 016 02 | oval-head screw AM3 X 6 | | 2 | |
| (17) | 911 505 033 02 | bumper horn black | | 2 | | 34 | 900 076 001 02 | hexagon nut M3 | | 2 | |
| (17) | 911 505 029 00 | bumper horn for impact protection 901.505.921.00 | | 2 | | 35 | 900 151 019 02 | washer B3,2 | | 2 | |
| 18 | 901 505 903 21 | rubber buffer | | 2 | | 36 | 901 505 251 21 | plate | /L | 1 | |
| 19 | 900 076 010 02 | hexagon nut M6 | | 6 | | (36) | 901 505 251 22 | plate | /L | 73- | 1 CARRERA 2.7 |
| 20 | 900 067 009 02 | pan-head screw M6 X 15 | -71 | 4 | | (36) | 901 505 252 21 | plate | /R | 1 | |
| (20) | N 014 703 2 | pan-head screw M6 X 18 | 72- | 4 | | (36) | 901 505 252 22 | plate | /R | 73- | 1 CARRERA 2.7 |
| 21 | 900 067 009 02 | pan-head screw M6 X 15 | -71 | 2 | | 37 | 999 911 084 40 | beading | | X | |
| (21) | N 014 703 2 | pan-head screw M6 X 18 | 72- | 2 | | 38 | 999 190 101 30 | rivet | | 8 | |
| 22 | 900 027 014 01 | lock ring B6 | | 6 | | 39 | 900 187 010 02 | hexagon-head tapping screw BZ6,3 X 19 | | 6 | |
| 23 | N 011 524 7 | washer 6,4 | | 6 | | 40 | 900 151 020 30 | washer A7,4 | | 6 | |
| | | | | | | 41 | 999 591 327 02 | speed nut | | 2 | |
| | | | | | | 42 | 900 074 127 02 | hexagon-head bolt M8 X 25 | -71 | 4 | |

| | | | | | | | | | | | |
|-------|------|----|----|--------------|--------------|-----|-------|------------|---------|-----|---------|
| Model | Year | MG | SG | Illustration | Restrictions | UPD | 18:47 | 22.01.2010 | PORSCHE | PET | PORSCHE |
| 911 | 1973 | 8 | 02 | 802-05 | | 248 | | | | | |

| Pos | Part Number | Description | Remark | Qty | Model | Pos | Part Number | Description | Remark | Qty | Model |
|------|----------------|------------------------------|--------|-----|-------|-----|-------------|-------------|--------|-----|-------|
| (42) | 900 075 079 02 | hexagon-head bolt M8 X 22 | 72- | 4 | | | | | | | |
| 43 | 900 027 015 02 | lock ring B8 | | 4 | | | | | | | |
| 44 | 900 151 008 02 | washer B8,4 | | 4 | | | | | | | |
| 45 | 901 505 261 20 | shim | | 8 | | | | | | | |
| 46 | 900 067 009 02 | pan-head screw M6 X 15 | -71 | 2 | | | | | | | |
| (46) | N 014 703 2 | pan-head screw M6 X 18 | 72- | 2 | | | | | | | |
| 47 | N 011 524 7 | washer 6,4 | | 2 | | | | | | | |
| 48 | 900 910 011 02 | lock nut M6 | | 2 | | | | | | | |
| 49 | 901 501 092 21 | support tube | | 2 | | | | | | | |
| 50 | 900 074 126 02 | hexagon-head bolt M8 X 22 | | 2 | | | | | | | |
| 51 | 900 151 008 02 | washer B8,4 | | 4 | | | | | | | |
| 52 | N 021 194 1 | lock nut M8 | | 2 | | | | | | | |
| 53 | 901 501 913 21 | sealing ring | | 2 | | | | | | | |
| 54 | 900 025 021 02 | washer | | 2 | | | | | | | |
| 55 | 900 078 009 02 | hexagon nut M20 X 1,5 | | 2 | | | | | | | |
| 56 | 901 501 930 22 | support | | 1 | | | | | | | |
| 57 | 900 075 057 02 | hexagon-head bolt M6 X 16 | | 1 | | | | | | | |
| 58 | 900 028 003 01 | spring washer A6 | | 1 | | | | | | | |

| | | | | | | | | | | | |
|-------|------|----|----|--------------|--------------|-----|-------|------------|---------|-----|---------|
| Model | Year | MG | SG | Illustration | Restrictions | UPD | 18:47 | 22.01.2010 | PORSCHE | PET | PORSCHE |
| 911 | 1973 | 8 | 03 | 803-00 | | 248 | | | | | |

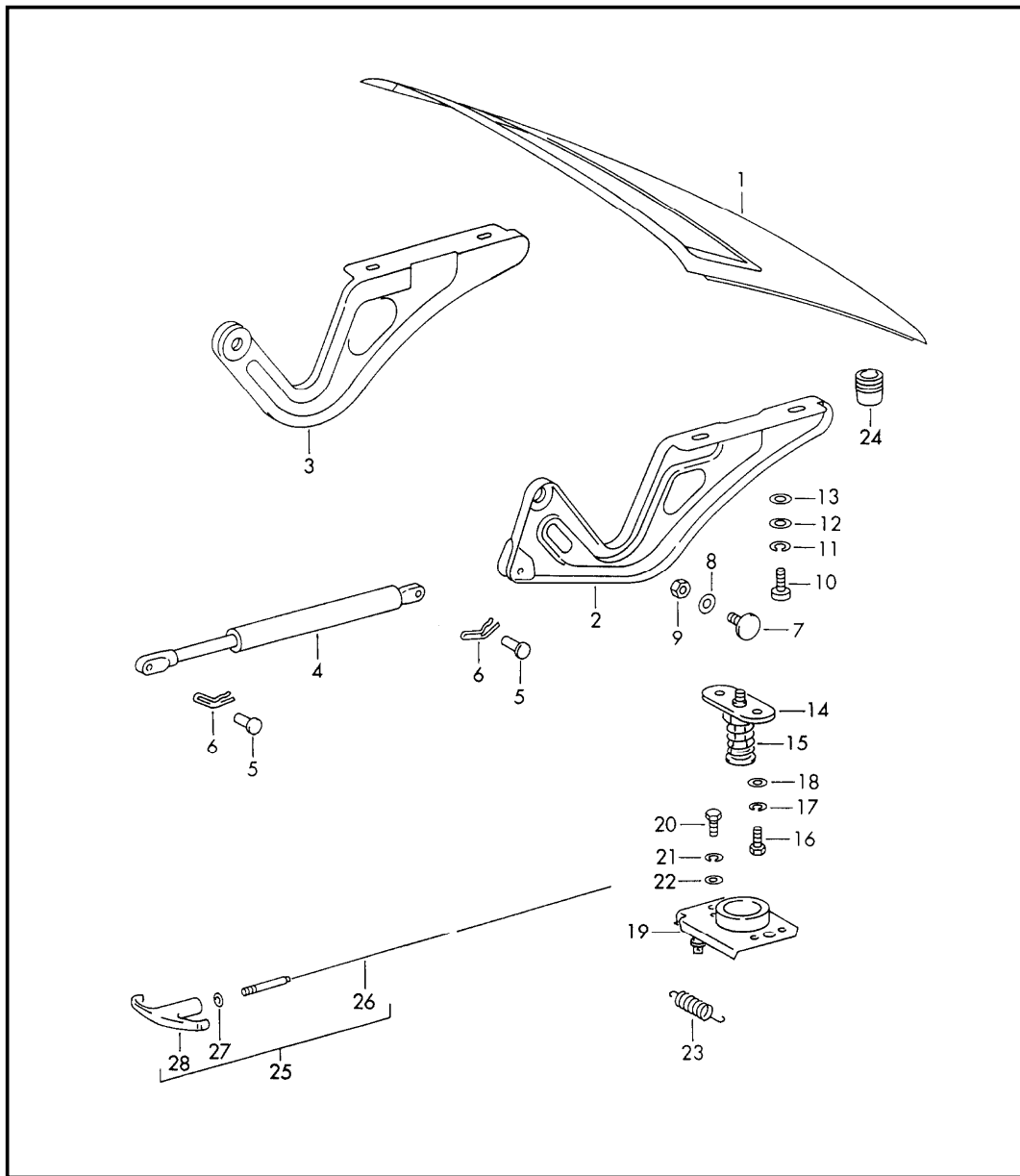


| Pos | Part Number | Description | Remark | Qty | Model |
|-----|----------------|--------------------------------------|--------|-----|-------------|
| 1 | 901 511 010 20 | lid front | | 1 | |
| 2 | 901 511 031 20 | lid hinge | /L | 1 | |
| (2) | 901 511 032 20 | lid hinge | /R | 1 | |
| 3 | 959 511 333 00 | gas prop | | 2 | |
| 4 | 999 087 003 02 | bolt with bore | | 4 | |
| 5 | 901 351 955 10 | safety seal | | 4 | |
| - | 901 511 361 60 | bearing bracket for support | :M | X | CARRERA 2.7 |
| - | 901 511 401 60 | bracket for lid | :M | X | CARRERA 2.7 |
| - | 901 511 362 60 | rubber holder | :M | X | CARRERA 2.7 |
| - | 900 145 035 02 | rais. counters. h. tap. s. B4,2 X 16 | :M | X | CARRERA 2.7 |
| - | N 011 524 7 | washer 6,4 | :M | X | CARRERA 2.7 |
| - | 900 021 001 01 | cotter pin 1,5 X 8 | :M | X | CARRERA 2.7 |
| - | 999 190 101 30 | rivet | :M | X | CARRERA 2.7 |
| (6) | 900 075 085 02 | hexagon-head bolt M8 X 20 | | -71 | 10 |
| 6 | 900 067 057 02 | pan-head screw M8 X 20 | | 72- | 10 |
| 7 | 900 027 015 02 | lock ring B8 | | | 10 |
| 8 | 900 025 007 02 | washer 8,4 | | | 10 |
| 9 | 900 151 008 02 | washer B8,4 | | | X |
| 10 | 901 511 051 21 | lid lock upper part | | | 1 |

| | | | | | | | | | | | |
|-------|------|----|----|--------------|--------------|-----|-------|------------|---------|-----|---------|
| Model | Year | MG | SG | Illustration | Restrictions | UPD | 18:47 | 22.01.2010 | PORSCHE | PET | PORSCHE |
| 911 | 1973 | 8 | 03 | 803-00 | | 248 | | | | | |

| Pos | Part Number | Description | Remark | Qty | Model | Pos | Part Number | Description | Remark | Qty | Model |
|------|----------------|----------------------------------------------------------|--------|-----|-------|-----|----------------|--------------------------------|--------|-----|-------|
| 11 | 901 511 512 20 | spring | | 1 | | 28 | 914 531 903 11 | blank key state lock number | | 2 | |
| 12 | 901 511 052 20 | lid lock lower part | | 1 | | 29 | 901 511 075 25 | support | | 1 | |
| 13 | 644 511 511 01 | return spring | | 1 | | 30 | 900 016 015 02 | half-round screw AM5 X 8 | | 2 | |
| (14) | 900 378 030 09 | hexagon-head bolt M6 X 20 | | 2 | | 31 | 900 151 027 02 | washer B5,3 | | 2 | |
| 14 | 900 075 162 02 | hexagon-head bolt M6 X 16 | | 2 | | 32 | 900 028 002 01 | spring washer A5 | | 2 | |
| 15 | 900 027 014 01 | lock ring B6 | | 2 | | 33 | 900 076 027 02 | hexagon nut M5 | | 2 | |
| 16 | 900 151 029 02 | washer B6,4 | | 2 | | 34 | 901 511 725 41 | cover plate | | 1 | |
| 17 | 900 187 004 02 | hexagon-head tapping screw B4,8 X 19 | | 1 | | 35 | N 010 225 4 | hexagon-head bolt M5 X 8 | | 2 | |
| 18 | 900 025 003 02 | washer 5,3 | | 1 | | | | M 5 X 8 | | | |
| 19 | 900 075 162 02 | hexagon-head bolt M6 X 16 | | 3 | | 36 | 900 027 003 01 | lock ring A5 | | 2 | |
| 20 | 900 027 014 01 | lock ring B6 | | 3 | | 37 | 901 511 901 02 | seal | | 1 | |
| 21 | N 011 524 7 | washer 6,4 | | 3 | | 38 | 901 511 911 00 | cover plate | | 1 | |
| 22 | 999 703 036 50 | rubber buffer | | 4 | | 39 | 999 591 510 40 | plastic rivet | | 2 | |
| (23) | 901 511 071 20 | lid-release cable | | 1 | | | | | | | |
| (24) | 901 511 073 20 | lid-release cable | | 1 | | | | | | | |
| 24 | 911 511 061 40 | lid-release cable | | 1 | TARGA | | | | | | |
| 25 | 901 511 791 21 | rubber washer | | 1 | | | | | | | |
| 26 | 901 552 813 20 | handle | | 1 | | | | | | | |
| 27 | 911 511 903 00 | lock w/o stipulated lock number | | 1 | | | | | | | |
| 27 | 911 511 904 00 | lock with stipulated lock number state lock number | | 1 | | | | | | | |
| 28 | 914 531 637 10 | main key state lock number | | 1 | | | | | | | |
| (28) | 914 531 903 10 | blank key | | 1 | | | | | | | |

| | | | | | | | | | | | |
|-------|------|----|----|--------------|--------------|-----|-------|------------|---------|-----|---------|
| Model | Year | MG | SG | Illustration | Restrictions | UPD | 18:48 | 22.01.2010 | PORSCHE | PET | PORSCHE |
| 911 | 1973 | 8 | 03 | 803-05 | | 248 | | | | | |

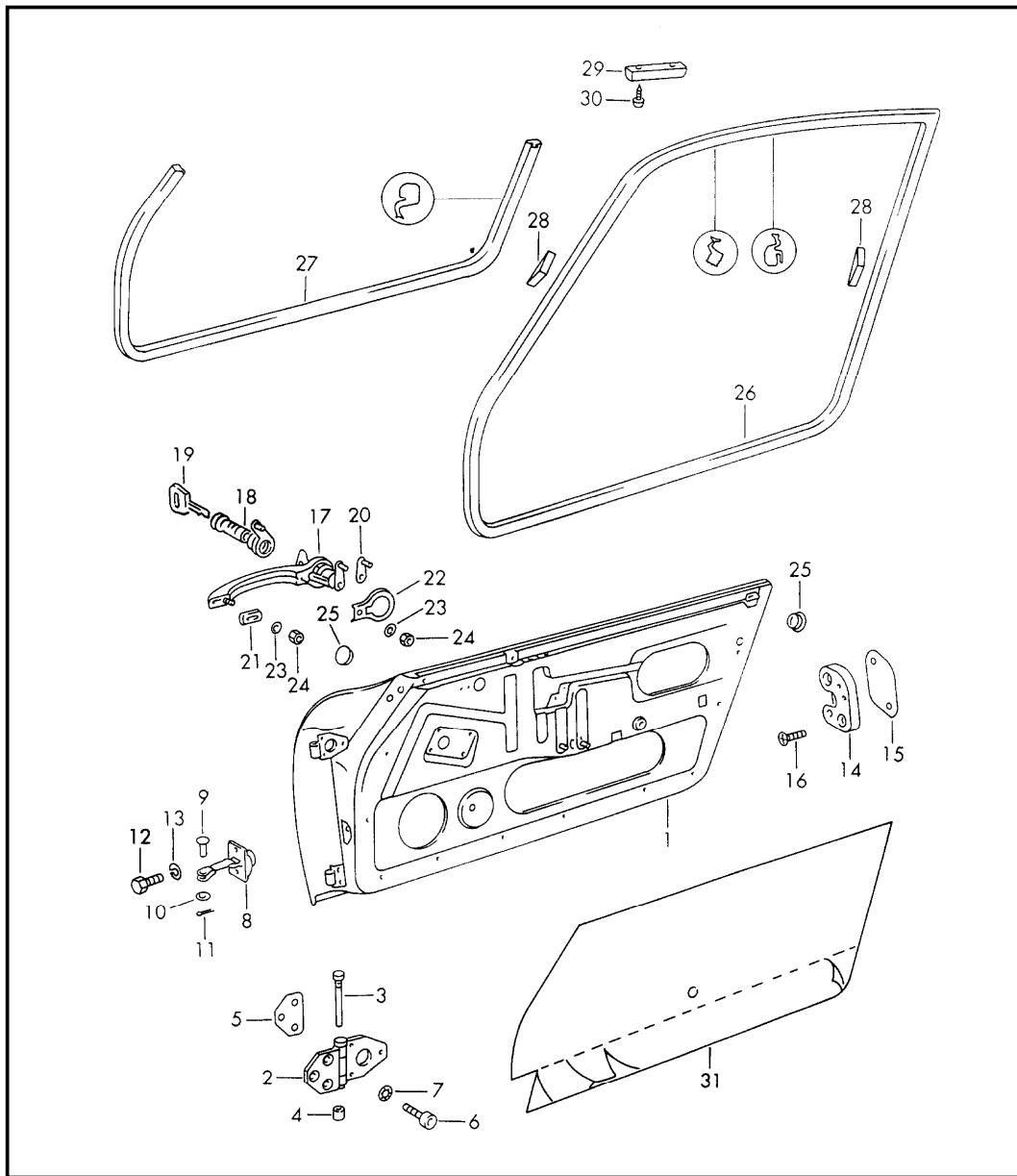


| Pos | Part Number | Description | Remark | Qty | Model |
|-----|------------------|-------------------------------------------------|--------|-----|-------|
| 1 | 911 512 010 10 | lid rear steel | | 1 | |
| 1 | 911 512 010 00 | lid aluminium | | 1 | |
| - | 999 702 076 50 | rubber sleeve version without rear window wiper | | 1 | |
| - | 911 512 905 00 | lid rear with spoiler | | 1 | |
| - | 911 512 511 00 | main support for support | | X | |
| - | 911 512 513 00 | support | | X | |
| - | 911 512 515 00 | bolt with cotter pin | | X | |
| - | 911 512 517 00 | locking segment | | X | |
| - | 900 145 052 02 | rais. counters. h. tap. s. B3,9 X 9,5 | | X | |
| 2 | 911 512 035 00 | hinge | /L | 1 | |
| 3 | 901 512 036 20 | hinge | /R | 1 | |
| 4 | 901 512 331 20 | gas prop | | 1 | |
| (4) | 911 512 331 00 | gas prop for lid aluminium | | 1 | |
| 5 | 999 087 003 02 | bolt with bore | | 2 | |
| 6 | 901 351 955 10 | safety seal | | 2 | |
| 7 | 901 512 471 20 | collar bolt | | 2 | |
| 8 | 900 025 007 02 | washer 8,4 | | 2 | |
| 9 | A 900 910 023 02 | lock nut | | 2 | |

| | | | | | | | | | | | |
|-------|------|----|----|--------------|--------------|-----|-------|------------|---------|-----|---------|
| Model | Year | MG | SG | Illustration | Restrictions | UPD | 18:48 | 22.01.2010 | PORSCHE | PET | PORSCHE |
| 911 | 1973 | 8 | 03 | 803-05 | | 248 | | | | | |

| Pos | Part Number | Description | Remark | Qty | Model | Pos | Part Number | Description | Remark | Qty | Model |
|-----|----------------|-------------------------------|--------|-----|-------|-----|-------------|-------------|--------|-----|-------|
| (9) | 999 084 052 02 | lock nut | | 2 | | | | | | | |
| 10 | 900 075 011 02 | pan-head screw M6 X 2 | | 4 | | | | | | | |
| 11 | 900 027 014 01 | lock ring B6 | | 4 | | | | | | | |
| 12 | 900 151 029 02 | washer B6,4 | | 4 | | | | | | | |
| 13 | N 011 524 7 | washer 6,4 | | 4 | | | | | | | |
| 14 | 930 512 052 00 | lock upper part upper part | | 1 | | | | | | | |
| 15 | 901 511 512 20 | spring | | 1 | | | | | | | |
| 16 | 900 075 162 02 | hexagon-head bolt M6 X 16 | | 2 | | | | | | | |
| 17 | 900 027 014 01 | lock ring B6 | | 2 | | | | | | | |
| 18 | 900 151 029 02 | washer B6,4 | | 2 | | | | | | | |
| 19 | 901 512 052 00 | lid lock lower part | | 1 | | | | | | | |
| 20 | 900 075 162 02 | hexagon-head bolt M6 X16 | | 2 | | | | | | | |
| 21 | 900 027 014 01 | lock ring B6 | | 2 | | | | | | | |
| 22 | N 011 524 7 | washer 6,4 | | 2 | | | | | | | |
| 23 | 644 511 511 01 | return spring | | 1 | | | | | | | |
| 24 | 999 703 036 50 | rubber stop | | 2 | | | | | | | |
| 25 | 901 511 071 21 | lid-release cable | | 1 | | | | | | | |
| 26 | 901 511 073 20 | lid-release cable | | 1 | | | | | | | |
| 27 | 901 511 791 21 | rubber washer | | 1 | | | | | | | |
| 28 | 901 552 813 20 | handle | | 1 | | | | | | | |

| | | | | | | | | | | | |
|-------|------|----|----|--------------|--------------|-----|-------|------------|---------|-----|---------|
| Model | Year | MG | SG | Illustration | Restrictions | UPD | 18:48 | 22.01.2010 | PORSCHE | PET | PORSCHE |
| 911 | 1973 | 8 | 04 | 804-00 | | 248 | | | | | |



| Pos | Part Number | Description | Remark | Qty | Model |
|-----|----------------|--------------------------------------------------|--------|-----|-------|
| | | doors with installation parts | | | |
| (1) | 911 531 005 00 | bare door shell it is necessary to rework | /L | -71 | 1 |
| - | 964 531 201 00 | exterior panelling | /L | -71 | 1 |
| | | GRV prime coated it is necessary to rework | | | |
| (1) | 911 531 005 06 | bare door shell it is necessary to rework | /L | 72- | 1 |
| - | 964 531 201 00 | exterior panelling | /L | 72- | 1 |
| | | GRV prime coated it is necessary to rework | | | |
| 1 | 911 531 006 00 | bare door shell it is necessary to rework | /R | -71 | 1 |
| - | 964 531 202 00 | exterior panelling | /R | -71 | 1 |
| | | GRV prime coated it is necessary to rework | | | |
| 1 | 911 531 006 06 | bare door shell it is necessary to rework | /R | 72- | 1 |
| - | 964 531 202 00 | exterior panelling | /R | 72- | 1 |
| | | GRV prime coated it is necessary to rework | | | |
| 2 | 901 531 031 20 | hinge | | | 4 |
| 3 | 901 531 305 20 | pin for door hinge | | | 4 |
| 4 | 901 531 311 20 | bush | | | 8 |
| 5 | 901 531 391 20 | desk pad | | | 4 |
| 6 | N 014 707 4 | pan-head screw M8 X 15 | | -71 | 12 |
| 6 | 900 075 085 02 | hexagon-head bolt M8 X 20 | | 72- | 12 |
| 7 | 999 523 102 02 | lock washer | | | 12 |
| (8) | 911 531 037 00 | door support | | -72 | 2 |
| 8 | 911 531 057 01 | door support | | 73- | 2 |
| 9 | 900 088 009 02 | bolt 6H11 X 14 X 11 | | -70 | 2 |

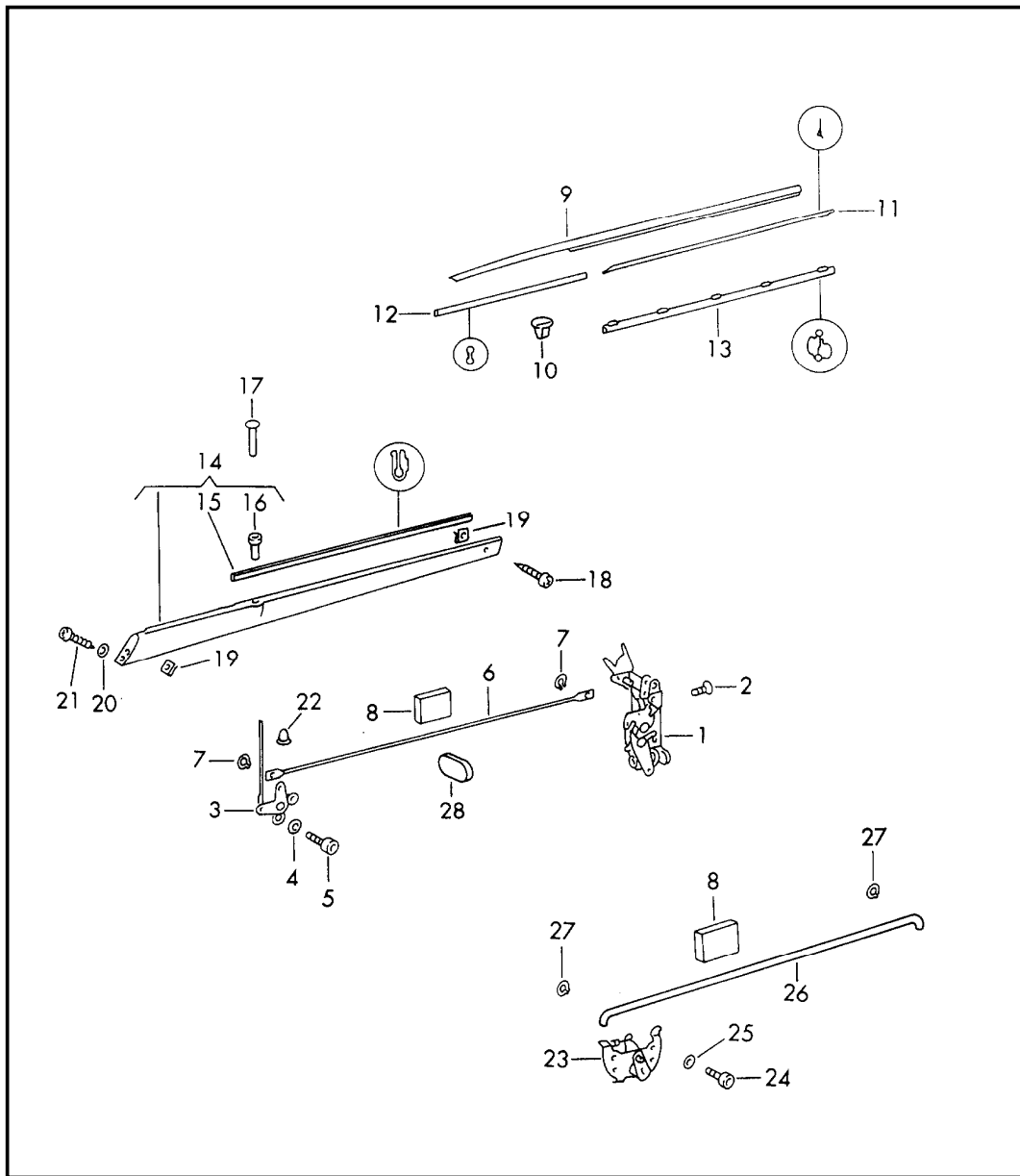
| | | | | | | | | | | | |
|-------|------|----|----|--------------|--------------|-----|-------|------------|---------|-----|---------|
| Model | Year | MG | SG | Illustration | Restrictions | UPD | 18:48 | 22.01.2010 | PORSCHE | PET | PORSCHE |
| 911 | 1973 | 8 | 04 | 804-00 | | 248 | | | | | |

| Pos | Part Number | Description | Remark | Qty | Model | Pos | Part Number | Description | Remark | Qty | Model |
|------|----------------|-------------------------------------------------------------------------------------------------------|--------|-----|-------|------|----------------|-------------------------------------------------------------|--------|-----|-------|
| (9) | 900 088 014 02 | bolt | | 71 | 2 | - | 911 538 901 14 | set of locks comprising: | | 1 | |
| (9) | 911 531 615 01 | tensioning sleeve | | 72- | 2 | | | outer door handle | | | |
| 10 | 900 232 001 02 | washer 7 | | | 4 | | | left | | | |
| 11 | 900 021 002 02 | cotter pin 1,5 X 10 | | | 4 | | | and right | | | |
| (12) | N 014 761 2 | pan-head screw M6 X 12 | | -72 | 4 | (17) | 911 531 941 00 | steering lock | /L/R | 72- | 2 |
| | | M 6 X 12 | | | | (18) | 911 531 601 00 | glove compartment lock for luggage compartment | | -71 | 2 |
| 12 | N 010 207 6 | hexagon-head bolt M5 X 12 | | 73- | 4 | (18) | 911 531 943 00 | lock cylinder state lock number | /L | 72- | 1 |
| 13 | 900 027 014 01 | lock ring B6 | | -70 | 4 | (18) | 911 531 943 00 | lock cylinder with 2 secondary keys | /L | 72- | 1 |
| 13 | 999 523 106 01 | lock washer | | 72- | 4 | (18) | 911 531 947 00 | lock cylinder with 2 secondary keys state lock number | /L | 72- | 1 |
| (14) | 901 531 701 23 | door lock striker | /L | -72 | 1 | 18 | 911 531 944 00 | lock cylinder with 2 secondary keys | /R | 72- | 1 |
| (14) | 993 531 029 00 | door lock striker | /L | 73- | 1 | 18 | 911 531 948 00 | lock cylinder with 2 secondary keys state lock number | /R | 72- | 1 |
| 14 | 901 531 702 23 | door lock striker | /R | -72 | 1 | 19 | 914 531 637 10 | main key state lock number | | | 2 |
| (14) | 993 531 030 00 | door lock striker | /R | 73- | 1 | (19) | 914 531 903 11 | blank key state lock number | | | 2 |
| (15) | 901 531 703 23 | shim 1 MM | | | X | (19) | 914 531 903 10 | blank key for main key | | | 2 |
| 15 | 901 531 703 24 | shim 2 MM | | | X | (19) | 914 531 903 10 | blank key for secondary key | | | 2 |
| 16 | 999 147 001 02 | countersunk-head screw M8 X 35 | WW | | 4 | 20 | 901 531 920 20 | actuating lever | | | X |
| 16 | 999 219 008 00 | countersunk-head screw M8 X 40 | WW | | 4 | 21 | 911 531 631 00 | desk pad front | | | 2 |
| (17) | 911 531 061 00 | outer door handle | /L | -71 | 1 | 22 | 911 531 632 00 | desk pad rear | | | 2 |
| (17) | 911 531 062 00 | outer door handle | /R | -71 | 1 | 23 | 900 025 003 02 | washer 5,3 | | | 4 |
| - | PCG 531 060 00 | outer door handle chrome comprising: handle left and right with lock cylinder | | | 1 | 24 | 999 084 102 02 | lock nut | | | 4 |

| | | | | | | | | | | | |
|-------|------|----|----|--------------|--------------|-----|-------|------------|---------|-----|---------|
| Model | Year | MG | SG | Illustration | Restrictions | UPD | 18:48 | 22.01.2010 | PORSCHE | PET | PORSCHE |
| 911 | 1973 | 8 | 04 | 804-00 | | 248 | | | | | |

| Pos | Part Number | Description | Remark | Qty | Model | Pos | Part Number | Description | Remark | Qty | Model |
|------|----------------|-----------------------------------------|--------|-----|---------|-----|-------------|-------------|--------|-----|-------|
| 25 | 999 703 119 40 | stopper one groove 2 MM | | 14 | | | | | | | |
| (25) | 999 703 040 50 | cap one groove 3 MM | | 14 | | | | | | | |
| (26) | 911 531 933 01 | door seal | /L | -71 | 1 COUPE | | | | | | |
| (26) | 911 531 095 00 | door seal | /L | 72- | 1 COUPE | | | | | | |
| (26) | 911 531 934 01 | door seal | /R | -71 | 1 COUPE | | | | | | |
| 26 | 911 531 096 00 | door seal | /R | 72- | 1 COUPE | | | | | | |
| 27 | 902 531 093 40 | door seal | | 2 | TARGA | | | | | | |
| 28 | 901 531 945 20 | desk pad | | 4 | | | | | | | |
| 29 | 901 531 753 00 | stop | | 2 | | | | | | | |
| 30 | N 013 954 2 | oval-head sheetmetal screw B2,9 X 13 | | 4 | | | | | | | |
| (31) | 901 531 089 00 | sealing film door inner panel | /L | 2 | | | | | | | |
| (31) | 911 531 889 00 | seal door inner panel | /L | 1 | | | | | | | |
| 31 | 901 531 090 00 | sealing film door inner panel | /R | 1 | | | | | | | |
| 31 | 911 531 890 00 | seal door inner panel | /R | 1 | | | | | | | |

| | | | | | | | | | | | |
|-------|------|----|----|--------------|--------------|-----|-------|------------|---------|-----|---------|
| Model | Year | MG | SG | Illustration | Restrictions | UPD | 18:48 | 22.01.2010 | PORSCHE | PET | PORSCHE |
| 911 | 1973 | 8 | 04 | 804-05 | | 248 | | | | | |

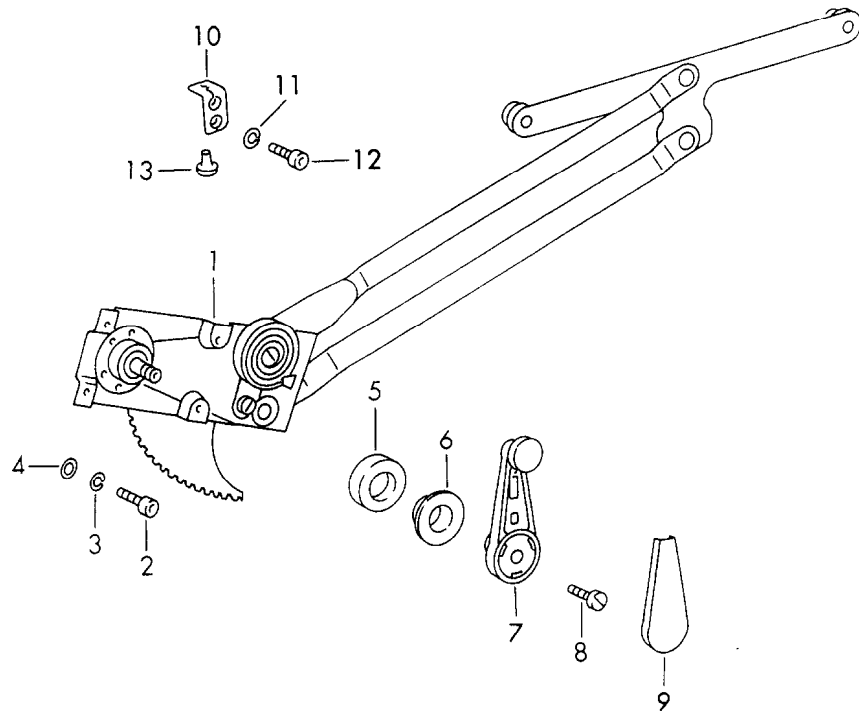


| Pos | Part Number | Description | Remark | Qty | Model |
|-----|----------------|-------------------------------------|--------|-----|---------------|
| | | door lock with installation parts | | | |
| (1) | 911 531 053 02 | door lock | /L | -72 | 1 |
| (1) | 911 531 053 04 | door lock | /L | 73- | 1 |
| - | 911 531 317 00 | traction noose | :M | | X CARRERA 2.7 |
| - | 900 190 021 03 | tubular rivet A5 X 10 X 9 | :M | | X CARRERA 2.7 |
| (1) | 911 531 054 03 | door lock | /LL/R | -72 | 1 |
| 1 | 911 531 054 05 | door lock | /LL/R | 73- | 1 |
| (1) | 911 531 054 02 | door lock | /RL/R | -72 | 1 |
| (1) | 911 531 054 04 | door lock | /RL/R | 73- | 1 |
| - | 901 531 547 20 | spring door lock | /L/R | | 2 |
| 2 | 999 148 005 04 | countersunk-head screw self-locking | | -72 | 6 |
| (2) | 900 148 018 04 | countersunk-head screw AM6 X 12 | | 73- | 6 |
| (3) | 911 531 075 00 | mounting for push-button | /L | | 1 |
| 3 | 911 531 076 00 | mounting for push-button | /R | | 1 |
| 4 | N 012 225 2 | spring washer B5 | | | 4 |
| 5 | 900 119 034 02 | pan-head screw M5 X 8 | | | 4 |
| 6 | 911 531 562 00 | connecting rod | | | 2 |
| 7 | N 012 225 2 | spring washer B5 | | | 4 |
| 8 | 901 531 599 21 | felt strip | | -70 | 4 |
| 8 | 911 531 599 00 | rubber mounting | | 71- | 4 |
| (9) | 901 531 431 27 | moulding | /L | | 1 COUPE |
| (9) | 901 531 431 41 | moulding | L | | 1 TARGA |
| 9 | 901 531 432 27 | moulding | /R | | 1 COUPE |
| (9) | 901 531 432 41 | moulding | /R | | 1 TARGA |
| 10 | 999 591 326 02 | moulding clip | | | 14 |

| | | | | | | | | | | | |
|-------|------|----|----|--------------|--------------|-----|-------|------------|---------|-----|---------|
| Model | Year | MG | SG | Illustration | Restrictions | UPD | 18:48 | 22.01.2010 | PORSCHE | PET | PORSCHE |
| 911 | 1973 | 8 | 04 | 804-05 | | 248 | | | | | |

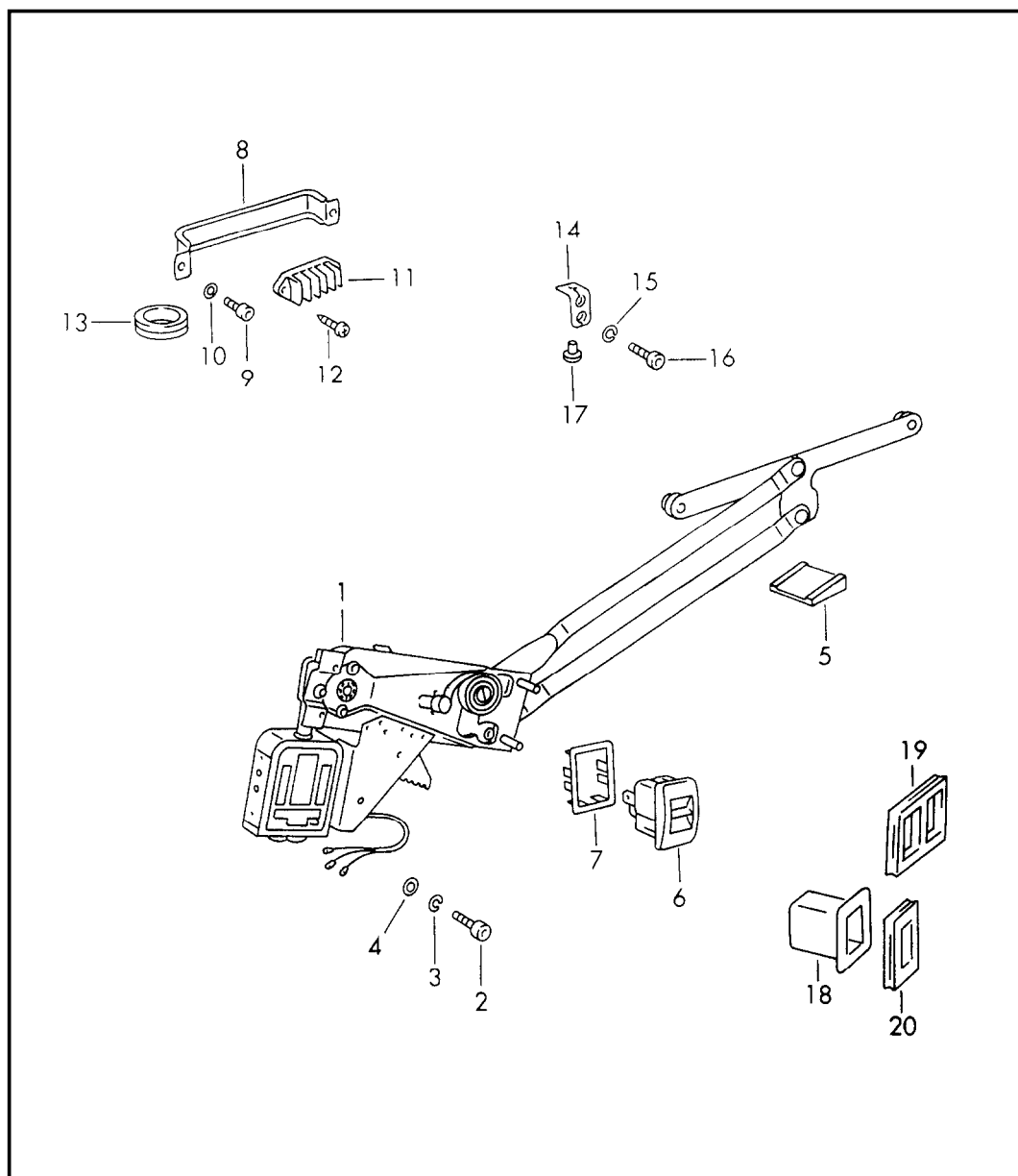
| Pos | Part Number | Description | Remark | Qty | Model | Pos | Part Number | Description | Remark | Qty | Model |
|------|----------------|-----------------------------------------|--------|-----|-------|------|----------------|-----------------|--------|-----|-------|
| 10 | 999 591 326 01 | moulding clip | | 14 | | 26 | 911 531 561 00 | connecting rod | | 2 | |
| (11) | 911 531 931 02 | sealing strip | /L | 1 | COUPE | (27) | 911 531 563 00 | linkage clip | | 8 | |
| (11) | 911 531 931 42 | sealing strip | /L | 1 | TARGA | 28 | 911 531 565 00 | rubber mounting | | 4 | |
| 11 | 911 531 932 02 | sealing strip | /R | 1 | COUPE | | | | | | |
| (11) | 911 531 932 42 | sealing strip | /R | 1 | TARGA | | | | | | |
| 12 | 901 531 933 20 | sealing strip ventilator window | | 2 | | | | | | | |
| (13) | 901 531 935 20 | sealing for door slot | /L | 1 | | | | | | | |
| 13 | 901 531 936 20 | sealing for door slot | /R | 1 | | | | | | | |
| (14) | 901 555 083 00 | cover strip | /L | 1 | COUPE | | | | | | |
| (14) | 901 555 083 00 | cover strip | /L | 1 | TARGA | | | | | | |
| (14) | 901 555 084 00 | cover strip | /R | 1 | COUPE | | | | | | |
| (14) | 901 555 084 00 | cover strip | /R | 1 | TARGA | | | | | | |
| (15) | 901 531 937 25 | sealing for door slot | /L | 1 | | | | | | | |
| 15 | 901 531 938 25 | sealing for door slot | /R | 1 | | | | | | | |
| 16 | 901 531 481 22 | guide sleeve | | 2 | | | | | | | |
| 17 | 901 531 671 21 | push button | | 2 | | | | | | | |
| 18 | N 013 958 7 | tapping screw B3,5 X 13 | | 2 | | | | | | | |
| 19 | 999 591 338 02 | speed nut | | 4 | | | | | | | |
| 20 | 999 591 102 12 | washer | | 4 | | | | | | | |
| 21 | 900 145 041 00 | rais. counters. h. tap. s. B3,5 X 16 | | 4 | | | | | | | |
| 22 | 999 591 320 51 | grommet | | 2 | | | | | | | |
| (23) | 911 531 055 00 | lock | /L | 1 | | | | | | | |
| 23 | 911 531 056 00 | lock | /R | 1 | | | | | | | |
| 24 | N 014 761 2 | pan-head screw M6 X 12 M 6 X 12 | | 4 | | | | | | | |
| 25 | 900 028 008 01 | spring washer B6 | | 4 | | | | | | | |

| | | | | | | | | | | | |
|-------|------|----|----|--------------|--------------|-----|-------|------------|---------|-----|---------|
| Model | Year | MG | SG | Illustration | Restrictions | UPD | 18:48 | 22.01.2010 | PORSCHE | PET | PORSCHE |
| 911 | 1973 | 8 | 04 | 804-10 | | 248 | | | | | |



| Pos | Part Number | Description | Remark | Qty | Model |
|-----|----------------|------------------------------------------------------------------------|--------|-----|-------|
| | | power windows mechanical | | | |
| (1) | 911 542 041 00 | parallel arm window lift | /L | 1 | |
| 1 | 911 542 042 00 | parallel arm window lift | /R | 1 | |
| 1 | 911 542 929 03 | cross arm window lift use also: 911.542.057.00 911.542.491.40 | /L | 1 | COUPE |
| | | | | 1 | |
| 1 | 911 542 930 03 | cross arm window lift use also: 911.542.057.00 911.542.491.40 | /R | 1 | COUPE |
| | | | | 1 | |
| 1 | 911 542 929 42 | cross arm window lift use also: 911.542.057.42 911.542.491.40 | /L | 1 | TARGA |
| | | | | 1 | |
| 1 | 911 542 930 42 | cross arm window lift use also: 911.542.058.42 911.542.491.40 | /R | 1 | TARGA |
| | | | | 1 | |
| 2 | N 014 765 2 | pan-head screw M6 X 10 | | 8 | |
| 3 | 900 027 014 01 | lock ring B6 | | 8 | |
| 4 | N 011 524 7 | washer 6,4 | | 8 | |
| 5 | 901 542 495 20 | sealing ring | | 2 | |
| 6 | 901 552 891 20 | rosette | | 2 | |
| 7 | 911 542 471 00 | window crank | | 2 | |
| 8 | 911 542 475 00 | conical screw | | 2 | |
| (9) | 901 542 482 20 | cover | -71 | 2 | |
| 9 | 901 542 482 20 | cover | 72- | 2 | |
| 10 | 901 542 411 40 | stop bracket | | 2 | |
| 11 | 900 028 008 01 | lock ring A6 | | 4 | |
| 12 | N 014 765 2 | pan-head screw M6 X 10 | | 4 | |
| 13 | 999 703 064 50 | rubber buffer | | 2 | |

| | | | | | | | | | | | |
|-------|------|----|----|--------------|--------------|-----|-------|------------|---------|-----|---------|
| Model | Year | MG | SG | Illustration | Restrictions | UPD | 20:36 | 22.01.2010 | PORSCHE | PET | PORSCHE |
| 911 | 1973 | 8 | 04 | 804-15 | | 248 | | | | | |

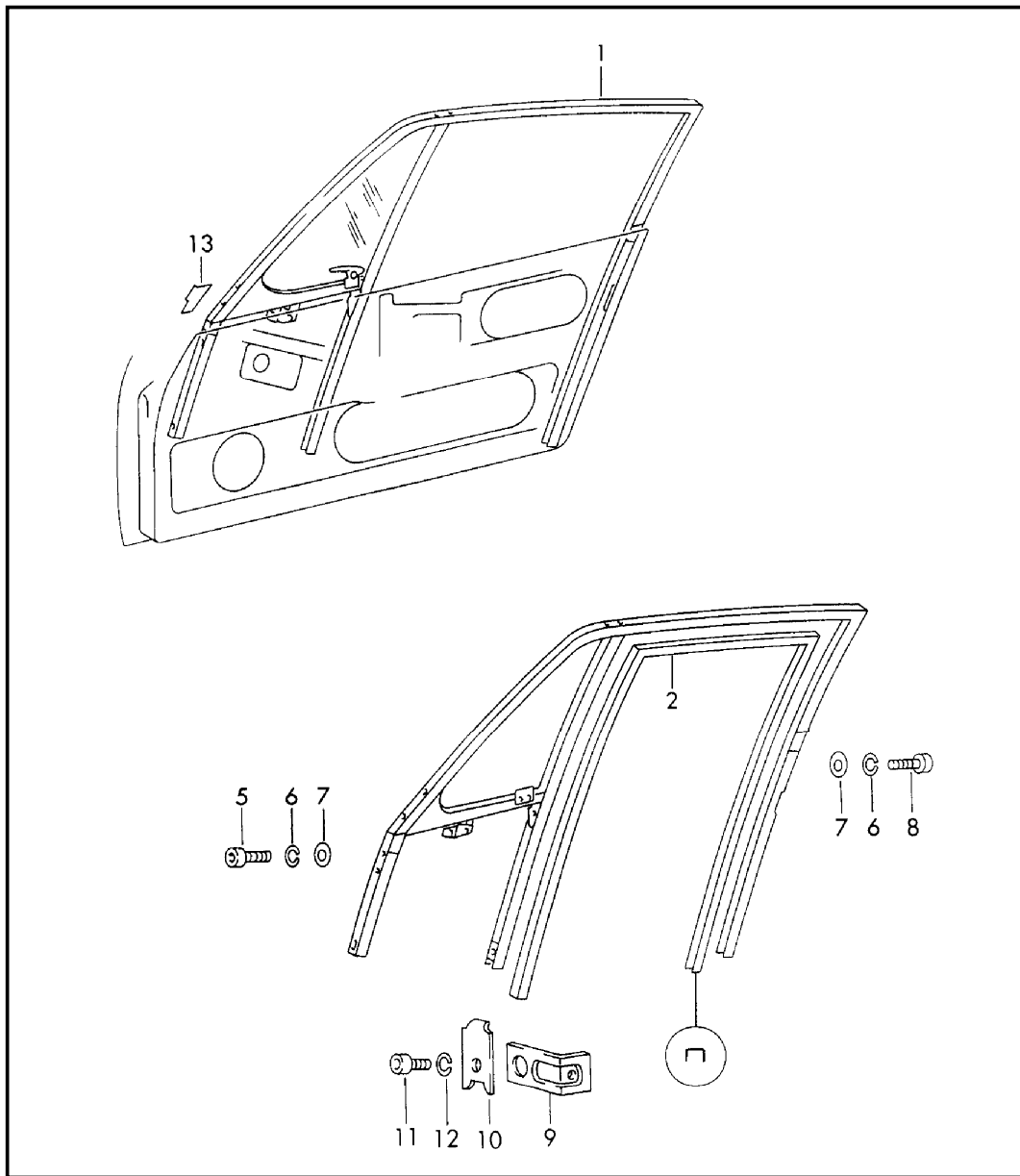


| Pos | Part Number | Description | Remark | Qty | Model |
|-----|----------------|---------------------------|--------|-----|-------|
| | | power windows electric | | | |
| (1) | 911 542 003 25 | power windows | /L | -72 | 1 |
| (1) | 911 542 003 26 | power windows | /L | 73- | 1 |
| 1 | 911 542 004 25 | power windows | /R | -72 | 1 |
| 1 | 911 542 004 26 | power windows | /R | 73- | 1 |
| - | 901 624 102 01 | motor | | -72 | 2 |
| - | 911 624 015 01 | motor | /L | 73- | 1 |
| - | 911 624 014 01 | motor | /R | 73- | 1 |
| - | 901 624 103 00 | transmission | | | 2 |
| - | 911 542 929 01 | parallel arm window lift | | -72 | 1 |
| - | 911 542 929 00 | parallel arm window lift | | 73- | 1 |
| - | 911 542 930 01 | parallel arm window lift | | -72 | 1 |
| - | 911 542 930 00 | parallel arm window lift | | 73- | 1 |
| - | 901 624 105 00 | clutch | | | 2 |
| 2 | 900 186 122 02 | pan-head screw M6 X 12 | | | 8 |
| 3 | 900 027 014 01 | lock ring B6 | | | 8 |
| 4 | N 011 524 7 | washer 6,4 | | | 8 |
| 5 | 901 542 063 00 | thrust wedge | | | 2 |
| 6 | 901 613 621 00 | switch | | -72 | 3 |
| (6) | 911 613 621 01 | switch | | 73- | 3 |
| 7 | 901 613 635 00 | assembly frame | | -72 | 3 |
| (7) | 911 613 635 20 | assembly frame | | 73- | 3 |
| 8 | 901 531 083 00 | bracket | | | 2 |
| 9 | 900 014 046 02 | pan-head screw M4 X 10 | | | 4 |
| 10 | 900 027 011 01 | lock ring B4 | | | 4 |

| | | | | | | | | | | | |
|-------|------|----|----|--------------|--------------|-----|-------|------------|---------|-----|---------|
| Model | Year | MG | SG | Illustration | Restrictions | UPD | 20:36 | 22.01.2010 | PORSCHE | PET | PORSCHE |
| 911 | 1973 | 8 | 04 | 804-15 | | 248 | | | | | |

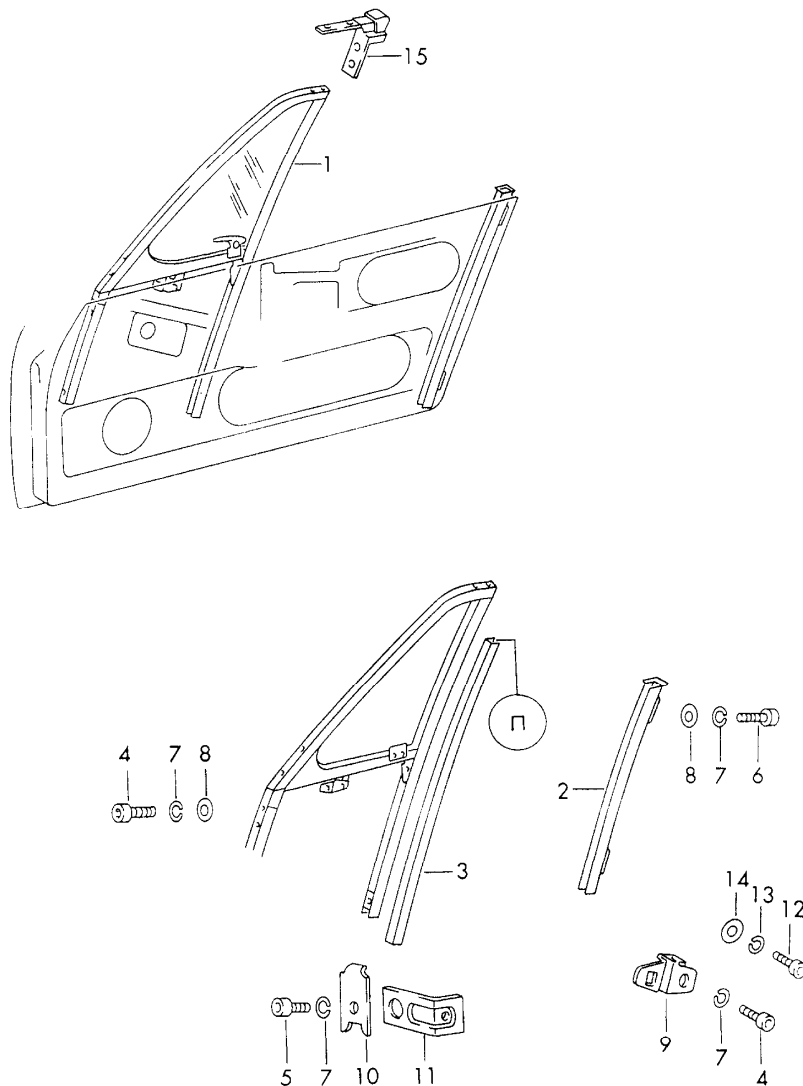
| Pos | Part Number | Description | Remark | Qty | Model | Pos | Part Number | Description | Remark | Qty | Model |
|-----|----------------|----------------------------|--------|-----|-------|-----|-------------|-------------|--------|-----|-------|
| 11 | 901 612 898 00 | cable connection 5-pole | | 2 | | | | | | | |
| 12 | N 013 961 2 | tapping screw 3,9 X 13 | | 4 | | | | | | | |
| 13 | 999 702 026 50 | rubber sleeve | | 2 | | | | | | | |
| 14 | 901 542 411 40 | stop bracket | | 2 | | | | | | | |
| 15 | 900 028 008 01 | lock ring A6 | | 4 | | | | | | | |
| 16 | N 014 765 2 | pan-head screw M6 X 10 | | 4 | | | | | | | |
| 17 | 999 703 064 50 | rubber buffer | | 2 | | | | | | | |
| 18 | 911 613 623 00 | grommet | | X | | | | | | | |
| 19 | 911 613 637 00 | seal | /L | X | | | | | | | |
| 20 | 911 613 638 00 | seal | /R | X | | | | | | | |

| | | | | | | | | | | | |
|-------|------|----|----|--------------|--------------|-----|-------|------------|---------|-----|---------|
| Model | Year | MG | SG | Illustration | Restrictions | UPD | 20:36 | 22.01.2010 | PORSCHE | PET | PORSCHE |
| 911 | 1973 | 8 | 04 | 804-20 | | 248 | | | | | |



| Pos | Part Number | Description | Remark | Qty | Model |
|------|----------------|---------------------------|--------|-----|-------|
| | | door glass frame | | | COUPE |
| (1) | 901 542 021 27 | door glass frame | /L | 1 | |
| (1) | 901 542 022 27 | door glass frame | /R | 1 | |
| 2 | 911 542 905 00 | window guide | | 2 | |
| 5 | 900 119 052 02 | pan-head screw M8 X 15 | | 4 | |
| 6 | 900 027 015 02 | lock ring B8 | | 10 | |
| 7 | 900 025 007 02 | washer 8,4 | | 8 | |
| 8 | 999 218 008 02 | pan-head screw M8 X 12 | | 4 | |
| 9 | 911 542 061 00 | retaining bracket | | 2 | |
| 10 | 901 542 252 25 | desk pad | | 2 | |
| 11 | N 014 761 2 | pan-head screw M6 X 20 | WW | 2 | |
| | | M 6 X 12 | | | |
| 11 | 900 119 052 02 | pan-head screw M8 X 16 | WW | 2 | |
| 12 | 900 027 014 01 | lock ring B6 | WW | 4 | |
| 12 | 900 027 015 02 | lock ring B8 | WW | 4 | |
| (13) | 911 531 711 00 | joint rubber | /V/L | 2 | |
| 13 | 911 531 712 00 | joint rubber | /V/R | 2 | |
| (13) | 911 531 713 00 | joint rubber | /H/L | 2 | |
| (13) | 911 531 714 00 | joint rubber | /H/R | 2 | |

| | | | | | | | | | | | |
|-------|------|----|----|--------------|--------------|-----|-------|------------|---------|-----|---------|
| Model | Year | MG | SG | Illustration | Restrictions | UPD | 20:36 | 22.01.2010 | PORSCHE | PET | PORSCHE |
| 911 | 1973 | 8 | 04 | 804-25 | | 248 | | | | | |

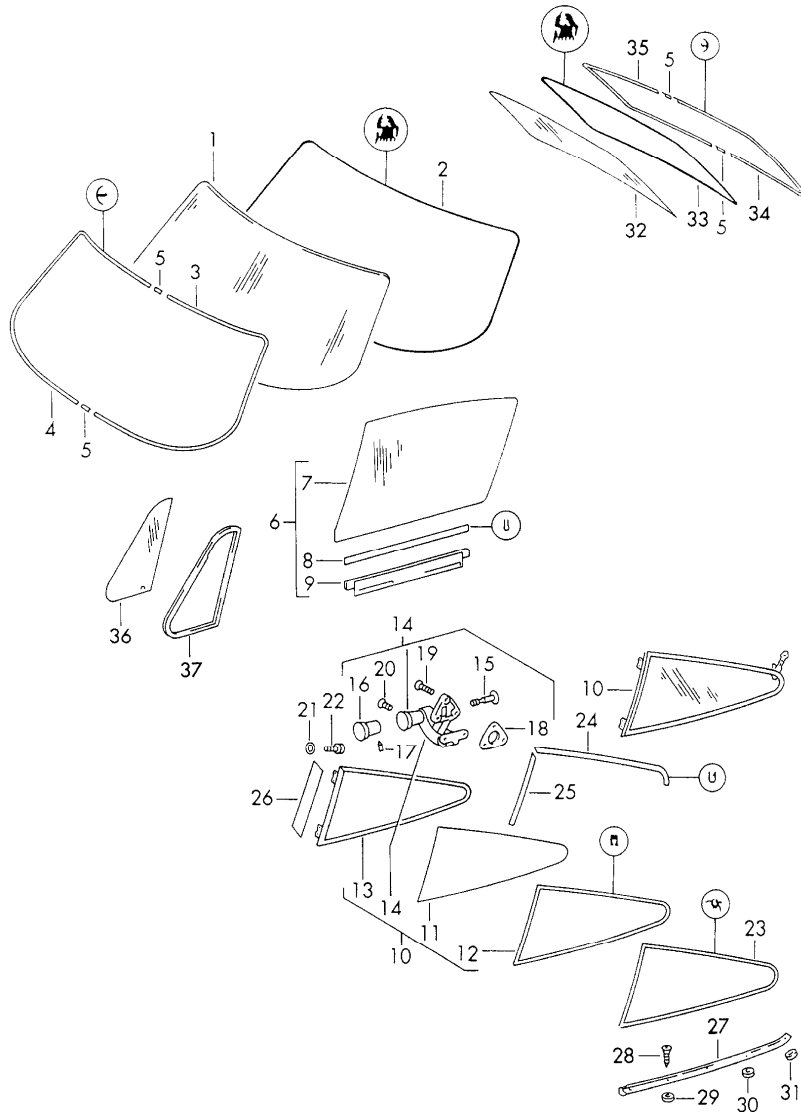


| Pos | Part Number | Description | Remark | Qty | Model |
|-----|----------------|---------------------------------------------------|--------|-----|-------|
| | | door glass frame | | | TARGA |
| (1) | 901 542 005 43 | door glass frame | /L | 1 | |
| (1) | 901 542 005 48 | door glass frame with ventilator window green | /L | 1 | |
| (1) | 901 542 006 43 | door glass frame | /R | 1 | |
| (1) | 901 542 006 48 | door glass frame with ventilator window green | /R | 1 | |
| - | 901 542 021 41 | door glass frame chrome without ventilator window | /L | 1 | |
| - | 901 542 022 41 | door glass frame chrome without ventilator window | /R | 1 | |
| - | 901 542 021 48 | door glass frame black without ventilator window | /L | 1 | |
| - | 901 542 021 48 | door glass frame black without ventilator window | /R | 1 | |
| (2) | 901 542 023 40 | window guide rail | /H/L | 1 | |
| 2 | 901 542 024 40 | window guide | /H/R | 1 | |
| 3 | 911 542 905 00 | window guide | V | 2 | |
| 4 | N 014 765 2 | pan-head screw M6 X 10 | | 4 | |
| 5 | N 014 761 2 | pan-head screw M6 X 12 | | 2 | |
| 6 | 900 119 035 02 | pan-head screw M6 X 8 | | 6 | |
| 7 | 900 027 014 01 | lock ring B6 | | 14 | |

| | | | | | | | | | | | |
|-------|------|----|----|--------------|--------------|-----|-------|------------|---------|-----|---------|
| Model | Year | MG | SG | Illustration | Restrictions | UPD | 20:36 | 22.01.2010 | PORSCHE | PET | PORSCHE |
| 911 | 1973 | 8 | 04 | 804-25 | | 248 | | | | | |

| Pos | Part Number | Description | Remark | Qty | Model | Pos | Part Number | Description | Remark | Qty | Model |
|------|----------------|-------------------------------------------|--------|-----|-------|-----|-------------|-------------|--------|-----|-------|
| 8 | N 011 524 7 | washer 6,4 | | 8 | | | | | | | |
| (9) | 901 542 235 40 | clamping spring | /L | 1 | | | | | | | |
| 9 | 901 542 236 40 | clamping spring | /R | 1 | | | | | | | |
| 10 | 901 542 252 25 | desk pad | | 2 | | | | | | | |
| 11 | 911 542 061 00 | retaining bracket | | 2 | | | | | | | |
| 12 | N 014 761 2 | pan-head screw M6 X 12 M 6 X 12 | | 2 | | | | | | | |
| 13 | 900 027 014 01 | lock ring B6 | | 2 | | | | | | | |
| 14 | N 011 524 7 | washer 6,4 | | 2 | | | | | | | |
| (15) | 911 542 065 41 | frame connection | /L | 1 | | | | | | | |
| 15 | 911 542 066 41 | frame connection | /R | 1 | | | | | | | |

| | | | | | | | | | | | |
|-------|------|----|----|--------------|--------------|-----|-------|------------|---------|-----|---------|
| Model | Year | MG | SG | Illustration | Restrictions | UPD | 20:36 | 22.01.2010 | PORSCHE | PET | PORSCHE |
| 911 | 1973 | 8 | 05 | 805-00 | | 248 | | | | | |



| Pos | Part Number | Description | Remark | Qty | Model |
|------|----------------|--------------------------|--------|-----|-------------|
| | | window glazing | | | COUPE |
| 1 | 901 541 101 21 | windscreen | | 1 | |
| (1) | 901 541 101 31 | windscreen green | | 1 | |
| 2 | 901 541 901 20 | windscreen sealing | | 1 | |
| 3 | 901 541 911 20 | trim frame-half | /L | 1 | |
| 4 | 901 541 912 20 | trim frame-half | /R | 1 | |
| 5 | 644 541 921 06 | covering plate | | 4 | |
| 6 | 901 542 011 27 | door window glass | /L | 1 | |
| (6) | 901 542 012 27 | door window glass | /R | 1 | |
| (6) | 901 542 011 37 | door window glass green | /L | 1 | |
| (6) | 901 542 012 37 | door window glass green | /R | 1 | |
| (7) | 901 542 101 25 | door window glass 4,2 MM | /L :M | 1 | CARRERA 2.7 |
| (7) | 901 542 101 25 | side window | /L | 1 | |
| (7) | 901 542 102 25 | door window glass 4,2 MM | /R :M | 1 | CARRERA 2.7 |
| (7) | 901 542 102 25 | side window | /R | 1 | |
| (7) | 901 542 101 35 | side window green | /L | 1 | |
| (7) | 901 542 102 35 | side window green | /R | 1 | |
| 8 | 911 542 491 40 | rubber ply | | 2 | |
| 9 | 901 542 045 23 | window lifter rail | /L | 1 | |
| (9) | 901 542 046 23 | window lifter rail | /R | 1 | |
| (10) | 901 543 011 25 | ventilator window | /L | 1 | |
| (10) | 901 543 012 25 | ventilator window | /R | 1 | |
| (10) | 901 543 011 35 | ventilator window green | /L | 1 | |
| (10) | 901 543 012 35 | ventilator window green | /R | 1 | |

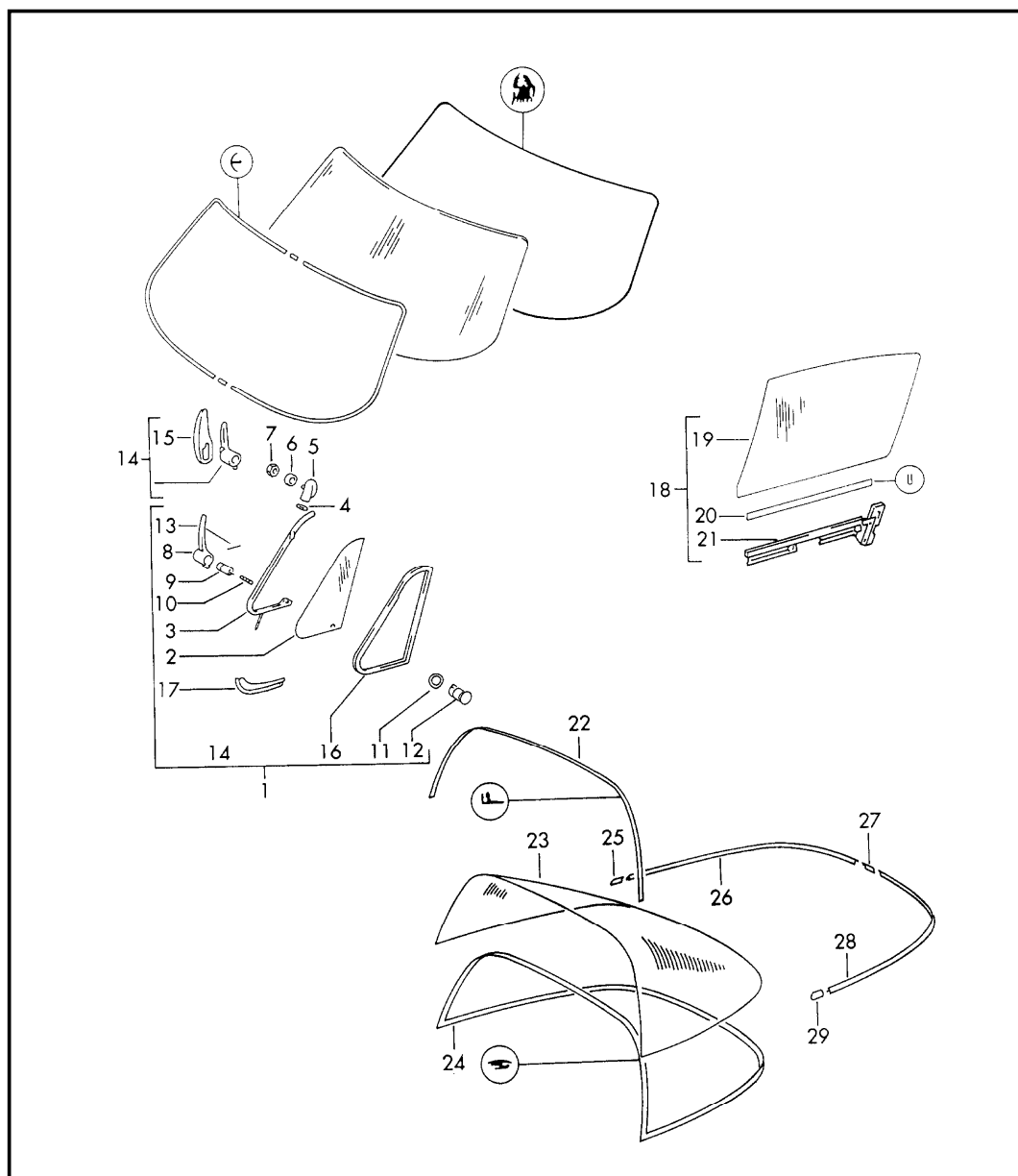
| | | | | | | | | | | | |
|-------|------|----|----|--------------|--------------|-----|-------|------------|---------|-----|---------|
| Model | Year | MG | SG | Illustration | Restrictions | UPD | 20:36 | 22.01.2010 | PORSCHE | PET | PORSCHE |
| 911 | 1973 | 8 | 05 | 805-00 | | 248 | | | | | |

| Pos | Part Number | Description | Remark | Qty | Model | Pos | Part Number | Description | Remark | Qty | Model |
|------|----------------|-----------------------------------|----------|-----|-------------|------|----------------|------------------------------------------|----------|-----|-------------|
| (11) | 911 543 101 01 | rear window | /L :M | 1 | CARRERA 2.7 | 27 | 901 543 921 25 | moulding | /L | 1 | |
| (11) | 901 543 101 20 | side window glass | /L | 1 | | (27) | 901 543 922 25 | moulding | /R | 1 | |
| (11) | 901 543 101 30 | side window glass green | /L | 1 | | 28 | 900 144 009 00 | counters. head tapp. screw B2,9 X 13 | | 12 | |
| (11) | 911 543 102 01 | rear window | /R :M | 1 | CARRERA 2.7 | 29 | 901 543 419 20 | spacer 4,0 | | 6 | |
| 11 | 901 543 102 20 | side window glass | /R | 1 | | 30 | 901 543 421 20 | spacer 1,5 | | 2 | |
| (11) | 901 543 102 30 | side window glass green | /R | 1 | | 31 | 901 543 422 20 | spacer 3,0 | | 2 | |
| 12 | 901 543 191 20 | sealing frame | | 2 | | 32 | 911 545 105 00 | rear window 150 W | | 1 | |
| 13 | 901 543 015 25 | frame | /L | 1 | | (32) | 911 545 105 00 | rear window 150 W 4,2 MM | :M | 1 | CARRERA 2.7 |
| (13) | 901 543 016 25 | frame | /R | 1 | | - | 911 543 439 00 | retaining strip for 911.545.102.01 | :M | X | CARRERA 2.7 |
| 14 | 901 543 041 21 | hinge | /L | 1 | | - | 999 190 101 30 | blind rivet | :M | X | CARRERA 2.7 |
| (14) | 901 543 042 21 | hinge | /R | 1 | | (32) | 911 545 107 00 | rear window 100/300 W green | | 1 | |
| 15 | 644 543 416 00 | threaded bolt | | 2 | | 33 | 901 545 901 21 | windscreen sealing | | 1 | |
| 16 | 644 552 820 03 | knob | | 2 | | 34 | 901 545 911 20 | trim frame-half | /L | 1 | |
| 17 | 900 043 002 00 | threaded pin M3 X 4 | | 2 | | 35 | 901 545 912 20 | trim frame-half | /R | 1 | |
| 18 | 901 543 491 21 | desk pad | | 2 | | - | 911 543 035 00 | sealing frame | /L :M | X | CARRERA 2.7 |
| 19 | 900 148 023 02 | countersunk-head screw M4 X 15 | | 6 | | - | 911 543 036 00 | sealing frame | /R :M | X | CARRERA 2.7 |
| 20 | 900 148 002 02 | countersunk-head screw M4 X 6 | | 4 | | - | 911 543 419 00 | moulding | /L :M | X | CARRERA 2.7 |
| 21 | 999 025 109 02 | washer 5,3 | | 8 | | - | 911 543 420 00 | moulding | /R :M | X | CARRERA 2.7 |
| 22 | 900 186 035 02 | pan-head screw M5 X 8 | | 8 | | - | 911 543 197 00 | moulding | /V :M | X | CARRERA 2.7 |
| 23 | 901 543 901 20 | sealing frame | /L | 1 | | - | 911 543 187 00 | covering plate upper | :M | X | CARRERA 2.7 |
| (23) | 901 543 902 20 | sealing frame | /R | 1 | | | | | | | |
| 24 | 999 911 041 00 | edge protection | | 2 | | | | | | | |
| 25 | 901 543 423 00 | edge protection | | 2 | | | | | | | |
| 26 | 901 543 493 20 | sealing strap | | 2 | | | | | | | |

| | | | | | | | | | | | |
|-------|------|----|----|--------------|--------------|-----|-------|------------|---------|-----|---------|
| Model | Year | MG | SG | Illustration | Restrictions | UPD | 20:36 | 22.01.2010 | PORSCHE | PET | PORSCHE |
| 911 | 1973 | 8 | 05 | 805-00 | | 248 | | | | | |

| Pos | Part Number | Description | Remark | Qty | Model | Pos | Part Number | Description | Remark | Qty | Model |
|------|----------------|-------------------------|----------|-----|-------------|-----|-------------|-------------|--------|-----|-------|
| - | 911 543 185 00 | covering plate lower | :M | X | CARRERA 2.7 | | | | | | |
| - | 923 543 429 00 | moulding | /L :M | X | CARRERA 2.7 | | | | | | |
| - | 923 543 429 00 | moulding | /R :M | X | CARRERA 2.7 | | | | | | |
| 36 | 901 542 501 27 | side window | /L | 1 | | | | | | | |
| (36) | 901 542 501 27 | side window 4,2 MM | /L :M | 1 | CARRERA 2.7 | | | | | | |
| (36) | 901 542 502 27 | side window | /R | 1 | | | | | | | |
| (36) | 901 542 502 27 | side window 4,2 MM | /R :M | 1 | CARRERA 2.7 | | | | | | |
| (36) | 911 542 511 00 | side window green | /L | 1 | | | | | | | |
| (36) | 911 542 512 00 | side window | /R | 1 | | | | | | | |
| 37 | 901 542 921 21 | sealing frame | | 2 | | | | | | | |

| | | | | | | | | | | | |
|-------|------|----|----|--------------|--------------|-----|-------|------------|---------|-----|---------|
| Model | Year | MG | SG | Illustration | Restrictions | UPD | 20:37 | 22.01.2010 | PORSCHE | PET | PORSCHE |
| 911 | 1973 | 8 | 05 | 805-05 | | 248 | | | | | |

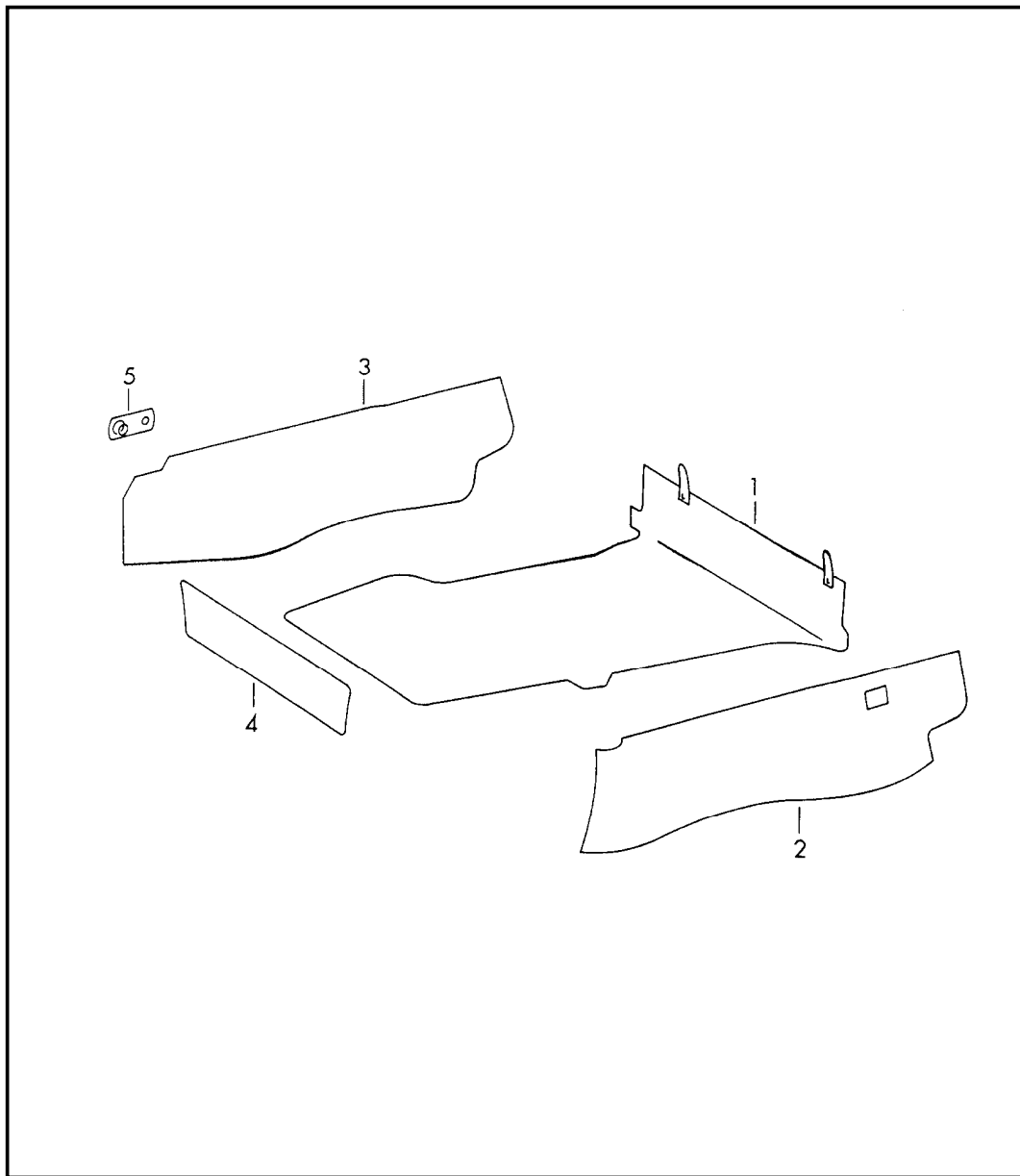


| Pos | Part Number | Description | Remark | Qty | Model |
|-----|----------------|--------------------------------------------|--------|-----|-------|
| | | window glazing | | | TARGA |
| | | windscreen see illustrations 8/05/00 | | | |
| (1) | 901 542 051 40 | ventilator window | /L | 1 | |
| (1) | 901 542 052 40 | ventilator window | /R | 1 | |
| (1) | 901 542 051 45 | ventilator window green | /L | 1 | |
| (1) | 901 542 052 45 | ventilator window green | /R | 1 | |
| (2) | 901 542 501 40 | side window | /L | 1 | |
| (2) | 901 542 501 45 | side window green | /L | 1 | |
| (2) | 901 542 502 40 | side window | /R | 1 | |
| (2) | 901 542 502 45 | side window green | /R | 1 | |
| 3 | 901 542 055 40 | frame | /L | 1 | |
| (3) | 901 542 056 40 | frame | /R | 1 | |
| 4 | 900 025 002 40 | washer 4,3 | | 2 | |
| 5 | 901 542 621 22 | bearing | /L | 2 | |
| (5) | 901 542 622 22 | bearing | /R | 2 | |
| 6 | 644 542 625 06 | spacer | | 2 | |
| 7 | 900 084 020 02 | hexagon nut M4 | | 2 | |
| 8 | 901 542 553 21 | catch | /L | 1 | |
| (8) | 901 542 554 21 | catch | /R | 1 | |
| 9 | 901 542 559 20 | push button | | 2 | |
| 10 | 644 542 555 00 | compression spring | | 2 | |
| 11 | 911 542 556 48 | spring washer | | 2 | |
| 12 | 901 542 558 21 | bearing | | 2 | |
| 13 | 900 090 001 00 | dowel pin 2 X 12 | | 2 | |

| | | | | | | | | | | | |
|-------|------|----|----|--------------|--------------|-----|-------|------------|---------|-----|---------|
| Model | Year | MG | SG | Illustration | Restrictions | UPD | 20:37 | 22.01.2010 | PORSCHE | PET | PORSCHE |
| 911 | 1973 | 8 | 05 | 805-05 | | 248 | | | | | |

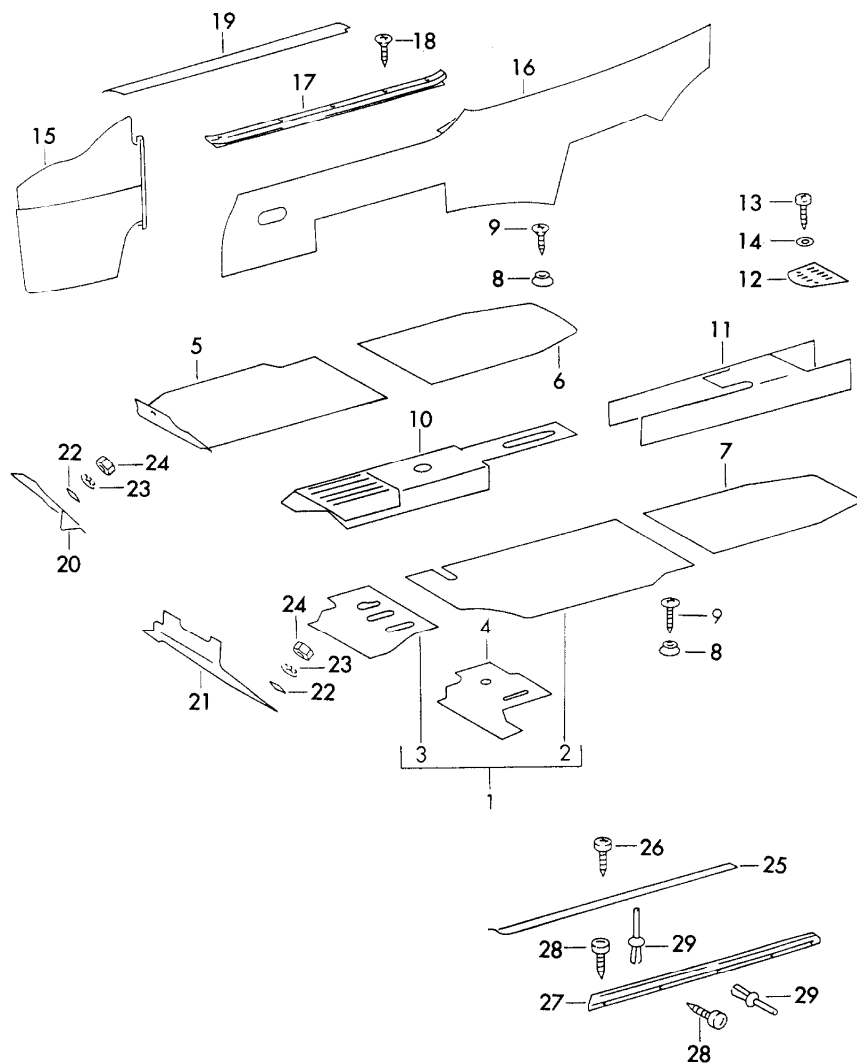
| Pos | Part Number | Description | Remark | Qty | Model | Pos | Part Number | Description | Remark | Qty | Model |
|------|----------------|----------------------------|--------|-----|-------|-----|-------------|-------------|--------|-----|-------|
| (16) | 911 542 135 40 | sealing frame | /L | 1 | | | | | | | |
| (16) | 911 542 136 40 | sealing frame | /R | 1 | | | | | | | |
| 17 | 901 542 513 21 | water deflector | /L | 1 | | | | | | | |
| (17) | 901 542 514 21 | water deflector | /R | 1 | | | | | | | |
| 18 | 901 542 011 43 | door window glass | /L | 1 | | | | | | | |
| 18 | 901 542 011 47 | door window glass green | /L | 1 | | | | | | | |
| (18) | 901 542 012 43 | door window glass | /R | 1 | | | | | | | |
| (18) | 901 542 012 47 | door window glass green | /R | 1 | | | | | | | |
| 19 | 901 542 101 40 | door window glass | /L | 1 | | | | | | | |
| (19) | 901 542 101 45 | door window glass green | /L | 1 | | | | | | | |
| (19) | 901 542 102 40 | door window glass | /R | 1 | | | | | | | |
| (19) | 901 542 102 45 | door window glass green | /R | 1 | | | | | | | |
| 20 | 911 542 491 40 | rubber ply | | 2 | | | | | | | |
| 21 | 901 542 043 43 | window lifter rail | /L | 1 | | | | | | | |
| (21) | 901 542 044 43 | window lifter rail | /R | 1 | | | | | | | |
| 22 | 901 565 930 41 | gasket | | 1 | | | | | | | |
| 23 | 911 565 551 03 | rear window 100/300 W | | 1 | | | | | | | |
| 24 | 901 565 052 41 | sealing frame | | 1 | | | | | -71 | | |
| 24 | 911 545 051 41 | sealing frame | | 1 | | | | | 72- | | |
| 25 | 901 565 562 40 | moulding end | /R | 1 | | | | | | | |
| 26 | 901 565 556 40 | moulding | /R | 1 | | | | | | | |
| 27 | 644 541 921 06 | covering plate | | 1 | | | | | | | |
| 28 | 901 565 555 40 | moulding | /L | 1 | | | | | | | |
| 29 | 901 565 561 40 | moulding end | /L | 1 | | | | | | | |

| | | | | | | | | | | | |
|-------|------|----|----|--------------|--------------|-----|-------|------------|---------|-----|---------|
| Model | Year | MG | SG | Illustration | Restrictions | UPD | 20:37 | 22.01.2010 | PORSCHE | PET | PORSCHE |
| 911 | 1973 | 8 | 07 | 807-00 | | 248 | | | | | |



| Pos | Part Number | Description | Remark | Qty | Model |
|-----|----------------|----------------------------------------------------------------|----------------|------------|----------------------------------------------|
| | | interior equipment front | | | |
| 1 | 911 551 045 00 | front-compartment carpet perlon velour version fuel tank 62 L | | 1 | |
| (1) | 901 551 045 26 | front-compartment carpet perlon velour version fuel tank 100 L | -70 | 1 | |
| 2 | 901 551 049 25 | carpet perlon velour for front boot side wall | /L | 1 | |
| 3 | 901 551 050 22 | carpet perlon velour for front boot side wall | /R | 1 | |
| 4 | 901 551 406 00 | front-compartment carpet perlon velour | /V /V /V | -71 72- | 1 911 T-E/S 911 T-V/T-K 911 T-E/E/S |
| (4) | 911 551 475 00 | front-compartment carpet velour | /V | 72- | 1 911 T-E/S CARRERA 2.7 |
| 5 | 911 503 075 00 | desk pad with push button | | 6 | |

| | | | | | | | | | | | |
|-------|------|----|----|--------------|--------------|-----|-------|------------|---------|-----|---------|
| Model | Year | MG | SG | Illustration | Restrictions | UPD | 20:37 | 22.01.2010 | PORSCHE | PET | PORSCHE |
| 911 | 1973 | 8 | 07 | 807-01 | | 248 | | | | | |



| Pos | Part Number | Description | Remark | Qty | Model |
|-----|----------------|------------------------------------------------------------------------------------------|---------------------|-----|-------------------------------------|
| 1 | 901 551 011 24 | interior equipment centre carpet front complete perlon indicate colour | /L -71 72- | 1 | 911 E/S 911 S CARRERA 2.7 |
| (1) | 901 551 011 27 | carpet front complete perlon velour indicate colour | /L -71 72- | 1 | 911 T 911 T-V/T-E 911 E |
| (1) | 901 551 011 45 | carpet front complete perlon indicate colour | /L 70- 72- | 1 | 911 S TARGA CARRERA 2.7 TARGA |
| (1) | 901 551 011 44 | carpet complete perlon velour indicate colour | | 1 | |
| 2 | 901 551 011 29 | carpet left perlon velour indicate colour for cars without sportomatic | /LL/V -71 72- | 1 | 911 E/S 911 S CARRERA 2.7 |
| | 700 | black | | | |
| 2 | 901 551 011 29 | carpet left perlon velour indicate colour for cars without sportomatic | /LL/V -71 72- | 1 | 911 T 911 T-V/T-E 911 E |
| | 700 | black | | | |
| 2 | 901 551 011 29 | carpet left perlon indicate colour for cars without sportomatic | /LL/V 70- 72- | 1 | 911 S TARGA CARRERA 2.7 TARGA |
| | 700 | black | | | |

| | | | | | | | | | | | |
|-------|------|----|----|--------------|--------------|-----|-------|------------|---------|-----|---------|
| Model | Year | MG | SG | Illustration | Restrictions | UPD | 20:37 | 22.01.2010 | PORSCHE | PET | PORSCHE |
| 911 | 1973 | 8 | 07 | 807-01 | | 248 | | | | | |

| Pos | Part Number | Description | Remark | Qty | Model | Pos | Part Number | Description | Remark | Qty | Model | | |
|-----|----------------|---------------------------------------------------------------------------------------|-------------|------------|-------|--------------------------------------------------|-------------|----------------|---------------------------------------------------------------------------------------|-------|-------------------|---|--------------------------------------------|
| (2) | 901 551 011 29 | carpet left perlon velour indicate colour for cars without sportomatic | /LL/V | 72- | 1 | 911 T-V/T-K TARGA 911 T-V/E/S TARGA | (3) | 901 551 016 00 | carpet right perlon velour indicate colour | /RL/V | -71 72- | 1 | 911 T 911 T-V/T-E 911 E |
| | 700 | black | | | | | (3) | 901 551 015 20 | carpet left perlon indicate colour for cars without sportomatic | /LL/V | 70- 72- | 1 | 911 S TARGA CARRERA 2.7 TARGA |
| 2 | 905 551 011 25 | carpet left perlon indicate colour for cars with sportomatic | /LL/V | -71 72- | 1 | 911 E 911 S CARRERA 2.7 | | 700 | black/anthracite | | | | |
| 2 | 905 551 011 24 | carpet left perlon velour indicate colour for cars with sportomatic | /LL/V | -71 72- | 1 | 911 T 911 T-V/T-E 911 E | (3) | 901 551 015 20 | carpet left perlon velour indicate colour for cars without sportomatic | /LL/V | 72- | 1 | 911 T-V/T-K TARGA 911 T-E/E TARGA |
| | | | | | | | | 700 | black/anthracite | | | | |
| (2) | 905 551 011 45 | carpet left perlon indicate colour for cars with sportomatic | /LL/V | 70- 72- | 1 | 911 S TARGA CARRERA 2.7 TARGA | (3) | 901 551 016 41 | carpet right perlon indicate colour for cars with sportomatic | /RL/V | 70- 72- | 1 | 911 S TARGA CARRERA 2.7 TARGA |
| (2) | 905 551 011 44 | carpet left perlon velour indicate colour for cars without sportomatic | /LL/V /V | 72- | 1 | 911 T-V/T-K TARGA 911 T-E/E TARGA | (3) | 901 551 016 40 | carpet right perlon velour indicate colour for cars with sportomatic | /RL/V | 72- | 1 | 911 T-V/T-K 911 T-E/E |
| 3 | 901 551 015 20 | carpet left perlon indicate colour for cars without sportomatic | /LL/V | -71 72- | 1 | 911 E/S 911 S CARRERA 2.7 | 4 | 905 551 015 01 | carpet left perlon indicate colour for cars with sportomatic | /LL/V | -70 -71 72- | 1 | 911 S 911 E 911 S CARRERA 2.7 |
| | 700 | black | | | | | 4 | 905 551 015 00 | carpet left perlon velour indicate colour for cars with sportomatic | /LL/V | -71 72- | 1 | 911 T 911 T-V/T-E 911 E |
| 3 | 901 551 015 00 | carpet left perlon velour indicate colour | /LL/V | -71 72- | 1 | 911 T 911 T-V:SPM 911 T-E:SPM 911 E:SPM | | | | | | | |
| (3) | 901 551 016 20 | carpet right perlon indicate colour | /RL/V | -71 72- | 1 | 911 E/S 911 S CARRERA 2.7 | (4) | 905 551 016 01 | carpet right perlon indicate colour for cars with sportomatic | /RL/V | -70 -71 72- | 1 | 911 S 911 E 911 S CARRERA 2.7 |

| | | | | | | | | | | | |
|-------|------|----|----|--------------|--------------|-----|-------|------------|---------|-----|---------|
| Model | Year | MG | SG | Illustration | Restrictions | UPD | 20:37 | 22.01.2010 | PORSCHE | PET | PORSCHE |
| 911 | 1973 | 8 | 07 | 807-01 | | 248 | | | | | |

| Pos | Part Number | Description | Remark | Qty | Model | Pos | Part Number | Description | Remark | Qty | Model | | |
|-----|----------------|-------------------------------------------------------------------------------------|--------|------------|-------|--------------------------------------------|----------------|------------------------------------------------------------------|-------------------------------------------------------------------------------------|-------|------------|-------------|--------------------------------------------|
| (4) | 905 551 016 00 | carpet right perlon velour indicate colour for cars with sportomatic | /RL/V | -71 72- | 1 | 911 T 911 T-V/T-E 911 E | (5) | 901 551 012 47 | carpet right perlon indicate colour for cars with sportomatic | /RL/V | 72- | 1 | 911 S TARGA CARRERA 2.7 TARGA |
| (4) | 911 551 016 43 | carpet right perlon indicate colour for cars with sportomatic | /RL/V | 70- 72- | 1 | 911 S TARGA CARRERA 2.7 TARGA | (5) | 901 551 012 44 | carpet right perlon velour indicate colour for cars with sportomatic | /LL/V | 72- | 1 | 911 T-V/T-K TARGA 911 T-E/E TARGA |
| (4) | 911 551 016 44 | carpet right perlon velour indicate colour for cars with sportomatic | /RL/V | 72- | 1 | 911 T-V/T-K TARGA 911 T-E/E TARGA | (5) | 901 551 012 46 | carpet right perlon velour indicate colour for cars with sportomatic | /RL/V | 72- | 1 | 911 T-V/T-K TARGA 911 T-E/E TARGA |
| 5 | 901 551 012 24 | carpet right perlon indicate colour for cars with sportomatic | /LL/V | -71 72- | 1 | 911 E/S 911 S CARRERA 2.7 | (6) | 901 551 014 22 | carpet perlon indicate colour for cars with sportomatic | /H/R | -71 72- | 1 | 911 E/S 911 S CARRERA 2.7 |
| 5 | 901 551 012 24 | carpet right perlon velour indicate colour for cars with sportomatic | /LL/V | -71 72- | 1 | 911 T 911 T-V/T-K 911 T-E/E | 6 | 901 551 014 22 | carpet perlon velour indicate colour for cars with sportomatic | /H/R | -71 72- | 1 | 911 T 911 T-V/T-K 911 T-E/E |
| (5) | 901 551 012 28 | carpet right perlon indicate colour for cars with sportomatic | /RL/V | -71 72- | 1 | 911 E/S 911 S CARRERA 2.7 | (6) | 911 551 122 01 | carpet perlon velour black for cars with sportomatic | :M | 73- | 1 | CARRERA 2.7 |
| (5) | 901 551 012 30 | carpet right perlon velour indicate colour for cars with sportomatic | /RL/V | -71 72- | 1 | 911 T 911 T-V/T-K 911 T-E/E | 7 | 901 551 013 22 | carpet perlon indicate colour for cars with sportomatic | /L/H | -71 72- | 1 | 911 E/S 911 S CARRERA 2.7 |
| 5 | 901 551 012 42 | carpet right perlon indicate colour for cars with sportomatic | /LL/V | 70- 72- | 1 | 911 S TARGA CARRERA 2.7 TARGA | (7) | 901 551 013 22 | carpet perlon velour indicate colour for cars with sportomatic | /L/H | -71 72- | 1 | 911 T 911 T-V/T-K 911 T-E/E |
| | | | | | | (7) | 911 551 121 01 | carpet perlon velour black for cars with sportomatic | :M | 73- | 1 | CARRERA 2.7 | |

| | | | | | | | | | | | |
|-------|------|----|----|--------------|--------------|-----|-------|------------|---------|-----|---------|
| Model | Year | MG | SG | Illustration | Restrictions | UPD | 20:37 | 22.01.2010 | PORSCHE | PET | PORSCHE |
| 911 | 1973 | 8 | 07 | 807-01 | | 248 | | | | | |

| Pos | Part Number | Description | Remark | Qty | Model | Pos | Part Number | Description | Remark | Qty | Model |
|------|----------------|---------------------------------------------------------------------------|---------------|-----|---------------------------------|------|----------------|------------------------------------------------------------------------------------------------|------------|-----|---------------------------------|
| 8 | 999 591 805 12 | push button | 70- | 4 | | 10 | 901 551 411 31 | carpet for tunnel perlon | /LL/V 72- | 1 | 911 S |
| (8) | 999 591 801 12 | push button for carpet | 71 | 4 | | | | tunnel 5-speed transmission perlon | | | |
| 9 | 900 145 043 00 | rais. counters. h. tap. s. B 3,5 X 9,5 | 70- | 4 | | | | indicate colour for cars with sportomatic | | | |
| (9) | 900 138 014 02 | rais. counters. h. tap. s. B 3,5 X 13 | 71 | 4 | | | | | | | |
| 10 | 901 551 411 31 | carpet for tunnel perlon indicate colour for cars with sportomatic | /LL/V -71 72- | 1 | 911 E/S 911 S CARRERA 2.7 | (10) | 911 551 411 01 | carpet for tunnel 5-speed transmission perlon velour indicate colour for cars with sportomatic | /LL/V 72- | 1 | 911 T-V/E |
| 10 | 901 551 411 31 | carpet for tunnel perlon velour indicate colour for cars with sportomatic | /LL/V -71 72- | 1 | 911 T 911 T-V/S | 10 | 911 551 411 04 | carpet for tunnel 5-speed transmission perlon indicate colour for cars with sportomatic | /RL/V 72- | 1 | 911 S |
| 10 | 901 551 411 54 | carpet for tunnel perlon indicate colour for cars with sportomatic | /RL/V -71 72- | 1 | 911 E/S 911 S CARRERA 2.7 | (10) | 911 551 411 03 | carpet for tunnel 5-speed transmission perlon velour indicate colour for cars with sportomatic | /RL/V 72- | 1 | 911 T-V/E |
| 10 | 901 551 411 32 | carpet for tunnel perlon velour indicate colour for cars with sportomatic | /RL/V -71 72- | 1 | 911 T 911 T-V/E | | | | | | |
| (10) | 911 551 412 07 | carpet for tunnel front perlon velour black | :M 73- | 1 | CARRERA 2.7 | - | 999 591 801 12 | push button for carpet | 70- | 2 | |
| | | | | | | - | 999 591 805 12 | push button | 71 | 2 | |
| | | | | | | - | 900 145 043 00 | oval-head sheetmetal screw | 71 | 2 | |
| | | | | | | 11 | 901 551 047 21 | carpet for tunnel perlon indicate colour for cars with sportomatic | /H -71 72- | 1 | 911 E/S 911 S CARRERA 2.7 |

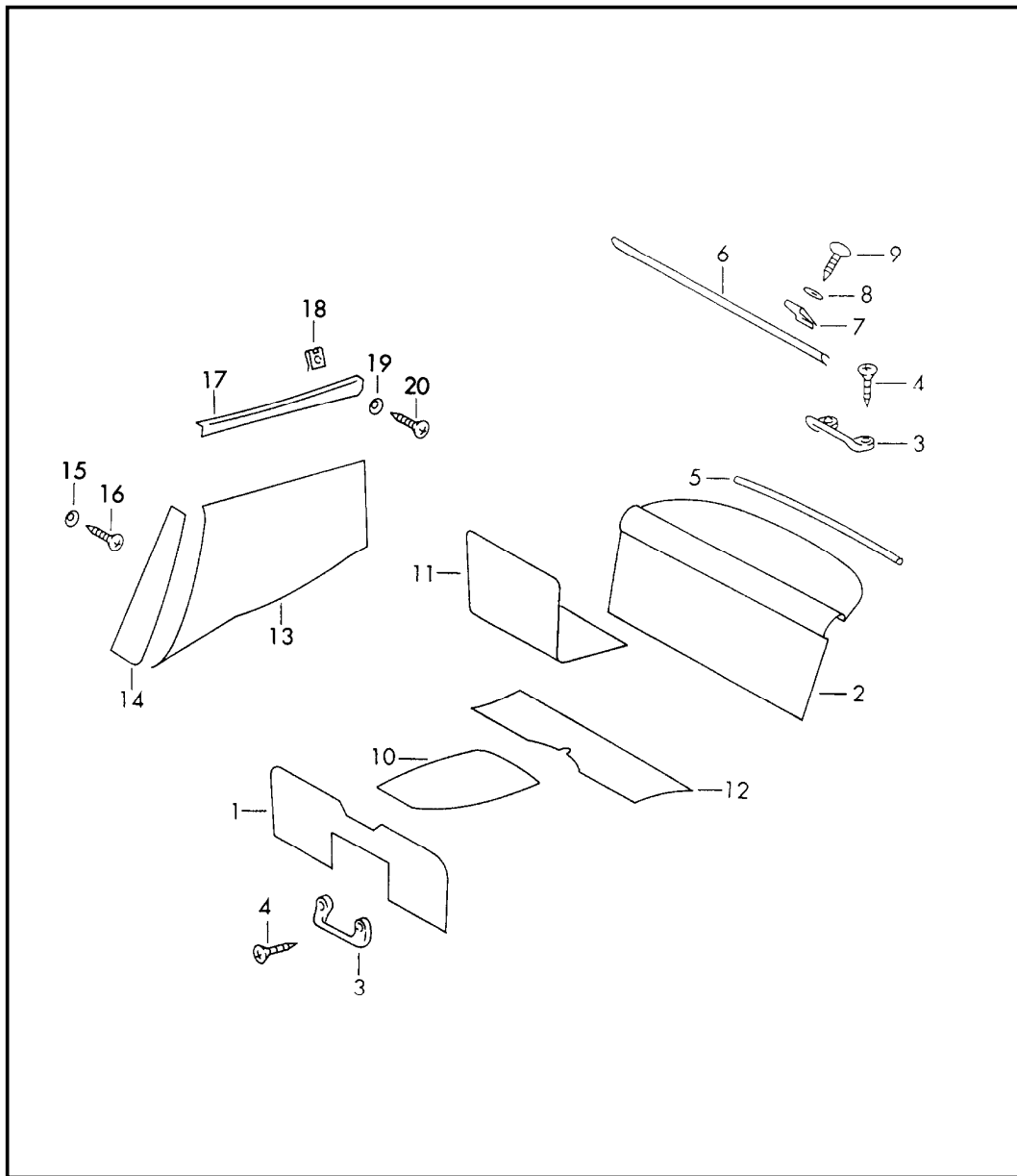
| | | | | | | | | | | | |
|-------|------|----|----|--------------|--------------|-----|-------|------------|---------|-----|---------|
| Model | Year | MG | SG | Illustration | Restrictions | UPD | 20:37 | 22.01.2010 | PORSCHE | PET | PORSCHE |
| 911 | 1973 | 8 | 07 | 807-01 | | 248 | | | | | |

| Pos | Part Number | Description | Remark | Qty | Model | Pos | Part Number | Description | Remark | Qty | Model | | |
|------|----------------|---------------------------------------------------------------------------------------------|--------|------------|-------|-----------------------------------|-------------|----------------|-----------------------------------------------------|-------|------------|---|-----------------------------------------------------------|
| (11) | 901 551 047 21 | carpet for tunnel perlon velour indicate colour for cars with sportomatic | /H | -71 72- | 1 | 911 T 911 T-V/T-K 911 T-E/E | 15 | 901 551 042 26 | carpet front perlon velour indicate colour | /RL/R | -71 72- | 1 | 911 T 911 T-V/T-K 911 T-E/E |
| (11) | 901 551 047 21 | carpet for tunnel perlon velour black for cars with sportomatic | :M | 73- | 1 | CARRERA 2.7 | (15) | 911 551 057 00 | carpet front perlon velour black | :M | 72- | 1 | CARRERA 2.7 |
| 12 | 901 504 731 30 | lid for tunnel | /H | 70- | 1 | | (15) | 911 551 057 01 | carpet front perlon velour black | :M | 73- | 1 | CARRERA 2.7 |
| (12) | 901 504 731 30 | lid for tunnel | /H | 71- | 1 | | (15) | 901 551 041 41 | carpet front perlon indicate colour | /LL/L | -71 -72 | 1 | 911 E/S TARGA 911 S TARGA CARRERA 2.7 TARGA |
| (12) | 901 504 731 30 | lid for tunnel optional heating | /LL/H | 70- | 1 | | (15) | 901 551 041 20 | carpet front perlon velour indicate colour | /LL/L | -71 72- | 1 | 911 T TARGA 911 T-V/T-K TARGA 911 T-E/E TARGA |
| 13 | N 013 971 3 | tapping screw B 4,8 X 22 | | | 4 | | 16 | 901 551 043 24 | adhesive carpet perlon indicate colour | /L | -71 | 1 | 911 E/S |
| 14 | 900 031 006 40 | washer 5,3 | | | 4 | | (16) | 901 551 043 24 | adhesive carpet perlon indicate colour | /L | 72- | 1 | 911 S CARRERA 2.7 |
| (15) | 901 551 041 20 | carpet perlon indicate colour | /V/L | -71 72- | 1 | 911 E/S 911 S CARRERA 2.7 | - | 900 145 042 00 | rais. counters. h. tap. s. B 3,5 X 22 | | 72- | 2 | |
| (15) | 901 551 041 20 | carpet perlon velour indicate colour | /V/L | -71 72- | 1 | 911 T 911 T-V/T-K 911 T-E/E | (16) | 901 551 043 24 | adhesive carpet perlon velour indicate colour | /L | -71 | 1 | 911 T |
| (15) | 901 551 042 20 | carpet front perlon indicate colour | /LL/R | -71 72- | 1 | 911 E/S 911 S CARRERA 2.7 | (16) | 901 551 043 24 | adhesive carpet perlon velour indicate colour | /L | 72- | 1 | 911 T-V/T-K 911 T-E/E |
| (15) | 901 551 042 20 | carpet front perlon velour indicate colour | /LL/R | -71 72- | 1 | 911 T 911 T-V/T-K 911 T-E/E | (16) | 901 551 044 24 | adhesive carpet perlon indicate colour | /R | -71 | 1 | 911 E/S |
| (15) | 901 551 042 22 | carpet front perlon indicate colour | /RL/R | -71 72- | 1 | 911 E/S 911 S CARRERA 2.7 | (16) | 901 551 044 24 | adhesive carpet perlon indicate colour | /R | 72- | 1 | 911 S CARRERA 2.7 |
| (15) | 901 551 042 22 | carpet front perlon indicate colour | /RL/R | -71 72- | 1 | 911 E/S 911 S CARRERA 2.7 | (16) | 901 551 044 24 | adhesive carpet perlon velour indicate colour | /R | -71 | 1 | 911 T |

| | | | | | | | | | | | |
|-------|------|----|----|--------------|--------------|-----|-------|------------|---------|-----|---------|
| Model | Year | MG | SG | Illustration | Restrictions | UPD | 20:37 | 22.01.2010 | PORSCHE | PET | PORSCHE |
| 911 | 1973 | 8 | 07 | 807-01 | | 248 | | | | | |

| Pos | Part Number | Description | Remark | Qty | Model | Pos | Part Number | Description | Remark | Qty | Model |
|------|----------------|------------------------------------------------------------------|--------|------------|-------------------------------------|------|----------------|------------------------------------------|--------|-----|---------------|
| (16) | 901 551 044 24 | adhesive carpet perlon velour indicate colour | /R | 72- | 1 911 T-V/T-K 911 T-E/E | 22 | 901 501 390 00 | tab lower | | 2 | |
| 17 | 901 551 419 50 | cover strip | | 2 | | 23 | 900 114 010 01 | shake-proof washer A6,4 | | 2 | |
| 18 | 900 145 041 00 | rais. counters. h. tap. s. B 3,5 X 16 | | 10 | | 24 | 900 076 010 02 | hexagon nut M6 | | 2 | |
| (19) | 901 551 115 20 | scuff plate | /L | -71 72- | 1 911 T 911 T-V/T-K 911 T-E/E | 25 | 901 551 419 50 | cover strip | | 2 | |
| 19 | 901 551 116 20 | scuff plate | /R | -71 72- | 1 911 T 911 T-V/T-K 911 T-E/E | 26 | 900 145 041 00 | oval-head sheetmetal screw B3,5 X 16 | | 10 | |
| 20 | 901 551 062 24 | pedal floor board complete for cars without sportomatic | /RL/R | 70- | 1 | (27) | 901 551 115 50 | scuff plate | /L | 1 | |
| 20 | 905 551 062 24 | pedal floor board complete for cars with sportomatic | /RL/R | 70- | 1 911 T/E | 27 | 901 551 116 50 | scuff plate | /R | 1 | |
| (20) | 901 551 064 22 | floorboard | /LL/R | 70- | 1 | 28 | 900 143 040 02 | oval-head sheetmetal screw B2,9 X 9,5 | | 20 | |
| (20) | 901 551 064 42 | floorboard | /LL/R | 70- | 1 TARGA | 29 | 999 591 550 40 | expansion rivet | | 20 | |
| (20) | 901 551 064 42 | floorboard | /LL/R | 71 | 1 911 T TARGA 911 E TARGA | - | 911 551 004 01 | carpet set comprising: | 72- | 1 | CARRERA 2.7 |
| (20) | 905 551 062 42 | pedal floor board | /RL/R | 72- | 1 TARGA | - | 911 551 043 00 | carpet wheel housing panel | /L | 72- | X CARRERA 2.7 |
| (21) | 901 551 063 21 | pedal floor board | /LL/L | 1 | 1 COUPE | - | 911 551 043 00 | carpet wheel housing panel | /R | 72- | X CARRERA 2.7 |
| 21 | 905 551 063 20 | pedal floor board for cars with sportomatic | /LL/L | 1 | 1 COUPE | - | 911 551 043 00 | carpet door sill | /L | 72- | X CARRERA 2.7 |
| 21 | 901 551 061 23 | pedal floor board for cars with sportomatic | /RL | 1 | 1 COUPE | - | 911 551 043 00 | carpet door sill | /R | 72- | X CARRERA 2.7 |
| (21) | 901 551 063 41 | pedal floor board | /LL/L | 1 | 1 TARGA | - | 911 551 043 00 | carpet heel plate | | 72- | X CARRERA 2.7 |
| (21) | 901 551 061 42 | pedal floor board | /RL/L | 72- | 1 TARGA | - | 911 551 043 00 | carpet seat well centre | | 72- | X CARRERA 2.7 |
| (21) | 905 551 063 40 | pedal floor board for cars with sportomatic | /LL/L | 1 | 1 TARGA | - | 911 551 015 00 | rubber pad floor mat | /L | 72- | X CARRERA 2.7 |
| (21) | 901 551 062 42 | pedal floor board | /RL/L | 72- | 1 | - | 911 551 012 00 | rubber pad floor mat | /R | 72- | X CARRERA 2.7 |

| | | | | | | | | | | | |
|-------|------|----|----|--------------|--------------|-----|-------|------------|---------|-----|---------|
| Model | Year | MG | SG | Illustration | Restrictions | UPD | 20:37 | 22.01.2010 | PORSCHE | PET | PORSCHE |
| 911 | 1973 | 8 | 07 | 807-05 | | 248 | | | | | |



| Pos | Part Number | Description | Remark | Qty | Model |
|-----|----------------|-------------------------------------------------------------------------------------------|--------|-----|-------------|
| | | interior equipment rear | | | |
| 1 | 901 551 051 20 | carpet velour for heel plate indicate colour | | 1 | |
| 1 | 901 551 051 20 | carpet perlon velour for heel plate indicate colour | | 1 | |
| 2 | 901 555 075 22 | back wall lining indicate colour | -71 | 1 | COUPE |
| 2 | 911 555 075 00 | back wall lining indicate colour | 72 | 1 | COUPE |
| 2 | 911 555 075 02 | back wall lining indicate colour | 73- | 1 | COUPE |
| (2) | 911 555 725 01 | back wall lining perlon velour black | 72- | 1 | CARRERA 2.7 |
| (2) | 911 645 007 06 | back wall lining for stereo rear loudspeaker indicate colour | 73- | 1 | COUPE |
| (2) | 901 555 075 41 | back wall lining with upper part indicate colour version with convertible top | -71 | 1 | TARGA |
| (2) | 911 555 075 41 | back wall lining with upper part indicate colour | 72- | 1 | TARGA |
| (2) | 911 555 075 42 | back wall lining with upper part indicate colour version with rear wall rear window fixed | -71 | 1 | TARGA |

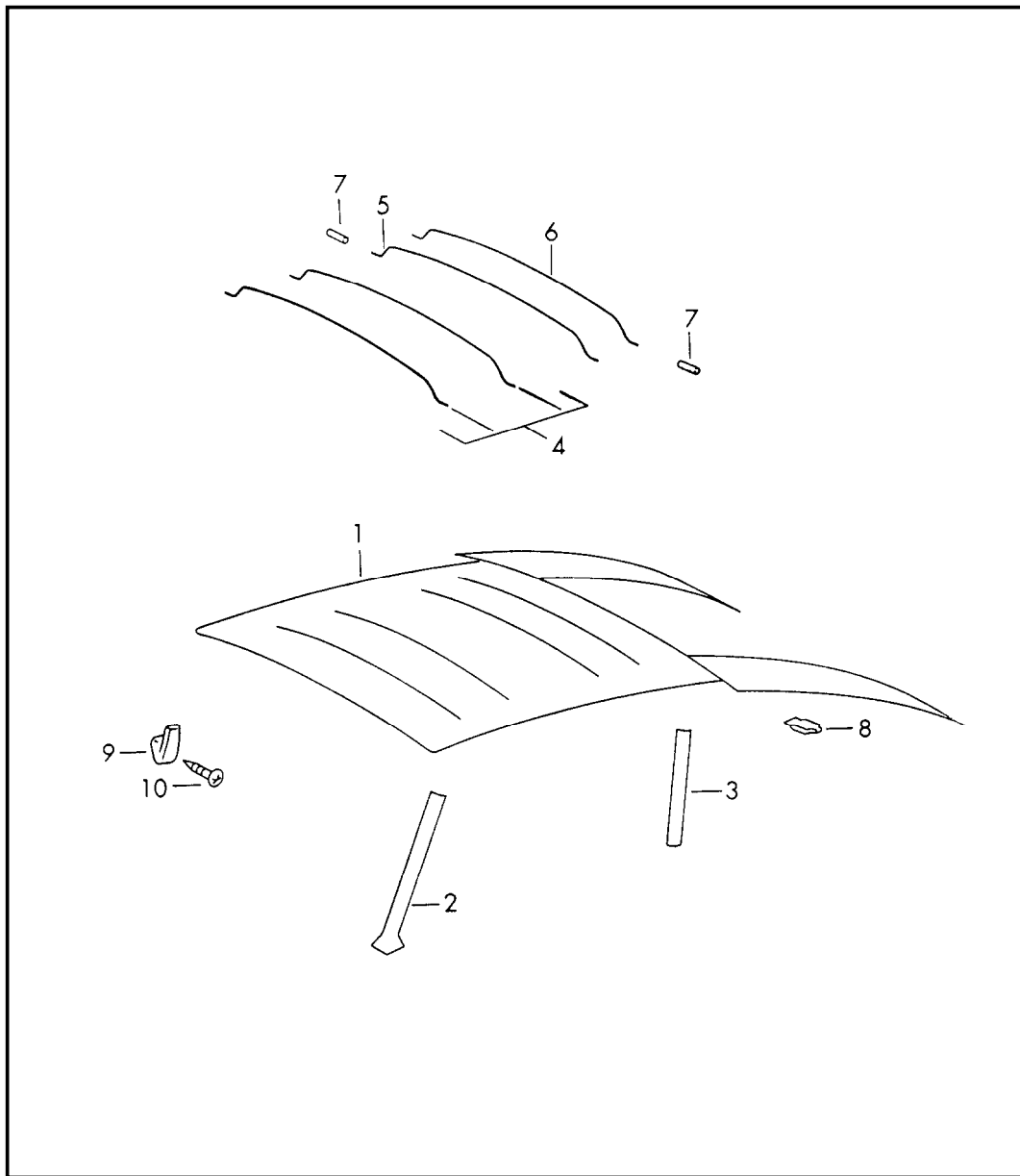
| | | | | | | | | | | | |
|-------|------|----|----|--------------|--------------|-----|-------|------------|---------|-----|---------|
| Model | Year | MG | SG | Illustration | Restrictions | UPD | 20:37 | 22.01.2010 | PORSCHE | PET | PORSCHE |
| 911 | 1973 | 8 | 07 | 807-05 | | 248 | | | | | |

| Pos | Part Number | Description | Remark | Qty | Model | Pos | Part Number | Description | Remark | Qty | Model |
|------|----------------|------------------------------------------------------------------------------|--------|-------|-------|------|----------------|--------------------------------------------|--------|-------|-------|
| (2) | 911 555 075 42 | back wall lining with upper part indicate colour | | 1 | | (11) | 901 522 062 23 | carpet velour indicate colour | /R | 1 | |
| (2) | 911 645 007 46 | back wall lining with upper part for stereo rear loudspeaker indicate colour | | 1 | | (11) | 901 522 062 20 | carpet perlon velour indicate colour | /R | 1 | |
| 3 | 477 885 761 | retaining bar | | 4 | | 12 | 901 551 054 21 | carpet velour indicate colour | /H | 1 | |
| 4 | 900 270 049 07 | countersunk-head screw AM 5 X 20 | | 8 | | 12 | 901 551 054 25 | carpet perlon velour | /H | 1 | |
| (5) | 901 555 751 20 | seal for tray | | -70 1 | | (13) | 901 555 071 20 | side trim panel not available | /L/R | 1 | COUPE |
| 6 | 901 555 093 20 | ornamental strip indicate colour | /H | -70 1 | | (13) | 901 555 071 43 | side trim panel with cover indicate colour | /L | -71 1 | TARGA |
| 7 | N 015 429 2 | speed nut | | -70 4 | | 13 | 901 555 072 43 | side trim panel with cover indicate colour | /R | -71 1 | TARGA |
| 8 | 999 591 107 12 | protection washer | | -70 4 | | (13) | 911 555 071 40 | side trim panel with cover indicate colour | /L | 72- 1 | TARGA |
| 9 | 900 145 044 00 | rais. counters. h. tap. s. B 4,2 X 22 | | -70 4 | | (13) | 911 555 072 40 | side trim panel with cover indicate colour | /R | 72- 1 | TARGA |
| 10 | 901 551 423 20 | carpet velour indicate colour | | -71 1 | | (14) | 901 555 023 01 | filler piece | /L | X | TARGA |
| 10 | 901 551 423 20 | carpet velour indicate colour | | 72- 1 | | 14 | 901 555 024 01 | filler piece | /R | X | TARGA |
| 10 | 901 551 423 20 | carpet perlon velour indicate colour | | -71 1 | | 15 | 999 591 104 12 | protection washer | | 2 | TARGA |
| 10 | 901 551 423 20 | carpet perlon velour indicate colour | | 72- 1 | | 16 | 900 145 028 02 | rais. counters. h. tap. s. B 3,9 X 13 | | 2 | TARGA |
| (11) | 901 522 061 20 | carpet velour indicate colour | /L | 1 | | (17) | 901 555 091 51 | ornamental strip | /L | -71 1 | COUPE |
| (11) | 901 522 061 20 | carpet perlon velour indicate colour | /L | 1 | | (17) | 911 555 091 00 | ornamental strip | /L | 72- 1 | COUPE |
| | | | | | | (17) | 901 555 092 51 | ornamental strip | /R | -71 1 | COUPE |
| | | | | | | (17) | 911 555 092 00 | ornamental strip | /R | 72- 1 | COUPE |

| | | | | | | | | | | | |
|-------|------|----|----|--------------|--------------|-----|-------|------------|---------|-----|---------|
| Model | Year | MG | SG | Illustration | Restrictions | UPD | 20:37 | 22.01.2010 | PORSCHE | PET | PORSCHE |
| 911 | 1973 | 8 | 07 | 807-05 | | 248 | | | | | |

| Pos | Part Number | Description | Remark | Qty | Model | Pos | Part Number | Description | Remark | Qty | Model |
|------|----------------|--------------------------------------------------------------------------------------------------------------|--------|-----|-------|-------|-------------|-------------|--------|-----|-------|
| 17 | 901 555 091 40 | ornamental strip version with convertible top rear wall 901.565.006.40 | /L | -71 | 1 | TARGA | | | | | |
| 17 | 911 555 091 40 | ornamental strip | /L | 72- | 1 | TARGA | | | | | |
| (17) | 901 555 091 43 | ornamental strip version with rear wall rear window fixed 901.565.551.45 901.565.551.50 | /L | -71 | 1 | TARGA | | | | | |
| (17) | 901 555 092 40 | ornamental strip version with convertible top rear wall 901.565.006.40 | /R | -71 | 1 | TARGA | | | | | |
| (17) | 911 555 092 40 | ornamental strip | /R | 72- | 1 | TARGA | | | | | |
| (17) | 901 555 092 43 | ornamental strip version with rear wall rear window fixed 901.565.551.45 | /R | -71 | 1 | TARGA | | | | | |
| 18 | 999 591 338 02 | speed nut | | | 4 | | | | | | |
| 19 | 999 591 102 12 | washer | | | 4 | | | | | | |
| 20 | 900 145 036 00 | rais. counters. h. tap. s. B 3,5 X 13 | | | 4 | | | | | | |

| | | | | | | | | | | | |
|-------|------|----|----|--------------|--------------|-----|-------|------------|---------|-----|---------|
| Model | Year | MG | SG | Illustration | Restrictions | UPD | 20:37 | 22.01.2010 | PORSCHE | PET | PORSCHE |
| 911 | 1973 | 8 | 07 | 807-06 | | 248 | | | | | |

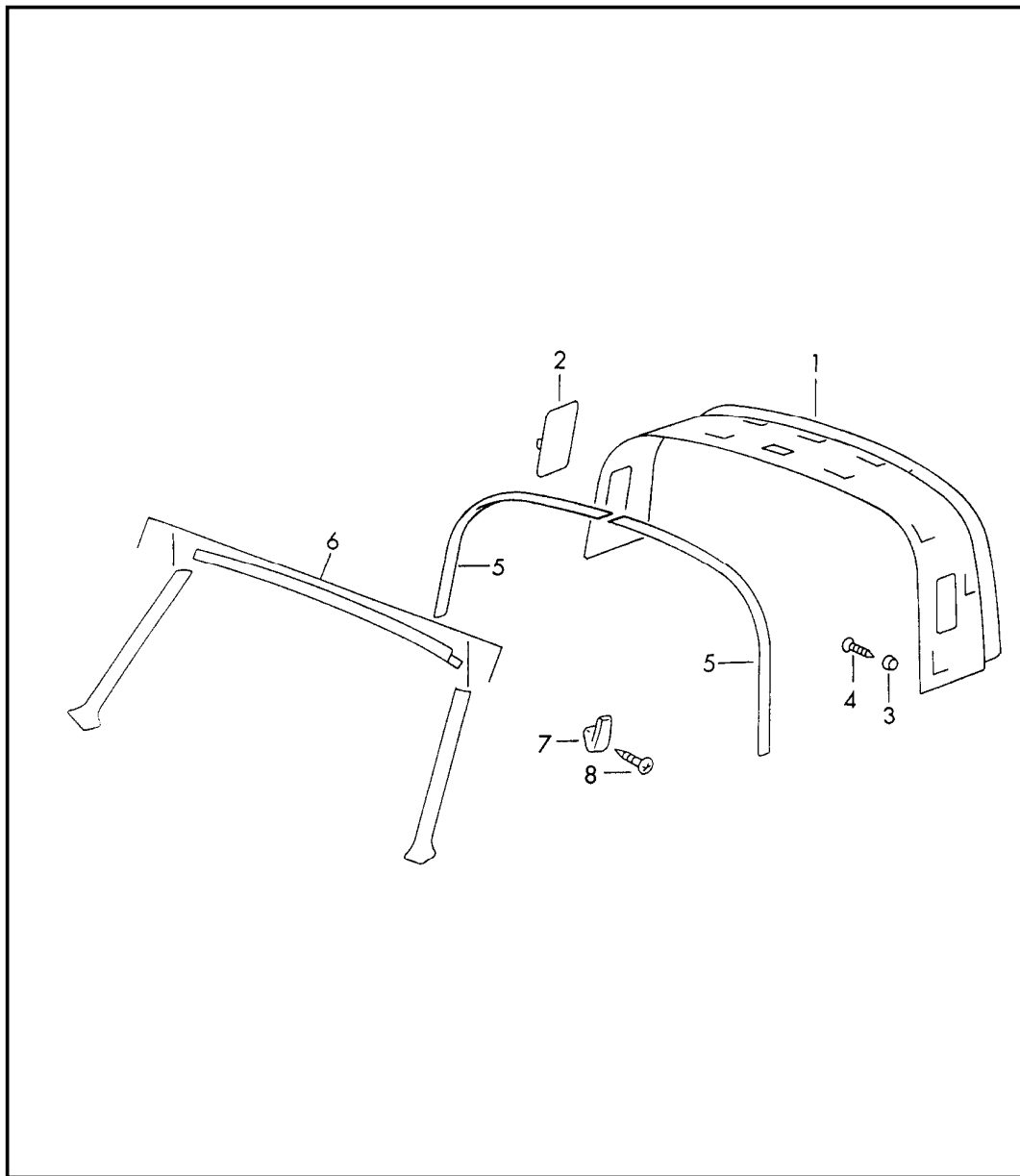


| Pos | Part Number | Description | Remark | Qty | Model |
|-----|----------------|----------------------------------------------------------|--------|-----|-------------|
| | | interior equipment roof | | | COUPE |
| 1 | 911 555 055 00 | roof lining complete version without sunroof | -72 | 1 | |
| 1 | 911 555 055 01 | roof lining complete version without sunroof | 73- | 1 | |
| 1 | 911 555 501 10 | roof lining complete version without sunroof | | 1 | CARRERA 2.7 |
| (1) | 911 555 055 10 | roof lining complete version with sunroof | -72 | 1 | |
| (1) | 911 555 055 11 | roof lining complete version with sunroof | 73- | 1 | |
| 2 | 901 555 507 20 | lining for windscreen frame | | 2 | |
| 3 | 901 555 505 20 | lining for door pillar | | 2 | |
| 4 | 901 555 511 20 | transverse strut 1 + 2 | | 2 | |
| 5 | 901 555 512 20 | transverse strut 3 | | 1 | |
| 6 | 901 555 513 20 | transverse strut 4 | | 1 | |
| 7 | 644 555 515 00 | rubber profile | | 8 | |
| 8 | 999 591 336 01 | fastening clamp | | 12 | |
| 9 | 901 552 870 40 | coat hook | | 2 | |

| | | | | | | | | | | | |
|-------|------|----|----|--------------|--------------|-----|-------|------------|---------|-----|---------|
| Model | Year | MG | SG | Illustration | Restrictions | UPD | 20:37 | 22.01.2010 | PORSCHE | PET | PORSCHE |
| 911 | 1973 | 8 | 07 | 807-06 | | 248 | | | | | |

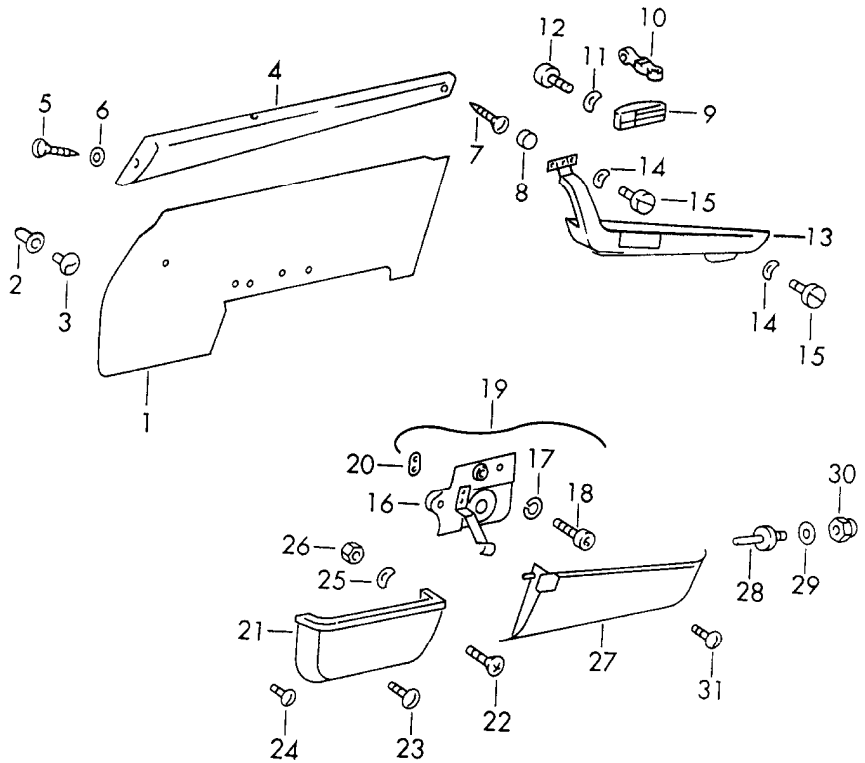
| Pos | Part Number | Description | Remark | Qty | Model | Pos | Part Number | Description | Remark | Qty | Model |
|-----|----------------|-----------------------------------------|--------|-----|-------|-----|-------------|-------------|--------|-----|-------|
| 10 | 900 250 007 02 | oval-head sheetmetal screw AM 5 X 12 | | 2 | | | | | | | |

| | | | | | | | | | | | |
|-------|------|----|----|--------------|--------------|-----|-------|------------|---------|-----|---------|
| Model | Year | MG | SG | Illustration | Restrictions | UPD | 20:37 | 22.01.2010 | PORSCHE | PET | PORSCHE |
| 911 | 1973 | 8 | 07 | 807-07 | | 248 | | | | | |



| Pos | Part Number | Description | Remark | Qty | Model |
|-----|----------------|-----------------------------------------------|--------|-----|-------|
| | | interior equipment roof | | | TARGA |
| 1 | 901 565 017 46 | interior lining | | 1 | |
| 2 | 911 565 157 40 | bleeding | /L | 1 | |
| (2) | 911 565 158 40 | bleeding | /R | 1 | |
| 3 | 999 591 010 12 | washer | | 4 | |
| 4 | 900 145 032 02 | rais. counters. h. tap. s. B 3,5 X 13 | | 4 | |
| 5 | 901 565 513 42 | padding | | 2 | |
| (6) | 901 555 901 40 | lining complete for windscreen frame | | 1 | |
| 7 | 901 552 870 40 | coat hook | | 2 | |
| 8 | N 013 968 7 | tapping screw B4,8 X 13 | | 2 | |

| | | | | | | | | | | | |
|-------|------|----|----|--------------|--------------|-----|-------|------------|---------|-----|---------|
| Model | Year | MG | SG | Illustration | Restrictions | UPD | 20:38 | 22.01.2010 | PORSCHE | PET | PORSCHE |
| 911 | 1973 | 8 | 07 | 807-10 | | 248 | | | | | |



| Pos | Part Number | Description | Remark | Qty | Model |
|-----|----------------|----------------------------------------------------------------------------------------------------|-----------|-----|-------------|
| | | interior equipment doors | | | |
| (1) | 901 555 031 02 | door panel complete with leatherette cover indicate colour for cars without power windows electric | /LL/L -71 | 1 | COUPE+TARGA |
| (1) | 901 555 031 31 | door panel complete with leatherette cover indicate colour for cars with power windows electric | /LL/L -70 | 1 | COUPE |
| (1) | 901 555 031 04 | door panel complete with leatherette cover indicate colour for cars without power windows electric | /RL/L -71 | 1 | COUPE |
| (1) | 901 555 031 70 | door panel complete with leather cover indicate colour | /LL/L -71 | 1 | COUPE+TARGA |
| (1) | 901 555 031 72 | door panel complete with leather cover indicate colour | /RL/L -71 | 1 | COUPE |
| 1 | 901 555 032 02 | door panel complete with leatherette cover indicate colour for cars without power windows electric | /LL/R -71 | 1 | COUPE+TARGA |

| | | | | | | | | | | | |
|-------|------|----|----|--------------|--------------|-----|-------|------------|---------|-----|---------|
| Model | Year | MG | SG | Illustration | Restrictions | UPD | 20:38 | 22.01.2010 | PORSCHE | PET | PORSCHE |
| 911 | 1973 | 8 | 07 | 807-10 | | 248 | | | | | |

| Pos | Part Number | Description | Remark | Qty | Model | Pos | Part Number | Description | Remark | Qty | Model |
|-----|----------------|----------------------------------------------------------------------------------------------------|-----------|-----|-------------|-----|----------------|-------------------------------------------------------------------------------------------------|-----------|-----|-------|
| 1 | 901 555 032 31 | door panel complete with leatherette cover indicate colour for cars with power windows electric | /LL/R -70 | 1 | COUPE | (1) | 911 555 027 02 | door panel complete with leatherette cover indicate colour for cars with power windows electric | /LL/L 73- | 1 | COUPE |
| 1 | 901 555 032 04 | door panel complete with leatherette cover indicate colour for cars without power windows electric | /RL/R -71 | 1 | COUPE | 1 | 901 555 028 00 | door panel complete with leatherette cover indicate colour for cars with power windows electric | /LL/R 71 | 1 | COUPE |
| 1 | 901 555 032 70 | door panel complete with leather cover indicate colour | /LL/R -71 | 1 | COUPE+TARGA | 1 | 911 555 028 00 | door panel complete with leatherette cover indicate colour for cars with power windows electric | /LL/R 72 | 1 | COUPE |
| 1 | 901 555 032 72 | door panel complete with leather cover indicate colour | /RL/R -71 | 1 | COUPE | 1 | 911 555 028 02 | door panel complete with leatherette cover indicate colour for cars with power windows electric | /LL/R 73- | 1 | COUPE |
| (1) | 901 555 027 00 | door panel complete with leatherette cover indicate colour for cars with power windows electric | /LL/L 71 | 1 | COUPE | (1) | 901 555 027 10 | door panel complete with leatherette cover indicate colour for cars with power windows electric | /RL/L 71 | 1 | COUPE |
| (1) | 911 555 027 00 | door panel complete with leatherette cover indicate colour for cars with power windows electric | /LL/L 72 | 1 | COUPE | | | | | | |

| | | | | | | | | | | | |
|-------|------|----|----|--------------|--------------|-----|-------|------------|---------|-----|---------|
| Model | Year | MG | SG | Illustration | Restrictions | UPD | 20:38 | 22.01.2010 | PORSCHE | PET | PORSCHE |
| 911 | 1973 | 8 | 07 | 807-10 | | 248 | | | | | |

| Pos | Part Number | Description | Remark | Qty | Model | Pos | Part Number | Description | Remark | Qty | Model | | |
|-----|----------------|-------------------------------------------------------------------------------------------------|--------|-----|-------|-------|-------------|----------------|---------------------------------------------------------------------------------------------|-------|-------|---|-------|
| (1) | 911 555 027 10 | door panel complete with leatherette cover indicate colour for cars with power windows electric | /RL/L | 72 | 1 | COUPE | (1) | 901 555 027 70 | door panel complete with leather cover indicate colour for cars with power windows electric | /LL/L | 71 | 1 | COUPE |
| (1) | 911 555 027 11 | door panel complete with leatherette cover indicate colour for cars with power windows electric | /RL/L | 73- | 1 | COUPE | (1) | 911 555 027 70 | door panel complete with leather cover indicate colour for cars with power windows electric | /LL/L | 72- | 1 | COUPE |
| 1 | 901 555 028 10 | door panel complete with leatherette cover indicate colour for cars with power windows electric | /RL/R | 71 | 1 | COUPE | 1 | 901 555 028 70 | door panel complete with leather cover indicate colour for cars with power windows electric | /LL/R | 71 | 1 | COUPE |
| 1 | 911 555 028 10 | door panel complete with leatherette cover indicate colour for cars with power windows electric | /RL/R | 72 | 1 | COUPE | 1 | 911 555 028 70 | door panel complete with leather cover indicate colour for cars with power windows electric | /LL/R | 72- | 1 | COUPE |
| 1 | 911 555 028 11 | door panel complete with leatherette cover indicate colour for cars with power windows electric | /RL/R | 73- | 1 | COUPE | (1) | 901 555 027 72 | door panel complete with leather cover indicate colour for cars with power windows electric | /RL/L | 71 | 1 | COUPE |

| | | | | | | | | | | | |
|-------|------|----|----|--------------|--------------|-----|-------|------------|---------|-----|---------|
| Model | Year | MG | SG | Illustration | Restrictions | UPD | 20:38 | 22.01.2010 | PORSCHE | PET | PORSCHE |
| 911 | 1973 | 8 | 07 | 807-10 | | 248 | | | | | |

| Pos | Part Number | Description | Remark | Qty | Model | Pos | Part Number | Description | Remark | Qty | Model |
|-----|----------------|----------------------------------------------------------------------------------------------------|-----------|-----|-------------|-----|----------------|----------------------------------------------------------------------------------------------------|-----------|-----|-------------|
| (1) | 911 555 027 72 | door panel complete with leather cover indicate colour for cars with power windows electric | /RL/L 72- | 1 | COUPE | 1 | 911 555 032 02 | door panel complete with leatherette cover indicate colour for cars without power windows electric | /LL/R 72 | 1 | |
| 1 | 901 555 028 72 | door panel complete with leather cover indicate colour for cars with power windows electric | /RL/R 71 | 1 | COUPE | 1 | 911 555 032 03 | door panel complete with leatherette cover indicate colour for cars without power windows electric | /LL/R 73- | 1 | |
| 1 | 911 555 028 72 | door panel complete with leather cover indicate colour for cars with power windows electric | /RL/R 72- | 1 | COUPE | 1 | 911 555 032 00 | door panel complete with leatherette cover black | /R 72- | 1 | CARRERA 2.7 |
| (1) | 911 555 031 02 | door panel complete with leatherette cover indicate colour for cars without power windows electric | /LL/L 72 | 1 | | (1) | 911 555 031 04 | door panel complete with leatherette cover indicate colour for cars without power windows electric | /RL/L 72 | 1 | COUPE |
| (1) | 911 555 031 03 | door panel complete with leatherette cover indicate colour for cars without power windows electric | /LL/L 73- | 1 | | (1) | 911 555 031 05 | door panel complete with leatherette cover indicate colour for cars without power windows electric | /RL/L 73- | 1 | COUPE |
| (1) | 911 555 031 00 | door panel complete with leatherette cover black | /L 72- | 1 | CARRERA 2.7 | 1 | 911 555 032 04 | door panel complete with leatherette cover indicate colour for cars without power windows electric | /RL/R 72 | 1 | COUPE |

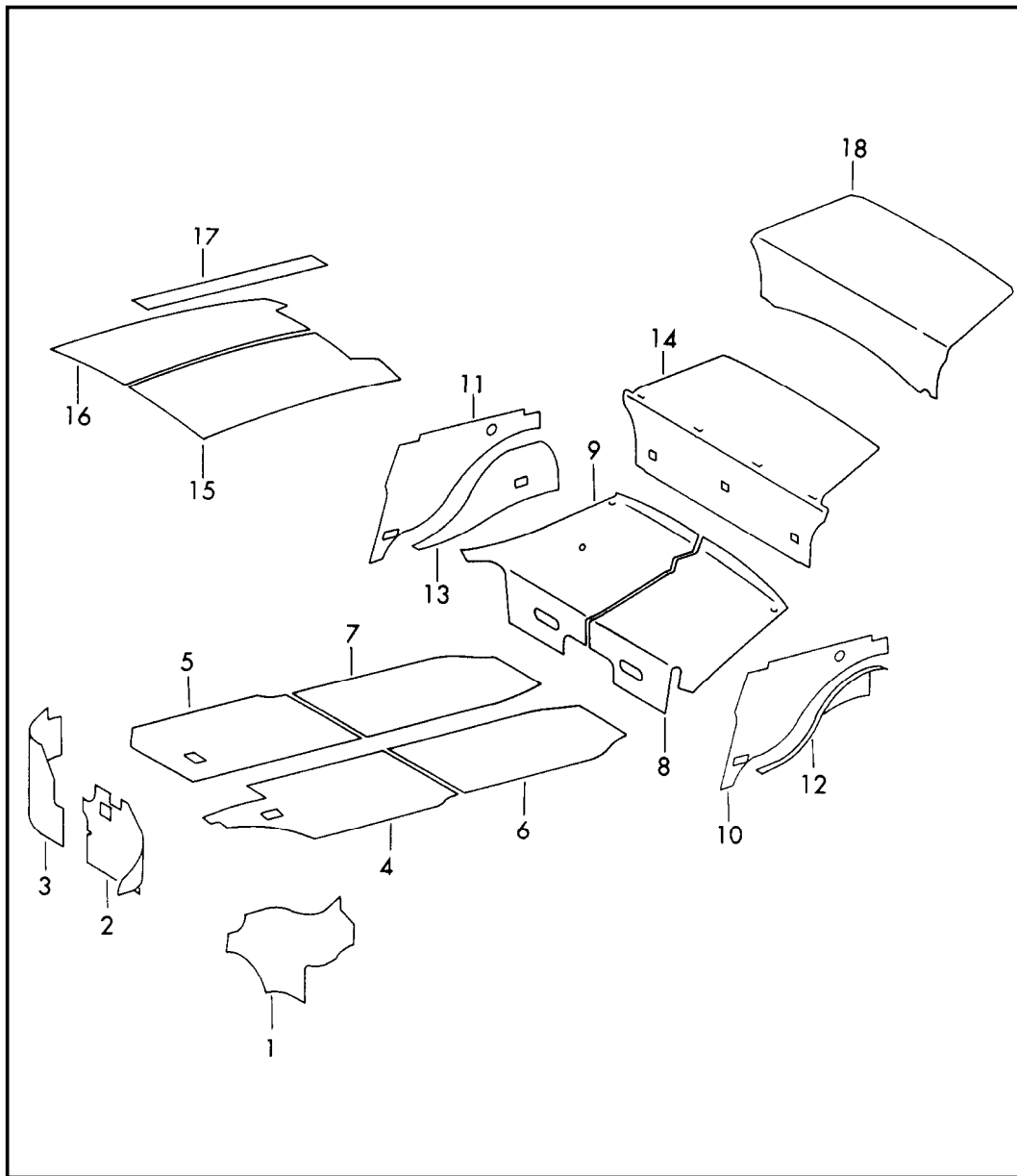
| | | | | | | | | | | | |
|-------|------|----|----|--------------|--------------|-----|-------|------------|---------|-----|---------|
| Model | Year | MG | SG | Illustration | Restrictions | UPD | 20:38 | 22.01.2010 | PORSCHE | PET | PORSCHE |
| 911 | 1973 | 8 | 07 | 807-10 | | 248 | | | | | |

| Pos | Part Number | Description | Remark | Qty | Model | Pos | Part Number | Description | Remark | Qty | Model |
|-----|----------------|----------------------------------------------------------------------------------------------------|-----------|-----|-------|------|----------------|---------------------------------------|----------|-----|-------|
| 1 | 911 555 032 05 | door panel complete with leatherette cover indicate colour for cars without power windows electric | /RL/R 73- | 1 | COUPE | (4) | 901 555 083 00 | cover strip complete with cover | /LL/RL/L | 1 | COUPE |
| (1) | 911 555 031 70 | door panel complete with leather cover indicate colour for cars without power windows electric | /LL/L 72- | 1 | COUPE | (4) | 901 555 083 00 | cover strip complete with cover | /LL/L | 1 | TARGA |
| 1 | 911 555 032 70 | door panel complete with leather cover indicate colour for cars without power windows electric | /LL/R 72- | 1 | | 4 | 901 555 084 00 | cover strip complete with cover | /LL/RL/R | 1 | COUPE |
| (1) | 911 555 031 72 | door panel complete with leather cover indicate colour for cars without power windows electric | /RL/L 72- | 1 | COUPE | 4 | 901 555 084 00 | cover strip complete with cover | /LL/R | 1 | TARGA |
| 1 | 911 555 032 72 | door panel complete with leather cover indicate colour for cars without power windows electric | /RL/R 72- | 1 | COUPE | 5 | 900 145 041 00 | rais. counters. h. tap. s. B 3,5 X 16 | | 2 | |
| 2 | 999 591 311 40 | bush | | 10 | | 6 | 999 591 102 12 | washer | | 2 | |
| 3 | 823 867 299 | clip | | 10 | | 7 | N 013 958 7 | tapping screw B 3,5 X 13 | | 2 | |
| | | | | | | 8 | 999 703 077 40 | cap | | 2 | |
| | | | | | | (9) | 901 531 073 00 | interior handle | /L | 1 | |
| | | | | | | 9 | 901 531 074 00 | interior handle | /R | 1 | |
| | | | | | | 10 | 901 531 066 00 | joint | | 2 | |
| | | | | | | 11 | N 012 130 2 | shake-proof washer A 5,3 | | 4 | |
| | | | | | | 12 | N 010 225 4 | hexagon-head bolt M 5.8 | | 4 | |
| | | | | | | (13) | 901 555 041 25 | M 5 X 8 armrest without handle | /LL/L | 1 | |
| | | | | | | (13) | 901 555 041 23 | armrest with handle | /RL/L | 1 | COUPE |
| | | | | | | 13 | 901 555 042 23 | armrest with handle | /LL/R | 1 | |

| | | | | | | | | | | | |
|-------|------|----|----|--------------|--------------|-----|-------|------------|---------|-----|---------|
| Model | Year | MG | SG | Illustration | Restrictions | UPD | 20:38 | 22.01.2010 | PORSCHE | PET | PORSCHE |
| 911 | 1973 | 8 | 07 | 807-10 | | 248 | | | | | |

| Pos | Part Number | Description | Remark | Qty | Model | Pos | Part Number | Description | Remark | Qty | Model |
|------|----------------|--------------------------------------------|--------|-----|-------------|------|----------------|----------------------------------------------|--------|-----|-------------|
| 13 | 901 555 042 25 | armrest without handle | /RL/R | 1 | COUPE | 22 | N 013 954 2 | oval-head sheetmetal screw B 2,9 X 13 | | 4 | |
| - | 911 531 317 00 | traction noose | 72- | X | CARRERA 2.7 | 23 | 900 147 011 02 | countersunk-head screw M 4 X 10 chrome | | 8 | |
| - | 900 190 021 03 | tubular rivet A5 X 10 X 9 | | X | CARRERA 2.7 | 24 | 900 189 009 02 | half-round screw M 6 X 15 | | 2 | |
| - | 901 531 067 00 | handle | 72- | X | CARRERA 2.7 | 25 | 900 028 008 01 | spring washer B 6 | | 2 | |
| - | 900 148 012 11 | rais. counters. h. tap. s. AM5 X 15 | 72- | X | CARRERA 2.7 | 26 | 900 076 010 02 | hexagon nut M 6 | | 2 | |
| - | N 014 761 2 | pan-head screw M6 X 12 M 6 X 12 | 72- | X | CARRERA 2.7 | (27) | 901 555 037 21 | flap control box | /L | 1 | |
| - | 900 151 006 09 | washer B6,4 | 72- | X | CARRERA 2.7 | 27 | 901 555 038 21 | flap control box | /R | 1 | |
| - | 999 591 010 12 | washer \$ 3,5 | 72- | X | CARRERA 2.7 | - | 911 555 319 00 | edge protection | 72- | X | CARRERA 2.7 |
| - | 900 145 032 02 | rais. counters. h. tap. s. B3,5 X 13 | 72- | X | CARRERA 2.7 | 28 | 901 555 409 00 | bolt | | 2 | |
| 14 | N 012 007 2 | lock ring A 6 | | 8 | | 29 | 999 025 112 40 | washer 8,4 | | 2 | |
| 15 | N 014 761 2 | pan-head screw M 6 X 12 M 6 X 12 | | 6 | | 30 | 900 096 003 40 | cap nut M 8 | | 2 | |
| 15 | N 014 765 2 | pan-head screw M 6 X 10 | | 2 | | 31 | 900 147 011 02 | countersunk-head screw M 4 X 10 chrome | | 8 | |
| (16) | 901 555 087 00 | support | /L | 1 | | | | | | | |
| 16 | 901 555 088 00 | support | /R | 1 | | | | | | | |
| 17 | N 012 007 2 | lock ring A 6 | | 2 | | | | | | | |
| 18 | 900 067 011 02 | pan-head screw M 6 X 20 | | 2 | | | | | | | |
| 19 | 999 911 158 50 | rubber strap | | X | | | | | | | |
| 20 | 901 555 419 00 | rubber holder | | 4 | | | | | | | |
| (21) | 901 555 015 00 | bag | /L | 1 | | | | | | | |
| 21 | 901 555 016 00 | bag | /R | 1 | | | | | | | |

| | | | | | | | | | | | |
|-------|------|----|----|--------------|--------------|-----|-------|------------|---------|-----|---------|
| Model | Year | MG | SG | Illustration | Restrictions | UPD | 20:38 | 22.01.2010 | PORSCHE | PET | PORSCHE |
| 911 | 1973 | 8 | 07 | 807-50 | | 248 | | | | | |

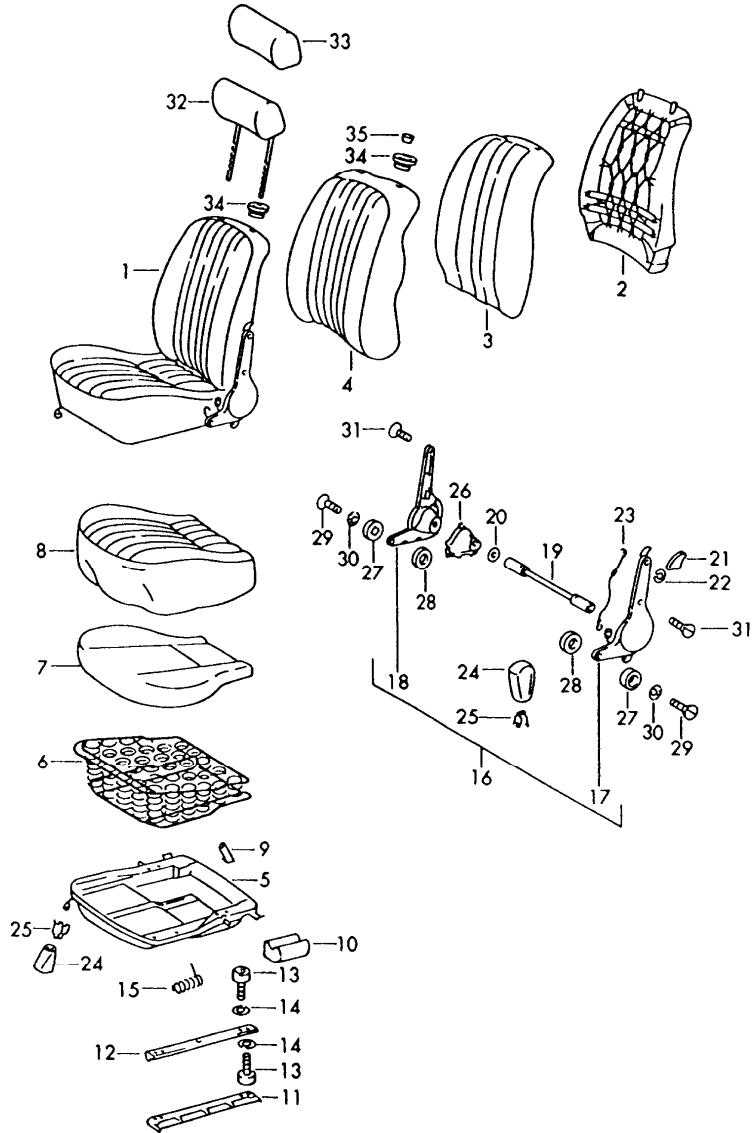


| Pos | Part Number | Description | Remark | Qty | Model |
|------|----------------|-----------------------------------------------------|---------|-----|---------|
| | | body insulation | | | |
| 1 | 911 556 902 00 | damping mat | /V/L | 1 | COUPE |
| (1) | 911 556 902 00 | damping mat | /LL/V/L | 1 | TARGA |
| 2 | 911 556 902 00 | damping mat | /LL/R | 1 | COUPE |
| (2) | 911 556 902 00 | damping mat | /LL/R | 1 | TARGA |
| 2-3 | 911 556 902 00 | damping mat for cross panel and wheel-housing liner | /RL/R | 1 | COUPE |
| 3 | 911 556 902 00 | damping mat | /V/R | 1 | COUPE |
| (3) | 911 556 902 00 | damping mat | /LL/V/R | 1 | TARGA |
| 4 | 911 556 902 00 | damping mat not for sportomatic | /V/L | 1 | COUPE |
| (4) | 911 556 902 00 | damping mat | /RL/V/L | 1 | COUPE |
| (4) | 911 556 902 00 | damping mat | /LL/V/L | 1 | TARGA |
| 5 | 911 556 902 00 | damping mat | /LL/V/R | 1 | |
| (5) | 911 556 902 00 | damping mat | /RL/V/R | 1 | |
| (5) | 911 556 902 00 | damping mat | /LL/V/R | 1 | TARGA |
| 6 | 911 556 902 00 | damping mat | /H/L | 1 | |
| 7 | 911 556 902 00 | damping mat | /H/R | 1 | |
| 8 | 911 556 231 00 | damping mat | /L | -71 | 1 COUPE |
| (8) | 911 556 231 40 | damping mat | /LL/L | -71 | 1 TARGA |
| (8) | 911 556 231 01 | damping mat | /L | 72- | 1 |
| 9 | 911 556 232 00 | damping mat | /R | -71 | 1 COUPE |
| (9) | 911 556 232 40 | damping mat | /LL/R | -71 | 1 TARGA |
| (9) | 911 556 232 01 | damping mat | /R | 72- | 1 |
| 0-13 | 999 913 006 00 | damping mat | | * | |
| SB0 | 999 913 006 00 | sound absorber upper left | -71 | 1 | COUPE |

| | | | | | | | | | | | |
|-------|------|----|----|--------------|--------------|-----|-------|------------|---------|-----|---------|
| Model | Year | MG | SG | Illustration | Restrictions | UPD | 20:38 | 22.01.2010 | PORSCHE | PET | PORSCHE |
| 911 | 1973 | 8 | 07 | 807-50 | | 248 | | | | | |

| Pos | Part Number | Description | Remark | Qty | Model | Pos | Part Number | Description | Remark | Qty | Model | | |
|------|----------------|----------------------------|--------|-----|-------|-------|-------------|----------------|------------------|-------|-------|-------|-------|
| (10) | 911 556 235 40 | damping mat upper left | /LL | -71 | 1 | TARGA | 15 | 911 556 023 01 | damping mat roof | /L | 1 | COUPE | |
| (10) | 999 913 006 00 | sound absorber upper left | | 72- | 1 | COUPE | 16 | 911 556 023 01 | damping mat roof | /R | 1 | COUPE | |
| (10) | 999 913 006 00 | sound absorber upper left | | 72- | 1 | TARGA | 17 | 911 556 248 00 | damping strip | | 4 | COUPE | |
| 11 | 999 913 006 00 | sound absorber upper right | | -71 | 1 | COUPE | 18 | 902 556 891 21 | damping mat | /V | -71 | 1 | COUPE |
| (11) | 999 913 006 00 | sound absorber upper right | /LL | -71 | 1 | TARGA | (18) | 902 556 891 41 | damping mat | /LL/V | -71 | 1 | TARGA |
| (11) | 999 913 006 00 | sound absorber upper right | | 72- | 1 | COUPE | (18) | 911 556 891 01 | damping mat | /V | 72- | 1 | |
| (11) | 999 913 006 00 | sound absorber upper right | | 72- | 1 | TARGA | | | | | | | |
| 12 | 999 913 006 00 | sound absorber lower | /L | -71 | 1 | COUPE | | | | | | | |
| (12) | 999 913 006 00 | sound absorber lower | /LL/L | -71 | 1 | TARGA | | | | | | | |
| (12) | 999 913 006 00 | sound absorber lower | /L | 72- | 1 | COUPE | | | | | | | |
| (12) | 999 913 006 00 | sound absorber lower | /L | 72- | 1 | TARGA | | | | | | | |
| 13 | 999 913 006 00 | sound absorber lower | /R | -71 | 1 | COUPE | | | | | | | |
| (13) | 999 913 006 00 | sound absorber lower | /LL/R | -71 | 1 | TARGA | | | | | | | |
| (13) | 999 913 006 00 | sound absorber lower | /R | 72- | 1 | COUPE | | | | | | | |
| (13) | 999 913 006 00 | sound absorber lower | /R | 72- | 1 | TARGA | | | | | | | |
| 14 | 911 556 239 00 | damping mat | | -71 | 1 | COUPE | | | | | | | |
| (14) | 911 556 239 40 | damping mat | /LL | -71 | 1 | TARGA | | | | | | | |
| (14) | 911 556 239 01 | damping mat | | -72 | 1 | COUPE | | | | | | | |
| (14) | 911 556 239 02 | damping mat | | 73- | 1 | COUPE | | | | | | | |
| (14) | 911 556 239 41 | damping mat | | -72 | 1 | TARGA | | | | | | | |
| (14) | 911 556 239 06 | damping mat | | 73- | 1 | TARGA | | | | | | | |

| | | | | | | | | | | | |
|-------|------|----|----|--------------|--------------|-----|-------|------------|---------|-----|---------|
| Model | Year | MG | SG | Illustration | Restrictions | UPD | 20:38 | 22.01.2010 | PORSCHE | PET | PORSCHE |
| 911 | 1973 | 8 | 08 | 808-00 | | 248 | | | | | |



| Pos | Part Number | Description | Remark | Qty | Model |
|-----|----------------|---------------------------------------------------------------------|-----------|-----|-------|
| | | front seat | | | |
| (1) | 911 521 003 00 | front seat complete with locking device leatherette indicate colour | /L -71 | 1 | |
| (1) | 911 521 003 50 | front seat complete with locking device leather indicate colour | /L -71 | 1 | |
| 1 | 911 521 002 00 | front seat complete with locking device leatherette indicate colour | /LL/R -71 | 1 | |
| (1) | 911 521 002 50 | front seat complete with locking device leather indicate colour | /LL/R -71 | 1 | |
| (1) | 911 521 003 02 | front seat complete with locking device leatherette indicate colour | /L 72 | 1 | |
| (1) | 911 521 003 15 | front seat complete with locking device leatherette indicate colour | /L 73- | 1 | |
| (1) | 911 521 075 00 | front seat complete with locking device leather indicate colour | /L 72 | 1 | |
| (1) | 911 521 075 15 | front seat complete with locking device leather indicate colour | /L 73- | 1 | |
| (1) | 911 521 002 02 | front seat complete with locking device leatherette indicate colour | /R 72 | 1 | |

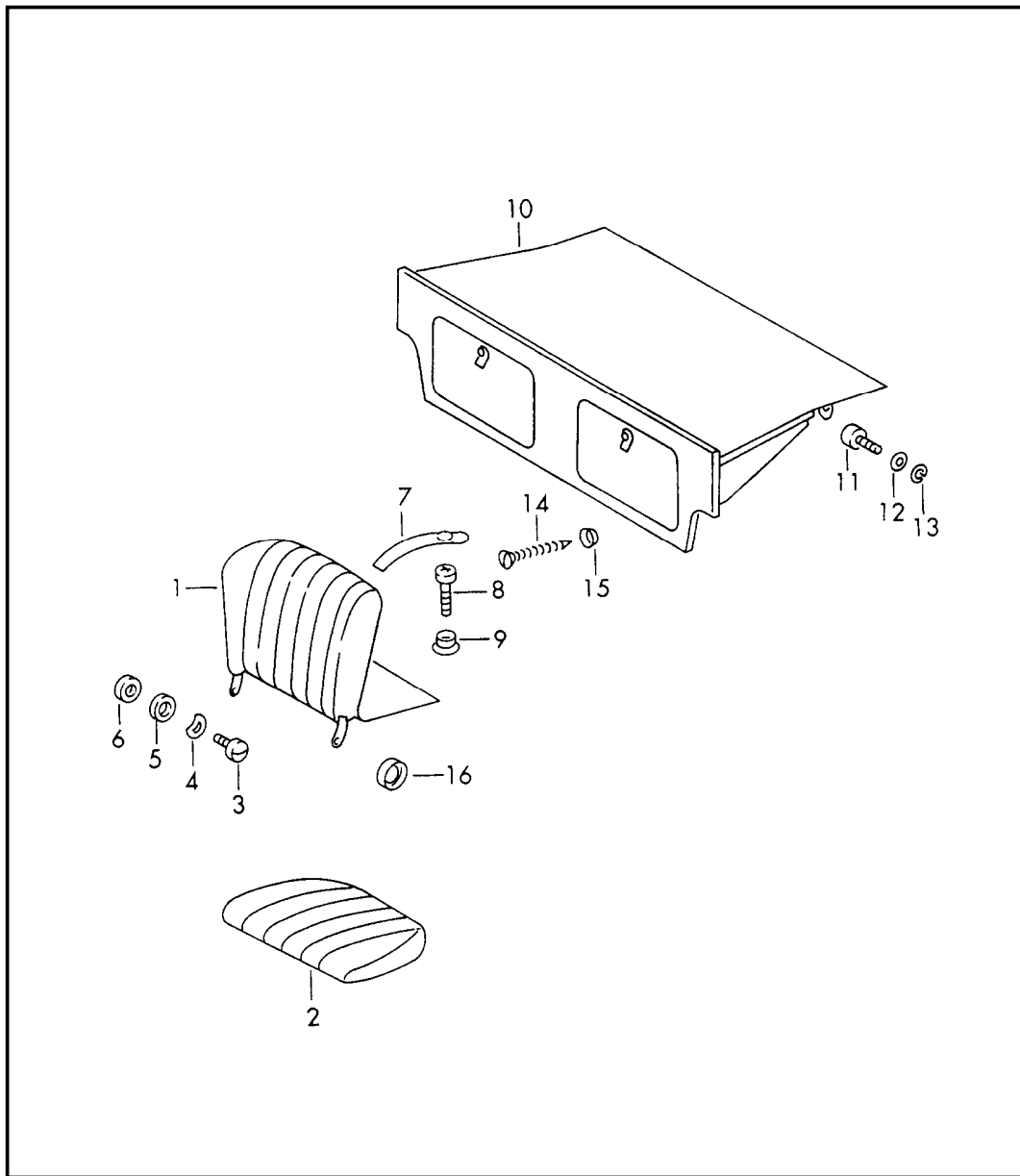
| | | | | | | | | | | | |
|-------|------|----|----|--------------|--------------|-----|-------|------------|---------|-----|---------|
| Model | Year | MG | SG | Illustration | Restrictions | UPD | 20:38 | 22.01.2010 | PORSCHE | PET | PORSCHE |
| 911 | 1973 | 8 | 08 | 808-00 | | 248 | | | | | |

| Pos | Part Number | Description | Remark | Qty | Model | Pos | Part Number | Description | Remark | Qty | Model |
|-----|----------------|---------------------------------------------------------------------|--------|-----|-------|------|----------------|----------------------------------------|--------|-----|-------|
| (1) | 911 521 002 15 | front seat complete with locking device leatherette indicate colour | /R | 73- | 1 | 6 | 901 521 041 22 | inner spring complete | -72 | 2 | |
| (1) | 911 521 076 00 | front seat complete with locking device leather indicate colour | /R | 72 | 1 | 6 | 911 521 165 00 | inner spring complete | 73- | 2 | |
| (1) | 911 521 076 15 | front seat complete with locking device leather indicate colour | /R | 73- | 1 | 7 | 901 521 501 22 | padding | -72 | 2 | |
| 2 | 911 521 027 00 | backrest frame complete | | | 2 | 7 | 911 521 167 00 | padding | 73- | 2 | |
| 3 | 901 521 505 22 | padding for backrest | | -72 | 2 | 8 | 901 521 047 23 | seat cover leatherette indicate colour | -72 | 2 | |
| (3) | 911 521 135 00 | padding for backrest | | 73- | 2 | 8 | 911 521 037 02 | seat cover leatherette indicate colour | 73- | 2 | |
| 4 | 901 521 049 23 | backrest cover leatherette indicate colour | | -72 | 2 | 8 | 901 521 047 72 | seat cover leather indicate colour | -72 | 2 | |
| 4 | 911 521 143 00 | backrest cover leatherette indicate colour | | 73- | 2 | 8 | 911 521 037 70 | seat cover leather indicate colour | 73- | 2 | |
| (4) | 901 521 049 71 | backrest cover leather indicate colour | | -72 | 2 | 9 | 901 521 043 00 | fastening angle | /L | 2 | |
| (4) | 911 521 143 70 | backrest cover leather indicate colour | | 73- | 2 | (9) | 901 521 044 00 | fastening angle | /R | 2 | |
| (5) | 901 521 009 25 | seat frame complete | /L | -72 | 1 | 10 | 901 521 191 00 | rubber support | /L | 2 | |
| (5) | 911 521 069 00 | seat frame complete | | 73- | 1 | (10) | 901 521 192 00 | rubber support | /R | 2 | |
| 5 | 901 521 010 25 | seat frame complete | /R | -72 | 1 | 11 | 901 521 016 00 | seat rail support | -72 | 2 | |
| 5 | 911 521 070 00 | seat frame complete | | 73- | 1 | 11 | 911 521 051 01 | seat rail support | 73- | 2 | |
| | | | | | | 12 | 911 521 030 00 | guide rail complete | | 4 | |
| | | | | | | 13 | 900 119 042 02 | pan-head screw M 6X15 | | 28 | |
| | | | | | | 14 | N 012 026 3 | lock ring 6 | | 28 | |
| | | | | | | - | 900 151 006 09 | washer | | 12 | |
| | | | | | | 15 | 901 521 333 00 | spring | /L | -72 | 1 |
| | | | | | | 15 | 911 521 161 00 | spring | /L | 73- | 1 |
| | | | | | | (15) | 901 521 334 00 | spring | /R | -72 | 1 |
| | | | | | | (15) | 911 521 161 00 | spring | /R | 73- | 1 |

| | | | | | | | | | | | |
|-------|------|----|----|--------------|--------------|-----|-------|------------|---------|-----|---------|
| Model | Year | MG | SG | Illustration | Restrictions | UPD | 20:38 | 22.01.2010 | PORSCHE | PET | PORSCHE |
| 911 | 1973 | 8 | 08 | 808-00 | | 248 | | | | | |

| Pos | Part Number | Description | Remark | Qty | Model | Pos | Part Number | Description | Remark | Qty | Model |
|------|----------------|------------------------------------------------------|--------|-----|-------|------|----------------|----------------------------------------------|--------|-----|-------|
| 16 | 911 521 035 00 | reclining seat fitting complete with locking device | /L | 1 | | 25 | 999 591 540 01 | clamp | | 4 | |
| (16) | 911 521 036 00 | reclining seat fitting complete with locking device | /R | 1 | | (26) | 901 521 915 01 | inner part | /L | 2 | |
| 17 | 911 521 041 00 | mounting component with locking device left seat | /L | -71 | 1 | 26 | 901 521 916 01 | inner part | /R | 2 | |
| 17 | 911 521 041 02 | mounting component with locking device left seat | /L | 72- | 1 | 27 | 644 521 741 00 | washer | | 2 | |
| (17) | 911 521 043 00 | mounting component without locking device right seat | /L | -71 | 1 | 28 | 644 521 783 05 | spacer | | 2 | |
| (17) | 911 521 043 02 | mounting component without locking device right seat | /L | 72- | 1 | 29 | 900 148 024 02 | countersunk-head screw AM 6 X 15 | | 2 | |
| 18 | 911 521 044 00 | mounting component without locking device left seat | /R | -71 | 1 | 30 | 900 114 008 01 | shake-proof washer V 6,4 | | 4 | |
| 18 | 911 521 044 02 | mounting component without locking device left seat | /R | 72- | 1 | 31 | 900 148 015 02 | countersunk-head screw AM6 X 20 | | 12 | |
| (18) | 911 521 042 00 | mounting component with locking device right seat | /R | -71 | 1 | 32 | 911 521 086 00 | head rest leatherette indicate colour | | 2 | |
| (18) | 911 521 042 02 | mounting component with locking device right seat | /R | 72- | 1 | 32 | 901 521 086 05 | head rest leather indicate colour | | 2 | |
| 19 | 911 521 045 02 | connecting rod | | 2 | | 33 | 901 521 801 00 | cover ribbed velvet | | 2 | |
| 20 | 900 031 011 40 | washer 6,4 | | 2 | | 34 | 901 521 193 00 | rosette standard indicate colour | -72 | 4 | |
| 21 | 911 521 201 00 | locking cam | /L | 1 | | 34 | 911 521 145 00 | rosette standard indicate colour | 73- | 4 | |
| (21) | 911 521 202 00 | locking cam | /R | 1 | | (34) | 901 521 811 00 | rosette \$ 36 MM repair seat indicate colour | | 4 | |
| 22 | 999 041 511 01 | seeger retaining ring H 17-1 | | 2 | | - | 901 521 812 00 | washer for 901.521.811.00 | | 4 | |
| 23 | 911 521 210 00 | cable 305 MM | | 2 | | 35 | 901 521 195 00 | cap indicate colour | -72 | 4 | |
| 24 | 911 521 163 00 | handle | | 4 | | 35 | 911 521 147 00 | cap indicate colour | 73- | 4 | |

| | | | | | | | | | | | |
|-------|------|----|----|--------------|--------------|-----|-------|------------|---------|-----|---------|
| Model | Year | MG | SG | Illustration | Restrictions | UPD | 20:38 | 22.01.2010 | PORSCHE | PET | PORSCHE |
| 911 | 1973 | 8 | 08 | 808-05 | | 248 | | | | | |



| Pos | Part Number | Description | Remark | Qty | Model |
|-----|----------------|---------------------------------------------------------------------------------|--------|-----|-------------|
| | | back seat | | | |
| (1) | 901 522 005 22 | back seat backrest complete with velour carpet indicate colour | /L -71 | 1 | |
| 1 | 902 522 005 22 | back seat backrest complete with cover and perlon velour carpet complete | /L -71 | 1 | |
| 1 | 901 522 005 42 | back seat backrest complete with cover and velour carpet indicate colour | /L -71 | 1 | |
| 1 | 902 522 005 42 | back seat backrest complete with cover and perlon velour carpet indicate colour | /L -71 | 1 | |
| 1 | 911 522 005 00 | back seat backrest complete with cover and velour carpet indicate colour | /L 71 | 1 | 911 S/COUPE |
| 1 | 901 522 006 22 | back seat backrest complete with cover and velour carpet indicate colour | /R -71 | 1 | |

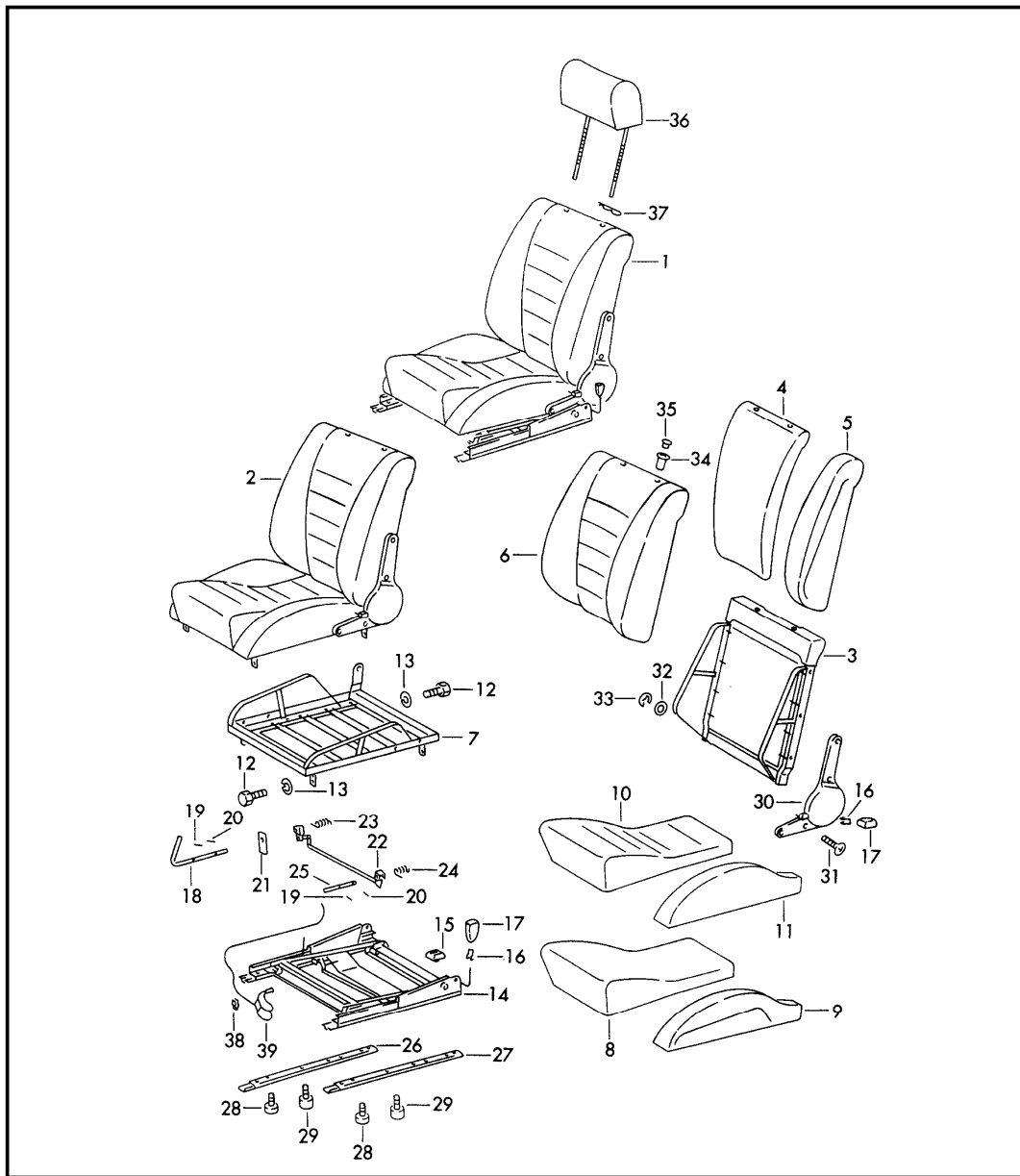
| | | | | | | | | | | | |
|-------|------|----|----|--------------|--------------|-----|-------|------------|---------|-----|---------|
| Model | Year | MG | SG | Illustration | Restrictions | UPD | 20:38 | 22.01.2010 | PORSCHE | PET | PORSCHE |
| 911 | 1973 | 8 | 08 | 808-05 | | 248 | | | | | |

| Pos | Part Number | Description | Remark | Qty | Model | Pos | Part Number | Description | Remark | Qty | Model |
|-----|----------------|------------------------------------------------------------------------------------------------|--------|-----|-------|-----|----------------|------------------------------------------------------------------------------------------------|--------|-----|-------|
| 1 | 902 522 006 22 | back seat backrest complete with cover and perlon velour carpet indicate colour | /R | -71 | 1 | 1 | 911 522 005 02 | back seat backrest back seat backrest complete with cover and velour indicate colour | /L | 72 | 1 |
| 1 | 901 522 006 42 | back seat backrest complete with cover and velour carpet indicate colour | /R | -71 | 1 | 1 | 911 522 005 05 | back seat backrest back seat backrest complete with cover and velour indicate colour | /L | 73- | 1 |
| 1 | 902 522 006 42 | back seat backrest complete with cover and perlon velour carpet indicate colour | /R | -71 | 1 | 1 | 911 522 008 00 | back seat backrest back seat backrest complete with cover perlon velour velour indicate colour | /R | 72 | 1 |
| 1 | 911 522 006 00 | back seat backrest complete with cover and velour indicate colour | /R | 71 | 1 | 1 | 911 522 008 02 | back seat backrest back seat backrest complete with cover perlon velour velour indicate colour | /R | 73- | 1 |
| 1 | 911 522 007 00 | back seat backrest back seat backrest complete with cover perlon velour velour indicate colour | /L | 72 | 1 | 1 | 911 522 006 02 | back seat backrest back seat backrest complete with cover and velour indicate colour | /R | 72 | 1 |
| 1 | 911 522 007 02 | back seat backrest back seat backrest complete with cover perlon velour velour indicate colour | /L | 73- | 1 | 1 | 911 522 006 05 | back seat backrest back seat backrest complete with cover and velour indicate colour | /R | 73- | 1 |
| | | | | | | 2 | 911 522 051 00 | back seat cushion complete indicate colour | /L | 72 | 1 |

| | | | | | | | | | | | |
|-------|------|----|----|--------------|--------------|-----|-------|------------|---------|-----|---------|
| Model | Year | MG | SG | Illustration | Restrictions | UPD | 20:38 | 22.01.2010 | PORSCHE | PET | PORSCHE |
| 911 | 1973 | 8 | 08 | 808-05 | | 248 | | | | | |

| Pos | Part Number | Description | Remark | Qty | Model | Pos | Part Number | Description | Remark | Qty | Model |
|-----|----------------|--------------------------------------------------|--------|-----|-------|-------------|-------------|-------------|--------|-----|-------|
| 2 | 911 522 051 01 | back seat cushion complete indicate colour | /L | 73- | 1 | | | | | | |
| (2) | 911 522 052 00 | back seat cushion complete indicate colour | /R | 72 | 1 | | | | | | |
| (2) | 911 522 052 01 | back seat cushion complete indicate colour | /R | 73- | 1 | | | | | | |
| - | 901 521 011 60 | seat support | | 72- | 4 | CARRERA 2.7 | | | | | |

| | | | | | | | | | | | |
|-------|------|----|----|--------------|--------------|-----|-------|------------|---------|-----|---------|
| Model | Year | MG | SG | Illustration | Restrictions | UPD | 20:38 | 22.01.2010 | PORSCHE | PET | PORSCHE |
| 911 | 1973 | 8 | 08 | 808-10 | | 248 | | | | | |



| Pos | Part Number | Description | Remark | Qty | Model |
|-----|----------------|-------------------------------------------------------------------------|--------|-----|---------------|
| 1 | 911 521 007 00 | sports seat complete with bracket cover and indicate colour | /L | 71 | 1 |
| (1) | 911 521 008 00 | sports seat complete with bracket cover and indicate colour | /R | 71 | 1 |
| - | 911 521 903 01 | bucket seat | :M | 72- | X CARRERA 2.7 |
| (1) | 911 521 007 15 | sports seat complete with bracket leatherette cover and indicate colour | /L | 72- | 1 |
| (1) | 911 521 081 15 | sports seat complete with bracket leather cover and indicate colour | /L | 73- | 1 |
| (1) | 911 521 008 15 | sports seat complete with bracket leatherette cover and indicate colour | /R | 72- | 1 |
| (1) | 911 521 082 15 | sports seat complete with bracket leather cover and indicate colour | /R | 73- | 1 |

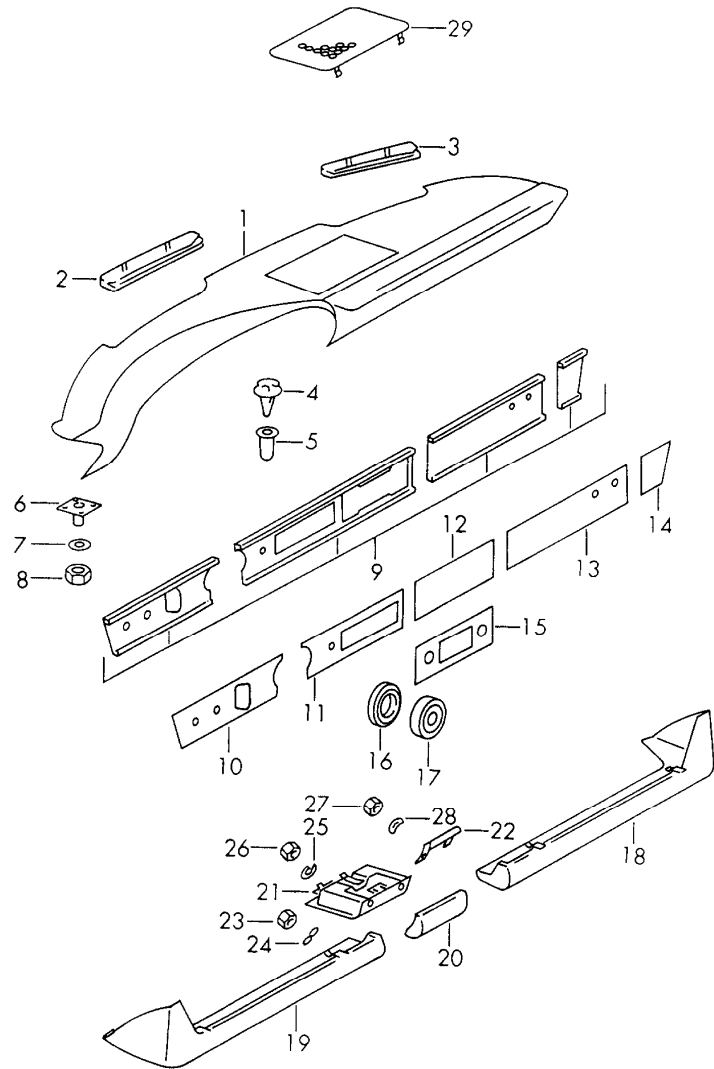
| | | | | | | | | | | | |
|-------|------|----|----|--------------|--------------|-----|-------|------------|---------|-----|---------|
| Model | Year | MG | SG | Illustration | Restrictions | UPD | 20:38 | 22.01.2010 | PORSCHE | PET | PORSCHE |
| 911 | 1973 | 8 | 08 | 808-10 | | 248 | | | | | |

| Pos | Part Number | Description | Remark | Qty | Model | Pos | Part Number | Description | Remark | Qty | Model |
|-----|----------------|----------------------------------------------------------------|--------|-----|-------|------|----------------|----------------------------|----------|-----|-------|
| (2) | 911 521 021 00 | sports seat complete without bracket cover and indicate colour | /L -71 | 1 | | (11) | 911 521 074 00 | seat side bolster cover | /R | 1 | |
| | | | | | | 12 | 900 075 078 02 | hexagon-head bolt M8 X 15 | | X | |
| | | | | | | 13 | 900 027 005 02 | lock ring A8 | | X | |
| 2 | 911 521 021 01 | sports seat complete without bracket cover and indicate colour | /L 72- | 1 | | (14) | 911 521 067 00 | bracket with rail | /L -72 | 1 | |
| | | | | | | (14) | 911 521 067 00 | bracket with rail | /R -72 | 1 | |
| (2) | 911 521 022 00 | sports seat complete without bracket cover and indicate colour | /R -71 | 1 | | 14 | 911 521 481 00 | bracket with rail | /L 73- | 1 | |
| | | | | | | (14) | 911 521 482 00 | bracket with rail | /R 73- | 1 | |
| (2) | 911 521 022 01 | sports seat complete without bracket cover and indicate colour | /R 72- | 1 | | 15 | 911 521 071 00 | rubber support for bracket | | 4 | |
| | | | | | | 16 | 999 591 540 01 | clamp | | 2 | |
| 3 | 911 521 207 00 | backrest frame | /L | 1 | | 17 | 911 521 163 00 | knob | | 2 | |
| (3) | 911 521 208 00 | backrest frame | /R | 1 | | 18 | 911 521 157 01 | lever | /L -72 | 1 | |
| 4 | 911 521 104 00 | backrest cushion | | 1 | | (18) | 911 521 162 00 | lever | /R -72 | 1 | |
| 5 | 911 521 191 00 | backrest side bolster | /L | 1 | | (18) | 911 521 157 03 | lever | /L/R 73- | 2 | |
| (5) | 911 521 192 00 | backrest side bolster | /R | 1 | | 19 | 900 095 004 01 | tensioning sleeve 2,5 X 20 | | X | |
| 6 | 911 521 072 00 | backrest cover | | 1 | | 20 | 900 095 004 01 | tensioning sleeve 2,5 X 12 | | X | |
| 7 | 911 521 203 00 | seat frame | /L | 1 | | 21 | 911 521 158 00 | locking segment | -72 | 2 | |
| (7) | 911 521 204 00 | seat frame | /R | 1 | | 22 | 911 521 483 00 | locking segment linkage | /L 73- | 1 | |
| 8 | 911 521 102 00 | seat cushion | | 1 | | (22) | 911 521 484 00 | locking segment linkage | /R 73- | 1 | |
| 9 | 911 521 189 00 | seat side bolster | /L | 1 | | 23 | 911 521 152 00 | spring | /L/R -72 | 4 | |
| 9 | 911 521 190 00 | seat side bolster | /R | 1 | | 23 | 911 521 152 00 | spring | /R 73- | 2 | |
| 10 | 911 521 197 00 | cover for cushion | | 1 | | 24 | 911 521 152 00 | spring | /L 73- | 2 | |
| 11 | 911 521 073 00 | seat side bolster cover | /L | 1 | | | | | | | |

| | | | | | | | | | | | |
|-------|------|----|----|--------------|--------------|-----|-------|------------|---------|-----|---------|
| Model | Year | MG | SG | Illustration | Restrictions | UPD | 20:38 | 22.01.2010 | PORSCHE | PET | PORSCHE |
| 911 | 1973 | 8 | 08 | 808-10 | | 248 | | | | | |

| Pos | Part Number | Description | Remark | Qty | Model | Pos | Part Number | Description | Remark | Qty | Model |
|------|----------------|--------------------------------------------------------------|--------|-----|-------|-----|----------------|-------------------------|--------|-----|-------|
| 25 | 911 521 327 00 | axle | 73- | 1 | | 37 | 911 521 123 00 | steering knuckle spring | | X | |
| 26 | 911 521 195 00 | seat rail inner seat left | | 1 | | | | | | | |
| (26) | 911 521 196 00 | seat rail inner seat right | | 1 | | | | | | | |
| 27 | 911 521 323 00 | seat rail outer seat left | -72 | 1 | | | | | | | |
| (27) | 911 521 194 00 | seat rail outer seat right | -72 | 1 | | | | | | | |
| (27) | 911 521 323 00 | seat rail outer seat left inner seat right | 73- | 2 | | | | | | | |
| 28 | 900 119 042 02 | pan-head screw M6 X 15 | | 24 | | | | | | | |
| 29 | 911 521 160 00 | screw | | 4 | | | | | | | |
| 30 | 911 521 035 01 | reclining seat fitting | | 1 | | | | | | | |
| (30) | 911 521 036 01 | reclining seat fitting | | 1 | | | | | | | |
| 31 | 911 521 126 00 | countersunk-head screw | | 8 | | | | | | | |
| 32 | 911 521 130 00 | washer | | 2 | | | | | | | |
| 33 | 900 116 006 02 | lock washer 9 | | 2 | | | | | | | |
| 34 | 911 521 205 00 | rosette | | 4 | | | | | | | |
| 35 | 911 521 147 00 | cap | | 4 | | | | | | | |
| 36 | 911 521 086 00 | head rest leatherette indicate colour | | X | | | | | | | |
| (36) | 901 521 086 05 | head rest leather indicate colour | | X | | | | | | | |

| | | | | | | | | | | | |
|-------|------|----|----|--------------|--------------|-----|-------|------------|---------|-----|---------|
| Model | Year | MG | SG | Illustration | Restrictions | UPD | 20:39 | 22.01.2010 | PORSCHE | PET | PORSCHE |
| 911 | 1973 | 8 | 09 | 809-00 | | 248 | | | | | |



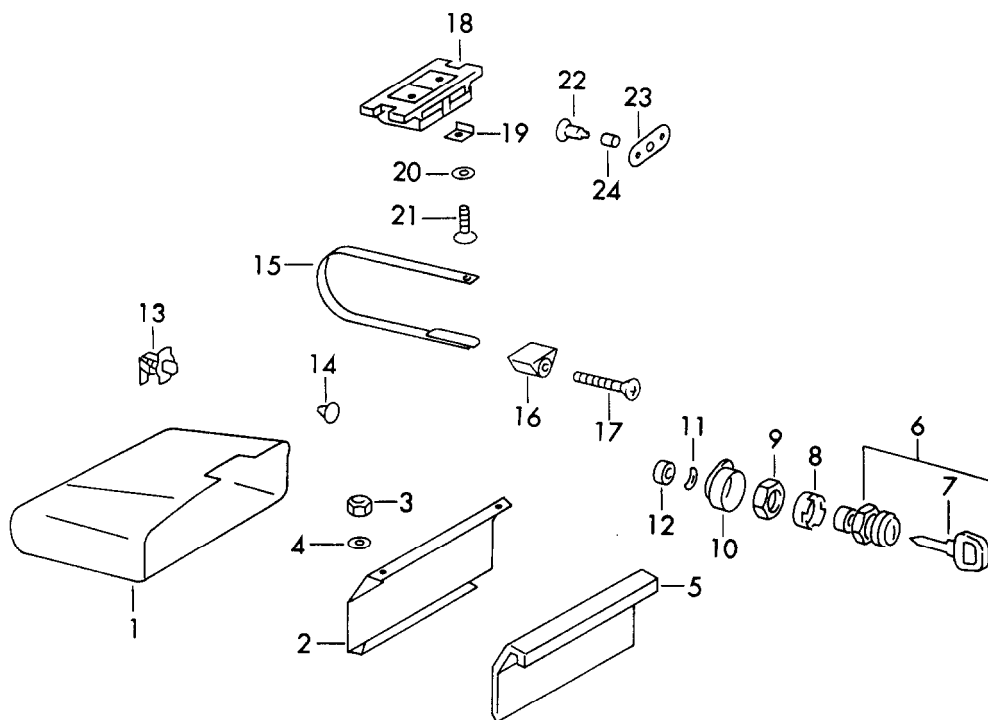
| Pos | Part Number | Description | Remark | Qty | Model |
|-----|----------------|--------------------------------------------|--------|-----|-------------|
| 1 | 911 552 031 00 | dashboard trim with ashtray and trim cover | | 1 | |
| | 709 | black | /LL | 1 | |
| (1) | 911 552 032 00 | dashboard trim | /RL | 1 | |
| - | 911 552 205 00 | lid for clock | | 1 | CARRERA 2.7 |
| - | 911 641 901 00 | rubber ring | | 1 | CARRERA 2.7 |
| 2 | 911 552 409 00 | cover for heating nozzle | /L | 1 | |
| 3 | 911 552 410 00 | cover for heating nozzle | /R | 1 | |
| 4 | 999 591 310 40 | fixing clip | | 7 | |
| 5 | 999 591 311 40 | bush | | 7 | |
| 6 | 999 591 344 02 | latch | | 2 | |
| 7 | N 011 524 7 | washer 6,4 | | 7 | |
| 8 | 900 910 011 02 | lock nut M 6 | | 7 | |
| 9 | 911 552 013 00 | support frame | /LL | 1 | |
| (9) | 901 552 014 00 | cover | /RL | 1 | |
| 10 | 901 552 477 57 | cover | /LL/L | -71 | 1 |
| 10 | 911 552 477 01 | cover | /LL/L | 72- | 1 |
| 10 | 901 552 478 57 | cover | /RL/R | -71 | 1 |
| 10 | 911 552 478 01 | cover | /RL/R | 72- | 1 |
| 11 | 901 552 479 54 | cover | /LL/L | -71 | 1 |
| 11 | 911 552 479 01 | cover | /LL/L | 72- | 1 |
| 11 | 901 552 480 54 | cover | /RL/R | -71 | 1 |
| 11 | 911 552 480 01 | cover | /RL/R | 72- | 1 |

| | | | | | | | | | | | |
|-------|------|----|----|--------------|--------------|-----|-------|------------|---------|-----|---------|
| Model | Year | MG | SG | Illustration | Restrictions | UPD | 20:39 | 22.01.2010 | PORSCHE | PET | PORSCHE |
| 911 | 1973 | 8 | 09 | 809-00 | | 248 | | | | | |

| Pos | Part Number | Description | Remark | Qty | Model | Pos | Part Number | Description | Remark | Qty | Model |
|------|----------------|----------------------------------|--------|-----|-------|-----|----------------|----------------------|--------|-----|-------|
| 12 | 901 552 079 00 | cover | -71 | 1 | | 25 | 900 027 003 01 | lock ring A 5 | | 2 | |
| 12 | 911 552 079 00 | cover | 72- | 1 | | 26 | 900 076 004 02 | hexagon nut M 5 | | 2 | |
| | 708 | black | | | | 27 | 900 070 001 02 | cap nut M 4 | | 2 | |
| 13 | 901 552 488 52 | cover | -71 | 1 | | 28 | 900 028 018 01 | spring washer B 4 | | 2 | |
| 13 | 911 552 488 00 | cover | 72- | 1 | | 29 | 911 552 048 00 | lid | | 1 | |
| (13) | 911 552 215 00 | cover glove compartment cover | 72- | 1 | | | 709 | black | | | |
| 14 | 901 552 593 52 | cover | /RL/L | -71 | 1 | | | | | | |
| 14 | 911 552 593 01 | cover | /RL/L | 72- | 1 | | | | | | |
| (14) | 901 552 594 52 | cover | /LL/R | -71 | 1 | | | | | | |
| (14) | 911 552 594 01 | cover | /LL/R | 72- | 1 | | | | | | |
| (14) | 911 552 213 00 | cover glove compartment cover | /LL/R | 72- | 1 | | | | | | |
| 15 | 901 552 079 01 | cover | /LL | -71 | 1 | | | | | | |
| 15 | 911 552 079 01 | cover | /LL | 72- | 1 | | | | | | |
| | 708 | black | | | | | | | | | |
| (15) | 901 552 080 01 | cover | /RL | -71 | 1 | | | | | | |
| (15) | 911 552 080 01 | cover | /RL | 72- | 1 | | | | | | |
| | 708 | black | | | | | | | | | |
| 16 | 911 347 615 00 | intermediate ring | | 1 | | | | | | | |
| 17 | 911 347 617 00 | trim cover | | 1 | | | | | | | |
| 18 | 901 552 036 27 | knee protection strip | /R | 1 | | | | | | | |
| 19 | 901 552 035 27 | knee protection strip | /L | 1 | | | | | | | |
| 20 | 901 552 050 25 | ashtray handle | | 1 | | | | | | | |
| 21 | 901 552 061 25 | ashtray | | 1 | | | | | | | |
| 22 | 901 552 607 00 | fireproof plate | | 1 | | | | | | | |
| 23 | 900 076 027 02 | hexagon nut M 5 | | 4 | | | | | | | |
| 24 | 900 151 027 02 | washer 5,3 | | 4 | | | | | | | |

| | | | | | | | | | | | |
|-------|------|----|----|--------------|--------------|-----|-------|------------|---------|-----|---------|
| Model | Year | MG | SG | Illustration | Restrictions | UPD | 20:39 | 22.01.2010 | PORSCHE | PET | PORSCHE |
| 911 | 1973 | 8 | 09 | 809-05 | | 248 | | | | | |

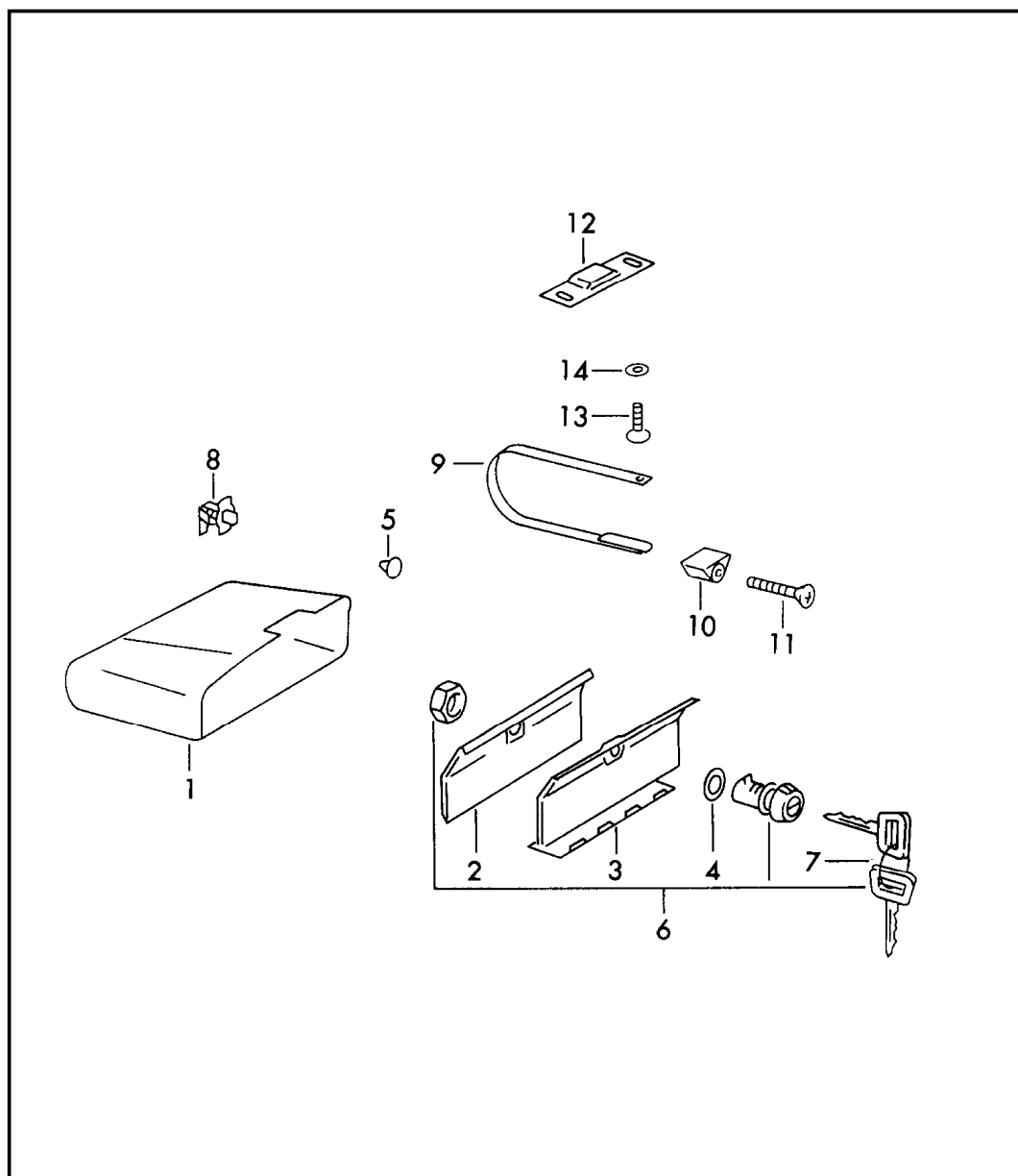
| Pos | Part Number | Description | Remark | Qty | Model |
|-----|----------------|----------------------------------------------------------------------|--------|-----|-------|
| | | glove compartment | -70 | | |
| 1 | 964 552 501 00 | glove compartment | | 1 | |
| 2 | 901 552 010 00 | glove compartment cover | | 1 | |
| 3 | 999 090 002 02 | lock nut | | 2 | |
| 4 | 900 025 003 02 | washer 5,3 | | 2 | |
| 5 | 911 552 057 00 | handle | | 1 | |
| 6 | 911 552 902 01 | glove compartment lock with 2 main key | | 1 | |
| 6 | 911 552 902 02 | glove compartment lock with 2 main key state lock number | | 1 | |
| 7 | 914 531 637 10 | main key state lock number | | 1 | |
| 7 | 914 531 903 10 | blank key | | 1 | |
| 8 | 914 552 526 10 | spacer sleeve | | 1 | |
| 9 | 914 552 557 10 | hexagon nut | | 1 | |
| 10 | 911 552 552 00 | latch | | 1 | |
| 11 | 914 552 559 10 | spring washer | | 1 | |
| 12 | 914 552 558 10 | slotted nut | | 1 | |
| 13 | - | contact switch see group 9/03/00 | | | |
| 14 | 999 702 064 50 | push button | | 2 | |
| 15 | 901 552 531 20 | restraining strap | | 1 | |
| 16 | 914 552 061 00 | clamp | | 1 | |
| 17 | 900 146 010 02 | oval-head screw AM 5 X 30 | | 1 | |
| 18 | 901 552 571 20 | lock | | 1 | |
| 19 | 901 552 575 20 | fastening angle | | 2 | |



| | | | | | | | | | | | |
|-------|------|----|----|--------------|--------------|-----|-------|------------|---------|-----|---------|
| Model | Year | MG | SG | Illustration | Restrictions | UPD | 20:39 | 22.01.2010 | PORSCHE | PET | PORSCHE |
| 911 | 1973 | 8 | 09 | 809-05 | | 248 | | | | | |

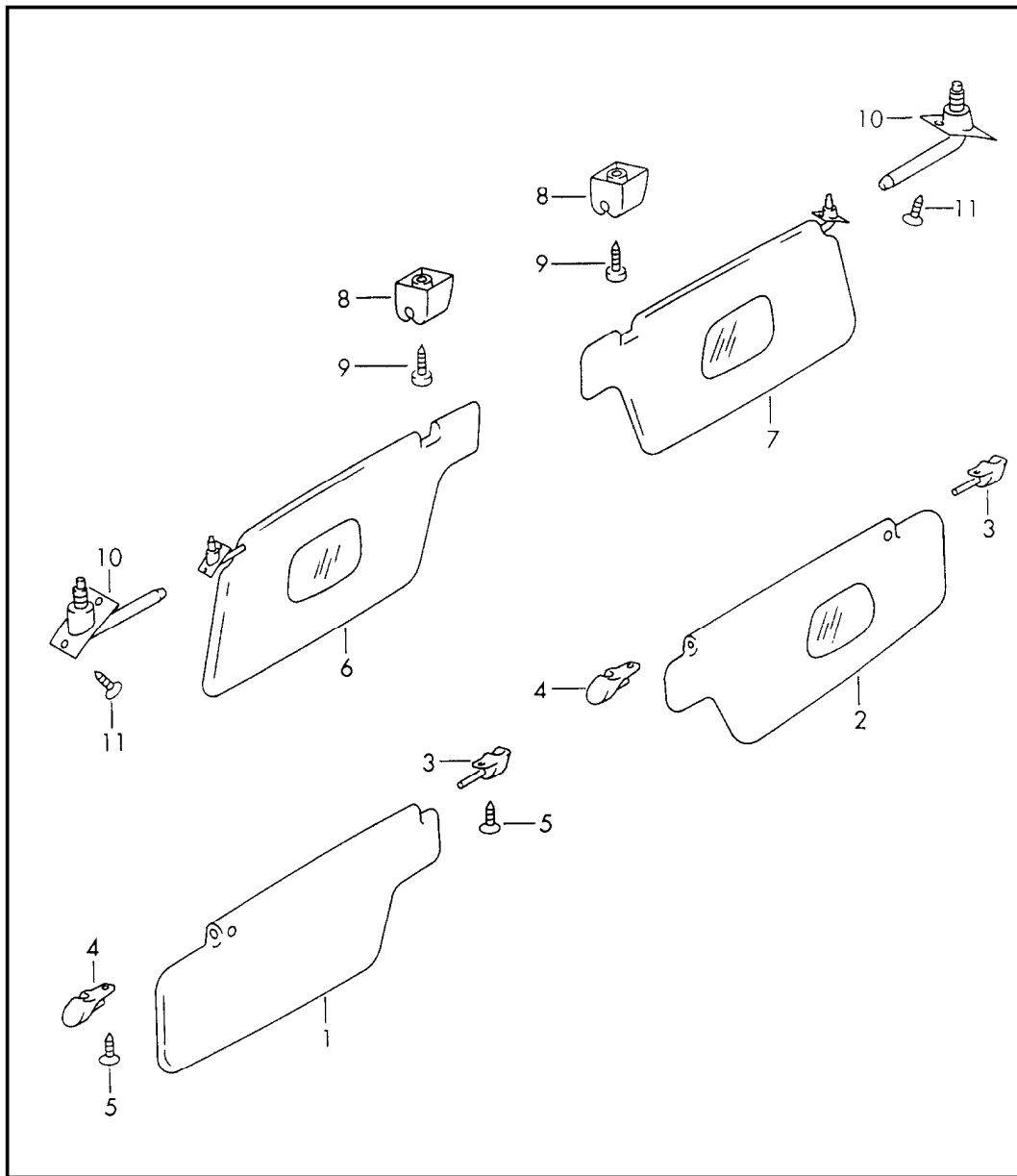
| Pos | Part Number | Description | Remark | Qty | Model | Pos | Part Number | Description | Remark | Qty | Model |
|-----|----------------|----------------------------|--------|-----|-------|-----|-------------|-------------|--------|-----|-------|
| 20 | N 012 225 2 | spring washer B 5 | | 2 | | | | | | | |
| 21 | 900 119 001 02 | pan-head screw M 5 X 12 | | 2 | | | | | | | |
| 22 | 901 552 595 00 | countersunk-head screw | | 1 | | | | | | | |
| 23 | 901 552 573 20 | contact plate | | 1 | | | | | | | |
| 24 | 901 552 535 00 | spacer | | 1 | | | | | | | |

| | | | | | | | | | | | |
|-------|------|----|----|--------------|--------------|-----|-------|------------|---------|-----|---------|
| Model | Year | MG | SG | Illustration | Restrictions | UPD | 20:39 | 22.01.2010 | PORSCHE | PET | PORSCHE |
| 911 | 1973 | 8 | 09 | 809-10 | | 248 | | | | | |



| Pos | Part Number | Description | Remark | Qty | Model |
|-----|----------------|----------------------------------------------------------------------|--------|-----|-------|
| | | glove compartment | 71- | | |
| 1 | 901 552 501 22 | glove compartment | | 1 | |
| 2 | 911 552 057 01 | handle | | 1 | |
| 3 | 911 552 010 01 | glove compartment cover | | 1 | |
| 4 | 911 552 103 01 | washer PVC | | 1 | |
| 5 | 999 703 064 50 | buffer | | 2 | |
| - | 311 611 849 | stopper | | X | |
| 6 | 911 552 902 01 | glove compartment lock with 2 main key | | 1 | |
| 6 | 911 552 902 02 | glove compartment lock with 2 main key state lock number | | 1 | |
| 7 | 914 531 637 10 | main key state lock number | | 1 | |
| 7 | 914 531 903 10 | blank key | | 1 | |
| 8 | - | contact switch see group 9/03/00 | | | |
| 9 | 901 552 531 20 | restraining strap | | 1 | |
| 10 | 914 552 061 00 | clamp | | 1 | |
| 11 | 900 146 010 02 | oval-head screw AM 5 X 30 | | 1 | |
| 12 | 911 552 513 00 | door lock striker | | 1 | |
| 13 | 900 146 005 01 | oval-head screw AM5 X 8 | | 2 | |
| 14 | N 012 225 2 | spring washer B 5 | | 2 | |

| | | | | | | | | | | | |
|-------|------|----|----|--------------|--------------|-----|-------|------------|---------|-----|---------|
| Model | Year | MG | SG | Illustration | Restrictions | UPD | 20:40 | 22.01.2010 | PORSCHE | PET | PORSCHE |
| 911 | 1973 | 8 | 09 | 809-15 | | 248 | | | | | |



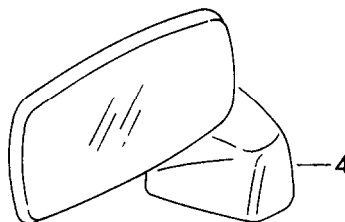
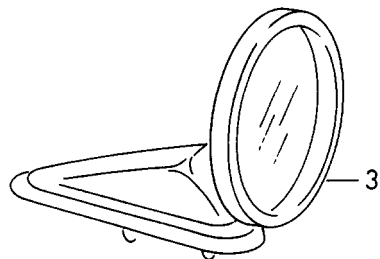
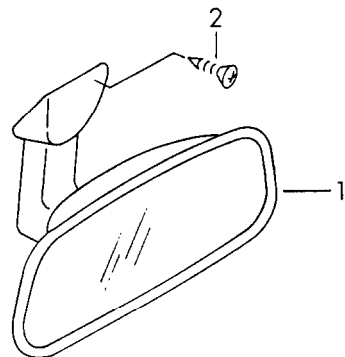
| Pos | Part Number | Description | Remark | Qty | Model |
|-----|----------------|-------------------------------------------|-------------|-----|---------------|
| 1 | 911 731 031 42 | sun visors sun visor without mirror | /LL/L | 1 | TARGA |
| 1 | 911 731 031 45 | sun visor without mirror | /LL/L | 1 | TARGA |
| 1 | 911 731 031 47 | sun visor without mirror | /L (AUS) | 1 | TARGA |
| (2) | 911 731 032 41 | sun visor without mirror | /LL/R | -72 | 1 TARGA |
| (2) | 911 731 032 46 | sun visor without mirror | /R | 73- | 1 TARGA |
| (2) | 911 731 032 47 | sun visor without mirror | /R (AUS) | | 1 |
| 2 | 911 731 032 42 | sun visor with mirror | /LL/R | -72 | 1 |
| 2 | 911 731 032 45 | sun visor with mirror | /LL/R | 73- | 1 |
| 3 | 911 731 324 40 | bearing | /R | | 2 |
| 4 | 911 731 323 40 | bearing | /L | | 2 |
| 5 | N 014 093 3 | tapping screw B 4,2 X 13 | | | X |
| 6 | 911 731 031 03 | sun visor with mirror | /RL/L | -72 | 1 COUPE |
| 6 | 911 731 031 07 | sun visor with mirror | /RL/L | 73- | 1 COUPE |
| (6) | 911 731 031 02 | sun visor without mirror | /LL/L | -72 | 1 COUPE |
| (6) | 911 731 031 06 | sun visor without mirror | /LL/L | 73- | 1 COUPE |
| (6) | 911 731 031 08 | sun visor | /L | | 1 CARRERA 2.7 |
| 7 | 911 731 032 02 | sun visor with mirror | /R | -72 | 1 |
| 7 | 911 731 032 06 | sun visor with mirror | /LL/R | 73- | 1 COUPE |
| (7) | 911 731 032 03 | sun visor without mirror | /LL/R | -72 | 1 COUPE |

| | | | | | | | | | | | |
|-------|------|----|----|--------------|--------------|-----|-------|------------|---------|-----|---------|
| Model | Year | MG | SG | Illustration | Restrictions | UPD | 20:40 | 22.01.2010 | PORSCHE | PET | PORSCHE |
| 911 | 1973 | 8 | 09 | 809-15 | | 248 | | | | | |

| Pos | Part Number | Description | Remark | Qty | Model | Pos | Part Number | Description | Remark | Qty | Model |
|-----|----------------|------------------------------------------|--------|-----|--------------|-----|-------------|-------------|--------|-----|-------|
| (7) | 911 731 032 07 | sun visor without mirror | /R 73- | 1 | COUPE | | | | | | |
| 8 | 911 731 331 00 | support | | 2 | COUPE | | | | | | |
| 9 | 900 143 005 02 | oval-head sheetmetal screw B 3,9 X 13 | | 2 | COUPE | | | | | | |
| 10 | 911 731 320 00 | bearing | | 2 | COUPE | | | | | | |
| 11 | N 014 093 3 | tapping screw B 4,2 X 13 | | 4 | COUPE 911 | | | | | | |

| | | | | | | | | | | | |
|-------|------|----|----|--------------|--------------|-----|-------|------------|---------|-----|---------|
| Model | Year | MG | SG | Illustration | Restrictions | UPD | 20:41 | 22.01.2010 | PORSCHE | PET | PORSCHE |
| 911 | 1973 | 8 | 09 | 809-20 | | 248 | | | | | |

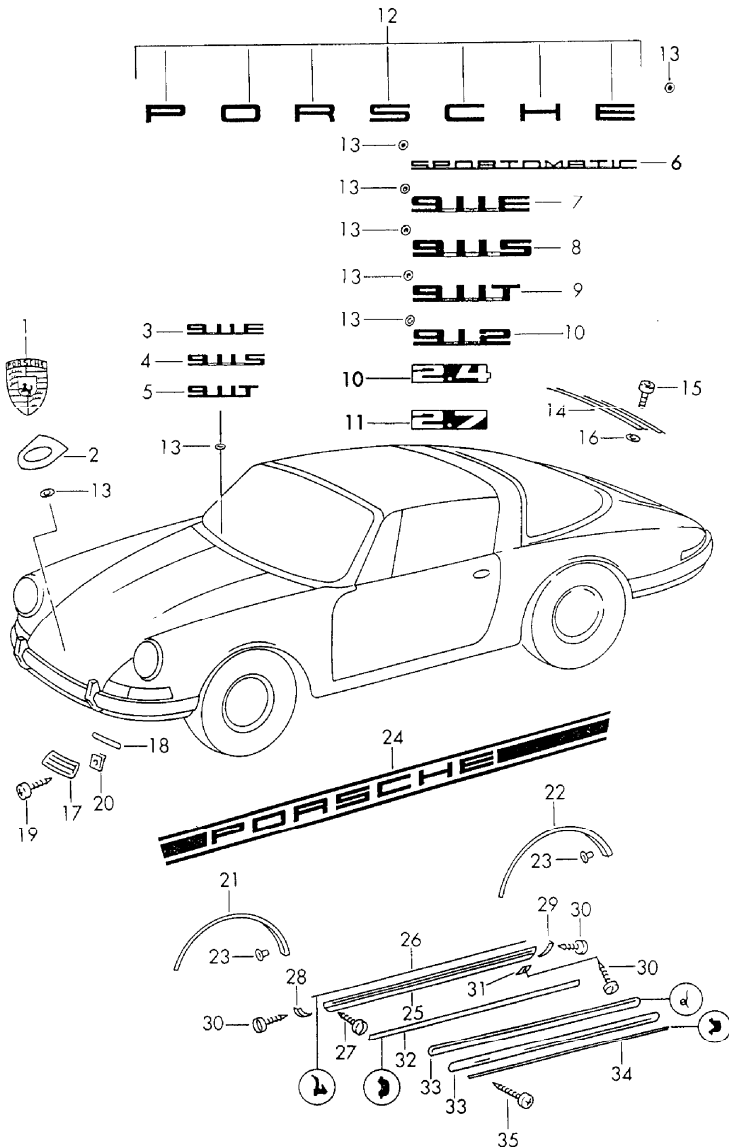
| Pos | Part Number | Description | Remark | Qty | Model |
|-----|----------------|-----------------------------------------------|--------|-----|-------|
| | | interior mirror and door mirror | | | |
| 1 | 914 731 014 11 | interior mirror | -70 | 1 | |
| 1 | 914 731 014 11 | interior mirror | 71- | 1 | |
| - | 901 731 133 20 | adhesive plate for interior mirror | | 1 | |
| - | 901 731 113 00 | plate for interior mirror | | 1 | |
| - | 900 014 098 10 | pan-head screw M 2,6 X 15 for interior mirror | | 1 | |
| - | 999 915 173 00 | terostat ribbon 33 black | | X | |
| 2 | 900 148 012 02 | rais. counters. h. tap. s. AM 5 X 15 | | 3 | |
| (2) | N 013 988 1 | tapping screw B 3,5 X 16 | | 3 | WW |
| 3 | 901 731 111 01 | door mirror plane | | 1 | |
| 3 | 911 731 116 00 | door mirror convex | | 1 | |
| - | 901 731 129 00 | desk pad for door mirror 901.731.111.01 | | 1 | |
| - | 911 731 129 00 | desk pad for door mirror 911.731.116.00 | | 1 | |
| - | 911 731 129 01 | desk pad for door mirror 911.731.116.00 | | 1 | |
| - | 911 731 130 01 | desk pad for door mirror 911.731.116.00 | | 1 | |



| | | | | | | | | | | | |
|-------|------|----|----|--------------|--------------|-----|-------|------------|---------|-----|---------|
| Model | Year | MG | SG | Illustration | Restrictions | UPD | 20:41 | 22.01.2010 | PORSCHE | PET | PORSCHE |
| 911 | 1973 | 8 | 09 | 809-20 | | 248 | | | | | |

| Pos | Part Number | Description | Remark | Qty | Model | Pos | Part Number | Description | Remark | Qty | Model |
|-----|----------------|------------------------------|--------|-----|-------|-----|-------------|-------------|--------|-----|-------|
| 4 | 911 731 013 01 | door mirror with mount | | 1 | | | | | | | |
| - | 911 731 129 00 | desk pad | | 1 | | | | | | | |

| | | | | | | | | | | | |
|-------|------|----|----|--------------|--------------|-----|-------|------------|---------|-----|---------|
| Model | Year | MG | SG | Illustration | Restrictions | UPD | 20:41 | 22.01.2010 | PORSCHE | PET | PORSCHE |
| 911 | 1973 | 8 | 10 | 810-00 | | 248 | | | | | |



| Pos | Part Number | Description | Remark | Qty | Model |
|-----|----------------|-----------------------------------|--------|-----|-------------|
| | | decorative fittings | | | |
| 1 | 901 559 210 20 | lid emblem | | 1 | |
| (1) | 901 559 210 20 | lid emblem | | 1 | CARRERA 2.7 |
| 2 | 901 559 215 20 | desk pad | | 1 | |
| 3 | 901 559 306 20 | logo | -70 | 1 | |
| 4 | 901 559 304 50 | logo | -70 | 1 | |
| 5 | 901 559 315 20 | logo | -70 | 1 | |
| 6 | 901 559 309 00 | logo gold-coloured | -70 | 1 | |
| (6) | 901 559 309 01 | logo chrome | -70 | 1 | |
| 7 | 901 559 325 50 | logo | -71 | 1 | |
| 7 | 901 559 325 21 | logo | 72- | 1 | |
| 8 | 901 559 308 50 | logo | -71 | 1 | |
| 8 | 901 559 308 21 | logo | 72- | 1 | |
| 9 | 901 559 311 50 | logo gold-coloured | -71 | 1 | |
| (9) | 901 559 311 20 | logo chrome | -71 | 1 | |
| (9) | 901 559 311 21 | logo black | 72- | 1 | |
| - | 911 559 317 00 | logo "CARRERA RS" | 72- | 1 | CARRERA 2.7 |
| 10 | 911 559 015 00 | logo for ventilation grille | 72 | 1 | |
| 11 | 911 559 015 01 | logo for ventilation grille | 73- | 1 | CARRERA 2.7 |
| 12 | 901 559 301 22 | logo gold-coloured | -71 | 1 | |
| 12 | 901 559 902 00 | PORSCHE logo chrome | -71 | 1 | |
| 12 | 911 559 901 00 | PORSCHE logo black | 72- | 1 | |

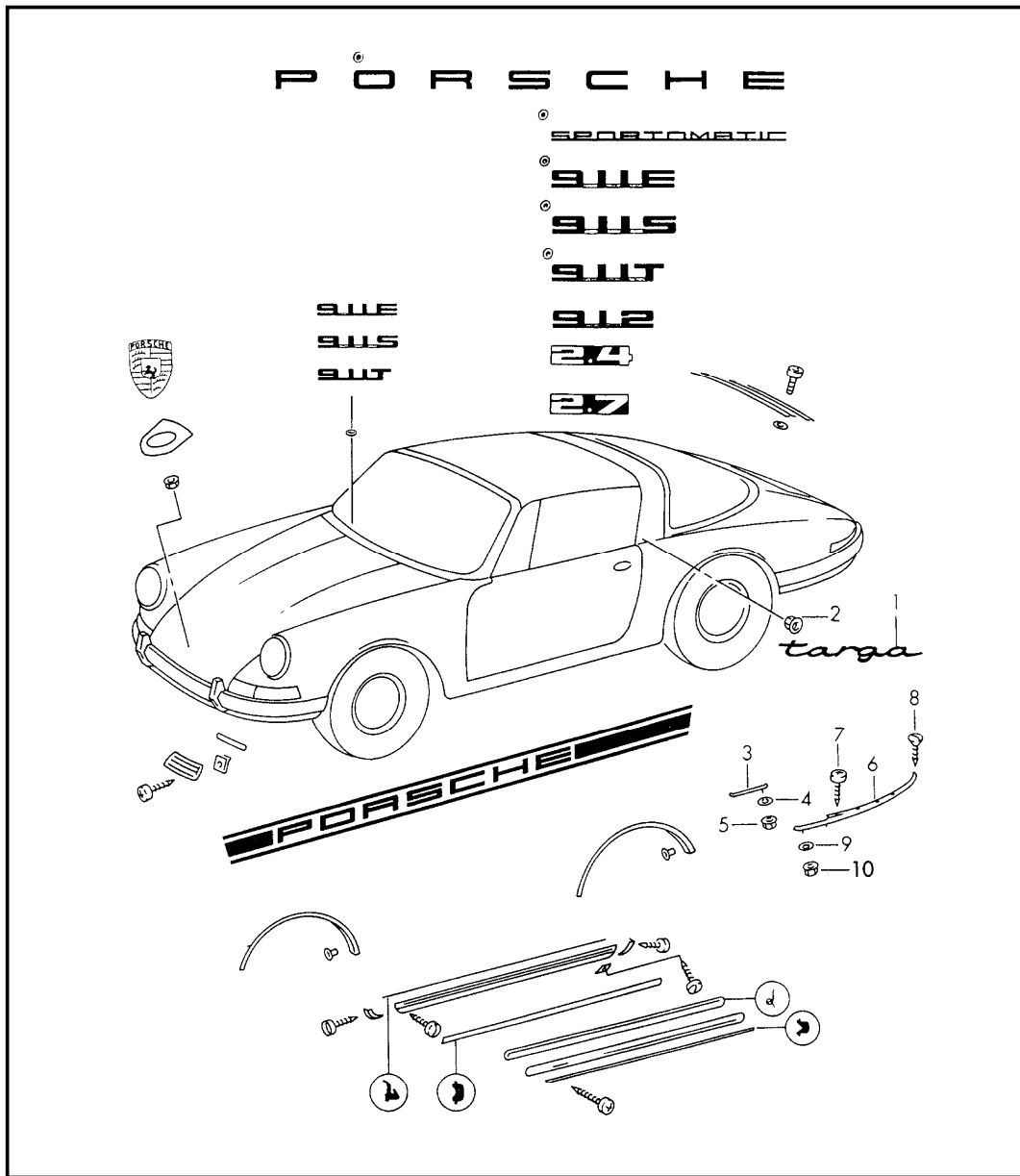
| | | | | | | | | | | | |
|-------|------|----|----|--------------|--------------|-----|-------|------------|---------|-----|---------|
| Model | Year | MG | SG | Illustration | Restrictions | UPD | 20:41 | 22.01.2010 | PORSCHE | PET | PORSCHE |
| 911 | 1973 | 8 | 10 | 810-00 | | 248 | | | | | |

| Pos | Part Number | Description | Remark | Qty | Model | Pos | Part Number | Description | Remark | Qty | Model |
|-----|----------------|-------------------------------------|--------|-----|-------------|------|----------------|-----------------------------------------------------------------------------------------|--------|-----|-------|
| - | 911 559 035 00 | logo blue | 72- | 1 | | 17 | 911 559 431 03 | grille | /L | 73- | 1 |
| - | 911 559 035 01 | logo guards red | 72- | 1 | | (17) | 901 559 431 28 | grille left for cars with additional headlamp and fog headlamp round | | | 1 |
| - | 911 559 035 02 | logo green | 72- | 1 | | | | | | | |
| - | 911 559 035 03 | logo black | 72- | 1 | | (17) | 901 559 432 27 | grille | /R | 70 | 1 |
| - | 911 559 036 00 | logo "CARRERA RS" blue | 72- | 1 | | (17) | 901 559 432 27 | grille it is necessary to rework | /R | -72 | 1 |
| - | 911 559 036 01 | logo "CARRERA RS" guards red | 72- | 1 | | (17) | 911 559 432 03 | grille | /R | 73- | 1 |
| - | 911 559 036 02 | logo "CARRERA RS" green | 72- | 1 | | (17) | 901 559 432 28 | grille right for cars with additional headlamp and fog headlamp round | | | 1 |
| - | 911 559 036 03 | logo "CARRERA RS" black | 72- | 1 | | 18 | 911 559 439 00 | rubber ply | | -71 | 2 |
| 13 | 999 591 423 03 | tapping nut | | 16 | | 18 | 911 559 439 00 | rubber ply | | 72- | 2 |
| 14 | 911 559 041 00 | ventilation grille | -71 | 1 | | 19 | 900 143 041 00 | oval-head sheetmetal screw B 3,9 X 19 | | | 4 |
| 14 | 911 559 041 02 | ventilation grille | 72- | 1 | | 20 | 999 591 338 02 | speed nut | | | 4 |
| 15 | 900 119 036 02 | pan-head screw M 5 X 12 | | 6 | | 21 | 901 559 125 51 | moulding front left | | | X |
| - | 900 151 027 02 | washer A 5,3 | 72- | 6 | | (21) | 901 559 126 51 | moulding front right | | | X |
| - | 911 559 151 00 | base for ventilation grille | 72- | 4 | | 22 | 901 559 127 51 | moulding rear left | | | X |
| 16 | 999 031 084 50 | rubber washer | | 6 | | | | | | | |
| - | 900 076 027 02 | hexagon nut M5 | 72- | X | CARRERA 2.7 | (22) | 901 559 128 51 | moulding rear right | | | X |
| - | N 012 225 2 | spring washer B5 | 72- | X | CARRERA 2.7 | 23 | 999 190 101 30 | rivet | | | X |
| 17 | 901 559 431 27 | grille | /L | 70 | | - | 999 911 160 40 | adhesive tape 4 M | | | * |
| 17 | 901 559 431 27 | grille it is necessary to rework | /L | -72 | | | | | | | |

| | | | | | | | | | | | |
|-------|------|----|----|--------------|--------------|-----|-------|------------|---------|-----|---------|
| Model | Year | MG | SG | Illustration | Restrictions | UPD | 20:41 | 22.01.2010 | PORSCHE | PET | PORSCHE |
| 911 | 1973 | 8 | 10 | 810-00 | | 248 | | | | | |

| Pos | Part Number | Description | Remark | Qty | Model | Pos | Part Number | Description | Remark | Qty | Model |
|------|----------------|-----------------------------------------------------|--------|-----|-------------|------|----------------|------------------------------------------|--------|-----|-------------|
| 24 | 901 559 317 61 | logo left white | | X | | (28) | 901 559 112 50 | end piece | /R/V | 1 | |
| (24) | 901 559 319 61 | logo left black | | X | | 29 | 901 559 113 50 | end piece | /L/H | 1 | |
| (24) | 901 559 318 61 | logo right white | | X | | 29 | 901 559 113 50 | end piece | /L/H | 72- | CARRERA 2.7 |
| (24) | 901 559 320 61 | logo right black | | X | | (29) | 901 559 114 50 | end piece | /R/H | 1 | |
| - | 911 559 034 00 | logo "CARRERA" blue for door sill | 72- | X | CARRERA 2.7 | (29) | 901 559 114 50 | end piece | /R/H | 72- | CARRERA 2.7 |
| - | 911 559 034 01 | logo "CARRERA" guards red for door sill | 72- | X | CARRERA 2.7 | 30 | 900 145 043 00 | rais. counters. h. tap. s. B 3,9 X 13 | | 18 | |
| - | 911 559 034 02 | logo "CARRERA" green for door sill | 72- | X | CARRERA 2.7 | - | 999 911 141 50 | desk pad | | * | |
| - | 911 559 034 03 | logo "CARRERA" black | 72- | X | | 31 | - | 2 M | | X | |
| - | 911 559 034 04 | logo "CARRERA" gold-coloured matte | 72- | X | | 32 | 901 559 106 53 | rubber ply | | 2 | |
| 25 | 901 559 105 53 | moulding | | 2 | | 33 | 901 559 011 22 | moulding | | 2 | |
| (25) | 911 559 105 00 | moulding | /L | 72- | CARRERA 2.7 | 34 | 901 559 101 22 | filler piece | | 2 | |
| (25) | 911 559 106 00 | moulding | /R | 72- | CARRERA 2.7 | 35 | N 013 961 2 | tapping screw | | 10 | |
| - | 999 911 198 40 | rubber | | * | | | | | | | |
| 26 | - | 3 M | | 3 | | | | | | | |
| 27 | N 013 961 2 | tapping screw B 3,9 X 13 | | 14 | | | | | | | |
| 28 | 901 559 111 50 | end piece | /L/V | 1 | | | | | | | |

| | | | | | | | | | | | |
|-------|------|----|----|--------------|--------------|-----|-------|------------|---------|-----|---------|
| Model | Year | MG | SG | Illustration | Restrictions | UPD | 20:41 | 22.01.2010 | PORSCHE | PET | PORSCHE |
| 911 | 1973 | 8 | 10 | 810-05 | | 248 | | | | | |

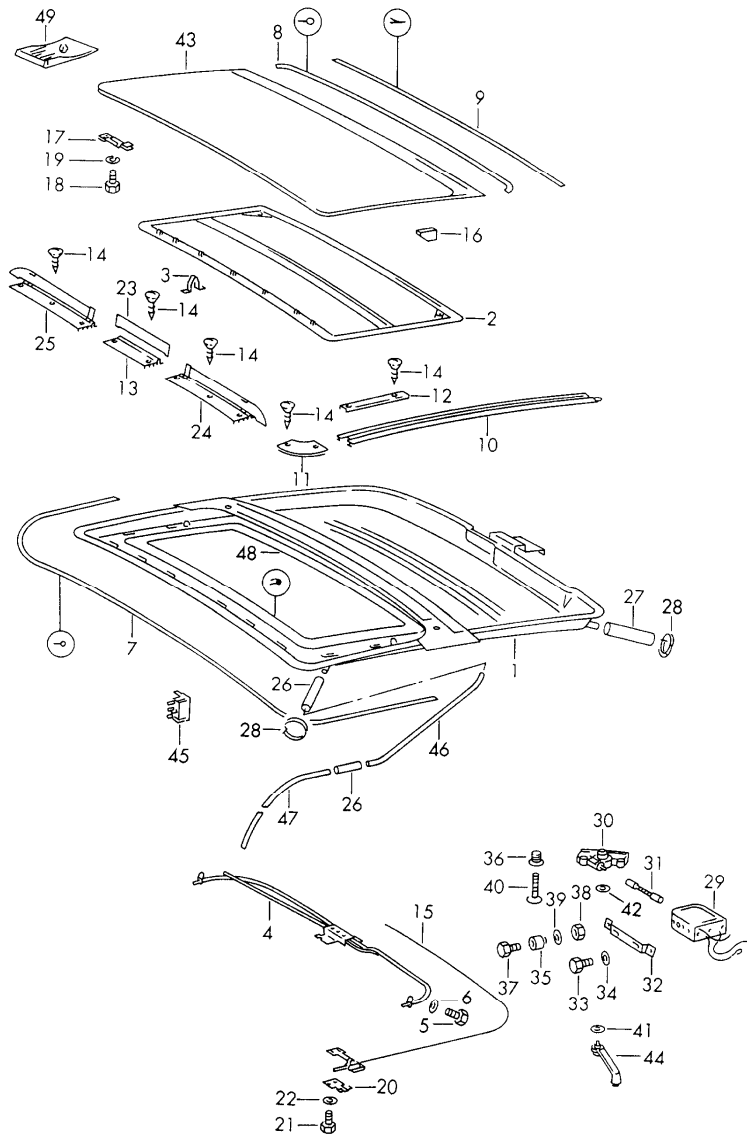


| Pos | Part Number | Description | Remark | Qty | Model |
|-----|----------------|--------------------------------------------------------------------|--------|-----|-------|
| | | decorative fittings | | | TARGA |
| 1 | 901 559 307 40 | logo gold-coloured | | 2 | |
| 1 | 911 559 307 41 | logo black | | 2 | |
| (2) | 999 591 423 03 | tapping nut | | 4 | |
| 3 | 901 565 077 40 | moulding left for cars with convertible top rear wall | 70 | 1 | |
| (3) | 901 565 078 40 | moulding right for cars with convertible top rear wall | 70 | 1 | |
| (4) | 900 151 006 40 | washer B 6,4 | 70 | 4 | |
| 5 | 999 591 340 02 | tapping nut | 70 | 4 | |
| 6 | 911 565 947 40 | moulding left for cars with rear wall washer fixed | | 1 | |
| (6) | 911 565 948 40 | moulding right for cars with rear wall washer fixed | | 1 | |
| - | 901 565 557 40 | pipng for picture 6 | | 2 | |
| - | 901 565 563 40 | stopper | | 2 | |
| 7 | N 013 957 5 | tapping screw B 3,5 X 9,5 | | 8 | |
| 8 | 900 144 009 00 | counters. head tapp. screw 2,9 X 13 | | 2 | |
| 9 | 900 151 006 40 | washer B 6,4 | | 4 | |

| | | | | | | | | | | | |
|-------|------|----|----|--------------|--------------|-----|-------|------------|---------|-----|---------|
| Model | Year | MG | SG | Illustration | Restrictions | UPD | 20:41 | 22.01.2010 | PORSCHE | PET | PORSCHE |
| 911 | 1973 | 8 | 10 | 810-05 | | 248 | | | | | |

| Pos | Part Number | Description | Remark | Qty | Model | Pos | Part Number | Description | Remark | Qty | Model |
|-----|----------------|-------------|--------|-----|-------|-----|-------------|-------------|--------|-----|-------|
| 10 | 999 591 423 03 | tapping nut | | X | | | | | | | |

| | | | | | | | | | | | |
|-------|------|----|----|--------------|--------------|-----|-------|------------|---------|-----|---------|
| Model | Year | MG | SG | Illustration | Restrictions | UPD | 20:41 | 22.01.2010 | PORSCHE | PET | PORSCHE |
| 911 | 1973 | 8 | 11 | 811-00 | | 248 | | | | | |

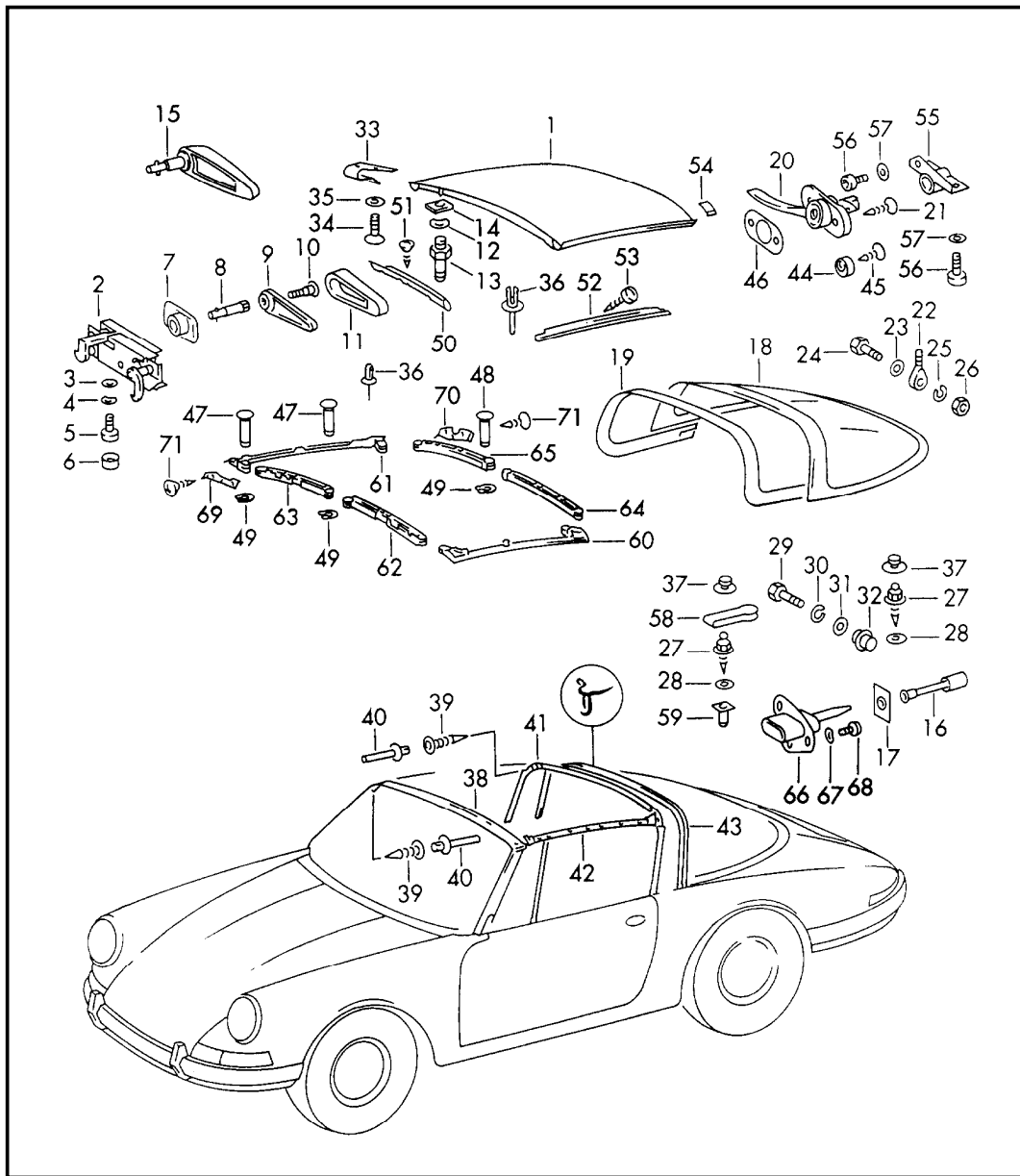


| Pos | Part Number | Description | Remark | Qty | Model |
|------|----------------|---------------------------------------|--------|-----|-------|
| - | 901 564 003 05 | sunroof electric | | | COUPE |
| 1 | 901 564 011 05 | sunroof complete | | 1 | |
| (2) | 901 564 020 06 | frame complete | | 1 | |
| 2 | 901 564 020 07 | roofliner frame bodyshell complete | -71 | 1 | |
| - | 901 564 291 05 | roofliner frame cover indicate colour | 72- | 1 | |
| - | 901 564 291 07 | roofliner frame cover indicate colour | -71 | 1 | |
| 3 | 901 564 299 05 | roofliner frame cover indicate colour | 72- | 1 | |
| 4 | 901 564 031 05 | duct clamp | | 7 | |
| 5 | 901 564 031 05 | pipe holder complete | | 1 | |
| 6 | 900 075 092 02 | hexagon-head bolt M 4 X 10 | | 4 | |
| 7 | N 012 116 1 | serrated lock washer A 4,3 | | 4 | |
| 8 | 911 564 191 00 | velvet strip | | 1 | |
| 9 | 911 564 193 00 | velvet strip | | 1 | |
| 10 | 901 564 905 05 | sealing rubber | /H | 1 | |
| (10) | 901 564 041 05 | guide rail | /L | 1 | |
| (11) | 901 564 042 05 | guide rail | /R | 1 | |
| (11) | 901 564 405 05 | corner piece | /L | 1 | |
| (11) | 901 564 406 05 | corner piece | /R | 1 | |
| 12 | 901 564 407 05 | intermediate piece | | 2 | |
| 13 | 901 564 409 05 | centre piece | | 1 | |
| 14 | 900 145 009 02 | tapping screw B 3,9 X 9,5 | | 16 | |

| | | | | | | | | | | | |
|-------|------|----|----|--------------|--------------|-----|-------|------------|---------|-----|---------|
| Model | Year | MG | SG | Illustration | Restrictions | UPD | 20:41 | 22.01.2010 | PORSCHE | PET | PORSCHE |
| 911 | 1973 | 8 | 11 | 811-00 | | 248 | | | | | |

| Pos | Part Number | Description | Remark | Qty | Model | Pos | Part Number | Description | Remark | Qty | Model |
|------|----------------|------------------------------------|--------|-----|-------|------|----------------|-----------------------------------------|--------|-----|-------|
| 15 | 901 564 043 05 | guide | /H/L | 1 | | 35 | 901 624 511 05 | silentbloc | | 2 | |
| (15) | 901 564 044 05 | guide | /H/R | 1 | | 36 | 901 564 661 05 | screw | | 2 | |
| 16 | 901 564 431 05 | guide shoe | | 2 | | 37 | 900 075 007 02 | hexagon-head bolt M 6 X 6 | | 2 | |
| 17 | 911 564 045 00 | guide | /V | 2 | | 38 | 900 076 010 02 | hexagon nut M 6 | | 2 | |
| - | 911 564 451 00 | tab washer for picture 17 | | 2 | | 39 | 900 115 006 01 | serrated lock washer A 6,4 | | 2 | |
| 18 | 911 564 459 00 | wedge screw | -71 | 4 | | 40 | 900 148 028 02 | rais. counters. h. tap. s. AM 4 X 25 | | 2 | |
| 18 | 911 564 459 00 | wedge screw | 72- | 4 | | 41 | 911 564 643 00 | washer | | 3 | |
| 19 | 900 115 001 01 | serrated lock washer A 5,3 | | 4 | | 42 | 901 564 663 05 | cap | | 1 | |
| 20 | 901 564 451 05 | reinforcement for lid | | 2 | | 43 | 901 564 051 05 | lid for sunroof | | 1 | |
| 21 | 900 075 106 02 | hexagon-head bolt M 4 X 6 | | 4 | | 44 | 901 564 085 05 | crank | | 1 | |
| 22 | N 012 116 1 | serrated lock washer A 4,3 | | 4 | | 45 | 911 613 622 00 | tip switch | | 1 | |
| 23 | 901 564 703 05 | air deflector | | 1 | | 46 | 901 503 581 05 | water drain tube upper left | | 1 | |
| 24 | 901 564 073 05 | cable cover | /L | 1 | | (46) | 901 503 582 05 | water drain tube upper right | | 1 | |
| 25 | 901 564 074 05 | cable cover | /R | 1 | | 47 | 901 503 583 05 | water drain tube lower | /L | 1 | |
| 26 | 911 564 821 01 | water drain hose | /V | 4 | | (47) | 901 503 584 05 | water drain tube lower | /R | 1 | |
| 27 | 911 564 825 00 | water drain hose | /H | 2 | | 48 | 911 564 465 00 | beading | | 1 | |
| 28 | 644 564 925 50 | hose clamp | -70 | 8 | | 49 | 901 564 433 05 | edge protection | | 4 | |
| 28 | 999 512 105 02 | hose clamp | 71- | 8 | | | | | | | |
| 29 | 911 624 016 00 | motor | | 1 | | | | | | | |
| 30 | 911 564 601 00 | transmission | | 1 | | | | | | | |
| 31 | 901 564 615 06 | pliable shaft | | 1 | | | | | | | |
| 32 | 911 624 501 00 | retaining bow | | 1 | | | | | | | |
| 33 | 900 075 010 02 | hexagon-head bolt M 6 X 12 | | 2 | | | | | | | |
| 34 | N 011 524 7 | washer 6,4 | | 2 | | | | | | | |

| | | | | | | | | | | | |
|-------|------|----|----|--------------|--------------|-----|-------|------------|---------|-----|---------|
| Model | Year | MG | SG | Illustration | Restrictions | UPD | 20:41 | 22.01.2010 | PORSCHE | PET | PORSCHE |
| 911 | 1973 | 8 | 11 | 811-05 | | 248 | | | | | |



| Pos | Part Number | Description | Remark | Qty | Model |
|-----|----------------|-------------------------------------------------------------------------------|--------|-----|-------|
| | | roof | | | TARGA |
| 1 | 901 565 002 45 | soft top | -72 | 1 | |
| 1 | 911 565 002 40 | soft top | 73- | 1 | |
| - | 901 565 036 42 | roofliner | -72 | 1 | |
| - | 901 565 036 43 | roofliner | 73- | 1 | |
| - | 901 565 035 40 | outer lining | -72 | 1 | |
| - | 901 565 035 41 | outer lining | 73- | 1 | |
| 2 | 911 565 031 41 | catch | | 2 | |
| 3 | N 011 524 7 | washer 6,4 | | 4 | |
| 4 | 900 028 008 01 | spring washer B 6 | | 4 | |
| 5 | 999 509 006 02 | pan-head screw | | 4 | |
| 6 | 901 565 218 40 | cap | | 4 | |
| 7 | 901 565 299 45 | rosette | -71 | 2 | |
| 8 | 901 565 054 40 | bolt | -71 | 2 | |
| 9 | 901 565 225 40 | handle | -71 | 2 | |
| 10 | 911 542 475 00 | conical screw | -71 | 2 | |
| 11 | 901 565 227 40 | cover handle complete valid from: 1972 see illustrations 15 | -71 | 2 | |
| 12 | N 012 241 1 | spring washer B 8 X 15 | | 2 | |
| 13 | 901 565 216 42 | locating peg | | 2 | |
| 14 | 901 565 203 40 | threaded plate | -70 | 2 | |
| 15 | 911 565 075 41 | handle | 72- | 1 | |
| 16 | 901 565 220 41 | silentbloc bearing | | 2 | |
| 17 | 901 565 361 40 | seal | | 2 | |
| 18 | 901 565 006 41 | rear wall complete | -71 | 1 | |

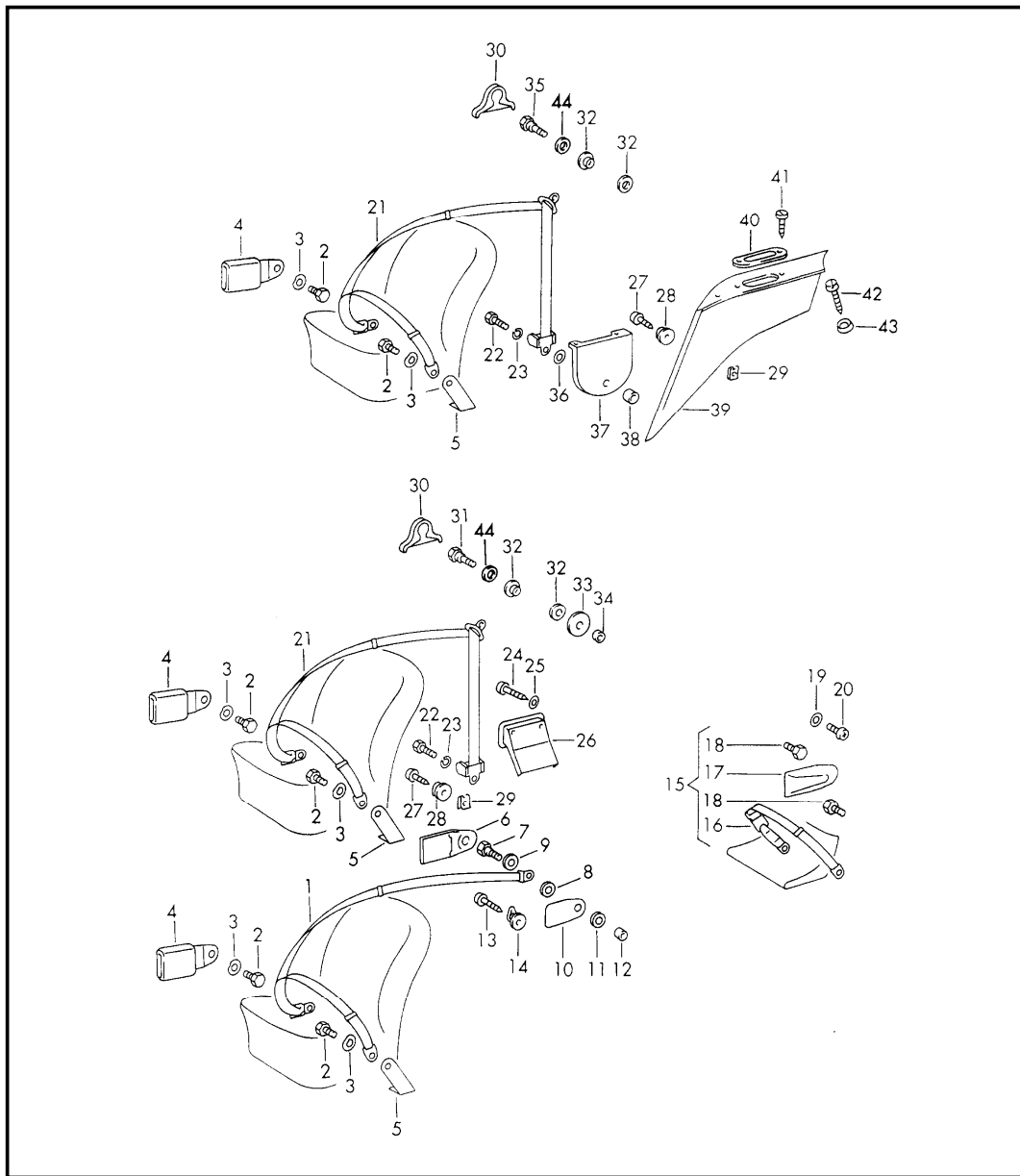
| | | | | | | | | | | | |
|-------|------|----|----|--------------|--------------|-----|-------|------------|---------|-----|---------|
| Model | Year | MG | SG | Illustration | Restrictions | UPD | 20:41 | 22.01.2010 | PORSCHE | PET | PORSCHE |
| 911 | 1973 | 8 | 11 | 811-05 | | 248 | | | | | |

| Pos | Part Number | Description | Remark | Qty | Model | Pos | Part Number | Description | Remark | Qty | Model |
|------|----------------|--------------------------------------|--------|-----|-------|------|----------------|-------------------------------------|--------|-----|-------|
| (18) | 901 565 085 40 | rear wall without tubular frame | -71 | 1 | | 34 | 999 219 006 02 | countersunk-head screw AM 4 X 8 | | 16 | |
| - | 901 565 608 40 | plastic washer 600 X 1600 | -71 | 1 | | 35 | 900 115 008 02 | serrated lock washer V 4,3 | | 16 | |
| 19 | 901 565 615 40 | zip | -71 | 1 | | 36 | 999 591 518 40 | plastic rivet | -71 | 24 | |
| 20 | 901 565 802 40 | handle right | -71 | 1 | | 36 | 999 591 519 40 | plastic rivet | 72- | 3 | |
| (20) | 901 565 801 40 | handle left | -71 | 1 | | 37 | 999 591 601 12 | tenax upper part | -71 | 13 | |
| 21 | 900 019 029 02 | rais. counters. h. tap. s. AM 6 X 18 | -71 | 4 | | 38 | 901 565 090 41 | gasket | -71 | 1 | |
| 22 | 901 565 327 40 | eye screw | -71 | 3 | | 38 | 911 565 090 40 | gasket | 72- | 1 | |
| 23 | N 011 524 7 | washer 6,4 | -71 | 3 | | 39 | 999 591 520 40 | stopper | | 6 | |
| 24 | 900 067 011 02 | pan-head screw M 6 X 20 | -71 | 3 | | 40 | 999 591 384 40 | cap | | 6 | |
| 25 | N 012 007 2 | lock ring A 6 | -71 | 3 | | 41 | 901 565 091 44 | gasket | | 1 | |
| 26 | 900 076 010 02 | hexagon nut M 6 | -71 | 3 | | 42 | 911 565 259 40 | roof frame seal left | | 1 | |
| 27 | 999 591 603 12 | tenax lower part | -71 | 13 | | (42) | 911 565 260 40 | roof frame seal right | | 1 | |
| 28 | 999 151 024 40 | washer | -71 | 15 | | 43 | 901 565 914 40 | seal | -71 | 1 | |
| 29 | 900 074 015 02 | hexagon-head bolt M 6 X 30 | -71 | 2 | | 44 | 901 565 805 40 | eccentric washer | -71 | 2 | WW |
| 30 | N 012 007 2 | lock ring A 6 | -71 | 2 | | (44) | 901 565 805 41 | eccentric washer | -71 | 2 | |
| 31 | 900 151 006 09 | washer B 6,4 | -71 | 2 | | 45 | 900 148 003 02 | rais. counters. h. tap. s. AM 4 X 8 | -71 | 2 | |
| 32 | 901 565 819 40 | spacer sleeve | -71 | 2 | | 46 | 901 565 827 40 | desk pad | -71 | 2 | |
| - | 901 565 088 42 | tonneau cover | -71 | 1 | | 47 | 901 565 328 45 | bolt 38,2 MM | | 4 | |
| - | 901 565 088 45 | tonneau cover long | -71 | 1 | | 48 | 901 565 209 40 | bolt 33,0 MM rear | /L/R/ | 2 | |
| - | 901 565 089 40 | cover for tonneau cover | -71 | 1 | | 49 | 900 041 004 01 | circlip | | 6 | |
| 33 | 964 565 265 00 | latch | | 8 | | - | 999 234 003 40 | shim | | X | |
| | | | | | | 50 | 911 555 559 41 | border strip | /L | -72 | 1 |
| | | | | | | 50 | 911 555 559 41 | border strip | /L | 73- | 1 |
| | | | | | | (50) | 911 555 560 41 | border strip | /R | -72 | 1 |
| | | | | | | (50) | 911 555 560 41 | border strip | /R | 73- | 1 |

| | | | | | | | | | | | |
|-------|------|----|----|--------------|--------------|-----|-------|------------|---------|-----|---------|
| Model | Year | MG | SG | Illustration | Restrictions | UPD | 20:41 | 22.01.2010 | PORSCHE | PET | PORSCHE |
| 911 | 1973 | 8 | 11 | 811-05 | | 248 | | | | | |

| Pos | Part Number | Description | Remark | Qty | Model | Pos | Part Number | Description | Remark | Qty | Model |
|------|----------------|-------------------------------------------|--------|-----|-------|------|----------------|-----------------------------|--------|-----|-------|
| 51 | 900 140 015 00 | rais. counters. h. tap. s. B 3,9 X 9,5 | | 8 | | (70) | 901 565 273 45 | cover | /L | 1 | |
| 52 | 901 565 303 45 | rain channel | /L | 1 | | 70 | 901 565 274 45 | cover | /R | 1 | |
| (52) | 901 565 304 45 | rain channel | /R | 1 | | 71 | N 013 953 2 | tapping screw B2,9 X 9,5 | | 12 | |
| 53 | N 013 957 5 | tapping screw B 3,5 X 9,5 | | 10 | | - | 900 025 001 02 | washer B3,2 | | 4 | |
| - | 900 025 002 02 | washer 4,3 | | 10 | | | | | | | |
| 54 | 901 565 213 40 | lid | | -71 | 2 | | | | | | |
| 55 | 901 565 814 40 | bearing | /L | -71 | 1 | | | | | | |
| (55) | 901 565 813 40 | bearing | /R | -71 | 1 | | | | | | |
| 56 | 999 509 006 02 | pan-head screw | | -71 | 6 | | | | | | |
| 57 | 900 115 006 01 | serrated lock washer | | -71 | 6 | | | | | | |
| 58 | 901 565 619 40 | traction noose | | -71 | 1 | | | | | | |
| 59 | 999 591 345 40 | special nut | | -71 | 1 | | | | | | |
| 60 | 901 565 201 45 | roof frame | /L | 1 | | | | | | | |
| 61 | 901 565 202 45 | roof frame | /R | 1 | | | | | | | |
| 62 | 901 565 207 45 | roof frame | /L/V | 1 | | | | | | | |
| 63 | 911 565 208 40 | roof frame | /R/V | 1 | | | | | | | |
| 64 | 901 565 211 45 | roof frame | /L/H | 1 | | | | | | | |
| 65 | 901 565 212 45 | roof frame | /R/H | 1 | | | | | | | |
| 66 | 901 565 037 45 | silentbloc bearing | /L | 1 | | | | | | | |
| 66 | 901 565 038 45 | silentbloc bearing | /R | 1 | | | | | | | |
| 67 | 900 028 008 01 | spring washer B6 | | 6 | | | | | | | |
| 68 | N 014 765 2 | pan-head screw M6 X 10 | | 6 | | | | | | | |
| (69) | 901 565 097 45 | cover | /L | -72 | 1 | | | | | | |
| (69) | 901 565 097 46 | cover | /L | 73- | 1 | | | | | | |
| 69 | 901 565 098 45 | cover | /R | -72 | 1 | | | | | | |
| 69 | 901 565 098 46 | cover | /R | 73- | 1 | | | | | | |

| | | | | | | | | | | | |
|-------|------|----|----|--------------|--------------|-----|-------|------------|---------|-----|---------|
| Model | Year | MG | SG | Illustration | Restrictions | UPD | 20:42 | 22.01.2010 | PORSCHE | PET | PORSCHE |
| 911 | 1973 | 8 | 12 | 812-00 | | 248 | | | | | |



| Pos | Part Number | Description | Remark | Qty | Model |
|-----|----------------|-----------------------------------------------------------------------------------------------------------------------------|--------|-----|---------|
| - | 901 803 017 26 | seat belt three-point seat belt without automatic with ill. NR. 1-4,6-11,13-14 | /L | -71 | 1 COUPE |
| - | 901 803 018 26 | seat belt three-point seat belt without automatic with picture NR. 1-4,6-11,13-14 | /R | -71 | 1 COUPE |
| - | 911 803 015 00 | seat belt three-point seat belt without automatic with picture NR.1-3,6-11,13,14 | | 72- | 2 COUPE |
| - | 901 803 017 25 | seat belt three-point seat belt without automatic for (USA) + (AUS) with picture NR. 1-4,6-11,13-14 | /LL/L | -71 | 1 COUPE |
| - | 901 803 018 25 | seat belt three-point seat belt without automatic for (USA) + (AUS) with picture NR.1-4,6-11,13,14 | /LL/R | -71 | 1 COUPE |

| | | | | | | | | | | | |
|-------|------|----|----|--------------|--------------|-----|-------|------------|---------|-----|---------|
| Model | Year | MG | SG | Illustration | Restrictions | UPD | 20:42 | 22.01.2010 | PORSCHE | PET | PORSCHE |
| 911 | 1973 | 8 | 12 | 812-00 | | 248 | | | | | |

| Pos | Part Number | Description | Remark | Qty | Model | Pos | Part Number | Description | Remark | Qty | Model |
|-----|----------------|------------------------------------------------------------------------------------------------------------------------------------------------------------------------------|----------------------|-----|-------|-----|----------------|------------------------------------------------------------------------------------------------------------------|--------|-----|-------|
| - | 911 803 015 06 | seat belt three-point seat belt without automatic with picture NR.1-3,6-11,13,14 for (USA) until 31.12.71 for (CDN) until 01.07.72 | /LL 72- (AUS) (J) | 2 | COUPE | 1 | 901 803 011 06 | seat belt three-point seat belt without automatic | | 2 | |
| | | | | | | 2 | 901 803 127 10 | hexagon-head bolt | -71 | 4 | |
| | | | | | | 2 | 901 803 127 00 | hexagon-head bolt | 72- | 4 | |
| | | | | | | 3 | N 012 238 5 | spring washer | -71 | 4 | |
| | | | | | | 3 | N 012 238 5 | spring washer B 16 | 72- | 4 | |
| | | | | | | (4) | 901 803 129 26 | seat-belt buckle for (USA) until 31.12.71 for (CDN) until 01.07.72 | /L -72 | 1 | |
| - | 901 803 017 42 | seat belt three-point seat belt without automatic with picture NR. 1-4,6-14 | /LL/L -71 | 1 | TARGA | | | | | | |
| - | 901 803 018 42 | seat belt three-point seat belt without automatic with picture NR.1-4,6-14 | /R -71 | 1 | TARGA | (4) | 911 803 169 00 | seat-belt buckle | 73- | 1 | |
| | | | | | | (4) | 901 803 129 27 | seat-belt buckle for sports seat for (USA) until 31.12.71 for (CDN) until 01.07.72 | /L -72 | 1 | |
| - | 911 803 015 40 | seat belt three-point seat belt without automatic with picture NR. 1-3,6-14 | 72- | 1 | TARGA | (4) | 901 803 130 26 | seat-belt buckle for (USA) until 31.12.71 for (CDN) until 01.07.72 | /R -72 | 1 | |
| - | 911 803 015 46 | seat belt three-point seat belt without automatic with picture NR.1-3,6-14 for (USA) until 31.12.71 for (CDN) until 01.07.72 | (AUS) (J) 72- | 2 | TARGA | (4) | 911 803 170 00 | seat-belt buckle | /R 73- | 1 | |

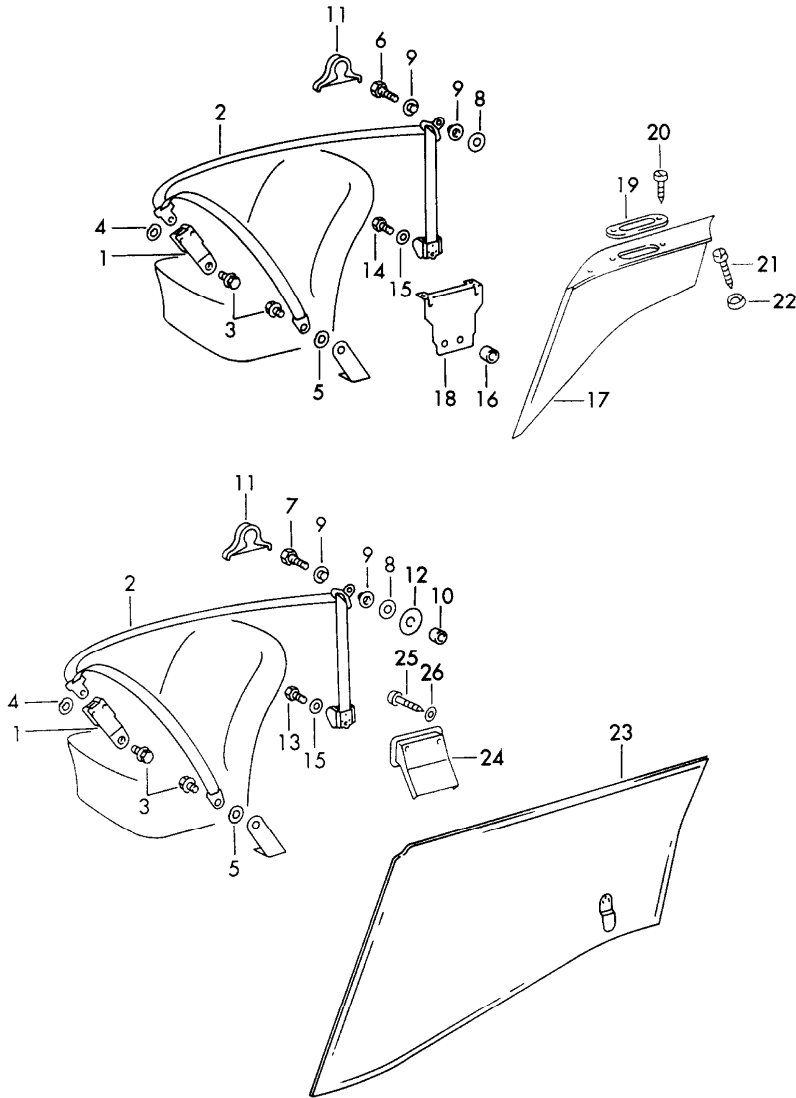
| | | | | | | | | | | | |
|-------|------|----|----|--------------|--------------|-----|-------|------------|---------|-----|---------|
| Model | Year | MG | SG | Illustration | Restrictions | UPD | 20:42 | 22.01.2010 | PORSCHE | PET | PORSCHE |
| 911 | 1973 | 8 | 12 | 812-00 | | 248 | | | | | |

| Pos | Part Number | Description | Remark | Qty | Model | Pos | Part Number | Description | Remark | Qty | Model |
|------|----------------|------------------------------------------------------------------------------------------------------------------|--------|-----|-------|------|----------------|-------------------------------------------------------------------------------------------------------------------|--------|-----|-------|
| (4) | 901 803 130 27 | seat-belt buckle for sports seat for (USA) until 31.12.71 for (CDN) until 01.07.72 | /R -72 | 1 | | 21 | 901 803 017 21 | seat belt three-point seat belt with automatic with picture NR. 2-4,21-23,27-30,32, 35-36,38 | /L -71 | 1 | COUPE |
| 5 | 901 521 043 00 | fastening angle | /L | 2 | | (21) | 901 803 018 21 | seat belt three-point seat belt with automatic with picture NR.2-4,21-23,27-30,32, 35-36,38 | /R -71 | 1 | COUPE |
| (5) | 901 521 044 00 | fastening angle | /R | 2 | | | | | | | |
| 6 | 901 803 107 20 | protection cap | | 2 | | | | | | | |
| 7 | 901 803 119 20 | hexagon-head bolt | | 2 | | (21) | 911 803 029 00 | seat belt three-point seat belt with automatic with picture NR.2-4,2-23,30,32,35 38,44 | /L 72- | 1 | COUPE |
| (7) | 901 803 119 21 | hexagon-head bolt | /LL | 1 | TARGA | | | | | | |
| 8 | 901 803 149 00 | shim | | 2 | | | | | | | |
| 9 | 999 025 061 02 | washer | | 2 | | | | | | | |
| 10 | 901 803 148 00 | cover | | 2 | | (21) | 911 803 030 00 | seat belt three-point seat belt with automatic with picture NR.2-4,22,23,30,32,35 38,44 | 72- | 1 | COUPE |
| 11 | 901 803 144 01 | washer | | 2 | COUPE | | | | | | |
| (11) | 901 803 144 00 | washer | /LL | 2 | TARGA | | | | | | |
| 12 | 901 803 114 40 | spacer tube | /LL | 2 | TARGA | | | | | | |
| 13 | 900 143 004 00 | oval-head sheetmetal screw 3,5X19 | | 2 | COUPE | (21) | 911 803 029 40 | seat belt three-point seat belt with automatic with picture NR.2-4,22,23,30,34 | /L 72- | 1 | TARGA |
| (13) | 900 143 003 00 | oval-head sheetmetal screw 3,5X16 | /LL | 2 | TARGA | | | | | | |
| 14 | 901 803 135 00 | suspension hook | | 2 | | | | | | | |
| 17 | 901 803 107 20 | protection cap | /LL | 4 | | | | | | | |
| 18 | 901 803 118 20 | hexagon-head bolt | /LL | 4 | | (21) | 911 803 030 40 | seat belt three-point seat belt with automatic with picture NR.2-4,22,23,30,34 | /R 72- | 1 | TARGA |
| 19 | 901 803 113 20 | cover disc | | 4 | | | | | | | |
| 20 | 901 803 115 20 | stopper | | 4 | | | | | | | |

| | | | | | | | | | | | |
|-------|------|----|----|--------------|--------------|-----|-------|------------|---------|-----|---------|
| Model | Year | MG | SG | Illustration | Restrictions | UPD | 20:42 | 22.01.2010 | PORSCHE | PET | PORSCHE |
| 911 | 1973 | 8 | 12 | 812-00 | | 248 | | | | | |

| Pos | Part Number | Description | Remark | Qty | Model | Pos | Part Number | Description | Remark | Qty | Model | | |
|------|----------------|---------------------------------------------------------------------------------------------------|--------|-----|-------|-------|----------------|-------------------|-------------------------------------------------------------------------------------------------------|-----|-------|-------|-------|
| (21) | 901 803 017 43 | seat belt three-point seat belt with automatic with picture NR. 2-4,21-23,27-34 | /LL/L | -71 | 1 | TARGA | 34 | 901 803 114 40 | spacer tube | /LL | 2 | TARGA | |
| | | | | | | | 35 | 901 803 145 00 | hexagon-head bolt | -71 | 2 | COUPE | |
| | | | | | | (35) | 901 803 145 01 | hexagon-head bolt | 72- | 2 | COUPE | | |
| | | | | | | 36 | 901 803 144 01 | washer | | 2 | COUPE | | |
| (21) | 901 803 018 43 | seat belt three-point seat belt with automatic with picture NR. 2-4,21-23,27-34 | /LL/R | -71 | 1 | TARGA | 37 | 911 555 613 00 | support | /L | -71 | 1 | COUPE |
| | | | | | | (37) | 911 555 613 00 | support | /R | -71 | 1 | COUPE | |
| | | | | | | (37) | 911 555 613 00 | support | 72- | 2 | COUPE | | |
| | | | | | | 38 | 901 803 112 40 | spacer tube | -72 | 2 | COUPE | | |
| 22 | 111 857 799 A | fastening screw | /LL | -71 | 2 | TARGA | (38) | 911 803 151 00 | spacer tube | 73- | 2 | COUPE | |
| (22) | 111 857 799 A | hexagon-head bolt | /LL | 72- | 2 | TARGA | 39 | 911 555 069 01 | cover | /L | -72 | 1 | COUPE |
| (22) | 901 803 124 00 | hexagon-head bolt | | -71 | 2 | COUPE | (39) | 911 555 069 01 | cover for automatic seat belt | /L | 73- | 1 | |
| (22) | 111 857 799 | hexagon-head bolt | | 72- | 2 | COUPE | | | | | | | |
| 23 | 900 027 017 02 | lock ring B 12 | | -71 | 2 | | (39) | 911 555 070 01 | cover | /R | -72 | 1 | COUPE |
| (23) | N 012 112 2 | serrated lock washer I 12,5 | | 72- | 2 | | (39) | 911 555 070 01 | cover for automatic seat belt | /R | 73- | 1 | |
| 24 | N 013 958 7 | tapping screw B 3,5X13 | /LL | | 4 | TARGA | | | | | | | |
| 25 | N 011 663 1 | washer B 3,7 | /LL | | 4 | TARGA | 40 | 901 555 615 00 | rosette | | 2 | COUPE | |
| 26 | 901 803 139 00 | rosette for automatic seat belt | /LL | | 2 | TARGA | 41 | 900 145 006 02 | rais. counters. h. tap. s. B 3,5X19 | | 4 | COUPE | |
| | | | | | | | 42 | 900 145 059 00 | rais. counters. h. tap. s. B 3,5X25 | | 2 | COUPE | |
| 27 | 900 143 064 07 | tapping screw B 3,5X25 | | -72 | 2 | | 43 | 999 591 102 12 | protection washer | | 2 | COUPE | |
| 28 | 901 803 135 00 | suspension hook | | -72 | 2 | | 44 | 999 025 113 02 | washer installation set for seat belt for subsequent installation see group 8/98/30 | | 2 | COUPE | |
| 29 | 999 507 011 01 | speed nut | | -72 | 2 | | | | | | | | |
| 30 | 901 803 134 20 | protection cap | | -72 | 2 | | | | | | | | |
| (30) | 901 803 134 21 | protection cap | | 73- | 2 | | | | | | | | |
| 31 | 901 803 146 00 | hexagon-head bolt | /LL | | 2 | TARGA | | | | | | | |
| 32 | 901 803 147 00 | washer | | | 2 | | | | | | | | |
| 33 | 901 803 144 00 | plastic washer | /LL | | 2 | TARGA | | | | | | | |

| | | | | | | | | | | | |
|-------|------|----|----|--------------|--------------|-----|-------|------------|---------|-----|---------|
| Model | Year | MG | SG | Illustration | Restrictions | UPD | 20:42 | 22.01.2010 | PORSCHE | PET | PORSCHE |
| 911 | 1973 | 8 | 12 | 812-05 | | 248 | | | | | |

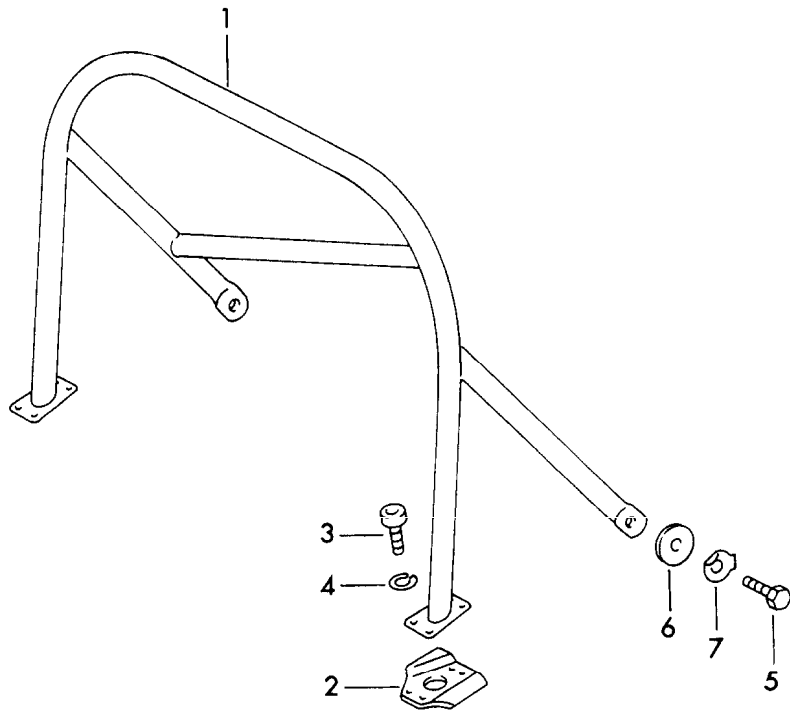


| Pos | Part Number | Description | Remark | Qty | Model |
|-----|----------------|-----------------------------------------------------------|--------|-----|-------|
| | | seat belt with automatic and warning function (USA) (CDN) | | | |
| | | for (USA) from 01.01.72 for (CDN) from 01.08.72 | | | |
| 1 | 911 803 127 00 | seat-belt buckle complete | /L | 1 | |
| (1) | 911 803 128 00 | seat-belt buckle complete | /R | 1 | |
| 2 | 911 803 011 00 | seat belt three-point seat belt complete with automatic | /L | 1 | COUPE |
| (2) | 911 803 914 01 | seat belt three-point seat belt complete with automatic | /R | 1 | COUPE |
| (2) | 911 803 011 40 | seat belt three-point seat belt complete with automatic | /L | 1 | TARGA |
| (2) | 911 803 012 40 | seat belt three-point seat belt complete with automatic | /R | 1 | TARGA |
| 3 | 901 803 127 00 | hexagon-head bolt | | 2 | |
| 4 | 999 028 014 01 | spring washer | | 2 | |
| 5 | 415 881 599 | spring washer | | 2 | |
| 6 | 901 803 145 01 | hexagon-head bolt | | 2 | COUPE |
| 7 | 901 803 146 00 | hexagon-head bolt | | 2 | TARGA |
| 8 | 999 025 113 02 | washer | | 2 | |

| | | | | | | | | | | | |
|-------|------|----|----|--------------|--------------|-----|-------|------------|---------|-----|---------|
| Model | Year | MG | SG | Illustration | Restrictions | UPD | 20:42 | 22.01.2010 | PORSCHE | PET | PORSCHE |
| 911 | 1973 | 8 | 12 | 812-05 | | 248 | | | | | |

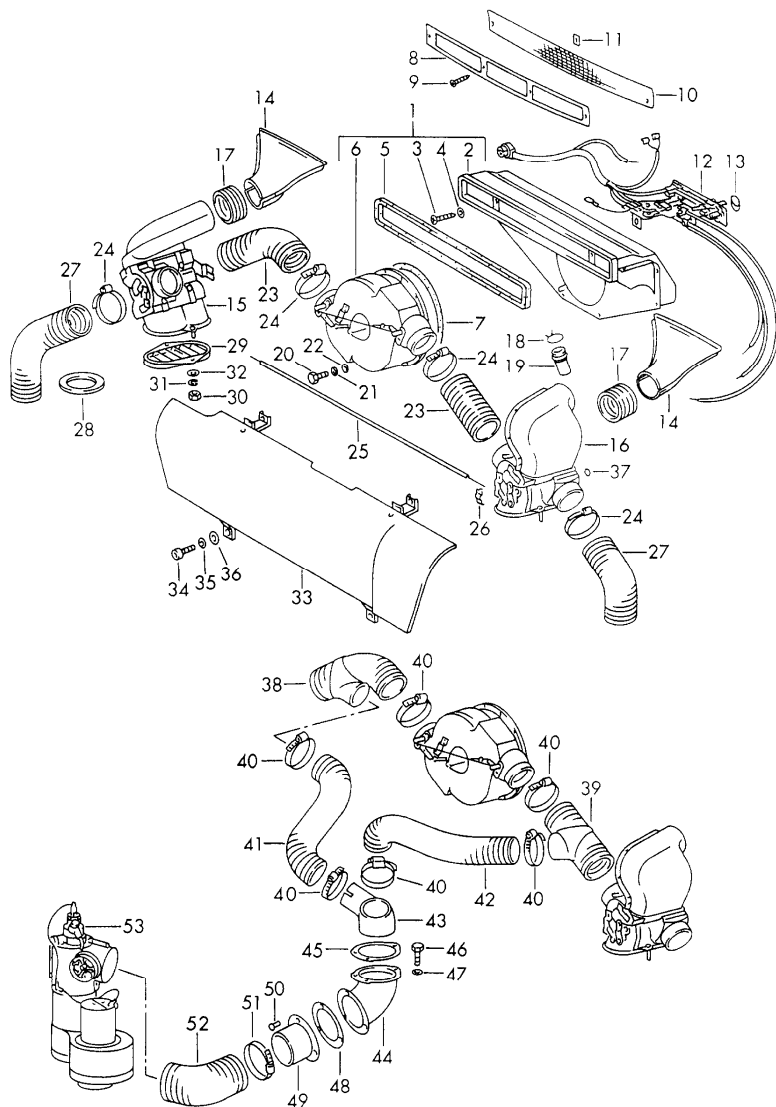
| Pos | Part Number | Description | Remark | Qty | Model | Pos | Part Number | Description | Remark | Qty | Model |
|------|----------------|----------------------------------------|--------|-----|-------|-------|-------------|-------------|--------|-----|-------|
| 9 | 901 803 147 00 | washer | | 4 | | | | | | | |
| 10 | 901 803 114 40 | spacer tube | | 2 | TARGA | | | | | | |
| 11 | 901 803 134 20 | cap | | 2 | | | | | | | |
| 12 | 901 803 144 00 | washer | | 2 | TARGA | | | | | | |
| 13 | 111 857 799 A | hexagon-head bolt | | 2 | TARGA | | | | | | |
| 14 | 111 857 799 | hexagon-head bolt | | 2 | COUPE | | | | | | |
| 15 | N 012 112 2 | serrated lock washer J 12,5 | | 2 | | | | | | | |
| 16 | 911 803 151 00 | spacer tube | | 2 | COUPE | | | | | | |
| 17 | 911 555 611 00 | cover | /L | -72 | 1 | COUPE | | | | | |
| (17) | 911 555 069 01 | cover | /L | 73- | 1 | COUPE | | | | | |
| (17) | 911 555 070 01 | cover | /R | -72 | 1 | COUPE | | | | | |
| (17) | 911 555 612 00 | cover | /R | 73- | 1 | COUPE | | | | | |
| 18 | 911 555 613 00 | support | | 2 | COUPE | | | | | | |
| 19 | 901 555 615 00 | rosette | | 2 | COUPE | | | | | | |
| 20 | 900 145 006 02 | rais. counters. h. tap. s. B 3,5X19 | | 4 | COUPE | | | | | | |
| 21 | 900 145 059 00 | rais. counters. h. tap. s. B 3,5X25 | | 2 | COUPE | | | | | | |
| 22 | 999 591 102 12 | protection washer | | 2 | COUPE | | | | | | |
| 23 | 911 555 071 41 | side trim panel | /L | 1 | TARGA | | | | | | |
| (23) | 911 555 072 41 | side trim panel | /R | 1 | TARGA | | | | | | |
| 24 | 901 803 139 00 | rosette | | 2 | TARGA | | | | | | |
| 25 | N 013 958 7 | tapping screw B 3,5X13 | | 4 | TARGA | | | | | | |
| 26 | N 011 663 1 | washer B 3,7 | | 4 | TARGA | | | | | | |

| | | | | | | | | | | | |
|-------|------|----|----|--------------|--------------|-----|-------|------------|---------|-----|---------|
| Model | Year | MG | SG | Illustration | Restrictions | UPD | 20:42 | 22.01.2010 | PORSCHE | PET | PORSCHE |
| 911 | 1973 | 8 | 12 | 812-10 | | 248 | | | | | |



| Pos | Part Number | Description | Remark | Qty | Model |
|-----|------------------|------------------------------------------------------|--------|-----|-------|
| | | roll bar | | | |
| >> | >>911 803 020 00 | roll bar | -71 | 1 | |
| >> | >>911 803 020 01 | roll bar set for subsequent installation comprising: | 72- | 1 | |
| 1 | 901 803 015 21 | roll bar | -71 | 1 | |
| (1) | 901 803 015 22 | roll bar only for car without sunroof | 72- | 1 | |
| 2 | 901 803 231 21 | threaded plate | /L -71 | 1 | |
| (2) | 901 803 231 22 | threaded plate | /L 72- | 1 | |
| (2) | 901 803 232 21 | threaded plate | /R | 1 | |
| (2) | 901 803 232 22 | threaded plate | /R 72- | 1 | |
| 3 | 900 119 033 02 | pan-head screw M 10X15 | | 8 | |
| 4 | N 012 242 3 | spring washer B 10X28 | | 8 | |
| 5 | 900 075 085 02 | hexagon-head bolt M 8X20 | | 2 | |
| 6 | 900 151 008 02 | washer A 8,4 | | 2 | |
| 7 | 900 020 004 01 | tab washer 8,4 | | 2 | |

| | | | | | | | | | | | |
|-------|------|----|----|--------------|--------------|-----|-------|------------|---------|-----|---------|
| Model | Year | MG | SG | Illustration | Restrictions | UPD | 20:42 | 22.01.2010 | PORSCHE | PET | PORSCHE |
| 911 | 1973 | 8 | 13 | 813-00 | | 248 | | | | | |



| Pos | Part Number | Description | Remark | Qty | Model |
|------|----------------|------------------------------------------------------|--------|-----|-------|
| 1 | 901 571 021 32 | ventilation and heating fresh air inlet box complete | /LL | -72 | 1 |
| (1) | 911 571 031 00 | fresh air inlet box complete | /LL | 73- | 1 |
| (1) | 901 571 022 32 | fresh air inlet box complete not for - TARGA- | /RL | -72 | 1 |
| (1) | 911 571 032 00 | fresh air inlet box complete not for - TARGA - | /RL | 73- | 1 |
| 2 | 901 571 030 32 | fresh air inlet box | /LL | | 1 |
| (2) | 901 571 032 32 | fresh air inlet box not for - TARGA- | /RL | | 1 |
| 3 | N 014 153 1 | oval-head screw M 5X40 DIN 7985 VERZ. | /LL | | 2 |
| 4 | 900 025 003 02 | washer 5,3 DIN 125-ST VERZ. | /LL | | 2 |
| 5 | 901 571 325 32 | sealing frame | | | 1 |
| 6 | 911 571 018 00 | blower with engine | | | 1 |
| 7 | 901 571 922 00 | sealing ring | | | 1 |
| - | 911 571 320 32 | blower motor with fan | | | 1 |
| 8 | 901 559 401 20 | grille frame | | | 1 |
| 9 | 900 145 036 00 | rais. counters. h. tap. s. B 3,5X13 DIN 7983 | | | 4 |
| 10 | 901 559 410 20 | grille | | | 1 |
| 11 | 901 559 491 20 | spacer | | | 2 |
| 12 | 911 613 111 04 | control part | /LL | | 1 |
| (12) | 911 613 112 04 | control switch | /RL | | 1 |

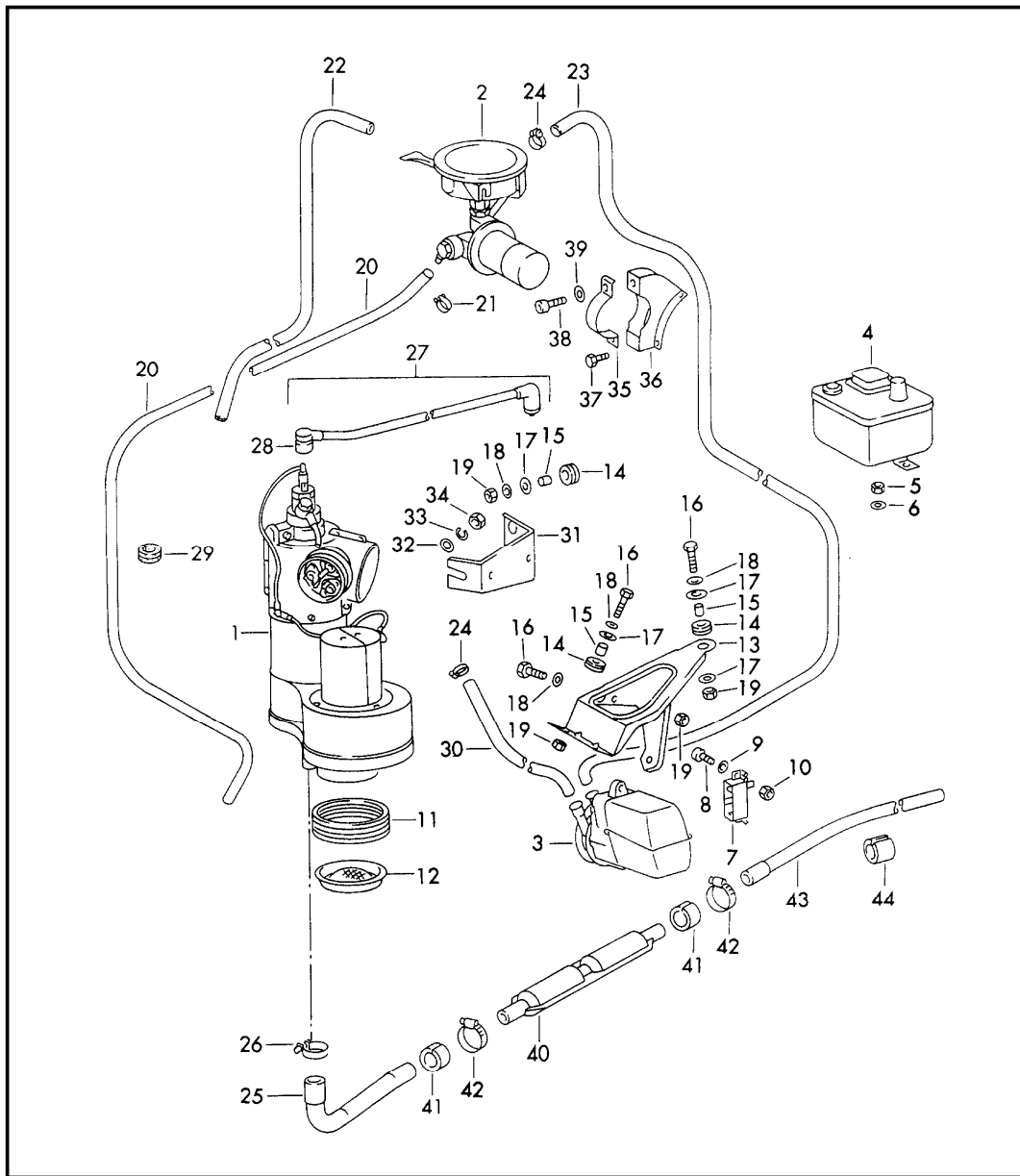
| | | | | | | | | | | | |
|-------|------|----|----|--------------|--------------|-----|-------|------------|---------|-----|---------|
| Model | Year | MG | SG | Illustration | Restrictions | UPD | 20:42 | 22.01.2010 | PORSCHE | PET | PORSCHE |
| 911 | 1973 | 8 | 13 | 813-00 | | 248 | | | | | |

| Pos | Part Number | Description | Remark | Qty | Model | Pos | Part Number | Description | Remark | Qty | Model |
|------|----------------|-----------------------------------------------|--------|-----|-------|------|----------------|-------------------------------------------------------------------------------------------------------------|--------|-----|-------|
| - | 900 631 129 90 | bulb 12 V / 1,2W | | 1 | | 25 | 911 572 114 00 | bowden control | -70 | 2 | |
| - | 914 571 903 10 | rubber base | | 2 | | (25) | 911 572 114 00 | bowden cable | 71- | 2 | |
| - | 900 074 012 02 | hexagon-head bolt M 6X20 DIN 931-8.8 VERZ. | | 1 | | 26 | 901 571 919 00 | fastening clamp | | 7 | |
| - | N 011 524 7 | washer 6,4 DIN 125-ST VERZ. | | 1 | | 27 | 901 571 347 32 | heater hose \$ 61 | | 1 | |
| - | 914 571 151 10 | rubber sleeve for bowden cable | | 1 | | 28 | 901 572 913 01 | gasket | | 2 | |
| - | 999 702 072 50 | rubber sleeve for bowden cable | | 3 | | 29 | 911 571 348 01 | air distributor | | 2 | |
| 13 | 901 571 917 00 | knob black | | 2 | | 30 | 900 067 004 02 | pan-head screw M 5X15 DIN 912-8 VERZ. | | 4 | |
| (13) | 901 571 918 00 | knob red | | 1 | | 31 | N 012 005 3 | lock ring B 5 DIN 127 PHR | | 4 | |
| 14 | 901 572 045 31 | heating nozzle | | 2 | | 32 | 900 025 003 02 | washer 5,3 DIN 125-ST VERZ. | | 4 | |
| 15 | 901 571 050 32 | control box | /R | 1 | | 33 | 911 551 067 00 | lining for luggage compartment | | 1 | |
| 16 | 901 571 049 32 | control box | /L | 1 | | 34 | 900 014 038 02 | pan-head screw AM 6X12 DIN 84 VERZ. | | 4 | |
| 17 | 901 571 345 32 | hose piece \$ 61 | | 2 | | 35 | N 012 007 2 | lock ring A 6 DIN 127 PHR | | 4 | |
| 18 | 999 512 145 02 | hose clamp | | 1 | | 36 | 900 151 003 02 | washer 6,4 DIN 9021 VERZ. | | 4 | |
| 19 | 901 571 326 32 | connection piece | | 1 | | 37 | 901 571 921 00 | retainer | | 24 | |
| - | 901 571 063 20 | water drain tube | /LL | -71 | 1 | | | picture NR. 38-53 installation set for subsequent installation for heater left-hand drive | | | |
| - | 901 571 064 20 | water drain tube | /RL | -71 | 1 | | | | | | |
| - | 911 571 224 00 | water drain hose | | 72- | 1 | | | | | | |
| 20 | N 010 205 6 | hexagon-head bolt M 5X10 DIN 933-8.8 VERZ. | | 2 | | 38 | 901 572 066 00 | air hose with connection piece | /R | 1 | |
| 21 | 900 027 003 01 | lock ring B 5 DIN 127 PHR | | 2 | | 39 | 901 572 065 00 | air hose with connection piece | /L | 1 | |
| 22 | 900 025 003 02 | washer 5,3 DIN 125 VERZ. | | 2 | | 40 | 999 512 348 02 | hose clamp | | 4 | |
| 23 | 914 572 123 10 | air hose \$ 61 | | 2 | | | | | | | |
| 24 | 999 512 349 02 | hose clamp | | 8 | | | | | | | |

| | | | | | | | | | | | |
|-------|------|----|----|--------------|--------------|-----|-------|------------|---------|-----|---------|
| Model | Year | MG | SG | Illustration | Restrictions | UPD | 20:42 | 22.01.2010 | PORSCHE | PET | PORSCHE |
| 911 | 1973 | 8 | 13 | 813-00 | | 248 | | | | | |

| Pos | Part Number | Description | Remark | Qty | Model | Pos | Part Number | Description | Remark | Qty | Model |
|------|----------------|----------------------------------------------|--------|-----|-------|-----|-------------|-------------|--------|-----|-------|
| 41 | 901 572 648 00 | hose for hot air | /R | 1 | | | | | | | |
| 42 | 901 572 647 00 | hose for hot air | /L | 1 | | | | | | | |
| 43 | 901 572 054 00 | distributing piece | | 1 | | | | | | | |
| 44 | 901 572 058 00 | connecting piece | | 1 | | | | | | | |
| 45 | 901 572 527 00 | sealing washer | | 1 | | | | | | | |
| 46 | 900 075 219 02 | hexagon-head bolt M 5X10 DIN 933-8G VERZ. | | -71 | 3 | | | | | | |
| (46) | N 010 205 6 | hexagon-head bolt M 5X10 | | 72- | 3 | | | | | | |
| 47 | 900 025 003 02 | washer 5,3 DIN 125 ST VERZ. | | | 3 | | | | | | |
| 48 | 901 572 526 00 | gasket | | | 1 | | | | | | |
| 49 | 901 572 521 00 | flap | | | 1 | | | | | | |
| 50 | 900 055 019 20 | buttonhead rivet 3X6 DIN 660 CU | | | 3 | | | | | | |
| 51 | 999 512 151 02 | hose clamp | | | 2 | | | | | | |
| 52 | 901 572 649 00 | hose \$ 70 | | | 1 | | | | | | |
| 53 | - | heater see group 8/13/05 | | | | | | | | | |

| | | | | | | | | | | | |
|-------|------|----|----|--------------|--------------|-----|-------|------------|---------|-----|---------|
| Model | Year | MG | SG | Illustration | Restrictions | UPD | 20:42 | 22.01.2010 | PORSCHE | PET | PORSCHE |
| 911 | 1973 | 8 | 13 | 813-05 | | 248 | | | | | |

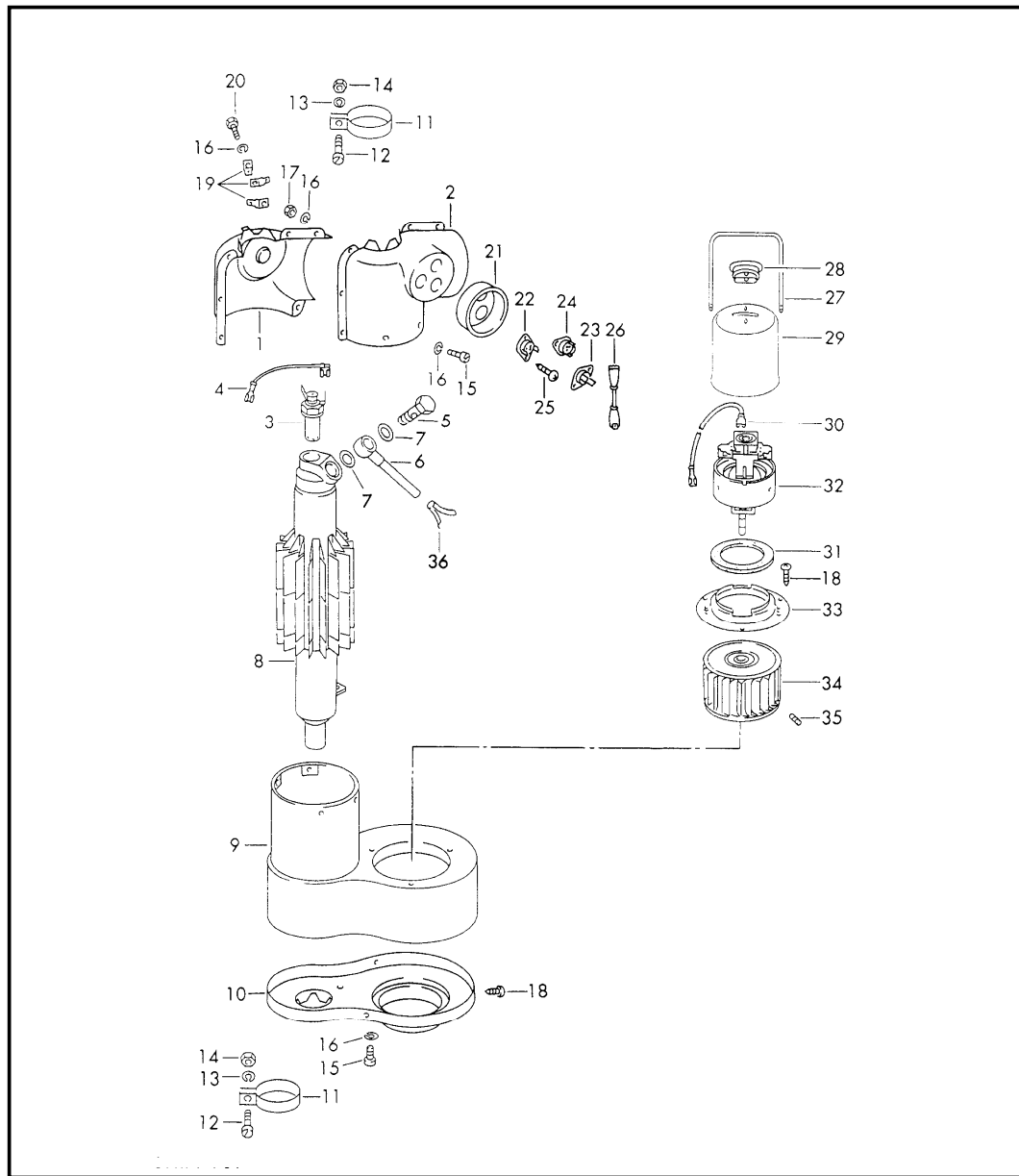


| Pos | Part Number | Description | Remark | Qty | Model |
|-----|----------------|-----------------------------------------------|--------|-----|-------|
| 1 | 901 572 501 32 | heating and ventilation unit with accessories | | 1 | |
| 2 | --- | heater | | 1 | |
| 3 | --- | metering see group 8/13/15 | | 1 | |
| 4 | --- | pump see group 8/13/15 | | 1 | |
| 4 | 901 617 010 30 | conversion set | | 1 | |
| 5 | 900 076 027 02 | hexagon nut M 5 | | 2 | |
| 6 | 900 115 001 01 | serrated lock washer A 5,3 | | 2 | |
| 7 | 901 615 109 30 | switch | | 1 | |
| 8 | 900 014 079 02 | pan-head screw AM 3X10 | | 2 | |
| 9 | 900 115 007 01 | serrated lock washer A 3,2 DIN 6798 PHR | | 2 | |
| 10 | 900 076 001 02 | hexagon nut M 3 DIN 934-6S VERZ. | | 2 | |
| 11 | 901 572 591 30 | gasket | | 1 | |
| 12 | 901 572 593 30 | strainer | | 1 | |
| 13 | 901 572 515 30 | bracket | | 1 | |
| 14 | 999 702 049 50 | rubber sleeve | | 5 | |
| 15 | 901 572 519 30 | spacer sleeve | | 5 | |
| 16 | 900 075 014 02 | hexagon-head bolt M 6X18 DIN 933-8G VERZ. | | 5 | |
| 17 | 900 151 006 09 | washer B 6,4 DIN 9021-ST VERZ. | | 5 | |
| 18 | 900 115 006 01 | serrated lock washer A 6,4 DIN 6798 BOST. | | 5 | |
| 19 | 900 076 010 02 | hexagon nut M 6 DIN 934-6S VERZ. | | 5 | |
| 20 | 999 180 030 50 | fuel hose C 6 SN 710 | | * | |

| | | | | | | | | | | | |
|-------|------|----|----|--------------|--------------|-----|-------|------------|---------|-----|---------|
| Model | Year | MG | SG | Illustration | Restrictions | UPD | 20:42 | 22.01.2010 | PORSCHE | PET | PORSCHE |
| 911 | 1973 | 8 | 13 | 813-05 | | 248 | | | | | |

| Pos | Part Number | Description | Remark | Qty | Model | Pos | Part Number | Description | Remark | Qty | Model |
|-----|----------------|-------------------------------------------|--------|-----|-------|-----|----------------|---------------------------------------------------|--------|-----|-------|
| 21 | 999 512 055 02 | hose clamp | | 2 | | 41 | 901 572 619 30 | protective tube | | 2 | |
| - | 999 180 029 50 | fuel hose C 11X17,5 | | * | | 42 | 999 512 125 02 | hose clamp | | 2 | |
| 22 | 999 180 029 50 | hose | | 1 | | 43 | 901 572 602 30 | exhaust line | | 1 | |
| - | 999 180 029 50 | fuel hose C 11X17,5 | | * | | 44 | 901 572 609 30 | protective tube | | 2 | |
| 23 | 999 180 029 50 | hose | | 1 | | - | 901 613 631 00 | switch for heating | | 1 | |
| 24 | 999 512 056 02 | hose clamp | | 4 | | - | 901 612 053 00 | wiring harness for heater | | 1 | |
| 25 | 901 572 627 31 | exhaust pipe | | 1 | | - | 901 504 431 30 | mat contains asbestos for 901 504 043 02 | | 1 | |
| 26 | 999 512 046 02 | hose clamp | | 1 | | - | 901 504 491 30 | gasket for cover | | 1 | |
| 27 | 901 612 053 02 | ignition lead | | 1 | | - | 901 201 023 04 | threaded joint | | 1 | |
| 28 | 901 609 304 30 | ignition coil plug | | 1 | | - | 900 123 011 30 | sealing ring A 22X27 DIN 7603-AL | | 1 | |
| 29 | 999 702 027 50 | rubber sleeve | | 1 | | | | | | | |
| - | 999 180 029 50 | fuel hose C 11X17,5 | | * | | | | | | | |
| 30 | - | 170 MM | | 1 | | | | | | | |
| 31 | 901 501 392 20 | support | | 1 | | | | | | | |
| 32 | 900 151 008 02 | washer A 8,4 DIN 9021-ST VERZ. | | 1 | | | | | | | |
| 33 | 900 027 005 01 | lock ring A 8 DIN 127 PHR | | 1 | | | | | | | |
| 34 | 900 076 025 02 | hexagon nut M 8 DIN 934-8 VERZ. | | 1 | | | | | | | |
| 35 | 901 501 489 00 | clamp for pump | | 1 | | | | | | | |
| 36 | 901 501 483 00 | support | | 1 | | | | | | | |
| 37 | N 043 890 1 | tapping screw B 4,2X9,5 DIN 7976 VERZ. | | 4 | | | | | | | |
| 38 | 900 067 011 02 | pan-head screw M 6X20 DIN 912-8.8 | | 1 | | | | | | | |
| 39 | N 012 007 2 | lock ring A 6 DIN 127 PHR | | 1 | | | | | | | |
| 40 | 901 572 061 30 | muffler | | 1 | | | | | | | |

| | | | | | | | | | | | |
|-------|------|----|----|--------------|--------------|-----|-------|------------|---------|-----|---------|
| Model | Year | MG | SG | Illustration | Restrictions | UPD | 20:43 | 22.01.2010 | PORSCHE | PET | PORSCHE |
| 911 | 1973 | 8 | 13 | 813-10 | | 248 | | | | | |

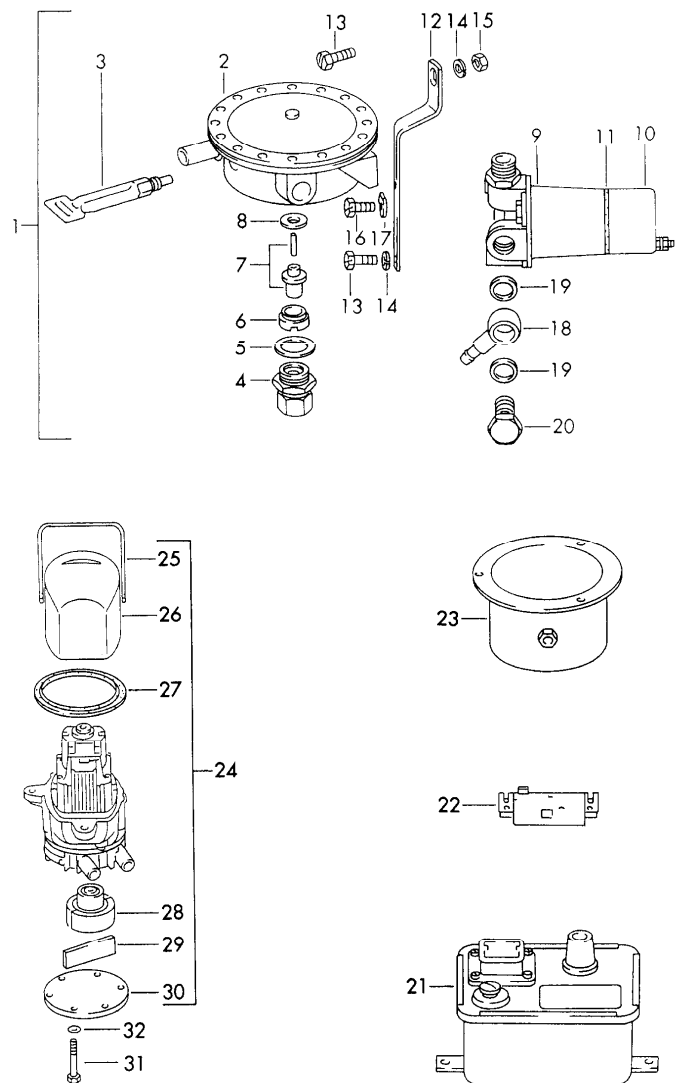


| Pos | Part Number | Description | Remark | Qty | Model |
|-----|----------------|----------------------------------------|--------|-----|-------|
| - | 901 572 501 32 | single parts for heater - WEBASTO - | /LL | | |
| - | 901 572 501 32 | heater without accessories | | 1 | |
| 1 | 901 572 952 02 | heated air distribution side | /L | 1 | |
| 2 | 901 572 951 02 | heated air distribution side | /R | 1 | |
| 3 | 901 572 931 01 | spark plug | | 1 | |
| 4 | 901 572 932 00 | ground strap | | 1 | |
| 5 | 901 572 933 00 | banjo bolt | | 1 | |
| 6 | 901 572 934 01 | connecting piece | | 1 | |
| 7 | N 013 849 2 | sealing ring A 14X18 DIN 7603 CU | | 2 | |
| 8 | 901 572 956 01 | heating tube complete | | 1 | |
| 9 | 901 572 955 01 | housing complete | | 1 | |
| 10 | 901 572 953 01 | housing cover complete | | 1 | |
| 11 | 901 572 950 00 | pipe clamp | | 2 | |
| 12 | 900 014 070 02 | pan-head screw AM 5X18 DIN 84-5S VERZ. | | 2 | |
| 13 | 999 029 003 00 | lock ring \$ 5 | | 2 | |
| 14 | 900 076 027 02 | hexagon nut M 5 DIN 934-6S VERZ. | | 2 | |
| 15 | 900 014 002 02 | pan-head screw AM 4X6 DIN 84-5S VERZ. | | 10 | |
| 16 | 999 029 002 00 | lock ring \$ 4 | | 10 | |
| 17 | N 011 004 6 | hexagon nut M 4 DIN 934-6S VERZ. | | 5 | |
| 18 | N 013 910 3 | screw B 3,5X6,5 DIN 7974 VERZ. | | 4 | |
| 19 | 901 572 938 00 | flat plug | | 3 | |

| | | | | | | | | | | | |
|-------|------|----|----|--------------|--------------|-----|-------|------------|---------|-----|---------|
| Model | Year | MG | SG | Illustration | Restrictions | UPD | 20:43 | 22.01.2010 | PORSCHE | PET | PORSCHE |
| 911 | 1973 | 8 | 13 | 813-10 | | 248 | | | | | |

| Pos | Part Number | Description | Remark | Qty | Model | Pos | Part Number | Description | Remark | Qty | Model |
|-----|----------------|----------------------------------------------|--------|-----|-------|-----|-------------|-------------|--------|-----|-------|
| 20 | 999 029 002 00 | hexagon-head bolt AM 4X8 DIN 84-4S VERZ. | | 10 | | | | | | | |
| 21 | 901 572 986 00 | housing complete | | 1 | | | | | | | |
| 22 | 901 572 983 00 | thermostat red | | 1 | | | | | | | |
| 23 | 901 572 984 00 | thermostat white | | 1 | | | | | | | |
| 24 | 901 572 985 00 | thermostat blue | | 1 | | | | | | | |
| 25 | 900 141 009 02 | half-round screw B 2,9X6,5 DIN 7974 VERZ. | | 6 | | | | | | | |
| 26 | 901 572 932 04 | line | | 1 | | | | | | | |
| 27 | 901 572 942 00 | clamp | | 1 | | | | | | | |
| 28 | 901 572 976 00 | edge protection | | 1 | | | | | | | |
| 29 | 901 572 944 02 | protection cap | | 1 | | | | | | | |
| 30 | 901 572 932 03 | ground strap | | 1 | | | | | | | |
| 31 | 901 572 945 01 | gasket | | 1 | | | | | | | |
| 32 | 901 572 946 02 | electric motor | | 1 | | | | | | | |
| - | 901 572 978 00 | wiper contact for 901 572 946 02 | | 2 | | | | | | | |
| 33 | 901 572 948 01 | engine carrier | | 1 | | | | | | | |
| 34 | 901 572 949 01 | fan | | 1 | | | | | | | |
| 35 | 900 244 001 00 | threaded pin | | 1 | | | | | | | |
| 36 | 901 572 987 00 | backfire grid | | 1 | | | | | | | |

| | | | | | | | | | | | |
|-------|------|----|----|--------------|--------------|-----|-------|------------|---------|-----|---------|
| Model | Year | MG | SG | Illustration | Restrictions | UPD | 20:43 | 22.01.2010 | PORSCHE | PET | PORSCHE |
| 911 | 1973 | 8 | 13 | 813-15 | | 248 | | | | | |

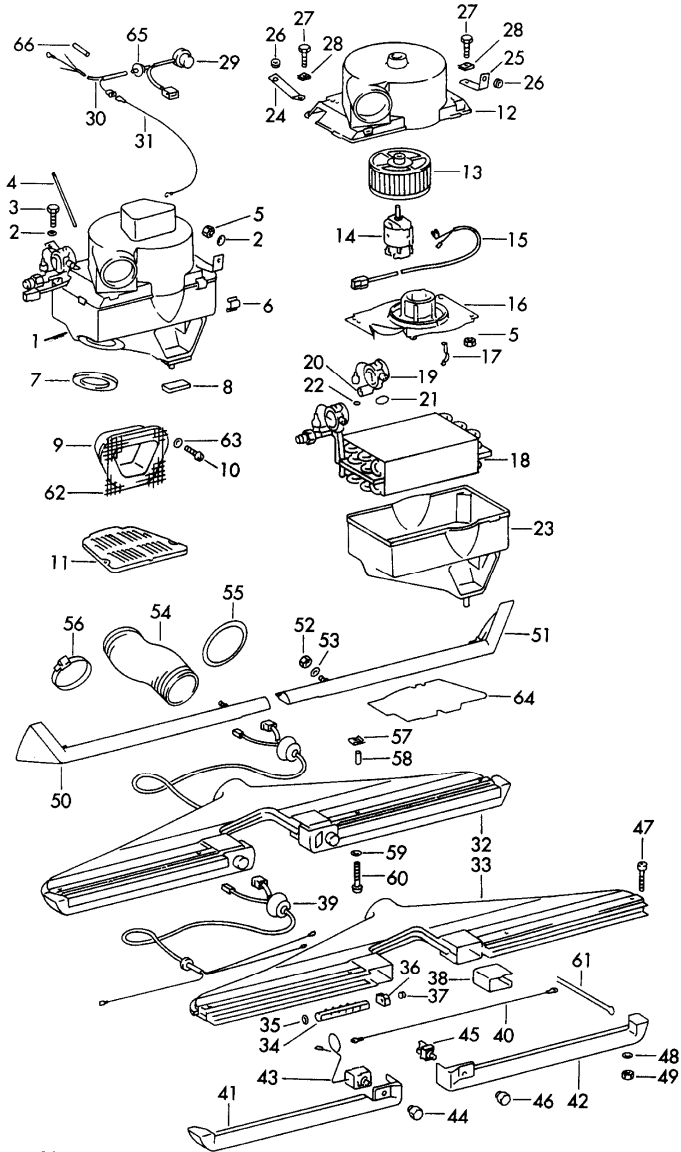


| Pos | Part Number | Description | Remark | Qty | Model |
|-----|----------------|-----------------------------------------------------------------------------------------------|--------|-----|-------|
| | | repair material for heater - WEBASTO - metering fuel pump ignition spark transmitter resistor | | | |
| 1 | 901 572 511 30 | metering with fuel pump complete | | 1 | |
| 2 | 901 572 512 30 | metering | | 1 | |
| 3 | 901 572 960 00 | nozzle with key | | 1 | |
| 4 | 901 572 961 00 | connection piece | | 1 | |
| 5 | 901 572 962 00 | sealing ring | | 1 | |
| 6 | 901 572 963 00 | threaded ring | | 1 | |
| 7 | 901 572 964 01 | valve with pin | | 1 | |
| 8 | 901 572 966 00 | gasket | | 1 | |
| 9 | 901 572 511 30 | distributor 12 V | | 1 | |
| 10 | 901 572 967 00 | flap | | 1 | |
| 11 | 901 572 968 00 | sealing ring | | 1 | |
| 12 | 901 572 958 00 | strut | | 1 | |
| 13 | N 010 215 13 | hexagon-head bolt M 6X 15 SZ DIN 933-8G VERZ | | 1 | |
| 14 | 999 029 004 00 | lock ring § 6 | | 3 | |
| 15 | 900 076 010 02 | hexagon nut M 6 DIN 934-6S VERZ. | | 1 | |
| 16 | 900 075 118 02 | hexagon-head bolt M 6X10 DIN 933-5S VERZ. | | 2 | |
| 17 | 901 572 938 01 | flat plug | | 1 | |
| 18 | 901 572 959 00 | ring piece M 14 | | 1 | |

| | | | | | | | | | | | |
|-------|------|----|----|--------------|--------------|-----|-------|------------|---------|-----|---------|
| Model | Year | MG | SG | Illustration | Restrictions | UPD | 20:43 | 22.01.2010 | PORSCHE | PET | PORSCHE |
| 911 | 1973 | 8 | 13 | 813-15 | | 248 | | | | | |

| Pos | Part Number | Description | Remark | Qty | Model | Pos | Part Number | Description | Remark | Qty | Model |
|-----|----------------|----------------------------------------|--------|-----|-------|-----|-------------|-------------|--------|-----|-------|
| 19 | 900 123 007 60 | sealing ring A 14X18 DIN 7603 FIBER | | 2 | | | | | | | |
| 20 | 900 134 007 00 | banjo bolt A 8 DIN 7623-6S | | 1 | | | | | | | |
| 21 | 901 617 010 30 | conversion set | | 1 | | | | | | | |
| 22 | 901 615 109 30 | relay | | 1 | | | | | | | |
| 23 | 901 572 521 00 | flap | 69- | 1 | | | | | | | |
| 24 | 901 572 513 31 | pump | | 1 | | | | | | | |
| - | 901 572 979 00 | wiper contact for 901 572 513 31 | | 2 | | | | | | | |
| 25 | 901 572 943 01 | clamp | | 1 | | | | | | | |
| 26 | 901 572 944 03 | protection cap | | 1 | | | | | | | |
| 27 | 901 572 969 00 | gasket | | 1 | | | | | | | |
| 28 | 901 572 980 01 | rotor set | | 1 | | | | | | | |
| 29 | 901 572 981 00 | slide | | 1 | | | | | | | |
| 30 | 901 572 982 00 | lid | | 1 | | | | | | | |
| 31 | 900 075 117 02 | hexagon-head bolt M 4X35 | | 6 | | | | | | | |
| 32 | 999 029 002 00 | lock ring A 4 | | 6 | | | | | | | |

| | | | | | | | | | | | |
|-------|------|----|----|--------------|--------------|-----|-------|------------|---------|-----|---------|
| Model | Year | MG | SG | Illustration | Restrictions | UPD | 20:43 | 22.01.2010 | PORSCHE | PET | PORSCHE |
| 911 | 1973 | 8 | 13 | 813-50 | | 248 | | | | | |



| Pos | Part Number | Description | Remark | Qty | Model |
|-----|----------------|-------------------------------------------------------------------------|--------|-----|-------|
| - | 911 573 001 05 | air conditioner evaporator housing complete with air duct not for (USA) | | 1 | |
| 1 | 901 573 021 00 | air conditioner evaporator housing complete | | 1 | |
| 2 | N 011 524 7 | washer 6,4 | | 2 | |
| 3 | N 010 215 13 | hexagon-head bolt M 6X15 | | 1 | |
| 4 | 901 573 903 00 | guide tube for picture 43 | | 1 | |
| 5 | 900 076 010 02 | hexagon nut M 6 | | 5 | |
| 6 | 901 573 904 00 | tensioning spring | | 4 | |
| 7-8 | 901 573 901 00 | parts kit | | 1 | |
| 7 | - | sealing ring | | 1 | |
| 8 | - | rubber ply | | 2 | |
| 9 | 911 573 073 01 | connection piece complete | | 1 | |
| 10 | 900 143 004 02 | lens-head screw | | 4 | |
| 11 | 901 504 731 30 | lid complete | | 1 | |
| 12 | 911 573 023 00 | housing cover upper part complete | | 1 | |
| 13 | 901 573 906 00 | fan | | 1 | |
| 14 | 901 624 901 00 | electric motor | | 1 | |
| 15 | - | see group 8/13/70 picture NR. 12 | | | |
| 16 | 911 573 323 00 | engine support | | 1 | |

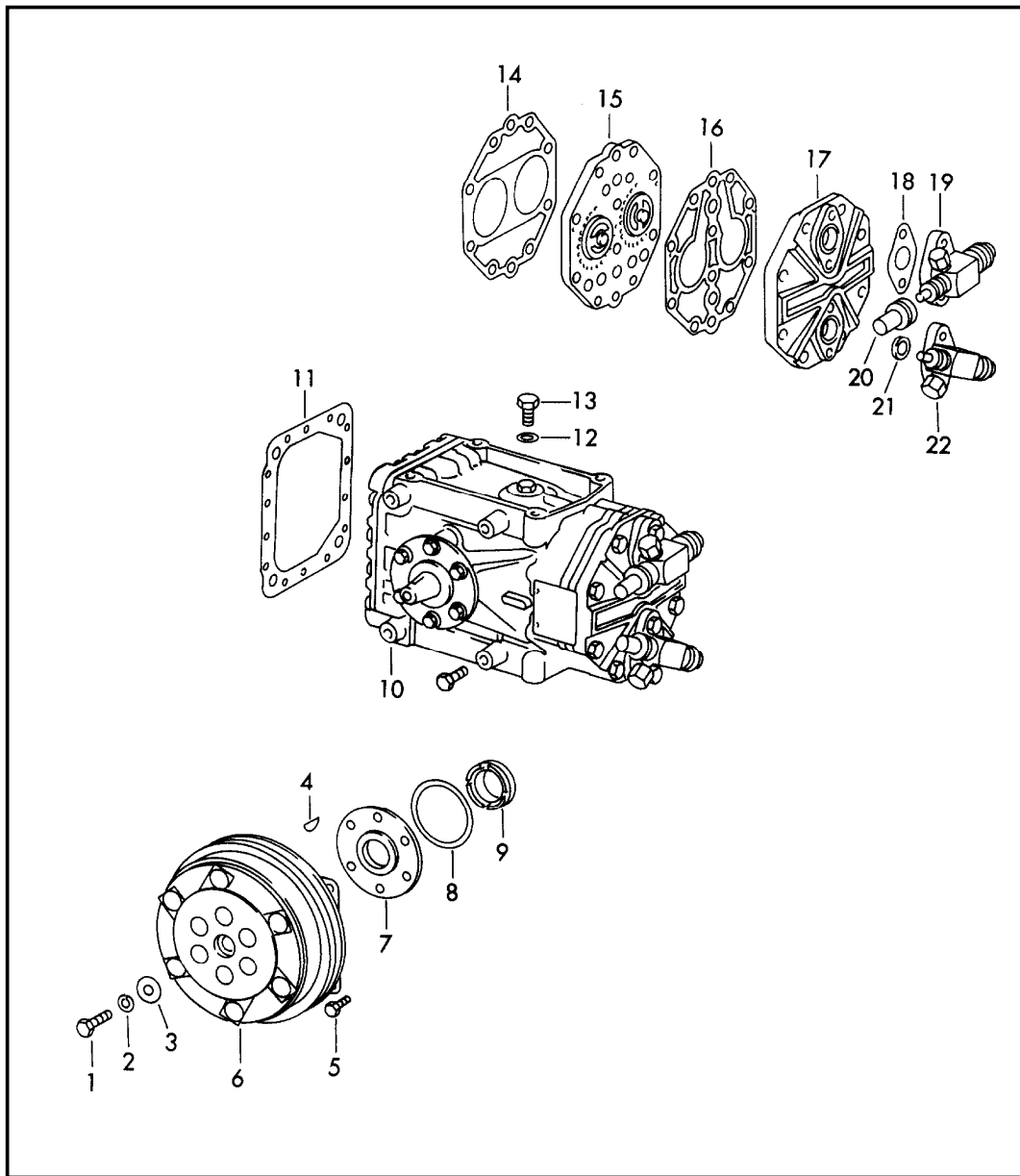
| | | | | | | | | | | | |
|-------|------|----|----|--------------|--------------|-----|-------|------------|---------|-----|---------|
| Model | Year | MG | SG | Illustration | Restrictions | UPD | 20:43 | 22.01.2010 | PORSCHE | PET | PORSCHE |
| 911 | 1973 | 8 | 13 | 813-50 | | 248 | | | | | |

| Pos | Part Number | Description | Remark | Qty | Model | Pos | Part Number | Description | Remark | Qty | Model |
|------|----------------|--------------------------------------------|--------|-----|-------|------|----------------|-------------------------------------------|--------|-----|-------|
| 17 | 901 624 903 00 | clamp | | 4 | | 9-40 | - | see group 8/13/70 picture NR. 15 | | | |
| 18 | 901 573 907 00 | evaporator complete | | 1 | | | | | | | |
| 19 | 901 573 915 00 | expansion valve | | 1 | | 41 | 901 573 025 00 | padded cover | /L | 1 | |
| 20 | 901 573 914 00 | clip | | 1 | | 42 | 901 573 026 00 | padded cover | /R | 1 | |
| 21 | 901 573 147 00 | gasket 3/4" | | 1 | | 43 | 911 613 919 00 | temperature switch | | 1 | |
| 22 | 901 573 916 00 | gasket 7/16" | | 1 | | 44 | 901 613 122 00 | knob complete | | 1 | |
| 23 | 901 573 908 00 | housing lower part | | 1 | | 45 | 901 613 117 00 | blower switch | | 1 | |
| 24 | 911 572 473 00 | fastening angle | | 1 | | 46 | 901 613 121 00 | knob complete | | 1 | |
| 25 | 911 572 471 00 | fastening angle | | 1 | | 47 | 900 067 002 02 | pan-head screw M 4X35 | | 8 | |
| 26 | 901 573 133 00 | rubber sleeve | | 2 | | 48 | 900 025 002 02 | washer 4,3 | | 8 | |
| 27 | 900 378 030 09 | hexagon-head bolt M 6X20 | | 4 | | 49 | 999 090 001 02 | lock nut M 4 | | 8 | |
| 28 | N 012 226 5 | spring washer B 6 | | 4 | | 50 | 901 573 017 01 | knee protection strip | /L | 1 | |
| 9-31 | - | see group 8/13/70 picture | | | | 51 | 901 573 018 01 | knee protection strip | /R | 1 | |
| 29 | - | NR. 13 | | | | 52 | 900 076 006 02 | hexagon nut M 5 | | 4 | |
| 30 | - | NR. 10 | | | | 53 | 900 151 027 02 | washer 5,3 | | 4 | |
| 31 | - | NR. 14 | | | | 54 | 901 573 511 00 | air hose | | 1 | |
| 32 | 901 573 065 00 | air guide housing | | 1 | | 55 | 901 573 509 01 | sealing ring | | 1 | |
| 33 | 901 573 053 01 | nozzle | | 1 | | 56 | 901 573 160 00 | hose clamp | | 1 | |
| 34 | 901 573 067 00 | air vent | | 6 | | 57 | 999 507 315 02 | clamping nut | | 4 | |
| 35 | 901 573 169 00 | washer | | 12 | | 58 | 901 573 167 00 | spacer tube | | 4 | |
| 36 | 901 573 165 00 | bearing | | 8 | | 59 | 900 151 027 02 | washer 5,3 | | 4 | |
| 37 | 999 703 077 40 | cap | | 2 | | 60 | 900 015 035 02 | lens-head screw EM 5X55 | | 4 | |
| 38 | 901 573 912 00 | tread contains asbestos 2X55X165 ALU | | 1 | | 61 | 901 613 118 00 | thermostat | | 1 | |
| | | | | | | 62 | 901 573 129 00 | grille | | 1 | |

| | | | | | | | | | | | |
|-------|------|----|----|--------------|--------------|-----|-------|------------|---------|-----|---------|
| Model | Year | MG | SG | Illustration | Restrictions | UPD | 20:43 | 22.01.2010 | PORSCHE | PET | PORSCHE |
| 911 | 1973 | 8 | 13 | 813-50 | | 248 | | | | | |

| Pos | Part Number | Description | Remark | Qty | Model | Pos | Part Number | Description | Remark | Qty | Model |
|------|----------------|---------------------|--------|-----|-------|-----|-------------|-------------|--------|-----|-------|
| 63 | 900 151 001 02 | washer 4,3 | | 4 | | | | | | | |
| 64 | 901 551 064 22 | pedal floor board | | 1 | COUPE | | | | | | |
| (64) | 901 551 064 42 | pedal floor board | | 1 | TARGA | | | | | | |
| 65 | 999 702 119 50 | rubber sleeve | | 1 | | | | | | | |
| 66 | N 017 121 5 | safety fuse 25 A | | 1 | | | | | | | |

| | | | | | | | | | | | |
|-------|------|----|----|--------------|--------------|-----|-------|------------|---------|-----|---------|
| Model | Year | MG | SG | Illustration | Restrictions | UPD | 20:43 | 22.01.2010 | PORSCHE | PET | PORSCHE |
| 911 | 1973 | 8 | 13 | 813-55 | | 248 | | | | | |

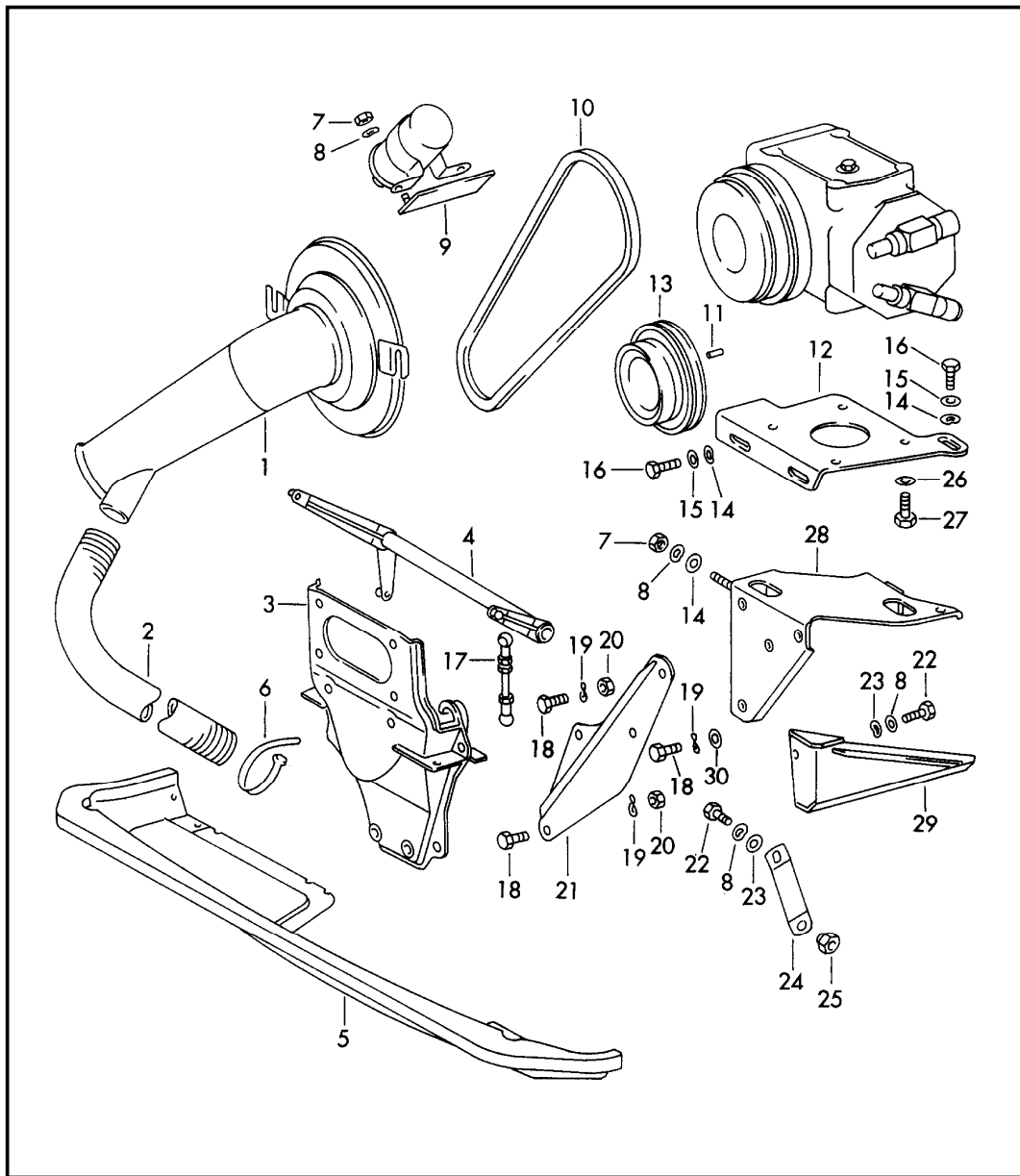


| Pos | Part Number | Description | Remark | Qty | Model |
|-----|------------------|------------------------------------------------------|--------|-----|-------|
| - | 911 126 009 00 | air conditioner compressor with clutch not for (USA) | | 1 | |
| >> | >>911 126 924 00 | compressor with clutch | | 1 | |
| >> | >>911 126 924 00 | parts kit comprising: | | 1 | |
| 1 | - | hexagon-head bolt | | 1 | |
| 2 | - | lock ring | | 1 | |
| 3 | - | washer | | 1 | |
| 4 | - | woodruff key | | 1 | |
| 5 | - | hexagon-head bolt | | 4 | |
| 6 | 911 126 933 01 | clutch complete | | 1 | |
| >> | >>911 126 925 00 | parts kit | -71 | 1 | |
| >> | >>911 126 931 00 | parts kit comprising: | 72- | 1 | |
| 7 | - | flange | | 1 | |
| 8 | - | gasket | | 1 | |
| 9 | - | gasket for crankshaft | | 1 | |
| 10 | 911 126 901 00 | compressor | | 1 | |
| 11 | 911 126 911 00 | gasket | | 1 | |
| 12 | 911 126 913 00 | o-ring | | 1 | |
| 13 | 911 126 912 00 | hexagon-head bolt | | 1 | |
| >> | >>911 126 917 00 | parts kit comprising: | | 1 | |
| 14 | - | gasket | | 1 | |
| 15 | - | valve plate | | 1 | |
| 16 | - | gasket | | 1 | |

| | | | | | | | | | | | |
|-------|------|----|----|--------------|--------------|-----|-------|------------|---------|-----|---------|
| Model | Year | MG | SG | Illustration | Restrictions | UPD | 20:43 | 22.01.2010 | PORSCHE | PET | PORSCHE |
| 911 | 1973 | 8 | 13 | 813-55 | | 248 | | | | | |

| Pos | Part Number | Description | Remark | Qty | Model | Pos | Part Number | Description | Remark | Qty | Model |
|-----|------------------|-------------------------------------------------|--------|-----|-------|-----|-------------|-------------|--------|-----|-------|
| - | 911 126 918 00 | parts kit comprising: picture 14,16,17 | | 1 | | | | | | | |
| 17 | - | cylinder head cover | | | | | | | | | |
| >> | >>911 126 916 00 | parts kit comprising: picture 14,16 | | 1 | | | | | | | |
| 18 | 911 126 919 00 | sealing ring | | 2 | | | | | | | |
| 19 | 911 126 921 00 | flange valve | /L | 1 | | | | | | | |
| 20 | 911 126 923 00 | cap | | 2 | | | | | | | |
| 21 | 911 126 919 00 | sealing ring | | 2 | | | | | | | |
| 22 | 911 126 922 00 | flange valve | /R | 1 | | | | | | | |

| | | | | | | | | | | | |
|-------|------|----|----|--------------|--------------|-----|-------|------------|---------|-----|---------|
| Model | Year | MG | SG | Illustration | Restrictions | UPD | 20:43 | 22.01.2010 | PORSCHE | PET | PORSCHE |
| 911 | 1973 | 8 | 13 | 813-60 | | 248 | | | | | |

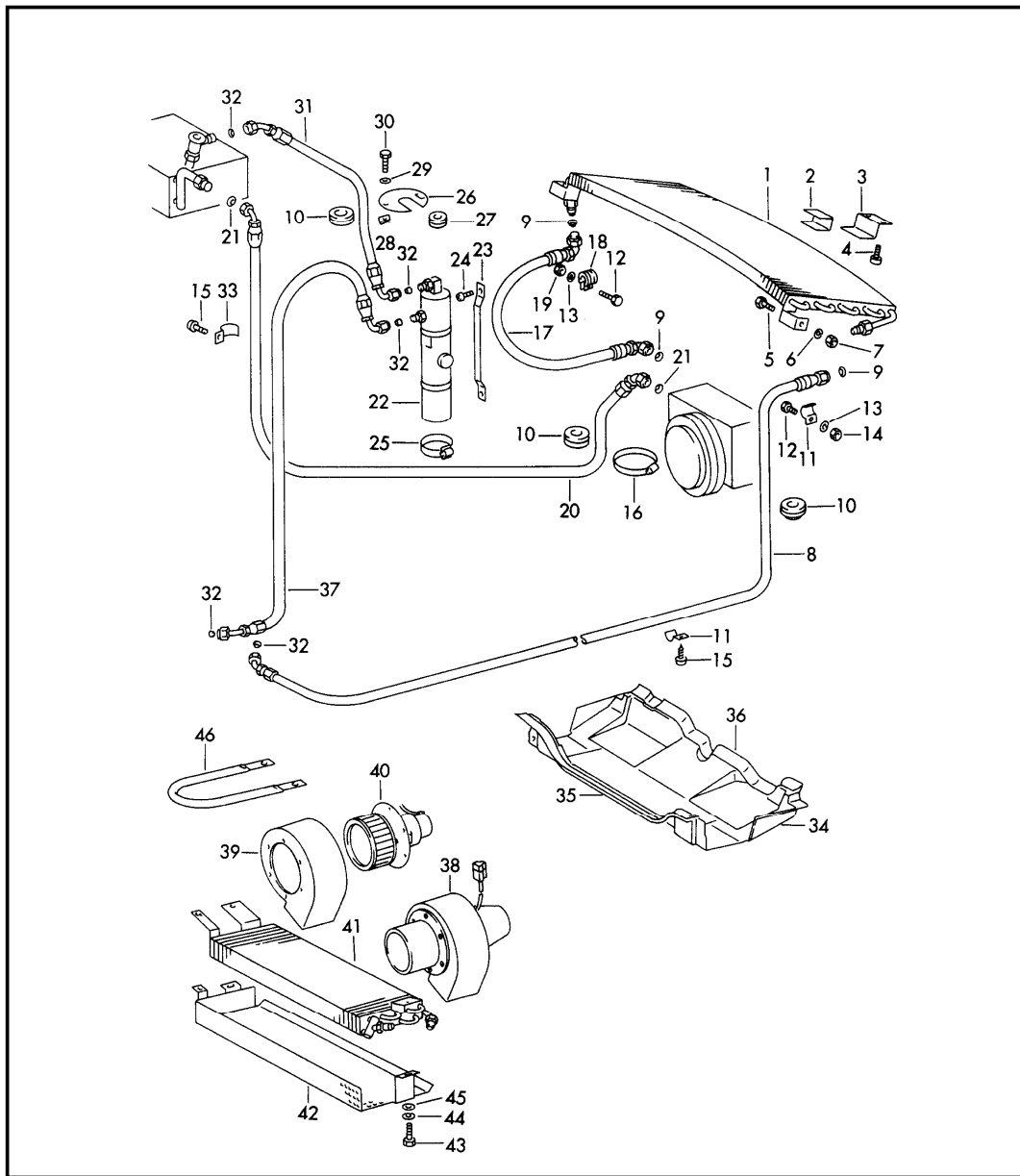


| Pos | Part Number | Description | Remark | Qty | Model |
|------|----------------|-------------------------------------------------------------------|--------|-----|-------|
| | | air conditioner mount for compressor not for (USA) | | | |
| 1 | 901 108 042 01 | lid complete | -71 | 1 | |
| 2 | 901 108 292 01 | hose | -71 | 1 | |
| 3 | 911 115 014 03 | bracket | | 1 | |
| 4 | 911 108 071 02 | reverse lever complete | | 1 | |
| 5 | 911 106 085 00 | engine cover complete | | 1 | |
| 6 | N 020 902 1 | tie-wrap | -71 | 1 | |
| 7 | 900 076 025 02 | hexagon nut | | 3 | |
| 8 | N 012 241 1 | spring washer | | 5 | |
| 9 | 901 126 121 01 | mounting plate | | 1 | |
| 10 | 900 192 027 50 | narrow v-belt | | 1 | |
| 11 | 900 012 060 00 | straight pin | | 1 | |
| 12 | 911 126 117 01 | compressor plate | | 1 | |
| 13 | 911 102 015 50 | pulley | -71 | 1 | |
| (13) | 911 102 015 50 | pulley | 72- | 1 | |
| 14 | 900 025 007 02 | washer | | 3 | |
| 15 | N 012 241 1 | spring washer | | 3 | |
| 16 | 900 075 085 02 | hexagon-head bolt | | 3 | |
| 17 | 901 108 087 02 | push rod | | 2 | |
| 18 | 900 075 040 02 | hexagon-head bolt | | 4 | |
| 19 | N 012 230 1 | spring washer | -71 | 4 | |
| (19) | 900 028 005 01 | spring washer | 72- | 4 | |
| 20 | N 011 010 6 | hexagon nut | | 2 | |
| 21 | 911 126 115 00 | strut | | 1 | |
| 22 | 900 075 085 02 | hexagon-head bolt | | 2 | |

| | | | | | | | | | | | |
|-------|------|----|----|--------------|--------------|-----|-------|------------|---------|-----|---------|
| Model | Year | MG | SG | Illustration | Restrictions | UPD | 20:43 | 22.01.2010 | PORSCHE | PET | PORSCHE |
| 911 | 1973 | 8 | 13 | 813-60 | | 248 | | | | | |

| Pos | Part Number | Description | Remark | Qty | Model | Pos | Part Number | Description | Remark | Qty | Model |
|-----|----------------|-----------------------------|--------|-----|-------|-----|-------------|-------------|--------|-----|-------|
| 23 | 900 025 007 02 | washer | | 2 | | | | | | | |
| 24 | 911 126 124 01 | strut | | 1 | | | | | | | |
| 25 | 964 126 125 20 | nut | | 1 | | | | | | | |
| 26 | 900 028 005 01 | lock ring | | 4 | | | | | | | |
| 27 | 900 075 085 02 | hexagon-head bolt | | 4 | | | | | | | |
| 28 | 911 126 101 01 | bracket | | 1 | | | | | | | |
| 29 | 930 126 116 00 | fastening angle | | 1 | | | | | | | |
| 30 | 900 025 008 02 | washer 10,5 | | 4 | | | | | | | |
| - | 900 075 014 02 | hexagon-head bolt M 6X18 | 72- | 2 | | | | | | | |

| | | | | | | | | | | | |
|-------|------|----|----|--------------|--------------|-----|-------|------------|---------|-----|---------|
| Model | Year | MG | SG | Illustration | Restrictions | UPD | 20:44 | 22.01.2010 | PORSCHE | PET | PORSCHE |
| 911 | 1973 | 8 | 13 | 813-65 | | 248 | | | | | |

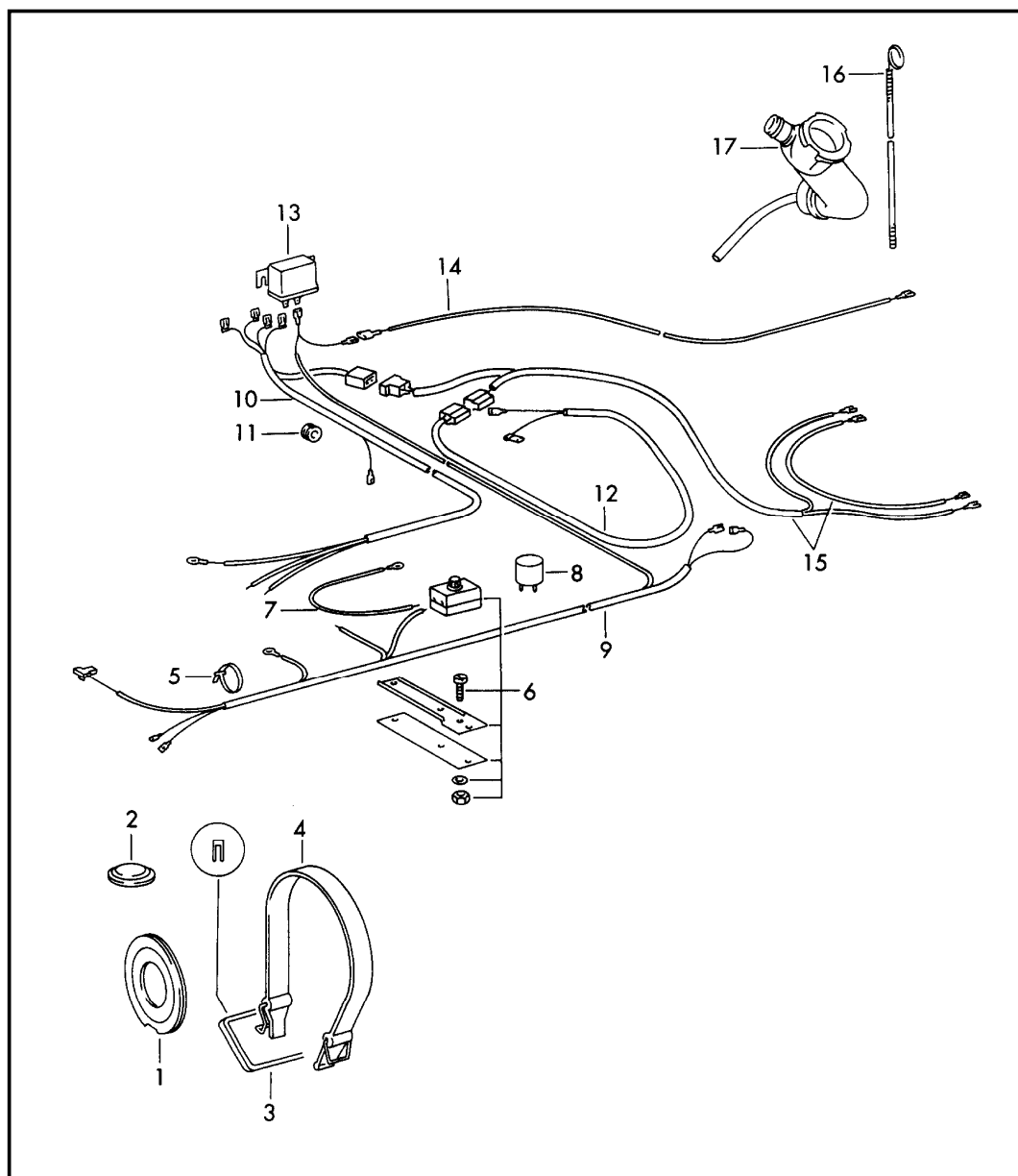


| Pos | Part Number | Description | Remark | Qty | Model |
|------|----------------|------------------------------------------------------------------------------------|--------|-----|-------|
| | | air conditioner condenser hoses and mounting parts not for (USA) | | | |
| 1 | 901 573 057 00 | condenser complete | | 1 | |
| 2 | 901 573 138 00 | moltoprene shim 6X65X85 | | 1 | |
| 3 | 911 573 147 00 | bracket | | 1 | |
| 4 | N 013 961 2 | tapping screw B 3,9X13 | | 2 | |
| 5 | 900 075 092 02 | hexagon-head bolt M 4X10 | | 2 | |
| 6 | 900 027 011 01 | lock ring B 4 | | 2 | |
| 7 | N 011 004 6 | hexagon nut M 4 | | 2 | |
| 8 | 911 573 153 00 | refrigerant hose NW 10 | | 1 | |
| 9 | 901 573 147 00 | gasket 3/4" | | 3 | |
| 10 | 901 573 143 00 | rubber sleeve | | 3 | |
| 11 | 911 573 144 00 | clamp | | 18 | |
| 12 | N 010 207 6 | hexagon-head bolt M 5X12 | | 1 | |
| 13 | N 012 005 3 | lock ring B 5 | | 2 | |
| 14 | 900 076 006 02 | hexagon nut M 5 | | 2 | |
| 15 | 900 187 025 02 | hexagon-head tapping screw | -71 | 27 | |
| (15) | 900 143 025 02 | oval-head sheetmetal screw B 5,5X13 | 72- | 27 | |
| 16 | 999 512 348 02 | hose clamp | -71 | 1 | |
| 17 | 911 573 150 00 | refrigerant hose NW 10 | | 1 | |

| | | | | | | | | | | | |
|-------|------|----|----|--------------|--------------|-----|-------|------------|---------|-----|---------|
| Model | Year | MG | SG | Illustration | Restrictions | UPD | 20:44 | 22.01.2010 | PORSCHE | PET | PORSCHE |
| 911 | 1973 | 8 | 13 | 813-65 | | 248 | | | | | |

| Pos | Part Number | Description | Remark | Qty | Model | Pos | Part Number | Description | Remark | Qty | Model |
|------|----------------|--------------------------------------|--------|-----|-------|------|----------------|---------------------------------------|--------|-----|-------|
| 18 | 999 511 066 02 | clamp | | 1 | | 39 | 911 624 022 00 | housing | | 1 | |
| 19 | 900 076 027 02 | hexagon nut M 5 | | 2 | | 40 | 911 624 021 00 | blower motor with fan | | 1 | |
| 20 | 911 573 149 00 | refrigerant hose NW 13 | -71 | 1 | | 41 | 911 573 056 00 | condenser front | | 1 | |
| (20) | 911 573 149 02 | refrigerant hose NW 13 | 72- | 1 | | 42 | 911 573 058 01 | stone guard | | 1 | |
| 21 | 901 573 146 00 | gasket 7/8" | | 2 | | 43 | N 010 215 13 | hexagon-head bolt M 6X15 | | 3 | |
| 22 | 901 573 139 00 | fluid tank | -71 | 1 | | 44 | N 012 007 2 | lock ring B 6 | | 3 | |
| (22) | 911 573 139 00 | fluid tank | 72- | 1 | | 45 | N 011 524 7 | washer 6,4 | | 3 | |
| 23 | 901 573 140 00 | retaining bar | | 1 | | 46 | 911 501 530 01 | towing lug | -71 | 1 | |
| 24 | 900 143 007 02 | oval-head sheetmetal screw 4,2X13 | | 2 | | (46) | 911 501 530 01 | towing lug | 72- | 1 | |
| 25 | 901 573 141 00 | hose clamp | | 2 | | - | N 040 249 2 | screw M 10X40 | 72- | 3 | |
| 26 | 901 573 155 00 | support | | 1 | | - | 911 505 181 00 | impact protection for condenser | 72- | 1 | |
| 27 | 901 573 142 00 | rubber sleeve | | 1 | | - | 911 505 182 00 | impact protection for condenser | 72- | 1 | |
| 28 | 999 507 315 02 | speed nut | | 1 | | | | | | | |
| 29 | N 012 005 3 | lock ring B 5 | | 1 | | | | | | | |
| 30 | N 010 207 6 | hexagon-head bolt M 5X12 | | 1 | | | | | | | |
| 31 | 901 573 152 00 | refrigerant hose NW 10 | | 1 | | | | | | | |
| 32 | 901 573 148 00 | gasket 5/8" | | 5 | | | | | | | |
| 33 | 911 573 145 00 | clamp | | 13 | | | | | | | |
| 34 | 911 341 161 01 | protective plate | | 1 | | | | | | | |
| 35 | 901 341 165 00 | rubber pad | | 1 | | | | | | | |
| 36 | 901 341 167 00 | rubber pad | | 1 | | | | | | | |
| 37 | 911 573 154 00 | refrigerant hose NW 8 | | 1 | | | | | | | |
| 38 | 911 624 017 00 | blower complete | | 1 | | | | | | | |

| | | | | | | | | | | | |
|-------|------|----|----|--------------|--------------|-----|-------|------------|---------|-----|---------|
| Model | Year | MG | SG | Illustration | Restrictions | UPD | 20:44 | 22.01.2010 | PORSCHE | PET | PORSCHE |
| 911 | 1973 | 8 | 13 | 813-70 | | 248 | | | | | |



| Pos | Part Number | Description | Remark | Qty | Model |
|-----|----------------|-----------------------------------------------------------------------------|--------|--------|-------|
| | | air conditioner electrical components accessories not for (USA) | | | |
| 1 | 901 572 913 01 | lock ring | | 1 | |
| 2 | 914 559 251 10 | stopper | | 1 | |
| 3 | 901 573 509 00 | gasket | | 1 | |
| 4 | 901 611 025 20 | retaining strap | | 2 | |
| 5 | 999 513 008 40 | tie-wrap | | 4 | |
| 6 | 901 612 085 04 | fuse box mounting parts comprising: | | 1 | |
| - | 911 573 158 00 | support | | 1 | |
| - | 900 189 005 02 | lens-head screw | | 2 | |
| - | 900 025 002 02 | washer | | 2 | |
| - | N 010 205 6 | hexagon-head bolt | | 2 | |
| - | 911 573 509 00 | rubber 50X50X1,5 | | 1 | |
| 7 | 911 612 082 00 | wiring harness NR. 82 | | 1 | |
| 8 | 911 615 109 01 | standard type relay | | 1 | |
| 9 | 911 612 080 00 | wiring harness NR. 80 | | 1 1 | |
| 10 | 911 612 078 00 | wiring harness NR. 78 | | 1 | |
| 11 | 999 702 119 50 | rubber sleeve | | 1 | |
| 12 | 901 612 084 00 | wiring harness NR. 28 | | 1 | |
| 13 | 901 615 102 00 | relay | | 1 | |
| 14 | 911 612 079 00 | wiring harness NR. 79 | | 1 | |
| 15 | 901 612 902 00 | wiring harness | -71 | 1 | |
| 15 | 901 612 086 02 | wiring harness NR. 29 | 72- | 1 | |

| | | | | | | | | | | | |
|-------|------|----|----|--------------|--------------|-----|-------|------------|---------|-----|---------|
| Model | Year | MG | SG | Illustration | Restrictions | UPD | 20:44 | 22.01.2010 | PORSCHE | PET | PORSCHE |
| 911 | 1973 | 8 | 13 | 813-70 | | 248 | | | | | |

| Pos | Part Number | Description | Remark | Qty | Model | Pos | Part Number | Description | Remark | Qty | Model |
|-----|----------------|--------------------------------|--------|-----|-------|-----|-------------|-------------|--------|-----|-------|
| 16 | 911 107 076 00 | oil level dipstick | -71 | 1 | | | | | | | |
| 17 | 911 107 075 00 | filler neck for oil tank | -71 | 1 | | | | | | | |

| | | | | | | | | |
|-------|------|----|----|--------------|--------------|-----|-------|------------|
| Model | Year | MG | SG | Illustration | Restrictions | UPD | 20:44 | 22.01.2010 |
| 911 | 1973 | 8 | 98 | 898-00R | | 248 | | |

| Pos | Part Number | Description | Remark | Qty | Model |
|-----|------------------|----------------------------------------------------------------------------------|---------|-----|-------|
| | | air conditioner complete and installation set for air conditioner | | | |
| >> | >>911 573 001 01 | air conditioner complete | /LL -71 | 1 | COUPE |
| >> | >>911 573 001 41 | air conditioner complete single parts see technical information | /LL -71 | 1 | TARGA |
| - | 911 505 037 01 | rubber buffer for bumper horn | | 2 | |
| - | 900 076 010 02 | hexagon nut M 6 | | 4 | |
| - | 900 076 025 02 | hexagon nut M 8 | | 2 | |
| - | 999 911 182 40 | pipng | | 4 | |
| - | 911 505 141 00 | impact protection for condenser front | /L | 1 | |
| - | 911 505 142 00 | impact protection for condenser front | /R | 1 | |
| - | 900 186 002 02 | pan-head screw M 8X15 | | 2 | |
| - | 900 351 001 01 | disc with spherical hole C 8,4 | | 2 | |
| - | 900 027 015 02 | lock ring B 8 | | 2 | |
| - | 901 504 731 30 | lid for tunnel | | 1 | |
| - | 911 501 093 00 | air baffle plate for condenser front | | 1 | |
| - | 911 501 098 00 | support for water reservoir windscreen washer system | | 1 | |

| | | | | | | | | |
|-------|------|----|----|--------------|--------------|-----|-------|------------|
| Model | Year | MG | SG | Illustration | Restrictions | UPD | 20:44 | 22.01.2010 |
| 911 | 1973 | 8 | 98 | 898-05R | | 248 | | |

| Pos | Part Number | Description | Remark | Qty | Model |
|-----|------------------|----------------------------------------------------------------------------------------|--------|-----|-------|
| >> | >>901 572 930 02 | installation set for subsequent installation for heating and ventilation unit | | 1 | |
| - | 901 572 501 32 | heating and ventilation unit without accessories | | 1 | |
| - | 901 572 511 32 | electric motor with fuel pump complete | | 1 | |
| - | 901 572 513 31 | pump | | 1 | |
| - | 901 572 066 00 | air hose with connection piece | /R | 1 | |
| - | 901 572 065 00 | air hose with connection piece | /L | 1 | |
| - | 999 512 348 02 | hose clamp | | 4 | |
| - | 901 572 647 00 | air hose | /L | 1 | |
| - | 901 572 648 00 | air hose | /R | 1 | |
| - | 901 572 054 00 | distributing piece | | 1 | |
| - | 901 572 058 00 | connecting piece | | 1 | |
| - | 901 572 527 00 | sealing washer | | 1 | |
| - | 900 075 219 02 | hexagon-head bolt M 5X10 | | 3 | |
| - | 900 025 003 02 | washer 5,3 | | 3 | |
| - | 901 572 526 00 | gasket | | 1 | |
| - | 901 572 521 00 | flap | | 1 | |
| - | 900 055 019 20 | buttonhead rivet 3X6 | | 3 | |
| - | 999 512 151 02 | hose clamp | | 2 | |
| - | 901 572 649 00 | air hose \$ 70 | | 1 | |

| | | | | | | | | |
|-------|------|----|----|--------------|--------------|-----|-------|------------|
| Model | Year | MG | SG | Illustration | Restrictions | UPD | 20:44 | 22.01.2010 |
| 911 | 1973 | 8 | 98 | 898-05R | | 248 | | |

| Pos | Part Number | Description | Remark | Qty | Model |
|-----|----------------|------------------------------------|--------|-----|-------|
| - | 901 501 392 20 | support for optional heating | | 1 | |
| - | 900 151 008 02 | washer B 8,4 | | 1 | |
| - | 900 027 005 01 | lock ring A 8 | | 1 | |
| - | 900 076 025 02 | hexagon nut M 8 | | 1 | |
| - | 900 076 010 02 | hexagon nut M 6 | | 5 | |
| - | 900 115 006 01 | serrated lock washer A 6,4 | | 5 | |
| - | 900 151 006 09 | washer A 6,4 | | 5 | |
| - | 901 572 519 30 | spacer sleeve | | 5 | |
| - | 999 702 049 50 | rubber sleeve | | 5 | |
| - | 901 612 053 02 | ignition lead | | 1 | |
| - | 901 572 591 30 | gasket | | 1 | |
| - | 901 572 593 30 | strainer for intake manifold | | 1 | |
| - | 999 512 046 02 | hose clamp | | 1 | |
| - | 901 572 627 31 | exhaust pipe | | 1 | |
| - | 901 572 619 30 | bush | | 2 | |
| - | 999 512 125 02 | hose clamp | | 2 | |
| - | 901 572 061 30 | muffler | | 1 | |
| - | 901 572 602 32 | exhaust line | | 1 | |
| - | 901 572 609 30 | bush | | 4 | |
| - | 999 512 056 02 | hose clamp | | 4 | |
| - | 999 180 029 50 | fuel hose 2 M | | * | |
| - | 901 572 515 30 | bracket | | 1 | |
| - | 900 075 014 02 | hexagon-head bolt M 6X18 | | 5 | |
| - | 901 615 109 30 | motor protection switch | | 1 | |

PORSCHE

PET

PORSCHE

| | | | | | | | | |
|-------|------|----|----|--------------|--------------|-----|-------|------------|
| Model | Year | MG | SG | Illustration | Restrictions | UPD | 20:44 | 22.01.2010 |
| 911 | 1973 | 8 | 98 | 898-05R | | 248 | | |

| Pos | Part Number | Description | Remark | Qty | Model |
|-----|----------------|------------------------------------------------|--------|-----|-------|
| - | 900 014 079 02 | pan-head screw AM 3X10 | | 2 | |
| - | 900 115 007 01 | serrated lock washer A 3,2 | | 2 | |
| - | 900 076 001 02 | hexagon nut M 3 | | 2 | |
| - | 901 501 489 00 | clamp for metering | | 1 | |
| - | 901 501 483 00 | support for metering | | 1 | |
| - | N 043 890 1 | tapping screw B 4,2X9,5 | | 4 | |
| - | 900 067 011 02 | pan-head screw M 6X20 | | 1 | |
| - | N 012 007 2 | lock ring A 6 | | 1 | |
| - | 999 180 030 50 | fuel hose 1,2 M | | * | |
| - | 999 512 055 02 | hose clamp | | 2 | |
| - | 999 702 027 50 | rubber sleeve | | 1 | |
| - | 901 617 010 30 | conversion set | | 1 | |
| - | 900 076 027 02 | hexagon nut M 5 | | 2 | |
| - | 900 115 001 01 | serrated lock washer A 5,3 | | 2 | |
| - | 901 613 631 00 | switch for optional heating | | 1 | |
| - | 901 612 053 00 | wiring harness for heater - WEBASTO - | | 1 | |
| - | 901 613 216 50 | rosette chrome | | 1 | |
| - | 901 613 261 20 | rosette plastic material | | 1 | |
| - | 901 201 023 04 | threaded joint | | 1 | |
| - | 900 123 011 30 | sealing ring A 22X27 AL | | 1 | |

PORSCHE

PET

PORSCHE

| | | | | | | | | |
|-------|------|----|----|--------------|--------------|-----|-------|------------|
| Model | Year | MG | SG | Illustration | Restrictions | UPD | 20:44 | 22.01.2010 |
| 911 | 1973 | 8 | 98 | 898-05R | | 248 | | |

| Pos | Part Number | Description | Remark | Qty | Model |
|-----|----------------|---------------------------------------------------|--------|-----|-------|
| - | 901 504 731 30 | lid for tunnel | | 1 | |
| - | 901 504 491 30 | gasket for cover | | 1 | |
| - | 901 504 431 30 | mat contains asbestos for 901 504 043 02 | | 1 | |
| - | 901 504 439 00 | washer | | 2 | |

| | | | | | | | | |
|-------|------|----|----|--------------|--------------|-----|-------|------------|
| Model | Year | MG | SG | Illustration | Restrictions | UPD | 20:44 | 22.01.2010 |
| 911 | 1973 | 8 | 98 | 898-10R | | 248 | | |

| Pos | Part Number | Description | Remark | Qty | Model |
|-----|------------------|-----------------------------------------------------------------------------------------------------------------------------------------|--------|-----|--------------------|
| >> | >>911 613 025 01 | lock cylinder set of locks - EUROPA - steering lock without buzzer contact for subsequent installation comprising: | /LL | 1 | COUPE |
| - | 911 531 061 00 | outer door handle complete | /L | 1 | |
| - | 911 531 062 00 | outer door handle complete | /R | 1 | |
| - | 914 531 637 10 | main key | | 2 | |
| - | 914 531 903 11 | blank key | | 2 | |
| - | 911 613 011 05 | steering lock without buzzer contact | | 1 | |
| - | 914 552 905 10 | glove compartment lock | | 1 | |
| >> | >>911 613 025 41 | set of locks - EUROPA - steering lock without buzzer contact for subsequent installation comprising: | /LL | 1 | TARGA |
| - | 911 531 061 00 | outer door handle complete | /L | 1 | |
| - | 911 531 062 00 | outer door handle complete | /R | 1 | |
| - | 914 531 637 10 | main key | | 2 | |
| - | 914 531 903 11 | blank key | | 2 | |
| - | 914 552 905 10 | glove compartment lock | | 1 | |
| - | 911 511 903 00 | lock for lid-release cable | | 1 | |
| >> | >>911 613 026 01 | set of locks - USA - steering lock with buzzer contact for subsequent installation comprising: | /LL | 1 | 911 T/E/S COUPE |
| - | 911 531 061 00 | outer door handle complete | /L | 1 | |

| | | | | | | | | |
|-------|------|----|----|--------------|--------------|-----|-------|------------|
| Model | Year | MG | SG | Illustration | Restrictions | UPD | 20:44 | 22.01.2010 |
| 911 | 1973 | 8 | 98 | 898-10R | | 248 | | |

| Pos | Part Number | Description | Remark | Qty | Model |
|-----|------------------|------------------------------------------------------------------------------------------------|--------|-----|-------|
| - | 911 531 062 00 | outer door handle complete | /R | 1 | |
| - | 914 531 637 10 | main key | | 2 | |
| - | 914 531 903 11 | blank key | | 2 | |
| - | 911 613 011 00 | steering lock with buzzer contact | | 1 | |
| - | 914 552 905 10 | glove compartment lock | | 1 | |
| >> | >>911 613 026 41 | set of locks - USA - steering lock with buzzer contact for subsequent installation comprising: | | 1 | TARGA |
| - | 911 531 061 00 | outer door handle complete | /L | 1 | |
| - | 911 531 062 00 | outer door handle complete | /R | 1 | |
| - | 914 531 637 10 | main key | | 1 | |
| - | 914 531 903 11 | blank key | | 1 | |
| - | 911 613 011 00 | ignition starter switch with buzzer contact | | 1 | |
| - | 914 552 905 10 | glove compartment lock | | 1 | |
| - | 911 511 903 00 | lock for lid-release cable | | 1 | |
| - | 914 511 070 10 | lock for lid-release cable | | 1 | |
| >> | >>911 531 910 00 | set of locks | 71- | 1 | COUPE |
| - | 911 531 061 00 | outer door handle | /L | 1 | |
| - | 911 531 062 00 | outer door handle | /R | 1 | |
| - | 914 531 637 10 | main key | | 2 | |
| - | 914 531 903 11 | blank key | | 2 | |
| - | 911 613 011 06 | steering lock | | 1 | |
| - | 911 552 059 01 | glove compartment lock | | 1 | |
| >> | >>911 531 911 00 | set of locks | 71- | 1 | TARGA |

PORSCHE

PET

PORSCHE

| | | | | | | | | |
|-------|------|----|----|--------------|--------------|-----|-------|------------|
| Model | Year | MG | SG | Illustration | Restrictions | UPD | 20:44 | 22.01.2010 |
| 911 | 1973 | 8 | 98 | 898-10R | | 248 | | |

| Pos | Part Number | Description | Remark | Qty | Model |
|-----|----------------|------------------------|--------|-----|-------|
| - | 911 531 061 00 | outer door handle | /L | 1 | |
| - | 911 531 062 00 | outer door handle | /R | 1 | |
| - | 914 531 637 10 | main key | | 2 | |
| - | 914 531 903 11 | blank key | | 2 | |
| - | 911 613 011 06 | steering lock | | 1 | |
| - | 911 552 059 01 | glove compartment lock | | 1 | |
| - | 911 511 903 00 | lock | | 1 | |

| | | | | | | | | |
|-------|------|----|----|--------------|--------------|-----|-------|------------|
| Model | Year | MG | SG | Illustration | Restrictions | UPD | 20:44 | 22.01.2010 |
| 911 | 1973 | 8 | 98 | 898-15R | | 248 | | |

| Pos | Part Number | Description | Remark | Qty | Model |
|------|------------------|---------------------------------------------------------------------------------------------------------------------------------------------|---------|-----|-------|
| >> | >>901 505 904 00 | power window rear apron rear apron 1 set for subsequent installation picture 29-35 see group 8/02/05 comprising: | 69- | 1 | |
| (29) | 901 505 425 21 | rear apron centre | | 1 | |
| (29) | 901 505 426 21 | rear apron right | | 1 | |
| (29) | 901 505 423 20 | rear apron left | | 1 | |
| 30 | N 015 429 2 | speed nut B 4,2 | | 9 | |
| 31 | 900 025 002 02 | washer 4,3 | | 9 | |
| 32 | 900 143 031 02 | oval-head sheetmetal screw B 4,2X9,5 | | 9 | |
| 33 | 900 146 016 02 | oval-head screw AM 3X6 | | 2 | |
| 34 | 900 076 001 02 | hexagon nut M 4 | | 2 | |
| 35 | 900 151 019 02 | washer B 3,2 | | 2 | |
| >> | >>911 542 906 00 | power window 1 set for subsequent installation comprising: | /LL -70 | 1 | COUPE |
| - | 911 542 003 25 | power windows | /L | 1 | |
| - | 911 542 004 25 | power windows | /R | 1 | |
| - | 911 612 020 00 | wiring harness NR.20 | | 1 | |
| - | 911 612 021 00 | wiring harness NR.21 | | 2 | |
| - | 911 612 048 00 | wiring harness NR.48 | | 3 | |
| - | 999 702 026 50 | rubber sleeve | | 2 | |

| | | | | | | | | |
|-------|------|----|----|--------------|--------------|-----|-------|------------|
| Model | Year | MG | SG | Illustration | Restrictions | UPD | 20:44 | 22.01.2010 |
| 911 | 1973 | 8 | 98 | 898-15R | | 248 | | |

| Pos | Part Number | Description | Remark | Qty | Model |
|-----|------------------|---------------------------------------------------------------------|---------|-----|--------------|
| - | 901 531 083 00 | bracket for cable holder | | 2 | |
| - | 900 186 102 02 | hexagon socket head bolt M 6X12 | | 6 | |
| - | 901 612 898 00 | cable connection | | 2 | |
| - | N 013 961 2 | tapping screw 3,9X13 | | 4 | |
| - | 901 542 063 00 | stop wedge | | 2 | |
| - | 900 186 102 02 | hexagon socket head bolt M 5X10 | | 4 | |
| - | 999 513 003 40 | hose clamp | | 2 | |
| - | 901 542 417 00 | cable holder | | 4 | |
| - | N 010 210 13 | hexagon-head bolt M 6X10 | | 4 | |
| - | 911 613 621 00 | switch | | 3 | |
| - | 901 555 027 00 | door panel | /L | 1 | |
| - | 901 555 028 00 | door panel | /R | 1 | |
| - | 901 555 027 10 | door panel | /RL/L | 1 | 911T/E TARGA |
| - | 901 555 028 10 | door panel | /RL/R | 1 | 911T/E TARGA |
| - | 911 722 091 00 | belt for spare wheel mount | /LL | 1 | 911 S |
| >> | >>911 542 907 00 | power window | /LL -72 | 1 | |
| >> | >>911 542 908 00 | power window 1 set for subsequent installation comprising: | /RL -72 | 1 | |
| - | 911 542 003 25 | power windows | /L | 1 | |
| - | 911 542 004 25 | power windows | /R | 1 | |
| - | N 010 210 13 | hexagon-head bolt M 6X10 | | 4 | |
| - | 901 542 417 00 | cable holder | | 4 | |
| - | 901 542 063 00 | stop wedge | | 2 | |
| - | 900 186 102 02 | hexagon socket head bolt M 5X10 | | 4 | |

| | | | | | | | | |
|-------|------|----|----|--------------|--------------|-----|-------|------------|
| Model | Year | MG | SG | Illustration | Restrictions | UPD | 20:44 | 22.01.2010 |
| 911 | 1973 | 8 | 98 | 898-15R | | 248 | | |

| Pos | Part Number | Description | Remark | Qty | Model |
|-----|------------------|---------------------------------------------------------------------|---------|-----|-------|
| - | 901 531 083 00 | bracket | | 2 | |
| - | 900 186 122 02 | pan-head screw M 6X12 | | 6 | |
| - | 901 612 062 00 | wiring harness switch | | 3 | |
| - | 901 612 071 03 | wiring harness door | | 2 | |
| - | 901 612 071 02 | wiring harness power windows | /LL | 1 | |
| - | 901 612 097 00 | wiring harness power windows | /RL | 1 | |
| - | 901 612 898 00 | cable connection | | 2 | |
| - | 900 143 007 02 | oval-head screw B 4,2X13 | | 4 | |
| - | 999 513 002 40 | tie-wrap | | 2 | |
| - | 901 612 835 01 | connecting rail | | 1 | |
| - | 901 613 621 00 | switch | | 3 | |
| - | 911 613 637 00 | seal switch | | 1 | |
| - | 911 613 638 00 | seal switch | | 1 | |
| - | 911 613 623 00 | grommet | | 3 | |
| - | 999 702 026 50 | grommet | | 2 | |
| >> | >>911 542 909 00 | power window | /LL 73- | 1 | |
| >> | >>911 542 910 00 | power window 1 set for subsequent installation comprising: | /RL 73- | 1 | |
| - | 911 542 003 26 | power windows with engine | /L | 1 | |
| - | 911 542 004 26 | power windows with engine | /R | 1 | |
| - | 901 542 063 00 | stop wedge | | 2 | |
| - | 900 186 102 02 | hexagon socket head bolt M 5X10 | | 4 | |
| - | 901 531 083 00 | bracket | | 2 | |

| | | | | | | | | |
|-------|------|----|----|--------------|--------------|-----|-------|------------|
| Model | Year | MG | SG | Illustration | Restrictions | UPD | 20:44 | 22.01.2010 |
| 911 | 1973 | 8 | 98 | 898-15R | | 248 | | |

| Pos | Part Number | Description | Remark | Qty | Model |
|-----|----------------|-------------------------------------------------------------------------------------------------|--------|-----|-------|
| - | 900 186 122 02 | hexagon socket head bolt M 6X12 | | 6 | |
| - | 901 612 071 02 | wiring harness door | | 1 | |
| - | 901 612 898 00 | cable connection | | 2 | |
| - | 900 143 007 02 | oval-head sheetmetal screw B 4,2X13 | | 4 | |
| - | 901 612 835 01 | connecting rail | | 1 | |
| - | 911 613 621 01 | switch | | 3 | |
| - | 911 613 637 00 | seal | /L | 1 | |
| - | 911 613 638 00 | seal | /R | 1 | |
| - | 911 613 623 00 | grommet | | 3 | |
| - | 999 702 026 50 | grommet | | 2 | |
| - | 911 612 101 00 | wiring harness switch | | 1 | |
| - | 911 612 102 00 | wiring harness switch | | 1 | |
| - | 911 612 103 00 | wiring harness switch | | 1 | |
| - | 911 612 104 00 | wiring harness power windows door panel left and right see group 8/07/.... | | 2 | |

| | | | | | | | | |
|-------|------|----|----|--------------|--------------|-----|-------|------------|
| Model | Year | MG | SG | Illustration | Restrictions | UPD | 20:45 | 22.01.2010 |
| 911 | 1973 | 8 | 98 | 898-25R | | 248 | | |

| Pos | Part Number | Description | Remark | Qty | Model |
|-----|------------------|----------------------------------------------------------------------------------------------------------------------------------------------------------------------|--------|-----|-------|
| >> | >>901 505 920 20 | rubber buffer for bumper horn for subsequent installation 1 set rubber buffer for bumper horn for subsequent installation comprising: | | 1 | |
| - | 901 505 901 21 | rubber buffer | /V | 2 | |
| - | 901 505 903 21 | rubber buffer | /H | 2 | |
| - | 900 076 010 02 | hexagon nut M6 | | 10 | |

| | | | | | | | | |
|-------|------|----|----|--------------|--------------|-----|-------|------------|
| Model | Year | MG | SG | Illustration | Restrictions | UPD | 20:45 | 22.01.2010 |
| 911 | 1973 | 8 | 98 | 898-30R | | 248 | | |

| Pos | Part Number | Description | Remark | Qty | Model |
|-----|------------------|---------------------------------------------------------------------------------------------|--------|-----|-------|
| | | seat belt installation set with automatic for subsequent installation | | | |
| >> | >>901 803 901 00 | seat belt | /L -71 | 1 | COUPE |
| >> | >>911 803 905 01 | seat belt three-point seat belt with seat-belt buckle for (D) comprising: | /L 72- | 1 | COUPE |
| - | 901 803 017 21 | three-point seat belt | /L -71 | 1 | |
| - | 911 803 029 00 | three-point seat belt | /L 72- | 1 | |
| - | 911 555 069 01 | cover | /L -71 | 1 | |
| - | 911 555 069 01 | cover | /L 72- | 1 | |
| - | 911 555 613 00 | support | /L -71 | 1 | |
| - | 911 555 613 00 | support | /L 72- | 1 | |
| - | 901 555 615 00 | rosette | | 1 | |
| - | 901 555 769 00 | desk pad | | 1 | |
| - | 900 145 006 02 | rais. counters. h. tap. s. B 3,5X19 | | 2 | |
| - | 900 146 042 00 | oval-head sheetmetal screw | -71 | 1 | |
| - | 900 145 059 00 | oval-head sheetmetal screw B 3,5X25 | 72- | 1 | |
| - | 999 591 102 12 | protection washer | | 1 | |
| >> | >>901 803 902 00 | seat belt | /R -71 | 1 | COUPE |
| >> | >>911 803 906 01 | seat belt three-point seat belt with seat-belt buckle for (D) comprising: | /R 72- | 1 | COUPE |
| - | 901 803 018 21 | three-point seat belt | /R -71 | 1 | |
| - | 911 803 030 00 | three-point seat belt | /R 72- | 1 | |
| - | 911 555 070 01 | cover | /R -71 | 1 | |
| - | 911 555 070 01 | cover | /R 72- | 1 | |

| | | | | | | | | |
|-------|------|----|----|--------------|--------------|-----|-------|------------|
| Model | Year | MG | SG | Illustration | Restrictions | UPD | 20:45 | 22.01.2010 |
| 911 | 1973 | 8 | 98 | 898-30R | | 248 | | |

| Pos | Part Number | Description | Remark | Qty | Model |
|-----|------------------|------------------------------------------------------------------------------------------------|-----------|-----|-------|
| - | 911 555 613 00 | support | /R -71 | 1 | |
| - | 911 555 613 00 | support | /R 72- | 1 | |
| - | 901 555 615 00 | rosette | | 1 | |
| - | 901 555 769 00 | desk pad | | 1 | |
| - | 900 145 006 02 | rais. counters. h. tap. s. B 3,5X19 | | 2 | |
| - | 900 145 042 00 | oval-head sheetmetal screw | -71 | 1 | |
| - | 900 145 059 00 | oval-head sheetmetal screw B 3,5X25 | 72- | 1 | |
| - | 999 591 102 12 | protection washer | | 1 | |
| >> | >>901 803 901 40 | seat belt | /LL/L -71 | 1 | TARGA |
| >> | >>911 803 911 00 | seat belt three-point seat belt without seat-belt buckle for (D) comprising: | /LL/L 72- | 1 | TARGA |
| - | 901 803 017 43 | three-point seat belt | /L -71 | 1 | |
| - | 911 803 053 00 | three-point seat belt | /L 72- | 1 | |
| - | 901 803 139 00 | rosette | | 1 | |
| - | 901 803 135 00 | suspension hook | | 1 | |
| - | 999 507 011 01 | speed nut | | 1 | |
| - | 900 143 116 07 | oval-head sheetmetal screw | -71 | 1 | |
| - | 900 143 064 07 | tapping screw B 3,5X25 | 72- | 1 | |
| - | N 013 958 7 | tapping screw B 3,5X13 | | 2 | |
| - | N 011 663 1 | washer 3,7 | | 2 | |
| - | 999 025 058 01 | washer | | 1 | |
| >> | >>901 803 902 40 | seat belt | /LL/R -71 | 1 | TARGA |
| >> | >>911 803 912 00 | seat belt three-point seat belt without seat-belt buckle for (D) comprising: | /LL/R 72- | 1 | TARGA |

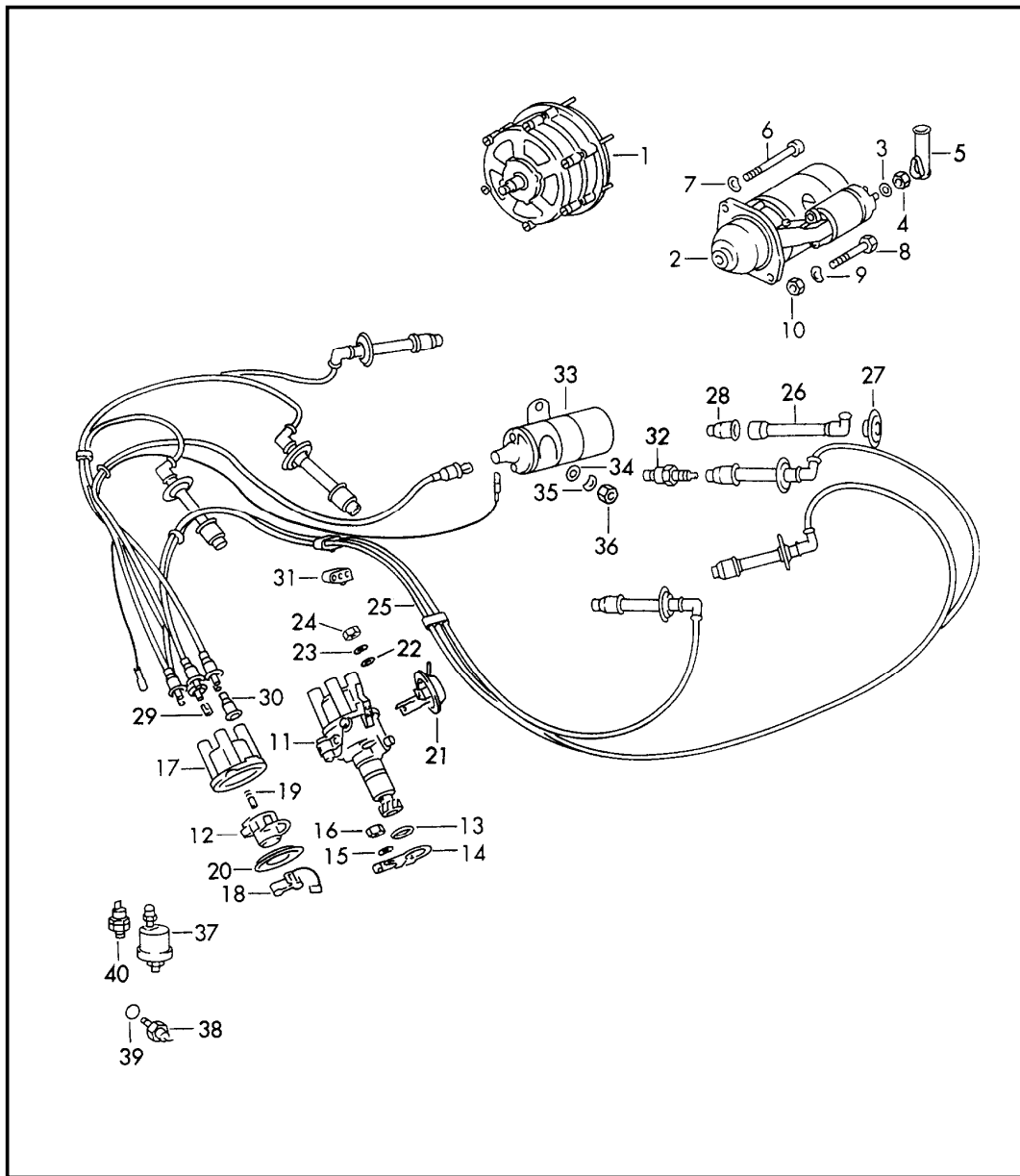
| | | | | | | | | |
|-------|------|----|----|--------------|--------------|-----|-------|------------|
| Model | Year | MG | SG | Illustration | Restrictions | UPD | 20:45 | 22.01.2010 |
| 911 | 1973 | 8 | 98 | 898-30R | | 248 | | |

| Pos | Part Number | Description | Remark | Qty | Model |
|-----|------------------|-----------------------------------------------------------------------------------------------------------------------------------------------|-----------|-----|----------------------|
| - | 901 803 018 43 | three-point seat belt | /R -71 | 1 | |
| - | 911 803 054 00 | three-point seat belt | /R 72- | 1 | |
| - | 901 803 139 00 | rosette | | 1 | |
| - | 901 803 135 00 | suspension hook | | 1 | |
| - | 999 507 011 01 | speed nut | | 1 | |
| - | 900 143 116 07 | oval-head sheetmetal screw | -71 | 1 | |
| - | 900 143 064 07 | tapping screw B 3,5X25 | 72- | 1 | |
| - | N 013 958 7 | tapping screw B 3,5X13 | | 2 | |
| - | N 011 663 1 | washer 3,7 | | 2 | |
| - | 999 025 058 01 | washer | | 1 | |
| >> | >>911 803 045 00 | seat belt | /LL/L 72- | 1 | CARRERA 2.7 |
| >> | >>911 803 046 00 | seat belt three-point seat belt for rally car without automatic with seat-belt buckle for (D)(I)(A) comprising: | /LL/R 72- | 1 | CARRERA 2.7 COUPE |
| - | 914 803 013 10 | three-point seat belt | /L | 1 | |
| - | 911 803 046 00 | seat belt | /R | 1 | |
| - | 111 857 771 A | washer | | 6 | |
| - | 111 857 719 C | cap | | 1 | |
| - | 901 803 119 20 | hexagon-head bolt | | 2 | |
| - | 901 803 119 22 | hexagon-head bolt | | 1 | |
| - | 999 025 113 02 | washer | | 3 | |
| - | 901 803 135 00 | suspension hook | | 1 | |
| - | 900 143 004 00 | oval-head sheetmetal screw B 3,5X19 | | 1 | |

| | | | | | | | | |
|-------|------|----|----|--------------|--------------|-----|-------|------------|
| Model | Year | MG | SG | Illustration | Restrictions | UPD | 20:45 | 22.01.2010 |
| 911 | 1973 | 8 | 98 | 898-35R | | 248 | | |

| Pos | Part Number | Description | Remark | Qty | Model |
|-----|------------------|-----------------------------------------------------------------------------------------------------------------------------------------------|--------|-----|-------|
| >> | >>911 541 901 00 | windscreen windscreen electric heatable green not for (USA),(S) + PUERTO RICO for subsequent installation comprising: | | 1 | |
| - | 911 541 101 04 | windscreen heated green | | 1 | |
| - | 901 613 045 00 | control switch | | 1 | |
| - | 911 615 109 01 | standard type relay | | 1 | |
| - | 999 652 122 10 | multiple plug connector | | 1 | |
| - | 911 617 106 00 | diode rear window | | 1 | |
| - | 901 612 030 07 | wiring harness rear window | | 1 | |
| - | 911 612 056 00 | wiring harness NR.56 | | 1 | |
| - | 911 612 814 00 | fuse holder | | 1 | |
| - | 911 612 057 00 | cable NR.57 | | 1 | |
| - | 999 702 011 50 | rubber sleeve | | 2 | |
| - | 999 652 246 10 | cable shoe | | 1 | |
| - | 999 652 128 40 | insulating sleeve | | 1 | |
| - | 999 652 106 02 | flat receptacle | | 1 | |

| | | | | | | | | | | | |
|-------|------|----|----|--------------|--------------|-----|-------|------------|---------|-----|---------|
| Model | Year | MG | SG | Illustration | Restrictions | UPD | 20:45 | 22.01.2010 | PORSCHE | PET | PORSCHE |
| 911 | 1973 | 9 | 01 | 901-00 | | 248 | | | | | |



| Pos | Part Number | Description | Remark | Qty | Model |
|-------|------------------|------------------------------------------------------------|--------|-----|----------------------|
| | | engine electrics | | | |
| 1 | > 911 603 118 00 | generator - bosch - | | 1 | |
| (1) | > 911 603 120 00 | generator - MOTOROLA /MARCHAL - see group 9/01/10 | | 1 | |
| (1) | 911 603 120 X | generator - MOTOROLA /MARCHAL - | | 1 | |
| - | 900 076 010 02 | hexagon nut M 6 | | 6 | |
| - | 900 028 008 01 | spring washer B 6 | | 6 | |
| - | 901 612 110 00 | ground strap engine generator | | 1 | |
| 2 | 923 604 101 00 | starter | -71 | 1 | |
| (2) | > 916 604 101 00 | starter 1,5 PS not for SPM 905/21 | -72 | 1 | 911 T/E/S 911 T-V |
| (2) | 923 604 101 00 | starter 0,8 PS | -72 | 1 | SPM |
| (2) | > 916 604 101 00 | starter 1,5 PS | 73 | 1 | CARRERA 2.7 |
| - | 999 652 315 02 | flat plug | 73 | 1 | CARRERA 2.7 |
| (2) A | 923 604 101 00 | starter 0,8 PS | | 1 | 911 T/E/S 911 T-V |
| (2) | > 901 604 102 CX | starter 0,8 PS | | 1 | 911 T/E/S 911 T-V |
| 3 | 900 027 016 02 | lock ring B 10 | | 1 | |
| - | 900 031 005 02 | washer 10,5 not for | 70 | 3 | SPM |
| - | 999 523 103 01 | lock washer M 10 not for | 70 | 3 | SPM |
| 4 | 900 157 002 02 | hexagon nut | | 2 | |

| | | | | | | | | | | | |
|-------|------|----|----|--------------|--------------|-----|-------|------------|---------|-----|---------|
| Model | Year | MG | SG | Illustration | Restrictions | UPD | 20:45 | 22.01.2010 | PORSCHE | PET | PORSCHE |
| 911 | 1973 | 9 | 01 | 901-00 | | 248 | | | | | |

| Pos | Part Number | Description | Remark | Qty | Model | Pos | Part Number | Description | Remark | Qty | Model |
|--------|----------------|-------------------------------------------|--------|-----|-----------------------|--------|----------------|------------------------------------------|------------|-----|-----------------------|
| 5 | 999 659 006 50 | protection cap | | 1 | | (11) | 911 602 021 CX | distributor with vacuum unit | 72- | 1 | 911 T |
| 6 | 900 067 074 02 | pan-head screw M 10 X 110 not for | -71 | 1 | SPM | (11) | 911 602 027 01 | distributor - bosch - with vacuum unit | 72- | 1 | 911 E |
| (6) | 900 067 078 02 | pan-head screw M 10 X 150 | -71 | 1 | SPM | | | | | | |
| 7 | 901 604 581 00 | spring washer | -71 | 1 | | (11) > | 911 602 027 03 | distributor with vacuum unit | 72- | 1 | 911 E |
| 8 | 900 155 023 02 | hexagon-head bolt M 10 X 72 not for | -70 | 1 | SPM | (11) | 911 602 031 01 | distributor - bosch - with vacuum unit | 72- | 1 | 911 S |
| (8) | 900 155 018 02 | hexagon-head bolt M 10 X 110 | -70 | 1 | SPM | | | | | | |
| 9 | N 012 242 3 | spring washer B 10 X 18 | -71 | 2 | | (11) > | 911 602 031 05 | distributor with vacuum unit | 72- | 1 | 911 S |
| 10 | 900 157 002 02 | hexagon nut M 10 | -71 | 2 | | | | | | | |
| 11 > | 911 602 022 00 | distributor | -70 | 1 | 911 S | (11) > | 911 602 031 06 | distributor | 72- | 1 | CARRERA 2.7 |
| 11 | 911 602 022 X | distributor - MARELLI - see group 9/01/25 | -70 | 1 | 911 S 911 T SPM | (11) | 911 602 031 FX | distributor with vacuum unit | 72- | 1 | CARRERA 2.7 |
| (11) | 901 602 022 00 | distributor - MARELLI - see group 9/01/25 | -70 | 1 | 911 T/S SPM | (11) | 911 602 023 01 | distributor - MARELLI - with vacuum unit | 72- | 1 | 911 T 911 T-V |
| (11) > | 901 602 027 00 | distributor - bosch - | -71 | 1 | 911 E | (11) | 911 602 028 01 | distributor - MARELLI - with vacuum unit | 72- | 1 | 911 E |
| (11) > | 901 602 031 00 | distributor - bosch - see group 9/01/25 | -71 | 1 | 911 S | (11) | 911 602 032 01 | distributor - MARELLI - with vacuum unit | 72- | 1 | 911 S |
| (11) | 901 602 021 05 | distributor - bosch - see group 9/01/25 | -71 | 1 | 911 T | - | 999 619 121 00 | screened connector for distributor | (F) | 7 | 911 T |
| (11) | 911 602 021 01 | distributor - bosch - with vacuum unit | 72- | 1 | 911 T 911 T-V | - | 999 659 002 50 | rubber cap | (F) | 7 | |
| | | | | | | - | 901 612 107 00 | ground strap | (F) | 2 | |
| (11) | 911 602 021 01 | distributor | 72- | 1 | 911 T | 12 | 901 602 928 01 | rotor - MARELLI - | -70 -71 | 1 | 911 S 911 T SPM |

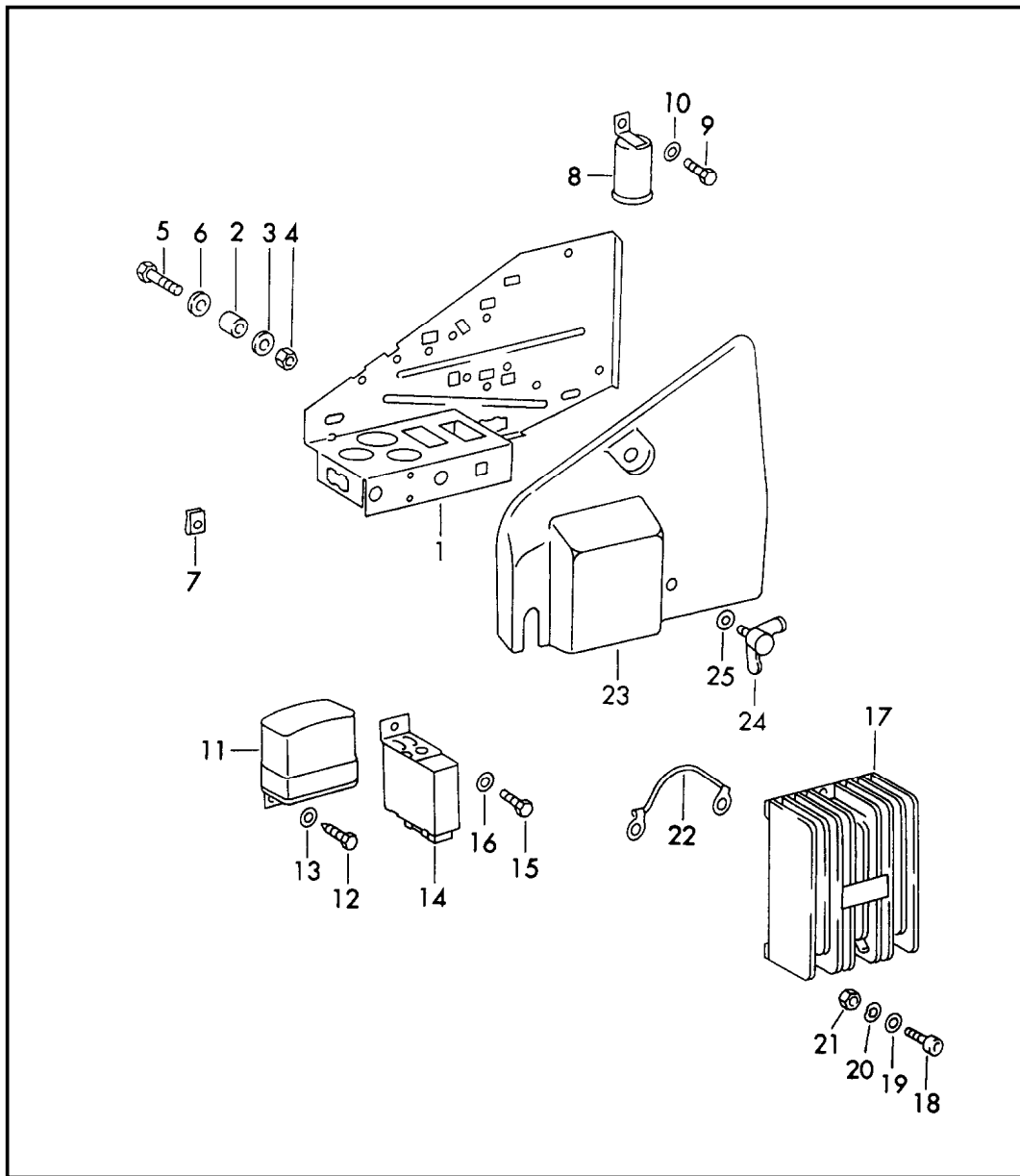
| | | | | | | | | | | | |
|-------|------|----|----|--------------|--------------|-----|-------|------------|---------|-----|---------|
| Model | Year | MG | SG | Illustration | Restrictions | UPD | 20:45 | 22.01.2010 | PORSCHE | PET | PORSCHE |
| 911 | 1973 | 9 | 01 | 901-00 | | 248 | | | | | |

| Pos | Part Number | Description | Remark | Qty | Model | Pos | Part Number | Description | Remark | Qty | Model |
|------|----------------|--------------------------------------------------------------|-----------|-----|-----------------------|------|----------------|--------------------------------------------------|--------|-----|-------------|
| (12) | 911 602 928 00 | rotor - bosch - | -70 | 1 | 911 T 911 S SPM | (18) | 901 602 960 00 | contact breaker point - bosch - | 72- | 1 | |
| (12) | 911 602 925 00 | rotor - bosch - | | 1 | 911 E SPM | (18) | 911 602 936 00 | contact breaker point - bosch - | 72- | 1 | |
| (12) | 911 602 929 00 | rotor - MARELLI - | | 1 | 911 S | 19 | 901 602 952 00 | wiper contact - MARELLI - | -71 | 1 | 911 T |
| (12) | 911 602 928 00 | rotor | 73 | 1 | 911 T | (19) | 930 602 905 00 | wiper contact - bosch - | | 1 | |
| (12) | 911 602 925 00 | rotor | 73 | 1 | 911 E | 20 | 901 602 927 00 | dust cover - bosch - | -72 | 1 | |
| (12) | 911 602 929 00 | rotor | 73 | 1 | 911 S CARRERA 2.7 | (20) | 911 602 947 00 | dust cover | 73- | 1 | |
| (12) | 911 602 104 00 | rotor - MARELLI - | 72- | 1 | 911 T-V 911 T | 21 | 901 602 955 00 | vacuum unit not for | 72- | 1 | CARRERA 2.7 |
| (12) | 911 602 105 00 | rotor - MARELLI - | 72- | 1 | 911 T/E | (21) | 911 602 965 00 | vacuum unit | 73- | 1 | CARRERA 2.7 |
| (12) | 911 602 106 00 | rotor - MARELLI - | 72- | 1 | 911 S | (21) | 911 602 932 00 | vacuum unit not for | 73- | 1 | CARRERA 2.7 |
| 13 | 999 701 101 50 | sealing ring | -71 | 1 | | (21) | 911 602 931 00 | vacuum unit | 73- | 1 | CARRERA 2.7 |
| (13) | 911 602 102 01 | sealing ring | 72- | 1 | | 22 | 900 025 007 02 | washer B 8.4 | 72- | 1 | |
| 14 | 999 511 046 02 | clamping bow | -71 | 1 | | 23 | N 012 241 8 | spring washer B 8 X 15 | 72- | 1 | |
| 15 | N 012 241 1 | spring washer B 8 X 15 | -71 | 1 | | 24 | 900 076 025 02 | hexagon nut M 8 | | 1 | |
| 16 | 900 076 025 02 | hexagon nut M 8 | -71 | 1 | | 25 | 911 609 061 00 | ignition lead without spark plug connector | | 1 | |
| 17 | 901 602 963 00 | distributor cap - bosch - | -71 | 1 | | - | 900 612 001 00 | ignition lead 5 METER | | * | |
| (17) | 901 602 953 00 | distributor cap - MARELLI - | 70 -71 | 1 | 911 S 911 T | 26 | 901 609 309 00 | screened connector | | 6 | |
| (17) | 911 602 933 00 | distributor cap - bosch - | 72- | 1 | | 27 | 111 905 449 A | cap | -70 | 6 | |
| (17) | 911 602 933 00 | distributor cap - bosch - | 72- | 1 | | 28 | 999 659 034 40 | rubber cap | -70 | 6 | |
| 18 | 616 602 226 02 | contact breaker point - bosch - | -71 | 1 | | 29 | 911 609 510 00 | cable plug | | 8 | |
| (18) | 911 602 960 00 | contact breaker point - MARELLI - see group 9/01/25 | 70 -71 | 1 | 911 S 911 T | 30 | 999 659 001 40 | water protection cap | | 8 | |
| | | | | | | 31 | 901 609 591 00 | cable holder | | 3 | |

| | | | | | | | | | | | |
|-------|------|----|----|--------------|--------------|-----|-------|------------|---------|-----|---------|
| Model | Year | MG | SG | Illustration | Restrictions | UPD | 20:45 | 22.01.2010 | PORSCHE | PET | PORSCHE |
| 911 | 1973 | 9 | 01 | 901-00 | | 248 | | | | | |

| Pos | Part Number | Description | Remark | Qty | Model | Pos | Part Number | Description | Remark | Qty | Model |
|------|----------------|-------------------------------------------------------------------------|--------|-----|------------------------|-----|----------------|---------------------------------------------------|--------|-----|-------|
| 32 | 999 170 022 91 | spark plug - bosch - for ignition system - BHKZ- | | 6 | 911 E/S | - | N 013 808 3 | sealing ring A 10 X 16 | | 1 | |
| (32) | 999 170 111 90 | spark plug - bosch - | | 6 | 911 T | 38 | - | remote temperature sensor see group 1/01/05 | | 1 | |
| (32) | 999 170 165 90 | spark plug - beru - | | 6 | 911 T | 39 | 900 123 007 30 | sealing ring A 14 X 18 | -70 | 1 | |
| (32) | 999 170 010 91 | spark plug - beru - | -71 | 6 | 911 T | 40 | - | oil pressure switch see group 1/01/05 | | 1 | |
| (32) | 999 170 010 90 | spark plug - bosch - for engine 130 PS | -71 | 6 | 911 T | | | | | | |
| (32) | 999 170 017 90 | spark plug - beru - | 72- | 6 | 911 T-K 911 T | | | | | | |
| (32) | 999 170 014 90 | spark plug - bosch - | 72- | 6 | 911 E/S CARRERA 2.7 | | | | | | |
| (32) | 999 170 044 90 | spark plug - beru - | 72- | 6 | 911 E/S CARRERA 2.7 | | | | | | |
| 33 | 901 602 502 00 | ignition transformer | -71 | 1 | | | | | | | |
| (33) | 901 602 502 00 | ignition transformer only wiring harness 911.612.050.00 use | 72- | 1 | | | | | | | |
| (33) | 911 602 503 00 | ignition transformer only wiring harness 911.612.050.01 use | 72- | 1 | | | | | | | |
| 34 | 900 025 007 02 | washer 8,4 | | 2 | | | | | | | |
| 35 | N 012 241 8 | spring washer B 8 X 15 | | 2 | | | | | | | |
| 36 | 900 076 025 02 | hexagon nut M 8 | | 2 | | | | | | | |
| 37 | - | pressure transmitter see group 1/01/05 | | 1 | | | | | | | |

| | | | | | | | | | | | |
|-------|------|----|----|--------------|--------------|-----|-------|------------|---------|-----|---------|
| Model | Year | MG | SG | Illustration | Restrictions | UPD | 20:45 | 22.01.2010 | PORSCHE | PET | PORSCHE |
| 911 | 1973 | 9 | 01 | 901-05 | | 248 | | | | | |

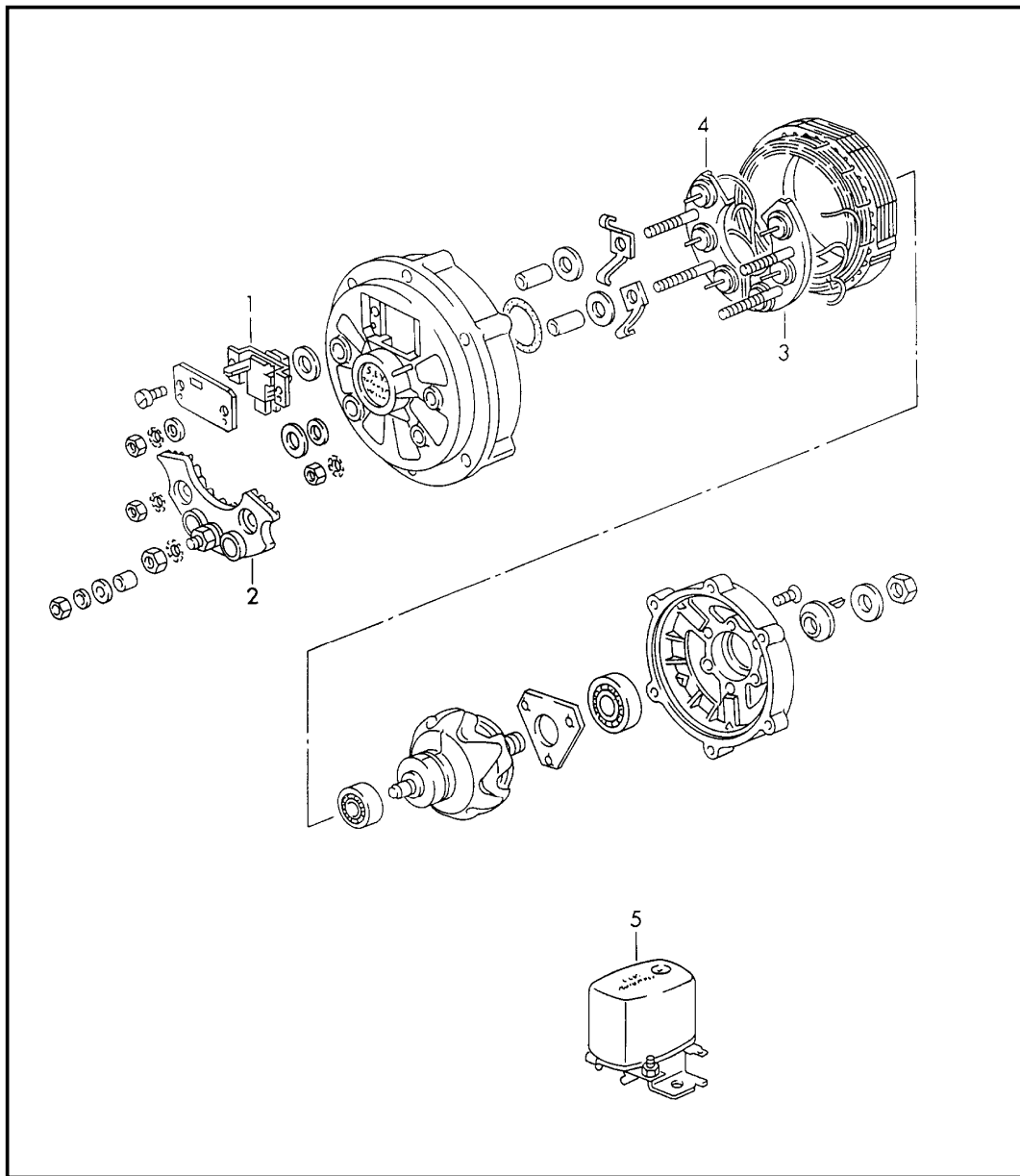


| Pos | Part Number | Description | Remark | Qty | Model |
|------|----------------|-----------------------------------------------------------|--------|-----|------------------|
| 1 | 911 610 103 00 | mounting plate | | 1 | |
| 2 | 901 504 853 20 | rubber mounting | -70 | 3 | |
| (2) | 999 703 301 00 | metalastik pivot bearing | 71- | 3 | |
| 3 | 900 031 011 02 | washer 6,4 | | 6 | |
| 4 | 900 084 010 02 | hexagon nut M 6 | | 3 | |
| 5 | N 010 208 5 | hexagon-head bolt M 6 X 8 | | 3 | |
| 6 | 900 028 008 01 | spring washer B 6 | | 3 | |
| 7 | N 015 429 2 | speed nut B 4,2 | | X | |
| - | 999 702 119 50 | rubber sleeve | | 2 | |
| 8 | 901 602 601 00 | ballast resistor | -70 | 1 | |
| 9 | 900 187 013 02 | hexagon-head bolt BZ 4,2 X 13 | | 1 | |
| 10 | 900 025 002 02 | washer 4,3 | | 1 | |
| 11 | 901 603 206 02 | regulator switch - bosch - | | 1 | |
| (11) | 901 603 206 11 | vibration regulator - MOTOROLA - | | 1 | |
| 12 | 900 187 013 02 | hexagon-head tapping screw BZ 4,2 X 13 | | 2 | |
| 13 | 900 151 001 02 | washer A 4,3 | | 2 | |
| 14 | 901 615 113 00 | relay "DASHPOT" | -71 | 1 | 911 T |
| (14) | 901 615 111 00 | relay for injection pump | 72- | 1 | 911 E/S 911 T |
| (14) | 911 615 115 00 | relay for rear wall washer two-stage heatable | 71- | 1 | |

| | | | | | | | | | | | |
|-------|------|----|----|--------------|--------------|-----|-------|------------|---------|-----|---------|
| Model | Year | MG | SG | Illustration | Restrictions | UPD | 20:45 | 22.01.2010 | PORSCHE | PET | PORSCHE |
| 911 | 1973 | 9 | 01 | 901-05 | | 248 | | | | | |

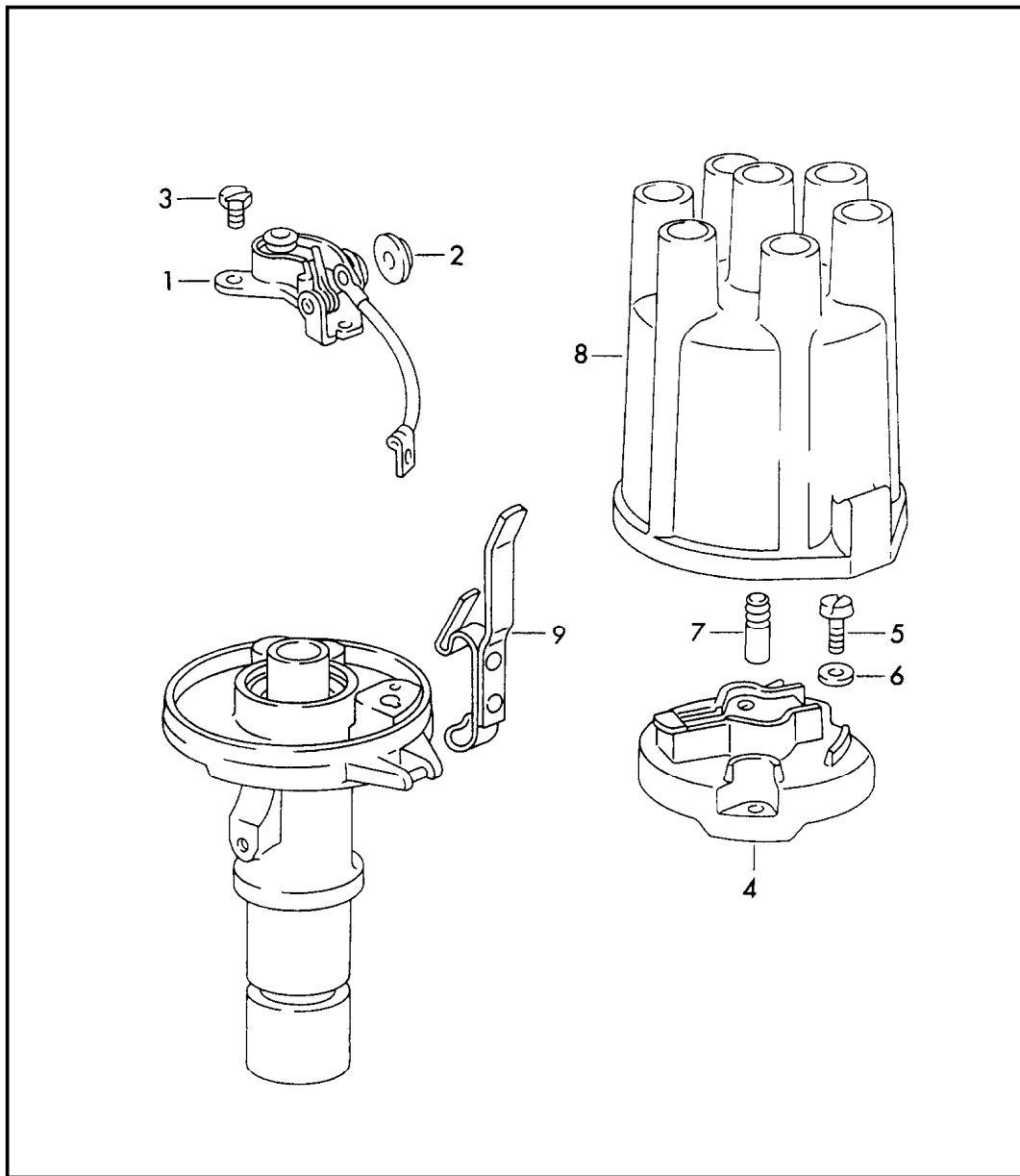
| Pos | Part Number | Description | Remark | Qty | Model | Pos | Part Number | Description | Remark | Qty | Model |
|------|------------------|-------------------------------------------|--------|-----|-------|-----|-------------|-------------|--------|-----|-------|
| 15 | 900 187 013 02 | hexagon-head tapping screw BZ 4,2 X 13 | | X | | | | | | | |
| 16 | 900 025 002 02 | washer 4,3 | | X | | | | | | | |
| 17 | > 901 602 702 00 | switch unit | | 1 | | | | | | | |
| 17 | 901 602 702 X | switch unit exchange | | 1 | | | | | | | |
| 18 | N 014 703 2 | pan-head screw M 6 X 18 | | 3 | | | | | | | |
| 19 | 900 031 011 02 | washer 6,4 | | 3 | | | | | | | |
| 20 | N 012 226 5 | spring washer B 6 | | 3 | | | | | | | |
| 21 | 900 076 010 02 | hexagon nut M 6 | | 3 | | | | | | | |
| 22 | 911 612 008 00 | ground strap mounting plate body | | 1 | | | | | | | |
| - | N 010 208 5 | hexagon-head bolt M 6 X 8 | | 3 | | | | | | | |
| 23 | 911 610 102 00 | cover | | 1 | | | | | | | |
| 24 | 900 253 003 02 | knurled screw M 6 X 12 | | -71 | | | | | | | |
| (24) | 900 029 102 02 | wing screw M 6 X 12 | | 72- | | | | | | | |
| 25 | 900 151 003 02 | washer A 6,4 | | 2 | | | | | | | |

| | | | | | | | | | | | |
|-------|------|----|----|--------------|--------------|-----|-------|------------|---------|-----|---------|
| Model | Year | MG | SG | Illustration | Restrictions | UPD | 20:46 | 22.01.2010 | PORSCHE | PET | PORSCHE |
| 911 | 1973 | 9 | 01 | 901-10 | | 248 | | | | | |



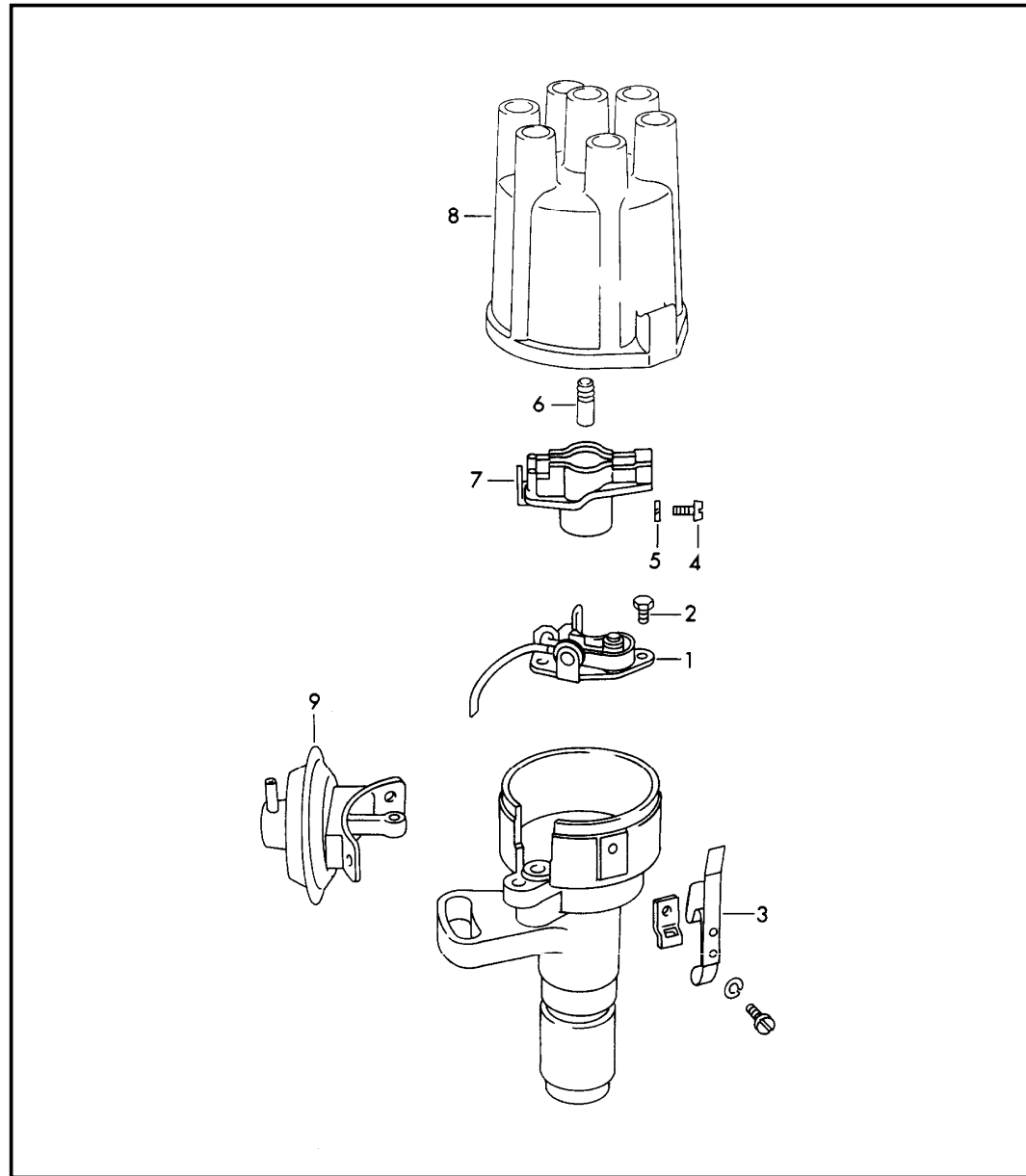
| Pos | Part Number | Description | Remark | Qty | Model |
|-----|----------------|--------------|--------|-----|-------|
| | | generator | | | |
| | | - MOTOROLA - | | | |
| | | - MARCHAL - | 72- | | |
| | | - S. E. V. - | 72- | | |
| | | 770 W | | | |
| - > | 911 603 120 00 | generator | | 1 | |
| | | 770 W | | | |
| - | 911 603 120 X | generator | | 1 | |
| | | 770 W | | | |
| 1 | 901 603 907 00 | support | | 1 | |
| 2 | 901 603 908 00 | support | | 1 | |
| 3 | 901 603 909 00 | support | | 1 | |
| 4 | 901 603 910 00 | support | | 1 | |
| 5 | 901 603 206 11 | regulator | | 1 | |

| | | | | | | | | | | | |
|-------|------|----|----|--------------|--------------|-----|-------|------------|---------|-----|---------|
| Model | Year | MG | SG | Illustration | Restrictions | UPD | 20:46 | 22.01.2010 | PORSCHE | PET | PORSCHE |
| 911 | 1973 | 9 | 01 | 901-15 | | 248 | | | | | |



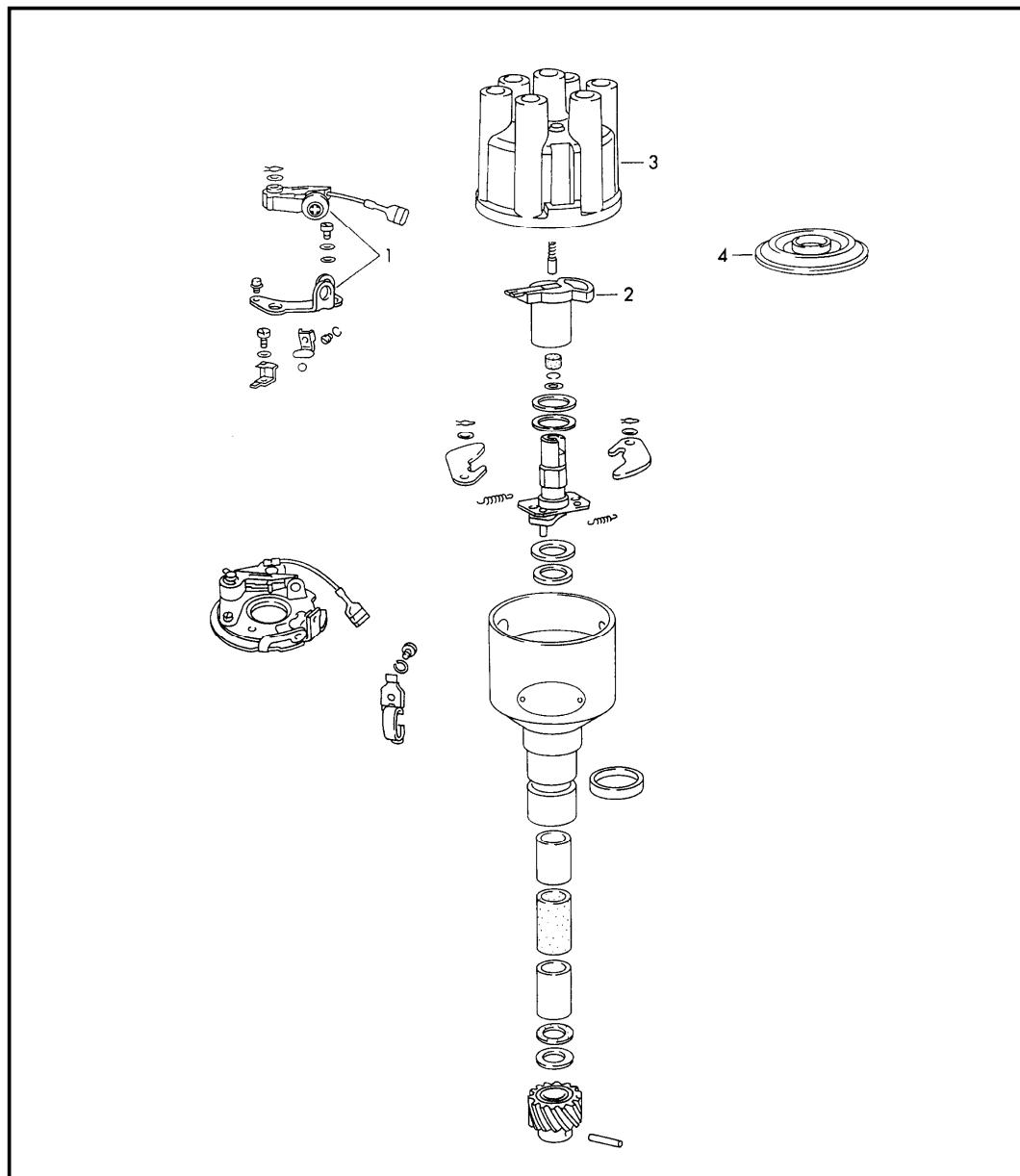
| Pos | Part Number | Description | Remark | Qty | Model |
|-----|----------------|----------------------------|--------|-----|-------|
| | | distributor - MARELLI - | -71 | | 911 T |
| - > | 911 602 022 00 | distributor | | 1 | |
| - | 911 602 022 X | distributor | | 1 | |
| 1 | 911 602 960 00 | contact breaker point | | 1 | |
| 2 | 901 602 933 00 | washer | | 1 | |
| 3 | 901 602 934 00 | screw | | 2 | |
| 4 | 901 602 928 01 | rotor | | 1 | |
| 5 | 901 602 951 00 | screw | | 2 | |
| 6 | 901 602 950 00 | washer | | 2 | |
| 7 | 901 602 952 00 | wiper contact | | 1 | |
| 8 | 901 602 953 00 | distributor cap | | 1 | |
| 9 | 901 602 954 00 | spring clamp | | 2 | |

| | | | | | | | | | | | |
|-------|------|----|----|--------------|--------------|-----|-------|------------|---------|-----|---------|
| Model | Year | MG | SG | Illustration | Restrictions | UPD | 20:46 | 22.01.2010 | PORSCHE | PET | PORSCHE |
| 911 | 1973 | 9 | 01 | 901-20 | | 248 | | | | | |



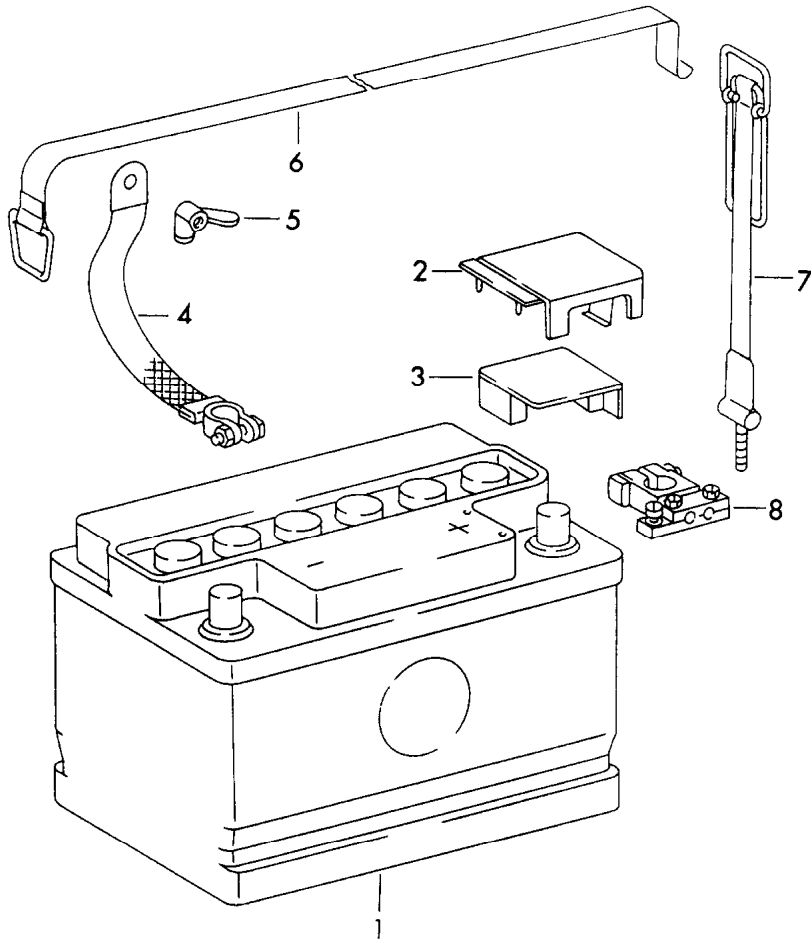
| Pos | Part Number | Description | Remark | Qty | Model |
|-----|----------------|----------------------------|--------|-----|-------|
| | | distributor - MARELLI - | 72- | | 911 T |
| 1 | 911 602 960 00 | contact breaker point | | 1 | |
| 2 | 911 602 935 00 | screw | | 2 | |
| 3 | 911 602 943 00 | spring clamp | | 2 | |
| 4 | 900 014 046 02 | pan-head screw | | 2 | |
| 5 | 911 602 944 00 | lock ring | | 2 | |
| 6 | 911 602 952 00 | wiper contact | | 1 | |
| 7 | 911 602 104 00 | rotor | | 1 | |
| 8 | 911 602 963 00 | distributor cap | | 1 | |
| 9 | 911 602 955 00 | vacuum unit | | 1 | |

| | | | | | | | | | | | |
|-------|------|----|----|--------------|--------------|-----|-------|------------|---------|-----|---------|
| Model | Year | MG | SG | Illustration | Restrictions | UPD | 20:46 | 22.01.2010 | PORSCHE | PET | PORSCHE |
| 911 | 1973 | 9 | 01 | 901-25 | | 248 | | | | | |



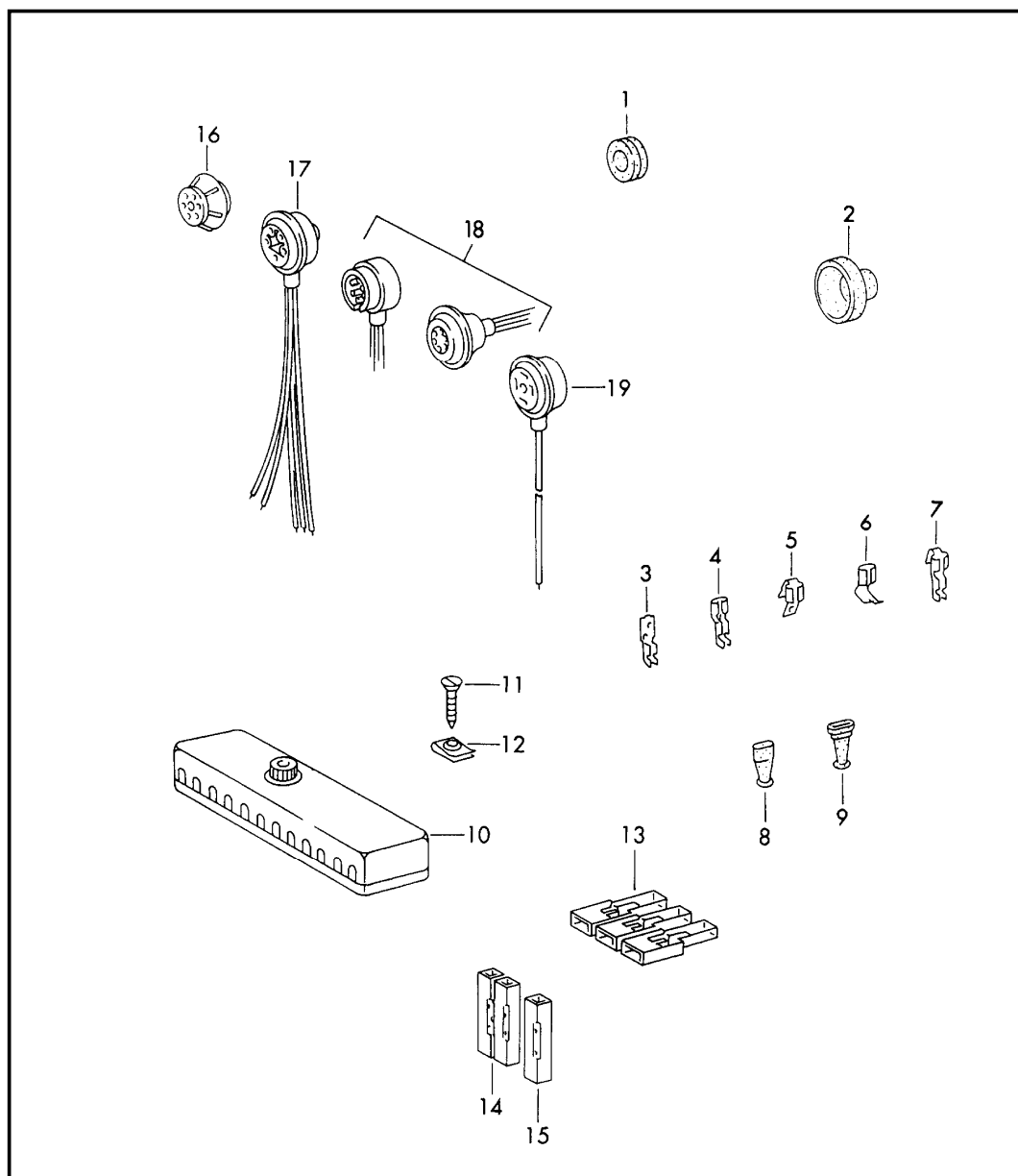
| Pos | Part Number | Description | Remark | Qty | Model |
|-----|----------------|--------------------------|--------|-----|-----------|
| | | distributor - bosch - | | | 911 T/E/S |
| - | 901 602 021 05 | distributor | 71 | 1 | 911 T |
| - | 911 602 021 01 | distributor | 72- | 1 | 911 T |
| - > | 901 602 027 00 | distributor | -71 | 1 | 911 E |
| - | 911 602 027 01 | distributor | 72- | 1 | 911 E |
| - > | 901 602 031 00 | distributor | -71 | 1 | 911 S |
| - | 911 602 031 01 | distributor | 72- | 1 | 911 S |
| 1 | 616 602 226 02 | contact breaker point | -71 | 1 | |
| (1) | 901 602 960 00 | contact breaker point | 72- | 1 | |
| 2 | 911 602 928 00 | rotor | | 1 | 911 T |
| (2) | 911 602 925 00 | rotor | | 1 | 911 E |
| (2) | 911 602 929 00 | rotor | | 1 | 911 S |
| 3 | 901 602 963 00 | distributor cap | -71 | 1 | |
| (3) | 911 602 933 00 | distributor cap | 72- | 1 | |
| 4 | 901 602 927 00 | dust cover | | 1 | |

| | | | | | | | | | | | |
|-------|------|----|----|--------------|--------------|-----|-------|------------|---------|-----|---------|
| Model | Year | MG | SG | Illustration | Restrictions | UPD | 20:46 | 22.01.2010 | PORSCHE | PET | PORSCHE |
| 911 | 1973 | 9 | 02 | 902-00 | | 248 | | | | | |



| Pos | Part Number | Description | Remark | Qty | Model |
|-----|----------------|--------------------------------------------|--------|-----|-------|
| | | battery | | | |
| 1 | 999 611 014 90 | battery 12 V 36 AH | | 2 | |
| 1 | 999 611 014 91 | battery 12 V 36 AH Geh.,use black | | 2 | |
| 2 | 999 611 104 00 | pole covering | | 2 | |
| 3 | 901 611 313 00 | pole cap | | 2 | |
| 4 | 901 611 902 21 | ground strap | | 2 | |
| 5 | 999 044 001 02 | winged nut M 8 | | 2 | |
| - | 900 025 025 02 | washer 8,4 | | 2 | |
| 6 | 901 611 022 00 | restraining strap | | 2 | |
| 7 | 901 611 028 00 | catch | | 2 | |
| 8 | 901 611 311 00 | terminal | | 2 | |

| | | | | | | | | | | | |
|-------|------|----|----|--------------|--------------|-----|-------|------------|---------|-----|---------|
| Model | Year | MG | SG | Illustration | Restrictions | UPD | 20:47 | 22.01.2010 | PORSCHE | PET | PORSCHE |
| 911 | 1973 | 9 | 02 | 902-05 | | 248 | | | | | |

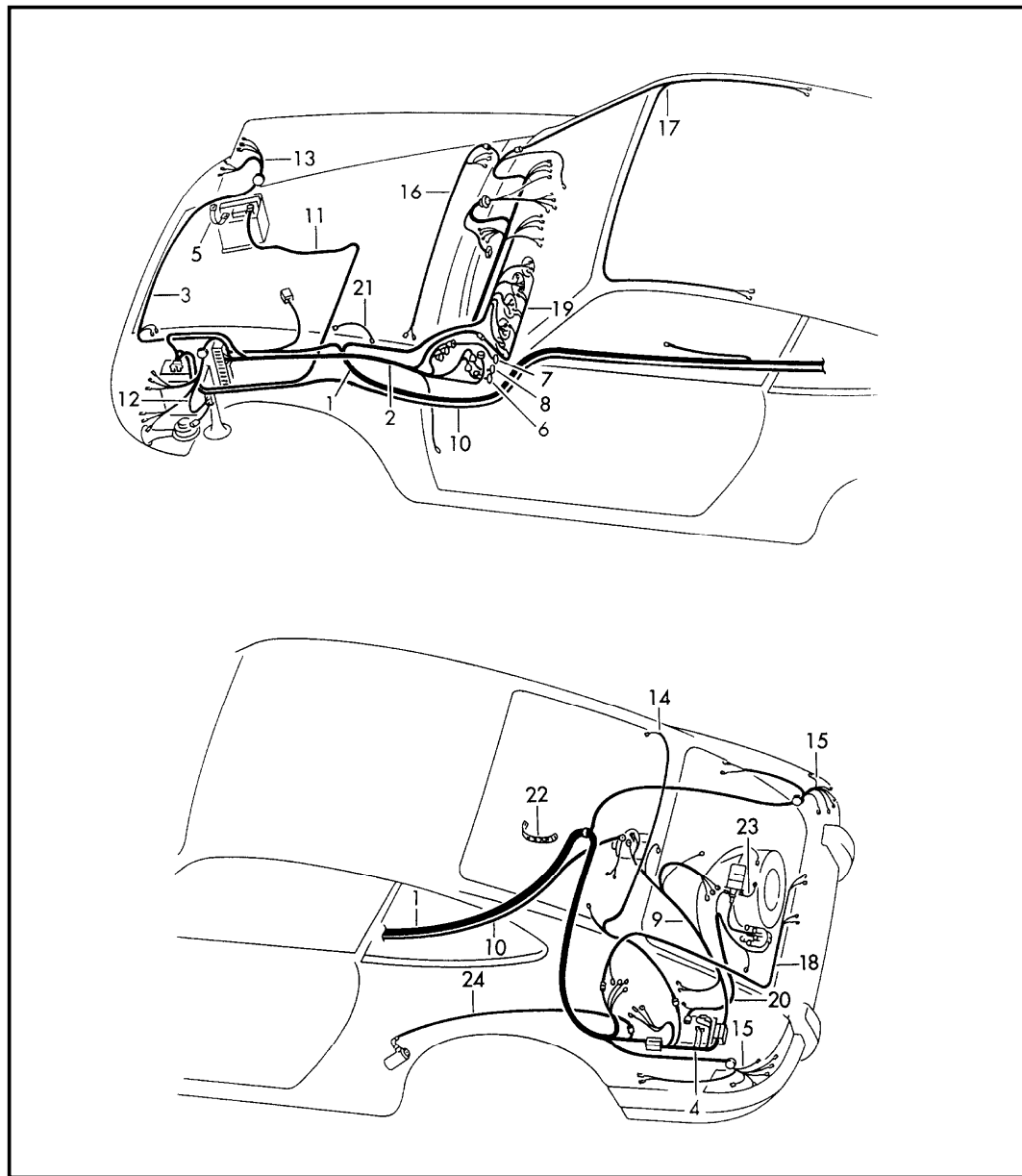


| Pos | Part Number | Description | Remark | Qty | Model |
|------|----------------|--------------------------------------|--------|-----|-------|
| | | grommets connector | | | |
| 1 | 999 702 051 50 | grommet | | 1 | |
| 2 | 911 611 921 00 | rubber boot | | 1 | |
| 3 | 999 652 115 10 | flat plug 0,5 - 2,5 MM | | X | |
| 4 | 111 971 959 | flat receptacle 0,5 - 1,5 MM | | X | |
| (4) | 999 652 106 02 | flat receptacle 0,5 - 2,5 MM | | X | |
| (4) | N 017 491 8 | flat receptacle 2,5 MM | | X | |
| (4) | N 017 494 3 | flat receptacle 4,0 - 6,0 MM | | X | |
| 5 | 999 652 122 10 | multiple plug connector | | X | |
| 6 | 999 652 116 10 | flat receptacle 2,5 MM | | X | |
| 7 | 999 652 126 10 | distributor | | X | |
| 8 | 999 652 119 40 | insulating sleeve | | X | |
| 9 | 999 652 120 40 | insulating sleeve | | X | |
| 10 | 911 612 086 00 | fuse holder I 10-pole | | 1 | |
| - | PCG 612 085 00 | lid for fuse holder 10-pole | | 1 | |
| (10) | 911 612 087 00 | fuse holder II 8-pole | | 1 | |
| - | 911 612 093 03 | fuse box 3-pole | | 1 | |
| - | 900 173 006 90 | safety fuse 5 A | -70 | X | |
| - | N 017 121 1 | safety fuse 8 A | | X | |
| - | N 017 121 4 | safety fuse 16 A | | X | |

| | | | | | | | | | | | |
|-------|------|----|----|--------------|--------------|-----|-------|------------|---------|-----|---------|
| Model | Year | MG | SG | Illustration | Restrictions | UPD | 20:47 | 22.01.2010 | PORSCHE | PET | PORSCHE |
| 911 | 1973 | 9 | 02 | 902-05 | | 248 | | | | | |

| Pos | Part Number | Description | Remark | Qty | Model | Pos | Part Number | Description | Remark | Qty | Model |
|------|----------------|-------------------------------------------------------------------------------|--------|-----|-------|-----|----------------|-----------------------------------------|--------|-----|-------|
| - | N 017 121 5 | safety fuse 25 A | | X | | 19 | 901 612 334 00 | plug socket hazard warning light sw. | | X | |
| - | 911 617 106 00 | diode for windscreen heating and rear window heating two-stage | 71- | 1 | | | | | | | |
| - | 999 652 106 02 | flat receptacle | 71- | 1 | | | | | | | |
| - | 999 652 128 40 | insulating sleeve | 71- | 1 | | | | | | | |
| - | 999 652 246 10 | cable shoe | 71- | 1 | | | | | | | |
| - | 999 702 011 50 | rubber sleeve | 71- | 2 | | | | | | | |
| - | 911 612 813 00 | fuse holder | 71- | 1 | | | | | | | |
| 11 | 900 143 029 02 | oval-head sheetmetal screw BZ 4,2 X 16 | | 4 | | | | | | | |
| 12 | N 015 429 2 | speed nut | | 2 | | | | | | | |
| - | 999 507 321 02 | nut lock clip M 6 | | 1 | | | | | | | |
| - | 901 551 465 00 | cover fuse holder | | 1 | | | | | | | |
| - | 999 591 805 12 | push button | -70 | 2 | | | | | | | |
| - | 900 145 043 00 | oval-head sheetmetal screw B 3,5 X 9,5 | -70 | 2 | | | | | | | |
| 13 | 999 652 151 40 | line distributor 3-pole | -70 | 2 | | | | | | | |
| 14 | 999 652 142 40 | push-on connector 2-pole | | X | | | | | | | |
| (14) | 999 652 142 40 | push-on connector 5-pole | -70 | X | | | | | | | |
| 15 | 999 652 142 40 | push-on connector single pole | | X | | | | | | | |
| 16 | 901 612 061 00 | push-on connector engine compartment | -70 | 3 | | | | | | | |
| 17 | 901 612 333 00 | plug socket standard type relay | | X | | | | | | | |
| 18 | 901 612 330 00 | multiple plug connection 6-pole | | X | | | | | | | |

| | | | | | | | | | | | |
|-------|------|----|----|--------------|--------------|-----|-------|------------|---------|-----|---------|
| Model | Year | MG | SG | Illustration | Restrictions | UPD | 20:47 | 22.01.2010 | PORSCHE | PET | PORSCHE |
| 911 | 1973 | 9 | 02 | 902-10 | | 248 | | | | | |



| Pos | Part Number | Description | Remark | Qty | Model |
|-----|----------------|------------------------------------------------------------|--------|-----|-------|
| | | wiring harnesses | | | |
| 1 | 911 612 001 00 | wiring harness tunnel | /LL | -70 | 1 |
| (1) | 911 612 001 10 | wiring harness tunnel | /LL | 71 | 1 |
| (1) | 911 612 061 10 | wiring harness tunnel | /RL | 71 | 1 |
| (1) | 911 612 001 21 | wiring harness tunnel | /LL | 72- | 1 |
| (1) | 911 612 061 20 | wiring harness tunnel | /RL | 72- | 1 |
| - | 999 702 044 50 | rubber sleeve | | | 1 |
| - | 999 513 023 40 | tie-wrap 120 MM | | | X |
| 2 | 911 612 002 00 | wiring harness luggage compartment fuse holder instruments | /LL | -70 | 1 |
| (2) | 911 612 002 10 | wiring harness luggage compartment fuse holder instruments | /LL | 71- | 1 |
| (2) | 911 612 060 10 | wiring harness luggage compartment fuse holder instruments | /RL | 71- | 1 |
| 3 | 911 612 003 00 | wiring harness lights front | | 70 | 1 |
| (3) | 911 612 003 10 | wiring harness lights front | | 71- | 1 |
| 4 | 911 612 004 00 | wiring harness control board regulator - bosch - | | 70 | 1 |
| (4) | 911 612 005 00 | wiring harness control board regulator - MOTOROLA - | | 70 | 1 |

| | | | | | | | | | | | |
|-------|------|----|----|--------------|--------------|-----|-------|------------|---------|-----|---------|
| Model | Year | MG | SG | Illustration | Restrictions | UPD | 20:47 | 22.01.2010 | PORSCHE | PET | PORSCHE |
| 911 | 1973 | 9 | 02 | 902-10 | | 248 | | | | | |

| Pos | Part Number | Description | Remark | Qty | Model | Pos | Part Number | Description | Remark | Qty | Model |
|-----|----------------|------------------------------------------------------------------------------------------------------|--------|-----|----------------|-----|----------------|------------------------------------------------------------------------------------------------------|--------|-----|---------------------------------|
| (4) | 911 612 004 10 | wiring harness control board regulator - bosch - | 71- | 1 | | - | 911 612 013 20 | wiring harness engine with - MOTOROLA - - MARCHAL - - S.E.V. - generator | 72- | 1 | 911 T/E/S CARRERA 2.7 SPM |
| (4) | 911 612 005 10 | wiring harness control board regulator - MOTOROLA - - MARCHAL - - S.E.V. - not for | 71- | 1 | | - | 911 612 013 30 | wiring harness engine with - MOTOROLA - - MARCHAL - - S.E.V. - generator | 72- | 1 | 911 T-K SPM |
| (4) | 911 612 005 30 | wiring harness control board regulator - MOTOROLA - - MARCHAL - - S.E.V. - | 72- | 1 | 911 T-K | - | 911 612 118 00 | connector 2-pole for two-stage rear window heating | | 1 | |
| - | 911 612 009 00 | ground cable cold-start valve for injection system | | 1 | | 8 | 911 612 014 00 | wiring harness hazard warning light sw. | -72 | 1 | |
| 5 | 901 611 902 21 | ground cable | 71- | 2 | | (8) | 911 612 014 30 | wiring harness hazard warning light sw. | 73- | 1 | |
| 6 | 911 612 010 00 | wiring harness light switch | | 1 | | - | 911 612 015 00 | wiring harness hazard warning light sw. for not for | (I) | X | 911 T-K |
| 7 | 911 612 011 00 | wiring harness ignition starter switch | -71 | 1 | | 9 | 911 612 016 00 | wiring harness engine for - bosch - generator | -71 | 1 | |
| (7) | 911 612 011 30 | wiring harness ignition starter switch | 72- | 1 | | (9) | 911 612 017 00 | wiring harness engine for - MOTOROLA - generator | -71 | 1 | |
| - | 911 612 012 00 | wiring harness engine with - bosch - generator | -71 | 1 | 911 T/E SPM | | | | 72- | | |
| - | 911 612 012 10 | wiring harness engine with - bosch - generator G 720 0012 >> 720 0245 | 70 | 1 | 911 T-V SPM | | | | 70 | 1 | 911 E/S |
| - | 911 612 013 00 | wiring harness engine with - MOTOROLA - - MARCHAL - - S.E.V. - generator | -71 | 1 | 911 T-V SPM | (9) | 911 612 017 20 | wiring harness engine for - MOTOROLA - - MARCHAL - - S.E.V. - generator not for | 72- | 1 | 911 T-K |

| | | | | | | | | | | | |
|-------|------|----|----|--------------|--------------|-----|-------|------------|---------|-----|---------|
| Model | Year | MG | SG | Illustration | Restrictions | UPD | 20:47 | 22.01.2010 | PORSCHE | PET | PORSCHE |
| 911 | 1973 | 9 | 02 | 902-10 | | 248 | | | | | |

| Pos | Part Number | Description | Remark | Qty | Model | Pos | Part Number | Description | Remark | Qty | Model |
|------|----------------|-------------------------------------------------------------------------------------------|---------------|-----|-----------|------|----------------|----------------------------------------------------------------------|-----------|-----|-------|
| (9) | 911 612 017 30 | wiring harness engine for - MOTOROLA - - MARCHAL - - S.E.V. - generator | 72- | 1 | 911 T-K | - | 901 612 086 00 | wiring harness NR. 29 air conditioner | -70 | 1 | |
| - | 901 612 070 05 | wiring harness fuse holder rear window wiper switch | | 1 | | - | 901 612 053 00 | wiring harness heater - WEBASTO - | | 1 | |
| - | 901 612 070 05 | wiring harness fuse holder rear window wiper switch | | 1 | | - | 911 612 031 00 | wiring harness rear window wiper | | 1 | |
| 10 | 901 611 031 21 | battery-starter cable | -71 | 1 | | - | 901 612 075 01 | wiring harness sunroof | | 1 | |
| (10) | 901 611 031 21 | battery-starter cable | 72- | 1 | 911 T-V | 14 | 911 612 032 00 | wiring harness rear window heating two-stage heatable | -70 | 1 | |
| (10) | 911 612 022 20 | battery-starter cable | 72- | 1 | | (14) | 911 612 032 01 | wiring harness rear window heating two-stage heatable | 71- | 1 | |
| 11 | 901 611 303 00 | connecting line | -71 | 1 | | | 911 612 035 00 | wiring harness relay rear window heating two-stage heatable | | 1 | |
| (11) | 901 611 303 00 | connecting line | 72- | 1 | 911 T-V | - | 911 612 035 00 | wiring harness relay rear window heating two-stage heatable | | 1 | |
| (11) | 911 612 023 20 | connecting line | 72- | 1 | | | 901 612 066 00 | wiring harness rear window heating single-stage heating | | 1 | |
| - | 901 612 071 02 | wiring harness power windows | | 1 | | (14) | 901 612 066 00 | wiring harness rear window heating single-stage heating | | 1 | |
| - | 901 612 071 03 | wiring harness power windows door | | 2 | | (14) | 901 612 030 00 | additional cables rear window heating two-stage heatable | -70 | 1 | |
| 12 | 911 612 024 00 | wiring harness for headlamp | /L | 1 | | (14) | 911 612 037 01 | additional cables rear window heating two-stage heatable | 71- | 2 | |
| 13 | 901 612 047 00 | wiring harness for headlamp | /R | 1 | | 15 | 911 612 039 10 | wiring harness rear light | | 2 | |
| - | 911 612 025 00 | additional cables tunnel rear window wiper | | 1 | | - | 911 612 040 00 | wiring harness rear fog light | | 1 | |
| - | 911 612 026 00 | wiring harness switch rear fog light | | 1 | | - | 901 612 035 41 | wiring harness interior light | | 1 | |
| - | 911 612 027 00 | additional cables fog headlamp | | 1 | | - | 901 612 079 00 | wiring harness brakes warning light | | 1 | |
| - | 911 612 027 01 | ground cable fog headlamp | (J) (USA) 72- | 1 | 911 T/E/S | - | 911 612 079 00 | wiring harness brakes warning light | (S) (USA) | 1 | |
| - | 901 612 084 00 | wiring harness NR. 28 air conditioner | -70 | 1 | | | | | | | |

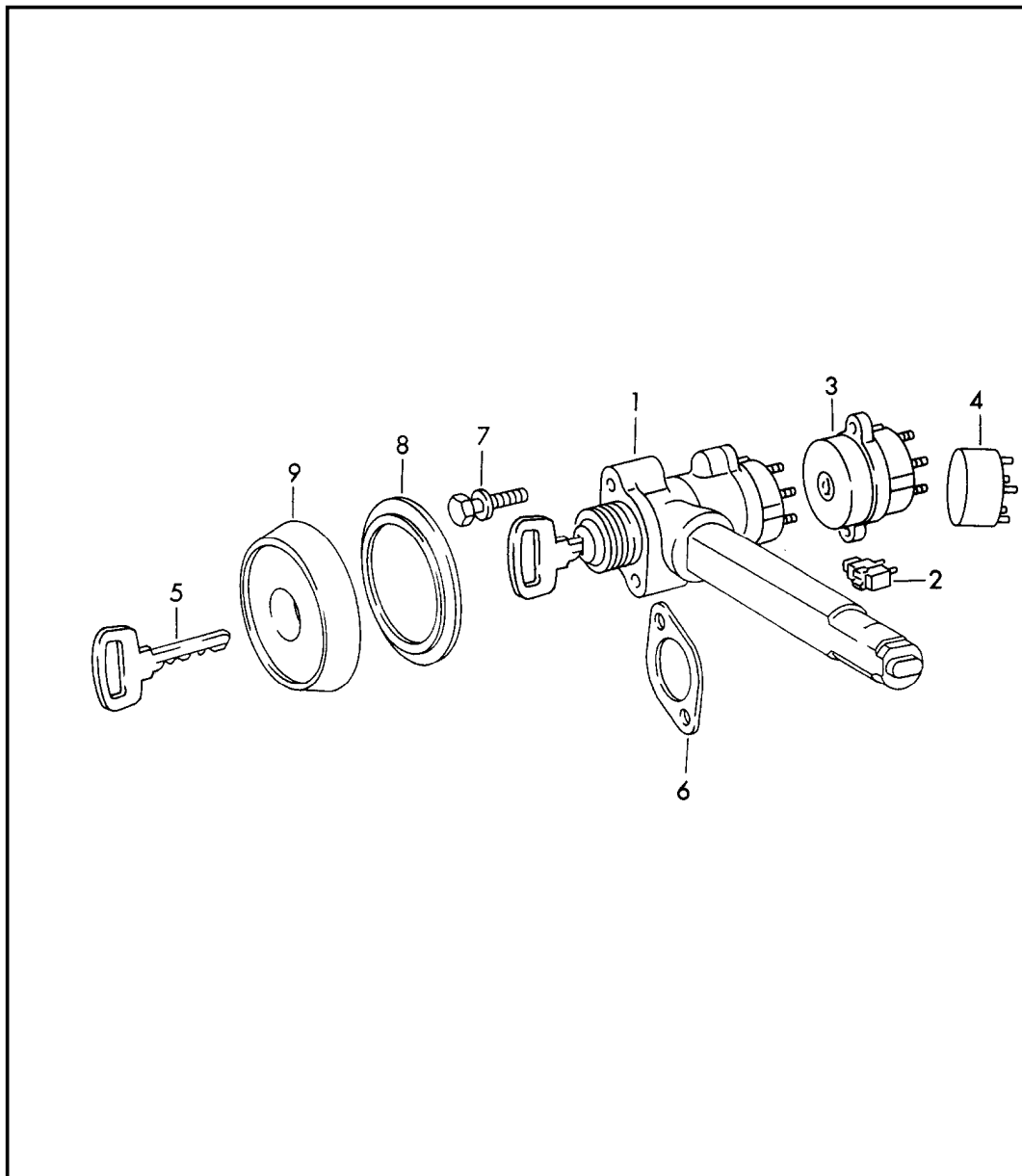
| | | | | | | | | | | | |
|-------|------|----|----|--------------|--------------|-----|-------|------------|---------|-----|---------|
| Model | Year | MG | SG | Illustration | Restrictions | UPD | 20:47 | 22.01.2010 | PORSCHE | PET | PORSCHE |
| 911 | 1973 | 9 | 02 | 902-10 | | 248 | | | | | |

| Pos | Part Number | Description | Remark | Qty | Model | Pos | Part Number | Description | Remark | Qty | Model |
|------|----------------|--------------------------------------------------------------------------------|-----------|-----|-------|------|----------------|-----------------------------------------------------------------------------------------------------------------------------------------------------|--------|-----|----------------|
| - | 911 617 107 00 | diode for brakes warning light | (S) (USA) | 1 | | (20) | 911 612 050 00 | wiring harness for ignition transformer 901.602.502.00 | 72- | 1 | |
| 16 | 901 612 042 00 | wiring harness luggage compartment lamp | -71 | 1 | | (20) | 911 612 050 01 | wiring harness for ignition transformer 911.602.503.00 | 72- | 1 | |
| (16) | 911 612 044 21 | wiring harness luggage compartment lamp | 72- | 1 | | 21 | 901 612 303 20 | ground strap tank filler neck | | 1 | |
| 17 | 901 612 035 20 | wiring harness interior light | | 1 | | 22 | 999 611 918 20 | ground strap transmission suspension | -71 | 1 | |
| 18 | 901 612 041 21 | wiring harness license plate light | | 1 | | (22) | 999 611 920 20 | ground strap transmission suspension | 72- | 1 | |
| 19 | 901 612 043 03 | wiring harness instruments illumination | | 1 | | - | 911 612 053 00 | ground cable tank filler neck sender | -71 | 1 | |
| - | 901 612 062 00 | wiring harness switch power windows | -72 | 3 | | - | 911 612 054 00 | wiring harness standard type relay rear window heating single-stage heating | | 1 | |
| - | 911 612 101 00 | wiring harness switch power windows passenger's door | 73 | 1 | | - | 901 612 030 07 | wiring harness rear window heating two-stage heatable - TARGA- rear window heating single-stage heating and windscreen heating | | 1 | |
| - | 911 612 102 00 | wiring harness switch power windows driver's door | 73 | 1 | | - | 911 612 056 00 | additional cable for fuse holder 16 A | | 1 | |
| - | 911 612 103 00 | wiring harness switch power windows driver's door passenger's door | 73 | 1 | | - | 911 612 057 00 | wiring harness for windscreen heating | | 1 | |
| - | 911 612 104 00 | wiring harness power windows door | /L/R | 1 | | - | 911 612 060 00 | wiring harness for luggage compartment | -70 | 1 | 911 T/E SPM |
| - | 999 613 017 40 | covering cable holder power windows | | 2 | | - | 911 612 061 00 | wiring harness NR. 61 tunnel | -70 | 1 | |
| - | 901 612 315 20 | wiring harness engine compartment lamp | | 1 | | | | | | | |
| 20 | 911 612 050 00 | wiring harness ignition H.K.Z. | -71 | 1 | | | | | | | |

| | | | | | | | | | | | |
|-------|------|----|----|--------------|--------------|-----|-------|------------|---------|-----|---------|
| Model | Year | MG | SG | Illustration | Restrictions | UPD | 20:47 | 22.01.2010 | PORSCHE | PET | PORSCHE |
| 911 | 1973 | 9 | 02 | 902-10 | | 248 | | | | | |

| Pos | Part Number | Description | Remark | Qty | Model | Pos | Part Number | Description | Remark | Qty | Model |
|-----|----------------|----------------------------------------------------------------------------------------|--------|-----|-------|-----|----------------|-----------------------------------------------------------------------|----------|-----|-------|
| - | 901 612 094 00 | wiring harness fuse holder switch rear window wiper | | 1 | | - | 911 612 074 00 | additional cables for fanfare | -70 | 1 | |
| - | 911 612 063 00 | additional cables tunnel rear window wiper | | 1 | | - | 901 612 089 07 | additional cables for rear window heating two-stage heatable | -71 | 1 | |
| - | 911 612 064 00 | wiring harness sunroof | | 1 | | - | 911 612 075 00 | additional cables for rear window heating two-stage heatable | 72- | 2 | |
| - | 901 612 097 00 | connecting line power windows | -72 | 1 | | - | 911 612 074 00 | additional cables for light 901.631.401.03/04/05/07 | L/V | 71 | 1 |
| - | 901 612 071 02 | connecting line power windows | 73 | 1 | | - | 901 612 063 10 | additional cables for fog headlamp | (CH) | | 1 |
| 23 | 901 612 099 00 | ground strap ignition coil terminal 1 | | 1 | | - | 911 612 078 00 | wiring harness air conditioner fuse box relay | -70 | 1 | |
| - | 901 612 101 00 | wiring harness for loudspeaker front radio - BLAUPUNKT - - PHILIPS - | | 1 | | - | 911 612 079 00 | wiring harness air conditioner solenoid valve clutch | -70 | 1 | |
| - | 901 612 103 00 | wiring harness for loudspeaker front radio - PHILIPS - | 71 | 1 | | - | 914 612 125 10 | wiring harness headlight flasher switch | (CH) (I) | 71- | 1 |
| - | 901 612 102 00 | wiring harness for loudspeaker front radio - BECKER - | | 1 | | - | 911 612 083 00 | ground cable ashtray | 71- | 1 | |
| - | 901 612 043 01 | positive cable for instrument cluster oil temperature indicator light | | 1 | | | | | | | |
| 24 | 911 612 072 10 | wiring harness fuel pump | 71- | 1 | | | | | | | |
| - | 911 612 073 00 | wiring harness high beam | | 1 | | | | | | | |

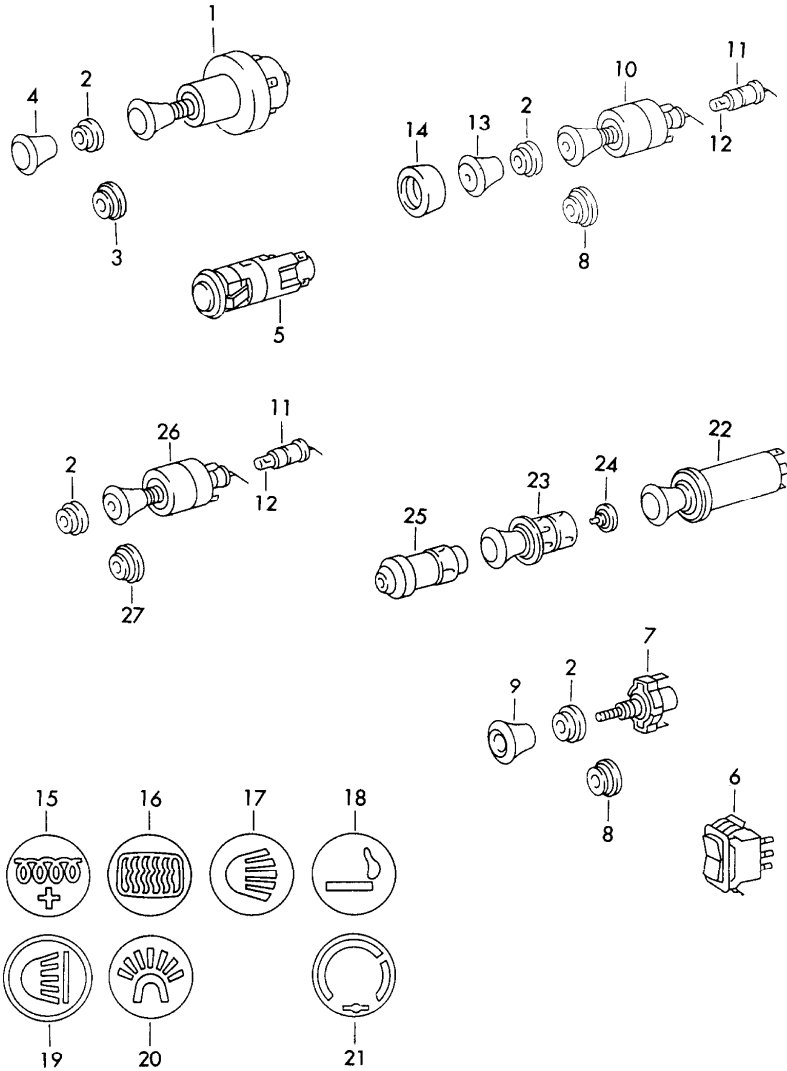
| | | | | | | | | | | | |
|-------|------|----|----|--------------|--------------|-----|-------|------------|---------|-----|---------|
| Model | Year | MG | SG | Illustration | Restrictions | UPD | 20:47 | 22.01.2010 | PORSCHE | PET | PORSCHE |
| 911 | 1973 | 9 | 03 | 903-00 | | 248 | | | | | |



| Pos | Part Number | Description | Remark | Qty | Model |
|-----|----------------|-----------------------------------------------------------------------------------------------------|--------|-----|-------|
| | | steering lock | | | |
| (1) | 911 613 011 05 | steering lock without buzzer contact | -70 | 1 | |
| (1) | 911 613 901 01 | steering lock without buzzer contact | 71- | 1 | |
| (1) | 911 613 903 00 | steering lock without buzzer contact state lock number 964.374.917.00 use it is necessary to rework | 72- | 1 | |
| 3 | 911 613 017 01 | ignition starter switch | | 1 | |
| 5 | 914 531 637 10 | main key state lock number | | 2 | |
| (5) | 914 531 903 11 | blank key state lock number | | 2 | |
| (5) | 914 531 903 10 | blank key for main key | | 1 | |
| (5) | 914 531 903 11 | blank key for secondary key | | 1 | |
| 6 | 911 347 359 01 | reinforcement plate | | 1 | |
| 7 | 901 613 193 00 | shear bolt | | 2 | |
| 8 | 911 613 163 00 | intermediate ring | | 1 | |
| 9 | 901 613 160 00 | trim cover | | 1 | |
| - | 999 190 113 02 | rivet | | 2 | |

| | | | | | | | | | | | |
|-------|------|----|----|--------------|--------------|-----|-------|------------|---------|-----|---------|
| Model | Year | MG | SG | Illustration | Restrictions | UPD | 20:47 | 22.01.2010 | PORSCHE | PET | PORSCHE |
| 911 | 1973 | 9 | 03 | 903-05 | | 248 | | | | | |

| Pos | Part Number | Description | Remark | Qty | Model |
|------|----------------|-----------------------------------------------------|--------|-----|-------|
| 1 | 911 613 212 00 | switch dashboard trim | | 1 | |
| - | 901 613 213 01 | washer | | X | |
| 2 | 911 613 213 00 | rosette plastic material | | 6 | |
| (2) | 901 613 261 20 | rosette plastic material | | X | |
| 3 | 901 613 216 50 | nut chrome | -71 | 1 | |
| 4 | 901 552 821 20 | knob | | 1 | |
| 5 | 911 613 123 00 | hazard warning light sw. | | 1 | |
| 6 | 911 613 622 00 | tip switch for sunroof | | 1 | |
| (6) | 901 613 621 00 | switch for power windows | | 3 | |
| - | 901 613 635 00 | assembly frame for switch power windows | | 1 | |
| - | 901 613 043 00 | switch for rear window wiper | | 1 | |
| 7 | 901 613 631 00 | switch for optional heating | /LL | 1 | |
| 8 | 901 613 216 50 | rosette chrome | -71 | 5 | |
| 9 | 901 552 823 00 | knob | | 1 | |
| 10 | 902 613 511 91 | switch for rear window heating single-stage heating | | 1 | |
| (10) | 901 613 045 00 | switch for rear window heating two-stage heatable | | 1 | |
| 11 | 999 632 007 00 | bulb socket | | 3 | |

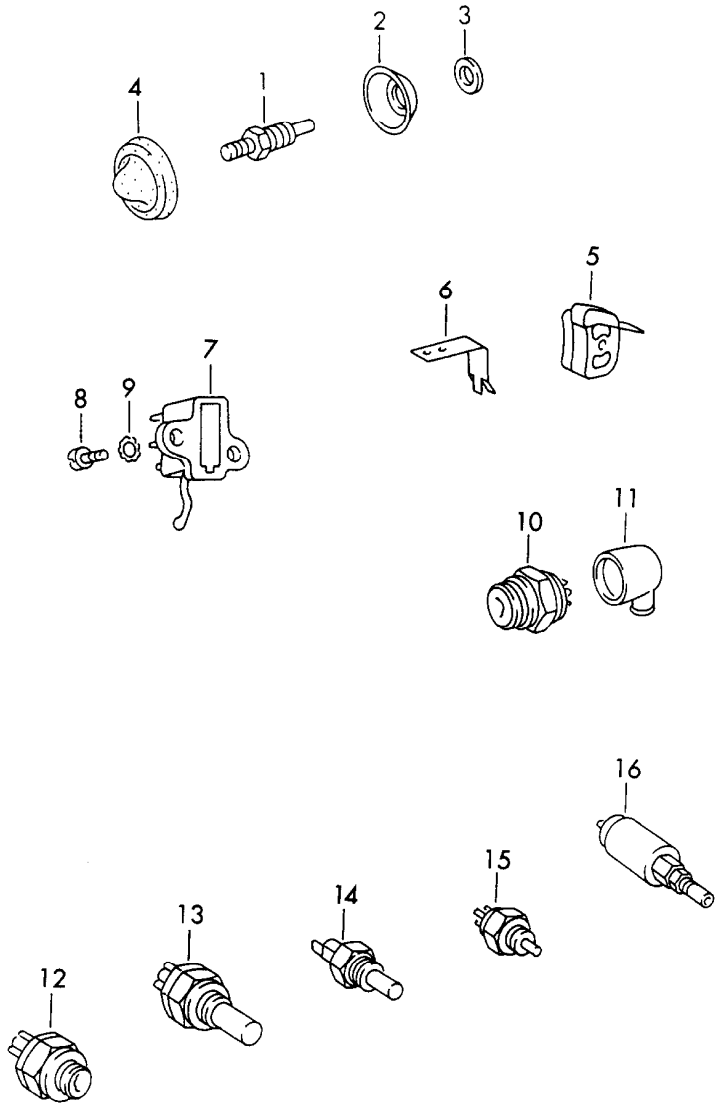


| | | | | | | | | | | | |
|-------|------|----|----|--------------|--------------|-----|-------|------------|---------|-----|---------|
| Model | Year | MG | SG | Illustration | Restrictions | UPD | 20:47 | 22.01.2010 | PORSCHE | PET | PORSCHE |
| 911 | 1973 | 9 | 03 | 903-05 | | 248 | | | | | |

| Pos | Part Number | Description | Remark | Qty | Model | Pos | Part Number | Description | Remark | Qty | Model |
|------|----------------|-----------------------------------------------------------------------------|--------|-------|-------|------|----------------|-------------------------------------------------|--------|-----|-------|
| 12 | 900 631 102 90 | bulb 12V 2W | | 3 | | (26) | 911 613 027 00 | switch fog headlamp and rear fog light | 72- | 1 | |
| 13 | 901 552 821 01 | knob | | 1 | | | | | | | |
| 14 | 901 552 827 00 | cap | | 8 | | (26) | 902 613 623 90 | switch rear fog light | 72- | 1 | |
| 15 | 901 552 833 00 | cap with symbol for optional heating | | 1 | | 27 | 901 552 881 20 | lid | | 3 | |
| 16 | 901 552 837 00 | cap with symbol for rear window heating | | 1 | | | | | | | |
| 17 | 901 552 832 00 | cap with symbol for illumination | | 1 | | | | | | | |
| 18 | 901 552 835 00 | cap with symbol for cigarette lighter | | 1 | | | | | | | |
| 19 | 901 613 802 00 | cap with symbol for fog headlamp | | 1 | | | | | | | |
| 20 | 901 552 836 00 | cap with symbol for hazard warning light sw. | | -70 1 | | | | | | | |
| 21 | 901 552 834 00 | cap with symbol for radio | | -70 2 | | | | | | | |
| 22 | 901 652 102 01 | cigarette lighter | | -72 1 | | | | | | | |
| (22) | 911 652 102 01 | cigarette lighter | | 73 1 | | | | | | | |
| 23 | 901 652 122 00 | connector | | -72 1 | | | | | | | |
| (23) | 911 652 122 00 | connector | | 73 1 | | | | | | | |
| 24 | 644 652 112 00 | glower | | 1 | | | | | | | |
| 25 | 901 613 801 00 | connector | | 1 | | | | | | | |
| 26 | 911 613 027 00 | switch fog headlamp and rear fog light indicator light green | | -70 1 | | | | | | | |
| (26) | 901 613 504 01 | switch fog headlamp | | 71 1 | | | | | | | |

| | | | | | | | | | | | |
|-------|------|----|----|--------------|--------------|-----|-------|------------|---------|-----|---------|
| Model | Year | MG | SG | Illustration | Restrictions | UPD | 20:47 | 22.01.2010 | PORSCHE | PET | PORSCHE |
| 911 | 1973 | 9 | 03 | 903-10 | | 248 | | | | | |

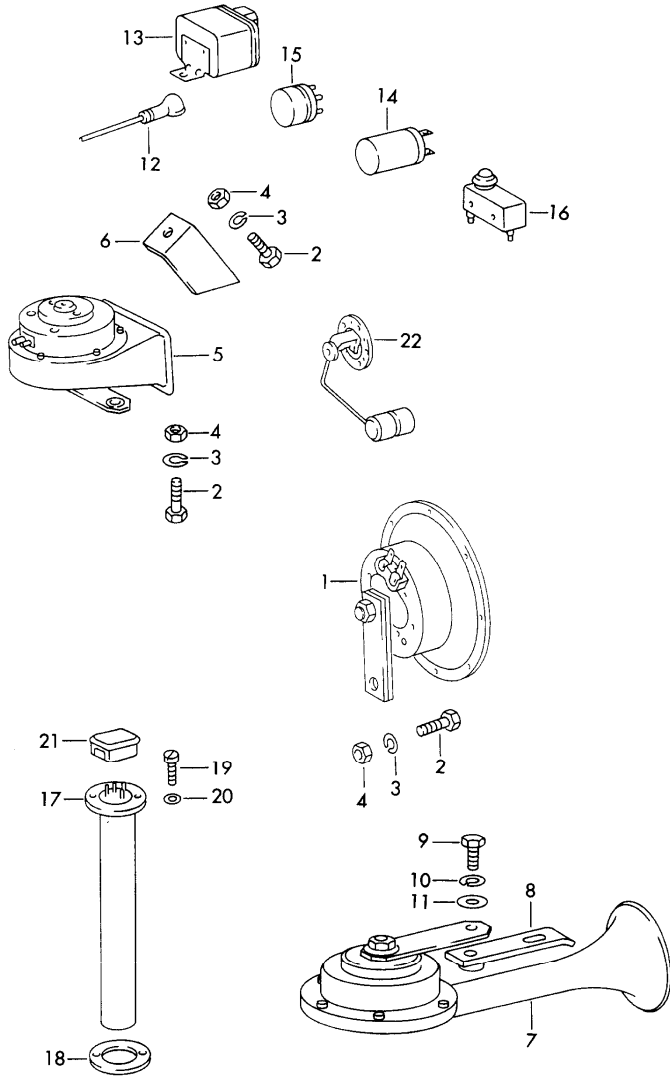
| Pos | Part Number | Description | Remark | Qty | Model |
|-----|----------------|-------------------------------------------------------------------------------------------|--------|-----|-------|
| 1 | 964 613 601 00 | switch door contact switch for interior light and luggage compartment lamp | | 3 | |
| (1) | 901 615 601 02 | contact switch for glove compartment light | | 1 | |
| 2 | 901 615 615 20 | concave washer | | 2 | |
| 3 | 900 031 001 60 | washer 8,4 | | 2 | |
| 4 | 901 615 616 20 | rubber cap | | 2 | |
| 5 | 901 613 521 20 | contact switch for indicator light handbrake see group 7/01/20 | | 1 | |
| 6 | 901 613 523 20 | contact bow for indicator light handbrake see group 7/01/20 | | 1 | |
| 7 | - | brake light switch see group 7/02/00 | | 1 | |
| 8 | 900 146 011 02 | oval-head screw AM 4 X 10 | | 1 | |
| 9 | 900 114 014 01 | shake-proof washer A 4,3 | | 1 | |
| 10 | - | back-up light switch see group 3/02/00 | | 1 | |
| 11 | 914 613 491 00 | protection cap | | 1 | |
| 12 | - | back-up light switch see group 3/02/00 | | 1 | |
| 13 | - | bridging switch see group 3/07/00 | | 1 | |



| | | | | | | | | | | | |
|-------|------|----|----|--------------|--------------|-----|-------|------------|---------|-----|---------|
| Model | Year | MG | SG | Illustration | Restrictions | UPD | 20:47 | 22.01.2010 | PORSCHE | PET | PORSCHE |
| 911 | 1973 | 9 | 03 | 903-10 | | 248 | | | | | |

| Pos | Part Number | Description | Remark | Qty | Model | Pos | Part Number | Description | Remark | Qty | Model |
|-----|-------------|--------------------------------------------|--------|-----|-------|-----|-------------|-------------|--------|-----|-------|
| 14 | - | temperature switch see group 3/06/00 | | 1 | | | | | | | |
| 16 | - | solenoid valve see group 2/01/20 | | 1 | | | | | | | |

| | | | | | | | | | | | |
|-------|------|----|----|--------------|--------------|-----|-------|------------|---------|-----|---------|
| Model | Year | MG | SG | Illustration | Restrictions | UPD | 20:47 | 22.01.2010 | PORSCHE | PET | PORSCHE |
| 911 | 1973 | 9 | 03 | 903-15 | | 248 | | | | | |

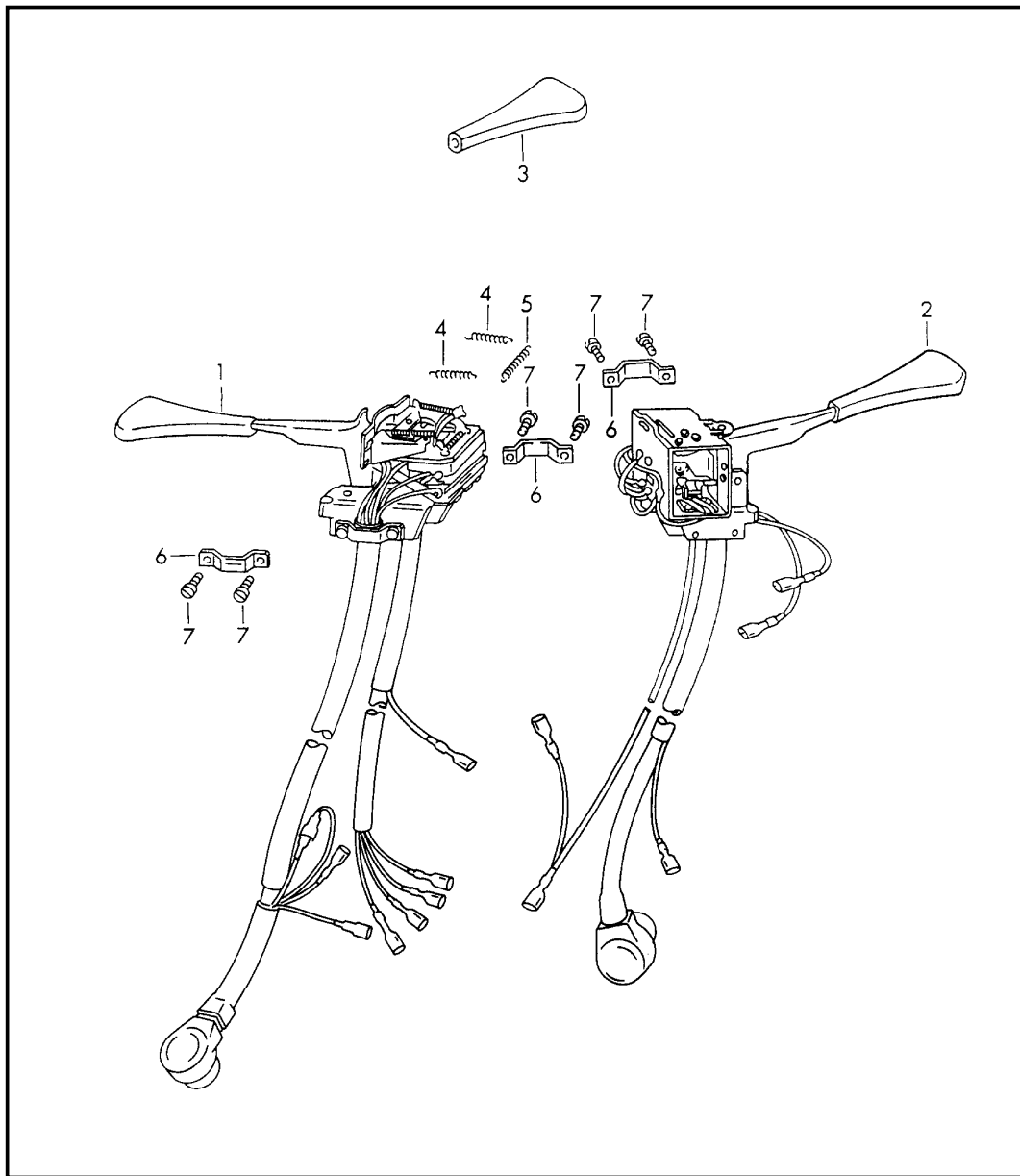


| Pos | Part Number | Description | Remark | Qty | Model |
|-------|------------------|----------------------------------|---------|-----|-----------|
| 1 | 902 635 102 00 | horn - BOSCH 335 HZ - | | 70 | 1 911 T/E |
| 2 | 900 075 085 02 | hexagon-head bolt M 8 X 20 | | 70 | 4 |
| 3 | 900 027 015 02 | lock ring B 8 | | 70 | 4 |
| 4 | 900 025 007 02 | washer 8,4 | | 70 | 4 |
| 5 | A 901 635 112 02 | fanfare - BOSCH 400 HZ - | /L (CH) | | 1 |
| (5) | PCG 635 112 02 | fanfare - BOSCH 400 HZ - | /L (CH) | | 1 |
| (5) A | 901 635 113 02 | fanfare - BOSCH 500 HZ - | /R (CH) | | 1 |
| (5) | PCG 635 113 02 | fanfare - BOSCH 500 HZ - | /R (CH) | | 1 |
| 6 | 901 635 012 00 | clip | /R | 70 | X |
| (6) | 901 635 011 00 | clip | /L | 70 | 1 |
| 7 | 911 635 101 20 | fanfare short high-pitched | | | 1 |
| 7 | 911 635 101 21 | fanfare short high-pitched | | | 1 |
| (7) | 911 635 102 20 | fanfare long low-pitched | | | 1 |
| (7) | 911 635 102 21 | fanfare long low-pitched | | | 1 |
| 8 | 911 635 111 00 | support | /R | | 1 |
| 9 | 900 075 087 02 | hexagon-head bolt M 8 X 16 | | | 2 |
| 10 | 900 027 005 02 | lock ring A 8 | | | 2 |
| 11 | 900 025 007 02 | washer 8,4 | | | 2 |

| | | | | | | | | | | | |
|-------|------|----|----|--------------|--------------|-----|-------|------------|---------|-----|---------|
| Model | Year | MG | SG | Illustration | Restrictions | UPD | 20:47 | 22.01.2010 | PORSCHE | PET | PORSCHE |
| 911 | 1973 | 9 | 03 | 903-15 | | 248 | | | | | |

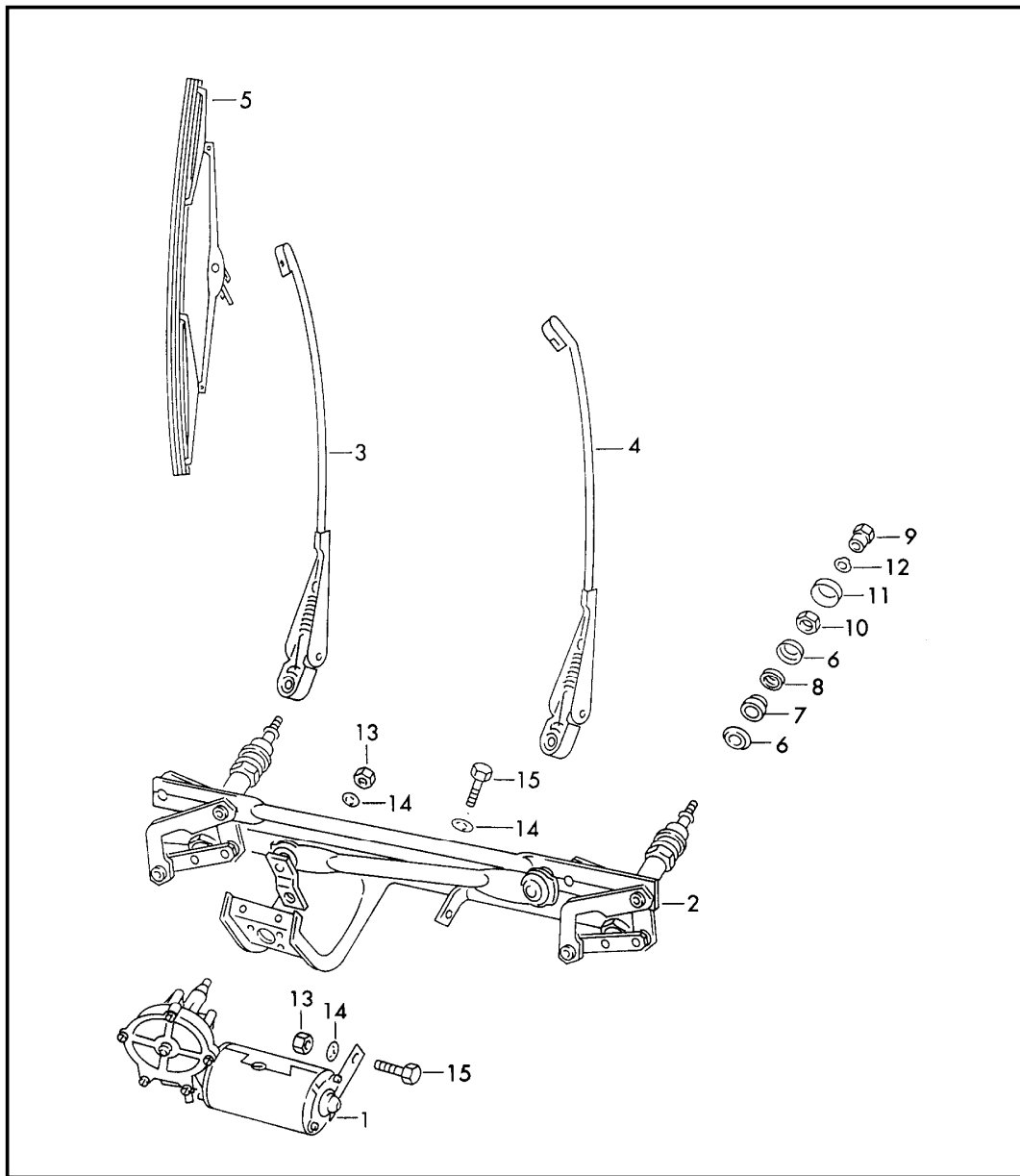
| Pos | Part Number | Description | Remark | Qty | Model | Pos | Part Number | Description | Remark | Qty | Model |
|--------|----------------|---------------------------------------------------------------------------------------------------------------------------------------------------------------------------------------------------------------------|---------|-----|-------|------|----------------|----------------------------------------------------------------------------|--------|-----|-------|
| 12 | 901 617 105 00 | diode for license plate light | (A) -71 | 1 | | 17 | 901 741 801 00 | sender for fuel-level indicator fuel tank 62 L | 70 | 1 | |
| - | 999 659 011 50 | rubber cap | (A) -71 | 1 | | | | | | | |
| 13 | 911 615 111 00 | relay for windscreen wiper system | 70 | 1 | | (17) | 911 641 801 10 | sender for fuel-level indicator fuel tank 110 L | 70 | 1 | 911 S |
| (13) | 911 615 112 00 | interval relay for windscreen wiper system | 70 | 1 | | (17) | 901 741 801 00 | sender for fuel-level indicator fuel tank 90 L | 70 | 1 | |
| 14 > | 914 618 303 11 | flasher relay for direction indicator light and warning light | 70 | 1 | | (17) | - | sender for fuel-level indicator fuel tank see group 2/01/00 | 71- | | |
| (14) > | 914 618 303 11 | flasher relay for direction indicator light and warning light | 71- | 1 | | | | | | | |
| 15 | 911 615 109 01 | relay for horn blower headlight flasher fog headlamp series resistor ignition coil injection system rear window heating 100 W cigarette lighter high beam windscreen heating | | 10 | | 18 | 914 201 891 00 | gasket | 70 | 1 | |
| - | 901 615 115 00 | relay for rear window heating 100/250 W | | 1 | | 19 | 900 014 058 02 | pan-head screw AM 5 X 12 | 70 | 5 | |
| - | N 015 429 2 | speed nut | | 1 | | 20 | 900 025 003 30 | washer 5,3 | 70 | 5 | |
| - | 900 151 001 02 | washer A 4,3 | | 1 | | 21 | 901 612 891 01 | connector | | 1 | |
| - | 900 187 013 02 | hexagon-head tapping screw BZ 4,2 X 13 | | 1 | | 22 | - | oil-level sender see group 1/04/00 | | 1 | |
| 16 | - | switch see group 2/02/00 | | 1 | | | | | | | |

| | | | | | | | | | | | |
|-------|------|----|----|--------------|--------------|-----|-------|------------|---------|-----|---------|
| Model | Year | MG | SG | Illustration | Restrictions | UPD | 20:48 | 22.01.2010 | PORSCHE | PET | PORSCHE |
| 911 | 1973 | 9 | 03 | 903-20 | | 248 | | | | | |



| Pos | Part Number | Description | Remark | Qty | Model |
|-----|----------------|---------------------------------------------------------------------|--------|-----|-------|
| | | steering column switch | | | |
| 1 | 911 613 301 30 | combined switch | -71 | 1 | |
| (1) | 911 613 301 30 | combined switch | 72- | 1 | |
| (1) | 911 613 301 30 | combined switch headlight flasher only with dipped beam | 72- | 1 | |
| 2 | 911 613 302 00 | wiper switch | 70 | 1 | |
| (2) | 901 613 302 04 | wiper switch | 71- | 1 | |
| 3 | 901 552 853 00 | handle | | 2 | |
| 4 | 901 613 352 00 | tension spring | | 2 | |
| 5 | 901 613 918 00 | tension spring | | 1 | |
| 6 | 901 613 920 00 | clamping piece | | 3 | |
| 7 | 901 613 919 00 | pan-head screw | | 6 | |

| | | | | | | | | | | | |
|-------|------|----|----|--------------|--------------|-----|-------|------------|---------|-----|---------|
| Model | Year | MG | SG | Illustration | Restrictions | UPD | 20:48 | 22.01.2010 | PORSCHE | PET | PORSCHE |
| 911 | 1973 | 9 | 04 | 904-00 | | 248 | | | | | |

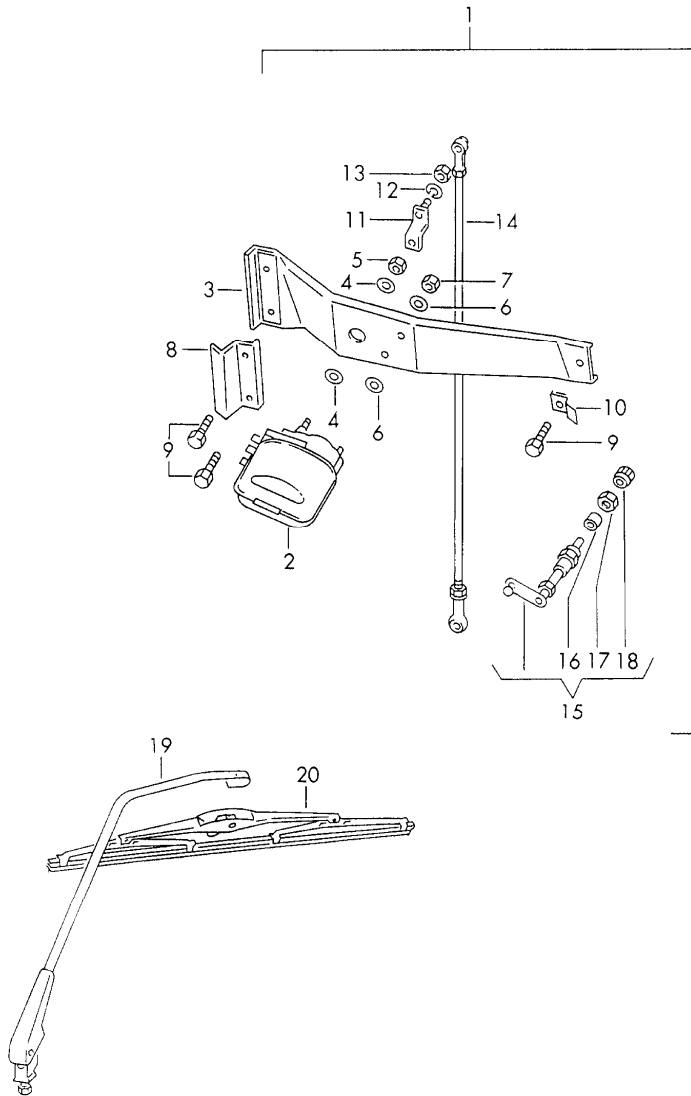


| Pos | Part Number | Description | Remark | Qty | Model |
|-----|----------------|---------------------------------|--------|-----|-------|
| | | windscreen wiper system | | | |
| 1 | 911 628 101 00 | engine | /LL | 70 | 1 |
| (1) | 911 628 102 00 | engine | /RL | 70 | 1 |
| (1) | 901 628 016 01 | engine | /LL | 71- | 1 |
| (1) | 901 628 018 01 | engine | /RL | 71- | 1 |
| (1) | 901 628 018 AX | engine | /RL | 71- | 1 |
| 2 | 911 628 035 10 | crank drive with picture 6 - 12 | /LL | 70 | 1 |
| (2) | 911 628 036 10 | crank drive with picture 6 - 12 | /RL | 70 | 1 |
| (2) | 901 628 933 00 | crank drive with picture 6 - 12 | /LL | 71- | 1 |
| (2) | 901 628 934 00 | crank drive with picture 6 - 12 | /RL | 71- | 1 |
| 3 | 914 628 313 10 | wiper arm - SWF - | | 70 | 1 |
| (3) | 914 628 313 10 | wiper arm - bosch - | | 70 | 1 |
| (3) | 914 628 313 10 | wiper arm - SWF - | | 71- | 1 |
| 4 | 914 628 314 10 | wiper arm - SWF - | /LL | 70 | 1 |
| (4) | 901 628 014 00 | wiper arm - SWF - | /RL | 70 | 1 |
| (4) | 914 628 314 10 | wiper arm - bosch - | | 70 | 1 |
| (4) | 914 628 314 10 | wiper arm - SWF - | /LL | 71- | 1 |
| (4) | 911 628 014 00 | wiper arm - SWF - | /RL | 71- | 1 |

| | | | | | | | | | | | |
|-------|------|----|----|--------------|--------------|-----|-------|------------|---------|-----|---------|
| Model | Year | MG | SG | Illustration | Restrictions | UPD | 20:48 | 22.01.2010 | PORSCHE | PET | PORSCHE |
| 911 | 1973 | 9 | 04 | 904-00 | | 248 | | | | | |

| Pos | Part Number | Description | Remark | Qty | Model | Pos | Part Number | Description | Remark | Qty | Model |
|------|----------------|------------------------------------------|--------|-----|-------|-----|-------------|-------------|--------|-----|-------|
| 5 | 901 628 311 10 | wiper blade - SWF - | | 70 | 2 | | | | | | |
| (5) | 901 628 311 20 | wiper blade - bosch - | | 70 | 2 | | | | | | |
| (5) | 914 628 311 10 | wiper blade - SWF - | | 71- | 2 | | | | | | |
| 6 | 901 628 922 00 | flange washer | | | 4 | | | | | | |
| 7 | 901 628 923 01 | rubber bush | | | 2 | | | | | | |
| 8 | 901 628 924 00 | rubber bush | | | 2 | | | | | | |
| 9 | 901 628 341 00 | cap nut | | | 2 | | | | | | |
| 10 | 901 628 925 00 | hexagon nut | | | 2 | | | | | | |
| 11 | 901 628 926 00 | cap | | | 2 | | | | | | |
| 12 | 901 628 927 00 | spring washer | | | 2 | | | | | | |
| 13 | 900 076 010 02 | hexagon nut M 6 | | | 2 | | | | | | |
| 14 | 914 628 901 00 | lock ring | | 70 | 2 | | | | | | |
| (14) | N 042 121 1 | shake-proof washer J 6,4 | | 71- | 2 | | | | | | |
| 15 | 900 075 010 02 | hexagon-head bolt M 6 X 12 | | | 1 | | | | | | |
| - | 901 628 053 20 | rubber mounting | /LL | | 1 | | | | | | |
| - | 901 628 054 20 | rubber mounting | /RL | | 1 | | | | | | |
| - | 901 628 505 20 | tab washer | | | 1 | | | | | | |
| - | 900 075 097 02 | hexagon-head bolt M 5 X 15 | | 70 | 2 | | | | | | |
| - | N 010 264 4 | hexagon-head bolt M 5 X 20 | | 71- | 2 | | | | | | |
| - | 900 187 011 02 | hexagon-head tapping screw B 4,3 X 13 | | | 2 | | | | | | |
| - | 900 151 001 02 | washer A 4,3 | | | 2 | | | | | | |
| - | N 015 429 2 | speed nut B 4,2 | | | 2 | | | | | | |
| - | N 012 005 3 | lock ring B 5 | | | 2 | | | | | | |

| | | | | | | | | | | | |
|-------|------|----|----|--------------|--------------|-----|-------|------------|---------|-----|---------|
| Model | Year | MG | SG | Illustration | Restrictions | UPD | 20:48 | 22.01.2010 | PORSCHE | PET | PORSCHE |
| 911 | 1973 | 9 | 04 | 904-05 | | 248 | | | | | |

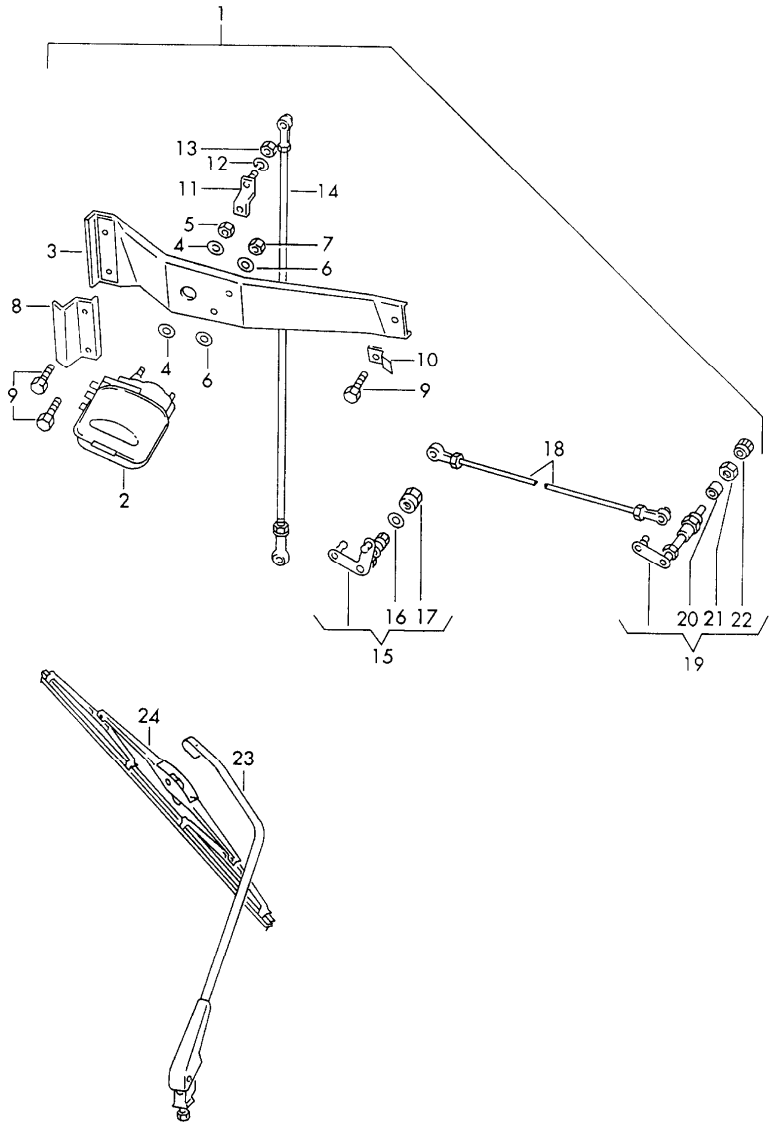


| Pos | Part Number | Description | Remark | Qty | Model |
|-----|----------------|-------------------------------------------------|--------|-----|-------|
| | | rear window wiper | /LL M | | |
| 1 | 901 628 061 01 | rear window wiper without wiper arm wiper blade | | 1 | |
| 2 | 911 628 063 00 | wiper motor | | 1 | |
| 3 | 901 628 065 00 | assembly frame | | 1 | |
| 4 | 901 628 338 00 | washer | | 2 | |
| 5 | 999 078 014 02 | hexagon nut | | 2 | |
| 6 | 901 628 339 00 | washer | | 4 | |
| 7 | 900 076 027 02 | hexagon nut M 5 | | 2 | |
| 8 | 901 628 320 00 | bracket | | 1 | |
| 9 | N 010 215 13 | hexagon-head bolt M 6 X 15 | | 3 | |
| 10 | 901 628 337 00 | support | | 1 | |
| 11 | 901 628 318 00 | lever | | 1 | |
| 12 | 900 027 014 01 | lock ring B 6 | | 1 | |
| 13 | 900 076 010 02 | hexagon nut M 6 | | 1 | |
| 14 | 901 628 615 00 | joint rod | | 1 | |
| 15 | 901 628 319 02 | wiper bearing | | 1 | |
| 16 | 901 628 913 00 | spacer bush | | 1 | |
| 17 | 901 628 912 00 | hexagon nut | | 1 | |
| 18 | 901 628 911 00 | cap | | 1 | |
| 19 | 901 628 611 00 | wiper arm | | 1 | |
| 20 | 901 628 613 00 | wiper blade | | 1 | |
| - | 901 613 043 00 | wiper switch rear window wiper | | 1 | |
| - | 901 612 070 05 | wiring harness NR. 19 fuse holder wiper switch | /LL | 1 | |

| | | | | | | | | | | | |
|-------|------|----|----|--------------|--------------|-----|-------|------------|---------|-----|---------|
| Model | Year | MG | SG | Illustration | Restrictions | UPD | 20:48 | 22.01.2010 | PORSCHE | PET | PORSCHE |
| 911 | 1973 | 9 | 04 | 904-05 | | 248 | | | | | |

| Pos | Part Number | Description | Remark | Qty | Model | Pos | Part Number | Description | Remark | Qty | Model |
|-----|----------------|--------------------------------------------------|--------|-----|-------|-----|-------------|-------------|--------|-----|-------|
| - | 911 612 025 00 | additional cables tunnel rear window wiper | | 1 | | | | | | | |
| - | 911 612 031 00 | wiring harness rear window wiper | | 1 | | | | | | | |
| - | 911 617 105 00 | diode | | 1 | | | | | | | |
| - | 999 652 142 40 | push-on connector | | 1 | | | | | | | |
| - | 999 702 119 50 | rubber sleeve | | 1 | | | | | | | |

| | | | | | | | | | | | |
|-------|------|----|----|--------------|--------------|-----|-------|------------|---------|-----|---------|
| Model | Year | MG | SG | Illustration | Restrictions | UPD | 20:48 | 22.01.2010 | PORSCHE | PET | PORSCHE |
| 911 | 1973 | 9 | 04 | 904-10 | | 248 | | | | | |

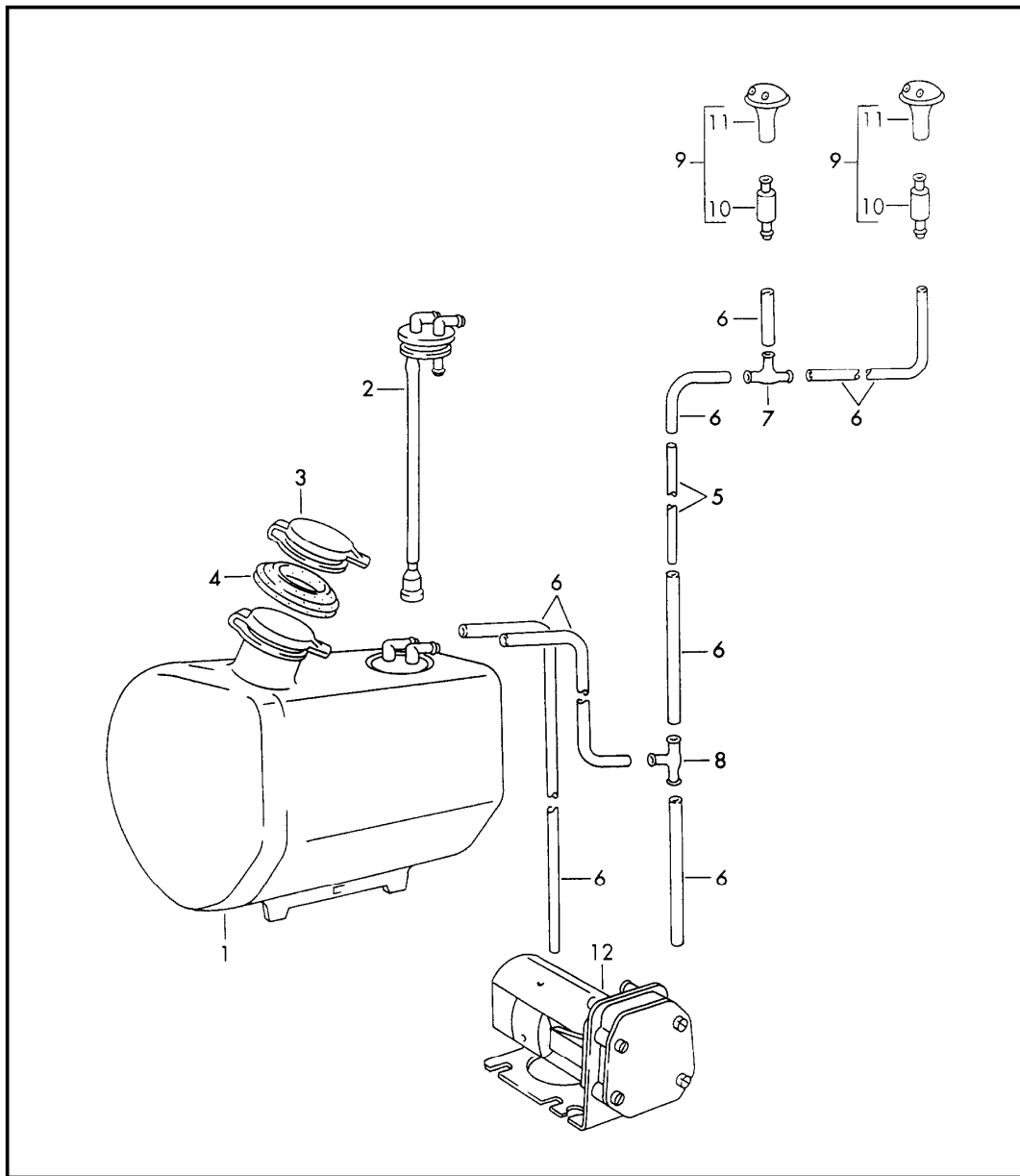


| Pos | Part Number | Description | Remark | Qty | Model |
|-----|----------------|-------------------------------------------------|--------|-----|-------|
| | | rear window wiper | /RL M | | |
| 1 | 901 628 062 00 | rear window wiper without wiper arm wiper blade | | 1 | |
| 2 | 911 628 063 00 | wiper motor | | 1 | |
| 3 | 901 628 065 00 | assembly frame | | 1 | |
| 4 | 901 628 338 00 | washer | | 2 | |
| 5 | 999 078 014 02 | hexagon nut | | 2 | |
| 6 | 901 628 339 00 | washer | | 4 | |
| 7 | 900 076 027 02 | hexagon nut M 5 | | 2 | |
| 8 | 901 628 320 00 | bracket | | 1 | |
| 9 | N 010 215 13 | hexagon-head bolt M 6 X 15 | | 3 | |
| 10 | 901 628 337 00 | support | | 1 | |
| 11 | 901 628 318 00 | lever | | 1 | |
| 12 | 900 027 014 01 | lock ring B 6 | | 1 | |
| 13 | 900 076 010 02 | hexagon nut M 6 | | 1 | |
| 14 | 901 628 615 00 | joint rod | | 1 | |
| 15 | 901 628 617 00 | wiper bearing | | 1 | |
| 16 | 901 628 914 00 | spring washer | | 1 | |
| 17 | 901 628 621 00 | cap nut | | 1 | |
| 18 | 901 628 616 00 | joint rod | | 1 | |
| 19 | 901 628 619 00 | wiper bearing | | 1 | |
| 20 | 901 628 913 00 | spacer bush | | 1 | |
| 21 | 901 628 912 00 | hexagon nut | | 1 | |
| 22 | 901 628 911 00 | cap | | 1 | |
| 23 | 901 628 612 00 | wiper arm | | 1 | |
| 24 | 901 628 613 00 | wiper blade | | 1 | |

| | | | | | | | | | | | |
|-------|------|----|----|--------------|--------------|-----|-------|------------|---------|-----|---------|
| Model | Year | MG | SG | Illustration | Restrictions | UPD | 20:48 | 22.01.2010 | PORSCHE | PET | PORSCHE |
| 911 | 1973 | 9 | 04 | 904-10 | | 248 | | | | | |

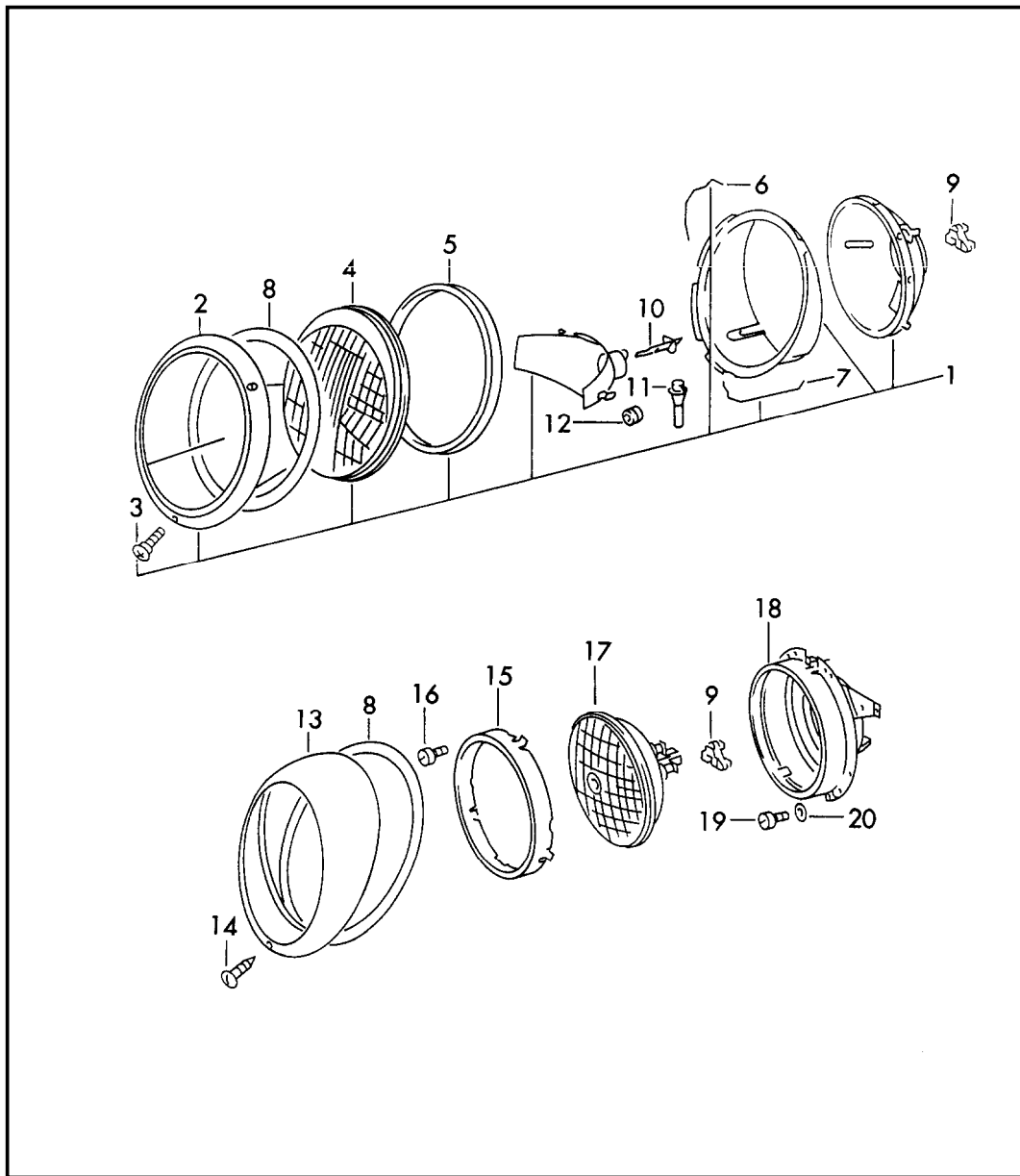
| Pos | Part Number | Description | Remark | Qty | Model | Pos | Part Number | Description | Remark | Qty | Model |
|-----|----------------|--------------------------------------------------|--------|-----|-------|-----|-------------|-------------|--------|-----|-------|
| - | 901 613 043 00 | wiper switch rear window wiper | | 1 | | | | | | | |
| - | 901 612 094 00 | wiring harness NR. 62 wiper switch | | 1 | | | | | | | |
| - | 911 612 031 00 | wiring harness rear window wiper | | 1 | | | | | | | |
| - | 911 612 063 00 | additional cables tunnel rear window wiper | | 1 | | | | | | | |
| - | 911 617 105 00 | diode | | 1 | | | | | | | |
| - | 999 652 142 40 | push-on connector | | 1 | | | | | | | |
| - | 999 702 119 50 | rubber sleeve | | 1 | | | | | | | |

| | | | | | | | | | | | |
|-------|------|----|----|--------------|--------------|-----|-------|------------|---------|-----|---------|
| Model | Year | MG | SG | Illustration | Restrictions | UPD | 20:48 | 22.01.2010 | PORSCHE | PET | PORSCHE |
| 911 | 1973 | 9 | 04 | 904-15 | | 248 | | | | | |



| Pos | Part Number | Description | Remark | Qty | Model |
|-----|----------------|--------------------------|--------|-----|-------|
| | | windscreen washer system | | | |
| 1 | 901 628 720 26 | water reservoir | | 1 | |
| 2 | 901 628 730 23 | lid | | 1 | |
| 3 | 911 628 167 00 | lid | | 1 | |
| 4 | 901 628 183 00 | gasket | | 1 | |
| 5 | 901 628 739 21 | pipe | | 1 | |
| 6 | PCG 628 901 10 | hose 3000 MM | | 1 | |
| 7 | 901 628 745 20 | t-piece | | 1 | |
| 8 | 901 628 749 20 | t-piece | | 1 | |
| 9 | 644 628 741 02 | spray nozzle | | 2 | |
| 10 | 914 628 215 00 | valve | | 2 | |
| 11 | 901 628 741 20 | nozzle | | 2 | |
| - | 644 628 905 00 | cap | | 2 | |
| 12 | 928 628 074 01 | pump | | 1 | |

| | | | | | | | | | | | |
|-------|------|----|----|--------------|--------------|-----|-------|------------|---------|-----|---------|
| Model | Year | MG | SG | Illustration | Restrictions | UPD | 20:49 | 22.01.2010 | PORSCHE | PET | PORSCHE |
| 911 | 1973 | 9 | 05 | 905-00 | | 248 | | | | | |

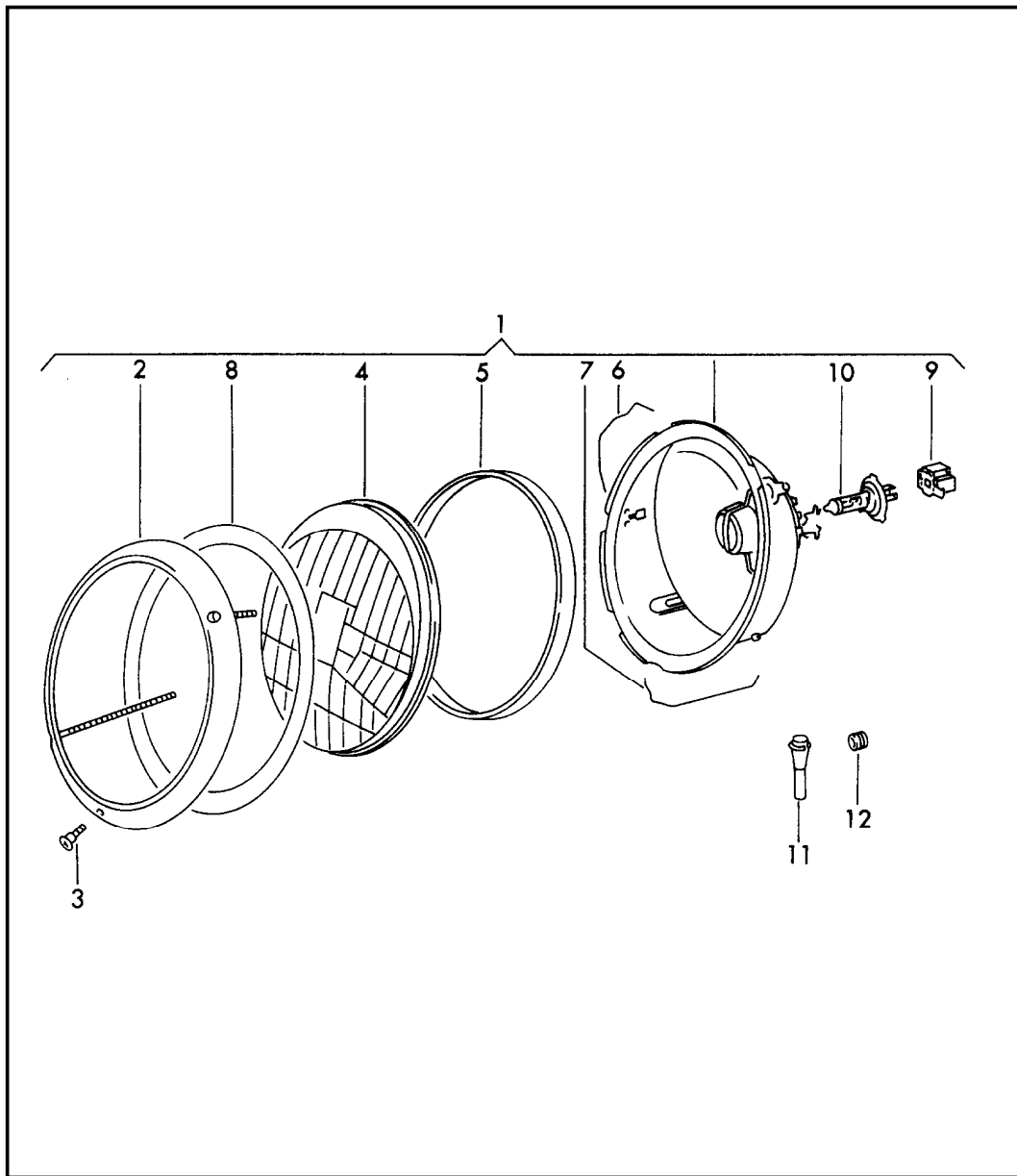


| Pos | Part Number | Description | Remark | Qty | Model |
|-----|----------------|--------------------------------------------------------------------------------|--------|-----|-------|
| | | headlamp | | | |
| 1 | 911 631 101 00 | headlamp - bosch - asymmetrical lens white not for (USA) (F) | /LL | 2 | |
| (1) | 911 631 101 01 | headlamp - bosch - asymmetrical lens yellow for (F) | /LL | 2 | |
| (1) | 911 631 112 00 | headlamp - bosch - asymmetrical lens white | /RL | 2 | |
| 2 | 901 631 102 04 | headlamp ring chrome | | -72 | 2 |
| 3 | 901 631 119 00 | fastening screw | | | 2 |
| 4 | 911 631 111 00 | lens white for 911.631.101.00 | /LL | -72 | 2 |
| (4) | 911 631 111 01 | lens yellow for 911.631.101.01 | /LL | -72 | 2 |
| (4) | 911 631 112 00 | headlamp white for 911.631.101.02 | /RL | -72 | 2 |
| 5 | 911 631 967 00 | gasket | | | 2 |
| 6 | 901 631 116 02 | locking spring | | | 6 |
| 7 | 644 631 122 00 | locking spring | | | 6 |
| 8 | 901 631 115 21 | sealing ring | | | 2 |
| 9 | 911 631 108 00 | terminal sleeve housing - SB - | | -71 | 2 |
| (9) | 911 631 108 00 | terminal sleeve housing | | 72- | 2 |

| | | | | | | | | | | | |
|-------|------|----|----|--------------|--------------|-----|-------|------------|---------|-----|---------|
| Model | Year | MG | SG | Illustration | Restrictions | UPD | 20:49 | 22.01.2010 | PORSCHE | PET | PORSCHE |
| 911 | 1973 | 9 | 05 | 905-00 | | 248 | | | | | |

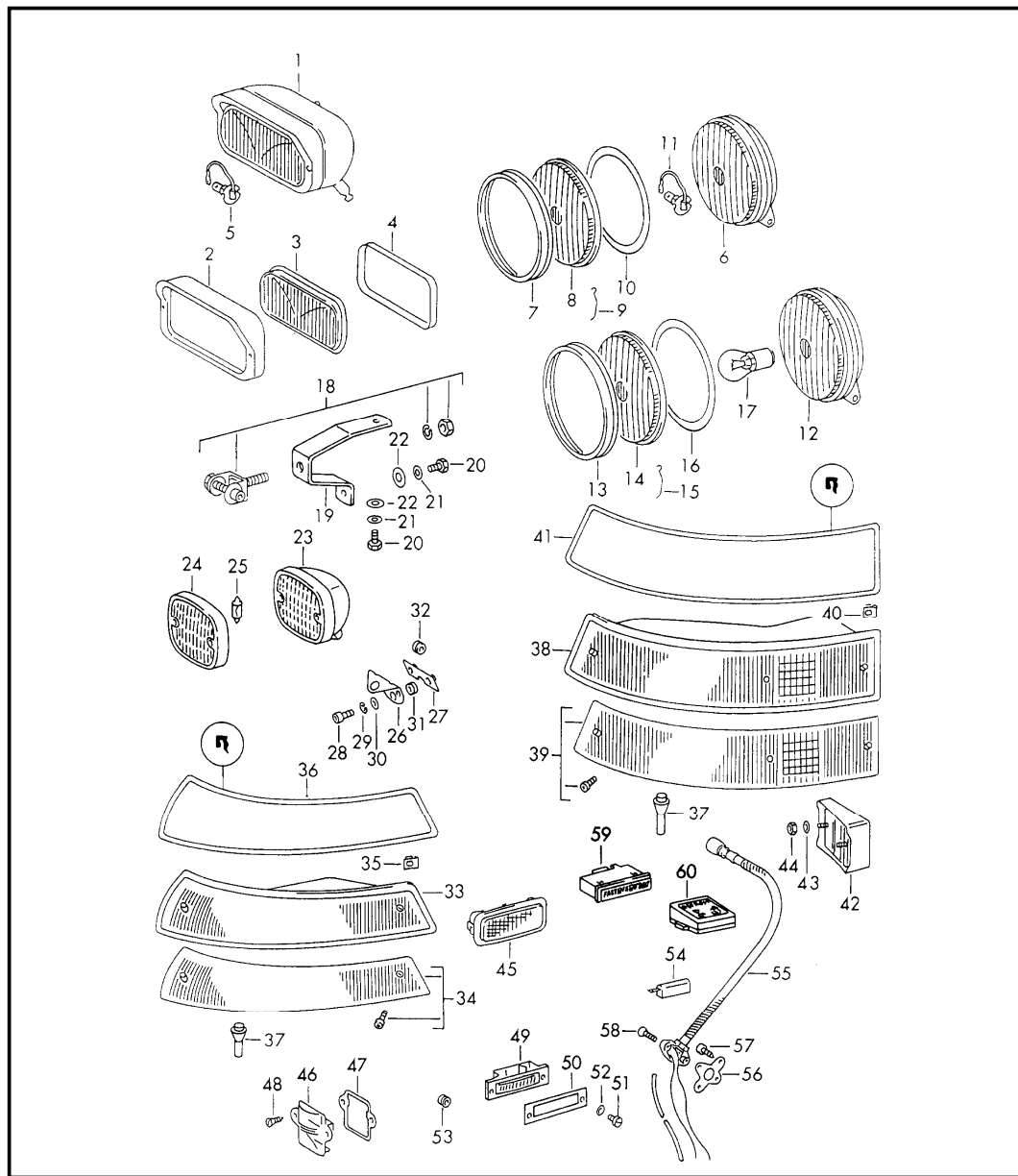
| Pos | Part Number | Description | Remark | Qty | Model | Pos | Part Number | Description | Remark | Qty | Model |
|------|----------------|----------------------------------------------|--------|-----|-------|-----|-------------|-------------|--------|-----|-------|
| 10 | 900 631 125 90 | halogen bulb | | 4 | | | | | | | |
| 11 | 911 631 259 02 | water drain sleeve | | 6 | | | | | | | |
| 12 | 999 702 119 50 | rubber sleeve | | 2 | | | | | | | |
| 13 | 901 631 102 05 | retaining ring | | 2 | | | | | | | |
| 14 | 911 631 146 01 | lens-head screw AM 5 X 18 Z | | 2 | | | | | | | |
| 15 | 901 631 102 03 | headlamp ring chrome | | 2 | | | | | | | |
| 16 | 900 016 014 02 | half-round screw AM 4 X 8 | | 6 | | | | | | | |
| 17 | 999 631 108 90 | headlamp unit "SEALED BEAM" 50/40 WATT | /LL | 2 | | | | | | | |
| (17) | 999 631 122 90 | headlamp unit "SEALED BEAM" 60/50 WATT | /LL | 2 | | | | | | | |
| (17) | 999 631 121 90 | headlamp unit "SEALED BEAM" | /RL | 2 | | | | | | | |
| 18 | 901 631 103 02 | mounting piece | | 2 | | | | | | | |
| 19 | 999 014 008 02 | cheese-head screw AM 4 X 10 | | 8 | | | | | | | |
| 20 | 900 114 014 01 | shake-proof washer A 4,3 | | 8 | | | | | | | |

| | | | | | | | | | | | |
|-------|------|----|----|--------------|--------------|-----|-------|------------|---------|-----|---------|
| Model | Year | MG | SG | Illustration | Restrictions | UPD | 20:49 | 22.01.2010 | PORSCHE | PET | PORSCHE |
| 911 | 1973 | 9 | 05 | 905-05 | | 248 | | | | | |



| Pos | Part Number | Description | Remark | Qty | Model |
|------|----------------|--------------------------------------------------|--------------|-----|-------|
| | | headlamp H 4 | 72- | | |
| 1 | 911 631 113 00 | headlamp not for | /LL (USA) | 2 | |
| (1) | 911 631 112 00 | headlamp | /RL | 2 | |
| 2 | 911 631 933 00 | headlamp ring chrome | | 2 | |
| 3 | 901 631 119 00 | fastening screw | | 2 | |
| 4 | 911 631 927 00 | lens for 911.631.102.00 | /LL | 2 | |
| (4) | 911 631 927 01 | lens for 911.631.102.02 | /RL | 2 | |
| 5 | 911 631 967 00 | gasket | | 2 | |
| 6 | 901 631 116 02 | locking spring | | 6 | |
| 7 | 644 631 122 00 | locking spring | | 6 | |
| 8 | 901 631 115 21 | sealing ring | | 2 | |
| 9 | 911 631 108 00 | terminal sleeve housing | | 2 | |
| 10 | 999 631 202 90 | halogen bulb H 4 12V-60/55 W | | 2 | |
| (10) | 999 631 202 91 | halogen bulb H 4 12V-60/55 W yellow for | (F) | 2 | |
| 11 | 911 631 259 02 | water drain sleeve | | 6 | |
| 12 | 999 702 119 50 | rubber sleeve | | 2 | |

| | | | | | | | | | | | |
|-------|------|----|----|--------------|--------------|-----|-------|------------|---------|-----|---------|
| Model | Year | MG | SG | Illustration | Restrictions | UPD | 20:49 | 22.01.2010 | PORSCHE | PET | PORSCHE |
| 911 | 1973 | 9 | 05 | 905-10 | | 248 | | | | | |



| Pos | Part Number | Description | Remark | Qty | Model |
|-----|----------------|-------------------------------------------------------------------------------|--------|-----|-------|
| 1 | 901 631 205 01 | lights fog headlamp with reflector white not for (USA) (NL) | | 2 | |
| 2 | 901 631 212 01 | with reflector yellow not for (USA) (NL) | | 2 | |
| 3 | 901 631 211 03 | ring for fog headlamp | | 2 | |
| (3) | 901 631 211 03 | lens | -71 | 2 | |
| (3) | 911 631 995 00 | lens and reflector | 72- | 2 | |
| - | 911 631 904 00 | fog headlamp yellow 1 set for subsequent installation | | X | |
| 4 | 901 631 214 01 | gasket | | 2 | |
| 5 | 900 631 126 90 | halogen bulb | | 2 | |
| 6 | 911 631 202 00 | fog headlamp with glass white not for (USA) (F) (I) | | 2 | |
| (6) | 911 631 202 10 | fog headlamp with reflector yellow for (F) | | 2 | |
| - | 999 652 149 40 | insulated cable connection for fog headlamp | (CH) | 1 | |
| (6) | 911 631 121 00 | high-beam headlight with glass white not for (USA) (F) | | 2 | |

| | | | | | | | | | | | |
|-------|------|----|----|--------------|--------------|-----|-------|------------|---------|-----|---------|
| Model | Year | MG | SG | Illustration | Restrictions | UPD | 20:49 | 22.01.2010 | PORSCHE | PET | PORSCHE |
| 911 | 1973 | 9 | 05 | 905-10 | | 248 | | | | | |

| Pos | Part Number | Description | Remark | Qty | Model | Pos | Part Number | Description | Remark | Qty | Model |
|-----|----------------|----------------------------------------------------------------|--------|-----|-------|-----|----------------|------------------------------------------------|--------|-----|-------|
| (6) | 911 631 121 10 | high-beam headlight with glass yellow for (F) | | 2 | | - | 900 075 087 02 | hexagon-head bolt M 8 X 16 | 72- | 4 | |
| (6) | 911 631 213 00 | fog headlamp with glass white for (I) | -71 | 2 | | - | 900 027 005 02 | lock ring A 8 | 72- | 4 | |
| (6) | 911 631 211 00 | high-beam headlight with glass white for (I) | | 2 | | - | 900 076 025 02 | hexagon nut M 8 | 72- | 4 | |
| - | 900 631 125 90 | halogen bulb H 1 YA 12V-55W for (I) | | 2 | | 19 | 901 631 137 00 | retaining bow | | 2 | |
| 7 | 901 631 212 00 | headlamp ring | | 2 | | 20 | 900 075 217 02 | hexagon-head bolt M 6 X 12 | | 4 | |
| 8 | 901 631 211 00 | lens for 911.631.202.00/01/10 | | 2 | | 21 | 900 114 010 01 | shake-proof washer A 6,4 | | 4 | |
| (8) | 901 631 211 01 | lens for 911.631.121.00 911.631.211.00 | | 2 | | 22 | 900 151 006 09 | washer B 6,4 | | 4 | |
| (8) | 914 631 930 10 | lens for 911.631.121.10 | (F) | 2 | | 23 | 901 631 251 00 | rear fog light not for (USA) (I) (CH) (S) (SV) | | 1 | |
| 9 | 901 631 116 01 | locking spring | | 8 | | 24 | 911 631 251 29 | rear fog light with screw and gasket | | 1 | |
| 10 | 901 631 214 00 | gasket | | 2 | | 25 | 900 631 123 90 | linolite lamp K 12V 18W | | 1 | |
| 11 | 900 631 126 90 | halogen bulb | | 2 | | 26 | 911 631 125 00 | fastening angle | | 1 | |
| 18 | 901 631 125 00 | support | | 2 | | 27 | 911 631 126 00 | support | | 1 | |
| - | 911 631 124 00 | retaining bracket for fog headlamp installation spoiler bumper | | 2 | | 28 | 900 067 009 02 | pan-head screw M 6 X 15 | | 2 | |
| | | | | | | 29 | N 012 007 2 | lock ring A 6 | | 2 | |
| | | | | | | 30 | N 011 524 7 | washer 6,4 | | 2 | |
| | | | | | | 31 | 999 702 046 50 | rubber sleeve 8 X 10 X 7 | | 1 | |
| | | | | | | 32 | 999 702 020 50 | rubber sleeve 8 X 12 X 9 | | 1 | |
| | | | | | | - | 999 652 208 10 | cable shoe | | 1 | |

| | | | | | | | | | | | |
|-------|------|----|----|--------------|--------------|-----|-------|------------|---------|-----|---------|
| Model | Year | MG | SG | Illustration | Restrictions | UPD | 20:49 | 22.01.2010 | PORSCHE | PET | PORSCHE |
| 911 | 1973 | 9 | 05 | 905-10 | | 248 | | | | | |

| Pos | Part Number | Description | Remark | Qty | Model | Pos | Part Number | Description | Remark | Qty | Model |
|------|----------------|-----------------------------------------------------------------------------------------------------------------------|--------|-----|-------|------|----------------|------------------------------------------------------------------------------------------------------------------------|--------|-----|-------|
| | 901 631 401 03 | direction indicator light left lens with aluminium rim for europe not for (I) | -72 | 1 | | - | PCG 631 935 30 | direction indicator light metal left for europe not for (I) | | 1 | |
| (33) | 901 631 402 03 | direction indicator light right lens with aluminium rim for europe not for (I) | -72 | 1 | | - | PCG 631 936 20 | direction indicator light plastic material right for europe not for (I) it is necessary to rework | | 1 | |
| (33) | 911 631 401 30 | direction indicator light left lens with rim black for europe not for (I) | 73- | 1 | | - | PCG 631 936 30 | direction indicator light metal right for europe not for (I) | | 1 | |
| (33) | 911 631 402 30 | direction indicator light right lens with rim black for europe not for (I) | 73- | 1 | | (33) | 901 631 401 05 | direction indicator light left for (I) | -72 | 1 | |
| | PCG 631 935 20 | direction indicator light plastic material left for europe not for (I) it is necessary to rework | | 1 | | (33) | 901 631 402 05 | direction indicator light right for (I) | -72 | 1 | |
| | | | | | | (33) | 911 631 401 31 | direction indicator light left for (I) | 73- | 1 | |
| | | | | | | (33) | 911 631 402 31 | direction indicator light right for (I) | 73- | 1 | |
| | | | | | | - | PCG 631 935 20 | direction indicator light plastic material left for (I) it is necessary to rework | | 1 | |
| | | | | | | - | PCG 631 935 30 | direction indicator light metal left for (I) | | 1 | |

| | | | | | | | | | | | |
|-------|------|----|----|--------------|--------------|-----|-------|------------|---------|-----|---------|
| Model | Year | MG | SG | Illustration | Restrictions | UPD | 20:49 | 22.01.2010 | PORSCHE | PET | PORSCHE |
| 911 | 1973 | 9 | 05 | 905-10 | | 248 | | | | | |

| Pos | Part Number | Description | Remark | Qty | Model | Pos | Part Number | Description | Remark | Qty | Model |
|------|----------------|---------------------------------------------------------------------------------------------------|--------|-----|-------|------|----------------|------------------------------------------------------------|--------|-----|-------|
| - | PCG 631 936 20 | direction indicator light plastic material right for (I) it is necessary to rework | | 1 | | (34) | 901 631 903 05 | lens rim aluminium left for 901.631.401.05 | -72 | 1 | |
| - | PCG 631 936 30 | direction indicator light metal right for (I) | | 1 | | (34) | 901 631 904 05 | lens rim aluminium right for 901.631.402.05 | -72 | 1 | |
| (33) | 901 631 401 07 | direction indicator light left for (DK) (J) (N) | 71 | 1 | | (34) | 911 631 943 00 | lens rim black left for (I) | 73- | 1 | |
| (33) | 901 631 402 07 | direction indicator light right for (DK) (J) (N) | 71 | 1 | | (34) | 911 631 944 00 | lens rim black right for (I) | 73- | 1 | |
| - | 900 631 127 90 | bulb 12V 21W | | 4 | | | | | | | |
| - | 900 631 103 90 | linolite lamp 12V 4W | | 2 | | | | | | | |
| 34 | 911 631 921 03 | lens rim aluminium left for 901.631.401.03/07 | | 1 | | (34) | 911 631 921 03 | lens rim aluminium left for 911.631.401.03 | 71 | 1 | |
| (34) | 911 631 922 03 | lens rim aluminium right for 901.631.402.03/07 | | 1 | | (34) | 911 631 922 03 | lens rim aluminium right for 911.631.402.03 | 71 | 1 | |
| (34) | 901 631 903 04 | lens rim aluminium left for 901.631.401.04 | -72 | 1 | | (34) | 911 631 943 00 | lens rim black left for europe | 73- | 1 | |
| (34) | 901 631 904 04 | lens rim aluminium right for 901.631.402.04 | -72 | 1 | | (34) | 911 631 944 00 | lens rim black right for europe | 73- | 1 | |
| | | | | | | 35 | 999 507 312 12 | nut lock clip | | 8 | |

| | | | | | | | | | | | |
|-------|------|----|----|--------------|--------------|-----|-------|------------|---------|-----|---------|
| Model | Year | MG | SG | Illustration | Restrictions | UPD | 20:49 | 22.01.2010 | PORSCHE | PET | PORSCHE |
| 911 | 1973 | 9 | 05 | 905-10 | | 248 | | | | | |

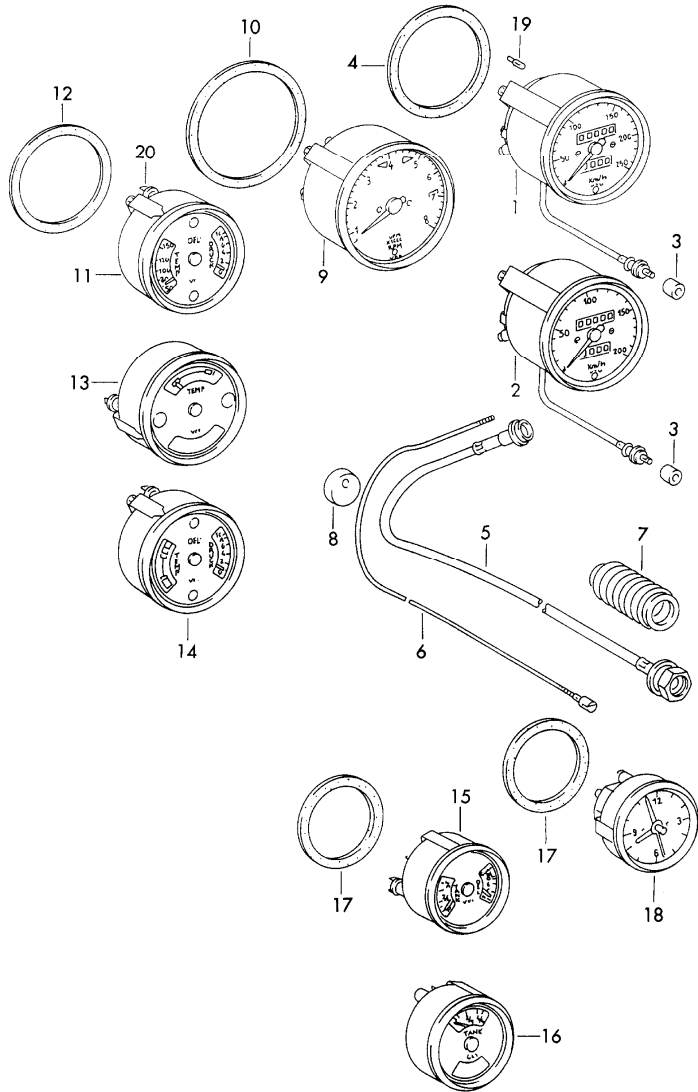
| Pos | Part Number | Description | Remark | Qty | Model | Pos | Part Number | Description | Remark | Qty | Model |
|------|----------------|--------------------------------------------------------|--------|-----|-------|------|----------------|----------------------------------------|--------|-----|-------|
| (36) | 911 631 970 01 | gasket left | | 1 | | (38) | 901 631 403 05 | rear light left for (F) | | 1 | |
| (36) | 911 631 970 00 | gasket right | | 1 | | (38) | 911 631 403 05 | rear light left for (F) | -72 | 1 | |
| 37 | 911 631 259 02 | water drain sleeve | | 6 | | (38) | 901 631 404 05 | rear light right for (F) | | 1 | |
| 38 | 901 631 403 03 | rear light left for europe not for (F) | | 1 | | (38) | 911 631 404 05 | rear light right for (F) | -72 | 1 | |
| (38) | 911 631 403 03 | rear light left for europe not for (F) | -72 | 1 | | - | 900 631 128 90 | bulb 12V 21/5W | | 2 | |
| (38) | 911 631 403 30 | rear light left for europe | 73- | 1 | | - | N 017 731 2 | bulb 12V 15W | | 2 | |
| - | 911 631 939 00 | housing left for europe | | 1 | | 39 | 911 631 923 03 | lens left for 901.631.403.03 | | 1 | |
| (38) | 901 631 404 03 | rear light right for europe not for (F) | | 1 | | (39) | 911 631 924 03 | lens right for 901.631.404.03 | | 1 | |
| (38) | 911 631 404 03 | rear light right for europe not for (F) | -72 | 1 | | (39) | 901 631 905 05 | lens left for 901.631.403.05 | | 1 | |
| (38) | 911 631 404 30 | rear light right for europe | 73- | 1 | | (39) | 901 631 906 05 | lens right for 901.631.404.05 | | 1 | |
| - | 911 631 940 00 | housing right for europe | | 1 | | (39) | 901 631 906 04 | lens right for 901.631.404.04 | -72 | 1 | |
| (39) | 911 631 923 03 | lens left for 911.631.403.03 | | 1 | | (39) | 911 631 923 03 | lens left for 911.631.403.03 | -72 | 1 | |

| | | | | | | | | | | | |
|-------|------|----|----|--------------|--------------|-----|-------|------------|---------|-----|---------|
| Model | Year | MG | SG | Illustration | Restrictions | UPD | 20:49 | 22.01.2010 | PORSCHE | PET | PORSCHE |
| 911 | 1973 | 9 | 05 | 905-10 | | 248 | | | | | |

| Pos | Part Number | Description | Remark | Qty | Model | Pos | Part Number | Description | Remark | Qty | Model |
|------|----------------|-------------------------------------------------|--------|-----|-------|------|----------------|-------------------------------------------|--------|-----|-------|
| (39) | 911 631 924 03 | lens right for 911.631.404.03 | -72 | 1 | | (45) | 901 632 101 28 | interior light | | 2 | |
| | | | | | | - | 964 555 153 00 | desk pad | | 2 | |
| (39) | 911 631 925 05 | lens left for 911.631.403.05 | -72 | 1 | | (45) | 911 632 103 00 | interior light | | 1 | |
| | | | | | | - | 900 631 106 90 | linolite lamp 12V 10W | | 2 | |
| (39) | 911 631 926 05 | lens right for 911.631.404.05 | -72 | 1 | | 46 | 901 632 201 01 | luggage compartment lamp | | X | |
| | | | | | | - | 900 631 104 90 | bulb 12V 5W | | 2 | |
| (39) | 911 631 949 00 | lens left for europe | 73- | 1 | | 47 | 901 632 291 00 | desk pad | | X | |
| | | | | | | 48 | N 013 961 2 | tapping screw B 3,9 X 13 | | X | |
| (39) | 911 631 950 00 | lens right for europe | 73- | 1 | | 49 | 901 631 601 00 | license plate light | | 2 | |
| | | | | | | - | 900 631 103 90 | bulb 12V 4W | | 2 | |
| 40 | 999 507 312 12 | cable holder | | 4 | | 50 | 901 631 605 00 | desk pad | | 2 | |
| 41 | 911 631 971 01 | gasket left | -72 | 1 | | 51 | 900 146 011 02 | oval-head screw AM 4 X 10 | | 4 | |
| (41) | 911 631 971 01 | gasket left | 73- | 1 | | (51) | 900 146 011 02 | oval-head screw AM 4 X 10 | | 4 | |
| (41) | 911 631 971 00 | gasket right | -72 | 1 | | 52 | 999 523 105 00 | lock washer | | 4 | |
| (41) | 911 631 971 00 | gasket right | 73- | 1 | | 53 | 999 702 015 50 | grommet | | 1 | |
| 42 | 901 633 010 00 | reflector | | 2 | | 54 | 911 632 113 00 | ashtray light | | 1 | |
| 43 | N 012 005 3 | lock ring B 5 | 70 | 4 | | 55 | 901 632 102 01 | interior light | 70 | 1 | |
| (43) | 900 025 003 02 | washer 5,3 | 71- | 4 | | 56 | 901 632 155 01 | mounting plate | 70 | 1 | |
| 44 | 900 076 027 02 | hexagon nut M 5 | 70 | 4 | | 57 | 900 140 015 02 | oval-head sheetmetal screw B 3,5 X 9,5 | 70 | 3 | |
| (44) | 999 090 002 02 | lock nut M 5 | 71- | 4 | | 58 | 900 019 028 02 | rais. counters. h. tap. s. AM 3 X 15 | 70 | 2 | |
| 45 | 901 632 103 00 | interior light roll bar glove compartment | | 2 | TARGA | | | | | | |

| | | | | | | | | | | | |
|-------|------|----|----|--------------|--------------|-----|-------|------------|---------|-----|---------|
| Model | Year | MG | SG | Illustration | Restrictions | UPD | 20:49 | 22.01.2010 | PORSCHE | PET | PORSCHE |
| 911 | 1973 | 9 | 06 | 906-00 | | 248 | | | | | |

| Pos | Part Number | Description | Remark | Qty | Model |
|-----|------------------|---------------------------------------------------|--------|-----|----------------------|
| | | instruments | | | |
| 1 | 911 641 501 00 | speedometer 10-250 KM/H | | 1 | |
| (1) | 911 641 503 00 | speedometer 10-300 KM/H | 72- | 1 | CARRERA 2.7 |
| (1) | 911 641 530 00 | speedometer 10-300 KM/H for / 50 tyre | | 1 | |
| 2 | 911 641 502 00 | speedometer M/PH | 70 | 1 | |
| (2) | 911 641 506 00 | speedometer M/PH | 71- | 1 | |
| 3 | 901 741 191 22 | knob | | 1 | |
| 4 | 911 641 902 00 | rubber ring \$ 100 MM | | 2 | |
| 5 | 901 741 111 01 | drive shaft | -71 | 1 | |
| (5) | 911 641 510 00 | drive shaft | 72- | 1 | |
| 6 | 901 741 112 01 | shaft exchange | | 1 | |
| 7 | 901 741 291 00 | sealing bellows | -71 | 1 | |
| (7) | 911 641 520 00 | sealing bellows | 72 | 1 | |
| 8 | 901 741 293 00 | seal | | 1 | |
| 9 | > 911 641 301 00 | tachometer | 70 | 1 | 911 T |
| (9) | > 911 641 301 01 | tachometer | 71- | 1 | 911 T |
| (9) | > 911 641 302 00 | tachometer | 70 | 1 | 911 E |
| (9) | 911 641 302 01 | tachometer | 71- | 1 | 911 E |
| (9) | 911 641 303 00 | tachometer | 70 | 1 | 911 S |
| (9) | 911 641 303 01 | tachometer | 71- | 1 | 911 S CARRERA 2.7 |
| - | 901 602 601 00 | ballast resistor for -BHKZ- | 70 | 1 | |
| 10 | 911 641 903 00 | rubber ring \$ 115 MM | | 1 | |



| | | | | | | | | | | | |
|-------|------|----|----|--------------|--------------|-----|-------|------------|---------|-----|---------|
| Model | Year | MG | SG | Illustration | Restrictions | UPD | 20:49 | 22.01.2010 | PORSCHE | PET | PORSCHE |
| 911 | 1973 | 9 | 06 | 906-00 | | 248 | | | | | |

| Pos | Part Number | Description | Remark | Qty | Model | Pos | Part Number | Description | Remark | Qty | Model |
|--------|----------------|-------------------------------------------------------------|--------|-----|----------------|------|----------------|----------------------------------------------------------------------------------|--------|-----|-------|
| 11 | 911 641 103 00 | instrument cluster \$ 100 MM german | | 1 | 911 E/S | 19 | 900 631 102 90 | bulb J 12V-2W | | 12 | |
| (11) > | 911 641 104 00 | instrument cluster \$ 100 MM english | | 1 | 911 E/S | 20 | 999 632 007 00 | bulb socket with flat plug | | X | |
| 12 | 911 641 902 00 | rubber ring \$ 100 MM | | 1 | | (20) | 999 632 009 10 | bulb socket with 2 flat plug | | X | |
| 13 > | 911 641 102 00 | instrument cluster \$ 100 MM | | 1 | 911 T | - | 901 612 043 03 | wiring harness for instruments illumination with 7 bulb socket | | 1 | |
| 14 > | 911 641 105 00 | instrument cluster \$ 100 MM german | | 1 | 911 T/E SPM | | | | | | |
| (14) > | 911 641 106 00 | instrument cluster \$ 100 MM english | | 1 | 911 T/E SPM | - | 999 632 003 00 | bulb socket | | 7 | |
| 15 > | 911 641 202 00 | instrument cluster \$ 80 MM for 60 L fuel tank | -71 | 1 | | - | 999 652 161 10 | tubular rivet | | 7 | |
| (15) | 911 641 202 01 | instrument cluster \$ 80 MM for 60 L fuel tank | 72- | 1 | | | | | | | |
| (15) > | 911 641 206 00 | instrument cluster \$ 80 MM for 100 L fuel tank | 70 | 1 | 911 T/E/S | | | | | | |
| 16 | 911 641 201 00 | instrument cluster \$ 80 MM for 60 L fuel tank | | 1 | 911 T | | | | | | |
| 17 | 911 641 901 00 | rubber ring \$ 80 MM | | 2 | | | | | | | |
| 18 | 911 641 701 00 | clock \$ 80 MM | -72 | 1 | | | | | | | |
| (18) | 911 641 701 29 | clock \$ 80 MM | 73- | 1 | | | | | | | |
| - | 911 552 205 00 | lid for clock | | 1 | | | | | | | |

| | | | | | | | | |
|-------|------|----|----|--------------|--------------|-----|-------|------------|
| Model | Year | MG | SG | Illustration | Restrictions | UPD | 20:49 | 22.01.2010 |
| 911 | 1973 | 9 | 98 | 998-00R | | 248 | | |

| Pos | Part Number | Description | Remark | Qty | Model |
|-----|------------------|-------------------------------------------------------------------------------------------------|--------|-----|-------|
| | | installation set for subsequent installation engine compartment lamp rear window wiper | | | |
| >> | >>901 631 901 20 | engine compartment lamp installation set for subsequent installation comprising: | | 1 | |
| - | 911 631 315 01 | engine compartment lamp | | 1 | |
| - | 900 631 106 90 | linolite lamp | | 1 | |
| - | 901 631 391 00 | retaining belt | | 1 | |
| - | 900 019 024 02 | oval-head screw AM 4 X 10 | | 4 | |
| - | 900 025 002 02 | washer 4,3 | | 2 | |
| - | 900 027 011 01 | lock ring B 4 | | 2 | |
| - | N 011 004 6 | hexagon nut M 4 | | 2 | |
| - | 999 507 311 12 | nut lock clip | | 2 | |
| - | 901 612 315 20 | wiring harness | | 1 | |
| | | rear window wiper | | | |
| >> | >>911 628 901 00 | rear window wiper complete installation set for subsequent installation comprising: | /LL | 1 | |
| - | 901 628 611 00 | wiper arm | | 1 | |
| - | 901 628 061 01 | rear window wiper complete | | 1 | |
| - | 901 628 613 00 | wiper blade | | 1 | |
| - | 911 612 031 00 | wiring harness NR. 31 | | 1 | |
| - | 999 702 119 50 | rubber sleeve | | 1 | |
| - | 911 612 025 00 | additional cables NR. 25 tunnel | | 1 | |

| | | | | | | | | |
|-------|------|----|----|--------------|--------------|-----|-------|------------|
| Model | Year | MG | SG | Illustration | Restrictions | UPD | 20:49 | 22.01.2010 |
| 911 | 1973 | 9 | 98 | 998-00R | | 248 | | |

| Pos | Part Number | Description | Remark | Qty | Model |
|-----|------------------|-------------------------------------------------------------------------------------|--------|-----|-------|
| - | 901 612 070 05 | wiring harness NR. 19 fuse box wiper switch | | 1 | |
| - | 999 652 142 40 | push-on connector | | 1 | |
| - | 999 702 046 50 | grommet | | 1 | |
| - | 999 651 152 02 | cable clamp | | 3 | |
| - | 999 911 084 40 | pipng | | 1 | |
| - | 901 613 043 00 | switch | | 1 | |
| - | 911 617 105 00 | diode | | 1 | |
| >> | >>911 628 902 00 | rear window wiper installation set for subsequent installation comprising: | /RL | 1 | |
| - | 901 628 062 00 | rear window wiper complete | | 1 | |
| - | 901 628 612 00 | wiper arm | | 1 | |
| - | 911 612 031 00 | wiring harness NR. 31 | | 1 | |
| - | 901 628 613 00 | wiper blade | | 1 | |
| - | 999 702 119 50 | rubber sleeve | | 1 | |
| - | 911 612 063 00 | additional cables NR. 63 tunnel | | 1 | |
| - | 901 612 094 00 | wiring harness NR. 62 fuse holder wiper switch | | 1 | |
| - | 999 652 142 40 | push-on connector | | 1 | |
| - | 999 702 046 50 | grommet | | 1 | |
| - | 999 651 152 02 | cable clamp | | 1 | |
| - | 999 911 084 40 | pipng | | 1 | |
| - | 901 613 043 00 | switch rear window wiper | | 1 | |
| - | 911 617 105 00 | diode | | 1 | |

| | | | | | | | | |
|-------|------|----|----|--------------|--------------|-----|-------|------------|
| Model | Year | MG | SG | Illustration | Restrictions | UPD | 20:50 | 22.01.2010 |
| 911 | 1973 | 9 | 98 | 998-05R | | 248 | | |

| Pos | Part Number | Description | Remark | Qty | Model |
|-----|------------------|----------------------------------------------------------------------------------------------------------|--------|-----|-------|
| | | installation set for subsequent installation fog headlamp rear fog light additional headlamp | | | |
| >> | >>911 631 902 00 | fog headlamp yellow round 1 set for subsequent installation comprising: | | 1 | |
| - | 911 631 202 10 | fog headlamp | | 2 | |
| - | 900 631 126 90 | bulb | | 2 | |
| - | 999 703 067 50 | grommet | | 1 | |
| - | 999 652 235 10 | cable shoe | | 2 | |
| - | 901 631 125 00 | support | | 2 | |
| - | 901 631 137 00 | clip | | 2 | |
| - | 900 075 217 02 | screw M 6 X 12 | | 4 | |
| - | 999 652 116 02 | retaining bracket | | 4 | |
| - | 999 652 160 40 | sleeve | | 4 | |
| - | 901 559 431 28 | grille left | | 1 | |
| - | 901 559 432 28 | grille right | | 1 | |
| - | 911 612 027 00 | wiring harness NR. 27 | | 1 | |
| - | 911 615 109 01 | standard type relay | | 1 | |
| - | 911 613 027 00 | switch | | 1 | |
| - | 900 631 102 90 | bulb | | 1 | |
| - | 911 613 213 00 | rosette | | 1 | |
| >> | >>911 631 905 00 | fog headlamp white 1 set for subsequent installation comprising: | | 1 | |
| - | 901 631 205 01 | fog headlamp | | 2 | |
| - | 900 631 125 90 | halogen bulb | | 2 | |

| | | | | | | | | |
|-------|------|----|----|--------------|--------------|-----|-------|------------|
| Model | Year | MG | SG | Illustration | Restrictions | UPD | 20:50 | 22.01.2010 |
| 911 | 1973 | 9 | 98 | 998-05R | | 248 | | |

| Pos | Part Number | Description | Remark | Qty | Model |
|-----|------------------|---------------------------------------------------------------------------------------|--------|-----|-------|
| - | 928 101 303 00 | washer 10,5 | | 2 | |
| - | 999 652 235 10 | cable shoe | | 1 | |
| - | 911 615 109 01 | relay | | 1 | |
| - | 911 612 027 00 | wiring harness NR. 27 | | 1 | |
| - | 911 613 027 00 | switch | | 1 | |
| - | 900 631 102 90 | bulb | | 1 | |
| - | 911 613 213 00 | rosette | | 1 | |
| - | 999 703 067 50 | grommet | | 1 | |
| - | 999 652 116 02 | angled pipe | | 1 | |
| - | 901 612 064 00 | wiring harness NR. 58 | | 1 | |
| - | 901 612 063 00 | wiring harness NR. 59 | | 1 | |
| - | 999 652 160 40 | sleeve | | 2 | |
| >> | >>901 631 912 03 | fog headlamp white round 1 set for subsequent installation comprising: | | 1 | |
| - | 901 631 202 01 | fog headlamp | | 2 | |
| - | 901 631 125 00 | support | | 2 | |
| - | 900 631 126 90 | halogen bulb | | 2 | |
| - | 999 652 106 02 | flat receptacle | | 2 | |
| - | 999 652 235 10 | cable shoe | | 2 | |
| - | 901 631 137 00 | retaining bow | | 2 | |
| - | 900 151 006 09 | washer B 6,4 | | 4 | |
| - | 900 114 010 01 | shake-proof washer A 6,4 | | 4 | |
| - | 900 075 010 02 | hexagon-head bolt M 6 X 12 | | 4 | |
| - | 911 613 027 00 | switch | | 1 | |
| - | 911 613 213 00 | rosette plastic material | | 1 | |

| | | | | | | | | |
|-------|------|----|----|--------------|--------------|-----|-------|------------|
| Model | Year | MG | SG | Illustration | Restrictions | UPD | 20:50 | 22.01.2010 |
| 911 | 1973 | 9 | 98 | 998-05R | | 248 | | |

| Pos | Part Number | Description | Remark | Qty | Model |
|-----|------------------|---------------------------------------------------------------------------------------|--------|-----|-------|
| - | 901 552 827 00 | cap | | 1 | |
| - | 901 613 802 00 | cap with symbol | | 1 | |
| - | 901 612 010 00 | additional cables NR. 27 | | 1 | |
| - | 911 615 109 01 | relay | | 1 | |
| - | 901 559 431 28 | grille left | | 1 | |
| - | 901 559 432 28 | grille right | | 1 | |
| >> | >>911 631 903 00 | fog headlamp white round 1 set for subsequent installation comprising: | | 1 | |
| - | 911 631 202 00 | fog headlamp | | 2 | |
| - | 900 631 126 90 | halogen bulb | | 2 | |
| - | 999 703 067 50 | grommet | | 1 | |
| - | 999 652 235 10 | cable shoe | | 2 | |
| - | 901 631 125 00 | support | | 2 | |
| - | 901 631 137 00 | retaining bow | | 2 | |
| - | 900 075 217 02 | hexagon-head bolt M 6 X 12 | | 4 | |
| - | 999 652 116 02 | retaining bracket | | 4 | |
| - | 999 652 160 40 | sleeve | | 4 | |
| - | 901 559 431 28 | grille left | | 1 | |
| - | 901 559 432 28 | grille right | | 1 | |
| - | 911 612 027 00 | additional cables NR. 27 | | 1 | |
| - | 911 615 109 01 | relay | | 1 | |
| - | 911 613 027 00 | switch | | 1 | |
| - | 900 631 102 90 | halogen bulb | | 1 | |
| - | 911 613 213 00 | rosette plastic material | | 1 | |

PORSCHE

PET

PORSCHE

| | | | | | | | | |
|-------|------|----|----|--------------|--------------|-----|-------|------------|
| Model | Year | MG | SG | Illustration | Restrictions | UPD | 20:50 | 22.01.2010 |
| 911 | 1973 | 9 | 98 | 998-05R | | 248 | | |

| Pos | Part Number | Description | Remark | Qty | Model |
|-----|------------------|-------------------------------------------------------------------------------|--------|-----|-------|
| >> | >>911 631 904 00 | fog headlamp yellow 1 set for subsequent installation comprising: | | 1 | |
| - | 901 631 205 01 | fog headlamp | | 2 | |
| - | 900 631 126 90 | bulb | | 2 | |
| - | 928 101 303 00 | washer 10,5 | | 2 | |
| - | 999 652 235 10 | cable shoe | | 2 | |
| - | 911 615 109 01 | relay | | 2 | |
| - | 911 612 027 00 | wiring harness NR. 27 | | 1 | |
| - | 911 613 027 00 | switch | | 1 | |
| - | 900 631 102 90 | bulb | | 1 | |
| - | 911 613 213 00 | rosette | | 1 | |
| - | 999 703 067 50 | grommet | | 1 | |
| - | 999 652 116 02 | angled pipe | | 2 | |
| - | 901 612 064 00 | wiring harness NR. 58 | | 1 | |
| - | 901 612 063 00 | wiring harness NR. 59 | | 1 | |
| - | 999 652 160 40 | sleeve | | 2 | |
| >> | >>901 631 025 00 | rear fog light 1 set for subsequent installation comprising: | | 1 | |
| - | 901 631 251 00 | rear fog light | | 1 | |
| - | 900 631 123 90 | linolite lamp | | 1 | |
| - | 911 631 125 00 | fastening angle | | 1 | |
| - | 900 067 009 02 | pan-head screw M 6 X 15 | | 2 | |
| - | N 011 524 7 | washer 6,4 | | 2 | |
| - | 900 027 014 01 | lock ring A 6 | | 2 | |

| | | | | | | | | |
|-------|------|----|----|--------------|--------------|-----|-------|------------|
| Model | Year | MG | SG | Illustration | Restrictions | UPD | 20:50 | 22.01.2010 |
| 911 | 1973 | 9 | 98 | 998-05R | | 248 | | |

| Pos | Part Number | Description | Remark | Qty | Model |
|-----|------------------|-------------------------------------------------------------------------------------|--------|-----|-------|
| - | 911 631 126 00 | retaining ring for rear fog light | | 1 | |
| - | 999 702 046 50 | rubber sleeve 8 X 10 X 7 | | 1 | |
| - | 999 702 020 50 | rubber sleeve 8 X 12 X 9 | | 2 | |
| - | 999 513 002 40 | tie-wrap | | 1 | |
| - | 911 612 026 00 | wiring harness NR. 26 for switch for rear fog light | | 1 | |
| - | 911 612 040 00 | wiring harness NR. 40 for rear fog light | | 1 | |
| - | 999 615 010 40 | insulating hose | | 1 | |
| - | 999 652 208 10 | cable shoe | | 1 | |
| - | 901 612 064 00 | wiring harness NR. 58 | | 1 | |
| - | 911 612 027 00 | wiring harness NR. 27 | | 1 | |
| - | 911 613 027 00 | switch | | 1 | |
| - | 911 613 213 00 | rosette | | 1 | |
| - | 999 703 067 50 | stopper | | 1 | |
| >> | >>911 631 901 00 | additional headlamp round 1 set for subsequent installation comprising: | | 1 | |
| - | 911 631 121 00 | additional headlamp | | 2 | |
| - | 900 631 126 90 | halogen bulb | | 2 | |
| - | 999 652 116 02 | angled pipe | | 1 | |
| - | 999 652 160 40 | sleeve | | 4 | |
| - | 901 631 125 00 | support | | 1 | |
| - | 900 075 217 02 | screw M 6 X 12 | | 4 | |
| - | 901 631 137 00 | clip | | 2 | |

PORSCHE

PET

PORSCHE

| | | | | | | | | |
|-------|------|----|----|--------------|--------------|-----|-------|------------|
| Model | Year | MG | SG | Illustration | Restrictions | UPD | 20:50 | 22.01.2010 |
| 911 | 1973 | 9 | 98 | 998-05R | | 248 | | |

| Pos | Part Number | Description | Remark | Qty | Model |
|-----|----------------|-----------------|--------|-----|-------|
| - | 901 559 431 28 | grille left | | 1 | |
| - | 901 559 432 28 | grille right | | 1 | |
| - | 911 612 073 00 | cable NR. 75 | | 1 | |
| - | 911 615 109 01 | relay | | 1 | |
| - | 901 631 090 11 | box with bulbs | | 1 | |

| | | | | | | | | |
|-------|------|----|----|--------------|--------------|-----|-------|------------|
| Model | Year | MG | SG | Illustration | Restrictions | UPD | 20:50 | 22.01.2010 |
| 911 | 1973 | 9 | 98 | 998-10R | | 248 | | |

| Pos | Part Number | Description | Remark | Qty | Model |
|-----|------------------|-------------------------------------------------------------------------------------------------------------------------|--------|-----|-------|
| | | installation set for subsequent installation battery high voltage condenser ignition system - bosch - | | | |
| >> | >>901 602 010 00 | installation set battery high voltage condenser ignition system - bosch - comprising: | 70 | 1 | |
| - | > 901 602 702 00 | switch unit | | 1 | |
| - | 901 602 702 X | switch unit | | 1 | |
| - | 901 602 502 00 | ignition transformer | | 1 | |
| - | 901 602 601 00 | ballast resistor | | 1 | |
| - | 901 612 092 00 | wiring harness | | 1 | |
| - | 901 612 099 00 | ground strap | | 1 | |
| - | 901 501 130 00 | retaining bracket | | 1 | |
| - | 999 513 002 40 | hose clamp 4,8 X 186 | | 2 | |
| - | 900 067 008 02 | hexagon socket head bolt M 6 X 12 | | 1 | |
| - | 900 067 010 01 | hexagon socket head bolt M 6 X 18 | | 2 | |
| - | 900 075 010 02 | hexagon-head bolt M 6 X 12 | | 2 | |
| - | 900 027 014 01 | lock ring B 6 | | 5 | |
| - | 900 076 010 02 | nut M 6 | | 4 | |
| - | 900 151 006 09 | washer B 6,4 | | 3 | |

| Model | Year | MG | SG | Illustration | VIN No. | Update | | |
|-------|------|----|----|--------------|---------|--------|-------|------------|
| 911 | 73 | 0 | | | | 222 | 16:23 | 30.01.2008 |

EQUIPMENT BY COUNTRY REGULATIONS

=====

(A) AUSTRIA

(AUS) AUSTRALIA

(B) BELGIUM

(CDN) CANADA

(CH) SWITZERLAND

(D) FEDERAL REPUBLIC OF GERMANY

(DK) DENMARK

(E) SPAIN

(F) FRANCE

(GB) GREAT BRITAIN

(GR) GREECE

(HK) HONGKONG

(I) ITALY

(J) JAPAN

(L) LUXEMBURG

| Model | Year | MG | SG | Illustration | VIN No. | Update | | |
|-------|------|----|----|--------------|---------|--------|-------|------------|
| 911 | 73 | 0 | | | | 222 | 16:23 | 30.01.2008 |

(N) NORWAY

(NL) NETHERLANDS

(NZ) NEW ZEALAND

(P) PORTUGAL

(RC) TAIWAN

(S) SWEDEN

(SA) SAUDI ARABIA

(SF) FINLAND

(USA) UNITED STATES OF AMERICA

(ZA) SOUTH AFRICA

| | | | | | | | | |
|-------|------|----|----|--------------|---------|--------|-------|------------|
| Model | Year | MG | SG | Illustration | VIN No. | Update | 16:22 | 30.01.2008 |
| 911 | 73 | 0 | | | | 222 | | |

IN COLUMN - A -

IDENTIFICATION LETTER FOR PERIOD OF INSTALLATION
 THAT IS REPEATED SEVERAL TIMES IN THE CATALOG GROUP.

EXPLANATION PLEASE FIND IN TEXT COLUMN OF THE CATALOG GROUP

IN COLUMN - QU - = NO. OF PIECES

1 NUMBER PER APPLICATION

X NUMBER AS NEEDED

* AVAILABLE ONLY IN RUNNING LENGTHS 1 = 1 METRE

IN COLUMN - MODEL/SYMBOL -

M650 OPTIONAL EQUIPMENT - SEE M-NO. LIST

-93 LIMITATION OF MODEL YEAR FOR INSTANCE: VALID UP TO
 END OF MODEL YEAR 1993

/LL LHD

/RL RHD

-----+

/V FRONT I

| Model | Year | MG | SG | Illustration | VIN No. | Update | | |
|-------|------|----|----|--------------|---------|--------|-------|------------|
| 911 | 73 | 0 | | | | 222 | 16:22 | 30.01.2008 |

I
 /H REAR I
 I----> APPLIES TO
 /L LEFT I DIRECTION OF TRAVEL
 I
 /R RIGHT I
 -----+
 AUT. AUTOMATIC
 WW THE PART CAN BE USED INSTEAD OF THE
 PRECEDING ONE

| Model | Year | MG | SG | Illustration | VIN No. | Update | | |
|-------|------|----|----|--------------|---------|--------|-------|------------|
| 911 | 73 | 0 | | | | 222 | 16:22 | 30.01.2008 |

LEGENDS AND NOTICES

=====

IN COLUMN -S- STATUS

- N NEW ADDITION
- P PART ALREADY IN PROGRAMME, BUT NEW
AT THIS APPLICATION
- E THIS PART NO. IS NO LONGER AVAILABLE FROM PORSCHÉ
- W DELETED AT THIS APPLICATION, BUT CONTINUED, TO BE CARRIED
- A STOCK TO BE USED UP
- U DELETED WITHOUT REPLACEMENT
- * PART ALSO OR ONLY AVAILABLE
IN REPAIR KIT
- > ALSO AVAILABLE IN EXCHANGE

IN COLUMN - ILL. -

- 1 IDENTIFICATION NO. IN ILLUSTRATION
- (1) PART ONLY SIMILAR AS ILLUSTRATED

| | | | | | | | | |
|-------|------|----|----|--------------|---------|--------|-------|------------|
| Model | Year | MG | SG | Illustration | VIN No. | Update | 16:22 | 30.01.2008 |
| 911 | 73 | 0 | | | | 222 | | |

- PART IS NOT ILLUSTRATED

FIG.-NUMBERS FOR WHICH THERE IS SHOWN NO TEXT ARE
NOT VALID FOR THIS EDITION OF CATALOGUE

IN COLUMN -PART NUMBER/CODE-

000 000 000 00 PART NUMBER EQUALS ORDERING NO., IF A CODE IS
SHOWN, IT WILL HAVE TO BE PART OF ORDERING
NUMBER

01C COLOUR CODE

IN COLUMN -TEXT

INSTALLATION WITH ENGINE OR CHASSIS
NUMBER-RANGE

EXAMPLE:

M 640 0391 >> FROM ENGINE NO.

F >> 914043 0391 UP TO CHASSIS NO.

| | | | | | | | | |
|-------|------|----|----|--------------|---------|--------|-------|------------|
| Model | Year | MG | SG | Illustration | VIN No. | Update | 16:22 | 30.01.2008 |
| 911 | 73 | 0 | | | | 222 | | |

TRANSM.

| VEHICLE TYPE | TYPE | MY | TRANSMISSION NO. | TECNICAL DATA |
|-------------------------------------------------------------------|--------|----|------------------|---------------|
| 911 T/911 T (USA) (CDN) | 911.00 | 70 | 700 0001>> | 4-SPEED |
| 911 T/911 E/911 S | 911.01 | 70 | 710 0001>> | 5-SPEED |
| 911 T/911 E/ 911 T (USA) (CDN) | 905.20 | 70 | 720 0001>> | 4-SPEED SPM |
| 911 T/911 T (USA) (CDN) | 911.00 | 71 | 701 0001>> | 4-SPEED |
| 911 T/911 E/911 S | 911.01 | 71 | 711 0001>> | 5-SPEED |
| 911 T/911 E/ 911 T (USA) (CDN) | 905.20 | 71 | 721 0001>> | 4-SPEED SPM |
| 911 TV/911 E/911 S/ 911 TE (USA) (CDN) | 915.12 | 72 | 722 0001>> | 4-SPEED |
| 911 TV/911 E/911 S/ 911 TE (USA) (CDN) | 915.02 | 72 | 732 0001>> | 5-SPEED |
| 911 TV | 905.21 | 72 | 742 0001>> | 4-SPEED SPM |
| 911 E/911 TE (USA) (CDN) | 925.00 | 72 | 762 0001>> | 4-SPEED SPM |
| 911 S | 925.01 | 72 | 762 0401>> | 4-SPEED SPM |
| 911 TV/911 E/911 S/ 911 TE (USA) (CDN) / 911 TK (USA) (CDN) | 915.12 | 73 | 723 0001>> | 4-SPEED |
| 911 TV/911 E/911 S/ 911 TE (USA) (CDN) / 911 TK (USA) (CDN) | 915.02 | 73 | 733 0001>> | 5-SPEED |
| 911 TV | 905.21 | 73 | 743 0001>> | 4-SPEED SPM |
| 911 E/911 TE (USA) (CDN) / 911 TK (USA) (CDN) | 925.00 | 73 | 763 0001>> | 4-SPEED SPM |
| 911 S | 915.08 | 73 | 783 0001>> | 5-SPEED |

| | | | | | | | | |
|-------|------|----|----|--------------|---------|--------|-------|------------|
| Model | Year | MG | SG | Illustration | VIN No. | Update | 16:22 | 30.01.2008 |
| 911 | 73 | 0 | | | | 222 | | |

| VEHICLE TYPE | | ENGINE | | | TECHNICAL DATA |
|--------------|-------------|--------|----|------------|----------------|
| | | TYPE | MY | ENGINE NO. | |
| 911 T | | 911.03 | 70 | 610 0001>> | 6ZYL// 92KW |
| 911 T SPM | | 911.06 | 70 | 610 3001>> | 6ZYL// 92KW |
| 911 E | | 911.01 | 70 | 620 0001>> | 6ZYL//114KW |
| 911 E SPM | | 911.04 | 70 | 620 8001>> | 6ZYL//114KW |
| 911 S | | 911.02 | 70 | 630 0001>> | 6ZYL//132KW |
| 911 T | (USA) (CDN) | 911.07 | 70 | 610 5001>> | 6ZYL// 92KW |
| 911 T SPM | (USA) (CDN) | 911.08 | 70 | 610 8001>> | 6ZYL// 92KW |
| 911 T | | 911.03 | 71 | 611 0001>> | 6ZYL// 92KW |
| 911 T SPM | | 911.06 | 71 | 611 9001>> | 6ZYL// 92KW |
| 911 E | | 911.01 | 71 | 621 0001>> | 6ZYL//114KW |
| 911 E SPM | | 911.04 | 71 | 621 8001>> | 6ZYL//114KW |
| 911 S | | 911.02 | 71 | 631 0001>> | 6ZYL//132KW |
| 911 T | (USA) (CDN) | 911.07 | 71 | 611 4001>> | 6ZYL// 92KW |
| 911 T SPM | (USA) (CDN) | 911.08 | 71 | 611 9501>> | 6ZYL// 92KW |
| 911 TV | | 911.57 | 72 | 652 0001>> | 6ZYL// 96KW |
| 911 TV SPM | | 911.67 | 72 | 652 9001>> | 6ZYL// 96KW |
| 911 E | | 911.52 | 72 | 622 0001>> | 6ZYL//121KW |
| 911 E SPM | | 911.62 | 72 | 622 9001>> | 6ZYL//121KW |
| 911 S | | 911.53 | 72 | 632 0001>> | 6ZYL//140KW |
| 911 S SPM | | 911.63 | 72 | 632 9001>> | 6ZYL//140KW |
| 911 TE | (USA) (CDN) | 911.51 | 72 | 612 0001>> | 6ZYL//103KW |
| 911 TE SPM | (USA) (CDN) | 911.61 | 72 | 612 9001>> | 6ZYL//103KW |
| 911 TV | | 911.57 | 73 | 653 0001>> | 6ZYL// 96KW |
| 911 TV SPM | | 911.67 | 73 | 653 9001>> | 6ZYL// 96KW |
| 911 E | | 911.52 | 73 | 623 0001>> | 6ZYL//121KW |
| 911 E SPM | | 911.62 | 73 | 623 9001>> | 6ZYL//121KW |
| 911 S | | 911.53 | 73 | 633 0001>> | 6ZYL//140KW |

| Model | Year | MG | SG | Illustration | VIN No. | Update | | |
|-------|------|----|----|--------------|---------|--------|-------|------------|
| 911 | 73 | 0 | | | | 222 | 16:22 | 30.01.2008 |

| | | | | | | | | |
|-------------|--|-------------|--|--------|----|------------|-------------|--|
| 911 S SPM | | | | 911.63 | 73 | 633 9001>> | 6ZYL//140KW | |
| 911 CARRERA | | | | 911.83 | 73 | 663 0001>> | 6ZYL//155KW | |
| 911 TE | | (USA) (CDN) | | 911.51 | 73 | 613 0001>> | 6ZYL//103KW | |
| 911 TE SPM | | (USA) (CDN) | | 911.61 | 73 | 613 9001>> | 6ZYL//103KW | |
| 911 TK | | (USA) (CDN) | | 911.91 | 73 | 613 3001>> | 6ZYL//103KW | |
| 911 TK SPM | | (USA) (CDN) | | 911.96 | 73 | 613 9301>> | 6ZYL//103KW | |

| | | | | | | | | |
|-------|------|----|----|--------------|---------|--------|-------|------------|
| Model | Year | MG | SG | Illustration | VIN No. | Update | 16:22 | 30.01.2008 |
| 911 | 73 | 0 | | | | 222 | | |

| VEHICULE TYPE | MY | VIN | ENGINE TYPE |
|--------------------------|----|---------------|-------------------|
| 911 T COUPE | 70 | 91101 00001>> | 911.03/911.06 SPM |
| 911 T TARGA | 70 | 91101 10001>> | 911.03/911.06 SPM |
| 911 E COUPE | 70 | 91102 00001>> | 911.01 |
| 911 E TARGA | 70 | 91102 10001>> | 911.01 |
| 911 E COUPE | 70 | 91102 20001>> | 911.04 SPM |
| 911 S COUPE | 70 | 91103 00001>> | 911.02 |
| 911 S TARGA | 70 | 91103 10001>> | 911.02 |
| 911 T COUPE (USA) (CDN) | 70 | 91101 20001>> | 911.07/911.08 SPM |
| 911 T COUPE | 71 | 91111 00001>> | 911.03/911.06 SPM |
| 911 T TARGA | 71 | 91111 10001>> | 911.03/911.06 SPM |
| 911 E COUPE | 71 | 91112 00001>> | 911.01/911.04 SPM |
| 911 E TARGA | 71 | 91112 10001>> | 911.01/911.04 SPM |
| 911 S COUPE | 71 | 91113 00001>> | 911.02 |
| 911 S TARGA | 71 | 91113 10001>> | 911.02 |
| 911 T COUPE (USA) (CDN) | 71 | 91111 20001>> | 911.07/911.08 SPM |
| 911 TV COUPE | 72 | 91125 00001>> | 911.57/911.67 SPM |
| 911 TV TARGA | 72 | 91125 10001>> | 911.57/911.67 SPM |
| 911 E COUPE | 72 | 91122 00001>> | 911.52/911.62 SPM |
| 911 E TARGA | 72 | 91122 10001>> | 911.52/911.62 SPM |
| 911 S COUPE | 72 | 91123 00001>> | 911.53/911.63 SPM |
| 911 S TARGA | 72 | 91123 10001>> | 911.53/911.63 SPM |
| 911 TE COUPE (USA) (CDN) | 72 | 91121 00001>> | 911.51/911.61 SPM |
| 911 TE TARGA (USA) (CDN) | 72 | 91121 10001>> | 911.51/911.61 SPM |
| 911 TV COUPE | 73 | 91135 00001>> | 911.57/911.67 SPM |
| 911 TV TARGA | 73 | 91135 10001>> | 911.57/911.67 SPM |
| 911 E COUPE | 73 | 91132 00001>> | 911.52/911.62 SPM |
| 911 E TARGA | 73 | 91132 10001>> | 911.52/911.62 SPM |

| Model | Year | MG | SG | Illustration | VIN No. | Update | | |
|-------|------|----|----|--------------|---------|--------|-------|------------|
| 911 | 73 | 0 | | | | 222 | 16:22 | 30.01.2008 |

| | | | | | | | |
|--------|---------------|-------------|--|----|---------------|---------------|-----|
| 911 S | COUPE | | | 73 | 91133 00001>> | 911.53/911.63 | SPM |
| 911 S | TARGA | | | 73 | 91133 10001>> | 911.53/911.63 | SPM |
| 911 | CARRERA COUPE | | | 73 | 91136 00001>> | 911.83 | |
| 911 TE | COUPE | (USA) (CDN) | | 73 | 91131 00001>> | 911.51/911.61 | SPM |
| 911 TE | TARGA | (USA) (CDN) | | 73 | 91131 10001>> | 911.51/911.61 | SPM |
| 911 TK | COUPE | (USA) (CDN) | | 73 | 91131 01501>> | 911.91/911.96 | SPM |
| 911 TK | TARGA | (USA) (CDN) | | 73 | 91131 11001>> | 911.91/911.96 | SPM |

| Model | Year | MG | SG | Illustration | VIN No. | Update | | |
|-------|------|----|----|--------------|---------|--------|-------|------------|
| 911 | 73 | 0 | | | | 222 | 16:22 | 30.01.2008 |

THIS PARTS CATALOGUE CONTAINS ALL ORDER INFORMATION OF
TYPE 911 FROM MODEL YEAR 1970 TO MODEL YEAR 1973

IT IS AVAILABLE IN TWO EDITIONS IN THE FOLLOWING LANGUAGES:

EDITION

USA, CANADA - *

EDITION

ALL OTHER COUNTRIES - GERMAN

* - ENGLISH

- FRENCH

- ITALIAN

- SPANISH

UPDATING IS BEING PERFORMED BY CHANGING OF UPDATE.

THE EDITION CAN BE RECOGNIZED BY THE CURRENT NO.
YEAR IN THE BOTTOM LINE OF SUBJECT UPDATE.

THE PREVIOUS UPDATE SHOULD NO LONGER BE USED.

ALL ILLUSTRATIONS ARE SUBJECT TO CHANGE WITHOUT OBLIGATION.

PORSCHE

V-Pages

PORSCHE

| Model | Year | MG | SG | Illustration | VIN No. | Update | | |
|-------|------|----|----|--------------|---------|--------|-------|------------|
| 911 | 73 | 0 | | | | 222 | 16:22 | 30.01.2008 |

"WE RESERVE THE RIGHT TO SUPPLY A SUBSEQUENTLY
PRODUCED COMPONENT, ON WHICH ADDITIONAL WORK
IS NECESSARY, INSTEAD OF THE COMPONENT LISTED IN
THE CATALOGUE"

ALL ILLUSTRATIONS ARE SUBJECT TO
CHANGE WITHOUT OBLIGATION.