

Model	Year	MG	SG	Illustration	Restrictions	UPD	20:53	22.01.2010
911	1977	0	01	001-00		248		

Pos	Part Number	Description	Remark	Qty	Model
		tool jack			
>>	>>911 721 002 01	tool bag with contents comprising:	-75	1	
-	-	tool bag		1	
-	901 721 221 00	rim wrench		1	
-	999 195 011 02	double-end spanner 8 X 9		1	
-	999 195 012 02	double-end spanner 10 X 11		1	
-	999 195 007 02	double-end spanner 12 X 13		1	
-	999 195 014 02	double-end spanner 14 X 15		1	
-	999 195 015 02	double-end spanner 17 X 19		1	
-	999 571 017 02	ring wrench		1	
-	911 721 107 02	screwdriver		1	
-	999 107 003 02	universal pliers		1	
-	999 192 176 50	narrow v-belt 9,5 X 710		1	
-	911 721 013 00	bag with fuse		1 5	
-	911 721 702 00	retaining bracket for v-belt pulley		1	
-	477 012 203 A	spark plug wrench		1	
-	477 012 227	angular screw driver		1	
-	911 721 051 00	towing lug		1	
>>	>>911 721 002 04	tool bag	76-	1	
-	-	tool bag		1	
-	901 721 221 00	rim wrench		1	
-	999 195 011 02	double-end spanner 8 X 9		1	
-	999 195 012 02	double-end spanner 10 X 11		1	

PORSCHE

PET

PORSCHE

Model	Year	MG	SG	Illustration	Restrictions	UPD	20:53	22.01.2010
911	1977	0	01	001-00		248		

Pos	Part Number	Description	Remark	Qty	Model
-	999 195 007 02	double-end spanner 12 X 13		1	
-	999 195 014 02	double-end spanner 14 X 15		1	
-	999 195 015 02	double-end spanner 17 X 19		1	
-	999 205 003 02	tool		1	
-	999 107 003 02	universal pliers		1	
-	999 192 097 50	narrow v-belt 9,5 x 725		1	
-	911 721 013 00	bag with fuse		1 5	
-	999 571 047 02	tool for v-belt pulley		1	
-	477 012 203 A	spark plug wrench		1	
-	477 012 227	angular screw driver		1	
-	911 721 051 00	towing lug		1	
-	911 721 107 02	screwdriver jack		1	
-	911 721 011 04	jack		1	
-	914 722 021 10	bracket for jack	-75	1	911/911S CARRERA 2.7
-	911 722 021 01	bracket	76	1	911/911S CARRERA 3.0
-	911 722 021 01	bracket	77-	1	911/911S CARRERA 3.0
-	900 143 031 02	oval-head sheetmetal screw B 4,2 X 9.5		1	
-	911 721 131 00	clamping piece		1	
-	911 556 208 02	felt strip		1	

Model	Year	MG	SG	Illustration	Restrictions	UPD	20:53	22.01.2010
911	1977	0	01	001-05		248		

Pos	Part Number	Description	Remark	Qty	Model
		stickers			
-	901 701 111 05	sticker paint		1	
-	900 093 001 02	t-headed screw		4	
-	911 701 127 00	sticker indication sticker starter		1	
-	911 701 171 00	sticker actuator heating ventilation	77-	1	
-	911 701 173 00	sticker	77-	1	911/911S
-	911 701 503 00	indication sticker belt	(GB) -74	1	
-	901 006 502 00	sticker firing order		1	
-	901 006 503 00	sticker adjustment valve clearance		1	
-	911 006 504 01	sticker engine-oil level		1	
-	911 006 508 00	sticker ignition point		1	CARRERA 2.7
-	911 006 501 00	sticker ignition point	-75	1	911/911S
-	911 006 501 01	sticker ignition point	76-	1	911/911S CARRERA 3.0
-	911 006 502 00	sticker adjustment exhaust system	- -74	1	911/911S
-	911 006 503 07	sticker adjustment exhaust system	(J) 77-	1	911S
-	911 006 535 01	sticker exhaust system	(S)	1	911/911S
-	930 006 535 03	sticker exhaust system	(S) 77-	1	CARRERA 3.0
-	901 006 505 01	sticker tyre pressure		1	
-	911 006 512 10	sticker	77-	1	911/911S

PORSCHE

PET

PORSCHE

Model	Year	MG	SG	Illustration	Restrictions	UPD	20:53	22.01.2010
911	1977	0	01	001-05		248		

Pos	Part Number	Description	Remark	Qty	Model
-	911 006 517 02	sticker tyre pressure	77-	1	911/911S
-	911 006 522 01	sticker tyre pressure	(AUS) -74	1	911/911S
-	911 006 522 08	sticker tyre pressure	(AUS) 75	1	911/911S
-	911 006 521 01	sticker tyre pressure	(AUS) -75	1	CARRERA 2.7
-	911 006 521 03	sticker tyre pressure	(AUS) 76	1	CARRERA 3.0
-	911 006 521 03	sticker tyre pressure	(AUS) 77- 77-	1	CARRERA 3.0
-	911 006 522 08	sticker tyre pressure	(AUS) 76	1	911S
-	911 006 522 08	sticker tyre pressure	(AUS) 77-	1	911S
-	911 006 522 05	sticker tyre pressure	(AUS)	1	911S
-	911 006 522 06	sticker tyre pressure front 6 J X 16 rear 7 J X 16	(AUS)	1	CARRERA 3.0
-	911 006 531 00	sticker		1	
-	911 006 541 00	sticker		1	911/911S CARRERA 3.0

PORSCHE

PET

PORSCHE

Model	Year	MG	SG	Illustration	Restrictions	UPD	20:53	22.01.2010
911	1977	0	02	002-00		248		

Pos	Part Number	Description	Remark	Qty	Model
-	911 361 909 00	snow chains snow chains 1 set ERLAU "EUROPA" 165 X 15		1	
-	911 361 903 00	cross chain 1 set ERLAU "EUROMONT" 165 X 15		1	
-	911 361 902 00	cross chain 1 set ERLAU "EUROPA" 185/70 X 15		1	
-	901 361 901 00	edge chain 1 set RUD 185/70 X 15		1	
-	911 361 904 00	edge chain 1 set RUD 215/60 VR 15		1	
-	911 361 909 00	snow chains 1 set RUD 225/50 VR 15		1	
-	930 361 901 00	edge chain 1 set RUD 225/50 VR 16		1	

PORSCHE

PET

PORSCHE

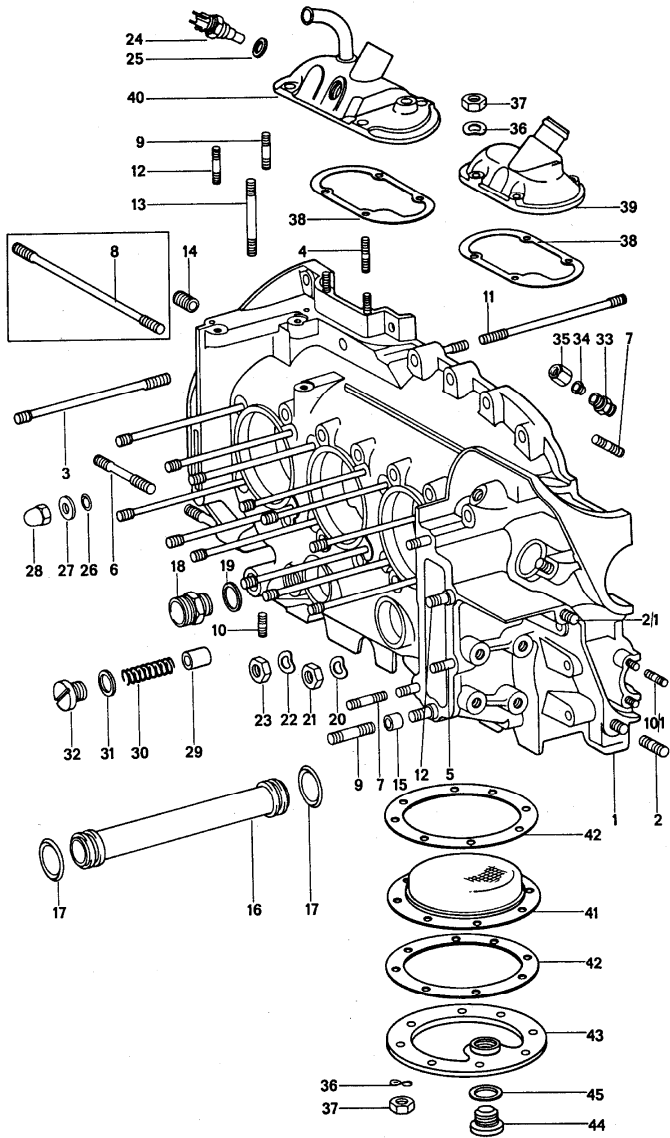
Model	Year	MG	SG	Illustration	Restrictions	UPD	20:53	22.01.2010
911	1977	0	02	002-05		248		

Pos	Part Number	Description	Remark	Qty	Model
-	901 801 010 01	roof rack ski rack trailer coupling		1	
-	901 801 953 00	leather strap 1 set		1	
-	901 801 015 20	ski rack		1	
-	901 801 013 40	ski rack		1	
-	901 801 951 00	strap for ski fastening 1 set		1	
-	901 801 950 00	strap for ski fastening		1	
-	911 722 031 00	trailer coupling trailer coupling complete		1	

Model	Year	MG	SG	Illustration	Restrictions	UPD	20:53	22.01.2010
911	1977	1	01	101-00		248		

Pos	Part Number	Description	Remark	Qty	Model
		replacement engine			
		replacement engine complete ready for installation			
-	> 911 100 192 00	engine k-jetronic		1	911/92
-	> 911 100 141 00	engine k-jetronic		1	911/41
-	> 911 100 181 00	engine k-jetronic		1	911/81
-	> 911 100 197 00	engine k-jetronic		1	911/97/SPM
-	911 100 146 00	engine k-jetronic		1	911/46/SPM
-	> 911 100 186 00	engine k-jetronic		1	911/86/SPM
-	> 911 100 193 00	engine k-jetronic		1	911/93
-	911 100 194 00	engine k-jetronic	(J)	1	911/94
-	> 911 100 142 00	engine k-jetronic		1	911/42
-	> 911 100 198 00	engine k-jetronic		1	911/98/SPM
-	911 100 199 00	engine k-jetronic	(J)	1	911/99/SPM
-	911 100 147 00	engine k-jetronic		1	911/47/SPM
-	> 911 100 183 01	engine with mechanical injection		1	911/83
-	> 930 100 202 00	engine k-jetronic		1	930/02
-	930 100 112 00	engine k-jetronic		1	930/12/SPM

Model	Year	MG	SG	Illustration	Restrictions	UPD	20:54	22.01.2010	PORSCHE	PET	PORSCHE
911	1977	1	01	101-05		248					

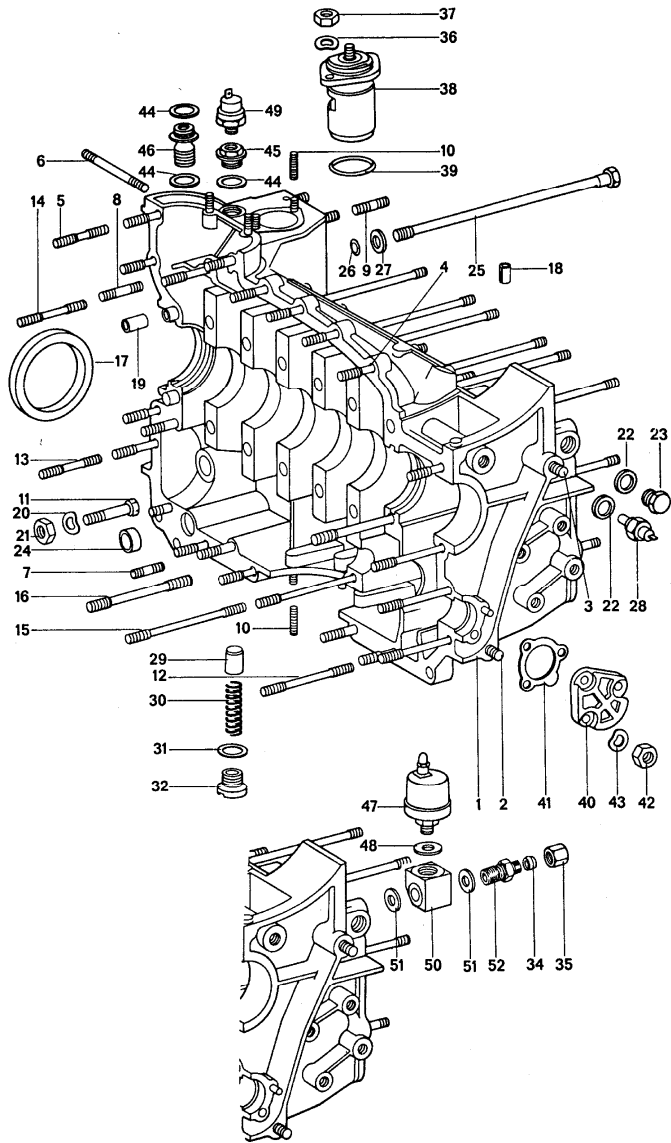


Pos	Part Number	Description	Remark	Qty	Model
1	911 101 915 00	crankcase left		1	911/911S CARRERA 2,7
1	930 101 913 00	crankcase with studs		1	CARRERA 3,0
2	999 062 090 02	stud M 10 X 40		1	
2/1	999 062 039 02	stud M 10 X 50		1	
3	911 101 172 00	stud		12	
3	930 101 170 00	stud (DILAVAR)		12	
4	999 062 085 02	stud M 6 X 20		4	
5	999 062 006 02	stud M 8 X 20		2	
6	999 061 034 02	stud M 10 X 67		2	
7	999 062 007 02	stud M 8 X 22		5	
8	999 062 099 02	stud M 10 X 105		2	SPM
9	999 062 009 02	stud M 8 X 28		3	
10	999 062 055 02	stud M 6 X 12		5	
10/1	999 062 002 02	stud M 6 X 15		3	
11	901 101 174 00	stud		2	911/911S CARRERA 2,7
(11)	930 101 174 01	stud		2	CARRERA 3,0
12	999 062 008 02	stud M 8 X 25		3	
13	999 062 147 02	stud M 8 X 62		1	
14	999 504 062 02	threaded bush	-76	1	

Model	Year	MG	SG	Illustration	Restrictions	UPD	20:54	22.01.2010	PORSCHE	PET	PORSCHE
911	1977	1	01	101-05		248					

Pos	Part Number	Description	Remark	Qty	Model	Pos	Part Number	Description	Remark	Qty	Model
15	901 101 145 00	dowel sleeve		4		30	901 107 531 00	compression spring		1	
16	901 107 351 01	oil tube		4		31	* 900 123 071 30	sealing ring A 18 X 24		1	
(16)	930 107 040 00	oil tube 1 set comprising:		X		32	999 064 026 02	screw plug		1	
-	-	oil tube		2		33	901 107 375 00	screw socket		1	
-	900 041 013 01	circlip		1		-	900 123 005 30	sealing ring A 12 X 16 for screw socket		1	
-	999 707 113 40	round seal		2		34	N 020 825 1	cutting ring LL 8		1	
-	999 707 112 40	round seal		2		35	900 104 003 02	union nut ALL 8		1	
17	* 999 707 112 40	round seal		8		36	N 012 226 5	spring washer B 6		12	
18	999 136 008 09	connection piece		1		37	900 076 010 02	hexagon nut M 6		12	
19	* 900 123 011 30	sealing ring A 22X 27		1		38	* 930 107 791 00	gasket		1	
20	* 900 031 014 30	washer A 8,4		22		39	901 107 073 02	lid		1	911
21	900 084 004 02	hexagon nut M 8		22		40	930 107 073 02	lid for bleeder		1	CARRERA 2,7 CARRERA 3,0 911S
22	N 012 242 3	spring washer B 10 X 18		1		41	901 101 380 01	oil strainer		1	
23	900 157 002 02	hexagon nut M 10		1	911,911S CARRERA 2,7	42	* 930 101 391 01	gasket for oil strainer		2	
23	900 076 052 02	hexagon nut M 10 X 1		1	CARRERA 3,0	43	930 101 902 00	lid technical information gr.1 nr.1/85		1	
24	911 617 117 00	temperature switch		1	CARRERA 2,7	44	A 911 107 176 01	magnetic screw		1	
25	* 900 123 007 70	sealing ring A 14 X 18		1	CARRERA 2,7	44	911 107 176 03	screw plug		1	
26	* 999 701 006 40	o-ring		12		45	* 900 123 011 20	sealing ring A 22 X 27		1	
27	901 101 161 01	washer		12							
28	999 070 004 02	cap nut		13	911,911S CARRERA 2,7						
28	930 101 172 01	cap nut		13	CARRERA 3,0						
29	A 901 107 512 01	piston see technical information GR.1/NR.5		1							
29	911 107 512 00	piston		1							

Model	Year	MG	SG	Illustration	Restrictions	UPD	20:54	22.01.2010	PORSCHE	PET	PORSCHE
911	1977	1	01	101-10		248					



Pos	Part Number	Description	Remark	Qty	Model
1	911 101 915 00	crankcase right		1	911/911S CARRERA 2,7
1	930 101 913 00	crankcase with studs		1	CARRERA 3,0
2	999 062 090 02	stud M 10 X 40		1	
3	999 061 056 02	stud		1	
4	999 062 010 02	stud M 8 X 35		1	
5	999 062 115 02	stud M 8 X 32		12	
6	999 062 192 02	stud M 10 X 102		1	
(6)	999 062 191 02	stud M 10 X145		1	SPM
7	999 062 006 02	stud M 8 X 20		3	
8	999 062 009 02	stud M 8 X 28		1	
9	900 061 057 02	stud M 8 X 15		4	
10	999 062 055 02	stud M 6 X 12		7	
11	900 074 134 02	hexagon-head bolt M 8 X 45		1	
-	900 025 007 02	washer A 8,4 for ground strap		1	
12	N 014 432 4	stud M 8 X 78		3	
13	999 062 075 02	stud M 8 X 48		2	
14	999 062 138 02	stud M 8 X 52		1	
15	999 062 051 02	stud M 8 X 108		1	

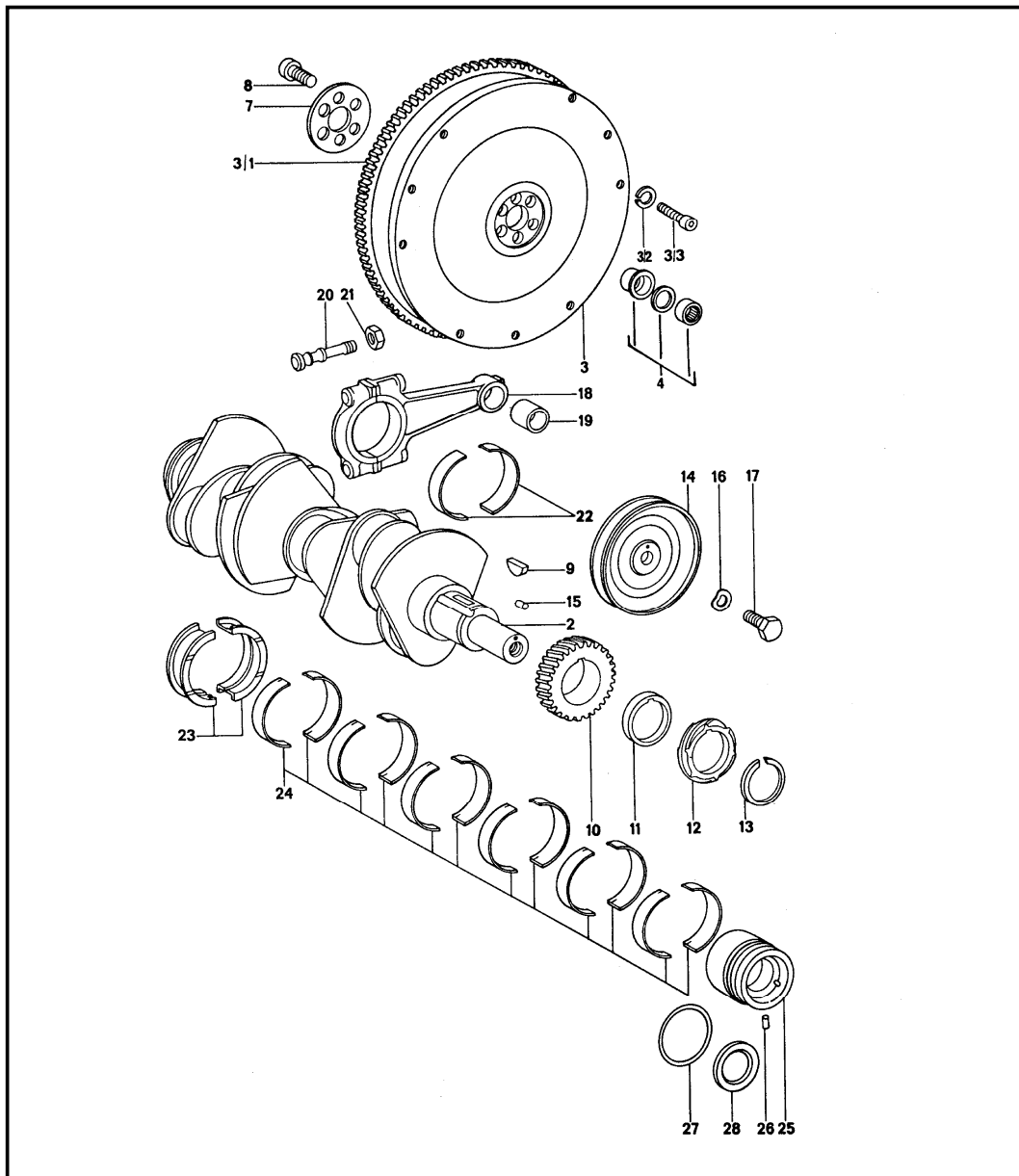
Model	Year	MG	SG	Illustration	Restrictions	UPD	20:54	22.01.2010	PORSCHE	PET	PORSCHE
911	1977	1	01	101-10		248					

Pos	Part Number	Description	Remark	Qty	Model	Pos	Part Number	Description	Remark	Qty	Model
16	999 062 217 08	screw M 10 X 85		1	911/911S CARRERA 2,7	31	* 900 123 071 30	sealing ring A 18 X 24		1	
(16)	930 101 175 00	stud		1	CARRERA 3,0	32	999 064 026 02	screw plug		1	
17	* 999 113 057 52	radial sealing ring 65 X 85 X 10		1		32	999 064 010 02	screw plug see technical information GR.1/NR.5		1	
(17)	901 102 911 00	radial sealing ring undersize 64,5 X 85 X 10		1		34	N 020 825 1	cutting ring LL 8		1	
18	900 095 025 01	roll pin 8 X 16		1		35	900 104 003 02	union nut ALL 8		1	
19	901 101 195 00	dowel sleeve		2		36	N 012 226 5	spring washer B 6		2	
20	* 900 031 014 30	washer A 8,4		1		37	900 076 010 02	hexagon nut M 6		2	
21	900 084 004 02	hexagon nut M 8		1		38	930 107 765 00	oil thermostat		1	
22	* 900 123 007 30	sealing ring 14 X 18		1		39	* 999 701 053 50	sealing ring 39,2 X 3		1	
23	900 124 002 02	screw plug AM 14 X 1,5		1	SPM	40	901 105 141 02	cover	-75	1	911/911S
24	* 999 704 172 50	sealing ring		1		40	911 105 162 00	cover	76-	1	CARRERA 2,7 911/911S
25	901 101 173 00	screw for crankcase		11	911/911S CARRERA 2,7	41	* 930 105 198 01	gasket for cover		1	CARRERA 3,0
25	930 101 173 02	screw for crankcase		11	CARRERA 3,0	42	900 084 010 02	hexagon nut M 6		3	
26	* 999 701 006 40	o-ring		12		43	* 900 031 011 30	washer A 6,4		3	
27	901 101 161 01	washer		12		44	* 900 123 044 30	sealing ring A 18 X 22		1	
28	901 641 632 00	remote temperature sensor		1		45	901 101 175 01	adapter		1	
28	911 606 112 00	remote temperature sensor for 911/81/85/94 930/02/52/53/54	77-	1		46	901 110 133 00	connection piece		1	
29	A 901 107 512 01	piston see technical information GR.1/NR.5		1		47	911 606 111 00	pressure transmitter		1	
29	911 107 512 00	piston		1		48	* 900 123 009 20	sealing ring		1	
30	901 107 531 00	compression spring		1		49	911 606 230 00	oil pressure switch		1	
						50	911 107 704 00	connection piece		1	

Model	Year	MG	SG	Illustration	Restrictions	UPD	20:54	22.01.2010	PORSCHE	PET	PORSCHE
911	1977	1	01	101-10		248					

Pos	Part Number	Description	Remark	Qty	Model	Pos	Part Number	Description	Remark	Qty	Model
51	900 123 005 30	sealing ring A 12 X 16		2							
52	911 107 709 01	screw socket		1							

Model	Year	MG	SG	Illustration	Restrictions	UPD	20:54	22.01.2010	PORSCHE	PET	PORSCHE
911	1977	1	02	102-00		248					



Pos	Part Number	Description	Remark	Qty	Model
		crankshaft			
2 >	916 102 016 00	crankshaft		1	
3 >	911 102 201 11	flywheel		1	
3/1	911 116 239 00	starter ring		1	
3/2	900 027 015 02	lock ring B 8 see group 3/01/00		9	
3/3	900 067 090 02	pan-head screw M 8 X 42 see group 3/01/00		9	
4	901 102 025 01	bush		1	
7	901 102 162 04	washer		1	
8	911 102 171 00	pan-head screw		6	
(8)	999 067 009 01	pan-head screw		6	SPM
9	901 102 147 00	woodruff key		1	
10	901 102 111 00	timing gear for number 0		1	
(10)	901 102 111 10	timing gear for number 1		1	
11	901 102 145 00	intermediate ring		1	
12	901 102 115 00	drive wheel		1	
13	901 102 148 00	circlip		1	
14	911 102 017 50	v-belt pulley 116,5 \$	-	-75	1
(14)	911 102 017 04	v-belt pulley 131,0 \$	76-	1	911/911S CARRERA 3,0
15	900 012 060 00	straight pin 5M 6 X 10		1	
16	900 028 014 01	spring washer B 12		1	
17	999 093 005 02	hexagon-head bolt M 12 X 1,5 X 22		1	

Model	Year	MG	SG	Illustration	Restrictions	UPD	20:54	22.01.2010	PORSCHE	PET	PORSCHE
911	1977	1	02	102-00		248					

Pos	Part Number	Description	Remark	Qty	Model	Pos	Part Number	Description	Remark	Qty	Model
19	911 103 015 32	connecting rod weight group: 4 = 654 -663 GR		6		(22)	914 103 141 80	conrod bearing shell undersize 1,00 MM		12	
18	911 103 015 33	connecting rod weight group: 4 = 663 -672 GR		6		-	911 101 901 00	set of crankshaft bearings comprising: M >> 615 0305 M >> 615 9066 M >> 635 0094 M >> 635 9040 M >> 645 0388 M >> 645 9030 M >> 655 0022 M >> 655 9021 M >> 665 0113		1	911/911S CARRERA 2,7
18	911 103 015 34	connecting rod weight group: 4 = 672 - 681 GR.		6							
18	911 103 015 35	connecting rod weight group: 5 = 681 - 690 GR.		6							
18	911 103 015 36	connecting rod weight group: 6 = 690 - 699 GR.		6		23	901 101 131 00	bearing shell I		2	
18	911 103 015 37	connecting rod weight group: 7 = 699 - 708 GR.		6		24	901 101 132 00	bearing shell II - VII		12	
18	911 103 015 38	connecting rod weight group: 8 = 708 - 717 GR.		6		25	901 101 138 03	bearing sleeve VIII		1	
18	911 103 015 39	connecting rod weight group: 9 = 718 - 727 GR.		6		-	911 101 902 00	set of crankshaft bearings comprising: M 615 0306 >> M 615 9067 >> M 635 0095 >> M 635 9041 >> M 645 0389 >> M 645 9031 >> M 655 0023 >> M 655 9022 >> M 665 0114 >>		1	
-	911 103 959 00	connecting rod 1 set comprising: connecting rod		1							
19	901 103 131 01	connecting rod bush		6		23	901 101 131 00	bearing shell I		2	
20	914 103 171 00	connecting rod bolt		12		24	911 101 133 00	bearing shell II - VII		12	
21	901 103 173 00	connecting rod nut		12		25	901 101 138 03	bearing sleeve VIII		1	
22	914 103 141 00	conrod bearing shell		12							
(22)	914 103 141 50	conrod bearing shell undersize 0,25 MM		12							
(22)	914 103 141 60	conrod bearing shell undersize 0,50 MM		12							
(22)	914 103 141 70	conrod bearing shell undersize 0,75 MM		12							

Model	Year	MG	SG	Illustration	Restrictions	UPD	20:54	22.01.2010	PORSCHE	PET	PORSCHE
911	1977	1	02	102-00		248					

Pos	Part Number	Description	Remark	Qty	Model	Pos	Part Number	Description	Remark	Qty	Model
-	911 101 901 50	set of crankshaft bearings undersize inner 0,25 MM comprising: M >> 615 0305 M >> 615 9066 M >> 635 0094 M >> 635 9040 M >> 645 0388 M >> 645 9030 M >> 655 0022 M >> 655 9021 M >> 665 0113		1	911/911S CARRERA 2,7	-	911 101 901 55	set of crankshaft bearings undersize inner 0,50 MM comprising: M >> 615 0305 M >> 615 9066 M >> 635 0094 M >> 635 9040 M >> 645 0388 M >> 645 9030 M >> 655 0022 M >> 655 9021 M >> 665 0113		1	911/911S CARRERA 2,7
(23)	901 101 131 50	bearing shell I		2		(23)	901 101 131 55	bearing shell I		2	
(24)	901 101 132 50	bearing shell II - VII		12		(24)	901 101 132 55	bearing shell II - VII		12	
(25)	901 101 138 53	bearing sleeve VIII		1		(25)	901 101 138 58	bearing sleeve VIII		1	
-	911 101 902 50	set of crankshaft bearings undersize inner 0,25 MM comprising: M 615 0306 >> M 615 9067 >> M 635 0095 >> M 635 9041 >> M 645 0389 >> M 645 9031 >> M 655 0023 >> M 655 9022 >> M 665 0114 >>		1		-	911 101 902 55	1 set crankshaft bearing undersize inner 0,50 MM comprising: M 615 0306 >> M 615 9067 >> M 635 0095 >> M 635 9041 >> M 645 0389 >> M 645 9031 >> M 655 0023 >> M 655 9022 >> M 665 0114 >>		1	
(23)	901 101 131 50	bearing shell I		2		(23)	901 101 131 55	bearing shell I		2	
(24)	911 101 133 50	bearing shell II - VII		12		(24)	911 101 133 55	bearing shell II - VII		12	
(25)	901 101 138 53	bearing sleeve VIII		1		(25)	901 101 138 58	bearing sleeve VIII		1	

Model	Year	MG	SG	Illustration	Restrictions	UPD	20:54	22.01.2010	PORSCHE	PET	PORSCHE
911	1977	1	02	102-00		248					

Pos	Part Number	Description	Remark	Qty	Model	Pos	Part Number	Description	Remark	Qty	Model
-	911 101 901 65	set of crankshaft bearings undersize inner 0,75 MM comprising: M >> 615 0305 M >> 615 9066 M >> 635 0094 M >> 635 9040 M >> 645 0388 M >> 645 9030 M >> 655 0022 M >> 655 9021 M >> 665 0113		1	911/911S CARRERA 2,7	-	911 101 901 69	set of crankshaft bearings undersize inner 1,00 MM comprising: M >> 615 0305 M >> 615 9066 M >> 635 0094 M >> 635 9040 M >> 645 0388 M >> 645 9030 M >> 655 0022 M >> 655 9021 M >> 665 0113		1	911/911S CARRERA 2,7
(23)	901 101 131 65	bearing shell I		2		(23)	901 101 131 69	bearing shell I		2	
(24)	901 101 132 65	bearing shell II - VII		12		(24)	901 101 132 69	bearing shell II - VII		12	
(25)	901 101 138 68	bearing sleeve VIII		1		(25)	901 101 138 69	bearing sleeve VIII		1	
-	911 101 902 65	set of crankshaft bearings undersize inner 0,75 MM comprising: M 615 0306 >> M 615 9067 >> M 635 0095 >> M 635 9041 >> M 645 0389 >> M 645 9031 >> M 655 0023 >> M 655 9022 >> M 665 0114 >>		1		-	911 101 902 69	1 set crankshaft bearing undersize inner 1,00 MM comprising: M 615 0306 >> M 615 9067 >> M 635 0095 >> M 635 9041 >> M 645 0389 >> M 645 9031 >> M 655 0023 >> M 655 9022 >> M 665 0114 >>		1	
(23)	901 101 131 65	bearing shell I		2		(23)	901 101 131 69	bearing shell I		2	
(24)	911 101 133 65	bearing shell II - VII		12		(24)	911 101 133 69	bearing shell II - VII		12	
(25)	901 101 138 68	bearing sleeve VIII		1		(25)	901 101 138 69	bearing sleeve VIII		1	

Model	Year	MG	SG	Illustration	Restrictions	UPD	20:54	22.01.2010	PORSCHE	PET	PORSCHE
911	1977	1	02	102-00		248					

Pos	Part Number	Description	Remark	Qty	Model	Pos	Part Number	Description	Remark	Qty	Model
-	911 101 901 60	set of crankshaft bearings oversize outer 0,25 MM comprising: M >> 615 0305 M >> 615 9066 M >> 635 0094 M >> 635 9040 M >> 645 0388 M >> 645 9030 M >> 655 0022 M >> 655 9021 M >> 665 0113		1	911/911S CARRERA 2,7	-	911 101 901 70	set of crankshaft bearings oversize outer 0,25 MM undersize inner 0,25 MM comprising: M >> 615 0305 M >> 615 9066 M >> 635 0094 M >> 635 9040 M >> 645 0388 M >> 645 9030 M >> 655 0022 M >> 655 9021 M >> 665 0113		1	911/911S CARRERA 2,7
(23)	901 101 131 60	bearing shell I		2		(23)	901 101 131 70	bearing shell I		2	
(24)	901 101 132 60	bearing shell II - VII		12		(24)	901 101 132 70	bearing shell II - VII		12	
(25)	901 101 138 63	bearing sleeve VIII		1		(25)	901 101 138 73	bearing sleeve VIII		1	
-	911 101 902 60	set of crankshaft bearings oversize outer 0,25 MM comprising: M 615 0306 >> M 615 9067 >> M 635 0095 >> M 635 9041 >> M 645 0389 >> M 645 9031 >> M 655 0023 >> M 655 9022 >> M 665 0114 >>		1		-	911 101 902 70	set of crankshaft bearings oversize outer 0,25 MM undersize inner 0,25 MM comprising: M 615 0306 >> M 615 9067 >> M 635 0095 >> M 635 9041 >> M 645 0389 >> M 645 9031 >> M 655 0023 >> M 655 9022 >> M 665 0114 >>		1	
(23)	901 101 131 60	bearing shell I		2		(23)	901 101 131 70	bearing shell I		2	
(24)	911 101 133 60	bearing shell II - VII		12		(24)	911 101 133 70	bearing shell II - VII		12	
(25)	901 101 138 63	bearing sleeve VIII		1		(25)	901 101 138 73	bearing sleeve VIII		1	

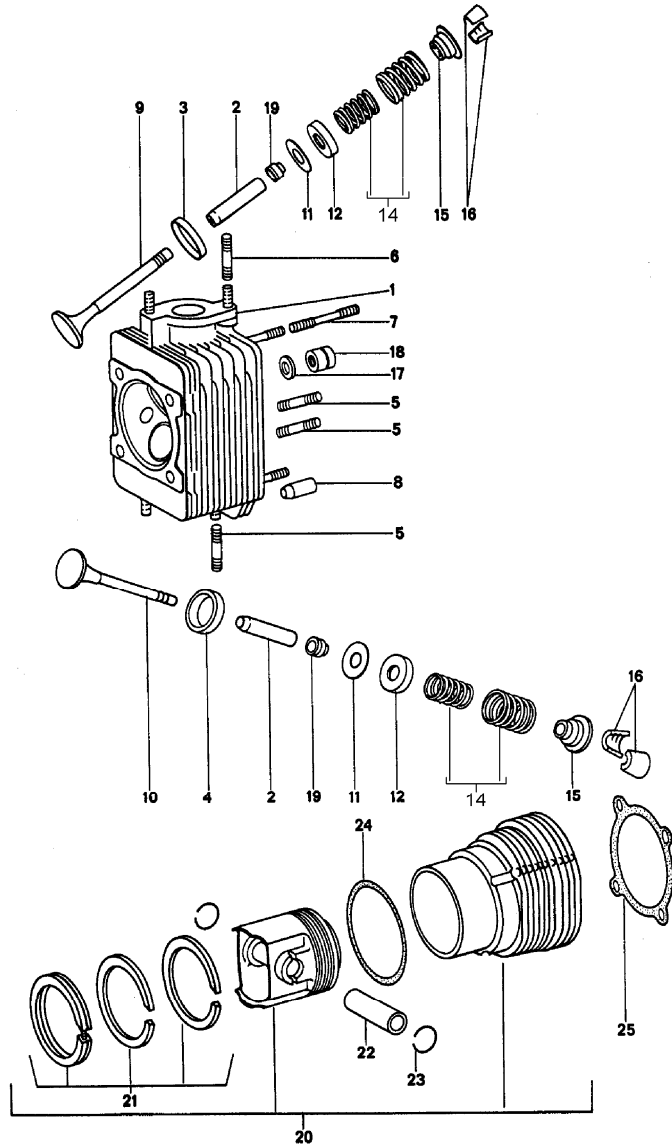
Model	Year	MG	SG	Illustration	Restrictions	UPD	20:54	22.01.2010	PORSCHE	PET	PORSCHE
911	1977	1	02	102-00		248					

Pos	Part Number	Description	Remark	Qty	Model	Pos	Part Number	Description	Remark	Qty	Model
-	911 101 901 75	set of crankshaft bearings oversize outer 0,25 MM undersize inner 0,50 MM comprising: M >> 615 0305 M >> 615 9066 M >> 635 0094 M >> 635 9040 M >> 645 0388 M >> 645 9030 M >> 655 0022 M >> 655 9021 M >> 665 0113		1	911/911S CARRERA 2,7	-	911 101 901 85	set of crankshaft bearings oversize outer 0,25 MM undersize inner 0,75 MM comprising: M >> 615 0305 M >> 615 9066 M >> 635 0094 M >> 635 9040 M >> 645 0388 M >> 645 9030 M >> 655 0022 M >> 655 9021 M >> 665 0113		1	911/911S CARRERA 2,7
(23)	901 101 131 75	bearing shell I		2		(23)	901 101 131 85	bearing shell I		2	
(24)	901 101 132 75	bearing shell II - VII		12		(24)	901 101 132 85	bearing shell II - VII		12	
(25)	901 101 138 78	bearing sleeve VIII		1		(25)	901 101 138 88	bearing sleeve VIII		1	
-	911 101 902 75	set of crankshaft bearings oversize outer 0,25 MM undersize inner 0,50 MM comprising: M 615 0306 >> M 615 9067 >> M 635 0095 >> M 635 9041 >> M 645 0389 >> M 645 9031 >> M 655 0023 >> M 655 9022 >> M 665 0114 >>		1		-	911 101 902 85	set of crankshaft bearings oversize outer 0,25 MM undersize inner 0,75 MM comprising: M 615 0306 >> M 615 9067 >> M 635 0095 >> M 635 9041 >> M 645 0389 >> M 645 9031 >> M 655 0023 >> M 655 9022 >> M 665 0114 >>		1	
(23)	901 101 131 75	bearing shell I		2		(23)	901 101 131 85	bearing shell I		2	
(24)	911 101 133 75	bearing shell II - VII		12		(24)	911 101 133 85	bearing shell II - VII		12	
(25)	901 101 138 78	bearing sleeve VIII		1		(25)	901 101 138 88	bearing sleeve VIII		1	

Model	Year	MG	SG	Illustration	Restrictions	UPD	20:54	22.01.2010	PORSCHE	PET	PORSCHE
911	1977	1	02	102-00		248					

Pos	Part Number	Description	Remark	Qty	Model	Pos	Part Number	Description	Remark	Qty	Model
-	911 101 901 89	set of crankshaft bearings oversize outer 0,25 MM undersize inner 1,00 MM comprising: M >> 615 0305 M >> 615 9066 M >> 635 0094 M >> 635 9040 M >> 645 0388 M >> 645 9030 M >> 655 0022 M >> 655 9021 M >> 665 0113		1	911/911S CARRERA 2,7	27	* 900 174 041 40	sealing ring		1	
						28	* 999 113 049 52	radial sealing ring 30 X 50 X 10		1	
						(28)	999 113 291 40	sealing ring 29,5 X 50 X 10 undersize		1	
(23)	901 101 131 89	bearing shell I		2							
(24)	901 101 132 89	bearing shell II - VII		12							
(25)	901 101 138 89	bearing sleeve VIII		1							
-	911 101 902 89	1 set crankshaft bearing oversize outer 0,25 MM undersize inner 1,00 MM comprising: M 615 0306 >> M 615 9067 >> M 635 0095 >> M 635 9041 >> M 645 0389 >> M 645 9031 >> M 655 0023 >> M 655 9022 >> M 665 0114 >>		1							
(23)	901 101 131 89	bearing shell I		2							
(24)	911 101 133 89	bearing shell II - VII		12							
(25)	901 101 138 89	bearing sleeve VIII		1							
26	900 012 061 00	straight pin 5H 8 X 10		1							

Model	Year	MG	SG	Illustration	Restrictions	UPD	20:54	22.01.2010	PORSCHE	PET	PORSCHE
911	1977	1	03	103-00		248					



Pos	Part Number	Description	Remark	Qty	Model
		cylinder head			
		cylinder with piston			
1	911 104 044 00	cylinder head with studs without valves for 911/41/46/92/97		6	
1	911 104 045 00	cylinder head with studs without valves	-74	6	911/93/98
1	911 104 045 00	cylinder head with studs without valves for 911/42/47/81/86	75-	6	
1	911 104 046 02	cylinder head with studs without valves for 911/44/49/84/85/89 911/90/94/99		6	
1	911 104 038 00	cylinder head with studs without valves		6	911/83
1	930 104 029 02	cylinder head with studs without valves		6	930/02/12
(1) >	911 104 013 00	cylinder head with studs with valves ready for installation for 911/41/46/92/97	-74 75-	6	
(1) >	911 104 014 00	cylinder head with studs with valves ready for installation	-74	6	911/93/98
(1) >	911 104 014 00	cylinder head with studs with valves ready for installation for 911/42/47/81/86	75-	6	

Model	Year	MG	SG	Illustration	Restrictions	UPD	20:54	22.01.2010	PORSCHE	PET	PORSCHE
911	1977	1	03	103-00		248					

Pos	Part Number	Description	Remark	Qty	Model	Pos	Part Number	Description	Remark	Qty	Model
(1)	911 104 016 02	cylinder head with studs with valves ready for installation for 911/44/49/84/85/89 911/90/94/99		6		7	900 061 012 02	stud BM 8 X 50		24	
						8	999 012 006 00	straight pin		12	
						9	911 105 411 20	intake valve		6	911/911S CARRERA 2,7
(1) >	911 104 008 00	cylinder head with studs with valves ready for installation - NACHARBEIT ERFORDERLICH		6	911/83	9	930 105 409 13	intake valve		6	CARRERA 3.0
						9 W	930 105 409 01	intake valve		6	CARRERA 3.0
(1) >	930 104 019 02	cylinder head with studs with valves ready for installation		6	930/02/12	10	911 105 415 50	exhaust valve		6	911/911S CARRERA 2,7
						10	930 105 419 02	exhaust valve		6	CARRERA 3.0
2	930 104 321 50	valve guide 1st oversize		12		11	930 105 461 00	washer		X	
(2)	901 104 321 61	valve guide 2nd oversize		12		12	901 105 463 00	ring		12	
						14	901 105 901 50	set of valve springs		12	
3	911 104 311 51	valve seat ring for intake oversize		6	911/911S CARRERA 2,7	14	901 105 901 51	set of valve springs		12	
						15	901 105 421 03	concave washer		12	
3	930 104 331 50	valve seat ring for intake oversize		6	CARRERA 3.0	16	901 105 417 00	collet		24	
						17	999 031 083 01	washer		24	
4	911 104 315 53	valve seat ring for exhaust oversize		6	911/911S CARRERA 2,7	18	901 104 382 02	cylinder head nut		24	
						19 *	911 104 193 00	valve stem seal		12	
4	930 104 335 50	valve seat ring for exhaust oversize		6	CARRERA 3.0	(20)	911 103 948 01	cylinder and piston (LS) (SCHMIDT) group 5 for 911/41/46/92/97		6	
5	999 062 006 02	stud BM 8 X 20		24		(20)	911 103 948 02	cylinder and piston (LS) (SCHMIDT) group 6 for 911/41/46/92/97		6	
6	999 062 007 02	stud BM 8 X 22	-74	12	911/911S CARRERA 2,7						
(6)	999 062 008 02	stud BM 8 X 25	75-	12	911/911S CARRERA 2,7						
(6)	999 062 009 02	stud BM 8 X 28		12	CARRERA 3.0						

Model	Year	MG	SG	Illustration	Restrictions	UPD	20:54	22.01.2010	PORSCHE	PET	PORSCHE
911	1977	1	03	103-00		248					

Pos	Part Number	Description	Remark	Qty	Model	Pos	Part Number	Description	Remark	Qty	Model
(20)	911 103 951 01	cylinder and piston group 5 - mahle - NIKASIL for 911/41/46/92/97		6		(20)	911 103 958 01	cylinder and piston (LS) (SCHMIDT) group 5 for 911/42/43/44/47/48 911/49/81/82/84/85 911/86/89/90/93/94 911/98/99		6	
(20)	911 103 951 02	cylinder and piston group 6 - mahle - NIKASIL for 911/41/46/92/97		6		(20)	911 103 958 02	cylinder and piston (LS) (SCHMIDT) group 6 for 911/42/43/44/47/48 911/49/81/82/84/85 911/86/89/90/93/94 911/98/99		6	
20	PCG 503 599 2	cylinder with piston complete Fa. Mahle only by sets 911/42/43/44/47/48 911/49/81/82/84/85 911/86/89/90/93/94 911/98/99		6		(20)	911 103 957 01	cylinder and piston (LS) - mahle - group 5 for 911/42/43/44/47/48 911/49/81/82/84/85 911/86/89/90/93/94 911/98/99		6	
(20)	911 103 949 91	cylinder with piston and piston group 5 - mahle - NIKASIL for 911/42/43/44/47/48 911/49/81/82/84/85 911/86/89/90/93/94 911/98/99		6		(20)	911 103 957 02	cylinder and piston (LS) - mahle - group 6 for 911/42/43/44/47/48 911/49/81/82/84/85 911/86/89/90/93/94 911/98/99		6	
(20)	911 103 949 02	cylinder and piston group 6 - mahle - NIKASIL for 911/42/43/44/47/48 911/49/81/82/84/85 911/86/89/90/93/94 911/98/99		6		(20) >	911 103 928 01	cylinder and piston group 5 - mahle -		6	911/83
						(20) >	911 103 928 01	cylinder with piston and piston group 6 - mahle -		6	911/83

Model	Year	MG	SG	Illustration	Restrictions	UPD	20:54	22.01.2010	PORSCHE	PET	PORSCHE
911	1977	1	03	103-00		248					

Pos	Part Number	Description	Remark	Qty	Model	Pos	Part Number	Description	Remark	Qty	Model
(20)	930 103 962 04	cylinder with piston and piston group 5 - mahle -		6	CARRERA 3.0						
(20)	930 103 962 05	cylinder with piston and piston group 6 - mahle -		6	CARRERA 3.0						
21	911 103 939 00	set of piston rings		6	911/911S						
(21) *	911 103 956 00	set of piston rings		6	911/911S						
(21) *	911 103 934 00	set of piston rings		6	CARRERA 2.7						
(21) *	930 103 963 00	set of piston rings		6	CARRERA 3.0						
22	911 103 321 00	piston pin		6	911/911S						
(22)	911 103 367 00	piston pin		6	911/911S						
(22)	911 103 338 00	piston pin		6	CARRERA 2.7						
(22)	930 103 375 00	piston pin		6	CARRERA 3.0						
23	N 012 278 1	circlip		12	911/911S CARRERA 3,0						
(23)	901 103 381 00	circlip		12	CARRERA 2.7						
24 *	911 104 192 00	gasket		6	911/911S CARRERA 2,7						
24	911 104 192 06	cylinder base gasket 0,50 MM		6	911/911S CARRERA 2,7						
(24) *	930 104 194 02	gasket		6	CARRERA 3.0						
(24)	930 104 194 01	cylinder base gasket 0,50 MM		6	CARRERA 3.0						
25 *	912 104 314 00	ce-seal ring		6	911/911S CARRERA 2,7						
(25) *	930 104 317 00	ce-seal ring		6	CARRERA 3.0						

PORSCHE

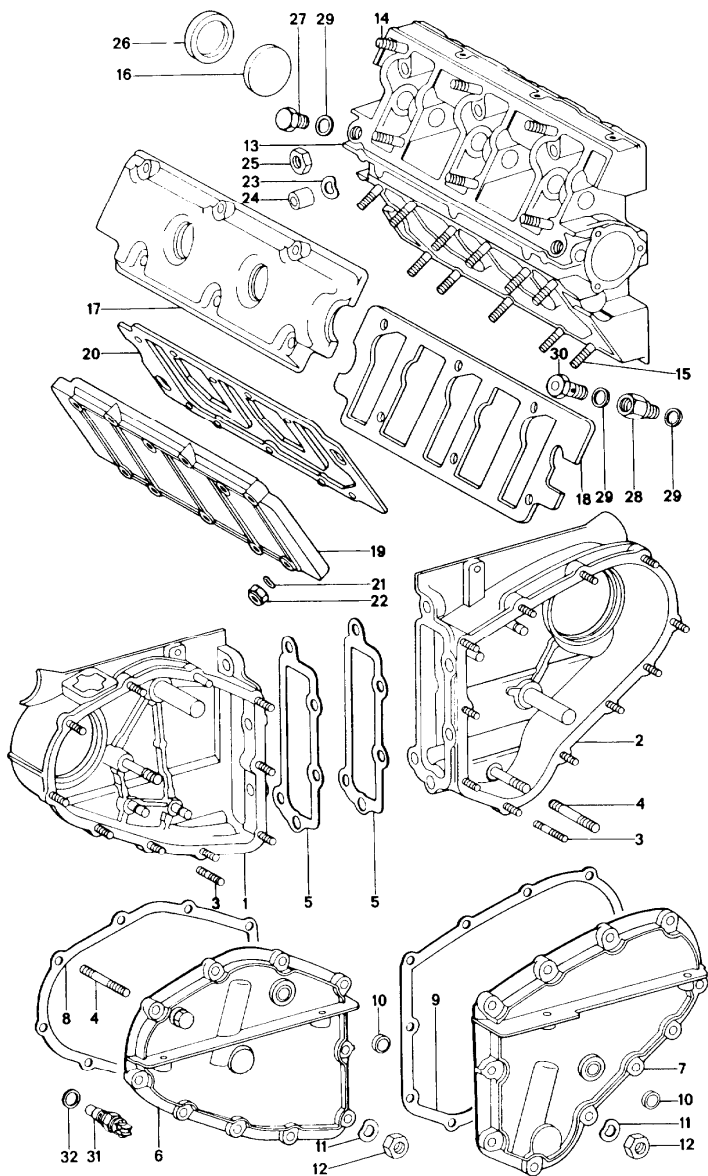
PET

PORSCHE

Model	Year	MG	SG	Illustration	Restrictions	UPD	20:54	22.01.2010
911	1977	1	03	103-01		248		

Pos	Part Number	Description	Remark	Qty	Model
20	PCG 503 599 2	cylinder with piston complete Fa. Mahle only by sets 911/42/43/44/47/48 911/49/81/82/84/85 911/86/89/90/93/94 911/98/99		6	

Model	Year	MG	SG	Illustration	Restrictions	UPD	20:55	22.01.2010	PORSCHE	PET	PORSCHE
911	1977	1	03	103-05		248					

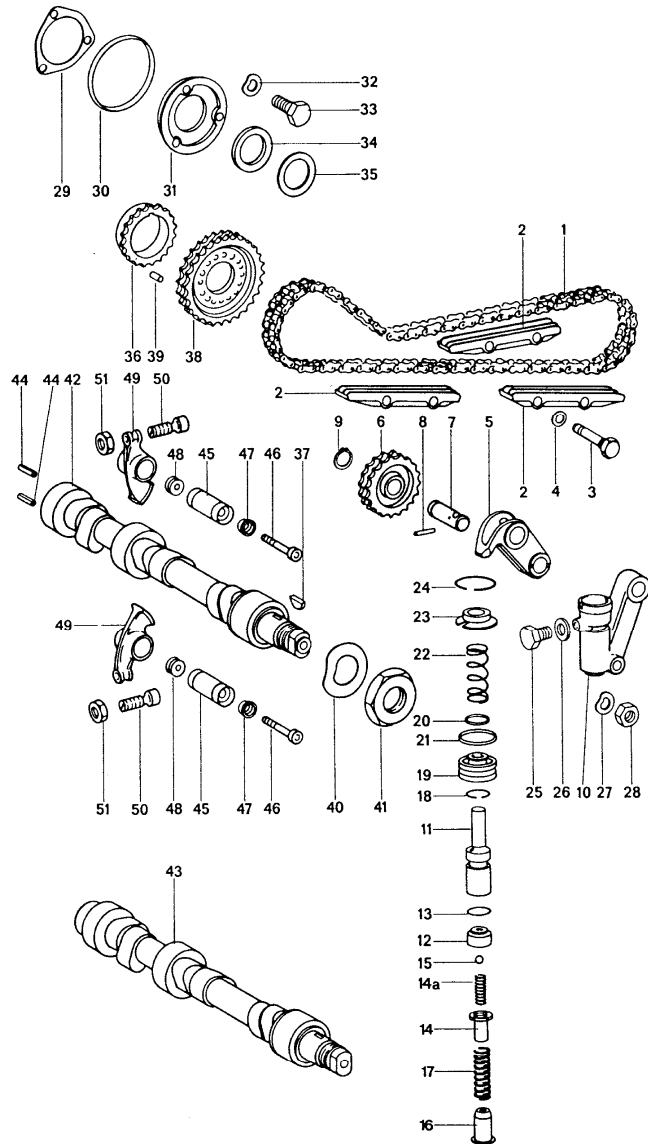


Pos	Part Number	Description	Remark	Qty	Model
1	930 105 061 02	chain case camshaft housing	/L	1	
2	930 105 062 01	chain case -INTERNTEIL-	/R	1	
-	999 062 046 02	stud	75-	2	
-	999 062 052 02	stud	75-	2	
3	999 062 102 02	stud BM 6 X 22		21	
3	999 062 092 02	screw BM 6 X 42		2	911/911S CARRERA 2,7
4	900 061 012 02	stud BM 8 X 50	/R	1	
4	900 061 209 02	stud BM 8 X 60	/L	1	
5	* 930 105 193 00	gasket		2	
(6)	930 105 063 01	lid	/L	1	
7	930 105 064 00	lid	/R	1	
8	* 930 105 191 03	gasket	/L	1	
9	* 930 105 192 01	gasket	/R	1	
10	900 036 008 02	lid 15		2	
11	* 900 031 011 30	washer 6,4 X 11 AL		21	
11	900 151 035 30	washer B 6,4 X 18 AL		2	
-	* 900 031 014 30	washer 8,4		2	
12	900 084 010 02	hexagon nut M 6		21	
-	900 076 025 02	hexagon nut M 8		2	
13	901 105 021 05	camshaft housing		2	911/911S CARRERA 2,7

Model	Year	MG	SG	Illustration	Restrictions	UPD	20:55	22.01.2010	PORSCHE	PET	PORSCHE
911	1977	1	03	103-05		248					

Pos	Part Number	Description	Remark	Qty	Model	Pos	Part Number	Description	Remark	Qty	Model
(13)	930 105 021 00	camshaft housing		2	CARRERA 3.0	28	901 105 361 01	intermediate piece		2	
-	901 105 362 01	oil splash tube		2	911/911S CARRERA 2,7	29	* 900 123 005 00	sealing ring A 12 X 16		8	
-	930 105 362 00	oil splash tube		2	CARRERA 3.0	30	900 134 006 02	banjo bolt A 6		2	
-	901 105 379 00	stopper		4		31	911 617 117 00	temperature switch		1	911/911S CARRERA 3,0
14	999 062 009 02	stud BM 8 X 28		12		32	* 900 123 007 70	sealing ring		1	911/911S CARRERA 3,0
15	999 062 010 02	stud BM 8 X 35		22		32	* 900 123 007 70	sealing ring A 14 X 18		1	
16	901 105 161 01	lid		2	911/911S CARRERA 2,7						
(16)	930 105 161 00	lid		2	CARRERA 3.0						
(16)	901 105 161 01	lid		1	SPM						
17	901 105 115 03	lid for camshaft housing		2							
18	* 930 105 194 00	gasket for camshaft housing		2							
19	930 105 116 00	lid for camshaft housing		2							
20	* 930 105 195 00	gasket for camshaft housing		2							
21	* 900 031 014 30	washer 8,4		40							
22	900 084 004 02	hexagon nut M 8		40							
23	N 012 241 8	spring washer B 8 X 15		40							
24	901 111 271 00	nut		6							
25	900 076 025 02	hexagon nut M 8		34							
26	* 999 113 068 50	radial sealing ring BA 35 X 47 X 7		1	CARRERA 2.7						
27	901 105 374 00	screw plug		2							

Model	Year	MG	SG	Illustration	Restrictions	UPD	20:55	22.01.2010	PORSCHE	PET	PORSCHE
911	1977	1	03	103-10		248					

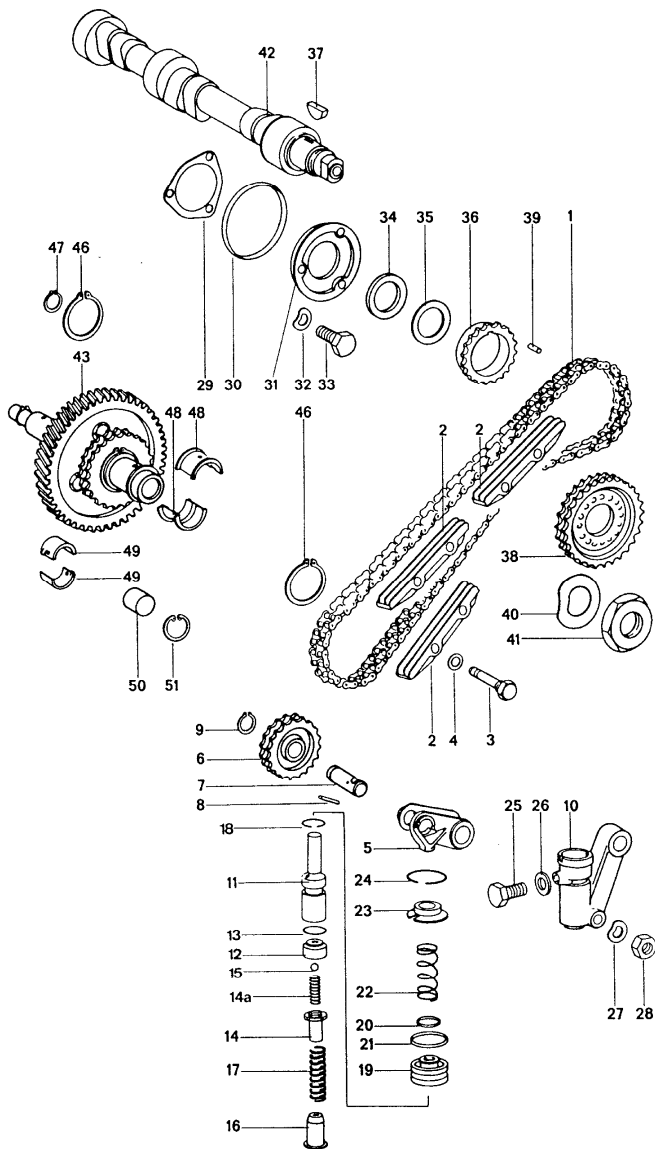


Pos	Part Number	Description	Remark	Qty	Model
1	901 105 529 00	valve control left		1	
(1)	911 105 529 50	timing chain with connecting link		1	
-	901 105 530 00	connecting link for 901.105.529.50		1	
2	911 105 222 06	guide rail		3	
3	901 105 226 03	bolt		4	
4	* 900 123 066 30	sealing ring A 10 X 16		4	
5	901 105 505 02	chain wheel support		1	
6	901 105 055 00	sprocket		1	
7	901 105 056 01	bolt complete		1	
8	900 197 010 00	tensioning sleeve 3 X 22		1	
9	N 012 415 1	circlip 15 X 1		1	
0-26	930 105 049 00	chain adjuster complete		1	
10	901 105 050 01	housing for chain adjuster		1	
11	930 105 559 00	piston		1	
12	* -	intermediate piece		1	
13	* -	o-ring CR 10 - 1		1	
14	* -	sleeve for valve		1	
14A	* -	compression spring		1	
15	* -	ball		1	
16	* -	spring guide		1	

Model	Year	MG	SG	Illustration	Restrictions	UPD	20:55	22.01.2010	PORSCHE	PET	PORSCHE
911	1977	1	03	103-10		248					

Pos	Part Number	Description	Remark	Qty	Model	Pos	Part Number	Description	Remark	Qty	Model
17	916 105 534 00	compression spring		1		38	901 105 546 02	sprocket II		1	
18	* -	circlip 16		1		39	900 243 001 00	straight pin 6 H 8 X 14		1	
19	930 105 557 00	piston		1		40	900 028 021 01	spring washer B 30		1	
20	* -	o-ring CR 8,3 - 2,4		1		41	901 105 172 00	nut		1	
21	* -	o-ring CR 20,3 - 2,4		1		42	911 105 143 00	camshaft for 911/42/43/44/47/48/49/911/81/82/84/85/86/89 911/90/93/94/98/99	/L	1	
22	930 105 535 01	compression spring		1		(42)	911 105 141 00	camshaft for 911/41/46/92/97	/L	1	
23	930 105 568 00	concave washer		1		(42)	930 105 147 08	camshaft	/L	1	930/02/12
24	* -	circlip 28		1		43	901 105 183 01	camshaft	/L	1	911/83
25	930 105 573 00	bleeder screw		1		44	900 095 017 01	tensioning sleeve 5 X 24		1	SPM
26	* -	sealing ring 6 X 10		1		45	901 105 342 04	rocker shaft		12	
27	N 012 241 8	spring washer B 8 X 15		1		46	999 067 008 00	pan-head screw		12	
28	900 076 025 02	hexagon nut M 8		1		47	901 105 344 02	bush		12	
29	* 930 105 197 05	gasket		1	911/911S CARRERA 2,7	48	901 105 376 02	nut		12	
29	* 930 105 197 05	gasket		1	CARRERA 3.0	49	930 105 043 00	rocker arm		12	
30	* 999 701 468 40	round seal 67,5 X 75,4 X4		1		50	901 105 370 02	adjusting screw		12	
31	930 105 196 00	cover		1		51	999 034 005 00	hexagon nut		12	
32	N 012 226 5	spring washer B 6		3							
33	900 075 017 02	hexagon-head bolt M 6 X 25		3							
34	901 105 562 00	thrust washer		1							
35	901 105 561 00	shim		X							
36	901 105 583 01	flange		1							
37	900 118 005 00	woodruff key 4 X 5		1							

Model	Year	MG	SG	Illustration	Restrictions	UPD	20:55	22.01.2010	PORSCHE	PET	PORSCHE
911	1977	1	03	103-15		248					

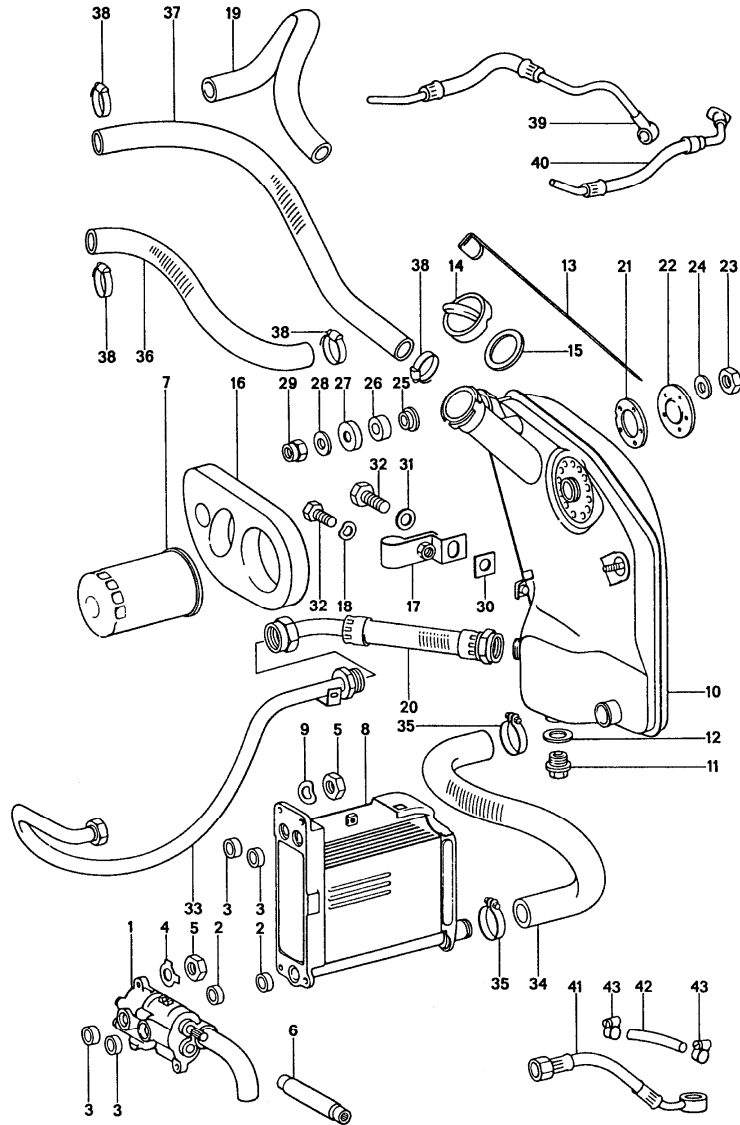


Pos	Part Number	Description	Remark	Qty	Model
1	901 105 529 00	valve control right		1	
(1)	911 105 529 50	timing chain with connecting link		1	
-	901 105 530 00	connecting link for 901.105.529.50		1	
2	911 105 222 05	guide rail		1	
2	911 105 222 06	guide rail		2	
3	901 105 226 03	bolt		4	
4	* 900 123 066 30	sealing ring A 10 X 16		4	
5	901 105 506 02	chain wheel support		1	
6	901 105 055 00	sprocket		1	
7	901 105 056 01	bolt complete		1	
8	900 197 010 00	tensioning sleeve 3 X 22		1	
9	N 012 415 1	circlip 15 X 1		1	
0-26	930 105 049 00	chain adjuster complete		1	
10	901 105 050 01	housing for chain adjuster		1	
11	930 105 559 00	piston		1	
12	*	-	intermediate piece	1	
13	*	-	o-ring CR 10 - 1	1	
14	*	-	sleeve for valve	1	
14A	*	-	compression spring	1	
15	*	-	ball	1	

Model	Year	MG	SG	Illustration	Restrictions	UPD	20:55	22.01.2010	PORSCHE	PET	PORSCHE
911	1977	1	03	103-15		248					

Pos	Part Number	Description	Remark	Qty	Model	Pos	Part Number	Description	Remark	Qty	Model
16	*	-	spring guide	1		38	901 105 546 02	sprocket II		1	
17	916 105 534 00	compression spring		1		39	900 243 001 00	straight pin 6 H 8 X 14		1	
18	*	-	circlip 16	1		40	900 028 021 01	spring washer B 30		1	
19	930 105 557 00	piston		1		41	901 105 172 00	nut		1	
20	*	-	o-ring CR 8,3 - 2,4	1		42	901 105 168 01	camshaft	/R	1	911/83
21	*	-	o-ring CR 20,3 - 2,4	1		(42)	911 105 144 00	camshaft		1	911/911S
22	930 105 535 01	compression spring		1		(42)	911 105 142 00	camshaft for 911/41/46/92/97	/R	1	
23	930 105 568 00	concave washer		1		(42)	911 105 142 03	camshaft for 911/41/46/92/97	/R	1	
24	*	-	circlip 28	1		(42)	930 105 148 08	camshaft	/R	1	930/02/12
25	930 105 573 00	bleeder screw		1		43	> 930 105 013 01	intermediate shaft size 0		1	
26	*	-	sealing ring A 6,5 X 9,5	1		(43) A	930 105 013 11	intermediate shaft size 1 for 911/41/42/43/44/46/47/48 911/49/83/92/93/97/98		1	
27	N 012 241 8	spring washer B 8 X 15		1		(43) >	930 105 013 11	intermediate shaft size 1		1	
28	900 076 025 02	hexagon nut M 8		1		46	900 041 025 01	circlip 36 X 1,75		2	
29	* 930 105 197 05	gasket		1	911/911S CARRERA 2,7	47	900 041 026 01	circlip 13 X 1		1	
29	* 930 105 197 05	gasket		1	CARRERA 3.0	48	916 101 137 00	thrust bearing		2	
30	* 999 701 468 40	round seal 67,5 X 75,4 X 4		1		49	901 101 135 00	bearing		2	
31	930 105 196 00	cover		1		50	901 105 275 00	stopper		1	
32	N 012 226 5	spring washer B 6		3		51	N 012 296 1	circlip 16 X 1		1	
33	900 075 017 02	hexagon-head bolt M 6 X 25		3							
34	901 105 562 00	thrust washer		1							
35	901 105 561 00	shim		X							
36	901 105 583 01	flange		1							
37	900 118 005 00	woodruff key 4 X 5		1							

Model	Year	MG	SG	Illustration	Restrictions	UPD	20:55	22.01.2010	PORSCHE	PET	PORSCHE
911	1977	1	04	104-00		248					

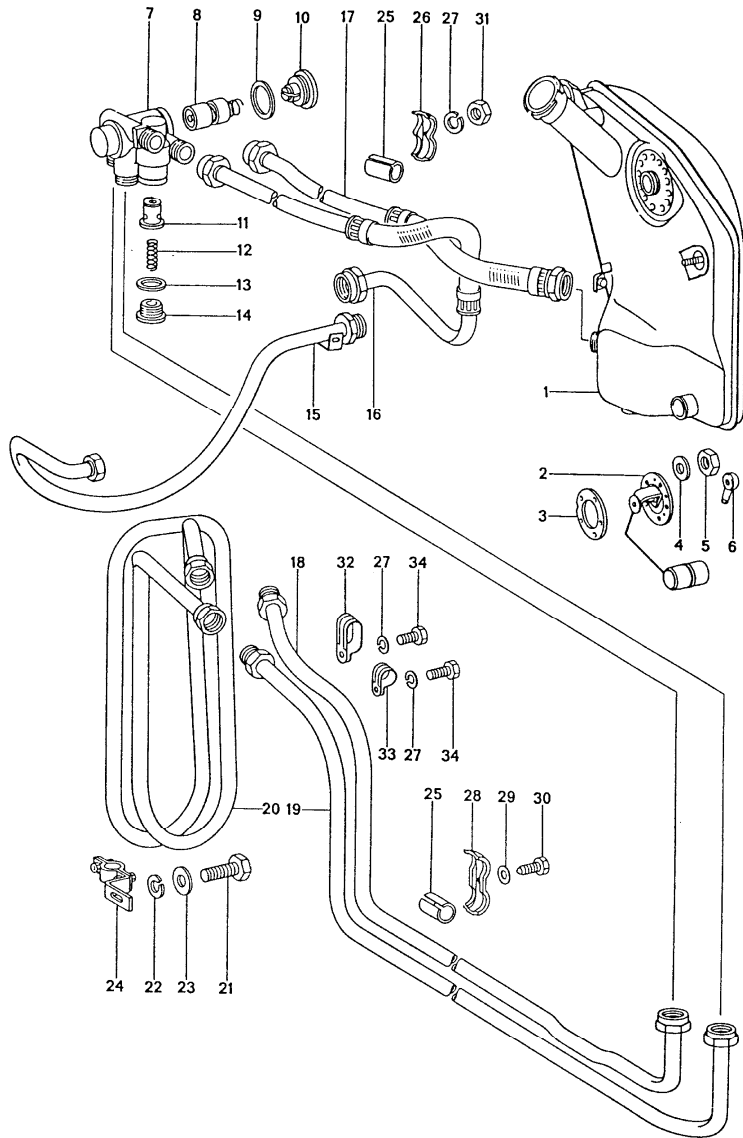


Pos	Part Number	Description	Remark	Qty	Model
		engine lubrication			
1	901 107 002 06	oil pump	-75	1	911/911S CARRERA 2,7
1	901 107 002 06	oil pump	76-	1	911/83
(1)	911 107 008 01	oil pump	76-	1	911/911S CARRERA 3,0
2	* 999 704 173 50	sealing ring		2	
3	* 999 704 172 50	sealing ring		4	
4	999 039 001 00	tab washer		3	
5	900 076 025 02	hexagon nut M 8		7	
6	901 107 121 00	connecting shaft		1	
7	911 107 764 00	oil filter		1	
8	> 911 107 041 00	oil cooler		1	
9	N 012 241 8	spring washer B 8 X 15		4	
10	911 107 006 30	oil tank sportomatic see group 1/04/20		1	
11	911 107 176 03	screw plug		1	
12	* 900 123 011 20	sealing ring A 22 X 27		1	
13	930 107 731 00	oil level dipstick		1	
14	911 107 072 00	fuel tank cap		1	
15	901 201 272 00	sealing ring		1	
16	911 107 192 03	gasket		1	
17	901 501 930 22	support		1	
18	900 028 003 01	spring washer A 6		1	
19	911 107 393 00	connecting hose		1	911/911S CARRERA 3,0
20	911 107 728 00	oil pipe engine oil tank	-74	1	911

Model	Year	MG	SG	Illustration	Restrictions	UPD	20:55	22.01.2010	PORSCHE	PET	PORSCHE
911	1977	1	04	104-00		248					

Pos	Part Number	Description	Remark	Qty	Model	Pos	Part Number	Description	Remark	Qty	Model
(20)	911 107 742 10	oil pipe	75-	1	911	38	999 512 356 02	hose clamp (22 X 36) X 9		4	
21	914 201 891 00	gasket		1		39	901 107 347 01	oil hose	/L	1	
22	901 107 636 00	lid		1	911	40	901 107 348 00	breather hose	/R	1	
23	900 076 027 02	hexagon nut M 5		5	CARRERA 3,0	41	901 110 041 01	hose line intake injection system		1	911/83
24	900 025 003 30	washer 5,3		5		-	999 180 029 50	hose 11 X 17,5		*	911/83
25	901 107 692 00	washer		2		42	-	hose return line injection system		1	911/83
26	901 107 693 01	washer		2		43	999 512 134 02	hose clamp 13 - 19 X 9		2	911/83
27	901 107 661 00	washer		2							
28	900 151 008 02	washer B 8,4		2							
29	999 090 004 02	hexagon nut M 8		2							
30	901 501 909 20	intermediate layer		1							
31	N 011 524 7	washer 6,4		1							
32	900 075 057 02	hexagon-head bolt M 6 X 16		2							
32	900 075 010 02	hexagon-head bolt M 6 X 12	75-	2							
33	911 107 739 10	oil pipe	-74	1	911/911S CARRERA 2,7						
33	911 107 739 10	oil pipe	75-	1	911/83						
(33)	930 107 741 11	oil pipe	75-	1	911/911S CARRERA 3,0						
(34)	911 107 233 00	suction hose		1							
35	999 512 091 00	hose clamp S 40/15 SKZ-1 4571		2							
36	901 107 394 00	connecting hose		1	911/911S CARRERA 3,0						
37	930 107 399 00	connecting hose oil tank air cleaner 560 MM		1	911/83						

Model	Year	MG	SG	Illustration	Restrictions	UPD	20:55	22.01.2010	PORSCHE	PET	PORSCHE
911	1977	1	04	104-05		248					



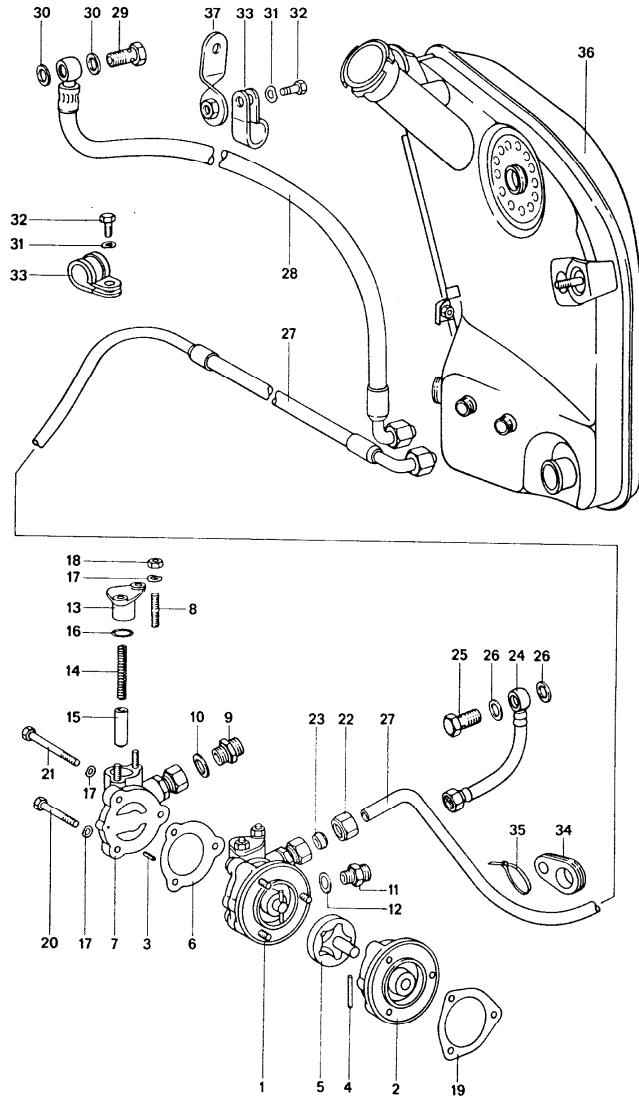
Pos	Part Number	Description	Remark	Qty	Model
1	-	engine lubrication radiator coil		1	
		oil tank see group 1/04/00			
2	911 641 541 01	tank gauge		1	SPM
(2)	911 641 541 01	tank gauge		1	
3	914 201 891 00	gasket		1	
4	900 025 003 30	washer 5,3		5	
5	900 076 027 02	hexagon nut M 5		5	
6	999 659 011 50	protection cap		1	SPM
(6)	999 659 011 50	protection cap		1	
7	930 107 017 00	regulator housing		1	
8	930 107 155 00	regulator insert		1	
9	900 123 136 30	sealing ring A 42 X 49		1	
10	911 107 155 00	screw plug		1	
11	930 107 076 00	piston		1	
12	900 280 008 00	compression spring 2 X 10 X 55		1	
13	900 123 075 30	sealing ring A 32 X 38		1	
14	916 107 276 00	screw plug		1	
15	911 107 739 10	oil pipe		1	911/911S CARRERA 2,7
15	911 107 739 10	oil pipe	75-	1	CARRERA 2.7
(15)	930 107 741 11	oil pipe		1	911/911S CARRERA 3,0
16	911 107 729 10	oil pipe	-74	1	911/911S CARRERA 2,7
16	911 107 729 10	oil pipe	75-	1	CARRERA 2.7
(16)	911 107 743 10	oil pipe	75-	1	911/911S

Model	Year	MG	SG	Illustration	Restrictions	UPD	20:55	22.01.2010	PORSCHE	PET	PORSCHE
911	1977	1	04	104-05		248					

Pos	Part Number	Description	Remark	Qty	Model	Pos	Part Number	Description	Remark	Qty	Model
(16)	911 107 743 12	oil pipe	75-	1	911/911S CARRERA 3,0						
17	911 107 730 11	oil pipe		1							
18	911 207 046 00	return pipe		1							
19	930 207 045 01	intake tube		1							
20	911 207 050 01	radiator coil		1							
21	900 075 085 02	hexagon-head bolt M 8 X 20		1							
22	900 025 007 02	washer 8,4		1							
23	900 027 015 02	lock ring B 8		1							
24	911 207 051 00	clip		1							
25	964 207 302 00	hose piece		8							
26	911 207 237 00	support		1							
27	900 027 014 01	lock ring B 6		4							
28	911 207 303 00	support		3							
-	911 559 145 01	spacer sleeve		3							
29	900 151 007 02	washer B 7,4		3							
30	900 187 032 02	tapping screw BZ 6,3 X 32		3							
31	900 076 010 02	hexagon nut M 6		1							
32	999 511 084 02	pipe clamp 1100 2 X 22/15		1							
33	999 511 080 02	clamp 1100 22/15		2							
34	900 378 030 09	hexagon-head bolt M 6 X 20		3							

Model	Year	MG	SG	Illustration	Restrictions	UPD	20:56	22.01.2010	PORSCHE	PET	PORSCHE
911	1977	1	04	104-20		248					

SPORTOMATIC 925

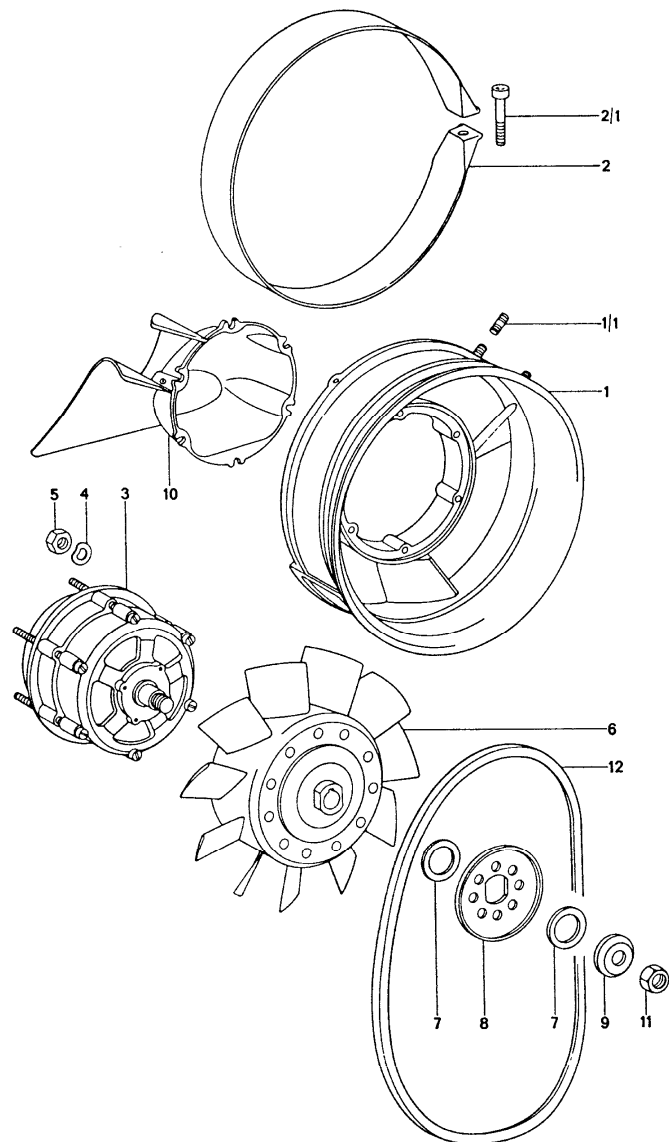


Pos	Part Number	Description	Remark	Qty	Model
		oil supply for converter oil tank			SPM
1	905 107 006 04	oil pump		1	911/911S
1	905 107 006 07	oil pump		1	CARRERA 3.0
2	905 107 101 03	rotor housing		1	911/911S
2	905 107 101 06	rotor housing		1	CARRERA 3.0
3	900 197 017 00	tensioning sleeve 4 X 14		1	
4	900 302 001 00	straight pin 4 M 6 X 32		1	
5	905 107 901 01	rotor set		1	
6	* 905 107 191 02	gasket		1	
7	905 107 015 04	lid		1	
8	999 062 002 02	stud BM 6 X 15		2	
9	999 099 011 02	union AM-10-11 ST.		1	
10	* 900 123 008 30	sealing ring A 14 X 20		1	
11	999 136 007 02	union		1	
12	* 900 123 043 30	sealing ring A 12 X 15,5		1	
13	905 107 141 03	flat connector		1	
14	905 107 142 01	compression spring		1	
15	905 107 143 01	slide		1	
16	* 999 701 135 50	o-ring R 15 X 2,5		1	
17	N 012 226 5	spring washer B 6		5	
18	900 076 010 02	hexagon nut M 6		2	
19	* 930 105 197 05	gasket		1	911/911S
19	* 930 105 197 05	gasket		1	CARRERA 3.0

Model	Year	MG	SG	Illustration	Restrictions	UPD	20:56	22.01.2010	PORSCHE	PET	PORSCHE
911	1977	1	04	104-20		248					

Pos	Part Number	Description	Remark	Qty	Model	Pos	Part Number	Description	Remark	Qty	Model
20	900 074 111 02	hexagon-head bolt M 6 X 50		2							
21	900 074 022 02	hexagon-head bolt M 6 X 65		1							
22	999 104 007 02	union nut A 10 - 11		1							
23	999 103 001 02	collet B 10 - 11		1							
24	925 125 038 06	pressure pipe		1							
25	999 134 012 02	banjo bolt		1							
26	* 900 123 006 30	sealing ring A 12 X 18		2							
27	905 107 037 00	oil pipe	-74	1							
(27) A	911 125 335 00	oil pipe	75-	1							
(27)	911 125 335 01	oil pipe	75-	1							
28	925 301 117 02	return line		1	925/02						
(28)	925 301 117 11	return line		1							
29	900 134 002 02	banjo bolt A 10		1							
30	900 123 019 30	sealing ring A 16 X 22		2							
31	900 028 008 01	spring washer B 6		2							
32	N 010 215 13	hexagon-head bolt M 6 X 15		2							
33	N 020 607 1	clamp		2							
34	905 107 173 00	spacer rubber		2							
35	999 513 002 40	tie-wrap		2							
36	930 107 006 00	oil tank		1							
37	925 301 018 00	fastening clip		1							

Model	Year	MG	SG	Illustration	Restrictions	UPD	20:56	22.01.2010	PORSCHE	PET	PORSCHE
911	1977	1	05	105-00		248					

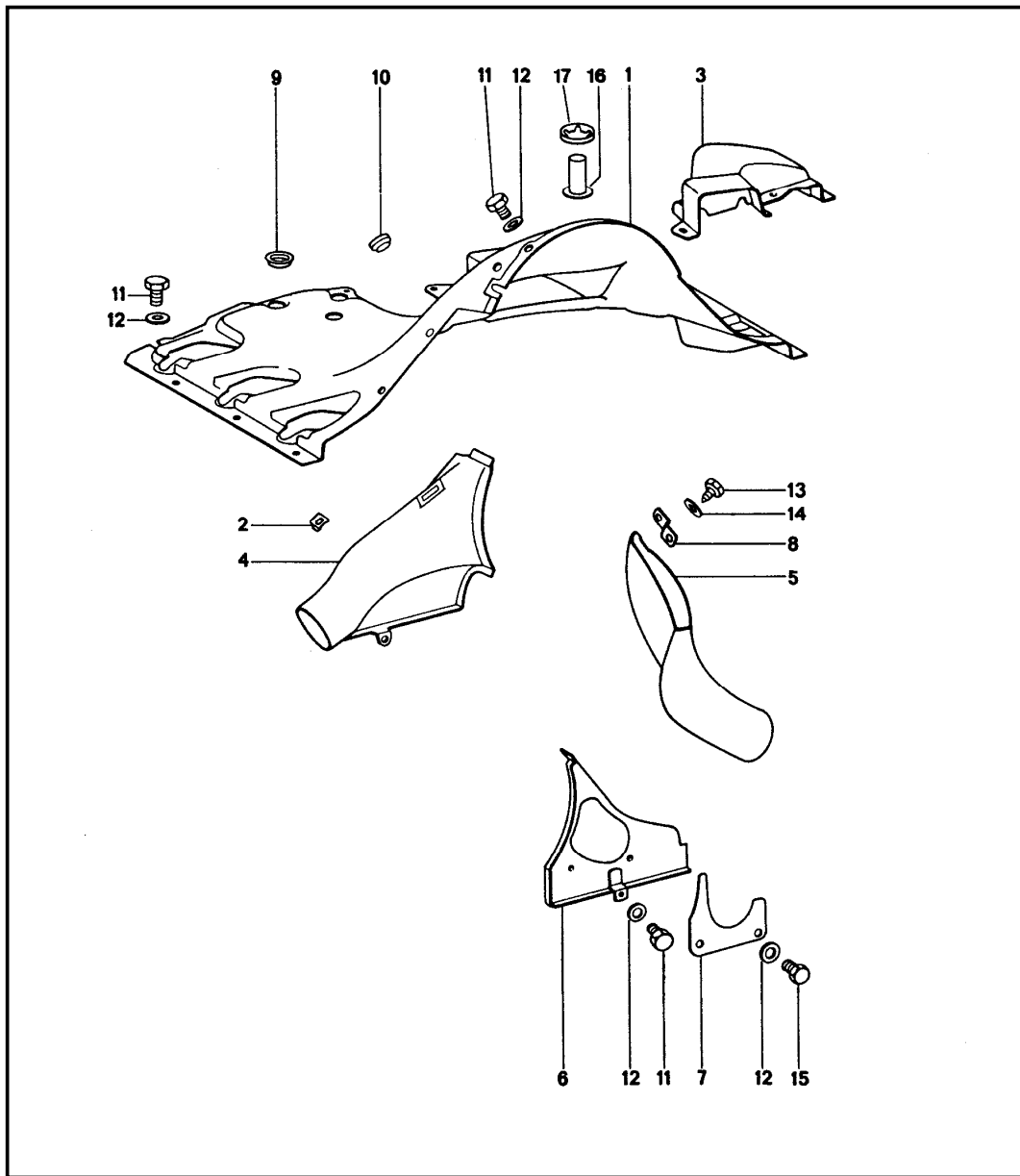


Pos	Part Number	Description	Remark	Qty	Model
1	901 106 011 00	air cooling fan housing complete	-74	1	911,911S CARRERA 2,7
1	901 106 011 00	fan housing complete	75-	1	CARRERA 2.7
(1)	911 106 008 00	fan housing		1	911/911S CARRERA 3,0
1/1	999 062 006 02	stud BM 8 X 20		2	
2	964 106 251 20	clip		1	
2/1	N 014 715 3	pan-head screw M 8 X 45		1	
3	-	generator see group 9/02/10			
4	N 012 226 5	spring washer B 6		6	
5	900 076 010 02	hexagon nut M 6		6	
-	900 118 006 00	woodruff key 4 X 6,5		1	
6	901 106 010 03	impeller for 911/41/42/43/44/46 911/47/48/49/83/82 911/93/97/98		1	
(6)	911 106 028 00	impeller for 911/81/82/84/85/86 911/89/90/94/99 930/02/12		1	
7	901 105 561 00	shim	-75	X	911/911S CARRERA 2,7
7	930 106 564 00	shim		X	911/911S CARRERA 3,0
8	901 603 421 01	pulley half	-74	1	911/911S CARRERA 2,7
8	901 603 421 01	pulley half for 911/41/42/46/47/83	75-	1	

Model	Year	MG	SG	Illustration	Restrictions	UPD	20:56	22.01.2010	PORSCHE	PET	PORSCHE
911	1977	1	05	105-00		248					

Pos	Part Number	Description	Remark	Qty	Model	Pos	Part Number	Description	Remark	Qty	Model
(8)	930 106 209 02	pulley half for 911/81/86 930/02/12		1							
9	901 603 428 00	tensioning cap for generator (MOTOROLA, MARCHAL SEV, ALTERNATEURS) not for	(CAL)	1							
10	911 106 033 01	hub extension	-74	1	911/911S						
10	911 106 033 03	hub extension		1	911/911S CARRERA 3,0						
(10)	911 106 033 00	hub extension		1	CARRERA 2.7						
11	901 603 905 00	hexagon nut M 16 X 1		1							
12	999 192 176 50	narrow v-belt 9,5 X 710	-75	1	911/911S CARRERA 2,7						
12	999 192 097 50	narrow v-belt 9,5 x 725		1	911/911S CARRERA 3,0						

Model	Year	MG	SG	Illustration	Restrictions	UPD	20:56	22.01.2010	PORSCHE	PET	PORSCHE
911	1977	1	05	105-05		248					

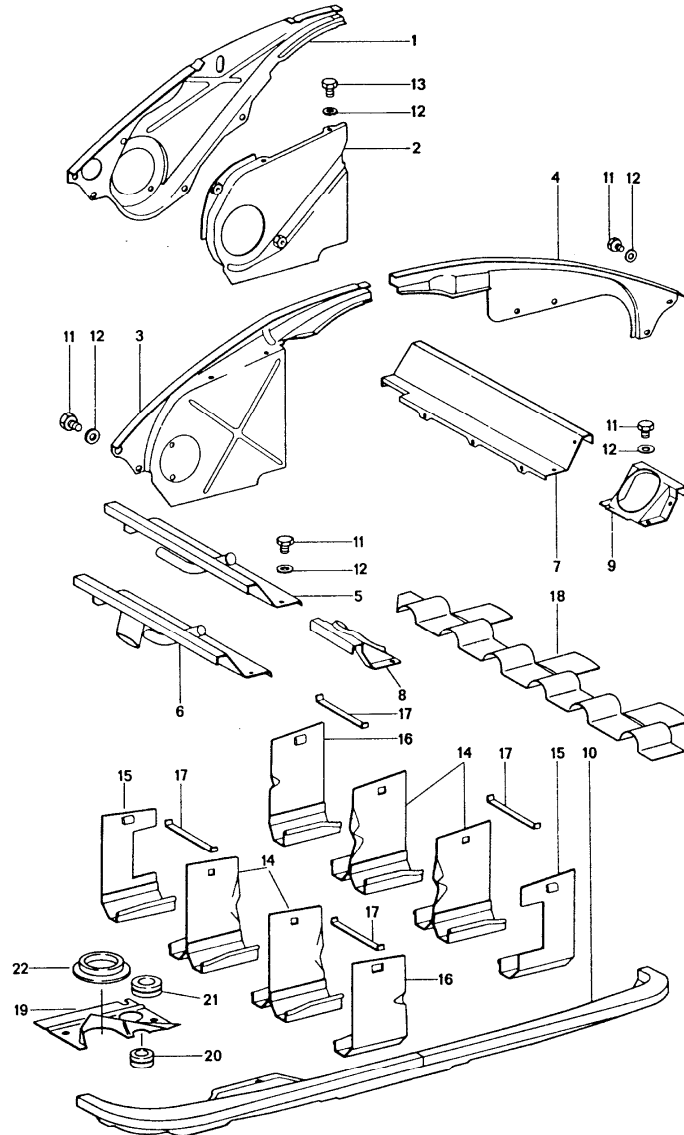


Pos	Part Number	Description	Remark	Qty	Model
1	911 106 901 06	air duct air duct black		1	911
(1)	911 106 901 05	air duct		1	911/911S
(1)	911 106 901 03	air duct red		1	CARRERA 2.7
(1)	930 106 041 00	air duct red		1	CARRERA 3.0
2	999 507 003 02	speed nut B 6,3		5	
3	911 106 406 00	air duct		1	
4	911 106 321 00	hot air socket	/H/L	-74	911/911S CARRERA 2,7
4	911 106 321 00	hot air socket	/H/L	75-	CARRERA 2.7
(4)	930 106 326 01	hot air socket	/H/L	75-	911/911S CARRERA 3,0
-	N 020 902 1	tie-wrap 6,4 X 120		1	
5	911 106 327 00	hot air socket	/H/R	-74	911/911S CARRERA 2,7
5	911 106 327 00	hot air socket	/H/R	75-	CARRERA 2.7
6	911 106 036 00	cover plate	/H/R	-74	911/911S CARRERA 2,7
6	911 106 036 00	cover plate	/H/R	75-	CARRERA 2.7
(6)	911 106 036 01	cover plate	/H/R	75-	911/911S CARRERA 2,7
7	911 106 827 00	closing plate	/H/R	-74	911/911S CARRERA 2,7
7	911 106 827 00	closing plate	/H/R	75-	CARRERA 2.7
8	911 106 331 00	support		1	
9	999 703 056 40	stopper		1	CARRERA 2.7
10	999 703 092 40	stopper 9 X 18.4/14 for cars without carbon canister		1	

Model	Year	MG	SG	Illustration	Restrictions	UPD	20:56	22.01.2010	PORSCHE	PET	PORSCHE
911	1977	1	05	105-05		248					

Pos	Part Number	Description	Remark	Qty	Model	Pos	Part Number	Description	Remark	Qty	Model
11	900 075 010 02	hexagon-head bolt M 6 X 12		18							
(11)	900 075 057 02	hexagon-head bolt M 6 X 16		2							
-	N 012 226 5	spring washer B 6		8							
12	N 011 524 7	washer 6,4		8							
12	999 025 108 02	washer 6,4 X 14		13							
-	999 511 081 02	pipe clamp		1							
13	900 187 015 02	tapping screw B 6,3 X 16		4							
14	999 025 108 02	washer 6,4 X 14 X 1,5 - ST.		2							
15	900 187 010 02	tapping screw BZ 6,3 X 19	-74	1	911/911S CARRERA 2,7						
15	900 187 027 02	hexagon-head tapping screw BZ 6,3 X 22	75-	1	CARRERA 2.7						

Model	Year	MG	SG	Illustration	Restrictions	UPD	20:56	22.01.2010	PORSCHE	PET	PORSCHE
911	1977	1	05	105-10		248					

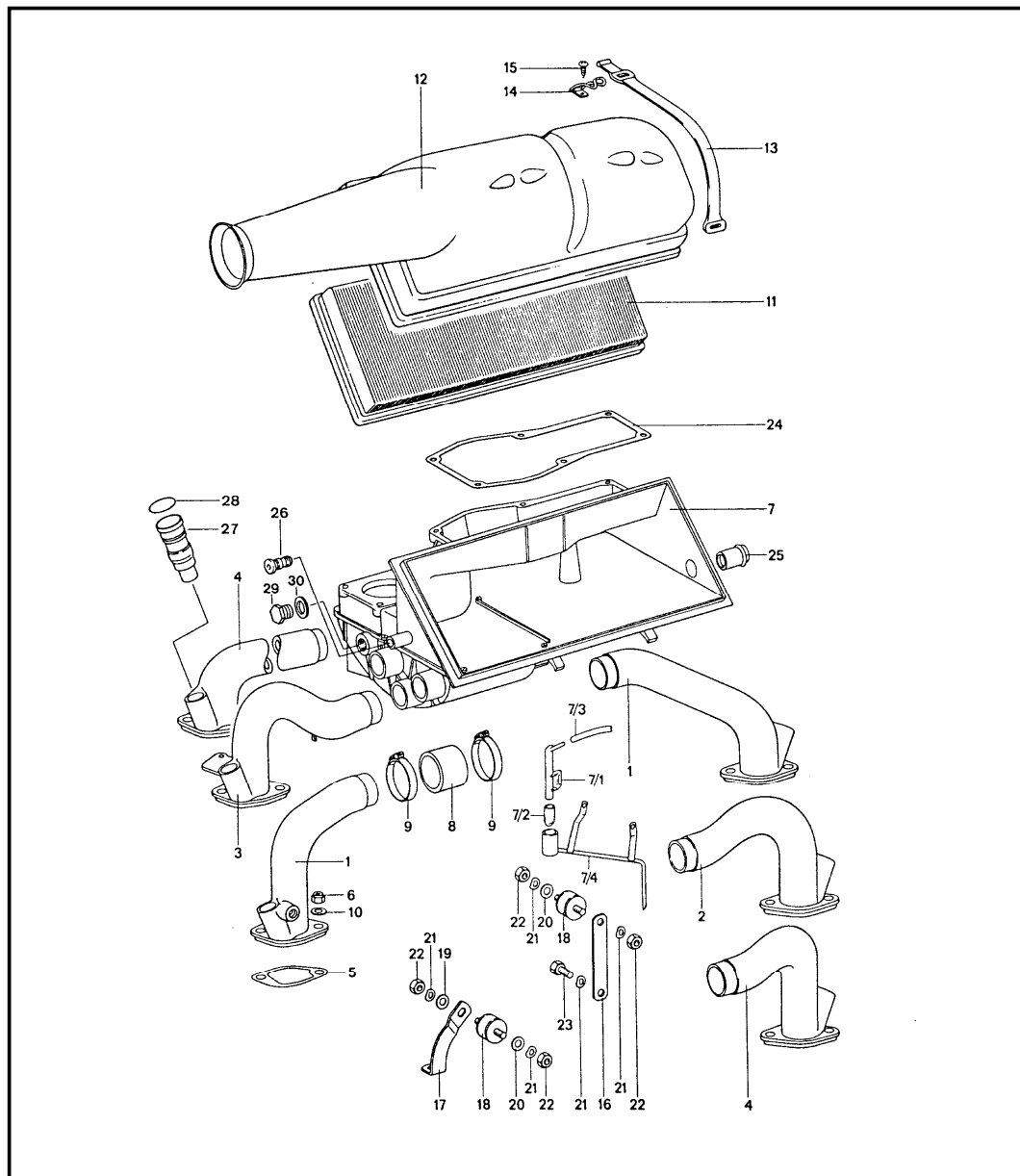


Pos	Part Number	Description	Remark	Qty	Model
		air duct engine cover			
1	901 106 702 00	engine cover i	/L	1	CARRERA 2.7
2	901 106 071 01	engine cover ii	/L	1	CARRERA 2.7
3	901 106 081 04	engine cover		1	911/911S CARRERA 3,0
(3)	905 106 081 04	engine cover	/L	1	SPM
(3)	930 106 083 00	engine cover	/L	1	SPM
4	911 106 802 00	engine cover	/R	1	
5	901 106 083 02	engine cover		1	911/911S CARRERA 3,0
5	911 106 083 00	engine cover	/L	1	911S
6	901 106 083 04	engine cover	/L	1	CARRERA 2.7
7	901 106 084 00	engine cover	/R	75-	1
7	911 106 084 00	engine cover	/R	1	911/94/99
8	901 106 825 00	cover	/L	-74	1
8	901 106 825 00	cover	/L	75-	1
8	911 106 853 00	cover		1	911/911S CARRERA 3,0
9	901 106 826 00	cover	/R	1	
10	901 106 085 05	engine cover		1	911/911S
(10)	911 106 085 00	engine cover		1	911/83
10	911 106 085 02	engine cover		75-	1
10	911 106 085 03	engine cover		75-	1
		air conditioner			
11	900 075 010 02	hexagon-head bolt M 6 X 12		39	
-	N 012 226 5	spring washer B 6		39	
12	N 011 524 7	washer 6,4		41	

Model	Year	MG	SG	Illustration	Restrictions	UPD	20:56	22.01.2010	PORSCHE	PET	PORSCHE
911	1977	1	05	105-10		248					

Pos	Part Number	Description	Remark	Qty	Model	Pos	Part Number	Description	Remark	Qty	Model
13	N 010 208 5	hexagon-head bolt M 6 X 8		2							
14	901 106 035 01	baffle plate		4	911/911S CARRERA 2,7						
(14)	930 106 023 00	baffle plate		4	CARRERA 3.0						
15	901 106 041 00	baffle plate	/V/L/H/R	2	911/911S CARRERA 2,7						
(15)	930 106 221 00	baffle plate	/V/L/H/R	2	CARRERA 3.0						
16	901 106 039 01	baffle plate	/V/R/H/L	2	911/911S CARRERA 2,7						
(16)	930 106 222 00	baffle plate	/V/R/H/L	2	CARRERA 3.0						
17	901 106 339 01	leaf spring		4	911/911S CARRERA 2,7						
17	930 106 228 00	leaf spring		6	CARRERA 3.0						
18	930 106 301 00	cover plate		2	CARRERA 3.0						

Model	Year	MG	SG	Illustration	Restrictions	UPD	20:56	22.01.2010	PORSCHE	PET	PORSCHE
911	1977	1	06	106-00		248					



Pos	Part Number	Description	Remark	Qty	Model
1	911 110 420 00	air cleaner k-jetronic intake pipe cylinder 1./6. for 911/41/46/92/97		2	
(1)	911 110 420 02	intake pipe	75-	2	911/911S
(1)	911 110 420 04	intake pipe cylinder 1./6.		2	CARRERA 3.0
(1)	911 110 490 02	intake pipe	75-	1	911
2	911 110 410 00	intake pipe cylinder 5. for 911/41/46/92/97		1	
(2)	911 110 410 02	intake pipe	-75	1	911S
(2)	911 110 450 02	intake pipe	76-	1	911/911S
(2)	911 110 450 04	intake pipe cylinder 5.	76-	1	CARRERA 3.0
3	911 110 430 00	intake pipe cylinder 2.	-74	1	911
(3)	911 110 470 00	intake pipe cylinder 2.	75-	1	911/41/46
(3)	911 110 430 02	intake pipe	-74	1	911S
(3)	911 110 470 02	intake pipe	75-	1	911/911S
(3)	911 110 470 04	intake pipe cylinder 2.		1	CARRERA 3.0
-	999 513 002 40	tie-wrap		1	911 CARRERA 3,0
4	911 110 440 00	intake pipe cylinder 3./4.	-74	2	911
4	911 110 440 00	intake pipe cylinder 4.	75-	1	911/41/46

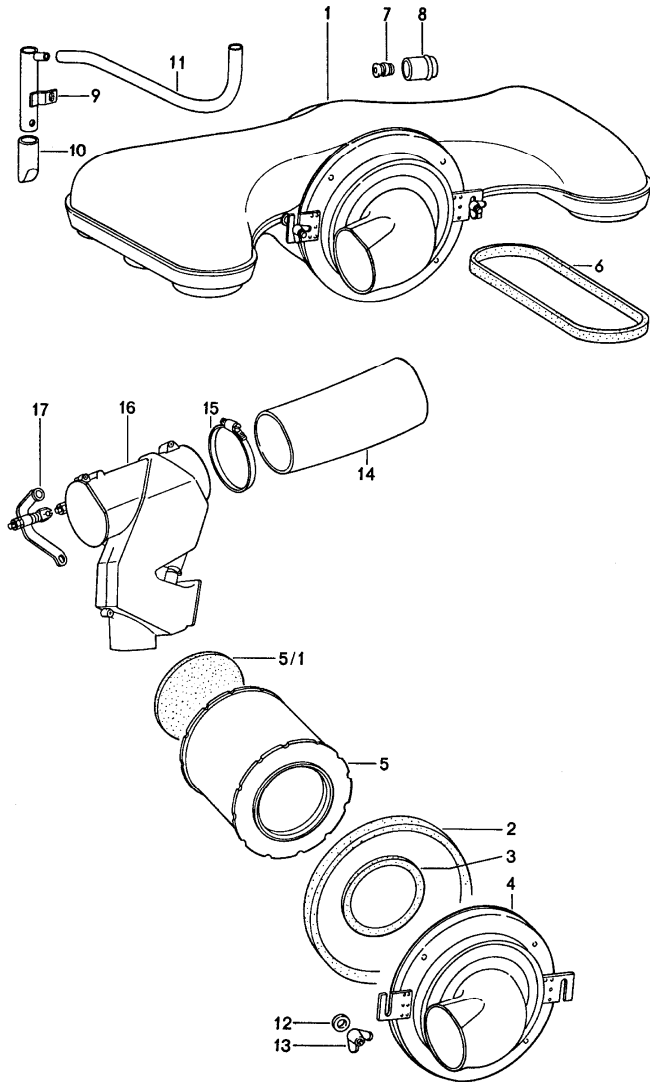
Model	Year	MG	SG	Illustration	Restrictions	UPD	20:56	22.01.2010	PORSCHE	PET	PORSCHE
911	1977	1	06	106-00		248					

Pos	Part Number	Description	Remark	Qty	Model	Pos	Part Number	Description	Remark	Qty	Model
4	911 110 480 00	intake pipe cylinder 3.	75-	1	911/41/46	7/4	930 110 453 00	pipeline		1	911/911S CARRERA 3,0
(4)	911 110 440 02	intake pipe	-74	2	911S	8	911 110 885 02	rubber sleeve		6	911/911S
(4)	911 110 440 02	intake pipe cylinder 4. for 911/42/43/44/47/48/49 911/81/82/84/85/86/89 911/90/94/99		1		8	911 110 885 03	rubber sleeve for intake pipe		6	CARRERA 3.0
(4)	911 110 480 02	intake pipe cylinder 3. for 911/42/43/44/47/48/49 911/81/82/84/85/86/89 911/90/94/99		1		9	999 512 267 02	hose clamp		12	911/911S
(4)	911 110 440 04	intake pipe cylinder 4.		1	CARRERA 3.0	9	999 512 230 02	hose clamp 51/9 ZY.		12	CARRERA 3.0
(4)	911 110 480 04	intake pipe cylinder 3.		1	CARRERA 3.0	10	900 025 007 02	washer		12	911/911S CARRERA 3,0
(4)	911 110 192 01	gasket		6	911/911S CARRERA 3,0	11	911 110 185 02	filter element		1	911/911S CARRERA 3,0
6	999 084 601 02	lock nut		12	911/911S CARRERA 3,0	12	930 110 184 00	lid		1	911/911S CARRERA 3,0
(7)	911 110 104 19	housing for 911/41/42/43/46/47/48		1		13 A	911 110 365 01	rubber strap		2	911/911S CARRERA 3,0
(7)	911 110 104 24	housing for 911/81/82/86/92/93/97/98		1		13	930 110 365 00	restraining strap	RERA 3.0	2	911/911S/CAR CARRERA 3,0
(7)	911 110 106 13	housing	76-	1	930/02/12	14	911 110 356 01	support		2	911/911S CARRERA 3,0
7/1	911 108 021 02	tube		1	911/911S CARRERA 3,0	15	900 143 126 02	tapping screw		2	911/911S CARRERA 3,0
7/2	253 260 180	valve		1	911/911S CARRERA 3,0	16	911 110 133 02	strut		1	911/911S CARRERA 3,0
-	999 180 030 50	fuel hose		*	911/911S CARRERA 3,0	17	911 110 132 00	strut	-74	1	911/911S
7/3	-	285 MM		1	911/911S CARRERA 3,0	(17)	911 110 269 00	strut	75-	1	911/911S CARRERA 3,0
						18	911 110 154 00	bonded rubber buffer		2	911/911S CARRERA 3,0
						19	900 025 007 02	washer		1	911/911S CARRERA 3,0
						20	900 151 008 02	washer		2	911/911S CARRERA 3,0
						21	N 012 241 8	spring washer		5	911/911S CARRERA 3,0
						22	900 076 025 02	hexagon nut		4	911/911S CARRERA 3,0

Model	Year	MG	SG	Illustration	Restrictions	UPD	20:56	22.01.2010	PORSCHE	PET	PORSCHE
911	1977	1	06	106-00		248					

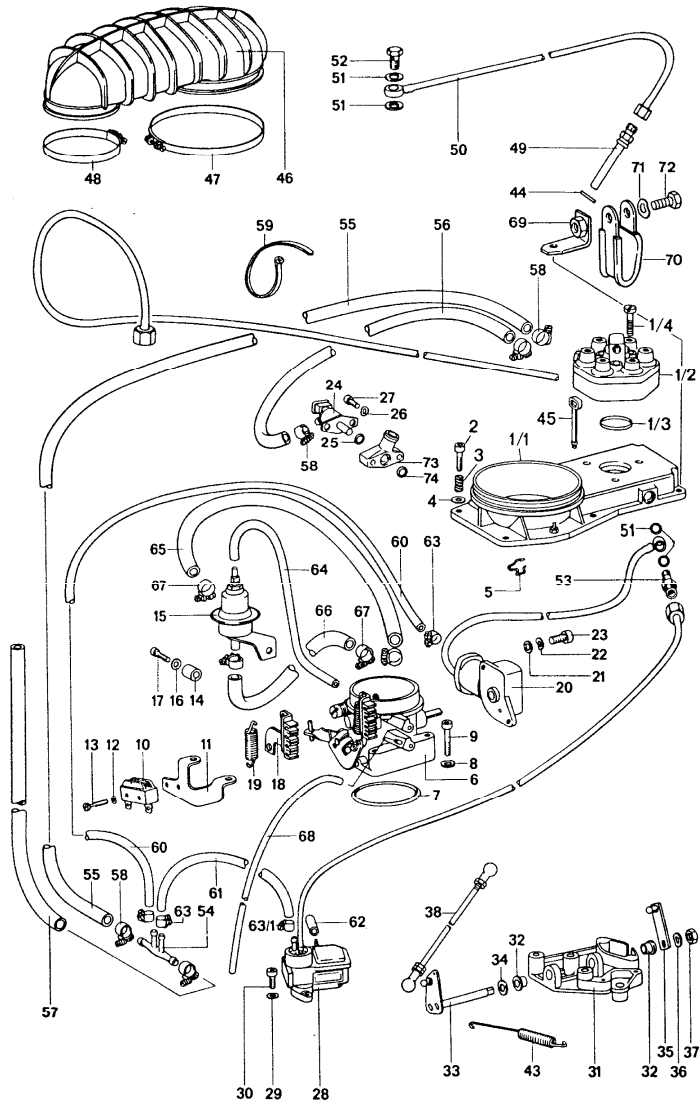
Pos	Part Number	Description	Remark	Qty	Model	Pos	Part Number	Description	Remark	Qty	Model
23	N 010 239 11	hexagon-head bolt		1	911/911S CARRERA 3,0	-	999 512 045 02	hose clamp	76-	1	911/911S CARRERA 3,0
24	* 911 110 394 02	gasket		1	911/911S CARRERA 3,0						
25	901 107 729 00	backfire grid		1	911/911S CARRERA 3,0						
26	911 108 291 00	stopper		1	911/911S CARRERA 3,0						
27	911 110 886 03	sleeve		6	911/911S CARRERA 3,0						
28	999 701 446 40	o-ring		6	911/911S CARRERA 3,0						
29	900 124 002 02	screw plug		1	911/911S CARRERA 3,0						
-	911 125 341 01	union	/LL	1	CARRERA 3.0 911/911S						
30	* 900 123 007 30	sealing ring		1	911/911S CARRERA 3,0						
		for cars with brake booster									
-	930 110 267 00	hose connection	/LL	1	CARRERA 3.0 911/911S						
-	911 125 703 01	vacuum hose	/LL	1	CARRERA 3.0 911/911S						
-	999 512 056 02	hose clamp	/LL	2	CARRERA 3.0 911/911S						
-	911 606 102 01	auxiliary air regulator		1							
-	911 110 273 00	additional air valve		1	911/911S CARRERA 3,0						
-	911 110 274 01	support	76-	1	911/911S CARRERA 3,0						
-	911 110 277 01	pipeline	76-	1	911/911S CARRERA 3,0						
-	999 512 552 00	hose clamp	76-	5	911/911S CARRERA 3,0						
-	911 110 276 02	hose line	76-	1	911/911S CARRERA 3,0						

Model	Year	MG	SG	Illustration	Restrictions	UPD	20:56	22.01.2010	PORSCHE	PET	PORSCHE
911	1977	1	06	106-05		248					



Pos	Part Number	Description	Remark	Qty	Model
		air cleaner regulator housing			911/83
		not for COUPE/TARGA			
1	911 108 002 00	air cleaner without POS. 5, 6, 8		1	
2	901 108 215 00	gasket		1	
3	901 108 983 00	gasket		1	
4	911 108 044 00	lid complete		1	
5	901 108 955 11	filter element		1	
5/1	911 108 285 00	sealing washer		1	
6	* 901 108 214 03	gasket		2	
7	911 108 291 00	stopper		1	
8	901 107 729 00	backfire grid		1	
9	911 108 021 02	tube		1	
10	253 260 180	valve		1	
-	999 180 030 50	fuel hose C 7 X 12		*	
11	-	285 MM		1	
12	900 025 038 40	washer 8,4		2	
13	900 029 003 40	winged nut M 8		2	
14	911 108 272 00	hose		1	
15	999 512 181 02	hose clamp		1	
16	911 108 015 00	regulator housing		1	
17	911 108 061 00	lever		1	

Model	Year	MG	SG	Illustration	Restrictions	UPD	20:57	22.01.2010	PORSCHE	PET	PORSCHE
911	1977	1	07	107-00		248					



Pos	Part Number	Description	Remark	Qty	Model
-	911 110 925 00	K - JETRONIC mixture control unit	74-76	1	
-	911 110 925 00	mixture control unit for 911/92/93/97/98		1	
1/1	911 110 948 00	mass air flow meter		1	911/911S
1/1	930 110 801 00	mass air flow meter		1	CARRERA 3.0
1/2	...	fuel distributor siehe 1/07/10		1	
1/2 >	930 110 802 00	fuel distributor		1	CARRERA 3.0
1/3	911 110 932 00	sealing ring		1	911/911S CARRERA 3,0
1/4	911 110 933 00	pan-head screw		3	911/911S CARRERA 3,0
-	911 110 928 00	set		1	911/911S
-	911 110 094 01	fuel line		1	911/911S
-	911 110 570 00	fuel line		1	911/911S CARRERA 3,0
-	N 020 704 2	connection piece		2	911/911S CARRERA 3,0
- *	N 013 812 2	sealing ring		2	911/911S CARRERA 3,0
2	900 067 089 02	pan-head screw		6	911/911S CARRERA 3,0
3	911 110 364 00	compression spring		6	911/911S CARRERA 3,0
4	900 031 011 02	washer		6	911/911S CARRERA 3,0
5	911 110 921 00	clamp		1	911/911S CARRERA 3,0
6	911 110 247 01	flap connection for 911/41/42/43/46-48/92/93/911/97/98 56 \$ not for	(CAL)	75-	
(6)	911 110 247 09	flap connection 56 \$		76-	911/81/82/86

Model	Year	MG	SG	Illustration	Restrictions	UPD	20:57	22.01.2010	PORSCHE	PET	PORSCHE
911	1977	1	07	107-00		248					

Pos	Part Number	Description	Remark	Qty	Model	Pos	Part Number	Description	Remark	Qty	Model
(6)	911 110 247 10	flap connection		1	911/85/90 911/94/99	23	900 067 003 02	pan-head screw		2	911/911S
		56 \$				24	911 606 101 02	start valve		1	911/911S
(6)	930 110 248 00	flap connection		1	CARRERA 3.0	(24)	911 606 107 01	start valve		1	911/911S CARRERA 3,0
-	911 110 923 00	compression spring		1	911/911S CARRERA 3,0	25	999 701 144 50	o-ring		1	911/911S
-	911 110 924 00	throttle screw		1	911/911S CARRERA 3,0	(25) *	999 701 395 50	o-ring		1	911/911S CARRERA 3,0
7	* 999 701 124 40	o-ring		1	911/911S CARRERA 3,0	26	900 028 007 02	spring washer		2	911/911S CARRERA 3,0
8	N 012 226 5	spring washer		4	911/911S CARRERA 3,0	27	900 067 134 02	pan-head screw	-75	2	911S CARRERA 2,7
9	900 067 013 02	pan-head screw		4	911/911S CARRERA 3,0	27	900 067 150 02	pan-head screw		2	911/911S CARRERA 3,0
10	911 613 106 00	microswitch	-75	1	911/911S	28	911 110 927 00	warm-up valve		1	911/911S
11	911 110 580 00	support	-75	1	911/911S	(28) >	911 606 903 00	warm-up valve	75	1	911/911S
12	900 028 018 01	spring washer	-75	2	911/911S	(28)	911 606 903 X	warm-up valve	75	1	911/911S
13	900 014 091 02	pan-head screw	-75	2	911/911S	(28) >	911 606 105 04	warm-up valve		1	911/911S
14	911 110 591 00	spacer sleeve		1	911/911S CARRERA 3,0	(28)	911 606 105 DX	warm-up valve		1	911/911S CARRERA 3,0
15	911 110 220 00	vacuum limiter		1	911/911S	-	911 110 097 01	fuel line		1	911/911S
15	930 110 220 00	vacuum limiter		1	CARRERA 3.0	-	911 110 097 01	fuel line mixture control unit warm-up valve	75	1	911/911S
16	N 012 226 5	spring washer		1	911/911S	-	911 110 501 00	fuel line		1	911/911S CARRERA 3,0
17	N 010 220 3	hexagon-head bolt		1	911/911S						
18	911 110 918 00	support		1	911/911S CARRERA 3,0	29	N 012 226 5	spring washer		2	911/911S CARRERA 3,0
19	930 110 497 00	tension spring		1	911/911S CARRERA 3,0	30	N 014 740 2	pan-head screw		2	911/911S
20	911 110 916 00	control valve		1	911/911S	30	N 014 740 2	pan-head screw M 6 X 16		2	911/911S
20	911 110 916 00	control valve	75	1	911/911S	(30)	N 044 703 3	pan-head screw		2	911/911S CARRERA 3,0
-	911 110 096 00	fuel line		1	911/911S	-	900 915 004 02	connection piece		1	911/911S CARRERA 3,0
21	N 011 556 2	washer		2	911/911S						
22	N 012 005 3	lock ring		2	911/911S	- *	900 123 003 30	sealing ring		1	911/911S CARRERA 3,0

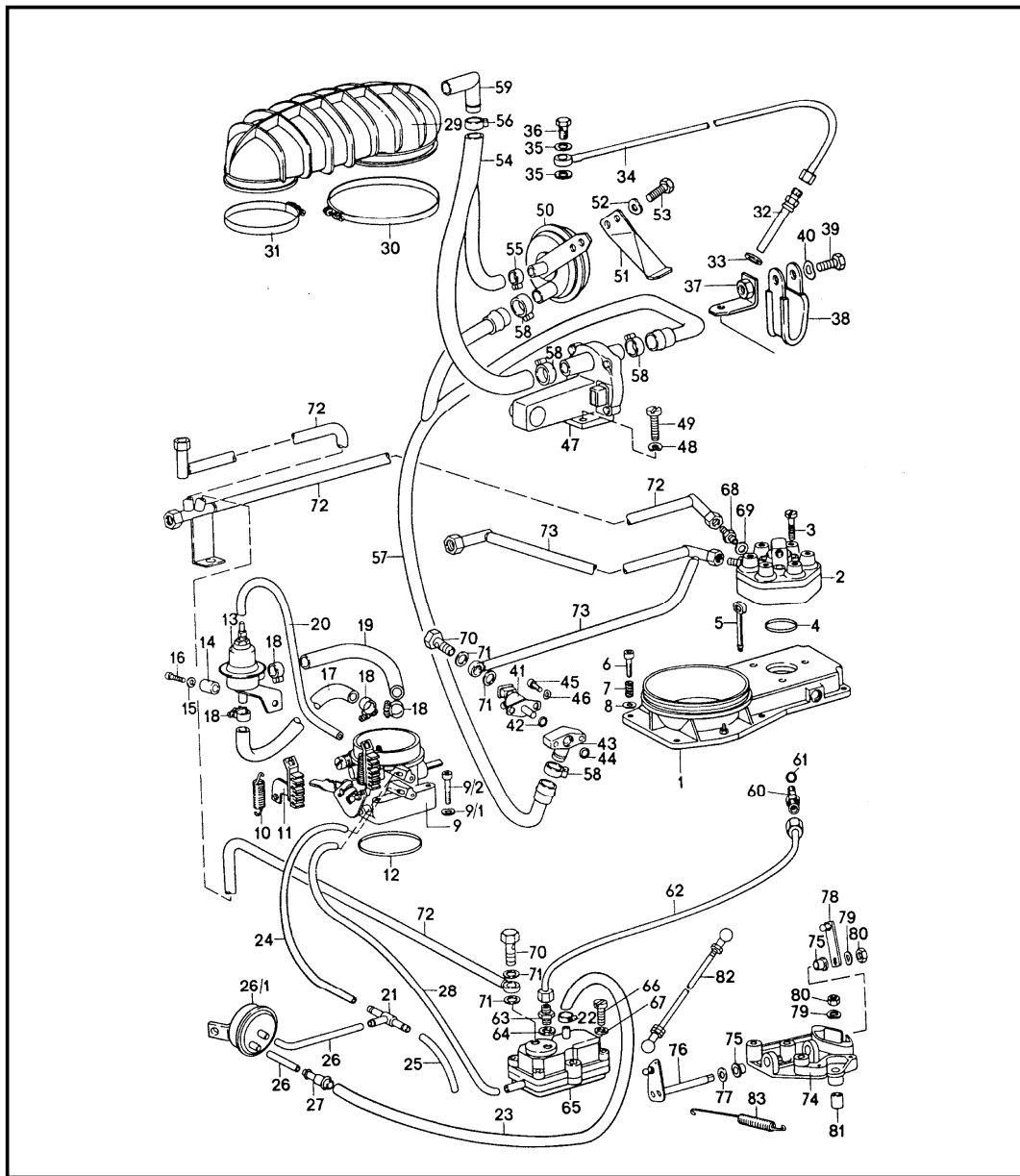
Model	Year	MG	SG	Illustration	Restrictions	UPD	20:57	22.01.2010	PORSCHE	PET	PORSCHE
911	1977	1	07	107-00		248					

Pos	Part Number	Description	Remark	Qty	Model	Pos	Part Number	Description	Remark	Qty	Model
31	911 110 234 00	bracket		1	911/911S CARRERA 3,0	47	999 512 303 02	hose clamp		1	911/911S CARRERA 3,0
32	901 423 253 00	bearing sleeve		2	911/911S CARRERA 3,0	48	999 512 302 02	hose clamp		1	911/911S CARRERA 3,0
33	911 110 060 01	lever		1	911/911S CARRERA 3,0	49	911 110 225 01	injector valve		6	911/911S CARRERA 3,0
34	900 031 001 02	washer		1	911/911S CARRERA 3,0	50	911 110 093 11	injection line		3	911/911S CARRERA 3,0
35	911 110 110 00	lever		1	911/911S CARRERA 3,0	50	911 110 093 12	injection line		3	911/911S CARRERA 3,0
36	N 012 241 8	spring washer		1	911/911S CARRERA 3,0	51	* 900 123 050 20	sealing ring		14	911/911S CARRERA 3,0
37	900 076 025 02	hexagon nut		1	911/911S CARRERA 3,0	52	911 110 899 00	banjo bolt		6	911/911S CARRERA 3,0
38	911 110 077 01	pull rod		1	911/911S CARRERA 3,0	53	911 110 159 00	screw socket		1	911/911S CARRERA 3,0
43	911 110 165 02	tension spring		1	911/911S CARRERA 3,0	53	911 110 159 00	screw socket	75-	1	911/911S
44	* 999 701 423 40	o-ring		6	911/911S CARRERA 3,0	(53)	911 110 160 01	screw socket		1	911/911S CARRERA 3,0
45	911 110 934 00	stopper		1	911/911S CARRERA 3,0	54	911 110 134 02	reducing socket		1	911/911S
45	911 110 934 00	stopper		1		-	999 181 152 50	hose		*	911/911S
46	911 110 358 02	air box		1	911/911S	55	-	630 MM		1	911/911S
46	911 110 358 02	air box	-74	1	911/911S CARRERA 2,7	-	999 181 152 50	hose		*	911/911S
(46)	930 110 358 00	air box	75	1	911/911S	56	-	410 MM		1	911/911S
(46)	930 110 358 00	air box	75	1	911S CARRERA 2,7	-	999 181 152 50	hose		*	911/911S
(46)	930 110 358 03	air box		1	911/911S CARRERA 3,0	57	-	330 MM		1	911/911S
(46)	930 110 358 03	air box	-74	1	911S	58	999 512 160 02	hose clamp	-74	6	911/911S
-	911 110 286 00	connecting pipe		1	911/911S CARRERA 3,0	59	999 513 002 40	tie-wrap		1	911/911S CARRERA 3,0
-	N 024 141 2	hose clamp		2	911/911S CARRERA 3,0	59	999 513 002 40	tie-wrap 186 MM		1	
						59	999 513 008 40	tie-wrap		1	911/911S CARRERA 3,0
						59	999 513 008 40	tie-wrap 100 MM		1	

Model	Year	MG	SG	Illustration	Restrictions	UPD	20:57	22.01.2010	PORSCHE	PET	PORSCHE
911	1977	1	07	107-00		248					

Pos	Part Number	Description	Remark	Qty	Model	Pos	Part Number	Description	Remark	Qty	Model
-	999 181 167 50	hose		*	911/911S	66	-	100 MM		1	911/911S CARRERA 3,0
60	-	360 MM		1	911/911S	-	N 020 359 1	hose		*	911/911S CARRERA 3,0
-	911 110 406 00	fuel line complete	75	1	911/911S	-	N 020 359 1	hose	3.0	*	911/CARRERA
		mixture control unit	76					C 9 X 15		1	911/CARRERA
		warm-up valve						120 MM			
		control valve						flap connection			
-	911 110 502 00	fuel line	76	1	911/911S CARRERA 3,0	67	N 023 570 2	hose clamp		4	911/911S CARRERA 3,0
-	999 181 167 50	hose		*	911/911S	-	999 180 093 50	hose		*	
61	-	300 MM		1	911/911S	68	-	650 MM		1	911/911S
62	911 110 285 00	insulating sleeve		1	911/911S CARRERA 3,0	-	999 181 281 50	vacuum hose		*	911/911S CARRERA 3,0
63 A	999 512 082 02	hose clamp		4	911/911S	68	-	650 MM		1	911/911S CARRERA 3,0
63/1	999 512 160 02	hose clamp		1	911/911S CARRERA 3,0	69	911 110 238 00	bracket		1	911/911S CARRERA 3,0
-	999 181 715 40	vacuum hose		*	911/911S CARRERA 3,0	70	999 511 097 02	pipe clamp		1	911/911S CARRERA 3,0
64	-	220 MM		1	911/911S CARRERA 3,0	71	N 012 226 5	spring washer		1	911/911S CARRERA 3,0
-	999 181 167 50	hose		*	911 CARRERA 3,0	72	900 075 010 02	hexagon-head bolt		1	911/911S CARRERA 3,0
		520 MM	76-	1	911 CARRERA 3,0	73	911 110 264 00	intermediate piece		1	911/911S CARRERA 3,0
-	N 020 359 1	hose		*	911/911S	73	911 110 264 01	intermediate piece		1	911/911S
65	-	190 MM		1	911/911S	74	999 701 210 40	o-ring		1	911/911S CARRERA 3,0
-	N 020 359 1	hose		*	911/911S CARRERA 3,0	-	999 181 701 50	vacuum hose		*	911 CARRERA 3,0
65	-	190 MM		1	911/911S CARRERA 3,0	-	999 511 096 02	pipe clamp	75-	1	911/911S
-	N 020 359 1	hose		*	911/911S CARRERA 3,0			1100. 12-18/15			
-	911 110 287 00	reducing t-union	76	1	911 CARRERA 2,7						
-	N 020 359 1	hose		*	911/911S CARRERA 3,0						

Model	Year	MG	SG	Illustration	Restrictions	UPD	20:57	22.01.2010	PORSCHE	PET	PORSCHE
911	1977	1	07	107-05		248					



Pos	Part Number	Description	Remark	Qty	Model
		K - JETRONIC mixture control unit	77-		
1	911 110 948 00	mass air flow meter		1	911/911S
(1)	930 110 801 00	mass air flow meter		1	CARRERA 3.0
2	> 911 110 935 01	fuel distributor		1	911/911S
(2)	> 930 110 802 00	fuel distributor		1	CARRERA 3.0
3	911 110 933 00	pan-head screw M 5 X 50		3	
4	911 110 932 00	sealing ring		1	
5	911 110 934 00	stopper		1	
6	900 067 089 02	pan-head screw M 6 X 25		6	
7	911 110 364 00	compression spring		6	
8	900 031 011 02	washer 6,4		6	
9	911 110 247 09	flap connection \$ 56		1	911/81/86
(9)	911 110 247 10	flap connection \$ 56 for 911/85/90/94/99		1	
(9)	930 110 248 00	flap connection \$ 63		1	930/02/12
9/1	N 012 226 5	spring washer B 6		4	
9/2	900 067 013 02	pan-head screw M 6 X 35		4	
10	930 110 497 00	tension spring		1	
11	911 110 918 01	support		1	
12	999 701 124 40	o-ring 67,5 X 4		1	
13	911 110 220 00	vacuum limiter		1	911/911S
(13)	930 110 220 00	vacuum limiter		1	CARRERA 3.0
14	911 110 591 00	spacer sleeve		1	

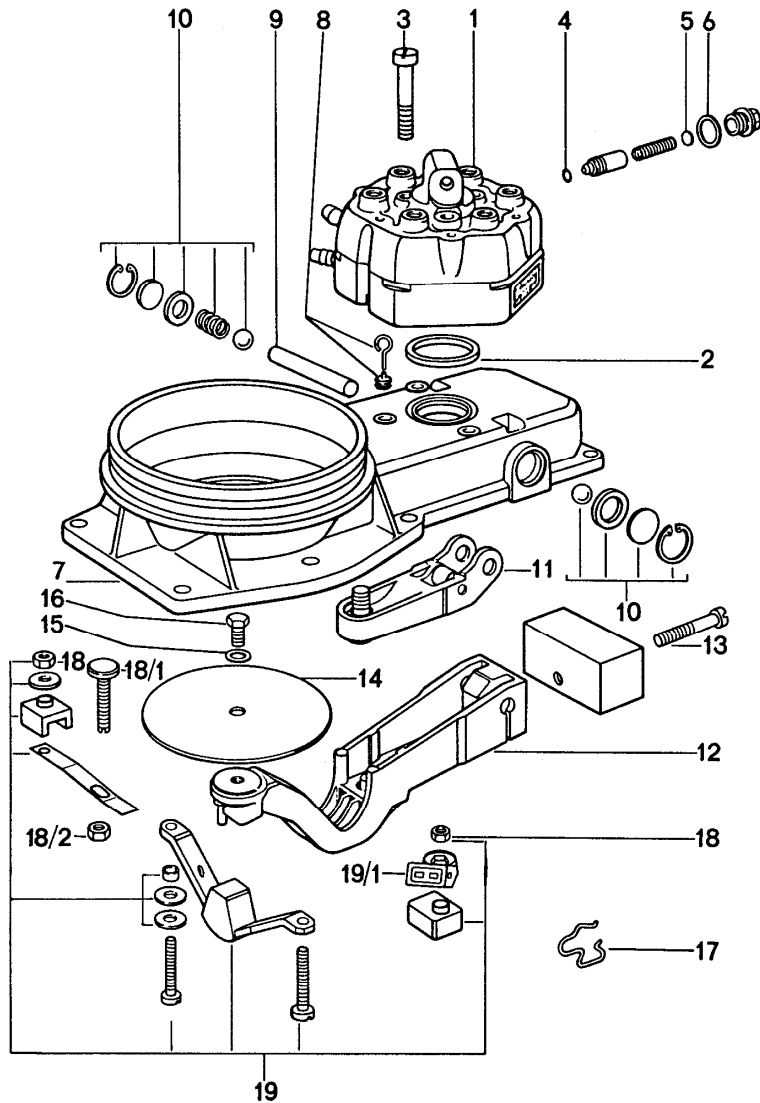
Model	Year	MG	SG	Illustration	Restrictions	UPD	20:57	22.01.2010	PORSCHE	PET	PORSCHE
911	1977	1	07	107-05		248					

Pos	Part Number	Description	Remark	Qty	Model	Pos	Part Number	Description	Remark	Qty	Model
15	N 012 226 5	spring washer B 6		1		-	N 023 570 2	hose clamp		4	
16	N 010 220 3	hexagon-head bolt M 6 X 28		1		29	930 110 358 03	air box		1	
-	N 020 359 1	hose C 9 X 15		*		30	999 512 303 02	hose clamp		1	
17	-	190 MM		1		31	999 512 302 02	hose clamp		1	
18	N 023 570 2	hose clamp		4		32	911 110 225 01	injector valve		6	
-	N 020 359 1	hose C 9 X 15		*		33 *	999 701 423 40	o-ring		6	
19	-	110 MM		1		34	911 110 093 11	injection line cylinder 1./2./3.		3	
-	999 181 715 40	vacuum hose 4 X 10		*		(34)	911 110 093 12	injection line cylinder 4./5./6.		3	
20	-	220 MM		1		35 *	900 123 050 20	sealing ring		12	
21	999 137 004 40	t-socket		1		36	911 110 899 00	banjo bolt		6	
22	999 512 160 02	hose clamp		1		37	911 110 238 00	bracket		1	
-	999 181 709 50	hose 8 X 14		*		38	999 511 097 02	pipe clamp		1	
23	-	40 MM		1		39	900 075 010 02	hexagon-head bolt B 6 X 12		1	
-	999 181 281 50	vacuum hose C 3,2 X 7		*		40	N 012 226 5	spring washer B 6		1	
24	-	300 MM		1		41	911 606 107 01	start valve		1	
-	999 181 281 50	vacuum hose C 3,2 X 7		*		42	999 701 395 50	o-ring 7 - 2 B		1	
25	-	350 MM		1		43	911 110 264 00	intermediate piece		1	
-	999 181 715 40	vacuum hose 4 X 10		*		44	999 701 210 40	o-ring 20 - 2,5		1	
26	-	300 MM		1		45	900 067 150 02	pan-head screw M 5 X 32		2	
26/1	911 606 106 01	thermo valve		1		46	900 028 007 02	spring washer B 5		2	
27	930 110 273 02	reducing socket		1		47	911 606 102 01	auxiliary air regulator for 911/81/86/94/99 930/02/12		1	
-	911 110 297 00	stopper		1		48	N 012 226 5	spring washer A6		2	
-	999 181 167 50	hose C 4,5 X 10		*							
28	-	520 MM		1							

Model	Year	MG	SG	Illustration	Restrictions	UPD	20:57	22.01.2010	PORSCHE	PET	PORSCHE
911	1977	1	07	107-05		248					

Pos	Part Number	Description	Remark	Qty	Model	Pos	Part Number	Description	Remark	Qty	Model
49	N 014 740 2	pan-head screw M 6 X 16		2		69	N 013 812 2	sealing ring A 12 X 15,5		2	
50	911 110 273 00	additional air valve for 911/81/85/86/94 930/02/12		1		70	911 110 899 00	banjo bolt		2	
50	911 110 273 01	additional air valve		1	911/90/99	71	900 123 050 20	sealing ring A 8,5 X 11,5		4	
51	911 110 274 01	support for additional air valve		1		72	911 110 514 01	fuel line		1	
52	N 012 226 5	spring washer B 6		2		73	930 110 570 00	fuel line		1	
53	N 010 210 13	hexagon-head bolt		2		-	999 513 008 40	tie-wrap 100 MM mount fuel line		1	
54	911 110 276 02	hose line		1		-	999 513 002 40	tie-wrap mount fuel line		1	
55	999 512 045 02	hose clamp		1		74	911 110 234 00	bracket		1	
56	N 024 141 2	hose clamp		2		75	901 423 253 00	bearing sleeve		2	
57	911 110 277 01	pipeline		1		76	911 110 060 01	lever		1	
58	999 512 552 00	hose clamp		4		77	900 031 001 02	washer 8,4		1	
59	911 110 286 00	connecting pipe		1		78	911 110 110 00	lever		1	
-	999 512 045 02	hose clamp		1		79	N 012 241 8	spring washer B 8 X 15		4	
60	911 110 160 01	screw socket		1		80	900 076 025 02	hexagon nut M 8		4	
61	900 123 050 20	sealing ring 8 X 11,5		1		81	901 110 236 00	spacer tube		1	
62	911 110 501 00	fuel line		1		82	911 110 077 01	pull rod		1	
63	900 915 004 02	connection piece		1		83	911 110 165 02	tension spring		1	
64	900 123 003 30	sealing ring 10 X 14		1							
65	> 911 606 105 04	warm-up valve		1							
65	911 606 105 DX	warm-up valve		1							
66	N 044 703 3	pan-head screw M 6 X 45		2							
67	N 012 226 5	spring washer A 6		2							
68	N 020 704 2	connection piece		2							

Model	Year	MG	SG	Illustration	Restrictions	UPD	20:57	22.01.2010	PORSCHE	PET	PORSCHE
911	1977	1	07	107-10		248					

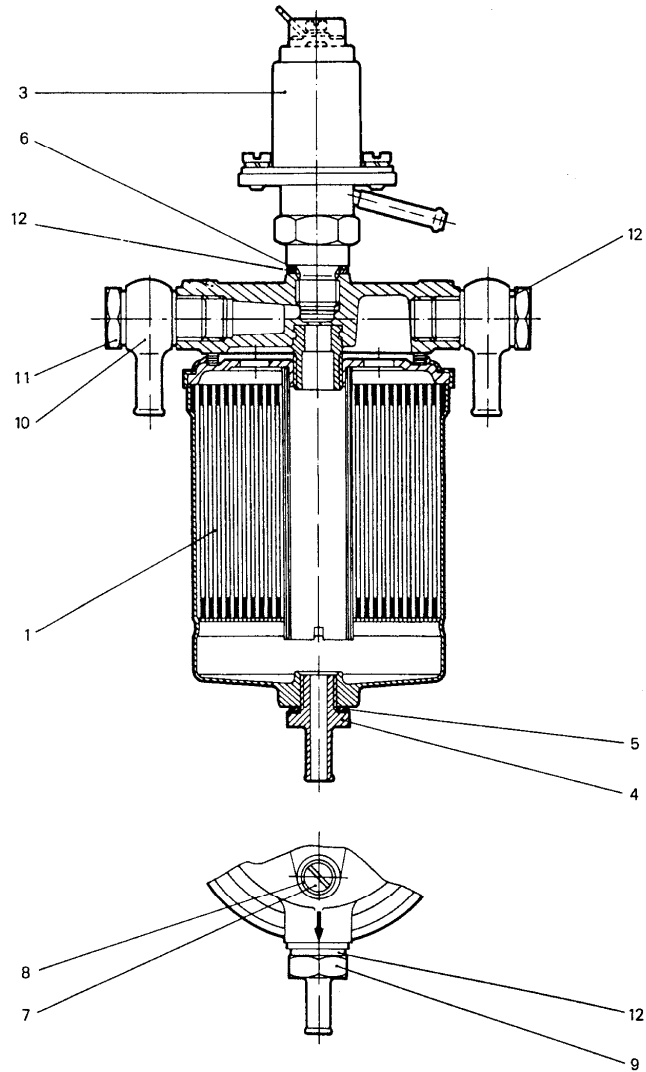


Pos	Part Number	Description	Remark	Qty	Model
		mixture control unit single parts			
1	> 911 110 935 02	fuel distributor		1	
1	911 110 935 BX	fuel distributor for 911/91/92/93/96/97/98		1	
-	911 110 928 00	set	-74	1	911/911S
1	> 930 110 802 00	fuel distributor		1	930/02/12
1	> 911 110 935 01	fuel distributor for 911/41/42/43/44 911/46/47/48/49 911/81/82/84/85/86/89 911/90/94/99		1	
2	911 110 932 00	sealing ring		1	
3	911 110 933 00	pan-head screw M 5 X 50		3	
4	911 110 936 00	sealing ring		1	
5	911 110 937 00	shim 0,1MM		X	
(5)	911 110 937 01	shim 0,5MM		X	
6	* 900 123 033 20	sealing ring A 10 X 13,5		1	
7	911 110 948 00	mass air flow meter		1	911/911S
7	930 110 801 00	mass air flow meter complete		1	930/02/12
8	911 110 934 00	stopper		1	
9	911 110 941 00	straight pin		1	
10	911 110 946 00	parts kit bearing control lever		1	
11	911 110 940 00	lever		1	
12	911 110 939 00	control lever		1	
13	900 014 107 02	pan-head screw M 8 X 40		1	
14	911 110 943 00	air flow sensor plate		1	

Model	Year	MG	SG	Illustration	Restrictions	UPD	20:57	22.01.2010	PORSCHE	PET	PORSCHE
911	1977	1	07	107-10		248					

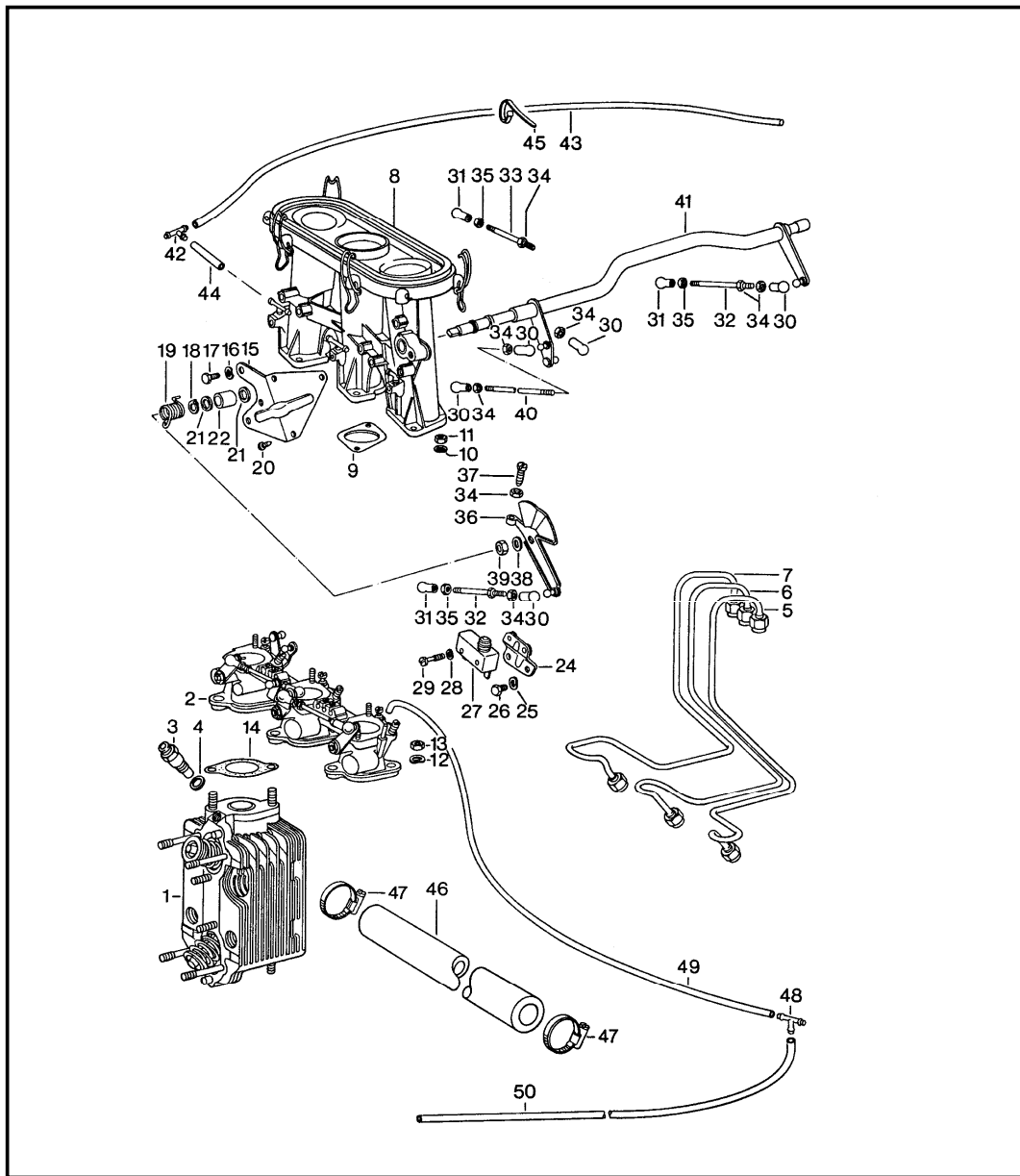
Pos	Part Number	Description	Remark	Qty	Model	Pos	Part Number	Description	Remark	Qty	Model
14	911 110 943 02	air flow sensor plate		1							
15	N 012 226 5	spring washer A 6		1							
16	911 110 944 00	hexagon-head bolt		1							
17	911 110 921 00	clamp		1							
18	911 110 945 00	hexagon nut		2							
18/1	911 110 949 00	adjusting screw		1							
18/2	911 110 950 00	hexagon nut		1							
19	911 110 947 02	stop bar		1							
19/1	911 110 929 00	safety contact		1							

Model	Year	MG	SG	Illustration	Restrictions	UPD	20:57	22.01.2010	PORSCHE	PET	PORSCHE
911	1977	1	07	107-15		248					



Pos	Part Number	Description	Remark	Qty	Model
		fuel filter complete			911/83
1-12	901 110 232 00	fuel filter - bosch -		1	
1	PCG 110 909 10	filter element		1	
3	901 110 911 00	solenoid valve complete		1	
4	901 110 912 00	hose connection		1	
5	900 123 006 25	sealing ring A 12 X 18		1	
6	901 110 920 00	shim		1	
7	901 110 913 00	bleeder screw		1	
8	901 110 914 00	sealing ring ZU 7		1	
9	901 110 915 00	valve		1	
10	901 110 916 00	ring piece		1	
11	901 110 917 00	banjo bolt		1	
12	N 013 849 2	sealing ring A 14 X 18 for POS 3; 9 + 11		1	

Model	Year	MG	SG	Illustration	Restrictions	UPD	20:57	22.01.2010	PORSCHE	PET	PORSCHE
911	1977	1	07	107-20		248					

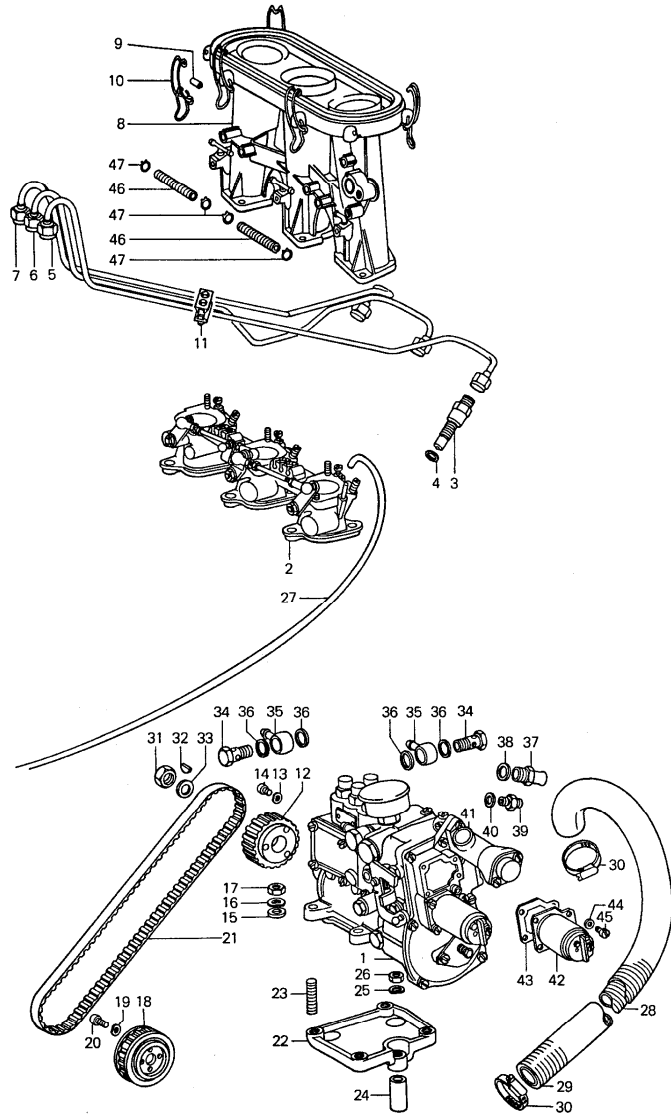


Pos	Part Number	Description	Remark	Qty	Model
1	> 911 104 008 00	mechanical injection left		6	911/83
2	911 110 085 10	cylinder head - NACHARBEIT ERFORDERLICH Fase anbringen !		1	
3	901 110 271 00	throttle body		3	
4	* N 013 812 2	injector valve		3	
5	* N 013 812 2	sealing ring A 12 X 15,5		3	
6	911 110 021 00	injection line cylinder 1.		1	
7	911 110 022 00	injection line cylinder 2.		1	
8	911 110 023 00	injection line cylinder 3.		1	
9	911 110 063 02	intake pipe		1	
10	* 911 110 191 01	gasket		6	
11	N 012 226 5	spring washer B 6		12	
12	900 076 010 02	hexagon nut M 6		12	
13	* 900 031 014 30	washer 8,4		12	
14	999 084 601 02	lock nut M 8		12	
15	* 901 108 391 05	gasket		6	
16	911 108 325 00	support		1	
17	N 012 226 5	spring washer B 6		3	
18	900 075 010 02	hexagon-head bolt M 6 X 12		3	
19	900 041 005 01	circlip		1	
20	901 110 131 00	steering knuckle spring		1	

Model	Year	MG	SG	Illustration	Restrictions	UPD	20:57	22.01.2010	PORSCHE	PET	PORSCHE
911	1977	1	07	107-20		248					

Pos	Part Number	Description	Remark	Qty	Model	Pos	Part Number	Description	Remark	Qty	Model
20	900 143 126 02	tapping screw BZ 5,5 X 13		3		-	999 181 167 50	hose C 4,5 X 10		*	
21	900 234 019 01	shim 12 X 18 X 1		3		43	-	550 MM	/R	1	
22	999 201 035 00	needle-roller bearing 12 X 18 X 16		2		-	999 181 167 50	hose C 4,5 X 10		*	
24	901 110 036 00	support		1		44	-	35 MM	/L	1	
25	N 012 226 5	spring washer B 6		2		45	N 020 902 1	tie-wrap 6,5 X 120		1	
26	900 075 010 02	hexagon-head bolt M 6 X 12		2		46	000 043 205 21	hose 25 X 440 injection pump		1	
27	901 613 106 00	microswitch intake manifold		1		47	999 512 551 00	hose clamp 25 X 42 X 9		2	
28	900 028 018 01	spring washer B 4		2		48	999 137 004 40	t-socket		1	
29	900 014 091 02	pan-head screw BM 4 X 25		2		-	999 180 093 50	hose C 3 X 6,5	-74	*	
30	999 169 002 02	ball socket		5		49	-	180 MM		1	
31	999 169 001 02	ball socket		3		-	999 181 281 50	hose C 3,2 X 7	75-	*	
32	901 110 062 00	push rod		2		49	-	180 MM			
33	901 110 063 00	push rod		1		-	999 180 093 50	hose C 3 X 6,5	-74	*	
34	900 076 027 02	hexagon nut M 5		9		50	-	275 MM		1	
35	900 076 029 02	hexagon nut M 5		3		-	999 181 281 50	hose C 3,2 X 7	75-	*	
36	911 110 054 00	lever		1		50	-	275 MM		1	
37	999 014 007 02	pan-head screw		1							
38	999 523 102 02	lock washer M 8		2							
39	900 076 025 02	hexagon nut M 8 SW 13		1							
40	911 110 611 00	pull rod		1							
41	911 110 073 00	connecting shaft		1							
42	999 137 005 40	t-piece		1							

Model	Year	MG	SG	Illustration	Restrictions	UPD	20:58	22.01.2010	PORSCHE	PET	PORSCHE
911	1977	1	07	107-25		248					



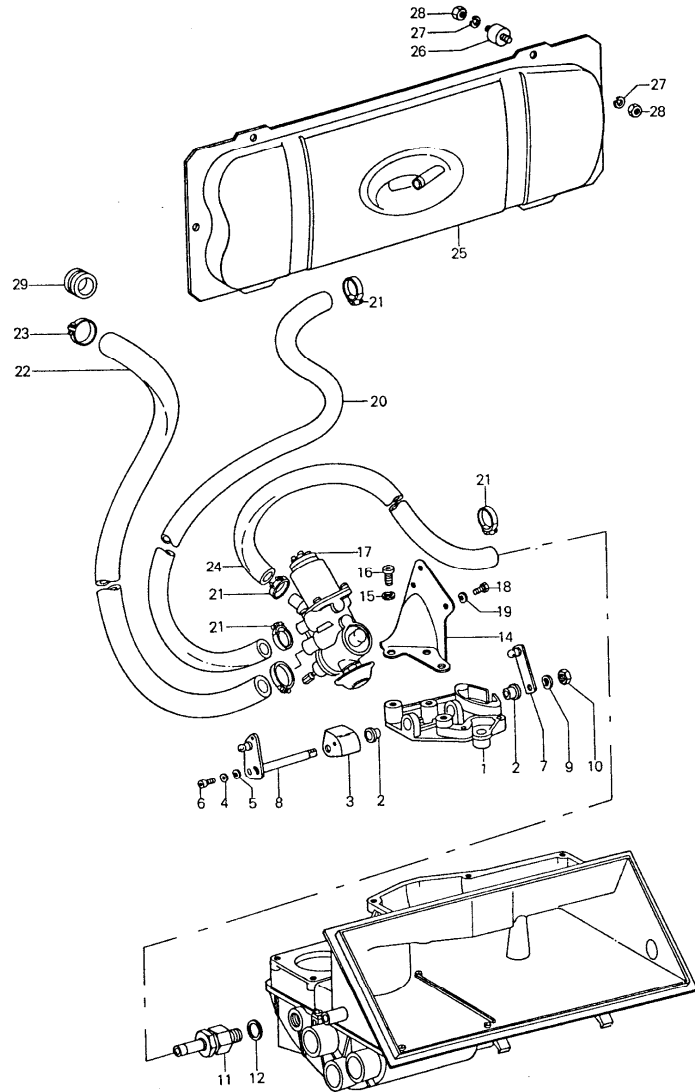
Pos	Part Number	Description	Remark	Qty	Model
		mechanical injection right			911/83
1	> 911 110 254 00	injection pump		1	
2	911 110 085 10	throttle body		1	
3	* 901 110 271 00	injector valve		3	
4	N 013 812 2	sealing ring A 12 X 15,5		3	
5	911 110 024 01	injection line cylinder 4.		1	
6	911 110 025 00	injection line cylinder 5.		1	
7	911 110 026 00	injection line cylinder 6.		1	
8	911 110 063 02	intake pipe		1	
9	900 197 028 00	tensioning sleeve 5 X 14		8	
10	911 108 167 00	catch		8	
-	911 110 075 00	distributing piece		4	
-	911 110 078 00	angled pipe		2	
11	911 110 333 00	clamp		2	
12	901 110 022 00	gear wheel injection pump		1	
13	N 012 226 5	spring washer A 6		3	
-	901 110 238 00	washer		1	
14	900 067 009 02	pan-head screw M 6 X 15		3	
15	900 025 007 02	washer 8,4		4	
16	N 012 241 8	spring washer B 8 X 15		4	
17	502 08 310	nut		4	

Model	Year	MG	SG	Illustration	Restrictions	UPD	20:58	22.01.2010	PORSCHE	PET	PORSCHE
911	1977	1	07	107-25		248					

Pos	Part Number	Description	Remark	Qty	Model	Pos	Part Number	Description	Remark	Qty	Model
18	901 110 023 00	gear wheel camshaft		1		35	911 108 912 00	ring piece		2	
19	N 012 226 5	spring washer A 6		2		36	* 911 108 911 00	sealing ring		4	
20	900 067 008 02	pan-head screw M 6 X 15		2		37	901 110 919 00	adapter		1	
21	999 192 030 40	toothed belt		1		38	* N 013 849 2	sealing ring A 14 X 18		1	
22	901 110 027 00	bracket		1		39	901 110 918 00	adapter		1	
23	999 062 007 02	stud BM 8 X 22		4		40	* 900 123 033 20	sealing ring A 10 X 13,5		1	
24	901 110 236 00	spacer tube		1		41	901 110 924 00	thermostat complete		1	
25	N 012 241 8	spring washer B 8 X 15		3		-	901 110 925 00	insulating piece		1	
26	900 076 025 02	hexagon nut M 8		3		-	900 014 081 02	pan-head screw M 6 X 18		2	
-	999 180 093 50	hose C 3 X 6,5		*		-	901 110 926 00	insulating piece		2	
27	-	500 MM throttle body right t-socket	-74	1		42	911 110 911 00	magnet		1	
-	999 181 281 50	vacuum hose C 3,2 X 7		*		43	* 901 110 922 00	gasket		1	
27	-	500 MM throttle body right t-socket	75-	1		44	901 110 923 00	lock ring		4	
28	901 110 295 00	hose		1		45	900 014 058 02	pan-head screw AM 5 X 12		4	
29	PCG 110 296 00	hose		1		-	999 181 167 50	hose C 4,5 X 10		*	
30	999 512 132 02	hose clamp 20 X 30 X 9		2		46	-	110 MM intake pipe		4	
31	900 078 003 00	hexagon nut M 12		1		47	999 512 185 02	hose clamp		8	
32	N 012 706 1	spring 3 X 6,5		1		-	911 602 103 00	pipe clamp		1	
33	900 028 014 01	spring washer B 12		1		-	999 513 002 40	tie-wrap for hose 901.110.295.00/296.00 regulator housing		1	
34	911 108 910 00	banjo bolt		2							

Model	Year	MG	SG	Illustration	Restrictions	UPD	20:58	22.01.2010	PORSCHE	PET	PORSCHE
911	1977	1	07	107-30		248					

SPORTOMATIC

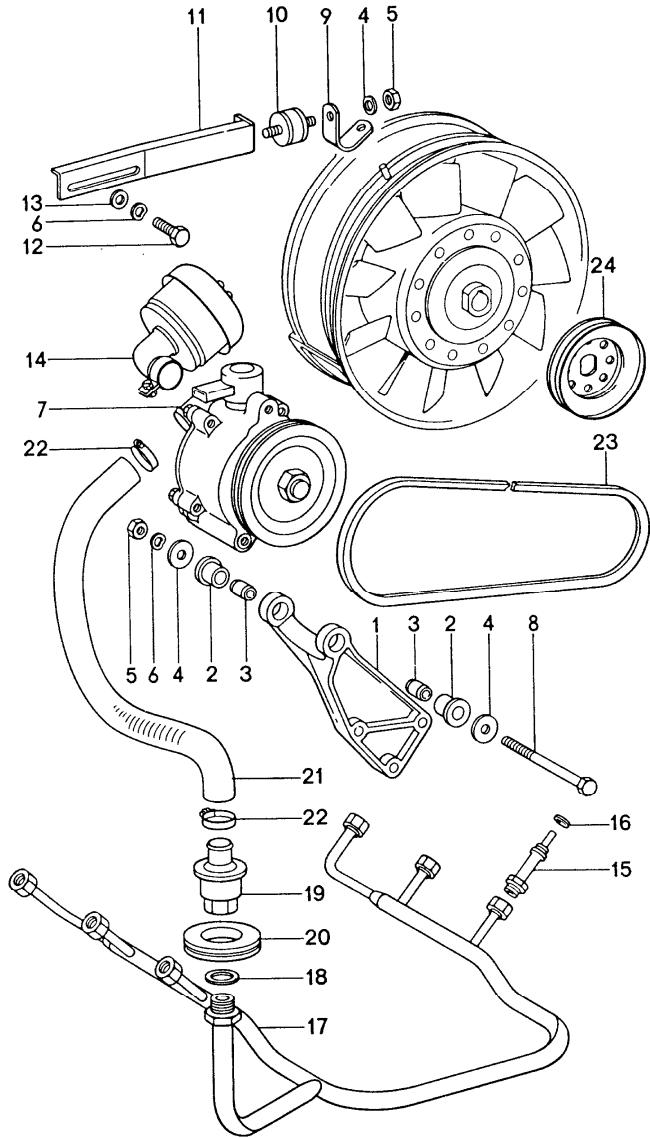


Pos	Part Number	Description	Remark	Qty	Model
		vacuum system for clutch release			SPM
1	911 110 234 00	bracket		1	
2	901 423 253 00	bearing sleeve		2	
3	911 125 027 01	disc cam		1	
4	900 089 011 02	washer 4		1	
5	N 012 224 3	spring washer B 4		1	
6	900 067 080 02	pan-head screw M 4 X 10		1	
7	911 110 110 00	lever		1	
8	911 110 060 01	lever		1	
9	N 012 241 8	spring washer B 8 X 15		1	
10	900 076 025 02	hexagon nut M 8		2	
11	905 116 725 00	check valve	-75	1	
(11)	911 125 341 01	union	76-	1	
12	* 900 123 007 30	sealing ring A 14 X 18		1	
14	911 125 331 01	support		1	
15	N 012 241 8	spring washer B 8 X 15		3	
16	N 014 707 2	pan-head screw M 8 X 15		3	
17	905 108 370 01	control valve		1	911/911S
(17)	905 108 370 02	control valve		1	CARRERA 3.0
(17)	905 108 370 03	control valve		1	911/90/99
18	900 075 010 02	hexagon-head bolt M 6 X 12		3	
19	N 012 226 5	spring washer B 6		3	

Model	Year	MG	SG	Illustration	Restrictions	UPD	20:58	22.01.2010	PORSCHE	PET	PORSCHE
911	1977	1	07	107-30		248					

Pos	Part Number	Description	Remark	Qty	Model	Pos	Part Number	Description	Remark	Qty	Model
-	911 125 703 00	vacuum hose 12 X 3,5		*							
20	-	450 MM		1							
21	999 512 056 02	hose clamp S 18/9		1							
-	999 181 282 50	vacuum hose 15 X 3,5		*							
22	-	350 MM		1							
23	N 023 565 3	hose clamp S 21/9		2							
-	999 181 282 50	vacuum hose 12 X 3,5		*							
24	-	360 MM		1							
25	911 116 033 00	vacuum tank		1							
26	901 504 853 20	bearing		2							
27	900 027 014 01	lock ring B 6		8							
28	900 076 010 02	hexagon nut M 6		8							
29	999 702 064 50	rubber sleeve for brake booster		1							
-	911 125 342 00	y-piece	/LL	77-	1						
-	911 125 703 01	vacuum hose 12 X 3,5		*							
-	-	220 MM	/LL	77-	1						
-	911 125 703 02	vacuum hose 12 X 3,5		*							
-	-	130 MM	/LL	77-	1						
-	999 512 056 02	hose clamp	/LL	77-	2						

Model	Year	MG	SG	Illustration	Restrictions	UPD	20:58	22.01.2010	PORSCHE	PET	PORSCHE
911	1977	1	08	108-00		248					

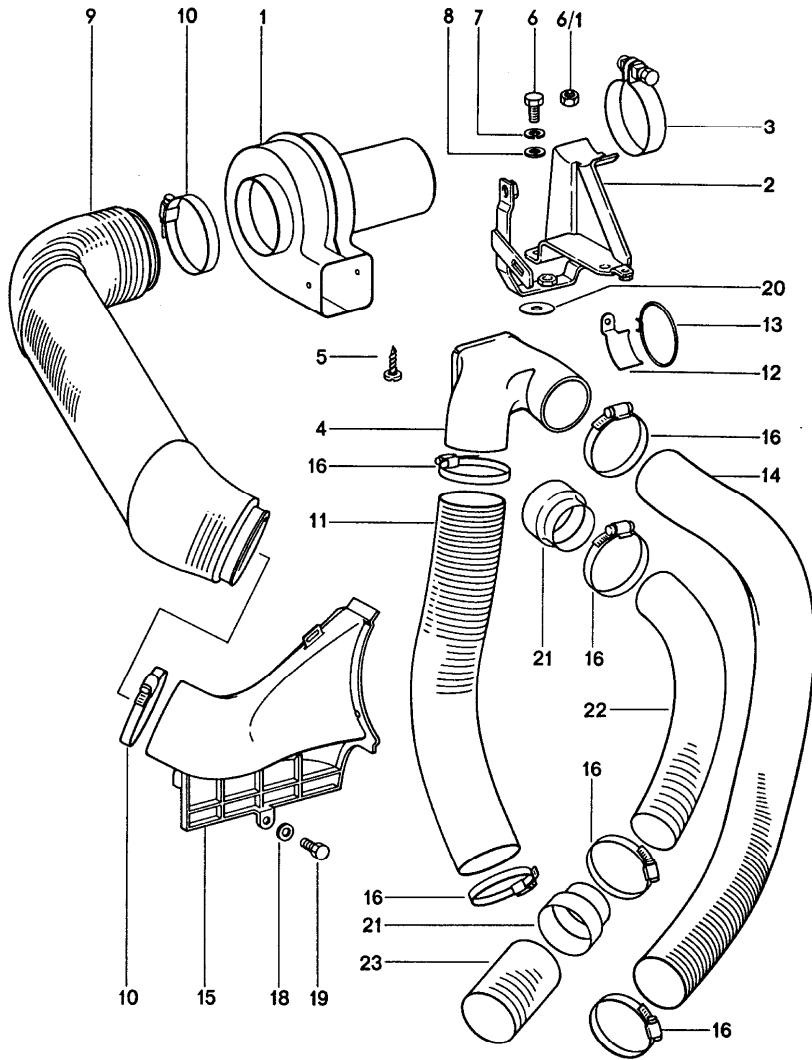


Pos	Part Number	Description	Remark	Qty	Model
		air injection	(J)	77-	
1	911 113 113 02	bracket		1	911S
2	911 113 121 00	rubber mounting		2	911S
3	911 113 122 00	spacer sleeve		2	911S
4	900 151 008 02	washer		2	911S
5	900 076 025 02	hexagon nut		6	911S
6	N 012 241 8	spring washer		6	911S
(7)	911 113 111 03	air pump without pulley	76-	1	911S
-	911 113 158 01	pulley for 911/82/85/90/94/99	76-	1	
(8)	900 249 006 02	countersunk-head screw M 8 X 120	76-	1	911S
9	911 113 126 02	retaining bracket		1	911S
10	911 110 154 00	bonded rubber buffer		1	911S
11	911 113 125 02	support		1	911S
12	900 075 085 02	hexagon-head bolt		1	911S
13	900 025 007 02	washer		1	911S
14	911 113 117 02	air cleaner		1	911S
-	930 113 401 00	filter cartridge		1	911S
15	911 113 145 02	union		6	911S
16	* 900 123 033 20	sealing ring		6	911S
17	911 113 043 01	air tube		1	911S
18	* 900 123 060 30	sealing ring		1	911S
19	911 113 115 01	check valve		1	911S
20	911 113 146 00	gasket		1	911S
21	911 113 118 02	hose		1	911S
22	999 512 038 02	hose clamp		1	911S

Model	Year	MG	SG	Illustration	Restrictions	UPD	20:58	22.01.2010	PORSCHE	PET	PORSCHE
911	1977	1	08	108-00		248					

Pos	Part Number	Description	Remark	Qty	Model	Pos	Part Number	Description	Remark	Qty	Model
23	900 192 021 50	narrow v-belt 9,5 X 950 for 911/82/85/90/94/99	76-	1	911S						
24	911 106 208 00	pulley for 911/82/84/85/89 911/90/94/99	76-	1	911S						

Model	Year	MG	SG	Illustration	Restrictions	UPD	20:58	22.01.2010	PORSCHE	PET	PORSCHE
911	1977	1	08	108-10		248					

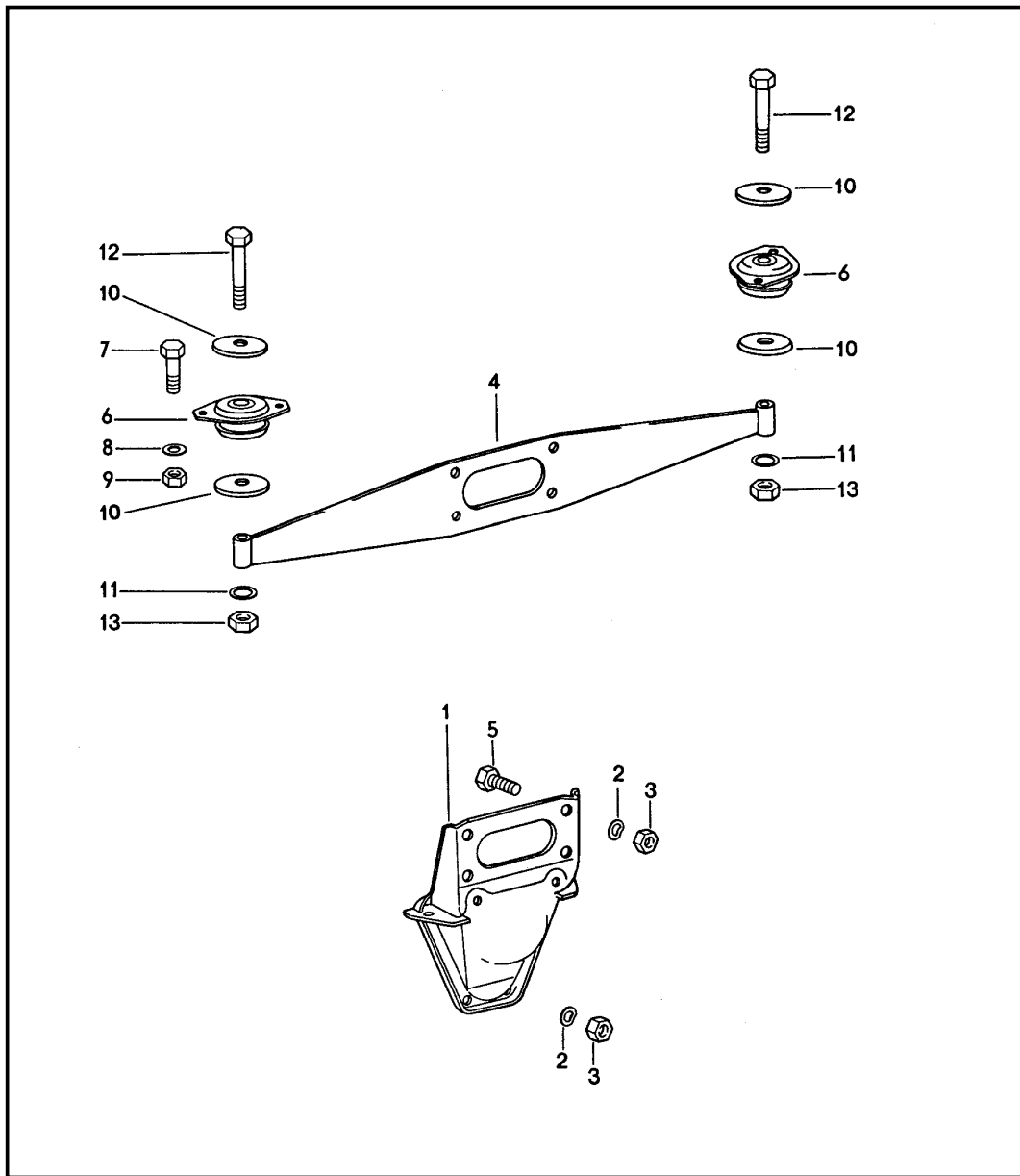


Pos	Part Number	Description	Remark	Qty	Model
		additional blower	75-		
1	911 624 151 02	blower		1	911/911S CARRERA 3,0
(1) A	911 624 901 00	suction housing von ZSB 91162415102		1	
2	911 211 139 02	support		1	911/911S CARRERA 3,0
-	999 513 003 40	tie-wrap		1	911/911S CARRERA 3,0
-	999 511 076 02	clamp		1	911/911S CARRERA 3,0
3	999 512 244 02	clamp		1	911/911S CARRERA 3,0
4	911 211 135 02	distributing piece		1	911/911S CARRERA 3,0
- A	311 261 261 B	clip		1	911/911S CARRERA 3,0
5	900 143 049 07	tapping screw		1	911/911S CARRERA 3,0
6	N 010 239 11	hexagon-head bolt		2	911/911S
6/1	900 084 004 02	hexagon nut		2	911/911S CARRERA 3,0
6/1	900 084 004 03	hexagon nut		2	911/911S CARRERA 3,0
7	N 012 241 8	spring washer		2	911/911S CARRERA 3,0
8	900 025 007 02	washer		2	911/911S CARRERA 3,0
-	999 511 069 02	clamp		1	911/911S CARRERA 3,0
-	900 075 010 02	hexagon-head bolt		4	911/911S CARRERA 3,0
-	N 012 226 5	spring washer		4	911/911S CARRERA 3,0

Model	Year	MG	SG	Illustration	Restrictions	UPD	20:58	22.01.2010	PORSCHE	PET	PORSCHE
911	1977	1	08	108-10		248					

Pos	Part Number	Description	Remark	Qty	Model	Pos	Part Number	Description	Remark	Qty	Model
-	999 511 081 02	pipe clamp 1100 2 X 8/15 for mount injection line cylinder 1. mixture control unit warm-up valve		1	911/911S CARRERA 3,0	21	911 211 275 01	reducing socket		2	911/911S CARRERA 3,0
						22	911 211 274 00	heater hose		1	911/911S CARRERA 3,0
						23	911 211 273 00	heater hose	RERA 3.0	1	911/911S/CAR CARRERA 3,0
-	999 511 081 02	pipe clamp		1	911/911S CARRERA 3,0						
-	999 511 085 02	clamp		1	CARRERA 3.0						
9	911 211 272 02	hose		1	911/911S CARRERA 3,0						
10	999 512 351 02	hose clamp		2	911/911S CARRERA 3,0						
11	901 211 195 00	breather hose	/L	1	911/911S CARRERA 3,0						
12	911 211 277 00	support		1	911/911S CARRERA 3,0						
(12)	911 211 277 02	support		1	911/911S CARRERA 3,0						
(12)	911 211 277 03	support		1	911 CARRERA 3,0						
13	999 513 010 40	tie-wrap		1	911/911S CARRERA 3,0						
14	911 211 522 00	heater hose	/R	1	911/911S CARRERA 2,7 CARRERA 2,7						
15	930 106 326 01	hot air socket	/L	1	911/911S CARRERA 3,0						
16	999 512 349 02	hose clamp		4	911/911S CARRERA 3,0						
18	N 011 524 7	washer		2	911/911S CARRERA 3,0						
19	900 075 010 02	hexagon-head bolt		2	911/911S CARRERA 3,0						
20	911 211 401 00	rubber washer		2	911/911S CARRERA 3,0						

Model	Year	MG	SG	Illustration	Restrictions	UPD	20:58	22.01.2010	PORSCHE	PET	PORSCHE
911	1977	1	09	109-00		248					



Pos	Part Number	Description	Remark	Qty	Model
		engine suspension			
1	911 115 014 03	bracket		1	
2	N 012 242 3	spring washer B 10 X 18		8	
3	900 157 002 02	hexagon nut M 10		8	
4	930 375 011 01	bracket		1	
5	900 156 006 02	hexagon-head bolt M 10 X 18		4	
6	911 375 043 00	bearing		2	
7	N 010 335 5	hexagon-head bolt M 8 X 35		4	
8	900 027 015 02	lock ring B 8		4	
9	900 076 025 02	hexagon nut M 8		4	
10	901 305 311 00	seat		4	
11	999 523 109 02	lock washer M 12	-74	2	
12	900 082 026 01	hexagon-head bolt M 12 X 1,5 X 92	-74	2	
(12)	N 010 191 2	hexagon-head bolt M 12 X 1,5 X 95	75-	2	
13	900 076 016 02	hexagon nut M 12 X 1,5	-74	2	
(13)	900 910 046 02	lock nut self-locking nut	75-	2	

Model	Year	MG	SG	Illustration	Restrictions	UPD	20:59	22.01.2010
911	1977	1	98	198-00R		248		

Pos	Part Number	Description	Remark	Qty	Model
		gasket set repair kits maintenance set			
>>	>>911 100 905 01	gasket set cylinder cylinder head for 911/92/93/97/98 k-jetronic comprising:		1	
-	999 704 172 50	sealing ring		2	
-	911 104 192 00	gasket		6	
-	912 104 314 00	ce-seal ring		6	
-	911 104 193 00	valve stem seal		12	
-	930 105 193 00	gasket		2	
-	999 701 449 40	o-ring 8,3 - 2,4		2	
-	999 701 596 40	o-ring 20,3 - 2,4		2	
-	999 701 298 40	o-ring 10 - 1,3		2	
-	N 013 804 2	sealing ring A 6 X 10		2	
-	930 105 197 05	gasket		3	
-	999 701 124 40	o-ring 67,5		1	
-	930 105 191 03	gasket		1	
-	930 105 192 01	gasket		1	
-	900 031 011 30	washer 6,4		21	
-	930 105 194 00	gasket		2	
-	930 105 195 00	gasket		2	
-	900 031 014 30	washer 8,4		40	
-	999 704 173 50	sealing ring		1	
-	900 123 005 30	sealing ring A 12 X 16		7	
-	999 707 112 40	round seal		8	

Model	Year	MG	SG	Illustration	Restrictions	UPD	20:59	22.01.2010
911	1977	1	98	198-00R		248		

Pos	Part Number	Description	Remark	Qty	Model
-	911 110 192 01	gasket		6	
-	900 123 007 70	sealing ring A 14 X 18		2	
-	911 110 394 02	gasket		1	
-	999 701 423 40	o-ring 6 X 5		6	
-	900 123 050 20	sealing ring A 8 X 11,5		14	
-	999 701 144 50	o-ring 6 - 2		1	
-	901 111 193 00	gasket		2	
-	905 107 191 02	gasket		1	
-	900 123 008 30	sealing ring A 14 X 20		1	
-	900 123 043 30	sealing ring A 12 X 15,5		1	
-	999 701 135 50	o-ring 15 X 2,5		1	
-	900 123 006 30	sealing ring A 12 X 18		2	
-	930 111 191 13	gasket		6	
-	999 701 468 40	round seal		2	
>>	>>911 100 905 03	gasket set cylinder cylinder head comprising:		1	911/83
-	999 704 172 50	sealing ring		2	
-	911 104 192 00	gasket		6	
-	912 104 314 00	ce-seal ring		6	
-	911 104 193 00	valve stem seal		12	
-	930 105 193 00	gasket		2	
-	999 701 449 40	o-ring 8,3 - 2,4		2	
-	999 701 596 40	o-ring 20,3 - 2,4		2	
-	999 701 298 40	o-ring 10 - 1,3		2	

PORSCHE

PET

PORSCHE

Model	Year	MG	SG	Illustration	Restrictions	UPD	20:59	22.01.2010
911	1977	1	98	198-00R		248		

Pos	Part Number	Description	Remark	Qty	Model
-	N 013 804 2	sealing ring A 6 X 10		2	
-	930 105 197 05	gasket		2	
-	999 701 468 40	round seal 67,5		2	
-	900 123 007 30	sealing ring 14 X 18		2	
-	930 105 191 03	gasket		1	
-	930 105 192 01	gasket		1	
-	900 031 011 30	washer 6,4		21	
-	900 151 035 30	washer B 6,4		2	
-	900 031 014 30	washer 8,4		2	
-	999 113 068 50	radial sealing ring 35 X 47 X 7		1	
-	930 105 194 00	gasket		2	
-	930 105 195 00	gasket		2	
-	900 031 014 30	washer 8,4		40	
-	999 704 173 50	sealing ring		1	
-	900 123 005 30	sealing ring A 12 X 16		7	
-	999 707 112 40	round seal		8	
-	N 013 812 2	sealing ring A 12 X 15,5		6	
-	901 108 391 05	gasket		6	
-	901 108 214 03	gasket		2	
-	911 110 191 01	gasket		6	
-	901 111 193 00	gasket		2	
-	930 111 191 13	gasket		6	
-	900 123 007 70	sealing ring A 14 X 18		1	
-	900 123 009 20	sealing ring A 18 X 24		1	

Model	Year	MG	SG	Illustration	Restrictions	UPD	20:59	22.01.2010
911	1977	1	98	198-00R		248		

Pos	Part Number	Description	Remark	Qty	Model
-	N 013 808 3	sealing ring A 10 X 16		1	
-	911 108 911 00	sealing ring A 12 X 15,5		4	
-	900 123 033 20	sealing ring A 10 X 13,5		1	
-	N 013 849 2	sealing ring A 14 X 18		1	
-	901 110 922 00	gasket		1	
>>	>>911 100 905 04	gasket set crankcase comprising:		1	911/83
-	999 704 172 50	sealing ring		3	
-	999 701 006 40	o-ring		26	
-	999 113 057 52	radial sealing ring 65 X 85 X 10		1	
-	930 101 391 01	gasket		2	
-	900 123 011 20	sealing ring A 22 X 27		1	
-	999 113 049 50	radial sealing ring 30 X 50 X 10		1	
-	900 174 041 40	sealing ring 50 X 4		1	
-	900 123 044 30	sealing ring A 18 X 22		3	
-	900 123 066 30	sealing ring A 10 X 16		8	
-	900 031 011 30	washer 6,4		3	
-	900 123 005 00	sealing ring A 12 X 16		4	
-	930 105 198 01	gasket		1	
-	900 031 014 30	washer 8,4		24	
-	999 704 173 50	sealing ring		1	
-	900 123 011 30	sealing ring A 22 X 27		1	
-	999 701 053 50	sealing ring 39,2 X 3		1	

Model	Year	MG	SG	Illustration	Restrictions	UPD	20:59	22.01.2010
911	1977	1	98	198-00R		248		

Pos	Part Number	Description	Remark	Qty	Model
-	900 123 071 30	sealing ring A 18 X 24		2	
-	930 107 791 00	gasket		1	
-	911 602 102 01	sealing ring		1	
>>	>>911 100 907 03	gasket set cylinder cylinder head for 911/41/42/43/46/47/48/ 911/81/82/84/85/86/89/ 911/90/94/99 k-jetronic comprising:		1	
-	999 704 172 50	sealing ring		2	
-	911 104 192 00	gasket		6	
-	912 104 314 00	ce-seal ring		6	
-	911 104 193 00	valve stem seal		12	
-	930 105 193 00	gasket		2	
-	900 031 014 30	washer 8,4		42	
-	999 701 449 40	o-ring 8,3 - 2,4		2	
-	999 701 596 40	o-ring 20,3 - 2,4		2	
-	999 701 298 40	o-ring 10 - 1,3		2	
-	N 013 804 2	sealing ring A 6 X 10		2	
-	930 105 197 05	gasket		3	
-	999 701 124 40	o-ring 67,5 X 4		1	
-	930 105 191 03	gasket		1	
-	930 105 192 01	gasket		1	
-	900 031 011 30	washer 6,4		21	
-	930 105 194 00	gasket		2	
-	930 105 195 00	gasket		2	
-	999 704 173 50	sealing ring		1	

Model	Year	MG	SG	Illustration	Restrictions	UPD	20:59	22.01.2010
911	1977	1	98	198-00R		248		

Pos	Part Number	Description	Remark	Qty	Model
-	900 123 005 30	sealing ring A 12 X 16		7	
-	999 707 112 40	round seal		8	
-	911 110 192 01	gasket		6	
-	911 110 394 02	gasket		1	
-	999 701 423 40	o-ring 6 X 5		6	
-	900 123 050 20	sealing ring A 8 X 11,5		18	
-	900 123 003 30	sealing ring 10 X 14		1	
-	N 013 812 2	sealing ring A 12 X 15,5		2	
-	999 701 395 50	o-ring 7 - 2		1	
-	999 701 210 40	o-ring 20 - 2,5		1	
-	911 111 191 01	gasket		1	
-	911 111 191 02	gasket		1	
-	911 111 128 00	gasket		2	
-	911 111 162 02	gasket		1	
-	911 111 188 02	support washer		1	
-	911 111 189 03	gasket		1	
-	900 123 033 20	sealing ring A 10 X 13,5		6	
-	900 123 060 30	sealing ring A 24 X 29		1	
-	905 107 191 02	gasket		1	
-	900 123 008 30	sealing ring A 14 X 20		1	
-	900 123 043 30	sealing ring A 12 X 15,5		1	
-	999 701 135 50	o-ring 15 X 2,5		1	
-	900 123 006 30	sealing ring A 12 X 18		2	
-	930 111 191 13	gasket		6	

Model	Year	MG	SG	Illustration	Restrictions	UPD	20:59	22.01.2010
911	1977	1	98	198-00R		248		

Pos	Part Number	Description	Remark	Qty	Model
-	900 123 007 70	sealing ring A 14 X 18		2	
-	999 701 468 40	round seal		2	
>>	>>911 100 907 05	gasket set crankcase k-jetronic comprising:		1	
-	900 123 007 30	sealing ring 14 X 18		2	
-	999 704 172 50	sealing ring		3	
-	999 701 006 40	o-ring		26	
-	999 113 057 52	radial sealing ring 65 X 85 X 10		1	
-	930 101 391 01	gasket		2	
-	900 123 011 20	sealing ring A 22 X 27		1	
-	999 113 049 50	radial sealing ring 30 X 50 X 10		1	
-	900 174 041 40	sealing ring R 50 X 4		1	
-	900 123 044 30	sealing ring A 18 X 22		2	
-	900 031 014 30	washer 8,4		24	
-	900 123 066 30	sealing ring A 10 X 16		8	
-	900 031 011 30	washer 6,4		3	
-	900 123 005 00	sealing ring A 12 X 16		4	
-	930 105 198 01	gasket		1	
-	999 704 173 50	sealing ring		1	
-	900 123 011 30	sealing ring A 22 X 27		1	
-	999 701 053 50	sealing ring 39,2 X 3		1	
-	900 123 071 30	sealing ring A 18 X 24		2	
-	930 107 791 00	gasket		1	

Model	Year	MG	SG	Illustration	Restrictions	UPD	20:59	22.01.2010
911	1977	1	98	198-00R		248		

Pos	Part Number	Description	Remark	Qty	Model
-	911 602 102 01	sealing ring		1	
-	900 123 009 20	sealing ring A 18 X 24		1	
>>	>>930 100 902 03	gasket set cylinder cylinder head comprising:		1	930/02/12
-	999 704 172 50	sealing ring		2	
-	930 104 194 02	gasket		6	
-	930 104 317 00	ce-seal ring		6	
-	911 104 193 00	valve stem seal		12	
-	930 105 193 00	gasket		2	
-	900 031 014 30	washer 8,4		42	
-	999 701 449 40	o-ring 8,3 - 2,4		2	
-	999 701 596 40	o-ring 20,3 - 2,4		2	
-	999 701 298 40	o-ring 10 - 1,3		2	
-	N 013 804 2	sealing ring A 6 X 10		2	
-	930 105 197 05	gasket		3	
-	999 701 124 40	o-ring 67,5 X 4		1	
-	930 105 191 03	gasket		1	
-	930 105 192 01	gasket		1	
-	900 031 011 30	washer 6,4		19	
-	930 105 194 00	gasket		2	
-	930 105 195 00	gasket		2	
-	999 704 173 50	sealing ring		1	
-	900 123 005 30	sealing ring A 12 X 16		7	
-	999 707 112 40	round seal		8	
-	911 110 192 01	gasket		6	

Model	Year	MG	SG	Illustration	Restrictions	UPD	20:59	22.01.2010
911	1977	1	98	198-00R		248		

Pos	Part Number	Description	Remark	Qty	Model
-	911 110 394 02	gasket		1	
-	999 701 423 40	o-ring 6 X 5		6	
-	900 123 050 20	sealing ring A 8 X 11,5		17	
-	900 123 003 30	sealing ring 10 X 14		1	
-	N 013 812 2	sealing ring A 12 X 15,5		2	
-	999 701 395 50	o-ring 7 - 2		1	
-	999 701 210 40	o-ring 20 - 2,5		1	
-	911 111 191 01	gasket		1	
-	911 111 191 02	gasket		1	
-	911 111 128 00	gasket		2	
-	911 111 162 02	gasket		1	
-	911 111 188 02	support washer		1	
-	911 111 189 03	gasket		1	
-	900 123 033 20	sealing ring A 10 X 13,5		6	
-	900 123 060 30	sealing ring A 24 X 29		1	
-	905 107 191 02	gasket		1	
-	900 123 008 30	sealing ring A 14 X 20		1	
-	900 123 043 30	sealing ring A 12 X 15,5		1	
-	999 701 135 50	o-ring 15 X 2,5		1	
-	930 105 197 05	gasket		1	
-	900 123 006 30	sealing ring A 12 X18		2	
-	930 111 191 13	gasket		6	
-	900 123 007 70	sealing ring A 14 X 18		2	
-	999 701 468 40	round seal		2	

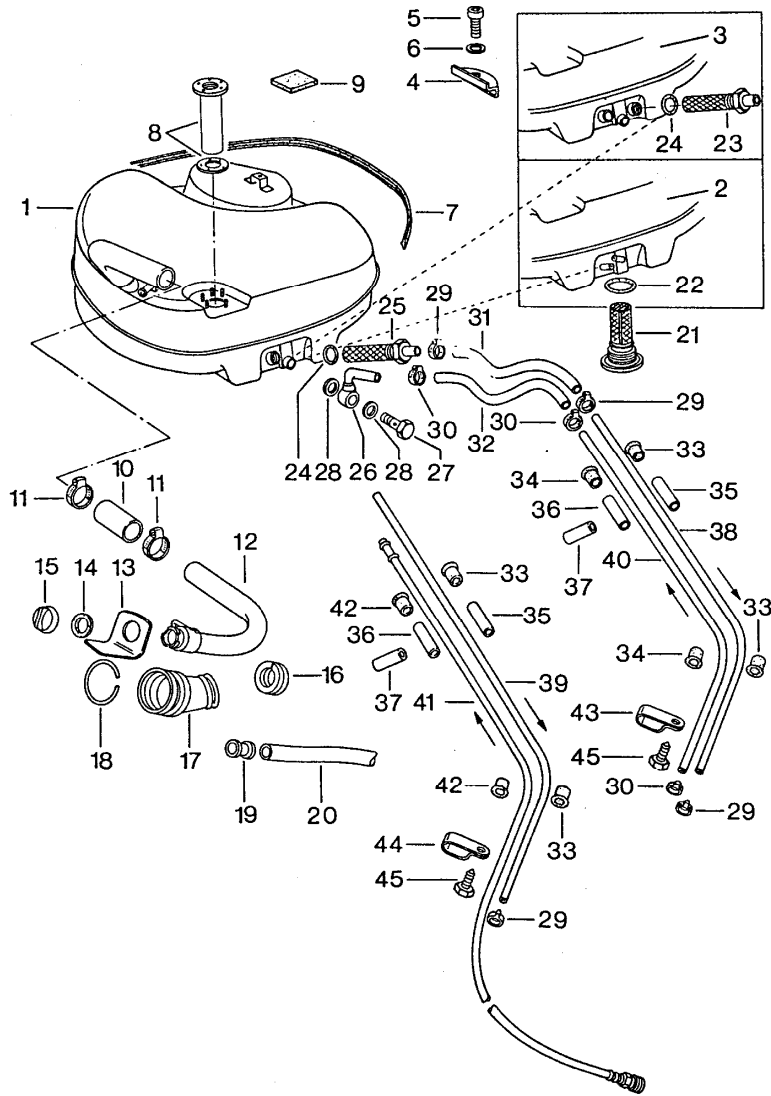
Model	Year	MG	SG	Illustration	Restrictions	UPD	20:59	22.01.2010
911	1977	1	98	198-00R		248		

Pos	Part Number	Description	Remark	Qty	Model
>>	>>930 100 902 02	gasket set crankcase comprising:		1	930/02/12
-	900 123 007 30	sealing ring 14 X 18		1	
-	999 704 172 50	sealing ring		3	
-	999 701 006 40	o-ring		26	
-	999 113 057 52	radial sealing ring 65 X 85 X 10		1	
-	930 101 391 01	gasket		2	
-	900 123 011 20	sealing ring A 22 X 27		1	
-	999 113 049 50	radial sealing ring 30 X 50 X 10		1	
-	900 174 041 40	sealing ring 50 X 4		1	
-	900 123 044 30	sealing ring A 18 X 22		1	
-	900 031 014 30	washer 8,4		24	
-	900 123 066 30	sealing ring A 10 X 16		8	
-	900 123 005 00	sealing ring A 12 X 16		4	
-	930 105 198 01	gasket		1	
-	900 031 011 30	washer 6,4		3	
-	999 704 173 50	sealing ring		1	
-	900 123 011 30	sealing ring A 22 X 27		1	
-	999 701 053 50	sealing ring 39,2 X 3		1	
-	900 123 071 30	sealing ring A 18 X 24		2	
-	930 107 791 00	gasket		1	
-	900 123 009 20	sealing ring A 18 X 24		1	

Model	Year	MG	SG	Illustration	Restrictions	UPD	20:59	22.01.2010
911	1977	1	98	198-00R		248		

Pos	Part Number	Description	Remark	Qty	Model
		set of piston rings - mahle - NIKASIL			
>>	>>911 103 939 00	set of piston rings		6	911/911S
		set of piston rings (LS)			
>>	>>911 103 956 00	set of piston rings		6	911/911S
>>	>>911 103 934 00	set of piston rings \$ 90 MM		6	CARRERA 2.7
>>	>>930 103 963 00	set of piston rings \$ 95 MM		6	CARRERA 3.0
>>	>>911 105 901 01	repair kit for chain adjuster 930.105.049.00 see group 1/03/10 1/03/15 comprising:		1	
-	-	intermediate piece		1	
-	-	o-ring OR 10 - 1		1	
-	-	sleeve for valve		1	
-	-	compression spring		1	
-	-	ball 5 MM V		1	
-	-	spring guide		1	
-	-	circlip B 16		1	
-	-	o-ring CR 8,3 - 2,4		1	
-	-	o-ring CR 20,3 - 2,4		1 1	
-	-	circlip B 28		1	
-	-	gasket A 6 X 10		1	

Model	Year	MG	SG	Illustration	Restrictions	UPD	20:59	22.01.2010	PORSCHE	PET	PORSCHE
911	1977	2	01	201-00		248					

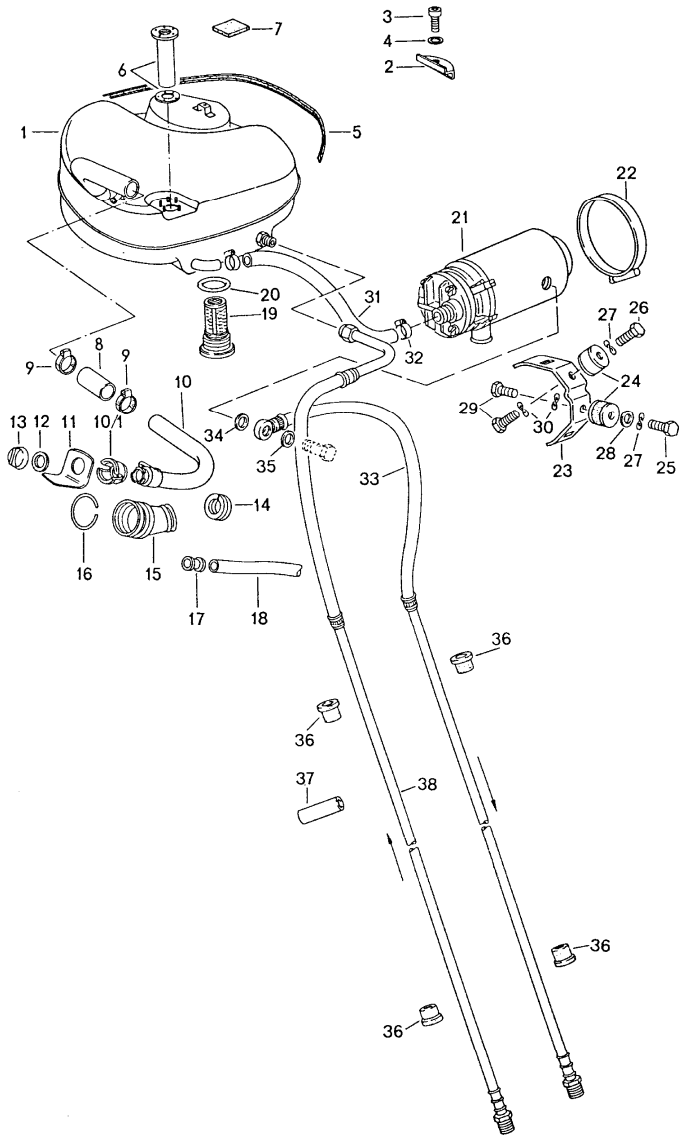


Pos	Part Number	Description	Remark	Qty	Model
		fuel system front for cars with steel auxiliary support			
1	911 201 010 02	fuel tank		1	CARRERA 2,7
2	930 201 010 01	fuel tank		1	911/911S
-	911 356 902 00	installation set		1	911/911S
3	911 201 010 05	fuel tank	/LL	1	CARRERA 2,7
(3)	930 201 010 01	fuel tank only together with 999.512.055.02 999.512.056.02 999.137.013.40	/LL	1	911/911S
4	911 201 311 00	bracket		3	911/911S CARRERA 2,7
5	900 067 151 02	pan-head screw M 8 X 20		3	911/911S CARRERA 2,7
6	900 031 001 02	washer 8,4		3	911/911S CARRERA 2,7
7	901 504 932 20	sealing strap		1	911/911S CARRERA 2,7
8	-	see group 9/03/00		1	911/911S CARRERA 2,7
9	911 201 259 00	desk pad emergency wheel		2	911/911S CARRERA 2,7
(9)	911 201 259 01	desk pad emergency wheel		1	911/911S CARRERA 2,7
10	911 201 515 00	hose		1	911/911S CARRERA 2,7
11	999 512 348 02	hose clamp		2	911/911S CARRERA 2,7
12	911 201 049 02	filler neck		1	911/911S CARRERA 2,7
13	911 201 279 01	protective flap		1	911/911S CARRERA 2,7
14	901 201 272 00	sealing ring		1	911/911S CARRERA 2,7

Model	Year	MG	SG	Illustration	Restrictions	UPD	20:59	22.01.2010	PORSCHE	PET	PORSCHE
911	1977	2	01	201-00		248					

Pos	Part Number	Description	Remark	Qty	Model	Pos	Part Number	Description	Remark	Qty	Model
15	901 201 271 00	fuel tank cap bayonet lock		1	911/911S CARRERA 2,7	-	999 181 152 50	hose C 7,5 X 13,5		*	911/911S CARRERA 2,7
						(32)	-	275 MM		1	
16	911 201 095 00	gasket		1	911/911S CARRERA 2,7	33	911 356 202 00	rubber sleeve	-75	2	
17	901 201 591 20	sleeve		1	911/911S CARRERA 2,7	34	914 356 201 00	rubber sleeve	-74	2	911/911S
						34	914 356 201 00	rubber sleeve		2	CARRERA 2.7
18	999 152 004 00	circlip		1	911/911S CARRERA 2,7	35	911 356 203 01	boot	-75	1	
19	911 201 593 00	overflow socket		1	911/911S CARRERA 2,7	36	914 356 203 00	boot		1	911/911S CARRERA 2,7
20	901 201 931 00	overflow hose		1	911/911S CARRERA 2,7	37	999 613 017 40	covering		1	911/911S CARRERA 2,7
21	911 201 141 00	fuel filter		1	911/911S	38	911 356 505 12	intake pipe		1	CARRERA 2.7
22	911 201 143 00	sealing ring		1	911/911S	(38)	911 356 067 01	intake pipe	-74	1	911/911S
23	901 201 023 04	threaded joint	/LL	1	911/911S CARRERA 2,7	39	911 356 067 02	intake pipe	75-	1	911/911S
23	900 123 011 20	sealing ring		-75	2	(40)	911 356 062 03	return line	-74	1	911/911S
25	911 201 031 00	threaded joint		-75	1	41	911 356 062 04	return line	75-	1	911/911S
26	901 356 049 00	ring piece		-75	1	42	911 356 202 02	rubber sleeve		2	911/911S
27	900 134 007 02	banjo bolt		-75	1	43	999 511 091 02	pipe clamp	-74	1	
28	900 123 007 60	sealing ring		-75	2	43	999 511 091 02	pipe clamp	75-	1	CARRERA 2.7
29	999 512 056 02	hose clamp		3	911/911S CARRERA 2,7	44	999 511 093 02	pipe clamp	75-	1	911/911S
30	999 512 055 02	hose clamp		3	CARRERA 2.7	45	900 187 104 02	tapping screw B 4,8 X 13		1	911/911S CARRERA 2,7
(30)	999 512 160 02	hose clamp		3	911/911S						
-	999 180 029 50	hose C 11 X 17,5		*	CARRERA 2.7						
31	-	280 MM		1							
-	999 181 168 50	hose		*	911/911S						
(31)	-	270 MM		1							
-	999 180 030 50	fuel hose C 7 X 12		-74	* CARRERA 2.7						
32	-	275 MM		1							

Model	Year	MG	SG	Illustration	Restrictions	UPD	20:59	22.01.2010	PORSCHE	PET	PORSCHE
911	1977	2	01	201-05		248					

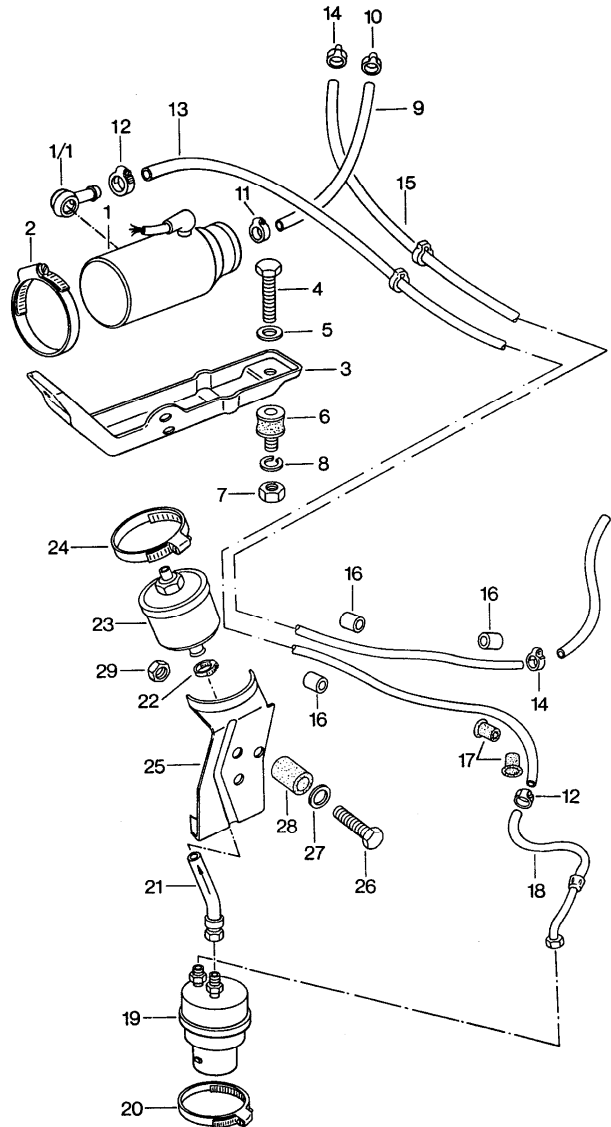


Pos	Part Number	Description	Remark	Qty	Model
-	911 356 902 00	fuel system front for cars with aluminium auxil. support		1	911/911S CARRERA 2,7
-	911 356 902 00	installation set fuel line for model year POS.1	-75	1	911/911S CARRERA 2,7
1	930 201 010 01	fuel tank		1	
2	911 201 311 00	bracket		3	911/911S CARRERA 3,0
4	900 031 001 02	washer		3	911/911S CARRERA 3,0
5	901 504 932 20	sealing strap		1	911/911S CARRERA 3,0
6	---	SIEHE BILDТАFЕL 9/03/00		1	
7	911 201 259 00	desk pad		2	911/911S CARRERA 3,0
(7)	911 201 259 01	desk pad		1	911/911S CARRERA 3,0
8	911 201 515 00	hose		1	911/911S CARRERA 3,0
9	999 512 348 02	hose clamp		2	911/911S CARRERA 3,0
10	911 201 049 02	filler neck		1	911/911S CARRERA 3,0
-	N 011 524 7	washer		2	911/911S CARRERA 3,0
-	900 910 012 02	lock nut		2	911/911S CARRERA 3,0
10/1	911 201 269 00	guide		1	911/911S CARRERA 3,0
11	911 201 279 01	protective flap		1	911/911S CARRERA 3,0
12	901 201 272 00	sealing ring		1	911/911S CARRERA 3,0
12	477 201 557	gasket		1	911/911S CARRERA 3,0

Model	Year	MG	SG	Illustration	Restrictions	UPD	20:59	22.01.2010	PORSCHE	PET	PORSCHE
911	1977	2	01	201-05		248					

Pos	Part Number	Description	Remark	Qty	Model	Pos	Part Number	Description	Remark	Qty	Model
13	901 201 271 00	fuel tank cap		1	911/911S CARRERA 3,0	26	N 010 208 5	hexagon-head bolt		1	911/911S CARRERA 3,0
(13)	911 201 272 00	fuel tank cap		1	911/911S CARRERA 3,0	27	N 012 226 5	spring washer		2	911/911S CARRERA 3,0
14	911 201 095 00	gasket		1	911/911S CARRERA 3,0	28	N 011 524 7	washer		1	911/911S CARRERA 3,0
15	901 201 591 20	sleeve		1	911/911S CARRERA 3,0	29	N 010 208 5	hexagon-head bolt		2	911/911S CARRERA 3,0
16	999 152 004 00	circlip		1	911/911S CARRERA 3,0	30	N 012 226 5	spring washer		2	911/911S CARRERA 3,0
17	911 201 593 00	overflow socket		1	911/911S CARRERA 3,0	-	999 181 168 50	hose		*	911/911S CARRERA 3,0
18	901 201 931 00	overflow hose		1	911/911S CARRERA 3,0	31	-	85 MM		1	
19	911 201 141 00	fuel filter		1	911/911S CARRERA 3,0	32	999 512 056 02	hose clamp		2	911/911S CARRERA 3,0
20	911 201 143 00	sealing ring		1	911/911S CARRERA 3,0	33	911 356 066 03	pressure line		1	911/911S CARRERA 3,0
21	911 608 110 02	fuel pump		1	911/911S CARRERA 3,0	33	911 356 066 07	pressure line	77-	1	
21	911 608 110 03	fuel pump		1	911/911S CARRERA 3,0	34	911 608 902 00	gasket		1	911/911S CARRERA 3,0
(21)	911 608 102 00	fuel pump	77-	1		35	911 608 902 01	gasket		1	911/911S CARRERA 3,0
-	911 608 211 00	intermediate piece	77-	1		36	911 356 202 03	rubber sleeve		4	911/911S CARRERA 3,0
-	N 013 812 2	sealing ring A 12 X 15,5	77-	1		37	999 613 017 40	covering		1	911/911S CARRERA 3,0
-	900 123 033 20	sealing ring A 10 X 13,5	77-	2		38	911 356 062 07	return line		1	911/911S CARRERA 3,0
-	900 070 010 02	cap nut M 10 X 1,25	77-	1							
22	999 512 394 00	hose clamp		1	911/911S CARRERA 3,0						
23	911 608 105 01	support		1	911/911S CARRERA 3,0						
24	911 608 206 00	bonded rubber buffer		2	911/911S CARRERA 3,0						
25	900 075 010 02	hexagon-head bolt		1	911/911S CARRERA 3,0						

Model	Year	MG	SG	Illustration	Restrictions	UPD	20:59	22.01.2010	PORSCHE	PET	PORSCHE
911	1977	2	01	201-10		248					



Pos	Part Number	Description	Remark	Qty	Model
		fuel system rear	-74		K-JETRONIC
1	> 911 608 110 02	fuel pump		1	911/911S
1	911 608 110 03	fuel pump		1	911/911S
1/1	911 608 901 00	check valve		1	911/911S
2	999 512 164 02	hose clamp		1	
3	911 608 120 00	support		1	
4	N 010 208 5	hexagon-head bolt M 6 X 8		1	
5	N 012 007 2	lock ring M 6		1	
6	A 999 703 384 00	megulastik pivot bearing		1	
6	999 703 384 01	megulastik pivot bearing		1	
7	900 076 010 02	hexagon nut M 6		1	
8	N 012 007 2	lock ring A 6		1	
-	999 180 029 50	hose C 11 X 17,5		*	
9	-	280 MM		1	
10	999 512 056 02	hose clamp		1	
11	N 023 570 2	hose clamp		1	
12	999 512 160 02	hose clamp		2	911/911S
13	911 356 066 31	pressure line		1	911/911S
14	999 512 160 02	hose clamp		2	911/911S
15	911 356 064 32	return line		1	911/911S
16	914 356 203 00	boot		3	911/911S
17	914 356 201 00	rubber sleeve		2	911/911S
18	911 356 074 01	pressure line		1	911/911S
19	477 209 083	fuel accumulator		1	911/911S
20	999 512 322 02	hose clamp		1	911/911S
21	911 356 076 02	connecting line		1	911/911S

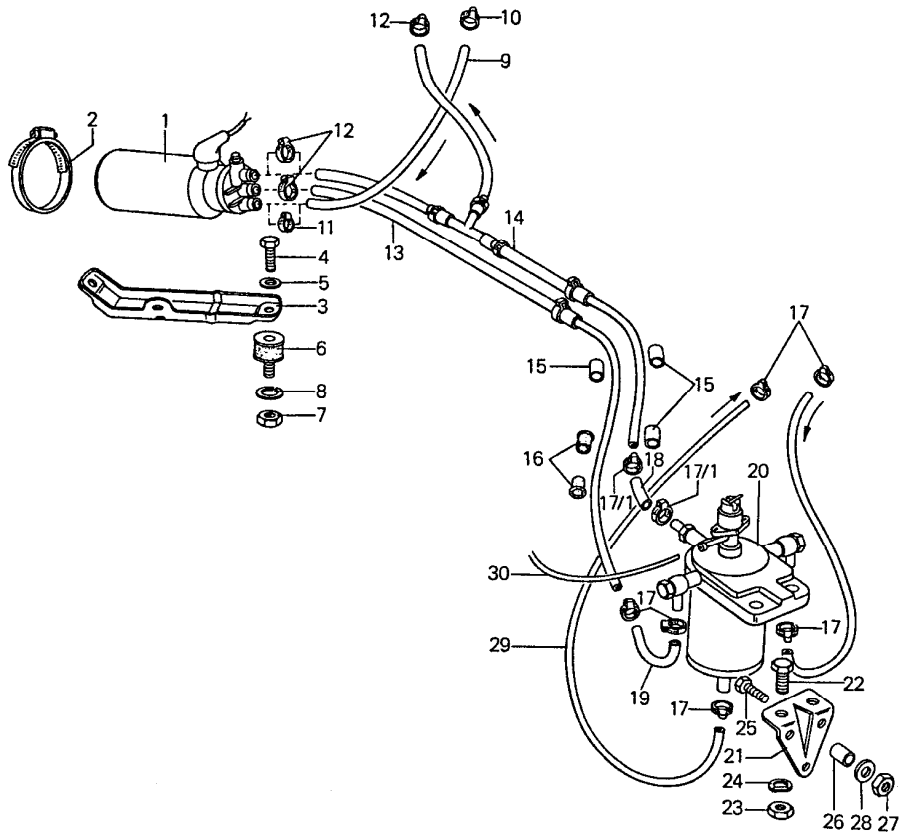
Model	Year	MG	SG	Illustration	Restrictions	UPD	20:59	22.01.2010	PORSCHE	PET	PORSCHE
911	1977	2	01	201-10		248					

Pos	Part Number	Description	Remark	Qty	Model	Pos	Part Number	Description	Remark	Qty	Model
22	999 512 160 02	hose clamp		1	911/911S						
23	911 110 184 00	fuel filter		1	911/911S						
24	999 512 181 02	hose clamp		1	911/911S						
25	911 356 541 01	fastening angle		1	911/911S						
26	900 074 015 02	hexagon-head bolt		3	911/911S						
27	999 025 108 02	washer		3	911/911S						
28	901 504 859 20	rubber sleeve		3	911/911S						
29	900 084 010 02	hexagon nut		3	911/911S						
>>	>>911 356 901 00	conversion set		1	911/911S						
-	911 110 176 00	fuel filter		1							
-	911 356 541 02	support		1							
-	911 356 076 01	angled pipe		1							
-	999 512 348 02	hose clamp		1							
-	911 110 619 00	angled pipe		1							

Model	Year	MG	SG	Illustration	Restrictions	UPD	20:59	22.01.2010	PORSCHE	PET	PORSCHE
911	1977	2	01	201-15		248					

Pos	Part Number	Description	Remark	Qty	Model	Pos	Part Number	Description	Remark	Qty	Model
(16)	911 110 176 02	fuel filter	77-	1							
17	911 356 541 02	support		1	911/911S CARRERA 3,0						
(17)	911 356 041 00	bracket	77-	1							
18	999 512 322 02	hose clamp		1	911/911S CARRERA 3,0						
19	999 512 181 02	hose clamp	75	1							
19	999 512 234 02	hose clamp		1	911/911S CARRERA 3,0						
20	900 074 015 02	hexagon-head bolt		3	911/911S CARRERA 3,0						
21	999 025 108 02	washer		3	911/911S CARRERA 3,0						
22	901 504 859 20	rubber sleeve		3	911/911S CARRERA 3,0						
23	900 084 010 02	hexagon nut		3	911/911S CARRERA 3,0						
24	911 356 062 05	return line		1	911/911S CARRERA 3,0						
25	999 511 100 02	pipe clamp		1	911/911S CARRERA 3,0						
26	900 187 104 02	tapping screw		1	911/911S CARRERA 3,0						

Model	Year	MG	SG	Illustration	Restrictions	UPD	20:59	22.01.2010	PORSCHE	PET	PORSCHE
911	1977	2	01	201-20		248					

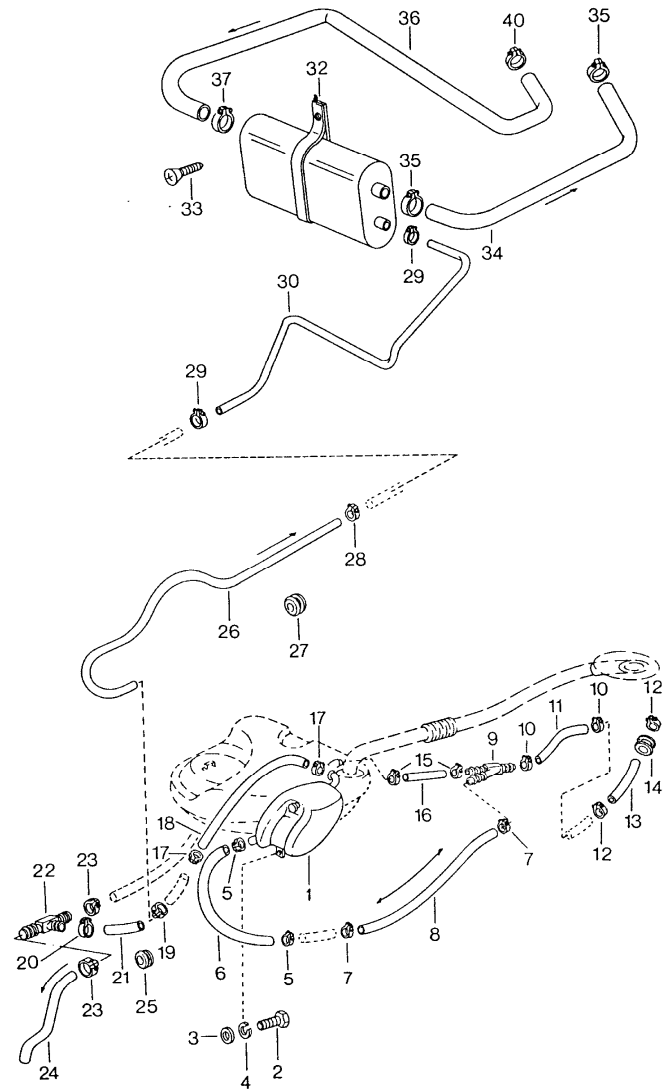


Pos	Part Number	Description	Remark	Qty	Model
		fuel system rear for mechanical injection for engine 911/83			CARRERA 2.7
1	> 901 608 105 00	fuel pump		1	
2	999 512 164 02	hose clamp		1	
3	911 608 120 00	support		1	
4	N 010 208 5	hexagon-head bolt M 6 X 8		2	
5	N 012 007 2	lock ring A 6		2	
6	A 999 703 303 00	metalastik pivot bearing		2	
6	A 999 703 384 00	megulastik pivot bearing		2	
6	999 703 384 01	megulastik pivot bearing		2	
7	900 076 010 02	hexagon nut M 6		2	
8	N 012 007 2	lock ring A 6		2	
-	999 180 029 50	hose C 11 X 17,5		*	
9	-	280 MM		1	
10	999 512 056 02	hose clamp		1	
11	N 023 569 2	hose clamp		1	
12	999 512 055 02	hose clamp		3	
13	911 356 066 02	pressure line		1	
14	911 356 064 03	return line		1	
15	914 356 203 00	boot		3	
16	911 356 202 02	rubber sleeve		2	
17	999 512 055 02	hose clamp		6	
17/1	999 512 160 02	hose clamp		2	

Model	Year	MG	SG	Illustration	Restrictions	UPD	20:59	22.01.2010	PORSCHE	PET	PORSCHE
911	1977	2	01	201-20		248					

Pos	Part Number	Description	Remark	Qty	Model	Pos	Part Number	Description	Remark	Qty	Model
-	999 181 152 50	hose C 7,5 X 13,5		*							
18	-	180 MM		1							
-	999 180 030 50	fuel hose C 7 X 12		*							
19	-	240 MM		1							
20	-	see group 1/07/15		X							
21	901 108 541 00	support		1							
22	900 075 041 02	hexagon-head bolt M 10 X 25		2							
23	N 011 010 6	hexagon nut M 10		2							
24	N 012 230 1	spring washer B 10		2							
25	900 074 015 02	hexagon-head bolt M 6 X 30		3							
26	901 504 859 20	rubber sleeve		3							
27	900 084 010 02	hexagon nut M 6		3							
28	999 025 108 02	washer		3							
-	999 180 030 50	fuel hose C 7 X 12		*							
29	-	620 MM		2							
-	999 181 167 50	hose C 4,5 X 10		*							
30	-	275 MM		1							

Model	Year	MG	SG	Illustration	Restrictions	UPD	21:00	22.01.2010	PORSCHE	PET	PORSCHE
911	1977	2	01	201-25		248					

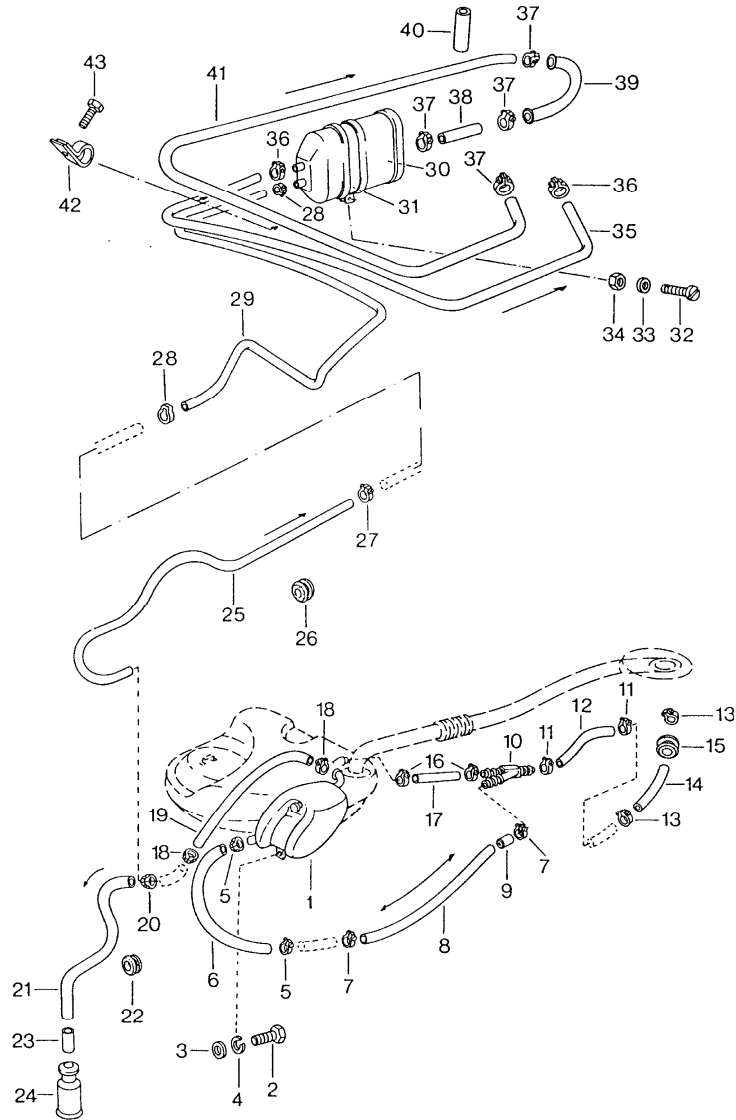


Pos	Part Number	Description	Remark	Qty	Model
		tank ventilation	-74		
1	911 201 077 02	expansion tank		1	
2	900 075 057 02	hexagon-head bolt M 6 X 16		1	
3	N 011 524 7	washer 6,4		1	
4	N 012 007 2	lock ring A 6		1	
5	N 023 570 2	hose clamp		2	
6	N 020 359 1	hose		1	
7	999 512 160 02	hose clamp		2	
-	N 020 359 1	hose 9 X 2,5		*	
8	-	350 MM		1	
9	911 201 171 02	connecting piece		1	
10	999 512 160 02	hose clamp		2	
11	911 201 194 00	breather hose 9 X 12 X 400		1	
12	N 023 570 2	hose clamp		2	
-	N 020 359 1	hose 9 X 2,5		*	
13	-	250 MM		1	
14	999 702 085 50	rubber sleeve		1	
15	999 512 160 02	hose clamp		2	
16	911 201 189 01	hose piece 10 X 3 X 190		1	
17	999 512 069 02	hose clamp		2	
-	N 020 361 2	hose 4 X 1,5		*	
18	-	370 MM		1	
19	999 512 069 02	hose clamp		1	
20	999 512 069 02	hose clamp		1	

Model	Year	MG	SG	Illustration	Restrictions	UPD	21:00	22.01.2010	PORSCHE	PET	PORSCHE
911	1977	2	01	201-25		248					

Pos	Part Number	Description	Remark	Qty	Model	Pos	Part Number	Description	Remark	Qty	Model
-	N 020 361 2	hose 4 X 1,5		*							
21	-	270 MM		1							
22	999 137 010 40	branch socket		1							
23	999 512 069 02	hose clamp		2							
-	N 020 361 2	hose 4 X 1,5		*							
24	-	400 MM		1							
25	911 612 865 00	rubber sleeve		1							

Model	Year	MG	SG	Illustration	Restrictions	UPD	21:00	22.01.2010	PORSCHE	PET	PORSCHE
911	1977	2	01	201-30		248					

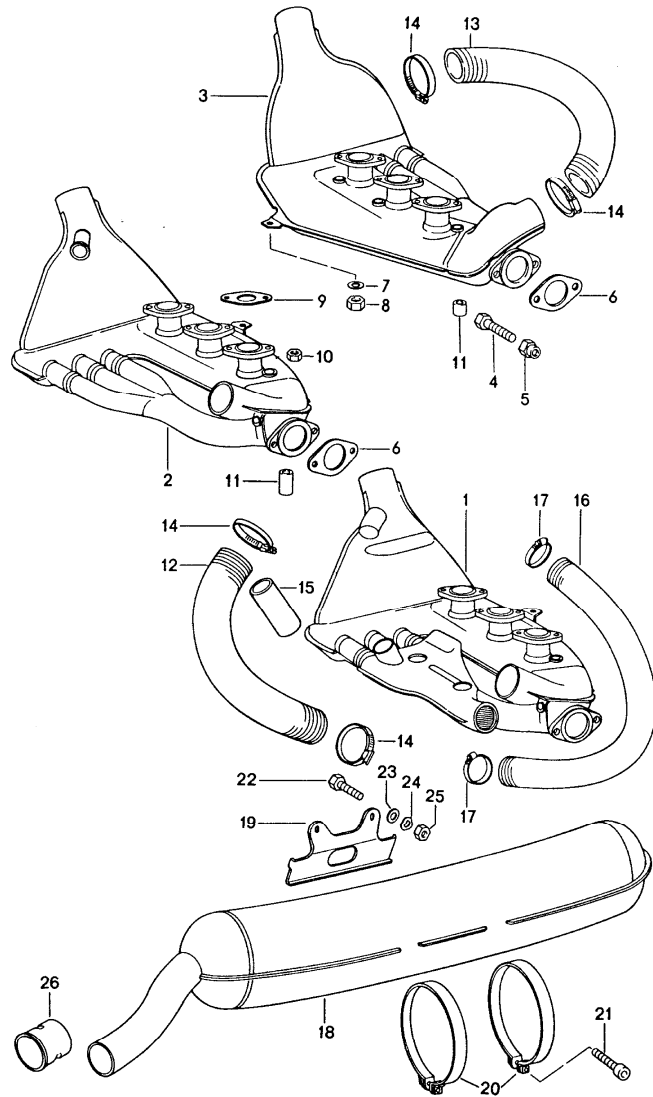


Pos	Part Number	Description	Remark	Qty	Model
		tank ventilation	75-		
1	911 201 077 02	expansion tank		1	
2	900 075 057 02	hexagon-head bolt M6 X 16		1	
3	N 011 524 7	washer 6,4		1	
4	N 012 007 2	lock ring A 6		1	
5	N 023 570 2	hose clamp		2	
-	N 020 359 1	hose 9 X 3	-76	*	
6	-	265 MM	-76	1	
-	N 020 359 1	hose 9 X 2,5		*	
6	-	390 MM	77-	1	
7	999 512 160 02	hose clamp	75	2	
7	N 023 570 2	hose clamp		2	
8	911 201 194 00	breather hose 9 X 12 X 350	75	1	
-	N 020 359 1	hose 9 X 2,5		*	
8	-	400 MM	-76	1	
-	N 020 359 1	hose 9 X 2,5		*	
8	-	150 MM	77-	1	
9 A	911 201 263 01	restrictor		1	
9	911 201 263 02	restrictor		1	
10	911 201 171 02	connecting piece		1	
11	999 512 160 02	hose clamp	75	2	
11	N 023 570 2	hose clamp		2	
-	N 020 359 1	hose 9 X 2,5		*	
12	-	350 MM	-76	1	

Model	Year	MG	SG	Illustration	Restrictions	UPD	21:00	22.01.2010	PORSCHE	PET	PORSCHE
911	1977	2	01	201-30		248					

Pos	Part Number	Description	Remark	Qty	Model	Pos	Part Number	Description	Remark	Qty	Model
-	N 020 359 1	hose 9 X 2,5		*							
12	-	270 MM	77-	1							
13	N 023 570 2	hose clamp		2							
-	N 020 359 1	hose 9 X 2,5		*							
14	-	250 MM	-76	1							
15	999 702 085 50	rubber sleeve		1							
16	A 999 512 198 02	hose clamp		2							
16	N 023 570 2	hose clamp		2							
17	911 201 189 01	hose piece 10 X 3 X 190	-76	1							
-	N 020 359 1	hose 9 X 2,5		*							
17	-	220 MM	77-	1							
18	999 512 069 02	hose clamp		2							
-	N 020 361 2	hose 4 X 1,5		*							
19	-	370 MM		1							
20	999 512 069 02	hose clamp		1							
-	N 020 361 2	hose 4 X 1,5		*							
21	-	650 MM	-76	1							
-	N 020 361 2	hose 4 X 1,5		*							
21	-	1020 MM	77-	1							
22	911 612 865 00	rubber sleeve		1							
23	911 201 157 01	sleeve		1							
24	999 659 015 40	protection cap		1							

Model	Year	MG	SG	Illustration	Restrictions	UPD	21:00	22.01.2010	PORSCHE	PET	PORSCHE
911	1977	2	02	202-00		248					

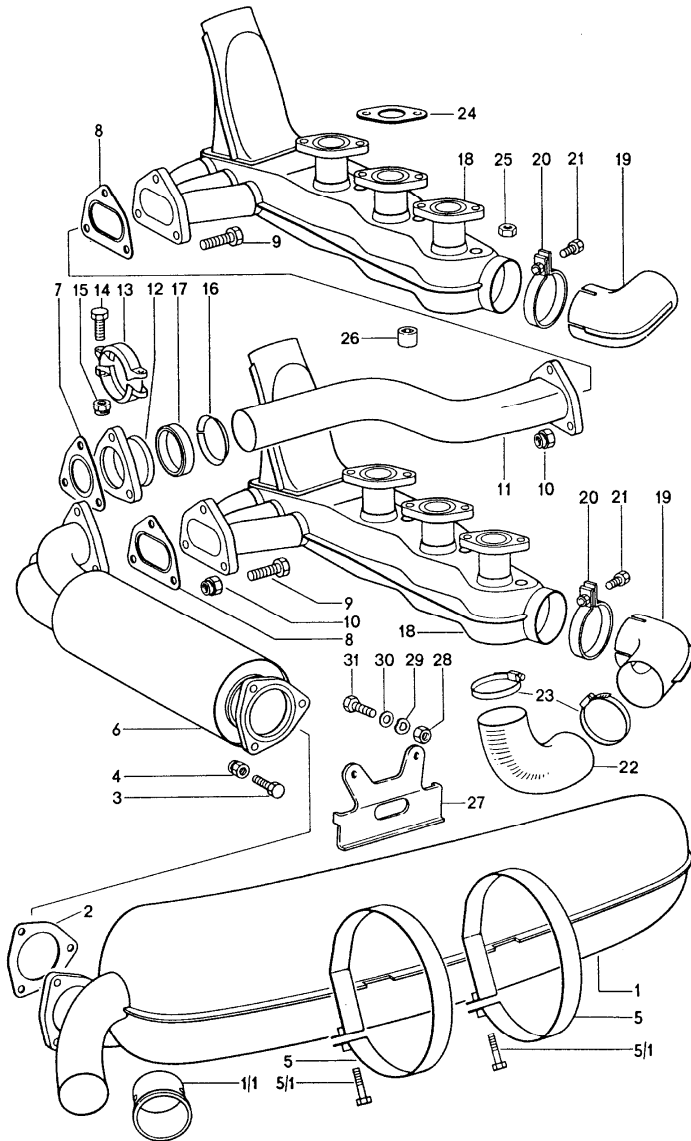


Pos	Part Number	Description	Remark	Qty	Model
		exhaust system		74	K-JETRONIC
				74-	911.83
1	911 211 021 14	heat exchanger complete with cap	/L	1	911/83
2	911 211 021 60	heat exchanger		1	911/911S
3	911 211 022 10	heat exchanger complete	/R	-74	911/911S CARRERA 2,7
3	911 211 022 10	heat exchanger complete	/R	75-	911/83
4	900 075 148 02	hexagon-head bolt M 10 X 32		-74	911/911S CARRERA 2,7
4	900 075 148 02	hexagon-head bolt M 10 X 32		75-	911/83
5	999 084 002 02	hexagon nut M 10		-74	911/911S CARRERA 2,7
5	999 084 002 02	hexagon nut M10		75-	911/83
6	* 901 111 193 00	gasket		-74	911/911S CARRERA 2,7
6	901 111 193 00	gasket		75-	911/83
7	N 012 226 5	spring washer B 6		-74	911/911S CARRERA 2,7
8	900 076 010 02	hexagon nut M 6		-74	911/911S CARRERA 2,7
9	930 111 191 13	gasket		-74	911/911S CARRERA 2,7
10	900 076 025 02	hexagon nut SW 13 M 8		-74	911/911S CARRERA 2,7
11	999 085 001 02	socket head nut M 8		-74	911/911S CARRERA 2,7
12	901 211 194 00	heater hose	/L	-74	911/911S CARRERA 2,7
13	901 211 194 00	heater hose	/R	-74	911/911S CARRERA 2,7
14	999 512 349 02	hose clamp		-74	911/911S CARRERA 2,7
				-74	

Model	Year	MG	SG	Illustration	Restrictions	UPD	21:00	22.01.2010	PORSCHE	PET	PORSCHE
911	1977	2	02	202-00		248					

Pos	Part Number	Description	Remark	Qty	Model	Pos	Part Number	Description	Remark	Qty	Model
15	911 106 329 00	flexible pipe engine cover heat exchanger	/L	-74	1 CARRERA 2.7						
16	911 108 151 00	flexible pipe heat exchanger REGELGEHAEUSE		-74	1 CARRERA 2.7						
17	999 512 348 02	hose clamp 38 - 58 X 9		-74	1 CARRERA 2.7						
18	911 111 025 01	exhaust silencer		-74	1 911/911S CARRERA 2,7						
18	911 111 025 01	exhaust silencer		75-	1 911/83						
19	901 111 151 04	bracket			1 911/911S CARRERA 2,7						
20	901 111 157 04	clamp			2 911/911S CARRERA 2,7						
21	900 067 161 02	pan-head screw			2 911/911S CARRERA 2,7						
22	900 075 078 02	hexagon-head bolt			2 911/911S CARRERA 2,7						
23	900 025 007 02	washer			2 911/911S CARRERA 2,7						
24	N 012 241 8	spring washer			2 911/911S CARRERA 2,7						
25	900 076 025 02	hexagon nut			2 911/911S CARRERA 2,7						
26	911 111 245 00	ornamental exhaust pipe			1 911/911S CARRERA 2,7						

Model	Year	MG	SG	Illustration	Restrictions	UPD	21:00	22.01.2010	PORSCHE	PET	PORSCHE
911	1977	2	02	202-10		248					

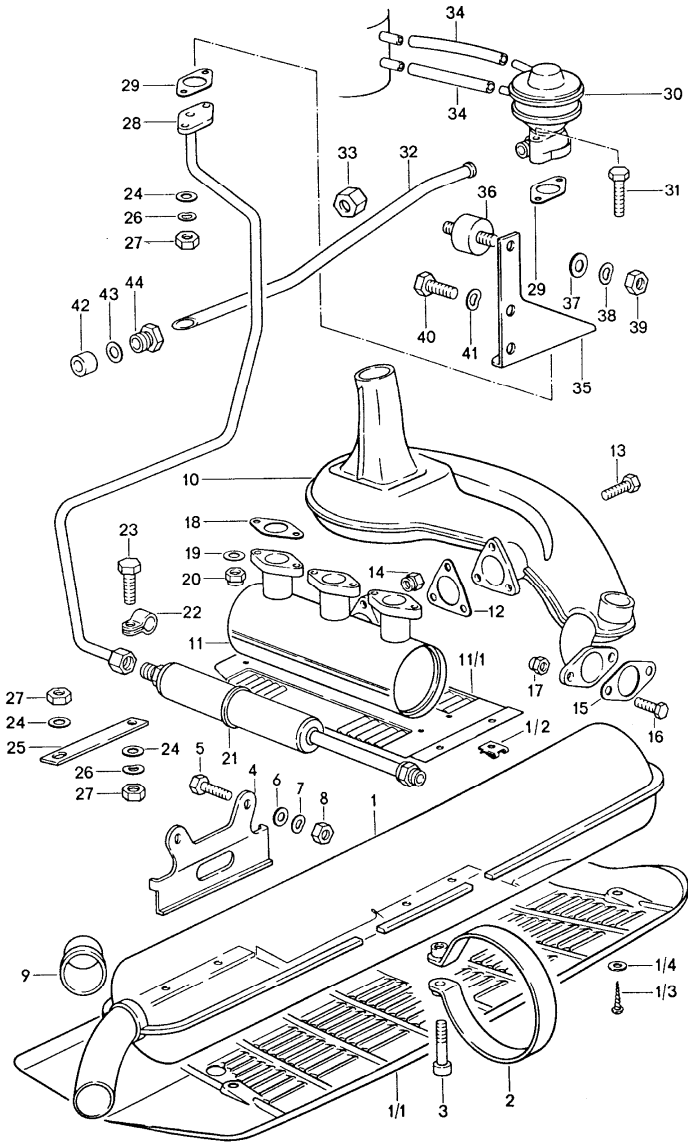


Pos	Part Number	Description	Remark	Qty	Model
		exhaust system		75-	K-JETRONIC
1	930 111 022 00	exhaust silencer		1	911/911S CARRERA 3,0
1/1	911 111 245 00	ornamental exhaust pipe		1	911/911S CARRERA 3,0
2	* 911 111 191 01	gasket		1	911/911S CARRERA 3,0
2	911 111 191 02	gasket		1	911/911S CARRERA 3,0
3	N 040 222 2	hexagon-head bolt		3	911/911S CARRERA 3,0
4	999 084 052 02	lock nut		4	911/911S CARRERA 3,0
5	901 111 157 04	clamp		2	911/911S CARRERA 3,0
5/1	900 067 057 02	pan-head screw		2	911/911S CARRERA 3,0
6	930 111 183 01	front muffler		1	911/911S
6	930 111 183 01	front muffler		1	911/911S CARRERA 3,0
7	911 111 162 02	gasket		1	911/911S CARRERA 3,0
8	* 911 111 128 00	gasket	A	2	911/911S CARRERA 3,0
9	N 040 222 2	hexagon-head bolt		9	911/911S CARRERA 3,0
10	999 084 052 02	lock nut	A	9	911/911S CARRERA 3,0
11	930 111 169 05	exhaust line	-75	1	911/911S
11	930 111 169 05	exhaust line		1	911/911S CARRERA 3,0
12	911 111 186 00	compensating socket	-75	1	911/911S
12	930 111 157 00	compensating socket		1	911/911S CARRERA 3,0
13	911 111 187 00	clamp		2	911/911S CARRERA 3,0

Model	Year	MG	SG	Illustration	Restrictions	UPD	21:00	22.01.2010	PORSCHE	PET	PORSCHE
911	1977	2	02	202-10		248					

Pos	Part Number	Description	Remark	Qty	Model	Pos	Part Number	Description	Remark	Qty	Model
14	900 074 019 02	hexagon-head bolt		2	911/911S CARRERA 3,0						
14	N 010 339 3	hexagon-head bolt		2	911/911S CARRERA 3,0						
15	900 910 096 02	lock nut		2	911/911S CARRERA 3,0						
16	* 911 111 188 02	support washer		1	911/911S CARRERA 3,0						
17	* 911 111 189 03	gasket		1	911/911S CARRERA 3,0						
18	930 211 025 01	heat exchanger		2	911/911S CARRERA 3,0						
19	911 211 131 00	adapter		2	911/911S CARRERA 3,0						
20	999 512 246 02	clamp		2	911/911S CARRERA 3,0						
21	900 075 057 02	hexagon-head bolt		2	911/911S CARRERA 3,0						
22	911 211 553 00	flexible pipe		1	911/911S CARRERA 3,0						
23	999 512 349 02	hose clamp		2	911/911S CARRERA 3,0						
24	* 930 111 191 13	gasket		6	911/911S CARRERA 3,0						
25	900 076 025 02	hexagon nut		6	911/911S CARRERA 3,0						
26	999 085 001 02	socket head nut		6	911/911S CARRERA 3,0						
27	901 111 151 04	bracket		1	911/911S CARRERA 3,0						
28	900 076 025 02	hexagon nut		2	911/911S CARRERA 3,0						
29	N 012 241 8	spring washer		2	911/911S CARRERA 3,0						
30	900 025 007 02	washer		2	911/911S CARRERA 3,0						
31	900 075 078 02	hexagon-head bolt		2	911/911S CARRERA 3,0						

Model	Year	MG	SG	Illustration	Restrictions	UPD	21:00	22.01.2010	PORSCHE	PET	PORSCHE
911	1977	2	02	202-20		248					

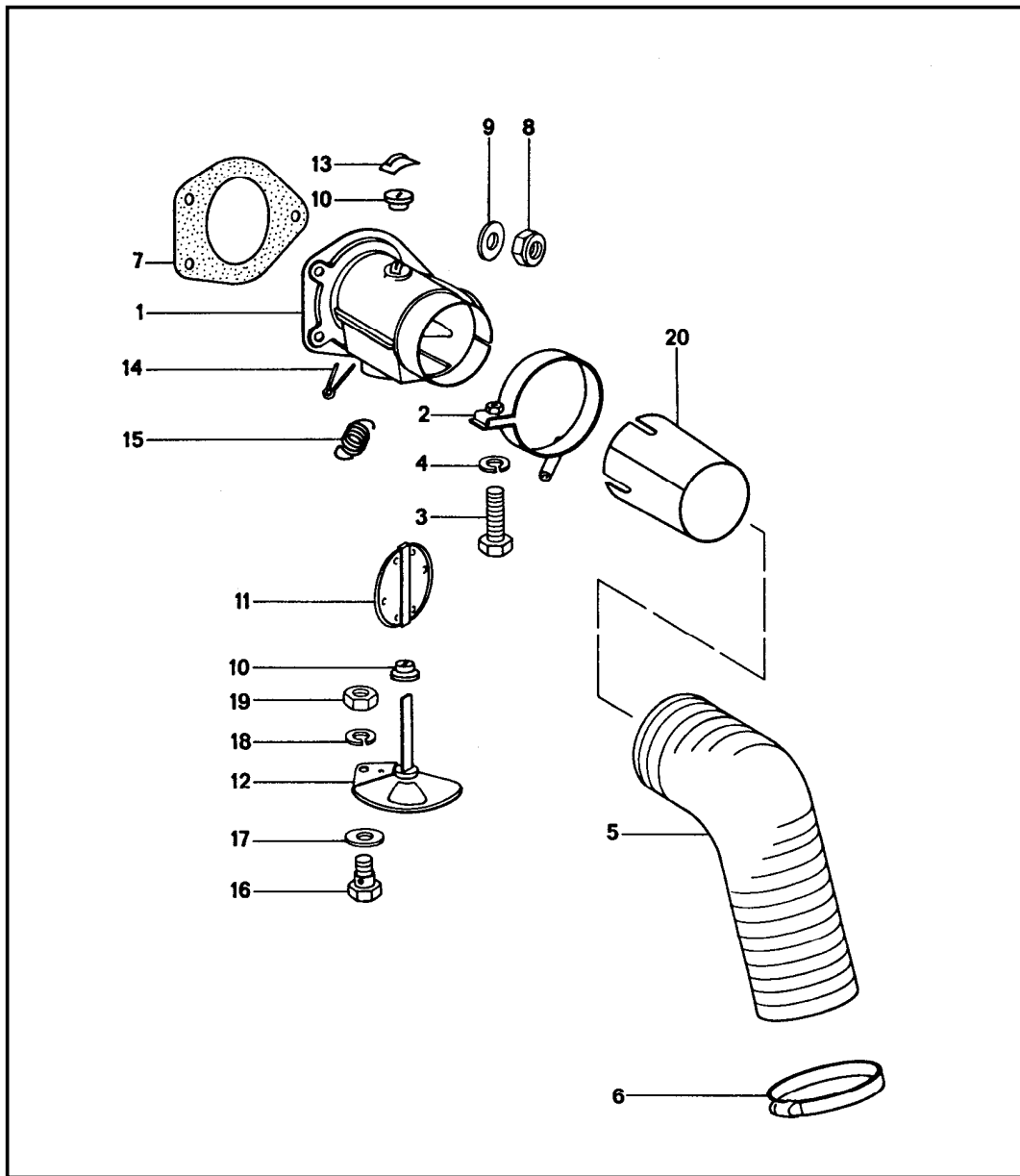


Pos	Part Number	Description	Remark	Qty	Model
		exhaust system	(CAL) (USA) (CDN) (J)	75- 77-	K-JETRONIC
1	911 111 025 04	exhaust silencer	(J)	1	911S
1/1	911 111 184 00	cover	(J)	1	911S
1/2	999 591 327 02	speed nut	(J)	16	911S
1/3	N 013 890 5	screw	(J)	16	911S
1/4	900 151 006 09	washer	(J)	16	911S
2	901 111 157 04	clamp		2	911S
3	900 067 161 02	pan-head screw		2	911S
4	901 111 151 04	bracket		1	911S
5	900 075 078 02	hexagon-head bolt		2	911S
6	900 025 007 02	washer		2	911S
7	N 012 241 8	spring washer		2	911S
8	900 076 025 02	hexagon nut		2	911S
9	911 111 245 00	ornamental exhaust pipe		1	911S
10	911 211 028 00	heat exchanger	/R	1	911S
(10)	911 211 027 01	heat exchanger	/L	1	911S
11	930 113 150 05	reactor	(J)	2	911S
-	930 113 151 00	entrance tube for reactor see technical information group 2. NR. 13 - 25.2.77		6	911S
-	911 113 148 00	entrance tube for reactor see technical information group 2. NR. 13 - 25.2.77		6	911S
11/1	911 113 208 01	protection for reactor	(J)	2	911S
12	911 111 162 02	gasket		4	911S
13	N 010 335 5	hexagon-head bolt		2	911S

Model	Year	MG	SG	Illustration	Restrictions	UPD	21:00	22.01.2010	PORSCHE	PET	PORSCHE
911	1977	2	02	202-20		248					

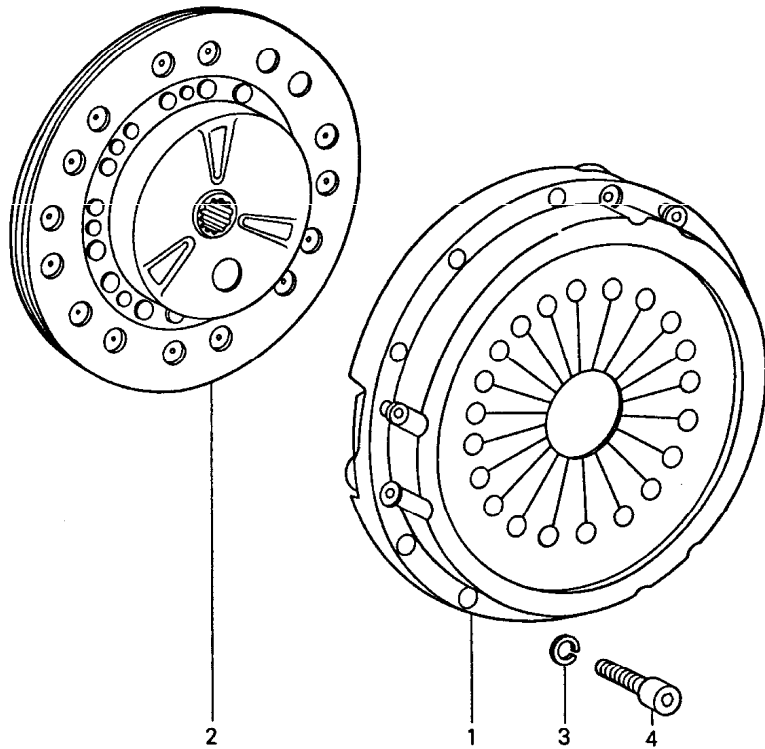
Pos	Part Number	Description	Remark	Qty	Model	Pos	Part Number	Description	Remark	Qty	Model
14	999 084 052 02	lock nut		6	911S	41	N 012 241 8	spring washer		2	911S
15	901 111 193 00	gasket		6	911S	42	* 911 113 205 02	sealing rubber		1	911S
16	900 075 148 02	hexagon-head bolt		4	911S	43	N 011 564 2	washer		1	911S
17	999 084 002 02	hexagon nut		4	911S	44	911 113 206 00	pressure screw		1	911S
18	* 911 113 190 01	gasket		6	911S						
19	900 031 001 02	washer	76-	12	911S						
20	999 084 052 02	lock nut		12	911S						
21	911 113 173 01	exhaust gas filter		1	911S						
22	999 512 243 02	pipe clamp		1	911S						
23	900 075 010 02	hexagon-head bolt		X	911S						
24	N 011 524 7	washer		X	911S						
25	911 113 123 00	support		1	911S						
26	N 012 226 5	spring washer		X	911S						
28	911 113 176 05	pipeline for 911/85/90/94/99		1							
29	911 113 179 02	gasket	-75	2	911S						
29	911 113 179 02	gasket	76-	1	911S						
30	911 113 183 04	egr valve	(J)	1	911/94/99						
31	N 010 347 5	hexagon-head bolt		1	911S						
31	900 074 019 02	hexagon-head bolt		1	911S						
32	911 113 177 03	pipeline		1	911S						
33	900 104 014 02	union nut		-76	1	911S					
-	999 181 281 50	vacuum hose C 3,2 X 7		*							
34	-	465 MM		2	911S						
35	A 911 113 175 04	retaining bracket	-75	1	911S						
35	911 113 175 04	retaining bracket for 911/44/49/84/85/89 911/90/94/99		1							
40	N 010 239 11	hexagon-head bolt		2	911S						

Model	Year	MG	SG	Illustration	Restrictions	UPD	21:01	22.01.2010	PORSCHE	PET	PORSCHE
911	1977	2	02	202-30		248					



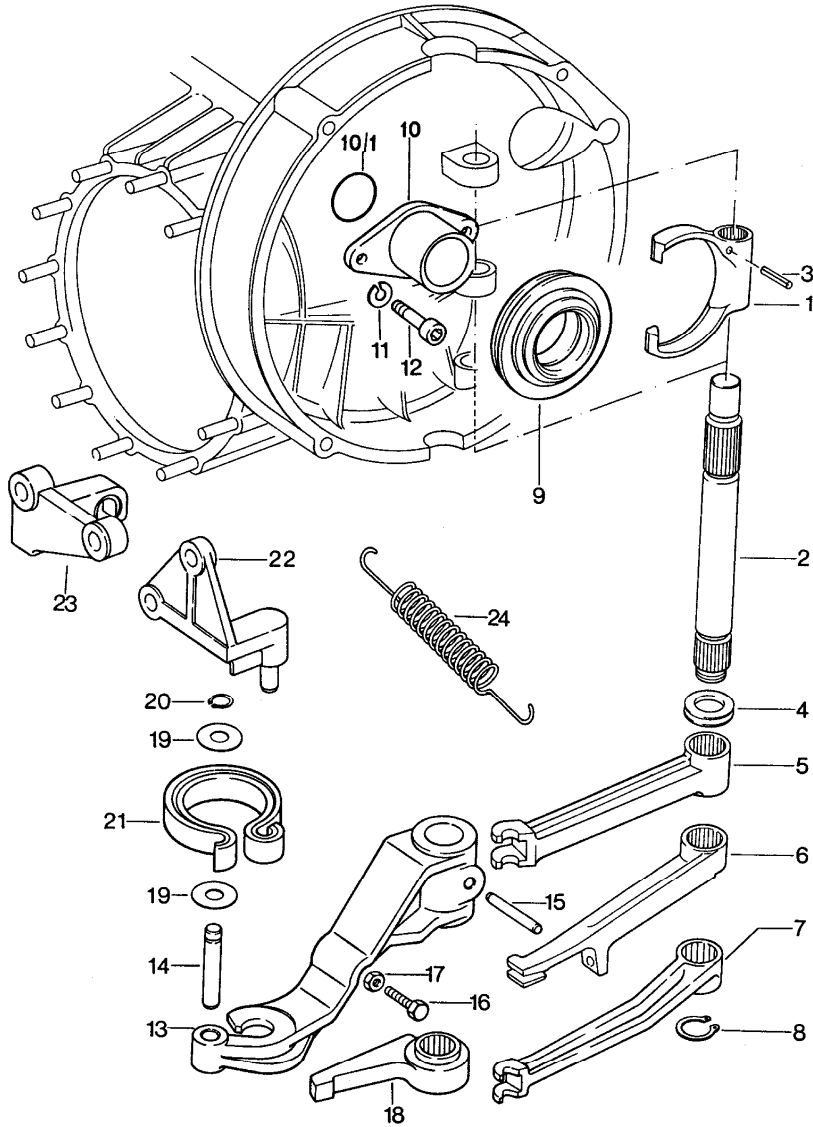
Pos	Part Number	Description	Remark	Qty	Model
		heating air supply			
1	911 211 013 00	heat control box	/L	1	
(1)	911 211 014 00	heat control box	/R	1	
2	901 211 051 21	pipe clamp	/L	1	
(2)	901 211 052 21	pipe clamp	/R	1	
3	900 378 030 09	hexagon-head bolt M 6 X 20		2	
4	900 027 014 01	lock ring B 6		2	
5	930 211 622 01	connecting hose 250 MM	-74	2	911/911S CARRERA 2,7
(5)	911 211 622 00	connecting hose	75-	2	
6	999 512 349 02	hose clamp		2	
7	911 211 297 00	gasket		2	
8	900 084 010 02	hexagon nut M 6		6	
9	N 011 524 7	washer 6,4		6	
10	901 211 255 21	bearing		4	
11	901 211 028 22	air flap		2	
12	901 211 035 21	rotary slide	/L	1	
(12)	901 211 036 21	rotary slide	/R	1	
13	999 507 222 02	mecano-speed-fix		2	
14	900 021 014 02	cotter pin 3 X 15		2	
15	999 522 013 01	spring		2	
16	901 211 683 00	clamping screw		2	
17	999 025 042 02	washer		2	
18	900 027 011 01	lock ring B 4		2	
19	N 011 004 6	hexagon nut M 4		2	
20	911 659 119 00	connecting piece		1	

Model	Year	MG	SG	Illustration	Restrictions	UPD	21:01	22.01.2010	PORSCHE	PET	PORSCHE
911	1977	3	01	301-00		248					



Pos	Part Number	Description	Remark	Qty	Model
		clutch			
1	> 915 116 001 27	pressure plate		1	
2	A 915 116 011 14	clutch plate	-76	1	
2	915 116 011 22	clutch plate	-76	1	
2	A 915 116 051 03	clutch plate	77-	1	911/911S CARRERA 3,0
2	915 116 011 22	clutch plate	77-	1	911/911S CARRERA 3,0
3	900 027 015 02	lock ring B 8		9	
4	900 067 090 02	pan-head screw M 8 X 42		9	
-	915 116 911 00	repair kit for clutch		1	

Model	Year	MG	SG	Illustration	Restrictions	UPD	21:01	22.01.2010	PORSCHE	PET	PORSCHE
911	1977	3	01	301-05		248					

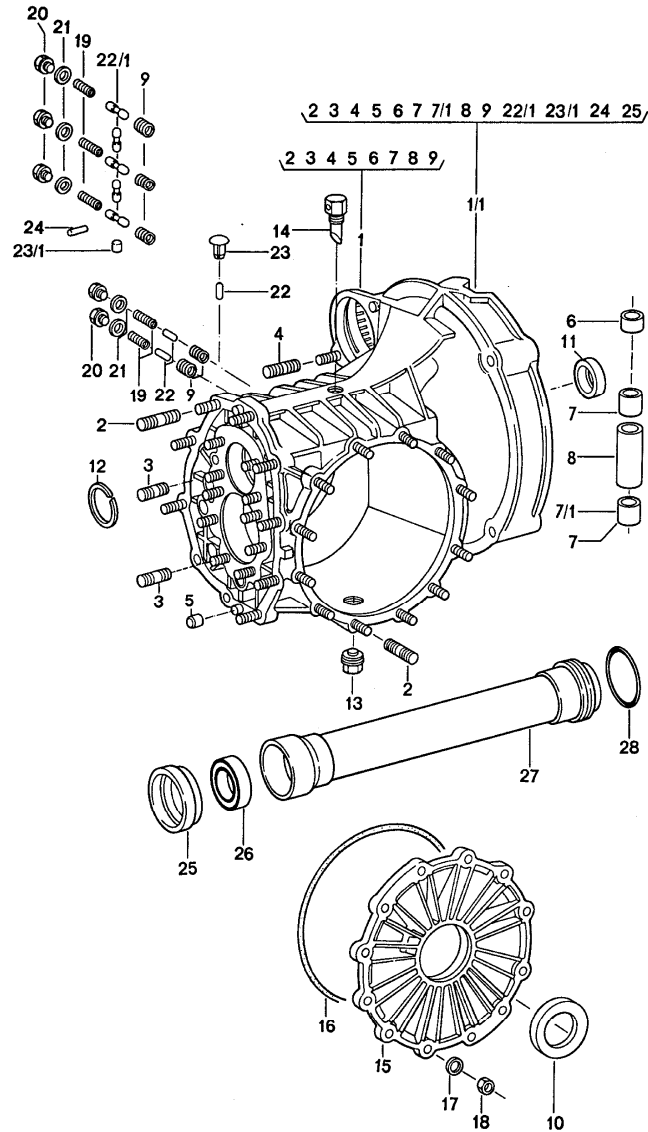


Pos	Part Number	Description	Remark	Qty	Model
		clutch release			
1	915 116 712 01	release fork		1	
2	915 116 133 03	bellcrank		1	
(2)	915 116 133 05	bellcrank		1	915/61/66
3	900 095 050 00	tensioning sleeve		1	
4 *	915 301 139 00	sealing ring		1	
5	915 116 713 01	clutch release lever		1	915/06/16
6	915 116 713 04	clutch release lever for 915/40/43/45/48		1	
(7)	915 116 713 05	clutch release lever for 915/44/49/60/65		1	
8	N 012 418 1	circlip 18 X 1,2		1	
9	915 116 082 80	clutch release bearing		1	
(10)	915 116 087 03	guide tube		1	911/911S CARRERA 3,0
10/1 *	999 701 359 40	o-ring		1	911/911S CARRERA 3,0
(12)	900 270 055 02	rais. counters. h. tap. s.		2	911/911S CARRERA 3,0
13	930 116 713 03	clutch release lever		1	
14	915 116 624 00	bolt		1	
15	900 012 132 00	straight pin 5 X 32		1	
16	930 116 701 00	adjusting screw		1	
17	N 011 118 11	hexagon nut M 8		1	
18	915 116 717 00	change lever		1	
19	930 116 617 00	washer		2	
20	900 041 003 01	circlip 8 X 0,8		1	
21	930 116 064 06	spring		1	

Model	Year	MG	SG	Illustration	Restrictions	UPD	21:01	22.01.2010	PORSCHE	PET	PORSCHE
911	1977	3	01	301-05		248					

Pos	Part Number	Description	Remark	Qty	Model	Pos	Part Number	Description	Remark	Qty	Model
		picture 22 - 24 for 915/61/66									
22	915 116 070 00	bearing bracket		1							
23	915 116 613 01	support		1							
24	915 116 614 02	tension spring		1							

Model	Year	MG	SG	Illustration	Restrictions	UPD	21:01	22.01.2010	PORSCHE	PET	PORSCHE
911	1977	3	02	302-00		248					



Pos	Part Number	Description	Remark	Qty	Model
-	>	915 300 010 16	replacement transmission transmission case		
-	>	915 300 010 16	replacement transmission 4-speed ready for installation	1	915/16
-		915 300 901 16	replacement transmission 4-speed ready for installation limited-slip differential	1	915/16.11
-	>	915 300 010 48	replacement transmission 4-speed ready for installation	1	915/48
-		915 300 901 48	replacement transmission 4-speed ready for installation limited-slip differential	1	915/48.11
-		915 300 010 45	replacement transmission 4-speed ready for installation	1	915/45
-		915 300 901 45	replacement transmission 4-speed ready for installation limited-slip differential	1	915/45.11
-	>	915 300 010 49	replacement transmission 4-speed ready for installation	1	915/49
-	>	915 300 010 65	replacement transmission 4-speed ready for installation	1	915/65
-	>	915 300 010 66	replacement transmission 4-speed ready for installation	1	915/66
-	>	915 300 010 06	replacement transmission 5-speed ready for installation	1	915/06
-		915 300 903 06	replacement transmission 5-speed ready for installation limited-slip differential	1	915/06.11
-	>	915 300 010 43	replacement transmission 5-speed ready for installation	1	915/43

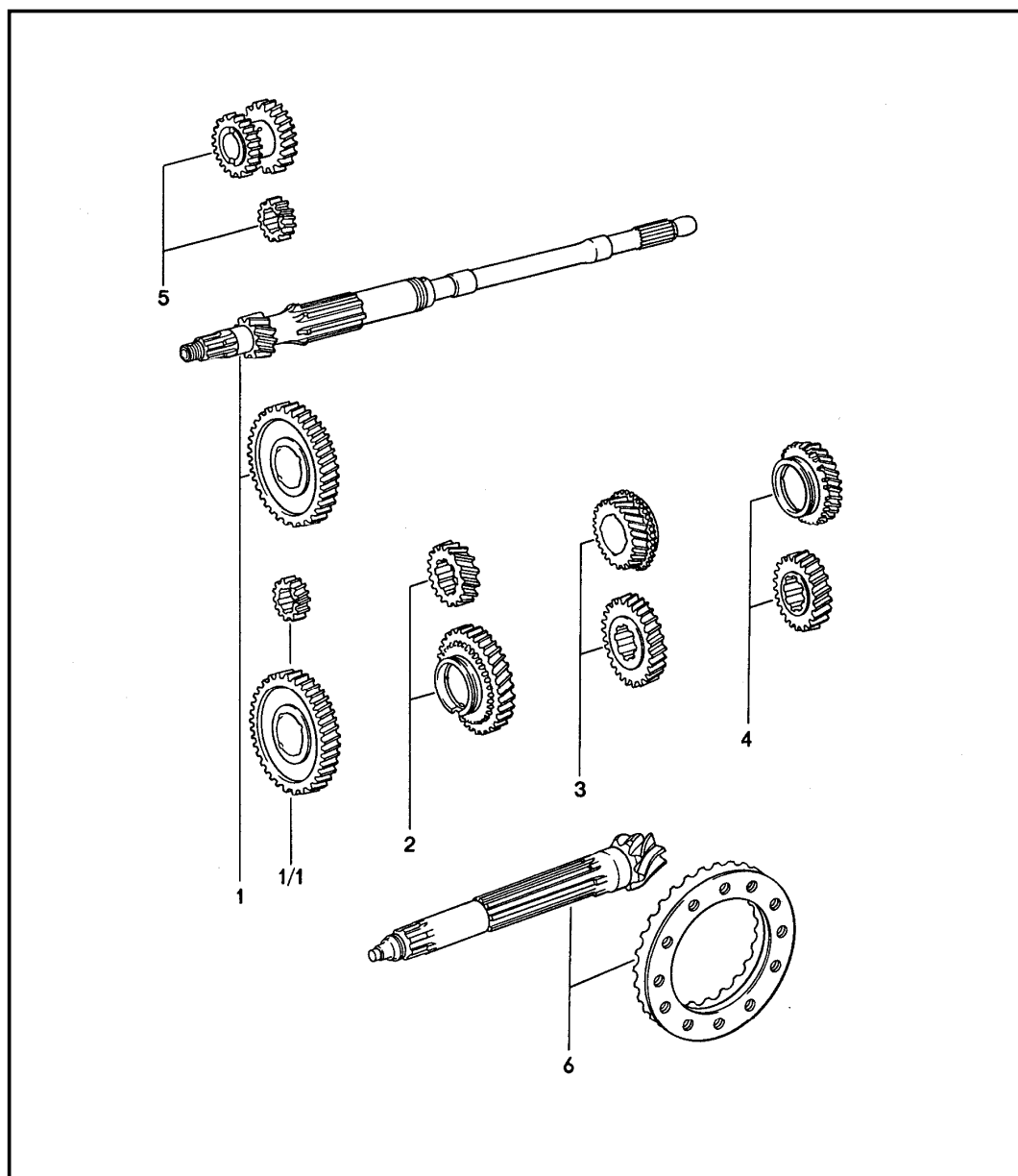
Model	Year	MG	SG	Illustration	Restrictions	UPD	21:01	22.01.2010	PORSCHE	PET	PORSCHE
911	1977	3	02	302-00		248					

Pos	Part Number	Description	Remark	Qty	Model	Pos	Part Number	Description	Remark	Qty	Model
-	915 300 903 43	replacement transmission 5-speed ready for installation limited-slip differential		1	915/43.11	10	* 999 113 183 40	radial shaft seal		2	
-	> 915 300 010 40	replacement transmission 5-speed ready for installation		1	915/40	11	* 915 302 381 00	shaft sealing ring		1	
-	915 300 903 40	replacement transmission 5-speed ready for installation limited-slip differential		1	915/40.11	12	999 041 327 01	circlip SB 62		1	
-	> 915 300 010 44	replacement transmission 5-speed ready for installation		1	915/44	13	999 064 020 02	screw plug M 24 X 1,5 with magnet		1	
-	> 915 300 010 60	replacement transmission 5-speed ready for installation		1	915/60	14	904 301 071 00	bleeder		1	
-	> 915 300 010 61	replacement transmission 5-speed ready for installation		1	915/61	15	915 301 311 05	transmission cover		1	
1	915 301 901 03	transmission case		1		(15)	915 301 311 05	transmission cover		1	915/61/66
1	915 301 901 04	transmission case	77-	1	915/61/65	16	* 999 701 392 40	o-ring		1	
2	999 062 139 02	stud M 8 X 26		20		17	900 031 014 30	washer 8,4		12	
(2)	999 062 098 02	stud M 8 X 38	77-	4		(17)	N 012 241 8	spring washer B 8		12	
3	999 062 073 02	stud M 8 X 20		10		18	900 076 025 02	hexagon nut M 8		12	
4	999 062 182 02	stud M 10 X 25		1		19	915 303 232 00	spring		2	
5	900 012 110 00	straight pin 10 M 6 X 14		2		20	900 075 352 02	hexagon-head bolt		2	
6	915 301 125 01	bearing sleeve	-76	1		21	* 900 123 066 30	sealing ring A 10 X 16		2	
(6)	915 301 119 00	bearing sleeve	77-	1		22	915 303 131 00	detent		3	
7	A 915 301 129 00	bush		2		23	915 301 126 00	locking bolt		1	
7	915 301 129 01	bush		2							
8	915 301 133 00	pipe		1							
9	999 504 047 00	threaded insert heli-coil		2							

Model	Year	MG	SG	Illustration	Restrictions	UPD	21:01	22.01.2010	PORSCHE	PET	PORSCHE
911	1977	3	02	302-05		248					

Pos	Part Number	Description	Remark	Qty	Model	Pos	Part Number	Description	Remark	Qty	Model
20	915 301 126 00	locking bolt		1		35	* 915 301 351 00	gasket		1	
21	* 915 301 191 00	gasket		1		36	901 423 369 00	retaining bracket		1	
		transmission cover front				37	915 301 369 00	clip		1	
22	915 301 903 01	transmission cover front for 915/06/16/40/43/45/48		1		38	900 031 014 30	washer 8,4		9	
22/1	915 301 903 03	transmission cover front for 915/44/49/60/61/65/66		1		(38)	N 012 241 8	spring washer B 8		9	
23	999 062 006 02	stud M 8 X 20		4		39	900 076 025 02	hexagon nut M 8		9	
24	915 318 339 00	bearing sleeve for 915/06/16/40/43/45/48		1		40	999 611 920 20	ground strap		1	
25	999 703 385 40	stopper		1		41	999 151 022 02	washer 20 X 8,4 X 2		1	
26	* 999 113 185 40	shaft sealing ring		1		42	915 303 145 00	cam follower		1	
27	915 318 033 00	drive shaft for 915/06/16/43/48		1		43	914 613 541 02	back-up light switch		1	
27	915 318 033 02	drive shaft		1	915/40/45	44	914 613 491 00	rubber cap		1	
28	915 318 307 00	stop picture 28 - 30 + 32 - 34 for 915/06/16/40/43/45/48		1							
29	* 999 701 349 40	o-ring		1							
30	900 042 004 01	circlip 22 X 1		1							
31	915 318 034 00	drive shaft for 915/06/16/43/48		1							
31	915 318 034 02	drive shaft		1	915/40/45						
32	915 318 337 00	thrust washer		1							
33	N 012 407 1	outer ring 7 X 0,8		1							
34	* 999 113 175 40	shaft sealing ring		1							

Model	Year	MG	SG	Illustration	Restrictions	UPD	21:02	22.01.2010	PORSCHE	PET	PORSCHE
911	1977	3	03	303-00		248					

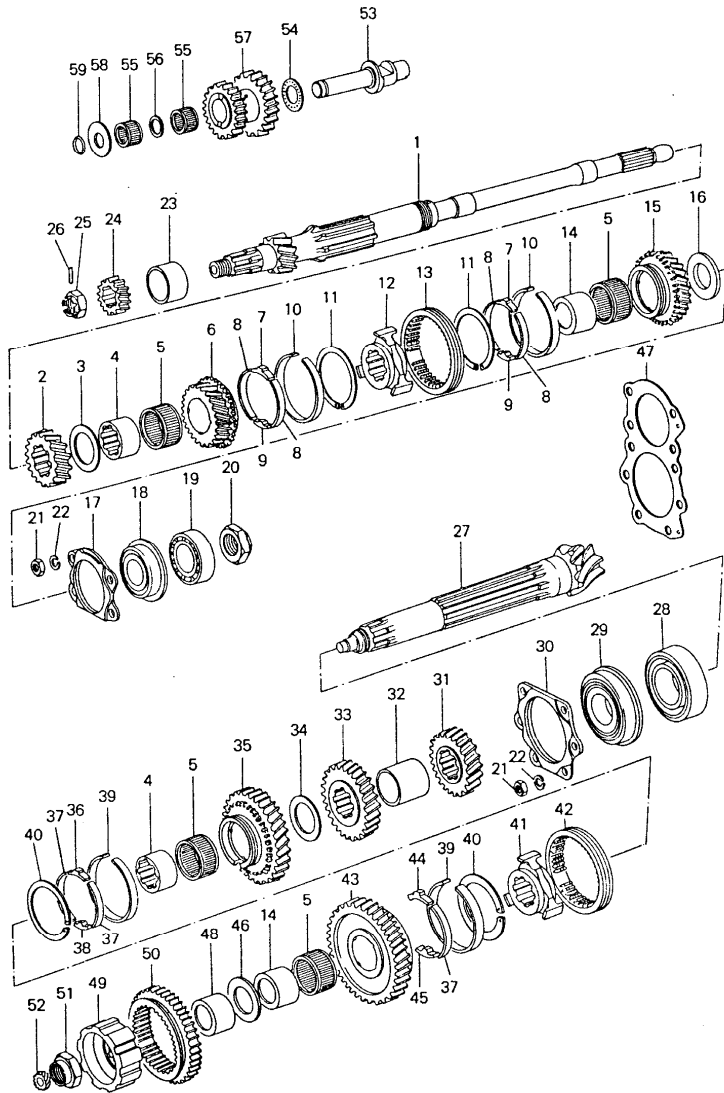


Pos	Part Number	Description	Remark	Qty	Model
		gear wheel sets 4-speed transmission			915/16/48
1	915 302 901 05	gear set 1st gear Z = 11:35		1	
2	923 302 902 33	gear set 2nd gear Z = 20:32		1	
3	915 302 904 20	gear set 3rd gear Z = 25:26		1	
4	923 302 904 78	gear set 4th speed Z = 29:21		1	
5	915 302 912 04	gear set reverse gear		1	
6	915 302 911 16	ring gear and pinion shaft 7:31 transmission		1	915/45/49
1	915 302 901 05	gear set 1st gear Z = 11:35 (AZ)		1	915/49
2	923 302 902 33	gear set 2nd gear Z = 20:32 (KW)		1	
3	923 302 904 18	gear set 3rd gear Z = 25:27 (PR)		1	
4	915 302 904 60	gear set 4th speed Z = 28:23 (SN)		1	
5	915 302 912 04	gear set reverse gear		1	
6	915 302 911 17	ring gear and pinion shaft 8:31		1	915/45
(6)	915 302 911 17	ring gear and pinion shaft 8:31 transmission		1	915/49 915/65/66

Model	Year	MG	SG	Illustration	Restrictions	UPD	21:02	22.01.2010	PORSCHE	PET	PORSCHE
911	1977	3	03	303-00		248					

Pos	Part Number	Description	Remark	Qty	Model	Pos	Part Number	Description	Remark	Qty	Model
1	915 302 921 14	gear set 1st gear Z = 11:35 (AZ)		1							
2	923 302 902 33	gear set 2nd gear Z = 20:32 (KW)		1							
3	923 302 904 18	gear set 3rd gear Z = 25:27 (PR)		1							
4	915 302 904 60	gear set 4th speed Z = 28:23 (SN)		1							
5	915 302 912 04	gear set reverse gear		1							
6	915 302 911 17	ring gear and pinion shaft 8:31		1							

Model	Year	MG	SG	Illustration	Restrictions	UPD	21:02	22.01.2010	PORSCHE	PET	PORSCHE
911	1977	3	03	303-05		248					



Pos	Part Number	Description	Remark	Qty	Model
		gears and shafts 4-speed			915
		gear wheel sets see group 3/03/00			
1 *	-	drive shaft		1	
-	915 302 267 00	spacer sleeve		X	
2 *	-	fixed gear wheel 2nd gear		2	
3	915 302 292 00	thrust washer		1	
4	915 302 262 00	bush		1	
5	999 201 470 00	needle cage		2	
6 *	-	loose gear wheel 3rd gear		1	
7	911 302 315 00	stone 3rd/4th gear		2	
8	911 302 316 00	brake band 3rd/4th gear		4	
9	911 302 317 01	stop 3rd/4th gear		2	
10	911 302 301 06	synchroniser ring 3rd/4th gear		2	
11	911 302 311 01	circlip		2	
12	901 302 402 02	guide sleeve		1	915/16/48
12	911 302 402 20	guide sleeve for 915/44/45/49/65/66		1	
13	911 302 411 10	shift sleeve		1	915/16/48
13	911 302 411 20	shift sleeve for 915/44/45/49/65/66		1	
14	915 302 261 00	bush		2	
15 *	-	loose gear wheel 4th speed		1	
16	915 302 294 01	thrust washer		1	
17	915 302 121 03	tensioning plate		1	

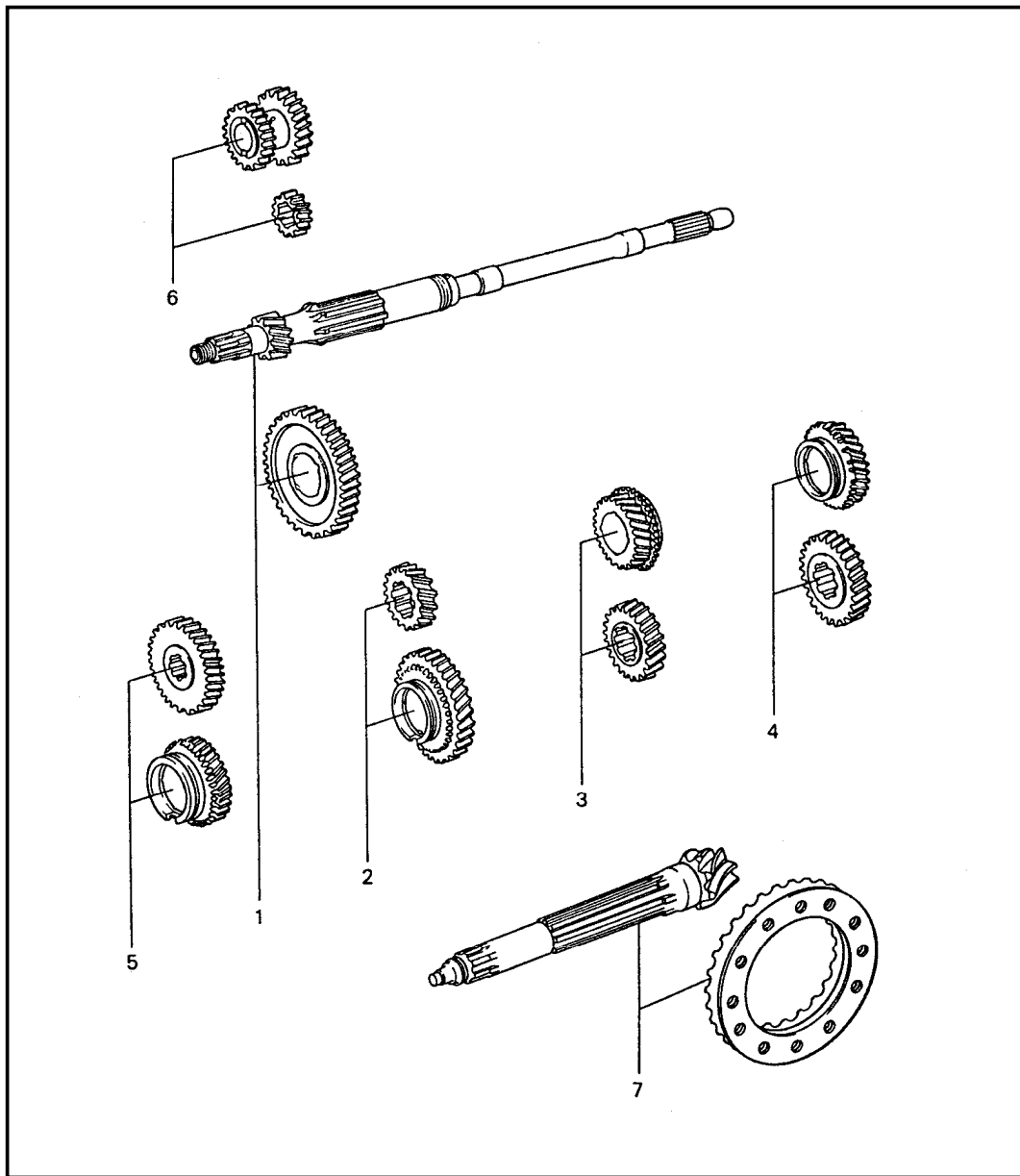
Model	Year	MG	SG	Illustration	Restrictions	UPD	21:02	22.01.2010	PORSCHE	PET	PORSCHE
911	1977	3	03	303-05		248					

Pos	Part Number	Description	Remark	Qty	Model	Pos	Part Number	Description	Remark	Qty	Model
18	999 052 030 00	four-point bearing		1		38	915 302 321 00	stop 2nd gear		1	
19	999 110 032 00	cylindrical-roller bearing		1		(38)	928 302 322 00	stop 2nd gear		1	915/65/66
20	999 034 033 00	hexagon nut		1		39	915 302 301 04	synchroniser ring		2	
21	502 08 310	nut M 8		10		(39)	915 302 301 06	synchroniser ring 1st gear		1	915/65/66
22	900 142 002 01	lock ring		10		(39)	915 302 301 04	synchroniser ring 2nd gear		1	915/65/66
23	915 302 277 00	spacer sleeve		1		40	915 302 311 01	circlip		1	
24 *	-	reverse gear wheel 1		1		41	915 302 401 00	guide sleeve		2	
25	900 079 009 00	castle nut M 18 X 1,5		1		(41)	915 302 401 02	guide sleeve		1	915/65/66
26	900 309 005 00	roll pin 4 X 26		1		42	915 302 411 00	shift sleeve		1	
27 *	-	pinion shaft		1		(42)	930 302 411 01	shift sleeve		1	915/65/66
28 A	999 110 146 00	cylindrical-roller bearing		1		43 *	-	loose gear wheel 1st gear		1	
28	999 110 146 01	cylindrical-roller bearing		1		44	915 302 318 00	stone 1st gear		1	
29	999 052 043 00	four-point bearing		1		(44)	915 302 315 01	stone 1st gear		1	915/65/66
30	915 302 123 03	tensioning plate		1		45	915 302 321 00	stop		1	
30	915 302 123 04	tensioning plate		1		(45)	928 302 321 00	stop		1	915/65/66
31 *	-	fixed gear wheel 4th speed		1		46	915 302 291 00	thrust washer		1	
32	915 302 265 01	spacer sleeve		1		47	915 302 268 03	adjusting shim 0,10 MM		X	
33 *	-	fixed gear wheel 3rd gear		1		-	915 302 268 04	adjusting shim 0,15 MM		X	
34	915 302 293 00	thrust washer		1		-	915 302 268 05	adjusting shim 0,20 MM		X	
35 *	-	loose gear wheel 2nd gear		1		48	915 302 278 01	spacer sleeve		1	
36	915 302 315 01	stone 2nd gear		1		49	915 302 405 01	guide sleeve		1	
37	915 302 316 01	brake band		3		50	915 302 227 09	shifting gear reverse gear		1	
(37)	928 302 318 02	double barricade tape 2nd gear		1	915/65/66	51	915 302 282 00	collar nut		1	
(37)	928 302 319 08	double barricade tape 1st gear		1	915/65/66						

Model	Year	MG	SG	Illustration	Restrictions	UPD	21:02	22.01.2010	PORSCHE	PET	PORSCHE
911	1977	3	03	303-05		248					

Pos	Part Number	Description	Remark	Qty	Model	Pos	Part Number	Description	Remark	Qty	Model
52	915 318 331 00	speedometer pinion 1		1	915/16/45/48						
53	915 302 228 03	bolt		1							
54	999 202 001 00	axial needle bearing cage		1							
55	999 201 107 00	needle cage		2							
56	915 302 231 00	intermediate ring		1							
57 *	-	reverse idler gear		1							
58	915 302 229 01	thrust washer		1							
59 *	999 701 169 40	o-ring		1							

Model	Year	MG	SG	Illustration	Restrictions	UPD	21:02	22.01.2010	PORSCHE	PET	PORSCHE
911	1977	3	03	303-10		248					

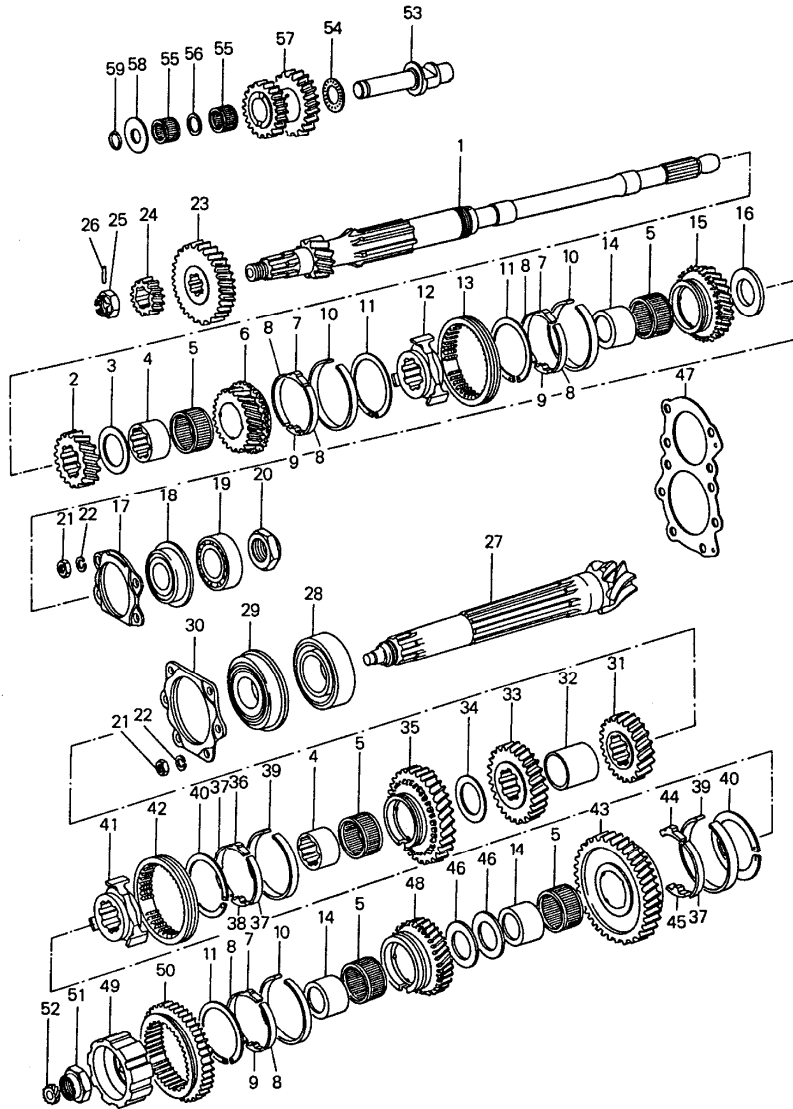


Pos	Part Number	Description	Remark	Qty	Model
		gear wheel sets 5-speed transmission 915.06/43			
1	915 302 901 05	gear set 1st gear Z = 11:35 (AZ)		1	
2	915 302 902 39	gear set 2nd gear Z = 18:33 (HX)		1	
3	923 302 903 23	gear set 3rd gear Z = 23:29 (NT)		1	
4	915 302 904 40	gear set 4th speed Z = 27:25 (RP)		1	
4	915 302 904 74	gear wheel pair 4th speed Z = 29:28		1	
5	923 302 905 53	gear set 5th gear Z = 29:21 (TL)		1	
6	915 302 912 04	gear set reverse gear		1	
7	915 302 911 16	ring gear and pinion shaft 7:31		1	
		915.40/44			
1	915 302 901 05	gear set 1st gear Z = 11:35 (AZ)		1	915/44
2	915 302 902 39	gear set 2nd gear Z = 18:33 (HX)		1	
3	923 302 903 23	gear set 3rd gear Z = 23:29 (NT)		1	
4	923 302 904 28	gear set 4th speed Z = 26:26 (QQ)		1	
5	923 302 905 23	gear set 5th gear Z = 28:23 (SN)		1	

Model	Year	MG	SG	Illustration	Restrictions	UPD	21:02	22.01.2010	PORSCHE	PET	PORSCHE
911	1977	3	03	303-10		248					

Pos	Part Number	Description	Remark	Qty	Model	Pos	Part Number	Description	Remark	Qty	Model
6	915 302 912 04	gear set reverse gear		1							
7	915 302 911 17	ring gear and pinion shaft 8:31		1	915/40						
(7)	915 302 911 17	ring gear and pinion shaft 8:31 915.60/61		1	915/44						
1	915 302 921 14	gear set 1st gear Z = 11:35 (AZ)		1							
2	915 302 902 39	gear set 2nd gear Z = 18:33 (HX)		1							
3	923 302 903 23	gear set 3rd gear Z = 23:29 (NT)		1							
4	923 302 904 28	gear set 4th speed Z = 26:26 (QQ)		1							
5	923 302 905 23	gear set 5th gear Z = 28:23 (SN)		1							
6	915 302 912 04	gear set reverse gear		1							
7	915 302 911 17	ring gear and pinion shaft 8:31		1							

Model	Year	MG	SG	Illustration	Restrictions	UPD	21:02	22.01.2010	PORSCHE	PET	PORSCHE
911	1977	3	03	303-15		248					



Pos	Part Number	Description	Remark	Qty	Model
		gears and shafts 5 speed			TYP 915 TYP 923
		gear wheel sets see group 3/03/10			
1 *	-	drive shaft		1	
-	915 302 267 00	spacer sleeve		X	
2 *	-	fixed gear wheel 2. speed		1	
3	915 302 292 00	thrust washer		1	
4	915 302 262 00	bush		2	
5	999 201 470 00	needle cage		5	
6 *	-	loose gear wheel 3. speed		1	
7	911 302 315 00	stone 3. - 5. speed		1	
8	911 302 316 00	brake band 3. - 5. speed		6	
9	911 302 317 01	stop 3. - 5. speed		3	
10	911 302 301 06	synchroniser ring 3. - 5. speed		3	
11	911 302 311 01	circlip		3	
12	901 302 402 02	guide sleeve		1	915/06/43
12	911 302 402 20	guide sleeve for 915/40/44/60/61		1	
13	911 302 411 10	shift sleeve		1	915/06/43
13	911 302 411 20	shift sleeve for 915/40/44/60/61		1	
14	915 302 261 00	bush		3	

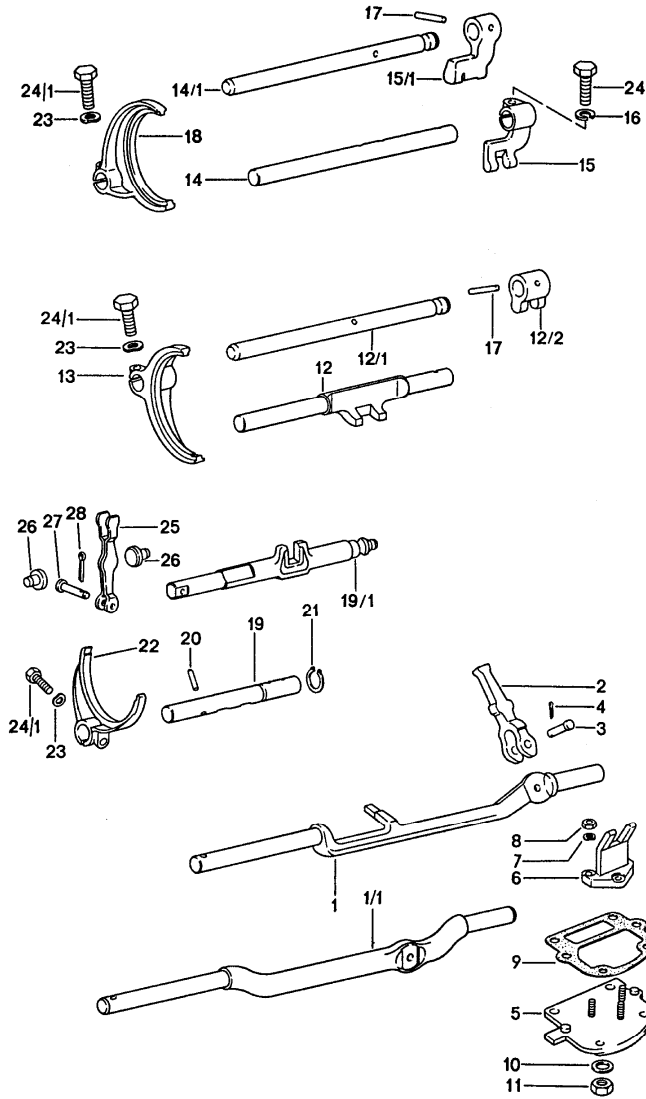
Model	Year	MG	SG	Illustration	Restrictions	UPD	21:02	22.01.2010	PORSCHE	PET	PORSCHE
911	1977	3	03	303-15		248					

Pos	Part Number	Description	Remark	Qty	Model	Pos	Part Number	Description	Remark	Qty	Model
15	*	-	loose gear wheel 4. speed	1		34	915 302 293 00	thrust washer		1	
16	915 302 294 01	thrust washer		1		35	* -	loose gear wheel 2. speed		1	
17	915 302 121 03	tensioning plate		1		36	915 302 315 01	stone 2. speed		1	
18	999 052 030 00	four-point bearing		1		37	915 302 316 01	brake band		3	
19	999 110 032 00	cylindrical-roller bearing		1		(37)	928 302 318 02	double barricade tape 2. speed		1	915/60/61
20	999 034 033 00	hexagon nut		1		(37)	928 302 319 08	double barricade tape 1. speed		1	915/60/61
21	502 08 310	nut M 8		10		38	915 302 321 00	stop 2. speed		1	
22	900 142 002 01	lock ring		10		(38)	928 302 322 00	stop 2. speed		1	915/60/61
23	* -	fixed gear wheel 5. speed		1		39	915 302 301 04	synchroniser ring		2	
24	* -	reverse gear wheel 1		1		(39)	915 302 301 04	synchroniser ring 2. speed		1	915/60/61
25	A 900 079 009 00	castle nut M 18 X 1,5		1		(39)	915 302 301 06	synchroniser ring 1. speed		1	915/60/61
25	900 079 009 00	castle nut M 18 X 1,5		1		40	915 302 311 01	circlip		2	
26	900 309 005 00	roll pin 4 X 26		1		41	915 302 401 00	guide sleeve		1	
27	* -	pinion shaft		1		(41)	915 302 401 02	guide sleeve		1	915/60/61
28	A 999 110 146 00	cylindrical-roller bearing		1		42	915 302 411 00	shift sleeve		1	
28	999 110 146 01	cylindrical-roller bearing		1		(42)	930 302 411 01	shift sleeve		1	915/60/61
29	999 052 043 00	four-point bearing		1		43	* -	loose gear wheel 1. speed		1	
30	915 302 123 03	tensioning plate		1		44	915 302 318 00	stone 1. speed		1	
30	915 302 123 04	tensioning plate		1							
31	* -	fixed gear wheel 4. speed		1							
32	915 302 265 01	spacer sleeve		1							
33	* -	fixed gear wheel 3. speed		1							

Model	Year	MG	SG	Illustration	Restrictions	UPD	21:02	22.01.2010	PORSCHE	PET	PORSCHE
911	1977	3	03	303-15		248					

Pos	Part Number	Description	Remark	Qty	Model	Pos	Part Number	Description	Remark	Qty	Model
(44)	915 302 315 01	stone 1. speed		1	915/60/61						
45	915 302 321 00	stop		1							
(45)	928 302 321 00	stop		1	915/60/61						
46	915 302 291 00	thrust washer		2							
47	915 302 268 03	adjusting shim 0,10 MM		X							
-	915 302 268 04	adjusting shim 0,15 MM		X							
-	915 302 268 05	adjusting shim 0,20 MM		X							
48 *	-	loose gear wheel 5. speed		1							
49	915 302 405 01	guide sleeve		1							
50	915 302 227 09	shifting gear		1							
51	915 302 282 00	collar nut		1							
52	915 318 331 00	speedometer pinion		1	915/06/40/43						
53	915 302 228 03	bolt reverse idler gear		1							
54	999 202 001 00	axial needle bearing cage		1							
55	999 201 107 00	needle cage		2							
56	915 302 231 00	intermediate ring		1							
57 *	-	reverse idler gear		1							
58	915 302 229 01	thrust washer		1							
59 *	999 701 169 40	o-ring		1							

Model	Year	MG	SG	Illustration	Restrictions	UPD	21:02	22.01.2010	PORSCHE	PET	PORSCHE
911	1977	3	04	304-00		248					

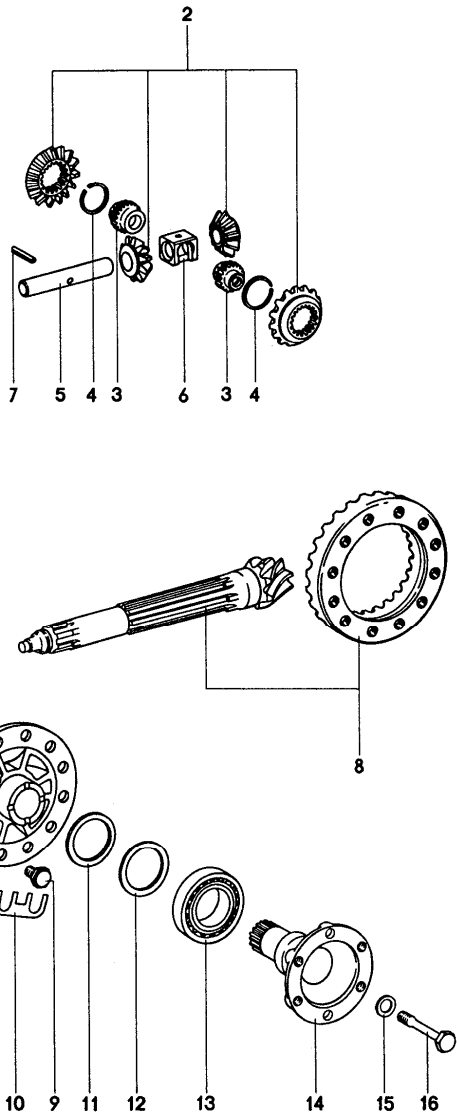


Pos	Part Number	Description	Remark	Qty	Model
1	915 303 132 00	gear shift rod		1	
2	915 303 133 00	shift lever		1	
3	901 303 171 01	bolt		1	
4	N 012 512 1	cotter pin 2 X 12		1	
5	915 303 023 02	shift cover		1	
6	915 303 129 09	fork		1	
7	N 012 006 4	lock ring B 6		3	
8	900 076 010 02	hexagon nut M 6		3	
9	* 915 303 225 00	gasket		1	
10	900 031 014 30	washer 8,4		4	
(10)	N 012 241 8	spring washer		4	
11	900 076 025 02	hexagon nut M 8		4	
12	915 303 101 00	gear shift rod for 1./2. speed		1	
13	915 303 111 00	shift fork for 1./2. speed		1	
14	915 303 103 50	gear shift rod for 3./4 speed		1	
15	915 303 115 09	shift fork		1	
16	900 027 015 02	lock ring B 8		1	
18	915 303 112 00	shift fork for 3./4. speed		1	

Model	Year	MG	SG	Illustration	Restrictions	UPD	21:02	22.01.2010	PORSCHE	PET	PORSCHE
911	1977	3	04	304-00		248					

Pos	Part Number	Description	Remark	Qty	Model	Pos	Part Number	Description	Remark	Qty	Model
19	915 303 105 09	gear shift rod for reverse gear and 5. speed		1							
20	900 309 005 00	roll pin 4 X 26		1							
21	N 012 415 1	circlip 15 X 1 for 4 speed transmission		1	911/911S CARRERA 2,7 CARRERA 3.0						
22	915 303 113 01	shift fork for reverse gear and 5. speed		1							
23	N 012 241 1	spring washer B 8 X 15		3							
24	900 075 136 02	hexagon-head bolt M 8 X 28		1							
24/1	900 075 099 02	hexagon-head bolt M 8 X 30		3							

Model	Year	MG	SG	Illustration	Restrictions	UPD	21:03	22.01.2010	PORSCHE	PET	PORSCHE
911	1977	3	05	305-00		248					



Pos	Part Number	Description	Remark	Qty	Model
		differential			
1	911 332 212 00	housing for 915/06/16/43/48 925/02		1	SPM
1	925 332 212 00	housing for 915/40/45, 925/10		1	SPM
1	925 332 212 01	housing for 915/44/49/60/61 915/65/66, 923/02 925/12/13/15/16/17 930/30/32/33		1	SPM
2	911 332 902 00	differential pinions 1 set		1	SPM
3	911 332 206 01	threaded piece		2	SPM
4	999 152 014 00	circlip		2	SPM
5	911 332 207 00	differential bolt		1	
6	911 332 208 00	armature		1	
7	900 308 005 00	roll pin 6 X 28		1	
8	915 302 911 16	ring gear and pinion shaft 7 : 31 for 915/06/16/43/48		1	
(8)	915 302 911 17	ring gear and pinion shaft 8 : 31		1	915/40/45
(8)	915 302 911 17	ring gear and pinion shaft 8 : 31 for 915/44/49 915/60/61/65/66		1	
(8)	925 302 911 00	ring gear and pinion shaft 7 : 27		1	925/02 SPM
(8)	925 302 911 11	ring gear and pinion shaft 8 : 27 for 925/10/12/13 925/15/16/17		1	SPM
9	915 332 276 00	hexagon-head bolt		12	

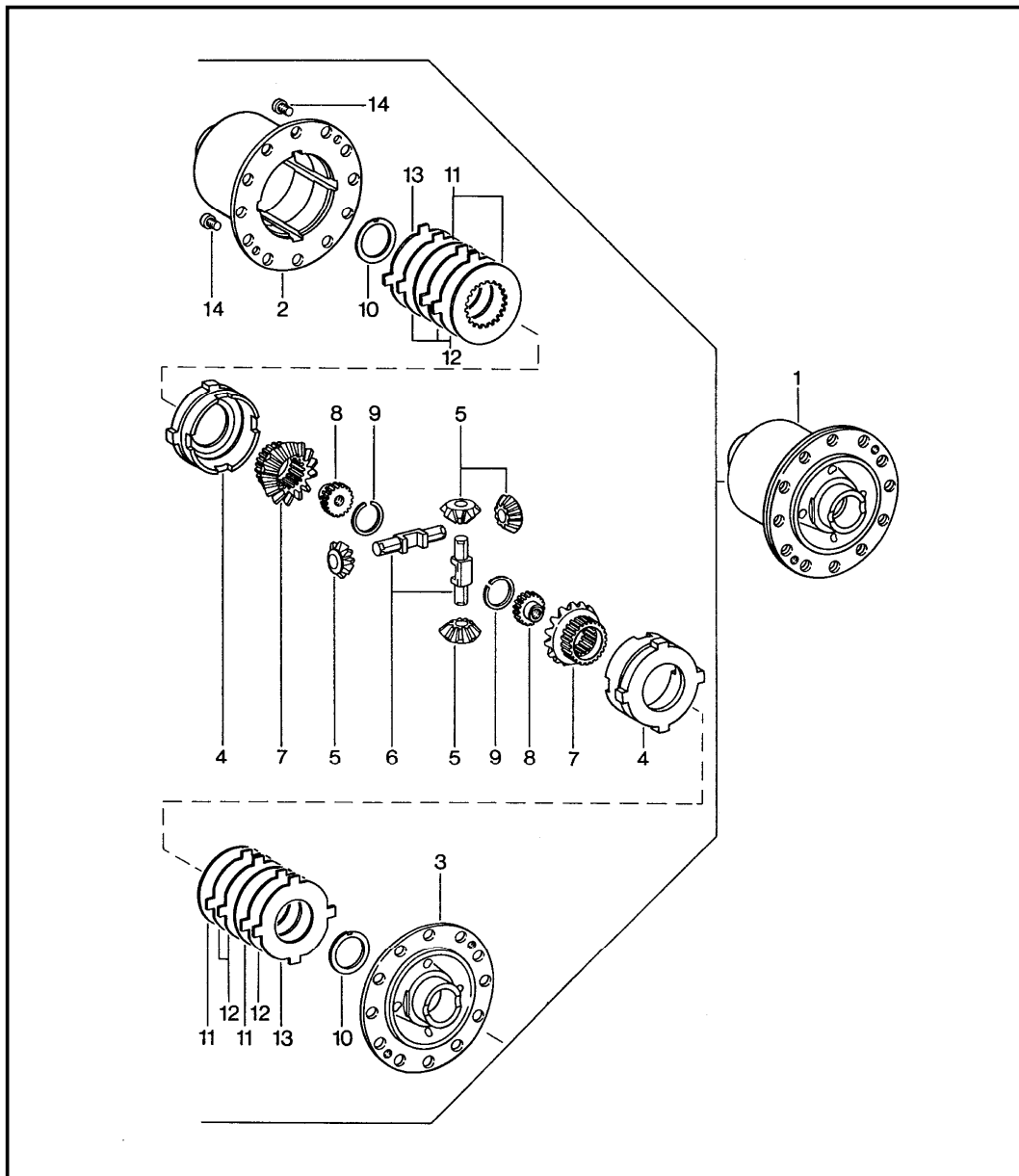
Model	Year	MG	SG	Illustration	Restrictions	UPD	21:03	22.01.2010	PORSCHE	PET	PORSCHE
911	1977	3	05	305-00		248					

Pos	Part Number	Description	Remark	Qty	Model	Pos	Part Number	Description	Remark	Qty	Model
(9)	928 332 276 03	hexagon-head bolt		12		14	915 332 209 01	joint flange		2	911/911S CARRERA 2,7
10	901 332 285 01	tab washer		6				75 not for SPM			
11	915 332 265 00	adjusting ring 2,4 MM		X				F >>91151 00727 F >>91151 10609 F >>91152 01529 F >>91152 10859 F >>91153 00272 F >>91153 10147 F >>91154 00173 F >>91154 10088 F >>91156 00320 F >>91156 10119			
(11)	915 332 265 01	adjusting ring 2,5 MM		X							
(11)	915 332 265 02	adjusting ring 2,6 MM		X							
(11)	915 332 265 03	adjusting ring 2,7 MM		X							
(11)	915 332 265 04	adjusting ring 2,8 MM		X		(14)	923 332 209 02	joint flange		2	
(11)	915 332 265 05	adjusting ring 2,9 MM		X				75 not for SPM F 91151 00728>> F 91151 10610>> F 91152 01530>> F 91152 10860>> F 91153 00273>> F 91153 10148>> F 91154 00174>> F 91154 10089>> F 91156 00321>> F 91156 10120>>			
(11)	915 332 265 06	adjusting ring 3,0 MM		X							
(11)	915 332 265 07	adjusting ring 3,1 MM		X							
(11)	915 332 265 08	adjusting ring 3,2 MM		X							
(11)	915 332 265 09	adjusting ring 3,3 MM		X		(14)	925 332 209 04	joint flange		2	SPM
(11)	915 332 265 10	adjusting ring 3,4 MM		X		(14)	915 332 209 21	joint flange limited-slip differential		2	911/911S CARRERA 2,7
(11)	915 332 265 11	adjusting ring 3,5 MM		X				75 not for SPM F >>91151 00727 F >>91151 10609 F >>91152 01529 F >>91152 10859 F >>91153 00272 F >>91153 10147 F >>91154 00173 F >>91154 10088 F >>91156 00320 F >>91156 10119			
(11)	915 332 265 12	adjusting ring 3,6 MM		X							
(11)	915 332 265 13	adjusting ring 3,7 MM		X							
12	915 332 263 00	washer		2							
13	999 059 027 00	taper roller bearing		2	SPM						

Model	Year	MG	SG	Illustration	Restrictions	UPD	21:03	22.01.2010	PORSCHE	PET	PORSCHE
911	1977	3	05	305-00		248					

Pos	Part Number	Description	Remark	Qty	Model	Pos	Part Number	Description	Remark	Qty	Model
(14)	923 332 209 04	joint flange 75 not for SPM F 91151 00728>> F 91151 10610>> F 91152 01530>> F 91152 10860>> F 91153 00273>> F 91153 10148>> F 91154 00174>> F 91154 10089>> F 91156 00321>> F 91156 10120>>		2							
(14)	925 332 209 05	joint flange limited-slip differential		2	SPM						
15	901 332 261 11	washer		2							
16	901 332 275 12	elastic bolt		2							
17	900 095 078 00	tensioning sleeve		1	911/911S CARRERA 3,0						
18	915 318 045 03	magnet carrier disc		1	SPM						

Model	Year	MG	SG	Illustration	Restrictions	UPD	21:03	22.01.2010	PORSCHE	PET	PORSCHE
911	1977	3	05	305-10		248					

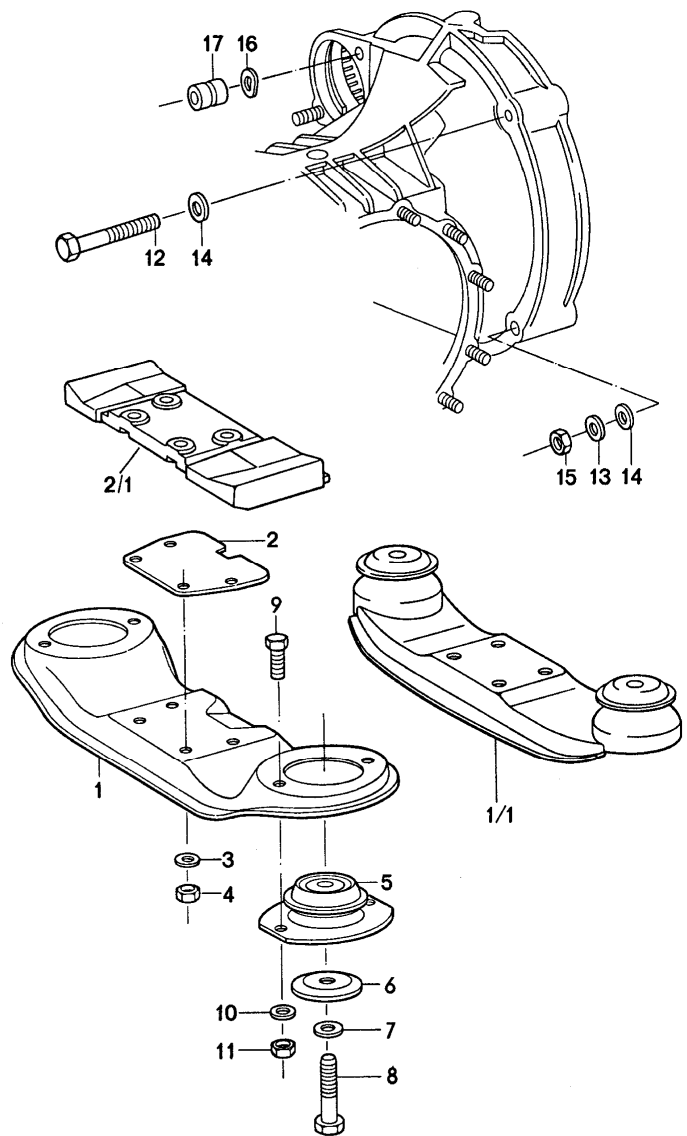


Pos	Part Number	Description	Remark	Qty	Model
1	901 332 053 13	limited-slip differential		1	
(1)	915 332 053 01	limited-slip differential 80 % for 915/06/16/43/48		1	915/40/45
(1)	915 332 053 10	limited-slip differential 80 % for 915/44/49,925/12/13		1	
(1)	915 332 053 12	limited-slip differential 40 % for 915/44/49/60/61 915/65/66 923/02 925/15/16/17		1	
2	901 332 055 13	housing for 915/06/16/43/48		1	
3	901 332 506 11	lid for 915/06/16/43/48		1	
4	901 332 511 11	thrust ring		2	
5	915 332 531 02	bevel pinion		4	
6	915 332 541 02	differential shaft		2	
7	901 332 535 11	shaft bevel gear		2	
8	901 332 206 12	threaded piece		2	
9	999 152 014 00	circlip		2	
10	901 332 561 11	thrust washer		2	
11	928 332 551 00	inner disc 2,0 MM		X	
12	917 332 552 10	disc with external splines 1,9 MM		6	
12	917 332 552 11	disc with external splines 2,0 MM		6	
12	917 332 552 12	disc with external splines 2,1 MM		6	

Model	Year	MG	SG	Illustration	Restrictions	UPD	21:03	22.01.2010	PORSCHE	PET	PORSCHE
911	1977	3	05	305-10		248					

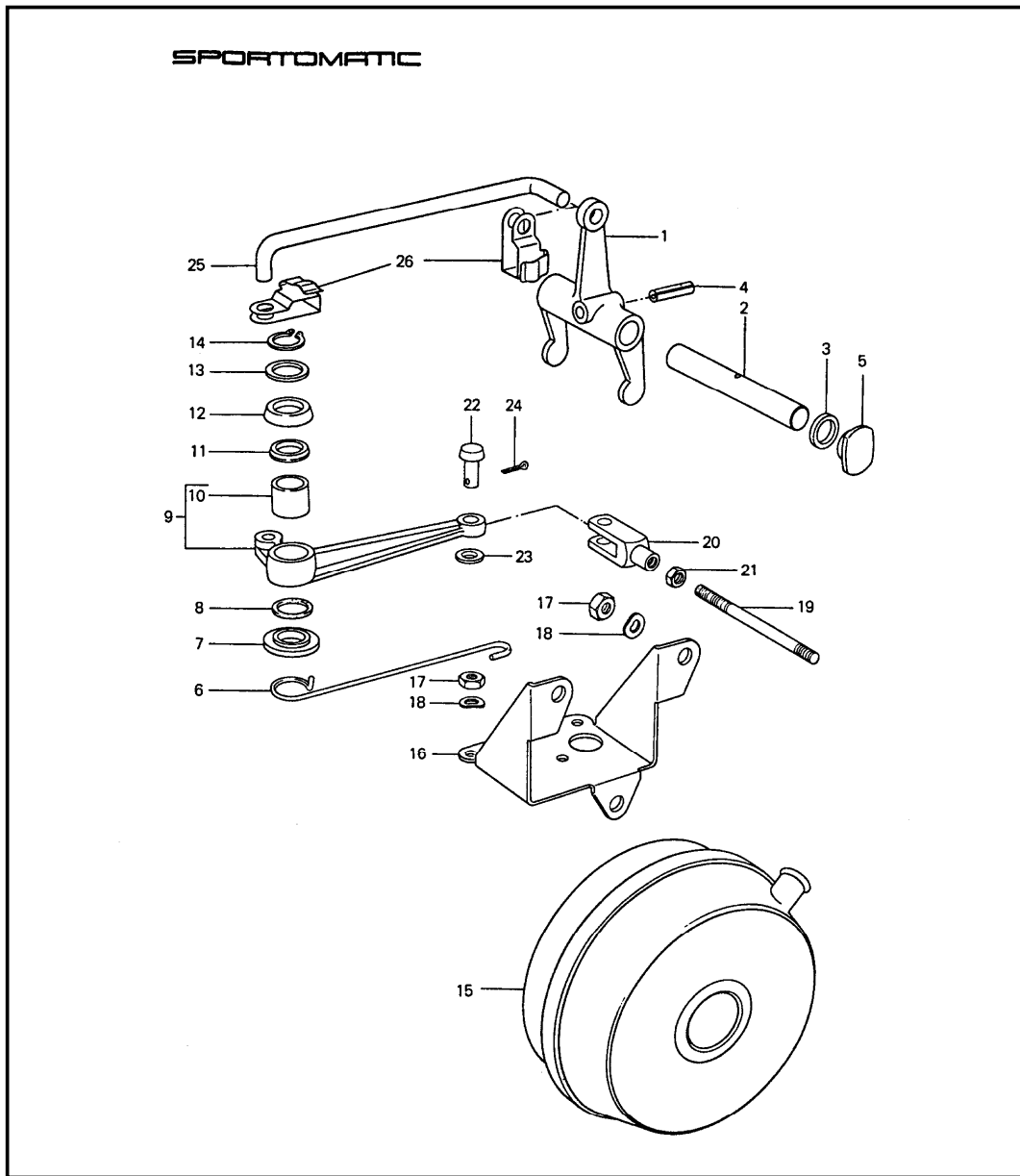
Pos	Part Number	Description	Remark	Qty	Model	Pos	Part Number	Description	Remark	Qty	Model
13	928 332 555 00	cup spring		2							
14	900 119 002 00	pan-head screw		2							
-	900 095 078 00	tensioning sleeve		1	911/911S CARRERA 3,0						

Model	Year	MG	SG	Illustration	Restrictions	UPD	21:03	22.01.2010	PORSCHE	PET	PORSCHE
911	1977	3	06	306-00		248					



Pos	Part Number	Description	Remark	Qty	Model
		transmission suspension			
1	911 375 033 01	transmission carrier		1	
2	911 375 311 00	plate		1	
3	900 031 001 02	washer 8,4		4	
4	999 090 101 02	mid-grip nut		4	
5	911 375 043 00	bearing		2	
6	901 305 311 00	seat		2	
7	900 027 017 02	lock ring B 12		2	
8	901 305 317 00	hexagon-head bolt		2	
9	900 075 087 02	hexagon-head bolt M 8 X 16		4	
10	900 027 015 02	lock ring B 12		4	
11	900 076 025 02	hexagon nut M 8		4	
12	900 155 023 02	mount engine transmission		1	
13	999 523 103 01	lock washer M 10		2	
14	900 031 005 02	washer 10,5		5	
15	900 157 002 02	hexagon nut M 10		X	
16	N 012 242 3	spring washer B 10 X 18		X	
17	901 104 382 02	cylinder head nut		X	

Model	Year	MG	SG	Illustration	Restrictions	UPD	21:03	22.01.2010	PORSCHE	PET	PORSCHE
911	1977	3	07	307-00		248					



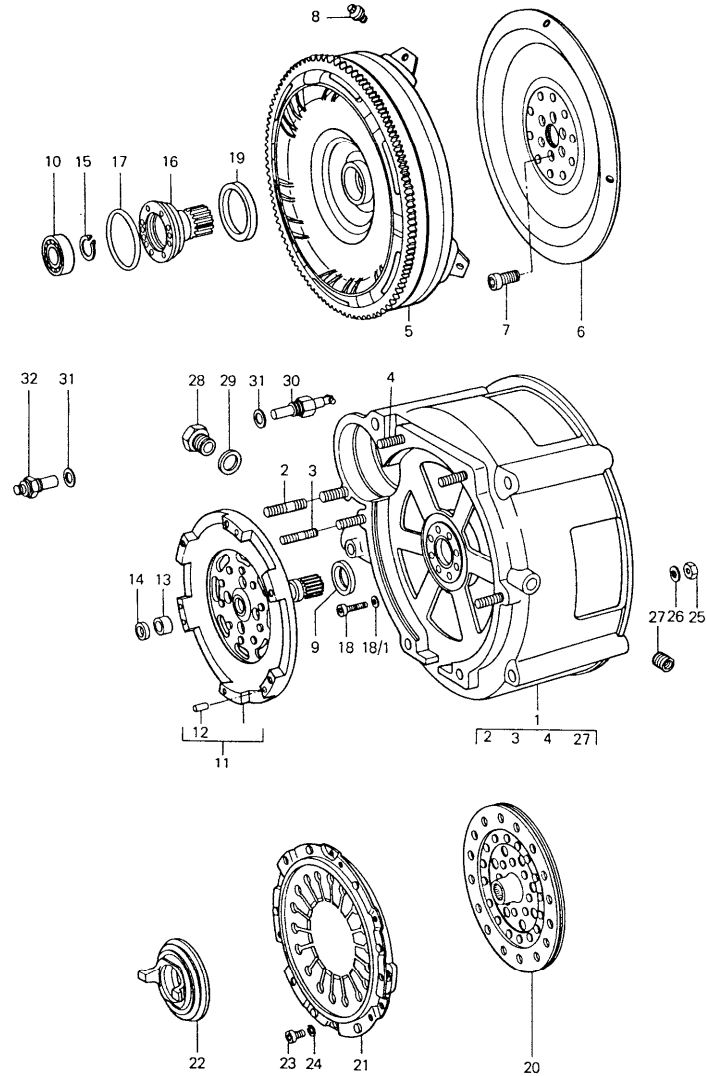
Pos	Part Number	Description	Remark	Qty	Model
		clutch release			SPM
1	905 116 711 01	clutch release lever		1	
2	905 116 709 00	clutch lever shaft		1	
3	905 116 712 00	spacer ring		1	
4	900 095 013 00	tensioning sleeve 4 X 20		1	
5	905 116 713 00	cap		2	
6	905 116 714 00	spring		1	
7	905 116 708 00	washer		1	
8	999 701 169 40	o-ring		1	
9	905 116 071 00	intermediate shift lever		1	
(9)	914 116 071 15	intermediate shift lever for 925/13/15/16/17		1	
10	905 116 701 01	bush		1	
11	905 116 719 01	spacer		1	
12	999 704 019 50	sleeve T 25 - 1		1	
13	900 234 006 02	shim 15 X 22 X 1		1	
14	N 012 415 1	circlip 15 X 1		1	
15	> 905 116 721 01	servo-motor 135 X 60		1	
(15)	PCG 116 721 05	servo-motor 135 X 60 for 925/13/15/16/17		1	
16	925 116 715 00	servo-motor support		1	
17	900 076 025 02	hexagon nut M 8		6	
18	900 027 005 01	lock ring A 8		6	
19	905 116 716 00	pull rod		1	

Model	Year	MG	SG	Illustration	Restrictions	UPD	21:03	22.01.2010	PORSCHE	PET	PORSCHE
911	1977	3	07	307-00		248					

Pos	Part Number	Description	Remark	Qty	Model	Pos	Part Number	Description	Remark	Qty	Model
(19)	914 116 716 15	pull rod for 925/13/15/16/17		1							
20	900 166 002 02	clevis G 6 X 24		1							
21	900 076 010 02	hexagon nut M 6		1							
22	905 116 717 00	bolt for pull rod		1							
23	900 089 005 02	washer 6		1							
24	900 021 002 00	cotter pin 1,5 X 10		1							
25	925 116 751 04	push rod		1							
(25)	925 116 751 06	push rod for 925/13/15/16/17		1							
26	925 116 752 00	clamping spring		X							
-	N 013 295 1	tensioning sleeve 3 X 12		1							

Model	Year	MG	SG	Illustration	Restrictions	UPD	21:03	22.01.2010	PORSCHE	PET	PORSCHE
911	1977	3	07	307-05		248					

SPORTOMATIC



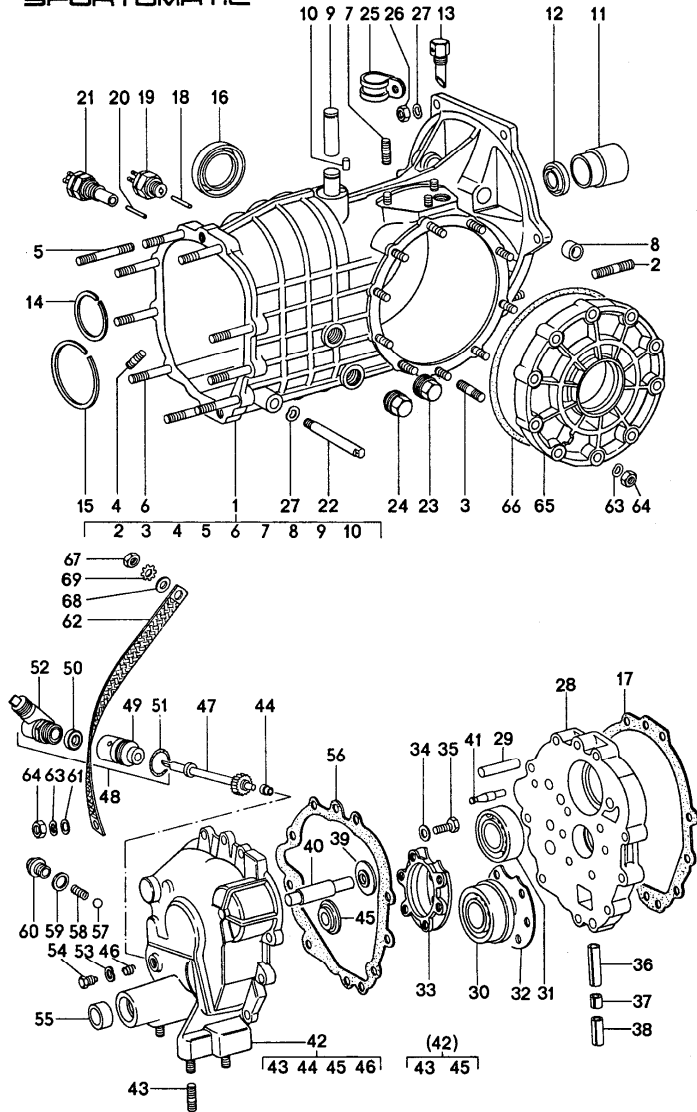
Pos	Part Number	Description	Remark	Qty	Model
		converter converter housing			SPM
1	925 301 007 00	converter housing		1	
2	900 061 014 02	stud M 10 X 22		1	
3	999 062 008 02	stud M 8 X 25		3	
4	999 062 009 02	stud M 8 X 28		1	
5	925 116 005 10	converter		1	
(5)	925 116 005 10	converter		1	
6	905 116 024 11	drive plate		1	
(6)	925 116 024 01	drive plate		1	
7	999 067 009 01	pan-head screw		6	
8	905 116 026 00	12 point socket		4	
9	* 999 113 205 40	shaft sealing ring 26 X 37 X 7		1	
10	900 052 095 00	deep-groove ball bearing		1	
11	925 116 027 00	turbine shaft		1	
12	999 012 018 00	straight pin		3	
13	999 201 021 00	needle sleeve		1	
14	* PCG 201 301 00	shaft sealing ring 12 X 18 X 3		1	
15	N 042 364 1	circlip 20 X 17,5		1	
16	925 116 020 01	bracket		1	
17	* 999 701 397 40	o-ring OR 72-2,5		1	
18	999 186 002 01	pan-head screw		8	
18/1	* N 013 804 2	sealing ring A 6 X 10		8	
19	* 999 113 189 40	shaft sealing ring		1	
20	> 925 116 254 02	clutch plate		1	

Model	Year	MG	SG	Illustration	Restrictions	UPD	21:03	22.01.2010	PORSCHE	PET	PORSCHE
911	1977	3	07	307-05		248					

Pos	Part Number	Description	Remark	Qty	Model	Pos	Part Number	Description	Remark	Qty	Model
21	925 116 255 05	clutch pressure plate		1							
21	925 116 255 07	clutch pressure plate		1	925/17						
22	925 116 081 00	clutch release bearing		1							
23	999 067 010 01	pan-head screw		6							
24	N 012 026 3	lock ring 6		6							
25	N 011 010 6	hexagon nut M 10		6							
26	N 012 242 3	spring washer B 10 X 18		2							
27	999 504 090 00	threaded insert heli-coil M 12 X 1,5		1							
28	925 301 115 00	screw socket		1	925/02						
(28)	925 301 115 00	screw socket for 925/10/12/13/15-17		1							
29	* 900 123 060 30	sealing ring A 24 X 29		1							
30	905 613 102 04	temperature switch		1							
31	* 900 123 007 30	sealing ring A 14 X 18		2							
32	901 641 632 00	remote temperature sensor		1	925/02/10						
-	900 124 002 02	screw plug for 925/12/13/15-17		1							

Model	Year	MG	SG	Illustration	Restrictions	UPD	21:03	22.01.2010	PORSCHE	PET	PORSCHE
911	1977	3	08	308-00		248					

SPORTOMATIC



Pos	Part Number	Description	Remark	Qty	Model
		replacement transmission transmission case			SPM
-	925 300 010 02	replacement transmission 4-speed with converter ready for installation		1	925/02
- >	925 300 010 09	replacement transmission with converter ready for installation		1	925/09
-	925 300 010 12	replacement transmission with converter ready for installation		1	925/12
- >	925 300 010 13	replacement transmission with converter ready for installation		1	925/13
-	925 300 010 15	replacement transmission with converter ready for installation		1	925/15
- >	925 300 010 16	replacement transmission with converter ready for installation		1	925/16
1	925 301 010 10	transmission case		1	925/02/09/10
1	925 301 010 10	transmission case for 925/12/13/15-17		1	
2	900 061 118 02	stud M 10 X 28		2	
3	999 062 008 02	stud M 8 X 25		10	
4	900 061 057 02	stud M 8 X 15		2	
5	900 061 070 02	stud M 8 X 55		8	
6	900 061 050 02	stud M 8 X 60		1	
7	900 061 004 02	stud M 8 X 12		3	
8	905 116 727 00	bush for clutch lever shaft		2	
9	905 116 707 01	bearing pin		1	

Model	Year	MG	SG	Illustration	Restrictions	UPD	21:03	22.01.2010	PORSCHE	PET	PORSCHE
911	1977	3	08	308-00		248					

Pos	Part Number	Description	Remark	Qty	Model	Pos	Part Number	Description	Remark	Qty	Model
10	900 309 017 00	roll pin 5 X 12		1		29	900 012 027 00	straight pin 10 M 6 X 40		2	
11	905 116 813 01	guide tube		1		30	999 052 016 00	four-point bearing		1	
12	* 999 113 286 40	shaft sealing ring		1		31	900 052 006 00	deep-groove ball bearing		1	
13	904 301 071 00	bleeder		1		32	925 301 255 00	plate		1	
14	999 042 301 01	circlip SB 52		3		33	925 301 035 00	tensioning plate		1	
15	999 041 305 01	circlip SB 79		1		34	900 025 007 02	washer 8,4		6	
16	* 999 113 183 40	radial shaft seal 45 X 68 X 10		2		35	900 075 083 02	hexagon-head bolt M 8 X 25		6	
17	* 925 301 191 00	gasket 0,1 MM		X		36	901 303 241 01	bush		1	
(17)	* 925 301 191 01	gasket 0,15 MM		X		37	905 303 242 00	bush		1	
(17)	* 925 301 191 02	gasket 0,20 MM		X		38	905 303 243 00	bush		1	
18	905 303 245 02	cam follower for back-up light switch		1		39	925 302 291 00	thrust washer		1	
19	905 613 051 02	back-up light switch		1		40	925 302 255 00	bolt reverse idler gear		1	
20	914 303 246 10	cam follower for bridging switch		1		41	925 303 136 01	bolt		1	
21	905 613 101 02	bridging switch		1		42	925 301 031 02	transmission cover and for speedometer drive mechanical		1	925/02/09/10
22	914 301 307 00	bolt for reverse lever		1		(42)	925 301 903 00	transmission cover for 925/12/13/15-17 and for speedometer drive electric		1	
23	999 064 019 02	screw plug		1		43	999 062 006 02	stud M 8 X 20		4	
24	999 064 020 02	screw plug with magnet		1		44	915 318 339 00	bearing sleeve		1	925/02/09/10
25	N 020 607 1	clamp		1		45	925 302 292 00	thrust washer		1	
26	999 090 101 02	mid-grip nut		4		46	999 504 070 00	threaded insert heli-coil M 8 X 10		1	925/02/09/10
27	900 031 001 02	washer 8,4		5		47	925 318 031 05	pinion shaft		1	925/02
28	925 301 221 00	intermediate plate		1							

Model	Year	MG	SG	Illustration	Restrictions	UPD	21:03	22.01.2010	PORSCHE	PET	PORSCHE
911	1977	3	08	308-00		248					

Pos	Part Number	Description	Remark	Qty	Model	Pos	Part Number	Description	Remark	Qty	Model
(47)	925 318 031 11	pinion shaft		1	925/09/10	69	N 012 132 2	shake-proof washer A 8,4		1	
48	925 318 045 00	speedometer drive		1	925/02/09/10	-	915 301 369 00	clip		1	
49	915 318 341 20	guide bush		1	925/02/09/10						
50	* 999 113 175 40	shaft sealing ring 6 X 15 X 6		1	925/02/09/10						
51	* 999 701 084 50	o-ring OR 25,3 X 2,4		1	925/02/09/10						
52	925 318 029 01	driving mechanism		1							
53	900 031 001 02	washer 6,4		1							
54	901 318 272 03	hexagon-head bolt		1							
55	* 999 113 185 40	shaft sealing ring 15 X 24 X 7		1							
56	* 925 301 392 00	gasket		1							
57	N 025 667 2	ball 9 MM V parking lock		1							
58	905 303 237 00	spring parking lock		1							
59	* 900 123 007 30	sealing ring A 14 X 18		1							
60	925 303 238 00	screw plug		1							
61	999 151 022 02	washer 20 X 8,4 X 2		2							
62	999 611 918 20	ground strap		1							
63	N 012 241 8	spring washer		19							
64	900 076 025 02	hexagon nut M 8		19							
65	925 301 311 01	transmission cover		1							
66	* 999 701 376 40	o-ring 170 X 3,5		1							
67	900 076 030 02	hexagon nut M 8		1							
68	900 025 025 02	washer 8,4		1							

Model	Year	MG	SG	Illustration	Restrictions	UPD	21:04	22.01.2010	PORSCHE	PET	PORSCHE
911	1977	3	09	309-00		248					

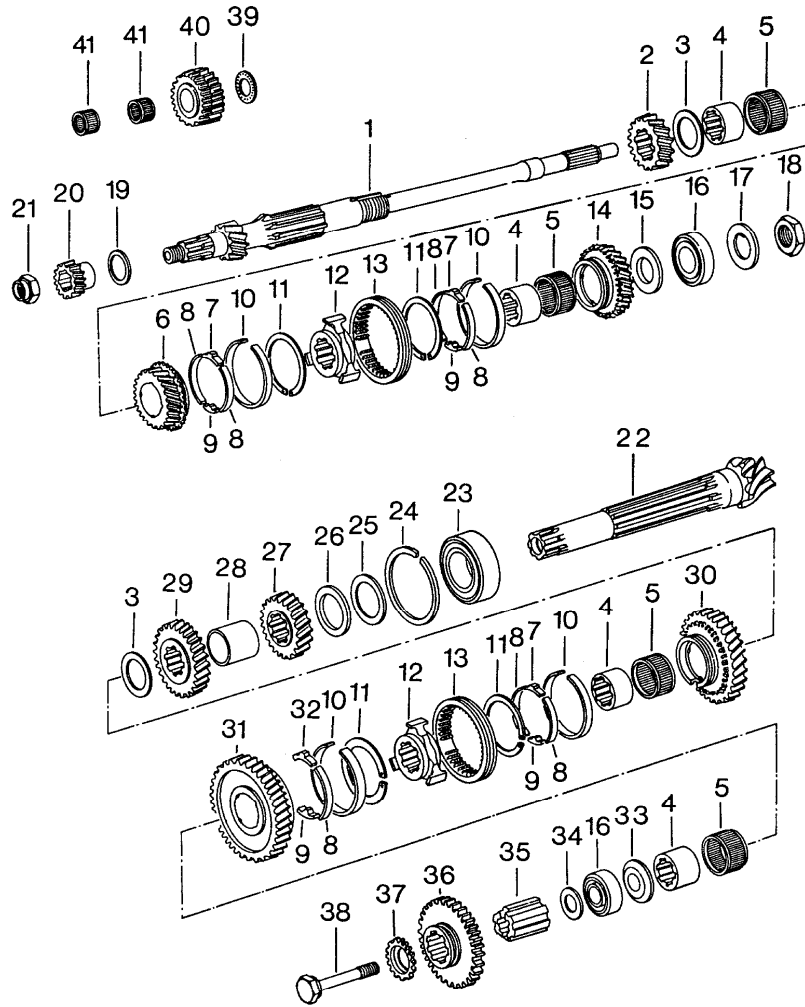
SPORTOMATIC		Pos	Part Number	Description	Remark	Qty	Model
				gear wheel sets			SPM 925/02
		1	925 302 901 00	gear set 1st gear Z = 15:36 (C)		1	
		2	901 302 908 10	gear set 2nd gear Z = 20:31 (I)		1	
		3	904 302 920 10	gear set 3rd gear Z = 24:27 (Q)		1	
		4	901 302 913 10	gear set 4th speed Z = 28:23 (Y)		1	
		5	925 302 912 00	gear set reverse gear		1	
		6	925 302 911 00	ring gear and pinion shaft 7:27		1	
				gear wheel sets			SPM 925/10
		1	925 302 901 20	gear set 1st gear Z = 16:34 (DA)		1	
		2	925 302 902 10	gear set 2nd gear Z = 22:29 (M)		1	
		3	925 302 903 50	gear set 3rd gear Z = 27:25 (V)		1	
		5	925 302 912 00	gear set reverse gear		1	
		(6)	925 302 911 11	ring gear and pinion shaft 8:27		1	
				gear wheel sets			SPM 925/09/12/13
		(1)	925 302 901 02	gear set 1st gear Z = 15:36 (C)		1	
		2	925 302 902 15	gear set 2nd gear Z = 21:30 (K)		1	

Model	Year	MG	SG	Illustration	Restrictions	UPD	21:04	22.01.2010	PORSCHE	PET	PORSCHE
911	1977	3	09	309-00		248					

Pos	Part Number	Description	Remark	Qty	Model	Pos	Part Number	Description	Remark	Qty	Model
3	925 302 903 50	gear set 3rd gear Z = 27:25 (V)		1							
5	925 302 912 00	gear set reverse gear		1							
(6)	925 302 911 11	ring gear and pinion shaft 8:27 gear wheel sets		1	SPM 925/15/16/17						
1	925 302 901 03	gear set 1st gear Z = 15:36 (C)		1							
2	925 302 902 15	gear set 2nd gear Z = 21:30 (K)		1							
3	925 302 903 50	gear set 3rd gear Z = 27:25 (V)		1							
5	925 302 912 00	gear set reverse gear		1							
(6)	925 302 911 11	ring gear and pinion shaft 8:27		1							

Model	Year	MG	SG	Illustration	Restrictions	UPD	21:04	22.01.2010	PORSCHE	PET	PORSCHE
911	1977	3	09	309-05		248					

SPORTOMATIC



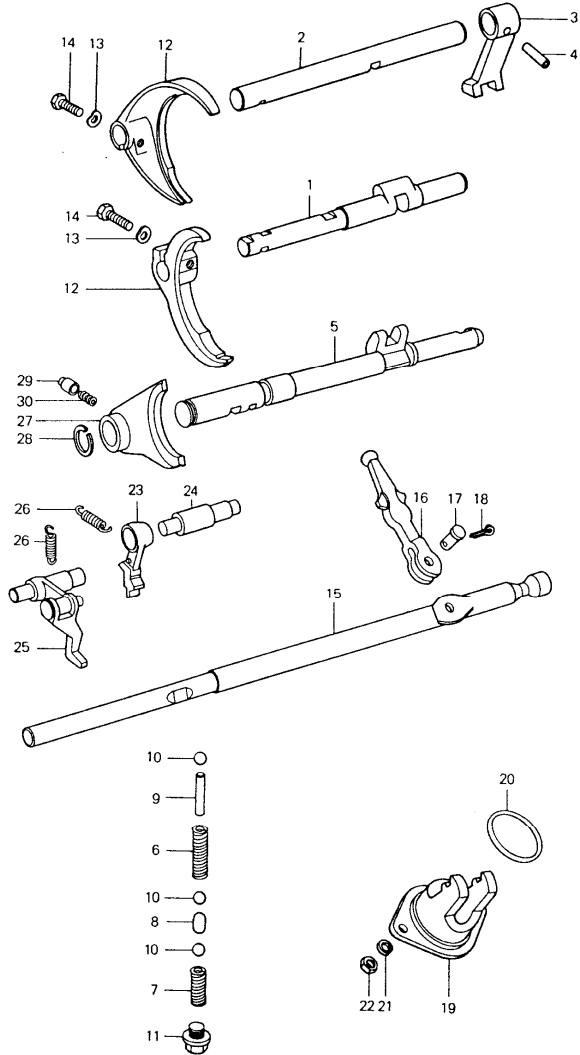
Pos	Part Number	Description	Remark	Qty	Model
		gears and shafts			SPM
		gear wheel sets see group 3/09/00			
1 *	-	drive shaft		1	
-	925 302 267 00	spacer sleeve for 925/09/12/13/15/16/17		1	
2 *	-	fixed gear wheel 2. speed		1	
3	901 302 294 01	thrust washer		2	925/02
(3)	925 302 294 10	thrust washer for 925/09/10/12/13/15/16/17		2	
4	901 302 261 01	bush		4	925/02
(4)	915 302 262 00	bush for 925/09/10/12/13/15/16/17		3	
5	999 201 470 00	needle cage		4	
6 *	-	loose gear wheel 3. speed		1	
7	911 302 315 00	stone 2. - 4. speed		3	
8	911 302 316 00	brake band		7	
9	911 302 317 01	stop		4	
10	925 302 301 02	synchroniser ring		4	
11	911 302 311 01	circlip		4	
12	901 302 402 02	guide sleeve		2	925/02
(12)	911 302 402 20	guide sleeve for 925/09/10/12/13		2	
13	911 302 411 10	shift sleeve		2	925/02
(13)	911 302 411 20	shift sleeve for 925/09/10/12/13		2	

Model	Year	MG	SG	Illustration	Restrictions	UPD	21:04	22.01.2010	PORSCHE	PET	PORSCHE
911	1977	3	09	309-05		248					

Pos	Part Number	Description	Remark	Qty	Model	Pos	Part Number	Description	Remark	Qty	Model
(13)	911 302 411 20	shift sleeve		1	925/15/16/17	(26)	925 302 266 10	spacer sleeve for 925/09/10/12/13/15/16/17		1	
(13)	911 302 411 24	shift sleeve 1. / 2. speed		1	925/15/16/17	27 *	-	fixed gear wheel 4. speed		1	925/02
14 *	-	loose gear wheel 4. speed		1	925/02	28	901 302 265 01	spacer sleeve		1	
-	925 302 263 10	spacer sleeve for 925/09/10/12/13/15/16/17		1		29 *	-	fixed gear wheel 3. speed		1	
(15)	925 302 264 10	washer for 925/09/10/12/13/15/16/17		1		30 *	-	loose gear wheel 2. speed		1	
15	925 302 270 00	thrust washer		1	925/02	31 *	-	loose gear wheel 1. speed		1	
16	999 110 008 00	cylindrical-roller bearing		2		32	901 302 318 02	stone 1. speed		1	
17	999 038 001 00	tab washer		1		33	901 302 268 01	spacer		1	
18	999 183 001 00	hexagon nut		1		34	925 302 281 00	spacer		1	
19	925 302 259 00	spacer ring		1	925/02	35	925 302 257 00	spline shaft sleeve		1	
(19)	925 302 259 10	spacer ring for 925/09/10/12/13/15/16/17		1		36	925 302 224 00	sliding gear for reverse gear		1	
20 *	-	gear wheel 1 for reverse gear		1		37	925 318 331 01	drive wheel		1	925/02
21	925 302 283 00	collar nut		1		(37)	925 318 331 11	drive wheel		1	925/09/10
22 *	-	pinion shaft		1		38	925 302 271 00	elastic bolt		1	
23	999 110 007 00	cylindrical-roller bearing		1		39	999 202 001 00	axial needle bearing cage		1	
24	900 111 002 00	circlip SP 72		1		40 *	-	reverse idler gear		1	
25	901 302 297 01	adjusting shim 0,25 MM		X		41	999 201 106 00	needle cage		2	
(25)	901 302 297 11	adjusting shim 0,30 MM		X							
(25)	901 302 297 21	adjusting shim 0,40 MM		X							
26	925 302 299 00	spacer ring		1	925/02						

Model	Year	MG	SG	Illustration	Restrictions	UPD	21:04	22.01.2010	PORSCHE	PET	PORSCHE
911	1977	3	10	310-00		248					

SPORTOMATIC



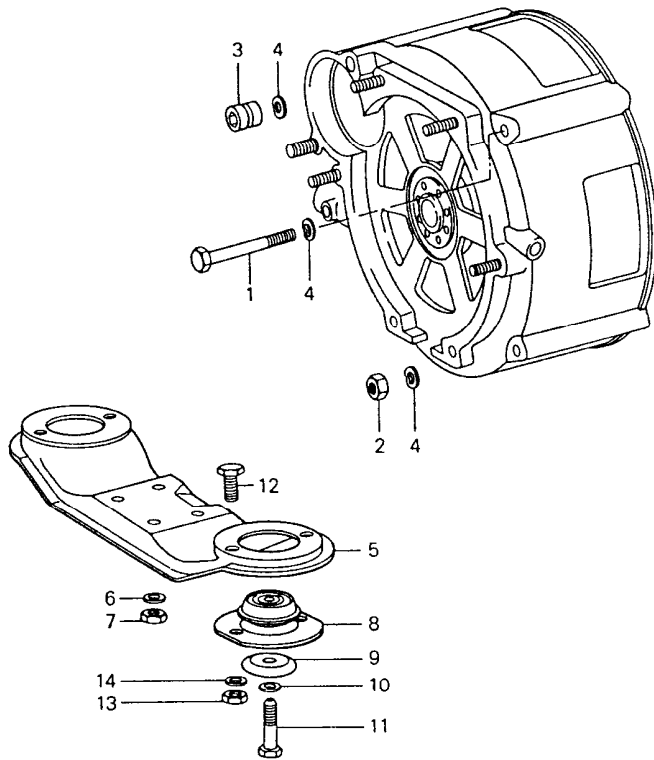
Pos	Part Number	Description	Remark	Qty	Model
1	901 303 101 01	gear shift rod 1./2. speed		1	SPM 925
2	901 303 103 01	gear shift rod 3./4. speed		1	925/02
(2)	925 303 103 00	gear shift rod 4. speed for 925/10/12/13/15 925/16/17		1	
-	900 041 023 01	circlip 14 X 1 for 925/10/12/13/15 925/16/17		1	
3	901 303 161 01	contact		1	925/02
(3)	925 303 161 00	contact for 925/10/12/13/15 925/16/17		1	
4	900 309 003 00	roll pin 5 X 24		1	
5	925 303 141 01	gear shift rod reverse gear		1	
6	901 303 232 01	compression spring 1. - 4. speed		1	
7	905 303 232 01	compression spring reverse gear		1	
8	905 303 211 00	detent		1	
9	901 303 271 01	pin		1	
10	N 025 667 2	ball 9 MM V		3	
11	999 065 004 02	screw plug		1	
12	901 303 111 01	shift fork		2	
13	N 012 241 1	spring washer B 8 X 25		2	

Model	Year	MG	SG	Illustration	Restrictions	UPD	21:04	22.01.2010	PORSCHE	PET	PORSCHE
911	1977	3	10	310-00		248					

Pos	Part Number	Description	Remark	Qty	Model	Pos	Part Number	Description	Remark	Qty	Model
14	900 075 083 02	hexagon-head bolt M 8 X 25		2							
15	905 303 132 20	gear shift rod		1							
16	901 303 133 01	shift lever		1							
17	901 303 171 01	bolt		1							
18	N 012 512 1	cotter pin 2 X 12		1							
19	911 303 129 00	fork		1	925/02						
(19)	925 303 129 11	fork for 925/09/10/12/13/15 925/16/17		1							
20	* 999 701 359 40	o-ring OR 40 X 1,5		1							
21	900 027 015 02	lock ring B 8		2							
22	900 076 025 02	hexagon nut M 8		2							
23	925 303 137 01	stop		1							
24	925 303 138 00	shaft		1							
25	925 303 015 02	lever parking lock		1							
26	905 303 235 00	tension spring		2							
27	925 303 151 00	shift fork reverse gear		1							
-	999 152 023 01	circlip SB 22		1							
28	999 041 301 01	circlip SW 18		1							
29	925 303 149 01	locking bolt		1							
30	925 303 148 01	spring		1							

Model	Year	MG	SG	Illustration	Restrictions	UPD	21:04	22.01.2010	PORSCHE	PET	PORSCHE
911	1977	3	12	312-00		248					

SPORTOMATIC



Pos	Part Number	Description	Remark	Qty	Model
		transmission suspension			SPM
1	900 155 018 02	hexagon-head bolt M 10 X 110 geared motor mount		1	
2	900 157 002 02	hexagon nut M 10		2	
3	901 104 382 02	cylinder head nut		2	
4	N 012 242 3	spring washer B 10 X 18		5	
5	911 375 033 01	transmission carrier		1	
6	900 031 001 02	washer 8,4		4	
7	999 090 101 02	mid-grip nut		4	
8	911 375 043 00	bearing		2	
9	901 305 311 00	seat		2	
10	900 027 017 02	lock ring B 12		2	
11	901 305 317 00	hexagon-head bolt		2	
12	900 075 087 02	hexagon-head bolt M 8 X 16		4	
13	900 076 025 02	hexagon nut M 8		4	
14	900 027 015 02	lock ring B 8		4	

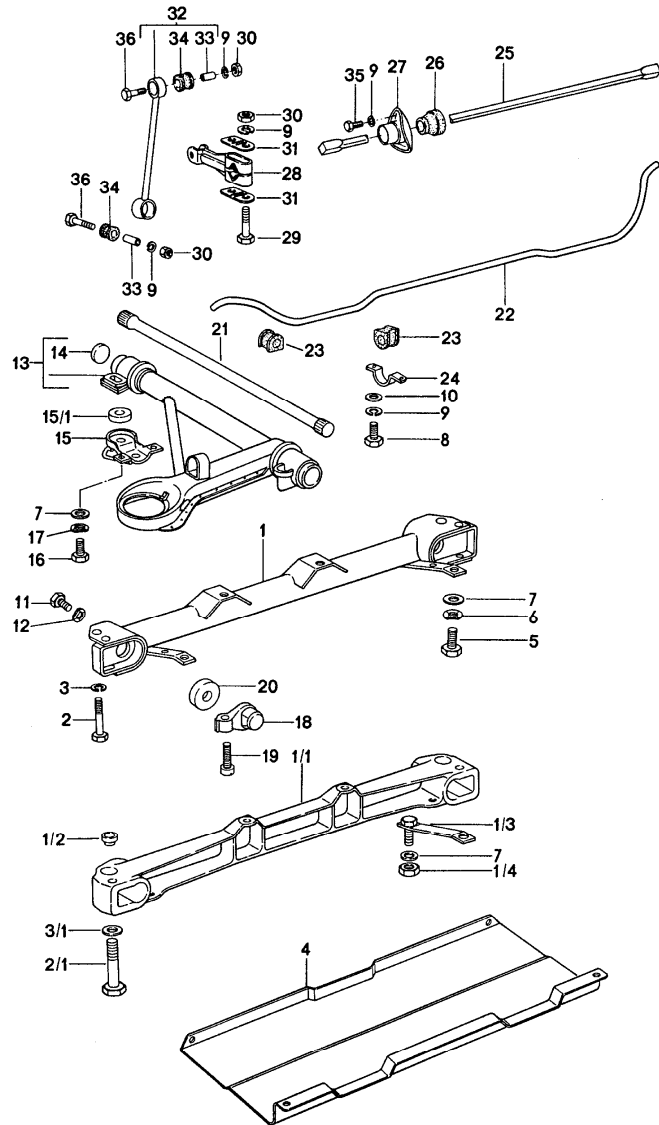
Model	Year	MG	SG	Illustration	Restrictions	UPD	21:04	22.01.2010
911	1977	3	98	398-00R		248		

Pos	Part Number	Description	Remark	Qty	Model
		repair kits			
>>	>>915 300 911 00	gasket set transmission - TYP 915 - 923 - comprising:		1	
-	915 301 139 00	sealing ring		1	
-	999 113 183 40	radial shaft seal 45 X 68 X 10		2	
-	999 113 182 40	shaft sealing ring 23 X 40 X 10		1	
-	915 302 381 00	shaft sealing ring 23 X 35 X 8/11		1	
-	999 701 392 40	o-ring OR 195 X 3,5		1	
-	915 301 191 00	gasket		1	
-	900 123 066 30	sealing ring A 10 X 16		2	
-	999 113 185 40	shaft sealing ring 15 X 24 X 7		1	
-	999 701 349 40	o-ring 17,5 X 2,4		1	
-	999 113 175 40	shaft sealing ring 6 X 15 X 6		1	
-	915 301 351 00	gasket		1	
-	999 701 169 40	o-ring 14,3 X 2,4		1	
-	915 303 225 00	gasket		1	
>>	>>925 300 911 00	gasket set transmission - TYP 925 - SPM comprising:		1	
-	999 113 205 40	shaft sealing ring 26 X 37 X 7		1	
-	PCG 201 301 00	shaft sealing ring 12 X 18 X 3		1	
-	999 701 397 40	o-ring 72 X 2,5		1	
-	N 013 804 2	sealing ring A 6 X 10		8	

Model	Year	MG	SG	Illustration	Restrictions	UPD	21:04	22.01.2010
911	1977	3	98	398-00R		248		

Pos	Part Number	Description	Remark	Qty	Model
-	999 113 189 40	shaft sealing ring		1	
-	900 123 060 30	sealing ring A 24 X 29		1	
-	900 123 007 30	sealing ring A 14 X 18		2	
-	999 113 286 40	shaft sealing ring		1	
-	999 113 183 40	radial shaft seal 45 X 68 X 10		2	
-	925 301 191 00	gasket 0,10 MM		1	
-	925 301 191 01	gasket 0,15 MM		1	
-	925 301 191 02	gasket 0,20 MM		1	
-	999 113 175 40	shaft sealing ring 6 X 15 X 6		1	
-	999 701 084 50	o-ring 25,3 X 2,4		1	
-	999 113 185 40	shaft sealing ring 15 X 24 X 7		1	
-	925 301 392 00	gasket		1	
-	900 123 007 30	sealing ring 14 X 8		1	
-	999 701 376 40	o-ring 170 X 3,5		1	
-	999 701 359 40	o-ring 40 X 1,5		1	

Model	Year	MG	SG	Illustration	Restrictions	UPD	21:05	22.01.2010	PORSCHE	PET	PORSCHE
911	1977	4	01	401-00		248					

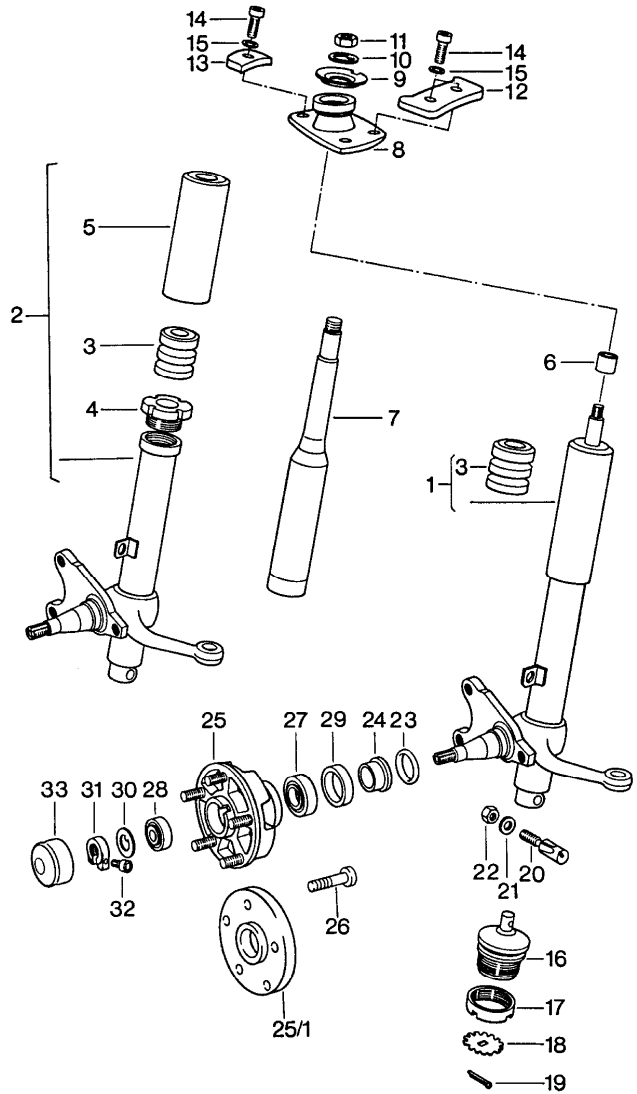


Pos	Part Number	Description	Remark	Qty	Model
1	911 341 013 05	front axle stabiliser steel auxiliary support		1	911/911S CARRERA 2.7
2	900 082 020 02	auxiliary support		2	911/911S CARRERA 2.7
3	900 027 017 02	hexagon-head bolt M 12 X 1,5 X 80		2	911/911S CARRERA 2.7
4	900 027 017 02	lock ring B 12		2	911/911S CARRERA 2.7
5	911 341 161 02	protective plate		1	911/911S CARRERA 2.7
1/1	911 341 013 10	auxiliary support light alloy		1	911/911S CARRERA 3.0
1/3	911 341 031 01	auxiliary support		2	911/911S CARRERA 3.0
1/4	900 910 031 09	strut		2	911/911S CARRERA 3.0
2/1	900 910 031 09	lock nut		2	911/911S CARRERA 3.0
2/1	900 082 110 02	hexagon-head bolt		2	911/911S CARRERA 3.0
3/1	900 028 014 02	spring washer		2	911/911S CARRERA 3.0
(4)	911 341 161 04	protective plate		1	911/911S CARRERA 3.0
5	N 014 721 2	pan-head screw M 10 X 25		2	
6	N 012 028 1	lock ring 10		2	
7	900 025 008 02	washer 10,5		8	
8	900 075 087 02	hexagon-head bolt M 8 X 16		2	
9	900 027 015 02	lock ring B 8		2	
10	900 025 007 02	washer 8,4		2	

Model	Year	MG	SG	Illustration	Restrictions	UPD	21:05	22.01.2010	PORSCHE	PET	PORSCHE
911	1977	4	01	401-00		248					

Pos	Part Number	Description	Remark	Qty	Model	Pos	Part Number	Description	Remark	Qty	Model
11	N 010 235 3	hexagon-head bolt M 8 X 10		2	911/911S CARRERA 2.7						
12	N 012 241 1	spring washer B 8 X 15		2	911/911S CARRERA 2.7						
13	911 341 901 01	wishbone	/L	1							
(13)	911 341 902 01	wishbone	/R	1							
(14)	900 040 008 01	cover plate		2							
15	911 341 037 02	protective bracket	/L	1							
(15)	901 341 159 00	protective bracket	/R	1							
(15)	911 341 038 02	protective bracket overseas	/R	1							
16	N 010 275 3	hexagon-head bolt M 10 X 35		6							
17	900 027 016 02	lock ring B 10		6							
18	901 341 033 00	reverse lever		2							
19	911 341 115 00	adjusting screw		2							
20	901 341 475 00	gasket		2							
21	901 343 101 12	torsion bar	/L	1							
(21)	901 343 102 12	torsion bar	/R	1							
22	911 343 703 06	stabiliser \$ 16		1							
(22)	911 343 703 10	stabiliser \$ 20		1							
23	911 343 792 02	lever \$ 16		4							
(23)	911 343 792 03	lever \$ 20		4							
24	911 343 775 00	clip		2							

Model	Year	MG	SG	Illustration	Restrictions	UPD	21:05	22.01.2010	PORSCHE	PET	PORSCHE
911	1977	4	02	402-00		248					



Pos	Part Number	Description	Remark	Qty	Model
1	911 341 041 10	shock absorber strut - koni - for s-calliper a-calliper	/L M	1	
(1)	911 341 042 10	shock absorber strut - koni - for s-calliper a-calliper	/R	1	
1 A	911 341 079 36	shock absorber strut - bilstein - for s-calliper	-74 -74 -74	1	911/911S CARRERA 2.7
(1) A	911 341 080 36	shock absorber strut - bilstein - for s-calliper	-74	1	911/911S CARRERA 2.7
1	911 341 041 30	shock absorber strut - bilstein - for s-calliper	/L M	X	
(1)	911 341 042 30	shock absorber strut - bilstein - for s-calliper	/R M	X	
1	911 341 041 31	shock absorber strut - bilstein -	/L	77-	911/911S
(1)	911 341 042 31	shock absorber strut - bilstein -	/R	77-	911/911S
1 A	911 341 079 00	shock absorber strut - boge - for s-calliper	/L	-74	CARRERA 2.7
(1) A	911 341 080 00	shock absorber strut - boge - for s-calliper	/R	-74	CARRERA 2.7

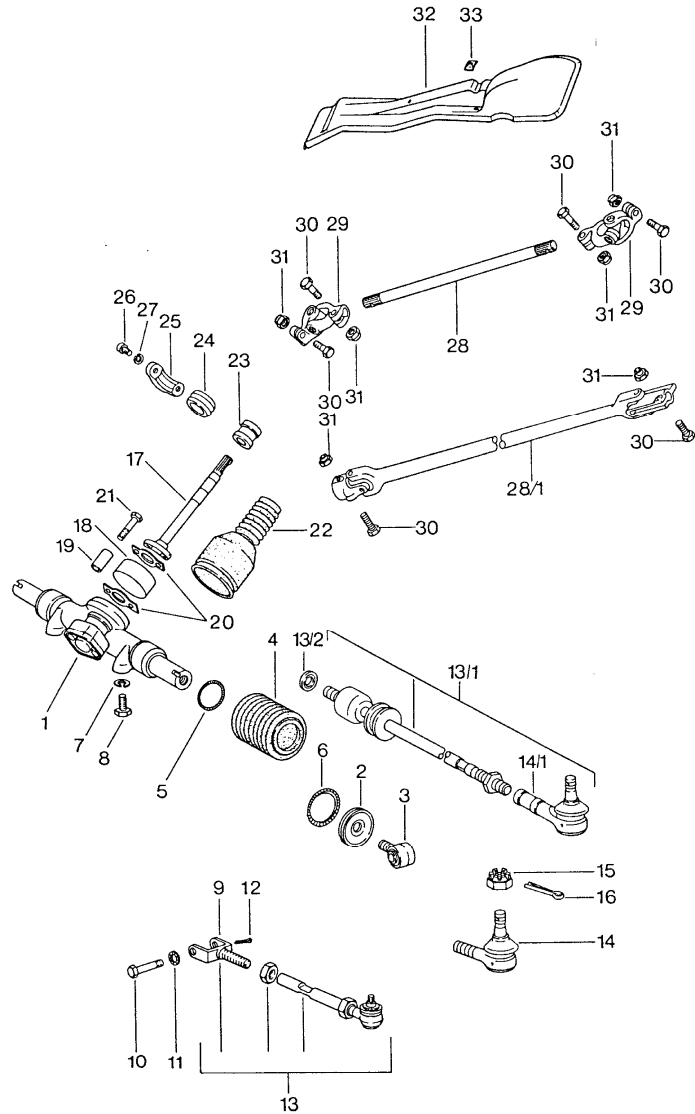
Model	Year	MG	SG	Illustration	Restrictions	UPD	21:05	22.01.2010	PORSCHE	PET	PORSCHE
911	1977	4	02	402-00		248					

Pos	Part Number	Description	Remark	Qty	Model	Pos	Part Number	Description	Remark	Qty	Model
2	911 341 043 01	shock absorber strut outer part - boge - for m calliper F >>91151 01182 F >>91151 10920 F >>91152 02045 F >>91152 11217 F >>91153 00373 F >>91153 10241 F >>91154 00341 F >>91154 10147	/L	1	911/911S	3	901 343 301 00	rubber stop - koni - - boge -		2	
(2)	911 341 044 01	shock absorber strut outer part - boge - for m calliper F >>91151 01182 F >>91151 10920 F >>91152 02045 F >>91152 11217 F >>91153 00373 F >>91153 10241 F >>91154 00341 F >>91154 10147	/R	1	911/911S	4	911 341 804 00	screw plug - boge -		2	
						5	911 341 805 01	protective tube - boge -		2	
						7	911 341 913 03	repair set for shock absorber strut - boge -	-76	2	
						7	911 341 913 03	repair set for shock absorber strut - boge -	77-	2	CARRERA 3.0
						(7)	911 341 913 04	repair set for shock absorber strut - boge -	77-	2	911/911S
						7	911 341 914 02	repair set for shock absorber strut - koni -		2	
2	911 341 043 02	shock absorber strut outer part - boge - for s-calliper a-calliper F 91151 01183>> F 91151 10921>> F 91152 02046>> F 91152 11218>> F 91153 00374>> F 91153 10242>> F 91154 00342>> F 91154 10148>>	/L	1		8	911 341 018 00	supporting mount		2	
						9	901 341 629 00	support washer		2	
						10	900 038 002 01	tab washer 14		2	
						11	N 011 021 3	hexagon nut M 14 X 1,5		2	
						12	911 501 933 00	double-bore pressure plate		2	
(2)	911 341 044 02	shock absorber strut outer part - boge - for s-calliper a-calliper F 91151 01183>> F 91151 10921>> F 91152 02046>> F 91152 11218>> F 91153 00374>> F 91153 10242>> F 91154 00342>> F 91154 10148>>	/R	1		13	911 501 934 00	one-bore pressure plate		2	
						14	900 067 063 02	pan-head screw M 10 X 20		6	
						15	999 523 103 01	lock washer		6	
						16	911 341 049 01	ball joint		6	
						17	901 341 425 00	grooved nut		2	
						18	901 341 426 00	tab washer		2	
						19	N 012 521 1	cotter pin		2	

Model	Year	MG	SG	Illustration	Restrictions	UPD	21:05	22.01.2010	PORSCHE	PET	PORSCHE
911	1977	4	02	402-00		248					

Pos	Part Number	Description	Remark	Qty	Model	Pos	Part Number	Description	Remark	Qty	Model
20	911 341 119 06	threaded pin		2							
21	900 089 006 02	washer 8		2							
22	999 084 019 02	lock nut		2							
23	999 701 084 50	o-ring OR 25,3 - 2,4		2							
24	901 341 623 00	spacer ring		2							
25	911 341 065 06	front wheel hub with wheel bolt		2							
26	904 341 671 00	wheel bolt front		10							
(26)	904 341 671 00	wheel bolt oversize		X							
27	999 059 098 00	taper roller bearing inner		2							
28	999 059 065 00	taper roller bearing outer		2							
29	477 405 641	radial sealing ring		2							
30	911 341 663 00	thrust washer		2							
31	911 341 673 00	clamping nut		2							
32	999 119 001 01	pan-head screw		2							
33	911 341 684 00	cap		2							

Model	Year	MG	SG	Illustration	Restrictions	UPD	21:05	22.01.2010	PORSCHE	PET	PORSCHE
911	1977	4	03	403-00		248					

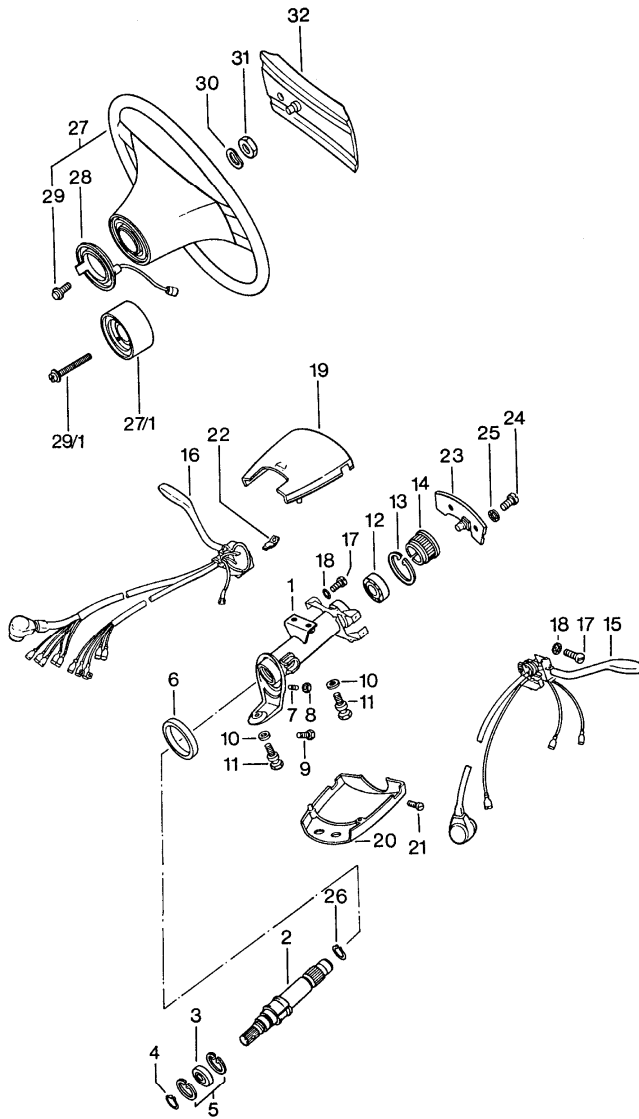


Pos	Part Number	Description	Remark	Qty	Model
		steering gear steering linkage tie rod			
1 >	914 347 010 06	steering gear		1	
2 A	901 347 056 02	bellow support		2	
(2)	911 347 056 01	bellow support	-76	2	
(2)	911 347 056 01	bellow support	77-	2	911/911S
(2)	911 347 056 00	bellow support	77-	2	CARRERA 3.0
(2)	911 347 056 00	bellow support	(CH)	2	
3	914 347 057 00	articulated bush		2	
4	901 347 191 02	bellows		2	
5	901 347 308 00	retainer spring		2	
6	901 347 309 00	retainer spring		2	
7	900 027 016 02	lock ring B 10		2	
8	N 010 253 7	hexagon-head bolt M 10 X 22	-74	X	
8	N 010 275 3	hexagon-head bolt M 10 X 35		2	
9 A	901 347 315 01	joint fork		2	
9	901 347 315 03	joint fork		2	
10	911 347 327 00	hexagon-head bolt		2	
11	999 523 103 01	lock washer M 10		2	
12	900 021 008 00	cotter pin 2 X 15		2	
13	911 347 031 00	tie rod		2	
14	911 347 322 04	ball joint		2	
15	N 011 210 1	castle nut M 10 X 1		2	
16	900 021 013 00	cotter pin 2 X 25		2	
17	901 347 210 03	steering shaft		1	

Model	Year	MG	SG	Illustration	Restrictions	UPD	21:05	22.01.2010	PORSCHE	PET	PORSCHE
911	1977	4	03	403-00		248					

Pos	Part Number	Description	Remark	Qty	Model	Pos	Part Number	Description	Remark	Qty	Model
18	901 347 201 02	steering coupling		1							
19	901 347 215 00	stop bush		4							
20	901 347 248 00	tab washer		2							
21	900 074 129 02	hexagon-head bolt M 8 X 42		4							
22	901 347 393 01	sealing bellows		1							
23	901 347 241 01	steering shaft bearing	-76	1							
(23)	911 347 041 00	steering shaft bearing	77-	1							
-	911 347 029 00	needle-roller bearing		1							
24	901 347 223 03	lever		1							
25	901 347 221 00	housing		1							
26	900 186 002 02	pan-head screw M 8 X 15		2							
27	900 142 002 01	lock ring 8		2							
28	911 347 211 01	intermed. steering shaft	/LL	1							
28/1	911 347 024 02	intermed. steering shaft for cars with brake booster	/LL	1							
(28)	911 347 212 01	intermed. steering shaft	/RL	1							
28/1	911 347 026 01	intermed. steering shaft for cars with brake booster	/RL	1							
29	930 347 025 00	universal joint		2							
30	N 010 335 5	hexagon-head bolt M 8 X 35		4							
31	N 021 194 1	lock nut M 8		4							
32	901 347 067 00	cover	/LL	1							
(32)	901 347 068 00	cover	/RL	1							
33	999 507 209 01	speed nut		2							

Model	Year	MG	SG	Illustration	Restrictions	UPD	21:05	22.01.2010	PORSCHE	PET	PORSCHE
911	1977	4	03	403-05		248					

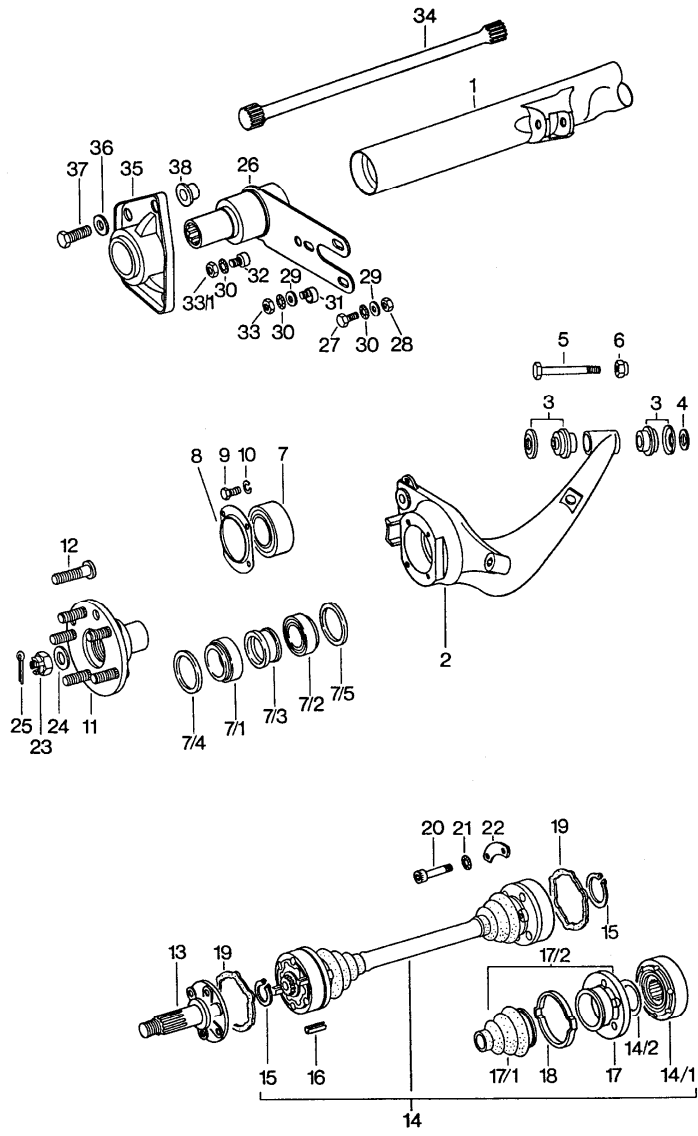


Pos	Part Number	Description	Remark	Qty	Model
1	911 347 073 01	steering wheel steering shaft bearing steering column switch		1	911/911S
		steering outer tube		1	CARRERA 2.7
		F >>91141 11769			
		F >>91141 11378			
		F >>91143 00708			
		F >>91143 10566			
		F >>91144 00287			
		F >>91144 10146			
		F >>91146 00582			
		F >>91146 10213			
(1)	911 347 072 02	steering outer tube	/RL /RL	1	911/911S
		F >>91141 11769		1	CARRERA 2.7
		F >>91141 11378			
		F >>91143 00708			
		F >>91143 10566			
		F >>91144 00287			
		F >>91144 10146			
		F >>91146 00582			
		F >>91146 10213			
1	911 347 073 03	steering outer tube	/LL	1	
		F 91141 01770>>			
		F 91141 11379>>			
		F 91143 00709>>			
		F 91143 10567>>			
		F 91144 00288>>			
		F 91144 10147>>			
		F 91146 00583>>			
		F 91146 10214>>			
(1)	911 347 072 04	steering outer tube	/RL	1	
		F 91141 01770>>			
		F 91141 11379>>			
		F 91143 00709>>			
		F 91143 10567>>			
		F 91144 00288>>			
		F 91144 10147>>			
		F 91146 00583>>			
		F 91146 10214>>			
2	911 347 061 02	steering shaft only together with hub extension		1	
(2)	911 347 061 03	steering shaft only together with hub extension		1	
3	900 052 031 00	deep-groove ball bearing		1	

Model	Year	MG	SG	Illustration	Restrictions	UPD	21:05	22.01.2010	PORSCHE	PET	PORSCHE
911	1977	4	03	403-05		248					

Pos	Part Number	Description	Remark	Qty	Model	Pos	Part Number	Description	Remark	Qty	Model
4	900 041 008 00	circlip 17 X 1		1		22	999 652 315 02	flat plug		1	
5	900 042 008 00	circlip 35 X 1,5		2		23	911 613 521 00	wiper contact		1	
6	A 911 347 713 00	gasket		1	911/911S CARRERA 2.7	24	900 014 046 02	pan-head screw M 4 X 10		2	
6	911 347 713 00	gasket		1		25	N 012 116 1	serrated lock washer A 4,3		2	
7	900 228 002 02	threaded pin M 8 X 16	/LL	1		26	113 415 531	circlip		1	
8	900 076 044 02	hexagon nut M 8	/LL	1		27	911 347 083 00	safety steering wheel please state the colour		1	911/911S
9	900 146 044 02	oval-head screw AM 6 X 10	/RL	1		(27)	911 347 084 01	steering wheel please state the colour \$ 380		1	
10	N 012 241 8	spring washer B 8		3		(27)	911 347 083 70	safety steering wheel leather black		1	911/911S
11	901 347 753 00	shear bolt		3		27/1	911 347 855 00	spacer ring		1	M018
12	A 911 347 771 02	ball bearing		1	911/911S CARRERA 2.7	28	A 911 347 099 05	slip ring		1	
12	911 347 771 02	ball bearing		1		28	911 347 099 05	slip ring		1	
13	999 041 102 01	circlip		1		29	900 146 029 02	oval-head screw AM 3,5 X 10		3	
14	111 053 535 D	guide bush		1	911/911S CARRERA 2.7	29/1	900 146 036 02	oval-head screw BM 3,5 X 40		3	
15	--- --- --- --	direction indicator switch see group 9/03/10		1		30	N 012 239 1	spring washer B 18		1	
16	--- --- --- --	wiper switch see group 9/03/10		X		31	900 078 007 02	hexagon nut M 18 X 1,5		1	
17	900 014 069 02	pan-head screw AM 3 X 8		8		32	911 347 097 00	padded cap please state the colour		1	911/911S
18	900 115 007 01	serrated lock washer A 3,2		8		(32)	911 347 859 00	padded cap for sports steering wheel not for 912E please state the colour		1	
19	911 613 099 00	switch housing upper part		1		(32)	911 347 097 01	padded cap with PORSCHE logo		1	911
20	911 613 312 00	switch housing lower part		1							
21	900 014 079 02	pan-head screw AM 3 X 10		2							

Model	Year	MG	SG	Illustration	Restrictions	UPD	21:05	22.01.2010	PORSCHE	PET	PORSCHE
911	1977	5	01	501-00		248					



Pos	Part Number	Description	Remark	Qty	Model
		rear axle			
1	911 331 010 03	rear-axle cross-tube		1	
2	911 331 513 00	rear-axle trailing arm	/L	1	
(2)	911 331 514 00	rear-axle trailing arm	/R	1	
3	901 331 059 00	block and washer		4	
4	A N 011 534 4	washer		2	
5	900 082 064 02	hexagon-head bolt M 14 X 1,5 X 75		2	
6	999 084 014 02	hexagon nut M 14 X 1,5		2	
7	999 053 020 01	angular-contact bearing		2	
8	911 331 561 30	reinforcement cover		2	
9	900 075 079 02	hexagon-head bolt M 8 X 22		8	
10	900 027 015 02	lock ring B 8		8	
11	911 331 065 33	rear-wheel hub with wheel bolt		2	
12	904 341 671 00	wheel bolt		10	
-	911 331 915 00	ball pin see technical information NR.23 V. 19.03.79		1	
13	901 332 232 00	drive shaft F >>91151 00727 F >>91151 10609 F >>91152 01529 F >>91152 10859 F >>91153 00272 F >>91153 10147 F >>91154 00173 F >>91154 10088 F >>91156 00320 F >>91156 10119		2	911/911S CARRERA 2.7
13	901 332 232 00	drive shaft		2	SPM

Model	Year	MG	SG	Illustration	Restrictions	UPD	21:05	22.01.2010	PORSCHE	PET	PORSCHE
911	1977	5	01	501-00		248					

Pos	Part Number	Description	Remark	Qty	Model	Pos	Part Number	Description	Remark	Qty	Model
(13)	923 332 232 01	drive shaft F 91151 00278>> F 91151 10610>> F 91152 01530>> F 91152 10860>> F 91153 00273>> F 91153 10148>> F 91154 00174>> F 91154 10089>> F 91156 00321>>		2		14/1	923 332 032 00	joint F 91151 00728>> F 91151 00610>> F 91152 01530>> F 91152 10860>> F 91153 00273>> F 91153 10148>> F 91154 00174>> F 91154 10089>> F 91156 00321>> F 91156 10120>>		4	
14	> 911 332 033 08	drive shaft F >>91151 00727 F >>91151 10609 F >>91152 01529 F >>91152 10859 F >>91153 00272 F >>91153 10147 F >>91154 00173 F >>91154 10088 F >>91156 00320 F >>91156 10119		2	911/911S CARRERA 2.7	14/2	901 332 312 00	cup spring F >>91151 00727 F >>91151 10609 F >>91152 01529 F >>91152 10859 F >>91153 00272 F >>91153 10147 F >>91154 00173 F >>91154 10088 F >>91156 00320 F >>91156 10119		4	911/911S CARRERA 2.7
14	> 911 332 033 08	drive shaft		2	SPM	14/2	901 332 312 00	cup spring		4	SPM
(14)	923 332 033 02	drive shaft F 91151 00728>> F 91151 10610>> F 91152 01530>> F 91152 10860>> F 91153 00273>> F 91153 10148>> F 91154 00174>> F 91154 10089>> F 91156 00321>> F 91156 10120>>		2		14/2	901 332 311 10	cup spring F 91151 00728>> F 91151 10610>> F 91152 01530>> F 91152 10860>> F 91153 00273>> F 91153 10148>> F 91154 00174>> F 91154 10089>> F 91156 00321>> F 91156 10120>>		4	
14/1	911 332 032 02	joint F >>91151 00727 F >>91151 10609 F >>91152 01529 F >>91152 10859 F >>91153 00272 F >>91153 10147 F >>91154 00173 F >>91154 10088 F >>91156 00320 F >>91156 10119		4	911/911S CARRERA 2.7	15	999 041 012 01	circlip F >>91151 00727 F >>91151 10609 F >>91152 01529 F >>91152 10859 F >>91153 00272 F >>91153 10147 F >>91154 00173 F >>91154 10088 F >>91156 00320 F >>91156 10119		4	911/911S CARRERA 2.7
14/1	911 332 032 02	joint		4	SPM	15	999 041 012 01	circlip		4	SPM

Model	Year	MG	SG	Illustration	Restrictions	UPD	21:05	22.01.2010	PORSCHE	PET	PORSCHE
911	1977	5	01	501-00		248					

Pos	Part Number	Description	Remark	Qty	Model	Pos	Part Number	Description	Remark	Qty	Model
(15)	999 041 016 01	circlip F 91151 00728>> F 91151 10610>> F 91152 01530>> F 91152 10860>> F 91153 00273>> F 91153 10148>> F 91154 00174>> F 91154 10089>> F 91156 00321>> F 91156 10120>>		4		17/2	923 332 037 00	dust bellows with flange F 91151 00728>> F 91151 10610>> F 91152 01530>> F 91152 10860>> F 91153 00273>> F 91153 10148>> F 91154 00174>> F 91154 10089>> F 91156 00321>> F 91156 10120>>		4	
16	999 095 019 00	clamping pin S 10 X 20 F >>91151 00727 F >>91151 10609 F >>91152 01529 F >>91152 10859 F >>91153 00272 F >>91153 10147 F >>91154 00173 F >>91154 10088 F >>91156 00320 F >>91156 10119		8	911/911S CARRERA 2.7	18	911 332 257 00	clip 73 \$ X 6 F >>91151 00727 F >>91151 10609 F >>91152 01529 F >>91152 10859 F >>91153 00272 F >>91153 10147 F >>91154 00173 F >>91154 10088 F >>91156 00320 F >>91156 10119		4	911/911S CARRERA 2.7
16	999 095 019 00	clamping pin S 10 X 20		8	SPM						
17	911 332 295 02	protection cap F >>91151 00727 F >>91151 10609 F >>91152 01529 F >>91152 10859 F >>91153 00272 F >>91153 10147 F >>91154 00173 F >>91154 10088 F >>91156 00320 F >>91156 10119		4	911/911S CARRERA 2.7	18	911 332 257 00	clip 73 \$ X 6		4	SPM
						19	901 332 297 00	gasket F >>91151 00727 F >>91151 10609 F >>91152 01529 F >>91152 10859 F >>91153 00272 F >>91153 10147 F >>91154 00173 F >>91154 10088 F >>91156 00320 F >>91156 10119		4	911/911S CARRERA 2.7
17/1	901 332 293 12	dust bellows F >>91151 00727 F >>91151 10609 F >>91152 01529 F >>91152 10859 F >>91153 00272 F >>91153 10147 F >>91154 00173 F >>91154 10088 F >>91156 00320 F >>91156 10119		4	911/911S CARRERA 2.7	19	901 332 297 00	gasket		4	SPM
						(19)	923 332 297 00	gasket F 91151 00728>> F 91151 10610>> F 91152 01530>> F 91152 10860>> F 91153 00273>> F 91153 10148>> F 91154 00174>> F 91154 10089>> F 91156 00321>> F 91156 10120>>		8	
17/1	901 332 293 12	dust bellows		4	SPM						

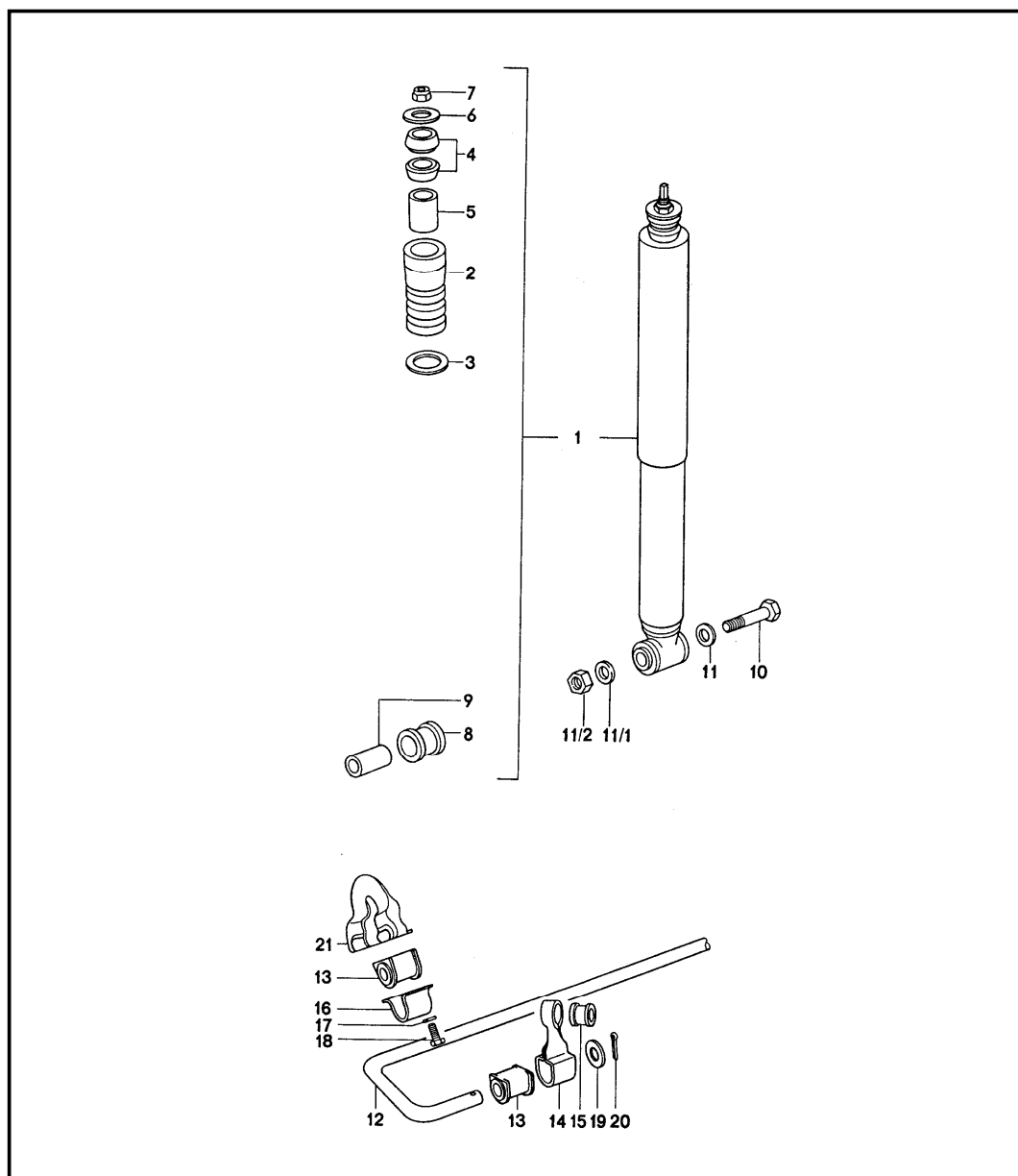
Model	Year	MG	SG	Illustration	Restrictions	UPD	21:05	22.01.2010	PORSCHE	PET	PORSCHE
911	1977	5	01	501-00		248					

Pos	Part Number	Description	Remark	Qty	Model	Pos	Part Number	Description	Remark	Qty	Model
20	900 067 229 09	pan-head screw M 10 X 48 F >>91151 00727 F >>91151 10609 F >>91152 01529 F >>91152 10859 F >>91153 00272 F >>91153 10147 F >>91154 00173 F >>91154 10088 F >>91156 00320 F >>91156 10119		16	911/911S CARRERA 2.7	22	911 332 191 00	plate F >>91151 00727 F >>91151 10609 F >>91152 01529 F >>91152 10859 F >>91153 00272 F >>91153 10147 F >>91154 00173 F >>91154 10088 F >>91156 00320 F >>91156 10119		8	911/911S CARRERA 2.7
20	900 067 229 09	pan-head screw M 10 X 48		16	SPM	23	901 332 806 00	castle nut		2	
(20)	900 067 211 01	pan-head screw M 8 X 50 F 91151 00278>> F 91151 10610>> F 91152 01530>> F 91152 10860>> F 91153 00273>> F 91153 10148>> F 91154 00174>> F 91154 10089>> F 91156 00321>> F 91156 10120>>		24		24	999 025 046 01	washer		2	
						25	N 012 538 1	cotter pin 4 X 40		2	
						26	901 333 003 01	rear axle strut 1976 F >>91162 01872 F >>91162 11898 F >>91163 01741 F >>91163 11425 F >>91166 01021 F >>91166 10439 F >>91260 01838 F >>93067 00641 F >>93068 00493		2	
21	999 523 103 01	lock washer M 10 F >>91151 00727 F >>91151 10609 F >>91152 01529 F >>91152 10859 F >>91153 00272 F >>91153 10147 F >>91154 00173 F >>91154 10088 F >>91156 00320 F >>91156 10119		16	911/911S CARRERA 2.7	(26)	911 333 009 00	rear axle strut F 91162 01873>> F 91162 11899>> F 91163 01742>> F 91163 11426>> F 91166 01022>> F 91166 10440>> F 91260 01839>> F 93067 00642>> F 93068 00494>>		2	
21	999 523 103 01	lock washer M 10		16	SPM	-	900 910 092 02	lock nut F 91162 01873>> F 91162 11899>> F 91163 01742>> F 91163 11426>> F 91166 01022>> F 91166 10440>> F 91260 01839>> F 93067 00642>> F 93068 00494>>		4	

Model	Year	MG	SG	Illustration	Restrictions	UPD	21:05	22.01.2010	PORSCHE	PET	PORSCHE
911	1977	5	01	501-00		248					

Pos	Part Number	Description	Remark	Qty	Model	Pos	Part Number	Description	Remark	Qty	Model
-	911 331 107 01	spacer ring F 91162 01873>> F 91162 11899>> F 91163 01742>> F 91163 11426>> F 91166 01022>> F 91166 10440>> F 91260 01839>> F 93067 00642>> F 93068 00494>>		2		27	900 083 019 08	hexagon-head bolt M 12 X 1,5 X 35		4	
						28	N 011 020 8	hexagon nut M 12 X 1,5		4	
						29	901 333 143 01	washer		10	
						30	999 523 109 02	lock washer M 12		8	
-	911 333 303 00	eccentric screw F 91162 01873>> F 91162 11899>> F 91163 01742>> F 91163 11426>> F 91166 01022>> F 91166 10440>> F 91260 01839>> F 93067 00642>> F 93068 00494>>		2		31	901 333 133 04	eccentric		2	
						32	901 333 133 05	eccentric		2	
						33	900 078 017 02	hexagon nut M 12 X 1,5		2	
						33/1	900 076 016 02	hexagon nut M 12 X 1,5		2	
-	911 333 305 00	hexagon-head bolt F 91162 01873>> F 91162 11899>> F 91163 01742>> F 91163 11426>> F 91166 01022>> F 91166 10440>> F 91260 01839>> F 93067 00642>> F 93068 00494>>		2		34	901 333 101 05	torsion bar 23 \$	/L	1	
						(34)	901 333 102 05	torsion bar 23 \$	/R	1	
						35	901 333 153 00	housing		2	
						36	900 025 008 02	washer 10,5		8	
-	911 333 307 00	washer F 91162 01873>> F 91162 11899>> F 91163 01742>> F 91163 11426>> F 91166 01022>> F 91166 10440>> F 91260 01839>> F 93067 00642>> F 93068 00494>>		4		37	900 075 042 02	hexagon-head bolt M 10 X 28		8	
						38	901 331 107 00	spacer ring		2	
-	900 075 043 02	hexagon-head bolt M 10 X 35 F 91162 01873>> F 91162 11899>> F 91163 01742>> F 91163 11426>> F 91166 01022>> F 91166 10440>> F 91260 01839>> F 93067 00642>> F 93068 00494>>		8							

Model	Year	MG	SG	Illustration	Restrictions	UPD	21:06	22.01.2010	PORSCHE	PET	PORSCHE
911	1977	5	02	502-00		248					



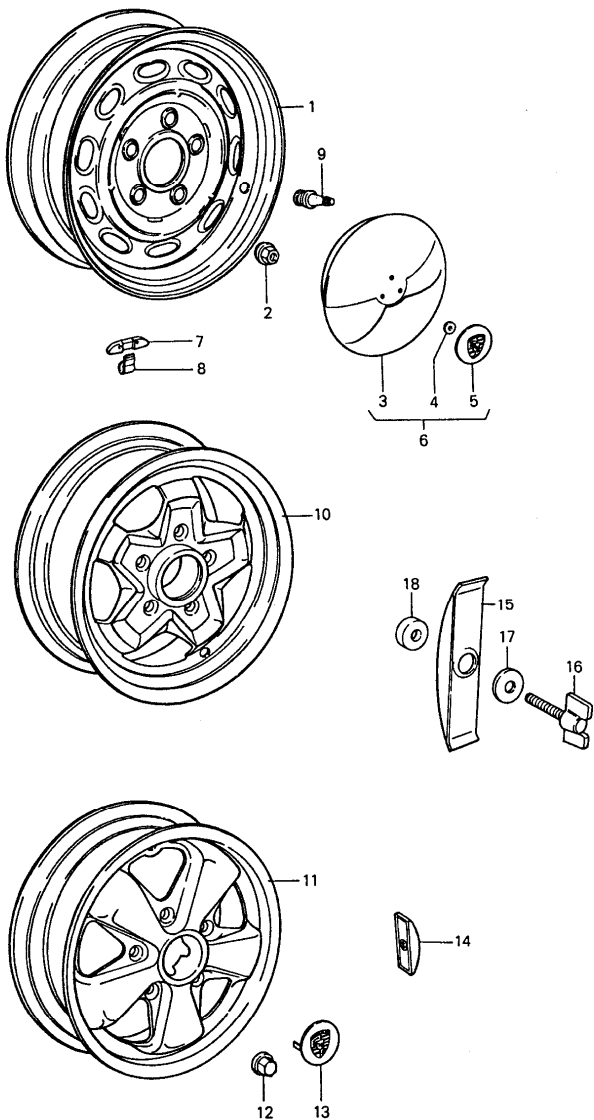
Pos	Part Number	Description	Remark	Qty	Model
		vibration damper stabiliser			
1	911 333 051 03	vibration damper - boge -	-76	2	
1	911 333 051 03	vibration damper - boge -	77-	2	CARRERA 3.0
1	911 333 051 50	vibration damper - woodhead -	76	2	911/911S CARRERA 3.0
1	911 333 051 52	vibration damper - woodhead -	77-	2	911/911S
1	911 333 051 13	vibration damper - koni -		2	
1	911 333 051 41	vibration damper - bilstein -		2	
1	911 333 051 45	vibration damper - bilstein -	77-	2	911/911S
2	911 333 301 04	additional spring		2	
3	911 333 511 00	washer - boge - - koni - - bilstein -		2	
4	911 333 521 00	articulated ring		4	
5	911 333 522 00	articulated bush		2	
6	911 333 523 00	washer - boge - - koni - - bilstein -		2	
7	900 084 013 02	lock nut M 10 X 1		2	
8	911 333 795 00	rubber bush - boge -		2	
8	911 333 795 11	rubber bush - koni -		2	
9	911 333 513 00	bush		2	
10	900 082 054 02	hexagon-head bolt M 14 X 1,5 X 85		2	
11	999 025 062 02	washer		2	
12	911 333 701 01	stabiliser		1	911/911S

Model	Year	MG	SG	Illustration	Restrictions	UPD	21:06	22.01.2010	PORSCHE	PET	PORSCHE
911	1977	5	02	502-00		248					

Pos	Part Number	Description	Remark	Qty	Model	Pos	Part Number	Description	Remark	Qty	Model
12	911 333 701 01	stabiliser		1	CARRERA						
13	911 333 793 02	lever		4	911/911S						
13	911 333 793 02	lever		4	CARRERA						
14	901 333 731 01	tab		1	911/911S						
14	901 333 731 01	tab		1	CARRERA						
(14)	901 333 732 01	tab		1	911/911S						
(14)	901 333 732 01	tab		1	CARRERA						
15	901 343 782 00	articulated bush		2	911/911S						
15	901 343 782 00	articulated bush		2	CARRERA						
16	901 333 753 01	supporting bow		2	911/911S						
16	901 333 753 01	supporting bow		2	CARRERA						
17	900 027 015 02	lock ring		4	911/911S						
17	900 027 015 02	lock ring		4	CARRERA						
18	N 010 239 11	hexagon-head bolt		4	911/911S						
18	N 010 239 11	hexagon-head bolt		4	CARRERA						
19	N 011 530 1	washer		2	911/911S						
19	N 011 530 1	washer		2	CARRERA						
20	N 012 536 1	cotter pin		2	911/911S						
20	N 012 536 1	cotter pin		2	CARRERA						
21	911 501 180 00	bracket		2	911/911S						
21	911 501 180 00	bracket		2	CARRERA						

Model	Year	MG	SG	Illustration	Restrictions	UPD	21:06	22.01.2010	PORSCHE	PET	PORSCHE
911	1977	6	01	601-00		248					

Pos	Part Number	Description	Remark	Qty	Model
1	911 361 022 00	wheels perforated disc wheel steel silver metallic lacquered 5 1/2 J X 15		5	911
2	N 020 112 1	ball seat nut		20	911
3	901 361 301 04	hub cap		4	911
4	999 591 339 02	tapping nut		12	911
5	901 559 801 01	badge matte chrome		4	911
6	901 361 031 01	hub cap with badge		4	911
7	-	balance weight for steel disc wheel		X	911
-	928 361 410 00	balance weight 10 G		X	
-	928 361 411 00	balance weight 20 G		X	
-	928 361 412 00	balance weight 30 G		X	
-	928 361 413 00	balance weight 40 G		X	
-	928 361 414 00	balance weight 50 G		X	
-	928 361 415 00	balance weight 60 G		X	
-	928 361 416 00	balance weight 70 G		X	
-	928 361 417 00	balance weight 80 G		X	
8	914 361 441 00	retainer spring for balance weight		X	911
9	900 265 001 50	rubber valve		X	



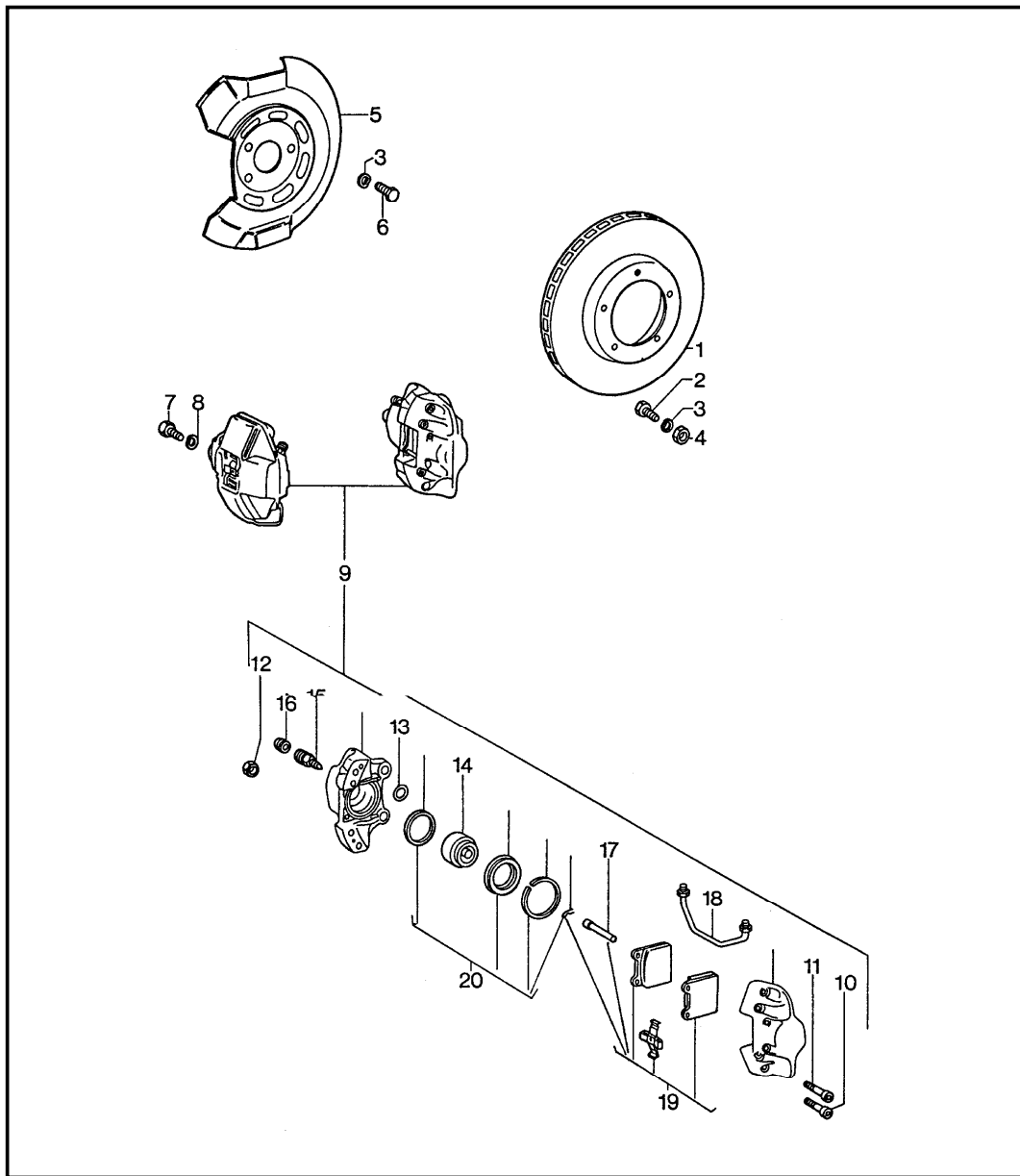
Model	Year	MG	SG	Illustration	Restrictions	UPD	21:06	22.01.2010	PORSCHE	PET	PORSCHE
911	1977	6	01	601-00		248					

Pos	Part Number	Description	Remark	Qty	Model	Pos	Part Number	Description	Remark	Qty	Model
-	965 361 561 00	valve support		2	CARRERA	11	911 361 020 10	perforated disc wheel 6 J X 15 light alloy forged anodised		2	911/911S
10	911 361 023 40	alloy wheel 6 J X 15 light alloy die casting silver lacquered		X X	911/911S CARRERA 3.0	11	911 361 020 10	perforated disc wheel 6 J X 15 light alloy forged anodised	-76	X	911/911S
10	911 361 023 40	alloy wheel 6 J X 15 light alloy die casting silver lacquered		4	CARRERA 2.7	(11)	911 361 020 90	alloy wheel 6 J X 15 light alloy forged unvarnished		2	
(10)	911 361 023 44	perforated disc wheel 6 J X 15 light alloy die casting unvarnished		4 4	911/911S CARRERA 2.7	(11)	911 361 020 11	perforated disc wheel 7 J X 15 light alloy forged anodised		2	CARRERA
(10)	911 361 023 44	perforated disc wheel 6 J X 15 light alloy die casting unvarnished		2	CARRERA 3,0	(11)	911 361 020 11	perforated disc wheel 7 J X 15 light alloy forged anodised		2	911S
(10)	911 361 023 50	alloy wheel 7 J X 15 light alloy die casting unvarnished		2	CARRERA	(11)	911 361 020 91	perforated disc wheel 7 J X 15 light alloy forged unvarnished		2	CARRERA
(10)	911 361 023 50	alloy wheel 7 J X 15 light alloy die casting silver lacquered		2	CARRERA	(11)	911 361 020 93	alloy wheel 7 J X 15 light alloy forged bead of rim polished		X	CARRERA
(11)	911 361 016 90	perforated disc wheel 5 1/2 J X 14 light alloy forged		4	911/911S	(11)	911 361 020 22	perforated disc wheel 8 J X 15 light alloy forged black lacquered		2	CARRERA 2.7
11	911 361 020 10	perforated disc wheel 6 J X 15 light alloy forged		2	CARRERA	(11)	911 361 020 94	alloy wheel 8 J X 15 light alloy forged bead of rim polished		X	CARRERA

Model	Year	MG	SG	Illustration	Restrictions	UPD	21:06	22.01.2010	PORSCHE	PET	PORSCHE
911	1977	6	01	601-00		248					

Pos	Part Number	Description	Remark	Qty	Model	Pos	Part Number	Description	Remark	Qty	Model
(11)	911 361 020 03	alloy wheel 9 J X 15 ET3 forged black star bead of rim anodised only Carrera RS 3.0 F 91146 09001>> F >>91146 09121	74	2	CARRERA RS 3,0	-	901 361 411 00	balance stick-on weight 20 G		X	
						-	901 361 412 00	balance stick-on weight 30 G		X	
						-	901 361 413 00	balance stick-on weight 40 G		X	
						-	901 361 414 00	balance stick-on weight 50 G		X	
(11)	911 362 113 00	alloy wheel 6 J X 16 light alloy forged black star bead of rim polished		2	CARRERA 3.0	-	901 361 415 00	balance stick-on weight 60 G		X	
						-	901 361 417 00	balance stick-on weight 80 G		X	
(11)	911 362 115 00	alloy wheel 7 J X 16 light alloy forged black star bead of rim polished		X	CARRERA 3.0	-	911 361 028 11	emergency wheel GOODRICH 165 - 15 / 4.75 / 10.00 - 15 SST		1	
						-	911 361 510 01	small compressor electric		1	911S/CARRERA
12	999 182 003 36	wheel nut for light alloy wheels		20		-	911 361 510 01	small compressor electric		1	911
						- >	911 361 511 01	compressed air bottle		1	911
13	911 361 032 00	hub cap for internal diameter 71 mm		4		-	996 361 521 00	boot for impeller		1	
						-	911 722 201 02	tyre pressure gauge		1	
(13)	901 361 032 00	hub cap for internal diameter 66 mm		4		15 A	911 361 633 01	clamping bow		1	
						(15)	911 361 633 01	clamping bow		1	
(13)	911 361 032 28	hub cap black for internal diameter 71 mm		4		16	999 074 106 02	wing screw M 8 X 25		1	
						17	900 151 008 02	washer B 8,4		1	
(13)	SOW 911 038 11	hub cap black crest pieces		4		18	803 813 583	washer		1	
14	-	balance stick-on weight		X							
-	901 361 410 00	balance stick-on weight 10 G		X							

Model	Year	MG	SG	Illustration	Restrictions	UPD	21:06	22.01.2010	PORSCHE	PET	PORSCHE
911	1977	6	02	602-00		248					



Pos	Part Number	Description	Remark	Qty	Model
		disc brake front			
1	477 405 083 A	brake disc		2	
2	900 075 079 02	hexagon-head bolt M 8 X 22		10	
3	N 012 241 1	spring washer B 8 X 15		16	
4	900 076 025 02	hexagon nut M 8		10	
5	901 351 801 17	protective plate for m calliper		2	911/911S
		F >>91151 01182			
		F >>91151 10920			
		F >>91152 02045			
		F >>91152 11217			
		F >>91153 00373			
		F >>91153 10241			
		F >>91154 00341			
		F >>91154 10147			
(5)	901 351 801 17	protective plate for s-calliper a-calliper		2	911/911S CARRERA 2,7
6	N 010 235 3	hexagon-head bolt M 8 X 10		6	
7	900 083 023 02	hexagon-head bolt M 12 X 1,5 X 30		4	
8	900 028 014 01	spring washer B 12		4	
9	911 351 907 00	m calliper without pad	/L	1	911/911S
		F >>91151 01182			
		F >>91151 10920			
		F >>91152 02045			
		F >>91152 11217			
		F >>91153 00373			
		F >>91153 10241			
		F >>91154 00341			
		F >>91154 10147			

Model	Year	MG	SG	Illustration	Restrictions	UPD	21:06	22.01.2010	PORSCHE	PET	PORSCHE
911	1977	6	02	602-00		248					

Pos	Part Number	Description	Remark	Qty	Model	Pos	Part Number	Description	Remark	Qty	Model
(9)	911 351 908 00	m calliper without pad F >>91151 01182 F >>91151 10920 F >>91152 02045 F >>91152 11217 F >>91153 00373 F >>91153 10241 F >>91154 00341 F >>91154 10147	/R	1	911/911S	11	901 351 946 10	pan-head screw F >>91151 01182 F >>91151 10920 F >>91152 02045 F >>91152 11217 F >>91153 00373 F >>91153 10241 F >>91154 00341 F >>91154 10147		4	911/911S
9	911 351 425 02	fixed calliper without pad F 91151 01183>> F 91151 10921>> F 91152 00246>> F 91152 11218>> F 91153 00374>> F 91153 10242>> F 91154 00342>> F 91154 10148>>	/L	1		12	N 011 008 8	hexagon nut F >>91151 01182 F >>91151 10920 F >>91152 02045 F >>91152 11217 F >>91153 00373 F >>91153 10241 F >>91154 00341 F >>91154 10147		8	911/911S
(9)	911 351 426 02	fixed calliper without pad F 91151 01183>> F 91151 10921>> F 91152 02046>> F 91152 11218>> F 91153 00374>> F 91153 10242>> F 91154 00342>> F 91154 10148>>	/R	1		13	901 351 928 10	sealing ring F >>91151 01182 F >>91151 10920 F >>91152 02045 F >>91152 11217 F >>91153 00373 F >>91153 10241 F >>91154 00341 F >>91154 10147		8	911/911S
9	911 351 935 00	s-calliper without pad	/L M	1	911/911S	14	901 351 097 10	piston for m calliper F >>91151 01182 F >>91151 00920 F >>91152 02045 F >>91152 11217 F >>91153 00373 F >>91153 10241 F >>91154 00341 F >>91154 10147		4	911/911S
9	911 351 935 00	s-calliper without pad	/L	1	CARRERA 2.7						
(9)	911 351 936 00	s-calliper without pad	/R M	1	911/911S						
(9)	911 351 936 00	s-calliper without pad	/R	1	CARRERA 2.7	(14)	911 351 918 00	piston for s-calliper		4	911/911S
10	901 351 945 10	pan-head screw F >>91151 01182 F >>91151 10920 F >>91152 02045 F >>91152 11217 F >>91153 00373 F >>91153 10241 F >>91154 00341 F >>91154 10147		4	911/911S	(14)	911 351 918 00	piston for s-calliper		4	CARRERA 2.7

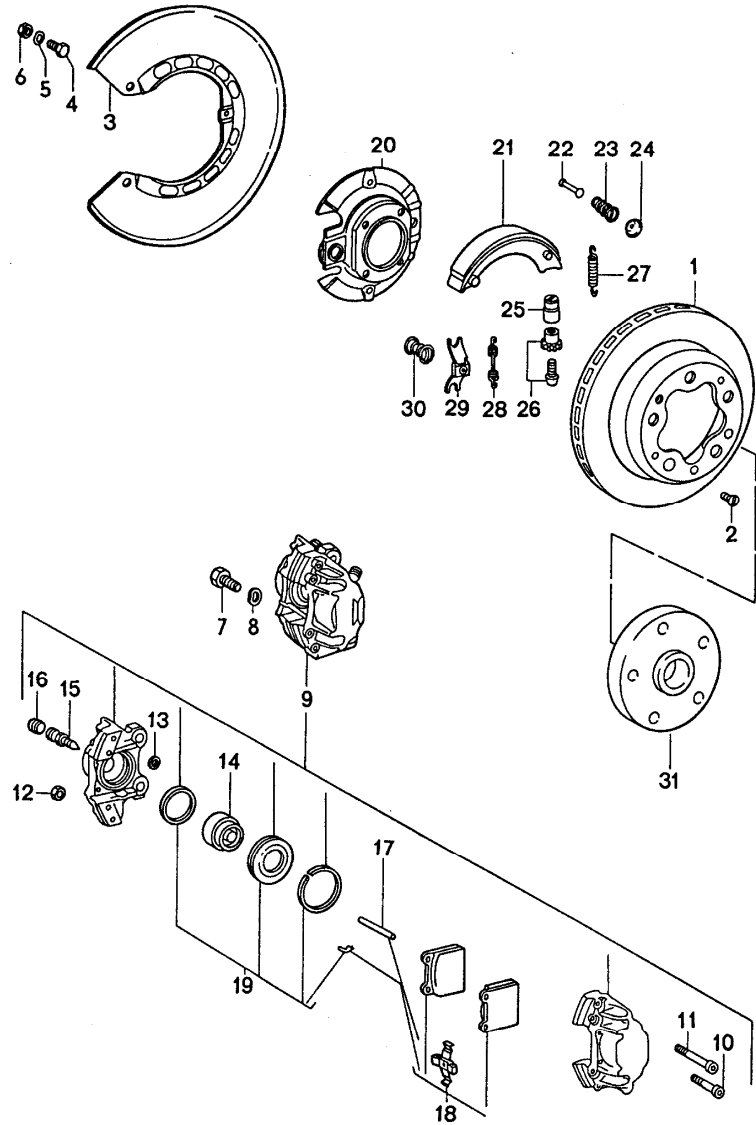
Model	Year	MG	SG	Illustration	Restrictions	UPD	21:06	22.01.2010	PORSCHE	PET	PORSCHE
911	1977	6	02	602-00		248					

Pos	Part Number	Description	Remark	Qty	Model	Pos	Part Number	Description	Remark	Qty	Model
15	901 352 977 10	ventilation valve for m calliper F >>91151 01182 F >>91151 10920 F >>91152 02045 F >>91152 11217 F >>91153 00373 F >>91153 10241 F >>91154 00341 F >>91154 10147		2	911/911S	(17)	911 351 951 00	parts kit for a-calliper F 91151 01183>> F 91151 10921>> F 91152 02046>> F 91152 11218>> F 91153 00374>> F 91153 10242>> F 91154 00342>> F 91154 10148>>		4	
(15)	911 351 919 00	ventilation valve for s-calliper		4	911/911S	18	901 351 991 00	compensating line for s-calliper	/L M	1	911/911S
(15)	911 351 919 00	ventilation valve for s-calliper		4	CARRERA 2.7	18	901 351 991 00	compensating line for s-calliper	/L	1	CARRERA 2.7
(15)	911 351 919 01	ventilation valve for a-calliper F 91151 01183>> F 91151 10921>> F 91152 02046>> F 91152 11218>> F 91153 00374>> F 91153 10242>> F 91154 00342>> F 91154 10148>>		2		(18)	901 351 992 00	compensating line for s-calliper	/R M	1	911/911S
						(18)	901 351 992 00	compensating line for s-calliper	/R	1	CARRERA 2.7
						19 A	911 351 938 00	brake pad repair set - textar - for m calliper		1	911/911S CARRERA 2.7
16	901 351 927 10	dust boot		X		19	911 352 950 04	brake pad repair set - textar - for m calliper		1	911/911S CARRERA 2.7
17	901 351 913 16	retaining pin for m calliper F >>91151 01182 F >>91151 10920 F >>91152 02045 F >>91152 11217 F >>91153 00373 F >>91153 10241 F >>91154 00341 F >>91154 10147		4	911/911S	-	911 351 951 02	mounting parts 1 set		1	
(17)	901 351 986 00	retaining pin for s-calliper		4	911/911S	(19) A	901 351 997 00	brake pad repair set - textar - for s-calliper		1	911/911S
(17)	901 351 986 00	retaining pin for s-calliper		4	CARRERA 2.7	(19) A	901 351 997 00	brake pad repair set - textar - for s-calliper		1	CARRERA 2.7
(17)	901 351 986 00	retaining pin for s-calliper		4	CARRERA 2.7	(19)	911 351 950 07	brake pad repair set - textar - for s-calliper		1	911/911S

Model	Year	MG	SG	Illustration	Restrictions	UPD	21:06	22.01.2010	PORSCHE	PET	PORSCHE
911	1977	6	02	602-00		248					

Pos	Part Number	Description	Remark	Qty	Model	Pos	Part Number	Description	Remark	Qty	Model
(19)	911 351 950 07	brake pad repair set - textar - for s-calliper		1	CARRERA 2.7						
-	911 351 951 03	mounting parts 1 set		1							
(19) A	911 351 944 01	brake pad repair set - textar - for a-calliper F 91151 01183>> F 91151 10921>> F 91152 02046>> F 91152 11218>> F 91153 00374>> F 91153 10242>> F 91154 00342>> F 91154 10148>>		1							
(19)	911 351 950 06	brake pad repair set - textar - for a-calliper F 91151 01183>> F 91151 10921>> F 91152 02046>> F 91152 11218>> F 91153 00374>> F 91153 10242>> F 91154 00342>> F 91154 10148>>		1							
-	911 351 951 00	mounting parts 1 set		1							
(20) *	901 351 998 00	gasket set for s-calliper		2	911/911S						
(20) *	901 351 998 00	gasket set for s-calliper		2	CARRERA 2.7						
(20) *	911 351 946 00	gasket set for a-calliper F 91151 01183>> F 91151 10921>> F 91152 02046>> F 91152 11218>> F 91153 00374>> F 91153 10242>> F 91154 00342>> F 91154 10148>>		2							

Model	Year	MG	SG	Illustration	Restrictions	UPD	21:10	22.01.2010	PORSCHE	PET	PORSCHE
911	1977	6	03	603-00		248					

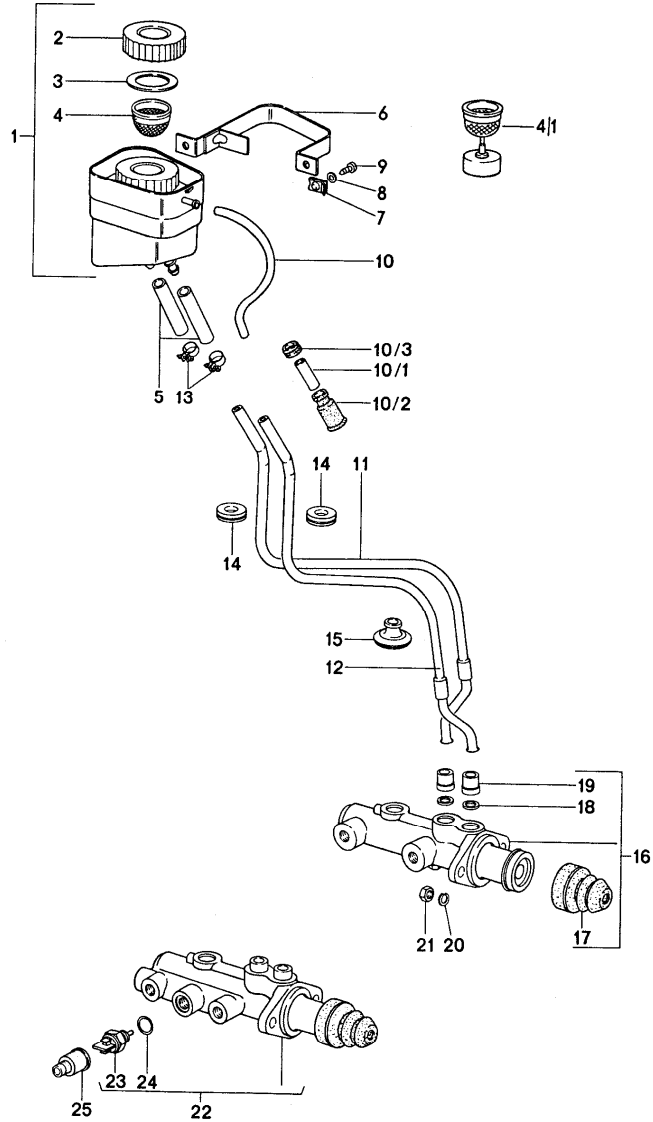


Pos	Part Number	Description	Remark	Qty	Model
1	901 352 041 14	disc brake rear handbrake		2	
2	900 013 037 02	countersunk-head screw AM 6 X 12		4	
3	911 352 801 20	protective plate		2	
4	900 075 087 02	hexagon-head bolt M 8 X 16		4	
(4)	N 010 235 3	hexagon-head bolt M 8 X 10		2	
5	N 012 241 8	spring washer B 8 X 15		6	
6	900 076 025 02	hexagon nut M 8		4	
7	N 010 137 2	hexagon-head bolt M 12 X 1,5 X 35		4	
8	900 027 017 02	lock ring B 12		4	
9	911 352 907 00	m calliper	/L	1	CARRERA 2.7
		without brake pad repair set			
(9)	911 352 908 00	m calliper	/R	1	CARRERA 2.7
		without brake pad repair set			
10	901 352 978 13	pan-head screw		4	
10	901 352 978 13	pan-head screw		4	911/911S CARRERA 2.7
11	901 352 978 12	pan-head screw		4	
11	901 352 978 12	pan-head screw		4	911/911S CARRERA 2.7
12	901 352 979 10	hexagon nut		8	
13	901 351 928 10	sealing ring		8	

Model	Year	MG	SG	Illustration	Restrictions	UPD	21:10	22.01.2010	PORSCHE	PET	PORSCHE
911	1977	6	03	603-00		248					

Pos	Part Number	Description	Remark	Qty	Model	Pos	Part Number	Description	Remark	Qty	Model
14	901 352 993 00	piston for fixed calliper with disk balancing		4	911/911S CARRERA 2.7	29	911 352 090 00	expanding bow		4	
				4		30	901 352 953 10	compression spring		2	
15	901 352 977 10	ventilation valve complete		2							
16	901 351 927 10	dust boot		2							
17	901 352 991 01	retaining pin		4							
18	A 911 352 903 00	brake pad repair set - textar -	74	1							
18	911 352 950 04	brake pad repair set - textar -	74	1							
18	911 352 950 05	brake pad repair set - textar -	75-	1							
-	911 352 951 00	mounting parts 1 set		1							
19	* 901 352 998 00	gasket set for fixed calliper with disk balancing		2	911/911S CARRERA 2.7						
19	* 911 352 998 00	gasket set for fixed calliper without disk balancing		2	CARRERA 2.7						
20	911 352 081 30	brake mounting plate		2							
21	901 352 097 12	brake shoe with pad		4							
22	901 352 959 10	roll pin		4							
23	901 352 957 10	compression spring		4							
24	901 352 955 10	concave washer		4							
25	911 352 944 00	support bush		2							
26	911 352 098 00	adjusting screw complete		2							
27	901 352 932 10	return spring		2							
28	901 352 954 10	return spring		2							

Model	Year	MG	SG	Illustration	Restrictions	UPD	21:10	22.01.2010	PORSCHE	PET	PORSCHE
911	1977	6	04	604-00		248					



Pos	Part Number	Description	Remark	Qty	Model
		brake master cylinder for cars without brake booster			
1	911 355 013 13	brake fluid reservoir		1	
2	911 355 905 02	lid		1	
3	901 355 908 00	gasket		1	
4	211 611 381 B	strainer		1	
4/1	911 355 420 01	float		1	911/911S
		with strainer	(J) 77-	1	CARRERA 3.0
5	901 355 927 02	hose piece 50 MM	/LL	2	
(5)	901 355 927 01	hose piece 150 MM	/RL	2	
6	901 355 015 00	retaining strap		1	
7	N 015 429 2	speed nut B 4,2		2	
8	900 151 028 02	washer B 4,3		2	
9	900 143 007 02	tapping screw B 4,2 X 13		2	
10	N 020 361 2	hose 4 X 1,5 1330 MM	-76	1	911/911S
				1	CARRERA 2,7
				1	CARRERA 3,0
10	N 020 361 2	hose	75-	*	911/911S
				*	CARRERA 3.0
10/1	911 201 157 01	sleeve 4 X 5 X 20	-76	1	
10/1	911 355 155 00	pipe		1	911/911S
				1	CARRERA 3.0
10/2	999 659 015 40	protection cap	-76	1	
10/3	111 971 911 A	rubber sleeve		1	
11	PCG 355 061 00	connecting line brake circuit front	/LL	1	

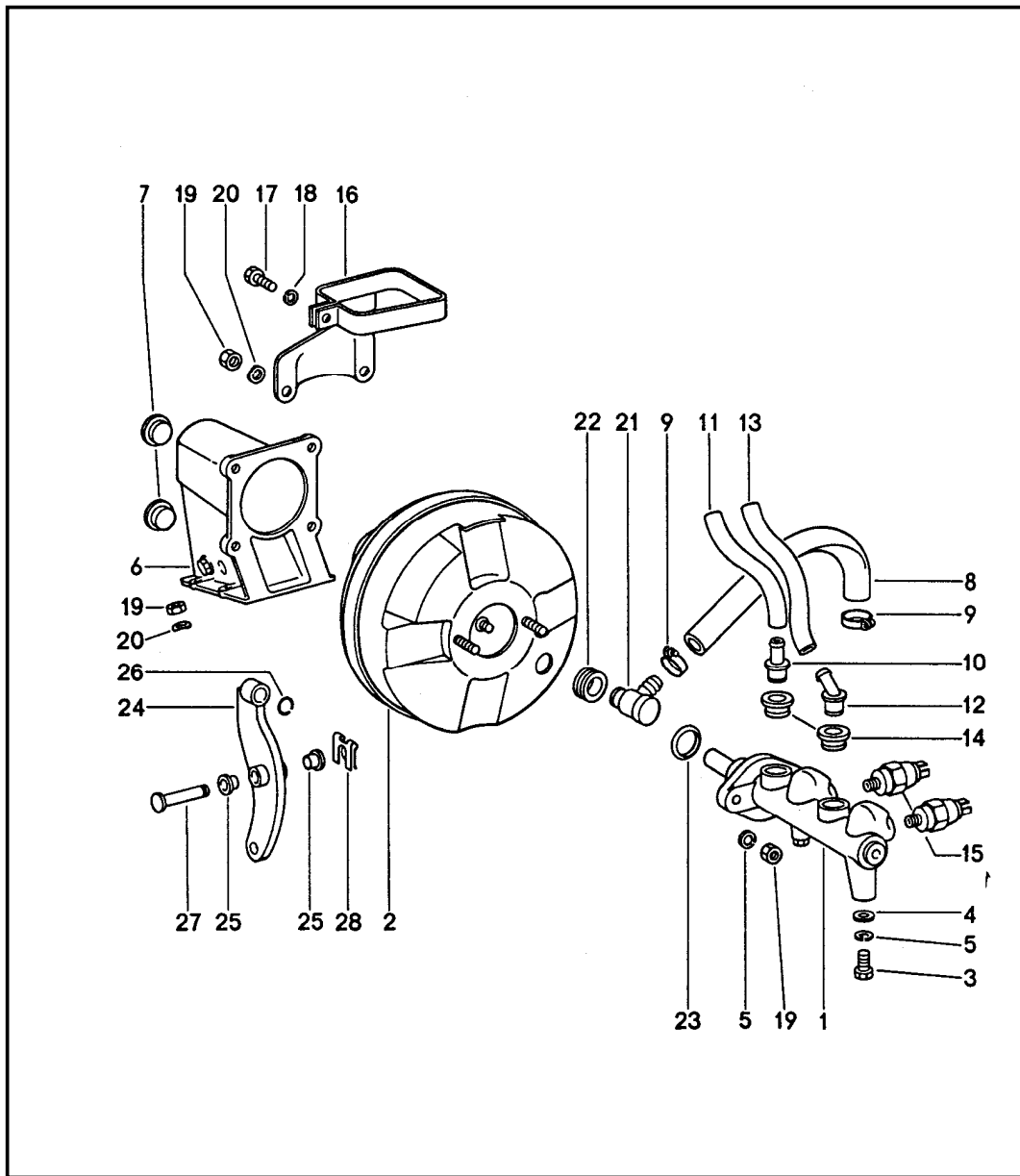
Model	Year	MG	SG	Illustration	Restrictions	UPD	21:10	22.01.2010	PORSCHE	PET	PORSCHE
911	1977	6	04	604-00		248					

Pos	Part Number	Description	Remark	Qty	Model	Pos	Part Number	Description	Remark	Qty	Model
(11)	901 355 644 00	connecting line brake circuit front	/RL	1		(23)	911 606 401 00	tank gauge switch		1	911/911S
-	901 355 927 02	hose piece 50 MM	/LL	1		24	999 701 343 40	o-ring		1	CARRERA 3.0
-	901 355 618 00	connecting piece	/RL	1		25	914 613 491 00	rubber cap		1	
12	PCG 355 063 00	connecting line brake circuit rear	/LL	1		-	911 355 419 02	threaded joint		1	911/911S
(12)	901 355 650 00	connecting line brake circuit rear	/RL	1				container		1	CARRERA 3.0
-	901 355 927 02	hose piece 50 MM	/RL	1							
-	901 355 618 00	connecting piece	/RL	1							
13	999 512 055 02	hose clamp		2							
14	999 702 076 50	rubber sleeve		2							
15	999 702 065 50	rubber sleeve	/LL	2							
(15)	999 702 065 50	rubber sleeve	/RL	4							
16	901 355 012 00	brake master cylinder		1	911/911S						
				1	CARRERA 2.7						
17	901 355 924 00	protection cap		1							
18	901 355 936 00	washer		2							
19	901 355 929 00	stopper		2							
-	999 703 075 40	stopper		1							
20	900 027 015 02	lock ring		2							
21	900 076 025 02	hexagon nut M 8		2							
(22)	911 355 012 02	brake master cylinder with brake light switch		1							
23	901 613 115 00	warning contact 2-pole		1	911/911S						
				1	CARRERA 2.7						
(23)	914 613 116 00	warning contact single pole		1	911/911S						
				1	CARRERA 2.7						
				-74							
				-74							
				-75							

Model	Year	MG	SG	Illustration	Restrictions	UPD	21:10	22.01.2010	PORSCHE	PET	PORSCHE
911	1977	6	04	604-05		248					

Pos	Part Number	Description	Remark	Qty	Model	Pos	Part Number	Description	Remark	Qty	Model
10	911 355 686 00	brake line front together with m calliper F >>91151 01182 F >>91151 10920 F >>91152 02045 F >>91152 11217 F >>91153 00373 F >>91153 10241 F >>91154 00341 F >>91154 10147	/R	1	911/911S	13	911 355 611 00	brake line		1	
						14	914 355 651 00	rubber sleeve		2	
						15	914 355 652 00	clamp		2	
						16	914 355 691 00	protective tube		6	
						17	914 355 667 00	distributor		1	
						18	900 151 006 09	washer B 6,4		1	
(10)	911 355 605 01	brake line front a-calliper F 91151 01183>> F 91151 10921>> F 91152 02046>> F 91152 11218>> F 91153 00374>> F 91153 10242>> F 91154 00342>> F 91154 10148>>		2		19	900 028 008 01	spring washer B 6		1	
						20	900 075 017 02	hexagon-head bolt 6 X 25		1	
						21	911 355 627 00	connecting line rear	/L	1	
						22	911 355 653 00	connecting line rear	/R	1	
(10)	911 355 683 01	brake line front s-calliper	/L M	1	911/911S	23	901 355 631 01	brake hose	/H	2	
(10)	911 355 683 01	brake line front s-calliper	/L	1	CARRERA 2.7	24	911 355 621 02	brake line	/H	2	
10	911 355 684 01	brake line front s-calliper	/R M	1	911/911S						
10	911 355 684 01	brake line front	/R	1	CARRERA 2.7						
11	911 355 612 01	brake line front	/LL	-75	1 911/911S 1 CARRERA 2.7						
(11)	930 355 612 00	brake line front		1	1 911/911S 1 CARRERA 3.0						
(11)	930 355 612 00	brake line front	/LL	77-	1 911/911S						
(11)	911 355 643 01	brake line front	/RL	-75	1 911/911S 1 CARRERA 2.7						
(11)	911 355 643 01	brake line front	/RL	1							
12	901 355 615 00	angled pipe		1							

Model	Year	MG	SG	Illustration	Restrictions	UPD	21:11	22.01.2010	PORSCHE	PET	PORSCHE
911	1977	6	04	604-10		248					

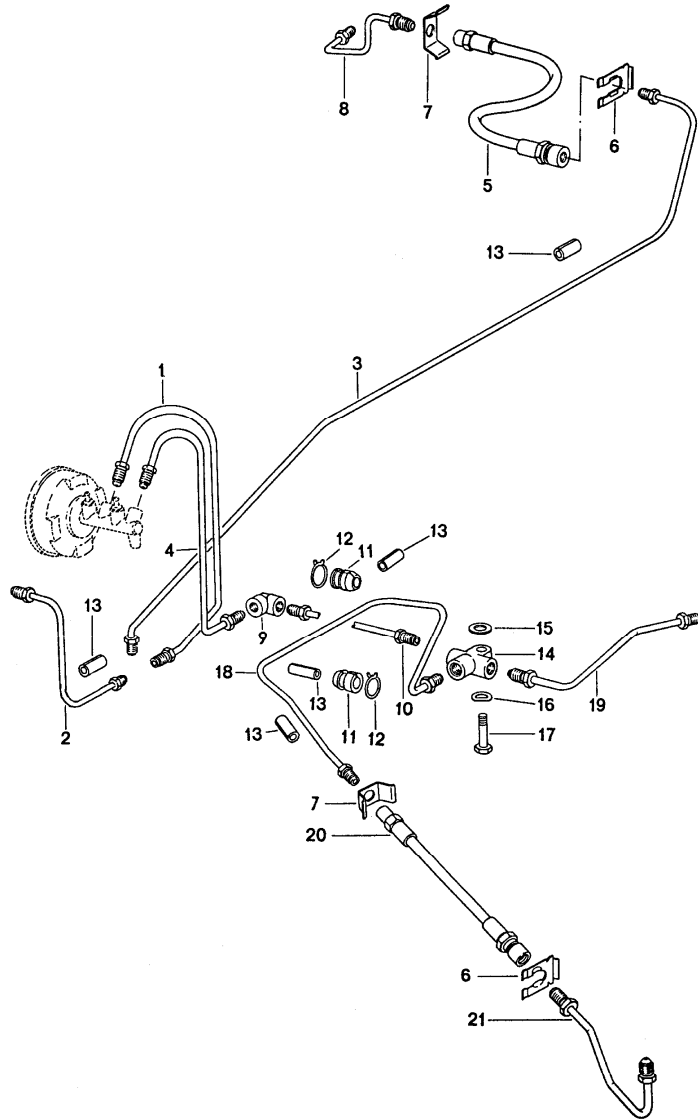


Pos	Part Number	Description	Remark	Qty	Model
		brake master cylinder for cars with brake booster	77-		
1	911 355 011 10	brake master cylinder		1	911/911S
1	911 355 011 10	brake master cylinder		1	CARRERA 3.0
2	911 355 027 00	vacuum booster		1	911/911S
2	911 355 027 00	vacuum booster		1	CARRERA 3.0
3	N 010 237 6	hexagon-head bolt		1	911/911S
4	900 025 007 02	washer		1	911/911S
5	900 027 015 02	lock ring		3	911/911S
5	900 027 015 02	lock ring		3	CARRERA 3.0
6	911 355 381 01	bearing bracket for brake booster		1	911/911S
6	911 355 381 01	bearing bracket for brake booster		1	CARRERA 3.0
7	999 703 056 40	stopper		2	911/911S
7	999 703 056 40	stopper		2	CARRERA 3.0
8	911 355 609 00	moulded hose for vacuum line		1	911/911S
8	911 355 609 00	moulded hose for vacuum line		1	CARRERA 3.0
-	999 181 022 51	hose		*	911/911S
-	-	320 MM		*	CARRERA 3.0
-	-	320 MM		1	911/911S
-	-	320 MM		1	CARRERA 3.0
-	999 181 022 51	hose		*	911/911S
-	-	1430 MM		*	CARRERA 3.0
-	-	1430 MM		1	911/911S
-	-	1430 MM		1	CARRERA 3.0
9	A 999 512 063 02	clip		6	911/911S
9	999 512 063 01	clip		6	911/911S

Model	Year	MG	SG	Illustration	Restrictions	UPD	21:11	22.01.2010	PORSCHE	PET	PORSCHE
911	1977	6	04	604-10		248					

Pos	Part Number	Description	Remark	Qty	Model	Pos	Part Number	Description	Remark	Qty	Model
9	A 999 512 063 02	clip		6	CARRERA 3.0	22	911 355 921 00	rubber seal		1	911/911S
9	999 512 063 01	clip		6	CARRERA 3.0	22	911 355 921 00	rubber seal		1	CARRERA 3.0
10	911 355 322 00	intake socket		1	911/911S	23	251 611 243	sealing ring		1	911/911S
10	911 355 322 00	intake socket		1	CARRERA 3.0	23	251 611 243	sealing ring		1	CARRERA 3.0
-	999 181 021 50	hose		*	911/911S	24	911 355 083 02	reverse lever	/LL M	1	911/911S
				*	CARRERA 3.0	24	911 355 083 02	reverse lever	/LL	1	CARRERA 3.0
11	-	65 MM		1	911/911S	25	928 423 542 00	bearing sleeve		2	911/911S
11	-	65 MM		1	CARRERA 3.0	25	928 423 542 00	bearing sleeve		2	CARRERA 3.0
12	911 355 323 00	intake socket		1	911/911S	26	900 169 022 02	circlip		1	911/911S
12	911 355 323 00	intake socket		1	CARRERA 3.0	26	900 169 022 02	circlip		1	CARRERA 3.0
-	999 181 021 50	hose		*	911/911S	27	911 355 511 01	bearing pin		1	911/911S
				*	CARRERA 3.0	27	911 355 511 01	bearing pin		1	CARRERA 3.0
13	-	120 MM		*	911/911S	27	911 355 511 01	bearing pin		1	CARRERA 3.0
13	-	120 MM		*	CARRERA 3.0	28	N 012 654 1	lock		1	911/911S
14	911 355 922 00	sealing plug		2	911/911S	28	N 012 654 1	lock		1	CARRERA 3.0
14	911 355 922 00	sealing plug		2	CARRERA 3.0						
15	113 945 515 G	brake light switch		2	911/911S						
15	113 945 515 G	brake light switch		2	CARRERA 3.0						
16	911 355 038 01	retaining strap		1	911/911S						
16	911 355 038 01	retaining strap		1	CARRERA 3.0						
17	900 075 260 02	hexagon-head bolt		1	911/911S						
17	900 075 260 02	hexagon-head bolt		1	CARRERA 3.0						
18	N 012 007 2	lock ring		1	911/911S						
18	N 012 007 2	lock ring		1	CARRERA 3.0						
19	900 076 025 02	hexagon nut		10	911/911S						
19	900 076 025 02	hexagon nut		10	CARRERA 3.0						
20	N 012 241 8	spring washer		8	911/911S						
20	N 012 241 8	spring washer		8	CARRERA 3.0						
21	928 355 660 00	check valve		1	911/911S						
21	928 355 660 00	check valve		1	CARRERA 3.0						

Model	Year	MG	SG	Illustration	Restrictions	UPD	11:28	27.01.2010	PORSCHE	PET	PORSCHE
911	1977	6	04	604-15		248					



Pos	Part Number	Description	Remark	Qty	Model
1	911 355 608 00	brake lines for cars with brake booster connecting line	/V M /V	1 1	911/911S CARRERA 3.0
		F >>91173 01518 F >>91173 11104 F >>91172 01802 F >>91172 11425 F >>91176 00868 F >>91176 10386 F >>93077 00400 F >>93078 00391			
(1)	911 355 608 01	connecting line	/V M	1 1	911/911S CARRERA 3.0
		F 91173 01519>> F 91173 11105>> F 91172 01803>> F 91172 11426>> F 91176 00869>> F 91176 10387>> F 93077 00401>> F 93078 00392>>			
2	911 355 618 01	brake line front	/L M	1	911/911S
2	911 355 618 01	brake line front	/L	1	CARRERA 3.0
3	911 355 617 00	brake line front	/R M	1	911/911S
3	911 355 617 00	brake line front	/R	1	CARRERA 3.0
4	911 355 607 00	connecting line	/H M	1 1	911/911S CARRERA 3.0
		F >>91173 01518 F >>91173 11104 F >>91172 01802 F >>91172 11425 F >>91176 00868 F >>91176 10386 F >>93077 00400 F >>93078 00391			

Model	Year	MG	SG	Illustration	Restrictions	UPD	11:28	27.01.2010	PORSCHE	PET	PORSCHE
911	1977	6	04	604-15		248					

Pos	Part Number	Description	Remark	Qty	Model	Pos	Part Number	Description	Remark	Qty	Model
(4)	911 355 607 01	connecting line	/H M	1	911/911S	15	900 151 006 09	washer		1	CARRERA 3.0
		F 91173 01519>>		1	CARRERA 3.0	16	900 028 008 01	spring washer		1	911/911S
		F 91173 11105>>				16	900 028 008 01	spring washer		1	CARRERA 3.0
		F 91172 01803>>				17	900 075 017 02	hexagon-head bolt		1	911/911S
		F 91172 11426>>				17	900 075 017 02	hexagon-head bolt		1	CARRERA 3.0
		F 91176 00869>>				18	911 355 627 00	connecting line rear	/L M	1	911/911S
		F 91176 10387>>				18	911 355 627 00	connecting line rear	/L	1	CARRERA 3.0
		F 93077 00401>>				19	911 355 653 00	connecting line rear	/R M	1	911/911S
		F 93078 00392>>				19	911 355 653 00	connecting line rear	/R	1	CARRERA 3.0
5	901 355 632 01	brake hose		2		20	901 355 631 01	brake hose	/H M	2	911/911S
6	113 611 715 A	brake hose bracket		4		20	901 355 631 01	brake hose	/H	2	CARRERA 3.0
7	803 611 715	retainer spring		4		21	911 355 621 02	brake line	/H M	2	911/911S
(8)	911 355 605 01	brake line front a-calliper		2	911/911S	21	911 355 621 02	brake line	/H	2	CARRERA 3.0
				2	CARRERA 3.0						
(8)	911 355 683 01	brake line front s-calliper	/L M	1	911/911S						
8	911 355 684 01	brake line front s-calliper	/R M	1	911/911S						
9	901 355 615 00	angled pipe		1	911						
9	901 355 615 00	angled pipe		1	911S						
				1	CARRERA 3.0						
10	911 355 611 00	brake line		1	911						
10	911 355 611 00	brake line		1	911S						
				1	CARRERA 3.0						
11	914 355 651 00	rubber sleeve		2	911/911S						
11	914 355 651 00	rubber sleeve		2	CARRERA 3.0						
12	914 355 652 00	clamp		2	911/911S						
12	914 355 652 00	clamp		2	CARRERA 3.0						
13	914 355 691 00	protective tube		6	911/911S						
13	914 355 691 00	protective tube		6	CARRERA 3.0						
14	914 355 667 00	distributor		1	911/911S						
14	914 355 667 00	distributor		1	CARRERA 3.0						
15	900 151 006 09	washer		1	911/911S						

Model	Year	MG	SG	Illustration	Restrictions	UPD	21:23	22.01.2010
911	1977	6	98	698-00R		248		

Pos	Part Number	Description	Remark	Qty	Model
		repair kits			
		front axle			
>>-	>>911 351 950 07	brake pad repair set - textar - for s-calliper 911.351.935.00/936.00	/V	1	
>>-	>>901 351 998 00	gasket set for s-calliper 911.351.935.00/936.00 comprising: gasket for piston protection cap safety seal	/V	2 2 2 2	
>>-	>>911 352 950 04	brake pad repair set for m calliper 911.351.907.00/908.00	/V	1	
-	901 351 913 16	retaining pin F >>91151 01182 F >>91151 10920 F >>91152 02045 F >>91152 11217 F >>91153 00373 F >>91153 10241 F >>91154 00341 F >>91154 10147		4	
>>-	>>901 351 964 11	gasket set for m calliper 911.351.907.00/908.00 comprising: gasket for piston protection cap clamping ring safety seal safety seal F >>91151 01182 F >>91151 10920 F >>91152 02045 F >>91152 11217 F >>91153 00373 F >>91153 10241 F >>91154 00341 F >>91154 10147	/V	2 2 2 2 1 1	

Model	Year	MG	SG	Illustration	Restrictions	UPD	21:23	22.01.2010
911	1977	6	98	698-00R		248		

Pos	Part Number	Description	Remark	Qty	Model
>>-	>>911 351 950 06	brake pad repair set - jurid - for a-calliper 911.351.425.01/426.01	/V	1	
-	911 351 951 00	parts kit F 91151 01183>> F 91151 10921>> F 91152 02046>> F 91152 11218>> F 91153 00374>> F 91153 10242>> F 91154 00342>> F 91154 10148>>		4	
>>-	>>911 351 946 00	gasket set for fixed calliper 911.351.425.01/426.01 923.351.425.00/426.00 comprising: gasket protection cap retaining ring F 91151 01183>> F 91151 10921>> F 91152 02046>> F 91152 11218>> F 91153 00374>> F 91153 10242>> F 91154 00342>> F 91154 10148>> rear axle	/V 2.7	2 2 2 2	
>>-	>>911 352 950 04	brake pad repair set - textar - m calliper		74	1
-	901 352 991 01	retaining pin			4
>>-	>>901 352 998 00	gasket set for m calliper with disk balancing set comprising: gasket protection cap retaining ring safety seal safety seal	/H	2 2 2 1 1	911/911S CARRERA 2.7

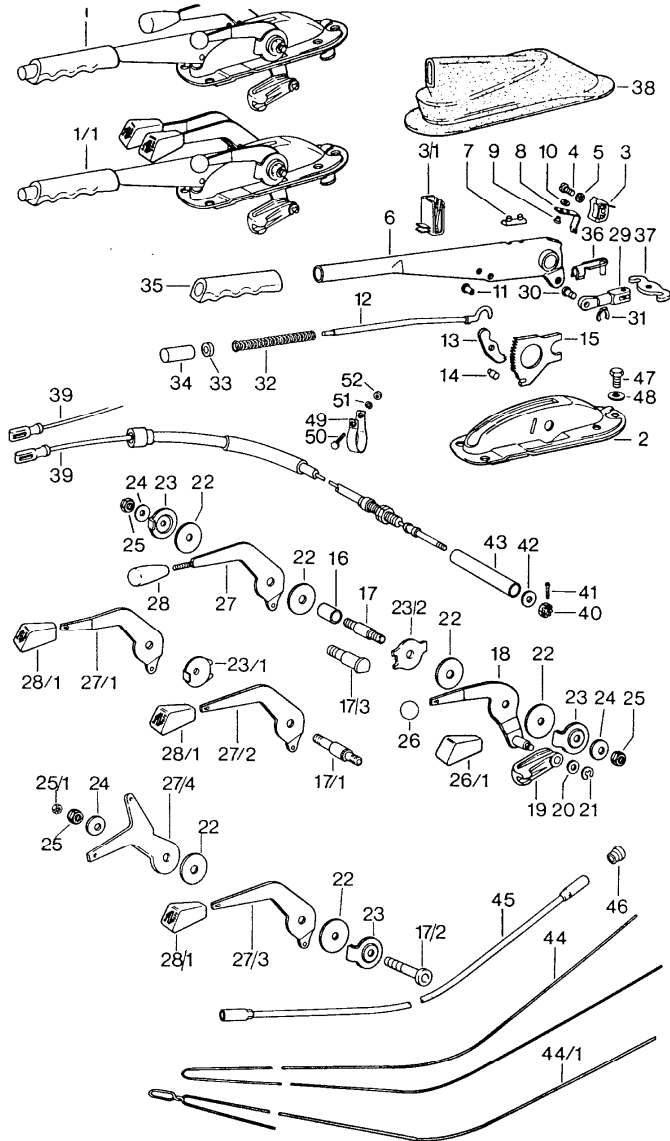
Model	Year	MG	SG	Illustration	Restrictions	UPD	21:23	22.01.2010	PORSCHE	PET	PORSCHE
911	1977	7	01	701-00		248					

Pos	Part Number	Description	Remark	Qty	Model	Pos	Part Number	Description	Remark	Qty	Model
14	911 424 181 01	sleeve		1		28	905 424 023 02	gearshift lever	/LL	-74	1 SPM
15	A 999 532 001 00	spacer	-75	1	911/911S	(28)	925 424 023 01	gearshift lever	/LL	75	1 SPM
			-75	1	CARRERA 2.7	(28)	905 424 026 00	gearshift lever	/RL	-74	1 SPM
15	999 532 003 00	retainer		1		(28)	925 424 024 01	gearshift lever	/RL	75	1 SPM
16	911 424 069 01	gearshift knob 4-speed	-74	1	911/911S	29	901 424 132 00	guide		-75	1 SPM
			-74	1	CARRERA 2.7	30	914 424 131 00	compression spring		-74	1 SPM
16	911 424 069 00	gearshift knob		1	911/911S	(30)	911 424 133 06	compression spring		75	1 SPM
				1	CARRERA 2.7	31	901 424 135 00	guide ring		-75	1 SPM
16	911 424 069 01	gearshift knob		1		32	901 424 017 00	stop plate		-75	1 SPM
16	911 424 071 01	gearshift knob		1	911/911S	33	901 424 133 00	compression spring		-75	2 SPM
		5-speed	-74			34	901 424 115 00	guiding rod		-75	2 SPM
16	A 911 424 071 00	gearshift knob		1	911/911S	35	N 012 435 1	washer		-75	4 SPM
		5-speed	75		CARRERA 2.7	36	914 424 901 00	sealing sleeve		-75	1 SPM
16	911 424 071 01	gearshift knob	75-	1		37	911 424 077 01	gearshift knob		-74	1 SPM
17	N 012 241 1	spring washer B 8		3		(37)	911 424 077 01	gearshift knob 4-speed		75-	1 SPM
18	900 067 057 02	pan-head screw M 8 X 20		3		(37)	911 424 073 01	gearshift knob 3 speed		75-	1 SPM
19	900 028 008 01	spring washer B 6		2		38	N 010 210 13	hexagon-head bolt M 6 X 10		-75	2 SPM
20	900 067 011 02	pan-head screw M 6 X 20		2		39	900 028 008 01	spring washer B 6		-75	2 SPM
21	901 424 015 02	gearshift bracket	-75	1	SPM	40	900 075 078 02	hexagon-head bolt M 8 X 15		-75	3 SPM
22	905 424 024 02	gearshift lever	-75	1	SPM	41	900 027 015 02	lock ring B 8		-75	3 SPM
23	905 424 111 02	compression spring		1	SPM	42	900 025 007 02	washer 8,4		-75	1 SPM
24	900 108 012 00	ball		1	SPM	(42)	900 031 001 02	washer 8,4		-75	1 SPM
25	905 613 039 00	contacts	-75	1	SPM	43	925 424 019 01	gearshift bracket		76-	1 SPM
26	A 905 424 234 02	stop ring		1	SPM	44	925 424 023 02	gearshift lever		76-	1 SPM
26	925 424 234 00	stop ring		1	SPM						
27	905 424 107 02	straight pin		1	SPM						
-	999 513 021 40	tie-wrap		2	SPM						

Model	Year	MG	SG	Illustration	Restrictions	UPD	21:23	22.01.2010	PORSCHE	PET	PORSCHE
911	1977	7	01	701-00		248					

Pos	Part Number	Description	Remark	Qty	Model	Pos	Part Number	Description	Remark	Qty	Model
45	925 424 024 02	gearshift lever lower part		76-	1 SPM						
46	905 613 039 00	contacts		76-	1 SPM						
47	930 424 029 00	guide plate		76-	1 SPM						
48 A	925 424 129 01	bearing pin		76-	1 SPM						
48	925 424 129 01	bearing pin		76-	1 SPM						
49	925 424 147 00	buffer plate		76-	1 SPM						
50	925 424 165 00	stop plate		76-	1 SPM						
51	900 171 008 02	cable clip		76-	1 SPM						
52	900 015 003 10	pan-head screw M 4 X 10		76-	1 SPM						
53	900 114 014 01	shake-proof washer		76-	1 SPM						
54	900 076 002 10	hexagon nut M 4		76-	1 SPM						
55 A	930 424 031 00	bearing bracket			1						
55	930 424 031 01	bearing bracket			1						
56	914 424 224 00	friction ring			1						
57	911 424 139 00	ball socket			1						
58	930 424 241 00	head shift rod			1						
59	911 424 020 00	gear shift rod			1						
60	901 424 229 00	conical screw			2						
61	911 424 024 04	shift rod coupling			1						
62	914 424 214 00	clamp			1						
63	N 010 335 5	hexagon-head bolt M 8 X 35			1						
64	999 523 102 02	lock washer			1						
65	900 076 025 02	hexagon nut M 8			1						
66	911 424 292 00	sealing sleeve inner			1						
67	911 424 294 00	sealing sleeve outer			1						

Model	Year	MG	SG	Illustration	Restrictions	UPD	21:23	22.01.2010	PORSCHE	PET	PORSCHE
911	1977	7	01	701-05		248					



Pos	Part Number	Description	Remark	Qty	Model
		actuating lever handbrake manual throttle			
1	901 424 051 02	parking-brake lever	-74	1	911/911S
			-74	1	CARRERA 2.7
		with bearing bracket			
(1/1)	911 424 051 09	parking-brake lever	75-	1	911/911S
		with bearing bracket contact switch heating		1	CARRERA 2.7
(1/1)	911 424 051 06	parking-brake lever		1	911/911S
				1	CARRERA 2.7
(1/1)	911 424 051 06	parking-brake lever with bearing bracket heating automatic		1	CARRERA 3.0
2	901 424 058 02	bearing bracket		1	
3	901 613 521 20	handbrake contact piece		1	
3/1	911 613 525 00	heating lever contact	76-	1	911/911S
4	900 015 025 02	oval-head screw AM 4 X 15		1	
5	N 012 116 1	serrated lock washer A 4,3		1	
6	911 424 059 00	parking-brake lever		1	
7	901 424 509 01	stop		1	
8	901 613 523 20	contact bow		1	
9	900 055 001 20	rivet		2	
10	900 031 012 10	washer 2,8		2	
11	900 206 003 00	tubular rivet 5 X 0,5 X 10		1	
12	901 424 567 03	push rod		1	
13	901 424 508 00	pawl		1	
14	901 424 511 00	bolt		1	
15	914 424 541 00	locking segment		1	

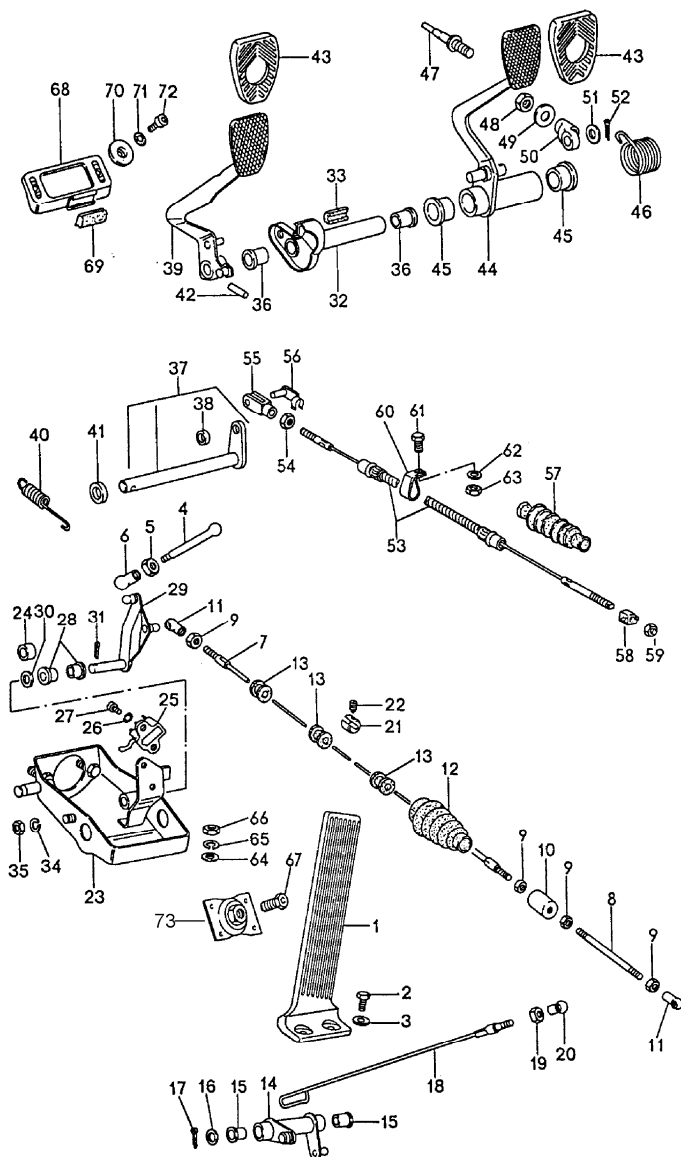
Model	Year	MG	SG	Illustration	Restrictions	UPD	21:23	22.01.2010	PORSCHE	PET	PORSCHE
911	1977	7	01	701-05		248					

Pos	Part Number	Description	Remark	Qty	Model	Pos	Part Number	Description	Remark	Qty	Model	
16	A 901 424 513 00	spacer sleeve	-74 -74	1 1	911/911S CARRERA 2.7	24	999 523 006 00	cup spring		X		
17	901 424 519 00	bearing pin	-74 -74	1 1	911/911S CARRERA 2.7	25	999 084 019 02	lock nut M 8		X		
17/1	911 424 519 00	collar bolt	75- 75-	1 1	911/911S CARRERA 2.7	25/1	999 084 043 02	hexagon nut		1 1	911/911S CARRERA 2.7	
17/1	911 424 519 01	bearing pin		1 1	911/911S CARRERA 2.7	25/1	999 084 043 02	hexagon nut		1	CARRERA 3.0	
17/1	911 424 519 01	bearing pin heating automatic		1	CARRERA 3.0	26	901 424 323 00	knob for manual throttle		1		
17/2	911 424 717 00	tensioning sleeve		1 1	911/911S CARRERA 2.7	27	901 424 711 03	lever heating	-74 -74	1 1	911/911S CARRERA 2.7	
17/2	911 424 717 00	tensioning sleeve		1	CARRERA 3.0	27/1	911 424 711 02	actuating lever	/R /R	75- 75-	1 1	911/911S CARRERA 2.7
18	901 424 037 00	lever for manual throttle		1		27/2	911 424 711 03	actuating lever heating	/L /L	75- 75-	1 1	911/911S CARRERA 2.7
19	901 424 317 00	valve lever		1		27/3	911 424 711 04	lever		1 1	911/911S CARRERA 2.7	
20	N 011 524 7	washer		1		27/3	911 424 711 04	lever		1	CARRERA 3.0	
21	N 012 435 1	washer		1		27/4	911 424 075 00	connecting lever		1 1	911/911S CARRERA 2.7	
22	911 424 737 00	washer	-74 -74	4 4	911/911S CARRERA 2.7	27/4	911 424 075 00	connecting lever heating automatic		1	CARRERA 3.0	
22	911 424 737 00	washer	75-	X								
23	911 424 735 04	disc manual throttle heating automatic		2		-	900 075 276 02	pan-head screw		1 1	911/911S CARRERA 2.7	
23/1	911 424 735 00	disc manual throttle heating automatic	75 75	1 1	911/911S CARRERA 2.7	-	900 075 276 02	pan-head screw		1	CARRERA 3.0	
23/1	911 424 735 03	disc manual throttle heating automatic	76- 76-	1	911/911S 912E	-	N 012 225 2	spring washer		1 1	911/911S CARRERA 2.7	
23/2	911 424 735 02	disc manual throttle heating automatic		1		-	N 012 225 2	spring washer		1	CARRERA 3.0	
						28	914 424 792 01	handle	-74 -74	1 1	911/911S CARRERA 2.7	
						28/1	911 424 792 01	handle	75-	X		
						29	901 424 569 01	fork		1		
						30	999 166 010 02	bolt A 6 X 16 X 3		1		

Model	Year	MG	SG	Illustration	Restrictions	UPD	21:23	22.01.2010	PORSCHE	PET	PORSCHE
911	1977	7	01	701-05		248					

Pos	Part Number	Description	Remark	Qty	Model	Pos	Part Number	Description	Remark	Qty	Model
31	999 166 008 02	safety clip		1		44/1	911 424 701 02	wire pull		1	911/911S
32	901 424 543 00	compression spring		1				heating automatic		1	CARRERA 2.7
33	901 424 593 01	rubber ring		1		44/1	911 424 701 02	wire pull heating automatic		1	CARRERA 3.0
34	901 424 523 01	push button		1							
35	901 424 521 01	handle		1		45	901 424 704 01	guide		2	
36	999 166 001 02	bolt 6 X 24		1		46	914 504 319 00	grommet		2	
37	901 424 568 00	turnbuckle		1		47	900 075 087 02	hexagon-head bolt M 8 X 16		3	
38	923 424 591 00	sleeve for parking-brake lever	-74	1	911/911S	48	900 027 015 02	lock ring B 8		3	
				1	CARRERA 2.7						
(38)	911 424 591 03	sleeve for parking-brake lever	75-	1	911/911S	49	999 706 009 80	suspension strap		1	
				1	CARRERA 2.7	49	911 424 341 01	suspension strap		1	
(38)	911 424 591 02	sleeve		1	911/911S	50	900 075 057 02	hexagon-head bolt M 6 X 16		1	
		heating automatic		1	CARRERA 2.7	51	900 028 008 01	spring washer B 6		1	
(38)	911 424 591 02	sleeve heating automatic		1	CARRERA 3.0	52	900 076 010 02	hexagon nut M 6		1	
39	901 424 551 13	parking-brake cable		2							
40	900 079 012 02	castle nut M 6		2							
41	N 012 507 1	cotter pin 1,5 X 15		2							
42	900 151 006 09	washer B 6,4		4							
43	901 424 557 01	spacer tube		2							
44	901 424 701 05	wire pull heating	-74	1	911/911S						
			-74	1	CARRERA 2.7						
44/1	911 424 701 01	wire pull heating	/R	1	911/911S						
			/R	1	CARRERA 2.7						
44/1	911 424 701 01	wire pull heating	/L	1	911/911S						
			/L	1	CARRERA 2.7						

Model	Year	MG	SG	Illustration	Restrictions	UPD	21:24	22.01.2010	PORSCHE	PET	PORSCHE
911	1977	7	02	702-00		248					



Pos	Part Number	Description	Remark	Qty	Model
1	901 423 010 00	pedals left-hand drive accelerator pedal	-75 -75	1 1	911/911S CARRERA 2.7
(1)	911 423 111 02	accelerator pedal		1 1	911/911S CARRERA 3.0
2	N 010 215 13	hexagon-head bolt M 6 X 15		2	
3	900 151 006 09	washer B 6,4		2	
4	914 423 227 00	push rod		1	
5	900 076 027 02	hexagon nut M 5		1	
6	A N 015 521 3	ball socket		1 1	911/911S CARRERA 2.7
6	911 423 147 00	ball socket		1	
7	PCG 423 024 00	throttle linkage		1 1	911/911S CARRERA
8	901 423 223 01	912E extension rod		1	
9	900 076 027 02	hexagon nut M 5		4	
10	911 423 081 02	housing		1	
11	N 015 521 3	ball socket A 8		2	
12	911 423 593 01	sealing sleeve		1	
13	901 423 227 00	bush		3	
14	911 423 017 01	reverse lever use also: 911.423.227.00 900.910.096.02		1	
15	914 423 211 00	bush		2	
16	900 025 008 02	washer 10,5		1	
17	N 012 530 1	cotter pin 3 X 15		1	

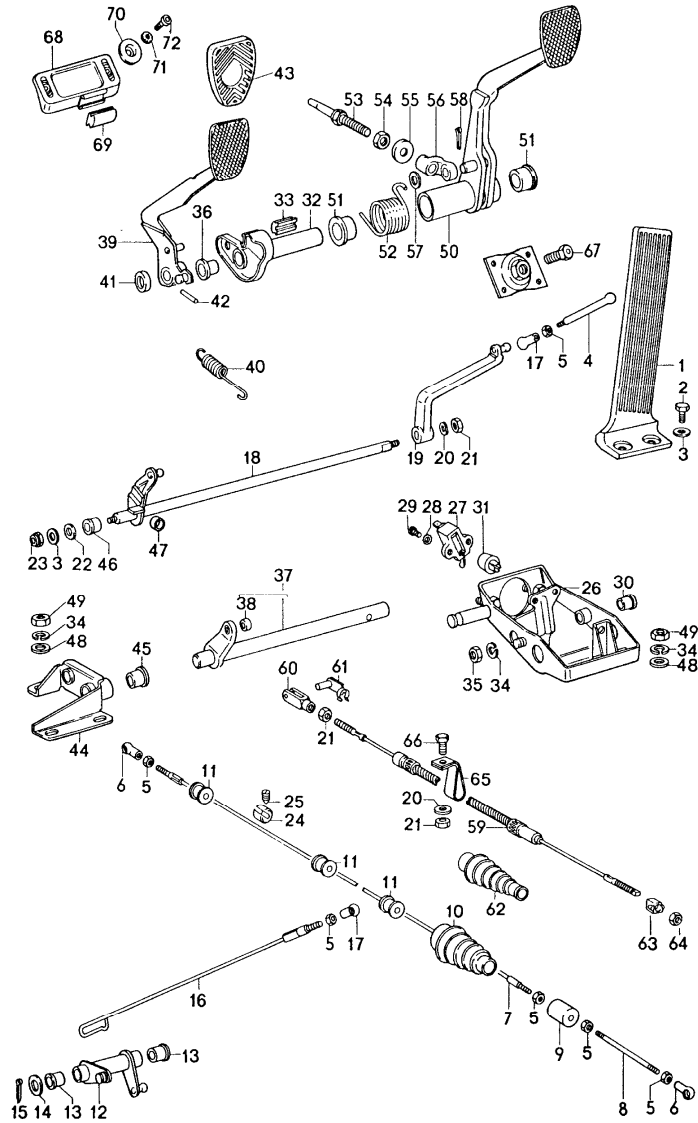
Model	Year	MG	SG	Illustration	Restrictions	UPD	21:24	22.01.2010	PORSCHE	PET	PORSCHE
911	1977	7	02	702-00		248					

Pos	Part Number	Description	Remark	Qty	Model	Pos	Part Number	Description	Remark	Qty	Model
18	911 423 043 00	throttle linkage		1	911/911S	37	911 423 027 01	clutch pedal shaft		75	
				1	CARRERA 3.0			for			
(18)	PCG 423 016 00	throttle linkage		1	CARRERA 2.7			915/06/16,930/30/32			
19	900 076 027 02	hexagon nut		1		37	911 423 027 03	clutch pedal shaft		75	
		M 5						for			
								915/40/43/45/48			
20	911 423 147 00	ball socket		1		37	911 423 027 04	clutch pedal shaft		76-	911/911S
								for		1	CARRERA 3.0
21	901 424 319 00	screw nipple		1				915/44/49/60/65,923/02			
22	N 013 114 1	pin		1				930/30/32			
23	911 423 065 02	bearing bracket		1		38	901 423 343 00	bush		1	
24	901 423 193 00	rubber stop		1		39	911 423 077 00	clutch pedal		1	
25	911 613 411 00	brake light switch		1		40	911 423 305 05	tension spring		-76	911/911S
										-76	CARRERA
26	900 114 014 01	shake-proof washer		2		40	911 423 305 05	tension spring		77-	911/911S
		A 4,3				(40)	911 423 305 06	return spring		1	911/911S
27	900 146 011 02	oval-head screw		2		(40)	911 423 305 06	return spring		1	CARRERA 3.0
		AM 4 X 10									
28	901 423 253 00	bearing sleeve		2		41	911 423 219 03	spacer sleeve		-76	
29	901 423 250 02	reverse lever	/V	1		41	911 423 219 03	spacer sleeve		77-	911/911S
30	900 031 001 02	washer		1		(41)	911 423 219 03	spacer sleeve		1	911/911S
		8,4				(41)	911 423 219 03	spacer sleeve		1	CARRERA 3.0
31	900 021 008 00	cotter pin		1		42	900 309 002 00	roll pin		1	
		2 X 15						6 X 28			
32	901 423 035 00	bearing tube		1		43	914 423 210 00	rubber pad		2	
33	901 423 391 00	rubber stop		1		44	911 423 053 02	brake pedal		1	
34	900 027 015 02	lock ring		1		45	911 423 542 00	bush		2	
		B 8									
35	N 011 151 3	hexagon nut		1		46	901 423 531 00	return spring		1	
		M 8				47	901 423 057 04	piston rod		1	
36	911 423 341 01	bush		2		48	900 158 003 02	hexagon nut		1	
								M 10			
37	911 423 027 01	clutch pedal shaft		1	915/06/16	49	901 423 157 00	washer		1	
		for	-74								
		915/06/16,930/30/32				50	901 423 507 02	intermediate piece		1	
37	911 423 027 01	clutch pedal shaft		1	915/06/16	51	N 011 564 2	washer		1	
		for	-74					13			
		915/06/16,930/30/32									

Model	Year	MG	SG	Illustration	Restrictions	UPD	21:24	22.01.2010	PORSCHE	PET	PORSCHE
911	1977	7	02	702-00		248					

Pos	Part Number	Description	Remark	Qty	Model	Pos	Part Number	Description	Remark	Qty	Model
52	900 021 015 00	cotter pin 3 X 20		1		63	900 076 010 02	hexagon nut M 6		1	
53	911 423 401 00	clutch cable		1	915/06/16	64	900 025 007 02	washer 8,4		2	
(53)	911 423 401 03	clutch cable for 915/40/43/45/48 see technical information 3/NR.2 F 91162 01201>> F 91162 11044>> F 91163 01154>> F 91163 10837>> F 91166 00596>> F 91166 10211>>		1		65	900 027 015 02	lock ring B 8		2	
(53)	911 423 401 05	clutch cable for 915/44/49/60/65 see technical information 3/NR.2 F 91162 01201>> F 91162 11044>> F 91163 01154>> F 91163 10837>> F 91166 00596>> F 91166 10211>>		1		66	900 076 025 02	hexagon nut M 8		2	
						67	901 551 671 20	hexagon-head bolt		1	911/911S CARRERA 2.7
						68	901 423 360 00	stop		1	911/911S CARRERA 2.7
						69	901 423 391 00	rubber stop 30 MM		1	911/911S CARRERA 2.7
						70	901 423 368 00	washer		2	911/911S CARRERA 2.7
						71	N 012 130 2	shake-proof washer A 5,3		2	911/911S CARRERA 2.7
						72	900 119 025 02	pan-head screw M 5 X 15		2	911/911S CARRERA 2.7
						73	901 551 065 20	stop for accelerator pedal		1	
54	900 076 010 02	hexagon nut M 6		1							
55	900 166 002 02	clevis C 6 X 24		1							
56	999 166 001 02	bolt		1							
57	914 423 922 02	sealing sleeve		1							
58	911 423 205 03	lever		1							
59	N 011 007 3	hexagon nut M 7		2							
59	900 076 010 02	hexagon nut	75	2	911/911S						
60	999 706 009 80	suspension strap		1							
60	911 424 341 01	suspension strap		1							
61	900 075 057 02	hexagon-head bolt M 6 X 16		1							
62	900 028 008 01	spring washer B 6		1							

Model	Year	MG	SG	Illustration	Restrictions	UPD	21:24	22.01.2010	PORSCHE	PET	PORSCHE
911	1977	7	02	702-05		248					



Pos	Part Number	Description	Remark	Qty	Model
1	901 423 010 00	pedals right-hand drive accelerator pedal	-75	1	911/911S
			-75	1	CARRERA 2.7
(1)	911 423 111 02	accelerator pedal	76-	1	911/911S
			76-	1	CARRERA
2	N 010 215 13	hexagon-head bolt M 6 X 15		2	
3	900 151 006 09	washer B 6,4		3	
4	914 423 227 00	push rod		1	
5	900 076 027 02	hexagon nut M 5		6	
6	N 015 521 3	ball socket A 8		2	
7	PCG 423 024 00	throttle linkage		1	
8	901 423 223 01	extension rod		1	
9	911 423 081 02	housing		1	
10	911 423 593 01	sealing sleeve		1	
11	901 423 227 00	bush		3	
12	911 423 017 01	reverse lever use also: 911.423.227.00 900.910.096.02		1	
13	914 423 211 00	bush for reverse lever		2	
14	900 025 008 02	washer 10,5		1	
15	N 012 530 1	cotter pin 3 X 15		1	
16	911 423 043 00	throttle linkage		1	911/911S
				1	CARRERA 3.0
(16)	PCG 423 016 00	throttle linkage		1	CARRERA 2.7
17	911 423 147 00	ball socket		2	

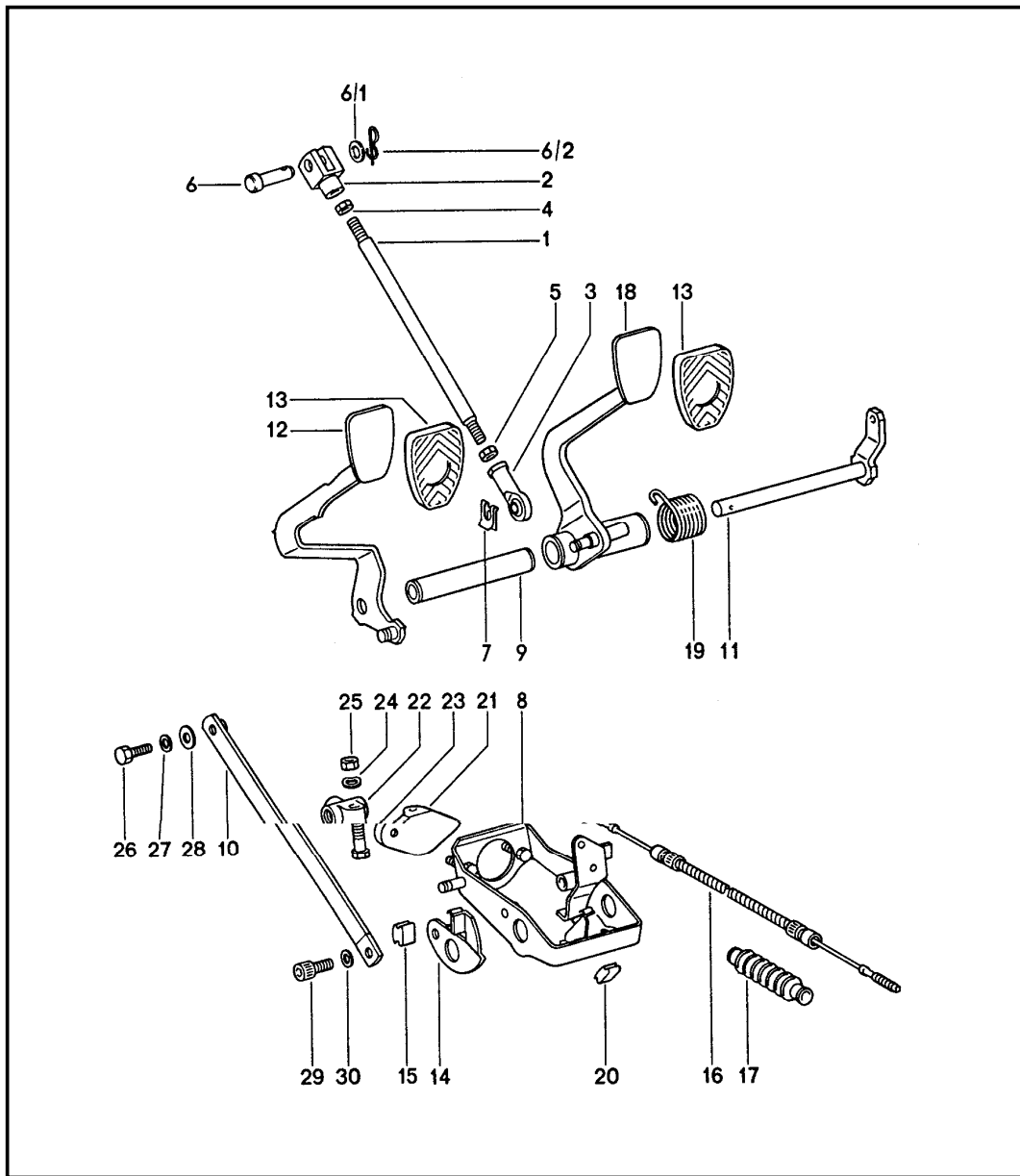
Model	Year	MG	SG	Illustration	Restrictions	UPD	21:24	22.01.2010	PORSCHE	PET	PORSCHE
911	1977	7	02	702-05		248					

Pos	Part Number	Description	Remark	Qty	Model	Pos	Part Number	Description	Remark	Qty	Model
18	901 423 556 00	shaft for accelerator control		1		37	911 423 028 04	clutch pedal shaft for 915/06/16, 930/30/32	75	1	
19	901 423 022 00	lever for accelerator control		1		(37)	911 423 028 02	clutch pedal shaft for 915/40/43/45/48	75	1	
20	900 028 008 01	spring washer B 6		2		(37)	911 423 028 04	clutch pedal shaft for 915/44/49 930/30/32	76	1	
21	900 076 010 02	hexagon nut M 6		3		(37)	911 423 028 04	clutch pedal shaft	77-	1	915/44/49
22	911 423 225 00	washer		3		(37)	911 423 028 06	clutch pedal shaft for 915/61/66 930/52/54	77-	1	
23	900 084 010 02	hexagon nut M 6		1							
24	901 424 319 00	screw nipple		1		38	901 423 343 00	bush		1	
25	N 013 114 1	pin M 5 X 8		1		39	911 423 078 00	clutch pedal	-76	1	
26	911 423 066 00	bearing bracket		1		39	911 423 078 00	clutch pedal	77-	1	911/911S
27	911 613 411 00	brake light switch		1		(39)	911 423 078 03	clutch pedal	77-	1	CARRERA 3.0
28	900 114 014 01	shake-proof washer A 4,3		2		40	911 423 306 01	tension spring	-76	1	
29	900 146 011 02	oval-head screw AM 4 X 10		2		40	911 423 306 01	tension spring	77-	1	911/911S
30	914 423 211 00	bush		1		(40)	911 423 306 02	return spring	77-	1	CARRERA 3.0
31	901 423 528 00	rubber stop		1		41	911 423 219 03	spacer sleeve	-76	1	
32	901 423 034 00	bearing tube for clutch pedal		1		41	911 423 219 03	spacer sleeve	77-	1	911/911S
33	901 423 391 00	rubber stop		1		(41)	911 423 219 03	spacer sleeve	77-	1	CARRERA 3.0
34	900 027 015 02	lock ring B 8		6		(41)	911 423 219 03	spacer sleeve		1	911/911S
35	N 011 151 3	hexagon nut M 8		1		42	900 309 002 00	roll pin 6 X 28		1	
36	911 423 341 01	bush		1		43	914 423 210 00	rubber pad		2	
37	911 423 028 04	clutch pedal shaft for 915/06/16, 930/30/32	-74	1	915/06/16	44	901 423 013 00	bearing bracket		1	
						45	911 423 341 01	bush		1	
						46	914 423 211 00	bush		1	
						47	901 423 193 00	rubber stop		1	
						48	900 025 007 02	washer 8,4		5	

Model	Year	MG	SG	Illustration	Restrictions	UPD	21:24	22.01.2010	PORSCHE	PET	PORSCHE
911	1977	7	02	702-05		248					

Pos	Part Number	Description	Remark	Qty	Model	Pos	Part Number	Description	Remark	Qty	Model
49	900 076 025 02	hexagon nut M 8		5		67	901 551 671 20	hexagon-head bolt		1 1	911/911S CARRERA 2.7
50	901 423 054 01	brake pedal		1		68	901 423 360 00	stop		1 1	911/911S CARRERA 2.7
51	911 423 542 00	bush		2		69	901 423 391 00	rubber stop		1 1	911/911S CARRERA 2.7
52	901 423 532 00	return spring for brake pedal		1		70	901 423 368 00	washer		2 2	911/911S CARRERA 2.7
53	901 423 057 04	piston rod		1		71	N 012 130 2	shake-proof washer A 5,3		2 2	911/911S CARRERA 2.7
54	900 158 003 02	hexagon nut M 10		1		72	900 119 025 02	pan-head screw M 5 X 15		2 2	911/911S CARRERA 2.7
55	901 423 157 00	washer		1							
56	901 423 507 02	intermediate piece		1							
57	N 011 564 2	washer 13		1							
58	900 021 015 00	cotter pin 3 X 20		1							
59	911 423 401 00	clutch cable	-74	1	915/06/16						
(59)	911 423 401 03	clutch cable for 915/40/43/45/48	75	1							
(59)	911 423 401 05	clutch cable		1	915/44/49						
60	900 166 002 02	clevis G 6 X 24		1							
61	999 166 001 02	bolt		1							
62	914 423 922 02	sealing sleeve		1							
63	911 423 205 03	lever		1							
64	N 011 007 3	hexagon nut M 7		2							
64	900 076 010 02	hexagon nut M 6	75	2	911/911S						
65	999 706 009 80	suspension strap		1							
65	911 424 341 01	suspension strap		1							
66	900 075 057 02	hexagon-head bolt M 6 X 16		1							

Model	Year	MG	SG	Illustration	Restrictions	UPD	21:24	22.01.2010	PORSCHE	PET	PORSCHE
911	1977	7	02	702-10		248					



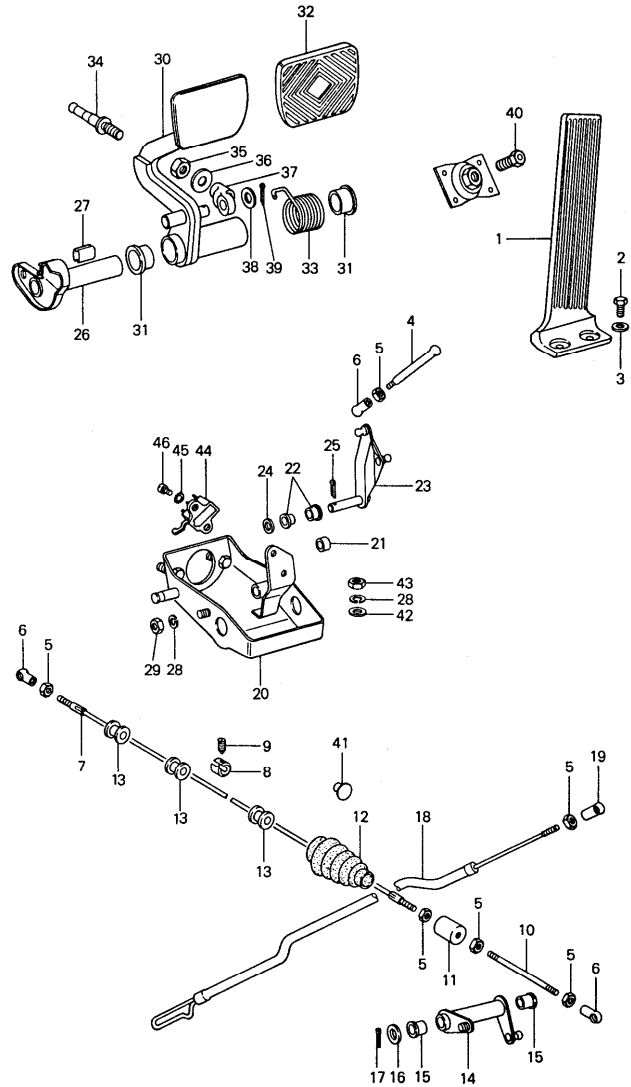
Pos	Part Number	Description	Remark	Qty	Model
		pedals for cars with brake booster			
1	911 423 523 01	push rod		1	911/911S
1	911 423 523 01	push rod		1	CARRERA 3.0
2	999 166 039 02	clevis		1	911/911S
2	999 166 039 02	clevis		1	CARRERA 3.0
3	999 593 116 02	swivel head		1	911/911S
3	999 593 116 02	swivel head		1	CARRERA 3.0
4	900 157 002 02	hexagon nut		1	911/911S
4	900 157 002 02	hexagon nut		1	CARRERA 3.0
5	900 157 003 02	hexagon nut		1	911/911S
5	900 157 003 02	hexagon nut		1	CARRERA 3.0
6	900 087 037 02	bolt		1	911/911S
6	900 087 037 02	bolt		1	CARRERA 3.0
6/1	900 031 005 02	washer		1	911/911S
6/1	900 031 005 02	washer		1	CARRERA 3.0
6/2	999 021 001 07	connector		1	911/911S
6/2	999 021 001 07	connector		1	CARRERA 3.0
7	999 166 034 02	sl-lock		1	911/911S
7	999 166 034 02	sl-lock		1	CARRERA 3.0
8	911 423 065 03	bearing bracket		1	911/911S
8	911 423 065 03	bearing bracket		1	CARRERA 3.0
9	911 423 062 00	bearing tube		1	911/911S
9	911 423 062 00	bearing tube		1	CARRERA 3.0
-	925 423 035 00	bearing tube		1	911/911S CARRERA 3.0
10	911 423 082 00	tension strut		1	911/911S
10	911 423 082 00	tension strut		1	CARRERA 3.0
11	930 423 027 01	clutch pedal shaft		1	911/911S

Model	Year	MG	SG	Illustration	Restrictions	UPD	21:24	22.01.2010	PORSCHE	PET	PORSCHE
911	1977	7	02	702-10		248					

Pos	Part Number	Description	Remark	Qty	Model	Pos	Part Number	Description	Remark	Qty	Model
11	930 423 027 01	clutch pedal shaft		1	CARRERA 3.0	25	900 076 010 02	hexagon nut		1	911/911S
12	911 423 077 05	clutch pedal		1	911/911S	25	900 076 010 02	hexagon nut		1	CARRERA 3.0
12	911 423 077 05	clutch pedal		1	CARRERA 3.0	26	N 010 253 7	hexagon-head bolt		1	911/911S
13	914 423 210 00	rubber pad		1		26	N 010 253 7	hexagon-head bolt		1	CARRERA 3.0
14	911 423 391 02	protective strip		1	911/911S	27	900 027 016 02	lock ring		1	911/911S
14	911 423 391 02	protective strip		1	CARRERA 3.0	27	900 027 016 02	lock ring		1	CARRERA 3.0
15	999 703 133 40	rubber stop		1	911/911S	28	900 025 008 02	washer		1	911/911S
15	999 703 133 40	rubber stop		1	CARRERA 3.0	28	900 025 008 02	washer		1	CARRERA 3.0
16	930 423 401 05	clutch cable		1	CARRERA 3.0	29	900 067 063 02	pan-head screw		1	911/911S
-	999 512 291 02	hose clamp		1	911/911S	29	900 067 063 02	pan-head screw		1	CARRERA 3.0
-	999 512 291 02	hose clamp		1	CARRERA 3.0	30	999 523 103 02	lock washer		1	911/911S
17	311 713 269 A	sealing sleeve		1	911/911S	30	999 523 103 02	lock washer		1	CARRERA 3.0
17	311 713 269 A	sealing sleeve		1	CARRERA 3.0						
18	911 423 053 04	brake pedal		1	911/911S						
18	911 423 053 04	brake pedal		1	CARRERA 3.0						
(18)	925 423 053 01	brake pedal		1	911/911S						
				1	CARRERA 3.0						
19	911 423 531 03	return spring		1	911/911S						
19	911 423 531 03	return spring		1	CARRERA 3.0						
20	901 423 193 00	rubber stop		1	911/911S						
20	901 423 193 00	rubber stop		1	CARRERA 3.0						
21	911 423 153 00	cover plate		1	911/911S						
21	911 423 153 00	cover plate		1	CARRERA 3.0						
22	914 355 667 00	distributor		1	911/911S						
22	914 355 667 00	distributor		1	CARRERA 3.0						
23	900 075 017 02	hexagon-head bolt		1	911/911S						
23	900 075 017 02	hexagon-head bolt		1	CARRERA 3.0						
24	900 028 008 01	spring washer		1	911/911S						
24	900 028 008 01	spring washer		1	CARRERA 3.0						

Model	Year	MG	SG	Illustration	Restrictions	UPD	21:24	22.01.2010	PORSCHE	PET	PORSCHE
911	1977	7	02	702-15		248					

SPORTOMATIC



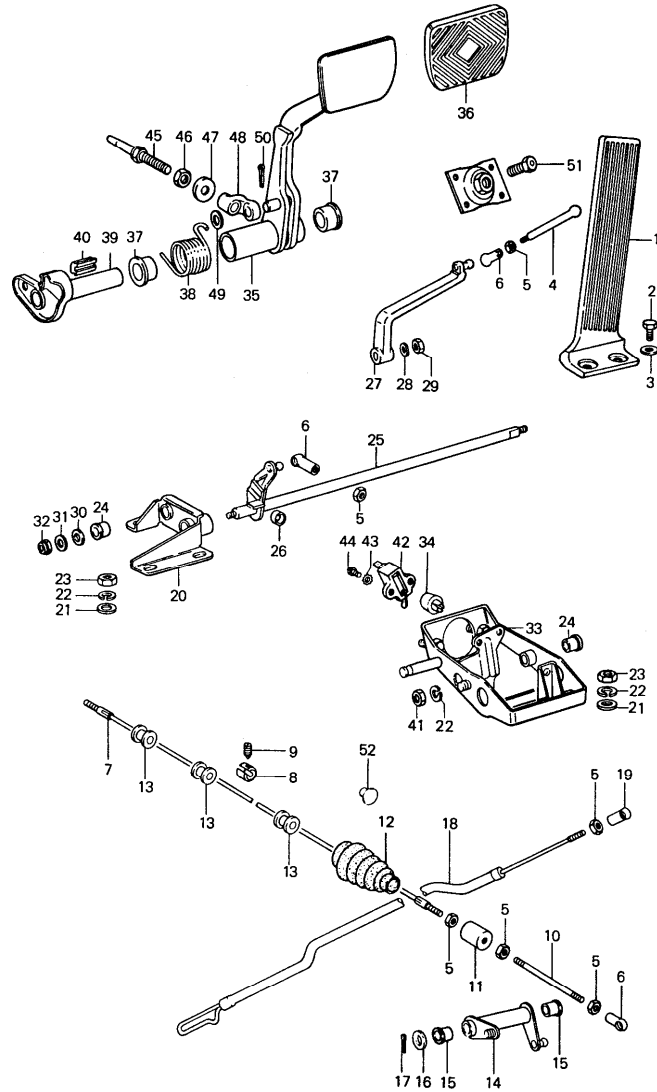
Pos	Part Number	Description	Remark	Qty	Model
		pedals left-hand drive			SPM
1	901 423 010 00	accelerator pedal	-75	1	911/911S
(1)	911 423 111 02	accelerator pedal	76-	1	
2	N 010 215 13	hexagon-head bolt M 6 X 15		2	
3	900 151 006 09	washer B 6,4		2	
4	914 423 227 00	push rod		1	
5	900 076 027 02	hexagon nut M 5		6	
6	A N 015 521 3	ball socket A 8		3	
6	911 423 147 00	ball socket		3	
7	PCG 423 024 00	throttle linkage	/V	1	
8	901 424 319 00	screw nipple		1	
9	N 013 114 1	pin M 5 X 8		1	
10	901 423 223 01	extension rod		1	
11	911 423 081 02	housing		1	
12	911 423 593 01	sealing sleeve		1	
13	901 423 227 00	bush		3	
14	911 423 017 01	reverse lever mitverwenden 911.423.227.00 900.910.096.02		1	
15	914 423 211 00	bush		2	
16	900 025 008 02	washer 10,5		1	
17	N 012 530 1	cotter pin 3 X 15		1	
18	905 423 026 30	throttle linkage	/H -75	1	
(18)	925 423 026 01	throttle linkage	/H 76-	1	
19	911 423 147 00	ball socket		1	

Model	Year	MG	SG	Illustration	Restrictions	UPD	21:24	22.01.2010	PORSCHE	PET	PORSCHE
911	1977	7	02	702-15		248					

Pos	Part Number	Description	Remark	Qty	Model	Pos	Part Number	Description	Remark	Qty	Model
20	911 423 065 02	bearing bracket		1		44	911 613 411 00	brake light switch		1	
21	901 423 193 00	rubber stop		1		45	900 114 014 01	shake-proof washer A 4,3		2	
22	901 423 253 00	bearing sleeve		2		46	900 146 011 02	oval-head screw AM 4 X 10		2	
23	901 423 250 02	reverse lever	/V	1							
24	900 031 001 02	washer 8,4		1							
25	900 021 008 00	cotter pin 2 X 15		1							
26	905 423 035 00	bearing tube		1							
27	905 423 391 00	protective strip		1							
28	900 027 015 02	lock ring B 8		3							
29	N 011 151 3	hexagon nut M 8		1							
30	925 423 053 00	brake pedal		1							
31	911 423 542 00	bush		2							
32	905 423 511 00	rubber pad		1							
33	905 423 531 00	return spring		1							
34	901 423 057 04	piston rod		1							
35	900 158 003 02	hexagon nut M 10		1							
36	901 423 157 00	washer		1							
37	901 423 507 02	intermediate piece		1							
38	N 011 564 2	washer 13		1							
39	900 021 015 00	cotter pin 3 X 20		1							
40	901 551 671 20	hexagon-head bolt	-75	1							
41	999 703 005 40	stopper for clutch tube		1							
42	900 025 007 02	washer		2							
43	900 076 025 02	hexagon nut M 8		2							

Model	Year	MG	SG	Illustration	Restrictions	UPD	21:24	22.01.2010	PORSCHE	PET	PORSCHE
911	1977	7	02	702-20		248					

SPORTOMATIC



Pos	Part Number	Description	Remark	Qty	Model
		pedals right-hand drive			SPM
1	901 423 010 00	accelerator pedal		-75	1 911/911S
(1)	911 423 111 02	accelerator pedal		76-	1 911/911S
(1)	911 423 111 02	accelerator pedal		76-	1 CARRERA 3.0
2	N 010 215 13	hexagon-head bolt M 6 X 15			
3	900 151 006 09	washer B 6,4			
4	914 423 227 00	push rod			
5	900 076 027 02	hexagon nut M 5			
6	A N 015 521 3	ball socket A 8			
6	911 423 147 00	ball socket			
7	PCG 423 024 00	throttle linkage	/V		
8	901 424 319 00	screw nipple			
9	N 013 114 1	pin			
10	901 423 223 01	extension rod			
11	911 423 081 02	connecting piece intermediate piece			
12	911 423 593 01	sealing sleeve			
13	901 423 227 00	bush			
14	911 423 017 01	reverse lever use also: 911.423.227.00 900.910.096.02			
15	914 423 211 00	bush			
16	900 025 008 02	washer 10,5			
17	N 012 530 1	cotter pin 3 X 15			
18	905 423 026 30	throttle linkage	/H	-75	
(18)	925 423 026 01	throttle linkage	/H	76-	

Model	Year	MG	SG	Illustration	Restrictions	UPD	21:24	22.01.2010	PORSCHE	PET	PORSCHE
911	1977	7	02	702-20		248					

Pos	Part Number	Description	Remark	Qty	Model	Pos	Part Number	Description	Remark	Qty	Model
19	911 423 147 00	ball socket A 8		1		42	911 613 411 00	brake light switch		1	
20	901 423 013 00	bearing bracket	/L	1		43	900 114 014 01	shake-proof washer A 4,3		2	
21	900 025 007 02	washer 8,4		5		44	900 146 011 02	oval-head screw AM 4 X 10		2	
22	900 027 015 02	lock ring B 6		6		45	901 423 057 04	piston rod		1	
23	900 076 025 02	hexagon nut M 8		5		46	900 158 003 02	hexagon nut M 10		1	
24	914 423 211 00	bush		2		47	901 423 157 00	washer		1	
25	901 423 556 00	shaft for accelerator control		1		48	901 423 507 02	intermediate piece		1	
26	901 423 193 00	rubber stop		1		49	N 011 564 2	washer 13		1	
27	901 423 022 00	lever		1		50	900 021 015 00	cotter pin 3 X 20		1	
28	900 028 008 01	spring washer B 6		1		51	901 551 671 20	hexagon-head bolt	-75	1	
29	900 076 010 02	hexagon nut M 6		1		52	999 703 005 40	stopper		1	
30	911 423 225 00	washer		3							
31	900 151 006 09	washer B 6,4		1							
32	900 084 010 02	hexagon nut M 6		1							
33	911 423 066 00	bearing bracket		1							
34	901 423 528 00	rubber stop		1							
35	905 423 054 00	brake pedal		1							
36	905 423 511 00	rubber pad		1							
37	911 423 542 00	bush		2							
38	901 423 532 00	return spring		1							
39	905 423 035 00	bearing tube		1							
40	905 423 391 00	protective strip		1							
41	N 011 151 3	hexagon nut M 8		1							

Model	Year	MG	SG	Illustration	Restrictions	UPD	21:25	22.01.2010
911	1977	8	01	801-00		248		

Pos	Part Number	Description	Remark	Qty	Model
		body in white prime coated sealed with underbody protection bodysHELLs can only only available from current model year available coupe			
-	911 500 921 09	body in white	/LL -74	1	911/911S
-	911 500 921 14	body in white	/LL 75	1	911/911S
-	911 500 921 19	body in white	/LL 76	1	911/911S
-	911 500 921 23	body in white	/LL 77-	1	911/911S
-	911 500 921 10	body in white	/RL -74	1	911/911S
-	911 500 921 15	body in white	/RL 75	1	911/911S
-	911 500 921 20	body in white	/RL 76	1	911/911S
-	911 500 921 24	body in white	/RL 77-	1	911/911S
-	911 500 921 11	body in white	/LL -74	1	CARRERA 2.7
-	911 500 921 16	body in white	/LL 75	1	CARRERA 2.7
-	911 500 921 21	body in white	/LL 76	1	CARRERA 3.0
-	911 500 921 25	body in white	/LL 77-	1	CARRERA 3.0
-	911 500 921 12	body in white	/RL -74	1	CARRERA 2.7
-	911 500 921 17	body in white	/RL 75	1	CARRERA 2.7
-	911 500 921 22	body in white	/RL 76	1	CARRERA 3.0
-	911 500 921 26	body in white targa	/RL 77-	1	CARRERA 3.0
-	911 500 921 47	body in white	/LL -74	1	911/911S
-	911 500 921 51	body in white	/LL 75	1	911/911S
-	911 500 921 56	body in white	/LL 76	1	911/911S
-	911 500 921 60	body in white	/LL 77-	1	911/911S
-	911 500 921 48	body in white	/RL -74	1	911/911S
-	911 500 921 52	body in white	/RL 75	1	911/911S
-	911 500 921 57	body in white	/RL 76	1	911/911S
-	911 500 921 61	body in white	/RL 77-	1	911/911S

PORSCHE

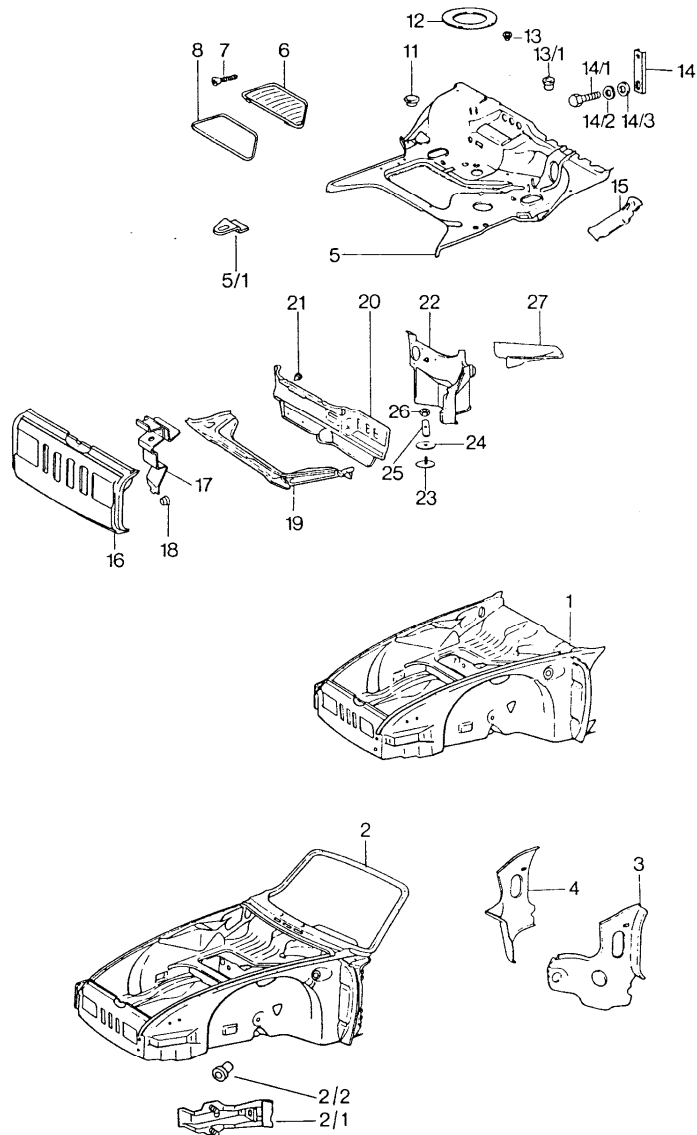
PET

PORSCHE

Model	Year	MG	SG	Illustration	Restrictions	UPD	21:25	22.01.2010
911	1977	8	01	801-00		248		

Pos	Part Number	Description	Remark	Qty	Model
-	911 500 921 49	body in white	/LL -74	1	CARRERA 2.7
-	911 500 921 53	body in white	/LL 75	1	CARRERA 2.7
-	911 500 921 58	body in white	/LL 76	1	CARRERA 3.0
-	911 500 921 62	body in white	/LL 77-	1	CARRERA 3.0
-	911 500 921 50	body in white	/RL -74	1	CARRERA 2.7
-	911 500 921 54	body in white	/RL 75	1	CARRERA 2.7
-	911 500 921 59	body in white	/RL 76	1	CARRERA 3.0
-	911 500 921 63	body in white	/RL 77-	1	CARRERA 3.0

Model	Year	MG	SG	Illustration	Restrictions	UPD	21:25	22.01.2010	PORSCHE	PET	PORSCHE
911	1977	8	01	801-05		248					



Pos	Part Number	Description	Remark	Qty	Model
1	911 501 005 27	frame front part with cross panel front picture 15 + (15) order also:	/LL	-76	1
1	911 501 005 29	frame front part with cross panel front picture 15 + (15) order also:	/LL	77-	1
(1)	911 501 005 28	frame front part with cross panel front picture 15 + (15) order also:	/RL	-76	1
(1)	911 501 005 30	frame front part with cross panel front picture 15 + (15) order also:	/RL	77-	1
2	911 501 005 50	body front section with cross panel front picture 3, 4, 15 + (15) order also:	/LL	-76	1
2	911 501 005 50	body front section with cross panel front picture 3, 4, 15 + (15) order also:	/LL	77-	1
(2)	911 501 005 47	frame front part with cross panel front picture (15), (15) + (4) order also:	/RL	-76	1

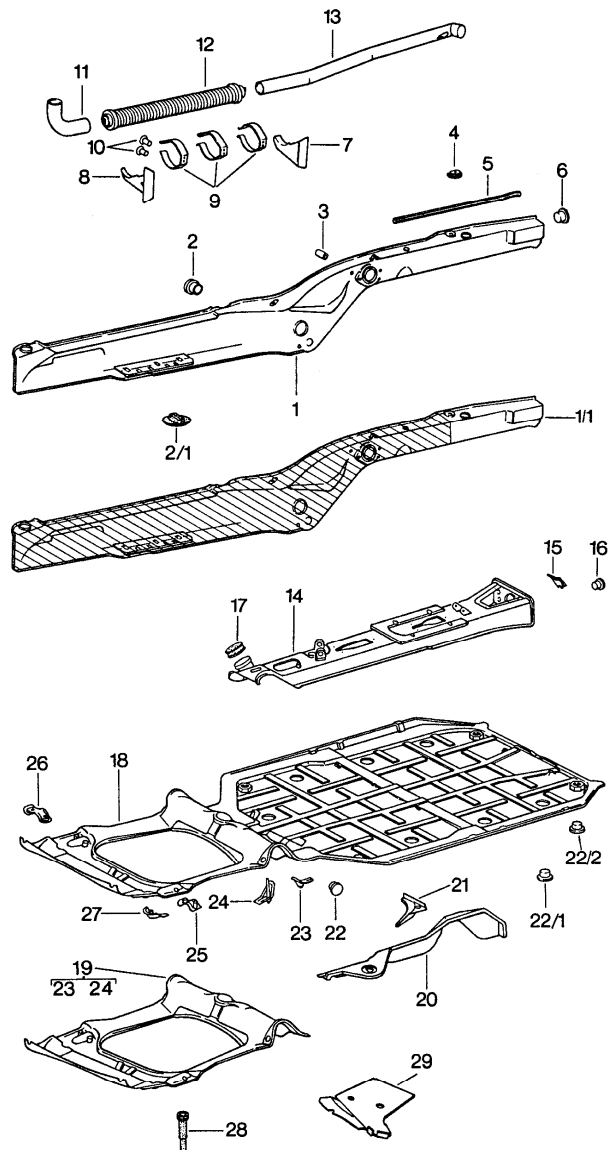
Model	Year	MG	SG	Illustration	Restrictions	UPD	21:25	22.01.2010	PORSCHE	PET	PORSCHE
911	1977	8	01	801-05		248					

Pos	Part Number	Description	Remark	Qty	Model	Pos	Part Number	Description	Remark	Qty	Model
(2)	911 501 005 49	frame front part with cross panel front picture (15), (15) + (4) order also:	/RL 77-	1		(8)	911 504 491 02	gasket	/LL 77-	1	
2/1	911 501 149 00	support for impact absorber	/L	1		(8)	901 504 491 30	gasket	/RL	1	
(2/1)	911 501 150 00	support for impact absorber	/R	1		(8)	901 504 491 31	gasket	/LL M	1	
2/2	999 703 058 40	cap plug 15 \$		1		11	999 703 103 40	stopper \$ 23,5		1	
3	901 501 917 43	gusset plate	/LL/L	1		12	901 504 747 00	lid		1	
4	901 501 918 41	gusset plate	RERA 2.7	1	911/911S/CAR	13	999 703 058 40	cap plug \$ 16		1	911/911S CARRERA 2.7
4	901 501 918 43	gusset plate		1	911/911S CARRERA3.0	13	411 837 111	cap \$ 16		1	911/911S CARRERA 2.7
(4)	911 501 130 41	gusset plate	/RL/R	1	911/911S CARRERA 2.7	13/1	914 552 233 10	filler piece \$ 10		1	
(4)	911 501 130 41	gusset plate	/RL/R	1	911/911S CARRERA 3.0	14	911 501 347 00	cowl panel support	/LL	1	
5	911 501 035 08	boot floor plate		1	911/911S CARRERA 2.7	(14)	911 501 297 00	cowl panel support		1	911/911S CARRERA 3.0
5	911 501 035 11	boot floor plate		1	911/911S CARRERA 3.0	(14)	911 501 409 00	cowl panel support	77-	1	
5	911 501 035 13	boot floor plate	/LL 77-	1		14/1	900 075 260 02	hexagon-head bolt M 6 X 16		2	
(5)	911 501 036 06	boot floor plate	/RL -76	1		14/2	N 012 006 4	lock ring B 6		2	
(5)	911 501 036 06	boot floor plate	/RL 77-	1		14/3	N 011 524 7	washer 6,4		2	
5/1	901 501 369 00	support for pump		1		15	911 501 411 00	connecting piece	/L	1	
6	901 504 043 02	lid	/LL	1		(15)	901 501 411 41	connecting piece		1	
(6)	902 504 044 01	lid	/RL	1		(15)	901 501 412 21	connecting piece	/R	1	
7	900 144 034 07	tapping screw B 4,2 X 16		4		(15)	901 501 412 41	connecting piece	/R	1	
8	911 504 491 02	gasket	/LL -76	1		16	911 501 099 04	cross panel	/V	1	
						17	911 501 383 40	support		2	
						-	911 501 275 00	support for water pump		1	
						18	999 703 033 40	stopper 25 \$		4	

Model	Year	MG	SG	Illustration	Restrictions	UPD	21:25	22.01.2010	PORSCHE	PET	PORSCHE
911	1977	8	01	801-05		248					

Pos	Part Number	Description	Remark	Qty	Model	Pos	Part Number	Description	Remark	Qty	Model
19	911 501 117 02	fuel tank support holder	/V	1							
20	911 501 213 01	cross panel		1	911/911S CARRERA 3.0						
0+22	901 501 030 39	box wall and cross panel	/RL/V	1							
21	999 703 033 40	stopper \$ 25,5		2							
22	901 501 043 33	box wall	/LL/V	1							
23	902 504 079 20	lid		1							
24	999 704 203 40	sealing washer		1							
25	901 504 755 20	tensioning spring		1							
26	999 084 102 02	lock nut		1							
27	901 501 354 32	cup		1	911/911S CARRERA 2.7						
27	901 501 354 32	cup		1	911/911S CARRERA 3.0						
(27)	901 501 356 20	cup for steering shaft	/RL	1							

Model	Year	MG	SG	Illustration	Restrictions	UPD	21:26	22.01.2010	PORSCHE	PET	PORSCHE
911	1977	8	01	801-10		248					



Pos	Part Number	Description	Remark	Qty	Model
1	911 501 962 26	frame centre		1	COUPE
(1)	911 501 962 44	side member inner	/R	-75	911/911S CARRERA 2.7 TARGA
(1)	911 501 962 46	side member inner	/L	-75	911/911S CARRERA 2.7 COUPE
(1)	911 501 961 24	side member inner			911/911S CARRERA 2.7 COUPE
(1)	911 501 961 26	side member inner			911/911S CARRERA 3.0
(1)	911 501 961 44	side member inner	/L	-75	911/911S CARRERA 2.7 TARGA
(1)	911 501 961 46	side member inner	/L	-75	911/911S CARRERA 3.0
1/1	911 501 962 02	side member inner	/R	-75	911/911S CARRERA 2.7
1/1	911 501 962 03	side member inner	/L	-75	911/911S CARRERA 2.7
(1/1)	911 501 961 02	side member inner			911/911S CARRERA 3.0
(1/1)	911 501 961 03	side member inner			911/911S CARRERA 3.0
2	999 703 048 40	stopper		4	
2/1	111 801 177	rubber valve		4	
3	644 501 163 00	threaded piece for bearing back seat		2	
4	901 501 117 20	mounting plate		2	
5	901 501 796 20	profile rail	/R	1	
(5)	901 501 795 20	profile rail	/L	1	
6	999 703 098 40	cap plug		1	
7	901 501 263 20	pipe bracket	/L	2	

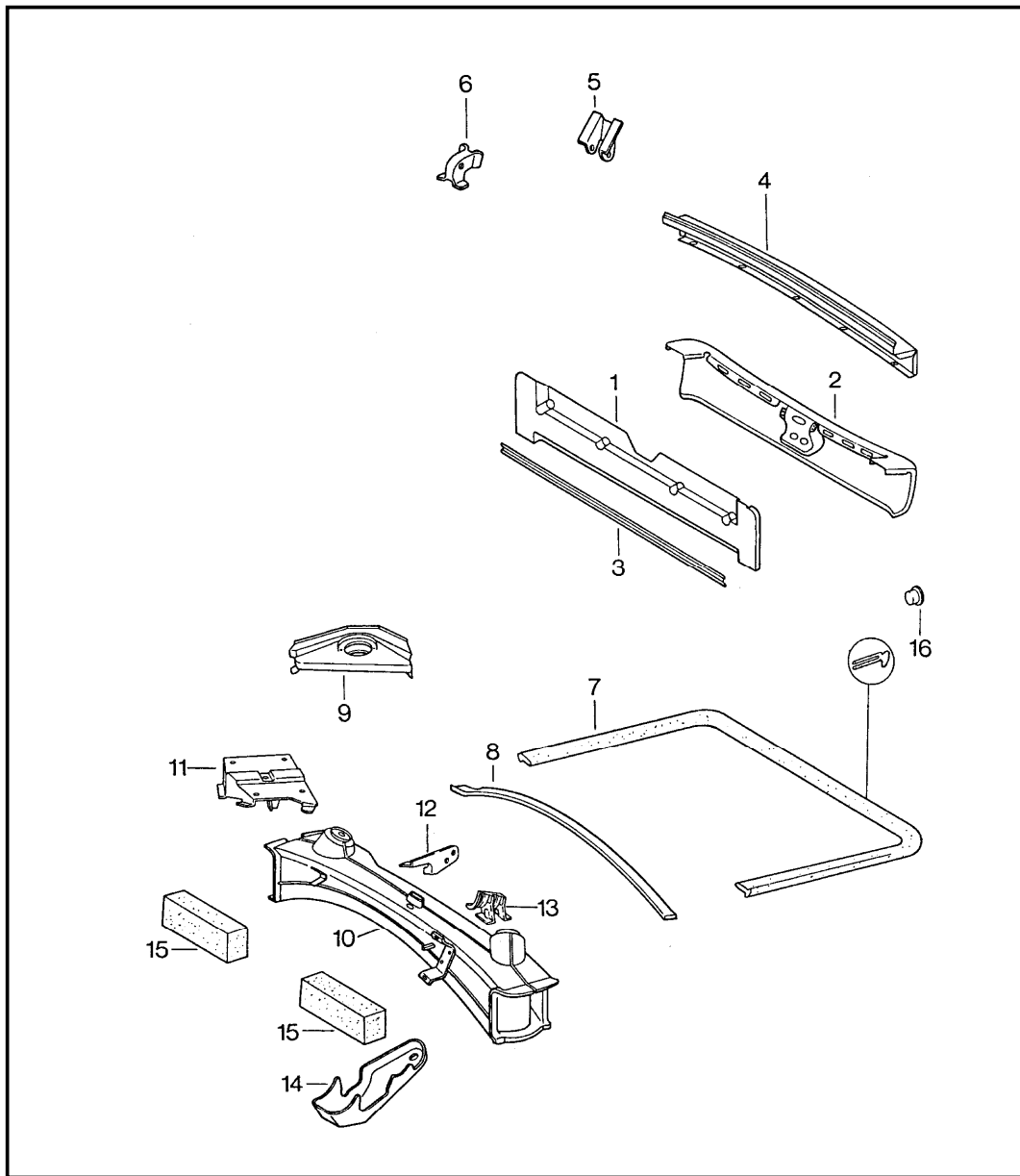
Model	Year	MG	SG	Illustration	Restrictions	UPD	21:26	22.01.2010	PORSCHE	PET	PORSCHE
911	1977	8	01	801-10		248					

Pos	Part Number	Description	Remark	Qty	Model	Pos	Part Number	Description	Remark	Qty	Model	
8	901 501 264 20	pipe bracket	/R	2		(14) A	911 501 061 40	tunnel with pipeline for carbon canister	/RL 75-	1		
9	901 501 128 20	retainer spring		6								
10	N 013 411 1	rivet 3 X 6		12								
11	911 572 211 01	hot air duct	/V	2		(14)	911 501 061 45	tunnel with pipeline for carbon canister	/RL 75-76	1		
12	911 572 025 02	muffler not closed		2								
13	911 572 024 00	hot air duct	/H/R	1		15	911 501 661 00	cross tube reinforcement	/L	1		
(13)	911 572 221 02	hot air duct	/H/L	1		(15)	911 501 662 00	cross tube reinforcement	/R	1		
14 A	911 501 061 19	tunnel with pipeline for carbon canister	/LL	-74	1	911/911S CARRERA 2.7	16	914 552 233 10	filler piece \$ 10	2		
14	911 501 061 35	tunnel with pipeline for carbon canister	/LL	-74	1	911/911S CARRERA 2.7	17	911 504 107 00	cap	1		
							18	911 501 051 10	floorpan	/LL	1	
							(18)	911 501 052 35	floorpan	/RL -75	1	911/911S CARRERA 2.7
							(18)	911 501 052 10	floorpan	/RL 76-	1	911/911S CARRERA 3.0
(14)	911 501 061 47	tunnel with pipeline for carbon canister	/LL	75-	1		19	911 501 580 01	floorpan front part	/LL	1	
(14)	911 501 061 47	tunnel with pipeline for carbon canister	/LL	75-	1		(19)	911 501 580 03	floorpan front part	/RL	1	
(14)	911 501 061 44	tunnel with pipeline for carbon canister	/RL	-74	1	911/911S CARRERA 2.7	20	911 501 111 00	fuel tank support holder	/L -75	1	911/911S CARRERA 2.7
							20	911 501 111 02	fuel tank support holder	/L 76-	1	911/911S CARRERA 3.0
(14)	911 501 061 44	tunnel with pipeline for carbon canister	/RL	-74	1	911/911S CARRERA 2.7	(20)	911 501 114 00	fuel tank support holder	/LL/R	1	911/911S CARRERA 2.7
							(20)	911 501 114 04	fuel tank support holder		1	911/911S CARRERA 3.0
(14)	911 501 061 44	tunnel with pipeline for carbon canister	/RL	77-	1		(20)	911 501 114 01	fuel tank support holder	/RL/R	1	
							21	901 501 457 20	bracket corner panel	/L	1	
							(21)	901 501 458 20	bracket corner panel	/R	1	
							22	999 703 033 40	stopper \$ 25		4	

Model	Year	MG	SG	Illustration	Restrictions	UPD	21:26	22.01.2010	PORSCHE	PET	PORSCHE
911	1977	8	01	801-10		248					

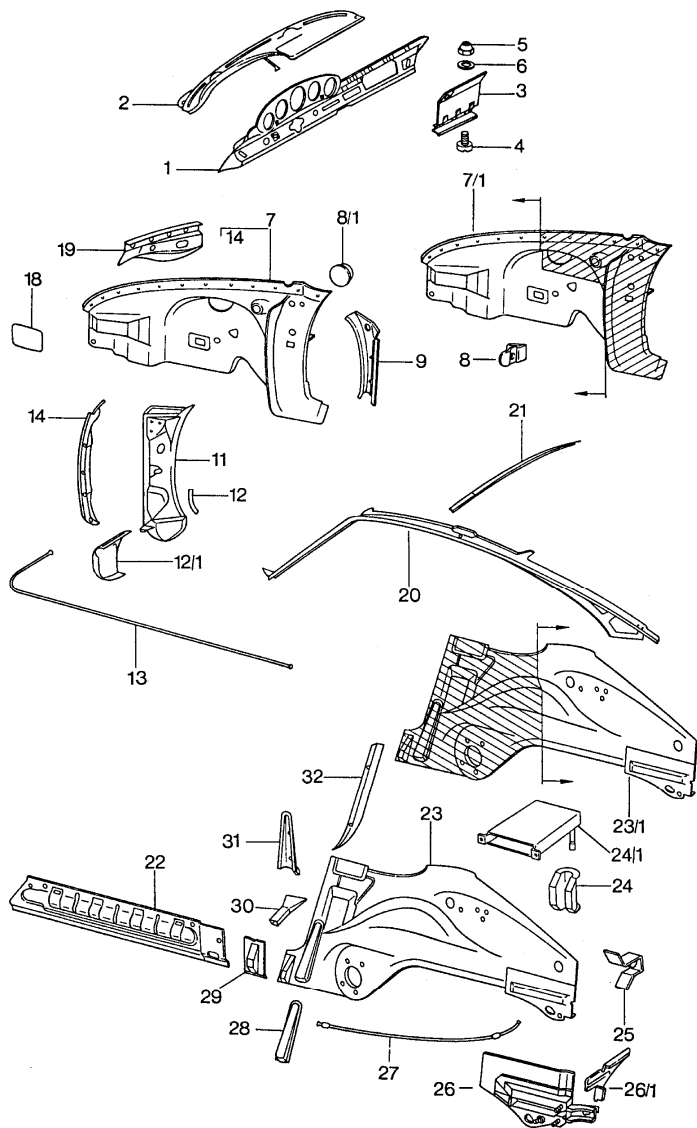
Pos	Part Number	Description	Remark	Qty	Model	Pos	Part Number	Description	Remark	Qty	Model
22/1	999 703 121 40	stopper \$ 8		16							
22/2	999 703 125 40	stopper \$ 8.9		4							
23	901 501 063 23	bracket		2							
24	901 501 359 20	axle mounting	/V/L	1							
(24)	901 501 360 01	axle mounting	/V/R	1							
25	901 501 409 23	reinforcement plate	/L	1							
(25)	901 501 410 23	reinforcement plate	/R	1							
26	901 501 427 20	reinforcement for axle mounting	-75	2	911/911S CARRERA 2.7						
26	901 501 427 20	reinforcement		2	911/911S CARRERA 3.0						
27	901 501 407 22	corner reinforcement	/L	1							
(27)	901 501 408 22	corner reinforcement	/R	1							
28	911 025 612 00	grommet		2							
29	911 501 285 00	carrier plate for battery		1							

Model	Year	MG	SG	Illustration	Restrictions	UPD	21:26	22.01.2010	PORSCHE	PET	PORSCHE
911	1977	8	01	801-15		248					



Pos	Part Number	Description	Remark	Qty	Model
1	911 501 830 01	frame rear		1	
2	901 501 087 22	cross member inner	/H	1	
-	911 501 833 03	cross member outer		1	
		GRV prime coated			
3	901 501 797 20	cross member		1	
4	911 503 151 00	profile rail	/H	1	
5	911 501 729 00	end plate	/H	1	
6	911 501 041 00	bracket for gas prop		1	
7	911 501 041 00	bearing back seat		1	
8	911 504 111 02	engine compartment seal		1	
8	911 504 113 02	engine compartment seal	/V	1	911/911S
(8)	911 504 115 00	engine compartment seal	/V	1	CARRERA 2.7 CARRERA 3.0
9	901 501 083 21	engine mounting		2	
10	911 501 075 06	cross member catalytic converter	/H	1	
		MODELL 74 support see group 2/01/25 picture 32 order also:			
14	911 501 023 01	bracket for fuel pump		1	911/911S CARRERA 2.7
(14)	911 501 023 02	bracket for fuel pump		1	911/911S CARRERA 2.7
15	911 504 930 00	bracket for fuel pump	-74	2	
16	999 703 098 40	strap	75-	2	
		cap plug \$ 19		2	

Model	Year	MG	SG	Illustration	Restrictions	UPD	21:26	22.01.2010	PORSCHE	PET	PORSCHE
911	1977	8	01	801-20		248					



Pos	Part Number	Description	Remark	Qty	Model
		interior panelling			
1	911 502 021 45	dashboard lower part	/LL	-76	1
1	911 502 021 02	dashboard lower part	/LL	77-	1
(1)	911 502 022 44	dashboard lower part	/RL	-75	1 911/911S CARRERA 2.7
(1)	911 502 022 44	dashboard lower part	/RL	76	1 911/911S CARRERA 3.0
(1)	911 502 022 34	dashboard lower part	/RL	77-	1
2	901 502 023 44	dashboard upper part	/LL	-76	1
2	911 502 025 40	dashboard upper part	/LL	77-	1
(2)	911 502 024 44	dashboard upper part	/RL	-76	1
(2)	911 502 026 40	dashboard upper part	/RL	77-	1
3	911 552 010 02	glove compartment cover			1
4	900 146 003 02	oval-head screw AM 5 X 10			2
6	900 025 003 02	washer 5,3			4
7	911 501 033 77	wheel housing	/V/L		1
(7)	911 501 034 76	wheel housing	/V/R	-76	1
(7)	911 501 034 91	wheel housing	/V/R	77-	1
7/1	911 501 995 02	wheel housing	/V/L		1
(7/1)	911 501 996 02	wheel housing	/V/R		1
8	901 501 419 00	tab	/V/R		2
8/1	999 703 031 40	stopper			2 911/911S
9	901 501 217 21	post bracket	/V/L		1 COUPE
(9)	901 501 218 21	post bracket	/V/R		1 COUPE
11	911 501 039 02	hinge pillar	/L		1

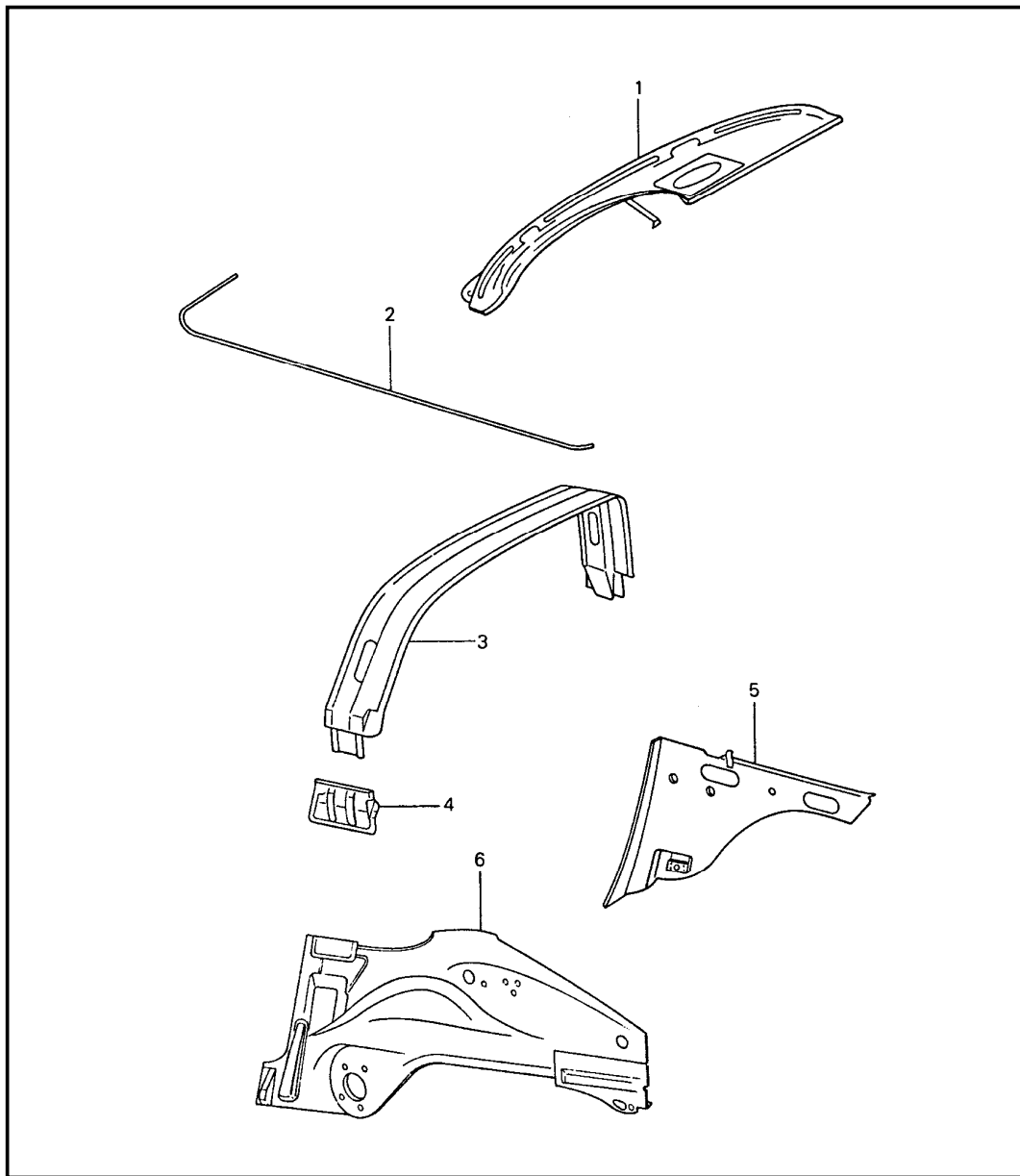
Model	Year	MG	SG	Illustration	Restrictions	UPD	21:26	22.01.2010	PORSCHE	PET	PORSCHE
911	1977	8	01	801-20		248					

Pos	Part Number	Description	Remark	Qty	Model	Pos	Part Number	Description	Remark	Qty	Model
(11)	911 501 040 02	hinge pillar	/R	1		23	911 501 017 20	side member		1	911/911S CARRERA 3.0
12	901 501 305 20	angular bracket	/L	1				F 91162 01873>> F 91162 11899>>			
(12)	901 501 306 20	angular bracket	/R	1				F 91163 01742>> F 91163 11426>>			
12/1	911 501 439 00	filler plate	/L	1				F 91166 01022>> F 91166 10440>>			
12/1	911 501 440 00	filler plate	/R	1				F 91260 01839>> F 93067 00642>> F 93068 00494>>			
13	911 502 181 00	guide tube	/V	1	COUPE						
14	911 501 053 00	wing joining plate	/L	1		23/1	911 501 997 00	side member wheel housing	/H/L	-75	1 911/911S CARRERA 2.7
(14)	911 501 054 00	wing joining plate	/R	1		23/1	911 501 997 01	side member		1	911/911S CARRERA 3.0
18	911 504 101 00	cover plate		2							
19	911 501 223 01	reinforcing support	/L	1				F >>91162 01872 F >>91162 11898 F >>91163 01741 F >>91163 11425 F >>91166 01021 F >>91166 10439 F >>91260 01838 F >>93067 00641 F >>93068 00493			
(19)	911 501 226 01	reinforcing support	/R	1							
20	901 502 025 10	roof frame	/L	1							
(20)	901 502 026 10	roof frame	/R	1							
21	901 502 220 02	cross piece for windscreen		1		23/1	911 501 997 02	side member		1	911/911S CARRERA 3.0
22	911 501 123 03	side member outer	/L	1				F 91162 01873>> F 91162 11899>> F 91163 01742>> F 91163 11426>> F 91166 01022>> F 91166 10440>> F 91260 01839>> F 93067 00642>> F 93068 00494>>			
22	911 501 124 03	side member outer	/R	1							
23	911 501 017 11	side member wheel housing	/H/L	1	911/911S CARRERA 2.7						
23	911 501 017 19	side member wheel housing	/H/L	75	COUPE	(23)	911 501 018 10	side member	/H/R	-75	1 911/911S CARRERA 2.7 COUPE
23	911 501 017 30	side member		1	911/911S CARRERA 3.0	(23)	911 501 018 28	side member		1	911/911S CARRERA 3.0
		F >>91162 01872 F >>91162 11898 F >>91163 01741 F >>91163 11425 F >>91166 01021 F >>91166 10439 F >>91260 01838 F >>93067 00641 F >>93068 00493						F >>91162 01872 F >>91162 11898 F >>91163 01741 F >>91163 11425 F >>91166 01021 F >>91166 10439 F >>91260 01838 F >>93067 00641 F >>93068 00493			

Model	Year	MG	SG	Illustration	Restrictions	UPD	21:26	22.01.2010	PORSCHE	PET	PORSCHE
911	1977	8	01	801-20		248					

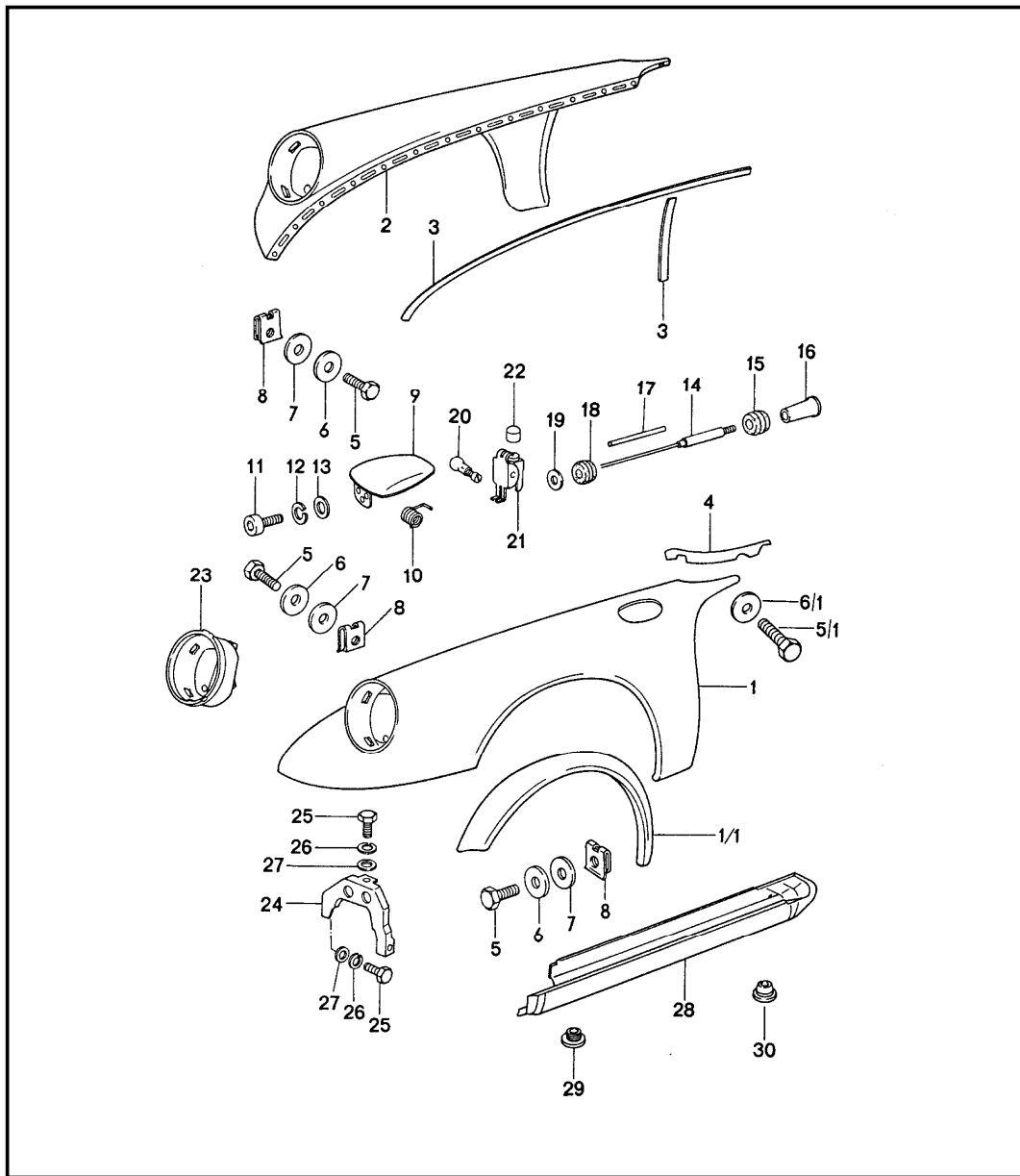
Pos	Part Number	Description	Remark	Qty	Model	Pos	Part Number	Description	Remark	Qty	Model	
(23)	911 501 018 30	side member F 91162 01873>> F 91162 11899>> F 91163 01742>> F 91163 11426>> F 91166 01022>> F 91166 10440>> F 91260 01839>> F 93067 00642>> F 93068 00494>>		1	911/911S CARRERA 3.0	(28)	901 501 146 23	bracket	/R	1		
						29	901 501 151 22	mounting		2		
						30	911 501 195 00	jacking point		2		
						31	901 501 141 21	bracket	/L	1	COUPE	
						(31)	901 501 142 21	bracket	/R	1	COUPE	
						32	901 502 245 00	profile	/L	1	COUPE	
23/1	911 501 998 00	side member wheel housing	/H/R	-75	1	911/911S CARRERA 2.7	(32)	901 502 246 00	profile	/R	1	COUPE
23/1	911 501 998 01	side member F >>91162 01872 F >>91162 11898 F >>91163 01741 F >>91163 11425 F >>91166 01021 F >>91166 10439 F >>91260 01838 F >>93067 00641 F >>93068 00493		1	911/911S CARRERA 3.0							
23/1	911 501 998 02	side member F 91162 01873>> F 91162 11899>> F 91163 01742>> F 91163 11426>> F 91166 01022>> F 91166 10440>> F 91260 01839>> F 93067 00642>> F 93068 00494>>		1	911/911S CARRERA 3.0							
24	911 501 115 00	reinforcement side section bracket		2								
25	911 501 125 00	threaded support		6								
26	911 501 921 00	mounting	/H/L	1								
(26)	911 501 922 00	mounting	/H/R	1								
26/1	911 501 313 00	corner reinforcement	/L	1								
26/1	911 501 314 00	corner reinforcement	/R	1								
27	911 502 483 00	guide tube	/H	1								
28	901 501 145 23	bracket		1								

Model	Year	MG	SG	Illustration	Restrictions	UPD	21:26	22.01.2010	PORSCHE	PET	PORSCHE
911	1977	8	01	801-25		248					



Pos	Part Number	Description	Remark	Qty	Model
		interior panelling			TARGA
1	901 502 023 44	dashboard upper part	/LL	1	
(1)	911 502 026 40	dashboard upper part	/RL	1	
2	911 502 181 40	guide tube for lid-release cable	/V	1	
3	911 565 001 40	roll bar		1	
4	911 501 203 40	filler plate	/L	1	
(4)	911 501 204 40	filler plate	/R	1	
5	911 501 205 41	rear bulkhead	/H/L	1	
(5)	911 501 206 41	rear bulkhead	/H/R	1	
6	911 501 017 51	side member	/H/L	-74	1
6 A	911 501 017 53	side member	/H/L	75-	1
6	911 501 017 55	side member	/H/L	75	1
6	911 501 017 70	side member			1 911/911S CARRERA 3.0
(6)	911 501 017 56	side member	/H/L	77-	1
(6)	911 501 018 62	side member	/H/R	-76	1
(6)	911 501 018 70	side member	/H/R	77-	1

Model	Year	MG	SG	Illustration	Restrictions	UPD	21:26	22.01.2010	PORSCHE	PET	PORSCHE
911	1977	8	01	801-30		248					

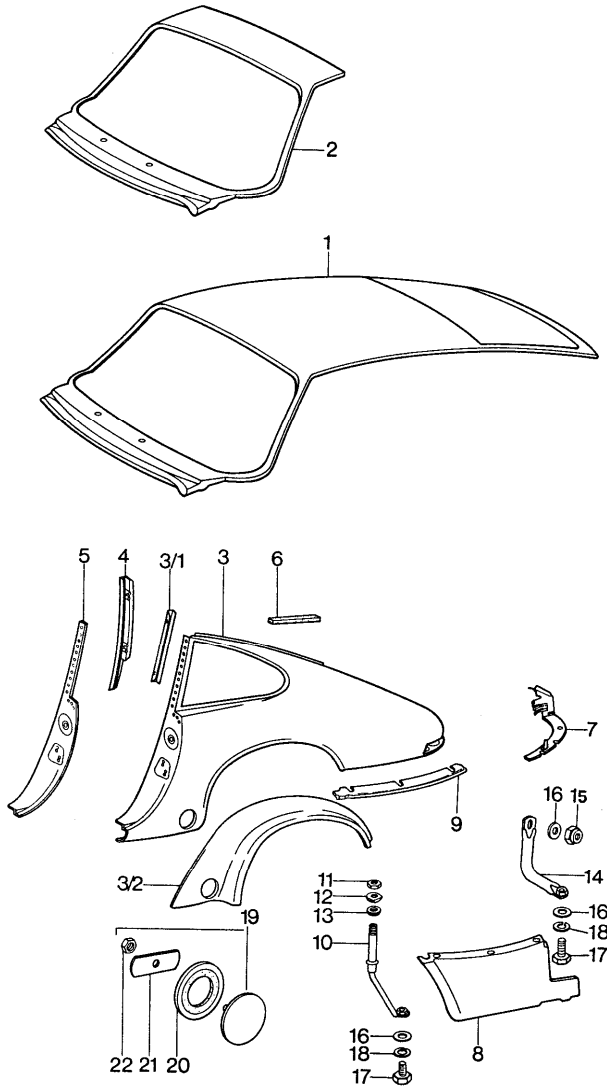


Pos	Part Number	Description	Remark	Qty	Model
		exterior panelling front			
1	911 503 031 04	front wing	/L	1	
2	911 503 032 00	front wing	/R	1	
3	000 043 129 00	sealing strap 25 X 2 MM		*	
4	901 503 394 22	pipng		2	
5	900 187 010 02	tapping screw BZ 6,3 X 19		32	
5/1	900 378 030 09	hexagon-head bolt M 6 X 20		4	
6	900 151 006 09	washer B 6,4		32	
6/1	N 011 550 1	washer B 6,5		4	
7	999 704 157 40	washer		32	
8	999 591 327 02	speed nut B 6,3		32	
9	911 504 031 00	lid		1	
10	911 504 331 00	spring for hinge		1	
11	900 067 051 02	pan-head screw M 5 X 10		3	
12	N 012 005 3	lock ring B 5		3	
13	900 025 003 02	washer 5,3		3	
14	901 504 317 21	lid-release cable with threaded piece		1	
15	911 504 385 00	rubber washer		1	
16	901 552 822 00	knob		1	
17	901 504 385 20	connecting tube		1	
-	999 181 184 40	plastic tube 7,5 X 1,25		*	

Model	Year	MG	SG	Illustration	Restrictions	UPD	21:26	22.01.2010	PORSCHE	PET	PORSCHE
911	1977	8	01	801-30		248					

Pos	Part Number	Description	Remark	Qty	Model	Pos	Part Number	Description	Remark	Qty	Model
18	999 702 020 50	rubber sleeve		1							
19	914 504 319 00	grommet		1							
20	999 230 002 02	screw nipple		1							
21	901 504 034 20	bearing for lid		1							
22	911 025 679 00	buffer		1							
23	911 503 015 00	headlamp casing	/L	1							
(23)	911 503 016 00	headlamp casing	/R	1							
24	911 503 079 00	wing strut	/L	1							
(24)	911 503 080 00	bracket	/R	1							
25	900 075 087 02	hexagon-head bolt M 8 X 16		4							
26	900 027 015 02	lock ring B 8		4							
27	900 025 007 02	washer 8,4		4							
28	911 503 401 04	door sill	/L	1							
(28)	911 503 402 04	door sill	/R	1							
29	999 703 033 40	stopper		2							
30	411 837 111	cap		4							

Model	Year	MG	SG	Illustration	Restrictions	UPD	21:27	22.01.2010	PORSCHE	PET	PORSCHE
911	1977	8	01	801-35		248					

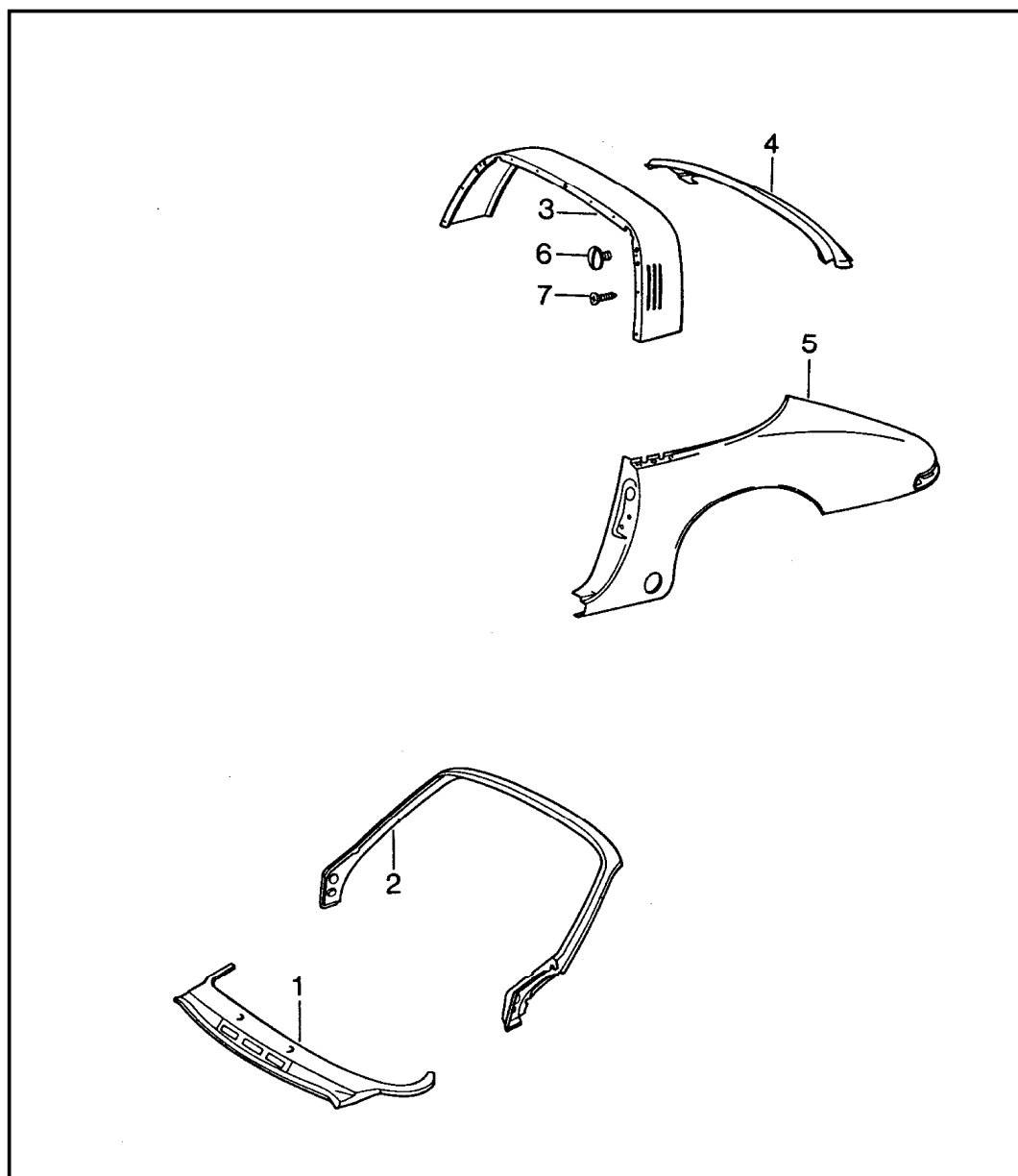


Pos	Part Number	Description	Remark	Qty	Model
		exterior panelling rear it is necessary to rework			
1	911 503 087 02	outer roof panel		1	
(1)	911 503 087 03	outer roof panel with frame sunroof		1	
2	901 503 090 21	windscreen frame part		1	
3	911 503 061 04	side section		1	911/911S
(3)	911 503 061 06	wing with lock pillar	/H/L	1	CARRERA 2.7 CARRERA 3.0
(3)	911 503 062 04	side section		1	911/911S
(3)	911 503 062 06	wing with lock pillar	/H/R	1	CARRERA 2.7 CARRERA 3.0
3/1	911 503 193 00	retaining strip for sealing frame	/L	-74	1 911
(3/1)	911 503 194 00	retaining strip for sealing frame	/R	-74	1 911
4	911 502 043 01	lock pillar inner panel	/L	1	
(4)	911 502 044 01	lock pillar inner panel	/R	1	
5	911 502 041 02	lock pillar	/L	1	
(5)	911 502 042 02	lock pillar	/R	1	
6	911 504 933 00	seal for wheel housing	/H/L	1	
(6)	911 504 934 00	seal for wheel housing	/H/R	1	
7	911 503 073 00	bar for lights	/H/L	1	

Model	Year	MG	SG	Illustration	Restrictions	UPD	21:27	22.01.2010	PORSCHE	PET	PORSCHE
911	1977	8	01	801-35		248					

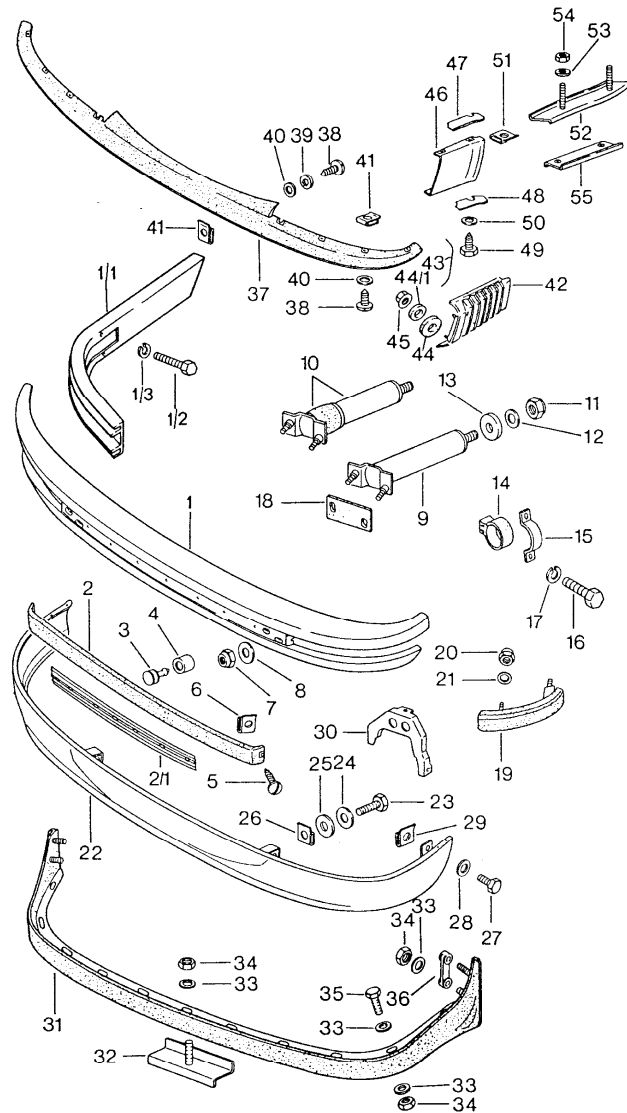
Pos	Part Number	Description	Remark	Qty	Model	Pos	Part Number	Description	Remark	Qty	Model
(7)	911 503 074 00	bar for lights	/H/R	1							
8	911 503 067 02	lower part		1	911/911S						
(8)	911 503 067 03	lower part lower part	/L	1	CARRERA 2.7 CARRERA 3.0						
(8)	911 503 068 02	lower part	E	1	911/911S						
(8)	911 503 068 03	lower part lower part	/R	1	CARRERA 2.7 CARRERA 3.0						
9	911 503 185 00	intermediate layer	/L	1	911/911S						
(9)	911 503 185 01	intermediate layer	/L	1	CARRERA 2.7 CARRERA 3.0						
(9)	911 503 185 01	intermediate layer	/L/R	2	CARRERA 2.7 CARRERA 3.0						
(9)	911 503 186 00	intermediate layer	/R	1	911/911S						
10	911 501 623 02	support tube	/V	2							
11	900 078 009 02	hexagon nut M 20 X 1,5		2							
12	900 025 021 02	washer		2							
13	901 501 913 21	sealing ring		2							
14	911 501 628 01	support tube	/H	2							
15	900 084 003 02	lock nut M 6		2							
16	900 151 006 09	washer 6,4		6							
17	900 075 010 02	hexagon-head bolt M 6 X 12		4							
18	N 012 007 2	lock ring A 6		4							
19	901 504 079 00	spring cover		2							
20	901 504 759 01	desk pad		2							
21	901 504 755 20	tensioning spring		2							
22	900 076 027 02	hexagon nut M 5		2							

Model	Year	MG	SG	Illustration	Restrictions	UPD	21:27	22.01.2010	PORSCHE	PET	PORSCHE
911	1977	8	01	801-40		248					



Pos	Part Number	Description	Remark	Qty	Model
		exterior panelling it is necessary to rework			TARGA
1	901 503 057 41	scuttle	-76	1	
1	911 503 088 41	scuttle	77-	1	
2	911 502 091 00	windscreen frame		1	
3	901 565 011 45	lining		1	911/911S
3	901 565 011 45	lining		1	CARRERA 3.0
(3)	911 565 043 48	lining		1	CARRERA 2.7 CARRERA 3.0
(3)	911 565 043 48	lining black		1	911/911S
4	901 503 322 40	centre part rear end		1	
5	911 503 061 44	wing with lock pillar	/H/L	1	911/911S
(5)	911 503 061 46	wing with lock pillar	/H/L	1	CARRERA 2.7 CARRERA 3.0
(5)	911 503 062 44	side section with lock pillar	/H/R	1	911/911S
(5)	911 503 062 46	wing with lock pillar	/H/R	1	CARRERA 2.7 CARRERA 3.0
6	901 801 153 40	screw plug ski rack		4	
7	N 013 957 5	tapping screw B 3,5 X 9,5		15	

Model	Year	MG	SG	Illustration	Restrictions	UPD	21:27	22.01.2010	PORSCHE	PET	PORSCHE
911	1977	8	02	802-00		248					



Pos	Part Number	Description	Remark	Qty	Model
		bumper front			
1	911 505 011 10	bumper	/V	-76	1
1	911 505 011 10	bumper	/V	77-	1
2	911 505 147 03	protective moulding	/V		1
2/1	911 505 149 02	insert			1
3	911 505 417 00	moulding plug			7
4	911 505 418 00	grommet			7
5	900 143 113 07	tapping screw B 4,2 X 13			2
6	999 507 018 02	speed nut			2
7	900 084 004 02	hexagon nut M 8		-76	4
7	N 011 185 6	hexagon nut M 10		77-	4
8	900 151 008 02	washer B 8,4		-76	4
8	900 025 008 02	washer 10,5		77-	4
9	911 505 045 03	impact pipe	/V	-76	2
9	911 505 045 03	impact pipe	/V	77-	2
10	911 505 279 03	impact absorber	/V	-76	2
10	911 505 279 03	impact absorber	/V M		2
11	900 084 004 02	hexagon nut M 8		-76	2
11	900 084 004 03	hexagon nut M 8		-76	2
11	999 084 608 02	hexagon nut M 12		77-	2
12	900 151 008 02	washer B 8,4		-76	2
12	900 025 009 02	washer 13		77-	2
13	911 505 220 01	desk pad		-76	2

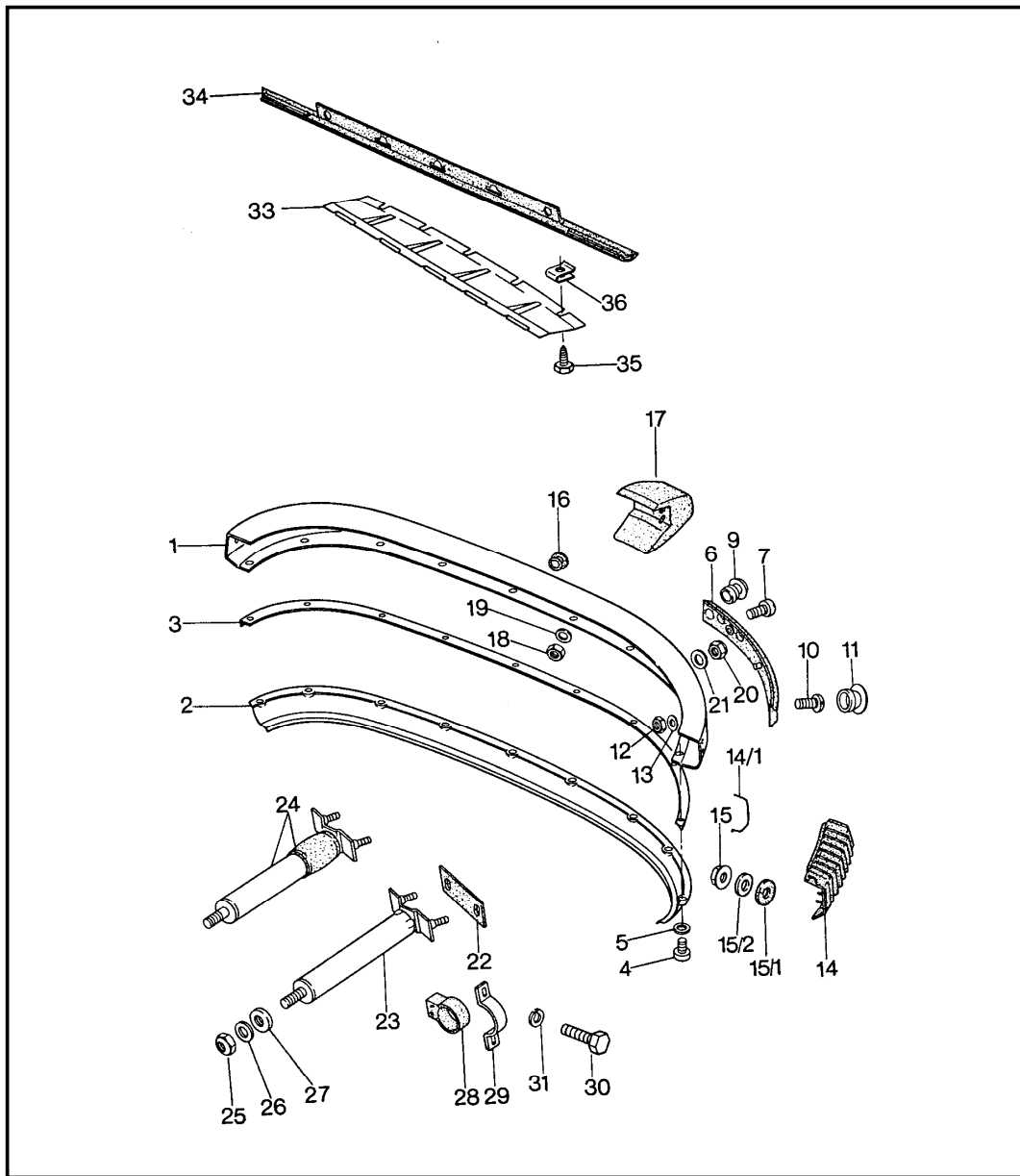
Model	Year	MG	SG	Illustration	Restrictions	UPD	21:27	22.01.2010	PORSCHE	PET	PORSCHE
911	1977	8	02	802-00		248					

Pos	Part Number	Description	Remark	Qty	Model	Pos	Part Number	Description	Remark	Qty	Model
(13)	911 505 220 01	desk pad	77-	2		33	900 151 006 09	washer		4	CARRERA 2.7 CARRERA 3.0
(13)	911 505 219 01	desk pad	77-	2		34	900 084 010 02	hexagon nut		4	CARRERA 2.7 CARRERA 3.0
14	911 505 221 00	stop		2		35	900 378 030 09	hexagon-head bolt		4	CARRERA 2.7 CARRERA 3.0
15	911 505 223 00	supporting bow		2		36	911 503 141 00	desk pad		1	CARRERA 2.7 CARRERA 3.0
16	999 093 010 02	hexagon-head bolt M 8 X 20		4		(36)	911 503 142 00	desk pad		1	CARRERA 2.7 CARRERA 3.0
17	900 027 005 02	lock ring A 8		4		(36)	901 565 448 40	spacer		4	CARRERA 2.7 CARRERA 3.0
18	911 505 311 00	desk pad		2		37	911 505 187 01	sealing strip	/V	1	
19	911 505 307 00	cover	/V/L	1		38	N 013 968 7	tapping screw B 4,8 X 13		12	
(19)	911 505 308 00	cover	/V/R	1		39	999 704 104 50	rubber washer		4	
20	N 021 196 1	lock nut M 5		4		40	900 151 027 02	washer B 5,3		12	
21	900 025 003 30	washer A 5,3		4		41	999 507 019 02	speed nut B 4,8		12	
22	911 503 049 00	front apron	/V	1		42	911 799 505 63	bellows	/L	1	
23	900 187 010 02	tapping screw BZ 6,3 X 19		2		(42)	911 799 505 64	bellows	/R	1	
24	900 151 006 09	washer B 6,4		2		43	911 505 375 00	clamp		2	
25	999 704 157 40	washer		2		44	901 511 791 21	rubber washer		2	
26	999 591 327 02	speed nut B 6,3		2		44/1	900 025 003 02	washer A 5,3		8	
27	900 187 010 02	tapping screw BZ 6,3 X 19		2		45	900 910 009 02	lock nut NM 5		8	
28	900 151 006 09	washer B 6,4		2		46	911 503 315 00	front apron	/L	1	
29	999 591 327 02	speed nut B 6,3		2		(46)	911 503 316 00	front apron	/R	1	
30	911 503 079 00	wing strut	/L	1		47	911 503 326 00	intermediate layer upper		1	
(30)	911 503 080 00	bracket	/R	1		48	911 503 325 00	intermediate layer lower		1	
31	911 503 055 00	front spoiler		1	CARRERA 2.7 CARRERA 3.0	49	900 187 004 02	hexagon-head tapping screw B 4,8 X 19		8	
32	911 503 023 00	shim		7	CARRERA 2.7 CARRERA 3.0						

Model	Year	MG	SG	Illustration	Restrictions	UPD	21:27	22.01.2010	PORSCHE	PET	PORSCHE
911	1977	8	02	802-00		248					

Pos	Part Number	Description	Remark	Qty	Model	Pos	Part Number	Description	Remark	Qty	Model
50	900 151 027 02	washer B 5,3		8							
51	999 507 019 02	speed nut B 4,8		8							

Model	Year	MG	SG	Illustration	Restrictions	UPD	21:27	22.01.2010	PORSCHE	PET	PORSCHE
911	1977	8	02	802-05		248					

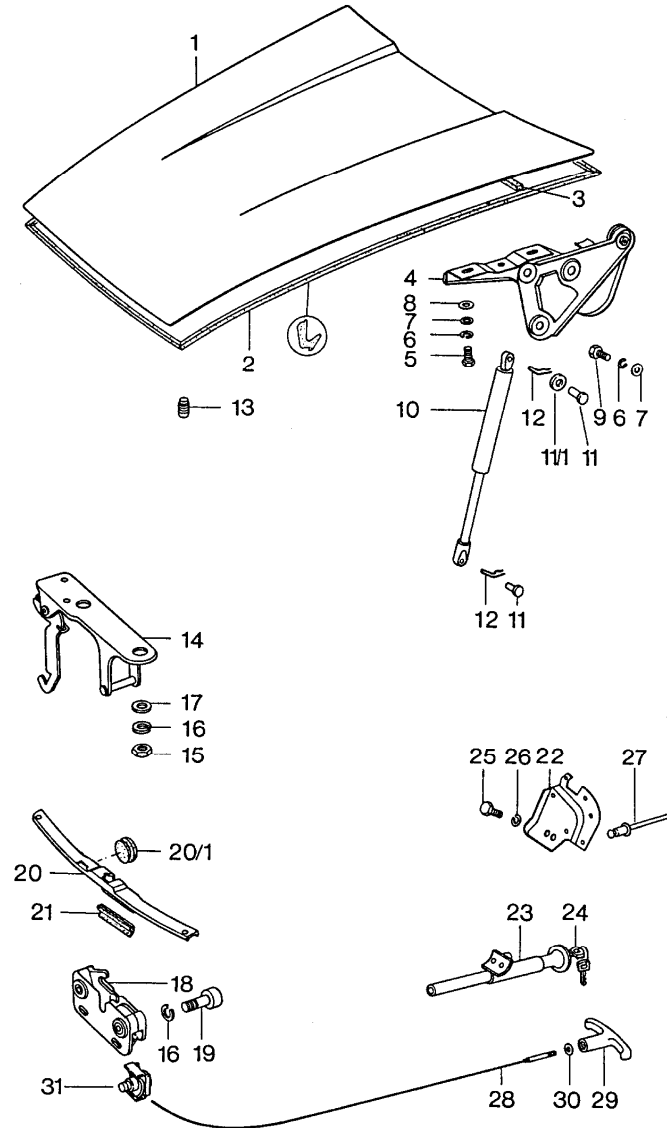


Pos	Part Number	Description	Remark	Qty	Model	
1	911 505 167 10	bumper rear		1		
2	911 505 171 01	bumper	/H	1		
3	911 505 345 00	rear apron	/H	1		
4	999 141 002 02	pipings		1		
5	999 141 002 02	half-round screw M 6 X 12		8		
6	N 011 524 7	washer A 6,4		8		
6	911 505 099 01	protective moulding	/L	1		
(6)	911 505 100 01	protective moulding	/R	1		
7	999 141 001 02	half-round screw M 5 X 12		2		
9	911 505 327 00	stopper		1		
10	900 014 066 02	pan-head screw M 5 X 18		2		
11	914 552 233 10	filler piece		4		
12	900 910 009 02	lock nut M 5		2		
13	900 151 027 02	washer B 5,3		2		
14	911 799 505 65	bellows	/L	1		
(14)	911 799 505 66	bellows	/R	1		
14/1	911 505 376 00	clamp		2		
15	900 910 009 02	lock nut NM 5		8		
15/1	901 511 791 21	rubber washer		8		
15/2	900 025 003 02	washer A 5,3		8		
16	911 505 347 00	rubber sleeve		2		
17	911 505 341 00	buffer		1	911/911S CARRERA 2.7	
17	911 505 341 00	buffer	/H/L (J)	75-	1	911S CARRERA 2.7

Model	Year	MG	SG	Illustration	Restrictions	UPD	21:27	22.01.2010	PORSCHE	PET	PORSCHE
911	1977	8	02	802-05		248					

Pos	Part Number	Description	Remark	Qty	Model	Pos	Part Number	Description	Remark	Qty	Model
(17)	911 505 342 00	buffer		1	911/911S CARRERA 2.7	(27)	911 505 219 01	desk pad	77-	2	
(17)	911 505 342 00	buffer	/H/R (J) 75-	1	911S CARRERA 2.7	28	911 505 221 00	stop		2	
18	900 084 004 02	hexagon nut M 8		X		29	911 505 223 00	supporting bow		2	
19	900 025 007 02	washer 8,4		X		30	999 093 010 02	hexagon-head bolt M 8 X 20		4	
20	900 084 004 02	hexagon nut M 8	-76	4		31	900 027 005 02	lock ring A 8		4	
20	900 084 004 03	hexagon nut M 8	-76	4		33	911 503 157 01	heat protection		1	
20	N 011 185 6	hexagon nut M 10	77-	4		34	911 503 085 05	seal		1	
21	900 151 008 02	washer B 8,4	-76	4		35	N 013 970 5	tapping screw B 4,8 X 9,5		5	
21	900 025 008 02	washer 10,5	77-	4		35	N 106 568 02	tapping screw B 4,8 X 9,5		1	
22	911 505 311 00	desk pad		2		36	999 507 019 02	speed nut BM 4,8		5	
23	911 505 046 03	impact pipe	/H -76	2							
23	911 505 046 03	impact pipe	/H 77-	2							
24 A	911 505 280 03	impact absorber	/H /H	2	911/911S CARRERA 2.7						
24 A	911 505 280 03	impact absorber	/H	2							
24	911 505 280 03	impact absorber	/H	2							
25	900 084 004 02	hexagon nut M 8	-76	2							
25	900 084 004 03	hexagon nut M 8	-76	2							
25	999 084 608 02	hexagon nut M 12	77-	2							
26	900 151 008 02	washer B 8,4	-76	2							
26	900 025 009 02	washer 13	77-	2							
27	911 505 220 01	desk pad	-76	2							

Model	Year	MG	SG	Illustration	Restrictions	UPD	21:27	22.01.2010	PORSCHE	PET	PORSCHE
911	1977	8	03	803-00		248					

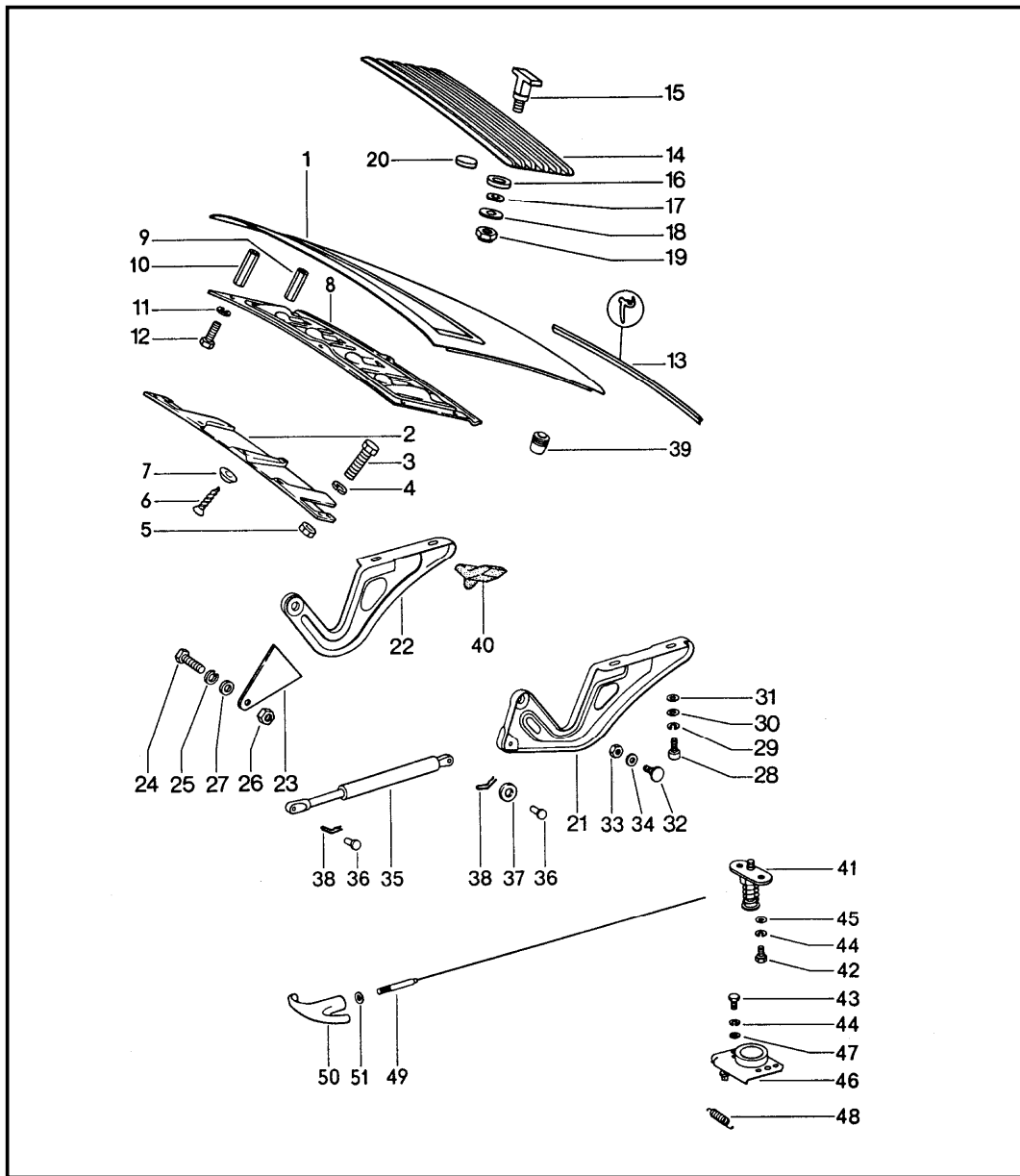


Pos	Part Number	Description	Remark	Qty	Model
1	911 511 010 01	lid front		1	
1	911 511 010 01	lid without lock and hinge	/V	1	
2	911 511 923 02	sealing frame		1	
3	911 511 127 00	sealing frame targa		-75	1
4	901 511 031 20	hinge	/L	1	
(4)	901 511 032 20	hinge	/R	1	
5	900 067 057 02	pan-head screw M 8 X 20		4	
6	900 027 015 02	lock ring B 8		10	
7	900 025 007 02	washer 8,4		10	
8	900 151 008 02	washer 8,4		*	
9	900 075 209 02	hexagon-head bolt M 8 X 20		6	
10	911 511 331 01	gas-pressure spring		2	
10	911 511 331 00	gas-pressure spring		2	
11	999 087 003 02	bolt		-74	4
(11)	900 087 011 02	bolt	75-76	4	
(11)	999 166 043 02	bolt	77-	4	
11/1	911 511 332 00	spacer	75-	2	
12	N 012 645 2	lock		4	
13	999 703 036 50	rubber stop		2	
14	911 511 051 02	lock upper part		1	
15	900 076 010 02	hexagon nut M 6		2	
16	N 012 007 2	lock ring A 6		4	

Model	Year	MG	SG	Illustration	Restrictions	UPD	21:27	22.01.2010	PORSCHE	PET	PORSCHE
911	1977	8	03	803-00		248					

Pos	Part Number	Description	Remark	Qty	Model	Pos	Part Number	Description	Remark	Qty	Model
17	900 151 006 09	washer B 6,4		2		26	900 027 003 01	lock ring A 5		2	
18	911 511 052 01	lock lower part	/V	1		27	999 190 113 02	blind rivet		4	
19	N 014 743 2	pan-head screw M 6 X 30		2		28	901 511 073 20	lid-release cable		1	
20	911 555 085 00	cover for cross panel		1		29	901 552 813 20	handle		1	
20/1	999 703 119 40	stopper		2		30	901 511 791 21	rubber washer		1	
21	911 555 375 40	edge protection		1		31	911 511 067 00	clamp		1	
22	911 511 725 43	support for lock		1							
2-27	--- --- --- --	not for 912E		X							
3+24	911 511 903 00	lock with 2 secondary keys w/o stipulated lock number		1							
3+24	911 511 904 00	lock with 2 secondary keys state lock number		1							
24	914 531 903 11	blank key state lock number		2							
(24)	911 531 945 00	blank key with light without battery	76-	2	911/911S CARRERA 3.0						
(24)	911 531 946 00	main key with light without battery state lock number	76-	2	911/911S CARRERA 3.0						
24	914 531 637 10	main key state lock number		2							
(24)	914 531 903 10	blank key		2							
25	N 010 225 4	hexagon-head bolt M 5 X 8 M 5 X 8		2							

Model	Year	MG	SG	Illustration	Restrictions	UPD	21:27	22.01.2010	PORSCHE	PET	PORSCHE
911	1977	8	03	803-05		248					



Pos	Part Number	Description	Remark	Qty	Model
1	911 512 903 01	lid rear	/H	1	
2	911 512 109 01	air duct	(D) 77-	1	911 CARRERA 3.0
3	N 010 207 6	hexagon-head bolt M 5 X 12	(D) 77-	2	911 CARRERA 3.0
4	900 025 003 02	washer 5,3	(D) 77-	5	911 CARRERA 3.0
5	900 910 009 02	lock nut NM 5	(D) 77-	2	911 CARRERA 3.0
6	900 145 071 07	tapping screw 3,5 X 13	(D) 77-	4	911 CARRERA 3.0
7	999 591 102 17	washer	(D) 77-	4	911 CARRERA 3.0
(2)	911 512 109 01	air duct air conditioner	(D) 77-	1	911 CARRERA 3.0
-	911 512 255 00	intermediate layer	(D) 77-	3	911 CARRERA 3.0
-	911 512 181 00	mount for air duct	(D) 77-	2	911 CARRERA 3.0
-	999 190 126 30	rivet \$ 3,2	(D) 77-	4	911 CARRERA 3.0
-	900 075 092 02	hexagon-head bolt 4 X 10	(D) 77-	2	911 CARRERA 3.0
-	900 027 011 01	lock ring B 4	3.0 (D) M 77-	2	911/CARRERA
-	N 011 004 6	hexagon nut M 4	3.0 (D) M 77-	2	911/CARRERA
13	911 512 129 00	gasket		1	
14	911 559 411 00	ventilation grille		1	
15	911 559 433 00	t-headed screw		X	
(15)	911 559 433 00	t-headed screw air conditioner	(D) 77-	3	911S CARRERA 3.0
16	911 559 435 00	spacer		6	
17	113 951 539	washer		6	

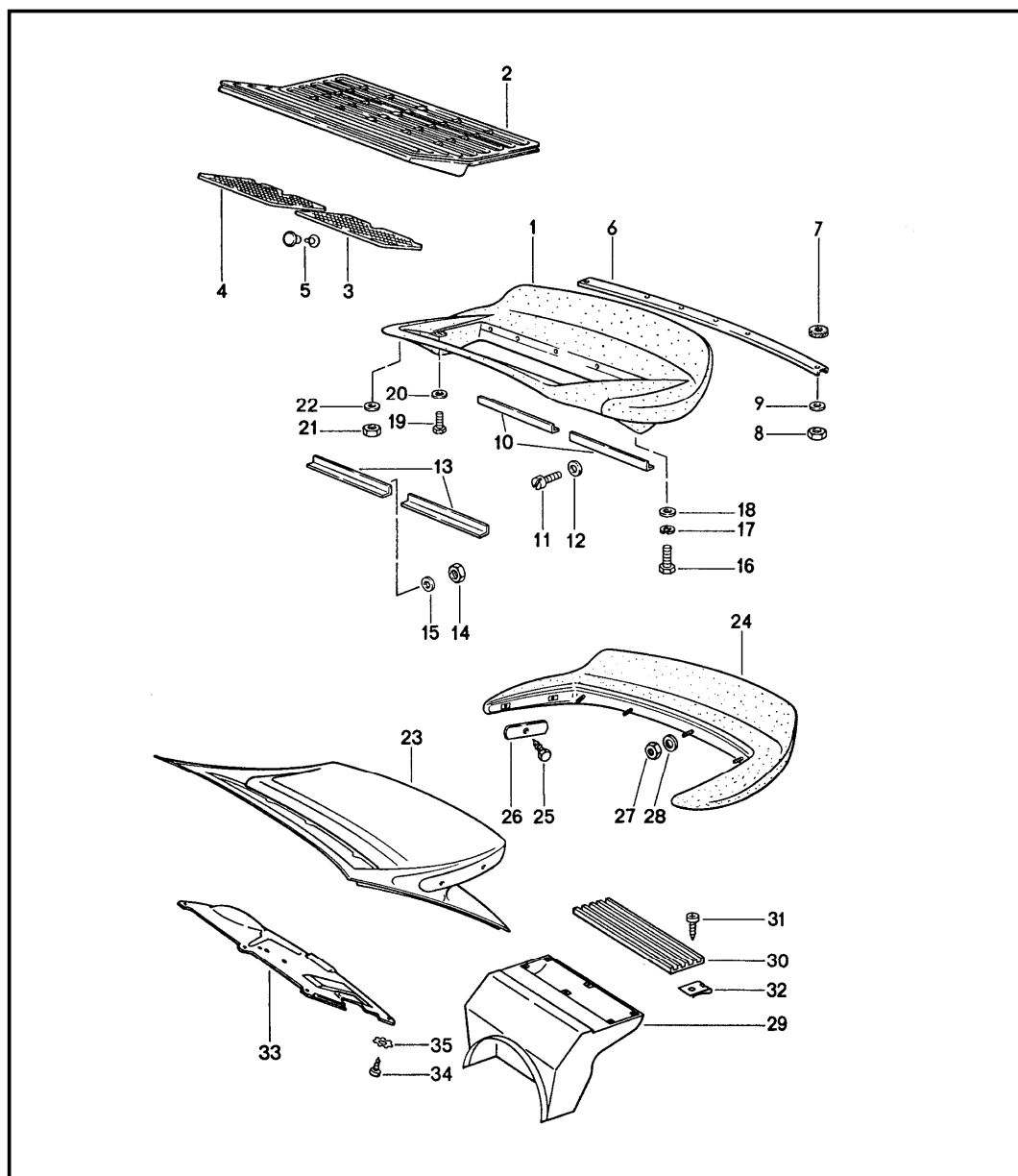
Model	Year	MG	SG	Illustration	Restrictions	UPD	21:27	22.01.2010	PORSCHE	PET	PORSCHE
911	1977	8	03	803-05		248					

Pos	Part Number	Description	Remark	Qty	Model	Pos	Part Number	Description	Remark	Qty	Model
18	900 151 027 02	washer B 5,3		6		(35)	911 512 331 02	gas-pressure spring		2	CARRERA 2.7 CARRERA 3.0
19	900 910 009 02	lock nut		6	911	36	999 087 003 02	bolt	-76	2	
20	911 559 151 01	base		6		36	999 166 043 02	bolt		2	911/911S CARRERA 3.0
21	911 512 035 00	hinge	/L	1		36	999 087 003 02	bolt	-76	3	CARRERA 2.7 CARRERA 3.0
22	901 512 036 20	hinge	/R	1							
23	930 512 039 00	fastening plate		1	CARRERA 2.7 CARRERA 3.0	36	999 166 043 02	bolt		3	911/911S CARRERA 3.0
24	900 075 016 02	hexagon-head bolt		1	CARRERA 2.7 CARRERA 3.0	37	911 511 332 00	spacer		1	
25	N 012 226 5	spring washer		1	CARRERA 2.7 CARRERA 3.0	38	N 012 645 2	lock		2	
26	900 076 010 02	hexagon nut		1	CARRERA 2.7 CARRERA 3.0	38	N 012 645 2	lock		3	CARRERA 2.7 CARRERA 3.0
27	N 011 524 7	washer		1	CARRERA 2.7 CARRERA 3.0	39	999 703 140 40	rubber buffer		2	
28	900 067 011 02	pan-head screw M 6 X 20		4		40	999 703 013 50	stopper		2	CARRERA 2.7 CARRERA 3.0
29	900 027 014 01	lock ring B 6		4		41	930 512 052 00	lock upper part		1	
30	900 025 028 02	washer B 6,4		4		(41)	930 512 052 00	lock upper part		1	911/911S CARRERA 3.0
31	900 151 006 09	washer B 6,4		X		42	900 075 162 02	hexagon-head bolt M 6 X 16		2	
32	901 512 471 20	collar bolt		2		43	900 075 162 02	hexagon-head bolt M 6 X 16		2	
33	A 900 910 023 02	lock nut M 8		2		44	900 027 014 01	lock ring B 6		4	
(33)	999 084 052 02	lock nut M 8		2		45	900 151 006 09	washer B 6,4		2	
34	900 025 007 02	washer 8,4		2		-	900 151 029 02	washer B 6,4		X	CARRERA 2.7
35	911 512 331 01	gas-pressure spring		1	911/911S	-	900 076 010 02	hexagon nut M 6		X	CARRERA 2.7
35	911 512 331 01	gas-pressure spring	-74	1	CARRERA 2.7	46	901 512 052 00	lock lower part		1	
(35)	911 512 331 02	gas-pressure spring		1	CARRERA 2.7 CARRERA 3.0	47	900 025 028 02	washer B 6,4		2	
						48	644 511 511 01	return spring		1	
						49	901 511 073 20	lid-release cable		1	

Model	Year	MG	SG	Illustration	Restrictions	UPD	21:27	22.01.2010	PORSCHE	PET	PORSCHE
911	1977	8	03	803-05		248					

Pos	Part Number	Description	Remark	Qty	Model	Pos	Part Number	Description	Remark	Qty	Model
50	901 552 813 20	handle		1							
51	901 511 791 21	rubber washer	-75	1	911/911S CARRERA 2.7						
(51)	911 512 531 00	grommet for lid-release cable	76-	1	911/911S CARRERA 3.0						

Model	Year	MG	SG	Illustration	Restrictions	UPD	21:28	22.01.2010	PORSCHE	PET	PORSCHE
911	1977	8	03	803-10		248					



Pos	Part Number	Description	Remark	Qty	Model
1	911 512 019 02	rear spoiler		1	
2	911 512 051 00	polyurethane rear spoiler		1	
3	911 512 085 00	ventilation grille	/L	1	
4	911 512 086 00	grille	/R	1	
-	000 043 205 19	grille		1	
5	999 190 010 03	tesa-moll		1	
5	999 190 010 03	tubular rivet 3,7 X 9		4	
6	911 512 281 01	reinforcement plate		1	
7	901 503 399 01	sealing washer		6	
8	900 910 012 02	lock nut NM 6		6	
9	900 151 006 09	washer B 6,4		6	
10	911 512 283 00	reinforcement strip		2	
11	N 044 734 1	pan-head screw M 5 X 15		6	
12	900 025 003 02	washer A 5,3		6	
13	911 512 284 00	reinforcement strip		2	
14	900 910 009 02	lock nut NM 5		6	
15	900 025 003 02	washer A 5,3		6	
16	900 075 145 02	hexagon-head bolt M 5 X 16		5	
17	N 012 005 3	lock ring B 5		5	
18	900 151 027 02	washer B 5,3		5	
19	N 010 207 6	hexagon-head bolt M 5 X 12		2	
20	900 151 027 02	washer B 5,3		2	

Model	Year	MG	SG	Illustration	Restrictions	UPD	21:28	22.01.2010	PORSCHE	PET	PORSCHE
911	1977	8	03	803-10		248					

Pos	Part Number	Description	Remark	Qty	Model	Pos	Part Number	Description	Remark	Qty	Model
21	900 910 012 02	lock nut NM 6		5							
22	900 151 006 09	washer B 6,4		5							
23	911 512 010 07	spoiler lid		1	CARRERA 2.7 CARRERA 3.0						
(23)	930 512 010 01	spoiler lid		1	CARRERA 2.7 CARRERA 3.0						
(23)	930 512 010 01	spoiler lid air conditioner		1	CARRERA 2.7 CARRERA 3.0						
24	911 512 019 00	rear spoiler		1	CARRERA 2.7 CARRERA 3.0						
25	900 187 023 02	hexagon-head tapping screw	1LH	2	CARRERA 2.7 CARRERA 3.0						
26	901 504 755 20	tensioning spring		2	CARRERA 2.7 CARRERA 3.0						
27	900 910 009 02	lock nut		4	CARRERA 2.7 CARRERA 3.0						
28	900 151 027 02	washer		4	CARRERA 2.7 CARRERA 3.0						
33	911 512 165 01	heat shield	75	1	CARRERA 2.7 CARRERA 3.0						
34	900 143 001 02	tapping screw		9	CARRERA 2.7 CARRERA 3.0						
35	900 114 013 02	shake-proof washer		9	CARRERA 2.7 CARRERA 3.0						

Model	Year	MG	SG	Illustration	Restrictions	UPD	21:28	22.01.2010	PORSCHE	PET	PORSCHE
911	1977	8	04	804-00		248					

Pos	Part Number	Description	Remark	Qty	Model	Pos	Part Number	Description	Remark	Qty	Model	
10	N 014 761 2	pan-head screw M 6 X 12	-75	4	911/911S CARRERA 2.7	9+20	911 531 948 00	lock cylinder with 2 secondary keys state lock number	/R	1		
		M 6 X 12										
10/1	900 076 010 02	hexagon nut		2	911/911S CARRERA 3.0	(20)	911 531 945 00	blank key		2	911/911S CARRERA 3.0	
11	900 028 008 01	spring washer B 6	-75	4	911/911S CARRERA 2.7	(20)	911 531 946 00	main key		2	911/911S CARRERA 3.0	
11/1	N 011 524 7	washer		2	911/911S CARRERA 3.0	(20)	914 531 637 10	main key state lock number		2		
(12)	911 531 889 00	seal	/L	1		20	914 531 903 11	blank key state lock number		2		
12	911 531 890 00	seal	/R	1		(20)	914 531 903 10	blank key for main key		2		
13	999 703 119 40	stopper		16								
14	911 531 057 01	door support		2		(20)	914 531 903 11	blank key for secondary key		2		
14/1	911 531 291 00	seal		2								
14/2	999 702 026 50	rubber sleeve	-74	2	911/911S CARRERA 2.7	21	911 531 631 00	desk pad	/V	2		
15	900 084 010 02	hexagon nut M 6		4		22	911 531 632 00	desk pad	/H	2		
17	911 531 615 01	tensioning sleeve	-75	2	911/911S CARRERA 2.7	23	999 084 102 02	lock nut		4		
(17)	900 309 032 02	spiral clamping pin		2	911/911S CARRERA 3.0	24	900 025 003 02	washer 5,3		4		
18	911 531 941 00	outer door handle chrome without lock cylinder		2		25	911 531 093 45	door seal	/L/R	2	911/911S CARRERA 2.7	
						(26)	911 531 095 00	door sealing	/L /L	-75	1	911/911S CARRERA 2.7
(18)	911 531 941 28	outer door handle black without lock cylinder		2		26	911 531 096 00	door sealing	/R	-75	1	911/911S CARRERA 2.7
						(26)	911 531 095 02	door sealing			1	911/911S CARRERA 3.0
9+20	911 531 943 00	lock cylinder with 2 secondary keys w/o stipulated lock number	/L	1		27	901 531 753 00	stop		-75	2	
						(27)	911 531 753 02	stop		76	2	
9+20	911 531 947 00	lock cylinder with 2 secondary keys state lock number	/L	1		-	911 531 757 00	desk pad for stop		76	X	
9+20	911 531 944 00	lock cylinder with 2 secondary keys w/o stipulated lock number	/R	1		27/1	911 542 403 01	sealing rail	/L	77-	1	
						27/1	911 542 404 01	sealing rail	/R	77-	1	

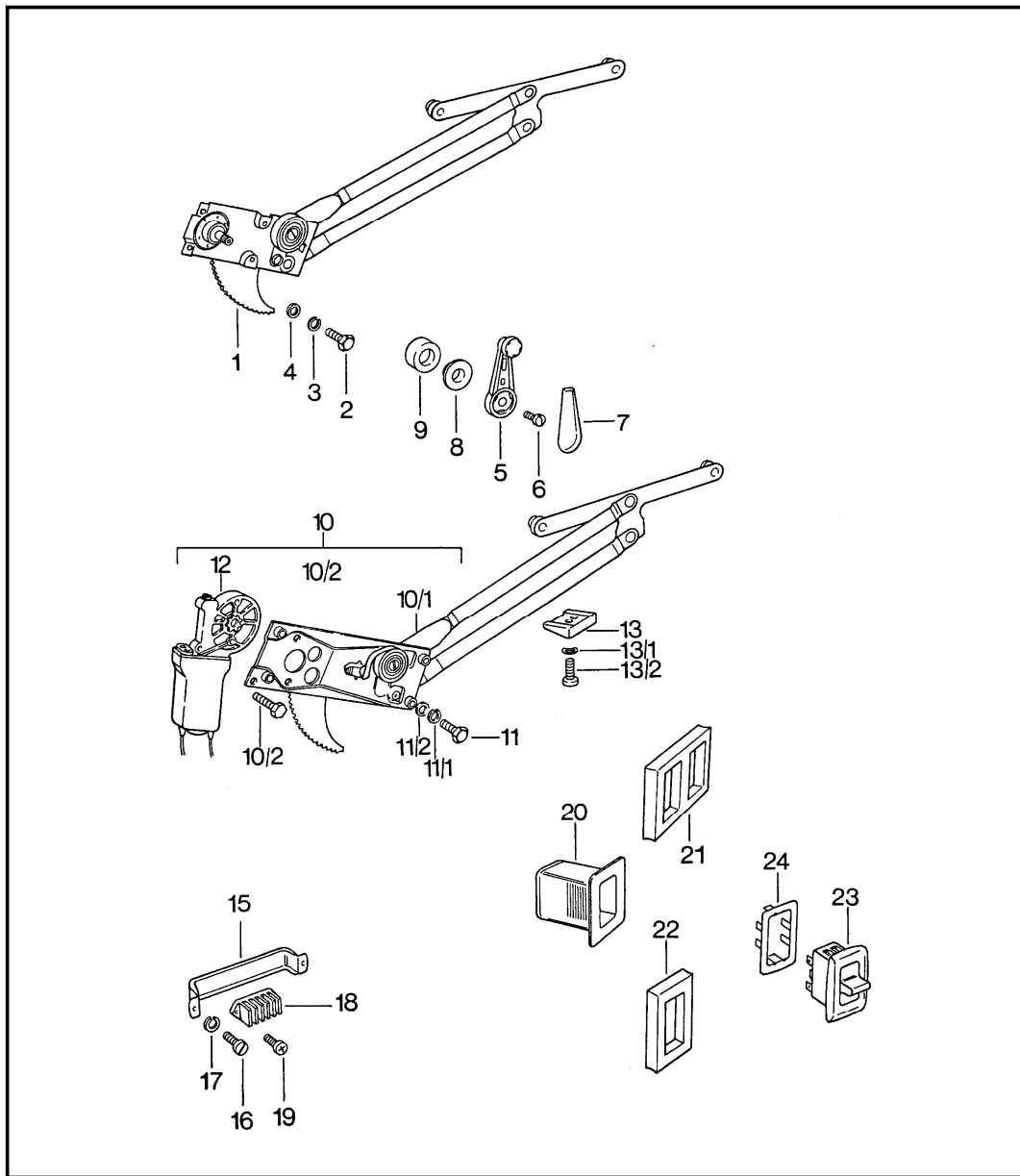
Model	Year	MG	SG	Illustration	Restrictions	UPD	21:28	22.01.2010	PORSCHE	PET	PORSCHE
911	1977	8	04	804-00		248					

Pos	Part Number	Description	Remark	Qty	Model	Pos	Part Number	Description	Remark	Qty	Model
28	N 013 954 2	oval-head sheetmetal screw B 2,9 X 13	-76	4							
28/1	900 145 081 00	tapping screw B 2,9 X 6,5	77-	30							
28/2	999 591 009 12	washer 3,5 MS	77-	30							
(29)	993 531 029 00	door lock striker	/L	1							
29	993 531 030 00	door lock striker	/R	1							
30	901 531 703 23	shim 1 MM		X							
(30)	901 531 703 24	shim 2 MM		X							
31	999 219 008 00	countersunk-head screw M 8 X 40		4							

Model	Year	MG	SG	Illustration	Restrictions	UPD	21:28	22.01.2010	PORSCHE	PET	PORSCHE
911	1977	8	04	804-05		248					

Pos	Part Number	Description	Remark	Qty	Model	Pos	Part Number	Description	Remark	Qty	Model	
11	901 531 432 28	moulding black	/R	-76	1	COUPE	19	911 531 562 00	connecting rod		2	
11	901 531 432 30	moulding black	/R	77-	1	COUPE	20	911 531 599 00	rubber washer		4	
(11)	901 531 431 41	moulding	/L		1	TARGA	21	911 531 565 00	rubber mounting		4	
(11)	901 531 431 50	moulding black	/L		1	TARGA	(22)	911 531 053 06	door lock with release	/L	1	
11	901 531 432 41	moulding	/R		1	TARGA	22	911 531 054 05	door lock without release	/LL/R	1	
11	901 531 432 50	moulding black	/R	-76	1	TARGA	22	911 531 054 04	door lock with release	/RL/R	1	
11	901 531 432 50	moulding black	/R	77-	1	TARGA	23	993 531 165 00	tension spring		2	
12	901 531 671 21	push button		-76	2		24	900 148 018 04	rais. counters. h. tap. s. AM 6 X 12		6	
(12)	928 555 359 02	locking knob		77-	2		25	911 531 509 00	bowden cable	/L	1	
13	901 531 481 22	guide sleeve		-76	2		(25)	911 531 510 00	bowden cable	/R	1	
(13)	928 555 565 02	guide sleeve		77-	2		26	911 531 097 00	support	/V	2	
(14)	911 531 075 00	mounting for push-button	/L	-76	1		27	911 531 099 00	support	/H	2	
14/1	911 531 075 01	mounting for push-button	/L	77-	1		28	911 531 083 00	relay lever		2	
14	911 531 076 00	mounting for push-button	/R	-76	1		29	911 531 091 00	pull rod		2	
14/1	911 531 076 01	mounting for push-button	/R	77-	1		30	900 145 028 02	tapping screw B 3,9 X 13		4	
14/2	911 531 707 00	rod for push-button	/L	77-	1		31	999 507 009 02	speed nut \$ 3,5		4	
14/2	911 531 708 00	rod for push-button	/R	77-	1		32	911 531 692 00	covering	77-	2	
14/3	N 011 524 7	washer 6,4		77-	4		33	911 531 705 00	spacer ring	77-	X	
15	900 067 134 02	pan-head screw M 5 X 8		-75	4		34	911 531 696 00	rotary knob	77-	2	
(15)	900 186 147 02	pan-head screw M 6 X 10		76-	4		35	N 014 133 8	oval-head screw AM 5 X 12	77-	2	
16	N 012 225 2	spring washer B 5		-75	4		36	900 115 002 01	serrated lock washer J 5,3	77-	2	
(16)	900 028 008 01	spring washer B 6		76-	4		37	911 531 703 00	cap	77-	2	
17	999 591 311 40	bush			2							
18	993 531 563 00	linkage clip			10							

Model	Year	MG	SG	Illustration	Restrictions	UPD	21:28	22.01.2010	PORSCHE	PET	PORSCHE
911	1977	8	04	804-10		248					

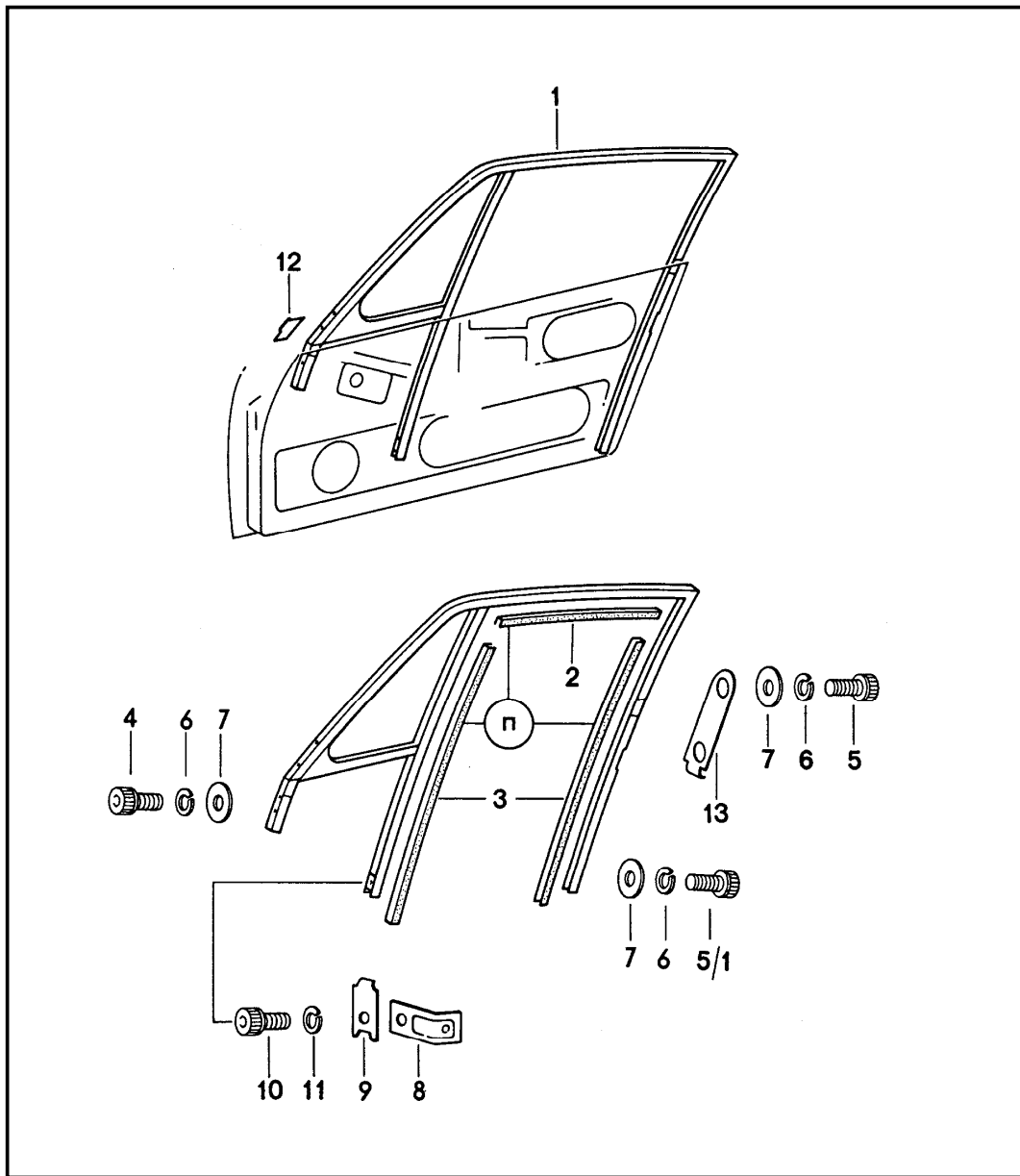


Pos	Part Number	Description	Remark	Qty	Model
		power windows			
(1)	911 542 041 00	power windows	/L	1	
1	911 542 042 00	power windows	/R	1	
2	N 010 210 13	hexagon-head bolt M 6 X 10		8	
3	N 012 006 4	lock ring B 6		8	
4	N 011 524 7	washer 6,4		8	
5	911 542 471 00	window crank chrome		2	
(5)	911 542 471 01	window crank black		X	
6	911 542 475 00	conical screw		2	
7	901 542 482 20	cover		2	
8	901 552 891 20	rosette		2	
9	901 542 495 20	sealing ring		2	
(10)	911 542 003 26	power window	/L	1	COUPE
(10)	911 542 003 40	power window	/L	1	TARGA
10	911 542 004 26	power window	/R	1	COUPE
(10)	911 542 004 40	power window	/R	1	TARGA
10/1	911 542 929 00	power windows		1	COUPE
10/1	911 542 935 44	cross-arm	/L	X	TARGA
10/1	911 542 930 00	power windows	/R	1	COUPE
10/1	911 542 930 40	power windows	/R	X	TARGA
10/2	999 093 004 02	hexagon-head bolt M 6 X 16		6	
11	N 010 210 13	hexagon-head bolt M 6 X 10		8	
11/1	N 012 006 4	lock ring B 6		8	
11/2	N 011 524 7	washer 6,4		8	

Model	Year	MG	SG	Illustration	Restrictions	UPD	21:28	22.01.2010	PORSCHE	PET	PORSCHE
911	1977	8	04	804-10		248					

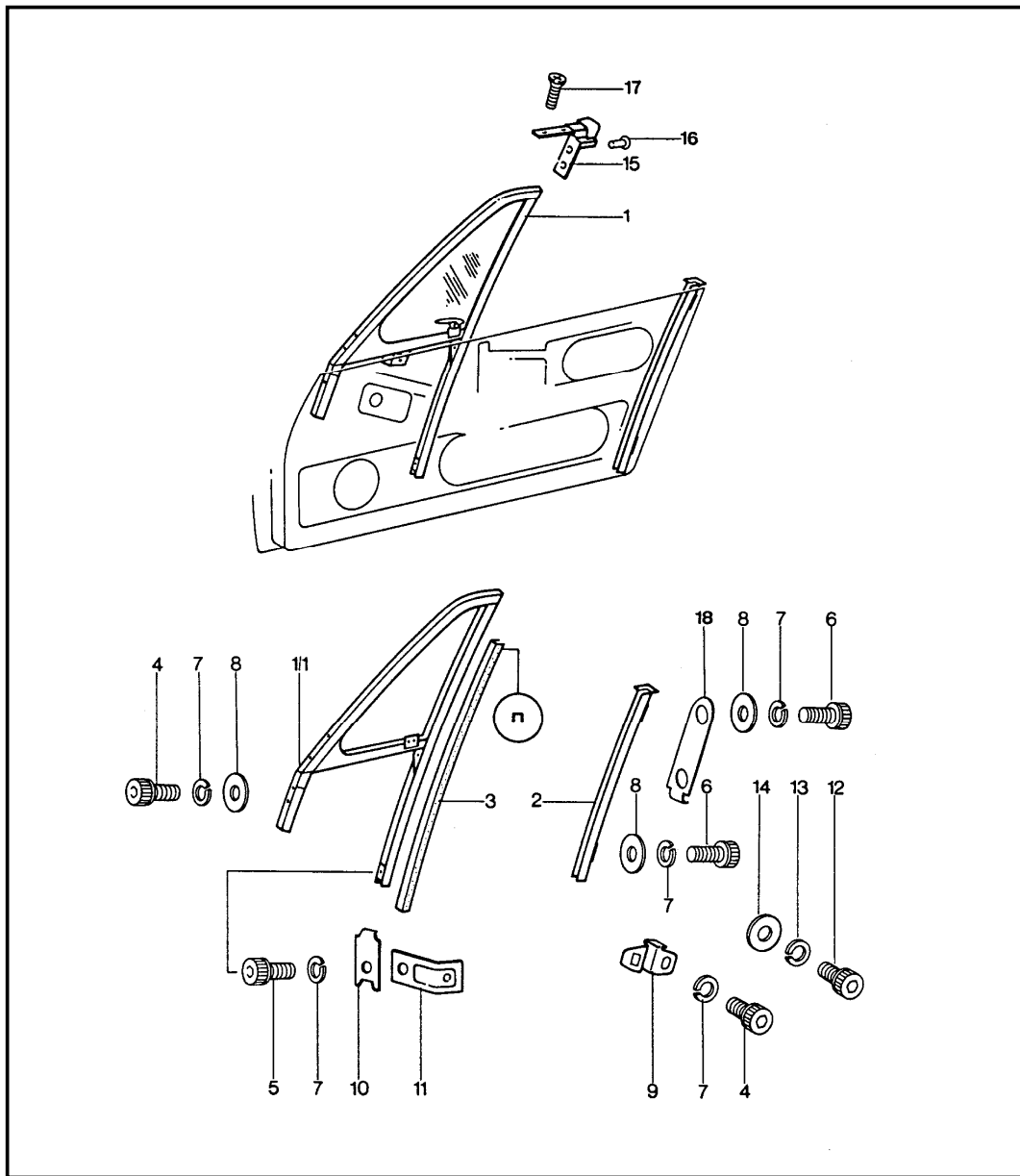
Pos	Part Number	Description	Remark	Qty	Model	Pos	Part Number	Description	Remark	Qty	Model
(12)	911 624 015 01	motor	/L	1	COUPE						
(12)	911 624 015 41	motor	/L	1	TARGA						
12	911 624 014 01	motor	/R	1	COUPE						
(12)	911 624 014 41	motor	/R	1	TARGA						
13	901 542 063 00	stop wedge		2							
13/1	N 012 222 4	spring washer A 5		4							
13/2	900 119 011 02	pan-head screw M 5 X 10		4							
15	901 531 083 00	bracket		2							
16	900 014 013 02	pan-head screw M 4 X 10		4							
17	900 027 011 01	lock ring B 4		4							
18	901 612 898 00	cable connection 5-pole		2							
19	900 143 007 02	tapping screw B 4,2 X 13		4							
20	911 613 623 01	grommet		3							
21	911 613 637 00	seal	/L	3							
22	911 613 638 00	seal	/R	1							
23	911 613 621 03	switch		3							
24	911 613 635 20	assembly frame		3							

Model	Year	MG	SG	Illustration	Restrictions	UPD	21:28	22.01.2010	PORSCHE	PET	PORSCHE
911	1977	8	04	804-15		248					



Pos	Part Number	Description	Remark	Qty	Model
		door glass frame			COUPE
(1)	901 542 021 27	door glass frame chrome	/L	1	
(1)	901 542 021 28	door glass frame black	/L	1	
1	901 542 022 27	door glass frame chrome	/R	1	
1	901 542 022 28	door glass frame black	/R	1	
2	911 542 905 00	window guide	/L/R	2	
4	900 119 052 02	pan-head screw M 8 X 16		4	
5	999 218 008 02	pan-head screw M 8 X 12		2	
5/1	900 119 052 02	pan-head screw M 8 X 16		2	
6	900 027 015 02	lock ring B 8		8	
7	900 025 007 02	washer 8,4		8	
8	911 542 061 00	retaining bracket		2	
9	901 542 252 25	desk pad		2	
10	900 119 052 02	pan-head screw M 8 X 16		2	
11	900 027 015 02	lock ring B 8		2	
(12)	911 531 711 01	joint rubber	/V/L	1	
12	911 531 712 01	joint rubber	/V/R	1	
-	999 591 429 40	expansion rivet		2	
(12)	911 531 713 01	joint rubber	/H/L	1	
(12)	911 531 714 01	joint rubber	/H/R	1	
13	901 542 299 25	cover plate		2	

Model	Year	MG	SG	Illustration	Restrictions	UPD	11:37	27.01.2010	PORSCHE	PET	PORSCHE
911	1977	8	04	804-20		248					

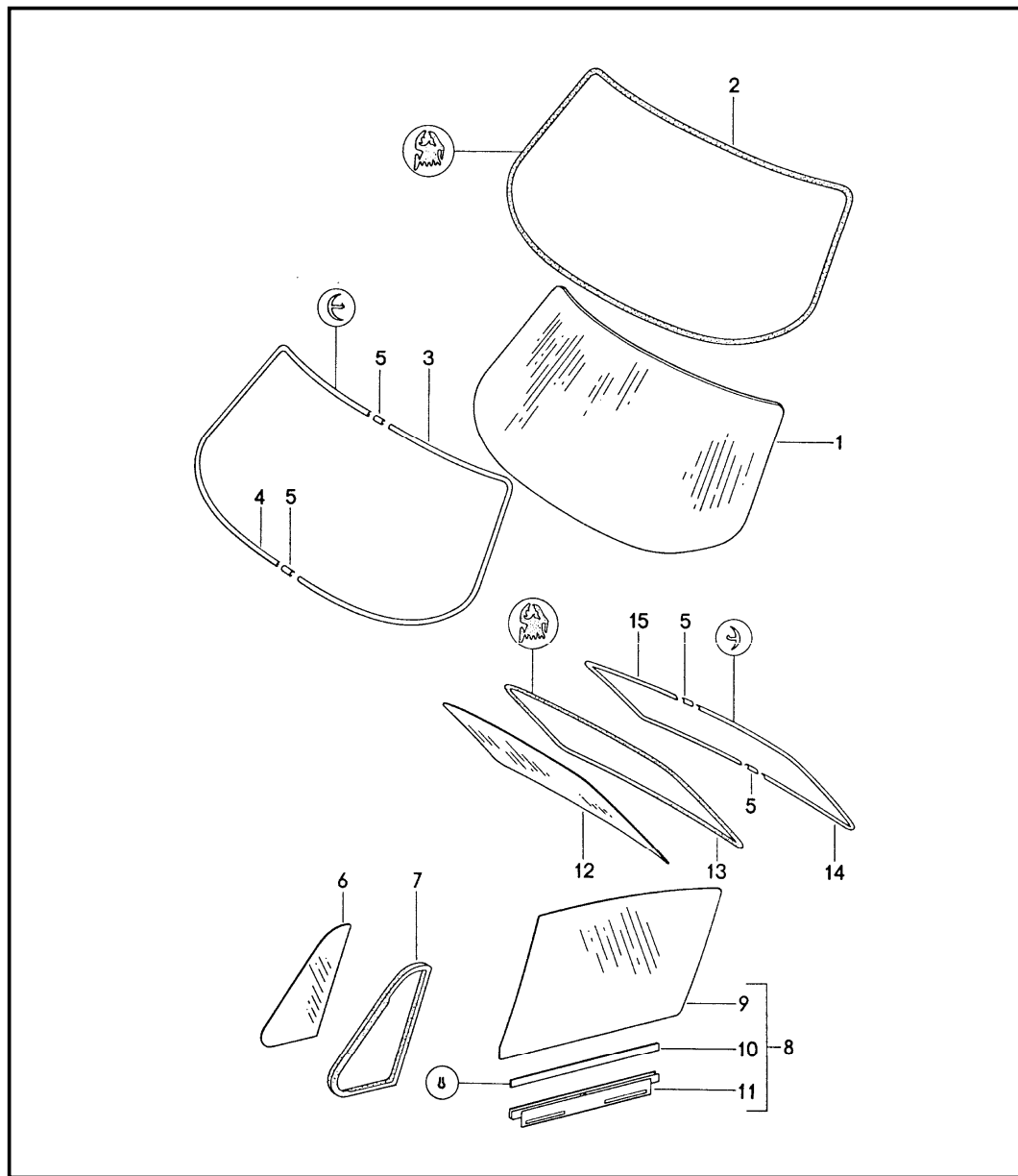


Pos	Part Number	Description	Remark	Qty	Model
		door glass frame			TARGA
(1/1)	901 542 021 41	door glass frame chrome without ventilator window	/L	-76	1
(1/1)	911 542 019 40	door glass frame chrome without ventilator window	/L	77-	1
(1/1)	901 542 021 48	door glass frame black without ventilator window	/L	-76	1
(1/1)	911 542 019 41	door glass frame black without ventilator window	/L	77-	1
1/1	901 542 022 41	door glass frame chrome without ventilator window	/R	-76	1
(1/1)	911 542 020 40	door glass frame chrome without ventilator window	/R	77-	1
1/1	901 542 022 48	door glass frame black without ventilator window	/R	-76	1
(1/1)	911 542 020 41	door glass frame black without ventilator window	/R	77-	1
-	900 119 091 02	pan-head screw M 6 X 15		77-	10
-	900 027 014 01	lock ring B 6		77-	10
-	900 151 006 09	washer 6,4		77-	8
-	N 011 524 7	washer 6,4		77-	2
-	999 703 119 40	stopper		77-	4

Model	Year	MG	SG	Illustration	Restrictions	UPD	11:37	27.01.2010	PORSCHE	PET	PORSCHE
911	1977	8	04	804-20		248					

Pos	Part Number	Description	Remark	Qty	Model	Pos	Part Number	Description	Remark	Qty	Model
(2)	901 542 023 40	window guide rail chrome	/L	1		13	900 027 014 01	lock ring B 6		2	
(2)	901 542 023 48	window guide rail black	/L	1		14	900 151 006 09	washer 6,4		2	
2	901 542 024 40	window guide rail chrome	/R	1		(15)	911 542 065 41	frame connection	/L	1	
2	901 542 024 48	window guide rail black	/R	1		15	911 542 066 41	frame connection	/R	1	
3	911 542 905 00	window guide		2		16	900 056 003 20	rivet		4	
4	N 014 765 2	pan-head screw M 6 X 10		4		17	900 270 051 00	rais. counters. h. tap. s. AM 4 X 8		4	911/911S
5	N 014 761 2	pan-head screw M 6 X 12		2		(17)	900 270 052 07	rais. counters. h. tap. s. AM 4 X 8 black		4	
6	900 119 035 02	pan-head screw M 6 X 8		6		18	901 542 299 20	cover plate		2	
7	900 027 014 01	lock ring B 6		14							
8	N 011 524 7	washer 6,4		8							
(9)	901 542 235 40	clamping spring	/L	-76	1						
9	901 542 236 40	clamping spring	/R	-76	1						
-	901 542 231 20	bearing plate	/H/L	-76	1						
-	901 542 232 20	bearing plate	/H/R	-76	1						
-	900 014 046 02	pan-head screw AM 4 X 10		-76	4						
-	900 151 001 02	washer 4,3		-76	4						
-	900 084 020 02	lock nut M 4		-76	4						
10	901 542 252 20	desk pad		2							
11	911 542 061 00	retaining bracket		2							
12	N 014 761 2	pan-head screw M 6 X 12		2							
		M 6 X 12									

Model	Year	MG	SG	Illustration	Restrictions	UPD	21:30	22.01.2010	PORSCHE	PET	PORSCHE
911	1977	8	05	805-00		248					

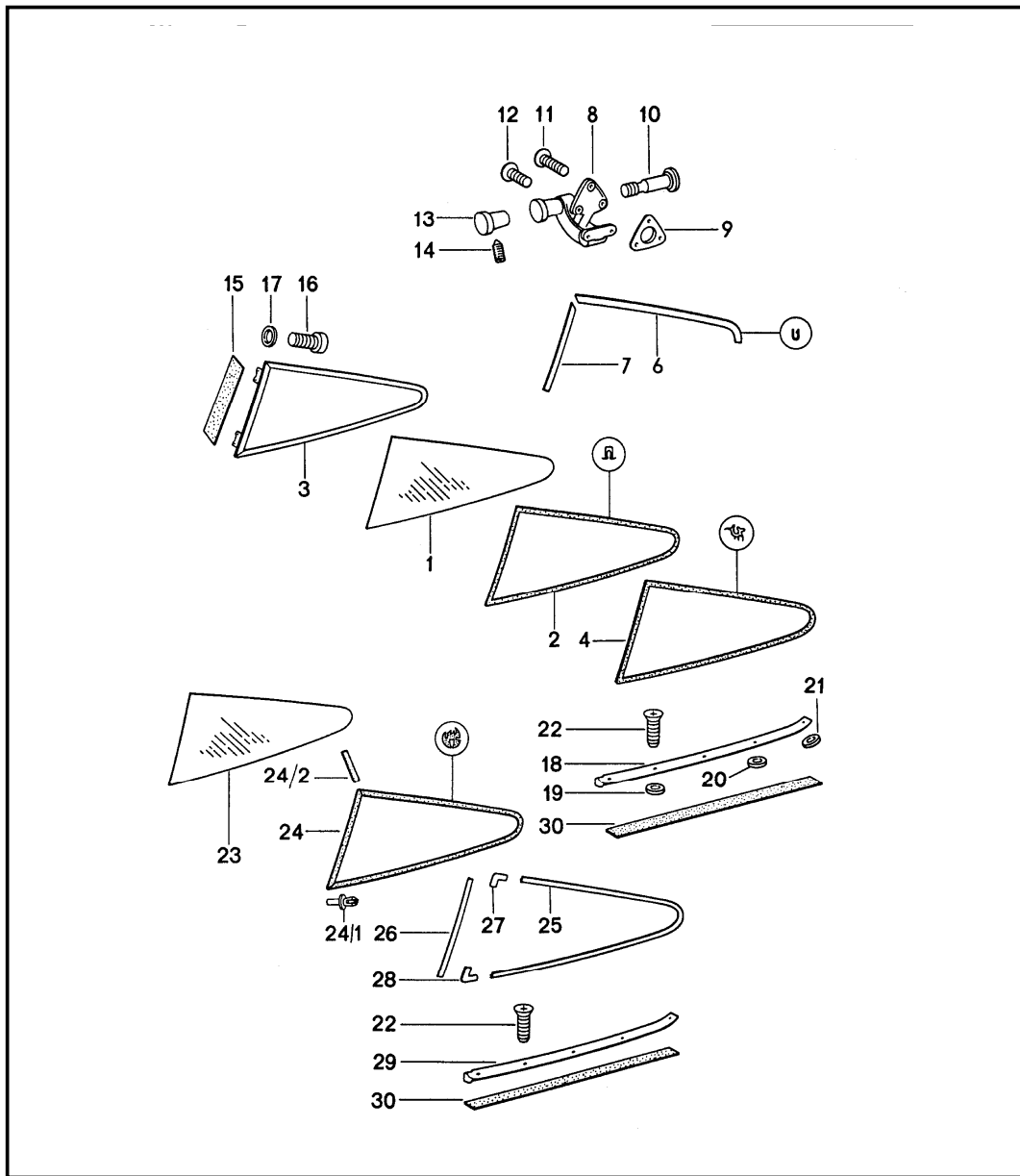


Pos	Part Number	Description	Remark	Qty	Model
		window glazing front rear			COUPE
1	901 541 101 24	windscreen		1	
(1)	901 541 101 34	windscreen tinted		1	
(1)	911 541 101 04	windscreen tinted heated		1	
2	901 541 901 20	windscreen sealing		1	
3	901 541 911 20	trim frame-half chrome	/L	1	
3	901 541 911 28	trim frame-half black	/L	1	
4	901 541 912 20	trim frame-half chrome	/R	1	
4	901 541 912 28	trim frame-half black	/R	1	
5	644 541 921 06	covering plate chrome		1	
5	911 541 921 28	covering plate black		1	
6	901 542 501 27	side window	/V/L	1	
(6)	911 542 511 00	side window tinted	/V/L	1	
(6)	901 542 502 27	side window	/V/R	1	
(6)	911 542 512 00	side window tinted	/V/R	1	
7	901 542 921 21	sealing frame	/L/R	-75	2
7	901 542 921 21	sealing frame	/L	76-	1
(7)	901 542 922 21	sealing frame	/R	76-	1
8	901 542 011 27	door window glass	/L	1	
(8)	901 542 011 37	door window glass tinted	/L	1	
(8)	901 542 012 27	door window glass	/R	1	

Model	Year	MG	SG	Illustration	Restrictions	UPD	21:30	22.01.2010	PORSCHE	PET	PORSCHE
911	1977	8	05	805-00		248					

Pos	Part Number	Description	Remark	Qty	Model	Pos	Part Number	Description	Remark	Qty	Model
(8)	901 542 012 37	door window glass tinted	/R	1							
9	901 542 101 25	door window glass	/L	1							
(9)	901 542 101 35	door window glass tinted	/L	1							
(9)	901 542 102 25	door window glass	/R	1							
(9)	901 542 102 35	door window glass tinted	/R	1							
10	911 542 491 40	rubber ply		1							
11	901 542 045 23	window lifter rail	/L	1							
(11)	901 542 046 23	window lifter rail	/R	1							
12	911 545 105 00	rear window 150 W heatable		1							
(12)	911 545 107 00	rear window tinted 150/300 W two-stage heatable		1							
13	901 545 901 21	sealing frame		1							
14	901 545 911 20	trim frame-half chrome	/L	1							
(14)	901 545 911 28	trim frame-half black	/L	1							
15	901 545 912 20	trim frame-half chrome	/R	1							
(15)	901 545 912 28	trim frame-half black	/R	1							

Model	Year	MG	SG	Illustration	Restrictions	UPD	21:30	22.01.2010	PORSCHE	PET	PORSCHE
911	1977	8	05	805-05		248					

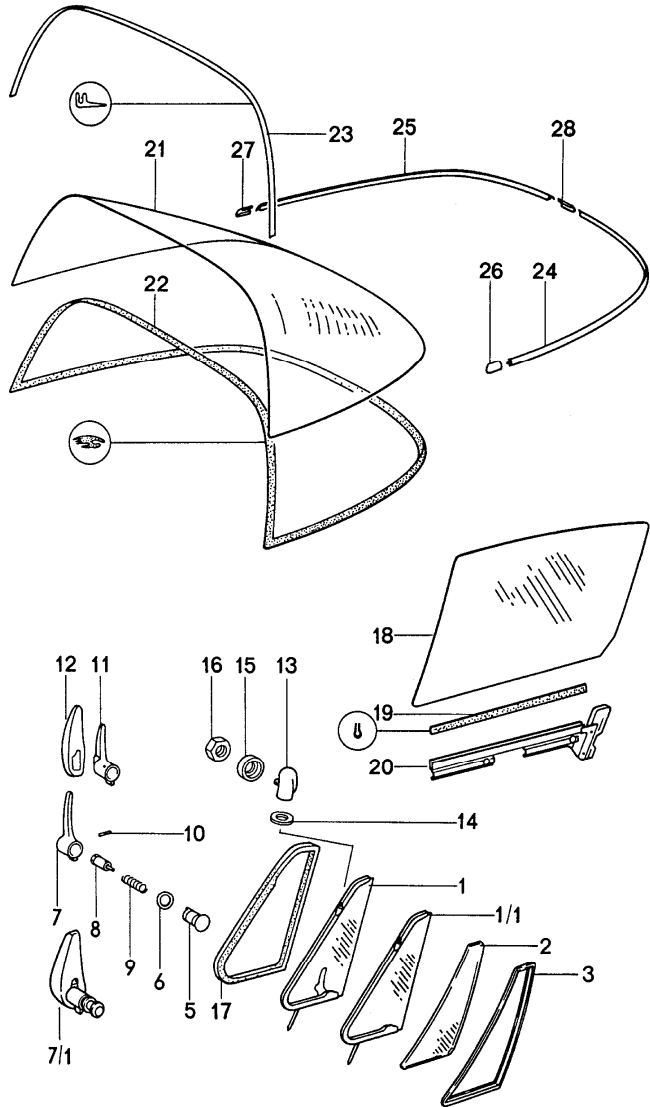


Pos	Part Number	Description	Remark	Qty	Model
		window glazing lateral			COUPE
1	901 543 101 20	side window glass	/L	1	
(1)	901 543 101 30	side window glass tinted	/L	1	
(1)	901 543 102 20	side window glass	/R	1	
(1)	901 543 102 30	side window glass tinted	/R	1	
2	901 543 191 20	sealing frame		2	
3	901 543 015 25	support frame chrome	/L	1	
(3)	901 543 015 28	support frame black	/L	1	
(3)	901 543 016 25	support frame chrome	/R	1	
(3)	901 543 016 28	support frame black	/R	1	
4	901 543 901 20	sealing frame	/L	1	
(4)	901 543 902 20	sealing frame	/R	1	
6	999 911 041 00	edge protection	/L/R	2	
7	901 543 423 00	edge protection		2	
8	901 543 041 21	hinge chrome	/L	1	
(8)	901 543 041 28	hinge black	/L	1	
(8)	901 543 042 21	hinge chrome	/R	1	
(8)	901 543 042 28	hinge black	/R	1	
9	901 543 491 21	desk pad		2	
10	644 543 416 00	threaded bolt chrome		2	
(10)	901 543 416 28	threaded bolt black		2	

Model	Year	MG	SG	Illustration	Restrictions	UPD	21:30	22.01.2010	PORSCHE	PET	PORSCHE
911	1977	8	05	805-05		248					

Pos	Part Number	Description	Remark	Qty	Model	Pos	Part Number	Description	Remark	Qty	Model
11	900 148 023 02	rais. counters. h. tap. s. AM 4 X 15 chrome		6		21	901 543 421 20	spacer 1,5 MM		2	
(11)	900 148 023 07	lens-head screw AM 4 X 15 black		6		22	900 144 009 00	counters. head tapp. screw B 2,9 X 13		12	
12	900 148 002 02	rais. counters. h. tap. s. AM 4 X 6 chrome		2		(22)	900 144 017 07	tapping screw B 2,9 X 13 black		12	
(12)	900 148 002 07	rais. counters. h. tap. s. AM 4 X 6 black		2		23	911 543 101 01	rear window	/L	-74	1 911
(12)	900 148 003 02	rais. counters. h. tap. s. AM 4 X 8 chrome		2		(23)	911 543 101 02	rear window	/L	-74	X 911
(12)	900 148 003 07	rais. counters. h. tap. s. AM 4 X 8 black		2		(23)	911 543 102 01	rear window	/R	-74	1 911
13	644 552 820 03	knob		2		(23)	911 543 102 02	rear window	/R	-74	X 911
14	900 043 002 00	threaded pin M 3 X 4		2		24	911 543 035 00	sealing frame	/L	-74	1 911
15	901 543 493 20	sealing strip		2		(24)	911 543 036 00	sealing frame	/R	-74	1 911
16	900 186 143 07	pan-head screw M 5 X 8 black		8		25	911 543 419 00	moulding	/L	-74	1 911
17	900 025 003 07	washer black	-75	8		(25)	911 543 420 00	moulding	/R	-74	1 911
17	900 025 026 07	washer	76-	8		26	911 543 197 00	moulding	/V/L	-74	1 911
18	901 543 921 25	moulding chrome	/L	1		(26)	911 543 198 00	moulding	/V/R	-74	1 911
18	901 543 921 28	moulding black	/L	1		27	911 543 187 00	covering plate		-74	2 911
(18)	901 543 922 25	moulding chrome	/R	1		28	911 543 185 00	covering plate		-74	2 911
(18)	901 543 922 28	moulding black	/R	1		29	911 543 195 00	moulding	/L	-74	1 911
19	901 543 419 20	spacer 4,0 MM		6		(29)	911 543 196 00	moulding	/R	-74	1 911
20	901 543 422 20	spacer 3,0 MM		2		30	999 911 207 50	sealing strap		*	

Model	Year	MG	SG	Illustration	Restrictions	UPD	21:30	22.01.2010	PORSCHE	PET	PORSCHE
911	1977	8	05	805-10		248					



Pos	Part Number	Description	Remark	Qty	Model
		window glazing			TARGA
		windscreen see group 8/05/00			
(1/1)	911 542 931 00	ventilator window with frame chrome	/L	-76	1
(1/1)	911 542 931 01	ventilator window with frame black	/L	-76	1
(1/1)	911 542 931 02	ventilator window tinted with frame chrome	/L	-76	1
(1/1)	911 542 931 03	ventilator window tinted with frame black	/L	-76	1
1/1	911 542 932 00	ventilator window with frame chrome	/R	-76	1
(1/1)	911 542 932 01	ventilator window with frame black	/R	-76	1
(1/1)	911 542 932 02	ventilator window tinted with frame chrome	/R	-76	1
(1/1)	911 542 932 03	ventilator window tinted with frame black	/R	-76	1
2	911 542 503 40	side window	/L	77-	1
(2)	911 542 503 41	side window tinted	/L	77-	1
(2)	911 542 504 40	side window	/R	77-	1

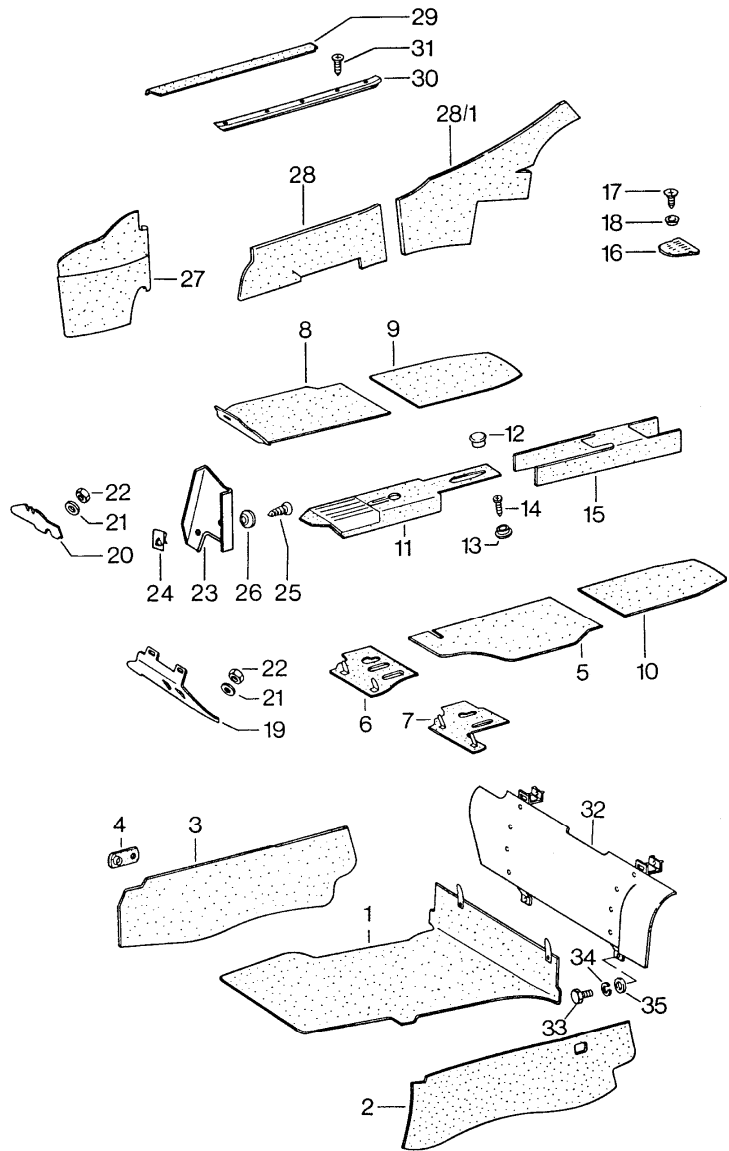
Model	Year	MG	SG	Illustration	Restrictions	UPD	21:30	22.01.2010	PORSCHE	PET	PORSCHE
911	1977	8	05	805-10		248					

Pos	Part Number	Description	Remark	Qty	Model	Pos	Part Number	Description	Remark	Qty	Model
(2)	911 542 504 41	side window tinted	/R	77-	1	(13)	901 542 622 48	bearing upper black	/R	-76	1
3	911 799 542 85	sealing frame		77-	2	14	900 025 002 40	washer 4,3		-76	2
5	901 542 558 21	bearing chrome		-75	2	15	644 542 625 06	spacer		-76	2
(5)	901 542 558 48	bearing black		-76	2	16	900 084 020 02	lock nut M 4		-76	2
6	911 542 556 48	spring washer		-75	2	17	911 542 135 40	sealing frame	/L	-76	1
6	911 542 556 48	spring washer black		-76	2	(17)	911 542 136 40	sealing frame	/R	-76	1
7	901 542 553 21	lever chrome	/L	-75	1	18	901 542 101 40	door window glass	/L		1
(7)	901 542 554 21	lever chrome	/R	-75	1	(18)	901 542 101 45	door window glass tinted	/L		1
(7)	901 542 554 48	lever black	/R	-75	1	(18)	901 542 102 40	door window glass	/R		1
7/1	911 542 037 00	lever with cover	/L	-76	1	(18)	901 542 102 45	door window glass tinted	/R		1
(7/1)	911 542 038 00	lever with cover	/R	76	1	19	911 542 491 40	rubber ply			2
8	901 542 559 20	push button chrome		-75	2	20	901 542 043 43	window lifter rail	/L		1
(8)	901 542 559 48	push button black		-75	2	(20)	901 542 044 43	window lifter rail	/R		1
9	644 542 555 00	compression spring		-75	2	8-20	901 542 011 43	door window glass	/L		1
9	911 542 555 00	compression spring		76	2	18-2	901 542 011 47	door window glass tinted	/L		1
10	900 090 001 00	dowel pin 2 X 12		-76	2	18-2	901 542 012 43	door window glass	/R		1
13	901 542 621 22	bearing upper chrome	/L	-76	1	18-2	901 542 012 47	door window glass	/R		1
(13)	901 542 621 48	bearing upper black	/L	-76	1	21	911 565 551 03	rear window tinted two-stage heatable 150/300W			1
(13)	901 542 622 22	bearing upper chrome	/R	-76	1	22	911 545 051 41	sealing frame			1
						23	901 565 930 41	gasket			1
						24	901 565 555 40	moulding chrome	/L		1
						(24)	901 565 555 48	moulding black	/L		1

Model	Year	MG	SG	Illustration	Restrictions	UPD	21:30	22.01.2010	PORSCHE	PET	PORSCHE
911	1977	8	05	805-10		248					

Pos	Part Number	Description	Remark	Qty	Model	Pos	Part Number	Description	Remark	Qty	Model
25	901 565 556 40	moulding chrome	/R	1							
(25)	901 565 556 48	moulding black	/R	1							
26	901 565 561 40	moulding end chrome	/L	1							
(26)	901 565 561 48	moulding end black	/L	1							
27	901 565 562 40	moulding end chrome	/R	1							
(27)	901 565 562 48	moulding end black	/R	1							
28	644 541 921 06	covering plate chrome		1							
(28)	911 541 921 28	covering plate black		1							

Model	Year	MG	SG	Illustration	Restrictions	UPD	21:30	22.01.2010	PORSCHE	PET	PORSCHE
911	1977	8	07	807-00		248					



Pos	Part Number	Description	Remark	Qty	Model
		lining inner front			
1	A 911 551 045 02	front-compartment carpet		-76	1
1	911 551 045 04	front-compartment carpet			1 911/911S
(1)	911 551 045 03	front-compartment carpet brake booster		77-	1 911/911S CARRERA 3.0
2	911 551 049 00	front boot side wall	/L	-76	1
2	911 551 049 02	front boot side wall	/L	77-	1
3	911 551 050 00	front boot side wall	/R	-75	1
3	911 551 050 00	front boot side wall	/R	76-	1
(3)	911 551 050 01	front boot side wall	/R	77-	1
4	911 503 075 00	desk pad			6
5	911 551 021 00	carpet front velour pile state colour of carpet	/LL/L		1 COUPE
(5)	911 551 021 01	carpet front velour pile state colour of carpet	/LL/L	76-	1 SPM
5	911 551 011 02	carpet front nylon velour indicate colour	/LL/L	-75	1 COUPE
(5)	905 551 011 27	carpet front nylon velour indicate colour	/LL/L	-75	1 SPM
5	911 551 011 00	carpet front special velour indicate colour		-76	1 911
5	911 551 011 00	carpet front special velour indicate colour		76	1 911S
5	911 551 011 00	carpet front special velour indicate colour	/LL/L	-74	1 COUPE

Model	Year	MG	SG	Illustration	Restrictions	UPD	21:30	22.01.2010	PORSCHE	PET	PORSCHE
911	1977	8	07	807-00		248					

Pos	Part Number	Description	Remark	Qty	Model	Pos	Part Number	Description	Remark	Qty	Model
(5)	905 551 011 26	carpet front special velour indicate colour	/LL/L	-75	1 SPM	6	911 551 015 01	floorboard carpet nylon velour indicate colour	/LL/L	-75	1 COUPE
(5)	911 551 011 11	carpet front special velour indicate colour	/LL/L	76	1 SPM	(6)	911 551 016 01	floorboard carpet nylon velour indicate colour	/RL/R	-75	1 COUPE
(5)	911 551 011 06	carpet front velour pile indicate colour	/RL/L		1 COUPE	(6)	911 551 017 02	floorboard carpet air conditioner nylon velour indicate colour	/RL/R	-75	1 COUPE
(5)	911 551 011 04	carpet air conditioner front velour pile indicate colour	/RL/L	-76	1 COUPE	6	911 551 015 00	floorboard carpet special velour indicate colour	/LL/L	-75	1 COUPE
(5)	911 551 011 08	carpet air conditioner front velour pile indicate colour	/RL/L	77-	1 COUPE	6	911 551 015 04	floorboard carpet special velour indicate colour	/LL/L	76	1 COUPE
(5)	911 551 011 03	carpet front nylon velour indicate colour	/RL/L	-75	1 COUPE	(6)	911 551 016 00	floorboard carpet special velour indicate colour	/RL/R	-75	1 COUPE
(5)	911 551 011 07	carpet air conditioner front nylon velour indicate colour	/RL/L	-75	1 COUPE	(6)	911 551 016 10	floorboard carpet special velour indicate colour	/RL/R	76	1 COUPE
(5)	911 551 011 01	carpet special velour indicate colour	/RL/L	-76	1 COUPE	(6)	911 551 017 01	floorboard carpet air conditioner special velour indicate colour	/RL/R	-75	1 COUPE
(5)	911 551 011 05	carpet air conditioner special velour indicate colour	/RL/L	-76	1 COUPE	7	905 551 015 03	floorboard carpet nylon velour indicate colour	/LL/L	-75	1 SPM
6	911 551 015 02	floorboard carpet velour pile state colour of carpet	/LL/L		1 COUPE	(7)	905 551 016 03	floorboard carpet nylon velour indicate colour	/RL/R	-75	1 SPM
(6)	911 551 016 08	floorboard carpet velour pile state colour of carpet	/RL/R		1 COUPE	(7)	905 551 016 05	floorboard carpet air conditioner nylon velour indicate colour	/RL/R	-75	1 SPM
						(7)	911 551 017 03	floorboard carpet air conditioner nylon velour indicate colour	/RL/R	76	1 SPM
						(7)	911 551 017 04	floorboard carpet air conditioner nylon velour indicate colour	/RL/R	77-	1 SPM

Model	Year	MG	SG	Illustration	Restrictions	UPD	21:30	22.01.2010	PORSCHE	PET	PORSCHE
911	1977	8	07	807-00		248					

Pos	Part Number	Description	Remark	Qty	Model	Pos	Part Number	Description	Remark	Qty	Model
7	905 551 015 02	floorboard carpet special velour indicate colour	/LL/L	-75	1 SPM	(8)	911 551 022 01	carpet air conditioner velour pile state colour of carpet	/RL/R	1	COUPE
7	911 551 015 05	floorboard carpet special velour indicate colour	/LL/L	76	1 SPM	8	911 551 012 04	carpet nylon velour indicate colour	/LL/R	-75	1 COUPE
(7)	905 551 016 02	floorboard carpet special velour indicate colour	/RL/R	-75	1 SPM	(8)	911 551 012 07	carpet air conditioner nylon velour indicate colour	/LL/R	-75	1 COUPE
(7)	911 551 016 11	floorboard carpet special velour indicate colour	/RL/R	76	1 SPM	(8)	911 551 012 05	carpet nylon velour indicate colour	/RL/R	-75	1 COUPE
(7)	905 551 016 04	floorboard carpet air conditioner special velour indicate colour	/RL/R	-75	1 SPM	(8)	911 551 012 09	carpet air conditioner nylon velour indicate colour	/RL/R	-75	1 COUPE
(7)	911 551 016 12	floorboard carpet air conditioner special velour indicate colour	/RL/R	76	1 SPM	8	911 551 012 02	carpet special velour indicate colour	/LL/R	-76	1 COUPE
(7)	911 551 015 03	floorboard carpet velour pile state colour of carpet	/LL/L	76	1 SPM	(8)	911 551 012 06	carpet air conditioner special velour indicate colour	/LL/R	-76	1 COUPE
(7)	911 551 015 06	floorboard carpet velour pile state colour of carpet	/LL/L	77-	1 SPM	(8)	911 551 012 03	carpet special velour indicate colour	/RL/R	-75	1 COUPE
(7)	911 551 016 06	floorboard carpet velour pile state colour of carpet	/RL/R	76-	1 SPM	(8)	911 551 012 12	carpet special velour indicate colour	/RL/R	76	1 COUPE
(7)	911 551 016 07	floorboard carpet air conditioner velour pile state colour of carpet	/RL/R	76-	1 SPM	(8)	911 551 012 08	carpet air conditioner special velour indicate colour	/RL/R	-75	1 COUPE
(8)	911 551 012 10	carpet velour pile state colour of carpet	/LL/R		1 COUPE	(8)	911 551 012 13	carpet air conditioner special velour indicate colour	/RL/R	76	1 COUPE:SPM
(8)	911 551 012 11	carpet air conditioner velour pile state colour of carpet	/LL/R		1 COUPE	(9)	911 551 014 04	carpet velour pile state colour of carpet	/H/R		1
(8)	911 551 022 00	carpet velour pile state colour of carpet	/RL/R		1 COUPE	9	911 551 014 03	carpet nylon velour indicate colour	/H/R	-75	1

Model	Year	MG	SG	Illustration	Restrictions	UPD	21:30	22.01.2010	PORSCHE	PET	PORSCHE
911	1977	8	07	807-00		248					

Pos	Part Number	Description	Remark	Qty	Model	Pos	Part Number	Description	Remark	Qty	Model
9	911 551 014 02	carpet special velour indicate colour	/H/R	-76	1	(11)	911 551 411 39	carpet for tunnel with POS.15 velour pile state colour of carpet	77-	1	
(10)	911 551 013 03	carpet velour pile state colour of carpet	/H/L		1	12	999 591 801 17	push button for carpet	-76	2	
10	911 551 013 02	carpet nylon velour indicate colour	/H/L	-75	1	13	999 591 805 12	push button	-76	2	
10	911 551 013 01	carpet special velour indicate colour	/H/L	-76	1	14	900 145 043 00	tapping screw B 3,5 X 9,5	-76	2	
(11)	911 551 411 35	carpet for tunnel velour pile state colour of carpet	/V	76	1	(15)	911 551 413 04	carpet for tunnel velour pile state colour of carpet	/H	-76	1
(11)	911 551 411 38	carpet for tunnel velour pile state colour of carpet	/V	-76	1 SPM	15	911 551 413 03	carpet for tunnel nylon velour indicate colour	/H	-75	1
11	911 551 411 10	carpet for tunnel nylon velour indicate colour	/V	-75	1	(16)	911 504 008 02	lid tunnel velour pile state colour of carpet	/H		1
(11)	911 551 411 18	carpet for tunnel nylon velour indicate colour	/V	-75	1 SPM	(16)	911 504 008 01	lid nylon velour indicate colour	/H	-75	1
(11)	911 551 411 09	carpet for tunnel special velour indicate colour	/V	-76	1	16	911 504 008 00	lid tunnel special velour indicate colour	/H		1
(11)	911 551 411 11	carpet for tunnel heating regulator automatic special velour indicate colour	/V	-76	1	17	900 143 019 07	oval-head sheetmetal screw B 4,8 X 22			4
(11)	911 551 411 23	carpet for tunnel heating regulator automatic special velour indicate colour	/V	-76	1 SPM	18	900 031 006 07	washer 5,3			4
(11)	911 551 411 29	carpet for tunnel with POS.15 special velour indicate colour		-76	1	19	911 551 063 00	pedal floor board	/LL/L	-75	1 COUPE
						19	911 551 063 02	pedal floor board	/LL/L		1 911/911S CARRERA 3.0
						19	911 551 063 04	pedal floor board	/LL/L	77-	1 COUPE
						(19)	901 551 061 23	floorboard	/LL/L		1 COUPE
						(19)	911 551 063 01	pedal floor board	/LL/L	-76	1 SPM
						(19)	911 551 063 03	pedal floor board	/LL/L	77-	1 SPM

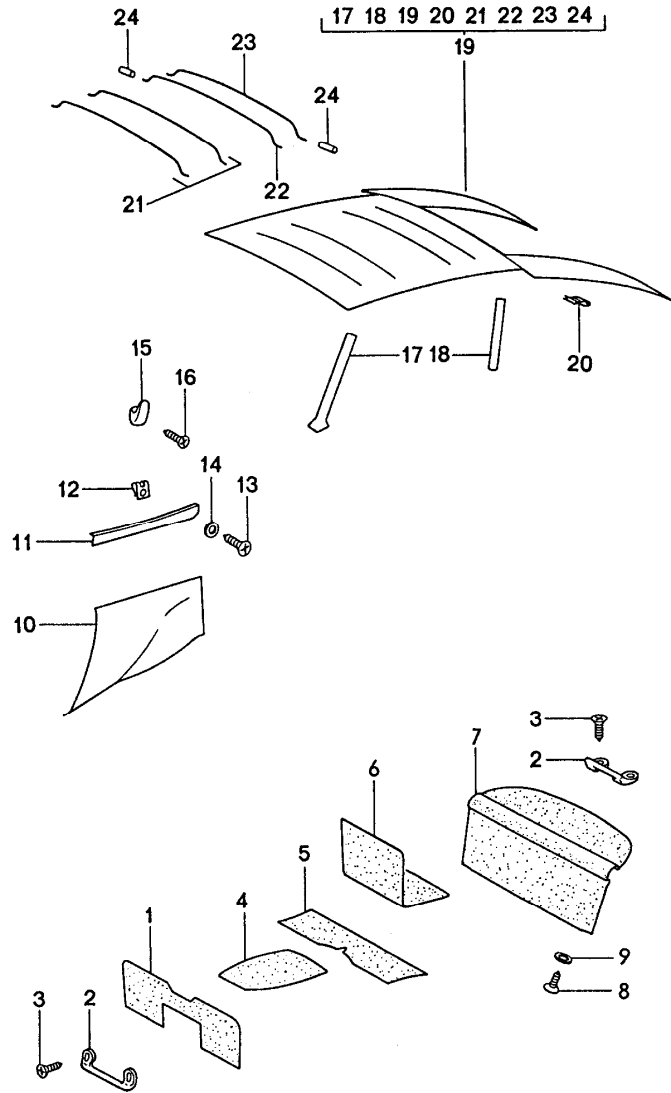
Model	Year	MG	SG	Illustration	Restrictions	UPD	21:30	22.01.2010	PORSCHE	PET	PORSCHE
911	1977	8	07	807-00		248					

Pos	Part Number	Description	Remark	Qty	Model	Pos	Part Number	Description	Remark	Qty	Model
20	901 551 064 22	floorboard	/LL/R	1		27	911 551 042 05	carpet wheel housing velour pile state colour of carpet	/LL/R	1	
(20)	901 551 062 24	pedal floor board	/RL/R	-75	1 COUPE						
(20)	911 551 062 20	pedal floor board		76 76	1 911/911S CARRERA 3.0	(27)	911 551 042 06	carpet wheel housing velour pile state colour of carpet	/RL/R	1	
(20)	911 551 062 21	pedal floor board	/RL/R	77-	1 COUPE						
(20)	905 551 062 24	pedal floor board	/RL/R	-75	1 SPM	(27)	911 551 041 02	carpet wheel housing nylon velour indicate colour	/V/L	-75	1
(20)	905 551 062 26	pedal floor board	/RL/R	76-	1 SPM						
(20)	911 551 061 44	pedal floor board air conditioner	/RL	-76	1 COUPE						
(20)	911 551 075 01	floorboard air conditioner	/RL	77-	1 COUPE	27	911 551 042 03	carpet wheel housing nylon velour indicate colour	/LL/R	-75	1
-	911 573 067 37	bracket pedal floor board air conditioner	/RL	1		(27)	911 551 042 04	carpet wheel housing nylon velour indicate colour	/RL/R	-75	1
-	900 119 025 02	pan-head screw M 5 X 15	/RL	1	COUPE	(27)	911 551 041 01	carpet wheel housing special velour indicate colour	/V/L	-76	1
-	901 423 368 00	washer	/RL	1	COUPE						
21	N 042 121 3	shake-proof washer A 6,4		1	COUPE						
22	900 076 010 02	hexagon nut M 6		1	COUPE	27	911 551 042 01	carpet wheel housing special velour indicate colour	/LL/R	-76	1
23	901 501 950 22	foot support	/RL	1	COUPE	(27)	911 551 042 02	carpet wheel housing special velour indicate colour	/RL/R	-76	1
(23)	911 501 950 02	foot support air conditioner	/RL	1	COUPE						
(23)	911 501 950 03	foot support air conditioner	/RL	1	SPM	(28)	911 551 031 02	carpet door sill velour pile state colour of carpet	/L		1
24	N 015 429 2	speed nut B 4,2	/RL	2							
25	900 145 044 00	oval-head sheetmetal screw B 4,2 X 22	/RL	2		28	911 551 032 02	carpet door sill velour pile state colour of carpet	/R		1
26	901 501 958 22	desk pad	/RL	2							
(27)	911 551 041 03	carpet wheel housing velour pile state colour of carpet	/V/L	1		(28)	911 551 031 01	carpet door sill nylon velour indicate colour	/L	-75	1

Model	Year	MG	SG	Illustration	Restrictions	UPD	21:30	22.01.2010	PORSCHE	PET	PORSCHE
911	1977	8	07	807-00		248					

Pos	Part Number	Description	Remark	Qty	Model	Pos	Part Number	Description	Remark	Qty	Model
28	911 551 032 01	carpet door sill nylon velour indicate colour	/R	-75	1	(32)	911 551 067 02	luggage compartment trim for cars without brake booster	77-	1	
(28)	911 551 031 00	carpet door sill special velour indicate colour	/L	-76	1	33	900 075 260 02	hexagon-head bolt M 6 X 16		4	
28/1	911 551 033 02	carpet door sill velour pile state colour of carpet	/H/L		1	34	N 012 007 2	lock ring A 6		4	
28/1	911 551 034 02	carpet door sill velour pile state colour of carpet	/H/R		1	35	900 151 003 02	washer 6,4		4	
28/1	911 551 033 01	carpet door sill nylon velour indicate colour	/H/L	-75	1						
28/1	911 551 034 01	carpet door sill nylon velour indicate colour	/H/R	-75	1						
28/1	911 551 033 00	carpet door sill special velour indicate colour	/H/L	-76	1						
28/1	911 551 034 00	carpet door sill special velour indicate colour	/H/R	-76	1						
(29)	901 551 115 20	scuff plate	/L		1						
29	901 551 116 20	scuff plate	/R		1						
30	901 551 419 50	cover strip			2						
31	900 145 041 00	tapping screw B 3,5 X 16			10						
32	911 551 067 00	luggage compartment trim		-76	1						
(32)	911 551 067 03	luggage compartment trim			1	CARRERA 3.0					
(32)	911 551 067 03	luggage compartment trim for cars with brake booster		77-	1						

Model	Year	MG	SG	Illustration	Restrictions	UPD	21:30	22.01.2010	PORSCHE	PET	PORSCHE
911	1977	8	07	807-05		248					



Pos	Part Number	Description	Remark	Qty	Model
1	911 551 051 03	lining inner rear carpet heel plate velour pile state colour of carpet	-76	1	
1	911 551 051 04	carpet heel plate velour pile state colour of carpet	77-	1	
1	911 551 051 02	carpet heel plate nylon velour indicate colour	-75	1	
1	911 551 051 01	carpet heel plate special velour indicate colour	-76	1	
2	477 885 761	retaining bar		4	
3	900 270 049 07	countersunk-head screw AM 5 X 20	-75	8	
3	900 270 049 07	countersunk-head screw AM 5 X 20	76-	8	
4	911 551 423 04	carpet seat well centre velour pile state colour of carpet		1	
4	911 551 423 03	carpet seat well centre nylon velour indicate colour	-75	1	
4	911 551 423 02	carpet seat well centre special velour indicate colour		1	
5	911 551 054 03	carpet seat well velour pile state colour of carpet	/H	1	

Model	Year	MG	SG	Illustration	Restrictions	UPD	21:30	22.01.2010	PORSCHE	PET	PORSCHE
911	1977	8	07	807-05		248					

Pos	Part Number	Description	Remark	Qty	Model	Pos	Part Number	Description	Remark	Qty	Model
5	911 551 054 02	carpet seat well nylon velour indicate colour	/H	-75	1	(7)	911 555 075 03	back wall lining cloth leatherette indicate colour		1	
5	911 551 054 01	carpet seat well special velour indicate colour	/H	-76	1	(7)	911 555 075 72	back wall lining leather indicate colour	-75	1	
(6)	911 522 061 02	carpet back seat backrest velour pile state colour of carpet	/L		1	(7)	911 645 007 07	back wall lining stereo rear loudspeaker leatherette indicate colour	-75	1	
6	911 522 062 02	carpet back seat backrest velour pile state colour of carpet	/R		1	(7)	911 645 007 71	back wall lining stereo rear loudspeaker leather indicate colour	-75	1	
(6)	911 522 061 01	carpet back seat backrest nylon velour indicate colour	/L	-75	1	(7)	911 555 075 09	back wall lining cloth leather indicate colour	76-	1	
6	911 522 062 01	carpet back seat backrest nylon velour indicate colour	/R	-75	1	(7)	911 555 075 06	back wall lining leatherette quilted indicate colour	76-	1	
(6)	911 522 061 00	carpet back seat backrest special velour indicate colour	/L	-76	1	(7)	911 645 007 12	back wall lining stereo rear loudspeaker leatherette quilted indicate colour	76-	1	
6	911 522 062 00	carpet back seat backrest special velour indicate colour	/R	-76	1	(7)	911 645 007 80	back wall lining stereo rear loudspeaker leather quilted indicate colour	76-	1	
7	911 555 075 02	back wall lining leatherette not quilted indicate colour		-76	1	(7)	911 555 075 80	back wall lining leather quilted indicate colour	76-	1	
(7)	911 645 007 09	back wall lining stereo rear loudspeaker leatherette not quilted indicate colour		76	1	911/911S	picture 7	(AUS)			
(7)	911 555 075 03	back wall lining cloth leatherette indicate colour		-75	1	JUBI	(7) 911 555 075 04	back wall lining cloth leatherette indicate colour	-76	1	

Model	Year	MG	SG	Illustration	Restrictions	UPD	21:30	22.01.2010	PORSCHE	PET	PORSCHE
911	1977	8	07	807-05		248					

Pos	Part Number	Description	Remark	Qty	Model	Pos	Part Number	Description	Remark	Qty	Model
(7)	911 555 075 12	back wall lining cloth leatherette indicate colour	77-	1		(7)	911 645 007 15	back wall lining stereo rear loudspeaker leatherette not quilted indicate colour	76	1	911/911S
(7)	911 555 075 07	back wall lining leatherette quilted indicate colour	76	1	CARRERA 3.0	(7)	911 645 007 16	back wall lining stereo rear loudspeaker leatherette quilted indicate colour	76	1	911/911S CARRERA 3.0
(7)	911 555 075 11	back wall lining leatherette quilted indicate colour	77-	1		(7)	911 645 007 17	back wall lining stereo rear loudspeaker leatherette quilted indicate colour	77-	1	
(7)	911 555 075 08	back wall lining leatherette not quilted indicate colour	76	1	911/911S	(7)	930 645 007 80	back wall lining stereo rear loudspeaker leather quilted indicate colour	77-	1	
(7)	911 555 075 10	back wall lining cloth leather indicate colour	76	1		(7)	930 645 007 81	back wall lining stereo rear loudspeaker cloth leather indicate colour	77-	1	
(7)	911 555 075 87	back wall lining cloth leather indicate colour	77-	1		(7)	911 645 007 82	back wall lining stereo rear loudspeaker leather quilted indicate colour	76	1	911/911S CARRERA 3.0
(7)	911 555 075 74	back wall lining leather indicate colour	-75	1		8	900 145 072 07	tapping screw B 3,5 X 22		2	
(7)	911 555 075 82	back wall lining leather quilted indicate colour	76	1		(8)	900 145 082 07	tapping screw B 3,5 X 38 for stereo rear loudspeaker		2	
(7)	911 555 075 86	back wall lining leather quilted indicate colour	77-	1		9	999 591 102 07	protection washer		2	
(7)	911 645 007 14	back wall lining stereo rear loudspeaker cloth leatherette indicate colour	76	1	911/911S CARRERA 3.0	(10)	911 555 071 05	side trim panel leatherette indicate colour	/L	1	
(7)	911 645 007 18	back wall lining stereo rear loudspeaker cloth leatherette indicate colour	77-	1		10	911 555 072 05	side trim panel leatherette indicate colour	/R	1	

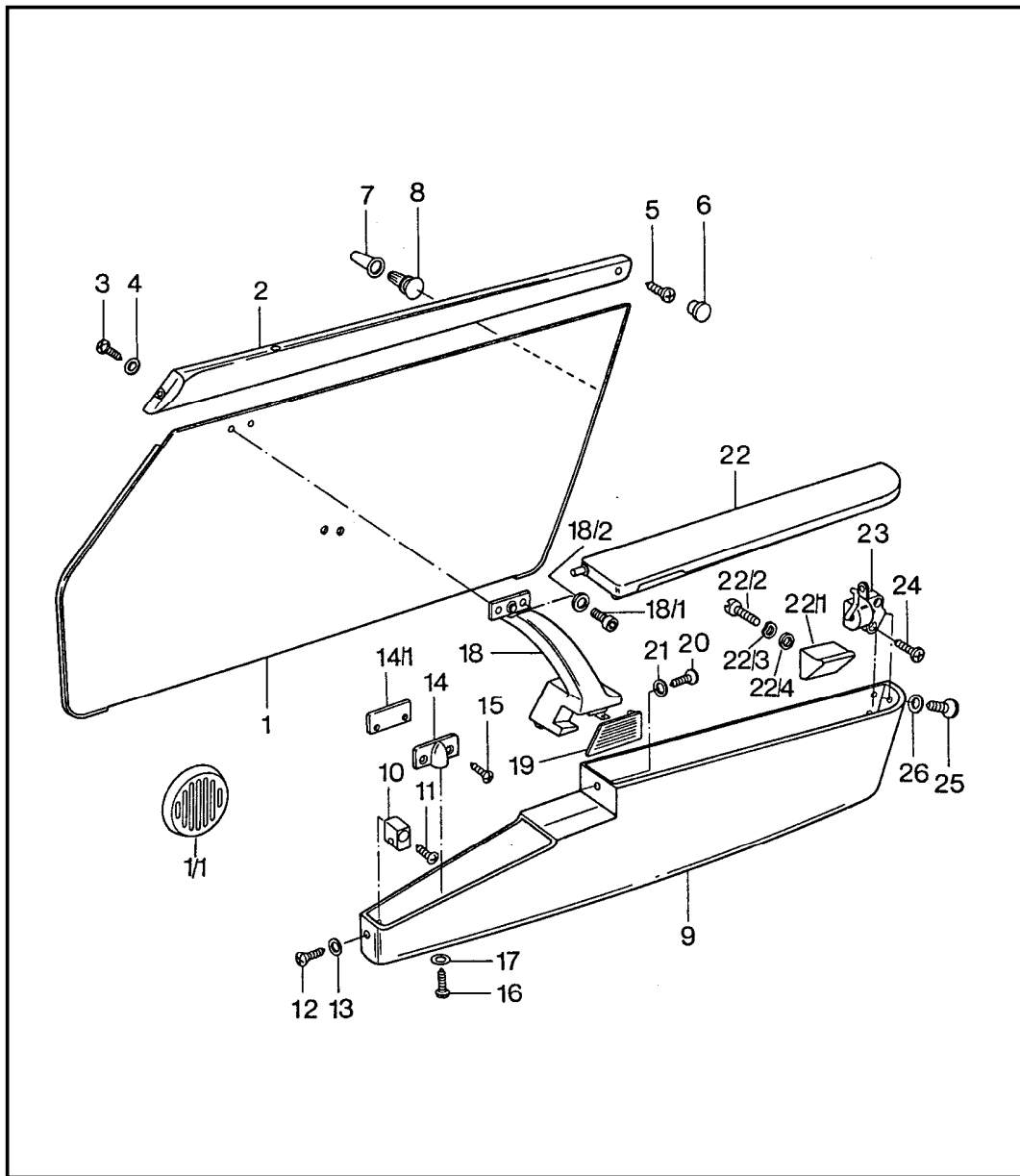
Model	Year	MG	SG	Illustration	Restrictions	UPD	21:30	22.01.2010	PORSCHE	PET	PORSCHE
911	1977	8	07	807-05		248					

Pos	Part Number	Description	Remark	Qty	Model	Pos	Part Number	Description	Remark	Qty	Model
(10)	911 555 071 07	side trim panel cloth indicate colour	/L	1		-	911 555 758 70	cover lock pillar leather indicate colour	/R	1	
10	911 555 072 07	side trim panel cloth indicate colour	/R	1		(11)	911 555 091 00	rear cover moulding leatherette indicate colour	/L	1	
(10)	911 555 071 74	side trim panel leather indicate colour	/L	1		11	911 555 092 00	rear cover moulding leatherette indicate colour	/R	1	
10	911 555 072 74	side trim panel leather indicate colour	/R	1		(11)	911 555 091 70	rear cover moulding leather *FARBE ANGEBEN	/L M	1	
		picture (10)	(AUS)			11	911 555 092 70	rear cover moulding leather *FARBE ANGEBEN		1	
(10)	911 555 071 08	side trim panel leatherette indicate colour	/L	77-	1	12	999 591 338 02	speed nut		4	
(10)	911 555 072 08	side trim panel leatherette indicate colour	/R	77-	1	13	900 145 071 07	tapping screw B 3,5 X 13		6	
(10)	911 555 071 79	side trim panel cloth indicate colour	/L	77-	1	14	999 591 116 07	cone washer		6	
(10)	911 555 072 79	side trim panel cloth indicate colour	/R	77-	1	15	901 552 870 40	coat hook		2	
(10)	911 555 071 80	side trim panel leather indicate colour	/L	77-	1	(15)	477 857 375 A	support for seatbelt	(AUS)	2	
(10)	911 555 072 80	side trim panel leather indicate colour	/R	77-	1		01C	black			
	911 555 757 00	cover lock pillar leatherette indicate colour	/L	1		16	900 250 007 02	tapping screw AM 5 X 12		2	
	911 555 758 00	cover lock pillar leatherette indicate colour	/R	1		17	901 555 507 20	lining windscreen frame part		2	
	911 555 757 70	cover lock pillar leather indicate colour	/L	1		18	901 555 505 20	lining door pillar		2	
						19	911 555 055 01	roof lining beige not for sunroof		1	
						(19)	911 555 055 02	roof lining black not for sunroof		1	

Model	Year	MG	SG	Illustration	Restrictions	UPD	21:30	22.01.2010	PORSCHE	PET	PORSCHE
911	1977	8	07	807-05		248					

Pos	Part Number	Description	Remark	Qty	Model	Pos	Part Number	Description	Remark	Qty	Model
(19)	911 555 055 11	roof lining beige with picture 17 - 20 for sunroof		1							
(19)	911 555 055 12	roof lining black with picture 17 - 20 for sunroof		1							
20	999 591 336 01	fastening clamp	/H	5							
(20)	999 591 342 02	u-clamp	/V	5							
21	901 555 511 20	transverse strut 1 + 2		2							
22	901 555 512 20	transverse strut 3		1							
23	901 555 513 20	transverse strut 4		1							
24	644 555 515 00	rubber profile		8							

Model	Year	MG	SG	Illustration	Restrictions	UPD	21:31	22.01.2010	PORSCHE	PET	PORSCHE
911	1977	8	07	807-10		248					



Pos	Part Number	Description	Remark	Qty	Model
		door trim panel			
(1)	911 555 031 06	door trim panel leatherette indicate colour	/L	-75	1
(1)	911 555 032 06	door trim panel leatherette indicate colour	/R	-75	1
(1)	911 555 031 09	door trim panel with loudspeaker opening leatherette indicate colour	/L	-75	1
(1)	911 555 032 09	door trim panel with loudspeaker opening leatherette indicate colour	/R	-75	1
(1)	911 555 031 75	door trim panel leather indicate colour	/L	-75	1
(1)	911 555 032 75	door trim panel leather indicate colour	/R	-75	1
(1)	911 555 031 15	door trim panel leatherette indicate colour	/L		1 JUBI
(1)	911 555 032 15	door trim panel leatherette indicate colour	/R		1 JUBI
(1)	911 555 031 16	door trim panel leather indicate colour	/L		1 JUBI
(1)	911 555 032 16	door trim panel leather indicate colour	/R		1 JUBI
(1)	911 555 031 07	door trim panel leatherette power window indicate colour	/LL/L	-75	1
(1)	911 555 032 07	door trim panel leatherette power window indicate colour	/LL/R	-75	1

Model	Year	MG	SG	Illustration	Restrictions	UPD	21:31	22.01.2010	PORSCHE	PET	PORSCHE
911	1977	8	07	807-10		248					

Pos	Part Number	Description	Remark	Qty	Model	Pos	Part Number	Description	Remark	Qty	Model
(1)	911 555 031 08	door trim panel leatherette power window indicate colour	/RL/L -75	1		(1)	911 555 031 32	door trim panel cloth power window indicate colour	/LL/L 77-	1	
(1)	911 555 032 08	door trim panel leatherette power window indicate colour	/RL/R -75	1		(1)	911 555 032 32	door trim panel cloth power window indicate colour	/LL/R 77-	1	
(1)	911 555 031 76	door trim panel leather power window with loudspeaker opening indicate colour	/LL/L -76	1		(1)	911 555 031 33	door trim panel cloth power window indicate colour	/RL/L 77-	1	
(1)	911 555 032 76	door trim panel leather power window with loudspeaker opening indicate colour	/LL/R -76	1		(1)	911 555 032 33	door trim panel cloth power window indicate colour	/RL/R 77-	1	
(1)	911 555 031 77	door trim panel leather power window with loudspeaker opening indicate colour	/RL/L -76	1		(1)	911 555 031 28	door trim panel leatherette quilted indicate colour	/L 77-	1	
(1)	911 555 032 77	door trim panel leather power window with loudspeaker opening indicate colour	/RL/R -76	1		(1)	911 555 032 28	door trim panel leatherette quilted indicate colour	/R 77-	1	
(1)	911 555 031 18	door trim panel cloth power window indicate colour	/LL/L -76	1		(1)	911 555 031 22	door trim panel power window leatherette quilted indicate colour	/LL/L 76	1	CARRERA 3.0
(1)	911 555 032 18	door trim panel cloth power window indicate colour	/LL/R -76	1		(1)	911 555 032 22	door trim panel power window leatherette quilted indicate colour	/LL/R 76	1	CARRERA 3.0
(1)	911 555 031 19	door trim panel cloth power window indicate colour	/RL/L 76	1		(1)	911 555 031 29	door trim panel power window leatherette quilted indicate colour	/LL/L 77-	1	
(1)	911 555 032 19	door trim panel cloth power window indicate colour	/RL/R 76	1		(1)	911 555 032 29	door trim panel power window leatherette quilted indicate colour	/LL/R 77-	1	

Model	Year	MG	SG	Illustration	Restrictions	UPD	21:31	22.01.2010	PORSCHE	PET	PORSCHE
911	1977	8	07	807-10		248					

Pos	Part Number	Description	Remark	Qty	Model	Pos	Part Number	Description	Remark	Qty	Model		
(1)	911 555 031 23	door trim panel power window leatherette quilted indicate colour	/RL/L	76	1	CARRERA 3.0	(1)	930 555 032 71	door trim panel power window leather quilted indicate colour	/RL/R	76	1	CARRERA 3.0
(1)	911 555 032 23	door trim panel power window leatherette quilted indicate colour	/RL/R	76	1		(1)	930 555 031 73	door trim panel power window leather quilted indicate colour	/RL/L	77-	1	
(1)	911 555 031 30	door trim panel power window leatherette quilted indicate colour	/RL/L	77-	1		(1)	930 555 032 73	door trim panel power window leather quilted indicate colour	/RL/R	77-	1	
(1)	911 555 032 30	door trim panel power window leatherette quilted indicate colour	/RL/R	77-	1		(1)	911 555 031 81	door trim panel leather quilted indicate colour	/L	76	1	
(1)	930 555 031 70	door trim panel power window leather quilted indicate colour	/LL/L	76	1	CARRERA 3.0	(1)	911 555 032 81	door trim panel leather quilted indicate colour	/R	76	1	
(1)	930 555 032 70	door trim panel power window leather quilted indicate colour	/LL/R	76	1	CARRERA 3.0	(1)	911 555 031 87	door trim panel leather quilted indicate colour	/L	77-	1	
(1)	930 555 031 72	door trim panel power window leather quilted indicate colour	/LL/L	77-	1		(1)	911 555 032 87	door trim panel leather quilted indicate colour	/R	77-	1	
(1)	930 555 032 72	door trim panel power window leather quilted indicate colour	/LL/R	77-	1		(1)	911 555 031 24	door trim panel leatherette not quilted indicate colour	/L	76	1	
(1)	930 555 031 71	door trim panel power window leather quilted indicate colour	/RL/L	76	1	CARRERA 3.0	(1)	911 555 032 24	door trim panel leatherette not quilted indicate colour	/R	76	1	
							(1)	911 555 031 17	door trim panel cloth indicate colour	/L	76	1	
							(1)	911 555 032 17	door trim panel cloth indicate colour	/R	76	1	

Model	Year	MG	SG	Illustration	Restrictions	UPD	21:31	22.01.2010	PORSCHE	PET	PORSCHE
911	1977	8	07	807-10		248					

Pos	Part Number	Description	Remark	Qty	Model	Pos	Part Number	Description	Remark	Qty	Model
(1)	911 555 031 31	door trim panel cloth indicate colour	/L 77-	1			503	brown-beige			
(1)	911 555 032 31	door trim panel cloth indicate colour	/R 77-	1		(2)	911 555 083 48	cover strip leatherette	/RL/L	1	
(1)	911 555 031 25	door trim panel power window leatherette not quilted indicate colour	/LL/L 76	1			7AE	black			
(1)	911 555 032 25	door trim panel power window leatherette not quilted indicate colour	/LL/L 76	1			002	russet			
(1)	911 555 031 26	door trim panel power window leatherette not quilted indicate colour	/RL/L 76	1		(2)	911 555 084 47	cover strip leatherette	/RL/R	1	
(1)	911 555 032 26	door trim panel power window leatherette not quilted indicate colour	/RL/R 76	1			7AE	black			
1/1	911 555 013 00	cover door speaker		2			002	russet			
-	999 507 226 01	clamping washer		6		(2)	911 555 083 72	cover strip leather indicate colour	/LL/L	1	
(2)	911 555 083 47	cover strip leatherette	/LL/L	1		2	911 555 084 73	cover strip leather indicate colour	/LL/R	1	
	7AE	black				(2)	911 555 083 73	cover strip leather indicate colour	/RL/L	1	
	002	russet				(2)	911 555 084 72	cover strip leather indicate colour	/RL/R	1	
	503	brown-beige				3	900 145 071 07	tapping screw B 3,5 X 13		2	
2	911 555 084 48	cover strip leatherette	/LL/R	1		4	999 591 116 07	cone washer		2	
	7AE	black				5	N 013 958 7	tapping screw B 3,5 X 13		2	
	002	russet				6	914 552 233 10	filler piece		2	
						7	999 591 311 40	bush		6	
						8	823 867 299	clip		6	
						(9)	911 555 037 00	package box leatherette indicate colour	/L	1	
						9	911 555 038 00	package box leatherette indicate colour	/R	1	

Model	Year	MG	SG	Illustration	Restrictions	UPD	21:31	22.01.2010	PORSCHE	PET	PORSCHE
911	1977	8	07	807-10		248					

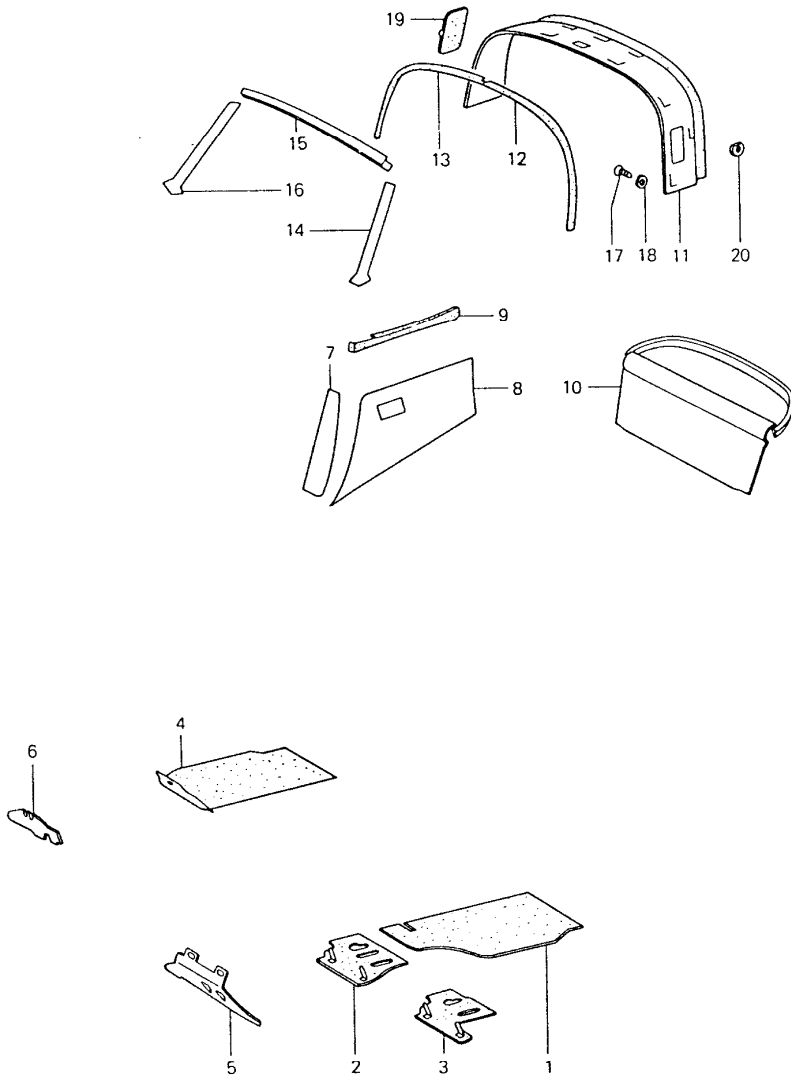
Pos	Part Number	Description	Remark	Qty	Model	Pos	Part Number	Description	Remark	Qty	Model
(9)	911 555 037 02	package box wrapping strap leatherette/ carpet velour pile state colour of carpet	/L 77-	1		-	930 555 040 00	cover package box wrapping strap leather/ carpet velour pile state colour of carpet	/R	1	
(9)	911 555 038 02	package box wrapping strap leatherette/ carpet velour pile state colour of carpet	/R 77-	1		10	911 555 391 00	mounting		2	
(9)	930 555 037 01	package box wrapping strap leather/ carpet velour pile state colour of carpet	/L	1		11	900 143 046 07	tapping screw B 4,8 X 16		2	
(9)	930 555 038 01	package box wrapping strap leather/ carpet velour pile state colour of carpet	/R	1		12	N 014 098 6	tapping screw B 4,8 X 16		2	
-	911 555 029 01	cover package box wrapping strap leatherette/ carpet velour pile state colour of carpet	/L 77-	1		13	999 704 605 07	cone washer	-75	2	
-	911 555 030 01	cover package box wrapping strap leatherette/ carpet velour pile state colour of carpet	/R 77-	1		13	999 704 605 07	cone washer	76-	2	
-	930 555 039 00	cover package box wrapping strap leather/ carpet velour pile state colour of carpet	/L	1		14	911 555 323 00	mounting	-76	6	
						14/1	911 555 333 00	desk pad	-76	6	
						15	900 269 037 07	countersunk-head screw M 4 X 20	-76	12	
						(15)	900 269 058 07	countersunk-head screw M 4 X 25	77-	6	
						-	999 591 103 17	protection washer	77-	6	
						16	900 145 041 00	tapping screw B 3,5 X 16		6	
						17	999 591 102 12	protection washer		6	
						(18)	911 555 097 00	grab handle	/L	1	
						18	911 555 098 00	grab handle	/R	1	
						18/1	N 014 761 2	pan-head screw M 6 X 12		4	
						18/2	900 028 008 01	spring washer B 6		4	
						(19)	911 531 205 00	door opener	/L	1	
						19	911 531 206 00	door opener	/R	1	
						20	900 145 075 07	tapping screw B 4,2 X 16		2	
						21	999 591 102 07	protection washer		2	

Model	Year	MG	SG	Illustration	Restrictions	UPD	21:31	22.01.2010	PORSCHE	PET	PORSCHE
911	1977	8	07	807-10		248					

Pos	Part Number	Description	Remark	Qty	Model	Pos	Part Number	Description	Remark	Qty	Model
(22)	911 555 039 00	lid	/L	1							
22	911 555 040 00	lid	/R	1							
22/1	914 555 059 10	support		2							
22/2	900 146 011 02	oval-head screw AM 4 X 10		2							
22/3	N 012 224 3	spring washer B 4		2							
22/4	900 151 028 02	washer B 4,3		2							
(23)	911 555 045 03	bearing	/L	1							
23	911 555 046 03	bearing	/R	1							
24	900 143 046 07	tapping screw B 4,8 X 16		4							
25	N 014 098 6	tapping screw B 4,8 X 16		2							
26	999 704 605 07	cone washer		2							

Model	Year	MG	SG	Illustration	Restrictions	UPD	21:31	22.01.2010	PORSCHE	PET	PORSCHE
911	1977	8	07	807-15		248					

Pos	Part Number	Description	Remark	Qty	Model
		interior equipment			TARGA
1	911 551 021 40	carpet velour pile state colour of carpet	/LL/L	1	
1	911 551 021 41	carpet velour pile state colour of carpet	/LL/L	1	SPM
(1)	911 551 011 46	carpet velour pile state colour of carpet	/RL/L	1	
(1)	911 551 011 44	carpet air conditioner velour pile state colour of carpet	/RL/L	-76	1
(1)	911 551 011 48	carpet air conditioner velour pile state colour of carpet	/RL/L	77-	1
1	911 551 011 42	carpet nylon velour indicate colour	/LL/L	-75	1
1	905 551 011 47	carpet nylon velour indicate colour	/LL/L	-75	1 SPM
(1)	911 551 011 43	carpet nylon velour indicate colour	/RL/L	-75	1
(1)	911 551 011 47	carpet air conditioner nylon velour indicate colour	/RL/L	-75	1
1	911 551 011 40	carpet special velour indicate colour	/LL/L	-75	1
1	911 551 011 51	carpet special velour indicate colour	/LL/L	76	1
1	905 551 011 46	carpet special velour indicate colour	/LL/L	-75	1 SPM
1	911 551 011 52	carpet special velour indicate colour	/LL/L	76	1 SPM



Model	Year	MG	SG	Illustration	Restrictions	UPD	21:31	22.01.2010	PORSCHE	PET	PORSCHE
911	1977	8	07	807-15		248					

Pos	Part Number	Description	Remark	Qty	Model	Pos	Part Number	Description	Remark	Qty	Model	
(1)	911 551 011 41	carpet special velour indicate colour	/RL/L	-76	1		(4)	911 551 012 48	carpet air conditioner nylon velour indicate colour	/RL/R	-75	1
(1)	911 551 011 45	carpet air conditioner special velour indicate colour	/RL/L		1		4	911 551 012 41	carpet special velour indicate colour	/LL/R	-76	1
2	911 551 015 41	floorboard carpet nylon velour indicate colour	/LL/L	-75	1		(4)	911 551 012 45	carpet air conditioner special velour indicate colour	/LL/R	-76	1
2	911 551 015 43	floorboard carpet special velour indicate colour	/LL/L	-76	1		(4)	911 551 012 42	carpet special velour indicate colour	/RL/R	-75	1
2	911 551 015 42	carpet velour pile state colour of carpet	/LL/L		1		(4)	911 551 012 51	carpet special velour indicate colour	/RL/R	76	1
3	-	see group 8/07/00			1	SPM	(4)	911 551 012 47	carpet special velour indicate colour	/RL/R	-75	1
4	911 551 012 49	carpet velour pile state colour of carpet	/LL/R		1		(4)	911 551 012 52	carpet special velour indicate colour	/RL/R	76	1
(4)	911 551 012 50	carpet air conditioner velour pile state colour of carpet	/LL/R		1		5	911 551 063 40	pedal floor board	/LL/L	-75	1
(4)	911 551 022 40	carpet velour pile state colour of carpet	/RL/R		1		5	911 551 063 43	pedal floor board	/LL/L	76	1
(4)	911 551 022 41	carpet air conditioner velour pile state colour of carpet	/RL/R		1		5	911 551 063 44	pedal floor board	/LL/L	77-	1
4	911 551 012 43	carpet nylon velour indicate colour	/LL/R	-75	1		(5)	911 551 063 41	pedal floor board	/LL/L	-76	1
(4)	911 551 012 46	carpet air conditioner nylon velour indicate colour	/LL/R	-75	1		(5)	911 551 063 42	pedal floor board	/LL/L	77-	1
(4)	911 551 012 44	carpet nylon velour indicate colour	/RL/R	-75	1		(5)	901 551 061 42	floorboard	/RL/L		1
							(5)	911 551 061 43	floorboard air conditioner	/RL/L	-76	1
							(5)	911 551 075 41	floorboard air conditioner	/RL/L	77-	1
							-	900 119 025 02	pan-head screw M 5 X 15	/RL		1
							-	901 423 368 00	washer	/RL		1
							6	901 551 064 42	floorboard	/LL/R		1

Model	Year	MG	SG	Illustration	Restrictions	UPD	21:31	22.01.2010	PORSCHE	PET	PORSCHE
911	1977	8	07	807-15		248					

Pos	Part Number	Description	Remark	Qty	Model	Pos	Part Number	Description	Remark	Qty	Model
(6)	901 551 062 42	pedal floor board	/RL/R -75	1		(8)	911 555 072 48	side trim panel	/R JUBI	1	911/911S CARRERA 2.7
(6)	911 551 062 40	pedal floor board	/RL/R 76	1	911/911S CARRERA 3.0			leatherette indicate colour			
(6)	911 551 062 42	pedal floor board	/RL/R 77-	1				leather see catalogue	78-		
(6)	905 551 062 42	pedal floor board	/RL/R -75	1	SPM	(8)	911 555 071 49	side trim panel leatherette indicate colour	/L (AUS) 77-	1	
(6)	905 551 062 44	floorboard	/RL/R 76-	1	SPM						
7	901 555 023 01	filler piece	/L	1							
(7)	901 555 024 01	filler piece	/R	1		(8)	911 555 072 49	side trim panel leatherette indicate colour	/R (AUS) 77-	1	
-	911 555 757 40	cover lock pillar leatherette indicate colour	/L	1		(8)	911 555 071 81	side trim panel cloth indicate colour	/L (AUS) 77-	1	
-	911 555 758 40	cover lock pillar leatherette indicate colour	/R	1		(8)	911 555 072 81	side trim panel cloth indicate colour	/R (AUS) 77-	1	
-	911 555 757 75	cover lock pillar leather indicate colour	/L	1		(8)	911 555 071 82	side trim panel leather indicate colour	/L (AUS) 77-	1	
-	911 555 758 75	cover lock pillar leather indicate colour	/R	1		(8)	911 555 072 82	side trim panel leather indicate colour	/R (AUS) 77-	1	
(8)	911 555 071 45	side trim panel leatherette indicate colour	/L -74	1		(9)	911 555 091 40	rear cover moulding leatherette indicate colour	/L	1	
8	911 555 072 45	side trim panel leatherette indicate colour	/R -74	1		9	911 555 092 40	rear cover moulding leatherette indicate colour	/R	1	
(8)	911 555 071 47	side trim panel leatherette indicate colour	/L 75-	1		(9)	911 555 091 75	rear cover moulding leather indicate colour	/L	1	
(8)	911 555 071 47	side trim panel leatherette indicate colour	/R 75-	1		9	911 555 092 75	rear cover moulding leather indicate colour	/R	1	
(8)	911 555 071 48	side trim panel leatherette indicate colour	/L JUBI	1	911/911S CARRERA 2.7	10	911 555 075 42	back wall lining leatherette not quilted indicate colour	-76	1	

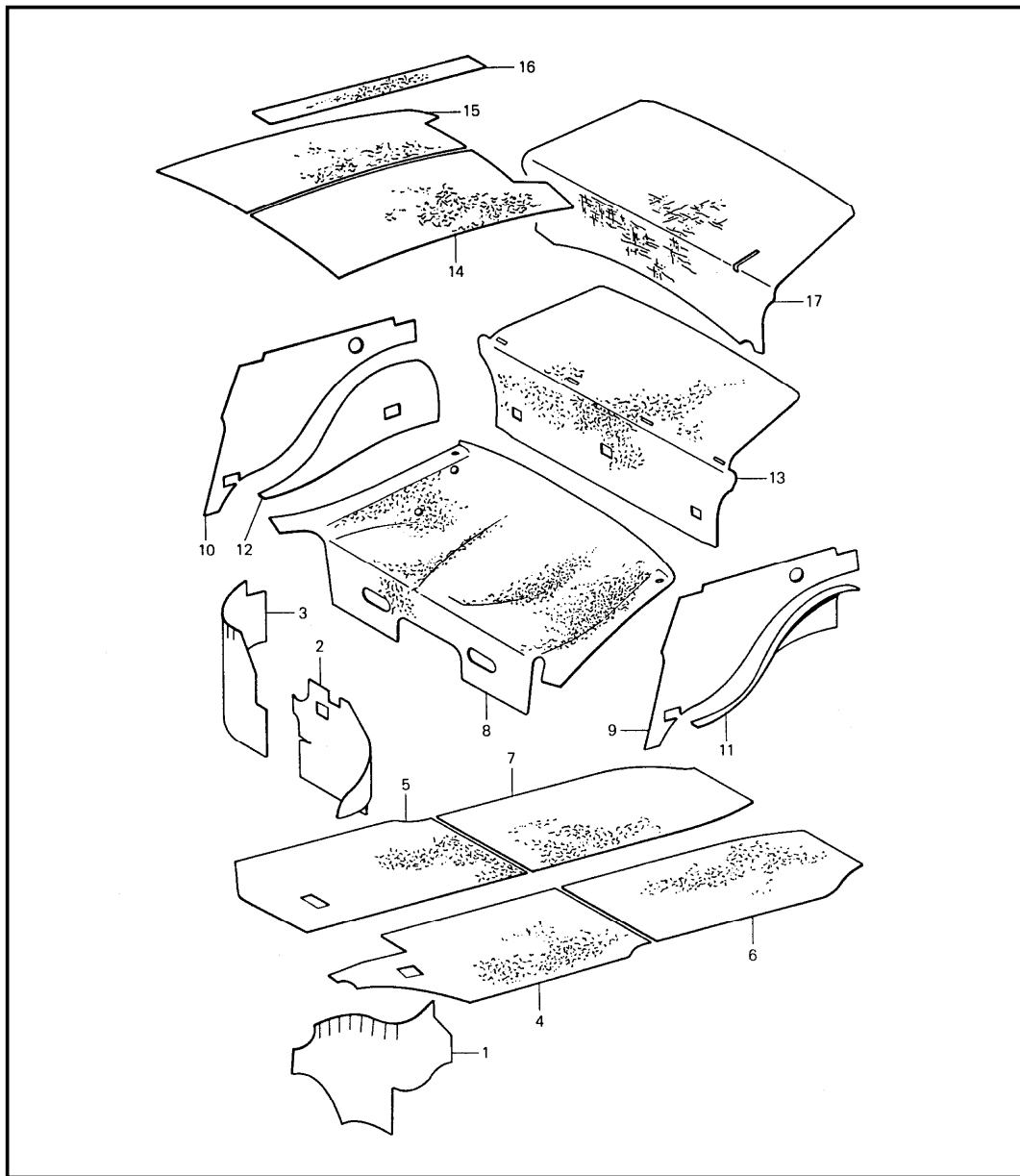
Model	Year	MG	SG	Illustration	Restrictions	UPD	21:31	22.01.2010	PORSCHE	PET	PORSCHE
911	1977	8	07	807-15		248					

Pos	Part Number	Description	Remark	Qty	Model	Pos	Part Number	Description	Remark	Qty	Model
(10)	911 555 075 43	back wall lining leatherette/ cloth indicate colour		1	911/911S CARRERA 2.7 JUBI	(10)	911 555 075 44	back wall lining leatherette/ cloth indicate colour	(AUS)	-76	1
(10)	911 645 007 47	back wall lining stereo rear loudspeaker leatherette indicate colour	-75	1		(10)	911 555 075 52	back wall lining leatherette/ cloth indicate colour	(AUS)	77-	1
(10)	911 645 007 76	back wall lining stereo rear loudspeaker leather indicate colour	-75	1		(10)	911 555 075 47	back wall lining leatherette quilted indicate colour		76	1 911/911S/AUS CARRERA 3.0
(10)	911 555 075 77	back wall lining leather indicate colour	-75	1		(10)	911 555 075 51	back wall lining leatherette quilted indicate colour	(AUS)	77-	1
(10)	911 555 075 43	back wall lining leatherette/ cloth indicate colour	76-	1	911/911S CARRERA 3.0	(10)	911 555 075 48	back wall lining leatherette not quilted indicate colour	(AUS)	76-	1 911/911S
(10)	911 555 075 49	back wall lining leather/ cloth indicate colour	76-	1	911/911S CARRERA 3.0	(10)	911 555 075 50	back wall lining leather/ cloth indicate colour	(AUS)	76	1 911/911S CARRERA 3.0
(10)	911 645 007 49	back wall lining leatherette not quilted stereo rear loudspeaker indicate colour	76-	1	911/911S CARRERA 3.0	(10)	911 555 075 85	back wall lining leather/ cloth indicate colour	(AUS)	77-	1
(10)	911 555 075 46	back wall lining leatherette quilted indicate colour	76-	1		(10)	911 555 075 75	back wall lining leather indicate colour	(AUS)	-75	1
(10)	911 555 075 81	back wall lining leather quilted indicate colour	76-	1		(10)	911 555 075 83	back wall lining leather quilted indicate colour	(AUS)	76	1 911/911S CARRERA 3.0
(10)	911 645 007 42	back wall lining stereo rear loudspeaker leatherette quilted indicate colour	76-	1		(10)	911 555 075 84	back wall lining leather quilted indicate colour	(AUS)	77-	1
(10)	911 645 007 81	back wall lining stereo rear loudspeaker leather quilted indicate colour	76-	1		(10)	911 645 007 41	back wall lining leather/ cloth stereo rear loudspeaker indicate colour	(AUS)	76	1 911/911S CARRERA 3.0

Model	Year	MG	SG	Illustration	Restrictions	UPD	21:31	22.01.2010	PORSCHE	PET	PORSCHE
911	1977	8	07	807-15		248					

Pos	Part Number	Description	Remark	Qty	Model	Pos	Part Number	Description	Remark	Qty	Model
(10)	911 645 007 85	back wall lining leather/ cloth stereo rear loudspeaker indicate colour	(AUS) 77-	1		16	901 555 901 40	lining		1	
						17	N 013 968 7	tapping screw B 4,8 X 13	-74	4	
(10)	911 645 007 44	back wall lining leatherette/ cloth stereo rear loudspeaker indicate colour	(AUS) 76	1	911/911S CARRERA 3.0	17	900 145 032 02	oval-head sheetmetal screw 3,5 X 13	75-	4	911/911S CARRERA 2.7
						18	N 012 225 2	spring washer B 5	-74	4	
(10)	911 645 007 54	back wall lining leatherette/ cloth stereo rear loudspeaker indicate colour	(AUS) 77-	1		18	999 591 010 12	washer 3,5	75-	4	911/911S CARRERA 2.7
						(19)	911 565 157 40	bleeding	/L	1	
						19	911 565 158 40	bleeding	/R	1	
(10)	911 645 007 50	back wall lining leatherette not quilted stereo rear loudspeaker indicate colour	(AUS) 76	1		20	911 565 132 00	filler piece		2	
(10)	911 645 007 51	back wall lining leatherette quilted stereo rear loudspeaker indicate colour	(AUS) 76	1	911/911S CARRERA 3.0						
(10)	911 645 007 53	back wall lining leatherette quilted stereo rear loudspeaker indicate colour	(AUS) 77-	1							
(10)	911 645 007 83	back wall lining leather quilted stereo rear loudspeaker indicate colour	(AUS) 76	1	911/911S CARRERA 3.0						
(10)	911 645 007 84	back wall lining leather quilted stereo rear loudspeaker indicate colour	(AUS) 77-	1							
11	911 565 019 40	interior lining		1							
12	911 565 513 40	padding	/L	1							
13	911 565 514 40	padding	/R	1							
14-	901 555 901 40	lining		1							

Model	Year	MG	SG	Illustration	Restrictions	UPD	21:31	22.01.2010	PORSCHE	PET	PORSCHE
911	1977	8	07	807-20		248					

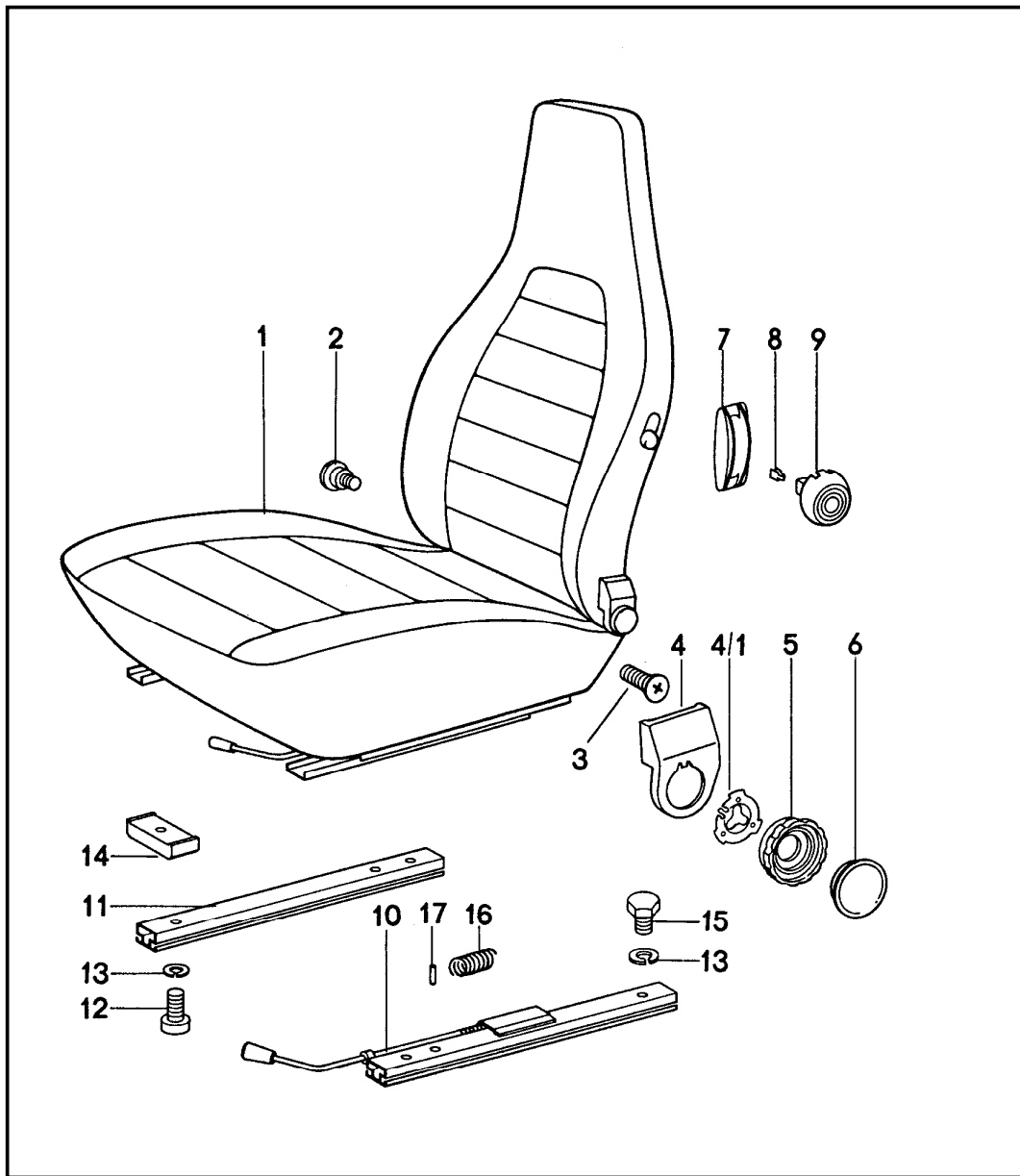


Pos	Part Number	Description	Remark	Qty	Model
		body sound proofing 1			
1	911 556 902 00	damping mat	/V/L	1	COUPE
(1)	911 556 902 00	damping mat	/V/R	1	COUPE
1	911 556 902 00	damping mat wheel housing	/V/L	1	TARGA
2	911 556 902 00	damping mat pedal floor board	/LL/R	1	COUPE
2+3	911 556 902 00	damping mat pedal floor board and wheel housing	/RL/R	1	COUPE
2	911 556 902 00	damping mat pedal floor board	/LL/R	1	TARGA
3	911 556 902 00	damping mat wheel housing	/V/L	1	TARGA
4	911 556 902 00	damping mat	/LL/L	1	COUPE
4	911 556 902 00	damping mat	/RL/L	1	COUPE
4	911 556 902 00	damping mat floor	/LL/L	1	TARGA
5	911 556 902 00	damping mat	/LL/R	1	COUPE
5	911 556 902 00	damping mat	/RL/R	1	COUPE
5	911 556 902 00	damping mat floor	/LL/R	1	TARGA
6	911 556 902 00	damping mat floor	/H/L	1	
7	911 556 902 00	damping mat floor	/H/R	1	
8	911 556 233 00	insulation seat well		1	
9	999 913 006 00	sound absorber	/L	1	COUPE
9	999 913 006 00	sound absorber	/L	1	TARGA
10	999 913 006 00	sound absorber	/R	1	COUPE
10	999 913 006 00	sound absorber wheel housing panel upper	/R	1	TARGA

Model	Year	MG	SG	Illustration	Restrictions	UPD	21:31	22.01.2010	PORSCHE	PET	PORSCHE
911	1977	8	07	807-20		248					

Pos	Part Number	Description	Remark	Qty	Model	Pos	Part Number	Description	Remark	Qty	Model
11	999 913 006 00	sound absorber	/L	1	COUPE						
11	999 913 006 00	sound absorber wheel housing panel lower	/L	1	TARGA						
12	999 913 006 00	sound absorber	/R	1	COUPE						
12	999 913 006 00	sound absorber wheel housing panel lower	/R	1	TARGA						
13	911 556 239 03	insulation for rear panel		1							
14	911 556 023 01	damping mat roof	/L	1	COUPE						
15	911 556 023 01	damping mat roof	/R	1	COUPE						
16	911 556 248 00	damping strip		4	COUPE						
17	911 556 891 01	damping mat for engine compartment	/V	1							
-	999 913 006 00	sound absorber		*							

Model	Year	MG	SG	Illustration	Restrictions	UPD	21:31	22.01.2010	PORSCHE	PET	PORSCHE
911	1977	8	08	808-00		248					



Pos	Part Number	Description	Remark	Qty	Model
		front seat complete			
1	A 911 521 001 57	front seat without contact switch leatherette please state the colour	/L -76	1	
(1)	A 911 521 002 57	front seat without contact switch leatherette please state the colour	/R -76	1	
(1)	A 911 521 001 81	front seat leatherette please state the colour	/L 77-	1	
(1)	A 911 521 002 81	front seat leatherette please state the colour	/R 77-	1	
(1)	A 911 521 001 58	front seat without contact switch cloth leatherette please state the colour	/L -76	1	
(1)	A 911 521 002 58	front seat without contact switch cloth leatherette please state the colour	/R -76	1	
(1)	A 911 521 001 82	front seat cloth leatherette please state the colour	/L 77-	1	
(1)	A 911 521 002 82	front seat cloth leatherette please state the colour	/R 77-	1	
(1)	A 911 521 001 60	front seat without contact switch leather please state the colour	/L -76	1	

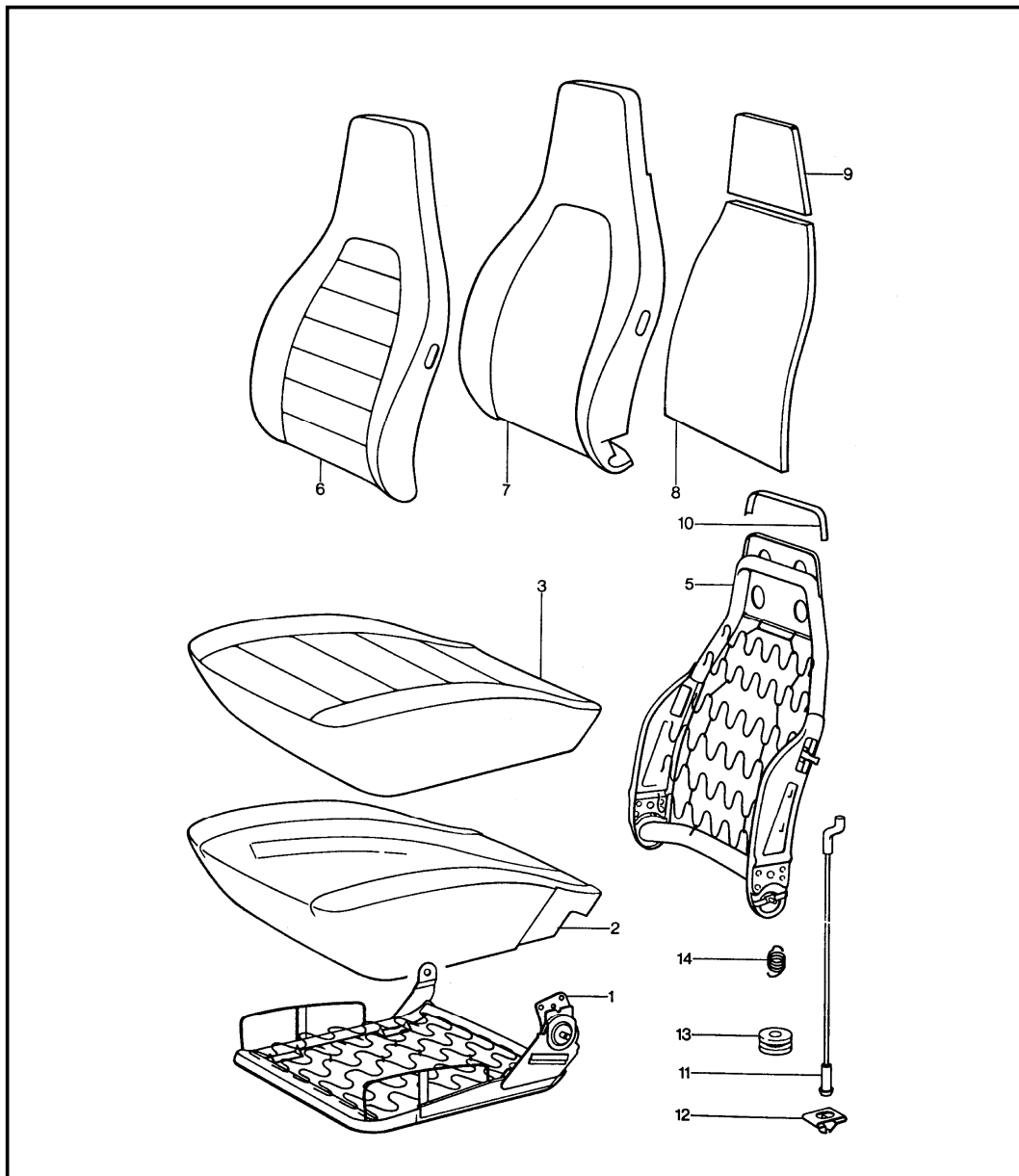
Model	Year	MG	SG	Illustration	Restrictions	UPD	21:31	22.01.2010	PORSCHE	PET	PORSCHE
911	1977	8	08	808-00		248					

Pos	Part Number	Description	Remark	Qty	Model	Pos	Part Number	Description	Remark	Qty	Model
(1)	A 911 521 002 60	front seat without contact switch leather please state the colour	/R	-76	1	(1)	A 911 521 002 85	front seat cloth leather please state the colour	/R	77-	1
(1)	A 911 521 001 84	front seat leather please state the colour	/L	77-	1	2	911 521 371 00	screw			2
(1)	A 911 521 002 84	front seat leather please state the colour	/R	77-	1	3	911 521 543 00	lens-head screw M 8 X 18			4
(1)	A 930 521 001 61	front seat without contact switch cloth leather please state the colour	/L	-76	1	4	A 911 521 359 02	cover	/L		1
(1)	A 930 521 002 61	front seat without contact switch cloth leather please state the colour	/R	-76	1	(4)	A 911 521 360 02	cover	/R		1
(1)	A 930 521 001 20	front seat cloth cloth leather please state the colour	/L	77-	1	(3)	911 521 547 00	hexagon-head bolt M 10 X 20			4
(1)	A 930 521 002 20	front seat cloth cloth leather please state the colour	/R	77-	1	(4)	911 521 359 02	cover	/L		1
(1)	A 911 521 001 83	front seat cloth cloth leatherette please state the colour	/L	77-	1	(4)	911 521 360 02	cover	/R		1
(1)	A 911 521 002 83	front seat cloth cloth leatherette please state the colour	/R	77-	1	4/1	911 521 571 00	tensioning spring			2
(1)	A 911 521 001 85	front seat cloth leather please state the colour	/L	77-	1	5	911 521 381 00	shifting wheel			2
						6	911 521 383 00	cover			2
						7	311 881 607 A	rosette			2
						8	311 881 247	clamp			2
						9	113 881 633 E	control button			2
							01C	satin black			
						10	A 911 521 501 00	seat rail	/L		1
						10	A 928 521 489 02	seat rail	/L		1
						(10)	A 911 521 502 00	seat rail	/R		1
						(10)	A 928 521 490 02	seat rail	/R		1
						-	911 521 533 01	handle for longitudinal adjustment			2
							01C	satin black			
						11	A 944 521 491 00	seat rail			2
						11	944 521 491 00	seat rail see tpi GR.8 NR.34			2
						12	N 014 761 2	pan-head screw M 6 X 12			8

Model	Year	MG	SG	Illustration	Restrictions	UPD	21:31	22.01.2010	PORSCHE	PET	PORSCHE
911	1977	8	08	808-00		248					

Pos	Part Number	Description	Remark	Qty	Model	Pos	Part Number	Description	Remark	Qty	Model
		M 6 X 12									
(12)	900 186 038 02	pan-head screw M 6 X 40		8							
13	N 012 006 4	lock ring B 6		16							
14	911 521 493 00	spacer		8							
15	900 075 057 02	hexagon-head bolt M 6 X 16		8							
16	911 521 535 00	return spring	/L	1							
(16)	911 521 536 00	return spring	/R	1							
17	900 012 123 00	pin A 2,5 X 12		2							

Model	Year	MG	SG	Illustration	Restrictions	UPD	21:31	22.01.2010	PORSCHE	PET	PORSCHE
911	1977	8	08	808-05		248					



Pos	Part Number	Description	Remark	Qty	Model
		front seat single parts			
1	911 521 069 56	seat frame	/L	1	
(1)	911 521 070 56	seat frame	/R	1	
(2)	911 521 385 01	foam part seat cushion without contact switch	/L -76	1	
(2)	911 521 386 01	foam part seat cushion without contact switch	/R -76	1	
(2)	911 521 385 02	foam part seat cushion	/L 77-	1	
(2)	911 521 386 02	foam part seat cushion	/R 77-	1	
3 A	911 521 037 57	cover for cushion leatherette please state the colour	/L -76	1	
(3) A	911 521 038 57	cover for cushion leatherette please state the colour	/R -76	1	
(3) A	911 521 037 10	cover for cushion leatherette please state the colour	/L 77-	1	
(3) A	911 521 038 10	cover for cushion leatherette please state the colour	/R 77-	1	
(3) A	911 521 037 58	cover for cushion cloth leatherette please state the colour	/L -76	1	
(3) A	911 521 038 58	cover for cushion cloth leatherette please state the colour	/R -76	1	
(3) A	911 521 037 11	cover for cushion cloth leatherette please state the colour	/L 77-	1	

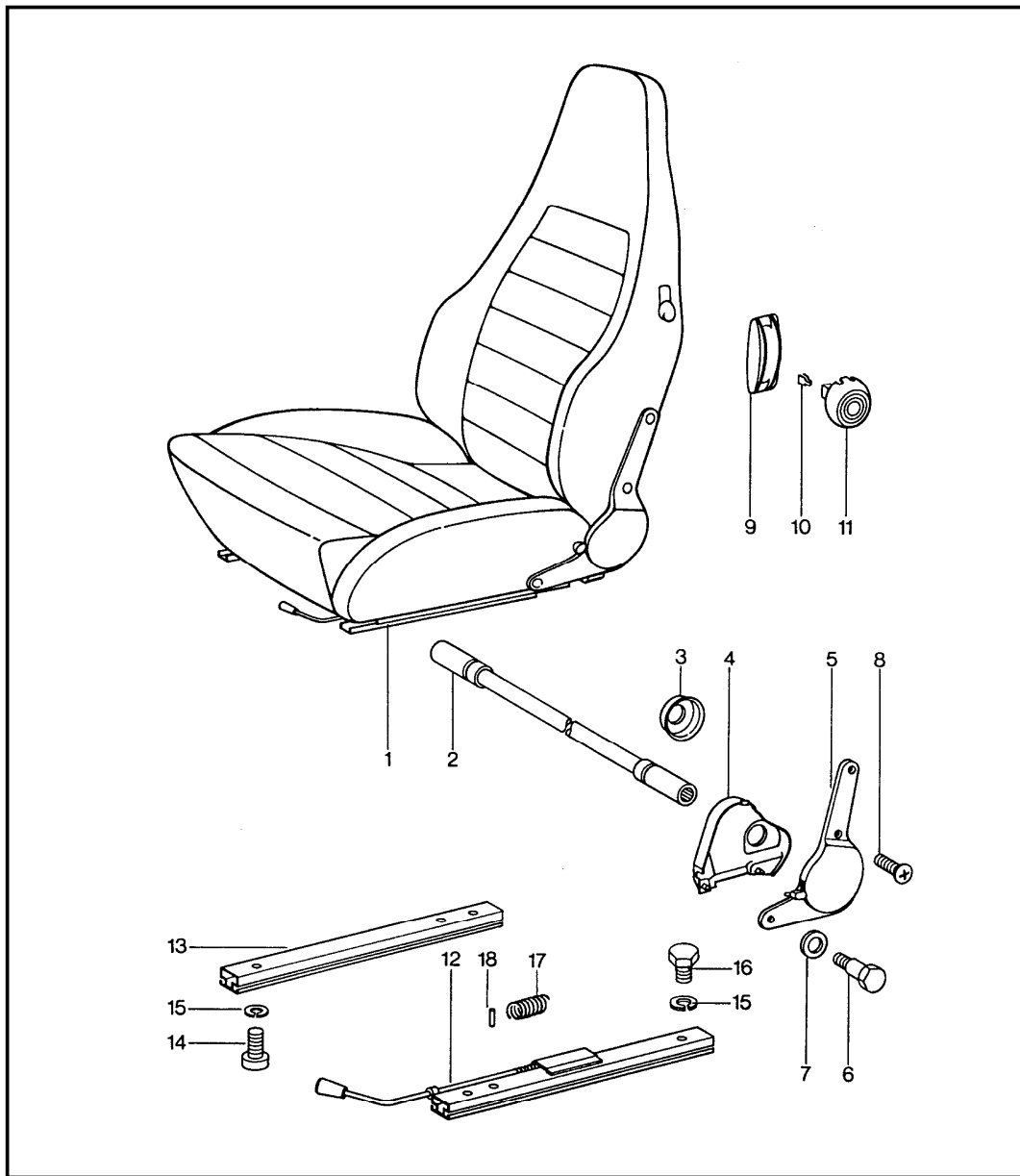
Model	Year	MG	SG	Illustration	Restrictions	UPD	21:31	22.01.2010	PORSCHE	PET	PORSCHE
911	1977	8	08	808-05		248					

Pos	Part Number	Description	Remark	Qty	Model	Pos	Part Number	Description	Remark	Qty	Model
(3)	A 911 521 038 11	cover for cushion cloth leatherette please state the colour	/R 77-	1		(3)	A 911 521 037 14	cover for cushion cloth leatherette please state the colour	/L 77-	1	
(3)	A 911 521 037 12	cover for cushion cloth cloth leatherette please state the colour	/L 77-	1		(3)	A 911 521 038 14	cover for cushion cloth leatherette please state the colour	/R 77-	1	
(3)	A 911 521 038 12	cover for cushion cloth cloth leatherette please state the colour	/R 77-	1		5	911 521 027 57	backrest frame	/L -75	1	
(3)	A 911 521 037 60	cover for cushion leather please state the colour	/L -76	1		(5)	911 521 028 57	backrest frame	/R -75	1	
(3)	A 911 521 038 60	cover for cushion leather please state the colour	/R -76	1		5	911 521 027 58	backrest frame	/L 76-	1	
(3)	A 911 521 037 13	cover for cushion leather please state the colour	/L 77-	1		(5)	911 521 028 58	backrest frame	/R 76-	1	
(3)	A 911 521 038 13	cover for cushion leather please state the colour	/R 77-	1		6	A 911 521 072 57	backrest cover leatherette please state the colour	-76	2	
(3)	A 930 521 037 61	cover for cushion cloth leatherette please state the colour	/L -76	1		6	A 911 521 072 20	backrest cover leatherette please state the colour	77-	2	
(3)	A 930 521 038 61	cover for cushion cloth leatherette please state the colour	/R -76	1		(6)	A 911 521 072 59	backrest cover cloth leatherette please state the colour	-76	2	
(3)	A 930 521 037 10	cover for cushion cloth cloth leather please state the colour	/L 77-	1		(6)	A 911 521 072 21	backrest cover cloth leatherette please state the colour	77-	2	
(3)	A 930 521 038 10	cover for cushion cloth cloth leather please state the colour	/R 77-	1		(6)	A 911 521 072 22	backrest cover cloth cloth leatherette please state the colour	77-	2	
						(6)	A 911 521 072 60	backrest cover leather please state the colour	-76	2	
						(6)	A 911 521 072 23	backrest cover leather please state the colour	77-	2	
						(6)	A 930 521 072 61	backrest cover leather cloth please state the colour	-76	2	

Model	Year	MG	SG	Illustration	Restrictions	UPD	21:31	22.01.2010	PORSCHE	PET	PORSCHE
911	1977	8	08	808-05		248					

Pos	Part Number	Description	Remark	Qty	Model	Pos	Part Number	Description	Remark	Qty	Model
(6)	A 911 521 072 24	backrest cover leather cloth please state the colour	77-	2							
(6)	A 930 521 072 20	backrest cover cloth cloth leather please state the colour	77-	2							
7	911 521 393 00	foam part backrest	/L	-76	1						
(7)	911 521 393 00	foam part backrest	/R	-76	1						
7	911 521 393 02	foam part backrest	/L/R	77-	2						
8	911 521 575 00	cover			2						
9	911 521 435 00	filler piece head rest			2						
-	911 521 437 00	slide 350 X 300			2						
10	999 911 200 40	edge protection profile 210 MM			2						
11	911 521 361 00	wire pull			2						
12	911 521 369 00	terminal			2						
13	911 521 343 00	guide bush			2						
14	311 881 287 A	spring			2						

Model	Year	MG	SG	Illustration	Restrictions	UPD	21:32	22.01.2010	PORSCHE	PET	PORSCHE
911	1977	8	08	808-10		248					

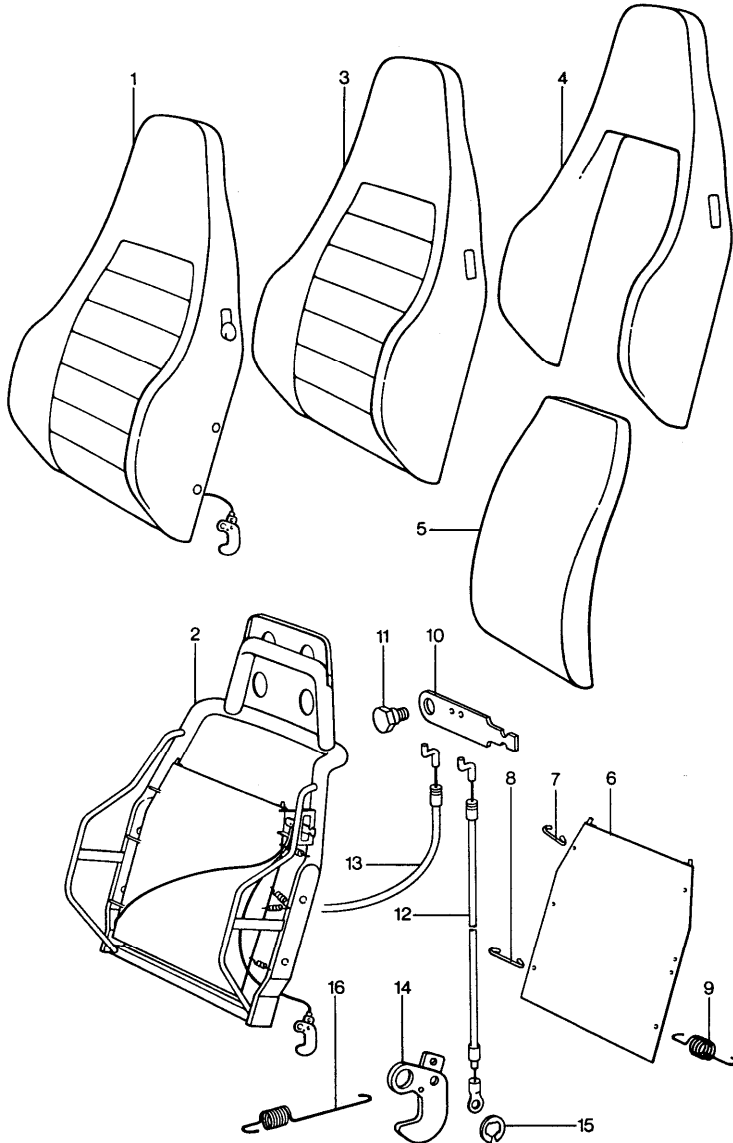


Pos	Part Number	Description	Remark	Qty	Model
		sports seat complete			
1	A 911 521 007 55	sports seat cloth leatherette please state the colour	/L	1	
(1)	A 911 521 008 55	sports seat cloth leatherette please state the colour	/R	1	
(1)	A 911 521 007 56	sports seat leatherette please state the colour	/L	1	
(1)	A 911 521 008 56	sports seat leatherette please state the colour	/R	1	
(1)	A 911 521 007 57	sports seat leather please state the colour	/L	1	
(1)	A 911 521 008 57	sports seat leather please state the colour	/R	1	
2	911 521 045 03	connecting rod		2	
3	911 521 147 01	cap		2	
4	911 521 731 00	inner part	/L	1	
(4)	911 521 732 00	inner part	/R	1	
5	911 521 041 03	reclining seat fitting with lever left seat	/L	1	
(5)	911 521 042 03	reclining seat fitting with lever right seat	/R	1	
(5)	911 521 044 03	reclining seat fitting without lever left seat	/R	1	
(5)	911 521 043 03	reclining seat fitting without lever right seat	/L	1	

Model	Year	MG	SG	Illustration	Restrictions	UPD	21:32	22.01.2010	PORSCHE	PET	PORSCHE
911	1977	8	08	808-10		248					

Pos	Part Number	Description	Remark	Qty	Model	Pos	Part Number	Description	Remark	Qty	Model
6	911 521 695 00	hexagon-head bolt		4							
7	911 521 130 01	washer		4							
8	A 911 521 715 00	rais. counters. h. tap. s.		8							
8	900 270 033 02	rais. counters. h. tap. s. M 8 X 30		8							
9	311 881 607 A	rosette actuating lever		2							
10	311 881 247	clamp		2							
11	A 113 881 633 D	control button		2							
11	113 881 633 E	control button		2							
	01C	satin black									
12	A 911 521 501 00	seat rail with locking device	/L	1							
12	A 928 521 489 02	seat rail with locking device	/L	1							
(12)	A 911 521 502 00	seat rail with locking device	/R	2							
(12)	A 928 521 490 02	seat rail with locking device	/R	2							
13	A 944 521 491 00	seat rail without locking device see tpi GR.8 NR.34		2							
13	944 521 491 00	seat rail without locking device see tpi GR.8 NR.34		2							
14	900 186 018 02	pan-head screw M 6 X 20		8							
15	N 012 006 4	lock ring B 6		16							
16	900 075 057 02	hexagon-head bolt M 6 X 16		8							
17	911 521 535 00	return spring	/L	1							
(17)	911 521 536 00	return spring	/R	1							
18	900 012 123 00	pin A 2,5 X 12		2							

Model	Year	MG	SG	Illustration	Restrictions	UPD	21:32	22.01.2010	PORSCHE	PET	PORSCHE
911	1977	8	08	808-15		248					



Pos	Part Number	Description	Remark	Qty	Model
		sports seat backrest single parts			
(1) A	911 521 603 00	backrest complete cloth leatherette please state the colour	/L	1	
(1) A	911 521 604 00	backrest complete cloth leatherette please state the colour	/R	1	
1 A	911 521 603 01	backrest complete leatherette please state the colour	/L	1	
1 A	911 521 604 01	backrest complete leatherette please state the colour	/R	1	
(1) A	911 521 603 02	backrest complete leather please state the colour	/L	1	
(1) A	911 521 604 02	backrest complete leather please state the colour	/R	1	
2	911 521 613 00	backrest frame	/L	1	
(2)	911 521 614 00	backrest frame	/R	1	
(3) A	911 521 072 01	backrest cover cloth leatherette please state the colour		2	
3 A	911 521 072 02	backrest cover leatherette please state the colour		2	
(3) A	911 521 072 03	backrest cover leather please state the colour		2	
4	911 521 751 00	foam part		2	
5 A	911 521 104 01	backrest cushion		2	

Model	Year	MG	SG	Illustration	Restrictions	UPD	21:32	22.01.2010	PORSCHE	PET	PORSCHE
911	1977	8	08	808-15		248					

Pos	Part Number	Description	Remark	Qty	Model	Pos	Part Number	Description	Remark	Qty	Model
5	911 521 104 02	foam part backrest cushion		2							
6	911 521 651 00	seat belt		2							
7	911 521 693 00	belt hook upper		2							
8	911 521 713 00	belt hook lower		4							
9	911 521 689 00	shift spring		8							
10	911 521 721 00	backrest locking lever		2							
11	911 521 723 00	shouldered bolt		2							
12	911 521 615 00	bowden cable short		2							
13	911 521 616 00	bowden cable long		2							
14	911 521 563 00	locking hook	/L	2							
(14)	911 521 564 00	locking hook	/R	2							
15	N 012 439 2	lock washer 8		4							
16	911 521 733 00	tension spring	/L	1							
(16)	911 521 734 00	tension spring	/R	1							

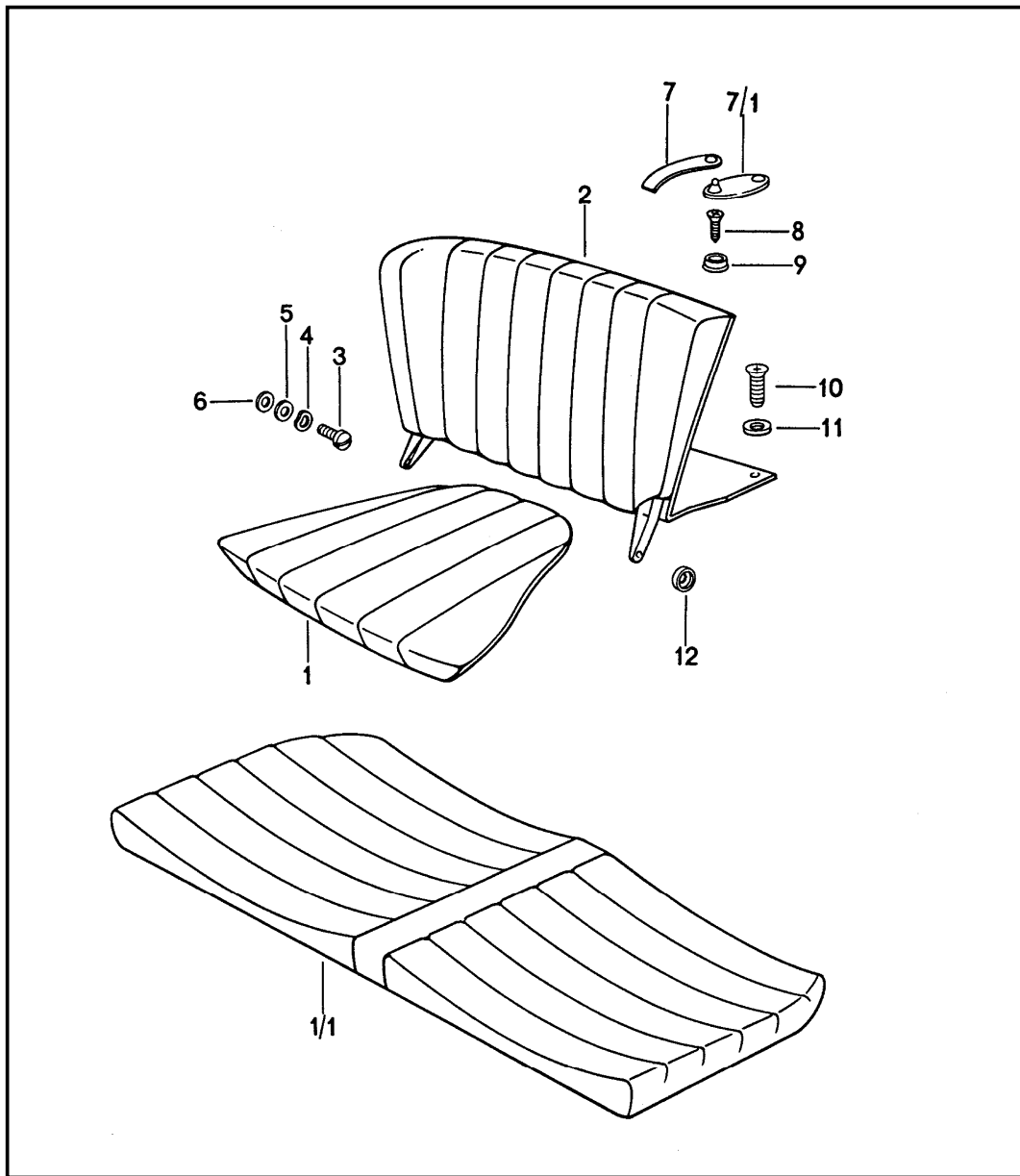
Model	Year	MG	SG	Illustration	Restrictions	UPD	21:32	22.01.2010	PORSCHE	PET	PORSCHE
911	1977	8	08	808-20		248					

		Pos	Part Number	Description	Remark	Qty	Model
		(1)	A 911 521 605 00	sports seat seat cushion single parts seat cushion complete cloth leatherette please state the colour		2	
		1	A 911 521 605 01	seat cushion complete leatherette please state the colour		2	
		(1)	A 911 521 605 02	seat cushion complete leather please state the colour		2	
		2	911 521 621 00	seat frame with suspension		2	
		3	911 521 679 00	foam part seat cushion		2	
		4	911 521 683 00	foam part seat side bolster	/L	2	
		(4)	911 521 684 00	foam part seat side bolster	/R	2	
		(5)	A 911 521 197 02	cover for cushion cloth please state the colour		2	
		5	A 911 521 197 03	cover for cushion leatherette please state the colour		2	
		(5)	A 911 521 197 04	cover for cushion leather please state the colour		2	
		(6)	A 911 521 073 01	seat side bolster cover cloth please state the colour	/L	2	
		(6)	A 911 521 074 01	seat side bolster cover cloth please state the colour	/R	2	
		6	A 911 521 073 02	seat side bolster cover leatherette please state the colour	/L	2	

Model	Year	MG	SG	Illustration	Restrictions	UPD	21:32	22.01.2010	PORSCHE	PET	PORSCHE
911	1977	8	08	808-20		248					

Pos	Part Number	Description	Remark	Qty	Model	Pos	Part Number	Description	Remark	Qty	Model
6	A 911 521 074 02	seat side bolster cover leatherette please state the colour	/R	2							
(6)	A 911 521 073 03	seat side bolster cover leather please state the colour	/L	2							
(6)	A 911 521 074 03	seat side bolster cover leather please state the colour	/R	2							
7	911 521 685 00	belt		8							
8	911 521 691 00	belt hook		16							
9	901 521 191 00	rubber support	/L	2							
(9)	901 521 192 00	rubber support	/R	2							

Model	Year	MG	SG	Illustration	Restrictions	UPD	21:32	22.01.2010	PORSCHE	PET	PORSCHE
911	1977	8	08	808-30		248					



Pos	Part Number	Description	Remark	Qty	Model
		back seat			
1	911 522 051 02	back seat cushion leatherette please state the colour	/L	-76	1
(1)	911 522 052 02	back seat cushion leatherette please state the colour	/R	-76	1
1	911 522 051 06	back seat cushion leatherette please state the colour	/L	77-	1
(1)	911 522 052 06	back seat cushion leatherette please state the colour	/R	77-	1
(1) A	911 522 051 03	back seat cushion cloth please state the colour	/L		1 CARRERA 2.7
(1) A	911 522 052 03	back seat cushion cloth please state the colour	/R		1 CARRERA 2.7
(1)	930 522 051 70	back seat cushion leather please state the colour	/L	-76	1
(1)	930 522 052 70	back seat cushion leather please state the colour	/R	-76	1
(1) A	911 522 051 74	back seat cushion leather please state the colour	/L	77-	1
(1)	930 522 051 74	back seat cushion leather please state the colour	/L	77-	1
(1) A	911 522 052 74	back seat cushion leather please state the colour	/R	77-	1
(1)	930 522 052 74	back seat cushion leather please state the colour	/R	77-	1
(1)	930 522 051 00	back seat cushion cloth leather please state the colour	/L	-76	1

Model	Year	MG	SG	Illustration	Restrictions	UPD	21:32	22.01.2010	PORSCHE	PET	PORSCHE
911	1977	8	08	808-30		248					

Pos	Part Number	Description	Remark	Qty	Model	Pos	Part Number	Description	Remark	Qty	Model
(1)	930 522 052 00	back seat cushion cloth leather please state the colour	/R -76	1		(2) A	911 522 005 07	back seat backrest nylon velour carpet please state the colour	/L -75	1	911S
(1)	930 522 051 01	back seat cushion cloth please state the colour	/L 77-	1		(2) A	911 522 006 07	back seat backrest nylon velour carpet please state the colour	/R -75	1	911S
(1)	930 522 052 01	back seat cushion cloth please state the colour	/R 77-	1		(2)	911 522 005 08	back seat backrest nylon velour carpet stereo rear loudspeaker please state the colour	/L -75	1	911S
(1)	911 522 051 05	back seat cushion leatherette please state the colour	/L (J) 77-	1	911 S	(2)	911 522 006 08	back seat backrest nylon velour carpet stereo rear loudspeaker please state the colour	/R -75	1	911S
(1)	911 522 052 05	back seat cushion leatherette please state the colour	/R (J) 77-	1	911 S	(2)	911 522 005 13	back seat backrest carpet velour pile please state the colour	/L -76	1	CARRERA
1/1	911 522 050 00	back seat cushion leatherette please state the colour	(J) 77-	1		(2)	911 522 006 13	back seat backrest carpet velour pile please state the colour	/R -76	1	CARRERA
1/1	911 522 050 70	back seat cushion leather please state the colour	(J)	1		(2)	911 522 005 14	back seat backrest carpet velour pile leatherette please state the colour	/L -76	1	CARRERA
2	911 522 007 04	back seat backrest special velour carpet please state the colour	/L -76	1		(2)	911 522 006 14	back seat backrest carpet velour pile stereo rear loudspeaker please state the colour	/R -76	1	CARRERA
(2)	911 522 008 04	back seat backrest special velour carpet please state the colour	/R -76	1		(2)	911 522 005 19	back seat backrest carpet velour pile leatherette please state the colour	/L 77-	1	
(2)	911 522 007 05	back seat backrest special velour carpet stereo rear loudspeaker please state the colour	/L -76	1		(2)	911 522 006 19	back seat backrest carpet velour pile leatherette please state the colour	/R 77-	1	
(2)	911 522 008 05	back seat backrest special velour carpet stereo rear loudspeaker please state the colour	/R -76	1		(2)	911 522 005 14	back seat backrest carpet velour pile stereo rear loudspeaker please state the colour	/L -76	1	CARRERA
(2)	911 522 008 05	back seat backrest special velour carpet stereo rear loudspeaker please state the colour	/R -76	1		(2)	911 522 006 14	back seat backrest carpet velour pile stereo rear loudspeaker please state the colour	/R -76	1	CARRERA

Model	Year	MG	SG	Illustration	Restrictions	UPD	21:32	22.01.2010	PORSCHE	PET	PORSCHE
911	1977	8	08	808-30		248					

Pos	Part Number	Description	Remark	Qty	Model	Pos	Part Number	Description	Remark	Qty	Model
(2)	911 522 005 20	back seat backrest carpet velour pile leatherette stereo rear loudspeaker please state the colour	/L 77-	1		(2)	911 522 005 25	back seat backrest carpet velour pile tartan cloth leather please state the colour	/L 77-	1	
(2)	911 522 006 20	back seat backrest carpet velour pile leatherette stereo rear loudspeaker please state the colour	/R 77-	1		(2)	911 522 006 25	back seat backrest carpet velour pile tartan cloth leather please state the colour	/R 77-	1	
(2)	911 522 005 23	back seat backrest carpet velour pile tartan cloth leatherette stereo rear loudspeaker please state the colour	/L 77-	1		(2)	930 522 005 04	back seat backrest carpet velour pile tartan cloth leather stereo rear loudspeaker please state the colour	/L 77-	1	
(2)	911 522 006 23	back seat backrest carpet velour pile tartan cloth leatherette stereo rear loudspeaker please state the colour	/R 77-	1		(2)	930 522 006 04	back seat backrest carpet velour pile tartan cloth leather stereo rear loudspeaker please state the colour	/R 77-	1	
(2)	911 522 005 76	back seat backrest carpet velour pile leather please state the colour	/L -76	1	CARRERA 2.7	(2)	911 522 005 79	back seat backrest carpet velour pile leather stereo rear loudspeaker please state the colour	/L 77-	1	
(2)	911 522 006 76	back seat backrest carpet velour pile leather please state the colour	/R -76	1	CARRERA 2.7	(2)	911 522 006 79	back seat backrest carpet velour pile leather stereo rear loudspeaker please state the colour	/R 77-	1	
(2)	911 522 005 78	back seat backrest carpet velour pile leather please state the colour	/L 77-	1		(2)	911 522 007 08	back seat backrest carpet velour pile state colour of carpet	/L	1	911 JUBI
(2)	911 522 006 78	back seat backrest carpet velour pile leather please state the colour	/R 77-	1		(2)	911 522 008 08	back seat backrest carpet velour pile state colour of carpet	/R	1	911 JUBI

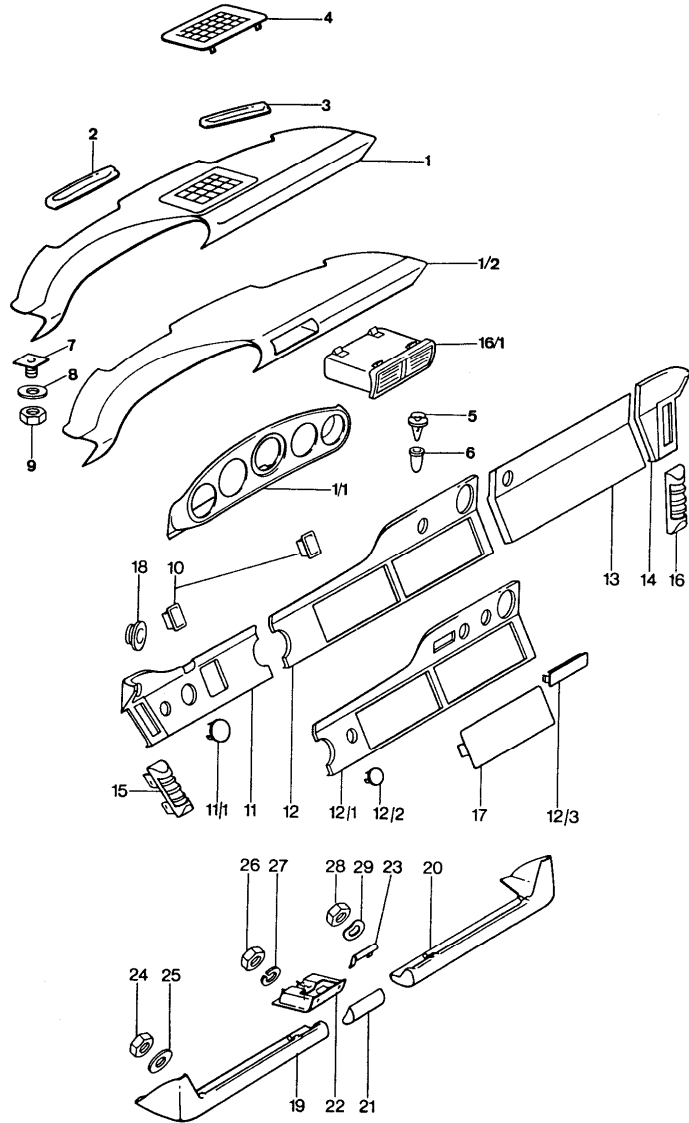
Model	Year	MG	SG	Illustration	Restrictions	UPD	21:32	22.01.2010	PORSCHE	PET	PORSCHE
911	1977	8	08	808-30		248					

Pos	Part Number	Description	Remark	Qty	Model	Pos	Part Number	Description	Remark	Qty	Model
(2)	911 522 005 11	back seat backrest carpet velour pile please state the colour	/L	1	911S JUBI	(2)	911 522 006 09	back seat backrest with nylon velour carpet please state the colour	/R (AUS) -76	1	C 2.7
(2)	911 522 006 11	back seat backrest carpet velour pile please state the colour	/R	1	911S JUBI	(2)	911 522 005 21	back seat backrest with velour pile carpet leatherette please state the colour	/L (AUS) 77-	1	
(2)	911 522 005 12	back seat backrest carpet velour pile state colour of carpet	/L	1	C 2.7 JUBI	(2)	911 522 006 21	back seat backrest with velour pile carpet leatherette please state the colour	/R (AUS) 77-	1	
(2)	911 522 006 12	back seat backrest carpet velour pile state colour of carpet	/R	1	C 2.7 JUBI						
(2)	911 522 005 22	back seat backrest carpet velour pile tartan cloth leatherette please state the colour	/L	77-	1	(2)	911 522 005 15	back seat backrest with velour pile carpet please state the colour	/L (AUS) -76	1	CARRERA
(2)	911 522 006 22	back seat backrest carpet velour pile tartan cloth leatherette please state the colour	/R	77-	1	(2)	911 522 006 15	back seat backrest with velour pile carpet please state the colour	/R (AUS) -76	1	CARRERA
(2)	911 522 007 06	back seat backrest with special velour carpet please state the colour	/L (AUS) -76	1	911S	(2)	911 522 005 24	back seat backrest with velour pile carpet tartan cloth leatherette please state the colour	/L (AUS) 77-	1	
(2)	911 522 008 06	back seat backrest with special velour carpet please state the colour	/R (AUS) -76	1	911S	(2)	911 522 006 24	back seat backrest with velour pile carpet tartan cloth leatherette please state the colour	/R (AUS) 77-	1	
(2)	911 522 005 09	back seat backrest with nylon velour carpet please state the colour	/L (AUS) -76	1	C 2.7	(2)	911 522 005 80	back seat backrest with velour pile carpet leather please state the colour	/L (AUS) 77-	1	

Model	Year	MG	SG	Illustration	Restrictions	UPD	21:32	22.01.2010	PORSCHE	PET	PORSCHE
911	1977	8	08	808-30		248					

Pos	Part Number	Description	Remark	Qty	Model	Pos	Part Number	Description	Remark	Qty	Model
(2)	911 522 006 80	back seat backrest with velour pile carpet leather please state the colour	/R (AUS) 77-	1		-	999 591 802 17	cap for push button		2	
(2)	911 522 005 73	back seat backrest with velour pile carpet leather please state the colour	/L (AUS) -76	1		8	900 143 004 02	oval-head sheetmetal screw B 3,5 X 19		2	
(2)	911 522 006 73	back seat backrest with velour pile carpet leather please state the colour	/R (AUS) -76	1		9	999 591 805 12	push button		2	
(2)	911 522 006 73	back seat backrest with velour pile carpet leather please state the colour	/R (AUS) -76	1		10	900 145 041 00	tapping screw B 3,5 X 16		2	
(2)	930 522 005 05	back seat backrest with velour pile carpet tartan cloth leather please state the colour	/L (AUS) 77-	1		11	999 591 102 17	washer A 3,5		4	
(2)	930 522 006 05	back seat backrest with velour pile carpet tartan cloth leather please state the colour	/R (AUS) 77-	1		12	901 522 365 20	cap		2	
3	900 236 001 07	oval-head screw M 8 X 10		2							
4	N 012 230 1	spring washer B 10		2							
5	901 522 509 20	bearing sleeve		2							
6	999 591 111 50	rubber washer		X							
7 A	911 522 063 00	retaining belt		2							
7	901 522 063 40	retaining belt		2							
(7)	911 645 039 00	retaining belt stereo rear loudspeaker		2							
7/1	911 645 037 00	retaining belt extension stereo rear loudspeaker		X							

Model	Year	MG	SG	Illustration	Restrictions	UPD	21:32	22.01.2010	PORSCHE	PET	PORSCHE
911	1977	8	09	809-00		248					



Pos	Part Number	Description	Remark	Qty	Model
1	911 552 031 00	dashboard trim with grille without centre nozzle leatherette	/LL	-75	1
	709	black			
	503	brown-beige			
	002	russet			
1	911 552 905 01	dashboard trim with grille without centre nozzle leatherette	/LL	76	1
	709	black			
	503	brown-beige			
	002	russet			
(1)	911 552 906 01	dashboard trim with grille without centre nozzle leatherette	/RL	-76	1
	709	black			
	503	brown-beige			
	002	russet			
(1)	911 552 905 00	dashboard trim without grille without centre nozzle leatherette	/LL	-76	1
	709	black			
	503	brown-beige			
	002	russet			

Model	Year	MG	SG	Illustration	Restrictions	UPD	21:32	22.01.2010	PORSCHE	PET	PORSCHE
911	1977	8	09	809-00		248					

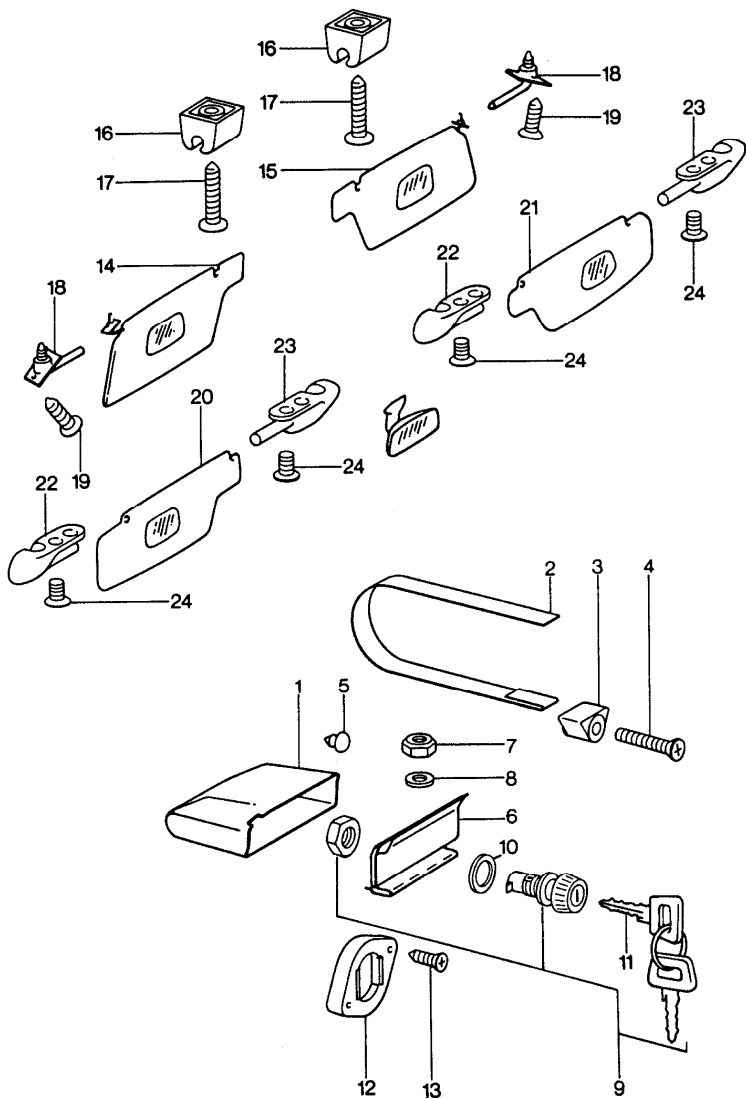
Pos	Part Number	Description	Remark	Qty	Model	Pos	Part Number	Description	Remark	Qty	Model
(1)	911 552 906 00	dashboard trim without grille without centre nozzle leatherette	/RL	-76	1	(1)	911 552 905 70	dashboard trim without grille without centre nozzle leather indicate colour	/LL	-76	1
	709	black				(1)	911 552 906 70	dashboard trim without grille without centre nozzle leather indicate colour	/RL	-76	1
	503	brown-beige									
	002	russet									
(1)	911 552 905 03	dashboard trim with loudspeaker opening perforated without centre nozzle leatherette	/LL	-76	1	1/2	911 552 055 02	dashboard trim with centre nozzle leatherette indicate colour	/LL	77-	1
	709	black				(1/2)	911 552 056 02	dashboard trim with centre nozzle leatherette indicate colour	/RL	77-	1
	503	brown-beige									
	002	russet									
(1)	911 552 906 03	dashboard trim with loudspeaker opening perforated without centre nozzle leatherette	/RL	-76	1	1/2	911 552 055 70	dashboard trim with centre nozzle leather indicate colour	/LL	77-	1
	709	black				(1/2)	911 552 056 70	dashboard trim with centre nozzle leather indicate colour	/RL	77-	1
	503	brown-beige									
	002	russet									
(1)	911 552 905 71	dashboard trim with grille without centre nozzle leather indicate colour	/LL	-75	1	1/1	911 552 549 00	cover dashboard trim	/LL	76-	1
						1/1	911 552 550 00	cover dashboard trim	/RL	76-	1
(1)	911 552 906 71	dashboard trim with grille without centre nozzle leather indicate colour	/RL	-75	1	2	911 552 409 00	cover	/L		1
						3	911 552 410 00	cover heating nozzle	/R		1
						4	911 552 048 00	lid		-75	1
							709	black loudspeaker leatherette			

Model	Year	MG	SG	Illustration	Restrictions	UPD	21:32	22.01.2010	PORSCHE	PET	PORSCHE
911	1977	8	09	809-00		248					

Pos	Part Number	Description	Remark	Qty	Model	Pos	Part Number	Description	Remark	Qty	Model
(4)	911 552 048 70	lid loudspeaker leather indicate colour	-75	1		18	911 552 217 00	rosette lid-release cable		1	
5	999 591 310 40	fixing clip		7		19	901 552 035 28	knee protection strip leatherette indicate colour	/L	-76	1
6	999 591 311 40	bush		7		19	901 552 035 27	knee protection strip leatherette indicate colour	/L	77	1
7	999 591 344 02	latch		2		20	901 552 036 28	knee protection strip leatherette indicate colour	/R	-76	1
8	N 011 524 7	washer 6,5		7		20	901 552 036 27	knee protection strip leatherette indicate colour	/R	77	1
9	999 090 003 02	lock nut M 6		7		19	901 552 035 70	knee protection strip leather indicate colour	/L		1
10	911 552 469 00	trim cover		2		20	901 552 036 70	knee protection strip leather indicate colour	/R		1
11	911 552 041 10	cover	/LL	-74	1	911/911S	21	901 552 050 25	ashtray handle leatherette indicate colour		1
(11)	911 552 041 04	cover comprising: POS.11-14	/LL	-75	1		(21)	911 552 050 70	ashtray handle leather indicate colour		1
(11)	911 552 041 10	cover	/LL	76	1	911/911S CARRERA 3.0	22	901 552 061 25	ashtray		1
(11)	911 552 041 10	cover	/LL	77-	1	911/911S CARRERA 3.0	23	901 552 607 00	fireproof plate		1
(11)	911 552 042 04	cover	/RL	-76	1		24	900 076 027 02	hexagon nut M 5		4
(11)	911 552 942 01	cover comprising: POS:(11-14)	/RL	77-	1		25	900 151 027 02	washer 5,3		4
11/1	911 552 471 01	trim cover hazard warning light sw.		1			26	900 076 027 02	hexagon nut M 5		2
12/2	911 552 467 00	cap switch		-74	2		27	900 025 003 02	washer 5,3		2
12/3	911 552 465 00	trim cover indicator light		-74	1		28	900 070 001 02	cap nut M 4		2
15	911 552 071 00	side vent	/L		1		29	900 028 018 01	spring washer B 4		2
16	911 552 072 00	side vent	/R		1						
16/1	911 571 067 02	centre nozzle		77-	1						
16/1	911 571 067 03	centre nozzle air conditioner		77-	1						
17	911 552 463 00	trim cover radio			1						

Model	Year	MG	SG	Illustration	Restrictions	UPD	21:33	22.01.2010	PORSCHE	PET	PORSCHE
911	1977	8	09	809-05		248					

Pos	Part Number	Description	Remark	Qty	Model
		glove compartment sun visor			
1	911 552 501 00	glove compartment		1	
2	901 552 531 20	restraining strap		1	
3	914 552 061 00	clamp		1	
4	900 146 010 02	oval-head screw AM 5 X 30		1	
5	999 703 064 50	rubber buffer		1	
6	911 552 010 02	glove compartment cover		1	
8	900 025 003 02	washer 5,3		4	
9	911 552 902 03	glove compartment lock chrome with main key w/o stipulated lock number		1	911/911S
9	911 552 902 07	glove compartment lock black with main key w/o stipulated lock number		1	CARRERA 2.7 CARRERA 3.0
9	911 552 902 08	glove compartment lock black with main key state lock number		2	
10	911 552 103 01	washer		1	
11	914 531 903 10	blank key main key		2	
(11)	911 531 945 00	blank key with light without battery	76-	2	
(11)	911 531 946 00	main key with light without battery state lock number	76-	2	
11	914 531 637 10	main key state lock number		2	



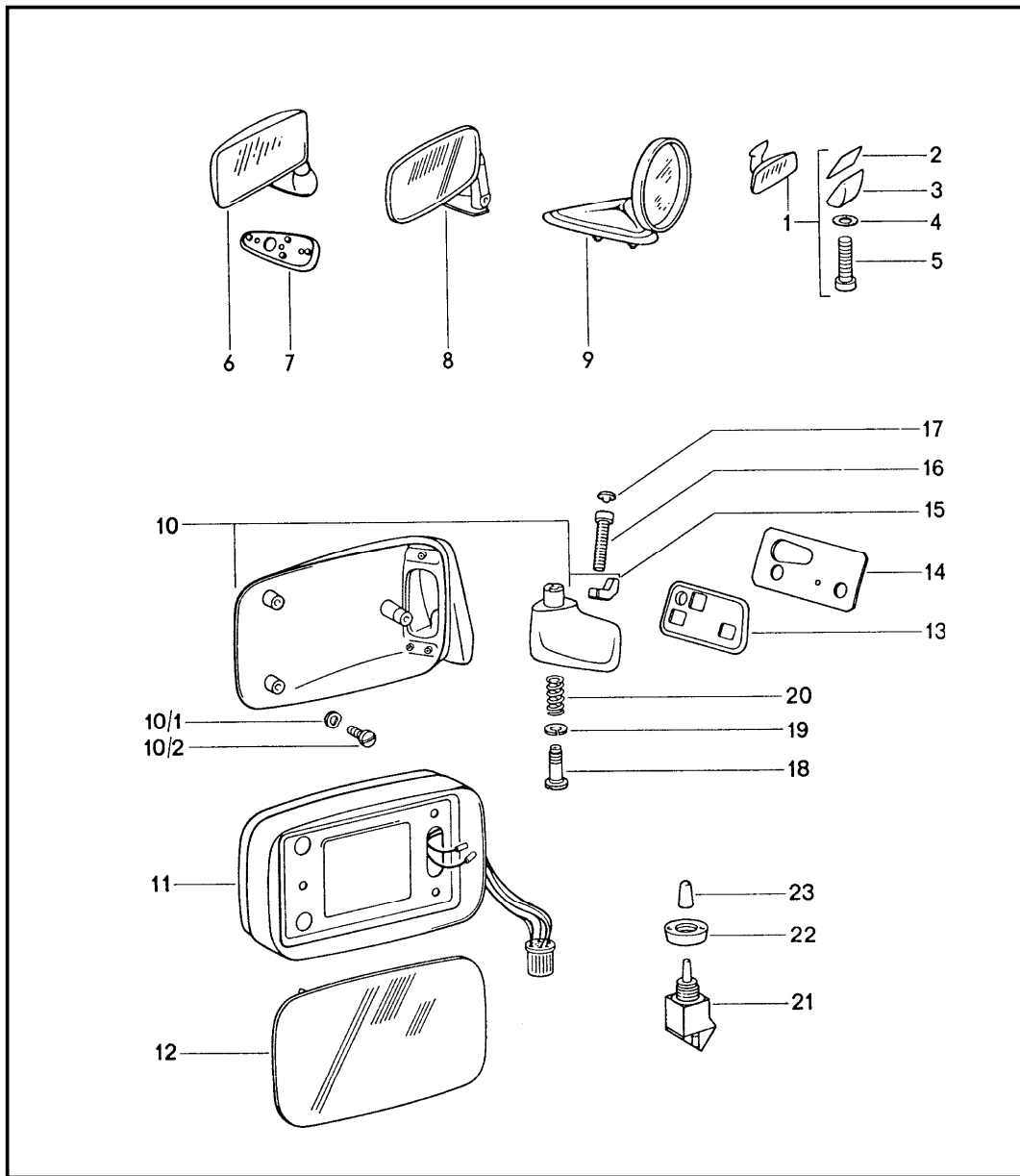
Model	Year	MG	SG	Illustration	Restrictions	UPD	21:33	22.01.2010	PORSCHE	PET	PORSCHE
911	1977	8	09	809-05		248					

Pos	Part Number	Description	Remark	Qty	Model	Pos	Part Number	Description	Remark	Qty	Model
12	911 552 513 02	door lock striker		1		(15) A	911 731 032 08	sun visor with mirror black	/LL/R	1	
13	900 143 065 07	tapping screw 2,9 X 9,5		2		(15)	911 731 032 19	sun visor	/LL/R	1	
(14)	911 731 031 04	sun visor without mirror	/L (AUS)	1		(15)	911 731 032 12	sun visor without mirror	/R 77-	1	
	CC4	beige/black				(15)	911 731 032 18	sun visor without mirror beige	/RL/R	1	
	CA9	black				(15) A	911 731 032 09	sun visor without mirror black	/R -76	1	
(14) A	911 731 031 29	sun visor without mirror black	/L (AUS)	1		(15)	911 731 032 14	sun visor without mirror black	/R -76	1	
14	911 731 031 07	sun visor with mirror	/RL/L -76	1		(15)	911 731 032 20	sun visor without mirror black	/RL/R 77-	1	
14	911 731 031 18	sun visor with mirror	/RL/L 77-	1		16	911 731 331 00	support	-76	2	
(14) A	911 731 031 09	sun visor with mirror black	/LL/L -76	1		16	911 731 331 00	support	(AUS) 77-	2	
(14)	911 731 031 14	sun visor with mirror black	/LL/L -76	1		(16)	911 731 331 00	support	77-	2	
(14)	911 731 031 20	sun visor with mirror black	/RL/L 77-	1		17	900 143 111 07	oval-head sheetmetal screw B 3,9 X 13		2	
(14)	911 731 031 17	sun visor without mirror beige	/LL/L	1		18	911 731 320 00	bearing	-76	2	
(14)	911 731 031 19	sun visor without mirror black	/LL/L	1		(18)	964 731 319 00	bearing	77-	2	
(15)	911 731 032 04	sun visor without mirror	/R (AUS)	1		19	900 145 013 07	rais. counters. h. tap. s. B 4,2 X 13	-76	4	
	CC4	beige/black				19	N 014 093 3	tapping screw B 4,2 X 13	77-	4	
	CA9	black				20 A	911 731 031 46	sun visor with mirror black	/RL/L -76	1	
(15) A	911 731 032 29	sun visor without mirror black	/R (AUS)	1		20	911 731 031 53	sun visor with mirror black	/RL/L	1	
15	911 731 032 17	sun visor	/LL/R	1		(20) A	911 731 031 45	sun visor without mirror	/LL/L -76	1	

Model	Year	MG	SG	Illustration	Restrictions	UPD	21:33	22.01.2010	PORSCHE	PET	PORSCHE
911	1977	8	09	809-05		248					

Pos	Part Number	Description	Remark	Qty	Model	Pos	Part Number	Description	Remark	Qty	Model
(20)	911 731 031 52	sun visor without mirror black	/LL/L	1							
(20)	911 731 031 47	sun visor without mirror	/L (AUS)	1							
21 A	911 731 032 45	sun visor without mirror	/LL/R	-76	1						
21	911 731 032 50	sun visor without mirror	/LL/R	-76	1						
21	911 731 032 52	sun visor with mirror black	/LL/R	77-	1						
(21) A	911 731 032 46	sun visor without mirror black	/R	-76	1						
(21)	911 731 032 53	sun visor without mirror black	/RL/R		1						
(21)	911 731 032 47	sun visor without mirror	/R (AUS)		1						
22	911 731 323 40	support	/L	-76	2						
(22)	911 731 323 41	bearing bracket	/L	77-	2						
(22)	964 731 319 40	bearing bracket	/L (AUS)	77-	1						
23	911 731 324 40	support	/R	-76	2						
(23)	911 731 324 41	bearing bracket	/R	77-	2						
(23)	964 731 320 40	bearing	/R (AUS)	77-	1						
24	900 145 013 07	rais. counters. h. tap. s. B 4,2 X 13			4						

Model	Year	MG	SG	Illustration	Restrictions	UPD	21:33	22.01.2010	PORSCHE	PET	PORSCHE
911	1977	8	09	809-10		248					

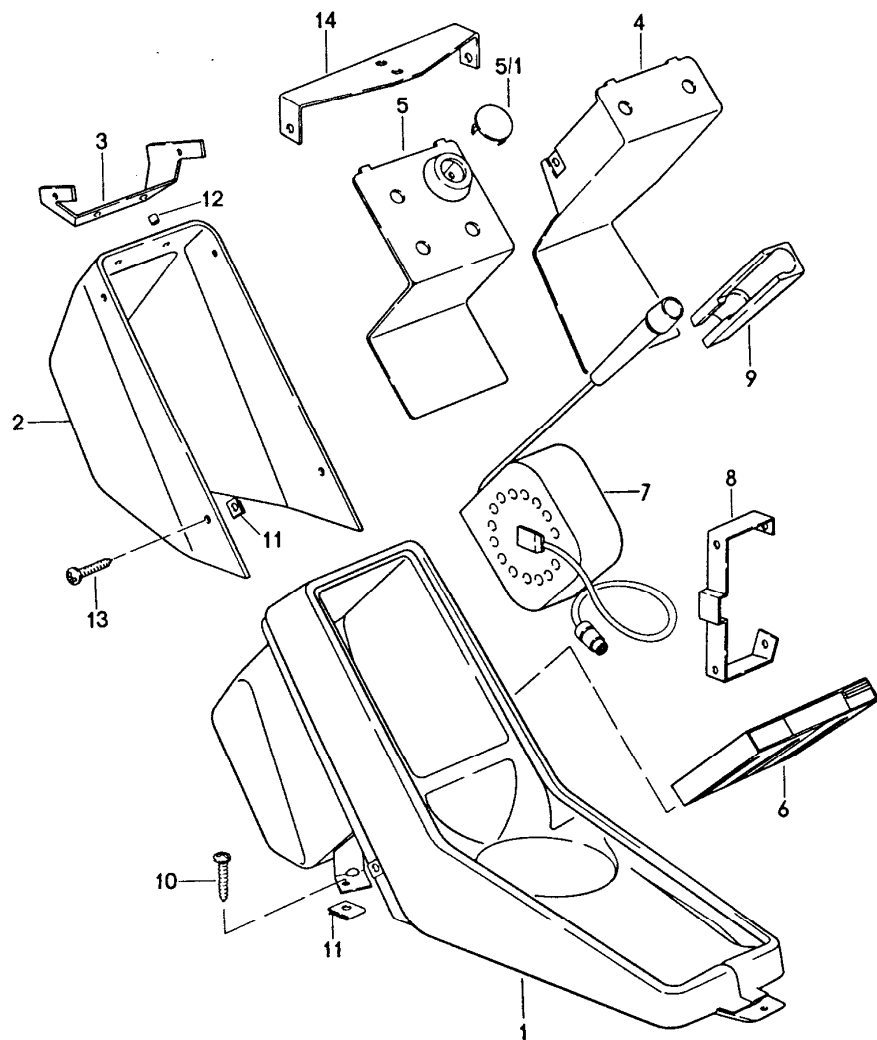


Pos	Part Number	Description	Remark	Qty	Model
		interior mirror			
		door mirror			
1	914 731 014 11	interior mirror		1	
2	901 731 133 20	adhesive plate		1	
3	901 731 113 00	plate		1	
4	900 114 020 01	shake-proof washer A 2,8		1	
5	900 014 094 10	pan-head screw AM 2,6 X 15		1	
6	911 731 013 01	door mirror	/L	-75	1 911/911S
(6)	911 731 013 28	door mirror	/L	-75	1 CARRERA 2.7
7	911 731 129 00	desk pad		-75	1 911/911S CARRERA 2.7
8	911 731 017 00	door mirror plane	/L/R	-74	1 911/911S
(8)	911 731 017 01	door mirror convex	/L/R	-74	1 911/911S
(8) A	911 731 017 06	door mirror plane chrome	/LL/L	-75	1 911/911S
(8)	911 731 017 07	door mirror convex chrome	/LL/L	-75	1 911/911S
(8)	911 731 017 20	door mirror plane black	/LL/L	-75	1 CARRERA 3.0
(8)	911 731 017 21	door mirror convex black	/LL/R	-75	1 CARRERA 3.0
(8) A	911 731 018 06	door mirror plane chrome	/RL/R	-75	1 911/911S
(8)	911 731 018 21	door mirror convex black	/RL/L	-75	1 911/911S
(8)	911 731 018 20	door mirror plane black	/RL/R	-75	1 CARRERA 3.0

Model	Year	MG	SG	Illustration	Restrictions	UPD	21:33	22.01.2010	PORSCHE	PET	PORSCHE
911	1977	8	09	809-10		248					

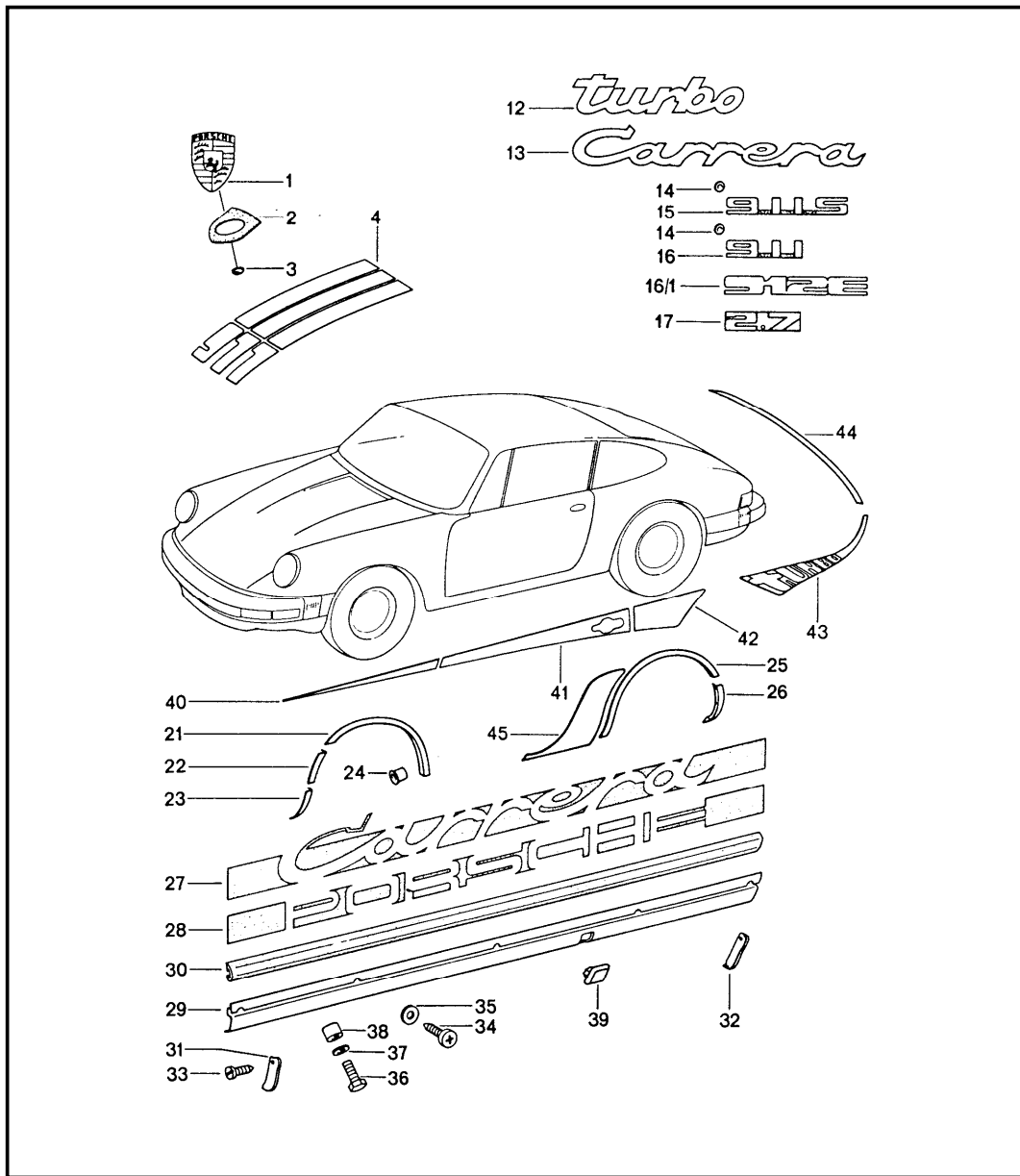
Pos	Part Number	Description	Remark	Qty	Model	Pos	Part Number	Description	Remark	Qty	Model
(8)	911 731 018 21	door mirror convex black	/RL/L	-75	1	CARRERA3.0	20	911 731 029 00	spring	76-	1
							21	911 613 115 00	switch	76-	1
9	901 731 111 01	door mirror plane	/RL/R	-75	1	911/911S CARRERA 2.7	-	911 731 343 03	gasket	76-	1
10	911 731 023 00	installation set door mirror	/LL/L	76-	1	911/911S CARRERA 3.0	22	911 731 251 00	round nut	76-	1
(10)	911 731 025 00	installation set door mirror	/RL/L	76-	1	911/911S CARRERA 3.0	-	477 957 861	rubber sleeve	76-	1
(10)	911 731 026 00	installation set door mirror	/LL/R	76-	1	911/911S CARRERA 3.0	-	111 971 911 A	rubber sleeve	76-	1
(10)	911 731 024 00	installation set door mirror	/RL/R	76-	1	911/911S CARRERA 3.0	-	914 612 325 00	plug socket 4-pole	76-	1
10/1	N 012 225 2	spring washer A 5		76-	3		-	911 612 879 00	pin connector socket 9-pole	76-	2
10/2	N 014 133 8	oval-head screw AM 5 X 12		76-	3		-	911 612 163 00	wiring harness door	76-	1
11	911 799 731 09	covering frame with transmission		76-	1		-	911 731 317 00	seal connector	76-	1
12	911 731 035 00	mirror glass plane		76-	1		-	911 612 162 01	wiring harness luggage compartment	/LL	76-
(12)	911 731 035 01	mirror glass convex	(J) (N) (S)	76-	1		-	911 612 162 00	wiring harness luggage compartment	/RL	76-
-	999 703 128 40	grommet mirror glass		76-	3				electrical components for door mirror		2
13	911 731 247 00	desk pad	/L	76-	1		-	911 612 165 00	wiring harness driver's side	76-	1
(13)	911 731 248 00	desk pad	/R	76-	1		-	911 612 166 00	wiring harness passenger's side	76-	1
14	911 531 197 00	reinforcement	/L	76-	1		-	911 612 164 01	wiring harness luggage compartment	/LL	76-
(14)	911 531 198 00	reinforcement	/R	76-	1		-	911 612 164 00	wiring harness luggage compartment	/RL	76-
15	-	mounting piece		76-	1		-	911 613 113 00	changeover switch passenger's side	76-	1
16	999 218 021 02	pan-head screw M 5 X 35		76-	1						
17	999 703 137 40	cap		76-	1						
18	911 731 257 00	guide tube		76-	1						
19	911 731 345 00	centring washer		76-	1						

Model	Year	MG	SG	Illustration	Restrictions	UPD	21:33	22.01.2010	PORSCHE	PET	PORSCHE
911	1977	8	09	809-15		248					



Pos	Part Number	Description	Remark	Qty	Model
		centre console			
1	911 552 036 00	bracket leatherette indicate colour		1	
(1)	930 552 036 00	bracket leather indicate colour		1	
2	911 552 231 00	cap		1	
3	911 552 255 00	support		1	
4	911 552 253 00	support switch air conditioner		1	
5	911 552 053 00	cassette carrier microphone		1	
(5)	911 552 053 01	cassette carrier microphone and air conditioner		1	
5/1	911 552 471 01	trim cover		1	
6	911 645 226 00	cassette box		X	
7	911 645 221 00	microphone		1	
8	911 552 261 00	bracket		1	
9	911 645 167 00	support		1	
10	900 143 047 07	tapping screw 4,2 X 19		3	
11	999 507 240 00	speed nut 4,2		7	
12	999 190 006 03	tubular rivet 3,5 X 9		2	
13	900 143 121 07	tapping screw 4,2 X 16		4	
14	911 645 137 00	support		1	
-	911 645 198 00	rubber plate 200 X 180 X 4		1	
-	999 513 003 40	tie-wrap 360 MM		2	

Model	Year	MG	SG	Illustration	Restrictions	UPD	21:33	22.01.2010	PORSCHE	PET	PORSCHE
911	1977	8	10	810-00		248					



Pos	Part Number	Description	Remark	Qty	Model
		decorative fittings			
1	901 559 210 20	lid emblem		1	
2	901 559 215 20	desk pad		1	
3	999 591 423 03	tapping nut		2	
4	911 559 171 00	adhesive film black	-76	1	
(4)	911 559 171 01	adhesive film orange	-76	1	
(4)	911 559 171 02	adhesive film gold-coloured	-76	1	
(4)	911 559 171 03	adhesive film green	-76	1	
13	911 559 317 01	logo carrera		1	CARRERA
(13)	911 559 317 02	logo carrera		1	CARRERA 3.0
(13)	911 559 036 04	logo adhesive film black spoiler lid		1	CARRERA
(13)	911 559 036 05	logo adhesive film gold-coloured spoiler lid		1	CARRERA
14	999 591 423 03	tapping nut		X	
15	901 559 308 20	logo chrome	75	1	911 S
15	901 559 308 21	logo black	-75	1	911 S
15	901 559 308 50	logo gold-coloured	75	1	911 S
(15)	911 559 308 03	logo black	76	1	911 S
16	911 559 329 00	logo	-75	1	911
(16)	911 559 329 03	logo black	76-	1	911
17	911 559 015 01	logo	-74	1	

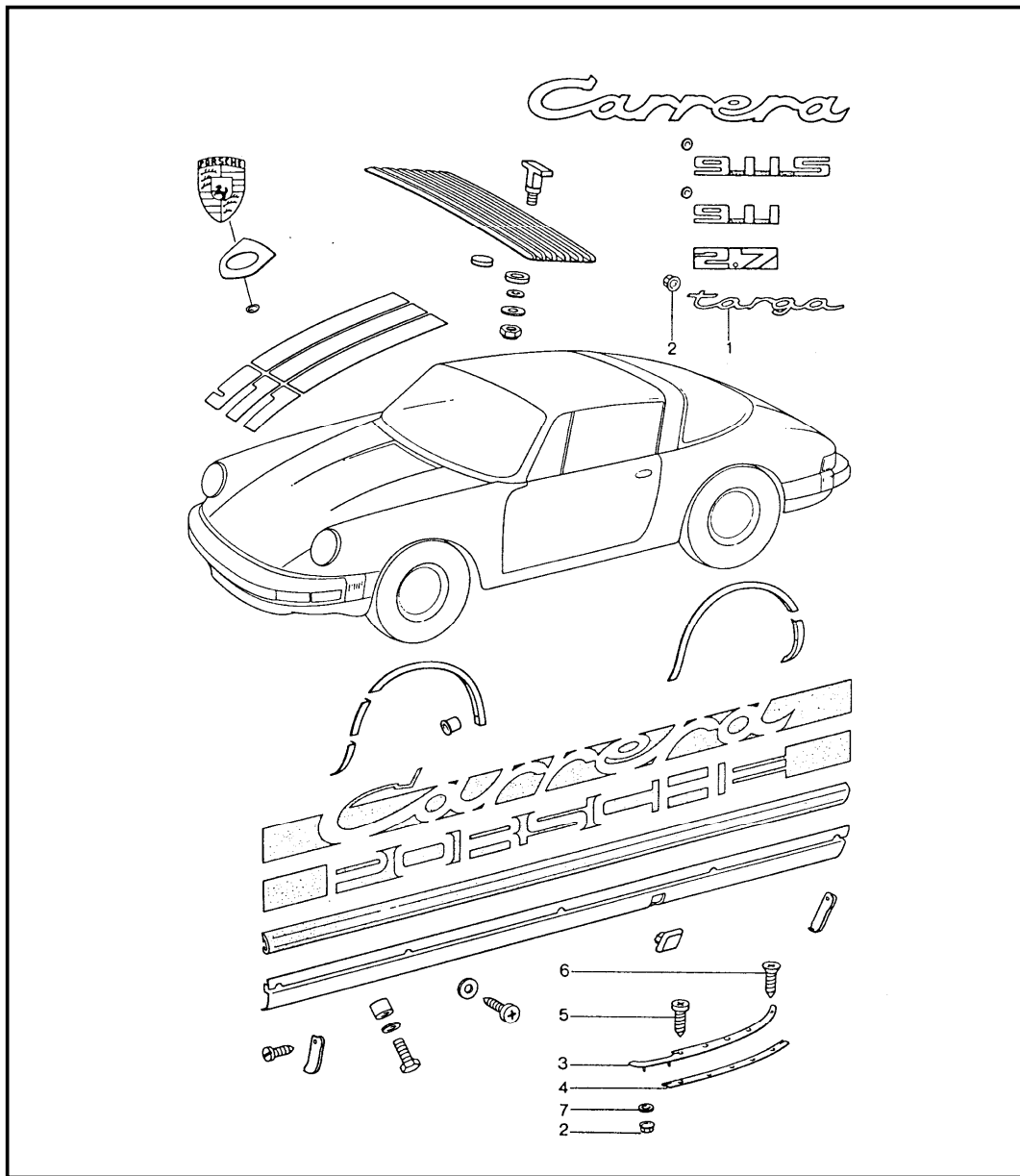
Model	Year	MG	SG	Illustration	Restrictions	UPD	21:33	22.01.2010	PORSCHE	PET	PORSCHE
911	1977	8	10	810-00		248					

Pos	Part Number	Description	Remark	Qty	Model	Pos	Part Number	Description	Remark	Qty	Model
21	911 559 173 00	moulding wing	/L	1	911/911S 912 E	(28)	911 559 319 07	logo white hatched	-75	2	
(21)	911 559 174 00	moulding wing	/R	1	911/911S 912 E	29	911 559 113 01	trim cover	/L	1	911/911S
22	911 559 175 00	moulding front apron	/L	1	911/911S 911 E	(29)	911 559 113 03	trim cover aluminium polished	/L	1	911/911S 912 E
(22)	911 559 176 00	moulding front apron	/R	1	911/911S 912 E	(29)	911 559 047 00	trim cover	/L	1	CARRERA 2.7 CARRERA 3.0
23	911 503 161 00	plate front apron	/L	1	911/911S 912 E	(29)	911 559 114 01	trim cover	/R	1	911/911S
(23)	911 503 162 00	plate front apron	/R	1	911/911S 912 E	(29)	911 559 048 00	trim cover	/R	1	CARRERA 2.7 CARRERA 3.0
24	999 190 101 30	rivet \$ 3,2		32	911/911S 912 E	30	930 559 103 01	rubber moulding		2	
25	911 559 177 00	moulding wing	/L	1	911/911S 912 E	31	PCG 559 941 00	end piece	/V/L	1	
(25)	911 559 178 00	moulding wing	/R	1	911/911S 912 E	31	PCG 559 941 00	end piece	/H/R	1	
26	911 559 181 00	moulding wing	/L	1	911/911S 912 E	(31)	PCG 559 941 03	end piece	/V/L	1	
(26)	911 559 182 00	moulding wing	/R	1	911/911S 912 E	(31)	PCG 559 941 03	end piece aluminium polished	/H/R	1	
-	999 911 084 40	beading moulding		*	911/911S 912 E	32	PCG 559 941 00	end piece	/V/R	1	
-	999 911 160 40	adhesive tape 9 X 0,8		*	911/911S 912 E	32	PCG 559 941 00	end piece	/H/L	1	
27	911 559 034 03	logo black		2	CARRERA	(32)	PCG 559 941 03	end piece aluminium polished	/V/L	1	
(27)	911 559 034 04	logo gold-coloured		-76	2	CARRERA	33	900 143 049 07	tapping screw BZ 3,5 X 9,5 black		8
28	911 559 319 01	logo black		-74	2		33	N 013 957 5	tapping screw BZ 3,5 X 9,5 chrome		8
(28)	911 559 319 02	logo orange		-75	2		34	N 013 961 2	tapping screw B 3,9 X 13		10
(28)	911 559 319 04	logo green		-75	2		35	900 025 002 02	washer 4,3		10
(28)	911 559 319 06	logo black hatched		-76	2		36	900 187 032 02	tapping screw B 6,3 X 25		6

Model	Year	MG	SG	Illustration	Restrictions	UPD	21:33	22.01.2010	PORSCHE	PET	PORSCHE
911	1977	8	10	810-00		248					

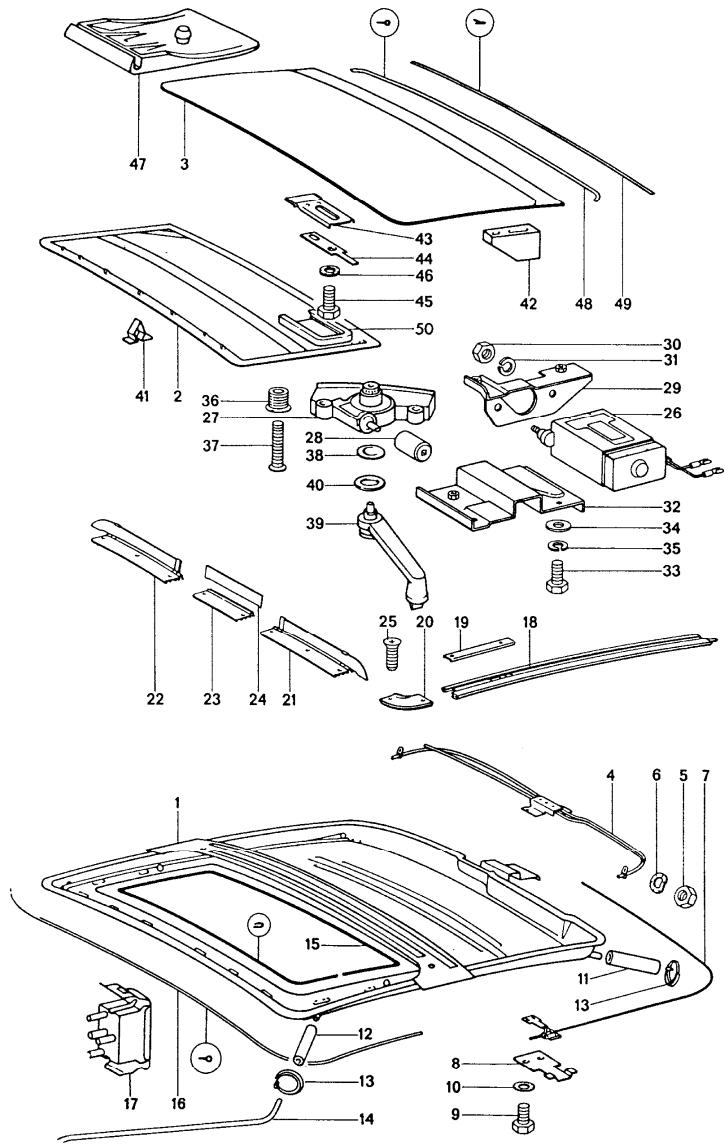
Pos	Part Number	Description	Remark	Qty	Model	Pos	Part Number	Description	Remark	Qty	Model
37	900 151 007 02	washer 7,4		6							
38	911 559 145 00	spacer sleeve		X							
39	911 559 149 01	stopper		2							

Model	Year	MG	SG	Illustration	Restrictions	UPD	21:33	22.01.2010	PORSCHE	PET	PORSCHE
911	1977	8	10	810-05		248					



Pos	Part Number	Description	Remark	Qty	Model
		decorative fittings			TARGA
1	911 559 307 41	logo		2	
2	999 591 423 03	tapping nut		6	
3	911 565 947 40	moulding chrome	/L	1	
(3)	901 565 047 48	moulding black	/L	1	
(3)	911 565 948 40	moulding chrome	/R	1	
(3)	901 565 048 48	moulding black	/R	1	
4	901 565 557 40	pipng		2	
5	N 013 957 5	tapping screw B 3,5 X 9,5		8	
6	900 144 009 00	counters. head tapp. screw 2,9 X 13		2	
7	900 151 006 40	washer B 6,4	-76	4	
7	901 565 448 40	spacer	77-	4	

Model	Year	MG	SG	Illustration	Restrictions	UPD	21:33	22.01.2010	PORSCHE	PET	PORSCHE
911	1977	8	11	811-00		248					

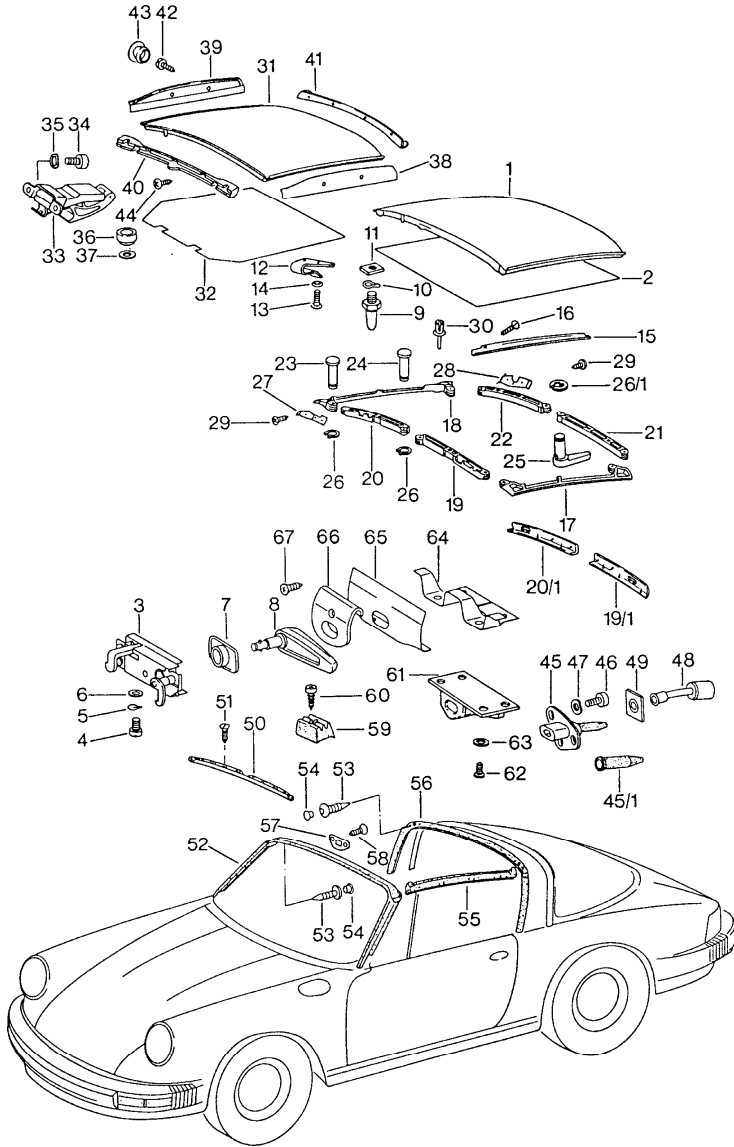


Pos	Part Number	Description	Remark	Qty	Model
-	911 564 003 00	sunroof electric			
-	911 564 003 01	sunroof complete	-74	1	
-	911 564 003 02	sunroof		1	911/911S CARRERA 3.0
-	911 564 003 02	sunroof complete	77-	1	
1	911 564 911 00	roofliner frame		1	
2	901 564 020 07	roofliner frame		1	
-	901 564 291 07	cover please state the colour		1	
3	930 564 051 00	lid		1	
4	911 564 031 02	pipeline		1	
5	900 076 027 02	hexagon nut M 5		2	
6	900 115 001 01	serrated lock washer M 5,3		2	
7	901 564 043 05	guide	/H/L	1	
(7)	901 564 044 05	guide	/H/R	1	
8	901 564 451 05	reinforcement		2	
9	900 075 106 02	hexagon-head bolt M 4 X 6		4	
10	N 012 116 1	serrated lock washer A 4,3		4	
11	911 564 825 00	water drain hose	/H	2	
12	911 564 821 01	water drain hose	/V	2	-76
(12)	911 564 821 01	water drain hose	/V	2	77-
13	999 512 105 02	hose clamp		8	
14	911 503 581 00	water drain tube	/V/L	1	
(14)	911 503 582 00	water drain tube	/V/R	1	
15	911 564 465 00	beading		1	
16	A 901 564 901 05	velvet strip please state the colour		1	

Model	Year	MG	SG	Illustration	Restrictions	UPD	21:33	22.01.2010	PORSCHE	PET	PORSCHE
911	1977	8	11	811-00		248					

Pos	Part Number	Description	Remark	Qty	Model	Pos	Part Number	Description	Remark	Qty	Model
(16)	911 564 191 00	velvet strip		1		35	N 012 005 3	lock ring B 5		2	
17	-	tip switch see group 9/03/05		X		36	901 564 661 05	screw		2	
18	901 564 041 05	guide rail	/L	1		37	900 269 012 02	countersunk-head screw M 4 X 25		2	
(18)	901 564 042 05	guide rail	/R	1		38	901 564 663 05	cap		1	
19	901 564 407 05	intermediate piece		2		39	901 564 085 05	crank		1	
20	901 564 405 05	corner piece	/L	1		40	911 564 643 00	washer		1	
(20)	901 564 406 05	corner piece	/R	1		41	901 564 299 05	duct clamp		1	
21	901 564 073 05	air deflector	/L	1		42	901 564 431 05	guide shoe		2	
22	901 564 074 05	air deflector	/R	1		43	911 564 045 00	guide	/V	2	
23	901 564 409 05	centre piece		1		44	911 564 451 00	tab washer		2	
24	901 564 703 05	air deflector centre		1		45	911 564 459 00	wedge screw AM 5 X 12		4	
25	900 145 009 02	tapping screw B 3,9 X 9,5		16		46	900 115 001 01	serrated lock washer A 5,3		4	
26	911 624 016 01	motor		1		47	901 564 433 05	edge protection		4	
27	911 564 601 00	transmission		-75		48	A 901 564 903 05	velvet strip		1	
(27)	911 564 601 01	transmission		76-		(48)	911 564 193 00	velvet strip		1	
28	911 624 103 00	clutch		1		49	901 564 905 05	sealing rubber		1	
29	911 624 007 01	engine support		1		-	911 503 507 01	plastic foam strip		1	
30	900 076 027 02	hexagon nut M 5		2		50	911 564 401 00	cap/protective strip		1	
31	N 012 005 3	lock ring B 5		2		-	911 564 409 00	sealing strip	/H	1	
32	911 564 035 00	gear support		-75		-	911 564 409 01	sealing strip lateral		2	
(32)	964 564 035 00	support		76-		-	911 564 899 02	parts kit for sunroof		1	
33	N 010 225 4	hexagon-head bolt M 5 X 8 M 5 X 8		2							
34	900 025 003 02	washer 5,3		2							

Model	Year	MG	SG	Illustration	Restrictions	UPD	21:34	22.01.2010	PORSCHE	PET	PORSCHE
911	1977	8	11	811-05		248					



Pos	Part Number	Description	Remark	Qty	Model
		soft top			TARGA
1	911 565 002 40	soft top		1	
-	901 565 035 41	outer lining soft top		1	
2	901 565 036 43	roofliner		1	
3	911 565 031 41	catch		2	
4	999 509 006 02	pan-head screw M 6 X 15		4	
5	900 028 008 01	spring washer B 6		4	
6	N 011 524 7	washer 6,4		4	
7	901 565 299 45	rosette		4	
8	911 565 075 41	handle		2	
9	911 565 074 40	locating peg	/V	2	
10	N 012 241 1	spring washer		2	
11	901 565 203 40	threaded plate		2	
12	964 565 265 00	latch		8	
13	999 219 006 02	countersunk-head screw AM 4 X 8		16	
14	900 115 008 02	serrated lock washer V 4,3		16	
15	901 565 303 45	rain channel	/L	1	
(15)	901 565 304 45	rain channel	/R	1	
16	N 013 957 5	tapping screw BZ 3,5 X 9,5		10	
17	901 565 201 45	roof frame lateral	/L	1	
18	901 565 202 45	roof frame lateral	/R	1	
19	911 565 207 40	roof frame	/V/L	1	
19/1	901 565 093 46	padded cover	/V/L	1	
20	911 565 208 40	roof frame	/V/R	1	

Model	Year	MG	SG	Illustration	Restrictions	UPD	21:34	22.01.2010	PORSCHE	PET	PORSCHE
911	1977	8	11	811-05		248					

Pos	Part Number	Description	Remark	Qty	Model	Pos	Part Number	Description	Remark	Qty	Model
20/1	901 565 094 46	padded cover	/V/R	1		39	911 565 054 40	roof frame padding lateral	/R	1	
21	901 565 211 45	roof frame	/H/L	1		40	911 565 023 40	roof frame padding	/V	1	
22	911 565 212 40	roof frame	/H/R	1		41	911 565 025 40	roof frame padding	/H	1	
23	901 565 328 45	bolt		4		42	N 013 958 7	tapping screw B 3,5 X 13		4	
24	901 565 209 40	bolt		1		43	914 552 233 10	filler piece		4	
25	964 565 145 00	locking bolt		1		44	N 013 957 5	tapping screw B 3,5 X 9,5		4	
26	900 041 004 01	circlip		5		45	911 565 037 42	silentbloc bearing	/L	1	
26/1	900 116 007 01	lock washer		1		(45)	911 565 038 42	silentbloc bearing	/R	1	
(27)	901 565 097 46	lining	/V/L	1		45/1	911 565 217 40	covering		2	
27	901 565 098 46	lining	/V/R	1		46	N 014 765 2	pan-head screw M 6 X 10		6	
(28)	901 565 273 45	cover	/H/L	1		47	900 028 008 01	spring washer B 6		6	
28	901 565 274 45	cover	/H/R	1		48	911 565 220 41	silentbloc bearing		2	
29	N 013 953 2	tapping screw B 2,9 X 9,5		12		49	901 565 361 40	seal		2	
30	999 591 519 40	expansion rivet		3		50	911 555 559 41	border strip	/L	1	911/911S
		roof picture 31 - 44 not for CARRERA 3.0			-75	(50)	911 555 559 48	border strip	/L	1	CARRERA
31	911 565 003 40	roof		1		(50)	911 555 560 41	border strip	/R	1	911/911S
(31)	911 565 004 40	roof lacquered		1		(50)	911 555 560 60	border strip	/R	1	CARRERA
32	911 565 231 40	rooflining		1		51	900 145 036 00	tapping screw B 3,5 X 13		8	911/911S
33	911 565 012 40	catch		2		(51)	900 145 071 07	tapping screw B 3,5 X 13		8	CARRERA
34	N 014 765 2	pan-head screw M 6 X 10		4		52	911 565 090 47	gasket		1	
35	900 028 008 01	spring washer B 6		4		53	999 703 186 40	plastic plug		4	
36	911 565 223 40	rubber stop		2		54	999 591 384 40	cap		4	
37	911 565 165 40	spacer		X		55	911 565 259 40	roof frame seal	/L	1	
38	911 565 053 40	roof frame padding lateral	/L	1		(55)	911 565 260 40	roof frame seal	/R	1	
						56	911 565 091 45	gasket	/V	1	

Model	Year	MG	SG	Illustration	Restrictions	UPD	21:34	22.01.2010	PORSCHE	PET	PORSCHE
911	1977	8	11	811-05		248					

Pos	Part Number	Description	Remark	Qty	Model	Pos	Part Number	Description	Remark	Qty	Model
57	911 565 221 40	rosette		2							
58	900 145 071 07	tapping screw B 3,5 X 13,5		4							
59	911 565 147 41	rubber stop		2							
60	N 013 953 2	tapping screw B 2,9 X 9,5		2							
61	911 565 187 40	mounting locking bolt		1							
62	N 013 957 5	tapping screw B 3,5 X 9,5		4							
63	900 025 002 02	washer 4,3		4							
64	911 565 133 40	supporting plate		1							
65	911 565 135 40	cover plate		1							
66	911 565 189 41	cover plate		1							
67	900 145 003 07	tapping screw B 3,5 X 9,5		1							

PORSCHE

PET

PORSCHE

Model	Year	MG	SG	Illustration	Restrictions	UPD	21:34	22.01.2010
911	1977	8	12	812-00		248		

Pos	Part Number	Description	Remark	Qty	Model
-	911 803 061 02	seat belt three-point seat belt with automatic and seat belt buckle	/L (F) (GB) -75	1	
-	911 803 062 02	three-point seat belt with automatic and seat belt buckle	/R (F) (GB) -75	1	
-	911 803 917 00	three-point seat belt with automatic and seat belt buckle not for (GB)	/L/R 76-	1	
-	911 803 917 02	three-point seat belt with automatic and seat belt buckle	/L/R (AUS) 76-	2	
-	911 803 917 03	insulating piece with automatic and seat belt buckle	/L/R (GB) 76-	2	
-	928 803 126 09	seat belt	/L/R	2	
-	928 803 126 09	seat belt with automatic without seat belt buckle	/L/R (AUS) 76-	2	
-	911 803 183 00	seat-belt buckle	/L/R	2	
-	928 803 183 05	seat-belt buckle	/L/R (GB)	2	
-	911 803 907 00	set of fastening parts		2	COUPE
-	911 803 907 40	set of fastening parts		2	TARGA
-	911 555 102 00	bellows seat belt buckle		2	
-	911 555 615 01	rosette side section		2	COUPE

PORSCHE

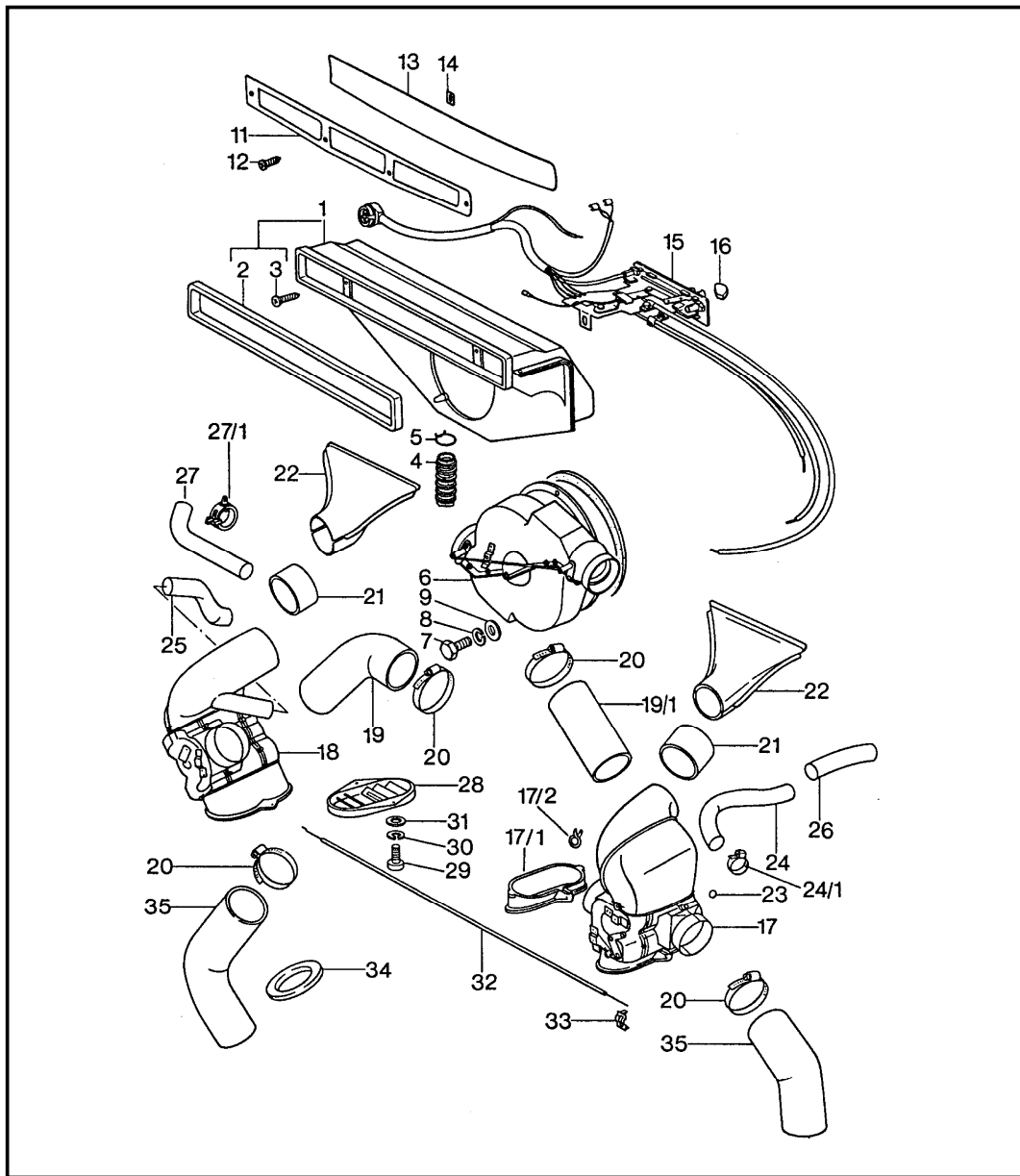
PET

PORSCHE

Model	Year	MG	SG	Illustration	Restrictions	UPD	21:34	22.01.2010
911	1977	8	12	812-00		248		

Pos	Part Number	Description	Remark	Qty	Model
-	N 014 093 3	tapping screw BZ 4,2 X 13		4	COUPE
-	999 507 020 02	speed nut 4,2		4	COUPE
-	999 507 020 01	speed nut 4,2		4	
-	901 803 139 00	rosette side section		2	TARGA
-	911 555 619 40	relay lever		2	TARGA
-	911 555 625 00	support for seatbelt for GURTROLLER		2	COUPE
-	911 555 613 41	support for seatbelt		2	TARGA
-	911 803 049 04	seat belt 3-PUNKT	(AUS)	2	
-	911 803 285 04	seat-belt buckle	(AUS)	2	
-	911 803 451 00	fastening screw	(AUS)	2	
-	111 857 799	screw	(AUS)	4	
-	911 803 259 00	cap	(AUS)	4	
-	N 012 112 2	serrated lock washer	(AUS)	4	
-	211 857 771	washer	(AUS)	4	
-	911 803 059 04	relay lever	(AUS)	2	

Model	Year	MG	SG	Illustration	Restrictions	UPD	21:34	22.01.2010	PORSCHE	PET	PORSCHE
911	1977	8	13	813-00		248					

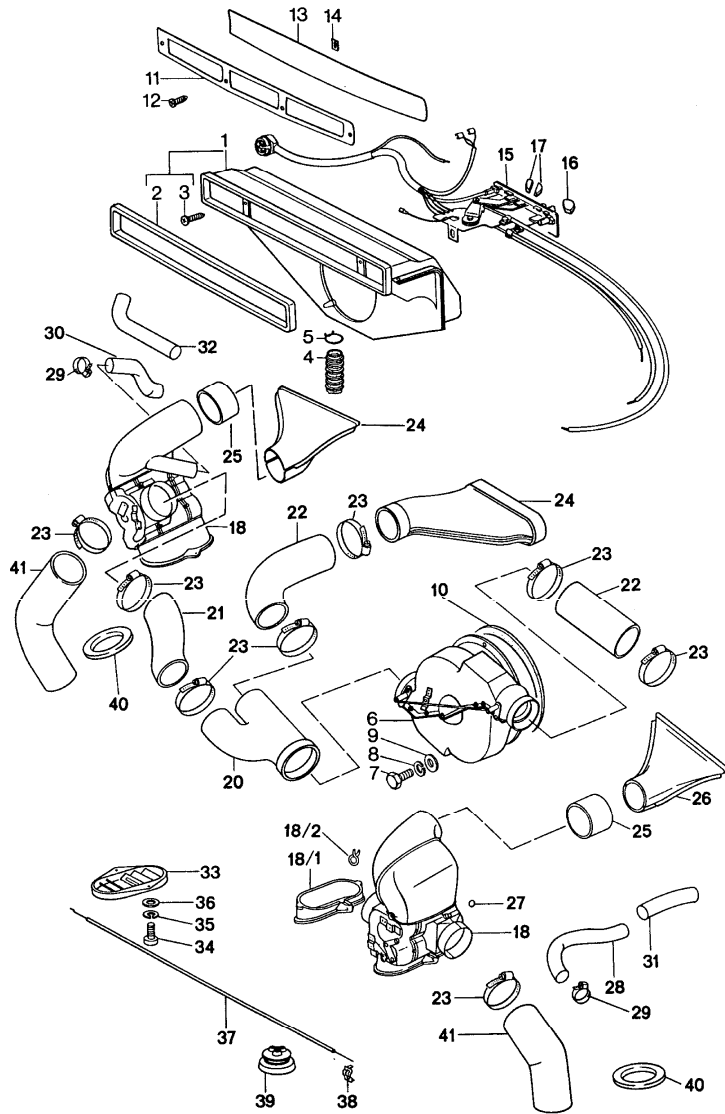


Pos	Part Number	Description	Remark	Qty	Model
		ventilation heating system 1	-76		
1	911 571 031 00	fresh air inlet box	/LL	1	
1	911 571 032 00	fresh air inlet box	/RL	1	
2	901 571 325 32	sealing frame		1	
3	N 014 153 1	oval-head screw M 5 X 40		2	
4	911 571 224 00	water drain hose	/LL	1	
4	911 571 224 00	water drain hose air conditioner	/RL M	-75	X
(4)	901 571 326 32	water drain hose	/RL	-75	1
(4)	911 571 224 00	water drain hose	/RL	76-	1
5	999 512 145 02	hose clamp	/RL	1	
6	911 571 018 00	blower with engine		1	
-	911 571 905 00	housing front		1	
-	911 571 907 00	housing rear		1	
-	911 571 320 32	blower motor with fan		1	
7	N 010 205 6	hexagon-head bolt M 5 X 10		2	
8	900 027 003 01	lock ring B 5		2	
9	900 025 003 02	washer 5,3		2	
10	901 571 922 00	sealing ring		1	
11	901 559 401 20	grille frame		1	
12	900 145 036 00	tapping screw B 3,5 X 13		4	
13	901 559 410 20	grille	/V	1	
14	901 559 491 20	spacer		2	

Model	Year	MG	SG	Illustration	Restrictions	UPD	21:34	22.01.2010	PORSCHE	PET	PORSCHE
911	1977	8	13	813-00		248					

Pos	Part Number	Description	Remark	Qty	Model	Pos	Part Number	Description	Remark	Qty	Model
(15)	911 613 112 04	control switch		1	911/911S CARRERA 2.7	26	911 571 227 00	air hose	/L	1	
			/RL -75			(26)	911 572 223 00	air hose	/R	1	
(15)	911 613 112 04	control switch	/RL -76	1		27	911 571 228 00	air hose	/R -76	1	
15	911 613 111 02	control switch	/LL -76	1		27/1	999 513 023 40	tie-wrap	-76	1	
-	900 631 129 90	bulb 12 V, 2W		1		28	911 571 347 01	air distributor	/L	1	
-	999 632 006 00	bulb socket		1		(28)	911 571 348 01	air distributor	/R	1	
-	914 571 903 10	sealing ring		1		29	900 067 208 02	pan-head screw M 5 X 15		4	
-	900 378 030 09	hexagon-head bolt M 6 X 20		1		30	N 012 005 3	lock ring B 5		4	
-	N 011 524 7	washer 6,4		1		31	900 025 003 02	washer 5,3		4	
-	914 571 151 10	rubber sleeve for wire pull		1		32	911 572 114 00	bowden control		2	
16	901 571 917 00	knob black		2		33	901 571 919 00	terminal		7	
16	901 571 918 00	knob red		1		34	901 572 913 01	sealing ring		2	
17	911 571 049 01	control box	/L -76	1		35	901 571 347 32	heater hose		2	
17/1	911 571 051 00	connecting flange		2		36	911 551 067 00	luggage compartment trim	-76	1	
17/2	999 512 162 02	clamping spring		4		37	900 075 260 02	hexagon-head bolt M 6 X 16		4	
18	911 571 050 01	control box	/R -76	1		38	N 012 007 2	lock ring A 6		4	
19/1	914 572 123 10	air hose	/L -76	1		39	900 151 003 02	washer 6,4		4	
19	914 572 123 10	air hose	/R -76	1							
20	999 512 349 02	hose clamp		8							
21	901 571 345 32	hose piece		2							
22	901 572 045 31	heating nozzle		2							
23	901 571 921 00	retainer		24							
24	911 571 228 00	air hose	/L	1							
24/1	999 512 551 00	hose clamp		1							
25	911 571 226 00	air hose	/R -76	1							

Model	Year	MG	SG	Illustration	Restrictions	UPD	21:34	22.01.2010	PORSCHE	PET	PORSCHE
911	1977	8	13	813-05		248					



Pos	Part Number	Description	Remark	Qty	Model
		ventilation heating system 2	77-		
1	911 571 031 00	fresh air inlet box		1	911/911S CARRERA 3.0
(1)	911 571 032 00	fresh air inlet box	/RL	1	911/911S CARRERA 3.0
2	901 571 325 32	sealing frame		1	911/911S CARRERA 3.0
3	N 014 153 1	oval-head screw		2	911/911S CARRERA 3.0
4	911 571 224 00	water drain hose	RERA 3.0	1	911/911S/CAR CARRERA 3.0
(4)	911 571 224 00	water drain hose		1	911/911S CARRERA 3.0
5	999 512 145 02	hose clamp	/RL	1	911/911S CARRERA 3.0
6	911 571 018 00	blower		1	911/911S CARRERA 3.0
-	911 571 905 00	housing		1	911/911S CARRERA 3.0
-	911 571 907 00	housing		1	911/911S CARRERA 3.0
-	911 571 320 32	blower motor		1	911/911S CARRERA 3.0
7	N 010 205 6	hexagon-head bolt		2	911/911S CARRERA 3.0
8	900 027 003 01	lock ring		2	911/911S CARRERA 3.0
9	900 025 003 02	washer		2	911/911S CARRERA 3.0
10	901 571 922 00	sealing ring		1	911/911S CARRERA 3.0
11	901 559 401 20	grille frame		1	911/911S CARRERA 3.0
12	900 145 036 00	tapping screw		4	911/911S CARRERA 3.0
13	901 559 410 20	grille		1	911/911S CARRERA 3.0

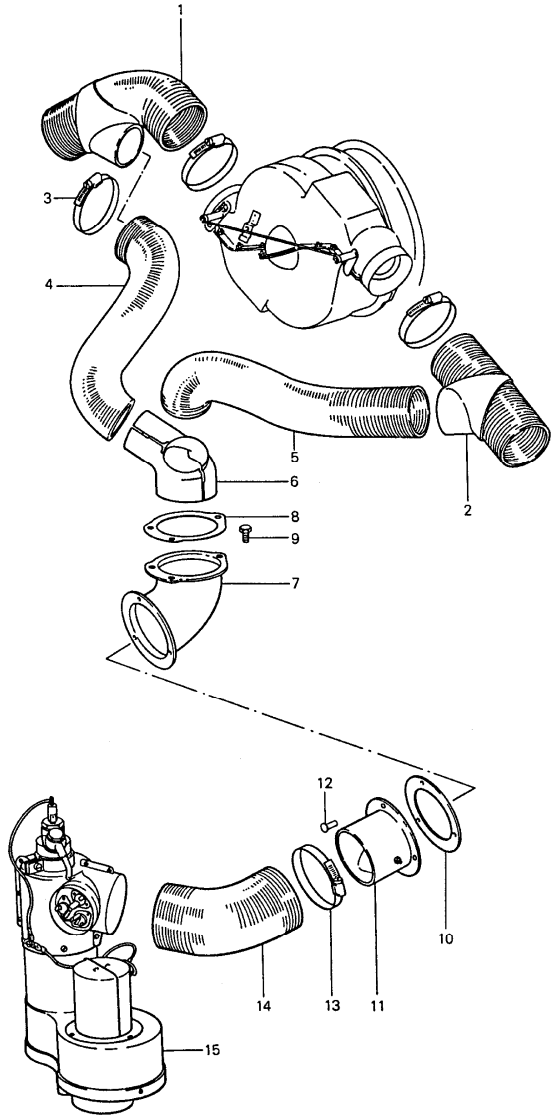
Model	Year	MG	SG	Illustration	Restrictions	UPD	21:34	22.01.2010	PORSCHE	PET	PORSCHE
911	1977	8	13	813-05		248					

Pos	Part Number	Description	Remark	Qty	Model	Pos	Part Number	Description	Remark	Qty	Model
14	901 559 491 20	spacer		2	911/911S CARRERA 3.0	(20)	911 571 040 00	distributing piece		1	911/911S CARRERA 3.0
15	911 613 111 10	control switch		1	911/911S CARRERA 3.0	21	911 571 239 00	air hose		1	911/911S CARRERA 3.0
			/LL			22	473 261 233 A	air hose		2	911/911S CARRERA 3.0
(15)	911 613 112 07	control switch		1	911/911S CARRERA 3.0	23	999 512 349 02	hose clamp		8	911/911S CARRERA 3.0
			/RL			24	911 571 085 00	air duct		1	911/911S CARRERA 3.0
-	911 612 172 01	wiring harness		1	911/911S CARRERA 3.0	24	911 571 085 00	air duct		1	911/911S CARRERA 3.0
-	900 631 129 90	bulb		1	911/911S CARRERA 3.0	(24)	911 571 086 01	air duct		1	911/911S CARRERA 3.0
-	999 632 006 00	bulb socket		1	911/911S CARRERA 3.0	25	901 571 345 32	hose piece		2	911/911S CARRERA 3.0
-	914 571 903 10	sealing ring		1	911/911S CARRERA 3.0	26	901 572 045 31	heating nozzle		2	911/911S CARRERA 3.0
-	900 378 030 09	hexagon-head bolt		1	911/911S CARRERA 3.0	27	901 571 921 00	retainer		24	911/911S CARRERA 3.0
-	N 011 524 7	washer		1	911/911S CARRERA 3.0	28	911 571 228 00	air hose		1	911/911S CARRERA 3.0
-	914 571 151 10	rubber sleeve		1	911/911S CARRERA 3.0	29	999 512 551 00	hose clamp		1	911/911S CARRERA 3.0
16	901 571 917 00	knob		1	911/911S CARRERA 3.0	30	911 571 228 00	air hose		1	911/911S CARRERA 3.0
16	901 571 918 00	knob		1	911/911S CARRERA 3.0	31	911 571 227 00	air hose		1	911/911S CARRERA 3.0
17	911 613 995 00	knob		2	911/911S CARRERA 3.0	(31)	911 572 223 00	air hose		1	911/911S CARRERA 3.0
18	911 571 049 01	control box		1	911/911S CARRERA 3.0	32	911 571 228 00	air hose		1	911/911S CARRERA 3.0
18/1	911 571 051 00	connecting flange		2	911/911S CARRERA 3.0	33	911 571 347 01	air distributor		1	911/911S CARRERA 3.0
18/2	999 512 162 02	clamping spring		4	911/911S CARRERA 3.0	(33)	911 571 348 01	air distributor		1	911/911S CARRERA 3.0
19	911 571 050 01	control box		1	911/911S CARRERA 3.0	34	900 067 208 02	pan-head screw		4	911/911S CARRERA 3.0
20	911 571 039 00	distributing piece		1	911/911S CARRERA 3.0	35	N 012 005 3	lock ring		4	911/911S CARRERA 3.0

Model	Year	MG	SG	Illustration	Restrictions	UPD	21:34	22.01.2010	PORSCHE	PET	PORSCHE
911	1977	8	13	813-05		248					

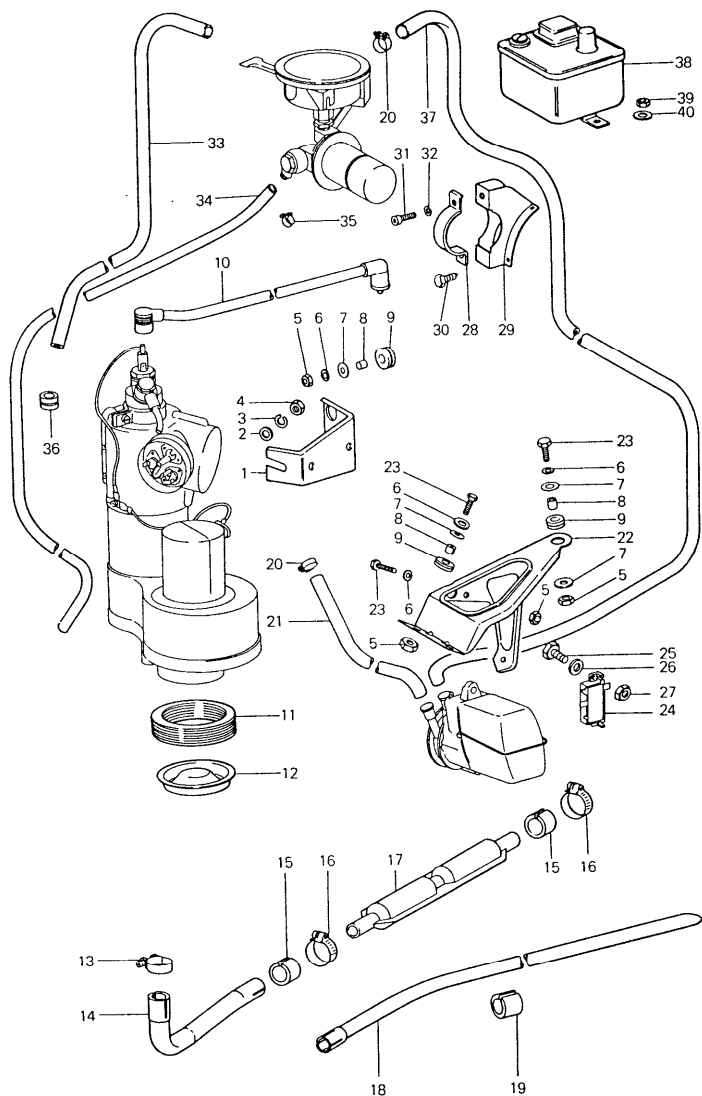
Pos	Part Number	Description	Remark	Qty	Model	Pos	Part Number	Description	Remark	Qty	Model
36	900 025 003 02	washer		4	911/911S CARRERA 3.0						
37	911 572 114 00	bowden control		2	911/911S CARRERA 3.0						
38	901 571 919 00	terminal		7	911/911S CARRERA 3.0						
39	911 612 863 00	grommet		1	911/911S CARREA 3.0						
40	901 572 913 01	sealing ring		2	911/911S CARRERA 3.0						
41	901 571 347 32	heater hose		2	911/911S CARRERA 3.0						

Model	Year	MG	SG	Illustration	Restrictions	UPD	21:34	22.01.2010	PORSCHE	PET	PORSCHE
911	1977	8	13	813-10		248					



Pos	Part Number	Description	Remark	Qty	Model
-	901 572 930 02	heating complete heater air duct	-76	X	WEBASTO
-	901 572 930 02	heating WEBASTO see group 8/13/10 8/13/15 for subsequent installation not for	/LL (S)	X	
1	901 572 066 00	air hose	/R	1	
2	901 572 065 00	air hose	/L	1	
3	999 512 348 02	hose clamp		4	
4	901 572 648 00	air hose	/R	1	
5	901 572 647 00	air hose	/L	1	
6	901 572 054 00	distributing piece		1	
7	901 572 058 00	connecting piece		1	
8	901 572 527 00	sealing washer		1	
9	900 075 219 02	hexagon-head bolt M 5 X 10		3	
10	901 572 526 00	gasket		1	
11	901 572 521 00	flap		1	
12	900 055 019 20	buttonhead rivet 3 X 6		3	
13	999 512 151 02	clip		2	
14	901 572 649 00	air hose 70 \$		1	
15	901 572 501 32	heater		1	

Model	Year	MG	SG	Illustration	Restrictions	UPD	21:35	22.01.2010	PORSCHE	PET	PORSCHE
911	1977	8	13	813-15		248					

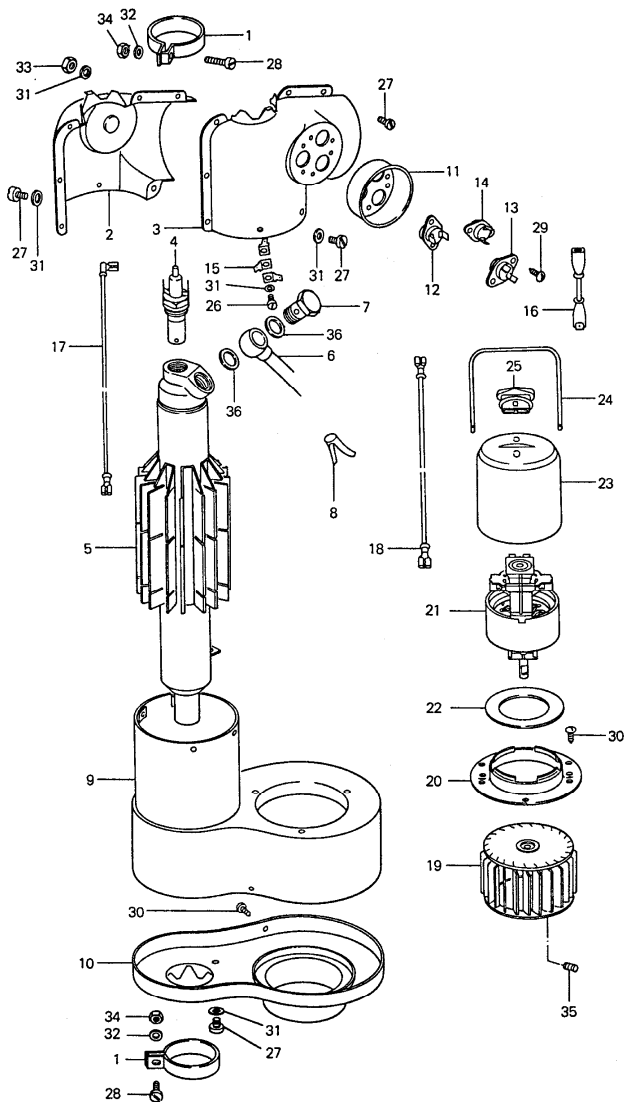


Pos	Part Number	Description	Remark	Qty	Model
		heating lines accessories	-76		WEBASTO
1	901 501 392 20	support		1	
2	900 151 008 02	washer B 8,4		1	
3	900 027 005 01	lock ring A 8		1	
4	900 076 025 02	hexagon nut M 8		1	
5	900 076 010 02	hexagon nut M 6		5	
6	900 115 006 01	serrated lock washer A 6,4		5	
7	900 151 006 09	washer A 6,4		5	
8	901 572 519 30	spacer sleeve		5	
9	999 702 049 50	rubber sleeve		5	
10	901 612 053 02	ignition lead		1	
-	901 609 304 30	spark plug connector for 901.612.053.02		1	
11	901 572 591 30	sealing ring		1	
12	901 572 593 30	strainer		1	
13	999 512 046 02	clip		1	
14	901 572 627 31	exhaust pipe		1	
15	901 572 619 30	bush		2	
16	999 512 125 02	clip		2	
17	901 572 061 30	muffler		1	
18	901 572 602 32	exhaust line		1	
19	901 572 609 30	bush		4	
20	999 512 056 02	hose clamp		4	
-	999 180 029 50	hose C 11 X 17,5		*	

Model	Year	MG	SG	Illustration	Restrictions	UPD	21:35	22.01.2010	PORSCHE	PET	PORSCHE
911	1977	8	13	813-15		248					

Pos	Part Number	Description	Remark	Qty	Model	Pos	Part Number	Description	Remark	Qty	Model
21	-	170 MM		1		-	901 504 431 30	damping mat for lid 901.504.043.02		1	
22	901 572 515 30	bracket		1							
23	900 075 014 02	hexagon-head bolt M 6 X 18		5							
24	901 615 109 30	switch		1							
25	900 014 079 02	pan-head screw M 3 X10		2							
26	900 115 007 01	serrated lock washer A 3,2		2							
27	900 076 001 02	hexagon nut M 3		2							
28	901 501 489 00	clamp		1							
29	901 501 483 00	support		1							
30	N 043 890 1	tapping screw B 4,2 X 4,9		4							
31	900 067 011 02	pan-head screw M 6 X 20		1							
32	N 012 007 2	lock ring A 6		1							
-	999 180 029 50	hose C 11 X 17,5		*							
33	-	600 MM		1							
-	999 180 030 50	fuel hose C 7 X 12		*							
34	-	1150 MM		1							
35	999 512 055 02	hose clamp		2							
36	999 702 027 50	rubber sleeve		1							
-	999 180 029 50	hose C 11 X 17,5		*							
37	-	1070 MM		1							
38	901 617 010 30	conversion set		1							
39	900 076 027 02	hexagon nut M 5		2							
40	900 115 001 01	serrated lock washer A 5,3		2							

Model	Year	MG	SG	Illustration	Restrictions	UPD	21:35	22.01.2010	PORSCHE	PET	PORSCHE
911	1977	8	13	813-20		248					



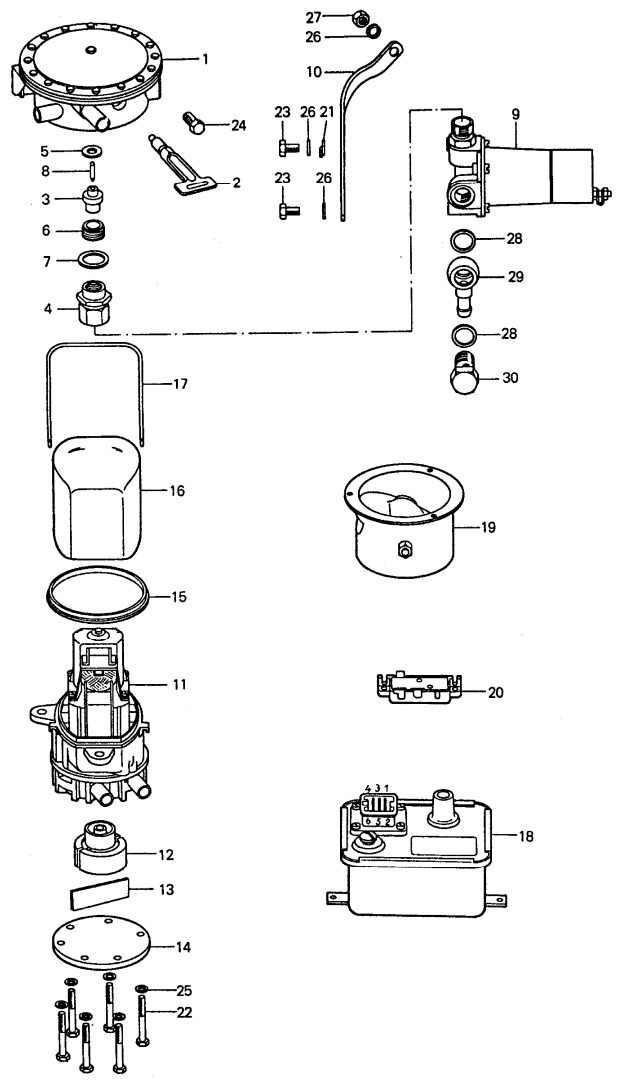
Pos	Part Number	Description	Remark	Qty	Model
		repair material heater	-76		WEBASTO
1	901 572 950 00	pipe clamp		2	
2	-	hot air socket	/L	1	
3	-	hot air socket	/R	1	
4	901 572 931 01	spark plug		1	
5	901 572 956 01	heating tube		1	
6	901 572 934 01	ring fitting		1	
7	901 572 933 00	banjo bolt		1	
8	901 572 987 00	flame protection		1	
9	901 572 955 01	housing		1	
10	901 572 953 01	lid		1	
11	901 572 986 00	housing		1	
12	901 572 983 00	thermostat red		1	
13	901 572 984 00	thermostat white		1	
14	901 572 985 00	thermostat blower blue		1	
15	901 572 938 00	flat plug		3	
16	901 572 932 04	line		1	
17	901 572 932 00	line		1	
18	901 572 932 03	line		1	
19	901 572 949 01	fan		1	
20	901 572 948 01	engine carrier		1	
21	901 572 946 02	electric motor		1	
-	901 572 978 00	brush for 901.572.946.02		2	
22	901 572 945 01	gasket		1	
23	901 572 944 02	protection cap		1	

Model	Year	MG	SG	Illustration	Restrictions	UPD	21:35	22.01.2010	PORSCHE	PET	PORSCHE
911	1977	8	13	813-20		248					

Pos	Part Number	Description	Remark	Qty	Model	Pos	Part Number	Description	Remark	Qty	Model
24	901 572 942 00	clamp		1							
25	901 572 976 00	boot		1							
26	900 014 067 02	pan-head screw AM 4 X 8		1							
27	900 014 002 02	pan-head screw AM 4 X 8		10							
28	900 014 070 02	pan-head screw AM 5 X 18		2							
29	900 141 009 02	half-round screw B 2,9 X 6,5		6							
30	N 013 910 3	screw B 3,5 X 6,5		6							
31	999 029 002 00	lock ring 4		9							
32	999 029 003 00	lock ring 5		2							
33	N 011 004 6	hexagon nut M 4		5							
34	900 076 027 02	hexagon nut M 5		2							
35	900 244 001 00	threaded pin M 4 X 0,5 X 8		1							
36	N 013 849 2	sealing ring A 14 X 18		2							

Model	Year	MG	SG	Illustration	Restrictions	UPD	21:35	22.01.2010	PORSCHE	PET	PORSCHE
911	1977	8	13	813-25		248					

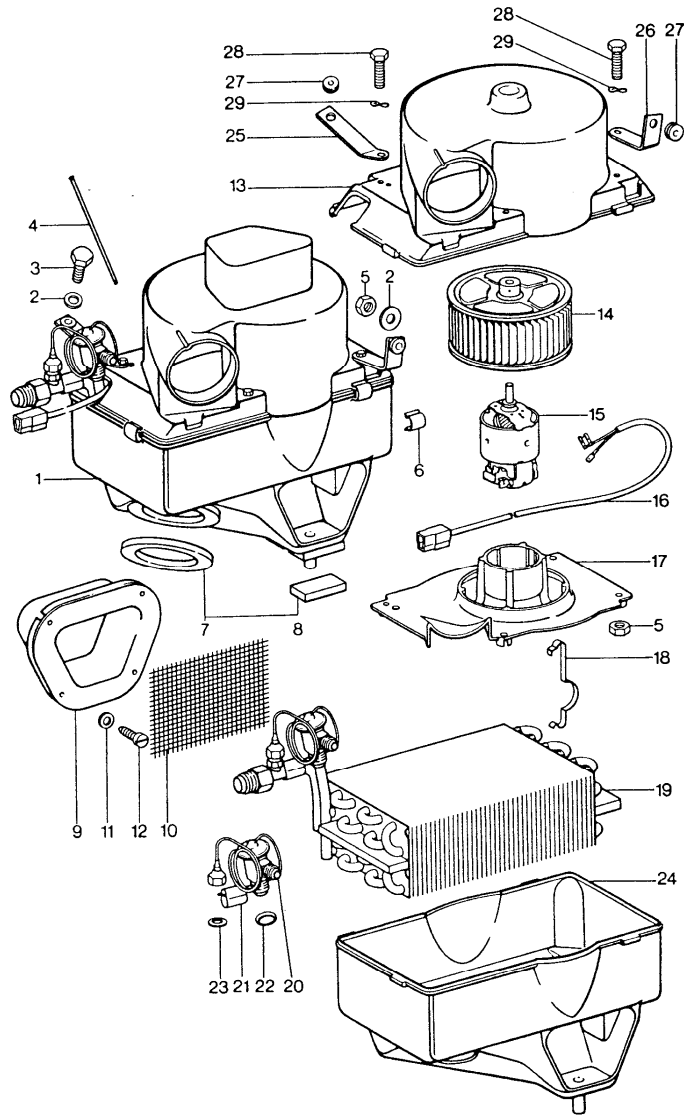
Pos	Part Number	Description	Remark	Qty	Model
		repair material mixture control unit pump	-76		WEBASTO
1-10	901 572 511 32	mixture control unit with pump		1	
1	901 572 512 31	mixture control unit		1	
2	901 572 960 01	nozzle with key		1	
3+8	901 572 964 01	valve		1	
4	901 572 961 00	connection piece with union nut		1	
5	901 572 966 00	gasket		1	
6	901 572 963 00	threaded ring		1	
7	901 572 962 00	gasket		1	
9	901 572 511 30	distributor		1	
10	901 572 958 01	strut		1	
1-17	901 572 513 31	pump		1	
12	901 572 980 01	blower		1	
13	901 572 981 00	slide		1	
14	901 572 982 00	lid		1	
15	901 572 969 00	sealing ring		1	
16	901 572 944 03	protection cap		1	
17	901 572 943 01	clamp		1	
18	901 617 010 30	conversion set		1	
-	999 652 315 02	flat plug		1	
-	999 702 119 50	rubber sleeve		1	
19	901 572 521 00	flap		1	
20	901 615 109 30	switch		1	
21	901 572 938 01	flat plug		1	



Model	Year	MG	SG	Illustration	Restrictions	UPD	21:35	22.01.2010	PORSCHE	PET	PORSCHE
911	1977	8	13	813-25		248					

Pos	Part Number	Description	Remark	Qty	Model	Pos	Part Number	Description	Remark	Qty	Model
22	900 075 117 02	hexagon-head bolt M 4 X 35		6							
23	900 075 118 02	hexagon-head bolt M 6 X 10		2							
24	N 010 215 13	hexagon-head bolt M 6 X 15		1							
25	999 029 002 00	lock ring 4		6							
26	999 029 004 00	lock ring 5		3							
27	900 076 010 02	hexagon nut M 6		1							
28	900 123 007 60	sealing ring A 14 X 18		2							
29	901 572 959 00	ring fitting		1							
30	900 134 007 00	banjo bolt A 8		1							

Model	Year	MG	SG	Illustration	Restrictions	UPD	21:35	22.01.2010	PORSCHE	PET	PORSCHE
911	1977	8	13	813-30		248					

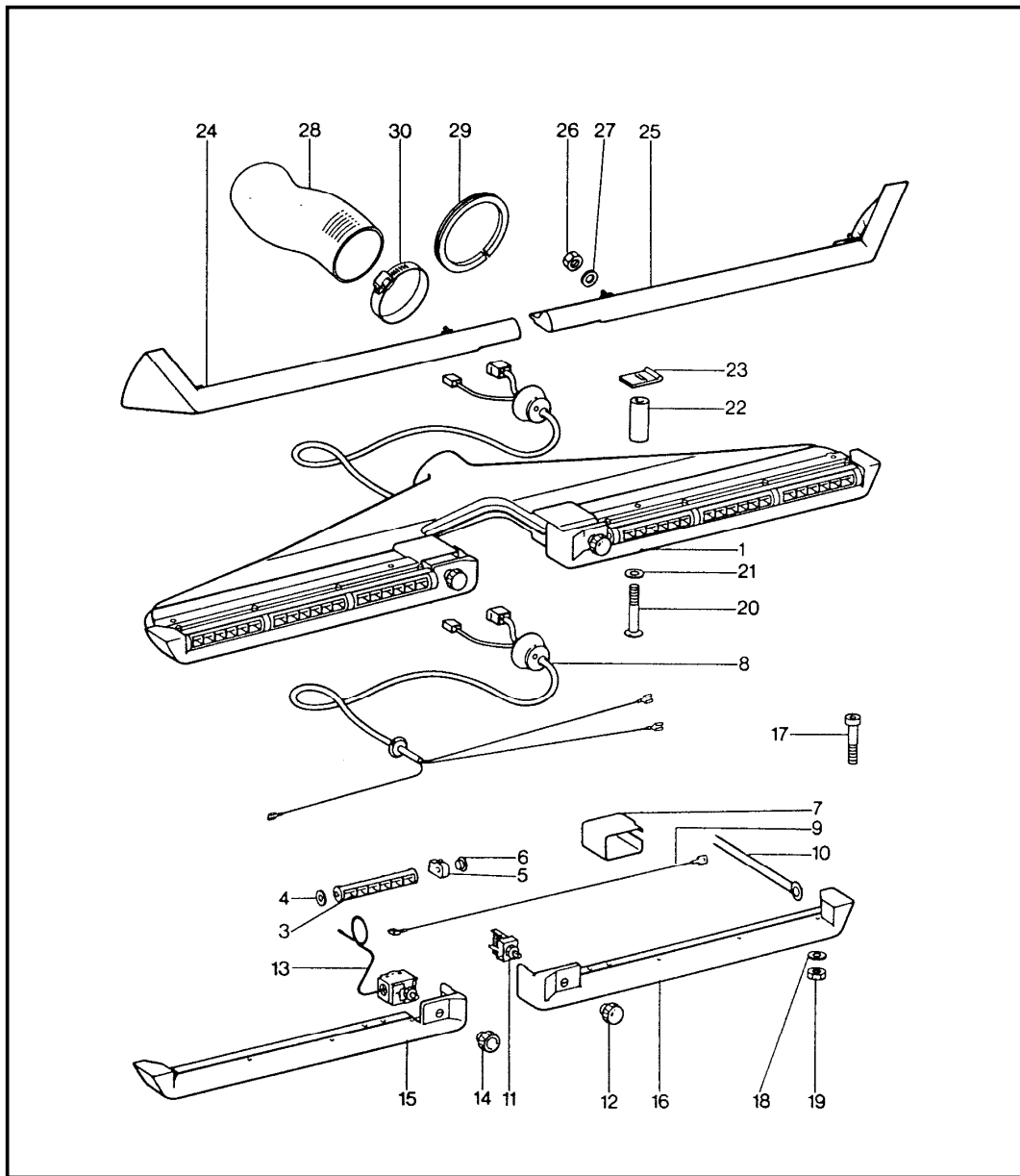


Pos	Part Number	Description	Remark	Qty	Model
		air conditioner evaporator evaporator housing accessories			
1	901 573 021 00	evaporator with housing	/LL	1	
(1)	911 573 022 00	evaporator with housing	/RL	1	
2	900 151 003 02	washer 6,4		2	
3	900 075 057 02	hexagon-head bolt M 6 X 16		1	
4	901 573 903 00	guide tube for temperature switch		1	
5	900 076 010 02	hexagon nut M 6		5	
6	901 573 904 00	tensioning spring		4	
-	911 573 135 37	protection cap	/RL	1	
-	911 573 131 37	water drain sleeve	/RL	1	
-	911 573 143 00	rubber sleeve	/RL	1	
-	911 573 068 37	support for evaporator large	/RL	1	
-	911 573 069 37	support for evaporator	/RL	1	
-	911 573 071 37	support for evaporator pedal floor board	/RL	1	
-	900 075 057 02	hexagon-head bolt M 6 X 16	/RL	1	
-	900 076 010 02	hexagon nut M 6	/RL	2	
-	N 011 524 7	washer 6,4	/RL	2	
>>7	>>901 573 901 00	parts kit comprising:		1	

Model	Year	MG	SG	Illustration	Restrictions	UPD	21:35	22.01.2010	PORSCHE	PET	PORSCHE
911	1977	8	13	813-30		248					

Pos	Part Number	Description	Remark	Qty	Model	Pos	Part Number	Description	Remark	Qty	Model
-	-	sealing ring		1							
8	-	shim		2							
9	911 573 073 01	connection piece		1							
10	901 573 129 00	grille		1							
11	900 151 001 02	washer 4,3		4							
12	900 143 004 02	oval-head sheetmetal screw B 3,5 X 19		4							
13	911 573 023 00	housing cover		1							
14	901 573 906 00	fan		1							
15	901 624 901 00	electric motor		1							
16	-	see group 8 13 50 POS. 13		1							
17	911 573 323 00	engine support		1							
18	901 624 903 00	clamp		4							
19	901 573 907 00	evaporator		1							
20	901 573 915 00	expansion valve		1							
21	901 573 914 00	clip		1							
22	901 573 147 00	gasket 3/4"		1							
23	901 573 916 00	gasket 7/16"		1							
24	901 573 908 00	housing lower part		1							
25	911 572 473 00	fastening angle		1							
26	911 572 471 00	fastening angle		1							
27	901 573 133 00	rubber sleeve		2							
28	900 378 030 09	hexagon-head bolt M 6 X 20		4							
29	N 012 226 5	spring washer B 6		4							

Model	Year	MG	SG	Illustration	Restrictions	UPD	21:35	22.01.2010	PORSCHE	PET	PORSCHE
911	1977	8	13	813-35		248					

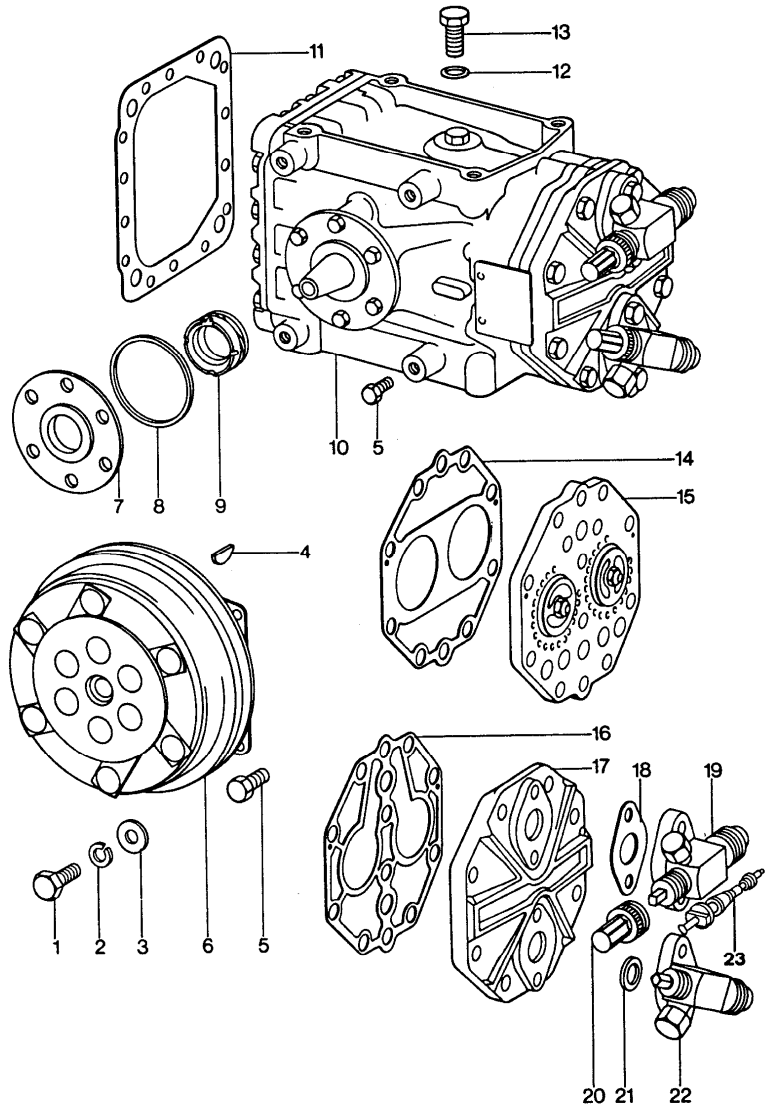


Pos	Part Number	Description	Remark	Qty	Model
		air conditioner nozzle accessories	-76		
1	901 573 065 00	air vent		1	
3	901 573 067 00	cover		6	
4	901 573 169 00	plastic washer		12	
5	901 573 165 00	bearing		8	
6	914 552 233 10	filler piece		2	
7	901 573 912 00	insert 2 X 55 X 165 ALU		1	
8	-	see group 8/13/50-POS.12		1	
9	-	see group 8/13/50-POS.12		1	
10	901 613 118 00	thermostat		1	
11	901 613 117 00	blower switch		1	
12	901 613 121 00	knob		1	
13	911 613 919 00	temperature switch		1	
14	901 613 122 00	knob		1	
15	901 573 025 00	padding	/L	1	
16	901 573 026 00	padding	/R	1	
17	900 067 104 02	pan-head screw 4 X 35		8	
18	900 025 002 02	washer 4,3		8	
19	999 090 001 02	lock nut M 4		8	
20	900 015 035 02	oval-head screw BM 5 X 55		4	
21	900 151 027 02	washer 5,3		4	
22	A 901 573 167 00	spacer tube		4	
22	911 573 171 00	spacer tube		4	
23	999 507 315 02	captive nut		4	

Model	Year	MG	SG	Illustration	Restrictions	UPD	21:35	22.01.2010	PORSCHE	PET	PORSCHE
911	1977	8	13	813-35		248					

Pos	Part Number	Description	Remark	Qty	Model	Pos	Part Number	Description	Remark	Qty	Model
24	901 552 035 28	knee protection strip	/L	1							
25	901 552 036 28	knee protection strip	/R	1							
26	900 076 027 02	hexagon nut M 5		4							
27	900 151 027 02	washer 5,3		4							
28	901 573 511 00	air hose	/LL	1							
(28)	911 573 523 00	air hose	/RL	1							
-	901 573 160 00	hose clamp	/RL	1							
29	901 573 509 01	sealing ring		1							
30	901 573 160 00	hose clamp		1							

Model	Year	MG	SG	Illustration	Restrictions	UPD	21:36	22.01.2010	PORSCHE	PET	PORSCHE
911	1977	8	13	813-40		248					

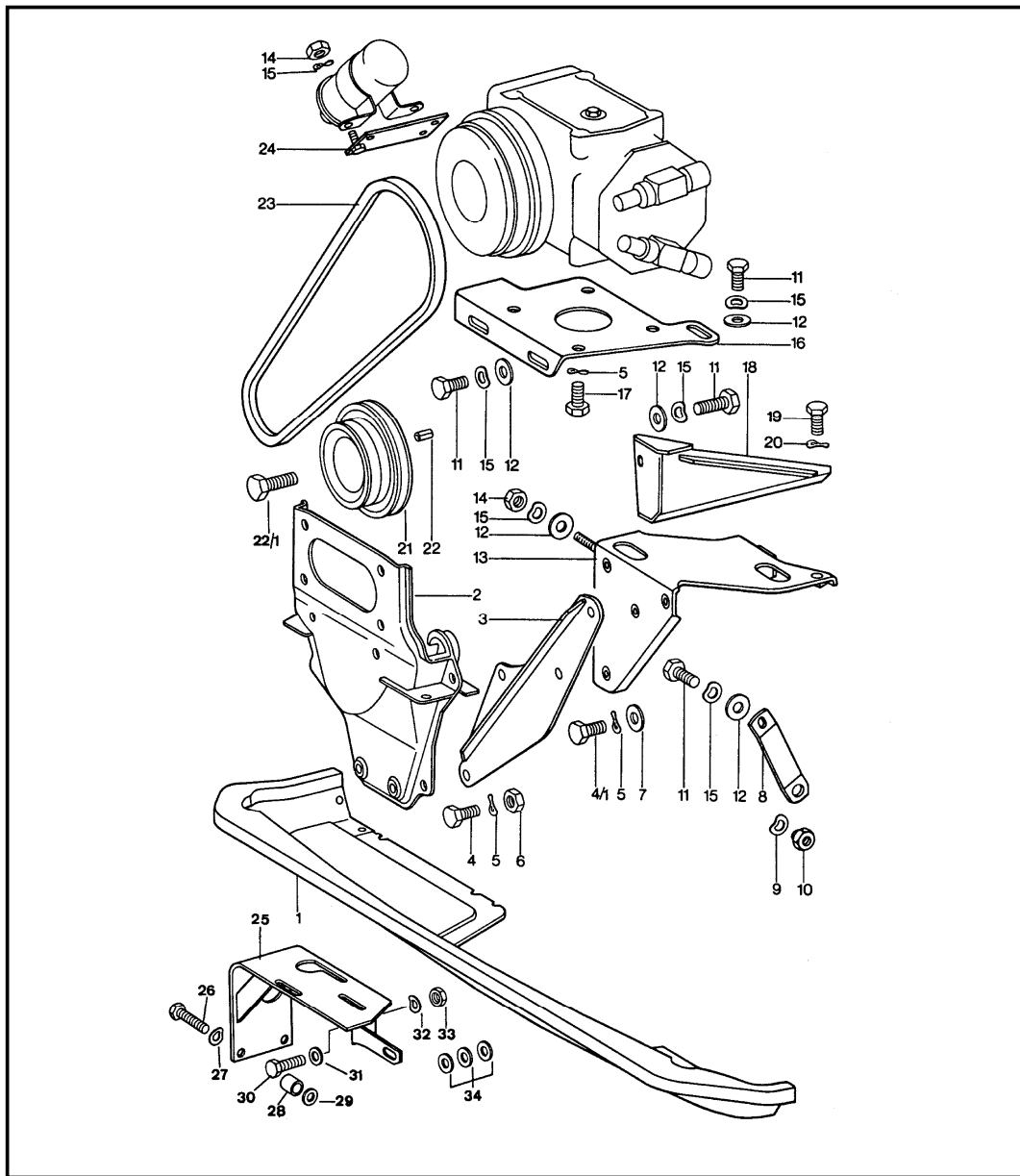


Pos	Part Number	Description	Remark	Qty	Model
		air conditioner compressor			
1-5	911 126 924 00	set of fastening parts comprising:		1	
1	-	hexagon-head bolt 5/16" - 24 UNF - 1 1/2"		1	
2	-	lock ring B 8		1	
3	-	washer 8 X 22 X 4		1	
4	-	woodruff key 4 X 6,5		1	
5	-	hexagon-head bolt 1/4" - 20 UNC - A X 1/2"		4	
6	911 126 933 01	clutch		1	
7-9	911 126 931 00	parts kit		1	
7	-	flange		1	
8	-	gasket		1	
9	-	KURBELWELLENDICHTUNG		1	
10	911 126 901 00	compressor		1	
11	911 126 911 00	gasket		1	
12	911 126 913 00	o-ring		2	
13	911 126 912 00	hexagon-head bolt 3/8" X 15		1	
4-16	911 126 917 00	parts kit		1	
14	-	gasket		1	
15	-	valve plate		1	
16	-	gasket		1	
-	911 126 918 00	parts kit		1	
14	-	gasket		1	
16	-	gasket		1	
17	-	cylinder head cover		1	
-	911 126 916 00	parts kit		1	

Model	Year	MG	SG	Illustration	Restrictions	UPD	21:36	22.01.2010	PORSCHE	PET	PORSCHE
911	1977	8	13	813-40		248					

Pos	Part Number	Description	Remark	Qty	Model	Pos	Part Number	Description	Remark	Qty	Model
14	-	gasket		1							
16	-	gasket		1							
18	911 126 919 00	sealing ring		1							
19	911 126 921 00	flange valve		1							
20	911 126 923 00	cap		2							
21	911 126 919 00	sealing ring		2							
22	911 126 922 00	flange valve		1							

Model	Year	MG	SG	Illustration	Restrictions	UPD	12:23	27.01.2010	PORSCHE	PET	PORSCHE
911	1977	8	13	813-45		248					

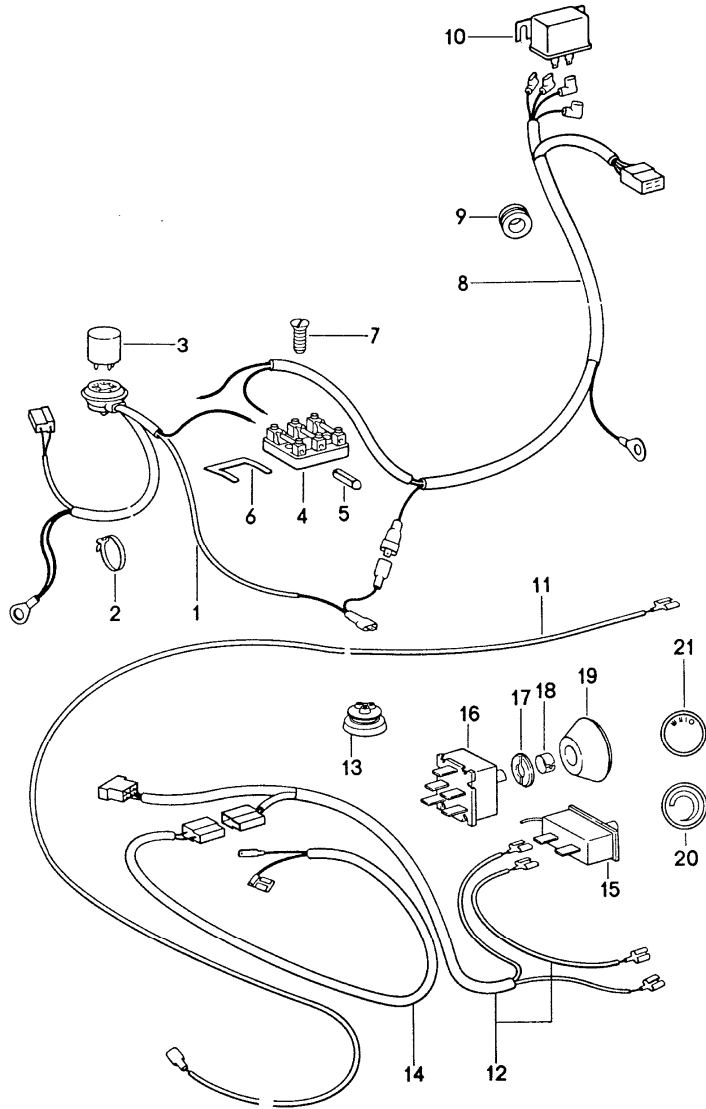


Pos	Part Number	Description	Remark	Qty	Model
1	-	air conditioner compressor driving mechanism mounting see group 1/05/10 + 1/15/10		1	
2	911 115 014 03	bracket		1	911/911S CARRERA 2.7
(2)	911 115 014 03	bracket		1	911/911S CARRERA 2.7
3	911 126 115 00	strut		1	
4	900 075 040 02	hexagon-head bolt M 10 X 20		2	
4/1	900 156 006 02	hexagon-head bolt M 10 X 18		2	
5	N 012 242 3	spring washer A 10		4	
6	N 011 010 6	hexagon nut M 10		2	
7	900 025 008 02	washer 10,5		4	
8	911 126 124 01	strut		1	
9	900 028 014 01	spring washer B 12		1	
10	964 126 125 20	nut		1	
11	900 075 085 02	hexagon-head bolt M 8 X 20		5	
12	900 025 007 02	washer 8,4		6	
13	911 126 101 01	bracket		1	
14	900 076 025 02	hexagon nut M 8		3	
15	N 012 241 8	spring washer B 8		3	
16	911 126 117 01	compressor plate		1	

Model	Year	MG	SG	Illustration	Restrictions	UPD	12:23	27.01.2010	PORSCHE	PET	PORSCHE
911	1977	8	13	813-45		248					

Pos	Part Number	Description	Remark	Qty	Model	Pos	Part Number	Description	Remark	Qty	Model
17	999 075 021 02	screw 3/8" - 16 UNC - 2 A X 3/4" long		4							
18	930 126 116 00	fastening angle		1							
19	900 075 014 02	hexagon-head bolt M 6 X 18		2							
20	N 012 226 5	spring washer B 6		2							
21	911 102 015 50	pulley		1	911/911S CARRERA 2.7						
(21)	911 102 022 01	pulley		1	911/911S CARRERA 3.0						
22	900 012 060 00	straight pin 5 M 6 X 10		1							
22/1	999 093 005 02	hexagon-head bolt M 12 X 1,5 X 22		1	CARRERA 3.0						
23	900 192 027 50	narrow v-belt		1							
24	901 126 121 01	mounting plate		1							

Model	Year	MG	SG	Illustration	Restrictions	UPD	21:37	22.01.2010	PORSCHE	PET	PORSCHE
911	1977	8	13	813-50		248					

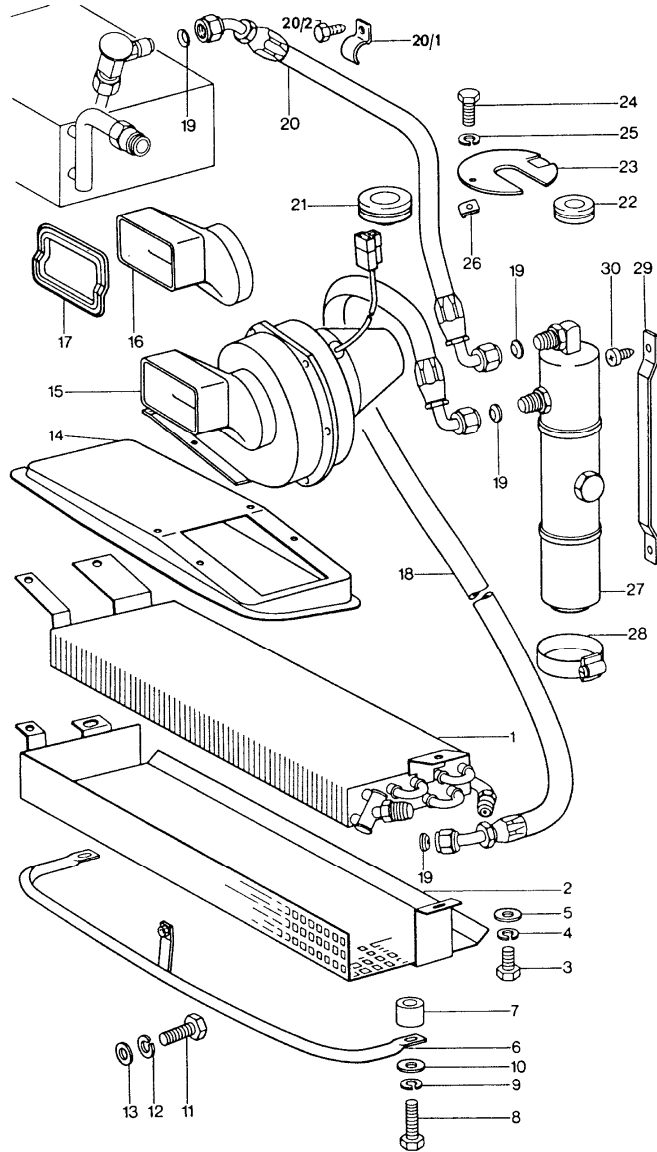


Pos	Part Number	Description	Remark	Qty	Model
1	911 612 080 01	air conditioner electrical components		1	911/911S CARRERA 2.7
2	999 513 008 40	wiring harness	-75 -75	1	911/911S CARRERA 2.7
3	999 513 008 40	tie-wrap	-75	1	911/911S CARRERA 2.7
3	911 615 109 01	standard type relay		1	911/911S CARRERA 2.7
4	911 612 093 05	fuse box triple		1	
5	N 017 121 5	safety fuse 25 A		1	
6	901 612 835 01	connecting rail		1	
7	900 146 009 02	oval-head screw AM 4 X 12		2	
8	911 612 078 01	wiring harness NR. 78		1	
9	999 702 119 50	rubber sleeve		1	
10	911 615 103 01	relay		1	
11	911 612 079 00	wiring harness NR. 79		1	
12	901 612 086 00	wiring harness NR. 29	-76	1	
(12)	911 612 029 01	wiring harness		1	911/911S CARRERA 3.0
13	911 612 863 00	grommet	RERA 3.0	1	911/911S/CAR CARRERA 3.0
14	901 612 084 00	wiring harness NR. 28		1	
15	911 613 121 01	temperature switch it is necessary to rework		1	911/911S CARRERA 3.0
16	911 613 116 00	blower switch		1	911/911S CARRERA 3.0
17	911 613 119 01	rosette		1	911/911S CARRERA 3.0
17	911 613 120 01	rosette		1	911/911S CARRERA 3.0

Model	Year	MG	SG	Illustration	Restrictions	UPD	21:37	22.01.2010	PORSCHE	PET	PORSCHE
911	1977	8	13	813-50		248					

Pos	Part Number	Description	Remark	Qty	Model	Pos	Part Number	Description	Remark	Qty	Model
18	999 591 557 01	knob holder		2	911/911S CARRERA 3.0						
19	911 613 141 00	knob		2	911/911S CARRERA 3.0						
20	911 613 238 00	cap with symbol		1	911/911S CARRERA 3.0						
21	911 613 237 00	cap with symbol		1	911/911S CARRERA 3.0						

Model	Year	MG	SG	Illustration	Restrictions	UPD	21:37	22.01.2010	PORSCHE	PET	PORSCHE
911	1977	8	13	813-55		248					

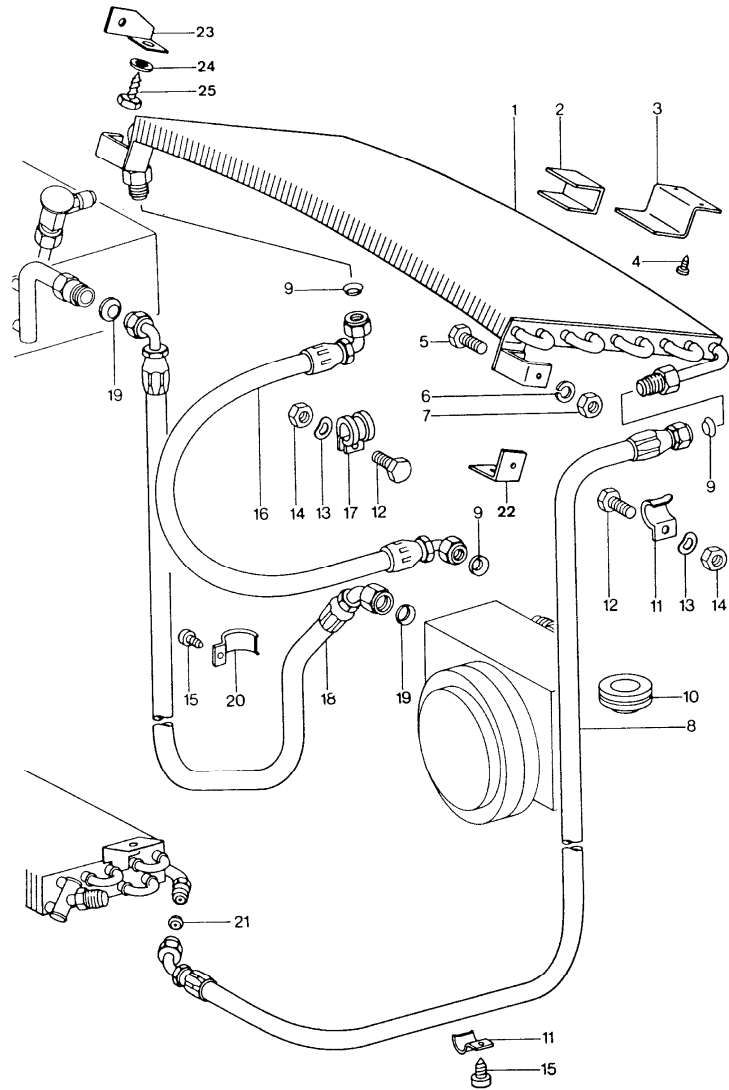


Pos	Part Number	Description	Remark	Qty	Model
1	911 573 056 00	air conditioner condenser lines front	/V	1	911/911S CARRERA 2.7
2	911 573 058 01	condenser	-75	1	911/911S CARRERA 2.7
3	911 573 058 01	stone guard	-75	1	911/911S CARRERA 2.7
4	900 075 057 02	hexagon-head bolt M 6 X 16	-75	3	911/911S CARRERA 2.7
5	N 012 007 2	lock ring B 6	-75	3	911/911S CARRERA 2.7
6	N 011 524 7	washer 6,4	-75	3	911/911S CARRERA 2.7
7	911 573 055 00	impact protection	-75	1	911/911S CARRERA 2.7
8	911 573 513 01	spacer	-75	2	911/911S CARRERA 2.7
9	N 040 281 1	hexagon-head bolt M 10 X 45	-75	2	911/911S CARRERA 2.7
10	900 027 016 02	lock ring B 10	-75	2	911/911S CARRERA 2.7
11	900 151 026 02	washer B10,5	-75	2	911/911S CARRERA 2.7
12	900 075 085 02	hexagon-head bolt M 8 X 20	-75	1	911/911S CARRERA 2.7
13	900 027 015 02	lock ring B 8	-75	1	911/911S CARRERA 2.7
14	900 025 007 02	washer B 8,4	-75	1	911/911S CARRERA 2.7
15	911 501 581 01	air baffle plate	-75	1	911/911S CARRERA 2.7
16	911 624 013 01	blower	-75	1	911/911S CARRERA 2.7
17	911 573 161 00	intake manifold	-75	1	911/911S CARRERA 2.7
18	911 573 515 00	gasket	-75	1	911/911S CARRERA 2.7

Model	Year	MG	SG	Illustration	Restrictions	UPD	21:37	22.01.2010	PORSCHE	PET	PORSCHE
911	1977	8	13	813-55		248					

Pos	Part Number	Description	Remark	Qty	Model	Pos	Part Number	Description	Remark	Qty	Model
18	911 573 154 01	refrigerant hose NW 8		1	911/911S CARRERA 2.7						
19	901 573 148 00	gasket 5/8 "		-75	4						
20	911 573 152 02	refrigerant hose NW 10	/LL		1						
(20)	911 573 159 00	refrigerant hose NW 10	/RL	-76	1						
(20)	911 573 159 00	refrigerant hose NW 10	/RL	77-	1	911/911S CARRERA 3.0					
20/1	999 511 061 02	clamp			2	911/911S CARRERA 3.0					
20/2	900 187 025 02	hexagon-head tapping screw			2	911/911S CARRERA3.0					
21	901 573 143 00	rubber sleeve			1						
22	901 573 142 00	rubber sleeve			1						
23	901 573 155 00	flange		-76	1						
24	N 010 207 6	hexagon-head bolt M 5 X 12		-76	1						
25	N 012 005 3	lock ring B 5		-76	1						
26	999 507 315 02	captive nut		-76	1						
27	911 573 939 02	desiccator			1						
-	911 615 152 00	thermostat			1	911/911S CARRERA 3.0					
28	901 573 141 00	hose clamp			2						
29	901 573 140 00	retaining bar			1						
30	900 143 007 02	tapping screw B 4,2 X 13			2						

Model	Year	MG	SG	Illustration	Restrictions	UPD	21:37	22.01.2010	PORSCHE	PET	PORSCHE
911	1977	8	13	813-60		248					

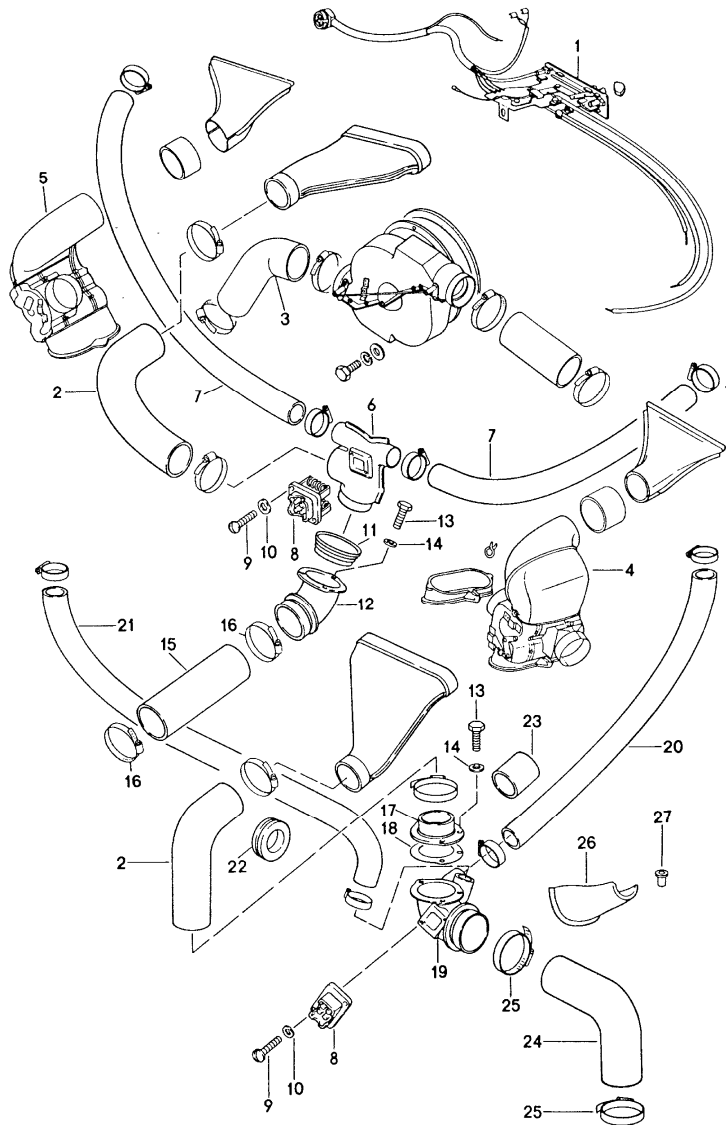


Pos	Part Number	Description	Remark	Qty	Model
		air conditioner condenser lines rear			
1	901 573 057 00	condenser		1	
2	901 573 138 00	moltoprene shim 6 X 65 X 85		1	
3	911 573 147 00	bracket		1	911/911S
(3)	911 573 059 00	retaining bar		1	CARRERA 2.7 CARRERA 3.0
4	N 013 961 2	tapping screw		1	911/911S
(4)	N 010 264 4	hexagon-head bolt		1	CARRERA 2.7 CARRERA 3.0
5	900 075 092 02	hexagon-head bolt M 4 X 10		2	
6	900 027 011 01	lock ring B 4		2	
7	N 011 004 6	hexagon nut M 4		2	
8	911 573 153 01	refrigerant hose NW 10 , 5000 MM		1	911/911S CARRERA 2.7
				-75	
(8)	911 573 151 00	refrigerant hose		1	911/911S
				76-	
9	901 573 147 00	gasket 3/4"		3	
10	901 573 143 00	rubber sleeve		1	
11	999 513 002 40	tie-wrap		18	911/911S CARRERA 2.7
				-75	
11	999 511 061 02	clamp		10	911/911S CARRERA 3.0
-	911 573 525 01	refrigerant hose NW 10	/RL	1	911/911S CARRERA 3.0
				77-	
12	N 010 207 6	hexagon-head bolt M 5 X 12		2	
13	N 012 005 3	lock ring B 5		2	
14	900 076 027 02	hexagon nut M 5		2	

Model	Year	MG	SG	Illustration	Restrictions	UPD	21:37	22.01.2010	PORSCHE	PET	PORSCHE
911	1977	8	13	813-60		248					

Pos	Part Number	Description	Remark	Qty	Model	Pos	Part Number	Description	Remark	Qty	Model
15	900 187 025 02	hexagon-head tapping screw B 5,5 X 13		X							
16	911 573 150 00	refrigerant hose		1							
17	999 511 066 02	clamp		1							
(17)	999 511 080 02	clamp		2	911/911S CARRERA 3.0						
18	911 573 149 02	refrigerant hose		1							
-	911 573 525 01	refrigerant hose NW 13 extension for POS. 18	/RL	1							
-	901 573 143 00	rubber sleeve	/RL	1							
19	901 573 146 00	gasket 7/8"		2							
20	911 573 145 00	clamp		X							
(20)	N 020 690 1	hose clamp		2	911/911S CARRERA 3.0						
21	901 573 148 00	gasket		1							

Model	Year	MG	SG	Illustration	Restrictions	UPD	21:37	22.01.2010	PORSCHE	PET	PORSCHE
911	1977	8	13	813-65		248					



Pos	Part Number	Description	Remark	Qty	Model
		air conditioner cooling air duct			
		installation parts without POS. see group 8/13/05			
1	911 613 111 07	control switch	/LL	1	911/911S CARRERA 3.0
(1)	911 613 112 07	control switch	/RL	1	911/911S CARRERA 3.0
2	911 571 243 00	air hose		1	911/911S CARRERA 3.0
3	473 261 233 A	air hose		1	911/911S CARRERA 3.0
4	911 571 049 02	control box		1	911/911S CARRERA 3.0
5	911 571 050 02	control box		1	911/911S CARRERA 3.0
6	911 573 031 00	air distributor		1	911/911S CARRERA 3.0
7	911 573 204 00	air hose		2	911/911S CARRERA 3.0
8	911 618 151 00	thermo bi-metal switch		1	911/911S CARRERA 3.0
9	900 146 011 02	oval-head screw		2	911/911S CARRERA 3.0
10	N 012 224 3	spring washer		2	911/911S CARRERA 3.0
11	911 641 909 00	rubber ring		1	911/911S CARRERA 3.0
12	911 573 087 00	connecting piece		1	911/911S CARRERA 3.0
13	N 010 207 6	hexagon-head bolt		3	911/911S CARRERA 3.0
14	900 025 003 02	washer		3	911/911S CARRERA 3.0
15	911 571 240 01	air hose		1	911/911S CARRERA 3.0

Model	Year	MG	SG	Illustration	Restrictions	UPD	21:37	22.01.2010	PORSCHE	PET	PORSCHE
911	1977	8	13	813-65		248					

Pos	Part Number	Description	Remark	Qty	Model	Pos	Part Number	Description	Remark	Qty	Model
16	999 512 351 02	hose clamp		2	911/911S CARRERA 3.0						
17	911 573 191 00	flange socket	/RL	1	911/911S CARRERA 3.0						
18	901 572 527 00	sealing washer	/RL	2	911/911S CARRERA 3.0						
19	911 573 088 00	connecting piece	/RL	1	911/911S CARRERA 3.0						
20	911 573 203 00	air hose	/L/RL	1	911/911S CARRERA 3.0						
21	911 573 204 00	air hose	.0 /R/RL	1	911/911S CARRERA 3.0						
22	901 573 143 00	rubber sleeve	/RL	3	911/911S CARRERA 3.0						
23	999 702 062 50	grommet	/RL	1	911/911S CARRERA 3.0						
24	911 573 523 02	air hose	/RL	1	911/911S CARRERA 3.0						
25	901 573 160 00	hose clamp	/RL	2	911/911S CARRERA 3.0						
26	911 551 607 00	covering	0 /RL	1	911/911S CARRERA 3.0						
27	900 121 015 02	tubular rivet A 6 X 0,5 X 15	/RL	4	911/911S CARRERA 3.0						

Model	Year	MG	SG	Illustration	Restrictions	UPD	21:37	22.01.2010
911	1977	8	98	898-00R		248		

Pos	Part Number	Description	Remark	Qty	Model
		set of locks repair kits			
		set of locks			
		coupe			
>>	>>911 531 914 00	set of locks		1	911/911S
>>	>>911 531 914 00	set of locks chrome for subsequent installation comprising:		1	CARRERA 3.0
-	911 531 061 00	outer door handle	/L	1	
-	911 531 062 00	outer door handle	/R	1	
-	911 531 946 00	main key with key lamp		1	
-	914 531 637 10	main key		1	
-	914 531 903 11	blank key		1	
-	911 613 901 01	steering lock		1	
-	911 552 902 03	glove compartment lock		1	
>>	>>911 531 914 28	set of locks black for subsequent installation comprising:		1	CARRERA 2.7 CARRERA 3.0
-	911 531 061 28	outer door handle	/L	1	
-	911 531 062 28	outer door handle	/R	1	
-	911 531 946 00	main key with key lamp		1	
-	914 531 637 10	main key		1	
-	914 531 903 11	blank key		1	
-	911 613 901 01	steering lock		1	
-	911 552 902 07	glove compartment lock targa		1	
>>	>>911 531 914 40	set of locks	76-	1	911/911S
>>	>>911 531 914 40	set of locks chrome for subsequent installation comprising:	76-	1	CARRERA 3.0
-	911 531 061 00	outer door handle	/L	1	

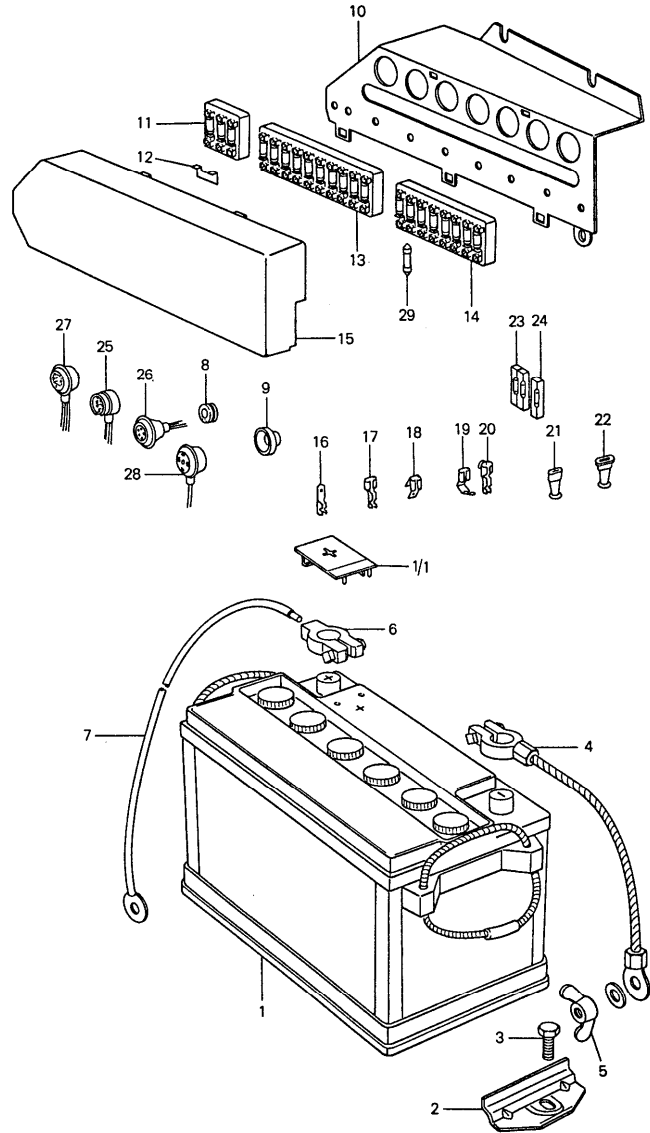
Model	Year	MG	SG	Illustration	Restrictions	UPD	21:37	22.01.2010
911	1977	8	98	898-00R		248		

Pos	Part Number	Description	Remark	Qty	Model
-	911 531 062 00	outer door handle	/R	1	
-	911 531 946 00	main key with key lamp		1	
-	914 531 637 10	main key		1	
-	914 531 903 11	blank key		1	
-	911 613 901 01	steering lock		1	
-	911 552 902 03	glove compartment lock		1	
-	911 511 903 00	lock		1	
>>	>>911 531 914 48	set of locks black for subsequent installation comprising:		1	CARRERA 3.0
-	911 531 061 28	outer door handle	/L	1	
-	911 531 062 28	outer door handle	/R	1	
-	911 531 946 00	main key with key lamp		1	
-	914 531 637 10	main key		1	
-	914 531 903 11	blank key		1	
-	911 613 901 01	steering lock		1	
-	911 552 902 07	glove compartment lock		1	
-	911 511 903 00	lock		1	
-	911 701 057 00	repair kits set of fastening parts number plate front and rear	(D) (DK) (F) (GB) (NL) (S)	1	
-	911 701 057 01	set of fastening parts number plate front and rear	(USA)	1	
-	911 701 057 02	set of fastening parts number plate front and rear	(A) (B) (CH) (I)	1	
-	911 701 057 03	installation set number plate front and rear	(AUS) -76	1	
-	911 701 057 04	installation set number plate front and rear	(N) -76	1	

Model	Year	MG	SG	Illustration	Restrictions	UPD	21:38	22.01.2010	PORSCHE	PET	PORSCHE
911	1977	9	01	901-00		248					

Pos	Part Number	Description	Remark	Qty	Model	Pos	Part Number	Description	Remark	Qty	Model
11	911 602 947 00	dust cover		1							
12	901 602 502 00	ignition transformer		1							
12/1	911 602 801 00	protection cap		1							
13	900 025 007 02	washer		2							
14	N 012 241 8	spring washer		2							
15	900 076 025 02	hexagon nut		2							
16	999 170 162 90	spark plug - bosch -		6	CARRERA 2.7 3.0						
(16)	999 170 017 90	spark plug - bosch - for 911/82/84/85/89/90/94/99	75-	6							
(16)	999 170 165 90	spark plug - bosch -		6	911/911S						
17	911 609 061 00	set of ignition cables	-74 -74	1	911/911S CARRERA 2.7						
(17)	911 609 010 07	set of ignition cables geschirmt	/R	1							
(17)	911 609 011 07	set of ignition cables geschirmt	/L	1							
-	911 609 061 07	ignition lead distributor ignition transformer	76-	1	911/911S CARRERA 3.0						
-	900 612 001 00	ignition lead 5 Meter	-75	X							
18	911 609 510 00	cable plug	-74	8	911/911S CARRERA 2.7						
(18)	911 609 510 00	cable plug	75-	1							
19	999 659 001 40	water protection cap		8							
20	901 609 309 00	screened connector	-76	6							
(20)	911 602 315 00	spark plug connector	77-	6	911/911S CARRERA 3.0						
21	901 609 591 00	cable holder		3							
-	122 035 281	suppression connector	75-	7							

Model	Year	MG	SG	Illustration	Restrictions	UPD	21:38	22.01.2010	PORSCHE	PET	PORSCHE
911	1977	9	02	902-00		248					

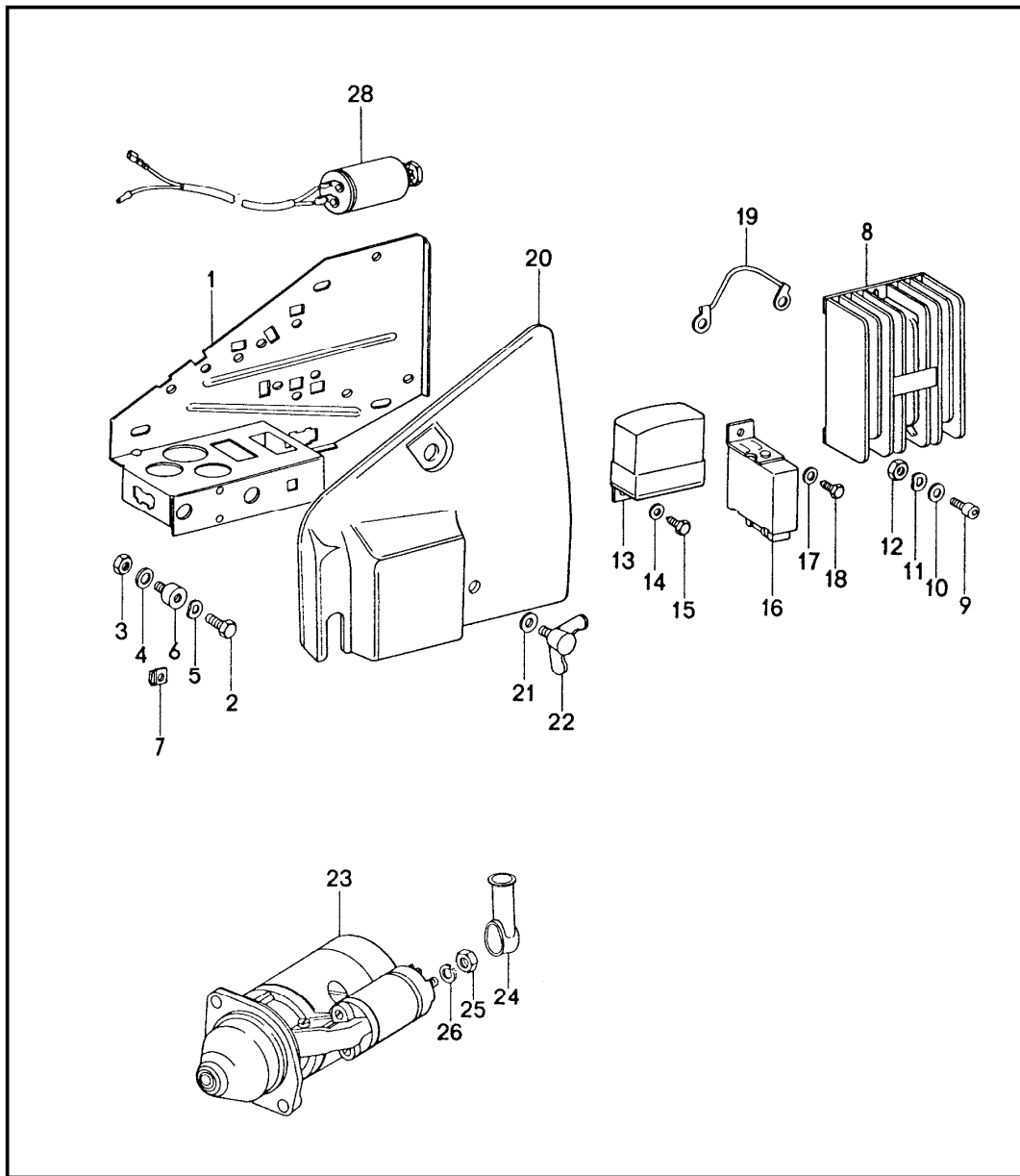


Pos	Part Number	Description	Remark	Qty	Model
1	999 611 023 90	battery mounting plate		1	
(1)	999 611 024 90	battery		1	
1/1	999 611 104 00	pole covering		1	
2	911 611 209 00	bracket		1	
3	999 075 032 02	hexagon-head bolt M 8 X 20		1	
4	-	ground strap see group 9/02/20		1	
5	999 044 001 02	winged nut		1	
-	900 025 025 02	washer 8,4		4	
-	900 076 030 02	hexagon nut M 8		3	
6	911 611 898 01	terminal		1	
7	-	battery-starter cable see group 9/02/20		1	
8	999 702 051 50	grommet		1	
9	911 611 921 00	rubber boot		1	
10	911 612 197 00	mounting plate		1	
-	911 612 401 00	spacer		1	
-	900 025 002 02	washer 4,3		2	
-	900 143 076 02	oval-head sheetmetal screw 4,2 X 25		1	
11	911 612 093 05	fuse box		1	
-	900 146 009 02	oval-head screw 4 X 12		2	
12	901 612 835 01	connecting rail		1	
13	911 612 086 01	fuse box		1	
14	911 612 087 01	fuse box		1	

Model	Year	MG	SG	Illustration	Restrictions	UPD	21:38	22.01.2010	PORSCHE	PET	PORSCHE
911	1977	9	02	902-00		248					

Pos	Part Number	Description	Remark	Qty	Model	Pos	Part Number	Description	Remark	Qty	Model
-	900 146 009 02	oval-head screw 4 X 12		4		29	900 173 006 90	safety fuse 5 AMP.		X	
-	999 507 401 40	special nut		2		-	911 617 106 00	diode windscreen heating rear window heating		X	
15	911 612 161 01	lid	-76	1							
(15)	911 612 161 02	lid	77-	1	911/911S CARRERA 3.0	-	999 652 106 02	flat receptacle windscreen heating		X	
16	999 652 115 10	flat plug		X		-	999 652 246 10	cable shoe windscreen heating		X	
17	111 971 959	flat receptacle		X							
(17)	999 652 106 02	flat receptacle		X							
(17)	N 017 491 8	flat receptacle		X							
(17)	N 017 494 3	flat receptacle		X							
18	999 652 122 10	multiple plug connector		X							
19	999 652 116 10	flat receptacle		X							
20	999 652 126 10	distributor		X							
21	999 652 119 40	connector housing		X							
22	999 652 120 40	insulating sleeve		X							
23	999 652 142 40	push-on connector engine-speed shutoff		X							
24	999 652 142 40	push-on connector single pole		X							
5+26	901 612 330 00	multiple plug connection 6-pole		X							
27	901 612 333 00	plug socket for standard type relay		X							
28	901 612 334 00	plug socket for flasher relay		X							
29	N 017 121 1	safety fuse 8 AMP.		X							
(29)	N 017 121 5	safety fuse 25 AMP.		X							
(29)	N 017 121 4	safety fuse 16 AMP.		X							

Model	Year	MG	SG	Illustration	Restrictions	UPD	21:38	22.01.2010	PORSCHE	PET	PORSCHE
911	1977	9	02	902-05		248					

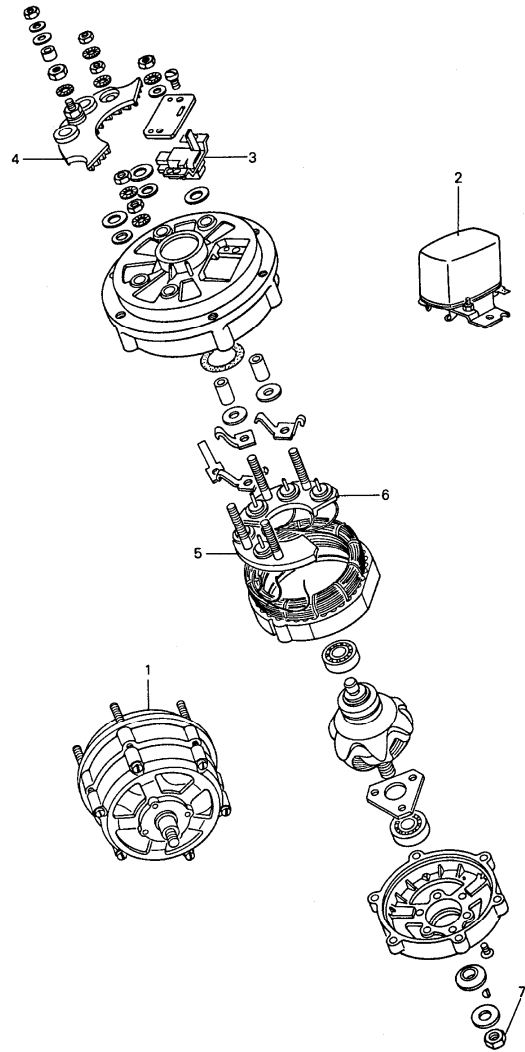


Pos	Part Number	Description	Remark	Qty	Model
1	911 610 103 00	mounting plate starter switch unit			
1	911 610 103 00	mounting plate	-74	1	911/911S CARRERA 2.7
1	911 610 103 00	mounting plate	75-	1	911/83
(1)	911 610 103 03	mounting plate	75-	1	911/911S CARRERA 3.0
-	999 507 321 02	captive nut		4	
2	N 010 208 5	hexagon-head bolt M 6 X 8		3	
3	900 910 096 02	lock nut VM 6		3	
4	900 031 011 02	washer 6,4		3	
5	N 012 226 5	spring washer B 6		3	
6	999 703 302 00	metallastik pivot bearing		3	
7	N 015 429 2	speed nut B 4,2		4	
8	911 602 707 00	switch unit		1	
9	N 014 703 2	pan-head screw M 6 X 18		3	
10	900 031 011 02	washer 6,4		3	
11	N 012 226 5	spring washer B 6		3	
12	900 076 010 02	hexagon nut M 6		3	
13	911 603 901 00	vibration regulator (MOTOROLA, MARCHAL, SEV)	-74	1	911/911S CARRERA 2.7
13	911 603 901 00	vibration regulator (MOTOROLA, MARCHAL, SEV)	75-	1	CARRERA 2.7
(13)	911 603 206 13	vibration regulator	75-	1	911/911S CARRERA 3.0
14	900 151 001 02	washer A 4,3		2	

Model	Year	MG	SG	Illustration	Restrictions	UPD	21:38	22.01.2010	PORSCHE	PET	PORSCHE
911	1977	9	02	902-05		248					

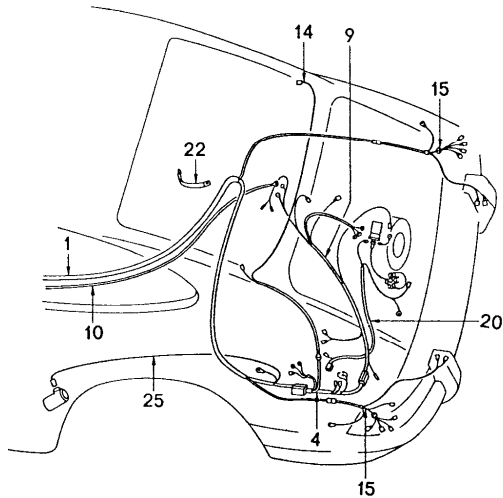
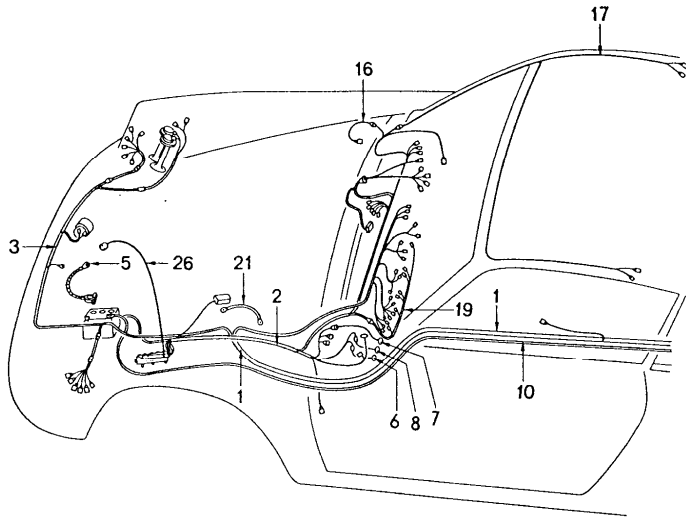
Pos	Part Number	Description	Remark	Qty	Model	Pos	Part Number	Description	Remark	Qty	Model
15	900 187 013 02	tapping screw BZ 4,2 X 13		2		-	N 011 004 6	hexagon nut M 4		2	
-	999 702 119 50	rubber sleeve		2		28	911 618 401 00	condenser		1	911/911S CARRERA 3.0
16	911 615 115 00	relay		1		-	901 423 369 00	retaining bracket		1	911/911S CARRERA 3.0
(16)	901 615 113 00	relay for exhaust gas		1	CARRERA 2.7						
17	900 151 001 02	washer A 4,3		1	CARRERA 2.7						
18	900 187 013 02	tapping screw BZ 4,2 X 13		1	CARRERA 2.7						
19	911 612 008 00	ground strap		1							
20	911 610 101 01	cover	-74	1	911/911S CARRERA 2.7						
(20)	930 610 105 03	cover	75-	1	911/911S CARRERA 3.0						
21	900 151 003 02	washer A 6,4		2							
22	900 029 102 02	wing screw M 6 X 12		2							
(23)	916 604 101 00	starter		1							
24	999 659 006 50	protection cap		1							
25	N 011 132 2	hexagon nut M 8		1							
26	N 012 008 2	lock ring B 8		1							
-	911 615 108 01	standard type relay	75-	1							
-	999 652 315 02	flat plug		1							
-	911 612 093 03	fuse box triple	-74	1	911/911S CARRERA 2.7						
-	911 612 093 05	fuse box	75-	1							
-	900 014 074 02	pan-head screw AM 4 X 12		2							
-	900 028 018 01	spring washer B 4		2							

Model	Year	MG	SG	Illustration	Restrictions	UPD	21:38	22.01.2010	PORSCHE	PET	PORSCHE
911	1977	9	02	902-10		248					



Pos	Part Number	Description	Remark	Qty	Model
		generator see technical information GR.2 , NR.28 see tpi GR.9 , NR13 , 09/94			
1 >	911 603 120 00	generator 770 W (MOTOROLA, MARCHAL, SEV)	-74	1	911/911S CARRERA 2.7
1	911 603 120 X	generator 770 W (MOTOROLA, MARCHAL, SEV)	-74	1	911/911S CARRERA 2.7
1 >	911 603 120 00	generator 770 W (MOTOROLA, MARCHAL, SEV)	75-	1	CARRERA 2.7
1	911 603 120 X	generator 770 W (MOTOROLA, MARCHAL, SEV)	75-	1	CARRERA 2.7
(1) >	911 603 120 02	generator 980 W	75-	1	911/911S CARRERA 3.0
2	-	vibration regulator (MOTOROLA, MARCHAL, SEV) see group 9/02/05		1	
		single parts for (MOTOROLA, MARCHAL, SEV) generator	T		
3	901 603 907 00	support		1	
4	901 603 908 00	support	-74	1	911/911S CARRERA 2.7
5	901 603 909 00	support	-74	1	911/911S CARRERA 2.7
6	901 603 910 00	support	-74	1	911/911S CARRERA 2.7
7	-	hexagon nut M 16 X 1 see group 1/05/00		1	

Model	Year	MG	SG	Illustration	Restrictions	UPD	21:38	22.01.2010	PORSCHE	PET	PORSCHE
911	1977	9	02	902-20		248					



Pos	Part Number	Description	Remark	Qty	Model
		wiring harnesses			
1	911 612 001 22	wiring harness tunnel	/LL	-74	1 911/911S CARRERA 2.7
(1)	911 612 001 22	wiring harness tunnel	/LL	75-	1 CARRERA 2.7
(1)	911 612 001 23	wiring harness tunnel	/LL	75-	1 911/911S
(1)	911 612 001 26	wiring harness tunnel	/LL	-75	1 911/911S
(1)	911 612 001 27	wiring harness tunnel	/LL	76	1 911/911S CARRERA 3.0
(1)	911 612 001 28	wiring harness tunnel	/LL	77-	1 911/911S CARRERA 3.0
(1)	911 612 061 21	wiring harness tunnel	/RL	-74	1 911/911S
(1)	911 612 061 21	wiring harness tunnel	/RL	-75	1 CARRERA 2.7
(1)	911 612 061 22	wiring harness tunnel	/RL	75-	1 911/911S
	M	>> 615 1671			
	M	>> 615 9236			
	M	>> 635 0501			
	M	>> 635 9099			
(1)	911 612 061 24	wiring harness tunnel	/RL	-75	1 911/911S
	M 615 1672	>>			
	M 615 9237	>>			
	M 635 0502	>>			
	M 635 9100	>>			
(1)	911 612 001 27	wiring harness tunnel	/LL	77-	1 911S
(1)	911 612 061 25	wiring harness tunnel	/RL	76-	1 911/911S CARRERA 2.7
-	999 513 002 40	tie-wrap			1
-	999 702 044 50	rubber sleeve		-75	1
-	999 702 132 50	rubber sleeve		76-	1
-	999 513 023 40	tie-wrap			X
2	911 612 002 12	wiring harness boot floor plate	/LL	-76	1

Model	Year	MG	SG	Illustration	Restrictions	UPD	21:38	22.01.2010	PORSCHE	PET	PORSCHE
911	1977	9	02	902-20		248					

Pos	Part Number	Description	Remark	Qty	Model	Pos	Part Number	Description	Remark	Qty	Model	
(2)	911 612 002 13	wiring harness boot floor plate	/LL	77-	1	911/911S CARRERA 3.0	(9)	911 612 013 32	wiring harness engine k-jetronic	-74	1	SPM
2	911 612 060 02	wiring harness boot floor plate	/RL	-76	1		(9)	911 612 012 33	wiring harness engine	75-	1	SPM
(2)	911 612 060 03	wiring harness boot floor plate	/RL	77-	1	911/911S CARRERA 2.7		M	>> 645 9107			
3	911 612 003 01	wiring harness FRONT luggage compartment			1		(9)	911 612 012 37	wiring harness engine	-75	1	SPM
4	911 612 005 21	wiring harness mounting plate for cars with mechanical injection			1	CARRERA 2.7		M 645 9108	>>			
(4)	911 612 005 31	wiring harness		-74	1	911/911S	(9)	911 612 012 34	wiring harness engine	75-	1	SPM
-	911 612 009 00	ground cable enrichment			1	CARRERA 2.7		M	>> 615 9236			
5	911 611 899 00	ground strap			1		(9)	911 612 012 36	wiring harness engine	-75	1	SPM
6	911 612 010 00	wiring harness light switch		-75	1	911/911S CARRERA 2.7		M 615 9237	>>			
(6)	911 612 010 01	wiring harness light switch		76-	1	911/911S CARRERA 3.0	(9)	911 612 012 01	wiring harness engine	77-	1	SPM
7	911 612 011 30	wiring harness ignition starter switch		-75	1	911/911S CARRERA 2.7	(9)	911 612 016 33	wiring harness engine	75-	1	911/911S
(7)	911 612 011 32	wiring harness ignition starter switch		76-	1	911/911S CARRERA 3.0		M	>> 615 1671			
8	911 612 014 30	wiring harness hazard warning light sw.			1		(9)	911 612 016 35	wiring harness engine	-75	1	911/911S
-	911 612 015 00	wiring harness bridge warning light	(I)		1	911/911S CARRERA 2.7		M 615 1672	>>			
-	911 612 232 00	single line back-up light	(I)	77-	1	911	(9)	911 612 016 34	wiring harness engine	76	1	911/911S CARRERA 3.0
-	911 612 225 00	single line indicator light oil pressure indicator			1	911/911S CARRERA 3.0	(9)	911 612 016 02	wiring harness engine	77-	1	911/911S CARRERA 3.0
9	911 612 017 31	wiring harness engine		-74	1	911/911S	-	901 612 893 01	clutch for regulator		1	
(9)	911 612 017 21	wiring harness engine injection system			1	CARRERA 2.7	-	999 911 041 00	edge protection 150 MM		1	
							10	911 612 022 22	battery-starter cable		1	

Model	Year	MG	SG	Illustration	Restrictions	UPD	21:38	22.01.2010	PORSCHE	PET	PORSCHE
911	1977	9	02	902-20		248					

Pos	Part Number	Description	Remark	Qty	Model	Pos	Part Number	Description	Remark	Qty	Model
-	911 612 821 00	covering for cable holder seat well	76-	1		-	901 612 053 00	wiring harness heater - WEBASTO -		1	
-	911 612 025 01	wiring harness tunnel rear window wiper	/LL	1		-	911 612 034 00	wiring harness sunroof	/LL	1	COUPE
-	911 612 019 00	wiring harness fuse box rear window wiper	/LL	1		-	911 612 064 01	wiring harness sunroof	/RL	1	COUPE
-	911 612 063 01	wiring harness tunnel rear window wiper	/RL	1		-	911 612 032 01	wiring harness		1	
-	911 612 031 01	wiring harness rear window wiper engine		1		-	911 612 035 00	wiring harness		1	
-	911 612 099 00	wiring harness fuse box rear window wiper switch	/RL	1		14	911 612 036 00	wiring harness rear window heating		1	
-	911 612 223 00	single line rear window wiper switch		1		(14)	911 612 037 01	wiring harness		1	
-	911 612 026 00	wiring harness rear fog light switch for rear fog light		1		(14)	911 612 037 01	wiring harness		2	
-	901 612 066 02	wiring harness switch fog headlamp rear fog light		1		15	911 612 039 01	wiring harness		2	
-	911 612 027 03	additional cables fog headlamp		1		-	901 612 035 41	wiring harness interior light	/LL	1	TARGA
-	901 612 064 00	ground cable fog headlamp rear fog light		1		-	911 612 226 00	ground strap interior light		1	TARGA
-	911 612 154 00	additional cables rear fog light		1		-	999 613 017 40	covering cable holder 8 X 0,7 50 MM		*	TARGA
-	911 612 155 01	wiring harness double rear fog light		1		-	999 613 017 40	covering cable holder 65 MM		2	TARGA
-	911 612 027 01	ground cable fog headlamp	(CDN) (USA) (J)	1		16	911 612 044 21	wiring harness luggage compartment lamp		1	
						17	901 612 035 20	wiring harness interior light		1	TARGA
						-	911 612 043 01	wiring harness indicator light brake	-75	1	911/911S CARRERA 2.7
						-	911 612 043 01	wiring harness indicator light brake	/LL	76	1 911/911S CARRERA 3.0
						-	911 612 043 03	wiring harness indicator light brake	/RL	76	1 911/911S CARRERA 3.0

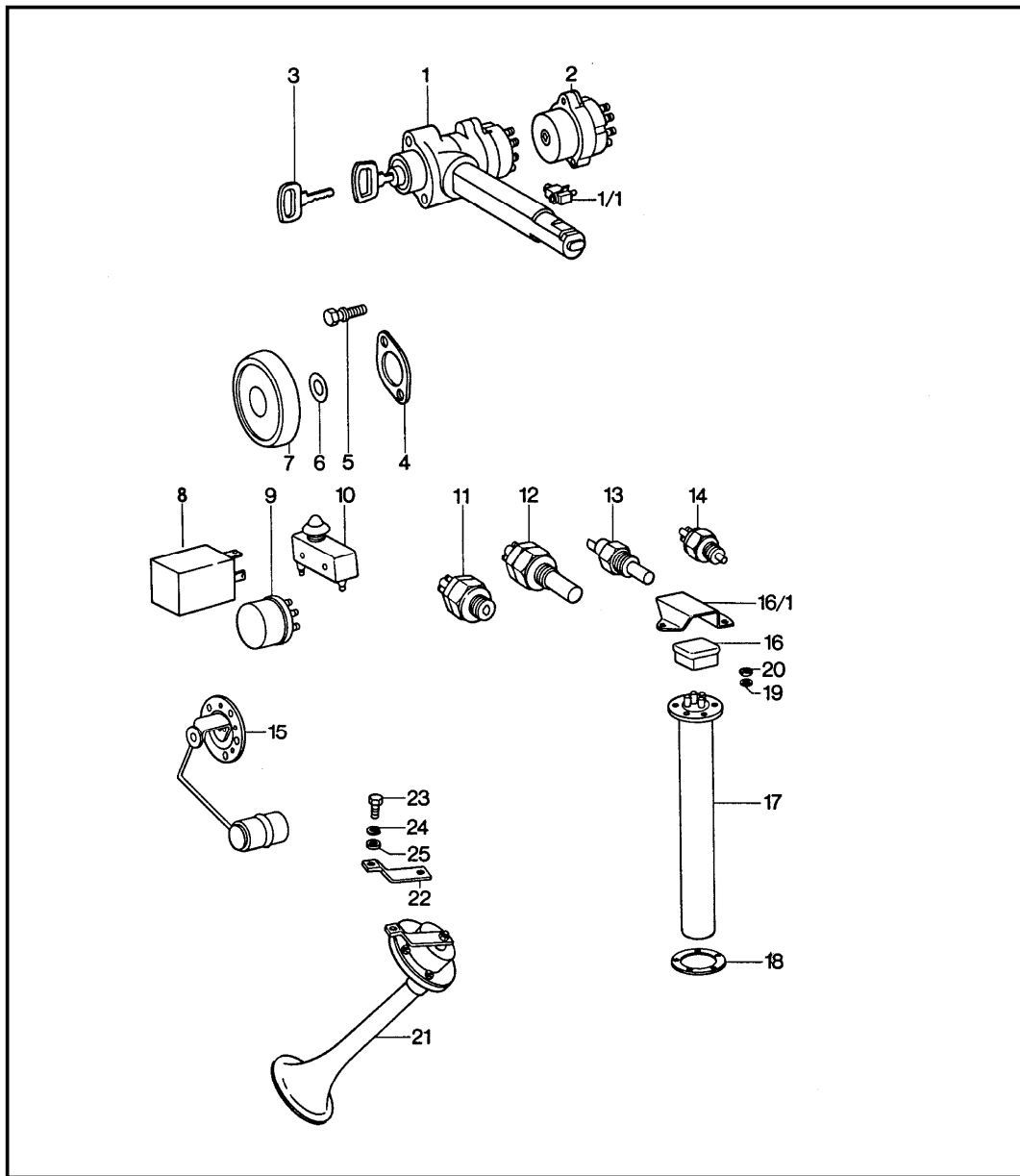
Model	Year	MG	SG	Illustration	Restrictions	UPD	21:38	22.01.2010	PORSCHE	PET	PORSCHE
911	1977	9	02	902-20		248					

Pos	Part Number	Description	Remark	Qty	Model	Pos	Part Number	Description	Remark	Qty	Model
-	911 612 041 07	wiring harness indicator light brake	/RL	77-	1 911/911S CARRERA 2.7	-	911 612 048 00	wiring harness		76-	2 911/911S CARRERA 3.0
-	911 612 043 02	wiring harness indicator light brake		77-	1 911/911S CARRERA 3.0	-	911 612 101 00	wiring harness power windows control switch passenger's door		-74	1 CARRERA 2.7 911/911S
-	911 612 041 04	wiring harness indicator light seat belt brake	/LL	77-	1 911/911S	-	911 612 147 00	wiring harness power windows relay			1 CARRERA 2.7 CARRERA 3.0 911/911S
-	911 612 041 05	wiring harness indicator light seat belt brake	/LL	77-	1 CARRERA 3.0	-	999 613 017 40	covering 8 X 0,7 40 MM		-74	* 911/911S CARRERA 2.7
-	911 612 170 01	wiring harness brake fluid	/LL	77-	1 911/911S CARRERA 3.0	20	911 612 050 00	wiring harness ignition control unit		-74	1 911/911S CARRERA 2.7
-	911 618 102 01	relay seat belt		77-	1 911/911S CARRERA 3.0	-	911 612 049 00	wiring harness engine compartment lamp			1
19	911 612 047 00	wiring harness illumination instruments		1		21	901 612 303 20	ground strap tank filler neck			1
-	901 612 071 02	wiring harness power windows		-75	1 CARRERA 2.7 911/911S	22	999 611 920 20	ground strap transmission body			1
-	911 612 167 00	wiring harness		76-	1 CARRERA 3.0 911/911S	-	911 612 054 00	wiring harness			1
-	911 612 104 00	wiring harness power windows door		-74	2 CARRERA 2.7 911/911S	-	901 612 030 07	wiring harness			1
-	911 612 102 00	wiring harness power windows control switch driver's door		-74	1 CARRERA 2.7 911/911S	-	911 612 075 00	additional cable			2
-	911 612 104 01	wiring harness		75-	1 CARRERA 2.7 CARRERA 3.0 911/911S	-	911 612 057 00	wiring harness windscreen heating	/LL		1
-	911 612 103 00	wiring harness power windows control switch driver's door passenger's door		-74	1 CARRERA 2.7 911/911S	-	911 612 057 01	wiring harness windscreen heating	/RL		1 911S CARRERA 3.0
-	911 612 104 02	wiring harness power windows control switch passenger's door		75-	1 CARRERA 2.7 CARRERA 3.0 911/911S	-	911 612 148 00	wiring harness loudspeaker front		-74	1 911/911S CARRERA 2.7
						-	901 612 043 01	positive cable			X 911/911S
						(25)	911 612 072 13	wiring harness fuel pump		-76	1 911/911S CARRERA 2.7
						(26)	911 612 072 12	wiring harness fuel pump			1 911/911S CARRERA 3.0
						(26)	911 612 072 14	wiring harness fuel pump		77-	1 911/911S CARRERA 3.0

Model	Year	MG	SG	Illustration	Restrictions	UPD	21:38	22.01.2010	PORSCHE	PET	PORSCHE
911	1977	9	02	902-20		248					

Pos	Part Number	Description	Remark	Qty	Model	Pos	Part Number	Description	Remark	Qty	Model
		mounting parts for wiring harness fuel pump									
-	N 012 005 3	lock ring B 5		1							
-	900 076 027 02	hexagon nut M 5		1							
-	900 027 011 01	lock ring B 4		1							
-	N 011 004 6	hexagon nut M4		1							
-	914 612 125 10	wiring harness for standard type relay	(CH)	-75	1 /M 448						
-	911 612 083 00	ground cable ashtray light		1							
-	914 612 125 10	wiring harness for standard type relay	(B) (F) (I) (L)	-75	1 (P) /M 447						
-	911 612 076 00	wiring harness headlight washer system together with air conditioner		1							
-	911 612 059 00	wiring harness wipe interval		-75	1 911/911S CARRERA 2.7						
-	911 612 059 02	wiring harness wipe interval		76-	1 911/911S CARRERA 3.0						
-	N 106 568 02	tapping screw B 4,8 X 9,5		2							
-	N 106 568 02	tapping screw B 4,8 X 9,5		2	912E CARRERA 2.7						
-	N 106 568 02	tapping screw B 4,8 X 9,5		75-	1 911S						

Model	Year	MG	SG	Illustration	Restrictions	UPD	21:39	22.01.2010	PORSCHE	PET	PORSCHE
911	1977	9	03	903-00		248					

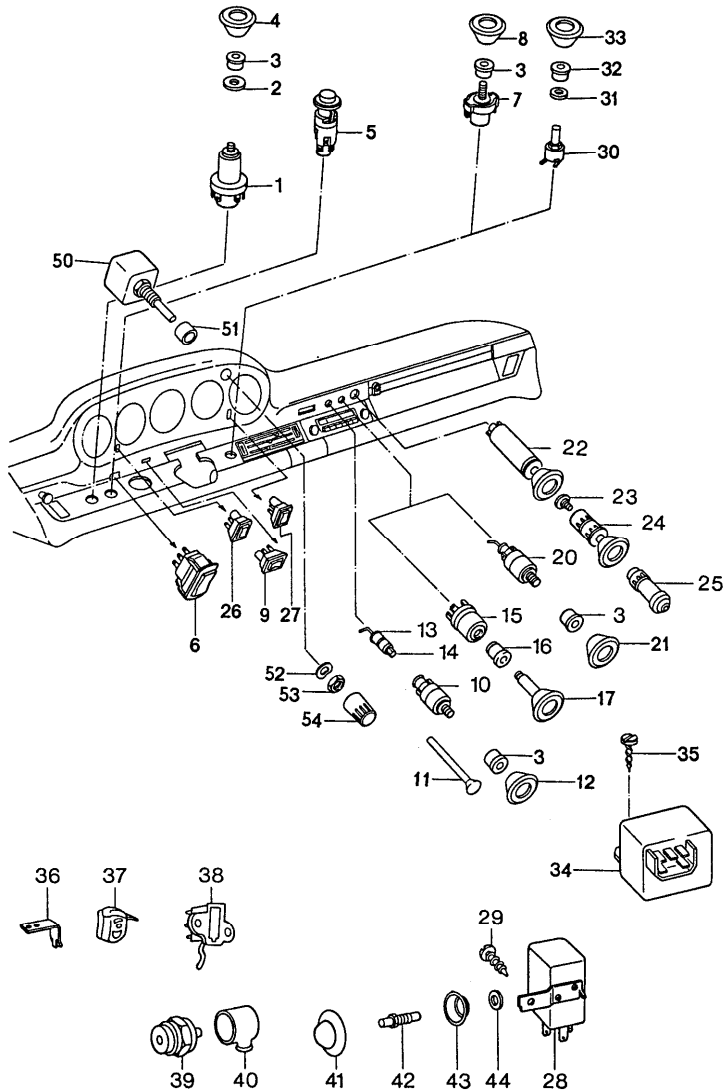


Pos	Part Number	Description	Remark	Qty	Model
(1)	911 613 901 01	sender relay horn		1	
(1)	911 613 903 00	steering lock without buzzer contact w/o stipulated lock number		1	
(1)	911 613 903 00	steering lock without buzzer contact state lock number		1	
2	911 613 017 01	ignition starter switch		1	
3	914 531 637 10	main key state lock number		2	
(3)	914 531 903 11	blank key state lock number		2	
(3)	914 531 903 10	blank key for main key		1	
(3)	914 531 903 11	blank key for secondary key		1	
(3)	911 531 946 00	main key	76-	1	911/911S CARRERA 3.0
(3)	911 531 945 00	blank key	76-	1	911/911S CARRERA 3.0
-	911 531 638 00	cap		1	
-	928 537 627 02	pressure spring		1	
-	911 531 640 00	bulb		1	
-	911 531 641 00	bridge		1	
-	911 531 642 00	lid		1	
5	999 219 017 02	shear bolt		2	
6	911 613 169 00	washer	76-	1	
7	911 613 160 00	rosette		1	
-	999 190 113 02	blind rivet		2	
8	> 914 618 303 11	flasher relay		1	

Model	Year	MG	SG	Illustration	Restrictions	UPD	21:39	22.01.2010	PORSCHE	PET	PORSCHE
911	1977	9	03	903-00		248					

Pos	Part Number	Description	Remark	Qty	Model	Pos	Part Number	Description	Remark	Qty	Model
(8)	911 618 103 00	flasher relay only together with trailer coupling		1		(21)	911 635 102 20	fanfare low-pitched long		1	
9	911 615 109 01	standard type relay		X		(21)	911 635 102 21	fanfare long low-pitched		1	
10	-	microswitch see group 1/06/05 + 1/06/00				22	911 635 096 00	support for fanfare high-pitched		1	
11	-	switch for back-up light see group 3/08/00				(22)	911 635 097 01	support for fanfare low-pitched		1	
12	-	bridging switch see group 3/07/05				23	900 075 087 02	hexagon-head bolt M 8 X 16		2	
13	-	temperature switch see group 3/07/05				24	900 027 005 02	lock ring A 8		2	
15	-	oil-level sender see group 1/04/05				25	900 151 008 02	washer A 8,4		2	
-	999 652 315 02	flat plug		1		-	911 615 115 00	relay for rear window heating two-stage heatable		1	
16	901 612 891 01	connector housing for sender		1		-	N 015 429 2	speed nut B 4,2		1	
16/1	901 201 275 30	cap		1		-	900 151 001 02	washer A 4,3		1	
17	901 741 801 00	sender fuel-level indicator for fuel tank 62 - 85 L		1		-	900 187 013 02	tapping screw BZ 4,2 X 13		1	
18	477 919 133	sealing ring		1		43	911 347 359 01	reinforcement plate		1	
19	900 028 007 02	spring washer B 5		5							
20	900 076 027 02	hexagon nut M 5		5							
21	911 635 101 20	fanfare high-pitched short		1							
21	911 635 101 21	fanfare short high-pitched		1							

Model	Year	MG	SG	Illustration	Restrictions	UPD	21:39	22.01.2010	PORSCHE	PET	PORSCHE
911	1977	9	03	903-05		248					



Pos	Part Number	Description	Remark	Qty	Model
1	911 613 029 01	switch push-pull light switch		1	
2	900 151 026 02	washer B 10,5		1	
3	911 613 213 02	rosette		1	
4	911 613 215 00	knob		1	
5	911 613 124 32	hazard warning light sw.		1	
6	911 613 622 00	tip switch for sliding roof		1	
-	911 613 621 03	switch for window opener		3	
-	911 613 635 20	assembly frame for window opener		3	
7	901 613 631 00	switch for -WEBASTO- heating	/LL	-76	1 911/911S CARRERA 2.7
-	900 151 026 02	washer B 10,5		-76	1 911/911S CARRERA 2.7
8	911 613 214 02	knob		-76	1 911/911S CARRERA 2.7
9	911 613 113 00	changeover switch		76-	1 911/911S CARRERA 3.0
10	902 613 623 90	switch for rear window heating		1	1 911/911S CARRERA 2.7
(10)	911 613 145 00	switch for rear window heating two-stage heatable		1	
11	911 613 228 00	luminous stick		1	
-	999 703 067 50	grommet		1	
12	911 613 215 03	knob		1	
13	999 632 007 00	bulb socket		X	
14	900 631 102 90	bulb 12 V 2 W		X	

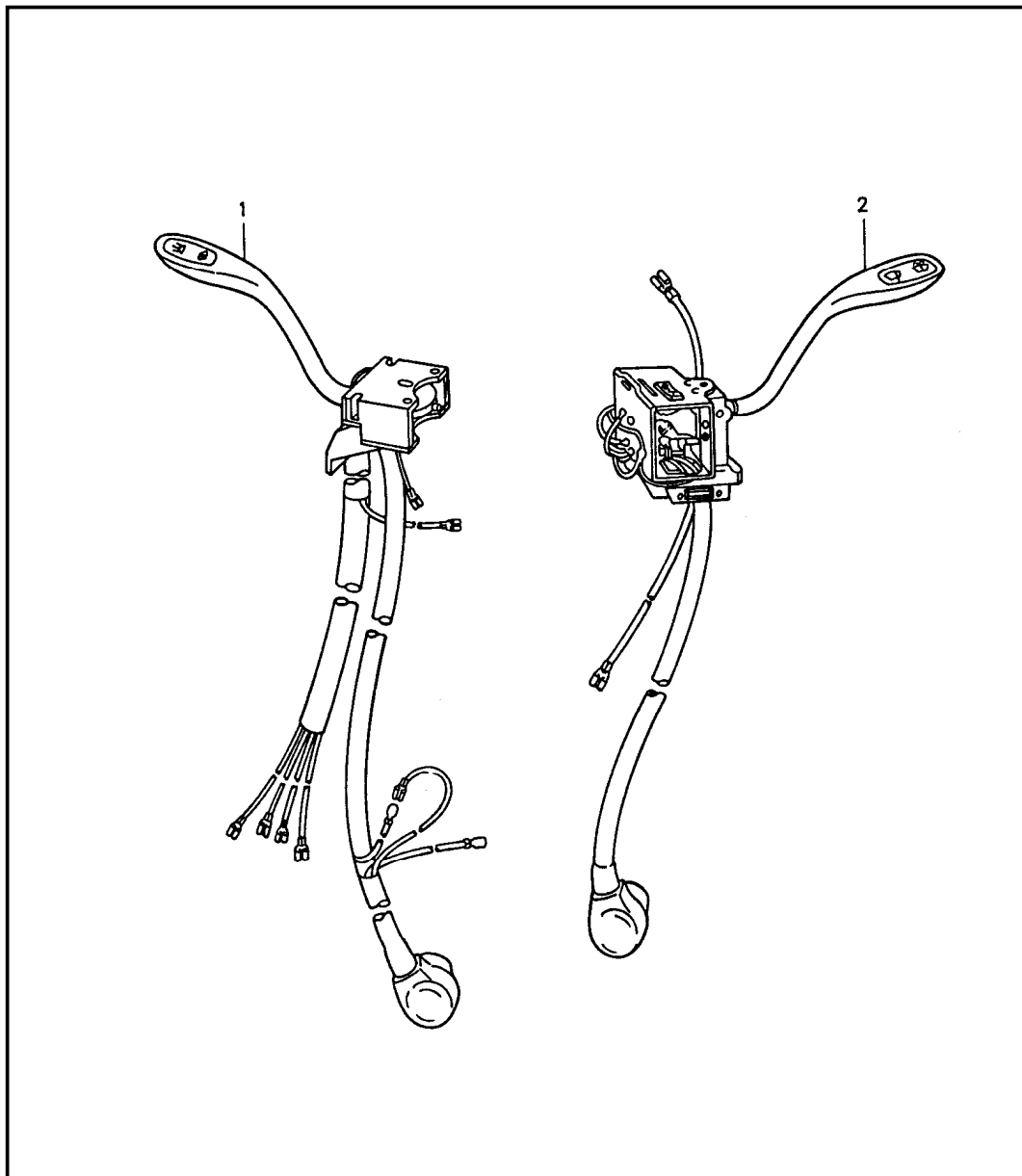
Model	Year	MG	SG	Illustration	Restrictions	UPD	21:39	22.01.2010	PORSCHE	PET	PORSCHE
911	1977	9	03	903-05		248					

Pos	Part Number	Description	Remark	Qty	Model	Pos	Part Number	Description	Remark	Qty	Model
15	914 613 451 10	switch for fog headlamp and rear fog light		1		33	911 618 214 00	knob	-75	1	911/911S CARRERA 2.7
16	911 613 213 03	rosette		1		34	911 618 149 00	pulse sender wipe interval	-75	1	911/911S CARRERA 2.7
17	911 613 028 01	knob		1		(34)	911 618 149 01	pulse sender wipe interval	76-	1	911/911S CARRERA 3.0
20	902 613 623 90	switch for fog headlamp or rear fog light		1		35	N 013 970 5	tapping screw B 4,8 X 9,5		1	
-	911 612 251 00	resistor for fog headlamp or rear fog light		1		35	N 106 568 02	tapping screw B 4,8 X 9,5		1	
21	911 613 215 02	knob		1		36	-	contact bow for handbrake contact piece see group 7/01/05			
22	911 652 102 06	cigarette lighter		1		37	-	segment handbrake contact piece see group 7/01/05			
23	644 652 112 00	glower		1		38	-	brake light switch see group 7/02/00; 7/02/1; 7/02/15; 7/02/20			
24	911 652 122 02	connector		1		39	-	back-up light switch see group 3/02/05			
25	901 613 801 00	connector		1		40	-	protection cap see group 3/02/05			
26	911 613 321 01	tip switch for rear window wiper		1		41	901 615 616 20	rubber cap		2	
27	911 613 319 01	tip switch for headlight washer system		1		42	964 613 601 00	door contact switch for interior light luggage compartment lamp		3	
28	928 618 111 00	relay for headlight washer system		1		(42)	901 615 601 02	door contact switch for glove compartment light		1	
29	N 013 968 7	tapping screw B 4,8 X 13		1		43	901 615 615 20	concave washer		2	
30	911 618 147 00	potentiometer wipe interval	-75	1	911/911S CARRERA 2.7	44	900 031 001 60	washer 8,4		2	
31	900 151 007 01	washer	-75	1	911/911S CARRERA 2.7	50	911 618 147 01	potentiometer wipe interval	76-	1	911/911S CARRERA 3.0
32	911 618 213 00	rosette	-75	1	911/911S CARRERA 2.7						

Model	Year	MG	SG	Illustration	Restrictions	UPD	21:39	22.01.2010	PORSCHE	PET	PORSCHE
911	1977	9	03	903-05		248					

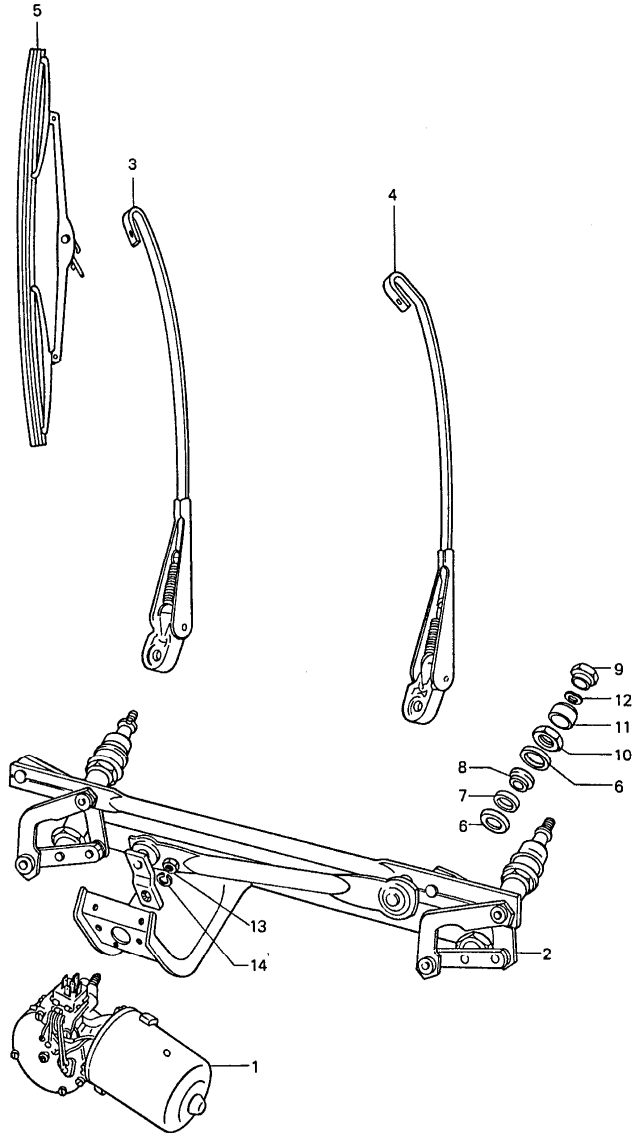
Pos	Part Number	Description	Remark	Qty	Model	Pos	Part Number	Description	Remark	Qty	Model
51	911 618 207 00	spacer sleeve	76-	1							
52	900 028 019 01	spring washer B 7	76-	1							
53	911 618 209 00	hexagon nut M 7 X 0.75	76-	1							
54	911 618 011 00	knob with spring	76-	1							

Model	Year	MG	SG	Illustration	Restrictions	UPD	21:39	22.01.2010	PORSCHE	PET	PORSCHE
911	1977	9	03	903-10		248					



Pos	Part Number	Description	Remark	Qty	Model
		steering column switch			
1	911 613 305 00	combined switch	-75	1	
(1)	911 613 305 01	combined switch	76-	1	
(1)	911 613 307 00	combined switch	(B) (F) (I) (L) -75	1	
(1)	911 613 307 01	combined switch	(B) (F) (I) (L) 76-	1	
2	911 613 306 02	steering column switch	-75	1	
(2)	911 613 306 02	wiper switch	76-	1	

Model	Year	MG	SG	Illustration	Restrictions	UPD	21:39	22.01.2010	PORSCHE	PET	PORSCHE
911	1977	9	04	904-00		248					

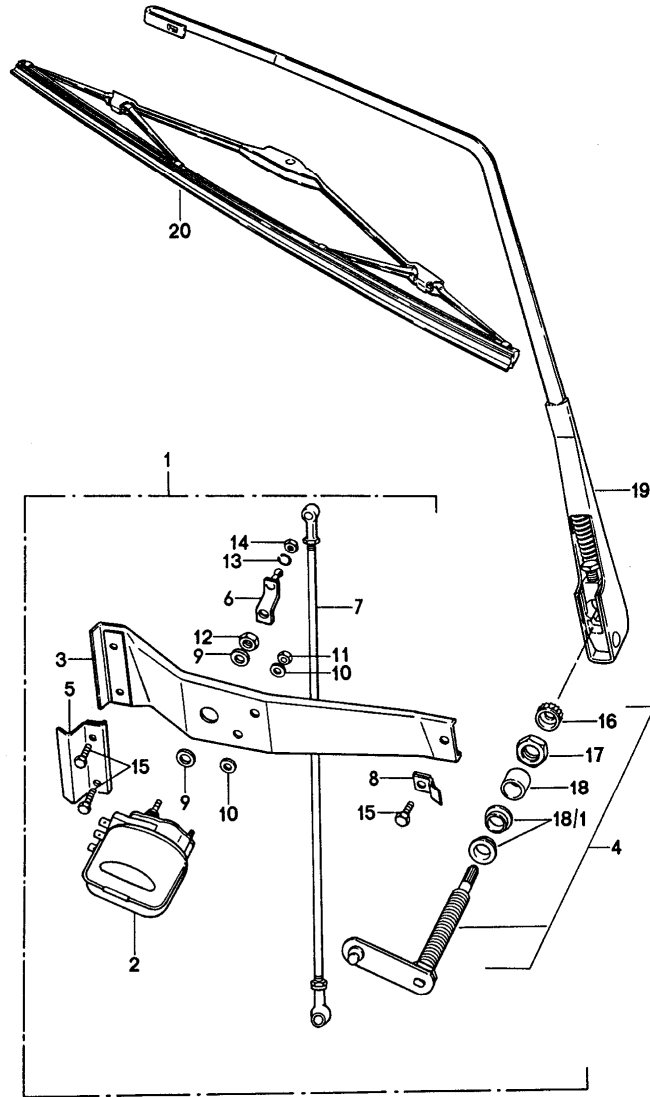


Pos	Part Number	Description	Remark	Qty	Model
-	911 628 013 01	windscreen wiper system without wiper arm wiper blade switch	/LL	1	
-	911 628 012 01	windscreen wiper system without wiper arm wiper blade switch	/RL	1	
1	911 628 115 01	wiper motor	/LL	1	
(1)	911 628 114 00	wiper motor	/RL	1	
2	911 628 961 00	crank drive with installation parts POS. 6 - 12	/LL	1	
(2)	911 628 961 01	crank drive with installation parts POS. 6 - 12	/RL	1	
3	914 628 313 10	wiper arm installation instructions attention	-75	1	
(3)	911 628 313 00	wiper arm	76-	1	
4	914 628 314 10	wiper arm installation instructions attention	/LL -75	1	
(4)	911 628 314 00	wiper arm right	/LL 76-	1	
(4)	911 628 014 00	wiper arm installation instructions attention	/RL -75	1	
(4)	911 628 312 00	wiper arm left	/RL 76-	1	
5	914 628 311 10	wiper blade		2	
6	911 628 963 00	flange washer		4	
7	901 628 923 01	rubber bush		2	
8	901 628 924 00	rubber bush		2	
9	901 628 341 00	cap nut	-75	2	

Model	Year	MG	SG	Illustration	Restrictions	UPD	21:39	22.01.2010	PORSCHE	PET	PORSCHE
911	1977	9	04	904-00		248					

Pos	Part Number	Description	Remark	Qty	Model	Pos	Part Number	Description	Remark	Qty	Model
(9)	N 011 118 11	hexagon nut BM 8	76-	2							
10	901 628 925 00	hexagon nut		2							
11	901 628 926 00	cap		2							
12	901 628 927 00	spring washer		2							
13	900 076 010 02	hexagon nut M 6		1							
14	N 042 121 1	shake-proof washer 6,4		1							

Model	Year	MG	SG	Illustration	Restrictions	UPD	21:39	22.01.2010	PORSCHE	PET	PORSCHE
911	1977	9	04	904-05		248					

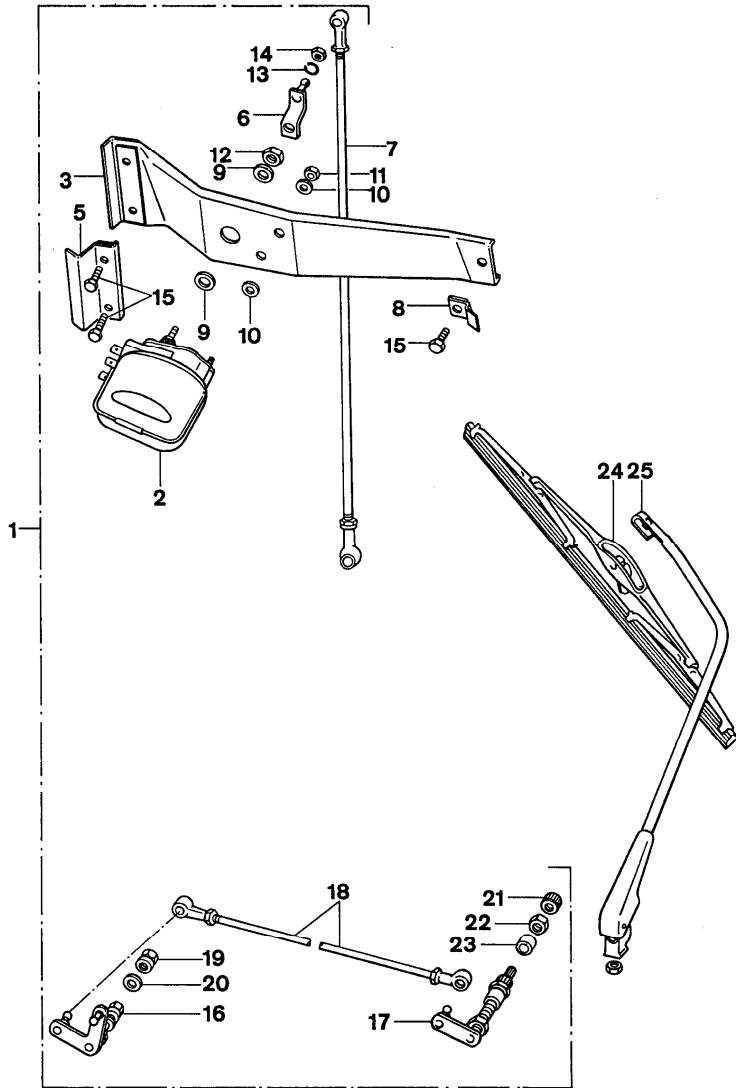


Pos	Part Number	Description	Remark	Qty	Model
		rear window wiper left-hand drive	-75		
1	901 628 061 01	rear window wiper without wiper arm wiper blade		1	
2	911 628 063 00	wiper motor		1	
3	901 628 065 00	assembly frame		1	
(4)	901 628 319 02	wiper bearing		1	
5	901 628 320 00	retaining bracket		1	
6	901 628 318 00	lever		1	
7	901 628 615 00	joint rod		1	
8	901 628 337 00	retaining bracket		1	
9	901 628 338 00	washer		2	
10	901 628 339 00	washer		4	
11	900 076 027 02	hexagon nut M 5		2	
12	999 078 014 02	hexagon nut		1	
13	900 027 014 01	lock ring B 6		1	
14	900 076 010 02	hexagon nut M 6		1	
15	N 010 215 13	hexagon-head bolt M 6 X 15		3	
16	911 628 911 00	cap		1	
17	901 628 912 00	hexagon nut		1	
18	901 628 913 00	bush		1	
-	911 613 321 01	tip switch for rear window wiper		1	
-	911 612 019 00	wiring harness fuse box rear window wiper switch		1	

Model	Year	MG	SG	Illustration	Restrictions	UPD	21:39	22.01.2010	PORSCHE	PET	PORSCHE
911	1977	9	04	904-05		248					

Pos	Part Number	Description	Remark	Qty	Model	Pos	Part Number	Description	Remark	Qty	Model
-	911 612 223 00	single line for rear window wiper switch		1							
19	901 628 611 00	wiper arm		1							
20	901 628 613 00	wiper blade		1							
-	911 612 025 01	wiring harness switch rear window wiper		1							
-	911 612 031 01	wiring harness fuse box wiper motor		1							
-	911 617 106 01	diode		1							
-	999 652 142 40	push-on connector		1							
-	999 702 119 50	rubber sleeve		1							

Model	Year	MG	SG	Illustration	Restrictions	UPD	21:40	22.01.2010	PORSCHE	PET	PORSCHE
911	1977	9	04	904-10		248					

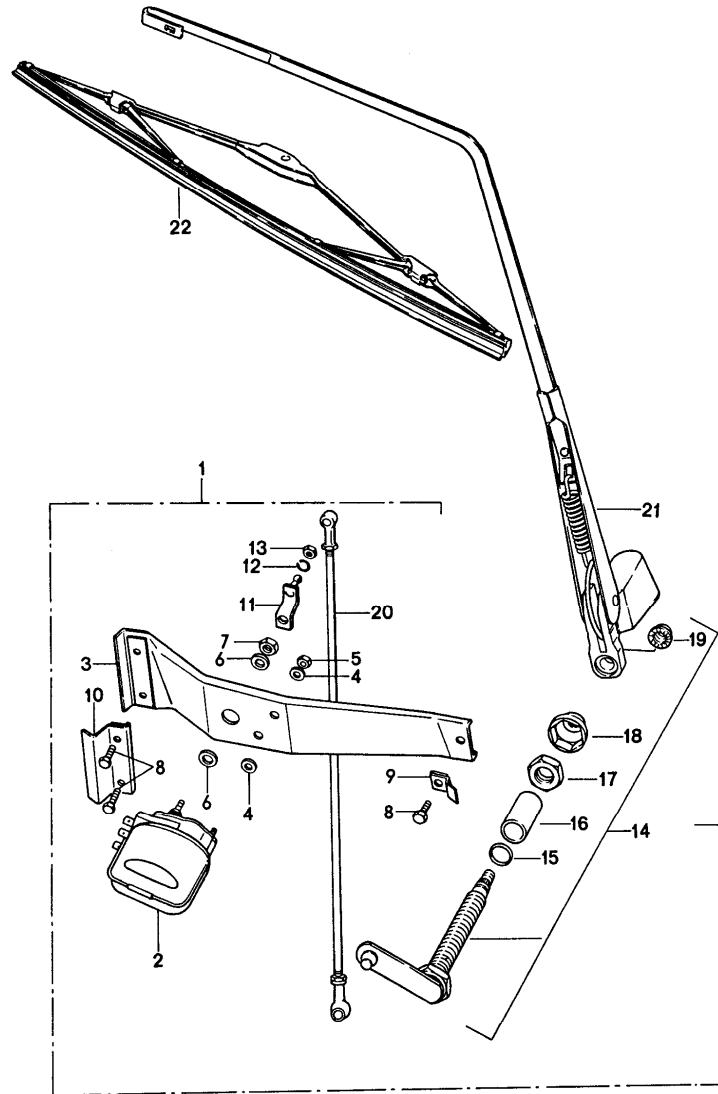


Pos	Part Number	Description	Remark	Qty	Model
			-75		
1	901 628 062 00	rear window wiper right-hand drive		1	
2	911 628 063 00	rear window wiper without wiper arm wiper blade		1	
3	901 628 065 00	wiper motor		1	
5	901 628 320 00	assembly frame		1	
6	901 628 318 00	retaining bracket		1	
7	901 628 615 00	lever		1	
8	901 628 615 00	joint rod		1	
8	901 628 337 00	retaining bracket		1	
9	901 628 338 00	washer		2	
10	901 628 339 00	washer		4	
11	900 076 027 02	hexagon nut M 5		2	
12	999 078 014 02	hexagon nut		1	
13	900 027 014 01	lock ring		1	
14	900 076 010 02	hexagon nut M 6		1	
15	N 010 215 13	hexagon-head bolt M 6 X 15		3	
16	901 628 617 00	wiper bearing and POS. 19 + 20		1	
17	901 628 619 00	wiper bearing and POS. 21 - 23		1	
18	901 628 619 00	wiper bearing		1	
19	901 628 621 00	cap nut for 901.628.617.00		1	
20	901 628 914 00	spring washer		1	
21	911 628 911 00	cap		1	
22	901 628 912 00	hexagon nut		1	

Model	Year	MG	SG	Illustration	Restrictions	UPD	21:40	22.01.2010	PORSCHE	PET	PORSCHE
911	1977	9	04	904-10		248					

Pos	Part Number	Description	Remark	Qty	Model	Pos	Part Number	Description	Remark	Qty	Model
23	901 628 913 00	bush		1							
-	911 613 321 01	tip switch rear window wiper		1							
-	911 612 099 00	wiring harness switch		1							
-	911 612 223 00	single line		1							
24	901 628 613 00	wiper blade		1							
25	901 628 612 00	wiper arm		1							
-	911 612 031 01	wiring harness fuse box wiper motor		1							
-	911 612 063 01	wiring harness wiper switch wiper motor		1							
-	911 617 106 01	diode		1							
-	999 652 142 40	push-on connector		1							
-	999 702 119 50	rubber sleeve		1							

Model	Year	MG	SG	Illustration	Restrictions	UPD	21:40	22.01.2010	PORSCHE	PET	PORSCHE
911	1977	9	04	904-15		248					

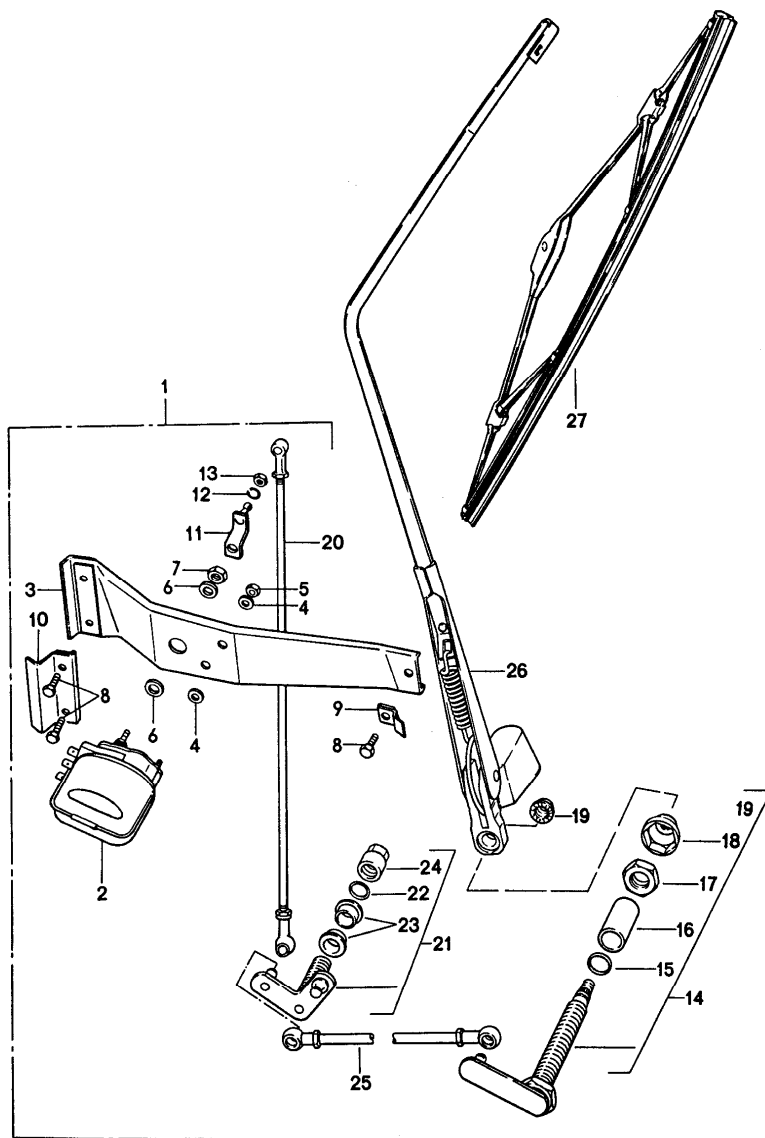


Pos	Part Number	Description	Remark	Qty	Model
			76-		
1	911 628 061 01	rear window wiper left-hand drive without wiper arm wiper blade		1	
(1)	911 628 061 02	rear window wiper without wiper arm wiper blade for cars with rear spoiler 911.512.019.02		1	
2	911 628 063 00	wiper motor		1	
3	901 628 065 00	assembly frame		1	
4	901 628 339 00	washer 5,2		4	
5	999 076 023 02	hexagon nut M 5		2	
6	901 628 338 00	washer 14,2		2	
7	999 078 014 02	hexagon nut M 14 X 1		1	
8	999 046 003 02	hexagon-head bolt M 6 X 15		3	
9	901 628 337 00	retaining bracket		1	
10	901 628 320 00	retaining bracket		1	
11	901 628 318 00	lever		1	
12	N 012 006 4	lock ring B 6		1	
13	999 076 024 02	hexagon nut M 6		1	
14	911 628 047 00	wiper bearing		1	
(14)	930 628 047 00	wiper bearing for cars with rear spoiler 911.512.019.02		1	
15	999 040 002 00	round seal B 10		1	

Model	Year	MG	SG	Illustration	Restrictions	UPD	21:40	22.01.2010	PORSCHE	PET	PORSCHE
911	1977	9	04	904-15		248					

Pos	Part Number	Description	Remark	Qty	Model	Pos	Part Number	Description	Remark	Qty	Model
16	911 628 251 00	bush		1							
(16)	911 628 251 01	bush for cars with rear spoiler 911.512.019.02		1							
17	999 183 004 02	hexagon nut M 12 X 1		1							
18	911 628 193 00	cap		1							
19	999 084 045 02	lock nut M 6		1							
20	901 628 615 00	joint rod		1							
21	911 628 611 01	wiper arm		1							
22	911 628 613 01	wiper blade		1							
-	911 613 321 01	tip switch for rear window wiper		1							
-	911 612 019 00	wiring harness fuse box 10-pole rear window wiper switch		1							
-	911 612 223 00	single line rear window wiper switch		1							
-	911 612 025 01	wiring harness rear window wiper switch rear window wiper		1							
-	911 612 031 01	wiring harness fuse box 3-pole rear end wiper motor		1							
-	911 617 106 01	diode		1							
-	901 628 343 20	pipng 80 MM		*							

Model	Year	MG	SG	Illustration	Restrictions	UPD	21:40	22.01.2010	PORSCHE	PET	PORSCHE
911	1977	9	04	904-20		248					

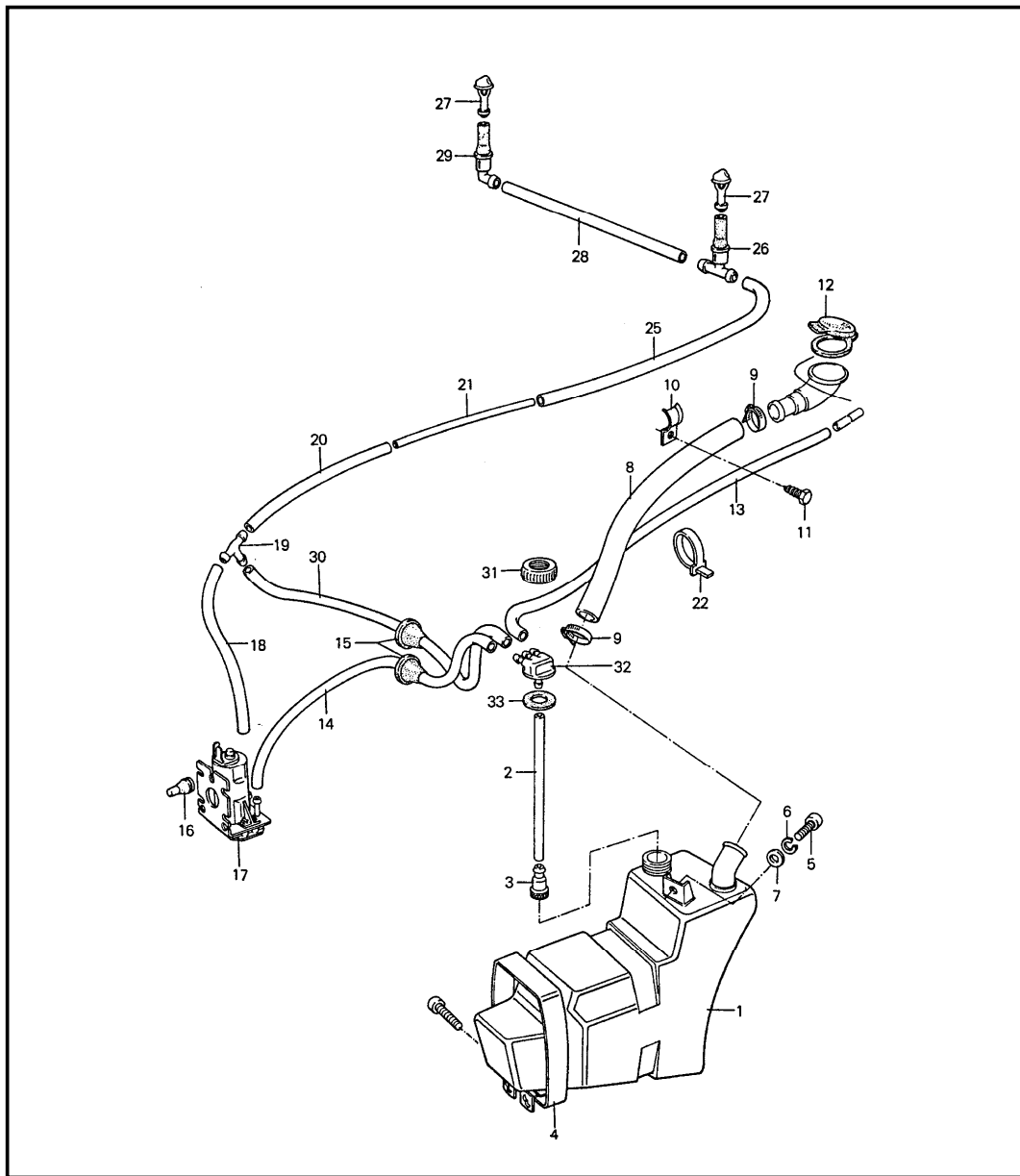


Pos	Part Number	Description	Remark	Qty	Model
		rear window wiper right-hand drive	76-		
1	911 628 062 01	rear window wiper without wiper arm and wiper blade		1	
2	911 628 063 00	wiper motor		1	
3	901 628 065 00	assembly frame		1	
4	901 628 339 00	washer 5,2		4	
5	999 076 023 02	hexagon nut M 5		2	
6	901 628 338 00	washer 14,2		2	
7	999 078 014 02	hexagon nut M 14 X 1		1	
8	999 046 003 02	hexagon-head bolt M 6 X 15		3	
9	901 628 337 00	retaining bracket		1	
10	901 628 320 00	retaining bracket		1	
11	901 628 318 00	lever		1	
12	N 012 006 4	lock ring		1	
13	999 076 024 02	hexagon nut M 6		1	
14	911 628 048 00	wiper bearing		1	
15	999 040 002 00	round seal B 10		1	
16	911 628 251 00	bush		1	
17	999 183 004 02	hexagon nut M 12 X 1		1	
18	911 628 193 00	cap		1	
19	999 084 045 02	lock nut M 6		1	
20	901 628 615 00	joint rod		1	
21	911 628 051 00	bearing		1	

Model	Year	MG	SG	Illustration	Restrictions	UPD	21:40	22.01.2010	PORSCHE	PET	PORSCHE
911	1977	9	04	904-20		248					

Pos	Part Number	Description	Remark	Qty	Model	Pos	Part Number	Description	Remark	Qty	Model
22	999 040 002 00	round seal B 10		1							
23	911 628 753 00	bush		2							
24	901 628 621 00	cap nut M 10		1							
25	901 628 616 00	joint rod		1							
26	911 628 612 00	wiper arm		1							
27	911 628 613 01	wiper blade		1							
-	911 613 321 01	tip switch for rear window wiper		1							
-	911 612 099 00	wiring harness for wiper switch		1							
-	911 612 223 00	single line for wiper switch		1							
-	911 612 031 01	wiring harness for fuse box 3-pole wiper motor		1							
-	911 612 063 01	wiring harness wiper switch rear window wiper		1							
-	911 617 106 01	diode		1							
-	901 628 343 20	pipng 80 MM		1							

Model	Year	MG	SG	Illustration	Restrictions	UPD	21:40	22.01.2010	PORSCHE	PET	PORSCHE
911	1977	9	04	904-30		248					

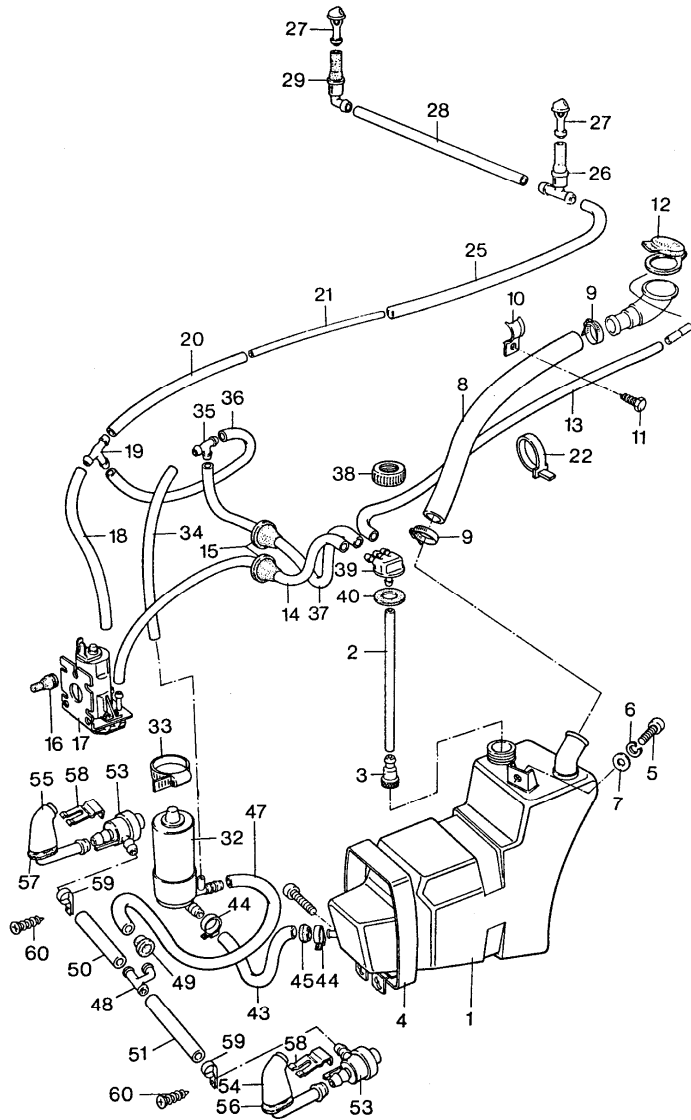


Pos	Part Number	Description	Remark	Qty	Model
		windscreen washer system			
1	911 628 075 08	water reservoir		1	
-	N 020 301 1	hose		*	
2	-	300 MM		1	
3	911 628 749 00	t-piece		1	
4	911 628 081 00	restraining strap		1	
5	900 378 030 09	hexagon-head bolt M 6 X 20		1	
6	N 012 007 2	lock ring A 6		1	
7	900 151 003 02	washer A 6,4		1	
8	911 628 236 00	filling hose 25 X 32 X 710		1	
9	999 512 356 02	hose clamp		2	
10	911 573 145 00	clamp		1	
11	900 187 025 02	hexagon-head tapping screw B 5,5 X 13		1	
12	964 201 507 00	lid		1	
-	N 020 301 1	hose PVC 4 X 6		*	
13	-	800 MM		1	
-	N 020 301 1	hose PVC 4 X 6		*	
14	-	650 MM		1	
15	911 612 132 00	rubber sleeve		2	
16	914 628 741 00	stopper		3	
17	928 628 074 01	pump		1	
-	N 020 301 1	hose PVC 4 X 6		*	
18	-	150 MM		1	
19	901 628 749 20	t-piece		1	

Model	Year	MG	SG	Illustration	Restrictions	UPD	21:40	22.01.2010	PORSCHE	PET	PORSCHE
911	1977	9	04	904-30		248					

Pos	Part Number	Description	Remark	Qty	Model	Pos	Part Number	Description	Remark	Qty	Model
-	N 020 301 1	hose PVC 4 X 6		*							
20	-	360 MM		1							
-	999 181 183 40	pipe 4 X 5		*							
21	-	1100 MM		1							
22	999 513 023 40	tie-wrap		2							
-	N 020 301 1	hose PVC 4 X 6		*							
25	-	560 MM		1							
26	914 628 433 00	valve		1							
27	914 628 203 11	nozzle		2							
-	N 020 301 1	hose PVC 4 X 6		*							
28	-	900 MM		1							
29	911 628 999 00	valve		1							
-	N 020 301 1	hose PVC 4 X 6		*							
30	-	500 MM		1							
31	911 628 735 00	threaded cover		1							
32	911 628 737 00	centre piece		1							
33	911 628 743 00	closing gasket		1							
-	111 971 521 A	hose protecting sleeve		8							

Model	Year	MG	SG	Illustration	Restrictions	UPD	21:40	22.01.2010	PORSCHE	PET	PORSCHE
911	1977	9	04	904-35		248					



Pos	Part Number	Description	Remark	Qty	Model
		windscreen washer system together with headlight washer system			
1	911 628 075 01	water reservoir		1	
-	N 020 301 1	hose PVC 4 X 6		*	
2	-	300 MM		1	
3	911 628 749 00	t-piece		1	
4	911 628 081 00	restraining strap		1	
5	900 378 030 09	hexagon-head bolt M 6 X 20		1	
6	N 012 007 2	lock ring A 6		1	
7	900 151 003 02	washer A 6,4		1	
8	911 628 236 00	filling hose 25 X 32 X 710		1	
9	999 512 356 02	hose clamp		2	
10	911 573 145 00	clamp		1	
11	900 187 025 02	hexagon-head tapping screw B 5,5 X 13		1	
12	964 201 507 00	lid		1	
-	N 020 301 1	hose PVC 4 X 6		*	
13	-	800 MM		1	
-	N 020 301 1	hose PVC 4 X 6		*	
14	-	650 MM		1	
15	911 612 132 00	rubber sleeve		2	
16	914 628 741 00	stopper		3	
17	928 628 074 01	pump electric		1	
-	N 020 301 1	hose PVC 4 X 6		*	
18	-	150 MM		1	

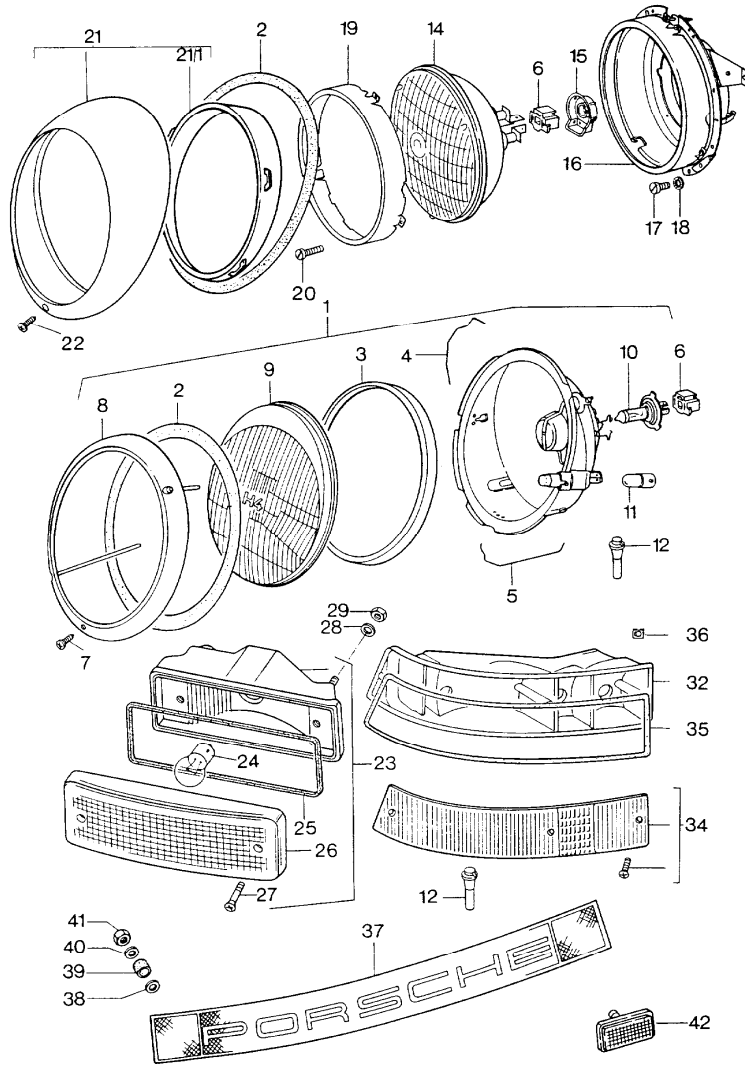
Model	Year	MG	SG	Illustration	Restrictions	UPD	21:40	22.01.2010	PORSCHE	PET	PORSCHE
911	1977	9	04	904-35		248					

Pos	Part Number	Description	Remark	Qty	Model	Pos	Part Number	Description	Remark	Qty	Model
19	901 628 749 20	t-piece		1		38	911 628 735 00	threaded cover		1	
-	N 020 301 1	hose PVC 4 X 6		*		39	911 628 737 00	centre piece		1	
20	-	360 MM		2		40	911 628 743 00	closing gasket		1	
-	999 181 183 40	pipe 4 X 5		*		-	999 181 182 40	hose PVC 10 X 14		*	
21	-	1100 MM		1		43	-	330 MM		1	
22	999 513 023 40	tie-wrap		2		(43)	999 181 182 40	hose PVC 10 X 14 X 140 for cars with air conditioner		1	
-	N 020 301 1	hose PVC 4 X 6		*		44	999 512 134 02	hose clamp		2	
25	-	560 MM		1		45	021 119 569 A	rubber sleeve		1	
26	914 628 433 00	valve		1		47	900 918 031 40	pressure hose 10 X 12,5		1	
27	914 628 203 11	nozzle		2		(47)	900 918 031 40	pressure hose PA 11 for cars with air conditioner		1	
-	N 020 301 1	hose PVC 4 X 6		*		48	914 628 413 10	distributing piece		1	
28	-	900 MM		1		-	999 512 160 02	hose clamp		6	
29	911 628 999 00	valve		1		49	311 941 189 A	grommet		1	
32	477 955 679 A	pump		1		-	900 918 031 40	pressure hose 10 X 12,5		*	
33	999 512 164 02	hose clamp		1		50	-	780 MM		1	
35	911 628 748 00	valve		1		-	900 918 031 40	pressure hose 10 X 12,5		*	
-	N 020 301 1	hose PVC 4 X 6		X		51	-	480 MM		1	
34	-	510 MM		1		-	900 918 031 40	pressure hose 10 X 12,5		*	
-	N 020 301 1	hose PVC 4 X 6		*		53	113 955 187	nozzle		2	
(34)	-	320 MM with air conditioner		1		54	911 628 085 00	nozzle	/L	1	
-	N 020 301 1	hose PVC 4 X 6		*		55	911 628 086 00	nozzle	/R	1	
36	-	100 MM		1		56	911 628 807 00	desk pad	/L	1	
-	N 020 301 1	hose PVC 4 X 6		*		57	911 628 808 00	desk pad	/R	1	
37	-	530 MM		1		58	113 955 199	leaf spring		2	
						59	999 511 052 02	clamp		2	

Model	Year	MG	SG	Illustration	Restrictions	UPD	21:40	22.01.2010	PORSCHE	PET	PORSCHE
911	1977	9	04	904-35		248					

Pos	Part Number	Description	Remark	Qty	Model	Pos	Part Number	Description	Remark	Qty	Model
60	N 013 968 7	tapping screw B 4,8 X 13		2							
-	111 971 521 A	hose protecting sleeve		12							

Model	Year	MG	SG	Illustration	Restrictions	UPD	21:41	22.01.2010	PORSCHE	PET	PORSCHE
911	1977	9	05	905-00		248					

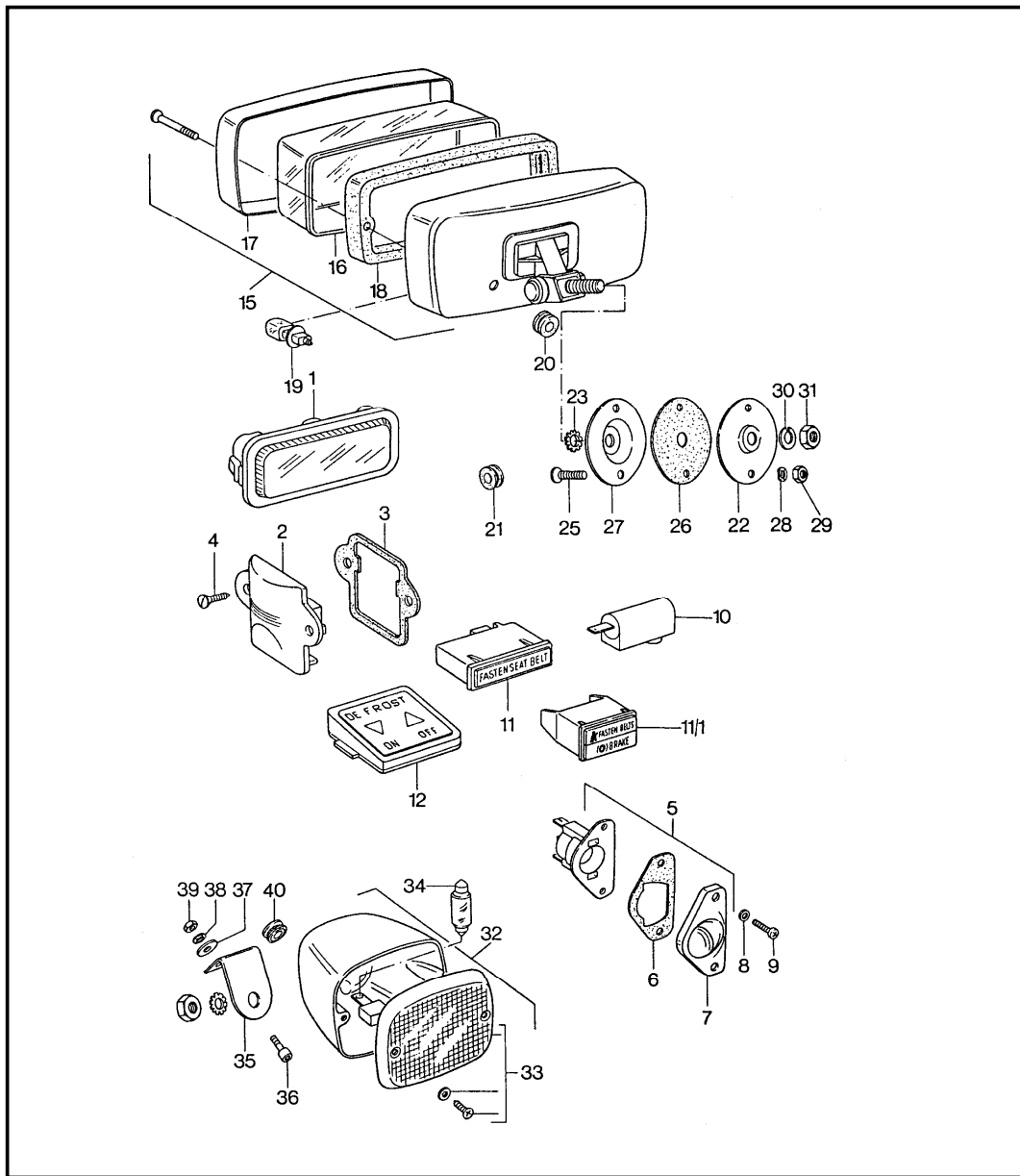


Pos	Part Number	Description	Remark	Qty	Model
1	911 631 112 00	headlamp lights			
(1)	911 631 113 00	headlamp without POS. 2,6,10,11,12	(AUS) (GB) (ZA)	2	
2	911 631 115 02	gasket		2	
3	911 631 967 00	gasket		2	
4	901 631 116 02	locking spring upper		6	
5	644 631 122 00	locking spring lower		5	
6	911 631 108 00	terminal sleeve housing		2	
7	900 270 063 07	countersunk-head screw		2	
8	911 631 933 00	headlamp ring chrome		2	
(8)	911 631 141 00	headlamp ring prime coated	75-	2	
-	911 631 033 00	ball screw for retaining ring	75-	2	
-	911 631 132 00	oval-head screw M 4 X 9 for retaining ring	75-	2	
-	113 951 539	washer	75-	2	
9	911 631 927 01	lens for 911.631.112.00		2	
(9)	911 631 927 00	lens for 911.631.113.00		2	
10	999 631 202 90	halogen bulb H4 12V - 60/55W white		2	
(10)	999 631 202 91	halogen bulb H4 12V - 60/55W yellow	(F)	2	

Model	Year	MG	SG	Illustration	Restrictions	UPD	21:41	22.01.2010	PORSCHE	PET	PORSCHE
911	1977	9	05	905-00		248					

Pos	Part Number	Description	Remark	Qty	Model	Pos	Part Number	Description	Remark	Qty	Model
11	900 631 103 90	bulb 12V - 4 W		2		25	911 631 961 00	rubber seal direction indicator light	/V	2	
12	911 631 259 02	water drain sleeve		4		(25)	911 631 920 00	lens side direction indicator	(DK) (I) (N) (J)	2	
(14)	911 631 114 00	headlamp	(J)	2		26	911 631 914 00	lens direction indicator light orange	/V	2	
-	900 631 109 90	bulb 12V - 45/40 W for 911.631.114.00	(J)	2		(26)	911 631 915 00	lens direction indicator light white	/V (I) -76	2	
15	911 631 116 00	cap for 911.631.114.00	(J)	2		(26)	911 631 957 00	lens side direction indicator	/V (DK) (I) (N) (J)	2	
16	901 631 103 02	mounting piece	(J)	2		27	911 631 918 00	oval-head sheetmetal screw	/V	4	
17	999 014 008 02	cheese-head screw	(J)	8		28	900 025 003 02	washer 5,3		4	
18	900 114 014 01	shake-proof washer	(J)	8		29	N 021 196 1	lock nut M 5		4	
19	901 631 102 03	window retaining bracket	(J)	2		-	999 591 379 01	cable clamp		4	
20	900 016 014 02	half-round screw	(J)	6		32	911 631 939 00	tail light housing	/L	1	
21	901 631 102 05	retaining ring	(J)	2		(32)	911 631 940 00	tail light housing	/R	1	
(21)	911 631 135 00	retaining ring	(J) 75-	2		34	911 631 949 00	lens	/L	1	
21/1	911 631 133 01	intermediate ring	(J) 75-	2		(34)	911 631 950 00	lens	/R	1	
22	911 631 146 01	lens-head screw	(J) 75-	2		35	911 631 971 01	gasket	/L	1	
(22)	911 631 146 01	lens-head screw	(J) 75-	2		(35)	911 631 971 00	gasket	/R	1	
-	911 631 148 00	bush	(J) 75-	2		36	999 507 312 12	cable holder		4	
-	113 951 539	washer	(J) 75-	2		37	911 631 432 03	covering		1	
23	911 631 405 00	direction indicator light	/V	2		38	911 631 602 00	washer		10	
(23)	911 631 407 00	direction indicator light white	/V (I) -76	2		39	911 631 605 00	hose piece		10	
(23)	911 631 417 00	direction indicator light	/V (DK) (I) (N) (J)	2		40	911 631 603 00	washer		10	
(23)	911 631 413 00	side direction indicator	(DK) (I) (N) (J)	2		-	N 012 224 3	spring washer		10	
24	-	bulb see group 9/05/10				41	N 011 004 6	hexagon nut M 4		10	

Model	Year	MG	SG	Illustration	Restrictions	UPD	21:41	22.01.2010	PORSCHE	PET	PORSCHE
911	1977	9	05	905-10		248					



Pos	Part Number	Description	Remark	Qty	Model
1	901 632 101 28	fog headlamp rear fog light		2	911/911S
(1)	901 632 101 28	interior light		2	CARRERA 2.7 CARRERA 3.0
(1)	911 632 102 00	light		1	TARGA
(1)	911 632 103 00	interior light glove compartment		1	
-	964 555 153 00	desk pad for interior light 901.632.101.00		2	
2	901 632 201 01	luggage compartment lamp		1	
3	901 632 291 00	desk pad		1	
4	N 013 961 2	tapping screw B 3,9 X 13		2	
5	911 631 620 04	license plate light		2	
6	911 631 608 00	gasket		2	
7	911 631 606 00	lens		2	
8	911 631 604 00	sealing washer		4	
9	900 146 041 07	oval-head screw BM 3 X 15		-74	4
(9)	900 146 041 07	oval-head screw BM 3 X 15		75-	4
(9)	900 143 116 07	oval-head sheetmetal screw	(J)	75-	4 911S
-	911 505 339 00	speed nut	(J)	75-	4 911S
-	999 591 381 02	cable clamp		2	
-	999 591 381 01	cable clamp		2	
10	911 632 904 00	ashtray light for ashtray		1	
11/1	911 632 013 01	double indicator light	/LL	77-	1 911/911S
11/1	911 632 013 02	double indicator light ("PARK-BRAKE"/"BRAKE")	/RL	77-	1 911/911S CARRERA 3.0

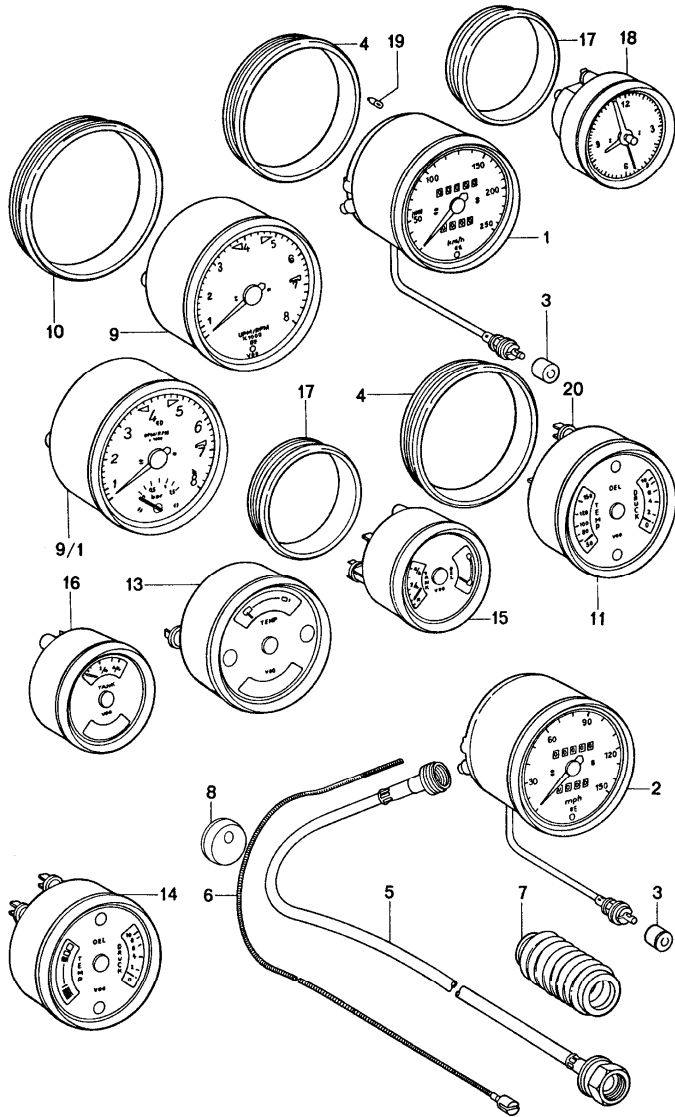
Model	Year	MG	SG	Illustration	Restrictions	UPD	21:41	22.01.2010	PORSCHE	PET	PORSCHE
911	1977	9	05	905-10		248					

Pos	Part Number	Description	Remark	Qty	Model	Pos	Part Number	Description	Remark	Qty	Model
11/1	911 632 013 03	double indicator light for cars with brake booster	/LL 77-	1	CARRERA 3.0	28	N 012 226 5	spring washer A 6		4	
-	911 632 116 01	grommet for double indicator light	77-	1	911/911S CARRERA 3.0	29	900 076 010 02	hexagon nut M 6		4	
15	911 631 206 03	fog headlamp housing black		2		30	900 027 016 02	lock ring B 10		2	
(15)	911 631 206 04	fog headlamp housing black light-diffusing lens yellow		2		31	N 011 010 6	hexagon nut M 10		2	
16	911 631 964 00	light-diffusing lens for 911.631.206.01 and 911.631.206.03		2		32	911 631 251 29	rear fog light		2	
(16)	911 631 963 00	light-diffusing lens for 911.631.206.02 and 911.631.206.04		2		33	911 631 251 29	rear fog light with screw and gasket		2	
17	911 631 959 28	ring for fog headlamp black		2		34	900 631 123 90	linolite lamp 12 V - 18 W		2	
18	911 631 956 00	gasket		2		35	911 631 125 02	fastening angle		2	
19	900 631 126 90	halogen bulb H 3		2		36	N 014 740 2	pan-head screw M 6 X 16		4	
20	999 702 084 50	rubber sleeve		2		37	900 151 006 09	washer B 6,4		4	
21	911 612 132 00	rubber sleeve		2		38	N 012 006 4	lock ring B 6		4	
22	911 631 060 01	tensioning plate outer		2		39	900 076 010 02	hexagon nut		4	
23	900 114 011 01	shake-proof washer A 10,5		2		40	999 702 020 50	rubber sleeve 8 X 12 X 9		2	
25	900 067 009 02	pan-head screw M 6 X 16		4		-	999 652 208 10	cable shoe for rear fog light		2	
26	911 631 151 01	rubber base		2		-	999 591 381 02	cable clamp		6	
27	911 631 150 01	tensioning plate inner		2		-	999 591 381 01	cable clamp		6	
						-	999 703 067 50	grommet switch boot floor plate		1	
						-	911 631 315 01	engine compartment lamp		1	
						-	999 631 202 90	halogen bulb H 4 12 V - 60 / 55 W		2	

Model	Year	MG	SG	Illustration	Restrictions	UPD	21:41	22.01.2010	PORSCHE	PET	PORSCHE
911	1977	9	05	905-10		248					

Pos	Part Number	Description	Remark	Qty	Model	Pos	Part Number	Description	Remark	Qty	Model
-	999 631 202 91	halogen bulb H 4 12 V - 60 / 55 W yellow	(F)	2		-	900 631 129 90	bulb for switch fog headlamp additional headlamp		X	
-	900 631 109 90	bulb headlamp 12 V - 45 / 40 W	(J)	2				-WEBASTO- heating windscreen heating rear window heating			
-	900 631 126 90	halogen bulb H 3 for fog headlamp		2		-	900 631 123 90	linolite lamp for rear fog light 12 V - 18 W		2	
-	900 631 127 90	bulb for direction indicator light and back-up light 12 V - 21 W		6		-	900 631 104 90	bulb for license plate light 12 V - 5 W		2	
-	900 631 128 90	bulb for brake light and rear light 12 V - 21 / 5 W		2							
-	900 631 103 90	bulb for side direction indicator 12 V - 4 W	(DK) (I) (J) (N)	2							
-	900 631 115 90	bulb for luggage compartment lamp 12 V - 10 W		1							
-	900 631 106 90	linolite lamp for interior light and engine compartment lamp 12 V - 10 W		3							
-	900 631 102 90	bulb for instruments and indicator light 12 V - 2 W		X							

Model	Year	MG	SG	Illustration	Restrictions	UPD	21:41	22.01.2010	PORSCHE	PET	PORSCHE
911	1977	9	06	906-00		248					

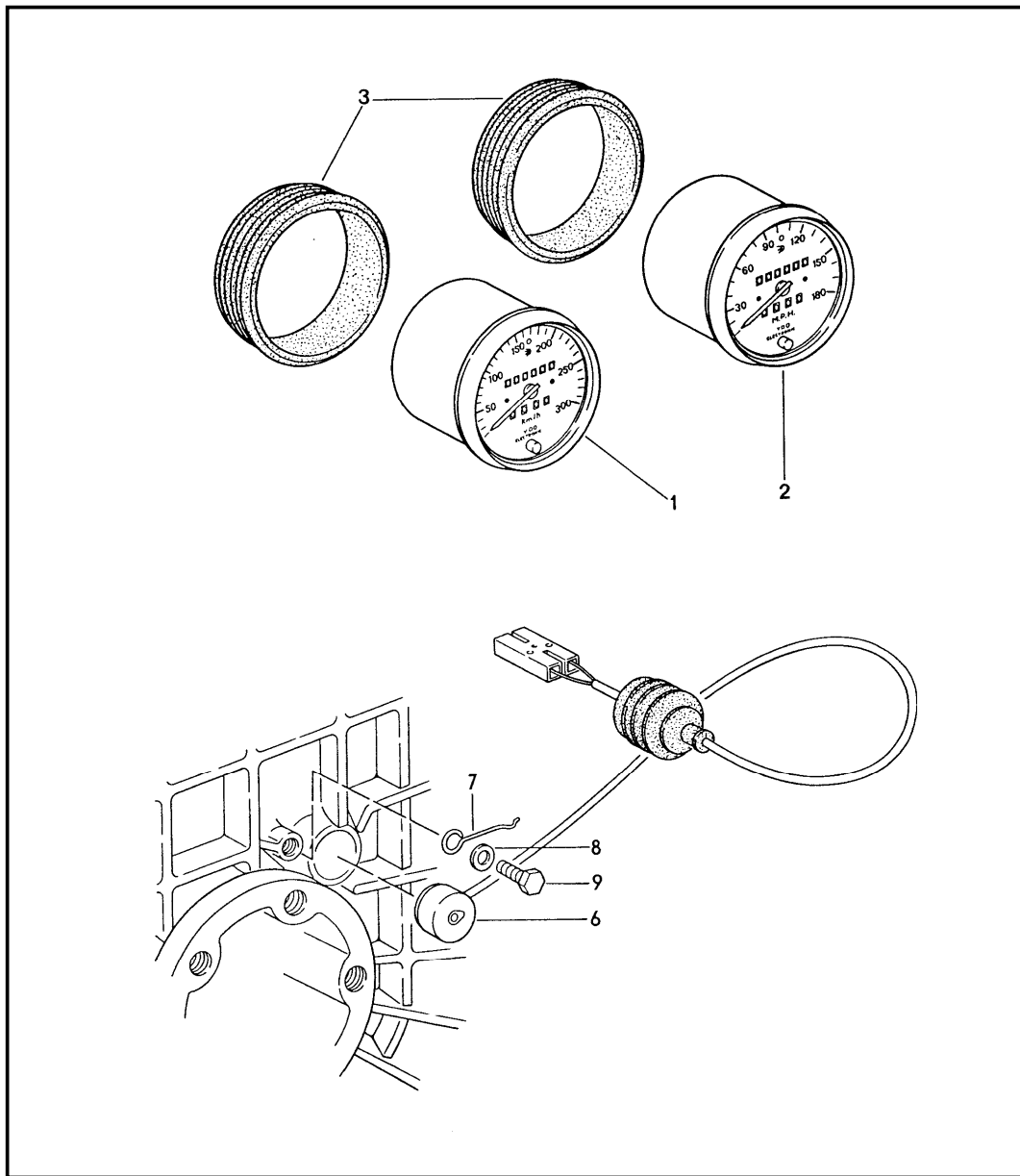


Pos	Part Number	Description	Remark	Qty	Model
1	911 641 501 29	instruments speedometer mechanical		1	911/911S
(1) >	911 641 505 01	speedometer 250 KM/H	(J) 75-	1	911/911S
(1)	911 641 503 29	speedometer 300 KM/H		1	CARRERA 2.7
(1)	911 641 507 00	speedometer 300 KM/H	(J) 75-	1	CARRERA 2.7
2	911 641 502 29	speedometer		1	911/911S
(2)	911 641 506 00	speedometer		1	CARRERA 2.7
3	901 741 191 22	knob		1	
(3)	914 641 121 00	knob plastic material		1	
4	911 641 902 00	rubber ring 100 \$		2	
5	911 641 510 00	drive shaft		1	911/911S CARRERA 2.7
6	901 741 112 01	flexible shaft 2442 MM		1	911/911S CARRERA 2.7
6	911 641 913 00	flexible shaft 2480 MM		1	
7	911 641 520 00	sealing sleeve		1	911/911S CARRERA 2.7
8	901 741 293 00	seal		1	911/911S CARRERA 2.7
9	911 641 301 29	tachometer		1	911/911S
(9) >	911 641 303 29	tachometer		1	CARRERA 2.7
(9) >	911 641 303 03	tachometer		1	CARRERA 3.0
10	911 641 903 00	rubber ring 115 \$		1	
11	911 641 103 29	instrument cluster 100 \$	-76	1	911S CARRERA 2.7 CARRERA 3.0

Model	Year	MG	SG	Illustration	Restrictions	UPD	21:41	22.01.2010	PORSCHE	PET	PORSCHE
911	1977	9	06	906-00		248					

Pos	Part Number	Description	Remark	Qty	Model	Pos	Part Number	Description	Remark	Qty	Model
(11)	> 911 641 103 02	instrument cluster 100 \$	3.0 77-	1	911/CARRERA	-	911 612 047 00	wiring harness for illumination instruments with bulb socket		1	
(11)	911 641 104 29	instrument cluster		-76	1 911/911S						
(11)	911 641 107 29	instrument cluster english 100 \$		1	SPM						
11	> 911 641 107 31	instrument cluster english		77-	1 911/911S CARRERA 3.0						
13	> 911 641 102 29	instrument cluster 100 \$		-76	1 911						
14	> 911 641 105 29	instrument cluster 100 \$		-76	1 SPM						
(14)	911 641 105 02	instrument cluster 100 \$		77-	1 SPM						
15	> 911 641 202 03	instrument cluster		1	911						
15	911 641 202 DX	instrument cluster		1	911						
15	> 911 641 202 03	instrument cluster		1	911S CARRERA 2.7						
15	911 641 202 DX	instrument cluster		1	911S CARRERA 2.7						
15	> 911 641 202 03	instrument cluster 80 \$		1	CARRERA 3.0						
15	911 641 202 DX	instrument cluster 80 \$		1	CARRERA 3.0						
16	> 911 641 201 29	instrument cluster		-76	1 911						
17	911 641 901 00	rubber ring 80 \$		2							
18	911 641 701 29	clock 80 \$		1							
19	900 631 102 90	bulb for illumination instruments 12 V 2 W		X							
20	999 632 007 00	bulb socket single pole		X							
(20)	999 632 009 10	bulb socket 2-pole		X							

Model	Year	MG	SG	Illustration	Restrictions	UPD	21:41	22.01.2010	PORSCHE	PET	PORSCHE
911	1977	9	06	906-05		248					

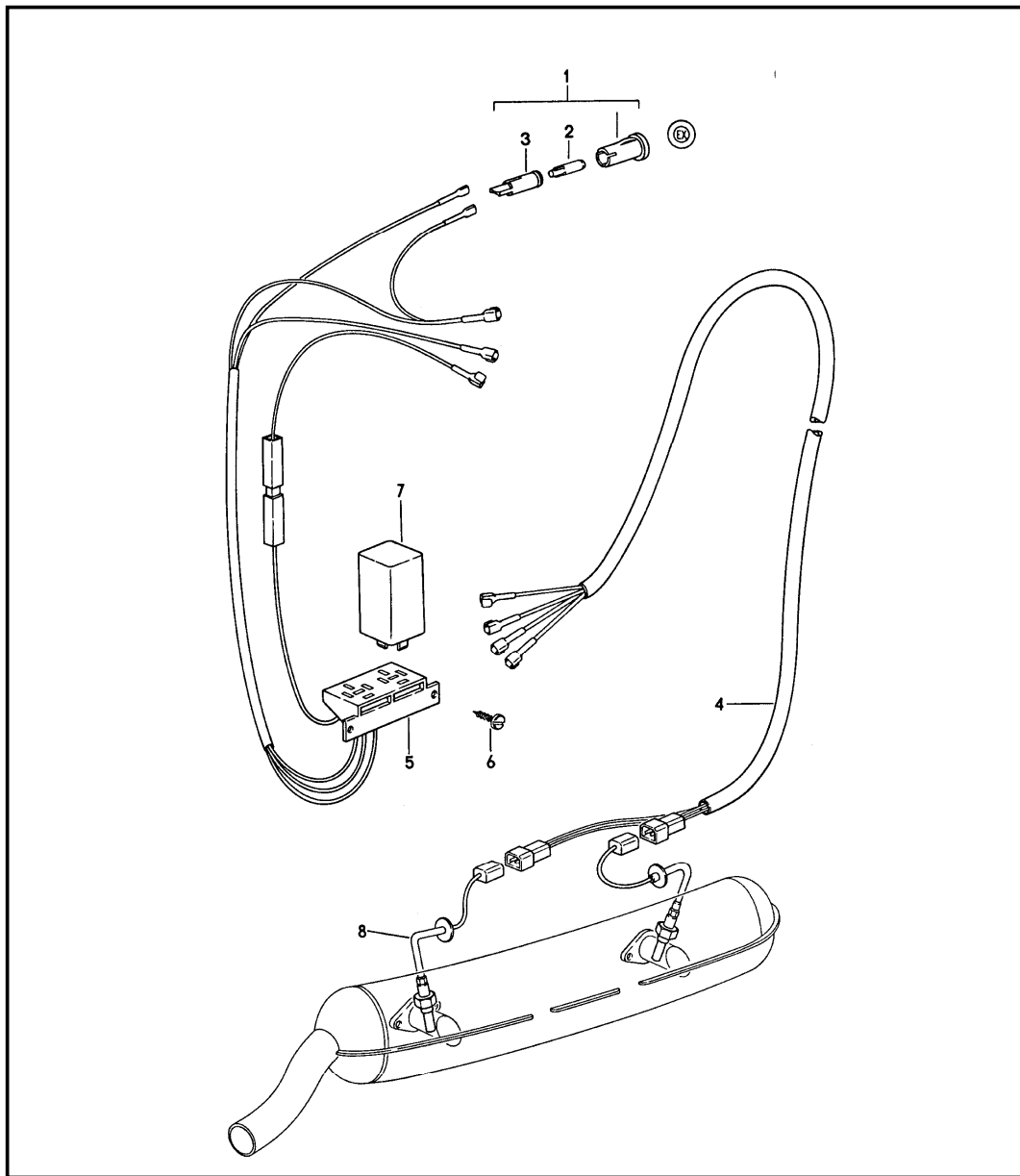


Pos	Part Number	Description	Remark	Qty	Model
1	911 641 532 00	speedometer electric pulse sender			
(1)	> 911 641 539 00	speedometer KM/H 300 for tyre /60	(J)	-76	1 CARRERA 3.0
(1)	930 641 501 00	speedometer KM/H 300 with warning function		-76	1 CARRERA 3.0
(1)	> 911 641 516 01	speedometer		77-	1 911/911S
(1)	911 641 516 AX	speedometer KM/H 250		77-	1 911/911S CARRERA 3.0
(1)	911 641 531 00	speedometer KM/H 250		-76	1 911/911S
(1)	> 911 641 537 04	speedometer KM/H 250 with warning function	(J)	-76	1 911S
(1)	> 911 641 537 04	speedometer KM/H 250 with warning function	(J)	77-	1 911S
2	911 641 534 00	speedometer MPH 180		-76	1 CARRERA 3.0
(2)	> 930 641 506 00	speedometer MPH 180 for tyre /50		-76	1 CARRERA 3.0
(2)	> 911 641 533 00	speedometer		-76	1 911/911S
(2)	> 930 641 508 00	speedometer			1 911/911S
3	911 641 902 00	rubber ring 100\$			1
6	911 606 209 00	pulse sender			1

Model	Year	MG	SG	Illustration	Restrictions	UPD	21:41	22.01.2010	PORSCHE	PET	PORSCHE
911	1977	9	06	906-05		248					

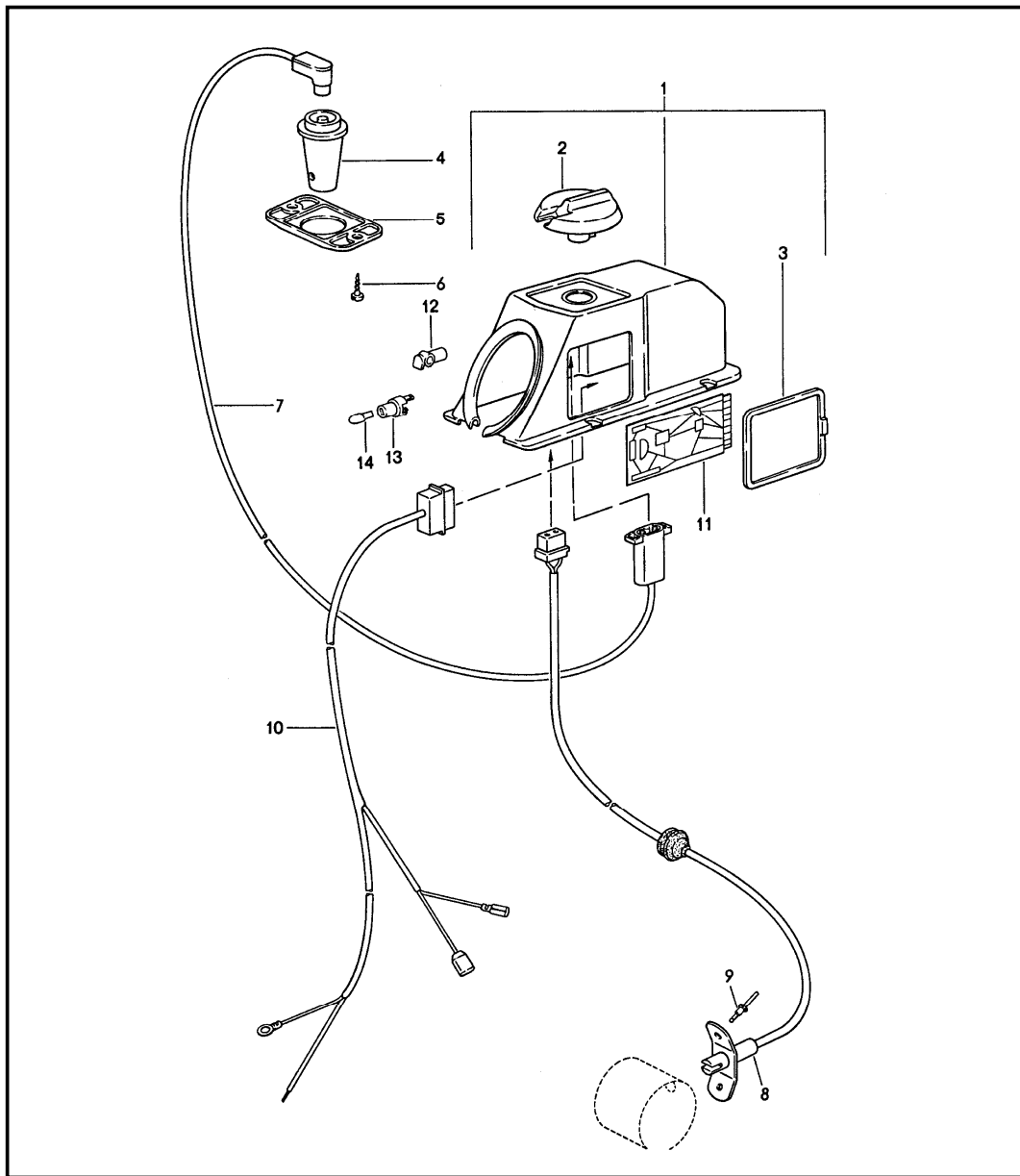
Pos	Part Number	Description	Remark	Qty	Model	Pos	Part Number	Description	Remark	Qty	Model
7	915 660 509 00	tensioning spring		1							
8	N 011 524 7	washer A 6,4		1							
9	900 075 010 02	hexagon-head bolt M 6 X 12		1							
-	911 612 406 01	cable holder		1							
-	900 093 010 02	grooved nail 3 X 6	-76	1							
-	900 093 010 02	grooved nail 3 X 8	77-	1							

Model	Year	MG	SG	Illustration	Restrictions	UPD	21:41	22.01.2010	PORSCHE	PET	PORSCHE
911	1977	9	06	906-15		248					



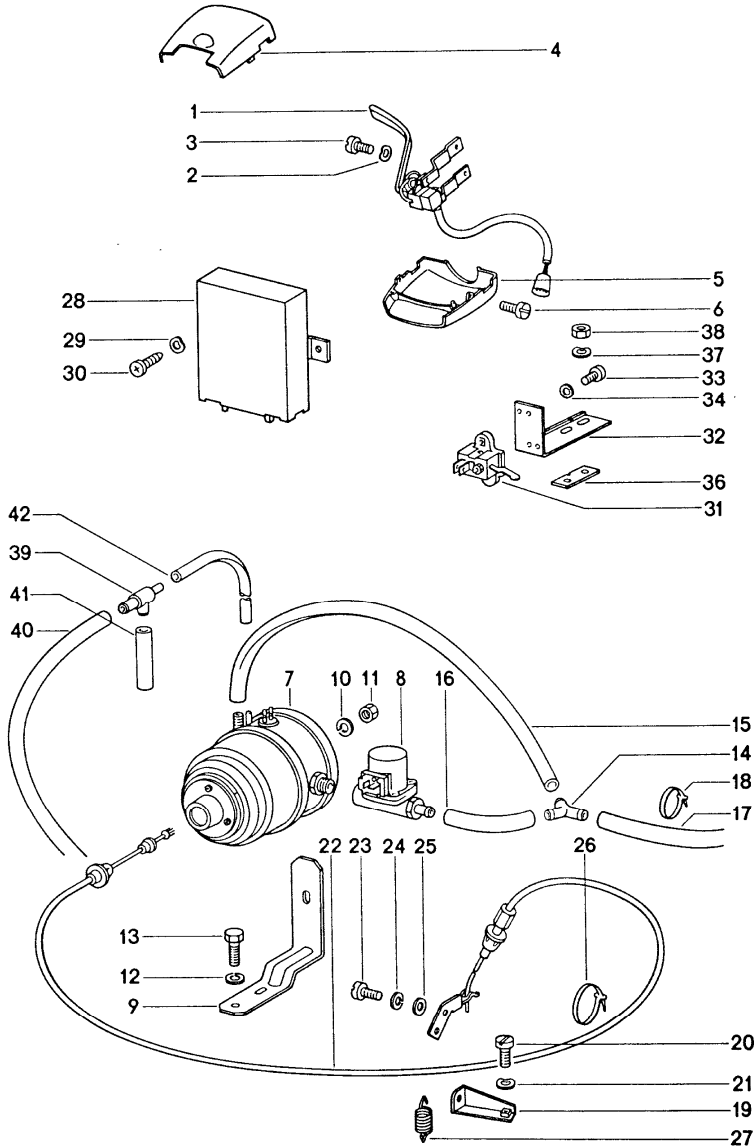
Pos	Part Number	Description	Remark	Qty	Model
		exhaust gas temperature monitoring	(J)		
1	911 632 015 01	indicator light " EX "		1	911S
2	900 631 129 90	bulb		1	911S
3	111 919 243	bulb socket		1	911S
4	911 612 171 00	wiring harness for temperature sensor		1	911S
5	911 612 169 00	wiring harness for indicator light "EX"		1	911S
6	N 013 968 7	tapping screw B 4,8 X 13		1	911S
7	911 617 119 00	switch unit for temperature monitoring		2	911S
8	911 606 115 00	temperature sensor		2	911S

Model	Year	MG	SG	Illustration	Restrictions	UPD	21:41	22.01.2010	PORSCHE	PET	PORSCHE
911	1977	9	08	908-00		248					



Pos	Part Number	Description	Remark	Qty	Model
		control mechanism for heating			
1	> 911 659 049 01	control mechanism		1	
2	911 659 110 00	knob		1	
3	911 659 108 00	lid		2	
4	911 659 105 01	interior sensor		1	
5	911 571 235 01	rosette		1	
6	900 143 065 07	tapping screw B 2,9 X 9,5		2	
7	911 612 150 00	wiring harness		1	
8	911 659 101 00	caloric feeler		1	
9	999 190 129 02	blind rivet		2	
10	911 612 152 00	wiring harness	/LL	1	
(10)	911 612 152 01	wiring harness	/RL	1	
-	N 012 225 2	spring washer B 5		4	
-	900 075 154 07	hexagon-head bolt M 5 X 18		4	
11	911 659 907 00	printed circuit board		1	
12	999 168 021 40	ball socket		2	
13	914 631 179 10	bulb socket		1	
14	900 631 129 90	bulb 12 V - 1,2 W		1	

Model	Year	MG	SG	Illustration	Restrictions	UPD	21:42	22.01.2010	PORSCHE	PET	PORSCHE
911	1977	9	09	909-00		248					



Pos	Part Number	Description	Remark	Qty	Model
		cruise control			
1	911 613 102 01	switch		1	
2	900 115 007 01	serrated lock washer 3,2		2	
3	900 014 079 02	pan-head screw M 3 X 10		2	
4	911 613 311 02	switch housing		1	
5	911 613 312 02	switch housing		1	
6	900 014 079 02	pan-head screw M 3 X 16		2	
7	911 617 123 01	drive link cruise control		1	
8	911 617 125 00	solenoid valve		1	
9	911 617 127 00	support		1	
10	900 027 015 02	lock ring B 8		1	
11	900 076 025 02	hexagon nut M 8		1	
12	N 012 006 4	lock ring B 6		2	
13	900 075 010 02	hexagon-head bolt M 6 X 12		2	
14	999 137 007 40	hose connection		1	
-	N 020 359 1	hose 9 X 15		X	
15	-	350 MM		1	
16	-	100 MM		1	
17	-	310 MM		1	
18	999 513 010 40	tie-wrap 140 MM		1	
19	911 110 226 00	retaining bracket		1	
20	900 071 005 02	oval-head screw M 5 X 10		1	
21	900 028 007 02	spring washer B 5		1	

Model	Year	MG	SG	Illustration	Restrictions	UPD	21:42	22.01.2010	PORSCHE	PET	PORSCHE
911	1977	9	09	909-00		248					

Pos	Part Number	Description	Remark	Qty	Model	Pos	Part Number	Description	Remark	Qty	Model
22	911 617 124 01	bowden cable		1		42	-	500 MM		1	
23	900 146 005 02	oval-head screw M 5 X 8		2		-	911 612 157 02	wiring harness cruise control regulator tunnel	/LL -76	1	
24	900 027 003 02	lock ring A 5		2		-	911 612 157 02	wiring harness cruise control regulator tunnel	/LL 77-	1	911
25	900 025 003 02	washer A 5,3		2				for cars without brake booster			
26	999 513 010 40	tie-wrap 250 MM		1		-	911 612 157 05	wiring harness cruise control regulator tunnel	/LL 77-	1	
27	911 110 227 00	gas prop for cruise control		1				for cars with brake booster			
28	911 617 121 03	regulator cruise control		1		-	911 612 157 04	wiring harness cruise control regulator tunnel	/RL	1	
29	900 028 007 02	spring washer B 5		2		-	911 612 158 00	wiring harness tunnel drive link		1	
30	900 146 003 02	oval-head screw M 5 X 10		2		-	911 612 156 02	wiring harness		1	SPM
31	911 613 411 00	brake light switch		1							
32	911 613 131 00	support		1							
33	900 146 011 02	oval-head screw M 4 X 10		2							
34	900 114 014 01	shake-proof washer A 4,3		2							
36	911 613 132 00	plate		1							
37	N 012 226 5	spring washer B 6		2							
38	900 076 010 02	hexagon nut M 6		2							
39	911 110 228 00	t-reducer		1							
-	N 020 359 1	hose C 9 X 15		X							
40	-	130 MM		1							
41	-	45 MM		1							
-	999 181 167 50	hose C 4,5 X 10,5		X							

Model	Year	MG	SG	Illustration	Restrictions	UPD	21:42	22.01.2010
911	1977	9	98	998-00R		248		

Pos	Part Number	Description	Remark	Qty	Model
		installation set headlight washer system fog headlamp radio			
>>	>>911 628 997 00	headlight washer system set for subsequent installation		1	
>>	>>911 631 993 00	fog headlamp white set for subsequent installation comprising:		2	
-	911 631 206 03	fog headlamp		2	
-	999 702 084 50	rubber sleeve		2	
-	911 612 132 00	rubber sleeve		2	
-	900 114 011 01	shake-proof washer A 10,5		2	
-	911 631 060 01	tensioning plate outer		2	
-	911 631 151 01	rubber base		2	
-	911 631 150 01	tensioning plate inner		4	
-	N 012 226 5	spring washer A 6		4	
-	900 076 010 02	hexagon nut M 6		2	
-	900 027 016 02	lock ring B 10		2	
-	N 011 010 6	hexagon nut M 10		1	
-	911 612 027 03	additional cables		1	
-	901 612 064 00	ground cable		1	
-	901 612 066 02	wiring harness for switch		1	
-	911 615 109 01	standard type relay		1	
-	902 613 623 90	switch		1	
-	999 703 067 50	grommet		1	
-	911 613 213 02	rosette		1	

Model	Year	MG	SG	Illustration	Restrictions	UPD	21:42	22.01.2010
911	1977	9	98	998-00R		248		

Pos	Part Number	Description	Remark	Qty	Model
-	900 631 102 90	bulb 12 V - 2 W		1	
-	911 613 215 02	knob		1	
>>	>>911 631 993 01	fog headlamp yellow set for subsequent installation comprising:		1	
-	911 631 206 04	fog headlamp		2	
-	999 702 084 50	rubber sleeve		2	
-	911 612 132 00	rubber sleeve		2	
-	900 114 011 01	shake-proof washer A 10,5		2	
-	911 631 060 01	tensioning plate outer		2	
-	911 631 151 01	rubber base		2	
-	911 631 150 01	tensioning plate inner		2	
-	N 012 226 5	spring washer A 6		4	
-	900 076 010 02	hexagon nut M 6		4	
-	900 027 016 02	lock ring B 10		2	
-	N 011 010 6	hexagon nut M 10		2	
-	911 612 027 03	additional cables		1	
-	901 612 064 00	ground cable		1	
-	901 612 066 02	wiring harness		1	
-	911 615 109 01	standard type relay		1	
-	902 613 623 90	switch		1	
-	999 703 067 50	grommet		1	
-	911 613 213 02	rosette		1	
-	900 631 102 90	bulb 12 V - 2 W		1	
-	911 613 215 02	knob		1	

Model	Year	MG	SG	Illustration	Restrictions	UPD	21:42	22.01.2010
911	1977	9	98	998-00R		248		

Pos	Part Number	Description	Remark	Qty	Model
>>	>>911 619 901 00	suppression set for cars with - bosch - generator and regulator comprising:	-75	1	911/911S CARRERA 2.7
-	901 609 309 00	screened connector ignition lead		6	
-	111 905 449 A	cap		6	
-	999 659 034 40	water protection cap		6	
-	122 035 281	suppression connector		7	
-	901 612 107 00	ground strap bonnet		2	
-	911 619 001 00	suppression set		1	
-	999 619 126 01	condenser for windscreen wiper motor		3	
-	999 507 001 02	speed nut B 4,2		1	
-	900 143 007 02	tapping screw B 4,2 X 13		1	
-	900 114 014 01	shake-proof washer A 4,3		1	
>>	>>911 619 901 01	suppression set for cars with MOTOROLA, MARCHAL, SEV generator and regulator comprising:	-75	1	911/911S CARRERA 2.7
-	901 609 309 00	screened connector ignition lead		6	
-	111 905 449 A	cap		6	
-	999 659 034 40	water protection cap		6	
-	122 035 281	suppression connector		7	
>>	>>911 619 901 02	suppression set for radio comprising:	76-	1	
-	911 619 001 00	suppression set regulator		1	

PORSCHE

PET

PORSCHE

Model	Year	MG	SG	Illustration	Restrictions	UPD	21:42	22.01.2010
911	1977	9	98	998-00R		248		

Pos	Part Number	Description	Remark	Qty	Model
-	999 619 126 01	condenser wiper motor		1	
-	901 612 107 00	ground strap bonnet		2	
-	999 619 126 01	condenser windscreen wiper motor		3	911/911S CARRERA 2.7
-	901 612 107 00	ground strap bonnet		2	911/911S CARRERA 2.7
-	901 619 007 00	condenser regulator terminal -DF-		1	911/911S CARRERA 2.7
-	999 511 036 02	clip		1	911/911S CARRERA 2.7
-	901 619 004 00	connecting cable		1	911/911S CARRERA 2.7
-	901 619 003 00	filter regulator terminal -DF-		1	911/911S CARRERA 2.7
-	900 151 028 02	washer 4,3		2	911/911S CARRERA 2.7
-	N 015 429 2	speed nut B 4,2		1	911/911S CARRERA 2.7
-	900 025 002 02	washer 4,3		1	911/911S CARRERA 2.7
-	900 187 013 02	tapping screw BZ 4,2 X 13		1	911/911S CARRERA 2.7
-	999 507 001 02	speed nut B 4,2		1	911/911S CARRERA 2.7
-	900 143 007 02	tapping screw		1	911/911S CARRERA 2.7
-	900 114 014 01	shake-proof washer A 4,3		1	911/911S CARRERA 2.7
-	122 035 281	suppression connector	(F) (GB) -75	7	
-	901 612 107 00	ground strap bonnet antenna	(F) (GB) -75	2	
-	911 645 301 04	telescopic antenna		1	
-	911 645 033 06	antenna		1	

Model	Year	MG	SG	Illustration	Restrictions	UPD	21:42	22.01.2010
911	1977	9	98	998-00R		248		

Pos	Part Number	Description	Remark	Qty	Model
>>	>>911 645 902 00	installation set for loudspeaker dashboard upper part comprising:	-74	1	911/911S CARRERA 2.7
-	901 645 501 00	loudspeaker		1	
-	900 144 034 07	tapping screw B 4,2 X 16		4	
-	999 591 334 02	prestole cage		4	
-	999 591 108 12	washer		4	
-	901 612 101 00	wiring harness loudspeaker radio		1	
>>	>>911 645 902 01	installation set	75	1	911/911S CARRERA 2.7
-	911 645 401 00	loudspeaker		1	
-	N 013 964 4	tapping screw B 4,2 X 16		4	
-	999 591 334 02	prestole cage		4	
-	900 025 003 02	washer		1	
-	911 612 148 00	wiring harness		1	
>>	>>911 645 905 00	installation set	75-	1	911/911S CARRERA 3.0
-	911 645 403 03	door speaker 4 OHM		2	
-	911 612 148 07	wiring harness door		2	
-	999 651 152 02	cable clamp		2	
-	911 612 148 10	wiring harness door body right		1	
-	911 612 148 11	wiring harness door body left		1	
-	911 645 217 00	housing loudspeaker		2	
-	900 146 009 02	oval-head screw AM 4 X12		4	

Model	Year	MG	SG	Illustration	Restrictions	UPD	21:42	22.01.2010
911	1977	9	98	998-00R		248		

Pos	Part Number	Description	Remark	Qty	Model
-	900 025 002 02	washer 4,3		16	
-	900 027 002 02	lock ring A 4		4	
-	N 011 004 6	hexagon nut M 4		4	
-	900 143 007 02	tapping screw B 4,2 X13		8	
>>	>>911 645 906 00	installation set	75-	1	911/911S CARRERA 3.0
-	911 645 403 00	door speaker 8 OHM		2	
-	911 612 148 07	wiring harness door		2	
-	911 612 148 10	wiring harness door body right		1	
-	911 612 148 11	wiring harness door body left		1	
-	911 612 148 05	wiring harness connecting line		1	
-	911 612 148 06	wiring harness loudspeaker radio		1	
-	999 651 152 02	cable clamp		2	
-	911 645 217 00	housing loudspeaker		2	
-	900 146 009 02	oval-head screw AM 4 X 12		4	
-	900 025 002 02	washer 4,3		16	
-	900 027 002 02	lock ring A 4		4	
-	N 011 004 6	hexagon nut M 4		4	
-	900 143 007 02	tapping screw B 4,2 X 13		8	
>>	>>911 645 405 02	installation set	76-	1	911/911S CARRERA 3.0

Model	Year	MG	SG	Illustration	Restrictions	UPD	21:42	22.01.2010
911	1977	9	98	998-00R		248		

Pos	Part Number	Description	Remark	Qty	Model
-	911 645 403 01	rear loudspeaker 8 OHM		2	
-	900 025 002 02	washer 4,3		8	
-	N 011 004 6	hexagon nut M 4		8	
-	N 012 224 3	spring washer A 4		8	
-	911 612 067 01	wiring harness rear loudspeaker		1	
-	911 612 095 02	wiring harness rear loudspeaker radio		1	
>>	>>911 645 111 13	installation set for radio BAMBERG-STEREO LUEBECK CR M 2	- -76	1	
>>	>>911 645 111 14	installation set for radio KOELN-AUTOMATIC FRANKFURT L-M-K-U FRANKFURT M-U US-BAND COBURG LM 1 M 2 ELECTRONIC FRANKFURT-STEREO-US FRANKFURT-STEREO KOELN-STEREO-L-M-U BAMBERG-ELECTRONIC STEREO-L-M-U		1	

Model	Year	MG	SG	Illustration	VIN No.	Update	16:50	30.01.2008
911	77	0	01	001-00		222		

IN COLUMN - A -

IDENTIFICATION LETTER FOR PERIOD OF INSTALLATION
 THAT IS REPEATED SEVERAL TIMES IN THE CATALOG GROUP.

EXPLANATION PLEASE FIND IN TEXT COLUMN OF THE CATALOG GROUP

IN COLUMN - QU - = NO. OF PIECES

- 1 NUMBER PER APPLICATION
- X NUMBER AS NEEDED
- * AVAILABLE ONLY IN RUNNING LENGTHS 1 = 1 METRE

IN COLUMN - MODEL/SYMBOL -

-76 LIMITATION OF MODEL YEAR FOR INSTANCE: VALID UP TO
 END OF MODEL YEAR 1976

- /LL LHD
- /RL RHD
- +
- /V FRONT I
- I
- /H REAR I

Model	Year	MG	SG	Illustration	VIN No.	Update		
911	77	0	01	001-00		222	16:50	30.01.2008

I---> APPLIES TO

/L LEFT I DIRECTION OF TRAVEL

I

/R RIGHT I

-----+

SPM SPORTOMATIC

WW THE PART CAN BE USED INSTEAD OF THE
PRECEDING ONE

Model	Year	MG	SG	Illustration	VIN No.	Update		
911	77	0	01	001-00		222	16:50	30.01.2008

LEGENDS AND NOTICES

=====

IN COLUMN -S- STATUS

- N NEW ADDITION

- P PART ALREADY IN PROGRAMME, BUT NEW
AT THIS APPLICATION

- W DELETED AT THIS APPLICATION, BUT CONTINUED
TO BE CARRIED

- A STOCK TO BE USED UP

- U DELETED WITHOUT REPLACEMENT

- * PART ALSO OR ONLY AVAILABLE
IN REPAIR KIT

- > ALSO AVAILABLE IN EXCHANGE

IN COLUMN - ILL. -

- 1 IDENTIFICATION NO. IN ILLUSTRATION

- (1) PART ONLY SIMILAR AS ILLUSTRATED

- PART IS NOT ILLUSTRATED

Model	Year	MG	SG	Illustration	VIN No.	Update		
911	77	0	01	001-00		222	16:50	30.01.2008

FIG.-NUMBERS FOR WHICH THERE IS SHOWN NO TEXT ARE
NOT VALID FOR THIS EDITION OF CATALOGUE

IN COLUMN -PART NUMBER/CODE-

000 000 000 00 PART NUMBER EQUALS ORDERING NO., IF A CODE IS
SHOWN, IT WILL HAVE TO BE PART OF ORDERING
NUMBER

AC3 COLOUR CODE

IN COLUMN -TEXT

INSTALLATION WIRH ENGINE OR CHASSIS
NUMBER-RANGE

EXAMPLE:

M 637 0134 >> FROM ENGINE NO.

F >> 911730 0143 UP TO VIN

Model	Year	MG	SG	Illustration	VIN No.	Update	16:50	30.01.2008
911	77	0	01	001-00		222		

VEHICLE TYPE	TRANSM.	TECHNICAL
	TYPE MJ TRANSMISSION NO.	DATA
911/911S/CARRERA	915.16 74 4 724 0001>>	4-SPEED
911/911S/CARRERA	915.06 74 4 734 0001>>	5-SPEED
911/911S/CARRERA SPM	925.02 74 4 764 0001>>	4-SPEED
911	915.48 75 5 745 0001>>	4-SPEED
911	915.43 75 5 725 0001>>	5-SPEED
911S	915.45 75 5 735 0001>>	4-SPEED
911S	915.40 75 5 715 0001>>	5-SPEED
911/911S SPM	925.02 75 5 765 2001>>	4-SPEED
911 CARRERA 2.7	915.16 75 5 785 5001>>	4-SPEED
911 CARRERA 2.7	915.06 75 5 785 0001>>	5-SPEED
911 CARRERA (USA) (CDN) (CAL)	915.45 75 5 735 0001>>	4-SPEED
911 CARRERA (USA) (CDN) (CAL)	915.40 75 5 715 0001>>	5-SPEED
911S/CARRERA SPM (USA) (CDN) (CAL)	925.10 75 5 765 0001>>	3-SPEED
911	915.45 76 6 726 1001>>	4-SPEED (MECAN. SPEEDOMETER)
911	915.40 76 6 716 7001>>	5-SPEED (MECAN. SPEEDOMETER)
911 CARRERA 2.7/911 (J)	915.43 76 6 716 9501>>	5-SPEED
911/CARRERA 3.0/911S (J)	915.49 76 6 726 0001>>	4-SPEED (ELECTR. SPEEDOMETER)
911/CARRERA 3.0/911S	915.44 76 6 716 0001>>	5-SPEED (ELECTR. SPEEDOMETER)
911 SPM	925.09 76 6 766 2001>>	3-SPEED (MECAN.

Model	Year	MG	SG	Illustration	VIN No.	Update		
911	77	0	01	001-00		222	16:50	30.01.2008

911/911S SPM	925.12	76	6	766	0001>>	SPEEDOMETER) 3-SPEED (ELECTR. SPEEDOMETER)
911 CARRERA 3.0 SPM	925.13	76	6	766	1001>>	3-SPEED
912 E	923.05	76	6	506	0001>>	5-SPEED
911/911S	915.65	77	7	727	0001>>	4-SPEED (WITHOUT CLUTCH SPRING)
911/911S	915.60	77	7	707	0001>>	5-SPEED (WITHOUT CLUTCH SPRING)
911/911S/CARRERA 3.0	915.66	77	7	727	1001>>	4-SPEED (WITH CLUTCH SPRING)
911/911S/CARRERA 3.0	915.61	77	7	717	0001>>	5-SPEED (WITH CLUTCH SPRING)
911 SPM	925.15	77	7	767	0001>>	3-SPEED
911 CARRERA 3.0 SPM	925.16	77	7	767	1001>>	3-SPEED
911S SPM (USA) (CDN) (J)	925.17	77	7	767	0501>>	3-SPEED

Model	Year	MG	SG	Illustration	VIN No.	Update	16:50	30.01.2008
911	77	0	01	001-00		222		

EXPLANATION OF THE TRANSMISSION-NUMBERS USED IN THE CATALOGUE

=====

```

DIGIT:                1 2 3   4 5 6 7

EXAMPLE:              7 2 7   0 3 5 5
                    = = =   =====
                    ! ! !       !

TRANSMISSION TYPE-----+ ! !       !
                        ! !       !

TRANSMISSION VERSION-----+ !       !
                        !         !

MODEL YEAR-----+         !
                        !         !

SERIAL NUMBER-----+
    
```


Model	Year	MG	SG	Illustration	VIN No.	Update	16:50	30.01.2008
911	77	0	01	001-00		222		

VEHICLE TYPE		ENGINE			TECHNICAL DATA
		TYPE	MJ	ENGINE-NO.	
911		911.92	74 4	614 0001>>	6CYL/2,7L/110KW
911	SPM	911.97	74 4	614 9001>>	6CYL/2,7L/110KW
911S		911.93	74 4	634 0001>>	6CYL/2,7L/129KW
911S	SPM	911.98	74 4	634 9001>>	6CYL/2,7L/129KW
911	CARRERA 2.7	911.83	74 4	664 0001>>	6CYL/2,7L/154KW
911	CARRERA (USA) (CDN)	911.93	74 4	634 0001>>	6CYL/2,7L/129KW
911	CARRERA SPM (USA) (CDN)	911.98	74 4	634 9001>>	6CYL/2,7L/129KW
911		911.41	75 5	615 0001>>	6CYL/2,7L/110KW
911	SPM	911.46	75 5	615 9001>>	6CYL/2,7L/110KW
911S		911.42	75 5	635 0001>>	6CYL/2,7L/129KW
911S	SPM	911.47	75 5	635 9001>>	6CYL/2,7L/129KW
911	CARRERA 2.7	911.83	75 5	665 0001>>	6CYL/2,7L/154KW
911S	CARRERA (USA) (CDN)	911.43	75 5	645 0001>>	6CYL/2,7L/121KW
911S	CARRERA SPM (USA) (CDN)	911.48	75 5	645 9001>>	6CYL/2,7L/121KW
911S	CARRERA (CAL)	911.44	75 5	655 0001>>	6CYL/2,7L/118KW
911S	CARRERA SPM (CAL)	911.49	75 5	655 9001>>	6ZYL/2,7L/118KW
911		911.81	76 6	636 0001>>	6ZYL/2,7L/121KW
911	SPM	911.86	76 6	636 9001>>	6ZYL/2,7L/121KW
911	CARRERA 2.7	911.83	76 6	666 8001>>	6ZYL/2,7L/154KW
911	CARRERA3.0	930.02	76 6	666 0001>>	6ZYL/3,0L/147KW
911	CARRERA 3.0 SPM	930.12	76 6	666 9001>>	6ZYL/3,0L/147KW
912E		923.02	76 6	406 0001>>	4ZYL/2,0L/ 66KW
911S	(USA) (CDN)	911.82	76 6	646 0001>>	6ZYL/2,7L/121KW
911S	SPM (USA) (CDN)	911.89	76 6	656 9001>>	6ZYL/2,7L/121KW
911S	(CAL)	911.84	76 6	656 0001>>	6ZYL/2,7L/121KW
911	(J)	911.41	76 6	616 0001>>	6ZYL/2,7L/110KW
911S	(J)	911.81	76 6	636 0001>>	6ZYL/2,7L/121KW
911S	SPM (J)	911.86	76 6	636 9001>>	6ZYL/2,7L/121KW

Model	Year	MG	SG	Illustration	VIN No.	Update		
911	77	0	01	001-00		222	16:50	30.01.2008

911				911.81	77 7 637 0001>>	6ZYL/2,7L/121KW
911	SPM			911.86	77 7 637 9001>>	6ZYL/2,7L/121KW
911	CARRERA 3.0			930.02	77 7 667 0001>>	6ZYL/3,0L/147KW
911	CARRERA 3.0 SPM			930.12	77 7 667 9001>>	6ZYL/3,0L/147KW
911S	(USA) (CDN)			911.85	77 7 627 0001>>	6ZYL/2,7L/21KW
911S	SPM (USA) (CDN)			911.90	77 7 627 9001>>	6ZYL/2,7L/21KW
911S	(J)			911.94	77 7 617 0001>>	6ZYL/2,7L/21KW
911S	SPM (J)			911.99	77 7 617 9001>>	6ZYL/2,7L/21KW

Model	Year	MG	SG	Illustration	VIN No.	Update	16:49	30.01.2008
911	77	0	01	001-00		222		

VEHICLE TYPE	MY	VEHICLE IDENT.NR.	ENGINE TYPE
911 COUPE	74 4	91141 00001>>	911.92/911.97 SPM
911 TARGA	74 4	91141 10001>>	911.92/911.97 SPM
911S COUPE	74 4	91143 00001>>	911.93/911.98 SPM
911S TARGA	74 4	91143 10001>>	911.93/911.98 SPM
911 CARRERA COUPE	74 4	91146 00001>>	911.83
911 CARRERA TARGA	74 4	91146 10001>>	911.83
911 CARRERA COUPE (USA) (CDN)	74 4	91144 00001>>	911.93/911.98 SPM
911 CARRERA TARGA (USA) (CDN)	74 4	91144 10001>>	911.93/911.98 SPM
911 COUPE	75 5	91151 00001>>	911.41/911.46 SPM
911 TARGA	75 5	91151 10001>>	911.41/911.46 SPM
911S COUPE	75 5	91153 00001>>	911.42/911.47 SPM
911S TARGA	75 5	91153 10001>>	911.42/911.47 SPM
911 CARRERA COUPE	75 5	91156 00001>>	911.83
911 CARRERA TARGA	75 5	91156 10001>>	911.83
911S COUPE (USA) (CDN)	75 5	91152 00001>>	911.43/911.48 SPM
911S TARGA (USA) (CDN)	75 5	91152 10001>>	911.43/911.48 SPM
911 CARRERA COUPE (USA) (CDN)	75 5	91154 00001>>	911.43/911.48 SPM
911 CARRERA TARGA (USA) (CDN)	75 5	91154 10001>>	911.43/911.48 SPM
911S COUPE (CAL)	75 5	91152 00001>>	911.44/911.49 SPM
911S TARGA (CAL)	75 5	91152 10001>>	911.44/911.49 SPM
911 CARRERA COUPE (CAL)	75 5	91154 00001>>	911.44/911.49 SPM
911 CARRERA TARGA (CAL)	75 5	91154 10001>>	911.41/911.49 SPM
911 COUPE	76 6	91163 00001>>	911.81/911.86 SPM
911 TARGA	76 6	91163 10001>>	911.81/911.86 SPM
911 CARRERA COUPE	76 6	91166 09001>>	911.83
911 CARRERA TARGA	76 6	91166 19001>>	911.83
911 CARRERA COUPE	76 6	91166 00001>>	930.02/930.12 SPM
911 CARRERA TARGA	76 6	91166 10001>>	930.02/930.12 SPM

Model	Year	MG	SG	Illustration	VIN No.	Update		
911	77	0	01	001-00		222	16:49	30.01.2008

912E COUPE (USA) (CDN)	76 6 91260 00001>>	923.02
911S COUPE (USA) (CDN)	76 6 91162 00001>>	911.82/911.89 SPM
911S TARGA (USA) (CDN)	76 6 91162 10001>>	911.82/911.89 SPM
911S COUPE (CAL)	76 6 91162 00001>>	911.84
911S TARGA (CAL)	76 6 91162 10001>>	911.84
911 COUPE (J)	76 6 91161 00001>>	911.41
911 TARGA (J)	76 6 91161 10001>>	911.41
911S COUPE (J)	76 6 91163 00001>>	911.81/911.86 SPM
911S TARGA (J)	76 6 91163 10001>>	911.81/911.86 SPM
911 COUPE	77 7 91173 00001>>	911.81/911.86 SPM
911 TARGA	77 7 91173 10001>>	911.81/911.86 SPM
911 CARRERA COUPE	77 7 91176 00001>>	930.02/930.12 SPM
911 CARRERA TARGA	77 7 91176 10001>>	930.02/930.12 SPM
911S COUPE (USA) (CDN)	77 7 91172 00001>>	911.85/911.90 SPM
911S TARGA (USA) (CDN)	77 7 91172 10001>>	911.85/911.90 SPM
911S COUPE (J)	77 7 91173 00001>>	911.94/911.99 SPM
911S TARGA (J)	77 7 91173 10001>>	911.94/911.99 SPM

Model	Year	MG	SG	Illustration	VIN No.	Update		
911	77	0	01	001-00		222	16:48	30.01.2008

THIS PARTS CATALOGUE CONTAINS ALL ORDER INFORMATION OF
TYPES 911 FROM MODEL YEAR 1974 - 1977
912E FROM MODEL YEAR 1976 ONLY USA

IT IS AVAILABLE IN TWO EDITIONS IN THE FOLLOWING LANGUAGES:

EDITION

USA, CANADA - *

EDITION

ALL OTHER COUNTRIES - GERMAN

* - ENGLISH

- FRENCH

- ITALIAN

- SPANISH

UPDATING IS BEING PERFORMED BY CHANGING OF UPDATE.

THE EDITION CAN BE RECOGNIZED BY THE CURRENT NO.

IN THE BOTTOM LINE OF SUBJECT UPDATE.

THE PREVIOUS UPDATE SHOULD NO LONGER BE USED.

ALL ILLUSTRATIONS ARE SUBJECT TO CHANGE WITHOUT OBLIGATION.

WE RESERVE THE RIGHT TO SUPPLY A SUBSEQUENTLY

Model	Year	MG	SG	Illustration	VIN No.	Update		
911	77	0	01	001-00		222	16:48	30.01.2008

PRODUCED COMPONENT, ON WHICH ADDITIONAL WORK
IS NECESSARY, INSTEAD OF THE COMPONENT LISTED IN
THE CATALOGUE