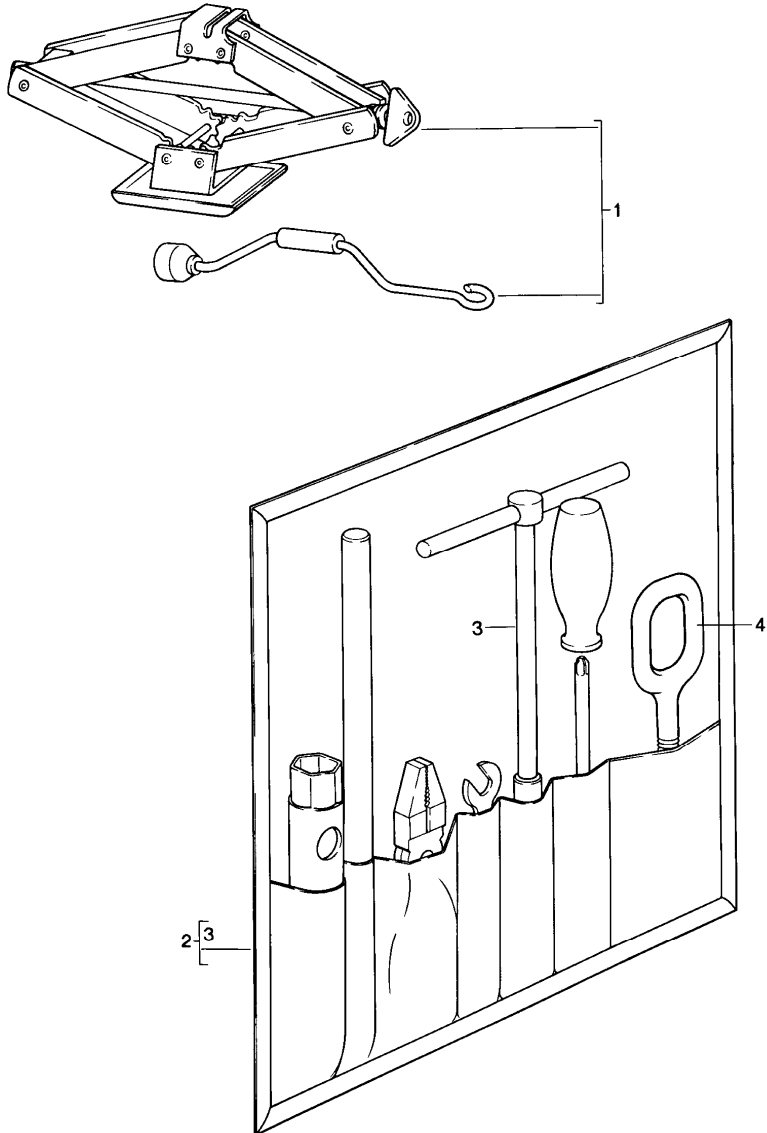


Model	Year	MG	SG	Illustration	Restrictions	UPD	12:06	23.01.2010	PORSCHE	PET	PORSCHE
924S	1988	0	01	001-00		248					



Pos	Part Number	Description	Remark	Qty	Model
		accessories			
1	477 011 033	scissors type jack		1	
2	944 721 027 05	tool bag with contents comprising: tool bag angular screw driver		1 1	
3	477 012 233	spark plug wrench rim wrench operating rod for rim wrench double-end spanner 10 X 13 handle insert for cross-recess screw and slotted screw universal pliers		1 1 1 1 1 1	
-	928 361 311 00	hook for cover wheel nut use also:		1	
4	996 721 151 00	towing lug		1	
(4)	928 722 101 05	towing lug		1	M058
-	944 721 101 00	key for emergency operation lifting roof		1	
-	900 029 010 40	plastic nut for emergency operation lifting roof		2	

PORSCHE

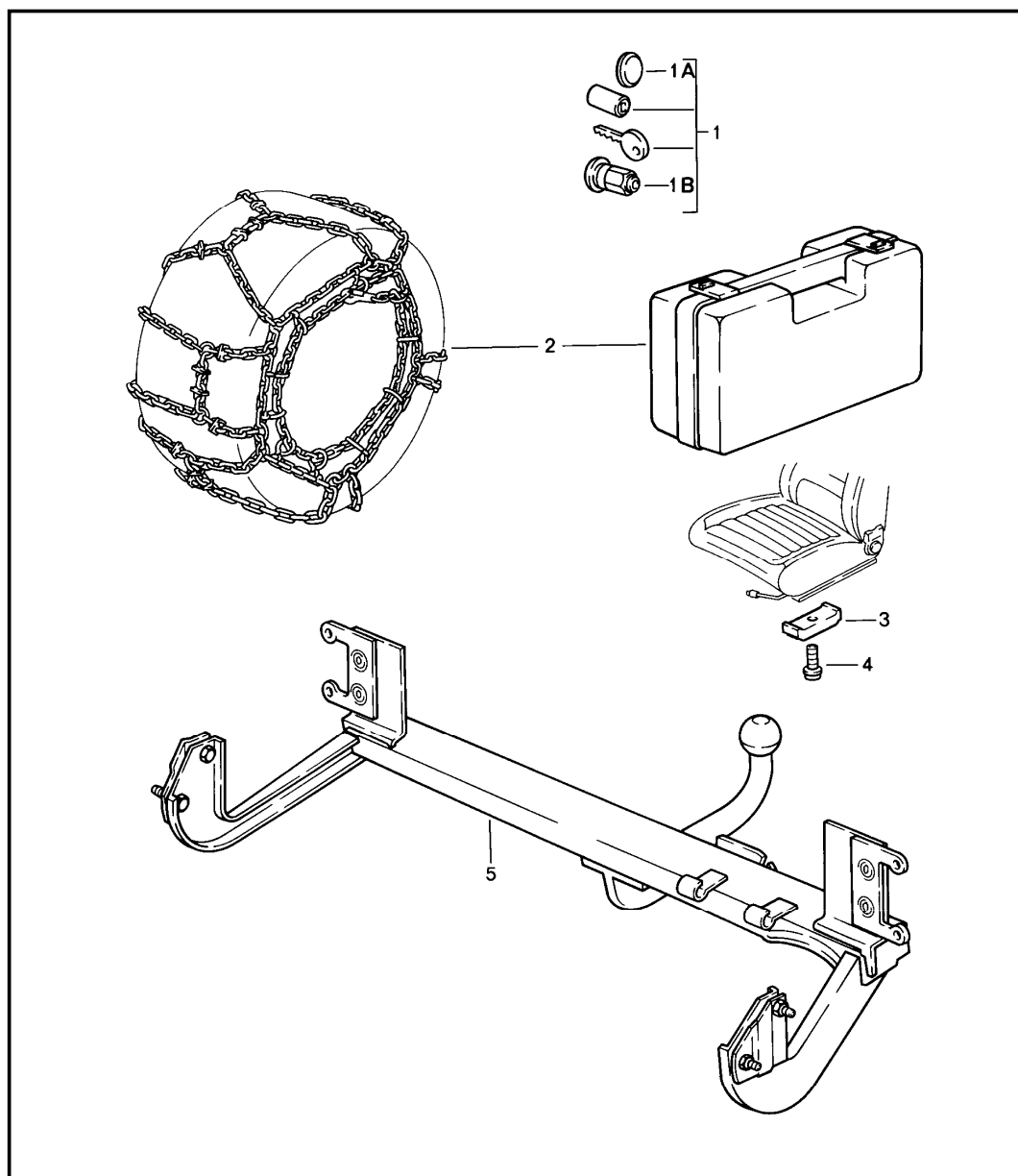
PET

PORSCHE

Model	Year	MG	SG	Illustration	Restrictions	UPD	12:06	23.01.2010
924S	1988	0	01	001-05		248		

Pos	Part Number	Description	Remark	Qty	Model
-	477 000 257 G	stickers sticker tyre pressure 185/70 - HR 14		1	
-	477 000 257 L	sticker tyre pressure 195/65 - VR 15	(AUS)	1	
-	477 000 260	sticker tyre pressure 205/55 - VR 16	(AUS)	1	
-	937 701 127 00	sticker tyre pressure		1	
-	944 006 113 03	sticker engine specifications	(S)	1	

Model	Year	MG	SG	Illustration	Restrictions	UPD	12:07	23.01.2010	PORSCHE	PET	PORSCHE
924S	1988	0	02	002-00		248					

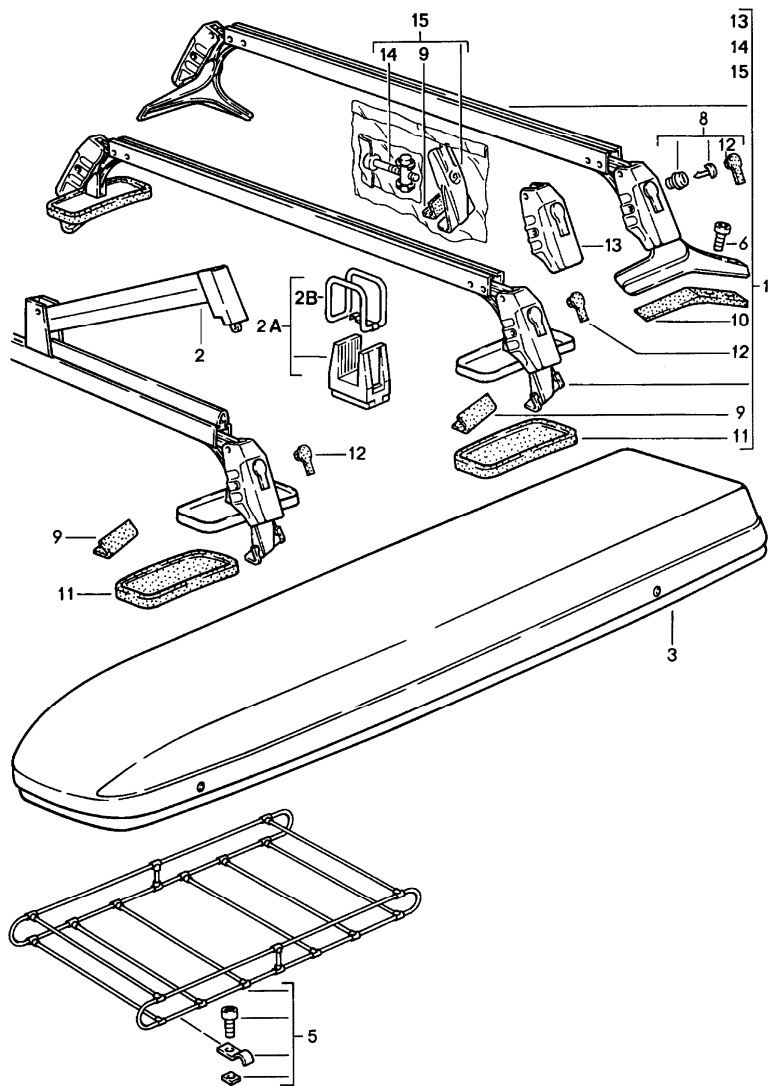


Pos	Part Number	Description	Remark	Qty	Model
		accessories			
1	928 361 047 03	wheel nut lockable 1 set		1	
1A	965 361 167 00	cap		1	
1B	928 361 306 03	wheel nut lockable without lock		4	
2	911 361 909 00	snw chains snw chains 1 set for tyre 195/65 R 15		1	
3	911 521 493 00	vertical seat adjustment spacer 13 MM		X	
4	900 067 089 02	pan-head screw M 6 X 25 for 13 MM elevation		X	
(4)	N 014 749 2	pan-head screw M 6 X 40 for 26 MM elevation		X	
-	477 821 161 A	mud flap	/L	1	
-	477 821 162 A	mud flap	/R	1	
-	N 010 264 4	hexagon-head bolt M 5 X 20		6	
-	N 011 692 3	washer		6	
-	N 012 005 3	lock ring B 5		6	
-	N 011 005 14	hexagon nut M 5		6	
5	477 800 805 D	trailer coupling trailer coupling installation set complete		1	

Model	Year	MG	SG	Illustration	Restrictions	UPD	12:07	23.01.2010	PORSCHE	PET	PORSCHE
924S	1988	0	02	002-00		248					

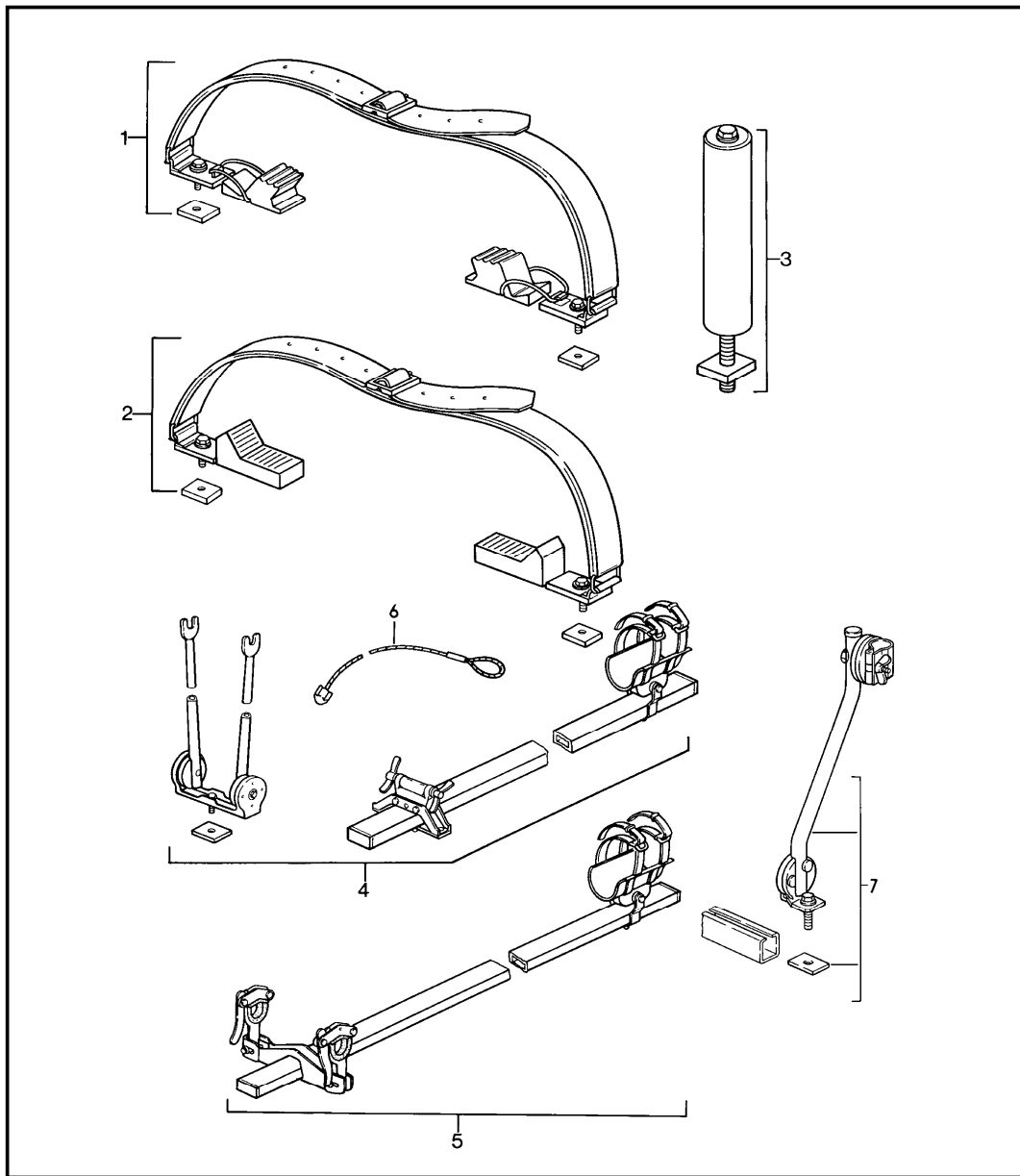
Pos	Part Number	Description	Remark	Qty	Model	Pos	Part Number	Description	Remark	Qty	Model
(5)	477 800 805 E	trailer coupling installation set complete		1	M058						
-	928 006 901 00	sticker drawbar load		1							
-	111 919 209 A	indicator light		1							
-	900 631 132 90	bulb 12 V, 1,2 W		1							
-	431 953 231	relay		1							

Model	Year	MG	SG	Illustration	Restrictions	UPD	12:07	23.01.2010	PORSCHE	PET	PORSCHE
924S	1988	0	02	002-06		248					



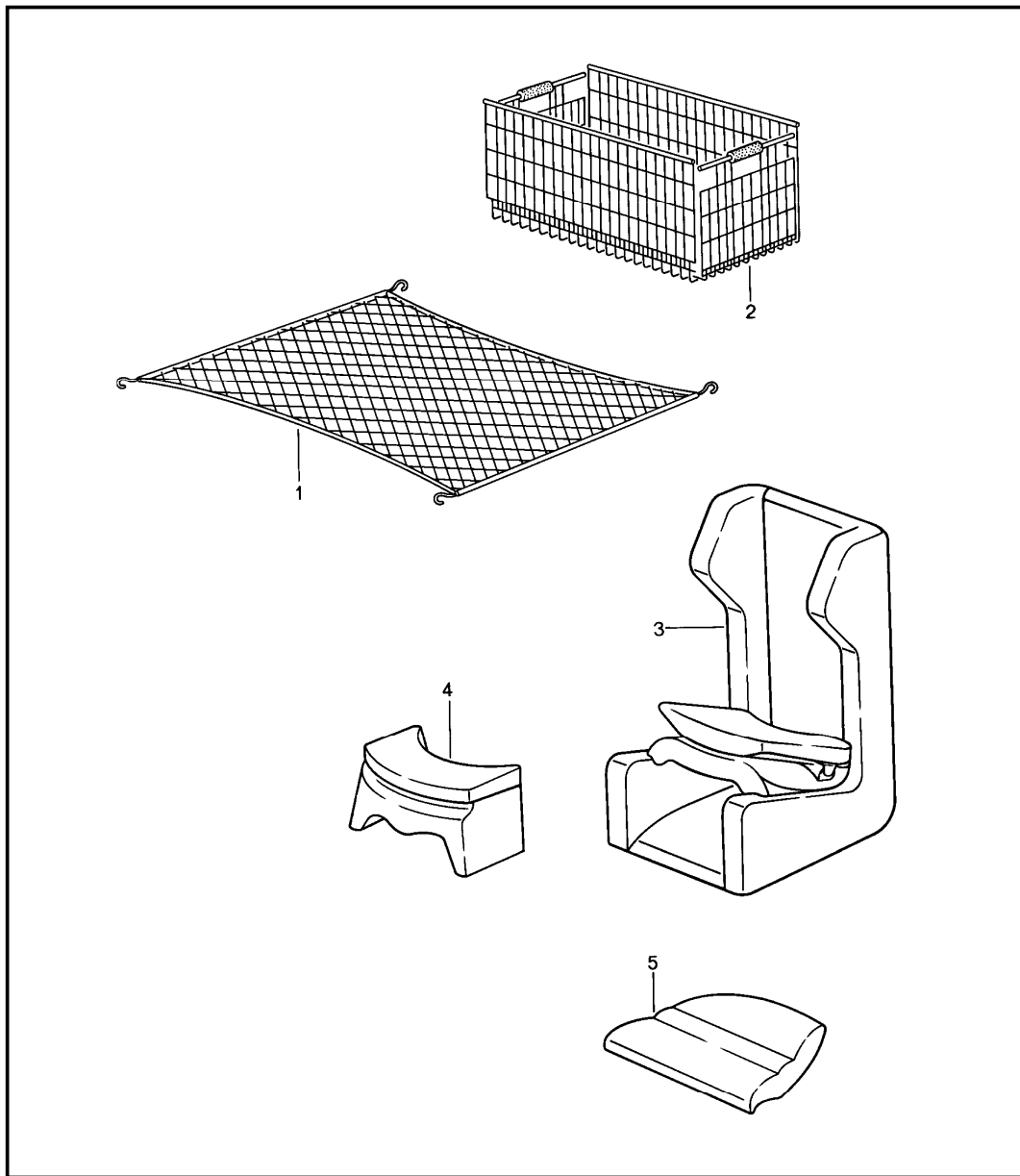
Pos	Part Number	Description	Remark	Qty	Model
		roof transport system			
1	944 801 005 00	main support		1	
2	928 801 061 02	retaining strip 1 set		1	
2A	928 801 903 02	rubber support for skis		X	
2B	928 801 193 02	retaining strap		X	
3	928 801 063 02	ski box	/L	1	
(3)	928 801 064 02	ski box	/R	1	
5	928 801 081 02	roof luggage rack set		1	
6	999 119 012 07	pan-head screw		4	
8	928 801 011 02	cylinder lock with keys only for replacement state lock number		1	
9	477 091 145	protection cap		2	
10	477 091 151 A	protective rubber	/L	1	
(10)	477 091 152 A	protective rubber	/R	1	
11	928 801 267 02	rubber plate front		2	
12	928 801 111 02	protection cap		4	
13	928 801 107 02	lid		2	
14	944 801 901 01	parts kit comprising: bolt screw lock		X 1 1 2	
15	944 801 901 00	parts kit comprising: tension shackle desk pad screw washer key		X 2 2 2 2 1	

Model	Year	MG	SG	Illustration	Restrictions	UPD	12:07	23.01.2010	PORSCHE	PET	PORSCHE
924S	1988	0	02	002-07		248					



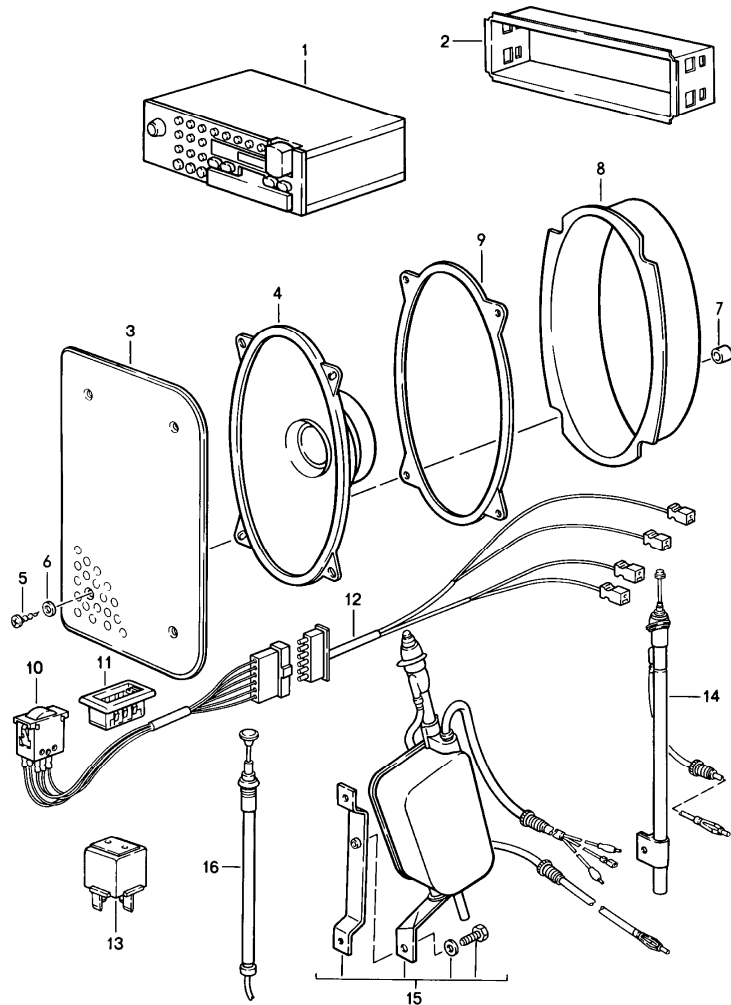
Pos	Part Number	Description	Remark	Qty	Model
		roof transport system			M 388
1	928 801 019 02	set of surf board supports		1	
2	928 801 017 02	set - canoe carrier		1	
3	928 801 085 02	ladder support mandrel		X	
4	928 801 093 02	set - bike carrier racing bike		1	
5	928 801 095 02	set - bike carrier standard bike		1	
6	928 801 079 02	safety rope		1	
7	928 801 097 02	support for bicycle		1	

Model	Year	MG	SG	Illustration	Restrictions	UPD	12:07	23.01.2010	PORSCHE	PET	PORSCHE
924S	1988	0	02	002-10		248					



Pos	Part Number	Description	Remark	Qty	Model
		accessories			
1	477 863 539	luggage net		1	
2	000 043 002 00	car basket foldable		1	
3	944 522 051 01	child car seat up to 4 years		1	
4	928 522 050 00	child car seat older than 4 years only together with child car seat cushion		1	
5	944 522 159 00	child car seat cushion	/L	1	
	4CR	black for back seat			
6	944 522 160 00	child car seat cushion	/R	1	
	4CR	black for back seat			

Model	Year	MG	SG	Illustration	Restrictions	UPD	12:07	23.01.2010	PORSCHE	PET	PORSCHE
924S	1988	0	03	003-00		248					



Pos	Part Number	Description	Remark	Qty	Model
(1) >	911 645 139 00	radio accessories TORONTO SQR 45 w/o motorist radio information		1	
(1) >	911 645 157 00	radio HAMBURG SQM 24		1	
(1) >	911 645 158 00	radio BOSTON SQM 23		1	
(1) >	911 645 168 00	radio LUDWIGSBURG SQM 26		1	
(1) >	911 645 159 01	radio BREMEN SQR 46		1	
(1) >	911 645 139 02	radio TORONTO SQR 46		1	
2	911 645 173 02	retaining frame		1	
3	477 867 081	loudspeaker grille	/V	2	
	01C	black			
	4RB	brown			
4	944 645 451 00	loudspeaker	/V	2	
(4)	944 645 461 01	loudspeaker	/H	2	
5	900 145 041 07	tapping screw B 3,5 X 16	/V	8	
(5)	N 013 962 2	tapping screw B 3,9 X 16	/H	8	
6	900 151 028 02	washer	/H	8	
7	477 867 373	bush	/V	8	
(7)	477 035 375	bush	/H	8	
8	944 645 015 00	water protection	/V	2	
9	477 035 999	gasket	/H	2	
10	944 645 053 00	fader		1	
11	477 035 463 A	rosette		1	
12	944 612 145 00	wiring harness		1	
(13)	944 615 103 00	switch unit		1	

Model	Year	MG	SG	Illustration	Restrictions	UPD	12:07	23.01.2010	PORSCHE	PET	PORSCHE
924S	1988	0	03	003-00		248					

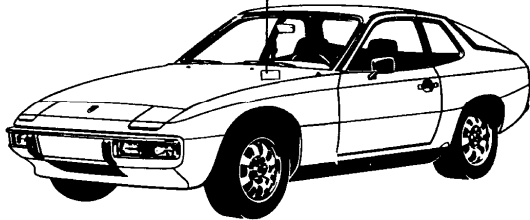
Pos	Part Number	Description	Remark	Qty	Model	Pos	Part Number	Description	Remark	Qty	Model
14	944 645 101 00	antenna manually		1							
15	> 944 645 911 00	automatic antenna		1							
16	944 645 913 00	antenna rod for automatic antenna		1							

Model	Year	MG	SG	Illustration	Restrictions	UPD	12:08	23.01.2010	PORSCHE	PET	PORSCHE
924S	1988	0	04	004-00		248					

FARBNUMMER
COLOUR NUMBER
NUMERO DE COULEUR
NUMERO COLORE
NUMERO DE COLOR

80K19 2
GUARDS RED
INDISCHROT
G1

FARB BENENNUNG
COLOUR
COULEUR
COLORE
COLOR



Pos	Part Number	Description	Remark	Qty	Model
		lacquers basic materials			
-	911 096 050 00	polyester filler 1 KG GLASSIT-NON-FERRO 839-10		X	
-	911 096 051 00	hardener 30 GR GLASSIT 948-36 red		X	
-	911 096 052 00	primer filler 1 LTR GLASSOFIX 238-150		X	
-	911 096 053 00	hardener 500 ML GLASSOFIX 352-228		X	
-	911 096 054 00	primer filler 1 LTR GLASSODUR 285-100 white		X	
-	911 096 055 00	hardener 500 ML GLASSODUR 929-28/1		X	
-	911 096 056 00	wash primer 2 LTR GLASSOFIX 2K 934-200		X	
-	911 096 057 00	hardener 1 LTR GLASSOFIX 934-100		X	
-	911 096 058 00	polyurethane plastic putty 1 KG GLASSODUR 995-20		X	
-	911 096 059 00	hardener 1 KG GLASSODUR 929-13		X	
-	911 096 060 00	thinner 1 LTR GLASSODUR 352-91		X	
-	911 096 061 00	hardener 500 ML GLASSODUR 929-73		X	
-	911 096 062 00	additional lacquer 1 LTR GLASSODUR 521-111		X	

Model	Year	MG	SG	Illustration	Restrictions	UPD	12:08	23.01.2010	PORSCHE	PET	PORSCHE
924S	1988	0	04	004-00		248					

Pos	Part Number	Description	Remark	Qty	Model	Pos	Part Number	Description	Remark	Qty	Model
-	911 096 063 00	underbody protection 1 KG GLASSOHYD 1109-		X				final acrylic lacquer 1 L			
-	000 043 001 00	tin SN 90% CA 200 G synthetic resin prime coat metallic 1L		X		-	ALN 769 90E	alpine white		X	L 90E
						-	ALN 769 Y5D	azure blue		X	L Y5D
						-	ALN 769 M3A	guards red		X	L M3A
						-	ALN 769 Y5B	copenhagen blue		X	L Y5B
-	ALD 645 M5U	diamond-blue metallic		X	L M5U	-	ALN 769 M1A	summer yellow		X	L M1A
-	ALD 645 Y4Z	FLAMINGO-METALLIC		X	L Y4Z	-	ALN 769 Y3E	MALVENROT		X	L Y3E
-	ALD 645 B7V	graphite metallic		X	L B7V	-	911 095 902 60	paint		X	L M1N
-	ALD 645 A1Y	KALAHARI-METALLIC		X	L A1Y		536	pastel beige			
-	ALD 645 B8Z	MAHAGONIBRAUN-METALLIC		X	L B8Z		700	black			L 041
-	ALD 645 Y1Y	MANDELBEIGE-METALLIC		X	L Y1Y			paint touch-up applicator			
-	ALD 645 Y3V	MARASCHINOROT-METALLIC		X	L Y3V	-	L 090 E01	alpine white		X	L 90E
-	ALD 645 Y6Y	NILGRUEN-METALLIC		X	L Y6Y	-	L 0M3 A01	paint		X	L M3A
-	ALD 645 M8V	nougat brown metallic		X	L M8V	-	L 0Y5 D01	azure blue		X	L Y5D
-	ALD 645 Y5Z	NAUTIC-METALLIC		X	L Y5Z	-	L 0Y3 E01	MALVENROT		X	L Y3E
-	ALD 645 Y9Y	satin black metallic		X	L Y9Y	-	L 0M1 A01	summer yellow		X	L M1A
-	ALD 645 Y5V	SAPHIR-METALLIC		X	L Y5V	-	L 0Y5 B01	copenhagen blue		X	L Y5B
-	ALD 645 Y7U	stone grey metallic		X	L Y7U	-	911 095 932 20	paint touch-up applicator		X	L M1N
-	ALD 645 Y7Y	zermatt silver metallic		X	L Y7Y		536	pastel beige			
-	ALD 645 M6Z	turquoise metallic		X	L M6Z		700	black			L 041
-	ALD 645 M1Z	OCKERGELB-METALLIC		X	L M1Z			paint touch-up applicator set comprising: paint touch-up applicator top-coat paint paint touch-up applicator clear lacquer			
-	911 095 903 80	synthetic resin prime coat metallic		X							
	822	garnet red metallic			L M3Y						
	33N	crystal green metallic			L M6Y	-	L 0M5 U02	diamond-blue metallic		X	L M5U
	947	pearlescent effect			L OA9	-	L 0Y4 Z02	FLAMINGO-METALLIC		X	L Y4Z
-	911 096 064 00	clear lacquer 1 LTR GLASSODUR-MS 923-85		X		-	L 0Y1 Y02	MANDELBEIGE-METALLIC		X	L Y1Y
						-	L 0Y3 V02	MARASCHINOROT-METAL		X	L Y3V

Model	Year	MG	SG	Illustration	Restrictions	UPD	12:08	23.01.2010	PORSCHE	PET	PORSCHE
924S	1988	0	04	004-00		248					

Pos	Part Number	Description	Remark	Qty	Model	Pos	Part Number	Description	Remark	Qty	Model
-	L 0Y9 Y02	satin black metallic		X	L Y9Y						
-	L 0B7 V02	graphite metallic		X	L B7V						
-	L 0A1 Y02	KALAHARI-METALLIC		X	L A1Y						
-	L 0B8 Z02	MAHAGONIBRAUN-METALLIC		X	L B8Z						
-	L 0Y5 V02	SAPHIR-METALLIC		X	L Y5V						
-	L 0Y7 U02	stone grey metallic		X	L Y7U						
-	L 0Y7 Y02	zermatt silver metallic		X	L Y7Y						
-	911 095 933 20	paint touch-up applicator		X							
	822	garnet red metallic			L M3Y						
	33N	crystal green metallic			L M6Y						

Model	Year	MG	SG	Illustration	Restrictions	UPD	12:08	23.01.2010
924S	1988	0	05	005-00		248		

Pos	Part Number	Description	Remark	Qty	Model
		securing liquid sealing compound preservative agent			
		securing liquid			
-	928 101 921 00	loctite -270- 10 CCM high strength		X	
-	000 043 012 00	loctite -221- 10 CCM low strength		X	
		sealing compound			
-	000 043 010 00	loctite -574- 50 CCM		X	
-	000 043 011 00	loctite -638- 10 CCM for balance shaft		X	
-	000 043 013 00	loctite adhesive remover -80646- spraying can		X	
-	AMV 176 000 05	adhesive sealing compound 310 CCM		1	
		loctite for pasting metal glass ceramics thermoset plastic adhesive set comprising:		X	
-	000 043 051 00	adhesive loctite -317- 50 CCM		X	
-	000 043 202 65	loctite AKTIVATOR NF 736 180 CCM		X	
-	000 043 019 01	sealing compound SILASTIK 730 RTV 90 CCM		X	

Model	Year	MG	SG	Illustration	Restrictions	UPD	12:08	23.01.2010
924S	1988	0	05	005-00		248		

Pos	Part Number	Description	Remark	Qty	Model
-	000 043 004 00	mounting paste optimoly ht 1 90-gramme tube		X	
-	000 043 020 00	optimoly mounting paste OPTIMOLY - TA 1 100-gramme tube silver		X	
-	000 043 110 01	grease OPTITEMP PU35 1 100-gramme tube		X	
-	000 043 204 21	grease for lock cylinder spraying can preservative agent		X	
-	999 571 062 00	care kit comprising: suitcase		1	
-	999 901 013 40	liquid preservative		1	
-	999 901 014 41	cleaning agent		1	
-	999 901 015 40	polisher		1	
-	999 901 016 40	tar remover		1	
-	999 901 017 40	dashboard cleaner		1	
-	999 901 018 40	paint polish		1	
-	999 901 019 41	insect remover		1	
-	999 901 020 40	spot remover		1	
-	999 901 021 40	polishing cotton		1	
-	999 901 022 40	polishing cloth		1	
-	000 044 000 02	preservative agent 250 ML		X	
-	999 901 017 41	window cleaner summer 250 ML		X	
-	999 901 033 40	window cleaner winter 1000 ML		X	
-	999 901 036 40	car shampoo refilling bottle 1000 ML		X	

PORSCHE

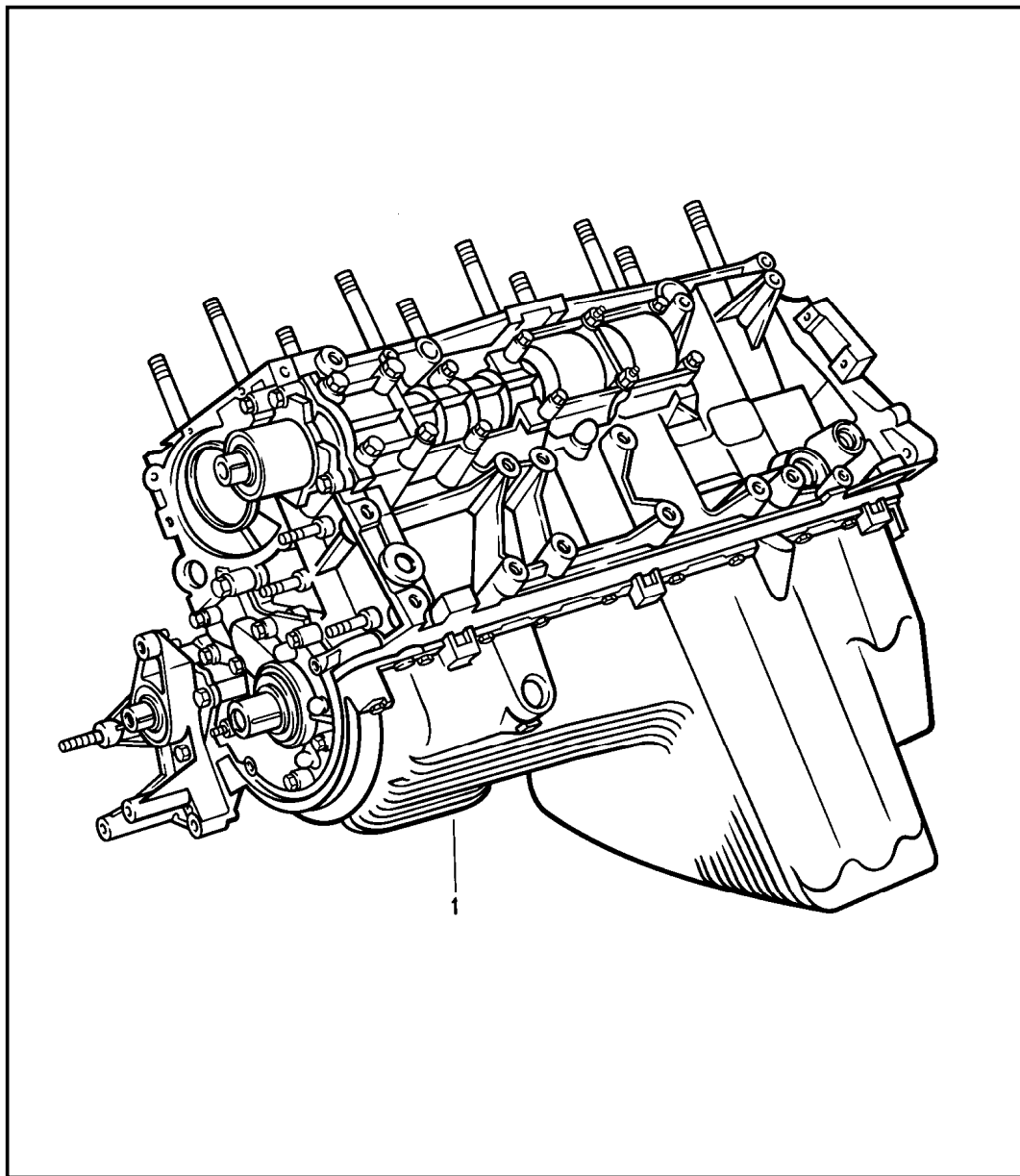
PET

PORSCHE

Model	Year	MG	SG	Illustration	Restrictions	UPD	12:08	23.01.2010
924S	1988	0	05	005-00		248		

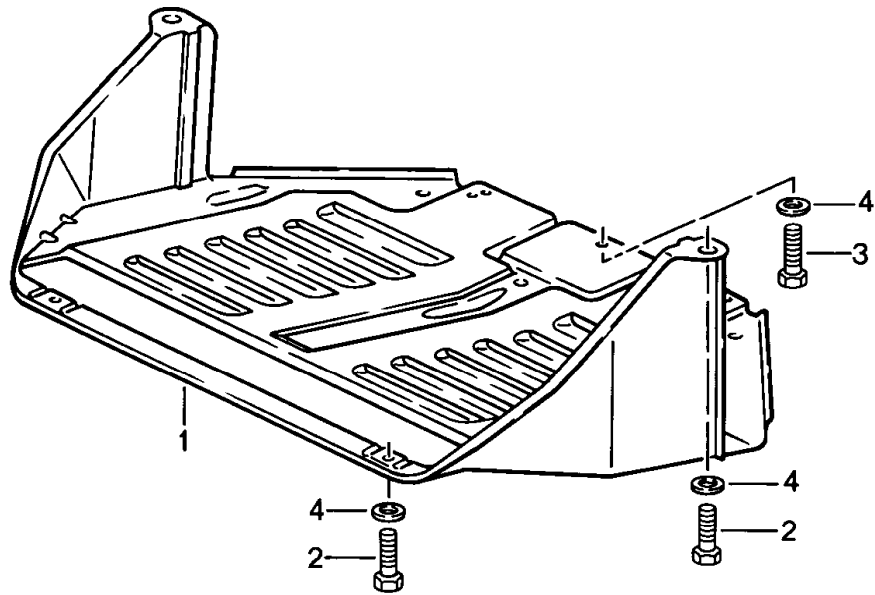
Pos	Part Number	Description	Remark	Qty	Model
-	999 917 803 00	window cleaner spray bottle 250 ML		X	
-	928 628 931 00	silicone remover 1000 ML		X	
-	999 901 030 40	rim cleaner spray bottle 500 ML		X	
-	999 901 031 40	rim cleaner refilling bottle 1000 ML		X	

Model	Year	MG	SG	Illustration	Restrictions	UPD	12:08	23.01.2010	PORSCHE	PET	PORSCHE
924S	1988	1	01	101-00		248					



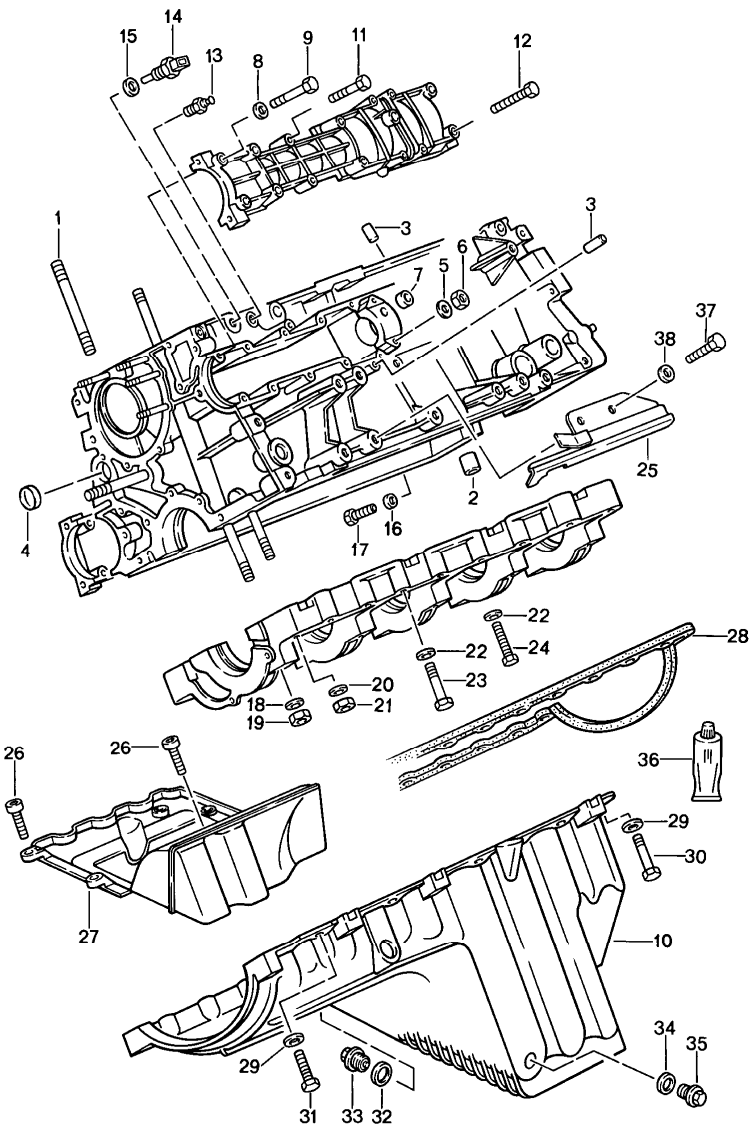
Pos	Part Number	Description	Remark	Qty	Model
1	> 944 100 902 01	short engine for MOD.86 use also: 944.107.025.01 944.101.027.05 944.107.911.01 944.102.216.01 944.102.243.00 944.107.329.00		1	M44.07/08 M44..B
1	> 944 100 902 04	short engine		1	M44.09/10 M44..E

Model	Year	MG	SG	Illustration	Restrictions	UPD	12:08	23.01.2010	PORSCHE	PET	PORSCHE
924S	1988	1	01	101-05		248					



Pos	Part Number	Description	Remark	Qty	Model
		protective plate f. engine			
1	944 341 161 03	protective plate		1	
2	N 010 215 13	hexagon-head bolt M 6 X 15		4	
3	900 075 014 02	hexagon-head bolt M 6 X 18		3	
4	900 151 003 02	washer 6,1		7	

Model	Year	MG	SG	Illustration	Restrictions	UPD	12:09	23.01.2010	PORSCHE	PET	PORSCHE
924S	1988	1	01	101-10		248					

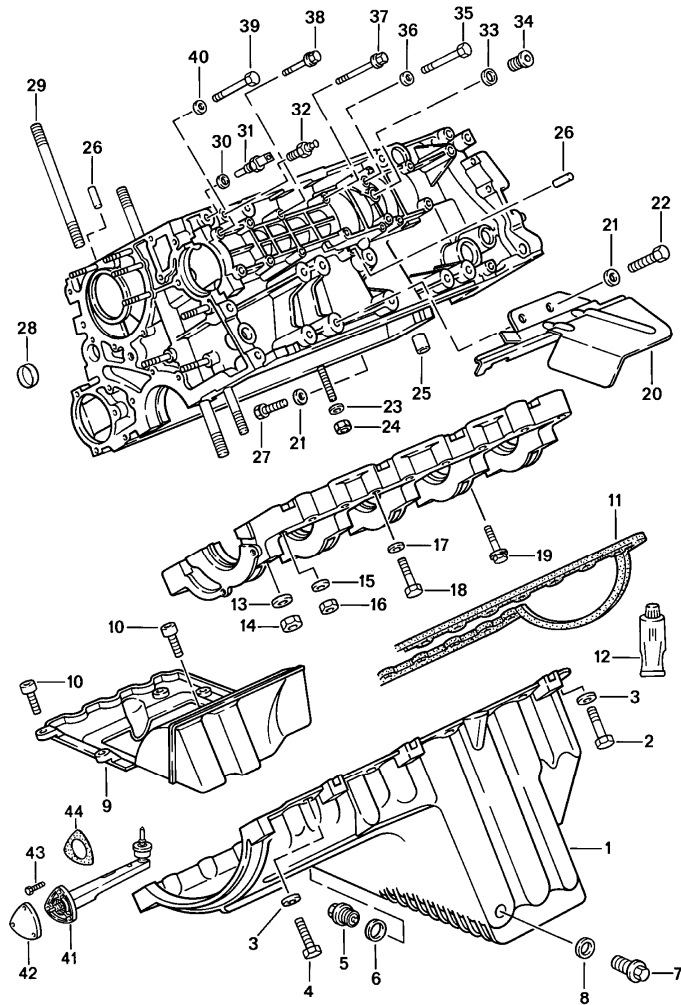


Pos	Part Number	Description	Remark	Qty	Model
		crankcase mounting parts			
1	944 101 197 00	stud		10	
2	928 101 195 03	fitting bushing		1	
3	999 012 034 00	straight pin 8 X 12		4	
4	N 011 919 1	lid		2	
5	999 025 141 02	washer 8,1 X 17 X 3		4	
6	999 076 034 02	hexagon nut M 8		4	
7	951 107 241 02	sealing ring		1	
8	900 025 007 02	washer		8	
9	900 074 139 02	hexagon-head bolt M 8 X 55		X	
9	N 010 361 4	hexagon-head bolt M 8 X 65		4	M657
10	944 101 201 11	oil pan see tpi GR.1 NR. 21		1	
11	900 075 349 02	hexagon-head bolt M 6 X 42		2	
12	900 075 344 02	hexagon-head bolt M 6 X 50		16	
13	944 606 201 00	temperature sensor		1	
14	944 606 125 00	temperature sensor		1	
15	900 123 101 30	sealing ring 12 X 18		1	
16	900 123 105 30	sealing ring 8 X 14		1	
17	900 075 087 02	hexagon-head bolt M 8 X 16		1	
18	944 104 229 00	washer		10	
19	N 011 020 8	hexagon nut M 12 X 1,5		10	
20	928 101 303 00	washer		7	

Model	Year	MG	SG	Illustration	Restrictions	UPD	12:09	23.01.2010	PORSCHE	PET	PORSCHE
924S	1988	1	01	101-10		248					

Pos	Part Number	Description	Remark	Qty	Model	Pos	Part Number	Description	Remark	Qty	Model
21	N 011 010 13	hexagon nut M 10		7							
22	900 025 007 02	washer		X							
23	900 074 040 02	hexagon-head bolt M 8 X 50		X							
24	900 075 345 02	hexagon-head bolt M 6 X 35 M 6 X 35		X							
25	944 101 033 00	heat shield		1							
26	900 119 001 02	pan-head screw M 5 X 12		7							
27	944 107 389 01	insert for oil sump		1							
28	944 101 205 02	oil sump gasket		1							
29	N 011 524 7	washer		22							
30	N 040 259 1	hexagon-head bolt M 6 X 50		4							
31	900 075 017 02	hexagon-head bolt M 6 X 25		18							
32	900 123 118 30	sealing ring		1							
33	944 107 197 01	screw plug		1							
34	900 123 049 30	sealing ring		1							
35	N 016 164 1	screw plug		1							
36	000 043 019 01	sealing compound SILASTIK 730 RTV 125 ML		X							
37	900 075 085 02	hexagon-head bolt		2							
38	900 025 007 02	washer		2							

Model	Year	MG	SG	Illustration	Restrictions	UPD	12:09	23.01.2010	PORSCHE	PET	PORSCHE
924S	1988	1	01	101-15		248					

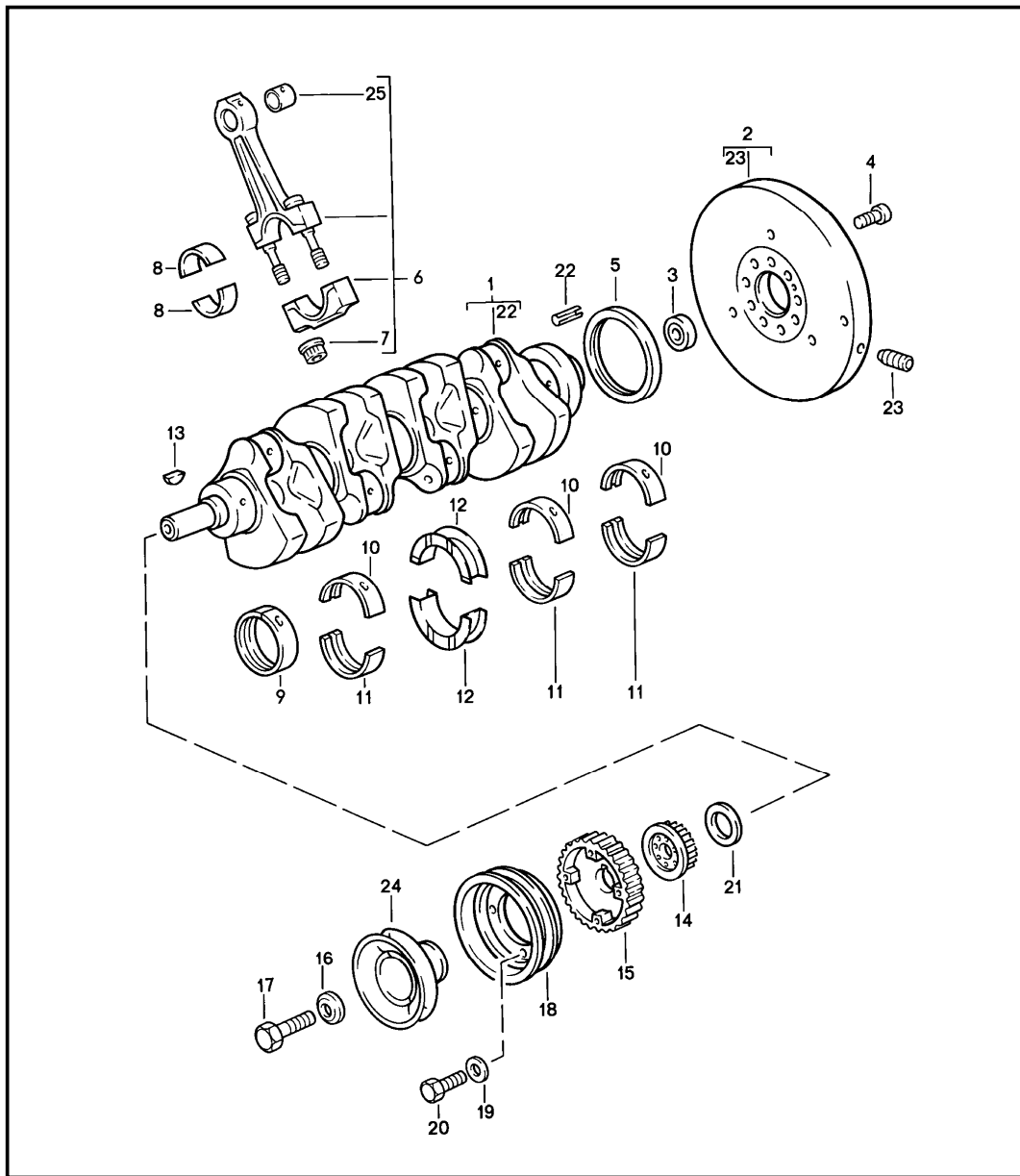


Pos	Part Number	Description	Remark	Qty	Model
		crankcase mounting parts			
1	944 101 201 11	oil pan see tpi GR.1 NR. 21 M >> 43H 05637 M >> 43H 31343		1	M44.07 M44.08
1	944 101 201 14	oil pan M 43H 05638 >> M 43H 31344 >>		1	M44.07 M44.08
2	N 040 259 1	hexagon-head bolt M 6 X 50		4	
3	N 011 524 7	washer		22	
4	900 075 017 02	hexagon-head bolt M 6 X 25		18	
5	944 107 197 01	screw plug		1	
6	900 123 118 30	sealing ring		1	
7	N 016 164 1	screw plug		1	
8	900 123 049 30	sealing ring		1	
9	944 107 389 02	insert for oil sump		1	
10	900 119 001 02	pan-head screw M 5 X 12		7	
11	944 101 205 02	oil sump gasket		1	
12	000 043 019 01	sealing compound SILASTIK 730 RTV 125 ML		X	
13	944 104 229 00	washer		10	
14	N 011 020 8	hexagon nut M 12 X 1,5		10	
15	928 101 303 00	washer		7	
16	N 011 010 13	hexagon nut M 10		7	
17	900 025 007 02	washer		7	
18	900 074 040 02	hexagon-head bolt M 8 X 50		2	
19	900 075 345 02	hexagon-head bolt M 6 X 35		5	

Model	Year	MG	SG	Illustration	Restrictions	UPD	12:09	23.01.2010	PORSCHE	PET	PORSCHE
924S	1988	1	01	101-15		248					

Pos	Part Number	Description	Remark	Qty	Model	Pos	Part Number	Description	Remark	Qty	Model
		M 6 X 35				43	999 074 035 02	hexagon-head bolt M 5 X 20		3	
20	944 101 033 00	heat shield		1							
21	900 025 007 02	washer		2		44 A	944 101 233 00	gasket		1	
22	900 075 085 02	hexagon-head bolt		2		44	944 101 233 02	gasket without asbestos		1	
23	N 011 524 7	washer		1		-	999 062 044 02	stud		3	
24	900 076 010 02	hexagon nut		1							
25	928 101 195 03	fitting bushing		1							
26	999 012 034 00	straight pin 8 X 12		4							
27	900 075 087 02	hexagon-head bolt		1							
-	900 123 105 30	sealing ring		1							
28	N 011 919 1	lid		2							
29	944 101 197 00	stud		10							
30	900 123 101 30	sealing ring		1							
31	944 606 125 00	temperature sensor		1							
32	944 606 201 00	temperature sensor		1							
33	900 123 007 30	sealing ring		1							
34	900 219 002 02	screw plug		1							
35	900 074 326 08	hexagon-head bolt M 8 X 58		4							
36	999 025 141 02	washer		4							
37	900 075 344 02	hexagon-head bolt M 6 X 50 Z1		16							
38	900 075 349 02	hexagon-head bolt M 6 X 42 Z1		4							
39	900 074 139 02	hexagon-head bolt M 8 X 55		8							
39	N 010 361 4	hexagon-head bolt M 8 X 65		4	M657						
40	900 025 007 02	washer		8							
41	944 613 150 00	sender		1							
42	944 101 329 01	lid		1							

Model	Year	MG	SG	Illustration	Restrictions	UPD	12:09	23.01.2010	PORSCHE	PET	PORSCHE
924S	1988	1	02	102-00		248					

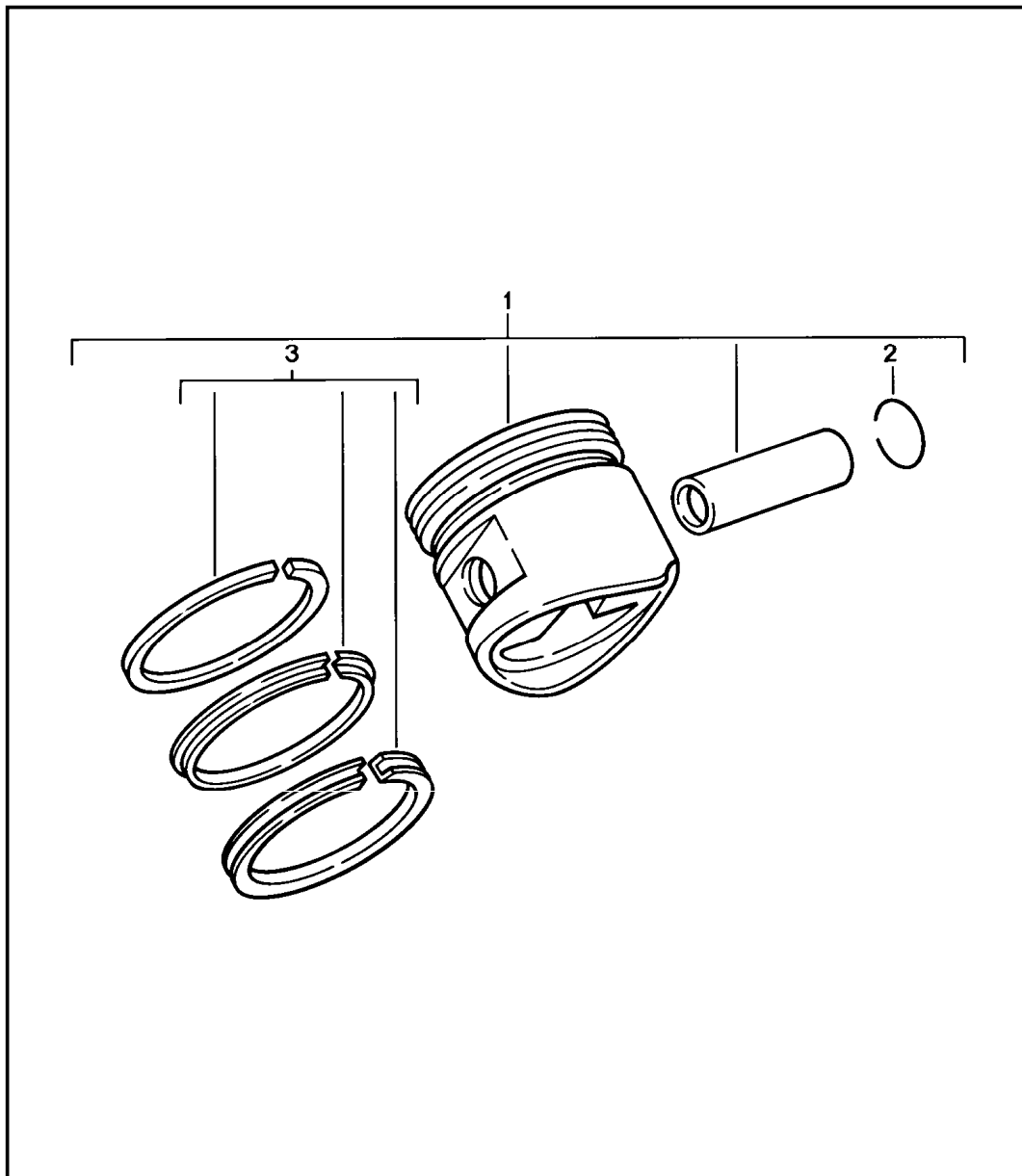


Pos	Part Number	Description	Remark	Qty	Model
1	> 944 102 015 13	crankshaft		1	
2	944 102 051 01	flywheel		1	M44.07/09
2	944 102 053 02	flywheel		1	M44.08/10
3	931 102 111 00	deep-groove ball bearing		1	
4	930 102 206 00	pan-head screw		9	
5	999 113 264 40	radial sealing ring		1	
6	944 103 008 02	connecting rod		4	
7	928 103 172 02	connecting rod nut		8	
8	928 103 143 02	conrod bearing shell		8	
8	928 103 143 52	conrod bearing shell oversize 0.25 mm		X	
8	928 103 143 57	conrod bearing shell oversize 0.50 mm		X	
9	928 101 117 08	main bearing bush i		1	
9	928 101 117 58	main bearing bush i oversize 0.25 mm		X	
9	928 101 117 68	main bearing bush i undersize 0.50 mm		X	
10	928 101 115 02	main bearing shell		3	
10	928 101 115 50	main bearing shell undersize 0.25 mm		X	
10	928 101 115 60	main bearing shell undersize 0.50 mm		X	
11	928 101 115 03	main bearing shell		3	
11	928 101 115 51	main bearing shell undersize 0.25 mm		X	
11	928 101 115 61	main bearing shell undersize 0.50 mm		X	
12	944 101 139 00	thrust bearing		2	

Model	Year	MG	SG	Illustration	Restrictions	UPD	12:09	23.01.2010	PORSCHE	PET	PORSCHE
924S	1988	1	02	102-00		248					

Pos	Part Number	Description	Remark	Qty	Model	Pos	Part Number	Description	Remark	Qty	Model
	002										
12	928 101 133 53	thrust bearing undersize 0.25 mm		X							
12	928 101 133 63	thrust bearing undersize 0.50 mm		X							
13	900 117 036 00	feather key 5 X 5 X 22		1							
14	944 105 125 02	gear wheel camshaft driving mechanism		1							
15	944 102 209 11	gear wheel balance shaft driving mechanism		1							
16	944 102 210 02	washer		1							
17	900 082 085 02	hexagon-head bolt M 16 X 1,5 X 60		1 1							
18	944 102 116 12	pulley		1							
19	N 011 524 7	washer M >> 43H 11260 M >> 43H 62893		4	M44.07 M44.08						
19	900 031 011 02	washer M 43H 11261 >> M 43H 62894 >>		1	M44.07/09 M44.08/10						
20	900 075 057 02	hexagon-head bolt M >> 43H 11260 M >> 43H 62893		4	M44.07 M44.08						
20	900 067 279 08	pan-head screw M 43H 11261 >> M 43H 62894 >>		1	M44.07/09 M44.08/10						
21	900 234 127 00	support washer		1							
22	900 095 031 00	tensioning sleeve 6 X 16		1							
23	477 105 276	threaded pin		3							
24	944 102 214 03	pulley		1	M657						
25	944 103 133 02	piston pin bush		1							

Model	Year	MG	SG	Illustration	Restrictions	UPD	12:09	23.01.2010	PORSCHE	PET	PORSCHE
924S	1988	1	02	102-05		248					

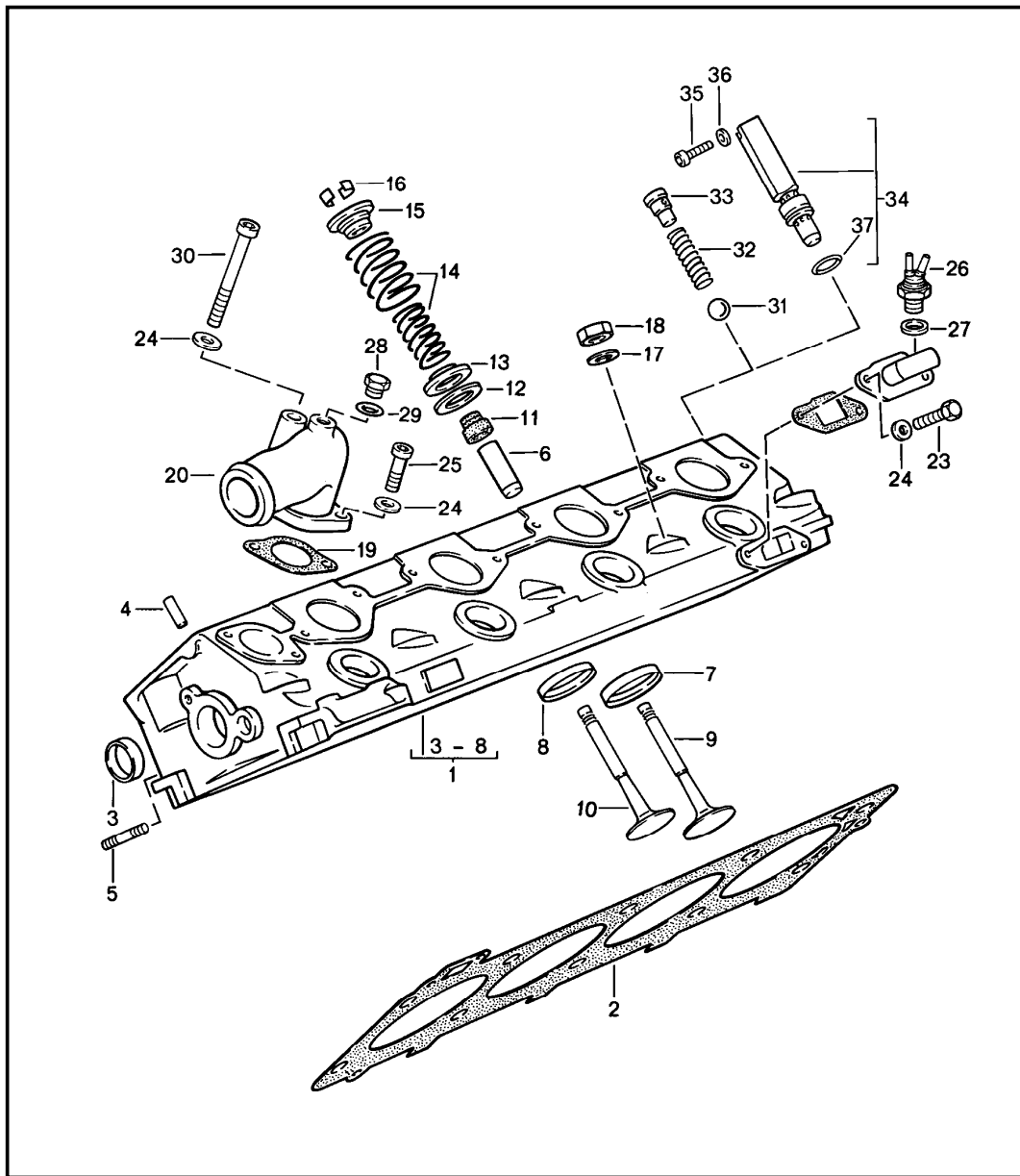


Pos	Part Number	Description	Remark	Qty	Model
1	944 103 091 07	piston tolerance group 0 100,00 MM		4	M44.07/08
1	944 103 091 17	piston tolerance group 1 100,00 MM		4	M44.07/08
1	944 103 091 27	piston tolerance group 2 100,00 MM		4	M44.07/08
1	944 103 091 57	piston tolerance group 0 100,50 MM		4	M44.07/08
1	944 103 091 67	piston tolerance group 1 100,50 MM		4	M44.07/08
1	944 103 091 77	piston tolerance group 2 100,50 MM		4	M44.07/08
1	944 103 088 02	piston tolerance group 0 100,00 MM		4	M44.09/10
1	944 103 088 12	piston tolerance group 1 100,00 MM		1	M44.09/10
1	944 103 088 22	piston tolerance group 2 100,00 MM		1	M44.09/10
1	944 103 088 52	piston tolerance group 0 100,50 MM		X	M44.09/10
1	944 103 088 62	piston tolerance group 1 100,50 MM		X	M44.09/10
1	944 103 088 72	piston tolerance group 2 100,50 MM		X	M44.09/10
2	N 012 277 1	circlip		8	

Model	Year	MG	SG	Illustration	Restrictions	UPD	12:09	23.01.2010	PORSCHE	PET	PORSCHE
924S	1988	1	02	102-05		248					

Pos	Part Number	Description	Remark	Qty	Model	Pos	Part Number	Description	Remark	Qty	Model
		for MAHLE and - ks - piston									
3	944 103 902 82	set of piston rings 100,00 MM		4	M44.07/08 M44.09/10						
3	944 103 902 92	set of piston rings 100,50 MM		X	M44.07/08 M44.09/10						

Model	Year	MG	SG	Illustration	Restrictions	UPD	12:09	23.01.2010	PORSCHE	PET	PORSCHE
924S	1988	1	03	103-00		248					

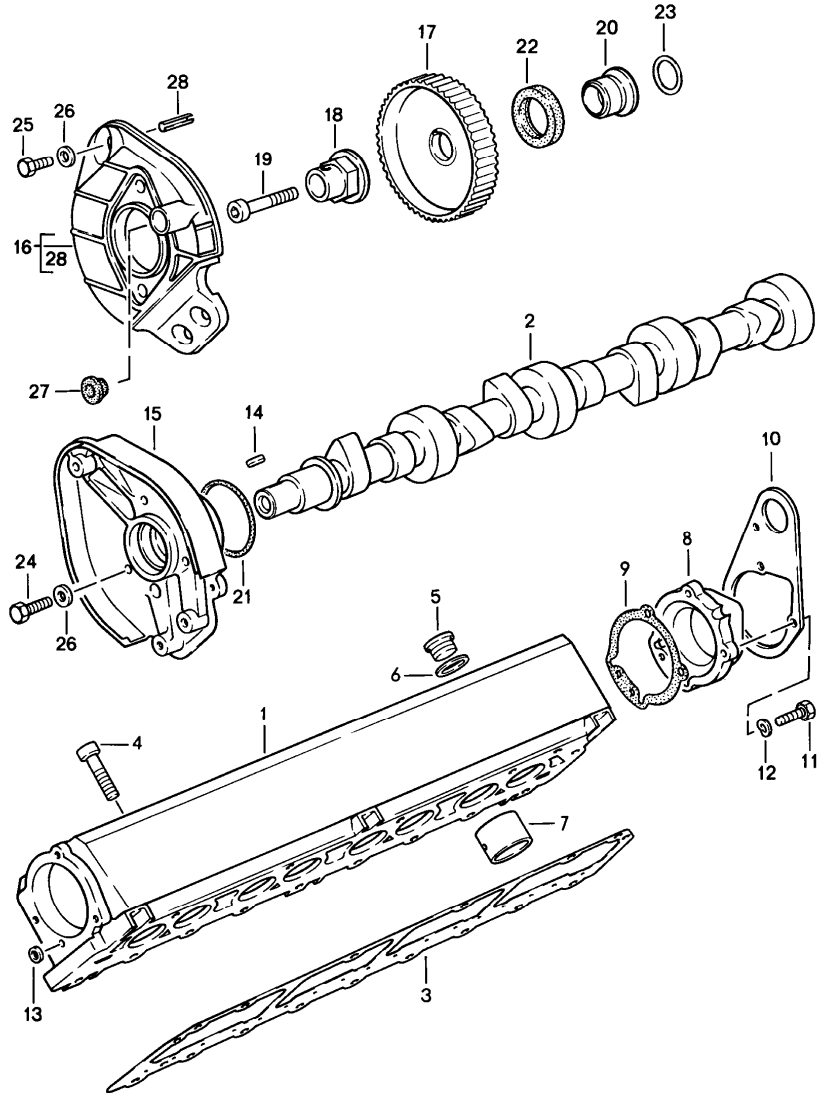


Pos	Part Number	Description	Remark	Qty	Model
		cylinder head			
1 >	944 104 033 06	cylinder head	-87	1	
1 >	944 104 033 08	cylinder head	88	1	
2	951 104 374 02	cylinder head gasket		1	
(2)	951 104 374 50	cylinder head gasket for recond. cylinder heads		1	
3	900 036 005 02	lid		2	
4	900 302 019 00	straight pin		2	
5	999 062 044 02	stud M 8 X 30		8	
6	944 104 328 51	valve guide 1st oversize		8	
7	944 104 331 51	valve seat ring oversize 0.25 mm intake		4	
8	944 104 333 50	valve seat ring oversize 0.25 mm exhaust		4	
9	928 105 409 02	intake valve		4	
9	928 105 409 02	intake valve		4	
10	928 105 410 04	exhaust valve		4	
-	000 043 204 48	sleeve for valve stem seal		8	
11 W	928 104 193 12	valve stem seal		8	
12	928 105 468 03	washer 0,5		X	
(12)	928 105 470 03	washer 1,0		X	
13	928 105 469 06	washer		8	
14	928 105 905 09	set of valve springs		8	
15	928 105 449 04	concave washer		8	
16	901 105 417 00	collet		16	
17	944 104 229 00	washer		10	

Model	Year	MG	SG	Illustration	Restrictions	UPD	12:09	23.01.2010	PORSCHE	PET	PORSCHE
924S	1988	1	03	103-00		248					

Pos	Part Number	Description	Remark	Qty	Model	Pos	Part Number	Description	Remark	Qty	Model
18	999 076 043 02	hexagon nut M 12 X 1,5		10							
19	944 104 311 01	gasket		1							
20	944 104 315 04	cooling water socket		1							
21	944 104 317 05	adapter		1							
22	928 106 197 04	gasket		1							
23	900 075 079 02	hexagon-head bolt M 8 X 20		2							
24	900 025 007 02	washer A 8,4		4							
25	N 014 725 2	pan-head screw M 8 X 25		2							
26	058 131 851 A	thermo valve		1							
27	N 013 808 3	sealing ring A 10 X 16		1							
28	931 106 156 00	screw plug		1							
29	N 013 830 7	sealing ring A 8 X 12		1							
30	N 044 732 1	pan-head screw M 8 X 75		1							
31	N 025 669 2	ball		1							
32	928 104 129 00	compression spring		1							
33	951 104 229 00	guide piece		1	M44.07/08						
33	951 104 229 00	guide piece for cylinder head 944.104.033.08		1	M44.09/10						
34	944 107 239 01	pressure relief valve		1							
35	N 014 740 2	pan-head screw		1							
36	N 013 841 2	sealing ring		1							
37	999 707 078 40	o-ring		1							
38	928 106 197 01	gasket		1							

Model	Year	MG	SG	Illustration	Restrictions	UPD	12:10	23.01.2010	PORSCHE	PET	PORSCHE
924S	1988	1	03	103-05		248					

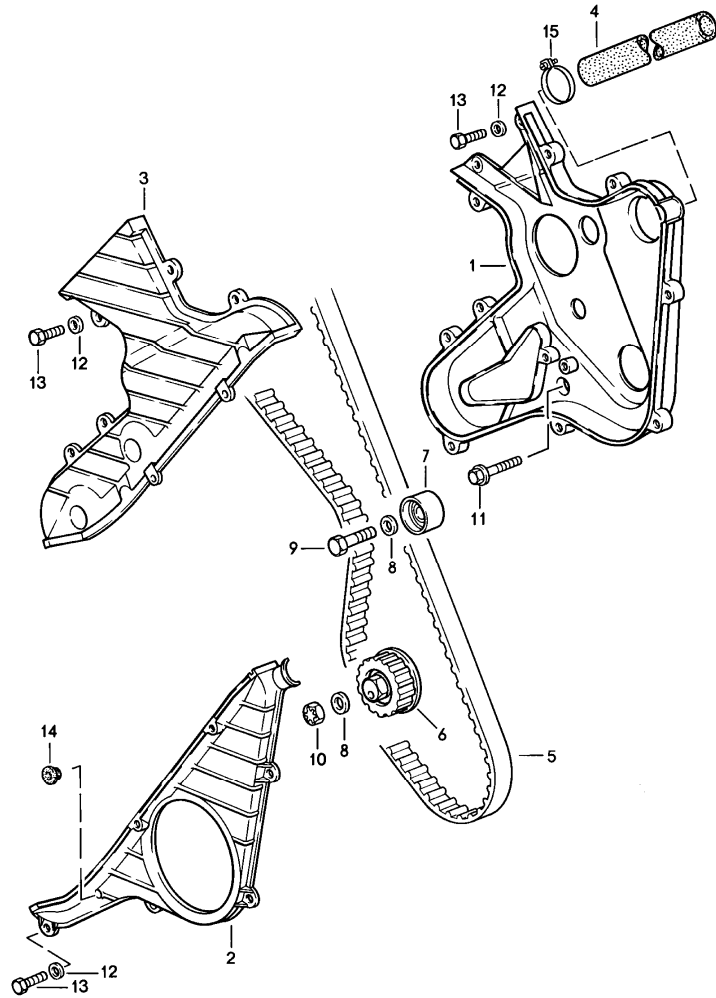


Pos	Part Number	Description	Remark	Qty	Model
1	944 105 250 07	camshaft housing		1	
2	944 105 155 09	camshaft		1	
3	928 105 199 12	gasket		1	
4	900 067 214 02	pan-head screw M 8 X 35		15	
5	900 219 009 30	screw plug M 18 X 1,5		6	
6	900 123 140 30	sealing ring A 18 X 22		6	
7	928 105 311 06	hydraulic valve tappet		8	
8	928 105 153 04	lid		1	
9	928 105 189 02	gasket		1	
10	944 101 413 02	engine lifting bracket		1	
11	900 075 016 02	hexagon-head bolt M 6 X 22		3	
12	N 012 226 5	spring washer B 6		3	
13	928 105 184 00	sealing ring		1	
14	900 117 045 00	feather key 4 X 4		1	
15	944 105 119 03	camshaft bearing		1	
16	944 105 029 01	bracket		1	
17	944 105 545 03	camshaft timing gear		1	
18	944 105 142 00	driver		1	
19	999 510 022 08	pan-head screw M 10 X 65		1	
20	928 105 139 04	spacer sleeve		1	
21	999 701 602 40	o-ring 50 X 5		1	
22	999 113 349 40	shaft sealing ring 32 X 47		1	
23	944 105 321 00	gasket		1	

Model	Year	MG	SG	Illustration	Restrictions	UPD	12:10	23.01.2010	PORSCHE	PET	PORSCHE
924S	1988	1	03	103-05		248					

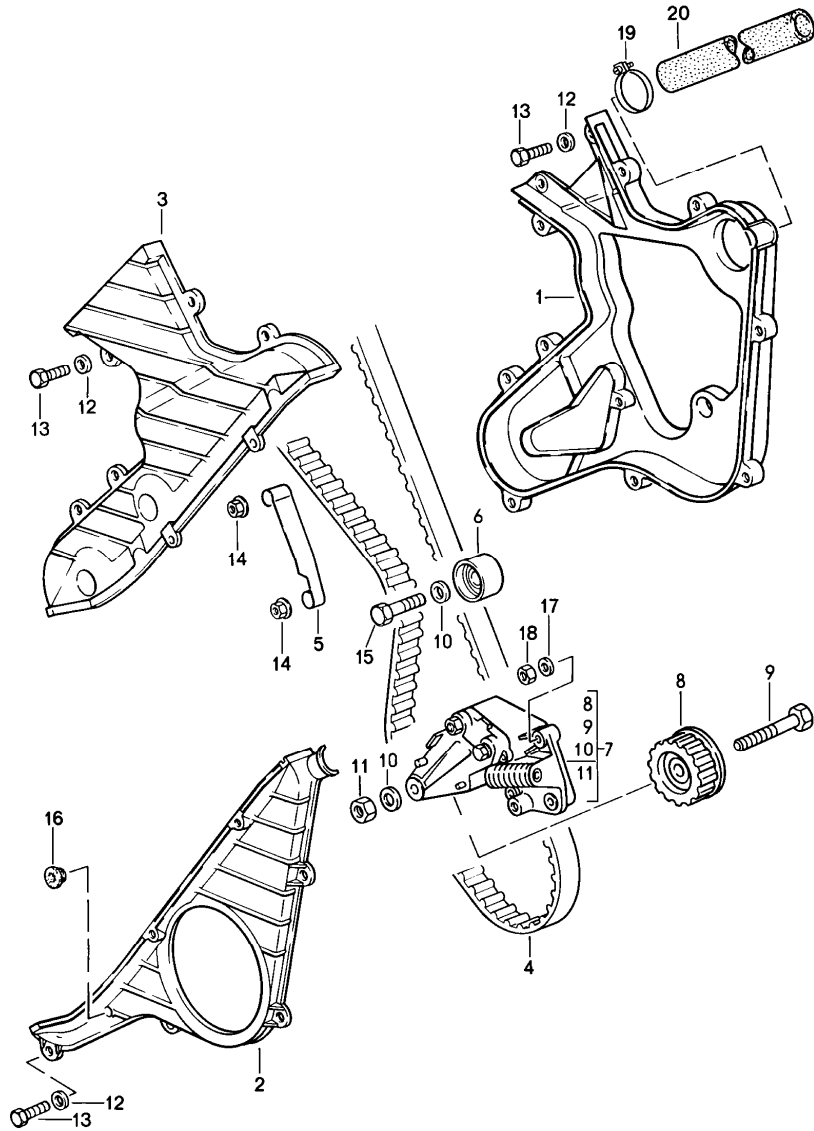
Pos	Part Number	Description	Remark	Qty	Model	Pos	Part Number	Description	Remark	Qty	Model
24	N 010 347 3	hexagon-head bolt M 6 X 35		3							
25	900 074 015 02	hexagon-head bolt M 6 X 30		3							
26	N 011 524 7	washer A 6,4		6							
27	944 105 131 00	stopper		1							
28	999 095 103 01	roll pin 8 X 16		2							

Model	Year	MG	SG	Illustration	Restrictions	UPD	12:10	23.01.2010	PORSCHE	PET	PORSCHE
924S	1988	1	03	103-10		248					



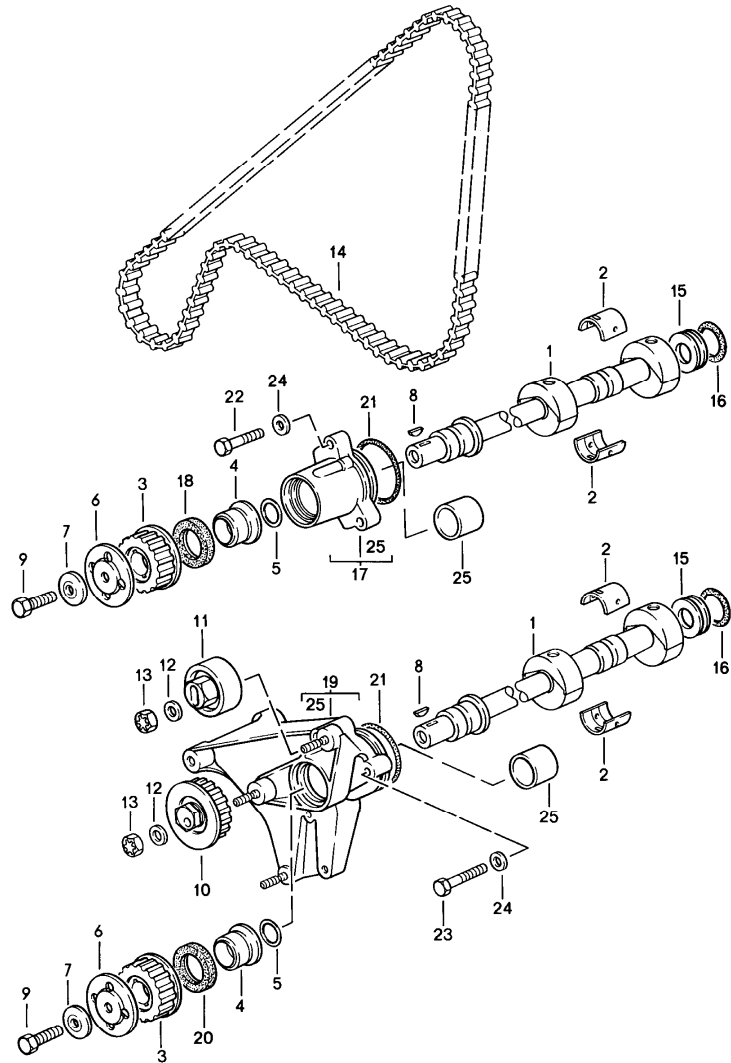
Pos	Part Number	Description	Remark	Qty	Model
		camshaft driving mechanism	-86		
1	944 105 045 04	toothed belt covering		1	
2	944 105 048 00	toothed belt covering		1	
3	944 105 047 00	toothed belt covering		1	
4	944 105 149 01	hose		1	
5	944 105 157 04	toothed belt		1	
6	944 105 027 04	tensioning roller		1	
7	944 105 273 02	roller		1	
8	N 011 527 12	washer A 10,5		2	
9	900 075 111 08	hexagon-head bolt M 10 X 35		1	
10	N 022 149 2	lock nut M 10		1	
11	900 075 344 02	hexagon-head bolt M 6 X 50		2	
12	N 011 524 7	washer A 6,4		11	
13	999 072 005 09	hexagon-head bolt M 6 X 12		11	
14	999 703 164 40	stopper		1	

Model	Year	MG	SG	Illustration	Restrictions	UPD	12:10	23.01.2010	PORSCHE	PET	PORSCHE
924S	1988	1	03	103-12		248					



Pos	Part Number	Description	Remark	Qty	Model
		camshaft driving mechanism	87-		
1	944 105 039 02	toothed belt covering		1	
2	944 105 037 00	toothed belt covering		1	
3	944 105 041 01	toothed belt covering		1	
4	944 105 157 04	toothed belt		1	
5	944 105 213 01	securing clip		1	
6	944 105 241 03	roller		1	
7	944 105 067 14	tensioner for toothed belt		1	
8	944 105 631 04	tensioning roller		1	
9	N 010 445 2	hexagon-head bolt M 10 X 45		1	
10	900 025 008 09	washer		2	
11	900 910 034 02	lock nut		1	
12	N 011 524 7	washer		11	
13	999 072 005 09	hexagon-head bolt M 6 X 12		11	
14	999 084 092 02	lock nut		2	
15	900 075 043 02	hexagon-head bolt M 10 X 30		1	
16	999 703 164 40	stopper		1	
17	900 025 007 02	washer		3	
18	900 076 025 02	hexagon nut		3	
19	999 512 252 02	hose clamp		1	
20	944 105 149 01	hose		1	

Model	Year	MG	SG	Illustration	Restrictions	UPD	12:10	23.01.2010	PORSCHE	PET	PORSCHE
924S	1988	1	03	103-15		248					

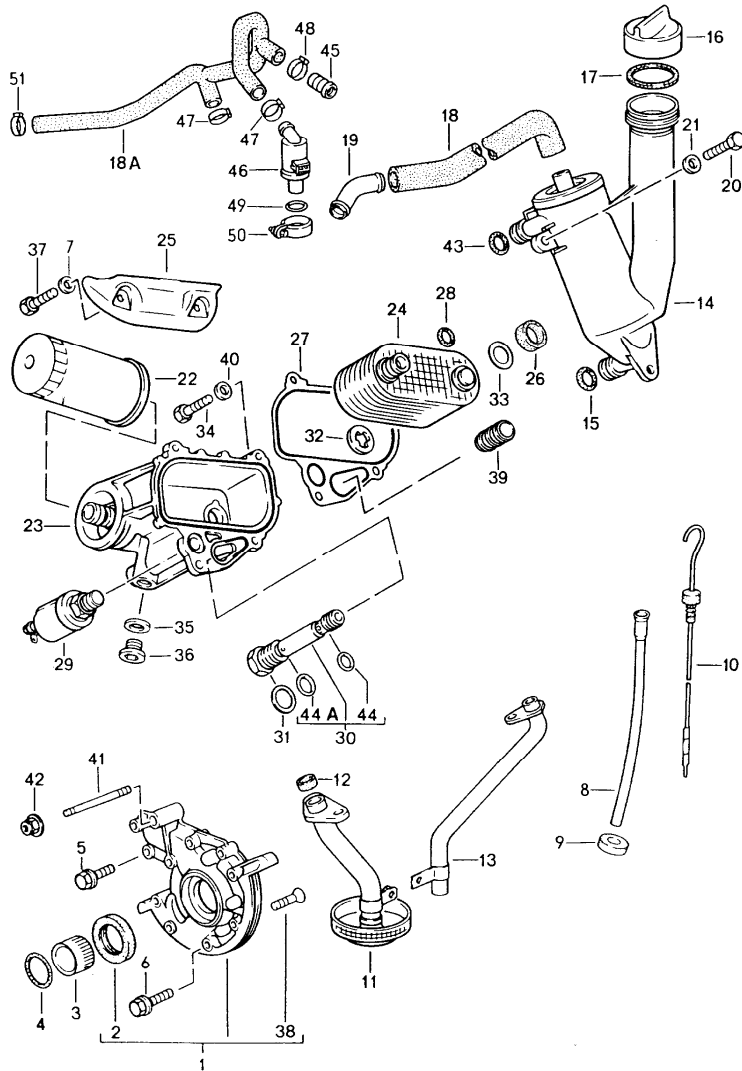


Pos	Part Number	Description	Remark	Qty	Model
		balance shaft driving mechanism			
1	944 102 923 00	balance shaft		2	
2	944 101 121 07	bearing shell	86	4	
2	944 101 121 10	bearing shell	87	4	
3	944 102 205 04	gear wheel		2	
4	928 105 139 02	spacer sleeve		2	
5	944 105 321 00	gasket		2	
6	944 102 281 04	flange washer		2	
7	944 102 213 00	washer		2	
8	N 012 708 2	woodruff key		2	
9	N 010 275 3	hexagon-head bolt M 10 X 35		2	
10	944 102 025 07	tensioning roller		1	
11	944 102 277 06	roller		1	
12	N 011 527 12	washer A 10,5		2	
13	N 022 149 2	lock nut M 10		2	
14	944 102 219 04	toothed belt technical information group 1 NR.15/95 attention		1	
15	944 101 145 02	locking ring	86	2	
15	944 101 145 03	locking ring	87	2	
16	999 701 614 40	round seal	86	2	
16	999 701 875 40	round seal	87	2	
17	944 101 045 00	bearing case	/L	1	
18	999 113 282 40	shaft sealing ring 30 X 47	/L	1	
19	944 101 042 02	bearing case	/R	1	
20	999 113 281 40	shaft sealing ring 30 X 48	/R	1	

Model	Year	MG	SG	Illustration	Restrictions	UPD	12:10	23.01.2010	PORSCHE	PET	PORSCHE
924S	1988	1	03	103-15		248					

Pos	Part Number	Description	Remark	Qty	Model	Pos	Part Number	Description	Remark	Qty	Model
21	999 701 652 40	o-ring 56,7 X 3,53		2							
22	N 010 335 5	hexagon-head bolt M 8 X 35		3							
23	N 010 360 6	hexagon-head bolt M 8 X 60		3	M657						
24	900 025 007 02	washer A 8,4		6							
25	944 101 125 02	bearing sleeve		2							
25	944 101 125 50	bearing sleeve oversize 0.50 mm		2							
26	944 347 441 02	sleeve		1	M657						

Model	Year	MG	SG	Illustration	Restrictions	UPD	12:10	23.01.2010	PORSCHE	PET	PORSCHE
924S	1988	1	04	104-00		248					



Pos	Part Number	Description	Remark	Qty	Model
1	944 107 014 11	engine lubrication oil pump for MOD.86 use also: 944.107.911.01		1	
2	999 113 331 40	shaft sealing ring 38 X 52 X 7		1	
3	944 107 161 02	toothed sleeve		1	
4	999 707 283 40	round seal 28 X 2,58		1	
5	900 075 345 02	hexagon-head bolt M 6 X 35		4	
6	900 075 343 02	hexagon-head bolt M 6 X 45		3	
7	N 011 524 7	washer A 6,4		9	
8	944 101 027 01	guide tube M >> 43H 05637 M >> 43H 31343		1	
8	944 101 027 05	guide tube M 43H 05638 >> M 43H 31344 >>		1	
9	900 174 044 40	round seal		1	
10	944 107 221 02	oil level dipstick M >> 43H 05637 M >> 43H 31343		1	
10	944 107 025 01	oil level dipstick M 43H 05638 >> M 43H 31344 >>		1	
11	944 107 032 06	suction tube M >> 43H 05637 M >> 43H 31343		1	
11	944 107 032 07	suction tube M 43H 05638 >> M 43H 31344 >>		1	
12	944 107 136 03	sealing ring		1	
13	944 107 183 03	return pipe		1	

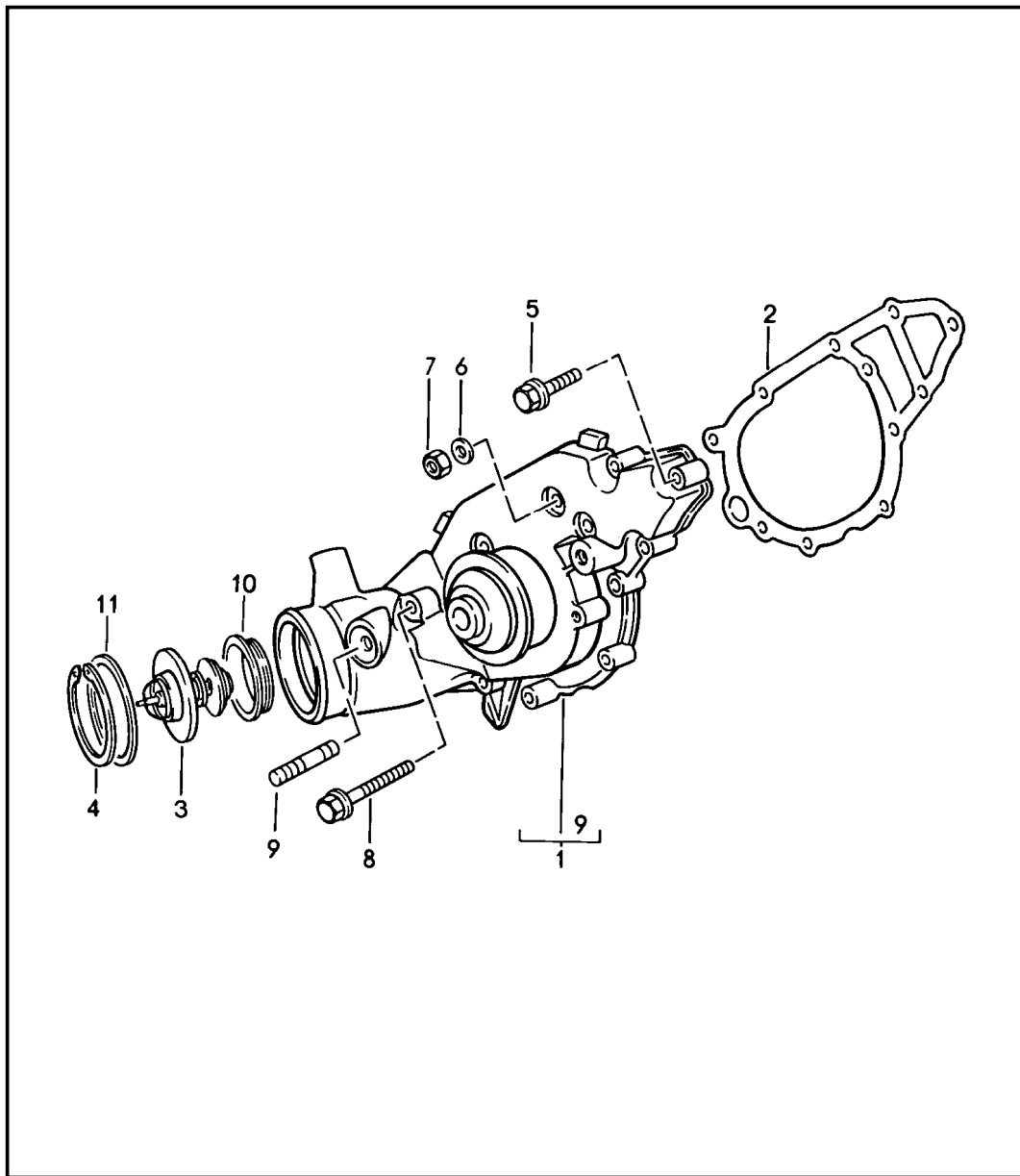
Model	Year	MG	SG	Illustration	Restrictions	UPD	12:10	23.01.2010	PORSCHE	PET	PORSCHE
924S	1988	1	04	104-00		248					

Pos	Part Number	Description	Remark	Qty	Model	Pos	Part Number	Description	Remark	Qty	Model
14	944 107 180 08	oil separator		1		30	944 107 035 11	relief valve	-86	1	
15	999 701 661 40	round seal 24 X 5		2		30	944 107 035 02	relief valve	87-	1	
16	944 107 091 01	oil filler cover		1		31	N 043 815 3	sealing ring		1	
17	999 701 653 40	o-ring M >> 43G 03392 M >> 43G 60523		1		32	944 107 154 00	washer		1	
(17)	999 701 846 40	o-ring M 43G 03393 >> M 43G 60524 >>		1		33	944 107 219 00	shim		X	
18	944 107 187 01	moulded hose	-87	1		34	900 075 029 09	hexagon-head bolt M 8 X 25		4	
18A	944 107 187 02	moulded hose	88-	1		35	900 123 106 30	sealing ring A 18 X 24		1	
19	944 107 367 01	connecting piece		1		36	N 016 161 1	screw plug		1	
20	900 075 029 09	hexagon-head bolt M 8 X 25		3		37	999 072 005 09	hexagon-head bolt M 6 X 12		2	
21	900 025 007 02	washer A 8,4		7		38	900 249 017 02	countersunk-head screw M 6 X 25		2	
22	944 107 201 03	oil filter		1	WW	39	944 101 181 01	guide sleeve	86	1	
22	944 107 201 03	oil filter		1	WW	40	900 232 004 02	washer		1	
23	944 107 149 06	housing		1		41	944 102 216 01	stud	86	1	
24	944 107 165 01	oil-water radiator		1	WW	42	944 102 243 00	collar nut	86	1	
24	944 107 165 01	oil-water radiator		1	WW	43	999 701 613 40	round seal 20 X 5		1	
25	944 107 163 01	cover plate for engine with cast elbow		1	M44.07/08	44	999 707 144 40	sealing ring	87-	1	
25	944 107 053 02	cover plate for engine with sheet metal elbow		1	-10 M44.07	44A	999 707 146 40	o-ring	86	1	
25	944 107 053 02	cover plate for engine with sheet metal elbow		1	-10 M44.07	44A	999 707 144 40	sealing ring	87-	1	
26	944 107 153 02	rubber ring		1		45	944 107 324 00	valve	88-	1	
27	944 107 147 03	gasket		1		46	944 616 104 00	heating tube	88-	1	
28	999 707 043 40	o-ring		2		47	999 512 346 02	hose clamp	88-	2	
29	928 606 203 01	oil pressure sender		1		48	999 512 457 00	clamp	88-	1	
						49	900 174 056 40	o-ring	88-	1	
						50	999 512 480 02	clip	88-	1	
						51	999 512 374 02	hose clamp	88-	1	

Model	Year	MG	SG	Illustration	Restrictions	UPD	12:10	23.01.2010	PORSCHE	PET	PORSCHE
924S	1988	1	04	104-00		248					

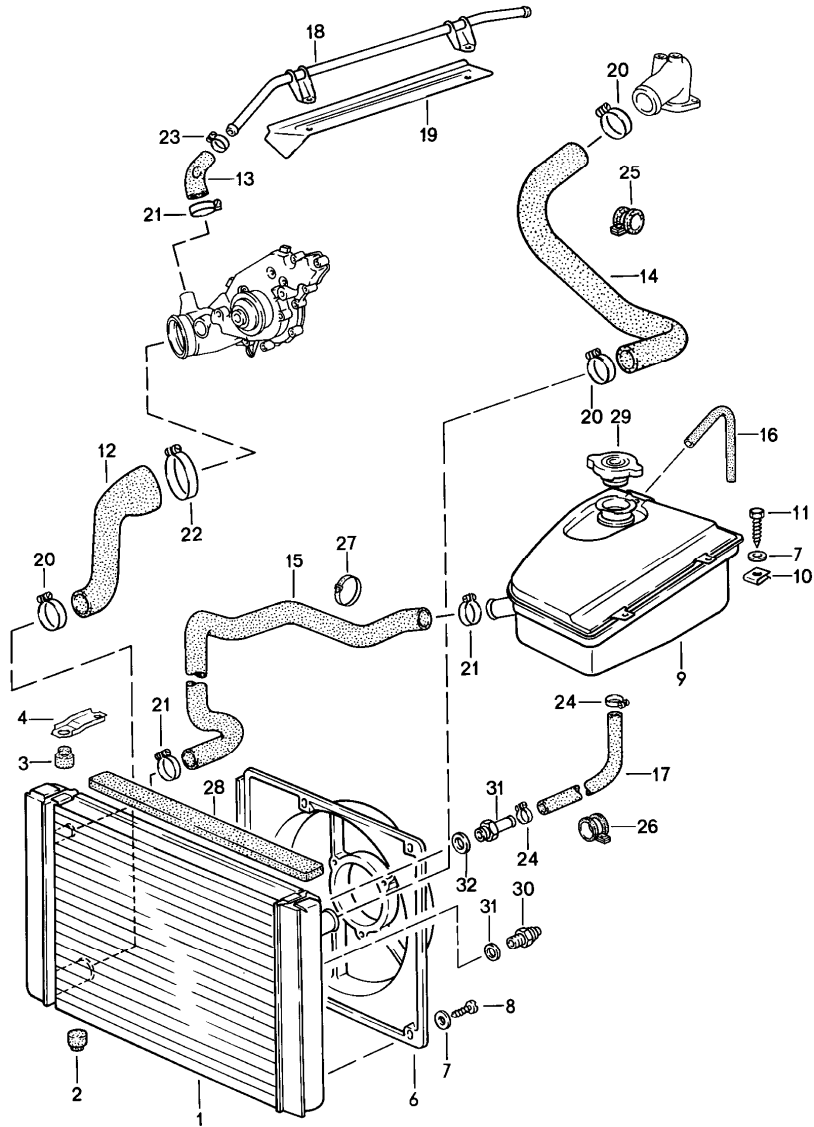
Pos	Part Number	Description	Remark	Qty	Model	Pos	Part Number	Description	Remark	Qty	Model
		oil-level sender see group 1/01/15									

Model	Year	MG	SG	Illustration	Restrictions	UPD	12:11	23.01.2010	PORSCHE	PET	PORSCHE
924S	1988	1	05	105-00		248					



Pos	Part Number	Description	Remark	Qty	Model
		water pump			
1	A 944 106 021 16	water pump		1	
1	944 106 021 20	water pump up to model 86 use also: 944.105.213.01 999.084.092.02 944.105.241.03		1 2 1	
2	944 106 132 04	gasket		1	
3	944 106 129 05	thermostat		1	
4	900 042 025 01	circlip 55 X 2		1	
5	900 075 345 02	hexagon-head bolt M 6 X 35		7	
5	900 075 345 01	hexagon-head bolt M 6 X 35		7	
6	N 011 524 7	washer A 6,4		4	
7	900 076 010 02	hexagon nut M 6		4	
8	900 074 302 02	hexagon-head bolt M 6 X 70		1	
8	900 074 302 01	hexagon-head bolt M 6 X 70		1	
9	900 081 060 02	stud M 6 X 16		1	M657
10	951 106 155 00	sealing ring		1	
11	944 106 929 05	sealing ring		1	

Model	Year	MG	SG	Illustration	Restrictions	UPD	12:11	23.01.2010	PORSCHE	PET	PORSCHE
924S	1988	1	05	105-05		248					

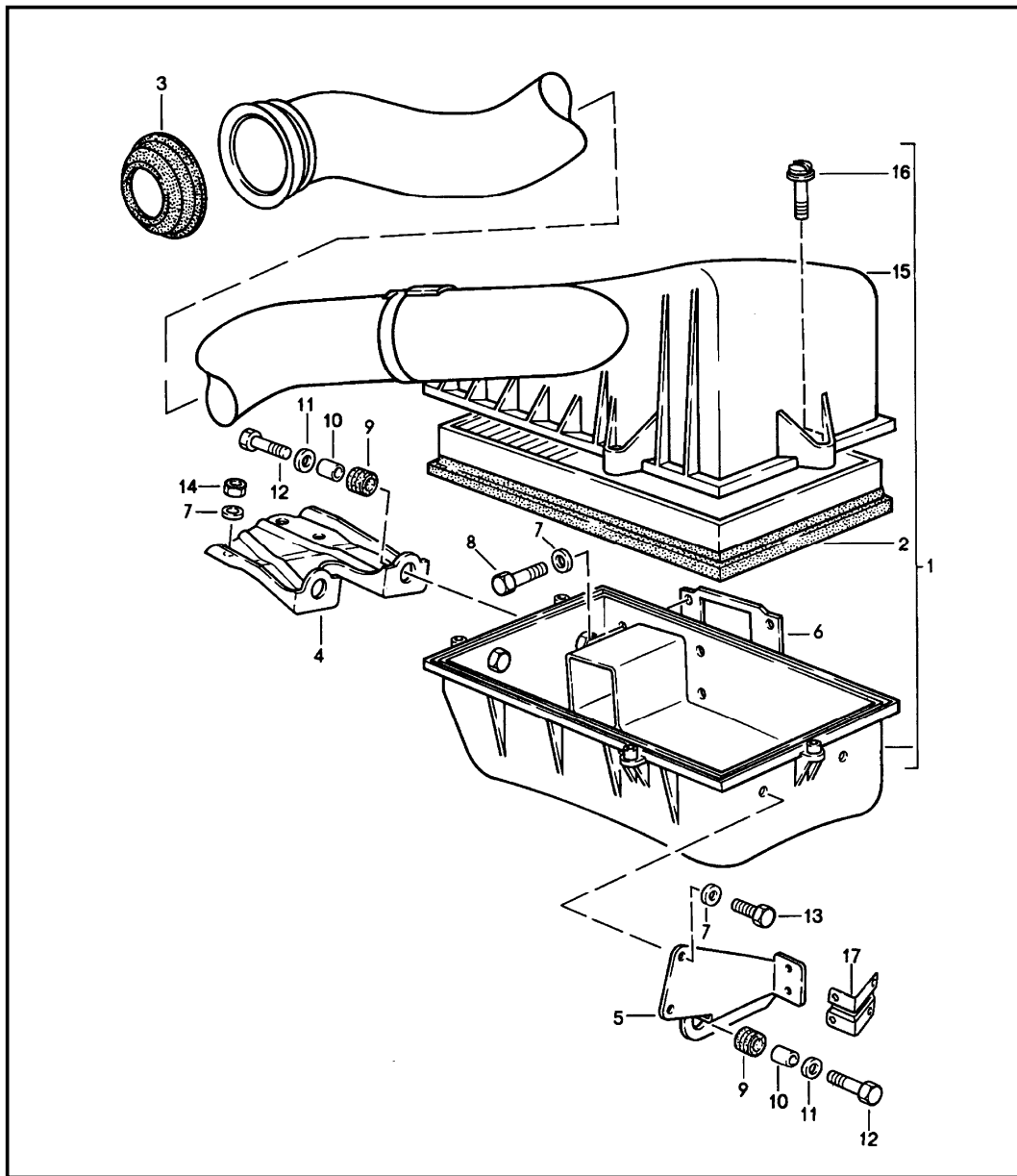


Pos	Part Number	Description	Remark	Qty	Model
		water cooling			
1	944 106 031 03	radiator		1	
1	944 106 027 06	radiator	AUT.	86	1
1	944 106 027 06	radiator	AUT.	87-	1
2	944 106 153 01	rubber mounting		2	
3	944 106 155 03	rubber mounting		2	
4	944 106 151 02	support		2	
6	944 106 141 02	airscoop		1	
(6)	944 106 143 02	airscoop		1	M573
7	N 011 524 7	washer		X	
8	900 187 111 02	combination screw BZ 6,3 X 12		X	
8	900 187 111 01	combination screw BZ 6,3 X 12		X	
9	944 106 125 06	expansion tank		1	
10	477 955 461	speed nut		2	
11	N 090 172 1	combination screw 6,3 X 19		2	
12	944 106 237 06	water hose		1	
13	944 106 241 03	water hose		1	
14	944 106 239 04	water hose		1	
15	944 106 245 04	water hose		1	
16	944 106 251 00	water hose		1	
17	944 106 249 01	water hose		1	
18	944 106 243 02	water tube		1	
19	944 106 247 00	heat shield		1	
20	999 512 500 00	hose clamp 32 - 50		3	
21	999 512 392 00	hose clamp SGT 20-32/13 W2		2	
22	999 512 390 00	hose clamp SGT 60-80/13 W2		1	

Model	Year	MG	SG	Illustration	Restrictions	UPD	12:11	23.01.2010	PORSCHE	PET	PORSCHE
924S	1988	1	05	105-05		248					

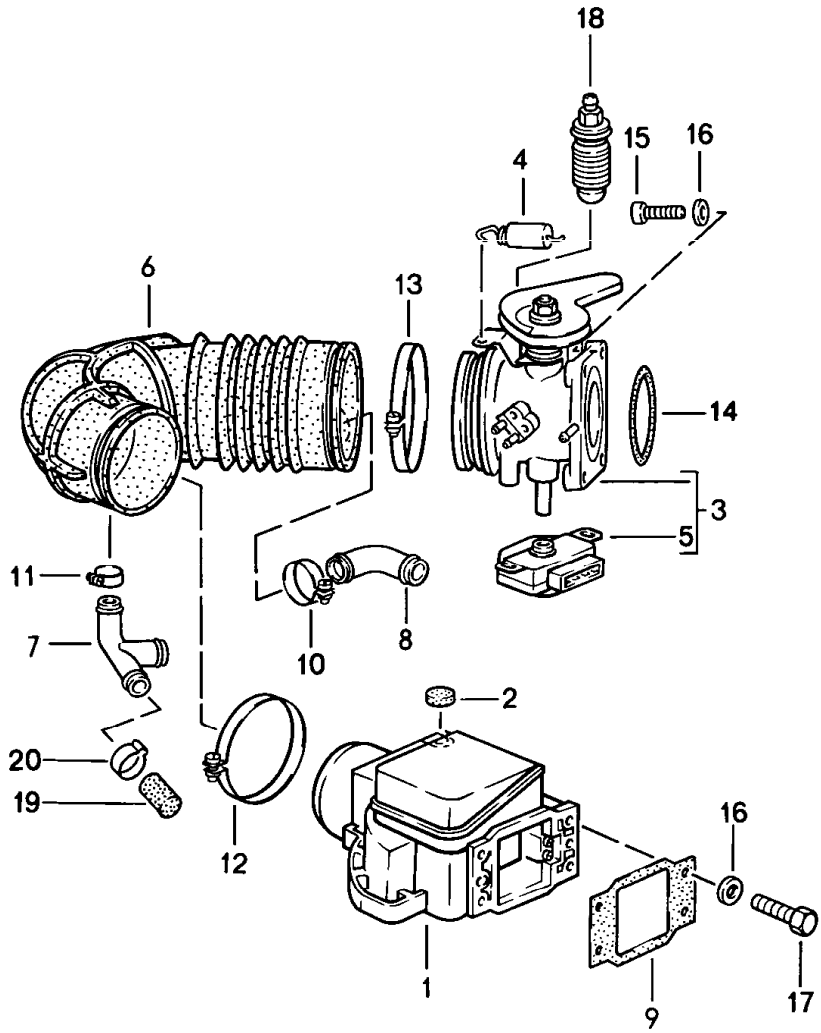
Pos	Part Number	Description	Remark	Qty	Model	Pos	Part Number	Description	Remark	Qty	Model
23	999 512 346 00	hose clamp 16 - 25		1							
24	999 512 554 00	hose clamp LA 12-20/9		2							
25	999 511 130 02	pipe clamp		1							
26	999 511 118 02	pipe clamp		1							
26	999 511 118 01	pipe clamp		1							
27	477 971 850 A	tie-wrap		2							
28	944 556 837 00	sealing rubber		1							
29	944 106 257 00	lid		1							
30	944 606 481 00	temperature switch		1							
31	900 123 149 70	sealing ring 22 X 27		1							
31	944 106 927 00	screw socket		1							
32	944 106 928 00	sealing ring A 18 X 12		1							
-	944 106 353 00	screw plug M 10 X 1		1							
-	944 106 353 01	screw plug M 10 X 1,5		1							

Model	Year	MG	SG	Illustration	Restrictions	UPD	12:11	23.01.2010	PORSCHE	PET	PORSCHE
924S	1988	1	06	106-00		248					



Pos	Part Number	Description	Remark	Qty	Model
		air cleaner system			
1	944 110 012 06	air cleaner		1	
2	944 110 186 02	air cleaner cartridge		1	
3	944 110 195 00	bellows		1	
4	944 110 067 00	support	/V	1	
5	944 110 155 01	support	/H	1	
6	944 110 353 00	gasket		1	
7	N 011 524 7	washer A 6,4		11	
8	900 074 151 02	hexagon-head bolt M 6 X 38		X	
9	056 129 669 B	grommet		4	
10	052 109 135	spacer sleeve		4	
11	N 011 612 3	washer 6,6		4	
12	900 075 014 02	hexagon-head bolt M 6 X 18		4	
13	N 010 210 13	hexagon-head bolt M 6 X 10		4	
14	900 076 010 02	hexagon nut M 6		3	
15	944 110 221 00	air cleaner cover without screw		1	
16	944 110 225 00	combination screw		5	
17	944 110 255 00	support		1	

Model	Year	MG	SG	Illustration	Restrictions	UPD	12:11	23.01.2010	PORSCHE	PET	PORSCHE
924S	1988	1	07	107-00		248					

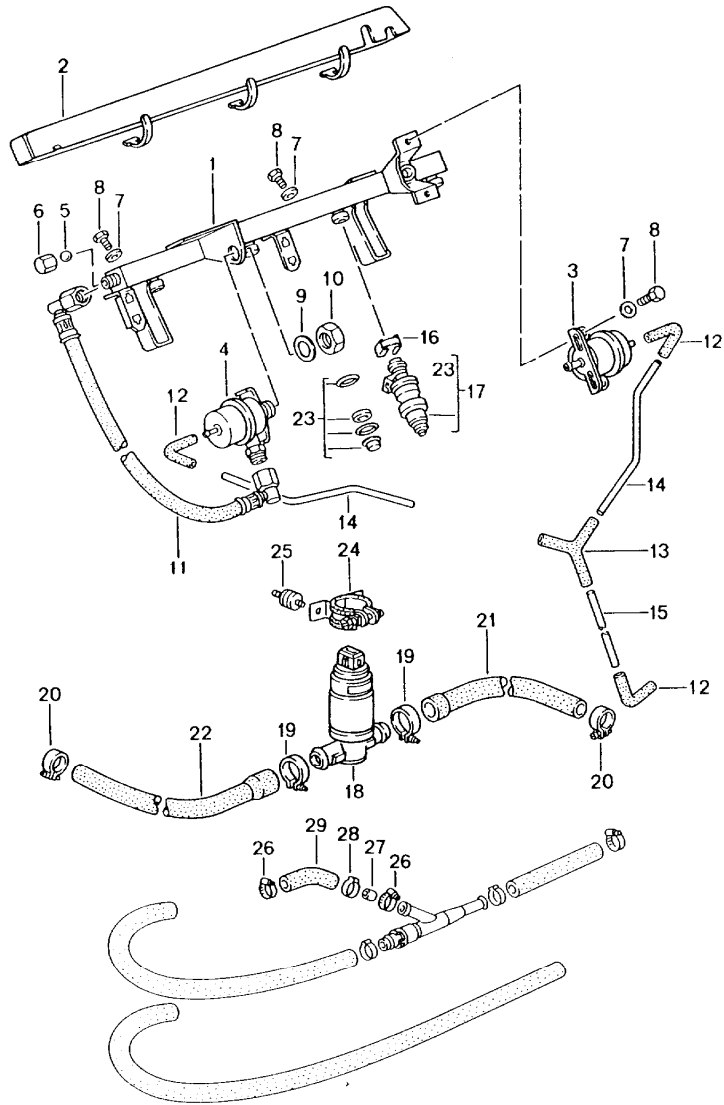


Pos	Part Number	Description	Remark	Qty	Model
		l-jetronic 1			
1	> 944 606 121 01	mass air flow meter		1	
1	944 606 121 AX	mass air flow meter		1	
2	944 606 935 01	stopper blue		1	
3	944 110 094 02	flap connection		1	M44.07/09
3	944 110 009 02	flap connection	(B)	1	M44.07/09
3	944 110 095 02	flap connection		1	M44.08/10
3	944 110 009 03	flap connection	(B)	1	M44.08/10
4	944 110 071 00	return spring		1	
4	944 110 071 01	return spring	AUT.	1	
5	944 606 113 01	throttle-valve switch		1	
6	944 110 358 04	air box		1	
7	944 110 363 02	connecting piece		1	
8	944 107 367 01	connecting piece		1	
9	944 110 353 00	gasket		1	
10	999 512 552 00	hose clamp 25/9		1	
11	999 512 045 02	hose clamp 22/9		1	
12	999 512 235 02	hose clamp 77/9		1	
13	999 512 302 02	hose clamp 85/9		1	
14	999 701 468 40	round seal 67,5 X 14		1	
15	900 067 089 02	pan-head screw M 6 X 25		4	
16	N 011 524 7	washer A 6,4		8	
17	N 010 347 5	hexagon-head bolt M 6 X 35		4	

Model	Year	MG	SG	Illustration	Restrictions	UPD	12:11	23.01.2010	PORSCHE	PET	PORSCHE
924S	1988	1	07	107-00		248					

Pos	Part Number	Description	Remark	Qty	Model	Pos	Part Number	Description	Remark	Qty	Model
18	930 110 919 00	throttle screw		1							
19	930 110 256 00	stopper M 43H 01303 >>		1	M44.07/09 M44.07						
20	999 512 457 00	clamp M 43H 13065 >>		1	M44.07/09 M44.07						

Model	Year	MG	SG	Illustration	Restrictions	UPD	12:11	23.01.2010	PORSCHE	PET	PORSCHE
924S	1988	1	07	107-05		248					

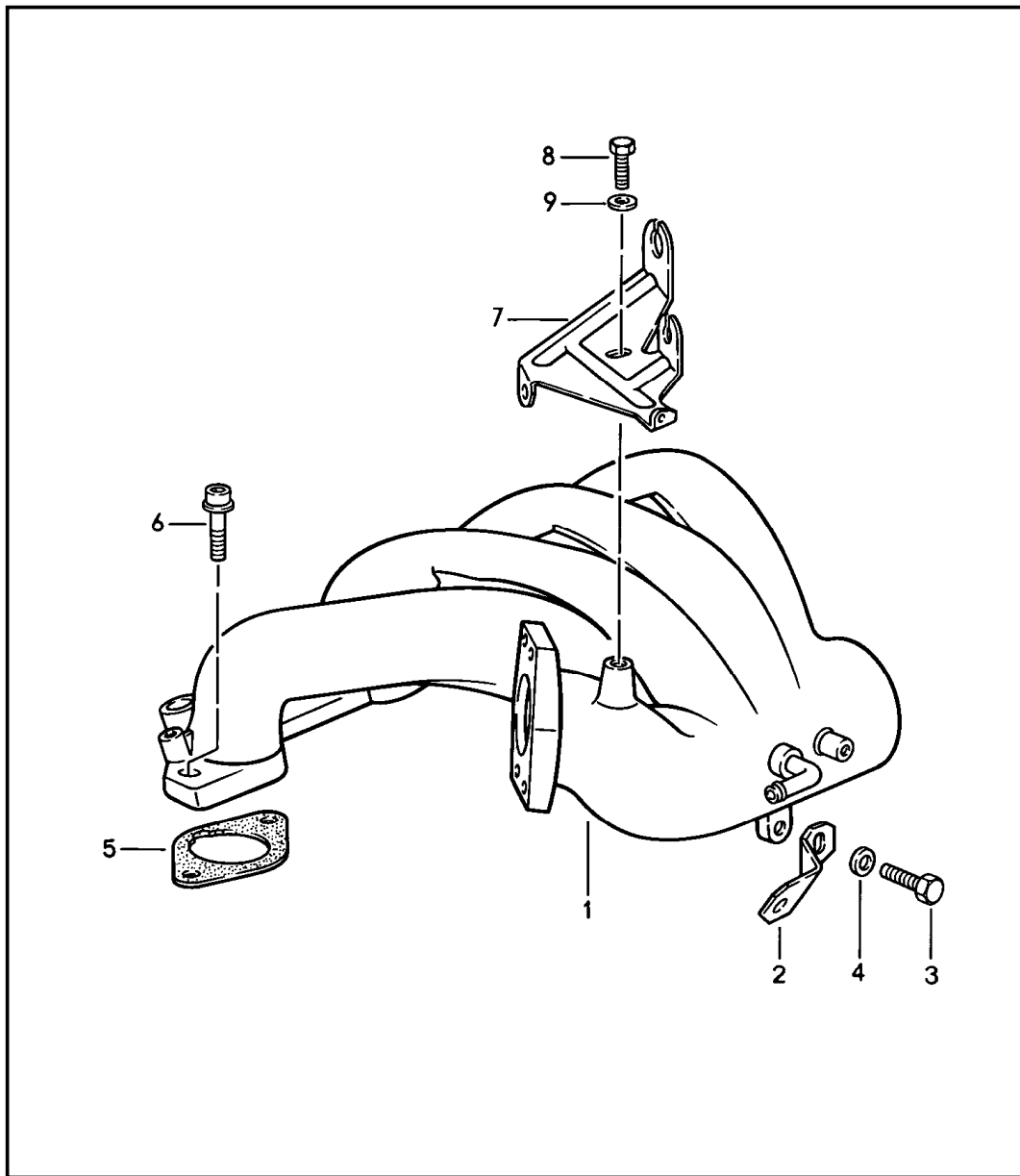


Pos	Part Number	Description	Remark	Qty	Model
		1-jetronic			
		2			
1	944 110 080 20	fuel collection pipe		1	
2	944 607 081 03	cover		1	
3	944 110 198 03	pressure regulator		1	M44.07/08
3	944 110 198 05	pressure regulator		1	M44.09/10
4	944 110 201 03	diaphragm damper		1	
5	900 108 022 00	ball		1	
6	A 928 110 475 01	cap nut		1	
6	928 110 475 03	cap nut		1	
7	N 011 524 7	washer		4	
8	999 072 005 09	hexagon-head bolt M 6 X 12		4	
9	N 012 238 5	spring washer		1	
10	900 034 013 02	hexagon nut M 16 X 1,5		1	
11	944 110 413 02	fuel line		1	
12	928 574 717 02	moulded hose		X	
13	928 573 727 02	distributing piece		X	
-	N 020 139 11	pipe 4 X 1 180 MM 380 MM		*	
				2	
				1	
16	930 110 388 00	retaining clip		4	
17	930 606 120 00	injector valve		4	
18	930 606 161 00	idle-speed adjuster		1	
19	999 512 326 00	hose clamp SGT 23 -35/9W2		2	
20	999 512 346 00	hose clamp SGT 16 -25/9W2		2	
21	944 110 214 01	hose		1	
22	944 110 217 00	hose		1	

Model	Year	MG	SG	Illustration	Restrictions	UPD	12:11	23.01.2010	PORSCHE	PET	PORSCHE
924S	1988	1	07	107-05		248					

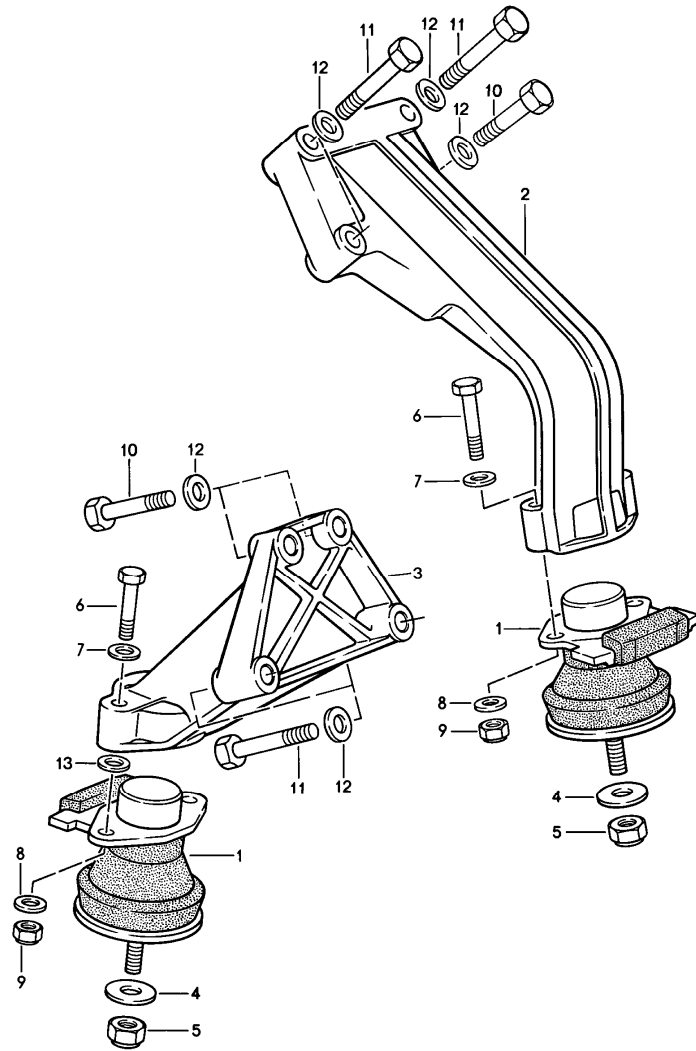
Pos	Part Number	Description	Remark	Qty	Model	Pos	Part Number	Description	Remark	Qty	Model
23	944 110 901 00	gasket 1 set for injector valve		4							
24	999 512 395 02	clamp		1							
25	928 110 191 10	bonded rubber mounting		2							
25	999 703 264 00	bonded rubber mounting		2							
26	999 512 457 00	clamp		1							
27	944 110 241 04	restrictor		1							
28	999 512 456 00	clamp		2							
29	944 110 361 02	moulded hose		1							
30	-	venturi tube see group 6/04/00									

Model	Year	MG	SG	Illustration	Restrictions	UPD	12:12	23.01.2010	PORSCHE	PET	PORSCHE
924S	1988	1	07	107-10		248					



Pos	Part Number	Description	Remark	Qty	Model
		l-jetronic 3			
1	944 110 051 09	intake manifold	-87	1	
1	944 110 052 02	intake manifold	88-	1	
2	944 110 165 01	bracket		1	
3	900 075 085 02	hexagon-head bolt M 8 X 20		1	
4	900 025 007 02	washer 8,4		9	
5	944 110 163 05	gasket		4	
6	900 067 214 02	pan-head screw M 8 X 35		8	
7	944 110 161 05	support		1	
8	900 075 057 02	hexagon-head bolt M 6 X 16		1	
9	N 011 666 7	washer B 6,4		1	

Model	Year	MG	SG	Illustration	Restrictions	UPD	12:12	23.01.2010	PORSCHE	PET	PORSCHE
924S	1988	1	09	109-00		248					



Pos	Part Number	Description	Remark	Qty	Model
		engine suspension			
1	944 375 042 04	hydraulic mount		2	
2	944 375 123 03	engine carrier	/L	1	
3	944 375 124 02	engine carrier	/R	1	
4	477 407 425	washer		2	
5	N 022 149 2	lock nut VM 10		2	
6	N 010 351 6	hexagon-head bolt M 8 X 52		4	
7	900 223 001 02	washer 8,4		4	
8	900 025 007 02	washer A 8,4		4	
9	900 910 022 09	lock nut VM 8		4	
10	N 010 445 3	hexagon-head bolt M 10 X 45		3	
11	900 074 063 02	hexagon-head bolt M 10 X 55		5	
12	900 025 008 09	washer A 10,5		8	
13	900 223 001 02	washer		4	

Model	Year	MG	SG	Illustration	Restrictions	UPD	12:12	23.01.2010
924S	1988	1	98	198-00R		248		

Pos	Part Number	Description	Remark	Qty	Model
		repair kits gasket set maintenance set			
>>	>>944 100 901 03	gasket set for crankcase comprising:		1	
-	944 101 205 02	oil sump gasket		1	
-	944 106 132 04	gasket		1	
-	944 107 136 03	sealing ring		1	
-	944 107 147 03	gasket		1	
-	944 107 153 02	rubber ring		1	
-	944 105 321 00	gasket		2	
-	900 123 101 30	sealing ring		1	
-	999 707 283 40	round seal		1	
-	999 113 264 40	radial sealing ring		1	
-	999 113 281 40	shaft sealing ring		1	
-	999 113 282 40	shaft sealing ring		1	
-	999 701 614 40	round seal		2	
-	999 701 652 40	o-ring		2	
-	999 701 661 40	round seal		2	
-	999 113 331 40	shaft sealing ring		1	
-	999 707 043 40	o-ring		1	
-	900 123 106 30	sealing ring		1	
-	900 123 118 30	sealing ring		1	
-	N 043 815 3	sealing ring		1	
-	900 123 007 30	sealing ring		1	
-	951 107 241 02	sealing ring		1	
>>	>>944 100 901 00	gasket set for cylinder head comprising:		1	
-	951 104 374 02	cylinder head gasket		1	
-	964 104 111 06	valve stem seal		8	
-	944 104 311 01	gasket		1	

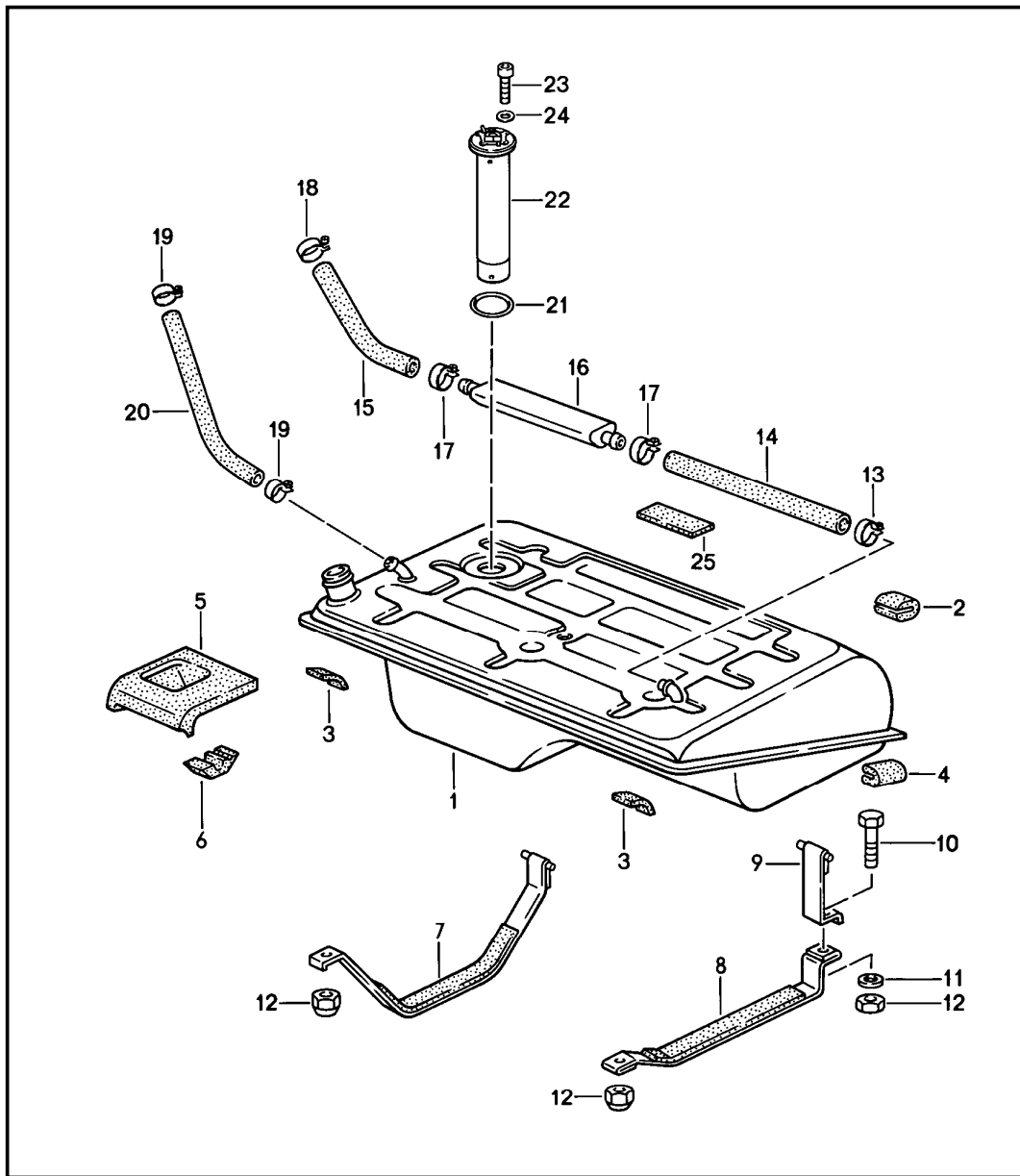
Model	Year	MG	SG	Illustration	Restrictions	UPD	12:12	23.01.2010
924S	1988	1	98	198-00R		248		

Pos	Part Number	Description	Remark	Qty	Model
-	928 106 197 01	gasket		1	
-	928 105 199 12	gasket		1	
-	928 105 189 02	gasket		1	
-	999 701 602 40	o-ring		1	
-	999 113 282 40	shaft sealing ring		1	
-	944 105 321 00	gasket		1	
-	928 105 184 00	sealing ring		1	
-	944 110 163 02	gasket		4	
-	999 701 468 40	round seal		1	
-	944 111 135 01	gasket		2	
-	928 111 193 12	gasket		4	
-	900 123 140 30	sealing ring		6	
>>	>>944 101 901 00	set of crankshaft bearings comprising:		1	
-	928 101 117 08	main bearing bush i		1	
-	928 101 115 00	main bearing upper		3	
-	928 101 115 01	main bearing shell lower		3	
-	944 101 139 00	thrust bearing		2	
	002				
>>	>>928 101 901 52	set of crankshaft bearings undersize 0.25 mm comprising:		1	
-	928 101 117 58	main bearing bush i		1	
-	928 101 115 50	main bearing shell upper		3	
-	928 101 115 51	main bearing shell lower		3	
-	928 101 133 53	thrust bearing		2	
>>	>>928 101 901 62	set of crankshaft bearings undersize 0.50 mm comprising:		X	
-	928 101 117 68	main bearing bush i		1	

Model	Year	MG	SG	Illustration	Restrictions	UPD	12:12	23.01.2010
924S	1988	1	98	198-00R		248		

Pos	Part Number	Description	Remark	Qty	Model
-	928 101 115 60	main bearing shell upper		3	
-	928 101 115 61	main bearing shell lower		3	
-	928 101 133 63	thrust bearing		2	
>>	>>944 100 930 00	maintenance set for periodic maintenance comprising:		1	
-	944 107 201 03	oil filter		1	
-	944 110 186 02	air cleaner cartridge		1	
-	928 110 253 06	fuel filter		1	
-	900 123 118 30	sealing ring		1	
-	999 170 156 90	spark plug		4	
>>	>>944 110 901 00	gasket set for injector valve		4	
>>	>>944 103 902 82	set of piston rings 100,00 MM		4	M44.07/08
>>	>>944 103 902 92	set of piston rings 100,50 MM		4	M44.07/08

Model	Year	MG	SG	Illustration	Restrictions	UPD	12:12	23.01.2010	PORSCHE	PET	PORSCHE
924S	1988	2	01	201-00		248					

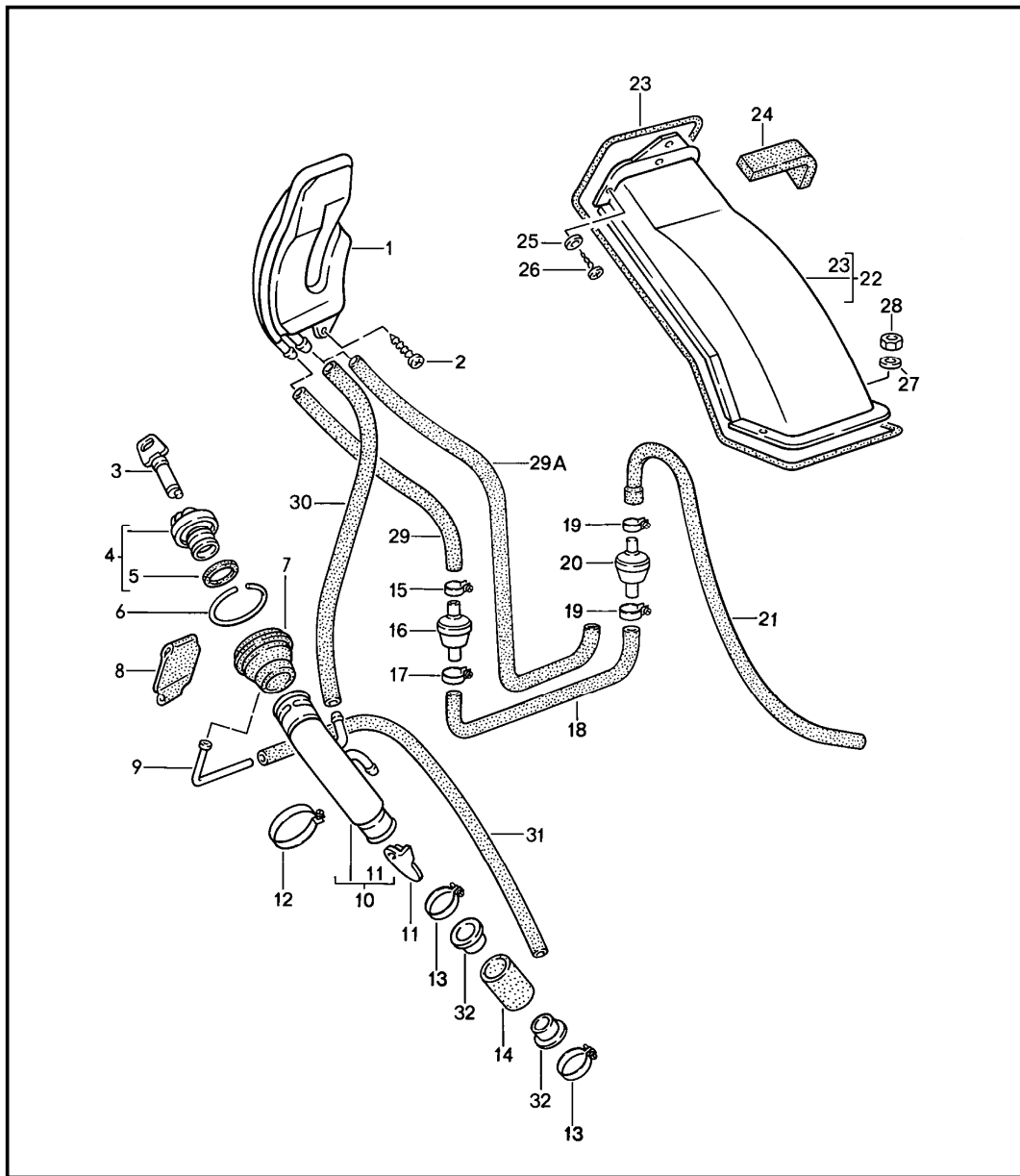


Pos	Part Number	Description	Remark	Qty	Model
		fuel tank 1			
1	477 201 021 F	fuel tank		1	
2	944 201 647 00	intermediate piece		2	
3	477 201 295 B	intermediate layer		2	
4	481 201 647	intermediate piece		2	
5	477 863 160 A	gasket		1	
6	477 863 162 A	sound absorber		1	
7	477 201 302	restraining strap		1	
8	477 201 311 B	restraining strap		1	
9	477 201 395	restraining strap		1	
10	A N 010 247 7	hexagon-head bolt		1	
10	N 010 247 8	hexagon-head bolt		1	
11	900 025 007 02	washer		1	
12	900 084 004 02	hexagon nut		3	
12	900 084 004 03	hexagon nut		3	
13	N 023 565 3	hose clamp A 9 X 21 ZY		1	
-	N 020 363 1	hose 12 X 2,5		*	
14	-	240 MM		1	
15	-	382 MM		2	
16	477 201 035	expansion tank		1	
17	999 512 554 00	hose clamp		2	
18	N 024 125 2	hose clamp A 9 X 19 ZY		1	
19	N 023 570 2	hose clamp A 9 X 15 ZY		2	
-	N 020 378 1	hose 10 X 2,5		*	
20	-	270 MM		1	
21	477 919 133	sealing ring		1	

Model	Year	MG	SG	Illustration	Restrictions	UPD	12:12	23.01.2010	PORSCHE	PET	PORSCHE
924S	1988	2	01	201-00		248					

Pos	Part Number	Description	Remark	Qty	Model	Pos	Part Number	Description	Remark	Qty	Model
22	477 919 051 B	tank gauge		1							
23	N 044 734 1	pan-head screw M 5 X 15		5							
24	N 013 802 1	sealing ring		5							
25	477 201 295 B	intermediate layer		1							

Model	Year	MG	SG	Illustration	Restrictions	UPD	12:12	23.01.2010	PORSCHE	PET	PORSCHE
924S	1988	2	01	201-03		248					

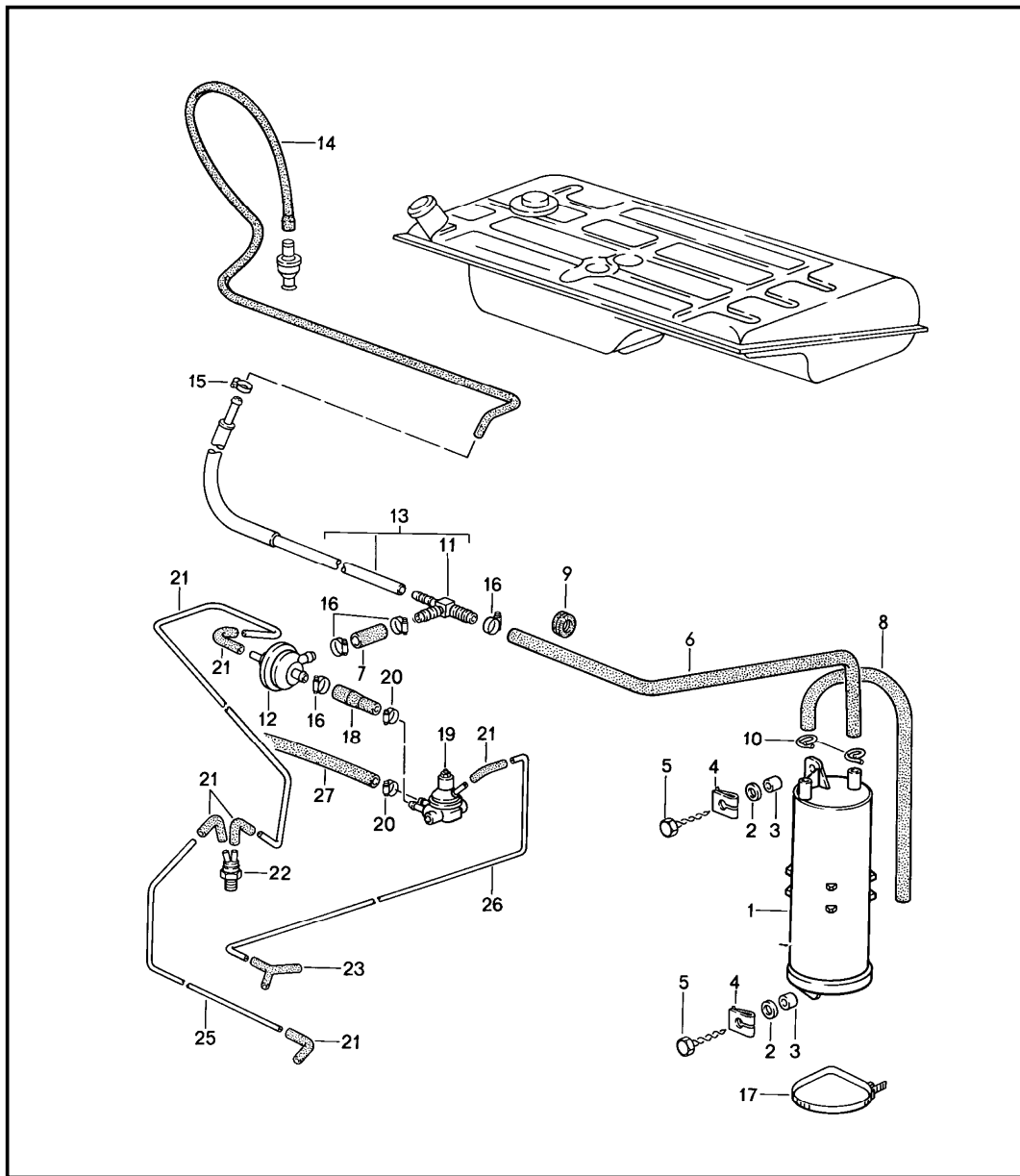


Pos	Part Number	Description	Remark	Qty	Model
		fuel tank 2			
1	944 201 041 03	expansion tank		1	
2	N 043 864 1	screw BM 3 X 6		1	
3	477 201 594	lock cylinder with keys w/o stipulated lock number		1	
3	477 201 594 A	lock cylinder with keys state lock number		1	
4	944 201 061 01	fuel tank cap		1	
5	944 201 553 00	gasket		1	
6	900 906 045 03	circlip		1	
7	477 201 281 B	sleeve		1	
8	928 201 057 02	protective flap		1	
9	477 201 283 A	connection piece		1	
10	944 201 039 00	filler neck		1	
10	944 201 039 03	filler neck		1	M298/299
10	944 201 039 03	filler neck	(A) (AUS)	1	
			87-		
11	931 201 359 02	flap		1	
12	999 513 003 40	tie-wrap		1	
13	113 201 281 B	hose clamp		2	
14	951 201 319 00	hose		1	
15	N 024 528 1	clip		1	
16	810 201 186 A	bleeder valve		1	
			-87		
17	N 023 570 2	hose clamp		1	
18	944 201 449 00	hose		1	
			-87		
19	N 023 570 2	hose clamp		2	
20	928 201 083 02	shut-off valve		1	
21	944 201 159 01	breather hose		1	

Model	Year	MG	SG	Illustration	Restrictions	UPD	12:12	23.01.2010	PORSCHE	PET	PORSCHE
924S	1988	2	01	201-03		248					

Pos	Part Number	Description	Remark	Qty	Model	Pos	Part Number	Description	Remark	Qty	Model
22	944 201 047 03	cover		1							
-	000 043 202 08	packing cord		*							
23	-	\$ 4 MM		1							
24	000 043 205 05	sound absorber 100 MM		*							
25	900 151 028 02	washer 4,3		3							
26	N 013 957 5	tapping screw B 3,5 X 9,5		5							
27	900 025 003 02	washer A 5,3		2							
28	N 011 005 14	hexagon nut M 5		2							
29	944 201 453 01	hose	-87	1							
29A	951 201 449 01	hose	88-	1							
30	999 181 354 40	hose		1							
31	477 201 393 A	hose		1							
32	944 201 217 00	hose		2							

Model	Year	MG	SG	Illustration	Restrictions	UPD	12:13	23.01.2010	PORSCHE	PET	PORSCHE
924S	1988	2	01	201-05		248					

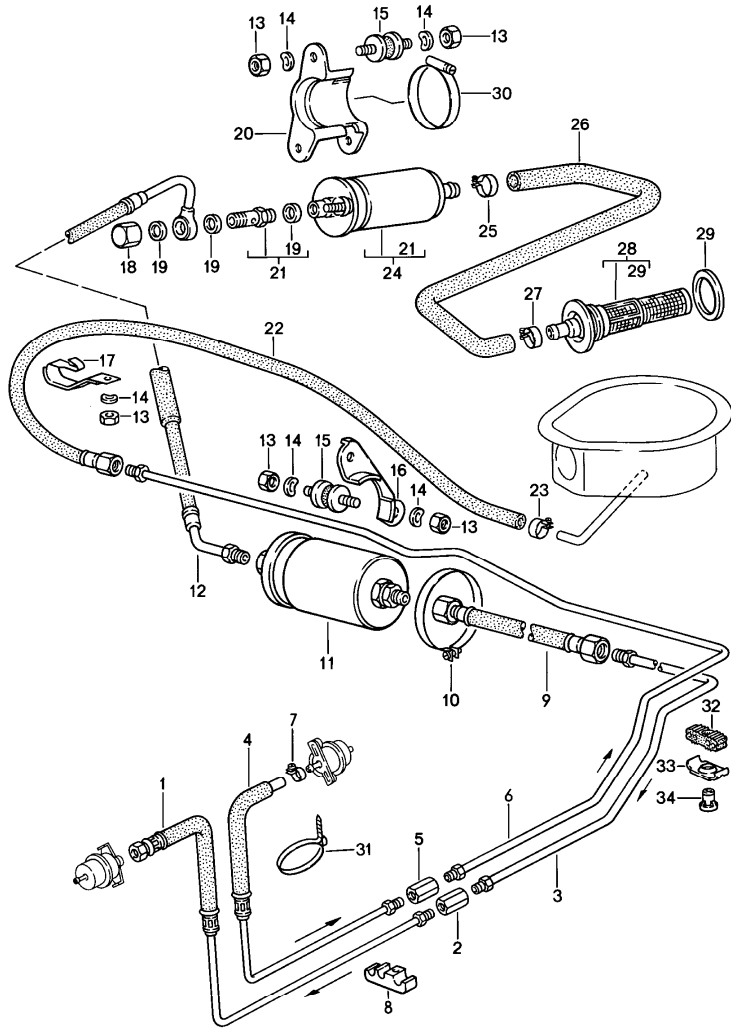


Pos	Part Number	Description	Remark	Qty	Model
1	928 201 014 06	carbon canister tank ventilation		1	
2	N 011 666 7	washer 6,1		2	
3	477 201 279	sleeve		2	
4	N 015 433 1	speed nut B 6,3		2	
5	N 013 891 1	tapping screw B 6,3 X 19		2	
-	N 020 362 1	hose 12 X 2,5		*	
6	-	460 MM		1	
7	-	50 MM		1	
8	477 201 747 B	hose		1	
9	021 119 569 A	rubber sleeve		1	
10	999 512 265 02	hose clamp		2	
11	477 201 767 B	t-piece		1	
12	928 110 429 08	vacuum valve		1	
13	477 201 743 D	pipeline		1	
14	944 201 159 01	breather hose		1	
15	N 023 558 1	hose clamp A 9 X 10		1	
16	999 512 346 00	hose clamp LC 16 - 25		5	
17	N 020 906 3	tie-wrap 6,5 X 450		1	
18	944 110 182 02	hose		1	
19	944 110 429 00	control valve		1	
20	999 512 160 02	hose clamp S 13/9		2	
21	928 574 717 02	moulded hose		4	
22	058 131 851 A	thermo valve		1	

Model	Year	MG	SG	Illustration	Restrictions	UPD	12:13	23.01.2010	PORSCHE	PET	PORSCHE
924S	1988	2	01	201-05		248					

Pos	Part Number	Description	Remark	Qty	Model	Pos	Part Number	Description	Remark	Qty	Model
23	928 573 727 02	distributing piece		1							
-	N 020 139 1	hose 4 X 1		*							
24	-	850 MM		1							
25	-	480 MM		1							
26	-	580 MM		1							
-	999 181 152 50	hose 7,5 X 13,5		*							
27	-	730 MM									

Model	Year	MG	SG	Illustration	Restrictions	UPD	12:13	23.01.2010	PORSCHE	PET	PORSCHE
924S	1988	2	01	201-10		248					



Pos	Part Number	Description	Remark	Qty	Model
		fuel system			
1	944 356 943 03	fuel line		1	
2	477 209 169	connecting piece		1	
3	477 209 178 A	fuel line		1	
4	944 356 945 03	fuel line		1	
5	477 209 161	connecting piece		1	
6	477 209 176 A	fuel line		1	
7	N 023 577 2	hose clamp A 9 X 14 ZY		1	
8	944 356 591 00	support		12	
9	944 356 048 02	fuel hose		1	
10	N 024 316 1	hose clamp A 12 X 75		1	
11	928 110 253 04	fuel filter		1	(AG) (SA)
11	928 110 253 06	fuel filter		1	
12	A 944 356 041 07	fuel hose		1	
12	944 356 041 12	fuel hose		1	
13	900 076 010 02	hexagon nut M 6		10	
14	N 012 226 5	spring washer A 6		10	
15	944 610 115 00	bonded rubber mounting		5	
16	944 356 471 01	support		1	
17	944 356 593 01	support		1	
18	N 011 069 1	cap nut M 12 X 1,5		1	
19	N 013 812 3	sealing ring A 12 X 15,5		2	
20	944 356 295 00	support		1	
21	944 608 951 01	check valve		1	
22	477 209 071 C	fuel hose		1	

Model	Year	MG	SG	Illustration	Restrictions	UPD	12:13	23.01.2010	PORSCHE	PET	PORSCHE
924S	1988	2	01	201-10		248					

Pos	Part Number	Description	Remark	Qty	Model	Pos	Part Number	Description	Remark	Qty	Model
23	999 512 160 02	hose clamp A 9 X 13		1							
24	944 608 102 04	fuel pump		1							
25	N 023 526 2	hose clamp A 9 X 18		1							
26	944 356 557 00	fuel hose		1							
27	999 512 346 00	hose clamp A 9 X 20		1							
28	928 201 081 04	fuel filter		1							
29	928 201 187 02	sealing ring		1							
30	999 512 394 00	hose clamp		1							
31	N 020 902 1	tie-wrap		2							
32	999 591 975 40	rubber mounting		2							
33	999 511 199 40	clamp		2							
34	999 511 199 40	clamp		2							

PORSCHE

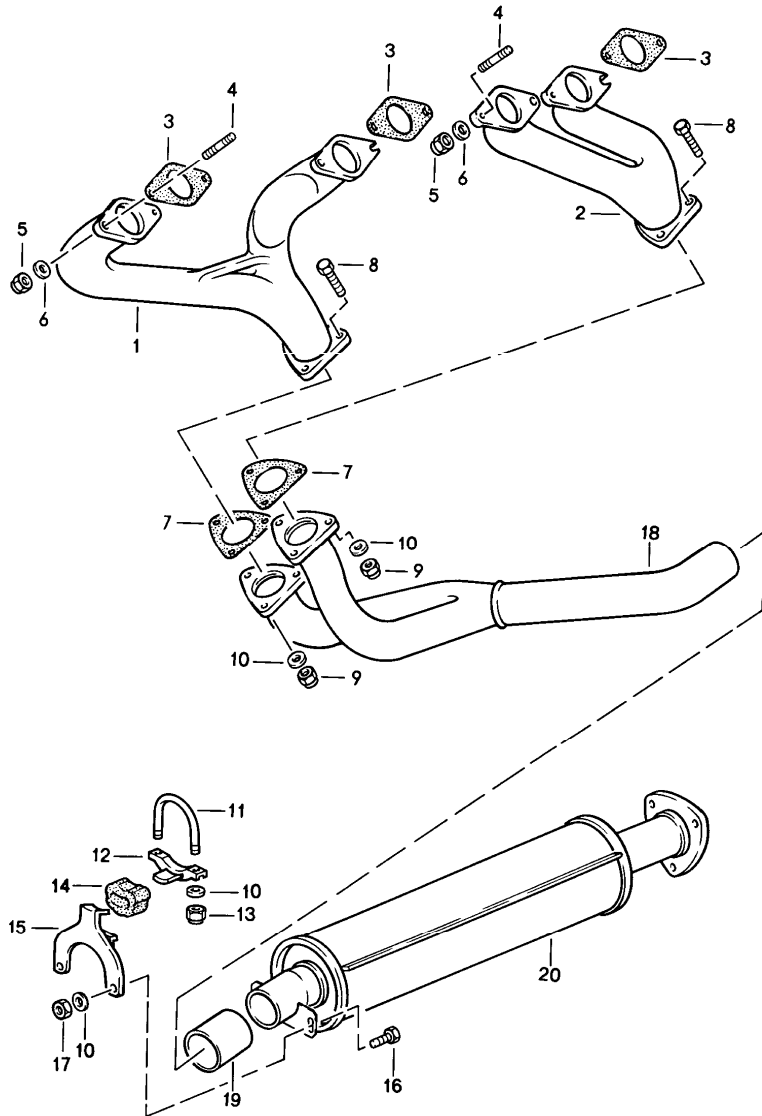
PET

PORSCHE

Model	Year	MG	SG	Illustration	Restrictions	UPD	12:13	23.01.2010
924S	1988	2	01	201-15		248		

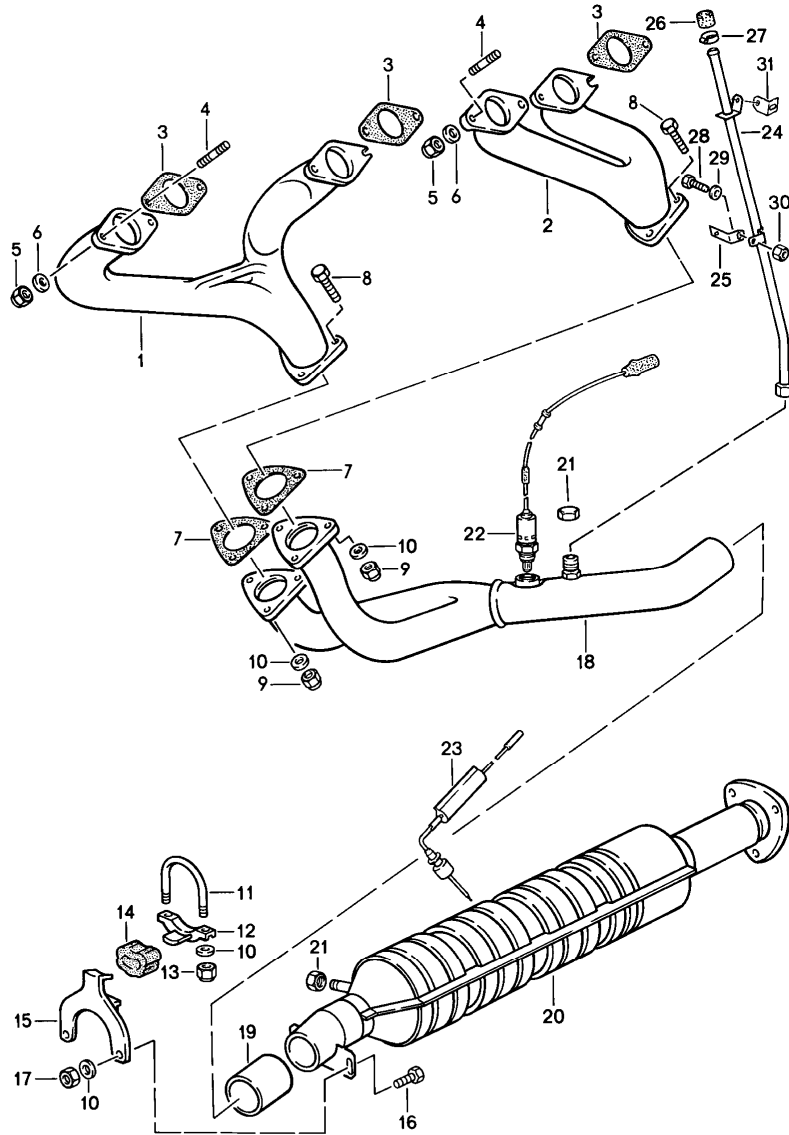
Pos	Part Number	Description	Remark	Qty	Model
11	944 356 041 12	fuel hose		1	

Model	Year	MG	SG	Illustration	Restrictions	UPD	12:13	23.01.2010	PORSCHE	PET	PORSCHE
924S	1988	2	02	202-00		248					



Pos	Part Number	Description	Remark	Qty	Model
		exhaust system front muffler			M44.07/08
1	944 111 127 05	exhaust manifold cylinders 1 and 4 sheet metal elbow		1	
2	944 111 129 04	exhaust manifold cyl. 2 and 3 sheet metal elbow		1	
3	944 111 196 01	gasket		4	
4	999 062 044 02	stud M 8 X 30		8	
5	999 084 052 02	lock nut M 8		8	
6	928 111 181 00	washer		8	
7	944 111 135 01	gasket		2	
8	900 074 287 02	hexagon-head bolt M 8 X 35		6	
9	N 022 008 4	lock nut VM 8		6	
10	900 025 007 02	washer A 8,4		8	
11	477 253 139	clip		1	
12	944 111 307 00	support		1	
13	900 910 003 02	lock nut VM 8		2	
14	944 111 142 01	rubber mounting		1	
15	931 111 061 02	hook		1	
16	N 010 240 16	hexagon-head bolt M 8 X 20		2	
17	900 076 025 02	hexagon nut M 8		2	
18	944 111 983 01	exhaust pipe		1	
19	944 111 981 00	sleeve		1	
20	944 111 985 01	front muffler		1	

Model	Year	MG	SG	Illustration	Restrictions	UPD	12:13	23.01.2010	PORSCHE	PET	PORSCHE
924S	1988	2	02	202-05		248					

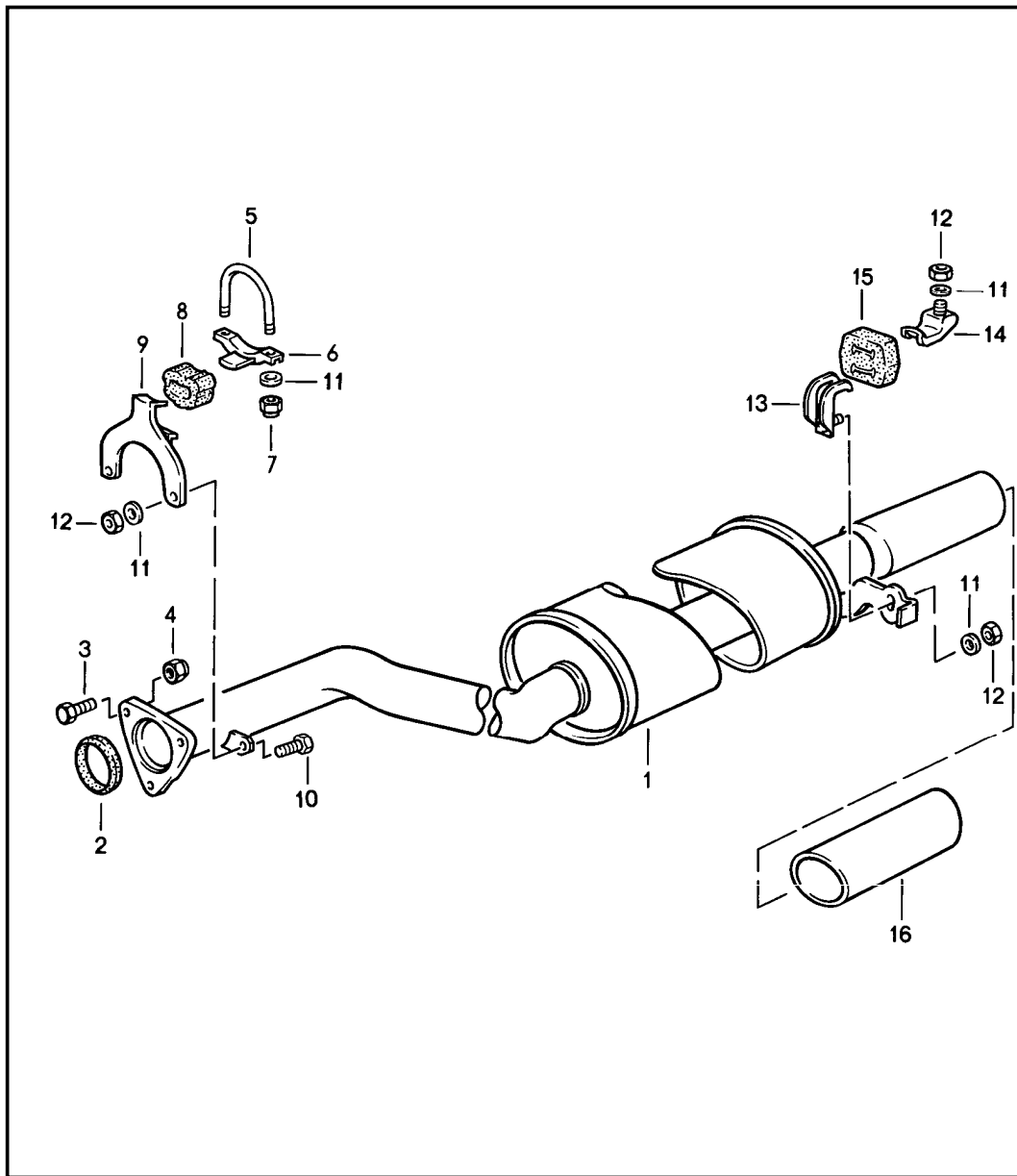


Pos	Part Number	Description	Remark	Qty	Model
		exhaust system catalytic converter			M44.07/08
1	944 111 127 05	exhaust manifold cylinders 1 and 4 sheet metal elbow		1	
2	944 111 129 04	exhaust manifold cyl. 2 and 3 sheet metal elbow		1	
3	944 111 196 01	gasket		4	
4	999 062 044 02	stud M 8 X 30		8	
5	999 084 052 02	lock nut M 8		8	
6	928 111 181 00	washer		8	
7	944 111 135 01	gasket		X	
8	900 074 287 02	hexagon-head bolt M 8 X 35		6	
9	N 022 008 4	lock nut VM 8		6	
10	900 025 007 02	washer		8	
11	477 253 139	clip		1	
12	944 111 307 00	support		1	
13	900 910 003 02	lock nut VM 8		2	
14	944 111 142 01	rubber mounting		1	
15	931 111 061 02	hook		1	
16	N 010 240 16	hexagon-head bolt M 8 X 20		2	
17	900 076 025 02	hexagon nut		2	
18	944 111 987 03	exhaust pipe		1	
19	944 111 981 00	sleeve		1	
20	944 111 989 03	catalytic converter	(AUS)	1	M298/299

Model	Year	MG	SG	Illustration	Restrictions	UPD	12:13	23.01.2010	PORSCHE	PET	PORSCHE
924S	1988	2	02	202-05		248					

Pos	Part Number	Description	Remark	Qty	Model	Pos	Part Number	Description	Remark	Qty	Model
20	944 111 989 05	catalytic converter only together with manual transmission	(CH)	87	1						
20	944 111 991 03	catalytic converter	(J)		1						
21	930 113 153 00	cap			1						
22	944 606 135 02	oxygen sensor			1						
22	944 606 135 00	oxygen sensor			1	(CAL)					
23	951 606 019 00	temperature sensor	(J)		1						
24	944 111 175 05	exhaust emission tube			1						
25	944 111 177 02	support			1						
26	034 133 335 D	cap			1						
27	999 512 160 02	hose clamp			1						
28	999 072 005 09	hexagon-head bolt M 6 X 12			1						
29	N 011 524 7	washer			1						
30	900 076 010 02	hexagon nut			1						
31	944 111 179 00	support			1						

Model	Year	MG	SG	Illustration	Restrictions	UPD	12:14	23.01.2010	PORSCHE	PET	PORSCHE
924S	1988	2	02	202-10		248					

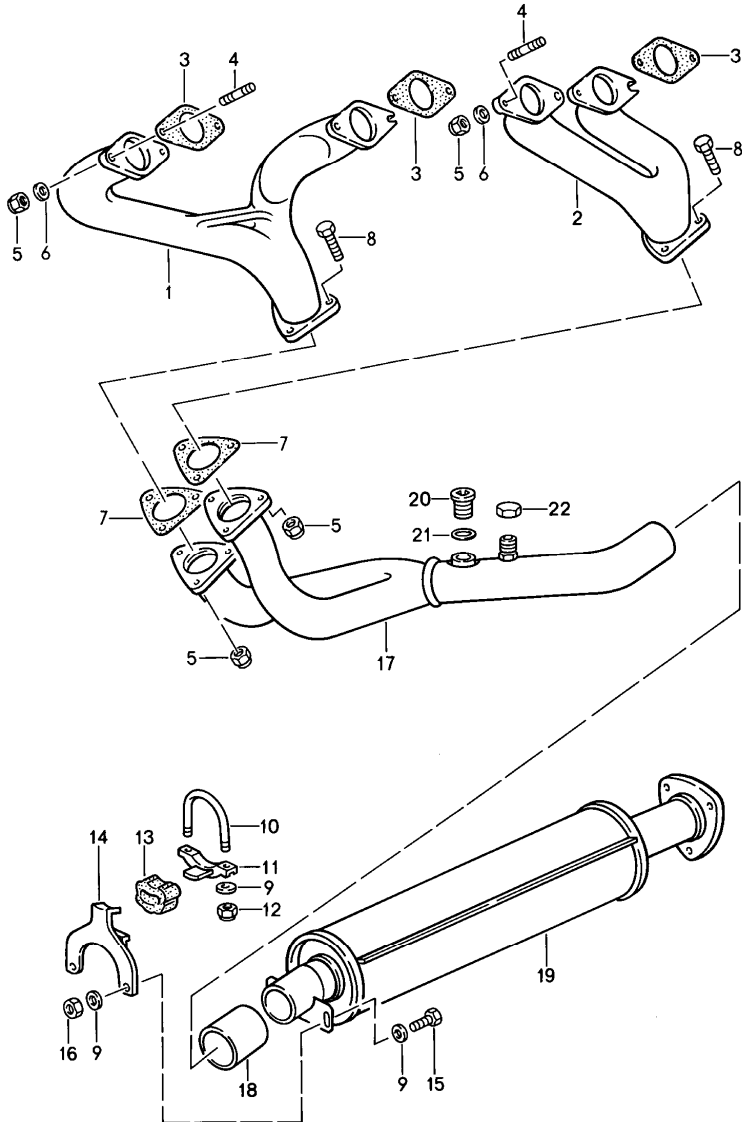


Pos	Part Number	Description	Remark	Qty	Model
		exhaust system rear muffler			M44.07/08
1	944 111 083 01	rear muffler		1	
1	944 111 041 03	rear muffler only together with manual transmission	(CH)	87	1
2	944 111 203 00	sealing ring		1	
3	900 074 287 02	hexagon-head bolt M 8 X 35		3	
4	999 084 052 02	lock nut VM8		3	
5	477 253 139	clip		1	
6	944 111 307 00	support		1	
7	900 910 003 02	lock nut VM8		2	
		VM 8			
8	944 111 142 01	rubber mounting		1	
9	931 111 061 02	hook		1	
9	944 111 211 00	hook	(CH)	87	1
10	N 010 240 16	hexagon-head bolt M 8 X 20		2	
11	900 025 007 02	washer A 8,4		7	
12	900 076 025 02	hexagon nut M 8		6	
13	931 111 264 01	hook		2	
13	944 111 064 01	hook	(CH)	87	2
13	944 111 064 00	hook with trailer coupling		2	
14	931 111 121 01	hook		2	
15	928 111 259 02	rubber mounting		2	
16	477 253 191 C	ornamental exhaust pipe chrome		1	

Model	Year	MG	SG	Illustration	Restrictions	UPD	12:14	23.01.2010	PORSCHE	PET	PORSCHE
924S	1988	2	02	202-10		248					

Pos	Part Number	Description	Remark	Qty	Model	Pos	Part Number	Description	Remark	Qty	Model
16	477 253 191 C	ornamental exhaust pipe black		1							

Model	Year	MG	SG	Illustration	Restrictions	UPD	12:14	23.01.2010	PORSCHE	PET	PORSCHE
924S	1988	2	02	202-15		248					

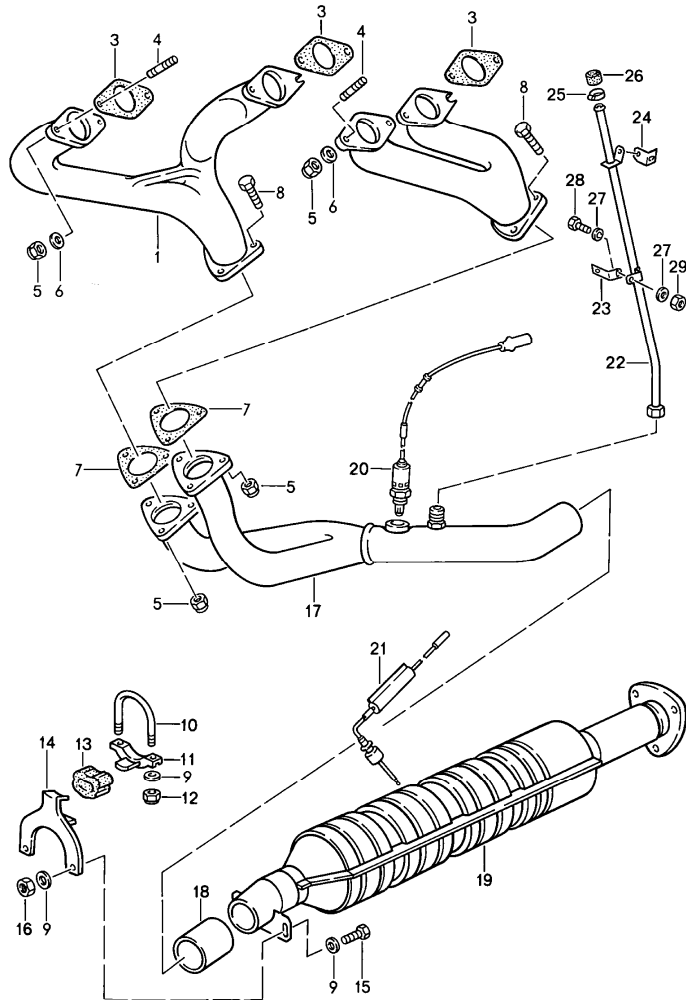


Pos	Part Number	Description	Remark	Qty	Model
		exhaust system front muffler			M44.09/10
1	944 111 127 05	exhaust manifold cylinders 1 and 4		1	
2	944 111 129 04	exhaust manifold cyl. 2 and 3		1	
3	944 111 196 01	gasket		4	
4	999 062 044 02	stud M 8 X 30		8	
5	999 084 052 02	lock nut M 8		14	
6	928 111 181 00	washer		8	
7	944 111 135 01	gasket		2	
8	900 074 282 02	hexagon-head bolt M 8 X 37		6	
9	900 025 007 02	washer		6	
10	477 253 139	clip		1	
11	944 111 307 00	support		1	
12	900 910 003 02	lock nut VM 8		2	
13	944 111 142 01	rubber mounting		1	
14	931 111 061 02	hook		1	
15	N 010 240 16	hexagon-head bolt M 8 X 20		2	
16	900 076 025 02	hexagon nut M 8		2	
17	944 111 987 03	exhaust pipe		1	
18	944 111 981 00	sleeve		1	
19	944 111 985 03	front muffler		1	
19	944 111 985 01	front muffler		1	M249
20	900 219 015 00	screw plug		1	
21	900 123 009 20	sealing ring		1	

Model	Year	MG	SG	Illustration	Restrictions	UPD	12:14	23.01.2010	PORSCHE	PET	PORSCHE
924S	1988	2	02	202-15		248					

Pos	Part Number	Description	Remark	Qty	Model	Pos	Part Number	Description	Remark	Qty	Model
22	951 111 171 00	cap		1							

Model	Year	MG	SG	Illustration	Restrictions	UPD	12:14	23.01.2010	PORSCHE	PET	PORSCHE
924S	1988	2	02	202-20		248					

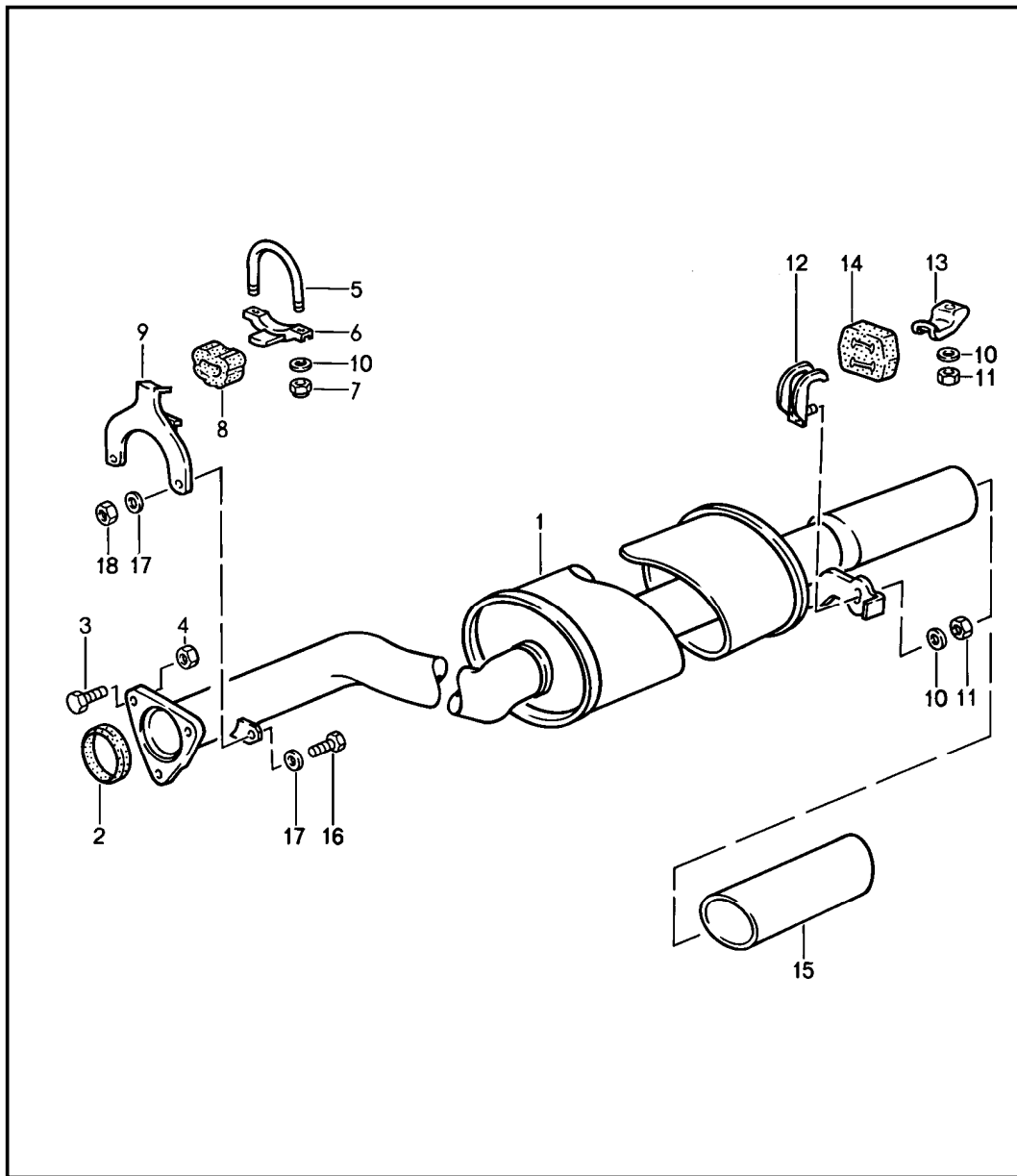


Pos	Part Number	Description	Remark	Qty	Model
		exhaust system catalytic converter			M44.09/10
1	944 111 127 05	exhaust manifold cylinders 1 and 4		1	
2	944 111 129 04	exhaust manifold cyl. 2 and 3		1	
3	944 111 196 01	gasket		4	
4	999 062 044 02	stud M 8 X 30		8	
5	999 084 052 02	lock nut M 8		14	
6	928 111 181 00	washer		8	
7	944 111 135 01	gasket		2	
8	900 074 282 02	hexagon-head bolt M 8 X 37		6	
9	900 025 007 02	washer		8	
10	477 253 139	clip		1	
11	944 111 307 00	support		1	
12	900 910 003 02	lock nut VM 8		2	
13	944 111 142 01	rubber mounting		1	
14	931 111 061 02	hook		1	
15	N 010 240 16	hexagon-head bolt M 8 X 20		2	
16	900 076 025 02	hexagon nut M 8		2	
17	944 111 987 03	exhaust pipe		1	
18	944 111 981 00	sleeve		1	
19	944 111 989 05	catalytic converter		1	M44.09
19	944 111 989 03	catalytic converter		1	M44.10
19	944 111 991 06	catalytic converter	(J)	1	M44.09
19	944 111 991 03	catalytic converter	(J)	1	M44.10

Model	Year	MG	SG	Illustration	Restrictions	UPD	12:14	23.01.2010	PORSCHE	PET	PORSCHE
924S	1988	2	02	202-20		248					

Pos	Part Number	Description	Remark	Qty	Model	Pos	Part Number	Description	Remark	Qty	Model
20	944 606 135 02	oxygen sensor		1							
21	951 606 019 00	temperature sensor	(J)	1							
22	944 111 175 03	exhaust emission tube		1							
23	944 111 177 02	support		1							
24	944 111 279 01	support		1							
25	999 512 160 02	hose clamp		1							
26	034 133 335 D	cap		1							
27	N 011 666 7	washer		4							
28	999 072 005 09	hexagon-head bolt M 6 X 12		2							
29	900 076 010 02	hexagon nut		2							

Model	Year	MG	SG	Illustration	Restrictions	UPD	12:14	23.01.2010	PORSCHE	PET	PORSCHE
924S	1988	2	02	202-25		248					



Pos	Part Number	Description	Remark	Qty	Model
		exhaust system rear muffler			M44.09/10
1	944 111 041 03	rear muffler		1	M44.09
1	944 111 083 01	rear muffler		1	M44.10
1	944 111 041 03	rear muffler	(CH)	1	M44.10
2	944 111 204 00	sealing ring		1	M44.09
2	944 111 203 00	sealing ring		1	M44.10
2	944 111 204 00	sealing ring	(CH)	1	M44.10
3	900 074 268 02	hexagon-head bolt BM 8 X 40		3	
4	999 084 052 02	lock nut		3	
5	477 253 139	clip		1	
6	944 111 307 00	support		1	
7	900 910 003 02	lock nut VM 8		2	
8	944 111 142 01	rubber mounting		1	
9	944 111 211 00	hook		1	M44.09
9	931 111 061 02	hook		1	M44.10
10	900 025 007 02	washer		6	
11	900 076 025 02	hexagon nut		4	
12	944 111 064 01	hook		2	M44.09
12	931 111 264 01	hook		2	M44.10
13	931 111 121 01	hook		2	
14	928 111 259 02	rubber mounting		2	
15	477 253 191 C	ornamental exhaust pipe		1	
16	900 075 087 02	hexagon-head bolt		2	M44.10
17	900 025 007 02	washer		4	M44.10
18	900 076 025 02	hexagon nut		2	M44.10

PORSCHE

PET

PORSCHE

Model	Year	MG	SG	Illustration	Restrictions	UPD	12:14	23.01.2010
924S	1988	2	98	298-00R		248		

Pos	Part Number	Description	Remark	Qty	Model
		repair kits			
>>	>>944 113 911 02	conversion set for subsequent installation catalytic converter comprising:	-87	1	M44.07/08 M44.10
-	000 043 059 00	installation instructions		1	
-	944 111 081 05	catalytic converter		1	
-	944 111 135 01	gasket		2	
-	944 111 203 00	sealing ring		1	
-	900 074 287 02	hexagon-head bolt		9	
-	900 025 007 02	washer		6	
-	N 022 008 4	lock nut		9	
-	944 606 135 02	oxygen sensor		1	
-	944 423 193 01	support		1	
-	N 020 680 1	clamp		1	
-	N 010 207 6	hexagon-head bolt		1	
-	N 012 225 2	spring washer		1	
-	N 011 005 14	hexagon nut		1	
-	951 504 869 00	heat shield		1	
-	999 591 485 02	speed nut		4	
-	N 090 239 1	combination screw		4	
-	944 111 175 02	exhaust emission tube		1	
-	944 111 177 02	support		1	
-	944 111 179 00	support		1	
-	999 072 005 09	hexagon-head bolt		2	
-	N 011 524 7	washer		2	
-	900 076 010 02	hexagon nut		2	
-	034 133 335 D	cap		1	
-	999 512 160 02	hose clamp		1	
-	944 701 201 02	sticker		1	
-	944 701 201 01	sticker		1	
-	944 201 901 00	sleeve		1	

Model	Year	MG	SG	Illustration	Restrictions	UPD	12:14	23.01.2010
924S	1988	2	98	298-00R		248		

Pos	Part Number	Description	Remark	Qty	Model
-	944 101 033 00	heat shield		1	
>>	>>944 113 911 04	conversion set for subsequent installation catalytic converter comprising:	88	1	M44.09
-	000 043 060 00	installation instructions		1	
-	944 111 081 07	catalytic converter		1	
-	944 111 135 01	gasket		2	
-	900 074 282 02	hexagon-head bolt		6	
-	999 084 052 02	lock nut		9	
-	944 111 204 00	sealing ring		1	
-	900 074 268 02	hexagon-head bolt		3	
-	N 010 240 16	hexagon-head bolt		1	
-	900 076 025 02	hexagon nut		1	
-	900 025 007 02	washer		2	
-	944 111 175 02	exhaust emission tube		1	
-	944 111 177 02	support		1	
-	944 111 279 01	support		1	
-	999 072 005 09	hexagon-head bolt		2	
-	900 076 010 02	hexagon nut		2	
-	N 011 666 7	washer		4	
-	034 133 335 D	cap		1	
-	999 512 006 02	hose clamp		1	
-	944 606 135 02	oxygen sensor		1	
-	944 612 621 00	clamping bow		1	
-	951 504 869 00	heat shield		1	
-	999 591 485 02	speed nut		2	
-	N 090 239 1	combination screw		2	
-	944 701 201 02	sticker		1	
-	911 701 241 00	sticker		1	
-	944 201 901 00	sleeve		1	

Model	Year	MG	SG	Illustration	Restrictions	UPD	12:14	23.01.2010
924S	1988	2	98	298-00R		248		

Pos	Part Number	Description	Remark	Qty	Model
>>	>>944 111 901 00	set of fastening parts for front muffler for catalytic converter comprising:		1	M44.07/08/10
-	944 111 135 01	gasket		2	
-	900 074 287 02	hexagon-head bolt		9	
-	N 022 008 4	lock nut		9	
-	900 025 007 02	washer		8	
-	944 111 142 01	rubber mounting		2	
-	N 010 240 16	hexagon-head bolt		2	
-	900 076 025 02	hexagon nut		2	
-	944 111 981 00	sleeve		1	
-	931 111 061 02	hook		1	
-	944 111 203 00	sealing ring		1	
-	928 111 259 02	rubber mounting		2	
-	930 113 153 00	cap		1	
>>	>>944 111 901 01	set of fastening parts for rear muffler comprising:		1	M44.07/08/10
-	944 111 203 00	sealing ring		1	
-	900 074 287 02	hexagon-head bolt		3	
-	N 022 008 4	lock nut		3	
-	477 253 140 A	bearing		2	
-	N 010 240 16	hexagon-head bolt		2	
-	900 025 007 02	washer		4	
-	900 076 025 02	hexagon nut		4	
-	928 111 259 02	rubber mounting		2	
-	477 253 191 C	ornamental exhaust pipe		1	
-	931 111 061 02	hook		1	
-	931 111 264 01	hook		2	

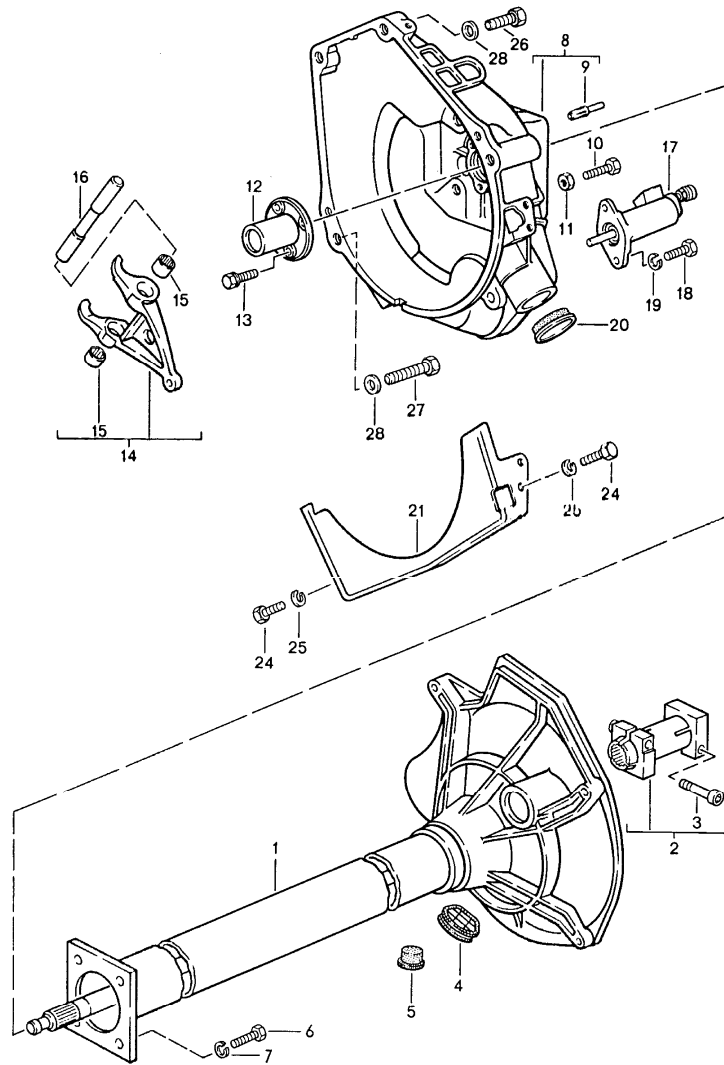
Model	Year	MG	SG	Illustration	Restrictions	UPD	12:14	23.01.2010
924S	1988	2	98	298-00R		248		

Pos	Part Number	Description	Remark	Qty	Model
>>	>>944 111 901 02	set of fastening parts for front muffler and rear muffler comprising:		1	M44.07/08/10
-	944 111 135 01	gasket		2	
-	900 074 287 02	hexagon-head bolt		9	
-	N 022 008 4	lock nut		9	
-	900 025 007 02	washer		12	
-	N 010 240 16	hexagon-head bolt		4	
-	900 076 025 02	hexagon nut		6	
-	477 253 140 A	bearing		2	
-	928 111 259 02	rubber mounting		2	
-	477 253 191 C	ornamental exhaust pipe		1	
-	931 111 061 02	hook		2	
-	931 111 264 01	hook		2	
-	930 113 153 00	cap		3	
-	944 111 981 00	sleeve		3	
-	944 111 203 00	sealing ring		3	
>>	>>944 111 901 03	set of fastening parts for front muffler for catalytic converter comprising:		1	M44.09
-	944 111 135 01	gasket		2	
-	900 074 282 02	hexagon-head bolt		6	
-	900 074 268 02	hexagon-head bolt		3	
-	999 084 052 02	lock nut		9	
-	944 111 142 01	rubber mounting		2	
-	928 111 259 02	rubber mounting		2	
-	900 025 007 02	washer		2	
-	900 076 025 02	hexagon nut		2	
-	N 010 240 16	hexagon-head bolt		2	

Model	Year	MG	SG	Illustration	Restrictions	UPD	12:14	23.01.2010
924S	1988	2	98	298-00R		248		

Pos	Part Number	Description	Remark	Qty	Model
>>	>>944 111 901 04	set of fastening parts for rear muffler comprising:		1	M44.09
-	900 074 268 02	hexagon-head bolt		3	
-	999 084 052 02	lock nut		3	
-	944 111 142 01	rubber mounting		2	
-	928 111 259 02	rubber mounting		2	
-	900 025 007 02	washer		2	
-	900 076 025 02	hexagon nut		2	
-	477 253 191 C	ornamental exhaust pipe		1	
>>	>>944 111 901 05	set of fastening parts for front muffler and rear muffler comprising:		1	M44.09
-	944 111 135 01	gasket		2	
-	900 074 282 02	hexagon-head bolt		6	
-	900 074 268 02	hexagon-head bolt		3	
-	999 084 052 02	lock nut		9	
-	944 111 142 01	rubber mounting		2	
-	928 111 259 02	rubber mounting		2	
-	900 025 007 02	washer		4	
-	900 076 025 02	hexagon nut		4	
-	N 010 240 16	hexagon-head bolt		2	
-	477 253 191 C	ornamental exhaust pipe		1	

Model	Year	MG	SG	Illustration	Restrictions	UPD	12:15	23.01.2010	PORSCHE	PET	PORSCHE
924S	1988	3	01	301-00		248					

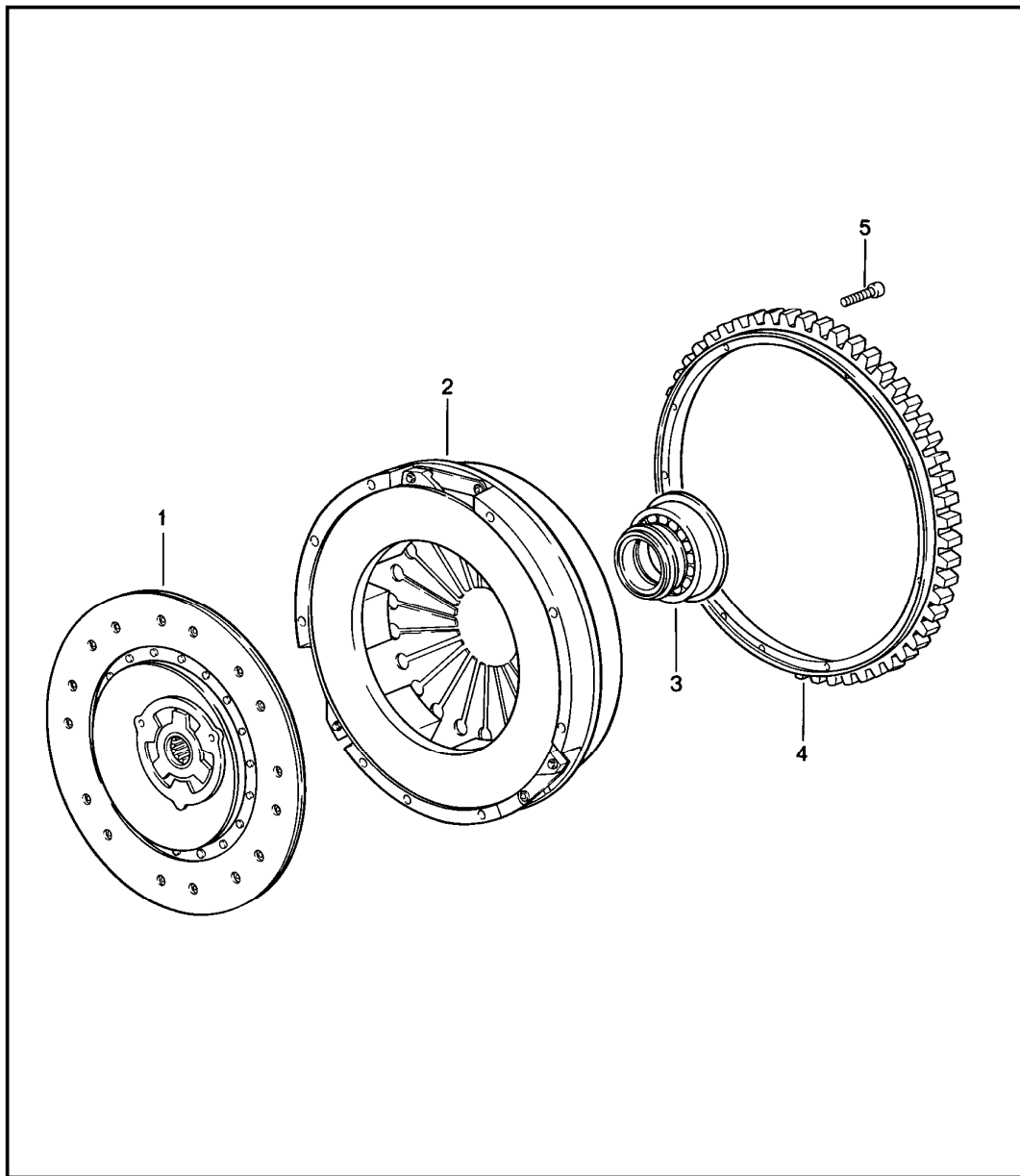


Pos	Part Number	Description	Remark	Qty	Model
1	> 944 421 012 02	central tube manual transmission central tube ready for installation		1	
2	922 421 051 02	clamping sleeve		1	
3	931 421 240 00	clamping screw		2	
4	477 521 277 C	cap		1	
5	477 521 177	cap		1	
6	N 010 275 4	hexagon-head bolt M 10 X 35		4	
7	N 012 028 1	lock ring 10		4	
8	944 116 043 06	clutch housing		1	
9	N 012 690 1	grooved pin 10 X 32		3	
10	N 010 221 3	hexagon-head bolt M 6 X 35		1	
11	900 076 010 02	hexagon nut M 6		1	
12	016 141 181	guide sleeve		1	
13	N 090 194 2	hexagon-head bolt M 7 X 16		3	
14	931 116 085 00	clutch release lever		1	
15	999 201 213 00	needle sleeve		2	
16	951 116 133 00	clutch control shaft		1	
17	944 116 237 00	clutch operating cylinder		1	
-	928 116 901 00	repair kit clutch operating cylinder		1	
18	N 010 233 6	hexagon-head bolt M 8 X 28		2	
19	900 027 015 02	lock ring B 8		2	
20	931 116 177 00	cap		1	
21	944 116 093 01	protective plate		1	

Model	Year	MG	SG	Illustration	Restrictions	UPD	12:15	23.01.2010	PORSCHE	PET	PORSCHE
924S	1988	3	01	301-00		248					

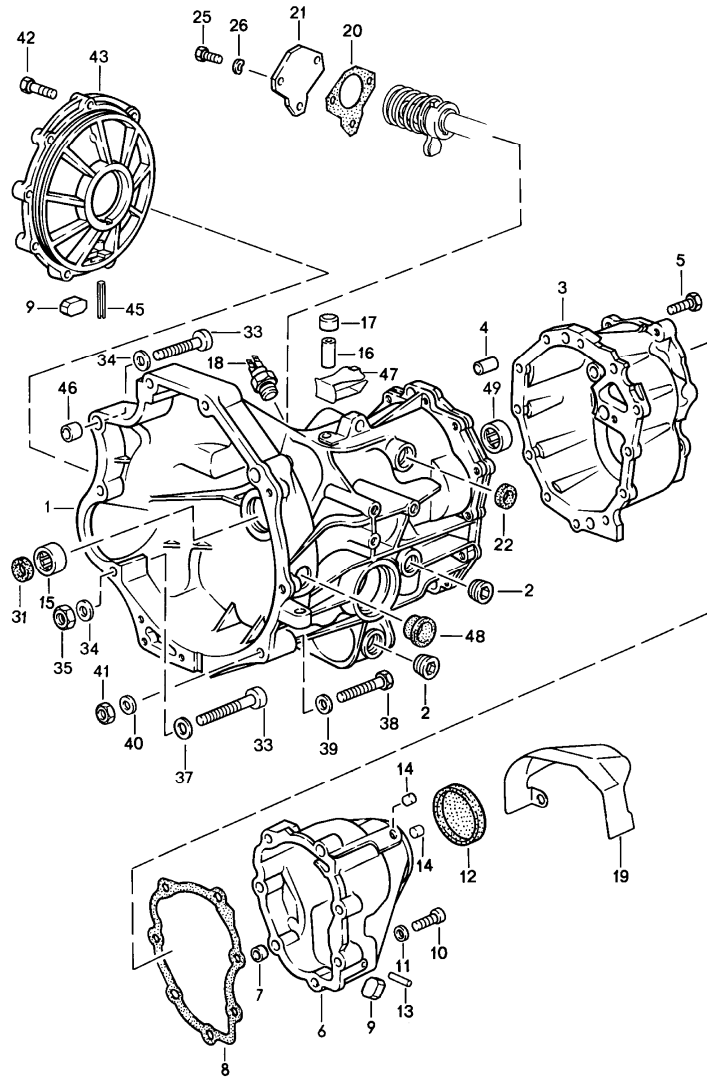
Pos	Part Number	Description	Remark	Qty	Model	Pos	Part Number	Description	Remark	Qty	Model
24	900 075 040 02	hexagon-head bolt M 10 X 20		2							
25	N 012 028 1	lock ring A 10		2							
26	N 010 142 2	hexagon-head bolt M 12 X 50		2							
27	N 010 191 2	hexagon-head bolt M 12 X 95		2							
28	900 025 009 02	washer A 13		4							

Model	Year	MG	SG	Illustration	Restrictions	UPD	12:15	23.01.2010	PORSCHE	PET	PORSCHE
924S	1988	3	01	301-05		248					



Pos	Part Number	Description	Remark	Qty	Model
		clutch			
1	944 116 012 04	clutch plate without asbestos		1	
2	> 944 116 023 01	pressure plate		1	
3	931 116 082 04	clutch release bearing		1	
4	944 116 239 03	starter ring		1	
5	900 067 020 02	pan-head screw M 8 X 50		9	
-	944 116 911 00	repair kit for clutch		1	

Model	Year	MG	SG	Illustration	Restrictions	UPD	12:15	23.01.2010	PORSCHE	PET	PORSCHE
924S	1988	3	02	302-00		248					

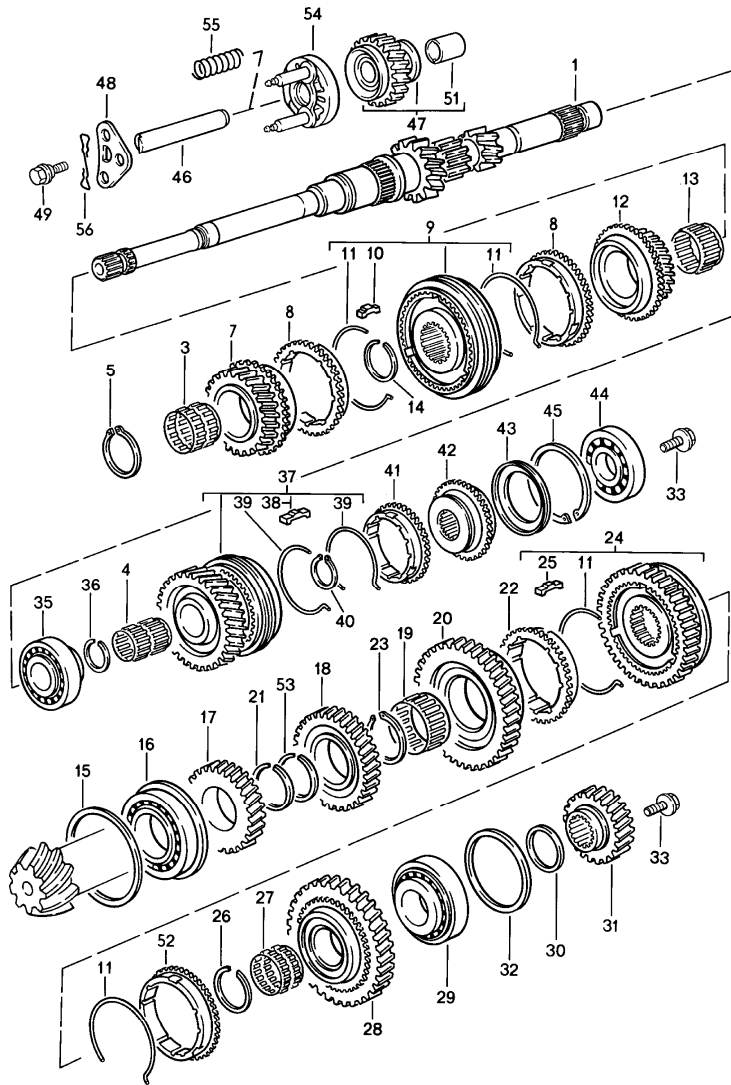


Pos	Part Number	Description	Remark	Qty	Model
- >	016 300 045 C	replacement transmission transmission case manual transmission		1	QK
- >	016 300 045 Q	replacement transmission with limited-slip differential ready for installation		1	7Q
1	016 301 103 AF	transmission case		1	
2	111 301 127 E	screw plug M 24 X 1,5		2	
3	016 301 211 F	end plate G >> QK 28 08 6 G >> 7Q 28 08 6		1	
3	016 301 211 M	end plate G QK 29 08 6 >> G 7Q 29 08 6 >> see tpi GR.3 NR.1		1	
4	014 301 473	guide sleeve		2	
5	N 010 332 4	hexagon-head bolt M 8 X 32		12	
6	016 301 231 F	lid		1	
7	016 301 299	dowel sleeve		2	
8	016 301 235 C	gasket		1	
9	084 301 143 A	magnet		2	
10	N 014 715 1	pan-head screw M 8 X 45		7	
11	900 025 007 02	washer 8,4		5	
12	088 301 467 B	lid		1	
13	N 013 371 1	straight pin 6 M 6 X 24		1	
14	019 301 115	stopper		2	
15	083 311 123	needle sleeve		1	
		TPP			

Model	Year	MG	SG	Illustration	Restrictions	UPD	12:15	23.01.2010	PORSCHE	PET	PORSCHE
924S	1988	3	02	302-00		248					

Pos	Part Number	Description	Remark	Qty	Model	Pos	Part Number	Description	Remark	Qty	Model
16	014 301 473	guide sleeve		1		46	019 301 153	dowel sleeve		2	
17	014 301 485	cap		1		47	016 301 349	cover plate		1	
18	084 941 521	switch		1		49	088 311 123	needle sleeve		1	
19	477 599 181 A	protective plate		1							
20	016 301 455 A	gasket		1							
21	016 301 453 B	lid		1							
22	928 303 120 01	shaft sealing ring		1							
25	900 075 193 08	hexagon-head bolt M 6 X 16		3							
26	N 012 226 5	spring washer B 6		3							
31	016 311 113 C	radial shaft seal		1							
32	N 090 194 2	hexagon-head bolt M 7 X 16		3							
33	900 067 268 02	pan-head screw M 12 X 80		3							
34	900 028 014 02	spring washer B 12		3							
35	N 011 020 8	hexagon nut M 12		1							
37	900 025 009 02	washer A 13		4							
38	900 074 064 02	hexagon-head bolt M 10 X 60		1							
39	900 025 008 09	washer A 10,5		1							
40	N 012 230 6	spring washer B 10		1							
41	N 011 010 13	hexagon nut M 10		1							
42	N 090 191 1	hexagon-head bolt M 8 X 35		9							
43	088 409 131 C	lid		1							
45	N 013 291 1	tensioning sleeve 4 X 28		1							

Model	Year	MG	SG	Illustration	Restrictions	UPD	12:15	23.01.2010	PORSCHE	PET	PORSCHE
924S	1988	3	03	303-00		248					



Pos	Part Number	Description	Remark	Qty	Model
		gears and shafts manual transmission			
1	016 311 105 S	drive shaft		1	
3	016 311 115	needle-roller bearing 4th speed		1	
4	016 311 116 A	needle-roller bearing 5th gear		1	
5	016 311 344	circlip		1	
7	016 311 351 B	shifting gear 4th speed		1	
8	016 311 295	synchroniser ring 3rd/4th gear		2	
9	088 311 301 B	synchronising hub 3rd/4th gear with operating sleeve		1	
10	088 311 245	detent 3rd/4th gear		3	
11	088 311 311 D	spring 1st gear until 4th speed		4	
12	005 311 285	shifting gear 3rd gear		1	
13	016 311 213 H	needle-roller bearing 3rd gear		1	
14	088 311 317	circlip 1,50		1	
14	088 311 317 B	circlip 1,56		X	
14	088 311 317 C	circlip 1,62		X	
15	088 311 391	shim 0,20		1	
15	088 311 391 A	shim 0,25		X	
15	088 311 391 B	shim 0,30		X	

Model	Year	MG	SG	Illustration	Restrictions	UPD	12:15	23.01.2010	PORSCHE	PET	PORSCHE
924S	1988	3	03	303-00		248					

Pos	Part Number	Description	Remark	Qty	Model	Pos	Part Number	Description	Remark	Qty	Model
15	088 311 391 C	shim 0,35		X		22	016 311 295	synchroniser ring 2nd gear		1	
15	088 311 391 D	shim 0,40		X		23	016 311 287	circlip 1,65		1	
15	088 311 391 E	shim 0,65		X		23	016 311 287 A	circlip 1,70		X	
15	088 311 391 F	shim 0,90		X		23	016 311 287 B	circlip 1,75		X	
15	088 311 391 G	shim 1,15		X		24	016 311 239 E	synchronising hub 1st/2nd gear with operating sleeve		1	
16	016 311 220 E	taper roller bearing		1							
17	016 311 149 H	gear wheel 4th speed		1		25	088 311 313	detent 1st/2nd gear		3	
18	016 311 131 E	gear wheel 3rd gear		1		26	016 311 327	circlip 1,50		1	
19	016 311 229 A	needle-roller bearing 2nd gear		1		26	016 311 327 A	circlip 1,55		X	
20	016 311 271	shifting gear 2nd gear		1		26	016 311 327 B	circlip 1,60		X	
21	016 311 363 AA	circlip 2,24		1		27	016 311 207 A	needle-roller bearing 1st gear		1	
21	016 311 363 AB	circlip 2,26		X		28	016 311 257	shifting gear 1st gear		1	
21	016 311 363 AC	circlip 2,28		X		29	016 311 375 B	taper roller bearing G >> QK 28 08 6 G >> 7Q 28 08 6		1	
21	016 311 363 AD	circlip 2,30		X		29	016 311 375 H	taper roller bearing G QK 29 08 6 >> G 7Q 29 08 6 >>		1	
21	016 311 363 AE	circlip 2,32		X							
21	016 311 363 AF	circlip 2,34		X		30	016 311 391	adjusting shim 1,10		1	
21	016 311 363 AG	circlip 2,36		X		30	016 311 391 A	adjusting shim 1,40		X	
21	016 311 363 AH	circlip 2,38		X		30	016 311 391 B	adjusting shim 1,70		X	
21	016 311 363 AJ	circlip 2,40		X		30	016 311 391 C	adjusting shim 2,00		X	
						30	016 311 391 D	adjusting shim 2,30		X	

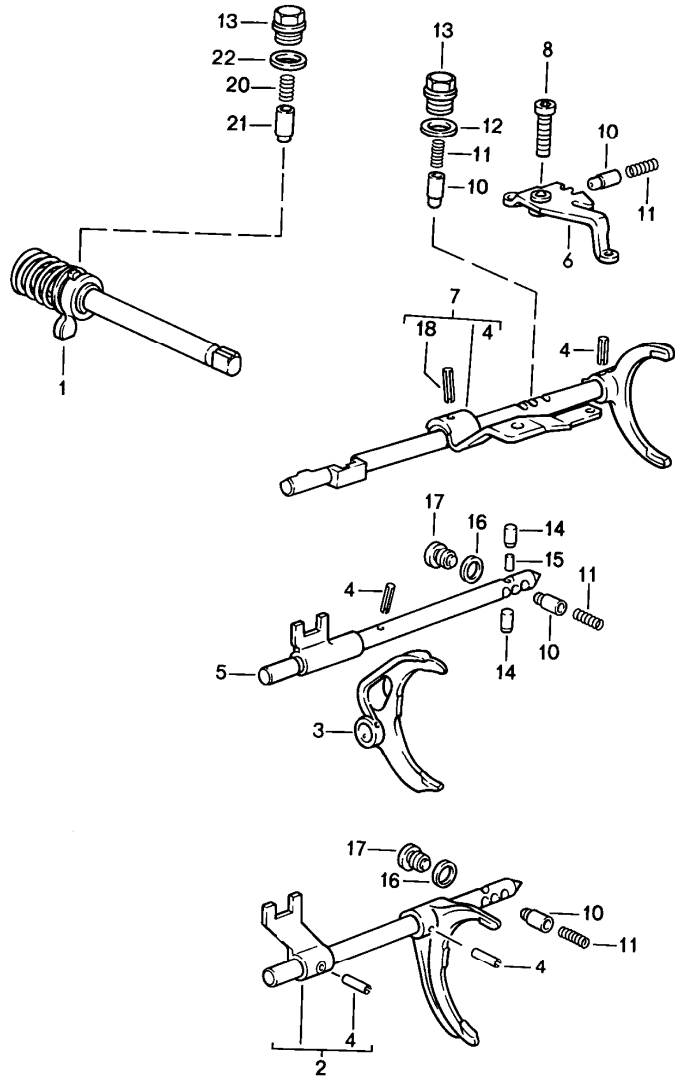
Model	Year	MG	SG	Illustration	Restrictions	UPD	12:15	23.01.2010	PORSCHE	PET	PORSCHE
924S	1988	3	03	303-00		248					

Pos	Part Number	Description	Remark	Qty	Model	Pos	Part Number	Description	Remark	Qty	Model
31	016 311 159 C	gear wheel 5th gear		1		32	016 311 393 M	shim 0,36		X	
		circlip G >> QK 28 08 6 G >> 7Q 28 08 6				32	016 311 393 N	shim 0,39		X	
32	016 311 393	shim 0,24		1		32	016 311 393 P	shim 0,42		X	
32	016 311 393 A	shim 0,27		X		32	016 311 393 Q	shim 0,45		X	
32	016 311 393 B	shim 0,30		X		32	016 311 393 R	shim 0,69		X	
32	016 311 393 C	shim 0,33		X		32	016 311 393 S	shim 0,93		X	
32	016 311 393 D	shim 0,36		X		32	016 311 393 T	shim 1,17		X	
32	016 311 393 E	shim 0,39		X		32	016 311 393 AA	shim 1,41		X	
32	016 311 393 F	shim 0,42		X		33	N 902 582 01	clamping screw		2	
32	016 311 393 G	shim		X		35	016 311 427	cylindrical-roller bearing		1	
32	016 311 393 H	shim 0,69		X		36	N 900 606 01	circlip A 27 X 1,35		1	
32	016 311 393 J	shim 0,93		X		36	N 900 606 02	circlip A 27 X 1,40		X	
32	016 311 393 K	shim 1,17		X		36	N 900 606 03	circlip A 27 X 1,45		X	
32	016 311 393 L	shim 1,41		X		37	016 311 353 B	shifting gear 5th gear		1	
		G QK 29 08 6 >> G 7Q 29 08 6 >>				38	016 311 246	detent 5th gear		3	
32	016 311 393 AP	shim 0,24		1		39	014 311 311 C	spring 5th gear		2	
32	016 311 393 AQ	shim 0,27		X		40	N 900 607 01	circlip A 27 X 1,9		1	
32	016 311 393 AR	shim 0,30		X		41	014 311 295 E	synchroniser ring 5th gear		1	
32	016 311 393 AS	shim 0,33		X		42	016 311 192 A	clutch hub 5th gear		1	
						43	016 311 449	dust plate		1	

Model	Year	MG	SG	Illustration	Restrictions	UPD	12:15	23.01.2010	PORSCHE	PET	PORSCHE
924S	1988	3	03	303-00		248					

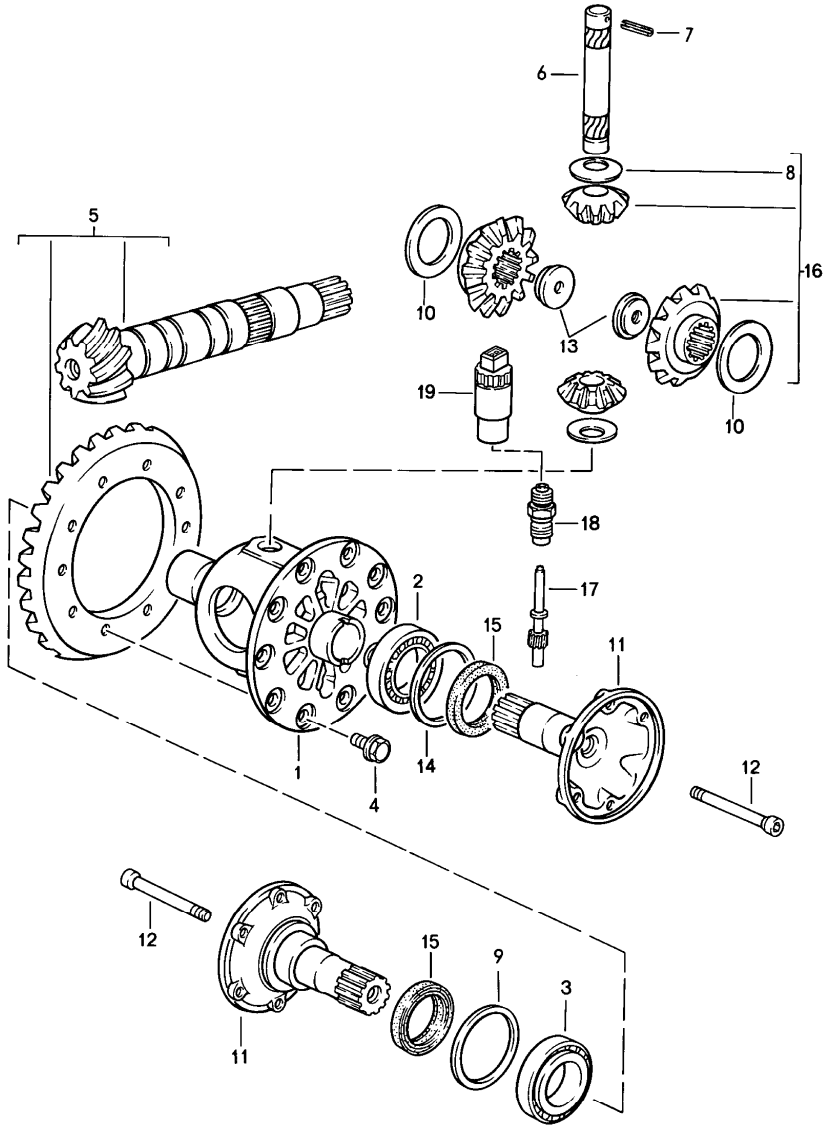
Pos	Part Number	Description	Remark	Qty	Model	Pos	Part Number	Description	Remark	Qty	Model
44	016 311 445	four-point bearing		1							
45	N 900 608 01	circlip A 68 X 2,83		1							
45	N 900 608 02	circlip A 68 X 2,90		X							
46	016 311 519 B	reverse idler gear shaft		1							
47	016 311 529 D	reverse idler gear		1							
48	016 311 853 B	retainer plate		1							
49	088 301 291 A	shouldered bolt		1							
51	088 311 533	bush		1							
52	016 311 247	synchroniser ring 1st gear		1							
53	016 311 363 AJ	circlip 2,40		1							
54	016 311 839 C	synchroniser ring		1							
55	016 311 859 C	compression spring		1							
56	016 311 861 C	spring		1							

Model	Year	MG	SG	Illustration	Restrictions	UPD	12:18	23.01.2010	PORSCHE	PET	PORSCHE
924S	1988	3	04	304-00		248					



Pos	Part Number	Description	Remark	Qty	Model
		transmission control manual transmission			
1	016 311 475 G	shift rod ready for installation		1	
2	016 311 549 A	shift fork 1st/2nd gear		1	
3	016 311 561 A	shift fork 3rd/4th gear		1	
4	N 900 073 01	tensioning sleeve 6 X 22		4	
5	016 311 567	gear shift rod 3rd/4th gear		1	
6	016 311 573 B	reverse lever		1	
7	016 311 575 C	gear shift rod 5th gear and reverse gear		1	
8	084 311 589 B	pan-head screw M 10 X 32		1	
10	084 311 621 D	bush		4	
11	014 311 641 A	compression spring		4	
12	900 123 140 30	sealing ring A 18 X 22		1	
13	005 311 689	screw plug		1	
14	014 311 629	detent		2	
15	014 311 635	intermediate piece		1	
16	088 311 599	sealing ring		2	
17	088 311 721	stop screw		2	
18	N 013 336 1	tensioning sleeve 6 X 26		1	
20	016 311 735 A	compression spring		1	
21	016 311 717 C	bush		1	
22	005 311 599	sealing washer		1	

Model	Year	MG	SG	Illustration	Restrictions	UPD	12:18	23.01.2010	PORSCHE	PET	PORSCHE
924S	1988	3	05	305-00		248					

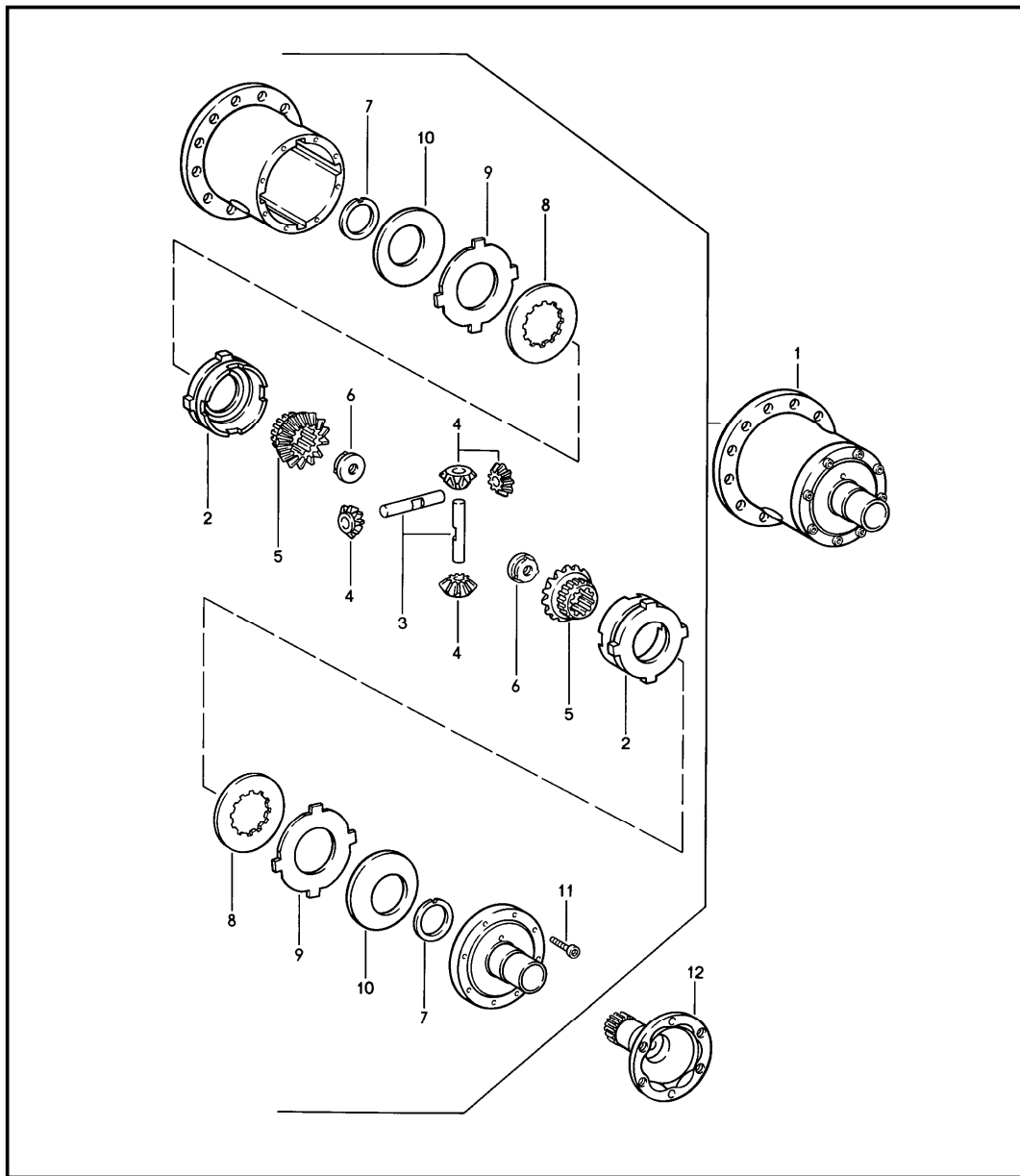


Pos	Part Number	Description	Remark	Qty	Model
		differential manual transmission			
1	088 409 121 B	differential housing		1	
2	016 409 123	taper roller bearing	/L	1	
3	113 517 185 C	taper roller bearing	/R	1	
4	088 409 135 A	hexagon-head bolt M 10 X 18		10	
5	016 409 143 BF	ring gear and pinion shaft 9 : 35		1	
6	005 409 177	bolt		1	
7	N 013 319 1	tensioning sleeve 5 X 36		1	
8	016 409 170	thrust washer		2	
9	113 517 201 A	shim 0,15	/R	1	
9	113 517 202 A	shim 0,20	/R	X	
9	113 517 203 A	shim 0,30	/R	X	
9	113 517 204 A	shim 0,40	/R	X	
9	113 517 205 A	shim 0,50	/R	X	
9	113 517 206 A	shim 0,60	/R	X	
9	02A 409 210 A	shim 0,70	/R	X	
9	02A 409 210 C	shim 0,80	/R	X	
9	02A 409 210 E	shim 0,90	/R	X	
9	02A 409 210 G	shim 1,00	/R	X	
9	113 517 211 A	shim 1,20	/R	X	
10	011 519 215	thrust washer 0,50		2	

Model	Year	MG	SG	Illustration	Restrictions	UPD	12:18	23.01.2010	PORSCHE	PET	PORSCHE
924S	1988	3	05	305-00		248					

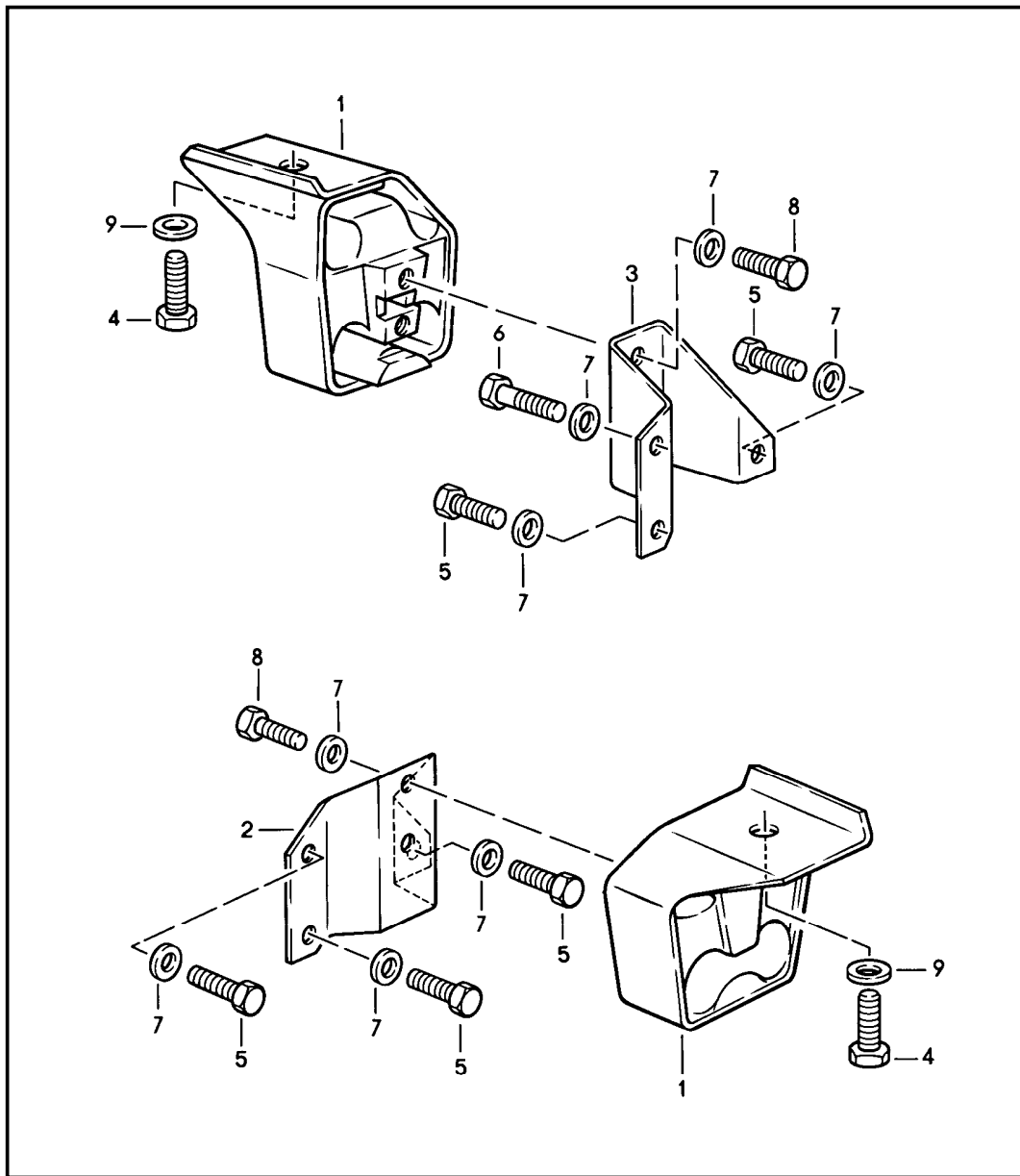
Pos	Part Number	Description	Remark	Qty	Model	Pos	Part Number	Description	Remark	Qty	Model
10	088 409 249	thrust washer 0,60		X							
10	088 409 249 A	thrust washer 0,70		X							
10	088 409 249 B	thrust washer 0,80		X							
11	088 409 355 C	flanged shaft		2							
12	088 409 359	screw		2							
13	016 409 161	nut		2							
14	018 409 381	shim 0,15	/L	1							
14	018 409 383	shim 0,20	/L	X							
14	018 409 385	shim 0,25	/L	X							
14	018 409 387	shim 0,50	/L	X							
14	018 409 389	shim 0,80	/L	X							
14	018 409 391	shim 1,00	/L	X							
14	018 409 393	shim 1,50	/L	X							
15	016 409 399 B	radial shaft seal		2							
16	951 333 951 00	repair kit differential pinions		1							

Model	Year	MG	SG	Illustration	Restrictions	UPD	12:18	23.01.2010	PORSCHE	PET	PORSCHE
924S	1988	3	05	305-05		248					



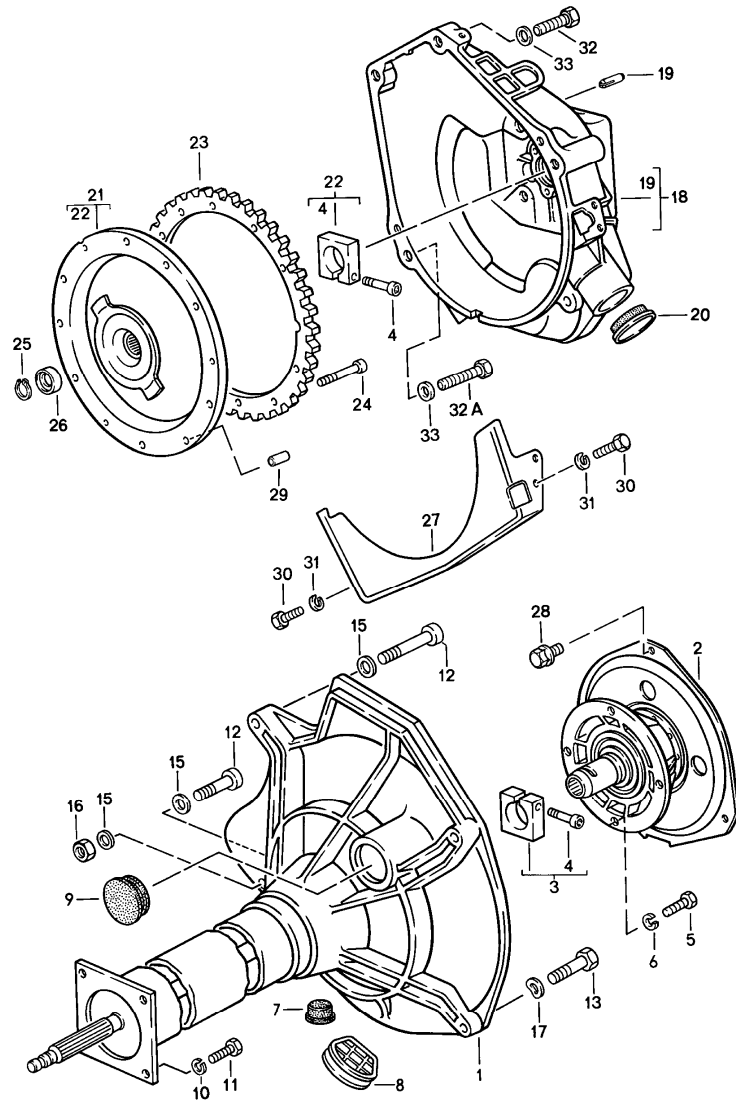
Pos	Part Number	Description	Remark	Qty	Model
		limited-slip differential			
1	951 332 053 05	limited-slip differential		1	
2	951 332 511 00	thrust ring		2	
3	928 332 541 00	differential shaft		2	
4	944 332 531 00	bevel pinion		4	
5	944 332 535 00	shaft bevel gear		2	
6	016 409 161	nut		2	
7	944 332 561 00	thrust washer		2	
8	917 332 551 10	inner disc 2,00		2	
9	917 332 552 10	disc with external splines 1,90		2	
9	917 332 552 11	disc with external splines 2,00		X	
9	917 332 552 12	disc with external splines 2,10		X	
10	928 332 555 00	cup spring 2,00		2	
11	999 119 011 00	pan-head screw M 8 X 1 X 25		2	
12	088 409 355 C	flanged shaft		2	

Model	Year	MG	SG	Illustration	Restrictions	UPD	12:18	23.01.2010	PORSCHE	PET	PORSCHE
924S	1988	3	06	306-00		248					



Pos	Part Number	Description	Remark	Qty	Model
		transmission suspension manual transmission			
1	944 375 045 00	transmission mounting		2	
1	944 375 045 05	transmission mounting white see q-information GR. 3		2	
2	477 399 167 E	suspender bracket	/L	1	
3	477 399 168 E	suspender bracket	/R	1	
4	900 075 111 08	hexagon-head bolt M 10 X 30		2	
5	N 010 240 7	hexagon-head bolt M 8 X 20		2	
6	N 010 359 4	hexagon-head bolt M 8 X 38		2	
7	900 025 007 02	washer A 8		4	
8	900 075 029 09	hexagon-head bolt M 8 X 25		4	
9	N 011 527 12	washer A 10,5		4	

Model	Year	MG	SG	Illustration	Restrictions	UPD	12:18	23.01.2010	PORSCHE	PET	PORSCHE
924S	1988	3	07	307-00		248					

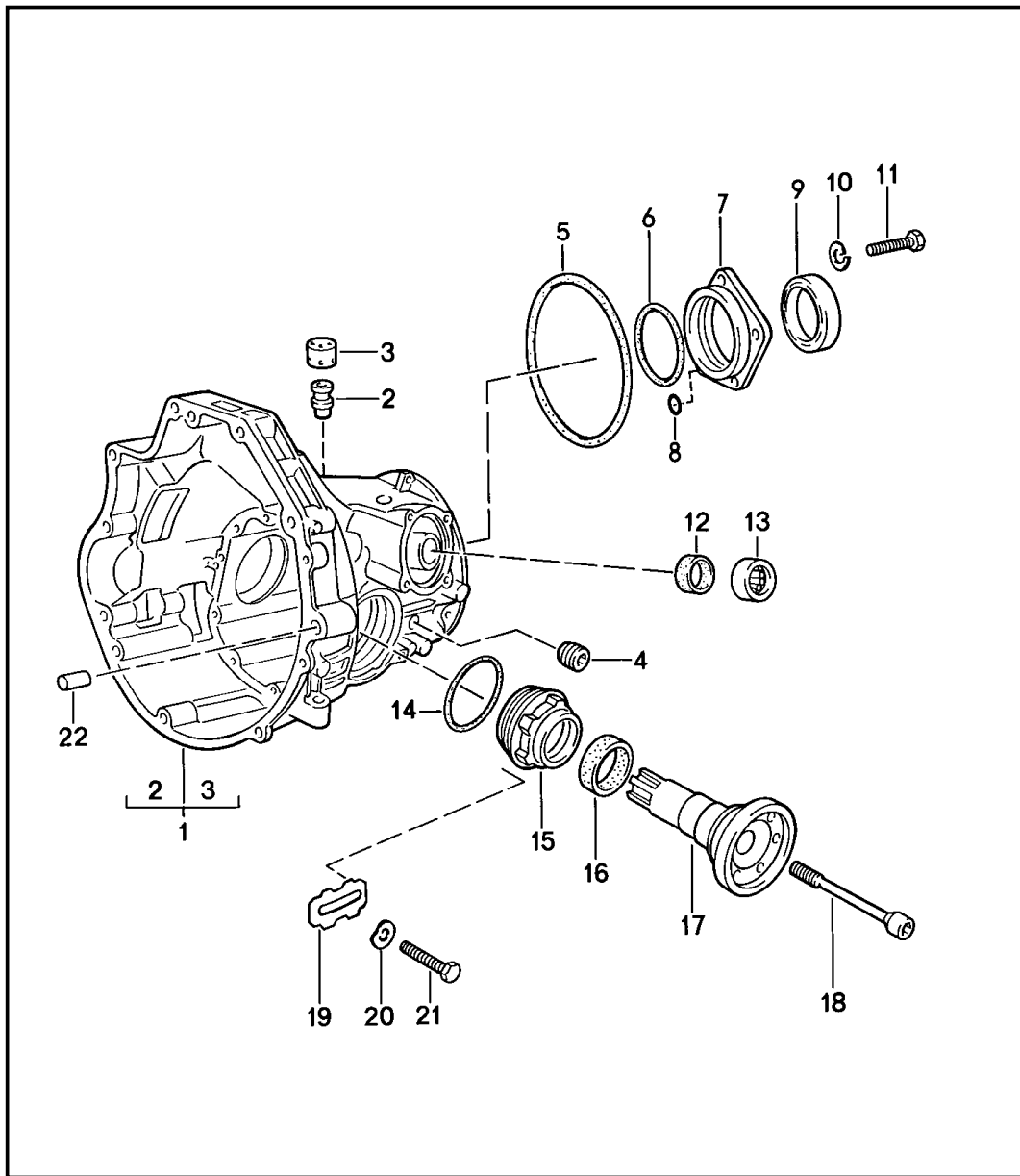


Pos	Part Number	Description	Remark	Qty	Model
1	> 944 421 107 03	central tube automatic transmission central tube ready for installation		1	
2	944 421 110 00	converter mounting		1	
3	922 421 239 02	clamping piece		1	
4	931 421 240 00	clamping screw		2	
5	900 075 029 09	hexagon-head bolt M 8 X 25		4	
6	N 012 241 11	spring washer B 8		4	
7	477 521 177	cap		1	
8	477 521 277 C	cap		1	
9	477 521 277 A	cap		1	
10	900 027 016 02	lock ring B 10		4	
11	N 010 275 4	hexagon-head bolt M 10 X 35		4	
12	900 067 268 02	pan-head screw M 12 X 80		3	
13	N 040 240 2	hexagon-head bolt M 10 X 50		1	
14	900 028 014 02	spring washer B 12		3	
15	N 011 531 7	washer		1	
16	N 011 020 8	hexagon nut M 12		1	
17	900 025 008 09	washer		1	
18	944 116 043 06	clutch housing	-87	1	
18	944 116 043 06	clutch housing	88	1	
19	N 012 690 1	grooved pin 10 X 32		3	
20	931 116 177 00	cap		2	
21	944 116 065 02	damper		1	

Model	Year	MG	SG	Illustration	Restrictions	UPD	12:18	23.01.2010	PORSCHE	PET	PORSCHE
924S	1988	3	07	307-00		248					

Pos	Part Number	Description	Remark	Qty	Model	Pos	Part Number	Description	Remark	Qty	Model
22	922 421 255 00	clamping piece		1							
23	944 116 239 02	starter ring		1							
24	N 014 717 2	pan-head screw M 8 X 40		9							
25	900 273 002 01	circlip 17 X 1		1							
26	944 116 631 00	spacer sleeve 1,00		1							
26	944 116 631 01	spacer sleeve 2,00		X							
26	944 116 631 02	spacer sleeve 3,00		X							
26	944 116 631 03	spacer sleeve 4,00		X							
26	944 116 631 04	spacer sleeve 5,00		X							
26	944 116 631 05	spacer sleeve 6,00		X							
26	944 116 631 06	spacer sleeve 7,00		X							
26	944 116 631 07	spacer sleeve 8,00		X							
27	944 116 093 01	protective plate		1							
28	003 323 699 A	hexagon-head bolt		3							
29	999 095 019 00	clamping pin S 10 X 20		2							
30	N 010 254 6	hexagon-head bolt M 10 X 25		2							
31	N 012 028 1	lock ring A 10		2							
32	N 010 142 2	hexagon-head bolt M 12 X 50		2							
32A	N 010 191 2	hexagon-head bolt M 12 X 95		2							
33	N 011 531 7	washer A 13		4							

Model	Year	MG	SG	Illustration	Restrictions	UPD	12:19	23.01.2010	PORSCHE	PET	PORSCHE
924S	1988	3	08	308-00		248					

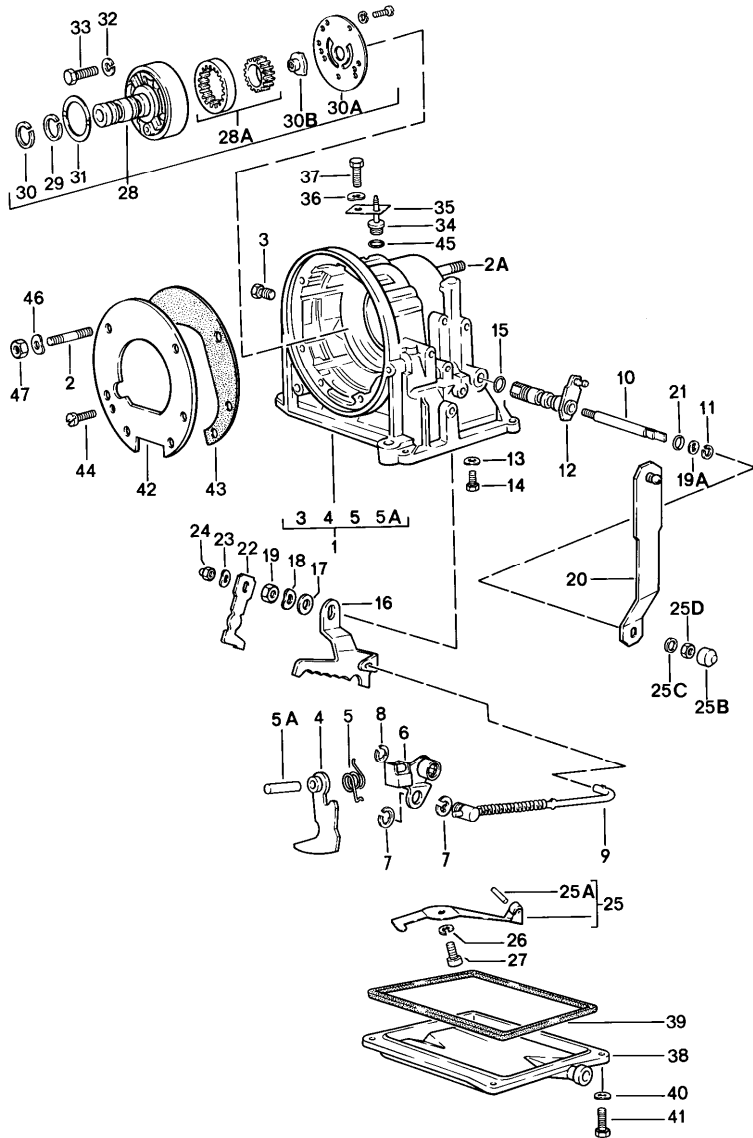


Pos	Part Number	Description	Remark	Qty	Model
- >	087 300 038 C	replacement transmission final-drive housing automatic transmission		1	RCD
- >	087 300 038 A	replacement transmission ready for installation		1	RCB
1	087 409 051 N	final-drive housing		1	
2	010 409 847	breather pipe	-87	2	
2	010 409 847	breather pipe	88	2	
3	087 409 841	cap	-87	2	
3	087 409 841	cap	88	2	
4	111 301 127 E	screw plug M 24 X 1,5		1	
5	010 409 549 B	round seal		1	
6	087 409 549	round seal		1	
7	087 409 623 A	lid		1	
8	089 409 637 A	sealing ring		1	
9	087 409 529 B	radial shaft seal		2	
10	N 012 028 1	lock ring A 10		5	
11	900 075 111 08	hexagon-head bolt M 10 X 30		5	
12 A	087 409 133	radial shaft seal		1	
12	087 409 133 C	radial shaft seal		1	
13	082 409 139	needle-roller bearing		1	
14	011 519 345	round seal		2	
15	087 409 173	adjusting ring		2	
16	016 409 399 B	radial shaft seal		1	
17	087 409 355	flanged shaft	/L	1	
17	087 409 356	flanged shaft	/R	1	
18	087 409 359	screw	/L	1	

Model	Year	MG	SG	Illustration	Restrictions	UPD	12:19	23.01.2010	PORSCHE	PET	PORSCHE
924S	1988	3	08	308-00		248					

Pos	Part Number	Description	Remark	Qty	Model	Pos	Part Number	Description	Remark	Qty	Model
18	087 409 360	screw	/R	1							
19	010 409 257	tab washer		2							
20	N 012 226 5	spring washer B 6		2							
21	N 010 215 13	hexagon-head bolt M 6 X 15		2							
22	019 301 153	dowel sleeve		2							

Model	Year	MG	SG	Illustration	Restrictions	UPD	12:19	23.01.2010	PORSCHE	PET	PORSCHE
924S	1988	3	09	309-00		248					

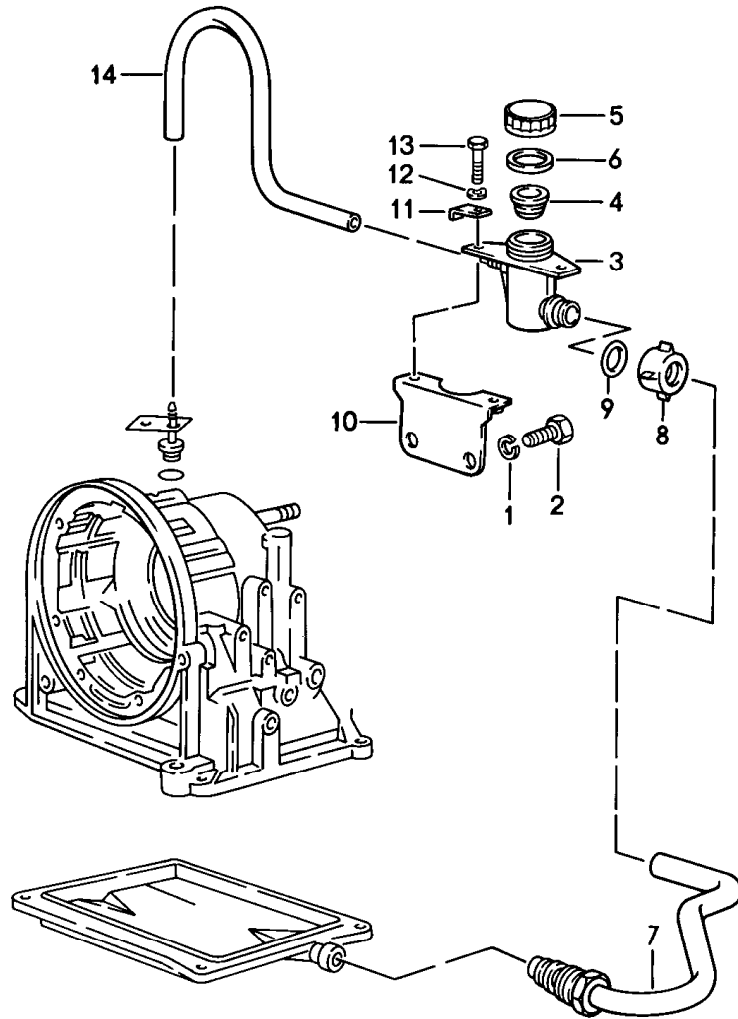


Pos	Part Number	Description	Remark	Qty	Model
1	010 321 101 G	transmission case automatic transmission		1	
2	N 900 044 02	stud AM 8A X 56		4	
2A	N 014 523 2	stud AM 10A X 38		2	
3	003 507 133 A	screw plug M 10 X 1		3	
4	010 321 117 B	lever for parking lock		1	
5	010 321 121 A	torsion spring		1	
5A	010 321 123	bolt		1	
6	010 321 135	engaging lever for parking lock		1	
7	N 012 436 2	lock washer G G	>>RCD 17 11 5 >>RCB 17 11 5	2	
7	010 321 140	lock washer G RCD 18 11 5>> G RCB 18 11 5>>		1	
8	N 012 438 1	lock washer		1	
9	010 321 153 A	operating rod G G	>>RCD 17 11 5 >>RCB 17 11 5	1	
9	010 321 153 C	operating rod G RCD 18 11 5>> G RCB 18 11 5>>		1	
10	010 321 209 C	shaft		1	
11	N 023 641 1	circlip A 10 X 1		1	
12	087 321 171 C	lever for cable control		1	
13	N 012 226 5	spring washer B 6		1	
14	N 010 224 1	hexagon-head bolt M 6 X 3,5		1	

Model	Year	MG	SG	Illustration	Restrictions	UPD	12:19	23.01.2010	PORSCHE	PET	PORSCHE
924S	1988	3	09	309-00		248					

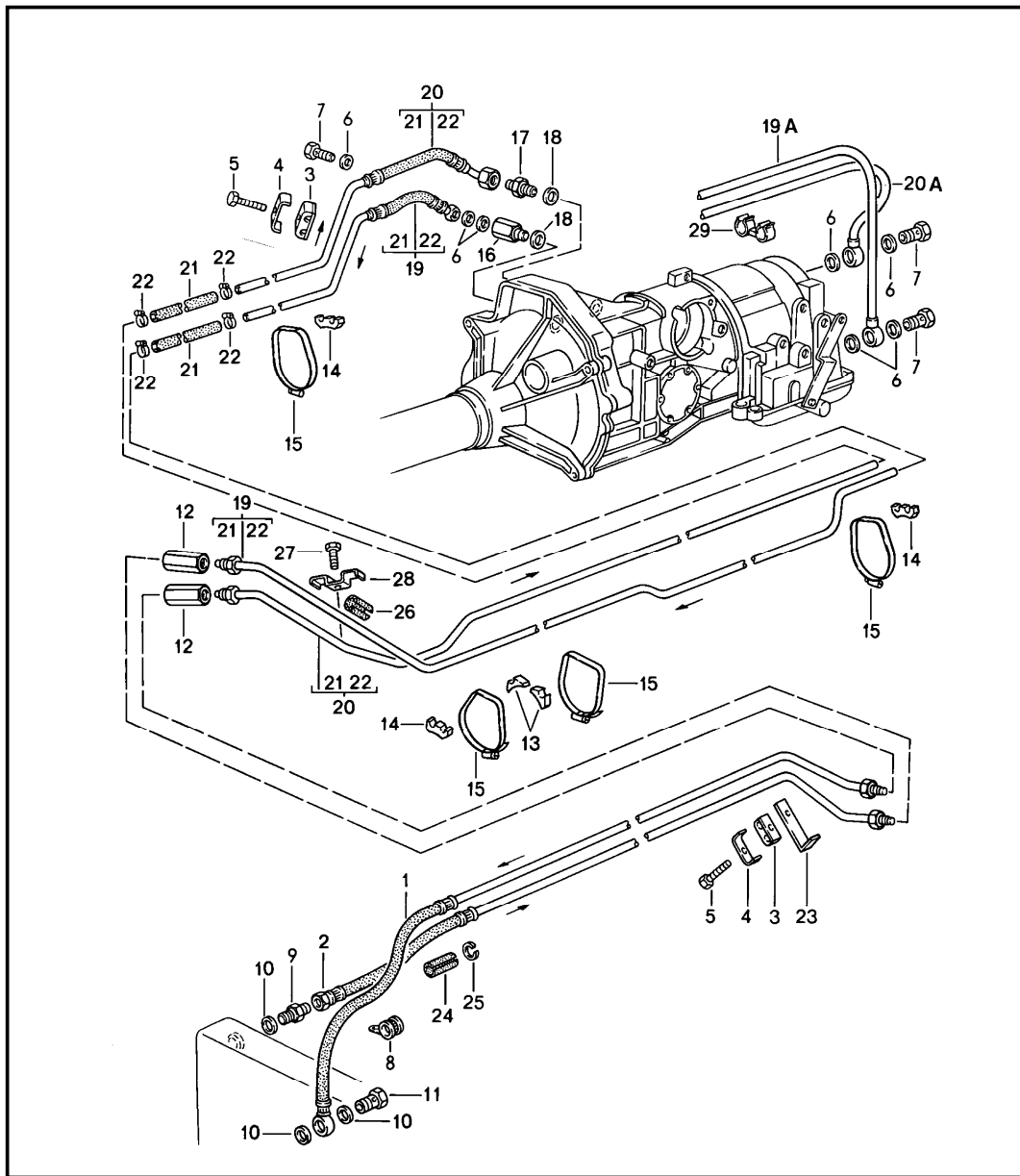
Pos	Part Number	Description	Remark	Qty	Model	Pos	Part Number	Description	Remark	Qty	Model
15	N 028 201 2	round seal 14 X 2,5		1		30	010 321 261	piston ring		2	
16	010 321 193 B	locking segment		1		30A	010 321 279	plate		1	
17	211 611 179	washer A 16		1		30B	003 321 273	driver		1	
18	N 012 238 5	spring washer B 16		1		31	010 323 161 A	thrust washer		1	
19	N 011 164 2	hexagon nut M 16 X 1,5		1		32	N 012 006 4	lock ring B 6		5	
19A	010 321 180 B	support washer		1		33	N 010 347 3	hexagon-head bolt M 6 X 35		5	
20	087 321 201 D	lever for cable control		1		34	477 321 303 A	lid		1	
21	010 321 182	round seal		1		35	011 321 307	clip		1	
22	010 321 215 E	lever for kickdown control		1		36	N 012 226 5	spring washer B 6		1	
23	N 012 228 3	spring washer B 8		1		37	999 072 005 09	hexagon-head bolt M 6 X 12		1	
24	N 011 008 8	hexagon nut M 8		1		38	010 321 359 F	oil pan		1	
25	010 321 221	leaf spring		1		39	010 321 371 B	gasket		1	
25A	N 013 325 1	tensioning sleeve 6 X 22		1		40	N 012 038 1	lock ring A 8		4	
25B	010 321 227	protection cap		1		41	N 010 240 16	hexagon-head bolt M 8 X 20		4	
25C	010 321 229	spacer		1		42	010 321 383 B	intermediate plate		1	
25D	N 011 137 1	hexagon nut M 10 X 1		1		43	010 321 385 B	gasket		2	
26	900 027 015 02	lock ring B 8		1		44	900 014 004 02	pan-head screw AM 5 X 15		1	
27	N 010 239 11	hexagon-head bolt M 8 X 18		1		45	003 321 419	round seal 24,5		1	
28	010 321 241 F	oil pump		1		46	N 012 228 3	spring washer B 8		4	
28A	003 321 263	gear set for oil pump		1		47	N 011 008 8	hexagon nut M 8		4	
29	003 321 261	piston ring		2							

Model	Year	MG	SG	Illustration	Restrictions	UPD	15:42	26.01.2010	PORSCHE	PET	PORSCHE
924S	1988	3	09	309-05		248					



Pos	Part Number	Description	Remark	Qty	Model
		oil inlet automatic transmission			
1	N 012 028 1	lock ring B 10		2	
2	N 010 253 7	hexagon-head bolt M 10 X 22		2	
3	477 321 475	filling container		1	
4	477 321 479 A	strainer		1	
5	477 321 481	screw-on cap		1	
6	477 321 483 A	gasket		1	
7	477 321 405	filler tube		1	
8	477 321 485	union nut		1	
9	477 321 487	o-ring 18 X 3		2	
10	477 321 491	support		1	
11	477 321 494	packing plate		2	
12	N 012 226 5	spring washer B 6		2	
13	N 010 215 13	hexagon-head bolt M 6 X 15		2	
14	477 321 495	hose 340 MM		1	

Model	Year	MG	SG	Illustration	Restrictions	UPD	12:21	23.01.2010	PORSCHE	PET	PORSCHE
924S	1988	3	09	309-10		248					

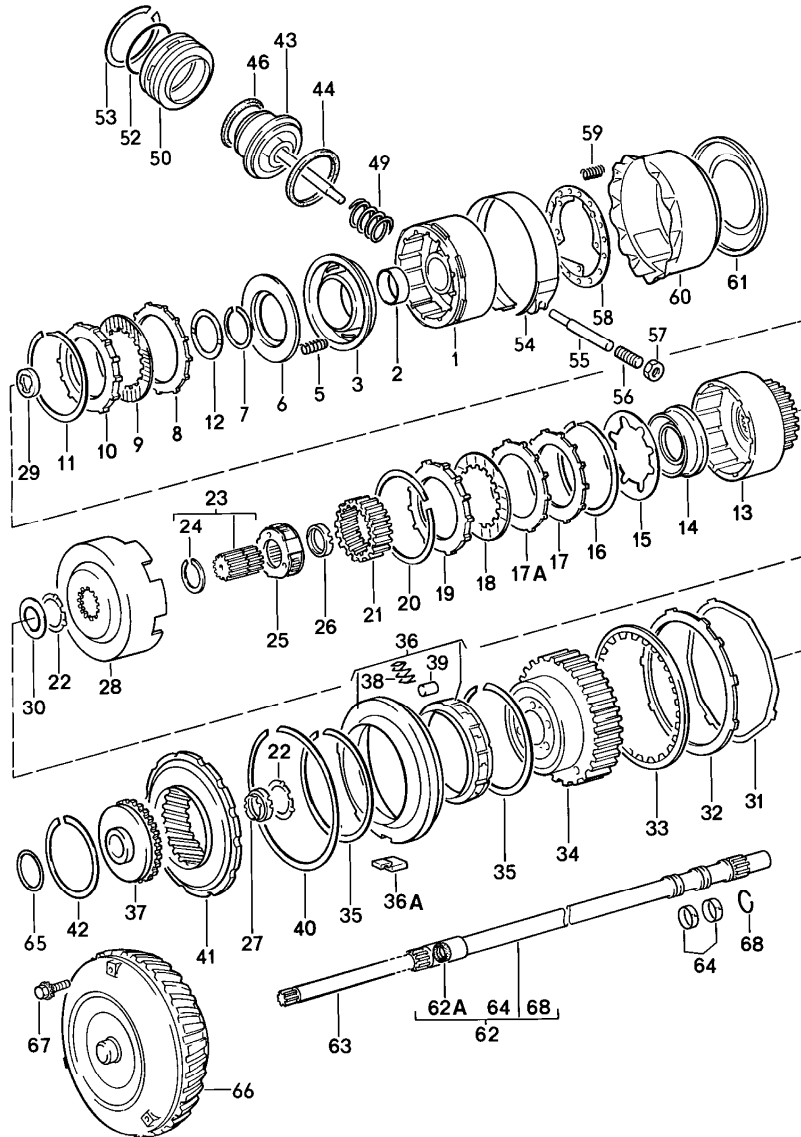


Pos	Part Number	Description	Remark	Qty	Model
		oil cooling automatic transmission			
1	944 307 010 02	pressure line		1	
2	944 307 011 01	return line		1	
3	999 511 121 40	clip		3	
4	928 347 455 00	shim		3	
5	N 010 220 3	hexagon-head bolt M 6 X 30		3	
6	900 123 043 30	sealing ring A 12 X 15,5		3	
7	999 134 018 02	banjo bolt A 6		1	
8	999 511 118 02	pipe clamp B 15		1	
8	999 511 118 01	pipe clamp B 15		1	
9	N 900 450 01	connection piece ALL 10		1	
10	900 123 007 30	sealing ring A 14 X 18		3	
11	900 134 007 02	banjo bolt A 8		1	
12	477 209 169	connecting piece		2	
13	477 723 567	support		2	
14	944 307 190 00	support		3	
15	999 512 350 02	hose clamp IA 80 - 100		4	
16	087 409 057	union	(J)	1	
17	087 409 057 B	union	(J)	1	
18	010 409 563 A	sealing ring	(J)	2	
19	944 307 004 03	pressure line	(J)	1	
19A	944 307 004 05	pressure line		1	
20	944 307 005 02	return line	(J)	1	
20A	944 307 005 04	return line		1	

Model	Year	MG	SG	Illustration	Restrictions	UPD	12:21	23.01.2010	PORSCHE	PET	PORSCHE
924S	1988	3	09	309-10		248					

Pos	Part Number	Description	Remark	Qty	Model	Pos	Part Number	Description	Remark	Qty	Model
21	999 181 532 50	connecting hose		2							
22	999 512 554 00	hose clamp LB 12 - 22		4							
23	944 107 237 00	support		2							
24	922 307 121 00	hose piece		2							
25	900 906 024 00	circlip		2							
26	431 609 781	breather hose		2							
27	N 010 215 13	hexagon-head bolt M 6 X 15		1							
28	999 511 140 02	pipe clamp		1							
29	999 591 780 40	hose holder		2							

Model	Year	MG	SG	Illustration	Restrictions	UPD	12:21	23.01.2010	PORSCHE	PET	PORSCHE
924S	1988	3	10	310-00		248					



Pos	Part Number	Description	Remark	Qty	Model
		transmission control automatic transmission			
1	087 323 109	clutch drum		1	
2	010 323 115	bearing sleeve		1	
3	010 323 121 B	piston		1	
5	010 323 129 A	compression spring		24	
6	010 323 131 A	concave washer		1	
7	003 323 135 A	circlip 55		1	
8	087 323 139	disc with external splines		4	
9	087 323 141 A	disc with external splines		4	
10	087 323 153	pressure plate		1	
11	087 323 157 B	circlip 2,03		1	
11	087 323 157	circlip 1,50		X	
11	087 323 157 A	circlip 1,70		X	
11	087 323 157 C	circlip 2,30		X	
11	087 323 157 D	circlip 2,50		X	
12	010 323 161 A	thrust washer		1	
13	087 323 209	clutch bell-housing		1	
14	010 323 217 A	piston		1	
15	010 323 229 D	cup spring forward clutch		1	
16	010 323 157	circlip 2,03		1	
17	010 323 237 A	pressure plate		1	
17A	010 323 139	disc with external splines forward clutch		4	
18	010 323 241 B	inner disc		5	
18	010 323 241 B	inner disc		5	

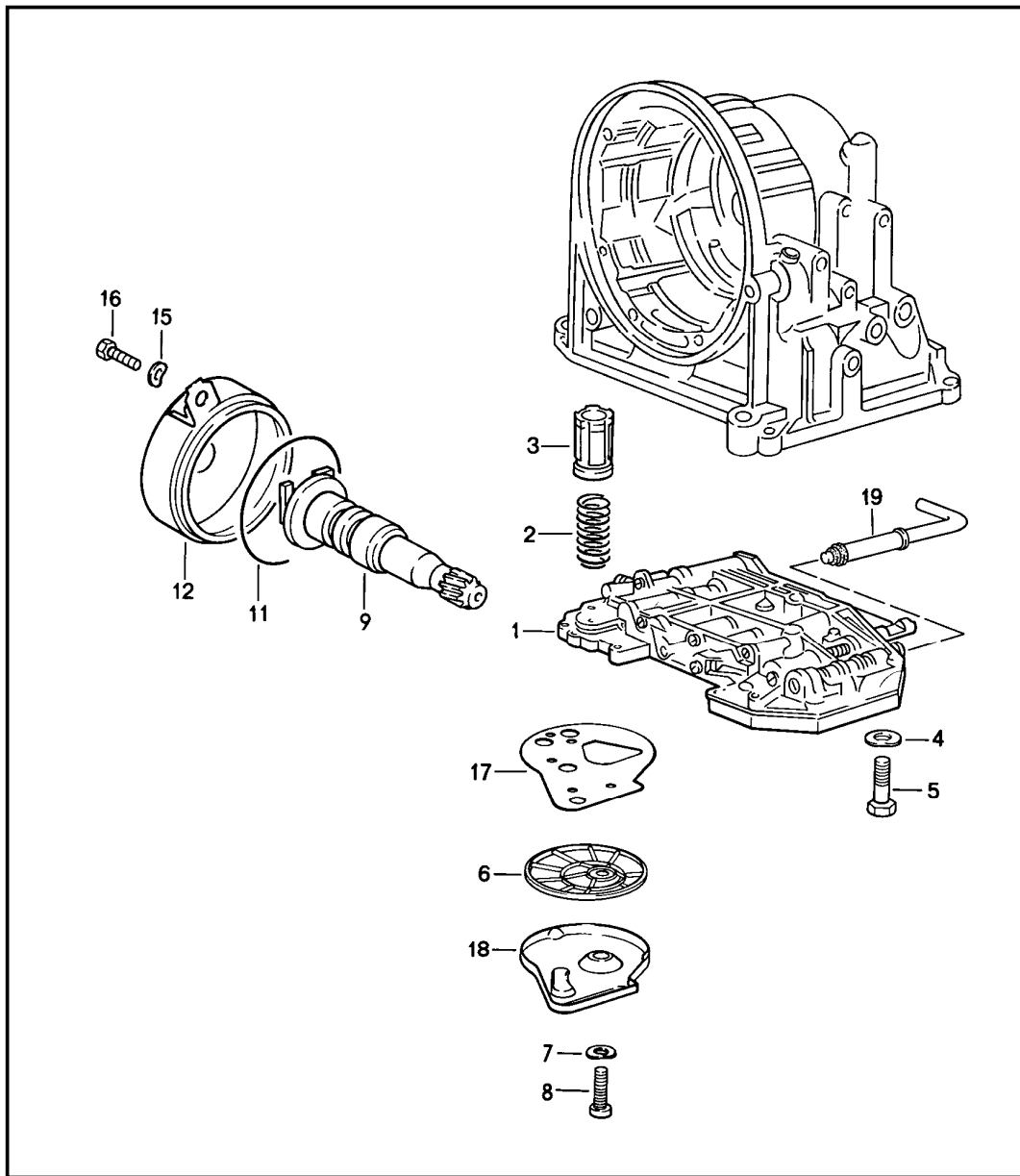
Model	Year	MG	SG	Illustration	Restrictions	UPD	12:21	23.01.2010	PORSCHE	PET	PORSCHE
924S	1988	3	10	310-00		248					

Pos	Part Number	Description	Remark	Qty	Model	Pos	Part Number	Description	Remark	Qty	Model
19	010 323 253 G	pressure plate 2,30		1		40	010 323 653 A	circlip		1	
19	010 323 253 H	pressure plate 2,70		X		41	090 323 363 B	ring gear		1	
19	010 323 253 J	pressure plate 3,10		X		42	010 323 369 A	circlip		1	
19	010 323 253 K	pressure plate 3,50		X		43	087 323 512 A	piston		1	
19	010 323 253 L	pressure plate 3,90		X		44	003 323 525 A	sealing ring		1	
20	010 323 159 B	lock ring		1		46	010 323 487 C	sealing ring		1	
21	010 323 273 C	ring gear		1		49	010 323 505 A	compression spring		1	
22	010 323 291 A	thrust washer		1		50	087 323 529	lid		1	
23	010 323 285 F	sun gear		1		52	010 323 533	round seal		3	
24	N 042 465 1	circlip		1		53	010 323 537 A	circlip		1	
25	010 323 303 F	planet-gear carrier		1		54	010 323 461 A	brake band		1	
26	010 323 340 D	needle-roller bearing		1		55	087 323 543	bolt		1	
27	010 323 339 D	needle-roller bearing		1		56	010 323 455 A	adjusting screw		1	
28	087 323 281	driving shell		1		57	N 011 162 9	hexagon nut M 12 X 1,5		1	
29	010 321 157 A	needle-roller bearing		1		58	010 323 497 C	supporting plate		1	
30	010 323 293 C	thrust washer		1		59	010 323 489 B	compression spring		20	
32	010 323 227 A	disc with external splines		4		60	010 323 493 G	pipe		1	
33 A	010 323 231 C	inner disc		4		61	010 323 477	piston		1	
33	010 323 231 C	inner disc		4		62	087 323 553 A	turbine shaft		1	
34	010 323 805 F	planet-gear carrier		1		62A	087 323 559	gasket		1	
35	010 323 651	circlip		2		63	010 323 561 A	oil pump shaft		1	
36	010 323 383 C	free wheel lock 1st gear		1		64	010 323 557 A	piston ring		2	
36A	010 323 389 E	feather key		1		65	010 323 345 C	adjusting shim 0,40		1	
37	087 323 373	hub		1		65	010 323 346 C	adjusting shim 1,20		X	
38	010 323 643	compression spring		10		66	003 323 571 J	converter		1	RCD
39	N 026 360 1	roller		10		66	082 323 571	converter		1	RCB
						67	003 323 699 A	hexagon-head bolt		3	

Model	Year	MG	SG	Illustration	Restrictions	UPD	12:21	23.01.2010	PORSCHE	PET	PORSCHE
924S	1988	3	10	310-00		248					

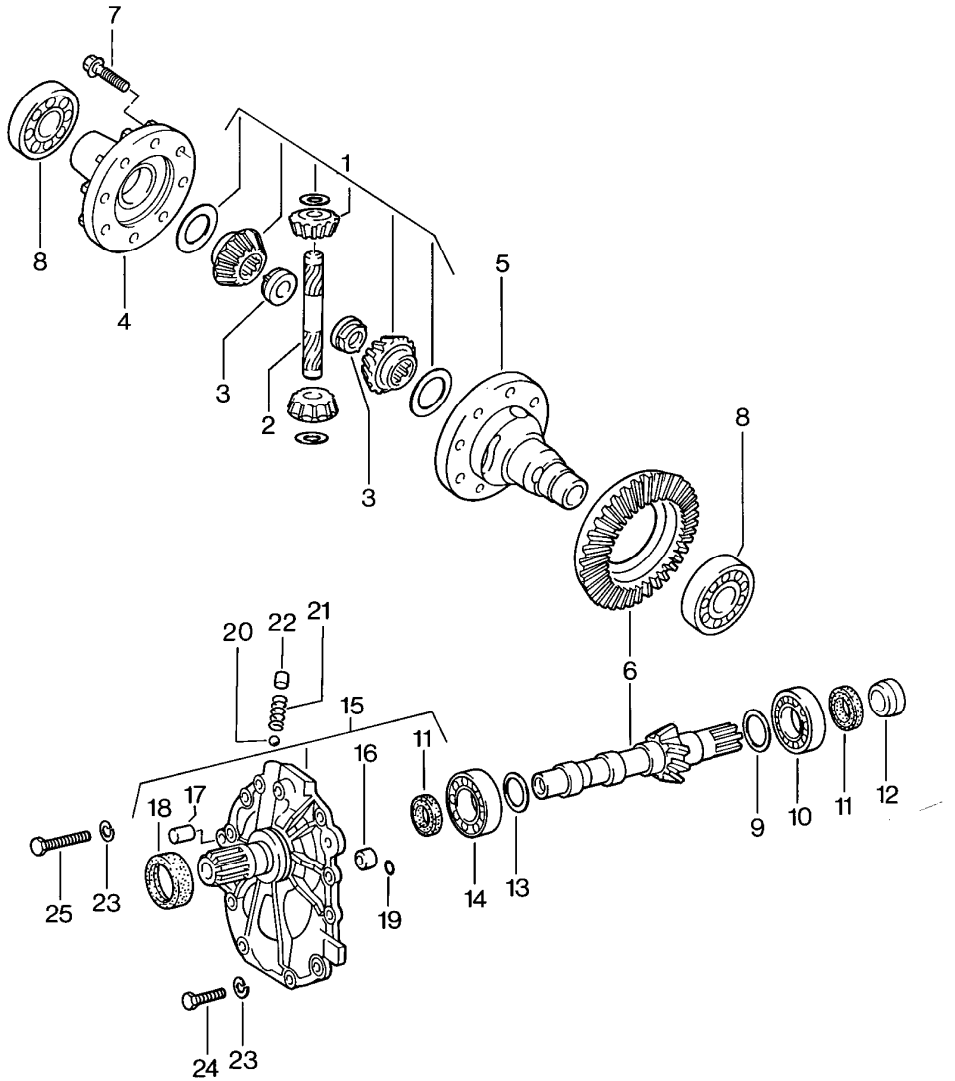
Pos	Part Number	Description	Remark	Qty	Model	Pos	Part Number	Description	Remark	Qty	Model
68	010 323 558	wire ring		1							

Model	Year	MG	SG	Illustration	Restrictions	UPD	12:21	23.01.2010	PORSCHE	PET	PORSCHE
924S	1988	3	10	310-05		248					



Pos	Part Number	Description	Remark	Qty	Model
		slide-valve gearbox oil strainer regulator automatic transmission			
1	087 325 037 C	slide-valve gearbox		1	RCD
1	087 325 037 J	slide-valve gearbox		1	RCB
2	003 325 417	compression spring		1	
3	003 325 405 F	piston		1	
4	N 012 226 5	spring washer B 6		11	
5	N 010 346 5	hexagon-head bolt M 6 X 30		11	
6	010 325 421 A	oil strainer B 5		1	
8	900 014 004 02	pan-head screw AM 5 X 15		2	
9	087 325 041 B	regulator		1	
11	011 519 345	round seal		1	
12	089 325 371 A	lid		1	
15	N 012 228 3	spring washer B 8		2	
16	N 010 240 16	hexagon-head bolt 8 X 20		2	
17	010 325 443	gasket		1	
18	010 325 429 A	lid		1	
19	010 325 277	manual valve		1	

Model	Year	MG	SG	Illustration	Restrictions	UPD	12:21	23.01.2010	PORSCHE	PET	PORSCHE
924S	1988	3	11	311-00		248					



Pos	Part Number	Description	Remark	Qty	Model
1	951 333 951 00	differential automatic transmission repair kit differential pinions		1	
2	005 409 177	bolt		1	
3	016 409 161	nut		2	
4	087 409 365	lid		1	
5	087 409 121	differential housing		1	
6	087 409 143 K	ring gear and pinion shaft 12:37		1	RCD
6	087 409 143 J	ring gear and pinion shaft 11:38		1	RCB
7	087 409 135 A	hexagon-head bolt M 10 X 1 X 24		10	
8	113 517 185 C	taper roller bearing		2	
9	087 409 641 D	adjusting shim 1,10		1	
9	087 409 641 E	adjusting shim 1,125		X	
9	087 409 641 F	adjusting shim 1,15		X	
9	087 409 641 G	adjusting shim 1,175		X	
9	087 409 641 H	adjusting shim 1,20		X	
9	087 409 641 J	adjusting shim 1,225		X	
9	087 409 641 K	adjusting shim 1,25		X	
9	087 409 641 L	adjusting shim 1,275		X	
9	087 409 641 M	adjusting shim 1,30		X	
9	087 409 641 N	adjusting shim 1,325		X	
9	087 409 641 P	adjusting shim 1,35		X	

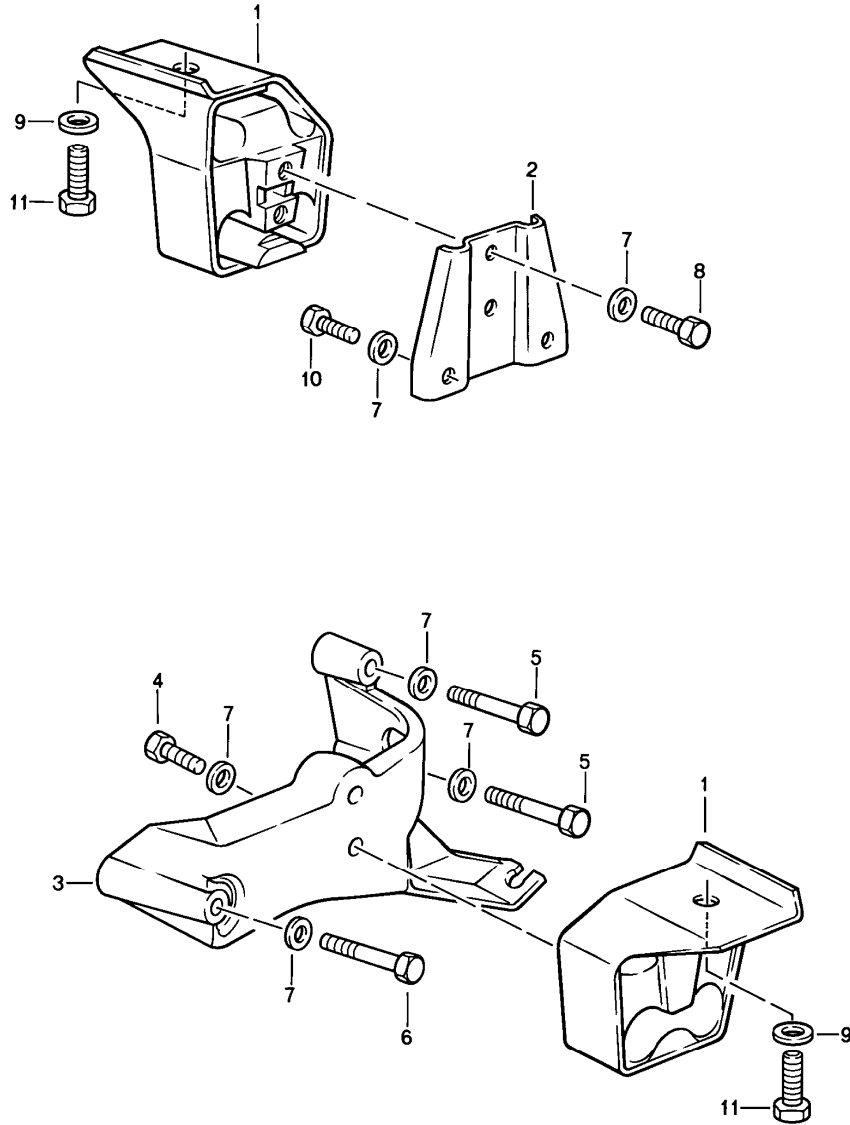
Model	Year	MG	SG	Illustration	Restrictions	UPD	12:21	23.01.2010	PORSCHE	PET	PORSCHE
924S	1988	3	11	311-00		248					

Pos	Part Number	Description	Remark	Qty	Model	Pos	Part Number	Description	Remark	Qty	Model
9	087 409 641 Q	adjusting shim 1,375		X		9	087 409 641 AR	adjusting shim 1,85		X	
9	087 409 641 R	adjusting shim 1,40		X		9	087 409 641 AS	adjusting shim 1,875		X	
9	087 409 641 S	adjusting shim 1,425		X		9	087 409 641 AT	adjusting shim 1,90		X	
9	087 409 641 T	adjusting shim 1,45		X		10	087 409 551 C	taper roller bearing		1	
9	087 409 641 AA	adjusting shim 1,475		X		11	087 409 085 B	radial shaft seal		2	
9	087 409 641 AB	adjusting shim 1,50		X		12	087 409 639 A	bush		1	
9	087 409 641 AC	adjusting shim 1,525		X		13	082 519 141 AE	adjusting shim 1,10		1	
9	087 409 641 AD	adjusting shim 1,55		X		13	082 519 141 AF	adjusting shim 1,125		X	
9	087 409 641 AE	adjusting shim 1,575		X		13	082 519 141 AG	adjusting shim 1,15		X	
9	087 409 641 AF	adjusting shim 1,60		X		13	082 519 141 AH	adjusting shim 1,175		X	
9	087 409 641 AG	adjusting shim 1,625		X		13	082 519 141 AJ	adjusting shim 1,20		X	
9	087 409 641 AH	adjusting shim 1,65		X		13	082 519 141 AK	adjusting shim 1,225		X	
9	087 409 641 AJ	adjusting shim 1,675		X		13	082 519 141 AL	adjusting shim 1,25		X	
9	087 409 641 AK	adjusting shim 1,70		X		13	082 519 141 AM	adjusting shim 1,275		X	
9	087 409 641 AL	adjusting shim 1,725		X		13	082 519 141 AN	adjusting shim 1,30		X	
9	087 409 641 AM	adjusting shim 1,75		X		13	082 519 141 AP	adjusting shim 1,325		X	
9	087 409 641 AN	adjusting shim 1,775		X		13	082 519 141 AQ	adjusting shim 1,35		X	
9	087 409 641 AP	adjusting shim 1,80		X		13	082 519 141 AR	adjusting shim 1,375		X	
9	087 409 641 AQ	adjusting shim 1,825		X		13	082 519 141 AS	adjusting shim 1,40		X	
						13	082 519 141 AT	adjusting shim 1,425		X	

Model	Year	MG	SG	Illustration	Restrictions	UPD	12:21	23.01.2010	PORSCHE	PET	PORSCHE
924S	1988	3	11	311-00		248					

Pos	Part Number	Description	Remark	Qty	Model	Pos	Part Number	Description	Remark	Qty	Model
13	082 519 141 BA	adjusting shim 1,45		X		14	003 519 251	taper roller bearing		1	
13	082 519 141 BB	adjusting shim 1,475		X		15	087 409 524 C	lid		1	
13	082 519 141 BC	adjusting shim 1,50		X		16	019 301 153	dowel sleeve		1	
13	082 519 141 BD	adjusting shim 1,525		X		17	N 022 301 1	straight pin A 10 X 20		1	
13	082 519 141 BE	adjusting shim 1,55		X		18	010 409 568	radial shaft seal		1	
13	082 519 141 BF	adjusting shim 1,575		X		19	089 409 637 A	sealing ring 6 X 2		2	
13	082 519 141 BG	adjusting shim 1,60		X		20	N 025 657 1	ball		1	
13	082 519 141 BH	adjusting shim 1,625		X		21	089 409 713	spring		1	
13	082 519 141 BJ	adjusting shim 1,65		X		22	087 409 095	lid		2	
13	082 519 141 BK	adjusting shim 1,675		X		23	900 027 015 02	lock ring A 8		11	
13	082 519 141 BL	adjusting shim 1,70		X		24	N 010 233 6	hexagon-head bolt M 8 X 28		9	
13	082 519 141 BM	adjusting shim 1,725		X		25	N 040 276 1	hexagon-head bolt M 8 X 52		2	
13	082 519 141 BN	adjusting shim 1,75		X							
13	082 519 141 BP	adjusting shim 1,775		X							
13	082 519 141 BQ	adjusting shim 1,80		X							
13	082 519 141 BR	adjusting shim 1,825		X							
13	082 519 141 BS	adjusting shim 1,85		X							
13	082 519 141 BT	adjusting shim 1,875		X							
13	082 519 141 CA	adjusting shim 1,90		X							

Model	Year	MG	SG	Illustration	Restrictions	UPD	15:46	26.01.2010	PORSCHE	PET	PORSCHE
924S	1988	3	12	312-00		248					



Pos	Part Number	Description	Remark	Qty	Model
		transmission suspension for automatic transmission			
1	944 375 045 00	transmission mounting		2	
2	477 399 169 C	suspension plate	/R	1	
3	477 399 171 E	sponder bracket	/L	1	
4	N 010 244 11	hexagon-head bolt M 8 X 30		2	
5	N 040 262 2	hexagon-head bolt M 8 X 50		2	
6	N 010 385 3	hexagon-head bolt M 8 X 85		1	
7	900 025 007 02	washer		7	
8	900 075 029 09	hexagon-head bolt M 8 X 25		1	
9	900 025 008 09	washer		2	
10	N 010 240 7	hexagon-head bolt M 8 X 20		2	
11	N 010 254 6	hexagon-head bolt M 10 X 25		2	

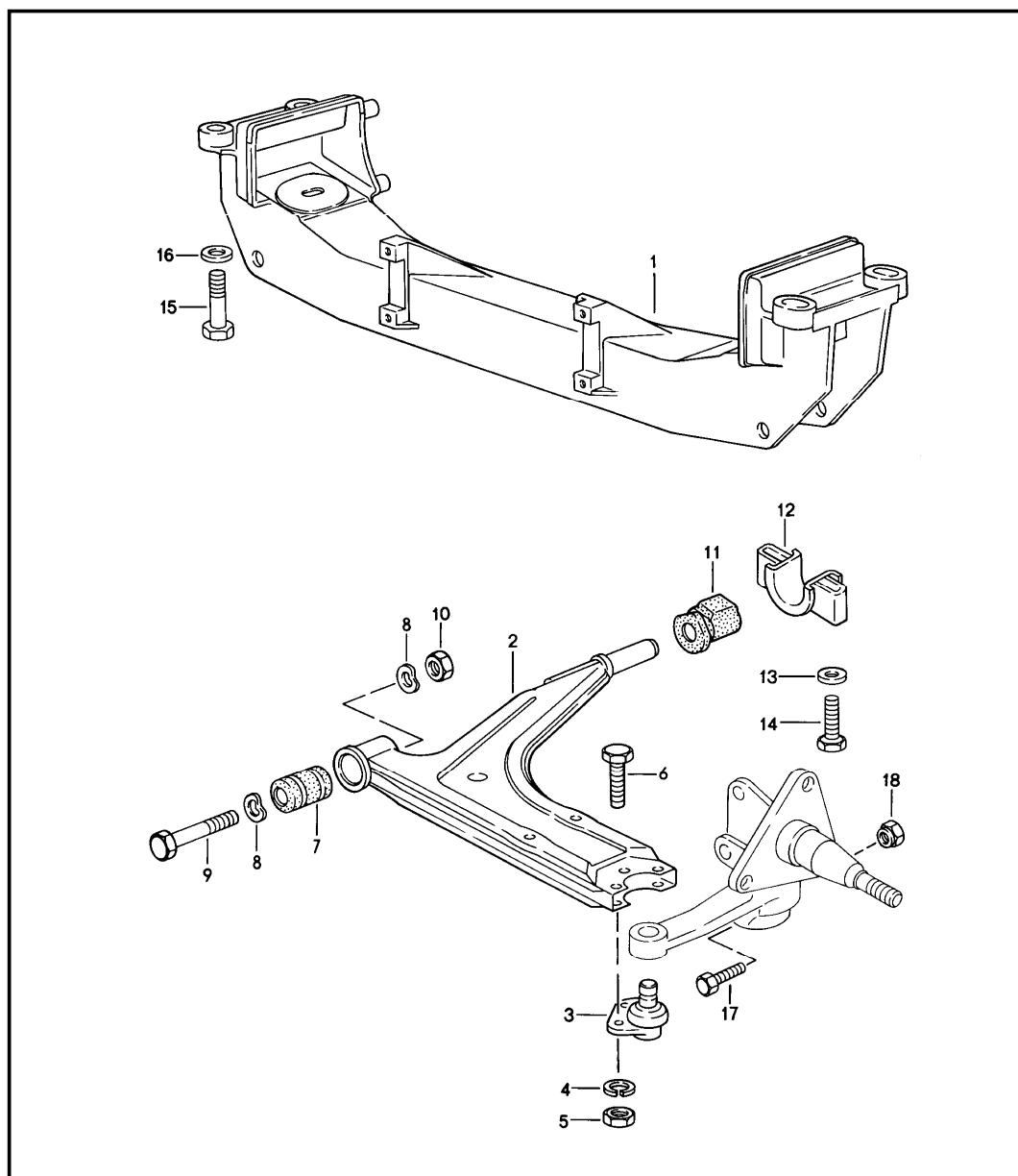
Model	Year	MG	SG	Illustration	Restrictions	UPD	15:01	23.01.2010
924S	1988	3	98	398-00R		248		

Pos	Part Number	Description	Remark	Qty	Model
		repair kits			
>>	>>477 300 912 B	gasket set for manual transmission comprising:		1	
-	928 303 120 01	shaft sealing ring		1	
-	016 409 399 B	radial shaft seal		2	
-	016 301 235 C	gasket		1	
-	088 311 599	sealing ring		2	
-	016 311 113 C	radial shaft seal		1	
-	016 301 455 A	gasket		1	
-	005 311 599	sealing washer		1	
>>	>>477 398 001	gasket set for automatic transmission comprising:		1	
-	010 321 182	round seal		1	
-	010 321 371 B	gasket		1	
-	010 321 385 B	gasket		1	
-	003 321 419	round seal		2	
-	010 323 487 C	sealing ring		1	
-	003 323 525 A	sealing ring		1	
-	010 323 533	round seal		3	
-	087 409 085 B	radial shaft seal		2	
-	087 409 133 C	radial shaft seal		1	
-	016 409 399 B	radial shaft seal		2	
-	087 409 529 B	radial shaft seal		2	
-	010 409 549 B	round seal		1	
-	087 409 549	round seal		1	
-	010 409 568	radial shaft seal		1	
-	089 409 637 A	sealing ring		1	
-	011 519 345	round seal		3	
-	N 028 201 2	round seal		1	

Model	Year	MG	SG	Illustration	Restrictions	UPD	15:01	23.01.2010
924S	1988	3	98	398-00R		248		

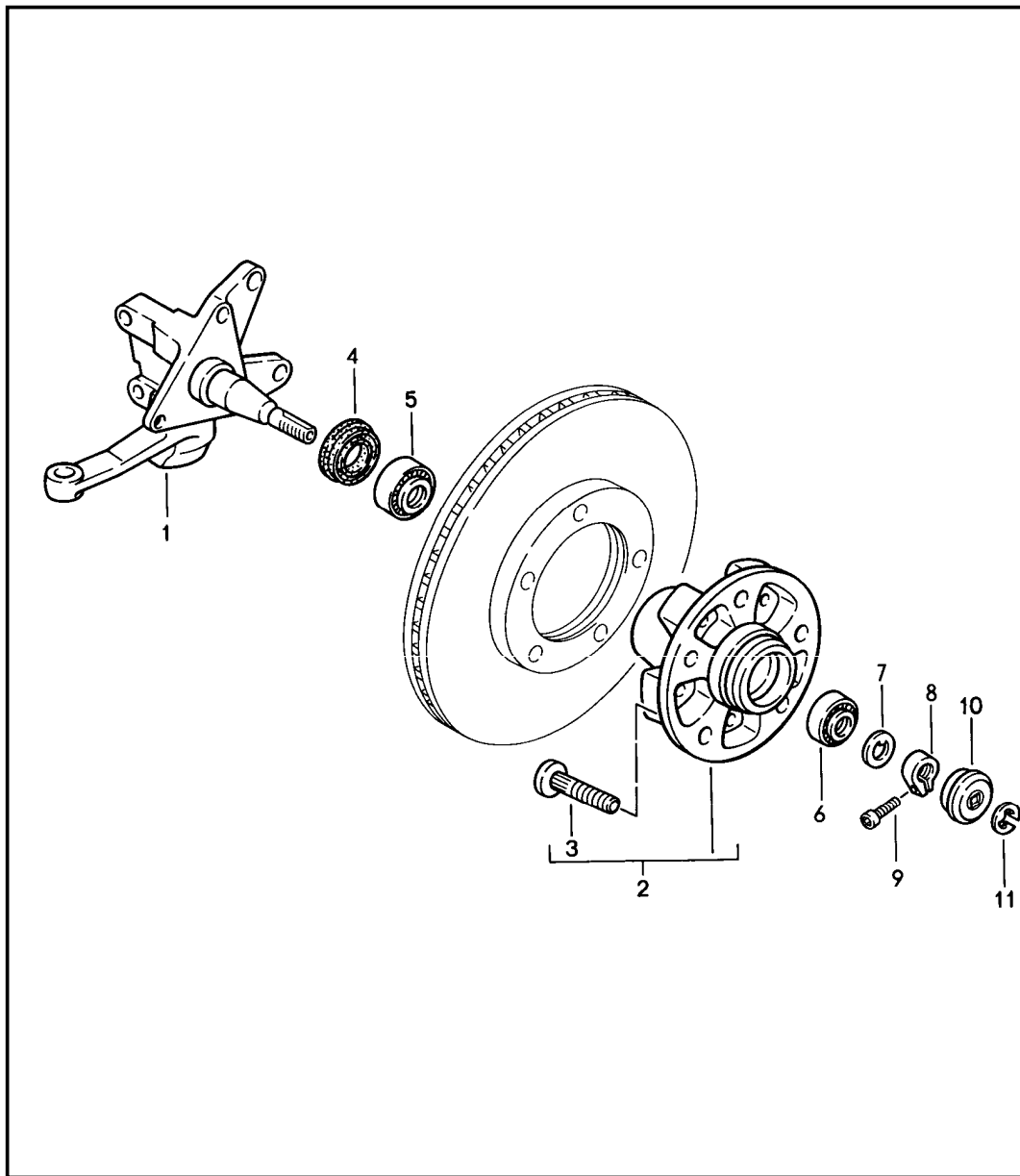
Pos	Part Number	Description	Remark	Qty	Model
>>	>>951 333 951 00	repair kit differential pinions use also: 088.409.249.A 088.409.249.B		1	
-	000 043 106 00	installation set for subsequent installation atf cooler comprising:		1	M249
-	944 307 313 00	connection piece		1	
-	900 123 007 30	sealing ring		1	
-	944 307 311 00	double hollow screw		1	
-	000 043 106 01	installation instructions		1	
-	928 606 217 00	temperature switch		1	
-	944 116 911 00	repair kit for clutch comprising: pressure plate clutch plate clutch release bearing		1	

Model	Year	MG	SG	Illustration	Restrictions	UPD	15:01	23.01.2010	PORSCHE	PET	PORSCHE
924S	1988	4	01	401-00		248					



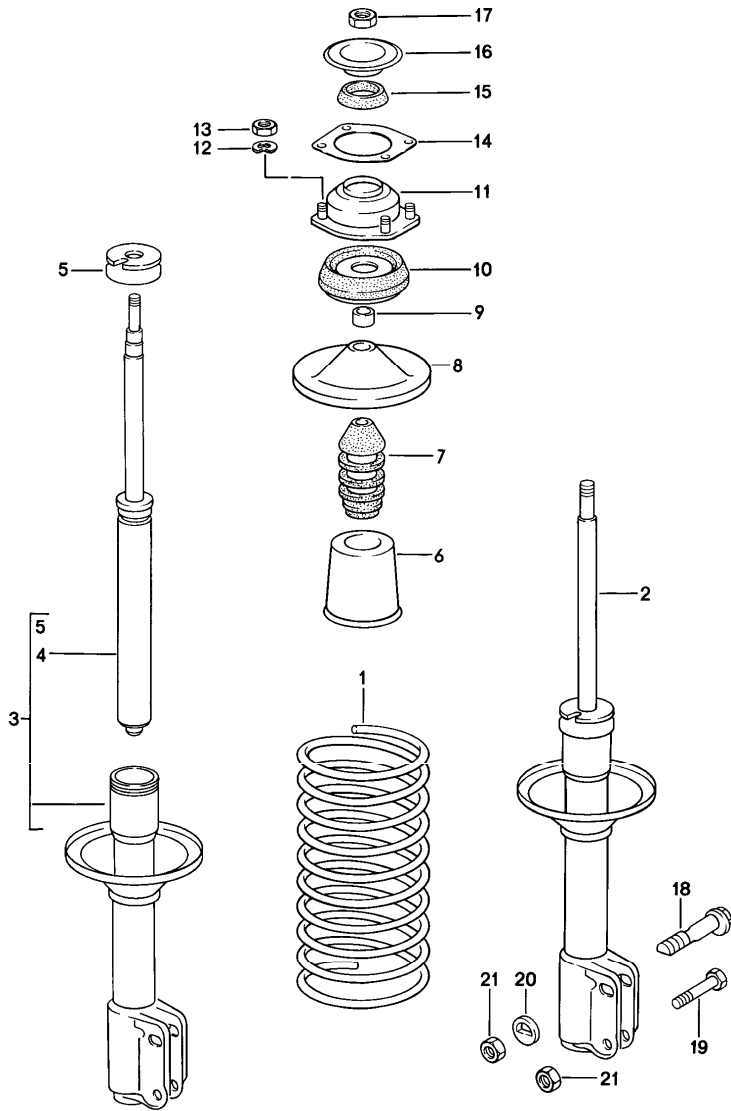
Pos	Part Number	Description	Remark	Qty	Model
		wishbone			
		cross member			
1	944 341 103 06	cross member	/LL	1	
1 A	945 341 103 04	cross member	/RL	1	
1	945 341 103 04	cross member	/RL	1	
2	171 407 153 D	wishbone		2	
3	171 407 365 G	ball joint 17 MM \$		2	
4	N 042 001 1	lock ring A 7		6	
5	N 011 007 7	hexagon nut M 7		6	
6	N 040 204 3	hexagon-head bolt M 7 X 20		6	
7	171 407 182 D	rubber mounting		2	
8	900 028 014 02	spring washer B 12		4	
9	N 010 190 4	hexagon-head bolt M 12 X 1,5 X 90		2	
10	N 021 131 1	lock nut M 12 X 1,5		2	
11	477 407 181 A	rubber mounting		2	
12	477 407 169	clip		2	
13	477 407 425	washer		4	
14	N 040 321 1	hexagon-head bolt M 10 X 65		4	
15	N 010 183 1	hexagon-head bolt M 12 X 1,5 X 75		4	
16	999 025 074 02	washer 10,5		4	
16	999 025 074 01	washer 10,5		4	
17	N 010 445 6	hexagon-head bolt M 10 X 45		2	
18	N 021 130 2	lock nut M 10		2	

Model	Year	MG	SG	Illustration	Restrictions	UPD	15:01	23.01.2010	PORSCHE	PET	PORSCHE
924S	1988	4	01	401-10		248					



Pos	Part Number	Description	Remark	Qty	Model
		steering knuckle			
1	477 407 311 L	steering knuckle	/L	1	
(1)	477 407 312 L	steering knuckle	/R	1	
2	477 405 065 B	front wheel hub		2	
3	904 341 671 00	wheel bolt		10	
4	477 405 641	radial sealing ring		2	
5	999 059 098 00	taper roller bearing		2	
6	999 059 065 00	taper roller bearing		2	
7	911 341 663 00	thrust washer		2	
8	911 341 673 00	clamping nut		2	
9	999 119 001 01	pan-head screw		2	
10	477 405 691 C	cap	/L	1	
(10)	477 405 692 C	cap	/R	1	
11	900 116 003 02	lock washer		1	

Model	Year	MG	SG	Illustration	Restrictions	UPD	15:01	23.01.2010	PORSCHE	PET	PORSCHE
924S	1988	4	02	402-00		248					

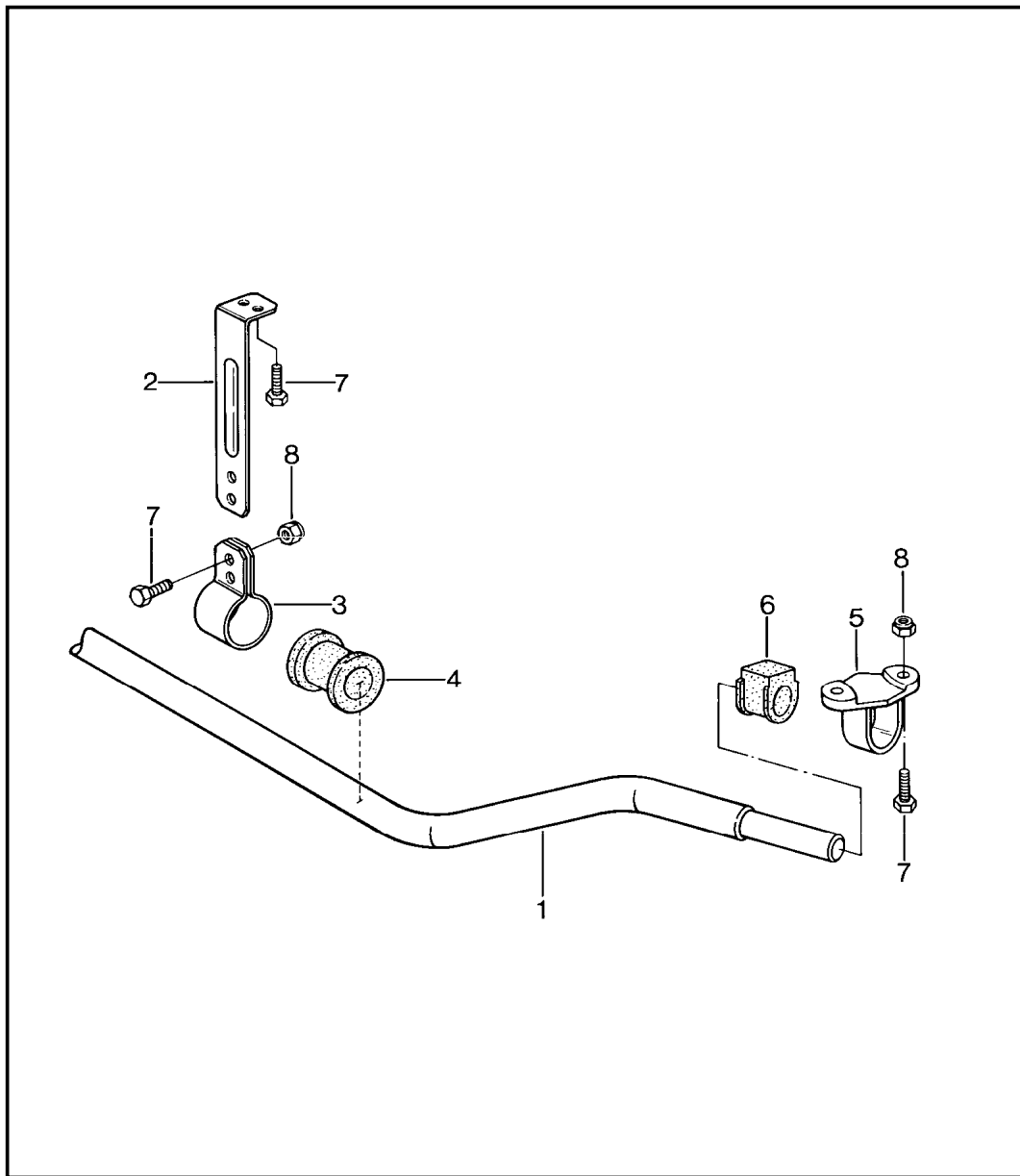


Pos	Part Number	Description	Remark	Qty	Model
1	477 411 105 Q	suspension shock absorber front		1	
1	477 411 105 G	coil spring 1 set identification		1	M030
	954	blue			
1	477 411 105 G	coil spring 1 set identification		1	M030
	954	red			
2	944 343 031 12	vibration damper	/L	1	
(2)	944 343 032 12	vibration damper	/R	1	
3	944 343 031 11	vibration damper - koni -	/L	1	M474
(3)	944 343 032 11	vibration damper - koni -	/R	1	M474
(3)	944 343 051 00	damper - koni -	/L	1	M030
(3)	944 343 052 00	damper - koni -	/R	1	M030
4	944 343 059 00	vibration damper insert - koni -		2	M474
5	171 412 045	union nut		2	
6	171 412 135	boot		2	
7	171 412 303 C	rubber stop		2	
8	133 412 341	concave washer		2	
9	823 412 365	spacer sleeve		2	
10	944 343 071 00	suspension strut mounting		2	
11	477 412 345	bearing flange		2	
12	N 012 228 3	spring washer B 8		8	
13	900 076 025 02	hexagon nut M 8		8	
(14)	133 412 367	sealing ring		2	

Model	Year	MG	SG	Illustration	Restrictions	UPD	15:01	23.01.2010	PORSCHE	PET	PORSCHE
924S	1988	4	02	402-00		248					

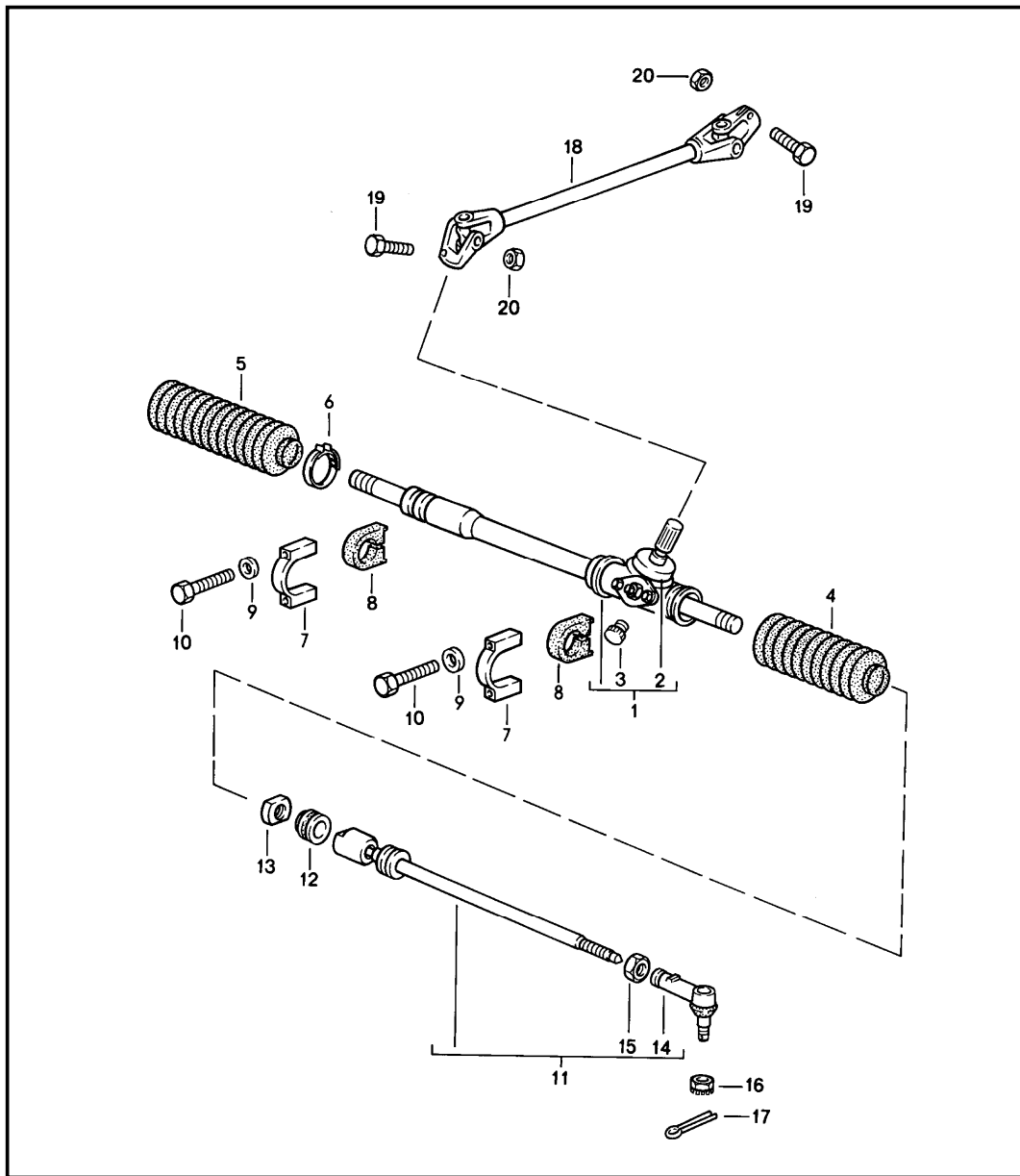
Pos	Part Number	Description	Remark	Qty	Model	Pos	Part Number	Description	Remark	Qty	Model
15	477 412 411	stop ring		2							
16	477 412 147	stop		2							
17	N 022 150 1	lock nut VM 14 X 1,5		2							
18	171 407 265	eccentric screw		2							
19	900 082 058 02	hexagon-head bolt M 12 X 1,5 X 55 use also:		2							
-	901 333 143 02	washer 12,4 X 25 X 4		4							
20	944 343 175 00	eccentric washer		2							
21	N 022 141 4	lock nut VM 12 X 1,5		4							

Model	Year	MG	SG	Illustration	Restrictions	UPD	15:01	23.01.2010	PORSCHE	PET	PORSCHE
924S	1988	4	02	402-10		248					



Pos	Part Number	Description	Remark	Qty	Model
		stabiliser			
1	944 343 707 00	stabiliser \$ 20 MM		1	
(1)	944 343 706 00	stabiliser \$ 23 MM		1	M030/404
2	944 343 733 00	suspension		2	
3	944 343 731 00	clip		2	
4	477 411 053 G	rubber bush \$ 20 MM		2	
(4)	477 411 053 J	rubber bush \$ 23 MM		2	M030/404
5	944 343 735 00	bearing bracket	/L	1	
(5)	944 343 736 00	bearing bracket	/R	1	
6	171 411 314 A	rubber bush		2	
7	900 075 079 02	hexagon-head bolt M 8 X 22		12	
8	900 910 022 09	lock nut VM 8		8	

Model	Year	MG	SG	Illustration	Restrictions	UPD	15:02	23.01.2010	PORSCHE	PET	PORSCHE
924S	1988	4	03	403-00		248					

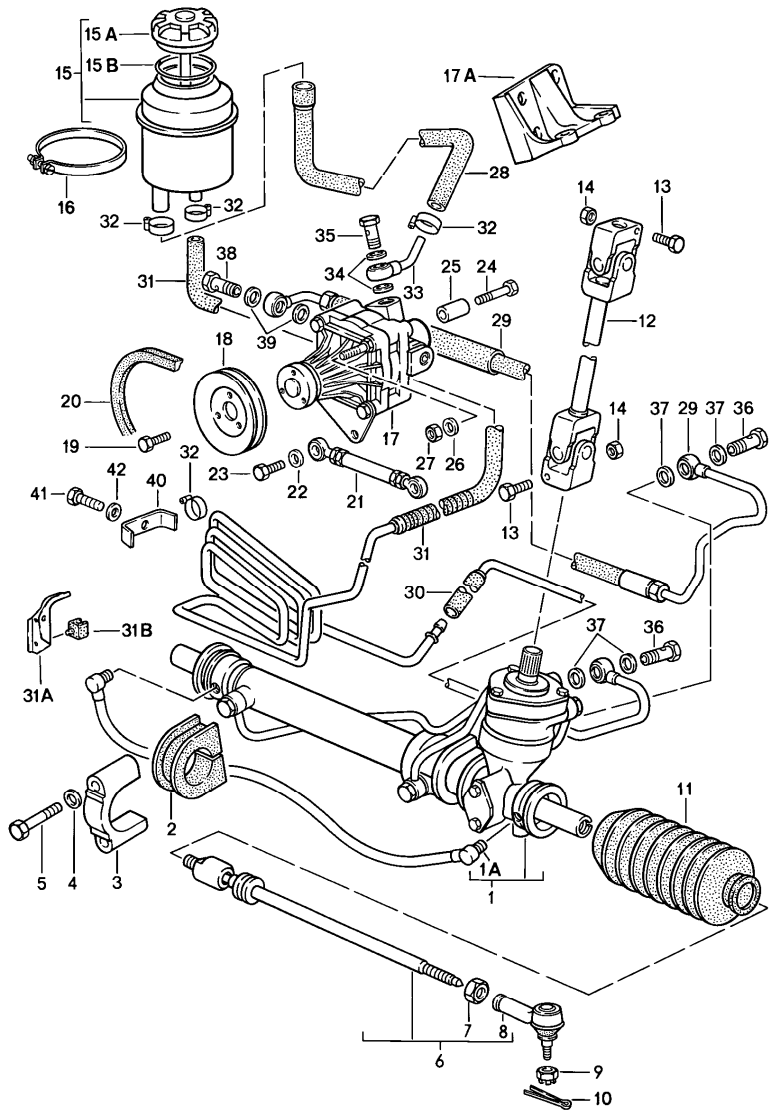


Pos	Part Number	Description	Remark	Qty	Model
		steering gear tie rod			
1	944 347 011 00	steering gear	/LL	1	
(1)	945 347 011 00	steering gear	/RL	1	
2	477 419 321	cap		1	
3	477 419 115	stopper		1	
4	171 419 831 C	boot	/L	1	
5	171 419 832 C	bellows	/R	1	
6	823 419 843	terminal \$ 45 MM		1	
7	944 347 223 01	clip	/LL	2	
(7)	945 347 223 00	clip	/RL	2	
8	944 347 137 00	rubber insert	/L	1	
(8)	944 347 139 00	rubber insert	/R	1	
9	900 025 007 02	washer A 8,4		2	
10	N 010 360 6	hexagon-head bolt M 8 X 60	/LL	4	
(10)	900 074 134 02	hexagon-head bolt M 8 X 45	/RL	4	
11	944 347 033 01	tie rod		2	
12	477 419 827	stop ring		2	
13	171 419 855	nut M 22 X 1,5		2	
14	944 347 333 01	ball joint		2	
15	N 011 163 3	hexagon nut		2	
16	N 011 212 2	castle nut		2	
17	N 012 532 1	cotter pin 3 X 25		2	
18	944 347 027 01	drive shaft	/LL	1	
(18)	945 347 027 00	drive shaft	/RL	1	
19	N 010 335 7	hexagon-head bolt M 8 X 35		2	

Model	Year	MG	SG	Illustration	Restrictions	UPD	15:02	23.01.2010	PORSCHE	PET	PORSCHE
924S	1988	4	03	403-00		248					

Pos	Part Number	Description	Remark	Qty	Model	Pos	Part Number	Description	Remark	Qty	Model
20	900 910 022 09	lock nut		2							

Model	Year	MG	SG	Illustration	Restrictions	UPD	15:02	23.01.2010	PORSCHE	PET	PORSCHE
924S	1988	4	03	403-02		248					

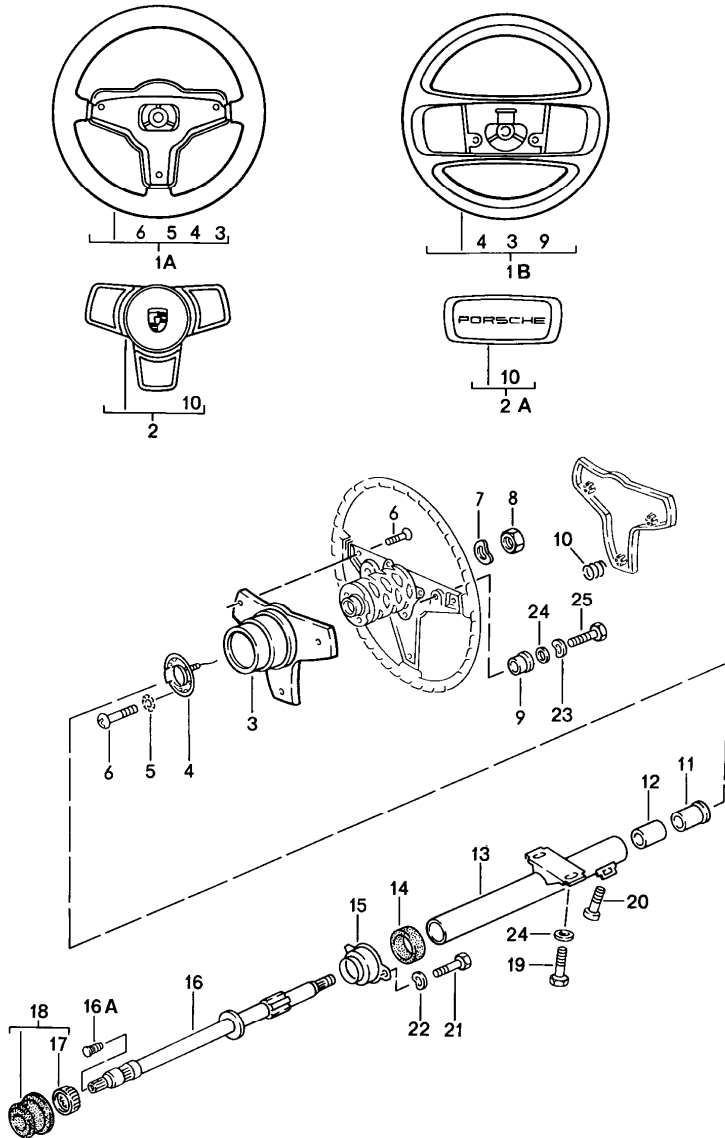


Pos	Part Number	Description	Remark	Qty	Model
		power steering steering gear vane type pump lines			M657
		see technical information GR.4, NR.6/90			
1	> 944 347 011 24	steering gear	/LL	1	
(1)	> 945 347 011 22	steering gear	/RL	1	
1A	944 347 311 00	compensating line		1	
2	944 347 137 00	rubber insert	/L	1	
(2)	944 347 139 01	rubber insert	/R	1	
3	944 347 223 01	clip	/LL	2	
(3)	945 347 023 00	clip	/RL	2	
4	900 025 007 02	washer A 8,4		4	
5	N 010 360 6	hexagon-head bolt M 8 X 60		4	
6	944 347 033 20	tie rod		2	
7	N 011 163 3	hexagon nut M 14		2	
8	944 347 333 00	ball joint		2	
9	N 011 212 2	castle nut		2	
10	N 012 532 1	cotter pin		2	
11	171 419 831 C	boot		2	
12	944 347 027 02	drive shaft	/LL	1	
(12)	945 347 027 00	drive shaft	/RL	1	
13	N 010 335 7	hexagon-head bolt M 8 X 35		2	
14	900 910 022 09	lock nut M 8		2	
15	928 347 015 05	oil tank		1	
15A	928 347 925 00	lid for oil tank		1	

Model	Year	MG	SG	Illustration	Restrictions	UPD	15:02	23.01.2010	PORSCHE	PET	PORSCHE
924S	1988	4	03	403-02		248					

Pos	Part Number	Description	Remark	Qty	Model	Pos	Part Number	Description	Remark	Qty	Model
15B	928 347 927 00	gasket for lid		1		31B	944 347 467 00	cable clip for support		4	
16	999 512 350 02	hose clamp		1		32	999 512 554 00	hose clamp LA 12-22		2	
17	> 944 347 432 08	vane type pump		1		32	999 512 346 02	hose clamp 16 - 25		1	
17A	944 101 147 01	bracket		1		(32)	999 512 554 00	hose clamp 12 - 22		1	
18	944 347 437 03	pulley		1		33	999 230 158 02	nipple with elastic ring		1	
19	999 072 005 09	hexagon-head bolt M 6 X 12		3		34	N 100 184 01	sealing ring D 16 X 20		2	
20	999 192 236 50	narrow v-belt 9,5 X 950		1		35	900 134 014 02	banjo bolt		1	
21	944 347 053 02	strut		1		36	999 134 018 02	banjo bolt 12	/LL	2	
22	900 025 007 02	washer A 8,4		1		36	999 134 018 02	banjo bolt 12	/RL	1	
23	900 075 029 09	hexagon-head bolt M 8 X 25		2		36	N 021 053 2	banjo bolt 10	/RL	1	
24	N 010 361 4	hexagon-head bolt M 8 X 65		1		37	900 123 026 20	sealing ring D 12 X 15,5	/LL	4	
25	944 347 443 00	sleeve		1		37	900 123 026 20	sealing ring D 12 X 15,5	/RL	2	
26	900 025 007 02	washer A 8,4		1		37	N 100 390 01	sealing ring D 10 X 13,5	/RL	2	
27	900 076 025 02	hexagon nut M 8		1		38	900 134 007 02	banjo bolt		1	
28	944 347 445 05	moulded hose use also:		1		39	900 123 042 20	sealing ring D 14 X 18		2	
-	999 230 357 02	connection piece		1		40	928 347 455 00	shim		1	
29	944 347 447 02	pressure line	/LL	1		41	900 074 015 02	hexagon-head bolt M 6 X 30		1	
(29)	945 347 447 02	pressure line	/RL	1		42	N 011 524 7	washer A 6,4		1	
30	944 347 449 06	return line	/LL	1		-	999 511 153 02	clip B 15 X 8		3	
30	945 347 449 02	return line	/RL	1		-	999 511 076 02	clamp \$ 18 MM		1	
31	944 347 459 05	return line		1							
31A	944 347 465 02	support for return line		1							

Model	Year	MG	SG	Illustration	Restrictions	UPD	15:02	23.01.2010	PORSCHE	PET	PORSCHE
924S	1988	4	03	403-05		248					

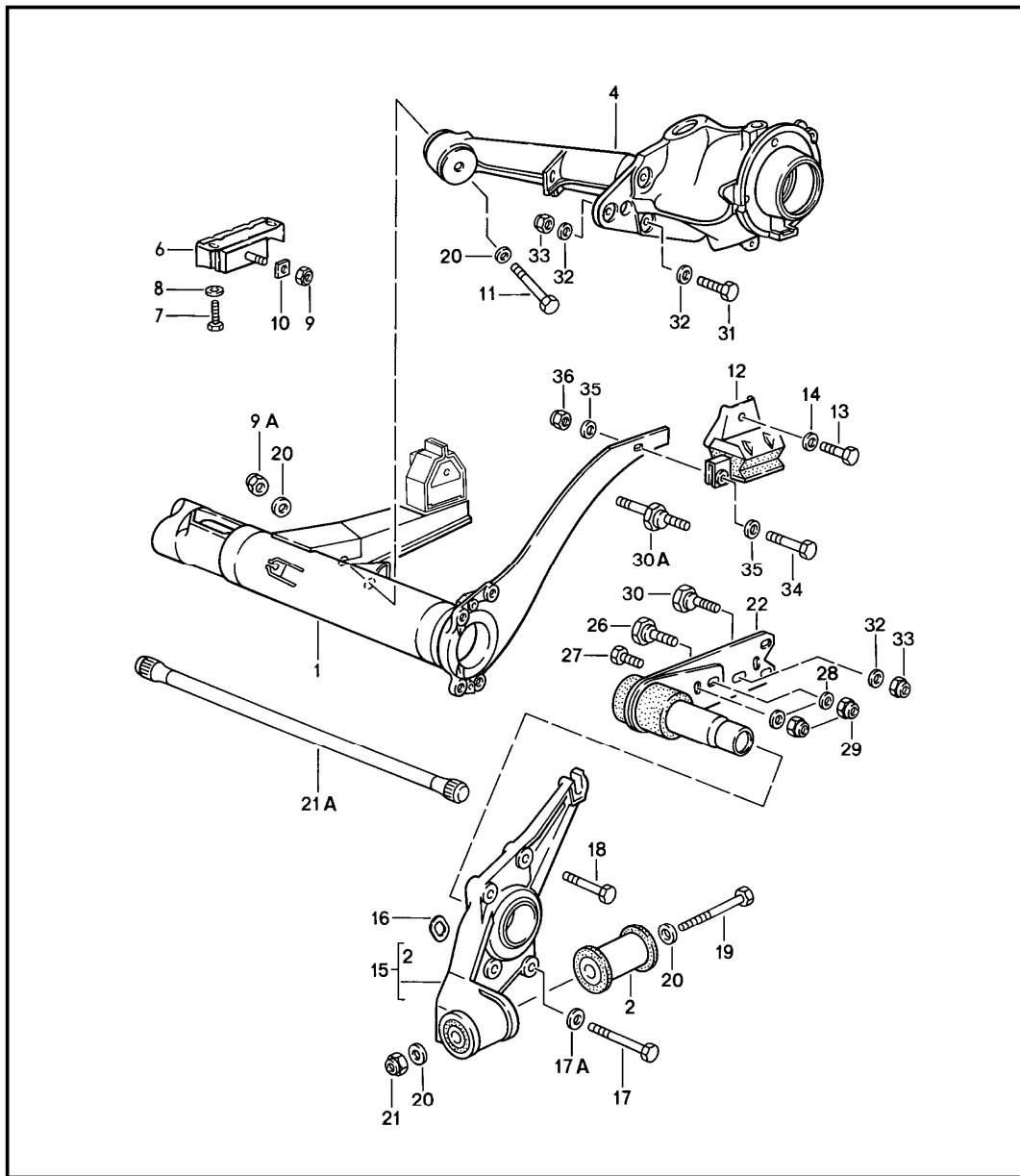


Pos	Part Number	Description	Remark	Qty	Model
		steering wheel steering column			
1A	944 347 084 01	sports steering wheel leatherette \$ 380 MM		1	
	1DB	black			
	4RB	brown			
1A	944 347 084 04	sports steering wheel leather \$ 380 MM		1	M416
	1AJ	black			
	4RB	brown			
(1A)	944 347 084 03	sports steering wheel leather \$ 380 MM with elevated hub		1	M018
	1DB	black			
	4RB	brown			
1B	944 347 084 02	sports steering wheel leather \$ 363 MM		1	M431
	1AJ	black			
	4RB	brown			
2	944 347 859 04	padded cap		1	
	1DB	black			
	4RB	brown			
2A	944 347 859 05	padded cap		1	
	1AJ	black			
	4RB	brown			
3	944 347 057 00	lining		1	
	1DB	black			
	4RB	brown			
(3)	944 347 857 00	lining for four-spoke steering wheel		1	

Model	Year	MG	SG	Illustration	Restrictions	UPD	15:02	23.01.2010	PORSCHE	PET	PORSCHE
924S	1988	4	03	403-05		248					

Pos	Part Number	Description	Remark	Qty	Model	Pos	Part Number	Description	Remark	Qty	Model
	1DB	black				23	N 042 122 2	shake-proof washer J 4,3		4	
	4RB	brown				24	900 025 002 02	washer A 4,3		4	
4	113 415 660 A	slip ring		1		25	N 010 261 3	hexagon-head bolt M 4 X 15		4	
5	N 012 131 2	shake-proof washer J 3,7		3							
6	113 415 869	oval-head screw M 3,5 X 10		6							
7	N 012 238 5	spring washer B 16		1							
8	900 078 006 01	hexagon nut M 16 X 1,5		1							
9	321 419 779 A	insulating bush		4							
10	171 419 697	spring		4							
11	171 419 341	support ring		1							
12	171 419 549	clamping sleeve		1							
13	477 419 563 B	steering column tube		1							
14	411 417 613	rubber mounting		1							
15	411 417 605	support ring		1							
16	477 419 505 J	steering column	/LL	1							
(16)	478 419 505 B	steering column	/RL	1							
(16)	944 347 019 00	steering column	/LL	1	M657						
(16)	945 347 019 00	steering column use also:	/RL	1	M657						
16A	944 347 483 00	stopper		1							
17	113 415 511	needle-roller bearing		1							
18	477 419 059	needle sleeve		1							
19	411 417 549	shear bolt		2							
20	N 014 707 4	pan-head screw M 8 X 15		1							
21	999 072 005 09	hexagon-head bolt M 6 X 12		2							
22	211 805 243	spring washer		2							

Model	Year	MG	SG	Illustration	Restrictions	UPD	15:02	23.01.2010	PORSCHE	PET	PORSCHE
924S	1988	5	01	501-00		248					

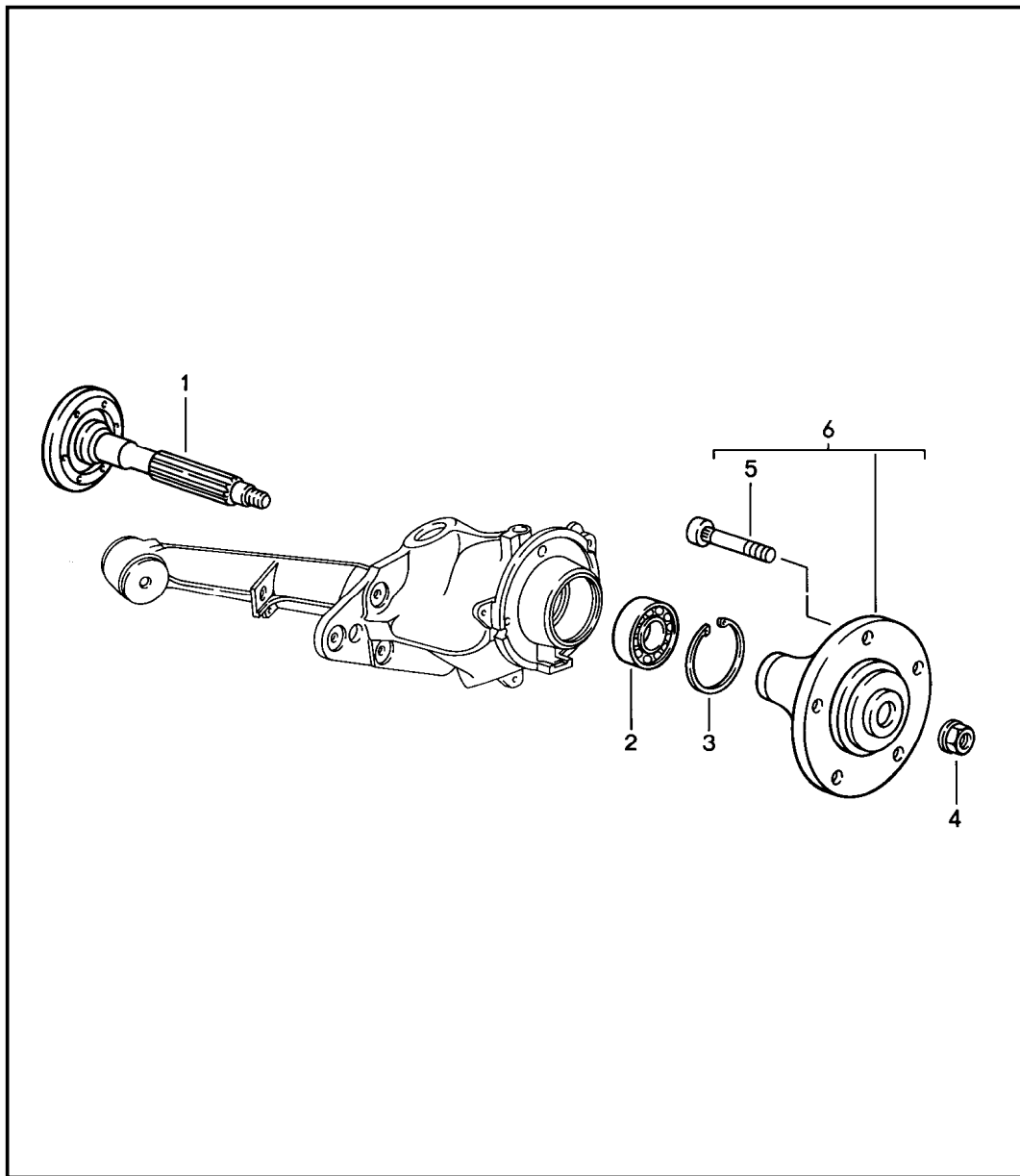


Pos	Part Number	Description	Remark	Qty	Model
1	944 331 045 02	rear axle carrier rear-axle trailing arm		1	
2	477 501 069 A	rubber bush		2	
4	951 331 021 01	rear-axle trailing arm	/L	1	
(4)	951 331 022 01	rear-axle trailing arm	/R	1	
6	477 501 089	mounting		2	
7	N 040 272 2	hexagon-head bolt M 10 X 35		4	
8	900 025 008 09	washer A 10,5		4	
9	N 900 876 01	lock nut VM 10		2	
9A	N 021 131 1	lock nut M 12 X 1,5		2	
10	477 501 697	washer		2	
11	N 010 190 4	hexagon-head bolt M 12 X 90		2	
12	944 331 075 00	supporting mount	/L	1	
(12)	944 331 076 00	supporting mount	/R	1	
13	900 075 040 02	hexagon-head bolt M 10 X 20		2	
14	N 012 230 6	spring washer B 10		8	
15	944 331 059 00	bearing flange	/L	1	
(15)	944 331 060 00	bearing flange	/R	1	
16	477 501 667	washer		2	
17	N 010 465 5	hexagon-head bolt M 10 X 65		2	
17	900 074 248 03	hexagon-head bolt M 10 X 65		2	
17A	N 012 230 6	spring washer B 10		8	
18	900 074 063 02	hexagon-head bolt M 10 X 55		6	

Model	Year	MG	SG	Illustration	Restrictions	UPD	15:02	23.01.2010	PORSCHE	PET	PORSCHE
924S	1988	5	01	501-00		248					

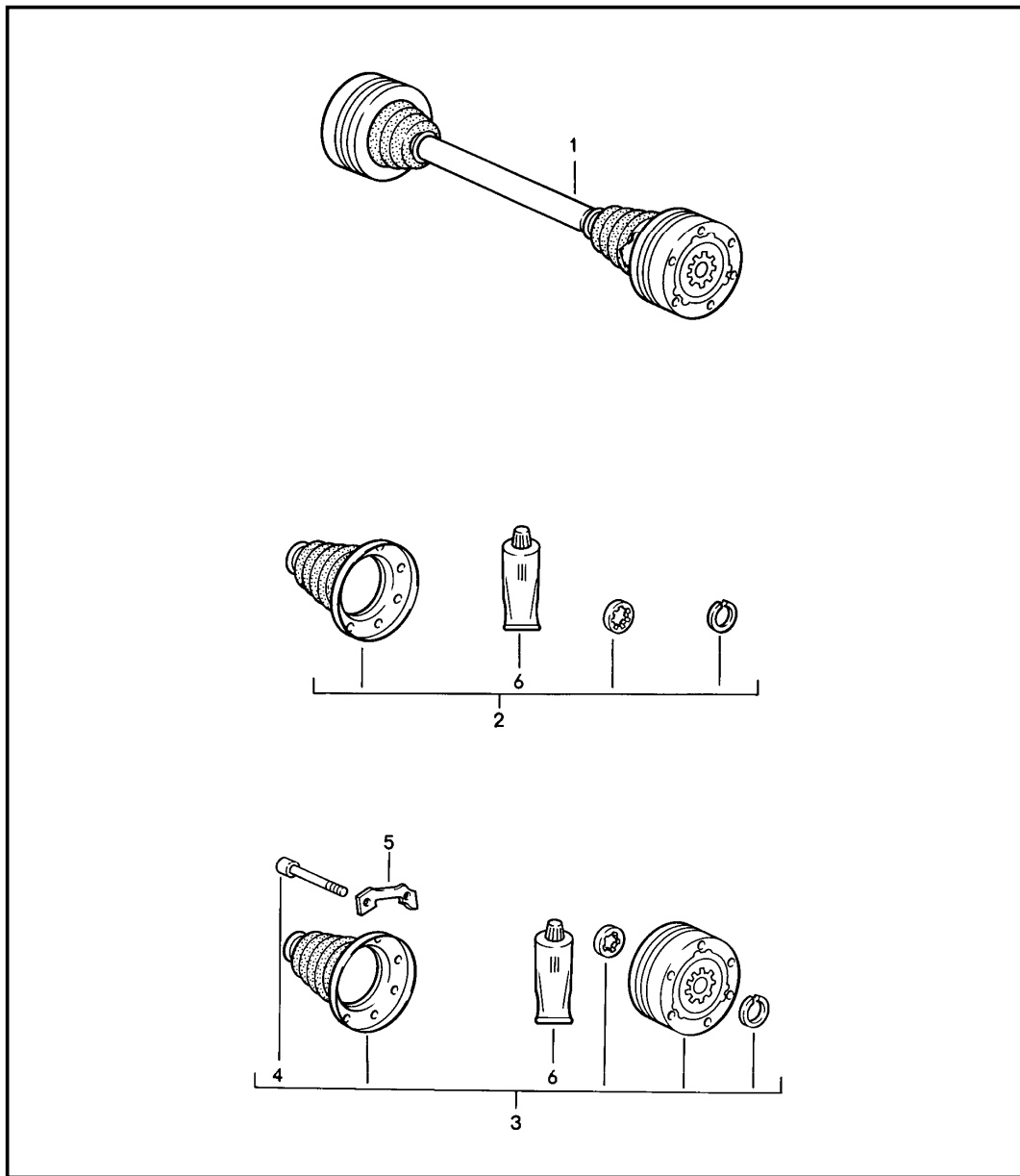
Pos	Part Number	Description	Remark	Qty	Model	Pos	Part Number	Description	Remark	Qty	Model
19	900 082 059 02	hexagon-head bolt M 12 X 1,5 X 115		2							
20	803 199 347	washer		8							
21	N 022 141 4	lock nut VM 12 X 1,5		2							
21A	944 333 115 00	torsion bar 23,5 MM \$	/L	1							
21A	944 333 116 00	torsion bar 23,5 MM \$	/R	1							
21A	944 333 103 00	torsion bar 24,5 MM \$	/L	1	M030						
21A	944 333 104 00	torsion bar 24,5 MM \$	/R	1	M030						
22	951 333 021 00	rear axle strut		2							
26	911 333 303 00	eccentric screw		2							
27	911 333 305 00	hexagon-head bolt		2							
28	999 025 135 02	washer		4							
29	900 910 092 02	lock nut VM 16 X 1,5		4							
30	477 511 519	camber eccentric		2							
30A	477 511 515	camber eccentric only together with stabiliser \$ 14 MM		2							
31	N 010 138 1	hexagon-head bolt M 12 X 1,5 X 38		4							
32	N 011 531 7	washer A 13		8							
33	N 022 141 4	lock nut VM 12 X 1,5		4							
34	900 075 029 09	hexagon-head bolt M 8 X 25		2							
35	900 025 007 02	washer A 8,4		4							
36	900 910 022 09	lock nut VM 8		2							

Model	Year	MG	SG	Illustration	Restrictions	UPD	15:02	23.01.2010	PORSCHE	PET	PORSCHE
924S	1988	5	01	501-05		248					



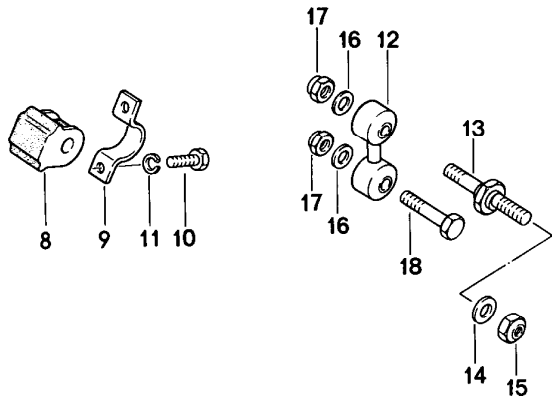
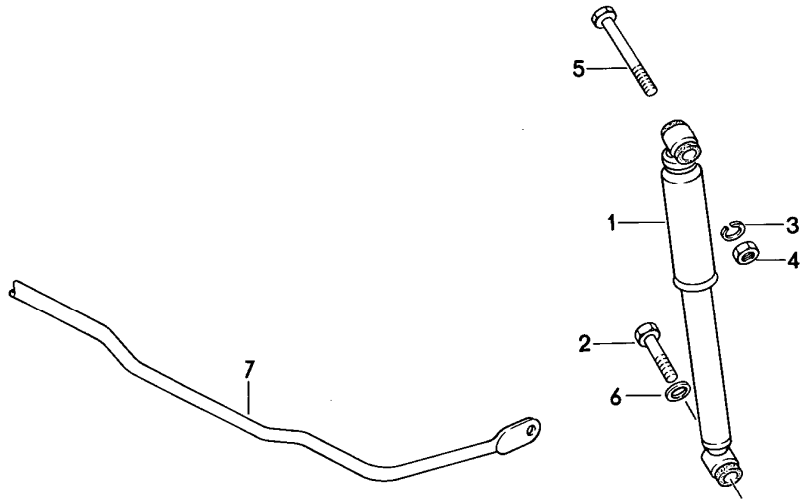
Pos	Part Number	Description	Remark	Qty	Model
		rear wheel shaft			
1	951 332 235 01	rear wheel shaft		2	
2	999 053 020 01	angular-contact bearing		2	
3	N 012 350 1	circlip		2	
4	900 910 093 02	lock nut 22 X 1,5		2	
5	904 341 671 00	wheel bolt		10	
6	951 331 067 00	wheel hub		2	

Model	Year	MG	SG	Illustration	Restrictions	UPD	15:03	23.01.2010	PORSCHE	PET	PORSCHE
924S	1988	5	01	501-10		248					



Pos	Part Number	Description	Remark	Qty	Model
		drive shaft			
1	944 332 038 01	drive shaft		2	
1	944 332 038 09	drive shaft	/L	1	M249
1	944 332 038 10	drive shaft	/R	1	M249
2	944 331 903 00	repair kit dust bellows		4	
3	944 331 901 00	repair kit constant-velocity joint		4	
4	893 407 237	pan-head screw		24	
5	944 332 191 00	plate		6	
6	000 043 110 01	grease 1 100-gramme tube		X	

Model	Year	MG	SG	Illustration	Restrictions	UPD	15:03	23.01.2010	PORSCHE	PET	PORSCHE
924S	1988	5	02	502-00		248					



Pos	Part Number	Description	Remark	Qty	Model
		vibration damper stabiliser			
1	951 333 032 05	vibration damper - fichtel + sachs -		2	
1	951 333 032 01	vibration damper - koni -		2	M474
1	944 333 032 01	vibration damper - koni -		2	M030
2	900 082 054 02	hexagon-head bolt M 14 X 1,5 X 85		2	
3	043 101 129	washer		2	
4	N 022 141 1	lock nut M 12 X 1,5		2	
5	900 082 044 02	hexagon-head bolt M 12 X 1,5 X 125		2	
6	999 025 062 02	washer		2	
		stabiliser			
7	477 511 411 A	stabiliser 14 \$		1	
7	477 511 415	stabiliser 20 \$		1	M030
8	477 411 313 F	stabiliser mounting 14 \$		2	
8	477 411 313 C	stabiliser mounting 20 MM \$		2	M030
9	113 411 333	retaining bow		2	
10	900 075 085 02	hexagon-head bolt M 8 X 20		4	
11	900 027 015 02	lock ring B 8		4	
12	477 511 051 A	stabiliser mounting		2	
13	477 511 515	camber eccentric		2	
14	900 025 009 02	washer A 13		2	
15	N 022 141 4	lock nut M 12 X 1,5		2	

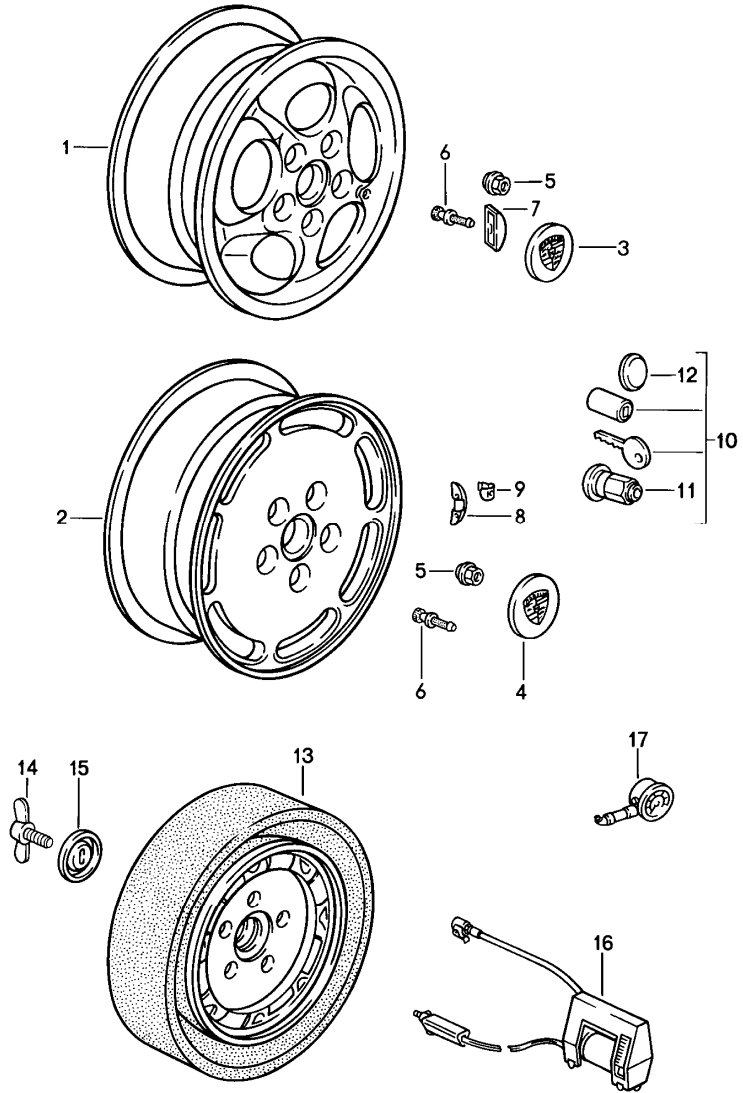
Model	Year	MG	SG	Illustration	Restrictions	UPD	15:03	23.01.2010	PORSCHE	PET	PORSCHE
924S	1988	5	02	502-00		248					

Pos	Part Number	Description	Remark	Qty	Model	Pos	Part Number	Description	Remark	Qty	Model
16	900 025 008 09	washer A 10,5		4							
17	N 022 149 2	lock nut M 10		4							
18	N 010 452 4	hexagon-head bolt M 10 X 52		2							

Model	Year	MG	SG	Illustration	Restrictions	UPD	15:03	23.01.2010
924S	1988	5	98	598-00R		248		

Pos	Part Number	Description	Remark	Qty	Model
		repair kits			
>>	>>944 331 903 00	repair kit		4	
		dust bellows			
		comprising:			
		dust bellows		1	
		with			
		bellow support			
		spring		1	
-	113 517 279	circlip		1	
-	000 043 110 01	grease			
		1 100-gramme tube		1	
>>	>>944 331 901 00	repair kit		4	
		constant-velocity joint			
		comprising:			
		constant-velocity joint		1	
		dust bellows		1	
		with			
		bellow support			
		spring		2	
-	113 517 279	circlip		1	
-	000 043 110 01	grease			
		1 100-gramme tube		1	
-	893 407 237	pan-head screw		6	

Model	Year	MG	SG	Illustration	Restrictions	UPD	15:03	23.01.2010	PORSCHE	PET	PORSCHE
924S	1988	6	01	601-00		248					

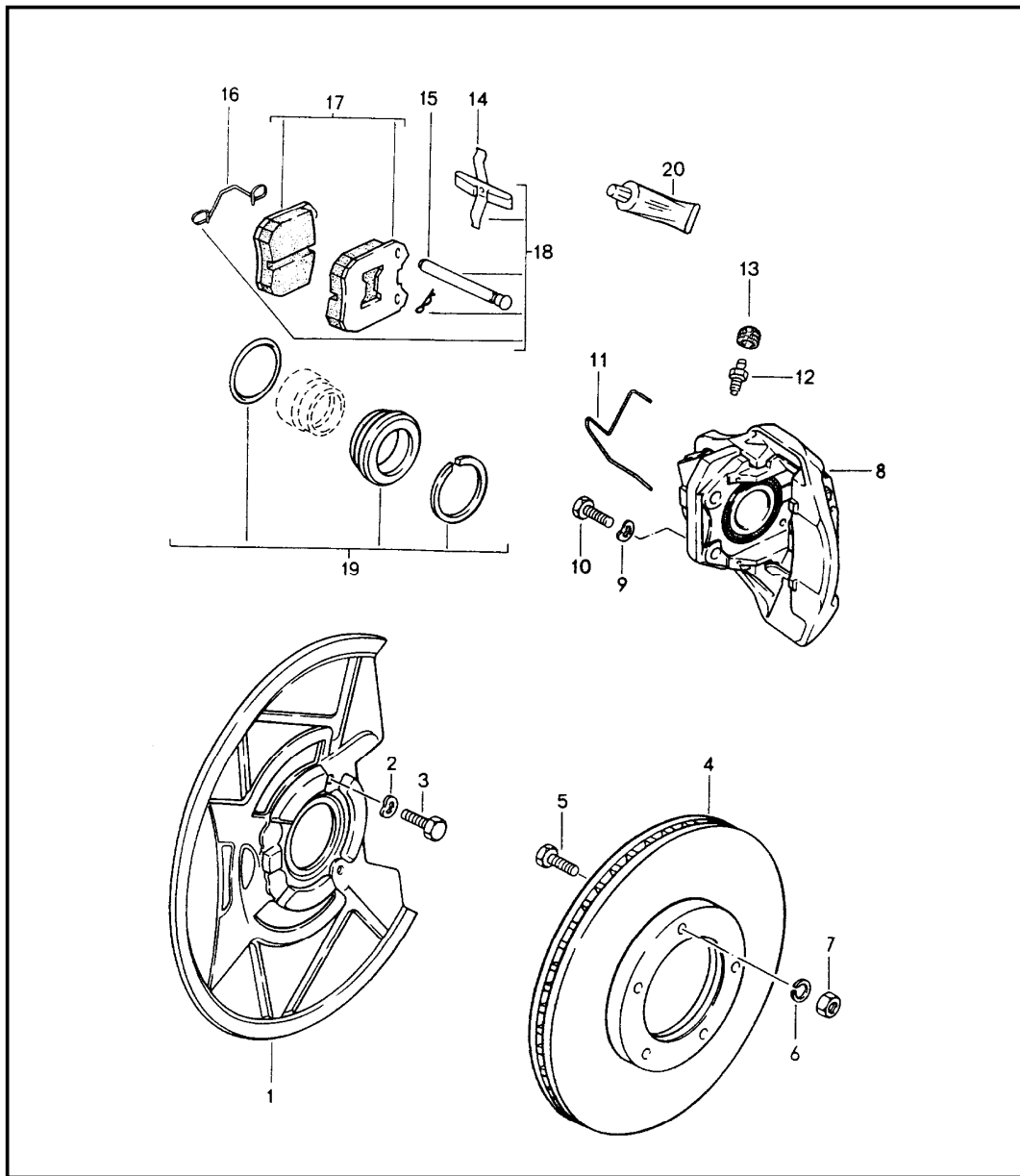


Pos	Part Number	Description	Remark	Qty	Model
1	944 362 102 00	disc wheel			
1	944 362 102 00	alloy wheel 6 J X 15 ET 52,3 silver metallic		4	
1	944 362 104 00	alloy wheel 7 J X 15 ET 52,3 silver metallic	/H	2	
2	944 362 113 00	alloy wheel 6 J X 16 ET 52,3 silver metallic		4	
(2)	944 362 113 01	alloy wheel 6 J X 16 ET 52,3 platinum		4	
3	928 361 032 01	hub cap		4	
4	928 361 031 00	hub cap silver metallic		4	
(4)	477 601 051 D	hub cap platinum		4	
5	999 182 003 36	wheel nut		20	
6	900 265 001 50	rubber valve 15,2 \$		4	
7	901 361 410 50	balance stick-on weight 5 G		X X	
7	901 361 410 00	balance stick-on weight 10 G		X	
7	901 361 411 50	balance stick-on weight 15 G		X	
7	901 361 411 00	balance stick-on weight 20 G		X	
7	901 361 412 50	balance stick-on weight 25 G		X	
7	901 361 412 00	balance stick-on weight 30 G		X	
7	901 361 413 50	balance stick-on weight 35 G		X	

Model	Year	MG	SG	Illustration	Restrictions	UPD	15:03	23.01.2010	PORSCHE	PET	PORSCHE
924S	1988	6	01	601-00		248					

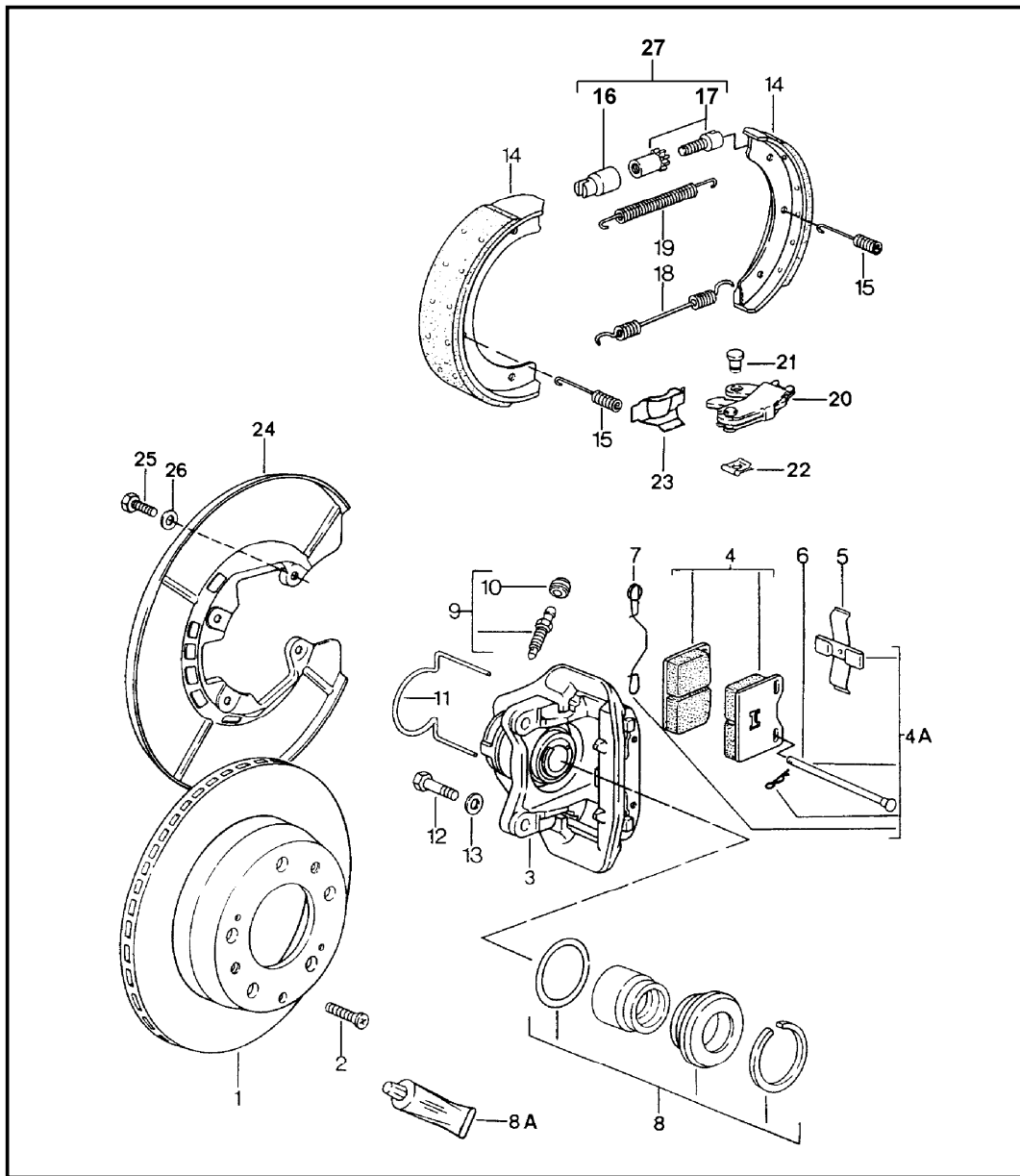
Pos	Part Number	Description	Remark	Qty	Model	Pos	Part Number	Description	Remark	Qty	Model
7	901 361 413 00	balance stick-on weight 40G		X		8	928 361 426 00	balance weight 55 G		X	
7	901 361 414 50	balance stick-on weight 45G		X		8	928 361 415 00	balance weight 60 G		X	
7	901 361 414 00	balance stick-on weight 50 G		X		8	928 361 416 00	balance weight 70 G		X	
7	901 361 415 50	balance stick-on weight 55 G		X		8	928 361 417 00	balance weight 80 G		X	
7	901 361 415 00	balance stick-on weight 60 G		X		9	928 361 420 01	retaining clip		X	
7	901 361 416 50	balance stick-on weight 65 G		X		10	928 361 047 03	wheel nut lockable 1 set		1	
7	901 361 416 00	balance stick-on weight 70 G		X		11	928 361 306 03	wheel nut lockable without lock		4	
7	901 361 417 50	balance stick-on weight 75 G		X		12	965 361 167 00	cap		4	
7	901 361 417 00	balance stick-on weight 80 G		X		-	928 361 312 01	blank key for wheel nut lockable		X	
8	928 361 421 00	balance weight 5 G		X				winter wheel			
8	928 361 410 00	balance weight 10 G		X		-	477 601 030 B	steel wheel 5 1/2 X 15 ET 52,3		4	
8	928 361 422 00	balance weight 15 G		X		-	N 020 112 1	ball seat nut for steel rim only		20	
8	928 361 411 00	balance weight 20 G		X		-	901 361 031 01	hub cap for steel rim only		4	
8	928 361 423 00	balance weight 25 G		X				emergency wheel			
8	928 361 412 00	balance weight 30 G		X		13	944 362 030 01	emergency wheel 5 1/2 J X 15 with collapsible tire		1	
8	928 361 424 00	balance weight 35 G		X		14	914 722 104 10	wing screw M 10 X 75		1	
8	928 361 413 00	balance weight 40 G		X		15	477 813 157	washer		1	
8	928 361 425 00	balance weight 45 G		X		16	964 652 053 00	small electric compressor		1	
8	928 361 414 00	balance weight 50 G		X		17	911 722 201 02	tyre pressure gauge		1	

Model	Year	MG	SG	Illustration	Restrictions	UPD	15:03	23.01.2010	PORSCHE	PET	PORSCHE
924S	1988	6	02	602-00		248					



Pos	Part Number	Description	Remark	Qty	Model
		disc brake front axle			
1	944 351 085 00	cover plate		2	
2	N 012 234 5	spring washer B 7		6	
3	N 010 226 2	hexagon-head bolt M 7 X 10		6	
4	477 405 083 A	brake disc		2	
5	900 075 079 02	hexagon-head bolt M 8 X 22		10	
6	N 012 241 1	spring washer B 8		10	
7	900 076 025 02	hexagon nut M 8		10	
8	944 351 429 00	floating calliper	/L	1	
(8)	944 351 430 00	floating calliper	/R	1	
9	900 028 014 02	spring washer B 12		4	
10	N 040 108 1	hexagon-head bolt M 12 X 1,5 X 40		4	
11	431 615 169	guide spring		2	
12	944 351 957 00	ventilation valve		2	
13	944 351 959 00	dust boot		2	
14	* 928 351 935 00	expanding spring		2	
15	* 928 351 936 00	retaining pin		4	
16	928 351 955 00	safety seal		2	
17	944 351 951 02	brake pad repair set without asbestos		1	
18	944 351 952 01	mounting parts		1	
19	* 928 351 941 00	gasket set		1	
20	000 043 117 00	brake cylinder paste 1 50-g tube		X	

Model	Year	MG	SG	Illustration	Restrictions	UPD	15:03	23.01.2010	PORSCHE	PET	PORSCHE
924S	1988	6	03	603-00		248					

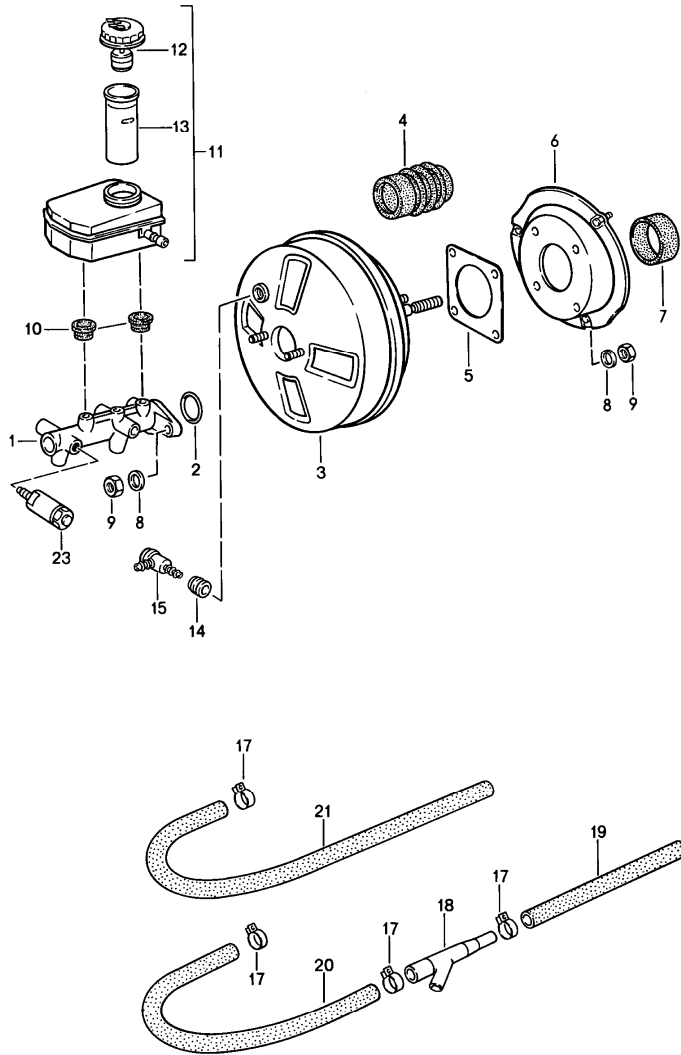


Pos	Part Number	Description	Remark	Qty	Model
		disc brake rear axle			
1	944 352 041 02	brake disc		2	
2	N 033 167 1	countersunk-head screw		2	
3	944 352 429 00	floating calliper without pad	/L	1	
(3)	944 352 430 00	floating calliper without pad	/R	1	
4	944 352 951 02	brake pad repair set without asbestos		1	
4A	944 352 952 00	mounting parts		1	
5	928 352 935 00	expanding spring		2	
6	928 351 936 00	retaining pin		4	
7	944 352 963 00	safety seal		2	
8	928 352 941 00	gasket set		2	
8A	000 043 117 00	brake cylinder paste 1 50-g tube		X	
9	901 352 977 10	bleeder valve		2	
10	901 351 927 10	dust boot		2	
11	944 352 954 00	guide spring	/R	1	
(11)	944 352 953 00	guide spring	/L	1	
12	900 082 077 02	hexagon-head bolt M 12 X 1,5 X 37		4	
13	900 028 014 02	spring washer		4	
14	A 996 352 993 00	repair kit without asbestos		4	
(14)	997 352 993 02	repair kit 1 set only together with compression spring 996.352.741.00 adjusting screw 993.352.071.00		1	
15	928 352 957 02	compression spring		4	

Model	Year	MG	SG	Illustration	Restrictions	UPD	15:03	23.01.2010	PORSCHE	PET	PORSCHE
924S	1988	6	03	603-00		248					

Pos	Part Number	Description	Remark	Qty	Model	Pos	Part Number	Description	Remark	Qty	Model
(15)	996 352 741 00	compression spring only together with repair kit 997.352.993.02		4							
16	911 352 944 00	support bush		2							
17	911 352 098 00	adjusting screw		2							
18	951 352 454 00	return spring		2							
19	901 352 932 10	return spring		2							
20	951 352 090 00	expanding bow		2							
21	477 609 459	bolt		2							
22	N 900 588 01	lock		2							
23	951 352 807 00	supporting plate		2							
24	964 352 801 00	protective plate		2							
25	999 072 005 09	hexagon-head bolt M 6 X 12		8							
26	N 012 226 5	spring washer B 6		8							
27	993 352 071 00	adjusting screw only together with repair kit 997.352.993.02		2							

Model	Year	MG	SG	Illustration	Restrictions	UPD	15:04	23.01.2010	PORSCHE	PET	PORSCHE
924S	1988	6	04	604-00		248					

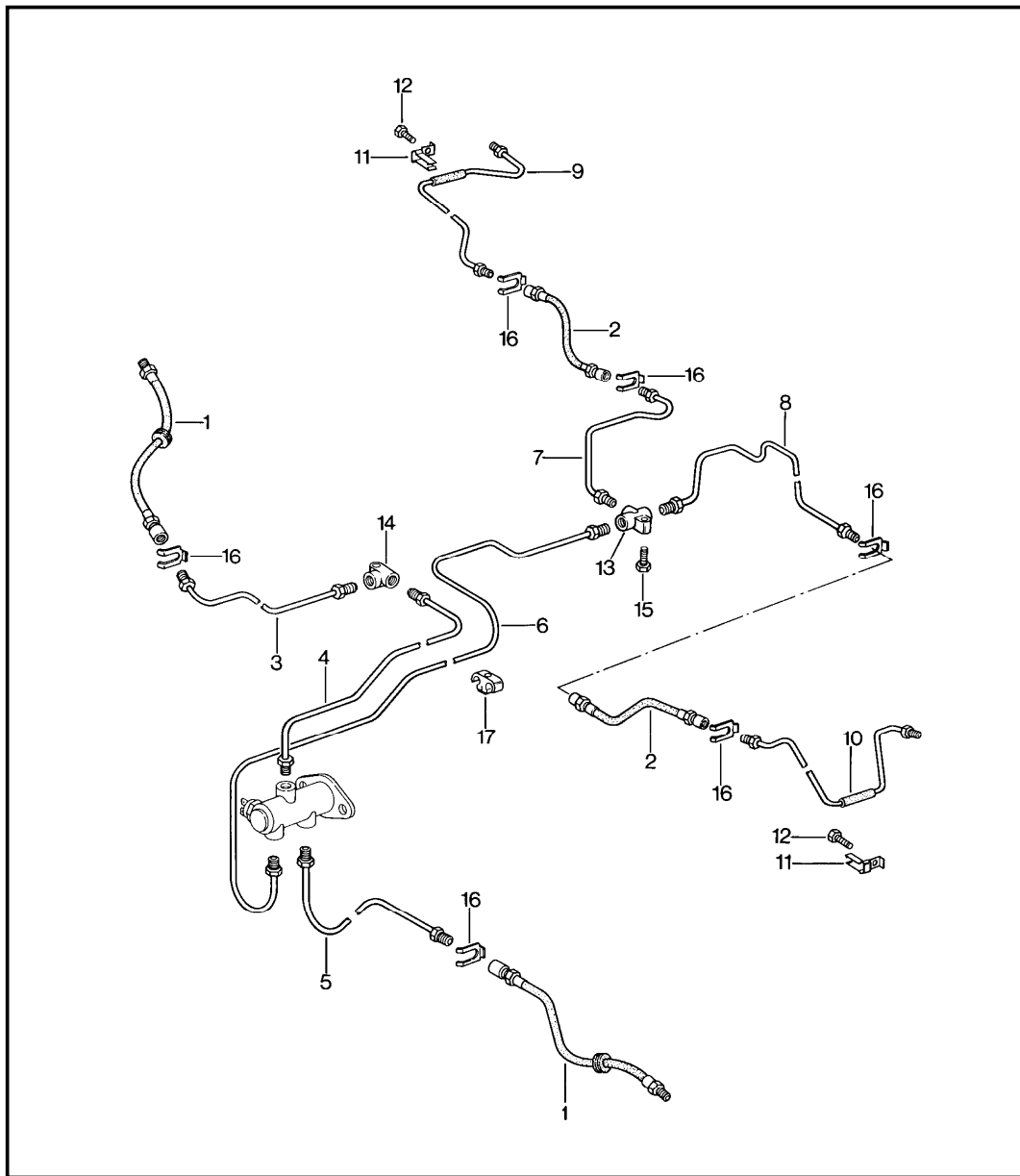


Pos	Part Number	Description	Remark	Qty	Model
		brake master cylinder brake booster expansion tank			
1	944 355 011 00	brake master cylinder - girling -		1	
1	944 355 011 01	brake master cylinder - ate -	/RL	1	
2	251 611 243	sealing ring		1	
3	944 355 023 00	brake booster - girling -		1	
3	944 355 023 11	brake booster - ate -	/RL	1	
4	944 355 323 00	bellows		1	
5	477 611 951	gasket		1	
6	477 611 945 D	intermediate piece		1	
7	477 611 969 D	gasket		1	
8	900 025 007 02	washer A 8,4		9	
9	900 076 025 02	hexagon nut M 8		9	
10	911 355 922 00	sealing plug		2	
11	477 611 303 B	expansion tank		1	
12	477 611 351 B	lid with float		1	
13	477 611 385 A	restrictor bush		1	
14	911 355 921 00	rubber seal		1	
15	191 611 933 F	check valve		1	
(15)	477 611 933 A	check valve		1	M573
17	999 512 346 00	hose clamp		9	
18	067 133 753 A	venturi tube		1	
-	999 239 011 40	hose 12 X 19 140 MM		1	
20	944 110 219 00	moulded hose		1	

Model	Year	MG	SG	Illustration	Restrictions	UPD	15:04	23.01.2010	PORSCHE	PET	PORSCHE
924S	1988	6	04	604-00		248					

Pos	Part Number	Description	Remark	Qty	Model	Pos	Part Number	Description	Remark	Qty	Model
20	944 110 219 01	moulded hose		1	AUT.						
21	944 110 219 00	moulded hose		1							

Model	Year	MG	SG	Illustration	Restrictions	UPD	15:04	23.01.2010	PORSCHE	PET	PORSCHE
924S	1988	6	04	604-10		248					

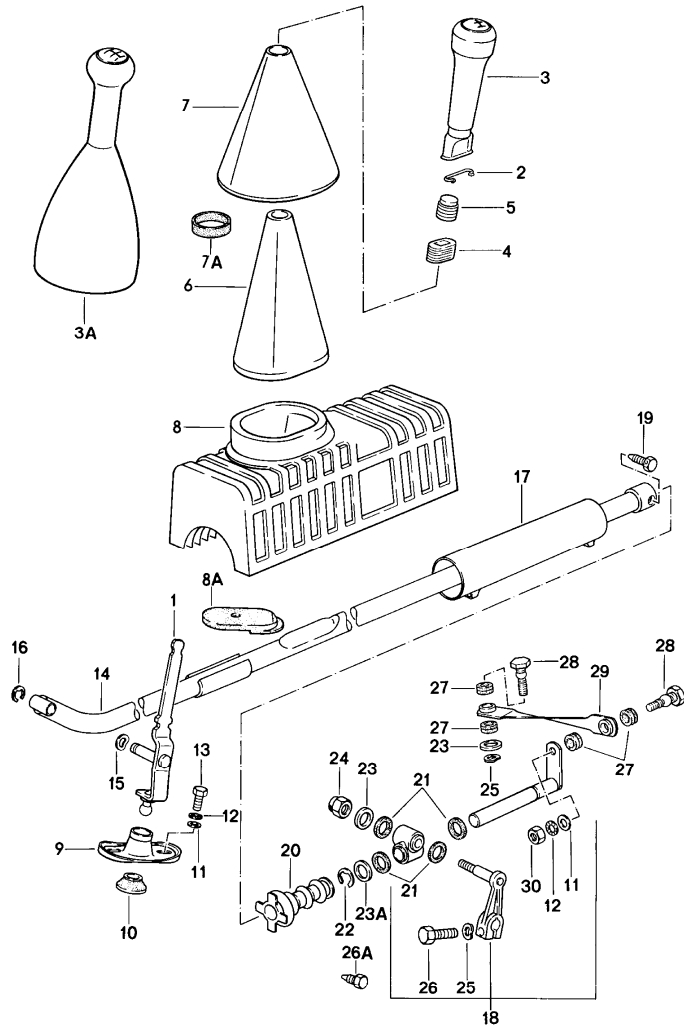


Pos	Part Number	Description	Remark	Qty	Model
		brake lines			
1	477 611 071 B	brake hose	/V	2	
2	944 355 081 01	brake hose	/H	2	
3	477 611 724 A	brake line	/R	1	
4	937 355 630 00	brake line	/R	1	
5	944 355 029 01	brake line	/L	1	
6	937 355 631 00	brake line		1	
7	937 355 632 00	brake line	/R	1	
8	944 355 033 00	brake line	/L	1	
9	951 355 036 02	brake line	/R	1	
10	951 355 035 02	brake line	/L	1	
11	477 611 783	support		2	
12	N 010 210 13	hexagon-head bolt		2	
13	914 355 667 00	distributor		1	
14	901 355 615 00	angled pipe		1	
15	N 011 116 5	hexagon nut		1	
16	113 611 715 A	brake hose bracket		6	
17	811 611 797	clip		14	

Model	Year	MG	SG	Illustration	Restrictions	UPD	15:04	23.01.2010
924S	1988	6	98	698-00R		248		

Pos	Part Number	Description	Remark	Qty	Model
		repair kits			
>>	>>944 351 951 02	brake pad repair set without asbestos comprising: brake pad	/V	1 4	
>>	>>944 351 952 01	mounting parts for brake pad repair set comprising: expanding spring retaining pin safety seal	/V	1 2 4 2	
>>	>>928 351 941 00	gasket set for floating calliper comprising: sealing ring clamping washer protection cap	/V	2 1 1 1	
>>	>>944 352 951 02	brake pad repair set without asbestos	/H	1	
>>	>>944 352 952 00	mounting parts for brake pad repair set comprising: expanding spring retaining pin safety seal	/H	1 2 4 2	
>>	>>928 352 941 00	gasket set for floating calliper comprising: gasket protection cap clamping washer slide	/H	2 1 1 1 2	
>>	>>944 355 011 00	brake master cylinder for brake master cylinder - girling -		1	
>>	>>944 355 911 01	repair kit for brake master cylinder - ate -		1	

Model	Year	MG	SG	Illustration	Restrictions	UPD	15:04	23.01.2010	PORSCHE	PET	PORSCHE
924S	1988	7	01	701-00		248					

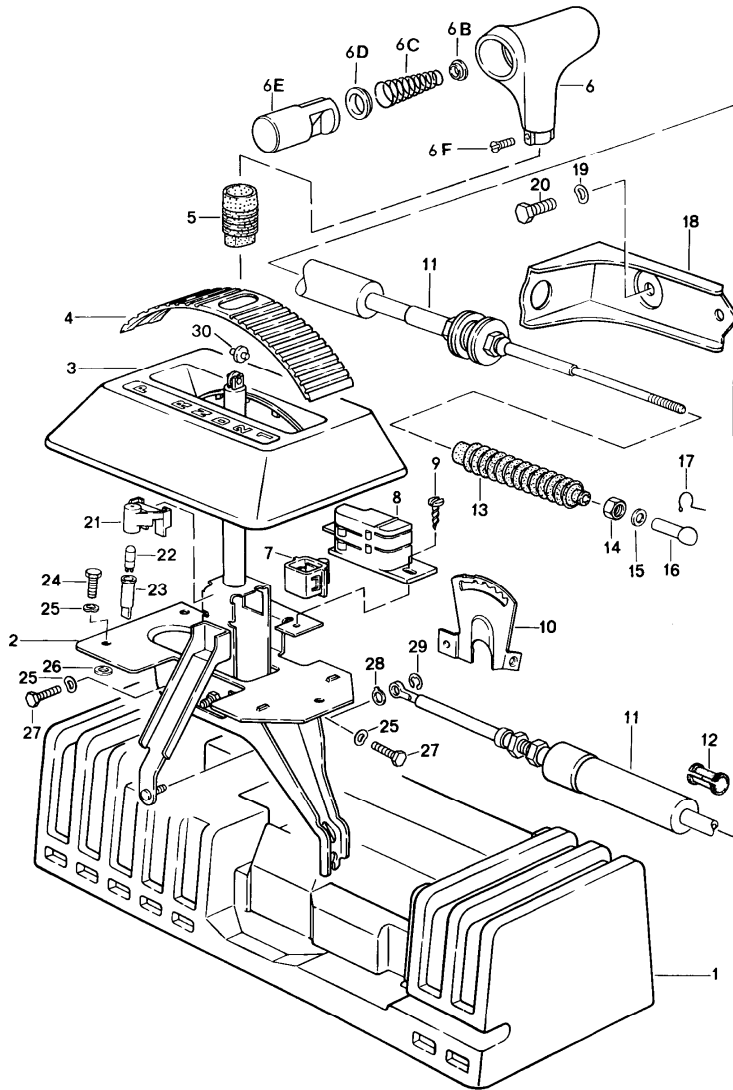


Pos	Part Number	Description	Remark	Qty	Model
		shift mechanism for manual transmission			
1	477 711 205 D	gearshift lever		1	
2	477 711 269	retainer spring		1	
3	477 711 289 A	gearshift knob leatherette		1	
		01C black			
		89S brown			
3A	931 424 075 00	gearshift knob with boot leather		1	
		1AJ black			
		4RB brown			
4	477 711 219	vibration damper		1	
(4)	931 424 111 00	vibration damper		1	M416
5	477 711 217	vibration damper		1	
(5)	931 424 110 00	vibration damper		1	M416
6	477 711 270 B	inner sleeve		1	
7	944 424 023 00	boot		1	
		05T black			
		4RB brown			
7A	477 711 257	rubber ring		1	
8	477 711 239	sound absorber		1	
9	944 424 229 00	bearing bracket		1	
10	944 424 231 01	bearing shell		1	
11	900 025 007 02	washer A 8,4		3	
12	N 012 108 2	serrated lock washer 8,4		3	
13	N 010 237 6	hexagon-head bolt M 8 X 12		2	

Model	Year	MG	SG	Illustration	Restrictions	UPD	15:04	23.01.2010	PORSCHE	PET	PORSCHE
924S	1988	7	01	701-00		248					

Pos	Part Number	Description	Remark	Qty	Model	Pos	Part Number	Description	Remark	Qty	Model
14	944 424 019 00	gear shift rod		1							
15	900 028 005 02	spring washer A 10		1							
16	900 116 005 02	lock washer		1							
17	477 711 285	protective tube		1							
(18)	944 424 013 02	intermediate shift lever		1							
19	823 711 833	hexagon-head bolt		1							
20	477 711 159 B	bellows		1							
21	477 711 149	sealing ring		4							
22	N 012 415 1	circlip 15 X 1		1							
23	311 827 181	washer		2							
23A	477 711 139 A	washer		1							
24	803 253 111	lock nut M 8		1							
25	N 012 241 11	spring washer B 8 X 15		2							
26A	443 711 189 A	hexagon-head bolt		1							
27	477 711 155 A	sealing ring		4							
28	477 711 147 A	ball pin		2							
29	944 424 141 00	joint rod		1							
30	N 011 008 8	hexagon nut M 8		1							

Model	Year	MG	SG	Illustration	Restrictions	UPD	15:04	23.01.2010	PORSCHE	PET	PORSCHE
924S	1988	7	01	701-10		248					

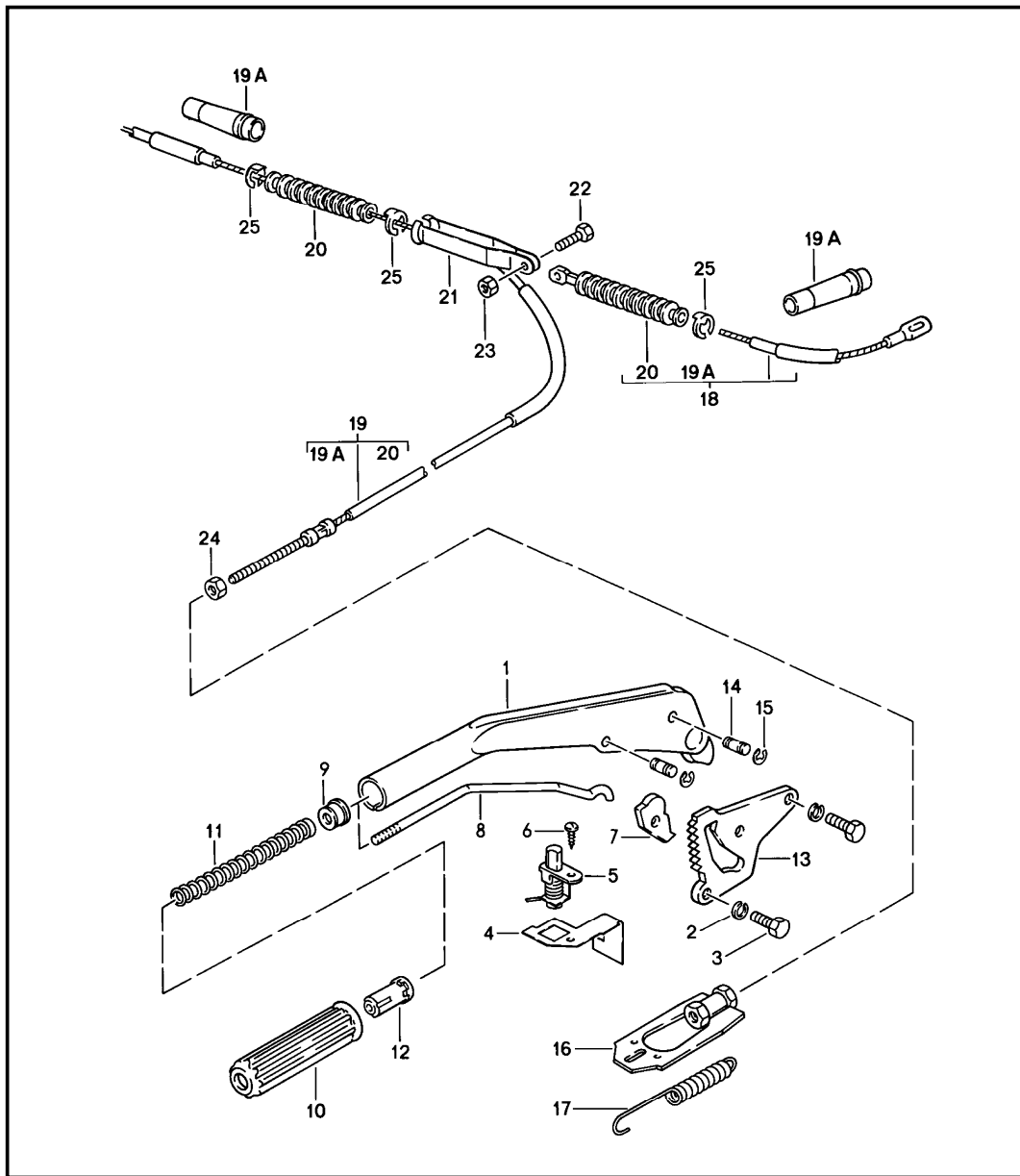


Pos	Part Number	Description	Remark	Qty	Model
		shift mechanism for automatic transmission			
1	944 426 182 00	sound absorber		1	
2	944 426 025 02	shift mechanism		1	
3	477 713 111 A	cover		1	
	1DB	black			
	4RB	brown			
4	477 713 277	cover strip		1	
5	944 426 279 00	cover		1	
	01C	black			
	89S	brown			
6	928 426 077 00	selector knob		1	
	1AJ	black			
	4RB	brown			
6B	922 424 203 00	concave washer		1	
6C	922 424 176 03	compression spring		1	
6D	922 424 201 00	concave washer		1	
6E	928 426 174 01	key		1	
6F	N 033 165 1	countersunk-head screw M 4 X 8		2	
7	171 927 145 A	contacts		1	
8	311 927 147 B	support for contact		1	
9	N 013 968 1	tapping screw B 4,8 X 13		2	
10	944 426 109 01	locking segment		1	
11	477 713 265 C	cable		1	
12	431 609 781	breather hose		2	
13	477 609 715	sealing sleeve		1	
14	N 011 005 14	hexagon nut M 5		1	

Model	Year	MG	SG	Illustration	Restrictions	UPD	15:04	23.01.2010	PORSCHE	PET	PORSCHE
924S	1988	7	01	701-10		248					

Pos	Part Number	Description	Remark	Qty	Model	Pos	Part Number	Description	Remark	Qty	Model
15	N 011 665 3	washer B 5,3		1							
16	911 423 147 00	ball socket		1							
17	900 169 014 02	securing clip		1							
18	477 713 281 A	retaining bracket		1							
19	900 027 015 02	lock ring B 8		2							
20	900 075 085 02	hexagon-head bolt M 8 X 20		2							
21	321 713 855 A	bulb holder		1							
22	900 631 132 90	bulb		1							
23	111 919 243	bulb socket		1							
24	900 378 030 09	hexagon-head bolt M 6 X 20		3							
25	N 012 226 5	spring washer		5							
26	N 900 067 01	washer 6,4		3							
27	N 010 215 13	hexagon-head bolt M 6 X 15		2							
29	N 012 325 1	lock washer		1							
30	321 713 137	roller		1							

Model	Year	MG	SG	Illustration	Restrictions	UPD	15:05	23.01.2010	PORSCHE	PET	PORSCHE
924S	1988	7	01	701-15		248					

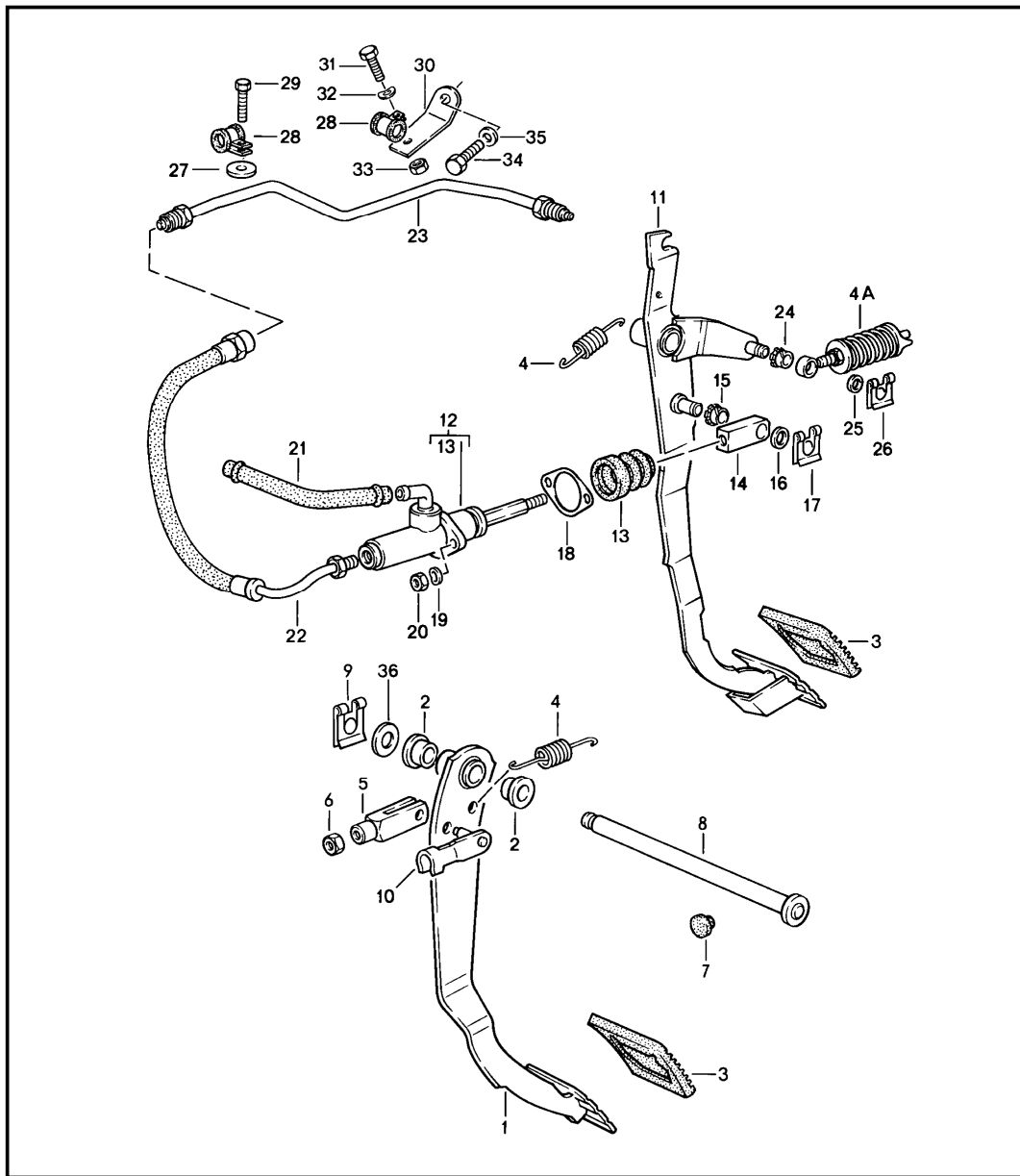


Pos	Part Number	Description	Remark	Qty	Model
1	944 424 052 00	parking-brake lever		1	
2	900 027 015 02	lock ring B 8		2	
3	N 010 239 11	hexagon-head bolt M 8 X 18		2	
4	477 711 317	support	/LL	1	
(4)	478 711 318	support	/RL	1	
5	968 613 601 00	contact switch		1	
6	N 013 957 5	tapping screw B 3,5 X 9,5		1	
7	823 711 321	pawl		1	
8	481 711 325	ratchet rod		1	
9	481 711 327	spring sleeve		1	
10	839 711 327	grip handle		1	
		041	black		
11	191 711 329	pressure spring		1	
12	113 711 333 B	push button		1	
		01C	black		
		043	brown		
13	944 424 252 00	tooth sector		1	
14	251 711 341 A	bearing pin		2	
15	900 116 005 02	lock washer		4	
-	944 424 352 00	bearing pin		1	
-	900 910 022 09	lock nut M 8		1	
16	944 424 033 00	turnbuckle		1	
17	944 424 537 00	return spring		1	
18	951 424 071 02	parking-brake cable short		1	
19	951 424 072 02	parking-brake cable long		1	

Model	Year	MG	SG	Illustration	Restrictions	UPD	15:05	23.01.2010	PORSCHE	PET	PORSCHE
924S	1988	7	01	701-15		248					

Pos	Part Number	Description	Remark	Qty	Model	Pos	Part Number	Description	Remark	Qty	Model
19A	477 609 723	guide tube		2							
20	477 609 715	sealing sleeve		2							
21	477 711 965	compensating bow		1							
22	900 378 030 09	hexagon-head bolt M 6 X 20		1							
23	900 910 012 02	lock nut M 6		1							
24	900 076 010 02	hexagon nut M 6		1							
25	999 166 027 02	lock		3							
-	999 513 025 40	tie-wrap for parking-brake cable		2							

Model	Year	MG	SG	Illustration	Restrictions	UPD	15:05	23.01.2010	PORSCHE	PET	PORSCHE
924S	1988	7	02	702-00		248					

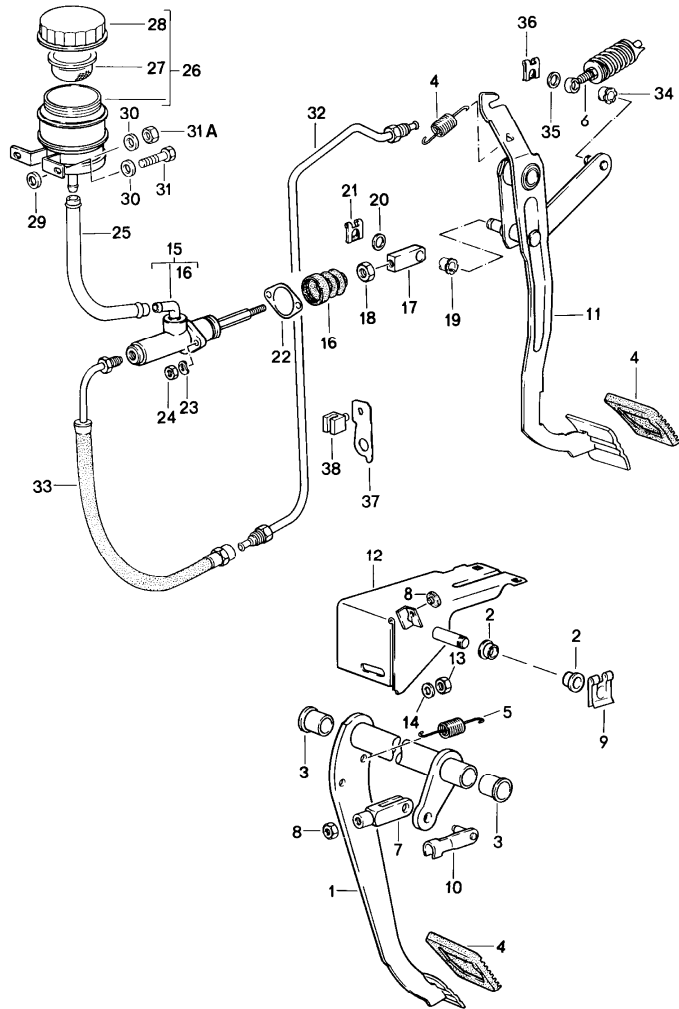


Pos	Part Number	Description	Remark	Qty	Model
		brake clutch pedals left-hand drive			
1	944 423 051 00	brake pedal		1	
(1)	477 723 141	brake pedal		1	AUT.
2	443 721 153 A	bearing sleeve		4	
3	321 721 173	pedal cap		2	
(3)	827 723 173	pedal cap		1	AUT.
4	321 721 191	return spring		2	
4A	477 721 353 A	clutch power spring		1	
5	803 721 213	clevis		1	
6	N 011 010 6	hexagon nut M 10		1	
7	999 703 183 40	buffer		1	
8	843 721 309	bolt 12 X 185 X 180		1	
(8)	N 023 151 2	bolt 12 X 144 X 139		1	AUT.
9	N 012 653 1	lock		1	
10	N 023 476 1	bolt 8 X 32		1	
11	944 423 937 01	clutch pedal		1	
12	477 721 171	clutch master cylinder		1	
13	928 423 908 00	bellows		1	
14	928 423 517 00	clevis		1	
15	999 924 002 40	plain bearing		1	
16	900 025 008 09	washer A 10,5		1	
17	999 166 034 02	lock		1	
18	928 423 191 00	gasket		1	
19	900 027 015 02	lock ring B 8		2	

Model	Year	MG	SG	Illustration	Restrictions	UPD	15:05	23.01.2010	PORSCHE	PET	PORSCHE
924S	1988	7	02	702-00		248					

Pos	Part Number	Description	Remark	Qty	Model	Pos	Part Number	Description	Remark	Qty	Model
20	900 076 025 02	hexagon nut M 8		3							
21	999 181 021 50	hose 12,5 X 7,5 220 MM		*							
22	951 423 189 01	clutch hose	86	1							
22	477 721 189 A	clutch hose	87-	1							
23	951 423 091 11	clutch pipeline	86	1							
23	944 423 091 00	clutch pipeline	87-	1							
24	999 924 001 40	bush		1							
25	900 025 007 02	washer A 8,4		1							
26	N 900 470 01	lock washer		1							
27	N 900 067 01	washer 6,4		1							
28	N 020 680 1	clamp		1							
29	N 010 264 4	hexagon-head bolt M 5 X 20		1							
30	944 423 193 01	support		1							
31	N 010 207 6	hexagon-head bolt M 5 X 12		1							
32	N 012 225 2	spring washer B 5		1							
33	N 011 005 14	hexagon nut M 5		1							
34	N 010 239 11	hexagon-head bolt M 8 X 18		1							
35	900 025 007 02	washer A 8,4		1							
36	311 955 255	washer		1							

Model	Year	MG	SG	Illustration	Restrictions	UPD	15:05	23.01.2010	PORSCHE	PET	PORSCHE
924S	1988	7	02	702-05		248					

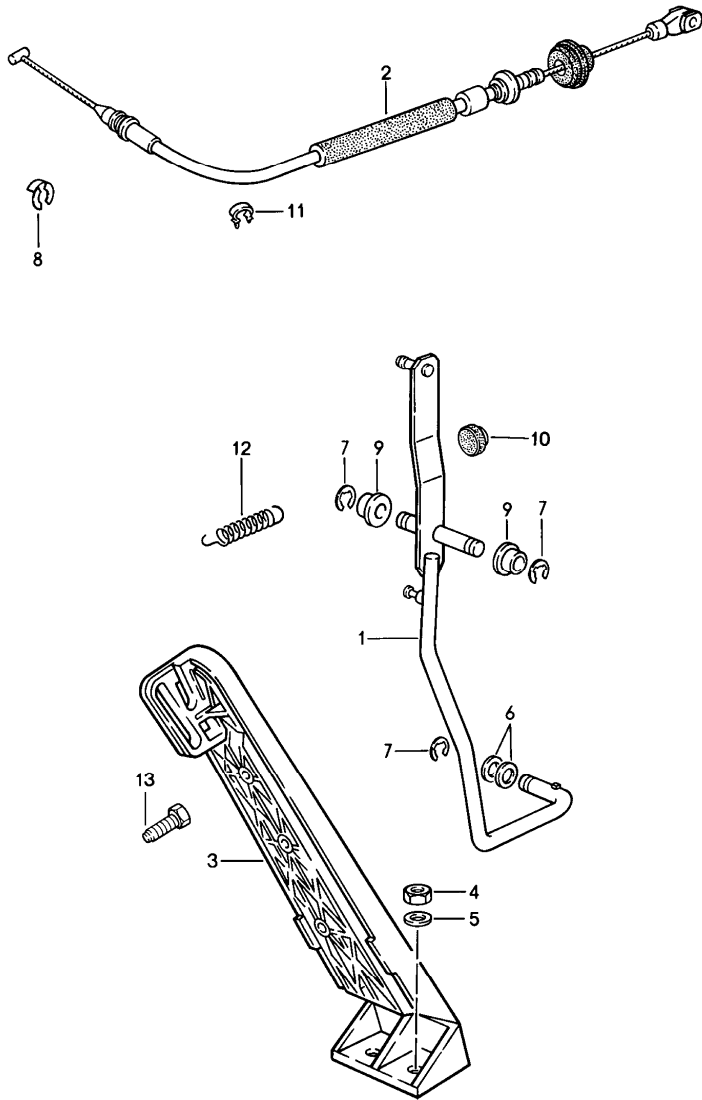


Pos	Part Number	Description	Remark	Qty	Model
		brake clutch pedals right-hand drive			
1	945 423 051 00	brake pedal		1	
(1)	478 723 141	brake pedal		1	AUT.
2	443 721 153 A	bearing sleeve		2	
3	478 721 153	bearing sleeve		2	
4	321 721 173	pedal cap		2	
(4)	827 723 173	cap		1	AUT.
5	321 721 191	return spring		2	
6	477 721 353 A	clutch power spring		1	
7	803 721 213	clevis		1	
8	N 011 010 6	hexagon nut M 10		1	
9	N 012 653 1	lock		1	
10	N 023 476 1	bolt 8 X 32		1	
11	478 721 315 A	clutch pedal		1	
12	478 721 113 A	bracket		1	
13	900 076 025 02	hexagon nut M 8		3	
14	N 012 229 3	spring washer A 8		3	
15	478 721 171	clutch master cylinder		1	
16	928 423 908 00	bellows		1	
17	478 721 179	intermediate piece		1	
18	N 011 118 14	hexagon nut BM 8		1	
19	999 924 002 40	plain bearing		1	
20	900 025 008 09	washer A 10,5		1	
21	999 166 034 02	lock		1	

Model	Year	MG	SG	Illustration	Restrictions	UPD	15:05	23.01.2010	PORSCHE	PET	PORSCHE
924S	1988	7	02	702-05		248					

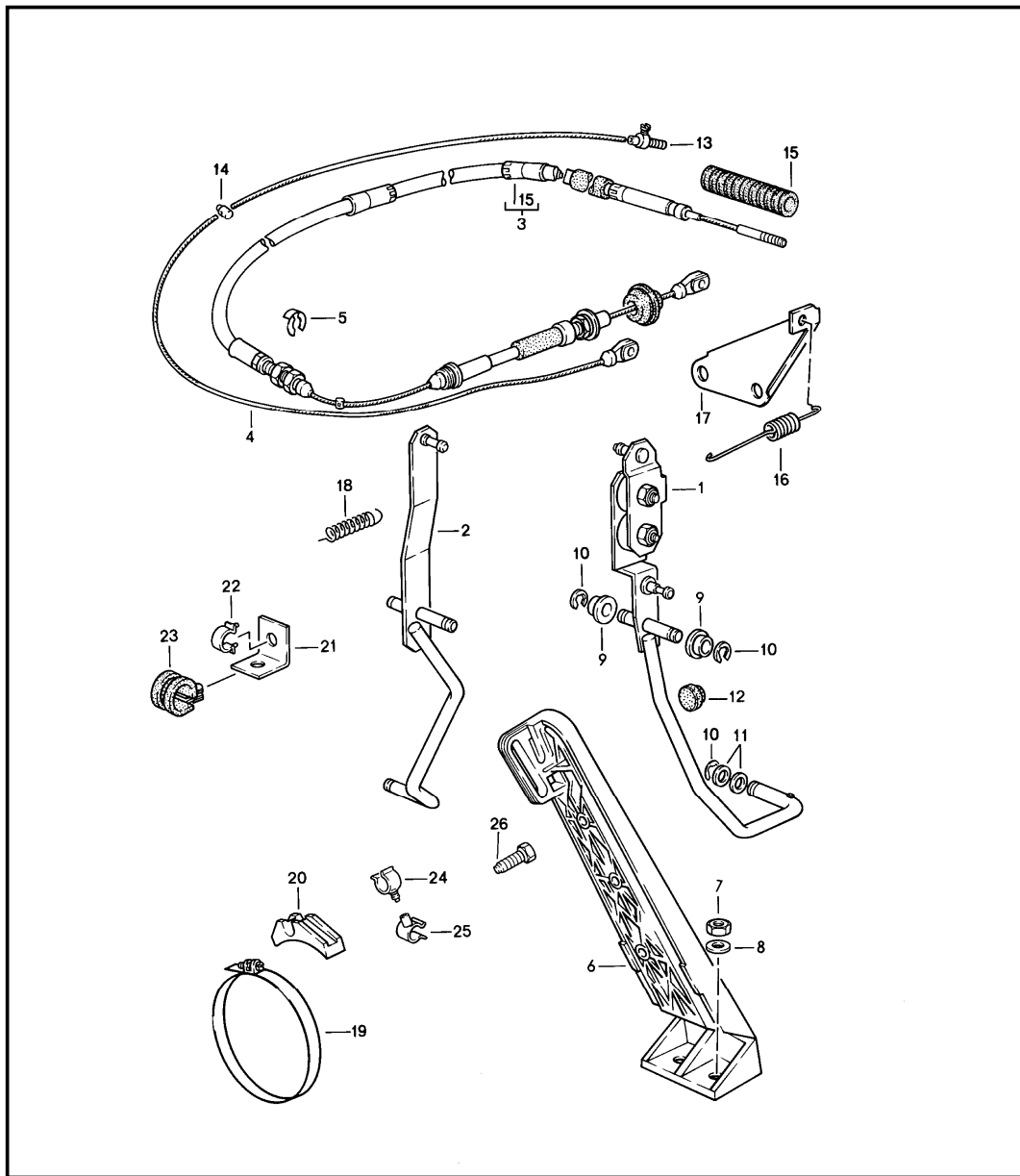
Pos	Part Number	Description	Remark	Qty	Model	Pos	Part Number	Description	Remark	Qty	Model
22	928 423 191 00	gasket		1							
23	N 012 229 3	spring washer B 8		2							
24	900 076 025 02	hexagon nut M 8		2							
25	999 181 021 50	hose		1							
26	944 423 210 00	expansion tank		1							
27	211 611 381 B	strainer		1							
28	477 611 361	lid		1							
29	052 109 135	spacer sleeve		2							
30	N 012 226 5	spring washer B 6		2							
31	900 075 014 02	hexagon-head bolt M 6 X 15		2							
31A	900 076 010 02	hexagon nut M 6		2							
32	945 423 091 02	clutch tube		1							
33	478 721 189	clutch hose		1							
34	999 924 001 40	bush		1							
35	900 025 007 02	washer A 8,4		1							
36	N 900 470 01	lock washer		1							

Model	Year	MG	SG	Illustration	Restrictions	UPD	15:05	23.01.2010	PORSCHE	PET	PORSCHE
924S	1988	7	02	702-10		248					



Pos	Part Number	Description	Remark	Qty	Model
		accelerator control for manual transmission			
(1)	944 423 031 00	accelerator control	/LL	1	
(1)	944 423 034 00	accelerator control		1	M454
(1)	945 423 031 01	accelerator control	/RL	1	
2	944 423 023 07	accelerator cable	/LL	1	
(2)	945 423 023 05	accelerator cable	/RL	1	
3	827 723 511 A	accelerator pedal		1	
4	900 076 010 02	hexagon nut M 6		2	
5	803 817 121	washer		2	
6	900 025 038 40	washer		2	
7	N 012 436 2	lock washer		3	
8	823 721 569	retainer spring		1	
9	477 721 543	bearing sleeve		2	
10	999 703 183 40	buffer		1	
11	477 971 851	cable clip	/RL	1	
12	944 423 831 00	spring		1	
13	944 423 731 00	adjusting screw		1	

Model	Year	MG	SG	Illustration	Restrictions	UPD	15:05	23.01.2010	PORSCHE	PET	PORSCHE
924S	1988	7	02	702-15		248					

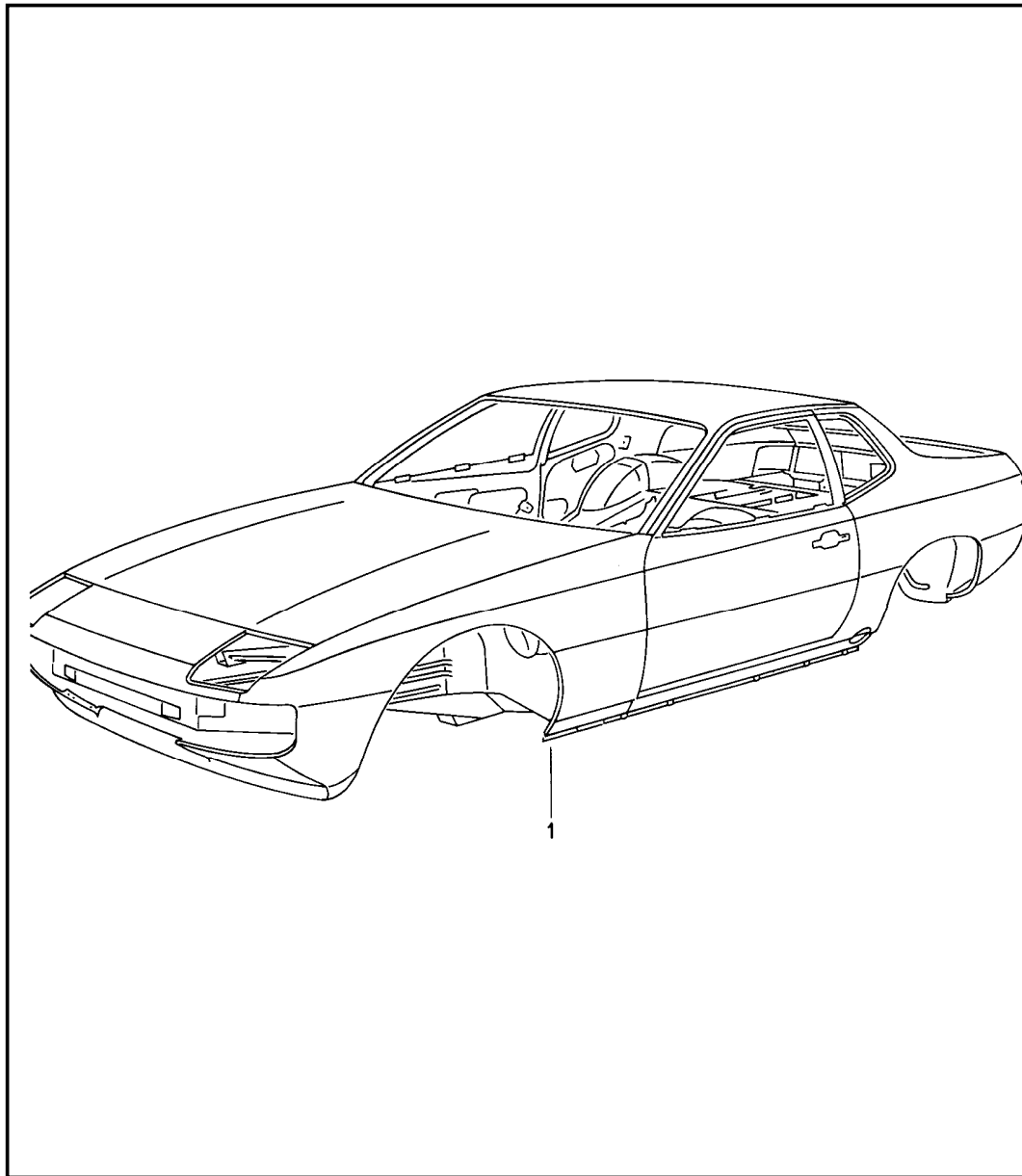


Pos	Part Number	Description	Remark	Qty	Model
		accelerator control for automatic transmission			
1	944 423 033 00	accelerator control	/LL	1	
2	945 423 031 01	accelerator control	/RL	1	
3	944 423 071 07	cable	/LL	1	
(3)	945 423 071 06	cable	/RL	1	
4	944 423 973 02	cable	/LL	1	
(4)	945 423 973 02	cable	/RL	1	
5	N 012 323 1	circlip		1	
6	827 723 511 A	accelerator pedal		1	
7	900 076 010 02	hexagon nut M 6		2	
8	803 817 121	washer		2	
9	477 721 543	bearing sleeve		2	
10	N 012 436 2	lock washer		3	
11	900 025 038 40	washer		2	
12	999 703 183 40	buffer		1	
13	477 723 601	nipple		1	
14	477 723 611	nipple		1	
15	311 713 269 A	sealing sleeve		1	
16	477 723 563 C	tension spring		1	
17	944 423 141 00	support		1	
18	944 423 833 00	spring		1	
19	999 512 350 02	hose clamp		1	
20	477 723 567	support		1	
21	477 971 881 A	retaining bracket		1	
22	477 971 851	cable clip		1	
23	999 511 116 02	clamp		X	
24	999 591 573 40	hose holder		3	

Model	Year	MG	SG	Illustration	Restrictions	UPD	15:05	23.01.2010	PORSCHE	PET	PORSCHE
924S	1988	7	02	702-15		248					

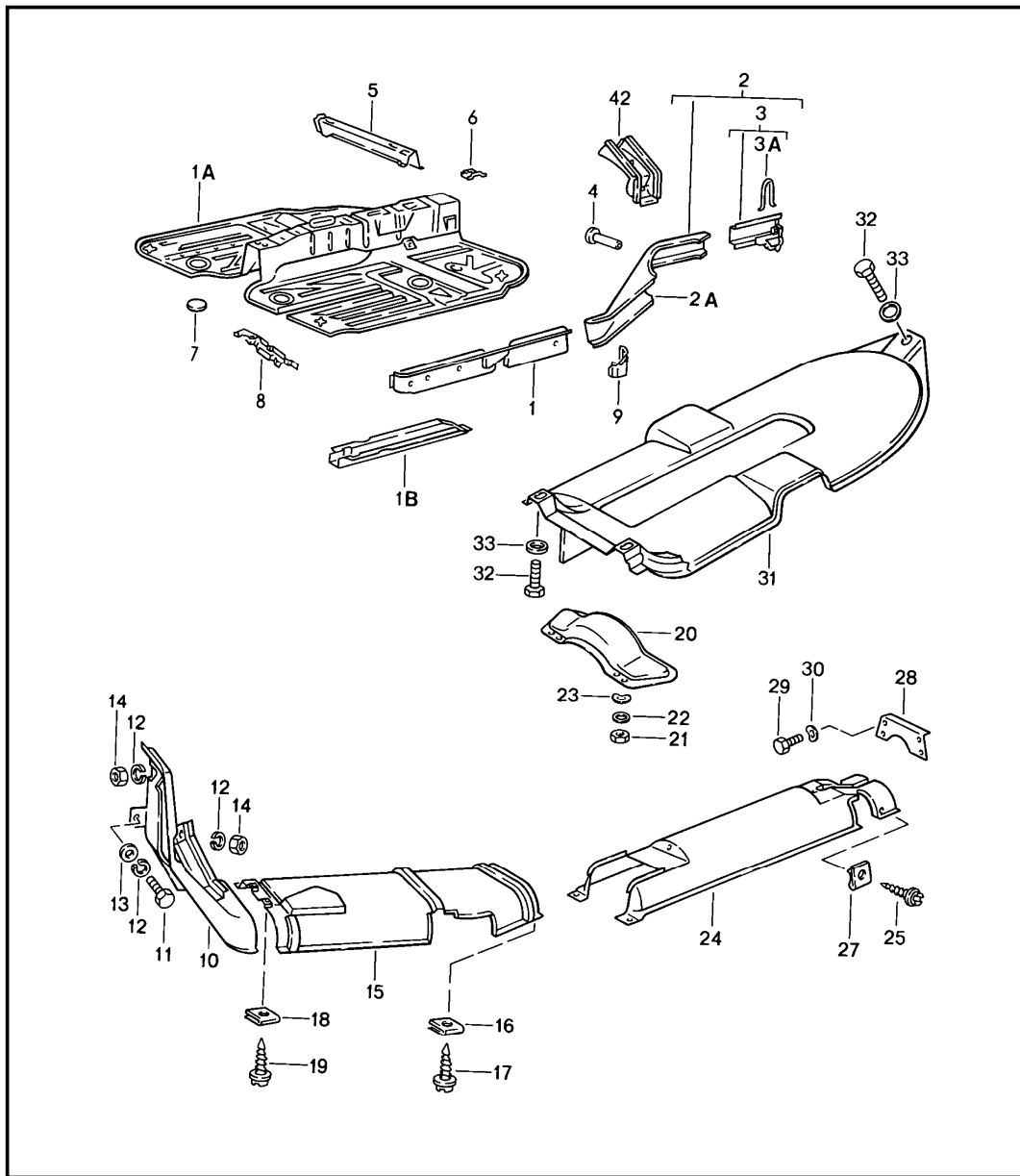
Pos	Part Number	Description	Remark	Qty	Model	Pos	Part Number	Description	Remark	Qty	Model
25	999 591 572 40	hose holder		3							
26	944 423 731 00	adjusting screw		1							

Model	Year	MG	SG	Illustration	Restrictions	UPD	15:06	23.01.2010	PORSCHE	PET	PORSCHE
924S	1988	8	01	801-00		248					



Pos	Part Number	Description	Remark	Qty	Model
		body in white prime coated sealed sprayed with filler with underbody protection bodyshells can only only available from current model year available			
1	477 800 403 AL	body in white	/LL	1	
(1)	477 800 403 AM	body in white	/LL	1	M650
(1)	478 800 403 Q	body in white	/RL	1	
(1)	478 800 403 R	body in white	/RL	1	M650

Model	Year	MG	SG	Illustration	Restrictions	UPD	15:06	23.01.2010	PORSCHE	PET	PORSCHE
924S	1988	8	01	801-05		248					

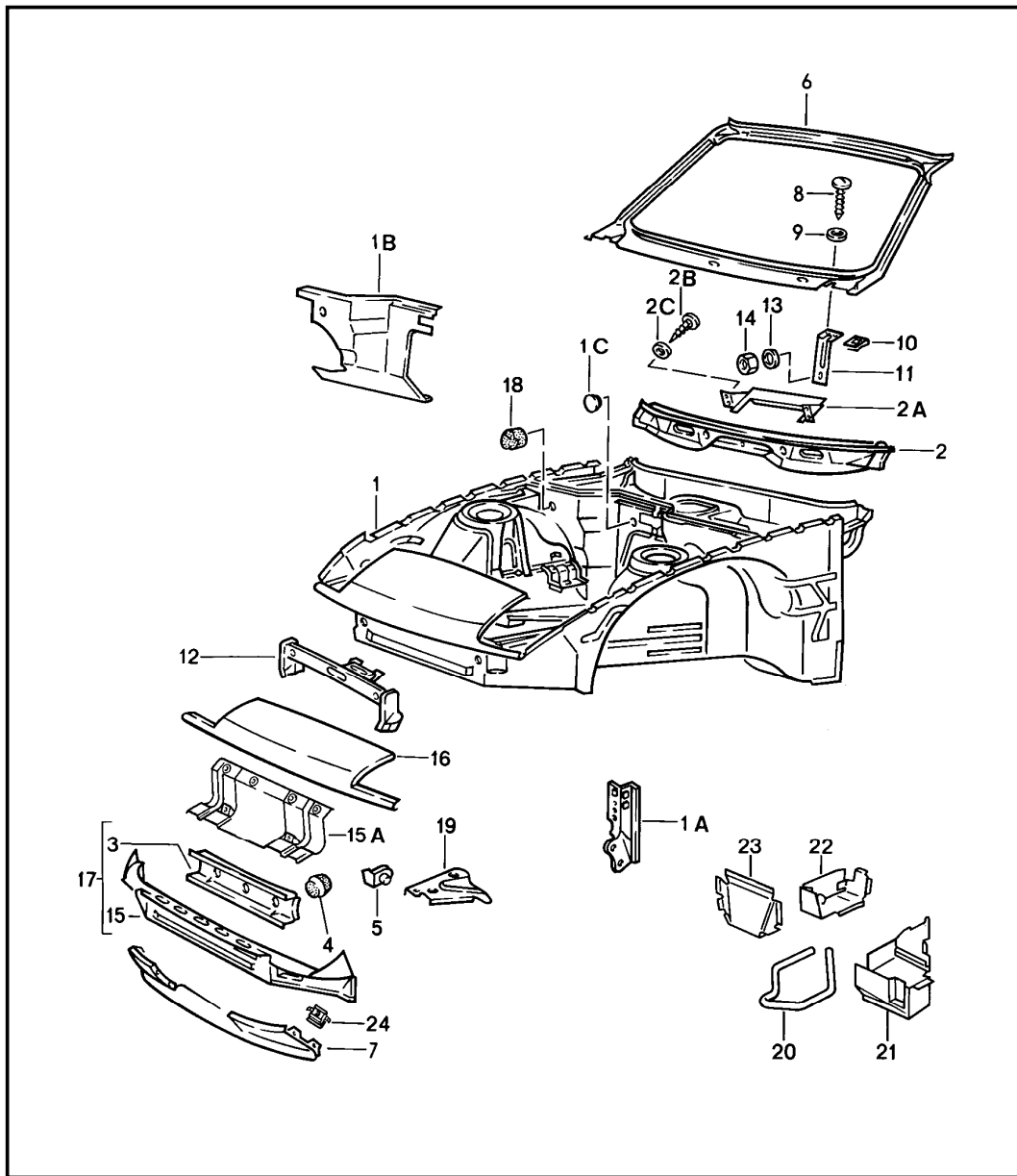


Pos	Part Number	Description	Remark	Qty	Model
1	477 803 103 B	side member heat shield			
(1)	478 803 104 B	side member	/L	1	
-	803 803 583	drain bush	/R	X	
-	803 803 583 A	lid		X	
1A	944 501 501 00	floor section		1	
1B	477 803 283	side member		2	
2	951 501 105 00	side member	/L	1	
(2)	951 501 106 00	side member	/R	1	
2A	951 501 115 00	side member	/L	1	
(2A)	951 501 116 00	side member	/R	1	
3	477 803 125 A	end piece	/L	1	
(3)	944 502 066 02	end piece	/R	1	
3A	477 803 129	retaining bow		2	
4	477 803 145	bush		2	
5	477 803 231	cross member	/V/L	1	
(5)	477 803 232	cross member	/V/R	1	
6	477 803 241	bracket front seat	/H	4	
7	411 803 595	lid 136 MM \$		2	
8	477 803 729	foot support	/LL	1	
9	477 803 871 A	jacking point	/L	1	
(9)	477 803 872 A	jacking point	/R	1	
10	477 809 214 A	cover plate		1	
11	999 072 005 09	hexagon-head bolt M 6 X 12		1	
12	N 012 006 4	lock ring B 6		3	
13	N 011 524 7	washer A 6,4		1	

Model	Year	MG	SG	Illustration	Restrictions	UPD	15:06	23.01.2010	PORSCHE	PET	PORSCHE
924S	1988	8	01	801-05		248					

Pos	Part Number	Description	Remark	Qty	Model	Pos	Part Number	Description	Remark	Qty	Model
14	900 076 010 02	hexagon nut M 6		2		42	944 201 045 00	cover		1	
15	477 803 387 B	heat shield		1							
16	999 591 485 02	speed nut BG 4,8		2							
17	N 090 239 1	combination screw B 4,8 X 13		2							
18	999 591 485 02	speed nut BG 4,8		2							
19	N 090 239 1	combination screw B 4,8 X 13		2							
20	477 803 253	transverse strut		1							
21	N 011 008 8	hexagon nut M 8		4							
22	900 025 007 02	washer A 8,4		4							
23	900 027 015 02	lock ring B 8		4							
24	951 504 869 00	heat shield		1							
25	N 090 239 1	combination screw B 4,8 X 13		2							
27	999 591 485 02	speed nut BG 4,8		2							
28	477 803 291	transverse strut		2							
29	N 010 237 6	hexagon-head bolt M 8 X 12		8							
30	N 012 229 3	spring washer A 8		8							
31	944 503 139 00	heat shield		-87							
31	944 503 139 00	heat shield		88	M249						
(31)	944 504 093 00	heat shield	(CH)	87-							
(31)	944 504 093 00	heat shield		88							
32	999 072 005 09	hexagon-head bolt M 6 X 12		3							
33	N 011 666 7	washer 6,4		3							

Model	Year	MG	SG	Illustration	Restrictions	UPD	15:06	23.01.2010	PORSCHE	PET	PORSCHE
924S	1988	8	01	801-10		248					

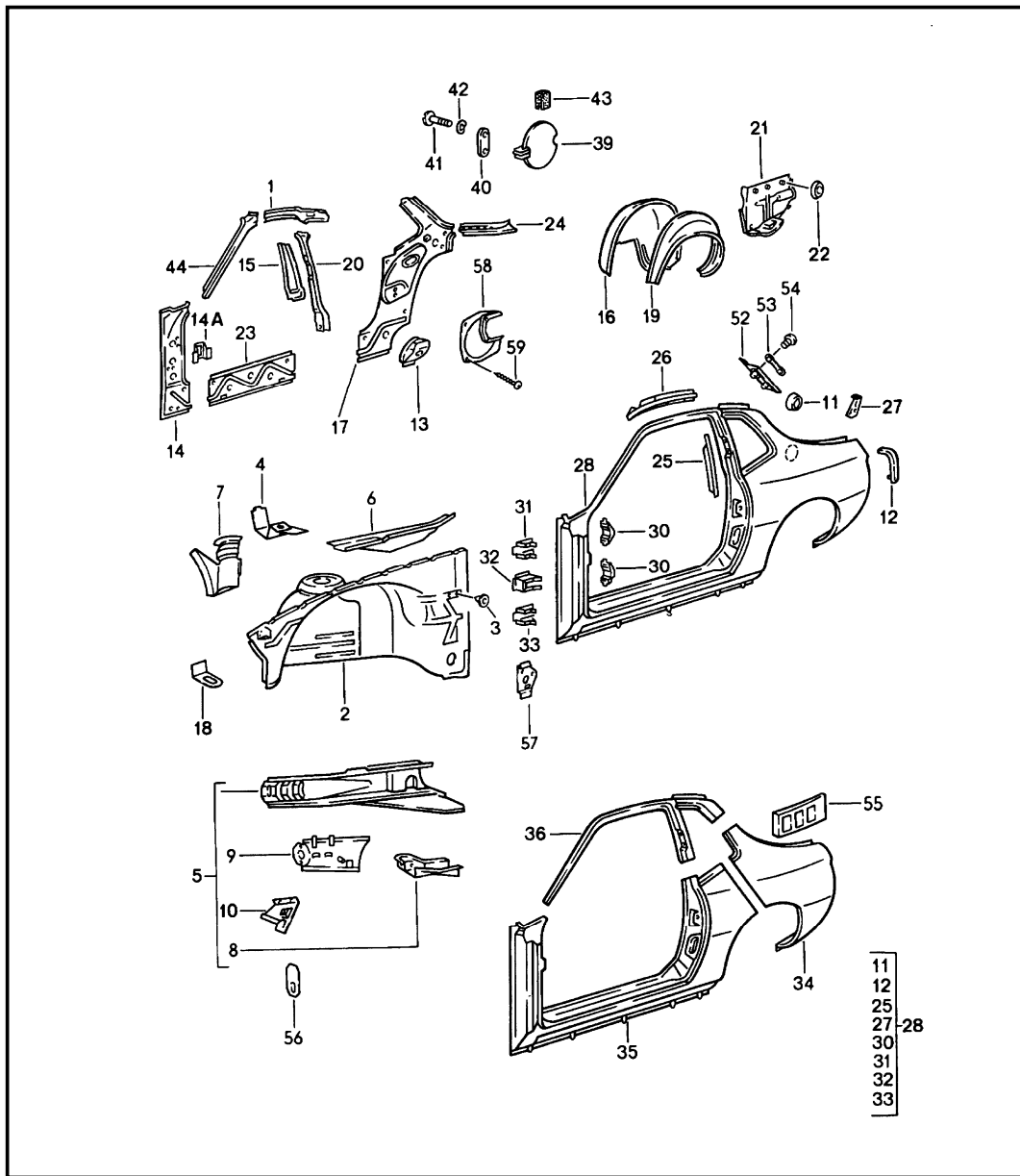


Pos	Part Number	Description	Remark	Qty	Model
		body front section			
1	944 501 011 14	body front section	/LL	1	
(1)	945 501 011 14	body front section	/RL	1	
1A	477 805 057 A	reinforcement	/L	1	
(1A)	477 805 058 A	reinforcement	/R	1	
(1B)	944 502 021 01	firewall	/L	1	
1B	944 502 022 01	firewall	/R	1	
-	111 971 911 A	rubber sleeve		1	
2	944 502 079 00	cross member	/LL	1	
(2)	945 502 079 00	cross member	/RL	1	
2A	944 572 377 00	bracket		1	
2B	N 013 883 3	tapping screw		4	
2C	900 025 003 02	washer A 5,3 X 10		4	
3	944 502 077 00	cross member		1	
4	803 803 583	drain bush		3	
5	951 503 069 00	bracket	/L	1	
(5)	951 503 070 00	bracket	/R	1	
6	477 805 571 C	windscreen frame		1	
(7)	944 503 035 01	spoiler		1	
8	900 143 046 07	tapping screw B 4,8 X 16		4	
9	900 025 003 02	washer A 5,3		4	
10	N 015 458 1	speed nut 4,8 X 14,8		4	
11	477 805 592	cowl panel support		2	
12	944 501 025 00	lock carrier		1	
13	N 011 612 3	washer		2	
14	900 910 012 02	lock nut M 6		2	

Model	Year	MG	SG	Illustration	Restrictions	UPD	15:06	23.01.2010	PORSCHE	PET	PORSCHE
924S	1988	8	01	801-10		248					

Pos	Part Number	Description	Remark	Qty	Model	Pos	Part Number	Description	Remark	Qty	Model
15	944 503 043 01	end plate lower		1							
15A	944 575 021 00	cooling air duct		1							
16	944 503 033 02	end plate upper		1							
17	944 502 051 03	terminal piece		1							
18	477 805 667	water drain valve		2							
19	477 805 699	corner plate	/L	1							
(19)	477 805 699 A	corner plate	/L	1	M573						
-	477 805 693	support horn		1							
20	477 809 525 A	towing lug		1							
21	477 809 244 A	support		1							
22	477 809 246	support		1							
23	477 809 248	support		1							
24	999 507 336 02	captive nut M 6		4							

Model	Year	MG	SG	Illustration	Restrictions	UPD	15:06	23.01.2010	PORSCHE	PET	PORSCHE
924S	1988	8	01	801-15		248					



Pos	Part Number	Description	Remark	Qty	Model
		side section			
1	477 809 037	separator inner	/L	1	
(1)	477 809 037	separator inner	/L	1	M650
(1)	477 809 038	separator inner inner	/R	1	
-	311 881 945 A	stopper		3	
2	944 501 901 03	wheel housing complete	/L	1	
(2)	944 501 902 02	wheel housing complete use also: 478 809 446	/R /RL	1	
(2)	944 501 101 02	wheel housing sub-part	/L	1	
(2)	477 809 108 C	wheel housing sub-part	/R	1	
-	999 703 103 40	stopper		2	
-	478 809 446	bearing bracket accelerator control	/RL	1	
3	N 020 025 1	stopper		X	
(3)	999 703 179 40	stopper		X	
4	944 501 094 00	support ignition coil		1	
(5)	944 501 017 00	side member	/L	1	
(5)	944 501 018 00	side member	/R	1	
6	944 502 119 02	side member upper left	/LL	1	
(6)	944 502 120 02	side member upper right	/LL	1	
(6)	945 502 119 02	side member upper left	/RL	1	
(6)	945 502 120 02	side member upper right	/RL	1	

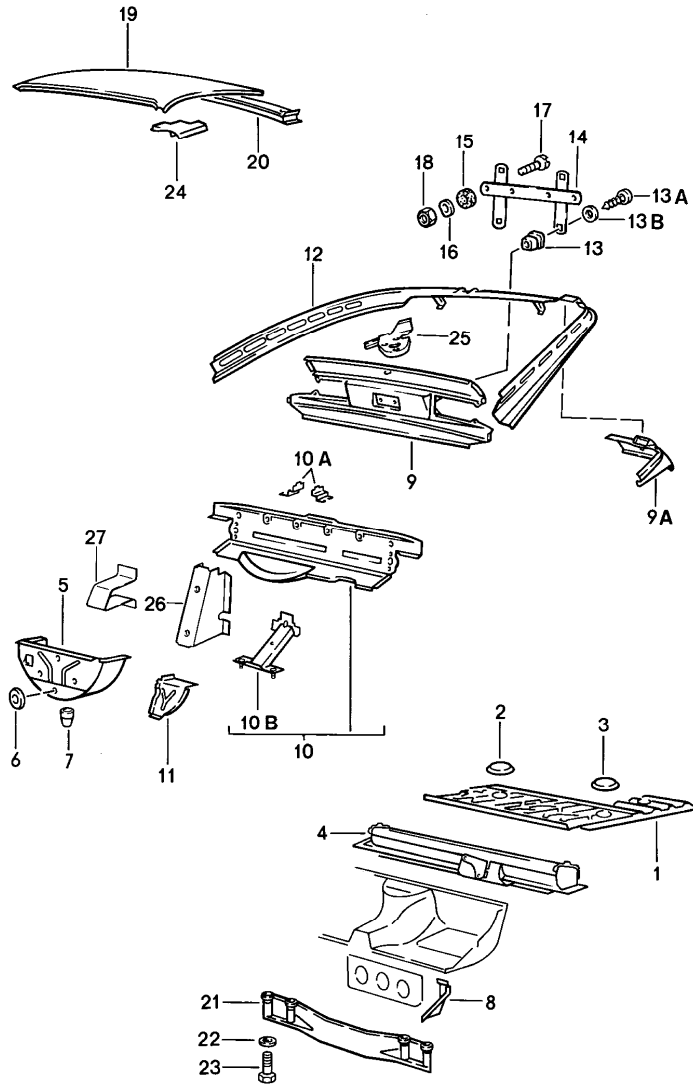
Model	Year	MG	SG	Illustration	Restrictions	UPD	15:06	23.01.2010	PORSCHE	PET	PORSCHE
924S	1988	8	01	801-15		248					

Pos	Part Number	Description	Remark	Qty	Model	Pos	Part Number	Description	Remark	Qty	Model
7	944 501 292 00	support expansion tank		1		-	944 503 165 01	support		1	
8	951 501 165 00	closing element	/L	1		-	944 503 171 00	support for spare wheel 1X POS. 58 3X POS. 59		2	
(8)	951 501 166 00	closing element	/R	1		(17)	944 502 902 02	side section inner F >>92GN4 00326	/R	1	
9	944 501 081 00	filler plate	/L	1		(17)	944 502 902 04	side section inner use also: 1X POS. 58 3X POS. 59 F 92GN4 00327>>	/R	1	
(9)	944 501 082 00	filler plate	/R	1							
10	944 501 065 00	separator	/L	1							
(10)	944 501 066 00	separator	/R	1							
11	477 809 040	pot tank filler neck		1		18	944 503 516 00	fastening angle		1	
12	477 809 375 A	bracket for light	/L	1		19	477 809 411 B	wheel housing outer	/L	1	
(12)	477 809 376 A	bracket for light	/R	1		(19)	477 809 412 B	wheel housing outer	/R	1	
13	477 809 387 A	corner plate	/L	1		20	944 502 049 00	reinforcement centre pillar	/L	1	
(13)	477 809 388 A	corner plate	/R	1		(20)	944 502 050 00	reinforcement centre pillar	/R	1	
14	477 809 393 A	hinge pillar use also: POS. 14 A	/L /LL	1		21	944 502 025 00	side section inner	/L	1	
(14)	477 809 394 A	hinge pillar use also: POS. 14 A	/R /RL	1		(21)	944 502 026 01	side section inner	/R	1	
14A	944 502 373 00	mounting switch rear lid release		1		22	803 803 583	drain bush		X	
15	477 809 397	centre pillar	/L	1		(22)	021 119 569	rubber sleeve		X	M650
(15)	477 809 398	centre pillar	/R	1		23	477 809 433	separator lower		2	
16	944 501 043 00	wheel housing inner	/L	1		24 A	944 502 439 00	reinforcement	/L	1	
(16)	944 501 044 00	wheel housing inner	/R	1		24	944 502 439 00	reinforcement	/L	1	
17	944 502 901 02	side section inner F >>92GN4 00326	/L	1		(24)	477 809 440	reinforcement	/R	1	
17	944 502 901 04	side section inner use also: F 92GN4 00327>>	/L	1		25	477 809 445	reinforcement	/L	1	
						(25)	477 809 446	reinforcement	/R	1	
						26	477 809 585	filler plate roof frame	/L	1	

Model	Year	MG	SG	Illustration	Restrictions	UPD	15:06	23.01.2010	PORSCHE	PET	PORSCHE
924S	1988	8	01	801-15		248					

Pos	Part Number	Description	Remark	Qty	Model	Pos	Part Number	Description	Remark	Qty	Model
(26)	477 809 586	filler plate roof frame	/R	1		44	944 502 041 00	side section inner	/L	1	
27	477 809 617	retaining bracket rear lid	/L	1		(44)	944 502 042 00	side section inner	/R	1	
(27)	477 809 618	retaining bracket rear lid	/R	1		52	477 809 097	reinforcement	/L	1	
28	477 809 601 BE	side section outer	/L	1		(52)	477 809 098	reinforcement	/R	1	
(28)	477 809 602 BE	side section outer	/R	1		53	928 504 355 02	gasket		4	
30	477 809 653	mounting plate		4		54	999 015 005 07	half-round screw		4	
31	477 809 655	hinge reinforcement upper		2		55	944 555 275 01	filler piece	/L	1	
32	477 809 625	reinforcement bearing bracket		2		56	477 809 035	support water reservoir		1	
33	477 809 621	hinge reinforcement lower	/L	1		57	944 502 071 00	mounting		1	
(33)	477 809 622	hinge reinforcement lower	/R	1		58	944 504 621 00	adapter for loudspeaker	/L	1	
34	477 809 843 F	sub-part wing	/L	1		(58)	944 504 622 00	adapter for loudspeaker	/R	1	
34	477 809 844 F	sub-part wing	/R	1		59	N 090 114 1	tapping screw B 3,9 X 9,5		8	
35	477 809 847 B	side member section	/L	1							
(35)	477 809 848 B	side member section	/R	1							
36	477 809 849 A	sub-part roof pillar	/L	1							
(36)	477 809 850 A	sub-part roof pillar	/R	1							
39	477 853 095 A	flap		1							
40	477 853 403	desk pad		X							
41	900 146 003 02	oval-head screw M 5 X 11		2							
42	N 012 222 4	spring washer B 5		2							
(43)	931 504 397 00	stop rubber		1							

Model	Year	MG	SG	Illustration	Restrictions	UPD	17:04	23.01.2010	PORSCHE	PET	PORSCHE
924S	1988	8	01	801-20		248					



Pos	Part Number	Description	Remark	Qty	Model
1	944 501 075 00	transmission carrier boot floor plate roof		1	
2	477 803 581	lid tank gauge		1	
3	411 803 595	lid 136 MM \$		1	
4	944 501 073 00	transmission carrier		1	
5	477 813 131	spare-wheel well	/V	1	
6	803 803 583	drain bush		3	
7	111 701 309	rubber sleeve		1	
8	477 813 145 B	corner panel	/L	1	
(8)	477 813 146 B	corner panel	/R	1	
9	944 503 037 01	end plate		1	
9A	944 502 345 01	reinforcement	/L	1	
(9A)	944 502 346 01	reinforcement	/R	1	
10	944 503 901 01	end plate		1	
-	999 703 179 40	stopper	/H	1	
10A	477 813 169	fastening angle	/L	1	
(10A)	477 813 170	fastening angle	/R	1	
10B	944 502 091 00	support rear muffler		1	
11	477 813 309	corner panel	/L	1	
(11)	944 502 210 00	corner panel	/R	1	
12	944 502 035 02	lock carrier	/H	1	
-	951 512 447 00	reinforcement plate lock carrier		2	
13	999 591 498 40	special nut	(CH)	4	
13A	900 143 134 00	tapping screw BZ 4,2 X 9,5	(CH)	4	
13B	N 011 522 8	washer 4,3	(CH)	4	

Model	Year	MG	SG	Illustration	Restrictions	UPD	17:04	23.01.2010	PORSCHE	PET	PORSCHE
924S	1988	8	01	801-20		248					

Pos	Part Number	Description	Remark	Qty	Model	Pos	Part Number	Description	Remark	Qty	Model
14	928 701 050 03	support	(CH)	1							
(14)	911 701 121 03	support		1							
15	803 011 243	rubber washer		2							
16	N 012 226 5	spring washer A 6		2							
(16)	N 011 665 3	washer A 5,3	(CH)	2							
17	N 100 457 01	countersunk-head screw M 5 X 25		2							
18	900 910 009 02	lock nut M 5		2							
18A	211 611 483	dust boot		1							
19	944 503 912 00	roof F >>92GN4 02704		1	M650						
(19)	944 503 912 03	roof F 92GN4 02705>>		1	M650						
19 A	944 503 912 02	roof		1							
19	944 503 912 02	roof		1							
20	477 817 171 A	roof frame	/H	1							
21	477 813 285	transverse strut seat well		1							
22	900 074 181 02	screw M 10 X 95		4							
23	900 025 008 09	washer 10,5		4							
24	477 817 033	reinforcement	/L/V	1							
(24)	477 817 034	reinforcement	/R/V	1							
25	944 501 207 01	retaining bracket electric motor		1							
26	944 503 165 01	support		1							
27	944 503 171 00	support for spare wheel		2							

PORSCHE

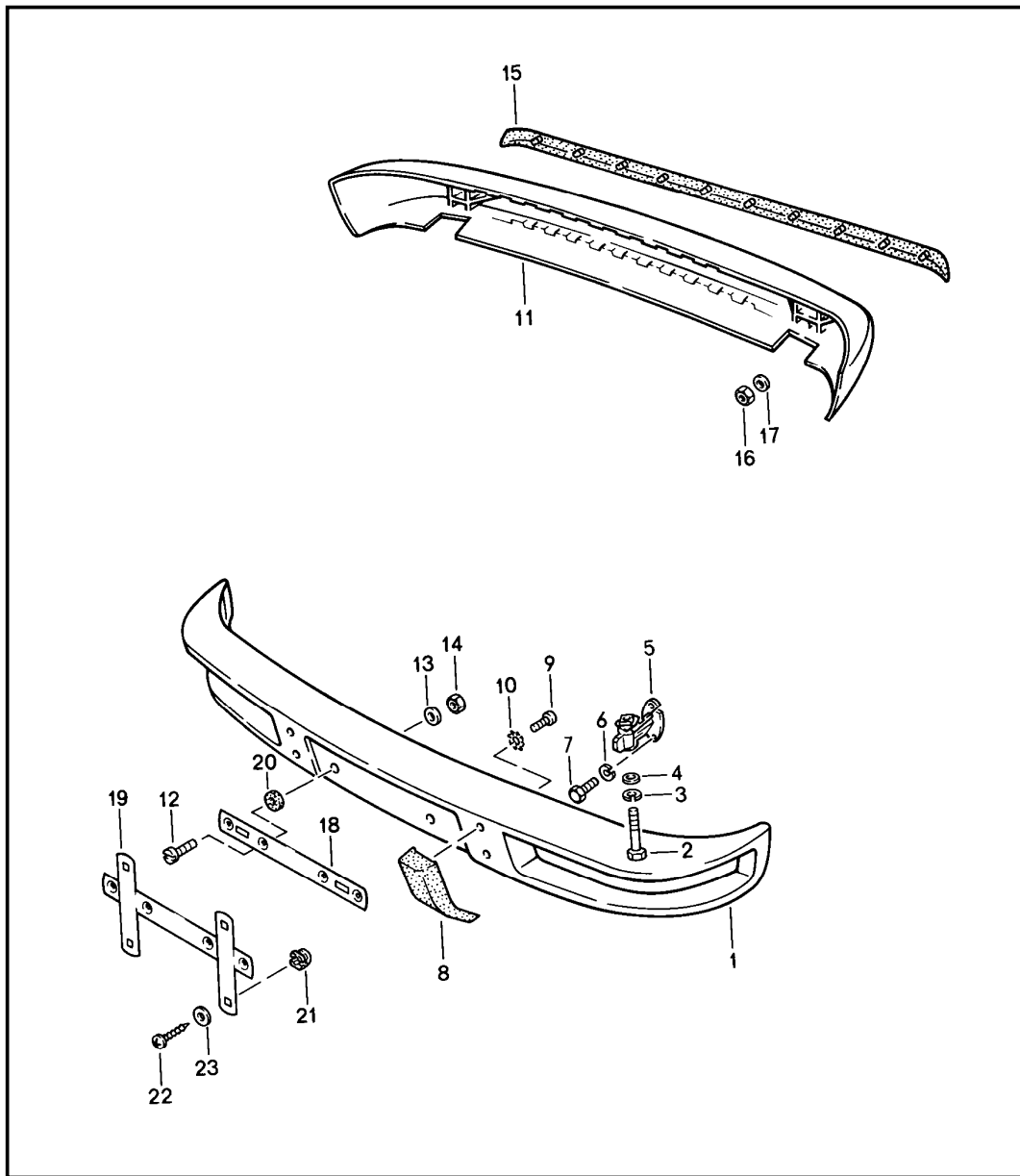
PET

PORSCHE

Model	Year	MG	SG	Illustration	Restrictions	UPD	17:05	23.01.2010
924S	1988	8	01	801-25		248		

Pos	Part Number	Description	Remark	Qty	Model
		wing			
1	477 821 021 N	wing	/L	1	
(1)	477 821 022 N	wing	/R	1	
2	N 090 172 1	combination screw		44	
(2)	N 013 891 1	tapping screw B 6,3 X 19		4	
4	999 507 003 02	speed nut B 6,3 X 17		26	
5	N 011 524 7	washer A 6,4		2	
6	944 503 321 00	cover	/L	1	
7	N 090 172 1	combination screw		3	
8	999 507 003 02	speed nut		3	
9	944 025 115 00	sealing rubber		1	
10	944 503 419 00	retaining bracket		1	
11	944 025 115 00	sealing rubber		1	

Model	Year	MG	SG	Illustration	Restrictions	UPD	17:07	23.01.2010	PORSCHE	PET	PORSCHE
924S	1988	8	02	802-00		248					

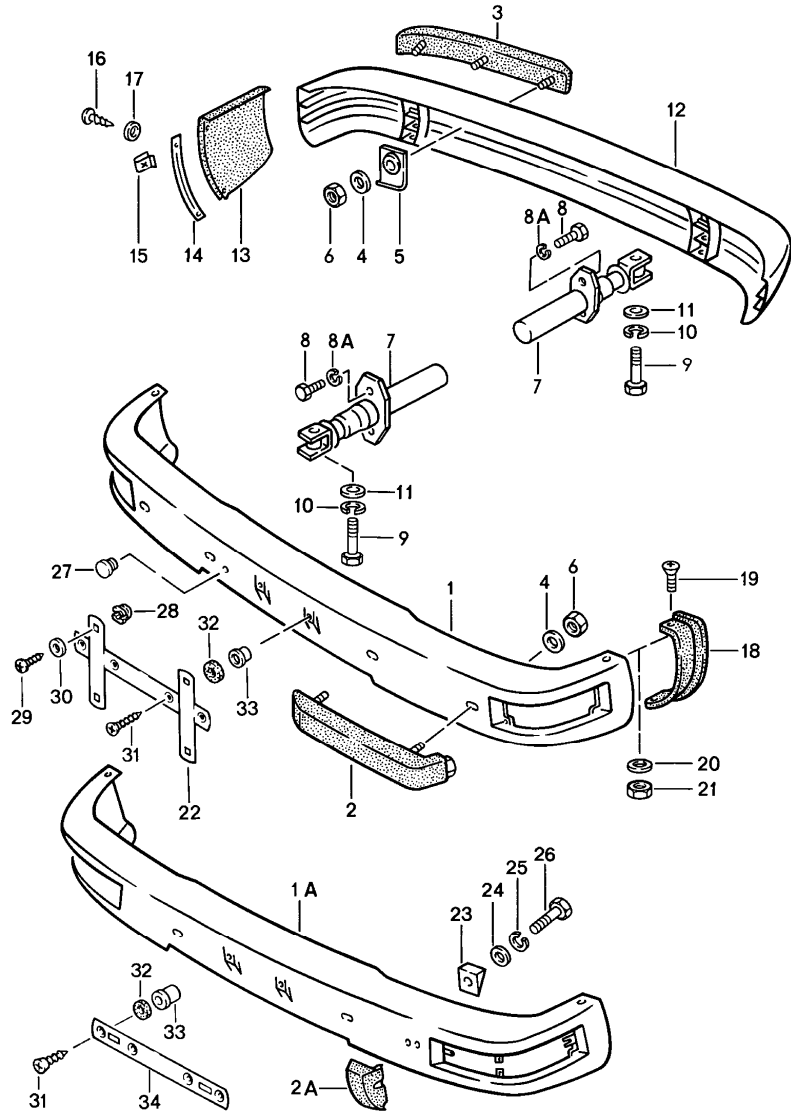


Pos	Part Number	Description	Remark	Qty	Model
		bumper without impact absorber			
1	477 807 113	bumper	/V	1	
(1)	477 807 113 B	bumper	/V	1	M288
2	900 074 064 02	hexagon-head bolt M 10 X 60		4	
3	900 027 016 02	lock ring B 10		4	
4	900 025 008 09	washer A 10,5		4	
5	477 807 131 A	bumper reinforcement		4	
6	N 012 009 1	lock ring A 8		8	
7	900 075 078 02	hexagon-head bolt M 8 X 15		8	
8	477 807 193	bumper horn	/L	1	
(8)	477 807 194	bumper horn	/R	1	
9	900 067 011 02	pan-head screw M 6 X 20		4	
10	N 012 105 3	serrated lock washer A 6,4		4	
11	477 807 313	bumper	/H	1	
12	N 100 457 01	countersunk-head screw M 5 X 25		2	
13	N 011 665 3	washer A 5,3		2	
14	900 910 009 02	lock nut M 5		2	
15	477 807 319	protective moulding	/H	1	
16	900 910 010 09	lock nut M 6		10	
17	N 011 524 7	washer A 6,4		10	
18	911 701 121 03	support		1	
19	928 701 050 03	support	(J)	1	

Model	Year	MG	SG	Illustration	Restrictions	UPD	17:07	23.01.2010	PORSCHE	PET	PORSCHE
924S	1988	8	02	802-00		248					

Pos	Part Number	Description	Remark	Qty	Model	Pos	Part Number	Description	Remark	Qty	Model
20	914 571 903 10	sealing ring		4							
21	999 591 498 40	special nut		X							
22	900 143 134 00	tapping screw BZ 4,2 X 9,5		X							
23	N 011 522 8	washer 4,3		X							

Model	Year	MG	SG	Illustration	Restrictions	UPD	17:13	23.01.2010	PORSCHE	PET	PORSCHE
924S	1988	8	02	802-05		248					

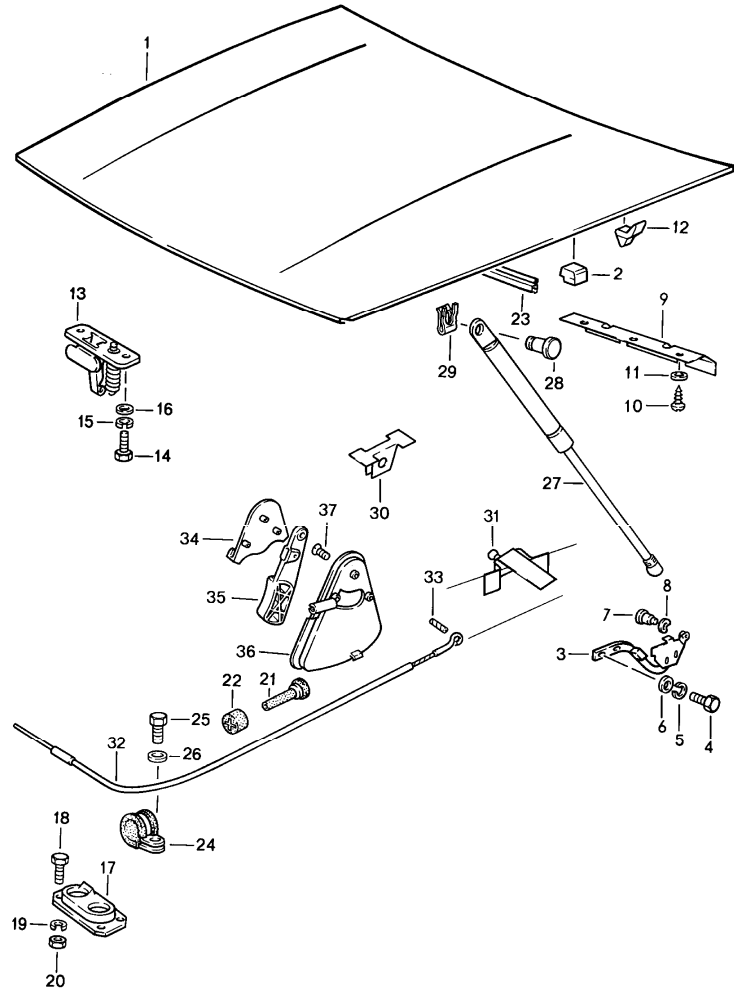


Pos	Part Number	Description	Remark	Qty	Model
		bumper with impact absorber			
1A	477 807 109 H	bumper use also: 999.703.181.40	/V	1	M058
(1A)	477 807 109 J	bumper	/V	1	M058/288
2A	477 807 353	bumper horn	/L	1	M058
(2A)	477 807 354	bumper horn	/R	1	M058
(3)	477 807 157	rubber moulding	/L	1	
3	477 807 158	rubber moulding	/R	1	
4	N 011 612 3	washer R 7		6	M058
5	477 807 197	support	/H	6	
6	113 101 175	hexagon nut		6	M058
7	944 505 017 03	impact absorber		4	
8	900 075 085 02	hexagon-head bolt M 8 X 20		8	
9	N 010 165 3	hexagon-head bolt M 12 X 65		4	
10	N 012 012 4	lock ring B 12		4	
11	900 025 009 02	washer A 13		4	
12	477 807 301 A	bumper	/H	1	
(13)	477 807 343	cover	/L	1	
13	477 807 344	cover	/R	1	
(14)	477 807 345	insert	/L	1	
14	477 807 346	insert	/R	1	
15	N 015 438 1	speed nut B 3,6 X 16,5		4	
16	N 013 959 3	tapping screw B 3,5 X 16		4	

Model	Year	MG	SG	Illustration	Restrictions	UPD	17:13	23.01.2010	PORSCHE	PET	PORSCHE
924S	1988	8	02	802-05		248					

Pos	Part Number	Description	Remark	Qty	Model	Pos	Part Number	Description	Remark	Qty	Model
17	900 151 028 02	washer		4							
18	477 807 347	cap	/L	1							
(18)	477 807 348	cap	/R	1							
19	N 014 260 1	oval-head screw AM 4 X 14		4							
20	900 151 028 02	washer B 4,3		4							
21	N 011 004 6	hexagon nut M 4		4							
22	928 701 050 03	support	(CH)	1							
23	477 807 361	plate	/L	1	M058						
(23)	477 807 362	plate	/R	1	M058						
24	N 011 652 1	washer 7		2	M058						
25	N 012 006 4	lock ring B 6		2	M058						
26	N 010 339 3	hexagon-head bolt M 6 X 40		2	M058						
27	999 703 181 40	stopper towing lug see group 0/01/00		1	M058						
				1	M058						
28	999 591 498 40	special nut	(CH)	4							
29	900 143 134 00	tapping screw BZ 4,2 X 9,5	(CH)	4							
30	N 011 522 8	washer 4,3	(CH)	4							
31	N 043 983 1	tapping screw B 5,5 X 32		2							
32	944 505 351 00	spacer rubber		2							
33	N 902 508 01	special nut		2							
34	911 701 121 03	support		1							

Model	Year	MG	SG	Illustration	Restrictions	UPD	17:13	23.01.2010	PORSCHE	PET	PORSCHE
924S	1988	8	03	803-00		248					

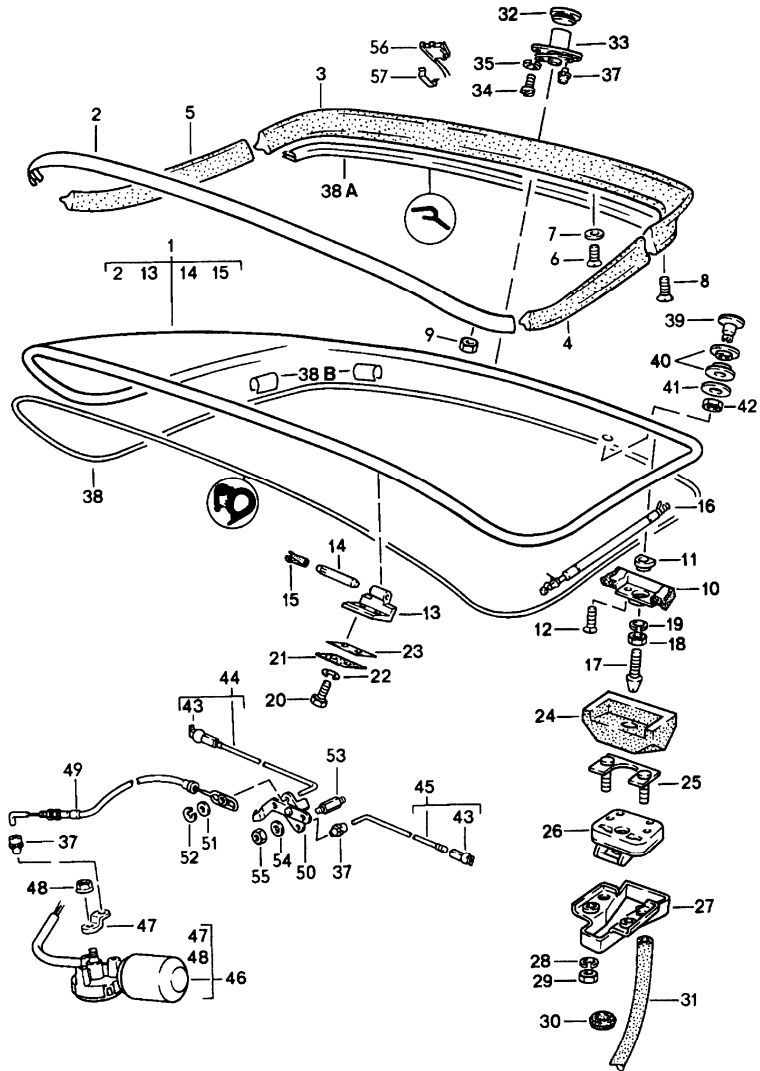


Pos	Part Number	Description	Remark	Qty	Model
		lid front actuator			
1	944 511 905 00	lid		1	
2	477 823 185	filler piece		2	
3	944 511 301 00	hinge	/L	1	
(3)	944 511 302 00	hinge	/R	1	
4	N 010 240 16	hexagon-head bolt M 8 X 20		8	
5	900 027 015 02	lock ring B 8		8	
6	900 025 007 02	washer A 8,4		8	
7	944 511 307 00	bearing pin		2	
8	944 511 309 00	washer		2	
9	944 511 201 00	tab washer		1	M533
10	900 143 007 02	tapping screw BZ 4,2 X 13		3	M533
11	900 025 002 02	washer BZ 4,3		3	M533
12	937 511 237 00	guide piece		2	
13	944 511 029 00	lid lock upper part		1	
14	999 072 005 09	hexagon-head bolt M 6 X 12		2	
17	928 511 027 02	lid lock lower part		1	
18	900 075 116 02	hexagon-head bolt M 4 X 8		4	
19	N 012 004 2	lock ring B 4		4	
20	N 011 004 6	hexagon nut M 4		4	
21	477 823 591	grommet		1	
22	477 823 593	stopper		1	

Model	Year	MG	SG	Illustration	Restrictions	UPD	17:13	23.01.2010	PORSCHE	PET	PORSCHE
924S	1988	8	03	803-00		248					

Pos	Part Number	Description	Remark	Qty	Model	Pos	Part Number	Description	Remark	Qty	Model
23	928 511 141 04	gasket		1							
24	999 511 177 02	clamp		1							
25	999 072 005 09	hexagon-head bolt M 6 X 12		1 2							
26	N 011 524 7	washer		1							
27	944 511 351 01	gas-pressure spring		2							
28	999 094 011 09	bolt	-87	2							
(28)	999 094 011 09	bolt	88-	2							
29	N 900 470 01	lock washer	-87	2							
30	944 511 373 00	pneumatic spring mount		2							
31	944 501 371 00	pneumatic spring mount	/L	1							
(31)	944 501 372 00	pneumatic spring mount	/R	1							
32	944 511 037 00	bowden cable		1							
33	900 197 018 00	roll pin 4 X 12		1 2							
34	928 511 143 02	cover		1							
35	928 511 175 02	pull handle		1							
	70B	black									
36	928 511 173 02	cup		1							
	70B	black									
37	900 249 001 02	countersunk-head screw M 6 X 15 M 6 X 15		2							

Model	Year	MG	SG	Illustration	Restrictions	UPD	17:13	23.01.2010	PORSCHE	PET	PORSCHE
924S	1988	8	03	803-10		248					



Pos	Part Number	Description	Remark	Qty	Model
1	A 944 512 027 00	rear lid rear spoiler		86	1
1	944 512 929 04	rear lid with moulding rear spoiler		1	
1	944 512 929 04	rear lid with moulding without rear spoiler -MOD.86 and M425 see group 9/04/05 POS.9 mounting plate MOD.87- order also:		1	
2	477 853 313 A	trim frame		1	
3	477 827 555	rear spoiler centre		1	
4	477 827 557	rear spoiler	/L	1	
5	477 827 558	rear spoiler	/R	1	
6	N 033 183 1	countersunk-head screw M 5 X 20		7	
7	477 827 453 A	washer		7	
8	N 033 185 1	countersunk-head screw M 4 X 16		2	
9	N 021 255 1	slotted nut M 4		12	
10	944 512 033 01	housing	/L	1	
(10)	944 512 034 01	housing	/R	1	
11	477 827 035	rubber mounting		2	
12	999 219 011 07	countersunk-head screw		4	
13	477 827 305 B	hinge half		2	

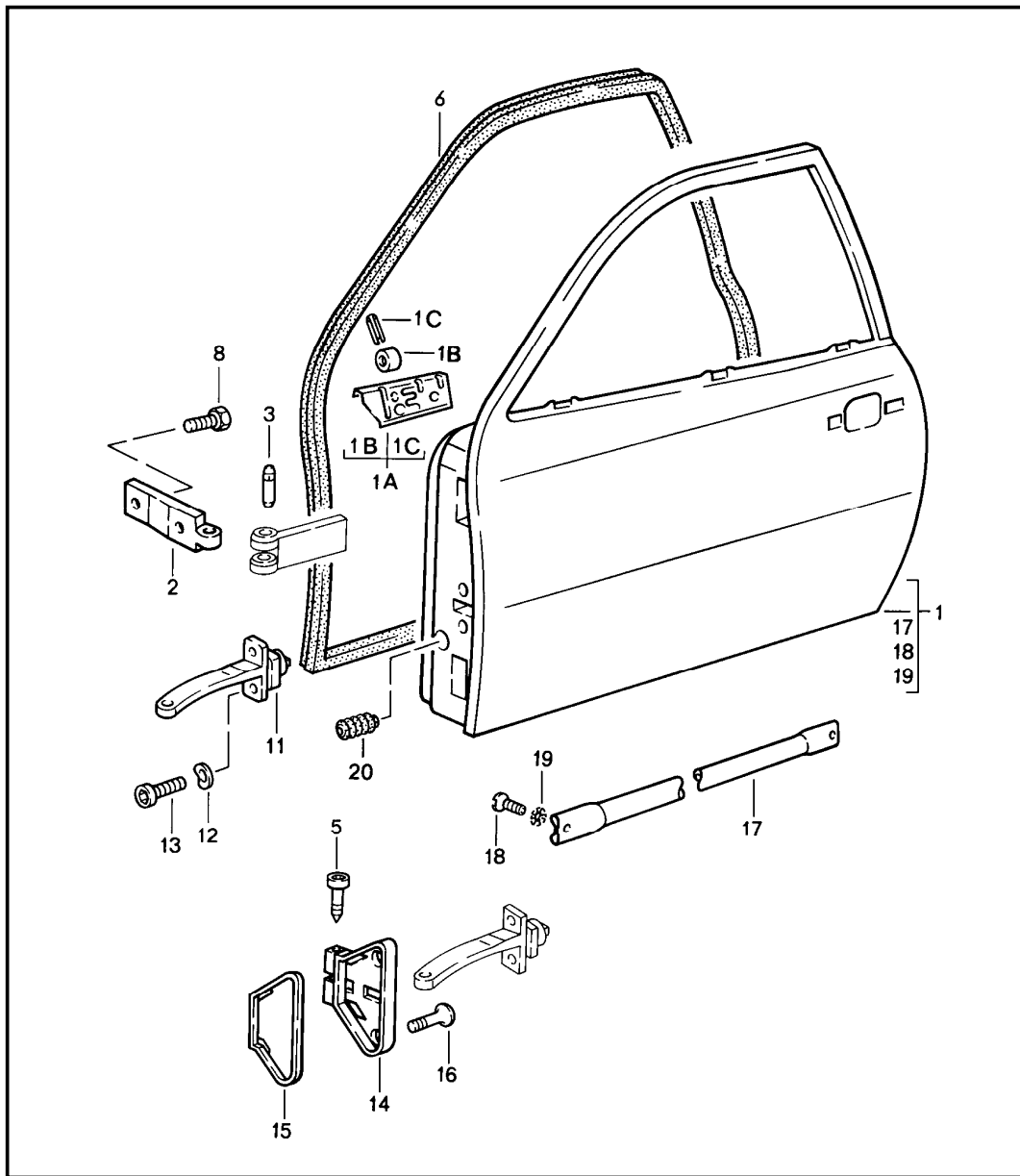
Model	Year	MG	SG	Illustration	Restrictions	UPD	17:13	23.01.2010	PORSCHE	PET	PORSCHE
924S	1988	8	03	803-10		248					

Pos	Part Number	Description	Remark	Qty	Model	Pos	Part Number	Description	Remark	Qty	Model
14	944 512 311 00	hinge pin		2		33	477 898 082	lock cylinder w/o stipulated lock number	-87	1	
15	477 827 441	bush		2		33	944 538 911 01	lock cylinder w/o stipulated lock number with 2 secondary keys	88	1	
(16)	477 827 348 F	gas-pressure spring	/R	1		(33)	477 827 573 B	lock cylinder state lock number	-87	1	
16	477 827 349 D	gas-pressure spring	/L	1		(33)	944 538 073 00	lock cylinder with stipulated lock number state lock number	88-	1	
17	944 538 547 00	lock pin		2		34	N 014 139 5	oval-head screw M 6 X 12		2	
18	N 011 151 3	hexagon nut M 8		2		35	N 012 007 2	lock ring A 6		2	
19	900 025 007 02	washer A 8,4		2		37	993 531 563 00	linkage clip	-87	2	
20	N 014 770 3	pan-head screw M 8 X 12		4		(37)	999 166 054 02	sl-lock	88	1	
21	928 512 417 03	plate		2		38	944 512 043 00	seal for rear lid		1	
23	944 512 413 00	gasket lid hinge		2		38A	944 512 463 00	additional gasket	86	1	
24	944 512 365 01	gasket lid lock lower part	/L	1		38A	944 512 463 00	additional gasket	87-	1	
(24)	944 512 366 01	gasket lid lock lower part	/R	1		39	477 845 333	screw plug		1	
25	951 512 447 00	reinforcement plate		2		40	477 955 439	grommet		2	
26	944 538 955 01	rear lid lock	/L	-87	1	41	477 845 331	washer		1	
26	944 538 055 01	rear lid lock	/L	88	1	42	N 011 118 14	hexagon nut M 8		1	
(26)	944 538 956 01	rear lid lock	/R	-87	1	43	N 015 704 1	ball socket	-87	1	
(26)	944 538 056 01	rear lid lock	/R	88	1	(43)	999 168 025 00	ball socket	88	1	
27	477 827 541	water drip pan		2		44	944 512 092 01	pull rod	/R	1	
28	N 012 006 4	lock ring B 6		4		45	944 512 091 00	pull rod	/L	1	
29	900 076 010 02	hexagon nut M 6		4		46	944 624 024 01	electric motor see technical information GR.5,NR.1/93 F >>92GN4 02704		1	
30	111 971 911 A	rubber sleeve		2		(46)	944 624 024 01	electric motor see technical information GR.5,NR.1/93 F 92GN4 02705>>	-87	1	
31	477 827 547	hose 400 MM		2							
32	477 827 529 A	sealing ring		1							

Model	Year	MG	SG	Illustration	Restrictions	UPD	17:13	23.01.2010	PORSCHE	PET	PORSCHE
924S	1988	8	03	803-10		248					

Pos	Part Number	Description	Remark	Qty	Model	Pos	Part Number	Description	Remark	Qty	Model
(46)	944 624 024 02	electric motor see technical information GR.5,NR.1/93	88	1							
(47)	944 624 824 01	lever F >>92GN4 02704		1							
47	944 624 824 00	lever F 92GN4 02705>>	-87	1							
(47)	944 624 814 00	lever	88	1							
48	999 084 045 02	lock nut		1							
49	944 512 097 02	bowden cable	-87	1							
50	944 512 095 00	lever		1							
(49)	944 512 097 03	bowden cable	88	1							
52	N 012 054 2	clamping washer		1							
53	944 512 201 00	stud		2							
54	N 011 524 7	washer B 6		2							
55	900 076 010 02	hexagon nut M 6		2							
56	944 624 030 00	microswitch	88	1							
57	999 591 910 00	clamp	88	1							

Model	Year	MG	SG	Illustration	Restrictions	UPD	17:13	23.01.2010	PORSCHE	PET	PORSCHE
924S	1988	8	04	804-00		248					

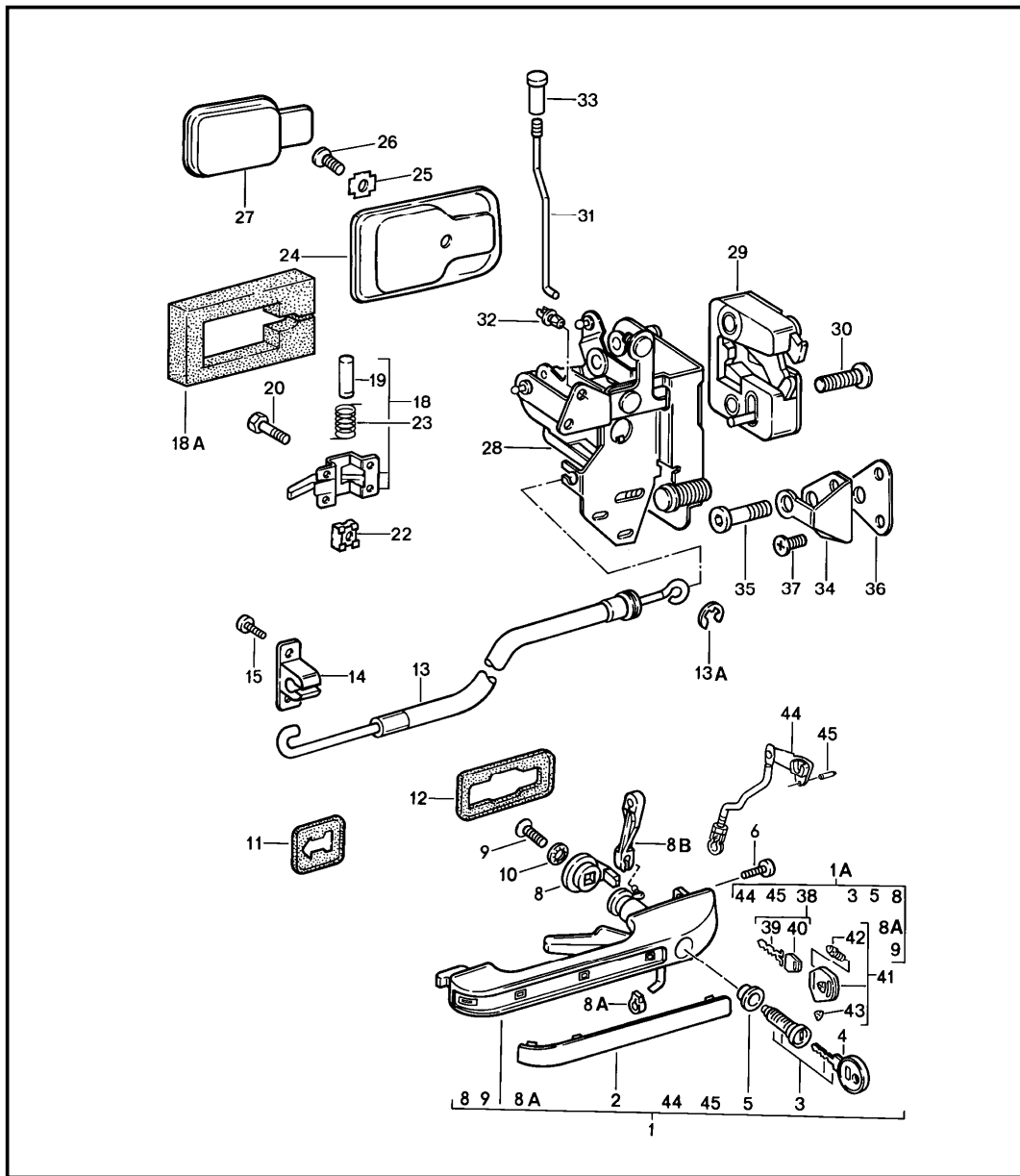


Pos	Part Number	Description	Remark	Qty	Model
		door			
1	944 531 005 02	door in white prepared for door mirror	/L	1	
1	945 531 005 02	door in white not prepared for door mirror	/RL/L	1	
(1)	945 531 006 02	door in white prepared for door mirror	/R	1	
(1)	944 531 006 02	door in white not prepared for door mirror	/R	1	
1A	944 531 239 00	reinforcement	/L	1	
(1A)	944 531 240 00	reinforcement	/R	1	
1B	928 531 235 03	threaded piece		2	
1C	N 013 295 1	tensioning sleeve		2	
2	171 831 403	hinge half		4	
3	321 831 421	hinge pin		4	
5	928 537 419 03	pan-head screw		2	
6	944 537 091 00	door seal	/L	1	
(6)	944 537 092 00	door seal	/R	1	
8	900 119 052 02	pan-head screw M 8 X 16		8	
9	900 027 015 02	lock ring B 8		8	
10	900 025 007 02	washer		8	
11	944 537 609 00	door support		2	
12	N 011 524 7	washer B 6		4	
13	900 067 009 02	pan-head screw M 6 X 15		4	
14	928 537 417 02	bearing bracket	/L	1	
(14)	928 537 418 02	bearing bracket	/R	1	
15	928 537 425 02	desk pad	/L	1	

Model	Year	MG	SG	Illustration	Restrictions	UPD	17:13	23.01.2010	PORSCHE	PET	PORSCHE
924S	1988	8	04	804-00		248					

Pos	Part Number	Description	Remark	Qty	Model	Pos	Part Number	Description	Remark	Qty	Model
(15)	928 537 426 02	desk pad	/R	1							
16	928 537 459 02	oval-head screw M 6 X 20		4							
17	477 831 155	reinforcement		2							
18	999 147 006 02	oval-head screw M 8 X 16		4							
19	N 012 133 1	shake-proof washer V 8,4		4							
20	477 971 910	bellows		2							

Model	Year	MG	SG	Illustration	Restrictions	UPD	17:14	23.01.2010	PORSCHE	PET	PORSCHE
924S	1988	8	04	804-05		248					

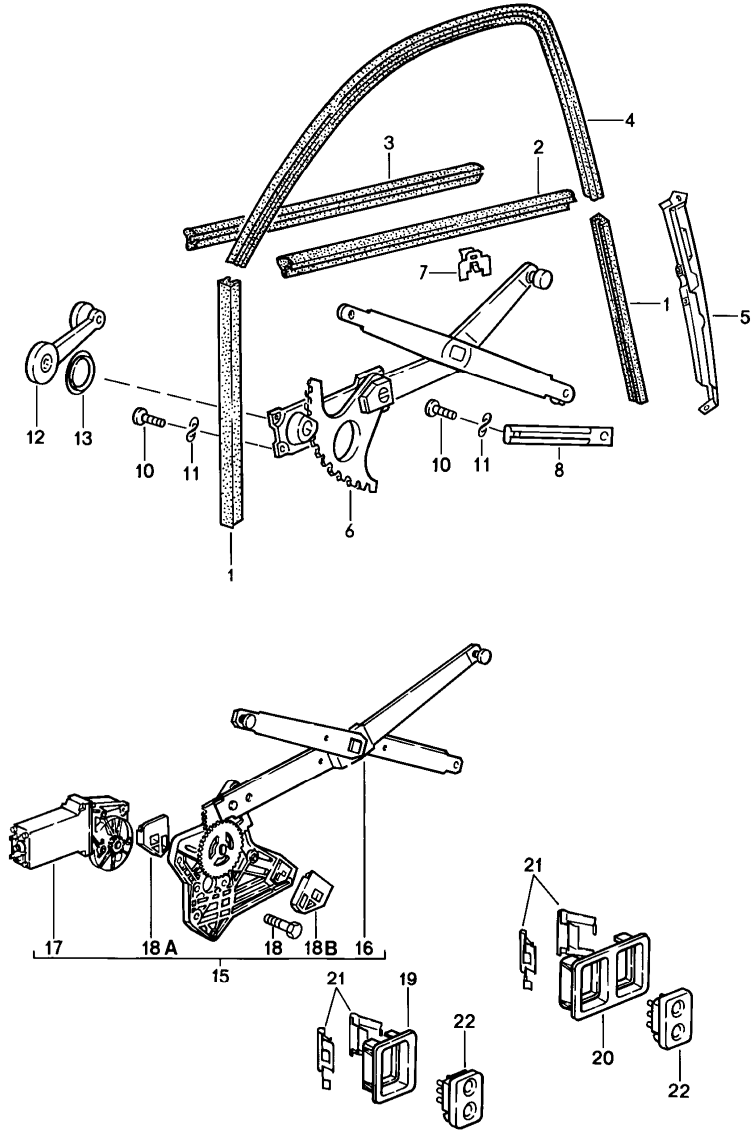


Pos	Part Number	Description	Remark	Qty	Model
1A	944 538 905 00	outer door handle door lock		1	
(1A)	944 538 906 00	outer door handle with lock cylinder and two spare keys	/L	1	
2	823 837 239	cover	/R	2	
3 A	944 538 903 00	lock cylinder and two spare keys w/o stipulated lock number	86	2	
3	944 538 903 00	lock cylinder and two spare keys w/o stipulated lock number		2	
(3)	944 538 903 01	lock cylinder and two spare keys with stipulated lock number grease for lock cylinder see group 0/05/00		2	
4 A	477 837 219	blank key		2	
(4) A	944 538 933 00	key with stipulated lock number Information available	86	1	
5	111 837 227 B	sealing ring		2	
6	803 837 951	self-lock. fillister screw		2	
8	477 837 497	driver		2	
8A	999 168 004 40	ball socket		2	
8B	477 837 505 A	connecting piece	/L	1	
(8B)	477 837 506 A	connecting piece	/R	1	
9	N 033 165 1	countersunk-head screw AM 4 X 8		2	
10	N 012 116 1	serrated lock washer V 4,3		2	
11	867 837 209	desk pad	/V	2	
12	171 837 211 A	desk pad	/H	2	

Model	Year	MG	SG	Illustration	Restrictions	UPD	17:14	23.01.2010	PORSCHE	PET	PORSCHE
924S	1988	8	04	804-05		248					

Pos	Part Number	Description	Remark	Qty	Model	Pos	Part Number	Description	Remark	Qty	Model
13	477 837 017 A	bowden cable		2		(28)	928 537 054 08	door lock inner part	/LL/R	1	
13A	999 166 054 02	sl-lock 3,2		2		(28)	927 537 053 08	door lock inner part	/RL/L	1	
14	477 837 115 A	support		2		(28)	927 537 054 07	door lock inner part	/RL/R	1	
15	999 217 029 02	hexagon-head bolt M 6 X 10, SELBSTSICHERND		4		29	928 537 153 03	door lock outer part	/L	1	
18	171 837 019	inner door release	/L	1		(29)	928 537 154 03	door lock outer part	/R	1	
	041	black									
	90V	brown									
(18)	171 837 020	inner door release	/R	1		30	928 537 721 02	oval-head screw M 8 X 35		4	
	041	black				31	477 837 183 A	locking rod		2	
	90V	brown				32	477 837 187	clip		2	
18A	477 831 304 A	seal		2		33	111 837 187 B	knob		2	
19	N 013 666 1	rivet B 4 X 32		2			043	black			
20	999 217 029 02	hexagon-head bolt M 6 X 10, SELBSTSICHERND		8		34	928 537 133 02	door lock striker		2	
22	477 837 521	captive nut M 6		8		35	928 537 131 03	lock pin		2	
23	811 837 723	spring		2		36	928 537 135 04	desk pad		2	
24	171 837 235	rosette		2		37	900 249 022 02	countersunk-head screw M 8 X 16		4	
	01C	black				38	944 538 933 00	key with stipulated lock number Information available	87-	1	
	90V	brown				39	944 538 331 00	blank key		2	
25	111 837 291	cone washer		2		40	944 538 431 00	key cap	87-	1	
26	N 014 216 1	countersunk-head screw AM 5 X 10		2		41	944 538 041 00	key lamp	87-	1	
27	311 837 247	finger plate		2		42	928 537 630 02	bulb E 5,5	87-	1	
	01C	black				43	944 538 443 00	crest	87-	1	
	90V	brown				44	944 537 261 00	reverse lever	/L	1	
28	928 537 053 07	door lock inner part	/LL/L	1		(44)	944 537 262 00	reverse lever	/R	1	
						45	N 023 323 2	roll pin		2	

Model	Year	MG	SG	Illustration	Restrictions	UPD	17:14	23.01.2010	PORSCHE	PET	PORSCHE
924S	1988	8	04	804-15		248					

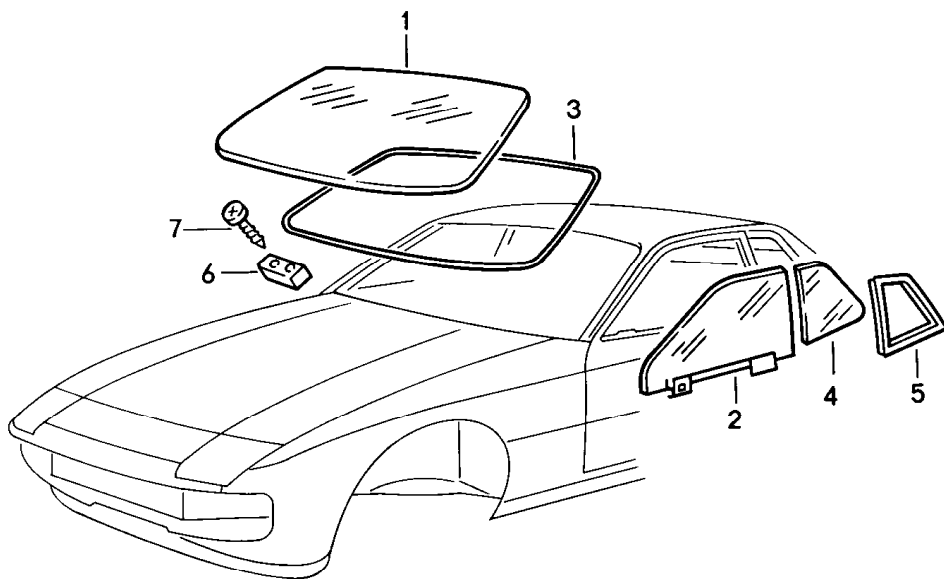


Pos	Part Number	Description	Remark	Qty	Model
1	477 837 385	power windows window guide		4	
2	477 837 469 A	window guide	/L	1	
(2)	477 837 470 A	sealing strip outer	/R	1	
3	477 837 471 A	sealing strip outer		2	
4	944 537 079 00	seal inner	/L	1	
(4)	944 537 080 00	seal inner	/R	1	
5	944 531 103 00	window guide	/L	1	
(5)	944 531 104 00	window guide	/R	1	
6	477 837 441 A	window guide rail	/L	1	
(6)	477 837 442 A	window guide rail	/R	1	
7	171 837 485	power windows		10	
8	477 837 589	clamp		2	
10	999 217 029 02	guide rail		12	
		hexagon-head bolt M 6 X 10 self-locking			
		M 6 X 10, SELBSTSICHERND			
11	N 011 652 1	washer 7 X 12		12	
12	944 555 057 00	window crank		2	
		3DL black			
		1FL light grey			
		5TL brown			
(12)	944 555 057 01	window crank		2	
		3DL black	CA. 8.	87-	
		5TL brown			
		1FL light grey	CA. 7.	87-	
		4LL burgundy	CA. 5.	87-	

Model	Year	MG	SG	Illustration	Restrictions	UPD	17:14	23.01.2010	PORSCHE	PET	PORSCHE
924S	1988	8	04	804-15		248					

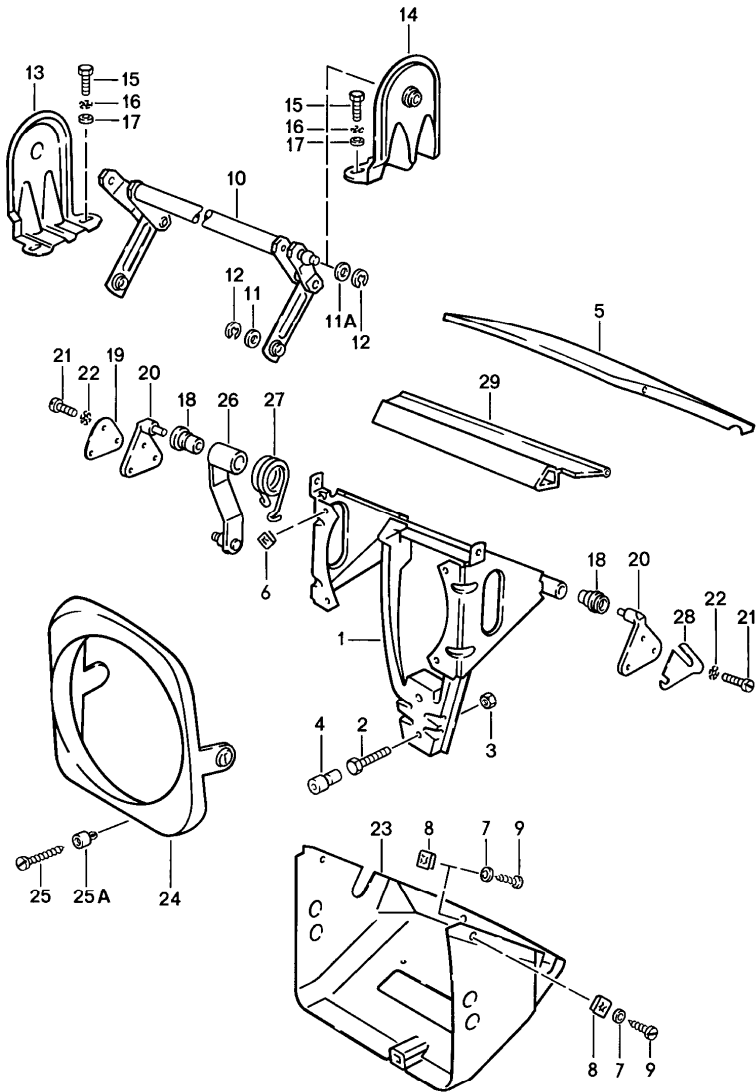
Pos	Part Number	Description	Remark	Qty	Model	Pos	Part Number	Description	Remark	Qty	Model
13	111 837 595	desk pad		2		-	945 612 031 00	wiring harness dashboard	/RL	1	
	01C	black				-	477 971 161	wiring harness driver's door		1	
	90V	brown				-	477 971 162	wiring harness passenger's door		1	
16	477 837 391 C	cross-arm power window	/L	1		-	477 971 162	wiring harness passenger's door		1	
(16)	477 837 392 C	cross-arm power window	/R	1		-	944 615 112 01	relay		1	
17	477 959 123 A	engine and transmission	/L	1		-	N 017 121 5	safety fuse 25 A		1	
(17)	477 959 124 A	engine and transmission	/R	1							
18	N 014 228 4	countersunk-head screw AM 6 X 12		6							
18A	477 837 397	stop upper	/L	1							
18B	477 837 398	stop upper	/R	1							
18A	477 837 397	stop lower	/R	1							
18B	477 837 398	stop lower	/L	1							
19	477 867 185 A	mounting piece		1							
	1DB	black									
	4RB	brown									
20	477 867 187 A	mounting piece		1							
	1DB	black									
	4RB	brown									
21	477 867 189	spring clamp		4							
22	477 959 622	tip switch		3							
	01C	black									
	89S	brown									
		electrical components for power window									
-	944 612 031 00	wiring harness dashboard	/LL	1							

Model	Year	MG	SG	Illustration	Restrictions	UPD	15:54	26.01.2010	PORSCHE	PET	PORSCHE
924S	1988	8	05	805-00		248					



Pos	Part Number	Description	Remark	Qty	Model
		window glazing			
1	477 845 011 D	windscreen clear		1	M463
1	477 845 011 E	windscreen tinted		1	
1	477 845 011 F	windscreen tinted green top tint		1	
-	477 845 043	adhesive plate interior mirror		1	
2	944 542 023 01	door window glass tinted	/L	1	
(2)	944 542 024 01	door window glass tinted	/R	1	
3	477 898 011 A	sealing set windscreen		1	
4	477 845 311 A	side window tinted	/L	1	
(4)	477 845 312 A	side window tinted	/R	1	
5	944 557 321 00	rubber seal side window	/L	1	
(5)	944 557 322 00	rubber seal side window	/R	1	
6	477 845 613 A	stop		2	
7	900 143 046 07	tapping screw B 4,8 X 16		4	

Model	Year	MG	SG	Illustration	Restrictions	UPD	17:14	23.01.2010	PORSCHE	PET	PORSCHE
924S	1988	8	06	806-00		248					

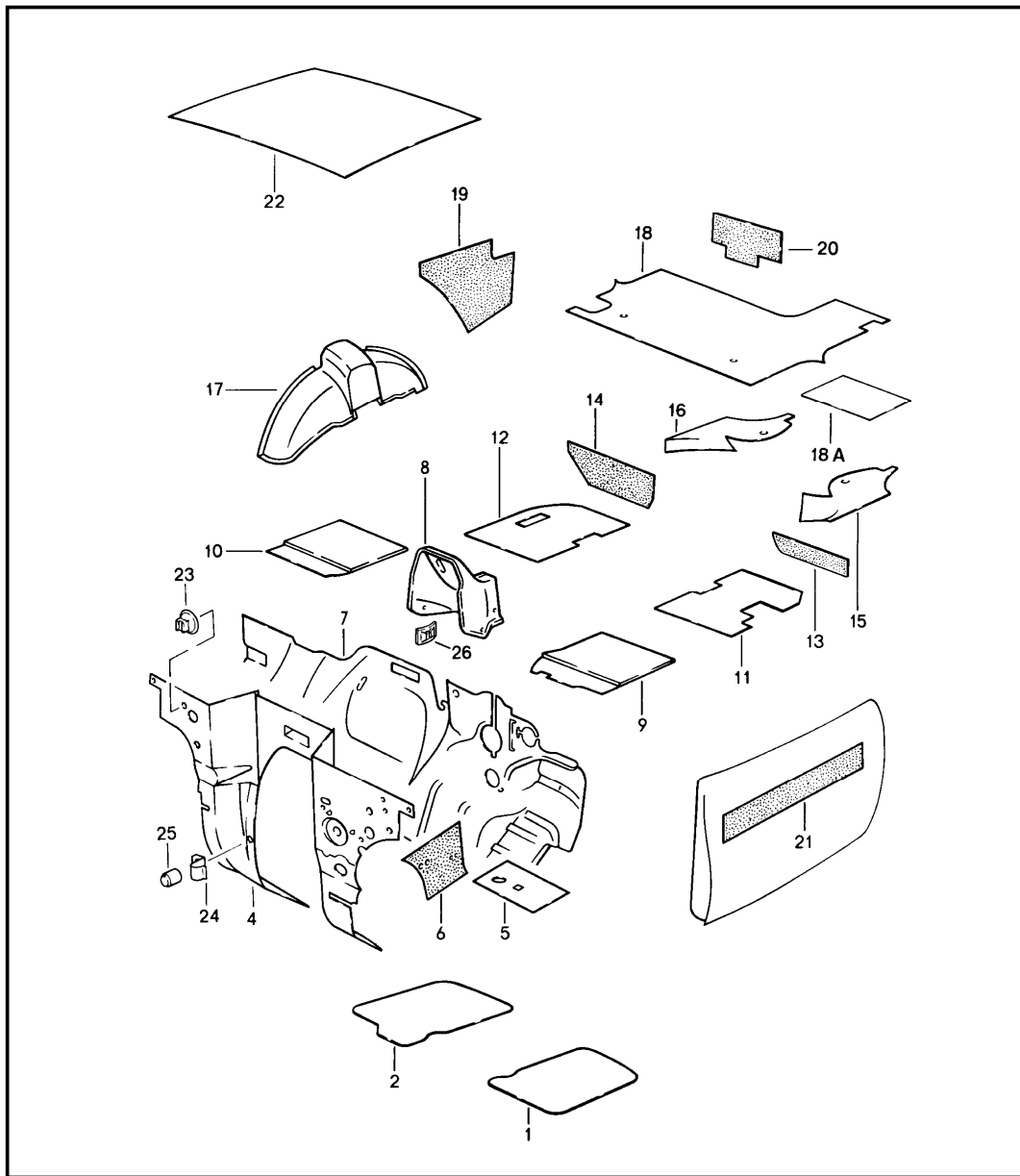


Pos	Part Number	Description	Remark	Qty	Model
		pop-up headlight			
1	944 750 605 00	swivel frame	/L	1	
(1)	944 750 606 00	swivel frame	/R	1	
2	N 010 221 3	hexagon-head bolt M 6 X 35		2	
3	900 076 010 02	hexagon nut M 6		2	
4	914 504 319 00	grommet		2	
5	477 805 611	housing cover	/L	1	
(5)	477 805 612	housing cover	/R	1	
6	999 507 252 02	nut B 3,9 X 16,5	-87	8	
7	900 151 028 02	washer 4,1		4	
8	N 015 438 1	speed nut B 3,5 X 16,5		10	
9	N 014 086 4	tapping screw B 3,5 X 13		10	
10	477 805 615	control shaft		1	
11	900 025 007 02	washer		2	
11A	477 805 695	washer		1	
12	N 012 436 2	lock washer 6		3	
13	477 805 617	bearing bracket		1	
14	477 805 622	bearing bracket		1	
15	N 010 215 13	hexagon-head bolt M 6 X 15		4	
16	N 012 105 3	serrated lock washer A 6,4		4	
17	N 011 524 7	washer A 6,4		4	
18	477 805 623	bush		4	
19	914 750 169 10	plate		4	
20	914 750 271 10	bearing bracket		4	

Model	Year	MG	SG	Illustration	Restrictions	UPD	17:14	23.01.2010	PORSCHE	PET	PORSCHE
924S	1988	8	06	806-00		248					

Pos	Part Number	Description	Remark	Qty	Model	Pos	Part Number	Description	Remark	Qty	Model
21	N 010 210 13	hexagon-head bolt M 6 X 10		12							
22	N 012 105 3	serrated lock washer A 6,4		12							
(23)	944 750 631 00	housing	/L	1							
(23)	944 750 632 00	housing	/R	1							
24	477 805 633	retaining ring	/L	1							
(24)	477 805 634	retaining ring	/R	1							
25	N 043 979 2	tapping screw BZ 4,2 X 45		2							
25A	477 857 173	clip		2							
26	477 805 651	lever		2							
27	477 805 661	spring	/L	1							
(27)	477 805 662	spring	/R	1							
28	477 805 663	desk pad		X							
29	477 853 363	cover strip	/L	1							
(29)	477 853 364	cover strip	/R	1							

Model	Year	MG	SG	Illustration	Restrictions	UPD	17:15	23.01.2010	PORSCHE	PET	PORSCHE
924S	1988	8	07	807-00		248					

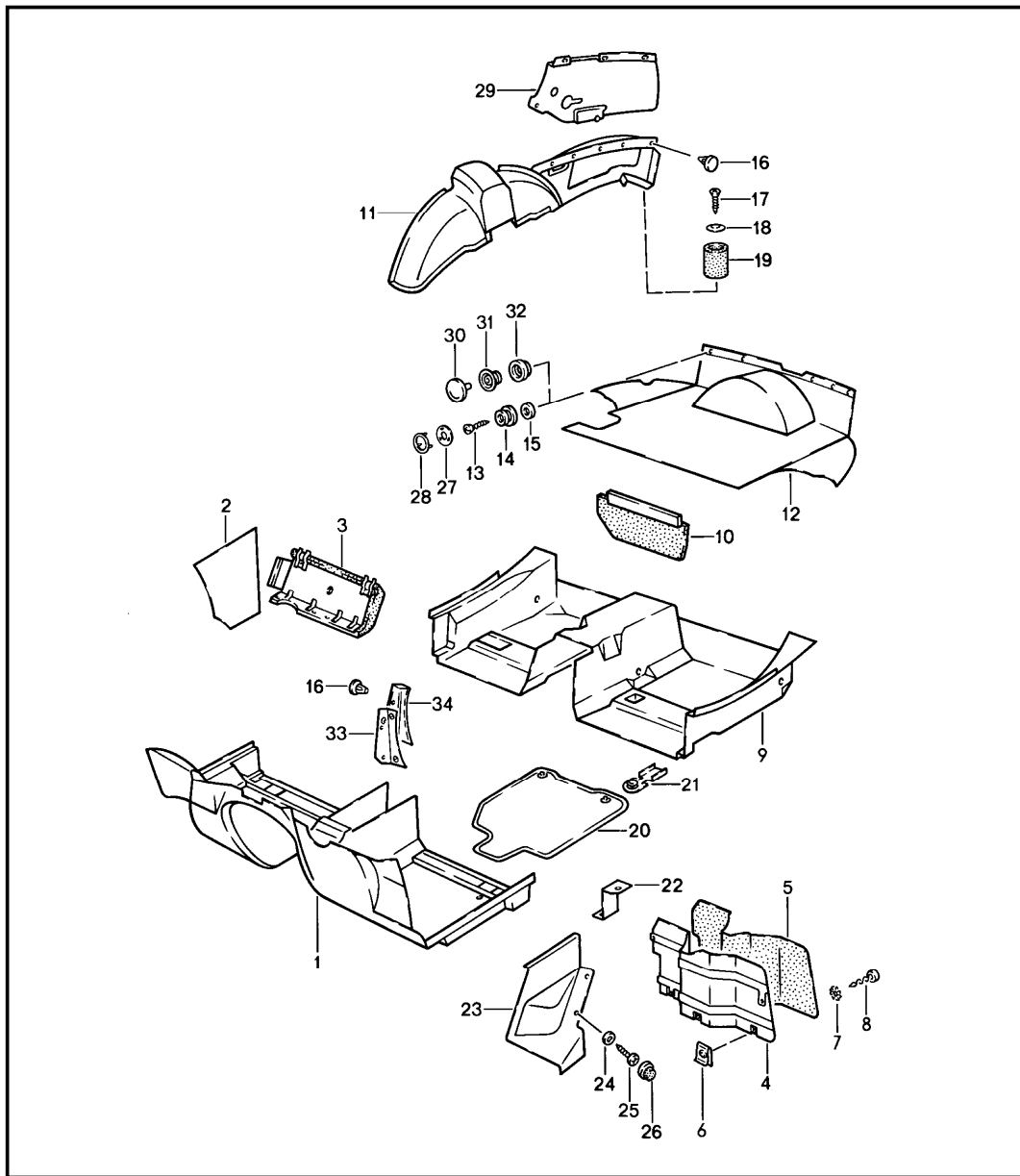


Pos	Part Number	Description	Remark	Qty	Model
		sound absorber			
1	477 863 771	sound absorber	/L	1	
2	944 556 772 01	sound absorber bonnet	/R	1	
4	944 556 089 00	insulation	/LL	1	
(4)	945 556 089 03	insulation engine compartment	/RL	1	
5	477 863 849	insulation	/L	1	
6	944 556 083 00	sound absorber	/LL/L	1	
(6)	944 556 084 00	sound absorber	/LL/R	1	
(6)	945 556 083 00	sound absorber	/RL/L	1	
(6)	945 556 084 00	sound absorber side section	/RL/R	1	
7	477 863 855 E	insulation	/LL	1	
7	477 863 855 F	insulation firewall	/LL	1	M573
8	477 863 667 A	sound absorber	/V	1	
9	944 556 775 01	sound absorber	/LL/L	1	
(9)	945 556 775 01	sound absorber	/RL/L	1	
10	944 556 776 01	sound absorber	/LL/R	1	
(10)	945 556 776 01	sound absorber	/RL/R	1	
11	477 863 773	sound absorber	/L	1	
12	477 863 774	sound absorber	/R	1	
13	944 556 085 00	sound absorber	/L	1	
(13)	944 556 086 00	sound absorber	/R	1	
14	477 863 845 A	sound absorber	/L	1	
(14)	477 863 846 A	sound absorber heel plate	/R	1	
15	944 556 777 01	sound absorber	/L	1	
16	944 556 778 01	sound absorber	/R	1	
(17)	944 556 885 00	sound absorber	/L	1	

Model	Year	MG	SG	Illustration	Restrictions	UPD	17:15	23.01.2010	PORSCHE	PET	PORSCHE
924S	1988	8	07	807-00		248					

Pos	Part Number	Description	Remark	Qty	Model	Pos	Part Number	Description	Remark	Qty	Model
17	944 556 886 00	sound absorber wheel housing	/R	1							
18	944 556 079 00	sound absorber boot floor plate		1							
18A	477 863 893 A	sound absorber boot floor plate		1							
19	477 863 865	insulation side section	/L	1							
20	477 863 867	insulation spare-wheel well		1							
21	993 556 521 00	insulation door		2							
22	944 556 609 00	sound absorber roof		1							
23	999 049 002 40	push button		13							
24	944 556 849 00	clip		6							
25	999 049 001 40	plastic nut		6							
26	N 900 661 01	clamping washer		5							

Model	Year	MG	SG	Illustration	Restrictions	UPD	17:15	23.01.2010	PORSCHE	PET	PORSCHE
924S	1988	8	07	807-02		248					



Pos	Part Number	Description	Remark	Qty	Model
1	477 863 703 G	linings floor mat	/LL/V	1	
	1DR	black			
	9RR	brown			
	2FR	light grey			
(1)	477 863 703 M	floor mat	/LL/V	1	M573
	1DR	black			
	9RR	brown			
	2FR	light grey			
(1)	478 863 703 G	floor mat	/RL/V	1	
	1DR	black			
	9RR	brown			
	2FR	light grey			
2	944 555 081 00	lining	/LL/L	1	
	1DR	black			
	9RR	brown			
	2FR	light grey/light grey			
(2)	944 555 082 00	lining	/LL/R	1	
	1DR	black			
	9RR	brown			
	2FR	light grey/light grey			
(2)	945 555 081 00	lining	/RL/L	1	
	1DR	black			
	9RR	brown			
	2FR	light grey/light grey			
(2)	945 555 082 00	lining	/RL/R	1	
	1DR	black			
	9RR	brown			
	2FR	light grey/light grey			

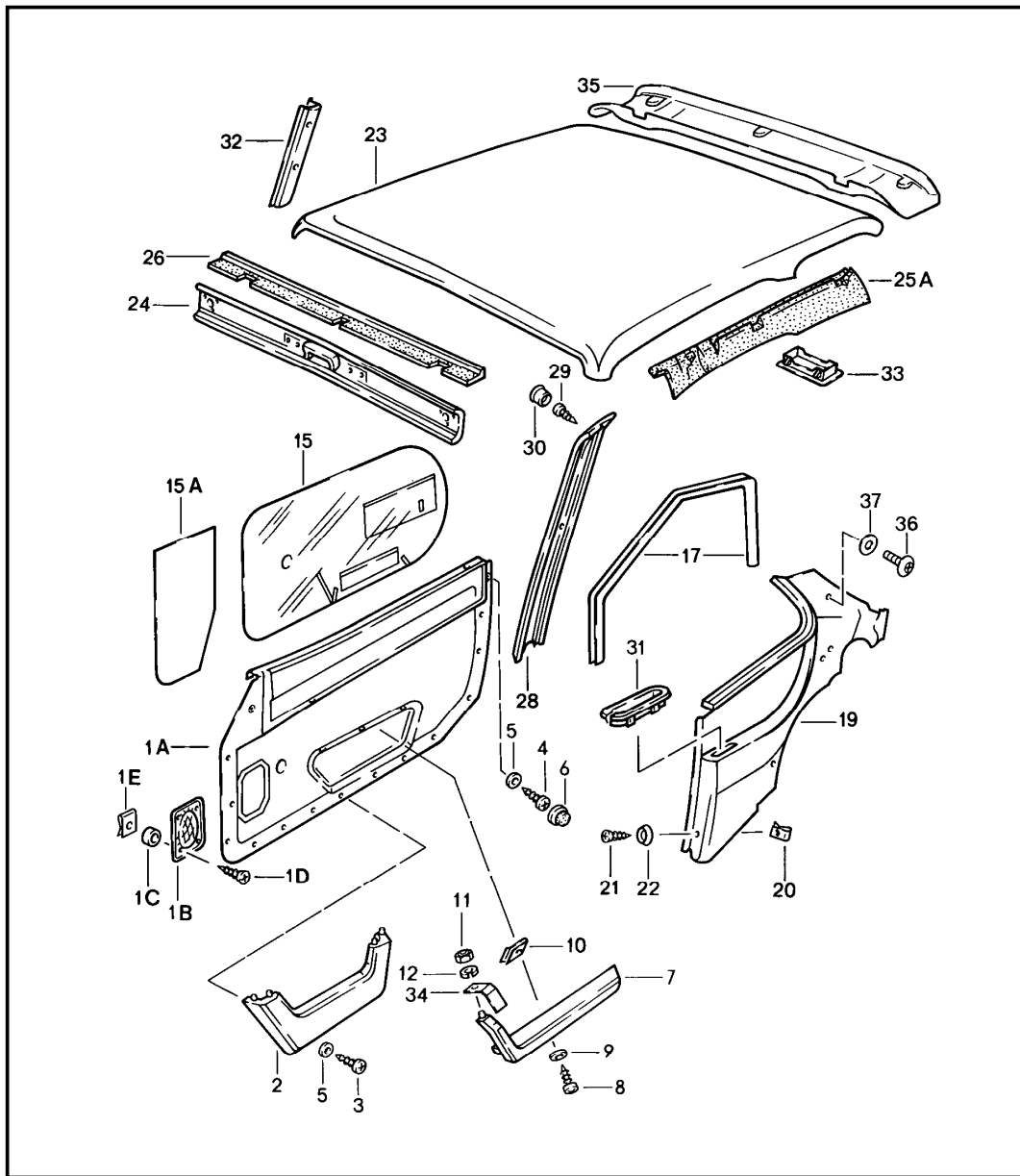
Model	Year	MG	SG	Illustration	Restrictions	UPD	17:15	23.01.2010	PORSCHE	PET	PORSCHE
924S	1988	8	07	807-02		248					

Pos	Part Number	Description	Remark	Qty	Model	Pos	Part Number	Description	Remark	Qty	Model
3	477 820 412	knee protection trim	/LL	1	M573		1DR	black			
	1DB	black					9RR	brown			
	4RB	brown					2FR	light grey			
4	478 863 751	foot support	/RL/L	1	M573	11	944 555 084 01	side trim panel	/R	1	
5	478 863 381	carpet foot support	/RL/L	1	M573		1DR	black			
	1DR	black					9RR	brown			
	9RR	brown					2FR	light grey			
	2FR	light grey				11	944 555 083 03	side trim panel	/L	1	M335
	1DR	black					1DR	black			
6	N 015 458 1	speed nut	/RL	5	M573		2FR	light grey			
7	N 011 665 3	washer	/RL	5	M573		9RR	brown			
8	N 013 968 7	tapping screw 4,8 X 13	/RL	5	M573	(11)	944 555 084 02	side trim panel	/R	1	M335
9	477 863 717 B	floor mat	/LL/H	1			1DR	black			
	1DR	black					2FR	light grey			
	9RR	brown					9RR	brown			
	2FR	light grey				12 A	944 555 063 03	lining		1	
(9)	478 863 717 B	floor mat	/RL/H	1			1DR	black			
	1DR	black					2FR	light grey			
	9RR	brown					9RR	brown			
	2FR	light grey				12	945 555 063 03	boot floor lining		1	M447
(10)	477 863 571 A	lining	/L	1			1DR	black			
	1DR	black					2FR	light grey			
	9RR	brown					9RR	brown			
	2FR	light grey				(12)	945 555 063 04	boot floor lining		1	M445
10	477 863 572 A	lining	/R	1			1DR	black			
	1DR	black					2FR	light grey			
	9RR	brown					9RR	brown			
	2FR	light grey				12	945 555 063 05	boot floor lining boot floor plate		1	M479
(11)	944 555 083 02	side trim panel	/L	1							

Model	Year	MG	SG	Illustration	Restrictions	UPD	17:15	23.01.2010	PORSCHE	PET	PORSCHE
924S	1988	8	07	807-02		248					

Pos	Part Number	Description	Remark	Qty	Model	Pos	Part Number	Description	Remark	Qty	Model
	1DR	black				25	999 450 003 02	tapping screw B 3,9 X 16		2	
	2FR	light grey				26	311 867 169	cap		2	
	9RR	brown					01C	black			
13	N 013 957 5	tapping screw B 3,5 X 9,5		6		27	968 555 901 00	set of fastening parts		6	
14	968 555 901 00	set of fastening parts		6		28	968 555 901 00	set of fastening parts		6	
15	N 011 665 3	washer 5,3		6		29	944 555 389 00	cover F 92HN4 00398>>	87-	1	M650
16	477 863 747	clip		12		30	999 591 885 13	push button cap		6	
	01C	black					041	black			
	90V	brown					4BF	grey			
	4BF	grey					90V	brown			
17	900 143 064 07	tapping screw B 3,5 X 25		2		31	999 591 834 17	snap fastener lower part		6	
18	N 011 521 3	washer A 3,7 X 8		2		32	999 591 836 17	push button lower part		6	
19	999 703 176 40	round buffer		2		33	478 863 765	foot support	/RL/R	1	
20	477 863 913	floor mat with logo	/LL/L	1		(33)	478 863 763 A	foot support	/RL/R	1	M249
	3BF	black				34	478 863 767	carpet	/RL/R	1	
	8NF	brown					1DR	black			
(20)	477 863 914	floor mat with logo	/LL/R	1			9RR	brown			
	3BF	black				(34)	478 863 767 A	carpet	/RL/R	1	M249
	8NF	brown					1DR	black			
22	944 555 263 00	bracket	/LL	1			9RR	brown			
(22)	945 555 263 00	bracket	/RL	1			2FR	light grey			
23	944 555 061 00	lining	/LL	1							
	01C	black									
24	900 151 028 02	washer 4,1 X 12 X 0,8		2							

Model	Year	MG	SG	Illustration	Restrictions	UPD	17:15	23.01.2010	PORSCHE	PET	PORSCHE
924S	1988	8	07	807-05		248					



Pos	Part Number	Description	Remark	Qty	Model
(1A)	477 867 011 M	linings door trim panel power windows manually leatherette	/L	1	
		RD1 light grey			
		KZ7 black			
1A	477 867 012 M	door trim panel power windows manually leatherette	/R	1	
		RD1 light grey			
		KZ7 black			
(1A)	477 867 011 Q	door trim panel power windows manually leatherette	/L	1	
		KZ8 brown			
(1A)	477 867 012 Q	door trim panel power windows manually leatherette	/R	1	
		KZ8 brown			
(1A)	477 867 011 N	door trim panel power windows electric leatherette	/LL/L	1	
		RD1 light grey			
		KZ7 black			
1A	477 867 012 N	door trim panel power windows electric leatherette	/LL/R	1	
		RD1 light grey			
		KZ7 black			
(1A)	478 867 011 M	door trim panel power windows electric leatherette	/RL/L	1	

Model	Year	MG	SG	Illustration	Restrictions	UPD	17:15	23.01.2010	PORSCHE	PET	PORSCHE
924S	1988	8	07	807-05		248					

Pos	Part Number	Description	Remark	Qty	Model	Pos	Part Number	Description	Remark	Qty	Model
		RD1 light grey					RD6 black/ light grey				
		KZ7 black					RD3 black/ anthracite				
1A	478 867 012 M	door trim panel power windows electric leatherette	/RL/R	1			US5 black/ grey-ochre		88		M755
		RD1 light grey					US6 black/ grey-turquoise		88		M755
		KZ7 black				1A	477 867 012 N	door trim panel leatherette/ pin stripe flannel	/LL/R	1	
(1A)	477 867 011 N	door trim panel leatherette/ pin stripe velour	/LL/L	1			RD6 black/ light grey				
		GM5 black/ black-white					RD3 black/ anthracite				
		RD4 black/ light grey					US5 black/ grey-ochre		88		M755
1A	477 867 012 N	door trim panel leatherette/ pin stripe velour	/LL/R	1			US6 black/ grey-turquoise		88		M755
		GM5 black/ black-white				(1A)	478 867 011 M	door trim panel leatherette/ pin stripe flannel	/RL/L	1	
		RD4 black/ light grey					RD6 black/ light grey				
(1A)	478 867 011 M	door trim panel leatherette/ pin stripe velour	/RL/L	1			RD3 black/ anthracite				
		GM5 black/ black-white					US5 black/ grey-ochre		88		M755
		RD4 black/ light grey					US6 black/ grey-turquoise		88		M755
1A	478 867 012 M	door trim panel leatherette/ pin stripe velour	/RL/R	1		1A	478 867 012 M	door trim panel leatherette/ pin stripe flannel	/RL/R	1	
		GM5 black/ black-white					RD6 black/ light grey				
		RD4 black/ light grey					RD3 black/ anthracite				
(1A)	477 867 011 N	door trim panel leatherette/ pin stripe flannel	/LL/L	1			US5 black/ grey-ochre		88		M755

Model	Year	MG	SG	Illustration	Restrictions	UPD	17:15	23.01.2010	PORSCHE	PET	PORSCHE
924S	1988	8	07	807-05		248					

Pos	Part Number	Description	Remark	Qty	Model	Pos	Part Number	Description	Remark	Qty	Model
	US6	black/ grey-turquoise		88	M755	(1A)	478 867 011 N	door trim panel power windows electric leatherette	/RL/L	1	
(1A)	477 867 011 N	door trim panel leatherette/ porsche lettering cloth	/LL/L	1			KZ8	brown			
	RD5	black/ light grey				1A	478 867 012 N	door trim panel power windows electric leatherette	/RL/R	1	
	RD2	black/ black					KZ8	brown			
1A	477 867 012 N	door trim panel leatherette/ porsche lettering cloth	/LL/R	1		(1A)	477 867 011 R	door trim panel leatherette/ porsche lettering cloth	/LL/L	1	
	RD5	black/ light grey					RD7	brown/brown			
	RD2	black/ black				1A	477 867 012 R	door trim panel leatherette/ porsche lettering cloth	/LL/R	1	
(1A)	478 867 011 M	door trim panel leatherette/ porsche lettering cloth	/RL/L	1		(1A)	478 867 011 N	door trim panel leatherette/ porsche lettering cloth	/RL/L	1	
	RD5	black/ light grey					RD7	brown/brown			
	RD2	black/ black				1A	478 867 012 N	door trim panel leatherette/ porsche lettering cloth	/RL/R	1	
1A	478 867 012 M	door trim panel leatherette/ porsche lettering cloth	/RL/R	1			RD7	brown/brown			
	RD5	black/ light grey				(1A)	477 867 011 R	door trim panel leatherette/ pin stripe flannel	/LL/L	1	
	RD2	black/ black					RD8	brown/brown			
(1A)	477 867 011 R	door trim panel power windows electric leatherette	/LL/L	1		1A	477 867 012 R	door trim panel leatherette/ pin stripe flannel	/LL/R	1	
	KZ8	brown					RD8	brown/brown			
1A	477 867 012 R	door trim panel power windows electric leatherette	/LL/R	1		(1A)	478 867 011 N	door trim panel leatherette/ pin stripe flannel	/RL/L	1	
	KZ8	brown					RD8	brown/brown			

Model	Year	MG	SG	Illustration	Restrictions	UPD	17:15	23.01.2010	PORSCHE	PET	PORSCHE
924S	1988	8	07	807-05		248					

Pos	Part Number	Description	Remark	Qty	Model	Pos	Part Number	Description	Remark	Qty	Model
1A	478 867 012 N	door trim panel leatherette/ pin stripe flannel	/RL/R	1		2	477 867 034 A	package box	/R	1	
	RD8	brown/brown					1DR	black			
							2FR	black/light grey			
(1A)	477 867 011 R	door trim panel leatherette/ pin stripe velour	/LL/L	1			9RR	brown/brown			
	JS5	brown/ brown-beige				3	N 013 962 3	tapping screw B 3,9 X 16		6	
						4	311 867 167	tapping screw 4,2		4	
1A	477 867 012 R	door trim panel leatherette/ pin stripe velour	/LL/R	1		5	900 151 028 02	washer 4,3		10	
	JS5	brown/ brown-beige				6	311 867 169	cap		4	
							01C	black			
(1A)	478 867 011 N	door trim panel leatherette/ pin stripe velour	/RL/L	1			90V	brown			
	JS5	brown/ brown-beige				(7)	477 867 171	armrest	/L	1	
							041	black			
1A	478 867 012 N	door trim panel leatherette/ pin stripe velour	/RL/R	1			89S	brown			
	JS5	brown/ brown-beige					5FA	light grey			
						7	477 867 172	armrest	/R	1	
							041	black			
1B	477 867 081	loudspeaker grille		2			89S	brown			
	01C	black					5FA	light grey			
	8CJ	light grey									
	4RB	brown				8	900 143 046 02	tapping screw B 4,8 X 16		6	
1C	477 035 375	bush		8		9	N 012 225 3	spring washer B 5		6	
1D	N 014 091 4	tapping screw B 3,9 X 16		8		10	999 591 722 02	speed nut B 4,8 X 19,8		6	
1E	N 100 472 01	speed nut B 9		8		11	900 910 010 09	lock nut M 6		2	
(2)	477 867 033 A	package box	/L	1		12	N 011 524 7	washer 6		2	
	1DR	black									
	2FR	black/light grey				(15)	944 555 177 05	seal	/L	1	
	9RR	brown/brown				15	A 477 867 178 D	sealing film	/R	1	

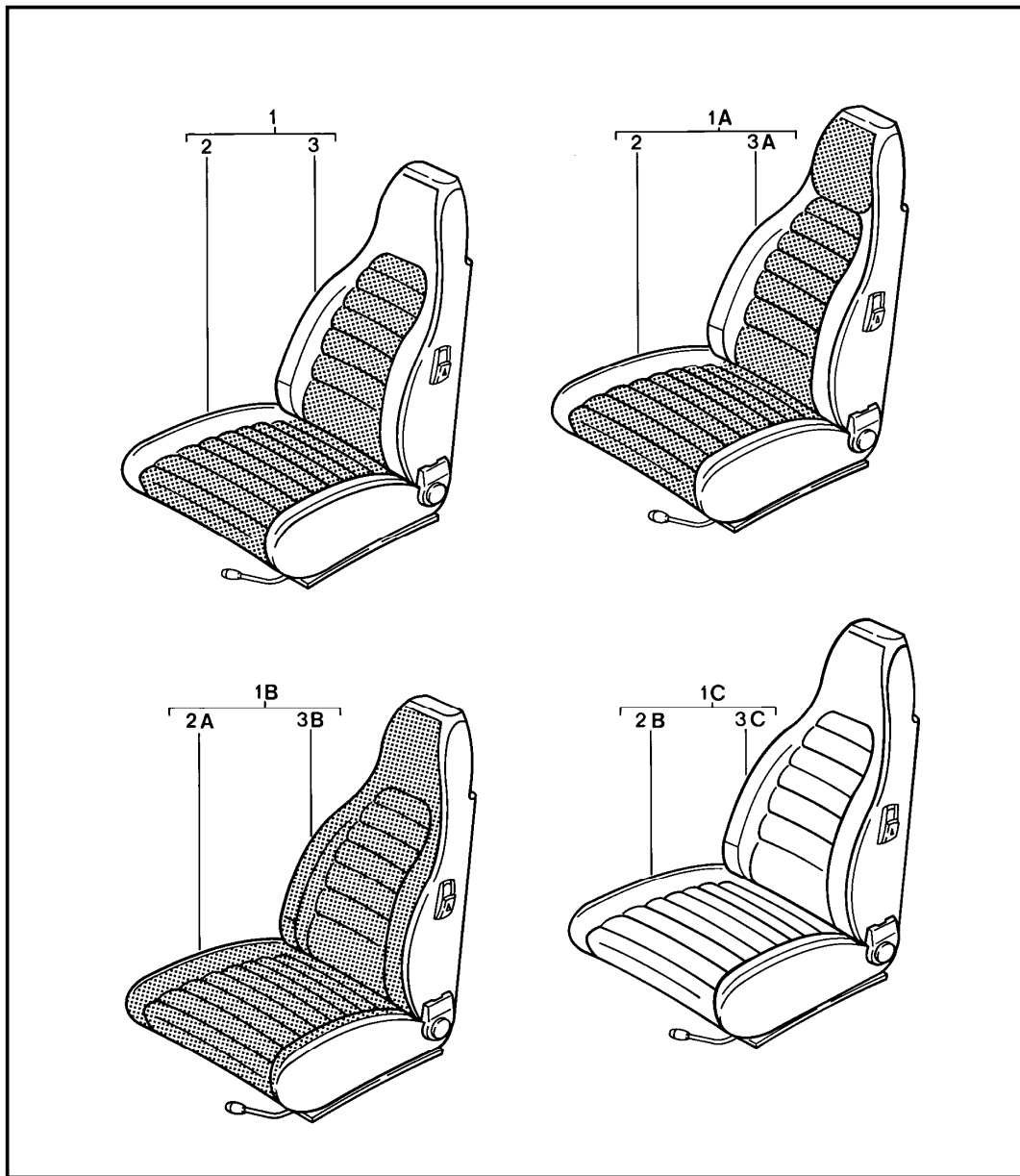
Model	Year	MG	SG	Illustration	Restrictions	UPD	17:15	23.01.2010	PORSCHE	PET	PORSCHE
924S	1988	8	07	807-05		248					

Pos	Part Number	Description	Remark	Qty	Model	Pos	Part Number	Description	Remark	Qty	Model
15	944 555 178 05	seal	/R	1		21	N 014 087 5	rais. counters. h. tap. s. B 3,5 X 16		4	
(15A)	477 867 179	sealing film	/L	1		22	N 011 578 1	cone washer 3,7		4	
15A	477 867 180	sealing film loudspeaker	/R	1		23	477 867 503	rooflining		1	
16	823 867 299	clip		25			05T	black			
17	944 555 031 01	door seal	/L	1			4RB	brown			
(17)	944 555 032 01	door seal	/R	1		(23)	944 555 519 00	rooflining		1	M650
19	944 555 021 00	side trim panel F >>92GN4 00326		1			05T	black			
	1DB	black					4RB	brown			
	4RB	brown				-	477 867 543	roof strut		3	
(19)	944 555 022 00	side trim panel F >>92GN4 00326		1		24	477 867 511	lining roof frame	/V	1	
	1DB	black					1DB	black			
	4RB	brown					4RB	brown			
19	944 555 021 01	side trim panel F >>92GN4 00326		1	M186	25A	944 555 115 00	roof frame padding	/L	1	
	1DB	black				(25A)	944 555 116 00	roof frame padding	/R	1	
	4RB	brown				(26)	944 564 531 01	roof frame padding	/V	1	M650
(19)	944 555 022 01	side trim panel F >>92GN4 00326		1	M186	28	477 867 553 A	lining windscreen frame	/L	1	
	1DB	black					1DB	black			
	4RB	brown					4RB	brown			
19	944 555 021 07	side trim panel F 92GN4 00327>>	/L	1		(28)	477 867 554 A	lining windscreen frame	/R	1	
	1DB	black					1DB	black			
	4RB	brown					4RB	brown			
(19)	944 555 022 07	side trim panel F 92GN4 00327>>	/R	1		29	N 013 962 2	tapping screw B 3,9 X 16		6	
	1DB	black				30	914 552 233 10	filler piece		6	
	4RB	brown					01C	black			
20	N 015 438 1	speed nut B 3,5 X 16,5		2			90V	brown			
						31	477 867 653	rosette		2	

Model	Year	MG	SG	Illustration	Restrictions	UPD	17:15	23.01.2010	PORSCHE	PET	PORSCHE
924S	1988	8	07	807-05		248					

Pos	Part Number	Description	Remark	Qty	Model	Pos	Part Number	Description	Remark	Qty	Model
32	477 867 655	lining centre pillar	/L	1							
	05T	black									
	4RB	brown									
(32)	477 867 656	lining centre pillar	/R	1							
	05T	black									
	4RB	brown									
33	477 867 923 A	cap		2							
	01C	black									
	89S	brown									
(34)	477 867 153	fastening hook	/L	1							
34	477 867 154	fastening hook	/R	1							
35	944 555 941 00	lining F >>92GN4 02704	/H	1	M650						
	05T	black									
	4RB	brown									
(35)	944 555 041 01	lining F 92GN4 02705>>	/H	1	M650						
	05T	black									
	4RB	brown									
36	211 857 785 A	stopper		2							
	01C	black									
37	A 111 857 795	cover disc		2							
	043	black									
37	A 111 857 795	cover disc		2							
	01C	black									
37	999 703 403 40	cover disc		2							

Model	Year	MG	SG	Illustration	Restrictions	UPD	17:15	23.01.2010	PORSCHE	PET	PORSCHE
924S	1988	8	08	808-00		248					



Pos	Part Number	Description	Remark	Qty	Model
1	A 477 881 021 S	front seat complete			
	JN1	black/black-white	/L	1	
	JN2	brown/brown-beige			
	RC7	light grey/light grey-white			
(1)	A 477 881 022 S	front seat leatherette/centre part pin stripe velour	/R	1	
	JN1	black/black-white			
	JN2	brown/brown-beige			
	RC7	light grey/light grey-white			
1A	A 477 881 021 S	front seat leatherette/centre part porsche lettering cloth	/L	1	
	PX1	black/black			
	PX3	brown/brown			
	NX9	light grey/light grey			
(1A)	A 477 881 022 S	front seat leatherette/centre part porsche lettering cloth	/R	1	
	PX1	black/black			
	PX3	brown/brown			
	NX9	light grey/light grey			
1A	A 477 881 021 S	front seat leatherette/centre part pin stripe flannel	/L	1	

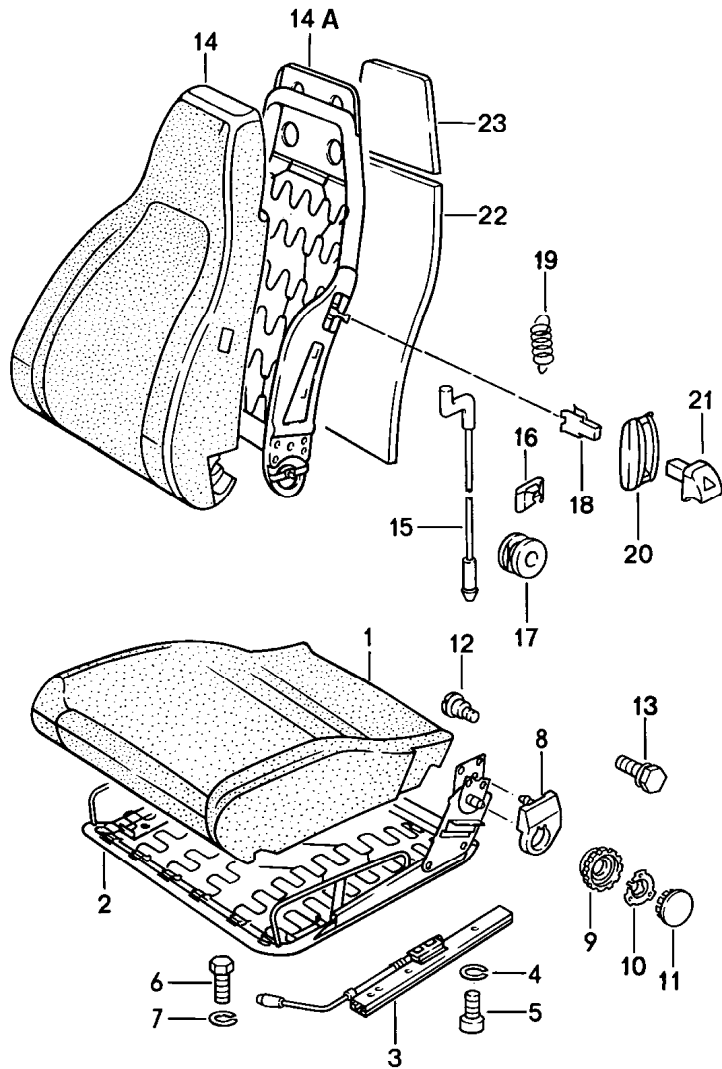
Model	Year	MG	SG	Illustration	Restrictions	UPD	17:15	23.01.2010	PORSCHE	PET	PORSCHE
924S	1988	8	08	808-00		248					

Pos	Part Number	Description	Remark	Qty	Model	Pos	Part Number	Description	Remark	Qty	Model	
(1A)	A 477 881 022 S	NX4	black/anthracite			2	A 911 521 037 62	cover for cushion	/L	1		
		NX5	brown/brown					leatherette/ centre part				
		NX6	light grey/light grey					pin stripe flannel				
			front seat	/R	1			NX4	black/anthracite			
			leatherette/ centre part					NX5	brown/brown			
			pin stripe flannel					NX6	light grey/light grey			
1B	A 477 881 021 AA	NX4	black/anthracite			(2)	A 911 521 038 62	cover for cushion	/R	1		
		NX5	brown/brown					leatherette/ centre part				
		NX6	light grey/light grey					pin stripe flannel				
			front seat	/L	1			NX4	black/anthracite			
			leatherette/ seat and backrest surface					NX5	brown/brown			
			porsche lettering cloth					NX6	light grey/light grey			
(1B)	A 477 881 022 AA	PX2	black/black			2	A 911 521 037 62	cover for cushion	/L	1		
		PX4	brown/brown					leatherette/ centre part				
		NZ3	light grey/light grey					pin stripe velour				
			front seat	/R	1			RC7	light grey/ light grey-white			
			leatherette/ seat and backrest surface					JN1	black/ black-white			
			porsche lettering cloth					JN2	brown/ brown-beige			
1C	A 477 881 021 T	NZ3	light grey/light grey			(2)	A 911 521 038 62	cover for cushion	/R	1		
			front seat	/L	1			leatherette/ centre part				
			leatherette/leather					pin stripe velour				
			black					RC7	light grey/ light grey-white			
			brown					JN1	black/ black-white			
			light grey					JN2	brown/ brown-beige			
(1C)	A 477 881 022 T		front seat	/R	1	2	A 911 521 037 62	cover for cushion	/L	1		
			leatherette/leather					leatherette/ centre part				
			black					porsche lettering cloth				
			black					PX1	black/black			
			brown									
			light grey									

Model	Year	MG	SG	Illustration	Restrictions	UPD	17:15	23.01.2010	PORSCHE	PET	PORSCHE
924S	1988	8	08	808-00		248					

Pos	Part Number	Description	Remark	Qty	Model	Pos	Part Number	Description	Remark	Qty	Model
	PX3	brown/brown				3	A 911 521 072 76	backrest cover leatherette/ centre part pin stripe velour		2	
	NX9	light grey/light grey					JN1	black/ black-white			
(2)	A 911 521 038 62	cover for cushion leatherette/ centre part porsche lettering cloth	/R	1			JN2	brown/ brown-beige			
	PX1	black/black					RC7	light grey light grey-white			
	PX3	brown/brown				3A	A 911 521 072 76	backrest cover leatherette/ centre part porsche lettering cloth		2	
	NX9	light grey/light grey					PX1	black/black			
2A	A 911 521 037 18	cover for cushion leatherette/ seat surface porsche lettering cloth	/L	1			PX3	brown/brown			
	PX2	black/black					NX9	light grey/light grey			
	PX4	brown/brown				3A	A 911 521 072 76	backrest cover leatherette/ centre part pin stripe flannel		2	
	NZ3	light grey/light grey					NX4	black/anthracite			
(2A)	A 911 521 038 18	cover for cushion leatherette/ seat surface porsche lettering cloth	/R	1			NX5	brown/brown			
	PX2	black/black					NX6	light grey/light grey			
	PX4	brown/brown				3B	A 911 521 072 25	backrest cover leatherette/ backrest surface porsche lettering cloth	84-	2	
	NZ3	light grey/light grey					PX2	black/black			
2B	A 911 521 037 76	cover for cushion leatherette/leather	/L	1			PX4	brown/brown			
	JN3	black/black					NZ3	light grey/light grey			
	JN4	brown/brown				3C	A 911 521 072 77	backrest cover leatherette/leather		2	
	NZ7	light grey/light grey					JN3	black/black			
(2B)	A 911 521 038 76	cover for cushion leatherette/leather	/R	1			JN4	brown/brown			
	JN3	black/black					NZ7	light grey/light grey			
	JN4	brown/brown									
	NZ7	light grey/light grey									

Model	Year	MG	SG	Illustration	Restrictions	UPD	17:15	23.01.2010	PORSCHE	PET	PORSCHE
924S	1988	8	08	808-01		248					

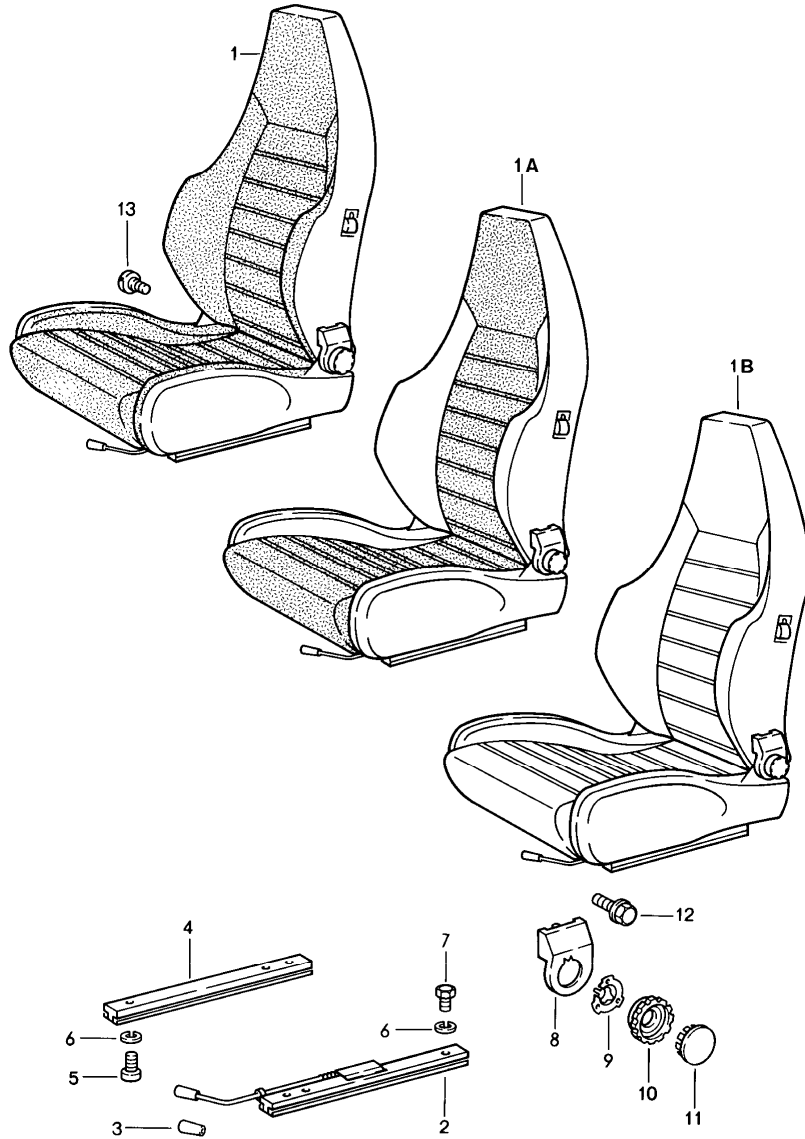


Pos	Part Number	Description	Remark	Qty	Model
		front seat single parts			
1	911 521 385 01	foam part seat cushion	/L	1	
(1)	911 521 386 01	foam part seat cushion	/R	1	
2	911 521 069 56	seat frame	/L	1	
(2)	911 521 070 56	seat frame	/R	1	
3	A 477 881 211	seat rail with locking device	/L	1	
(3)	A 477 881 212	seat rail with locking device	/R	1	
(3)	A 944 521 491 00	seat rail		2	
(3)	944 521 491 00	seat rail inner see tpi GR.8 NR.34		2	
4	N 012 006 4	lock ring B 6		8	
5	900 067 008 02	pan-head screw M 6 X 12		8	
6	N 010 215 13	hexagon-head bolt M 6 X 15		8	
7	N 012 006 4	lock ring B 6		8	
8	911 521 359 02	cover	/L	1	
(8)	911 521 360 02	cover	/R	1	
9	911 521 381 00	shifting wheel for backrest adjustment		2	
10	911 521 571 00	tensioning spring		2	
11	911 521 383 00	cover		2	
12	911 521 371 00	screw		2	
13	911 521 547 00	hexagon-head bolt		4	
14A	A 911 521 027 58	backrest frame	/L	1	
14A	911 521 027 58	backrest frame	/L	1	

Model	Year	MG	SG	Illustration	Restrictions	UPD	17:15	23.01.2010	PORSCHE	PET	PORSCHE
924S	1988	8	08	808-01		248					

Pos	Part Number	Description	Remark	Qty	Model	Pos	Part Number	Description	Remark	Qty	Model
(14A)	911 521 028 58	backrest frame	/R	1		-	477 898 022	repair seat complete	/R	1	
(14A)	911 521 028 58	backrest frame	/R	1				with seat rail			
14	911 521 393 00	foam part backrest		2				without foam part			
(14) A	911 521 393 00	foam part backrest		2				without cover			
15	911 521 361 00	cable for release		2				for seat and backrest surface			
16	911 521 369 00	terminal for cable		2							
17	911 521 343 00	guide bush		2							
18	311 881 247	clamp		2							
19	311 881 287 A	spring		2							
20	911 521 815 00	rosette		2							
	01C	satin black									
21	911 521 817 00	control button		2							
	01C	satin black									
22	911 521 575 00	filler piece for backrest frame		2							
23	911 521 435 00	filler piece for backrest frame		2							
-	477 898 021	repair seat complete with seat rail without foam part without cover for seat and backrest surface	/L	1							

Model	Year	MG	SG	Illustration	Restrictions	UPD	17:16	23.01.2010	PORSCHE	PET	PORSCHE
924S	1988	8	08	808-05		248					

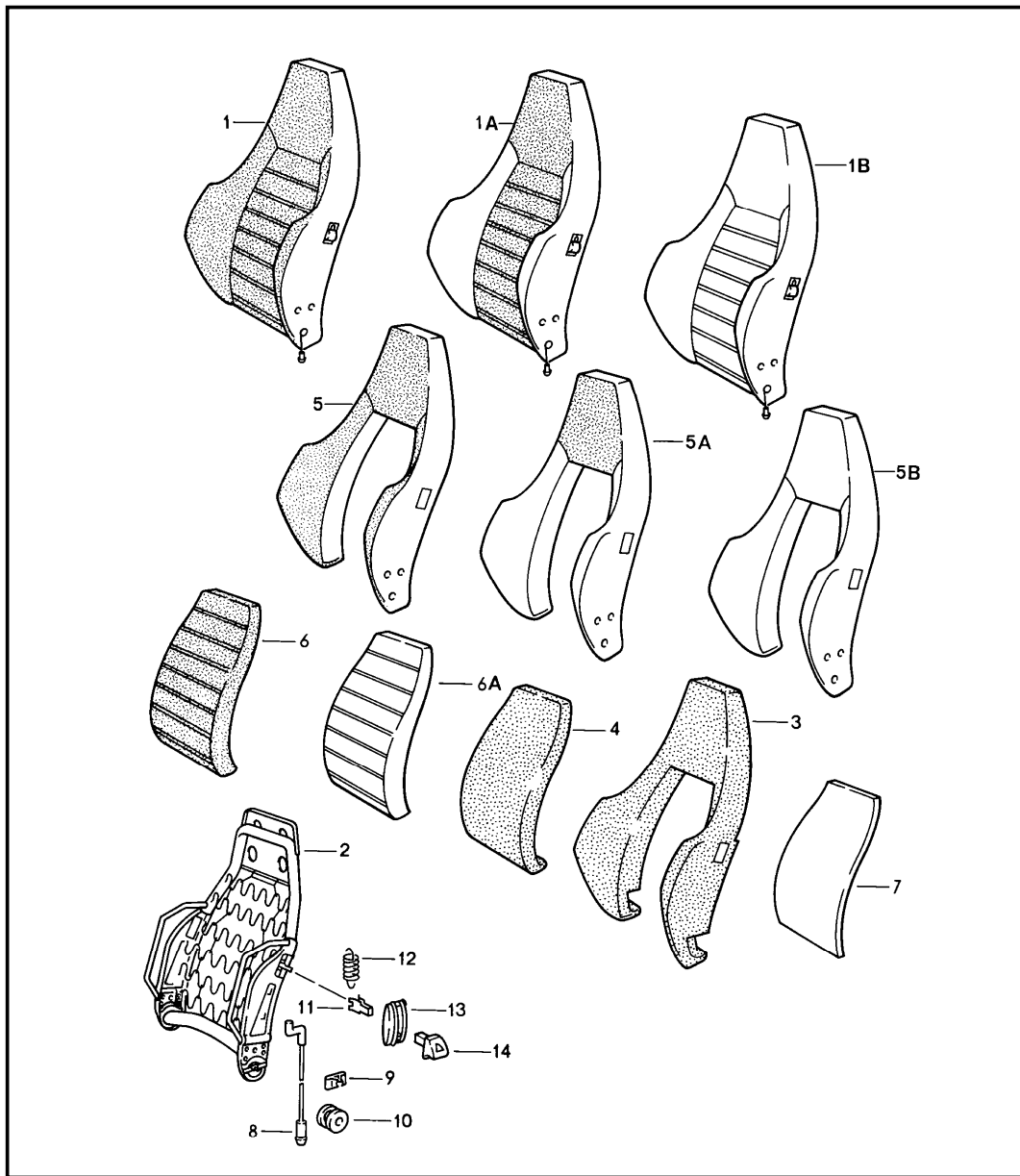


Pos	Part Number	Description	Remark	Qty	Model
1	A 911 521 007 07	sports seat complete		1	
		PX2 black/black	/L		
		PX4 brown/brown			
		NZ3 light grey/light grey			
(1)	A 911 521 008 07	sports seat leatherette/ seat and backrest surface porsche lettering cloth	/R	1	
		PX2 black/black			
		PX4 brown/brown			
		NZ3 light grey/light grey			
1	A 911 521 007 07	sports seat leatherette/ seat and backrest surface pin stripe flannel	/L	1	M755
		UR8 grey-turquoise			
		UR6 grey-ochre			
(1)	A 911 521 008 07	sports seat leatherette/ seat and backrest surface pin stripe flannel	/R	1	M755
		UR8 grey-turquoise			
		UR6 grey-ochre			
1A	A 911 521 007 07	sports seat leatherette/ centre part head rest porsche lettering cloth	/L	1	
		PX1 black/black			
		PX3 brown/brown			
		NX9 light grey/light grey			

Model	Year	MG	SG	Illustration	Restrictions	UPD	17:16	23.01.2010	PORSCHE	PET	PORSCHE
924S	1988	8	08	808-05		248					

Pos	Part Number	Description	Remark	Qty	Model	Pos	Part Number	Description	Remark	Qty	Model
(1A)	A 911 521 008 07	sports seat leatherette/ centre part head rest porsche lettering cloth	/R	1		5	900 067 008 02	pan-head screw M 6 X 12		8	
	PX1	black/black				6	N 012 006 4	lock ring B 6		16	
	PX3	brown/brown				7	N 010 215 13	hexagon-head bolt M 6 X 15		8	
	NX9	light grey/light grey				8	911 521 359 02	cover	/L	1	
1B	A 911 521 007 64	sports seat leather	/L	1		(8)	911 521 360 02	cover	/R	1	
	KZ2	black				9	911 521 571 00	tensioning spring		2	
	KZ5	brown				10	911 521 381 00	shifting wheel		2	
	NZ9	light grey				11	911 521 383 00	cover		2	
(1B)	A 911 521 008 64	sports seat leather	/R	1		12	911 521 371 00	screw		2	
	KZ2	black				13	911 521 547 00	hexagon-head bolt		4	
	KZ5	brown									
	NZ9	light grey									
2	A 928 521 489 02	seat rail with locking device	/L	-87	1						
(2)	A 928 521 490 02	seat rail with locking device	/R	-87	1						
2	928 521 489 10	seat rail with locking device	/L		1						
(2)	928 521 490 10	seat rail with locking device	/R		1						
3	A 911 521 533 00	handle			2						
(3)	911 521 533 01	handle for longitudinal adjustment			2						
	01C	satin black									
4	A 944 521 491 00	seat rail without locking device see tpi GR.8 NR.34		-87	2						
4	944 521 491 00	seat rail without locking device			2						

Model	Year	MG	SG	Illustration	Restrictions	UPD	17:16	23.01.2010	PORSCHE	PET	PORSCHE
924S	1988	8	08	808-10		248					



Pos	Part Number	Description	Remark	Qty	Model
		sports seat backrest single parts			
1	A 911 521 603 07	backrest leatherette/ backrest surface porsche lettering cloth PX2 black/black PX4 brown/brown NZ3 light grey/light grey	/L	1	
(1)	A 911 521 604 07	backrest leatherette/ backrest surface porsche lettering cloth PX2 black/black PX4 brown/brown NZ3 light grey/light grey	/R	1	
1A	A 911 521 603 07	backrest leatherette/ head rest porsche lettering cloth PX1 black/black PX3 brown/brown NX9 light grey/light grey	/L	1	
(1A)	A 911 521 604 07	backrest leatherette/ head rest porsche lettering cloth PX1 black/black PX3 brown/brown NX9 light grey/light grey	/R	1	
1B	A 911 521 603 53	backrest leather KZ2 black KZ5 brown NZ9 light grey	/L	1	

Model	Year	MG	SG	Illustration	Restrictions	UPD	17:16	23.01.2010	PORSCHE	PET	PORSCHE
924S	1988	8	08	808-10		248					

Pos	Part Number	Description	Remark	Qty	Model	Pos	Part Number	Description	Remark	Qty	Model
(1B)	A 911 521 604 53	backrest leather	/R	1			NZ9	light grey			
	KZ2	black				6	A 911 521 403 06	backrest cushion cover leatherette/ backrest surface porsche lettering cloth		2	
	KZ5	brown					2CZ	black/black			
	NZ9	light grey					7NZ	brown/brown			
2	911 521 613 02	backrest frame	/L	1			8BY	light grey/light grey			
(2)	911 521 614 02	backrest frame	/R	1							
3	911 521 751 02	foam part backrest side bolster		2		6	A 911 521 403 06	backrest cushion cover leatherette/ backrest surface pin stripe flannel		2	
4	911 521 104 02	foam part backrest cushion		2			UR6	grey-ochre			
5	A 911 521 072 06	backrest side bolster cover leatherette/ backrest surface porsche lettering cloth		2			UR8	grey-turquoise			
	PX2	black/black				6A	A 911 521 403 50	backrest cushion cover leather		2	
	PX4	brown/brown					1AJ	black			
	NZ3	light grey/light grey					4RB	brown			
5	A 911 521 072 06	backrest side bolster cover leatherette/ backrest surface pin stripe flannel		2	M755		1FW	light grey			
	UR6	grey-ochre				7	911 521 575 00	cover		2	
	UR8	grey-turquoise				8	911 521 361 00	cable for release		2	
5A	A 911 521 072 06	backrest side bolster cover leatherette/ head rest porsche lettering cloth		2		9	911 521 369 00	terminal for cable		2	
	PX1	black/black				10	911 521 343 00	guide bush		2	
	PX3	brown/brown				11	311 881 247	clamp		2	
	NX9	light grey/light grey				12	311 881 287 A	spring for release		2	
5B	A 911 521 072 70	backrest side bolster cover leather		2		13	911 521 815 00	rosette		2	
	KZ2	black					01C	satin black			
	KZ5	brown				14	911 521 817 00	control button		2	
							01C	satin black			

Model	Year	MG	SG	Illustration	Restrictions	UPD	17:16	23.01.2010	PORSCHE	PET	PORSCHE
924S	1988	8	08	808-15		248					

Pos	Part Number	Description	Remark	Qty	Model
		sports seat seat cushion single parts			
1	A 911 521 605 06	seat cushion leatherette/ seat surface porsche lettering cloth	/L	1	
	PX2	black/black			
	PX4	brown/brown			
	NZ3	light grey/light grey			
(1)	A 911 521 606 06	seat cushion leatherette/ seat surface porsche lettering cloth	/R	1	
	PX2	black/black			
	PX4	brown/brown			
	NZ3	light grey/light grey			
1	A 911 521 605 06	seat cushion leatherette/ seat surface pin stripe flannel	/L	1	M755
	UR6	grey-ochre			
	UR8	grey-turquoise			
(1)	A 911 521 606 06	seat cushion leatherette/ seat surface pin stripe flannel	/R	1	M755
	UR6	grey-ochre			
	UR8	grey-turquoise			
1A	A 911 521 605 06	seat cushion leatherette/ centre part porsche lettering cloth	/L	1	
	PX1	black/black			
	PX3	brown/brown			
	NX9	light grey/light grey			

Model	Year	MG	SG	Illustration	Restrictions	UPD	17:16	23.01.2010	PORSCHE	PET	PORSCHE
924S	1988	8	08	808-15		248					

Pos	Part Number	Description	Remark	Qty	Model	Pos	Part Number	Description	Remark	Qty	Model
(1A)	A 911 521 606 06	seat cushion leatherette/ centre part porsche lettering cloth	/R	1			7NZ	brown			
	PX1	black/black					8BY	light grey			
	PX3	brown/brown				5	A 911 521 439 06	cover for cushion seat surface pin stripe flannel		2	M755
	NX9	light grey/light grey					UR6	grey-ochre			
							UR8	grey-turquoise			
1B	A 911 521 605 50	seat cushion leather	/L	1		5A	A 911 521 439 50	cover for cushion leather		2	
	KZ2	black					1AJ	black			
	KZ5	brown					4RB	brown			
	NZ9	light grey					1FW	light grey			
(1B)	A 911 521 606 50	seat cushion leather	/R	1		6	A 911 521 631 06	seat side bolster cover left seat leatherette/ seat surface porsche lettering cloth	/L	1	
	KZ2	black					PX2	black/black			
	KZ5	brown					PX4	brown/brown			
	NZ9	light grey					NZ3	light grey/light grey			
2	911 521 621 01	seat frame	/L	1							
(2)	911 521 622 01	seat frame	/R	1							
3	911 521 697 02	foam part seat cushion		2		(6)	A 911 521 632 06	seat side bolster cover left seat leatherette/ seat surface porsche lettering cloth	/R	1	
4	911 521 683 02	foam part seat side bolster left seat	/L	1			PX2	black/black			
(4)	911 521 654 02	foam part seat side bolster left seat	/R	1			PX4	brown/brown			
(4)	911 521 653 02	foam part seat side bolster right seat	/L	1			NZ3	light grey/light grey			
(4)	911 521 684 02	foam part seat side bolster right seat	/R	1		(6)	A 911 521 633 06	seat side bolster cover right seat leatherette/ seat surface porsche lettering cloth	/L	1	
							PX2	black/black			
5	A 911 521 439 06	cover for cushion seat surface porsche lettering cloth		2			PX4	brown/brown			
	2CZ	black					NZ3	light grey/light grey			

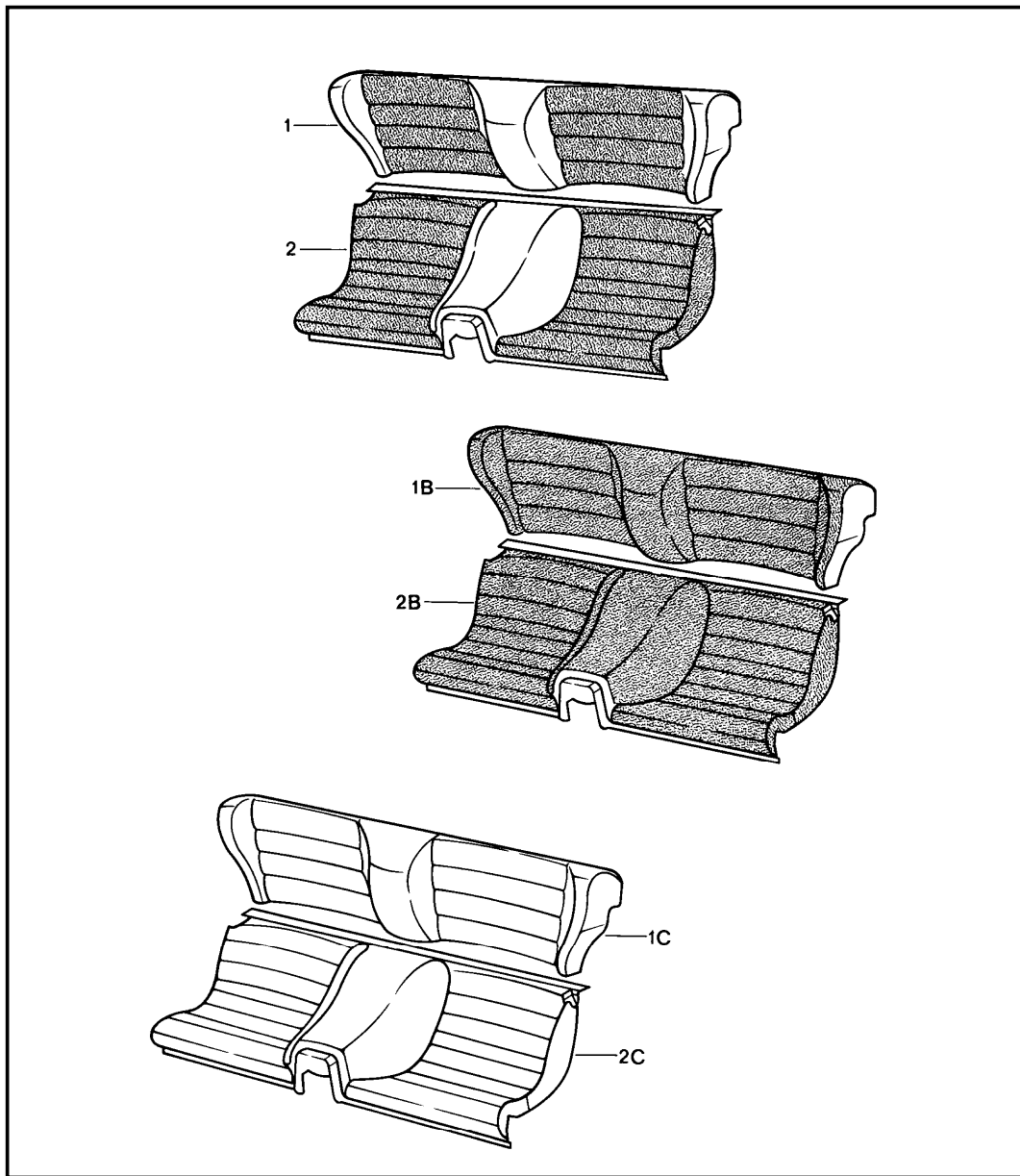
Model	Year	MG	SG	Illustration	Restrictions	UPD	17:16	23.01.2010	PORSCHE	PET	PORSCHE
924S	1988	8	08	808-15		248					

Pos	Part Number	Description	Remark	Qty	Model	Pos	Part Number	Description	Remark	Qty	Model
(6)	A 911 521 634 06	seat side bolster cover right seat leatherette/ seat surface porsche lettering cloth	/R	1			PX3	brown			
							NX9	light grey			
	PX2	black/black				(6A)	A 911 521 632 06	seat side bolster cover left seat leatherette	/R	1	
	PX4	brown/brown					PX1	black			
	NZ3	light grey/light grey					PX3	brown			
6	A 911 521 631 06	seat side bolster cover left seat leatherette/ seat surface pin stripe flannel	/L	1	M755		NX9	light grey			
	UR6	grey-ochre				(6A)	A 911 521 633 06	seat side bolster cover right seat leatherette	/L	1	
	UR8	grey-turquoise					PX1	black			
(6)	A 911 521 632 06	seat side bolster cover left seat leatherette/ seat surface pin stripe flannel	/R	1	M755		PX3	brown			
							NX9	light grey			
	UR6	grey-ochre				(6A)	A 911 521 634 06	seat side bolster cover right seat leatherette	/R	1	
	UR8	grey-turquoise					PX1	black			
(6)	A 911 521 633 06	seat side bolster cover right seat leatherette/ seat surface pin stripe flannel	/L	1	M755		PX3	brown			
							NX9	light grey			
	UR6	grey-ochre				6A	A 911 521 631 50	seat side bolster cover left seat leather	/L	1	
	UR8	grey-turquoise					KZ2	black			
(6)	A 911 521 634 06	seat side bolster cover right seat leatherette/ seat surface pin stripe flannel	/R	1	M755		KZ5	brown			
							NZ9	light grey			
	UR6	grey-ochre				(6A)	A 911 521 632 50	seat side bolster cover left seat leather	/R	1	
	UR8	grey-turquoise					KZ2	black			
6A	A 911 521 631 06	seat side bolster cover left seat leatherette	/L	1			KZ5	brown			
							NZ9	light grey			
	PX1	black				(6A)	A 911 521 633 50	seat side bolster cover right seat leather	/L	1	

Model	Year	MG	SG	Illustration	Restrictions	UPD	17:16	23.01.2010	PORSCHE	PET	PORSCHE
924S	1988	8	08	808-15		248					

Pos	Part Number	Description	Remark	Qty	Model	Pos	Part Number	Description	Remark	Qty	Model
		KZ2 black									
		KZ5 brown									
		NZ9 light grey									
(6A)	A 911 521 634 50	seat side bolster cover right seat leather	/R	1							
		KZ2 black									
		KZ5 brown									
		NZ9 light grey									

Model	Year	MG	SG	Illustration	Restrictions	UPD	17:16	23.01.2010	PORSCHE	PET	PORSCHE
924S	1988	8	08	808-20		248					



Pos	Part Number	Description	Remark	Qty	Model
1	944 522 045 00	backrest complete		1	
		backrest leatherette/centre part pin stripe velour			
	JN1	black/black-white			
	JN2	brown/brown-beige			
	RC7	light grey/light grey-white			
1	944 522 045 00	backrest leatherette/centre part pin stripe flannel		1	
	NX6	light grey/light grey			
	NX5	brown/brown			
	NX4	black/anthracite			
1	944 522 045 00	backrest leatherette/centre part porsche lettering cloth		1	
	PX1	black/black			
	PX3	brown/brown			
	NX9	light grey/light grey			
1B A	944 522 045 00	backrest leatherette/backrest surface porsche lettering cloth		1	
	PX2	black/black			
	PX4	brown/brown			
	NZ3	light grey/light grey			
1B	944 522 045 05	backrest leatherette/backrest surface porsche lettering cloth		1	
	PX2	black/black			

Model	Year	MG	SG	Illustration	Restrictions	UPD	17:16	23.01.2010	PORSCHE	PET	PORSCHE
924S	1988	8	08	808-20		248					

Pos	Part Number	Description	Remark	Qty	Model	Pos	Part Number	Description	Remark	Qty	Model				
1B	PX4	brown/brown				2	477 885 871 B	seat cushion		1					
	NZ3	light grey/light grey			leatherette/ centre part porsche lettering cloth										
	944 522 045 05	backrest leatherette/ backrest surface pin stripe flannel		1	M755			PX1	black/black						
	UR6	grey-ochre			PX3			brown/brown							
	UR8	grey-turquoise			NX9			light grey/light grey							
1C	A 944 522 045 00	backrest leatherette		1		2B	944 522 073 04	seat cushion seat surface porsche lettering cloth		1					
	JN3	black			PX2			black/black							
	JN4	brown			PX4			brown/brown							
	NZ7	light grey			NZ3			light grey/light grey							
1C	944 522 045 04	backrest leatherette		1		2B	944 522 073 04	seat cushion seat surface pin stripe flannel		1	M755				
	JN3	black			UR6			grey-ochre							
	JN4	brown			UR8			grey-turquoise							
	NZ7	light grey			2C			A 477 885 871 B	seat cushion leatherette				1		
2	477 885 871 B	seat cushion leatherette/ centre part pin stripe velour		1			JN3		black						
JN1	black/ black-white			JN4		brown									
2	477 885 871 B	JN2	brown/ brown-beige			2C	944 522 073 03	seat cushion leatherette		1					
		RC7	light grey light grey-white					JN3	black						
		JN2	brown/ brown-beige					JN4	brown						
		JN1	black/ black-white					NZ7	light grey						
		JN2	brown/ brown-beige					2C	944 522 073 03			seat cushion leatherette		1	
		RC7	light grey light grey-white									JN3	black		
2	477 885 871 B	seat cushion leatherette/ centre part pin stripe flannel		1		JN4	brown								
NX4	black/anthracite			NZ7	light grey										
NX5	brown/brown														
NX6	light grey/light grey														

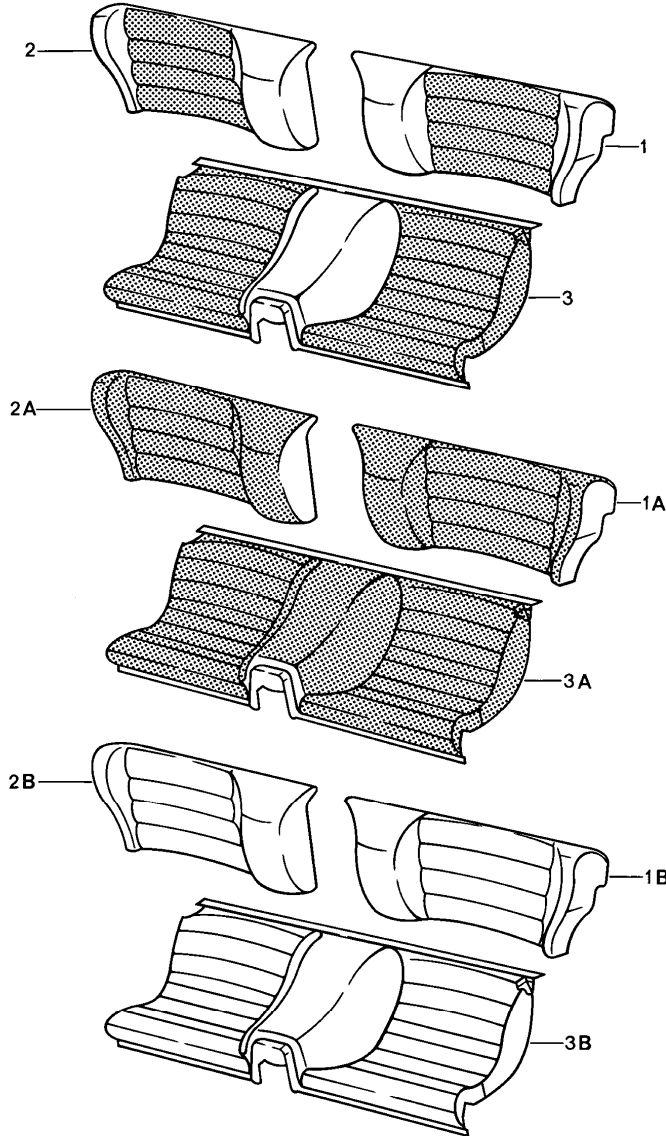
Model	Year	MG	SG	Illustration	Restrictions	UPD	17:17	23.01.2010	PORSCHE	PET	PORSCHE
924S	1988	8	08	808-25		248					

Pos	Part Number	Description	Remark	Qty	Model
		back seat single parts			
1	944 522 831 00	carpet for back seat backrest		1	
	1DR	black			
	9RR	brown			
	2FR	light grey			
2	944 522 317 00	push button		2	
	01C	satin black			
3	944 522 319 00	guide piece		2	
4	944 522 315 00	rosette		2	
	01C	satin black			
5	477 885 767	hexagon-head bolt		2	
6	900 025 007 02	washer A 8,4		2	
7	477 885 761	retaining bar		2	
8	N 014 096 3	tapping screw B 4,2 X 22		4	
9	999 219 012 07	countersunk-head screw M 6 X 22 F >>92GN4 00326		4	
10	944 522 029 00	locking lug F >>92GN4 00326	/L	1	
(10)	944 522 030 00	locking lug F >>92GN4 00326	/R	1	
11	944 522 031 00	support F >>92GN4 00326		2	
12	944 522 267 00	retaining pivot F 92GN4 00327>>		2	
13	N 011 111 2	nut BM 12 X 1,5 F 92GN4 00327>>		4	
14	944 522 053 00	lining F 92GN4 00327>>	/L	1	
	01C	satin black			

Model	Year	MG	SG	Illustration	Restrictions	UPD	17:17	23.01.2010	PORSCHE	PET	PORSCHE
924S	1988	8	08	808-25		248					

Pos	Part Number	Description	Remark	Qty	Model	Pos	Part Number	Description	Remark	Qty	Model
(14)	944 522 054 00	lining F 92GN4 00327>>	/R	1							
	01C	satin black									
15	N 011 675 2	washer B 15 X 45 X 3,0 F 92GN4 00327>>		2							
16	477 885 041 B	back seat extension leatherette	/L (J)	1							
	43S	black									
	2DX	light grey									
	4RB	brown									
(16)	477 885 042 B	back seat extension leatherette	/R (J)	1							
	43S	black									
	2DX	light grey									
	4RB	brown									
17	N 043 940 3	tapping screw 4,2 X 25	(J)	6							
18	900 151 028 02	washer 4,3	(J)	6							

Model	Year	MG	SG	Illustration	Restrictions	UPD	17:17	23.01.2010	PORSCHE	PET	PORSCHE
924S	1988	8	08	808-30		248					



Pos	Part Number	Description	Remark	Qty	Model
1	944 522 045 01	back seat divided backrest leatherette/ centre part pin stripe velour carpet	/L	1	M685
	JN1	black/ black-white black			
	JN2	brown/ brown-beige brown			
	RC7	light grey light grey-white light grey			
	UA2	black/ black-white light grey			
2	944 522 046 01	backrest leatherette/ centre part pin stripe velour carpet	/R	1	
	JN1	black/ black-white black			
	JN2	brown/ brown-beige brown			
	RC7	light grey light grey-white light grey			
	UA2	black/ black-white light grey			
1	944 522 045 01	backrest leatherette/ centre part pin stripe flannel carpet	/L	1	
	NX4	black/anthracite black			

Model	Year	MG	SG	Illustration	Restrictions	UPD	17:17	23.01.2010	PORSCHE	PET	PORSCHE
924S	1988	8	08	808-30		248					

Pos	Part Number	Description	Remark	Qty	Model	Pos	Part Number	Description	Remark	Qty	Model
	NX5	brown/brown brown					NX9	light grey/light grey light grey			
	NX6	light grey/light grey light grey					UA4	black/black light grey			
	UA3	black/anthracite light grey				1A	944 522 045 02	backrest leatherette/ backrest surface porsche lettering cloth carpet	/L	1	
2	944 522 046 01	backrest leatherette/ centre part pin stripe flannel carpet	/R	1			PX2	black/black black			
	NX4	black/anthracite black					PX4	brown/brown brown			
	NX5	brown/brown brown					NZ3	light grey/light grey light grey			
	NX6	light grey/light grey light grey					UA7	black/black light grey			
	UA3	black/anthracite light grey				2A	944 522 046 02	backrest leatherette/ backrest surface porsche lettering cloth carpet	/R	1	
1	944 522 045 01	backrest leatherette/ centre part porsche lettering cloth carpet	/L	1			PX2	black/black black			
	PX1	black/black black					PX4	brown/brown brown			
	PX3	brown/brown brown					NZ3	light grey/light grey light grey			
	NX9	light grey/light grey light grey					UA7	black/black light grey			
	UA4	black/black light grey				1B	944 522 045 03	backrest leatherette/ carpet	/L	1	
2	944 522 046 01	backrest leatherette/ centre part porsche lettering cloth carpet	/R	1			JN3	black/black			
	PX1	black/black black					JN4	brown/brown			
	PX3	brown/brown brown					NZ7	light grey/light grey			
							UA8	black/light grey			
						2B	944 522 046 03	backrest leatherette/ carpet	/R	1	

Model	Year	MG	SG	Illustration	Restrictions	UPD	17:17	23.01.2010	PORSCHE	PET	PORSCHE
924S	1988	8	08	808-30		248					

Pos	Part Number	Description	Remark	Qty	Model	Pos	Part Number	Description	Remark	Qty	Model
		JN3 black/black					JN3	black			
		JN4 brown/brown					JN4	brown			
		NZ7 light grey/light grey					NZ7	light grey			
		UA8 black/light grey									
3	944 522 073 00	seat cushion leatherette/ centre part pin stripe velour		1							
		JN1 black/ black-white									
		JN2 brown/ brown-beige									
		RC7 light grey light grey-white									
3	944 522 073 00	seat cushion leatherette/ centre part pin stripe flannel		1							
		NX4 black/anthracite									
		NX5 brown/brown									
		NX6 light grey/light grey									
3	944 522 073 00	seat cushion leatherette/ centre part porsche lettering cloth		1							
		PX1 black/black									
		PX3 brown/brown									
		NX9 light grey/light grey									
3A	944 522 073 01	seat cushion leatherette/ seat surface porsche lettering cloth		2							
		PX2 black/black									
		PX4 brown/brown									
		NZ3 light grey/light grey									
3B	944 522 073 02	seat cushion leatherette		2							

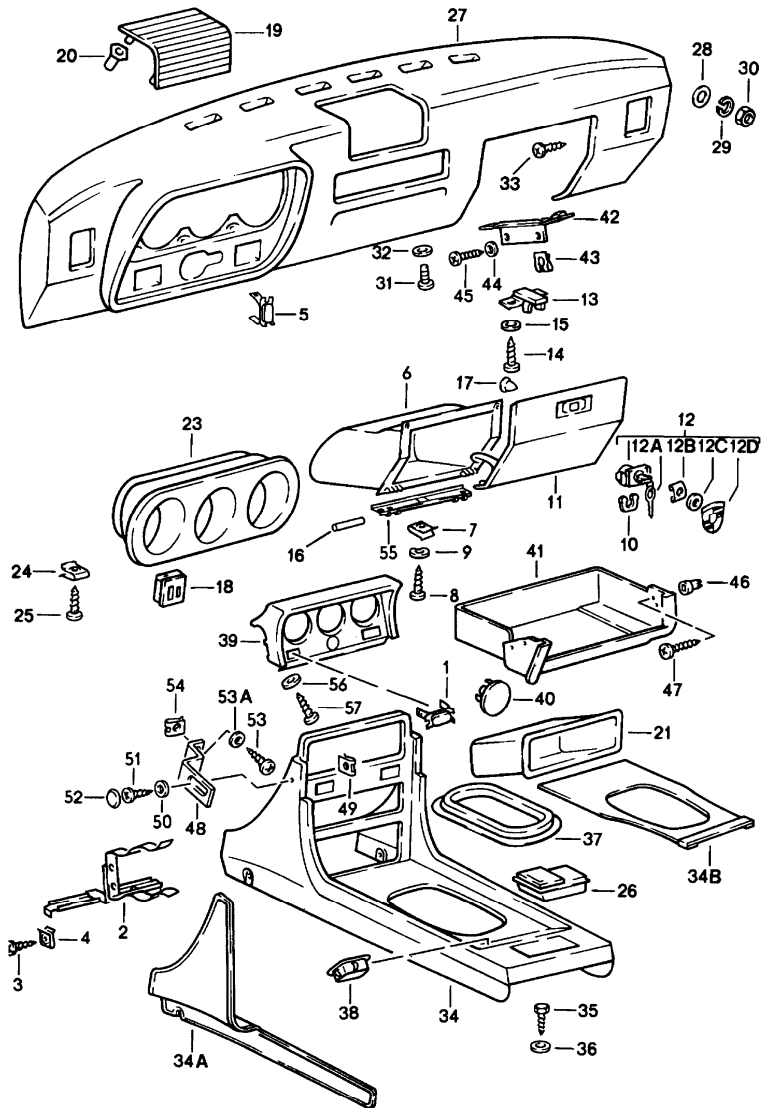
Model	Year	MG	SG	Illustration	Restrictions	UPD	17:17	23.01.2010	PORSCHE	PET	PORSCHE
924S	1988	8	08	808-35		248					

Pos	Part Number	Description	Remark	Qty	Model
		back seat single parts			M685
1	944 522 317 00	push button		2	
	01C	satin black			
2	944 522 319 00	guide piece		2	
3	944 522 315 00	rosette		2	
	01C	satin black			
(4)	944 522 831 01	cover	/L	1	
	1DR	black			
	9RR	brown			
	2FR	light grey			
(4)	944 522 832 01	cover	/R	1	
	1DR	black			
	9RR	brown			
	2FR	light grey			
5	477 885 761	retaining bar		2	
6	N 014 096 3	tapping screw B 4,2 X 22		4	
7	477 885 041 B	back seat extension leatherette	/L (J)	1	
	43S	black			
	4RB	brown			
	2DX	light grey			
(7)	477 885 042 B	back seat extension leatherette	/R (J)	1	
	43S	black			
	4RB	brown			
	2DX	light grey			
8	N 043 940 3	tapping screw 4,2 X 25		6	
9	900 151 028 02	washer 4,3		6	

Model	Year	MG	SG	Illustration	Restrictions	UPD	17:17	23.01.2010	PORSCHE	PET	PORSCHE
924S	1988	8	08	808-35		248					

Pos	Part Number	Description	Remark	Qty	Model	Pos	Part Number	Description	Remark	Qty	Model
10	944 522 267 00	retaining pivot		2							
11	N 011 111 2	nut BM 12 X 1,5		4							
12	944 522 053 00	lining	/L	1							
	01C	satin black									
(12)	944 522 054 00	lining	/R	1							
	01C	satin black									
13	N 011 675 2	washer B 15		2							

Model	Year	MG	SG	Illustration	Restrictions	UPD	17:17	23.01.2010	PORSCHE	PET	PORSCHE
924S	1988	8	09	809-00		248					



Pos	Part Number	Description	Remark	Qty	Model
1	133 957 087	dashboard centre console cover		1	
2	477 857 067 A	support centre console		1	
3	N 013 957 5	tapping screw BZ 3,5 X 9,5		2	
4	N 015 422 2	speed nut B 4,2 X 17		2	
5	133 957 087	cover	(I)	1	
6	477 857 095 C	glove compartment		1	
7	N 015 422 2	speed nut B 4,2 X 17		2	
8	N 013 964 4	tapping screw B 4,2 X 16		5	
9	N 011 692 3	washer		5	
10	133 857 119	clamp		1	
		01C black			
11	477 857 123	glove compartment cover	/LL	1	
		1DB black			
(11)	478 857 123	glove compartment cover	/RL	1	
		1DB black			
11	477 857 123 A	glove compartment cover	/LL	1	
		4RB brown			
(11)	478 857 123 A	glove compartment cover	/RL	1	
		4RB brown			
12	477 857 133 C	lock with 2 secondary keys		1	
		01C black			
		90V brown			
12A	477 857 135 A	blank key		2	
12A	477 857 136 A	key with stipulated lock number		1	

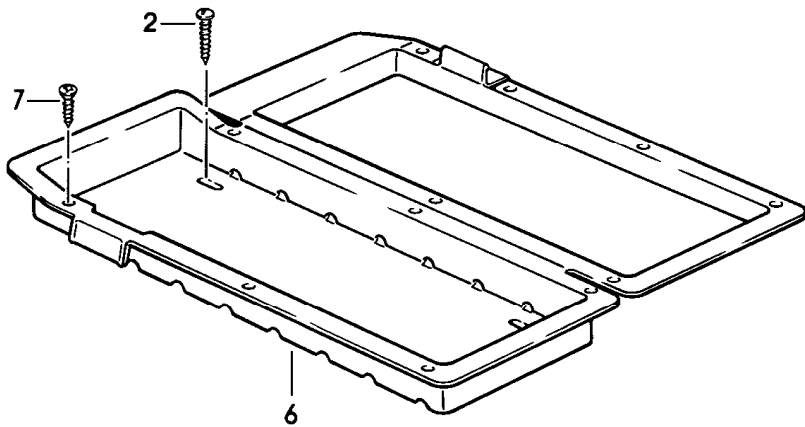
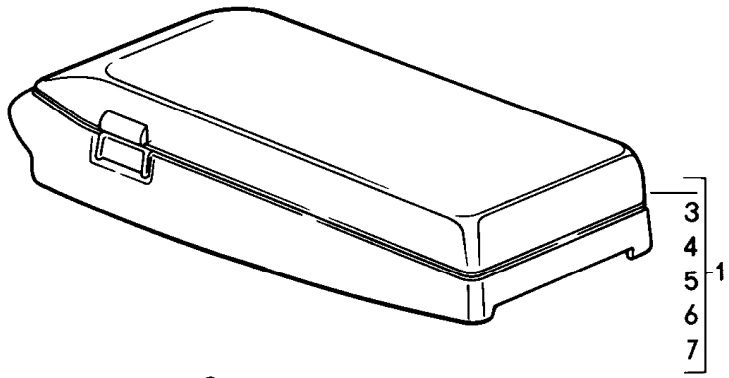
Model	Year	MG	SG	Illustration	Restrictions	UPD	17:17	23.01.2010	PORSCHE	PET	PORSCHE
924S	1988	8	09	809-00		248					

Pos	Part Number	Description	Remark	Qty	Model	Pos	Part Number	Description	Remark	Qty	Model
12B	N 012 852 1	clamping washer		1		24	999 591 722 02	speed nut B 4,8 X 19,8		2	
12C	N 011 536 1	washer A 2,2		1		25	900 143 046 02	tapping screw B 4,8 X 16		2	
12D	944 559 097 00	crest		1		26	944 552 305 00	ashtray		1	
13	477 857 143	lock bearing		1			1DB	black			
	01C	black					4RB	brown			
14	900 143 070 02	oval-head sheetmetal screw B 4,2 X 13		2		27	477 857 881 A	dashboard	/LL	1	
15	900 025 002 02	washer A 4,3		2			1DB	black			
16	N 013 209 2	straight pin 4 H 8 X 36		2		(27)	478 857 881 A	dashboard	/RL	1	
							1DB	black			
17	N 020 022 3	stopper A 8 X 1		1		27	477 857 881 C	dashboard	/LL	1	
18	477 857 137 A	cover light switch	/L	1			4RB	brown			
	1DB	black				(27)	478 857 881 C	dashboard	/RL	1	
	4RB	brown					4RB	brown			
(18)	477 857 138 A	cover switch rear window heating	/R	1		28	N 011 612 3	washer R 7		2	
	1DB	black				29	N 012 036 1	lock ring 6		2	
	4RB	brown				30	900 076 010 02	hexagon nut M 6		2	
19	477 857 187	loudspeaker grille		1		31	N 014 140 5	oval-head screw AM 6 X 15		1	
	1DB	black				32	N 011 524 7	washer A 6,4		1	
	4RB	brown				33	900 143 007 02	tapping screw B 4,2 X 19		4	
20	477 857 821	grommet loudspeaker grille		4		34	477 857 931 A	centre console		1	
21	481 857 233 A	package box		1			1DB	black			
23	477 857 283 A	dashboard trim		1			4RB	brown			
	01C	black		-87		34A	477 863 741	lining	/L	1	
	FP7	black		88-			1DR	black			
	FP8	brown		88			2FR	light grey			

Model	Year	MG	SG	Illustration	Restrictions	UPD	17:17	23.01.2010	PORSCHE	PET	PORSCHE
924S	1988	8	09	809-00		248					

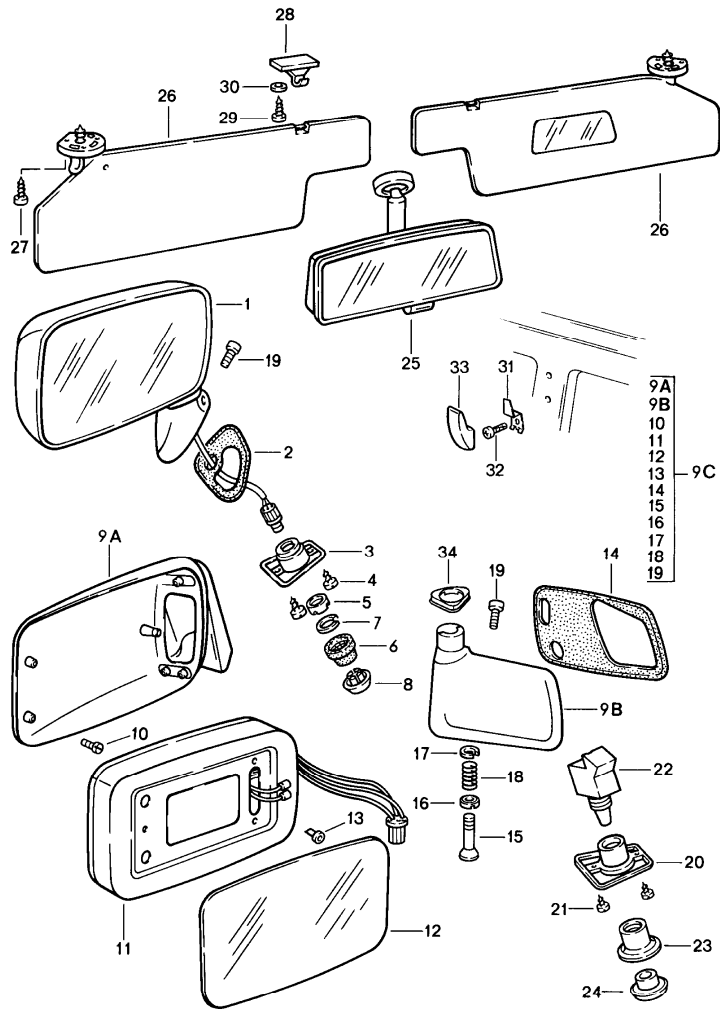
Pos	Part Number	Description	Remark	Qty	Model	Pos	Part Number	Description	Remark	Qty	Model
	9RR	brown				45	N 013 964 4	tapping screw B 4,2 X 16	/LL	2	
(34A)	477 863 742	lining	/R	1		46	477 857 173	clip	/LL	1	
	1DR	black				47	N 013 971 3	tapping screw B 4,8 X 22	/LL	1	
	2FR	light grey				48	477 857 941	bracket		2	
	9RR	brown				49	N 015 422 2	speed nut		2	
34B	477 863 749	carpet		1		50	900 151 028 02	washer		2	
	1DR	black				51	311 867 167	tapping screw		2	
	2FR	light grey				52	311 867 169	cap		2	
	9RR	brown					01C	black			
35	N 013 891 1	tapping screw M 8 X 15		2			90V	brown			
36	N 011 533 2	washer B 8,4		2		53	900 143 007 02	tapping screw B 4,2 X 13		2	
37	477 857 975	support frame		1		53A	900 904 013 02	washer A 4,55		2	
	01C	black				54	999 591 850 02	speed nut		2	
	89S	brown				54	999 591 850 01	speed nut		2	
38	911 552 469 00	trim cover		X		55	944 552 195 00	hinge		1	
39	477 857 977 B	instrument insert		1		-	N 013 981 3	tapping screw B 3,9 X 13		1	
	1DB	black				56	N 011 535 5	washer A 3,2		2	
	4RB	brown				57	N 013 953 9	tapping screw B 2,9 X 9,5		2	
40	841 863 267	cover		X							
	041	black									
41	477 857 836	shelf	/LL	1							
	01C	black									
	89S	brown									
42	477 857 195 B	support	/LL	1							
43	N 015 422 2	speed nut B 4,2 X 17	/LL	2							
44	900 025 002 02	washer A 4,3	/LL	2							

Model	Year	MG	SG	Illustration	Restrictions	UPD	17:17	23.01.2010	PORSCHE	PET	PORSCHE
924S	1988	8	09	809-01		248					



Pos	Part Number	Description	Remark	Qty	Model
1	477 857 059	cassette box	/LL	1	
	05T	black			
	4RB	brown			
(1)	478 857 059	cassette box	/RL	1	
	05T	black			
	4RB	brown			
2	999 450 001 07	round head screw B4,2 X 25		4	
3	928 555 731 02	cassette rack		6	
	01C	satin black			
4	928 555 741 02	partition panel		1	
5	928 555 735 03	cover		1	
6	928 555 729 03	container insert	/LL	1	
	01C	satin black			
(6)	927 555 729 03	container insert	/RL	1	
	01C	satin black			
7	900 143 065 07	tapping screw B2,9 X 9,5		14	

Model	Year	MG	SG	Illustration	Restrictions	UPD	17:18	23.01.2010	PORSCHE	PET	PORSCHE
924S	1988	8	09	809-05		248					



Pos	Part Number	Description	Remark	Qty	Model
1	477 857 521 E	rear-view mirror sun visor			
		door mirror plane	/LL/L	1	
(1) A	478 857 522 F	door mirror	/RL/R	86	1
(1)	478 857 522 F	door mirror plane	/RL/R		1
(1)	477 857 522 B	door mirror convex	/LL/R		1
(1)	477 857 522 C	door mirror plane	/LL/R		1
-	477 857 611 B	mirror glass plane			1
-	477 857 611 C	mirror glass convex	(S)		1
2	477 857 579	desk pad	/L		1
(2)	478 857 579	desk pad	/R		1
3	477 867 523	mounting piece			1
		01C	black		
4	N 014 090 5	tapping screw 3,9 X 13			2
5	477 857 615	threaded bush			1
		01C	black		
6	477 857 619	bellows			1
7	477 857 641	retainer			1
8	477 857 617	knob			1
		01C	black		
		electrically adjustable heated door mirror			
9A A	911 731 043 03	mirror housing	/L	86	1
9A	911 731 043 03	mirror housing	/L		1
(9A) A	911 731 044 03	mirror housing	/R	86	1
(9A)	911 731 044 03	mirror housing	/R		1

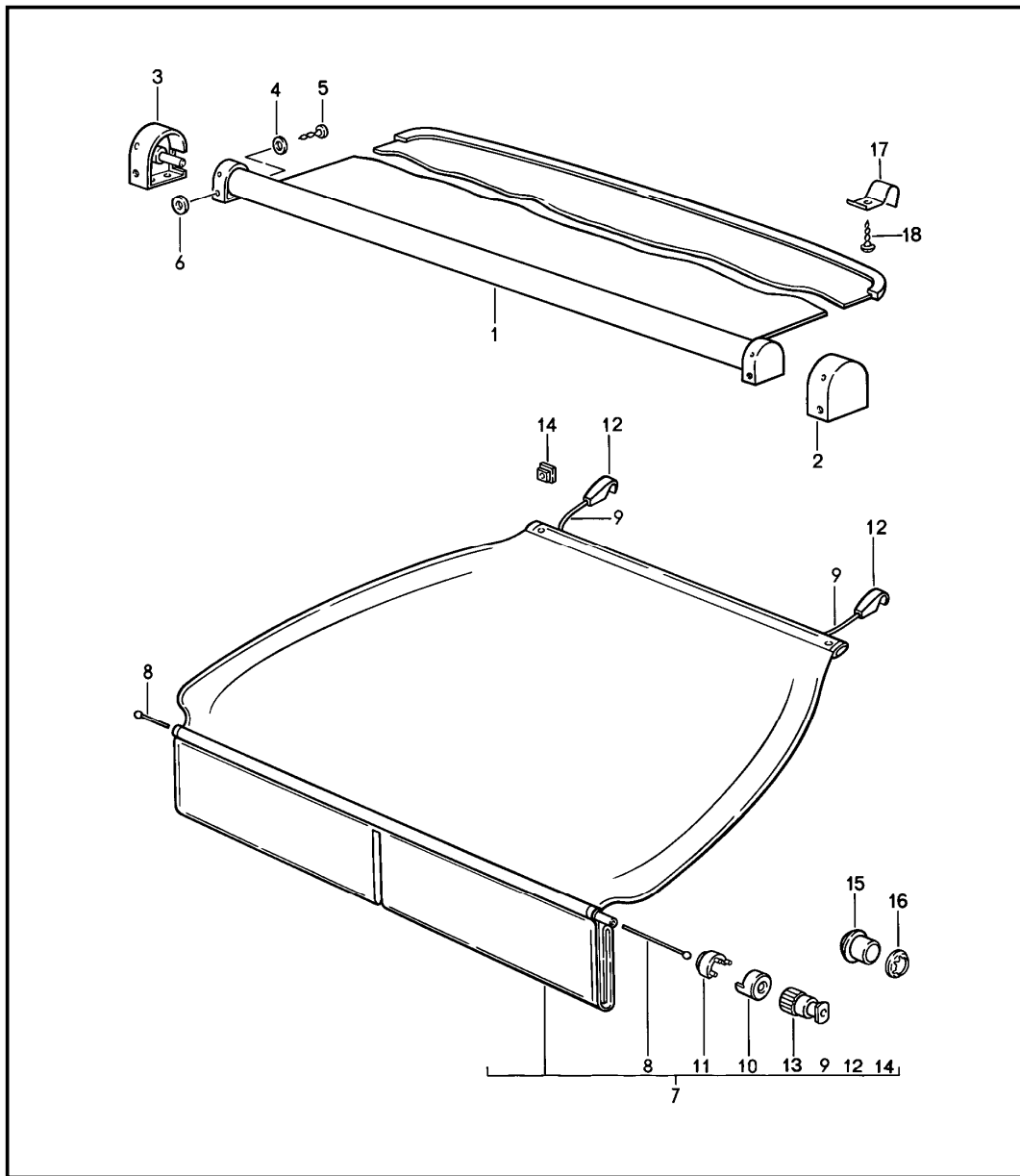
Model	Year	MG	SG	Illustration	Restrictions	UPD	17:18	23.01.2010	PORSCHE	PET	PORSCHE
924S	1988	8	09	809-05		248					

Pos	Part Number	Description	Remark	Qty	Model	Pos	Part Number	Description	Remark	Qty	Model
9B	944 731 141 00	mirror base use also: POS.14	/LL/L	1		12	911 731 035 11	mirror glass convex	(S) 87-	1	
(9B)	944 731 142 00	mirror base use also: POS.(14)	/LL/R	1		13	999 703 128 40	grommet		3	
(9B)	945 731 142 00	mirror base use also: POS.(14)	/RL/R	1		14	944 731 505 01	desk pad	/L	1	
(9B)	945 731 141 00	mirror base use also: POS.14	/RL/L	1		(14)	945 731 506 01	desk pad	/R	1	
9C	477 898 027	door mirror plane	/LL/L	1		15	911 731 257 02	guide tube		1	
(9C)	477 898 028	door mirror plane	/LL/R	1		16	911 731 345 02	centring washer lower		1	
(9C)	477 898 029	door mirror convex	/LL/L	1		17	911 731 347 00	centring washer upper		1	
(9C)	477 898 030	door mirror convex	/LL/R	1		18	911 731 029 01	compression spring M 5 X 40		1	
(9C)	478 898 027	door mirror plane	/RL/L	1		19	999 067 026 07	pan-head screw M 5 X 40 X 25		1	
(9C)	478 898 028	door mirror plane	/RL/R	1		20	477 867 181	mounting piece		1	
(9C)	478 898 029	door mirror convex	/RL/L	1		21	N 014 090 5	tapping screw 3,9 X 13		2	
10	999 143 003 02	hexagon-head bolt M 5 X 10		3		22	911 613 115 00	switch		1	
11	911 731 027 06	covering frame	/L	1		23	928 555 463 02	threaded bush		1	
(11)	911 731 028 06	covering frame with transmission	/R	1		24	928 613 462 00	knob		1	
12	911 731 035 08	mirror glass plane		1				electrical components for door mirror		1	
12 A	911 731 035 09	mirror glass		86		-	477 971 111	wiring harness door mirror driver's door		1	
12	911 731 035 09	mirror glass convex		1		-	477 971 115 A	wiring harness door mirror dashboard	/LL	1	
12	911 731 035 10	mirror glass plane	(S) 87-	1		-	478 971 115 A	wiring harness door mirror dashboard	/RL	1	
						-	477 971 910	bellows see group 8/04/00		1	
								electrical components for door mirror		2	

Model	Year	MG	SG	Illustration	Restrictions	UPD	17:18	23.01.2010	PORSCHE	PET	PORSCHE
924S	1988	8	09	809-05		248					

Pos	Part Number	Description	Remark	Qty	Model	Pos	Part Number	Description	Remark	Qty	Model
-	477 971 115	wiring harness door mirror dashboard	/LL	1			05T	black			
							4RB	brown			
-	478 971 115	wiring harness door mirror dashboard	/RL	1		27	N 014 096 3	tapping screw B 4,2 X 22		6	
-	477 971 113	wiring harness door mirror passenger's door		1		(28)	944 731 439 00	support sun visor		2	
-	477 955 703	rocker switch passenger's side	/LL	1		29	900 143 047 07	tapping screw B 4,2 X 19		4	
-	478 955 703	mirror changeover switch passenger's side	/RL	1		30	900 151 028 02	washer B 4,3		4	
-	803 971 979	plug socket 7-pole		X		31	901 552 872 20	coat hook		2	
-	477 971 910	bellows see group 8/04/00		2		32	900 250 007 02	tapping screw AM 5 X 12		2	
- *	477 898 025	installation set	/LL/L	1		33	901 552 871 40	cover		2	
- *	477 898 026	installation set electric adjustable and heatable door mirror plane	/LL/R	1		34	944 731 143 00	seal		1	
25	477 857 511 A	interior mirror		1							
	01C	black									
(26)	944 731 031 01	sun visor	/L	1							
	05T	black									
	4RB	brown									
(26)	944 731 031 02	sun visor	/L (AUS) (S)	1							
	05T	black									
	4RB	brown									
(26)	944 731 032 01	sun visor	/R	1							
	05T	black									
	4RB	brown									
(26)	944 731 032 02	sun visor	/R (AUS) (S)	1							

Model	Year	MG	SG	Illustration	Restrictions	UPD	17:18	23.01.2010	PORSCHE	PET	PORSCHE
924S	1988	8	09	809-10		248					

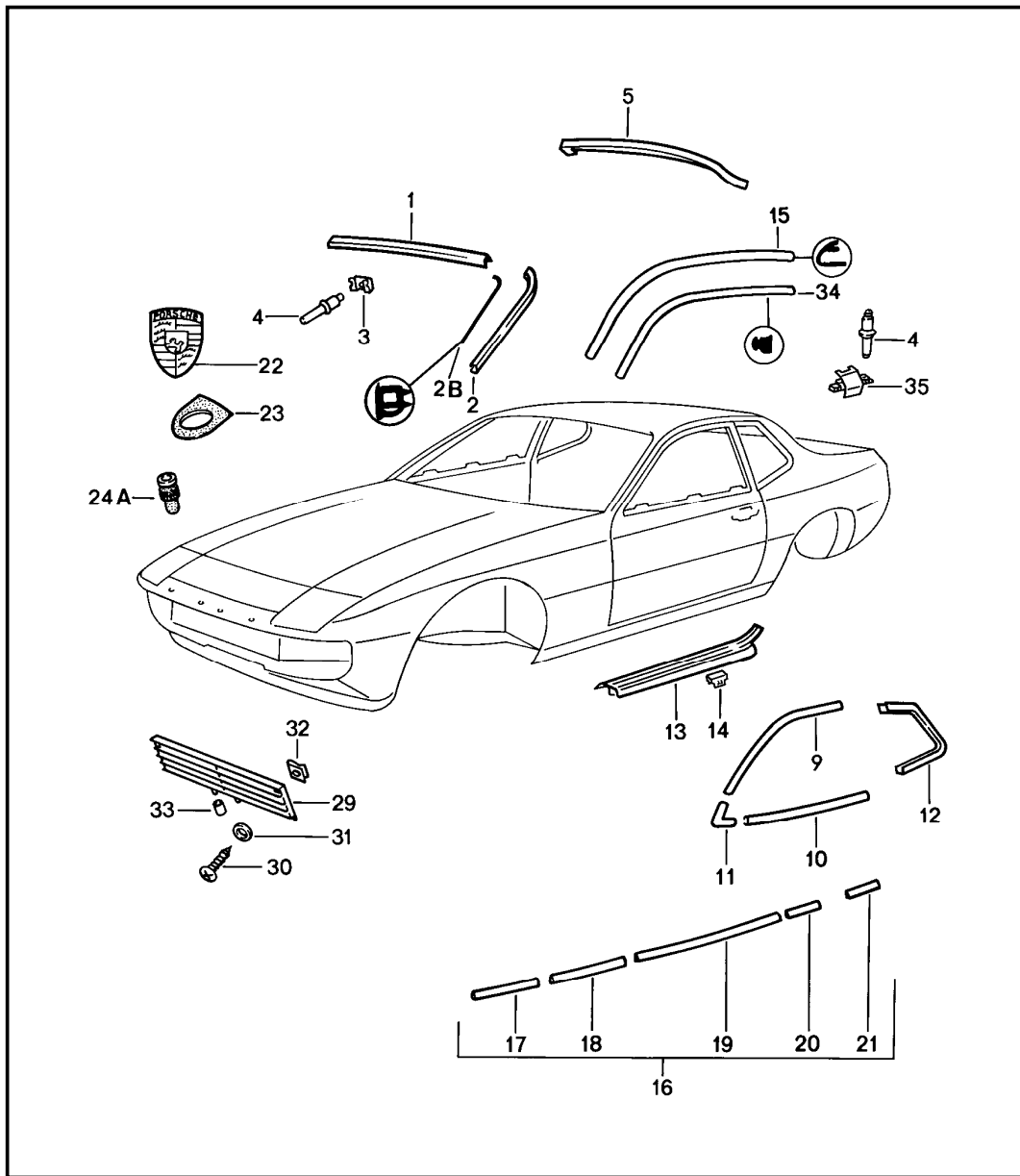


Pos	Part Number	Description	Remark	Qty	Model
1	477 863 511 A	luggage compartment cover		1	
	05T	black			
	89S	brown			
2	477 863 517 A	housing cover luggage compartment cover 17,5 MM	/L	1	
	05T	black			
	89S	brown			
3	477 863 518 A	housing cover luggage compartment cover 17,5 MM	/R	1	
	05T	black			
	89S	brown			
(2)	477 863 517 B	housing cover luggage compartment cover 16 MM	/L	1	
	05T	black			
(3)	477 863 518 B	housing cover luggage compartment cover with square wrench 16 MM	/R	1	
	05T	black			
4	900 025 003 02	washer A 5,3		2	
5	N 013 971 3	tapping screw 4,8 X 22		2	
6	999 704 139 40	spacer		2	
7 A	944 555 027 00	luggage compartment cover	87-	1	M685
	70G	black			
	40B	brown			
7	944 555 027 02	luggage compartment cover	87-	1	M685
	70G	black			
	40B	brown			

Model	Year	MG	SG	Illustration	Restrictions	UPD	17:18	23.01.2010	PORSCHE	PET	PORSCHE
924S	1988	8	09	809-10		248					

Pos	Part Number	Description	Remark	Qty	Model	Pos	Part Number	Description	Remark	Qty	Model
-	999 701 639 40	round rubber cord 1265 MM 875 MM	87-	*							
				1							
				2							
10	928 555 795 02	end piece of pipe	87-	2							
11	928 555 785 02	clamp for fabric	87-	2							
12	944 555 775 00	hook	87-	2							
13	928 555 775 02	belt end piece	87-	2							
14	928 555 791 02	rosette	87-	2							
15	928 555 777 02	end piece of rope	87-	2							
16	999 591 484 02	clamping washer	87-	2							
17	477 863 521 B	hook		2							
18	N 013 932 4	tapping screw		2							

Model	Year	MG	SG	Illustration	Restrictions	UPD	17:18	23.01.2010	PORSCHE	PET	PORSCHE
924S	1988	8	10	810-00		248					

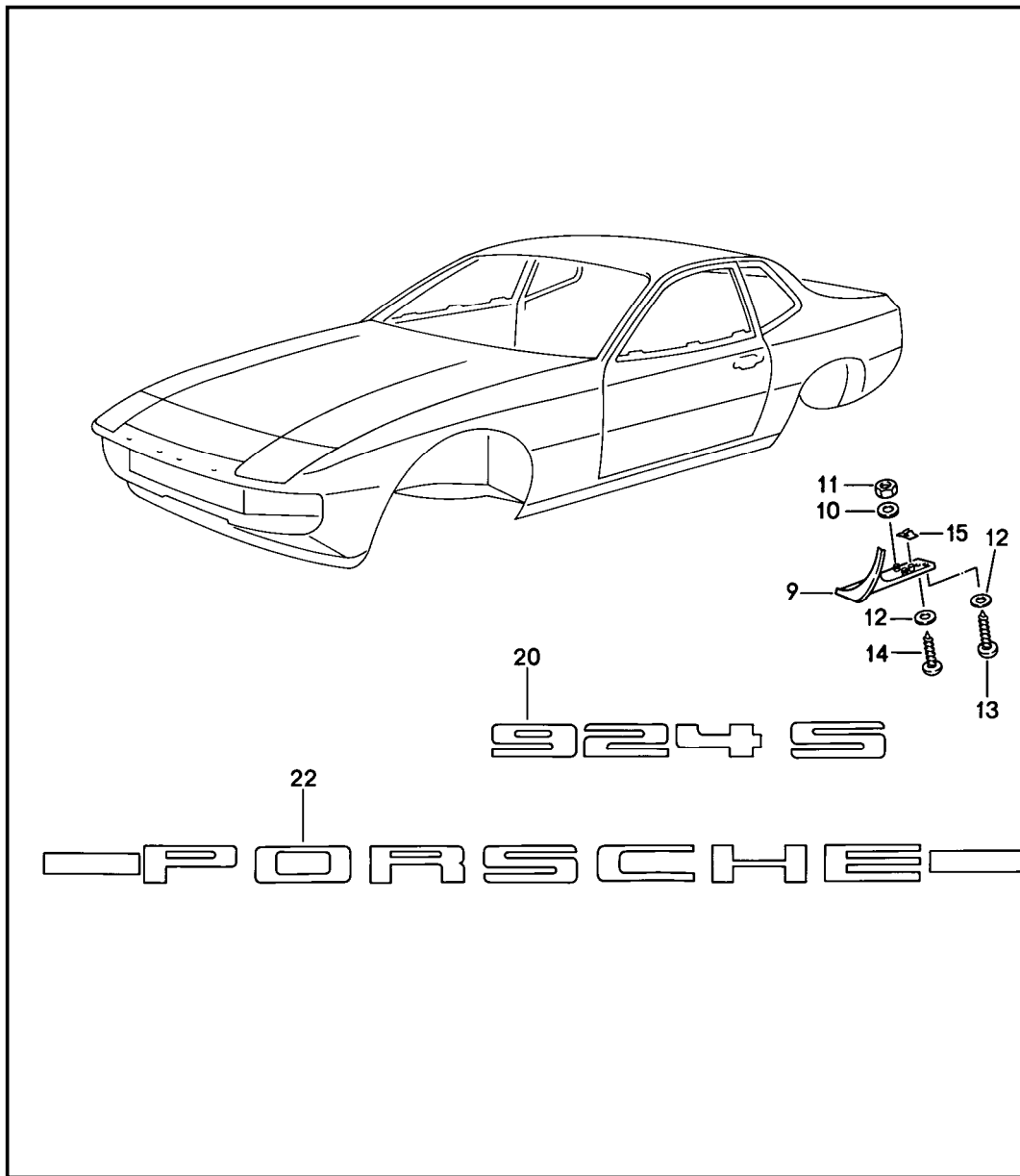


Pos	Part Number	Description	Remark	Qty	Model
		moulding			
1	944 559 043 00	moulding		1	
2	944 559 045 00	moulding	/L	1	
(2)	944 559 046 00	moulding	/R	1	
2B	944 559 027 00	gasket	/L	1	
(2B)	944 559 028 00	gasket	/R	1	
3	477 853 659 B	clamp		16	
4	431 805 121 A	bolt		X	
(5)	477 853 313 A	trim frame	/H	1	
9	477 853 373 B	moulding	/L	1	
(9)	477 853 374 B	moulding	/R	1	
10	477 853 371 B	moulding	/L	1	
(10)	477 853 372 B	moulding	/R	1	
11	477 853 375 A	moulding		2	
12	477 853 365 A	trim frame	/L	1	
(12)	477 853 366 A	trim frame	/R	1	
13	477 853 657 A	scuff plate	/L	1	
(13)	477 853 658 A	scuff plate	/R	1	
14	477 853 655	clamp		10	
15	944 559 705 00	roof edge strip	/L	1	
(15)	944 559 706 00	roof edge strip	/R	1	
16	* 477 853 995	set of moldings		1	
17	* 477 853 981	side guard	/V/L	1	
(17)	* 477 853 982	side guard 285 MM	/V/R	1	
18	* 477 853 983	side guard	/V/L	1	
(18)	* 477 853 984	side guard 395 MM	/V/R	1	
19	* 477 853 985	side guard	/L	1	

Model	Year	MG	SG	Illustration	Restrictions	UPD	17:18	23.01.2010	PORSCHE	PET	PORSCHE
924S	1988	8	10	810-00		248					

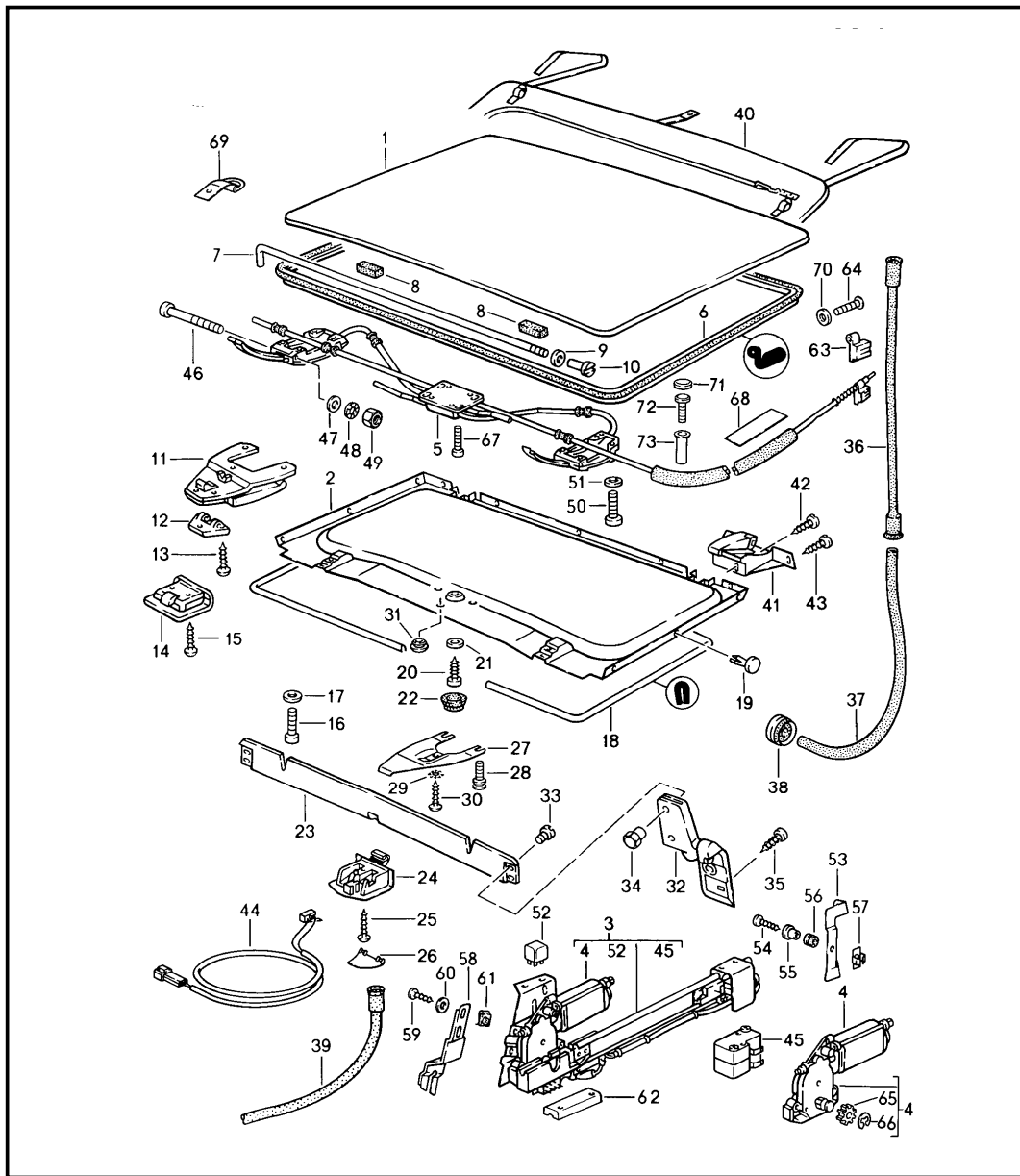
Pos	Part Number	Description	Remark	Qty	Model	Pos	Part Number	Description	Remark	Qty	Model
(19)	* 477 853 986	side guard door 1123 MM	/R	1							
20	* 477 853 987	side guard	/H/L	1							
(20)	* 477 853 988	side guard 285 MM	/H/R	1							
21	* 477 853 989	side guard	/H/L	1							
(21)	* 477 853 990	side guard 440 MM	/H/R	1							
22	A 901 559 210 20	lid emblem		1							
22	993 559 211 00	lid emblem		1							
23	901 559 215 20	desk pad		1							
24A	999 702 175 50	grommet		2							
(29)	944 559 135 00	radiator grille		1							
30	900 143 064 07	tapping screw B 3,5 X 25		2							
31	900 151 028 02	washer 4,3		2							
32	N 015 438 1	speed nut B 3,5 X 16,5		2							
33	477 853 661	grommet		2							
34	944 559 707 00	sealing rubber		2							
35	999 591 732 02	clamp		12							

Model	Year	MG	SG	Illustration	Restrictions	UPD	17:18	23.01.2010	PORSCHE	PET	PORSCHE
924S	1988	8	10	810-05		248					



Pos	Part Number	Description	Remark	Qty	Model
		cover insignias			
9	477 853 383	wheel cover	/L	1	
(9)	477 853 384	wheel cover	/R	1	
10	N 011 692 3	washer 5,1		8	
(10)	211 853 611	sealing washer		6	
11	N 021 196 1	lock nut M 5		8	
12	900 025 002 02	washer		4	
13	N 013 964 4	tapping screw B 4,2 X 16		2	
14	900 143 031 02	oval-head sheetmetal screw B 4,2 X 9,5		2	
15	N 012 068 1	clamping washer		2	
20	477 853 625 D	logo black adhesive film	/H	1	
(20)	477 853 625 E	logo silver adhesive film	/H	1	
22	477 853 635 B	logo black adhesive film	/H	1	
22	477 853 635 C	logo black silver	/H	1	

Model	Year	MG	SG	Illustration	Restrictions	UPD	17:18	23.01.2010	PORSCHE	PET	PORSCHE
924S	1988	8	11	811-05		248					



Pos	Part Number	Description	Remark	Qty	Model
		lifting roof			M650
1	944 564 021 01	roof		1	
2	944 564 047 01	lining		1	
	05T	black			
	4RB	brown			
3	944 624 055 00	electric drive		1	
	F	>>92GN4 02704			
4	944 624 011 00	electric motor		1	
	F	>>92GN4 02704			
5	944 564 941 00	assembly kit		1	
		see tpi			
		group			
		8			
		NR. 43			
		F	>>92GN4 02704		
6	944 564 114 01	gasket		1	
	F	>>92GN4 02840			
6	944 564 114 04	gasket		1	
	F	92GN4 02841>>			
7	477 871 761	tensioning device		2	
8	477 871 789	sealing strip		2	
9	N 012 226 5	spring washer		2	
	B 6				
10	477 871 763 A	threaded sleeve		2	
11	477 871 217	roof catch	/V	2	
12	477 871 219	bearing bracket		2	
	01C	black			
13	N 033 174 1	countersunk-head screw		6	
	M 3 X 6				
14	477 871 665 A	centring wedge	/V	2	
15	N 013 964 4	tapping screw		4	
	B 4,2 X 16				
16	900 270 064 07	countersunk-head screw		2	
	M 5 X 16				
17	999 704 606 17	cone washer		6	

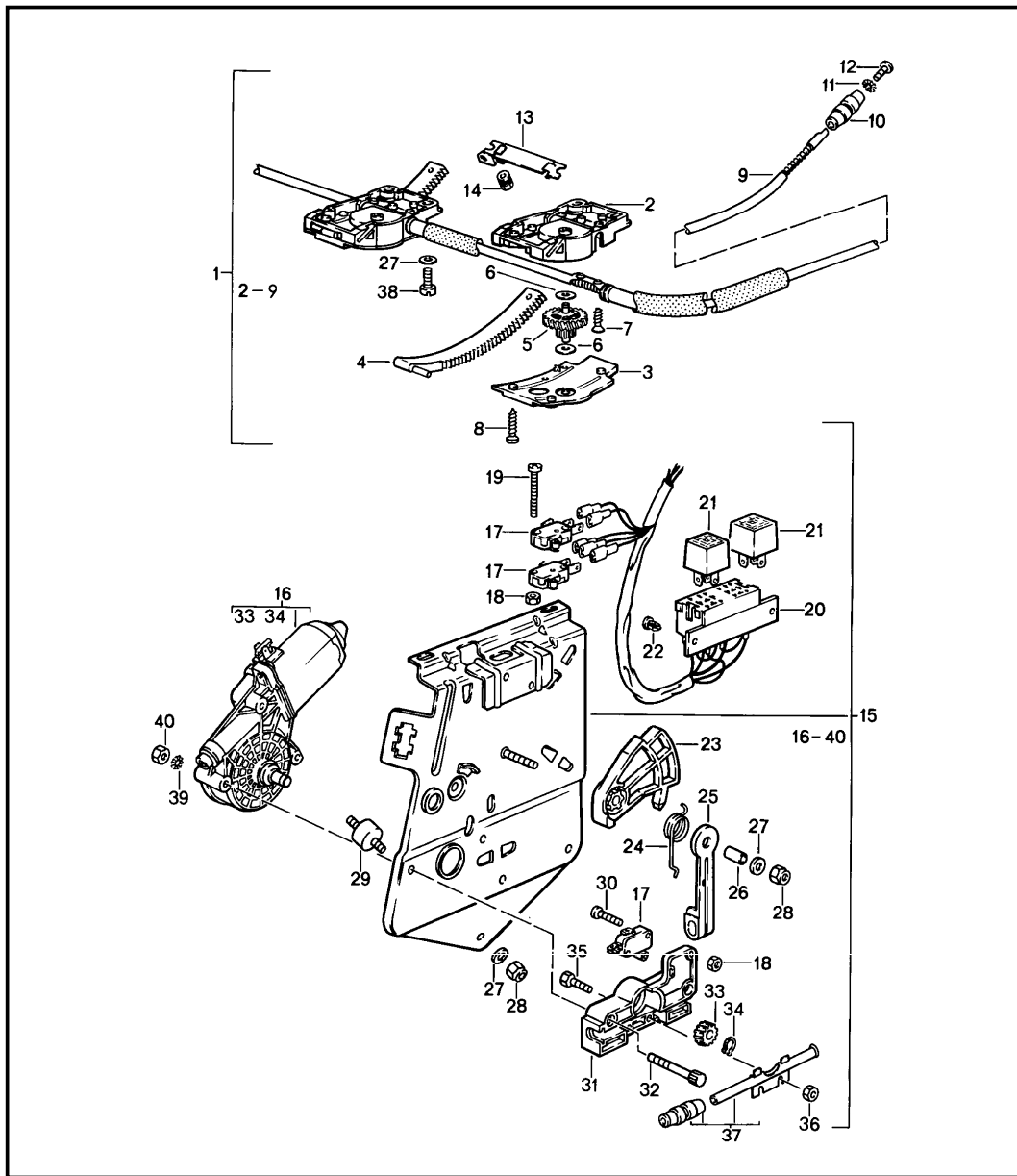
Model	Year	MG	SG	Illustration	Restrictions	UPD	17:18	23.01.2010	PORSCHE	PET	PORSCHE
924S	1988	8	11	811-05		248					

Pos	Part Number	Description	Remark	Qty	Model	Pos	Part Number	Description	Remark	Qty	Model
18	944 564 621 00	edge protection F >>92GN4 02840		1		37	944 564 237 00	water drain tube	/L/H	1	
(18)	944 564 623 00	edge protection F 92GN4 02841>>		1		(37)	944 564 238 00	water drain tube	/R/H	1	
19	477 871 053	clip		11		38	021 119 569	rubber sleeve		X	
20	311 867 167	tapping screw		1		39	321 877 233 C	water drain hose	/V	2	
21	900 151 028 02	washer		1		40	477 871 027	retaining pocket		1	
22	311 867 169	cap		1			05T	black			
	01C	black					4RB	brown			
	90V	brown				41	944 564 161 00	gate guide	/L/H	1	
23	944 564 093 00	air deflector		1		(41)	944 564 162 00	gate guide	/R/H	1	
24	944 564 683 00	bearing		1		42	N 014 133 8	oval-head screw M 5 X 12		2	
25	N 013 964 4	tapping screw 4,2 X 16		1		43	N 014 264 4	oval-head screw AM 5 X 10		4	
26	944 564 685 00	flap		1		44	944 613 033 00	microswitch	/V	1	
27	944 564 223 00	fastening part		1		45	944 613 127 00	microswitch F >>92GN4 02704	/H	2	
28	944 564 224 00	adjusting screw		2		46	N 100 718 01	pan-head screw M 5 X 70 F >>92GN4 02704		2	
29	N 012 222 4	spring washer A 5		1		47	900 025 003 02	washer A 5,3 F >>92GN4 02704		2	
30	N 014 133 8	oval-head screw M 5 X 12		1		48	N 012 104 2	serrated lock washer 5,3 F >>92GN4 02704		2	
31	944 564 233 00	cap		3		49	N 011 005 14	hexagon nut M 5 F >>92GN4 02704		2	
	01C	black				50	999 218 005 02	pan-head screw M 6 F >>92GN4 02704		4	
	90V	brown				51	N 011 524 7	washer A 6,4 F >>92GN4 02704		4	
32	477 871 635 A	hinge	/L	1		52	431 951 253 D	relay F >>92GN4 02704		2	
(32)	477 871 636 A	hinge	/R	1							
33	477 837 959	self-lock. fillister screw		4							
34	477 871 701 A	cap nut		4							
35	900 143 031 02	oval-head sheetmetal screw B 4,2 X 9,5		4							
36	944 564 235 00	water drain hose	/L/H	1							
(36)	944 564 064 00	water drain hose	/R/H	1							

Model	Year	MG	SG	Illustration	Restrictions	UPD	17:18	23.01.2010	PORSCHE	PET	PORSCHE
924S	1988	8	11	811-05		248					

Pos	Part Number	Description	Remark	Qty	Model	Pos	Part Number	Description	Remark	Qty	Model
53	944 564 521 00	support F >>92GN4 02704		1		69	477 871 029	support retaining pocket		1	
54	N 013 967 5	tapping screw BZ 4,2 X 19 F >>92GN4 02704		1			041	black			
							90V	dark brown			
55	944 624 415 00	spacer sleeve F >>92GN4 02704		1		70	999 523 115 02	washer 3,5 F >>92GN4 02704		1	
56	944 624 417 00	rubber sleeve F >>92GN4 02704		1		71	999 703 347 40	cap F 92GN4 02841>>		4	
57	N 902 577 01	speed nut B 4,2 F >>92GN4 02704		1		72	999 119 016 40	adjusting screw M 4 X 10 F 92GN4 02841>>		4	
58	944 564 433 00	support F >>92GN4 02704		1		73	999 500 033 17	blind rivet nut M 4 F 92GN4 02841>>		4	
59	N 013 884 4	tapping screw BZ 4,8 X 13 F >>92GN4 02704		2							
60	N 012 201 2	washer 5,5 F >>92GN4 02704		2							
61	999 591 722 02	speed nut B 4,8 X 19 F >>92GN4 02704		2							
62	944 564 517 00	lid F >>92GN4 02704		1							
63	944 564 425 01	driver F >>92GN4 02704		1							
64	944 564 427 00	clamping sleeve F >>92GN4 02704		1							
64	944 564 427 00	clamping sleeve F >>92GN4 02704		1							
65	944 564 437 00	pinion F >>92GN4 02704		1							
66	900 116 003 02	circlip F >>92GN4 02704		1							
67	N 014 745 2	pan-head screw M 6 X 14 micro-self-locking F >>92GN4 02704		4							
68	944 556 441 00	felt strip F >>92GN4 02704		2							

Model	Year	MG	SG	Illustration	Restrictions	UPD	17:19	23.01.2010	PORSCHE	PET	PORSCHE
924S	1988	8	11	811-10		248					

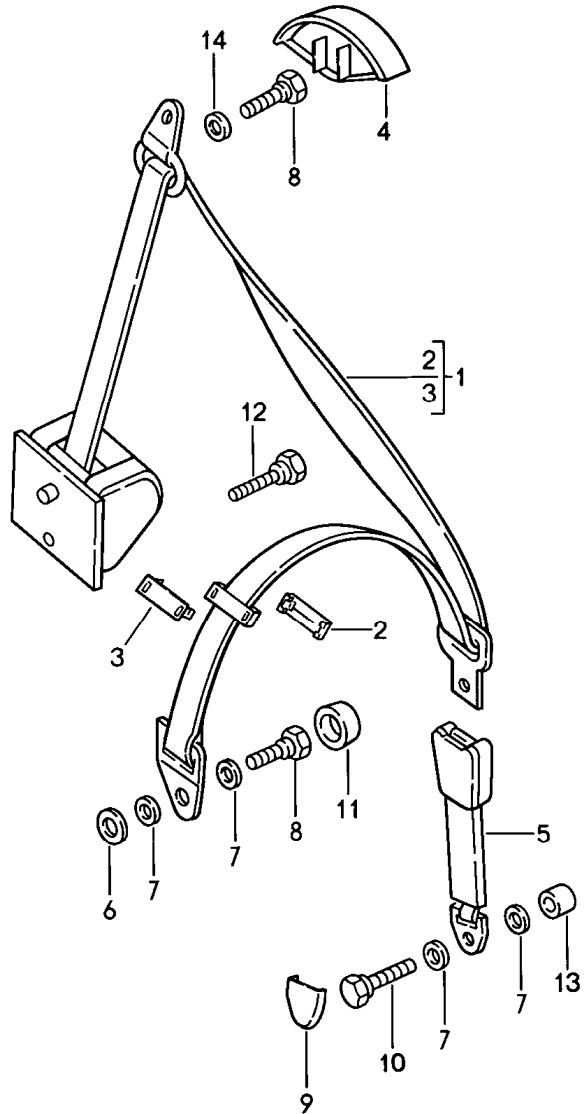


Pos	Part Number	Description	Remark	Qty	Model
		lifting roof driving mechanism	86-		M650
		F 92GN4 02705>>			
1	944 564 041 01	assembly kit		1	
2	944 564 507 01	guide		2	
3	944 564 509 01	plate		2	
4	944 564 501 01	segment	/L	1	
(4)	944 564 502 01	segment	/R	1	
5	944 564 430 01	gear wheel		2	
6	944 564 459 01	shim		4	
7	999 919 051 02	countersunk-head screw M 4 X 8		4	
8	999 919 052 02	countersunk-head screw M 4 X 18		10	
9	944 564 043 02	shaft		1	
11	999 523 116 01	lock washer		3	
12	N 014 121 6	oval-head screw M 4 X 6		1	
13	944 564 461 00	support	/L	1	
(13)	944 564 462 00	support	/R	1	
14	999 076 036 02	adjusting nut M 4		4	
15	944 624 055 01	electric drive		1	
16	944 624 011 01	electric motor		1	
17	944 613 128 01	microswitch		3	
18	N 011 002 2	hexagon nut		4	
19	900 146 072 02	oval-head screw M 3 X 25		2	
20	944 612 011 01	wiring harness		1	
21	431 951 253 D	relay		2	
22	999 591 854 40	expansion rivet		2	
23	944 564 535 00	lever		1	

Model	Year	MG	SG	Illustration	Restrictions	UPD	17:19	23.01.2010	PORSCHE	PET	PORSCHE
924S	1988	8	11	811-10		248					

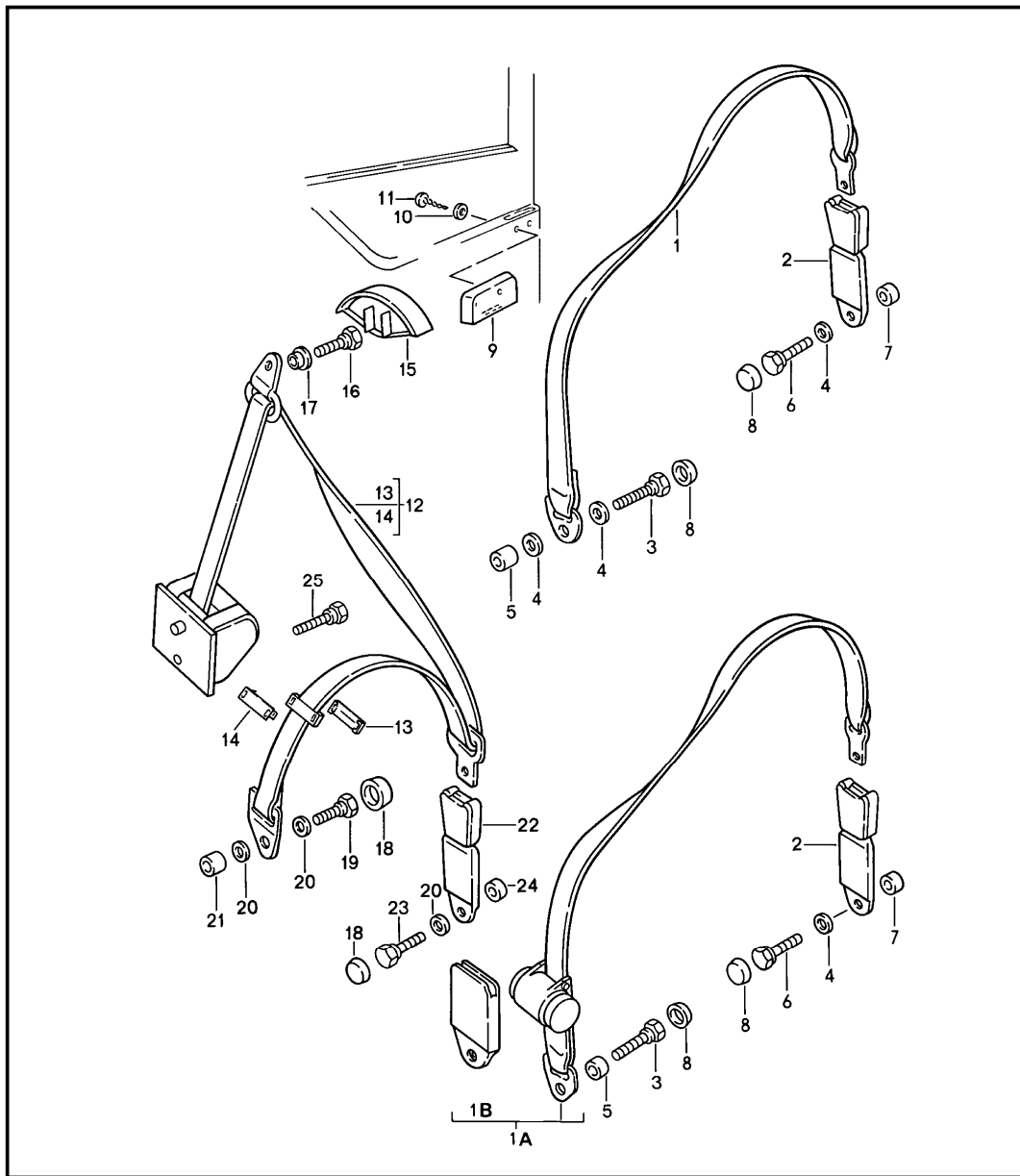
Pos	Part Number	Description	Remark	Qty	Model	Pos	Part Number	Description	Remark	Qty	Model
24	944 564 539 00	spring		1							
25	944 564 537 00	lever		1							
26	944 564 541 00	sleeve		1							
27	N 011 524 7	washer 6,4		6							
28	900 910 012 02	lock nut M 6		2							
29	999 703 349 00	rubber mounting		1							
30	N 044 134 2	oval-head screw M 3 X 20		2							
31	944 564 515 01	housing		1							
32	944 564 543 00	screw		2							
33	944 564 437 01	pinion		1							
34	900 116 003 02	circlip		1							
35	900 075 100 02	hexagon-head bolt M 4 X 12		2							
36	N 011 004 6	hexagon nut M 4		2							
37	944 564 048 00	pipe		1							
38	900 067 011 02	pan-head screw		4							
39	999 523 117 01	lock washer		3							
40	900 076 010 02	hexagon nut M 6		3							

Model	Year	MG	SG	Illustration	Restrictions	UPD	17:19	23.01.2010	PORSCHE	PET	PORSCHE
924S	1988	8	12	812-00		248					



Pos	Part Number	Description	Remark	Qty	Model
1	944 803 125 00	seat belt front		1	
(1)	944 803 126 00	seat belt	/L	1	
2	928 803 151 02	clip upper part	/R	2	
3	928 803 153 02	clip lower part		2	
4	944 803 141 00	cover		1	
	70B	black			
5	928 803 183 11	seat-belt buckle		1	
	70B	black driver's side			
(5)	928 803 183 10	seat-belt buckle		1	
	70B	black passenger's side			
6	111 857 707 A	spacer		2	
7	911 803 533 00	cup spring		8	
8	111 857 793 E	fastening screw		4	
9	911 803 453 00	cap		2	
	70B	black			
10	111 857 793 E	fastening screw		2	
11	811 857 845	screw-on cap		2	
12	111 857 799 A	fastening screw		2	
13	928 803 259 02	spacer sleeve		2	
14	928 803 212 02	spacer		2	

Model	Year	MG	SG	Illustration	Restrictions	UPD	17:19	23.01.2010	PORSCHE	PET	PORSCHE
924S	1988	8	12	812-05		248					

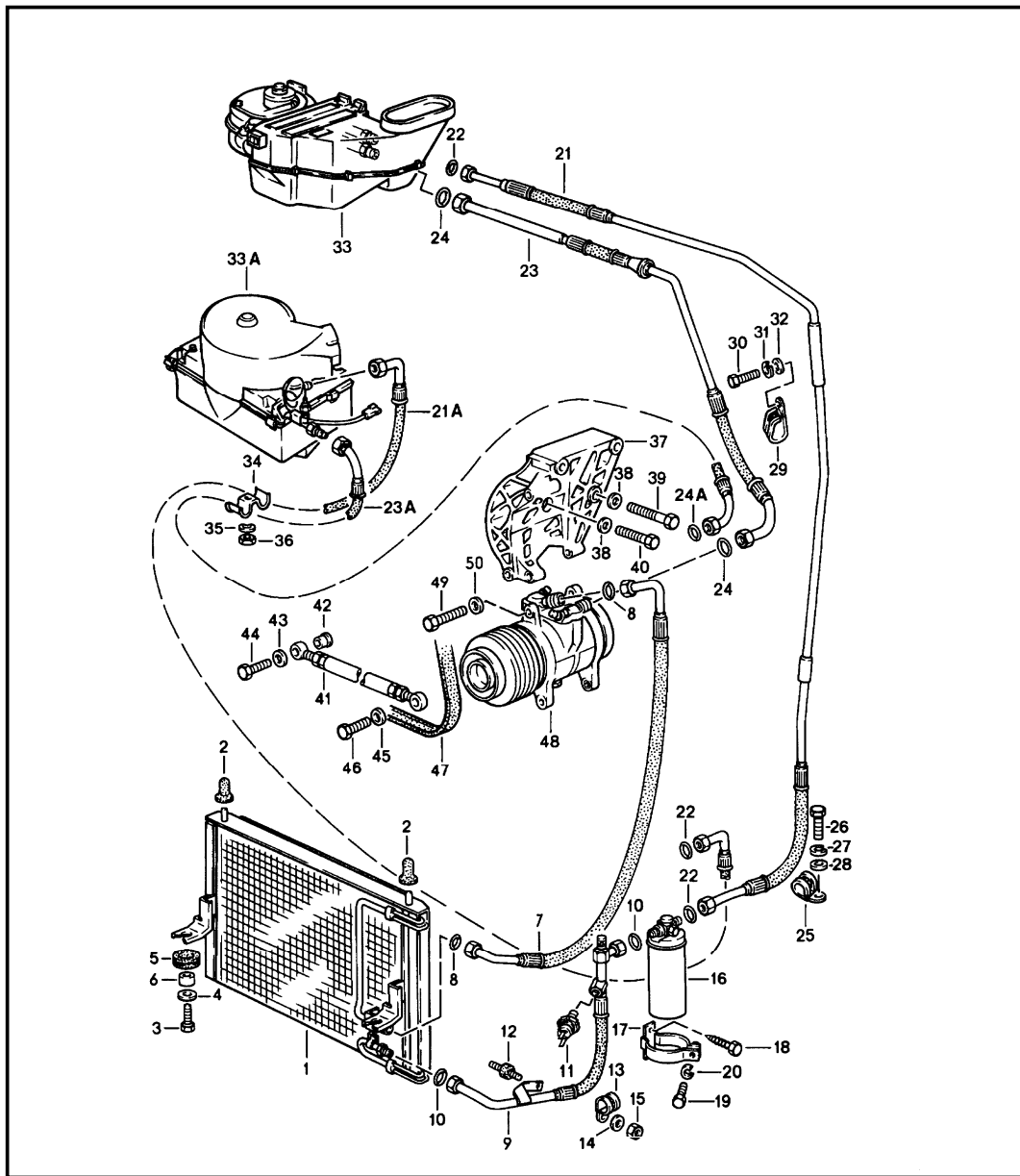


Pos	Part Number	Description	Remark	Qty	Model
		seat belt rear			
		lap belt manually			M186
1	477 857 795	lap belt		2	M186
2	477 857 739 A	seat-belt buckle		2	
3	111 857 793 E	fastening screw		2	
4	211 857 771	washer		6	
5	928 803 259 02	spacer sleeve		2	
6	477 857 853	screw		2	
7	A 477 857 643	spacer sleeve		2	
(7)	999 209 033 02	spacer sleeve		2	
8	811 857 845	screw-on cap		4	
9	477 857 375 A	support for seatbelt		2	
		01C black			
		89S brown			
10	N 011 665 3	washer B 5,3 X 15		4	
11	900 146 003 02	oval-head screw M 5 X 11		4	
		three-point seat belt automatic			M335
(12)	945 803 021 01	seat belt	/L	1	
12	945 803 022 01	seat belt	/R	1	
13	928 803 151 02	clip upper part		2	
14	928 803 153 02	clip lower part		2	
15	944 803 141 00	cover		2	
		70B black			
16	111 857 793 E	fastening screw		2	
17	945 803 311 00	spacer ring		2	

Model	Year	MG	SG	Illustration	Restrictions	UPD	17:19	23.01.2010	PORSCHE	PET	PORSCHE
924S	1988	8	12	812-05		248					

Pos	Part Number	Description	Remark	Qty	Model	Pos	Part Number	Description	Remark	Qty	Model
18	811 857 845	screw-on cap		4							
19	111 857 793 E	fastening screw		2							
20	211 857 771	washer		6							
21	928 803 259 02	spacer sleeve		2							
22	477 857 739 A	seat-belt buckle		2							
23	477 857 853	screw		2							
24 A	477 857 643	spacer sleeve		2							
(24)	999 209 033 02	spacer sleeve		2							
25	911 803 150 00	screw		2							

Model	Year	MG	SG	Illustration	Restrictions	UPD	17:19	23.01.2010	PORSCHE	PET	PORSCHE
924S	1988	8	13	813-25		248					

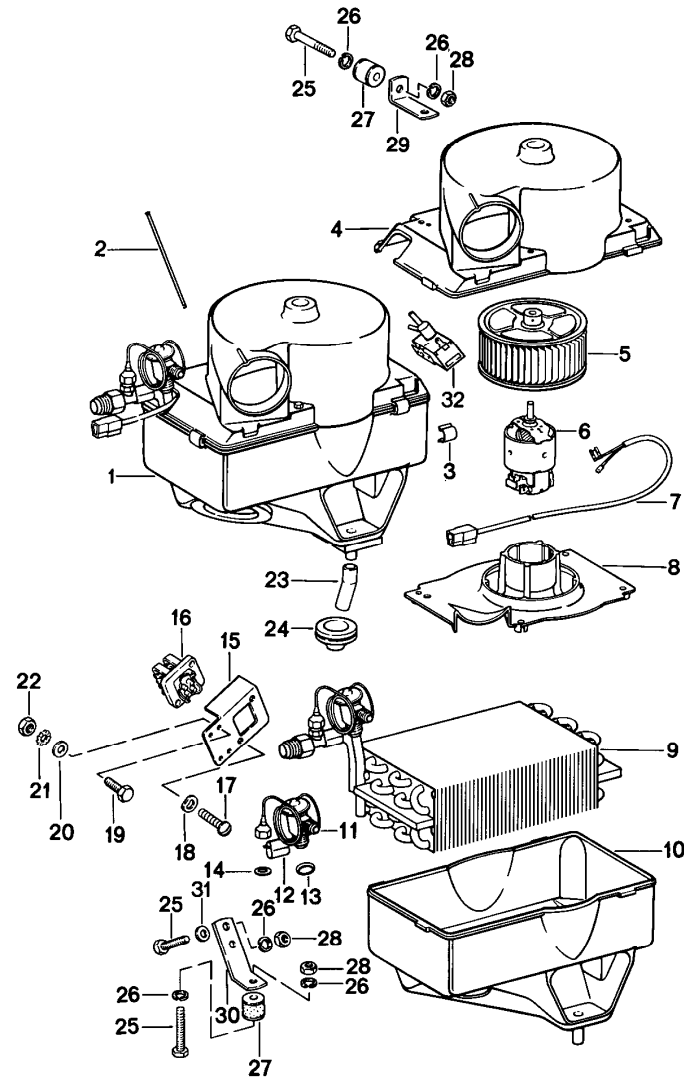


Pos	Part Number	Description	Remark	Qty	Model
		air conditioner			M573
1	944 573 011 04	condenser		1	
2	944 573 457 00	rubber sleeve		2	
3	N 010 217 9	hexagon-head bolt M 6 X 20		2	
4	N 011 524 7	washer R 6,6		2	
5	056 129 669 B	grommet		2	
6	052 109 135	spacer sleeve		2	
7	944 573 097 06	refrigerant line	-87	1	
7	944 573 097 10	refrigerant line	88	1	
8	999 707 250 40	o-ring		2	
9	A 944 573 095 01	refrigerant line		1	
9	944 573 095 07	refrigerant line		1	
10	999 707 247 40	o-ring		2	
11	959 613 137 00	low pressure switch		1	
12	928 110 191 00	bonded rubber buffer M 6		1	
13	N 020 647 1	clamp RSGU 1100 23/15		1	
14	N 011 524 7	washer A 6,4		1	
15	900 076 010 02	hexagon nut M 6		1	
16	944 573 943 00	desiccator		1	
17	944 573 081 00	support		1	
18	N 013 884 5	tapping screw B 4,8 X 13		2	
19	N 010 264 4	hexagon-head bolt M 5 X 20		1	
20	N 012 005 3	lock ring B 5		1	
21	944 573 093 07	refrigerant line	/LL	1	

Model	Year	MG	SG	Illustration	Restrictions	UPD	17:19	23.01.2010	PORSCHE	PET	PORSCHE
924S	1988	8	13	813-25		248					

Pos	Part Number	Description	Remark	Qty	Model	Pos	Part Number	Description	Remark	Qty	Model
21A	478 820 735	refrigerant line	/RL	1		40	N 010 450 5	hexagon-head bolt		1	
22	999 707 247 40	o-ring		2		45	900 025 008 09	washer A 10,5		1	
23	944 573 091 04	refrigerant line	/LL	1		46	N 040 125 1	hexagon-head bolt M 10 X 1,25 X 30		1	
23A	945 573 091 01	refrigerant line	/RL	1		47	999 192 285 50	poly-rib belt K 6 X 1000		1	
24	999 707 251 40	o-ring	/LL	2		48	944 126 008 00	compressor		1	
24A	999 707 251 40	o-ring	/RL	1		49	900 082 088 02	hexagon-head bolt M 10 X 1,25 X 50		2	
25	999 511 066 02	clamp B 15 X 18		1		(49)	900 074 139 02	hexagon-head bolt M 8 X 55		1	
26	N 010 215 13	hexagon-head bolt M 6 X 15		1		50	N 011 527 12	washer A 10,5		2	
27	N 012 006 4	lock ring B 6		1		-	900 074 139 02	hexagon-head bolt M 8 X 55		2	
28	N 011 524 7	washer A 6,4		1							
29	999 511 136 02	clamp RSGU 18-25/15	/LL	1							
30	N 010 217 9	hexagon-head bolt M 6 X 20	/LL	1							
31	N 012 006 4	lock ring B 6	/LL	1							
32	N 011 524 7	washer B 6		1							
33	477 820 002 A	air conditioner	/LL	1							
33A	478 820 017 A	evaporator	/RL	1							
34	477 820 757	clip	/RL	2							
35	N 012 006 4	lock ring B 6	/RL	2							
36	900 076 010 02	hexagon nut M 6	/RL	2							
37	944 126 123 06	bracket		1							
-	944 126 135 00	sleeve		1							
38	N 011 527 12	washer A 10,5		4							
39	N 010 480 3	hexagon-head bolt M 10 X 80		3							

Model	Year	MG	SG	Illustration	Restrictions	UPD	17:19	23.01.2010	PORSCHE	PET	PORSCHE
924S	1988	8	13	813-35		248					

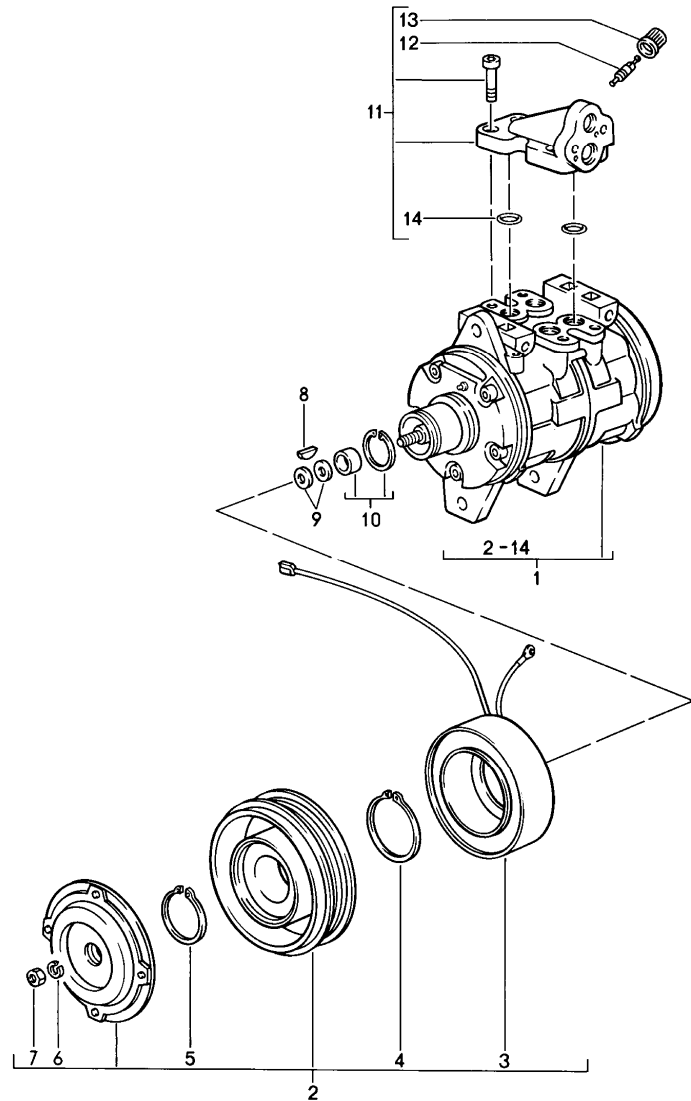


Pos	Part Number	Description	Remark	Qty	Model
		air conditioner right-hand drive			M573
1	478 820 017 A	evaporator with housing		1	
2	901 573 903 00	guide tube temperature switch		1	
3	901 573 904 00	tensioning spring		4	
4	911 573 023 00	housing cover		1	
5	901 573 906 00	fan		1	
6	901 624 901 00	electric motor		1	
7	901 612 084 00	wiring harness		1	
8	911 573 323 00	engine support		1	
9	901 573 907 00	evaporator		1	
10	478 898 117	housing		1	
11	901 573 915 00	expansion valve		1	
12	901 573 914 00	clip		1	
13	901 573 147 00	gasket 3/4"		1	
14	901 573 916 00	gasket 7/16"		1	
15	478 820 209	bracket		1	
16	911 618 151 00	thermo bi-metal switch		1	
17	900 146 011 02	oval-head screw AM 4 X 10		2	
18	N 012 224 3	spring washer A 4		2	
19	N 010 207 6	hexagon-head bolt M 5 X 12		2	
20	900 025 003 02	washer A 5,3		2	
21	N 012 130 2	shake-proof washer A 5,3		2	
22	N 011 005 14	hexagon nut M 5		2	

Model	Year	MG	SG	Illustration	Restrictions	UPD	17:19	23.01.2010	PORSCHE	PET	PORSCHE
924S	1988	8	13	813-35		248					

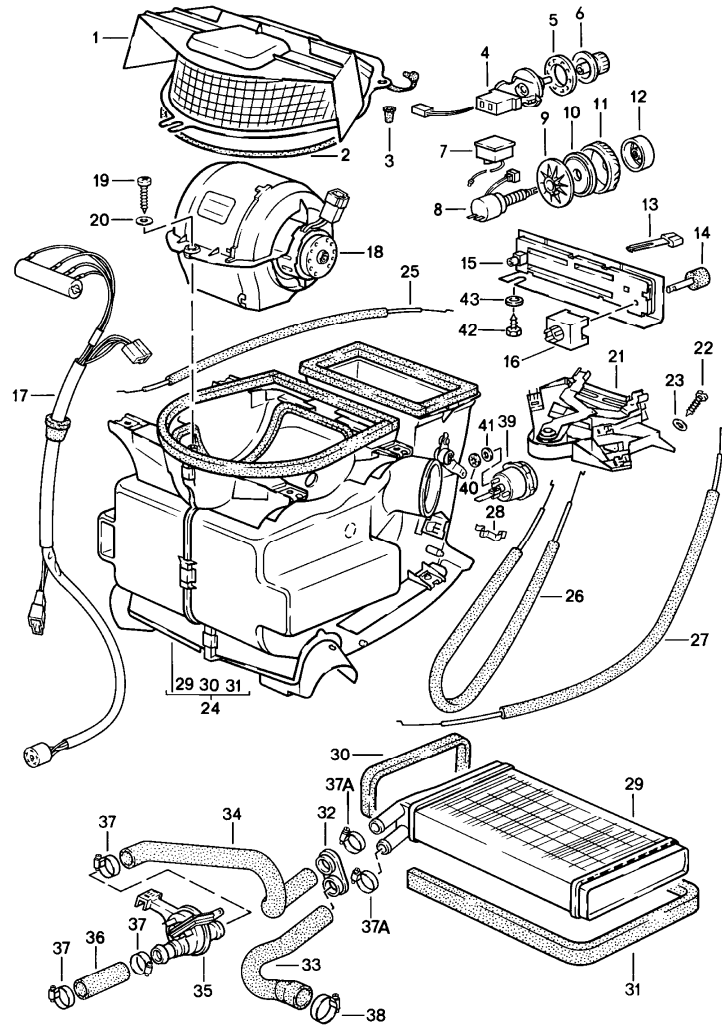
Pos	Part Number	Description	Remark	Qty	Model	Pos	Part Number	Description	Remark	Qty	Model
-	N 020 363 1	hose 15 X 2,5		*							
23	-	70 MM		1							
24	901 573 143 00	rubber sleeve		3							
25	N 010 210 13	hexagon-head bolt M 6 X 10		4							
26	N 012 006 4	lock ring B 6		6							
27	A 999 703 384 00	megulastik pivot bearing		2							
27	999 703 384 01	megulastik pivot bearing		2							
28	900 076 010 02	hexagon nut M 6		4							
29	478 820 201	fastening angle	/R	1							
30	478 820 207	fastening angle lower		1							
31	N 011 524 7	washer A 6,4		2							
32	928 573 691 02	solenoid valve		1							

Model	Year	MG	SG	Illustration	Restrictions	UPD	17:19	23.01.2010	PORSCHE	PET	PORSCHE
924S	1988	8	13	813-40		248					



Pos	Part Number	Description	Remark	Qty	Model
		compressor			M573
1	944 126 008 00	compressor		1	
2	944 126 923 01	clutch		1	
3	944 126 925 01	solenoid coil		1	
4	477 298 841	circlip internal diameter 45,8 MM		1	
5	477 298 843	circlip internal diameter 37 MM		1	
6	900 027 015 02	lock ring B 8		1	
7	N 011 008 8	hexagon nut M 8		1	
8	944 126 905 00	spring		1	
9	477 298 829	spacer 0,1 MM		X	
(9)	477 298 829 A	spacer 0,2 MM		X	
(9)	477 298 829 B	spacer 0,5 MM		X	
(9)	477 298 829 C	spacer 0,8 MM		X	
(9)	477 298 829 B	spacer 1,0 MM		X	
10	930 126 921 00	set of shaft seals		1	
11	944 126 940 00	valve		1	
12	928 573 908 03	valve insert		1	
13	928 573 909 02	cap		1	
14	944 126 935 01	o-ring		1	

Model	Year	MG	SG	Illustration	Restrictions	UPD	17:20	23.01.2010	PORSCHE	PET	PORSCHE
924S	1988	8	13	813-45		248					

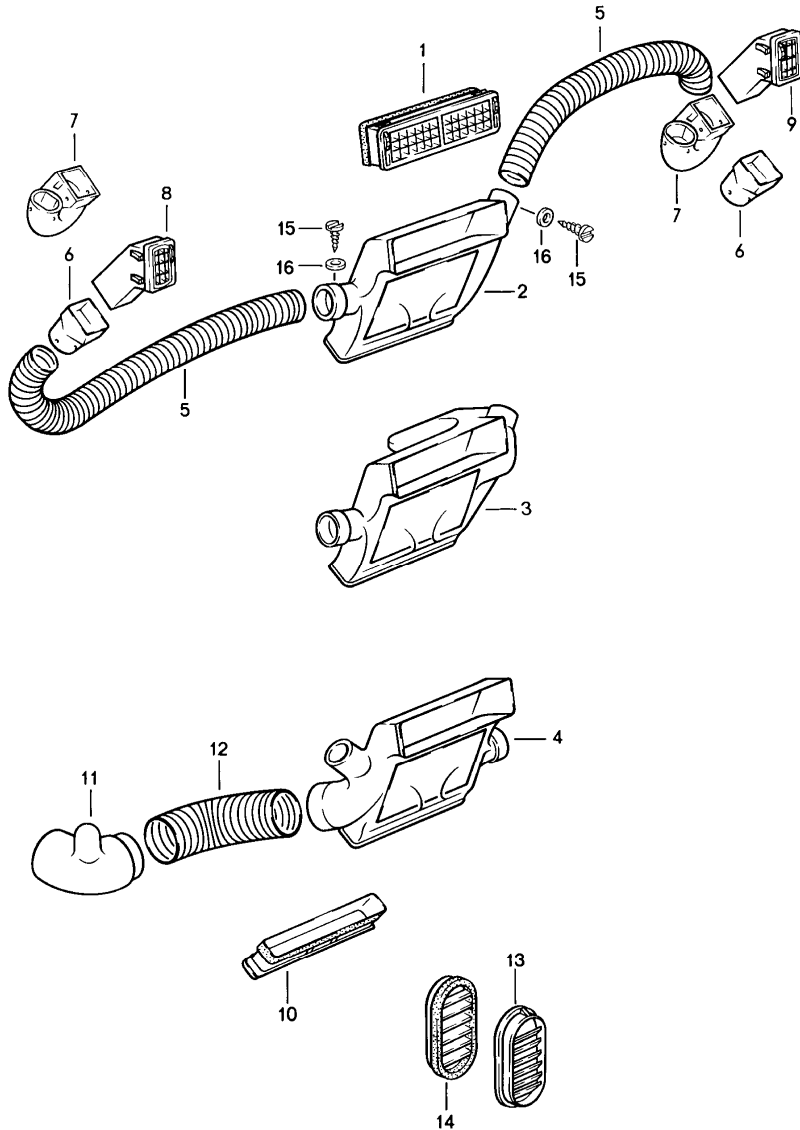


Pos	Part Number	Description	Remark	Qty	Model
		heater blower heat exchanger			
1	944 572 145 00	cover	/LL	1	
(1)	945 572 145 00	cover	/RL	1	
-	AMV 152 109 03	sealing cord 9 MM \$ roller 4,5 METER 740 MM		X	
3	477 819 253	grommet		3	
4	478 959 519	switch	/RL	1	M573
5	477 959 517	rosette	/RL	1	M573
6	477 959 513	knob	/RL	1	M573
7	477 959 531	booster		1	M573
8	477 959 530	air-conditioning switch		1	M573
9	477 959 527	fastening washer		1	M573
10	477 959 526	spacer		1	M573
11	477 959 528	adjusting wheel		1	M573
12	477 959 529	knob		1	M573
13	944 572 350 01	knob		3	
14	944 572 349 00	knob		1	
15	477 857 115	cover		1	
16	321 959 511 A	blower switch		1	
17	477 971 281	resistor		1	
18	321 820 015 B	blower		1	
19	900 143 046 02	tapping screw B 4,8 X 16		1	
20	N 011 692 3	washer B 5,1		1	
21	321 819 045 C	control switch		1	
22	900 143 007 02	tapping screw B 4,2 X 13		2	

Model	Year	MG	SG	Illustration	Restrictions	UPD	17:20	23.01.2010	PORSCHE	PET	PORSCHE
924S	1988	8	13	813-45		248					

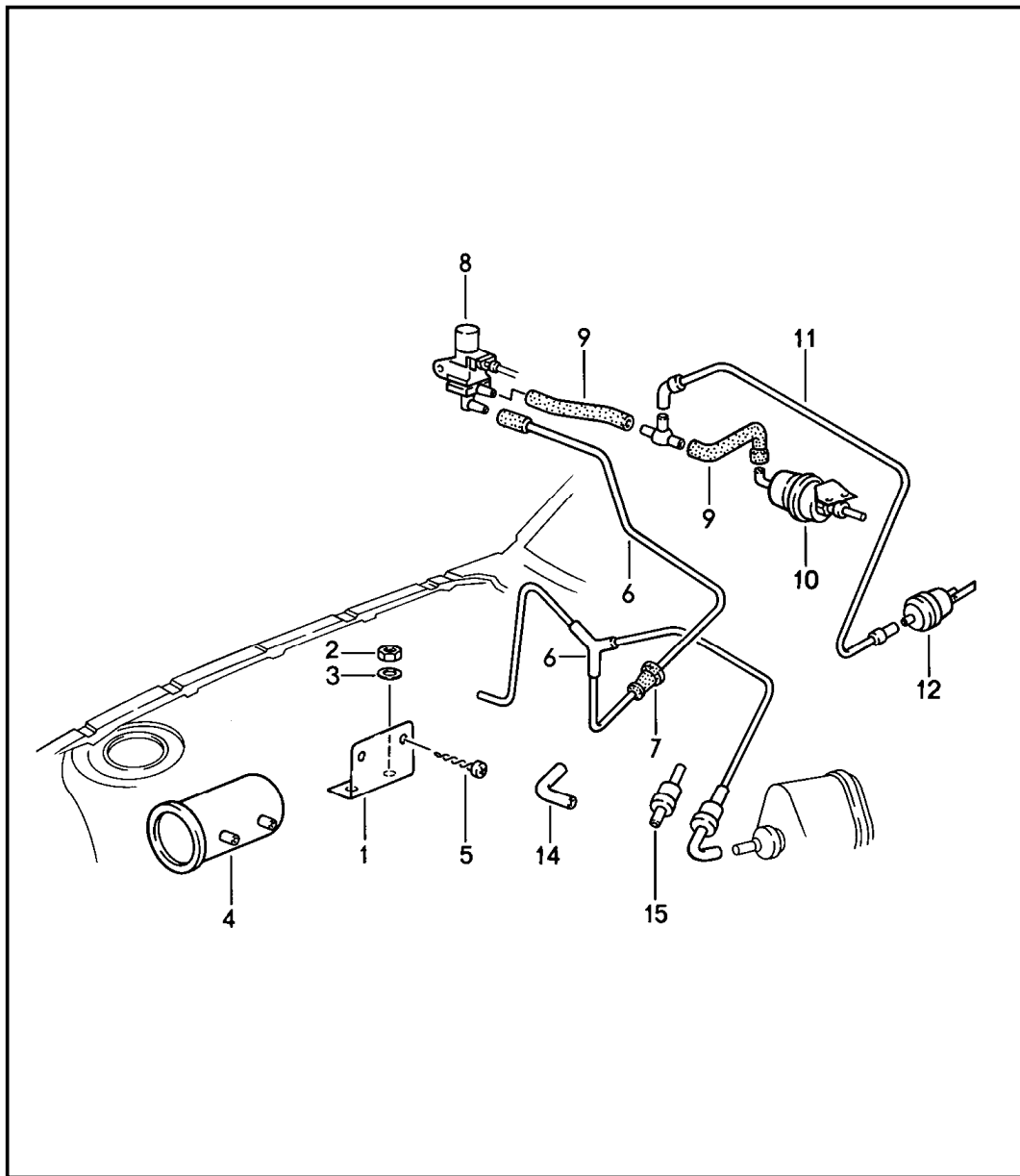
Pos	Part Number	Description	Remark	Qty	Model	Pos	Part Number	Description	Remark	Qty	Model
23	900 025 002 02	washer A 4,3		2							
24	944 572 023 00	flap control box		1							
(24)	944 573 023 00	flap control box		1	M573						
25	944 572 649 00	bowden cable		1							
26	944 572 648 00	bowden cable		1							
27	944 572 647 00	bowden cable		1							
28	477 819 343	spring clamp		1							
29	171 819 031 D	heat exchanger		1							
30	321 819 069 B	rubber seal		1							
31	191 819 069	gasket									
32	823 819 699 A	drain bush		1							
33	944 572 381 02	hose		1							
34	944 572 383 01	hose		1							
35	944 572 085 02	valve		1							
36	944 572 385 01	heater hose		1							
37	999 512 346 00	hose clamp LC 16-25		X							
37A	999 512 346 00	hose clamp SGT 16-25		2							
38	999 512 272 02	hose clamp LA 25-40		X							
39	944 573 053 00	vacuum unit		1	M573						
40	999 507 243 02	kronen-fix		3	M573						
41	928 574 465 02	rubber washer		3	M573						
42	900 187 114 07	tapping screw B 2,9 X 13		2							
43	N 011 662 1	washer 3,2		2							

Model	Year	MG	SG	Illustration	Restrictions	UPD	17:20	23.01.2010	PORSCHE	PET	PORSCHE
924S	1988	8	13	813-50		248					



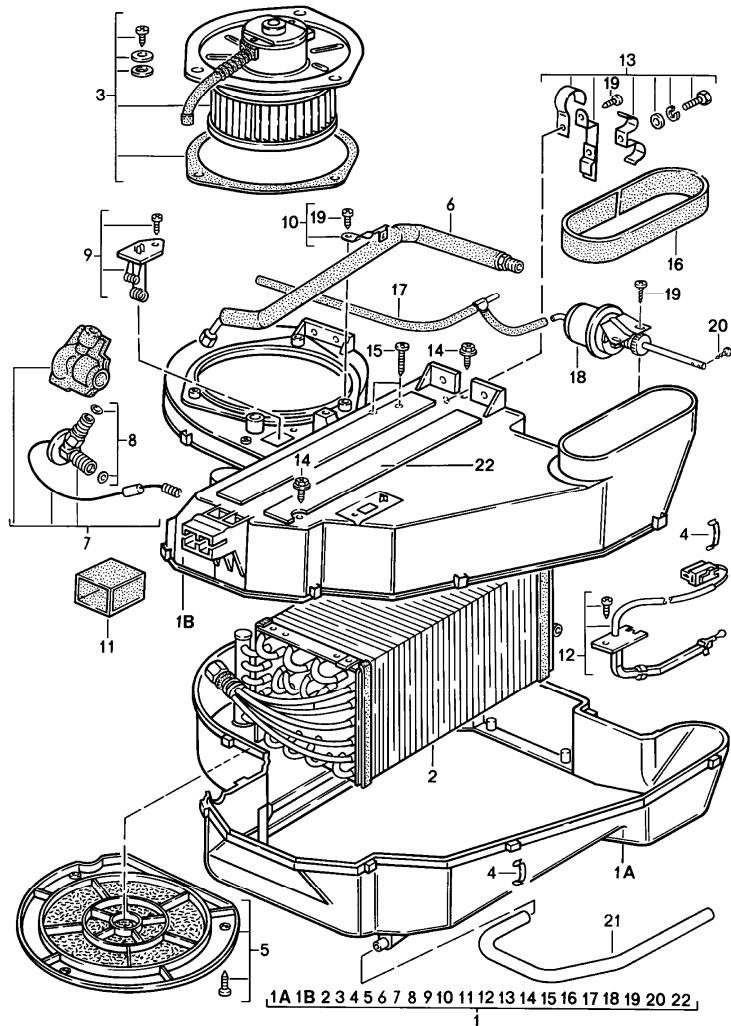
Pos	Part Number	Description	Remark	Qty	Model
		air duct			
1	944 572 059 00	centre nozzle		1	
		1DB black			
		4RB brown			
2	944 572 067 00	mixing chamber	/LL	1	
3	944 573 067 00	mixing chamber	/LL	1	M573
4	945 572 067 00	mixing chamber	/RL	1	
(4)	945 573 067 00	mixing chamber	/RL	1	M573
5	477 819 395	hose		2	
6	477 819 717	connecting piece	/LL/L	1	
6	477 819 717	connecting piece	/RL/R	1	
7	477 820 409	connecting piece	/LL/R	1	
7	477 820 409	connecting piece	/RL/L	1	
8	944 572 291 00	side vent	/L	1	
		1DB black			
		4RB brown			
9	944 572 292 00	side vent	/R	1	
		1DB black			
		4RB brown			
10	944 572 065 00	adapter		1	
11	478 820 211 A	intermediate piece	/RL	1	M573
12	478 820 231	hose	/RL	1	M573
13	477 819 175	cover lock pillar		2	
14	477 819 179 A	cover	/L	1	
(14)	477 819 180 A	cover	/R	1	
15	900 143 031 02	oval-head sheetmetal screw B 4,2 X 9,5		4	
16	900 151 028 02	washer B 4,3 X 12		4	

Model	Year	MG	SG	Illustration	Restrictions	UPD	17:20	23.01.2010	PORSCHE	PET	PORSCHE
924S	1988	8	13	813-55		248					



Pos	Part Number	Description	Remark	Qty	Model
		vacuum control			
(1)	944 573 465 01	support vacuum reservoir		1	
2	900 076 010 02	hexagon nut M 6		2	
3	N 012 006 4	lock ring B 6		2	
4	945 573 808 00	vacuum reservoir		1	
5	N 090 186 1	tapping screw B 4,8 X 13		1	
6	944 573 099 02	vacuum line	/LL	1	
(6)	945 573 099 02	vacuum line	/RL	1	
7	477 819 849	grommet		1	
8	944 573 165 00	solenoid valve	/LL	1	
(8)	928 573 691 02	solenoid valve	/RL	1	
9	477 820 557	vacuum line	/LL	1	
10	477 820 545	vacuum unit	/LL	1	
11	944 573 101 00	vacuum line	/LL	1	
12	944 573 053 00	vacuum unit		1	
14	928 574 717 02	moulded hose		1	
15	928 537 361 02	valve		1	

Model	Year	MG	SG	Illustration	Restrictions	UPD	17:20	23.01.2010	PORSCHE	PET	PORSCHE
924S	1988	8	13	813-60		248					



Pos	Part Number	Description	Remark	Qty	Model
		air conditioner left-hand drive			M573
1	477 820 002 A	air conditioner		1	
1A	477 820 421 A	housing		1	
1B	477 820 420 A	housing		1	
2	477 820 903	evaporator		1	
3	477 820 905	blower		1	
4	477 820 449	clamp		11	
5	477 820 907	air cleaner		1	
6	477 820 459	pressure line		1	
7	477 820 909	expansion valve		1	
8	477 820 911	set of o-rings		1	
9	477 820 915	resistor		1	
10	477 820 917	retaining bow		1	
11	477 820 447 A	rubber boot		1	
12	477 820 901	temperature sensor		1	
13	477 820 919	pipe clamp		1	
14	477 820 437	tapping screw		2	
15	477 820 435 A	tapping screw		2	
16	477 820 507 A	insulator		1	
17	477 820 557	vacuum line		1	
18	477 820 545	vacuum unit		1	
19	477 820 435 D	tapping screw		2	
20	477 820 555	pan-head screw		2	
21	477 820 523	water drain hose		1	
22	477 820 447	gasket		2	

Model	Year	MG	SG	Illustration	Restrictions	UPD	17:20	23.01.2010
924S	1988	8	98	898-00R		248		

Pos	Part Number	Description	Remark	Qty	Model
		repair kits			
>>	>>477 800 377 B	set of locks	-87	1	
>>	>>944 538 001 28	set of locks comprising:	88-	1	
		door handle	/L	1	
		door handle	/R	1	
		lock cylinder		1	
		ignition starter lock			
		lock cylinder		1	
		rear lid lock			
		lock cylinder		1	
		fuel tank cap			
		rear lid lock	/L	1	
		rear lid lock	/R	1	
		secondary key		3	
		key ring		1	
		key tag		1	
		order also:			
-	944 201 061 01	fuel tank cap		1	
>>	>>477 898 011 A	sealing set windscreen comprising:		1	
		rivet		20	
		assembly sleeve		1	
>>	>>477 853 995	set of moldings moulding comprising:		1	
-	477 853 981	side guard 285 MM	/V/L	1	
-	477 853 982	side guard 285 MM	/V/R	1	
-	477 853 983	side guard 395 MM	/V/L	1	
-	477 853 984	side guard 395 MM	/V/R	1	
-	477 853 985	side guard door 1123 MM	/L	1	
-	477 853 986	side guard door 1123 MM	/R	1	
-	477 853 987	side guard 285 MM	/H/L	1	
-	477 853 988	side guard 285 MM	/H/R	1	

PORSCHE

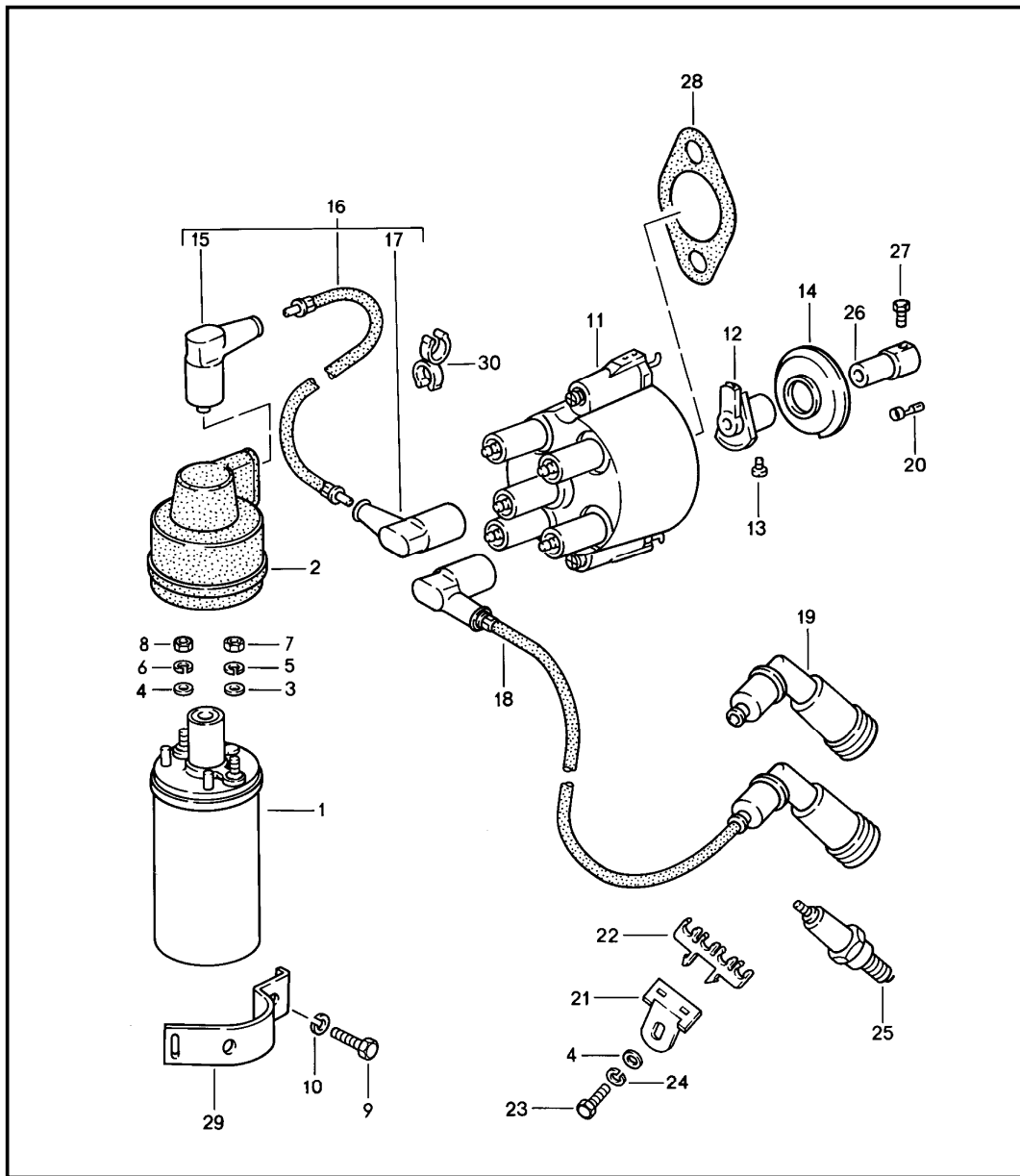
PET

PORSCHE

Model	Year	MG	SG	Illustration	Restrictions	UPD	17:20	23.01.2010
924S	1988	8	98	898-00R		248		

Pos	Part Number	Description	Remark	Qty	Model
-	477 853 989	side guard 440 MM	/H/L	1	
-	477 853 990	side guard 440 MM	/H/R	1	

Model	Year	MG	SG	Illustration	Restrictions	UPD	17:21	23.01.2010	PORSCHE	PET	PORSCHE
924S	1988	9	01	901-00		248					

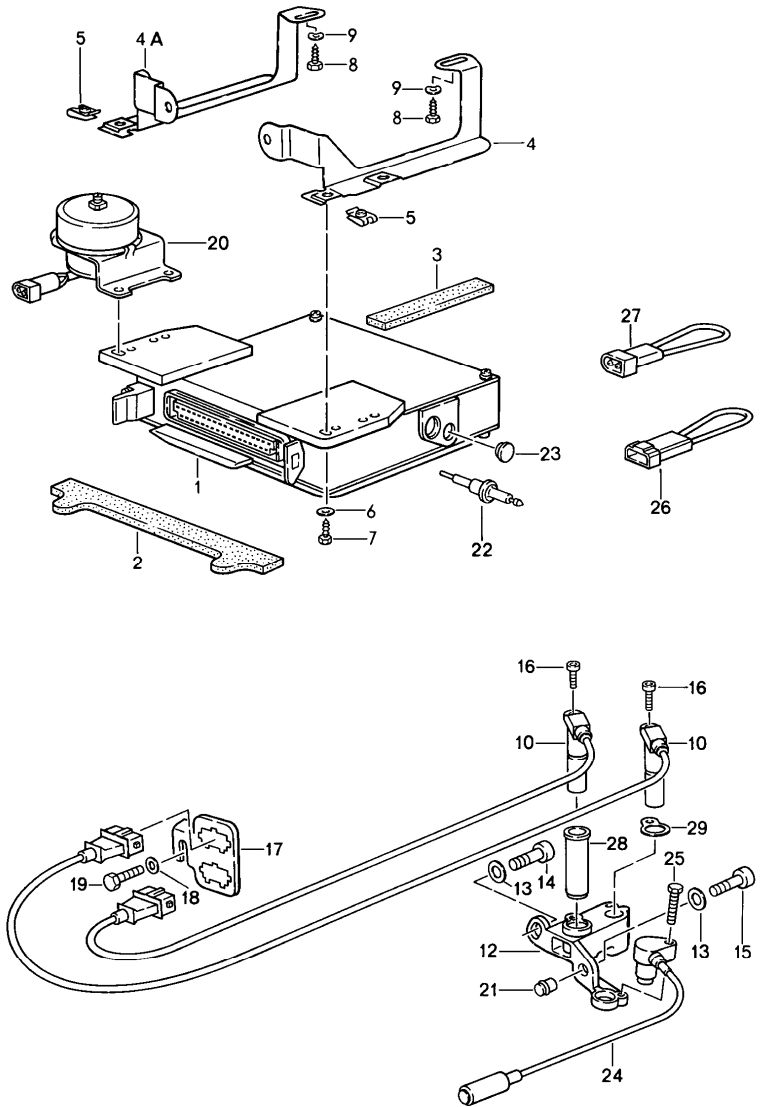


Pos	Part Number	Description	Remark	Qty	Model
		engine electrics 1			
1	944 602 115 00	ignition coil		1	
2	944 602 801 00	protection cap		1	
3	900 025 003 02	washer A 5,3		1 1	
4	N 011 524 7	washer A 6,4		1 1	
5	N 012 005 3	lock ring B 5		1 1	
6	N 012 006 4	lock ring B 6		1 1	
7	N 011 005 14	hexagon nut M 5		1 1	
8	900 076 010 02	hexagon nut M 6		1 1	
9	900 025 007 02	washer A 8,4		2 1	
10	N 014 706 7	pan-head screw M 8 X 12		2	
11	944 602 251 00	distributor cap		1	
-	944 602 901 00	rotor comprising: POS. 12, 13, 26 rotor		2 1	
13	-	pan-head screw		1	
14	944 602 803 00	dust cover		1	
15	944 609 131 00	ignition coil plug		1	
16	944 609 017 01	ignition lead		1	
17	944 609 133 00	distributor plug		5	
18	944 609 015 15	ignition lead cylinder 1		1 1	
(18)	944 609 015 16	ignition lead cylinder 2		1 1	
(18)	944 609 015 17	ignition lead cylinder 3		1	

Model	Year	MG	SG	Illustration	Restrictions	UPD	17:21	23.01.2010	PORSCHE	PET	PORSCHE
924S	1988	9	01	901-00		248					

Pos	Part Number	Description	Remark	Qty	Model	Pos	Part Number	Description	Remark	Qty	Model
(18)	944 609 015 18	ignition lead cylinder 4		1 1							
19	928 609 105 03	ignition cable connector		4							
20	911 609 310 00	cable screw		X							
21	944 609 217 00	support for ignition lead		1 1							
22	052 905 471 A	support for ignition lead		4 1							
23	999 072 005 09	hexagon-head bolt M 6 X 12		1							
24	N 012 226 5	spring washer		1							
25	999 170 156 90	spark plug - bosch - WR7DC		4 1							
26	-	connecting piece		1							
27	999 217 008 02	hexagon-head bolt M 5 X 10		1 1							
28	944 602 257 00	sealing sleeve		1							
29	944 602 294 00	clamping bow		1							
30	944 609 227 00	support for ignition lead		1							

Model	Year	MG	SG	Illustration	Restrictions	UPD	17:21	23.01.2010	PORSCHE	PET	PORSCHE
924S	1988	9	01	901-05		248					

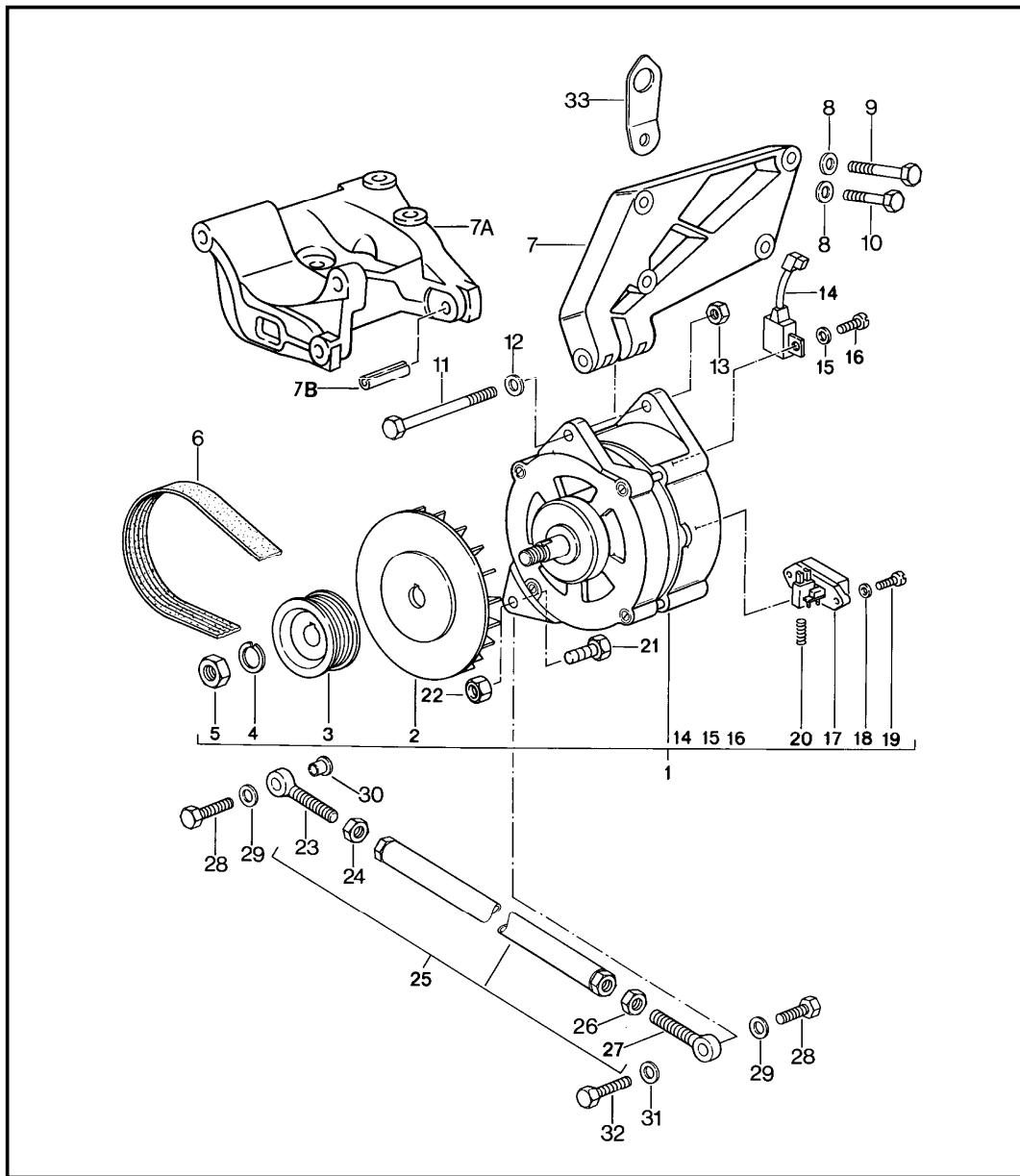


Pos	Part Number	Description	Remark	Qty	Model
		engine electrics 2			
1	> 944 618 121 04	control unit - dme -	-87	1	
1	944 618 121 DX	control unit - dme -	-87	1	
1	944 618 121 DX	control unit - dme -	-87	1	
1	> 944 618 121 05	control unit	88	1	
1	944 618 121 EX	control unit - dme -	88	1	
2	944 618 119 00	plastic foam strip		1	
3	944 618 120 00	plastic foam strip		1	
4	944 618 141 00	bracket	/L	1	
4A	944 618 142 00	bracket	/R	1	
5	N 901 561 01	speed nut		4	
6	900 025 003 02	washer A 5,3		4	
7	900 187 004 02	hexagon-head tapping screw B 4,8 X 19		4	
8	N 013 884 5	tapping screw B 4,8 X 13	/LL	2	
9	N 012 225 2	spring washer B 5	/LL	2	
10	944 606 115 00	pulse sender		2	
12	944 101 321 07	support		1	
13	900 025 007 02	washer A 8,4		2	
14	N 014 726 3	pan-head screw M 8 X 30		1	
15	N 014 725 2	pan-head screw M 8 X 25		1 1	
16	999 217 026 02	locking screw		1	
17	944 612 151 00	support		1	
18	N 011 524 7	washer A 6,4		1	

Model	Year	MG	SG	Illustration	Restrictions	UPD	17:21	23.01.2010	PORSCHE	PET	PORSCHE
924S	1988	9	01	901-05		248					

Pos	Part Number	Description	Remark	Qty	Model	Pos	Part Number	Description	Remark	Qty	Model
19	N 010 215 13	hexagon-head bolt M 6 X 15		1							
20	944 606 051 00	altitude capsule Internteil zu 944.606.051.	(J)	1							
21	900 197 047 08	tensioning sleeve		1							
22	944 618 940 00	adjusting key		1							
23	911 606 411 01	stopper		1							
24	911 606 108 00	timing mark sender for top dead centre marking		1							
25	900 067 089 02	pan-head screw M 6 X 25		1							
26	944 612 525 00	coding plug		1							
27	944 612 421 00	adapter plug		1							
28	944 101 320 00	sleeve		1							
29	944 101 335 00	washer 0,3		X							
29	951 101 325 00	washer 2,0		X							

Model	Year	MG	SG	Illustration	Restrictions	UPD	17:21	23.01.2010	PORSCHE	PET	PORSCHE
924S	1988	9	02	902-00		248					

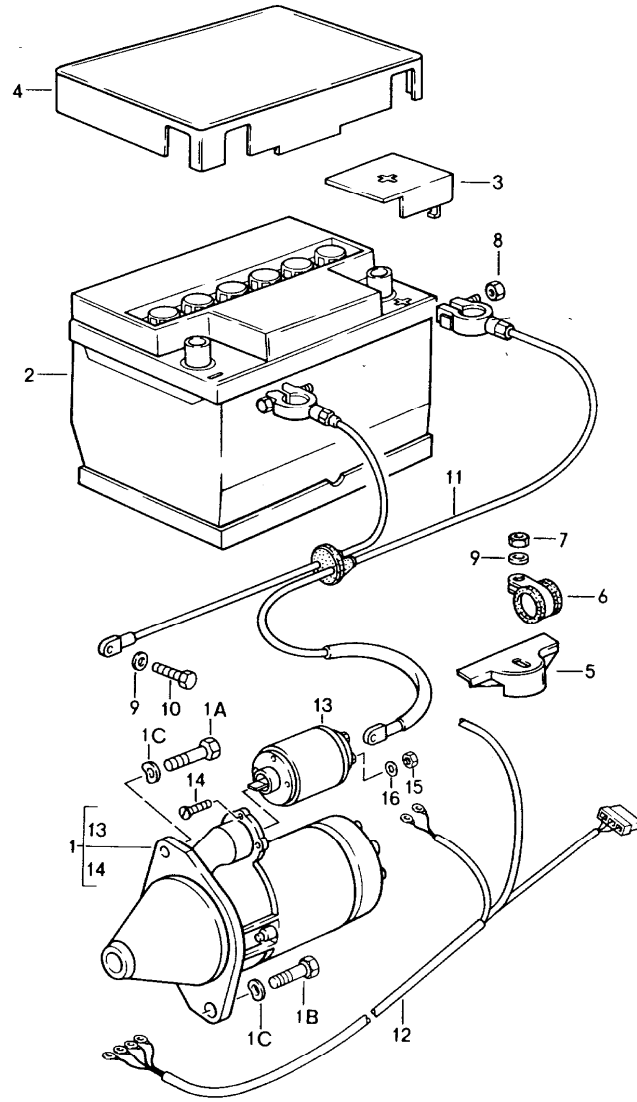


Pos	Part Number	Description	Remark	Qty	Model
		generator with mounting parts			
1	> 944 603 109 00	generator		1	
2	063 903 171	fan	-86	1	
(2)	068 903 171 A	fan	87-	1	
3	944 603 121 06	pulley		1	
4	N 012 016 1	lock ring A 14		1	
5	N 011 163 3	hexagon nut M 14 X 1,5		1	
6	999 192 204 50	poly-rib belt K 5 X 736		1	
(6)	999 192 299 50	poly-rib belt K 6 X 1000		1	M573
7	944 603 134 01	bracket		1	
7A	944 126 123 06	bracket		1	M573
7B	944 126 135 00	sleeve		1	M573
8	N 011 527 12	washer A 10,5		4	
9	N 010 470 7	hexagon-head bolt		4	
(9)	N 010 480 3	hexagon-head bolt M 10 X 80		3	M573
10	N 010 450 5	hexagon-head bolt M 10 X 50		1	M573
11	900 074 052 02	screw M 8 X 130		1	
12	900 025 007 02	washer A 8,4		1	
13	900 910 022 09	lock nut VM 8		1	
14	944 603 143 00	condenser		1	
15	N 012 226 5	spring washer B 6		1	
16	N 010 710 8	pan-head screw AM 6 X 10		1	

Model	Year	MG	SG	Illustration	Restrictions	UPD	17:21	23.01.2010	PORSCHE	PET	PORSCHE
924S	1988	9	02	902-00		248					

Pos	Part Number	Description	Remark	Qty	Model	Pos	Part Number	Description	Remark	Qty	Model
17	928 603 142 00	regulator		1		33	944 101 411 02	bracket for transportation		1	
18	N 012 004 2	lock ring B 4		2							
19	N 014 125 1	oval-head screw AM 4 X 18		2							
20	059 903 519	compression spring		1							
21	N 010 340 6	hexagon-head bolt M 8 X 40		1	M573						
22	900 910 022 09	lock nut VM 8		1	M573						
23	900 037 016 02	eye screw		1							
(23)	900 037 018 02	eye screw		1	M573						
24	N 011 008 24	hexagon nut M 8 L		1							
(24)	900 076 033 02	hexagon nut M 10 L		1	M573						
25	944 603 011 01	strut		1							
(25)	944 126 021 03	strut		1	M573						
26	900 076 025 02	hexagon nut M 8		1							
(26)	N 011 010 6	hexagon nut M 10		1	M573						
27	900 037 019 02	eye screw		1							
(27)	900 037 017 02	eye screw		1							
28	N 010 233 6	hexagon-head bolt M 8 X 28		2							
(28)	N 010 332 4	hexagon-head bolt M 8 X 32		1	M573						
29	900 025 008 09	washer A 10,5		2							
30	944 126 127 01	bush		1	M573						
31	900 025 008 09	washer A 10,5		1	M573						
32	N 040 125 1	hexagon-head bolt M 10 X 1,25 X 30		1	M573						

Model	Year	MG	SG	Illustration	Restrictions	UPD	17:21	23.01.2010	PORSCHE	PET	PORSCHE
924S	1988	9	02	902-10		248					

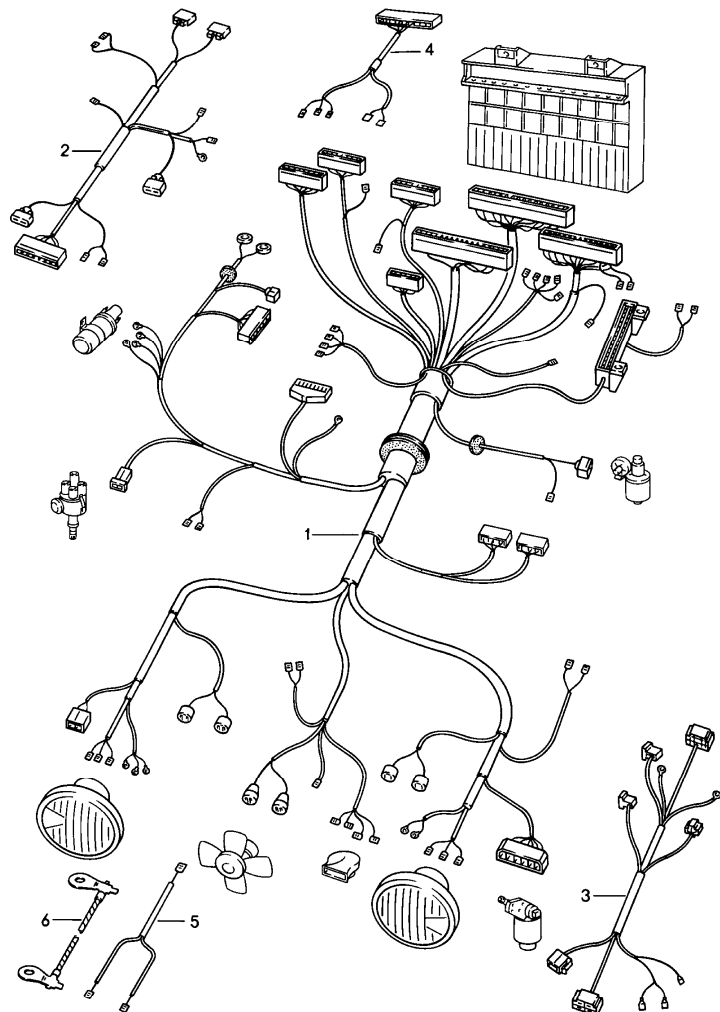


Pos	Part Number	Description	Remark	Qty	Model
1	> 951 604 101 00	starter battery wiring harnesses		1	
1A	N 010 491 1	hexagon-head bolt M 12 X 50		1	
1B	N 040 253 1	hexagon-head bolt M 12 X 35		1	
1C	900 028 014 02	spring washer B 12		2	
2	944 611 101 00	battery 50 AH	/LL	1	
2	945 611 101 00	battery 50 AH	/RL	1	
2	477 915 107 A	battery 63 AH		1	
3	477 915 429	pole covering	/RL	1	
4	281 915 411 F	battery cover for 50 AH battery		1	
(4)	477 915 411 A	battery cover for 63 AH battery		1	
5	914 611 233 10	tension terminal		1	
6	N 020 607 1	clamp B 20 X 20 GI		1	
7	477 915 489	hexagon nut M 8		1	
8	900 076 010 02	hexagon nut M 6		2	
9	900 027 015 02	lock ring B 8		1	
10	N 010 239 11	hexagon-head bolt M 8 X 18		1	
11	944 612 027 01	wiring harness battery starter	/LL	1	

Model	Year	MG	SG	Illustration	Restrictions	UPD	17:21	23.01.2010	PORSCHE	PET	PORSCHE
924S	1988	9	02	902-10		248					

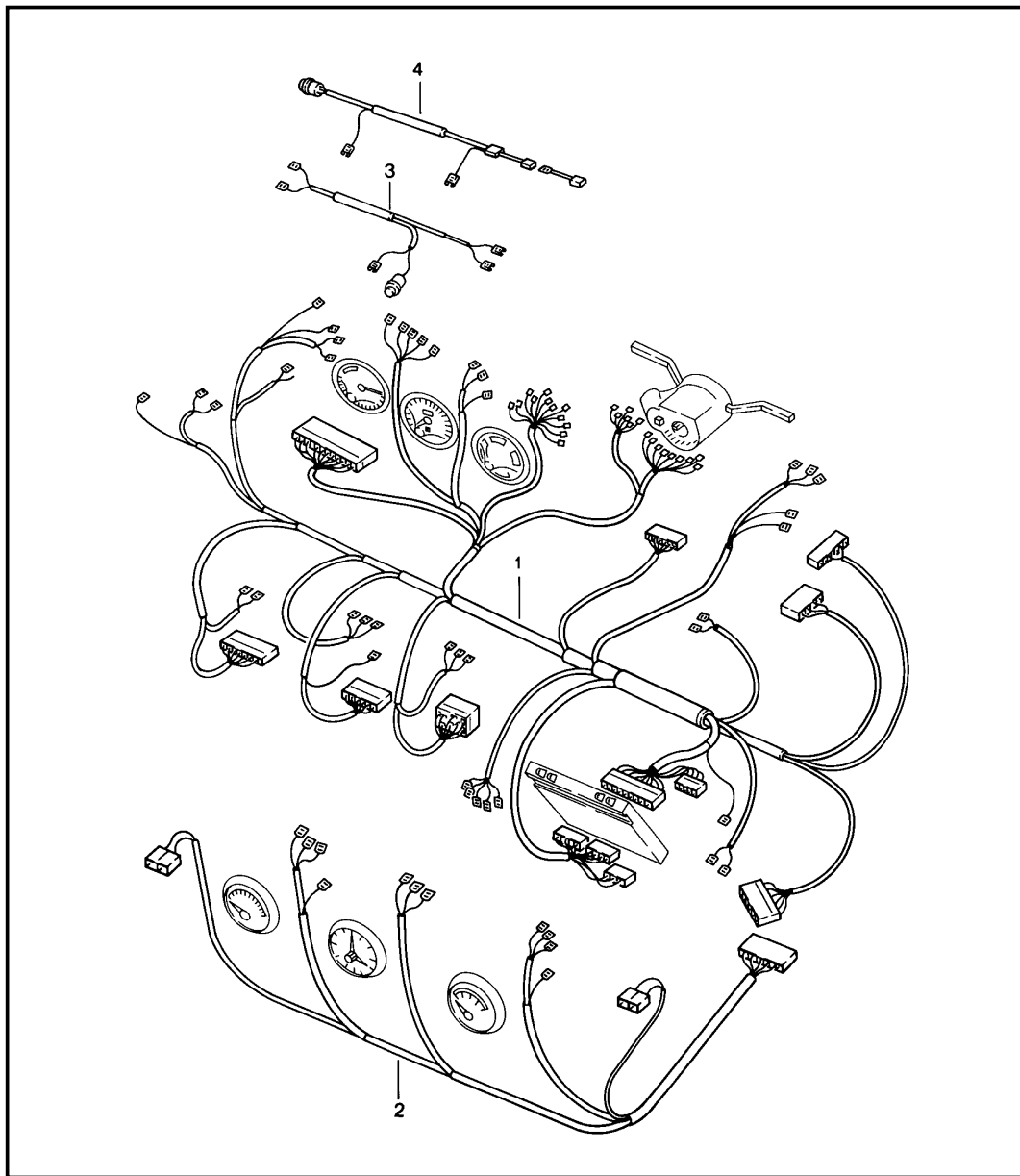
Pos	Part Number	Description	Remark	Qty	Model	Pos	Part Number	Description	Remark	Qty	Model
(11)	945 612 027 01	wiring harness battery starter	/RL	1							
12	944 607 029 00	wiring harness starter generator		1							
12	944 607 029 01	wiring harness starter generator		1	M573						
13	951 604 902 00	solenoid engaging switch		1							
14	951 604 901 00	countersunk-head screw		3							
15	N 011 005 14	hexagon nut M 5		1							
16	900 025 003 02	washer A 5,3		1							

Model	Year	MG	SG	Illustration	Restrictions	UPD	17:21	23.01.2010	PORSCHE	PET	PORSCHE
924S	1988	9	02	902-20		248					



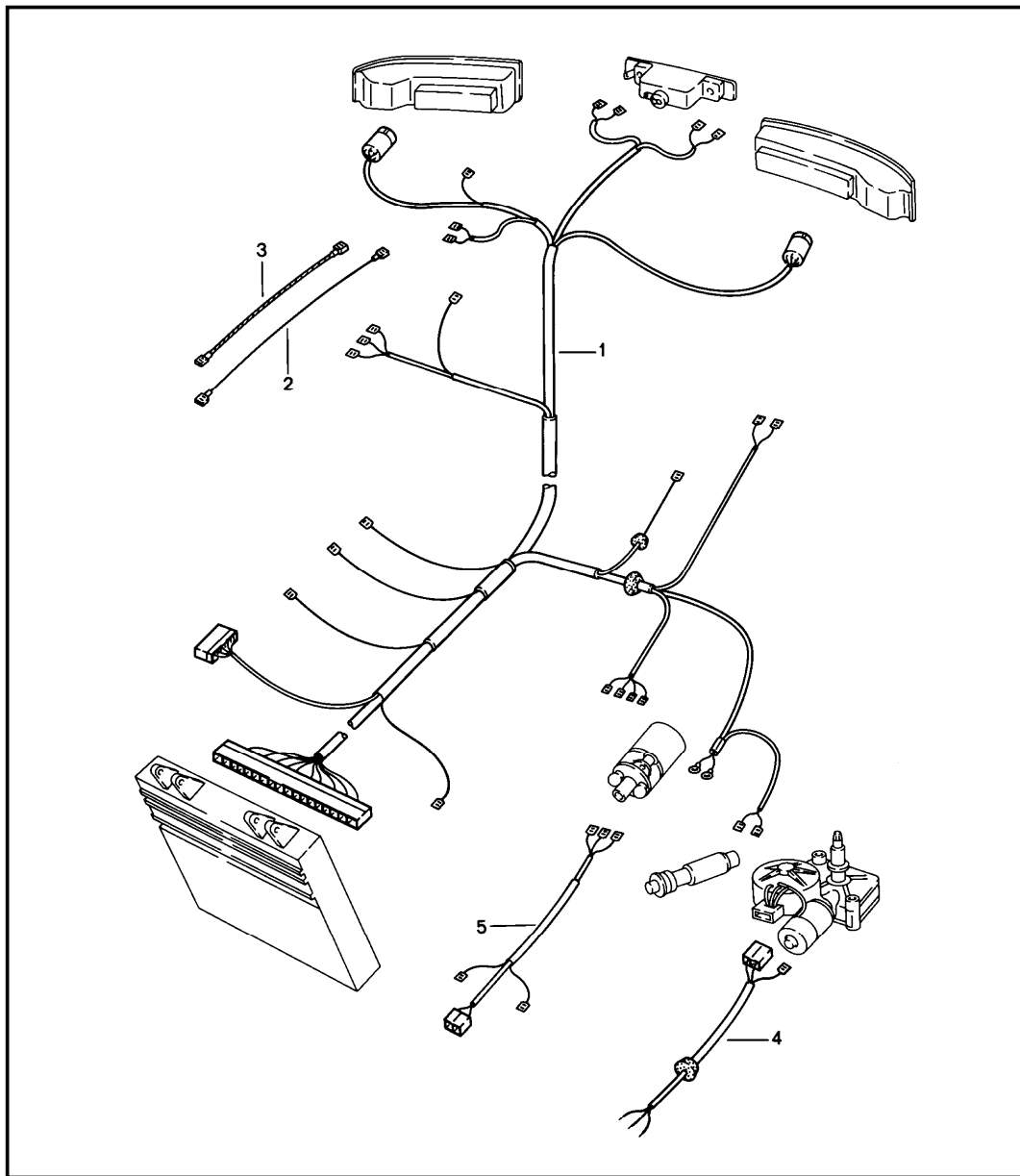
Pos	Part Number	Description	Remark	Qty	Model
		wiring harnesses engine compartment			
1	944 612 001 40	wiring harness engine compartment	/LL	-87	1
1	944 612 001 80	wiring harness engine compartment	/LL	88	1
(1)	944 612 001 41	wiring harness engine compartment	/LL	-87	1 M573
1	944 612 001 81	wiring harness engine compartment	/LL	88	1 M573
1	944 612 001 43	wiring harness engine compartment	(J)	-87	1 (SA)
1	944 612 001 82	wiring harness engine compartment	(J)	88	1 (SA)
1	945 612 001 40	wiring harness engine compartment	/RL	-87	1
1	945 612 001 80	wiring harness engine compartment	/RL	88	1
1	945 612 001 41	wiring harness engine compartment	/RL	-87	1 M573
1	945 612 001 81	wiring harness engine compartment	/RL	88	1 M573
2	944 607 030 01	wiring harness - dme -		86	1
2	944 607 030 02	wiring harness - dme -		87-	1
3	477 971 563 A	wiring harness air conditioner			1
(3)	478 971 561 AA	wiring harness air conditioner	/RL		1
		headlight washer system			M288
4	477 971 205	wiring harness			1
5	477 971 322 A	double line			1
6	477 971 235	ground strap			1

Model	Year	MG	SG	Illustration	Restrictions	UPD	17:22	23.01.2010	PORSCHE	PET	PORSCHE
924S	1988	9	02	902-25		248					



Pos	Part Number	Description	Remark	Qty	Model
		wiring harnesses dashboard centre console lifting roof			
1	944 612 005 20	wiring harness dashboard	/LL	86	1
1	944 612 005 26	wiring harness dashboard	/LL	87	1
1	944 612 005 35	wiring harness dashboard	/LL	88	1
1	944 612 005 21	wiring harness dashboard	/LL	86	1 AUT.
1	944 612 005 36	wiring harness dashboard	/LL	87-	1 AUT.
1	944 612 005 22	wiring harness dashboard		86	1 (SA)
1	944 612 005 37	wiring harness dashboard		87-	1 (SA)
1	945 612 005 20	wiring harness dashboard	/RL	86	1
1	945 612 005 25	wiring harness dashboard	/RL	87-	1
1	945 612 005 21	wiring harness dashboard	/RL	86	1 AUT.
1	945 612 005 26	wiring harness dashboard	/RL	87-	1 AUT.
		wiring harness centre console			
2	477 971 196 DB	wiring harness centre console		1	
2	477 971 196 CB	wiring harness centre console		1	M573
		wiring harness lifting roof			
-	944 612 121 00	wiring harness lifting roof		1	M650

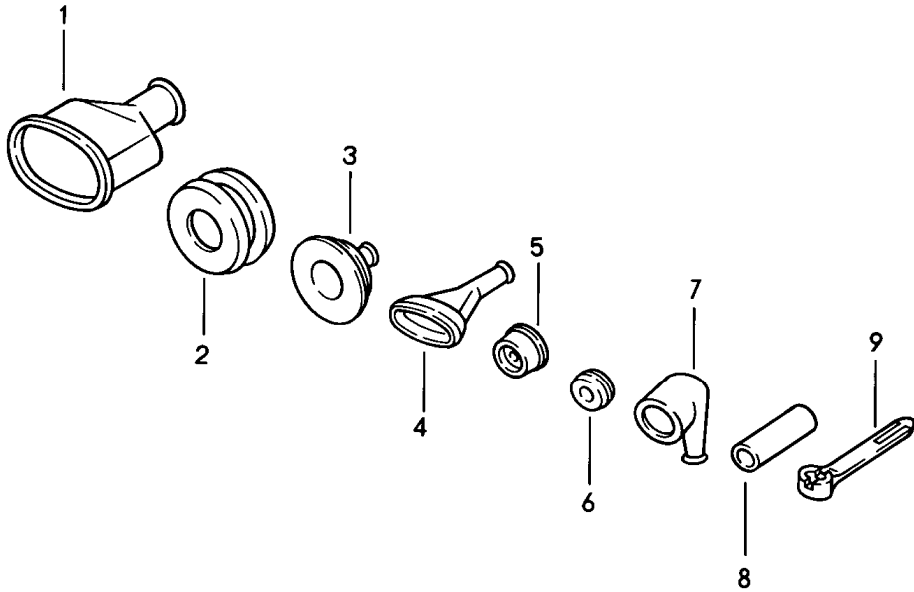
Model	Year	MG	SG	Illustration	Restrictions	UPD	17:22	23.01.2010	PORSCHE	PET	PORSCHE
924S	1988	9	02	902-30		248					



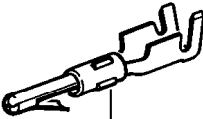
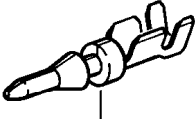
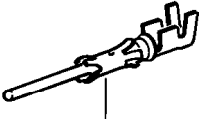
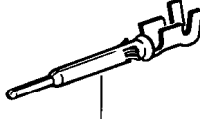

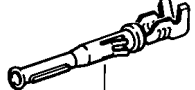


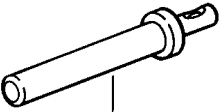
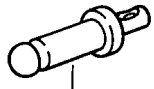
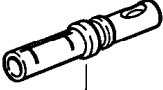

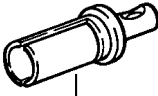
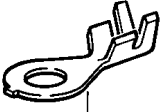
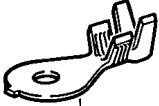
Pos	Part Number	Description	Remark	Qty	Model
		wiring harnesses rear end			
1	944 612 004 20	wiring harness rear end	-87	1	
1	944 612 004 22	wiring harness rear end	88	1	
(1)	944 612 004 21	wiring harness rear end	-87	1	AUT.
1	944 612 004 23	wiring harness rear end	88	1	AUT.
2	477 971 257 B	line gas-pressure spring rear window		2	
3	477 971 263 B	ground strap gas-pressure spring		2	
4	477 971 345 A	wiring harness rear window wiper		1	
5	477 971 346	wiring harness rocker switch rear window wiper		1	

Model	Year	MG	SG	Illustration	Restrictions	UPD	17:22	23.01.2010	PORSCHE	PET	PORSCHE
924S	1988	9	02	902-37		248					

Pos	Part Number	Description	Remark	Qty	Model
		protective grommet tie-wrap			
1	431 971 866	protective grommet for terminal sleeve housing		X	
2	477 971 871 B	rubber sleeve for wiring harness engine		X	
3	021 119 569	rubber sleeve for wiring harness rear end		X	
(3)	477 971 911	protective grommet for wiring harness battery		X	
(3)	944 612 324 00	rubber sleeve		X	
4	022 906 102	protection cap		X	
(4)	944 612 128 00	protection cap		X	
5	411 941 189	grommet		X	
(6)	111 941 189	drain bush		X	
7	113 927 249	protection cap		X	
8	059 971 891	sleeve		X	
9	477 971 850 A	tie-wrap 360 X 4,5		X	
(9)	N 020 902 1	tie-wrap 120 X 6,5		X	
(9)	999 513 001 40	tie-wrap 140 X 3,6		X	
(9)	999 513 049 40	tie-wrap for weld screw		X	
(9)	999 513 010 40	tie-wrap for weld screw		X	
(9)	443 971 850 A	tie-wrap for weld screw		X	



Model	Year	MG	SG	Illustration	Restrictions	UPD	17:22	23.01.2010	PORSCHE	PET	PORSCHE
924S	1988	9	02	902-50		248					

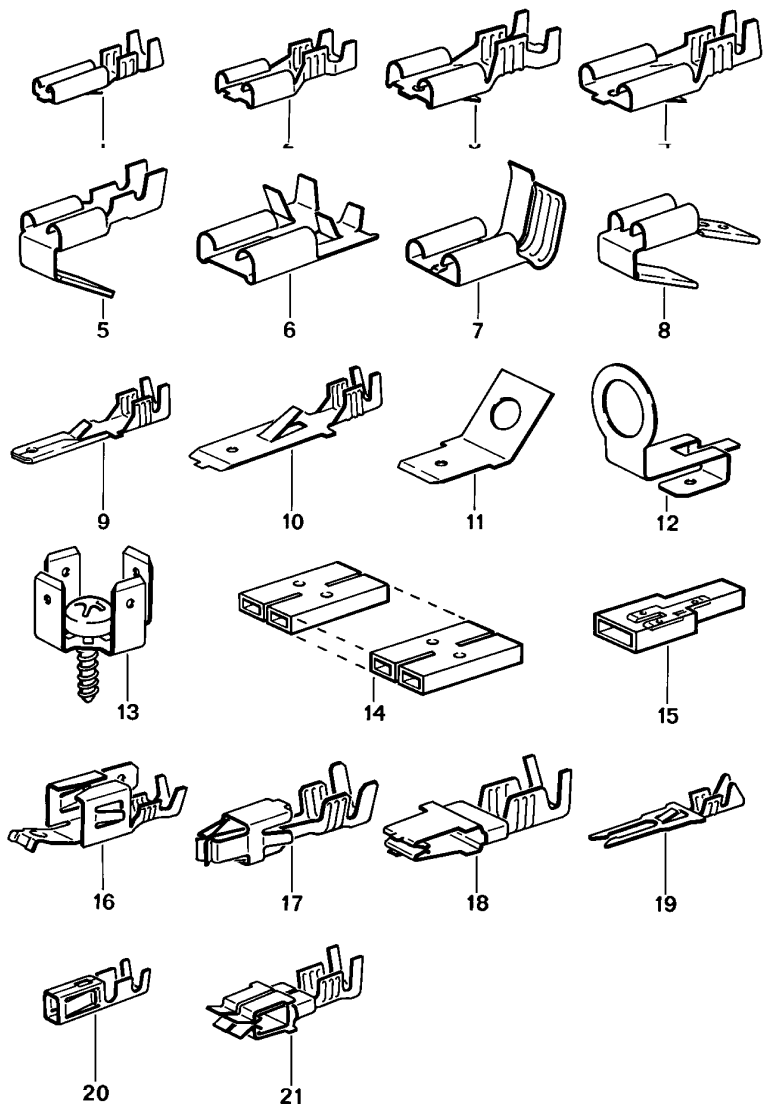
				Pos	Part Number	Description	Remark	Qty	Model
				1	N 017 586 2	round connector contact pin cable shoe		X	
				2	944 612 428 00	round connector \$ 0,75 - 1,5 CUSN		X	
				3	N 017 564 1	round connector \$ 0,5 - 1,0 CUSN		X	
				4	N 017 562 4	cylindrical socket \$ 0,5 - 1,0 CUSN		X	
				6	N 017 599 4	cylindrical socket \$ 2,5 - 6,0 CUSN		X	
				7	944 612 427 00	contact bush \$ 0,75 - 1,5 CUSN		X	
				8	999 652 369 12	pin \$ 0,5 - 2,0 CUAG		X	
				9	911 612 907 00	contact pin \$ 0,5 - 2,0 CUAG		X	
				9	944 612 546 00	contact pin \$ 0,5 - 2,0		X	
				10	944 612 548 00	contact bush \$ 0,5 - 2,0 CUAG		X	
				11	999 652 351 22	contact bush \$ 0,5 - 2,0 CUBE		X	
				12	999 652 371 12	bush \$ 0,5 - 2,0 CUAG		X	
				13	N 017 505 4	cable shoe \$ 5,0 - 1,0		X	
				(13)	N 017 515 4	cable shoe \$ 5,0 - 2,5		X	
				(13)	N 017 516 2	cable shoe \$ 6,0 - 2,5		X	
				(13)	N 017 518 2	cable shoe \$ 8,0 - 2,5 CUSN		X	
				(13)	999 652 246 10	cable shoe \$ 8,0 - 2,5 CUSN		X	
				(13)	999 652 235 10	cable shoe \$ 10 - 2,5		X	

Model	Year	MG	SG	Illustration	Restrictions	UPD	17:22	23.01.2010	PORSCHE	PET	PORSCHE
924S	1988	9	02	902-50		248					

Pos	Part Number	Description	Remark	Qty	Model	Pos	Part Number	Description	Remark	Qty	Model
14	999 652 208 10	cable shoe \$ 6,0 - 2,5		X							

Model	Year	MG	SG	Illustration	Restrictions	UPD	17:22	23.01.2010	PORSCHE	PET	PORSCHE
924S	1988	9	02	902-52		248					

Pos	Part Number	Description	Remark	Qty	Model
1	111 971 958	flat plug push-on connector		X	
(1)	N 017 243 1	flat receptacle without clip		X	
2	111 971 959	flat receptacle with clip		X	
2	N 017 491 8	flat receptacle with clip		X	
2	N 017 494 3	flat receptacle with clip		X	
(2)	999 652 106 02	flat receptacle without clip		X	
3	N 017 453 1	flat receptacle without clip		X	
3	N 017 245 1	flat receptacle without clip		X	
5	N 017 242 1	flat receptacle with push-on connector		X	
6	N 017 498 2	flat receptacle		X	
7	999 652 116 02	flat receptacle		X	
8	999 652 122 10	multiple plug connector		X	



Model	Year	MG	SG	Illustration	Restrictions	UPD	17:22	23.01.2010	PORSCHE	PET	PORSCHE
924S	1988	9	02	902-52		248					

Pos	Part Number	Description	Remark	Qty	Model	Pos	Part Number	Description	Remark	Qty	Model
9	N 017 457 2	flat plug with clip 2,8 X 1		X		21	999 652 456 22	contact spring \$ 0,75 - 1,5		X	
10	111 971 985	flat plug with clip 6,3 X 1		X							
10	111 971 986	flat plug with clip 6,3 X 2,5		X							
11	999 652 125 10	flat plug 6,3/\$ 2,8		X							
11	999 652 315 02	flat plug 6,3/\$ 5,3 CUSN		X							
(11)	999 652 315 02	flat plug 6,3/\$ 5,3		X							
12	911 603 911 00	connector 6,3		X							
13	171 971 519 A	ground connector 6,3		X							
14	999 652 142 40	push-on connector 6,3		X							
(14)	999 652 142 40	push-on connector 6,3 5-pole 6,3 single pole		X							
15	999 652 151 40	push-on connector 6,3		X							
16	999 652 275 10	contact 6,3		X							
17	N 903 353 03	contact spring \$ 2,5 - 3,5		X							
18	999 652 451 22	coding element 6,3/\$ 0,5 - 1,0		X							
19	999 652 380 12	contact spring \$ 0,4 - 0,75		X							
20	999 652 269 12	contact spring		X							

Model	Year	MG	SG	Illustration	Restrictions	UPD	17:23	23.01.2010	PORSCHE	PET	PORSCHE
924S	1988	9	02	902-54		248					

Pos	Part Number	Description	Remark	Qty	Model
		insulated cable connection connector housing single pole			
1	999 652 149 40	insulated cable connection \$ 1,5		X	
2	111 971 921	protection cap 6,3		X	
3	999 652 160 40	protection cap 6,3		X	
5	211 971 921	protection cap 6,3		X	
6	059 905 371	diode connector 6,3		X	
7	111 971 921 B	connector housing 6,3		X	
8	999 652 119 40	connector housing 6,3		X	
9	825 971 990	terminal sleeve housing 6,3		X	
11	431 971 995	terminal sleeve housing 6,3		X	
12	823 971 976	connector housing 2,8		X	
13	823 971 990	terminal sleeve housing 2,8		X	
16	171 971 998	connector housing 1,6		X	
17	171 971 999	terminal sleeve housing 1,6		X	
18	999 653 002 90	connector housing with		X	
-	999 652 371 12	bush		X	
21	111 971 977	plug with guide 6,3		X	
22	813 972 643 A	flat connector socket		X	

Model	Year	MG	SG	Illustration	Restrictions	UPD	17:23	23.01.2010	PORSCHE	PET	PORSCHE
924S	1988	9	02	902-56		248					

Pos	Part Number	Description	Remark	Qty	Model
1	999 652 370 40	connector housing 2-pole		X	
-	999 652 371 12	bush		X	
2	999 652 372 40	clip		X	
3	999 652 368 40	connector housing for		X	
-	999 652 369 12	pin		X	
4	911 612 887 00	connector housing for		X	
-	999 652 351 22	contact bush		X	
5	928 612 557 00	connector housing for		X	
-	944 612 548 00	contact bush		X	
6	999 652 381 00	connector housing with contact bush		X	
7	911 645 112 00	adapter plug with contact bush		X	
8	944 612 547 00	connector housing for		X	
-	944 612 548 00	contact bush		X	
9	911 612 118 00	connector housing with contact bush		X	
10	999 652 167 40	terminal sleeve housing 6,3		X	
11	999 652 192 47	connector housing 6,3		X	
12	810 971 989	connector housing 6,3		X	
13	171 906 231	connector housing 6,3		X	
14	171 971 934	connector housing 6,3		X	

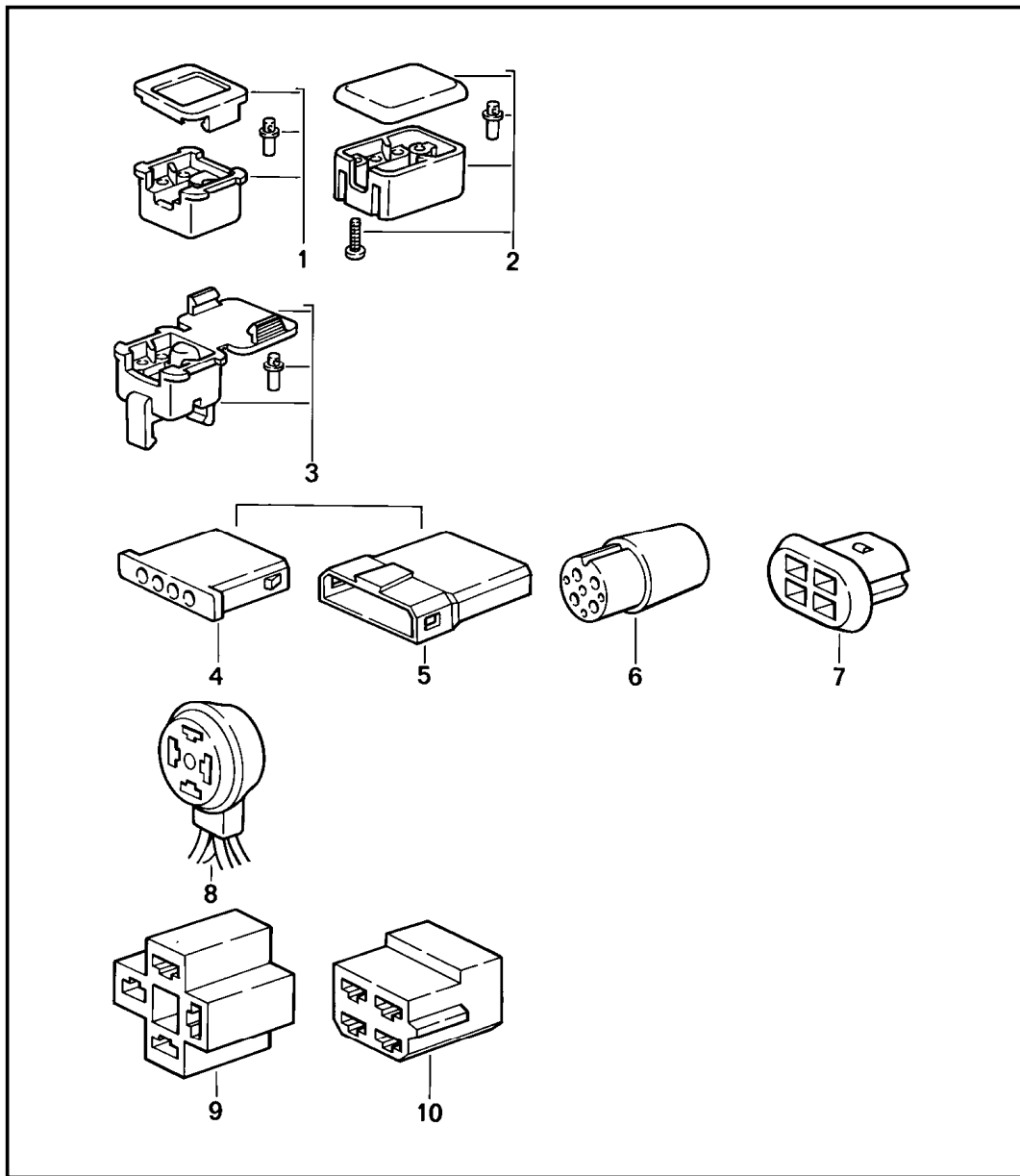
Model	Year	MG	SG	Illustration	Restrictions	UPD	17:23	23.01.2010	PORSCHE	PET	PORSCHE
924S	1988	9	02	902-56		248					

Pos	Part Number	Description	Remark	Qty	Model	Pos	Part Number	Description	Remark	Qty	Model
15	815 971 989	connector housing 6,3		X							
16	022 906 231 A	connector housing grey for		X							
-	N 903 353 03	contact spring		X							
16	928 612 825 00	connector housing beige		X							
18	810 971 993	terminal sleeve housing		X							
19	171 971 998 A	terminal sleeve housing 1,6		X							
20	171 971 999 A	connector housing 1,6		X							
21	171 971 999 A	terminal sleeve housing 1,6		X							
22	944 612 439 00	connector housing for cigarette lighter		X							

Model	Year	MG	SG	Illustration	Restrictions	UPD	17:23	23.01.2010	PORSCHE	PET	PORSCHE
924S	1988	9	02	902-58		248					

Pos	Part Number	Description	Remark	Qty	Model
1	165 941 165	connector housing 3-pole		X	
2	113 945 525	connector housing 3,5		X	
3	944 612 436 00	terminal sleeve housing 6,3		X	
-	944 612 428 00	connector for		X	
4	944 612 435 00	round connector		X	
-	944 612 427 00	connector housing for		X	
5	171 971 998 B	contact bush		X	
6	171 971 999 B	connector housing 1,6		X	
7	113 919 113	terminal sleeve housing 1,6		X	
8	821 971 970	connector housing 6,3		X	
9	821 971 975	connector housing		X	
10	111 941 341	terminal sleeve housing 6,3		X	
11	914 612 327 10	connector housing 6,3		X	
12	311 906 231 B	connector housing		X	
13	022 906 233 B	connector housing		X	

Model	Year	MG	SG	Illustration	Restrictions	UPD	17:23	23.01.2010	PORSCHE	PET	PORSCHE
924S	1988	9	02	902-60		248					



Pos	Part Number	Description	Remark	Qty	Model
1	901 612 891 01	connector housing 4-pole		X	
-	999 652 371 12	bush		X	
2	901 612 891 00	connector housing with		X	
-	999 652 371 12	bush		X	
3	944 612 217 00	connector housing with		X	
-	999 652 351 22	contact bush		X	
4	171 971 999 C	connector housing 1,6		X	
5	171 971 998 C	terminal sleeve housing 1,6		X	
6	914 612 325 00	plug socket 1,6		X	
7	928 612 131 00	connector housing		X	
8	901 612 334 00	plug socket		X	
9	928 631 108 00	connector housing 6,3		X	
10	803 905 897	connector housing 6,3		X	

Model	Year	MG	SG	Illustration	Restrictions	UPD	17:23	23.01.2010	PORSCHE	PET	PORSCHE
924S	1988	9	02	902-62		248					

Pos	Part Number	Description	Remark	Qty	Model
		connector housing 5-pole 6-pole 7-pole			
1	113 971 835	terminal sleeve housing 2,8		X	
2	901 612 333 00	plug socket for standard type relay		X	
3	928 612 411 00	clutch with contact bush		X	
4	803 971 835 A	terminal sleeve housing for relay		X	
5	928 612 335 25	coding element		X	
6	928 612 332 00	module housing		X	
-	999 652 451 22	coding element		X	
7	928 612 331 00	initial housing		X	
8	928 612 542 00	clutch housing		X	
9	944 612 539 00	clutch 6-pole		X	
13	171 971 999 E	connector housing 1,6		X	
14	171 971 998 E	connector housing 1,6		X	
15	803 971 831	terminal sleeve housing 6,3		X	
16	911 612 868 01	clutch with contact bush		X	
(16)	911 612 868 01	clutch with contact bush		X	
17	911 612 867 02	connector with contact pin		X	

Model	Year	MG	SG	Illustration	Restrictions	UPD	17:23	23.01.2010	PORSCHE	PET	PORSCHE
924S	1988	9	02	902-62		248					

Pos	Part Number	Description	Remark	Qty	Model	Pos	Part Number	Description	Remark	Qty	Model
18	928 612 469 00	clutch for contact pin		X							
19	944 612 537 00	clutch		X							
20	901 612 330 00	multiple plug connection		X							
21	901 612 061 00	clutch 7-pole		X							
27	911 612 332 00	plug socket		X							
28	911 612 331 00	connector		X							
29	803 971 980	pin connector socket		X							
30	803 971 979	plug socket		X							
31	071 906 233	terminal sleeve housing		X							
32	111 953 631	terminal sleeve housing		X							

Model	Year	MG	SG	Illustration	Restrictions	UPD	17:23	23.01.2010	PORSCHE	PET	PORSCHE
924S	1988	9	02	902-64		248					

Pos	Part Number	Description	Remark	Qty	Model
		connector housing 8-pole 9-pole			
1	944 612 117 00	connector housing with		X	
-	999 652 371 12	bush		8	
2	928 612 117 01	connector housing with		X	
-	999 652 371 12	bush		8	
3	999 652 395 40	connector housing		X	
4	999 652 396 40	clip		X	
5	944 612 554 00	connector housing for		X	
-	944 612 548 00	contact bush		X	
6	944 612 553 00	connector housing		X	
7	803 971 971	connector housing 6,3		X	
8	113 971 998 B	connector housing		X	
9	321 971 999 A	terminal sleeve housing		X	
10	911 612 120 00	connector housing 6,3		X	
16	135 937 501 A	terminal sleeve housing 9-pole		X	
17	849 941 593	connector housing		X	

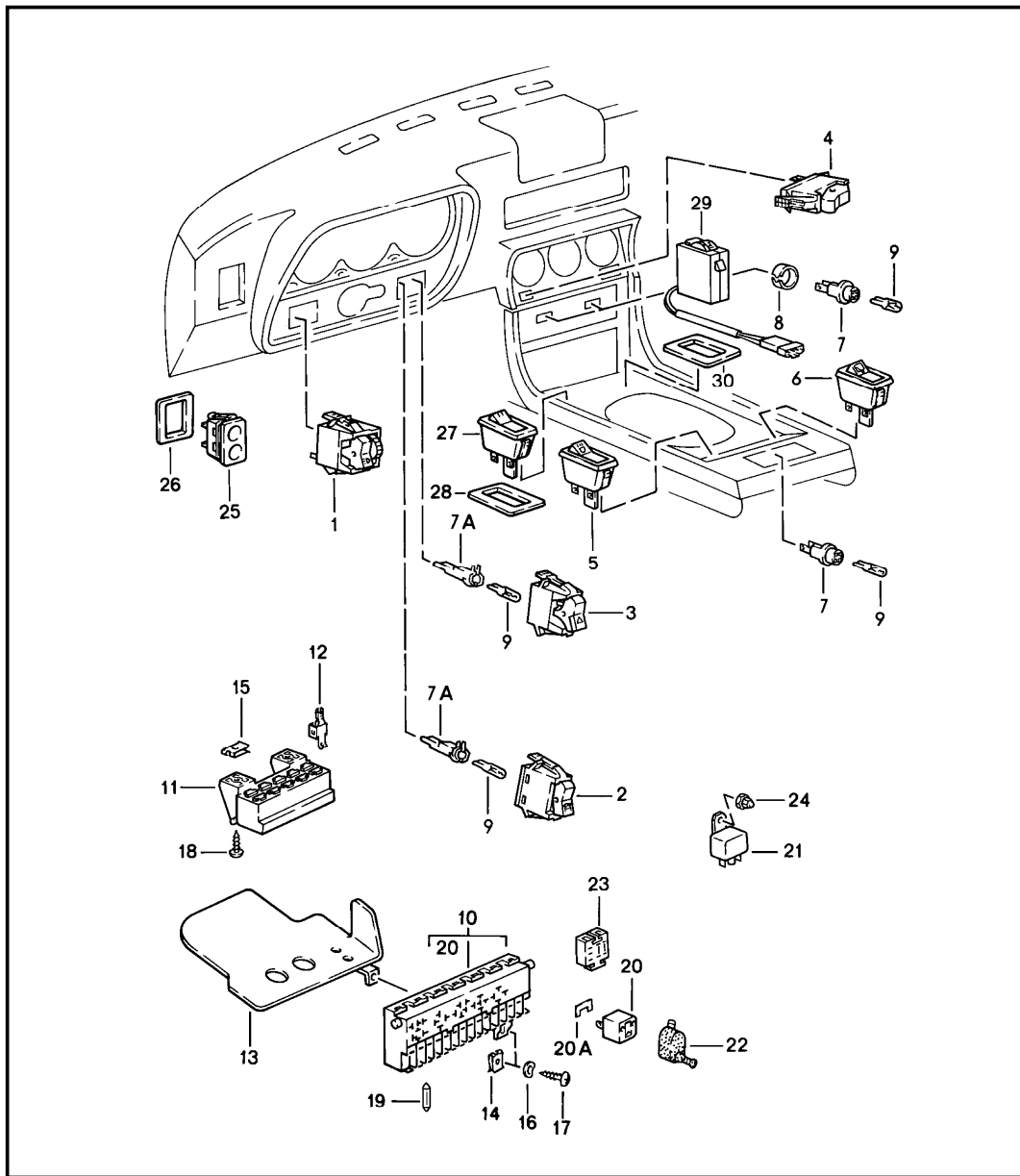
Model	Year	MG	SG	Illustration	Restrictions	UPD	17:24	23.01.2010	PORSCHE	PET	PORSCHE
924S	1988	9	02	902-66		248					

Pos	Part Number	Description	Remark	Qty	Model
		connector housing 10-pole until 22-pole			
1	911 612 889 00	connector housing with contact bush		X	
(2)	944 613 531 01	connector housing for		X	
-	944 612 548 00	contact bush		X	
8	861 972 524	connector housing		X	
9	911 612 122 02	connector housing with contact bush		X	
10	928 612 423 00	connector housing		X	
11	911 612 884 00	connector housing		X	
11	911 612 121 01	connector housing		X	
16	911 612 115 02	connector housing		X	
17	911 612 113 05	connector housing		X	
18	911 612 115 03	connector housing		X	
19	944 612 215 00	connector housing with contact bush		X	
		17-pole			
22	944 612 311 00	connector housing for		X	
-	999 652 380 12	contact spring		X	
		19-pole			
25	171 971 971 C	connector housing beige		X	
25	171 971 971 E	connector housing white		X	

Model	Year	MG	SG	Illustration	Restrictions	UPD	17:24	23.01.2010	PORSCHE	PET	PORSCHE
924S	1988	9	02	902-66		248					

Pos	Part Number	Description	Remark	Qty	Model	Pos	Part Number	Description	Remark	Qty	Model
		20-pole									
28	171 971 971	connector housing yellow		X							
28	171 971 971 D	connector housing red		X							
		22-pole									
31	171 971 971 A	connector housing black		X							
31	171 971 971 B	connector housing blue		X							

Model	Year	MG	SG	Illustration	Restrictions	UPD	17:24	23.01.2010	PORSCHE	PET	PORSCHE
924S	1988	9	03	903-00		248					

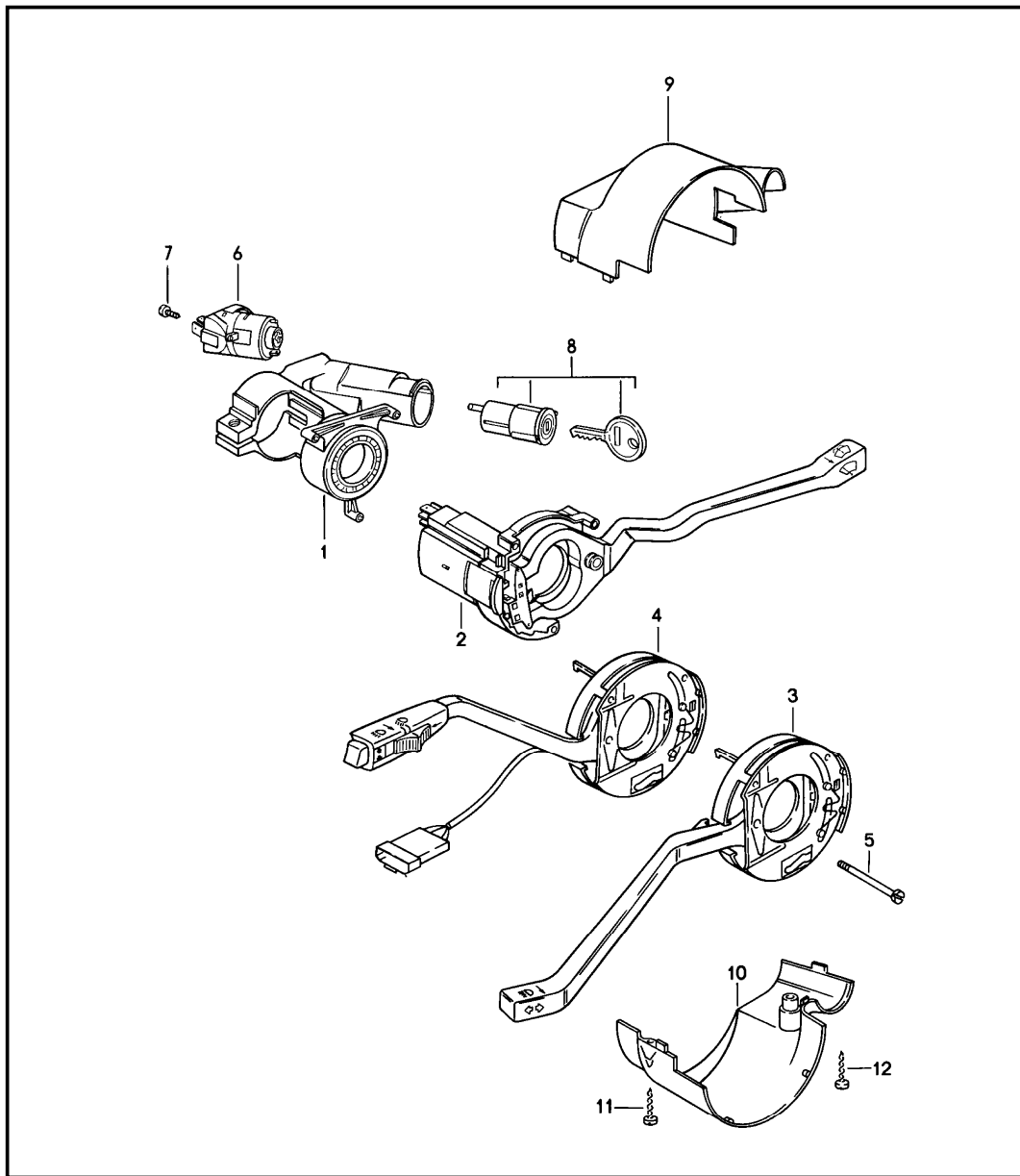


Pos	Part Number	Description	Remark	Qty	Model
		switch relay			
1	477 941 531 F	light switch		1	
2	477 959 623	switch rear window heating		1	
3	477 953 235 A	emergency light switch		1	
4	944 613 110 00	switch for rear fog light		1	
5	477 941 563 A	switch additional headlamp		1	
6	477 955 701	rocker switch rear window wiper		1	
(6)	477 955 702	switch headlight washer system		1	
(6)	477 955 703	rocker switch door mirror		1	
7	914 631 179 10	bulb socket		3	
8	477 919 333	knob holder		2	
9	900 631 132 90	bulb 12 V, 1,2 W		X	
10	477 941 813	relay plate		1	
11	477 937 511	fuse holder 9-pole		1	
12	999 652 275 10	contact		X	
13	477 941 802	cover	/LL	1	
(13)	478 941 802	cover	/RL	1	
14	N 015 438 1	speed nut B 3,5 X 16,5		1	
15	N 045 421 1	tapping screw B 4,2		2	
16	N 011 663 1	washer B 3,7		1	
17	900 143 072 02	oval-head sheetmetal screw B 3,5 X 19		1	
18	N 013 964 4	tapping screw B 4,2 X 16		2	

Model	Year	MG	SG	Illustration	Restrictions	UPD	17:24	23.01.2010	PORSCHE	PET	PORSCHE
924S	1988	9	03	903-00		248					

Pos	Part Number	Description	Remark	Qty	Model	Pos	Part Number	Description	Remark	Qty	Model
19	N 017 121 1	safety fuse 8 A		X		(21)	944 615 103 00	switch unit for radio lifting roof		1	M650
(19)	N 017 121 4	safety fuse 16 A		X							
(19)	N 017 121 5	safety fuse 25 A		1		22	477 971 923	protection cap		1	
20A	171 937 545	plug bridge		1		23	135 937 501 A	terminal sleeve housing		X	
(20)	111 953 227 D	flasher relay		1		24	999 070 007 40	cap nut		1	
(20)	928 618 102 03	relay with warning function		1	M215	25	944 613 129 01	tip switch		1	
(20)	141 951 253 B	relay additional headlamp electric fan rear window heating		3			01C	satin black rear lid release			
(20)	443 963 141	relay for horn		1		26	477 867 185 A	mounting piece		1	
(20)	A 944 615 113 01	relay for air conditioner		1			1DB	black			
(20)	944 615 113 02	relay for air conditioner		1		27	951 613 123 00	switch lifting roof		1	
(20)	477 955 531 A	interval relay		1		28	944 613 124 00	rosette		1	
(20)	A 993 615 227 00	relay for fuel pump		1		29	944 631 230 00	switch headlight levelling system	88	1	
(20)	993 615 227 01	relay for fuel pump		1		30	944 631 228 00	rosette	88	1	
(20)	A 111 943 383 C	relay for electric motor pop-up headlight		1							
(20)	944 617 150 00	relay warning function oil level		1							
(20)	911 617 119 00	switch unit exhaust gas temperature monitoring	(J)	1							

Model	Year	MG	SG	Illustration	Restrictions	UPD	17:24	23.01.2010	PORSCHE	PET	PORSCHE
924S	1988	9	03	903-06		248					

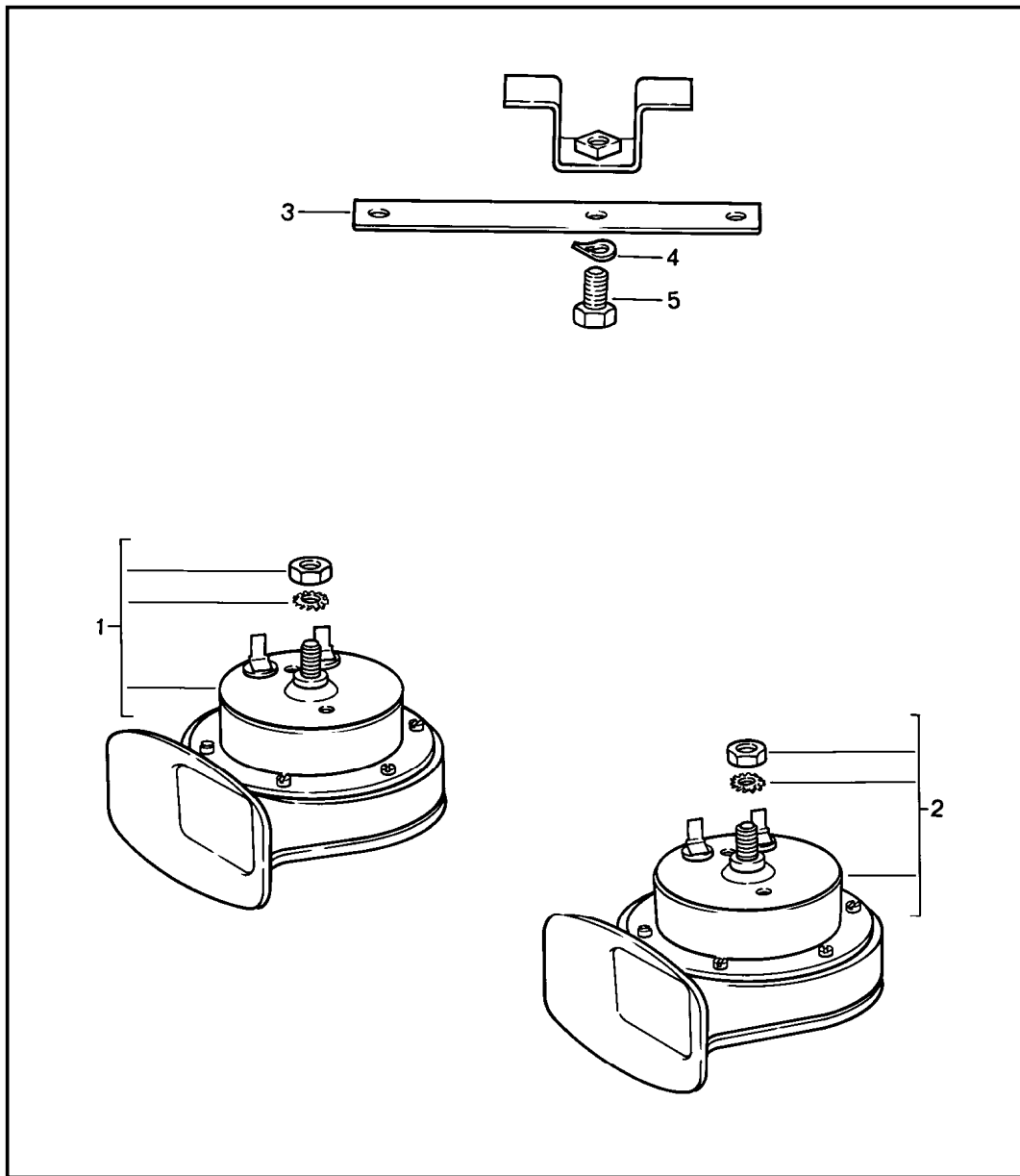


Pos	Part Number	Description	Remark	Qty	Model
		steering lock housing steering column switch			
1	321 905 851 D	steering lock housing		1	
2	477 953 902	wiper switch		1	
	01C	black			
	89S	brown			
3	477 953 901	direction indicator switch		1	
	01C	black			
	89S	brown			
4	477 953 903	direction indicator switch cruise control	/LL	1	M454
	01C	black			
	89S	brown			
(4)	477 953 905	direction indicator switch cruise control	(F)	1	M454
	01C	black			
	89S	brown			
5	321 953 573	screw		3	
6	111 905 865 L	ignition starter switch		1	
7	900 146 104 02	combination screw		1	
8	477 905 855 C	lock cylinder with keys w/o stipulated lock number		1	
(8)	477 905 855 D	lock cylinder with keys with stipulated lock number		1	
9	477 953 515 B	lining		1	
	1DB	black			
	4RB	cadbury brown			
10	477 953 516 B	lining		1	
	1DB	black			
	4RB	cadbury brown			

Model	Year	MG	SG	Illustration	Restrictions	UPD	17:24	23.01.2010	PORSCHE	PET	PORSCHE
924S	1988	9	03	903-06		248					

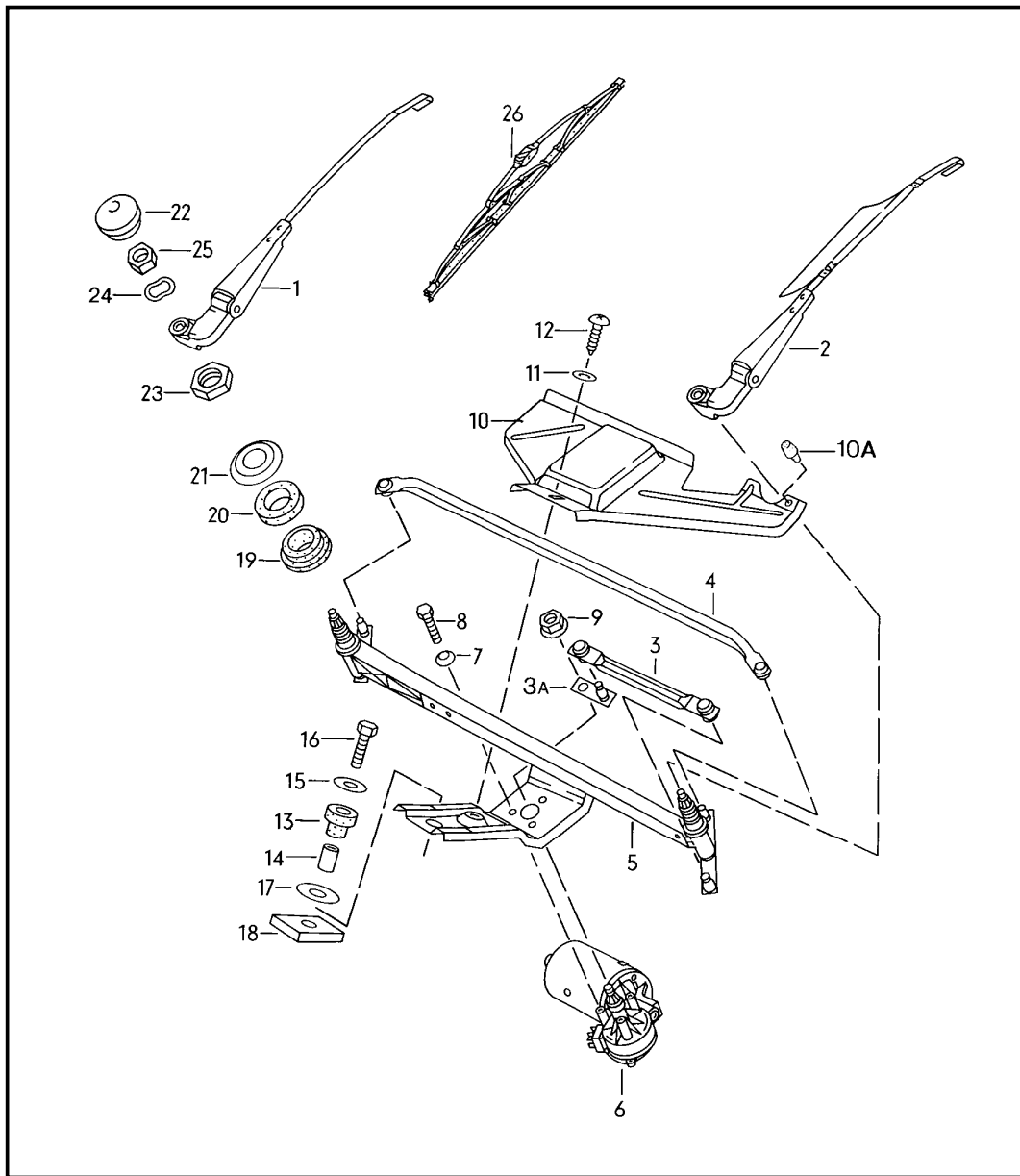
Pos	Part Number	Description	Remark	Qty	Model	Pos	Part Number	Description	Remark	Qty	Model
11	N 043 959 1	tapping screw B 2,9 X 22		1							
12	N 013 953 10	tapping screw B 2,9 X 9,5		1							

Model	Year	MG	SG	Illustration	Restrictions	UPD	17:24	23.01.2010	PORSCHE	PET	PORSCHE
924S	1988	9	03	903-10		248					



Pos	Part Number	Description	Remark	Qty	Model
1	928 635 222 00	horn fanfare low-pitched		1	
2	928 635 221 00	fanfare high-pitched		1	
3	810 951 229	spring clip		1	
4	N 012 228 3	spring washer		1	
5	900 075 078 02	hexagon-head bolt M 8 X 15		1	

Model	Year	MG	SG	Illustration	Restrictions	UPD	17:24	23.01.2010	PORSCHE	PET	PORSCHE
924S	1988	9	04	904-00		248					

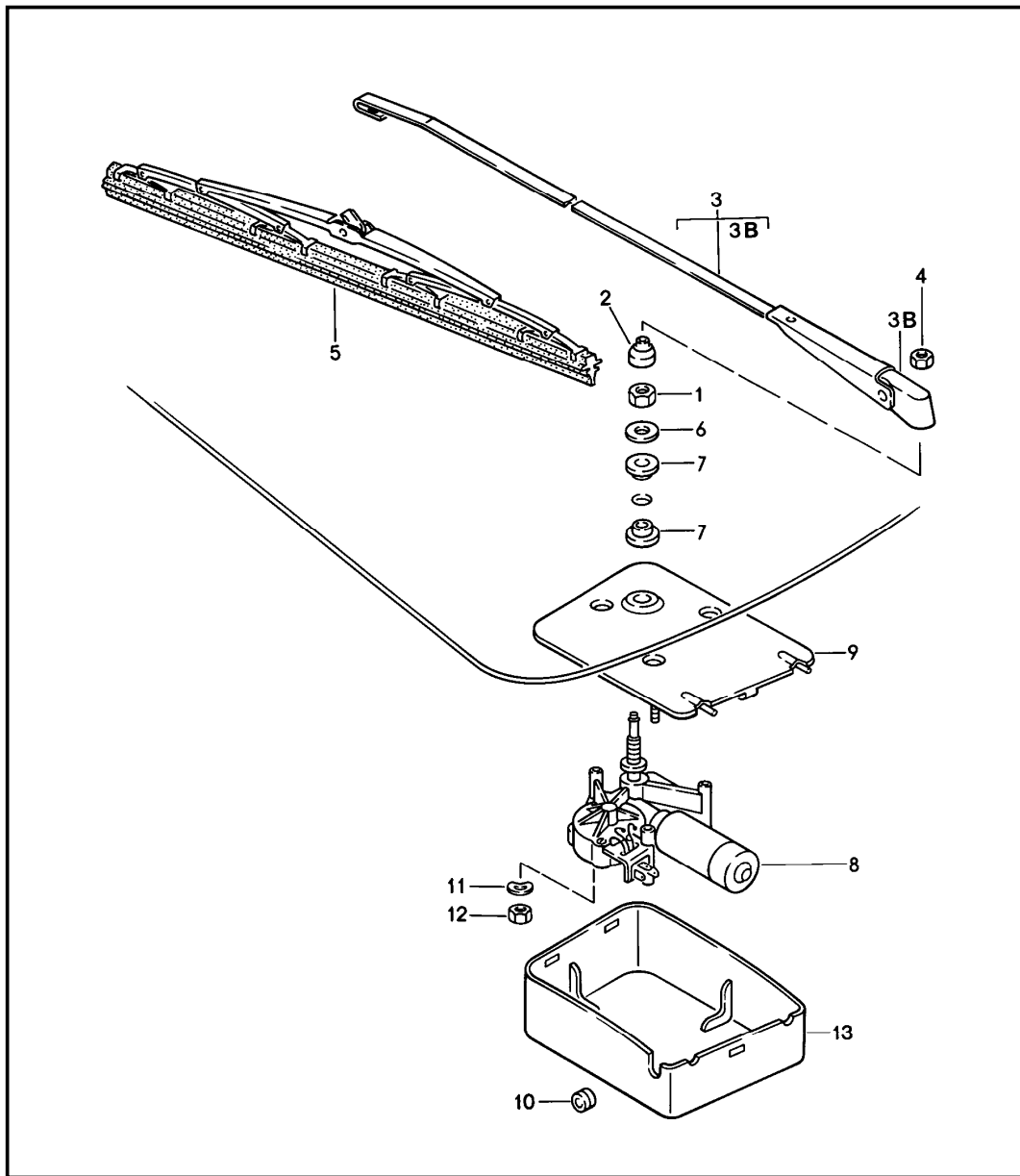


Pos	Part Number	Description	Remark	Qty	Model
		windscreen wiper system			
1	477 955 028	wiper arm passenger's side		1	
(1)	478 955 027 A	wiper arm driver's side	/RL	1	
(2)	477 955 027	wiper arm with spoiler driver's side	/LL	1	
3	477 955 035 B	connecting rod		1	
3A	477 955 039 A	crank		1	
4	477 955 036 B	connecting rod		1	
5	477 955 041 B	frame		1	
6	477 955 113 B	windscreen wiper motor		1	
7	N 012 105 3	serrated lock washer A 6,4		3	
8	999 072 005 09	hexagon-head bolt M 6 X 12		3	
9	999 084 045 02	lock nut M 6		1	
10	477 955 123	cover	/LL	1	
(10)	478 955 123	cover	/RL	1	
10A	803 827 589 A	buffer		1	
11	900 151 028 02	washer B 4,3		1	
12	N 013 957 5	tapping screw BZ 3,5 X 9,5		1	
13	477 955 127	rubber bush		1	
14	477 955 128	spacer sleeve		1	
15	N 011 666 7	washer B 6,4		1	
16	900 378 030 09	hexagon-head bolt M 6 X 20		1	
17	281 711 135	washer 12,2 X 28 X 2		1	
18	477 955 129	desk pad		1	

Model	Year	MG	SG	Illustration	Restrictions	UPD	17:24	23.01.2010	PORSCHE	PET	PORSCHE
924S	1988	9	04	904-00		248					

Pos	Part Number	Description	Remark	Qty	Model	Pos	Part Number	Description	Remark	Qty	Model
19	901 628 924 00	rubber bush		2							
20	901 628 923 01	rubber bush		2							
21	911 628 963 00	flange washer		2							
22	477 955 205	cap		2							
23	481 955 243 A	hexagon nut M 16 X 1		2							
24	803 955 437	washer		2							
25	N 011 008 8	hexagon nut M 8		2							
26	478 955 425	wiper blade		2							

Model	Year	MG	SG	Illustration	Restrictions	UPD	17:25	23.01.2010	PORSCHE	PET	PORSCHE
924S	1988	9	04	904-05		248					

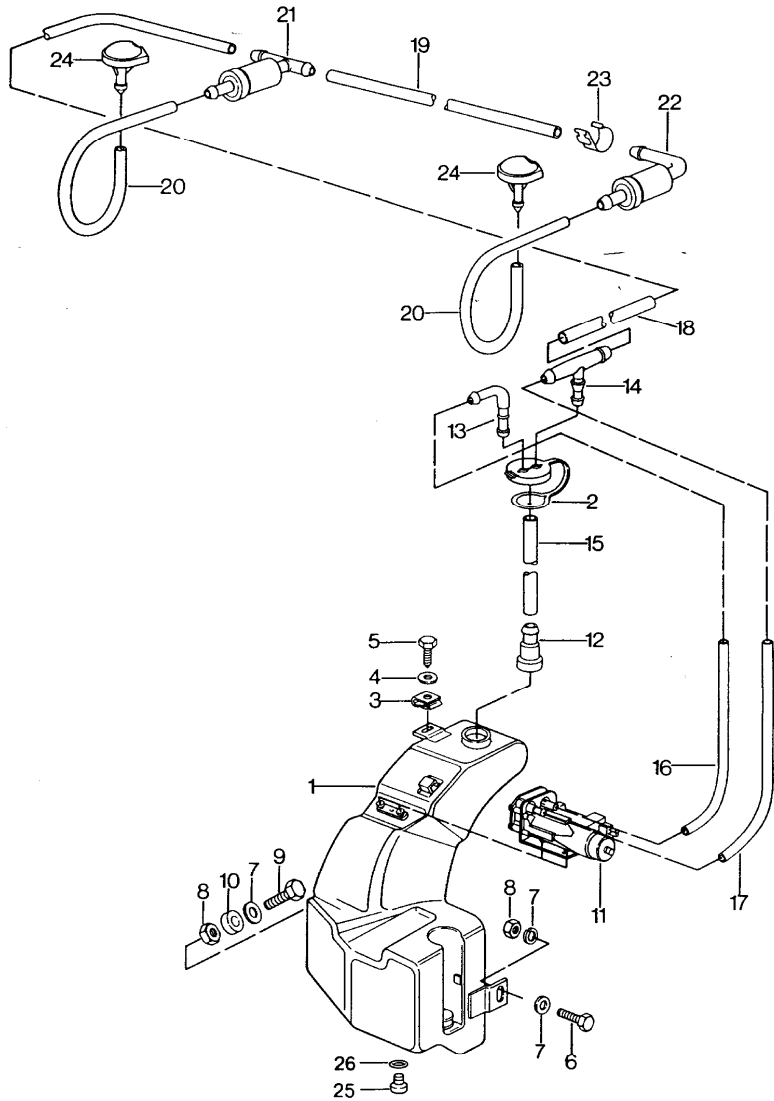


Pos	Part Number	Description	Remark	Qty	Model
		rear window wiper			M425
1	311 955 243 A	hexagon nut M 12 X 1		1	
2	211 955 275 A	cap		1	
3	477 955 409 A	wiper arm		1	
3B	477 955 415	cap		1	
4	999 084 045 02	lock nut M 6		1	
5 A	928 628 218 01	wiper blade		1	
5	928 628 218 02	wiper blade		1	
6	477 955 435 A	washer		1	
7	477 955 439	grommet		2	
8	477 955 713 A	wiper motor together with rear lid MOD.88- use also:		1	
-	944 628 071 02	mounting plate		1	
	03C	black			
-	445 955 753	bush		1	
-	533 955 758	grommet		1	
-	944 628 103 00	bush	86	1	
-	N 014 133 8	oval-head screw M 5 X 12		2	
-	N 011 524 7	washer A 6,4		4	
-	999 209 017 02	spacer sleeve		2	
-	999 702 180 40	rubber sleeve		2	
9	944 628 071 00	mounting plate		1	
9	944 628 071 01	mounting plate	87-	1	
-	937 503 255 01	spacer	87-	2	
-	N 011 524 7	washer A 6,4	87-	2	

Model	Year	MG	SG	Illustration	Restrictions	UPD	17:25	23.01.2010	PORSCHE	PET	PORSCHE
924S	1988	9	04	904-05		248					

Pos	Part Number	Description	Remark	Qty	Model	Pos	Part Number	Description	Remark	Qty	Model
-	N 014 140 5	oval-head screw	87-	2							
10	111 941 189	drain bush		1							
11	N 012 226 5	spring washer B 6		3							
12	900 076 010 02	hexagon nut M 6		3							
13	477 955 737	cap		1							
-	311 949 149 B	grommet for wiring harness		1							
-	171 971 999 A	connector housing		1							

Model	Year	MG	SG	Illustration	Restrictions	UPD	17:25	23.01.2010	PORSCHE	PET	PORSCHE
924S	1988	9	04	904-10		248					

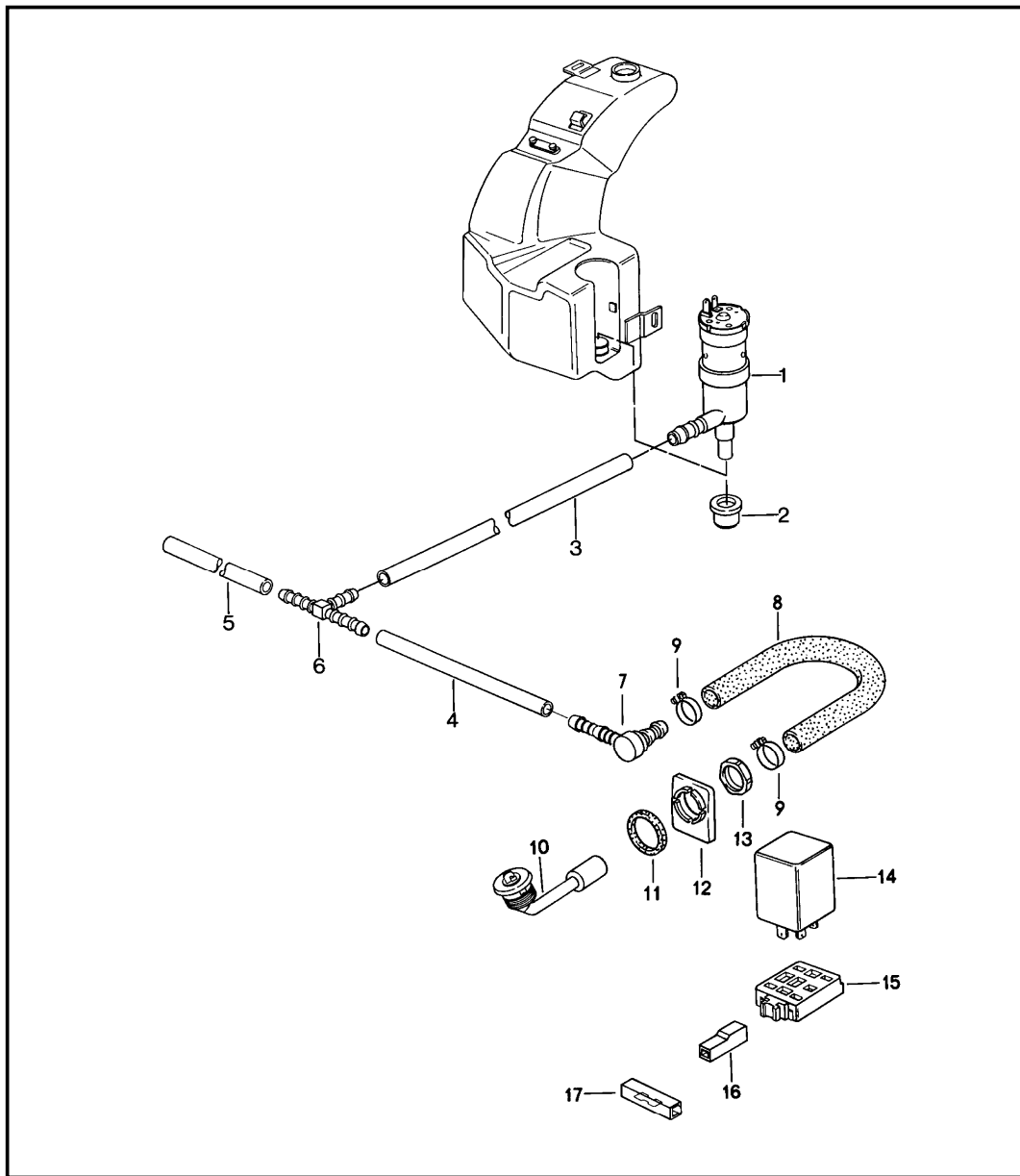


Pos	Part Number	Description	Remark	Qty	Model
		windscreen washer system			
1	477 955 451 D	water reservoir	-87	1	
(1)	944 628 060 00	water reservoir	88-	1	
(1)	944 628 061 00	water reservoir	88-	1	M288
2	477 955 455	lid	-87	1	
(2)	911 628 077 01	lid	88-	1	
3	477 955 461	speed nut 6,3		1	
4	N 011 666 7	washer B 6,4		1	
5	N 013 891 1	tapping screw B 6,3 X 19		1	
6	N 010 218 6	hexagon-head bolt M 6 X 25		1	
7	N 011 612 3	washer R 7		4	
8	900 076 010 02	hexagon nut M 6		2	
9	N 010 220 3	hexagon-head bolt M 6 X 30		1	
10	052 109 135	spacer sleeve		1	
11	823 955 651	pump	-87	1	
11	928 628 172 01	pump	88-	1	
12	911 628 749 00	t-piece		1	
13	477 955 456	connection piece		1	
14	477 955 459	t-socket		1	
-	N 020 301 1	hose 4 X 1		*	
15	-	500 MM		2	
16	-	260 MM		1	
17	-	280 MM		1	
-	999 181 722 40	hose 4,6 X 1,8		*	

Model	Year	MG	SG	Illustration	Restrictions	UPD	17:25	23.01.2010	PORSCHE	PET	PORSCHE
924S	1988	9	04	904-10		248					

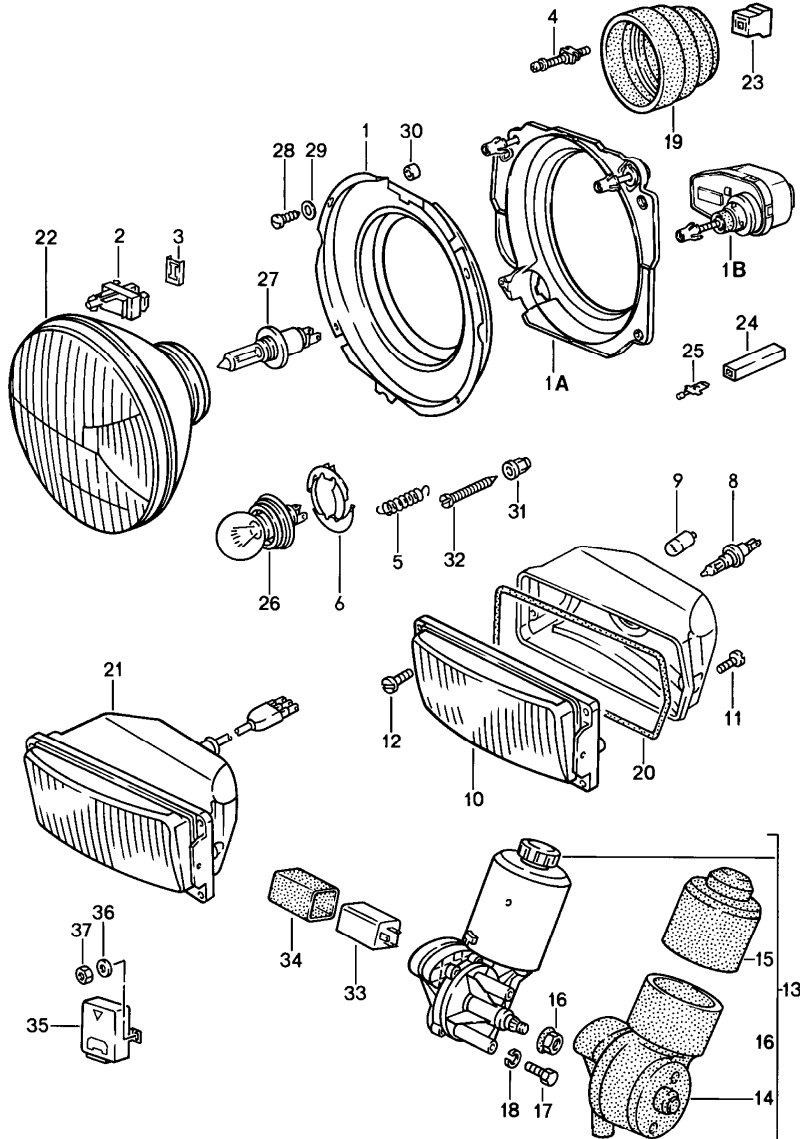
Pos	Part Number	Description	Remark	Qty	Model	Pos	Part Number	Description	Remark	Qty	Model
18	-	1680 MM		1							
19	-	500 MM		1							
20	-	250 MM	/R	1							
(20)	-	330 MM	/L	1							
-	N 100 020 01	clamp		8							
21	914 628 433 00	valve		1							
22	477 955 481	valve		1							
23	477 955 981	cable terminal		1							
(23)	944 628 181 00	retaining clip		6							
(24)	944 628 077 00	nozzle	/R	1							
	01C	black heatable									
(24)	928 628 077 00	nozzle	/L	1							
	70B	black heatable									
25	999 063 015 40	stopper		1							
26	999 707 171 40	o-ring		1							

Model	Year	MG	SG	Illustration	Restrictions	UPD	17:25	23.01.2010	PORSCHE	PET	PORSCHE
924S	1988	9	04	904-15		248					



Pos	Part Number	Description	Remark	Qty	Model
		headlight washer system			M288
1	191 955 681	pump		1	
2	431 955 465 A	gasket		1	
-	N 020 126 1	pipe 12,5 X 1,25		*	
3	-	410 MM		1	
4	-	890 MM		1	
5	-	100 MM		1	
6	113 955 975 B	t-piece		1	
7	477 955 183	pressure control valve		2	
8	928 528 161 02	hose		2	
9	N 023 570 2	hose clamp		4	
10	477 955 177	jet carrier		2	
12	N 019 121 1	nut MPG 11		2	
13	928 618 111 00	relay		1	
14	135 937 501 A	terminal sleeve housing		1	
15	825 971 990	terminal sleeve housing		1	
16	111 937 077 E	line distributor		1	

Model	Year	MG	SG	Illustration	Restrictions	UPD	17:25	23.01.2010	PORSCHE	PET	PORSCHE
924S	1988	9	05	905-00		248					

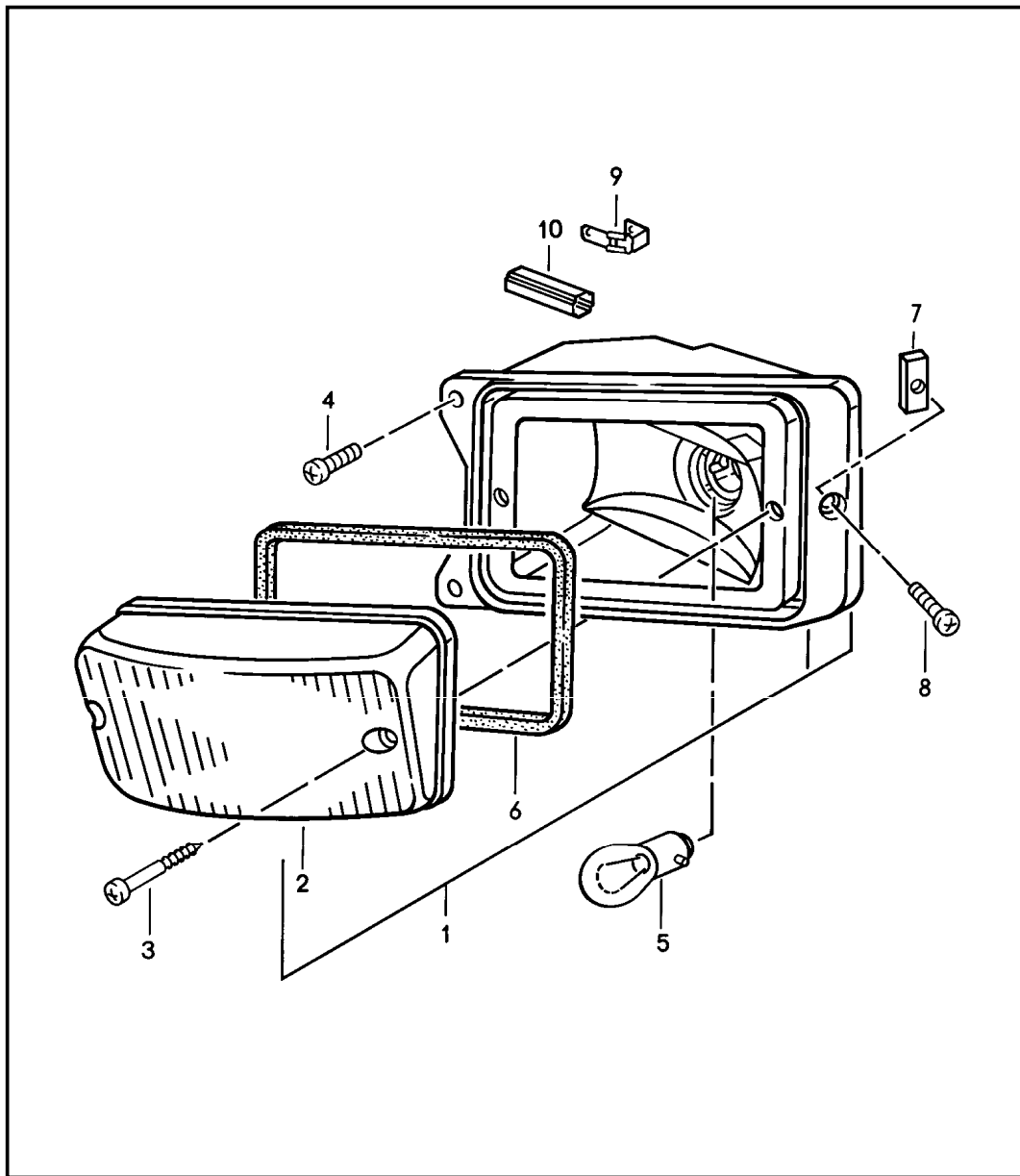


Pos	Part Number	Description	Remark	Qty	Model
-	944 631 911 05	headlamp electric motor pop-up headlight		2	
-	944 631 911 04	headlamp installation set		2	M605
-	944 631 911 09	headlamp installation set		2	M492
-	944 631 911 08	headlamp installation set		2	M492/605
1	477 941 046	retaining frame	-87	2	
1A	944 631 907 00	retaining frame	88	2	
1B	944 631 909 00	electric motor	88	2	M605
2	321 941 133	articulated piece	-87	2	
-	944 631 912 00	articulated piece	88	6	
3	321 941 135	tab washer for articulated piece	-87	2	
4	113 941 141	adjusting screw with threaded pin	-87	4	
5	321 941 157	tension spring	-87	2	
6	111 941 160	retainer spring	(J)	2	
8	900 631 126 90	halogen bulb 12 V 55 W			
9	900 631 103 90	bulb 12 V 4 W		2	
10	944 631 407 00	additional headlamp with retaining frame	/L	87-	1
(10)	944 631 409 00	additional headlamp yellow with retaining frame	/L (F)	87-	1
(10)	944 631 408 00	additional headlamp with retaining frame	/R	87-	1

Model	Year	MG	SG	Illustration	Restrictions	UPD	17:25	23.01.2010	PORSCHE	PET	PORSCHE
924S	1988	9	05	905-00		248					

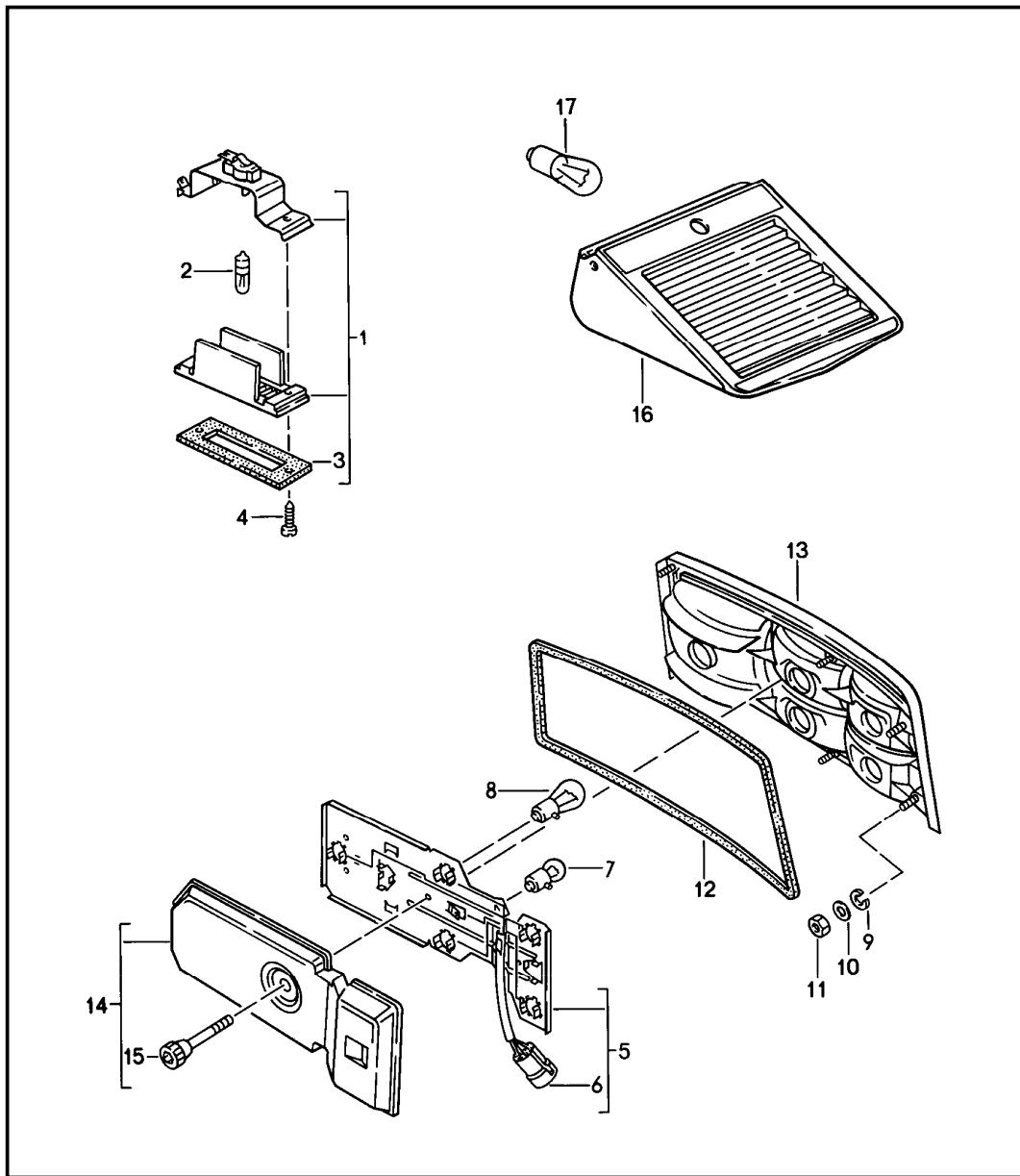
Pos	Part Number	Description	Remark	Qty	Model	Pos	Part Number	Description	Remark	Qty	Model
(10)	944 631 410 00	additional headlamp yellow with retaining frame	/R (F) 87-	1		22	944 631 911 00	headlamp	88	2	M492
11	N 014 122 8	oval-head screw M 4 X 8 M 4 X 8		6		(22)	477 941 775 C	headlamp	(J)	2	
12	900 146 053 07	oval-head screw AM 4 X 18		6		23	111 941 341	connector housing		2	
13	477 941 379 B	electric motor for pop-up headlight		1		24	111 971 977	plug with guide		6	
14	477 941 386	protection cap lower		1		25	111 971 986	flat plug 6,3 X 0,8		6	
15	477 941 387	protection cap upper		1		26	900 631 109 90	bulb 12 V 45/50 W	(J)	2	
16	999 084 049 02	lock nut		1		27	999 631 202 90	halogen bulb YD 12 V 60/55 W		2	
17	999 072 005 09	hexagon-head bolt M 6 X 12		3		(27)	999 631 202 91	halogen bulb YD 12 V 60/55 W	(F)	2	
18	N 012 007 2	lock ring A 6		3		28	900 143 041 00	tapping screw B 3,9 X 19		8	
19	477 941 659 A	cap for headlamp unit		2		29	900 025 002 02	washer A 4,3		8	
20	477 941 715	gasket	86	2		30	477 941 543	spacer sleeve		X	
20	944 631 421 00	gasket	87-	2		31	477 857 173	clip		2	
21	944 631 407 00	additional headlamp white	/L	1		32	N 043 979 2	tapping screw		2	
(21)	944 631 409 00	high-beam headlight yellow	/L (F)	1		33	A 111 943 383 C	relay		1	
(21)	944 631 408 00	high-beam headlight white	/R	1		34	477 971 923	protection cap		1	
(21)	944 631 410 00	high-beam headlight yellow	/R (F)	1		35	911 618 231 00	control unit for reduced light	(GB)	1	
22	477 941 771 B	headlamp	-87	2		36	N 011 524 7	washer A 6,4	(GB)	2	
22	944 631 910 00	headlamp	88	2		37	900 076 010 02	hexagon nut M 6	(GB)	2	
(22)	477 941 773	headlamp	-87	2	M492			fog headlamp see group 9/98/00			

Model	Year	MG	SG	Illustration	Restrictions	UPD	17:25	23.01.2010	PORSCHE	PET	PORSCHE
924S	1988	9	05	905-10		248					



Pos	Part Number	Description	Remark	Qty	Model
		direction indicator light front			
1	477 953 043	direction indicator light	/L	1	
(1)	477 953 044	direction indicator light	/R	1	
2	477 953 161	lens	/L	1	
(2)	477 953 162	lens	/R	1	
3	331 945 185	oval-head screw		4	
4	900 146 011 02	oval-head screw M 4 X 10		4	
5	900 631 127 90	bulb RL 12V, 21 W		2	
6	477 953 165	gasket		2	
7	477 953 661	threaded plate		2	
8	N 014 119 1	oval-head screw M 4 X 20		2	
9	111 971 511	line distributor		1	
10	111 971 921	protection cap for flat connector		4	
-	944 631 213 00	moulded hose		2	

Model	Year	MG	SG	Illustration	Restrictions	UPD	17:26	23.01.2010	PORSCHE	PET	PORSCHE
924S	1988	9	05	905-15		248					

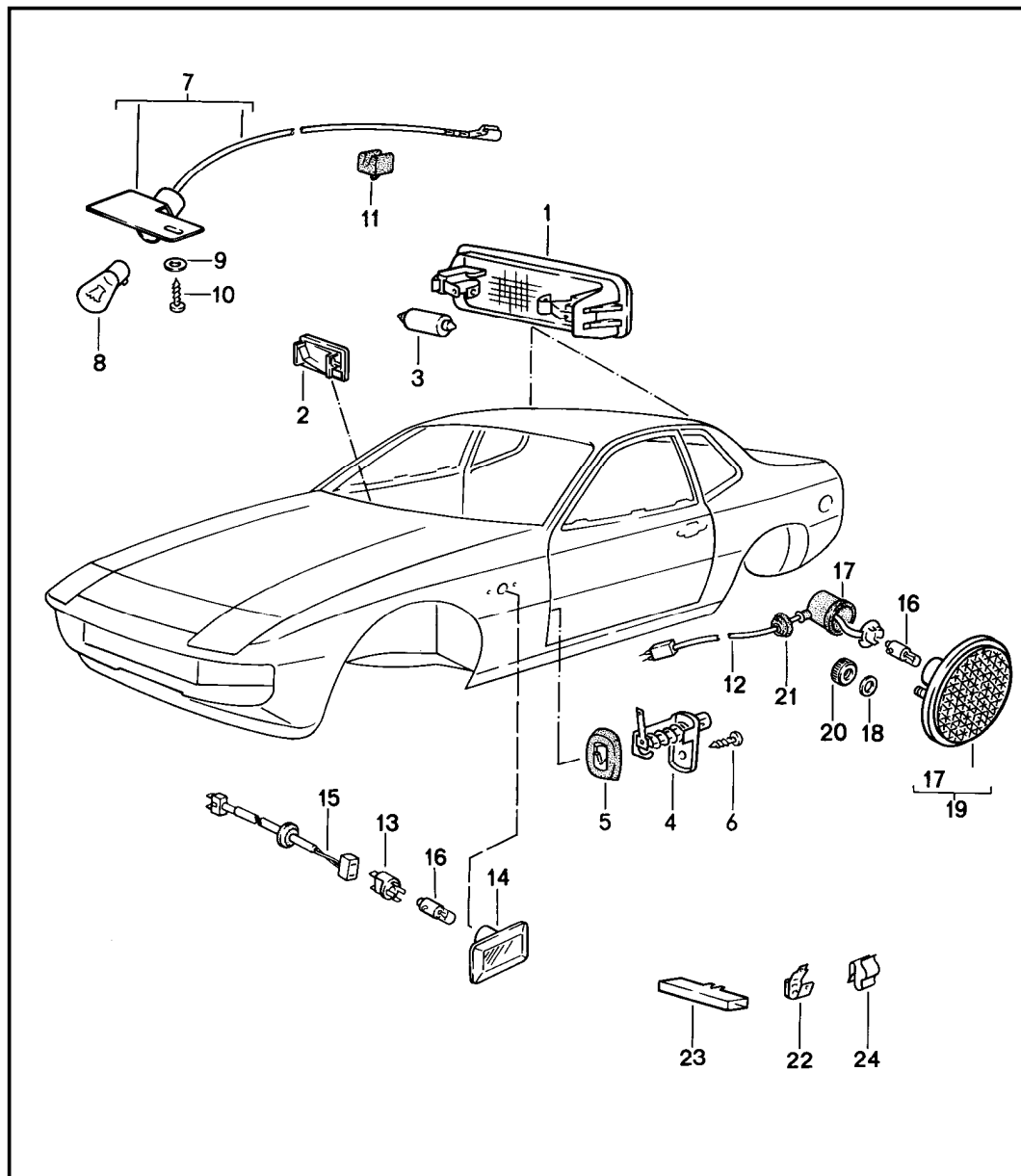


Pos	Part Number	Description	Remark	Qty	Model
1	477 943 021 A	license plate light rear light		2	
2	900 631 103 90	bulb 12 V, 4 W		2	
3	477 943 131	gasket		2	
4	N 013 961 2	tapping screw B 3,9 X 13		2	
5	477 945 113	bulb holder	/L	1	
(5)	477 945 114	bulb holder	/R	1	
6	803 971 980	pin connector socket 7-pole		2	
7	900 631 104 90	bulb 12V, 5W		2	
8	900 631 127 90	bulb 12V, 21W		7	
9	N 012 005 3	lock ring B 5		12	
10	N 012 222 4	spring washer A 5		12	
11	N 011 005 14	hexagon nut M 5		12	
-	000 043 172 00	sealing cord \$ 9 MM roller 10 M		*	
12	-	1070 MM		2	
13	477 945 205	housing with lens	/L	1	
(13)	477 945 206	housing with lens	/R	1	
(13)	477 945 215	housing with lens with rear foglamp	/L	1	

Model	Year	MG	SG	Illustration	Restrictions	UPD	17:26	23.01.2010	PORSCHE	PET	PORSCHE
924S	1988	9	05	905-15		248					

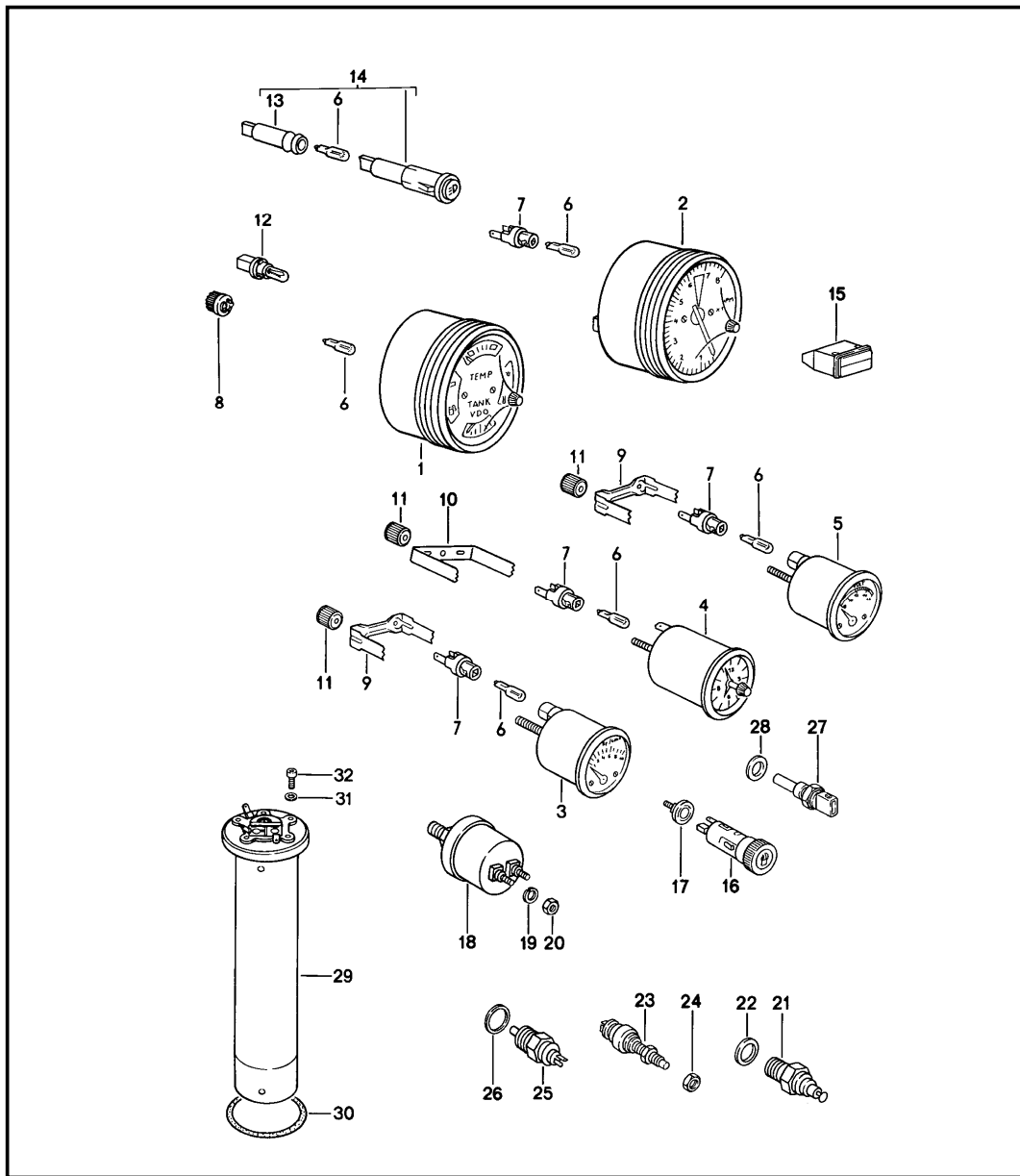
Pos	Part Number	Description	Remark	Qty	Model	Pos	Part Number	Description	Remark	Qty	Model
(13)	477 945 216	housing with lens with rear foglamp	/R	1							
14	477 945 285	cap		2							
15	477 945 285	cap		2							

Model	Year	MG	SG	Illustration	Restrictions	UPD	17:33	23.01.2010	PORSCHE	PET	PORSCHE
924S	1988	9	05	905-20		248					



Pos	Part Number	Description	Remark	Qty	Model
		interior light direction indicator light			
1	823 947 105 B	interior light luggage compartment lamp		2	
2	171 947 311	glove compartment light		1	
3	900 631 106 90	bulb 12V, 10W		2	
(3)	999 631 018 90	bulb 12V, 3W		1	
4	968 613 601 00	contact switch		2	
5	944 613 114 00	gasket		2	
6	N 013 957 5	tapping screw BZ 3,5 X 9,5		2	
7	477 947 601 A	engine compartment lamp		1	
8	900 631 115 90	bulb 12V, 10W		1	
9	900 151 028 02	washer B 4,3		1	
10	900 143 031 02	oval-head sheetmetal screw B 4,2 X 9,5		1	
11	477 947 633	clip		3	
13	161 949 111	bulb holder		2	
14	4A0 949 101	direction indicator light		2	
15	477 971 193	wiring harness for direction indicator light		2	
16	900 631 103 90	bulb 12V, 4W		6	
22	111 971 511	line distributor		2	
23	111 971 977	plug with guide		2	

Model	Year	MG	SG	Illustration	Restrictions	UPD	17:33	23.01.2010	PORSCHE	PET	PORSCHE
924S	1988	9	06	906-00		248					

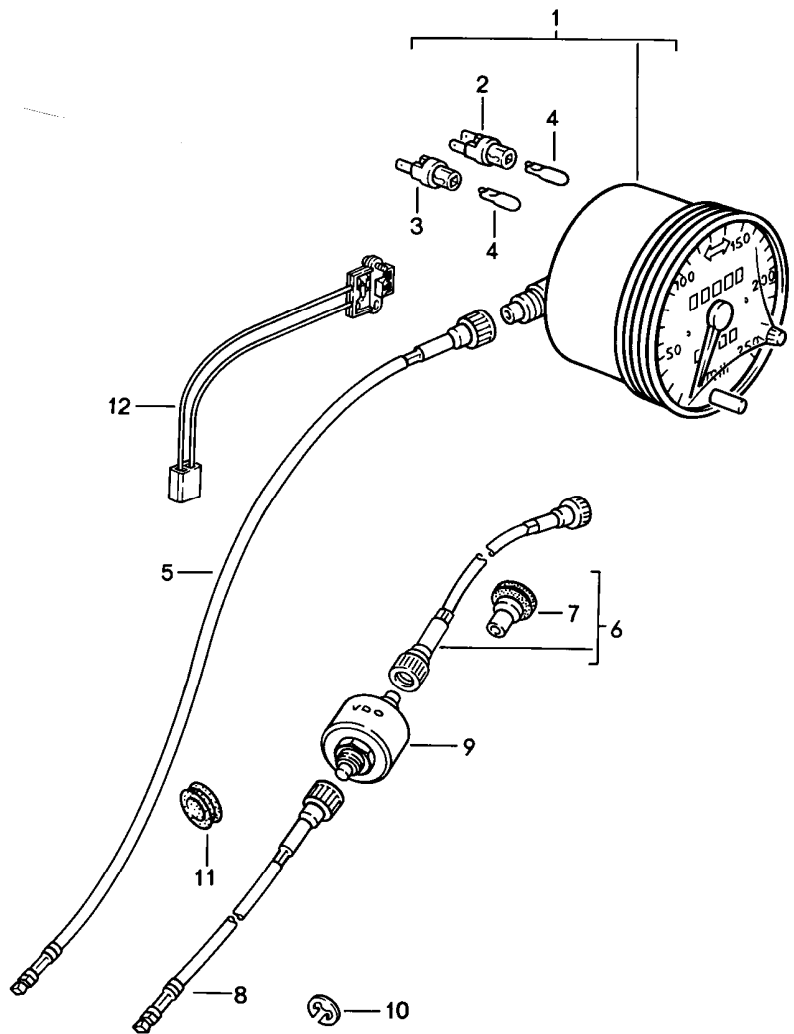


Pos	Part Number	Description	Remark	Qty	Model
1	944 641 310 02	instrument cluster sender		1	
2	944 641 215 01	instrument cluster		1	
3	944 641 117 02	tachometer		1	
4	944 641 015 02	oil pressure indicator		1	
4	944 641 015 BX	clock		1	
5	944 641 119 01	clock		1	
6	900 631 132 90	voltmeter		1	
6	900 631 132 90	bulb 12V, 1,2W		X	
7	477 919 213	bulb socket single pole		X	
8	928 641 927 00	bulb socket		1	
9	321 919 115 C	bulb socket		1	
9	321 919 115 C	retaining bar		2	
10	477 919 115	retaining bar		1	
11	411 957 117	knurled nut M 4		5	
12	999 631 301 90	retaining bar		1	
12	999 631 301 90	bulb		7	
13	111 919 243	bulb socket		1	
14	477 919 210 A	indicator light	(GB)	1	
15	944 632 115 00	combination warning light		1	
(15)	944 632 213 00	combination warning light		1	(SA)
16	477 919 307	cigarette lighter		1	
17	644 652 112 00	glower		1	
-	N 012 469 1	circlip for cigarette lighter		1	
18	928 606 203 01	cigarette lighter		1	
18	928 606 203 01	oil pressure sender		1	
19	N 012 224 3	spring washer B 4		2	
20	N 011 004 6	hexagon nut M 4		2	
21	944 606 201 00	temperature sensor		1	

Model	Year	MG	SG	Illustration	Restrictions	UPD	17:33	23.01.2010	PORSCHE	PET	PORSCHE
924S	1988	9	06	906-00		248					

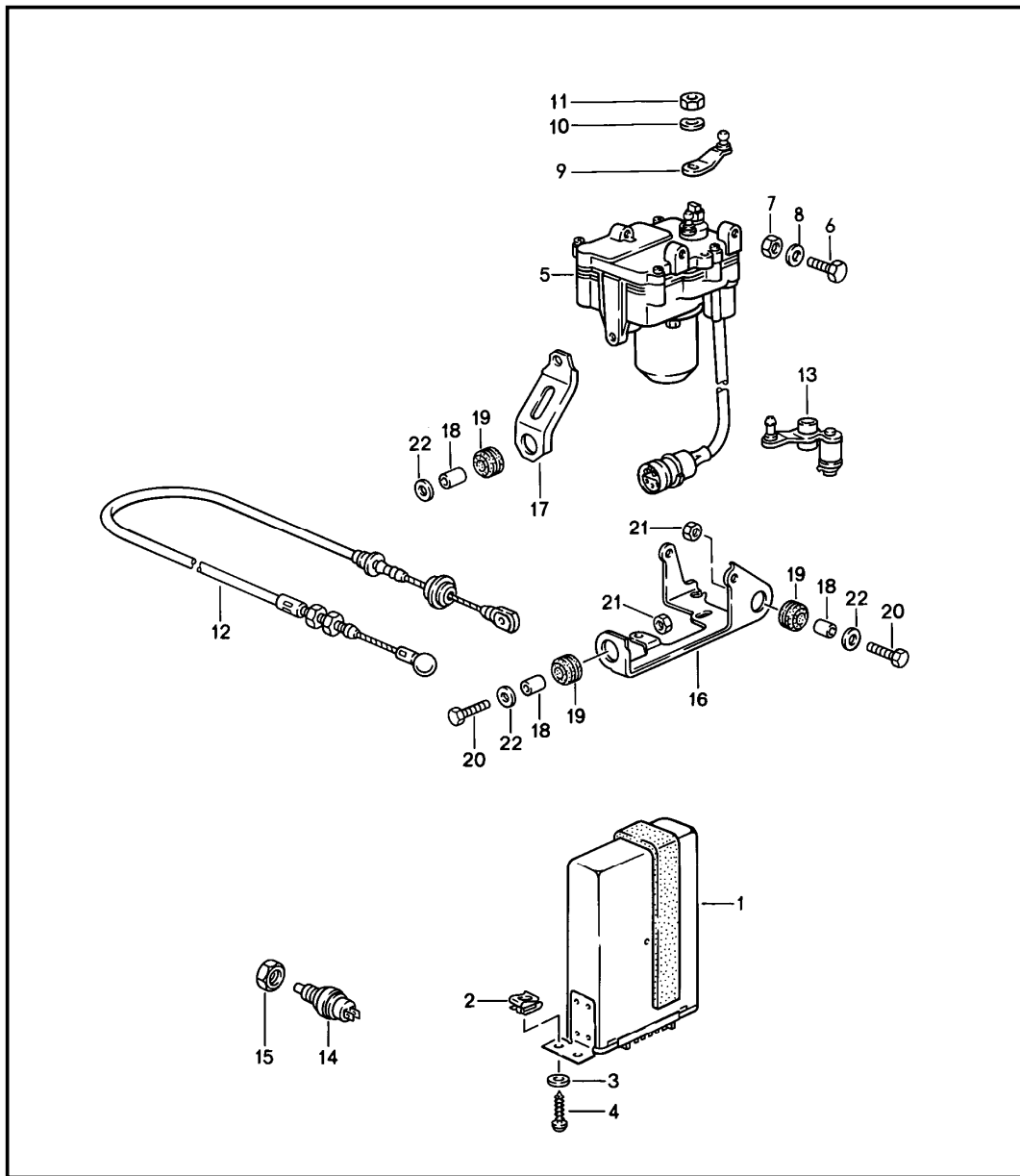
Pos	Part Number	Description	Remark	Qty	Model	Pos	Part Number	Description	Remark	Qty	Model
22	N 013 806 2	sealing ring		1							
23	477 945 515	brake light switch		1							
24	481 945 529	nut M 12		1							
25	084 941 521	switch		1							
26	900 123 106 30	sealing ring		1							
27	944 606 125 00	temperature sensor		1							
28	900 123 101 30	sealing ring		1							
29	477 919 051 B	tank gauge		1							
30	477 919 133	sealing ring		1							
31	N 013 802 1	sealing ring		5							
32	N 044 734 1	pan-head screw M 5 X 16 M 5 X 15		5							

Model	Year	MG	SG	Illustration	Restrictions	UPD	17:34	23.01.2010	PORSCHE	PET	PORSCHE
924S	1988	9	06	906-05		248					



Pos	Part Number	Description	Remark	Qty	Model
1	944 641 030 01	speedometer		1	
1	944 641 036 01	speedometer 260 KM/H		1	M020
2	914 631 179 10	bulb socket		1	
3	999 632 017 02	bulb socket		2	
4	900 631 132 90	bulb 12 V, 1,2 W		3	
5	142 957 801 C	drive shaft	/LL	1	
5	211 957 801 E	drive shaft	/RL	1	
6	944 641 801 00	drive shaft		1	(SA)
7	477 957 861	rubber sleeve	/LL	1	
7	311 611 743	grommet	/RL	1	
8	477 957 809 E	drive shaft	(J)	1	(SA)
9	477 957 901 B	switch for speed warning device	(J)	1	
9	944 641 237 00	switch for speed warning device		1	(SA)
10	900 116 003 02	lock washer		1	
11	113 957 855	rubber sleeve		1	
12	944 641 251 00	hall sender		1	

Model	Year	MG	SG	Illustration	Restrictions	UPD	17:34	23.01.2010	PORSCHE	PET	PORSCHE
924S	1988	9	07	907-00		248					

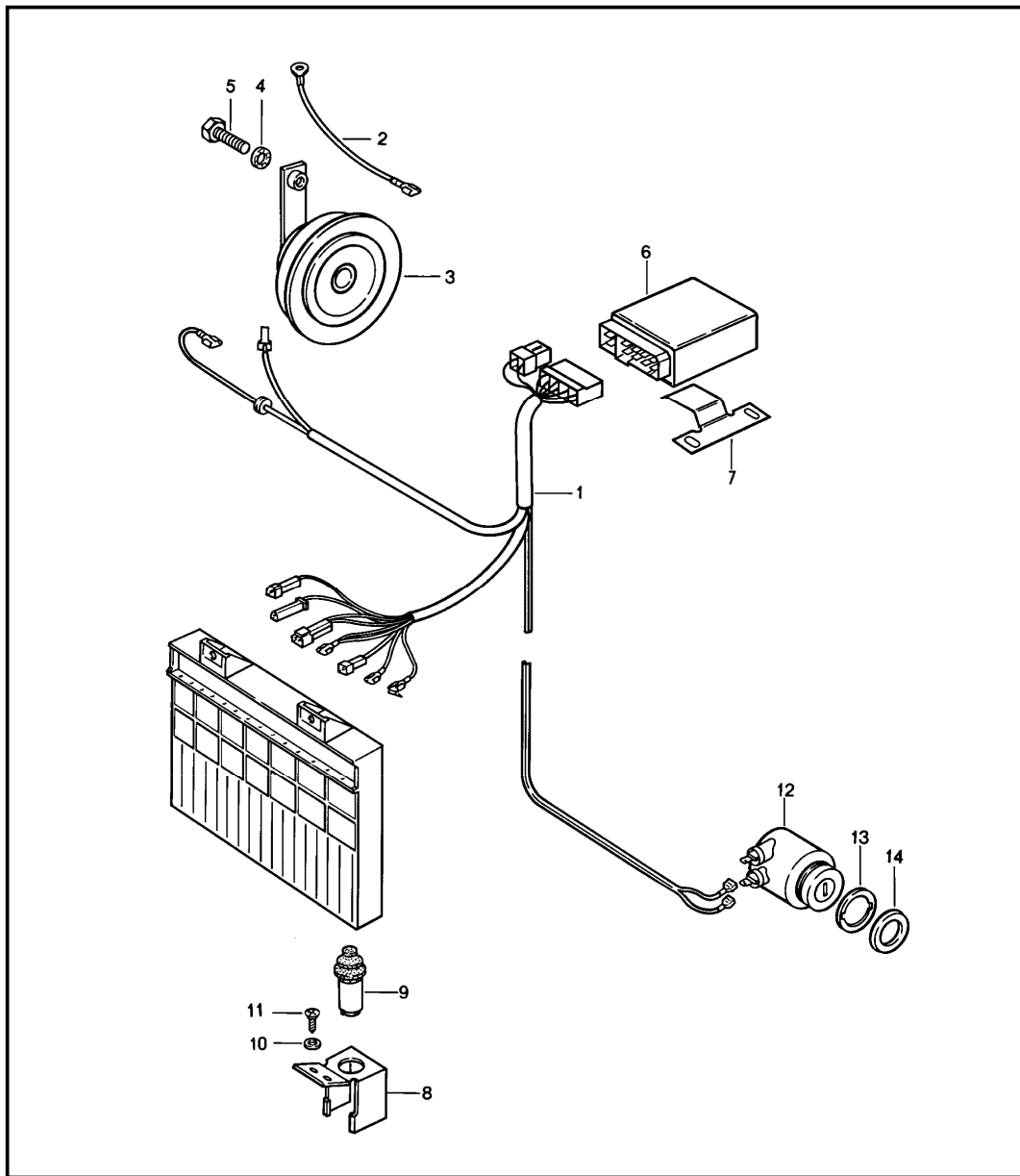


Pos	Part Number	Description	Remark	Qty	Model
		cruise control			M454
1	944 617 127 00	control unit		1	
2	N 015 422 2	speed nut B 4,2		2	
3	N 012 225 3	spring washer B 5		2	
4	N 013 964 4	tapping screw B 4,2 X 16		2	
5	944 617 121 00	drive link	88	1	
6	999 072 005 09	hexagon-head bolt M 6 X 12		2	
7	900 076 010 02	hexagon nut M 6		1	
				2	
8	N 011 524 7	washer A 6,4		2	
9	944 423 047 00	rubber mounting for drive link		1	
10	N 012 229 3	spring washer A 8		1	
11	N 011 018 4	hexagon nut M 8 X 1		1	
12	944 423 025 02	cable	/LL	1	
(12)	945 423 025 01	cable	/RL	1	
13	944 423 055 00	reverse lever for accelerator control		1	
14	944 613 413 00	switch		1	
15	481 945 529	nut M 12 X 1		1	
16	944 423 215 02	support		1	
17	944 423 115 02	strut		1	
18	999 531 014 02	bush		3	
19	999 702 133 40	rubber mounting		3	
20	900 075 017 02	hexagon-head bolt M 6 X 25		2	

Model	Year	MG	SG	Illustration	Restrictions	UPD	17:34	23.01.2010	PORSCHE	PET	PORSCHE
924S	1988	9	07	907-00		248					

Pos	Part Number	Description	Remark	Qty	Model	Pos	Part Number	Description	Remark	Qty	Model
21	900 076 010 02	hexagon nut M 6		2							
22	N 011 666 7	washer B 6,4		4							

Model	Year	MG	SG	Illustration	Restrictions	UPD	17:34	23.01.2010	PORSCHE	PET	PORSCHE
924S	1988	9	09	909-00		248					



Pos	Part Number	Description	Remark	Qty	Model
		alarm system			M533
1	477 971 163	wiring harness		1	
2	477 971 325	single line		1	
3	944 637 103 01	high volume horn		1	
4	999 523 102 02	lock washer J 8,4		1	
5	900 075 087 02	hexagon-head bolt M 8 X 16		1	
6	> 911 637 104 00	alarm control unit		1	
6	911 637 104 01	alarm control unit	(CH)	1	
7	477 857 069	support		1	
8	477 805 713	support		1	
9	928 613 173 00	contact switch		1	
-	477 971 837	connector housing for contact switch		1	
10	N 011 521 3	washer A 3,7		2	
11	N 013 957 5	tapping screw 3,5 X 9,5		2	
12	911 637 101 00	alarm switch with keys		1	
13	477 951 255	washer		1	
14	477 951 251	rosette		1	
		01C satin black			

PORSCHE

PET

PORSCHE

Model	Year	MG	SG	Illustration	Restrictions	UPD	17:34	23.01.2010
924S	1988	9	10	910-00		248		

Pos	Part Number	Description	Remark	Qty	Model
		electric fan			
1	944 624 021 03	electric fan		1	
(1)	944 624 021 03	electric fan		2	M573
2	900 076 010 02	hexagon nut M 6		3	
3	N 011 524 7	washer A 6,4		3	
4	999 651 168 40	cable holder		1	
5	944 606 481 00	temperature switch		1	
5A	477 971 934	protection cap		1	
6	900 123 149 70	sealing ring A 22 X 27		1	
7	477 905 053	series resistor		1	
(7)	477 905 052	series resistor		1	M573
8	N 013 964 4	tapping screw B 4,2 X 16		1	

Model	Year	MG	SG	Illustration	Restrictions	UPD	17:34	23.01.2010
924S	1988	9	98	998-00R		248		

Pos	Part Number	Description	Remark	Qty	Model
		repair kits			
>>	>>944 631 911 05	headlamp installation set comprising:		2	
-	944 631 910 00	headlamp		1	
-	944 631 907 00	retaining frame		1	
-	944 612 057 00	cap		1	
-	999 507 252 02	nut B 3,9		3	
-	N 013 964 4	tapping screw B 4,2 X 16		1	
-	900 143 041 00	tapping screw B 3,9 X 19		3	
-	900 025 002 02	washer A 4,3		3	
-	477 941 543	spacer sleeve		3	
-	999 651 224 40	cable holder		1	
-	944 612 436 00	connector		1	
-	944 612 427 00	contact bush		2	
-	944 612 428 00	round connector		1	
>>	>>944 631 911 04	headlamp installation set comprising:		2	M605
-	944 631 910 00	headlamp		1	
-	944 631 907 00	retaining frame		1	
-	944 612 057 00	cap		1	
-	999 507 252 02	nut B 3,9		3	
-	N 013 964 4	tapping screw B 4,2 X 16		1	
-	900 143 041 00	tapping screw B 3,9 X 19		3	
-	900 025 002 02	washer A 4,3		3	
-	477 941 543	spacer sleeve		3	
-	999 651 224 40	cable holder		1	

Model	Year	MG	SG	Illustration	Restrictions	UPD	17:34	23.01.2010
924S	1988	9	98	998-00R		248		

Pos	Part Number	Description	Remark	Qty	Model
-	944 631 909 00	electric motor		1	
>>	>>944 631 911 09	headlamp installation set comprising:		2	M492
-	944 631 911 00	headlamp		1	
-	944 631 907 00	retaining frame		1	
-	944 612 057 00	cap		1	
-	999 507 252 02	nut B 3,9		3	
-	N 013 964 4	tapping screw B 4,2 X 16		1	
-	900 143 041 00	tapping screw B 3,9 X 19		3	
-	900 025 002 02	washer A 4,3		3	
-	477 941 543	spacer sleeve		3	
-	999 651 224 40	cable holder		1	
-	944 612 436 00	connector		1	
-	944 612 427 00	contact bush		2	
-	944 612 428 00	round connector		1	
>>	>>944 631 911 08	headlamp installation set comprising:		2	M492/605
-	944 631 911 00	headlamp		1	
-	944 631 907 00	retaining frame		1	
-	944 612 057 00	cap		1	
-	999 507 252 02	nut B 3,9		3	
-	N 013 964 4	tapping screw B 4,2 X 16		1	
-	900 143 041 00	tapping screw B 3,9 X 19		3	
-	900 025 002 02	washer A 4,3		3	
-	477 941 543	spacer sleeve		3	
-	999 651 224 40	cable holder		1	

Model	Year	MG	SG	Illustration	Restrictions	UPD	17:34	23.01.2010
924S	1988	9	98	998-00R		248		

Pos	Part Number	Description	Remark	Qty	Model
-	944 631 909 00	electric motor		1	
>>	>>477 955 997 B	installation set headlight washer system comprising:		1	
-	191 955 681	pump		1	
-	431 955 465 A	gasket		1	
-	N 020 126 1	pipe 12,5 X 1,25		3	
-	113 955 975 B	t-piece		1	
-	477 955 183	pressure control valve		2	
-	477 955 177	jet carrier		2	
-	N 019 121 1	nut		2	
-	928 618 111 00	relay		1	
-	135 937 501 A	terminal sleeve housing		1	
-	825 971 990	terminal sleeve housing		1	
-	111 937 077 E	line distributor		1	
-	477 971 827 B	cable connection		1	
-	477 971 205	wiring harness		1	
-	477 971 322 A	double line		1	
-	477 955 702	switch		1	
>>	>>477 955 995	installation set	86	1	
-	477 955 713 A	wiper motor		1	
-	477 955 715 B	mounting plate		1	
-	N 012 226 5	spring washer B 6		3	
-	900 076 010 02	hexagon nut M 6		3	
-	477 955 737	cap		1	
-	477 955 439	grommet		2	
-	477 955 435 A	washer		1	
-	311 955 243 A	hexagon nut M 12 X 1		1	
-	211 955 275 A	cap		1	

Model	Year	MG	SG	Illustration	Restrictions	UPD	17:34	23.01.2010
924S	1988	9	98	998-00R		248		

Pos	Part Number	Description	Remark	Qty	Model
-	477 955 409 A	wiper arm		1	
-	999 084 045 02	lock nut		1	
-	A 928 628 218 01	wiper blade		1	
-	928 628 218 02	wiper blade		1	
-	477 971 345	wiring harness		1	
-	477 971 346	wiring harness		1	
-	477 955 701	rocker switch		1	
-	111 941 189	drain bush		1	
-	999 652 106 02	flat receptacle 6,3 X 1		3	
-	N 018 007 4	insulating hose 100 MM		1	
>>	>>477 955 995 A	installation set	87-	1	
-	477 955 713 A	wiper motor		1	
-	944 628 071 01	mounting plate		1	
-	N 012 226 5	spring washer B 6		3	
-	900 076 010 02	hexagon nut M 6		3	
-	477 955 737	cap		1	
-	477 955 439	grommet		2	
-	477 955 435 A	washer		1	
-	311 955 243 A	hexagon nut M 12 X 1		1	
-	211 955 275 A	cap		1	
-	477 955 409 A	wiper arm		1	
-	999 084 045 02	lock nut		1	
-	928 628 218 01	wiper blade		1	
-	477 971 345 A	wiring harness		1	
-	477 971 346 A	wiring harness		1	
-	477 955 701	rocker switch		1	
-	937 503 255 01	spacer		2	

Model	Year	MG	SG	Illustration	Restrictions	UPD	17:34	23.01.2010
924S	1988	9	98	998-00R		248		

Pos	Part Number	Description	Remark	Qty	Model
-	N 011 524 7	washer A 6,4		2	
-	N 014 140 5	oval-head screw M 6 X 15		2	
-	111 953 547	grommet		2	
>>	>>477 941 903 A	installation set fog headlamp comprising:		1	
-	477 941 703 B	fog headlamp		2	
-	900 631 126 90	halogen bulb H3 12V/55W		2	
-	N 011 010 6	hexagon nut M 10		2	
-	900 027 016 02	lock ring B 10		2	
-	900 025 008 09	washer A 10,5		2	
-	131 867 549	clamp		2	
-	477 941 535	switch		1	
-	141 957 397 A	bulb socket		1	
-	900 631 132 90	bulb W 12V/1,2W		1	
-	477 963 137	relay		1	
-	477 971 490 A	wiring harness		1	
-	477 971 491 A	wiring harness		1	
-	477 971 827 B	cable connection		1	
>>	>>477 941 904 A	installation set fog headlamp comprising:	(F)	1	
-	477 941 703 A	fog headlamp		2	
-	900 631 126 90	halogen bulb H3 12V/55W		2	
-	N 011 010 6	hexagon nut M 10		2	
-	900 027 016 02	lock ring B 10		2	
-	900 025 008 02	washer A 10,5		2	

Model	Year	MG	SG	Illustration	Restrictions	UPD	17:34	23.01.2010
924S	1988	9	98	998-00R		248		

Pos	Part Number	Description	Remark	Qty	Model
-	131 867 549	clamp		2	
-	477 941 535	switch		1	
-	141 957 397 A	bulb socket		1	
-	900 631 132 90	bulb W 12V/1,2W		1	
-	477 963 137	relay		1	
-	477 971 490 A	wiring harness		1	
-	477 971 491 A	wiring harness		1	
-	477 971 827 B	cable connection		1	
-	911 631 964 00	light-diffusing lens		2	
-	911 631 963 00	light-diffusing lens	(F)	2	
-	911 631 956 00	gasket for light-diffusing lens		2	
-	911 631 959 28	ring for fog headlamp		2	
>>	>>000 043 095 00	installation set oil level warning system comprising:	-87	1	
-	944 612 911 01	wiring harness		1	
-	944 612 923 01	wiring harness		1	
-	944 617 150 00	relay		1	
-	944 101 033 00	heat shield		1	
-	900 075 085 02	hexagon-head bolt M 8 X 20		2	
-	900 025 007 02	washer A 8,4		2	
-	477 971 881 A	retaining bracket		1	
-	999 651 162 40	cable holder		1	
-	999 513 002 40	tie-wrap		3	
-	N 017 490 6	flat connector		1	
-	171 971 999	terminal sleeve housing		2	
-	000 043 095 01	installation instructions		1	

M000 ! SUMMARY OF OPTIONAL EXTRAS "M"!
M018 SPORTS STEERING WHEEL
M018 WITH ELEVATED HUB 30MM
M020 SPEEDOMETER WITH TWO SCALES MPH-KM/H
M024 VERSION FOR GREECE
M027 VERSION FOR CALIFORNIA
M030 SPORT-TYPE RUNNING GEAR
M034 VERSION FOR ITALY
M036 IMPACT ABSORBERS
M036 FRONT AND REAR
M058 IMPACT ABSORBERS FRONT AND REAR
M061 VERSION FOR GREAT BRITAIN
M062 VERSION FOR SWEDEN
M113 VERSION FOR CANADA
M119 VERSION FOR SPAIN
M124 VERSION FOR FRANCE
M126 CONTROL AND INDICATIONS IN FRENCH LETTERING
M150 OPERATES WITH LEADED GAS
M154 CONTROL UNIT ENGINE FOR
M154 IMPROVED EMISSION RESULTS
M157 THREE-BED CATALYST, OXYGEN SENSOR AND DIGITAL
M157 ELECTRICAL ENGINE EQUIPMENT
M182 SAFETY DEVICES IN PASSENGER COMPARTMENT
M185 SAFETY BELTS 2-POINT,
M185 REAR AUTOMATIC
M186 SAFETY BELTS 2-POINT, REAR
M186 MANUAL
M187 H4-HEADLAMP FOR LEFT-HAND TRAFFIC
M193 VERSION FOR JAPAN
M197 STRONGER BATTERY
M215 VERSION FOR SAUDI ARABIA
M220 LOCKING DIFFERENTIAL 40 %
M225 VERSION FOR BELGIUM, ENGINE MARKED: -B-
M249 AUTOMATIC TRANSMISSION
M261 OUTSIDE MIRROR - PLAIN - PASSENGER'S SIDE,
M261 ELECTRICALLY ADJUSTABLE AND HEATABLE
M277 VERSION FOR SWITZERLAND
M288 HEADLAMP WASHER
M298 CATALYST TOGETHER WITH
M298 MANUAL TRANSMISSION
M299 CATALYST TOGETHER WITH
M299 AUTOMATIC TRANSMISSION
M325 VERSION FOR SOUTH AFRICA/NEW ZEALAND
M335 AUTOMATIC SAFETY BELT, 3-POINT,
M335 REAR
M347 FORGED WHEELS PLATINUM-ANODIZED
M347 RIM 7 X 16
M347 TIRE 225/50 VR 16
M360 SPLASH GUARD CORNER PIECES
M395 LIGHT-METAL RIMS, FORGED
M395 6J X 16 WITH TIRES 205/55 VR16

M398 OUTSIDE MIRROR FOR DRIVER'S SIDE - PLAIN -
M398 ELECTRICALLY ADJUSTABLE AND HEATABLE
M404 STABILIZER, FRONT AND REAR
M409 SPORT SEATS, LEATHER
M410 SPORT SEATS, SEAT AND BACKREST SURFACE
M410 CLOTH/LEATHERETTE
M416 4-SPOKES STEERING WHEEL (LEATHER), DIAMETER 380 MM
M423 BOX FOR CASSETTES AND COINS
M425 REAR WINDOW WIPER
M431 4-SPOKES STEERING WHEEL (LEATHER), DIAMETER 363 MM
M432 SPORTS STEERING WHEEL LEATHER,
M432 DIAMETER 363 MM (4 SPOKES)
M440 MANUAL ANTENNA, 4 LOUDSPEAKERS -> MJ 2002
M440 MJ 2003 -> ANTENNA DIVERSITY
M445 EMERGENCY WHEEL FOR GREAT BRITAIN,
M445 TIRES R 15
M447 EMERGENCY WHEEL OUT OF STEEL
M454 AUTOMATIC SPEED CONTROL
M455 ANTI-THEFT DEVICE FOR WHEELS
M456 STABILIZER FRONT, DIAMETER 23 MM,
M456 REAR, DIAMETER 14 MM,
M456 SPORTS SHOCK ABSORBERS, FRONT AND REAR
M459 ELECTRICAL ANTENNA INSTEAD OF
M459 MANUAL ANTENNA
M461 ELECTRICAL ANTENNA, 4 LOUDSPEAKERS
M463 WINDSHIELD CLEAR
M466 2ND REAR FOG LAMP
M467 OUTSIDE MIRROR FOR DRIVER'S SIDE, CONVEX,
M467 ELECTRICALLY HEATABLE AND ADJUSTABLE
M474 SHOCK ABSORBER (SPORTING) FRONT AND REAR
M475 BRAKE PADS WITHOUT ASBESTOS
M479 VERSION FOR AUSTRALIA
M484 VERSION FOR USA
M488 INSCRIPTIONS IN GERMAN LANGUAGE
M492 FOR LEFT-HAND TRAFFIC
M498 WITHOUT VEHICLE-TYPE-LETTERING ON REAR END
M499 VERSION FOR GERMANY
M525 ANTI-THEFT DEVICE WITH CONTINUOUS SOUND
M526 DOOR PANELS (CLOTH)
M528 OUTER REAR VIEW MIRROR FOR PASSENGER'S SIDE
M528 - CONVEX - ELECTRICALLY HEATABLE AND ADJUSTABLE
M533 ANTI-THEFT DEVICE
M553 VERSION FOR USA, CANADA
M567 WINDSHIELD TINTED, UPPER PART
M567 DARKER COLOURED
M573 AIR CONDITIONER
M576 WITHOUT REAR FOG LAMP
M605 HEADLIGHT VERTICAL AIM CONTROL
M650 DETACHABLE ROOF, ELECTRICAL
M651 ELECTRIC WINDOW OPENER
M657 POWER ASSISTED STEERING

M685	REAR SEATS, DEVIDED
M719	SPECIAL RECONSTRUCTION
M755	SPECIAL MODEL '88
M756	SPECIAL MODEL '88
M946	SEAT COVERS FRONT,
M946	LEATHER/LEATHER/LEATHERETTE
M974	LUGGAGE BOOT COVER
M989	SPORT SEAT LEFT AND RIGHT
M989	ALL-CLOTH (PORSCHE-LETTERING, CLOTH)
M990	SEAT COVERS FRONT,
M990	CLOTH/CLOTH/LEATHERETTE

Model	Year	MG	SG	Illustration	VIN No.	Update	14:39	12.08.2008
924S	88					230		

EQUIPMENT BY COUNTRY REGULATIONS

=====

(A) AUSTRIA
(AG) THE GULF STATES
(AUS) AUSTRALIA

(B) BELGIUM

(CDN) CANADA

(CH) SWITZERLAND

(D) FEDERAL REPUBLIC OF GERMANY

(DK) DENMARK

(E) SPAIN

(F) FRANCE

(GB) GREAT BRITAIN

(GR) GREECE

(HK) HONGKONG

(I) ITALY

(J) JAPAN

(L) LUXEMBURG

Model	Year	MG	SG	Illustration	VIN No.	Update		
924S	88					230	14:39	12.08.2008

(N) NORWAY

(NL) NETHERLANDS

(NS) NEW ZEALAND

(P) PORTUGAL

(RC) TAIWAN

(S) SWEDEN

(SA) SAUDI ARABIA

(SF) FINLAND

(USA) UNITED STATES OF AMERICA

Model	Year	MG	SG	Illustration	VIN No.	Update	14:39	12.08.2008
924S	88					230		

IN COLUMN - A -

IDENTIFICATION LETTER FOR PERIOD OF INSTALLATION
 THAT IS REPEATED SEVERAL TIMES IN THE CATALOG GROUP.

EXPLANATION PLEASE FIND IN TEXT COLUMN OF THE CATALOG GROUP

IN COLUMN - QU - = NO. OF PIECES

- 1 NUMBER PER APPLICATION
- X NUMBER AS NEEDED
- * AVAILABLE ONLY IN RUNNING LENGTHS 1 = 1 METRE

IN COLUMN - MODEL/SYMBOL -

- M650 OPTIONAL EQUIPMENT - SEE M-NO. LIST
- 88 LIMITATION OF MODEL YEAR FOR INSTANCE: VALID UP TO
 END OF MODEL YEAR 1988
- /LL LHD
- /RL RHD
- +
- /V FRONT I

Model	Year	MG	SG	Illustration	VIN No.	Update		
924S	88					230	14:39	12.08.2008

```

I
/H      REAR      I
          I----> APPLIES TO
/L      LEFT      I      DIRECTION OF TRAVEL
          I
/R      RIGHT     I
          -----+

AUT.    AUTOMATIC

WW      THE PART CAN BE USED INSTEAD OF THE
        PRECEDING ONE
    
```


Model	Year	MG	SG	Illustration	VIN No.	Update		
924S	88					230	14:39	12.08.2008

LEGENDS AND NOTICES

=====

IN COLUMN -S- STATUS

- N NEW ADDITION

- P PART ALREADY IN PROGRAMME, BUT NEW
AT THIS APPLICATION

- W DELETED AT THIS APPLICATION, BUT CONTINUED
TO BE CARRIED

- A STOCK TO BE USED UP

- U DELETED WITHOUT REPLACEMENT

- * PART ALSO OR ONLY AVAILABLE
IN REPAIR KIT

- > ALSO AVAILABLE IN EXCHANGE

IN COLUMN - ILL. -

- 1 IDENTIFICATION NO. IN ILLUSTRATION

- (1) PART ONLY SIMILAR AS ILLUSTRATED

- PART IS NOT ILLUSTRATED

Model	Year	MG	SG	Illustration	VIN No.	Update		
924S	88					230	14:39	12.08.2008

FIG.-NUMBERS FOR WHICH THERE IS SHOWN NO TEXT ARE
NOT VALID FOR THIS EDITION OF CATALOGUE

IN COLUMN -PART NUMBER/CODE-

000 000 000 00 PART NUMBER EQUALS ORDERING NO., IF A CODE IS
SHOWN, IT WILL HAVE TO BE PART OF ORDERING
NUMBER

AC3 COLOUR CODE

IN COLUMN -TEXT

INSTALLATION WIRH ENGINE OR CHASSIS
NUMBER-RANGE

EXAMPLE:

M 43J 00134 >> FROM ENGINE NO.

F >> 92 JN40 00143 UP TO VIN

Model	Year	MG	SG	Illustration	VIN No.	Update		
924S	88					230	14:39	12.08.2008

VEHICLE TYPE	TRANSM.			TRANSMISSION NO.	TECHNICAL DATA
	TYPE	MY			
924 S	016 J	86	QK	5-SPEED	
924 S M220	016 J	86	7Q	5-SPEED	
924 S M249	087 M	86	RCD	3-SPEED	
924 S	016 J	87	QK	5-SPEED	
924 S M220	016 J	87	7Q	5-SPEED	
924 S M249	087 M	87	RCD	3-SPEED	
924 S M249 (USA) (CDN) (J)	087 N	87	RCB	3-SPEED	
924 S	016 J	88	QK	5-SPEED	
924 S M220	016 J	88	7Q	5-SPEED	
924 S M249	087 M	88	RCD	3-SPEED	
924 S M249 (USA) (CDN) (J)	087 N	88	RCB	3-SPEED	

Model	Year	MG	SG	Illustration	VIN No.	Update		
924S	88					230	14:38	12.08.2008

EXPLANATION OF THE TRANSMISSION-NUMBERS USED IN THE CATALOGUE

=====

DIGIT:		1	2	3	4	5	6	7	8
EXAMPLE:		R	C	D	1	9	0	2	8
		=====	===	===	=				
		!	!	!	!				
		!	!	!	!				
CODE LETTERS-----	+			!	!	!			
				!	!	!			
MANUFACTURING DAY-----	+				!	!			
					!	!			
MANUFACTURING MONTH-----	+					!			
						!			
MANUFACTURING YEAR-----	+								

Model	Year	MG	SG	Illustration	VIN No.	Update		
924S	88					230	14:38	12.08.2008

ENGINE

VEHICLE TYPE	TYPE	MY	ENGINE NO.	TECHNICAL DATA
924 S	M44.07	86 G	43G 00001>60000	4CYL/2,5L/110KW
924 S	M44.08	86 G	43G 60001>90000	4CYL/2,5L/110KW
924 S	M44.07	87 H	43H 00001>60000	4CYL/2,5L/110KW
924 S	M44.08	87 H	43H 60001>90000	4CYL/2,5L/110KW
924 S	M44.09	88 J	46J 00001>60000	4CYL/2,5L/118KW
924 S	M44.10	88 J	46J 60001>70000	4CYL/2,5L/118KW

Model	Year	MG	SG	Illustration	VIN No.	Update		
924S	88					230	14:38	12.08.2008

EXPLANATION OF THE MOTOR-NUMBERS USED IN THE CATALOGUE

=====

DIGIT: 1 2 3 4 5 6 7 8

EXAMPLE: 4 3 J 0 0 1 3 6

= = = =====

! ! ! !

ENGINE TYPE (4 = 4-CYL.-ENGINE) -----+ ! ! !

! ! !

ENGINE VERSION-----+ ! !

! !

MODEL YEAR-----+ !

!

SERIAL NUMBER-----+ !

Model	Year	MG	SG	Illustration	VIN No.	Update		
924S	88					230	14:37	12.08.2008

VEHICLE TYPE	MY	VEHICLE IDENT.NR.	ENGINE TYPE
924 S	86 G	92GN4 00001>09999	M44.07/08, 110KW
924 S	87 H	92HN4 00001>09999	M44.07/08, 110KW
924 S (USA) (CDN) (J)	87 H	92HN4 50001>59999	M44.07/08, 110KW
924 S	88 J	92JN4 00001>09999	M44.09/10, 118KW
924 S (USA) (CDN) (J)	88 J	92JN4 50001>59999	M44.09/10, 118KW

Model	Year	MG	SG	Illustration	VIN No.	Update	14:37	12.08.2008
924S	88					230		

EXPLANATION OF THE ABRIDGED VERSION OF THE VEHICLE IDENT. NUMBERS (VIN)

=====
USED IN THE CATALOGUE
=====

DIGIT: 1 2 3 4 5 6 7 8 9 10 11 12 13 14 15 16 17

EXAMPLE: W P O Z Z Z 9 2 Z J N 4 0 0 1 2 5
=== = = = =====

! ! ! ! !
VEHICLE TYPE 1ST+2ND DIGIT-----+ ! ! ! !
! ! ! !
MODEL YEAR-----+ ! ! !
! ! !
MANUFACTURING LOCATION-----+ ! !
! !
VEHICLE TYPE 3RD DIGIT-----+ !
!
SERIAL NUMBER-----+

Model	Year	MG	SG	Illustration	VIN No.	Update		
924S	88					230	14:36	12.08.2008

THIS PARTS CATALOGUE CONTAINS ALL ORDER INFORMATION OF
TYPE 924S FROM MODEL YEAR 1986 TO MODEL YEAR 1988

IT IS AVAILABLE IN TWO EDITIONS IN THE FOLLOWING LANGUAGES:

EDITION

USA, CANADA - *

EDITION

ALL OTHER COUNTRIES - GERMAN

* - ENGLISH

- FRENCH

- ITALIAN

- SPANISH

UPDATING IS BEING PERFORMED BY CHANGING OF UPDATE.

THE EDITION CAN BE RECOGNIZED BY THE CURRENT NO.
YEAR IN THE BOTTOM LINE OF SUBJECT UPDATE.

THE PREVIOUS UPDATE SHOULD NO LONGER BE USED.

ALL ILLUSTRATIONS ARE SUBJECT TO CHANGE WITHOUT OBLIGATION.

Model	Year	MG	SG	Illustration	VIN No.	Update		
924S	88					230	14:36	12.08.2008

"WE RESERVE THE RIGHT TO SUPPLY A SUBSEQUENTLY
PRODUCED COMPONENT, ON WHICH ADDITIONAL WORK
IS NECESSARY, INSTEAD OF THE COMPONENT LISTED IN
THE CATALOGUE"