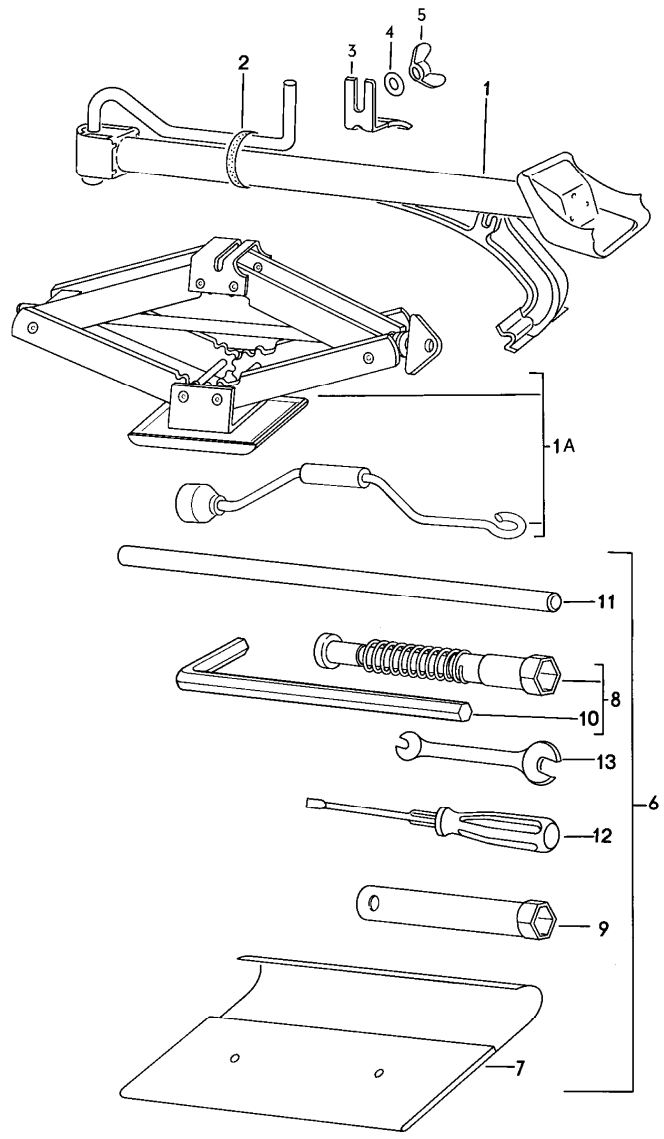


Model	Year	MG	SG	Illustration	Restrictions	UPD	10:39	23.01.2010	PORSCHE	PET	PORSCHE
924	1979	0	01	001-00		248					



Pos	Part Number	Description	Remark	Qty	Model
		accessories			
1	477 011 033	scissors type jack F >>92481 05899		1	
2	803 011 245	ring		1	
3	477 813 555	support		1	
4	N 011 696 1	washer		1	
5	N 011 175 1	winged nut M 8		1	
1A	477 011 033	scissors type jack F 92481 05900>>		1	
-	944 721 027 05	tool bag with contents comprising: tool bag		1	
-	477 012 233	spark plug wrench rim wrench operating rod for rim wrench double-end spanner 10 X 13 handle insert for cross-recess screw and slotted screw universal pliers		1 1 1 1 1 1 1	
-	928 361 311 00	hook for cover wheel nut		1	

Model	Year	MG	SG	Illustration	Restrictions	UPD	10:39	23.01.2010
924	1979	0	01	001-05		248		

Pos	Part Number	Description	Remark	Qty	Model
		stickers			
-	477 000 257 C	sticker tyre pressure 165 - HR 14	-77	1	924
-	477 000 257 F	sticker tyre pressure 165 - HR 14	78	1	924
-	477 000 177	sticker tyre pressure 165 - HR 14	(AUS) -78	1	924
-	477 000 257 G	sticker tyre pressure 185/70 - HR 14		1	924
-	477 000 179	sticker tyre pressure 185/70 - HR 14	(AUS) -78	1	924
-	477 000 179 A	sticker tyre pressure 185/70 - HR 14	(AUS) 79	1	924
-	937 701 127 00	sticker tyre pressure 185/70 - VR 15		1	TURBO
-	911 701 137 01	sticker emergency wheel		1	
-	477 000 269	sticker bleeding		1	924
-	477 000 269 A	sticker bleeding	(F)	1	924
-	477 000 269 C	sticker bleeding		1	TURBO
-	477 000 269 B	sticker bleeding	(F)	1	TURBO
-	411 000 263 A	sticker required octane number		1	
-	477 000 285	sticker TSZ ignition switch unit		1	
-	477 000 255 A	sticker ignition point		1	TURBO
-	477 000 275 F	sticker engine specifications	(S) -78	1	924
-	477 000 275 F	sticker engine specifications	(S) 79	1	924

PORSCHE

PET

PORSCHE

Model	Year	MG	SG	Illustration	Restrictions	UPD	10:39	23.01.2010
924	1979	0	01	001-05		248		

Pos	Part Number	Description	Remark	Qty	Model
-	477 000 279	sticker engine specifications	(AUS)	1	924
-	477 000 275 D	sticker	(S)	1	TURBO

PORSCHE

PET

PORSCHE

Model	Year	MG	SG	Illustration	Restrictions	UPD	10:40	23.01.2010
924	1979	0	02	002-00		248		

Pos	Part Number	Description	Remark	Qty	Model
-	477 253 191 B	accessories ornamental exhaust pipe round black		1	924
-	477 698 153 A	installation set widening of track 15 MM for rear axle only together with alloy wheel 4- hole		1	924
-	477 601 103 C	spacer ring 15 MM		2	
-	914 361 315 01	wheel bolt		8	
-	999 571 045 02	rim wrench		1	
-	477 698 154	installation set widening of track 28 MM for rear axle only together with alloy wheel 4- hole		1	924
-	477 601 093	spacer ring 28 MM		2	
-	999 182 003 36	wheel nut		8	
-	999 571 045 02	rim wrench		1	
-	904 341 671 00	wheel bolt		8	924
-	477 821 805	mud flap 1 set		1	
-	477 821 161 A	mud flap	/L	1	
-	477 821 162 A	mud flap	/R	1	
-	N 010 264 4	hexagon-head bolt M 5 X 20		6	
-	N 011 692 3	washer		6	
-	N 012 005 3	lock ring B 5		6	
-	N 011 005 14	hexagon nut M 5 snow chains		6	

Model	Year	MG	SG	Illustration	Restrictions	UPD	10:40	23.01.2010
924	1979	0	02	002-00		248		

Pos	Part Number	Description	Remark	Qty	Model
-	911 361 909 00	snow chains 1 set for 185/70 HR 14 vertical seat adjustment		1	
-	911 521 493 00	spacer		X	
-	900 067 089 02	pan-head screw M 6 X 25 for 13 MM elevation		X	
-	N 014 749 2	pan-head screw M 6 X 40 for 26 MM elevation		X	
-	477 091 025	ski rack bracket 1 set comprising:		1	
-	477 091 011	ski rack		1	
-	477 091 027	bracket with installation parts		1	
-	477 091 029	rubber holder		1	
-	477 091 025 A	ski rack lockable		1	
-	477 091 035	roof rack surfboard support trailer coupling		1	
-	477 800 805 D	trailer coupling installation set not for (USA),(CDN)		1	
-	477 800 805 E	trailer coupling installation set not for (USA),(CDN)		1	M058
-	928 006 901 00	sticker drawbar load not for (USA),(CDN)		1	924
-	111 919 209 A	indicator light		1	
-	900 631 129 90	bulb		1	

Model	Year	MG	SG	Illustration	Restrictions	UPD	10:40	23.01.2010
924	1979	0	02	002-00		248		

Pos	Part Number	Description	Remark	Qty	Model
-	431 953 231	relay		1	924
-	477 863 539	luggage net		1	
-	477 905 245	installation set subsequent installation TSZ ignition control unit comprising:		1	
-	477 971 074	wiring harness		1	
-	046 905 351	switch unit		1	
-	900 028 007 02	spring washer		1	
-	900 143 046 02	tapping screw BZ 4,8 X 16		1	
-	046 905 105	ignition coil		1	
-	N 012 226 5	spring washer		1	
-	900 076 010 02	hexagon nut		1	
-	311 971 901	protection cap		1	
-	046 905 109	series resistor 0,4 OHM		1	
-	046 905 109 A	series resistor 0,6 OHM		1	
-	N 014 121 2	oval-head screw M 6 X 4		1	
-	N 012 004 2	lock ring		1	
-	477 000 285	sticker TSZ ignition control unit		1	
-	> 477 905 206	distributor		1	
-	477 905 206 X	distributor		1	
-	477 971 333	single line		1	

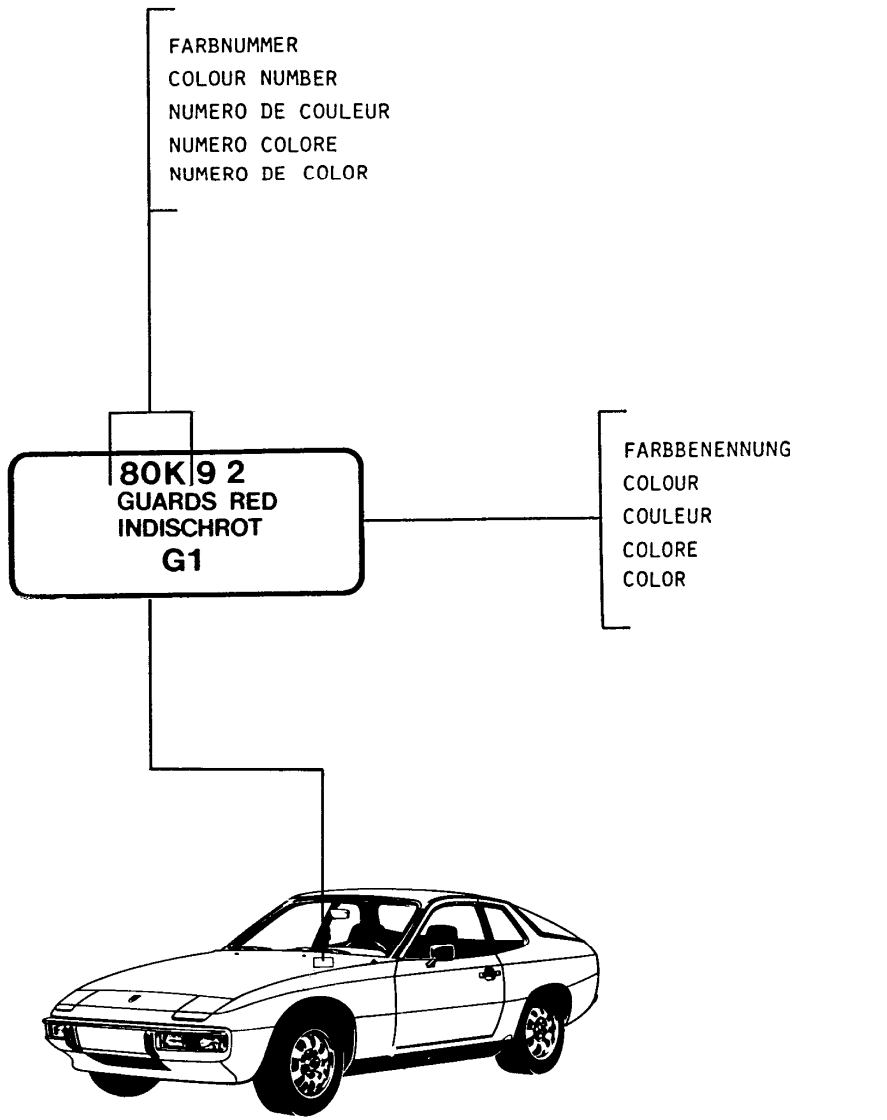
Model	Year	MG	SG	Illustration	Restrictions	UPD	10:40	23.01.2010
924	1979	0	03	003-00		248		

Pos	Part Number	Description	Remark	Qty	Model
-	477 035 903	radio accessories set installation parts for radio with antenna manually comprising:		1	
-	477 035 503 A	antenna		1	
-	059 035 267 A	condenser for ignition coil		1	
-	477 905 209 A	distributor screening ring		1	
-	944 645 451 00	loudspeaker rear right		1	
-	477 035 411 C	loudspeaker rear left and front		2	
-	477 035 999	gasket loudspeaker rear		2	
-	N 013 962 2	tapping screw B 3,9 X 16		X	
-	999 507 071 00	speed nut B 3,9 X 11,6		X	
-	900 151 028 02	washer		X	
-	477 035 375	bush		X	
-	477 035 440 A	cable for loudspeaker rear right		1	
-	477 035 441	cable for loudspeaker rear left and front		1	

Model	Year	MG	SG	Illustration	Restrictions	UPD	10:40	23.01.2010
924	1979	0	03	003-00		248		

Pos	Part Number	Description	Remark	Qty	Model
-	477 035 905	set installation parts for radio with automatic antenna comprising:		1	
-	> 944 645 911 00	automatic antenna		1	
-	111 971 511	line distributor		1	
-	059 035 267 A	condenser for ignition coil		1	
-	477 905 209 A	distributor screening ring		1	
-	944 645 451 00	loudspeaker rear right		1	
-	477 035 411 C	loudspeaker rear left and front		2	
-	477 035 999	gasket loudspeaker rear		2	
-	N 013 962 2	tapping screw B 3,9 X 16		12	
-	999 507 071 00	speed nut B 3,9 X 11,6		X	
-	900 151 028 02	washer		X	
-	477 035 375	bush		1	
-	477 035 440 A	cable for loudspeaker rear right		1	
-	477 035 441	cable for loudspeaker rear left and front		1	
-	477 035 513	antenna rod for automatic antenna		1	

Model	Year	MG	SG	Illustration	Restrictions	UPD	10:40	23.01.2010	PORSCHE	PET	PORSCHE
924	1979	0	04	004-00		248					



Pos	Part Number	Description	Remark	Qty	Model
		lacquers basic materials			
-	911 096 050 00	polyester filler 1 KG GLASSIT-NON FERRO		X	
-	911 096 051 00	hardener 30 GR GLASSIT red		X	
-	911 096 052 00	primer filler 1 LTR GLASSOFIX		X	
-	911 096 053 00	hardener 500 ML GLASSOFIX		X	
-	911 096 054 00	primer filler 1 LTR GLASSODUR		X	
-	911 096 055 00	hardener 500 ML GLASSODUR		X	
-	911 096 056 00	wash primer GLASSOFIX 2K		X	
-	911 096 057 00	hardener 1 LTR GLASSOFIX		X	
-	911 096 058 00	polyurethane plastic putty		X	
-	911 096 059 00	hardener 1 KG		X	
-	911 096 060 00	thinner 1 LTR		X	
-	911 096 061 00	hardener 500 ML		X	
-	911 096 062 00	additional lacquer 1 LTR		X	
-	911 096 063 00	underbody protection 1 KG		X	
-	L 016 006	nitro-cellulose thinner 2,5 L		X	

Model	Year	MG	SG	Illustration	Restrictions	UPD	10:40	23.01.2010	PORSCHE	PET	PORSCHE
924	1979	0	04	004-00		248					

Pos	Part Number	Description	Remark	Qty	Model	Pos	Part Number	Description	Remark	Qty	Model
-	000 043 001 00	tin SN 90 % CA 200 G		X		-	LKL 095 F00	copper		X	95F
		final acrylic lacquer 1 L				-	LKL 096 Y00	malachite		X	96Y
-	ALN 769 041	paint black		X	L 041	-	LKL 099 F00	bahama blue		X	99F
-	ALN 769 62Y	signal green		X	L 62Y	-	LKL 099 Y00	COLIBRIGRUEN		X	99Y
-	ALN 769 31B	scarlet		X	L 31B	-	LKL 094 K00	pearl		X	94K
-	ALN 769 91Z	atlas white		X	L 91Z	-	LKL 0Y7 V00	dolomite grey		X	Y7V
-	ALN 769 87Z	maroon		X	L 87Z	-	LKL 0A3 V00	indiana red		X	A3V
-	ALN 769 10A	rally yellow		X	L 10A	-	LKL 0M5 V00	petrol blue		X	M5V
-	ALN 769 63Z	SPANISCHGRUEN		X	L 63Z	-	LKL 0M5 Y00	minerva blue		X	M5Y
-	ALN 769 90A	polar white		X	L 90A	-	911 096 064 00	clear lacquer GLASSODUR		X	
-	ALN 769 32A	brocade red		X	L 32A			paint touch-up applicator			
-	ALN 769 93Z	white		X	L 93Z	-	L 004 101	black		X	L 041
-	ALN 769 30C	malaga red		X	L 30C	-	L 062 Y01	signal green		X	L 62Y
-	911 095 942 60	bitter chocolate		X	L 86A	-	L 031 B01	scarlet		X	L 31B
	408					-	L 091 Z01	atlas white		X	L 91Z
-	ALN 769 90E	ALPINWEISS 78		X	L 90E	-	L 087 Z01	maroon		X	L 87Z
-	ALN 769 E1M	mexico beige		X	L E1M	-	L 010 A01	rally yellow		X	L 10A
-	ALN 769 M3A	guards red		X	L M3A	-	L 063 Z01	SPANISCHGRUEN		X	L 63Z
-	ALN 769 M9V	mocha black		X	L M9V	-	L 090 A01	polar white		X	L 90A
-	ALN 769 M7A	flieder		X	L M7A	-	L 093 Z01	white		X	L 93Z
		acrylic lacquer metallic 1 L				-	L 090 E01	ALPINWEISS 78		X	L 90E
-	LKL 098 Y00	ATLANTICBLAU		X	98Y	-	L 0E1 M01	mexico beige		X	L E1M
-	LKL 097 Y00	TIZIANBRAUN		X	97Y	-	L 0M3 A01	paint		X	L M3A
-	LKL 096 N00	peppermint ice		X	96N	-	L 0M9 V01	mocha black		X	L M9V
-	LKL 097 A00	diamond silver metallic		X	97A	-	L 0M7 A01	flieder		X	L M7A
-	LKL 095 E00	reseda green		X	95E						

Model	Year	MG	SG	Illustration	Restrictions	UPD	10:40	23.01.2010	PORSCHE	PET	PORSCHE
924	1979	0	04	004-00		248					

Pos	Part Number	Description	Remark	Qty	Model	Pos	Part Number	Description	Remark	Qty	Model
		paint touch-up applicator set comprising: paint touch-up applicator top-coat paint paint touch-up applicator clear lacquer									
-	L 098 Y01	ATLANTICBLAU		X	98Y						
-	L 097 Y01	TIZIANBRAUN		X	97Y						
-	L 096 N01	peppermint ice		X	96N						
-	L 097 A01	DIAMANTSILBER		X	97A						
-	L 095 E01	reseda green		X	95E						
-	L 095 F01	copper		X	95F						
-	L 096 Y02	paint		X	96Y						
-	L 099 F01	bahama blue		X	99F						
-	L 099 Y01	COLIBRIGRUEN		X	99Y						
-	L 094 K01	pearl		X	94K						
-	L 0Y7 V01	dolomite grey		X	Y7V						
-	L 0A3 V01	indiana red		X	A3V						
-	L 0M5 V01	petrol blue		X	M5V						
-	L 0M5 Y01	minerva blue		X	M5Y						

Model	Year	MG	SG	Illustration	Restrictions	UPD	10:40	23.01.2010
924	1979	0	05	005-00		248		

Pos	Part Number	Description	Remark	Qty	Model
		securing liquid sealing compound preservative agent			
		securing liquid			
-	928 101 921 00	loctite -270- 10 CCM high strength		X	
-	000 043 012 00	loctite -221- 10 CCM low strength		X	
		sealing compound			
-	000 043 010 00	loctite -574- 50 CCM		X	
-	000 043 011 00	loctite -638- 10 CCM for balance shaft		X	
-	000 043 013 00	loctite adhesive remover -80646- spraying can		X	
-	AMV 176 000 05	adhesive sealing compound 310 CCM		1	
		loctite for pasting metal glass ceramics thermoset plastic adhesive set comprising:		X	
-	000 043 051 00	adhesive loctite -317- 50 CCM		X	
-	000 043 202 65	loctite AKTIVATOR NF 736 180 CCM		X	
-	000 043 019 01	sealing compound SILASTIK 730 RTV 90 CCM		X	

Model	Year	MG	SG	Illustration	Restrictions	UPD	10:40	23.01.2010
924	1979	0	05	005-00		248		

Pos	Part Number	Description	Remark	Qty	Model
-	000 043 004 00	mounting paste optimoly ht 1 90-gramme tube		X	
-	000 043 020 00	optimoly mounting paste OPTIMOLY - TA 1 100-gramme tube silver		X	
-	000 043 110 01	grease OPTITEMP PU35 1 100-gramme tube		X	
-	000 043 204 21	grease for lock cylinder spraying can preservative agent		X	
-	999 571 062 00	care kit comprising: suitcase		1	
-	999 901 013 40	liquid preservative		1	
-	999 901 014 41	cleaning agent		1	
-	999 901 015 40	polisher		1	
-	999 901 016 40	tar remover		1	
-	999 901 017 40	dashboard cleaner		1	
-	999 901 018 40	paint polish		1	
-	999 901 019 41	insect remover		1	
-	999 901 020 40	spot remover		1	
-	999 901 021 40	polishing cotton		1	
-	999 901 022 40	polishing cloth		1	
-	000 044 000 02	preservative agent 250 ML		X	
-	999 901 017 41	window cleaner summer 250 ML		X	
-	999 901 033 40	window cleaner winter 1000 ML		X	
-	999 901 036 40	car shampoo refilling bottle 1000 ML		X	

PORSCHE

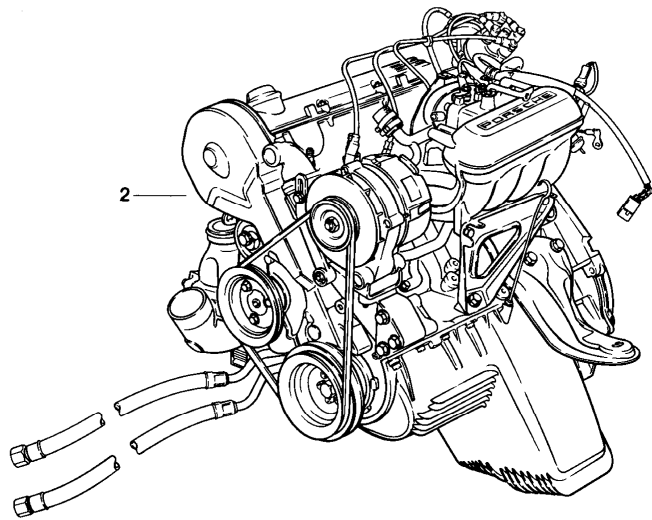
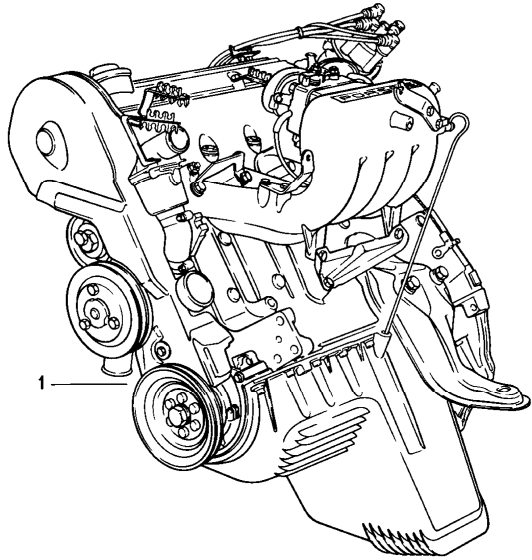
PET

PORSCHE

Model	Year	MG	SG	Illustration	Restrictions	UPD	10:40	23.01.2010
924	1979	0	05	005-00		248		

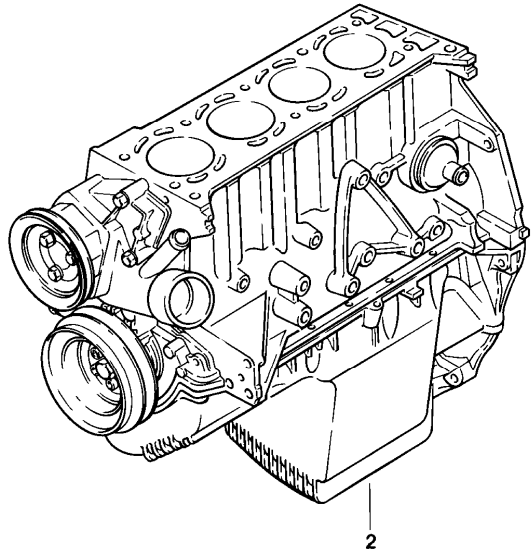
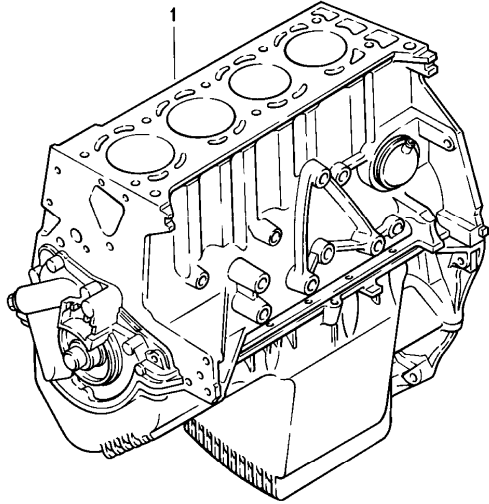
Pos	Part Number	Description	Remark	Qty	Model
-	999 917 803 00	window cleaner spray bottle 250 ML		X	
-	928 628 931 00	silicone remover 1000 ML		X	
-	999 901 030 40	rim cleaner spray bottle 500 ML		X	
-	999 901 031 40	rim cleaner refilling bottle 1000 ML		X	

Model	Year	MG	SG	Illustration	Restrictions	UPD	10:40	23.01.2010	PORSCHE	PET	PORSCHE
924	1979	1	01	101-00		248					



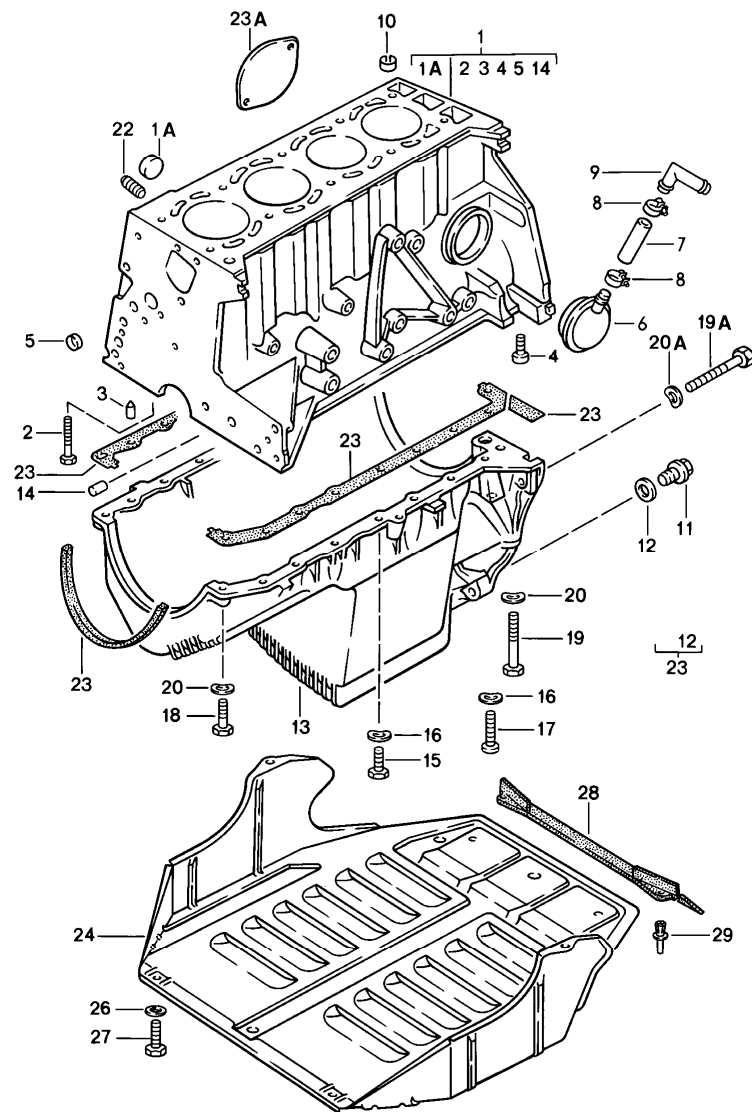
Pos	Part Number	Description	Remark	Qty	Model
1	047 100 015 F	replacement engine 92 KW (125 DIN-PS) for M62 use also: 056.129.777	/LL	1	924 XK
1	047 100 015 G	replacement engine 92 KW (125 DIN-PS) M >> XK 04 9526 for M62 use also: 056.129.777	/LL	1	924 XK AUT.
1	047 100 015 R	replacement engine 92 KW (125 DIN-PS) for M 479 use also: 047.131.013.A	/RL	1	924 XJ
1	047 100 015 S	replacement engine 92 KW (125 DIN-PS) 001 M >> XJ 00 6058	/RL	1	924 XJ AUT.
2	> 931 100 201 00	replacement engine 125 KW (170 DIN-PS)	/LL	1	TURBO M31.01

Model	Year	MG	SG	Illustration	Restrictions	UPD	10:41	23.01.2010	PORSCHE	PET	PORSCHE
924	1979	1	01	101-05		248					



Pos	Part Number	Description	Remark	Qty	Model
1	> 047 100 103 F	short engine with crankshaft piston oil pump		1	924 XJ XK
2	> 047 100 031	short engine 92 KW (125 DIN-PS) use also: 052.103.129.A 047.103.635 047.115.611.A with crankshaft piston oil pump water pump	79	1	TURBO M31.01

Model	Year	MG	SG	Illustration	Restrictions	UPD	10:41	23.01.2010	PORSCHE	PET	PORSCHE
924	1979	1	01	101-10		248					

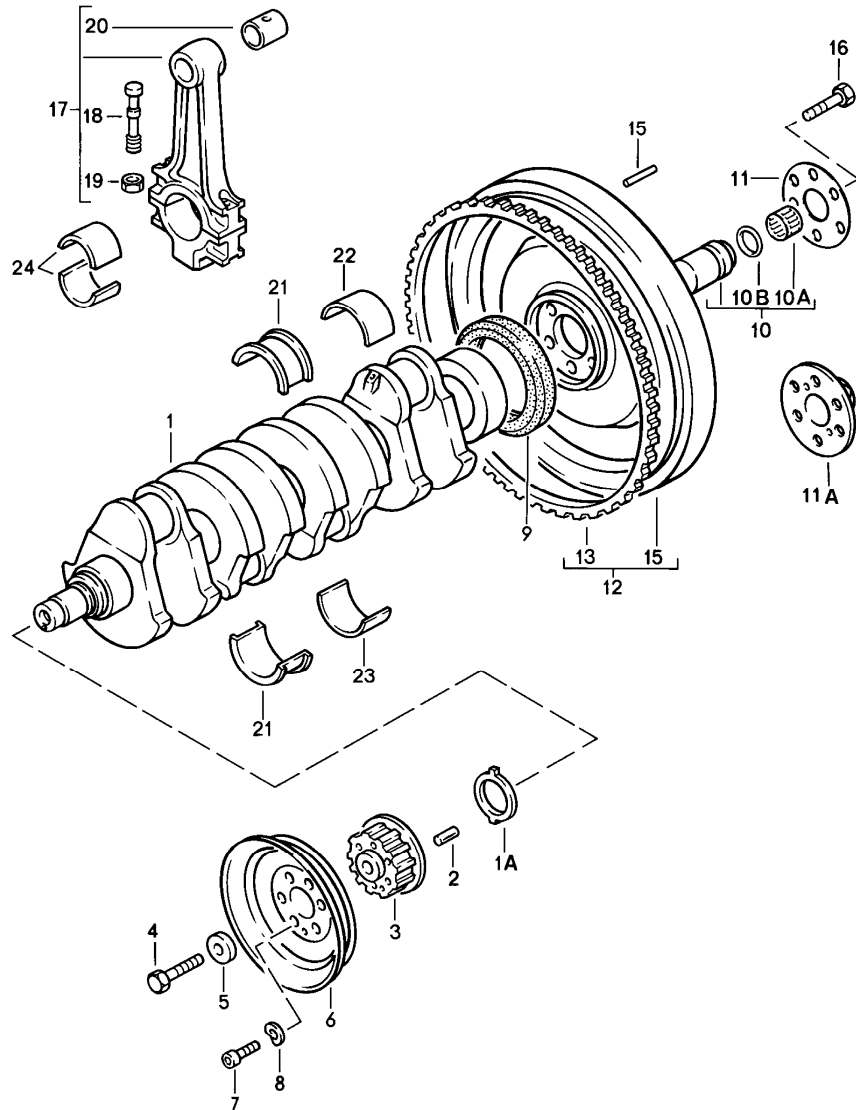


Pos	Part Number	Description	Remark	Qty	Model
		cylinder block with pistons oil pan protective plate f. engine			
1	> 047 103 101 E	cylinder block with pistons use also: until M >> XK 00 3213		1	XJ XK
1	> 047 103 101 D	cylinder block with pistons		1	M31.01
1A	059 103 113	lid		5	
2	N 010 488 3	hexagon-head bolt M 12 X 85		10	
3	999 012 034 00	straight pin 8 H 6 X 12		10	
4	N 014 724 3	pan-head screw M 10 X 20		2	
5	N 011 903 3	lid 16		2	
(5)	N 011 907 4	lid 14		1	
6	052 103 129 A	bleeder		1	924
(6)	931 107 063 00	bleeder		1	TURBO
-	N 020 343 1	hose		*	
7	-	18 X 2,5		1	
8	999 512 346 00	hose clamp LC 16-25		2	
9	047 103 227	elbow		1	
10	046 103 139	tensioning sleeve		2	
11	059 103 193	screw plug M 26 X 1,5		1	
(11)	N 902 889 01	screw plug M 14 X 1,5		1	

Model	Year	MG	SG	Illustration	Restrictions	UPD	10:41	23.01.2010	PORSCHE	PET	PORSCHE
924	1979	1	01	101-10		248					

Pos	Part Number	Description	Remark	Qty	Model	Pos	Part Number	Description	Remark	Qty	Model
12	* N 043 854 1	sealing ring C 26 X 32		1		23	* 060 198 041 A	gasket set for oil sump		1	
(12)	900 123 007 30	sealing ring A 14 X 18		1		23A	931 101 131 00	lid		1	TURBO
13	047 103 603 A	oil pan use also: 047.103.635 047.115.611.A 047.115.641 047.115.645		1	924			protective plate f. engine			
						24	477 407 583 C	protective plate		1	
						25	N 015 433 1	speed nut	-78	2	924
						26	900 151 029 02	washer	-78	6	924
13	047 103 603 B	oil pan use also: 047.103.635 047.115.611.A 931.107.154.00 047.115.645		1	TURBO	(26)	900 151 003 02	washer	79	6	
						27	N 013 976 1	tapping screw 6,3 X 13	-78	6	924
						(27)	N 010 215 13	hexagon-head bolt M 6 X 15	79	6	
14	N 043 207 2	straight pin 8 H 8 X 14		2		28	477 407 587	protection cover		1	TURBO
15	N 014 703 2	pan-head screw M 6 X 18		13		29	N 038 549 1	expansion rivet A 8 X 12		2	TURBO
16	N 012 226 5	spring washer		13							
17	N 014 722 2	pan-head screw M 6 X 60		2							
18	N 014 725 2	pan-head screw M 8 X 25		2							
19	N 100 113 01	pan-head screw M 8 X 140		1							
(19)	N 044 724 2	pan-head screw M 8 X 70		1							
19A	N 010 479 2	hexagon-head bolt M 10 X 88		2							
(19A)	N 010 490 3	hexagon-head bolt M 12 X 55		1							
(19A)	N 010 467 1	hexagon-head bolt M 12 X 45		4							
20	N 012 241 11	spring washer		4							
20A	900 028 032 02	spring washer		3							
(20A)	900 028 014 02	spring washer		4							
22	059 115 721	union		1	924						

Model	Year	MG	SG	Illustration	Restrictions	UPD	10:41	23.01.2010	PORSCHE	PET	PORSCHE
924	1979	1	02	102-00		248					



Pos	Part Number	Description	Remark	Qty	Model
1	> 048 105 021	crankshaft connecting rod		1	XK XF XH
1	> 046 105 021 A	crankshaft	>> XK 00 3213	1	
1A	046 105 177	driver		1	
2	N 023 255 1	tensioning sleeve 4 X 12		1	
3	048 105 209	toothed belt pulley		1	
4	N 900 074 01	hexagon-head bolt M 16 X 1,5 X 50		1	
5	048 105 235	washer		1	
6	048 105 255 A	v-belt pulley simple v-belt	/LL	1	924
(6)	046 105 255 B	v-belt pulley simple v-belt	/RL	1	924
(6)	046 105 255 F	v-belt pulley double v-belt		1	924
(6)	477 105 255	v-belt pulley triple v-belt		1	
7	N 014 725 2	pan-head screw M 8 X 25		6	
8	N 012 241 11	spring washer B 8		6	
9	* 059 103 051 D	sealing ring		1	
10	047 105 169 A	bearing sleeve with needle-roller bearing		1	924
(10)	931 102 111 00	deep-groove ball bearing		1	TURBO
10A	047 105 313	needle-roller bearing		1	924
10B	047 105 311	shaft sealing ring 15 X 21 X 5/7		1	924
11	046 105 175	washer		1	

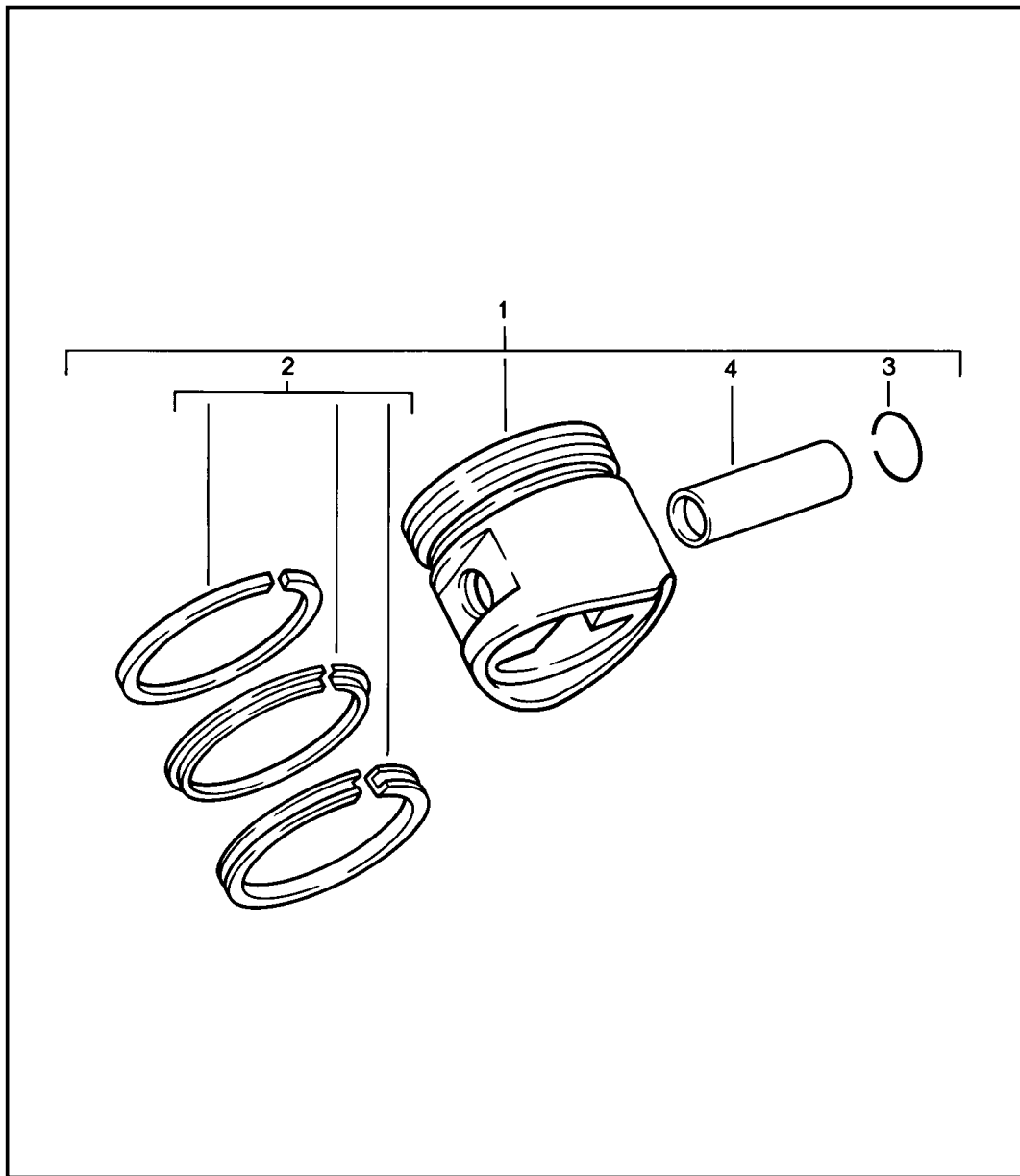
Model	Year	MG	SG	Illustration	Restrictions	UPD	10:41	23.01.2010	PORSCHE	PET	PORSCHE
924	1979	1	02	102-00		248					

Pos	Part Number	Description	Remark	Qty	Model	Pos	Part Number	Description	Remark	Qty	Model
11A	047 105 179	stop	AUT.	1	924	21	059 105 519	crankshaft bearing thrust bearing upper undersize 0,75 mm		X	
12	046 105 269 A	flywheel M >> XK 00 3213		1	XK XF XH						
(12)	046 105 269 B	flywheel		1	XJ XK	21	* 059 105 531	crankshaft bearing thrust bearing lower		X	
(12)	931 102 205 05	flywheel		1	TURBO						
13	059 105 275	starter ring 10 MM M >> XK 00 3213		1	924	21	* 059 105 537	crankshaft bearing thrust bearing lower undersize 0.25 mm		X	
(13)	046 105 275 A	starter ring 8 MM		1	924	21	059 105 543	crankshaft bearing thrust bearing lower undersize 0.50 mm		X	
15	N 013 210 1	straight pin 6 M 6 X 16		3	924						
16	N 040 110 1	hexagon-head bolt M 12 X 1,5 X 22		6	924	21	059 105 549	crankshaft bearing thrust bearing lower undersize 0,75 mm		X	
16	900 083 021 08	hexagon-head bolt M 12 X 1,5 X 20		6	TURBO						
		connecting rod				22	059 105 561	crankshaft bearing upper numbers 1,2,4,5		4	
17	* 046 198 401	connecting rod 1 set		1		22	* 059 105 567	crankshaft bearing upper numbers 1,2,4,5 undersize 0.25 mm		X	
18	059 105 425 A	connecting rod bolt		8							
19	* 059 105 427 A	hexagon nut		8		22	059 105 573	crankshaft bearing upper numbers 1,2,4,5 undersize 0.50 mm		X	
20	059 105 431	connecting rod bush		4							
		crankshaft bearing \$ 60 MM M >> XK 00 3213			924	22	059 105 579	crankshaft bearing upper numbers 1,2,4,5 undersize 0,75 mm		X	
21	* 059 105 501	crankshaft bearing thrust bearing upper		1							
21	* 059 105 507	crankshaft bearing thrust bearing upper undersize 0.25 mm		X		23	059 105 591	crankshaft bearing lower numbers 1,2,4,5		4	
21	059 105 513	crankshaft bearing thrust bearing upper undersize 0.50 mm		X		23	* 059 105 597	crankshaft bearing lower numbers 1,2,4,5 undersize 0.25 mm		X	
						23	059 105 603	crankshaft bearing lower numbers 1,2,4,5 undersize 0.50 mm		X	

Model	Year	MG	SG	Illustration	Restrictions	UPD	10:41	23.01.2010	PORSCHE	PET	PORSCHE
924	1979	1	02	102-00		248					

Pos	Part Number	Description	Remark	Qty	Model	Pos	Part Number	Description	Remark	Qty	Model
23	059 105 609	crankshaft bearing lower numbers 1,2,4,5 undersize 0,75 mm		X		23	* 046 105 609	crankshaft bearing lower numbers 1,2,4,5 undersize 0,75 mm		X	
		crankshaft bearing 64 MM \$						connecting-rod bearing			
21	* 046 105 501	crankshaft bearing thrust bearing		2		24	046 105 701	connecting-rod bearing		8	
21	* 046 105 507	crankshaft bearing thrust bearing undersize 0.25 mm		X		24	046 105 707	connecting-rod bearing undersize 0.25 mm		X	
21	* 046 105 513	crankshaft bearing thrust bearing undersize 0.50 mm		X		24	046 105 713	connecting-rod bearing undersize 0.50 mm		X	
21	* 046 105 519	crankshaft bearing thrust bearing undersize 0,75 mm		X		24	* 046 105 719	connecting-rod bearing undersize 0,75 mm		X	
22	* 046 105 561	crankshaft bearing upper numbers 1,2,4,5		4							
22	* 046 105 567	crankshaft bearing upper numbers 1,2,4,5 undersize 0.25 mm		X							
22	* 046 105 573	crankshaft bearing upper numbers 1,2,4,5 undersize 0.50 mm		X							
22	* 046 105 579	crankshaft bearing upper numbers 1,2,4,5 undersize 0,75 mm		X							
23	* 046 105 591	crankshaft bearing lower numbers 1,2,4,5		4							
23	046 105 597	crankshaft bearing lower numbers 1,2,4,5 undersize 0.25 mm		X							
23	* 046 105 603	crankshaft bearing lower numbers 1,2,4,5 undersize 0.50 mm		X							

Model	Year	MG	SG	Illustration	Restrictions	UPD	10:41	23.01.2010	PORSCHE	PET	PORSCHE
924	1979	1	02	102-05		248					

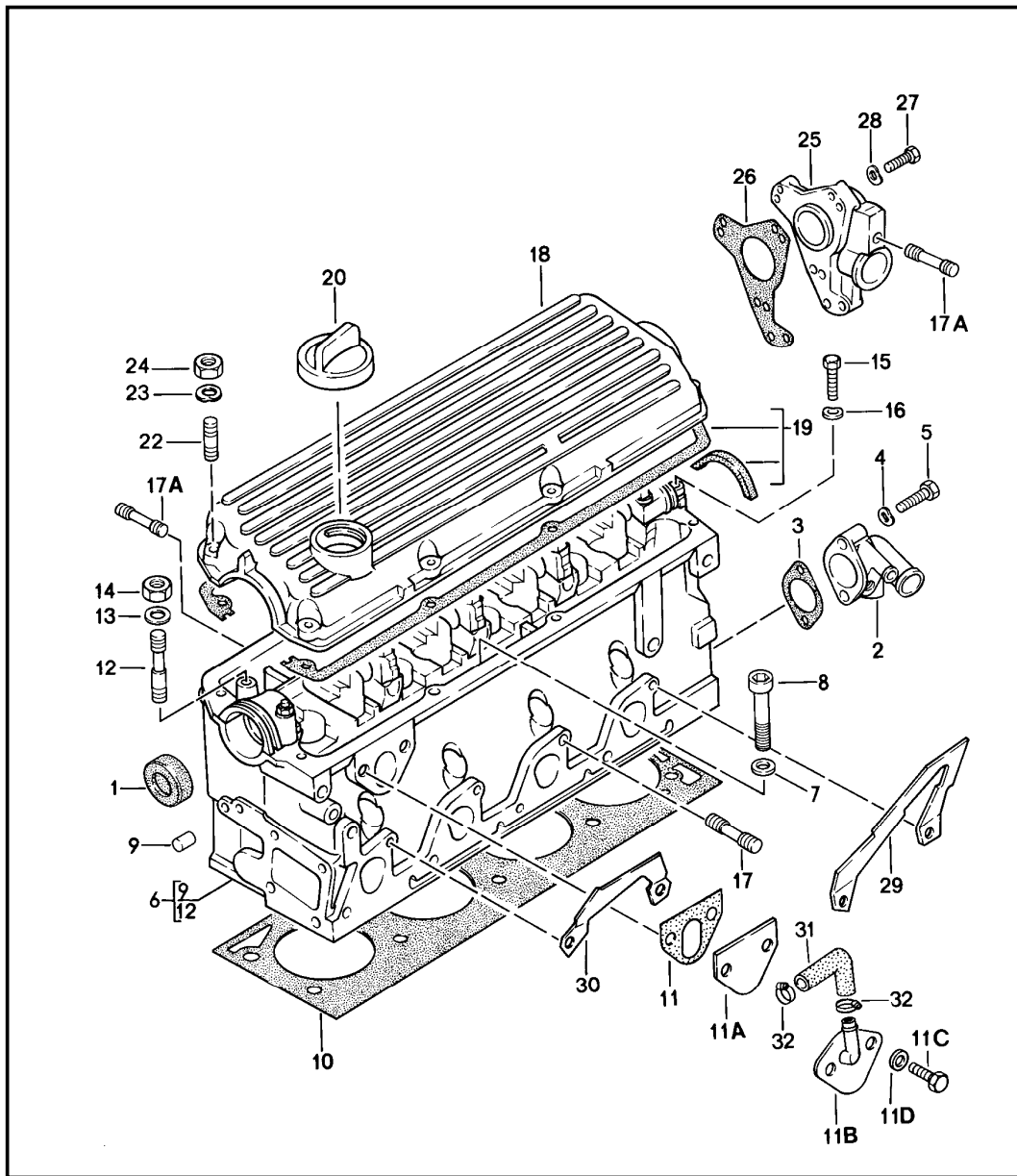


Pos	Part Number	Description	Remark	Qty	Model
1	047 107 065 F	piston piston rings		4	XJ XK
	001	86,48 MM			
	002	86,49 MM			
	003	86,50 MM			
1	047 107 071 F	piston oversize 86,75 MM		4	XJ XK
1	047 107 081 F	piston oversize 87,00 MM		4	XJ XK
1	047 107 091 F	piston oversize 87,50 MM		4	XJ XK
1	931 103 045 02	piston 86,50 MAHLE size 1		4	M31.01
1	931 103 045 12	piston 86,50 MAHLE size 2		4	M31.01
1	931 103 045 22	piston 86,50 MAHLE size 3		4	M31.01
1	931 103 045 51	piston 86,75 MAHLE size 1		4	M31.01
1	931 103 045 52	piston 86,75 MAHLE size 2		4	M31.01
1	931 103 045 53	piston 86,75 MAHLE size 3		4	M31.01
1	931 103 045 61	piston 87,00 MAHLE size 1		4	M31.01
1	931 103 045 62	piston 87,00 MAHLE size 2		4	M31.01

Model	Year	MG	SG	Illustration	Restrictions	UPD	10:41	23.01.2010	PORSCHE	PET	PORSCHE
924	1979	1	02	102-05		248					

Pos	Part Number	Description	Remark	Qty	Model	Pos	Part Number	Description	Remark	Qty	Model
1	931 103 045 63	piston 87,00 MAHLE size 3		4	M31.01						
2	* 060 198 151	set of piston rings 86,5 for 1 piston		4	924						
2	* 060 198 153	set of piston rings 86,75 for 1 piston		4	924						
2	* 060 198 155	set of piston rings 87,00 for 1 piston		4	924						
2	* 931 103 901 00	set of piston rings 86,50 for 1 piston		4	M31.01						
2	* 931 103 901 25	set of piston rings 86,75 for 1 piston		4	M31.01						
2	931 103 901 50	set of piston rings 87,00 for 1 piston		4	M31.01						
2	931 103 901 75	set of piston rings 87,50 for 1 piston		4	/02 M31.01						
3	N 012 277 1	circlip		8							
4	046 107 411	piston pin		4	924						
4	931 103 407 00	piston pin		4	TURBO						

Model	Year	MG	SG	Illustration	Restrictions	UPD	10:41	23.01.2010	PORSCHE	PET	PORSCHE
924	1979	1	03	103-00		248					

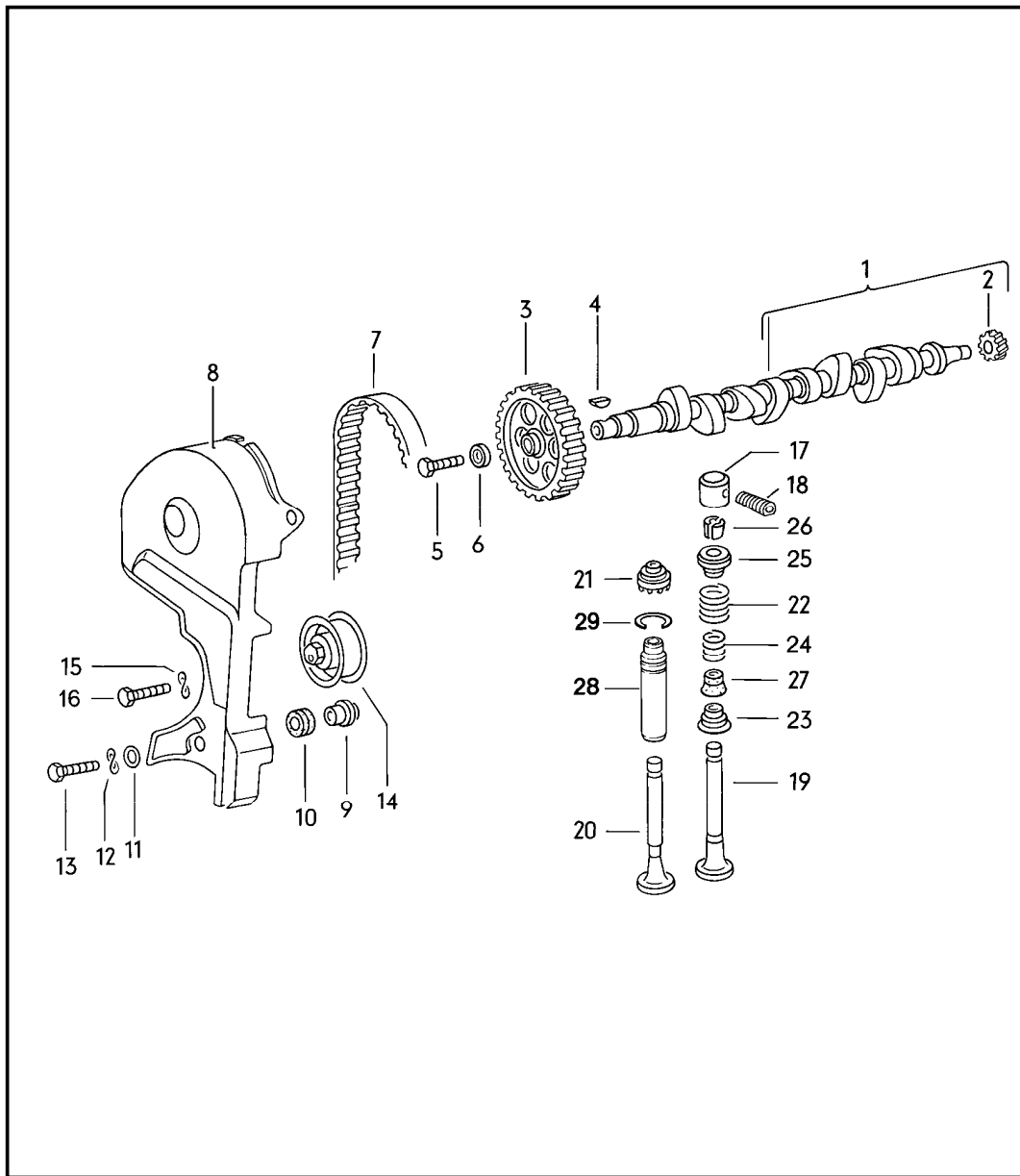


Pos	Part Number	Description	Remark	Qty	Model
		cylinder head			
1	* 068 103 085 A	sealing ring		1	
2	047 103 093 B	flange		1	
3	* 052 121 091 A	gasket		1	
4	N 012 226 5	spring washer		2	
5	N 010 221 3	hexagon-head bolt M 6 X 35		2	924
5	900 074 151 02	hexagon-head bolt M 6 X 38		1	M31.01
6	> 047 103 353 C	cylinder head		1	XJ XK
6	> 931 104 901 03	cylinder head use also: 047.103.113.A 059.127.311.A		1	M31.01
7	059 103 377 A	washer		10	M31.01
7	059 103 377 A	washer		10	924
8	N 014 731 2	pan-head screw M 12 X 115		10	
8	A 068 103 384 A	pan-head screw		10	924
8	068 103 384 A	pan-head screw M 12 X 115 only together with 047.103.383		10	924
9	056 103 379	stopper		1	
10	* 931 104 337 06	cylinder head gasket		1	924
10	* 931 104 337 06	cylinder head gasket		1	M31.01
11	* 028 127 311 A	gasket		1	924
11A	047 103 113 A	lid		1	924
12	056 103 397	stud M 8 X 56		10	
13	900 031 001 02	washer		10	
14	N 011 008 8	hexagon nut		10	
15	N 010 221 3	hexagon-head bolt M 6 X 35		2	

Model	Year	MG	SG	Illustration	Restrictions	UPD	10:41	23.01.2010	PORSCHE	PET	PORSCHE
924	1979	1	03	103-00		248					

Pos	Part Number	Description	Remark	Qty	Model	Pos	Part Number	Description	Remark	Qty	Model
16	N 012 226 5	spring washer		2							
17	N 044 411 5	stud M 8 X 30		4	924						
17	999 062 010 02	stud M 8 X 35		2	M31.01						
17	999 062 044 02	stud M 8 X 30		2	M31.01						
17A	N 044 411 5	stud M 8 X 30		8	924						
17A	999 062 238 02	stud M 8 X 25		8	M31.01						
18	047 103 475	cylinder head cover		1							
19	* 060 198 025 A	gasket set		1							
20	047 103 485	lid		1							
22	N 044 462 2	stud M 6 X 25		8							
23	N 012 226 5	spring washer		8							
24	900 076 010 02	hexagon nut		8							
25	048 905 215 A	housing for distributor driving mechanism		1							
26	* 048 905 341 B	gasket		1							
27	N 010 218 6	hexagon-head bolt 6 X 25		3	924						
(27)	N 010 220 3	hexagon-head bolt M 6 X 30		1	M31.01						
28	N 012 226 5	spring washer		3							
29	046 103 391	engine lifting bracket	/V	1							
30	046 103 392	engine lifting bracket	/H	1							

Model	Year	MG	SG	Illustration	Restrictions	UPD	10:42	23.01.2010	PORSCHE	PET	PORSCHE
924	1979	1	03	103-05		248					

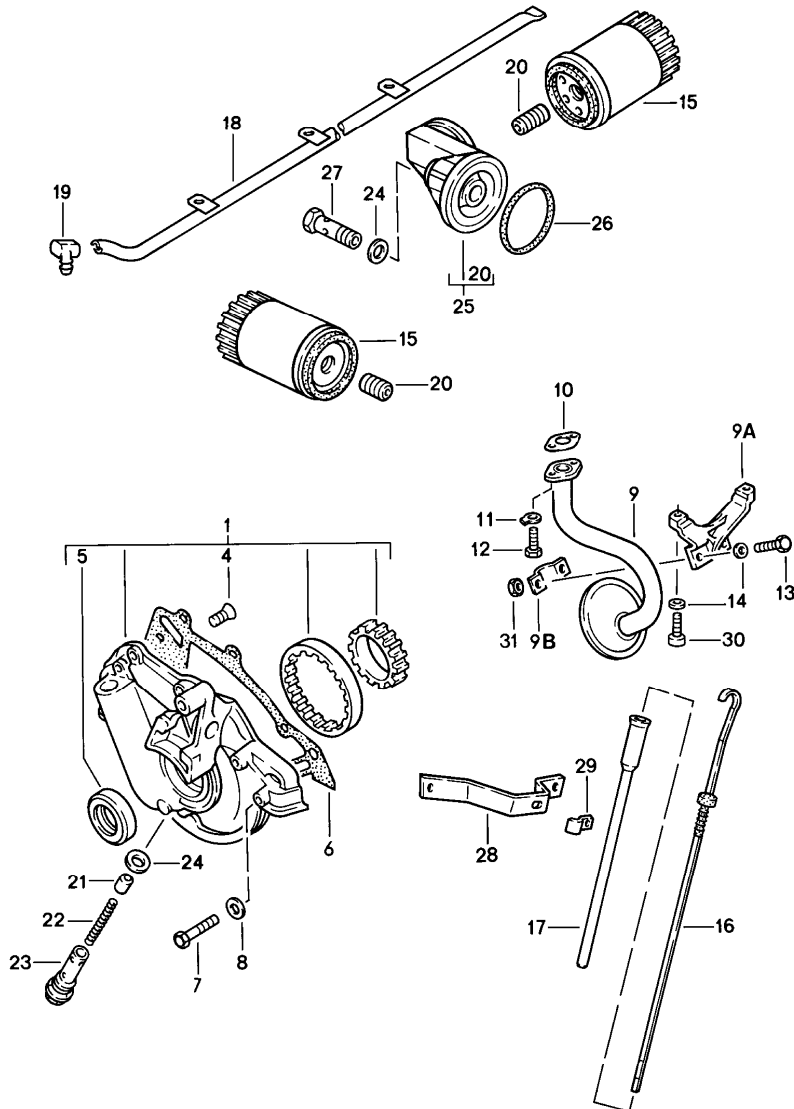


Pos	Part Number	Description	Remark	Qty	Model
		camshaft valves			
1	046 109 021	camshaft		1	
2	048 109 109	drive wheel f.ignition distributor		1	
3	049 109 111 C	gear wheel		1	
4	N 012 708 2	woodruff key		1	
5	N 010 137 1	hexagon-head bolt M 12 X 1,5 X 35		1	
6	056 109 143	washer		1	
7	056 109 119 A	toothed belt		1	
8	048 109 123	cover for toothed belt		1	XX XE XG
8	047 109 121	cover for toothed belt		1	XJ XF XH
8	931 105 051 00	cover for toothed belt		1	M31.01
9	056 109 135	bearing sleeve		3	
10	056 129 669 B	grommet		3	
11	N 011 612 3	washer		3	
12	N 012 226 5	spring washer		3	
13	N 010 218 6	hexagon-head bolt M 6 X 25		3	
14	056 109 243 D	tensioning roller		1	
15	N 012 231 1	spring washer		1	
16	N 010 455 3	screw M 10 X 55		1	
17	046 109 311	cam follower		8	
18	046 109 453 C	adjusting screw		8	
18	046 109 453 D	adjusting screw 1 nootch		X	
18	046 109 453 E	adjusting screw 2 notches		X	
18	046 109 453 F	adjusting screw 3 notches		X	

Model	Year	MG	SG	Illustration	Restrictions	UPD	10:42	23.01.2010	PORSCHE	PET	PORSCHE
924	1979	1	03	103-05		248					

Pos	Part Number	Description	Remark	Qty	Model	Pos	Part Number	Description	Remark	Qty	Model
18	046 109 453 G	adjusting screw 4 notches		X		28	931 104 324 05	valve guide exhaust 2nd oversize two grooves 14,11 MM		4	TURBO
19	046 109 601 A	intake valve		4	XK XJ XE XG						
19	931 105 401 02	intake valve		4	M31.01	28	048 103 415 A	valve guide intake standard dimension without groove 14,04 MM only together with 046.109.629		4	924
20	046 109 611 A	exhaust valve		4	924						
20	931 105 406 02	exhaust valve		4	M31.01						
21	046 109 617	roto cap clockwise rotation		4	924						
21	046 109 617	roto cap clockwise rotation		8	TURBO	28	048 103 419 A	valve guide intake 1st oversize one groove 14,24 MM only together with 046.109.629		4	924
22	046 109 623	valve spring outer		8							
23	046 109 629	concave washer lower intake valve		4	924	28	931 104 323 04	valve guide intake 1st oversize one groove 14,08 MM		4	TURBO
24	046 109 633	valve spring inner		8							
25	059 109 641 A	concave washer upper		8		28	048 103 423 A	valve guide intake 2nd oversize two grooves 14,44 MM only together with 046.109.629		4	924
26	059 109 651	collet		16							
27	* 046 109 675 A	valve stem seal		8							
28	046 103 415 A	valve guide exhaust standard dimension 14,04 MM without groove		4	924	28	931 104 323 05	valve guide intake 2nd oversize two grooves 14,11 MM		4	TURBO
28	046 103 419 A	valve guide exhaust 1st oversize one groove 14,24 MM		4	924	29	N 012 460 1	circlip		8	
28	931 104 324 04	valve guide exhaust 1st oversize one groove 14,08		4	TURBO						
28	046 103 423 A	valve guide exhaust 2nd oversize two grooves 14,44 MM		4	924						

Model	Year	MG	SG	Illustration	Restrictions	UPD	10:42	23.01.2010	PORSCHE	PET	PORSCHE
924	1979	1	04	104-00		248					

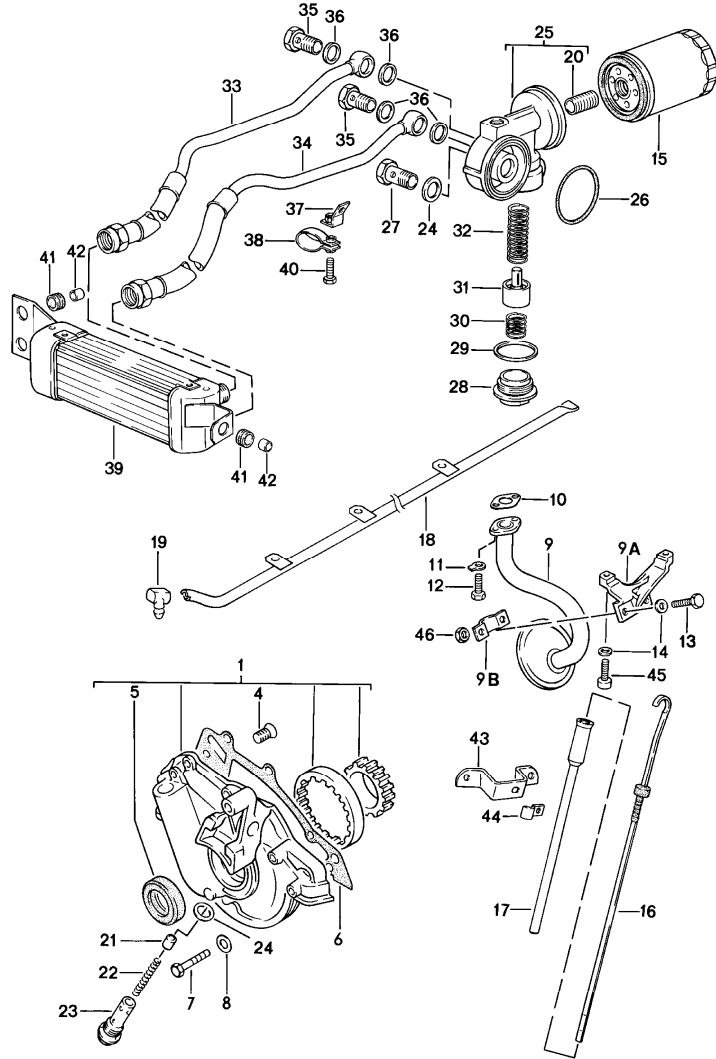


Pos	Part Number	Description	Remark	Qty	Model
		engine lubrication			924
1	046 115 105 A	oil pump		1	
4	N 033 178 1	countersunk-head screw M 6 X 15		6	
5	048 115 147	sealing ring 35 X 54 X 10		1	
6	* 046 115 189 A	gasket		1	
7	N 010 339 3	hexagon-head bolt M 6 X 40		5	
7	N 010 347 3	hexagon-head bolt M 6 X 35		1	
8	900 031 011 02	washer 6,4		6	
9	047 115 251 B	intake pipe use also: 047.115.267.C 047.115.285		1	
9A	047 115 267 C	retaining bracket		1	
9B	047 115 285	pipe clamp		1	
10	* 048 115 257	gasket		1	
11	048 115 259	tab washer		1	
12	N 900 572 01	hexagon socket head bolt M 6 X 15		2	
13	N 010 210 7	hexagon-head bolt M 6 X 10		1	
14	N 012 226 5	spring washer		1	
15	931 107 701 00	oil filter		1	
16	047 115 611	oil level dipstick with guide tube 210 MM		1	
16	047 115 611 A	oil level dipstick without guide tube 392 MM		1	
-	059 115 625	sealing ring		1	
17	047 103 635	guide tube		1	

Model	Year	MG	SG	Illustration	Restrictions	UPD	10:42	23.01.2010	PORSCHE	PET	PORSCHE
924	1979	1	04	104-00		248					

Pos	Part Number	Description	Remark	Qty	Model	Pos	Part Number	Description	Remark	Qty	Model
18	047 115 701	oil splash tube		1							
19	052 115 707	adapter		1							
20	059 115 721	union		1							
21	056 115 411 A	piston		1							
22	068 115 421	spring		1							
23	046 115 419	housing relief valve		1							
24	N 043 815 2	sealing ring A 20 X 24		2							
25	046 115 573 A	bracket for oil filter	/RL	1							
26	046 115 581	o-ring 62 X 3	/RL	1							
27	046 115 579 A	banjo bolt	/RL	1							
28	047 115 641	support		1							
29	047 115 645	pipe clamp		1							
30	900 067 011 02	pan-head screw M 6 X 20		2							
31	900 076 010 02	hexagon nut		2							

Model	Year	MG	SG	Illustration	Restrictions	UPD	10:42	23.01.2010	PORSCHE	PET	PORSCHE
924	1979	1	04	104-05		248					

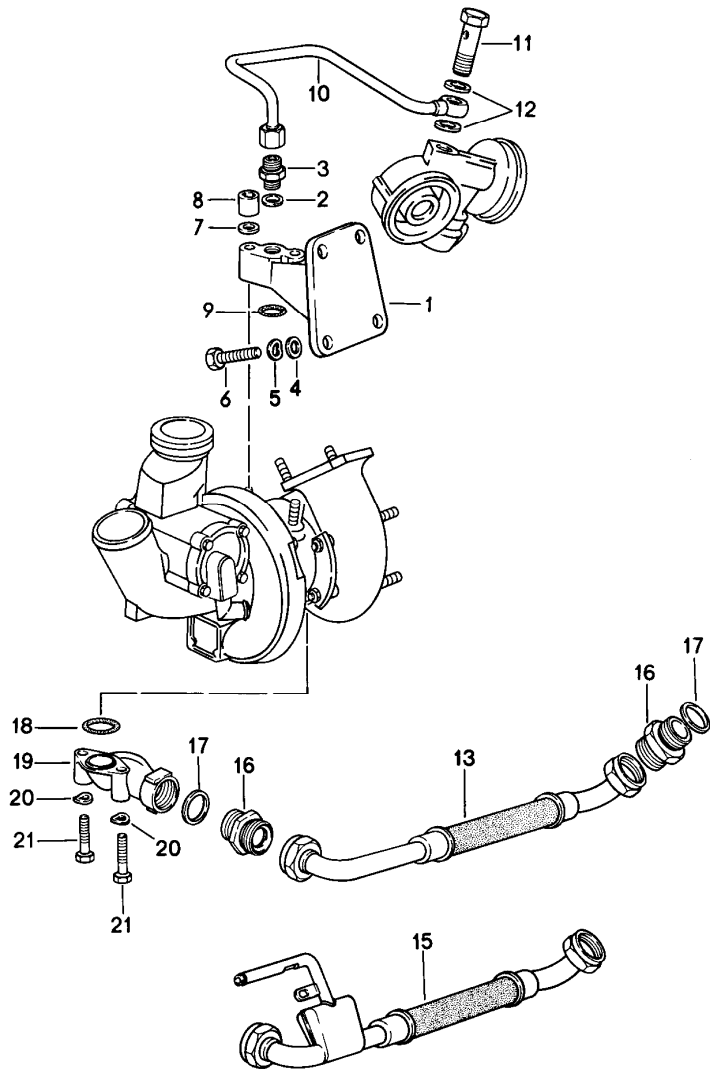


Pos	Part Number	Description	Remark	Qty	Model
		engine lubrication engine oil cooler			TURBO
1	046 115 105 A	oil pump		1	
4	N 033 178 1	countersunk-head screw M 6 X 15		6	
5	048 115 147	sealing ring 35 X 54 X 10		1	
6	* 046 115 189 A	gasket		1	
7	N 010 339 3	hexagon-head bolt M 6 X 40		5	
7	N 010 347 3	hexagon-head bolt M 6 X 35		1	
8	900 031 011 02	washer		6	
9	047 115 251 B	intake pipe use also: 047.115.267.C 047.115.285		1	
9A	047 115 267 C	retaining bracket		1	
9B	047 115 285	pipe clamp		1	
10	* 048 115 257	gasket		1	
11	048 115 259	tab washer		1	
12	N 900 572 01	hexagon socket head bolt M 6 X 15		2	
13	N 010 210 7	hexagon-head bolt M 6 X 10		1	
14	N 012 226 5	spring washer		1	
15	931 107 701 00	oil filter		1	
16	047 115 611	oil level dipstick		1	
16	047 115 611 A	oil level dipstick		1	
-	059 115 625	sealing ring		1	
17	047 103 635	guide tube		1	
18	047 115 701	oil splash tube		1	
19	052 115 707	adapter		1	
20	059 115 721	union		1	

Model	Year	MG	SG	Illustration	Restrictions	UPD	10:42	23.01.2010	PORSCHE	PET	PORSCHE
924	1979	1	04	104-05		248					

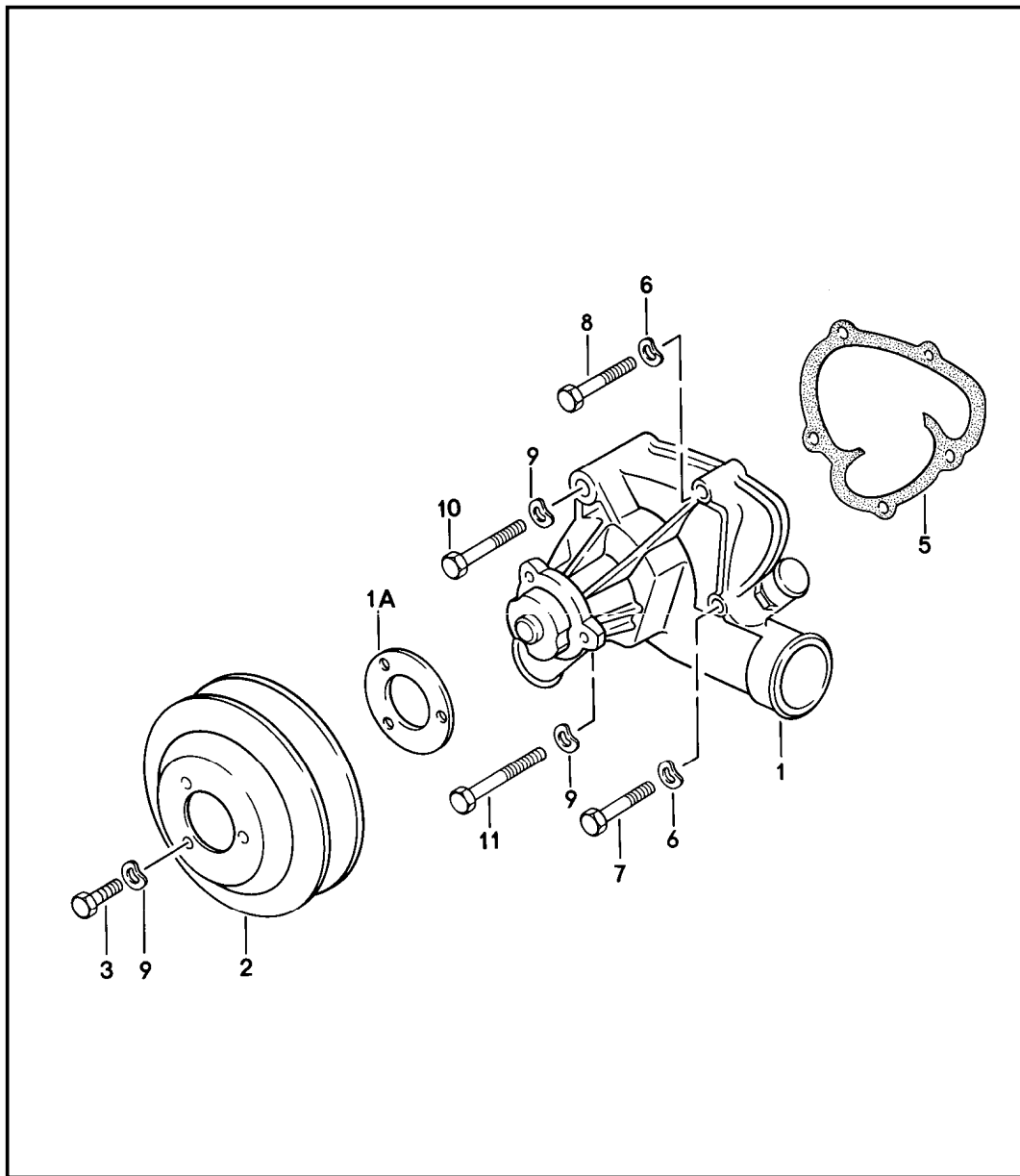
Pos	Part Number	Description	Remark	Qty	Model	Pos	Part Number	Description	Remark	Qty	Model
21	056 115 411 A	piston		1		44	047 115 645	pipe clamp		1	
22	068 115 421	spring		1		45	900 067 011 02	pan-head screw M 6 X 20		2	
23	046 115 419	housing relief valve		1		46	900 076 010 02	hexagon nut		2	
24	N 043 815 2	sealing ring A 20 X 24		2							
25	931 107 151 00	bracket for oil filter		1							
26	999 701 621 40	o-ring		1							
27	046 115 579 A	banjo bolt		1							
28	931 107 152 00	screw plug		1							
29	900 123 098 70	sealing ring A 42 X 49		1							
30	928 107 173 00	spring		1							
31	928 107 172 02	regulator insert		1							
32	928 107 171 01	spring		1							
33	931 107 127 11	oil pipe oil cooler engine		1							
34	931 107 129 11	oil pipe engine oil cooler		1							
35	999 134 023 02	banjo bolt		2							
36	900 123 106 30	sealing ring A 18 X 24		4							
37	931 107 125 01	retaining bracket		1							
38	999 511 066 02	clamp		2							
39	931 207 051 01	engine oil cooler		1							
40	900 378 030 09	hexagon-head bolt M 6 X 20		1							
41	056 129 669 B	grommet		3							
42	052 109 135	spacer sleeve		3							
43	931 107 154 00	support		1							

Model	Year	MG	SG	Illustration	Restrictions	UPD	10:42	23.01.2010	PORSCHE	PET	PORSCHE
924	1979	1	04	104-10		248					



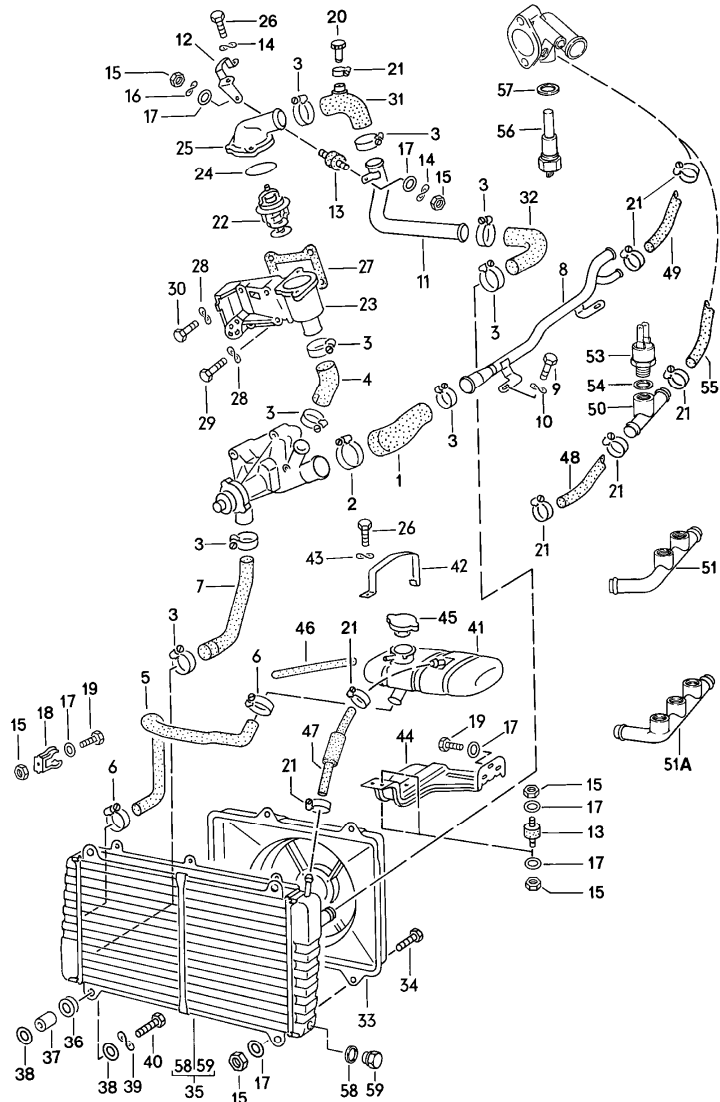
Pos	Part Number	Description	Remark	Qty	Model
		engine lubrication turbocharger			TURBO
1	931 123 124 03	bracket		1	
2	900 123 008 30	sealing ring A 14 X 20		1	
3	N 020 702 1	screw socket		1	
4	900 025 007 02	washer		4	
5	N 012 241 8	spring washer		4	
6	900 075 083 02	hexagon-head bolt M 8 X 25		4	
7	900 031 001 02	washer		2	
8	999 085 001 02	socket head nut		2	
9	999 707 043 40	o-ring 17 X 3		1	
10	931 107 109 05	oil pipe		1	
11	N 021 074 1	banjo bolt		1	
12	900 123 008 30	sealing ring		2	
13	931 107 108 03	oil pipe		1	
15	931 107 108 08	oil pipe		X	
16	900 915 008 02	connection piece		2	
17	900 123 084 30	sealing ring A 26 X 31		2	
18	900 174 045 40	sealing ring 25 X 3,15		1	
19	931 107 111 02	bracket		1	
20	N 012 241 8	spring washer		2	
21	900 074 134 02	hexagon-head bolt M 8 X 45		2	

Model	Year	MG	SG	Illustration	Restrictions	UPD	10:42	23.01.2010	PORSCHE	PET	PORSCHE
924	1979	1	05	105-00		248					



Pos	Part Number	Description	Remark	Qty	Model
		water pump			
1	> 060 121 011	water pump		1	
1A	046 121 185	spacer		1	
2	059 121 031	v-belt pulley		1	
3	N 010 237 6	hexagon-head bolt M 8 X 12	/LL	3	924
(3)	900 075 087 02	hexagon-head bolt M 8 X 16		3	
5	* 046 121 041 A	gasket		1	
6	N 012 226 5	spring washer		3	
7	N 010 348 4	hexagon-head bolt M 6 X 45		2	
8	N 010 221 3	hexagon-head bolt M 6 X 35		1	
9	N 012 229 3	spring washer		5	
10	N 010 361 4	hexagon-head bolt M 8 X 65		1	
11	N 010 373 2	hexagon-head bolt M 8 X 72		1	

Model	Year	MG	SG	Illustration	Restrictions	UPD	10:43	23.01.2010	PORSCHE	PET	PORSCHE
924	1979	1	05	105-05		248					

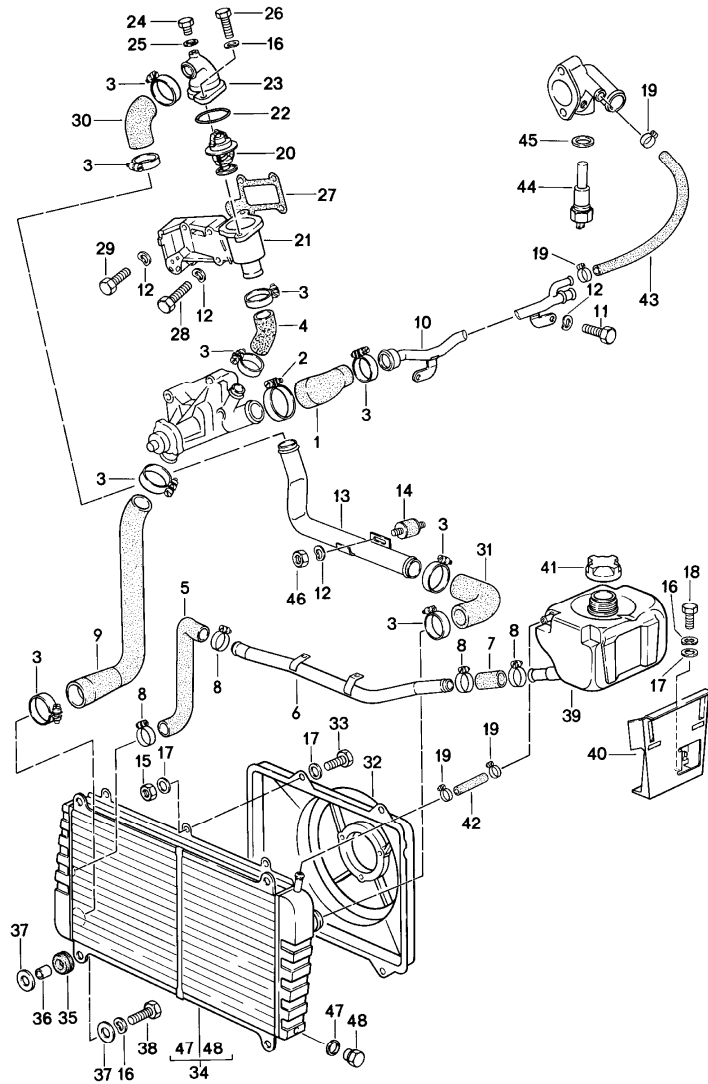


Pos	Part Number	Description	Remark	Qty	Model
		water cooling			924
1	046 121 051	water hose		1	
2	999 512 348 02	hose clamp 40-60		1	
3	N 024 516 3	hose clamp 30-45		9	
4	046 121 053	water hose		1	
5	047 121 060	water hose		1	
6	999 512 252 02	hose clamp 23-35		2	
7	046 121 061	water hose		1	
8	047 121 073	water tube		1	
9	900 075 087 02	hexagon-head bolt M 8 X 16		1	
10	900 027 015 02	lock ring		1	
11	047 121 073 A	water tube		1	
12	047 121 094	support		1	
13	999 703 239 00	bonded rubber buffer		3	
14	N 012 226 5	spring washer		3	
15	900 076 010 02	hexagon nut		11	
16	N 012 226 5	spring washer		1	
17	N 011 524 7	washer		14	
18	046 121 095 A	hose clamp		2	
19	N 010 215 13	hexagon-head bolt M 6 X 15		5	
20	046 121 099	stopper		1	
21	999 512 554 00	hose clamp 12-20		5	
22	059 121 113 B	thermostat 83 degree c		1	
22	059 121 113 A	thermostat 87 degree c		1	
23	048 121 117	housing		1	

Model	Year	MG	SG	Illustration	Restrictions	UPD	10:43	23.01.2010	PORSCHE	PET	PORSCHE
924	1979	1	05	105-05		248					

Pos	Part Number	Description	Remark	Qty	Model	Pos	Part Number	Description	Remark	Qty	Model
24	* 038 121 119 B	sealing ring		1		47	477 121 105	water hose		1	
25	059 121 121	lid		1		49	810 819 371 G	water hose		1	
26	N 010 217 9	hexagon-head bolt M 6 X 20		3		50	056 121 167	connecting piece		1	
27	* 048 121 127 A	gasket		1		53	047 131 851 D	temperature switch		1	
28	N 012 229 3	spring washer		4		54	N 013 808 3	sealing ring A 10 X 16		1	
29	N 010 335 5	hexagon-head bolt M 8 X 35		2		55	047 121 621 A	water hose		1	
30	900 075 029 09	hexagon-head bolt M 8 X 25		2		56	043 906 163 A	temperature time switch		1	
31	047 121 175	hose elbow		1		57	900 123 007 30	sealing ring A 14 X 18		1	
32	931 106 157 00	hose elbow		1		58	900 123 050 20	sealing ring A 8 X 11,5		1	
33	477 121 207 C	fan cowl		1		59	N 016 158 1	screw plug AM 8 X 1		1	
(33)	477 121 207 E	fan cowl for air conditioner		1							
34	N 010 210 7	hexagon-head bolt M 6 X 12		4							
35	477 121 251 A	radiator		1							
36	056 129 669 B	grommet		4							
37	052 109 135	spacer sleeve		4							
38	N 011 612 3	washer		8							
39	N 012 226 5	spring washer		4							
40	N 010 218 6	hexagon-head bolt M 6 X 25		4							
41	028 121 405 A	expansion tank		1							
42	028 121 409	restraining strap		1							
43	N 012 036 5	lock ring		1							
44	477 121 413 B	bracket		1							
45	028 121 453	lid		1							
-	N 020 281 1	hose		*							
46	-	7 X 2,5 MM		1							

Model	Year	MG	SG	Illustration	Restrictions	UPD	10:43	23.01.2010	PORSCHE	PET	PORSCHE
924	1979	1	05	105-10		248					

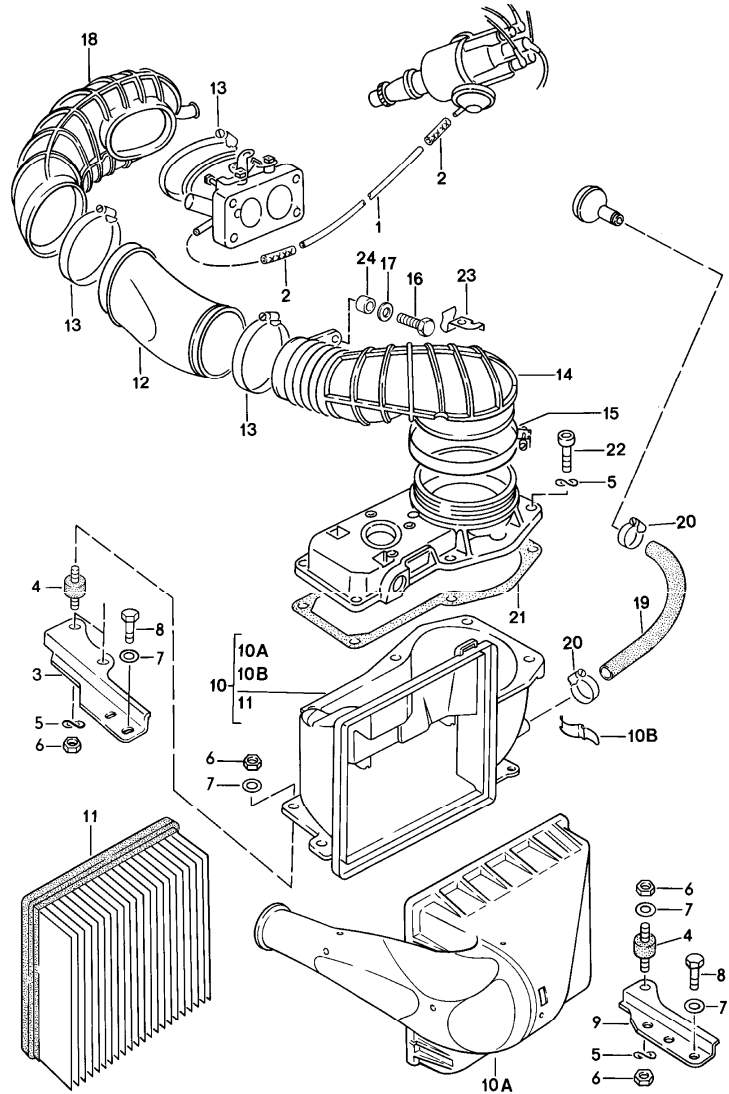


Pos	Part Number	Description	Remark	Qty	Model
		water cooling			TURBO
1	046 121 051	water hose		1	
2	999 512 348 02	hose clamp 40-60		1	
3	N 024 516 3	hose clamp 30-45		9	
4	046 121 053	water hose		1	
5	931 106 267 01	water hose		1	
6	931 106 263 01	water tube		1	
-	999 238 001 40	water hose 20 X 27		*	
7	-	150 MM		1	
8	999 512 252 02	hose clamp 23-35		4	
9	046 121 061	water hose		1	
10	931 106 052 00	water tube		1	
11	900 075 087 02	hexagon-head bolt M 8 X 16		2	
12	900 027 015 02	lock ring		6	
13	931 106 051 04	water tube		1	
14	931 106 163 00	rubber mounting		1	
15	900 076 010 02	hexagon nut		8	
16	N 012 226 5	spring washer		8	
17	N 011 524 7	washer		10	
18	N 010 215 13	hexagon-head bolt M 6 X 15		3	
19	999 512 554 00	hose clamp 12-20		4	
20	059 121 113 A	thermostat 87 degree c		1	
21	048 121 117	housing		1	
22	* 038 121 119 B	sealing ring		1	
23	931 106 155 00	lid		1	

Model	Year	MG	SG	Illustration	Restrictions	UPD	10:43	23.01.2010	PORSCHE	PET	PORSCHE
924	1979	1	05	105-10		248					

Pos	Part Number	Description	Remark	Qty	Model	Pos	Part Number	Description	Remark	Qty	Model
24	931 106 156 00	screw plug		1		47	900 123 050 20	sealing ring A 8 X 11,5		1	
25	N 013 830 7	sealing ring A 8 X 12		1		48	N 016 158 1	screw plug AM 8 X 1		1	
26	N 010 217 9	hexagon-head bolt M 6 X 20		2							
27	* 048 121 127 A	gasket		1							
28	N 010 335 5	hexagon-head bolt M 8 X 35		2							
29	900 075 029 09	hexagon-head bolt M 8 X 25		2							
30	931 106 159 00	hose elbow		1							
31	931 106 157 00	hose elbow		1							
32	477 121 207 C	fan cowl		1							
(32)	477 121 207 E	fan cowl air conditioner		1							
33	N 010 210 7	hexagon-head bolt M 6 X 12		4							
34	477 121 251 A	radiator		1							
35	056 129 669 B	grommet		4							
36	052 109 135	spacer sleeve		4							
37	N 011 612 3	washer		8							
38	N 010 218 6	hexagon-head bolt M 6 X 25		4							
39	931 106 265 02	expansion tank		1							
40	477 809 853	bracket		1							
41	171 121 321 B	lid		1							
42	000 043 205 14	hose 8 X 15		1							
43	810 819 371 G	water hose		1							
44	928 605 101 00	temperature time switch		1							
45	900 123 007 30	sealing ring A 14 X 18		1							
46	N 011 008 8	hexagon nut		1							

Model	Year	MG	SG	Illustration	Restrictions	UPD	10:43	23.01.2010	PORSCHE	PET	PORSCHE
924	1979	1	06	106-00		248					

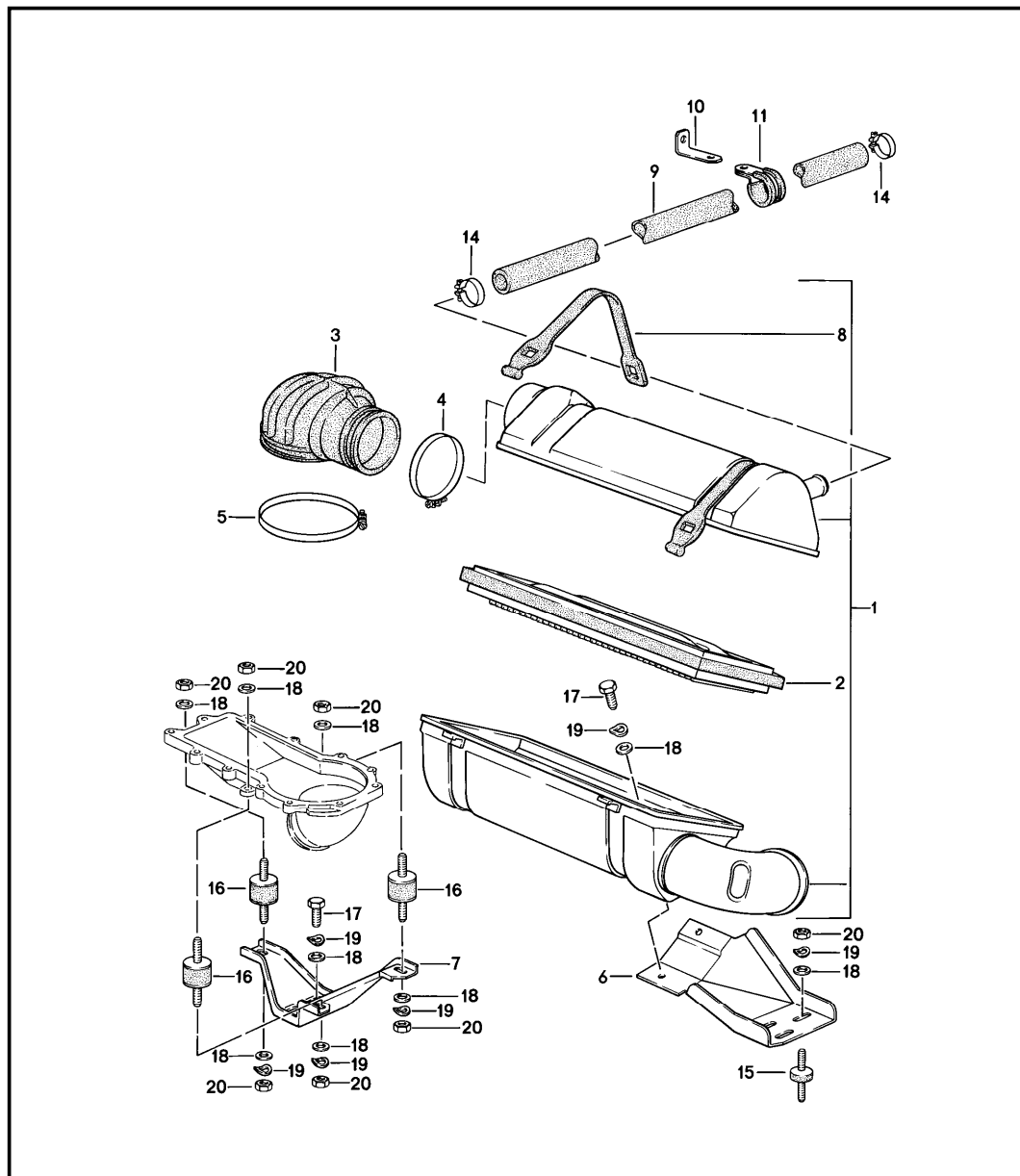


Pos	Part Number	Description	Remark	Qty	Model
		air cleaner system			924
-	N 020 139 1	hose 4 X 1		*	
1	-	700 MM		1	
-	N 020 353 5	hose		*	
2	-	40 MM		2	
3	047 129 545	bracket		1	
4	999 703 239 00	bonded rubber buffer		3	
5	N 012 226 5	spring washer		9	
6	900 076 010 02	hexagon nut		6	
7	N 011 524 7	washer		6	
8	N 010 215 13	hexagon-head bolt M 6 X 15		4	
9	047 129 547	bracket		1	
10	477 129 611 D	air cleaner ready for installation		1	
10A	477 129 615 D	air cleaner cover without clamp		1	
10B	055 129 635	retaining clip		4	
-	999 703 048 40	stopper for lid		1	
11	021 129 620	air cleaner cartridge		1	
12	047 133 083	intake manifold		1	XJ XK XF XH
13	999 512 350 02	hose clamp 80-100		3	
14	047 133 367 E	hose use also: 477.133.579 999.501.029.30 N .024.125.2		1	
-	477 133 579	spacer sleeve		1	
-	999 703 385 40	stopper		1	

Model	Year	MG	SG	Illustration	Restrictions	UPD	10:43	23.01.2010	PORSCHE	PET	PORSCHE
924	1979	1	06	106-00		248					

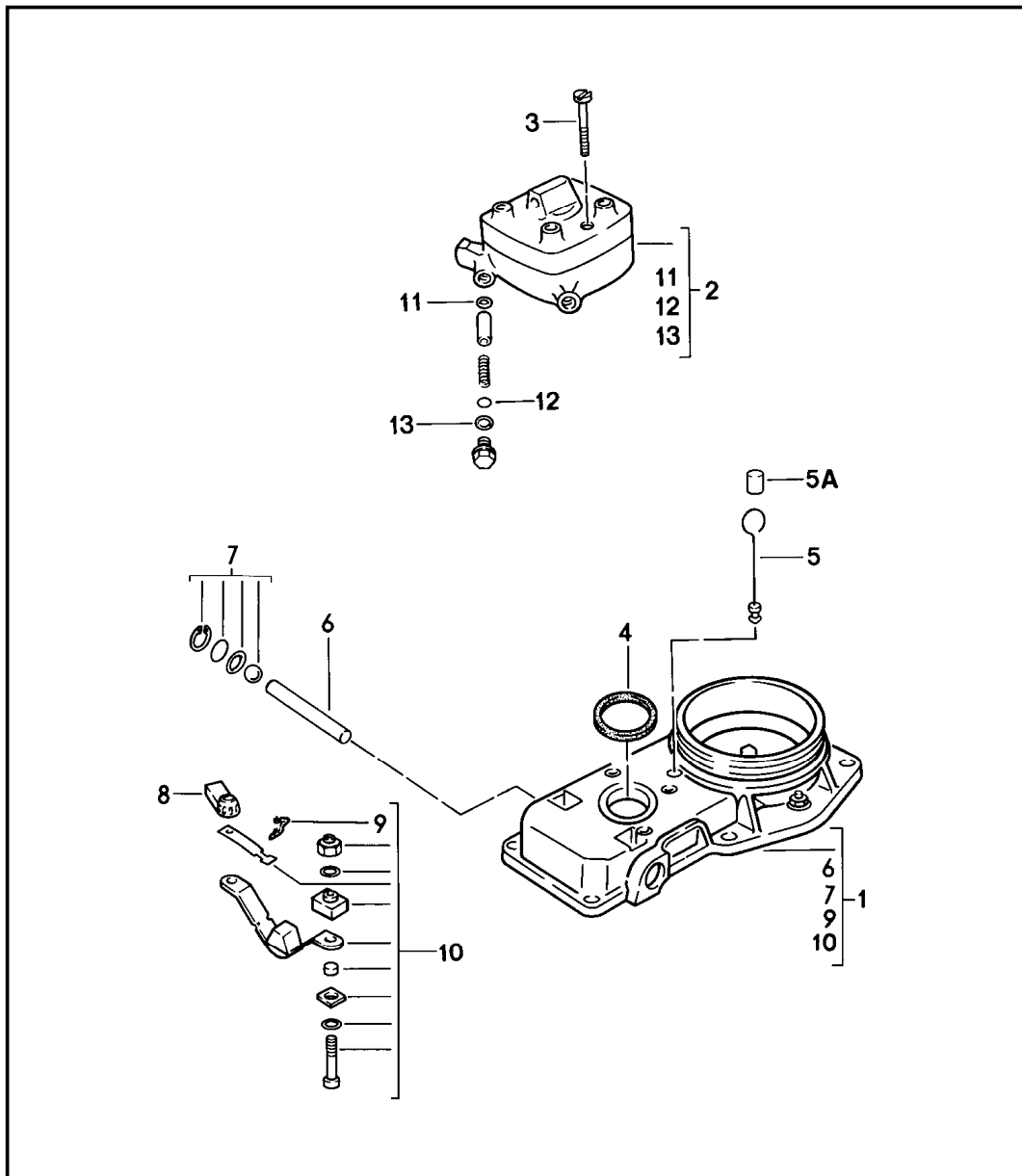
Pos	Part Number	Description	Remark	Qty	Model	Pos	Part Number	Description	Remark	Qty	Model
-	N 024 125 2	hose clamp 9 X 19		1							
15	N 024 521 1	hose clamp A 12 X 126		1							
16	900 075 014 02	hexagon-head bolt M 6 X 18		1							
17	900 151 029 02	washer		1							
18	047 133 367 C	hose		1							
(18)	047 133 367 B	hose	(S)	1							
-	047 131 467	screw socket	(S)	1							
-	N 011 565 3	washer	(S)	2							
-	900 078 005 01	hexagon nut M 14 X 1,5	(S)	1							
-	N 020 343 1	hose		*							
19	-			1							
20	999 512 346 00	hose clamp LC 16 - 25		2							
21	049 133 379 A	gasket		1							
22	900 067 009 02	pan-head screw M 6 X 15		6							
23	477 133 523	retainer spring		1							
24	047 133 091	spacer sleeve		1							

Model	Year	MG	SG	Illustration	Restrictions	UPD	10:43	23.01.2010	PORSCHE	PET	PORSCHE
924	1979	1	06	106-05		248					



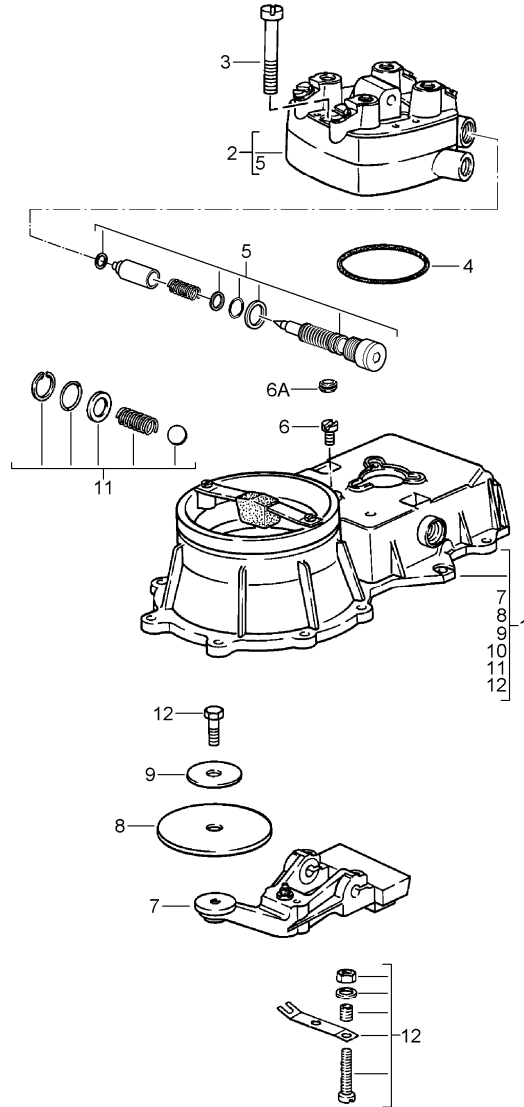
Pos	Part Number	Description	Remark	Qty	Model
		air cleaner system			TURBO
1	931 110 021 03	air cleaner ready for installation		1	
2	931 110 121 00	air cleaner cartridge		1	
3	931 110 358 00	air box		1	
4	N 024 326 1	hose clamp		1	
5	N 024 334 1	hose clamp		1	
6	477 809 085	support		1	
7	477 805 513	support		1	
8	928 110 363 01	restraining strap		2	
9	931 107 394 02	hose 22 X 31 650 MM		1	
9	931 107 394 02	hose 22 X 30 650 MM		1	
10	931 107 159 00	support		1	
11	999 511 077 02	clamp		1	
14	999 512 300 02	hose clamp		2	
15	931 110 191 00	bonded rubber buffer		3	
16	999 703 239 00	bonded rubber buffer		3	
17	N 010 210 13	hexagon-head bolt M 6 X 10		3	
18	N 011 524 7	washer		10	
19	N 012 226 5	spring washer		15	
20	900 076 010 02	hexagon nut		8	

Model	Year	MG	SG	Illustration	Restrictions	UPD	10:43	23.01.2010	PORSCHE	PET	PORSCHE
924	1979	1	07	107-00		248					



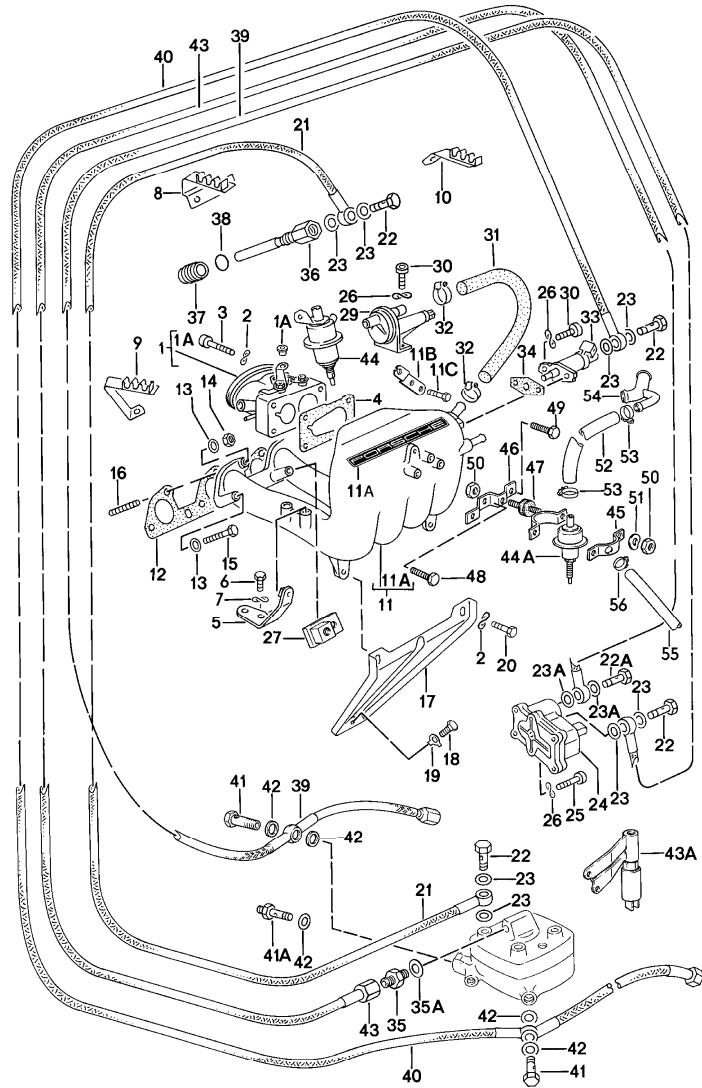
Pos	Part Number	Description	Remark	Qty	Model
		k-jetronic mixture control unit			924
1	047 133 471 A	mass air flow meter		1	
2	> 063 133 481	fuel distributor		1	
-	> 063 133 481 X	fuel distributor		1	
3	049 133 483	pan-head screw		3	
4	049 133 485 A	sealing ring		1	
5	911 110 934 00	stopper		1	
5A	049 133 777 A	stopper blue		1	
6	911 110 941 00	straight pin		1	
7	* 911 110 946 00	parts kit control lever		1	
8	911 110 929 00	safety contact		1	
9	911 110 921 00	clamp		1	
10	* 911 110 947 00	parts kit stop bar		1	
11	911 110 936 00	sealing ring		1	
12	911 110 937 00	shim 0,10 MM		X	
(12)	911 110 937 01	shim 0,50 MM		X	
13	900 123 033 20	sealing ring		1	

Model	Year	MG	SG	Illustration	Restrictions	UPD	10:44	23.01.2010	PORSCHE	PET	PORSCHE
924	1979	1	07	107-05		248					



Pos	Part Number	Description	Remark	Qty	Model
		k-jetronic mixture control unit			TURBO
1	931 110 906 00	mass air flow meter		1	
2	> 931 110 907 00	fuel distributor		1	
3	900 146 045 02	oval-head screw		3	
4	931 110 908 00	sealing ring		1	
5	* 928 110 920 01	parts kit pressure regulator see workshop manual KD-NR. 256155		1	
6	931 110 910 00	screw plug		1	
6A	931 110 913 00	stopper blue		1	
7	931 110 909 00	control lever		1	
8	911 110 943 02	air flow sensor plate		1	
9	911 110 960 00	support washer		1	
10	931 110 911 00	hexagon-head bolt		1	
11	* 911 110 946 00	parts kit control lever		1	
12	* 931 110 912 00	parts kit stop bar		1	

Model	Year	MG	SG	Illustration	Restrictions	UPD	10:44	23.01.2010	PORSCHE	PET	PORSCHE
924	1979	1	07	107-10		248					



Pos	Part Number	Description	Remark	Qty	Model
		k-jetronic			924
1	047 133 063	throttle body	/LL	1	
1	047 133 063 F	throttle body	AUT.	79	1
1	047 133 063 B	throttle body	/RL	1	
-	056 129 777	stopper	(S)	1	
1A	823 721 567	bearing sleeve		1	
2	N 012 241 11	spring washer		6	
3	N 014 717 2	pan-head screw M 8 X 40		4	
4	049 133 073 B	gasket		1	
5	047 133 093 A	support		1	
6	N 010 215 13	hexagon-head bolt M 6 X 15		2	
7	N 012 226 5	spring washer		2	
8	047 133 192	support		1	
9	047 133 191 D	support		1	
10	047 133 191 C	support		1	
-	021 119 569 A	rubber sleeve		1	
11	047 133 201	intake manifold	-78	1	
11	477 133 201	intake manifold	79	1	
11A	931 110 403 00	logo	79	1	
11B	047 133 239	support	/LL	1	
(11B)	047 133 239 D	support	/RL	1	
11C	N 010 215 13	hexagon-head bolt M 6 X 15		2	
-	N 012 226 5	spring washer		2	
12	* 477 133 227	gasket		1	
13	N 011 525 13	washer		8	
14	N 011 008 8	hexagon nut		4	
15	N 010 373 2	hexagon-head bolt M 8 X 72		4	

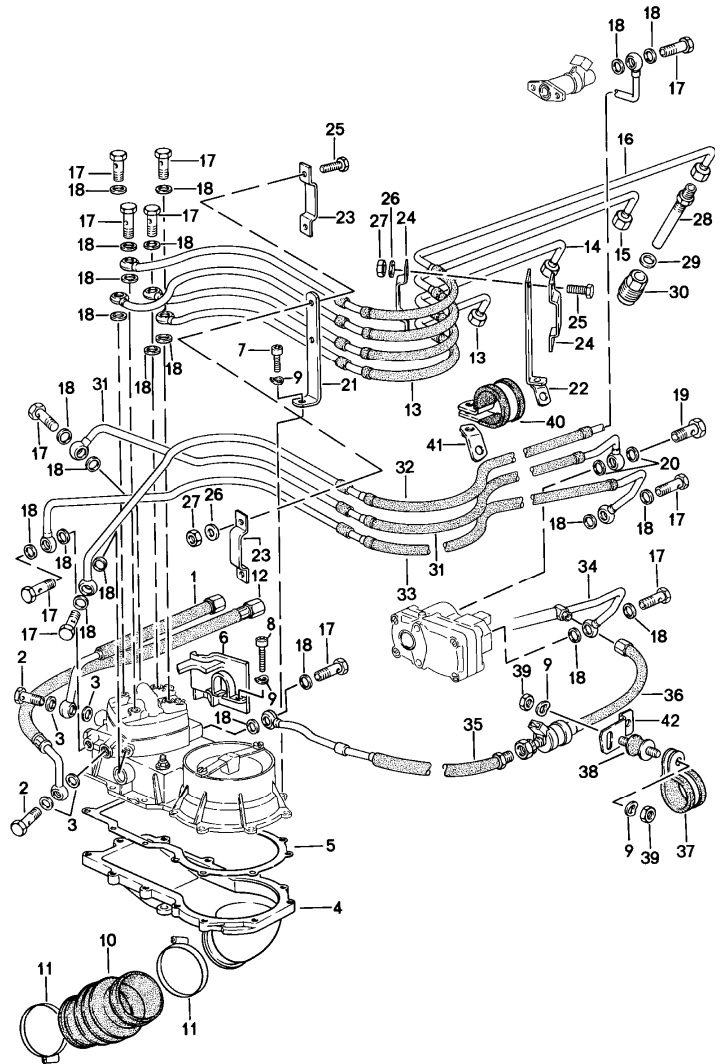
Model	Year	MG	SG	Illustration	Restrictions	UPD	10:44	23.01.2010	PORSCHE	PET	PORSCHE
924	1979	1	07	107-10		248					

Pos	Part Number	Description	Remark	Qty	Model	Pos	Part Number	Description	Remark	Qty	Model
16	N 044 411 5	stud M 8 X 30		4		34	063 906 179	gasket		1	
17	048 129 723	bracket		1		35	063 133 541	screw socket		1	
18	900 075 087 02	hexagon-head bolt M 8 X 15		1		35A	068 130 233	sealing ring A 8 X 11,5		1	
19	999 039 001 00	tab washer		1		36	047 133 551	injector valve		4	
20	N 010 240 7	hexagon-head bolt M 8 X 20		2		37	063 133 555	insulating socket		4	
21	047 133 315	injection line cyl. 1 and 2		2		38	034 133 557 E	o-ring		4	
(21)	047 133 319	injection line cylinder 3		1		39	047 133 625	fuel return line F >>92471 00287		1	
(21)	047 133 321	injection line cylinder 4		1		(39)	047 133 625 A	fuel return line F 92471 00288>>	-78	1	
22	911 110 899 00	banjo bolt		11				F 92481 00777>> F >>92481 05656			
22A	900 175 002 02	screw		1				use also: 477.209.175 477.209.176.A 477.209.161			
23	900 123 050 20	sealing ring A 8 X 11,5		22		(39)	047 133 625 C	fuel return line	79	1	
23A	900 123 033 20	sealing ring A 10 X 14		2		40	047 133 627	fuel supply line		1	
24	> 063 133 403	warm-up valve		1		41	N 021 071 2	banjo bolt		2	
-	063 133 403 X	warm-up valve		1		41A	047 133 691	screw socket	-78	1	
25	N 014 744 1	pan-head screw M 6 X 32		2		42	N 013 812 3	sealing ring A 12 X 15,5		4	
26	N 012 226 5	spring washer		6		43	047 133 655	fuel control line	-78	1	
27	477 133 535	support temperature switch		1		(43)	047 133 655 B	fuel control line	79	1	
29	047 133 453 A	auxiliary air regulator		1		-	047 133 688	support fuel line		1	
-	477 133 527	retaining clip		1		43A	477 133 525 D	solenoid valve with support	79	1	
30	N 014 703 2	pan-head screw M 6 X 18		4		44	047 131 013	throttle valve lift	(S)	1	
31	047 133 497 B	hose		1		-	047 131 457	support	(S)	1	
32	999 512 346 00	hose clamp 12-20		2				from 02/77			
33	930 606 107 00	electric starting valve		1							

Model	Year	MG	SG	Illustration	Restrictions	UPD	10:44	23.01.2010	PORSCHE	PET	PORSCHE
924	1979	1	07	107-10		248					

Pos	Part Number	Description	Remark	Qty	Model	Pos	Part Number	Description	Remark	Qty	Model
44A	047 131 013 A	vacuum limiter	(J) (S) (CDN) (USA)	1		-	900 123 050 20	sealing ring		2	
45	047 131 039	clip		2		-	477 133 501	fuel return line		1	
(46)	047 131 455	bracket	(S)	1		-	477 133 507	banjo bolt		1	
47	999 703 239 00	bonded rubber buffer		2		-	911 110 899 00	banjo bolt		1	
48	N 010 215 13	hexagon-head bolt M 6 X 15		1		-	477 133 511	screw socket		1	
49	900 075 014 02	hexagon-head bolt M 6 X 18		1		-	900 123 050 20	sealing ring		2	
50	900 076 010 02	hexagon nut		4		-	047 131 851 B	temperature switch		1	
51	N 012 226 5	spring washer		4		-	N 011 116 5	hexagon nut		1	
-	N 020 359 1	hose		*		-	477 133 535	support for temperature switch		1	
52	-			1		-	477 971 229	wiring harness		1	
53	N 023 526 2	hose clamp A 9 X 18		4		-	477 971 850 A	tie-wrap		1	
(54)	047 131 461	branch piece	(S)	1		-	900 123 050 20	sealing ring		2	
-	N 020 361 2	hose		*		-	911 110 159 00	screw socket		1	
55	-			1		-	000 043 100 00	installation instructions		1	
56	999 512 346 00	hose clamp LC 16 - 25		2							
>>	>>047 198 597	installation set for warm-starting problem		1							
-	477 133 517	solenoid valve		1							
-	477 133 509	retaining bracket		1							
-	900 067 008 02	pan-head screw M 6 X 12		2							
-	N 012 226 5	spring washer		2							
-	477 133 503	fuel supply line solenoid valve fuel distributor		1							
-	477 133 511 A	screw socket		1							
-	N 021 073 1	banjo bolt M 8 X 1		1							

Model	Year	MG	SG	Illustration	Restrictions	UPD	10:44	23.01.2010	PORSCHE	PET	PORSCHE
924	1979	1	07	107-15		248					

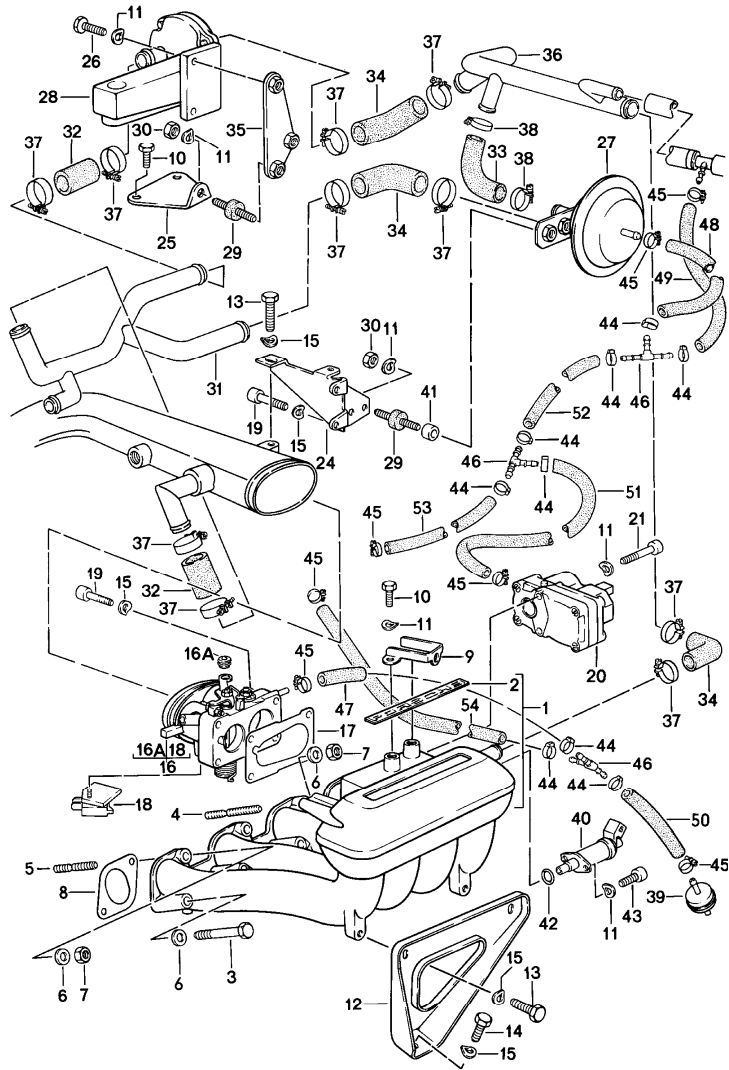


Pos	Part Number	Description	Remark	Qty	Model
		k-jetronic			TURBO
1	931 110 301 03	fuel line intake mixture control unit		1	
2	900 175 020 02	banjo bolt		2	
3	900 123 005 30	sealing ring A 12 X 16		4	
4	931 110 035 00	mixture control unit lower part		1	
5	931 110 137 01	gasket		1	
7	900 067 011 02	pan-head screw M 6 X 20		10	
9	N 012 226 5	spring washer		10	
10	931 110 138 04	bellows		1	
11	999 512 317 00	clip 60 - 80		2	
12	931 110 302 04	fuel line return line mixture control unit		1	
13	931 110 041 00	injection line cylinder 1		1	
14	931 110 042 00	injection line cylinder 2		1	
15	931 110 043 00	injection line cylinder 3		1	
16	931 110 044 00	injection line cylinder 4		1	
17	911 110 899 00	banjo bolt		9	
18	900 123 050 20	sealing ring A 8 X 11,5		18	
19	900 175 002 02	screw		1	
20	N 013 806 2	sealing ring A 10 X 14		2	
21	931 110 131 01	support		1	
22	931 110 190 02	support		1	

Model	Year	MG	SG	Illustration	Restrictions	UPD	10:44	23.01.2010	PORSCHE	PET	PORSCHE
924	1979	1	07	107-15		248					

Pos	Part Number	Description	Remark	Qty	Model	Pos	Part Number	Description	Remark	Qty	Model
23	N 028 550 1	clip 4 X 7		2							
24	N 028 453 1	clip 4 X 10		2							
25	N 010 204 4	hexagon-head bolt M 4 X 10		4							
26	900 031 009 02	washer		4							
27	N 011 004 6	hexagon nut		4							
28	931 110 225 00	injector valve		4							
29	900 123 033 20	sealing ring A 10 X 13,5		4							
30	931 110 226 01	insulating socket		4							
31	931 110 303 01	fuel line		1							
32	931 110 304 01	fuel line		1							
33	931 110 306 01	fuel line		1							
40	999 511 115 02	pipe clamp		1							
41	931 110 193 00	support		1							

Model	Year	MG	SG	Illustration	Restrictions	UPD	10:44	23.01.2010	PORSCHE	PET	PORSCHE
924	1979	1	07	107-20		248					

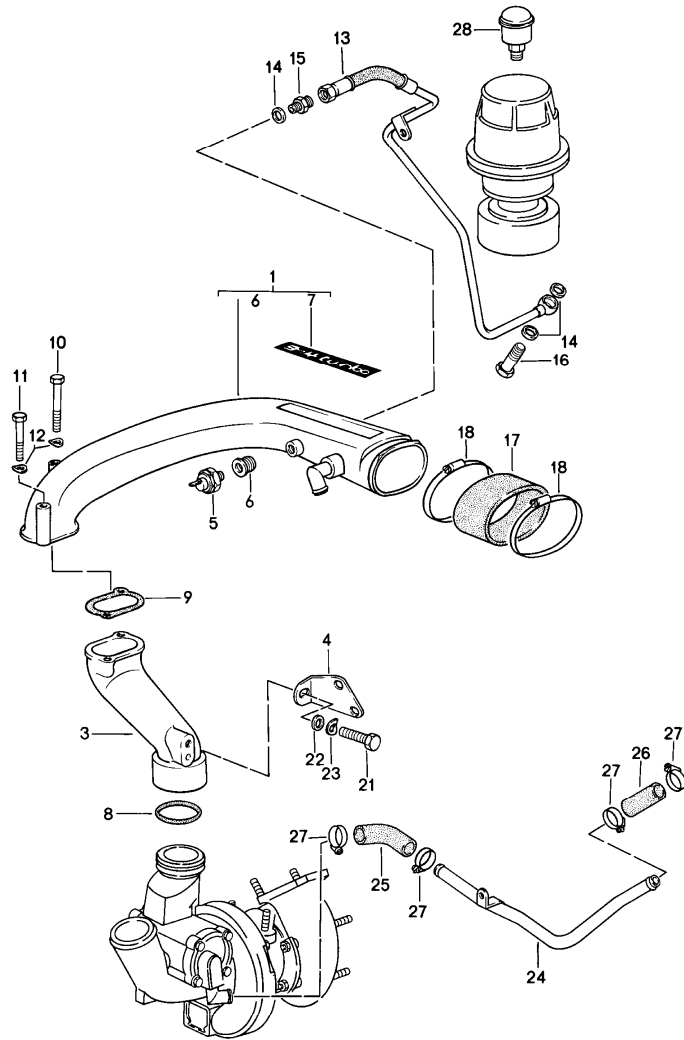


Pos	Part Number	Description	Remark	Qty	Model
		k-jetronic			TURBO
1	931 110 059 01	intake manifold		1	
2	931 110 403 00	logo		1	
3	900 074 170 02	hexagon-head bolt M 8 X 68		4	
4	999 062 010 02	stud M 8 X 35		2	
5	999 062 044 02	stud M 8 X 30		2	
6	900 025 007 02	washer		8	
7	900 076 025 02	hexagon nut		4	
8	* 931 110 147 00	gasket		4	
9	931 110 166 01	support	/LL	1	
10	900 075 016 02	hexagon-head bolt M 6 X 16		4	
11	N 012 226 5	spring washer		14	
12	931 110 145 01	bracket		1	
13	N 010 240 16	hexagon-head bolt M 8 X 20		3	
14	900 075 087 02	hexagon-head bolt M 8 X 16		1	
15	N 012 241 8	spring washer		8	
16	931 110 061 02	throttle body	/LL	1	
16A	823 721 567	bearing sleeve		1	
17	049 133 073 B	gasket		1	
19	N 014 717 2	pan-head screw M 8 X 40		4	
20	> 931 606 105 00	warm-up valve		1	
20	931 606 105 X	warm-up valve		1	
21	N 044 703 3	pan-head screw M 6 X 45		2	
24	931 110 156 03	support		1	
25	931 110 162 00	retaining bracket		1	

Model	Year	MG	SG	Illustration	Restrictions	UPD	10:44	23.01.2010	PORSCHE	PET	PORSCHE
924	1979	1	07	107-20		248					

Pos	Part Number	Description	Remark	Qty	Model	Pos	Part Number	Description	Remark	Qty	Model
26	900 075 010 02	hexagon-head bolt M 6 X 12		2		52	-	200 MM		1	
27	930 110 173 00	vacuum limiter		1		53	-	260 MM		1	
28	930 606 102 00	auxiliary air regulator		1		54	-	500 MM		1	
29	931 110 191 00	bonded rubber buffer		3							
30	900 076 010 02	hexagon nut		4							
31	931 110 171 05	pipe		1							
32	931 110 173 01	hose 18 X 26 48 MM		2							
33	931 110 181 01	moulded hose		1							
34	931 110 183 01	moulded hose		3							
35	931 110 161 00	retaining bracket		1							
36	931 110 172 03	pipe		1							
37	999 512 237 02	hose clamp		10							
38	999 512 254 02	hose clamp		2							
39	931 110 321 00	check valve		1							
40	930 606 107 00	electric starting valve		1							
41	052 109 135	spacer sleeve		2							
42	999 701 395 50	o-ring		1							
43	N 014 740 2	pan-head screw M 6 X 16		2							
44	999 512 327 02	hose clamp		9							
45	999 512 159 02	hose clamp		7							
46	999 137 004 40	t-socket		3							
-	999 239 010 40	hose		*							
47	-	35 MM		1							
48	-	50 MM		1							
49	-	85 MM		1							
50	-	110 MM		1							
51	-	130 MM		1							

Model	Year	MG	SG	Illustration	Restrictions	UPD	10:45	23.01.2010	PORSCHE	PET	PORSCHE
924	1979	1	07	107-25		248					

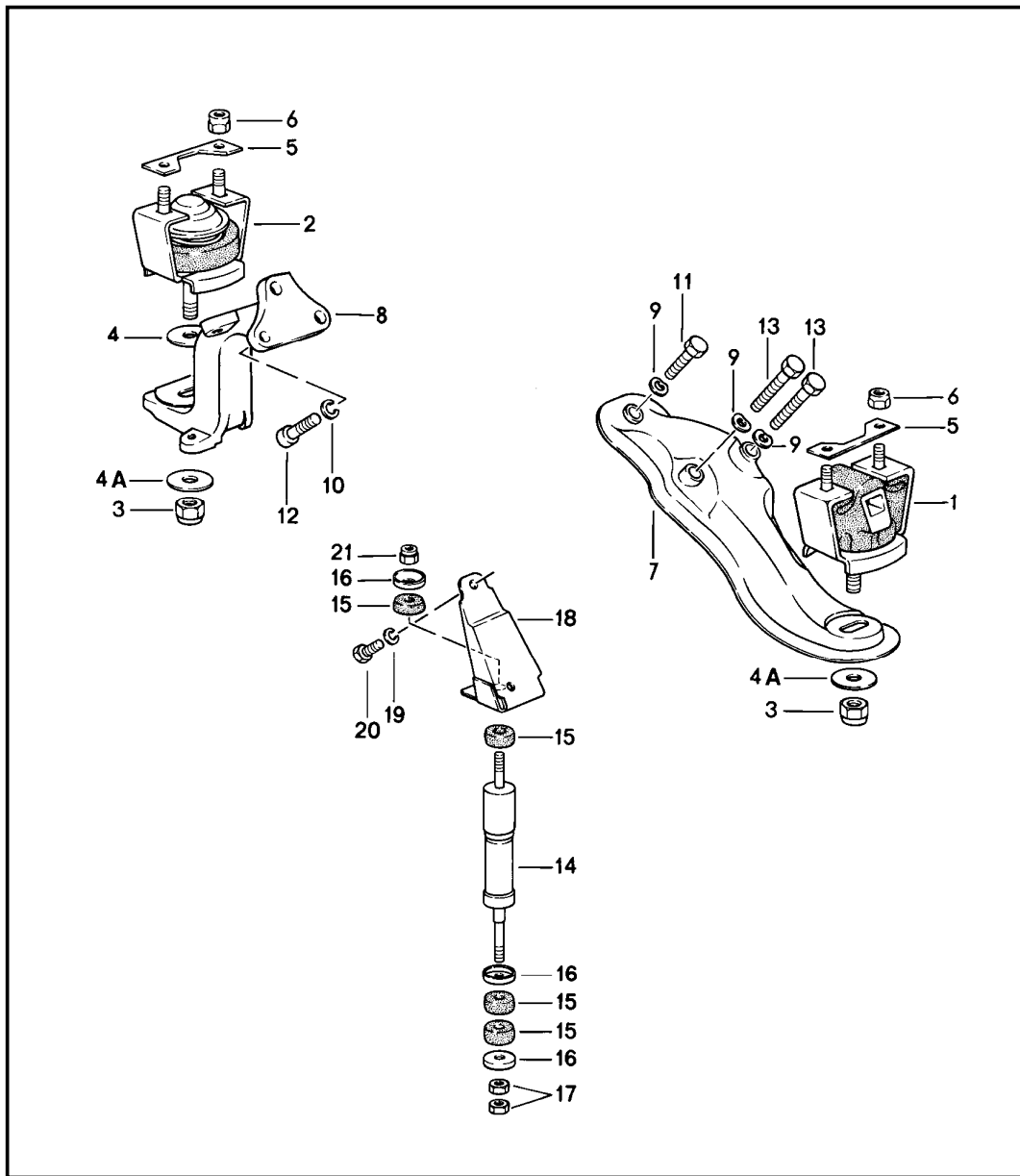


Pos	Part Number	Description	Remark	Qty	Model
		turbocharging			TURBO
1	931 110 051 01	pressure pipe		1	
3	931 110 160 02	pressure pipe		1	
4	931 110 155 01	support		1	
5	930 606 101 00	switch		1	
6	930 110 367 01	threaded insert		1	
7	931 110 405 00	logo		1	
8	* 999 701 473 40	round seal 47 X 5,7		1	
9	* 931 110 152 01	gasket		1	
10	N 010 313 4	hexagon-head bolt M 6 X 85		1	
11	N 010 366 4	hexagon-head bolt M 6 X 55		1	
12	N 012 226 5	spring washer		2	
13	931 123 135 03	control line		1	
14	900 123 043 30	sealing ring A 12 X 15,5		3	
15	N 020 704 2	connection piece		1	
16	900 175 020 02	banjo bolt		1	
17	931 110 157 02	rubber sleeve		1	
18	999 512 350 02	hose clamp LA 80 X 100		2	
21	900 075 085 02	hexagon-head bolt M 8 X 20		3	
22	900 025 007 02	washer		3	
23	N 012 241 8	spring washer		3	
24	931 110 175 00	line		1	
25	931 110 185 01	moulded hose		1	
-	999 239 007 40	hose		*	
26	-	40 MM		1	

Model	Year	MG	SG	Illustration	Restrictions	UPD	10:45	23.01.2010	PORSCHE	PET	PORSCHE
924	1979	1	07	107-25		248					

Pos	Part Number	Description	Remark	Qty	Model	Pos	Part Number	Description	Remark	Qty	Model
27	999 512 254 02	hose clamp S 24/9		4							
28	931 123 155 00	bleeder valve		1							

Model	Year	MG	SG	Illustration	Restrictions	UPD	10:45	23.01.2010	PORSCHE	PET	PORSCHE
924	1979	1	09	109-00		248					



Pos	Part Number	Description	Remark	Qty	Model
		engine suspension			
1	477 199 301	bonded rubber mounting	/L	1	924
1	477 199 301 A	bonded rubber mounting	/L	1	TURBO
2	477 199 303	bonded rubber mounting	/R	1	
3	N 021 131 1	lock nut		2	
4	803 199 347	washer 13 X 31		1	
4A	999 025 119 02	washer		2	
5	477 199 311 A	plate		2	
6	N 022 149 2	lock nut		4	
7	477 199 305 C	bracket	/L	1	924
7	931 375 021 01	bracket	/L	1	TURBO
8	477 199 308 C	bracket	/R	1	924
(8)	931 375 124 00	bracket	/R	1	TURBO
9	N 012 231 1	spring washer		3	
10	900 027 016 02	lock ring		3	
11	N 010 445 3	hexagon-head bolt M 10 X 45		1	
12	N 014 721 2	pan-head screw M 10 X 25		3	
13	N 010 460 2	hexagon-head bolt M 10 X 60		2	
-	931 375 901 00	installation set vibration damper for subsequent installation		1	TURBO

Model	Year	MG	SG	Illustration	Restrictions	UPD	10:45	23.01.2010
924	1979	1	98	198-00R		248		

Pos	Part Number	Description	Remark	Qty	Model
		maintenance set gasket set repair kit			
>>	>>060 198 011	gasket set for cylinder block comprising:		1	
-	059 103 051 D	sealing ring		1	
-	048 115 147	sealing ring gasket gasket gasket		1	
-	046 115 189 A	gasket		1	
-	048 115 257	gasket o-ring		1	
-	046 121 041 A	gasket		1	
-	038 121 119 B	sealing ring		1	
-	N 043 854 1	sealing ring		1	
>>	>>047 198 012 A	gasket set for cylinder head comprising:		1	924
-	068 103 085 A	sealing ring		1	
-	048 103 095	sealing ring		1	
-	931 104 337 06	cylinder head gasket		1	
-	060 198 025 A	gasket set		1	
-	046 109 675 A	valve stem seal with assembly sleeve		8 2	
-	048 121 127 A	gasket		1	
-	028 127 311 A	gasket		1	
-	048 129 589 A	gasket		4	
-	477 133 227	gasket		1	
-	048 905 341 B	gasket		1	
-	056 905 261	gasket		1	
>>	>>931 100 901 00	gasket set for cylinder head comprising:		1	TURBO
-	068 103 085 A	sealing ring		1	

Model	Year	MG	SG	Illustration	Restrictions	UPD	10:45	23.01.2010
924	1979	1	98	198-00R		248		

Pos	Part Number	Description	Remark	Qty	Model
-	048 103 095	sealing ring		1	
-	060 198 025 A	gasket set		1	
-	931 104 337 06	cylinder head gasket		1	
-	046 109 675 A	valve stem seal with assembly sleeve		8 2	
-	931 110 147 00	gasket		4	
-	931 110 152 01	gasket		1	
-	930 111 191 01	gasket		4	
-	048 121 127 A	gasket		1	
-	048 905 341 B	gasket		1	
-	993 111 195 00	sealing ring		1	
-	931 123 193 05	gasket		1	
-	931 111 191 10	gasket		1	
-	999 701 473 40	round seal		1	
-	056 905 261	gasket		1	
>>	>>060 198 041 A	gasket set for oil sump comprising: gasket gasket gasket gasket		1 1 1 1 2	
-	N 043 854 1	sealing ring		1	
>>	>>060 198 025 A	gasket set for cylinder head cover comprising: sealing strip gasket		1 2 2	
>>	>>060 198 151	set of piston rings 86,50 MM comprising: piston ring groove 1 piston ring groove 2 oil scraper ring		X 1 1	924

Model	Year	MG	SG	Illustration	Restrictions	UPD	10:45	23.01.2010
924	1979	1	98	198-00R		248		

Pos	Part Number	Description	Remark	Qty	Model
>>	>>060 198 153	set of piston rings 86,75 MM comprising: piston ring groove 1 piston ring groove 2 oil scraper ring		X	924
				1	
				1	
				1	
>>	>>060 198 155	set of piston rings 87,00 MM comprising: piston ring groove 1 piston ring groove 2 oil scraper ring		X	924
				1	
				1	
				1	
>>	>>931 103 901 00	set of piston rings 86,50 MM comprising: plain compression ring compression ring d-sf ring		X	M31.01
				1	
				1	
				1	
>>	>>931 103 901 25	set of piston rings 86,75 MM comprising: plain compression ring compression ring d-sf ring		X	M31.01
				1	
				1	
				1	
>>	>>931 103 901 50	set of piston rings 87,00 MM comprising: plain compression ring compression ring d-sf ring		X	M31.01
				1	
				1	
				1	
>>	>>046 198 401	connecting rod 1 set comprising: connecting rod		1	
				4	
-	059 105 425 A	connecting rod bolt		8	
-	059 105 427 A	hexagon nut		8	
-	059 105 431	connecting rod bush		4	
>>	>>046 105 701	connecting-rod bearing 1 set comprising:		1	
				8	
-	046 105 701	connecting-rod bearing		8	
>>	>>046 198 503 A	connecting-rod bearing 1 set undersize 0.25 mm comprising:		1	

Model	Year	MG	SG	Illustration	Restrictions	UPD	10:45	23.01.2010
924	1979	1	98	198-00R		248		

Pos	Part Number	Description	Remark	Qty	Model
-	046 105 707	connecting-rod bearing		8	
>>	>>046 198 505 A	connecting-rod bearing 1 set undersize 0.50 mm		1	
-	046 105 713	connecting-rod bearing		8	
>>	>>046 105 719	connecting-rod bearing 1 set undersize 0,75 mm comprising:		1	
-	046 105 719	connecting-rod bearing		8	
>>	>>059 198 451	crankshaft bearing 1 set 60 MM \$ M >> XK 00 3213 comprising:		1	924
-	059 105 501	crankshaft bearing thrust bearing upper		1	
-	059 105 531	crankshaft bearing thrust bearing lower		1	
-	059 105 561	crankshaft bearing numbers 1,2,4,5 upper		4	
-	059 105 591	crankshaft bearing numbers 1,2,4,5 lower		4	
>>	>>059 198 453	crankshaft bearing 1 set undersize 0.25 mm M >> XK 00 3213 comprising:		1	924
-	059 105 507	crankshaft bearing thrust bearing upper		1	
-	059 105 537	crankshaft bearing thrust bearing lower		1	
-	059 105 567	crankshaft bearing numbers 1,2,4,5 upper		4	
-	059 105 597	crankshaft bearing numbers 1,2,4,5 lower		4	

Model	Year	MG	SG	Illustration	Restrictions	UPD	10:45	23.01.2010
924	1979	1	98	198-00R		248		

Pos	Part Number	Description	Remark	Qty	Model
>>	>>059 198 455	crankshaft bearing 1 set undersize 0.50 mm M >> XK 00 3213 comprising:		1	924
-	059 105 513	crankshaft bearing thrust bearing upper		1	
-	059 105 543	crankshaft bearing thrust bearing lower		1	
-	059 105 573	crankshaft bearing numbers 1,2,4,5 upper		4	
-	059 105 603	crankshaft bearing numbers 1,2,4,5 lower		4	
>>	>>059 198 457	1 set crankshaft bearing undersize 0,75 mm M >> XK 00 3213 comprising:		1	924
-	059 105 519	crankshaft bearing thrust bearing upper		1	
-	059 105 549	crankshaft bearing thrust bearing lower		1	
-	059 105 579	crankshaft bearing numbers 1,2,4,5 upper		4	
-	059 105 609	crankshaft bearing numbers 1,2,4,5 lower		4	
>>	>>046 198 451	crankshaft bearing 1 set 64 MM \$ comprising:		1	
-	046 105 501	crankshaft bearing thrust bearing		2	
-	046 105 561	crankshaft bearing numbers 1,2,4,5 upper		4	

Model	Year	MG	SG	Illustration	Restrictions	UPD	10:45	23.01.2010
924	1979	1	98	198-00R		248		

Pos	Part Number	Description	Remark	Qty	Model
-	046 105 591	crankshaft bearing numbers 1,2,4,5 lower		4	
>>	>>046 198 453	crankshaft bearing 1 set undersize 0.25 mm comprising:		1	
-	046 105 507	crankshaft bearing thrust bearing		2	
-	046 105 567	crankshaft bearing numbers 1,2,4,5 upper		4	
-	046 105 597	crankshaft bearing numbers 1,2,4,5 lower		4	
>>	>>046 198 455	crankshaft bearing 1 set undersize 0.50 mm comprising:		1	
-	046 105 513	crankshaft bearing thrust bearing		2	
-	046 105 573	crankshaft bearing numbers 1,2,4,5 upper		4	
-	046 105 603	crankshaft bearing numbers 1,2,4,5 lower		4	
>>	>>046 198 457	crankshaft bearing 1 set undersize 0,75 mm comprising:		1	
-	046 105 519	crankshaft bearing thrust bearing		2	
-	046 105 579	crankshaft bearing numbers 1,2,4,5 upper		4	
-	046 105 609	crankshaft bearing numbers 1,2,4,5 lower		4	
>>	>>047 198 951	maintenance set for periodic maintenance comprising:	-79	1	924
-	060 198 025 A	gasket set		1	
-	N 043 854 1	sealing ring		1	

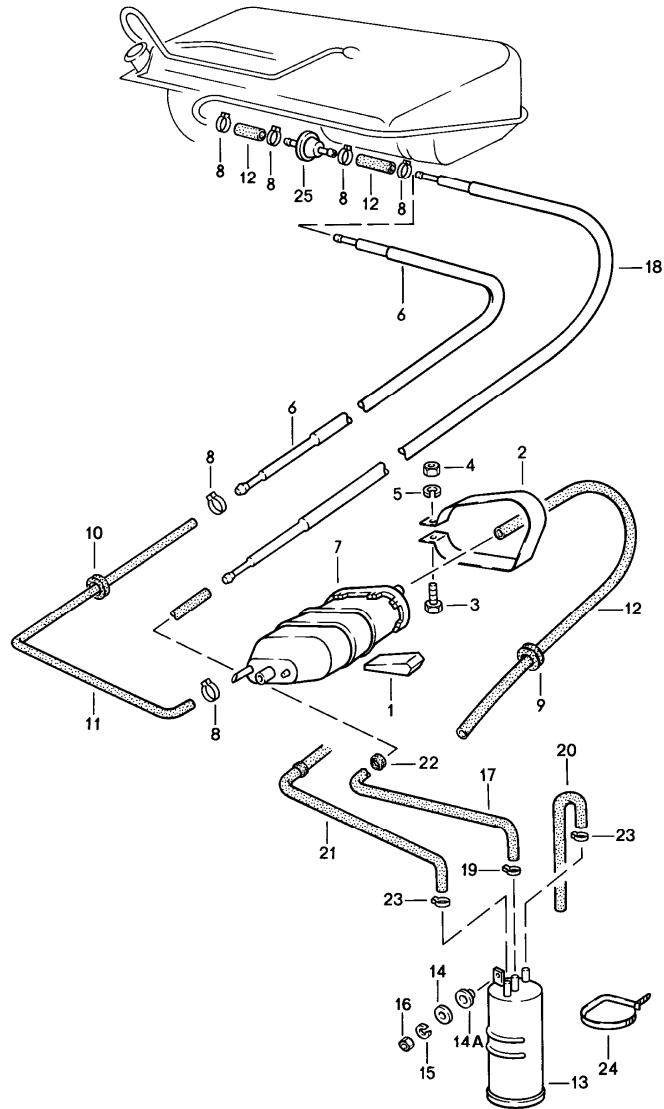
Model	Year	MG	SG	Illustration	Restrictions	UPD	10:45	23.01.2010
924	1979	1	98	198-00R		248		

Pos	Part Number	Description	Remark	Qty	Model
-	021 129 620	air cleaner cartridge		1	
-	931 107 701 00	oil filter		1	
-	930 110 076 00	fuel filter		1	
-	616 602 226 02	contact breaker point		1	
-	999 170 165 90	spark plug		4	
>>	>>931 100 931 00	maintenance set for periodic maintenance comprising:	79	1	TURBO
-	060 198 025 A	gasket set		1	
-	N 043 854 1	sealing ring		1	
-	931 110 152 01	gasket		1	
-	931 110 121 00	air cleaner cartridge		1	
-	931 107 701 00	oil filter		1	
-	931 110 149 00	fuel filter		1	
-	999 170 140 90	spark plug		4	
		vibration damper for subsequent installation			
>>	>>931 375 901 00	installation set comprising:	/LL	1	TURBO
-	477 199 501 A	vibration damper	/R	1	
-	477 199 501 B	vibration damper	/L	1	
-	477 199 143	heat shield	/R	1	
-	999 512 311 02	clip	/R	1	
-	928 375 166 01	rubber buffer		4	
-	928 375 167 01	washer		2	
-	900 910 010 09	lock nut		2	
-	N 010 023 2	hexagon-head bolt		1	
-	N 010 440 3	hexagon-head bolt		1	
-	N 011 527 12	washer		2	
-	N 022 149 2	lock nut		1	
-	N 011 525 13	washer		1	

Model	Year	MG	SG	Illustration	Restrictions	UPD	10:45	23.01.2010	PORSCHE	PET	PORSCHE
924	1979	2	01	201-00		248					

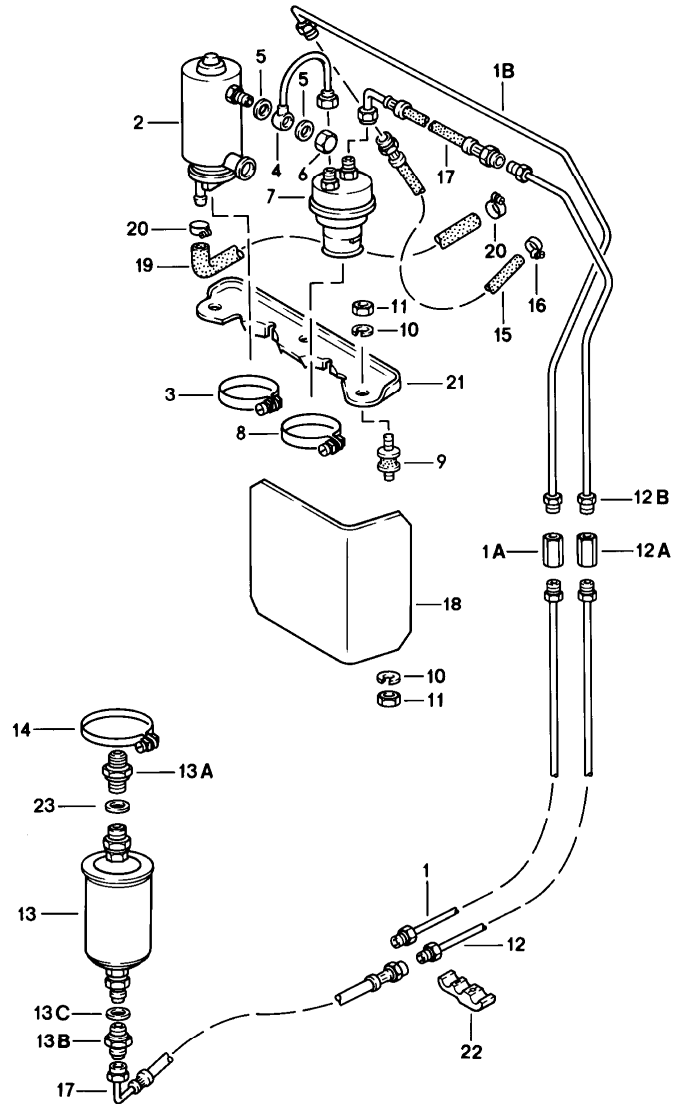
Pos	Part Number	Description	Remark	Qty	Model	Pos	Part Number	Description	Remark	Qty	Model
14	803 919 131	sealing ring		5	924	35	477 863 160	gasket		1	
15	477 201 311 B	restraining strap lower	/L	1		36	477 863 162 A	sound absorber		2	
(15)	477 201 395	restraining strap upper	/L	1							
16	477 201 302	restraining strap	/R	1							
17	311 101 463	hexagon nut M 8		2							
18	N 012 108 2	serrated lock washer		2							
19	477 201 317	gasket		1							
20	N 014 086 4	tapping screw B 3,5 X 13		4							
22	111 501 159 B	hose clamp 44 - 64		1							
23	477 201 347 C	cover		1							
24	477 201 351	gasket		1							
25	N 013 959 3	tapping screw B 3,5 X 16 B 3,5 X 16		3							
25A	900 151 028 02	washer		3							
26	N 011 005 14	hexagon nut		2							
27	900 025 003 02	washer		2							
-	N 020 902 1	tie-wrap 6,5 X 210		1							
28	477 201 551	lid		1							
28A	477 201 557	gasket		1							
29	481 201 647	intermediate piece		4							
30	321 201 890 A	end piece		1							
31	477 971 939	cable terminal		12							
32	944 201 217 00	hose		2							
33	477 201 295 B	intermediate layer		1							
34	477 201 295 B	intermediate layer		4							

Model	Year	MG	SG	Illustration	Restrictions	UPD	9:55	27.01.2010	PORSCHE	PET	PORSCHE
924	1979	2	01	201-05		248					



Pos	Part Number	Description	Remark	Qty	Model
		carbon canister			924
		only together with engine 92 KW (125 DIN-PS)	(AUS)		
8	311 133 343 A	hose clamp		2	
-	N 020 374 1	hose		*	
12	-			1	
13	993 201 221 01	carbon canister		1	
14	900 151 029 02	washer		2	
14A	477 201 279	sleeve		2	
15	N 012 006 4	lock ring		2	
16	900 076 010 02	hexagon nut		2	
-	999 181 716 50	hose 9,5 X 15,5		*	
17	-	630 MM		1	
18	477 201 743 A	pipeline		1	
19	N 023 577 2	hose clamp A 9 X 14		1	
-	N 020 374 1	hose		*	
20	-	600 MM		1	
21	-	1115 MM		1	
22	021 119 569 A	rubber sleeve		2	
23	999 512 265 02	hose clamp		2	
24	N 020 906 3	tie-wrap 6,5 X 390		1	
25	810 201 186 A	bleeder valve		1	

Model	Year	MG	SG	Illustration	Restrictions	UPD	10:46	23.01.2010	PORSCHE	PET	PORSCHE
924	1979	2	01	201-10		248					

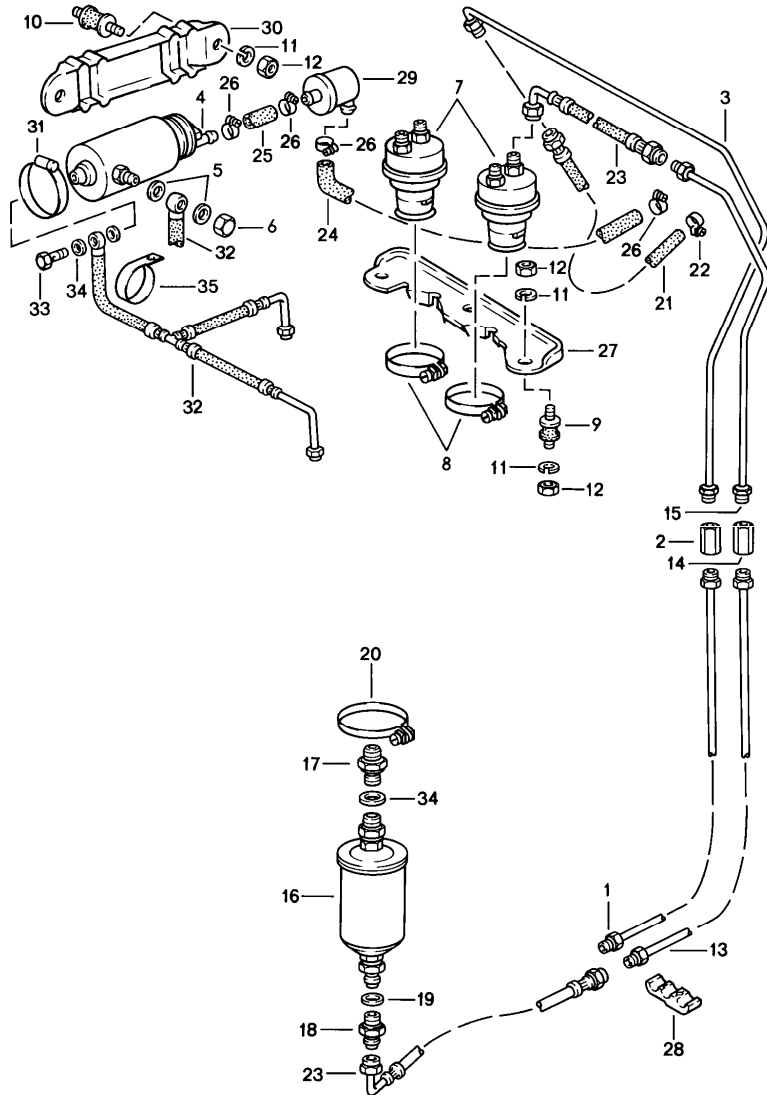


Pos	Part Number	Description	Remark	Qty	Model
		fuel system			924
		F >>92461 04800			
1	477 209 175	fuel line return line		1	
1A	477 209 161	connecting piece		1	
1B	477 209 176	fuel line return line use also: 477.209.071 A		1	
2	810 906 091 B	fuel pump		1	
3	999 512 349 02	hose clamp		1	
4	477 209 067 A	fuel line		1	
5	900 123 033 20	sealing ring A 10 X 13,5		2	
6	N 011 065 1	cap nut M 10 X 1		1	
7	477 209 083	pressure accumulator 20 CCM		2	
8	111 501 159 B	hose clamp 44-64 MM		1	
9	810 906 219 A	bonded rubber mounting		3	
10	N 012 006 4	lock ring		6	
11	900 076 010 02	hexagon nut		6	
12	477 209 177	fuel line use also: 477.209.075.A		1	
12A	477 209 169	connecting piece		1	
12B	477 209 178	fuel line use also: 477.209.075.A		1	
13	930 110 076 00	fuel filter		1	
13A	930 110 199 00	screw socket		1	
13B	930 110 198 00	screw socket		1	
13C	900 123 007 30	sealing ring A 14 X 18		1	

Model	Year	MG	SG	Illustration	Restrictions	UPD	10:46	23.01.2010	PORSCHE	PET	PORSCHE
924	1979	2	01	201-10		248					

Pos	Part Number	Description	Remark	Qty	Model	Pos	Part Number	Description	Remark	Qty	Model
14	111 501 159 B	hose clamp A 12 X 63		1							
15	477 209 071	fuel line return line		1							
16	999 512 554 00	hose clamp LB 12 - 20		1							
17	477 209 075	fuel hose		2							
18	477 209 077	heat protection plate		1							
19	477 209 199 A	fuel hose		1							
20	N 023 526 2	hose clamp A 9 X 18		4							
21	477 209 373	support		1							
22	911 356 543 01	support		15							
23	N 013 812 3	sealing ring A 12 X 15,5		1							

Model	Year	MG	SG	Illustration	Restrictions	UPD	10:46	23.01.2010	PORSCHE	PET	PORSCHE
924	1979	2	01	201-12		248					

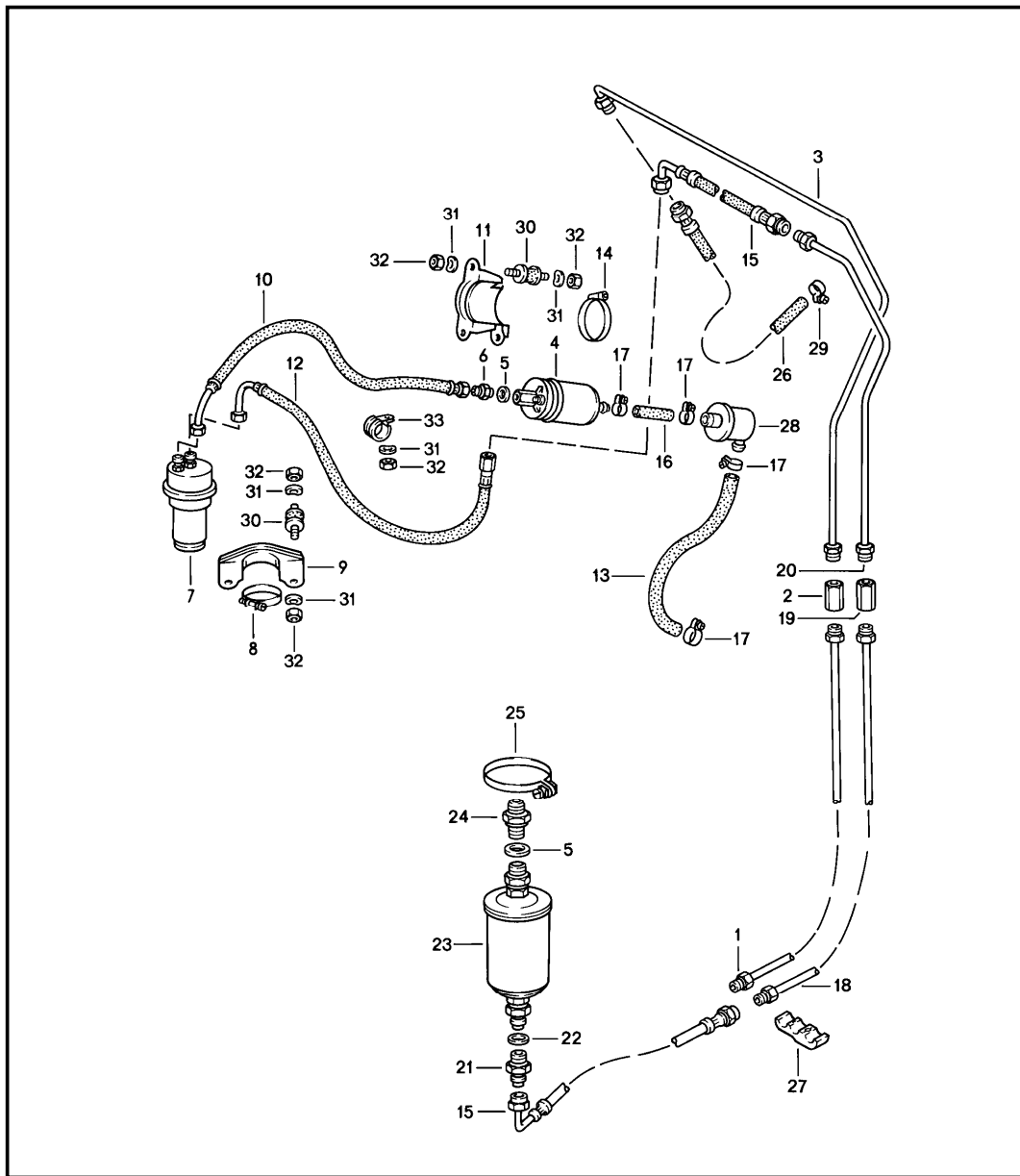


Pos	Part Number	Description	Remark	Qty	Model
		fuel system			924
		F 92461 04800>>			
		F >>92481 99999			
1	477 209 175	fuel line return line		1	
2	477 209 161	connecting piece		1	
3	477 209 176	fuel line return line		1	
		F >>92481 00776			
		use also: 477.209.071.A			
(3)	477 209 176 A	fuel line return line		1	
		F 92481 00777>>			
4	810 906 091 B	fuel pump		1	
		F >>92471 00713			
(4)	911 608 102 00	fuel pump		1	
		F 92471 00714>>			
5	900 123 033 20	sealing ring		2	
		A 10 X 13,5			
6	N 011 065 1	cap nut		1	
		M 10 X 1			
7	477 209 083	pressure accumulator		2	
8	111 501 159 B	hose clamp		2	
		44 - 64 MM			
9	810 906 219 A	bonded rubber mounting		3	
10	944 610 115 00	bonded rubber mounting		X	
11	N 012 006 4	lock ring		X	
		B 6			
12	900 076 010 02	hexagon nut		X	
		M 6			
13	477 209 177	fuel line		1	
		F >>92481 00776			
		use also: 477.209.075.A			
(13)	477 209 177 A	fuel line		1	
		F 92481 00777>>			

Model	Year	MG	SG	Illustration	Restrictions	UPD	10:46	23.01.2010	PORSCHE	PET	PORSCHE
924	1979	2	01	201-12		248					

Pos	Part Number	Description	Remark	Qty	Model	Pos	Part Number	Description	Remark	Qty	Model
14	477 209 169	connecting piece		1		31	999 512 394 00	hose clamp		1	
15	477 209 178	fuel line F >>92481 00776		1		32	477 209 241	fuel hose F >>92471 00713		1	
		use also: 477.209.075.A				(32)	477 209 241 A	fuel hose F 92471 00714>>		1	
(15)	477 209 178 A	fuel line F 92481 00777>>		1		33	N 021 071 2	banjo bolt F 92471 00714>>		1	
16	930 110 076 00	fuel filter		1		34	N 013 812 3	sealing ring		2	
17	930 110 199 00	screw socket		1		35	N 020 690 1	hose clamp		1	
18	930 110 198 00	screw socket		1							
19	900 123 007 30	sealing ring A 14 X 18		1							
20	111 501 159 B	hose clamp A 12 X 63		1							
21	477 209 071	fuel line return line F >>92471 00287		1							
(21)	477 209 071 C	fuel hose return line F 92471 00288>>		1							
22	999 512 554 00	hose clamp LB 12 - 20		1							
23	477 209 075	fuel hose F >>92471 00287		2							
(23)	477 209 075 A	fuel hose F 92471 00288>>		2							
24	477 209 199 A	fuel hose		1							
-	999 181 168 50	hose 12 X 18,5		*							
25	-	50 MM		1							
26	999 512 554 00	hose clamp A 9 X 18		4							
27	477 209 373	support		1							
28	911 356 543 01	support		15							
29	477 209 233	fuel filter		1							
30	911 608 105 00	support		1							

Model	Year	MG	SG	Illustration	Restrictions	UPD	10:46	23.01.2010	PORSCHE	PET	PORSCHE
924	1979	2	01	201-14		248					

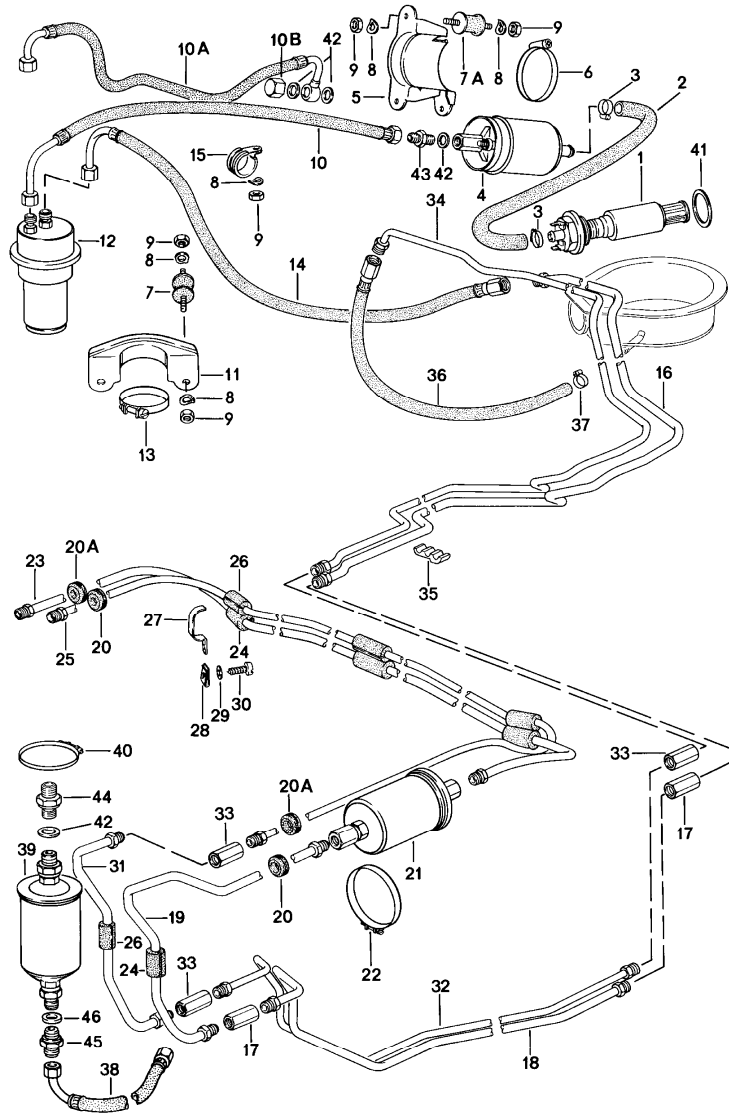


Pos	Part Number	Description	Remark	Qty	Model
		fuel system			924
		F 92491 00001>>			
		F >>92491 03157			
1	477 209 175	fuel line return line		1	
2	477 209 161	connecting piece		1	
3	477 209 176 A	fuel line return line		1	
4	911 608 102 00	fuel pump		1	
5	N 013 812 3	sealing ring A 12 X 15,5		2	
6	911 608 951 00	check valve		1	
7	931 110 140 00	pressure accumulator		1	
8	999 512 199 02	clamp		1	
9	477 209 291	support		1	
10	477 209 093 A	fuel hose		1	
11	477 209 295 A	support		1	
12	477 209 047 A	fuel hose		1	
13	477 209 199 C	fuel hose		1	
14	999 512 394 00	hose clamp		1	
15	477 209 075 A	fuel hose		2	
-	999 181 168 50	hose 12 X 18,5		X	
16	-	50 MM		1	
17	N 023 526 2	hose clamp A 9 X 18		4	
18	477 209 177 A	fuel line		1	
19	477 209 169	connecting piece		1	
20	477 209 178 A	fuel line		1	
21	930 110 198 00	screw socket		1	
22	900 123 007 30	sealing ring A 14 X 18		1	

Model	Year	MG	SG	Illustration	Restrictions	UPD	10:46	23.01.2010	PORSCHE	PET	PORSCHE
924	1979	2	01	201-14		248					

Pos	Part Number	Description	Remark	Qty	Model	Pos	Part Number	Description	Remark	Qty	Model
23	930 110 076 00	fuel filter		1							
24	930 110 199 00	screw socket		1							
25	111 501 159 B	hose clamp A 12 X 63		1							
26	477 209 071	fuel line		1							
27	911 356 543 01	support		15							
28	477 209 233	fuel filter		1							
29	999 512 554 00	hose clamp LB 12 - 20		1							
30	944 610 115 00	bonded rubber mounting		X							
31	N 012 006 4	lock ring B 6		X							
32	900 076 010 02	hexagon nut M 6		X							
33	N 020 690 1	hose clamp		1							

Model	Year	MG	SG	Illustration	Restrictions	UPD	10:47	23.01.2010	PORSCHE	PET	PORSCHE
924	1979	2	01	201-15		248					

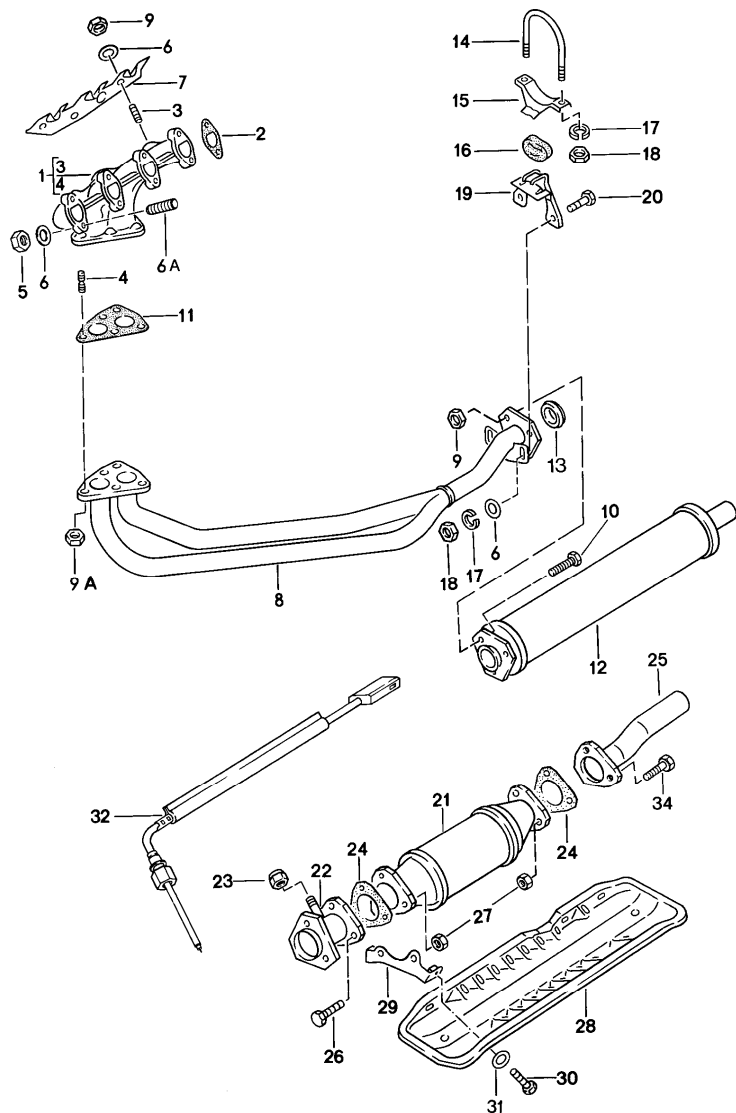


Pos	Part Number	Description	Remark	Qty	Model
		fuel system			
		F 92491 03158>>			
		F 92494 00051>>			
1	928 608 013 00	in-tank fuel pump		1	
2	477 209 199 D	fuel hose		1	
3	N 023 526 2	hose clamp A 9 X 18		2	
4	911 608 102 00	fuel pump		1	
5	477 209 295 A	support		1	
6	999 512 394 00	hose clamp		1	
7	W 928 610 115 00	bonded rubber mounting		5	
7	944 610 115 00	bonded rubber mounting		5	
8	N 012 226 5	spring washer		10	
9	900 076 010 02	hexagon nut		10	
10	477 209 093 A	fuel hose		1	
11	477 209 291	support		1	
12	931 110 140 00	pressure accumulator 40 CCM		1	
13	999 512 199 02	clamp		1	
14	477 209 047 B	fuel hose		1	
15	N 020 690 1	hose clamp		1	
16	477 209 178 A	fuel line		1	
17	477 209 169	connecting piece		2	
18	477 209 177 A	fuel line		1	
19	477 209 033 A	fuel line	/LL	1	TURBO
20	999 702 087 50	rubber sleeve		2	TURBO
20A	999 702 120 50	rubber sleeve		2	TURBO
21	931 110 149 00	fuel filter		1	TURBO
22	N 024 316 1	hose clamp 12 X 35		1	TURBO
23	477 209 057	fuel line	/LL	1	TURBO

Model	Year	MG	SG	Illustration	Restrictions	UPD	10:47	23.01.2010	PORSCHE	PET	PORSCHE
924	1979	2	01	201-15		248					

Pos	Part Number	Description	Remark	Qty	Model	Pos	Part Number	Description	Remark	Qty	Model
24	477 209 303	hose piece		4	TURBO						
25	477 209 059 A	fuel line return line	/LL	1	TURBO						
26	477 209 305	hose piece		4	TURBO						
27	477 209 307	clip		3	TURBO						
28	N 015 458 1	speed nut B 4,8 X 20		3	TURBO						
29	900 025 003 02	washer		3	TURBO						
30	N 013 975 6	tapping screw B 4,8 X 19		3	TURBO						
(31)	477 209 035 A	fuel line		1	TURBO						
31	477 209 035 A	fuel line		1	TURBO						
32	477 209 175	fuel line return line		1	TURBO						
33	477 209 161	connecting piece		3							
34	477 209 176 A	fuel line return line		1							
35	911 356 543 01	support		13							
36	477 209 071 C	fuel hose		1							
37	N 023 577 2	hose clamp		1							
38	477 209 047 A	fuel hose		1	924						
39	930 110 076 00	fuel filter		1	924						
40	111 501 159 B	hose clamp 9 X 56		1	924						
41	928 201 187 02	sealing ring		1							
42	N 013 812 3	sealing ring A 12 X 15,5		2							
43	N 020 704 2	connection piece		1							
(43)	911 608 951 00	check valve		X							
44	930 110 199 00	screw socket		1	924						
45	930 110 198 00	screw socket		1	924						
46	900 123 007 30	sealing ring A 14 X 18		1	924						

Model	Year	MG	SG	Illustration	Restrictions	UPD	10:47	23.01.2010	PORSCHE	PET	PORSCHE
924	1979	2	02	202-00		248					

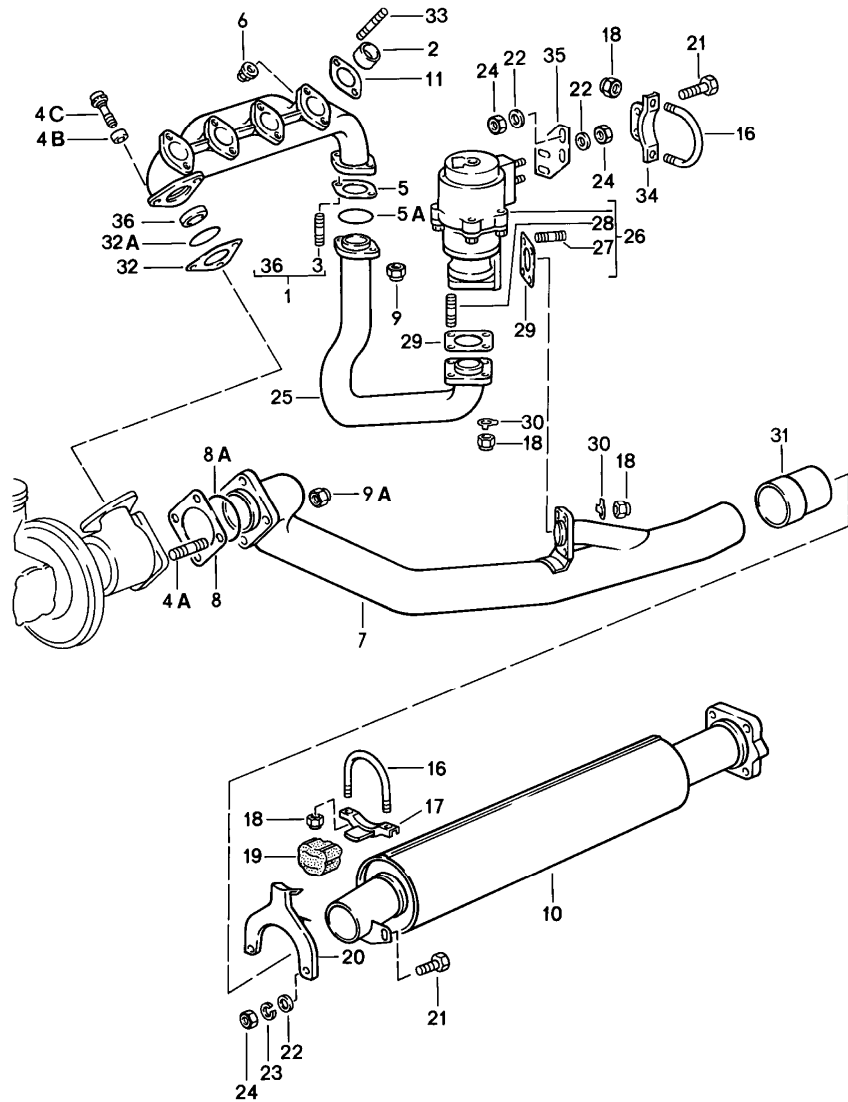


Pos	Part Number	Description	Remark	Qty	Model
		exhaust system front muffler			924
1	048 129 587 D	exhaust manifold	/LL	1	
(1)	047 129 587 B	exhaust manifold	/RL	1	XJ
2	* 048 129 589 A	gasket		4	
3	N 044 511 1	stud M 8 X 18		3	
4	N 044 514 4	stud M 8 X 25		5	
5	N 900 850 01	hexagon nut M 8		8	
6	N 011 525 13	washer		11	
6A	N 044 411 5	stud M 8 X 30		8	
7	047 129 595 D	cover plate	/LL	1	
(7)	047 129 595 E	cover plate	/RL	1	XJ
8	477 253 101 Q	exhaust pipe	/LL	1	XK
(8)	478 253 101 D	exhaust pipe	/RL	1	XJ
9	803 253 111	lock nut		6	
9A	311 101 463	hexagon nut M 8		5	
10	N 010 353 3	hexagon-head bolt M 8 X 42		3	
11	477 253 115 E	gasket	/LL	1	
(11)	478 253 115 D	gasket	/RL	1	XJ
12	477 253 121 B	front muffler		1	
13	477 253 137	sealing ring		1	
14	477 253 139	clip		1	
15	944 111 307 00	support		1	
16	477 253 140 A	rubber mounting		1	
17	900 027 015 02	lock ring		2	
18	N 011 008 8	hexagon nut		2	

Model	Year	MG	SG	Illustration	Restrictions	UPD	10:47	23.01.2010	PORSCHE	PET	PORSCHE
924	1979	2	02	202-00		248					

Pos	Part Number	Description	Remark	Qty	Model	Pos	Part Number	Description	Remark	Qty	Model
19	477 253 245	support		1							
20	N 010 240 16	hexagon-head bolt M 8 X 20 heat shield see group 8/01/05		2							

Model	Year	MG	SG	Illustration	Restrictions	UPD	10:47	23.01.2010	PORSCHE	PET	PORSCHE
924	1979	2	02	202-05		248					

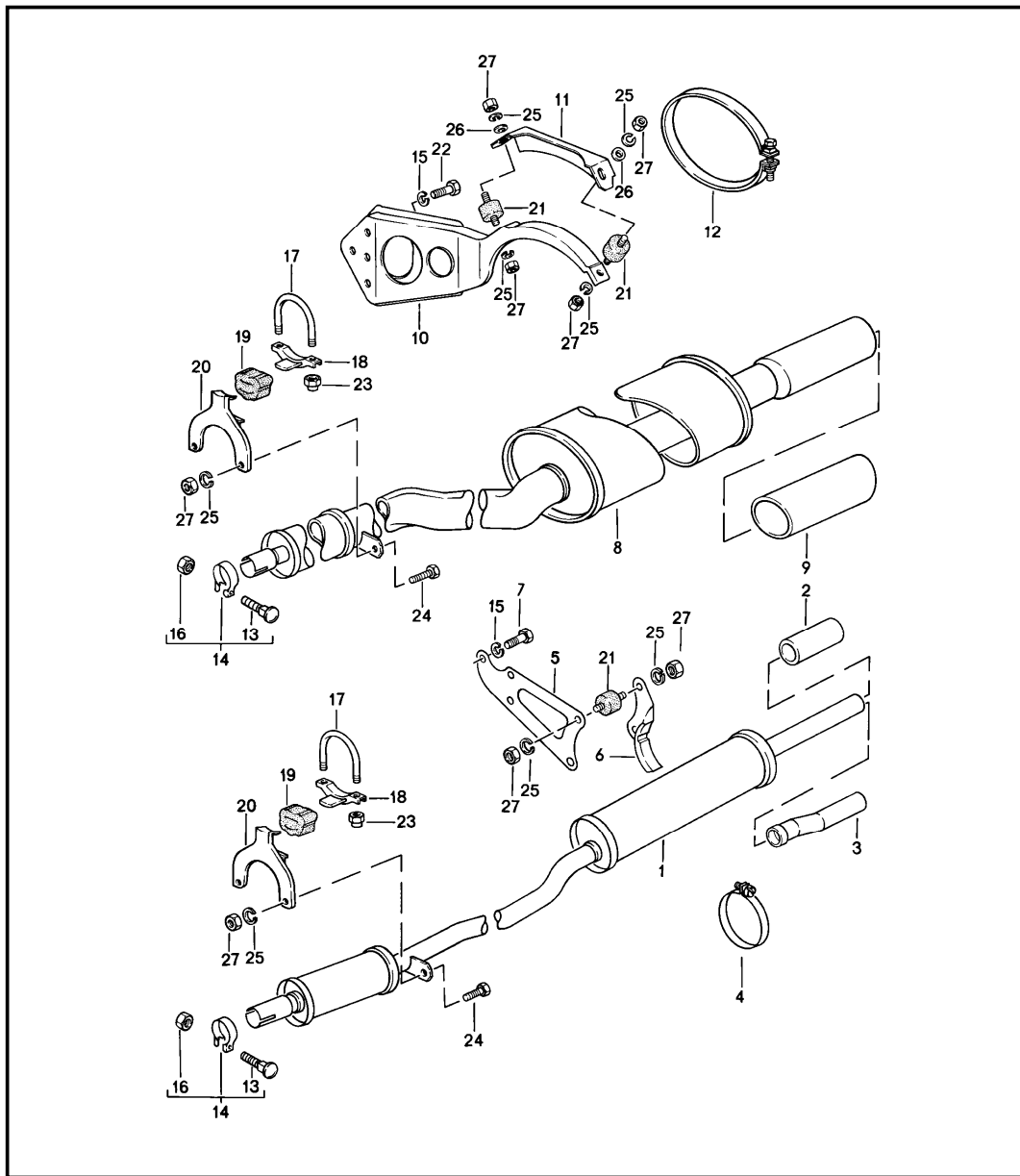


Pos	Part Number	Description	Remark	Qty	Model
		exhaust system front muffler			TURBO
		see technical information GR.2 NR.10/10A			
1	931 111 096 00	exhaust manifold		1	
2	931 111 132 00	intermediate piece		4	
3	900 081 051 02	stud M 10 X 35		2	
4A	900 081 050 02	stud M 10 X 28		4	
4B	931 123 199 00	sleeve		3	
4C	931 123 197 00	shouldered bolt		3	
5	* 931 111 191 10	gasket		1	
5A	* 993 111 195 00	sealing ring only together with exhaust manifold 931.111.903.00		1	
6	999 084 611 02	lock nut		8	
7	931 111 905 00	exhaust pipe		1	
8	931 111 192 02	gasket		1	
8A	944 111 205 02	gasket only together with turbocharger 931.123.002.06/09		1	
9	900 157 007 00	hexagon nut		5	
9A	N 900 730 01	lock nut		4	
10	931 111 901 00	front muffler		1	
11	* 930 111 191 01	gasket		4	
16	477 253 139	clip		2	
17	944 111 307 00	support		1	
18	900 910 097 02	lock nut		12	
19	477 253 140 A	rubber mounting		1	
20	931 111 061 02	hook		1	

Model	Year	MG	SG	Illustration	Restrictions	UPD	10:47	23.01.2010	PORSCHE	PET	PORSCHE
924	1979	2	02	202-05		248					

Pos	Part Number	Description	Remark	Qty	Model	Pos	Part Number	Description	Remark	Qty	Model
21	N 010 240 16	hexagon-head bolt M 8 X 20		4							
22	900 025 007 02	washer		4							
23	900 027 015 02	lock ring		2							
24	900 076 025 02	hexagon nut		4							
25	931 123 033 04	wastegate line		1							
26	930 123 060 10	wastegate		1							
27	900 081 048 02	stud M 8 X 25		4							
28	900 081 049 02	stud M 8 X 32		4							
29	930 123 194 01	gasket		2							
30	999 039 001 00	tab washer		8							
31	931 111 902 00	sleeve		1							
32	* 931 123 193 02	gasket		1							
32A	* 993 111 195 00	sealing ring only together with turbocharger 931.123.002.06/09		1							
33	999 062 238 02	stud M 8 X 25		8							
34	931 123 143 01	support		1							
35	931 123 145 02	retaining bracket		1							
36	931 111 599 01	intermediate ring heat shield see group 8/01/05		1							

Model	Year	MG	SG	Illustration	Restrictions	UPD	10:47	23.01.2010	PORSCHE	PET	PORSCHE
924	1979	2	02	202-15		248					

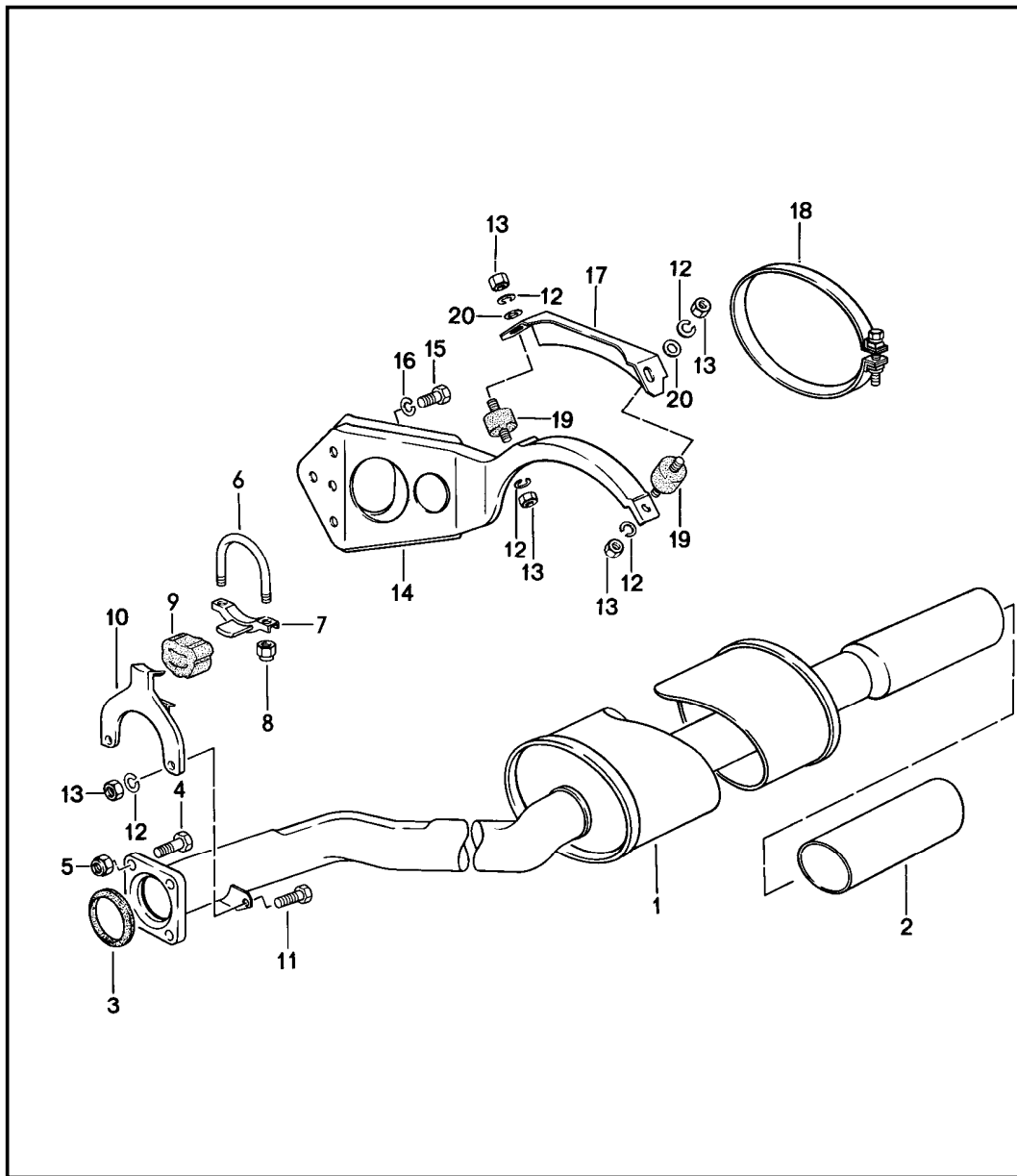


Pos	Part Number	Description	Remark	Qty	Model
		exhaust system			924
		rear muffler			
1	477 253 125 C	rear muffler round	-77	1	
(1)	477 253 125 E	rear muffler round	(S) -77	1	
2	477 253 191 B	ornamental exhaust pipe black	-77	1	
3	477 253 131 F	tail pipe with trailer coupling	-77	1	
4	N 900 190 01	clamp	-77	1	
5	477 253 647	support	-77	1	
(5)	477 253 311 A	support	AUT. -77	1	
6	477 253 253	retaining bracket	-77	1	
(6)	477 253 253 A	retaining bracket	AUT. -77	1	
7	N 010 253 7	hexagon-head bolt M 10 X 22	-77	3	
8	477 253 125 S	rear muffler oval		1	
(8)	477 253 125 AA	rear muffler oval for 5-speed transmission	(S)	1	
(8)	477 253 125 AA	rear muffler oval	(S)	1	
9	477 253 191 C	ornamental exhaust pipe chrome		1	
(9)	477 253 191 B	ornamental exhaust pipe black	(S)	1	
10	477 253 251	support for 5-speed transmission		1	
(10)	477 253 255 B	support for 4-speed transmission		1	

Model	Year	MG	SG	Illustration	Restrictions	UPD	10:47	23.01.2010	PORSCHE	PET	PORSCHE
924	1979	2	02	202-15		248					

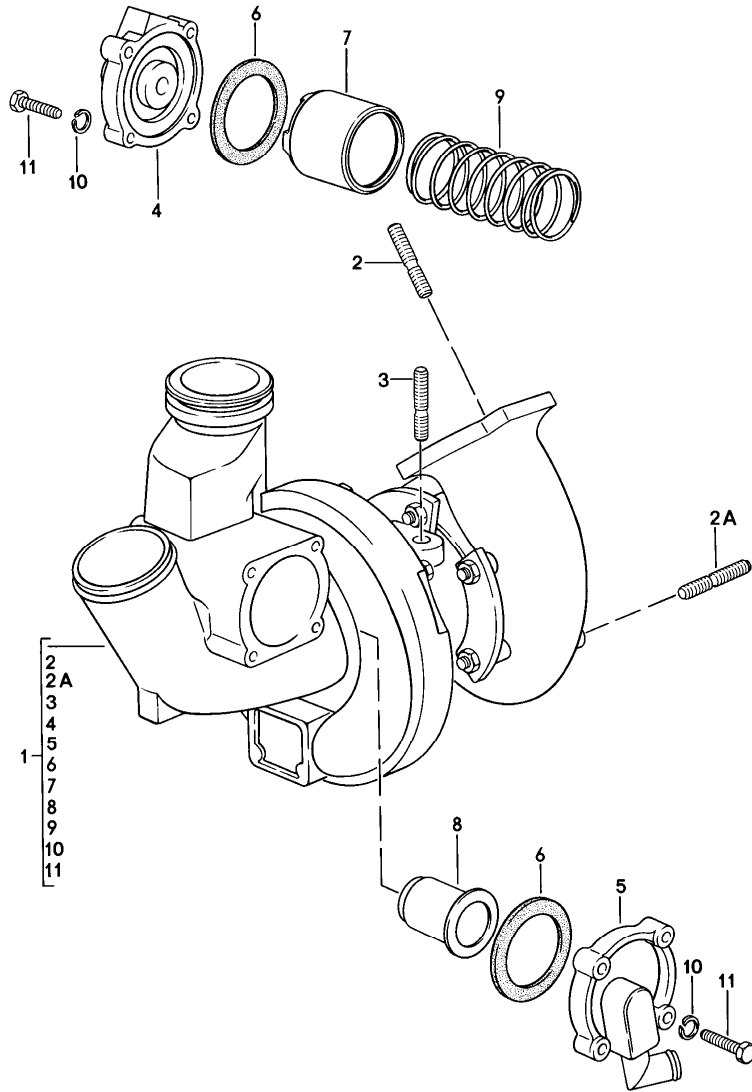
Pos	Part Number	Description	Remark	Qty	Model	Pos	Part Number	Description	Remark	Qty	Model
(10)	477 253 255 C	support for automatic transmission		1							
11	477 253 253 C	retaining bracket for 4-speed and automatic transmission		1							
(11)	477 253 253 D	retaining bracket for 5-speed transmission		1							
12	477 253 325 A	clamp		1							
13	N 902 064 01	round head screw M 10 X 50		1							
14	191 253 139 A	clamp		1							
16	N 011 010 6	hexagon nut		1							
17	477 253 139	clip		1							
18	944 111 307 00	support		1							
19	477 253 140 A	rubber mounting		1							
20	477 253 245	support		1							
21	477 253 149 C	bonded rubber buffer		2							
(21)	999 703 317 00	bonded rubber buffer with trailer coupling		2							
22	900 074 063 02	hexagon-head bolt M 10 X 55		3							
23	900 910 097 02	lock nut		2							
24	N 010 240 16	hexagon-head bolt M 8 X 20		2							
25	900 027 015 02	lock ring		6							
26	N 011 525 13	washer		2							
27	N 011 008 8	hexagon nut heat shield see group 8/01/05		6							

Model	Year	MG	SG	Illustration	Restrictions	UPD	10:47	23.01.2010	PORSCHE	PET	PORSCHE
924	1979	2	02	202-20		248					



Pos	Part Number	Description	Remark	Qty	Model
		exhaust system rear muffler			TURBO
1	931 111 050 06	rear muffler		1	
(1)	931 111 050 05	rear muffler	(S)	1	
2	477 253 191 C	ornamental exhaust pipe chrome		1	
3	928 111 244 03	sealing ring		1	
4	900 155 033 00	hexagon-head bolt M 10 X 38		4	
5	999 084 047 02	lock nut		4	
6	477 253 139	clip		1	
7	944 111 307 00	support		1	
8	900 910 097 02	lock nut		2	
9	477 253 140 A	rubber mounting		1	
10	931 111 061 02	hook		1	
11	N 010 240 16	hexagon-head bolt M 8 X 20		2	
12	900 027 015 02	lock ring		6	
13	900 076 025 02	hexagon nut		6	
14	477 253 251	support		1	
15	N 010 253 7	hexagon-head bolt M 10 X 22		3	
16	900 027 016 02	lock ring		3	
17	477 253 253 D	retaining bracket		1	
18	477 253 325 A	clamp		1	
19	477 253 149 C	bonded rubber buffer		2	
19	999 703 317 00	bonded rubber buffer with trailer coupling		2	
20	900 025 007 02	washer		2	
		heat shield see group 8/01/05			

Model	Year	MG	SG	Illustration	Restrictions	UPD	10:48	23.01.2010	PORSCHE	PET	PORSCHE
924	1979	2	02	202-25		248					



Pos	Part Number	Description	Remark	Qty	Model
		turbocharger			TURBO
1	> 931 123 002 09	turbocharger		1	M31.01
2	900 081 053 00	stud M 10 X 25		2	
2A	900 081 050 02	stud M 10 X 28		4	
3	900 081 044 08	stud M 8 X 35		2	
4	930 110 156 06	lid		1	
5	931 110 056 00	lid		1	
6	930 110 149 00	gasket		2	
7	931 123 149 00	piston		1	
8	931 123 147 02	spring guide		1	
9	931 123 151 01	compression spring		1	
10	N 012 006 4	lock ring		8	
11	N 010 220 3	hexagon-head bolt M 6 X 30		8	

Model	Year	MG	SG	Illustration	Restrictions	UPD	10:48	23.01.2010
924	1979	2	98	298-00R		248		

Pos	Part Number	Description	Remark	Qty	Model
		repair kits			
>>	>>931 123 901 00	gasket set for turbocharger without mounting parts comprising:		1	TURBO
-	900 123 106 30	sealing ring		4	
-	N 043 815 2	sealing ring		1	
-	931 110 152 01	gasket		1	
-	931 111 191 10	gasket		1	
-	944 111 205 02	gasket		1	
-	928 111 244 03	sealing ring		1	
-	900 123 008 30	sealing ring		3	
-	900 123 043 30	sealing ring		3	
-	900 123 084 30	sealing ring		1	
-	930 123 194 01	gasket		2	
-	993 111 195 00	sealing ring		2	
-	900 174 045 40	sealing ring		1	
-	999 701 473 40	round seal		1	
-	999 701 477 40	round seal		1	
-	999 707 043 40	o-ring		1	
-	999 701 621 40	o-ring		1	
>>	>>000 043 018 00	installation set comprising: gasket set with mounting parts		1	TURBO
-	931 123 901 00	gasket set		1	
-	999 085 001 02	socket head nut		2	
-	N 900 730 01	lock nut		4	
-	931 123 197 00	shouldered bolt		3	
-	931 123 199 00	sleeve		3	
-	930 123 134 04	gasket		1	

Model	Year	MG	SG	Illustration	Restrictions	UPD	10:48	23.01.2010
924	1979	2	98	298-00R		248		

Pos	Part Number	Description	Remark	Qty	Model
-	900 074 233 02	hexagon-head bolt M 6 X 40		2	
-	900 910 096 02	lock nut M 6		2	
-	N 010 020 2	hexagon-head bolt M 10 X 38		4	
-	999 084 047 02	lock nut M 10		4	
-	999 513 002 40	tie-wrap		1	
-	931 110 185 01	moulded hose		1	
-	900 157 007 00	hexagon nut		1	
-	900 910 097 02	lock nut		4	
-	900 081 049 02	stud		4	
-	931 111 599 01	intermediate ring		1	
-	930 111 191 01	gasket		4	
-	999 084 611 02	lock nut		8	
>>	>>477 298 113	set of fastening parts for front muffler	76-	1	924
>>	>>477 298 113 A	set of fastening parts for rear muffler round	-77	1	924
>>	>>477 298 113 C	set of fastening parts for rear muffler oval	78-	1	924
>>	>>477 298 113 B	set of fastening parts for front muffler and rear muffler round	-77	1	924
>>	>>477 298 113 D	set of fastening parts for front muffler and rear muffler oval	78-	1	924
>>	>>477 298 113 E	set of fastening parts for front muffler		1	TURBO

PORSCHE

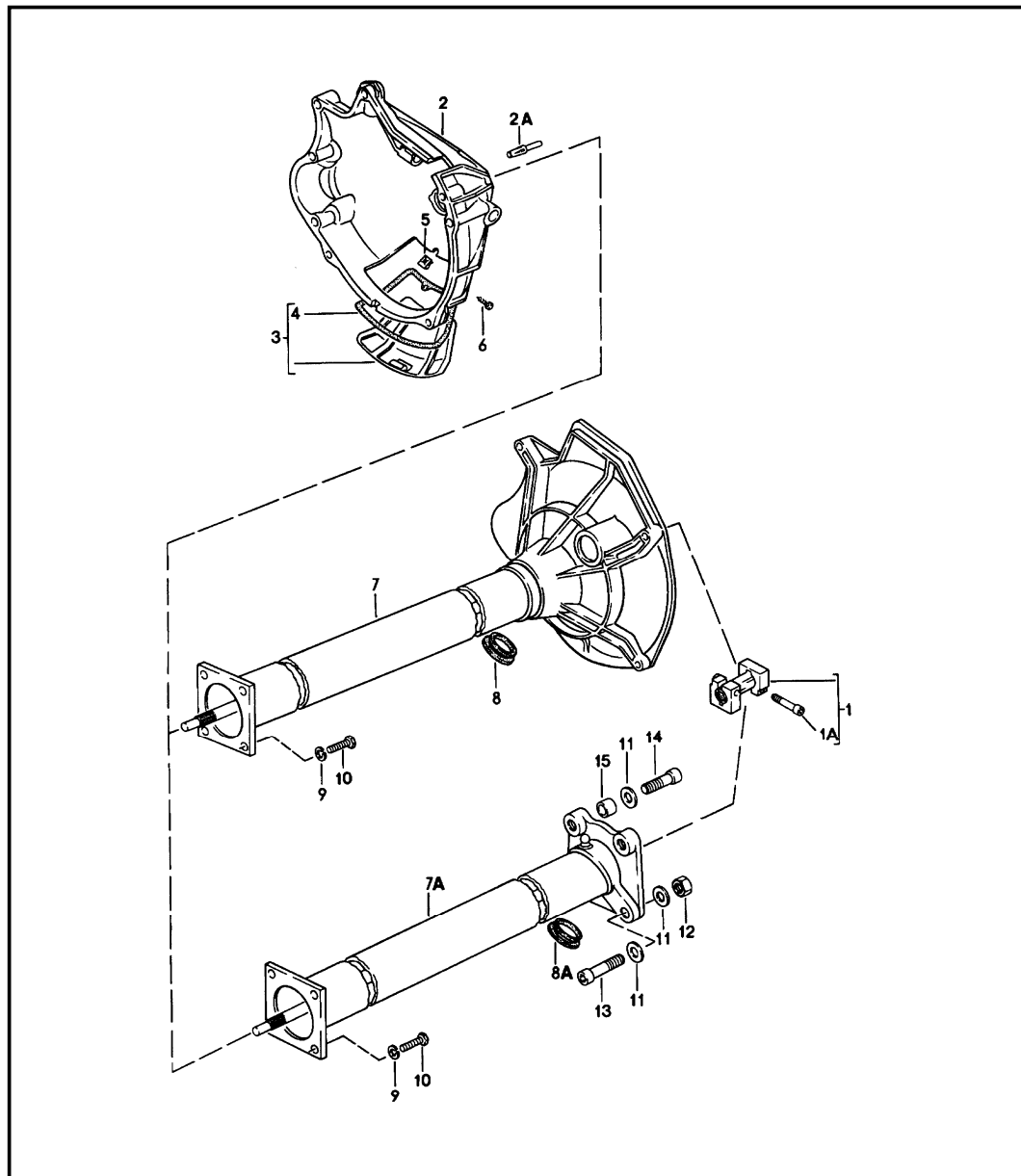
PET

PORSCHE

Model	Year	MG	SG	Illustration	Restrictions	UPD	10:48	23.01.2010
924	1979	2	98	298-00R		248		

Pos	Part Number	Description	Remark	Qty	Model
>>	>>477 298 113 F	set of fastening parts for rear muffler		1	TURBO
>>	>>477 298 113 G	set of fastening parts for front muffler and rear muffler		1	TURBO

Model	Year	MG	SG	Illustration	Restrictions	UPD	10:48	23.01.2010	PORSCHE	PET	PORSCHE
924	1979	3	01	301-00		248					

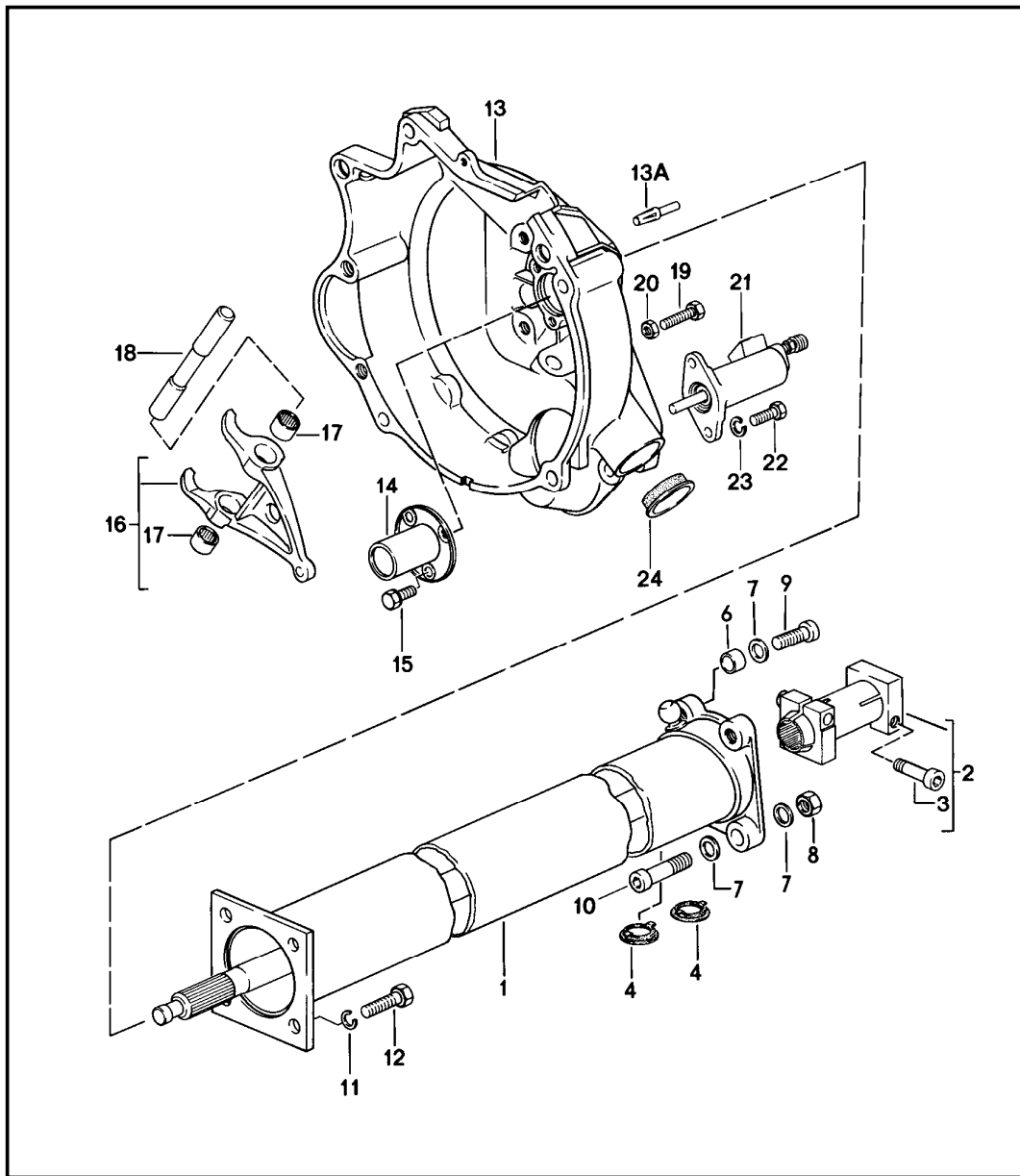


Pos	Part Number	Description	Remark	Qty	Model
1	477 521 145 A	central tube clamping sleeve see technical information		1	924
1A	477 521 501 A	pan-head screw		2	
2	477 521 211 B	clutch housing		1	
2A	N 012 690 1	grooved pin 10 X 32		3	
3	477 521 213	lid		1	
4	477 521 214	gasket		1	
5	999 591 327 02	speed nut B 6,3 X 23		1	
6	N 013 947 3	oval-head screw 6,3 X 19		1	
7	> 477 521 230 B	central tube ready for installation for 4-speed transmission use also: 477.521.277.C		1	XT YR
7A	> 477 521 230 A	central tube ready for installation for 5-speed transmission		1	VA VB
8	477 521 277 A	cap		1	XT YR
(8)	477 521 277 C	cap		X	XT YR
8A	477 521 278	cap		1	VR VB
9	900 027 016 02	lock ring		4	
10	N 010 275 4	hexagon-head bolt M 10 X 35		4	
11	N 011 564 2	washer		6	
12	N 011 020 8	hexagon nut M 12 X 1,5		2	
13	N 044 757 1	pan-head screw M 12 X 1,5 X 55		2	
14	N 044 738 1	pan-head screw M 12 X 1,5 X 40		2	

Model	Year	MG	SG	Illustration	Restrictions	UPD	10:48	23.01.2010	PORSCHE	PET	PORSCHE
924	1979	3	01	301-00		248					

Pos	Part Number	Description	Remark	Qty	Model	Pos	Part Number	Description	Remark	Qty	Model
15	019 301 153	dowel sleeve		2							

Model	Year	MG	SG	Illustration	Restrictions	UPD	10:48	23.01.2010	PORSCHE	PET	PORSCHE
924	1979	3	01	301-05		248					

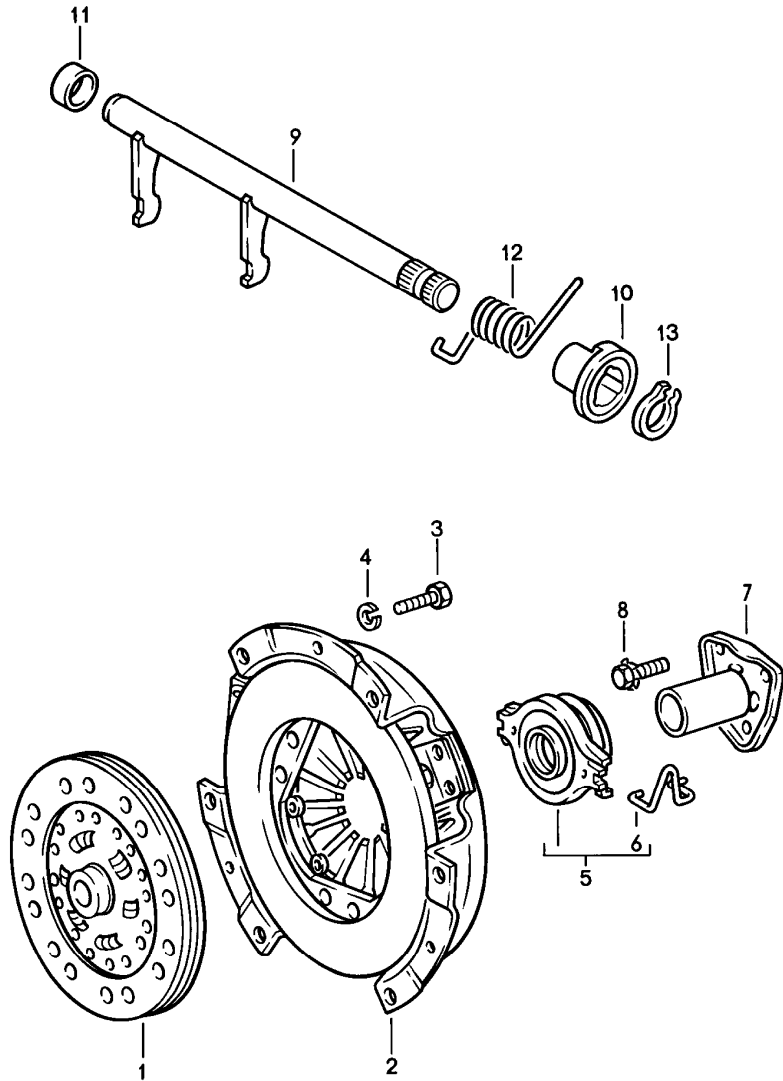


Pos	Part Number	Description	Remark	Qty	Model
		central tube			TURBO
1	> 931 421 012 01	central tube ready for installation		1	
2	922 421 051 02	clamping sleeve		1	
3	931 421 240 00	clamping screw		2	
4	477 521 278	cap		2	
6	019 301 153	dowel sleeve		2	
7	N 011 564 2	washer		6	
8	N 011 020 8	hexagon nut M 12 X 1,5		2	
9	N 044 738 1	pan-head screw M 12 X 1,5 X 40		2	
10	N 044 757 1	pan-head screw M 12 X 1,5 X 55		2	
11	900 027 016 02	lock ring		4	
12	N 010 275 4	hexagon-head bolt M 10 X 35		4	
13	931 116 043 02	clutch housing		1	
13A	N 012 690 1	grooved pin 10 X 32		3	
14	016 141 181	guide sleeve		1	
15	N 090 194 2	hexagon-head bolt M 7 X 16		3	
16	931 116 085 00	clutch release lever		1	
17	999 201 213 00	needle sleeve		2	
18	951 116 133 00	clutch control shaft		1	
19	N 010 221 3	hexagon-head bolt M 6 X 35		1	
20	900 076 010 02	hexagon nut		1	
21	944 116 237 00	clutch operating cylinder		1	
-	* 928 116 901 00	repair kit clutch operating cylinder		1	
22	N 010 233 6	hexagon-head bolt M 8 X 28		2	

Model	Year	MG	SG	Illustration	Restrictions	UPD	10:48	23.01.2010	PORSCHE	PET	PORSCHE
924	1979	3	01	301-05		248					

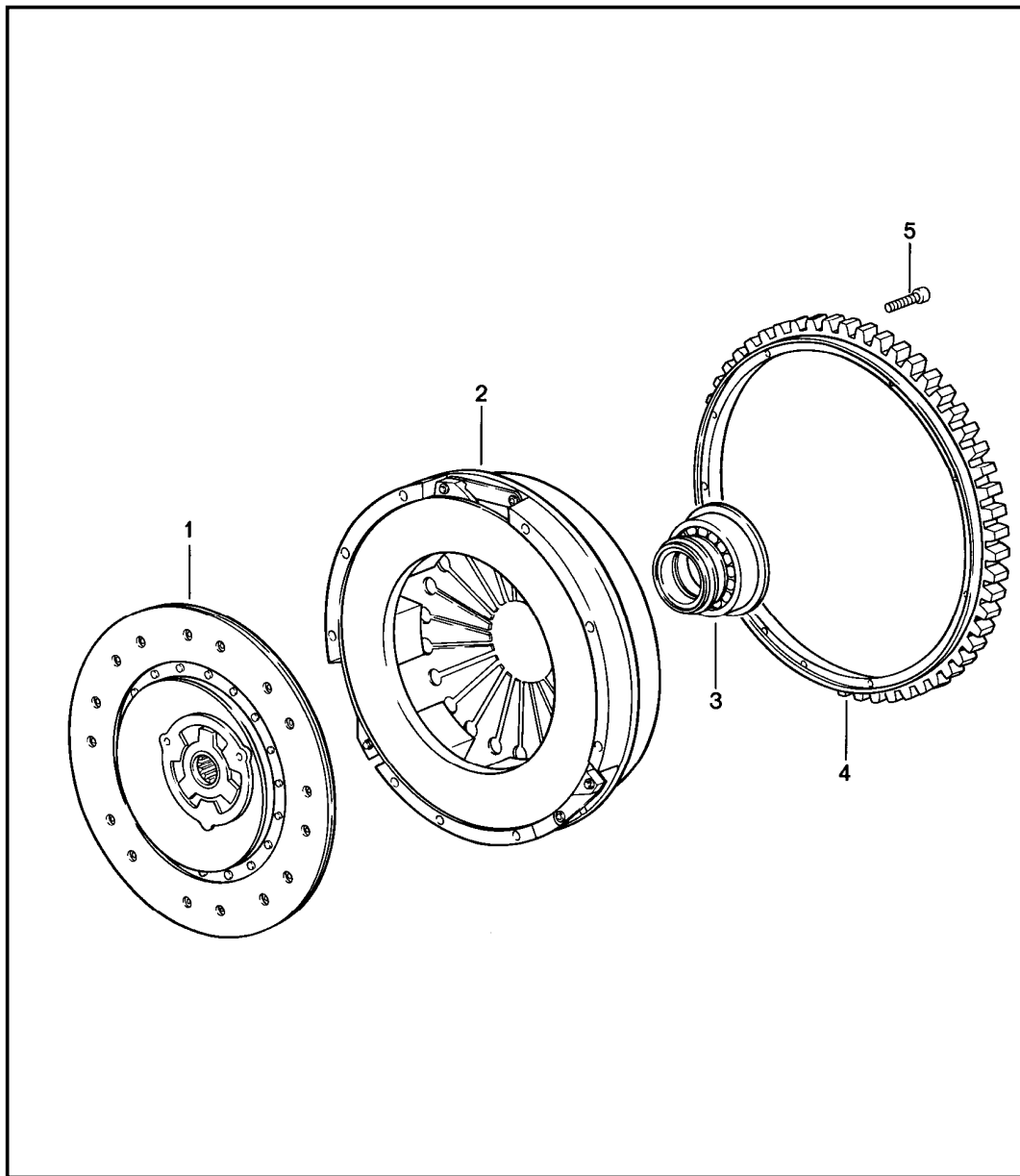
Pos	Part Number	Description	Remark	Qty	Model	Pos	Part Number	Description	Remark	Qty	Model
23	N 012 038 1	lock ring		2							
24	931 116 177 00	cap		1							

Model	Year	MG	SG	Illustration	Restrictions	UPD	10:48	23.01.2010	PORSCHE	PET	PORSCHE
924	1979	3	01	301-10		248					



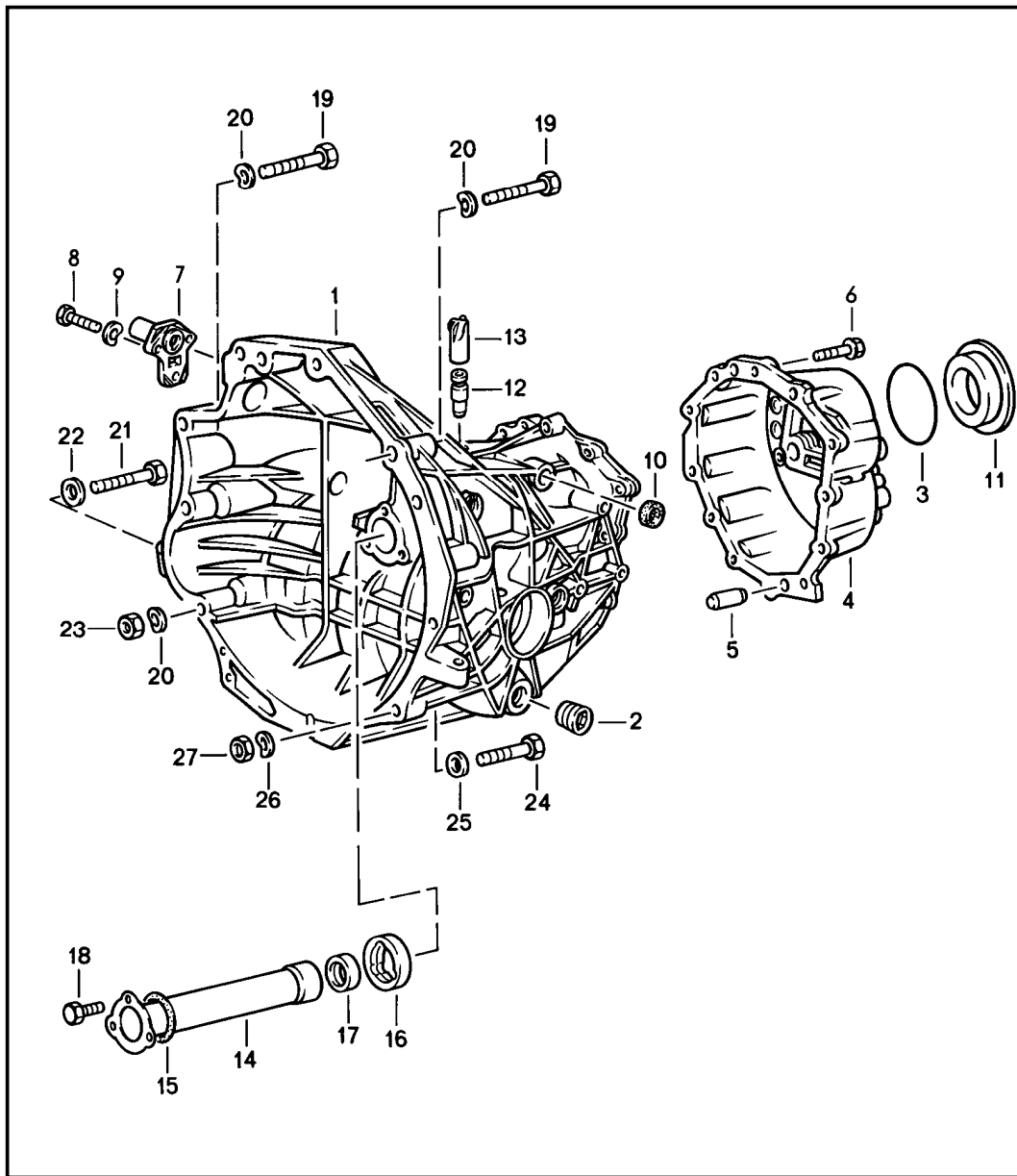
Pos	Part Number	Description	Remark	Qty	Model
		clutch			924
1	047 141 031 C	drive plate		1	
1	047 141 031 C	drive plate without asbestos		1	
2	> 035 141 117 E	clutch pressure plate		1	
3	N 010 240 7	hexagon-head bolt M 8 X 20		6	
4	900 027 015 02	lock ring		6	
5	113 141 165 B	clutch release bearing		1	
6	113 141 177 C	spring	/L	1	
(6)	113 141 178 C	spring	/R	1	
7	016 141 181	guide sleeve		1	
8	N 090 194 2	hexagon-head bolt M 7 X 16		3	
9	088 141 701	clutch control shaft		1	
10	092 141 699	bush		1	
11	088 141 713 B	bush		1	
12	088 141 723	torsion spring		1	
13	N 012 640 1	circlip		1	
--	924 116 911 00	repair kit for clutch		79	1

Model	Year	MG	SG	Illustration	Restrictions	UPD	10:49	23.01.2010	PORSCHE	PET	PORSCHE
924	1979	3	01	301-15		248					



Pos	Part Number	Description	Remark	Qty	Model
		clutch			TURBO
1	> 931 116 011 04	clutch plate without asbestos		1	
2	> 931 116 001 02	pressure plate		1	
3	931 116 082 04	clutch release bearing		1	
4	944 116 239 03	starter ring		1	
5	900 067 020 02	pan-head screw M 8 X 50		9	

Model	Year	MG	SG	Illustration	Restrictions	UPD	10:49	23.01.2010	PORSCHE	PET	PORSCHE
924	1979	3	02	302-00		248					

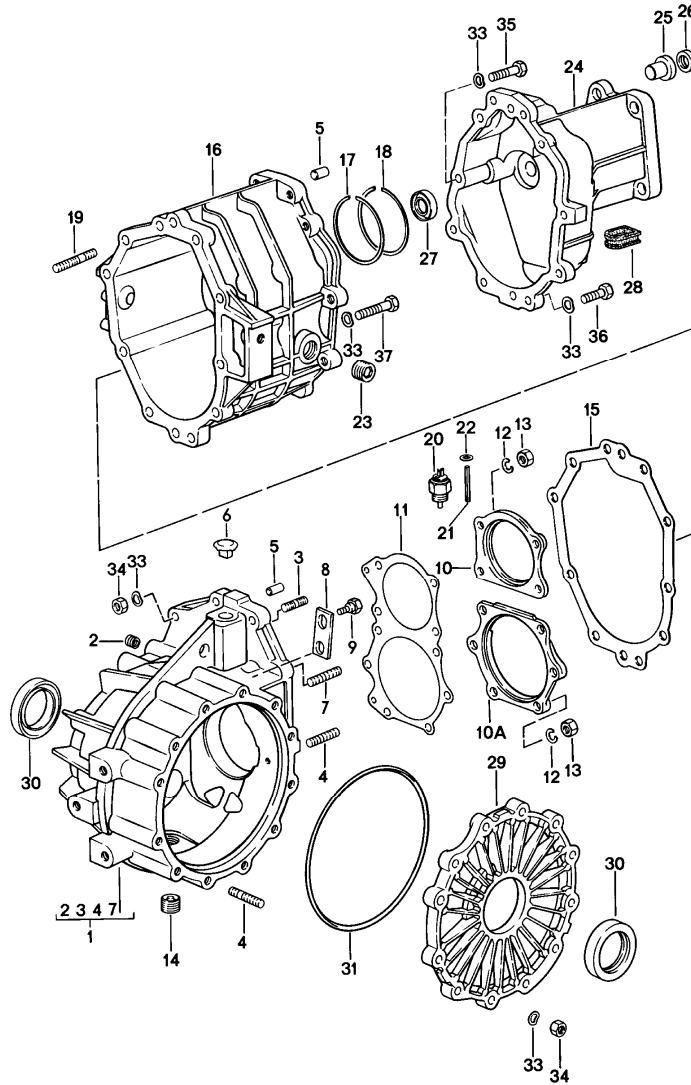


Pos	Part Number	Description	Remark	Qty	Model
		replacement transmission transmission case 4-speed			924
- >	088 300 043 J	replacement transmission		1	YR
1	088 301 103 C	transmission case		1	
2	111 301 127 E	screw plug M 24 X 1,5		1	
3	* 088 301 185	sealing ring		1	
4	088 301 211 C	end plate G	>> YR 20 02 9	1	YR XT
(4)	088 301 211 G	end plate G YR 21 02 9 >>		1	YR XT
5	014 301 473	guide sleeve 12 M 6 X 28		2	
6	N 010 332 4	hexagon-head bolt M 8 X 32		12	
7	088 301 453	lid		1	
8	900 075 193 08	hexagon-head bolt M 6 X 16		3	
9	N 012 226 5	spring washer		3	
10	* 928 303 120 01	shaft sealing ring		1	
11	088 301 467 B	lid		1	
12	088 301 473	breather pipe		1	
13	003 507 145 A	cap		1	
14	088 301 687 A	protective tube		1	
15	088 301 699 A	sealing ring		1	
16	088 301 697 B	centring ring		1	
17	999 113 275 40	shaft sealing ring		1	
18	N 090 194 2	hexagon-head bolt M 7 X 16		3	
19	N 010 183 1	hexagon-head bolt M 12 X 75		2	
20	900 028 014 02	spring washer		3	

Model	Year	MG	SG	Illustration	Restrictions	UPD	10:49	23.01.2010	PORSCHE	PET	PORSCHE
924	1979	3	02	302-00		248					

Pos	Part Number	Description	Remark	Qty	Model	Pos	Part Number	Description	Remark	Qty	Model
21	N 010 185 3	hexagon-head bolt M 12 X 80		1							
22	N 011 531 7	washer		1							
23	N 011 020 8	hexagon nut		1							
24	N 010 460 2	hexagon-head bolt M 10 X 60		1							
25	N 011 527 2	washer		1							
26	N 012 230 6	spring washer		1							
27	N 011 010 6	hexagon nut		1							
		back-up light switch see group 9/06/00									

Model	Year	MG	SG	Illustration	Restrictions	UPD	10:49	23.01.2010	PORSCHE	PET	PORSCHE
924	1979	3	02	302-05		248					

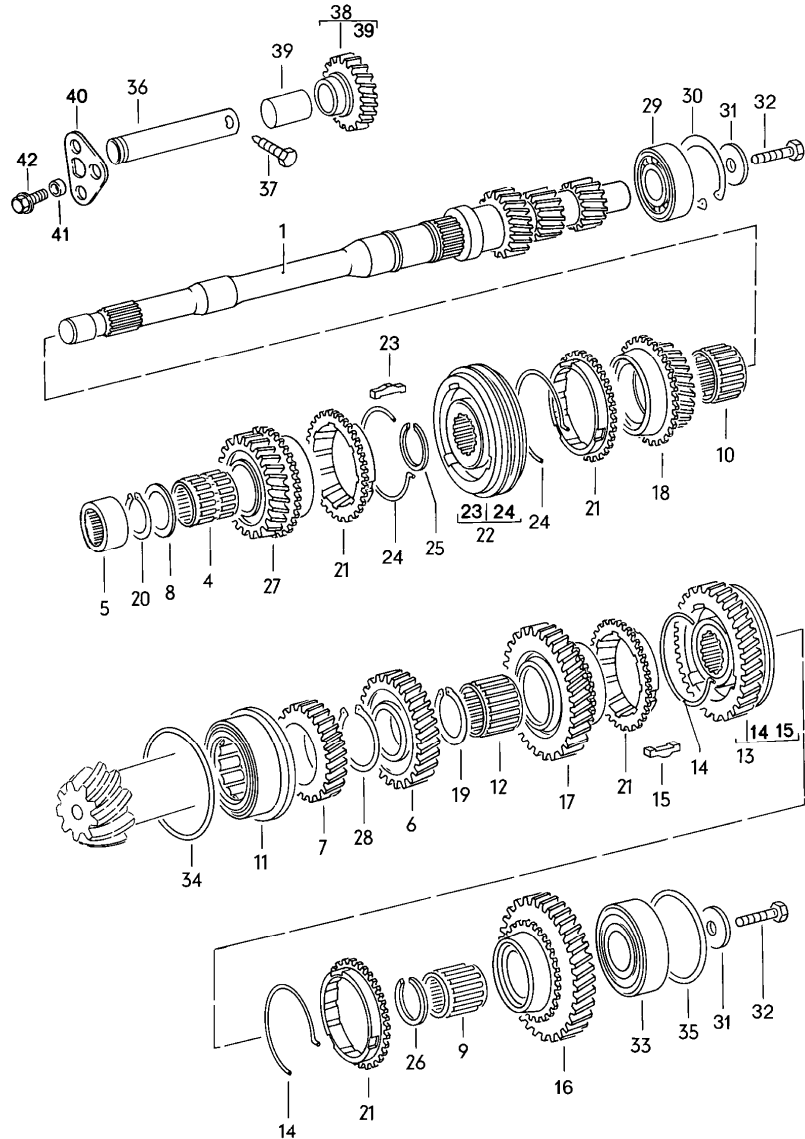


Pos	Part Number	Description	Remark	Qty	Model
		replacement transmission transmission case 5-speed			
- >	477 300 010	replacement transmission ready for installation		1	VA
-	477 300 010 B	replacement transmission with limited-slip differential ready for installation		1	VA
- >	931 300 010 00	replacement transmission ready for installation		1	G31.01
- >	931 300 010 02	replacement transmission with limited-slip differential ready for installation		1	G31.01
1	477 301 901 A	rear axle housing		1	VA VB
(1)	931 301 901 02	rear axle housing		1	G31.01
2	999 504 047 00	threaded insert M 10 X 10		2	
3	999 062 006 02	stud BM 8 X 20		6	VA VB
(3)	N 014 532 4	stud BM 8 X 16		4	G31.01
4	999 062 008 02	stud BM 8 X 25		16	VA VB
(4)	999 062 008 02	stud BM 8 X 25		12	G31.01
5	900 012 110 00	straight pin M 6 X 14		4	
6	928 301 311 01	bleeder		1	
7	999 062 009 02	stud BM 8 X 28		2	
8	477 303 132 A	locking piece		1	
9	477 303 133 A	hexagon-head bolt for locking piece		2	
(10)	930 302 121 00	tensioning plate		1	VA VB
10	915 302 121 03	tensioning plate		1	G31.01

Model	Year	MG	SG	Illustration	Restrictions	UPD	10:49	23.01.2010	PORSCHE	PET	PORSCHE
924	1979	3	02	302-05		248					

Pos	Part Number	Description	Remark	Qty	Model	Pos	Part Number	Description	Remark	Qty	Model
10A	931 302 123 01	tensioning plate		1	G31.01	28	928 301 171 00	cap		1	
11	915 302 268 03	adjusting shim 0,10 MM		X		29	915 301 311 06	transmission cover		1	
(11)	915 302 268 04	adjusting shim 0,15 MM		X		30	* 999 113 183 40	radial shaft seal 45 X 68 X 10		2	
(11)	915 302 268 05	adjusting shim 0,20 MM		X		31	* 999 701 392 40	o-ring		1	
12	900 027 015 02	lock ring		10		33	N 012 241 8	spring washer		X	
13	900 076 025 02	hexagon nut		10		34	900 076 025 02	hexagon nut		X	
14	113 301 141 B	magnetic plug		1		35	900 074 134 02	hexagon-head bolt M 8 X 45		1	
15	* 477 301 191 A	gasket		1		36	900 075 099 02	hexagon-head bolt M 8 X 30		9	
16	477 301 902	gear housing		1	VA VB	37	900 074 139 02	hexagon-head bolt M 8 X 55		1	
(16)	931 301 902 00	gear housing		1	G31.01						
17	900 111 001 00	circlip		2							
18	999 152 031 01	circlip		2							
19	999 062 098 02	stud BM 8 X 38		1							
20	084 941 521	switch	--10/78	1							
(20)	084 941 521	back-up light switch 11/78--		1							
21	931 303 175 00	pin		1							
22	999 041 503 01	locking ring		1							
23	111 301 127 E	screw plug M 24 X 1,5		1							
24	477 301 301 C	transmission cover front		1	VA VB						
(24)	931 301 301 00	transmission cover front		1	G31.01						
25	001 301 209	guide bush		1							
26	* 001 301 227	radial shaft seal 15 X 24 X 7		1							
27	* 014 311 113 B	radial shaft seal		1	VA VB						
(27)	* 999 113 247 40	radial shaft seal		1	G31.01						

Model	Year	MG	SG	Illustration	Restrictions	UPD	10:49	23.01.2010	PORSCHE	PET	PORSCHE
924	1979	3	03	303-00		248					



Pos	Part Number	Description	Remark	Qty	Model
		gears and shafts 4-speed			924
1	088 311 105 AD	drive shaft		1	
4	016 311 115	needle-roller bearing 4th speed		1	
5	088 311 123	needle sleeve		1	
6	088 311 131 A	3rd gear		1	
7	088 311 149	4th speed		1	
8	088 311 155 A	thrust washer		1	
9	088 311 207	1st gear		1	
10	088 311 213	3rd gear		1	
11	088 311 220	bearing		1	
12	088 311 229 B	needle-roller bearing 2nd gear		1	
13	088 311 239 A	synchroniser ring 1st/2nd gear with operating sleeve		1	
14	088 311 311 D	spring 1st/2nd gear		2	
15	088 311 313	detent		3	
16	088 311 257 A	shifting gear 1st gear		1	
17	088 311 271 A	shifting gear 2nd gear		1	
18	088 311 285 A	shifting gear 3rd gear		1	
19	088 311 287	circlip 1,65		1	
(19)	088 311 287 A	circlip 1,70		X	
(19)	088 311 287 B	circlip 1,75		X	
20	088 311 287	circlip 1,65		1	

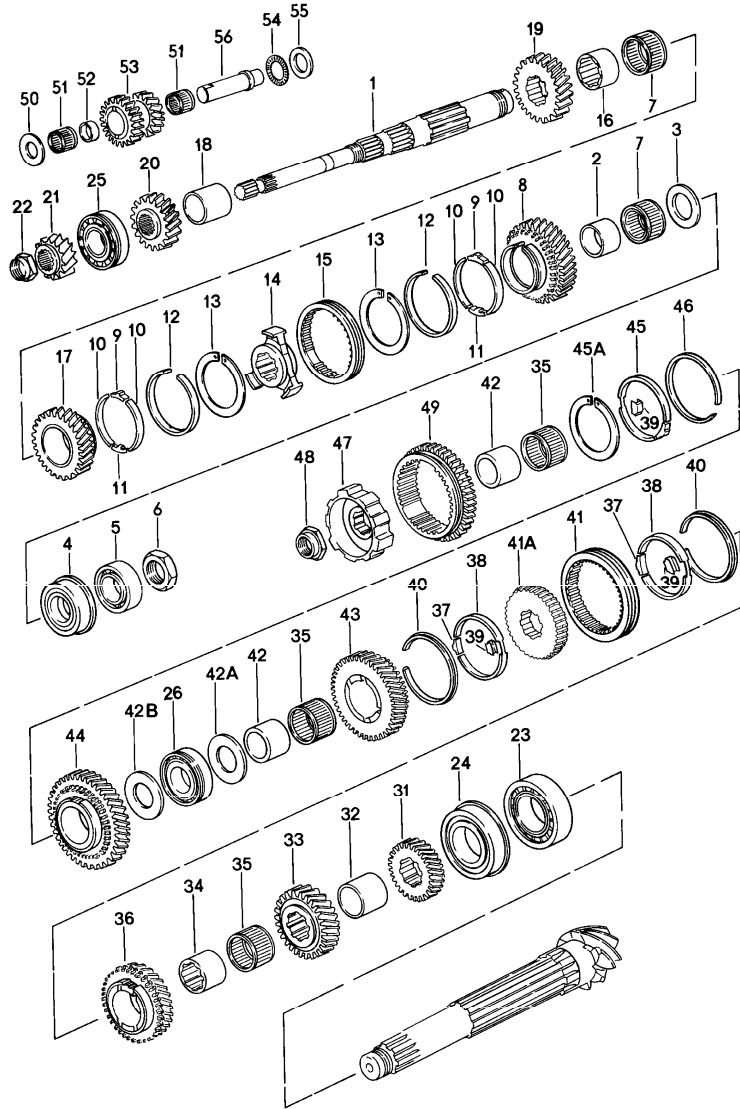
Model	Year	MG	SG	Illustration	Restrictions	UPD	10:49	23.01.2010	PORSCHE	PET	PORSCHE
924	1979	3	03	303-00		248					

Pos	Part Number	Description	Remark	Qty	Model	Pos	Part Number	Description	Remark	Qty	Model
(20)	088 311 287 B	circlip 1,75		X		(28)	088 311 363 C	circlip 1,65		X	
(20)	016 311 344	circlip		1		(28)	088 311 363 D	circlip 1,67		X	
21	088 311 295 B	synchroniser ring 1st gear 2nd gear 3rd gear 4th speed with operating sleeve		4		(28)	088 311 363 E	circlip 1,69		X	
22	088 311 301 B	synchronising hub 3rd/4th gear with operating sleeve		1		(28)	088 311 363 F	circlip 1,71		X	
23	088 311 245	detent		3		(28)	088 311 363 G	circlip 1,73		X	
24	088 311 311 B	spring 3rd/4th gear		2		(28)	088 311 363 H	circlip 1,75		X	
25	088 311 317	circlip 1,50		1				circlip G YR 04 06 6 >>			
(25)	088 311 317 B	circlip 1,56		X		28	088 311 363 AA	circlip 2,34		1	
(25)	088 311 317 C	circlip 1,62		X		(28)	088 311 363 AC	circlip 2,36		X	
26	088 311 327	circlip 1,50		1		(28)	088 311 363 AE	circlip 2,38		X	
(26)	088 311 327 A	circlip 1,55		X		(28)	088 311 363 AG	circlip 2,40		X	
(26)	088 311 327 B	circlip 1,60		X		(28)	088 311 363 AJ	circlip 2,42		X	
27	088 311 351 A	shifting gear 4th speed		1		(28)	088 311 363 AL	circlip 2,44		X	
		circlip G >> YR 03 06 6				(28)	088 311 363 AN	circlip 2,46		X	
28	088 311 363	circlip 1,59		1		(28)	088 311 363 AQ	circlip 2,48		X	
(28)	088 311 363 A	circlip 1,61		X		(28)	088 311 363 AS	circlip 2,50		X	
(28)	088 311 363 B	circlip 1,63		X		29	088 311 371 E	deep-groove ball bearing		1	
						30	N 012 292 2	circlip 68 X 2,5		1	
						31	N 900 913 01	washer		2	
						32	N 010 239 11	hexagon-head bolt M 8 X 18		2	

Model	Year	MG	SG	Illustration	Restrictions	UPD	10:49	23.01.2010	PORSCHE	PET	PORSCHE
924	1979	3	03	303-00		248					

Pos	Part Number	Description	Remark	Qty	Model	Pos	Part Number	Description	Remark	Qty	Model
33	088 311 375	taper roller bearing		1		(35)	088 311 393 K	shim 1,17		X	
34	088 311 391	shim 0,20		1		(35)	088 311 393 L	shim 1,41		X	
(34)	088 311 391 A	shim 0,25		X		36	088 311 519 A	axle G >> YR 20 02 9		1	
(34)	088 311 391 B	shim 0,30		X		(36)	016 311 519 A	axle G YR 21 02 9 >>		1	
(34)	088 311 391 C	shim 0,35		X		37	088 311 527 A	hexagon-head bolt G >> YR 20 02 9		1	
(34)	088 311 391 D	shim 0,40		X		38	088 311 529	reverse idler gear G >> YR 20 02 9		1	
(34)	088 311 391 E	shim 0,65		X		(38)	016 311 529 D	reverse idler gear G YR 21 02 9 >>		1	
(34)	088 311 391 F	shim 0,90		X		39	088 311 533	bush		1	
(34)	088 311 391 G	shim 1,15		X		40	016 311 853 A	retainer plate G YR 21 02 9 >>		1	
35	088 311 393	shim 0,24		1		41	088 301 291 A	shouldered bolt G YR 21 02 9 >>		1	
(35)	088 311 393 A	shim 0,27		X		42	088 301 291 A	shouldered bolt M 8 X 16 G YR 21 02 9 >>		1	
(35)	088 311 393 B	shim 0,30		X							
(35)	088 311 393 C	shim 0,33		X							
(35)	088 311 393 D	shim 0,36		X							
(35)	088 311 393 E	shim 0,39		X							
(35)	088 311 393 F	shim 0,42		X							
(35)	088 311 393 G	shim 0,45		X							
(35)	088 311 393 H	shim 0,69		X							
(35)	088 311 393 J	shim 0,93		X							

Model	Year	MG	SG	Illustration	Restrictions	UPD	10:49	23.01.2010	PORSCHE	PET	PORSCHE
924	1979	3	03	303-05		248					



Pos	Part Number	Description	Remark	Qty	Model
-	477 302 901 A	gears and shafts 5-speed transmission gear wheel sets 016 Z gear set see technical information GR. 3 NR. 6 1st gear reverse gear Z = 14:39 comprising: loose gear wheel fixed gear wheel reverse idler gear		1	VA
-	477 302 902	gear set 2nd gear Z = 18:31 comprising: loose gear wheel fixed gear wheel		1	
-	477 302 903	gear set 3rd gear Z = 23:28 comprising: loose gear wheel fixed gear wheel		1	
-	477 302 904	gear set 4th speed Z = 29:27 comprising: loose gear wheel fixed gear wheel		1	
-	477 302 905 A	gear set 5th gear Z = 34:24 comprising: loose gear wheel fixed gear wheel		1	
-	477 302 911 A	ring gear and pinion shaft 7:33 comprising: drive shaft crown wheel transmission gear wheel sets G 31.01		1	TURBO

Model	Year	MG	SG	Illustration	Restrictions	UPD	10:49	23.01.2010	PORSCHE	PET	PORSCHE
924	1979	3	03	303-05		248					

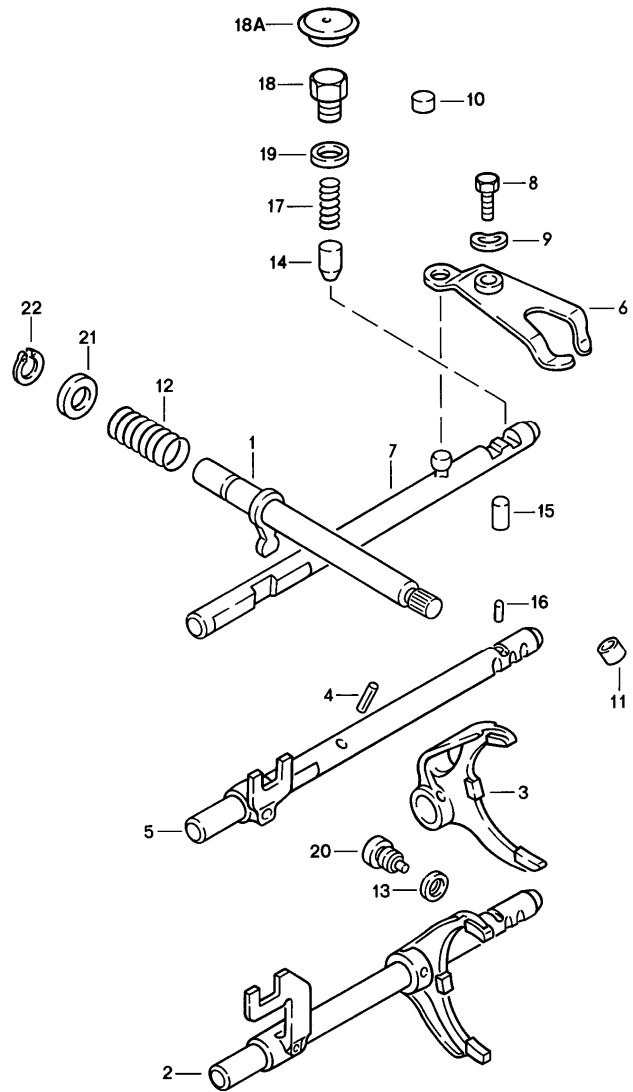
Pos	Part Number	Description	Remark	Qty	Model	Pos	Part Number	Description	Remark	Qty	Model
-	931 302 901 02	gear set 1st gear reverse gear Z = 12:38 comprising: drive shaft loose gear wheel reverse idler gear		1		6	930 302 281 00	collar nut M 30 X 1,5		1	
						7	999 201 470 00	needle cage		2	
						8	-	loose gear wheel 5th gear		1	
-	931 302 902 02	gear set 2nd gear Z = 18:32 comprising: loose gear wheel fixed gear wheel		1		9	911 302 315 00	stone		2	
						10	911 302 316 00	brake band		4	
						11	911 302 317 12	stop		2	
						12	911 302 301 08	synchroniser ring		2	
-	477 302 903	gear set 3rd gear Z = 23:28 comprising: loose gear wheel fixed gear wheel		1		13	911 302 311 01	circlip		2	
						14	911 302 402 20	guide sleeve		1	
						15	911 302 411 20	shift sleeve		1	
-	477 302 904	gear set 4th speed Z = 29:27 comprising: loose gear wheel fixed gear wheel		1		16	915 302 262 00	bush 4th speed		1	
						17	-	loose gear wheel 4th speed		1	
						18	477 302 267	spacer sleeve		1	VA VB
-	477 302 905 A	gear set 5th gear Z = 34:24 comprising: loose gear wheel fixed gear wheel		1		(18)	477 302 266	spacer sleeve		1	G31.01
						19	-	fixed gear wheel 3rd gear		1	
						20	-	fixed gear wheel 2nd gear		1	
-	931 302 911 01	ring gear and pinion shaft 8:33 comprising: drive shaft crown wheel		1		21	-	fixed gear wheel 1st gear		1	VA VB
1	477 302 101 B	drive shaft		1	VA VB	22	477 302 280	collar nut M 22 X 1,5		1	VA VB
(1)	-	drive shaft		1	G31.01	23 A	999 110 146 00	cylindrical-roller bearing		1	
2	915 302 261 00	bush 5th gear		1		23	999 110 146 01	cylindrical-roller bearing		1	
3	930 302 291 00	thrust washer		1		24	917 301 391 00	four-point bearing		1	VA,VB
4	999 052 030 00	four-point bearing		1		(24)	999 052 053 00	four-point bearing		1	G31.01
5	930 302 391 00	cylindrical-roller bearing		1		25	999 110 084 00	cylindrical-roller bearing		1	VA VB
5	930 302 391 01	cylindrical-roller bearing		1		(25)	999 110 091 00	cylindrical-roller bearing		1	G31.01
						26	999 110 076 00	cylindrical-roller bearing		1	

Model	Year	MG	SG	Illustration	Restrictions	UPD	10:49	23.01.2010	PORSCHE	PET	PORSCHE
924	1979	3	03	303-05		248					

Pos	Part Number	Description	Remark	Qty	Model	Pos	Part Number	Description	Remark	Qty	Model
31	-	fixed gear wheel 5th gear		1		48	915 302 282 00	collar nut M 24 X 1,5		1	
32	477 302 266	spacer sleeve		1		49	477 302 227 B	shifting gear 1st gear reverse gear		1	VA VB
33	-	fixed gear wheel 4th speed		1		(49)	931 302 227 00	shifting gear 1st gear shifting gear		1	G31.01
34	477 302 263	bush 3rd gear		1		50	915 302 229 01	thrust washer		1	
35	477 302 298	needle cage		3		51	999 201 141 00	needle cage		2	
36	-	loose gear wheel 3rd gear		1		52	477 302 231	intermediate ring		1	VA VB
37	915 302 315 01	stone		3		(52)	931 302 231 00	intermediate ring		1	G31.01
38	928 302 318 01	double barricade tape		2		53	-	reverse idler gear		1	
39	928 302 321 00	stop		3		54	999 202 001 00	axial needle bearing cage		1	
40	928 302 301 30	synchroniser ring		2	VA VB	55	999 201 707 00	washer		1	
(40)	931 302 301 01	synchroniser ring		2	G31.01	56	477 302 233	bolt		1	VA VB
41	928 302 413 08	shift sleeve		1		(56)	931 302 233 00	bolt		1	G31.01
41A	477 302 402	guide sleeve 2nd/3rd gear		1							
42	477 302 261	bush 1st/2nd gear		2							
42A	477 302 291	thrust washer		2	VA VB						
42A	477 302 291	thrust washer		1	G31.01						
42B	931 302 291 00	thrust washer		1	G31.01						
43	-	loose gear wheel 2nd gear		1							
44	-	loose gear wheel 1st gear		1							
45	928 302 319 05	double barricade tape		1							
45A	915 302 311 01	circlip		1							
46	931 302 301 02	synchroniser ring		1							
47	931 302 401 00	guide sleeve 1st gear reverse gear		1							

Model	Year	MG	SG	Illustration	Restrictions	UPD	10:50	23.01.2010	PORSCHE	PET	PORSCHE
924	1979	3	04	304-00		248					

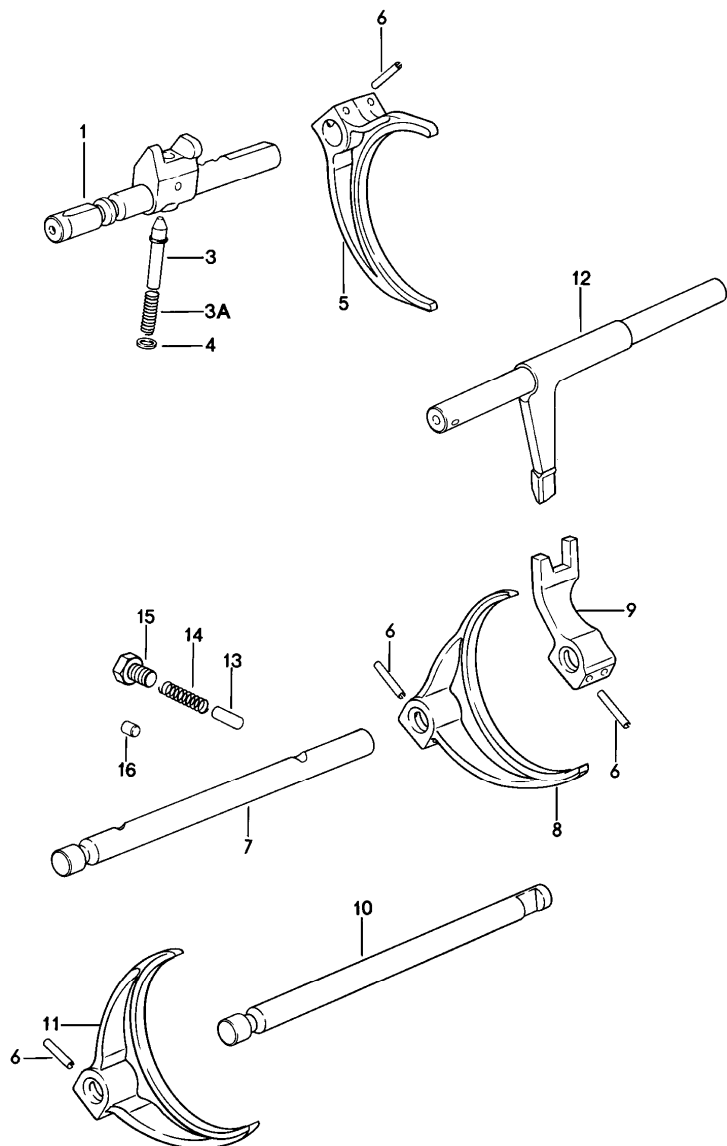
Pos	Part Number	Description	Remark	Qty	Model
		transmission control 4-speed			924
1	088 311 541	shift rod		1	
2	088 311 549 A	shift fork 1st/2nd gear		1	
3	088 311 561 B	shift fork 3rd/4th gear		1	
4	N 900 073 01	tensioning sleeve 6 X 22		1	
5	088 311 565 A	selector shaft 3rd/4th gear		1	
6	088 311 573	reverse lever G >> YR 20 02 9		1	
(6)	016 311 573 B	reverse lever G YR 21 02 9 >>		1	
7	088 311 575 A	selector shaft reverse gear G >> YR 20 02 9		1	
(7)	088 311 575 E	selector shaft reverse gear G YR 21 02 9 >>		1	
8	084 311 589 B	pan-head screw M 10 X 32		1	
9	N 012 230 6	spring washer		1	
10	N 011 912 1	lid		1	
11	019 301 115	stopper		1	
12	088 311 645 C	spring		1	
13	* 088 311 599	sealing ring		2	
14	084 311 621 D	bush		3	
15	014 311 629	detent		2	
16	014 311 635	intermediate piece		1	
17	014 311 641 A	compression spring		3	
18	088 311 689 B	threaded bush		1	
18A	088 311 707	cap		1	
19	900 123 140 30	sealing ring		1	



Model	Year	MG	SG	Illustration	Restrictions	UPD	10:50	23.01.2010	PORSCHE	PET	PORSCHE
924	1979	3	04	304-00		248					

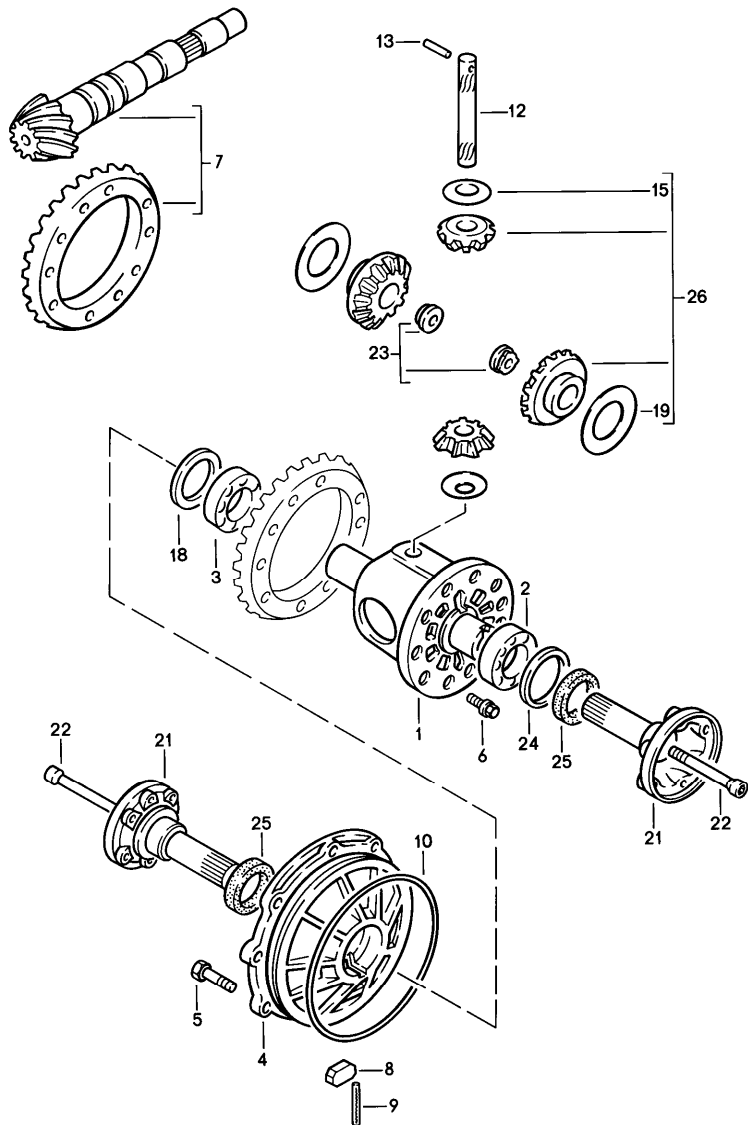
Pos	Part Number	Description	Remark	Qty	Model	Pos	Part Number	Description	Remark	Qty	Model
20	088 311 721	stop screw		2							
21	088 311 723	washer		1							
22	N 012 416 1	circlip 16 X 1		1							

Model	Year	MG	SG	Illustration	Restrictions	UPD	10:50	23.01.2010	PORSCHE	PET	PORSCHE
924	1979	3	04	304-05		248					



Pos	Part Number	Description	Remark	Qty	Model
		transmission control 5-speed			
1	477 303 102 A	gear shift rod 1st gear reverse gear		1	VA VB
1	931 303 102 01	gear shift rod		1	G31.01
3	477 303 230 C	locking bolt		1	
3A	477 303 234 C	spring		1	
4	477 303 235	washer		1	
5	477 303 111	shift fork 1st gear reverse gear		1	VA VB
(5)	931 303 111 00	shift fork 1st gear reverse gear		1	G31.01
6	N 013 317 1	roll pin 5 X 28		6	
7	477 303 103 A	gear shift rod 2nd/3rd gear		1	
8	477 303 112	shift fork 2nd/3rd gear		1	
9	477 303 115	contact 2nd/3rd gear		1	
10	477 303 104 A	gear shift rod 4. / 5. GANG		1	
11	477 303 114	shift fork 4. / 5. GANG		1	
12	477 303 101	inner shift rod		1	
13	931 303 131 00	detent		4	
14	477 303 236	spring		3	
15	900 075 352 02	hexagon-head bolt M 10 X 8		3	
16	901 105 379 00	stopper		1	

Model	Year	MG	SG	Illustration	Restrictions	UPD	10:50	23.01.2010	PORSCHE	PET	PORSCHE
924	1979	3	05	305-00		248					

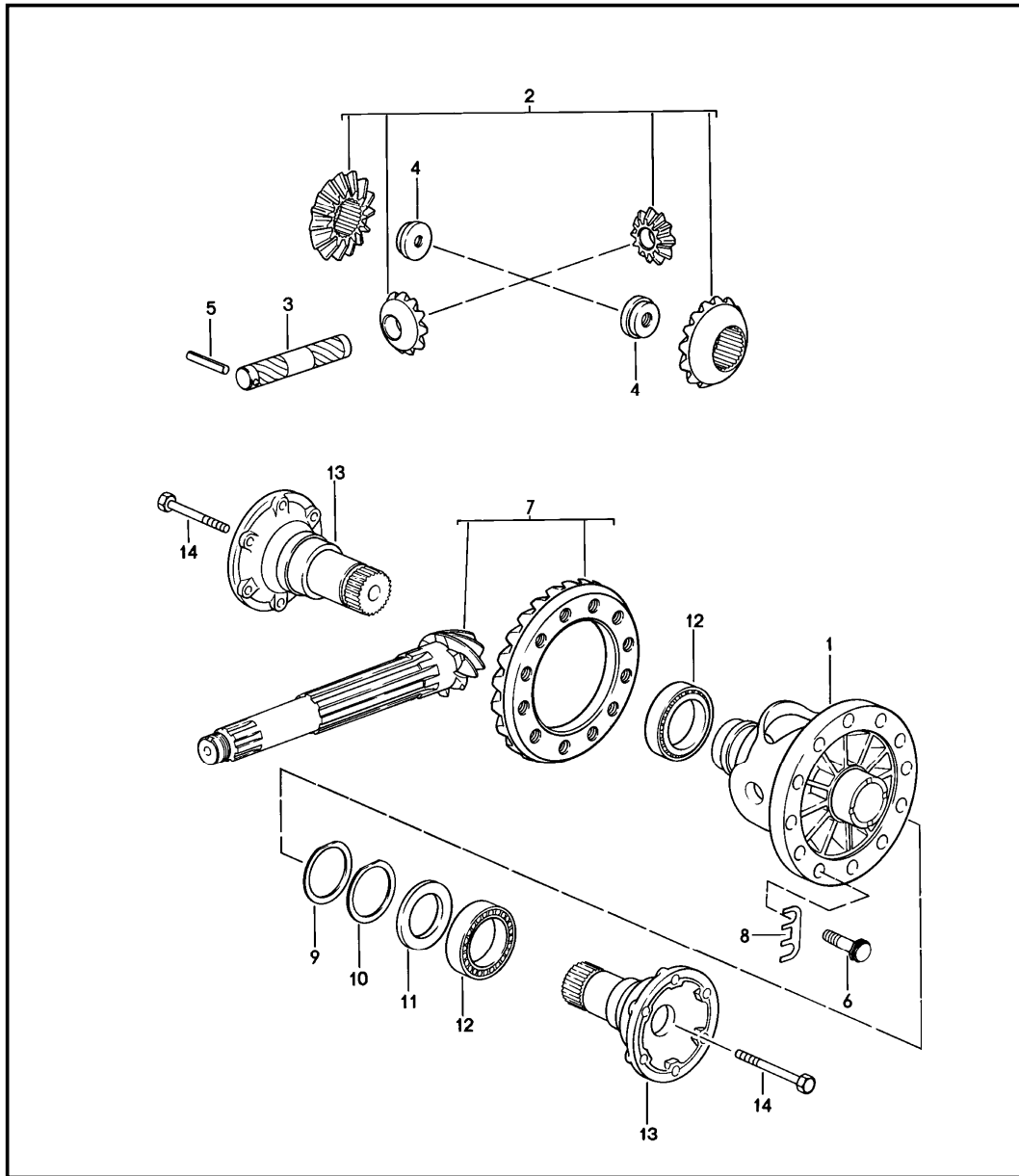


Pos	Part Number	Description	Remark	Qty	Model
		differential 4-speed			924
1	088 409 121 B	differential housing		1	
2	016 409 123	taper roller bearing	/L	1	
3	113 517 185 C	taper roller bearing	/R	1	
4	088 409 131 C	lid		1	
5	N 090 191 1	hexagon-head bolt M 8 X 35		9	
6	088 409 135 A	hexagon-head bolt M 10 X 18		10	
7	088 409 143 T	ring gear and pinion shaft 9:31		1	YR
8	084 301 143 A	magnet		1	
9	N 013 344 2	tensioning sleeve		1	
10	* 113 301 185 A	sealing ring		1	
12	005 409 177	bolt		1	
13	N 013 291 1	tensioning sleeve		1	
15	* 016 409 170	thrust washer		2	
18	113 517 201 A	shim 0,15	/R	1	
(18)	113 517 202 A	shim 0,20	/R	X	
(18)	113 517 203 A	shim 0,30	/R	X	
(18)	113 517 204 A	shim 0,40	/R	X	
(18)	113 517 205 A	shim 0,50	/R	X	
(18)	113 517 206 A	shim 0,60	/R	X	
(18)	02A 409 210 A	shim 0,70	/R	X	
(18)	02A 409 210 C	shim 0,80	/R	X	

Model	Year	MG	SG	Illustration	Restrictions	UPD	10:50	23.01.2010	PORSCHE	PET	PORSCHE
924	1979	3	05	305-00		248					

Pos	Part Number	Description	Remark	Qty	Model	Pos	Part Number	Description	Remark	Qty	Model
(18)	02A 409 210 E	shim 0,90	/R	X							
(18)	02A 409 210 G	shim 1,00	/R	X							
(18)	113 517 211 A	shim 1,20	/R	X							
19 *	011 519 215	thrust washer 0,50 MM		2							
(19)	088 409 249	thrust washer 0,60 MM		X							
(19)	088 409 249 A	thrust washer 0,70 MM		X							
(19)	088 409 249 B	thrust washer 0,80 MM		X							
21	088 409 355 C	flanged shaft		2							
22	088 409 359	screw		2							
23	016 409 161	nut		2							
24	018 409 381	shim 0,15	/L	1							
(24)	018 409 383	shim 0,20	/L	X							
(24)	018 409 385	shim 0,25	/L	X							
(24)	018 409 387	shim 0,50	/L	X							
(24)	018 409 389	shim 0,80	/L	X							
(24)	018 409 391	shim 1,00	/L	X							
(24)	018 409 393	shim 1,50	/L	X							
25 *	016 409 399 B	radial shaft seal		2							
26 *	090 598 081	repair kit for differential		1							

Model	Year	MG	SG	Illustration	Restrictions	UPD	10:50	23.01.2010	PORSCHE	PET	PORSCHE
924	1979	3	05	305-05		248					

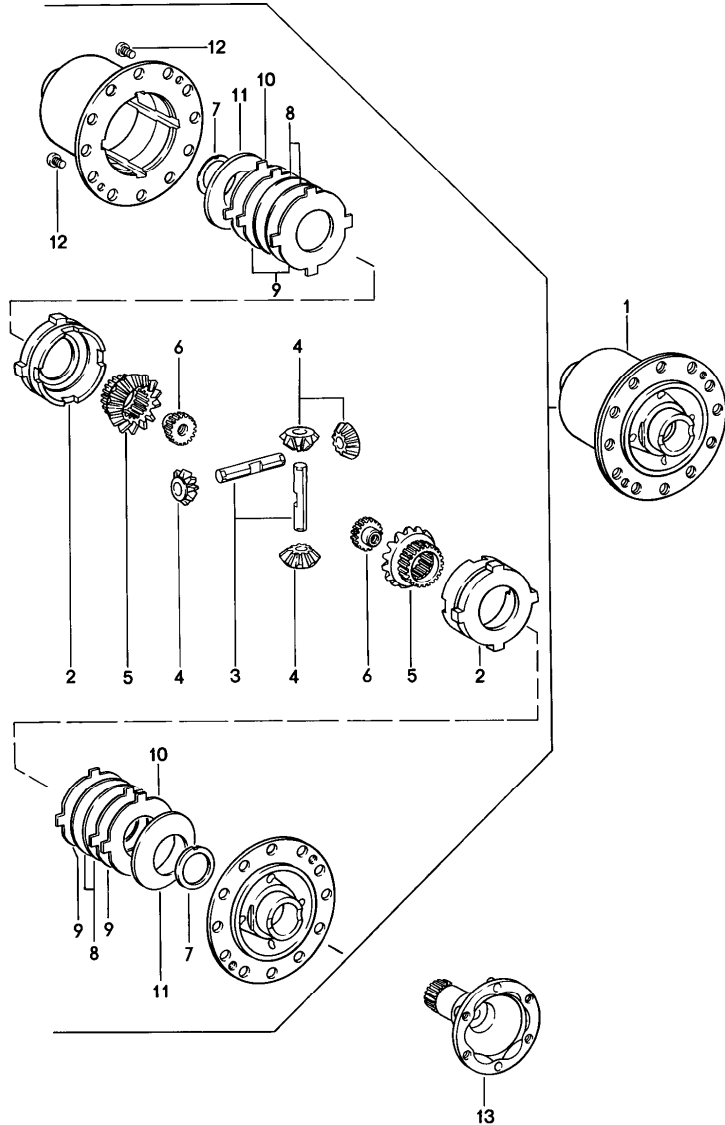


Pos	Part Number	Description	Remark	Qty	Model
		differential 5-speed			
1	930 332 212 01	differential housing \$ 21 MM		1	
2	* 928 332 902 00	differential pinions 1 set \$ 18 MM		1	
2	* 928 332 902 01	differential pinions 1 set \$ 21 MM		1	
3	005 409 177 00	differential bolt \$ 18 MM		1	
3	928 332 207 05	differential bolt \$ 21 MM		1	
4	928 332 279 02	nut for \$ 21 MM		2	
5	900 309 035 00	roll pin 5 X 40		1	
6	928 332 276 03	hexagon-head bolt		12	
7	* 477 302 911 A	ring gear and pinion shaft		1	VA
(7)	* 931 302 911 01	ring gear and pinion shaft 8:33		1	G31.01
8	901 332 285 01	tab washer		6	
9	915 332 265 00	adjusting ring 2,40 MM		2	
(9)	915 332 265 01	adjusting ring 2,50 MM		X	
(9)	915 332 265 02	adjusting ring 2,60 MM		X	
(9)	915 332 265 03	adjusting ring 2,70 MM		X	
(9)	915 332 265 04	adjusting ring 2,80 MM		X	
(9)	915 332 265 05	adjusting ring 2,90 MM		X	
(9)	915 332 265 06	adjusting ring 3,00 MM		X	

Model	Year	MG	SG	Illustration	Restrictions	UPD	10:50	23.01.2010	PORSCHE	PET	PORSCHE
924	1979	3	05	305-05		248					

Pos	Part Number	Description	Remark	Qty	Model	Pos	Part Number	Description	Remark	Qty	Model
(9)	915 332 265 07	adjusting ring 3,10 MM		X							
(9)	915 332 265 08	adjusting ring 3,20 MM		X							
(9)	915 332 265 09	adjusting ring 3,30 MM		X							
(9)	915 332 265 10	adjusting ring 3,40 MM		X							
(9)	915 332 265 11	adjusting ring 3,50 MM		X							
(9)	915 332 265 12	adjusting ring 3,60 MM		X							
(9)	915 332 265 13	adjusting ring 3,70 MM		X							
10	915 332 263 00	washer		2							
11	477 332 344	intermediate ring		1							
12	999 059 027 00	taper roller bearing		2							
13	477 332 209 A	joint flange		2							
14	900 074 291 02	hexagon-head bolt M 10 X 80 \$ 18 MM		2							
14	900 074 291 02	hexagon-head bolt M 10 X 78 \$ 21 MM		2							

Model	Year	MG	SG	Illustration	Restrictions	UPD	10:50	23.01.2010	PORSCHE	PET	PORSCHE
924	1979	3	05	305-10		248					



Pos	Part Number	Description	Remark	Qty	Model
		limited-slip differential 5-speed			M220
1	930 332 053 03	limit.-slip different. 40%		1	
2	901 332 511 11	thrust ring		2	
3	915 332 541 02	differential shaft		2	
4	915 332 531 02	bevel pinion		4	
5	930 332 535 01	shaft bevel gear		2	
6	928 332 279 01	threaded disc		2	
7	901 332 561 11	thrust washer		2	
8	917 332 551 10	inner disc 2,00 MM		4	
9	917 332 552 10	disc with external splines 1,90 MM		4	
9	917 332 552 11	disc with external splines 2,00 MM		X	
9	917 332 552 12	disc with external splines 2,10 MM		X	
10	930 332 553 00	lamina 1,40 MM		2	
11	928 332 555 00	cup spring		2	
12	900 119 002 00	pan-head screw M 6 X 10		2	
13	477 332 209 A	joint flange		2	

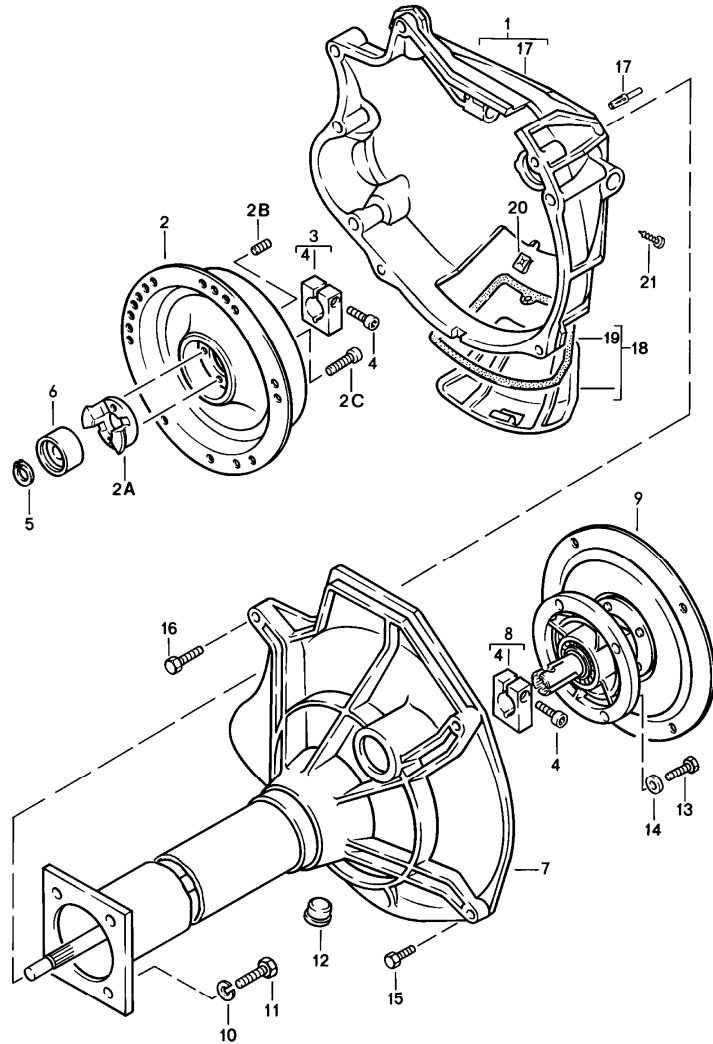
Model	Year	MG	SG	Illustration	Restrictions	UPD	10:51	23.01.2010	PORSCHE	PET	PORSCHE
924	1979	3	06	306-00		248					

Pos	Part Number	Description	Remark	Qty	Model
		transmission suspension			
		POS.1-4 for 5th gear manual transmission			
1	477 399 153 H	transmission mounting		2	
2	900 025 008 09	washer		4	
3	N 022 149 2	lock nut		2	
4	N 010 473 6	hexagon-head bolt M 10 X 75		2	
		POS.5-13 for 4th speed manual transmission			
5	477 399 153 J	transmission mounting in pairs use use also: 477.399.167.E 477.399.168.E		2	
(6)	477 399 167 B	suspender bracket	/L	1	
6	477 399 167 E	suspender bracket use also: 2X 477.399.153.J 1X 477.399.168.E	/L	1	
(6)	477 399 168 C	suspender bracket	/R	1	
6	477 399 168 E	suspender bracket use also: 2X 477.399.153.J 1X 477.399.167.E	/R	1	
7	477 399 281	stop plate		2	
8	N 010 254 6	hexagon-head bolt M 10 X 25		2	
9	N 010 240 7	hexagon-head bolt M 8 X 20		2	
10	N 010 340 4	hexagon-head bolt M 8 X 40		2	
11	N 012 009 3	lock ring		4	
12	900 075 029 09	hexagon-head bolt M 8 X 25		4	

Model	Year	MG	SG	Illustration	Restrictions	UPD	10:51	23.01.2010	PORSCHE	PET	PORSCHE
924	1979	3	06	306-00		248					

Pos	Part Number	Description	Remark	Qty	Model	Pos	Part Number	Description	Remark	Qty	Model
13	N 011 525 13	washer		4							

Model	Year	MG	SG	Illustration	Restrictions	UPD	9:59	27.01.2010	PORSCHE	PET	PORSCHE
924	1979	3	07	307-00		248					

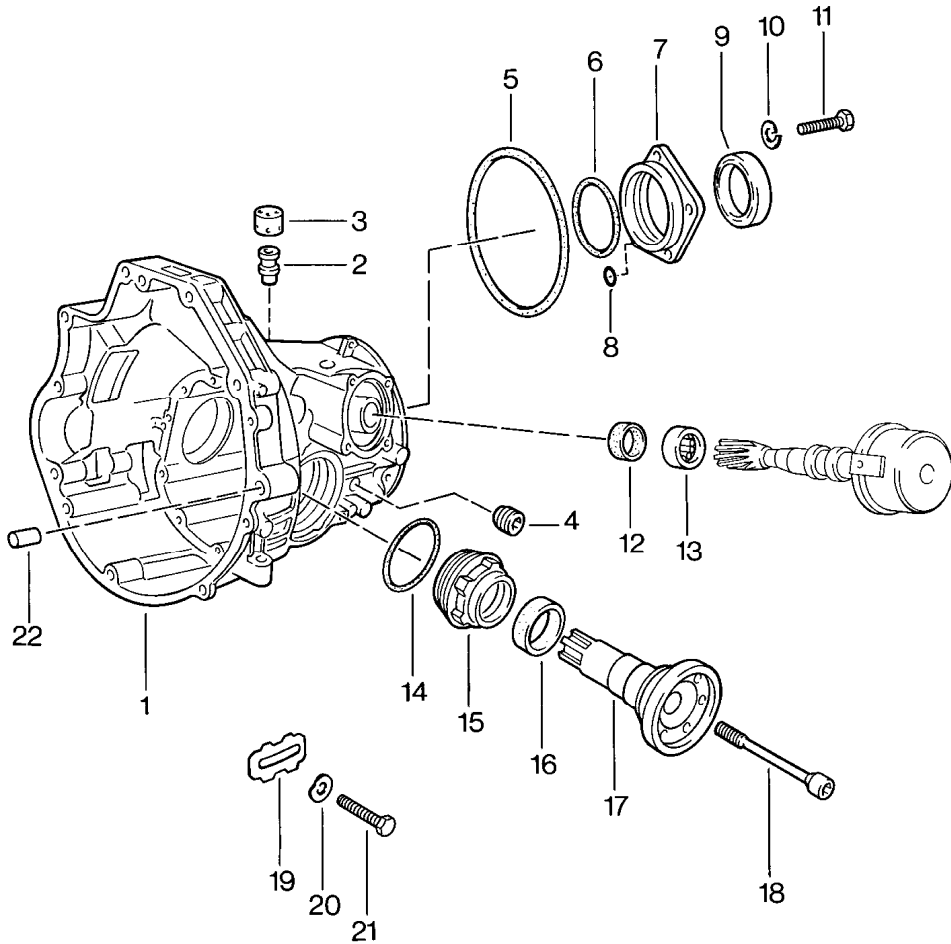


Pos	Part Number	Description	Remark	Qty	Model
		central tube automatic transmission			
1	477 521 109	clutch housing		1	
2	477 521 603	damper		1	
2A	477 521 617	stop plate		1	
2B	999 095 019 00	clamping pin S 10 X 20		2	
2C	N 014 725 2	pan-head screw M 8 X 25		2	
3	477 521 247 E	terminal		1	
4	477 521 501 A	pan-head screw		2	
5	900 273 002 01	circlip 17 X 1		1	
6	477 521 181 A	spacer sleeve 1,00		1	
(6)	477 521 182 A	spacer sleeve 2,00		X	
(6)	477 521 183 A	spacer sleeve 3,00		X	
(6)	477 521 184 A	spacer sleeve 4,00		X	
(6)	477 521 185 A	spacer sleeve 5,00		X	
(6)	477 521 186 A	spacer sleeve 6,00		X	
(6)	477 521 187 A	spacer sleeve 7,00		X	
(6)	477 521 188 A	spacer sleeve 8,00		X	
(6)	477 521 189 A	spacer sleeve 9,00		X	
7	> 477 521 130 C	central tube ready for installation use also: 477.521.277.C		1	
8	477 521 247 D	terminal		1	
9	477 521 110 C	converter mounting		1	

Model	Year	MG	SG	Illustration	Restrictions	UPD	9:59	27.01.2010	PORSCHE	PET	PORSCHE
924	1979	3	07	307-00		248					

Pos	Part Number	Description	Remark	Qty	Model	Pos	Part Number	Description	Remark	Qty	Model
10	900 027 016 02	lock ring		4							
11	N 010 275 4	hexagon-head bolt M 10 X 35		4							
12	477 521 277 A	cap		1							
(12)	477 521 277 C	cap		X							
13	900 075 029 09	hexagon-head bolt M 8 X 25		4							
14	N 012 241 11	spring washer B 8 X 15		4							
15	N 010 185 3	hexagon-head bolt M 12 X 80		2							
16	N 040 240 2	hexagon-head bolt M 10 X 50		1							
17	N 012 690 1	grooved pin 10 X 32		3							
18	477 521 213	lid		1							
19	477 521 214	gasket		1							
20	999 591 327 02	speed nut B 6,3 X 23		1							
21	N 013 947 3	oval-head screw 6,3 X 19		1							

Model	Year	MG	SG	Illustration	Restrictions	UPD	10:52	23.01.2010	PORSCHE	PET	PORSCHE
924	1979	3	08	308-00		248					



Pos	Part Number	Description	Remark	Qty	Model
-	> 087 300 035 M	replacement transmission final-drive housing automatic transmission			
		replacement transmission ready for installation		1	RK
1	087 409 051 F	final-drive housing G >> RK 15 06 7		1	
1	087 409 051 H	final-drive housing G RK 16 06 7 >>		1	
2	A 010 409 847	breather pipe		2	
2	010 409 847	breather pipe		2	
3	A 087 409 841	cap		2	
3	087 409 841	cap		2	
4	111 301 127 E	screw plug M 24 X 1,5		1	
5	* 010 409 549 B	round seal		1	
6	* 087 409 549	round seal		1	
7	087 409 623	lid G >> RK 15 06 7		1	
(7)	087 409 623 A	lid G RK 16 06 7 >>		1	
8	* 089 409 637 A	sealing ring		1	
9	087 409 529 B	radial shaft seal		2	
10	N 012 038 1	lock ring		5	
(10)	N 012 028 1	lock ring		5	
11	N 010 233 6	hexagon-head bolt M 8 X 28		5	
(11)	900 075 111 08	hexagon-head bolt M 10 X 30		5	
12	* 087 409 133	radial shaft seal		1	
13	082 409 139	needle-roller bearing		1	
14	* 011 519 345	round seal		2	
15	087 409 173	adjusting ring		2	
16	* 016 409 399 B	radial shaft seal		1	

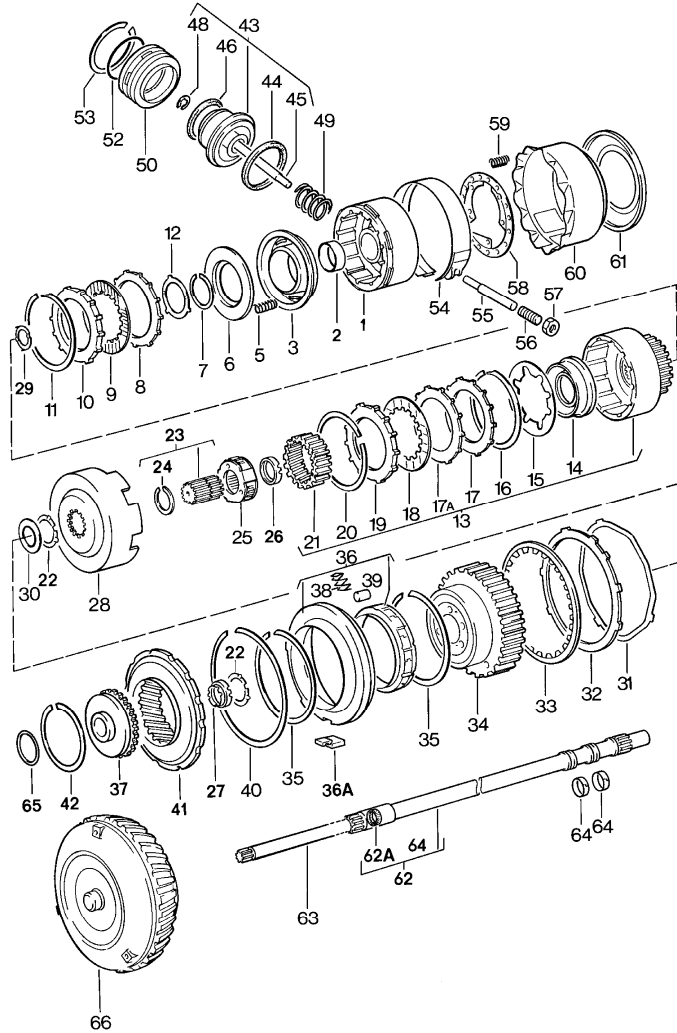
Model	Year	MG	SG	Illustration	Restrictions	UPD	10:52	23.01.2010	PORSCHE	PET	PORSCHE
924	1979	3	08	308-00		248					

Pos	Part Number	Description	Remark	Qty	Model	Pos	Part Number	Description	Remark	Qty	Model
17	087 409 355	flanged shaft	/L	1							
(17)	087 409 356	flanged shaft	/R	1							
18	087 409 359	screw	/L	1							
(18)	087 409 360	screw	/R	1							
19	010 409 257	tab washer		2							
20	N 012 226 5	spring washer		2							
21	N 010 215 13	hexagon-head bolt M 6 X 15		2							
22	019 301 153	dowel sleeve		2							

Model	Year	MG	SG	Illustration	Restrictions	UPD	10:52	23.01.2010	PORSCHE	PET	PORSCHE
924	1979	3	09	309-00		248					

Pos	Part Number	Description	Remark	Qty	Model	Pos	Part Number	Description	Remark	Qty	Model
19	N 011 164 2	hexagon nut		1		39	* 010 321 371 B	gasket		1	
19A	010 321 180	support ring		1		40	N 012 038 1	lock ring		4	
20	087 321 201	lever for cable control		1		41	N 010 240 16	hexagon-head bolt M 8 X 20		4	
21	* 010 321 182	round seal		1		42	010 321 383 B	intermediate plate		1	
22	010 321 215 C	lever regulating valve		1		43	* 010 321 385 B	gasket		2	
23	N 012 228 3	spring washer		1		44	900 014 004 02	pan-head screw AM 5 X 15		1	
24	N 011 008 8	hexagon nut		1		46	* 003 321 419	round seal		1	
25	010 321 221	leaf spring		1		48	N 012 228 3	spring washer		4	
25A	N 013 325 1	tensioning sleeve		1		49	N 011 008 8	hexagon nut		4	
26	N 012 038 1	lock ring		1		50	N 012 028 1	lock ring		2	
27	N 010 239 11	hexagon-head bolt M 8 X 18		1		51	N 010 253 7	hexagon-head bolt M 10 X 22		2	
28	010 321 241 F	oil pump		1				ATF - OELEINFUELLUNG			
-	003 321 263	gear set oil pump		1		52	477 321 475	filling container		1	
29	003 321 261	piston ring		2		53	477 321 479 A	strainer		1	
30	010 321 261	piston ring		2		54	477 321 481	screw-on cap		1	
-	010 321 279	plate		1		55	477 321 483 A	gasket		1	
30A	003 321 273	driver		1		56	477 321 405	filler tube		1	
31	010 321 285	thrust washer		1		57	477 321 485	union nut		1	
32	N 012 006 4	lock ring		5		58	477 321 487	o-ring		2	
33	N 010 347 3	hexagon-head bolt M 6 X 35		5		59	477 321 491	support		1	
34	477 321 303 A	lid		1		60	477 321 494	packing plate		2	
-	211 843 661	washer		1		61	N 012 226 5	spring washer		2	
35	011 321 307	clip		1		62	N 010 215 13	hexagon-head bolt M 6 X 15		2	
36	N 012 226 5	spring washer		1		63	477 321 495	hose 340 MM long		1	
37	999 072 005 09	hexagon-head bolt M 6 X 12		1							
38	010 321 359 F	oil pan		1							

Model	Year	MG	SG	Illustration	Restrictions	UPD	10:53	23.01.2010	PORSCHE	PET	PORSCHE
924	1979	3	10	310-00		248					



Pos	Part Number	Description	Remark	Qty	Model
		shift mechanism automatic transmission			
1	010 323 109 C	clutch drum		1	
2	010 323 115	bearing sleeve		1	
3	010 323 121 B	piston		1	
5	010 323 129 A	compression spring		24	
6	010 323 131 A	concave washer		1	
7	003 323 135 A	circlip		1	
8	010 323 139	disc with external splines		4	
9	010 323 141 C	disc with external splines		4	
10	010 323 153	pressure plate		1	
11	010 323 157	circlip 2,03		1	
11	010 323 157 A	circlip 1,50		X	
11	010 323 157 B	circlip 1,70		X	
11	010 323 157 H	circlip 2,30		X	
11	010 323 157 J	circlip 2,50		X	
12	010 323 161 A	thrust washer 60		1	
13	010 323 205	forward clutch		1	
14	010 323 217 A	piston		1	
15	010 323 229 D	cup spring forward clutch		1	
16	010 323 157	circlip		1	
17	010 323 237 A	pressure plate		1	
17A	010 323 139	disc with external splines forward clutch		3	
18	010 323 241 B	inner disc		4	
19	010 323 253 A	pressure plate 6,40		1	

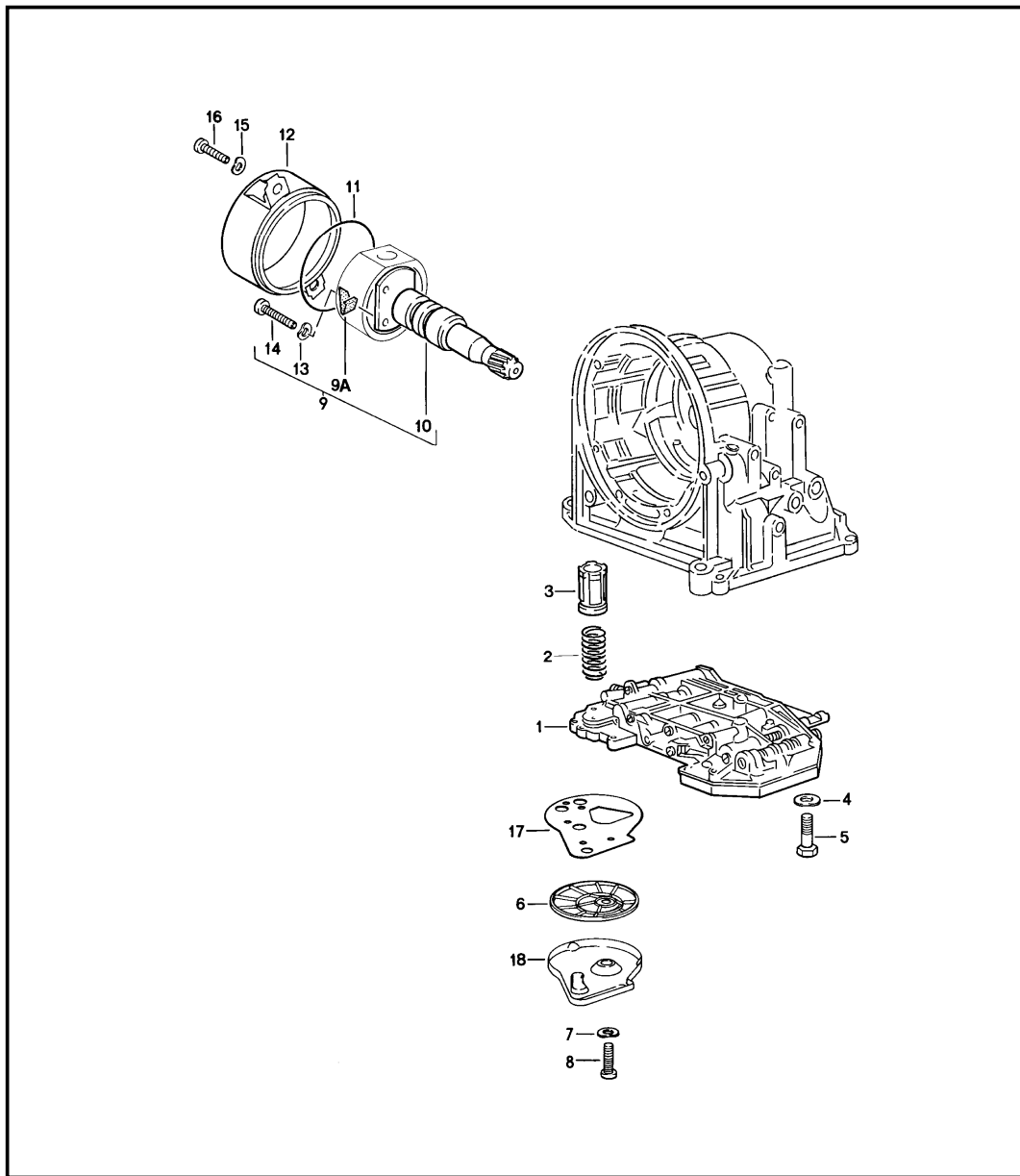
Model	Year	MG	SG	Illustration	Restrictions	UPD	10:53	23.01.2010	PORSCHE	PET	PORSCHE
924	1979	3	10	310-00		248					

Pos	Part Number	Description	Remark	Qty	Model	Pos	Part Number	Description	Remark	Qty	Model
19	010 323 253 B	pressure plate 6,80		X		38	010 323 643	compression spring		10	
19	010 323 253 C	pressure plate 7,20		X		39	N 026 360 1	roller		10	
19	010 323 253 D	pressure plate 7,60		X		40	010 323 653 A	circlip		1	
19	010 323 253 F	pressure plate 6,00		X		41	090 323 363 A	ring gear		1	
20	010 323 159 B	lock ring		1		42	090 323 369	circlip		1	
21	010 323 273 B	ring gear		1		43	010 323 511 K	piston		1	
22	010 323 291	thrust washer		1		44	003 323 525 A	sealing ring		1	
23	010 323 285 E	sun gear		1		45	010 323 517 D	piston rod		1	
24	N 042 451 1	circlip		1		46	010 323 487 C	sealing ring		1	
25	010 323 303	planet-gear carrier		1		48	010 323 541 B	lock washer		1	
26	010 323 340 D	needle-roller bearing		1		49	010 323 505 A	compression spring		1	
27	010 323 339 D	needle-roller bearing		1		50	087 323 529	lid		1	
28	010 323 281	driving shell		1		52	010 323 533	round seal		3	
29	003 323 165	thrust washer 40		1		53	010 323 537 A	circlip		1	
30	010 323 293 B	thrust washer		1		54	010 323 461 A	brake band		1	
31	010 323 295 C	spring washer		1		55	010 323 543 A	bolt		1	
32	010 323 227 A	disc with external splines		5		56	010 323 455 A	adjusting screw		1	
33	010 323 231 C	inner disc		5		57	N 011 162 9	hexagon nut M 12 X 1,5		1	
34	090 323 805	planet-gear carrier		1		58	010 323 497 C	supporting plate		1	
35	010 323 651	circlip		2		59	010 323 489 B	compression spring		20	
(36)	010 323 383 B	1st gear free wheel lock G >> RK 20 01 8		1		60	010 323 493 D	pipe		1	
36	010 323 383 C	free wheel lock 1st gear G RK 21 01 8 >>		1		61	010 323 479 A	piston		1	
36A	010 323 389 E	feather key		1		62	087 323 553 A	turbine shaft		1	
37	087 323 373 A	hub		1		62A	087 323 559	gasket		1	
						63	010 323 561 A	oil pump shaft		1	
						64	010 323 557 A	piston ring		2	
						65	010 323 345 C	adjusting shim 0,40		1	

Model	Year	MG	SG	Illustration	Restrictions	UPD	10:53	23.01.2010	PORSCHE	PET	PORSCHE
924	1979	3	10	310-00		248					

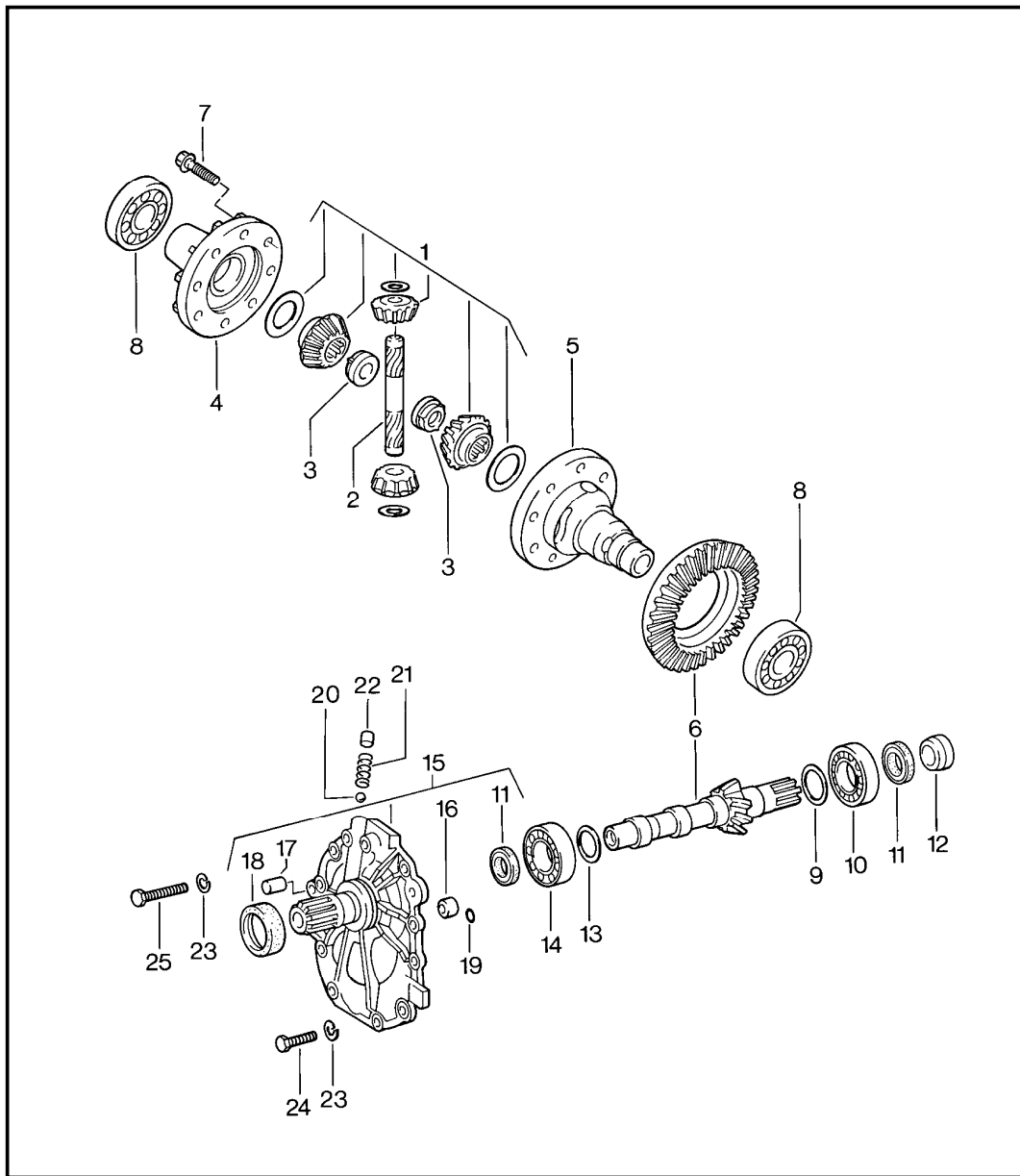
Pos	Part Number	Description	Remark	Qty	Model	Pos	Part Number	Description	Remark	Qty	Model
65	010 323 346 C	adjusting shim 1,20		X							
66	082 323 571	converter		1	RK						

Model	Year	MG	SG	Illustration	Restrictions	UPD	10:53	23.01.2010	PORSCHE	PET	PORSCHE
924	1979	3	10	310-05		248					



Pos	Part Number	Description	Remark	Qty	Model
		slide-valve gearbox oil strainer regulator automatic transmission			
1	087 325 032 H	slide-valve gearbox		1	RK
2	003 325 417	compression spring		1	
3	003 325 405 F	piston		1	
4	N 012 226 5	spring washer		11	
5	N 010 346 5	hexagon-head bolt M 6 X 30		11	
6	010 325 421 A	oil strainer		1	
7	N 012 222 4	spring washer		2	
8	900 014 004 02	pan-head screw AM 5 X 15		2	
9	087 325 041	regulator		1	
9A	010 325 329	strainer		1	
10	087 325 305	governor shaft		1	
11	* 011 519 345	round seal		1	
12	089 325 371	lid		1	
13	N 012 222 4	spring washer		2	
14	N 014 153 1	oval-head screw M 5 X 40		2	
15	N 012 228 3	spring washer		2	
16	N 010 240 16	hexagon-head bolt 8 X 20		2	
17	010 325 443	gasket		1	
18	010 325 429 A	lid		1	

Model	Year	MG	SG	Illustration	Restrictions	UPD	10:53	23.01.2010	PORSCHE	PET	PORSCHE
924	1979	3	11	311-00		248					



Pos	Part Number	Description	Remark	Qty	Model
1	* 090 598 081	differential automatic transmission repair kit for differential		1	
2	087 409 177	axle		1	
3	016 409 161	nut		2	
4	087 409 365	lid		1	
5	087 409 121	differential housing		1	
6	087 409 143 D	ring gear and pinion shaft 11:38	-77	1	RK
6	087 409 143 G	ring gear and pinion shaft 11:38	78-	1	RK
7	087 409 135 A	hexagon-head bolt M 10 X 1 X 24		10	
8	113 517 185 C	taper roller bearing		2	
9	087 409 641 D	adjusting shim 1,10		1	
9	087 409 641 E	adjusting shim 1,125		X	
9	087 409 641 F	adjusting shim 1,15		X	
9	087 409 641 G	adjusting shim 1,175		X	
9	087 409 641 H	adjusting shim 1,20		X	
9	087 409 641 J	adjusting shim 1,225		X	
9	087 409 641 K	adjusting shim 1,25		X	
9	087 409 641 L	adjusting shim 1,275		X	
9	087 409 641 M	adjusting shim 1,30		X	
9	087 409 641 N	adjusting shim 1,325		X	

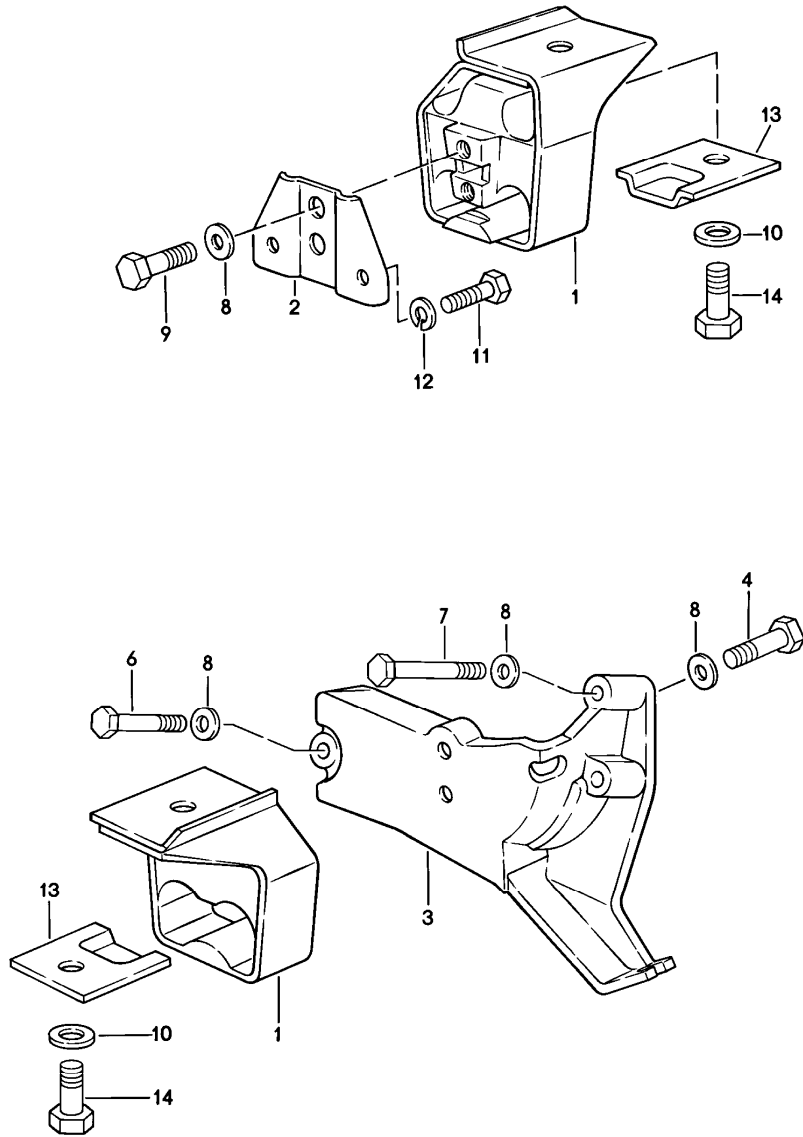
Model	Year	MG	SG	Illustration	Restrictions	UPD	10:53	23.01.2010	PORSCHE	PET	PORSCHE
924	1979	3	11	311-00		248					

Pos	Part Number	Description	Remark	Qty	Model	Pos	Part Number	Description	Remark	Qty	Model
9	087 409 641 P	adjusting shim 1,35		X		9	087 409 641 AQ	adjusting shim 1,828		X	
9	087 409 641 Q	adjusting shim 1,375		X		9	087 409 641 AR	adjusting shim 1,85		X	
9	087 409 641 R	adjusting shim 1,40		X		9	087 409 641 AS	adjusting shim 1,875		X	
9	087 409 641 S	adjusting shim 1,425		X		9	087 409 641 AT	adjusting shim 1,90		X	
9	087 409 641 T	adjusting shim 1,45		X		10	087 409 551 C	taper roller bearing		1	
9	087 409 641 AA	adjusting shim 1,475		X		11	087 409 085 B	radial shaft seal		2	
9	087 409 641 AB	adjusting shim 1,50		X		12	087 409 639 A	bush		1	
9	087 409 641 AC	adjusting shim 1,525		X		13	082 519 141 AE	adjusting shim 1,10		1	
9	087 409 641 AD	adjusting shim 1,55		X		13	082 519 141 AF	adjusting shim 1,125		X	
9	087 409 641 AE	adjusting shim 1,575		X		13	082 519 141 AG	adjusting shim 1,15		X	
9	087 409 641 AF	adjusting shim 1,60		X		13	082 519 141 AH	adjusting shim 1,175		X	
9	087 409 641 AG	adjusting shim 1,625		X		13	082 519 141 AJ	adjusting shim 1,20		X	
9	087 409 641 AH	adjusting shim 1,65		X		13	082 519 141 AK	adjusting shim 1,225		X	
9	087 409 641 AJ	adjusting shim 1,675		X		13	082 519 141 AL	adjusting shim 1,25		X	
9	087 409 641 AK	adjusting shim 1,70		X		13	082 519 141 AM	adjusting shim 1,275		X	
9	087 409 641 AL	adjusting shim 1,725		X		13	082 519 141 AN	adjusting shim 1,30		X	
9	087 409 641 AM	adjusting shim 1,75		X		13	082 519 141 AP	adjusting shim 1.325		X	
9	087 409 641 AN	adjusting shim 1,775		X		13	082 519 141 AQ	adjusting shim 1,35		X	
9	087 409 641 AP	adjusting shim 1,80		X		13	082 519 141 AR	adjusting shim 1,375		X	
						13	082 519 141 AS	adjusting shim 1,40		X	

Model	Year	MG	SG	Illustration	Restrictions	UPD	10:53	23.01.2010	PORSCHE	PET	PORSCHE
924	1979	3	11	311-00		248					

Pos	Part Number	Description	Remark	Qty	Model	Pos	Part Number	Description	Remark	Qty	Model
13	082 519 141 AT	adjusting shim 1,425		X		13	082 519 141 CA	adjusting shim 1,90		X	
13	082 519 141 BA	adjusting shim 1,45		X		14	003 519 251	taper roller bearing		1	
13	082 519 141 BB	adjusting shim 1.475		X		15	087 409 523 B	lid		1	
13	082 519 141 BC	adjusting shim 1,50		X		16	019 301 153	dowel sleeve		1	
13	082 519 141 BD	adjusting shim 1.525		X		17	N 022 301 1	straight pin A 10 X 20		1	
13	082 519 141 BE	adjusting shim 1,55		X		18	010 409 568	radial shaft seal		1	
13	082 519 141 BF	adjusting shim 1,575		X		19	089 409 637 A	sealing ring		2	
13	082 519 141 BG	adjusting shim 1,60		X		20	N 025 657 1	ball		1	
13	082 519 141 BH	adjusting shim 1,625		X		21	089 409 713	spring		1	
13	082 519 141 BJ	adjusting shim 1,65		X		22	087 409 095	lid		2	
13	082 519 141 BK	adjusting shim 1,675		X		23	N 012 038 1	lock ring		11	
13	082 519 141 BL	adjusting shim 1,70		X		24	N 010 233 6	hexagon-head bolt M 8 X 28		9	
13	082 519 141 BM	adjusting shim 1,725		X		25	N 040 276 1	hexagon-head bolt M 8 X 52		2	
13	082 519 141 BN	adjusting shim 1,75		X							
13	082 519 141 BP	adjusting shim 1,775		X							
13	082 519 141 BQ	adjusting shim 1,80		X							
13	082 519 141 BR	adjusting shim 1,825		X							
13	082 519 141 BS	adjusting shim 1,85		X							
13	082 519 141 BT	adjusting shim 1,875		X							

Model	Year	MG	SG	Illustration	Restrictions	UPD	10:53	23.01.2010	PORSCHE	PET	PORSCHE
924	1979	3	12	312-00		248					



Pos	Part Number	Description	Remark	Qty	Model
1	477 399 153 J	transmission suspension automatic transmission transmission mounting only by sets use also: 477.399.169.C 477.399.171.D		2	
(2)	477 399 169 A	suspension plate	/R -78	1	
2	477 399 169 C	suspension plate	/R 79-	1	
(3)	477 399 171 C	suspender bracket	/L	1	
3	477 399 171 E	suspender bracket	/L	1	
4	900 075 111 08	hexagon-head bolt M 10 X 30		1	
-	N 012 230 6	spring washer		1	
6	N 040 262 2	hexagon-head bolt M 8 X 50		2	
7	N 010 385 3	hexagon-head bolt M 8 X 85		1	
8	N 011 525 13	washer		3	
9	N 010 254 6	hexagon-head bolt M 10 X 25		1	
10	900 025 008 09	washer		1	
11	N 010 240 7	hexagon-head bolt M 8 X 20		2	
12	N 012 009 3	lock ring		2	
13	477 399 281	stop plate		2	
14	N 010 254 6	hexagon-head bolt M 10 X 25		2	
-	900 027 016 02	lock ring		2	

Model	Year	MG	SG	Illustration	Restrictions	UPD	10:53	23.01.2010
924	1979	3	98	398-00R		248		

Pos	Part Number	Description	Remark	Qty	Model
>>	>>088 398 001 A	repair kits gasket set for 4-speed transmission comprising:		1	YR XT
-	088 301 699 A	sealing ring		1	
-	928 303 120 01	shaft sealing ring		1	
-	016 409 399 B	radial shaft seal		2	
-	113 301 185 A	sealing ring		1	
-	088 301 185	sealing ring		1	
-	088 311 599	sealing ring		2	
-	999 113 275 40	shaft sealing ring		1	
>>	>>477 300 911	gasket set for 5-speed transmission comprising:		1	VA VB
-	999 113 183 40	radial shaft seal		2	
-	477 301 191 A	gasket		1	
-	001 301 227	radial shaft seal		1	
-	014 311 113 B	radial shaft seal		1	
-	999 701 392 40	o-ring		1	
>>	>>931 300 911 00	gasket set for 5-speed transmission comprising:		1	G31.01
-	999 113 183 40	radial shaft seal		2	
-	477 301 191 A	gasket		1	
-	001 301 227	radial shaft seal		1	
-	999 113 247 40	radial shaft seal		1	
-	999 701 392 40	o-ring		1	
>>	>>087 398 001	gasket set for automatic transmission comprising:		1	RK RL

Model	Year	MG	SG	Illustration	Restrictions	UPD	10:53	23.01.2010
924	1979	3	98	398-00R		248		

Pos	Part Number	Description	Remark	Qty	Model
-	010 321 182	round seal		1	
-	010 321 371 B	gasket		1	
-	010 321 385 B	gasket		1	
-	003 321 419	round seal		2	
-	010 323 117	sealing ring		1	
-	010 323 119	sealing ring		1	
-	010 323 487 C	sealing ring		1	
-	003 323 525 A	sealing ring		1	
-	010 323 533	round seal		3	
-	087 409 085 B	radial shaft seal		2	
-	087 409 133 A	radial shaft seal		1	
-	016 409 399 B	radial shaft seal		2	
-	087 409 529 B	radial shaft seal		2	
-	010 409 549 B	round seal		1	
-	087 409 549	round seal		1	
-	010 409 568	radial shaft seal		1	
-	089 409 637 A	sealing ring		1	
-	011 519 345	round seal		3	
-	N 028 201 2	round seal		1	
>>	>>090 598 081	repair kit differential automatic and 4-speed comprising: differential pinions large differential pinions small		1	YR XT RK RL
-	011 519 215	thrust washer for differential pinions large		2	

PORSCHE

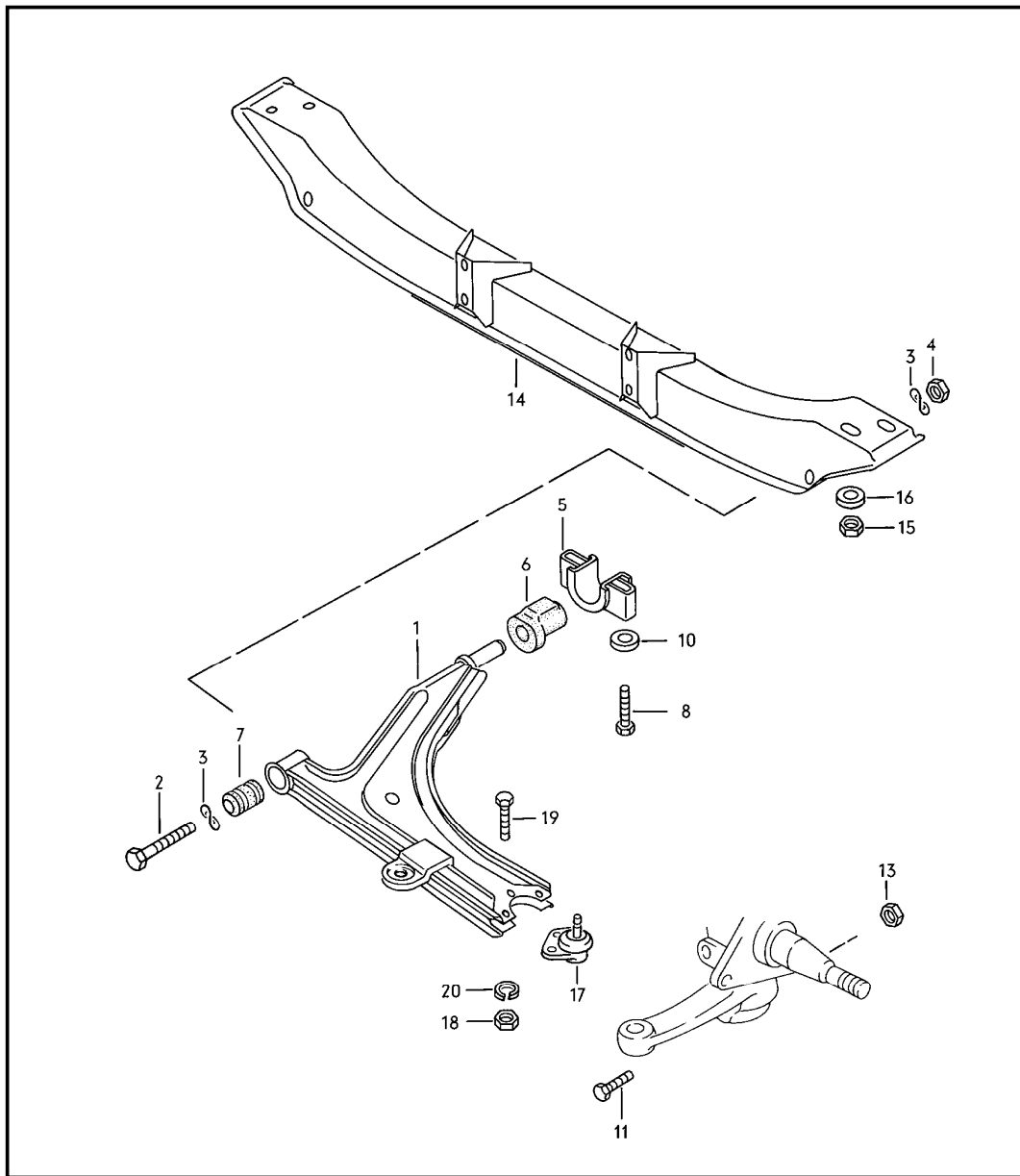
PET

PORSCHE

Model	Year	MG	SG	Illustration	Restrictions	UPD	10:53	23.01.2010
924	1979	3	98	398-00R		248		

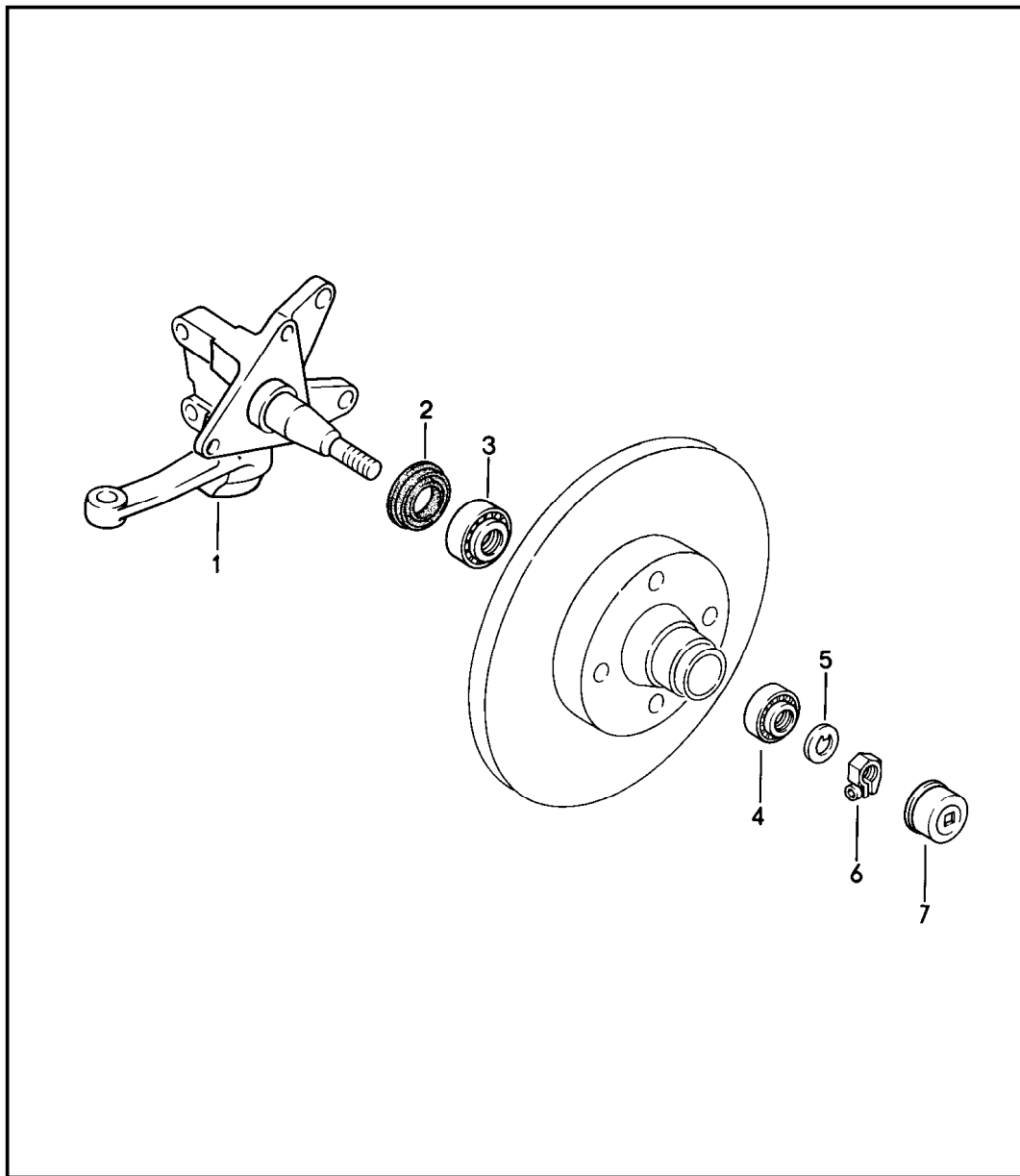
Pos	Part Number	Description	Remark	Qty	Model
-	016 409 170	thrust washer for differential pinions small use also: 088.409.249 A 088.409.249 B		2	
>>	>>928 116 901 00	repair kit clutch operating cylinder comprising: bellows lock washer boot dust boot ring		1 1 1 1 2	TURBO

Model	Year	MG	SG	Illustration	Restrictions	UPD	10:54	23.01.2010	PORSCHE	PET	PORSCHE
924	1979	4	01	401-00		248					



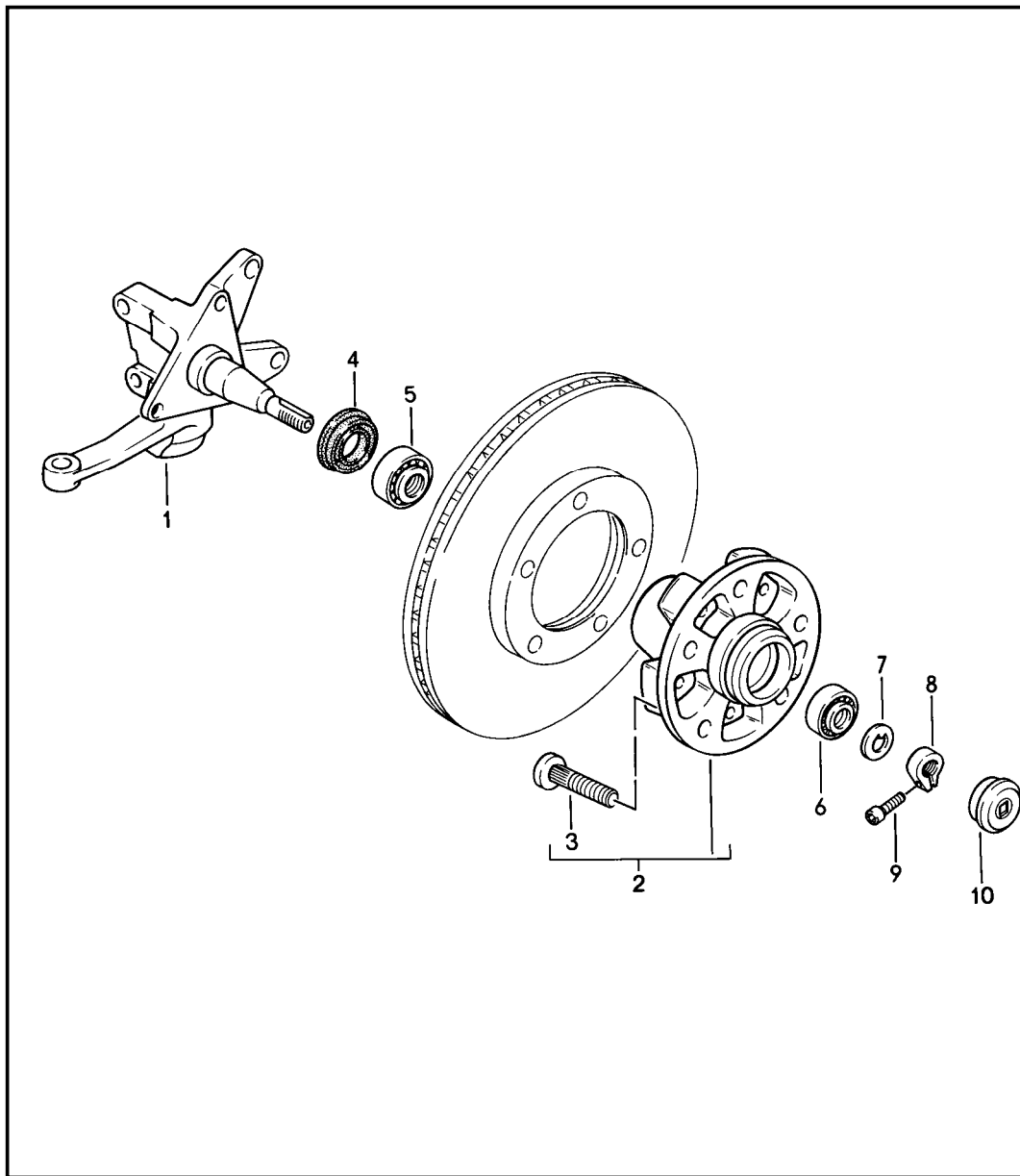
Pos	Part Number	Description	Remark	Qty	Model
		wishbone cross member			
1	477 407 153 F	wishbone		2	
2	N 010 186 2	hexagon-head bolt M 12 X 1,5 X 85		2	
3	900 028 014 02	spring washer		4	
4	N 022 141 4	lock nut M 12 X 1,5		2	
5	477 407 169	clip		2	
6	171 407 181 A	rubber mounting	-78	2	
(6)	477 407 181 A	rubber mounting	79-	2	
7	171 407 182 D	rubber mounting inner		2	
8	N 040 321 1	hexagon-head bolt M 10 X 65		4	
10	477 407 425	washer		4	
11	N 010 445 6	hexagon-head bolt M 10 X 45		2	
13	N 021 130 2	lock nut		2	
14	477 407 321 J	cross member	-78	1	
(14)	477 407 321 G	cross member	79-	1	
15	N 011 185 6	hexagon nut		4	
16	N 015 402 1	washer		4	
17	171 407 365 C	ball joint 15 MM \$	-77	2	
(17)	171 407 365 G	ball joint 17 MM \$	78-	2	
18	N 011 007 7	hexagon nut		6	
19	N 040 204 3	hexagon-head bolt M 7 X 20		6	
20	N 042 001 1	lock ring		6	

Model	Year	MG	SG	Illustration	Restrictions	UPD	10:54	23.01.2010	PORSCHE	PET	PORSCHE
924	1979	4	01	401-05		248					



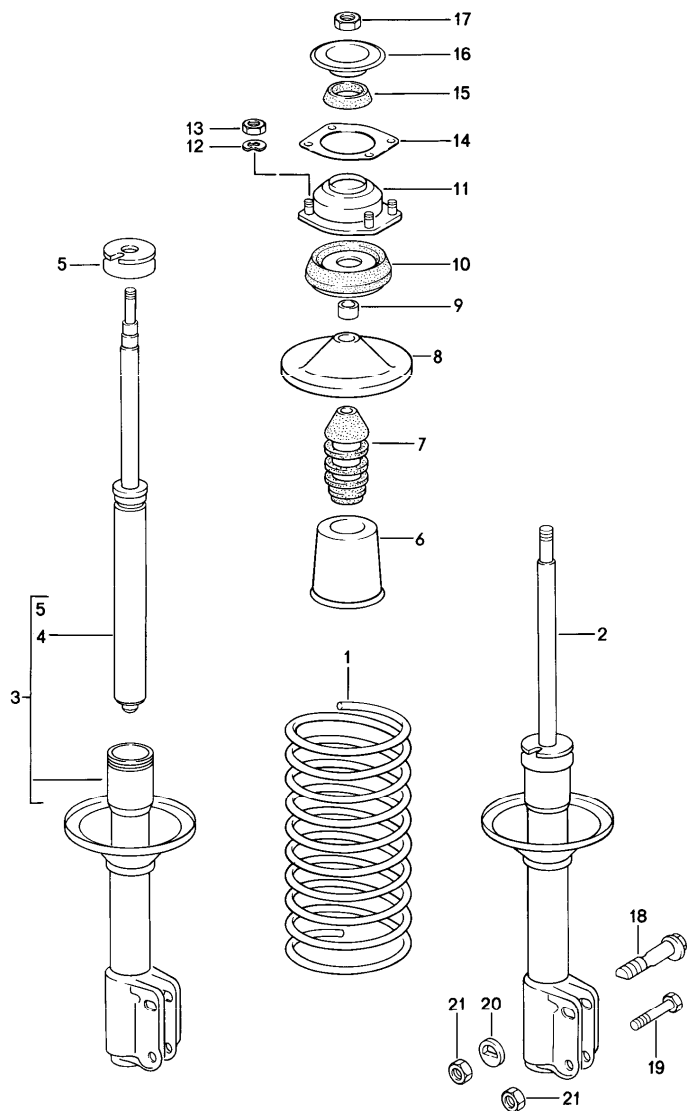
Pos	Part Number	Description	Remark	Qty	Model
		steering knuckle			924
1	477 407 311 G	steering knuckle	/L -78	1	
(1)	477 407 312 G	steering knuckle use also: 171.407.365.G	/R -78 -77	1	
(1)	477 407 311 K	steering knuckle	/L 79-	1	
(1)	477 407 312 K	steering knuckle	/R 79-	1	
2	311 405 641 B	sealing ring		2	
3	311 405 625 D	taper roller bearing		2	
4	311 405 645	taper roller bearing		2	
5	311 405 661	thrust washer		2	
6	131 405 670	clamping nut		2	
7	477 405 691	cap	/L	1	
(7)	477 405 692	cap	/R	1	

Model	Year	MG	SG	Illustration	Restrictions	UPD	10:54	23.01.2010	PORSCHE	PET	PORSCHE
924	1979	4	01	401-10		248					



Pos	Part Number	Description	Remark	Qty	Model
		steering knuckle			924 M4 71 TURBO
1	477 407 311 L	steering knuckle	/L	1	
(1)	477 407 312 L	steering knuckle	/R	1	
2	477 405 065 B	front wheel hub		2	
3	904 341 671 00	wheel bolt		10	
4	477 405 641	radial sealing ring		2	
5	999 059 098 00	taper roller bearing		2	
6	999 059 065 00	taper roller bearing		2	
7	911 341 663 00	thrust washer		2	
8	911 341 673 00	clamping nut		2	
9	999 119 001 01	pan-head screw		2	
10	477 405 691 C	cap	/L	1	
(10)	477 405 692 C	cap	/R	1	

Model	Year	MG	SG	Illustration	Restrictions	UPD	10:54	23.01.2010	PORSCHE	PET	PORSCHE
924	1979	4	02	402-00		248					

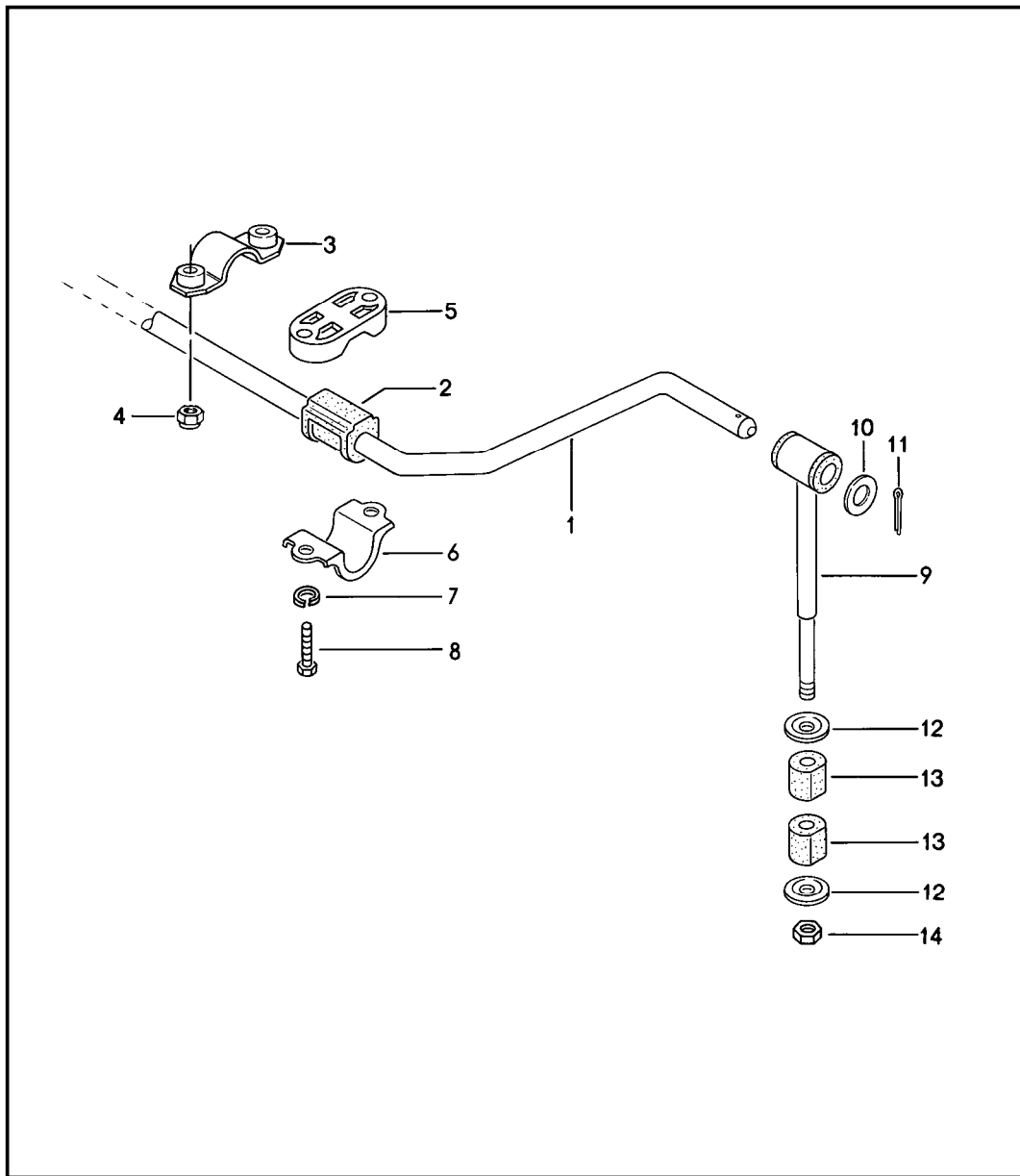


Pos	Part Number	Description	Remark	Qty	Model
1	477 411 105 G	suspension shock absorber front		2	924
		coil spring 1 set identification			
	954	red			
(1)	477 411 105 M	coil spring 1 set identification		2	M404/471
		coil spring 1 set identification			
	954	green			
(1)	477 411 105 Q	coil spring 1 set identification		2	TURBO
		coil spring 1 set identification			
	954	blue			
2	944 343 031 14	vibration damper	/L	1	924
(2)	944 343 032 14	vibration damper	/R	1	924
2	944 343 031 12	vibration damper	/L	1	TURBO
(2)	944 343 032 12	vibration damper	/R	1	TURBO
3	944 343 031 13	vibration damper - koni -	/L	1	924
3	944 343 032 13	vibration damper - koni -	/R	1	924
3	944 343 031 11	vibration damper - koni -	/L	1	TURBO
(3)	944 343 032 11	vibration damper - koni -	/R	1	TURBO
4	477 412 059 A	insert - koni -		2	924
(4)	944 343 059 00	vibration damper - koni -		2	TURBO
5	171 412 045	union nut		2	
6	171 412 135	boot		2	
7	171 412 303 C	rubber stop		2	
8	133 412 341	concave washer		2	
9	823 412 365	spacer sleeve		2	

Model	Year	MG	SG	Illustration	Restrictions	UPD	10:54	23.01.2010	PORSCHE	PET	PORSCHE
924	1979	4	02	402-00		248					

Pos	Part Number	Description	Remark	Qty	Model	Pos	Part Number	Description	Remark	Qty	Model
10	944 343 071 00	suspension strut mounting		2							
11	477 412 345	bearing flange		2							
12	N 012 228 3	spring washer		8							
13	N 011 008 8	hexagon nut		8							
(14)	133 412 367	sealing ring		2							
15	477 412 411	stop ring		2							
16	477 412 147	stop		2							
17	N 022 150 1	lock nut VM 14 X 1,5		2							
18	171 407 265	eccentric screw		2							
19	900 082 058 02	hexagon-head bolt M 12 X 1,5 X 50		2							
20	944 343 175 00	eccentric washer		2							
21	N 022 141 4	lock nut VM 12 X 1,5		4							

Model	Year	MG	SG	Illustration	Restrictions	UPD	10:54	23.01.2010	PORSCHE	PET	PORSCHE
924	1979	4	02	402-05		248					

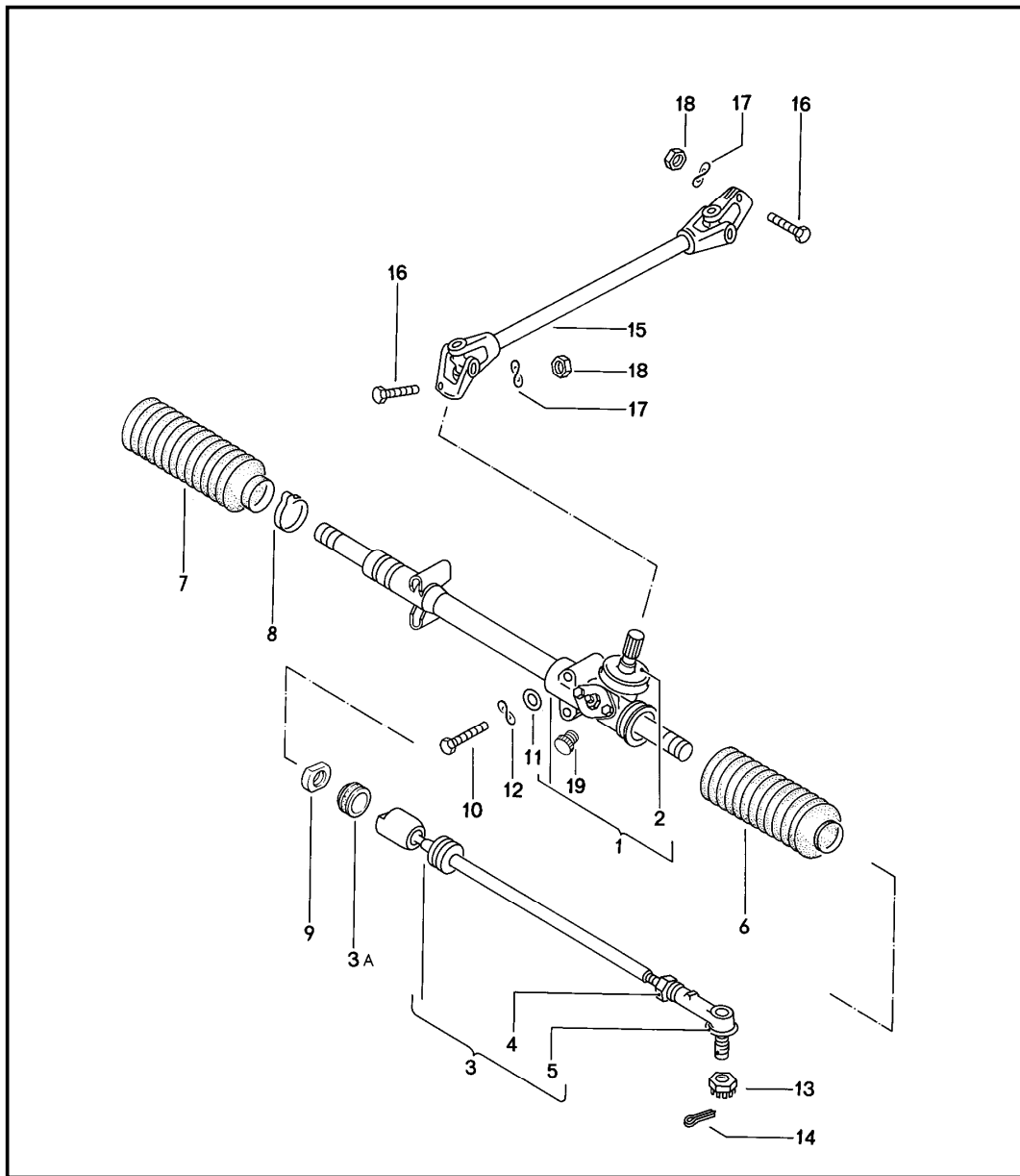


Pos	Part Number	Description	Remark	Qty	Model
		stabiliser			
1	477 411 309 F	stabiliser 20 \$	-77	1	
1	477 411 309 G	stabiliser 22 \$	78	1	
1	477 411 309 L	stabiliser 23 \$	79-	1	
2	477 411 313 C	stabiliser mounting 20 \$	-77	2	
2	477 411 313 E	stabiliser mounting 22 \$	78	2	
2	477 411 313 H	stabiliser mounting 23 \$	79-	2	
3	477 411 023	intermediate piece	79-	2	
4	900 910 022 09	lock nut M 8	79-	4	
5	477 411 321 C	intermediate piece	-78	2	
6	133 411 333	clip	-78	2	
6	477 411 319	clip	79-	2	
7	900 027 015 02	lock ring B 8		4	
8	N 010 340 4	hexagon-head bolt M 8 X 40	-78	4	
9	477 411 057 F	push rod 20 \$	-77	2	
9	477 411 057 G	push rod 22 \$	78	2	
9	477 411 057 K	push rod 23 \$	79-	2	
10	477 411 317 B	washer 23 \$	79-	2	
11	N 012 536 1	cotter pin 4 X 30	79-	2	
12	477 411 043	concave washer for stabiliser mounting		4	
13	477 411 041 B	rubber mounting		4	

Model	Year	MG	SG	Illustration	Restrictions	UPD	10:54	23.01.2010	PORSCHE	PET	PORSCHE
924	1979	4	02	402-05		248					

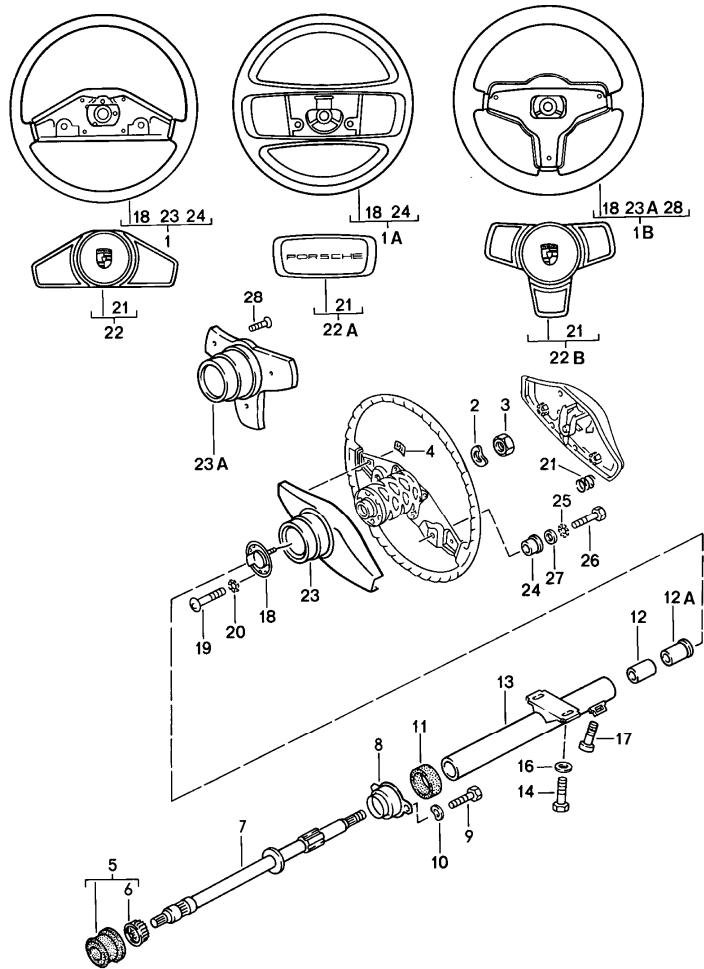
Pos	Part Number	Description	Remark	Qty	Model	Pos	Part Number	Description	Remark	Qty	Model
14	N 011 185 6	hexagon nut M 10		2							

Model	Year	MG	SG	Illustration	Restrictions	UPD	10:55	23.01.2010	PORSCHE	PET	PORSCHE
924	1979	4	03	403-00		248					



Pos	Part Number	Description	Remark	Qty	Model
		steering gear tie rod			
1	477 419 061 C	steering gear	/LL	1	
(1)	478 419 061 A	steering gear	/RL	1	
2	477 419 321	cap		1	
3	477 419 803 B	tie rod use also:		2	
3A	477 419 827	stop ring		2	
4	900 078 005 01	hexagon nut M 14 X 1,5		2	
5	477 419 815	ball joint		2	
6	171 419 831 C	boot	/L	1	
7	171 419 832 C	bellows	/R	1	
8	823 419 843	terminal		1	
9	171 419 855	nut		2	
10	N 010 248 1	hexagon-head bolt M 8 X 60		4	
11	N 011 525 13	washer		2	
12	N 012 228 3	spring washer		4	
13	N 011 212 2	castle nut M 12 X 1,5		2	
14	N 012 532 1	cotter pin		2	
15	477 419 951 F	drive shaft	/LL	1	
(15)	478 419 951 C	drive shaft	/RL	1	
16	N 010 359 4	hexagon-head bolt M 8 X 38		2	
17	N 012 241 11	spring washer B 8 X 18		2	
18	900 910 022 09	lock nut		2	
19	477 419 115	stopper		1	

Model	Year	MG	SG	Illustration	Restrictions	UPD	10:55	23.01.2010	PORSCHE	PET	PORSCHE
924	1979	4	03	403-05		248					

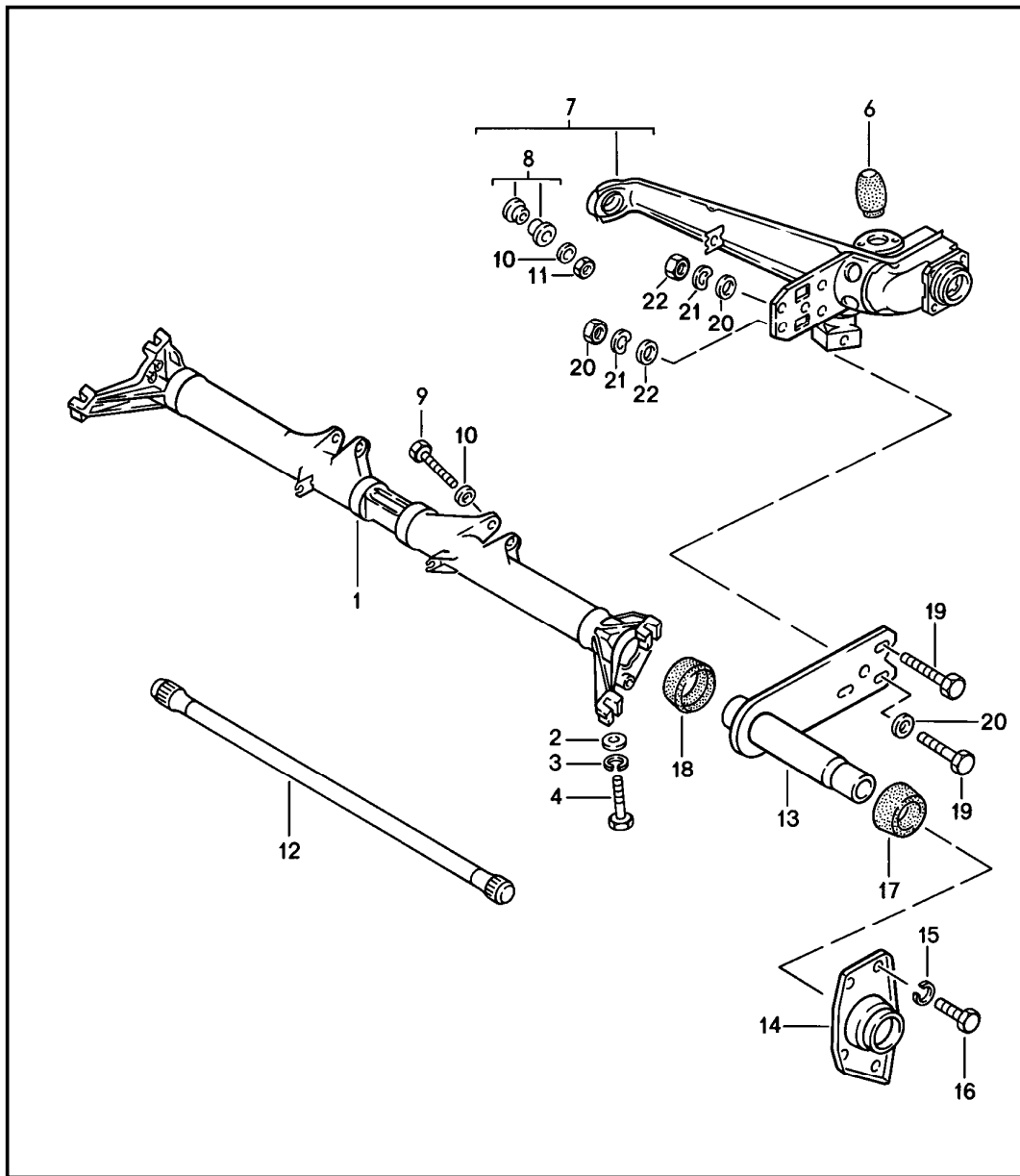


Pos	Part Number	Description	Remark	Qty	Model
		steering wheel steering column			
1	477 419 091 M	steering wheel		1	924
1A	477 419 091 G	sports steering wheel 361 MM \$		1	
1A	477 419 091 H	sports steering wheel leather 363 MM \$		1	TURBO
	1AJ	black			
	3NG	brown			
1B	477 419 091 J	sports steering wheel leather 380 MM \$		1	TURBO
	3NG	brown			
1B	477 419 091 K	sports steering wheel leather 380 MM \$		1	TURBO
	1AJ	black			
	3NG	brown			
(1B)	477 419 091 L	sports steering wheel leather 380 MM \$ with elevated hub		1	
	1AJ	black			
	3NG	brown			
2	N 012 238 5	spring washer		1	
3	900 078 006 01	hexagon nut M 16 X 1,5		1	
4	113 857 113	clamping washer 4 X 12		2	924
5	477 419 059	sealing ring		1	
6	113 415 511	needle-roller bearing		1	
7	477 419 505 J	steering column		1	
8	411 417 605	support ring		1	
9	999 072 005 09	hexagon-head bolt M 6 X 12		2	

Model	Year	MG	SG	Illustration	Restrictions	UPD	10:55	23.01.2010	PORSCHE	PET	PORSCHE
924	1979	4	03	403-05		248					

Pos	Part Number	Description	Remark	Qty	Model	Pos	Part Number	Description	Remark	Qty	Model
10	211 805 243	spring washer		2		26	N 010 261 3	hexagon-head bolt M 4 X 16		3	
11	411 417 613	rubber mounting		1		27	900 025 002 02	washer		2	
12	171 419 549	clamping sleeve		1		28	900 146 029 02	oval-head screw B 3,5 X 13		3	TURBO
12A	171 419 341	support ring		1							
13	477 419 563 B	steering column tube		1							
14	411 417 549	shear bolt		2							
16	111 129 720	washer		2							
17	N 014 707 4	pan-head screw M 8 X 16		1							
18	113 415 660 A	slip ring		1							
19	900 146 029 02	oval-head screw AM 3,5 X 10		3							
20	N 012 131 2	shake-proof washer		3							
21	171 419 697	spring		3							
22	477 419 669	cap		1	924						
22A	944 347 859 00	padded cap		1							
	1DB	black									
	4RB	brown									
22B	911 347 859 00	cap		1	TURBO						
	70B	black									
	40A	brown									
23	171 419 791 A	lining		1	924						
23A	928 347 857 01	lining		1	TURBO						
	70B	black									
	40A	brown									
24	321 419 779	insulating bush		3							
(24)	321 419 779 A	insulating bush for sports steering wheel 361 MM \$		3							
25	900 114 014 01	shake-proof washer		3							

Model	Year	MG	SG	Illustration	Restrictions	UPD	10:55	23.01.2010	PORSCHE	PET	PORSCHE
924	1979	5	01	501-00		248					

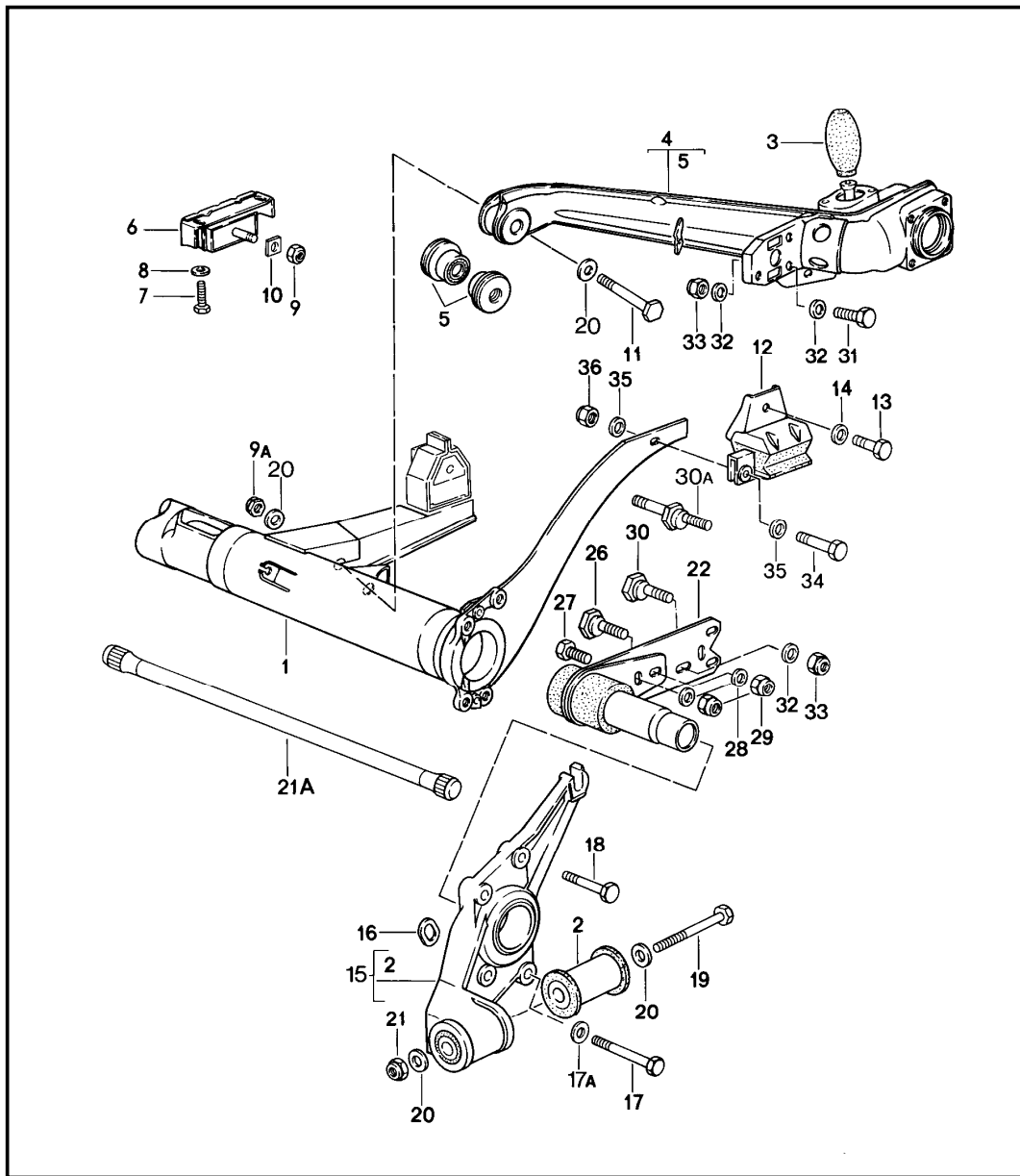


Pos	Part Number	Description	Remark	Qty	Model
		rear axle carrier rear axle link			924
		F >>92481 00776 F >>92482 01225 F >>92483 30098			
1	477 500 053	rear axle carrier		1	
2	477 405 423	washer A 13		4	
3	N 012 042 4	lock ring		4	
4	N 010 154 3	hexagon-head bolt M 12 X 55		4	
6	311 501 191	rubber stop		2	
7	477 501 035 D	rear axle link	/L	1	
(7)	477 501 036 D	rear axle link	/R	1	
8	477 501 541	silentbloc		4	
9	N 010 190 4	hexagon-head bolt M 12 X 90		2	
10	803 199 347	washer		4	
11	N 022 141 4	lock nut M 12 X 1,5		2	
12	311 511 115 D	torsion bar 22 \$	/L	1	
(12)	311 511 116 D	torsion bar 22 \$	/R	1	
13	113 511 205 B	spring brace	/L	1	
(13)	113 511 206 B	spring brace	/R	1	
14	113 511 227 B	lid		2	
15	N 012 028 1	lock ring		8	
16	N 010 254 6	hexagon-head bolt M 10 X 22		8	
17	111 511 245 E	rubber mounting outer		2	
18	311 511 245	rubber mounting inner	/R	1	

Model	Year	MG	SG	Illustration	Restrictions	UPD	10:55	23.01.2010	PORSCHE	PET	PORSCHE
924	1979	5	01	501-00		248					

Pos	Part Number	Description	Remark	Qty	Model	Pos	Part Number	Description	Remark	Qty	Model
(18)	311 511 246	rubber mounting inner	/L	1							
19	N 010 138 1	hexagon-head bolt M 12 X 1,5 X 38		6							
20	N 011 531 7	washer		12							
21	211 513 537	spring washer		6							
22	N 011 020 8	hexagon nut M 12 X 1,5		6							

Model	Year	MG	SG	Illustration	Restrictions	UPD	10:55	23.01.2010	PORSCHE	PET	PORSCHE
924	1979	5	01	501-05		248					

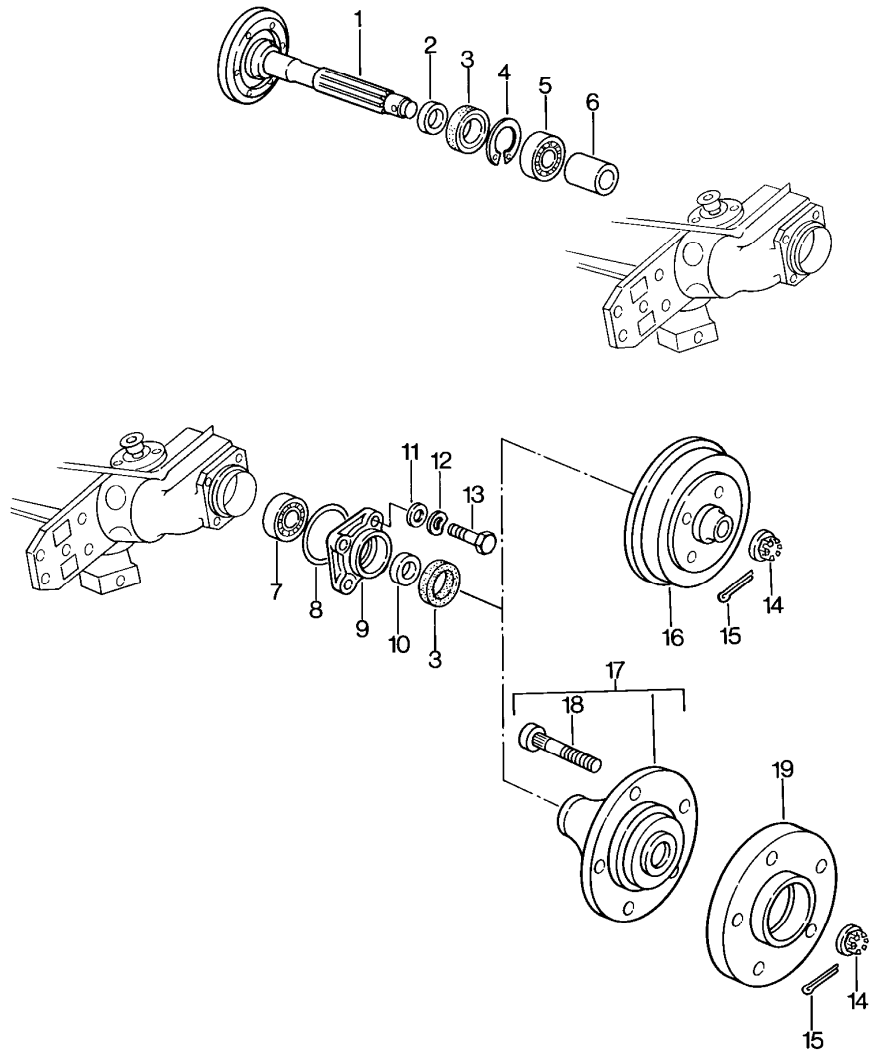


Pos	Part Number	Description	Remark	Qty	Model
		rear axle carrier rear axle link F 92481 00777>> F 92482 01226>> F 92483 30099>>			
1	477 500 053 F	rear axle carrier 4-speed		1	924
(1)	477 500 053 E	rear axle carrier 5-speed		1	
2	477 501 069 A	rubber bush		2	
3	311 501 191	rubber stop		2	
4	477 501 035 D	rear axle link	/L	1	
(4)	477 501 036 D	rear axle link	/R	1	
5	477 501 541	silentbloc		4	
6	477 501 089	mounting		2	
7	900 075 043 02	hexagon-head bolt M 10 X 30		4	
8	900 025 008 09	washer		4	
9	N 022 149 2	lock nut		2	
9A	N 021 131 1	lock nut M 12 X 1,5		2	
10	477 501 697	washer		2	
11	N 010 190 4	hexagon-head bolt M 12 X 90		2	
12	944 331 075 00	supporting mount	/L	1	
(12)	944 331 076 00	supporting mount	/R	1	
13	900 075 040 02	hexagon-head bolt M 10 X 20		2	
14	N 012 230 6	spring washer		8	
15	944 331 059 00	bearing flange	/L	1	
(15)	944 331 060 00	bearing flange	/R	1	
16	477 501 667	washer		2	
17	N 010 465 5	hexagon-head bolt M 10 X 65		2	

Model	Year	MG	SG	Illustration	Restrictions	UPD	10:55	23.01.2010	PORSCHE	PET	PORSCHE
924	1979	5	01	501-05		248					

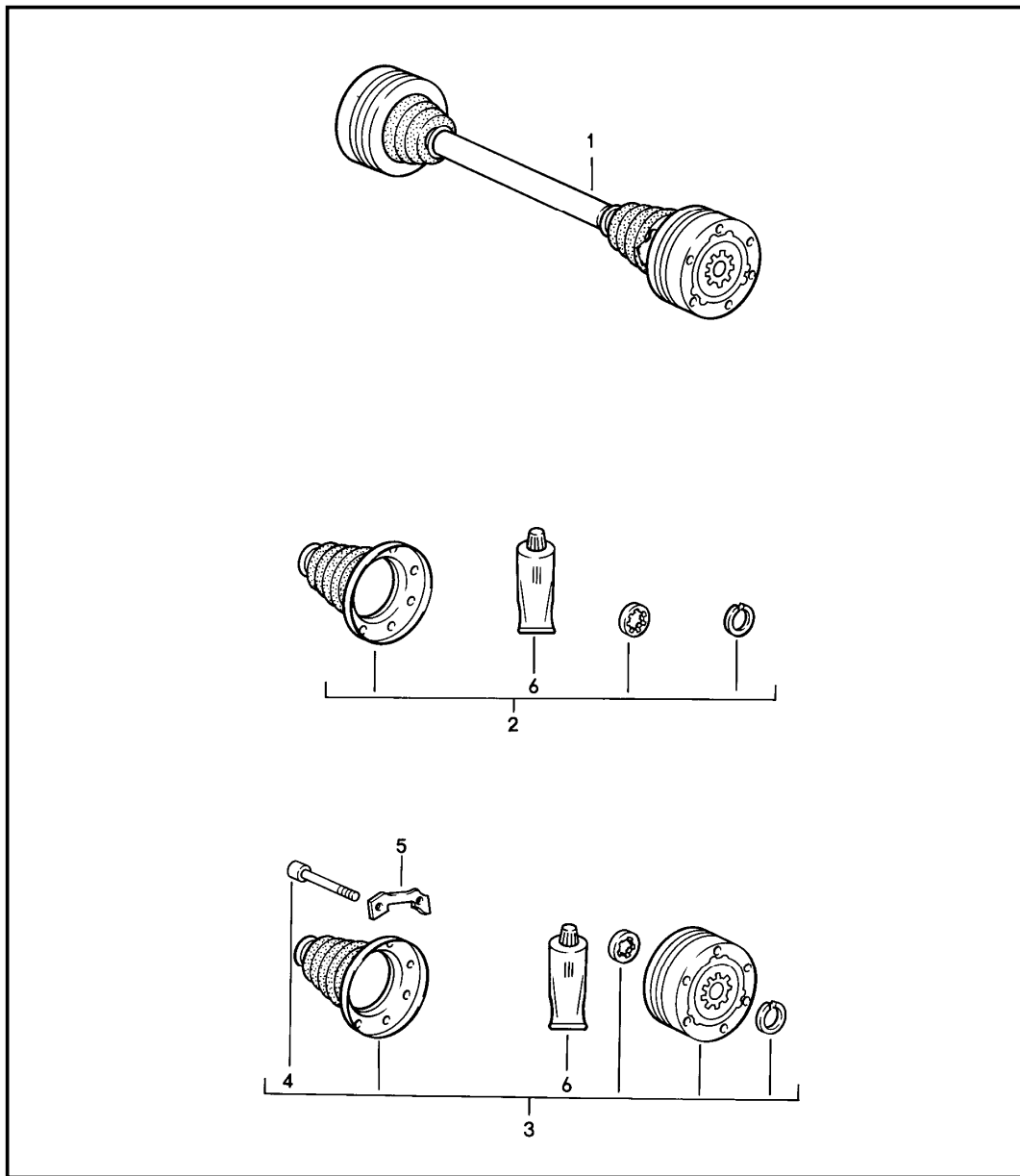
Pos	Part Number	Description	Remark	Qty	Model	Pos	Part Number	Description	Remark	Qty	Model
17	900 074 248 03	hexagon-head bolt M 10 X 65		2		32	N 011 531 7	washer		8	
17A	N 012 230 6	spring washer		8		33	N 022 141 4	lock nut VM 12 X 1,5		4	
18	N 010 455 3	screw M 10 X 55		6		34	900 075 029 09	hexagon-head bolt M 8 X 25		2	
19	900 082 059 02	hexagon-head bolt M 12 X 1,5 X 115		2		35	900 025 007 02	washer		4	
20	803 199 347	washer		8		36	900 910 022 09	lock nut		2	
21	N 022 141 4	lock nut VM 12 X 1,5		2							
21A	311 511 115 D	torsion bar 22 \$	/L	1	924						
(21A)	311 511 116 D	torsion bar 22 \$	/R	1	924						
(21A)	944 333 115 00	torsion bar 23,5 \$ only together with stabiliser 14 \$	/L	1							
(21A)	944 333 116 00	torsion bar 23,5 \$ only together with stabiliser 14 \$	/R	1							
22	477 511 201	rear axle strut	/L	1							
22	477 511 202	rear axle strut	/R	1							
26	911 333 303 00	eccentric screw		2							
27	911 333 305 00	hexagon-head bolt		2							
28	911 333 307 00	washer		4							
29	900 910 092 02	lock nut VM 16 X 1,5		4							
30	477 511 519	camber eccentric		2	924						
30A	477 511 515	camber eccentric only together with stabiliser 14 \$		2							
31	N 010 138 1	hexagon-head bolt M 12 X 1,5 X 38		4							

Model	Year	MG	SG	Illustration	Restrictions	UPD	10:56	23.01.2010	PORSCHE	PET	PORSCHE
924	1979	5	01	501-10		248					



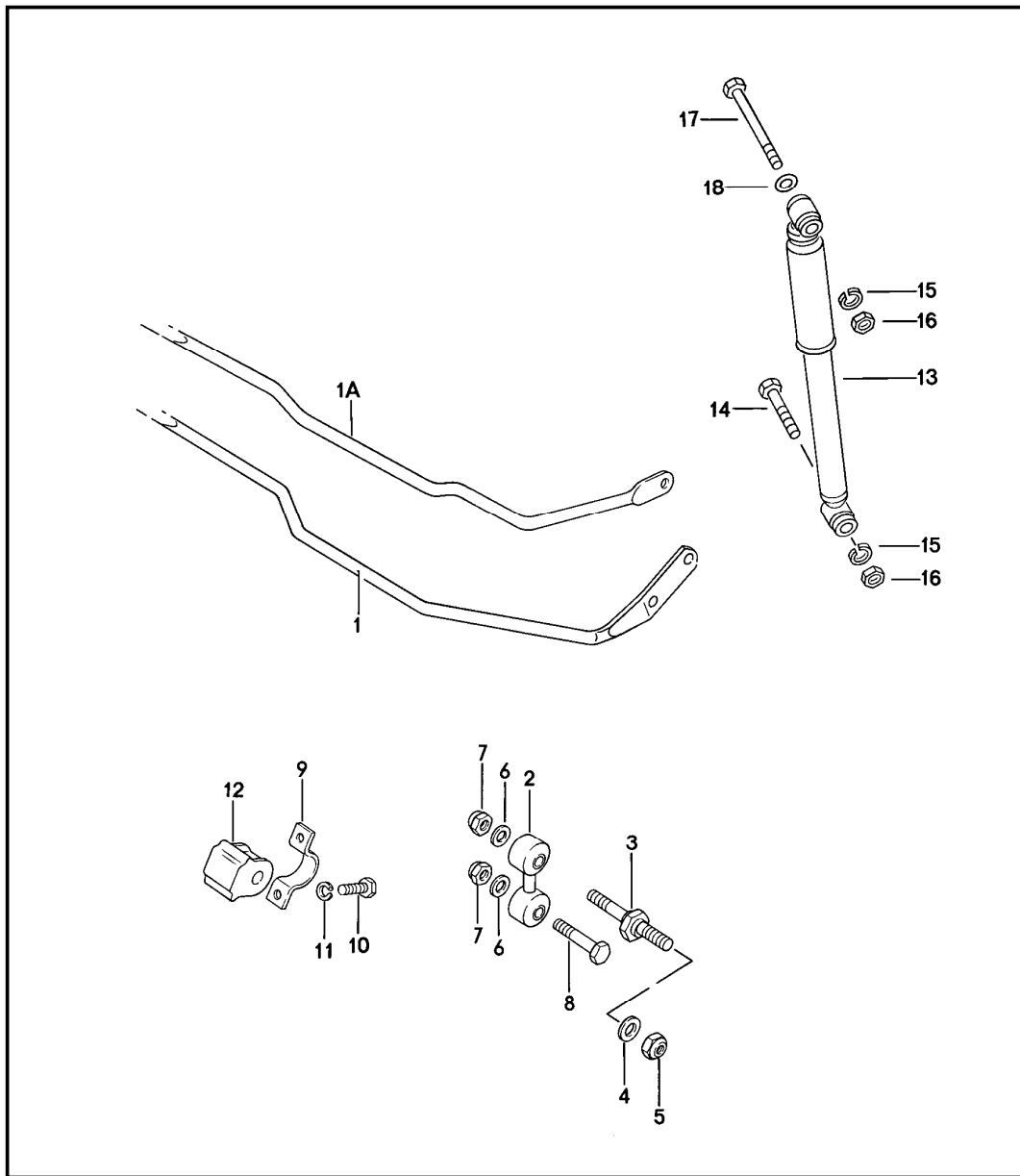
Pos	Part Number	Description	Remark	Qty	Model
		rear wheel shaft			
1	477 501 263	rear wheel shaft		2	
2	113 501 305	spacer ring inner		2	
3	113 501 315 H	sealing ring		4	
4	N 012 319 1	circlip		2	
5	113 501 283	deep-groove ball bearing		2	
6	113 501 243	spacer tube		2	
7	113 501 277 A	cylindrical-roller bearing outer		2	
8	113 501 291 B	sealing ring		2	
9	113 501 311	lid		2	
10	113 501 303	spacer ring outer		2	
11	311 501 317	washer 10,2 X 18		8	
12	N 012 231 1	spring washer A 10		8	
13	311 501 325	hexagon-head bolt M 10 X 35		8	
14	311 501 221	castle nut		2	
15	900 021 025 02	cotter pin		2	
		brake drum			
16	477 501 615 A	brake drum		2	
16	924 352 031 00	brake drum disc brake		2	
		wheel hub			
17	477 501 065	wheel hub		2	
		wheel bolt			
18	911 331 671 00	wheel bolt		10	
		spacer tube			
19	477 501 701	spacer tube		2	

Model	Year	MG	SG	Illustration	Restrictions	UPD	10:56	23.01.2010	PORSCHE	PET	PORSCHE
924	1979	5	01	501-15		248					



Pos	Part Number	Description	Remark	Qty	Model
		drive shaft			
1	477 501 103	drive shaft		2	
1	477 501 101 A	drive shaft	/L	1	AUT.
1	477 501 102 A	drive shaft	/R	1	AUT.
2	944 331 903 00	repair kit dust bellows		4	
3	944 331 901 00	repair kit constant-velocity joint		4	
4	893 407 237	pan-head screw		12	
5	944 332 191 00	plate		6	
6	000 043 005 00	grease for drive shaft optimoly 1 90-gramme tube		X	

Model	Year	MG	SG	Illustration	Restrictions	UPD	10:56	23.01.2010	PORSCHE	PET	PORSCHE
924	1979	5	02	502-00		248					

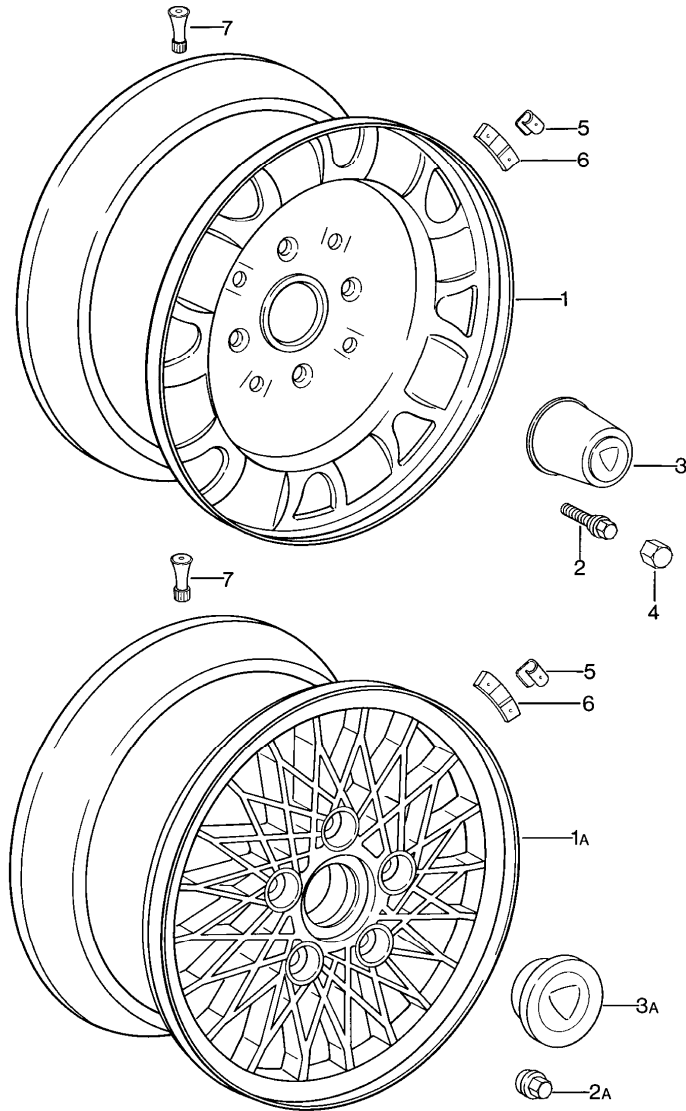


Pos	Part Number	Description	Remark	Qty	Model
1	477 511 409 B	stabiliser vibration damper		1	924
1A	477 511 411 A	stabiliser 14 \$ F 92481 00777>>		1	
2	477 511 051 A	stabiliser mounting		2	
3	477 511 515	camber eccentric		2	
4	N 011 531 7	washer		2	
5	N 022 141 4	lock nut M 12 X 1,5		2	
6	900 025 008 09	washer		4	
7	N 022 149 2	lock nut		4	
8	N 010 452 4	hexagon-head bolt M 10 X 52		2	
9	113 411 333	retaining bow		2	
10	N 010 240 16	hexagon-head bolt M 8 X 20		4	
11	900 027 015 02	lock ring		4	
12	477 411 313 F	rubber mounting 14 \$		2	
13	477 513 031 B	vibration damper F >>92481 00776 F >>92482 01225 F >>92483 30098		2	924
(13)	477 513 031 C	vibration damper - fichtel + sachs - F 92481 00777>> F 92482 01226>> F 92483 30099>>		2	924
(13)	477 513 031 E	vibration damper - koni - F 92481 00777>> F 92482 01226>> F 92483 30099>>		2	924

Model	Year	MG	SG	Illustration	Restrictions	UPD	10:56	23.01.2010	PORSCHE	PET	PORSCHE
924	1979	5	02	502-00		248					

Pos	Part Number	Description	Remark	Qty	Model	Pos	Part Number	Description	Remark	Qty	Model
(13)	477 513 031 H	vibration damper - fichtel + sach's -		2	TURBO						
(13)	944 333 031 00	vibration damper - koni -		2	TURBO						
14	N 010 156 3	hexagon-head bolt M 12 X 1,5 X 70		2							
15	N 012 042 4	lock ring		4							
16	N 011 020 8	hexagon nut M 12 X 1,5		4							
17	900 082 059 02	hexagon-head bolt M 12 X 1,5 X 115		2	924						
(17)	900 082 044 02	hexagon-head bolt M 12 X 1,5 X 125 F 92481 00777>> F 92482 01226>> F 92483 30099>>		2							
18	043 101 129	washer		2							

Model	Year	MG	SG	Illustration	Restrictions	UPD	10:56	23.01.2010	PORSCHE	PET	PORSCHE
924	1979	6	01	601-00		248					

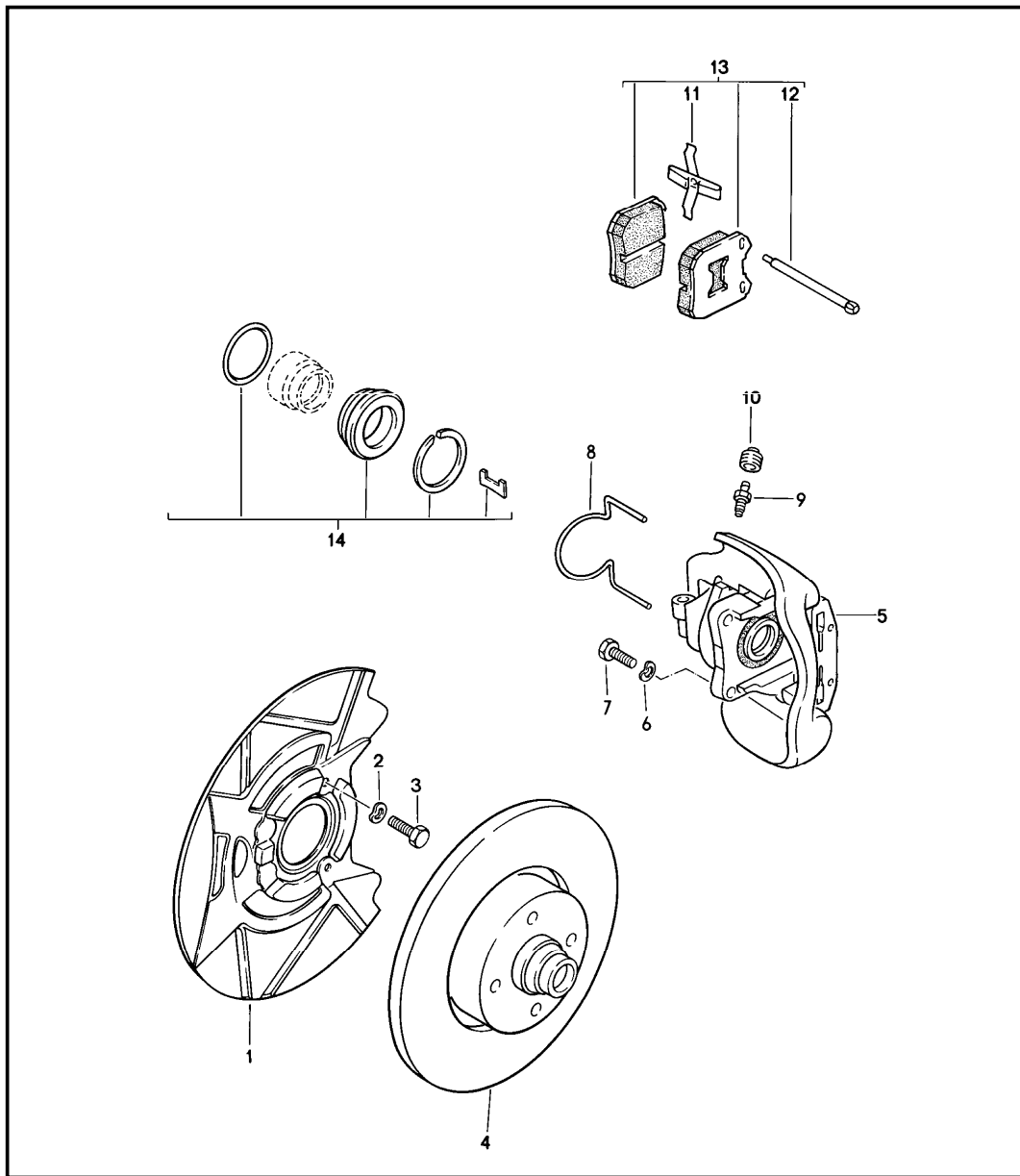


Pos	Part Number	Description	Remark	Qty	Model
1	477 601 029 A	disc wheel disc wheel 5 1/2 J X 14 steel 4- hole		5	924
(1)	477 601 030 A	disc wheel 5 1/2 J X 15 steel 5- hole for winter use		4	TURBO
(1)	477 601 031 B	disc wheel 6 J X 14 light alloy 4- hole		5	924
(1)	477 601 031 D	disc wheel 6 J X 14 light alloy black 4- hole		5	924
1A	477 601 025 B	cast spoked wheel		4	TURBO
2	431 601 139	screw M 14 X 1,5 X 25,5 for 477.601.029.A		16	924
(2)	477 601 139 B	wheel bolt M 14 X 1,5 X 25,5		16	924
-	477 601 041	lock for alloy wheels 477.601.031.B/D		1	
2A	999 182 003 36	wheel nut		20	TURBO
(2A)	N 020 112 1	ball seat nut for steel wheel		20	
3	477 601 151 E	hub cap for steel wheel 4- hole		4	924

Model	Year	MG	SG	Illustration	Restrictions	UPD	10:56	23.01.2010	PORSCHE	PET	PORSCHE
924	1979	6	01	601-00		248					

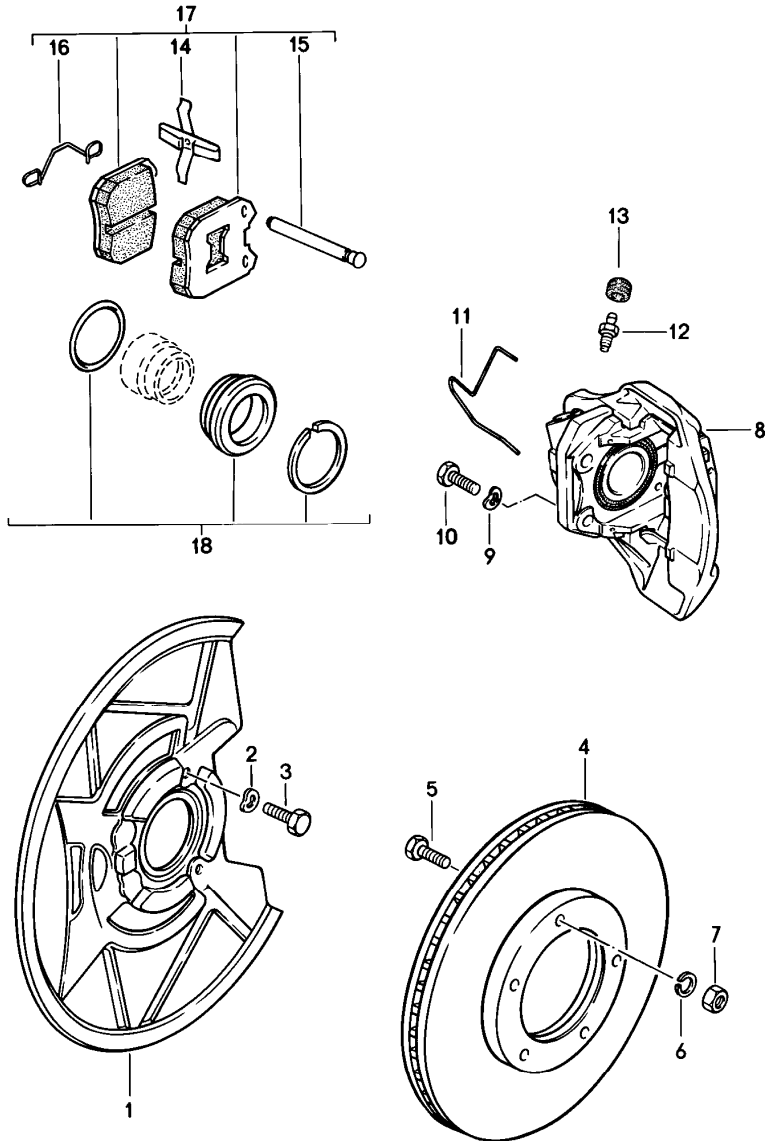
Pos	Part Number	Description	Remark	Qty	Model	Pos	Part Number	Description	Remark	Qty	Model
-	901 361 031 01	hub cap for steel wheel 5- hole		4		-	477 601 011	emergency wheel 5 1/2 J X 14 4- hole with collapsible tire B 78-14 SST		1	924
(3)	477 601 151 N	hub cap alloy wheel		4	924	-	477 601 015 A	emergency wheel 5 1/2 J X 15 5- hole with collapsible tire 165/15		1	TURBO
3A	928 361 032 01	hub cap		4	TURBO						
4	321 601 173	cap		16							
5	914 361 441 00	retainer spring		X		-	911 361 510 02	small electric compressor		1	
6	928 361 410 00	balance weight 10 G		X		-	911 722 201 02	tyre pressure gauge		1	
(6)	928 361 411 00	balance weight 20 G		X		-	914 722 104 10	wing screw M 10 X 55		1	
(6)	928 361 412 00	balance weight 30 G		X		-	914 722 104 10	wing screw M 10 X 75		1	
(6)	928 361 413 00	balance weight 40 G		X		-	477 813 157	washer		1	
(6)	928 361 414 00	balance weight 50 G		X		-	477 813 191	support		1	
(6)	928 361 415 00	balance weight 60 G		X		-	N 010 251 2	hexagon-head bolt M 10 X 18		1	
(6)	928 361 416 00	balance weight 70 G		X		-	900 027 016 02	lock ring		1	
(6)	928 361 417 00	balance weight 80 G		X							
(6)	901 361 410 00	balance stick-on weight 10 G		X	924						
(6)	901 361 411 00	balance stick-on weight 20 G		X	924						
(6)	901 361 412 00	balance stick-on weight 30 G		X	924						
(6)	901 361 413 00	balance stick-on weight 40 G		X	924						
7	900 265 001 50	rubber valve 15,2 MM \$		5							

Model	Year	MG	SG	Illustration	Restrictions	UPD	10:56	23.01.2010	PORSCHE	PET	PORSCHE
924	1979	6	02	602-00		248					



Pos	Part Number	Description	Remark	Qty	Model
		disc brake front axle			924
1	477 407 165 B	cover plate	-78	2	
1	477 407 165 E	cover plate	79-	2	
2	N 012 234 5	spring washer B 7		6	
3	N 010 226 2	hexagon-head bolt M 7 X 10		6	
4	477 405 583 B	brake disc		2	
5	477 615 107	floating calliper	/L	1	
(5)	477 615 108	floating calliper	/R	1	
6	900 028 014 02	spring washer B 12		4	
7	N 010 137 1	hexagon-head bolt M 12 X 1,5 X 35		4	
8	803 615 169	guide spring	/L	1	
(8)	803 615 170	guide spring	/R	1	
9	113 615 273 A	ventilation valve		2	
10	211 611 483	dust boot		2	
11	803 615 269 C	expanding spring		2	
12	803 615 261 B	retaining pin		4	
13	477 698 151 A	brake pad repair set		1	
-	928 352 951 02	brake pad repair set		1	
-	477 698 163	parts set		1	
14	803 698 471 C	gasket set		2	

Model	Year	MG	SG	Illustration	Restrictions	UPD	10:57	23.01.2010	PORSCHE	PET	PORSCHE
924	1979	6	02	602-05		248					



Pos	Part Number	Description	Remark	Qty	Model
		disc brake			924
		front axle			M471
					TURBO
1	477 407 165 F	cover plate		2	
2	N 012 234 5	spring washer B 7		6	
3	N 010 226 2	hexagon-head bolt M 7 X 10		6	
4	477 405 083 A	brake disc		2	
5	900 075 079 02	hexagon-head bolt M 8 X 22		10	
6	N 012 241 1	spring washer B 8		10	
7	900 076 025 02	hexagon nut M 8		10	
8	477 615 109	floating calliper	/L	1	
(8)	477 615 110	floating calliper	/R	1	
9	900 028 014 02	spring washer B 12		4	
10	N 040 108 1	hexagon-head bolt M 12 X 1,5 X 40		4	
11	431 615 169	guide spring		2	
12	928 351 945 00	ventilation valve		2	
13	211 611 483	dust boot		2	
14	* 928 351 935 00	expanding spring		2	
15	* 928 351 936 00	retaining pin		4	
16	* 477 615 112	retaining spring		2	
17	A 477 698 155	brake pad repair set		1	
-	944 351 951 02	brake pad repair set		1	
-	944 351 951 02	brake pad repair set without asbestos		1	
-	944 351 952 01	mounting parts		1	
18	* 928 351 941 00	gasket set		2	

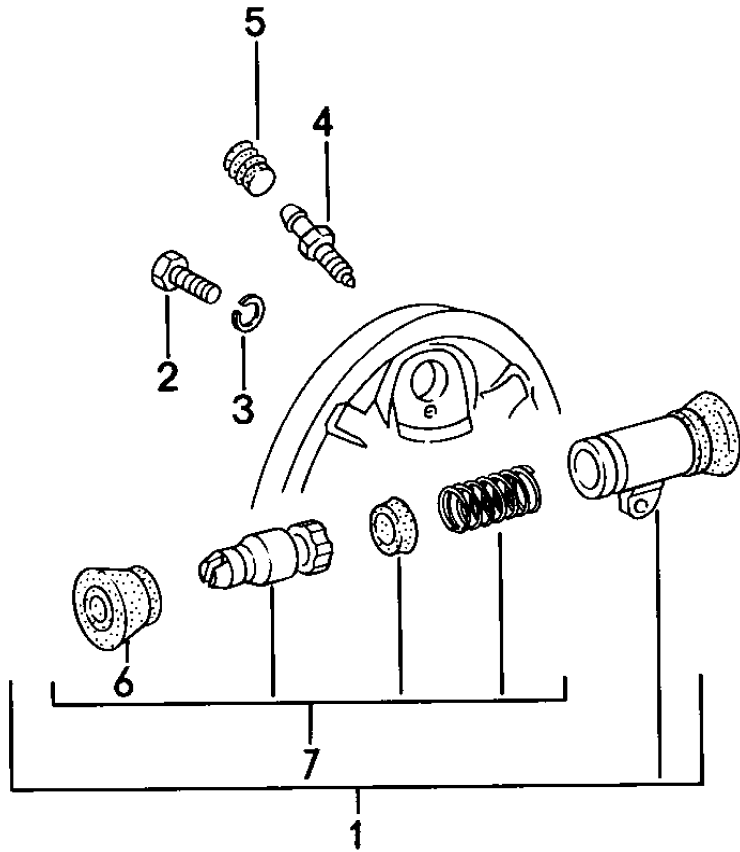
Model	Year	MG	SG	Illustration	Restrictions	UPD	10:57	23.01.2010	PORSCHE	PET	PORSCHE
924	1979	6	03	603-00		248					

Pos	Part Number	Description	Remark	Qty	Model
					924
1	113 609 163	brake rear axle stopper		8	
2	211 609 185 A	leaf spring for adjusting nut		2	
3	113 609 205 A	adjusting nut		4	
4	131 609 209	adjusting screw		4	
5	251 609 283	spring		4	
6	251 609 289	concave washer		4	
7	113 609 439 E	calliper carrier	/L	1	
(7)	113 609 440 E	calliper carrier	/R	1	
8	481 609 439 A	calliper carrier	/L (S)	1	
(8)	481 609 440 A	calliper carrier	/R (S)	1	
9	477 609 537 D	brake shoe 40 with pad		4	
9	477 609 537 D	brake shoe 40 with pad without asbestos		4	
10	477 609 537 E	brake shoe 40 with pad	(S)	4	
10	477 609 537 E	brake shoe 40 with pad without asbestos	(S)	4	
11	N 013 633 1	rivet C 4 X 7,5		36	
12	171 609 579 B	roll pin 37		4	
13	113 609 601 A	bearing pin for lever	(S)	2	
14	211 609 601 B	bearing pin for lever		2	

Model	Year	MG	SG	Illustration	Restrictions	UPD	10:57	23.01.2010	PORSCHE	PET	PORSCHE
924	1979	6	03	603-00		248					

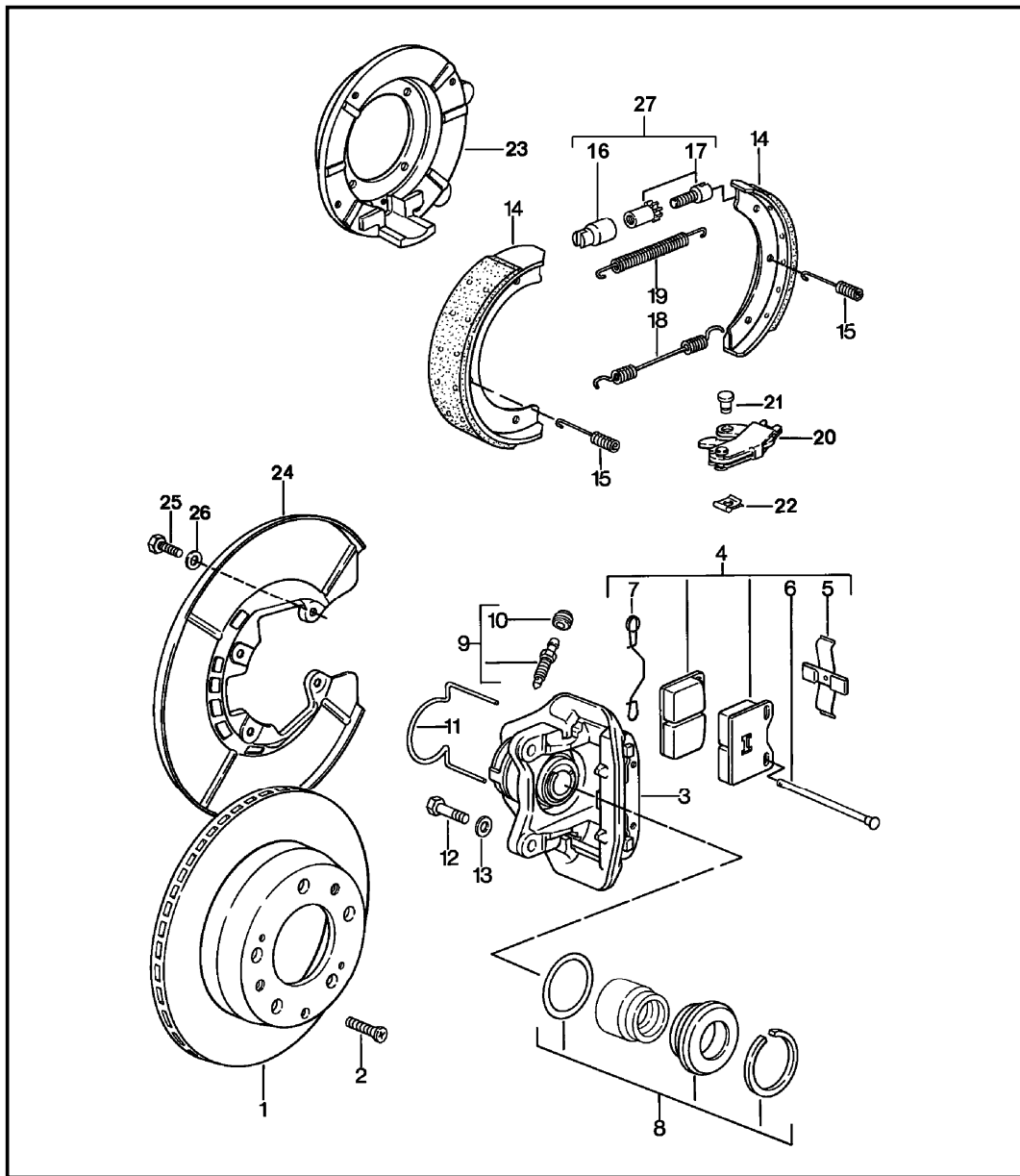
Pos	Part Number	Description	Remark	Qty	Model	Pos	Part Number	Description	Remark	Qty	Model
15	N 012 228 3	spring washer B 8		2		30	113 609 859	spring for brake lever	(S)	2	
16	113 609 605 A	return spring upper		2		31	A 477 698 075 A	brake pad repair set - jurid -		1	
17	113 609 605 D	return spring upper	(S)	4		31	477 698 075 A	brake pad repair set - energit - without asbestos		1	
18	113 609 309 B	return spring lower		2		(31)	A 477 698 076 A	brake pad repair set - jurid - oversize 0.50 mm		1	
19	311 609 609	return spring lower	(S)	4		(31)	477 698 076 A	brake pad repair set - energit - without asbestos oversize 0.50 mm		1	
20	113 609 613 A	lever	/L	1				brake drum see group 5/01/10			
(20)	113 609 614 A	lever	/R	1							
21	113 609 613 C	lever	/L (S)	1							
(21)	113 609 614 C	lever	/R (S)	1							
22	211 609 619	safety clip for bearing pin		2							
23	113 609 625	clamp for push rod		2							
24	113 609 631 A	push rod		2							
25	113 609 637	support for parking-brake cable	/L	1							
(25)	113 609 638	support for parking-brake cable	/R	1							
26	900 075 087 02	hexagon-head bolt M 8 X 15		2							
27	900 027 015 02	lock ring B 8		2							
28	113 609 801 A	push rod	/L (S)	1							
(28)	113 609 802 A	push rod	/R (S)	1							
29	113 609 853	adjusting lever	/L (S)	1							
(29)	113 609 854	adjusting lever	/R (S)	1							

Model	Year	MG	SG	Illustration	Restrictions	UPD	10:57	23.01.2010	PORSCHE	PET	PORSCHE
924	1979	6	03	603-05		248					



Pos	Part Number	Description	Remark	Qty	Model
		brake rear wheel brake cylinder			924
1	477 611 055 E	wheel brake cylinder 19,05		2	
2	900 075 087 02	hexagon-head bolt M 8 X 15		2	
3	900 027 015 02	lock ring		2	
4	211 611 477 A	bleeder valve		2	
5	211 611 483	dust boot		2	
6	113 611 695 D	protection cap		2	
7	* 477 698 051	repair kit wheel brake cylinder 19,05		2	

Model	Year	MG	SG	Illustration	Restrictions	UPD	10:57	23.01.2010	PORSCHE	PET	PORSCHE
924	1979	6	03	603-10		248					

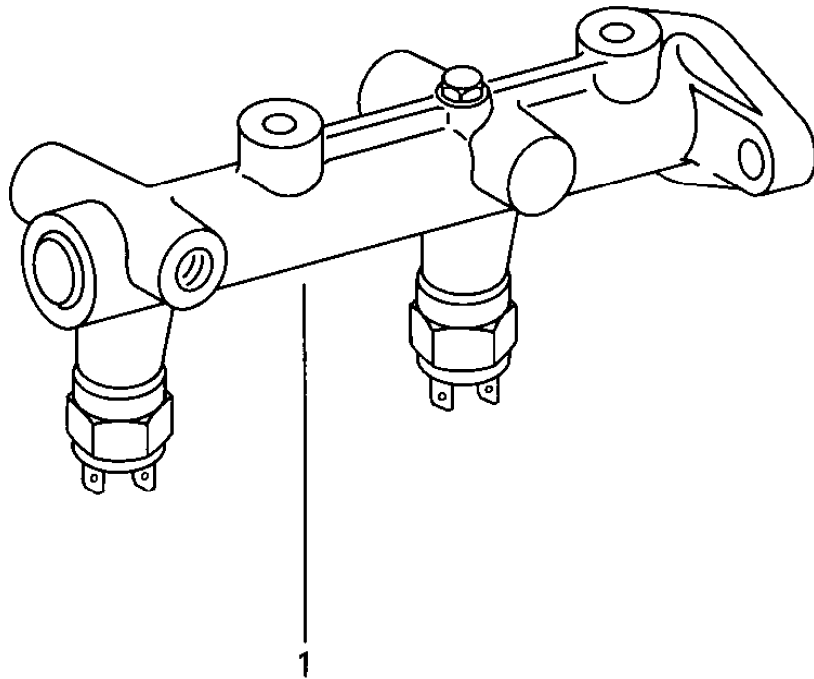


Pos	Part Number	Description	Remark	Qty	Model
		disc brake rear axle			TURBO
1	944 352 041 02	brake disc		2	
2	N 033 167 1	countersunk-head screw M 6 X 12		4	
3	944 352 429 00	floating calliper without pad	/L	1	
(3)	944 352 430 00	floating calliper without pad	/R	1	
4	A 477 698 157	brake pad repair set		1	
(4)	944 352 951 02	brake pad repair set without asbestos		1	
-	944 352 952 00	mounting parts		1	
5	* 928 352 935 00	expanding spring		2	
6	* 928 351 936 00	retaining pin		4	
7	928 352 937 00	retaining spring		2	
8	* 928 352 941 00	gasket set		2	
9	901 352 977 10	ventilation valve		2	
10	901 351 927 10	dust boot		2	
11	928 352 939 00	guide spring	/L	1	
(11)	928 352 940 00	guide spring	/R	1	
12	N 010 137 1	hexagon-head bolt M 12 X 1,5		4	
13	N 012 232 1	spring washer		4	
14	A 996 352 993 00	repair kit without asbestos		4	
(14)	997 352 993 02	repair kit 1 set only together with compression spring 996.352.741.00 adjusting screw 993.352.071.00		1	
15	928 352 957 02	compression spring		4	

Model	Year	MG	SG	Illustration	Restrictions	UPD	10:57	23.01.2010	PORSCHE	PET	PORSCHE
924	1979	6	03	603-10		248					

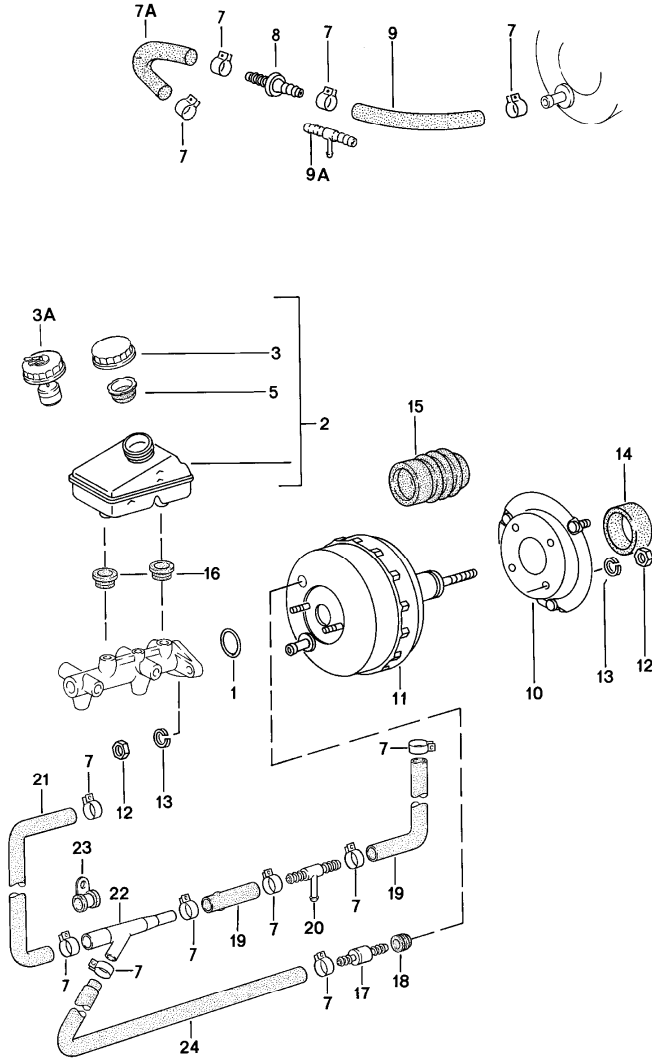
Pos	Part Number	Description	Remark	Qty	Model	Pos	Part Number	Description	Remark	Qty	Model
(15)	996 352 741 00	compression spring only together with repair kit 997.352.993.02		4							
16	911 352 944 00	support bush		2							
17	911 352 098 00	adjusting screw		2							
18	901 352 954 10	return spring		2							
19	901 352 932 10	return spring		2							
20	951 352 090 00	expanding bow		2							
21	477 609 459	bolt		2							
22	N 900 588 01	lock		2							
23	477 609 111	calliper carrier	/L	1							
23	477 609 426 A	calliper carrier	/R	1							
24	937 352 801 00	protective plate		2							
25	N 010 210 13	hexagon-head bolt M 6 X 10		8							
26	N 012 226 5	spring washer		8							
27	993 352 071 00	adjusting screw only together with repair kit 997.352.993.02		2							

Model	Year	MG	SG	Illustration	Restrictions	UPD	10:57	23.01.2010	PORSCHE	PET	PORSCHE
924	1979	6	04	604-00		248					



Pos	Part Number	Description	Remark	Qty	Model
		brake master cylinder			
1	477 611 015 A	brake master cylinder with brake light switch 20.64 (TEVES)		1	924
(1)	928 355 011 04	brake master cylinder		1	TURBO 924 M471
-	803 611 245	stop screw		1	
-	N 013 804 2	sealing ring		1	
-	* 477 611 015 A	brake master cylinder for brake master cylinder 477.611.015.A		1	924
		brake light switch see group 9/06/00			

Model	Year	MG	SG	Illustration	Restrictions	UPD	10:58	23.01.2010	PORSCHE	PET	PORSCHE
924	1979	6	04	604-05		248					

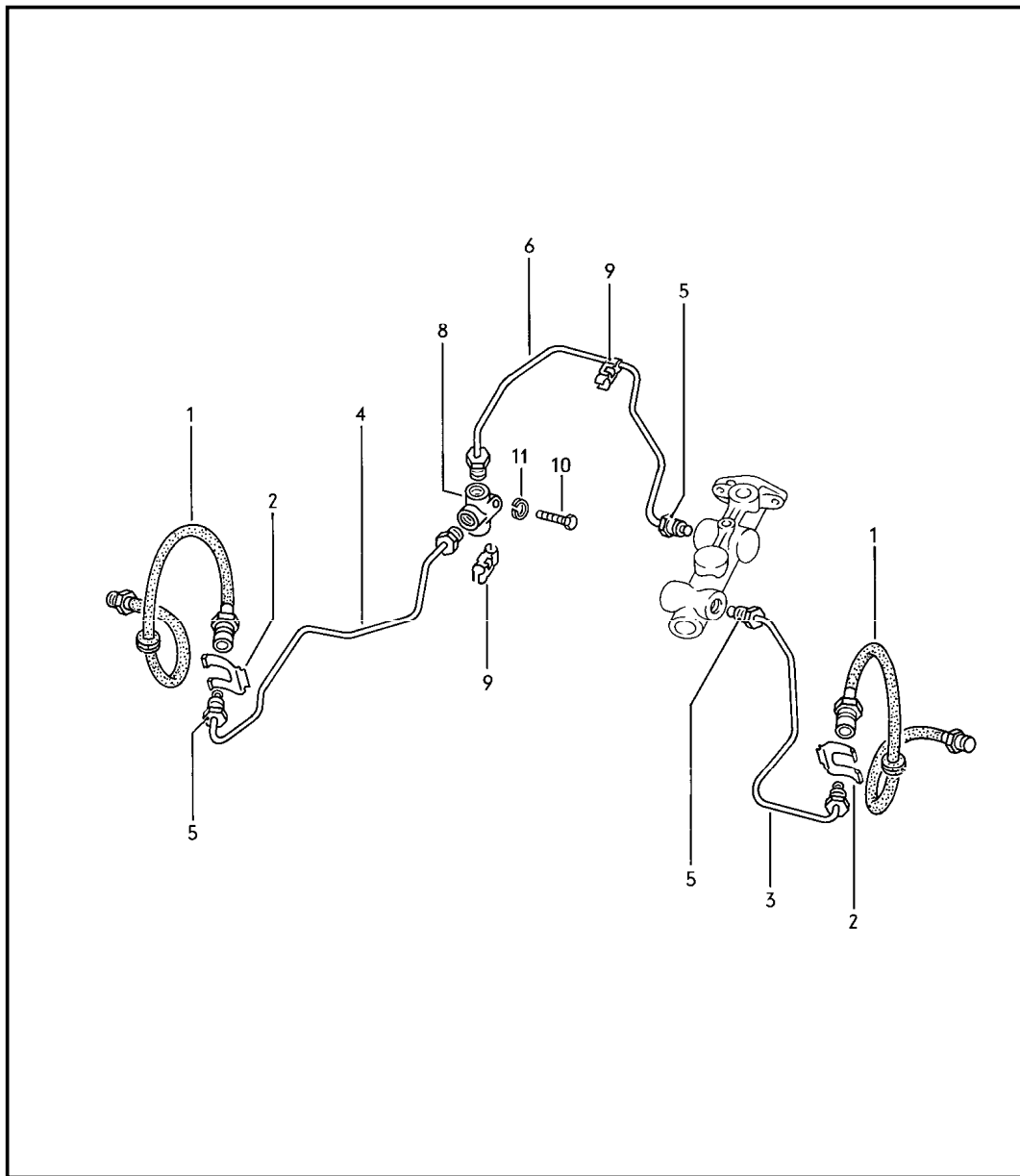


Pos	Part Number	Description	Remark	Qty	Model
		expansion tank brake booster			
1	251 611 243	sealing ring		1	
2	477 611 301 B	expansion tank		1	924
(2)	477 611 301 C	expansion tank		1	924 M592
(2)	477 611 303	expansion tank		1	TURBO
3	477 611 361	lid		1	
3A	477 611 351	lid with float		1	M592
5	211 611 381 B	strainer		1	
(5)	477 611 385	strainer		1	M592
7	N 024 510 1	hose clamp		8	
7A	477 611 909	elbow		1	924
8	803 611 933	check valve		1	924
9	823 611 939 B	vacuum hose 600 MM		1	924
9A	321 611 813	t-socket	(S)	1	924
10	477 611 945	intermediate piece		1	924
(10)	477 611 945 D	intermediate piece		1	TURBO
-	477 611 951	gasket for intermediate piece		1	924
11	477 612 107 B	brake booster (TEVES)		1	924
(11)	477 612 107 G	brake booster (SCHAEFER)		1	924
(11)	928 355 023 04	brake booster (TEVES)		1	TURBO
12	N 011 008 8	hexagon nut		9	
13	900 027 015 02	lock ring		9	
14	823 611 969 A	sealing ring for bracket		1	924

Model	Year	MG	SG	Illustration	Restrictions	UPD	10:58	23.01.2010	PORSCHE	PET	PORSCHE
924	1979	6	04	604-05		248					

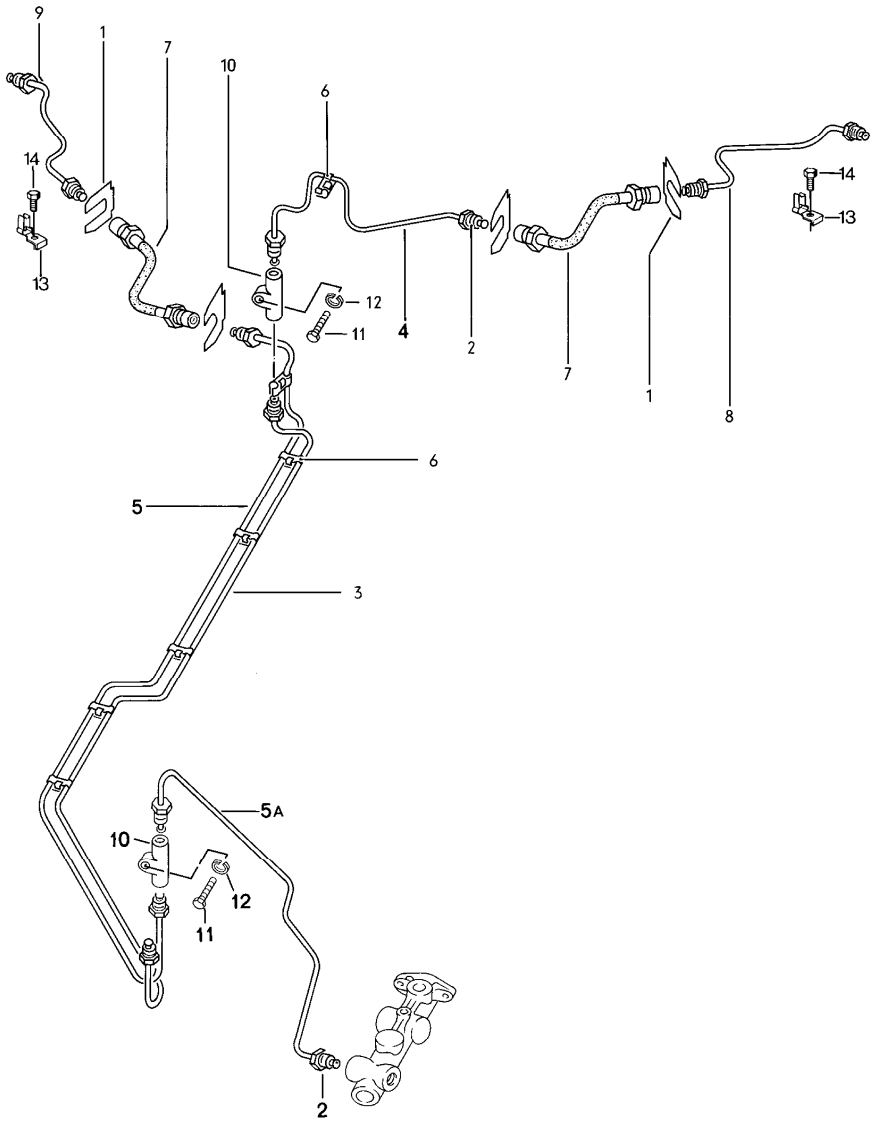
Pos	Part Number	Description	Remark	Qty	Model	Pos	Part Number	Description	Remark	Qty	Model
14	477 611 969 D	gasket		1	TURBO						
15	477 611 115	bellows (TEVES)		1	924						
(15)	477 611 115 A	bellows (SCHAEFER)		1	924						
(15)	477 611 115	bellows		1	TURBO						
16	211 611 817 A	sealing plug		2	924						
(16)	911 355 922 00	sealing plug		2	TURBO						
17	431 611 933	check valve		1							
18	911 355 921 00	rubber seal		1							
19	999 181 022 51	hose		*							
20	321 611 813	t-socket		1							
21	477 612 147 A	vacuum hose		1							
22	035 133 753 A	venturi tube		1							
23	N 020 607 1	clamp		1							
24	477 612 149	elbow		1							

Model	Year	MG	SG	Illustration	Restrictions	UPD	10:58	23.01.2010	PORSCHE	PET	PORSCHE
924	1979	6	04	604-10		248					



Pos	Part Number	Description	Remark	Qty	Model
		brake lines front			
1	477 611 071 A	brake hose		2	
(1)	477 611 071 B	brake hose		2	TURBO
2	113 611 715 A	hose holder		2	
3	477 611 723	brake line	/L	1	924
(3)	477 611 723 A	brake line	/L	1	TURBO
4	477 611 724	brake line F	/R	1	
		>>92481 09474			
(4)	477 611 724 A	brake line F 92491 00051>>	/R	1	
6	477 611 739	brake line F		1	
		>>92481 09474			
(6)	477 611 739 C	brake line F 92491 00051>>		1	924
(6)	477 611 739 B	brake line		1	TURBO
8	113 611 755	distributing piece		1	
9	477 611 767 B	cable clip		2	
10	900 075 016 02	hexagon-head bolt M 6 X 22		1	
11	N 012 226 5	spring washer		1	

Model	Year	MG	SG	Illustration	Restrictions	UPD	10:58	23.01.2010	PORSCHE	PET	PORSCHE
924	1979	6	04	604-15		248					



Pos	Part Number	Description	Remark	Qty	Model
		brake lines rear			
1	113 611 715 A	brake hose bracket		4	
3	477 611 741	brake line F >>92481 00776	/L	1	
(3)	477 611 741 A	brake line F 92481 00777>> >>92481 09474		1	924
(3)	477 611 741 B	brake line F 92491 00051>>		1	
4	477 611 745	brake line F >>92481 00776	/L	1	
(4)	477 611 745 A	brake line F 92481 00777>>	/L	1	
5	477 611 746	brake line F >>92481 00776		1	
(5)	477 611 746 A	brake line F 92481 00777>> >>92481 09474		1	924
(5)	477 611 746 B	brake line F 92491 00051>>		1	
5A	477 611 744 A	brake line F >>92481 09474		1	924
(5A)	477 611 744 B	brake line F 92491 00051>>		1	
6	477 611 767 B	cable clip		14	
7	477 611 775	brake hose		2	
8	477 611 781	brake line F >>92481 00776	/L	1	924
8	477 611 781	brake line F 92481 00777>>	/L	1	924
8	477 611 781 A	brake line	/L	1	TURBO
9	477 611 782	brake line F >>92481 00776	/R	1	924
9	477 611 782	brake line F 92481 00777>>	/R	1	924
9	477 611 782 A	brake line	/R	1	TURBO

Model	Year	MG	SG	Illustration	Restrictions	UPD	10:58	23.01.2010	PORSCHE	PET	PORSCHE
924	1979	6	04	604-15		248					

Pos	Part Number	Description	Remark	Qty	Model	Pos	Part Number	Description	Remark	Qty	Model
10	113 611 791	connecting piece		2							
11	900 075 016 02	hexagon-head bolt M 6 X 22		1							
12	N 012 226 5	spring washer		1							
13	477 611 783	support		2	TURBO						
14	N 010 210 13	hexagon-head bolt		2	TURBO						

Model	Year	MG	SG	Illustration	Restrictions	UPD	10:58	23.01.2010
924	1979	6	98	698-00R		248		

Pos	Part Number	Description	Remark	Qty	Model
		repair kits			
>>	>>477 698 075 A	brake pad repair set - jurid - comprising: brake pad	/H	1	924
-	N 013 633 1	rivet C 4 X 7,5		4	
				45	
>>	>>477 698 075 A	brake pad repair set - energit - without asbestos comprising: brake pad	/H	1	
-	N 013 633 1	rivet C 4 X 7,5		4	
				45	
>>	>>477 698 076 A	brake pad repair set - jurid - oversize 0.50 mm comprising: brake pad 40	/H	1	924
-	N 013 633 1	rivet C 4 X 7,5		4	
				45	
>>	>>477 698 076 A	brake pad repair set - energit - without asbestos oversize 0.50 mm comprising: brake pad	/H	1	924
-	N 013 633 1	rivet C 4 X 7,5		4	
				45	
>>	>>477 698 151 A	brake pad repair set for floating calliper comprising: brake pad	/V	1	924
-	803 615 269 C	expanding spring		4	
				2	
-	803 615 261 B	retaining pin		4	
>>	>>803 698 471 C	gasket set for floating calliper comprising: sealing ring circlip slide protection cap	/V	2	924
				1	
				1	
				2	
				1	

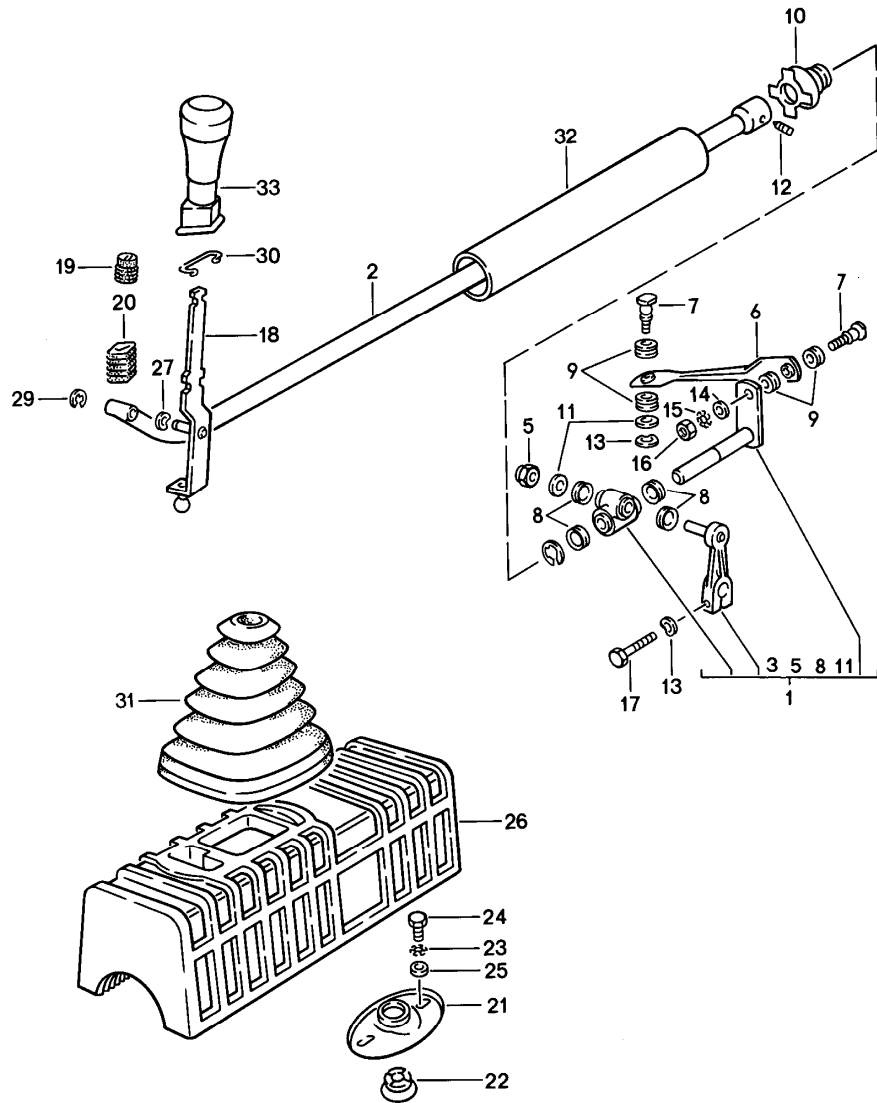
Model	Year	MG	SG	Illustration	Restrictions	UPD	10:58	23.01.2010
924	1979	6	98	698-00R		248		

Pos	Part Number	Description	Remark	Qty	Model
>>	>>477 698 051	repair kit for wheel brake cylinder 19.05 comprising: spring filler piece boot piston	/H	2	924
-	113 611 695 D	protection cap		2	
>>	>>171 698 181 H	repair kit for brake master cylinder 20.64 (TEVES)		1	924
>>	>>477 698 155	brake pad repair set (JURID 209, 380) comprising: brake pad	/V	1	TURBO 924 M471
-	928 351 935 00	expanding spring		4	
-	928 351 936 00	retaining pin		2	
-	901 351 955 10	safety seal		4	
>>	>>944 351 951 02	brake pad repair set comprising: brake pad (JURID 209*-238)	/V	1	TURBO 924 M471
>>	>>944 351 951 02	brake pad repair set without asbestos comprising: brake pad (TEXTAR T400)	/V	4	TURBO 924 M471
>>	>>944 351 952 01	mounting parts comprising: expanding spring retaining pin retaining spring safety seal	/V	1	TURBO 924 M471
>>	>>928 351 941 00	gasket set for floating calliper comprising: gasket protection cap clamping ring	/V	2	TURBO 924 M471
				1	
				1	
				1	

Model	Year	MG	SG	Illustration	Restrictions	UPD	10:58	23.01.2010
924	1979	6	98	698-00R		248		

Pos	Part Number	Description	Remark	Qty	Model
>>	>>477 698 157	brake pad repair set (JURID 231)	/H	1	TURBO 924 M471
		comprising: brake pad		4	
-	928 352 935 00	expanding spring		2	
-	928 351 936 00	retaining pin		4	
-	928 352 937 00	retaining spring		2	
>>	>>944 352 951 02	brake pad repair set comprising:	/H	1	TURBO 924 M471
		brake pad (JURID 231-223)		4	
>>	>>944 352 951 02	brake pad repair set without asbestos	/H	1	TURBO 924 M471
		comprising: brake pad (TEXTAR T426)		4	
>>	>>944 352 952 00	mounting parts comprising:	/H	1	TURBO
		expanding spring		2	
		retaining pin		4	
		retaining spring		2	
		safety seal		4	
>>	>>928 352 941 00	gasket set floating calliper comprising:	/H	2	TURBO
		gasket		1	
		protection cap		1	
		circlip		1	
		slide		2	
>>	>>928 355 913 00	repair kit for brake master cylinder 23,81 MM		1	TURBO 924 M471

Model	Year	MG	SG	Illustration	Restrictions	UPD	10:58	23.01.2010	PORSCHE	PET	PORSCHE
924	1979	7	01	701-00		248					

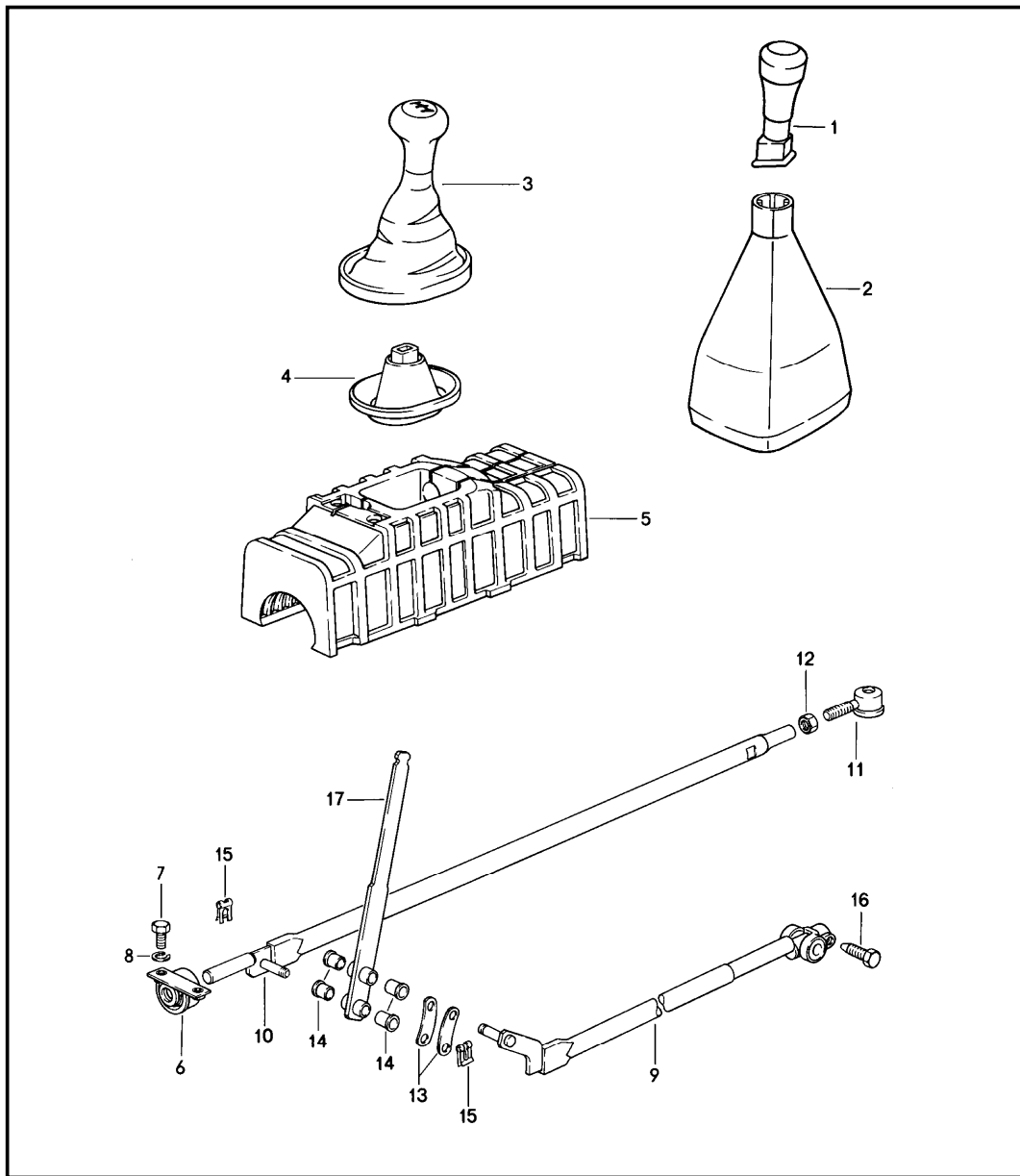


Pos	Part Number	Description	Remark	Qty	Model
		shift mechanism manual transmission			924
1	477 711 103 B	intermediate shift lever		1	
2	477 711 107 B	gear shift rod		1	
(2)	944 424 019 00	gear shift rod use also: 477.711.125.B		1	
-	477 711 103 C	intermediate shift lever		1	
3	N 012 415 1	circlip		1	
5	803 253 111	lock nut		1	
6	944 424 141 00	joint rod		1	
7	477 711 147 A	ball pin		2	
8	477 711 149	sealing ring		4	
9	477 711 155 A	sealing ring		4	
10	477 711 159 A	bellows		1	
11	311 827 181	washer		2	
12	823 711 833	hexagon-head bolt		1	
13	N 012 241 11	spring washer		1	
14	N 011 525 13	washer		1	
15	N 012 108 2	serrated lock washer		1	
16	N 011 008 8	hexagon nut		1	
17	N 010 233 6	hexagon-head bolt M 8 X 28		1	
18	477 711 205 D	gearshift lever		1	
19	477 711 217	vibration damper		1	
20	477 711 219	vibration damper		1	
21	944 424 229 00	bearing bracket		1	
22	944 424 231 01	bearing shell		1	
23	N 012 108 2	serrated lock washer		2	
24	N 010 237 6	hexagon-head bolt M 8 X 12		2	

Model	Year	MG	SG	Illustration	Restrictions	UPD	10:58	23.01.2010	PORSCHE	PET	PORSCHE
924	1979	7	01	701-00		248					

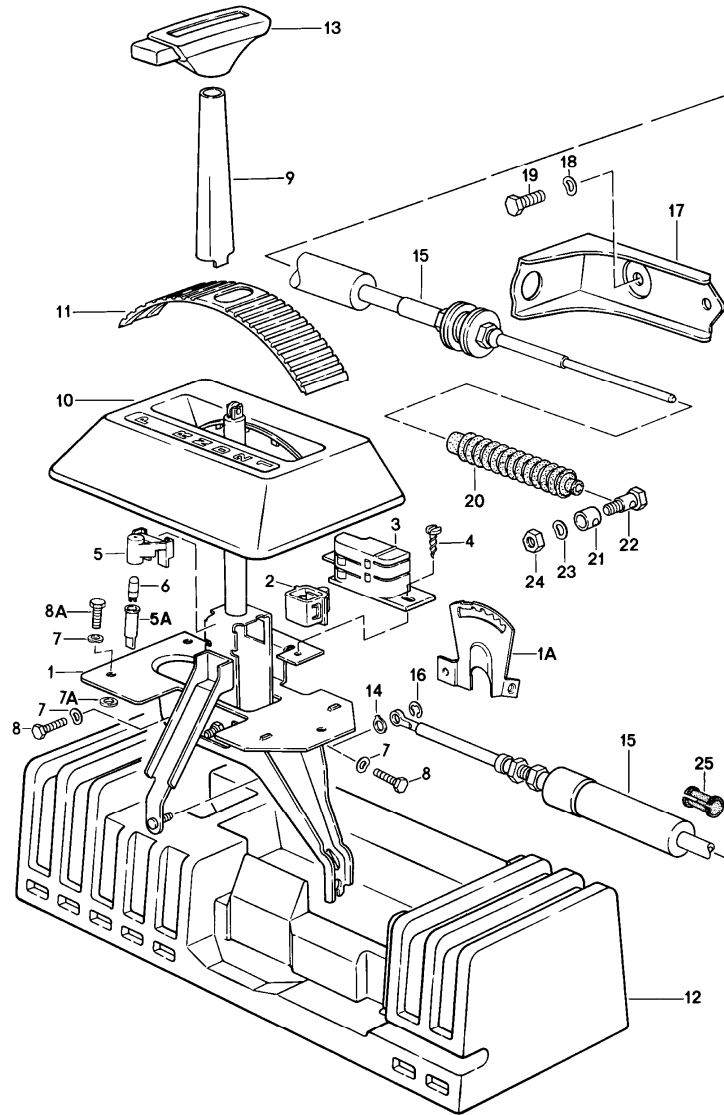
Pos	Part Number	Description	Remark	Qty	Model	Pos	Part Number	Description	Remark	Qty	Model
25	N 011 525 13	washer		2							
26	477 711 239	sound absorber		1							
27	900 028 005 02	spring washer		1							
29	N 012 437 1	lock washer		1							
30	477 711 269	retainer spring		1							
31	477 711 271 A	bellows		1							
32	477 711 285	protective tube		1							
33	477 711 289	knob 4-speed		1							

Model	Year	MG	SG	Illustration	Restrictions	UPD	10:59	23.01.2010	PORSCHE	PET	PORSCHE
924	1979	7	01	701-01		248					



Pos	Part Number	Description	Remark	Qty	Model
		shift mechanism manual transmission			924 M481 TURBO
1	928 424 105 06	gearshift knob		1	
2	477 711 251 B	boot		1	
3	928 424 073 01	gearshift knob with boot		1	
		1AJ black			
		3NG brown			
4	477 711 270	inner sleeve		1	
5	477 711 240	insulation		1	
6	477 711 237 A	bearing bracket		1	
7	N 010 210 13	hexagon-head bolt M 6 X 10		2	
8	N 012 226 5	spring washer A 6		2	
9	477 711 106	gear shift rod		1	
10	477 711 154	guiding rod		1	
11	477 711 176 A	angular joint		1	
12	900 034 003 02	hexagon nut BM 10		1	
13	477 711 216	leaf spring		2	
14	999 924 002 40	bush		4	
15	999 166 034 02	sl-lock		2	
16	901 424 229 00	conical screw		1	
17	477 711 206 B	gearshift lever		1	

Model	Year	MG	SG	Illustration	Restrictions	UPD	10:59	23.01.2010	PORSCHE	PET	PORSCHE
924	1979	7	01	701-05		248					

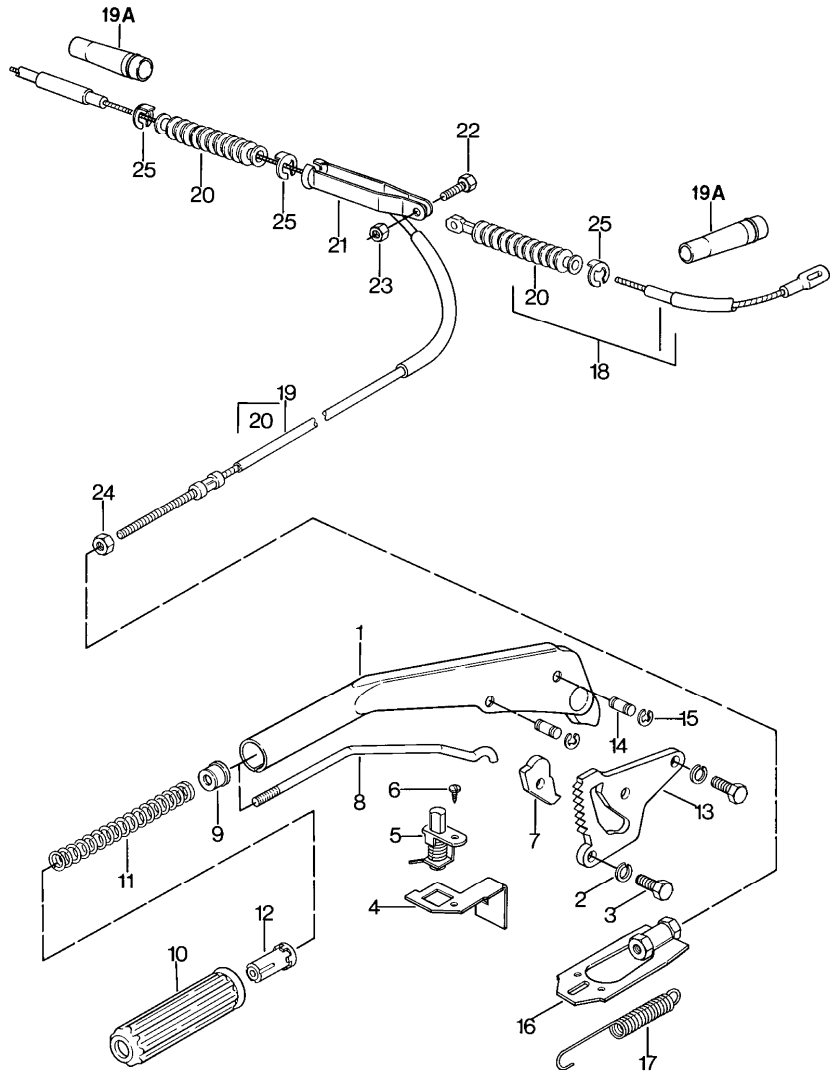


Pos	Part Number	Description	Remark	Qty	Model
		shift mechanism automatic transmission			924
1	477 713 025 A	shift mechanism		1	
1A	944 426 109 01	locking segment		1	
2	171 927 145 A	contacts		1	
3	311 927 147 B	support for contact		1	
4	N 013 968 1	tapping screw B 4,8 X 13		2	
5	321 713 855 A	bulb holder		1	
5A	111 919 243	bulb socket		1	
6	900 631 132 90	bulb		1	
7	N 012 226 5	spring washer		5	
7A	N 900 067 01	washer		3	
8	N 010 215 13	hexagon-head bolt M 6 X 15		2	
8A	N 010 217 9	hexagon-head bolt M 6 X 20		3	
9	477 713 279	cover		1	
10	477 713 111	cover		1	
		01C	black		
		90V	brown		-77
		89S	cadbury brown		77-
11	477 713 277	cover strip		1	
12	A 477 713 115	sound absorber use		1	
(12)	944 426 182 01	sound absorber it is necessary to rework		1	
(12)	944 426 181 00	sound absorber it is necessary to rework		1	
13	321 713 139	selector knob		1	
		899	black		
14	473 867 471	sealing ring		1	

Model	Year	MG	SG	Illustration	Restrictions	UPD	10:59	23.01.2010	PORSCHE	PET	PORSCHE
924	1979	7	01	701-05		248					

Pos	Part Number	Description	Remark	Qty	Model	Pos	Part Number	Description	Remark	Qty	Model
15	477 713 265 A	cable		1							
16	N 012 325 1	lock washer		1							
17	477 713 281 A	retaining bracket		1							
18	N 012 038 1	lock ring		2							
19	N 010 240 16	hexagon-head bolt M 8 X 20		2							
20	311 713 269 A	bellows		1							
21	311 713 291 A	clamping bush		1							
22	311 713 293	clamping bolt		1							
23	N 012 241 11	spring washer B 8 X 15		1							
24	N 011 118 14	hexagon nut		1							
25	431 609 781	breather hose		2							

Model	Year	MG	SG	Illustration	Restrictions	UPD	10:59	23.01.2010	PORSCHE	PET	PORSCHE
924	1979	7	01	701-10		248					

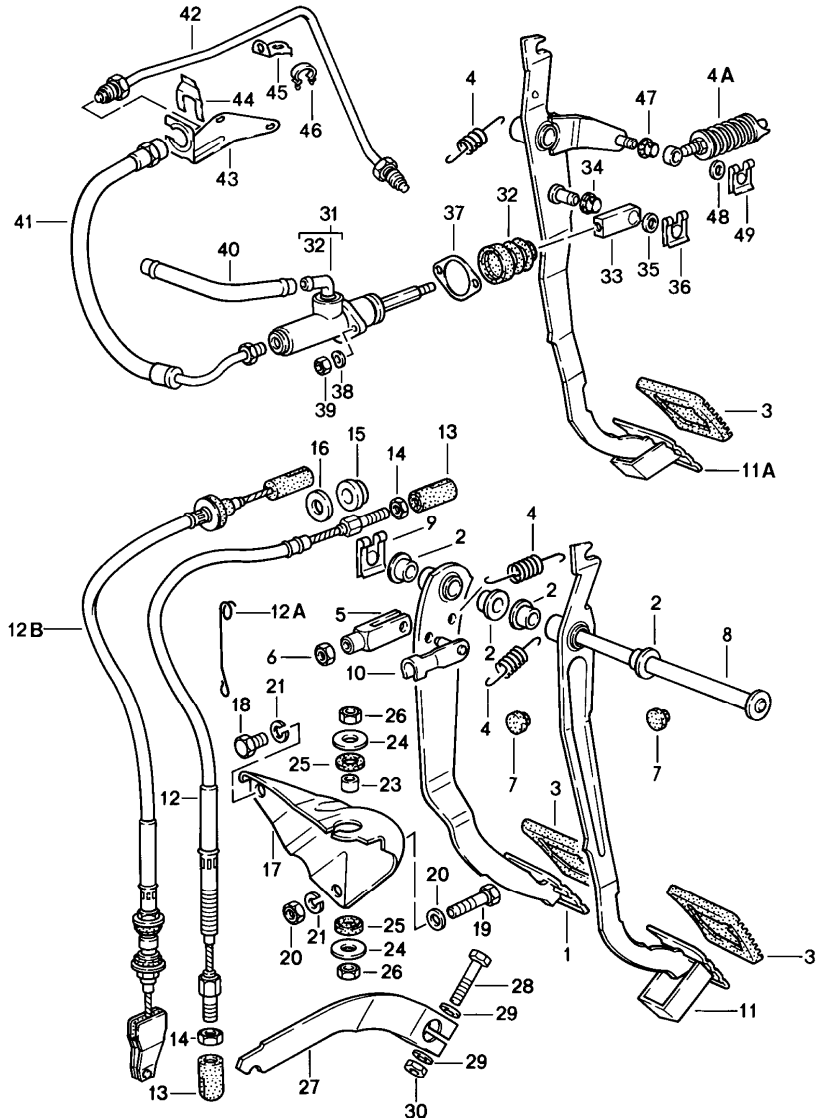


Pos	Part Number	Description	Remark	Qty	Model
		parking-brake lever			
1	477 711 305 B	parking-brake lever		1	924
(1)	477 711 305 A	parking-brake lever		1	TURBO
2	900 027 015 02	lock ring		2	
3	N 010 239 11	hexagon-head bolt M 8 X 18		2	
4	477 711 317	support	/LL	1	
(4)	478 711 318	support	/RL	1	
5	968 613 601 00	contact switch		1	
6	N 013 957 5	tapping screw B 3,5 X 9,5		1	
7	823 711 321	pawl		1	
8	481 711 325	ratchet rod		1	
9	481 711 327	spring sleeve		1	
10	839 711 327	grip handle		1	
	01C	black			
11	191 711 329	spring		1	
	01C	black			
	043	brown			
12	113 711 333 B	push button		1	
	01C	black			
	043	brown			
13	477 711 339 B	tooth sector		1	924
(13)	944 424 252 00	tooth sector		1	TURBO
14	251 711 341 A	bearing pin		2	
15	N 012 437 1	lock washer		4	
16	477 711 973	turnbuckle		1	
17	477 711 975	return spring		1	
18	477 609 719	parking-brake cable 995 MM		1	924

Model	Year	MG	SG	Illustration	Restrictions	UPD	10:59	23.01.2010	PORSCHE	PET	PORSCHE
924	1979	7	01	701-10		248					

Pos	Part Number	Description	Remark	Qty	Model	Pos	Part Number	Description	Remark	Qty	Model
19	477 609 720	parking-brake cable 2035 MM		1	924						
18	477 609 719 C	parking-brake cable		1	TURBO						
19	477 609 720 C	parking-brake cable		1	TURBO						
19A	477 609 723	guide tube		1	TURBO						
-	N 020 906 3	tie-wrap 6,5 X 450		2							
21	477 711 965	compensating bow		1							
22	N 010 217 9	hexagon-head bolt M 6 X 20		1							
23	900 910 012 02	lock nut		1							
24	900 076 010 02	hexagon nut		1							
25	N 012 328 1	lock		1							
-	999 513 025 40	tie-wrap		2							

Model	Year	MG	SG	Illustration	Restrictions	UPD	10:59	23.01.2010	PORSCHE	PET	PORSCHE
924	1979	7	02	702-00		248					

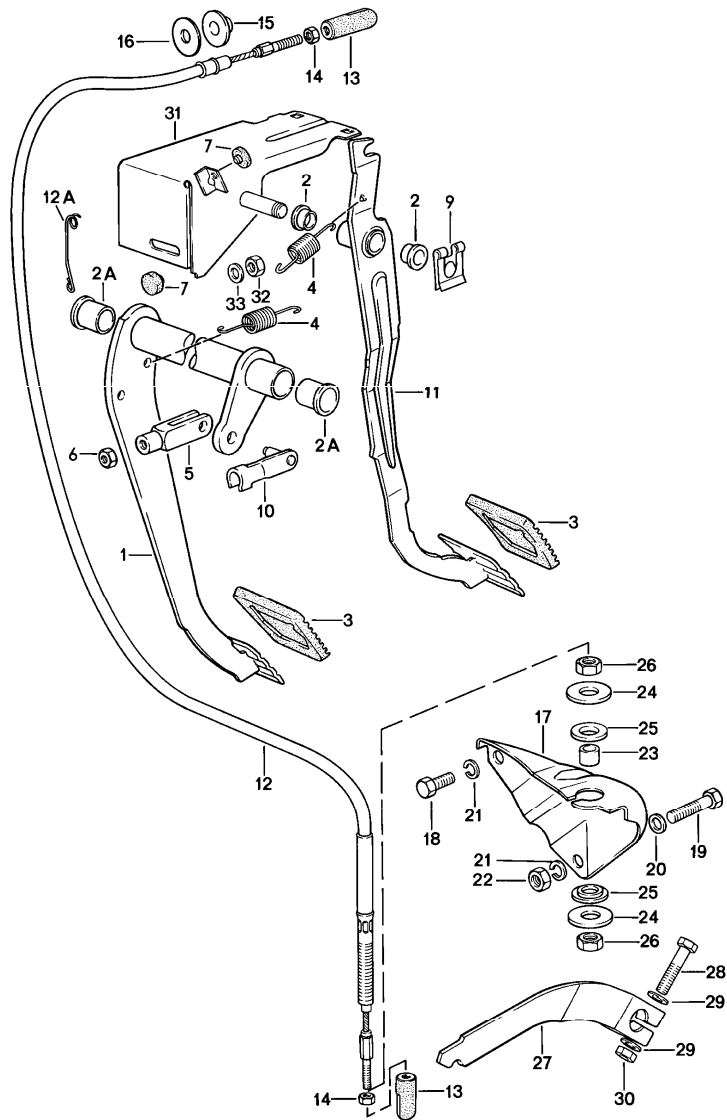


Pos	Part Number	Description	Remark	Qty	Model
1	823 721 141	pedals brake clutch left-hand drive		1	
		brake pedal F	>>92481 00776		
(1)	477 721 141	brake pedal F 92481 00777>>		1	
(1)	477 723 141	brake pedal		1	AUT.
2	443 721 153 A	bearing sleeve		4	
3	823 721 173	cap		2	
(3)	827 723 173	cap		1	AUT.
4	321 721 191	return spring		2	
4A	477 721 353 A	clutch power spring		1	TURBO
5	803 721 213	clevis		1	
6	N 011 010 6	hexagon nut		1	
7	999 703 183 40	buffer		2	
8	843 721 309	bolt		1	
(8)	N 023 151 2	bolt		1	AUT.
9	N 012 653 1	lock		1	
10	N 023 476 1	bolt		1	
11	477 721 315	clutch pedal F	>>92481 00776	1	
(11)	477 721 315 A	clutch pedal F 92481 00777>>		1	924
11A	477 721 315 D	clutch pedal		1	TURBO
12	803 721 335 A	clutch cable F	>>92491 03260	1	
12B	477 721 333 B	clutch cable F 92491 03261>>		1	924
12A	477 721 391	retainer spring		1	924
13	803 721 339	threaded eye	-10/78	2	
14	900 076 010 02	hexagon nut	-10/78	2	

Model	Year	MG	SG	Illustration	Restrictions	UPD	10:59	23.01.2010	PORSCHE	PET	PORSCHE
924	1979	7	02	702-00		248					

Pos	Part Number	Description	Remark	Qty	Model	Pos	Part Number	Description	Remark	Qty	Model
15	803 721 393	bush	-10/78	1		-	999 181 021 50	hose 12,5 X 7,5		*	
16	803 721 397	washer 10,4 X 38 X 2,5	-10/78	1		40	-	220 MM		1	
17	477 721 399 A	support		1	924	41	477 721 189 A	clutch hose		1	
18	N 034 879 4	hexagon-head bolt M 12 X 22		1	924	42	477 721 185	clutch pipeline		1	
19	N 010 476 3	screw M 12 X 75		1	924	43	477 721 191	support clutch hose		1	
20	N 011 531 7	washer		1		44	928 423 183 01	hose holder		1	
21	N 012 042 4	lock ring		2		45	477 721 195	retaining bracket		1	
22	N 011 030 4	hexagon nut		1		46	181 971 847	cable clip		1	
23	803 721 341	spacer tube	-10/78	1		47	999 924 001 40	bush		1	
24	803 721 369	washer	-10/78	2		48	N 011 525 13	washer		1	
25	803 721 389	bush	-10/78	2		49	N 900 470 01	lock washer		1	
26	N 021 281 1	lock nut	-10/78	2							
27	019 141 719	clutch release lever		1							
28	N 040 262 2	hexagon-head bolt M 8 X 50		1							
29	N 015 401 4	washer		2							
30	N 011 008 8	hexagon nut		1							
		actuator hydraulic									
31	477 721 171	clutch master cylinder complete		1							
32	928 423 908 00	bellows		1							
33	928 423 517 00	clevis		1							
34	999 924 002 40	bush		1							
35	900 025 008 09	washer		1							
36	999 166 034 02	sl-lock		1							
37	928 423 191 00	gasket		1							
38	900 027 015 02	lock ring		2							
39	900 076 025 02	hexagon nut		3							

Model	Year	MG	SG	Illustration	Restrictions	UPD	10:59	23.01.2010	PORSCHE	PET	PORSCHE
924	1979	7	02	702-05		248					

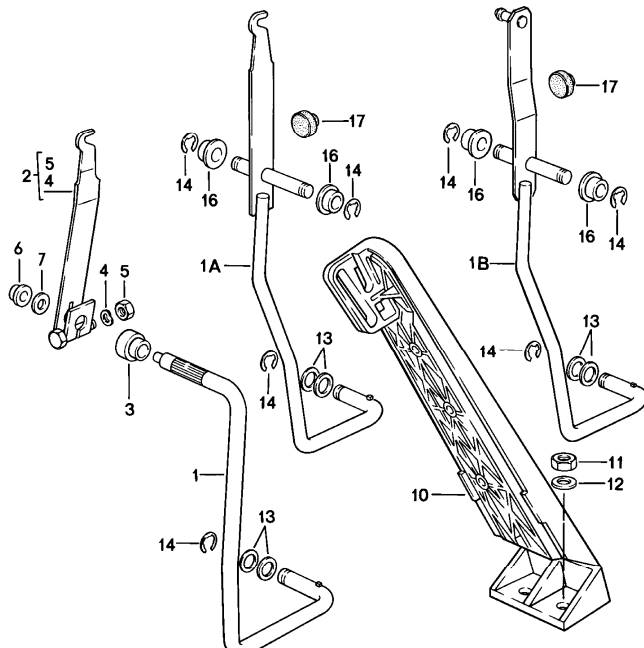
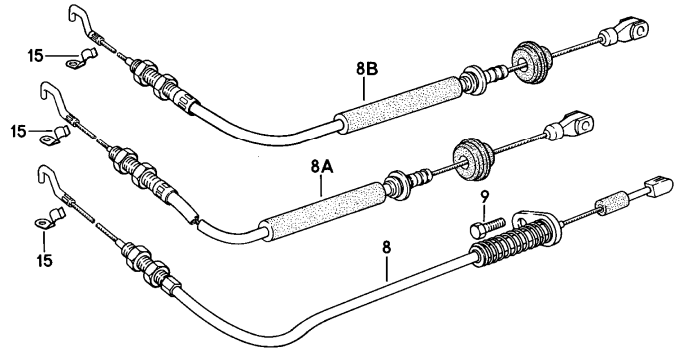


Pos	Part Number	Description	Remark	Qty	Model
		pedals brake clutch right-hand drive			
1	478 721 141	brake pedal		1	
(1)	478 723 141	brake pedal		1	AUT.
2	443 721 153 A	bearing sleeve		2	
2A	478 721 153	bearing sleeve		2	
3	823 721 173	cap		2	
(3)	827 723 173	cap		1	AUT.
4	321 721 191	return spring		2	
5	803 721 213	clevis		1	
6	N 011 010 6	hexagon nut		1	
7	999 703 183 40	buffer		2	
9A	N 012 653 1	lock		1	
10	N 023 476 1	bolt		1	
11	478 721 315	clutch pedal		1	
12	478 721 335 A	cooling water tube		1	
12A	477 721 391	retainer spring		1	
13	803 721 339	threaded eye		2	
14	900 076 010 02	hexagon nut		2	
15	803 721 393	bush		1	
16	803 721 397	washer 10,4 X 38 X 2,5		1	
17	477 721 399 A	support		1	
18	N 034 879 4	hexagon-head bolt M 12 X 22		1	
19	N 010 476 3	screw M 12 X 75		1	
20	N 011 531 7	washer		1	
21	N 012 042 4	lock ring		2	
22	N 011 030 4	hexagon nut		1	

Model	Year	MG	SG	Illustration	Restrictions	UPD	10:59	23.01.2010	PORSCHE	PET	PORSCHE
924	1979	7	02	702-05		248					

Pos	Part Number	Description	Remark	Qty	Model	Pos	Part Number	Description	Remark	Qty	Model
23	803 721 341	spacer tube		1							
24	803 721 369	washer		2							
25	803 721 389	bush		2							
26	N 021 281 1	lock nut		2							
27	019 141 719	clutch release lever		1							
28	N 040 262 2	hexagon-head bolt M 8 X 50		1							
29	N 015 401 4	washer		2							
30	N 011 008 8	hexagon nut		1							
31	478 721 113 A	bracket		1							
32	900 076 025 02	hexagon nut		3							
33	N 012 229 3	spring washer		3							

Model	Year	MG	SG	Illustration	Restrictions	UPD	11:00	23.01.2010	PORSCHE	PET	PORSCHE
924	1979	7	02	702-10		248					

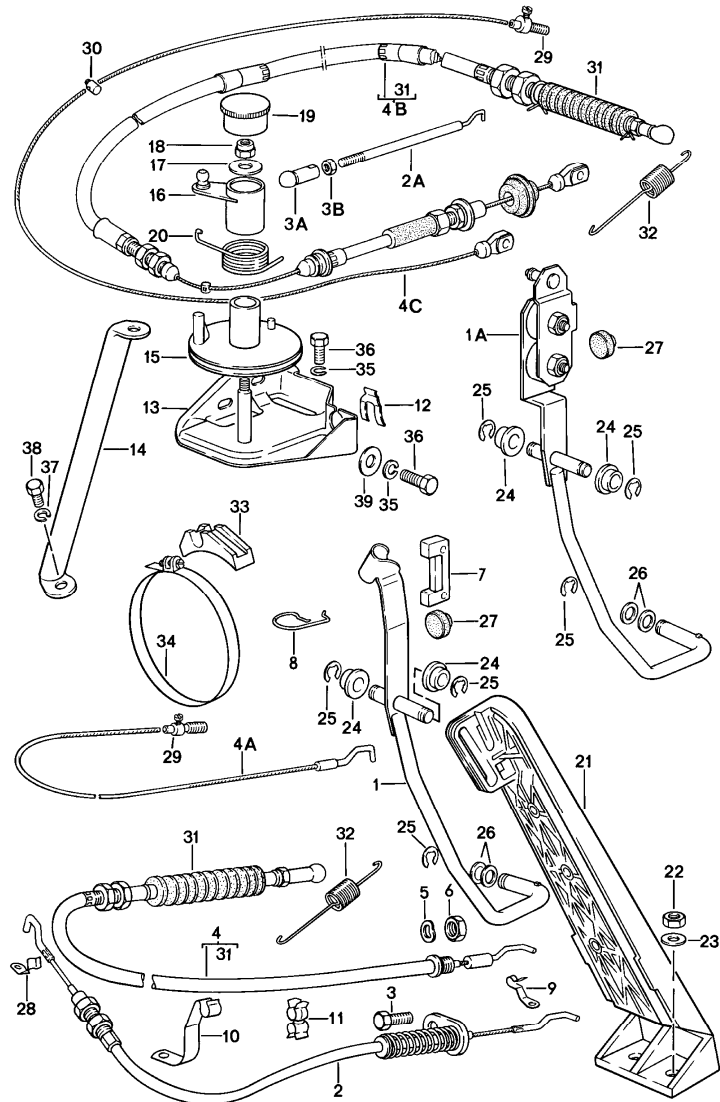


Pos	Part Number	Description	Remark	Qty	Model
		accelerator pedal accelerator cable			
		F >>92481 00776 F >>92482 01225 F >>92483 30098			
1	477 721 545	accelerator lever shaft	/LL	1	
2	477 721 537	lever	/LL	1	
3	321 721 543	bearing sleeve	/LL	1	
4	N 012 105 3	serrated lock washer A 6,4		1	
5	900 076 010 02	hexagon nut		1	
6	823 721 553	bearing sleeve	/LL	1	
7	N 011 524 4	washer A 6,4		1	
8	477 721 547 B	accelerator cable	/LL	1	
9	N 010 217 9	hexagon-head bolt M 6 X 20		1	
		F 92481 00777>> F 92482 01226>> F 92483 30099>> F >>92481 09474 F >>92482 11638 F >>92483 30450			
1A	477 721 507	lever	/LL	1	
(1A)	478 721 507	lever	/RL	1	
8	477 721 547 B	accelerator cable	/LL	1	
(8)	478 721 547 B	accelerator cable	/RL	1	
9	N 010 217 9	hexagon-head bolt M 6 X 20		1	
		F 92491 00001>> F 92492 00001>> F 92493 00001>>			
1B	477 721 507 A	lever	/LL	1	
1B	944 423 031 00	accelerator control	/LL	1	
(1B)	945 423 031 01	accelerator control	/RL	1	924
8A	477 721 547 F	accelerator cable	/LL	1	924

Model	Year	MG	SG	Illustration	Restrictions	UPD	11:00	23.01.2010	PORSCHE	PET	PORSCHE
924	1979	7	02	702-10		248					

Pos	Part Number	Description	Remark	Qty	Model	Pos	Part Number	Description	Remark	Qty	Model
(8A)	478 721 547 C	accelerator cable F >>92491 04100	/RL	1	924						
(8A)	478 721 547 E	accelerator cable F 92491 04101>>	/RL	1	924						
8B	477 721 547 E	accelerator cable	/LL	1	TURBO						
10	827 723 511 A	accelerator pedal		1							
11	900 076 010 02	hexagon nut		2							
12	803 817 121	washer		2							
13	900 025 038 40	washer		2							
14	N 012 436 2	lock washer		3							
15	823 721 569	retainer spring		1							
16	477 721 543	bearing sleeve		2							
17	999 703 183 40	buffer		1							

Model	Year	MG	SG	Illustration	Restrictions	UPD	11:00	23.01.2010	PORSCHE	PET	PORSCHE
924	1979	7	02	702-15		248					

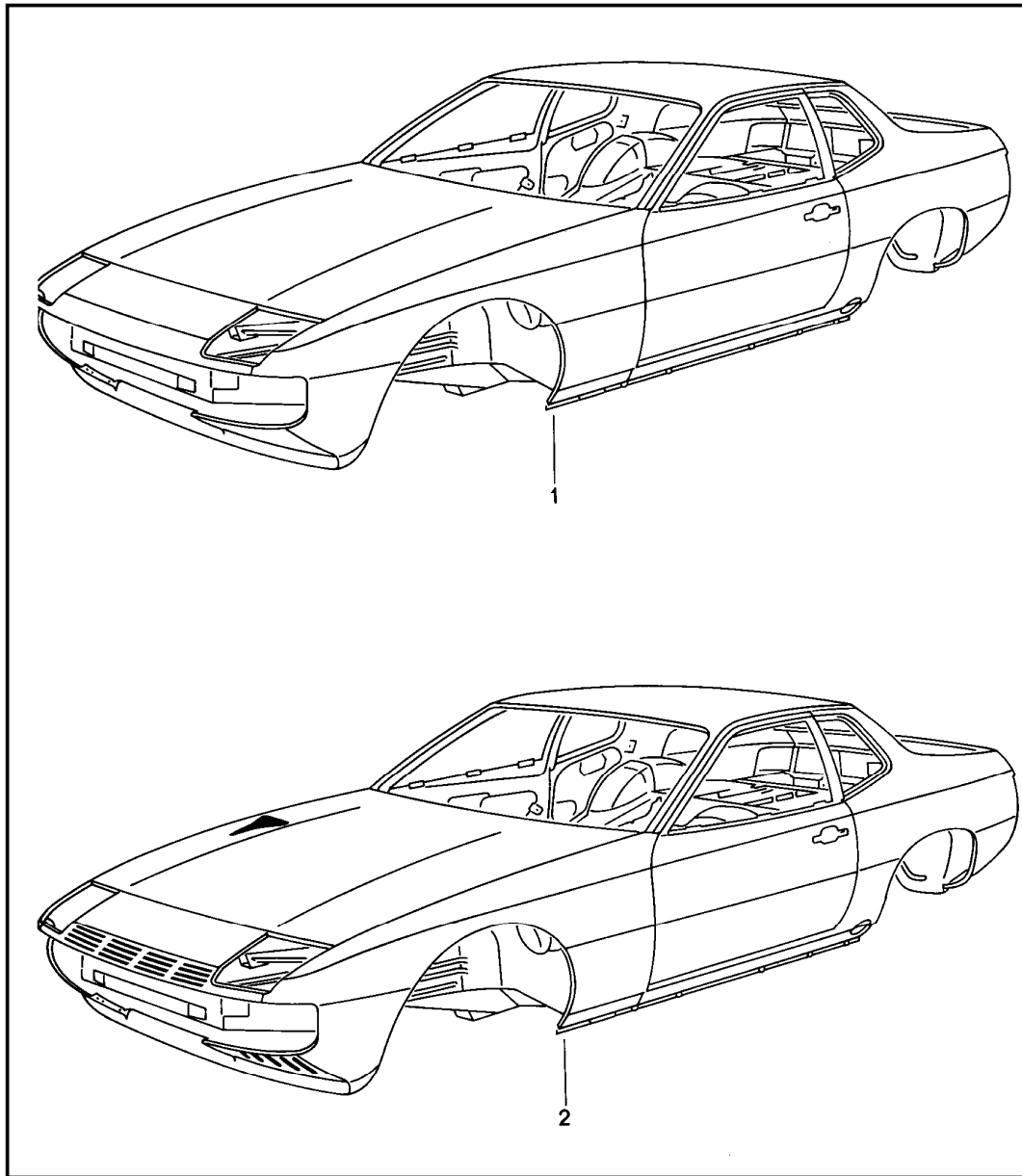


Pos	Part Number	Description	Remark	Qty	Model
		accelerator pedal accelerator cable			AUT.
1	477 723 507 B	lever	/LL	1	
(1)	478 723 507 A	accelerator control	/RL	1	
2	477 721 547 D	accelerator cable	/LL	1	
(2)	478 723 547	accelerator cable	/RL	1	
3	N 010 217 9	hexagon-head bolt M 6 X 20		1	
4	477 723 557 C	cable control pressure	/LL	1	
4A	477 723 602	cable	/LL	1	
(4)	478 723 557 A	cable control pressure	/RL	1	
(4A)	478 723 602	cable	/RL	1	
5	N 012 230 6	spring washer		1	
6	900 158 004 00	hexagon nut M 10		1	
7	477 723 546	lever		1	
8	477 723 551 A	retaining spring		1	
9	477 723 571	retainer spring		2	
10	A 431 721 346 A	dual clamp		1	
11	431 721 346 A	dual clamp		1	
1A	944 423 033 00	accelerator control	/LL	1	
1A	944 423 033 00	accelerator control	/LL	1	
(1)	478 723 507 A	accelerator control	/RL	1	
2A	477 723 535	throttle linkage		1	
3A	911 423 147 00	ball socket		1	
3B	N 011 005 14	hexagon nut		1	
4B	477 723 575 A	accelerator cable accelerator control control pressure	/LL	1	
4C	477 723 602 C	cable	/LL	1	

Model	Year	MG	SG	Illustration	Restrictions	UPD	11:00	23.01.2010	PORSCHE	PET	PORSCHE
924	1979	7	02	702-15		248					

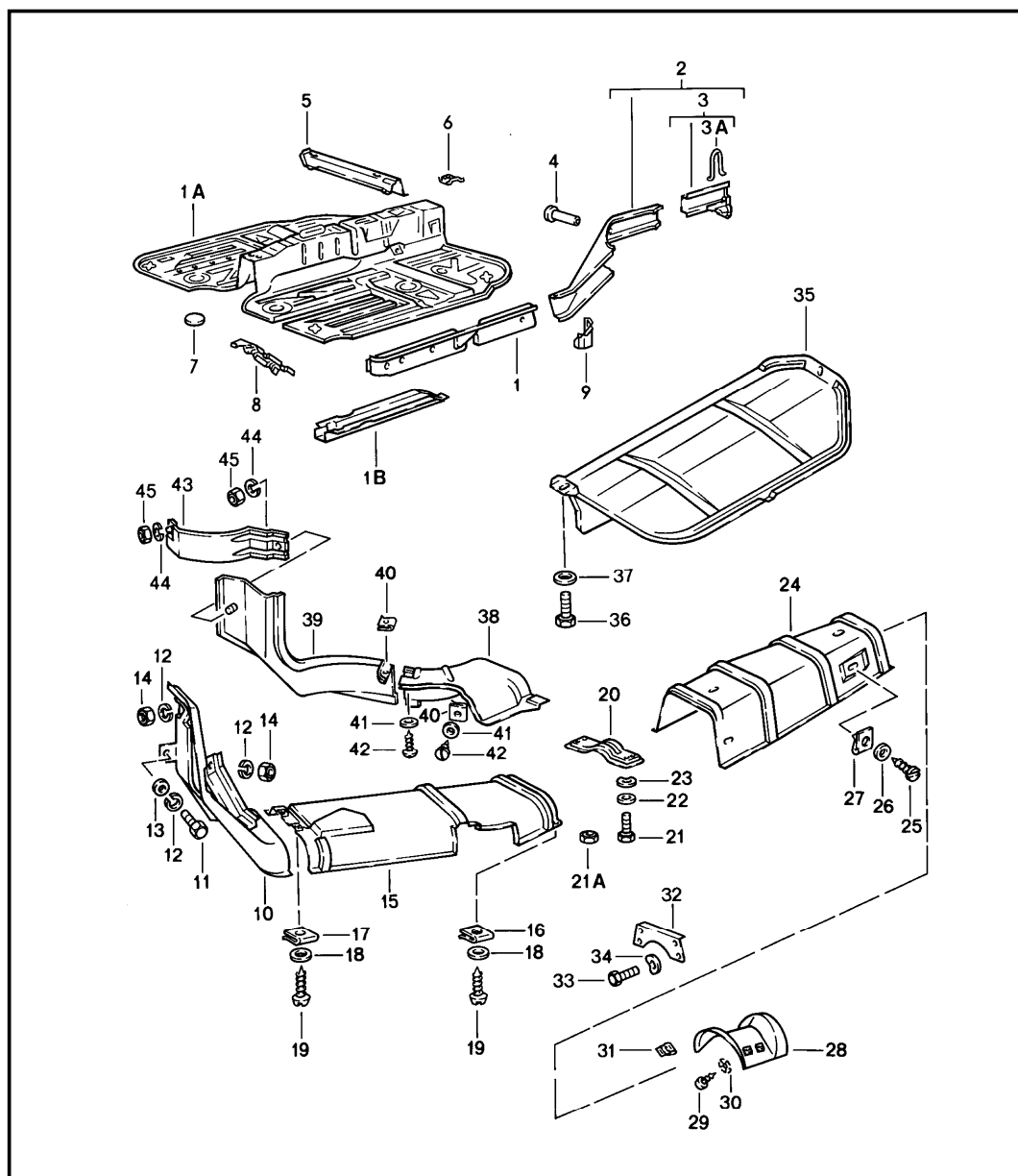
Pos	Part Number	Description	Remark	Qty	Model	Pos	Part Number	Description	Remark	Qty	Model
(4B)	478 723 575 A	accelerator cable accelerator control control pressure	/RL	1		31	311 713 269 A	bellows		1	
(4C)	478 723 602 B	cable	/RL	1		(32)	477 723 563 C	tension spring		1	
12	N 012 323 1	circlip		1		33	477 723 567	support		4	
13	477 723 525	support		1		34	999 512 350 02	hose clamp		4	
14	477 723 579	bracket		1							
15	477 723 511	deflection roller		1							
16	477 723 515	accelerator control		1							
17	477 723 531	washer		1							
18	113 251 273	hexagon nut M 6		1							
19	999 659 045 40	protection cap		1							
20	477 723 523	steering knuckle spring		1							
35	N 012 226 5	spring washer		3							
36	N 010 215 13	hexagon-head bolt M 6 X 15		3							
37	N 012 228 3	spring washer		1							
38	N 010 237 6	hexagon-head bolt M 8 X 12		1							
39	900 151 003 02	washer		2							
21	827 723 511 A	accelerator pedal		1							
22	900 076 010 02	hexagon nut		2							
23	803 817 121	washer		2							
24	477 721 543	bearing sleeve		2							
25	N 012 436 2	lock washer		3							
26	900 025 038 40	washer		2							
27	999 703 183 40	buffer		1							
28	823 721 569	retainer spring		1							
29	477 723 601	nipple		1							
30	477 723 611	nipple		1							

Model	Year	MG	SG	Illustration	Restrictions	UPD	11:00	23.01.2010	PORSCHE	PET	PORSCHE
924	1979	8	01	801-00		248					



Pos	Part Number	Description	Remark	Qty	Model
		body in white with lid wing doors prime coated sealed underbody protection sprayed with filler bodysHELLS can only only available from current model year available			

Model	Year	MG	SG	Illustration	Restrictions	UPD	11:00	23.01.2010	PORSCHE	PET	PORSCHE
924	1979	8	01	801-05		248					



Pos	Part Number	Description	Remark	Qty	Model
1	477 803 103	side member heat shield		1	
(1)	477 803 103	side member centre	/L	1	
(1)	477 803 112	side member centre	/LL/R	1	
(1)	478 803 104	side member centre	/RL/R	1	
-	999 703 119 40	stopper side member		8	
1A	944 501 501 00	floor section		1	
1B	477 803 283	side member floor section centre		2	
2	477 803 105	side member use also: 477.803.145 F >>92481 00776	/L	1	924
2	477 803 105 A	side member use also: 477.803.145 F 92481 00777>>	/L	1	
(2)	477 803 106	side member use also: 477.803.145 F >>92481 00776	/R	1	924
(2)	477 803 106 A	side member use also: 477.803.145 F 92481 00777>>	/R	1	
3	477 803 125 A	end piece	/L	1	
(3)	477 803 126	end piece	/R	1	
3A	477 803 129	retaining bow		2	
4	477 803 145	bush		2	
5	477 803 231	cross member	/V/L	1	
(5)	477 803 232	cross member	/V/R	1	
6	477 803 241	bracket front seat	/H	4	
7	411 803 595	lid		2	

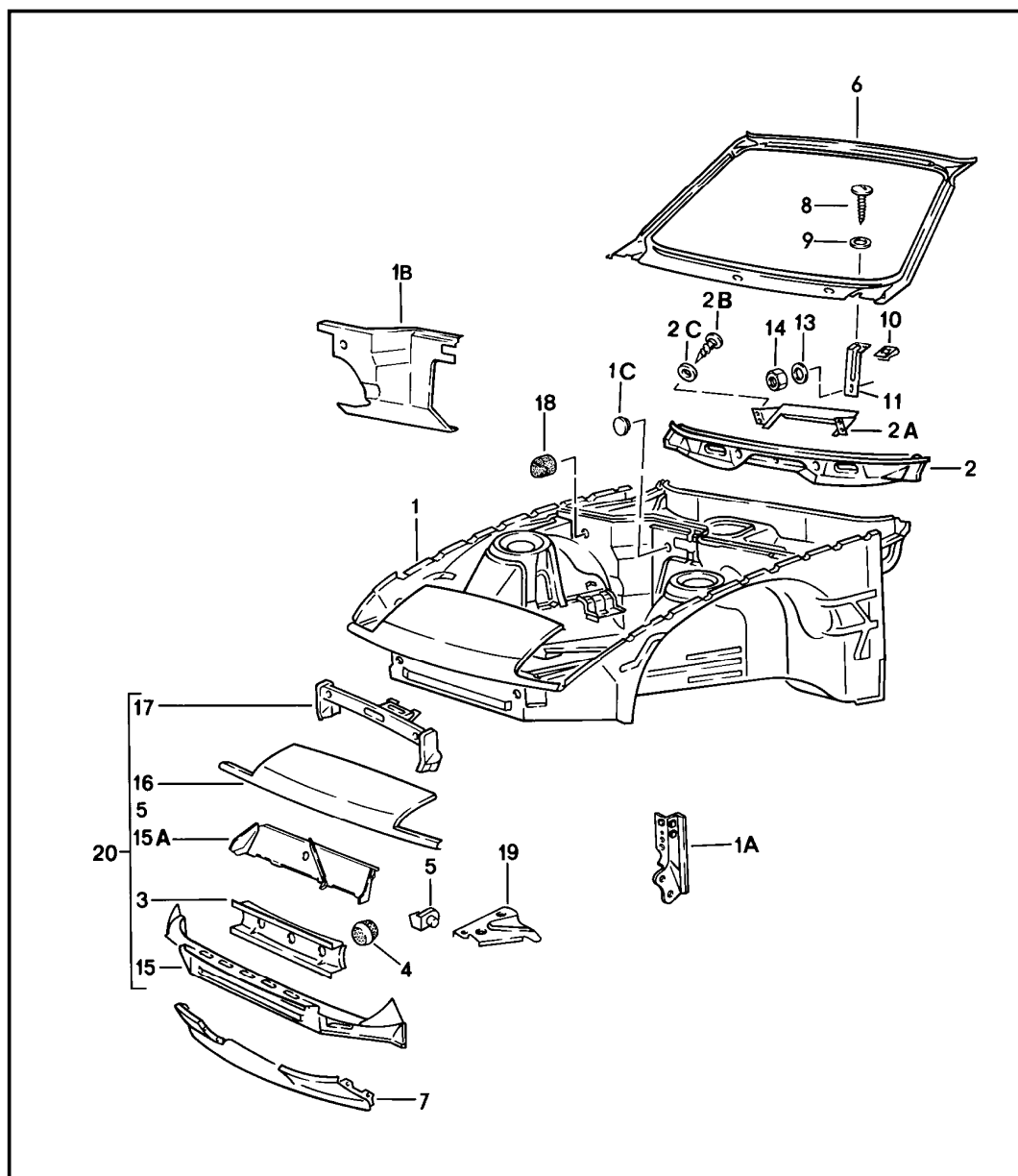
Model	Year	MG	SG	Illustration	Restrictions	UPD	11:00	23.01.2010	PORSCHE	PET	PORSCHE
924	1979	8	01	801-05		248					

Pos	Part Number	Description	Remark	Qty	Model	Pos	Part Number	Description	Remark	Qty	Model
8	477 803 729	foot support	/LL	1		22	N 011 670 1	washer 8,1	-78	2	
9	477 803 871	bracket F >>92481 00776	/L	1	924	(22)	N 011 525 13	washer A 8,4	79-	4	
9	477 803 871 A	jacking point F 92481 00777>>	/L	1		23	N 012 229 3	spring washer A 8	-78	4	
(9)	477 803 872	bracket F >>92481 00776	/R	1	924	(23)	900 027 015 02	lock ring B 8	79-	4	
(9)	477 803 872 A	jacking point F 92481 00777>>	/R	1		(24)	477 803 869	heat shield	79-	1	TURBO
10	477 809 214 A	cover plate		1		28	477 803 879	heat shield	-78	1	
11	999 072 005 09	hexagon-head bolt M 6 X 12		3		29	900 143 007 02	tapping screw B 4,2 X 13	-78	4	
12	N 012 006 4	lock ring B 6		3		30	900 115 004 01	serrated lock washer A 4,3	-78	4	
13	N 011 524 7	washer A 6,4		4		31	999 591 331 02	speed nut	-78	4	
14	900 076 010 02	hexagon nut M 6		1		32	477 803 291	transverse strut		2	
15	477 803 397	heat shield	-78	1		33	N 010 237 6	hexagon-head bolt M 8 X 12		8	
15	477 803 387	heat shield	79-	1		34	N 012 229 3	spring washer A 8		8	
16	N 015 458 1	speed nut B 4,8 X 19	-78	2		35	477 813 139	heat shield	(B)	1	
16	N 015 458 1	speed nut B 4,8 X 20	79-	2		(35)	477 813 139 A	heat shield	AUT.	1	
17	N 015 458 1	speed nut B 4,8 X 20		2		(35)	944 503 139 00	heat shield oval		1	
18	900 151 027 02	washer B 5,3		4		36	999 072 005 09	hexagon-head bolt M 6 X 12		3	
19	N 013 968 7	tapping screw B 4,8 X 13		4		37	900 151 029 02	washer 6,4		3	
20	477 803 275	transverse strut	-78	1		38	477 803 393	heat shield		1	TURBO
(20)	477 803 253	transverse strut	79-	1		39	477 803 394	heat shield		1	TURBO
21	900 075 087 02	hexagon-head bolt M 8 X 15	-78	4		40	N 900 620 01	speed nut		2	TURBO
21A	N 011 008 8	hexagon nut M 8	79-	4		41	900 151 027 02	washer B 5,3		2	TURBO
						42	N 013 968 7	tapping screw B 4,8 X 13		2	TURBO

Model	Year	MG	SG	Illustration	Restrictions	UPD	11:00	23.01.2010	PORSCHE	PET	PORSCHE
924	1979	8	01	801-05		248					

Pos	Part Number	Description	Remark	Qty	Model	Pos	Part Number	Description	Remark	Qty	Model
43	477 809 497	heat shield		1	TURBO						
44	N 012 026 3	lock ring 6		2	TURBO						
45	900 076 010 02	hexagon nut M 6		2	TURBO						
-	477 863 671	heat insulation	/H	1	TURBO						

Model	Year	MG	SG	Illustration	Restrictions	UPD	11:00	23.01.2010	PORSCHE	PET	PORSCHE
924	1979	8	01	801-10		248					

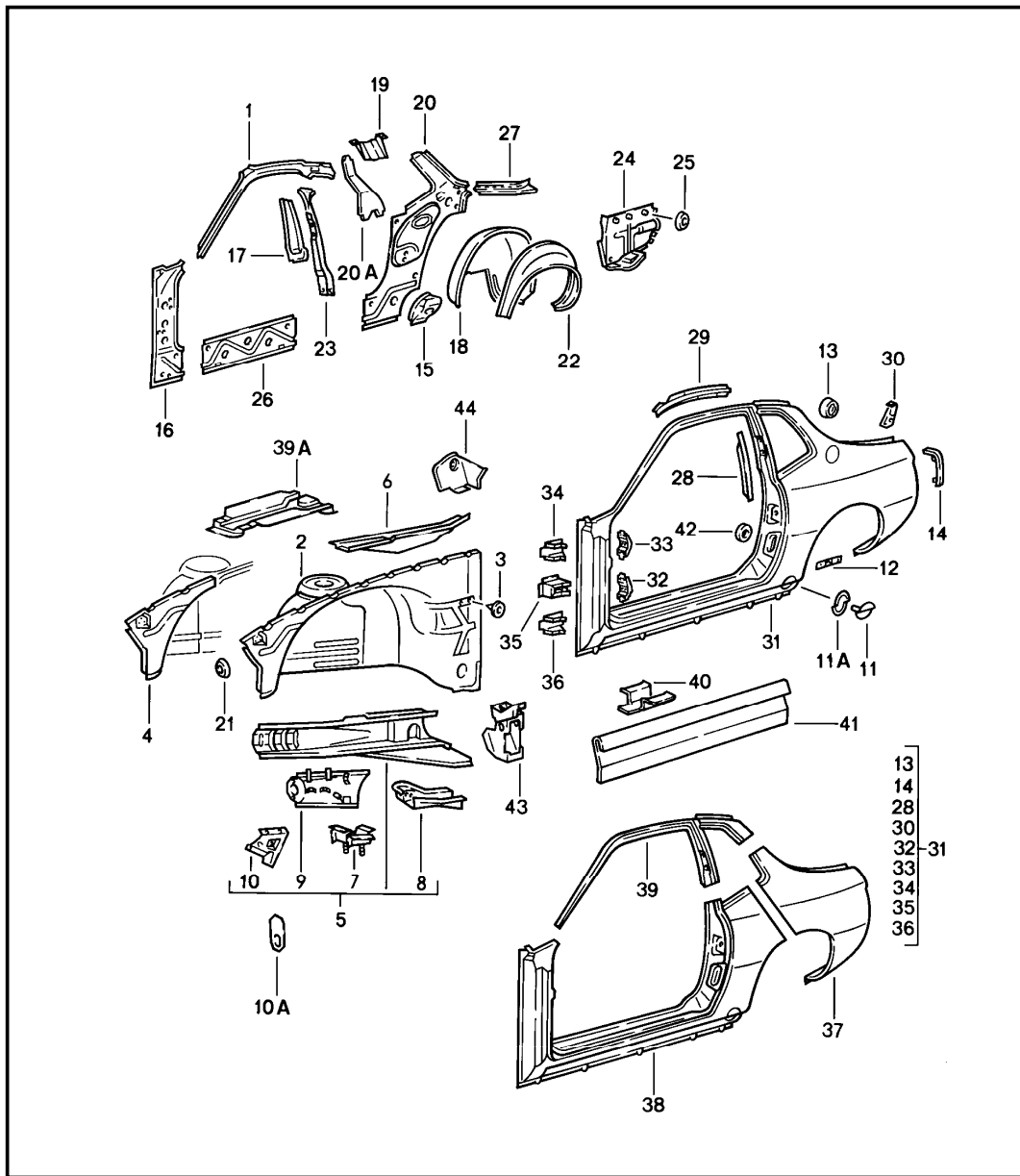


Pos	Part Number	Description	Remark	Qty	Model
1	477 805 021 AS	body front section		1	924
		body front section without carbon canister use also: stopper 999 703 103 40	/LL	2	
(1)	477 805 021 F	body front section	/LL	1	TURBO
(1)	478 805 021 M	body front section without carbon canister use also: stopper 999.703.103.40	/RL	1	924
				2	
1A	477 805 057 A	reinforcement	/L	1	
(1A)	477 805 058 A	reinforcement	/R	1	
(1B)	944 502 021 01	firewall	/L	1	
(1B)	944 502 202 00	firewall	/R	1	
2	944 502 079 00	cross member	/LL	1	
(2)	945 502 079 00	cross member	/RL	1	
3	477 805 477	cross member	/V	1	
4	803 803 583	drain bush		3	
5	477 805 567	bracket	/L	1	
(5)	477 805 568	bracket	/R	1	
6	477 805 571 A	windscreen frame		1	
7	944 503 035 01	spoiler		1	924
(7)	944 503 035 00	spoiler		1	TURBO
8	900 143 046 07	tapping screw 4,8 X 13		2	
9	N 011 527 12	washer A 5,3		2	
10	N 015 436 1	speed nut 4,8 X 14,8		2	
11	477 805 592	cowl panel support		2	
-	N 010 215 13	hexagon-head bolt M 6 X 12	-78	2	924

Model	Year	MG	SG	Illustration	Restrictions	UPD	11:00	23.01.2010	PORSCHE	PET	PORSCHE
924	1979	8	01	801-10		248					

Pos	Part Number	Description	Remark	Qty	Model	Pos	Part Number	Description	Remark	Qty	Model
13	N 011 666 7	washer 6,1	-78	4	924						
(13)	N 011 612 3	washer R 7	79-	2							
14	900 910 012 02	lock nut M 6		2							
15	944 503 043 00	end plate lower		1							
15A	944 502 061 00	air duct		1							
16	477 805 593	end plate upper when required order also: POS.5		1	924						
(16)	477 805 593 A	end plate upper		1	TURBO						
17	944 501 933 01	lock carrier		1							
18	477 805 667	water drain valve		2							
19	477 805 699	corner plate	/L	1	M573						
(19)	477 805 682	corner plate F >>92481 00776	/R	1	924						
20	477 805 591	terminal piece complete		1	924						

Model	Year	MG	SG	Illustration	Restrictions	UPD	11:01	23.01.2010	PORSCHE	PET	PORSCHE
924	1979	8	01	801-15		248					



Pos	Part Number	Description	Remark	Qty	Model
		side section			
1	477 809 037	separator inner	/L	1	
(1)	477 809 037	separator	/L	1	M650
(1)	477 809 038	separator	/R	1	
(1) A	477 809 038	separator	/R	1	
-	311 881 945 A	stopper		3	
2	477 809 103 D	wheel housing without carbon canister use also: stopper 999.703.103.40	/L	1	
(2)	477 809 104 D	wheel housing use also: 478.809.446	/R /RL	1	
3	N 020 025 1	stopper		3	924
4	477 809 105	sub-part	/L	1	
(4)	477 809 108 C	wheel housing	/R	-78	1 924
(4)	477 809 108 C	wheel housing	/R	79-	1
(5) A	477 809 111 H	side member	/L	-78	1 924
(5)	477 809 111 M	side member	/L	-78	1 924
(5)	477 809 112 M	side member	/R	-78	1 924
(5)	477 809 111 Q	side member	/L	79-	1
(5)	477 809 112 Q	side member	/R	79-	1
6	477 809 119	side member upper	/LL/L	1	924
(6)	945 502 119 02	side member	/RL/L	1	924
(6)	477 809 119 A	side member	/LL/L	1	TURBO
(6)	477 809 120	side member upper	/LL/R	1	
(6)	478 809 120	side member	/RL/R	1	924
7	477 809 151	bearing bracket		2	

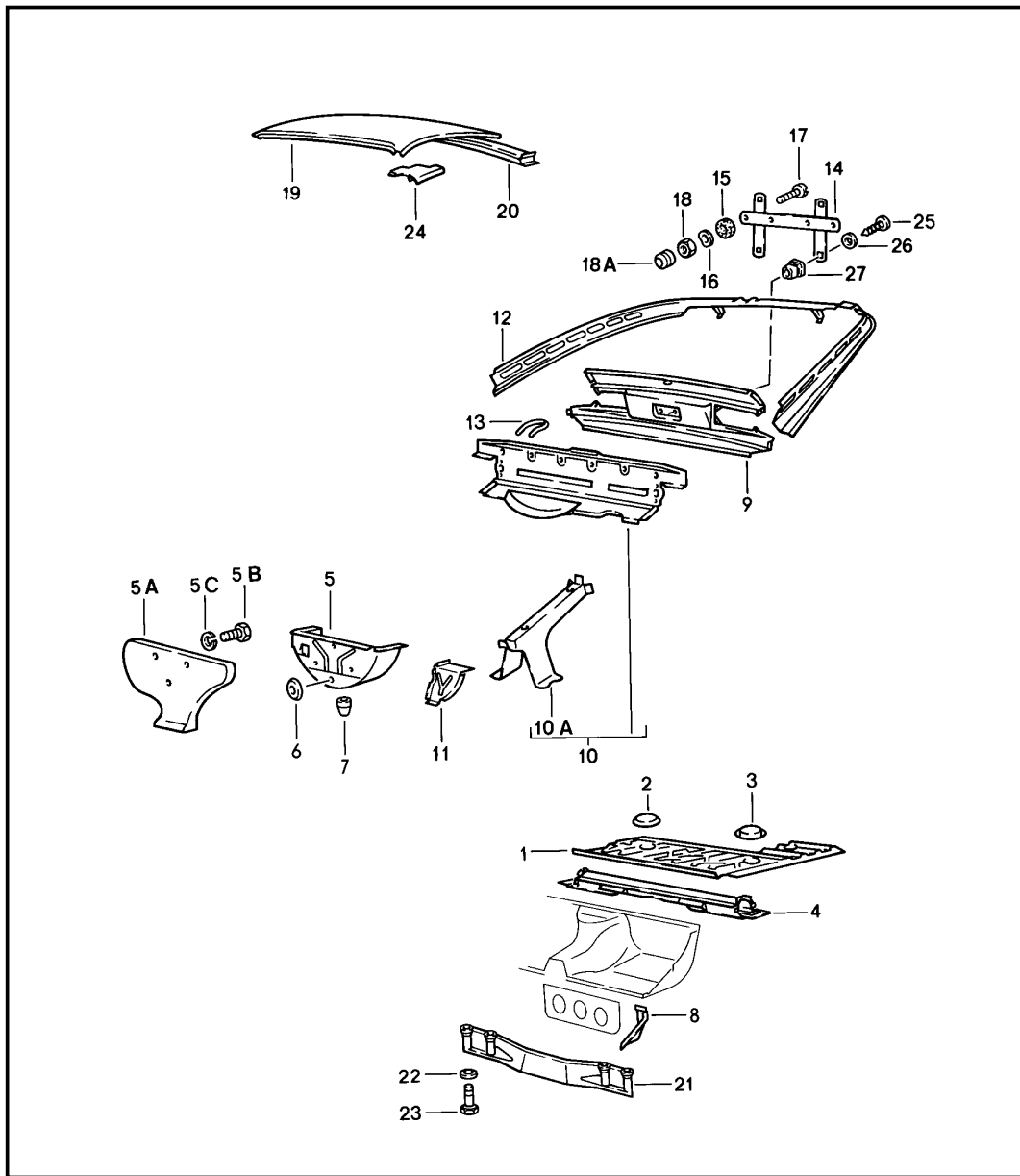
Model	Year	MG	SG	Illustration	Restrictions	UPD	11:01	23.01.2010	PORSCHE	PET	PORSCHE
924	1979	8	01	801-15		248					

Pos	Part Number	Description	Remark	Qty	Model	Pos	Part Number	Description	Remark	Qty	Model		
8	477 809 165	bracket F >>92481 03515	/L	1	924	(15)	477 809 388 A	corner plate F 92481 00777>>	/R	1			
8	477 809 165 A	bracket F 92481 03516>>92481 09474	/L	-78	1	16	477 809 393 A	hinge pillar inner	/L	1			
8	951 501 165 00	closing element	/L	79-	1	(16)	477 809 394 A	hinge pillar inner	/R	1			
(8)	477 809 166	bracket F >>92481 03515				17	477 809 397	centre pillar inner	/L	1			
(8)	477 809 166 A	bracket F 92481 03516>>92481 09474	/R	-78	1	(17)	477 809 398	centre pillar inner	/R	1			
(8)	951 501 166 00	closing element	/R	79-	1	18	477 809 403	wheel housing inner F >>92481 00776	/L	1	924		
(9)	944 501 081 00	filler plate	/L		1								
(9)	944 501 082 00	filler plate	/R		1	18	477 809 403 F	wheel housing inner F 92481 00777>>92481 09474	/L	1	924		
10	477 809 221 A	separator	/L		1								
(10)	477 809 268 B	separator	/R		1	(18)	477 809 403 F	wheel housing inner	/L	79	1		
-	477 809 525	towing lug	/L		1								
10A	477 809 035	support water reservoir	/R		1	(18)	477 809 404	wheel housing inner F >>92481 00776	/R	1	924		
11	477 809 335	lid F >>92481 00776			2	924	(18)	477 809 404 H	wheel housing inner F 92481 00777>>92481 09474	/R	1	924	
(11A)	477 809 336	gasket F >>92481 00776			2	924	(18)	477 809 404 H	wheel housing inner	/R	1		
12	477 809 341	clamping spring F >>92481 00776			2	924	-	477 809 852 A	bracket filler neck see workshop manual		1		
13	477 809 355	pot tank filler neck			1								
14 A	477 809 375 A	bracket for light	/L		1	19	477 809 205	mounting fuel pump		-78	1	924	
14	477 809 375 A	bracket for light	/L		1								
(14)	477 809 376 A	bracket for light	/R		1	20	944 502 901 00	side section inner	/L	-78	1	924	
(14)	477 809 376 A	bracket for light	/R		1	(20)	944 502 902 00	side section	/R	-78	1	924	
15	477 809 387	corner plate F >>92481 00776	/L		1	924	20	944 502 901 00	side section	/L	79	1	
15	477 809 387 A	corner plate F 92481 00777>>	/L		1		(20)	944 502 902 00	side section	/R	79	1	
(15)	477 809 388	corner plate F >>92481 00776	/R		1	924	21	803 803 583 A	lid		6		
							22	477 809 411 B	wheel housing outer	/L	-78	1	924

Model	Year	MG	SG	Illustration	Restrictions	UPD	11:01	23.01.2010	PORSCHE	PET	PORSCHE
924	1979	8	01	801-15		248					

Pos	Part Number	Description	Remark	Qty	Model	Pos	Part Number	Description	Remark	Qty	Model
(22)	477 809 412	wheel housing	/R -78	1	924	35	477 809 625	reinforcement		2	
22	477 809 411 B	wheel housing	/L 79	1		36	477 809 621	hinge reinforcement lower	/L	1	
(22)	477 809 412 B	wheel housing	/R 79	1		(36)	477 809 622	hinge reinforcement lower	/R	1	
23	477 809 415	reinforcement	/L	1		37	477 809 843	sub-part	/L -78	1	924
(23)	477 809 416	reinforcement	/R	1		(37)	477 809 843 B	sub-part	/L 79	1	
24	477 809 421 A	side section inner	/L	1		(37)	477 809 844 F	sub-part	/R -78	1	
(24)	477 809 422 A	side section inner	/R	1		(37)	477 809 844 B	sub-part	/R 79	1	
25	803 803 583 A	lid		8		(38)	477 809 847 B	side member section see workshop manual turbo	/L	1	
26	477 809 433	separator		2				use also: POS. 40 POS. 41		4	
27	944 502 439 00	reinforcement		1		(38)	477 809 848 B	side member section see workshop manual turbo	/R	1	
(27)	477 809 440	reinforcement		1				use also: POS. 40 POS. 41		4	
28	477 809 445	reinforcement	/L	1		39	477 809 849 A	sub-part roof pillar	/L	1	
(28)	477 809 446	reinforcement	/R	1		(39)	477 809 850 A	sub-part roof pillar	/R	1	
29	477 809 585	filler plate roof frame inner	/L	1		39A	477 809 867 B	bracket		79	1
(29)	477 809 586	filler plate roof frame inner	/R	1		40	477 809 471	support		8	TURBO
30	477 809 617	retaining bracket	/L	1		41	477 809 685	attachment strip	/L	1	TURBO
(30)	477 809 618	retaining bracket	/R	1		(41)	477 809 686	attachment strip	/R	1	TURBO
(31)	477 809 601 AA	side section	/L	1	924	42 A	999 025 074 02	washer see workshop manual		2	
(31)	477 809 601 AC	side section see workshop manual	/L	1	TURBO	42	999 025 074 01	washer see workshop manual		2	
(31)	477 809 602 BE	side section	/R	1	924	43	477 809 484	bearing bracket engine suspension	/R	1	TURBO
(31)	477 809 602 BE	side section see workshop manual	/R	1	TURBO	-	477 863 557	heat protection	/R	1	TURBO
(32)	477 809 620	mounting plate		1		44	478 809 446	bearing bracket accelerator pedal	/RL	1	
33	477 809 653	mounting plate		2							
34	477 809 655	hinge reinforcement upper		2							

Model	Year	MG	SG	Illustration	Restrictions	UPD	11:01	23.01.2010	PORSCHE	PET	PORSCHE
924	1979	8	01	801-20		248					

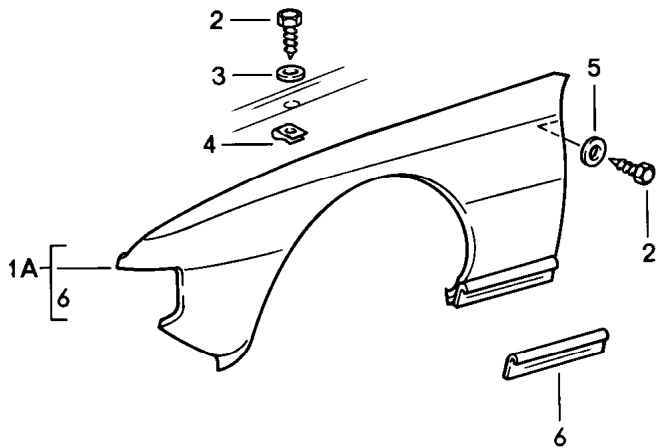
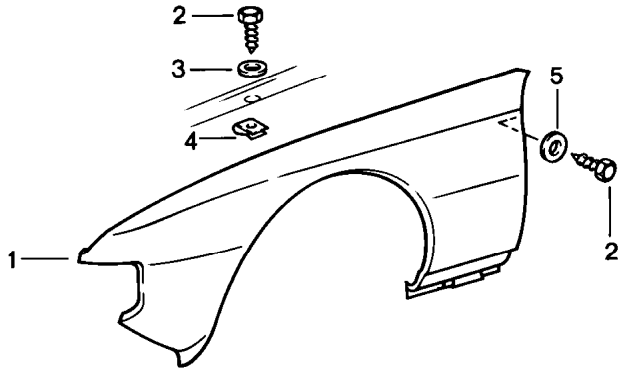


Pos	Part Number	Description	Remark	Qty	Model
1	944 501 075 00	transmission carrier boot floor plate roof		1	
2	477 803 581	lid tank gauge		1	
3	411 803 595	lid		1	
4	477 813 115 B	transmission carrier	-77	1	924
4	477 813 115 B	transmission carrier	78	1	
(4)	477 813 115 C	transmission carrier	79	1	
5	477 813 131	spare-wheel well	/V	1	
6	803 803 583	drain bush		3	
7	111 701 309	rubber sleeve		1	
8	477 813 145	corner panel heel plate F >>92481 00776	/L	1	924
8	477 813 145 B	corner panel F 92481 00777>>	/L	1	
8	477 813 145 B	corner panel	/L	1	
(8)	477 813 146	corner plate heel plate F >>92481 00776	/R	1	924
(8)	477 813 146 B	corner panel F 92481 00777>>	/R	1	
(8)	477 813 146 B	corner panel	/R	1	
9	944 503 037 01	end plate		1	
-	477 813 345	reinforcement	/L	1	924
-	477 813 345 A	reinforcement	/L	1	TURBO
-	477 813 346	reinforcement	/R	1	924
-	477 813 346 A	reinforcement	/R	1	TURBO
10	944 503 901 01	end plate lower		1	
-	477 813 169	fastening angle scissors type jack	/L	1	

Model	Year	MG	SG	Illustration	Restrictions	UPD	11:01	23.01.2010	PORSCHE	PET	PORSCHE
924	1979	8	01	801-20		248					

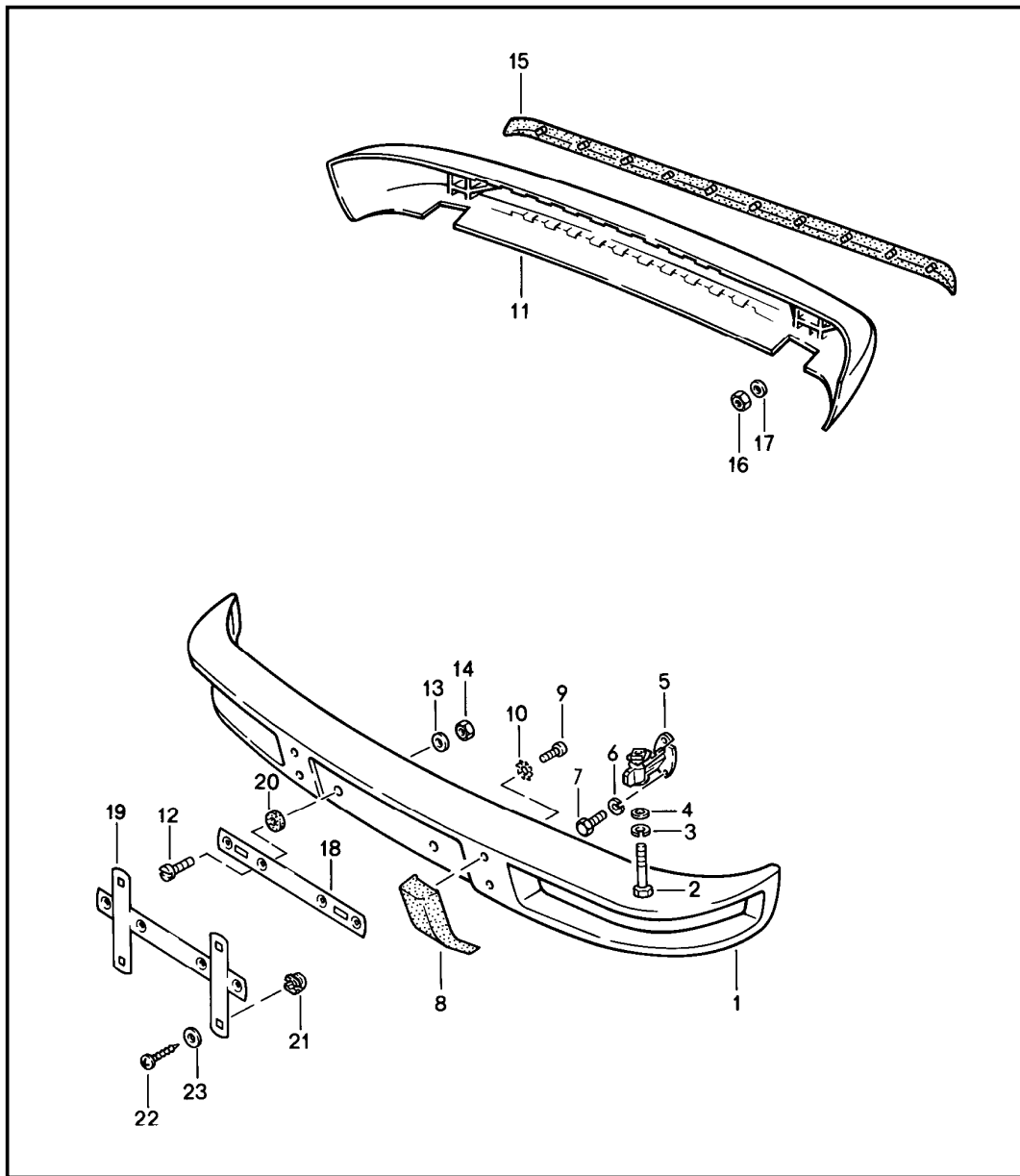
Pos	Part Number	Description	Remark	Qty	Model	Pos	Part Number	Description	Remark	Qty	Model
-	477 813 170	fastening angle scissors type jack	/R	1		21	477 813 285	transverse strut seat well F 92481 00777>>		1	
-	477 813 165	support		1		22	900 074 181 02	screw M 10 X 95		4	
10A	477 813 393 A	support muffler		1		23	900 025 008 09	washer 10,5		4	
11	477 813 309	corner panel	/L	1		25	900 143 134 00	tapping screw BZ 4,2 X 9,5	(J) (USA) (CH)	4	
(11)	944 502 210 00	corner panel	/R	1		26	N 011 522 8	washer 4,3	(J) (USA) (CH)	4	
11A	477 813 159	support emergency wheel		1		27	999 591 498 40	special nut	(J) (USA) (CH)	4	
(12)	477 813 315	lock carrier see group 8/01/15 POS.27 F >>92471 01147		1							
12	944 502 035 02	lock carrier with reinforcement F 92471 01148>>		1							
-	951 512 447 00	reinforcement plate lock carrier		2							
13	477 813 529	towing lug		1							
14	928 701 050 03	support number plate	(J) (USA) (CH)	1							
15	803 011 243	rubber washer		2							
15	803 011 243	rubber washer		2							
(15)	477 813 993	desk pad	(I)	2							
16	N 012 226 5	spring washer A 6		2							
17	N 014 140 5	oval-head screw M 6 X 15		2							
18	900 076 010 02	hexagon nut M 6		2							
(19)	944 503 912 01	roof		1	M650						
(19)	944 503 912 01	roof		1	M650						
19	477 817 111 B	roof		1							
20	477 817 171	cross member		1							

Model	Year	MG	SG	Illustration	Restrictions	UPD	11:01	23.01.2010	PORSCHE	PET	PORSCHE
924	1979	8	01	801-25		248					



Pos	Part Number	Description	Remark	Qty	Model
1	477 821 021 M	wing	/L	1	924
(1)	477 821 022 M	wing	/R	1	924
1A	477 821 021 D	wing	/L	1	TURBO
(1A)	477 821 022 D	wing	/R	1	TURBO
2	N 013 891 1	tapping screw 6,3 X 19		28	
3	900 151 029 02	washer B 6,4		26	
4	999 507 003 02	speed nut B 6,3 X 17		26	
5	N 011 524 7	washer A 6,4		2	
6	477 809 681	attachment strip for sill cover		2	TURBO

Model	Year	MG	SG	Illustration	Restrictions	UPD	11:01	23.01.2010	PORSCHE	PET	PORSCHE
924	1979	8	02	802-00		248					

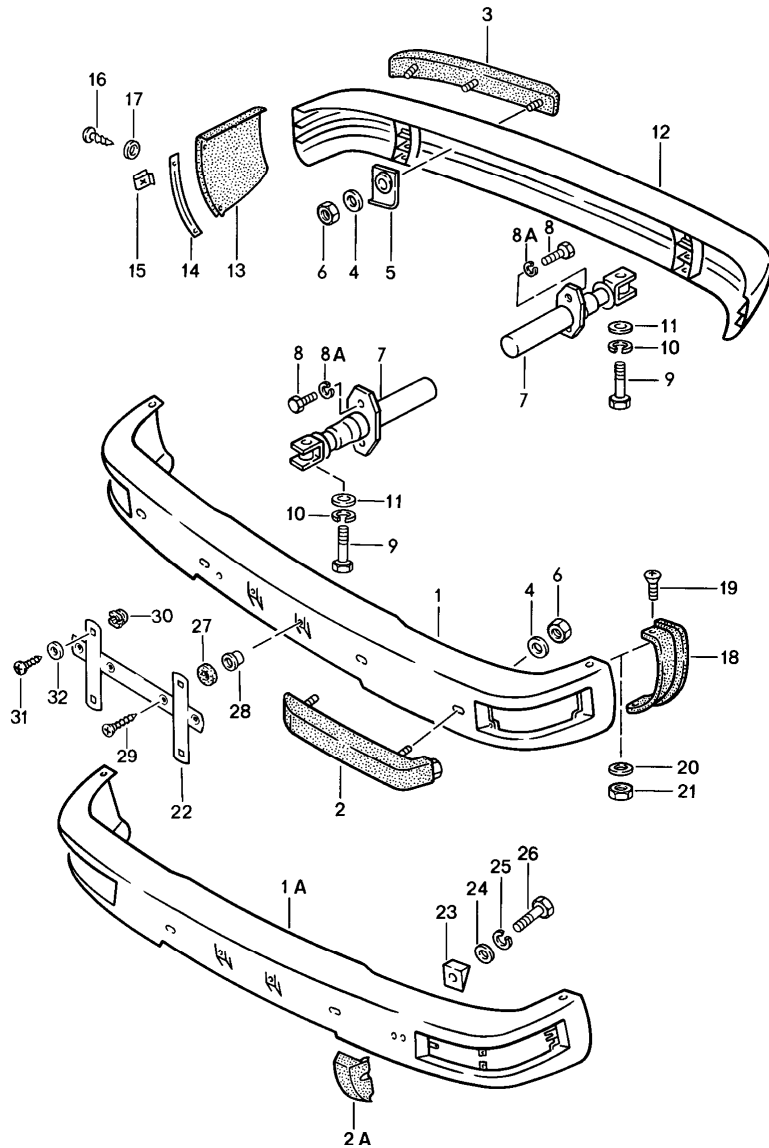


Pos	Part Number	Description	Remark	Qty	Model
		bumper without impact absorber			
1	477 807 113	bumper	/V	1	
(1)	477 807 113 B	bumper use also: -78 jet carrier 477.955.177 nut N 019121.1	/V	1	M288
				2	
				2	
2	900 074 064 02	hexagon-head bolt M 10 X 60		4	
3	900 027 016 02	lock ring B 10		4	
4	900 025 008 09	washer A 10,5		4	
5	477 807 131 A	bumper reinforcement		4	
6	N 012 009 3	lock ring A 8		8	
7	900 075 087 02	hexagon-head bolt M 8 X 16		8	
8	477 807 193	bumper horn for bumper	/L	1	
(8)	477 807 194	bumper horn for bumper	/R	1	
9	900 067 011 02	pan-head screw M 6 X 20		4	
10	N 012 105 3	serrated lock washer A 6,4		4	
11	477 807 313	bumper	/H	1	
12	N 100 457 01	countersunk-head screw M 5 X 25		2	
13	900 151 027 02	washer A 5,3		2	
14	900 910 009 02	lock nut M 5		2	
15	477 807 319	protective moulding	/H	1	

Model	Year	MG	SG	Illustration	Restrictions	UPD	11:01	23.01.2010	PORSCHE	PET	PORSCHE
924	1979	8	02	802-00		248					

Pos	Part Number	Description	Remark	Qty	Model	Pos	Part Number	Description	Remark	Qty	Model
16	113 101 175	hexagon nut M 6		10							
17	N 011 524 7	washer A 6,4		10							
18	911 701 121 03	support number plate		1							
-	N 015 430 1	speed nut number plate mount		2							
19	928 701 050 03	support	(J)	1							
20	914 571 903 10	sealing ring		4							
21	999 591 498 40	special nut		X							
22	900 143 134 00	tapping screw BZ 4,2 X 9,5		X							
23	N 011 522 8	washer 4,3		X							

Model	Year	MG	SG	Illustration	Restrictions	UPD	11:01	23.01.2010	PORSCHE	PET	PORSCHE
924	1979	8	02	802-05		248					

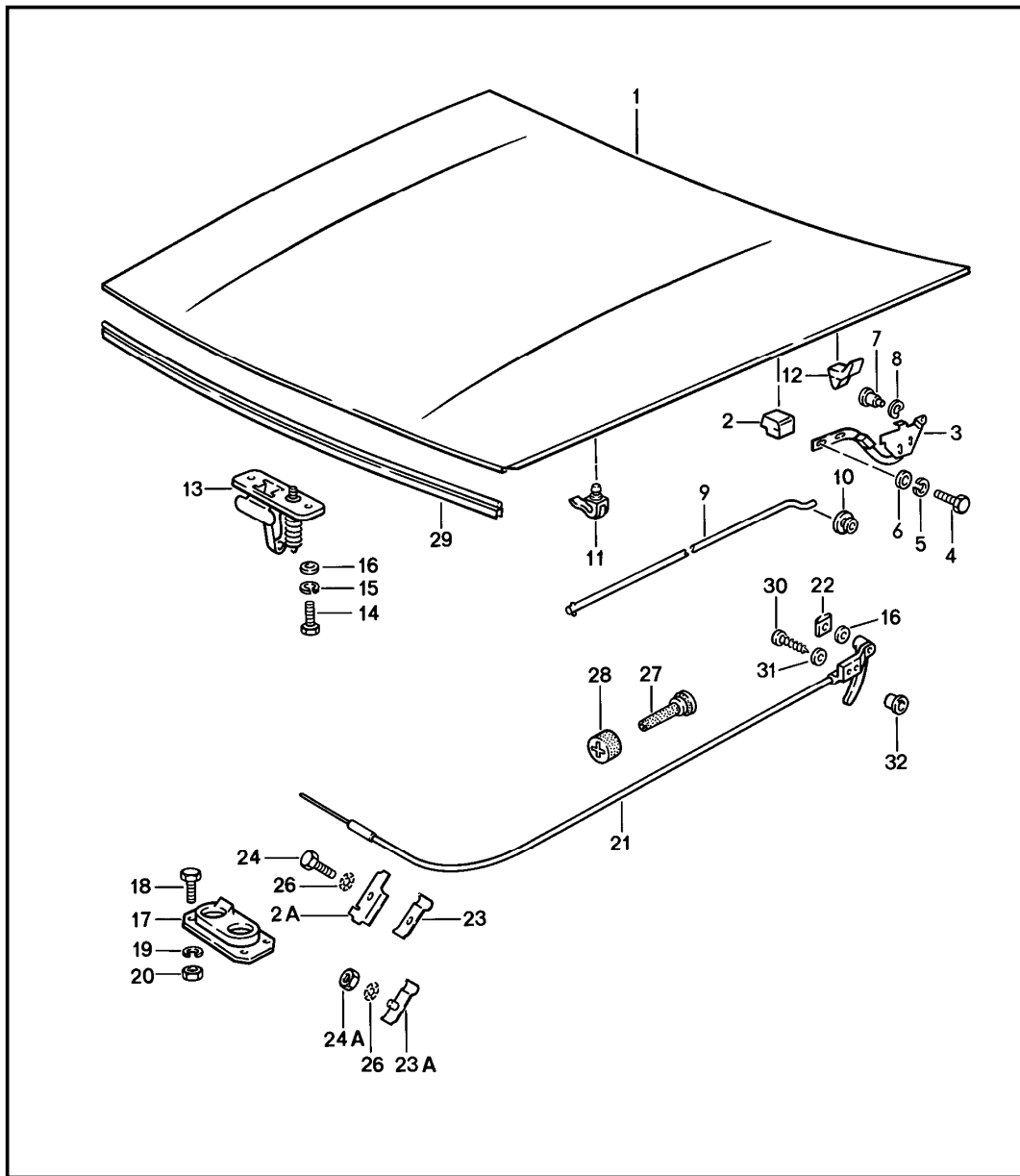


Pos	Part Number	Description	Remark	Qty	Model
		bumper with impact absorber			
1A	477 807 109 H	bumper	/V	79	M058
(1A)	477 807 109 C	bumper	/V	79	M058/288
2A	477 807 353	bumper horn for bumper	/L	1	M058
(2A)	477 807 354	bumper horn for bumper	/R	1	M058
(3)	477 807 157	rubber moulding	/L	1	
3	477 807 158	rubber moulding	/R	1	
4	N 011 612 3	washer R 7		6	M058
5	477 807 197	support buffer		6	
6	113 101 175	hexagon nut		6	M058
6	113 101 175	hexagon nut		10	M036
7	944 505 017 03	impact absorber		4	
8	N 010 240 16	hexagon-head bolt M 8 X 20		8	
9	N 010 165 2	hexagon-head bolt M 12 X 65		4	
10	N 012 042 4	lock ring B 12		4	
11	N 011 531 7	washer A 13		4	
12	477 807 301 A	bumper		1	
(13)	477 807 343	cover		1	
13	477 807 344	cover		1	
(14)	477 807 345	insert		1	
14	477 807 346	insert		1	
15	N 015 438 1	speed nut B 3,5 X 16,5		4	
16	N 013 959 3	tapping screw B 3,5 X 16		4	

Model	Year	MG	SG	Illustration	Restrictions	UPD	11:01	23.01.2010	PORSCHE	PET	PORSCHE
924	1979	8	02	802-05		248					

Pos	Part Number	Description	Remark	Qty	Model	Pos	Part Number	Description	Remark	Qty	Model
16	900 143 016 01	tapping screw B 3,5 X 16		4							
17	900 151 028 02	washer		4							
18	477 807 347	cap	/L	1							
(18)	477 807 348	cap	/R	1							
19	N 014 260 1	oval-head screw AM 4 X 14		4							
20	900 151 028 02	washer B 4,3		4							
21	N 011 004 6	hexagon nut M 4		4							
22	928 701 050 03	support number plate		1							
23	477 807 361	plate	/L	1	M058						
(23)	477 807 362	plate	/R	1	M058						
24	N 011 652 1	washer 7		2	M058						
25	N 012 006 4	lock ring B 6		2	M058						
26	N 010 339 3	hexagon-head bolt M 6 X 40		2	M058						
27	944 505 351 00	spacer rubber		2							
28	N 902 508 01	special nut		2							
29	N 043 983 1	tapping screw B 5,5 X 32		2							
30	999 591 498 40	special nut		4							
31	900 143 134 00	tapping screw BZ 4,2 X 9,5		4							
32	N 011 522 8	washer 4,3		4							

Model	Year	MG	SG	Illustration	Restrictions	UPD	11:02	23.01.2010	PORSCHE	PET	PORSCHE
924	1979	8	03	803-00		248					

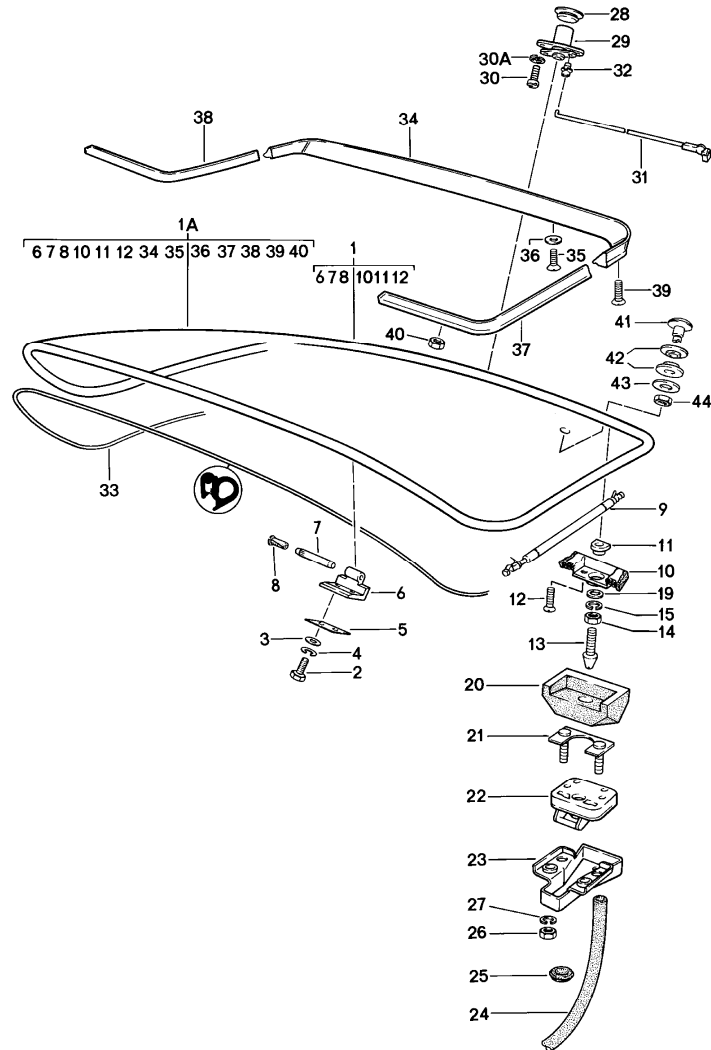


Pos	Part Number	Description	Remark	Qty	Model
		lid front actuator lid lock			
1	944 511 005 01	lid		1	924
(1)	477 823 031 A	lid		1	TURBO
2	477 823 185	filler piece		1	
2A	477 823 207	reinforcement bracket F >>92481 06614		1	924
3	944 511 301 00	hinge	/L	1	
(3)	944 511 302 00	hinge	/R	1	
4	N 010 240 16	hexagon-head bolt M 8 X 20		8	
5	900 027 015 02	lock ring B 8		8	
6	N 011 525 13	washer A 8,4		8	
7	477 823 307	bearing pin		2	
8	N 012 230 6	spring washer B 10		2	
9	477 823 363 A	hood stay		1	
10	171 823 395	rubber mounting		1	
(11)	431 823 397	support		1	
12	477 823 493	guide piece		4	
13	477 823 507	lock upper part lid lock		1	
14	999 072 005 09	hexagon-head bolt M 6 X 12		2	
16	999 025 049 02	washer		2	
17	928 511 027 02	lid lock lower part		1	
18	900 075 116 02	hexagon-head bolt M 4 X 8		4	
19	N 012 004 2	lock ring B 4		4	

Model	Year	MG	SG	Illustration	Restrictions	UPD	11:02	23.01.2010	PORSCHE	PET	PORSCHE
924	1979	8	03	803-00		248					

Pos	Part Number	Description	Remark	Qty	Model	Pos	Part Number	Description	Remark	Qty	Model
20	N 011 004 6	hexagon nut M 4		4							
21	477 823 531 A	lid lock cable		1							
22	N 012 855 1	clamping washer		1							
23A	477 823 551	clamping piece		1							
24	999 072 005 09	hexagon-head bolt M 6 X 12 F >>92481 06014		2	924						
24A	900 076 010 02	hexagon nut M 6		1							
25	N 012 106 1	lock washer J 6,4		1							
26	N 012 006 4	lock ring A 6		1							
27	477 823 591	grommet		1							
28	477 823 593	stopper		1							
29	928 511 141 04	gasket		1							
30	N 013 941 3	tapping screw 4,8 X 32 F >>92481 06278		2	924						
30	N 013 952 1	tapping screw 4,8 X 50		2							
31	900 025 003 02	washer A 5,3		2							
32	477 823 165	bush F 92481 06279>>		2							

Model	Year	MG	SG	Illustration	Restrictions	UPD	11:02	23.01.2010	PORSCHE	PET	PORSCHE
924	1979	8	03	803-05		248					



Pos	Part Number	Description	Remark	Qty	Model
(1)	477 827 027 G	rear lid with rear window		1	924 M425
1A	477 827 027 K	rear lid with moulding see technical information GRUPPE 6, NR.6 without M425 use also: POS.41-44		1	TURBO
2	999 072 005 09	hexagon-head bolt M 6 X 12 F >>92471 06849 F >>92472 33559 F >>92473 30159		4	924
2	N 014 768 3	pan-head screw M 8 X 12 F 92471 06850>> F 92472 33560>> F 92473 30160>>		4	
3	N 011 612 3	washer R 7 F >>92471 06849 F >>92472 33559 F >>92473 30159		4	924
3	111 129 720	washer F 92471 06850>> F 92472 33560>> F 92473 30160>>		4	
4	N 012 006 4	lock ring B 6 F >>92471 06849 F >>92472 33559 F >>92473 30159		4	924

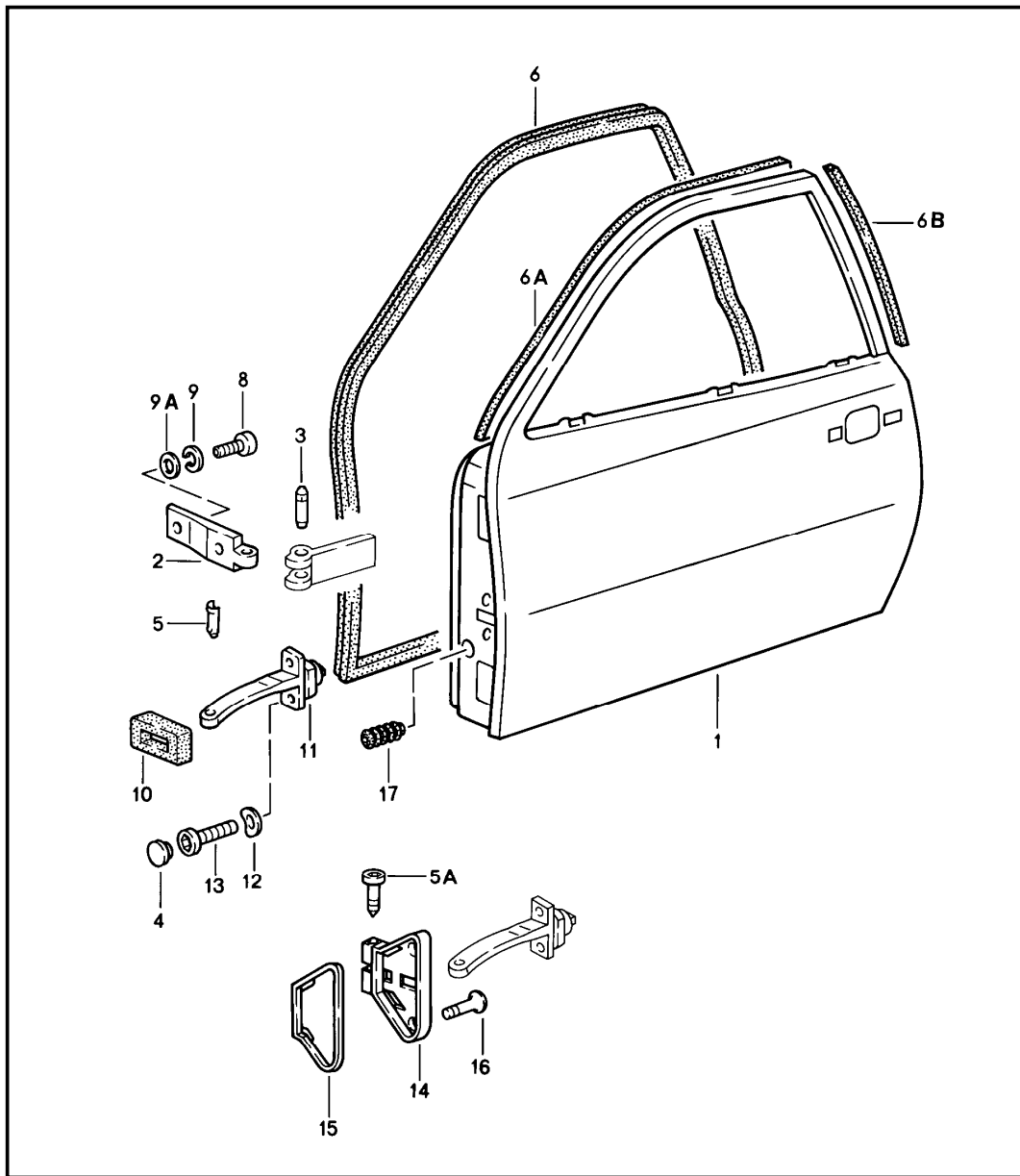
Model	Year	MG	SG	Illustration	Restrictions	UPD	11:02	23.01.2010	PORSCHE	PET	PORSCHE
924	1979	8	03	803-05		248					

Pos	Part Number	Description	Remark	Qty	Model	Pos	Part Number	Description	Remark	Qty	Model
4	900 027 015 02	lock ring B 8 F 92471 06850>> F 92472 33560>> F 92473 30160>>		4		13	477 827 527	lock pin		2	
						14	N 011 008 8	hexagon nut M 8		2	
5	944 512 413 00	gasket lid hinge		2		15	900 027 015 02	lock ring B 8		2	
6	477 827 305 B	hinge half		2		19	N 011 525 13	washer A 8,4		1	
7 A	944 512 311 00	hinge pin		2		(20)	477 827 365 A	gasket lower part	/L	1	
7	944 512 311 00	hinge pin		2		(20)	477 827 366 A	gasket lower part	/R	1	
8	477 827 441	bush hinge pin		2		21	951 512 447 00	reinforcement plate		2	
(9)	477 827 348 E	gas-pressure spring	/R	1		22	477 827 505 A	rear lid lock	/L	1	
9	477 827 349 D	gas-pressure spring	/L	1		(22)	477 827 506 A	rear lid lock	/R	1	
-	477 827 351	ball socket without rear window wiper F >>92471 02605 F >>92472 08092 F >>92473 00253		4	924	23	477 827 541	water drip pan		2	
		with rear window wiper F >>92471 02018 F >>92472 07088 F >>92473 00248				24	477 827 547	hose 400 MM		2	
-	477 827 351 A	ball socket without rear window wiper F 92471 02606>> F 92472 08093>> F 92473 00254>>		3		25	111 971 911 A	rubber sleeve		2	
		with rear window wiper F 92471 02019>> F 92472 07089>> F 92473 00249>>				26	900 076 010 02	hexagon nut M 6		4	
10	477 827 033	housing	/L	1		27	N 012 006 4	lock ring B 6		4	
(10)	477 827 034	housing	/R	1		28	477 827 529 A	sealing ring		1	
11	477 827 035	rubber mounting		2		29	477 898 082	lock cylinder w/o stipulated lock number		1	
12	999 219 011 07	countersunk-head screw M 6 X 16		4		(29)	477 827 573 B	lock cylinder with stipulated lock number		1	
						30	N 014 139 5	oval-head screw M 6 X 12		2	
						30A	N 012 007 02	lock ring A 6		2	
						31	477 827 583	pull rod		2	
						32	993 531 563 00	linkage clip		2	
						33	944 512 043 00	seal for rear lid		1	
						-	999 591 342 02	u-clamp		4	

Model	Year	MG	SG	Illustration	Restrictions	UPD	11:02	23.01.2010	PORSCHE	PET	PORSCHE
924	1979	8	03	803-05		248					

Pos	Part Number	Description	Remark	Qty	Model	Pos	Part Number	Description	Remark	Qty	Model
34	477 827 555	rear spoiler		1	TURBO						
35	N 033 183 1	countersunk-head screw M 5 X 20		7	TURBO						
36	477 827 453 A	washer		7	TURBO						
37	477 827 557	rear spoiler	/L	1	TURBO						
38	477 827 558	rear spoiler	/R	1	TURBO						
39	N 033 185 1	countersunk-head screw M 4 X 16		2	TURBO						
40	N 021 255 1	slotted nut M 4		12	TURBO						
41	477 845 333	screw plug		1	TURBO						
42	477 955 439	grommet		2	TURBO						
43	477 845 331	washer		1	TURBO						
44	N 011 118 14	hexagon nut M 8		1	TURBO						

Model	Year	MG	SG	Illustration	Restrictions	UPD	11:02	23.01.2010	PORSCHE	PET	PORSCHE
924	1979	8	04	804-00		248					

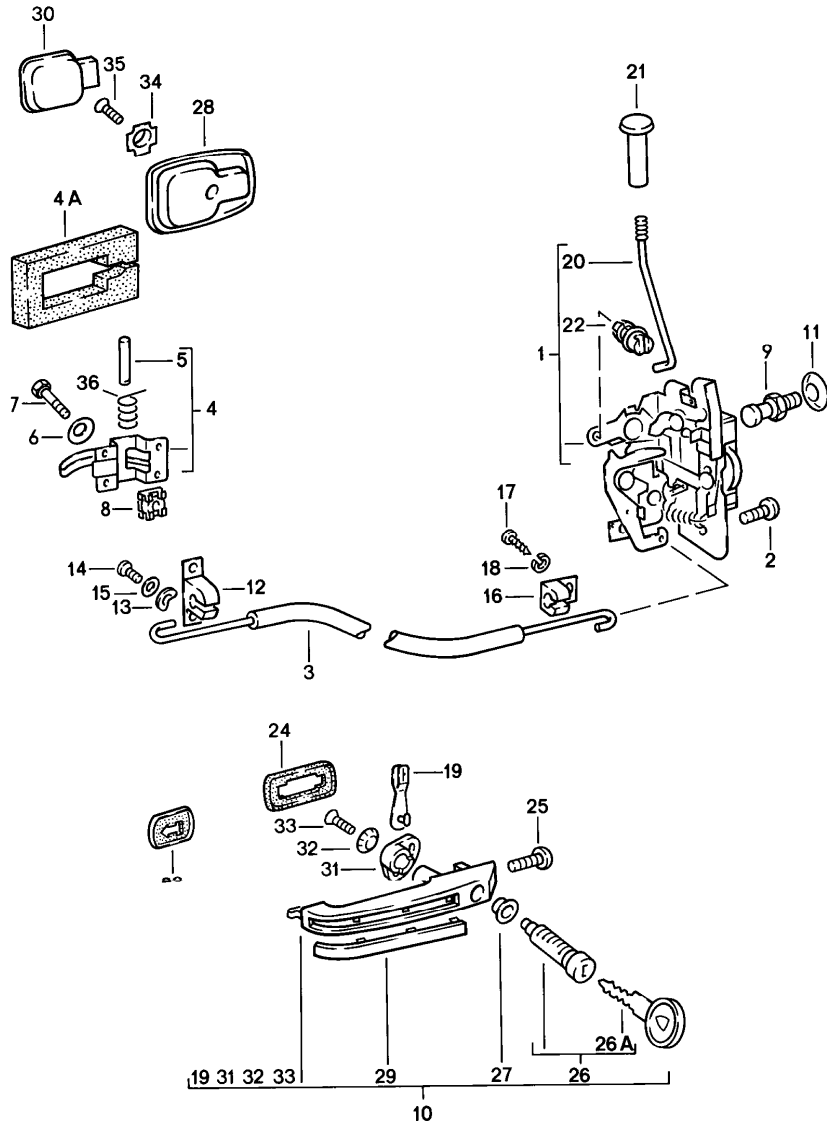


Pos	Part Number	Description	Remark	Qty	Model
		door			
(1)	477 831 051 H	door in white	/L	1	
(1)	477 831 052 H	door in white	/R	1	
-	477 831 139 C	reinforcement door mirror electric	/L	1	
-	477 831 140 C	reinforcement door mirror electric	/R	1	
-	928 531 235 03	threaded piece F 92481 02503>>		1	
-	N 013 295 1	tensioning sleeve F 92481 02503>>		1	
-	477 831 136	reinforcement door mirror F >>92481 02502	/R	1	
-	477 831 137	reinforcement bracket		X	
2	171 831 403	hinge half		4	
3	321 831 421	hinge pin		4	
4	411 837 111	cap F >>92481 04548		4	
5	823 837 257	bolt F >>92481 04548		2	
5A	928 537 419 03	pan-head screw F 92481 04549>>		2	
6	944 537 091 00	door seal	/L	1	
(6)	944 537 092 00	door seal	/R	1	
6A	477 837 233	additional gasket		2	
6B	477 837 235	additional gasket		2	
8	900 119 052 02	pan-head screw M 8 X 15		8	
9	900 027 015 02	lock ring B 8		8	
9A	823 711 815	washer		8	
10	477 837 483	gasket F >>92481 04548		2	

Model	Year	MG	SG	Illustration	Restrictions	UPD	11:02	23.01.2010	PORSCHE	PET	PORSCHE
924	1979	8	04	804-00		248					

Pos	Part Number	Description	Remark	Qty	Model	Pos	Part Number	Description	Remark	Qty	Model
11	A 944 537 609 00	door support		2							
11	944 537 609 00	door support		2							
12	N 011 524 7	washer B 6		4							
13	900 067 009 02	pan-head screw M 6 X 15		4							
14	928 537 417 02	bearing bracket F 92481 04549>>	/L	1							
(14)	928 537 418 02	bearing bracket F 92481 04549>>	/R	1							
15	928 537 425 02	desk pad bearing bracket F 92481 04549>>	/L	1							
(15)	928 537 426 02	desk pad bearing bracket F 92481 04549>>	/R	1							
16	928 537 459 02	oval-head screw M 6 X 20 F 92481 04549>>		4							
17	477 971 910	bellows		2							

Model	Year	MG	SG	Illustration	Restrictions	UPD	11:02	23.01.2010	PORSCHE	PET	PORSCHE
924	1979	8	04	804-05		248					

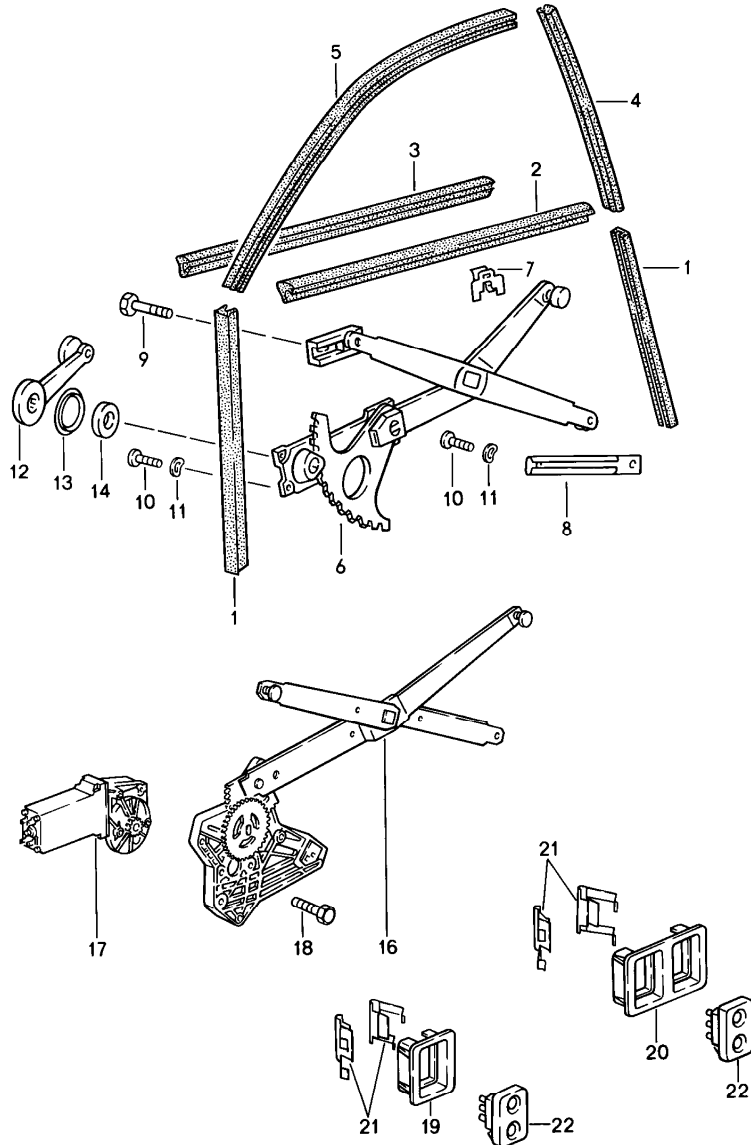


Pos	Part Number	Description	Remark	Qty	Model
		installation parts			
		door			
		door lock			
1	477 837 015 A	door lock	/LL /L	1	
(1)	478 837 015 A	door lock	/RL /L	1	
(1)	477 837 015 A	door lock	/LL /L	1	M190
(1)	478 837 015 A	door lock	/RL /L (AUS)	1	
(1)	477 837 016 A	door lock	/LL /R	1	
(1)	478 837 016 A	door lock	/RL /R	1	
(1)	477 837 016 A	door lock	/LL /R	1	M190
(1)	478 837 016 A	door lock	/RL /R (AUS)	1	
2	N 014 139 5	oval-head screw M 6 X 10		8	
-	111 837 941	cup spring		8	
3	477 837 017	bowden cable		2	
4	171 837 019	inner door release	/L	1	
		041 black			
		90V brown			
(4)	171 837 020	inner door release	/R	1	
		041 black			
		90V brown			
4A	477 831 304 A	seal		2	
5	N 013 666 1	rivet B 4 X 32		2	
6	111 837 941	cup spring 6,4 X 12,5		8	
7	N 010 210 13	hexagon-head bolt M 6 X 10		8	
8	477 837 521	captive nut M 6		8	
9	823 837 035 A	lock pin		2	

Model	Year	MG	SG	Illustration	Restrictions	UPD	11:02	23.01.2010	PORSCHE	PET	PORSCHE
924	1979	8	04	804-05		248					

Pos	Part Number	Description	Remark	Qty	Model	Pos	Part Number	Description	Remark	Qty	Model
10	477 837 037	door handle chrome with lock cylinder F >>92481 00208		2		-	-	grease for lock cylinder see group 0/05/00			
10	477 837 037 B	door handle black with lock cylinder F 92481 00209>>		2		26A	477 837 219	blank key		2	
						26A	944 538 933 00	key with stipulated lock number Information available		1	
11	823 837 057 A	spring washer 12 X 32		2		27	111 837 227 B	sealing ring lock cylinder		2	
12	477 837 115 A	support		2		28	111 837 239 B	rosette	-78	2	924
13	N 011 524 7	washer B 6		4			01C	black			
14	N 014 139 7	oval-head screw M 6 X 12		4		28	171 837 235	rosette	79-	2	
15	N 011 524 7	washer A 6,4		4			01C	black			
16	477 837 117	support		2			90V	brown			
17	N 013 957 5	tapping screw BZ 3,5 X 9,5		2		29	823 837 239	cover		2	
18	N 012 004 2	lock ring B 4		2		30	311 837 247	finger plate		2	
19	823 837 137	connecting piece		2			043	black			
20	477 837 183	locking rod		2			90V	brown			
21	111 837 187 B	knob		2		31	477 837 511	driver		2	
	043	black				32	N 012 116 1	serrated lock washer V 4,3		2	
22	171 837 199 A	clip		2		33	N 011 734 1	countersunk-head screw AM 4 X 8		2	
23	171 837 209 A	desk pad		2		33	N 033 165 1	countersunk-head screw AM 4 X 8		2	
24	171 837 211 A	desk pad		2		34	111 837 291	cone washer		2	
25	803 837 951	self-lock. fillister screw		2		35	N 014 216 1	countersunk-head screw AM 5 X 10		2	
(26)	944 538 903 00	lock cylinder with keys w/o stipulated lock number		2		36	811 837 723	spring for operating lever		2	
26	944 538 903 01	lock cylinder with stipulated lock number		2							

Model	Year	MG	SG	Illustration	Restrictions	UPD	11:03	23.01.2010	PORSCHE	PET	PORSCHE
924	1979	8	04	804-10		248					

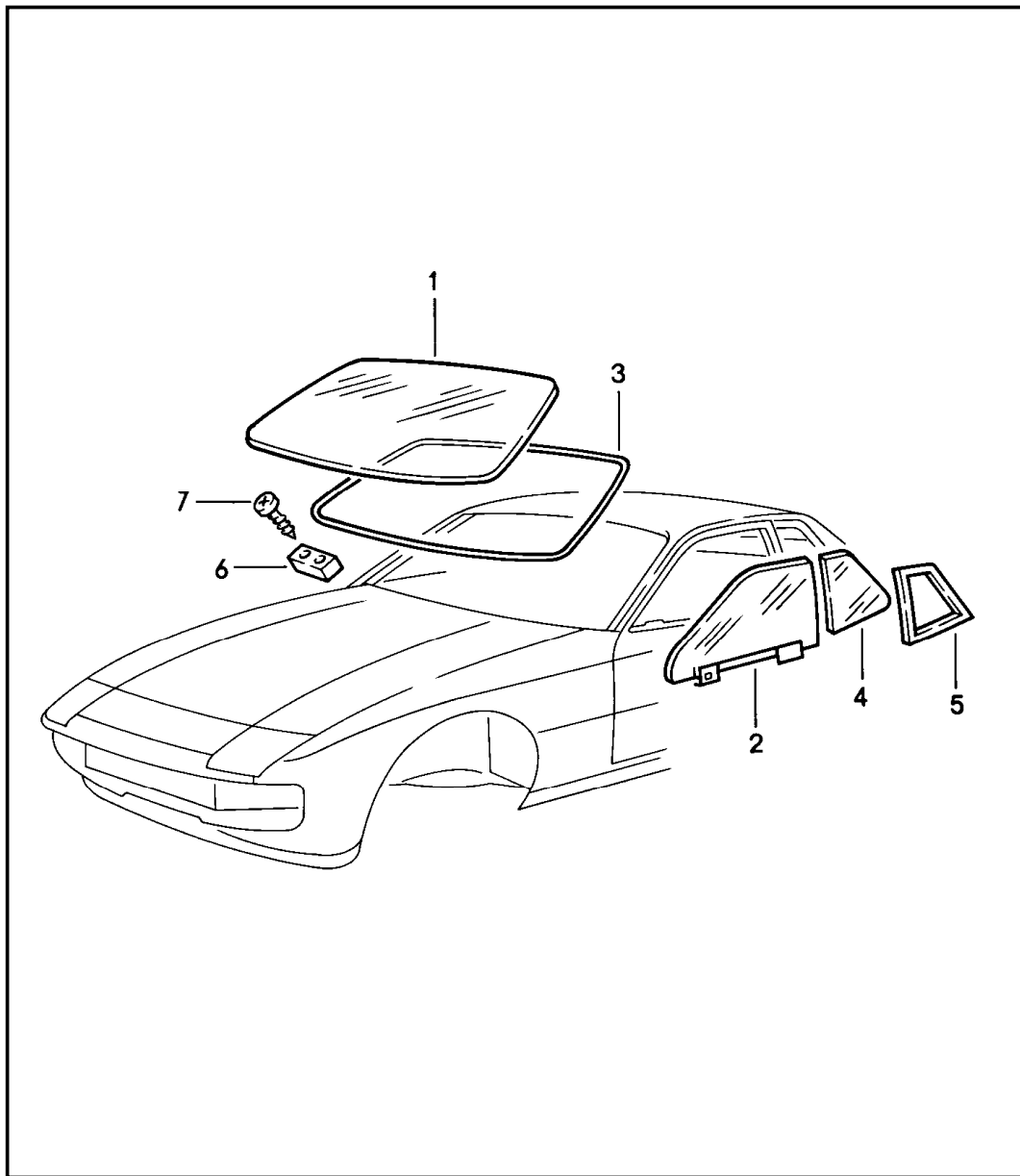


Pos	Part Number	Description	Remark	Qty	Model
		installation parts door window glass power windows			
1	477 837 385	window guide		4	
2	477 837 469 A	sealing strip outer	/L	1	
(2)	477 837 470 A	sealing strip outer	/R	1	
3	477 837 471 A	seal inner		2	
4	477 837 479 A	window guide	/H	2	
5	477 837 493 A	window guide	/L	1	
(5)	477 837 494 A	window guide	/R	-77	924
(5)	477 837 494 A	window guide	/R	78-	1
6	477 837 441	power windows F >>92481 05005	/L	1	924
(6)	477 837 441 A	power windows F 92481 05006>>	/L	1	
(6)	477 837 442	power windows F >>92481 05005	/R	1	924
(6)	477 837 442 A	power windows F 92481 05006>>	/R	1	
7	171 837 485	clamp		10	
8	477 837 589	guide rail		2	
9	900 075 079 02	hexagon-head bolt M 8 X 22		2	
10	N 014 139 5	oval-head screw M 6 X 10		12	
11	N 011 524 7	washer B 6		12	
12	321 837 581	window crank		2	
	01C	black			
	90V	brown			
13	111 837 595 A	desk pad		2	
	01C	black			

Model	Year	MG	SG	Illustration	Restrictions	UPD	11:03	23.01.2010	PORSCHE	PET	PORSCHE
924	1979	8	04	804-10		248					

Pos	Part Number	Description	Remark	Qty	Model	Pos	Part Number	Description	Remark	Qty	Model
	90V	brown				-	477 971 161	wiring harness driver's door		1	
14	411 837 447	gasket		2		-	477 971 162	wiring harness passenger's door		1	
16	477 837 391 C	cross-arm power window	/L	1		-	321 919 505	relay		1	
(16)	477 837 392 C	cross-arm power window	/R	1		-	111 937 091 A	terminal with fuse		1	
17	477 959 123 A	engine and transmission	/L	1		-	N 017 121 5	safety fuse 25 A		1	
(17)	477 959 124 A	engine and transmission	/R	1		-	999 513 002 40	tie-wrap		2	
18	N 014 228 4	countersunk-head screw AM 6 X 12		6		-	477 971 910	bellows		2	
-	477 837 397	stop upper	/L	1							
-	477 837 398	stop	/R	1							
-	477 837 397	stop lower	/R	1							
-	477 837 398	stop	/L	1							
19	477 867 185	mounting piece		1							
	01C	black									
20	477 867 187	mounting piece		1							
	01C	black									
21	477 867 189	spring clamp		4							
22	477 959 622	tip switch		3							
	01C	black									
-	477 971 160	electric line power window wiring harness dashboard	/LL	-78	1 924						
-	477 971 160 A	wiring harness dashboard	/LL	79-	1						
-	478 971 160	wiring harness dashboard	/RL	-78	1						
-	945 612 031 00	wiring harness dashboard	/RL	79-	1						

Model	Year	MG	SG	Illustration	Restrictions	UPD	11:03	23.01.2010	PORSCHE	PET	PORSCHE
924	1979	8	05	805-00		248					

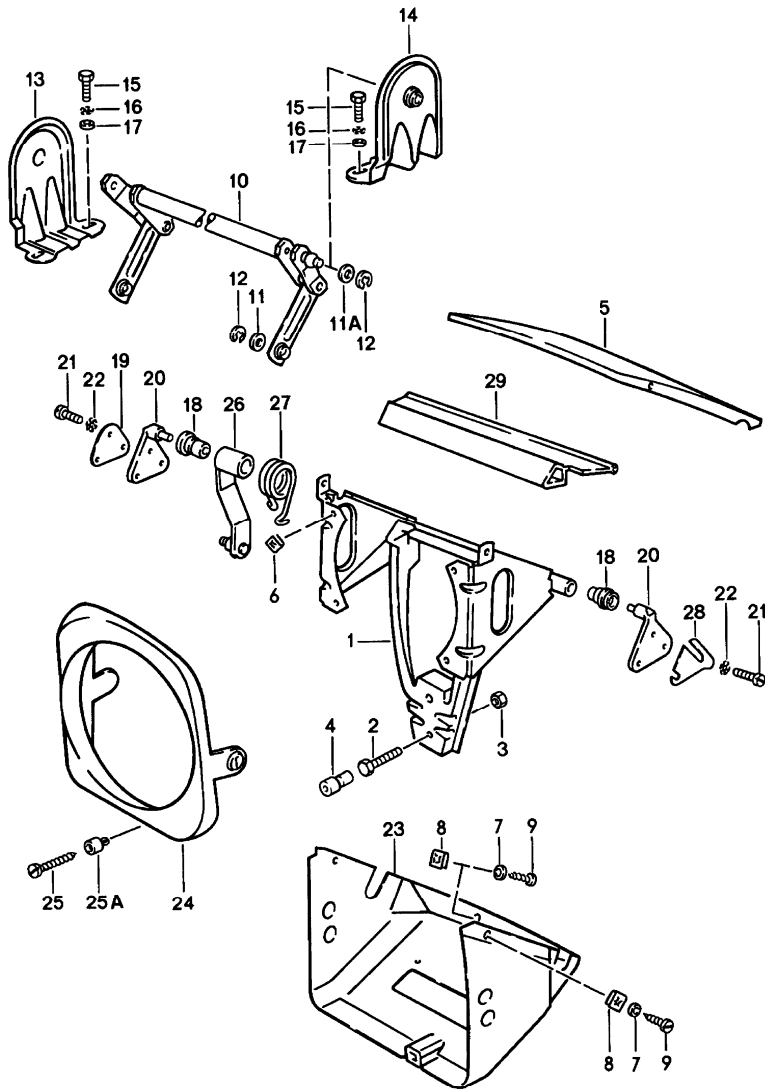


Pos	Part Number	Description	Remark	Qty	Model
		window glazing			
1	477 845 011 D	windscreen		1	
(1) A	477 845 011 E	windscreen tinted		1	
(1)	477 845 011 E	windscreen tinted		1	
-	477 845 043	adhesive plate for interior mirror		1	
2	477 845 023	door window glass F >>92481 05005	/L	1	924
(2)	477 845 023 A	door window glass tinted F >>92481 05005	/L	1	924
(2) A	477 845 023 B	door window glass F 92481 05006>>	/L	1	
(2)	944 542 023 00	door window glass clear	/L	1	
(2)	944 542 023 01	door window glass tinted	/L	1	
(2)	944 542 023 01	door window glass tinted	/L	1	
(2)	477 845 024	door window glass F >>92481 05005	/R	1	924
(2)	477 845 024 A	door window glass tinted F >>92481 05005	/R	1	924
(2)	944 542 024 00	door window glass clear	/R	1	
(2)	944 542 024 01	door window glass tinted	/R	1	
3	477 898 011 A	sealing set		1	
4	477 845 311	side window	/L/H	1	
(4)	477 845 311 A	side window tinted	/L/H	1	
(4)	477 845 312	side window	/R/H	1	
(4)	477 845 312 A	side window tinted	/R/H	1	

Model	Year	MG	SG	Illustration	Restrictions	UPD	11:03	23.01.2010	PORSCHE	PET	PORSCHE
924	1979	8	05	805-00		248					

Pos	Part Number	Description	Remark	Qty	Model	Pos	Part Number	Description	Remark	Qty	Model
5	944 557 321 00	rubber seal	/L	1							
(5)	944 557 322 00	rubber seal	/R	1							
6	477 845 613 A	stop		2							
7	900 143 046 02	tapping screw B 4,8 X 16		4							

Model	Year	MG	SG	Illustration	Restrictions	UPD	11:03	23.01.2010	PORSCHE	PET	PORSCHE
924	1979	8	06	806-00		248					

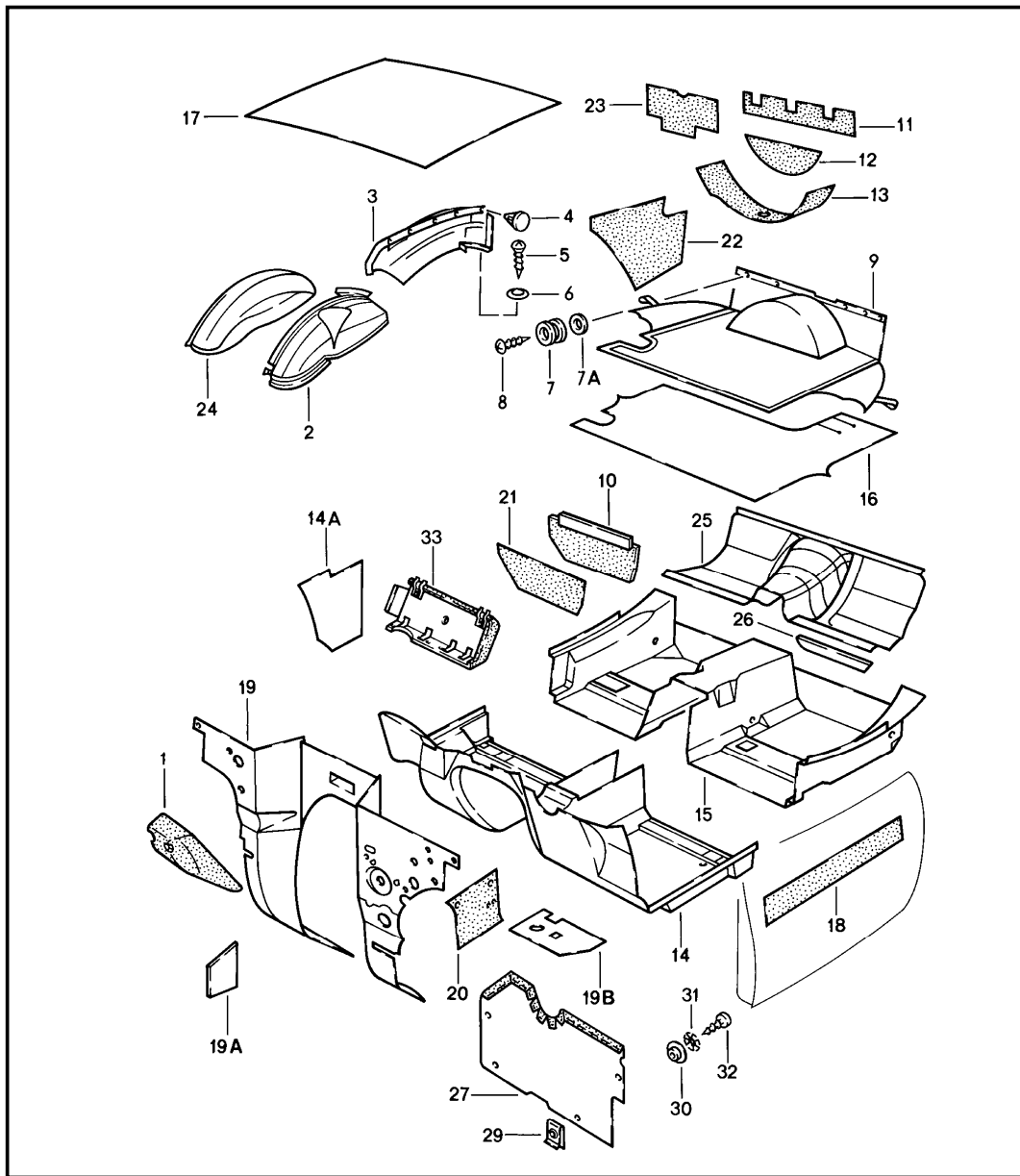


Pos	Part Number	Description	Remark	Qty	Model
		pop-up headlight			
1	944 750 605 00	swivel frame	/L	1	
(1)	944 750 606 00	swivel frame	/R	1	
2	N 010 221 3	hexagon-head bolt M 6 X 35		2	
3	900 076 010 02	hexagon nut M 6		2	
4	914 504 319 00	grommet		2	
5	477 805 611	housing cover	/L	1	
(5)	477 805 612	housing cover	/R	1	
6	N 015 422 2	speed nut B 4,2 X 17		8	
6	999 507 252 02	nut B 3,9 X 16,5		8	
7	900 151 028 02	washer 4,1		4	
8	N 015 438 1	speed nut B 3,5 X 16,5		10	
9	N 014 086 4	tapping screw B 3,5 X 9,5		10	
10	477 805 615	control shaft		1	924
(10)	477 805 615	control shaft		1	TURBO
11	N 011 525 13	washer		3	
11A	477 805 695	washer		1	
12	N 012 436 2	lock washer 6		3	
13	477 805 617	bearing bracket		1	
14	477 805 622	bearing bracket		1	
15	N 010 215 13	hexagon-head bolt M 6 X 15		4	
16	N 012 105 3	serrated lock washer A 6,4		4	
17	N 011 524 7	washer A 6,4		4	

Model	Year	MG	SG	Illustration	Restrictions	UPD	11:03	23.01.2010	PORSCHE	PET	PORSCHE
924	1979	8	06	806-00		248					

Pos	Part Number	Description	Remark	Qty	Model	Pos	Part Number	Description	Remark	Qty	Model
18	477 805 623	bush		4							
19	914 750 169 10	plate		4							
20	914 750 271 10	bearing bracket		4							
21	N 014 750 3	pan-head screw M 6 X 10		12							
22	N 012 105 3	serrated lock washer A 6,4		12							
23	944 750 631 00	housing		1							
(23)	944 750 632 00	housing		1							
24	477 805 633	retaining ring		1							
(24)	477 805 634	retaining ring		1							
25	N 043 979 2	tapping screw BZ 4,2 X 45		2							
25A	477 857 173	clip		2							
26	477 805 651	lever		2							
27	477 805 661	spring		1							
(27)	477 805 662	spring		1							
28	477 805 663	desk pad		X							
29	477 853 363	cover strip		1							
(29)	477 853 364	cover strip		1							

Model	Year	MG	SG	Illustration	Restrictions	UPD	11:03	23.01.2010	PORSCHE	PET	PORSCHE
924	1979	8	07	807-00		248					



Pos	Part Number	Description	Remark	Qty	Model
1	477 857 718	linings front carpet			
(2)	477 863 067 A	foot support	/LL -77	1	924
		lining wheel housing	/L/H	1	
	07W	black	76-77		
	92V	dark brown	76-77		
	24U	red	77		
	43S	black	78-		
	83S	beige	78-		
	87S	brown	78-		
	2NT	cork	79		
2	477 863 068 A	lining wheel housing	/R/H	1	
	07W	black	76-77		
	92V	dark brown	76-77		
	24U	red	77		
	43S	black	78-		
	83S	beige	78-		
	87S	brown	78-		
	2NT	cork	79		
(3)	477 863 083 C	side trim panel	/L/H	1	924
	07W	black	76-77		
	92V	dark brown	76-77		
	24U	red	77		
	43S	black	78		
	83S	beige	78		
	87S	brown	78		
3	477 863 084 A	side trim panel	/R/H	1	924
	07W	black	76-77		

Model	Year	MG	SG	Illustration	Restrictions	UPD	11:03	23.01.2010	PORSCHE	PET	PORSCHE
924	1979	8	07	807-00		248					

Pos	Part Number	Description	Remark	Qty	Model	Pos	Part Number	Description	Remark	Qty	Model
	92V	dark brown	76-77				24U	red	77		
	24U	red	77				43S	black	78		
	43S	black	78				83S	beige	78		
	83S	beige	78				87S	brown	78		
	87S	brown	78			(9)	477 863 463 K	lining boot floor plate		1	924
(3)	477 863 083 D	side trim panel	/L/H	1			43S	black	79-		
	43S	black	79-				87S	brown	79-		
	87S	brown	79-				83S	beige	79-		
	83S	beige	79-				2NT	cork	79		
	2NT	cork	79			(9)	477 863 463 D	lining boot floor plate with collapsible tire		1	924
(3)	477 863 084 B	side trim panel	/R/H	1			07W	black	76-77		
	43S	black	79-				92V	dark brown	76-77		
	87S	brown	79-			(9)	477 863 463 E	lining boot floor plate with collapsible tire		1	924
	83S	beige	79-				24U	red	77		
	2NT	cork	79				43S	black	78		
4	477 863 747	clip		12			83S	beige	78		
	01C	black	76-				87S	brown	78		
	90V	brown	76-				(9)	477 863 463 J	lining boot floor plate with collapsible tire		1
5	N 014 087 5	rais. counters. h. tap. s. B 3,5 X 16		2			43S	black	79-		
6	N 011 578 1	cone washer 3,7		2			87S	brown	79-		
7	968 555 901 00	set of fastening parts		6			83S	beige	79-		
7A	900 151 027 02	washer 5,3		6			2NT	cork	79		
8	N 013 957 5	tapping screw B 3,5 X 9,5		6		(10)	477 863 571 A	lining heel plate	/L	1	
9	477 863 463 A	lining boot floor plate		1	924		07W	black	76-77		
	07W	black	76-77				92V	dark brown	76-77		
	92V	dark brown	76-77								

Model	Year	MG	SG	Illustration	Restrictions	UPD	11:03	23.01.2010	PORSCHE	PET	PORSCHE
924	1979	8	07	807-00		248					

Pos	Part Number	Description	Remark	Qty	Model	Pos	Part Number	Description	Remark	Qty	Model
	24U	red		77			43S	black		79-	
	43S	black		77-			83S	beige		79-	
	83S	beige		77-			87S	brown		79-	
	87S	brown		77-			2NT	cork		79	
	2NT	cork		79		(14)	477 863 703 M	floor mat	/LL/V	1	TURBO M573
10	477 863 572 A	lining heel plate	/R	1			43S	black		79-	
	07W	black		76-77			83S	beige		79-	
	92V	dark brown		76-77			87S	brown		79-	
	24U	red		77		(14)	478 863 703 C	floor mat	/RL/V	1	924
	43S	black		77-			07W	black		77	
	83S	beige		77-			92V	dark brown		77	
	87S	brown		77-			24U	red		77	
	2NT	cork		79			43S	black		78-	
13	477 863 672	insulation spare-wheel well lower		1			83S	beige		78-	
							87S	brown		78-	
14	477 863 703 E	floor mat	/LL/V	1	924		2NT	cork		79	
	07W	black		76-77		-	477 863 855	insulation firewall		1	
	92V	dark brown		76-77		14A	477 863 581 A	lining lateral	/V/L	1	
	24U	red		77			07W	black		76-77	
	43S	black		77-			92V	dark brown		76-77	
	83S	beige		77-			24U	red		77	
	87S	brown		77-			43S	black		78-	
	2NT	cork		79			83S	beige		78-	
(14)	477 863 703 G	floor mat	/LL/V	1	TURBO		87S	brown		78-	
	43S	black		79-			2NT	cork		79	
	83S	beige		79-		(14A)	477 863 582 A	lining lateral	/V/R	1	
	87S	brown		79-			07W	black		76-77	
(14)	477 863 703 L	floor mat	/LL/V	1	924 M573						

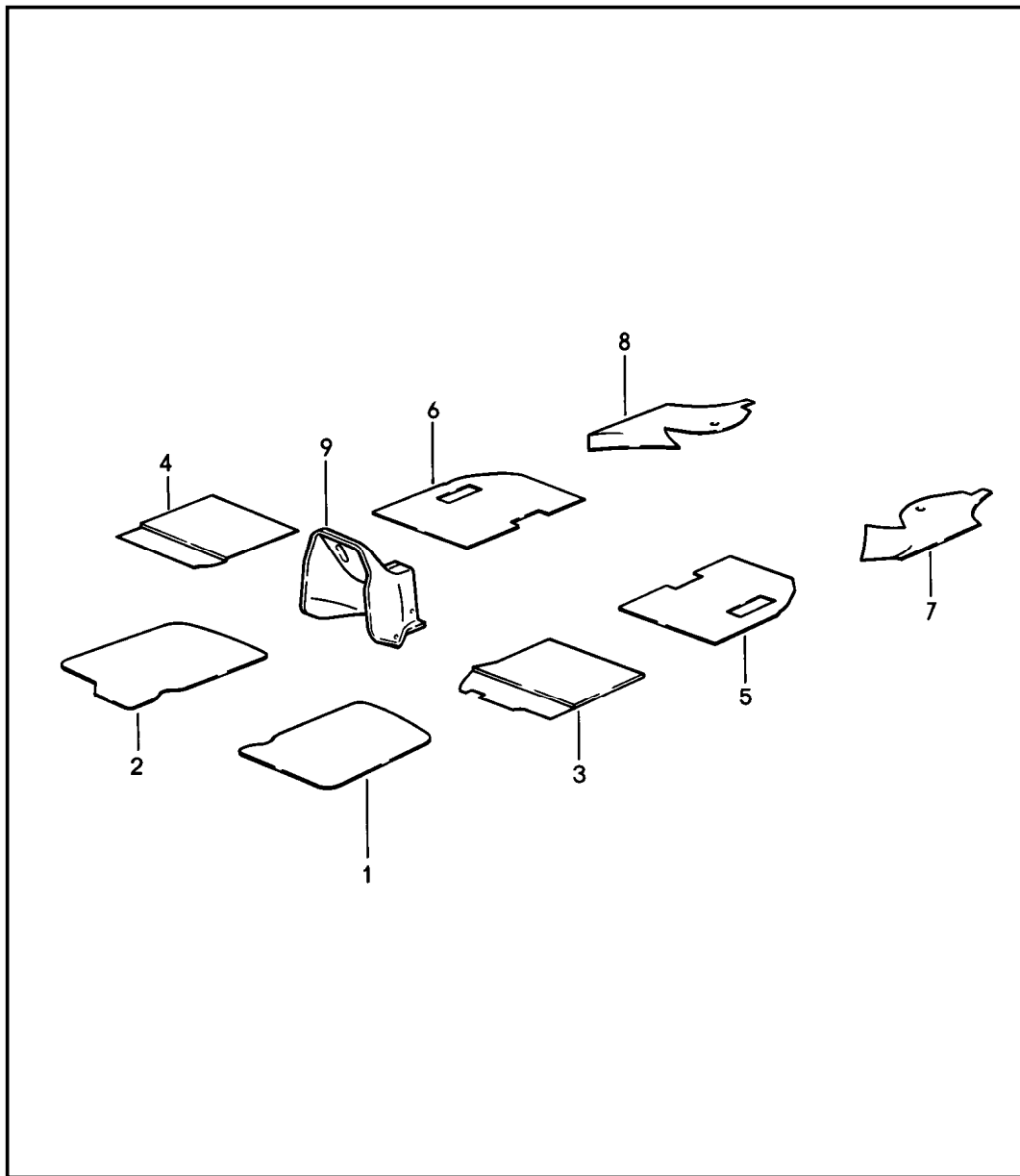
Model	Year	MG	SG	Illustration	Restrictions	UPD	11:03	23.01.2010	PORSCHE	PET	PORSCHE
924	1979	8	07	807-00		248					

Pos	Part Number	Description	Remark	Qty	Model	Pos	Part Number	Description	Remark	Qty	Model
	92V	dark brown	76-77				83S	beige	78-		
	24U	red	77				87S	brown	78		
	43S	black	78-				2NT	cork	79		
	83S	beige	78-			16	477 863 799	sound absorber boot floor plate		1	
	87S	brown	78-			(16)	477 863 893 A	sound absorber boot floor plate		1	
(14A)	477 863 582 B	lining lateral	/LL/R	1	M573	17	944 556 609 00	sound absorber roof		1	
	43S	black	79-			18	993 556 521 00	insulation		2	
	83S	beige	79-			19	944 556 089 00	insulation for engine compartment	/LL	1	
	87S	brown	79-			(19)	478 863 831	insulation for engine compartment	/RL	1	924
	2NT	cork	79			19A	477 863 871	heat protection side member	/V/R	1	
15	477 863 717 A	floor mat	/LL/H	1	924	19B	477 863 849	insulation	/L/V	1	
	07W	black	76-77			20	477 863 837	sound absorber side section	/V/L	1	
	92V	dark brown	76-77			(20)	477 863 838	sound absorber side section	/V/R	1	
	24U	red	77			(21)	477 863 845	sound absorber heel plate F >>92481 00776	/L	1	924
	43S	black	78-			(21)	477 863 845 A	sound absorber heel plate F 92481 00777>>	/L	1	
	83S	beige	78-			21	477 863 846	sound absorber heel plate F >>92481 00776	/R	1	924
	87S	brown	78-			21	477 863 846 A	sound absorber heel plate F 92481 00777>>	/R	1	
(15)	477 863 717 B	floor mat	/LL/H	1	TURBO	(21)	477 863 845 A	sound absorber heel plate F 92481 00777>>	/L	1	
	43S	black	79-			21	477 863 846	sound absorber heel plate F >>92481 00776	/R	1	924
	83S	beige	79-			21	477 863 846 A	sound absorber heel plate F 92481 00777>>	/R	1	
	87S	brown	79-			(22)	477 863 865	sound absorber	/H/L	1	
(15)	478 863 717 A	floor mat	/RL/H	1	924	22	477 863 866	sound absorber side section	/H/R	1	
	07W	black	77			23	477 863 867	insulation spare-wheel well		1	
	92V	dark brown	77								
	24U	red	77								
	43S	black	78-								

Model	Year	MG	SG	Illustration	Restrictions	UPD	11:03	23.01.2010	PORSCHE	PET	PORSCHE
924	1979	8	07	807-00		248					

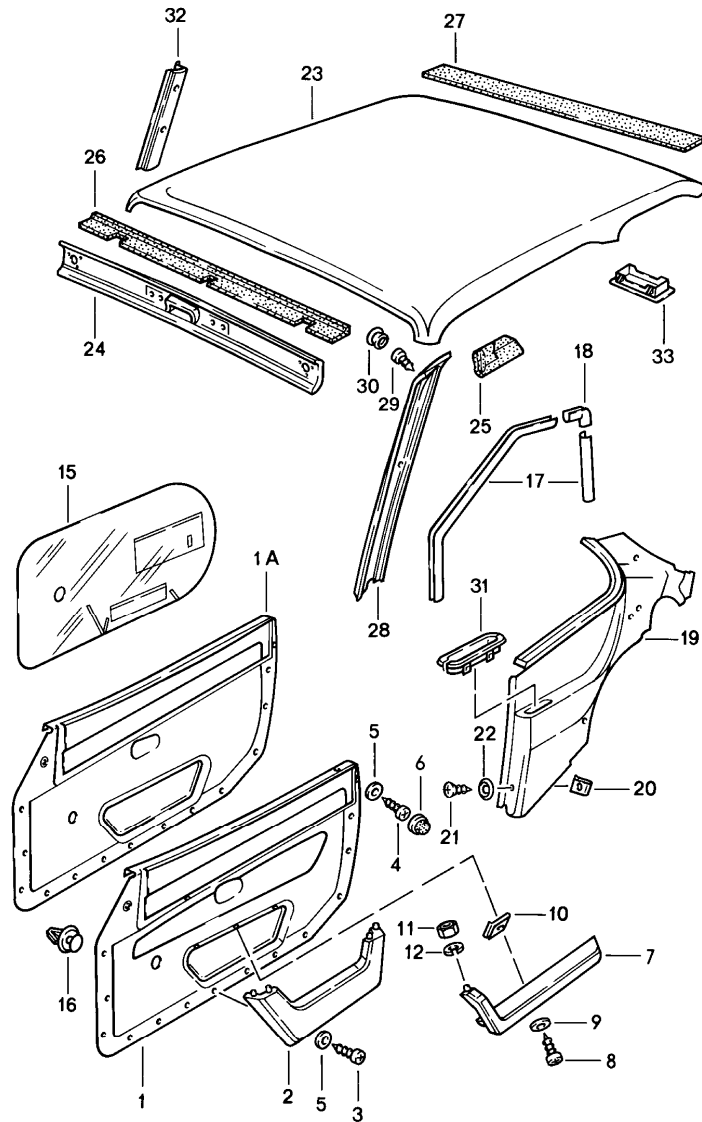
Pos	Part Number	Description	Remark	Qty	Model	Pos	Part Number	Description	Remark	Qty	Model
(24)	477 863 885	sound absorber	/H/L	1							
24	477 863 886	sound absorber wheel housing	/H/R	1							
25	477 863 895	sound absorber seat well		1	924						
26	944 556 085 00	sound absorber cross member F 92481 00777>>	/L	1							
(26)	944 556 086 00	sound absorber cross member F 92481 00777>>	/R	1							
27	478 863 711 A	foot support	/RL	1	M573						
	43S	black			78-						
	83S	beige			78-						
	87S	brown			78-						
29	N 015 458 1	speed nut	/RL	4	M573						
30	901 423 368 00	washer	/RL	4	M573						
31	N 012 130 2	shake-proof washer A 5,3	/RL	4	M573						
32	N 013 968 7	tapping screw 4,8 X 13	/RL	4	M573						
33	477 820 412	knee protection trim	/RL	1	M573						
	05T	black									
	21S	brown									

Model	Year	MG	SG	Illustration	Restrictions	UPD	11:03	23.01.2010	PORSCHE	PET	PORSCHE
924	1979	8	07	807-01		248					



Pos	Part Number	Description	Remark	Qty	Model
		sound absorber left-hand drive			TURBO
1	477 863 771	sound absorber engine compartment	/L	1	
2	477 863 772 A	sound absorber engine compartment	/R	1	
3	477 863 775	sound absorber floor	/L/V	1	
4	477 863 776	sound absorber	/R	1	
5	477 863 773	sound absorber floor	/L/H	1	
6	477 863 774	sound absorber	/R	1	
7	944 556 777 01	sound absorber	/L/H	1	
8	477 863 778	sound absorber	/R/H	1	
9	477 863 667 A	sound absorber	/V	1	

Model	Year	MG	SG	Illustration	Restrictions	UPD	11:04	23.01.2010	PORSCHE	PET	PORSCHE
924	1979	8	07	807-05		248					



Pos	Part Number	Description	Remark	Qty	Model
(1)	477 867 011 F	linings door trim panel power windows manually adjustable leatherette	/L	1	
	CD4	black/anthracite		76-77	
	CG8	gazelle/saddle tan		76-77	
	CJ6	black		77	
	DF9	black			
	F	>>92481 02502			
	F	>>92482 04108			
	F	>>92483 30204			
	DG1	brown			
	F	>>92481 02502			
	F	>>92482 04108			
	F	>>92483 30204			
	DG2	beige/brown			
	F	>>92481 02502			
	F	>>92482 04108			
	F	>>92483 30204			
1	477 867 012 F	door trim panel power windows manually adjustable leatherette	/R	1	
	CD4	black/anthracite		76-77	
	CG8	gazelle/saddle tan		76-77	
	CJ6	black		77	
	DF9	black			
	F	>>92481 02502			
	F	>>92482 04108			
	F	>>92483 30204			
	DG1	brown			
	F	>>92481 02502			
	F	>>92482 04108			
	F	>>92483 30204			
	DG2	beige/brown			
	F	>>92481 02502			
	F	>>92482 04108			
	F	>>92483 30204			

Model	Year	MG	SG	Illustration	Restrictions	UPD	11:04	23.01.2010	PORSCHE	PET	PORSCHE
924	1979	8	07	807-05		248					

Pos	Part Number	Description	Remark	Qty	Model	Pos	Part Number	Description	Remark	Qty	Model
(1A)	477 867 011	door trim panel power windows manually adjustable leatherette	/L	1		1A	477 867 012	door trim panel leatherette/ cloth FISCHGRAET	/R	1	
	DF9	black F 92481 02503>> F 92482 04109>> F 92483 30205>>					EH4	black/ black-white		79- 79-	
	DG1	brown F 92481 02503>> F 92482 04109>> F 92483 30205>>					EH5	black/ orange		79- 79-	
	DG2	beige/brown F 92481 02503>> F 92482 04109>> F 92483 30205>>					EH6	brown/ brown-beige		79- 79-	
						(1A)	477 867 011	door trim panel leatherette/ pin stripe velour	/L	1	
							EQ5	brown/ cork		79 79	
1A	477 867 012	door trim panel power windows manually adjustable leatherette	/R	1		1A	477 867 012	door trim panel leatherette/ pin stripe velour	/R	1	
	DF9	black F 92481 02503>> F 92482 04109>> F 92483 30205>>					EQ5	brown/ cork		79 79	
	DG1	brown F 92481 02503>> F 92482 04109>> F 92483 30205>>				(1A)	477 867 011	door trim panel leatherette/ tartan cloth	/L	1	
	DG2	beige/brown F 92481 02503>> F 92482 04109>> F 92483 30205>>					EN4	black/ red-blue	/LL	79 79	TURBO
							EP4	black/ green-blue	/LL	79 79	TURBO
							EP5	brown/ brown-beige	/LL	79 79	TURBO
(1A)	477 867 011	door trim panel leatherette/ cloth FISCHGRAET	/L	1		1A	477 867 012	door trim panel leatherette/ tartan cloth	/R	1	
	EH4	black/ black-white					EN4	black/ red-blue	/LL	79 79	TURBO
	EH5	black/ orange					EP4	black/ green-blue	/LL	79 79	TURBO
	EH6	brown/ brown-beige					EP5	brown/ brown-beige	/LL	79 79	TURBO

Model	Year	MG	SG	Illustration	Restrictions	UPD	11:04	23.01.2010	PORSCHE	PET	PORSCHE
924	1979	8	07	807-05		248					

Pos	Part Number	Description	Remark	Qty	Model	Pos	Part Number	Description	Remark	Qty	Model
(1A)	477 867 011 B	door trim panel power windows electrically adjustable leatherette	/LL/L	1			EQ5	brown/ cork		79 79	
	DF9	black		78-			EP4	black/ green-blue	/LL	79 79	TURBO
	DG1	brown		78-			EP5	brown/ brown-beige	/LL	79 79	TURBO
	DG2	beige/brown		78-		(1A)	477 867 012 B	door trim panel leatherette/ cloth FISCHGRAET	/LL/R		1
(1A)	477 867 012 B	door trim panel power windows electrically adjustable leatherette	/LL/R	1			EH4	black/ black-white		79- 79-	
	DF9	black		78-			EH5	black/ orange		79- 79-	
	DG1	brown		78-			EH6	brown/ brown/beige		79- 79-	
	DG2	beige/brown		78-		(1A)	478 867 011 B	door trim panel power windows electrically adjustable leatherette	/RL/L		1
(1A)	478 867 011 B	door trim panel power windows electrically adjustable leatherette	/RL/L	1			EQ5	brown/ cork		79 79	
	DF9	black		78-			EP4	black/ green-blue	/LL	79 79	TURBO
	DG1	brown		78-			EP5	brown/ brown-beige	/LL	79 79	TURBO
	DG2	beige/brown		78-		(1A)	478 867 012 B	door trim panel leatherette/ cloth FISCHGRAET	/RL/L		1
(1A)	478 867 012 B	door trim panel power windows electrically adjustable leatherette	/RL/R	1			EH4	black/ black-white		79- 79-	
	DF9	black		78-			EH5	black/ orange		79- 79-	
	DG1	brown		78-			EH6	brown/ brown/beige		79- 79-	
	DG2	beige/brown		78-		(1A)	477 867 011 B	door trim panel leatherette/ cloth FISCHGRAET	/LL/L		1
(1A)	477 867 011 B	door trim panel leatherette/ cloth FISCHGRAET	/LL/L	1			EQ5	brown/ cork		79 79	
	EH4	black/ black-white		79- 79-			EP4	black/ green-blue	/LL	79 79	TURBO
	EH5	black/ orange		79- 79-			EP5	brown/ brown-beige	/LL	79 79	TURBO
	EH6	brown/ brown/beige		79- 79-							

Model	Year	MG	SG	Illustration	Restrictions	UPD	11:04	23.01.2010	PORSCHE	PET	PORSCHE
924	1979	8	07	807-05		248					

Pos	Part Number	Description	Remark	Qty	Model	Pos	Part Number	Description	Remark	Qty	Model
(1A)	478 867 012 B	door trim panel leatherette/ cloth FISCHGRAET	/RL/R	1			90V	saddle tan	76-77		
	EH4	black/ black-white		79- 79-			01C	black	76-		
	EH5	black/ orange		79- 79-		2	477 867 134	package box	/R	1	
	EH6	brown/ brown/beige		79- 79-			90V	saddle tan	76-77		
	EQ5	brown/ cork		79 79			01C	black	76-		
	EP4	black/ green-blue	/LL	79 79	TURBO		89S	cadbury brown	78-		
	EP5	brown/ brown-beige	/LL	79 79	TURBO	3	N 013 962 2	tapping screw B 3,9 X 16		6	
(1A)	477 867 011 B	door trim panel leatherette/ pin stripe velour	/LL/L	1		4	311 867 167	tapping screw 4,2		4	
	EM7	black/		79		5	900 151 028 02	washer 4,3		10	
(1A)	477 867 011 B	door trim panel leatherette/ pin stripe velour	/LL/R	1		6	311 867 169	cap		4	
	EM7	black/		79			01C	black	76-		
(1A)	477 867 011 B	door trim panel leatherette/ tartan cloth	/LL/L	1		(7)	477 867 171	armrest	/L	1	
	EN4	black/ red-blue		79 79	TURBO		041	black	76-		
(1A)	477 867 011 B	door trim panel leatherette/ tartan cloth	/LL/R	1			90V	saddle tan	76-77		
	EN4	black/ red-blue		79 79	TURBO		89S	brown	78-		
(1A)	477 867 011 B	door trim panel leatherette/ pin stripe velour	/LL/L	1		7	477 867 172	armrest	/R	1	
	EN4	black/ red-blue		79 79	TURBO		041	black	76-		
(1A)	477 867 011 B	door trim panel leatherette/ pin stripe velour	/LL/R	1			90V	saddle tan	76-77		
	EN4	black/ red-blue		79 79	TURBO		89S	brown	78-		
(1A)	477 867 011 B	door trim panel leatherette/ pin stripe velour	/LL/L	1		8	900 143 046 02	tapping screw B 4,8 X 16		6	
(1A)	477 867 011 B	door trim panel leatherette/ pin stripe velour	/LL/R	1		9	N 012 225 2	spring washer B 5		6	
-	999 507 071 00	speed nut		2		10	999 591 722 02	speed nut B 4,8 X 19,8		6	
(2)	477 867 133	package box	/L	1		11	900 076 010 02	hexagon nut M 6		2	

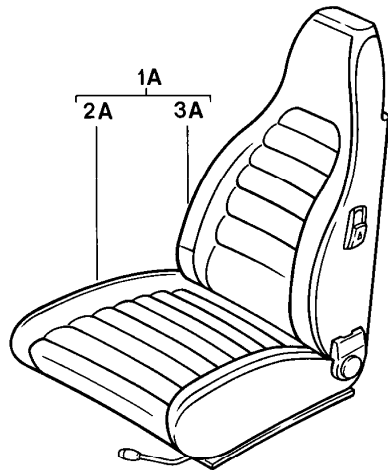
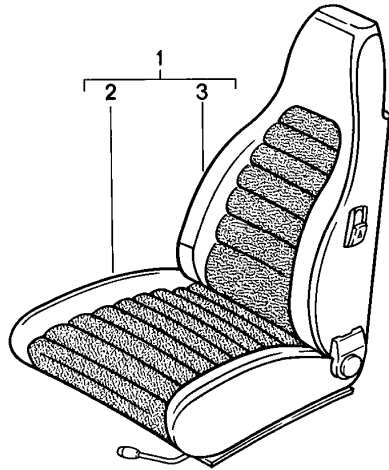
Model	Year	MG	SG	Illustration	Restrictions	UPD	11:04	23.01.2010	PORSCHE	PET	PORSCHE
924	1979	8	07	807-05		248					

Pos	Part Number	Description	Remark	Qty	Model	Pos	Part Number	Description	Remark	Qty	Model
12	N 012 026 1	lock ring 6		2			041	black		76-77	
(15)	477 867 177 D	sealing film	/L	1			90V	saddle tan		76-77	
15	477 867 178 D	sealing film door trim panel	/R	1			05T	black		78-	
							21S	brown		78-	
16	823 867 299	clip		25		-	477 867 543	roof strut		3	
17	477 867 367	pipng door		4		24	477 867 511	lining roof frame		1	
18	477 867 371	corner piece		2			041	black		76-77	
(19)	477 867 421	lining side section	/L	1			90V	saddle tan		76-77	
	91V	saddle tan					05T	black		78-	
	05T	black					21S	brown		78-	
	21S	brown				25	944 555 115 00	roof frame padding	/L	1	
19	477 867 422	lining side section	/R	1		(25)	944 555 116 00	roof frame padding	/R	1	
	91V	saddle tan				26	477 867 531	roof frame padding centre	/V	1	M650
	05T	black				27	477 867 533	roof frame padding	/H	1	M650
	21S	brown				28	477 867 553	lining windscreen frame	/L	1	924
-	111 857 785	stopper		2			041	black		76-77	
-	111 857 795	cover disc		2			90V	saddle tan		76-77	
20	N 015 438 1	speed nut B 3,5 X 16,5		2			05T	black		78	
							21S	brown		78	
21	N 014 087 5	rais. counters. h. tap. s. B 3,5 X 16		4		(28)	477 867 554	lining windscreen frame	/R	1	924
22	N 011 578 1	cone washer 3,7		4			F	>>92481 00829			
							F	>>92482 01329			
23	477 867 503	rooflining		1			F	>>92483 30100			
	041	black					041	black		76-77	
	90V	saddle tan					90V	saddle tan		76-77	
	05T	black					05T	black		78	
	21S	brown					21S	brown		78	
(23)	477 867 501 A	rooflining		1	M650	28	477 867 553 A	lining windscreen frame	/L	1	

Model	Year	MG	SG	Illustration	Restrictions	UPD	11:04	23.01.2010	PORSCHE	PET	PORSCHE
924	1979	8	07	807-05		248					

Pos	Part Number	Description	Remark	Qty	Model	Pos	Part Number	Description	Remark	Qty	Model
		05T black	78-			33	477 867 923	cap		2	
		21S brown	78-					F >>92471 06849			
		041 black	76-77					F >>92472 33559			
		90V saddle tan	76-77				01C black	F >>92473 30159			
(28)	477 867 554 A	lining windscreen frame	/R	1			90V saddle tan				
		F 92481 00830>>				33	477 867 923 A	cap		2	
		F 92482 01330>>					01C black				
		F 92483 30101>>					90V saddle tan				
		05T black	78-				89S brown				
		21S brown	78-								
		041 black	76-77								
		90V saddle tan	76-77								
29	N 013 962 2	tapping screw B 3,9 X 16		6							
30	914 552 233 10	filler piece		6							
		01C black	76-								
		90V brown	76-								
31	477 867 653	rosette		2							
32	477 867 655	lining centre pillar	/L	1							
		041 black	76-77								
		90V saddle tan	76-77								
		05T black	78-								
		21S brown	78-								
(32)	477 867 656	lining centre pillar	/R	1							
		041 black	76-77								
		90V saddle tan	76-77								
		05T black	78-								
		21S brown	78-								

Model	Year	MG	SG	Illustration	Restrictions	UPD	11:04	23.01.2010	PORSCHE	PET	PORSCHE
924	1979	8	08	808-00		248					



Pos	Part Number	Description	Remark	Qty	Model
		front seat complete seat cover			
1	A 477 881 021 E	front seat leatherette/centre part large checker pattern	/L	1	
	CC1	black/black/yellow	76-77		
	CC2	black/black/silver	76-77		
	CC4	gazelle/saddle tan	76-77		
(1)	A 477 881 022 E	front seat leatherette/centre part large checker pattern	/R	1	
	CC1	black/black/yellow	76-77		
	CC2	black/black/silver	76-77		
	CC4	gazelle/saddle tan	76-77		
1	A 477 881 021 E	front seat leatherette/centre part pin stripe velour	/L	1	
	DA8	black/black	77		
	DA9	gazelle/cork	77		
	BQ2	brown/cork	(CH) 78		
	EM6	black/black	(F) 79		
	EQ4	brown/cork	79		
(1)	A 477 881 022 E	front seat leatherette/centre part pin stripe velour	/R	1	

Model	Year	MG	SG	Illustration	Restrictions	UPD	11:04	23.01.2010	PORSCHE	PET	PORSCHE
924	1979	8	08	808-00		248					

Pos	Part Number	Description	Remark	Qty	Model	Pos	Part Number	Description	Remark	Qty	Model
	DA8	black/ black		77			EP1	black/ green-blue	/LL	79	TURBO
	DA9	gazelle/ cork		77			EP2	brown/ brown-beige	/LL	79	TURBO
	BQ2	brown/ cork	(CH)	78			EP3	beige/ brown-beige	/LL	79	TURBO
	EM6	black/ black	(F)	79		(1) A	477 881 022 E	front seat leatherette/ centre part tartan cloth	/R	1	
	EQ4	brown/ cork		79			EN3	black/ red-blue	/LL	79	TURBO
1	A 477 881 021 E	front seat leatherette/ centre part FISCHGRAET	/L	1			EP1	black/ green-blue	/LL	79	TURBO
	DC2	beige/ brown-beige		78-			EP2	brown/ brown-beige	/LL	79	TURBO
	DC5	brown/ brown-beige		78-			EP3	beige/ brown-beige	/LL	79	TURBO
	DC8	black/ orange		78-		1	A 477 881 021 E	front seat	/L	1	
	DD1	black/ black-white		78-		(1) A	477 881 022 E	front seat	/R	1	
(1)	A 477 881 022 E	front seat leatherette/ centre part FISCHGRAET	/R	1		1A	A 477 881 021 F	front seat leatherette	/L	1	
	DC2	beige/ brown-beige		78-			BG2	black		76-77	
	DC5	brown/ brown-beige		78-			CC5	gazelle		76-77	
	DC8	black/ orange		78-			DD2	beige		78-	
	DD1	black/ black-white		78-			DD4	brown		78-	
1	A 477 881 021 E	front seat leatherette/ centre part tartan cloth	/L	1			DD6	black		78-	
	EN3	black/ red-blue	/LL	79	TURBO	(1A)	A 477 881 022 F	front seat leatherette	/R	1	
							BG2	black		76-77	
							CC5	gazelle		76-77	
							DD2	beige		78-	
							DD4	brown		78-	
							DD6	black		78-	

Model	Year	MG	SG	Illustration	Restrictions	UPD	11:04	23.01.2010	PORSCHE	PET	PORSCHE
924	1979	8	08	808-00		248					

Pos	Part Number	Description	Remark	Qty	Model	Pos	Part Number	Description	Remark	Qty	Model
1A	A 477 881 021 H	front seat leather	/L	1			BQ2	brown/cork	(CH)	78	
	1AJ	black					EM6	black/black	(F)	79	
	2NF	beige					EQ4	brown/cork		79	
	3NG	brown									
(1A)	A 477 881 022 H	front seat leather	/R	1		(2)	A 911 521 038 58	cover for cushion leatherette/centre part pin stripe velour	/R	1	
	1AJ	black					DA8	black/black		77	
	2NF	beige					DA9	gazelle/cork		77	
	3NG	brown					BQ2	brown/cork	(CH)	78	
2	A 911 521 037 58	cover for cushion leatherette/centre part large checker pattern	/L	1			EM6	black/black	(F)	79	
	CC1	black/black/yellow					EQ4	brown/cork		79	
	CC2	black/black/silver									
	CC4	gazelle/saddle tan				2	A 911 521 037 58	cover for cushion leatherette/centre part FISCHGRAET	/L	1	
(2)	A 911 521 038 58	cover for cushion leatherette/centre part large checker pattern	/R	1			DC2	beige/brown-beige		78-	
	CC1	black/black/yellow					DC5	brown/brown-beige		78-	
	CC2	black/black/silver					DC8	black/orange		78-	
	CC4	gazelle/saddle tan					DD1	black/black-white		78-	
2	A 911 521 037 58	cover for cushion leatherette/centre part pin stripe velour	/L	1		(2)	A 911 521 038 58	cover for cushion leatherette/centre part FISCHGRAET	/R	1	
	DA8	black/black					DC2	beige/brown-beige		78-	
	DA9	gazelle/cork					DC5	brown/brown-beige		78-	

Model	Year	MG	SG	Illustration	Restrictions	UPD	11:04	23.01.2010	PORSCHE	PET	PORSCHE
924	1979	8	08	808-00		248					

Pos	Part Number	Description	Remark	Qty	Model	Pos	Part Number	Description	Remark	Qty	Model
		DC8 black/orange		78-				DB1 black/red		77	
		DD1 black/black-white		78-		2A	A 911 521 037 69	cover for cushion welded version leatherette	/L	1	
2	A 911 521 037 58	cover for cushion leatherette/centre part tartan cloth	/L	1			BG2 black		76-77		
		EN3 black/red-blue	/LL	79	TURBO	(2A)	A 911 521 038 69	cover for cushion welded version leatherette	/R	1	
		EP1 black/green-blue	/LL	79	TURBO		BG2 black		76-77		
		EP2 brown/brown-beige	/LL	79	TURBO		CC5 gazelle		76-77		
		EP3 beige/brown-beige	/LL	79	TURBO	(2)	A 911 521 037 57	cover for cushion sewed version leatherette	/L	1	
(2)	A 911 521 038 58	cover for cushion leatherette/centre part tartan cloth	/R	1			BG2 black		77		
		EN3 black/red-blue	/LL	79	TURBO		CC5 gazelle		77		
		EP1 black/green-blue	/LL	79	TURBO		DD2 beige		78-		
		EP2 brown/brown-beige	/LL	79	TURBO	(2)	A 911 521 038 57	cover for cushion sewed version leatherette	/R	1	
		EP3 beige/brown-beige	/LL	79	TURBO		BG2 black		77		
2	A 911 521 037 58	cover for cushion	/L	1			CC5 gazelle		77		
(2)	A 911 521 038 58	cover for cushion	/R	1			DD2 beige		78-		
2	A 911 521 037 58	cover for cushion leatherette/centre part flock cord	/L	1			DD4 brown		78-		
		DB1 black/red		77			DD6 black		78-		
(2)	A 911 521 038 58	cover for cushion leatherette/centre part flock cord	/R	1		(2)	A 911 521 037 60	cover for cushion leather	/L	1	
							1AJ black				
							2NF beige				
							3NG brown				

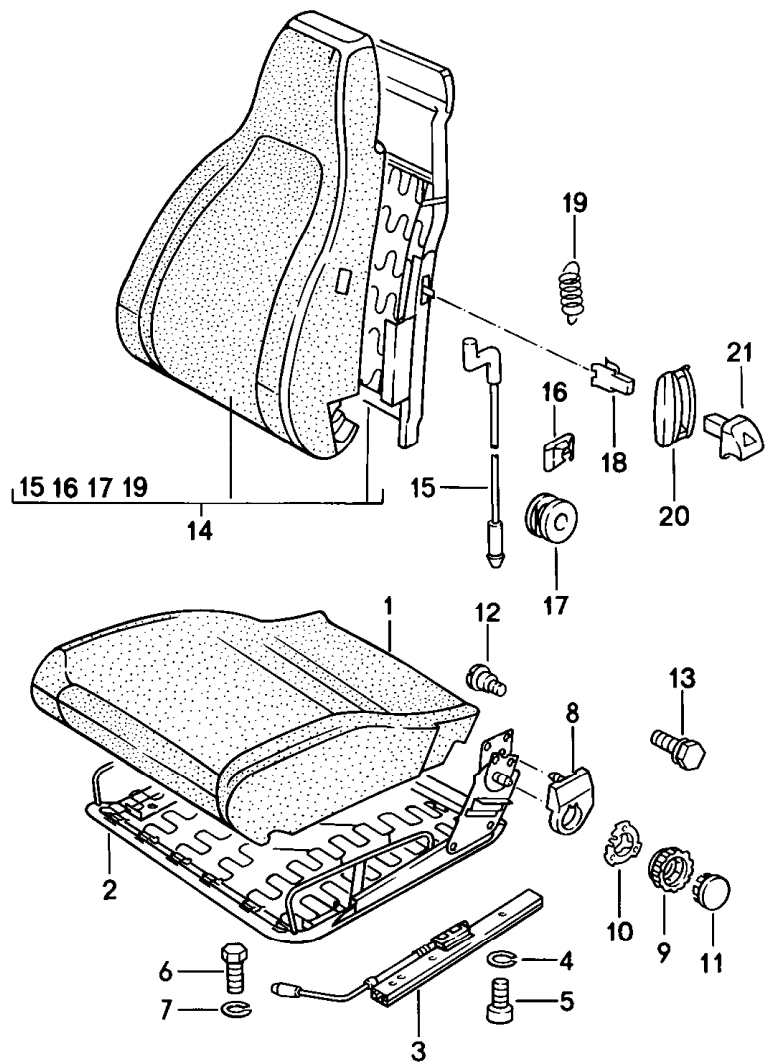
Model	Year	MG	SG	Illustration	Restrictions	UPD	11:04	23.01.2010	PORSCHE	PET	PORSCHE
924	1979	8	08	808-00		248					

Pos	Part Number	Description	Remark	Qty	Model	Pos	Part Number	Description	Remark	Qty	Model
(2)	A 911 521 038 60	cover for cushion leather	/R	1			DC8	black/orange	78-		
	1AJ	black					DD1	black/black-white	78-		
	2NF	beige									
	3NG	brown									
3	A 911 521 072 59	backrest cover sewed version leatherette/centre part large checker pattern		2		3	A 911 521 072 59	backrest cover sewed version leatherette/centre part tartan cloth		2	
	CC1	black/black/yellow	76-77				EN3	black/red-blue	/LL 79		TURBO
	CC2	black/black/silver	76-77				EP1	black/green-blue	/LL 79		TURBO
	CC4	gazelle/saddle tan	76-77				EP2	brown/brown-beige	/LL 79		TURBO
							EP3	beige/brown-beige	/LL 79		TURBO
3	A 911 521 072 59	backrest cover sewed version leatherette/centre part pin stripe velour		2		3	A 911 521 072 59	backrest cover sewed version		2	
	DA8	black/black	77			3	A 911 521 072 59	backrest cover sewed version leatherette/centre part flock cord		2	
	DA9	gazelle/cork	77				DB1	black/red	77		
	BQ2	brown/cork	(CH) 78			3A	A 911 521 072 69	backrest cover welded version leatherette		2	
	EM6	black/black	(F) 79				BG2	black	76-77		
	EQ4	brown/cork	79				CC5	gazelle	76-77		
3	A 911 521 072 59	backrest cover sewed version leatherette/centre part FISCHGRAET		2		3A	A 911 521 072 57	backrest cover sewed version leatherette		2	
	DC2	beige/brown-beige	78-				BG2	black	77		
	DC5	brown/brown-beige	78-				CC5	gazelle	77		
							DD2	beige	78-		
							DD4	brown	78-		
							DD6	black	78-		

Model	Year	MG	SG	Illustration	Restrictions	UPD	11:04	23.01.2010	PORSCHE	PET	PORSCHE
924	1979	8	08	808-00		248					

Pos	Part Number	Description	Remark	Qty	Model	Pos	Part Number	Description	Remark	Qty	Model
3A	A 911 521 072 60	backrest cover leather		2							
	1AJ	black									
	2NF	beige									
	3NG	brown									

Model	Year	MG	SG	Illustration	Restrictions	UPD	11:04	23.01.2010	PORSCHE	PET	PORSCHE
924	1979	8	08	808-01		248					

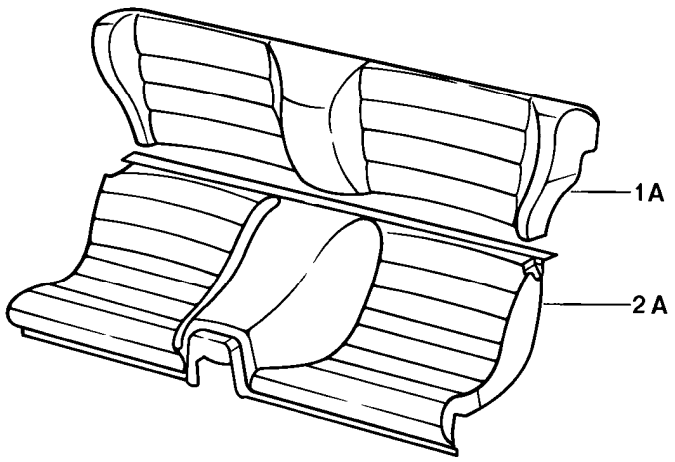
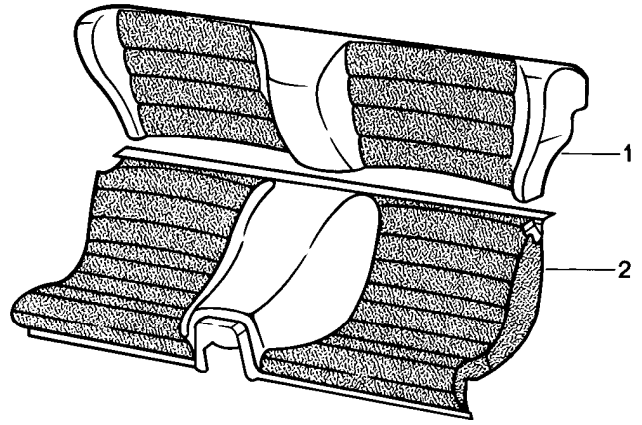


Pos	Part Number	Description	Remark	Qty	Model
		front seat single parts			
1	911 521 385 01	foam part seat cushion	/L	1	
(1)	911 521 386 01	foam part seat cushion	/R	1	
2	911 521 069 56	seat frame	/L	1	
(2)	911 521 070 56	seat frame	/R	1	
3	A 477 881 211	seat rail with locking device	/L	1	
(3)	A 477 881 212	seat rail with locking device	/R	1	
(3)	A 944 521 491 00	seat rail		2	
(3)	944 521 491 00	seat rail inner see tpi GR.8 NR.34		2	
4	N 012 006 4	lock ring B 6		8	
5	900 067 009 02	pan-head screw M 6 X 15		8	
6	N 010 215 13	hexagon-head bolt M 6 X 15		8	
7	N 012 006 4	lock ring B 6		8	
8	911 521 359 02	cover	/L	1	
(8)	911 521 360 02	cover	/R	1	
9	911 521 381 00	shifting wheel for backrest adjustment		2	
10	911 521 571 00	tensioning spring		2	
11	911 521 383 00	cover rotary knob		2	
12	911 521 371 00	screw inner		2	
13	911 521 547 00	hexagon-head bolt M 10 X 20		4	

Model	Year	MG	SG	Illustration	Restrictions	UPD	11:04	23.01.2010	PORSCHE	PET	PORSCHE
924	1979	8	08	808-01		248					

Pos	Part Number	Description	Remark	Qty	Model	Pos	Part Number	Description	Remark	Qty	Model
14	A 477 881 047	backrest without backrest cover	/L	1							
(14)	A 477 881 048	backrest without backrest cover	/R	1							
15	911 521 361 00	cable release backrest		2							
16	911 521 369 00	terminal for cable		2							
17	911 521 343 00	guide bush		2							
18	311 881 247	clamp		2							
19	311 881 287 A	spring		2							
20	311 881 607 A	rosette		2							
21	113 881 633 E	knob		2							
	01C	black									

Model	Year	MG	SG	Illustration	Restrictions	UPD	11:04	23.01.2010	PORSCHE	PET	PORSCHE
924	1979	8	08	808-05		248					



Pos	Part Number	Description	Remark	Qty	Model
		back seat complete			
		single parts see group 8/08/20			
1	A 477 885 037 D	backrest leatherette/centre part pin stripe velour		1	
	BQ2	brown/cork carpet brown	78 78 78 78		
	EM6	black/black/carpets black	79 79 79 79		
	EQ4	brown/cork carpet cork	79 79 79 79		
1	A 477 885 037 D	backrest leatherette/centre part FISCHGRAET		1	
	DC3	beige/brown-beige carpet beige	78- 78- 78- 78-		
	DC6	brown/brown-beige carpet brown	78- 78- 78- 78-		
	DC8	black/orange carpet black	78- 78- 78- 78-		
	DD1	black/black-white carpet black	78- 78- 78- 78-		
1	A 477 885 037 D	backrest leatherette/centre part tartan cloth		1	

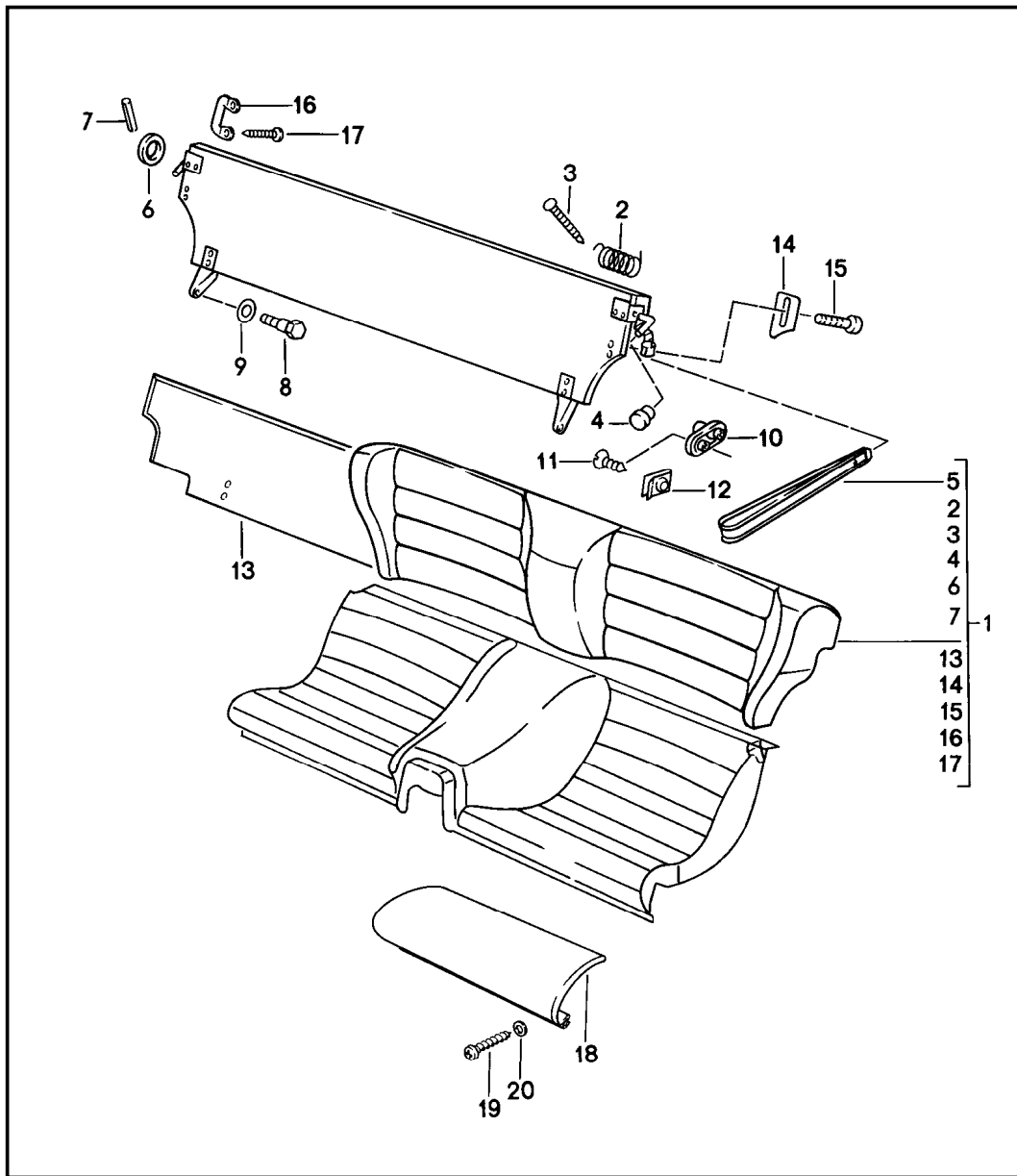
Model	Year	MG	SG	Illustration	Restrictions	UPD	11:04	23.01.2010	PORSCHE	PET	PORSCHE
924	1979	8	08	808-05		248					

Pos	Part Number	Description	Remark	Qty	Model	Pos	Part Number	Description	Remark	Qty	Model
	EN3	black/ red-blue carpet black	/LL	79 79 79 79	TURBO	(1) A	477 885 037 E	backrest leatherette/ centre part flock cord	(AUS)	1	
	EP1	black/ green-blue carpet black	/LL	79 79 79 79	TURBO		DB1	black/ red carpet red		77 77 77 77	
	EP2	brown/ brown-beige carpet brown	/LL	79 79 79 79	TURBO	1A A	477 885 037 A	backrest welded version leatherette		1	
	EP3	beige/ brown-beige carpet beige	/LL	79 79 79 79	TURBO		92U	gazelle/ carpet brown		76-77 76-77 76-77	
1	A 477 885 037 D	backrest		1							
1	A 477 885 037 D	backrest leatherette/ centre part flock cord		1			92U	gazelle/ carpet brown		76-77 76-77 76-77	
	DB1	black/ red carpet red		77 77 77 77		1A A	477 885 037 B	backrest sewed version leatherette		1	
(1)	A 477 885 037 E	backrest leatherette/ centre part FISCHGRAET	(AUS)	1							
	DC3	beige/ brown-beige carpet beige		78- 78- 78- 78-							
	DC6	brown/ brown-beige carpet brown		78- 78- 78- 78-							
	DC8	black/ orange carpet black		78- 78- 78- 78-							
	DD1	black/ black-white carpet black		78- 78- 78- 78-							
						1A A	477 885 037 D	backrest leatherette		1	
							041	black/ carpet black		76-77 76-77 76-77	
							DD2	beige/ carpet beige		78- 78- 78-	
							DD4	brown carpet brown		78- 78- 78-	
							DD6	black carpet black		78- 78- 78-	
						1A A	477 885 037 E	backrest leatherette	(AUS)	1	
							041	black/ carpet black		77 77 77	
							92U	gazelle/ carpet brown		77 77 77	

Model	Year	MG	SG	Illustration	Restrictions	UPD	11:04	23.01.2010	PORSCHE	PET	PORSCHE
924	1979	8	08	808-05		248					

Pos	Part Number	Description	Remark	Qty	Model	Pos	Part Number	Description	Remark	Qty	Model
	DD2	beige/ carpet beige	78- 78- 78-				DC2	beige/ brown-beige	78- 78-		
	DD4	brown carpet brown	78- 78- 78-				DC5	brown/ brown-beige	78- 78-		
	DD6	black/ carpet black	78- 78- 78-				DC8	black/ orange	78- 78-		
2	A 477 885 871 A	seat cushion F >>92481 00776 leatherette/ centre part FISCHGRAET		1	924	2	477 885 871 B	seat cushion F 92481 00777>> leatherette/ centre part tartan cloth		1	
	DC2	beige/ brown-beige	78- 78-				EN3	black/ red-blue	/LL 79 79		TURBO
	DC5	brown/ brown-beige	78- 78-				EP1	black/ green-blue	/LL 79 79		TURBO
	DD1	black/ black-white	78- 78-				EP2	brown/ brown-beige	/LL 79 79		TURBO
2	A 477 885 871 A	seat cushion F >>92481 00776 leatherette/ centre part flock cord		1	924		EP3	beige/ brown-beige	/LL 79 79		TURBO
	DB1	black/ red	77 77			2	477 885 871 B	seat cushion F 92481 00777>>		1	
2	477 885 871 B	seat cushion F 92481 00777>> leatherette/ centre part pin stripe velour		1		2A	A 477 885 871 A	seat cushion F >>92481 00776 leatherette		1	924
	BQ2	brown/ cork	78 78				041	black	76-77		
	EM6	black/ black	79 79				92U	gazelle	76-77		
	EQ4	brown/ cork	79 79				DD2	beige	78-		
2	477 885 871 B	seat cushion F 92481 00777>> leatherette/ centre part FISCHGRAET		1			DD4	brown	78-		
							DD6	black	78-		
						2A	477 885 871 B	seat cushion F 92481 00777>> leatherette		1	
							DD2	beige	78-		
							DD4	brown	78-		
							DD6	black	78-		

Model	Year	MG	SG	Illustration	Restrictions	UPD	11:04	23.01.2010	PORSCHE	PET	PORSCHE
924	1979	8	08	808-10		248					

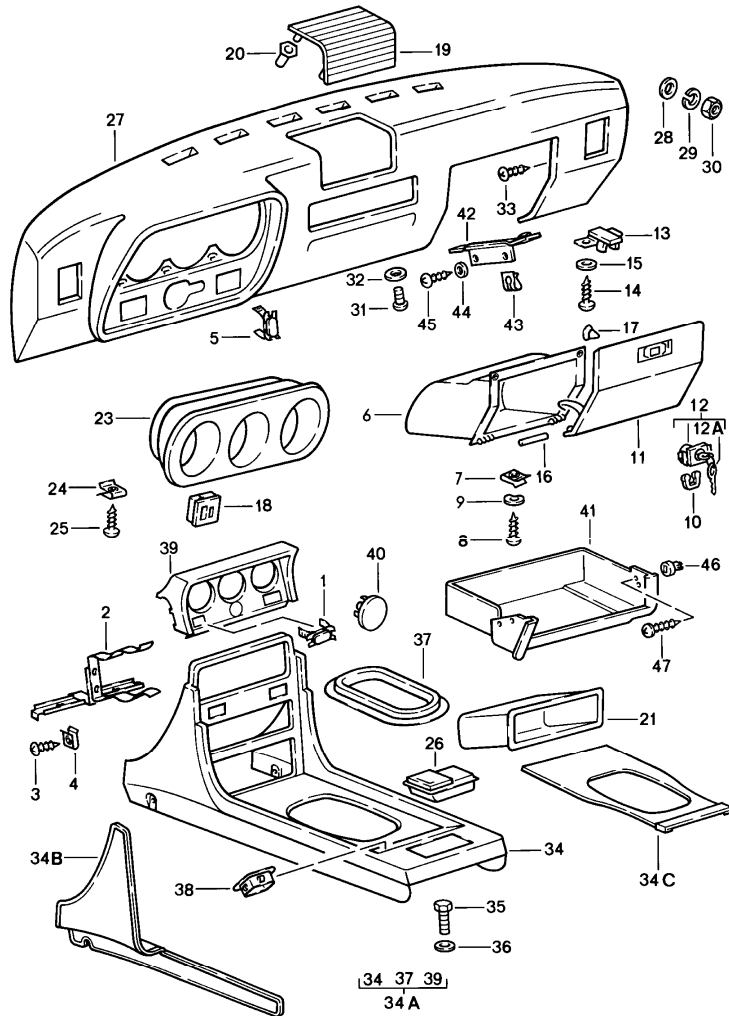


Pos	Part Number	Description	Remark	Qty	Model
1	-	back seat single parts backrest see group 8/08/05		1	
2	111 885 657	spring		1	
3	113 881 899	special tack		1	
4	477 885 699 B	plug	/L	1	
(4)	477 885 699 C	plug	/R	1	
5	477 885 667	traction noose	/L	1	
		05T black			
		21S brown			
6	477 885 555	cover		1	
7	900 197 010 00	roll pin 3 X 22		1	
8	477 885 767	hexagon-head bolt		2	
9	900 025 007 02	washer A 8,4		2	
10	111 867 329 A	locking lug	/L	1	
(10)	111 867 330 A	locking lug	/R	1	
11	N 014 002 1	counters. head tapp. screw B 6,3 X 22		4	
12	999 591 327 02	speed nut B 6,3		4	
13	477 885 831 A	cover		1	
		07W black	76-77		
		92V dark brown	76-77		
		24U red	77		
		43S black	78-		
		83S beige	78-		
		87S brown	78-		
		2NT cork	79		

Model	Year	MG	SG	Illustration	Restrictions	UPD	11:04	23.01.2010	PORSCHE	PET	PORSCHE
924	1979	8	08	808-10		248					

Pos	Part Number	Description	Remark	Qty	Model	Pos	Part Number	Description	Remark	Qty	Model
14	477 885 865	stop	/L	1							
(14)	477 885 866	stop	/R	1							
15	N 014 155 1	oval-head screw M 5 X 22		4							
16	477 885 761	retaining bar		2							
17	N 014 096 3	tapping screw B 4,2 X 22		4							
18	477 885 041 B	back seat extension leatherette	/L (J)	1							
	43S	black									
	83S	beige									
	87S	brown									
(18)	477 885 042 B	back seat extension F 92483 30001>> leatherette	/R (J)	1							
	43S	black									
	83S	beige									
	87S	brown									
19	N 043 940 3	tapping screw 4,2 X 25	(J)	6							
20	900 151 028 02	washer 4,3	(J)	6							

Model	Year	MG	SG	Illustration	Restrictions	UPD	11:05	23.01.2010	PORSCHE	PET	PORSCHE
924	1979	8	09	809-00		248					



Pos	Part Number	Description	Remark	Qty	Model
		dashboard			
1	133 957 087	cover		1	
2	477 857 067 A	support centre console		1	
3	N 013 957 5	tapping screw BZ 3,5 X 9,5		2	
4	N 015 438 1	speed nut B 4,2 X 17		2	
5	133 957 087	cover	(I)	1	
6	477 857 095	glove compartment F >>92481 00829 F >>92482 01329 F >>92483 30100		1	924
(6)	477 857 095 A	glove compartment F 92481 00830>> F 92482 01330>> F 92483 30101>>		1	
7	N 015 422 2	speed nut B 4,2 X 17		2	
8	N 013 964 4	tapping screw B 4,2 X 16		5	
9	900 151 028 02	washer B 5		5	
10	133 857 119	clamp		1	
	01C	black			
11	477 857 123	glove compartment cover	/LL	1	
	06W	anthracite	76-77		
	041	black	77		
	91V	saddle tan	76-77		
	05T	black	78-		
	21S	brown	78-		
(11)	478 857 123	glove compartment cover	/RL	1	
	041	black	77		
	91V	saddle tan	77		
	05T	black	78-		

Model	Year	MG	SG	Illustration	Restrictions	UPD	11:05	23.01.2010	PORSCHE	PET	PORSCHE
924	1979	8	09	809-00		248					

Pos	Part Number	Description	Remark	Qty	Model	Pos	Part Number	Description	Remark	Qty	Model
	21S	brown	78-			19	477 857 187	cover loudspeaker		1	
-	477 853 149	badge	77	1			06W	anthracite	76-77		
-	999 591 211 01	speed nut	77	2			90V	saddle tan	76-77		
12	477 857 133 A	lock with keys		1			01C	black	77-		
	01C	black					89S	brown	78-		
12A	477 857 135 A	blank key blank key S 73 PROFIL SC		2		20	477 857 821	grommet loudspeaker grille		4	
12A	477 857 136 A	key with stipulated lock number state lock number		1		21	481 857 233 A	package box		1	
						23	477 857 283 A	dashboard trim		1	
13	477 857 143	lock bearing		1		24	999 591 722 02	speed nut B 4,8 X 19,8		2	
	01C	black				25	900 143 046 02	tapping screw B 4,8 X 16		2	
14	900 143 070 02	oval-head sheetmetal screw B 4,2 X 13		2		26	477 857 305	ashtray		1	
15	900 025 002 02	washer A 4,3		2			01C	black			
16	N 013 209 2	straight pin 4 H 8 X 36		2		27	477 857 881	dashboard F >>92481 00829 F >>92482 01329 F >>92483 30100	/LL	1	924
17	N 020 022 3	stopper A 8 X 1		2			06W	anthracite	76-77		
18	477 857 137	cover light switch	/L	1			91V	saddle tan	76-77		
	06W	anthracite	76-77				041	black	76-77		
	90V	saddle tan	76-77				05T	black	78-		
	01C	black	77-				21S	brown	78-		
	89S	brown	78-			27	477 857 881 A	dashboard F 92481 00830>>	/LL	1	
(18)	477 857 138	cover switch rear window heating	/R	1			05T	black			
	06W	anthracite	76-77			(27)	477 898 881	dashboard	/LL	1	924
	90V	saddle tan	76-77				06W	anthracite	76-77		
	01C	black	77-				05T	black			
	89S	brown	78-				91V	saddle tan			

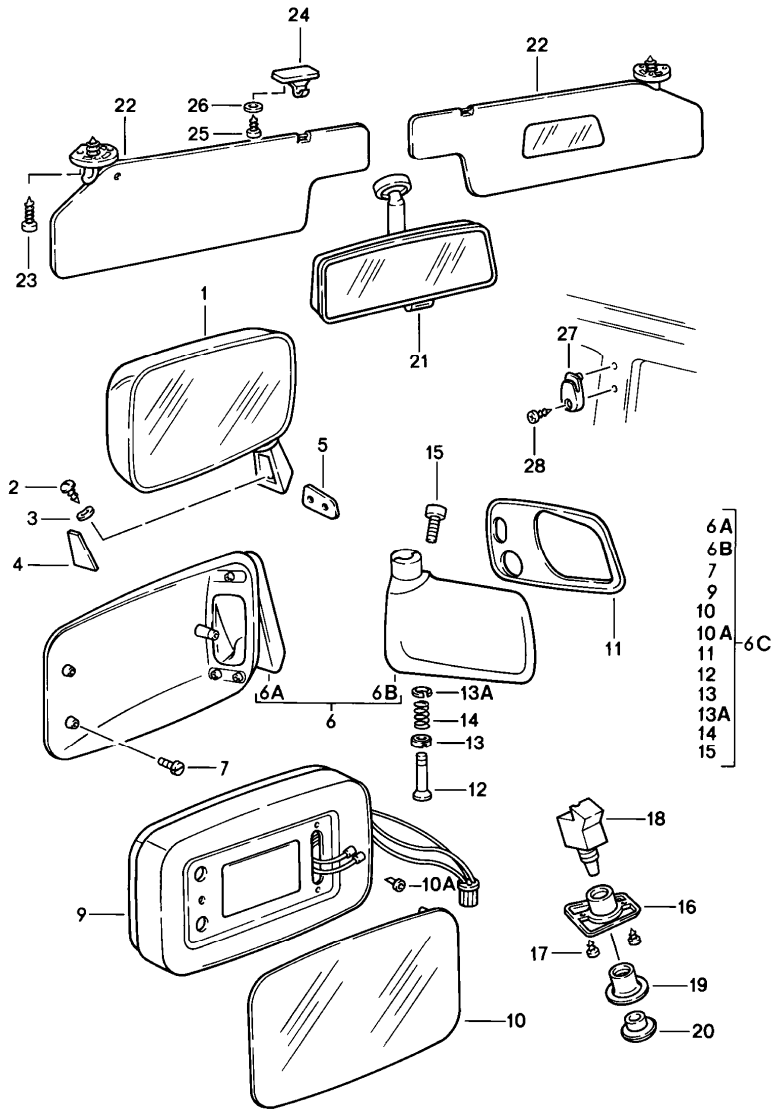
Model	Year	MG	SG	Illustration	Restrictions	UPD	11:05	23.01.2010	PORSCHE	PET	PORSCHE
924	1979	8	09	809-00		248					

Pos	Part Number	Description	Remark	Qty	Model	Pos	Part Number	Description	Remark	Qty	Model
(27)	478 857 881	dashboard F >>92481 00829	/RL	1			43S	black			
	91V	saddle tan	76-77				83S	beige			
	041	black	76-77				87S	brown			
	05T	black	78-			34C	477 863 749	carpet		1	TURBO
	21S	brown	78-				43S	black			
(27)	478 857 881 A	dashboard F 92481 00830>>	/RL	1			83S	beige			
	05T	black					87S	brown			
	21S	brown				35	N 013 891 1	tapping screw M 8 X 15		2	
28	N 011 612 3	washer R 7		2		36	N 011 533 2	washer B 8,4		2	
29	N 012 036 1	lock ring B 6		2		37	477 857 975	support frame		1	
30	900 076 010 02	hexagon nut M 6		2			06W	anthracite	76-77		
31	N 014 140 5	oval-head screw AM 6 X 15		1			90V	saddle tan	76-77		
32	N 011 524 7	washer A 6,4		1			01C	black	77-		
33	900 143 007 02	tapping screw B 4,2 X 19		4			89S	brown	78-		
34	477 857 909	centre console		1		38	911 552 469 00	cover		X	
	01C	black	77-			39	477 857 977	instrument insert		1	
	89S	cadbury brown	78-				CB9	anthracite	76-77		
34A	477 898 951	centre console	76-77	1			CC3	saddle tan	76-77		
	06W	anthracite					01C	black	77-		
	90V	saddle tan					89S	cadbury brown	78-		
34B	477 863 741	lining	/L	1	TURBO	40	841 863 267	cover		2	
	43S	black					041	black			
	83S	beige				41	477 857 836	shelf	/LL	1	
	87S	brown					01C	black			
(34B)	477 863 742	lining	/R	1	TURBO	(41)	477 857 836 A	shelf	/LL	1	924 M573
							01C	black			

Model	Year	MG	SG	Illustration	Restrictions	UPD	11:05	23.01.2010	PORSCHE	PET	PORSCHE
924	1979	8	09	809-00		248					

Pos	Part Number	Description	Remark	Qty	Model	Pos	Part Number	Description	Remark	Qty	Model
	89S	cadbury brown									
-	477 857 173	clip	/LL	1							
42	477 857 195 A	support	/LL	1							
43	N 015 422 2	speed nut B 4,2 X 17	/LL	2							
44	900 025 002 02	washer A 4,3	/LL	4							
45	N 013 964 4	tapping screw B 4,2 X 16	/LL	3							
(45)	N 013 971 3	tapping screw B 4,8 X 22	/LL	1							

Model	Year	MG	SG	Illustration	Restrictions	UPD	11:05	23.01.2010	PORSCHE	PET	PORSCHE
924	1979	8	09	809-05		248					



Pos	Part Number	Description	Remark	Qty	Model
		door mirror interior mirror sun visor			
1	477 857 501 B	door mirror plane	/L	1	
(1)	477 857 502 B	door mirror plane	/R	1	
(1)	477 857 501 A	door mirror convex	/L	1	
(1)	477 857 502 A	door mirror convex	/R	1	
2	N 014 132 4	oval-head screw M 5 X 18		2	
3	N 012 225 2	spring washer B 5		2	
4	861 857 519	cover	/L	X	
(4)	861 857 519 A	cover with bearing bracket	/L	X	
(4)	862 857 520	cover	/R	X	
(4)	862 857 520 A	cover with bearing bracket	/R	X	
5	477 857 543	desk pad		1	
6		door mirror electrically adjustable F 92481 02503>>			
6	928 731 023 04	mirror housing	/LL/L	1	
(6)	928 731 024 04	mirror housing	/LL/R	1	
(6)	927 731 023 04	mirror housing	/RL/R	1	
(6)	927 731 024 04	mirror housing	/RL/L	1	
6A	911 731 043 00	mirror housing	/L	1	
(6A)	911 731 044 00	mirror housing	/R	1	
6B	944 731 141 00	mirror base	/LL/L	1	
(6B)	944 731 142 00	mirror base	/LL/R	1	
(6B)	945 731 142 00	mirror base	/RL/R	1	
(6B)	945 731 141 00	mirror base	/RL/L	1	

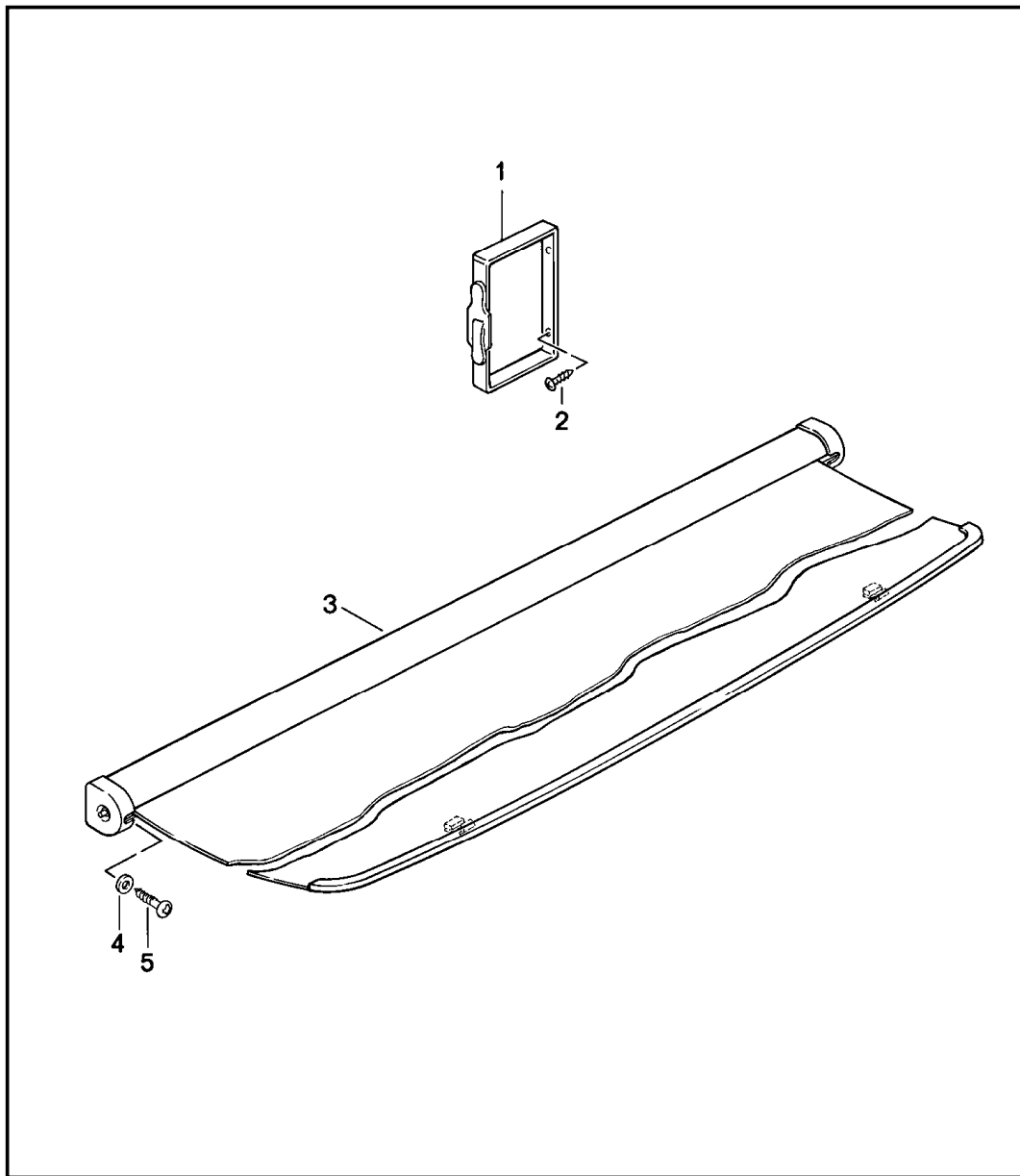
Model	Year	MG	SG	Illustration	Restrictions	UPD	11:05	23.01.2010	PORSCHE	PET	PORSCHE
924	1979	8	09	809-05		248					

Pos	Part Number	Description	Remark	Qty	Model	Pos	Part Number	Description	Remark	Qty	Model
6C	477 898 027	door mirror plane	/LL/L	1		17	N 014 090 5	tapping screw 3,9 X 13		2	
(6C)	477 898 028	door mirror plane	/LL/R	1		18	911 613 115 00	switch		1	
(6C)	477 898 029	door mirror convex	/LL/L	1		19	928 555 463 02	threaded bush		1	
(6C)	477 898 030	door mirror convex	/LL/R (N) (S)	1		20	928 613 462 00	knob		1	
(6C)	478 898 027	door mirror plane	/RL/L	1		-	477 971 111	electrical components door mirror		1	
(6C)	478 898 028	door mirror plane	/RL/R	1		-	477 971 115 A	wiring harness door mirror driver's door	/LL	1	
(6C)	478 898 029	door mirror convex	/RL/L	1		-	478 971 115 A	wiring harness door mirror dashboard	/RL	1	
7	999 143 003 02	hexagon-head bolt M 5 X 10		3		-	477 971 910	bellows see group 8/04/00		1	
9	911 731 027 06	covering frame		1		-		electrical components door mirror		2	
10	911 731 035 00	mirror glass plane		1		-	477 971 115	wiring harness door mirror dashboard	/LL	1	
(10)	911 731 035 01	mirror glass convex		1		-	478 971 115	wiring harness door mirror dashboard	/RL	1	
10A	999 703 128 40	grommet		3		-	477 971 113	wiring harness door mirror passenger's door		1	
11	944 731 505 00	desk pad	/LL/L	1		-	478 971 115	wiring harness door mirror dashboard	/RL	1	
(11)	944 731 508 00	desk pad	/LL/R	1		-	477 971 113	wiring harness door mirror passenger's door		1	
(11)	945 731 506 00	desk pad	/RL/R	1		-	477 955 703	rocker switch passenger's side	/LL	1	
(11)	945 731 507 00	desk pad	/RL/L	1		-	478 955 703	mirror changeover switch passenger's side	/RL	1	
12	911 731 257 02	guide tube		1		-	803 971 979	plug socket		X	
13	911 731 345 02	centring washer		1		-	477 971 910	bellows see group 8/04/00		2	
13A	911 731 347 00	centring washer		1							
14	911 731 029 01	compression spring		1							
15	900 186 042 02	pan-head screw M 5 X 40		1							
16	477 867 181	mounting piece		1							

Model	Year	MG	SG	Illustration	Restrictions	UPD	11:05	23.01.2010	PORSCHE	PET	PORSCHE
924	1979	8	09	809-05		248					

Pos	Part Number	Description	Remark	Qty	Model	Pos	Part Number	Description	Remark	Qty	Model
-	477 898 025	installation set adjustable and heatable door mirror plane see group 8/98/00	/LL/L	1			041	black			
							90V	saddle tan	76-77		
							05T	black			
							21S	brown	78-		
-	477 898 026	installation set adjustable and heatable door mirror plane see group 8/98/00	/LL/R	1		(22)	477 857 552 B	sun visor without mirror	/R (AUS)	1	
							041	black	76-77		
							90V	saddle tan	76-77		
21	477 857 511	interior mirror inner		1			05T	black	78-		
22	477 857 551	sun visor without mirror	/LL/L	1			21S	brown	78-		
	90V	saddle tan				23	N 014 096 3	tapping screw B 4,2 X 22		6	
	05T	black				24	803 857 561 A	support sun visor		2	
	21S	brown				25	900 143 047 07	tapping screw B 4,2 X 19		4	
(22)	478 857 551 A	sun visor with mirror	/RL/L	1		25	900 143 047 07	tapping screw B 4,2 X 19	(AUS)	4	
	05T	black				26	900 151 028 02	washer B 4,3		4	
	21S	brown				27	171 857 635	coat hook		2	
(22)	477 857 551 D	sun visor with mirror	/L	1			01C	black			
	05T	black				28	171 857 650	screw 4,8 X 16		2	
	21S	brown									
(22)	477 857 552	sun visor with mirror	/R	1	924						
	041	black							76-77		
	90V	saddle tan							76-77		
(22)	477 857 552 C	sun visor with mirror	/R	1							
	05T	black							78-		
	21S	brown							78-		
(22)	477 857 552 A	sun visor without mirror	/R	1							

Model	Year	MG	SG	Illustration	Restrictions	UPD	11:05	23.01.2010	PORSCHE	PET	PORSCHE
924	1979	8	09	809-10		248					

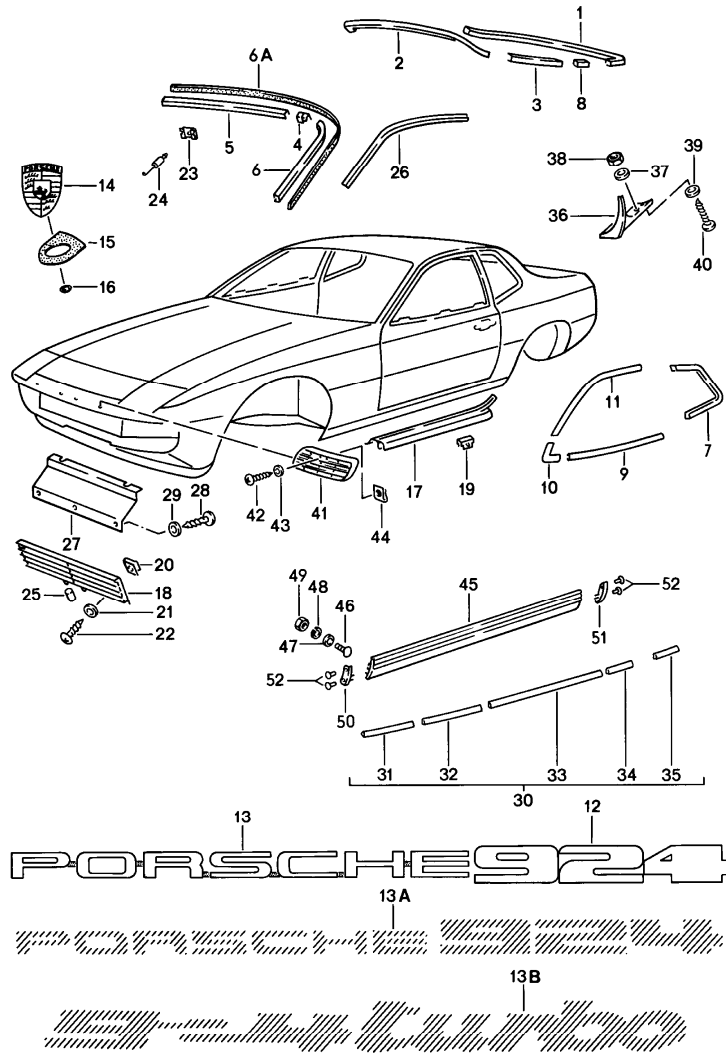


Pos	Part Number	Description	Remark	Qty	Model
		luggage compartment cover			
1	171 860 273	retaining strap first-aid kit		1	
-	171 860 269	retaining bracket first-aid kit		1	
2	900 145 035 02	counters. head tapp. screw 4,2 X 16		2	
3	477 863 511	luggage compartment cover	76-77	1	
	041	black	76-77		
	90V	saddle tan	76-77		
(3)	477 863 511 A	luggage compartment cover		1	
	05T	black			
	89S	brown	78-		
-	477 863 517 A	lid housing luggage compartment cover 17,5 MM	/L	1	
	05T	black			
	89S	brown			
-	477 863 518 A	lid housing luggage compartment cover 17,5 MM	/R	1	
	05T	black			
	89S	brown			
-	477 863 517 B	lid housing luggage compartment cover 16 MM	/L	1	
	05T	black			
-	477 863 518 B	lid housing luggage compartment cover 16 MM	/R	1	
	05T	black			
4	900 025 003 02	washer A 5,3		2	

Model	Year	MG	SG	Illustration	Restrictions	UPD	11:05	23.01.2010	PORSCHE	PET	PORSCHE
924	1979	8	09	809-10		248					

Pos	Part Number	Description	Remark	Qty	Model	Pos	Part Number	Description	Remark	Qty	Model
5	N 013 971 3	tapping screw 4,8 X 22		2							
-	477 863 539	luggage net		1							

Model	Year	MG	SG	Illustration	Restrictions	UPD	11:05	23.01.2010	PORSCHE	PET	PORSCHE
924	1979	8	10	810-00		248					



Pos	Part Number	Description	Remark	Qty	Model
1	477 853 311	trim frame insignias		1	924
2	477 853 313	trim frame rear window		1	924
(2)	477 853 313 A	trim frame rear window		1	TURBO
3	477 853 315	trim frame	/L	1	924
(3)	477 853 316	trim frame rear window	/R	1	924
4	477 853 339	sleeve F	>>92481 02261	1	924
(4)	477 853 340	sleeve F	>>92481 02261	1	924
5	477 853 343	moulding F	>>92481 02422	1	924
5	477 853 343 A	moulding F 92481 02423>>		1	
6	477 853 345	moulding F	>>92481 02422	1	924
6	477 853 019	moulding F 92481 02423>>		1	
(6)	477 853 346	moulding F	>>92481 02422	1	924
(6)	477 853 020	moulding F 92481 02423>>		1	
7	477 853 365	trim frame chrome	/L	1	924
7	477 853 365 A	trim frame black	/L	1	TURBO
(7)	477 853 366	trim frame chrome	/R	1	924
(7)	477 853 366 A	trim frame black	/R	1	TURBO
8	477 853 367	sleeve trim frame		4	924

Model	Year	MG	SG	Illustration	Restrictions	UPD	11:05	23.01.2010	PORSCHE	PET	PORSCHE
924	1979	8	10	810-00		248					

Pos	Part Number	Description	Remark	Qty	Model	Pos	Part Number	Description	Remark	Qty	Model
9	477 853 371 A	moulding chrome	/L	1	924	(13B)	477 853 722	logo adhesive film	/R	1	TURBO
9	477 853 371 B	moulding black	/L	1	TURBO	14 A	901 559 210 20	lid emblem		1	
(9)	477 853 372 A	moulding chrome	/R	1	924	14	993 559 211 00	lid emblem		1	
(9)	477 853 372 B	moulding black	/R	1	TURBO	15	901 559 215 20	desk pad		1	
10	477 853 375	moulding chrome		2	924	16	999 591 423 03	tapping nut		2	
10	477 853 375 A	moulding black		2	TURBO	17	477 853 657 A	scuff plate	/L	1	
11	477 853 373 A	moulding door chrome	/L	1	924	(17)	477 853 658 A	scuff plate	/R	1	
11	477 853 373 B	moulding door black	/L	1	TURBO	18	944 559 135 00	radiator grille		1	
(11)	477 853 374 A	moulding door chrome	/R	1	924	19	477 853 655	clamp		10	
(11)	477 853 374 B	moulding door black	/R	1	TURBO	20	N 015 438 1	speed nut B 3,5 X 16,5		2	
12	477 853 605	logo	-78	1	924	21	900 151 028 02	washer B 4,3		2	
13	477 853 606	logo	-78	1	924	22	N 013 959 3	tapping screw B 3,5 X 16		2	
-	477 853 663	grommet	-78	6	924	22	900 143 016 01	tapping screw B 3,5 X 16		2	
13A	477 853 625	logo adhesive film black	/H	79-	924	23	928 559 285 02	clamp F >>92481 02261		16	924
(13A)	477 853 625 A	logo adhesive film white	/H	79-	924	23	477 853 659 B	clamp F 92481 02262>>		16	924
13B	477 853 627	logo adhesive film black	/H	1	TURBO	24	431 805 121 A	bolt		16	
13B	477 853 627 A	logo adhesive film white	/H	1	TURBO	25	477 853 661	grommet		2	
(13B)	477 853 721	logo	/L	1	TURBO	26	477 853 705	roof moulding	/L	1	
						(26)	477 853 706	roof moulding	/R	1	
						27	477 853 715	cooling air duct	-78	2	924
						(27)	477 853 717	cooling air duct	-78	1	924 M573
						28	900 143 007 02	tapping screw B 4,2 X 13	-78	3	924
						29	900 151 028 02	washer B 4,3	-78	3	924

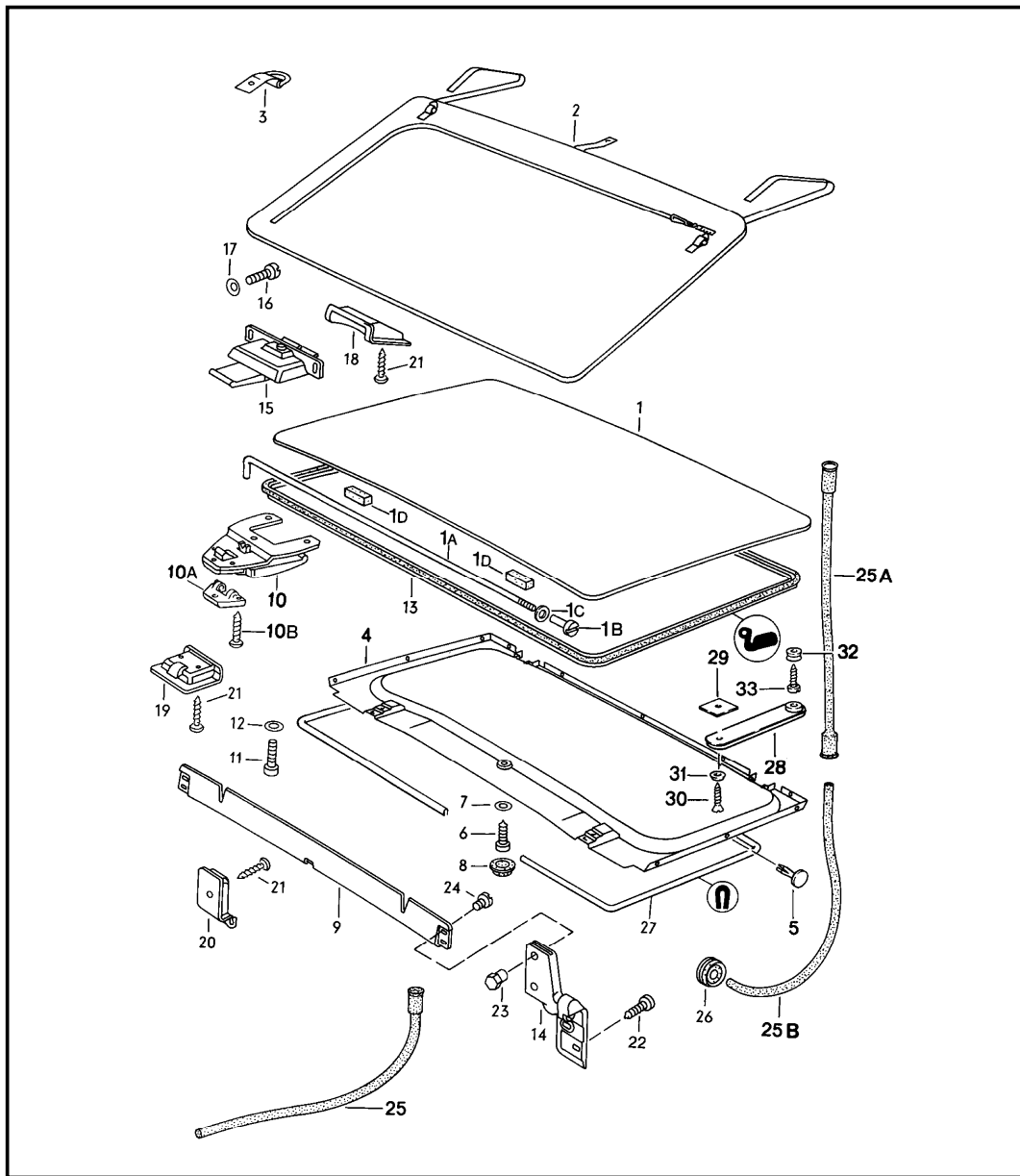
Model	Year	MG	SG	Illustration	Restrictions	UPD	11:05	23.01.2010	PORSCHE	PET	PORSCHE
924	1979	8	10	810-00		248					

Pos	Part Number	Description	Remark	Qty	Model	Pos	Part Number	Description	Remark	Qty	Model
30	477 853 995	set of moldings moulding comprising:		1		43	900 025 001 02	washer		4	TURBO
31	477 853 981	side guard	/L	1		44	N 015 428 1	speed nut		4	TURBO
(31)	477 853 982	side guard body front section 285 MM	/R	1		45	477 853 727 A	sill cover	/L	1	TURBO
32	477 853 983	side guard	/L	1		(45)	477 853 728 A	sill cover	/R	1	TURBO
(32)	477 853 984	side guard body front section 395 MM	/R	1		46	477 809 683	screw		4	TURBO
33	477 853 985	side guard	/L	1		47	N 011 525 13	washer A 8,4		4	TURBO
(33)	477 853 986	side guard door 1123 MM	/R	1		48	N 012 038 1	lock ring 8		4	TURBO
34	477 853 987	side guard	/H/L	1		49	900 076 025 02	hexagon nut M 8		4	TURBO
(34)	477 853 988	side guard 285 MM	/H/R	1		50	477 853 735 A	cap	/V/L /H/R	2	TURBO
35	477 853 989	side guard	/H/L	1		51	477 853 736 A	cap	/V/R /H/L	2	TURBO
(35)	477 853 990	side guard 438 MM	/H/R	1		52	N 900 921 01	blind rivet 5 X 8		8	TURBO
36	477 853 383	wheel cover	/L	1		-	477 853 665	logo	/L	1	
(36)	477 853 384	wheel cover not for	/R (S)	1		-	477 853 666	logo "S" lid light	/R	1	
37	N 011 692 3	washer 5,1		8		-	477 853 665 A	logo	/V	1	
38	N 021 196 1	lock nut M 5		8		-	477 853 666 A	logo "S" lid dark	/L	1	
-	211 853 611	sealing washer		6		-		decorative film stripe special model white	/R	1	
-	N 012 068 1	clamping washer A 4		2		-	477 853 609	adhesive film	/V	1	924
39	900 025 002 02	washer		2		-	477 853 610	adhesive film MARTINI 1 set	/L	1	924
40	N 013 964 4	tapping screw B 4,2 X 16		2					/R		
41	477 853 381	ventilation grille		4	TURBO						
42	N 013 953 9	tapping screw		4	TURBO						

Model	Year	MG	SG	Illustration	Restrictions	UPD	11:05	23.01.2010	PORSCHE	PET	PORSCHE
924	1979	8	10	810-00		248					

Pos	Part Number	Description	Remark	Qty	Model	Pos	Part Number	Description	Remark	Qty	Model
		special model dolomite grey metallic stripe black/silver	(F)								
-	477 853 617	decorative film	/L/V	1	924						
-	477 853 618	decorative film	/R/V	1	924						
-	477 853 619	decorative film	/L	1	924						
-	477 853 620	decorative film centre	/R	1	924						
-	477 853 621	decorative film	/L/H	1	924						
-	477 853 622	decorative film	/R/H	1	924						
-	477 853 623	decorative film	/H	1	924						
		special model pearl metallic stripe cork/brown									
-	477 853 617 A	lateral stripes	/L/V	1	924						
-	477 853 618 A	decorative film	/R/V	1	924						
-	477 853 619 A	decorative film	/L	1	924						
-	477 853 620 A	decorative film centre	/R	1	924						
-	477 853 621 A	decorative film	/L/H	1	924						
-	477 853 622 A	decorative film	/R/H	1	924						
-	477 853 623 A	decorative film	/H	1	924						
-	911 559 319 06	logo porsche lateral black hatched		2							
-	911 559 319 07	logo porsche lateral white hatched		2							

Model	Year	MG	SG	Illustration	Restrictions	UPD	11:05	23.01.2010	PORSCHE	PET	PORSCHE
924	1979	8	11	811-00		248					

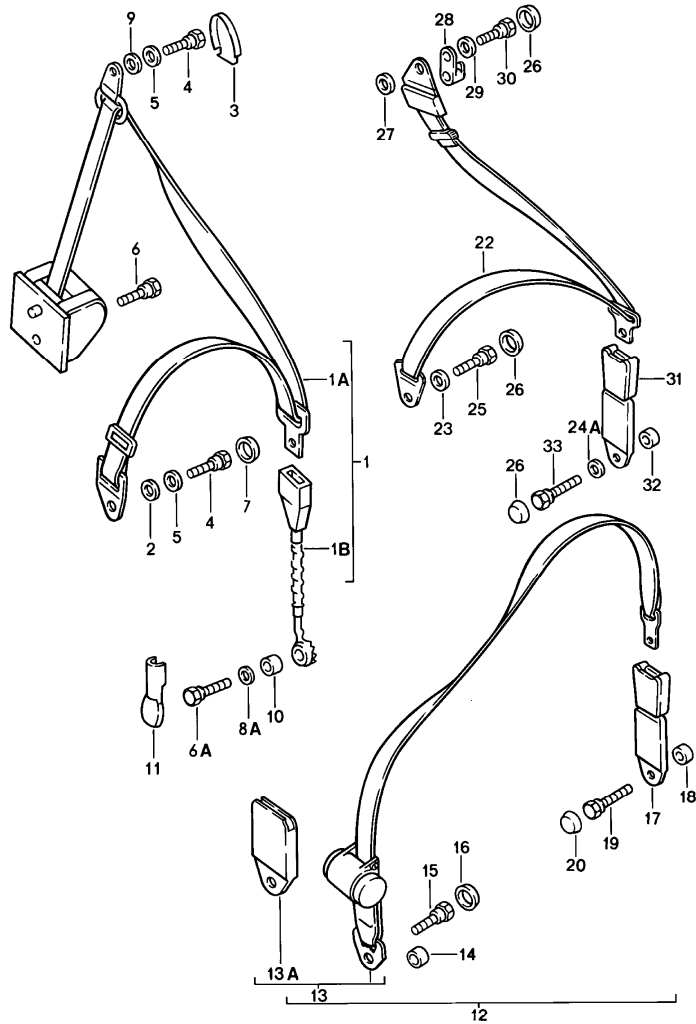


Pos	Part Number	Description	Remark	Qty	Model
		lifting roof			M650
1	477 871 021	roof		1	
1A	477 871 761	tensioning device		1	
1B	477 871 763 A	threaded sleeve		1	
1C	N 012 226 5	spring washer B 6		1	
1D	477 871 789	sealing strip		2	
2	477 871 027	retaining pocket		1	
	05T	black	76-		
	92V	dark brown	76-77		
	21S	brown	78-		
3	477 871 029	support retaining pocket		1	
	041	black	76-		
	90V	dark brown	76-		
4	477 871 047	lining		1	
	041	black			
	90V	brown	76-77		
	05T	black	78-		
	21S	brown	78-		
5	477 871 053	clip		11	
6	311 867 167	tapping screw 4, 2		1	
7	900 151 028 02	washer 4, 3		1	
8	311 867 169	cap		1	
	01C	black	76-		
	90V	brown	76-		
9	944 564 993 00	air deflector		1	
10	477 871 217	roof catch	/V	2	
10A	477 871 219	bearing bracket		2	

Model	Year	MG	SG	Illustration	Restrictions	UPD	11:05	23.01.2010	PORSCHE	PET	PORSCHE
924	1979	8	11	811-00		248					

Pos	Part Number	Description	Remark	Qty	Model	Pos	Part Number	Description	Remark	Qty	Model
	01C	black				32	477 871 509	ball knob		1	
10B	N 033 174 1	countersunk-head screw 3 X 6		6		33	900 143 003 00	tapping screw B 3,5 X 16 POS. 28-33 see workshop manual		1	
11	N 033 018 1	lens-head screw M 5 X 12		2							
12	999 704 605 07	cone washer		2		34	477 871 159	lever		2	
13	944 564 114 01	gasket		1		35	N 013 327 1	roll pin 3 X 18		2	
14	477 871 635 A	hinge	/L	1							
(14)	477 871 636 A	hinge	/R	1							
15	477 871 649	roof catch	/H	2							
16	900 146 003 02	oval-head screw AM 5 X 11		8							
17	N 012 225 2	spring washer B 5		4							
18	477 871 651 A	locking bracket		2							
19	477 871 665 A	centring wedge	/V	2							
20	477 871 683 A	bearing		1							
21	N 013 964 4	tapping screw B 4,2 X 16		9							
22	900 143 031 02	oval-head sheetmetal screw		4							
23	477 871 701 A	cap nut		4							
24	477 837 959	self-lock. fillister screw		4							
25	321 877 233 C	water drain hose	/V	2							
26	021 119 569	rubber sleeve		4							
27	944 564 621 00	edge protection		1							
28	477 871 501	securing strap		1							
	43S	black									
	87S	brown									
29	477 871 505	reinforcement plate		1							
30	N 014 091 4	tapping screw B 3,9 X 16		1							
31	N 011 590 1	cone washer		1							

Model	Year	MG	SG	Illustration	Restrictions	UPD	11:06	23.01.2010	PORSCHE	PET	PORSCHE
924	1979	8	12	812-00		248					



Pos	Part Number	Description	Remark	Qty	Model
		seat belt			
1A	477 857 705	seat belt	/L	1	
1B	477 857 755 F	seat belt buckle	/L	1	
(1)	477 857 691 B	seat belt automatic F >>92491 01390	/L (GB)	1	
(1A)	477 857 705 B	seat belt	/L (GB)	1	
(1B)	477 857 755 H	seat belt buckle F 92491 01391>>	/L (GB)	1	
(1)	477 857 691 C	seat belt automatic F >>92491 03190	/L (AUS)	1	
(1A)	477 857 705 C	seat belt	/L (AUS)	1	
(1B)	477 857 755 K	seat belt buckle F 92491 03191>>	/L (AUS)	1	
(1)	477 857 691 D	seat belt automatic F >>92481 08299	/L (S)	1	
(1A)	477 857 705 D	seat belt	/L (S)	1	
(1B)	477 857 755 F	seat belt buckle F 92481 08300>>	/L (S)	1	
(1A)	477 857 706	seat belt	/R	1	
(1B)	477 857 756 F	seat belt buckle	/R	1	
(1)	477 857 692 B	seat belt automatic F >>92491 01390	/R (GB)	1	
(1A)	477 857 706 B	seat belt	/R (GB)	1	
(1B)	477 857 756 H	seat belt buckle F 92491 01391>>	/R (GB)	1	
(1)	477 857 692 C	seat belt automatic F >>92491 01390	/R (AUS)	1	
(1A)	477 857 706 C	seat belt	/R (AUS)	1	
(1B)	477 857 756 K	seat belt buckle F 92491 01391>>	/R (AUS)	1	

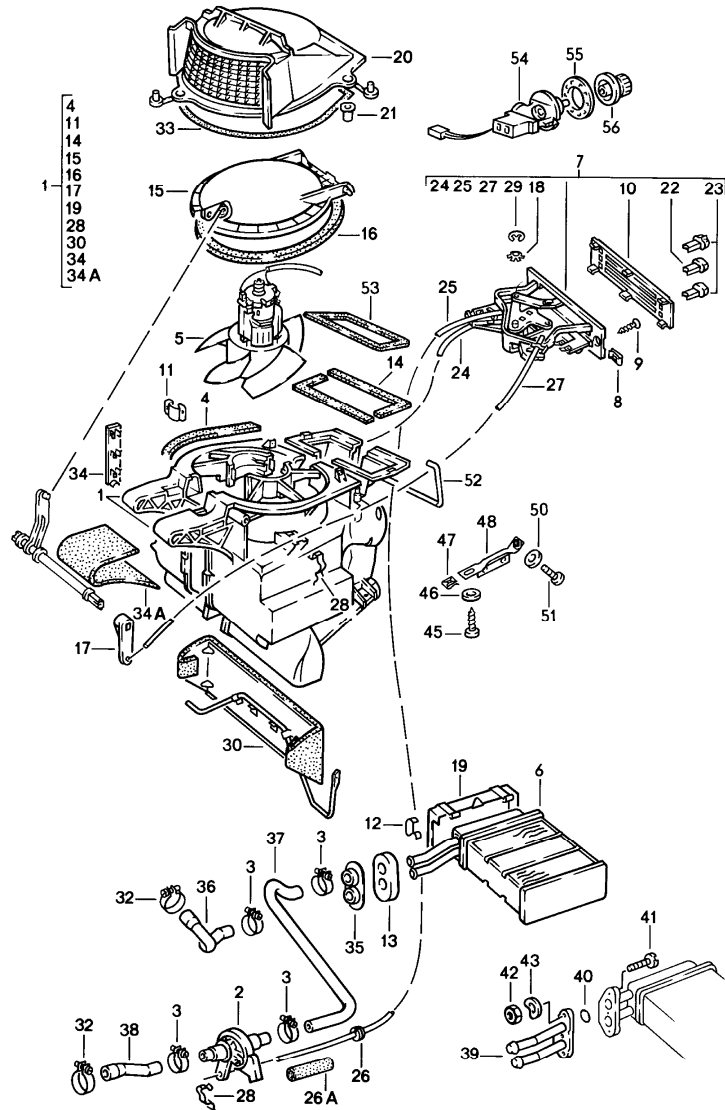
Model	Year	MG	SG	Illustration	Restrictions	UPD	11:06	23.01.2010	PORSCHE	PET	PORSCHE
924	1979	8	12	812-00		248					

Pos	Part Number	Description	Remark	Qty	Model	Pos	Part Number	Description	Remark	Qty	Model
(1)	477 857 692 D	seat belt automatic F >>92481 08299	/R (S)	1		18	928 803 259 02	spacer sleeve		2	
(1A)	477 857 706 D	seat belt	/R (S)	1		19	477 857 853	screw		2	
(1B)	477 857 756 F	seat belt buckle F 92481 08300>>	/R (S)	1		20	811 857 845	screw-on cap		2	
2	111 857 707 A	spacer		2		12	477 857 693 C	set lap belt automatic comprising:	/H	1	TURBO
3	911 803 233 01	cap		2		13	477 857 787 A	seat belt		2	
4	111 857 793 E	fastening screw		4		13A	477 857 750 B	cap		2	
5	211 857 771	washer		8		14	928 803 259 02	spacer sleeve		2	
6	111 857 799	screw		2		15	803 019 811 B	screw		2	
6A	111 857 799	screw for seat belt buckle fixed		2		16	811 857 845	screw-on cap		2	
(6A)	111 857 793 E	fastening screw for seat belt buckle movable		2		17	477 857 739 A	seat-belt buckle		2	
7	811 857 845	screw-on cap		2		18	928 803 259 02	spacer sleeve		2	
8A	211 857 771	washer for seat belt buckle movable		4		19	477 857 853	screw		2	
9	N 011 655 2	washer 11,5		2		20	811 857 845	screw-on cap		2	
10	810 019 829	guide sleeve		2				three-point seat belt without automatic	/H		(AU)
11	477 857 779	cap		2		22	478 857 811 A	seat belt		2	
12	477 857 693 A	set		1	924	23	477 857 823	reducing ring		2	
13	477 857 787 A	seat belt		02		24A	211 857 771	washer		2	
13A	477 857 750 B	cap		2		25	111 857 799 A	fastening screw		2	
14	901 803 116 40	spacer sleeve		2		26	811 857 845	screw-on cap		6	
15	111 857 793 E	fastening screw		2		27	211 857 771	washer		2	
16	811 857 845	screw-on cap		2		28	477 857 825 A	suspension hook		2	
17	477 857 739 A	seat-belt buckle		2		29	810 019 829	guide sleeve		2	
						30	111 857 793 E	fastening screw		2	
						31	478 857 739	seat-belt buckle fixed		2	
						(31)	478 857 739 A	seat-belt buckle movable		2	

Model	Year	MG	SG	Illustration	Restrictions	UPD	11:06	23.01.2010	PORSCHE	PET	PORSCHE
924	1979	8	12	812-00		248					

Pos	Part Number	Description	Remark	Qty	Model	Pos	Part Number	Description	Remark	Qty	Model
32	928 803 259 02	spacer sleeve for seat-belt buckle fixed		2							
(32)	928 803 259 02	spacer sleeve for seat-belt buckle movable		2							
33	477 857 841	screw for seat-belt buckle fixed		2							
(33)	477 857 853	screw for seat-belt buckle movable		2							

Model	Year	MG	SG	Illustration	Restrictions	UPD	11:06	23.01.2010	PORSCHE	PET	PORSCHE
924	1979	8	13	813-00		248					

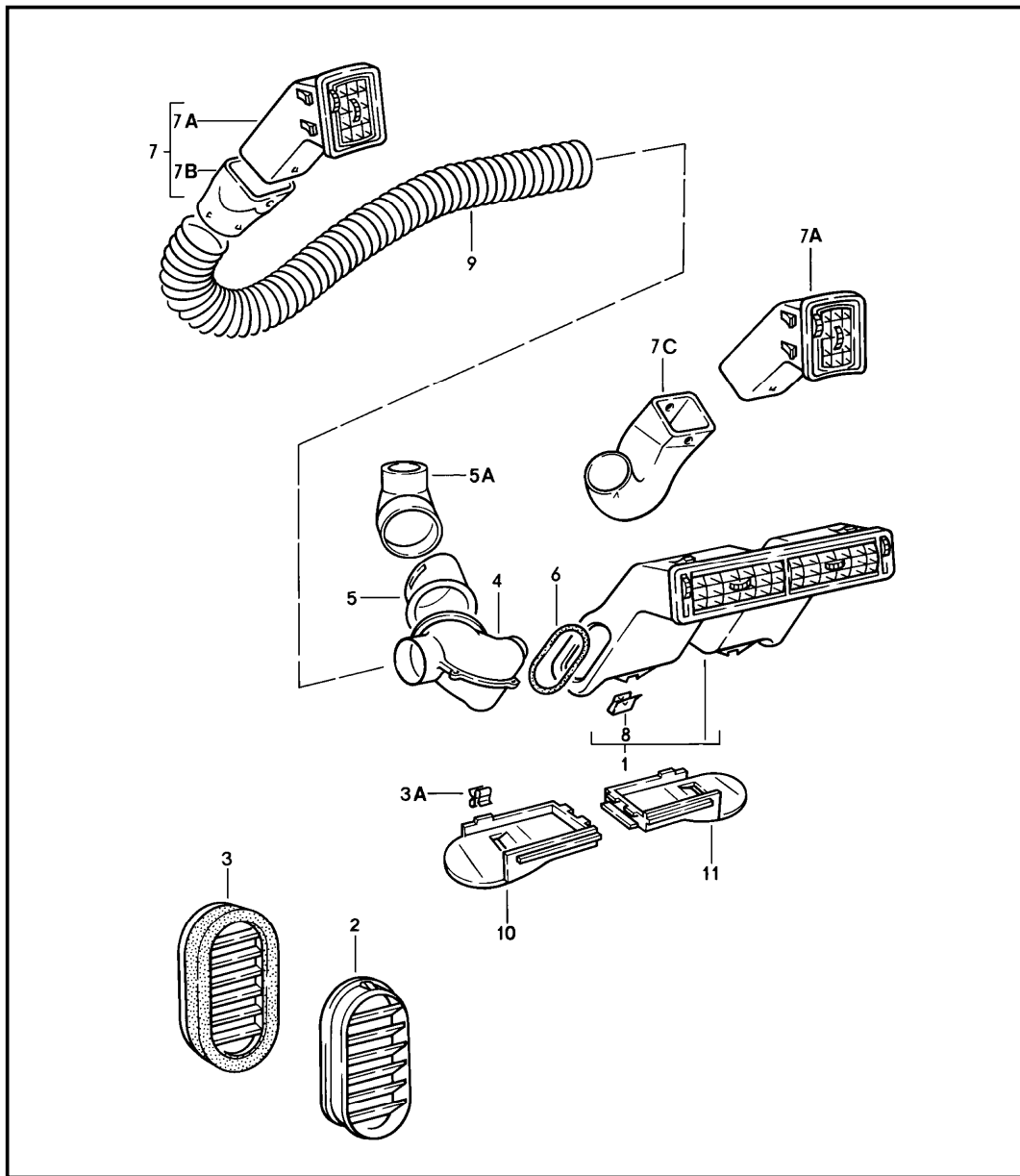


Pos	Part Number	Description	Remark	Qty	Model
		heating ventilation heat exchanger			
1	477 819 014	flap control box		1	
2	477 819 017	heater valve		1	
3	999 512 346 00	hose clamp LC 16-25		5	
4	321 819 019	gasket		2	
5	321 819 021	blower motor		1	
6	477 819 030	heat exchanger		1	
7	477 819 021	control switch		1	
-	999 920 006 07	clamp		2	
-	477 819 057	support		1	
8	477 819 789	speed nut 16 X 12,2		2	
9	N 014 100 1	tapping screw B 4,8 X 25		2	
10	477 819 043 B	cover F	>>92481 01765	1	924
10	477 819 043 B	cover F 92481 01766>>		1	
11	321 819 053	clamp		2	
12	321 819 059	clamp		7	
13	477 819 065	damping piece		1	
14	321 819 089	gasket		2	
15	321 819 107	flap		1	
16	321 819 109	gasket		1	
17	321 819 123	lever for flap		1	
18	477 819 139	cup spring		2	
19	477 819 347	lid		1	
20	477 819 245	cover		1	
21	477 819 253	grommet		3	

Model	Year	MG	SG	Illustration	Restrictions	UPD	11:06	23.01.2010	PORSCHE	PET	PORSCHE
924	1979	8	13	813-00		248					

Pos	Part Number	Description	Remark	Qty	Model	Pos	Part Number	Description	Remark	Qty	Model
22	477 819 319	knob centre		1		45	N 013 968 7	tapping screw B 4,8 X 16		2	
23	477 819 319 A	knob		2		46	N 012 104 2	serrated lock washer A 5,3		2	
24	477 819 279	traction footwell flap		1		47	999 591 722 02	speed nut B 4,8 X 19		2	
25	477 819 341	traction valve		1		48	477 857 195	bracket		1	
26	477 819 849	grommet		1		50	N 011 524 7	washer A 6,4		1	
27	477 819 325	traction for flap		1		51	N 014 140 5	oval-head screw AM 6 X 15		1	
28	477 819 343	spring clamp		3		52	477 857 809	clamp		1	
28	900 116 003 02	circlip 4		2		53	477 857 887	gasket F >>92481 00829		1	924
30	321 819 361	control flap		1		(53)	477 857 887 A	gasket F 92481 00830>>		1	
32	999 512 272 02	hose clamp LA 25X40		1		54	478 959 519	switch	/RL	1	M573
33	000 043 172 00	sealing cord		*	924	55	477 959 517	rosette	/RL	1	M573
34	321 819 645	bearing clip		1		56	477 959 513	knob	/RL	1	M573
34A	477 819 345	sealing strip		1							
35	823 819 699 A	drain bush heater pipeline		1							
36	477 819 723	hose		1							
37	477 819 725	hose		1							
38	N 020 269 1	water hose		*	924						
(38)	931 106 271 01	water hose		1	TURBO						
39	477 819 869	connecting flange for heat exchanger		1							
40	021 101 173	sealing ring		2							
41	N 010 296 2	hexagon-head bolt M 5 X 18		3							
42	N 011 005 14	hexagon nut M 5		3							
43	N 012 225 2	spring washer A 5		3							

Model	Year	MG	SG	Illustration	Restrictions	UPD	11:06	23.01.2010	PORSCHE	PET	PORSCHE
924	1979	8	13	813-05		248					

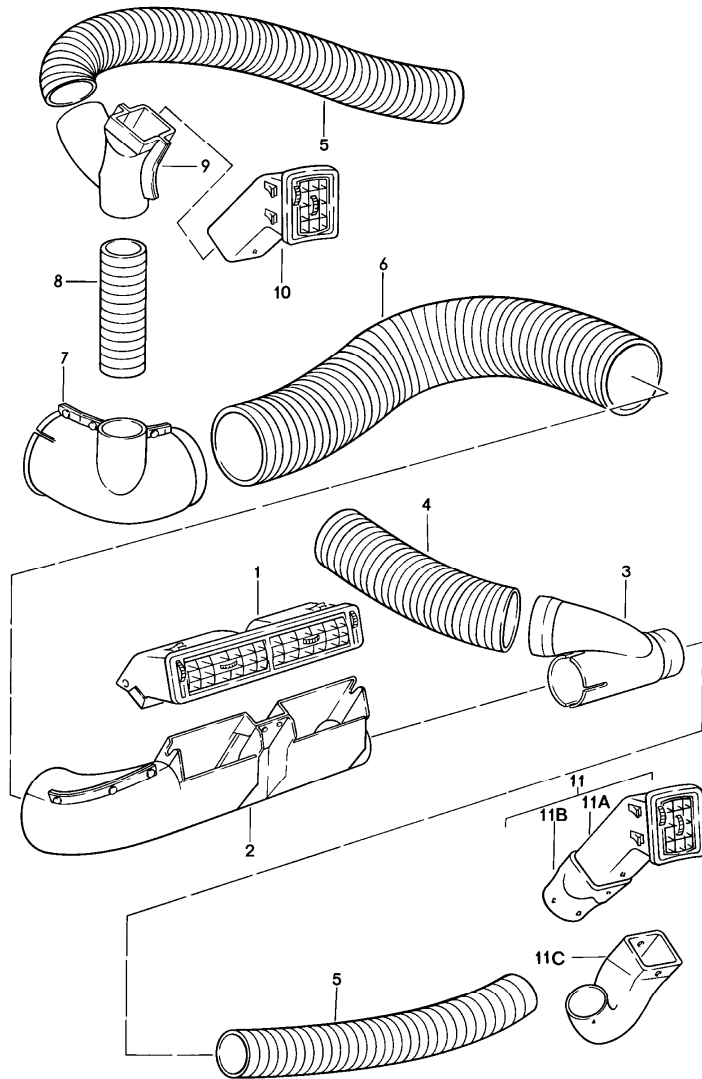


Pos	Part Number	Description	Remark	Qty	Model
1	477 819 151	air vent cover air hose		1	
2	477 819 175	cover lock pillar		2	
3	477 819 179 A	cover door	/L	1	
(3)	477 819 180	cover door	/R	1	
3A	477 819 212	clamp		2	
4	477 819 219 A	air distributor		2	
(5)	477 819 221	connecting piece	-78	1	924 M573
5	477 819 223	connecting piece	/L	1	
(5)	477 819 224	connecting piece	/R	1	
5A	477 819 769	adapter		2	
6	477 819 229 A	gasket F >>92481 00829		2	
6	477 819 229 A	gasket		2	
(7)	477 819 232	side vent	/R -78	1	924
7A	477 819 291	side vent	/L	1	
(7A)	477 819 292	side vent 01C black	/R 79-	1	
7B	477 819 717	connecting piece	/R -78	1	924
7B	477 819 717	connecting piece	/L	1	
7C	477 820 409	connecting piece	/R 78-	1	
8	477 819 263	fastening clamp		2	
9	477 819 395	hose 800 MM		2	
10	477 819 705	air duct	/L	1	

Model	Year	MG	SG	Illustration	Restrictions	UPD	11:06	23.01.2010	PORSCHE	PET	PORSCHE
924	1979	8	13	813-05		248					

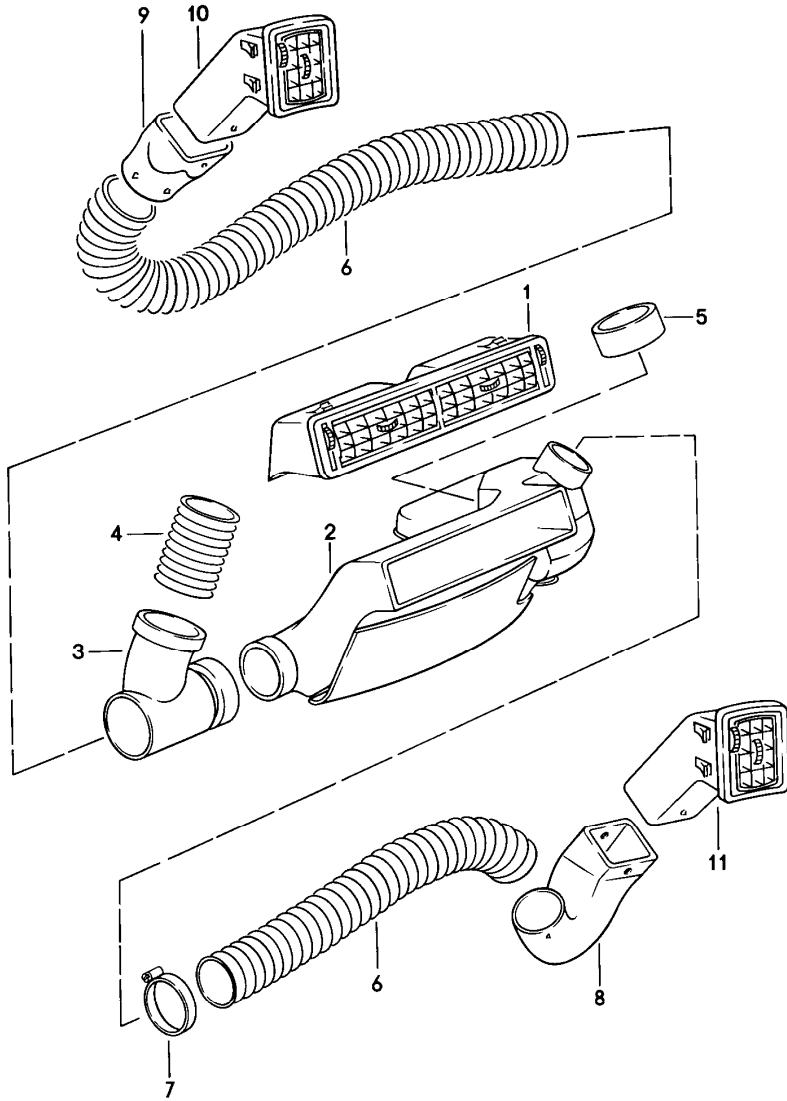
Pos	Part Number	Description	Remark	Qty	Model	Pos	Part Number	Description	Remark	Qty	Model
11	477 819 706	air duct	/R	1							

Model	Year	MG	SG	Illustration	Restrictions	UPD	11:06	23.01.2010	PORSCHE	PET	PORSCHE
924	1979	8	13	813-10		248					



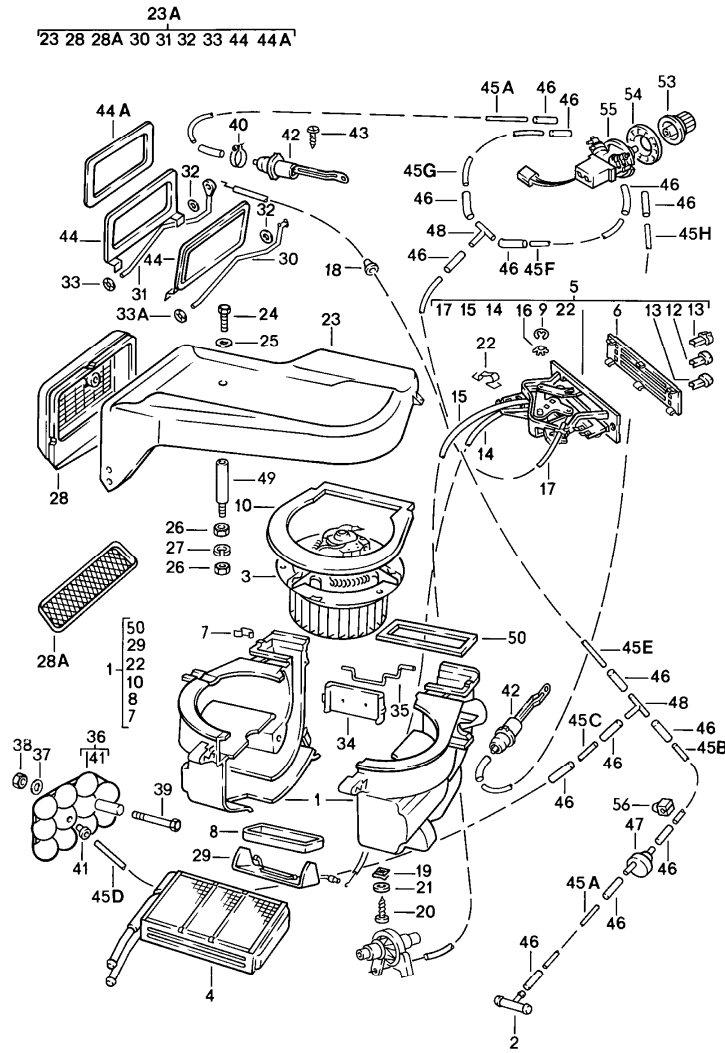
Pos	Part Number	Description	Remark	Qty	Model
		air vent air hose right-hand drive			M573
1	478 820 219	centre nozzle		1	
	01C	black			
2	478 820 217	air duct		1	
3	478 820 215	connecting piece		1	
4	478 820 235	air hose		1	
5	477 819 395	hose		2	
6	478 820 231	hose		1	
7	478 820 211	branch piece		1	
8	478 820 233	air hose		1	
9	478 820 213	connecting piece		1	
10	477 819 291	side vent	/L	1	
	01C	black			
11	477 819 232	side vent	/R -78	1	
11A	477 819 292	side vent	/R 79-	1	
	01C	black			
11B	477 819 717	connecting piece	/R -78	1	
11C	477 820 409	connecting piece	/R 79-	1	

Model	Year	MG	SG	Illustration	Restrictions	UPD	11:06	23.01.2010	PORSCHE	PET	PORSCHE
924	1979	8	13	813-15		248					



Pos	Part Number	Description	Remark	Qty	Model
		air vent air hose left-hand drive	79		M579
1	477 819 151 A	centre nozzle F >>92491 10211 F >>92494 01982		1	
1	477 819 173	centre nozzle 01C black F 92491 10212>>92491 10475		1	
2	477 820 413	mixing chamber		1	
3	477 820 539	intermediate piece		1	
4	477 820 221	air hose		1	
5	477 820 427	air duct		1	
6	477 819 395	hose		2	
7	999 512 348 02	hose clamp		1	
-	999 513 003 40	tie-wrap		1	
8	477 820 409	connecting piece	/R	1	
9	477 819 717	connecting piece	/L	1	
10	477 819 291	side vent 01C black	/L	1	
11	477 819 292	side vent 01C black	/R	1	

Model	Year	MG	SG	Illustration	Restrictions	UPD	11:07	23.01.2010	PORSCHE	PET	PORSCHE
924	1979	8	13	813-20		248					



Pos	Part Number	Description	Remark	Qty	Model
		heating left-hand drive	-78		M573
1	321 819 014 A	flap control box		1	
2	321 611 813	t-socket		1	
(2)	321 611 813 C	t-piece	(S)	1	
3	843 819 021	blower motor		1	
4	477 819 031 A	heat exchanger		1	
5	477 819 021 A	control switch		1	
6	477 819 043 A	cover F >>92481 01765		1	
6	477 819 043 C	cover F 92481 01766>>		1	924
7	321 819 059	clamp		6	
8	321 819 091	lid flap control box		1	
9	477 819 139	cup spring		2	
10	823 819 179	gasket		1	
12	477 819 319	knob centre		1	
13	477 819 319 A	knob		2	
14	477 819 279	traction		1	
15	477 819 341	traction		1	
16	900 116 003 02	circlip 4		2	
17	477 819 325	traction		1	
18	477 820 753	grommet		2	
19	999 591 722 02	speed nut B 4,8 X 19,8		1	
20	900 143 046 02	tapping screw B 4,8 X 16		1	
21	N 012 104 2	serrated lock washer A 5,3		1	
22	477 819 343	spring clamp		1	

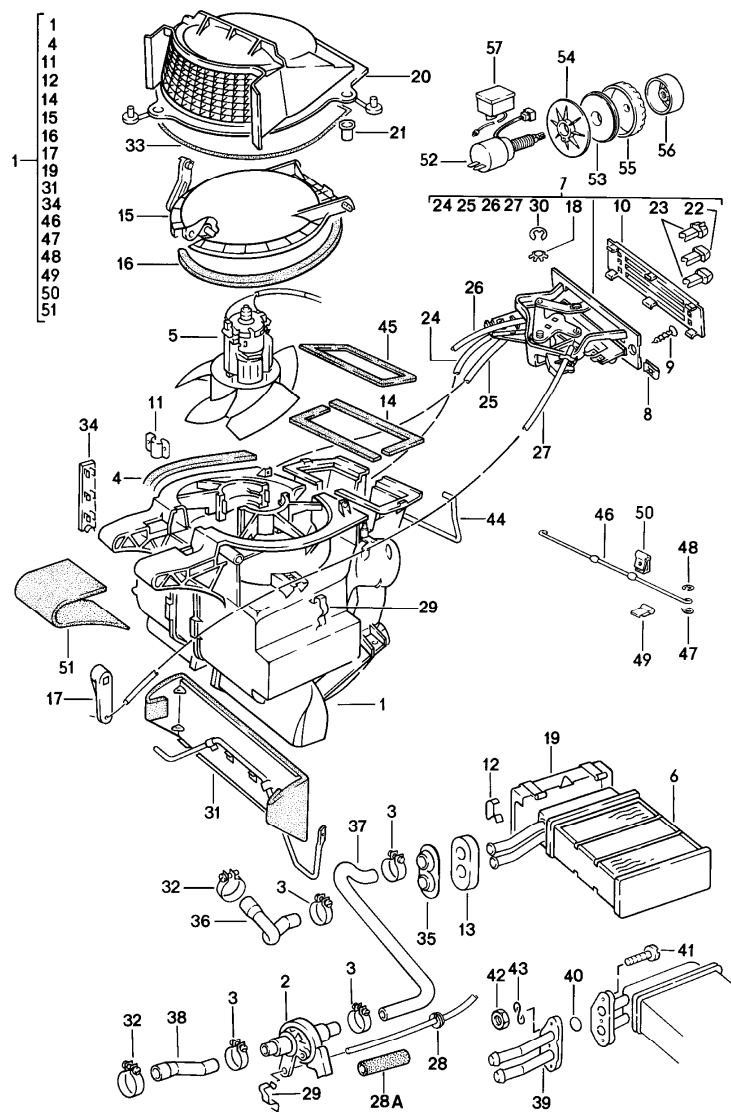
Model	Year	MG	SG	Illustration	Restrictions	UPD	11:07	23.01.2010	PORSCHE	PET	PORSCHE
924	1979	8	13	813-20		248					

Pos	Part Number	Description	Remark	Qty	Model	Pos	Part Number	Description	Remark	Qty	Model
23	477 820 113	cover		1		40	N 023 503 2	hose clamp A 9 X 40 ZY.		2	
23A	477 820 011	air duct		1		41	171 820 609	grommet		1	
-	477 820 653	gasket cover		1		42	843 820 625 C	vacuum unit		2	
24	900 075 017 02	hexagon-head bolt M 6 X 25		1		43	N 013 970 5	tapping screw B 4,8 X 9,5		4	
25	N 011 524 7	washer A 6,4		2		43	N 106 568 02	tapping screw B 4,8 X 9,5		4	
26	900 076 010 02	hexagon nut M 6		2		44	477 820 645	flap		2	
27	N 012 006 4	lock ring B 6		1		44A	477 820 651 A	gasket for flap		2	
28	477 820 319	cover cover		1		-	N 020 139 1	hose		*	
28A	477 820 327	grille		1		45A	-	950 MM		2	
-	999 591 455 02	clip		2		45B	-	60 MM		1	
29	843 820 365	control flap		1		45C	-	30 MM		1	
30	477 820 373	axle for flap		1		45D	-	400 MM		1	
31	477 820 375	axle for flap		1		45E	-	610 MM		1	
32	900 025 003 02	washer A 5,3		2		45F	-	240 MM		1	
33	113 809 963	washer		1		45G	-	210 MM		1	
33A	999 591 459 00	clamping washer		1		45H	-	545 MM		1	
(33)	999 704 133 40	rubber washer		4		-	171 971 913	grommet vacuum line		1	
34	843 820 385	air flap		1		46	171 820 669	connecting hose		X	
35	843 820 387	axle		1		47	843 820 675	check valve		1	
36	321 820 602	vacuum tank		1		48	113 201 943 B	t-piece		2	
37	N 012 105 3	serrated lock washer A 6,4		1		49	477 820 685	ABSTANDSSTUECK		1	
38	900 076 010 02	hexagon nut M 6		1		50	843 820 749	gasket		1	
39	N 010 368 1	hexagon-head bolt M 6 X 62		1		53	477 959 513	knob		1	
						54	477 959 517	rosette		1	
						55	477 959 519	switch		1	
						-	477 963 365	terminal sleeve housing		1	

Model	Year	MG	SG	Illustration	Restrictions	UPD	11:07	23.01.2010	PORSCHE	PET	PORSCHE
924	1979	8	13	813-20		248					

Pos	Part Number	Description	Remark	Qty	Model	Pos	Part Number	Description	Remark	Qty	Model
-	311 971 837	connector housing 4-pole		1							
56	999 591 380 02	cable clamp		2							
-	111 971 511	line distributor		1							
-	111 971 911 A	rubber sleeve		1							
-	111 971 977	plug with guide single pole		1							
-	411 941 189	grommet		1							

Model	Year	MG	SG	Illustration	Restrictions	UPD	11:07	23.01.2010	PORSCHE	PET	PORSCHE
924	1979	8	13	813-25		248					

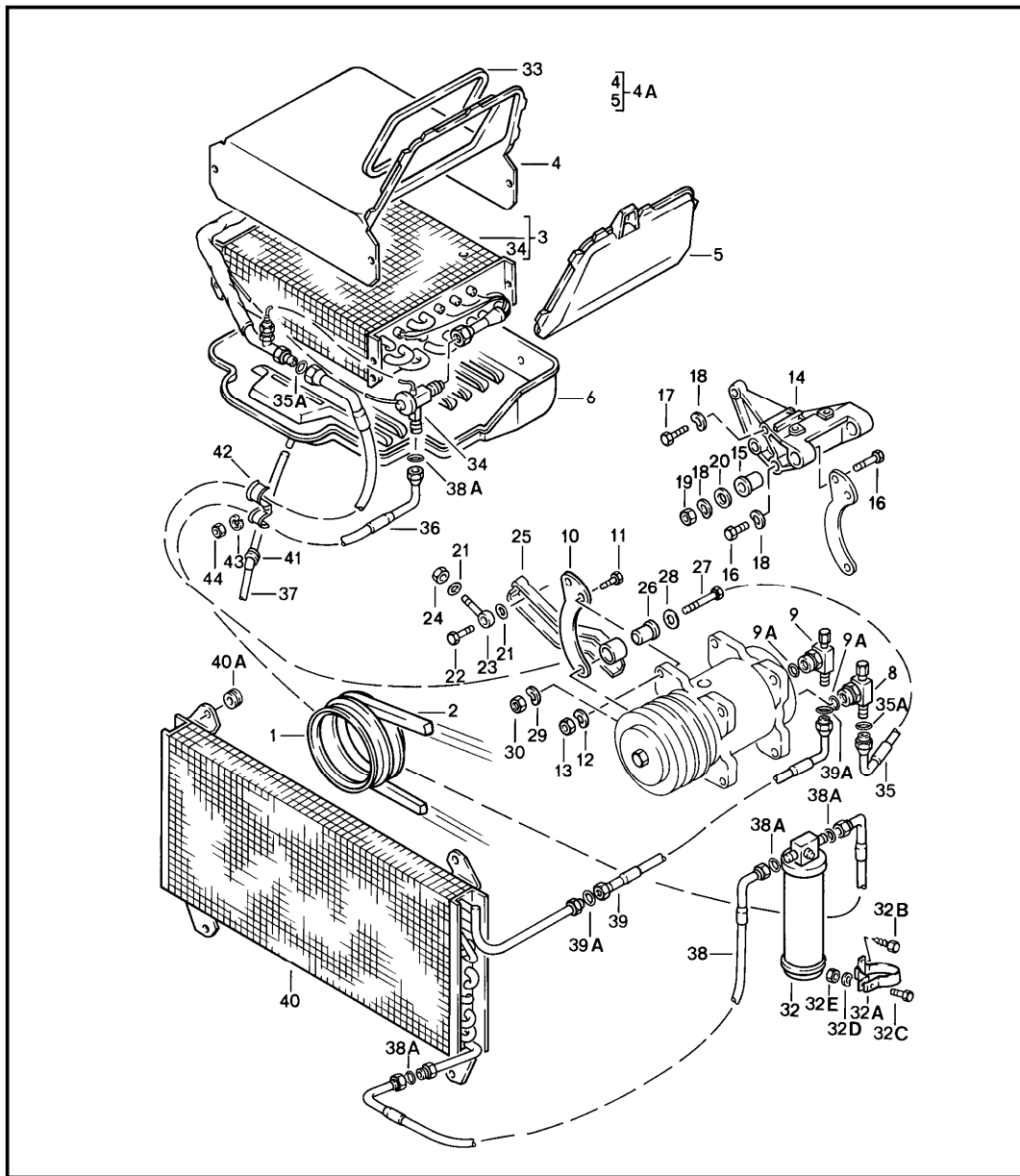


Pos	Part Number	Description	Remark	Qty	Model
		heating		79	M573
1	477 820 014	flap control box		1	
2	477 819 017	heater valve		1	
3	N 024 510 1	hose clamp LC 16-25		4	
4	321 819 019	gasket		2	
5	321 819 021	blower motor		1	
6	477 819 030	heat exchanger		1	
7	477 819 021 A	control switch		1	
8	477 819 789	speed nut 16 X 12,2		2	
9	N 014 100 1	tapping screw B 4,8 X 25		2	
10	477 819 043 C	cover		1	
11	321 819 053	clamp		2	
12	321 819 059	clamp		7	
13	477 819 065	damping piece		1	
14	321 819 089	gasket		2	
15	321 819 107	flap		1	
16	321 819 109	gasket		1	
17	321 819 123	lever for flap		1	
18	477 819 139	cup spring		2	
19	477 819 347	lid		1	
20	477 819 245	cover flap		1	
21	477 819 253	grommet		3	
22	477 819 319	knob centre		1	
23	477 819 319 A	knob		2	
24	477 819 279	traction		1	
25	477 820 275	traction		1	

Model	Year	MG	SG	Illustration	Restrictions	UPD	11:07	23.01.2010	PORSCHE	PET	PORSCHE
924	1979	8	13	813-25		248					

Pos	Part Number	Description	Remark	Qty	Model	Pos	Part Number	Description	Remark	Qty	Model
26	477 819 341	traction		1		49	477 819 343	spring clamp		1	
27	477 819 325	traction		1		50	477 819 285	clip		1	
28	477 819 849	grommet		1		51	477 819 345	sealing strip		1	
28A	477 819 340	hose		1		52	477 959 530	air-conditioning switch		1	
29	477 819 343	spring clamp		1		53	477 959 526	spacer		1	
30	900 116 003 02	circlip 4		2		54	477 959 527	fastening washer		1	
31	321 819 361	control flap		1		55	477 959 528	adjusting wheel		1	
32	999 512 272 02	hose clamp LA 25 X 40		2		56	477 959 529	knob		1	
33	000 043 172 00	sealing cord		*		57	477 959 531	booster		1	
34	321 819 645	bearing clip		1		-	477 820 523	water drain hose		1	
35	823 819 699 A	drain bush		1							
36	477 819 723	hose		1							
37	477 819 725	hose		1							
38	N 020 269 1	water hose		*	924						
(38)	931 106 271 01	water hose		1	TURBO						
39	477 819 869	connecting flange for heat exchanger		1							
40	021 101 173	sealing ring heat exchanger		2							
41	N 010 296 2	hexagon-head bolt M 5 X 18		3							
42	N 011 005 14	hexagon nut M 5		3							
43	N 012 225 2	spring washer A 5		3							
44	477 857 809	clamp		1							
45	477 857 887 A	gasket		1							
46	477 819 281	connecting rod		1							
47	N 012 225 2	spring washer		2							
48	900 116 003 02	circlip		2							

Model	Year	MG	SG	Illustration	Restrictions	UPD	11:07	23.01.2010	PORSCHE	PET	PORSCHE
924	1979	8	13	813-30		248					



Pos	Part Number	Description	Remark	Qty	Model
		air conditioner left-hand drive	-79		M573 924
(1)	046 105 255 F	v-belt pulley		1	
-	N 014 726 3	pan-head screw M 8 X 30		4	
2	047 260 849	v-belt		1	
3	477 820 013	evaporator		1	
-	477 820 017 A	evaporator housing		1	
4A	477 820 015 A	evaporator housing		1	
5	477 820 019 A	lid evaporator housing		1	
6	477 820 031 A	drip tray		1	
8	059 260 855 A	suction valve		1	
9	059 260 865 A	pressure valve		1	
9A	477 298 821	o-ring		2	
		mount compressor see tpi GRUPPE 8,NR.8			
10	048 260 885 A	support		2	
11	900 075 148 02	hexagon-head bolt M 10 X 32		3	
12	N 012 230 6	spring washer B 10		3	
13	N 011 010 6	hexagon nut M 10		3	
14	046 260 889 A	bracket		1	
15	048 260 905 B	rubber mounting		2	
16	N 010 445 3	hexagon-head bolt M 10 X 45		3	
17	N 010 455 3	screw M 10 X 55		2	
18	N 012 230 6	spring washer B 10		5	

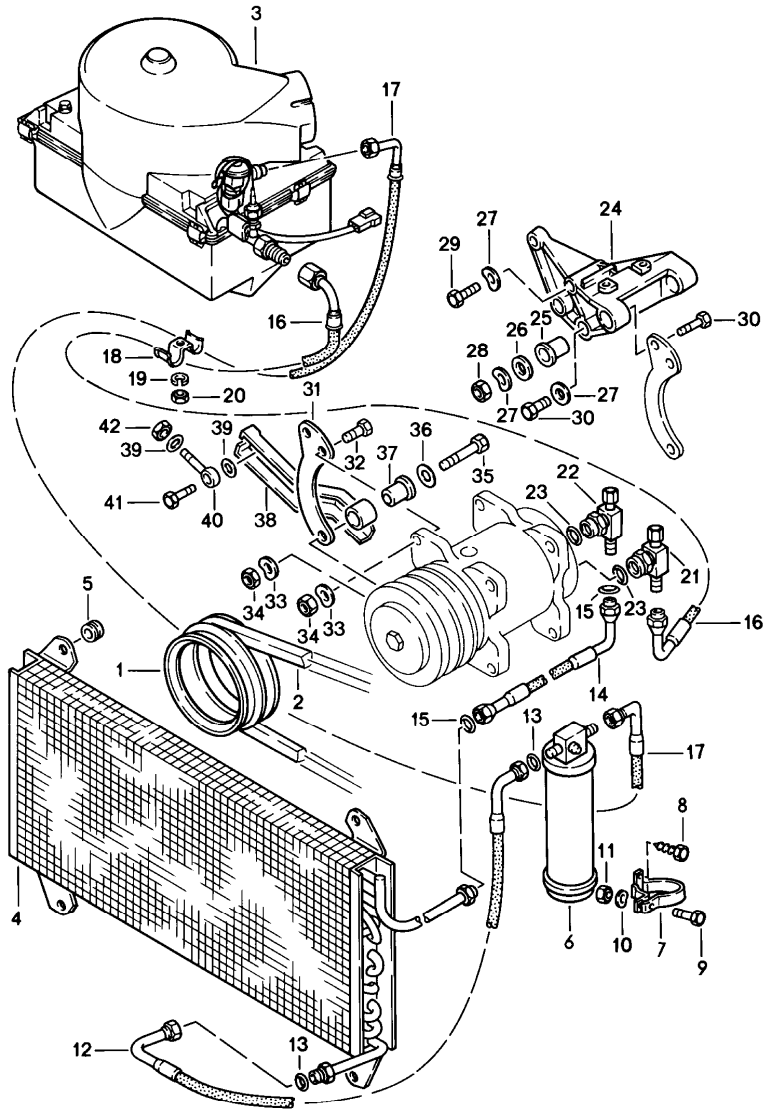
Model	Year	MG	SG	Illustration	Restrictions	UPD	11:07	23.01.2010	PORSCHE	PET	PORSCHE
924	1979	8	13	813-30		248					

Pos	Part Number	Description	Remark	Qty	Model	Pos	Part Number	Description	Remark	Qty	Model
19	N 011 010 6	hexagon nut M 10		2		-	N 010 215 13	hexagon-head bolt M 6 X 15		1	
20	111 857 707 A	spacer		2		-	900 076 010 02	hexagon nut M 6		1	
21	N 011 525 13	washer		2		-	N 012 006 4	lock ring B 6		1	
22	N 010 244 11	hexagon-head bolt M 8 X 30		1		34	843 820 679	expansion valve		1	
23	N 016 078 1	eye screw M 8 X 60		1		35	477 820 723	hose compressor evaporator		1	
24	311 101 463	hexagon nut M 8		1		35A	803 260 749 B	o-ring		2	
25	047 260 903 B	clamp		1		36	477 820 725	hose fluid tank evaporator		1	
26	048 260 905 B	rubber mounting		1		37	477 820 727 B	hose		1	
27	N 010 460 2	hexagon-head bolt M 10 X 60		1		38	477 820 729	hose condenser fluid tank o-ring		1	
28	N 011 527 12	washer A 10,5		1		-	843 260 762	pipe clamp		1	
29	N 012 230 6	spring washer B 10		1		-	N 013 970 5	tapping screw B 4,8 X 9,5		1	
30	N 011 010 6	hexagon nut M 10		1		-	N 106 568 02	tapping screw B 4,8 X 9,5		1	
32	944 573 943 00	desiccator		1		39	477 820 731	hose compressor condenser		1	
32A	477 820 195	support fluid tank		1		39A	803 260 749 A	o-ring		2	
32B	N 013 884 5	tapping screw B 4,8 X 13		2		40	477 820 751 A	condenser		1	
32C	N 010 264 4	hexagon-head bolt M 5 X 20		1		40A	477 820 773	grommet		4	
32D	N 012 005 3	lock ring 5		1		41	477 820 752	grommet		1	
32E	N 011 005 14	hexagon nut M 5		1		42	477 820 757	clip		3	
33	477 820 655	gasket evaporator housing		1		43	N 012 026 1	lock ring B 6		3	
-	477 820 657	gasket		1		44	900 076 010 02	hexagon nut M 6		3	
-	999 511 066 02	clamp		1							

Model	Year	MG	SG	Illustration	Restrictions	UPD	11:07	23.01.2010	PORSCHE	PET	PORSCHE
924	1979	8	13	813-30		248					

Pos	Part Number	Description	Remark	Qty	Model	Pos	Part Number	Description	Remark	Qty	Model
		version reinforced for compressor installation see illustrations 8/13/40 can instead of POS.24-42 mounted become				(23)	N 900 798 01	eye screw		1	
						(22)	900 075 043 02	hexagon-head bolt M 10 X 30		1	
						(21)	211 843 661	washer		1	
						(24)	311 101 463	hexagon nut M 8		1	
(14)	047 260 877 E	bracket		1							
-	047 260 823	vibration damper		1							
(17)	900 074 065 02	hexagon-head bolt M 10 X 70		1							
(16)	900 074 063 02	hexagon-head bolt M 10 X 55		2							
(18)	N 012 230 6	spring washer B 10		3							
(10)	047 260 883 A	support	/V	1							
(10)	047 260 859 A	support	/H	1							
11	900 075 148 02	hexagon-head bolt M 10 X 32		4							
12	N 012 230 6	spring washer B 10		4							
13	N 011 010 6	hexagon nut M 10		4							
-	N 010 494 4	hexagon-head bolt M 10 X 125		1							
-	900 025 008 09	washer A 10,5		2							
-	N 011 010 6	hexagon nut M 10		1							
(25)	047 260 903 B	clamp		1							
-	N 012 230 6	spring washer B 10		1							
-	N 011 010 6	hexagon nut M 10		1							
-	047 260 947 A	washer		1							

Model	Year	MG	SG	Illustration	Restrictions	UPD	11:07	23.01.2010	PORSCHE	PET	PORSCHE
924	1979	8	13	813-35		248					



Pos	Part Number	Description	Remark	Qty	Model
		air conditioner right-hand drive	-78		M573 924
1	477 105 255	v-belt pulley		1	
2	047 260 849	v-belt		1	
3	478 820 017	evaporator see group 8/13/50		1	
4	477 820 751 A	condenser		1	
5	477 820 773	grommet		4	
6	477 820 193	fluid tank		1	
7	477 820 195	support fluid tank		1	
8	N 013 884 5	tapping screw B 4,8 X 13		2	
9	N 010 264 4	hexagon-head bolt M 5 X 20		1	
10	N 012 005 3	lock ring 5		1	
11	N 011 005 14	hexagon nut M 5		1	
12	477 820 729	hose condenser fluid tank		1	
13	803 260 749	o-ring		2	
14	477 820 731	hose compressor condenser		1	
15	803 260 749 A	o-ring		2	
16	478 820 723 A	hose compressor evaporator		1	
17	478 820 735	refrigerant line fluid tank evaporator		1	
18	477 820 757	clip		2	
19	N 012 026 1	lock ring B 6		2	

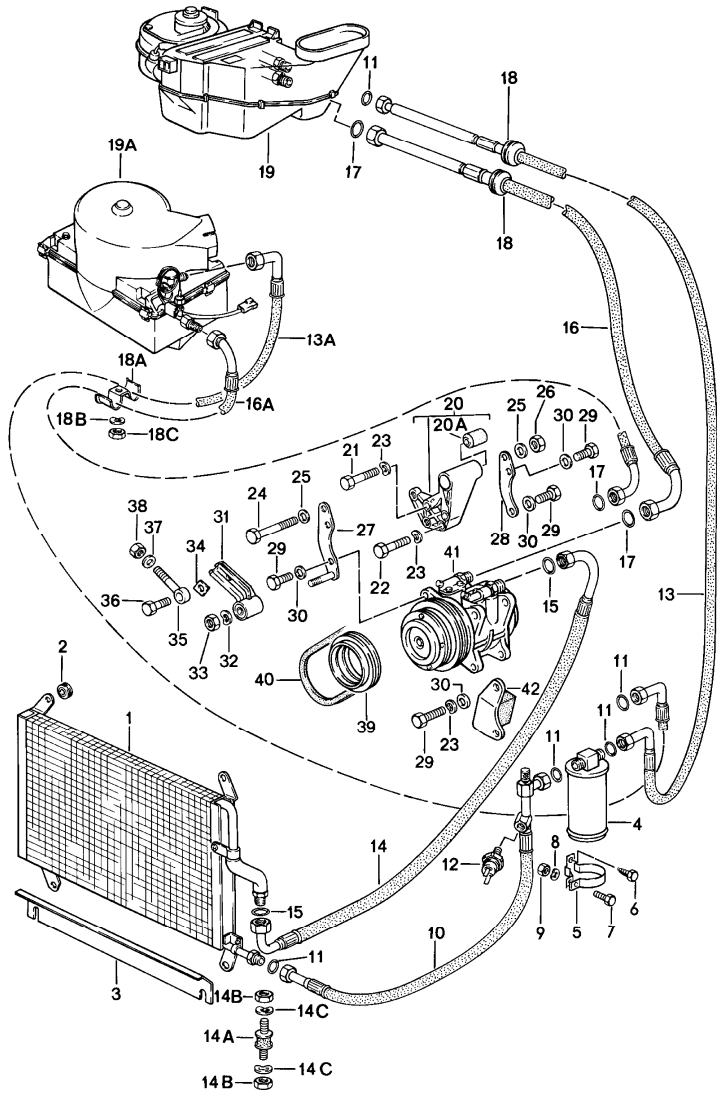
Model	Year	MG	SG	Illustration	Restrictions	UPD	11:07	23.01.2010	PORSCHE	PET	PORSCHE
924	1979	8	13	813-35		248					

Pos	Part Number	Description	Remark	Qty	Model	Pos	Part Number	Description	Remark	Qty	Model
20	900 076 010 02	hexagon nut M 6		2		40	N 016 078 1	eye screw M 8 X 60		1	
21	059 260 855 A	suction valve		1		41	N 010 244 11	hexagon-head bolt M 8 X 30		1	
22	059 260 865 A	pressure valve		1		42	311 101 463	hexagon nut M 8		1	
23	477 298 821	o-ring		2				version reinforced for compressor installation see illustrations 8/13/40 can instead of POS.24-42 mounted become			
24	046 260 889 A	mount compressor see tpi group 8 , NR.8		1				bracket		1	
25	048 260 905 B	bracket		2				vibration damper		1	
26	111 857 707 A	rubber mounting		2		(24)	047 260 877 E	bracket		1	
27	N 012 230 6	spacer		5		-	047 260 823	hexagon-head bolt M 10 X 70		1	
28	N 011 010 6	spring washer B 10		2		(29)	900 074 065 02	hexagon-head bolt M 10 X 55		2	
29	N 010 455 3	hexagon nut M 10		2		(30)	900 074 063 02	hexagon-head bolt M 10 X 70		2	
30	N 010 445 3	screw M 10 X 55		3		(27)	N 012 230 6	spring washer B 10		3	
31	048 260 885 A	hexagon-head bolt M 10 X 45		2		(31)	047 260 883 A	support	/V	1	
32	900 075 148 02	support		3		(31)	047 260 859 A	support	/H	1	
33	N 012 230 6	spring washer B 10		4		32	900 075 148 02	hexagon-head bolt M 10 X 32		4	
34	N 011 010 6	hexagon nut M 10		4		33	N 012 230 6	spring washer B 10		4	
35	N 010 460 2	hexagon-head bolt M 10 X 60		1		34	N 011 010 6	hexagon nut M 10		4	
36	N 011 527 12	washer A 10,5		1		-	N 010 494 4	hexagon-head bolt M 10 X 125		1	
37	048 260 905 B	rubber mounting		1		-	900 025 008 09	washer A 10,5		2	
38	047 260 903 B	clamp		1		-	N 011 010 6	hexagon nut M 10		1	
39	N 011 525 13	washer		2							

Model	Year	MG	SG	Illustration	Restrictions	UPD	11:07	23.01.2010	PORSCHE	PET	PORSCHE
924	1979	8	13	813-35		248					

Pos	Part Number	Description	Remark	Qty	Model	Pos	Part Number	Description	Remark	Qty	Model
(38)	047 260 903 B	clamp		1							
-	N 012 230 6	spring washer B 10		1							
-	N 011 010 6	hexagon nut M 10		1							
-	047 260 947 A	washer		1							
(40)	N 900 798 01	eye screw		1							
(41)	900 075 043 02	hexagon-head bolt M 10 X 30		1							
39	211 843 661	washer		1							
42	311 101 463	hexagon nut M 8		1							

Model	Year	MG	SG	Illustration	Restrictions	UPD	11:07	23.01.2010	PORSCHE	PET	PORSCHE
924	1979	8	13	813-40		248					

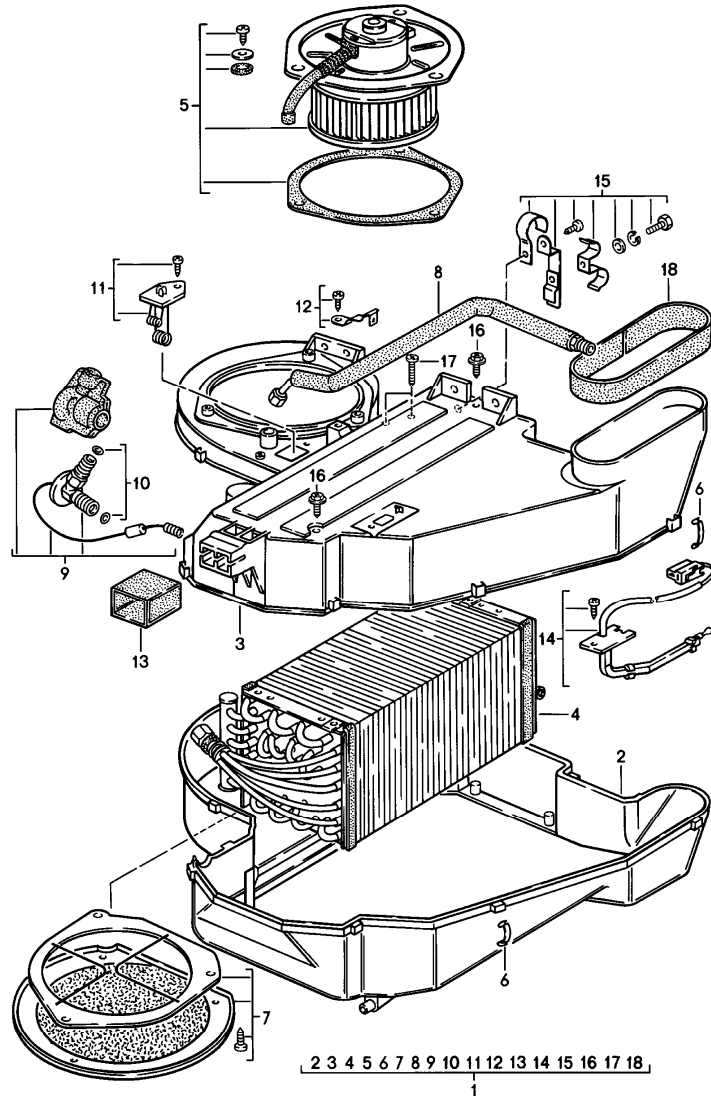


Pos	Part Number	Description	Remark	Qty	Model
		air conditioner		79	M573
1	477 820 751 B	condenser		1	
2	477 820 773	grommet		4	
3	477 853 717 A	cooling air duct		1	
4	477 820 193	fluid tank		1	
5	477 820 195	support fluid tank		1	
6	N 013 884 5	tapping screw B 4,8 X 13		2	
7	N 010 264 4	hexagon-head bolt M 5 X 20		1	
8	N 012 005 3	lock ring 5		1	
9	N 011 005 14	hexagon nut M 5		1	
10	477 820 423	hose condenser fluid tank		1	924
10	477 820 423	hose condenser fluid tank	/RL	1	TURBO
(10)	477 820 423 A	hose condenser fluid tank	/LL	1	TURBO
11	477 820 489	o-ring		4	
12	959 613 137 00	low pressure switch		1	
13	477 820 424	hose fluid tank evaporator	/LL	1	
13A	478 820 735	hose fluid tank evaporator	/RL	1	
-	999 513 003 40	tie-wrap		1	
14	477 820 422 B	hose compressor condenser		1	
14A	810 906 219 A	bonded rubber mounting		1	

Model	Year	MG	SG	Illustration	Restrictions	UPD	11:07	23.01.2010	PORSCHE	PET	PORSCHE
924	1979	8	13	813-40		248					

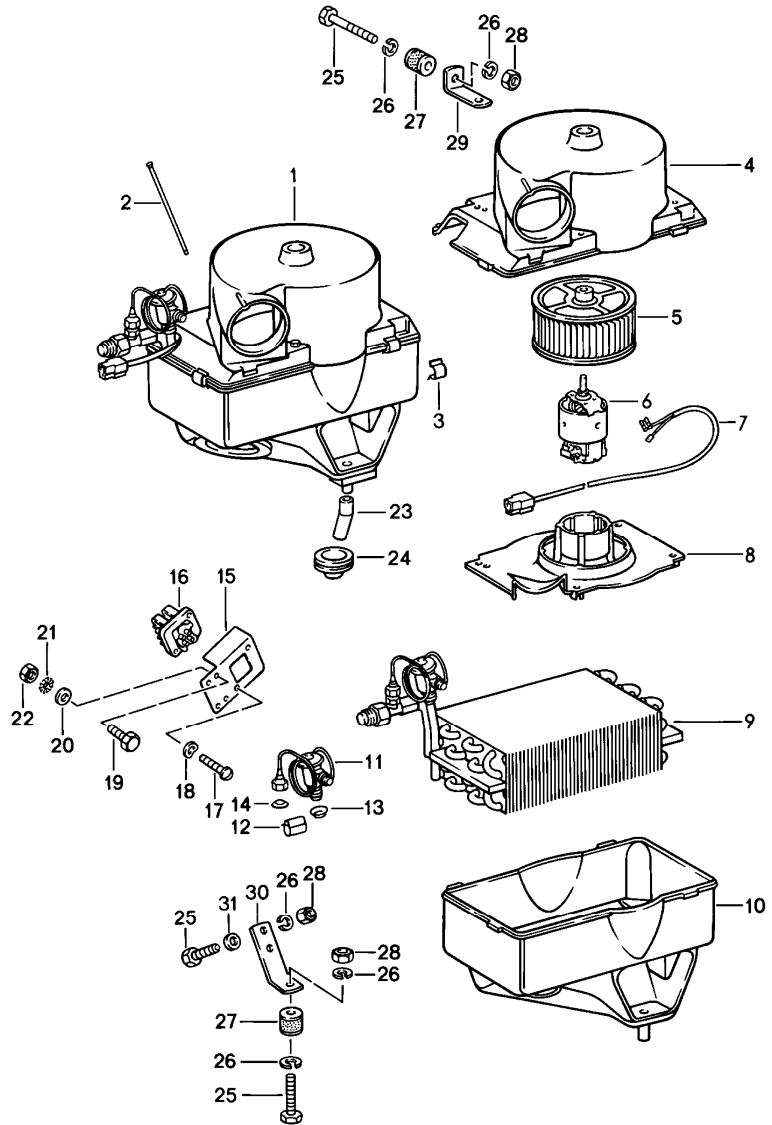
Pos	Part Number	Description	Remark	Qty	Model	Pos	Part Number	Description	Remark	Qty	Model
14B	900 076 010 02	hexagon nut M 6		2		24	N 010 494 4	hexagon-head bolt M 10 X 125		1	
14C	N 012 007 2	lock ring A 6		2		25	900 025 008 09	washer A 10,5		2	
15	A 477 820 491	o-ring		2		26	N 011 010 6	hexagon nut M 10		1	
15	999 707 250 40	o-ring		2		27	047 260 883 B	support compressor	/V	1	
16	477 820 425	hose compressor evaporator	/LL	1		28	047 260 859 C	support	/H	1	
(16)	477 820 425 A	hose compressor evaporator	/LL	1	TURBO	29	N 040 125 1	hexagon-head bolt M 10 X 30		4	
16	478 820 723 A	hose compressor evaporator	/RL	1		30	900 025 008 09	washer A 10,5		4	
17	478 820 731	o-ring		2		31	047 260 903 B	clamp		1	
18	901 573 143 00	rubber sleeve		2		32	N 012 230 6	spring washer B 10			
18A	477 820 757	clip	/RL	2		33	N 011 010 6	hexagon nut M 10		1	
18B	N 012 026 1	lock ring B 6	/RL	2		34	047 260 947 A	washer		1	
18C	900 076 010 02	hexagon nut M 6	/RL	2		35	N 900 798 01	eye screw		1	
19	477 820 002	air conditioner see group 8/13/45	/LL	1		36	900 075 043 02	hexagon-head bolt M 10 X 30		1	
19A	478 820 017	evaporator see group 8/13/50	/RL	1		37	A 211 843 661	washer		1	
20	047 260 877 E	bracket		1	924	37	N 011 525 13	washer		1	
(20)	931 101 014 00	bracket		1	TURBO	38	311 101 463	hexagon nut M 8		1	
20A	047 260 905 C	rubber mounting		2		39	046 105 255 F	v-belt pulley		1	
21	900 074 065 02	hexagon-head bolt M 10 X 70		1		40	047 260 849 A	v-belt		1	
22	900 074 063 02	hexagon-head bolt M 10 X 55		2		41	047 260 803	compressor see group 8/13/60		1	
23	N 012 230 6	spring washer B 10		3		42	047 260 823 B	vibration damper		1	

Model	Year	MG	SG	Illustration	Restrictions	UPD	11:08	23.01.2010	PORSCHE	PET	PORSCHE
924	1979	8	13	813-45		248					



Pos	Part Number	Description	Remark	Qty	Model
		air conditioner	/LL	79	M573
1	477 820 002	air conditioner		1	
2	477 820 483	suction housing lower part		1	
3	477 820 913	housing upper part		1	
4	477 820 903	evaporator		1	
5	477 820 905	blower		1	
6	477 820 449	clamp		25	
7	477 820 907	air cleaner		1	
8	477 820 459	pressure line		1	
9	477 820 909	expansion valve		1	
10	477 820 911	set of o-rings for expansion valve		1	
11	477 820 915	resistor		1	
12	477 820 917	retaining bow		1	
13	477 820 447 A	rubber boot		1	
14	477 820 901	temperature sensor		1	
15	477 820 919	pipe clamp		1	
16	477 820 437	tapping screw		2	
17	477 820 435 A	tapping screw		2	
18	477 820 507 A	insulator		1	
-	477 820 523	water drain hose		1	

Model	Year	MG	SG	Illustration	Restrictions	UPD	11:08	23.01.2010	PORSCHE	PET	PORSCHE
924	1979	8	13	813-50		248					

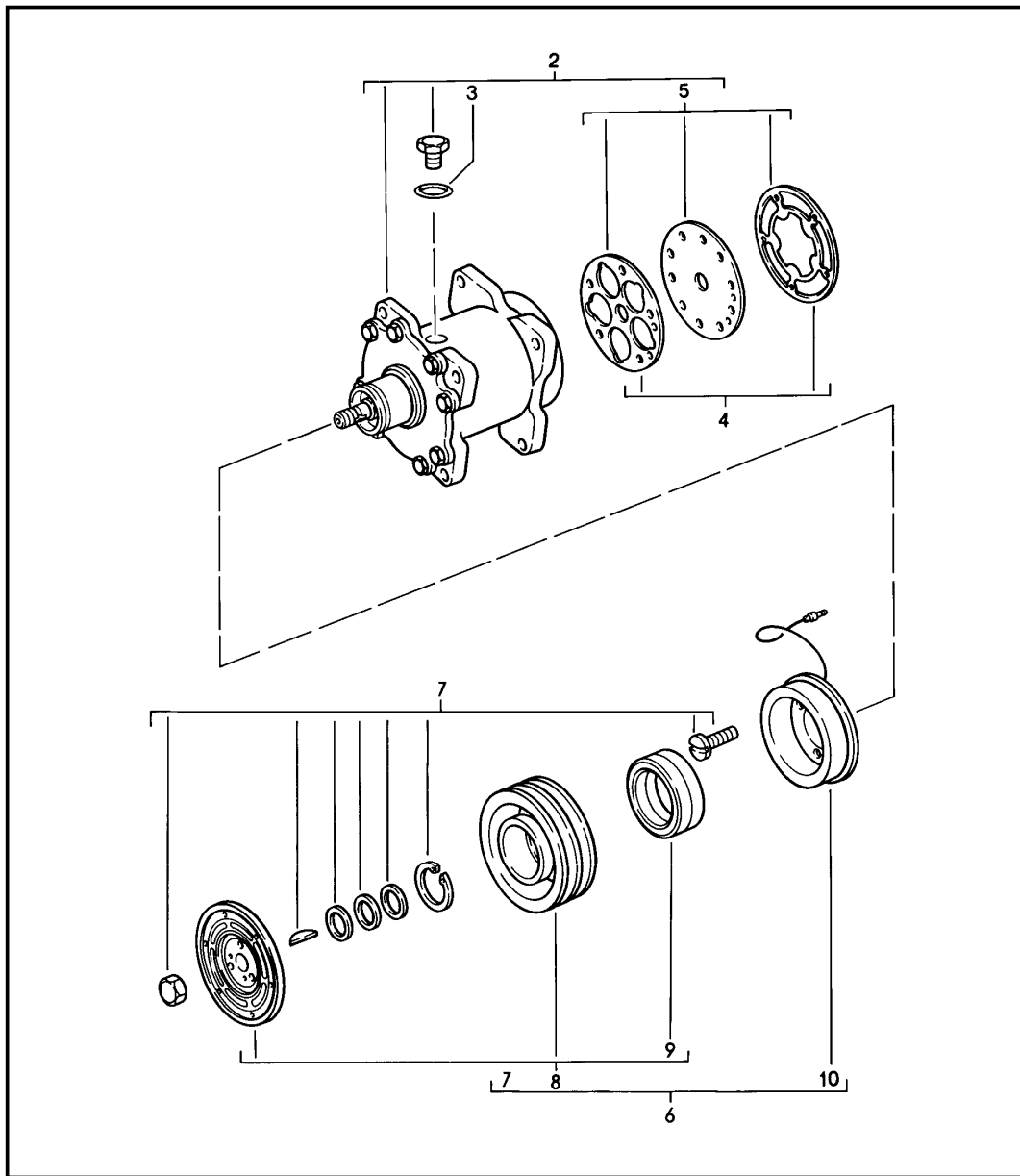


Pos	Part Number	Description	Remark	Qty	Model
1	478 820 017	evaporator	/RL	1	M573
2	901 573 903 00	evaporator with housing		1	
3	901 573 904 00	guide tube for temperature switch		1	
4	901 573 023 00	tensioning spring		4	
5	911 573 023 00	housing cover		1	
6	901 573 906 00	fan		1	
7	901 624 901 00	electric motor		1	
8	901 612 084 00	wiring harness		1	
9	911 573 323 00	engine support		1	
10	901 573 907 00	evaporator		1	
11	478 898 117	housing lower part		1	
12	901 573 915 00	expansion valve		1	
13	901 573 914 00	clip		1	
14	901 573 147 00	gasket		1	
15	901 573 916 00	gasket		1	
16	478 820 209	bracket		1	
17	911 618 151 00	thermo bi-metal switch		1	
18	900 146 011 02	oval-head screw AM 4 X 10		2	
19	N 012 224 3	spring washer A 4		2	
20	N 010 207 6	hexagon-head bolt M 5 X 12		2	
21	900 025 003 02	washer A 5,3		2	
22	N 012 130 2	shake-proof washer A 5,3		2	
23	N 011 005 14	hexagon nut M 5		2	

Model	Year	MG	SG	Illustration	Restrictions	UPD	11:08	23.01.2010	PORSCHE	PET	PORSCHE
924	1979	8	13	813-50		248					

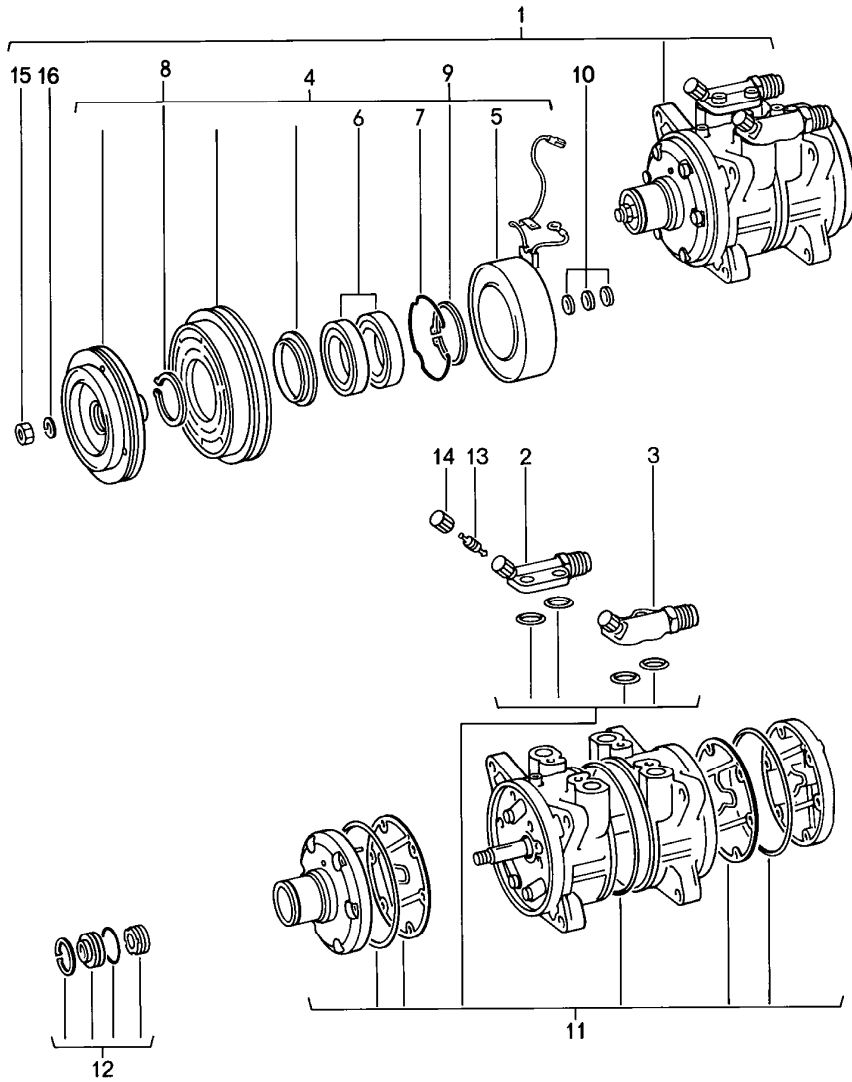
Pos	Part Number	Description	Remark	Qty	Model	Pos	Part Number	Description	Remark	Qty	Model
-	N 020 363 1	hose 15 X 2,5		*							
23	-	70 MM		1							
24	901 573 143 00	rubber sleeve		3							
25	N 010 210 13	hexagon-head bolt M 6 X 10		4							
26	N 012 006 4	lock ring B 6		6							
27	999 703 302 00	metalastik pivot bearing		2							
28	900 076 010 02	hexagon nut M 6		4							
29	478 820 201	fastening angle	/R	1							
30	478 820 207	fastening angle lower		1							
31	N 011 524 7	washer A 6,4		2							

Model	Year	MG	SG	Illustration	Restrictions	UPD	11:08	23.01.2010	PORSCHE	PET	PORSCHE
924	1979	8	13	813-55		248					



Pos	Part Number	Description	Remark	Qty	Model
		compressor	-78		M573
2	477 298 809	compressor		1	
3	477 298 801	o-ring		1	
4	477 298 805	gasket set for valve plate		1	
5	477 298 807	valve plate		1	
6	477 298 811	clutch		1	
7	477 298 813	parts set		1	
8	477 298 815	clutch plate pulley bearing		1	
9	477 298 817	set of bearings		1	
10	477 298 803	solenoid coil		1	

Model	Year	MG	SG	Illustration	Restrictions	UPD	11:08	23.01.2010	PORSCHE	PET	PORSCHE
924	1979	8	13	813-60		248					



Pos	Part Number	Description	Remark	Qty	Model
		compressor		79	M573
1	047 260 803	compressor		1	
2	477 298 839	pressure valve		1	
3	477 298 837	suction valve		1	
4	477 298 823	clutch		1	
5	477 298 825	solenoid coil		1	
6	477 298 831	set of bearings		1	
7	477 298 827	retaining spring		1	
8	477 298 841	circlip		1	
9	477 298 843	circlip		1	
10	477 298 829	spacer 0,1 MM		X	
(10)	477 298 829 A	spacer 0,2 MM		X	
(10)	477 298 829 B	spacer 0,5 MM		X	
(10)	477 298 829 C	spacer 0,8 MM		X	
(10)	477 298 829 B	spacer 1,0 MM		X	
11	477 298 833	gasket set		1	
12	477 298 835	gasket set		1	
13	928 573 908 03	valve insert		2	
14	928 573 909 02	cap		2	
15	N 011 008 8	hexagon nut M 8		1	
16	900 027 015 02	lock ring B 8		1	
-	930 126 905 00	spring		1	

Model	Year	MG	SG	Illustration	Restrictions	UPD	11:09	23.01.2010
924	1979	8	98	898-00R		248		

Pos	Part Number	Description	Remark	Qty	Model
>>	>>477 898 081	repair kits lock cylinder 1 set for door handle ignition starter switch rear lid lock comprising:		1	
-	477 898 082	lock cylinder lock cylinder for door handle lock cylinder for ignition starter switch		1 2	
-	944 538 933 00	key S 91 B sealing set Information available		2 1	
>>	>>477 898 011 A	sealing set for windscreen		1	
>>	>>477 898 025	installation set door mirror electrically adjustable heatable plane not for comprising:	/LL/L (J)	1	
-	911 731 043 00	mirror housing		1	
-	928 731 141 06	mirror base		1	
-	999 143 003 02	hexagon-head bolt M 5 X 10		3	
-	911 731 027 02	covering frame with transmission		1	
-	911 731 035 02	mirror glass		1	
-	999 703 128 40	grommet for mirror glass		3	
-	477 831 139 C	reinforcement		1	
-	928 531 235 03	threaded piece		1	
-	N 013 295 1	tensioning sleeve		1	
-	944 731 505 00	desk pad		1	

Model	Year	MG	SG	Illustration	Restrictions	UPD	11:09	23.01.2010
924	1979	8	98	898-00R		248		

Pos	Part Number	Description	Remark	Qty	Model
-	911 731 257 02	guide tube		1	
-	911 731 345 02	centring washer lower		1	
-	911 731 347 00	centring washer upper		1	
-	911 731 029 01	compression spring		1	
-	900 186 042 02	pan-head screw M 5 X 40		1	
-	477 867 181	mounting piece		1	
-	N 014 090 5	tapping screw 3,9 X 13		2	
-	999 507 071 00	speed nut		2	
-	911 613 115 00	switch		1	
-	928 555 463 02	threaded bush		1	
-	928 613 462 00	knob		1	
-	477 971 111	wiring harness door mirror driver's door		1	
-	477 971 115 A	wiring harness door mirror dashboard		1	
-	477 971 910	bellows		1	
-	803 971 979	plug socket 7-pole		1	
>>	>>477 898 026	installation set door mirror electrically adjustable heatable plane not for comprising:	/LL/R (N) (S)	1	
-	911 731 044 00	mirror housing		1	
-	928 731 143 08	mirror base		1	
-	999 143 003 02	hexagon-head bolt M 5 X 10		3	
-	911 731 028 02	covering frame with transmission		1	
-	911 731 035 02	mirror glass plane		1	

PORSCHE

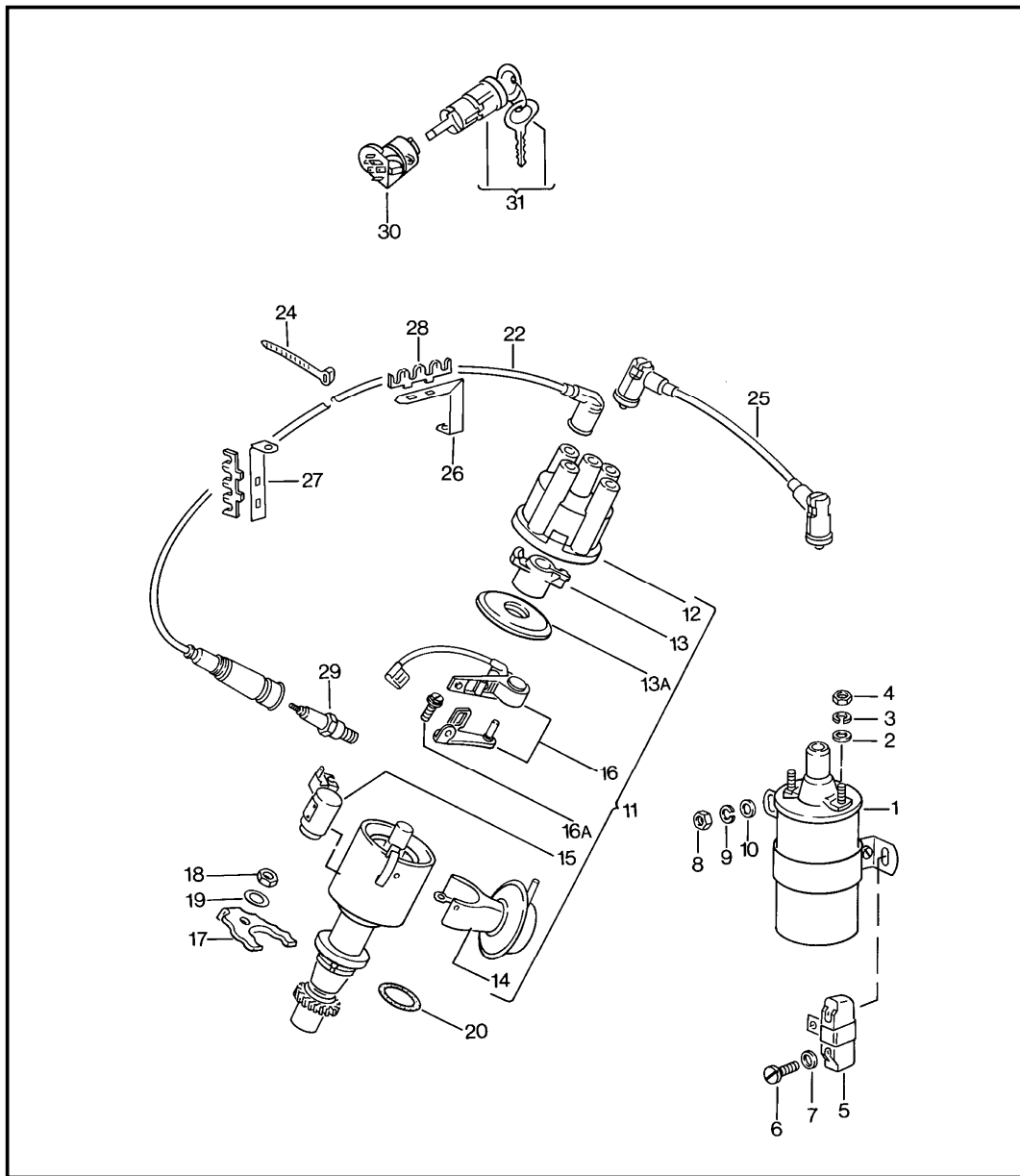
PET

PORSCHE

Model	Year	MG	SG	Illustration	Restrictions	UPD	11:09	23.01.2010
924	1979	8	98	898-00R		248		

Pos	Part Number	Description	Remark	Qty	Model
-	999 703 128 40	grommet for mirror glass		3	
-	477 831 140 C	reinforcement		1	
-	928 531 235 03	threaded piece		1	
-	N 013 295 1	tensioning sleeve		1	
-	944 731 508 00	desk pad		1	
-	911 731 257 02	guide tube		1	
-	911 731 345 02	centring washer lower		1	
-	911 731 347 00	centring washer upper		1	
-	911 731 029 01	compression spring		1	
-	900 186 042 02	pan-head screw M 5 X 40		1	
-	477 867 181	mounting piece		1	
-	N 014 090 5	tapping screw 3,9 X 13		2	
-	999 507 071 00	speed nut		2	
-	911 613 115 00	switch		1	
-	928 555 463 02	threaded bush		1	
-	928 613 462 00	knob		1	
-	477 971 113	wiring harness door mirror passenger's door		1	
-	477 971 115	wiring harness door mirror dashboard		1	
-	477 971 910	bellows		1	
-	477 955 703	rocker switch		1	
-	803 971 979	plug socket 7-pole		1	

Model	Year	MG	SG	Illustration	Restrictions	UPD	11:09	23.01.2010	PORSCHE	PET	PORSCHE
924	1979	9	01	901-00		248					

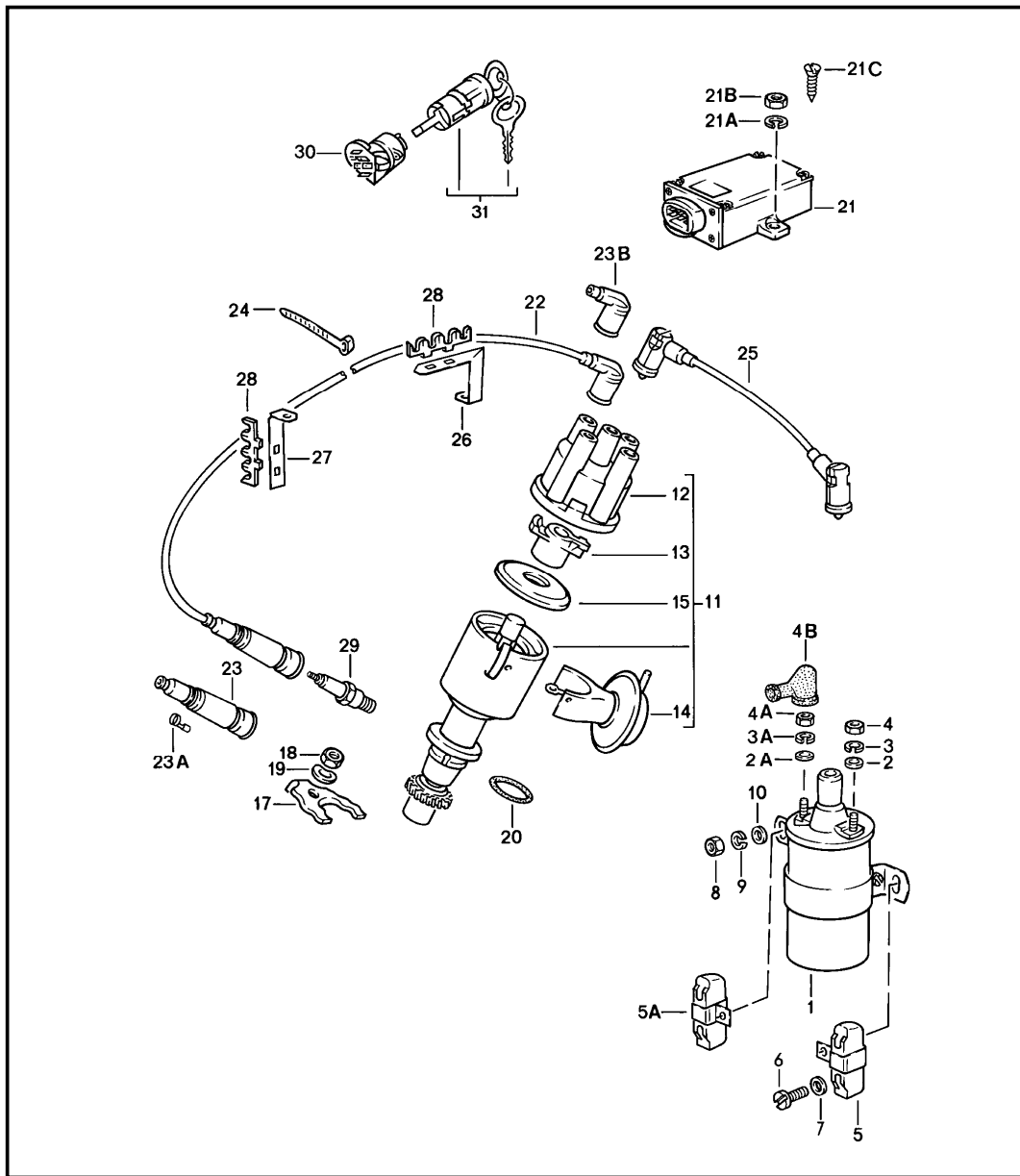


Pos	Part Number	Description	Remark	Qty	Model
		engine electrics 1			924
1	059 905 105 B	ignition coil		1	
2	900 025 003 02	washer		2	
3	N 012 005 3	lock ring		2	
4	N 011 005 14	hexagon nut		2	
5	059 905 109	series resistor	-78	1	
6	N 014 121 2	oval-head screw AM 4 X 6		2	
7	N 012 004 2	lock ring		2	
8	900 076 010 02	hexagon nut		2	
9	N 012 006 4	lock ring		2	
10	N 011 666 7	washer		2	
11	047 905 205 B	distributor		1	
12	113 905 207 C	distributor cap		1	
13	055 905 225 B	rotor		1	
13A	039 905 241	dust cover		1	
14	047 905 271 A	vacuum unit		1	
15	060 905 295	condenser		1	
16	616 602 226 02	contact breaker point 1 set		1	
16A	058 998 211	parts kit		1	
17	056 905 251 D	support		1	
18	N 011 008 8	hexagon nut		1	
19	N 012 241 11	spring washer B 8 X 15		1	
20	* 056 905 261	gasket		1	
22	046 905 431 E	ignition lead cylinder 1		1	
22	046 905 433 E	ignition lead cylinder 2		1	
22	046 905 435 E	ignition lead cylinder 3		1	

Model	Year	MG	SG	Illustration	Restrictions	UPD	11:09	23.01.2010	PORSCHE	PET	PORSCHE
924	1979	9	01	901-00		248					

Pos	Part Number	Description	Remark	Qty	Model	Pos	Part Number	Description	Remark	Qty	Model
22	046 905 437 E	ignition lead cylinder 4		1							
24	N 020 902 1	tie-wrap 6,5 X 210		2							
25	N 038 889 1	ignition lead		1							
26	047 905 477	support ignition lead		1							
27	046 905 477	support ignition lead		1							
28	052 905 471 B	cable holder ignition lead		2							
29	999 170 165 90	spark plug - bosch - W 5 DC		4							
30	111 905 865 L	ignition starter switch		1							
31	* 477 905 855 C	lock cylinder with keys w/o stipulated lock number		1							
(31)	477 905 855 D	lock cylinder with keys with stipulated lock number		1							

Model	Year	MG	SG	Illustration	Restrictions	UPD	11:09	23.01.2010	PORSCHE	PET	PORSCHE
924	1979	9	01	901-05		248					

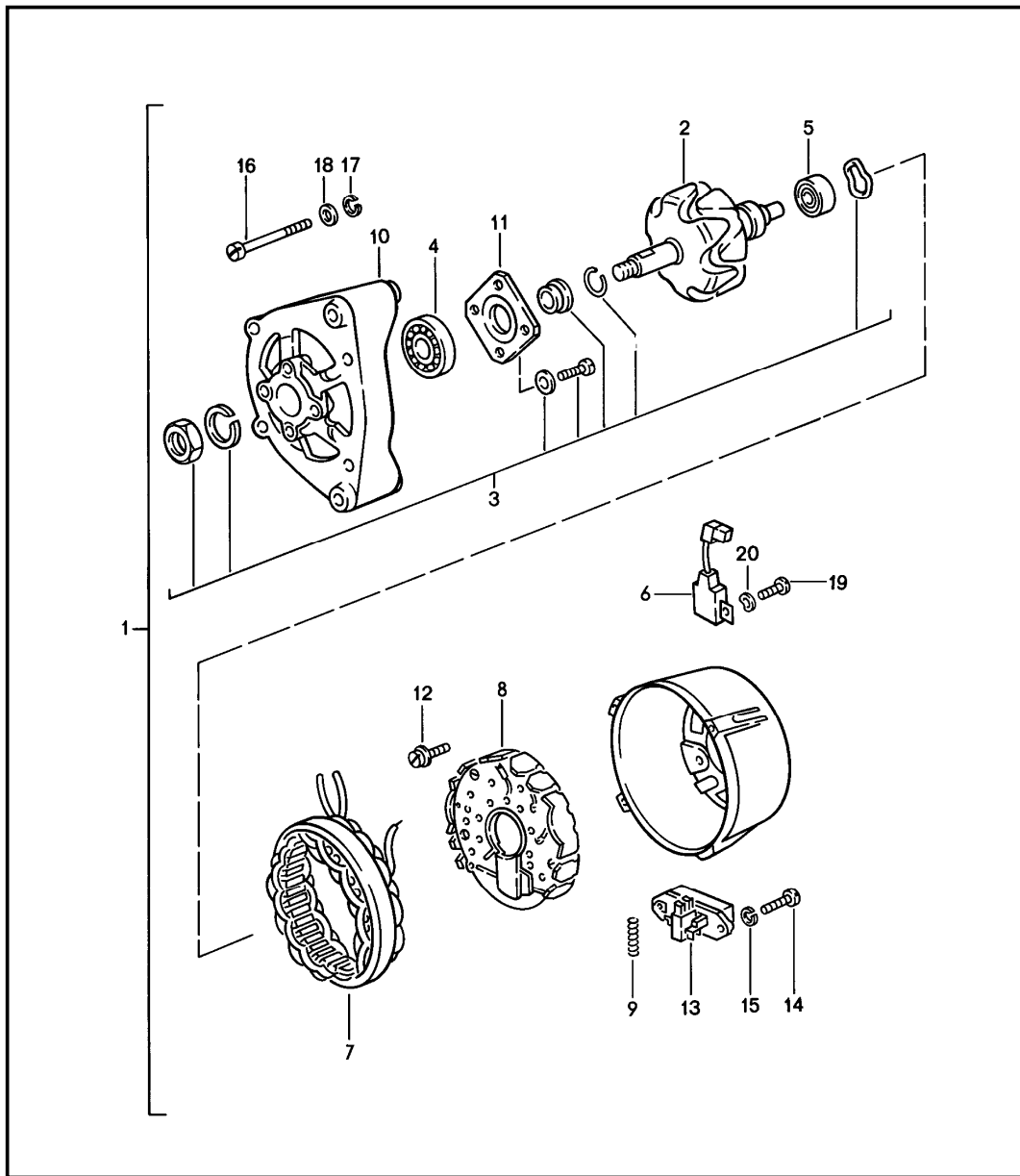


Pos	Part Number	Description	Remark	Qty	Model
		engine electrics 2			TURBO
		see technical information GR.2 NR. 2/86			
1	046 905 105	ignition coil		1	
2	900 025 003 02	washer		1	
2A	N 011 524 7	washer		1	
3	N 012 005 3	lock ring		1	
3A	N 012 006 4	lock ring		1	
4	N 011 005 14	hexagon nut		1	
4A	900 076 010 02	hexagon nut		1	
4B	311 971 901	protection cap		1	
6	N 014 121 2	oval-head screw AM 4 X 6		4	
7	N 012 004 2	lock ring		4	
8	900 076 010 02	hexagon nut		2	
9	N 012 006 4	lock ring		2	
10	N 011 666 7	washer		2	
(11)	931 602 030 00	distributor		1	
12	113 905 207 C	distributor cap		1	
(13)	931 602 904 00	rotor		1	
(14)	931 602 913 00	vacuum unit		1	
15	039 905 241	dust cover		1	
17 A	056 905 251 A	support		1	
17	056 905 251 D	support		1	
18	N 011 008 8	hexagon nut		1	
19	N 012 241 11	spring washer B 8 X 15		1	
20	* 056 905 261	gasket		1	
(21)	477 905 351 B	switch unit		1	
21A	900 025 003 02	washer		2	

Model	Year	MG	SG	Illustration	Restrictions	UPD	11:09	23.01.2010	PORSCHE	PET	PORSCHE
924	1979	9	01	901-05		248					

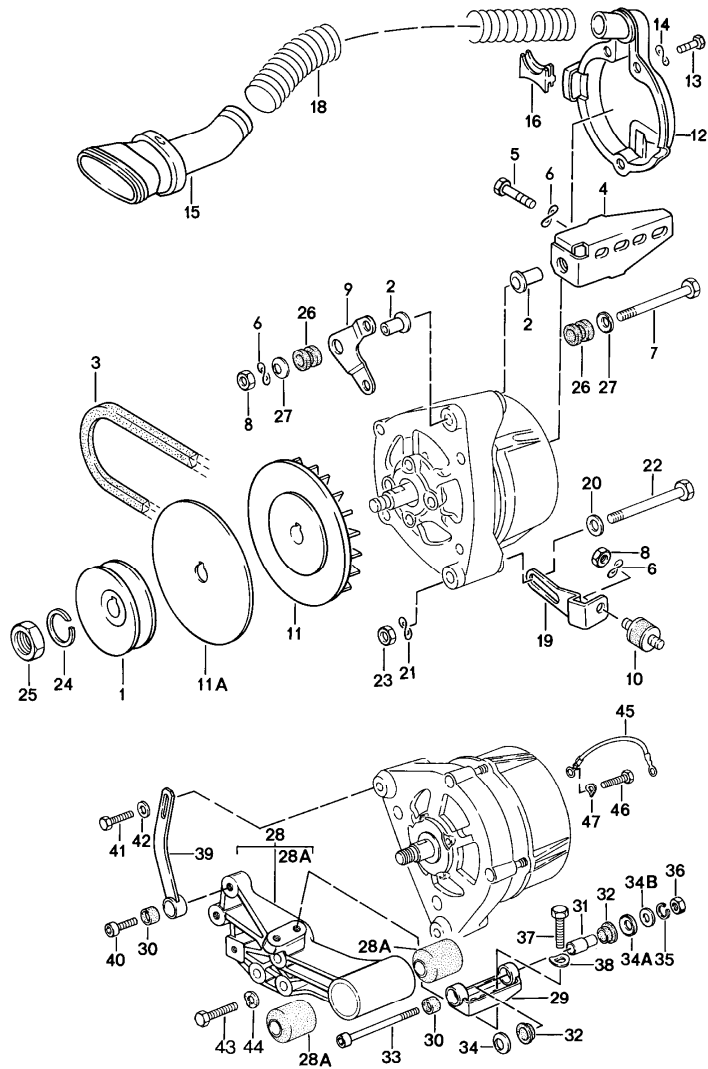
Pos	Part Number	Description	Remark	Qty	Model	Pos	Part Number	Description	Remark	Qty	Model
21C	900 143 046 02	tapping screw 4,8 X 16	79-	2							
22	931 609 105 01	ignition lead cylinder 1		1							
22	931 609 105 02	ignition lead cylinder 2		1							
22	931 609 105 03	ignition lead cylinder 3		1							
22	931 609 105 04	ignition lead cylinder 4		1							
23	477 905 447	spark plug suppressor cap		4							
23A	036 905 423	ignition cable connector		4							
23B	036 035 281	suppression connector		4							
24	N 020 902 1	tie-wrap 6,5 X 210		2							
25	N 038 889 1	ignition lead ignition coil distributor		1							
(26)	931 609 313 00	support ignition lead		1							
(27)	047 133 688	support ignition lead		1							
28	052 905 471 B	cable holder ignition lead		2							
29	999 170 175 90	spark plug - bosch - WR 6 DS		4							
(29)	999 170 140 90	spark plug - bosch - W 4 CS		4	TURBO						
30	111 905 865 L	ignition starter switch		1							
31	477 905 855 C	lock cylinder with keys w/o stipulated lock number		1							
(31)	477 905 855 D	lock cylinder with keys with stipulated lock number		1							

Model	Year	MG	SG	Illustration	Restrictions	UPD	11:09	23.01.2010	PORSCHE	PET	PORSCHE
924	1979	9	02	902-00		248					



Pos	Part Number	Description	Remark	Qty	Model
1	> 068 903 017 D	generator generator 75 A		1	
2	063 903 213	claw-pole rotor		1	
3	028 903 320 B	parts kit		1	
4	021 903 221 B	deep-groove ball bearing		1	
5	021 903 221 C	deep-groove ball bearing		1	
6	063 903 291	condenser		1	
7	063 903 351	generator		1	
8	063 903 359	diode plate		1	
9	059 903 519	compression spring		2	
10	063 903 537	end plate		1	
11	021 903 543 A	retainer plate		1	
12	063 903 555	screw with spring washer		3	
13	070 903 803 A	regulator switch		1	
14	N 014 125 1	oval-head screw AM 4 X 18		2	
15	N 012 004 2	lock ring		2	
16	N 010 842 1	pan-head screw M 5 X 58		4	
17	N 012 005 3	lock ring		4	
18	900 025 003 02	washer		4	
19	N 010 710 8	pan-head screw AM 6 X 10		1	
20	N 012 226 5	spring washer		1	
-	063 903 791	parts kit terminal B +		1	

Model	Year	MG	SG	Illustration	Restrictions	UPD	11:09	23.01.2010	PORSCHE	PET	PORSCHE
924	1979	9	02	902-05		248					

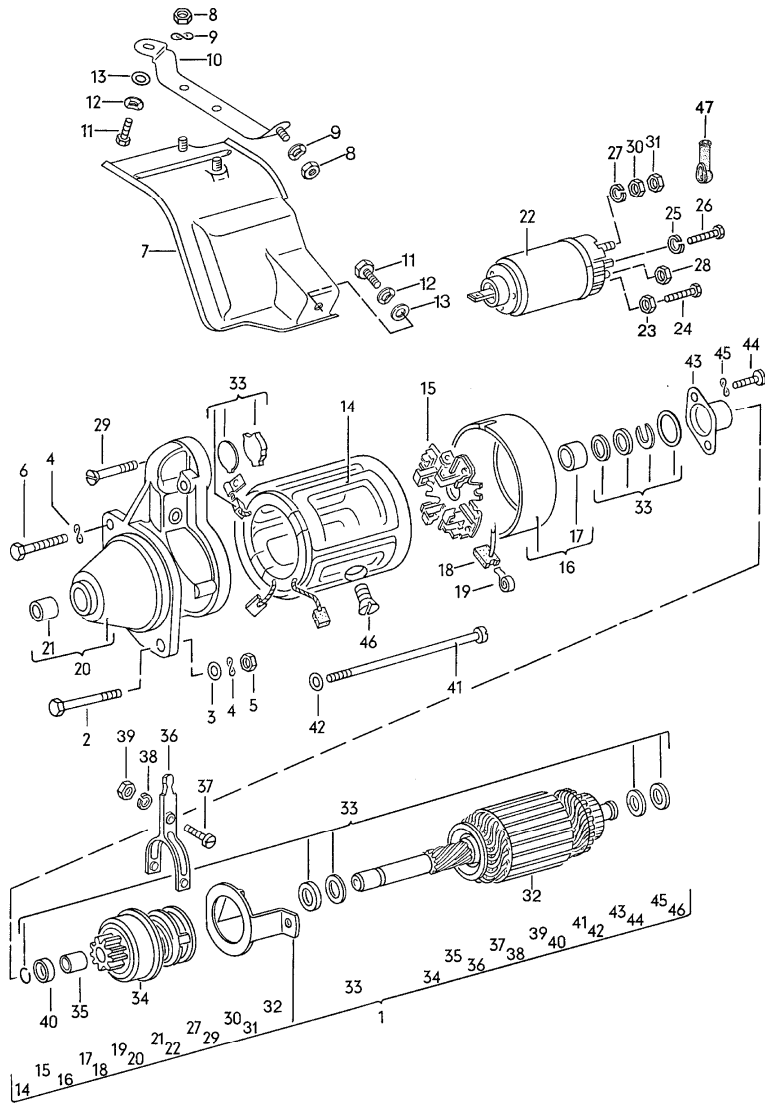


Pos	Part Number	Description	Remark	Qty	Model
		mounting parts for generator			
1	046 903 119	v-belt pulley 66 \$		1	
(1)	035 903 119 C	pulley 61 \$		1	
2	059 903 127 A	sleeve		2	924
(2)	047 131 123	sleeve	/RL	1	924
3	047 903 137 A	v-belt for v-belt pulley 66 \$		1	924
(3)	999 192 200 50	v-belt for v-belt pulley 61 \$		1	924
(3)	999 192 154 50	v-belt		1	TURBO
4	046 903 143 A	support		1	924
(4)	047 903 143	support	/RL	1	924
5	N 010 239 11	hexagon-head bolt M 8 X 18		2	924
6	N 012 241 11	spring washer B 8 X 15		4	924
7	N 010 391 4	hexagon-head bolt BM 8 X 95		1	924
8	N 011 008 8	hexagon nut		2	924
9	046 903 145 A	support		1	924
(9)	047 903 141	support for XE/XH	/RL	1	924
-	047 903 149 A	rubber mounting	/RL	1	924
10	047 903 149	rubber mounting		1	924
11	063 903 171	fan		1	
11A	047 903 129	damping washer		1	
12	046 903 187 A	protection cap		1	924

Model	Year	MG	SG	Illustration	Restrictions	UPD	11:09	23.01.2010	PORSCHE	PET	PORSCHE
924	1979	9	02	902-05		248					

Pos	Part Number	Description	Remark	Qty	Model	Pos	Part Number	Description	Remark	Qty	Model
13	999 072 005 09	hexagon-head bolt M 6 X 12		3	924	28	931 101 014 00	bracket		1	TURBO
14	N 012 226 5	spring washer		3	924	28A	047 260 905 C	rubber mounting		2	TURBO
15	047 903 199	connection piece		1	924	29	931 603 113 00	retaining bar		1	TURBO
16	046 903 201 A	intermediate piece		1	924	30	931 603 117 00	rubber mounting		2	TURBO
17	047 903 211	clamp		1	924	31	931 603 125 00	sleeve		1	TURBO
18	477 819 395	hose		1	924	32	931 603 119 01	rubber mounting		2	TURBO
-	N 024 090 1	hose clamp		1	924	33	N 044 774 1	pan-head screw M 8 X 140		1	TURBO
19	046 903 255 A	clamp for XF/XH/XK		1	924	34	931 603 129 00	concave washer		1	TURBO
(19)	046 903 255 B	clamp for XE/XG/XJ		1	924	34A	931 603 129 01	concave washer		1	TURBO
20	823 711 815	washer		1	924	34B	900 025 007 02	washer		1	TURBO
21	N 012 229 3	spring washer		1	924	35	900 142 002 01	lock ring		1	TURBO
22	N 010 370 5	hexagon-head bolt M 8 X 70		1	924	36	900 076 025 02	hexagon nut		1	TURBO
(22)	N 044 731 1	pan-head screw M 8 X 105	/RL	1	924	37	900 075 111 08	hexagon-head bolt M 10 X 30		2	TURBO
23	N 011 008 8	hexagon nut		1	924	38	900 028 032 02	spring washer		2	TURBO
24	N 012 016 1	lock ring		1		39	931 603 115 00	clamp		1	TURBO
25	900 078 005 01	hexagon nut M 14 X 1,5		1		40	900 119 004 02	pan-head screw M 8 X 30		1	TURBO
26	059 903 263 A	bush		2	924	41	900 075 083 02	hexagon-head bolt M 8 X 25		1	TURBO
(26)	047 131 117 A	rubber mounting	/RL	2	924	42	900 025 007 02	washer		1	TURBO
27	059 903 265 A	concave washer		2	924	43	900 074 065 02	hexagon-head bolt M 10 X 70		2	TURBO
-	111 971 947 B	cable shoe A 5 X 6		1		43A	900 074 063 02	hexagon-head bolt M 10 X 55		2	TURBO
-	111 971 949 B	cable shoe A 5 X 2,5		3		44	900 028 032 02	spring washer		4	TURBO
-	111 971 959	flat receptacle with clip		1		45	059 971 233 C	ground strap generator		1	
-	821 971 970	terminal sleeve housing		1		46	N 010 210 13	hexagon-head bolt M 6 X 10		1	
						47	N 012 226 5	spring washer		1	

Model	Year	MG	SG	Illustration	Restrictions	UPD	11:10	23.01.2010	PORSCHE	PET	PORSCHE
924	1979	9	02	902-10		248					

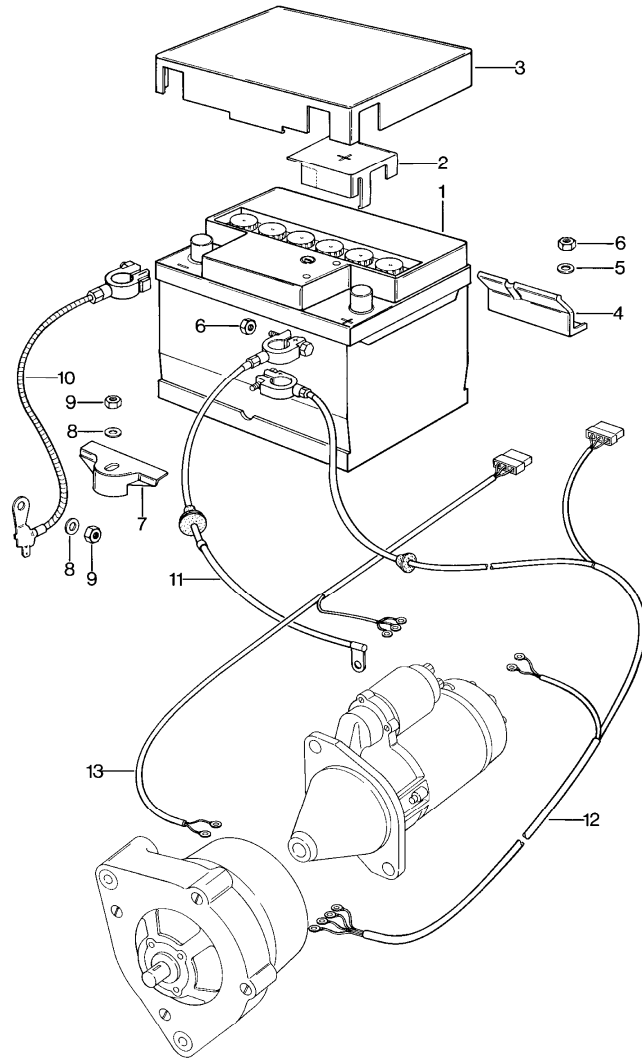


Pos	Part Number	Description	Remark	Qty	Model
		starter			
1	> 059 911 023 F	starter 0,6 KW (0,8 PS)		1	924
(1)	> 046 911 023	starter 1,1 KW (1,5 PS)		1	924 AUT.
(1)	> 951 604 101 00	starter 1,1 KW (1,5 PS)		1	TURBO
2	N 010 488 3	hexagon-head bolt M 12 X 85		1	924
2	A 059 911 249 B	screw		1	924
(2)	N 010 491 1	hexagon-head bolt M 12 X 50		1	TURBO
3	N 011 531 7	washer		1	
4	N 012 232 5	spring washer		2	
5	N 011 030 4	hexagon nut		1	
6	N 010 476 3	screw M 12 X 75		1	924
(6)	N 040 253 1	hexagon-head bolt M 12 X 35		1	TURBO
7	047 911 045	cover		1	924
8	900 076 010 02	hexagon nut		3	924
9	N 012 226 5	spring washer		3	924
10	047 911 061	support cover		1	924
11	900 075 087 02	hexagon-head bolt M 8 X 15		2	924
12	N 012 241 11	spring washer		2	924
13	N 011 525 13	washer		2	924
14	059 911 115 B	field coil		1	924
15	311 911 209 A	retainer plate		1	924
16	056 911 211	commutator bracket		1	924
17	111 911 213 A	bearing sleeve		1	924
18	311 911 215 A	set		1	924

Model	Year	MG	SG	Illustration	Restrictions	UPD	11:10	23.01.2010	PORSCHE	PET	PORSCHE
924	1979	9	02	902-10		248					

Pos	Part Number	Description	Remark	Qty	Model	Pos	Part Number	Description	Remark	Qty	Model
19	059 911 219 A	compression spring		1	924			M 4 X 8			
20	059 911 255 B	bearing		1	924	45	N 012 224 1	spring washer		2	924
21	A 014 301 155	bearing sleeve		1	924	46	N 010 999 1	countersunk-head screw M 10 X 13,5		4	924
22	059 911 287 B	solenoid engaging switch		1	924	47	999 659 006 50	protection cap		1	TURBO
23	N 011 005 14	hexagon nut		1	TURBO						
24	900 075 116 02	hexagon-head bolt M 4 X 8		1	924						
25	N 012 005 3	lock ring		1	924						
(25)	N 012 004 2	lock ring		1	TURBO						
26	900 075 001 03	hexagon-head bolt M 5 X 8		1	924						
27	900 027 015 02	lock ring		3	924						
28	N 011 008 8	hexagon nut		1	924						
29	052 911 299	screw		3	924						
30	N 011 118 14	hexagon nut		1	924						
31	N 011 008 8	hexagon nut		1	924						
32	059 911 311 B	armature		1	924						
33	028 911 320	parts kit		1	924						
34	059 911 335	pinion drive		1	924						
35	059 911 339	shift bush		1	924						
36	311 911 365	gearshift lever		1	924						
37	311 911 383	screw		1	924						
38	N 012 006 4	lock ring		1	924						
39	N 011 116 5	hexagon nut		1	924						
40	028 911 479	stop ring		1	924						
41	059 911 491 A	screw		2	924						
42	059 911 493 A	washer		2	924						
43	113 911 495	cap		1	924						
44	N 014 122 8	oval-head screw M 4 X 8		2	924						

Model	Year	MG	SG	Illustration	Restrictions	UPD	11:10	23.01.2010	PORSCHE	PET	PORSCHE
924	1979	9	02	902-15		248					

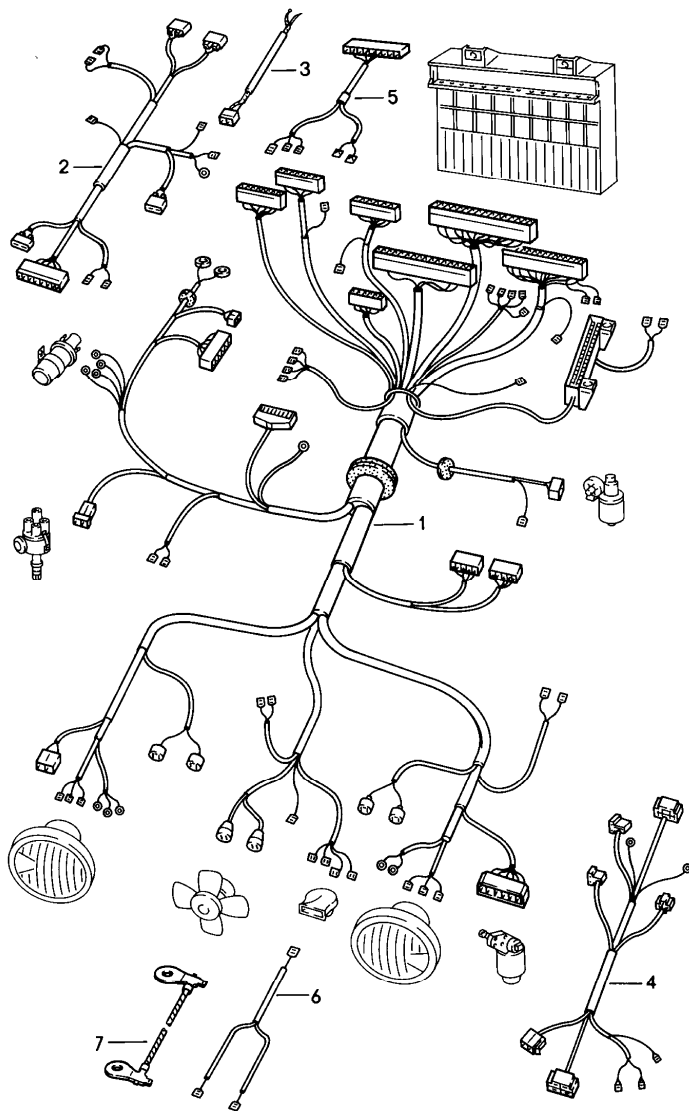


Pos	Part Number	Description	Remark	Qty	Model
		battery wiring harnesses for starter generator			
1	999 611 053 20	battery 50 AH	/LL	1	
(1)	477 915 105	battery 45 AH	/RL	1	
(1)	477 915 107 A	battery 63 AH	/LL	1	
2	477 915 429	pole covering	/RL	1	
2	477 915 429	pole covering	/RL	1	
3	281 915 411 F	battery cover not for (USA), (CDN)		1	
(3)	477 915 411 A	battery cover for battery 63 AH		1	
4	477 915 315	clip		1	
5	900 151 029 02	washer B 6,4		2	
6	900 076 010 02	hexagon nut M 6		3	
7	914 611 233 10	tension terminal		1	
8	311 827 181	washer		2	
9	N 011 008 8	hexagon nut M 8		2	
10	477 971 221	ground strap		1	
11	477 971 224	starter cable	/LL	1	924
(11)	478 971 224	battery-starter cable	/RL	1	924
(11)	478 971 224	battery-starter cable	/RL	1	924
12	477 971 223	wiring harness battery starter generator	/LL	1	TURBO

Model	Year	MG	SG	Illustration	Restrictions	UPD	11:10	23.01.2010	PORSCHE	PET	PORSCHE
924	1979	9	02	902-15		248					

Pos	Part Number	Description	Remark	Qty	Model	Pos	Part Number	Description	Remark	Qty	Model
13	047 971 224 A	battery-starter cable generator starter		1	924						
(13)	478 971 226	wiring harness generator starter	/RL	1	924						

Model	Year	MG	SG	Illustration	Restrictions	UPD	11:10	23.01.2010	PORSCHE	PET	PORSCHE
924	1979	9	02	902-20		248					

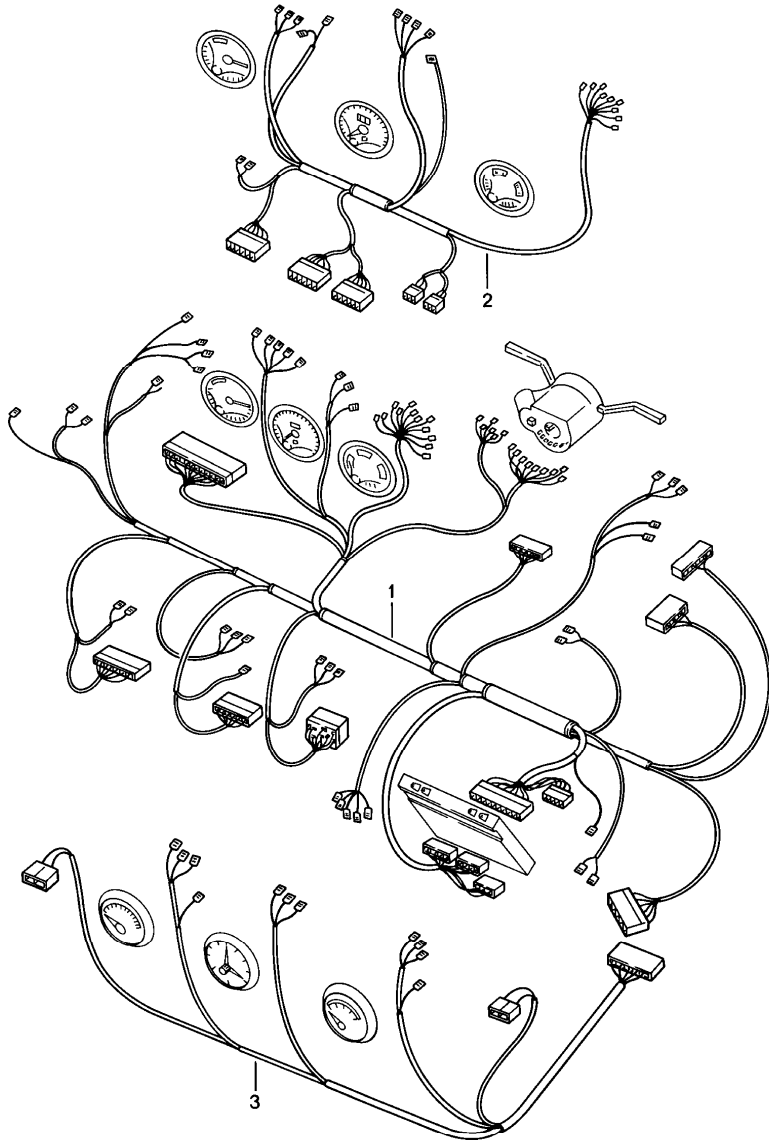


Pos	Part Number	Description	Remark	Qty	Model
		wiring harnesses engine compartment			
(1)	477 971 071 A	wiring harness engine compartment F >>92461 05149	/LL	1	
(1)	477 971 071 D	wiring harness engine compartment F 92471 00001>> F >>92481 01086	/LL	1	
(1)	477 971 071 DA	wiring harness engine compartment F 92481 01087>> F >>92481 09474	/LL	1	
(1)	477 971 071 DB	wiring harness engine compartment	/LL	79-	924
(1)	477 971 071 K	wiring harness engine compartment	/LL	79-	924 M573
(1)	477 971 071 G	wiring harness engine compartment	/LL	79-	TURBO
1	477 971 071 N	wiring harness engine compartment	/LL	79-	TURBO M573
(1)	478 971 071	wiring harness engine compartment F >>92481 01086	/RL	1	
(1)	478 971 071 A	wiring harness engine compartment F 92481 01087>> F >>92481 09474	/RL	1	
(1)	478 971 071 AA	wiring harness engine compartment	/RL	79-	924
(1)	478 971 071 C	wiring harness engine compartment	/RL	79-	924 M573
(2)	477 971 761 A	wiring harness k-jetronic F >>92461 05149		1	
(2)	477 971 761 A	wiring harness k-jetronic F >>92461 05149		1	924 M414

Model	Year	MG	SG	Illustration	Restrictions	UPD	11:10	23.01.2010	PORSCHE	PET	PORSCHE
924	1979	9	02	902-20		248					

Pos	Part Number	Description	Remark	Qty	Model	Pos	Part Number	Description	Remark	Qty	Model
(2)	477 971 761 B	wiring harness k-jetronic F 92471 00001>> F >>92481 09474		1							
(2)	477 971 761 BA	wiring harness k-jetronic	79-	1	924						
2	477 971 761 F	wiring harness k-jetronic	79-	1	TURBO						
3	477 971 469 A	wiring harness TSZ ignition control unit	79-	1	TURBO						
(4)	477 971 561	wiring harness air conditioner F >>92471 05386	/LL	1							
(4)	477 971 561 A	wiring harness air conditioner F 92471 05387>>	/LL	-78	1						
4	477 971 563	wiring harness air conditioner	/LL	79-	1						
(4)	478 971 561	wiring harness air conditioner	/RL	-78	1						
(4)	478 971 561 A	wiring harness air conditioner headlight washer system	/RL	79-	1	924					
5	* 477 971 205	wiring harness		1							
6	477 971 322	double line		1							
(6)	* 477 971 322 A	double line	79-	1							
7	477 971 235	ground strap engine body		1							

Model	Year	MG	SG	Illustration	Restrictions	UPD	11:10	23.01.2010	PORSCHE	PET	PORSCHE
924	1979	9	02	902-25		248					

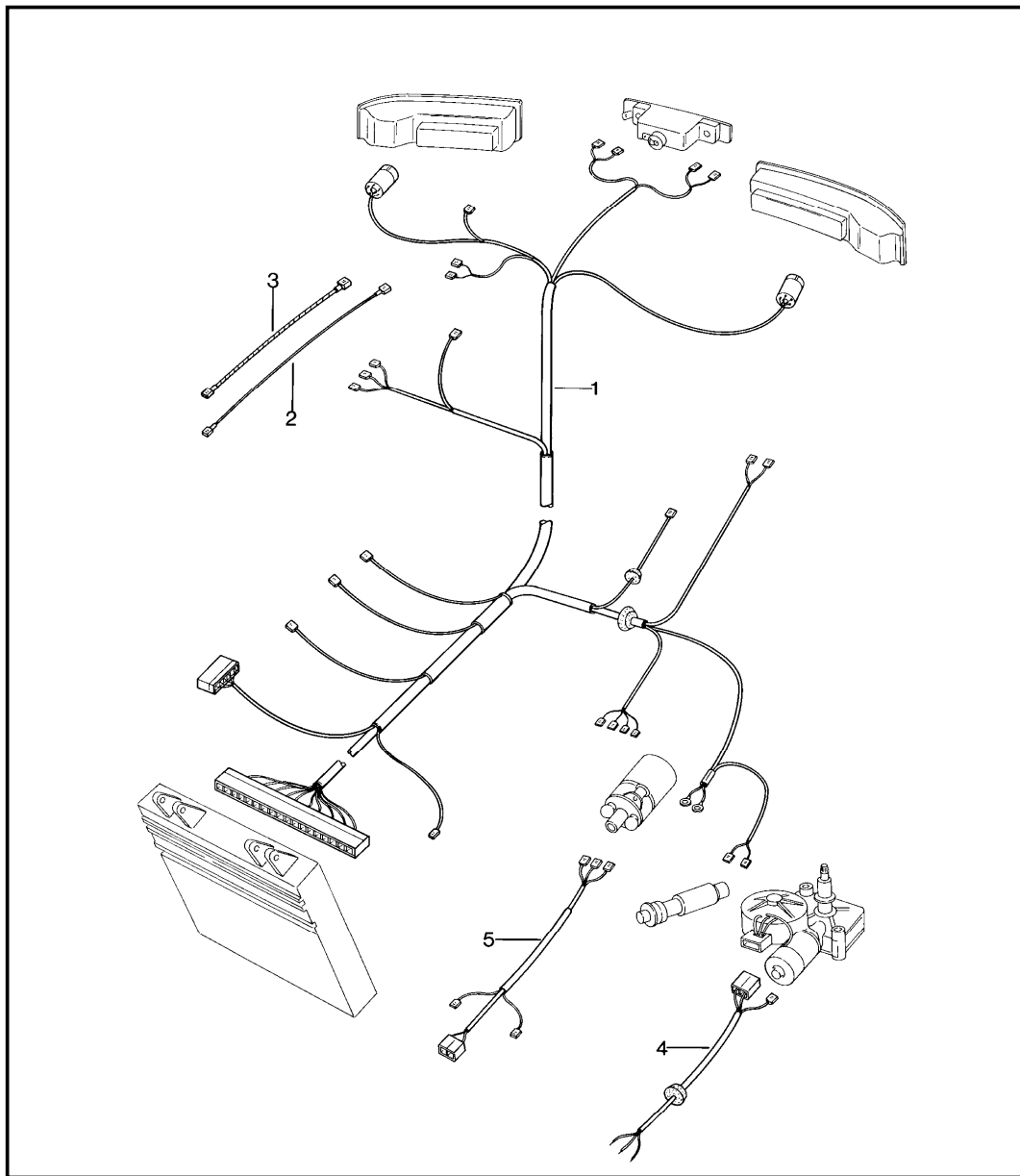


Pos	Part Number	Description	Remark	Qty	Model
		wiring harnesses			
(1)	477 971 050	wiring harness dashboard not for (USA), (CDN) F >>92461 05149	/LL	1	
(1)	477 971 050 D	wiring harness dashboard not for (USA), (CDN) F 92471 00001>> F >>92481 00746	/LL	1	
(1)	477 971 050 DA	wiring harness dashboard not for (USA), (CDN) F 92481 00747>> F >>92481 09474	/LL	1	
1	477 971 050 DB	wiring harness dashboard not for (USA), (CDN)	/LL	79-	1
(1)	478 971 050	wiring harness dashboard F >>92481 00746	/RL	1	
(1)	478 971 050 B	wiring harness dashboard F 92481 00747>> F >>92481 09474	/RL	1	
(1)	478 971 050 BA	wiring harness dashboard	/RL	79-	1 924
(1)	477 971 050 F	wiring harness dashboard not for (USA), (CDN) F >>92481 00746	/LL	1	AUT.
(1)	477 971 050 FA	wiring harness dashboard F 92481 00747>> F >>92481 09474	/LL	1	AUT.
(1)	477 971 050 FB	wiring harness dashboard not for (USA), (CDN)	/LL	79-	1 AUT.

Model	Year	MG	SG	Illustration	Restrictions	UPD	11:10	23.01.2010	PORSCHE	PET	PORSCHE
924	1979	9	02	902-25		248					

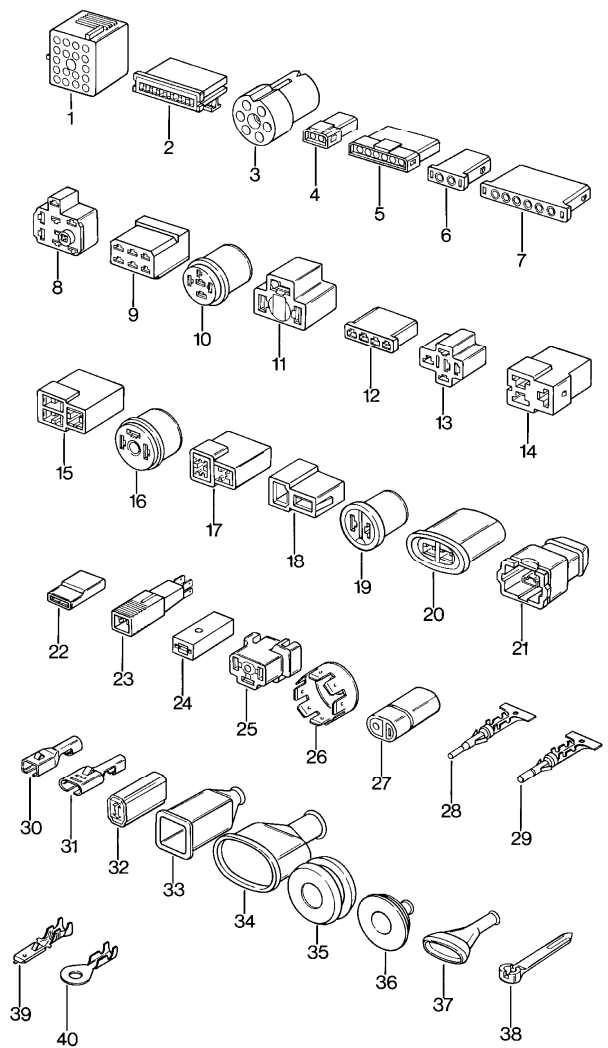
Pos	Part Number	Description	Remark	Qty	Model	Pos	Part Number	Description	Remark	Qty	Model
(1)	478 971 050 A	wiring harness dashboard F >>92481 00746	/RL	1	AUT.						
(1)	478 971 050 C	wiring harness dashboard F 92481 00747>> F >>92481 09474	/RL	1	AUT.						
(1)	478 971 050 CA	wiring harness dashboard	/RL	79-	AUT.						
2	477 971 051	wiring harness instruments		-78							
(3)	477 971 196 B	wiring harness instruments centre console			M414						
(3)	477 971 196 C	wiring harness centre console			M573						
3	477 971 196 D	wiring harness centre console oil pressure indicator voltmeter									

Model	Year	MG	SG	Illustration	Restrictions	UPD	11:10	23.01.2010	PORSCHE	PET	PORSCHE
924	1979	9	02	902-30		248					



Pos	Part Number	Description	Remark	Qty	Model
(1)	477 971 011 B	wiring harness rear end		1	
(1)	477 971 011 B	wiring harness rear end F >>92471 00713		1	
1	477 971 011 BA	wiring harness rear end	-10.78	1	
(1)	477 971 011 CA	wiring harness rear end F 92471 00714>>	11. 78-	1	AUT.
2	477 971 257 B	line gas-pressure spring		2	
3	477 971 263 B	ground strap gas-pressure spring		2	
4	477 971 345	wiring harness for rear window wiper		1	
5	477 971 346	wiring harness rocker switch rear window wiper		1	

Model	Year	MG	SG	Illustration	Restrictions	UPD	11:11	23.01.2010	PORSCHE	PET	PORSCHE
924	1979	9	02	902-35		248					



Pos	Part Number	Description	Remark	Qty	Model
		push-on connector			
1	171 971 971	connector housing yellow 20-pole		1	
(1)	171 971 971 A	connector housing black 22-pole		1	
(1)	171 971 971 B	connector housing blue 22-pole		1	
(1)	171 971 971 C	connector housing clear 19-pole		1	
(1)	171 971 971 D	connector housing red 20-pole		1	
(1)	171 971 971 E	connector housing white matte		1	
2	113 971 998 B	connector housing 8-pole		X	
3	803 971 979	plug socket 7-pole		1	
(4)	171 971 998	connector housing single pole		X	
4	171 971 998 A	connector housing 2-pole		X	
(4)	171 971 998 C	connector housing 4-pole		1	
5	171 971 998 E	connector housing 6-pole		X	
(6)	171 971 999	terminal sleeve housing single pole		X	
6	171 971 999 A	terminal sleeve housing 2-pole		X	
7	171 971 999 E	connector housing 6-pole		X	
8	321 971 999 A	terminal sleeve housing light switch	-78	1	

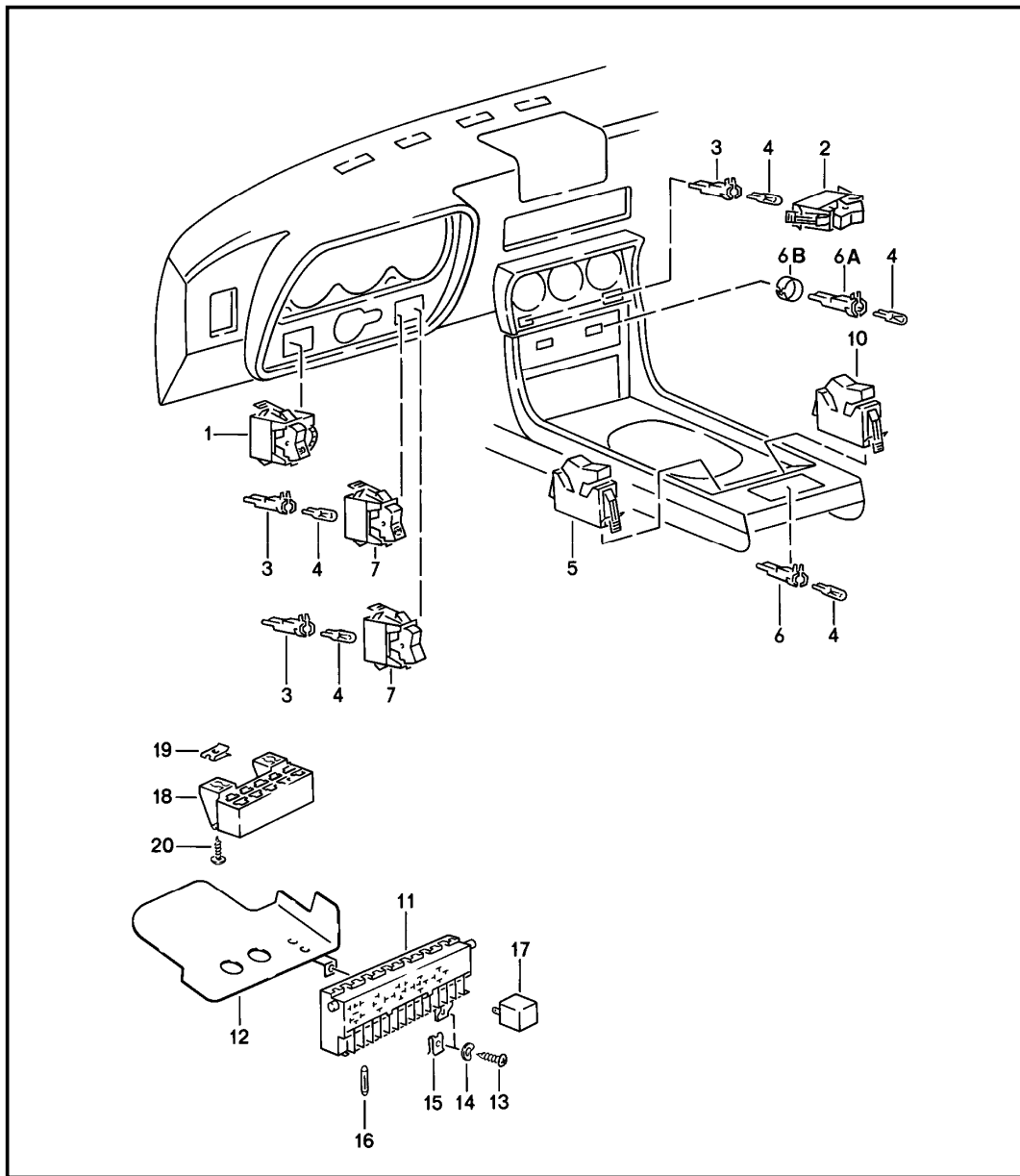
Model	Year	MG	SG	Illustration	Restrictions	UPD	11:11	23.01.2010	PORSCHE	PET	PORSCHE
924	1979	9	02	902-35		248					

Pos	Part Number	Description	Remark	Qty	Model	Pos	Part Number	Description	Remark	Qty	Model
(8)	477 971 999	terminal sleeve housing light switch	79-	1		(29)	N 017 592 2	cylindrical socket with clip 1,6 X 2,5		X	
9	803 971 831	terminal sleeve housing 6-pole		1							
11	914 612 327 10	terminal sleeve housing 3-pole		X		30	111 971 958	flat receptacle with clip 2,8 X 0,8		X	
13	803 971 835 A	terminal sleeve housing 3-pole		1		(30)	111 971 958	flat receptacle with clip 2,8 X 1		X	
14	821 971 970	terminal sleeve housing 3-pole		1		(30)	111 971 958	flat receptacle with clip 2,8 X 1		X	
15	821 971 975	terminal sleeve housing 3-pole		1		(30)	N 017 243 1	flat receptacle with clip 2,8 X 1,5		X	
16	113 945 525	terminal sleeve housing 3-pole		6		31	111 971 959	flat receptacle with clip 6,3 X 0,8		X	
17	815 971 988 A	terminal sleeve housing 2-pole		X		(31)	111 971 959	flat receptacle with clip 6,3 X 1		X	
18	815 971 989 A	connector housing		X		(31)	999 652 106 02	flat receptacle with clip 6,3 X 1		X	
19	810 971 993	terminal sleeve housing		X		(31)	N 017 491 8	flat receptacle with clip 6,3 X 2,5		X	
20	810 971 989	connector housing		X		(31)	N 017 491 8	flat receptacle with clip 6,3 X 2,5		X	
21	022 906 231 A	connector housing		X		32	111 971 921	protection cap for flat connector		X	
22	825 971 990	terminal sleeve housing single pole		X		33	803 957 855 B	protective grommet for connector housing		1	
24	111 971 977	plug with guide		X							
26	171 971 519 A	ground connector		1							
27	914 612 417 10	fuse holder		1							
28	N 017 589 4	round connector with clip 1,6 X 1		X							
(28)	N 017 586 2	round connector with clip 2,1 X 1		X							
29	N 017 597 2	cylindrical socket with clip 1,6 X 1		X							

Model	Year	MG	SG	Illustration	Restrictions	UPD	11:11	23.01.2010	PORSCHE	PET	PORSCHE
924	1979	9	02	902-35		248					

Pos	Part Number	Description	Remark	Qty	Model	Pos	Part Number	Description	Remark	Qty	Model
34	431 971 866	protective grommet for terminal sleeve housing		1							
(35)	477 971 871	protective grommet wiring harness engine compartment		X							
35	477 971 871 B	rubber sleeve wiring harness engine compartment		X							
36	477 971 911	protective grommet wiring harness starter battery		1							
37	022 906 102	protection cap		1							
38	477 971 850 A	tie-wrap for starter cable		2							
39	111 971 985	flat plug with clip 6,3 X 1		X							
(39)	N 017 457 2	flat plug with clip 2,8 X 1		X							
(39)	111 971 986	flat plug with clip 6,3 X 2,5		X							
40	N 017 518 2	cable shoe		X							
(40)	N 017 516 2	cable shoe		X							
(40)	N 017 515 4	cable shoe		X							
(40)	N 017 505 4	cable shoe		X							

Model	Year	MG	SG	Illustration	Restrictions	UPD	11:11	23.01.2010	PORSCHE	PET	PORSCHE
924	1979	9	03	903-00		248					

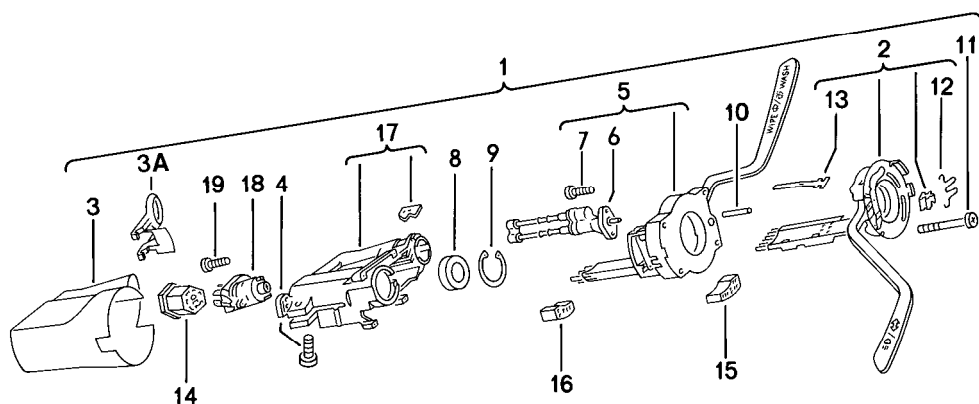


Pos	Part Number	Description	Remark	Qty	Model
		switch fuse box relay			
1	321 941 531 A	rocker switch for light	/LL	-78	1
(1)	321 941 531 B	rocker switch for light	/RL	-78	1
1	477 941 531 B	light switch not for (USA), (CDN)		79-	1
(1)	477 941 531 F	light switch not for (USA), (CDN)		79-	1
2	477 953 235 A	emergency light switch			1
3	141 957 397 A	bulb socket			X
4	900 631 132 90	bulb W 12 V, 1,2 W			X
5	477 941 563 A	switch additional headlamp			1
(5)	911 613 113 00	changeover switch			X
6	999 632 017 02	bulb socket			1
6A	914 631 179 10	bulb socket			2
6B	477 919 333	knob holder bulb socket blower switch			2
7	477 941 535	switch rear fog light			1
9	133 959 621	switch rear window heating			1
10	477 955 701	rocker switch rear window wiper			1
(10)	477 955 702	switch headlight washer system			1
11	477 941 813	relay plate with fuse holder			1
12	477 941 802	cover	/LL		1
(12)	478 941 802	cover	/RL		1

Model	Year	MG	SG	Illustration	Restrictions	UPD	11:11	23.01.2010	PORSCHE	PET	PORSCHE
924	1979	9	03	903-00		248					

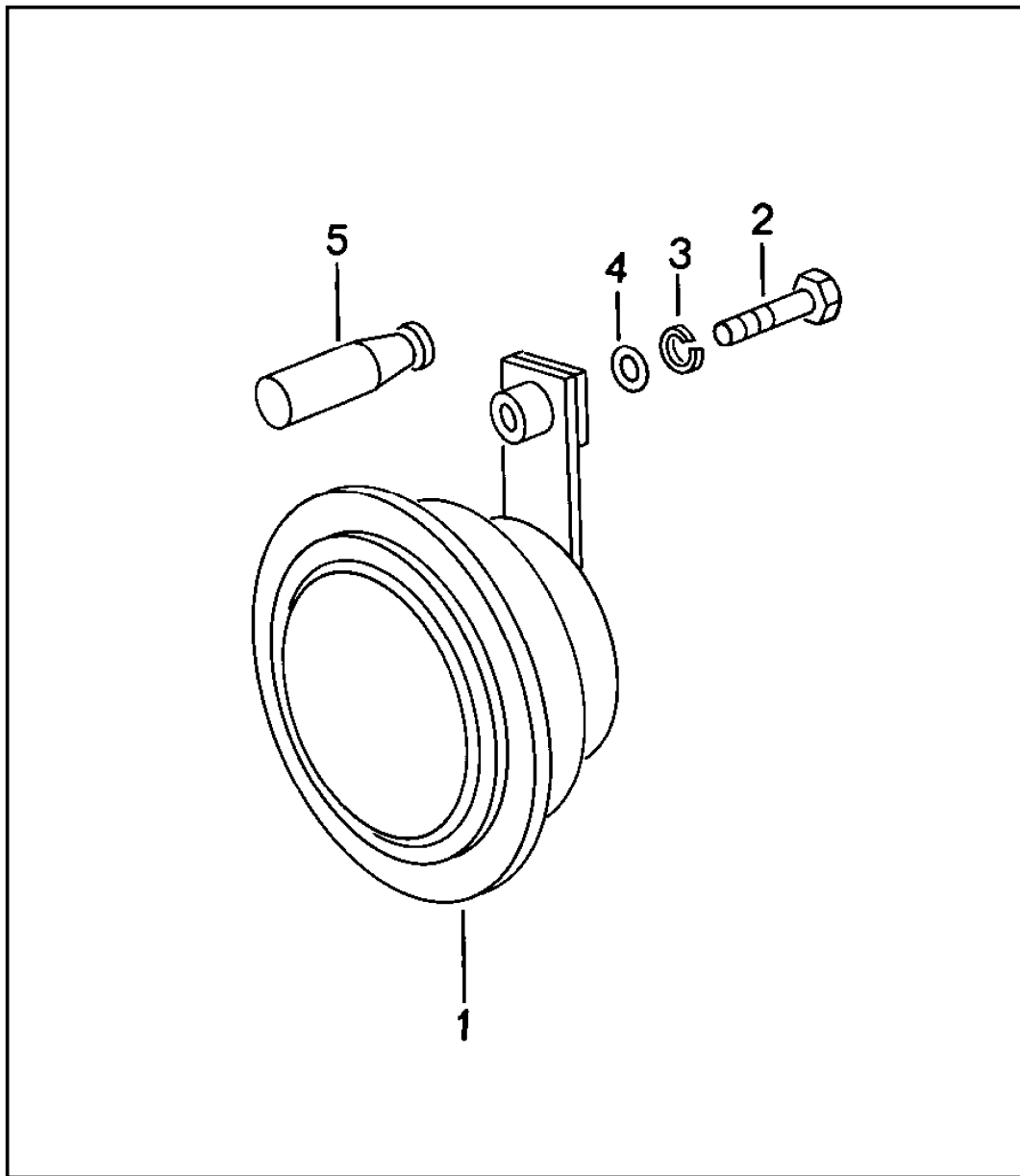
Pos	Part Number	Description	Remark	Qty	Model	Pos	Part Number	Description	Remark	Qty	Model
13	900 143 072 02	oval-head sheetmetal screw B 3,5 X 19		1		-	135 937 501 A	terminal sleeve housing		X	
14	N 011 663 1	washer		1		(17)	477 963 135	relay air conditioner	-78	1	
15	N 015 438 1	speed nut B 3,5 X 16,5		1		(17)	477 963 137	relay motor fan	-78	1	
16	N 017 121 1	safety fuse 8 A		X		(17)	477 959 143	relay motor fan air conditioner	79-	2	
(16)	N 017 121 4	safety fuse 16 A		X		(17)	141 951 253 B	relay fan		3	
(16)	N 017 121 5	safety fuse 25 A		1	M573			additional headlamp rear window heating F >>92481 09474			
-	111 937 091 A	terminal with fuse		1	M573			use also:			
-	171 937 091	fuse holder		X		-	477 971 207	wiring harness		1	
(17) A	111 943 383 C	relay electric motor pop-up headlight		1		(17)	141 951 253 B	relay horn		1	
-	477 971 923	protection cap for relay pop-up headlight		1		18	477 937 511	fuse holder 9-pole	79-	1	
17	411 941 583 B	relay low/high beam		1		19	N 045 421 1	tapping screw		2	
(17)	477 906 059	relay fuel pump	-78	1		20	N 013 964 4	tapping screw B 4,2 X 16		2	
(17)	433 906 059	relay fuel pump	79-	1							
(17)	477 951 253	relay electric fan	-78	1							
(17)	477 951 253 A	relay rear window heating	-78	1							
(17)	111 953 227 D	flasher relay		1							
(17)	477 955 531 A	interval relay		1							
(17)	853 959 821	relay additional headlamp		1							
(17)	431 951 253 H	relay additional headlamp	-78	1							

Model	Year	MG	SG	Illustration	Restrictions	UPD	11:11	23.01.2010	PORSCHE	PET	PORSCHE
924	1979	9	03	903-05		248					



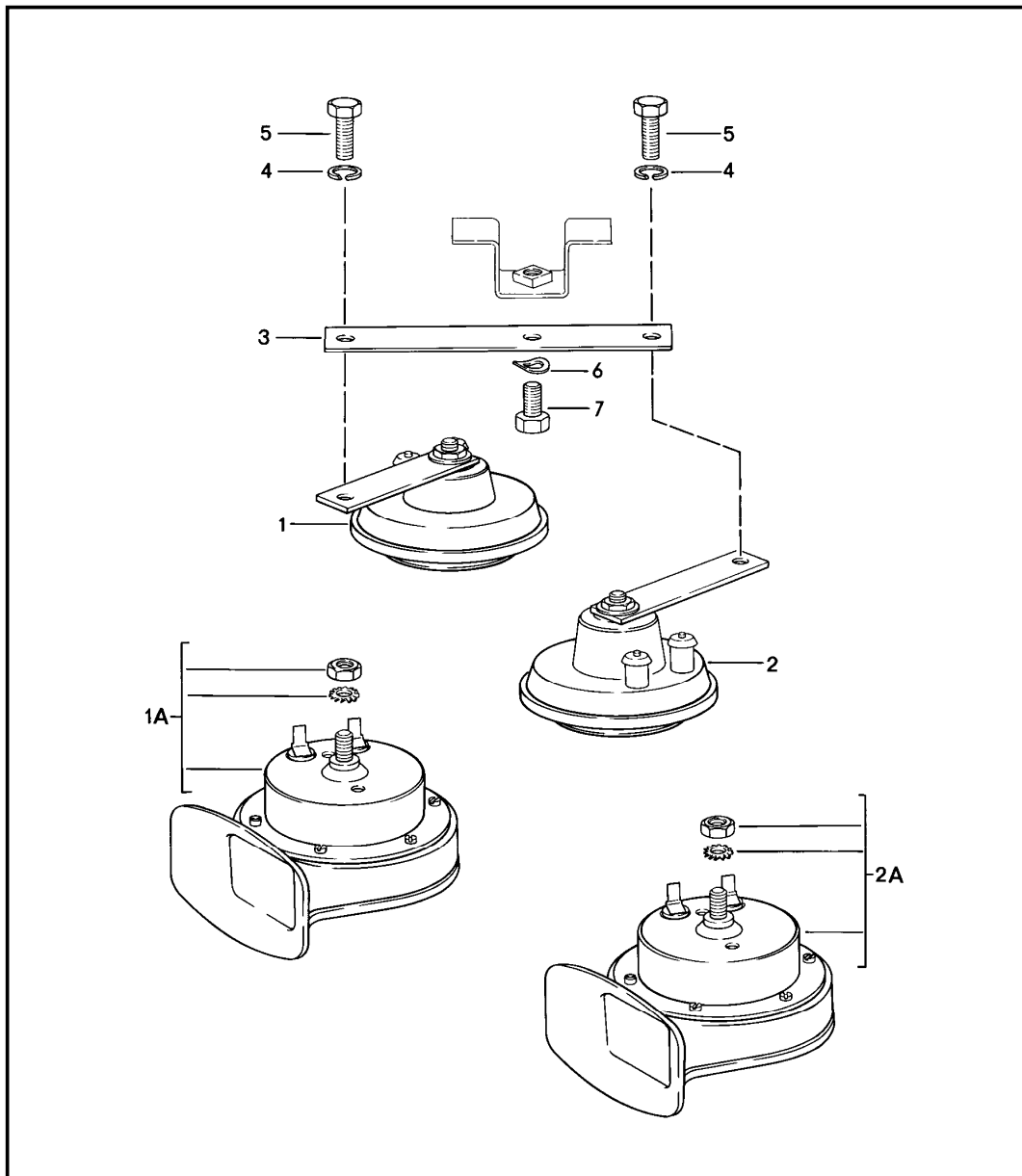
Pos	Part Number	Description	Remark	Qty	Model
		steering column switch			
1	113 953 503 BG	steering column switch not for (USA), (CDN)	-78	1	
(1)	477 953 503 B	steering column switch not for (USA), (CDN)	79-	1	
2	111 953 513 F	direction indicator switch upper part		1	
3	113 953 515	lining		1	
3A	477 953 517	cover		1	
4	N 014 707 4	pan-head screw M 8 X 15		1	
5	111 953 519 G	switch windscreen wiper system windscreen washer system		1	
8	911 347 771 02	ball bearing		1	
9	111 953 563 A	circlip ball bearing		1	
10	111 953 572 A	spacer sleeve		4	
11	111 953 573 A	pan-head screw		4	
12	111 953 575	spring		1	
13	111 971 983	flat plug		X	
14	111 953 631	terminal sleeve housing ignition starter switch		1	
15	111 953 633	terminal sleeve housing direction indicator switch		1	
16	111 953 635 A	terminal sleeve housing wiper switch		1	
17	113 905 851 A	steering lock without ignition starter switch		1	
18	111 905 865 L	ignition starter switch		1	
19	N 010 802 2	oval-head screw AM 3 X 6		1	

Model	Year	MG	SG	Illustration	Restrictions	UPD	11:11	23.01.2010	PORSCHE	PET	PORSCHE
924	1979	9	03	903-10		248					



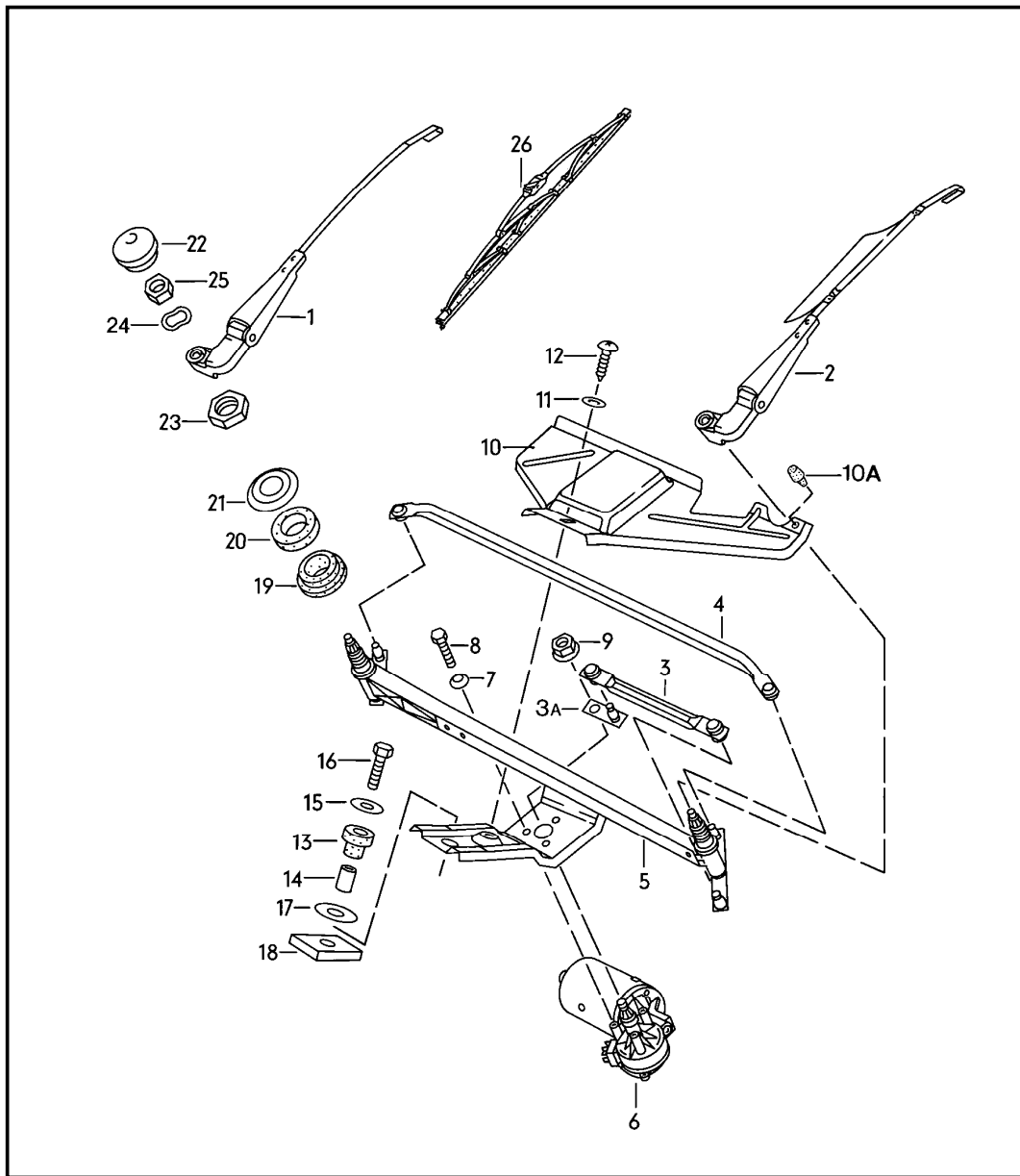
Pos	Part Number	Description	Remark	Qty	Model
		horn	-78		
1	191 951 113 A	horn low-pitched	/L	1	
(1)	944 637 103 01	horn high-pitched	/R	1	
2	N 010 239 11	hexagon-head bolt M 8 X 18		2	
3	900 027 015 02	lock ring		2	
4	N 011 696 1	washer		2	
5	111 951 195 A	rubber sleeve		2	

Model	Year	MG	SG	Illustration	Restrictions	UPD	11:11	23.01.2010	PORSCHE	PET	PORSCHE
924	1979	9	03	903-15		248					



Pos	Part Number	Description	Remark	Qty	Model
		horn			79
1	191 951 113 A	horn low-pitched		1	924
1A	928 635 222 00	fanfare low-pitched		1	TURBO
2	944 637 103 01	horn high-pitched		1	924
2A	928 635 221 00	fanfare high-pitched		1	TURBO
3	171 951 199 B	support		1	924
(3)	810 951 229	spring clip		1	TURBO
4	900 027 015 02	lock ring		2	924
5	N 010 239 11	hexagon-head bolt M 8 X 18		2	924
6	N 012 228 3	spring washer		1	
7	900 075 087 02	hexagon-head bolt M 8 X 15		1	

Model	Year	MG	SG	Illustration	Restrictions	UPD	11:12	23.01.2010	PORSCHE	PET	PORSCHE
924	1979	9	04	904-00		248					

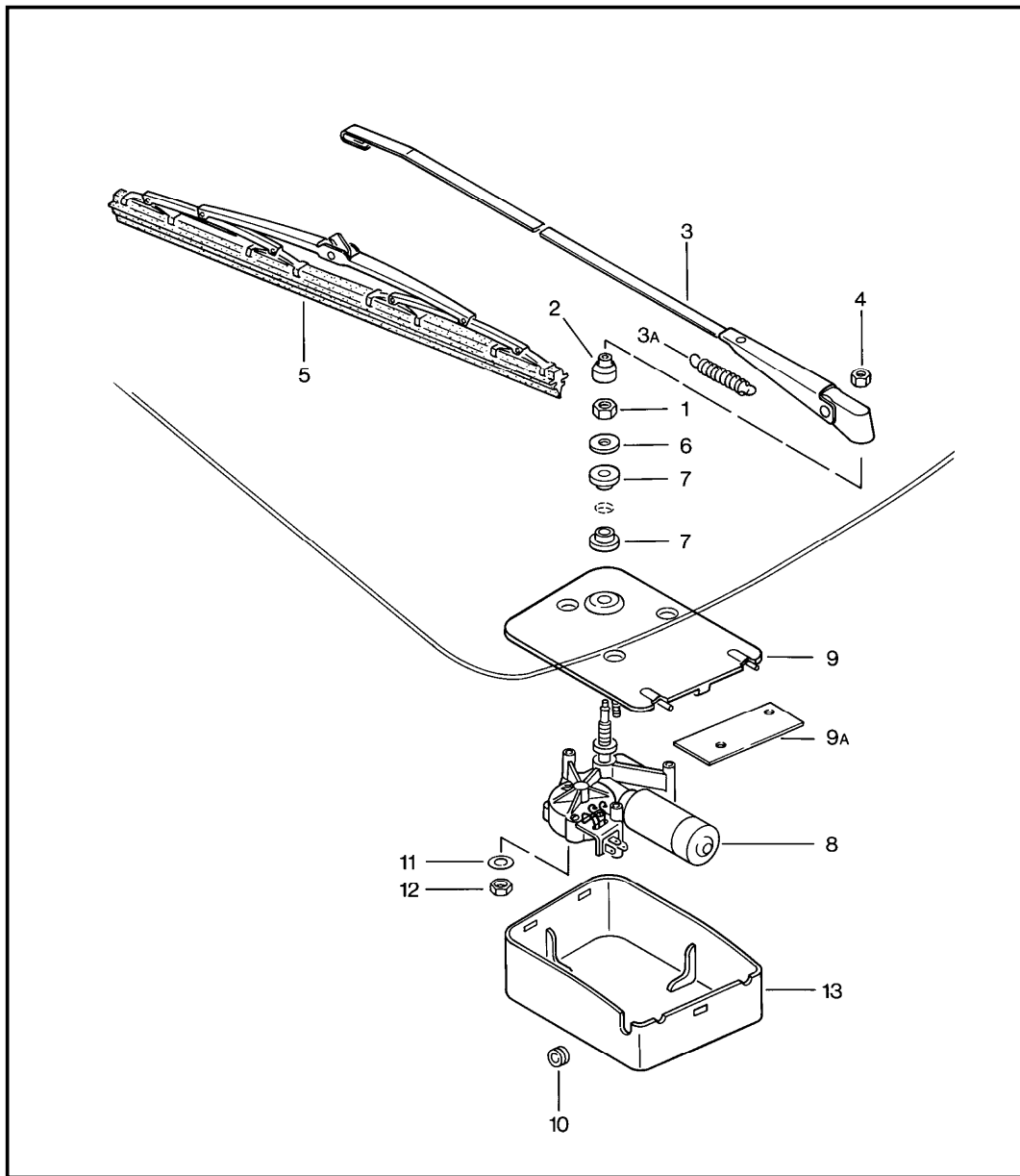


Pos	Part Number	Description	Remark	Qty	Model
		windscreen wiper system			
1	477 955 028	wiper arm passenger's side		1	
1	477 955 028	wiper arm driver's side	/RL	1	
(2)	477 955 027	wiper arm with spoiler driver's side not for (USA), (CDN)	/LL	1	
3	477 955 035 B	connecting rod short		1	
3A	477 955 039 A	crank		1	
4	477 955 036 B	connecting rod long		1	
5	477 955 041 B	frame		1	
6	477 955 113 B	windscreen wiper motor		1	
7	N 012 105 3	serrated lock washer		3	
8	999 072 005 09	hexagon-head bolt M 6 X 12		3	
9	999 084 045 02	lock nut		1	
10	477 955 123	cover	/LL	1	
(10)	478 955 123	cover	/RL	1	
10A	803 827 589 A	buffer		1	
11	900 151 028 02	washer		1	
12	N 013 957 5	tapping screw BZ 3,5 X 9,5		1	
13	477 955 127	rubber bush		1	
14	477 955 128	spacer sleeve		1	
15	900 151 029 02	washer		1	
16	N 010 217 9	hexagon-head bolt M 6 X 20		1	
17	281 711 135	washer 12,2 X 28 X 2		1	
18	477 955 129	desk pad		1	

Model	Year	MG	SG	Illustration	Restrictions	UPD	11:12	23.01.2010	PORSCHE	PET	PORSCHE
924	1979	9	04	904-00		248					

Pos	Part Number	Description	Remark	Qty	Model	Pos	Part Number	Description	Remark	Qty	Model
19	901 628 924 00	rubber bush		2							
20	901 628 923 01	rubber bush		2							
21	911 628 963 00	flange washer		2							
22	477 955 205	cap		2							
23	481 955 243 A	hexagon nut		2							
24	803 955 437	washer		2							
25	N 011 008 8	hexagon nut		2							
26	477 955 425 B	windscreen wiper blade		2							
(26)	478 955 425	wiper blade for wiper arm 477.955.028 477.955.027		2							

Model	Year	MG	SG	Illustration	Restrictions	UPD	11:12	23.01.2010	PORSCHE	PET	PORSCHE
924	1979	9	04	904-05		248					

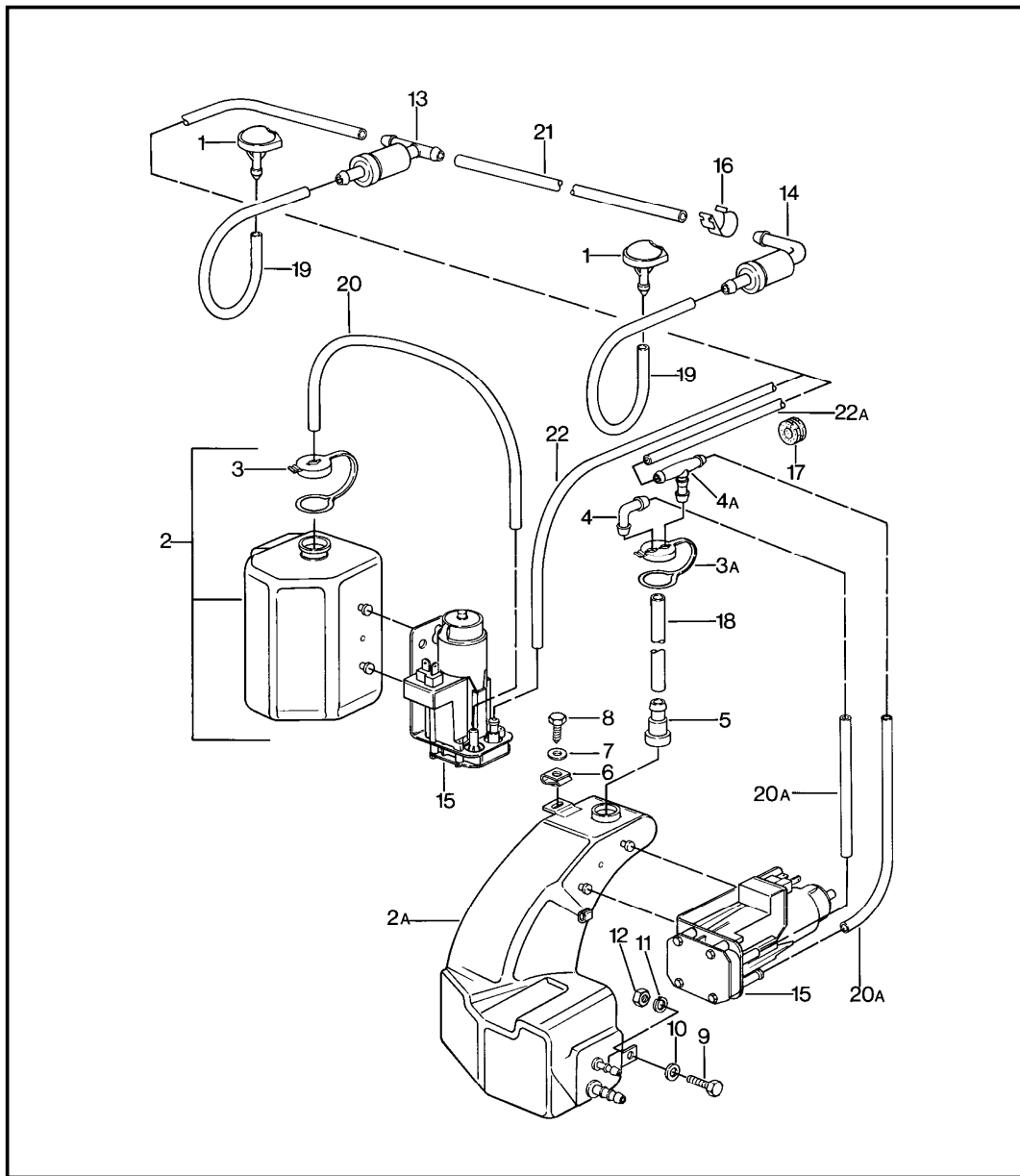


Pos	Part Number	Description	Remark	Qty	Model
		rear window wiper			M425
1	311 955 243 A	hexagon nut M 12 X 1		1	
2	211 955 275 A	cap		1	
3	477 955 409 A	wiper arm		1	
3A	477 955 411	spring		1	
4	999 084 045 02	lock nut		1	
(5) A	928 628 218 01	wiper blade		1	
(5)	928 628 218 02	wiper blade		1	
6	477 955 435 A	washer		1	
7	477 955 439	grommet		2	
8	477 955 713 A	wiper motor together with rear lid MOD.88- use also:		1	
-	944 628 071 02	mounting plate		1	
	03C	black			
-	445 955 753	bush		1	
-	533 955 758	grommet		1	
-	944 628 103 00	bush		1	
-	N 014 133 8	oval-head screw M 5 X 12		2	
-	N 011 524 7	washer A 6,4		4	
-	999 209 017 02	spacer sleeve		2	
-	999 702 180 40	rubber sleeve		2	
9	477 955 715 B	mounting plate		1	
9A	477 955 719	intermediate plate	-78	1	
10	111 941 189	drain bush		1	
11	N 012 226 5	spring washer B 6		3	

Model	Year	MG	SG	Illustration	Restrictions	UPD	11:12	23.01.2010	PORSCHE	PET	PORSCHE
924	1979	9	04	904-05		248					

Pos	Part Number	Description	Remark	Qty	Model	Pos	Part Number	Description	Remark	Qty	Model
12	900 076 010 02	hexagon nut M 6		3							
13	477 955 737	cap		1							
-	311 949 149 B	grommet for wiring harness		1 1							
-	171 971 999 A	terminal sleeve housing		1							

Model	Year	MG	SG	Illustration	Restrictions	UPD	11:12	23.01.2010	PORSCHE	PET	PORSCHE
924	1979	9	04	904-10		248					

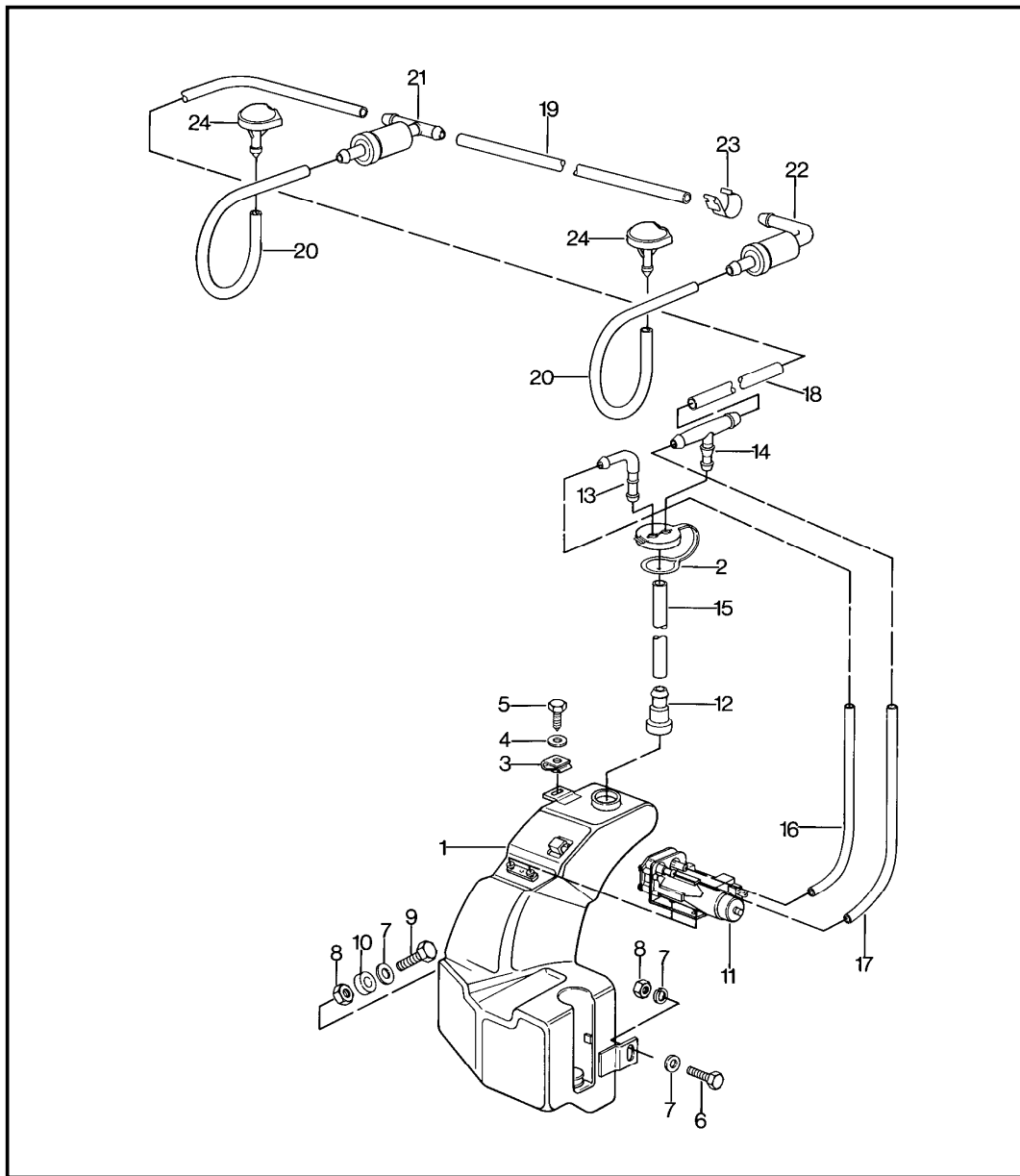


Pos	Part Number	Description	Remark	Qty	Model
		windscreen washer system	-78		
1	914 628 203 11	nozzle		2	
2	823 955 451	fluid tank F >>92481 00776		1	
2A	477 955 451 A	fluid tank F 92481 00777>>		1	
3	477 955 455	lid F >>92481 00776		1	
3A	477 955 455	lid		1	
4	477 955 456	connection piece		1	
4A	477 955 459	t-socket		1	
5	911 628 749 00	t-piece		1	
6 *	477 955 461	speed nut 6,3 X 22		1	
7 *	900 151 029 02	washer		1	
8 *	N 013 891 1	tapping screw B 6,3 X 19		1	
9 *	900 075 083 02	hexagon-head bolt M 8 X 25		2	
10 *	900 151 008 02	washer		2	
11 *	900 027 015 02	lock ring		2	
12 *	N 011 008 8	hexagon nut		2	
13	914 628 433 00	valve		1	
14	477 955 481	valve		1	
15	823 955 651	pump		1	
16	477 971 939	cable terminal		4	
17	131 611 751	grommet		1	
-	N 020 301 1	hose		*	
18	-	460 MM F 92481 00777>>		1	
19	-	110 MM		2	
20	-	400 MM F >>92481 00776		1	

Model	Year	MG	SG	Illustration	Restrictions	UPD	11:12	23.01.2010	PORSCHE	PET	PORSCHE
924	1979	9	04	904-10		248					

Pos	Part Number	Description	Remark	Qty	Model	Pos	Part Number	Description	Remark	Qty	Model
20A	-	170 MM F 92481 00777>>		2							
21	-	460 MM		1							
22	-	1900 MM F >>92481 00776		1							
22A	-	1450 MM F 92481 00777>>		1							

Model	Year	MG	SG	Illustration	Restrictions	UPD	11:12	23.01.2010	PORSCHE	PET	PORSCHE
924	1979	9	04	904-15		248					

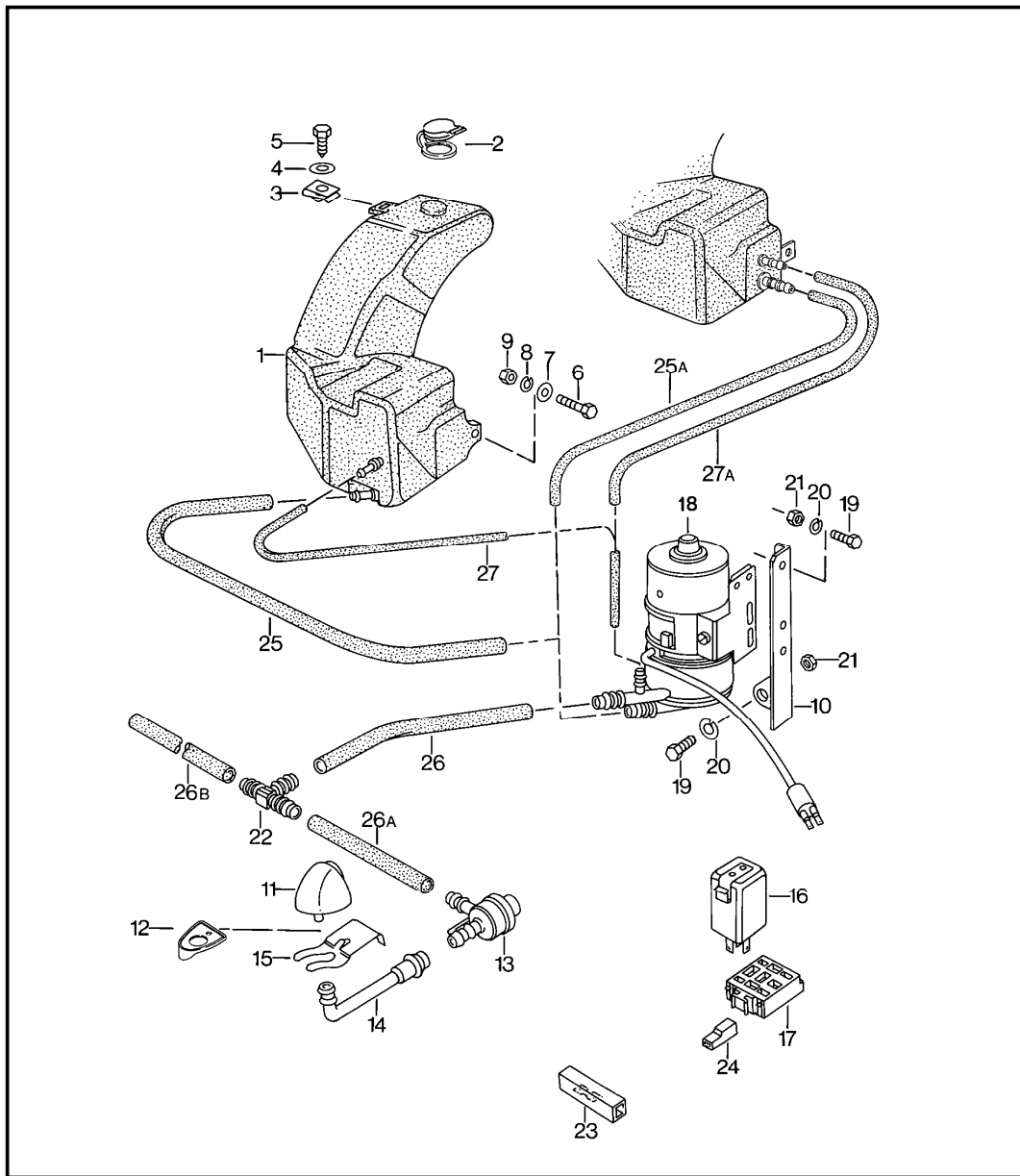


Pos	Part Number	Description	Remark	Qty	Model
		windscreen washer system		79	
1	477 955 451 D	water reservoir F 92491 04146>> F 92494 00051>>		1	
(1)	477 955 451 A	fluid tank F >>92491 04145		1	
2	477 955 455	lid		1	
3	477 955 461	speed nut 6,3 X 22		1	
4	900 151 029 02	washer		1	
5	N 013 891 1	tapping screw B 6,3 X 19		1	
6	N 010 218 6	hexagon-head bolt M 6 X 25		1	
7	N 011 612 3	washer		4	
8	900 076 010 02	hexagon nut		2	
9	N 010 220 3	hexagon-head bolt M 6 X 30		1	
10	052 109 135	spacer sleeve		1	
11	823 955 651	pump		1	
12	911 628 749 00	t-piece		1	
13	477 955 456	connection piece		1	
14	477 955 459	t-socket		1	
-	N 020 301 1	hose		*	
15	-	500 MM		2	
16	-	260 MM		1	
17	-	280 MM		1	
18	-	1640 MM		1	
19	-	390 MM		1	
20	-	160 MM		2	
21	914 628 433 00	valve		1	
22	477 955 481	valve		1	

Model	Year	MG	SG	Illustration	Restrictions	UPD	11:12	23.01.2010	PORSCHE	PET	PORSCHE
924	1979	9	04	904-15		248					

Pos	Part Number	Description	Remark	Qty	Model	Pos	Part Number	Description	Remark	Qty	Model
23	477 971 939	cable terminal		4							
24	914 628 203 11	nozzle		2							

Model	Year	MG	SG	Illustration	Restrictions	UPD	11:12	23.01.2010	PORSCHE	PET	PORSCHE
924	1979	9	04	904-20		248					

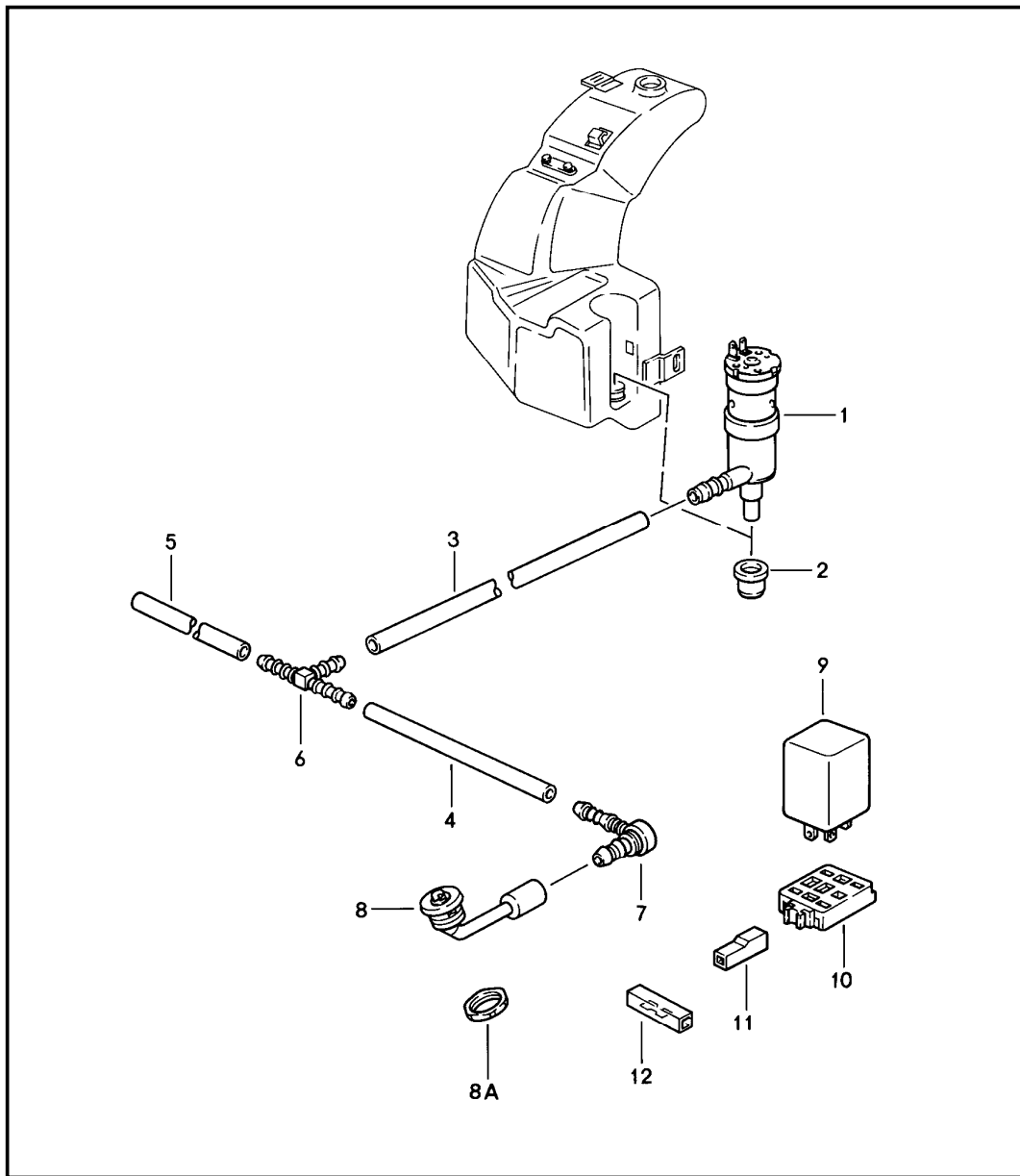


Pos	Part Number	Description	Remark	Qty	Model
		headlight washer system	-78		M288
1	* 477 955 451 A	fluid tank		1	
2	* 911 628 167 00	lid		1	
3	* 477 955 461	speed nut 6,3 X 22		1	
4	* 900 151 029 02	washer		1	
5	* N 013 891 1	tapping screw B 6,3 X 19		1	
6	* 900 075 083 02	hexagon-head bolt M 8 X 25		2	
7	* 900 151 008 02	washer		2	
8	* 900 027 015 02	lock ring		2	
9	* N 011 008 8	hexagon nut		2	
10	* 477 955 661	support for pump POS. 1 - 10 F >>92481 00776		1	
11	* 477 955 179	spray nozzle		2	
13	113 955 187	nozzle		2	
14	* 477 955 194	connecting piece not for (USA), (CDN)		2	
15	* 477 955 195 B	retainer spring		2	
16	* 113 955 200	relay		1	
17	* 135 937 501 A	terminal sleeve housing		1	
18	477 955 679 A	pump		1	
19	900 014 004 02	pan-head screw M 5 X 15		3	
20	* N 012 005 3	lock ring		3	
(20)	* N 011 692 3	washer		2	
21	* N 011 005 14	hexagon nut		3	
22	* 113 955 975 B	t-piece		1	
23	* 111 937 077 E	line distributor		1	

Model	Year	MG	SG	Illustration	Restrictions	UPD	11:12	23.01.2010	PORSCHE	PET	PORSCHE
924	1979	9	04	904-20		248					

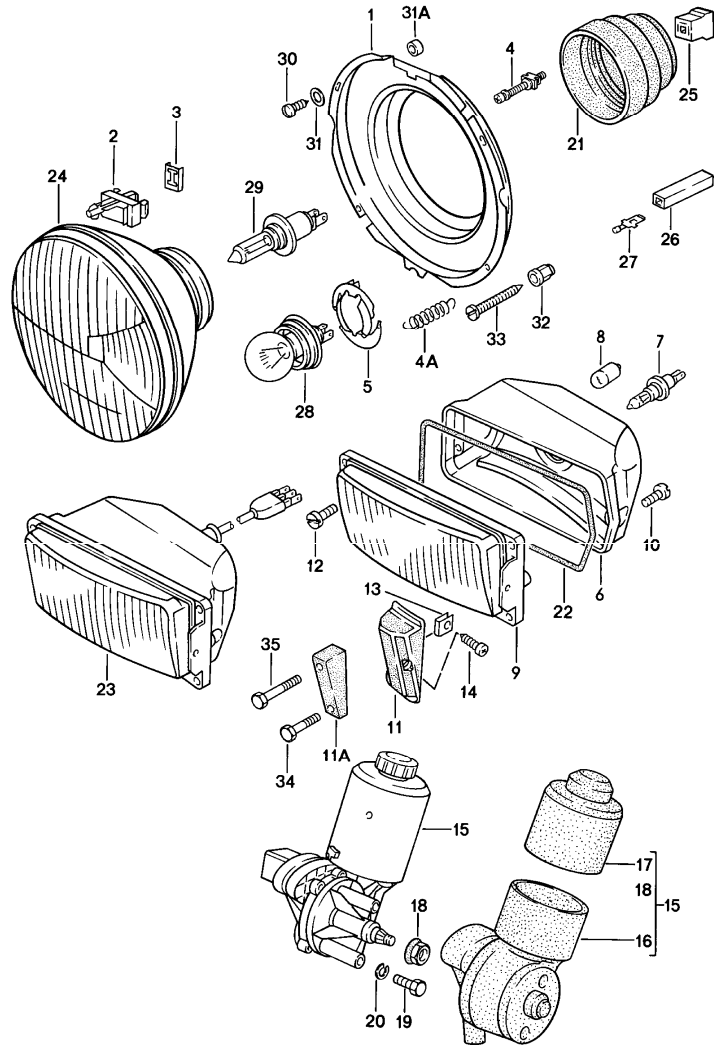
Pos	Part Number	Description	Remark	Qty	Model	Pos	Part Number	Description	Remark	Qty	Model
24	* 825 971 990	terminal sleeve housing		1							
-	N 020 340 1	hose		*							
25	-	450 MM F >>92481 00776		1							
-	999 181 806 40	hose 10 X 3		X							
25A	-	140 MM F 92481 00777>>		1							
-	* N 020 126 1	pipe 12,5 X 1,25		*							
26	-	480 MM		1							
26A	-	890 MM		1							
26B	-	100 MM		1							
-	N 020 301 1	hose		*							
27	-	400 MM F >>92481 00776		1							
27A	-	170 MM F 92481 00777>>		1							
-	* 477 809 035	support for container F >>92481 00776		1							
-	477 955 997	installation set headlight washer system for subsequent installation		1							

Model	Year	MG	SG	Illustration	Restrictions	UPD	11:13	23.01.2010	PORSCHE	PET	PORSCHE
924	1979	9	04	904-25		248					



Pos	Part Number	Description	Remark	Qty	Model
		headlight washer system	79-		M288
1	191 955 681	pump		1	
2	431 955 465 A	gasket		1	
-	N 020 126 1	pipe		*	
3	-	410 MM		1	
4	-	890 MM		1	
5	-	100 MM		1	
6	113 955 975 B	t-piece		1	
7	477 955 183	pressure control valve		2	
8	477 955 177	jet carrier		2	
8A	N 019 121 1	nut		2	
9	928 618 111 00	relay		1	
10	135 937 501 A	terminal sleeve housing		1	
11	825 971 990	terminal sleeve housing		1	
12	111 937 077 E	line distributor		1	

Model	Year	MG	SG	Illustration	Restrictions	UPD	11:13	23.01.2010	PORSCHE	PET	PORSCHE
924	1979	9	05	905-00		248					

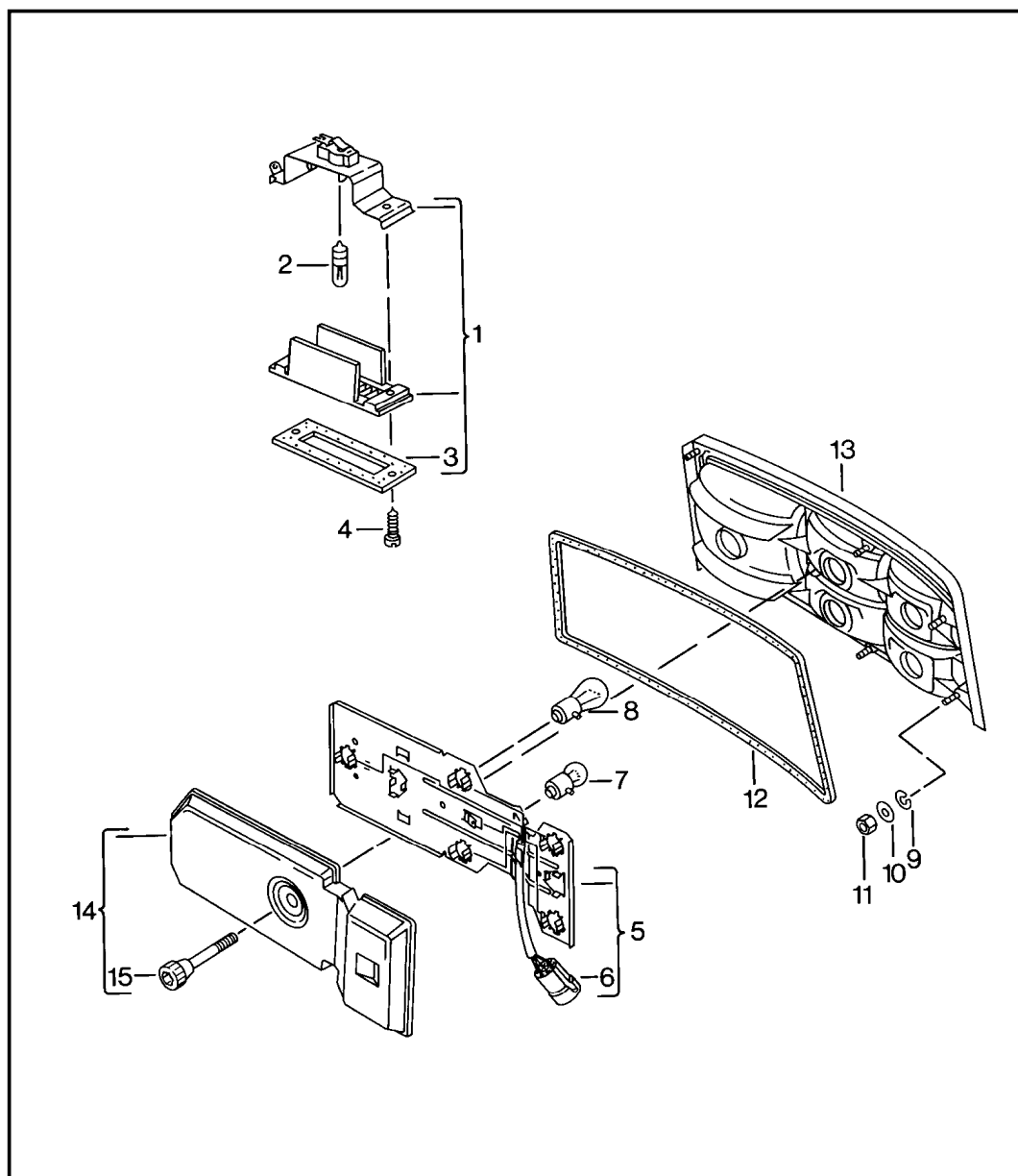


Pos	Part Number	Description	Remark	Qty	Model
		headlamp electric motor pop-up headlight			
1	477 941 046	retaining frame		2	
2	321 941 133	articulated piece		2	
3	321 941 135	tab washer articulated piece		2	
4	113 941 141	adjusting screw		4	
4A	321 941 157	tension spring		2	
6	477 941 311	reflector	/L	1	
(6)	477 941 311 A	reflector	/R	1	
7	900 631 126 90	halogen bulb YC 12 V 55 W		2	
8	900 631 103 90	bulb		2	
9	944 631 407 00	additional headlamp with retaining frame	/L	1	
(9)	944 631 409 00	additional headlamp yellow with retaining frame	/L (F)	1	
(9)	944 631 408 00	additional headlamp with retaining frame	/R	1	
(9)	944 631 410 00	additional headlamp yellow with retaining frame	/R (F)	1	
10	N 014 122 8	oval-head screw M 4 X 8		6	
11	477 807 153	buffer	/L	1	
(11)	477 807 154	buffer	/R	1	
11A	477 807 401	buffer	/L	1	M058
(11A)	477 807 402	buffer	/R	1	M058
12	900 146 011 02	oval-head screw AM 4 X 10		6	

Model	Year	MG	SG	Illustration	Restrictions	UPD	11:13	23.01.2010	PORSCHE	PET	PORSCHE
924	1979	9	05	905-00		248					

Pos	Part Number	Description	Remark	Qty	Model	Pos	Part Number	Description	Remark	Qty	Model
13	477 807 191	speed nut		2		(23)	944 631 410 00	additional headlamp yellow	/R (F)	1	
14	900 143 047 07	tapping screw B 4,2 X 19		2		24	477 941 771 B	headlamp		2	
15	477 941 379 A	electric motor pop-up headlight	-78	1		(24)	477 941 773	headlamp (HALOGEN)	/RL	2	
(15)	477 941 379 B	electric motor pop-up headlight	79-	1	924	25	111 941 341	terminal sleeve housing 3-pole		2	
(15)	477 941 379 C	electric motor for pop-up headlight		1	TURBO	26	111 971 977	plug with guide		6	
16	477 941 386	protection cap lower		1	924	27	111 971 986	flat plug with clip		6	
(16)	477 941 388	protection cap		1	TURBO	29	999 631 202 90	halogen bulb YD 12 V 60/55 W		2	
17	477 941 387	protection cap		1		(29)	999 631 202 91	halogen bulb YD 12 V 60/55 W	(F)	2	
-	477 941 383	diode pop-up headlight		X		30	N 013 964 4	tapping screw B 4,2 X 16		8	
18	999 084 045 02	lock nut		1		(30)	900 143 041 00	tapping screw B 3,9 X 19		8	
(18)	999 084 049 02	lock nut		1		31	900 025 003 02	washer		8	
19	999 072 005 09	hexagon-head bolt M 6 X 12		3		31A	477 941 543	spacer sleeve		X	
20	N 012 006 4	lock ring		3		32	477 857 173	clip		2	
21	477 941 659 A	cap headlamp unit		2		33	N 043 979 2	tapping screw BZ 4,2 X 45		2	
22	477 941 715	gasket		2		34	N 030 116 1	oval-head screw		2	M058
23	477 941 751 D	high-beam headlight for F >>92481 09474	/L	1		35	N 030 117 2	oval-head screw		2	M058
		use also: intermediate cable 477.971.347						fog headlamp see group 0/02/00			
(23)	944 631 409 00	additional headlamp yellow	/L (F)	1							
(23)	477 941 752 D	high-beam headlight for F >>92481 09474	/R	1							
		use also: intermediate cable 477.971.347									

Model	Year	MG	SG	Illustration	Restrictions	UPD	11:13	23.01.2010	PORSCHE	PET	PORSCHE
924	1979	9	05	905-10		248					

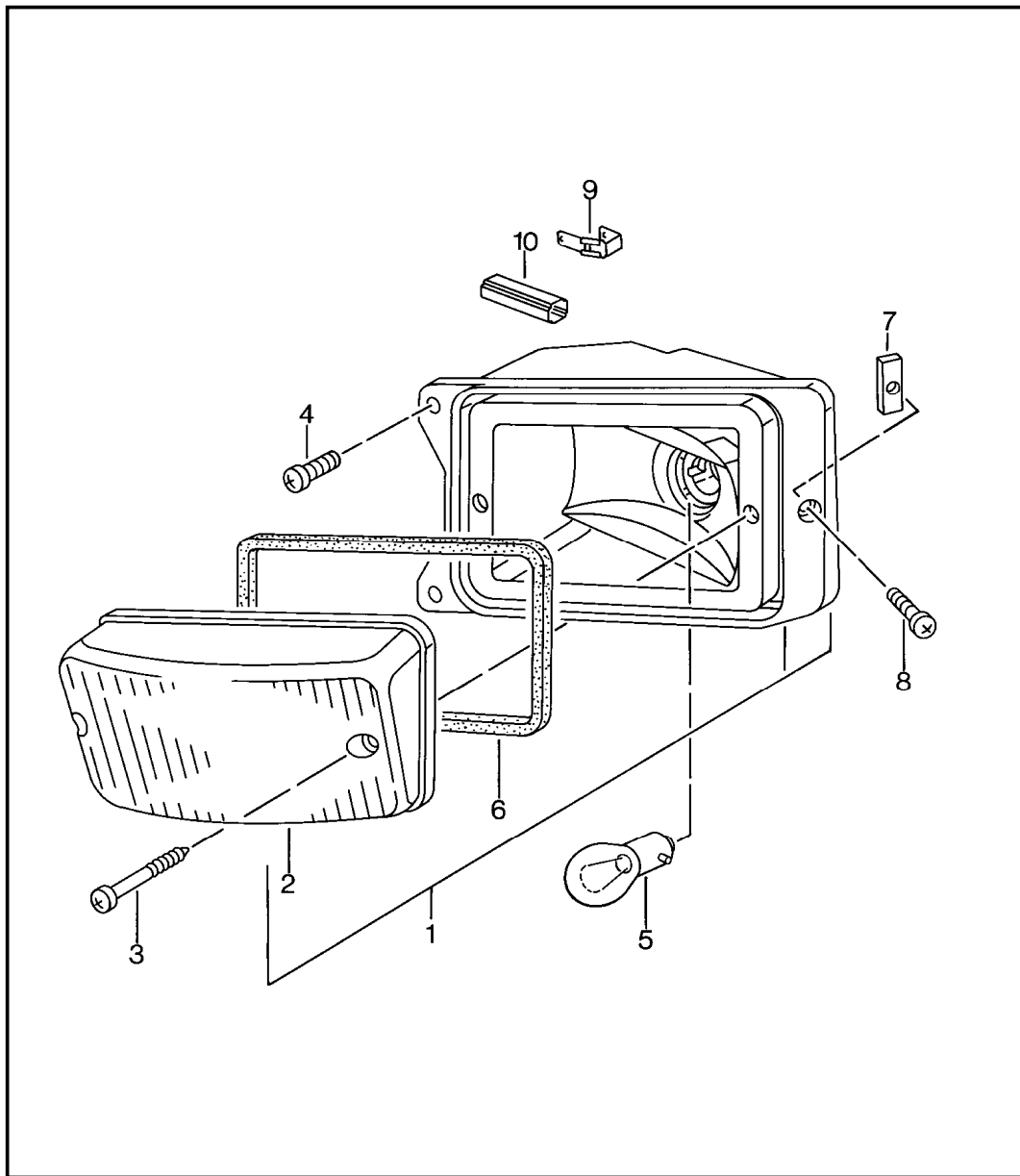


Pos	Part Number	Description	Remark	Qty	Model
1	477 943 021 A	license plate light rear light		2	
2	900 631 103 90	bulb HL 12 V, 4 W		2	
3	477 943 131	gasket		2	
4	N 013 961 2	tapping screw B 3,9 X 13		2	
5	477 945 113	bulb holder	/L	1	
(5)	477 945 114	bulb holder	/R	1	
6	803 971 980	pin connector socket 7-pole		2	
7	900 631 104 90	bulb		2	
8	900 631 127 90	bulb RL 12 V, 21 W		7	
9	N 012 005 3	lock ring		12	
10	N 012 225 1	spring washer		12	
11	N 011 005 14	hexagon nut		12	
-	000 043 172 00	sealing cord \$ 9 MM roller 10M		*	
12	-	1070 MM		2	
13	477 945 205	housing	/L	1	
(13)	477 945 206	housing	/R	1	
(13)	477 945 215	housing for cars with rear fog light	/L	1	
(13)	477 945 216	housing for cars with rear fog light	/R	1	
14	477 945 285	cap		2	
15	477 945 285	cap		2	

Model	Year	MG	SG	Illustration	Restrictions	UPD	11:13	23.01.2010	PORSCHE	PET	PORSCHE
924	1979	9	05	905-15		248					

Pos	Part Number	Description	Remark	Qty	Model
		interior light direction indicator light lateral			
1	823 947 105 B	interior light		1	
(1)	823 947 105 B	interior light		1	
(1)	171 947 311	glove compartment light		1	
2	900 631 106 90	linolite lamp K 12 V, 10 W		2	
(2)	999 631 018 90	bulb M 12 V, 3 W		1	
3	968 613 601 00	contact switch		2	
4	944 613 114 00	gasket		2	
5	N 013 957 5	tapping screw BZ 3,5 X 9,5		2	
7	477 947 601 A	engine compartment lamp		1	
8	900 631 115 90	bulb G 12 V, 10 W		1	
9	900 151 028 02	washer		1	
10	900 143 031 02	oval-head sheetmetal screw B 4,2 X 9,5		1	
11	477 947 633	clip		3	
12	477 949 111	bulb holder		2	M046
13	321 949 117	direction indicator light yellow		2	M046
14	321 945 139	gasket direction indicator light		2	M046
15	900 631 103 90	bulb HL 12 V, 4 W		6	M046
16	N 013 964 4	tapping screw B 4,2 X 16		4	M046
21	311 971 913	grommet		6	M046
22	111 971 511	line distributor		2	M046
23	111 971 977	plug with guide simple		2	M046

Model	Year	MG	SG	Illustration	Restrictions	UPD	11:13	23.01.2010	PORSCHE	PET	PORSCHE
924	1979	9	05	905-20		248					

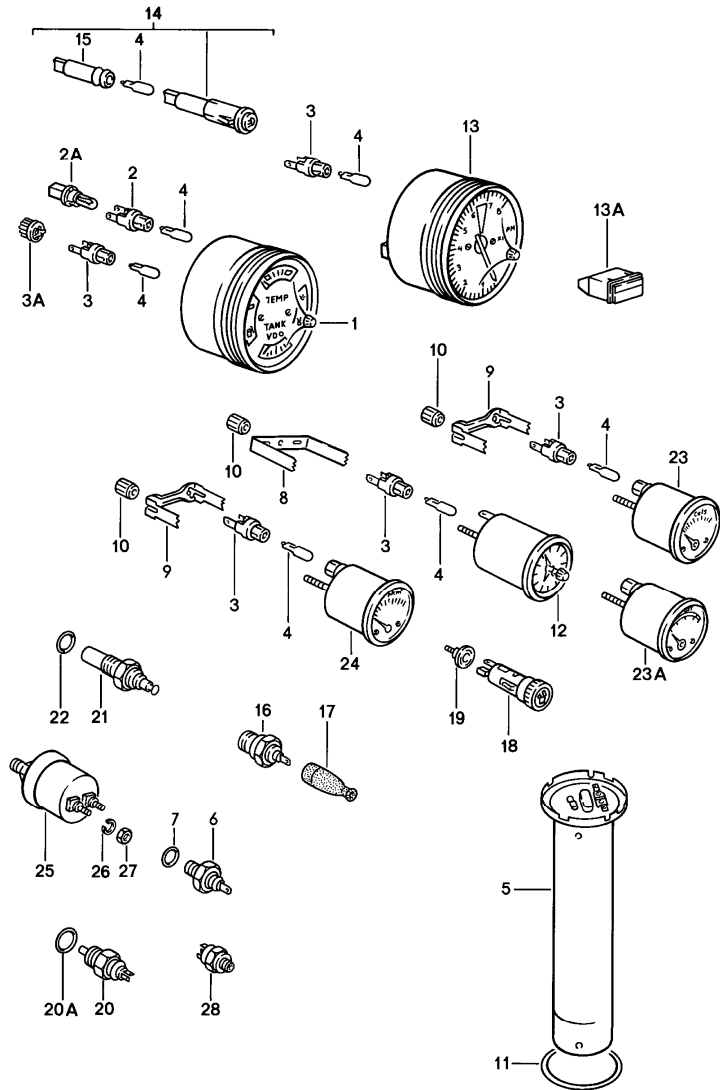


Pos	Part Number	Description	Remark	Qty	Model
1	477 953 043	direction indicator light front		1	
		direction indicator light not for (USA), (CDN) F >>92481 01086	/L	1	
		use also: intermediate cable 477.971.347			
(1)	477 953 044	direction indicator light not for (USA), (CDN) F >>92481 01086	/R	1	
		use also: intermediate cable 477.971.347			
-	477 971 347	intermediate cable F >>92481 01086		X	
2	477 953 161	lens not for (USA), (CDN)	/L	1	
(2)	477 953 161	lens	/L	1	M034
(2)	477 953 162	lens not for (USA), (CDN)	/R	1	
(2)	477 953 162	lens	/R	1	M034
3	331 945 185	oval-head screw not for (USA), (CDN)		4	
4	900 146 011 02	oval-head screw AM 4 X 10		4	
5	900 631 127 90	bulb RL 12 V, 21 W		2	
6	477 953 165	gasket		2	
7	477 953 661	threaded plate		1	
8	N 014 136 4	oval-head screw BM 4 X 25 Z		2	
9	111 971 511	line distributor		1	M034
-	111 971 911 A	rubber sleeve F >>92481 01086		2	

Model	Year	MG	SG	Illustration	Restrictions	UPD	11:13	23.01.2010	PORSCHE	PET	PORSCHE
924	1979	9	05	905-20		248					

Pos	Part Number	Description	Remark	Qty	Model	Pos	Part Number	Description	Remark	Qty	Model
10	111 971 921	protection cap for flat connector		4	M034						

Model	Year	MG	SG	Illustration	Restrictions	UPD	11:14	23.01.2010	PORSCHE	PET	PORSCHE
924	1979	9	06	906-00		248					

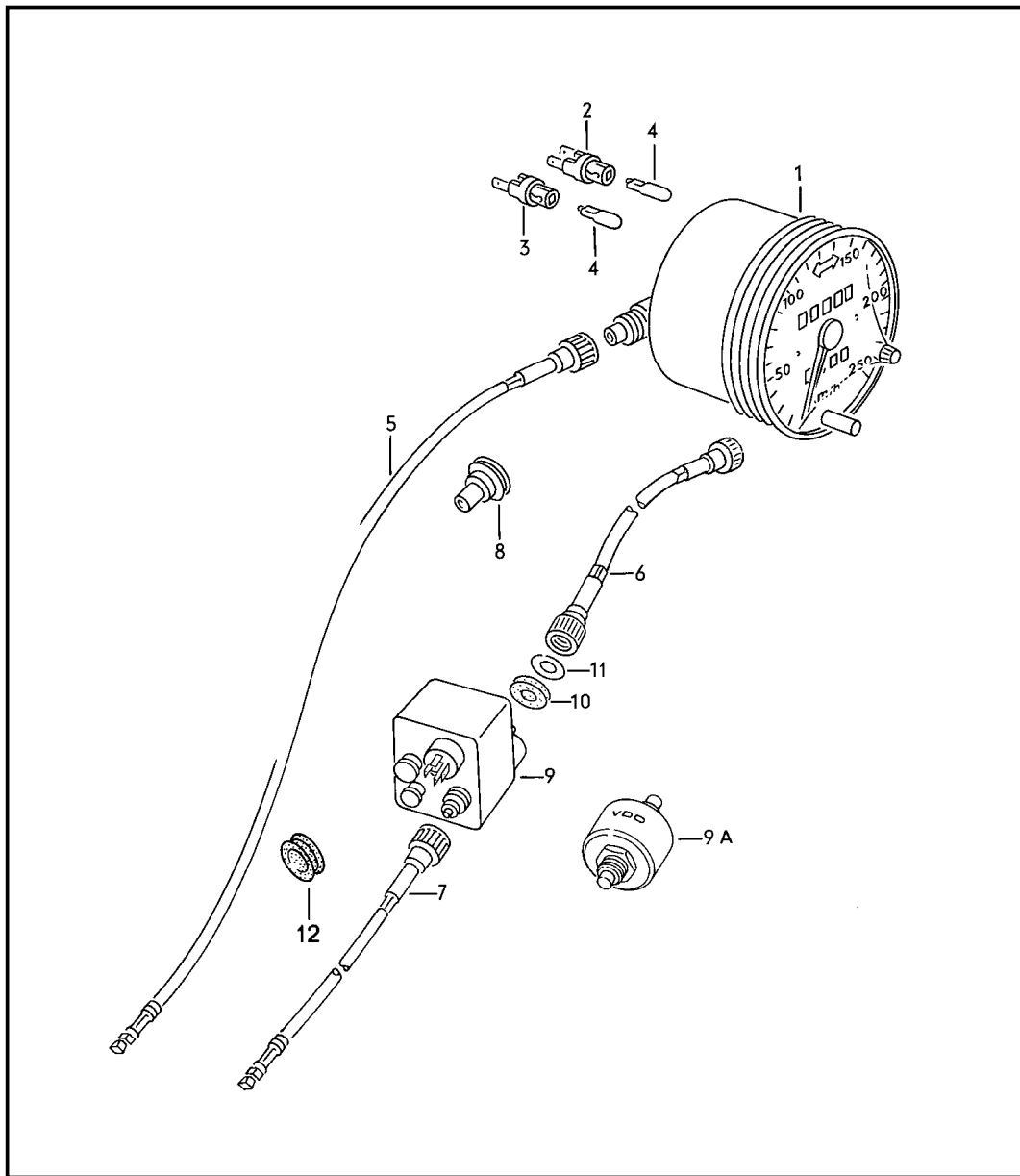


Pos	Part Number	Description	Remark	Qty	Model
		instruments			
1	477 919 033	instrument cluster for XK/XJ	-78	1	
			-78		
(1)	477 919 033 B	instrument cluster	79-	1	924
(1)	477 919 033 C	instrument cluster	79-	1	TURBO
2	914 631 179 10	bulb socket		5	
2A	999 631 301 90	bulb		7	
3	999 632 017 02	bulb socket		6	
(3)	477 919 301	bulb socket indicator light generator	-78	1	
3A	928 641 927 00	bulb socket indicator light generator	79-	1	
(3)	477 919 213	bulb socket clock		1	
4	900 631 132 90	bulb W 12 V 1,2 W		X	
(4)	900 631 019 90	glass-base bulb 12 V - 3 W		1	
5	477 919 051	tank gauge F >>92491 03157		1	924
5	477 919 051	tank gauge F 92491 04052>> F 92494 00056>>		1	
(5)	477 919 051 B	tank gauge F 92491 03158>> F >>92491 04051 F 92494 00051>> F >>92494 00055		1	
6	021 919 081 D	oil pressure switch		1	
7	N 013 808 3	sealing ring		1	
8	477 919 115	retaining bar clock		1	
9	321 919 115 C	retaining bar for oil pressure gauge oil temperature gauge		2	M414

Model	Year	MG	SG	Illustration	Restrictions	UPD	11:14	23.01.2010	PORSCHE	PET	PORSCHE
924	1979	9	06	906-00		248					

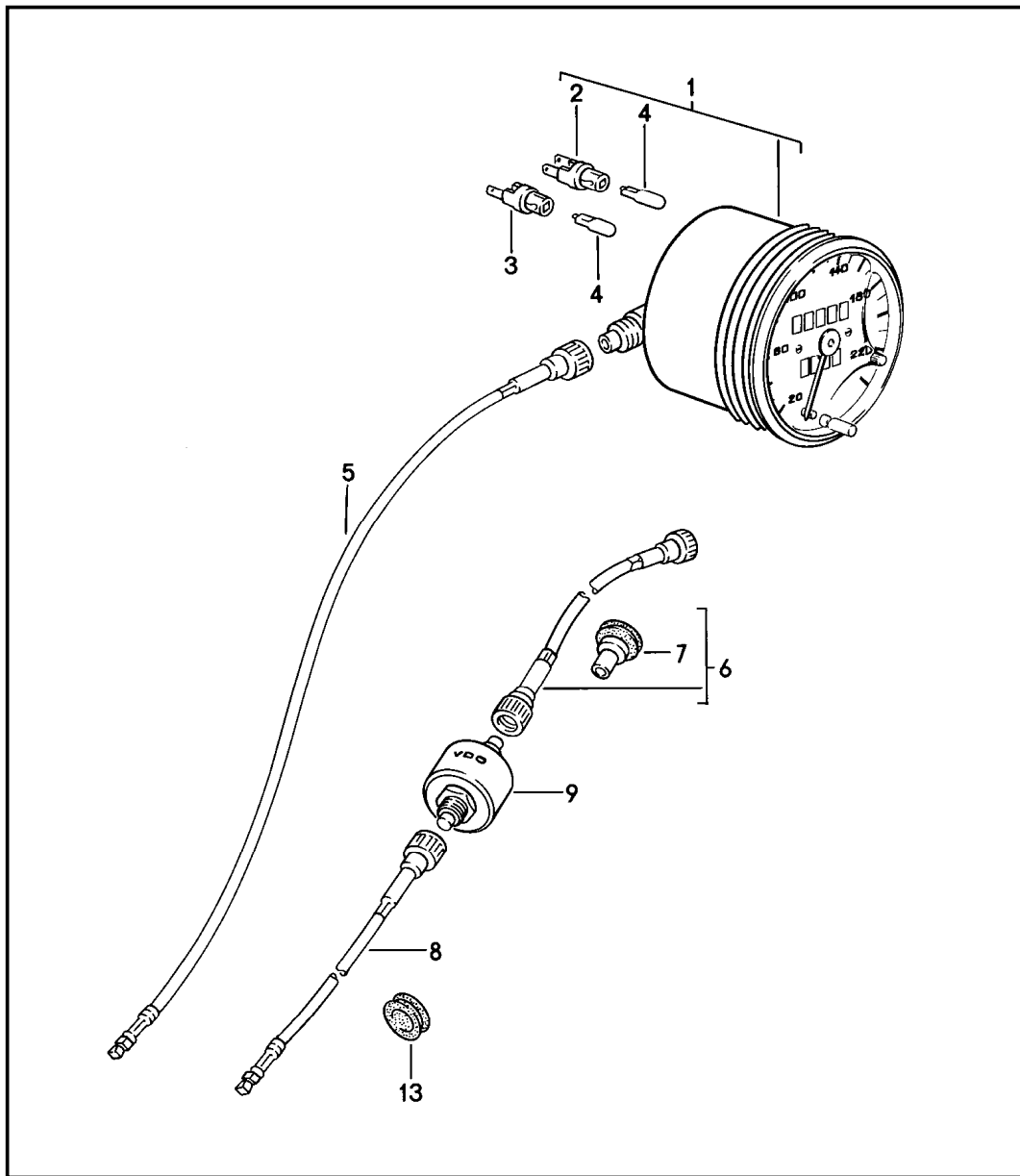
Pos	Part Number	Description	Remark	Qty	Model	Pos	Part Number	Description	Remark	Qty	Model
10	411 957 117	knurled nut		5		21	047 919 501 A	temperature sensor		1	
11	113 919 131 A	sealing ring F >>92491 03157		1	924	22	N 013 806 2	sealing ring		1	
11	113 919 131 A	sealing ring F 92491 04052>> F 92494 00056>>		1		23	477 919 541	oil temperature gauge		1	M414
(11)	477 919 133	sealing ring F 92491 03158>> F >>92491 04051 F 92494 00051>> F >>92494 00055		1		23AA	477 919 531	voltmeter		1	924
12	477 919 211	clock		1	924	(23A)	477 919 531 B	voltmeter		1	TURBO
(12)	477 919 211 A	clock		1	TURBO	24	477 919 551 E	oil pressure indicator		1	M414
13	477 919 205 A	tachometer	-78	1		(24)	477 919 551 C	oil pressure indicator		1	TURBO
(13)	477 919 205 G	tachometer	79-	1	924	25	047 919 561	oil pressure sender		1	
(13)	477 919 205 D	tachometer		1	TURBO	26	N 012 221 3	spring washer		2	
14	477 919 209	indicator light for high beam		1		27	N 011 004 6	hexagon nut		2	
(14A)	113 919 232 D	indicator light		1		28	113 945 515 G	brake light switch 3-pole		1	
(14A)	911 632 013 05	indicator light brake	/RL	1							
15	111 919 243	bulb socket		1							
16	477 919 268	sender oil temperature gauge		1	M414						
17	477 971 933	protection cap		1	M414						
(17)	111 951 195 A	rubber sleeve oil temperature gauge		1							
18	477 919 305	cigarette lighter		1							
-	N 012 469 1	circlip for cigarette lighter		1							
19	411 919 317	glower		1							
20	084 941 521	switch	-10.78	1	924						
(20)	084 941 521	back-up light switch	11. 78-	1							
20A	900 123 106 30	sealing ring		1							

Model	Year	MG	SG	Illustration	Restrictions	UPD	11:14	23.01.2010	PORSCHE	PET	PORSCHE
924	1979	9	06	906-05		248					



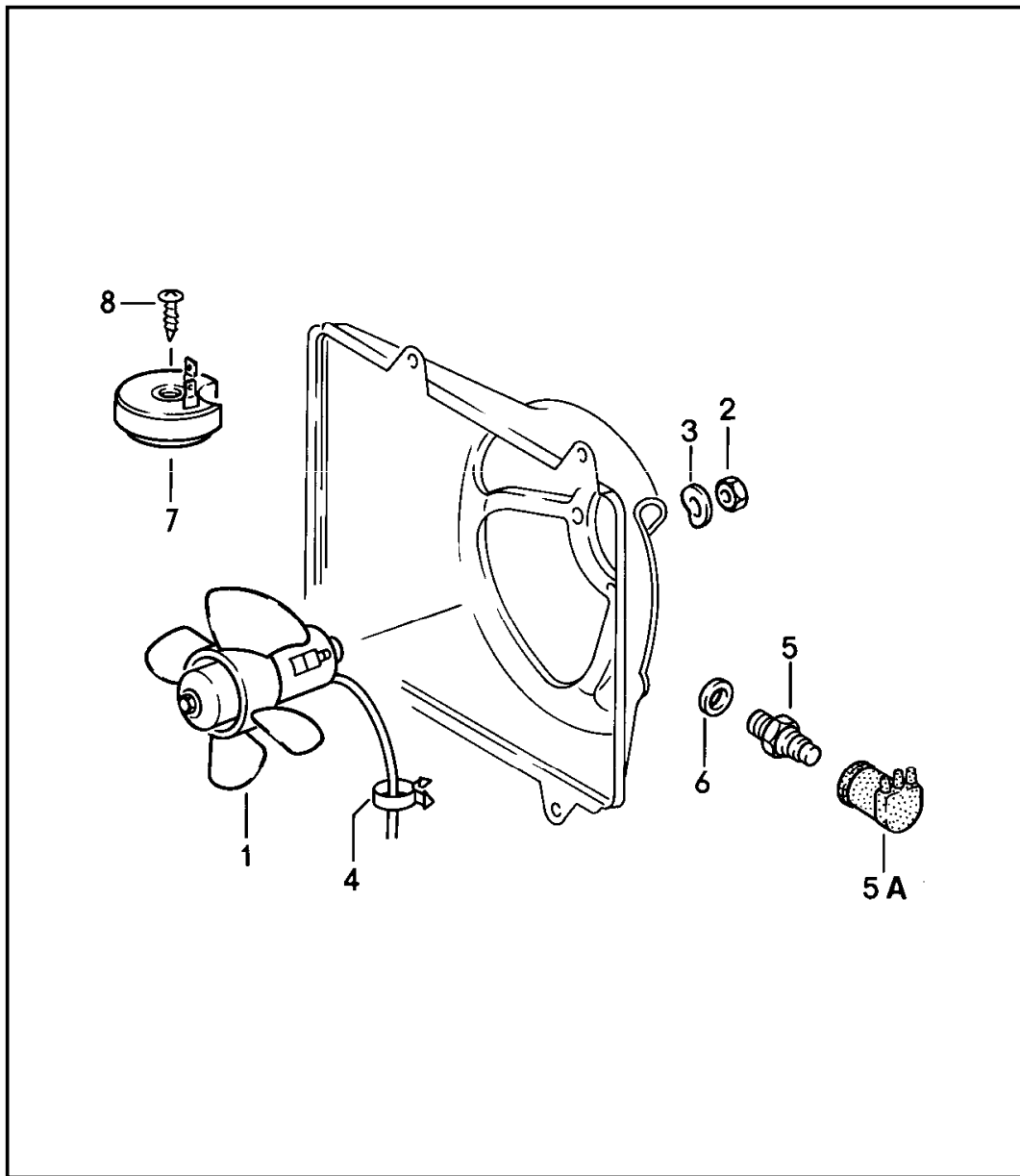
Pos	Part Number	Description	Remark	Qty	Model
		speedometer	-78		
1	477 957 021	speedometer not for (USA), (J)		1	
(1)	477 957 023	speedometer MPH		1	M020
2	914 631 179 10	bulb socket		1	
3	999 632 017 02	bulb socket		2	
4	900 631 132 90	bulb		3	
5	142 957 801 C	drive shaft for XK	/LL	1	
(5)	211 957 801 E	drive shaft	/RL	1	
-	900 116 003 02	circlip		1	
8	477 957 861	rubber sleeve	/LL	1	
(8)	477 823 591	grommet	/RL	1	
12	113 957 855	rubber sleeve		1	

Model	Year	MG	SG	Illustration	Restrictions	UPD	11:14	23.01.2010	PORSCHE	PET	PORSCHE
924	1979	9	06	906-10		248					



Pos	Part Number	Description	Remark	Qty	Model
		speedometer			79
1	944 641 021 00	speedometer not for (USA), (J)		1	924
(1)	477 957 031 C	speedometer		1	TURBO
(1) A	944 641 025 00	speedometer 170 MPH		1	924
(1)	944 641 025 00	speedometer 170 MPH / 260 KM/H	/RL	1	924
2	914 631 179 10	bulb socket		1	
3	999 632 017 02	bulb socket		2	
4	900 631 132 90	bulb		3	
5	142 957 801 C	drive shaft not for (J)	/LL	1	
(5)	211 957 801 E	drive shaft	/RL	1	
7	477 957 861	rubber sleeve not for (J)	/LL	1	
(7)	477 823 591	grommet	/RL	1	
-	900 116 003 02	circlip		1	
13	113 957 855	rubber sleeve		1	

Model	Year	MG	SG	Illustration	Restrictions	UPD	11:14	23.01.2010	PORSCHE	PET	PORSCHE
924	1979	9	10	910-00		248					



Pos	Part Number	Description	Remark	Qty	Model
		electric fan			
1	477 959 455 C	electric fan		1	
(1)	823 959 455 F	electric fan use also:		1	M573
-	477 971 349	intermediate cable		X	
2	900 076 010 02	hexagon nut		3	
3	N 011 524 7	washer		3	
4	999 651 168 40	cable holder		1	
5	823 959 481 F	switch		1	
5A	477 971 934	protection cap		1	
6	900 123 118 30	sealing ring A 22 X 27		1	
7	477 905 053	series resistor		1	
(7)	477 905 052	series resistor F 92471 05387>>		1	M573
8	N 013 968 1	tapping screw B 4,8 X 13	-78	1	
(8)	N 013 964 4	tapping screw B 4,2 X 16	79-	1	
-	477 971 349	intermediate cable use also: 477.959.455.B 823.959.455.F F >>92471 05386		1	

Model	Year	MG	SG	Illustration	Restrictions	UPD	11:14	23.01.2010
924	1979	9	98	998-00R		248		

Pos	Part Number	Description	Remark	Qty	Model
>>	>>477 955 997	repair kits installation set headlight washer system F >>92481 00776 comprising:		1	
-	477 955 451 A	fluid tank		1	
-	911 628 167 00	lid		1	
-	477 955 461	speed nut 6,3 X 22		1	
-	900 151 029 02	washer B 6,4		1	
-	N 013 891 1	tapping screw B 6,3 X 19		1	
-	477 809 035	support		1	
-	900 075 083 02	hexagon-head bolt M 8 X 25		1	
-	N 011 525 13	washer A 8,4		1	
-	900 027 015 02	lock ring B 8		1	
-	N 011 008 8	hexagon nut M 8		1	
-	477 955 661	support		1	
-	477 955 679 A	pump		1	
-	900 014 004 02	pan-head screw M 5 X 15		3	
-	N 012 005 3	lock ring B 5		3	
-	N 011 005 14	hexagon nut M 5		3	
-	N 011 692 3	washer 5,1		3	
-	N 020 340 1	hose 10 X 3 X 500 MM		1	
-	N 020 126 1	pipe 12,5 X 1,25 X 2000 MM		1	
-	N 020 301 1	hose 4 X 1 X 500 MM		1	
-	113 955 975 B	t-piece		1	

Model	Year	MG	SG	Illustration	Restrictions	UPD	11:14	23.01.2010
924	1979	9	98	998-00R		248		

Pos	Part Number	Description	Remark	Qty	Model
-	113 955 187	nozzle		2	
-	477 955 194	connecting piece		2	
-	477 955 195 B	retainer spring		2	
-	477 955 179	spray nozzle		2	
-	900 074 015 02	hexagon-head bolt M 6 X 30		1	
-	900 151 029 02	washer 6,4		2	
-	900 076 010 02	hexagon nut M 6		1	
-	N 012 226 5	spring washer		1	
-	135 937 501 A	terminal sleeve housing		1	
-	113 955 200	relay		1	
-	825 971 990	terminal sleeve housing		1	
-	111 937 077 E	line distributor		1	
-	477 971 205	wiring harness		1	
-	477 971 322	double line		1	
-	477 971 827 B	cable connection		1	
-	477 955 702	switch together with M036 use also:		1	
-	911 628 809 00	connecting piece		2	
-	477 955 196	desk pad		2	
>>	>>477 955 997 A	installation set headlight washer system F 92481 00777>> F >>92481 09474 comprising:		1	
-	477 955 679 A	pump		1	
-	900 014 004 02	pan-head screw M 5 X 15		2	
-	N 012 005 3	lock ring B 5		2	
-	N 011 692 3	washer 5,1		2	

Model	Year	MG	SG	Illustration	Restrictions	UPD	11:14	23.01.2010
924	1979	9	98	998-00R		248		

Pos	Part Number	Description	Remark	Qty	Model
-	N 011 005 14	hexagon nut M 5		2	
-	999 181 806 40	hose 10 X 3 X 500 MM		1	
-	N 020 301 1	hose 4 X 1 X 500 MM		1	
-	N 020 126 1	pipe 12,5 X 1,25 X 2000 MM		1	
-	113 955 975 B	t-piece		1	
-	113 955 187	nozzle		2	
-	477 955 194	connecting piece		2	
-	477 955 195 B	retainer spring		2	
-	477 955 179	spray nozzle		2	
-	135 937 501 A	terminal sleeve housing		1	
-	113 955 200	relay		1	
-	825 971 990	terminal sleeve housing		1	
-	477 971 827 B	cable connection		1	
-	477 971 205	wiring harness		1	
-	477 971 322	double line		1	
-	477 955 702	switch together with M036 use also:		1	
-	911 628 809 00	connecting piece		2	
-	477 955 196	desk pad		2	
>>	>>477 955 997 B	installation set headlight washer system comprising:	79-	1	
-	191 955 681	pump		1	
-	431 955 465 A	gasket		1	
-	N 020 126 1	pipe 12,5 X 1,25		X	
-	-	410 MM		1	
-	-	890 MM		1	
-	-	100 MM		1	

Model	Year	MG	SG	Illustration	Restrictions	UPD	11:14	23.01.2010
924	1979	9	98	998-00R		248		

Pos	Part Number	Description	Remark	Qty	Model
-	113 955 975 B	t-piece		1	
-	477 955 183	pressure control valve		2	
-	477 955 177	jet carrier		2	
-	N 019 121 1	nut MPG 11		2	
-	928 618 111 00	relay		1	
-	135 937 501 A	terminal sleeve housing		1	
-	825 971 990	terminal sleeve housing		1	
-	111 937 077 E	line distributor		1	
-	477 971 827 B	cable connection		1	
-	477 971 205	wiring harness		1	
-	477 971 322 A	double line		1	
-	477 955 702	switch		1	
>>	>>477 955 995	installation set rear window wiper comprising:		1	TURBO
-	477 955 713 A	wiper motor		1	
-	477 955 715 B	mounting plate		1	
-	N 012 226 5	spring washer B 6		3	
-	900 076 010 02	hexagon nut M 6		3	
-	477 955 737	cap		1	
-	477 955 439	grommet		2	
-	477 955 437	washer		1	
-	311 955 243 A	hexagon nut M 12 X 1		1	
-	211 955 275 A	cap		1	
-	477 955 409 A	wiper arm		1	
-	999 084 045 02	lock nut		1	
-	A 928 628 218 01	wiper blade		1	
-	928 628 218 02	wiper blade		1	
-	477 971 345	wiring harness		1	

Model	Year	MG	SG	Illustration	Restrictions	UPD	11:14	23.01.2010
924	1979	9	98	998-00R		248		

Pos	Part Number	Description	Remark	Qty	Model
-	477 971 346	wiring harness		1	
-	477 955 701	rocker switch		1	
-	111 941 189	drain bush		1	
-	999 652 106 02	flat receptacle 6,3 X 1		3	
-	N 018 007 4	insulating hose 100 MM		X	
>>	>>477 941 903 A	installation set fog headlamp light-diffusing lens white comprising:	79-	1	
-	477 941 703 B	fog headlamp		2	
-	900 631 126 90	halogen bulb YC 12 V - 55 W		2	
-	N 011 010 6	hexagon nut M 10		2	
-	900 027 016 02	lock ring B 10		2	
-	900 025 008 09	washer A 10,5		2	
-	131 867 549	clamp		2	
-	477 941 535	switch		1	
-	477 941 535	switch		1	
-	141 957 397 A	bulb socket		1	
-	900 631 132 90	bulb W 12 V - 1,2 W		1	
-	477 963 137	relay		1	
-	477 971 490 A	wiring harness		1	
-	477 971 491 A	wiring harness		1	
-	477 971 827 B	cable connection		1	
>>	>>477 941 904 A	installation set fog headlamp light-diffusing lens yellow comprising:	(F) 79-	1	
-	477 941 703 A	fog headlamp		2	

Model	Year	MG	SG	Illustration	Restrictions	UPD	11:14	23.01.2010
924	1979	9	98	998-00R		248		

Pos	Part Number	Description	Remark	Qty	Model
-	900 631 126 90	halogen bulb YC 12 V - 55 W		2	
-	N 011 010 6	hexagon nut M 10		2	
-	900 027 016 02	lock ring B 10		2	
-	900 025 008 09	washer A 10,5		2	
-	131 867 549	clamp		2	
-	477 941 535	switch		1	
-	477 941 535	switch		1	
-	141 957 397 A	bulb socket		1	
-	900 631 132 90	bulb W 12 V - 1,2 W		1	
-	477 963 137	relay		1	
-	477 971 490 A	wiring harness		1	
-	477 971 491 A	wiring harness		1	
-	477 971 827 B	cable connection		1	
>>	>>477 941 903	installation set fog headlamp light-diffusing lens white comprising:	-78	1	
-	477 941 703 B	fog headlamp		2	
-	900 631 126 90	halogen bulb YC 12 V - 55 W		2	
-	N 011 010 6	hexagon nut M 10		2	
-	900 027 016 02	lock ring B 10		2	
-	900 025 008 09	washer A 10,5		2	
-	131 867 549	clamp		2	
-	477 941 535	switch		1	
-	477 941 535	switch		1	
-	141 957 397 A	bulb socket		1	

Model	Year	MG	SG	Illustration	Restrictions	UPD	11:14	23.01.2010
924	1979	9	98	998-00R		248		

Pos	Part Number	Description	Remark	Qty	Model
-	900 631 132 90	bulb W 12 V - 1,2 W		1	
-	928 615 119 00	relay		1	
-	477 971 490	wiring harness		1	
-	477 971 491 A	wiring harness		1	
-	477 971 946 A	intermediate cable		2	
-	477 971 827 B	cable connection		1	
>>	>>477 941 904	installation set fog headlamp light-diffusing lens yellow comprising:	(F) -78	1	
-	477 941 703 A	fog headlamp		2	
-	900 631 126 90	bulb YC 12 V - 55 W		2	
-	N 011 010 6	hexagon nut M 10		2	
-	900 027 016 02	lock ring B 10		2	
-	900 025 008 09	washer A 10,5		2	
-	131 867 549	clamp		2	
-	477 941 535	switch		1	
-	477 941 535	switch		1	
-	141 957 397 A	bulb socket		1	
-	900 631 132 90	bulb W 12 V - 1,2 W		1	
-	928 615 119 00	relay		1	
-	477 971 490	wiring harness		1	
-	477 971 491 A	wiring harness		1	
-	477 971 946 A	intermediate cable		2	
-	477 971 827 B	cable connection		1	

M000 ! SUMMARY OF OPTIONAL EXTRAS "M"!
M020 SPEEDOMETER WITH TWO SCALES MPH-KM/H
M026 WITH ACTIVATED CHARCOAL CANISTER
M036 IMPACT ABSORBERS
M036 FRONT AND REAR
M046 SIDE TURN SIGNALS
M058 IMPACT ABSORBERS FRONT AND REAR
M062 VERSION FOR SWEDEN
M124 VERSION FOR FRANCE
M157 ENGINE 85 KW (115 DIN-HP) WITH EXHAUST GAS
M157 RECIRCULATION, CATALYTIC CONVERTER AND ACTIVATED
M157 CARBON CONTAINER - VALID FROM FEBRUARY 77 -
M186 SEAT BELT FOR BACK SEATS
M190 INCREASED SIDE DOOR STRENGTH
M193 VERSION FOR JAPAN
M215 VERSION FOR SAUDI ARABIA
M220 LOCKING DIFFERENTIAL 40 %
M249 AUTOMATIC TRANSMISSION
M288 HEADLAMP WASHER
M308 PNEUMATIC SPRING FOR ENGINE HOOD
M402 924 - ANNIVERSARY CAR '82
M402 50 YEARS PORSCHE-CONSTRUCTIONS
M402 LACQUER: ZINNMETALLIC
M402 INTERIOR EQUIPMENT: BLACK
M404 STABILIZER, FRONT AND REAR
M409 SPORT SEATS
M425 REAR WINDOW WIPER
M426 SPECIAL MODEL "LE MANS" '81
M449 SPECIAL MODEL FOR SWITZERLAND
M449 LACQUER: ALPINE-WHITE
M449 INTERIOR EQUIPMENT: BLACK
M471 EQUIPMENT GROUP 1, SPORTING
M471 924:
M471 TURBO-CHASSIS (VENTILATED BRAKE DISC, STABILIZERS,
M471 SHOCK ABSORBERS (KONI), CAST SPOKED WHEELS -
M471 5 HOLES 5 1/2 J X 15) THREE-SPOKE-STEERING WHEEL
M471 (LEATHER), REAR SPOILER
M471 TURBO:
M471 USA, CANADA, JAPAN -80
M471 VENTILATED BRAKE DISC, STABILIZERS,
M471 SHOCK ABSORBERS (KONI), FORGED WHEELS - 5 HOLES
M471 6 J X 16
M472 TURBO: USA, CANADA, JAPAN -80
M472 WITH CHASSIS OF STANDARD MODEL
M479 VERSION FOR AUSTRALIA
M483 DEFERRING ENGINE PARTS FOR RIGHT HAND DRIVE
M492 FOR LEFT-HAND TRAFFIC
M533 ANTI-THEFT DEVICE
M553 VERSION FOR USA, CANADA
M560 DETACHABLE ROOF
M573 AIR CONDITIONER

M592	BRAKE FLUID LEVEL INDICATOR
M651	ELECTRIC WINDOW OPENER

Model	Year	MG	SG	Illustration	VIN No.	Update		
924	79					249	9:36	18.03.2010

THIS PARTS CATALOGUE CONTAINS ALL ORDER INFORMATION OF
TYPE 924 FROM MODEL YEAR 1976 TO MODEL YEAR 1979

IT IS AVAILABLE IN TWO EDITIONS IN THE FOLLOWING LANGUAGES:

EDITION

USA, CANADA - *

EDITION

ALL OTHER COUNTRIES - GERMAN

* - ENGLISH

- FRENCH

- ITALIAN

- SPANISH

UPDATING IS BEING PERFORMED BY CHANGING OF UPDATE.

THE EDITION CAN BE RECOGNIZED BY THE CURRENT NO.
YEAR IN THE BOTTOM LINE OF SUBJECT UPDATE.

THE PREVIOUS UPDATE SHOULD NO LONGER BE USED.

ALL ILLUSTRATIONS ARE SUBJECT TO CHANGE WITHOUT OBLIGATION.

Model	Year	MG	SG	Illustration	VIN No.	Update		
924	79					249	9:36	18.03.2010

"WE RESERVE THE RIGHT TO SUPPLY A SUBSEQUENTLY
PRODUCED COMPONENT, ON WHICH ADDITIONAL WORK
IS NECESSARY, INSTEAD OF THE COMPONENT LISTED IN
THE CATALOGUE"

Model	Year	MG	SG	Illustration	VIN No.	Update		
924	79					249	9:40	18.03.2010

EQUIPMENT BY COUNTRY REGULATIONS

=====

(A) AUSTRIA

(AUS) AUSTRALIA

(B) BELGIUM

(CDN) CANADA

(CH) SWITZERLAND

(D) FEDERAL REPUBLIC OF GERMANY

(DK) DENMARK

(E) SPAIN

(F) FRANCE

(GB) GREAT BRITAIN

(GR) GREECE

(HK) HONGKONG

(I) ITALY

(J) JAPAN

(L) LUXEMBURG

Model	Year	MG	SG	Illustration	VIN No.	Update		
924	79					249	9:40	18.03.2010

(N) NORWAY

(NL) NETHERLANDS

(NS) NEW ZEALAND

(P) PORTUGAL

(RC) TAIWAN

(S) SWEDEN

(SA) SAUDI ARABIA

(SF) FINLAND

(USA) UNITED STATES OF AMERICA

Model	Year	MG	SG	Illustration	VIN No.	Update	9:40	18.03.2010
924	79					249		

IN COLUMN - A -

IDENTIFICATION LETTER FOR PERIOD OF INSTALLATION
 THAT IS REPEATED SEVERAL TIMES IN THE CATALOG GROUP.

EXPLANATION PLEASE FIND IN TEXT COLUMN OF THE CATALOG GROUP

IN COLUMN - QU - = NO. OF PIECES

1 NUMBER PER APPLICATION

X NUMBER AS NEEDED

* AVAILABLE ONLY IN RUNNING LENGTHS 1 = 1 METRE

IN COLUMN - MODEL/SYMBOL -

M650 OPTIONAL EQUIPMENT - SEE M-NO. LIST

-79 LIMITATION OF MODEL YEAR FOR INSTANCE: VALID UP TO
 END OF MODEL YEAR 1979

/LL LHD

/RL RHD

-----+

/V FRONT I

Model	Year	MG	SG	Illustration	VIN No.	Update		
924	79					249	9:40	18.03.2010

I
 /H REAR I
 I----> APPLIES TO
 /L LEFT I DIRECTION OF TRAVEL
 I
 /R RIGHT I
 -----+
 AUT. AUTOMATIC
 WW THE PART CAN BE USED INSTEAD OF THE
 PRECEDING ONE

Model	Year	MG	SG	Illustration	VIN No.	Update		
924	79					249	9:39	18.03.2010

LEGENDS AND NOTICES

=====

IN COLUMN -S- STATUS

- N NEW ADDITION
- P PART ALREADY IN PROGRAMME, BUT NEW
AT THIS APPLICATION
- W DELETED AT THIS APPLICATION, BUT CONTINUED
TO BE CARRIED
- A STOCK TO BE USED UP
- U DELETED WITHOUT REPLACEMENT
- * PART ALSO OR ONLY AVAILABLE
IN REPAIR KIT
- > ALSO AVAILABLE IN EXCHANGE

IN COLUMN - ILL. -

- 1 IDENTIFICATION NO. IN ILLUSTRATION
- (1) PART ONLY SIMILAR AS ILLUSTRATED
- PART IS NOT ILLUSTRATED

Model	Year	MG	SG	Illustration	VIN No.	Update		
924	79					249	9:39	18.03.2010

FIG.-NUMBERS FOR WHICH THERE IS SHOWN NO TEXT ARE
NOT VALID FOR THIS EDITION OF CATALOGUE

IN COLUMN -PART NUMBER/CODE-

000 000 000 00 PART NUMBER EQUALS ORDERING NO., IF A CODE IS
SHOWN, IT WILL HAVE TO BE PART OF ORDERING
NUMBER

AC3 COLOUR CODE

IN COLUMN -TEXT

INSTALLATION WIRH ENGINE OR CHASSIS
NUMBER-RANGE

EXAMPLE:

M XK 001291 >> FROM ENGINE NO.

F >> 92491 001291 UP TO VIN

Model	Year	MG	SG	Illustration	VIN No.	Update		
924	79					249	9:39	18.03.2010

VEHICLE TYPE	TRANSM. TYPE	MY	TRANSMISSION NO.	TECHNICAL DATA
924	088/6	76 6	YR 00001>>	4-SPEED
924	088/6	77 7	YR 00001>>	4-SPEED
924 M249	087/3	77 7	RK 00001>>	3-SPEED
924 (USA) (CDN) (CAL) (J)	088/A	77 7	XT 00001>>	4-SPEED
924 M249 (USA) (CDN) (CAL) (J)	087/6	77 7	RL 00001>>	4-SPEED
924	088/6	78 8	YR 00001>>	4-SPEED
924	016 Z	78 8	VA 00001>>	5-SPEED
924 M249	087/3	78 8	RK 00001>>	3-SPEED
924 (USA) (CDN) (CAL) (J)	088/A	78 8	XT 00001>>	4-SPEED
924 M249 (USA) (CDN) (CAL) (J)	087/6	78 8	RL 00001>>	3-SPEED
924	088/6	79 9	YR 00001>>	4-SPEED
924	016 Z	79 9	VA 00001>>	5-SPEED
924 M249	087/3	79 9	RK 00001>>	3-SPEED
924 (USA) (CDN) (CAL) (J)	016 Y	79 9	VB 00001>>	5-SPEED
924 M249 (USA) (CDN) (CAL) (J)	087/6	79 9	RL 00001>>	3-SPEED
924 TURBO	G31.01	79 9 31	0100001>>	5-SPEED

Model 924	Year 79	MG	SG	Illustration	VIN No.	Update 249	9:39	18.03.2010
--------------	------------	----	----	--------------	---------	---------------	------	------------

EXPLANATION OF THE TRANSMISSION-NUMBERS USED IN THE CATALOGUE

=====

```

DIGIT:                1 2   3 4   5 6   7

EXAMPLE:              Y R   1 9   0 2   9
                    ===  ===  ===  =
                    !   !   !   !
                    !   !   !   !
IDENTIFICATION LETTER-----+   !   !   !
                               !   !   !
MANUFACTURING DAY-----+   !   !
                               !   !
MANUFACTURING MONTH-----+   !
                               !
MANUFACTURING YEAR-----+
    
```

G31.01

=====

```

DIGIT:                1 2 3 4   5 6 7 8 9   (10 11)

EXAMPLE:              3 1 0 1   0 1 2 9 1   ( 1 2 )
                    =====  =====  =====
                    !           !           !
TRANSMISSION VERSION-----+   !           !
                               !           !
    
```

PORSCHE

V-Pages

PORSCHE

Model	Year	MG	SG	Illustration	VIN No.	Update		
924	79					249	9:39	18.03.2010

SERIAL NUMBER-----+ !
!
LIMITED SLIP DIFFERENTIAL-----+

Model 924	Year 79	MG	SG	Illustration	VIN No.	Update 249	9:38	18.03.2010
--------------	------------	----	----	--------------	---------	---------------	------	------------

		ENGINE			
VEHICLE TYPE	TYPE	MY	ENGINE NO.	TECHNICAL DATA	
924	047.8	76 6	XK 000001>>	4ZYL/2,0L/ 92KW	
924	047.8	77 7	XK 000001>>	4ZYL/2,0L/ 92KW	
924 M249	047.9	77 7	XK 000001>>	4ZYL/2,0L/ 92KW	
924 (GB) (AUS)	047.8	77 7	XJ 000001>>	4ZYL/2,0L/ 92KW	
924 M249 (GB) (AUS)	047.9	77 7	XJ 000001>>	4ZYL/2,0L/ 92KW	
924 (USA) (CDN)	047.6	77 7	XH 000001>>	4ZYL/2,0L/ 74KW	
924 (USA) (CDN)	047.4	77 7	XG 300001>>	4ZYL/2,0L/ 85KW	
924 M249 (USA) (CDN)	047.5	77 7	XG 300001>>	4ZYL/2,0L/ 85KW	
924 (CAL) (J)	047.6	77 7	XF 000001>>	4ZYL/2,0L/ 74KW	
924 (CAL)	047.4	77 7	XE 100050>>	4ZYL/2,0L/ 85KW	
924 M249 (CAL)	047.5	77 7	XE 100050>>	4ZYL/2,0L/ 85KW	
924 (J)	047.4	77 7	XG 300050>>	4ZYL/2,0L/ 85KW	
924 M249 (J)	047.5	77 7	XG 300050>>	4ZYL/2,0L/ 85KW	
924	047.8	78 8	XK 000001>>	4ZYL/2,0L/ 92KW	
924	047.8	78 8	XJ 000001>>	4ZYL/2,0L/ 92KW	
924 M249	047.9	78 8	XK 000001>>	4ZYL/2,0L/ 92KW	
924 M249	047.9	78 8	XJ 000001>>	4ZYL/2,0L/ 92KW	
924 (USA) (CDN) (J)	047.4	78 8	XG 000001>>	4ZYL/2,0L/ 85KW	
924 M249 (USA) (CDN) (J)	047.5	78 8	XG 000001>>	4ZYL/2,0L/ 85KW	
924 (CAL)	047.4	78 8	XE 000001>>	4ZYL/2,0L/ 85KW	
924 M249 (CAL)	047.5	78 8	XE 000001>>	4ZYL/2,0L/ 85KW	
924	047.8	79 9	XK 000001>>	4ZYL/2,0L/ 92KW	
924	047.8	79 9	XJ 000001>>	4ZYL/2,0L/ 92KW	
924 M249	047.9	79 9	XK 000001>>	4ZYL/2,0L/ 92KW	
924 M249	047.9	79 9	XJ 000001>>	4ZYL/2,0L/ 92KW	
924 (USA) (CDN) (J)	047.4	79 9	XG 000001>>	4ZYL/2,0L/ 85KW	
924 M249 (USA) (CDN) (J)	047.5	79 9	XG 000001>>	4ZYL/2,0L/ 85KW	

Model	Year	MG	SG	Illustration	VIN No.	Update		
924	79					249	9:38	18.03.2010

924 (CAL)				047.4	79 9 XE 000001>>		4ZYL/2,0L/ 85KW	
924 M249 (CAL)				047.5	79 9 XE 000001>>		4ZYL/2,0L/ 85KW	
924 TURBO				M31.01	79 9 31 010001>>		4ZYL/2,0L/125KW	

Model	Year	MG	SG	Illustration	VIN No.	Update		
924	79					249	9:37	18.03.2010

VEHICLE TYPE	MY	VEHICLE IDENT.NO.	ENGINE TYPE
924	76 6	92461 00051>05149	047.8 92 KW
924	77 7	92471 00051>>	047.8/9 92 KW
924 (USA) (CDN) (CAL)	77 7	92472 00001>>	047.6 74 KW
924 (USA) (CDN) (CAL)	77 7	92472 30001>>	047.4/5 85 KW
924 (J)	77 7	92473 00001>>	047.6 74 KW
924 (J)	77 7	92473 30001>>	047.4/5 85 KW
924	78 8	92481 00051>>	047.8/9 92 KW
924 (USA) (CDN) (CAL)	78 8	92482 00001>>	047.4/5 85 KW
924 (J)	78 8	92483 30001>>	047.4/5 85 KW
924	79 9	92491 00051>>	047.8/9 92 KW
924 (USA) (CDN) (CAL)	79 9	92491 00001>>	047.4/5 85 KW
924 (J)	79 9	92493 30001>>	047.4/5 85 KW
924 TURBO	79 9	92494 00001>>	M31.01 125 KW

Model	Year	MG	SG	Illustration	VIN No.	Update		
924	79					249	9:37	18.03.2010

EXPLANATION OF THE VERSION OF THE VEHICLE IDENT. NUMBERS (VIN)

=====

USED IN THE CATALOGUE

=====

DIGIT:	1	2	3	4	5	6	7	8	9	10
--------	---	---	---	---	---	---	---	---	---	----

EXAMPLE:	9	2	4	9	1	0	0	2	5	3
----------	---	---	---	---	---	---	---	---	---	---

=====

! ! ! !

VEHICLE TYPE-----+ ! ! !

! ! !

MODEL YEAR-----+ ! !

! !

CODE FOR BODY AND ENGINE-----+ !

!

SERIAL NUMBER-----+

Model	Year	MG	SG	Illustration	VIN No.	Update		
924	79					249	9:37	18.03.2010

EXPLANATION OF THE MOTOR-NUMBERS USED IN THE CATALOGUE

=====

DIGIT: 1 2 3 4 5 6 7 8

EXAMPLE: X K 0 0 2 1 3 6

=== =====

! !

ENGINE TYPE-----+ !

!

SERIAL NUMBER-----+