

Model	Year	MG	SG	Illustration	Restrictions	UPD	17:42	23.01.2010
928	1982	0	01	001-00		248		

Pos	Part Number	Description	Remark	Qty	Model
-	928 721 011 03	tool jack		1	
-	928 551 093 02	bag for jack		1	
-	928 721 005 06	tool set comprising:		1	
-	928 721 012 02	spark plug wrench		1	
-	999 571 045 02	rim wrench double-end spanner		1	
-	999 195 011 02	double-end spanner 8 X 9		1	
-	999 195 012 02	double-end spanner 10 X 11		1	
-	999 195 013 02	double-end spanner 12 X 13		1	
-	-	double-end spanner 14 X 15			
-	999 195 015 02	double-end spanner 17 X 19		1	
-	-	universal pliers screwdriver universal pliers		2 1	
-	928 722 101 03	towing lug 15 X 1/8 \$		1	
-	-	v-belt generator		1	
-	-	v-belt air pump v-belt		1	
-	-	power-steering pump		1	
-	928 722 101 05	towing lug 20 X 1/8 \$		1	
-	928 722 103 02	box with bulbs		1	
-	928 722 103 04	box with bulbs	(F)	1	
-	928 701 015 02	support number plate mount		1	

PORSCHE

PET

PORSCHE

Model	Year	MG	SG	Illustration	Restrictions	UPD	17:42	23.01.2010
928	1982	0	01	001-00		248		

Pos	Part Number	Description	Remark	Qty	Model
-	928 701 017 02	support number plate mount	(B) (I) (L)	1	. .
-	928 701 017 02	support mount	(A) (AUS) (SF)	1	.

PORSCHE

PET

PORSCHE

Model	Year	MG	SG	Illustration	Restrictions	UPD	17:42	23.01.2010
928	1982	0	01	001-05		248		

Pos	Part Number	Description	Remark	Qty	Model
		stickers			
-	A 928 006 101 13	sticker engine specifications	(S)	1	
-	928 006 101 13	sticker	(S)	1	928
-	928 006 101 14	sticker	(S)	1	928S
-	928 006 101 07	sticker	(AUS) -79	1	
-	928 006 101 16	sticker	(AUS) 80-	1	
-	928 006 101 15	sticker	(AUS)	1	928S
-	928 006 109 00	sticker toothed belt		1	
-	411 000 263 A	sticker 98 ROZ		1	
-	928 006 505 00	sticker tyre pressure	-79	1	
-	928 006 518 00	sticker tyre pressure		1	928S
-	928 006 519 00	sticker tyre pressure	80-	1	928
-	928 006 507 00	sticker tyre pressure	(AUS) -79	1	
-	928 006 516 00	sticker tyre pressure	(AUS)	1	928S.
-	928 006 517 00	sticker tyre pressure	(AUS) 80-	1	928.
-	928 701 157 03	sticker emergency wheel		1	
-	928 006 901 00	sticker trailer coupling		1	
-	928 701 153 03	sticker windscreen washer system		1	
-	928 006 103 00	sticker ignition point		1	
-	928 006 105 00	sticker firing order		1	
-	964 701 163 00	sticker high voltage		1	
-	928 701 151 03	sticker additional blower		1	M573

PORSCHE

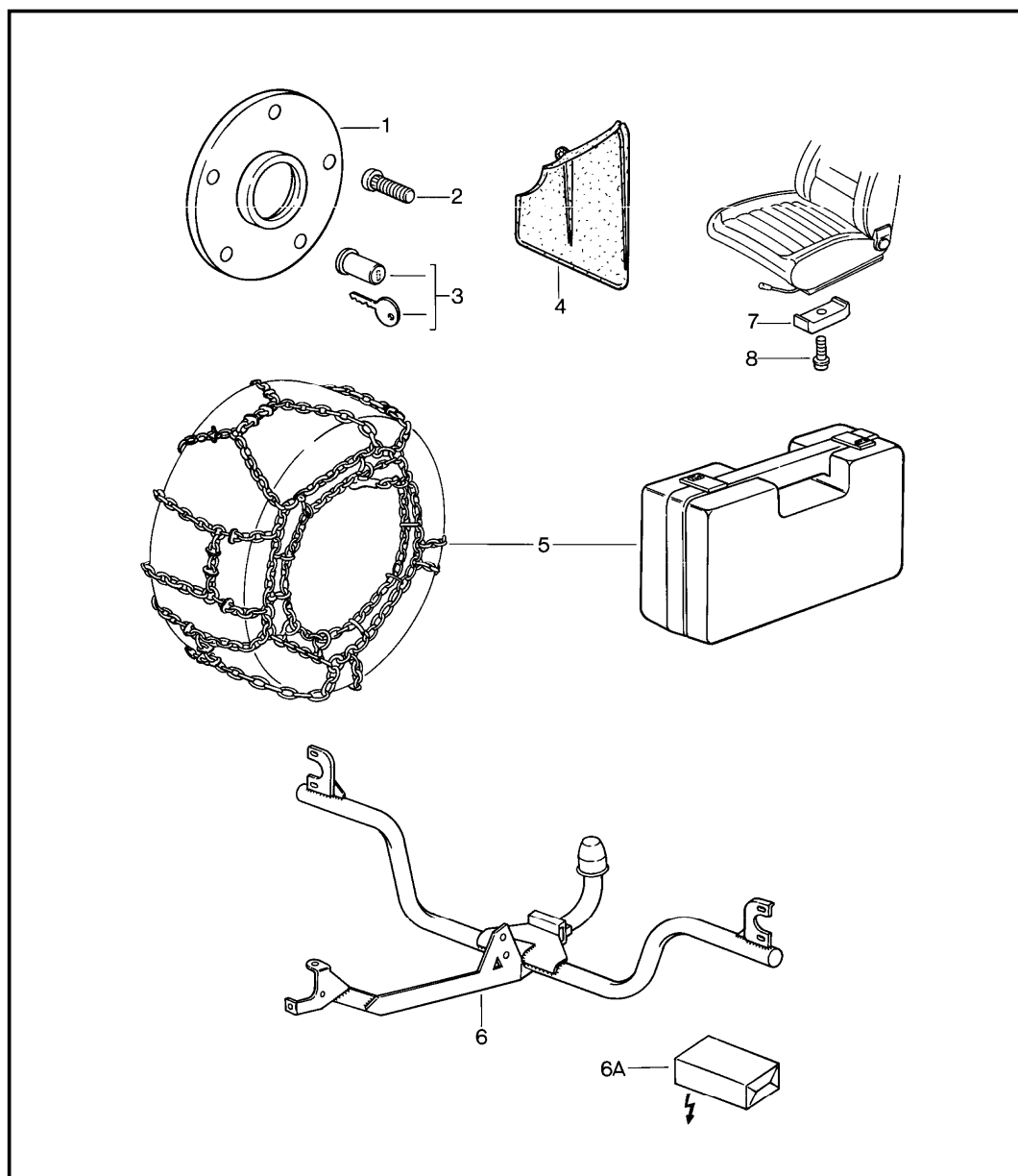
PET

PORSCHE

Model	Year	MG	SG	Illustration	Restrictions	UPD	17:42	23.01.2010
928	1982	0	01	001-05		248		

Pos	Part Number	Description	Remark	Qty	Model
-	928 701 155 02	sticker battery cover		1	

Model	Year	MG	SG	Illustration	Restrictions	UPD	17:42	23.01.2010	PORSCHE	PET	PORSCHE
928	1982	0	02	002-00		248					

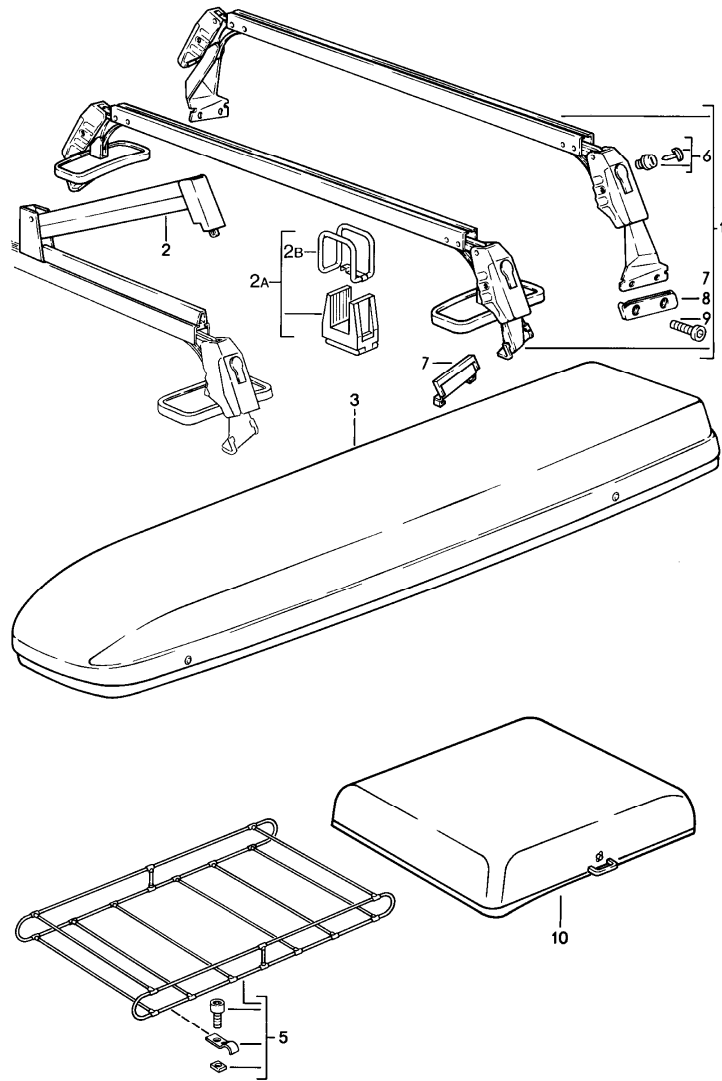


Pos	Part Number	Description	Remark	Qty	Model
		accessories			
		widening of track rear axle see technical information 928 GRUPPE X 5			
1	477 501 701	spacer ring 21 MM		2	
2	901 331 671 01	wheel bolt		10	
3	928 361 047 03	wheel nut 1 set lockable		1	
-	928 361 310 00	cap for wheel nut		X	
-	928 361 306 03	wheel nut lockable without lock		4	
4	928 559 901 02	mud flap set comprising:		1	
-	928 559 383 02	mud flap	/L	1	
-	928 559 384 02	mud flap	/R	1	
-	928 559 385 02	desk pad		2	
-	N 010 264 4	hexagon-head bolt M 5 X 20		2	
-	900 910 008 02	lock nut M 5		2	
-	928 559 386 02	bracket		1	
-	928 559 389 02	clamp		5	
(5)	911 361 909 00	snow chains 1 set 185/70 R 15 225/50 R 16		1	
-	928 801 901 02	ski rack 1 set lockable		1	
-	928 801 035 02	roof rack surfboard support		1	
6	928 722 031 02	trailer coupling		1	

Model	Year	MG	SG	Illustration	Restrictions	UPD	17:42	23.01.2010	PORSCHE	PET	PORSCHE
928	1982	0	02	002-00		248					

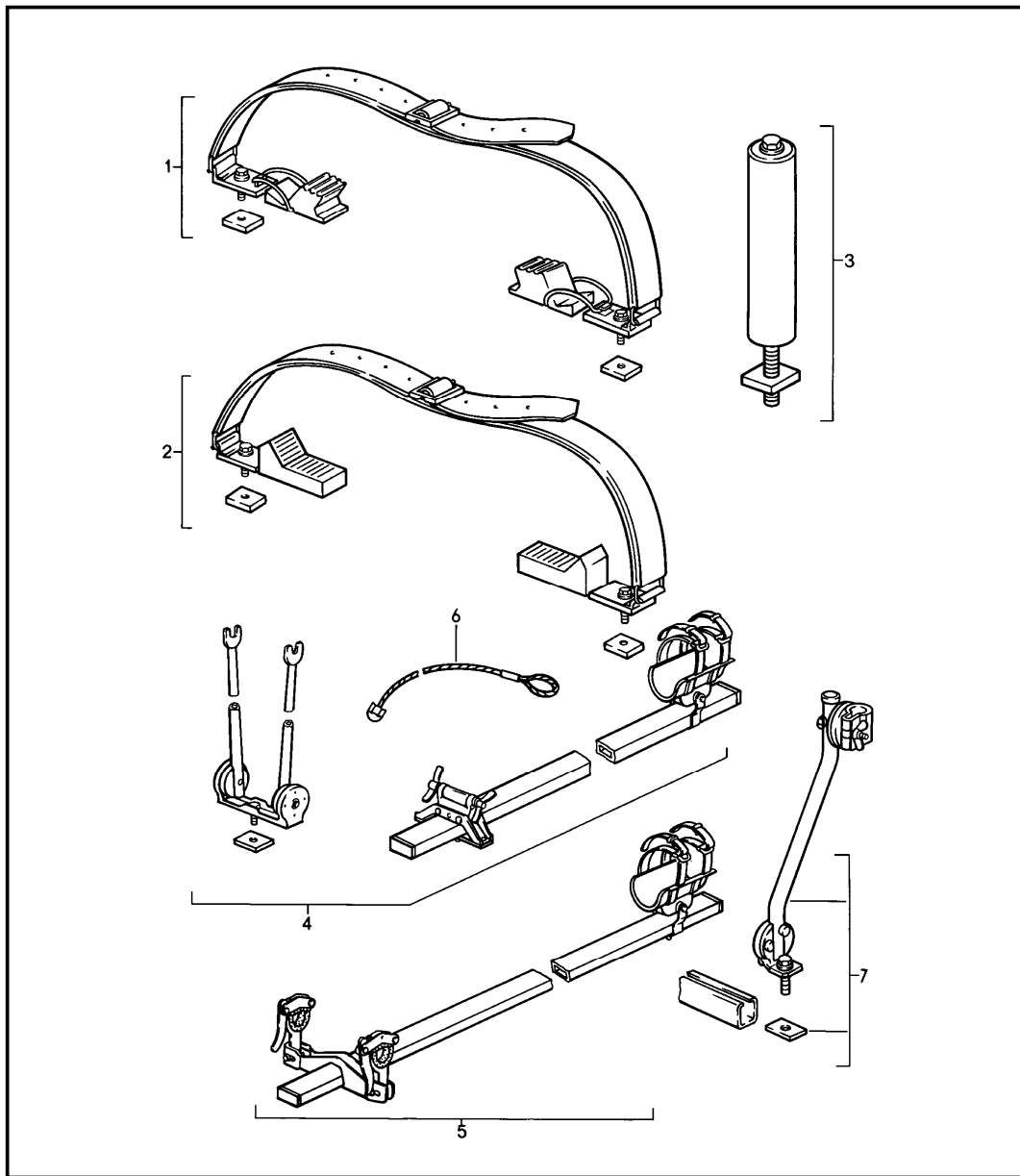
Pos	Part Number	Description	Remark	Qty	Model	Pos	Part Number	Description	Remark	Qty	Model
6A	928 612 905 00	electric installation set trailer coupling		1							
-	928 731 051 02	outside mirror for caravan	/L	1							
-	928 731 052 02	outside mirror for caravan	/R	1							
-	928 361 510 00	small compressor		1							
-	911 722 201 02	tyre pressure gauge		1							
		vertical pedal adjustment see group 7/02/00 7/02/05									
-	928 555 631 02	luggage net	80-	1							
		vertical seat adjustment 13 MM									
7	911 521 493 00	spacer		X							
8	900 067 089 02	pan-head screw M 6 X 25 vertical seat adjustment 26 MM		X							
(8)	N 014 749 2	pan-head screw M 6 X 40		X							
-	944 522 051 01	child car seat up to 4 years		1							
-	928 522 050 00	child car seat older than 4 years only together with child car seat cushion		1							
-	928 522 159 02	child car seat cushion with logo porsche	/L	1							
	4CR	black									
-	928 522 160 02	child car seat cushion with logo porsche	/R	1							
	4CR	black									
-	000 043 002 00	car basket foldable		X							

Model	Year	MG	SG	Illustration	Restrictions	UPD	17:42	23.01.2010	PORSCHE	PET	PORSCHE
928	1982	0	02	002-05		248					



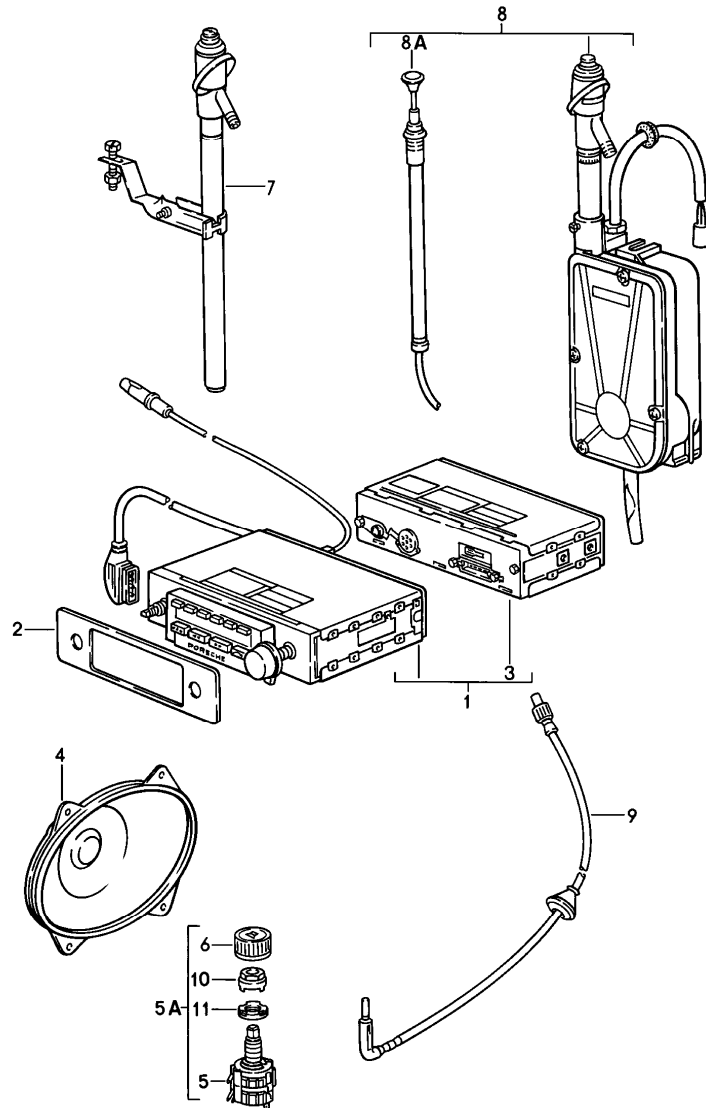
Pos	Part Number	Description	Remark	Qty	Model
		roof transport system			
1	928 801 055 02	set of main supports		1	
2	928 801 061 02	retaining strip set		4	
2A	928 801 903 02	rubber support for skis 1 set		1	
2B	928 801 193 02	retaining strap 1 set		1	
3	928 801 063 02	ski box	/L	1	
(3)	928 801 064 02	ski box	/R	1	
5	928 801 081 02	roof rack 1 set		1	
6	928 801 011 02	cylinder lock		4	
-	928 801 271 02	protective rubber front		2	
-	928 801 167 02	protective rubber rear		2	
-	900 119 072 00	pan-head screw M 8 X 18		4	
-	928 801 073 02	box for suitcase		1	

Model	Year	MG	SG	Illustration	Restrictions	UPD	17:43	23.01.2010	PORSCHE	PET	PORSCHE
928	1982	0	02	002-06		248					



Pos	Part Number	Description	Remark	Qty	Model
		roof transport system			
1	928 801 019 02	set of surf board supports		1	
2	928 801 017 02	set - canoe carrier		1	
3	928 801 085 02	ladder support mandrel 1 set		1	
4	928 801 093 02	set - bike carrier racing bike		1	
5	928 801 095 02	set - bike carrier standard bike		1	
6	928 801 079 02	safety rope		1	
7	928 801 097 02	support for bicycle		1	

Model	Year	MG	SG	Illustration	Restrictions	UPD	17:43	23.01.2010	PORSCHE	PET	PORSCHE
928	1982	0	03	003-00		248					



Pos	Part Number	Description	Remark	Qty	Model
1	928 645 101 00	radio installation parts		1	M 351
(1)	928 645 102 00	radio porsche STEREO TYP DE		1	
(1)	928 645 105 01	radio porsche CR STEREO TYP RW	(A) (CH) (D)	1	
(1)	928 645 105 01	radio BAMBERG digital display SUPER ARIMAT		1	
(2)	928 645 911 00	cover for radio (928.645.105.01)		1	
(1)	928 645 108 01	radio BAMBERG digital display		1	
(2)	928 645 913 00	cover for radio (928 645 108 01)		1	
2	928 645 151 00	cover	-79	1	
3	911 645 165 01	receiving part	-79	1	
4	928 645 401 00	loudspeaker front 4 OHM 5 WATT	-79	2	
-	928 555 119 02	gasket loudspeaker		2	
-	900 076 056 02	hexagon nut	-79	8	
-	999 591 461 01	fastening clamp	-79	8	
-	900 151 019 02	washer	-79	8	
(4)	928 645 402 00	loudspeaker front 4 OHM 15 WATT		80-	2
-	N 011 004 6	hexagon nut	80-	8	
-	900 027 011 01	lock ring B 4	80-	8	
-	900 151 001 02	washer	80-	8	

Model	Year	MG	SG	Illustration	Restrictions	UPD	17:43	23.01.2010	PORSCHE	PET	PORSCHE
928	1982	0	03	003-00		248					

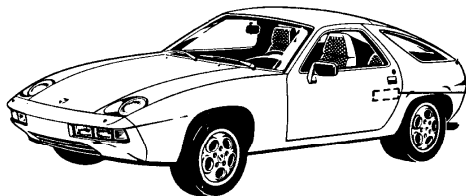
Pos	Part Number	Description	Remark	Qty	Model	Pos	Part Number	Description	Remark	Qty	Model
(4)	928 645 401 00	loudspeaker rear 4 OHM 5 WATT	-79	2		-	999 619 138 00	interference-suppr. choke for radio BAMBERG		1	
-	999 591 461 01	fastening clamp	-79	8				booster		X	
-	900 025 001 02	washer	-79	8		-	928 645 405 01	amplifier		1	
-	900 076 056 02	hexagon nut	-79	8		5	928 645 153 02	fader		1	
4	928 645 403 00	loudspeaker rear 4 OHM 25 WATT	80-	2		6	928 645 154 01	rotary knob fader		1	
-	N 011 004 6	hexagon nut	80-	8		-	999 619 140 00	battery interference choke		1	
-	900 027 011 01	lock ring B 4	80-	8		-	928 645 077 01	support		2	
-	900 151 001 02	washer	80-	8		-	900 028 007 02	spring washer		2	
5	928 645 153 00	fader		1		-	900 143 026 02	tapping screw 4,8 X 13		2	
5A	A 928 645 153 00	fader		1				mounting parts fader			
6	928 645 154 01	rotary knob fader		1		6	928 645 154 01	rotary knob		1	
7	928 645 030 00	antenna manually	-81	1		10	928 645 161 00	rosette		1	
8	> 928 645 035 00	automatic antenna	-79	1		11	911 645 130 00	nut		1	
(8)	> 928 645 035 01	automatic antenna	80-	1							
8A	477 035 513	antenna rod for antenna automatic		1							
9	928 645 031 00	cable for antenna		1							
-	928 645 121 01	installation set	-79	1							
-	928 645 121 02	installation set	80-	1							
-	928 645 901 01	suppression set		1							
-	928 645 901 01	suppression set for radio PORSCHE CR		1							

Model	Year	MG	SG	Illustration	Restrictions	UPD	17:43	23.01.2010	PORSCHE	PET	PORSCHE
928	1982	0	04	004-00		248					

FARBNUMMER
COLOUR NUMBER
NUMERO DE COULEUR
NUMERO COLORE
NUMERO DE COLOR

80K9 2
GUARDS RED
INDISCHROT
G1

FARBENENNUNG
COLOUR
COULEUR
COLORE
COLOR



Pos	Part Number	Description	Remark	Qty	Model
		lacquers basic materials			
-	911 096 050 00	polyester filler 1 KG. GLASSIT-NON-FERRO 839-10		X	
-	911 096 051 00	hardener 30 GR. GLASSIT 948-36 red		X	
-	911 096 052 00	primer filler 1 LTR. GLASSOFIX 238-150		X	
-	911 096 053 00	hardener 500 ML. GLASSOFIX 352-228		X	
-	911 096 054 00	primer filler 1 LTR. GLASSODUR 285-100 white		X	
-	911 096 055 00	hardener 500 ML. GLASSODUR 929-28/1		X	
-	911 096 056 00	wash primer 2 LTR. GLASSOFIX 2K 934-200		X	
-	911 096 057 00	hardener 1 LTR. GLASSOFIX 934-100		X	
-	911 096 058 00	polyurethane plastic putty 1 KG. GLASSODUR 995-20		X	
-	911 096 059 00	hardener 1KG. GLASSODUR 929-13		X	
-	911 096 060 00	thinner 1 KG. GLASSODUR 352-91		X	
-	911 096 062 00	additional lacquer 1 LTR. GLASSODUR 521-111		X	
-	911 096 063 00	underbody protection 1 KG. GLASSOHYD 1109-		X	

Model	Year	MG	SG	Illustration	Restrictions	UPD	17:43	23.01.2010	PORSCHE	PET	PORSCHE
928	1982	0	04	004-00		248					

Pos	Part Number	Description	Remark	Qty	Model	Pos	Part Number	Description	Remark	Qty	Model
-	000 043 001 00	tin SN 90% 2 pieces		X			463	casablanca beige metallic			463
							464	tobacco metallic			464
							708	black-metallic			708
-	911 095 902 60	top-coat paint		X			20C	moss green metallic			20C
	027	guards red			027		31G	PAZIFICBLAU-METALLI			31G
	106	talbot yellow			106		474	PALISANDER-METALLIC			474
	107	CONTINENTALORANGE			107		895	burgundy-metallic			895
	260	DAPHNEGRUEN			260		655	platinum-metallic			655
	273	fern green			273		956	zinc metallic			956
	274	olive green			274		961	meteor metallic			961
	305	arrow blue			305		966	light bronze metallic			966
	408	bitter chocolate			408						
	451	mocha black			451	-	911 096 064 00	clear lacquer 1 LTR. GLASSODUR-MS 923-85		X	
	502	cashmere beige			502	-	911 095 932 20	paint touch-up applicator		X	
	601	flieder			601		027	guards red			027
	700	black			700		106	talbot yellow			106
	908	grand prix white			908		182	CHIFFONWEISS			182
	20A	mint green			20A		107	CONTINENTALORANGE			107
	182	CHIFFONWEISS			182		20A	mint green			20A
	523	bamboo beige			523		260	DAPHNEGRUEN			260
	524	caramel			524		20C	moss green metallic			20C
-	911 095 903 80	synthetic resin prime coat 1 LTR.		X			265	oak green metallic			265
	265	oak green metallic			265		273	fern green			273
	275	LINDGRUEN-METALLIC			275		274	olive green			274
	304	minerva blue			304		275	LINDGRUEN-METALLIC			275
	376	PETROLBLAU-METALLIC			376		304	minerva blue			304
	443	BRAUN-KUPFER-DIAMAN			443		305	arrow blue			305
	936	silver metallic			936		376	petrol blue			376
	30T	light blue metallic			30T		408	bitter chocolate			408

Model	Year	MG	SG	Illustration	Restrictions	UPD	17:43	23.01.2010	PORSCHE	PET	PORSCHE
928	1982	0	04	004-00		248					

Pos	Part Number	Description	Remark	Qty	Model	Pos	Part Number	Description	Remark	Qty	Model
	443	BRAUN-KUPFER-DIAMAN			443						
	451	mocha black			451						
	474	PALISANDER-METALLIC			474						
	524	caramel			524						
	502	cashmere beige			502						
	523	bamboo beige			523						
	700	black			700						
	895	burgundy-metallic			895						
	908	grand prix white			908						
	601	flieder			601						
-	911 095 933 20	paint touch-up applicator comprising: paint touch-up applicator top-coat paint paint touch-up applicator paint		X							
	20C	moss green metallic									
	265	oak green metallic									
	275	LINDGRUEN-METALLIC									
	30T	light blue metallic									
	304	minerva blue									
	376	petrol blue									
	463	casablanca beige metallic									
	464	tobacco metallic									
	474	PALISANDER - METALL									
	655	platinum-metallic									
	708	black-metallic									
	895	burgundy-metallic									
	956	zinc metallic									
	961	meteor metallic									
	966	light bronze metallic									

Model	Year	MG	SG	Illustration	Restrictions	UPD	17:43	23.01.2010
928	1982	0	05	005-00		248		

Pos	Part Number	Description	Remark	Qty	Model
-	928 101 921 00	sealing compound adhesive		X	
-	000 043 010 00	loctite 10 CCM adhesive		X	
-	000 043 051 00	loctite 1 TUBE - 50 CCM sealing compound		X	
-	000 043 051 00	adhesive 50 CCM LOCTITE 312		X	
-	000 043 202 65	loctite AKTIVATOR NF 736 180 CCM for pasting metal glass ceramics		X	
-	000 043 004 00	mounting paste 1 KG mounting paste		X	
-	000 043 004 00	mounting paste optimoly ht 90 GR.		X	
-	999 917 725 00	grease 100 G grease for drive shaft		X	
-	000 043 005 00	grease 90 G grease for drive shaft		X	
-	000 043 204 21	grease for lock cylinder spraying can		X	
-	999 571 062 00	preservative agent			
-	999 571 062 00	care kit comprising: suitcase		1	
-	999 901 013 40	liquid preservative		X	
-	999 901 014 41	cleaning agent		X	
-	999 901 015 40	polisher		X	
-	999 901 016 40	tar remover		X	
-	999 901 017 40	dashboard cleaner		X	
-	999 901 018 40	paint polish		X	
-	999 901 019 41	insect remover		X	

PORSCHE

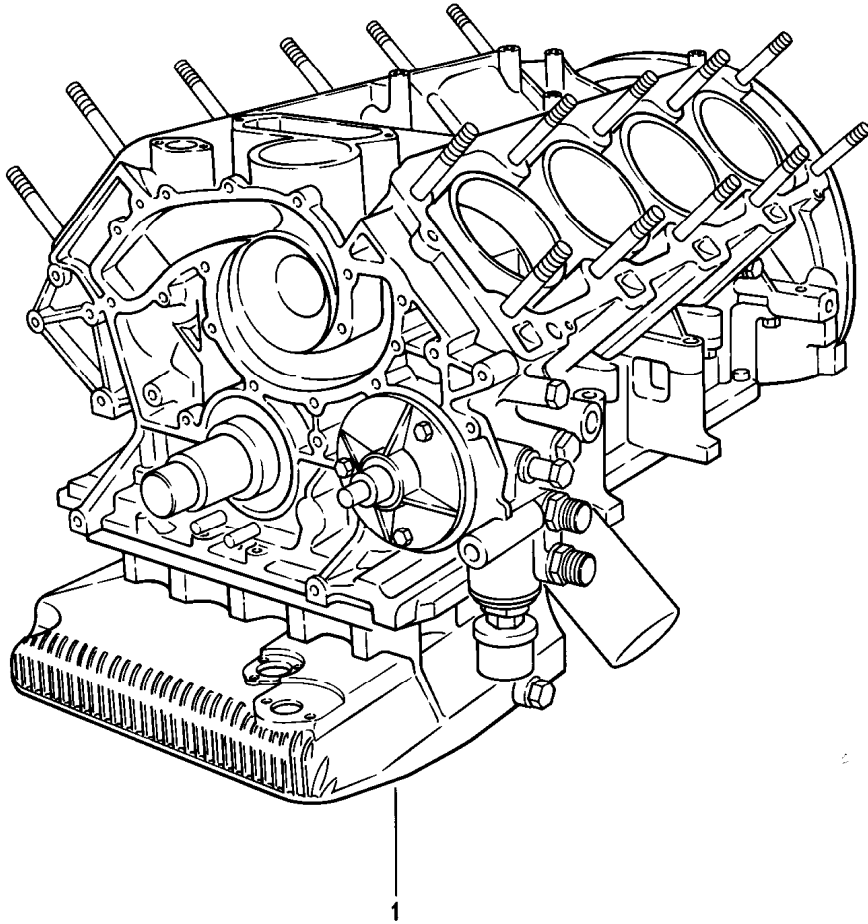
PET

PORSCHE

Model	Year	MG	SG	Illustration	Restrictions	UPD	17:43	23.01.2010
928	1982	0	05	005-00		248		

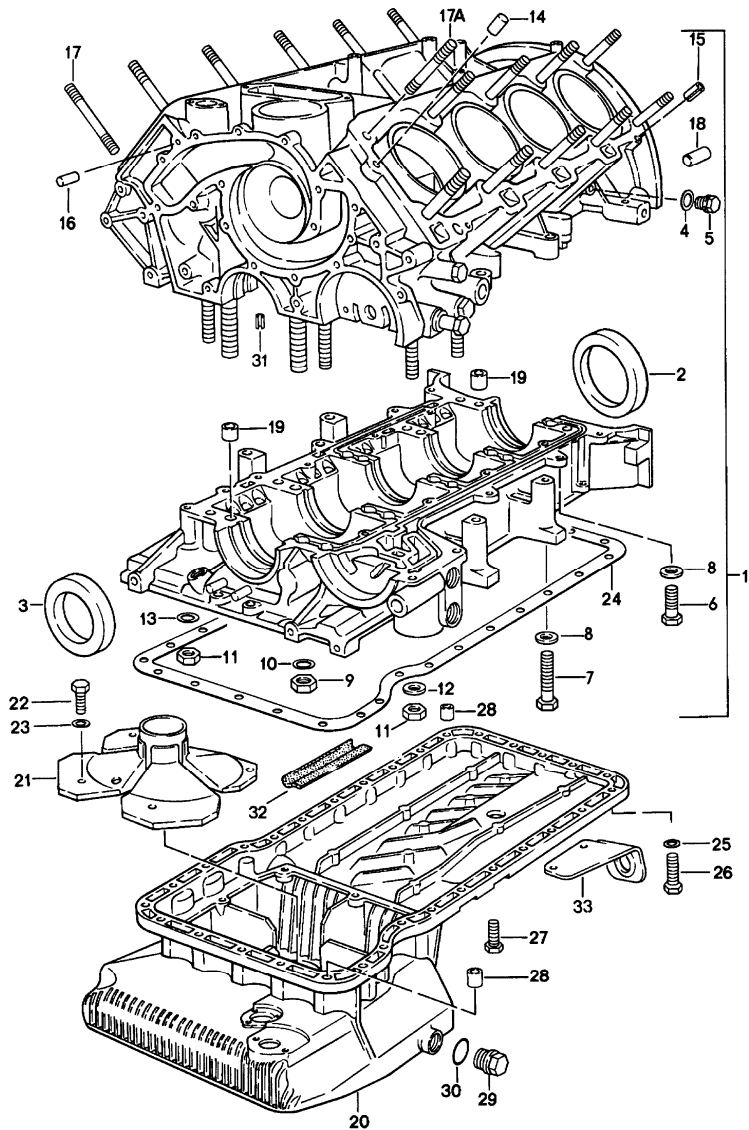
Pos	Part Number	Description	Remark	Qty	Model
-	999 901 020 40	spot remover		X	
-	999 901 021 40	polishing cotton		X	
-	999 901 022 40	polishing cloth		X	
-	999 917 803 00	window cleaner spray bottle 250 ML		X	
-	000 044 000 02	preservative agent -KARNEOL- 250 CCM		1	
-	999 901 030 40	rim cleaner spray bottle 500 ML		X	
-	999 901 031 40	rim cleaner refilling bottle 1000 ML		X	
-	928 628 931 00	silicone remover 1000 ML		X	

Model	Year	MG	SG	Illustration	Restrictions	UPD	17:43	23.01.2010	PORSCHE	PET	PORSCHE
928	1982	1	01	101-00		248					



Pos	Part Number	Description	Remark	Qty	Model
		replacement engine ready for installation			
- A	928 100 921 01	replacement engine		-79	1 M28.01
- A	928 100 922 02	replacement engine	AUT.	-79	1 M28.02
- A	928 100 925 09	replacement engine		80-	1 M28.09
- A	928 100 926 10	replacement engine	AUT.	80-	1 M28.10
- >	928 100 911 02	short engine		80-	1 M28.11
- >	928 100 911 02	short engine	AUT.	80-	1 M28.12
		short engine with crankshaft piston oil pump oil pan			
1 >	928 100 911 00	short engine		-79	1 -04 M28.01
(1) >	928 100 911 01	short engine		80-	1 M28.09/10
(1) >	928 100 911 02	short engine			1 M28.11/12

Model	Year	MG	SG	Illustration	Restrictions	UPD	17:43	23.01.2010	PORSCHE	PET	PORSCHE
928	1982	1	01	101-05		248					

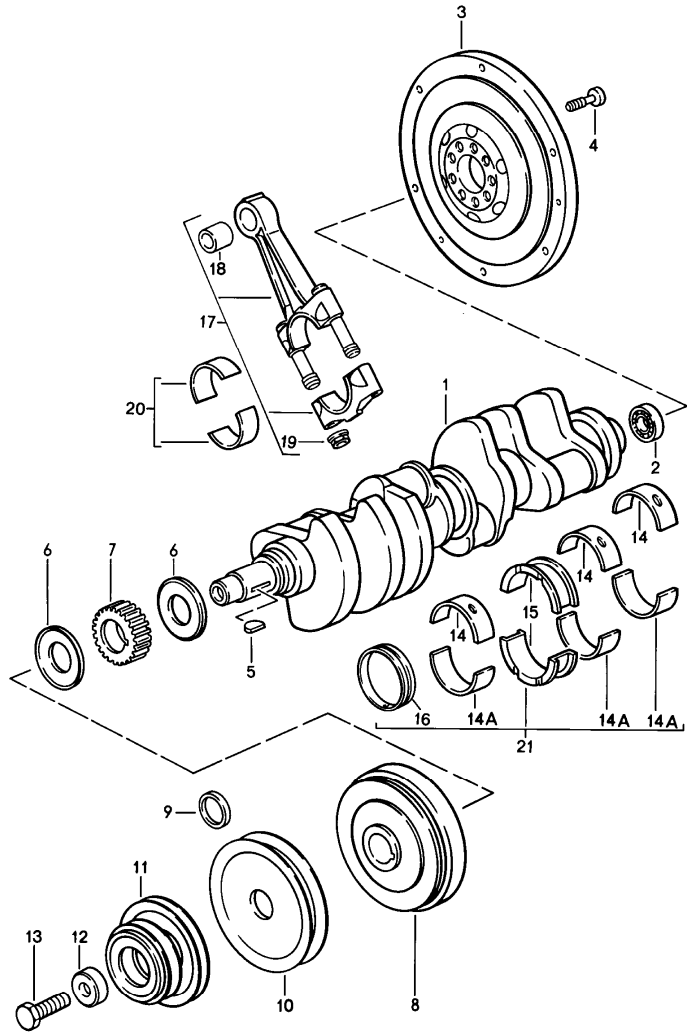


Pos	Part Number	Description	Remark	Qty	Model
1	> 928 101 905 01	crankcase	-79	1	-04 M28.01
(1)	> 928 101 906 00	crankcase with pistons bearing 1 closed		1	M28.09/10
(1)	> 928 101 906 01	crankcase with pistons bearing 1 closed	80-	1	M28.09/10
(1)	> 928 101 907 01	crankcase with piston bearing 1		1	M28.11/12
(1)	928 101 907 AX	crankcase with piston bearing 1 closed		1	M28.11/12
2	999 113 264 40	radial sealing ring 90 X 110 X 12		1	
3	999 113 263 40	shaft sealing ring	-80	1	
3	999 113 263 -0	shaft sealing ring 60 X 85 X 10	81-	1	
4	900 123 055 30	sealing ring		2	
5	N 029 703 1	screw plug M 12 X 1,5 X 16		2	
6	900 075 099 02	hexagon-head bolt M 8 X 30		6	
7	N 010 361 4	hexagon-head bolt M 8 X 65		10	
8	900 025 007 02	washer A 8,4		16	

Model	Year	MG	SG	Illustration	Restrictions	UPD	17:43	23.01.2010	PORSCHE	PET	PORSCHE
928	1982	1	01	101-05		248					

Pos	Part Number	Description	Remark	Qty	Model	Pos	Part Number	Description	Remark	Qty	Model
9	N 011 020 8	hexagon nut M 12 X 1,5		10		25	U 999 025 108 02	washer B 6,4 X 14		25	
10	928 101 301 02	washer		10		26	U 900 075 135 02	hexagon-head bolt M 6 X 28		25	
11	N 011 010 13	hexagon nut M 10		12		26	900 075 347 02	screw M 6 X 28 Z1		25	
12	900 025 008 09	washer A 10,5		2		27	900 075 333 02	hexagon-head bolt M 6 X 25 Z2		5	
13	928 101 303 00	washer		10		28	928 101 189 00	dowel sleeve		2	
14	999 012 034 00	straight pin 8 M 6 X 12		4		29	911 107 176 03	screw plug M >> 801 0299 M >> 801 5333 M >> 821 0679 M >> 821 5652		1	
15	900 095 072 01	tensioning sleeve 6 X 12		2		29	944 107 197 01	screw plug only together with 928.101.201.10		1	
16	N 013 199 1	straight pin 6 X 12		2		30	900 123 118 30	sealing ring		1	
17	928 101 187 06	stud 193 MM		18		31	N 013 315 1	roll pin 5 X 10	82	1	
17A	928 101 186 04	stud 142 MM		2		32	928 604 121 00	insulating piece		1	
18	900 012 070 00	straight pin 12 X 18		2		33	928 423 221 01	support II		1	
19	928 101 195 02	fitting bushing	-80	2							
(19)	928 101 195 03	fitting bushing	81-	1							
20	928 101 208 00	oil pan only together with 944.107.197.00 use also: oil tube 928.107.167.00 sealing ring 999.701.591.40 screw 900.075.015.02		1							
21	928 107 139 04	insert for oil sump		1							
22	999 072 005 09	hexagon-head bolt M 6 X 12		4							
23	900 025 014 02	washer B 6,4		4							
24	928 101 207 00	oil sump gasket		1							

Model	Year	MG	SG	Illustration	Restrictions	UPD	17:44	23.01.2010	PORSCHE	PET	PORSCHE
928	1982	1	02	102-00		248					



Pos	Part Number	Description	Remark	Qty	Model
1	A 928 102 011 21	crankshaft		1	
1	> 928 102 011 28	crankshaft			
2	928 102 111 02	deep-groove ball bearing		1	
3	> 928 102 202 04	flywheel	-79	1	
(3)	A 928 102 202 10	flywheel	80-	1	
3	> 928 102 202 10	flywheel	82	1	M28.09/10
(3)	A 928 102 075 00	flywheel	AUT.	1	
(3)	928 102 075 00	flywheel	AUT.	1	
4	928 102 151 01	pan-head screw		9	
5	900 118 014 00	woodruff key		1	
6	928 102 125 02	flange washer		2	
7	928 105 125 03	gear wheel vibration damper		1	
8	928 102 120 14	vibration damper black	-79	1	-04 M28.01
(8)	928 102 120 15	vibration damper red		1	M28.11/12
(8)	928 102 120 16	vibration damper blue	(AUS) (S)	1	-12 M28.09
8	928 102 120 17	vibration damper grey	80-	1	M28.09/10
9	928 102 126 00	spacer		1	
(10)	928 102 115 00	v-belt pulley M >> 818 1765 M >> 818 9378	AUT.	1	-04 M28.01
(10)	928 102 118 00	v-belt pulley M 818 1766 >> M 818 9379 >>	AUT.	-79	1
10	928 102 118 03	v-belt pulley	80-	1	
11	928 102 116 05	v-belt pulley	-81	1	

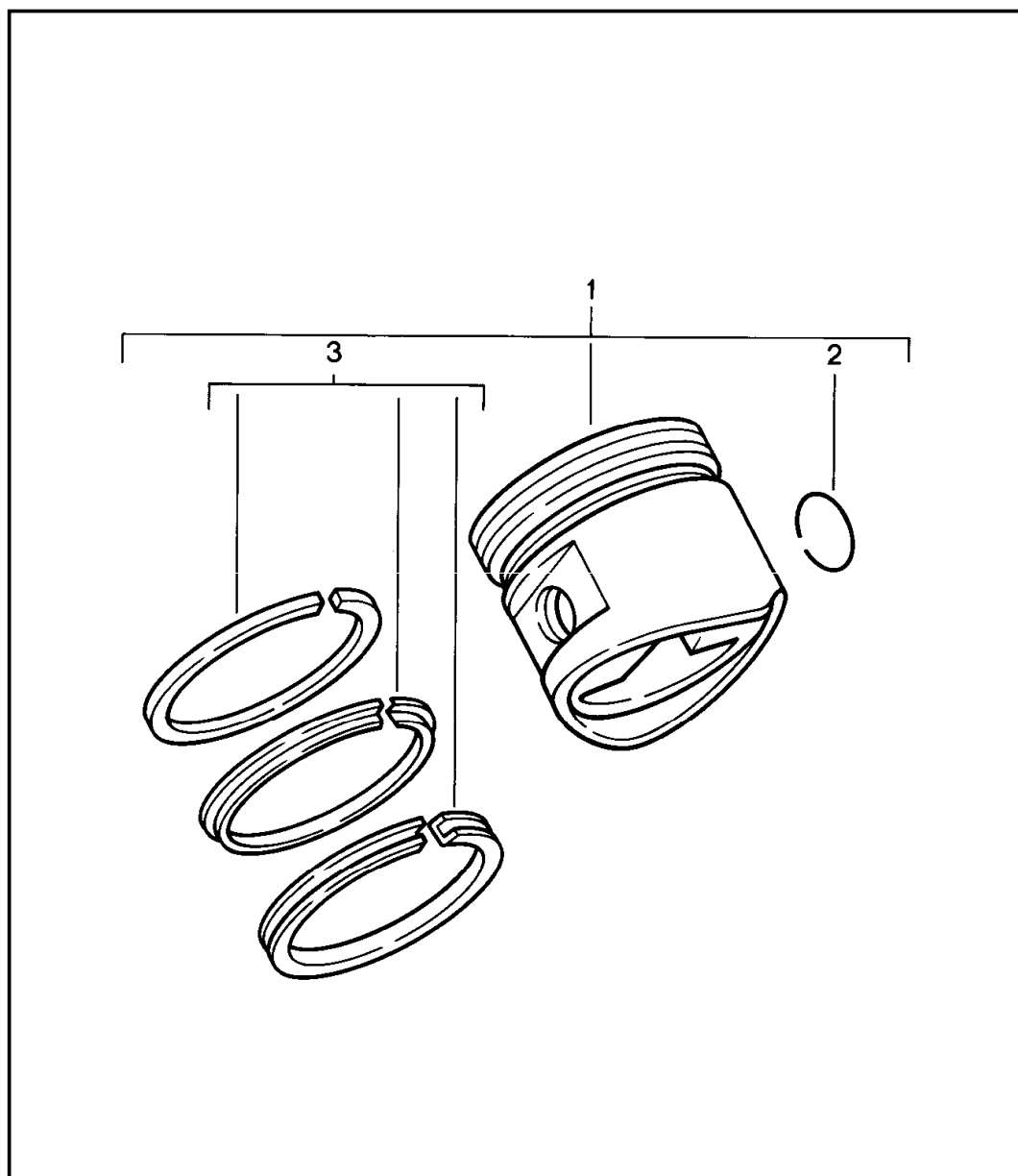
Model	Year	MG	SG	Illustration	Restrictions	UPD	17:44	23.01.2010	PORSCHE	PET	PORSCHE
928	1982	1	02	102-00		248					

Pos	Part Number	Description	Remark	Qty	Model	Pos	Part Number	Description	Remark	Qty	Model
11	928 102 139 02	pulley for generator 928.603.114.00	82-	1		20	* 928 103 143 02	conrod bearing shell		16	
						20	* 928 103 143 52	conrod bearing shell undersize 0.25 mm		16	
12	928 102 124 01	thrust washer		1		20	A 928 103 143 57	conrod bearing shell undersize 0.25 mm	-80	16	
13	900 083 036 02	hexagon-head bolt		1		20	* 928 103 143 57	conrod bearing shell undersize 0.25 mm	81-	X	
14	* 928 101 115 02	main bearing		X		21	* 928 101 901 01	1 set crankshaft bearing valid for engine with bearing 1 divided		1	
	001	upper half 2,4,5									
14	* 928 101 115 50	main bearing shell upper half 2,4,5 undersize 0.25 mm		X							
14	* 928 101 115 60	main bearing shell upper half 2,4,5 undersize 0.50 mm		X							
14A	* 928 101 115 03	main bearing		X		21	* 928 101 901 51	1 set crankshaft bearing undersize 0.25 mm valid for engine with bearing 1 divided		1	
	001	lower half 2,4,5									
14A	* 928 101 115 51	main bearing shell lower half 2,4,5 undersize 0.25 mm		X							
14A	* 928 101 115 61	main bearing shell lower half 2,4,5 undersize 0.50 mm		X		21	928 101 901 61	1 set crankshaft bearing undersize 0.50 mm valid for engine with bearing 1 divided		1	
15	928 101 133 03	thrust bearing 3		2							
15	* 928 101 133 53	thrust bearing 3 undersize 0.25 mm		X							
15	* 928 101 133 63	thrust bearing 3 undersize 0.50 mm		X		21	928 101 901 02	set of crankshaft bearings valid for engine with bearing 1 closed		1	
16	* 928 101 117 08	main bearing bush i		1							
16	* 928 101 117 58	main bearing bush i undersize 0.25 mm		1		21	* 928 101 901 52	set of crankshaft bearings undersize 0.25 mm valid for engine with bearing 1 closed		1	
16	* 928 101 117 68	main bearing bush i undersize 0.50 mm		1							
17	928 103 004 00	connecting rod		8							
18	928 103 133 00	piston pin bush		8							
19	928 103 172 02	connecting rod nut		16							

Model	Year	MG	SG	Illustration	Restrictions	UPD	17:44	23.01.2010	PORSCHE	PET	PORSCHE
928	1982	1	02	102-00		248					

Pos	Part Number	Description	Remark	Qty	Model	Pos	Part Number	Description	Remark	Qty	Model
21	* 928 101 901 62	set of crankshaft bearings undersize 0.50 mm valid for engine bearing 1 closed		1							

Model	Year	MG	SG	Illustration	Restrictions	UPD	17:44	23.01.2010	PORSCHE	PET	PORSCHE
928	1982	1	02	102-05		248					

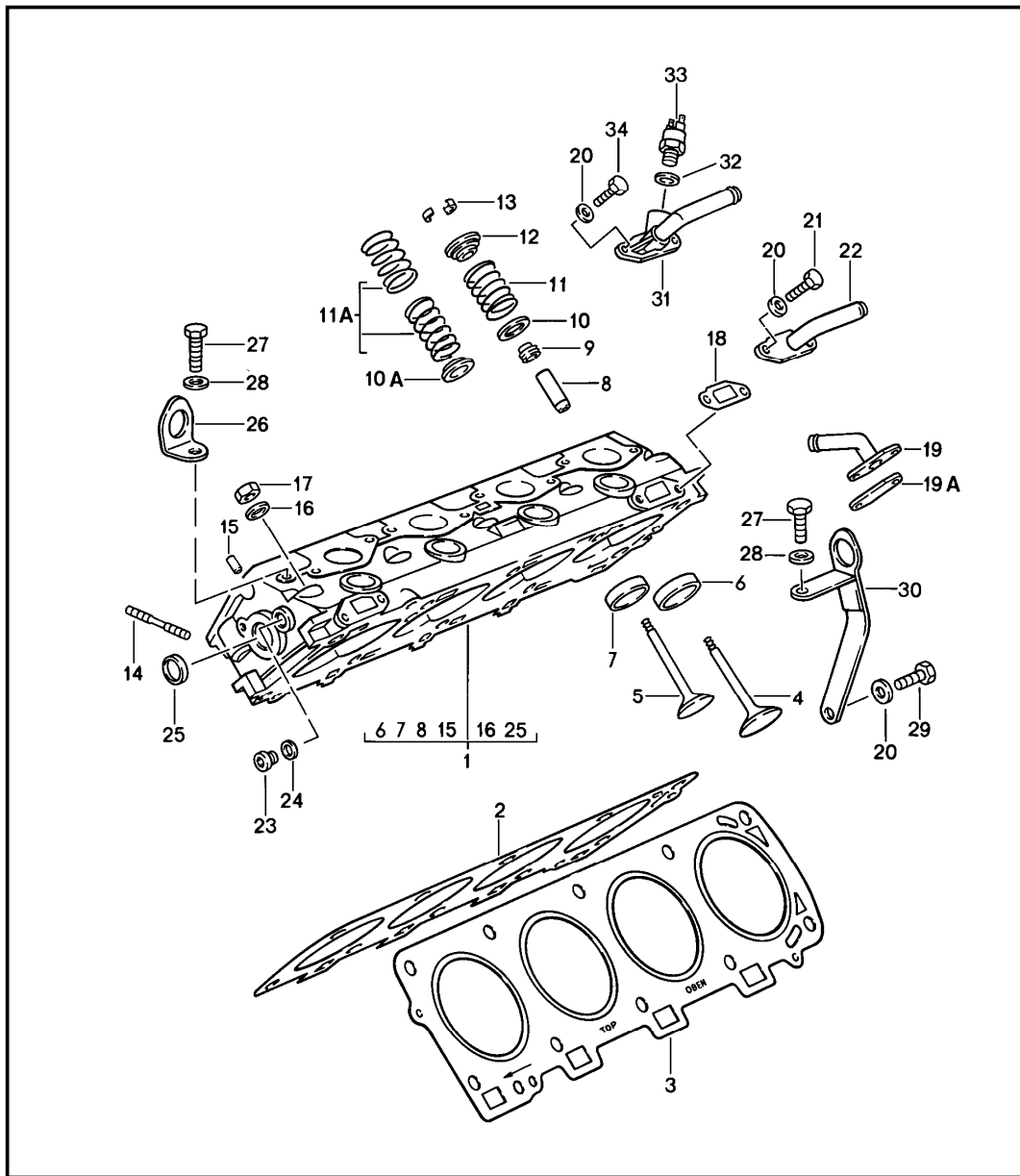


Pos	Part Number	Description	Remark	Qty	Model
1	928 103 074 03	piston piston rings		8	-04 M28.01
(1)	928 103 074 13	piston - ks - 95,00 MM tolerance group 0		X	-04 M28.01
(1)	928 103 074 23	piston - ks - 95,00 MM tolerance group 2		X	-04 M28.01
(1)	928 103 074 53	piston - ks - 95,50 MM tolerance group 0		X	-04 M28.01
(1)	928 103 074 63	piston - ks - 95,50 MM tolerance group 1		X	-04 M28.01
(1)	928 103 074 73	piston - ks - 95,50 MM tolerance group 2		X	-04 M28.01
(1)	928 103 074 58	piston - ks - 96,00 MM tolerance group 0		X	-04 M28.01
(1)	928 103 088 00	piston - ks - 95,00 MM tolerance group 0	80-	8	M28.09/10
(1)	928 103 088 10	piston - ks - 95,00 MM tolerance group 1	80-	X	M28.09/10

Model	Year	MG	SG	Illustration	Restrictions	UPD	17:44	23.01.2010	PORSCHE	PET	PORSCHE
928	1982	1	02	102-05		248					

Pos	Part Number	Description	Remark	Qty	Model	Pos	Part Number	Description	Remark	Qty	Model
(1)	928 103 088 20	piston - KS - 95,00 MM tolerance group 2		80-	X M28.09/10	(1)	928 103 086 65	piston MAHLE 98,00 MM tolerance group 1		X	M28.11/12
(1)	928 103 088 50	piston - ks - 95,50 MM tolerance group 0		80-	X M28.09/10	(1)	928 103 086 75	piston MAHLE 98,00 MM tolerance group 2		X	M28.11/12
(1)	928 103 088 60	piston - ks - 95,50 MM tolerance group 1		80-	X M28.09/10	2	N 012 277 1	circlip		16	
(1)	928 103 088 70	piston - ks - 95,50 MM tolerance group 2		80-	X M28.09/10	3	* 928 103 902 00	set of piston rings 95,00 MM	-79	X	-04 M28.01
(1)	928 103 086 00	piston MAHLE 97,00 MM tolerance group 0			8 M28.11/12	(3)	928 103 903 00	set of piston rings 95,50 MM	-79	X	-04 M28.01
(1)	928 103 086 10	piston MAHLE 97,00 MM tolerance group 1			X M28.11/12	(3)	* 928 103 904 00	set of piston rings 96,00 MM	-79	X	-04 M28.01
(1)	928 103 086 20	piston MAHLE 97,00 MM tolerance group 2			X M28.11/12	(3)	* 928 103 905 04	set of piston rings 95,00 MM	80-	X	
(1)	928 103 086 50	piston MAHLE 97,50 MM tolerance group 0			X M28.11/12	(3)	* 928 103 905 05	set of piston rings 95,50 MM	80-	X	
(1)	928 103 086 60	piston MAHLE 97,50 MM tolerance group 1			X M28.11/12	(3)	* 928 103 905 06	set of piston rings 96,00 MM	80-	X	
(1)	928 103 086 70	piston MAHLE 97,50 tolerance group 2			X M28.11/12	(3)	* 928 103 906 11	set of piston rings 97,00 MM		X	M28.11/12
(1)	928 103 086 55	piston MAHLE 98,00 MM tolerance group 0			X M28.11/12	(3)	* 928 103 906 12	set of piston rings 97,50 MM		X	M28.11/12

Model	Year	MG	SG	Illustration	Restrictions	UPD	17:44	23.01.2010	PORSCHE	PET	PORSCHE
928	1982	1	03	103-00		248					



Pos	Part Number	Description	Remark	Qty	Model
1	> 928 104 046 04	cylinder head		2	-04 M28.01
(1)	> 928 104 053 01	cylinder head		2	M28.09/10
(1)	> 928 104 055 05	cylinder head		2	M28.11/12
2	A 928 104 371 12	cylinder head gasket	/R	1	-04 M28.01 M28.09/10 -18 M28.13
2	928 104 371 12	cylinder head gasket without asbestos	/R	1	-04 M28.01/04 M28.09/10 -18 M28.13
2	A 928 104 361 07	cylinder head gasket	/R	1	M28.11/12
2	928 104 361 07	cylinder head gasket without asbestos	/R	1	M28.11/12
3	A 928 104 372 12	cylinder head gasket	/L	1	-04 M28.01 M28.09/10 -18 M28.13
3	928 104 372 12	cylinder head gasket without asbestos	/L	1	-04 M28.01 M28.09/10 -18 M28.13
3	A 928 104 362 07	cylinder head gasket	/L	1	M28.11/12
3	928 104 362 07	cylinder head gasket without asbestos	/L	1	M28.11/12
4	928 105 413 00	intake valve		8	-04 M28.01 M28.09/10 -18 M28.13
(4)	928 105 409 02	intake valve		8	M28.11/12
5	928 105 417 03	exhaust valve		8	-04 M28.01 M28.09/10 -18 M28.13

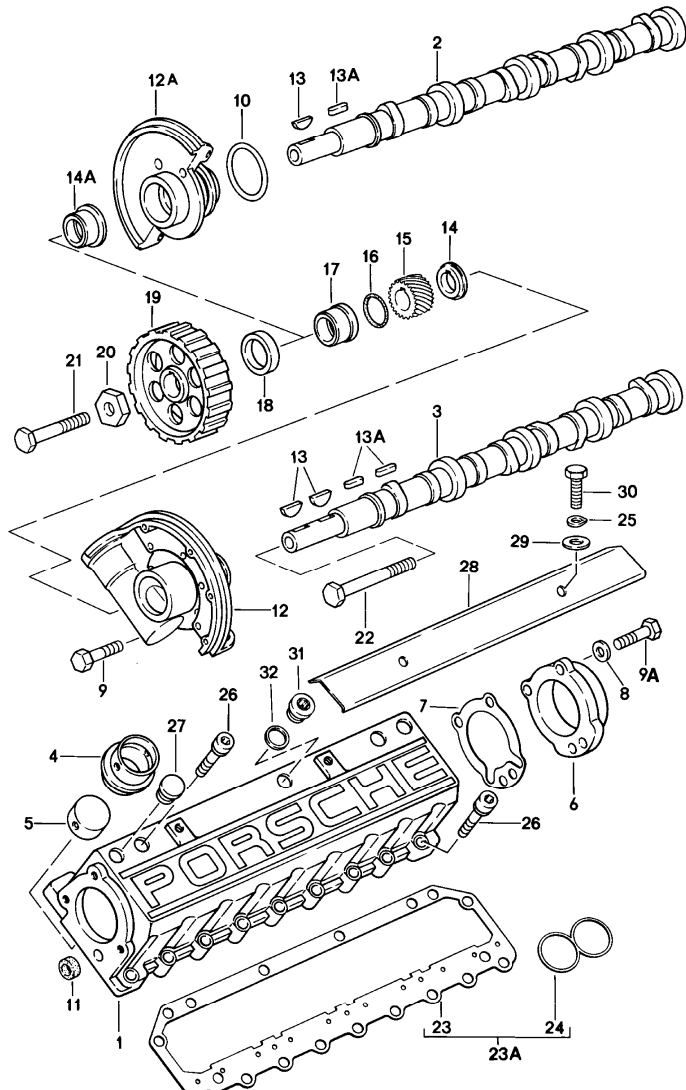
Model	Year	MG	SG	Illustration	Restrictions	UPD	17:44	23.01.2010	PORSCHE	PET	PORSCHE
928	1982	1	03	103-00		248					

Pos	Part Number	Description	Remark	Qty	Model	Pos	Part Number	Description	Remark	Qty	Model	
(5)	928 105 410 00	exhaust valve		8	M28.11/12	(10)	928 105 468 01	washer	80-	X	M28.09/10 -18 M28.13	
6	A 928 104 338 55	valve seat ring intake oversize	-79	8	-04 M28.01	(10)	928 105 468 01	washer 0,5 MM		16	M28.11/12	
(6)	928 104 338 55	valve seat ring intake valve oversize	80-	8	M28.09/10 -18 M28.13	(10)	928 105 468 03	washer 0,5 MM M 821 0516 >> M 821 5503 >>	821 0515 821 5502			
(6)	944 104 331 51	valve seat ring intake valve oversize		8	M28.11/12	(10)	928 105 470 01	washer 1,0 MM		X	M28.11/12	
7	A 928 104 336 55	valve seat ring exhaust oversize	-79	8	-04 M28.01	(10)	928 105 470 01	washer 1,0 MM M >> M >>	821 0515 821 5502	80-	X	M28.09/10 -18 M28.13
(7)	928 104 336 55	valve seat ring exhaust valve oversize	80-	8	M28.09/10 -18 M28.13	(10)	928 105 470 03	washer M 821 0516 >> M 821 5503 >>		81-	X	M28.11/12
(7)	944 104 333 50	valve seat ring exhaust valve oversize		8	M28.11/12	10A	928 105 469 02	guide washer		16	-04 M28.01 M28.09/10 -18 M28.13	
8	928 104 328 51	valve guide 1st oversize		16	-04 M28.01 M28.09/10 -18 M28.13	10A	928 105 469 02	guide washer M >> M >>	821 0515 821 5502	16	M28.11/12	
(8)	944 104 328 51	valve guide 1st oversize		16	M28.11/12	(10A) A	928 105 469 06	washer M 821 0516 >> M >>	82C 0553	-81	16	M28.11/12
(8)	944 104 328 51	valve guide 1st oversize		16	M28.11/12	(10A)	928 105 469 06	washer M 821 5503 >> M >>	82C 5592			
9	911 104 193 03	valve stem seal		16	-04 M28.01 M28.09/10 -18 M28.13	(10A)	928 105 469 06	washer M 82C 0554 >> M 82C 5593 >>		82	16	M28.11/12
9	A 928 104 193 03	valve stem seal		16	M28.11/12	(10A)	928 105 469 52	guide washer 1st oversize		X	M28.11/12	
9	928 104 193 12	valve stem seal		16	M28.11/12	(10A)	928 105 469 62	guide washer 2nd oversize		X	M28.11/12	
10	928 105 461 01	washer	-79	X	-04 M28.01							

Model	Year	MG	SG	Illustration	Restrictions	UPD	17:44	23.01.2010	PORSCHE	PET	PORSCHE
928	1982	1	03	103-00		248					

Pos	Part Number	Description	Remark	Qty	Model	Pos	Part Number	Description	Remark	Qty	Model
11	928 105 341 05	valve spring		-79	16 -04 M28.01	18	928 106 197 02	gasket 1,5 MM		X	
11A	928 105 903 00	set of valve springs		80-	16 M28.09/10 -18 M28.13	19	928 104 223 00	adapter	/L	-79	1
(11A)	928 105 905 00	set of valve springs M >> 821 0515 M >> 821 5502			16 M28.11/12	19A	928 104 214 00	lid	/L	80-	1
(11A) A	928 105 905 02	set of valve springs M 821 0516 >> M >> 82C 0553 M 821 5503 >> M >> 82C 5592			16 M28.11/12	20	900 025 007 02	washer			5
(11A)	928 105 905 09	set of valve springs M 821 0516 >> M 821 5503 >>			16 M28.11/12	21	900 075 079 02	hexagon-head bolt M 8 X 22			4
12	928 105 424 02	concave washer		-79	16 -04 M28.01	22	928 104 221 00	adapter	/R		1
(12)	928 105 449 01	concave washer		80-	16 M28.09/10 -18 M28.13	23	900 219 004 02	screw plug			2
(12)	928 105 449 01	concave washer M >> 821 0515 M >> 821 5502			16 M28.11/12	24	900 123 018 30	sealing ring			2
(12) A	928 105 449 04	concave washer M 821 0516 >> M >> 82C 0553 M 821 5503 >> M >> 82C 5592			16 M28.11/12	25	900 036 005 02	lid			4
(12)	928 105 449 04	concave washer M 821 0516 >> M 821 5503 >>			16 M28.11/12	26	928 101 411 00	bracket for transportation			1
13	901 105 417 00	collet			32	27	N 010 253 7	hexagon-head bolt M 10 X 22			2
14	999 062 044 02	stud M 8 X 30			16	28	900 025 008 09	washer			2
15	900 012 016 00	straight pin			4	29	900 075 085 02	hexagon-head bolt M 8 X 20			1
15	900 302 019 00	straight pin			4	30	928 101 412 01	shackle for transportation			1
16	928 101 301 02	washer			20	31	928 104 025 05	adapter M >> 80C 0053 M >> 80C 5051 M >> 82C 0050 M >> 82C 5052			1 M28.09 M28.10 M28.11 M28.12
17	N 011 020 8	hexagon nut M 12 X 1,5			20	(31)	928 104 025 05	adapter M 80C 0054 >> M 80C 5052 >> M 82C 0051 >> M 82C 5053 >>			1 M28.09 M28.10 M28.11 M28.12

Model	Year	MG	SG	Illustration	Restrictions	UPD	17:44	23.01.2010	PORSCHE	PET	PORSCHE
928	1982	1	03	103-05		248					

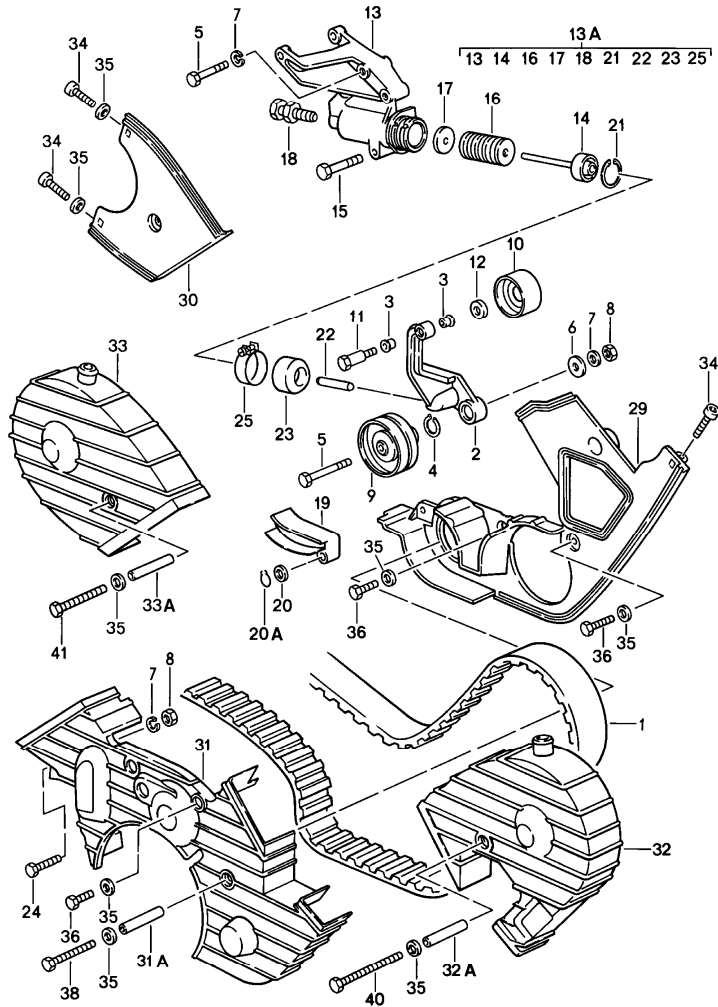


Pos	Part Number	Description	Remark	Qty	Model
1	928 105 251 00	camshaft housing without bush for hydraulic valve tappet		81- 2	
1 A	928 105 250 07	camshaft housing see technical information GRP.1 NR. 11		-80 2	
2	928 105 155 07	camshaft cylinders 1 - 4	/R	-79 1	-04 M28.01
(2)	928 105 173 01	camshaft cylinders 1 - 4	/R	80- 1	M28.09/10 -18 M28.13
(2)	928 105 187 03	camshaft cylinders 1 - 4	/R		1 M28.11/12
3	928 105 156 07	camshaft cylinders 5 - 8	/L	-79 1	-04 M28.01
(3)	928 105 174 01	camshaft cylinders 5 - 8	/L	80- 1	M28.09/10 -18 M28.13
(3)	928 105 188 03	camshaft cylinders 5 - 8	/L		1 M28.11/12
4	928 105 206 06	bush		-80 16	
5	928 105 311 06	hydraulic valve tappet		16	
6	928 105 153 04	lid		2	
7	928 105 189 02	gasket		2	
8	N 011 524 7	washer		6	
9	900 075 333 02	hexagon-head bolt M 6 X 25 Z2		6	
9A	900 075 016 02	hexagon-head bolt M 6 X 22		6	
10	999 701 425 40	o-ring 52 X 4		2	M28.01/02 M28.03/04

Model	Year	MG	SG	Illustration	Restrictions	UPD	17:44	23.01.2010	PORSCHE	PET	PORSCHE
928	1982	1	03	103-05		248					

Pos	Part Number	Description	Remark	Qty	Model	Pos	Part Number	Description	Remark	Qty	Model
(10)	999 701 602 40	o-ring 50 X 5 see technical information GRP.1 NR.5		2		23	944 105 199 03	gasket without asbestos M 801 0161 >> M 801 5141 >> M 821 0256 >> M 821 5223 >>		2	M28.09 M28.10 M28.11 M28.12
11	928 105 184 00	sealing ring		2							
12	928 105 136 04	flange mounting	/L	1		24	928 105 427 01	gasket		8	
12A	928 105 119 04	camshaft bearing	/R	1				M >> 801 0160 M >> 801 5140 M >> 821 0255 M >> 821 5222			M28.09 M28.10 M28.11 M28.12
13	N 012 710 1	woodruff key		-79 3							
13A	900 117 050 00	feather key		80- 3							
14	928 105 131 01	spacer sleeve	/L	1		25	N 012 226 5	spring washer		4	
14A	928 105 139 02	spacer sleeve	/R	1		26	900 067 214 02	pan-head screw		30	
15	928 105 543 02	drive wheel		1		27	928 105 149 03	stopper	-79	12	
16	999 701 592 40	o-ring 23 X 2		2		28	928 105 255 00	locking plate	-79	2	
17	928 105 143 02	spacer tube		1		29	900 223 003 02	washer 6,4	-79	4	
18	999 113 282 40	shaft sealing ring		2		30	999 072 005 09	hexagon-head bolt M 6 X 12	-79	4	
19 A	928 105 545 04	camshaft timing gear		-80 2		31	900 219 009 30	screw plug M 18 X 1,5	80-	12	
19	928 105 545 04	camshaft timing gear		2		32	900 123 044 30	sealing ring A 18 X 22	80-	12	
20	928 105 565 00	washer		2							
21	N 010 470 7	hexagon-head bolt M 10 X 70		1							
22	900 074 224 08	hexagon-head bolt M 10 X 95		1							
23AA	928 105 901 00	gasket camshaft housing M >> 801 0160 M >> 801 5140 M >> 821 0255 M >> 821 5222		2	M28.09 M28.10 M28.11 M28.12						
23	944 105 199 03	gasket M >> 801 0160 M >> 801 5140 M >> 821 0255 M >> 821 5222		2	M28.09 M28.10 M28.11 M28.12						
23 A	928 105 199 12	gasket		2							

Model	Year	MG	SG	Illustration	Restrictions	UPD	17:44	23.01.2010	PORSCHE	PET	PORSCHE
928	1982	1	03	103-10		248					

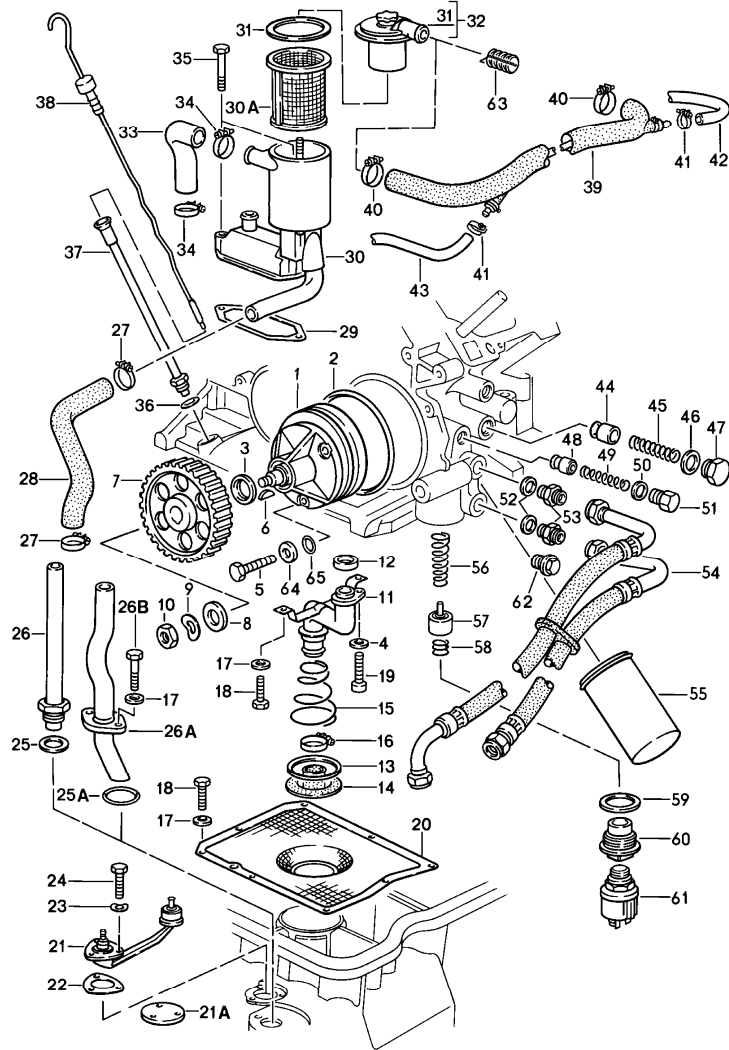


Pos	Part Number	Description	Remark	Qty	Model
		camshaft driving mechanism			
		see technical information GRP. 1NR. 13/17			
1	928 105 157 00	toothed belt		1	
2	928 105 540 03	carrier for tension roller		1	
3	999 924 002 40	plain bearing	-81	2	
3	999 924 003 40	bush	82	2	
4	N 042 364 1	circlip 20 X 1,75		1	
5	900 074 139 02	hexagon-head bolt M 8 X 55		3	
6	999 025 068 07	washer		1	
7	W N 012 241 8	spring washer		5	
7	900 025 007 02	washer		1	
8	900 076 025 02	hexagon nut		1	
9	928 105 512 05	tensioning roller		1	
10	928 105 571 00	roller		1	
11	928 105 570 00	bearing screw	-81	1	
11	928 105 570 03	bearing pin	82	1	
12	928 105 572 00	washer		1	
13A	928 105 046 04	tension roller housing		1	
15	900 074 135 02	hexagon-head bolt M 8 X 62		1	
16	928 105 539 03	bi-metal plate		35	
17	928 105 163 01	support washer		1	
18	928 105 075 02	adjusting screw		1	
19	928 105 567 01	guide rail		1	
20	900 234 003 02	shim 8 X 14 X 1		2	
20A	N 012 408 2	circlip 8 X 0,8		2	

Model	Year	MG	SG	Illustration	Restrictions	UPD	17:44	23.01.2010	PORSCHE	PET	PORSCHE
928	1982	1	03	103-10		248					

Pos	Part Number	Description	Remark	Qty	Model	Pos	Part Number	Description	Remark	Qty	Model
21	999 041 030 01	circlip		1							
22	928 105 551 00	push rod		1							
23	928 105 552 02	convoluted air bellows		1							
24	900 074 134 02	hexagon-head bolt M 8 X 45		1							
25	999 512 322 02	hose clamp S 44/9		1							
29 A	928 105 147 01	toothed belt covering		1							
29	928 105 147 03	toothed belt covering		1							
30	928 105 148 00	toothed belt covering		1							
31	928 105 144 01	toothed belt covering centre		1							
31A	928 105 445 00	spacer tube 44,5 MM		1							
32	928 105 145 04	toothed belt covering		1							
32A	928 105 443 00	spacer tube 82,5 MM		1							
33	928 105 146 03	toothed belt covering		1							
33A	928 105 444 00	spacer tube 57,5 MM		1							
34	900 067 008 02	pan-head screw M 6 X 12		3							
35	N 011 524 7	washer A 6,4		14							
36	900 075 014 02	hexagon-head bolt M 6 X 18		5							
38	N 040 307 1	hexagon-head bolt M 6 X 73		1							
39	900 223 003 02	washer B 6,4		5							
40	900 074 262 02	hexagon-head bolt M 6 X 98		1							
41	900 074 164 02	hexagon-head bolt M 6 X 70		1							

Model	Year	MG	SG	Illustration	Restrictions	UPD	17:45	23.01.2010	PORSCHE	PET	PORSCHE
928	1982	1	04	104-00		248					



Pos	Part Number	Description	Remark	Qty	Model
		engine lubrication			
1	928 107 018 06	oil pump		1	M28.01/02 M28.03/04 M28.09 M28.10 M28.11 M28.12
		M	>> 801 0292		
		M	>> 801 5326		
		M	>> 821 0657		
		M	>> 821 5629		
1	928 107 018 07	oil pump		1	M28.09 M28.10 M28.11 M28.12
		M	801 0293 >>		
		M	801 5327 >>		
		M	821 0658 >>		
		M	821 5630 >>		
2	999 701 633 40	o-ring 98 X 3		1	
3	999 113 275 40	shaft sealing ring		1	
4	900 025 007 02	washer A 8,4		1	
5	900 074 134 02	hexagon-head bolt M 8 X 45		3	
6	N 012 713 1	woodruff key		1	
7	928 107 107 04	gear wheel		1	
8	928 101 303 00	washer		1	
9	N 012 242 3	spring washer		1	
10	N 011 010 6	hexagon nut		1	
(11)	928 107 032 06	suction tube		1	
12	928 107 136 04	sealing ring		1	
13	928 107 158 00	support ring conical spring		1	
14	928 107 137 05	rubber sleeve		1	
(14)	928 107 137 05	rubber sleeve		1	M28.11/12
15	928 107 159 01	conical spring suction tube		1	
16	N 024 141 2	hose clamp		1	
(16)	N 024 511 2	hose clamp		1	M28.11/12
17	N 011 524 7	washer A 6,4		12	

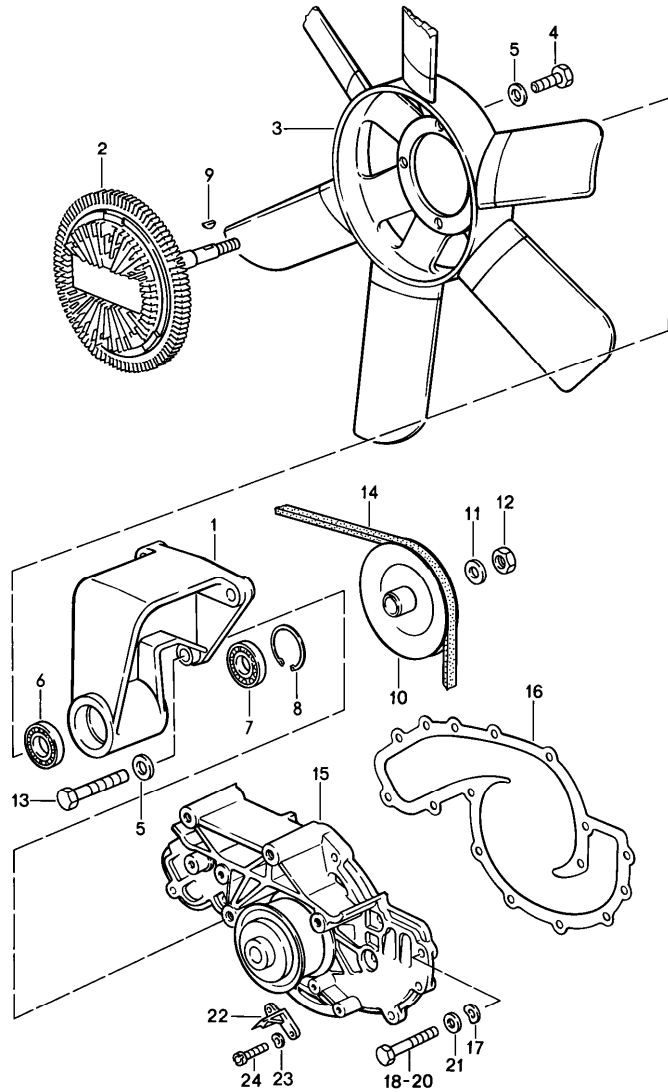
Model	Year	MG	SG	Illustration	Restrictions	UPD	17:45	23.01.2010	PORSCHE	PET	PORSCHE
928	1982	1	04	104-00		248					

Pos	Part Number	Description	Remark	Qty	Model	Pos	Part Number	Description	Remark	Qty	Model
18	999 072 005 09	hexagon-head bolt M 6 X 12		10		33	928 107 315 01	hose for oil separator		1	
19	N 014 726 1	pan-head screw M 8 X 30		1		34	999 512 038 02	hose clamp		2	
20	928 107 147 10	oil strainer		1		35	900 075 343 02	hexagon-head bolt M 6 X 45 Z2		2	
21	928 606 301 02	tank gauge switch		1		36	900 123 007 30	sealing ring		1	
21A	928 101 203 00	lid	80-	1		37	928 107 020 00	guide tube		1	
22	928 606 213 03	gasket		1		38 A	928 107 737 07	oil level dipstick		1	
23	N 012 222 4	spring washer A 5		3		38	928 107 737 07	oil level dipstick		1	
24	N 010 207 6	hexagon-head bolt M 5 X 12		3		39	928 107 073 00	vent line	-79	1	
25	900 123 015 30	sealing ring	-79	1		(39)	928 107 722 00	vent line	-79	1	
25AA	928 107 169 01	gasket		1		40	999 512 044 02	hose clamp		2	
(25A)	928 107 169 01	gasket without asbestos		1		41	999 512 255 02	hose clamp		2	
26	928 107 039 01	oil tube M >> 818 1659 M >> 818 9281	-79	1		-	999 181 709 50	hose		*	
26A	928 107 167 01	oil tube M 818 1660 >> M 818 9282 >>		1		42	-	230 MM		1	
26B	N 010 217 9	hexagon-head bolt M 6 X 20		2		43	-	450 MM		1	
27	999 512 038 02	hose clamp		2		44	928 107 182 00	piston	-78	1	
28	928 107 311 01	connecting hose		1		44	928 107 182 00	piston	79-	1	
29	928 107 707 01	gasket		1		45	928 107 183 01	compression spring	-78	1	
30	928 107 071 01	oil separator		1		45	928 107 183 01	compression spring	79-	1	
30A	928 107 717 03	oil strainer		1		46	900 123 060 30	sealing ring		1	
31	928 107 711 00	gasket		1		47	928 107 181 01	screw plug		1	
32	928 199 710 03	lid		1		(48)	928 107 081 00	piston with sealing strap		1	
33	928 107 315 00	hose for oil separator		1		49	928 107 176 02	compression spring		1	
						50	900 123 140 30	sealing ring		1	
						51	928 107 180 01	screw plug		1	
						52	900 123 118 30	sealing ring		2	
						53	900 915 003 02	screw socket		2	

Model	Year	MG	SG	Illustration	Restrictions	UPD	17:45	23.01.2010	PORSCHE	PET	PORSCHE
928	1982	1	04	104-00		248					

Pos	Part Number	Description	Remark	Qty	Model	Pos	Part Number	Description	Remark	Qty	Model
54	928 107 037 05	oil hose	-78	1							
54	928 107 037 05	oil hose	79-	1							
55 A	928 107 201 05	oil filter		1							
55	928 107 201 05	oil filter		1							
56	928 107 171 01	spring		1							
57	928 107 172 02	regulator insert		1							
58	928 107 173 00	spring		1							
59	900 123 143 70	sealing ring		1							
60 A	928 107 174 07	screw plug		1							
60	928 107 174 07	screw plug		1							
61	928 606 203 01	oil pressure sender with warning contact with warning contact		1							
63	928 107 729 00	backfire grid	80-	1							
64	928 107 165 00	washer		3							
65	999 701 006 40	o-ring		3							

Model	Year	MG	SG	Illustration	Restrictions	UPD	17:45	23.01.2010	PORSCHE	PET	PORSCHE
928	1982	1	05	105-00		248					

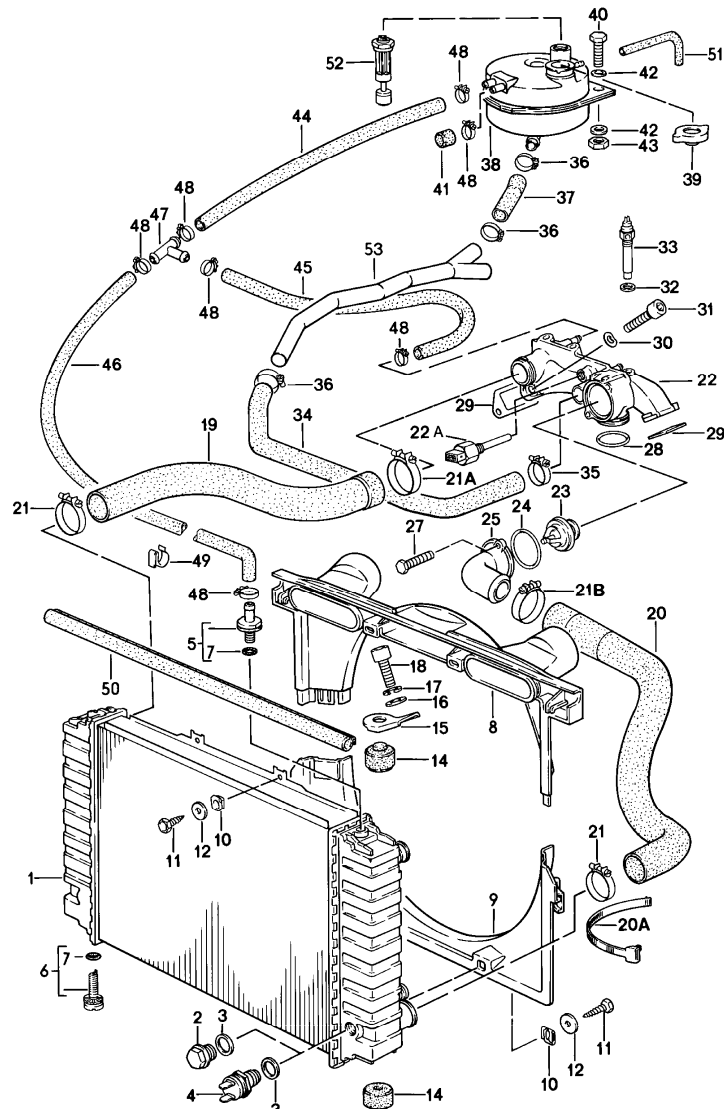


Pos	Part Number	Description	Remark	Qty	Model
		fan water pump			
1	A 928 106 110 00	fan carrier	-80	1	
1	A 928 106 110 04	fan carrier		1	
2	928 106 112 05	viscous clutch only together with 928.106.445.00 use		1	
3	928 106 137 01	fan		1	
4	900 075 087 02	hexagon-head bolt M 8 X 16		4	
5	N 011 525 13	washer		7	
6	928 102 111 02	deep-groove ball bearing only together with 928.106.112.02 use	-80	1	
6	928 106 445 02	deep-groove ball bearing only together with 928.106.112.03 use	81-	1	
7	928 106 441 05	deep-groove ball bearing		1	
8	900 042 026 01	circlip 37 X 1,5		1	
9	W 900 118 005 00	woodruff key		1	
9	N 012 708 2	woodruff key		1	
10	928 106 113 02	pulley	-78	1	
10	928 106 113 02	pulley	79-	1	
11	W N 012 242 3	spring washer		1	
11	900 025 008 09	washer		1	
12	N 011 010 6	hexagon nut		1	
13	N 010 335 5	hexagon-head bolt M 8 X 35		3	
14	999 192 117 50	narrow v-belt 12,5 X 1050 MM	-78	1	
14	999 192 160 50	narrow v-belt 12,5 X 1040 MM	79-	1	

Model	Year	MG	SG	Illustration	Restrictions	UPD	17:45	23.01.2010	PORSCHE	PET	PORSCHE
928	1982	1	05	105-00		248					

Pos	Part Number	Description	Remark	Qty	Model	Pos	Part Number	Description	Remark	Qty	Model
15	A 928 106 015 09	water pump		1							
15	> 928 106 015 22	water pump		1							
(15)	928 106 015 AX	water pump		1							
(15)	928 106 915 AX	water pump comprising:		1							
-	928 106 134 05	gasket		1							
-	N 011 524 7	washer		7							
-	900 075 015 02	hexagon-head bolt		5							
-	900 075 341 02	combination screw		8							
-	N 040 307 1	hexagon-head bolt		1							
-	928 105 176 01	pointer for t.d.c.		1							
-	N 011 523 7	washer		2							
-	900 014 066 02	pan-head screw		2							
-	928 106 015 AX	water pump -----		1							
16	928 106 134 03	gasket		1							
16	928 106 134 05	gasket without asbestos		1							
17	N 011 524 7	washer		6							
18	N 010 217 9	hexagon-head bolt M 6 X 20		5							
19	900 075 333 02	hexagon-head bolt M 6 X 25 Z2		8							
20	N 040 307 1	hexagon-head bolt M 6 X 72		1							
21	900 025 014 02	washer		1							
22	A 928 105 176 01	pointer for t.d.c.		1							
23	N 011 523 9	washer A 5,3		2							
24	900 014 066 02	pan-head screw M 5 X 18		2							

Model	Year	MG	SG	Illustration	Restrictions	UPD	17:45	23.01.2010	PORSCHE	PET	PORSCHE
928	1982	1	05	105-05		248					



Pos	Part Number	Description	Remark	Qty	Model
		water cooling			
1	A 928 106 040 02	radiator engine oil cooler		1	M28.01/09/11
1	928 106 040 02	radiator engine oil cooler		1	M28.01/09/11
(1)	A 928 106 040 02	radiator engine and transmission oil cooler		1	M28.02/10/12
(1)	928 106 040 02	radiator engine and transmission oil cooler		1	M28.02/10/12
2	N 016 163 2	screw plug CM 22 X 1,5		1	
3	900 123 149 70	sealing ring		1	
4	823 959 481 F	switch		1	M573
5	928 106 443 02	breather adapter		1	
6	928 106 444 01	drain plug		1	
7	999 701 651 40	o-ring 7,65 X 1,78		X	
8	928 106 063 00	air duct upper part		1	
9	928 106 262 02	air duct lower part		1	
10	A 999 591 571 02	speed nut	-80	4	
10	999 591 571 02	speed nut		4	
11	900 187 015 02	tapping screw		4	
12	N 011 612 3	washer		4	
14	928 106 177 01	rubber mounting		4	
15	928 106 178 01	support		2	
16	900 151 008 02	washer		2	
17	N 012 241 8	spring washer		2	
18	900 119 052 02	pan-head screw M 8 X 16		2	
19	928 106 238 06	hose		1	

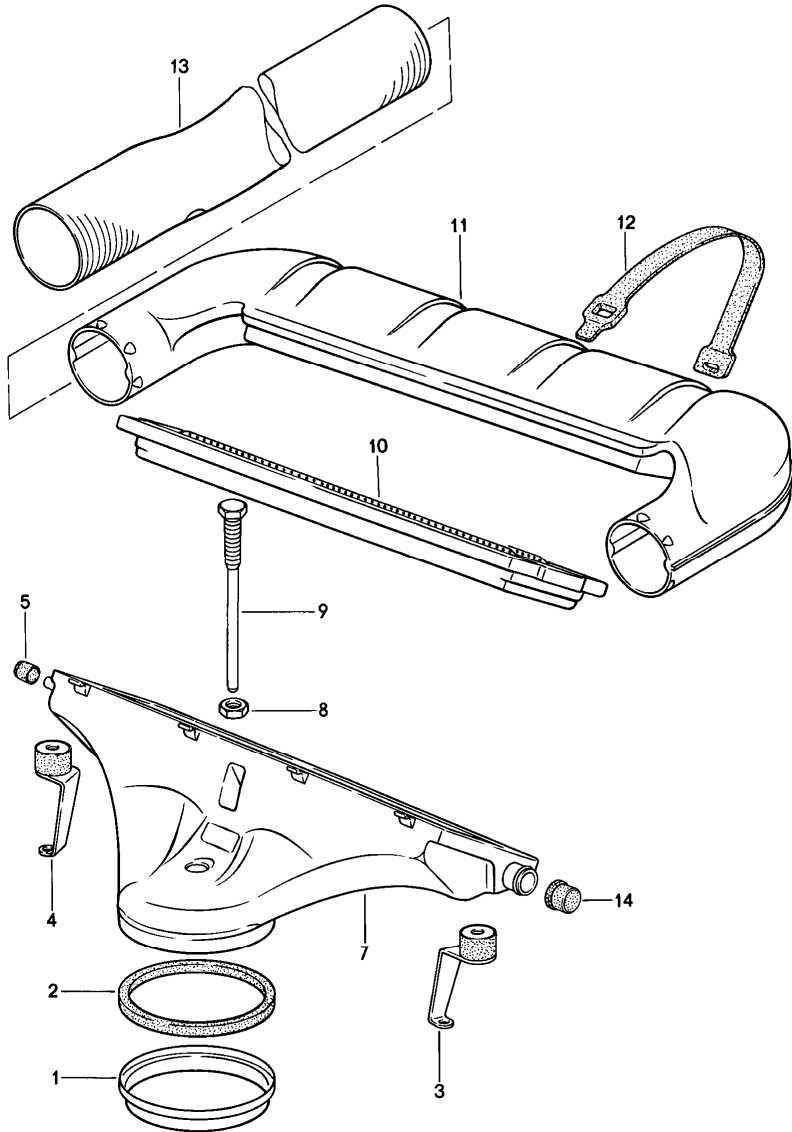
Model	Year	MG	SG	Illustration	Restrictions	UPD	17:45	23.01.2010	PORSCHE	PET	PORSCHE
928	1982	1	05	105-05		248					

Pos	Part Number	Description	Remark	Qty	Model	Pos	Part Number	Description	Remark	Qty	Model
20	A 928 106 239 07	hose		1		34	A 928 106 321 00	line		1	
20	928 106 239 07	hose		1		34	928 106 321 03	line		1	
20A	999 513 010 40	tie-wrap		1		(34)	927 106 321 01	line	/RL	1	
21	999 512 330 02	hose clamp		2		35	999 512 300 02	hose clamp SR 33/98		1	
21A	999 512 331 02	hose clamp		1		36	999 512 374 02	hose clamp LB 20-32		3	
21B	999 512 334 02	hose clamp		1		37	A 928 106 323 01	line		1	
22	A 928 106 016 03	regulator housing	-79	1		37	928 106 323 01	line		1	
(22)	928 106 016 11	regulator housing	-79	1		38	928 106 256 03	expansion tank	/LL	1	
(22)	A 928 106 016 05	regulator housing		1	M28.09/10 M28.11/12	(38)	928 106 256 03	expansion tank	/LL	1	
(22)	928 106 016 12	regulator housing		1	M28.09/10 M28.11/12	(38)	927 106 256 01	expansion tank	/RL	1	
22A	928 605 101 00	temperature time switch		1		39	928 106 257 03	catch		1	
23	A 928 106 129 16	thermostat		1		40	900 075 057 02	hexagon-head bolt M 6 X 16		2	
23	928 106 129 17	thermostat		1		41	930 110 256 02	cap		1	
24	999 701 632 40	o-ring		1		42	N 011 524 7	washer		4	
25	928 106 173 02	lid for regulator housing		1		43	900 076 010 02	hexagon nut		1	
27	900 075 333 02	hexagon-head bolt M 6 X 25 Z2		2		-	999 181 709 50	hose		*	
28	999 701 627 40	o-ring OR 53 X 7		1		44	-	330 MM		1	
29	A 928 106 197 00	gasket		2		(44)	-	270 MM	/RL	1	
29	A 928 106 197 01	gasket		2		45	-	380 MM	/LL	1	
29	928 106 197 04	gasket		2		(45)	-	830 MM	/RL	1	
(29)	928 106 197 03	gasket		2		(45)	-	630 MM	/LL	1	
30	900 025 007 02	washer		4		46	928 106 277 00	hose	/LL	1	
31	N 014 726 1	pan-head screw M 8 X 30		4		(46)	927 106 277 00	hose	/RL	1	
32	900 123 007 30	sealing ring		1		47	999 137 001 40	t-hose nipple		1	
33	928 606 201 01	remote temperature sensor		1		48	999 512 255 02	hose clamp SM 13/9		6	
						49	999 651 165 02	cable clamp		3	
						50	928 106 271 02	sealing strip		1	

Model	Year	MG	SG	Illustration	Restrictions	UPD	17:45	23.01.2010	PORSCHE	PET	PORSCHE
928	1982	1	05	105-05		248					

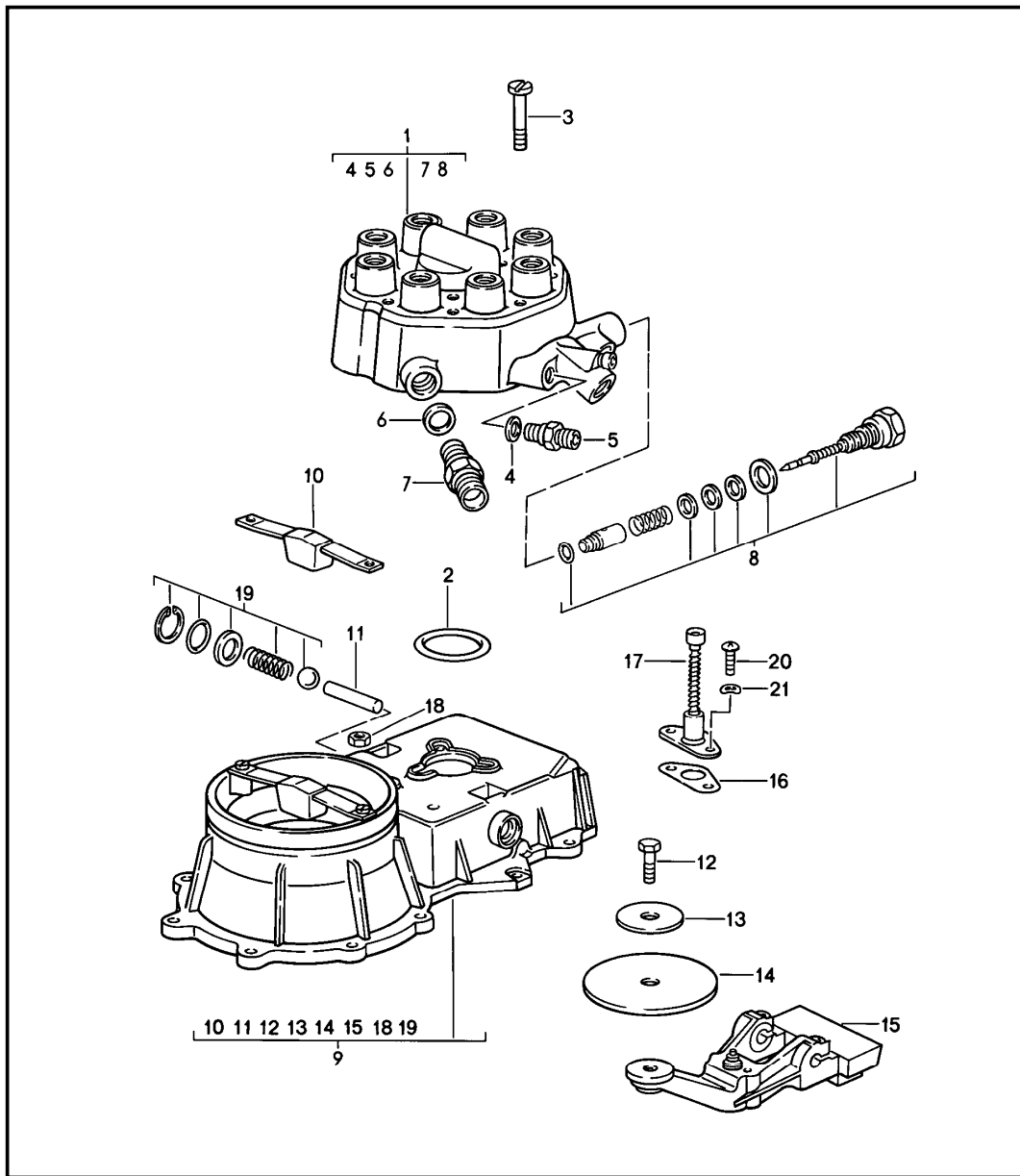
Pos	Part Number	Description	Remark	Qty	Model	Pos	Part Number	Description	Remark	Qty	Model
51	928 106 425 00	overpressure hose 350 MM		1							
52	928 641 503 01	tank gauge switch for cooling water		1							
53	-	see group 8/13/10 - 5									
54	N 024 509 2	hose clamp LA 12 - 20		1							

Model	Year	MG	SG	Illustration	Restrictions	UPD	17:45	23.01.2010	PORSCHE	PET	PORSCHE
928	1982	1	06	106-00		248					



Pos	Part Number	Description	Remark	Qty	Model
		air cleaner			
1	928 110 141 01	support ring		1	
2	930 110 122 00	sealing ring		1	
3	928 110 043 00	support	/L	1	
4	928 110 044 00	support	/R	1	
5	930 110 256 00	cap		1	
6	928 110 421 00	backfire grid		1	
7	928 110 229 00	air cleaner lower part		1	
8	N 011 118 11	hexagon nut		1	
9	928 110 142 00	screw		1	
10	928 110 185 01	air cleaner cartridge		1	
11	928 110 916 00	air cleaner upper part		1	
12	928 110 363 01	restraining strap		4	
12	928 110 363 01	restraining strap		4	
13	928 110 272 04	suction hose	-80	2	
(13)	928 110 272 04	suction hose	81-	2	
14	928 110 293 00	cap		1	

Model	Year	MG	SG	Illustration	Restrictions	UPD	17:45	23.01.2010	PORSCHE	PET	PORSCHE
928	1982	1	07	107-00		248					

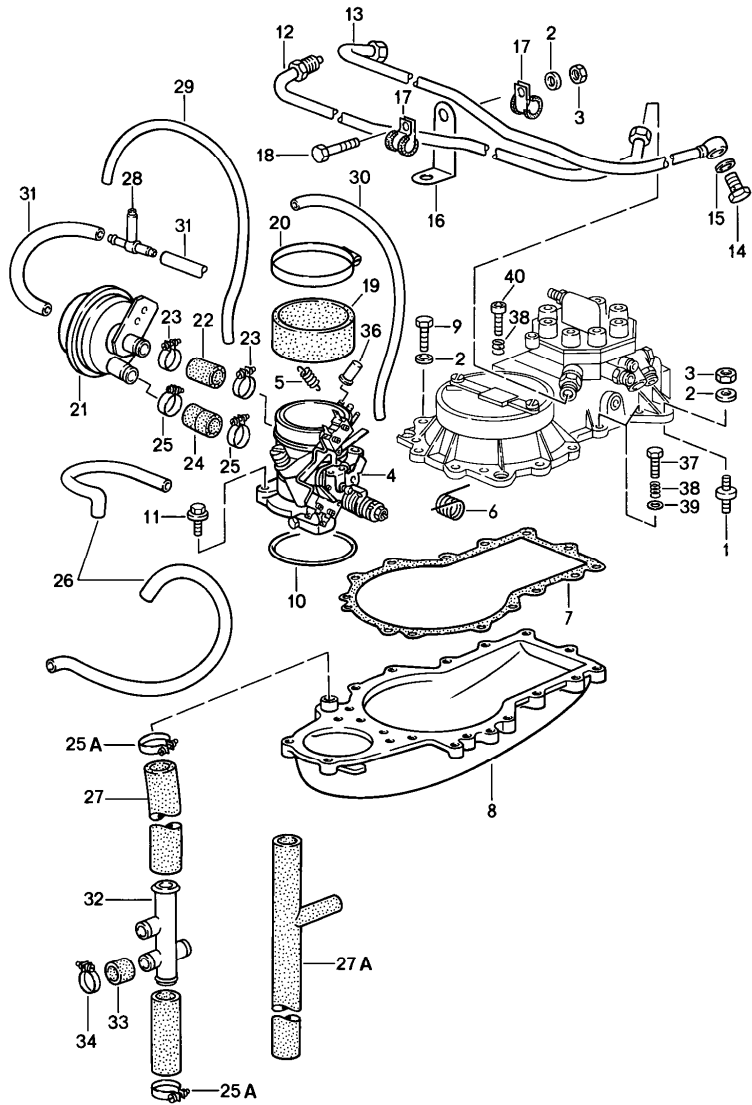


Pos	Part Number	Description	Remark	Qty	Model
		k-jetronic 1 mixture control unit			
1	> 928 110 906 00	fuel distributor		1	
2	911 110 936 01	gasket		1	
3	900 146 045 02	oval-head screw BM 5 X 45		3	
4	N 013 830 7	sealing ring A 8 X 12		3	
5	A 928 110 921 00	union	-79	3	
5	928 110 223 03	union	-81	2	
5	928 110 223 03	union	82	2	
6	900 123 055 20	sealing ring		1	
7	928 110 922 00	union		1	
8	928 110 920 01	parts kit pressure regulator see workshop manual KD-NR. 256155		1	
9	928 110 905 00	mass air flow meter	-81	1	
(9)	928 110 905 02	mass air flow meter with consumption indicator	82	1	
10	928 110 924 00	stop		1	
11	911 110 941 01	straight pin		1	
12	911 110 944 01	hexagon-head bolt		1	
13	911 110 960 00	support washer		1	
14	A 911 110 943 01	air flow sensor plate		1	
14	911 110 943 03	air flow sensor plate		1	
15	928 110 923 00	control lever		1	
16	928 110 925 00	gasket		1	
17	928 110 926 00	allen key		1	
18	911 110 945 00	lock nut		1	

Model	Year	MG	SG	Illustration	Restrictions	UPD	17:45	23.01.2010	PORSCHE	PET	PORSCHE
928	1982	1	07	107-00		248					

Pos	Part Number	Description	Remark	Qty	Model	Pos	Part Number	Description	Remark	Qty	Model
19	911 110 946 00	parts kit for control lever bearing shaft		1							
20	N 014 128 13	oval-head screw		2							
21	N 012 005 3	lock ring B 5		2							

Model	Year	MG	SG	Illustration	Restrictions	UPD	17:46	23.01.2010	PORSCHE	PET	PORSCHE
928	1982	1	07	107-05		248					

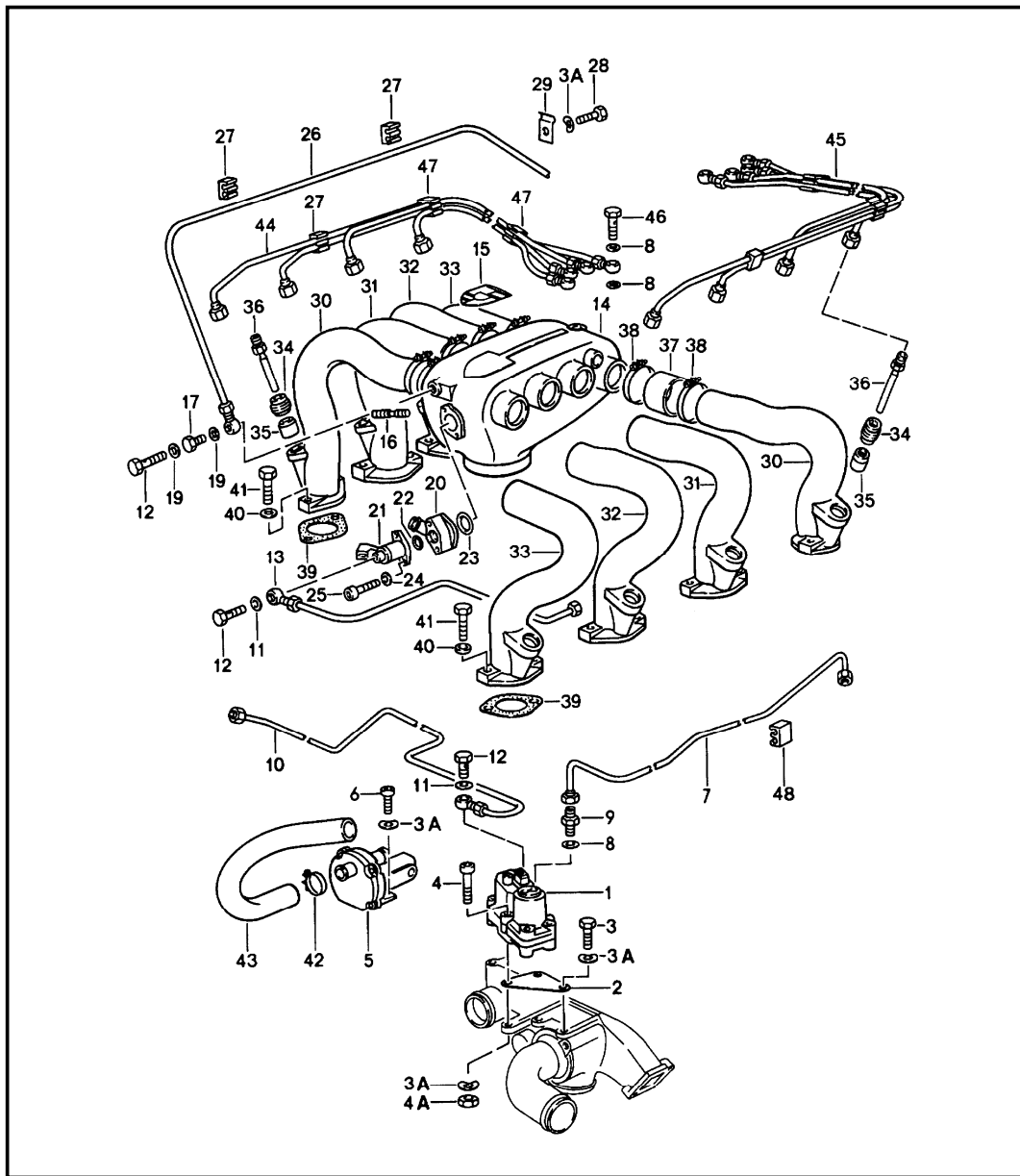


Pos	Part Number	Description	Remark	Qty	Model
		k-jetronic 2			
1	928 110 191 00	bonded rubber buffer		4	
1	999 703 261 00	bonded rubber buffer		4	
2	N 011 524 7	washer		16	
3	900 076 010 02	hexagon nut		6	
4	928 110 090 08	flap connection		1	M28.01/02 M28.09/10
4	928 110 099 01	flap connection		1	M28.11/12
5	928 110 425 00	tension spring		1	
6	928 110 427 00	torsion spring		1	
7	930 110 394 00	gasket		1	
8	928 110 097 03	air guide housing		1	M28.01/02
8	928 110 097 04	air guide housing		1	M28.09/10
8	928 110 097 05	air guide housing		1	M28.11/12
9	N 010 217 9	hexagon-head bolt M 6 X 20		11	
10	999 701 436 40	o-ring 91 X 4		1	
11	900 075 333 02	hexagon-head bolt M 6 X 25 Z2		4	
12	928 110 501 00	fuel line intake F >>92A08 00878 F >>92A08 20538		1	
12	928 110 501 02	fuel line F 92A08 00879>> F 92A08 20539>>		1	
13	928 110 502 00	fuel return line F >>92A08 00878 F >>92A08 20538		1	
(13)	928 110 502 02	fuel line F 92A08 00879>> F 92A08 20539>>		1	
14	900 175 020 02	banjo bolt		1	
15	900 123 005 20	sealing ring		2	

Model	Year	MG	SG	Illustration	Restrictions	UPD	17:46	23.01.2010	PORSCHE	PET	PORSCHE
928	1982	1	07	107-05		248					

Pos	Part Number	Description	Remark	Qty	Model	Pos	Part Number	Description	Remark	Qty	Model
16	928 110 287 00	bracket for fuel line		1		-	999 239 003 40	hose		*	
						29	-	500 MM		1	
17	999 511 116 02	clamp		4		30	-	650 MM		1	
18	900 075 014 02	hexagon-head bolt M 6 X 18		2		-	000 043 204 94	hose		*	
19	928 110 248 01	connecting piece		1	M28.01/02 M28.09/10	31	-	150 MM		2	
(19)	928 110 243 00	connecting piece		1	M28.11/12	32	928 110 439 00	distributing piece	-79	1	
20	999 512 226 02	hose clamp	/10	2	M28.01/02/09 M28.09/10	33	930 110 256 00	cap		1	
(20)	999 512 087 02	hose clamp		2	M28.11/12	34	999 512 056 02	hose clamp		1	
21	930 110 173 00	vacuum limiter	80-	1	M28.11/12	35	999 239 009 40	hose distributing piece auxiliary air regulator		1	
(21)	930 110 173 00	vacuum limiter	(S) 80-	1	M28.09/10	36	930 110 292 00	stopper	(AUS) (S) 80-	1	
(21)	930 110 173 00	vacuum limiter	(AUS) 80-	1	M28.09/10	37	900 075 135 02	hexagon-head bolt M 6 X 28		2	
(21)	928 110 173 01	vacuum limiter	80-	1	M28.09/10	38	911 110 364 00	compression spring		3	
22	928 110 175 00	hose		1		39	900 031 011 02	washer		2	
23	999 512 045 02	hose clamp		2		40	N 010 220 3	hexagon-head bolt		1	
24	928 110 178 00	hose		1							
25	999 512 552 00	hose clamp		2							
25A	999 512 038 02	hose clamp		2							
26	928 110 511 00	vacuum hose warm-up valve flap connection		2							
27	999 239 009 40	hose air guide housing distributing piece	-79	1							
-	999 239 009 40	hose	80-	*							
27	-	340 MM									
27A	928 110 357 00	hose air guide housing auxiliary air regulator	80-	1							
28	930 110 271 01	t-piece		1							

Model	Year	MG	SG	Illustration	Restrictions	UPD	17:46	23.01.2010	PORSCHE	PET	PORSCHE
928	1982	1	07	107-10		248					



Pos	Part Number	Description	Remark	Qty	Model
		k-jetronic 3			
1	> 928 606 109 04	warm-up valve		1	M28.11/12
1	928 606 109 DX	warm-up valve		1	M28.11/12
(1)	> 928 606 109 05	warm-up valve		1	-04 M28.01
(1)	928 606 109 EX	warm-up valve		1	-04 M28.01 M28.09/10
2	928 110 239 00	bracket	-79	1	
3	999 072 005 09	hexagon-head bolt M 6 X 12	-79	1	
3A	N 011 524 7	washer A 6,4		7	
4	N 014 719 2	pan-head screw M 6 X 50	-79	2	
4A	900 076 010 02	hexagon nut	-79	3	
5	930 606 102 00	auxiliary air regulator		1	
6	N 014 703 2	pan-head screw M 6 X 18	-79	2	
7	928 110 189 05	fuel line warm-up valve diaphragm damper only together with fuel distributor with capsule valve	-79	1	
7	928 110 189 03	fuel line	80-	1	
7	928 110 189 04	fuel line		1	M28.11/12
8	900 123 144 30	sealing ring A 10 X 13,5		17	
9	999 105 013 02	screw socket		1	
10	928 110 190 00	fuel line return line warm-up valve	-79	1	
(10)	928 110 190 01	fuel line	80-	1	

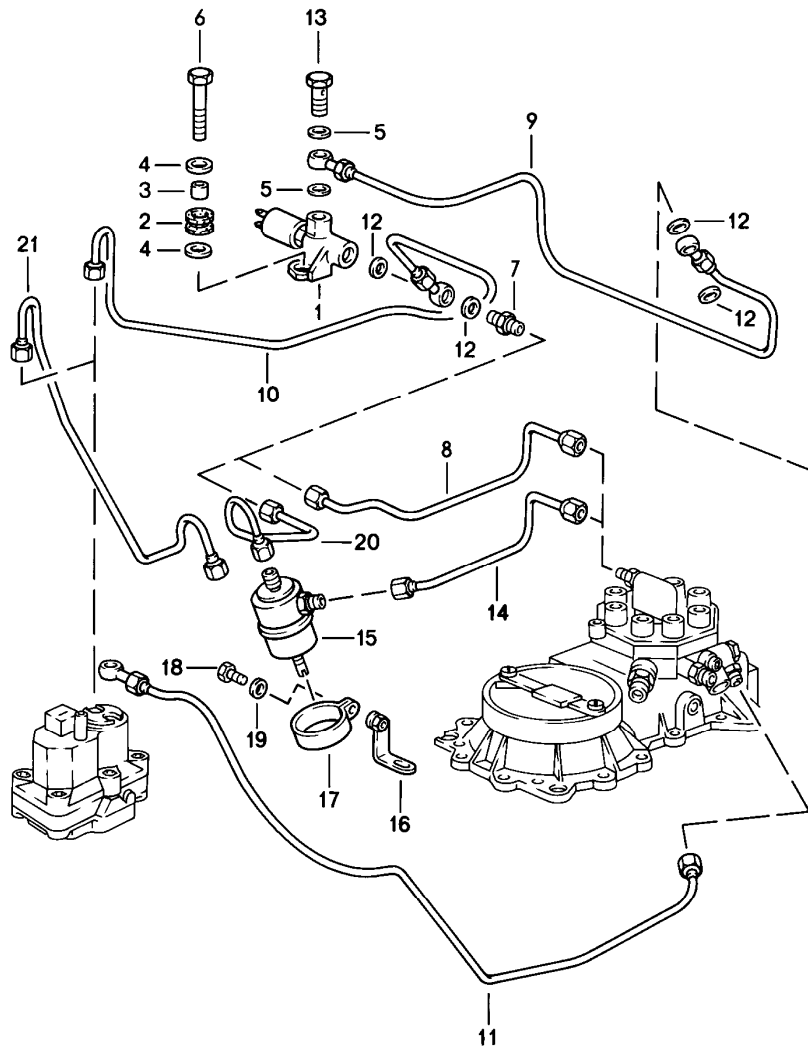
Model	Year	MG	SG	Illustration	Restrictions	UPD	17:46	23.01.2010	PORSCHE	PET	PORSCHE
928	1982	1	07	107-10		248					

Pos	Part Number	Description	Remark	Qty	Model	Pos	Part Number	Description	Remark	Qty	Model
11	N 013 830 7	sealing ring A 8 X 12		4		(30)	928 110 295 00	intake manifold cylinder 1 and cylinder 8		2	M28.11/12
12	911 110 899 00	banjo bolt		3							
13	928 110 194 00	fuel line intake start valve		1		31	928 110 282 03	intake manifold cylinder 2 and cylinder 7		2	-10 M28.01
14	928 110 056 02	intake distributor		1	-10 M28.01						
(14)	928 110 086 00	intake distributor		1	M28.11/12	(31)	928 110 296 00	intake manifold cylinder 2 and cylinder 7		2	M28.11/12
15	928 110 403 00	crest		1							
17	900 083 047 02	hexagon-head bolt M 8 X 1 X 10		1		32	928 110 283 02	intake manifold cylinder 3 and cylinder 6		2	-10 M28.01
19	900 123 115 30	sealing ring A 8 X 11,5		3							
20	911 110 264 00	intermediate piece for start valve		1		(32)	928 110 297 00	intake manifold cylinder 3 and cylinder 6		2	M28.11/12
21	911 606 107 01	start valve	-80	1							
21	911 606 107 01	start valve	81-	1		33	928 110 284 02	intake manifold cylinder 4 and cylinder 5		2	-10 M28.01
22	999 701 395 50	o-ring		1							
23	999 701 210 40	o-ring		1							
24	N 011 523 9	washer		2		(33)	928 110 298 00	intake manifold cylinder 4 and cylinder 5		2	M28.11/12
25	900 067 150 02	pan-head screw M 5 X 32		2							
26	928 110 087 01	vacuum line	AUT.	1		34	928 110 399 02	tensioning sleeve		8	
27	928 110 150 00	terminal	AUT.	4		35	928 110 398 00	sleeve for injector valve		8	
28	999 072 005 09	hexagon-head bolt M 6 X 12	AUT.	1		36	928 110 225 00	injector valve		8	
29	900 264 001 02	pipe clamp	AUT.	1		37	928 110 158 01	rubber sleeve		8	-10 M28.01
30	928 110 281 02	intake manifold cylinder 1 and cylinder 8		2	-10 M28.01	(37)	928 110 241 00	rubber sleeve		8	M28.11/12
						38	999 512 085 02	hose clamp S 52/9	-79	16	
						38	999 512 348 02	hose clamp	80-	16	
						39	928 110 330 03	gasket		8	

Model	Year	MG	SG	Illustration	Restrictions	UPD	17:46	23.01.2010	PORSCHE	PET	PORSCHE
928	1982	1	07	107-10		248					

Pos	Part Number	Description	Remark	Qty	Model	Pos	Part Number	Description	Remark	Qty	Model
40	900 025 007 02	washer		16							
41	N 010 335 5	hexagon-head bolt M 8 X 35		16							
42	999 512 552 00	hose clamp		2							
43	928 110 177 02	hose auxiliary air regulator intake distributor		1							
44	928 110 028 00	injection line cylinders 1 - 4	/R	1							
45	928 110 027 00	injection line cylinders 5 - 8	/L	1							
46	930 110 547 00	banjo bolt		8							
47	928 110 149 00	terminal		4							
48	928 110 148 01	terminal		2							

Model	Year	MG	SG	Illustration	Restrictions	UPD	17:46	23.01.2010	PORSCHE	PET	PORSCHE
928	1982	1	07	107-30		248					

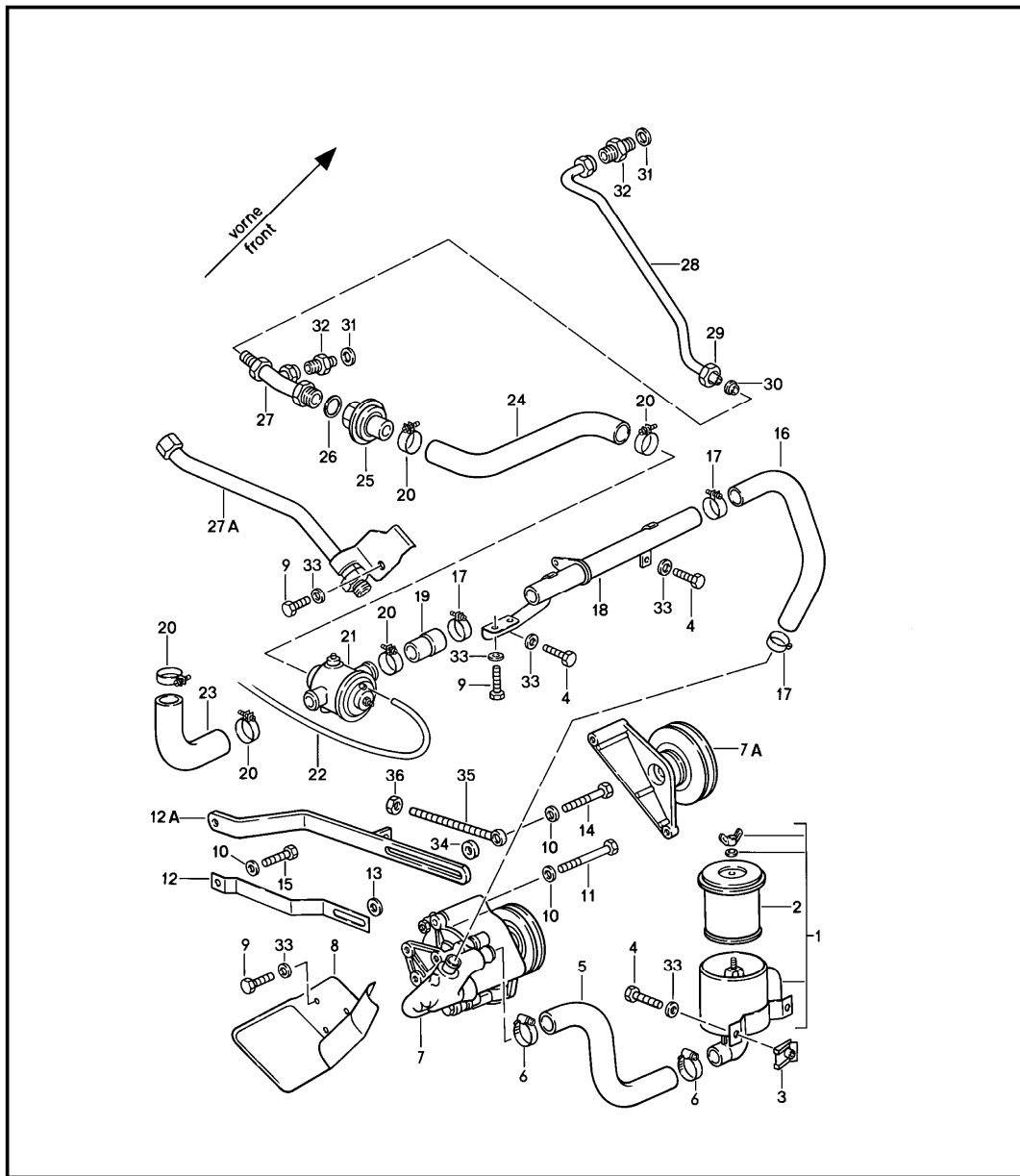


Pos	Part Number	Description	Remark	Qty	Model
		control pressure lowering	80-		
		standard valid from: 18.02.80			
		M 800 0378 >>			M28.09
		M 800 5496 >>			M28.10
		M 820 0233 >>			M28.11
		M 820 5025 >>			M28.12
		for subsequent installat. see technical information GRP.2 NR.9			
1	928 605 103 00	solenoid valve with distributing piece		1	
-	928 605 901 00	nozzle 65		1	
2	928 110 244 00	rubber sleeve		1	
3	928 110 245 00	spacer sleeve		1	
4	999 025 072 02	washer		2	
5	N 013 830 7	sealing ring		2	
6	900 074 040 02	hexagon-head bolt		1	
7	900 176 001 02	connection piece		2	
8	928 110 235 00	fuel line		1	
9	928 110 234 02	fuel line	-81	1	
9	928 110 234 02	fuel line	82	1	
10	928 110 189 04	fuel line		1	
11	928 110 190 02	fuel line		1	
12	900 123 115 30	sealing ring A 8 X 11,5		4	
13	911 110 899 00	banjo bolt		3	
14	928 110 505 01	fuel line		1	
15	928 110 231 02	diaphragm damper		1	
16	928 110 525 00	support		1	
17	999 511 132 02	clamp		1	

Model	Year	MG	SG	Illustration	Restrictions	UPD	17:46	23.01.2010	PORSCHE	PET	PORSCHE
928	1982	1	07	107-30		248					

Pos	Part Number	Description	Remark	Qty	Model	Pos	Part Number	Description	Remark	Qty	Model
18	999 072 005 09	hexagon-head bolt M 6 X 12		1							
19	N 011 524 7	washer		1							
20	928 110 503 00	fuel line		1							
21	928 110 189 05	fuel line		X							

Model	Year	MG	SG	Illustration	Restrictions	UPD	17:46	23.01.2010	PORSCHE	PET	PORSCHE
928	1982	1	08	108-00		248					

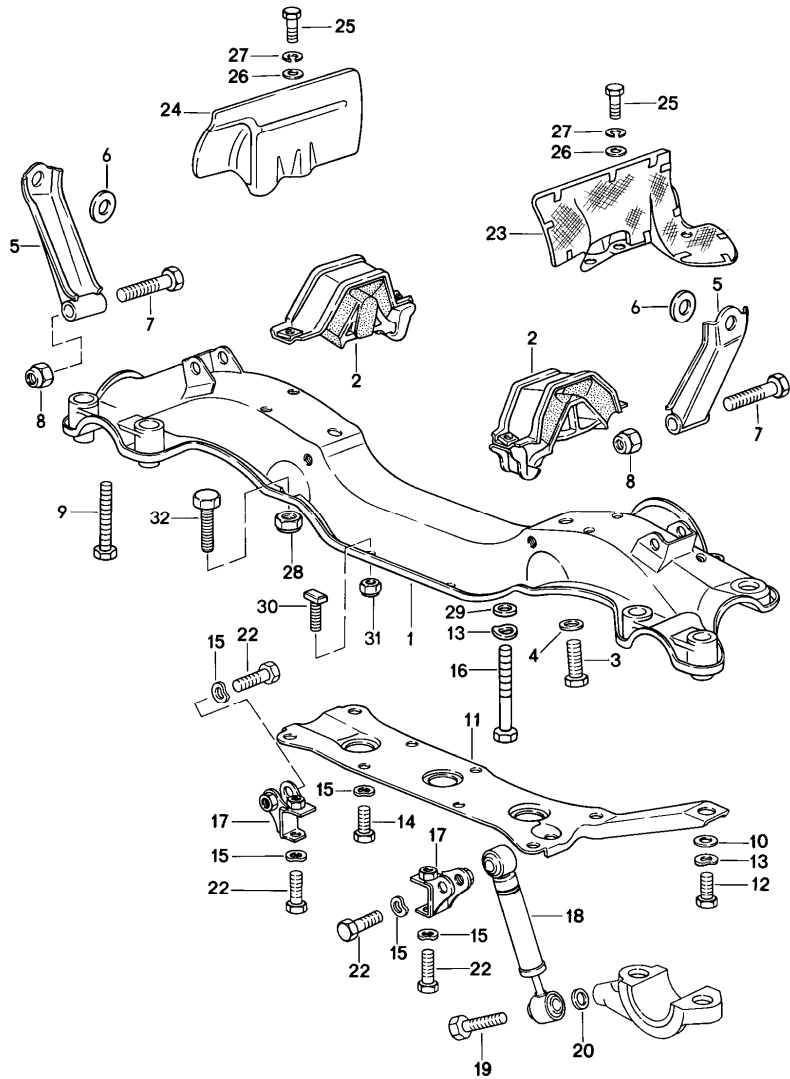


Pos	Part Number	Description	Remark	Qty	Model
		air injection			
1	928 113 145 00	air cleaner		1	
2	928 113 445 00	filter cartridge		1	
3	999 507 246 02	speed nut		2	
4	900 075 057 02	hexagon-head bolt M 6 X 16		4	
5	928 113 155 00	moulded hose		1	
6	N 024 511 2	hose clamp		2	
7	928 113 109 04	air pump		1	M28.01/02 -12 M28.09
8	928 113 125 05	cover plate		1	
9	999 072 005 09	hexagon-head bolt M 6 X 12		6	
10	900 025 007 02	washer		3	
11	900 074 049 02	screw M 8 X 110		1	
12	928 113 113 05	strut for air pump	-79	1	
12A	928 113 113 10	strut for air pump	80-	1	
13	900 025 007 02	washer		1	
14	N 010 246 4	hexagon-head bolt M 8 X 45	-79	1	
(14)	900 075 033 02	hexagon-head bolt	80-	1	
15	900 075 079 02	hexagon-head bolt M 8 X 22		1	
16	928 113 139 02	hose		1	
17	999 512 038 02	hose clamp		3	
18	928 113 141 02	air tube	-79	1	
(18)	928 113 141 03	air tube	80-	1	
19	928 113 149 00	hose diverter valve		1	

Model	Year	MG	SG	Illustration	Restrictions	UPD	17:46	23.01.2010	PORSCHE	PET	PORSCHE
928	1982	1	08	108-00		248					

Pos	Part Number	Description	Remark	Qty	Model	Pos	Part Number	Description	Remark	Qty	Model
20	999 512 237 02	hose clamp		5							
21	930 113 147 01	diverter valve		1							
-	999 239 003 40	hose		*							
22	-	400 MM	-81	1							
22	-	650 MM	82	1							
23	928 113 159 02	hose air cleaner		1							
24	928 113 140 03	hose check valve		1							
25 W	911 113 115 01	check valve		1							
25	911 113 115 01	check valve		1							
26	900 123 060 30	sealing ring		1							
27	928 113 136 00	air tube	/R	1							
28	928 113 135 03	air tube	/L	1							
29	900 104 020 02	union nut		2							
30	N 020 823 1	cutting ring		1							
31	900 123 018 30	sealing ring		2							
32	900 915 005 02	connection piece		2							
33	N 011 524 7	washer A 6,4		6							
34	999 025 075 02	washer 8,5 X 19 X 6	80-	1							
35	999 460 002 02	eye screw AM 8 X 90 X 75	80-	1							
36	900 076 025 02	hexagon nut M 8		1							

Model	Year	MG	SG	Illustration	Restrictions	UPD	17:46	23.01.2010	PORSCHE	PET	PORSCHE
928	1982	1	09	109-00		248					



Pos	Part Number	Description	Remark	Qty	Model
		engine suspension			
1	928 375 011 04	engine carrier	/LL	1	
(1)	927 375 011 00	engine carrier	/RL	- 80	1
(1)	927 375 011 04	engine carrier	/RL	81-	1
2	928 375 043 02	engine mounting		2	
3	N 040 108 1	hexagon-head bolt M 12 X 1,5 X 40		2	
4	901 333 143 01	washer		2	
5	928 375 063 00	bracket	/L	1	
(5)	928 375 064 00	bracket	/R	1	
6	928 375 211 00	washer		2	
7	N 010 156 3	hexagon-head bolt M 12 X 1,5 X 70		2	
8	900 910 046 02	lock nut VM 12 X 1,5		2	
9	N 010 455 3	screw M 10 X 55		2	
10	928 375 212 00	washer		2	
11	928 375 109 01	reinforcement plate	/LL	1	
(11)	927 375 021 00	reinforcement plate	/RL	1	
12	900 075 043 02	hexagon-head bolt M 10 X 30		3	
13	900 028 032 02	spring washer B 10		6 6	
14	900 075 079 02	hexagon-head bolt M 8 X 25		4	
15	N 012 241 8	spring washer		8	
16	N 010 500 3	hexagon-head bolt M 10 X 110		4	
17	928 375 081 01	connecting bow	/L	1	
(17)	928 375 082 01	connecting bow	/R	1	
18	928 375 179 02	vibration damper		2	

Model	Year	MG	SG	Illustration	Restrictions	UPD	17:46	23.01.2010	PORSCHE	PET	PORSCHE
928	1982	1	09	109-00		248					

Pos	Part Number	Description	Remark	Qty	Model	Pos	Part Number	Description	Remark	Qty	Model
19	N 010 450 5	hexagon-head bolt M 10 X 50		2							
20	900 089 002 02	washer 10 MM		2							
22	N 010 340 6	hexagon-head bolt M 8 X 40		4							
23	928 375 055 01	heat shield	/L	1							
24	928 375 056 01	heat shield	/R	1							
25	900 075 057 02	hexagon-head bolt M 6 X 16		4							
26	900 223 003 02	washer		4							
27	N 012 006 4	lock ring B 6		4							
28	900 910 031 09	lock nut		4							
29	900 025 008 09	washer		4							
30	928 375 125 00	t-headed screw	81-	4							
31	900 910 022 02	lock nut	81-	4							
32	N 010 445 2	hexagon-head bolt M 10 X 45	81-	4							

Model	Year	MG	SG	Illustration	Restrictions	UPD	17:47	23.01.2010
928	1982	1	98	198-00R		248		

Pos	Part Number	Description	Remark	Qty	Model
>>	>>928 100 901 00	maintenance set gasket set repair kit gasket set engine comprising:		1	-04 M28.01 M28.09/10 -18 M28.13
-	900 123 050 20	sealing ring A 8 X 11,5		4	
-	900 123 033 20	sealing ring A 10 X 13,5 CU		17	
-	900 123 005 20	sealing ring A 12 X 16		2	
-	900 123 118 30	sealing ring A 22 X 27		3	
-	999 113 275 40	shaft sealing ring A 20 X 30 X 7		1	
-	900 123 007 30	sealing ring A 14 X 18		2	
-	900 123 149 70	sealing ring A 22 X 29		1	
-	900 123 015 30	sealing ring A 30 X 36		1	
-	900 123 018 30	sealing ring A 16 X 20		6	
-	900 123 044 30	sealing ring A 18 X 22		13	
-	900 123 050 30	sealing ring A 8 X 11,5		3	
-	900 123 055 30	sealing ring A 12 X 16		2	
-	900 123 060 30	sealing ring A 24 X 29		2	
-	900 123 143 70	sealing ring A 48 X 55		1	
-	911 104 193 03	valve stem seal		16	
-	928 101 207 00	oil sump gasket		1	
-	928 104 371 12	cylinder head gasket cylinders 1 - 4		1	

Model	Year	MG	SG	Illustration	Restrictions	UPD	17:47	23.01.2010
928	1982	1	98	198-00R		248		

Pos	Part Number	Description	Remark	Qty	Model
-	928 104 372 12	cylinder head gasket cylinders 5 - 8		1	
-	928 105 184 00	sealing ring		2	
-	928 105 189 02	gasket		2	
-	A 928 105 901 00	gasket for camshaft housing		2	
-	928 106 134 03	gasket		1	
-	928 106 197 02	gasket		1	
-	928 106 197 04	gasket for regulator housing		2	
-	928 107 136 04	sealing ring		1	
-	928 107 707 04	gasket for oil inlet		1	
-	928 107 711 00	gasket		1	
-	928 110 330 03	gasket		8	
-	928 111 193 12	gasket		8	
-	928 113 179 01	gasket		2	
-	928 602 103 00	sealing ring		1	
-	928 603 135 01	sealing ring		1	
-	928 606 213 03	gasket		1	
-	930 110 122 00	sealing ring		1	
-	930 110 394 00	gasket		1	
-	999 113 215 40	sealing ring 90 X 110		1	
-	999 113 263 40	shaft sealing ring 60 X 85 X 10		1	
-	999 113 282 40	shaft sealing ring 30 X 47 X 7		2	
-	999 701 210 40	o-ring 20 X 2,5		1	
-	999 701 395 50	o-ring 7 X 2		1	
-	999 701 425 40	o-ring 50 X 4		1	

Model	Year	MG	SG	Illustration	Restrictions	UPD	17:47	23.01.2010
928	1982	1	98	198-00R		248		

Pos	Part Number	Description	Remark	Qty	Model
-	999 701 633 40	o-ring 98 X 3		1	
-	999 701 436 40	o-ring 91 X 4 X 63		1	
-	928 107 169 01	gasket 29,2 X 3		1	
-	999 701 592 40	o-ring 18,3 X 2,4		2	
-	999 701 602 40	o-ring 50 X 5		2	
-	999 701 627 40	o-ring 53 X 7		1	
-	999 701 632 40	o-ring 65 X 5		1	
>>	>>928 100 901 01	gasket set engine comprising:		1	M28.11/12
-	900 123 050 20	sealing ring A 8 X 11,5		4	
-	900 123 033 20	sealing ring A 10 X 13,5 CU		17	
-	900 123 005 20	sealing ring A 12 X 16		2	
-	900 123 118 30	sealing ring A 22 X 27		3	
-	999 113 275 40	shaft sealing ring A 20 X 30 X 7		1	
-	900 123 007 30	sealing ring A 14 X 18		2	
-	900 123 149 70	sealing ring A 22 X 29		1	
-	900 123 015 30	sealing ring A 30 X 36		1	
-	900 123 018 30	sealing ring A 16 X 20		4	
-	900 123 044 30	sealing ring A 18 X 22		13	
-	900 123 050 30	sealing ring A 8 X 11,5		3	
-	900 123 055 30	sealing ring A 12 X 16		2	

Model	Year	MG	SG	Illustration	Restrictions	UPD	17:47	23.01.2010
928	1982	1	98	198-00R		248		

Pos	Part Number	Description	Remark	Qty	Model
-	900 123 060 30	sealing ring A 24 X 29		2	
-	900 123 143 70	sealing ring A 48 X 55		1	
-	928 104 193 03	valve stem seal		16	
-	928 101 207 00	oil sump gasket		1	
-	928 104 361 07	cylinder head gasket cylinders 1 - 4		1	
-	928 104 362 07	cylinder head gasket cylinders 5 - 8		1	
-	928 105 184 00	sealing ring		2	
-	928 105 189 02	gasket		2	
-	928 105 901 00	gasket for camshaft housing		2	
-	928 106 134 03	gasket		1	
-	928 106 197 02	gasket		2	
-	928 106 197 04	gasket for regulator housing		2	
-	928 107 136 04	sealing ring		1	
-	928 107 707 04	gasket for oil inlet		1	
-	928 107 711 00	gasket		1	
-	928 110 330 03	gasket		8	
-	928 111 193 12	gasket		8	
-	928 113 179 01	gasket		2	
-	928 602 103 00	sealing ring		1	
-	928 603 135 01	sealing ring		1	
-	928 606 213 03	gasket		1	
-	930 110 122 00	sealing ring		1	
-	930 110 394 00	gasket		1	
-	999 113 215 40	sealing ring 90 X 110		1	

Model	Year	MG	SG	Illustration	Restrictions	UPD	17:47	23.01.2010
928	1982	1	98	198-00R		248		

Pos	Part Number	Description	Remark	Qty	Model
-	999 113 263 40	shaft sealing ring 60 X 85 10		1	
-	999 113 282 40	shaft sealing ring 30 X 47 X 7		2	
-	999 701 210 40	o-ring 20 X 2,5		1	
-	999 701 395 50	o-ring 7 X 2		1	
-	999 701 425 40	o-ring 50 X 4		1	
-	999 701 633 40	o-ring 98 X 3		1	
-	999 701 436 40	o-ring 91 X 4 X 63		1	
-	928 107 169 01	gasket 29,2 X 3		1	
-	999 701 592 40	o-ring 18,3 X 2,4		2	
-	999 701 602 40	o-ring 50 X 5		2	
-	999 701 627 40	o-ring 53 X 7		1	
-	999 701 632 40	o-ring 65 X 5		1	
>>	>>928 100 931 00	maintenance set for 20,000 km intervals F >>92881 01259 F >>92882 00053 F >>92882 09521 comprising:	78	1	-04 M28.01
-	999 170 170 90	spark plug		8	
-	928 107 201 05	oil filter		1	
-	900 123 011 30	sealing ring		1	
-	928 110 147 02	fuel filter		1	
-	928 110 185 01	air cleaner cartridge		1	
-	928 113 445 00	filter cartridge		1	

Model	Year	MG	SG	Illustration	Restrictions	UPD	17:47	23.01.2010
928	1982	1	98	198-00R		248		

Pos	Part Number	Description	Remark	Qty	Model
>>	>>928 100 931 01	maintenance set for 20,000 km intervals F 92881 01260>> F 92882 00054>> F 92882 09522>> comprising:	-79	1	-04 M28.01
-	999 170 170 90	spark plug		8	
-	928 107 201 05	oil filter		1	
-	900 123 011 30	sealing ring		1	
-	928 110 147 09	fuel filter		1	
-	928 110 185 01	air cleaner cartridge		1	
-	928 113 445 00	filter cartridge		1	
>>	>>928 100 931 02	maintenance set for 20,000 km intervals comprising:	80-	1	M28.09/10
-	999 170 170 90	spark plug		8	
-	928 107 201 05	oil filter		1	
-	900 123 011 30	sealing ring		1	
-	928 110 147 05	fuel filter		1	
-	928 110 185 01	air cleaner cartridge		1	
-	928 113 445 00	filter cartridge		1	
>>	>>928 100 931 03	maintenance set for 20,000 km intervals comprising:		1	M28.11/12
-	999 170 156 90	spark plug		8	
-	928 107 201 05	oil filter		1	
-	900 123 011 30	sealing ring		1	
-	928 110 147 05	fuel filter		1	
-	928 110 185 01	air cleaner cartridge		1	
-	928 113 445 00	filter cartridge		1	
>>	>>928 103 901 00	set of piston rings 1 set for piston 928.103.074.02 928.103.075.02	78	X	-04 M28.01

Model	Year	MG	SG	Illustration	Restrictions	UPD	17:47	23.01.2010
928	1982	1	98	198-00R		248		

Pos	Part Number	Description	Remark	Qty	Model
>>	>>928 103 902 00	set of piston rings 1 set for piston 95,00 MM	-79	X	-04 M28.01
>>	>>928 103 903 00	set of piston rings 1 set for piston 95,50 MM	-79	X	-04 M28.01
>>	>>928 103 904 00	set of piston rings 1 set for piston 96,00 MM	-79	X	-04 M28.01
>>	>>928 103 905 04	set of piston rings 1 set for piston 95,00 MM	80-	X	M28.09/10 -18 M28.13
>>	>>928 103 905 05	set of piston rings 1 set for piston 95,50 MM 1. oversize	80-	X	M28.09/10 -18 M28.13
>>	>>928 103 905 06	set of piston rings 1 set for piston 96,00 MM 2. oversize	80-	X	M28.09/10 -18 M28.13
>>	>>928 103 906 11	set of piston rings 1 set for piston 97,00 MM		X	M28.11/12

PORSCHE

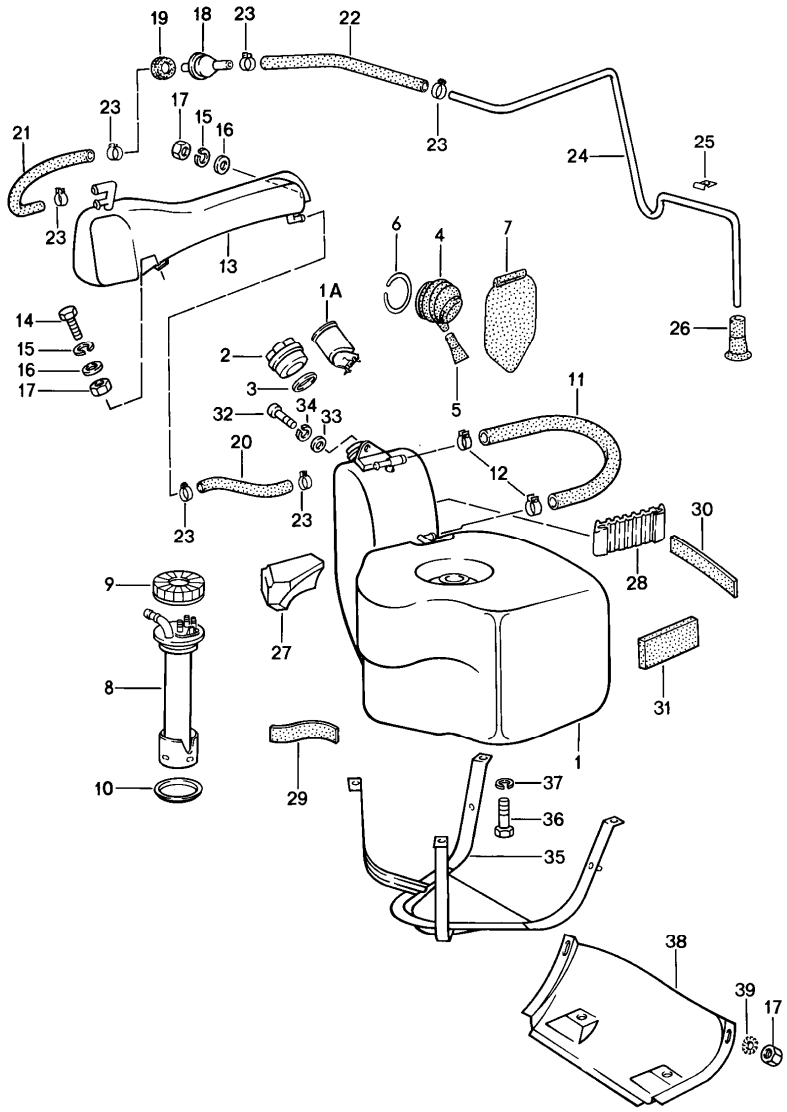
PET

PORSCHE

Model	Year	MG	SG	Illustration	Restrictions	UPD	17:47	23.01.2010
928	1982	1	98	198-00R		248		

Pos	Part Number	Description	Remark	Qty	Model
>>	>>928 103 906 12	set of piston rings 1 set for piston 97,50 MM 1. oversize		X	M28.11/12
>>	>>928 103 906 03	set of piston rings 1 set for piston 98,00 MM 2. oversize		X	M28.11/12

Model	Year	MG	SG	Illustration	Restrictions	UPD	17:47	23.01.2010	PORSCHE	PET	PORSCHE
928	1982	2	01	201-00		248					

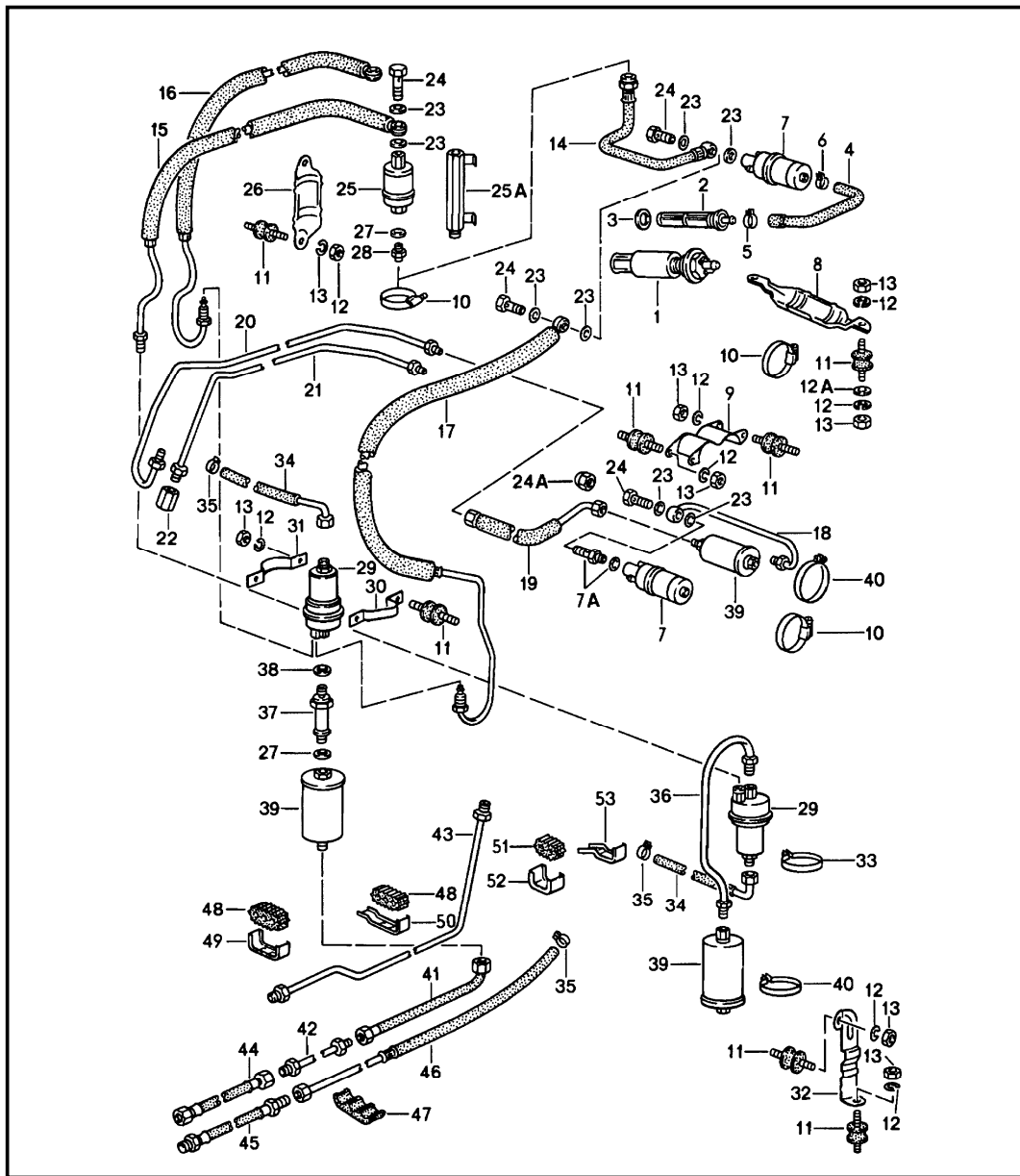


Pos	Part Number	Description	Remark	Qty	Model
1	928 201 003 03	fuel tank		1	
2	A 928 201 901 03	fuel tank cap with stipulated lock number state lock number		1	
(2)	928 201 903 02	fuel tank cap w/o stipulated lock number		1	
3	928 201 275 03	sealing ring		1	
4	928 201 333 02	grommet		1	
5	928 201 255 02	drain bush		1	
6	900 906 046 00	outer ring		1	
7	928 201 057 02	protective flap tank filler neck		1	
8	928 641 030 01	tank gauge fuel tank		1	
9	113 201 375	union nut		1	
10	928 201 327 02	gasket for tank gauge		1	
11	928 201 194 02	breather hose		1	
(11)	928 201 194 03	hose	(AUS)	80-	
12	N 023 565 3	hose clamp		2	
13	928 201 013 02	expansion tank with connecting pipe F >>92891 01296 F >>92892 01042 F >>92892 09557		-79	
(13)	928 201 013 03	expansion tank without connecting pipe F 92891 01297>> F 92892 01043>> F 92892 09558>>		-82	
14	900 075 014 02	hexagon-head bolt M 6 X 18		2	
15	N 012 006 4	lock ring B 6		2	

Model	Year	MG	SG	Illustration	Restrictions	UPD	17:47	23.01.2010	PORSCHE	PET	PORSCHE
928	1982	2	01	201-00		248					

Pos	Part Number	Description	Remark	Qty	Model	Pos	Part Number	Description	Remark	Qty	Model
16	N 011 524 7	washer		2		38	928 201 145 02	lid	-79	1	
17	900 076 010 02	hexagon nut		4		(38)	928 201 145 03	lid	80-	1	
18	928 201 083 02	shut-off valve		1		39	N 042 121 3	shake-proof washer		2	
19	928 201 197 02	grommet		1							
-	999 181 716 50	hose 9,5 X 15,5		*							
20	-	250 MM		1							
21	-	850 MM		1							
22	-	640 MM		1							
23	N 023 569 2	hose clamp S 16/9		6							
24	928 201 135 02	ventilation tube	-79	1							
(24)	928 201 135 03	ventilation tube	80-	1							
25	928 201 343 02	clip		2							
26	928 201 195 02	end piece		1							
27	928 201 107 02	desk pad		1							
28	928 201 249 02	desk pad	-79	1							
-	999 911 227 40	base strap		*							
29	-	210 MM		1							
30	-	290 MM		2							
31	928 201 345 02	spacer		1							
32	N 014 707 2	pan-head screw M 8 X 15		1							
33	900 025 007 02	washer		1							
34	900 142 002 01	lock ring		1							
35	928 201 313 02	tank covering	-79	1							
(35)	928 201 313 03	tank covering	80-	1							
36	N 010 246 4	hexagon-head bolt M 8 X 45		4							
37	900 027 015 02	lock ring B 8		4							

Model	Year	MG	SG	Illustration	Restrictions	UPD	17:47	23.01.2010	PORSCHE	PET	PORSCHE
928	1982	2	01	201-05		248					



Pos	Part Number	Description	Remark	Qty	Model
1	928 608 013 00	fuel system in-tank fuel pump	(CDN) (USA) -79	1	
		F 92891 00334>> F 92892 00014>> F 92892 09528>>			
(2)	928 201 081 03	fuel strainer M 36 X 1,5		1	
		F >>92881 01287 F >>92882 00053 F >>92882 09527			
2	928 201 081 04	fuel filter M 37 X 1,5		1	
		deleted with in-tank fuel pump F 92881 01288>> F 92882 00054>> F 92882 09528>>			
3	928 201 187 02	sealing ring		1	
(4)	928 356 550 04	fuel hose	(CDN) (USA) -79 (AUS) (J)	1	
		only together with in-tank fuel pump			
4	928 356 550 05	fuel hose		1	
5	999 512 346 00	hose clamp S 20/9		1	
6	999 512 554 00	hose clamp S 18/9		1	
7	911 608 102 00	fuel pump	-80	1	
7	911 608 102 02	fuel pump		1	
7A	893 906 093	retaining valve		1	
8	928 608 125 00	support	-79	1	
9	928 356 151 00	support	80-	1	
10	999 512 394 00	hose clamp		1	
11	944 610 115 00	bonded rubber mounting		6	
12	N 012 006 4	lock ring B 6		12	
12A	N 011 666 7	washer		4	

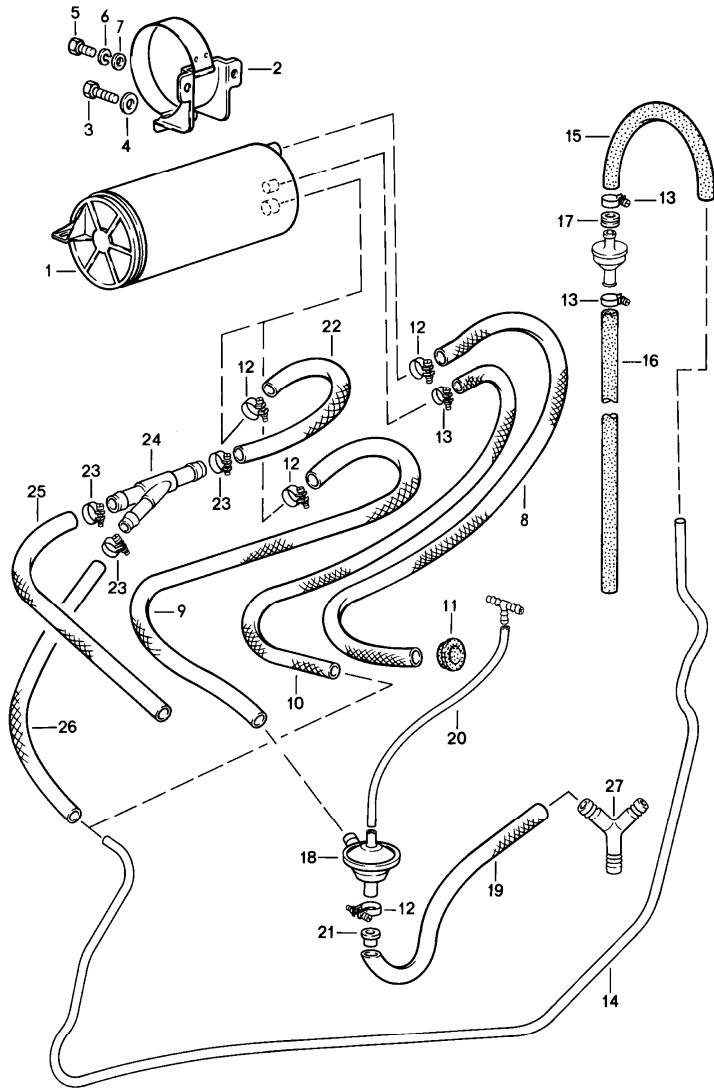
Model	Year	MG	SG	Illustration	Restrictions	UPD	17:47	23.01.2010	PORSCHE	PET	PORSCHE
928	1982	2	01	201-05		248					

Pos	Part Number	Description	Remark	Qty	Model	Pos	Part Number	Description	Remark	Qty	Model
13	900 076 010 02	hexagon nut		12		34	928 356 032 03	fuel leakage line F >>92891 01296 F >>92892 01042 F >>92892 09557		1	
14	928 356 021 01	fuel hose F >>92881 01259 F >>92892 00013 F >>92892 09527		1		35	N 023 569 2	hose clamp S 16/9		2	
15	928 356 025 02	fuel line F >>92881 01259		1		36	928 356 028 00	fuel line F >>92881 01259		1	
17	928 356 019 00	fuel line	-79	1		37	928 356 619 01	connecting piece F 92881 01260>>	-79	1	
18 A	928 356 063 10	fuel line	80-	1		38	900 123 018 30	sealing ring	-79	1	
19	928 356 053 01	fuel line	80-	1		(39)	931 110 149 04	fuel filter F >>92881 01259		1	
20	928 356 051 00	fuel line	80-	1		(39)	928 110 147 09	fuel filter F 92881 01260>> F 92882 00054>> F 92882 09522>>	-79	1	
23	900 123 005 20	sealing ring		4		39	928 110 147 05	fuel filter	80-	1	
24	900 175 020 02	banjo bolt		2		40	999 512 276 02	clamp		2	
25	930 608 113 00	fuel pump 2 F >>92881 00375 F >>92892 00013 F >>92892 09527		1		41	928 356 037 00	fuel hose	-79	1	
25A	928 356 617 00	intermediate piece	-79	1		-	999 511 121 40	clip	-79	1	
26	911 608 105 00	support	-79	1		-	900 143 077 02	tapping screw 4,2 X 32	-79	1	
27	N 013 849 2	sealing ring	-79	2		42	928 356 029 00	fuel line fuel distributor F >>92881 01259 F >>92882 00053		1	
28	N 020 702 1	screw socket	-79	1		(42)	928 356 029 01	fuel line fuel distributor F 92881 01260>> F 92881 00054>>	-79	1	
29	928 110 197 06	fuel accumulator F >>92881 01259		1		43	928 356 029 03	fuel line fuel distributor	80-	1	
(29)	928 110 197 04	fuel accumulator F 92881 01260>> F >>92891 01296		1		44	928 356 039 00	fuel hose fuel distributor F >>92A08 00878 F >>92A08 20538 F >>92A08 11105		1	
(29)	928 110 197 06	fuel accumulator F 92891 01297>>		1		(44)	928 356 079 00	fuel hose F 92A08 00879>> F 92A08 20539>>		1	
30	928 356 621 00	clamping bow front	-79	1							
31	928 356 623 00	clamping bow rear	-79	1							
32	928 356 639 00	support	80-	1							
33	999 512 288 02	clamp	-79	1							
(33)	999 512 199 02	clamp		1							

Model	Year	MG	SG	Illustration	Restrictions	UPD	17:47	23.01.2010	PORSCHE	PET	PORSCHE
928	1982	2	01	201-05		248					

Pos	Part Number	Description	Remark	Qty	Model	Pos	Part Number	Description	Remark	Qty	Model
(45)	928 356 041 00	fuel hose return line	-78	1							
(45)	928 356 041 02	fuel hose	-79	1							
45	928 356 041 03	fuel hose	79-	1							
(45)	928 356 081 00	fuel hose F 92A08 00879>> F 92A08 20539>>		1							
46	928 356 031 01	fuel line return line fuel tank		1							
47	928 356 543 02	line clamp	-79	9							
48	928 356 521 00	rubber mounting	80-	5							
49	928 356 523 00	supporting bow	80-	4							
50	928 356 524 00	supporting bow	80-	1							
51	928 356 525 00	rubber mounting	80-	8							
52	928 356 527 00	supporting bow	80-	7							
53	928 356 647 00	supporting bow	80-	1							
		fuel pump with pressure damper for subsequent installation from MOD. 80									
-	928 356 063 01	fuel line	80-	1							
-	928 356 151 01	support for fuel pump and fuel filter	80-	1							
-	928 356 905 00	pressure damper	80-	1							
-	928 356 907 00	check valve	80-	1							
-	900 123 005 20	sealing ring A 12 X 16	80-	2							

Model	Year	MG	SG	Illustration	Restrictions	UPD	17:47	23.01.2010	PORSCHE	PET	PORSCHE
928	1982	2	01	201-10		248					

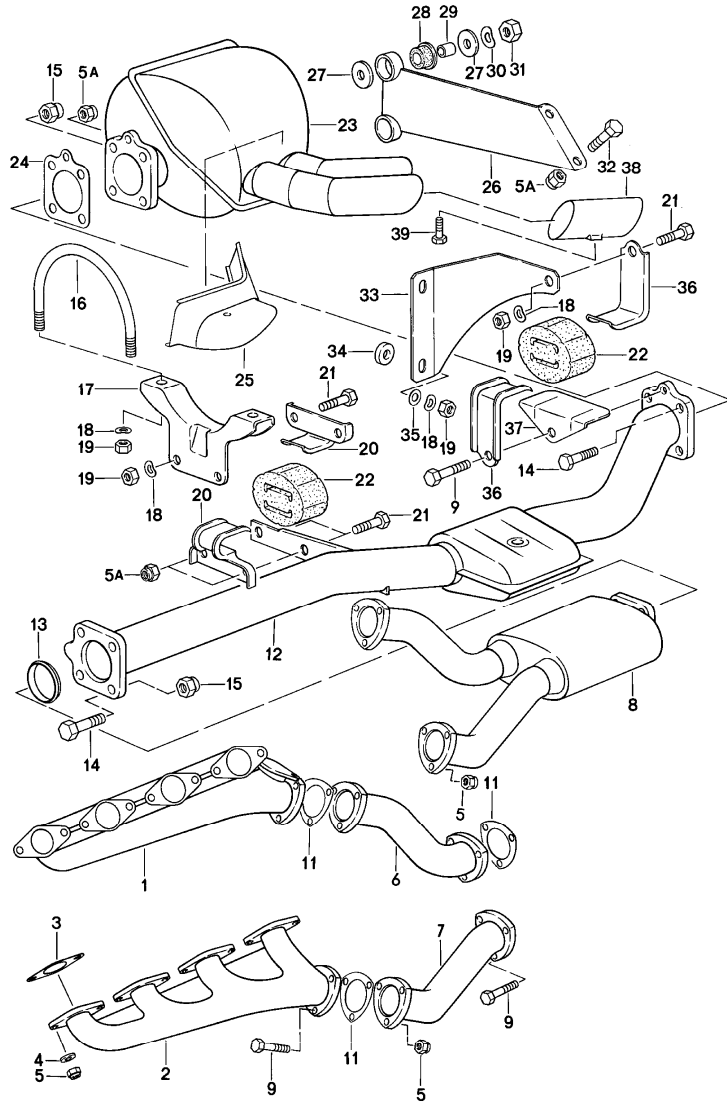


Pos	Part Number	Description	Remark	Qty	Model
		tank ventilation			
		AUS / J			
		USA / CDN			
1	993 201 221 01	carbon canister		1	
2	928 201 015 02	bracket		1	
3	900 075 014 02	hexagon-head bolt M 6 X 18		1	
4	803 817 121	washer B 6,4 \$ 18 MM		1	
5	999 072 005 09	hexagon-head bolt M 6 X 12		2	
6	N 012 026 3	lock ring		2	
7	N 011 524 7	washer		2	
8	928 201 009 02	hose air cleaner	-78	1	
(8)	928 201 009 03	hose air cleaner	-79	1	
(8)	999 180 106 50	fuel hose 12 X 17 X 680	80-	1	
9	928 201 008 03	hose		1	
10	928 201 006 02	hose expansion tank		1	
11	021 119 569 A	rubber sleeve		3	
12	999 512 554 00	hose clamp S 18/9		4	
13	N 023 569 2	hose clamp S 16/9		4	
14	928 201 341 02	vent line	-79	1	
(14)	928 201 341 04	vent line	80-	1	
-	999 181 716 50	hose 9,5 X 15,5		*	
15	-	400 MM		1	
16	-	850 MM		1	
17	999 702 119 50	rubber sleeve		1	

Model	Year	MG	SG	Illustration	Restrictions	UPD	17:47	23.01.2010	PORSCHE	PET	PORSCHE
928	1982	2	01	201-10		248					

Pos	Part Number	Description	Remark	Qty	Model	Pos	Part Number	Description	Remark	Qty	Model
(18)	928 110 429 03	vacuum valve		-80	1 M479						
-	999 239 016 40	hose 13 X 18			*						
19	-	470 MM		-80	1 M479						
19	-	280 MM		82	1 -18 M28.15						
-	999 239 003 40	hose			*						
20	-	500 MM			1						
22	928 201 008 04	moulded hose		80-	1						
23	900 272 003 02	hose clamp		80-	3						
24	928 201 219 02	connecting piece		80-	1						
-	999 181 168 50	hose 12 X 18,5		80-	*						
25	-	380 MM	/LL		1						
(25)	-	800 MM	/RL		1						
-	999 181 716 50	hose 9,5 X 15,5			*						
26	-	530 MM		80-	1						
27	928 110 273 00	y-piece		80-	1						

Model	Year	MG	SG	Illustration	Restrictions	UPD	17:47	23.01.2010	PORSCHE	PET	PORSCHE
928	1982	2	02	202-00		248					

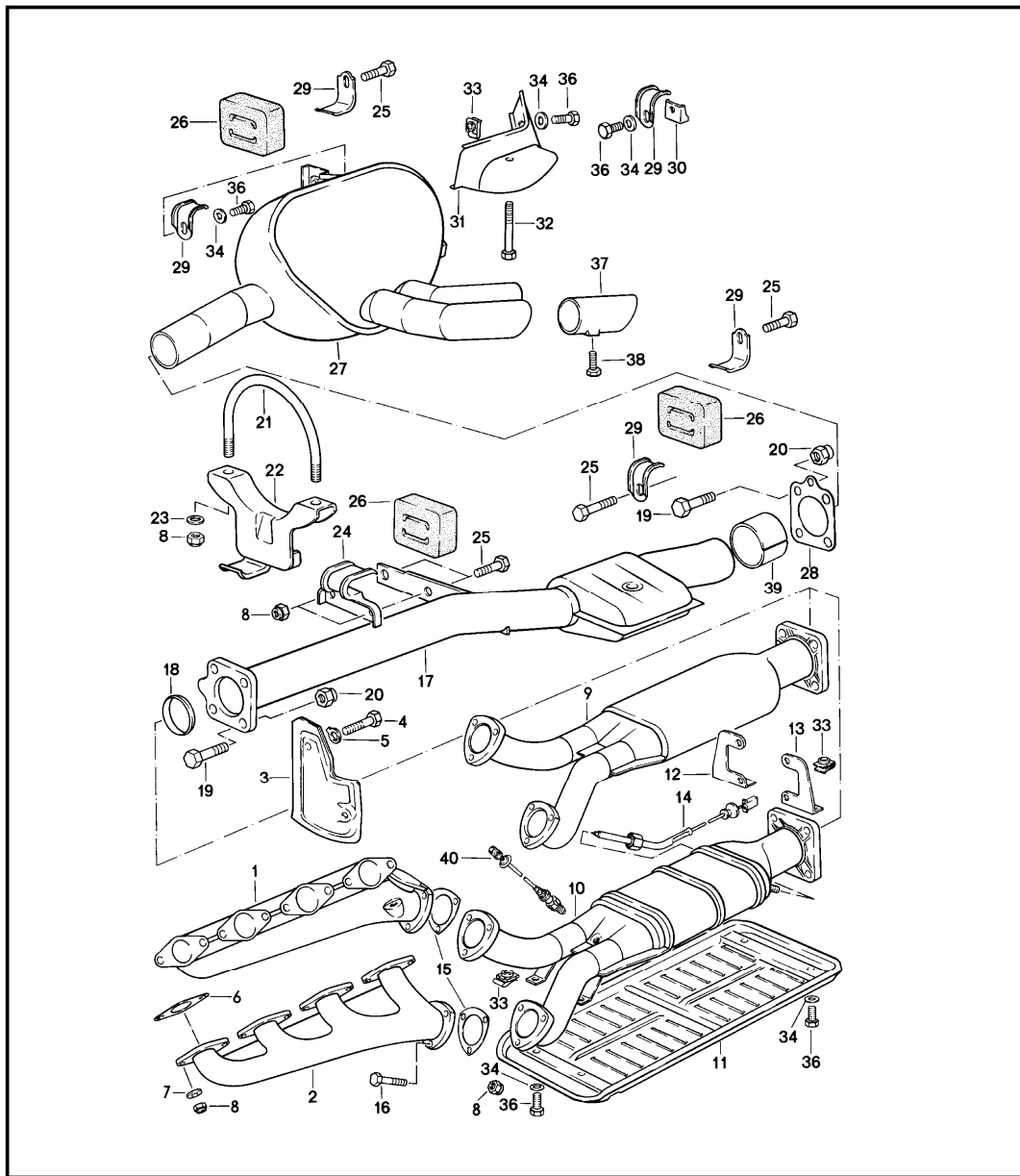


Pos	Part Number	Description	Remark	Qty	Model
		exhaust system		78	
1	928 111 139 09	exhaust manifold cylinders 1 - 4	/LL	1	
(1)	927 111 138 02	exhaust manifold cylinders 1 - 4	/RL	1	
(1)	927 111 138 03	exhaust manifold cylinders 1 - 4	/RL	1	
2	A 928 111 137 00	exhaust manifold cylinders 5 - 8		1	
2	928 111 140 02	exhaust manifold cylinders 5 - 8		1	
3	928 111 193 12	gasket		8	
4	928 111 181 00	washer		16	
5	999 084 052 02	lock nut		30	
5A	999 084 041 02	lock nut		4	
6	928 111 052 04	exhaust pipe	/R	1	
7	928 111 051 04	exhaust pipe	/L	1	
8	928 111 082 07	front muffler		1	
9	900 074 287 02	hexagon-head bolt M 8 X 35		13	
-	900 074 259 00	hexagon-head bolt M 8 X 38		1	
11	928 111 127 02	gasket		2	
(11)	928 111 127 02	gasket without asbestos		2	
12	928 111 030 03	intermediate silencer		1	
13	928 111 244 01	sealing ring		1	
14	900 155 033 00	hexagon-head bolt M 10 X 38		8	
15	999 084 047 02	lock nut		8	
16	928 111 227 01	clip		1	
17	928 111 061 00	support		1	
18	N 012 241 8	spring washer		9	

Model	Year	MG	SG	Illustration	Restrictions	UPD	17:47	23.01.2010	PORSCHE	PET	PORSCHE
928	1982	2	02	202-00		248					

Pos	Part Number	Description	Remark	Qty	Model	Pos	Part Number	Description	Remark	Qty	Model
19	900 076 025 02	hexagon nut		9							
20	928 111 261 02	hook		2							
21	900 075 087 02	hexagon-head bolt M 8 X 16		5							
22	928 111 259 02	rubber mounting		2							
23	928 111 031 03	main exhaust muffler		1							
24	928 111 135 01	gasket		1							
25	928 111 242 01	heat shield		1							
-	999 507 326 02	captive nut B 4,8 X 18,5		2							
-	900 075 057 02	hexagon-head bolt M 6 X 16		2							
-	N 011 524 7	washer		2							
26	928 111 238 06	bracket		1							
27	999 151 034 02	washer		4							
28	928 111 252 00	rubber bush		4							
29	928 111 253 00	spacer tube		2							
30	900 028 014 02	spring washer		2							
31	N 011 020 8	hexagon nut M 12 X 1,5		2							
32	N 010 239 11	hexagon-head bolt M 8 X 18		2							
33	928 111 266 00	bracket		1							
34	928 111 267 00	spacer ring		1							
35	900 151 008 02	washer		2							
36	928 111 264 01	hook		2							
37	928 111 265 00	heat shield		1							
38	928 111 271 01	ornamental exhaust pipe		2							
39	900 075 001 07	hexagon-head bolt M 5 X 8		2							

Model	Year	MG	SG	Illustration	Restrictions	UPD	17:47	23.01.2010	PORSCHE	PET	PORSCHE
928	1982	2	02	202-05		248					

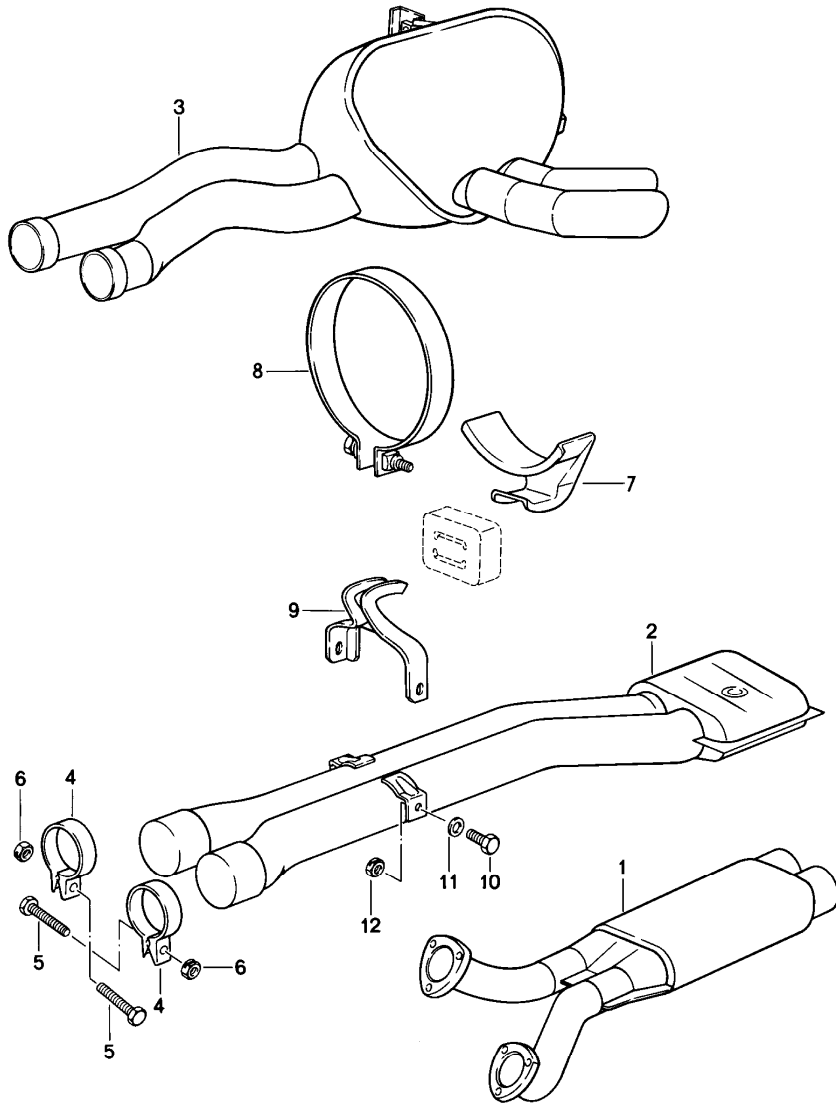


Pos	Part Number	Description	Remark	Qty	Model
		exhaust system		79-	
		differing parts twin-pipe system see group 2/02/10			
1	928 111 139 09	exhaust manifold cylinders 1 - 4	/LL	1	
(1)	927 111 138 02	exhaust manifold cylinders 1 - 4	/RL	-80	1
(1)	927 111 138 03	exhaust manifold cylinders 1 - 4	/RL	1	
1	927 111 138 05	exhaust manifold cylinders 1 - 4	/RL	1	
2	928 111 137 00	exhaust manifold cylinders 5 - 8		-79	1
2	928 111 140 02	exhaust manifold cylinders 5 - 8	/LL	1	
3	927 111 149 02	heat shield	/RL	1	
4	N 010 208 5	hexagon-head bolt M 6 X 8	/RL	2	
5	900 020 001 01	washer 6,4		2	
6	928 111 193 12	gasket		8	
7	928 111 181 00	washer		16	
8	999 084 052 02	lock nut		28	
9	928 111 082 07	front muffler		1	
15	A 928 111 127 02	gasket		2	
(15)	928 111 127 02	gasket without asbestos		2	
16	900 074 287 02	hexagon-head bolt M 8 X 35		-79	6
(16)	900 074 287 02	hexagon-head bolt		80-	6
(17)	928 111 030 03	intermediate silencer		-79	1
17	A 928 111 934 00	intermediate silencer		-80	1
17	928 111 934 00	intermediate silencer		80-	1

Model	Year	MG	SG	Illustration	Restrictions	UPD	17:47	23.01.2010	PORSCHE	PET	PORSCHE
928	1982	2	02	202-05		248					

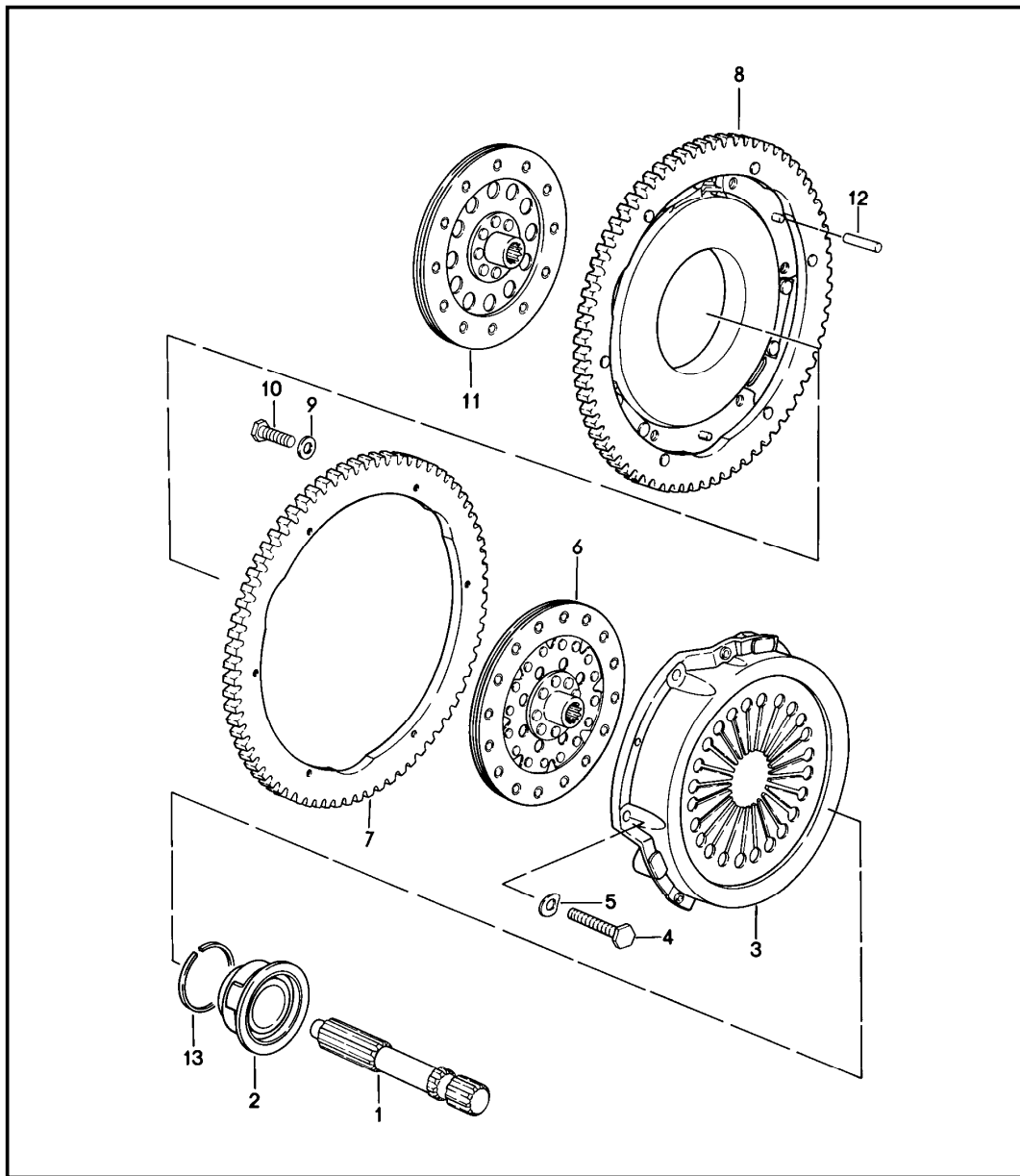
Pos	Part Number	Description	Remark	Qty	Model	Pos	Part Number	Description	Remark	Qty	Model
18	928 111 244 01	sealing ring	-79	1							
18	928 111 244 03	sealing ring	80-	1							
19	900 155 033 00	hexagon-head bolt M 10 X 38	-79	8							
(19)	N 010 020 2	hexagon-head bolt	80-	4							
20	999 084 047 02	lock nut		8							
21	928 111 227 01	clip		1							
22	928 111 061 00	support		1							
23	900 025 007 02	washer A 8,4		2							
24	928 111 261 02	hook		4							
25	900 075 087 02	hexagon-head bolt M 8 X 16		6							
26	928 111 259 02	rubber mounting		3							
(27)	928 111 031 04	main exhaust muffler	79	1							
27	928 111 931 00	main exhaust muffler	80-82	1							
28	928 111 135 01	gasket	-79	1							
29	928 111 264 01	hook		4							
30	928 111 257 01	support		1							
31	928 111 242 01	heat shield		1							
32	N 010 375 4	hexagon-head bolt M 8 X 75		1							
33	999 507 326 02	captive nut		X							
34	N 011 524 7	washer A 6,4		1							
35	N 011 666 7	washer		X							
36	900 075 057 02	hexagon-head bolt M 6 X 16		X							
37	928 111 271 01	ornamental exhaust pipe		2							
38	900 075 001 07	hexagon-head bolt M 5 X 8	-79	2							
39	928 111 955 00	welded sleeve	80-	1							

Model	Year	MG	SG	Illustration	Restrictions	UPD	17:48	23.01.2010	PORSCHE	PET	PORSCHE
928	1982	2	02	202-10		248					



Pos	Part Number	Description	Remark	Qty	Model
		exhaust system twin-pipe system			M28.11/12
		differing parts twin-pipe system			
1	928 111 096 03	front muffler		1	
2	928 111 935 00	intermediate silencer		1	
3	928 111 933 00	main exhaust muffler		1	
4	928 111 424 00	pipe clamp		2	
5	900 155 036 02	hexagon-head bolt M 10 X 50		2	
6	999 084 047 02	lock nut		4	
7	928 111 278 00	hook upper		1	
8	999 512 325 02	clamp		1	
9	928 111 279 00	hook lower		1	
10	900 075 318 02	hexagon-head bolt M 8 X 16		2	
11	999 025 078 02	washer		2	
12	999 084 052 02	lock nut M 8		2	

Model	Year	MG	SG	Illustration	Restrictions	UPD	17:48	23.01.2010	PORSCHE	PET	PORSCHE
928	1982	3	01	301-00		248					

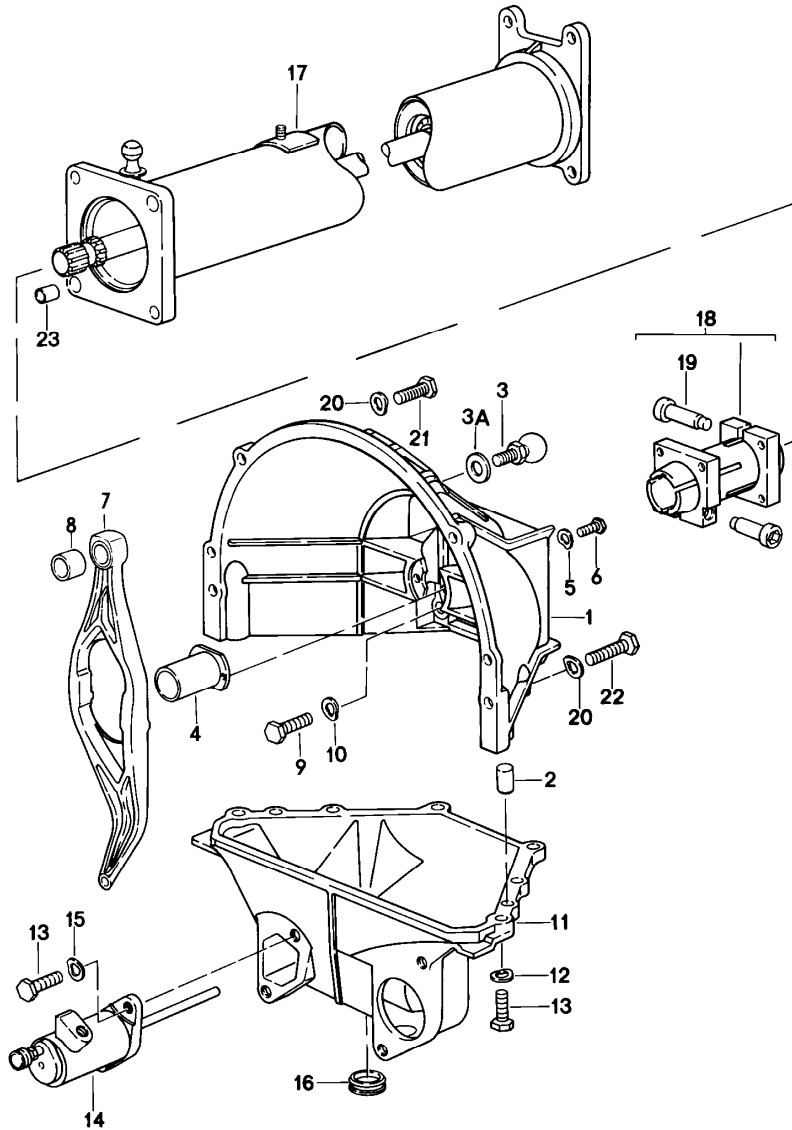


Pos	Part Number	Description	Remark	Qty	Model
		clutch			
		see technical information GRP. 3 NR.3-4-12			
1	928 421 235 11	central shaft 1 F >>92881 00753 F >>92882 00054 F >>92882 09522		1	
1	928 421 235 16	central shaft 1 F 92881 00754>> F 92882 00055>> F 92882 09523>>		1	
2	928 116 085 24	clutch release bearing		1	
3	> 928 116 031 03	pressure plate	-79	1	
(3)	> 928 116 031 26	pressure plate	80-	1	
4	N 010 340 6	hexagon-head bolt M 8 X 40		6	
5	N 012 241 8	spring washer		6	
6	> 928 116 011 24	clutch plate 2	-79	1	
6	> 928 116 011 28	clutch plate 2	80-	1	
7	928 116 143 00	ring gear	-79	1	
8	928 116 033 22	intermediate ring	80-	1	
(8)	928 116 033 03	intermediate ring	-79	1	
9	N 012 234 3	spring washer B 7	-79	6	
10	N 010 229 2	hexagon-head bolt M 7 X 18	-79	6	
11	> 928 116 011 23	clutch plate 1	-79	1	
11	> 928 116 011 27	clutch plate 1	80-	1	
12	999 012 030 00	straight pin	80-	3	
13	999 152 068 01	circlip for clutch release bearing		1	

Model	Year	MG	SG	Illustration	Restrictions	UPD	17:48	23.01.2010	PORSCHE	PET	PORSCHE
928	1982	3	01	301-00		248					

Pos	Part Number	Description	Remark	Qty	Model	Pos	Part Number	Description	Remark	Qty	Model
--	928 116 911 00	repair kit for clutch	80-	1							

Model	Year	MG	SG	Illustration	Restrictions	UPD	17:48	23.01.2010	PORSCHE	PET	PORSCHE
928	1982	3	01	301-05		248					

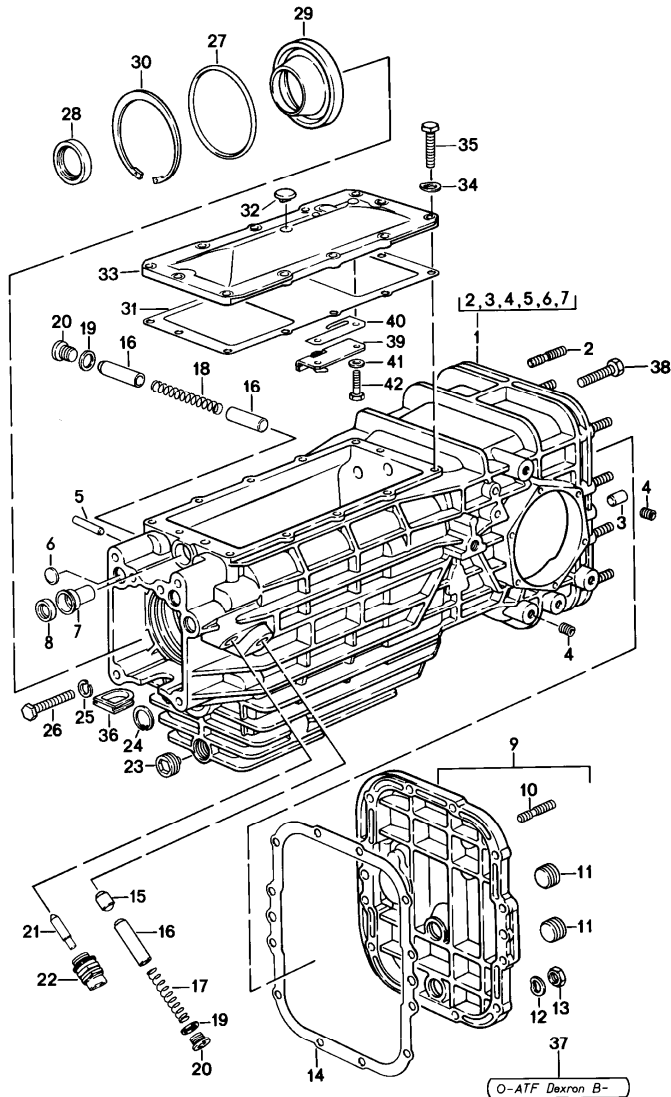


Pos	Part Number	Description	Remark	Qty	Model
		central tube manual transmission			
1	A 928 116 401 11	clutch housing		1	
1	928 116 402 00	clutch housing		1	
2	900 012 110 00	straight pin		2	
3	928 116 075 01	ball pin		1	
3A	900 025 007 02	washer		1	
4	928 116 087 13	guide tube		1	
5	N 012 226 5	spring washer		2	
6	900 075 057 02	hexagon-head bolt M 6 X 16		2	
7	928 116 832 06	clutch release lever		1	
8	928 116 145 03	ball socket		1	
9	900 074 059 02	hexagon-head bolt M 10 X 40	-79	4	
(9)	N 010 445 2	hexagon-head bolt	80-	4	
10	N 012 230 1	spring washer		4	
11	928 116 411 12	lid for clutch housing		1	
12	N 012 241 8	spring washer		6	
13	900 075 099 02	hexagon-head bolt M 8 X 30		8	
14	928 116 237 18	clutch operating cylinder		1	
-	* 928 116 901 00	repair kit clutch operating cylinder		1	
15	900 027 015 02	lock ring B 8		2	
16	928 116 425 00	cap	-80	2	
(16)	477 521 177	cap	80-	1	
16	928 116 425 00	cap	81-	3	

Model	Year	MG	SG	Illustration	Restrictions	UPD	17:48	23.01.2010	PORSCHE	PET	PORSCHE
928	1982	3	01	301-05		248					

Pos	Part Number	Description	Remark	Qty	Model	Pos	Part Number	Description	Remark	Qty	Model
17	> 928 421 012 13	central tube F >>92881 00753 F >>92882 00054 F >>92882 09522 use also: 928.421.235.16 922.421.051.01		1	G28.03						
(17)	> 928 421 012 14	central tube		-80	1 G28.03						
(17)	A 928 421 012 18	central tube		80	1 G28.05						
17	> 928 421 012 26	central tube		80-	1 G28.05						
18	928 421 051 02	clamping sleeve F >>92881 00753 F >>92882 00054 F >>92882 09522		1							
18	922 421 051 02	clamping sleeve F 92881 00754>> F 92881 00055>> F 92882 09523>>		1							
19	931 421 240 00	clamping screw F >>92881 00753 F >>92882 00054 F >>92882 09522		2							
19	931 421 240 00	clamping screw F 92881 00754>> F 92882 00055>> F 92882 09523>>		2							
20	N 012 232 1	spring washer		4							
21	N 010 142 2	hexagon-head bolt M 12 X 50		4							
22	N 010 165 3	hexagon-head bolt M 12 X 65		2							
23	900 197 042 01	roll pin 10 X 12		2							

Model	Year	MG	SG	Illustration	Restrictions	UPD	17:48	23.01.2010	PORSCHE	PET	PORSCHE
928	1982	3	02	302-00		248					

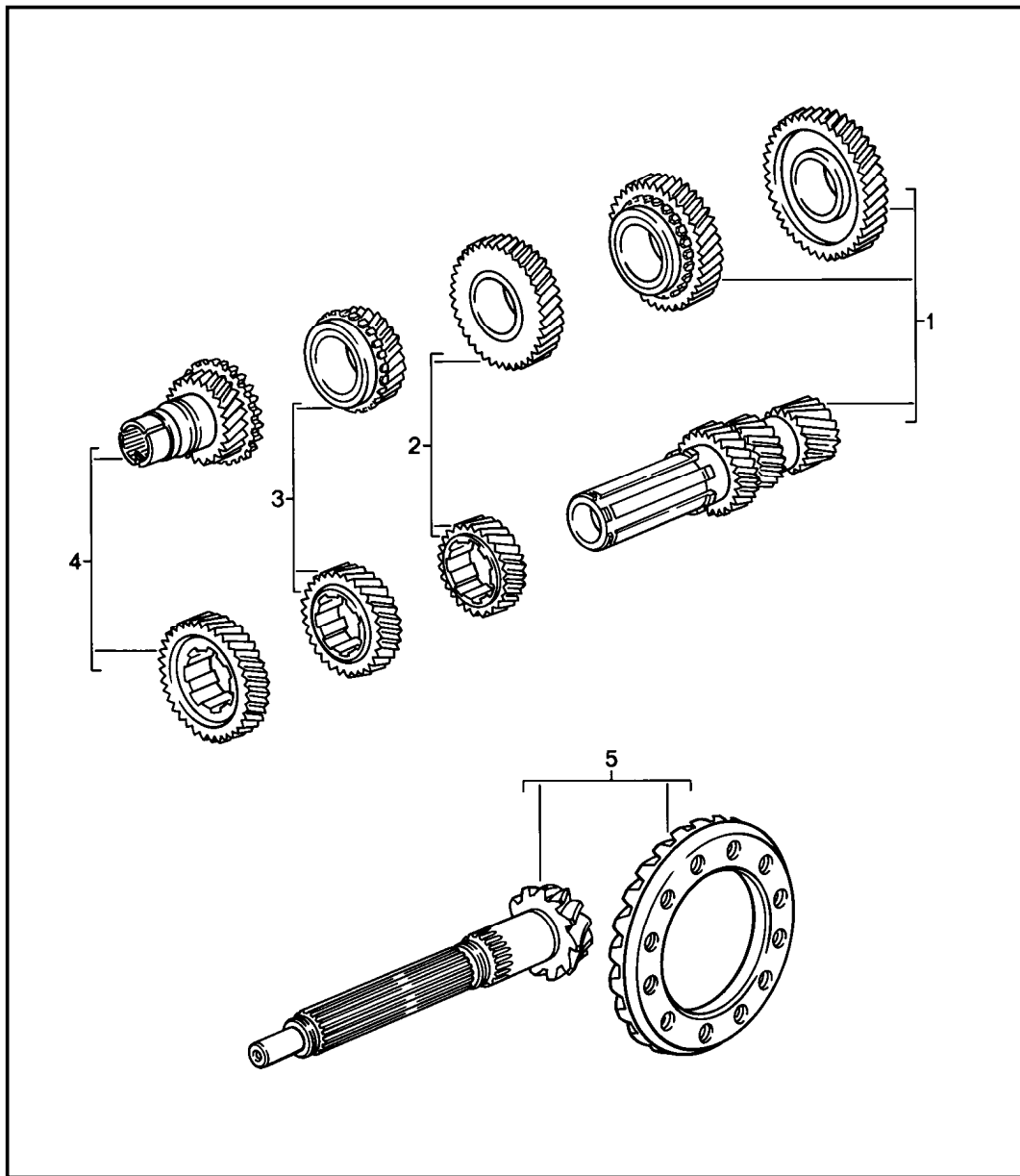


Pos	Part Number	Description	Remark	Qty	Model
- >	928 300 005 03	replacement transmission transmission case manual transmission		1	G28.03
- >	928 300 005 05	replacement transmission ready for installation	-80	1	G28.05 M28.11 G28.05 M28.09
- >	928 300 905 03	replacement transmission ready for installation with limit.-slip different. 40%	81-	1	G28.03
- >	928 300 905 05	replacement transmission ready for installation with limit.-slip different. 40%	81-	1	G28.05 M28.11 G28.05 M28.09
1	928 301 901 00	transmission case	-79	1	
(1)	928 301 901 01	transmission case	80-	1	
2	999 062 007 02	stud 8 X 22 G >> 110 5012		12	G28.05
3	900 012 086 00	straight pin		2	
4	999 504 004 00	threaded insert threaded insert		2	
5	900 302 009 00	straight pin		1	
6	900 040 013 02	cover plate		3	
7	928 301 502 00	guide bush		1	
8	928 303 120 01	shaft sealing ring		1	
9	928 301 035 04	housing cover with battery box mount		1	
9	928 301 305 09	housing cover rear without battery box mount		1	

Model	Year	MG	SG	Illustration	Restrictions	UPD	17:48	23.01.2010	PORSCHE	PET	PORSCHE
928	1982	3	02	302-00		248					

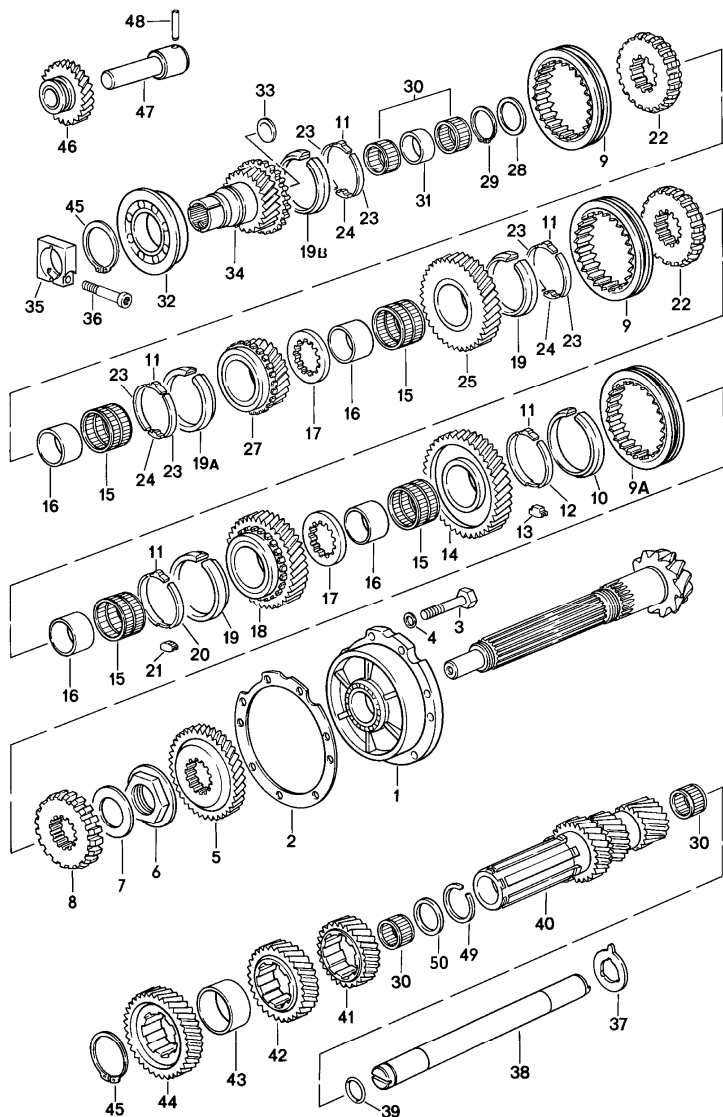
Pos	Part Number	Description	Remark	Qty	Model	Pos	Part Number	Description	Remark	Qty	Model
10	900 061 004 02	stud M 8 X 15		3		33	928 301 303 09	housing cover upper	82	1	
11	999 064 019 02	screw plug		1		34	900 028 008 01	spring washer		12	
12	N 012 241 8	spring washer		12		35	900 075 016 02	hexagon-head bolt M 6 X 22		12	
13	900 076 025 02	hexagon nut		12		36	928 301 171 00	cap		1	
14	928 301 395 03	gasket for housing cover rear		1		37	928 006 515 00	flag "ATF DEXRON"		X	
15	928 303 231 21	detent		1		38	900 075 099 02	hexagon-head bolt M 8 X 30 G 110 5012 >>		12	G28.05
16	928 303 233 22	arresting bush		3		39	928 303 025 05	reversing gear lock	82	1	
17	928 303 235 20	compression spring		1		40	928 303 287 01	leaf spring		82	1
18	928 303 237 20	compression spring		1		41	N 012 226 5	spring washer		82	2
19	900 123 043 30	sealing ring		2		42	900 075 057 02	hexagon-head bolt M 6 X 16		82	2
20	900 219 006 02	screw plug		2							
21	928 606 241 02	cam follower		1							
22	914 613 541 02	back-up light switch		1							
23	999 064 020 02	screw plug		1							
24	N 012 375 1	circlip		1							
25	900 027 016 02	lock ring B 10		6							
26	900 075 266 01	hexagon-head bolt M 10 X 45		6							
27	928 301 111 00	o-ring		1							
28	928 302 167 03	shaft sealing ring		1							
29	928 302 175 11	housing		1							
30	900 042 052 01	circlip		1							
31	928 301 393 06	gasket for housing cover upper		1							
32	928 301 311 01	bleeder		1							
33	928 301 303 06	housing cover upper	-81	1							

Model	Year	MG	SG	Illustration	Restrictions	UPD	17:48	23.01.2010	PORSCHE	PET	PORSCHE
928	1982	3	03	303-00		248					



Pos	Part Number	Description	Remark	Qty	Model
		gear wheel sets manual transmission for G28.03			
1	928 302 901 13	gear set 1st/2nd gear Z = 17:44 Z = 22:39 use also: 999.152.087.01 928.302.278.00		1	
2	928 302 903 11	gear wheel pair 3rd gear Z = 26:34		1	
3	928 302 904 11	gear wheel pair 4th speed Z = 29:28		1	
4	928 302 905 08	gear set permanent 5th gear Z = 32:23		1	
5	928 302 911 26	ring gear and pinion shaft 11:30 for G28.05		1	
1	928 302 901 13	gear set 1st/2nd gear Z = 17:44 Z = 22:39 use also: 999.152.087.01 928.302.278.00		1	
2	928 302 903 11	gear wheel pair 3rd gear Z = 26:34		1	
3	928 302 904 11	gear wheel pair 4th speed Z = 29:28		1	
4	928 302 905 09	gear set permanent 5th gear Z = 32:23		1	
5	928 302 911 26	ring gear and pinion shaft 11:30		1	

Model	Year	MG	SG	Illustration	Restrictions	UPD	17:49	23.01.2010	PORSCHE	PET	PORSCHE
928	1982	3	03	303-05		248					



Pos	Part Number	Description	Remark	Qty	Model
-	-	gears and shafts manual transmission			
-	-	drive shaft			
1	928 302 063 29	housing with bearing		1	
2	928 302 298 10	adjusting shim 0,10 MM		X	
(2)	928 302 298 11	adjusting shim 0,15 MM		X	
(2)	928 302 298 12	adjusting shim 0,20 MM		X	
(2)	928 302 298 13	adjusting shim 0,50 MM		X	
3	N 010 244 6	hexagon-head bolt 8 X 30		7	
4	999 523 102 02	lock washer 8 MM		7	
5	928 302 305 08	reversing fixed gear with shifting gear 928.302.026.08 use		1	
6	928 302 266 06	lock nut 42 X 1,5		1	
7	928 302 289 00	shim 0,60 MM		X	
(7)	928 302 289 01	shim 0,65 MM		X	
(7)	928 302 289 02	shim 0,70 MM		X	
(7)	928 302 289 03	shim 0,75 MM		X	
(7)	928 302 289 04	shim 0,95 MM		X	
(7)	928 302 289 05	shim 1,10 MM		X	
8	928 302 401 21	guide sleeve		1	
9	928 302 413 11	shift sleeve		2	

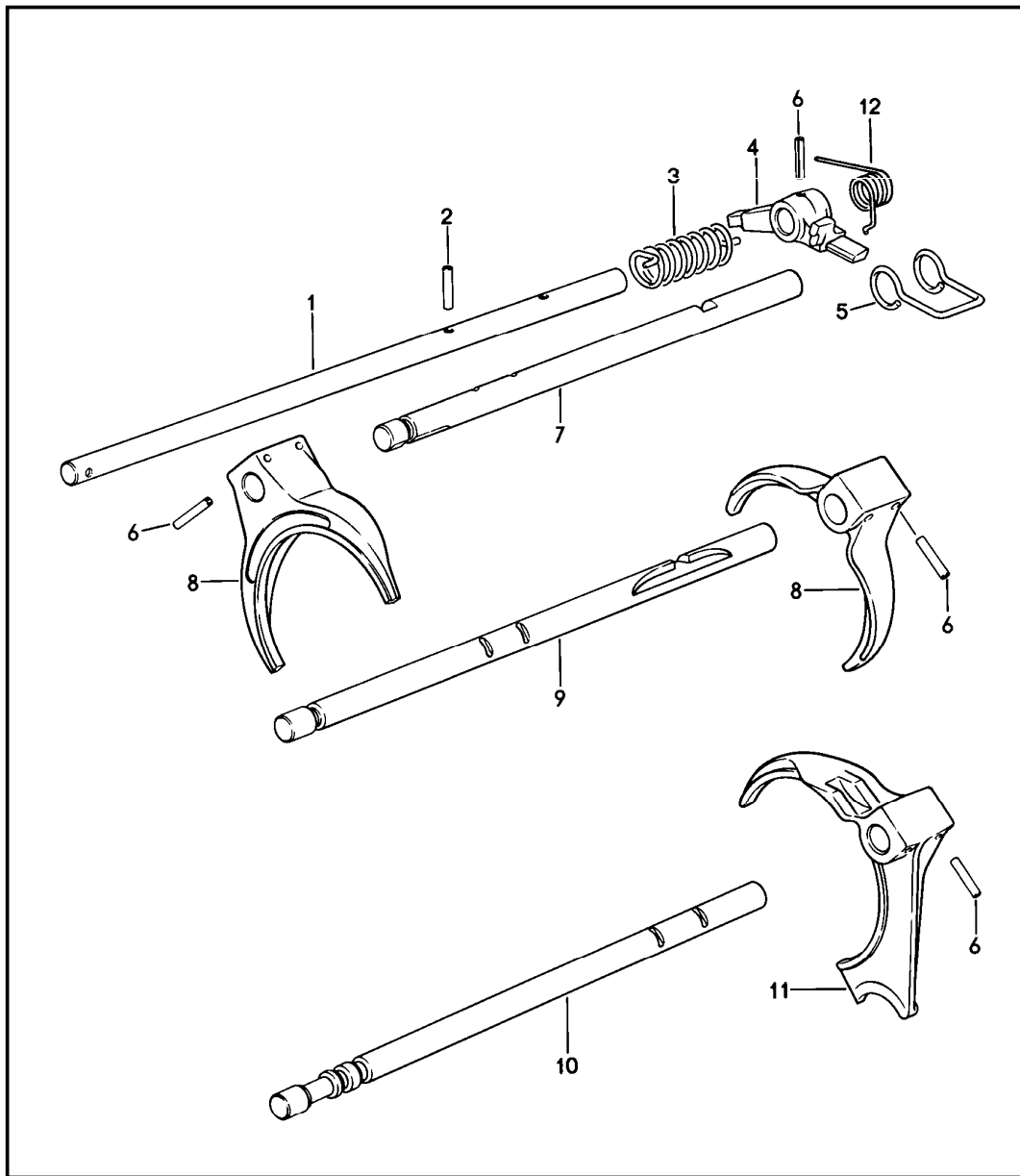
Model	Year	MG	SG	Illustration	Restrictions	UPD	17:49	23.01.2010	PORSCHE	PET	PORSCHE
928	1982	3	03	303-05		248					

Pos	Part Number	Description	Remark	Qty	Model	Pos	Part Number	Description	Remark	Qty	Model
9A	928 302 413 11	shift sleeve G >> 11C 1343		1		25	-	loose gear wheel 3rd gear		1	
9A	928 302 411 01	shift sleeve G 11C 1344 >>		1		27	-	loose gear wheel 4th speed		1	
10	928 302 301 31	synchroniser ring 1st gear		1				POS. 28 / 29 G >> 11C 1017			G28.05
11	915 302 315 01	stone		5		28	928 302 290 00	shim 0,85 MM		X	
12	928 302 319 05	double barricade tape		1		(28)	928 302 290 01	shim 0,90 MM		X	
13	928 302 321 00	stop 1st gear		1		(28)	928 302 290 02	shim 0,95 MM		X	
14	-	loose gear wheel 1st gear		1		(28)	928 302 290 03	shim 1,00 MM		X	
15	928 302 158 02	needle cage		4		(28)	928 302 290 04	shim 1,20 MM		X	
16	928 302 271 01	inner ring		4		(28)	928 302 290 05	shim 1,40 MM		X	
17	928 302 267 01	thrust washer		2		(28)	928 302 290 06	shim 1,60 MM		X	
18	-	loose gear wheel 2nd gear		1		(28)	928 302 290 06	shim 1,60 MM		X	
19	928 302 302 31	synchroniser ring 2nd/3rd gear		2		29	900 041 039 01	circlip 38 X 1,75		1	
19A	928 302 302 33	synchroniser ring 4th speed		1				POS. 28 / 29 G 11C 1018 >>			G28.05
(19B)	928 302 302 33	synchroniser ring 5th gear G >> 118 1092		1		28	928 302 290 14	shim 0,85 MM		X	
19BA	928 302 304 31	synchroniser ring 5th gear G 118 1093 >>		1		(28)	928 302 290 15	shim 0,90 MM		X	
19B	928 302 304 31	synchroniser ring 5th gear		1		(28)	928 302 290 16	shim 0,95 MM		X	
20	928 302 318 01	double barricade tape 2nd gear		1		(28)	928 302 290 17	shim 1,00 MM		X	
21	928 302 320 01	stop 2nd gear		1		(28)	928 302 290 18	shim 1,20 MM		X	
22	928 302 402 01	guide sleeve		2		(28)	928 302 290 19	shim 1,40 MM		X	
23	915 302 316 01	brake band		6		(28)	928 302 290 20	shim 1,60 MM		X	
24	928 302 327 00	stop		3							

Model	Year	MG	SG	Illustration	Restrictions	UPD	17:49	23.01.2010	PORSCHE	PET	PORSCHE
928	1982	3	03	303-05		248					

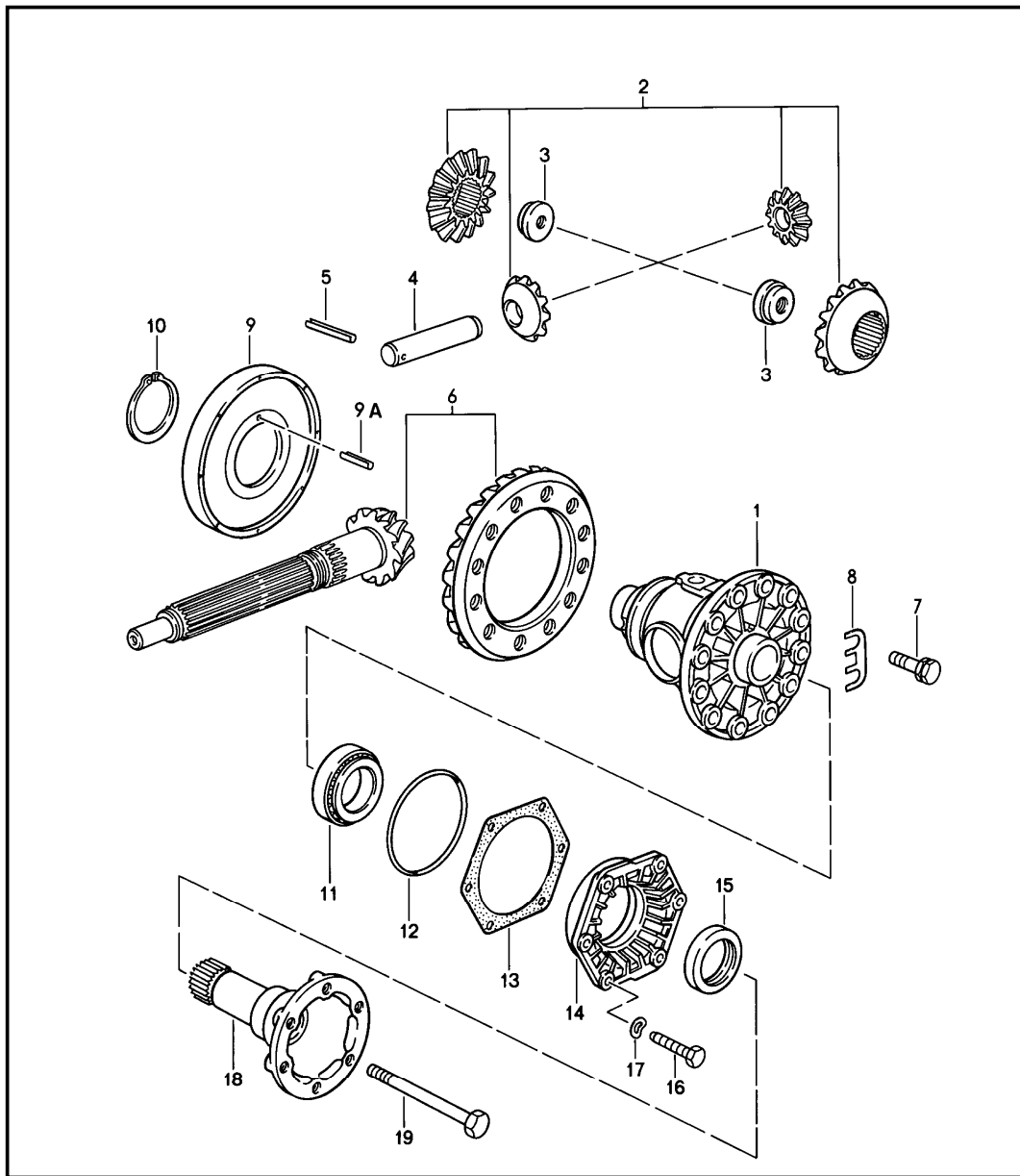
Pos	Part Number	Description	Remark	Qty	Model	Pos	Part Number	Description	Remark	Qty	Model
29	999 041 036 01	circlip 37 X 1,75		1		49	999 152 087 01	circlip		1	
30	928 302 163 00	needle cage		4		50	928 302 278 00	support washer		1	
31	928 302 165 01	thrust ring		1							
32	928 302 152 06	deep-groove ball bearing		1							
33	900 040 008 01	cover plate		1							
34	-	drive shaft		1							
35	A 928 421 239 05	clamping piece		1							
35	922 421 239 02	clamping piece		1							
36	931 421 240 00	clamping screw until F >>92881 00753 F >>92882 00054 F >>92882 09522 use also: POS. 35 / 36		1							
37	928 302 281 03	thrust washer		1							
38	A 928 302 036 00	countershaft axle		1							
39	928 302 283 00	round seal		1							
40	-	shaft		1							
41	-	fixed gear wheel 3rd gear		1							
42	-	fixed gear wheel 4th speed		1							
43	928 302 279 02	spacer sleeve		1							
44	-	fixed gear wheel 5th gear		1							
45	900 041 019 01	circlip 50 X 2		2							
46	928 302 026 08	reversing gear with fixed gear wheel 928.302.305.08 use		1							
47	928 302 229 01	reverse idler shaft		1							
48	900 309 009 00	roll pin		1							

Model	Year	MG	SG	Illustration	Restrictions	UPD	17:49	23.01.2010	PORSCHE	PET	PORSCHE
928	1982	3	04	304-00		248					



Pos	Part Number	Description	Remark	Qty	Model
		shift rods shift forks manual transmission			
1	928 303 107 06	inner shift rod		1	
2	900 309 013 00	roll pin		1	
3	928 303 243 13	torsion spring		1	
4	928 303 117 08	shift finger		1	
5	928 303 244 00	wire clip		1	
6	N 013 317 1	roll pin		7	
7	928 303 102 27	gear shift rod 4th/5th gear		1	
8	928 303 113 24	shift fork 2nd/3rd gear 4th/5th gear		2	
9	928 303 101 07	gear shift rod 2nd/3rd gear		1	
10	928 303 105 20	gear shift rod 1st gear reverse gear		1	
11	928 303 115 36	shift fork 1st gear reverse gear		1	
12	928 303 284 15	torsion spring		82	1

Model	Year	MG	SG	Illustration	Restrictions	UPD	17:49	23.01.2010	PORSCHE	PET	PORSCHE
928	1982	3	05	305-00		248					

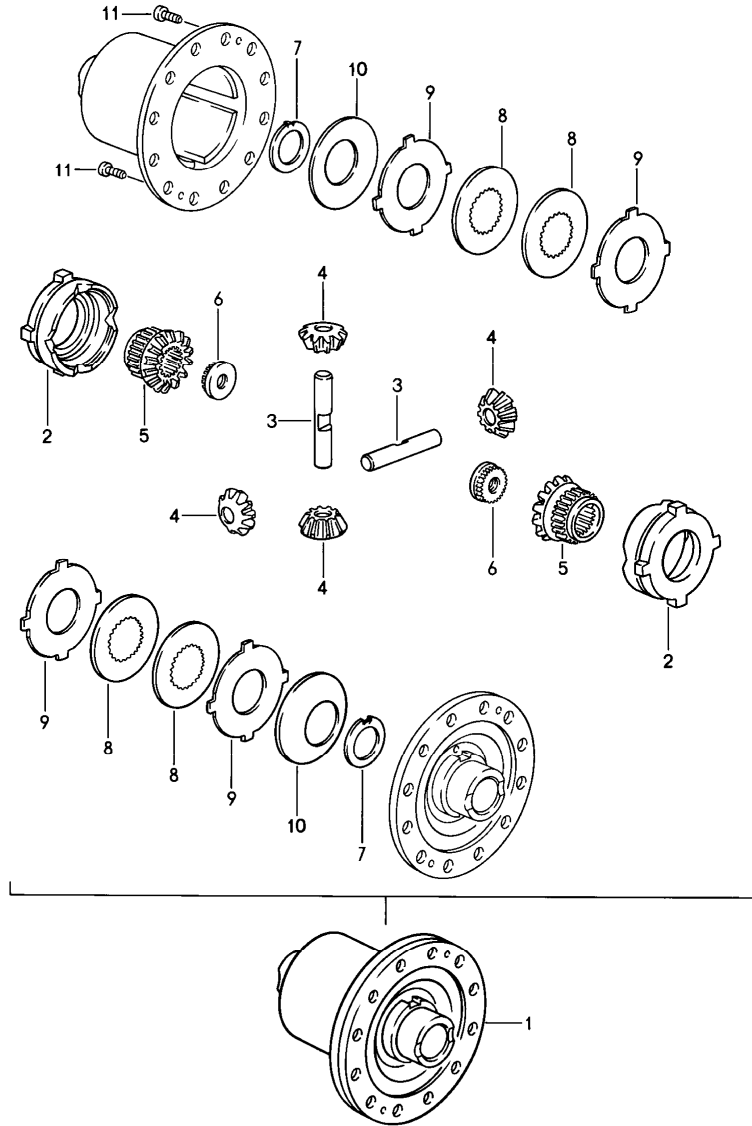


Pos	Part Number	Description	Remark	Qty	Model
		differential manual transmission			
1	> 928 332 212 04	differential housing		1	G28.03/05
2	928 332 902 00	differential pinions 1 set G >> 111 1600		1	
2	928 332 902 01	differential pinions 1 set G 111 1601 >>		1	
3	928 332 279 02	nut G >> 111 1600		2	
3	928 332 279 02	nut G 111 1601 >>		2	
4	005 409 177 00	differential bolt G >> 111 1600		1	
4	928 332 207 05	differential bolt 21 MM G 111 1601 >>		1	
5	900 309 035 00	roll pin 5 X 40		1	
6	928 302 911 26	ring gear and pinion shaft 12 : 33		1	
7	928 332 276 00	hexagon-head bolt		12	
8	928 332 285 00	tab washer		6	
9	A 928 318 024 02	carrier disc with magnets		1	
9	928 318 024 02	carrier disc with magnets		1	
9A	900 309 020 00	roll pin 5 X 20		1	
10	999 152 089 01	circlip		1	
11	999 059 027 00	taper roller bearing		2	
12	928 332 217 02	o-ring		2	
13	928 332 219 00	adjusting shim 0,15 MM		X	
(13)	928 332 219 01	adjusting shim 0,20 MM		X	
(13)	928 332 219 02	adjusting shim 0,25 MM		X	

Model	Year	MG	SG	Illustration	Restrictions	UPD	17:49	23.01.2010	PORSCHE	PET	PORSCHE
928	1982	3	05	305-00		248					

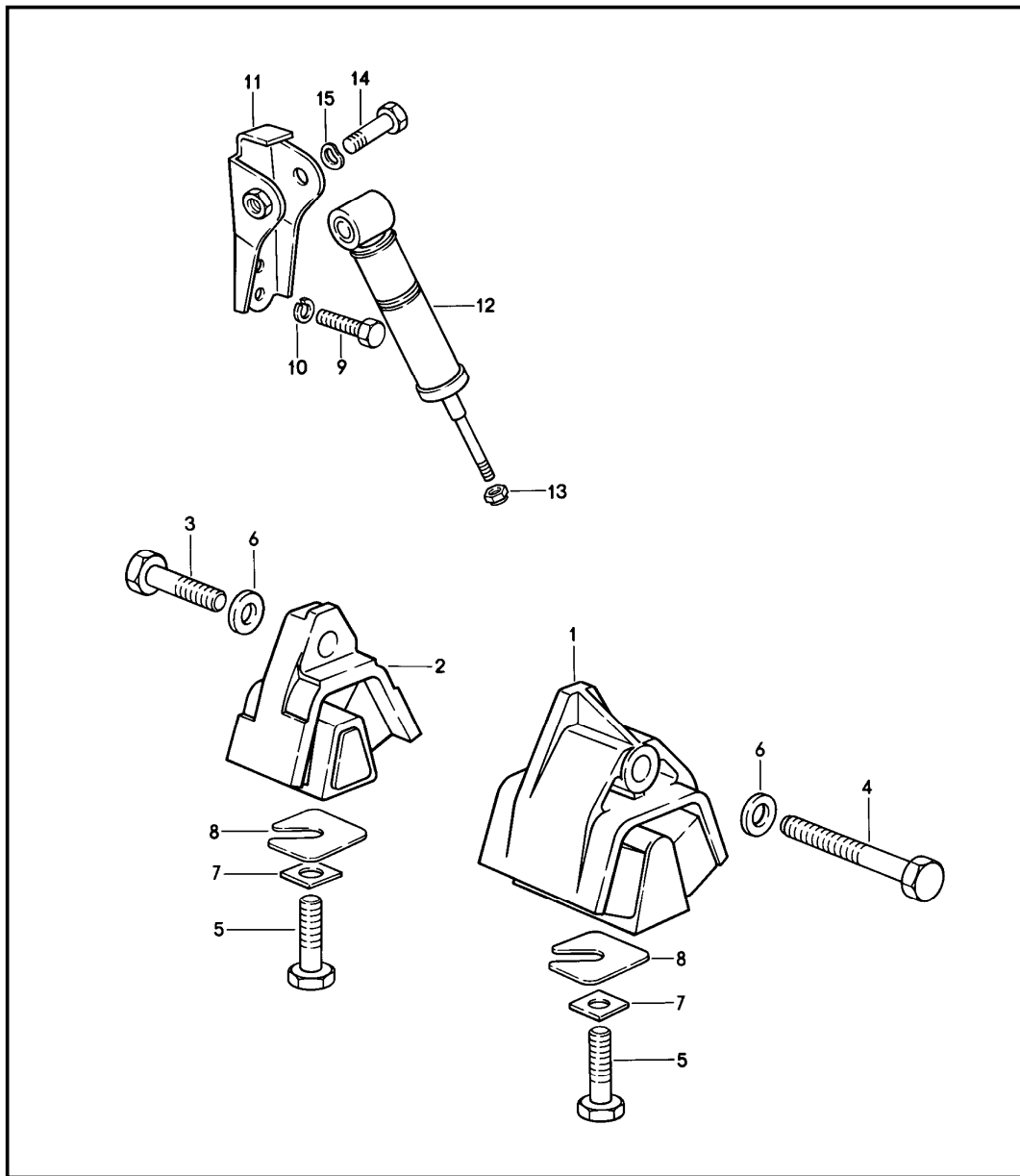
Pos	Part Number	Description	Remark	Qty	Model	Pos	Part Number	Description	Remark	Qty	Model
(13)	928 332 219 03	adjusting shim 0,30 MM		X							
(13)	928 332 219 04	adjusting shim 0,10 MM		X							
14	928 332 213 02	housing		2							
15	928 332 215 02	shaft sealing ring		2							
16	900 075 099 02	hexagon-head bolt		12							
17	N 012 241 8	spring washer		12							
18	928 332 206 00	joint flange		2							
19 A	900 074 292 02	hexagon-head bolt M 10 X 100	-80	2							
19	900 074 292 02	hexagon-head bolt M 10 X 98	81-	2							

Model	Year	MG	SG	Illustration	Restrictions	UPD	17:49	23.01.2010	PORSCHE	PET	PORSCHE
928	1982	3	05	305-05		248					



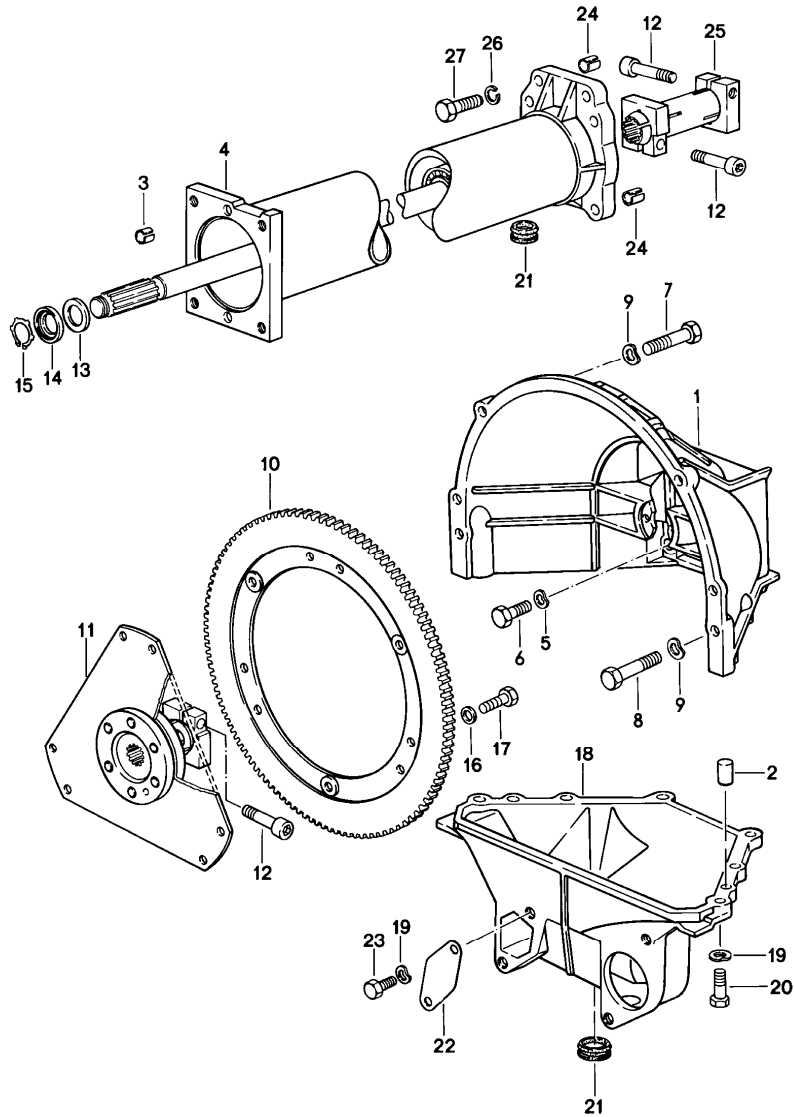
Pos	Part Number	Description	Remark	Qty	Model
		limited-slip differential manual transmission			
1	928 332 052 04	limit.-slip different. 40%		1	
2	928 332 511 00	thrust ring		2	
3	928 332 541 00	differential shaft		2	
4	928 332 531 00	bevel pinion		4	
5	928 332 535 00	shaft bevel gear		2	
6	928 332 279 01	threaded disc		2	
7	901 332 561 11	thrust washer		2	
8	928 332 551 00	inner disc 2,0 MM		2	
9	917 332 552 10	disc with external splines 1,9 MM		6	
9	917 332 552 11	disc with external splines 2,0 MM		X	
9	917 332 552 12	disc with external splines 2,1MM		X	
10	928 332 555 00	cup spring		2	
11	900 119 002 00	pan-head screw M 6 X 10		2	

Model	Year	MG	SG	Illustration	Restrictions	UPD	17:49	23.01.2010	PORSCHE	PET	PORSCHE
928	1982	3	06	306-00		248					



Pos	Part Number	Description	Remark	Qty	Model
		transmission suspension manual transmission			
1	928 375 045 13	transmission mounting	/L	-78	1
2	928 375 046 13	transmission mounting	/R	-78	1
(2)	928 375 045 16	transmission mounting		-79	2
(2)	928 375 045 16	transmission mounting		80-	2
3	N 010 142 2	hexagon-head bolt M 12 X 1,5 X 50		-78	1
(3)	N 010 142 2	hexagon-head bolt M 12 X 1,5 X 50		79-	2
4	900 082 020 09	hexagon-head bolt M 12 X 1,5 X 80		-78	1
5	N 040 108 1	hexagon-head bolt M 12 X 1,5 X 40			2
6	901 333 143 01	washer			2
7	928 375 331 00	square washer			2
8	928 331 520 01	washer		80-	X
(8)	928 331 520 02	washer		80-	X
(8)	928 331 520 03	washer		80-	X
(8)	928 331 520 04	washer		80-	X
9	900 075 085 02	hexagon-head bolt M 8 X 20			4
10	900 027 015 02	lock ring B 8			4
11	928 375 085 00	connecting bow	/L		1
(11)	928 375 086 00	connecting bow	/R		1
12	928 375 177 01	vibration damper			2
13	900 910 010 02	lock nut			2
14	900 074 130 02	hexagon-head bolt M 8X40			2
15	N 012 241 8	spring washer B 8			2

Model	Year	MG	SG	Illustration	Restrictions	UPD	17:50	23.01.2010	PORSCHE	PET	PORSCHE
928	1982	3	07	307-00		248					

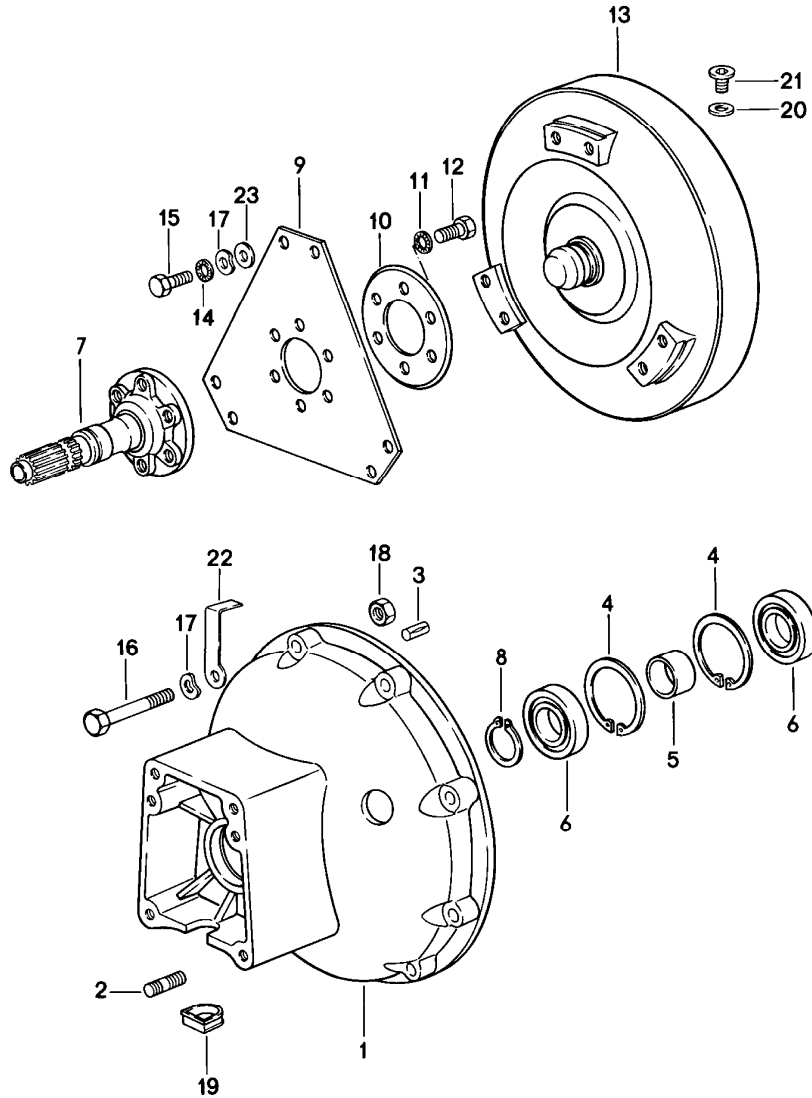


Pos	Part Number	Description	Remark	Qty	Model
		central tube automatic transmission			
1	A 928 116 401 11	clutch housing		1	
1	928 116 402 00	clutch housing		1	
2	900 012 110 00	straight pin		2	
3	900 197 042 01	roll pin 10 X 12		2	
4	> 922 421 012 03	central tube ready for installation see technical information GRP.3 NR.9		1	
5	N 012 230 1	spring washer		4	
6	900 074 059 02	hexagon-head bolt M 10 X 40		4	
7	N 010 142 2	hexagon-head bolt M 12 X 1,5 X 50		2	
8	N 010 165 3	hexagon-head bolt M 12 X 1,5 X 65		2	
9	N 012 232 1	spring washer		4	
10	922 116 025 00	ring gear		1	
11	922 116 041 03	drive plate		1	
12	931 421 240 00	clamping screw		3	
13	900 234 116 02	shim 22 X 32 X 0,5		X	
(13)	900 234 117 02	shim 22 X 32 X 1,0		X	
(13)	900 234 118 02	shim 22 X 32 X 0,2		X	
14	922 421 257 00	bush		1	
15	900 273 003 01	circlip		1	
16	999 523 102 02	lock washer		9	
17	900 075 280 01	hexagon-head bolt M 8 X 18		9	
18	928 116 411 12	lid for clutch housing		1	

Model	Year	MG	SG	Illustration	Restrictions	UPD	17:50	23.01.2010	PORSCHE	PET	PORSCHE
928	1982	3	07	307-00		248					

Pos	Part Number	Description	Remark	Qty	Model	Pos	Part Number	Description	Remark	Qty	Model
19	N 012 241 8	spring washer		8							
20	900 075 099 02	hexagon-head bolt M 8 X 30		6							
21	928 116 425 00	cap		2							
22	922 116 121 00	cover plate		1							
23	N 010 237 6	hexagon-head bolt M 8 X 12		2							
24	900 197 040 01	roll pin 13 X 16		2							
25	922 421 051 02	clamping sleeve		1							
26	900 027 016 02	lock ring B 10		6							
27	900 075 266 01	hexagon-head bolt M 10 X 45		6							

Model	Year	MG	SG	Illustration	Restrictions	UPD	17:50	23.01.2010	PORSCHE	PET	PORSCHE
928	1982	3	07	307-05		248					

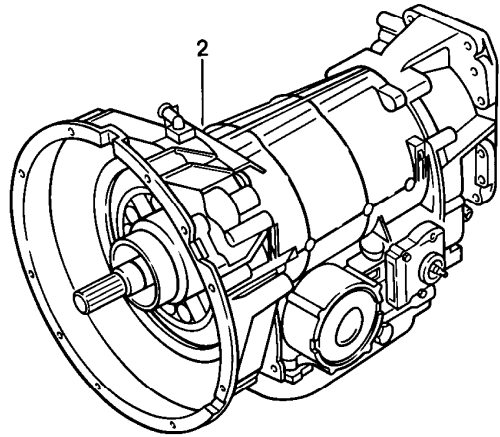
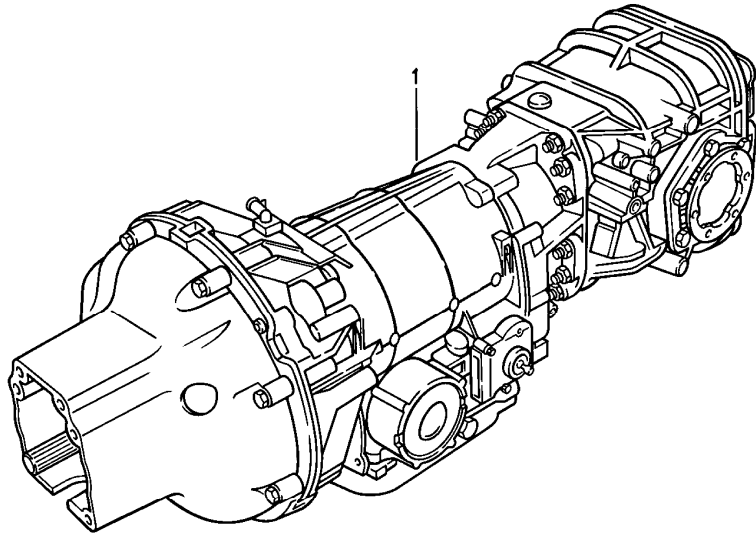


Pos	Part Number	Description	Remark	Qty	Model
		torque converter converter housing automatic transmission			
1	922 321 101 03	converter housing, front		1	
2	900 061 004 02	stud M 8 X 12		2	
3	900 185 011 02	grooved pin		1	
4	N 012 319 1	circlip 62 X 2		2	
5	922 321 541 00	spacer sleeve		1	
6	900 052 117 00	deep-groove ball bearing		2	
7	922 421 101 04	drive flange only together with 922.116.101.01		1	A22.04
8	N 012 375 1	circlip 30 X 1,5		1	
9	922 116 101 01	drive plate only together with 922.421.101.04		2	A22.04
10	922 116 103 00	packing plate		1	
11	999 523 103 01	lock washer		6	
12	900 083 039 01	hexagon-head bolt M 10 X 1,25 X 20		6	
13	A 123 250 010 2	torque converter		1	
13	123 250 010 2	torque converter		1	
14	999 523 102 02	lock washer	-79	6	
15	900 075 305 01	hexagon-head bolt M 8 X 12	-79	6	
(15)	900 075 305 01	hexagon-head bolt M 8 X 14	80-	6	
16	900 074 136 02	hexagon-head bolt M 8 X 80		8	
17	N 012 241 1	spring washer		14	
18	900 076 025 02	hexagon nut		1	
19	928 301 171 00	cap		1	

Model	Year	MG	SG	Illustration	Restrictions	UPD	17:50	23.01.2010	PORSCHE	PET	PORSCHE
928	1982	3	07	307-05		248					

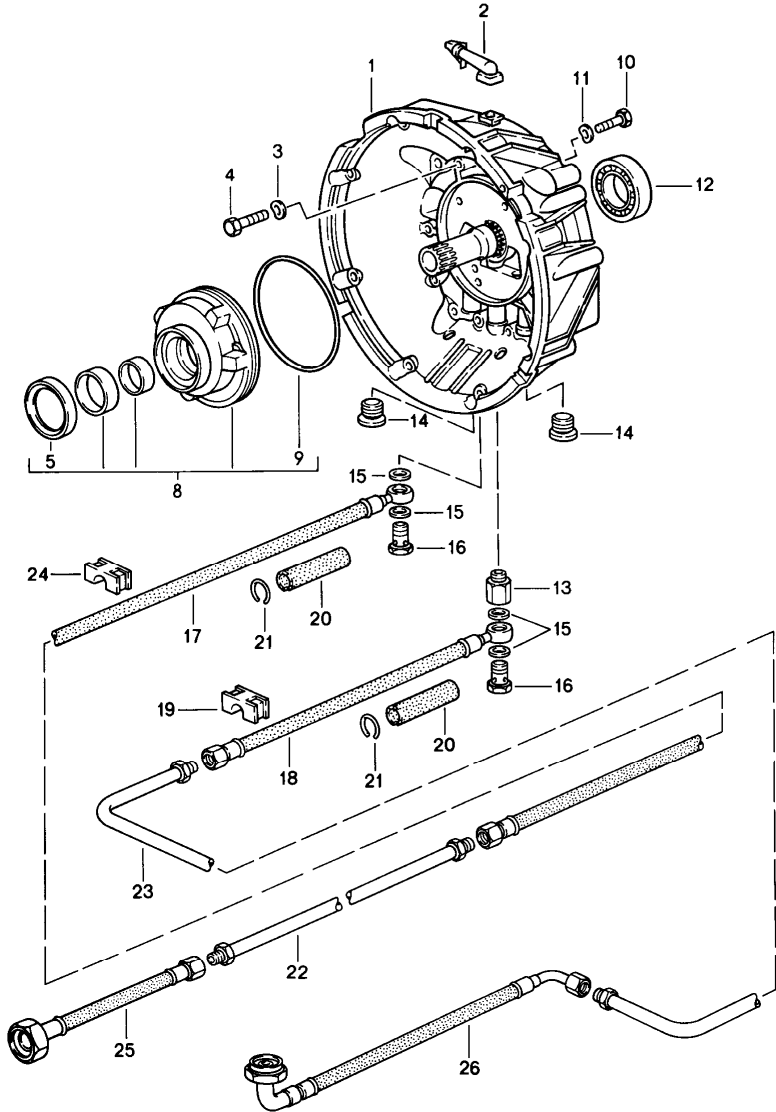
Pos	Part Number	Description	Remark	Qty	Model	Pos	Part Number	Description	Remark	Qty	Model
20	900 123 033 20	sealing ring		1							
21	900 219 010 02	screw plug M 10 X 1		1							
22	922 307 135 01	bracket vacuum line		1							
23	110 990 204 0	washer	80-	6							

Model	Year	MG	SG	Illustration	Restrictions	UPD	17:50	23.01.2010	PORSCHE	PET	PORSCHE
928	1982	3	08	308-00		248					



Pos	Part Number	Description	Remark	Qty	Model
		replacement transmission automatic transmission			
1	> 922 300 003 01	automatic transmission 3 speed		1	A22.01
1	> 922 300 003 04	automatic transmission 3 speed		1	A22.04
1	> 922 300 903 01	automatic transmission 3 speed limit.-slip different. 40%		1	A22.01
1	> 922 300 903 04	automatic transmission 3 speed limit.-slip different. 40%		1	A22.04
2	> 722 270 030 1	short transmission without converter and differential		1	A22.01
2	> 722 270 060 1	short transmission without converter and differential		1	A22.04

Model	Year	MG	SG	Illustration	Restrictions	UPD	17:50	23.01.2010	PORSCHE	PET	PORSCHE
928	1982	3	08	308-01		248					

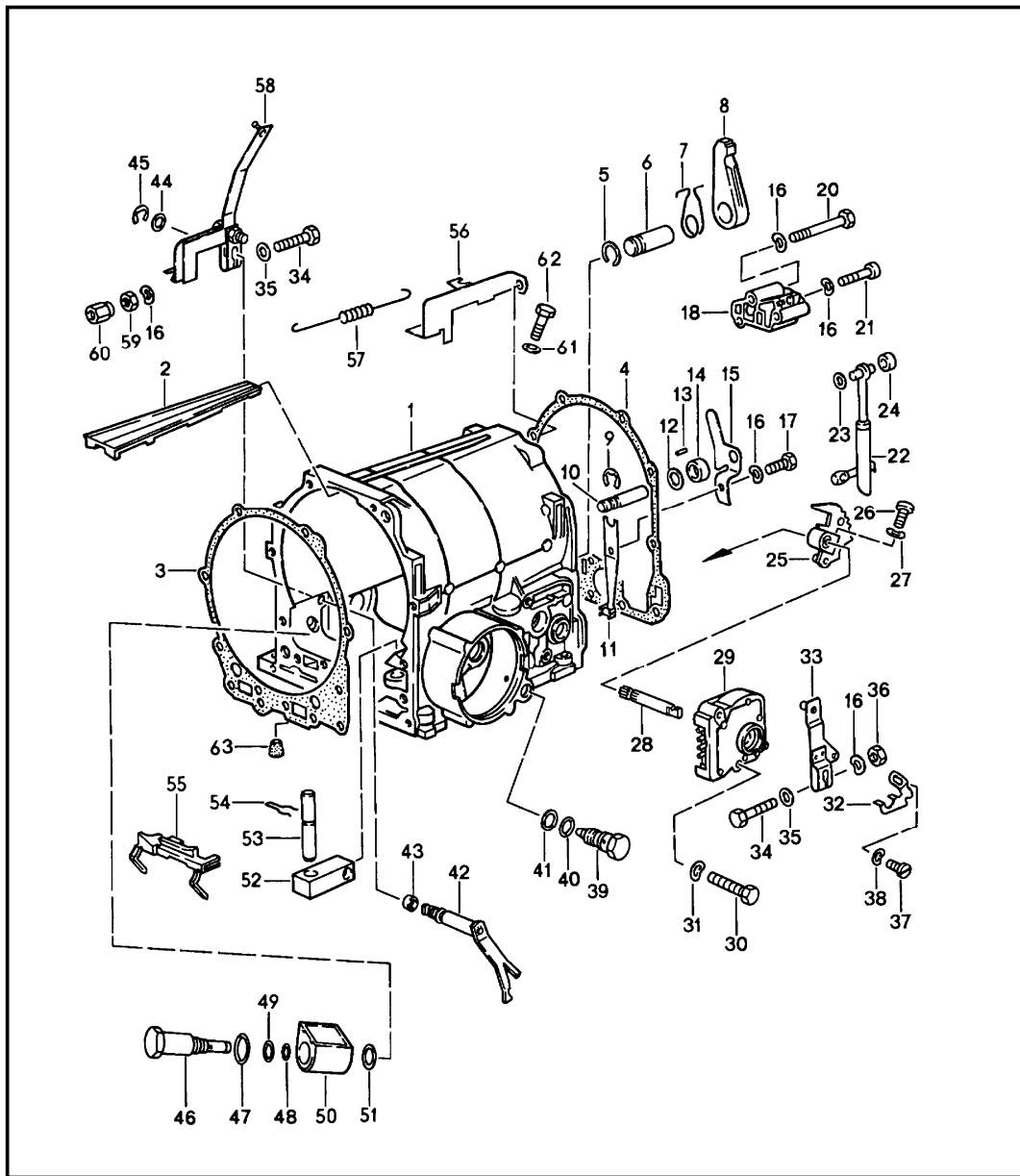


Pos	Part Number	Description	Remark	Qty	Model
		transmission case 1 automatic transmission			
1	> 722 250 010 5	converter housing		1	
1	722 250 010 5X	converter housing rear with shaft		1	
2	115 250 045 7	bleeder		1	
3	722 990 024 0	washer		11	
4	900 074 265 01	hexagon-head bolt M 8 X 60		11	
5	017 997 324 7	sealing ring		1	
8	116 270 009 0	primary pump		1	
9	004 997 054 8	sealing ring		1	
10	N 010 335 5	hexagon-head bolt M 8 X 35		4	
11	N 012 241 8	spring washer B 8		4	
12	900 052 120 00	deep-groove ball bearing 40 X 68 X 9		1	
13	115 257 105 7	union		1	
14	900 219 001 30	screw plug 22 X 1,5		2	
15	900 123 043 30	sealing ring A 12 X 15,5		4	
16	900 175 020 02	banjo bolt		2	
17	922 307 020 00	pressure hose supply		1	
18	922 307 021 00	pressure hose return line		1	
19	922 307 114 02	clamp		5	
20	922 307 121 00	hose piece		2	
21	900 906 024 00	circlip		2	
22	922 307 018 99	oil pipe supply		1	

Model	Year	MG	SG	Illustration	Restrictions	UPD	17:50	23.01.2010	PORSCHE	PET	PORSCHE
928	1982	3	08	308-01		248					

Pos	Part Number	Description	Remark	Qty	Model	Pos	Part Number	Description	Remark	Qty	Model
23	922 307 019 03	oil pipe return line		1							
24	922 307 114 01	clamp		10							
25	922 307 023 02	pressure hose supply		1							
26	922 307 025 00	pressure hose return line		1							

Model	Year	MG	SG	Illustration	Restrictions	UPD	17:50	23.01.2010	PORSCHE	PET	PORSCHE
928	1982	3	08	308-05		248					

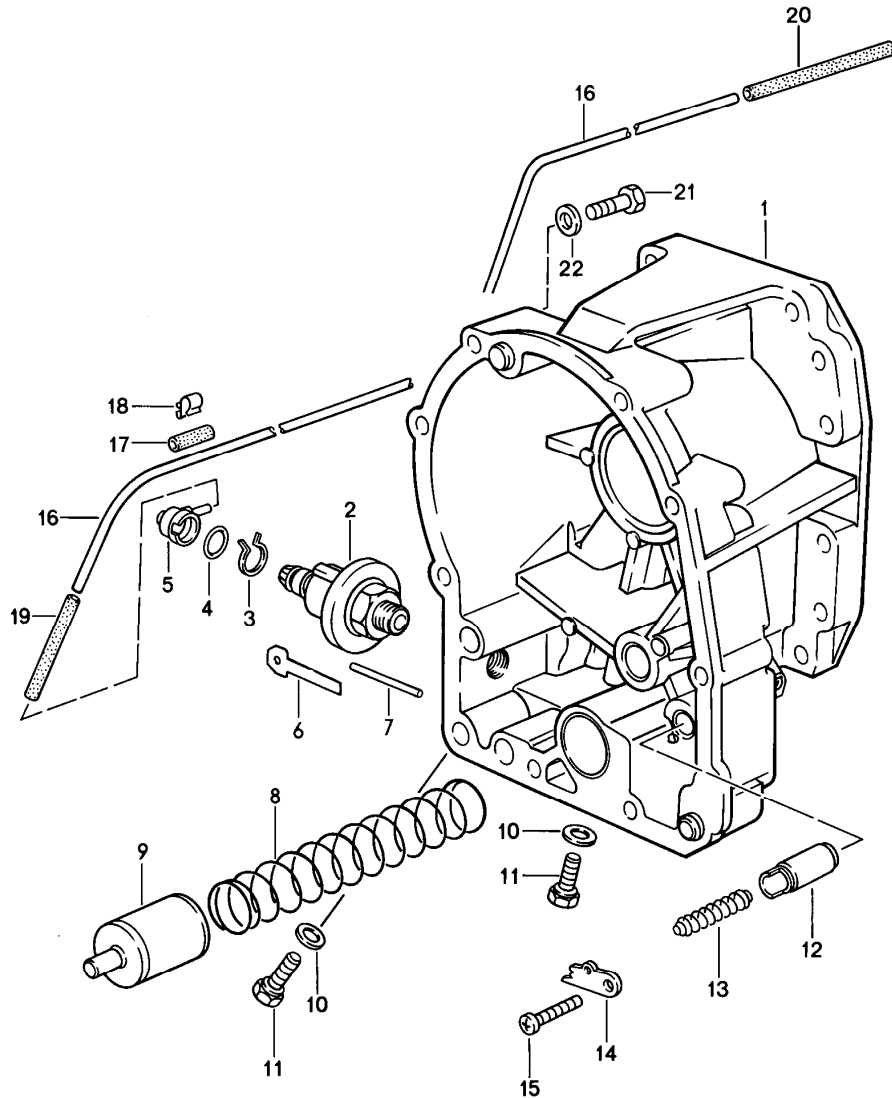


Pos	Part Number	Description	Remark	Qty	Model
		transmission case 2 automatic transmission			
1	116 270 011 1	transmission case		1	
2	116 277 004 0	support upper		1	
3	115 277 338 0	gasket		1	
4	116 271 018 0	gasket		1	
5	000 994 424 1	lock		1	
6	115 278 077 4	bolt		1	
7	115 993 022 2	spring		1	
8	115 278 022 1	pawl		1	
9	900 116 007 01	lock washer		1	
10	115 278 087 4	bolt		1	
11	100 270 017 8	spring		1	
12	115 990 214 0	washer		1	
13	000 981 518 7	needle		23	
14	115 278 041 7	roller		1	
15	115 278 044 0	support		1	
16	N 012 226 5	spring washer		6	
17	N 010 215 13	hexagon-head bolt M 6 X 15		1	
18	100 270 330 7	slide-valve gearbox for control pressure with regulating valve		1	A22.01/02
(18) >	722 270 100 7	regulating valve		82	A22.04
20	900 074 111 02	hexagon-head bolt M 6 X 50		2	
21	900 067 008 02	pan-head screw M 6 X 30		1	
22	116 270 006 5	linkage		1	
23	115 278 006 2	thrust washer		1	

Model	Year	MG	SG	Illustration	Restrictions	UPD	17:50	23.01.2010	PORSCHE	PET	PORSCHE
928	1982	3	08	308-05		248					

Pos	Part Number	Description	Remark	Qty	Model	Pos	Part Number	Description	Remark	Qty	Model
24	115 278 051 7	roller		1		49	001 997 354 8	sealing ring		1	
25	115 270 045 7	shift segment		1		50	000 304 119 0	housing		1	
26	N 014 774 1	hexagon socket head bolt M 6 X 18		1		51	115 304 016 0	sealing ring aluminium		1	
27	N 012 226 5	spring washer		1		52	115 277 042 4	lever		1	
28	115 278 161 0	control shaft		1		53	115 277 027 4	bolt		1	
29	000 545 420 6	switch		1		54	115 993 022 5	spring		1	
30	900 075 287 02	hexagon-head bolt M 6 X 28		2		55	115 277 244 0	support		1	
31	N 012 222 4	spring washer		2		56	922 307 133 03	support		1	
32	115 545 014 2	driver		1		57	922 321 130 04	tension spring		1	
33	922 424 063 00	lever		1		58	922 321 023 06	control pressure lever		1	
34	N 010 220 3	hexagon-head bolt M 6 X 30		2		59	N 011 116 5	hexagon nut		1	
35	N 011 524 7	washer		2		60	922 321 129 00	hexagon nut self-locking		1	
36	900 076 010 02	hexagon nut		1		61	900 123 105 30	sealing ring		1	
37	900 075 106 02	hexagon-head bolt M 4 X 6		1		62	115 997 063 0	screw plug		1	
38	N 012 224 3	spring washer B 4		1		63	722 271 005 0	rubber bush		1	
39	115 270 248 9	valve		1							
40	002 997 214 8	sealing ring		1							
41	900 123 019 30	sealing ring		1							
42	115 270 145 9	lever		1							
43	006 997 614 6	sealing ring		1							
44	115 990 174 0	washer		1							
45	900 116 006 02	lock washer		1							
46	000 304 129 0	solenoid switch		1							
47	010 997 774 5	o-ring 19 X 1,8		1							
48	008 997 304 8	sealing ring 12,5 X 1,5		1							

Model	Year	MG	SG	Illustration	Restrictions	UPD	17:51	23.01.2010	PORSCHE	PET	PORSCHE
928	1982	3	08	308-10		248					

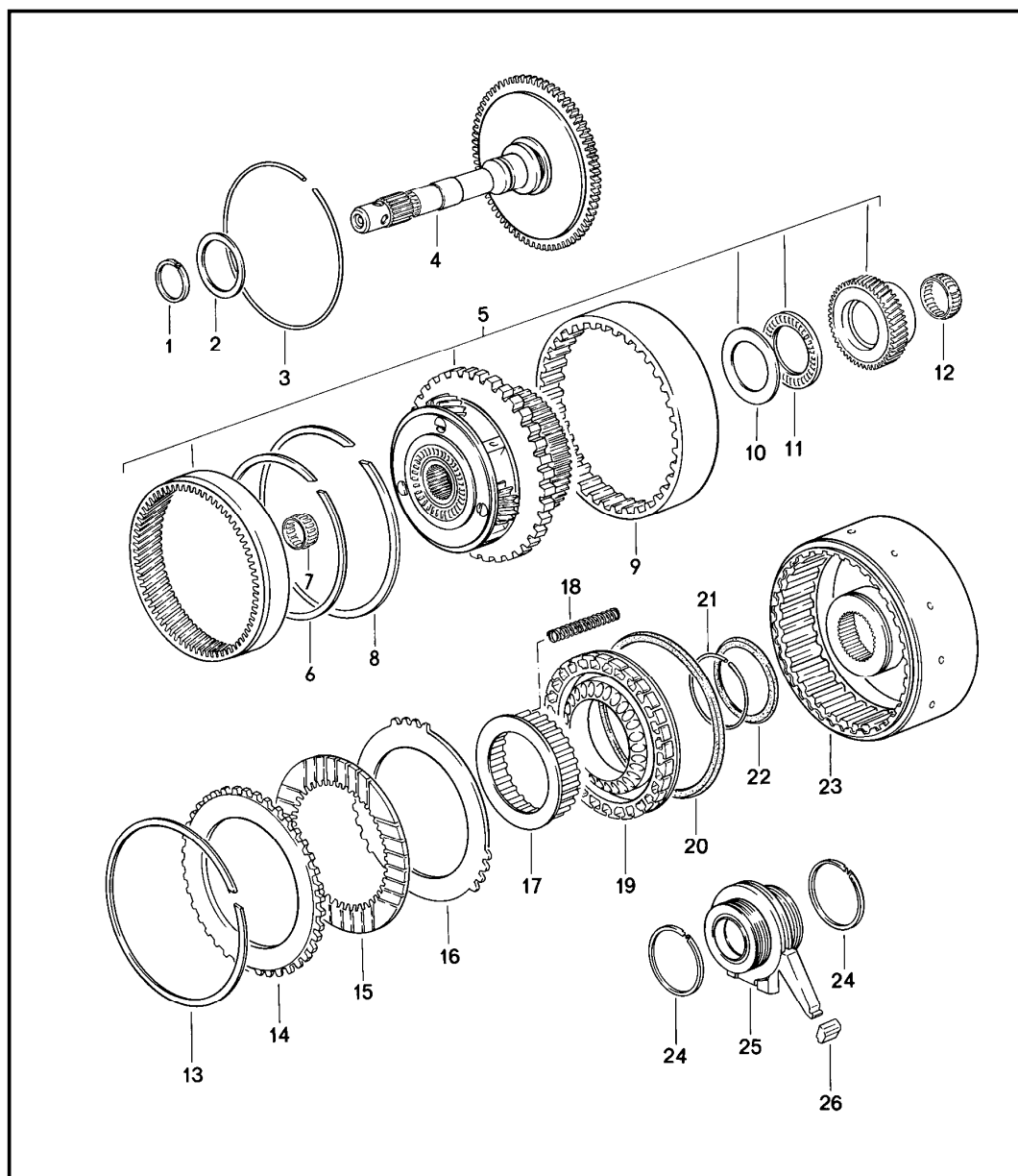


Pos	Part Number	Description	Remark	Qty	Model
		transmission case 3 automatic transmission			
1	A 722 270 011 1	transmission case		1	
(1)	722 270 011 1	transmission case		1	
2	123 270 007 9	diaphragm		1	
3	115 994 293 5	circlip		1	
4	002 997 574 8	sealing ring		1	
5	116 276 018 3	cap		1	
6	114 277 024 0	support		1	
7	123 277 027 5	pin 39,15 MM		1	
(7)	115 277 297 5	pin 39,65 MM		1	
(7)	115 277 307 5	pin 40,15 MM		X	
8	115 993 050 4	spring		1	
9	115 277 503 8	piston		1	
10	900 123 105 30	sealing ring		2	
11	115 997 063 0	screw plug		2	
12	115 277 413 1	piston		1	
13	115 993 340 4	spring		1	
14	115 277 274 0	support		1	
15	900 146 037 02	oval-head screw		1	
16	922 307 131 01	pipeline		1	
-	999 181 167 50	hose		*	
17	-	20 MM		3	
18	999 651 159 02	cable clamp		2	
-	999 239 003 40	hose		*	
19	-	60 MM		1	
20	-	120 MM		1	

Model	Year	MG	SG	Illustration	Restrictions	UPD	17:51	23.01.2010	PORSCHE	PET	PORSCHE
928	1982	3	08	308-10		248					

Pos	Part Number	Description	Remark	Qty	Model	Pos	Part Number	Description	Remark	Qty	Model
21	900 074 265 01	hexagon-head bolt M 8 X 60		10							
22	722 990 024 0	washer		10							

Model	Year	MG	SG	Illustration	Restrictions	UPD	17:51	23.01.2010	PORSCHE	PET	PORSCHE
928	1982	3	09	309-00		248					

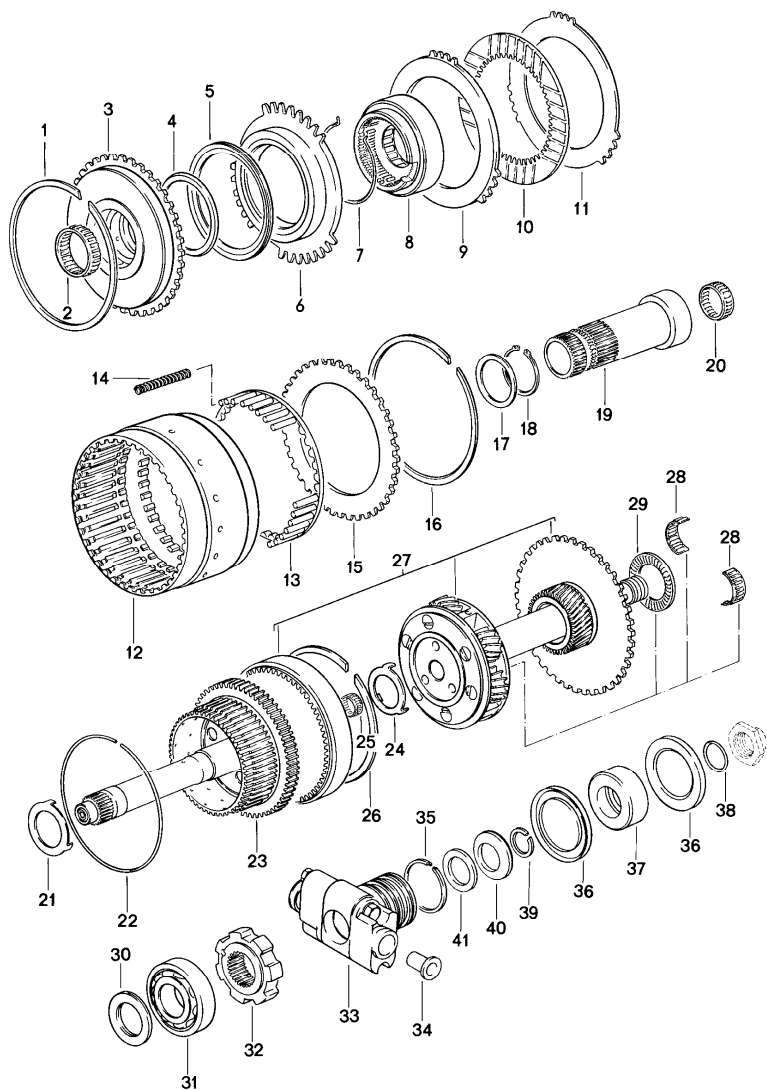


Pos	Part Number	Description	Remark	Qty	Model
		gears and shafts 1 automatic transmission			
1	100 272 045 5	sealing ring		1	
2	100 272 125 2	spacer		X	
(2)	100 272 135 2	spacer		X	
(2)	100 272 145 2	spacer		X	
3	115 272 027 3	circlip		1	
4	116 270 092 5	drive shaft		1	
5	722 270 064 3	planet-gear carrier		1	A22.01/02
(5)	722 270 104 3	planet-gear carrier	82	1	A22.04
6	115 272 047 3	circlip		1	
7	001 981 801 0	needle-roller bearing		1	
8	112 994 073 5	circlip		1	
9	116 272 002 7	belt carrier		1	
10	100 272 085 2	spacer		X	
(10)	100 272 095 2	spacer		X	
(10)	100 272 105 2	spacer		X	
11	000 981 991 0	needle-roller bearing		1	
12	002 981 321 0	needle-roller bearing		2	
13	115 272 127 3	circlip		1	
14	109 272 182 6	disc with external splines		1	
15	115 272 002 5	inner disc 2,0 MM		6	
16	109 272 062 6	disc with external splines		6	
(16)	109 272 082 6	disc with external splines		X	
17	100 272 026 4	concave washer		1	
18	100 993 020 2	spring		28	
19	116 270 163 2	piston		1	
20	109 272 099 2	boot		1	

Model	Year	MG	SG	Illustration	Restrictions	UPD	17:51	23.01.2010	PORSCHE	PET	PORSCHE
928	1982	3	09	309-00		248					

Pos	Part Number	Description	Remark	Qty	Model	Pos	Part Number	Description	Remark	Qty	Model
21	115 994 083 5	circlip		1							
22	A 115 272 149 2	boot	-79	1							
(22)	115 272 149 2	boot	80-	1							
23	116 270 242 0	flange		1							
24	115 272 065 5	sealing ring		4							
25	115 270 215 0	bush		1							
26	115 272 079 2	boot		1							

Model	Year	MG	SG	Illustration	Restrictions	UPD	17:51	23.01.2010	PORSCHE	PET	PORSCHE
928	1982	3	09	309-05		248					

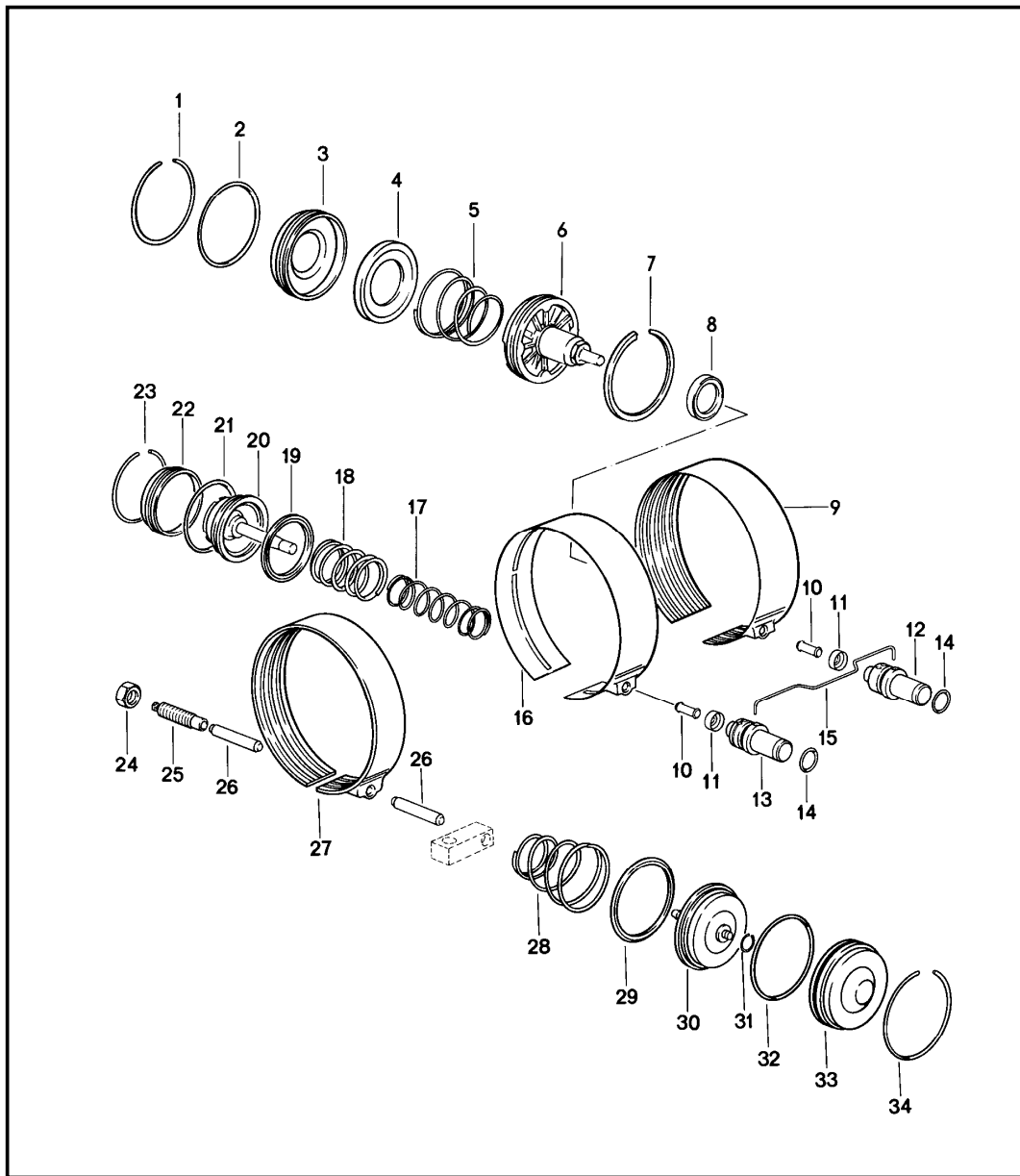


Pos	Part Number	Description	Remark	Qty	Model
		gears and shafts			
		2 automatic transmission			
1	115 272 047 3	circlip		1	
2	002 981 311 0	needle-roller bearing		1	
3	116 270 202 0	flange		1	
4	109 272 049 2	boot		1	
5	115 272 169 2	boot		1	
6	116 272 023 1	piston		1	
7	109 994 003 5	circlip		1	
8	100 270 003 1	free wheel lock		1	
9	109 272 222 6	disc with external splines		1	
(9)	109 272 232 6	disc with external splines		X	
10	115 272 002 5	inner disc 2,0 MM		6	
11	109 272 062 6	disc with external splines		4	
(11)	109 272 082 6	disc with external splines		X	
(11)	109 272 152 6	disc with external splines		1	
12	100 272 412 4	disc carrier		1	
13	109 272 036 7	concave washer		1	
14	100 993 880 1	spring		18	
15	109 272 212 6	disc with external splines		1	
16	115 272 137 3	circlip		1	
17	100 272 125 2	spacer		1	
(17)	100 272 135 2	spacer		X	
(17)	100 272 145 2	spacer		X	
18	N 012 382 1	outer ring 40 X 1,75		1	
19	100 272 392 0	shaft		1	
20	002 981 321 0	needle-roller bearing		2	
21	115 272 346 2	thrust washer		1	

Model	Year	MG	SG	Illustration	Restrictions	UPD	17:51	23.01.2010	PORSCHE	PET	PORSCHE
928	1982	3	09	309-05		248					

Pos	Part Number	Description	Remark	Qty	Model	Pos	Part Number	Description	Remark	Qty	Model
22	112 994 073 5	circlip		1		(38)	922 302 402 01	o-ring		1	A22.04
23	116 270 132 5	drive shaft		1		39	722 994 003 5	circlip A 005 005798 >>		1	A22.01
24	722 272 006 2	thrust washer		1	A22.01/02	39	722 994 003 5	circlip		1	A22.04
(24)	722 272 016 2	thrust washer		1	A22.04	40	722 993 002 6	cup spring A 005 005798 >>		1	A22.01
25	002 981 301 0	needle-roller bearing		1		40	722 993 002 6	cup spring		1	A22.04
26	115 272 027 3	circlip		1		41	900 234 082 01	shim A 005 005798 >>		1	A22.01
27	722 270 034 3	planet-gear carrier A >> 005 005797		1	A22.01/02	41	900 234 082 01	shim		1	A22.04
27	722 270 114 3	planet-gear carrier A 005 005798 >>		1	A22.01						
(27)	722 270 114 3	planet-gear carrier		1	A22.04						
28 A	007 981 391 0	needle-roller bearing		1	A22.01/02						
28	007 981 391 0	needle-roller bearing		1	A22.04						
29	004 981 401 0	needle-roller bearing		1							
30	115 272 376 2	thrust washer		1							
31	001 981 182 5	ball bearing		1							
32	722 272 001 7	gear wheel		1							
33 >	722 270 007 4	regulator		1	A22.01/02						
33	722 270 007 4X	regulator		1	A22.01/02						
(33)	722 270 027 4	regulator		1	A22.04						
34	115 270 009 8	strainer		2							
35	115 272 135 5	sealing ring		3							
36	922 321 301 07	sealing ring		2							
37	922 302 403 02	spacer ring A >> 005 005797		1	A22.01/02						
(37)	922 302 404 00	spacer ring A 005 005798 >>		1	A22.01						
(37)	922 302 404 00	spacer ring		1	A22.04						
38	922 302 401 00	round seal A >> 005 005797		1	A22.01/02						
(38)	922 302 402 01	o-ring A 005 005798 >>		1	A22.01						

Model	Year	MG	SG	Illustration	Restrictions	UPD	17:51	23.01.2010	PORSCHE	PET	PORSCHE
928	1982	3	09	309-10		248					

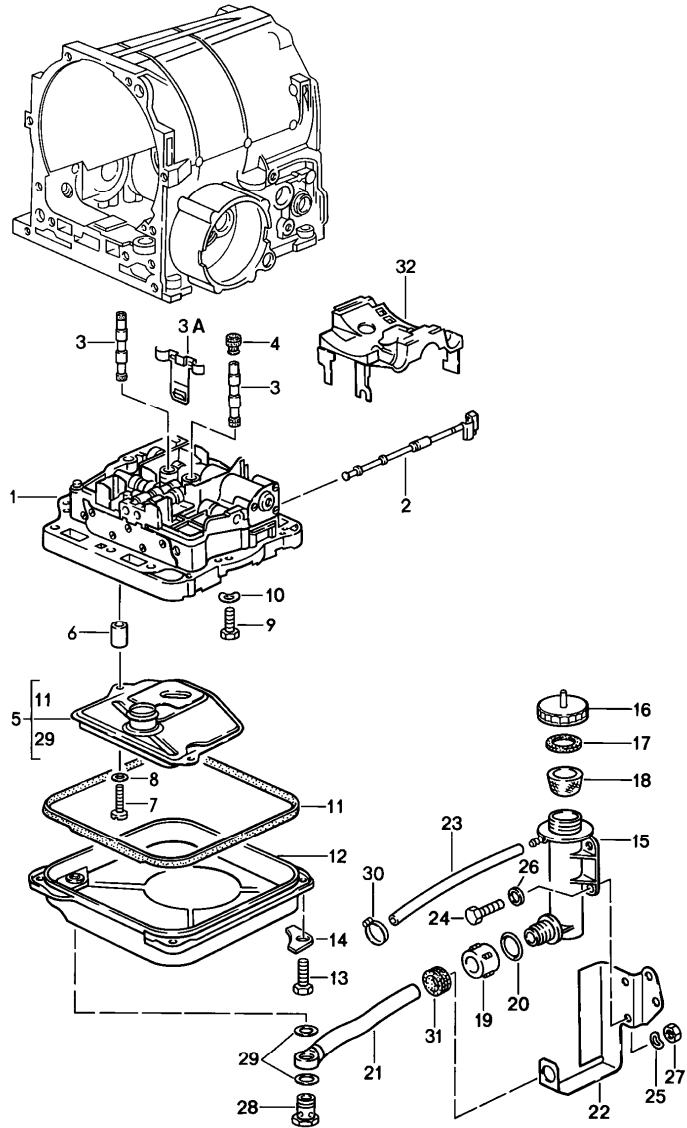


Pos	Part Number	Description	Remark	Qty	Model
		brake bands automatic transmission			
1	115 994 273 5	circlip		1	
2	000 997 484 8	sealing ring		1	
3	115 277 420 3	lid		1	
4	115 277 177 7	guide piece		1	
5	115 993 230 5	spring		1	
6	115 270 693 2	piston		1	
7	115 277 075 5	sealing ring		1	
8	A 115 272 119 2	boot		1	
(8)	115 272 119 2	boot		1	
9	115 270 726 2	brake band		1	
10	109 277 027 5	pin 23 MM		1	
(10)	109 277 037 5	pin 24 MM		X	
(10)	109 277 047 5	pin 25 MM		X	
(10)	109 277 057 5	pin 26 MM		X	
11	115 277 175 8	support		2	
12	109 270 118 9	valve B 2		1	
13	109 270 108 9	valve B 1		1	
14	010 997 084 5	sealing ring		2	
15	115 993 002 2	retainer spring		1	
16	115 270 696 2	brake band		1	
16	115 270 696 2	brake band without asbestos		1	
17	116 993 530 1	spring		1	A22.01/02
(17)	115 993 550 3	spring		1	A22.04
18	116 993 540 1	spring		1	A22.01/02

Model	Year	MG	SG	Illustration	Restrictions	UPD	17:51	23.01.2010	PORSCHE	PET	PORSCHE
928	1982	3	09	309-10		248					

Pos	Part Number	Description	Remark	Qty	Model	Pos	Part Number	Description	Remark	Qty	Model
(18)	115 993 540 3	spring		1	A22.04						
19	115 272 109 2	boot		1							
20	115 270 663 2	piston		1							
21	000 997 474 8	sealing ring		1							
22	115 277 410 3	lid		1							
23	115 994 263 5	circlip		1							
24	115 990 045 1	hexagon nut M 14 X 1,5		1							
25	115 277 177 1	shear bolt		1							
26	115 277 537 5	pin		2							
27	A 116 270 186 2	brake band		1							
27	116 270 186 2	brake band without asbestos		1							
28	115 993 180 5	spring		1							
29	115 272 089 2	boot		1							
30	115 270 743 2	piston		1							
31	115 994 173 5	circlip		1							
32	008 997 354 5	sealing ring		1							
33	115 277 370 3	lid		1							
34	115 994 303 5	circlip		1							

Model	Year	MG	SG	Illustration	Restrictions	UPD	17:51	23.01.2010	PORSCHE	PET	PORSCHE
928	1982	3	10	310-00		248					

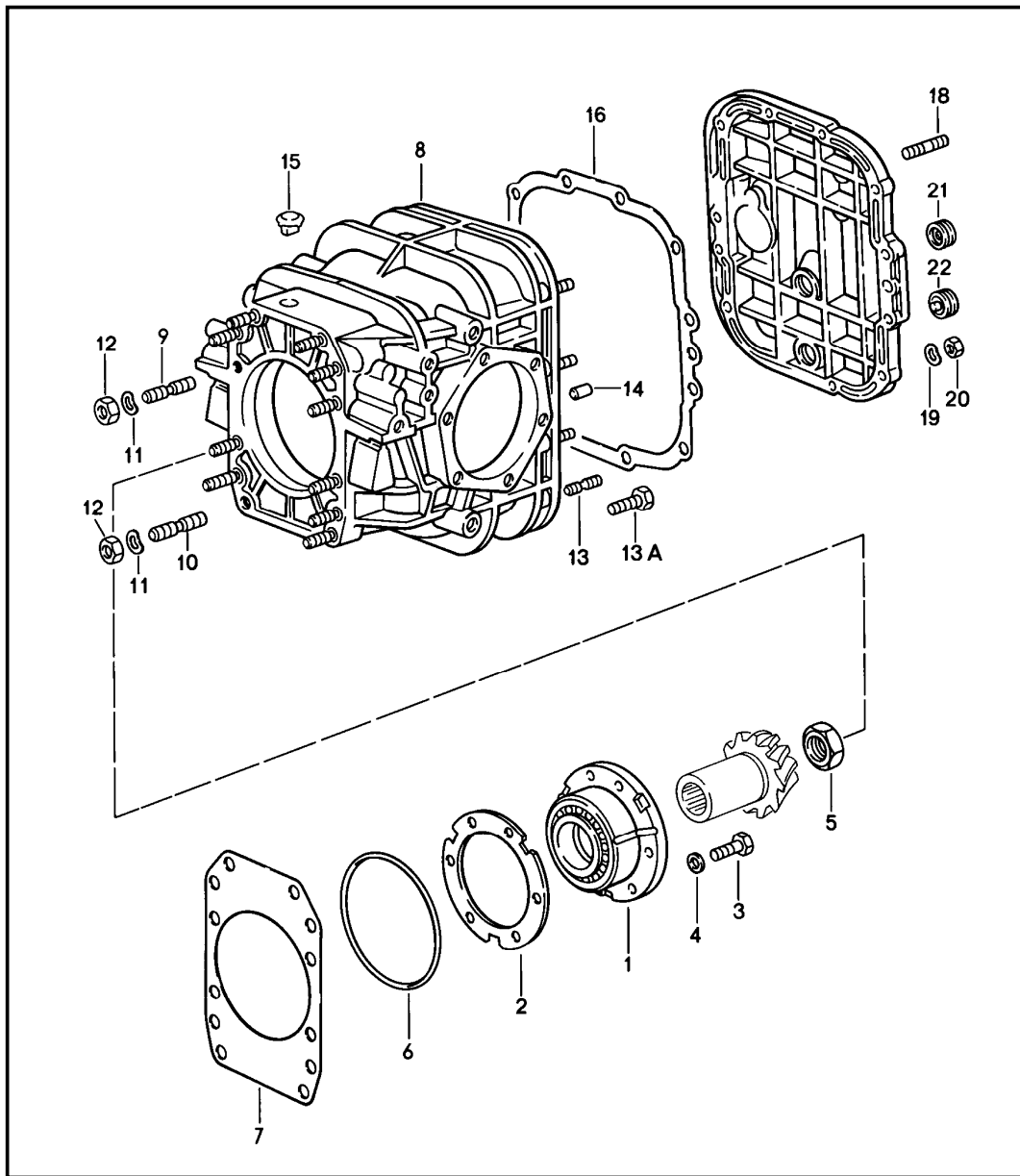


Pos	Part Number	Description	Remark	Qty	Model
		shift-valve body automatic transmission			
(1) >	722 270 140 7	shift-valve body		1	A22.01
(1)	722 270 140 7X	shift-valve body		1	A22.01
(1) >	722 270 110 7	shift-valve body		1	A22.04
2	115 270 047 0	regulating valve		1	
3	115 270 106 8	guide tube		2	
3A	115 277 284 0	support		2	
4	115 277 335 0	bush		4	
5	123 270 009 8	oil filter set		1	
6	123 277 005 3	spacer tube		2	
7	900 146 010 02	oval-head screw M 5 X 30		2	
8	N 012 225 2	spring washer		2	
9	900 075 030 02	hexagon-head bolt M 8 X 28		11	
10	900 028 004 01	spring washer		11	
11 A	115 271 158 0	oil sump gasket		1	
11	115 271 168 0	oil sump gasket		1	
12	123 270 011 2	oil pan		1	
13	900 075 079 02	hexagon-head bolt M 8 X 22		4	
14	115 271 019 4	shim		4	
15	922 321 535 00	filling container		1	
16	477 321 481	screw-on cap		1	
17	477 321 483 A	gasket		1	
18	477 321 479 A	strainer		1	
19	922 321 533 00	union nut		1	
20	922 321 537 00	o-ring		1	
21	922 321 051 05	filler tube		1	
22	922 321 519 02	support		1	

Model	Year	MG	SG	Illustration	Restrictions	UPD	17:51	23.01.2010	PORSCHE	PET	PORSCHE
928	1982	3	10	310-00		248					

Pos	Part Number	Description	Remark	Qty	Model	Pos	Part Number	Description	Remark	Qty	Model
23	922 321 539 00	hose		1							
24	999 072 005 09	hexagon-head bolt M 6 X 12		2							
25	N 012 006 4	lock ring		2							
26	N 011 524 7	washer		2							
27	900 076 010 02	hexagon nut		2							
28	115 990 016 3	banjo bolt		1							
29	900 123 007 30	sealing ring		2							
30	A 999 512 082 02	hose clamp		1							
31	900 622 015 40	grommet		1							
32	115 277 294 0	brake band support		1							
-	722 277 001 4	intermediate plate		1							
-	116 277 088 0	gasket		1							

Model	Year	MG	SG	Illustration	Restrictions	UPD	17:51	23.01.2010	PORSCHE	PET	PORSCHE
928	1982	3	11	311-00		248					

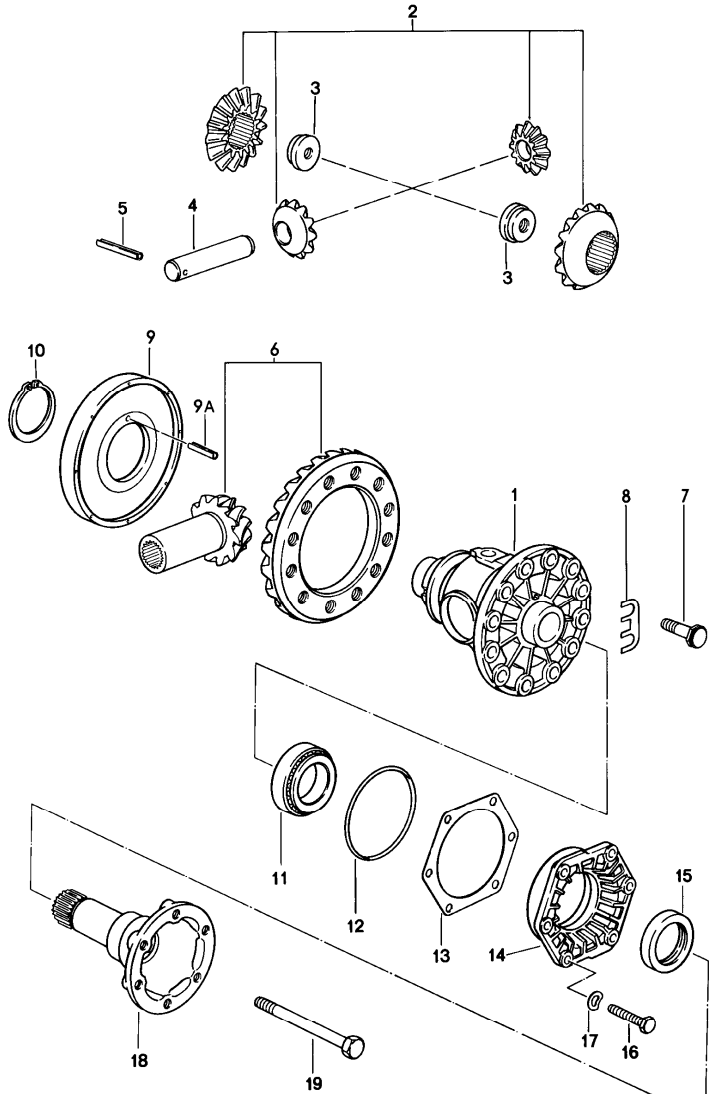


Pos	Part Number	Description	Remark	Qty	Model
		differential 1 automatic transmission			
1	922 302 063 19	bearing sleeve		1	A22.01
1	922 302 063 19	bearing sleeve		1	A22.04
2	922 302 298 00	adjusting shim 0,15 MM		X	
(2)	922 302 298 01	adjusting shim 0,20 MM		X	
(2)	922 302 298 02	adjusting shim 0,25 MM		X	
(2)	922 302 298 03	adjusting shim 0,40 MM		X	
(2)	922 302 298 04	adjusting shim 0,50 MM		X	
3	N 010 244 6	hexagon-head bolt M 8 X 30		6	
4	999 523 102 02	lock washer		6	
5	922 302 282 00	collar nut		1	
6	922 321 311 00	round seal		1	
7	922 302 297 00	adjusting shim 0,15 MM		X	
(7)	922 302 297 01	adjusting shim 0,20 MM		X	
(7)	922 302 297 02	adjusting shim 0,25 MM		X	
(7)	922 302 297 03	adjusting shim 0,40 MM		X	
(7)	922 302 297 04	adjusting shim 0,50 MM		X	
8	> 922 321 041 01	rear axle housing		1	
8	922 321 041 AX	rear axle housing		1	
9	999 062 086 02	stud M 10 X 30		10	
10	999 062 210 02	stud M 10 X 35		2	

Model	Year	MG	SG	Illustration	Restrictions	UPD	17:51	23.01.2010	PORSCHE	PET	PORSCHE
928	1982	3	11	311-00		248					

Pos	Part Number	Description	Remark	Qty	Model	Pos	Part Number	Description	Remark	Qty	Model
11	N 012 230 1	spring washer		12							
12	N 011 010 6	hexagon nut		12							
13	999 062 007 02	stud BM 8 X 22	-79	12							
13A	900 075 099 02	hexagon-head bolt M 8 X 30	80-	12							
14	900 012 086 00	straight pin		2							
15	928 301 311 01	bleeder		1							
16	928 301 395 03	gasket		1							
17	928 301 035 04	housing cover	-78	1							
17	928 301 305 09	housing cover	79-	1							
18	900 061 004 02	stud M 8 X 12		3							
19	N 012 241 8	spring washer		12							
20	900 076 025 02	hexagon nut		12							
21	999 064 019 02	screw plug		1							
22	999 064 020 02	screw plug		1							

Model	Year	MG	SG	Illustration	Restrictions	UPD	17:52	23.01.2010	PORSCHE	PET	PORSCHE
928	1982	3	11	311-05		248					

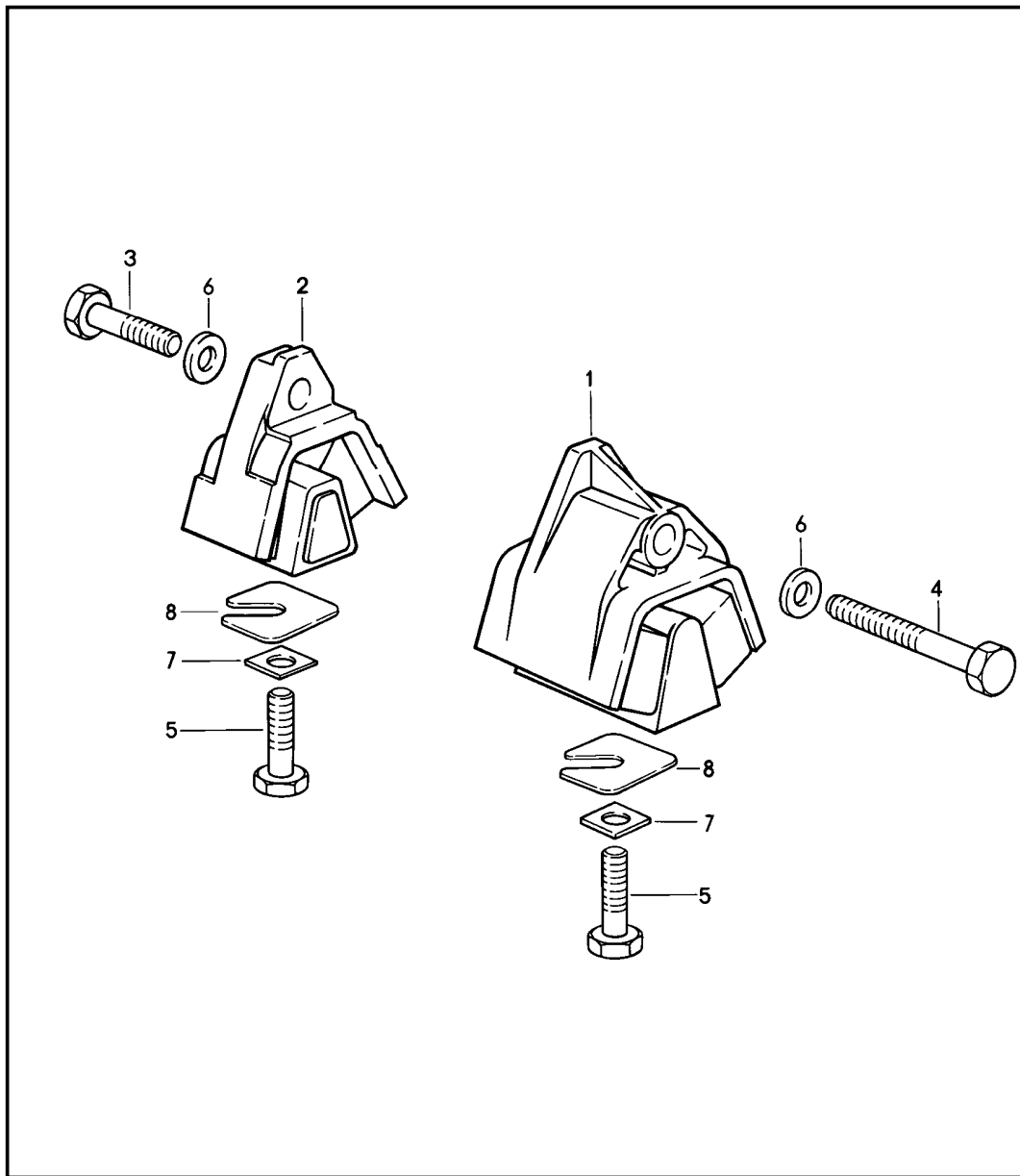


Pos	Part Number	Description	Remark	Qty	Model
		differential 2 automatic transmission			
1	> 928 332 212 04	differential housing G >> 161 1175 G >> 161 5608		1	A22.01 A22.04
1	> 928 332 212 04	differential housing G 161 1176 >> G 161 5609 >>		1	A22.01 A22.04
2	928 332 902 00	differential pinions 1 set G >> 161 1175 G >> 161 5608		1	A22.01 A22.04
2	928 332 902 01	differential pinions 1 set G 161 1176 >> G 161 5609 >>		1	A22.01 A22.04
3	928 332 279 02	nut G >> 161 1175 G >> 161 5608		2	A22.01 A22.04
3	928 332 279 02	nut G 161 1176 >> G 161 5609 >>		2	A22.01 A22.04
4	005 409 177 00	differential bolt G >> 161 1175 G >> 161 5608		1	A22.01 A22.04
4	928 332 207 05	differential bolt 21 MM G 161 1176 >> G 161 5609 >>		1	A22.01 A22.04
5	900 309 035 00	roll pin 5 X 40		1	
6	922 302 911 03	ring gear and pinion shaft 33:12		1	
7	928 332 276 00	hexagon-head bolt		12	
8	928 332 285 00	tab washer		6	
9	A 928 318 024 02	carrier disc with magnets		1	
9	928 318 024 02	carrier disc with magnets		1	
(9A)	N 043 285 1	roll pin 5 X 20		1	
10	999 152 089 01	circlip		1	

Model	Year	MG	SG	Illustration	Restrictions	UPD	17:52	23.01.2010	PORSCHE	PET	PORSCHE
928	1982	3	11	311-05		248					

Pos	Part Number	Description	Remark	Qty	Model	Pos	Part Number	Description	Remark	Qty	Model
11	999 059 027 00	taper roller bearing		2							
12	928 332 217 02	o-ring		2							
13	928 332 219 00	adjusting shim 0,15 MM		X							
(13)	928 332 219 01	adjusting shim 0,20 MM		X							
(13)	928 332 219 02	adjusting shim 0,25 MM		X							
(13)	928 332 219 03	adjusting shim 0,30 MM		X							
(13)	928 332 219 04	adjusting shim 0,10 MM		X							
14	928 332 213 02	housing		2							
15	928 332 215 02	shaft sealing ring		2							
16	900 075 099 02	hexagon-head bolt M 8 X 30		12							
17	N 012 241 1	spring washer		6							
18	928 332 206 00	joint flange		2							
19	900 074 292 02	hexagon-head bolt M 10 X 98		2							

Model	Year	MG	SG	Illustration	Restrictions	UPD	17:52	23.01.2010	PORSCHE	PET	PORSCHE
928	1982	3	12	312-00		248					



Pos	Part Number	Description	Remark	Qty	Model
		transmission suspension automatic transmission			
1	928 375 045 13	transmission mounting	/L	-78	1
2	928 375 046 13	transmission mounting	/R	-78	1
(2) A	928 375 045 16	transmission mounting		-79	2
(2)	928 375 045 16	transmission mounting		80-	2
3	N 010 142 2	hexagon-head bolt M 12 X 1,5 X 50		-78	1
(3)	N 010 142 2	hexagon-head bolt M 12 X 1,5 X 50		79-	2
4	N 010 185 2	hexagon-head bolt M 12 X 1,5 X 80		-78	1
5	N 040 108 1	hexagon-head bolt M 12 X 1,5 X 40			2
6	901 333 143 01	washer			2
7	928 375 331 00	square washer			2
8	928 331 520 01	washer		80-	X
(8)	928 331 520 02	washer		80-	X
(8)	928 331 520 03	washer		80-	X
(8)	928 331 520 04	washer		80-	X

Model	Year	MG	SG	Illustration	Restrictions	UPD	17:52	23.01.2010
928	1982	3	98	398-00R		248		

Pos	Part Number	Description	Remark	Qty	Model
		gasket set			
>>	>>928 300 901 00	gasket set comprising:		1	G28.03/05
-	928 303 120 01	shaft sealing ring		1	
-	928 301 111 00	o-ring		1	
-	928 302 167 03	shaft sealing ring		1	
-	928 302 283 00	round seal		1	
-	928 301 393 04	gasket		1	
-	928 332 217 02	o-ring		2	
-	928 332 215 02	shaft sealing ring		2	
-	928 301 395 03	gasket		1	
>>	>>928 300 901 01	gasket set comprising:		1	G28.03/05
-	928 301 111 00	o-ring		1	
-	928 301 393 07	gasket		1	
-	928 301 393 06	gasket		1	
-	928 301 395 03	gasket		1	
-	928 302 167 03	shaft sealing ring		1	
-	928 302 283 00	round seal		1	
-	928 303 120 01	shaft sealing ring		1	
-	928 332 215 02	shaft sealing ring		2	
-	928 332 217 02	o-ring		2	
-	928 303 313 00	gasket		1	
-	928 302 283 01	round seal		1	
-	999 701 904 40	o-ring		1	
>>	>>928 116 901 00	repair kit for clutch operating cylinder		1	
>>	>>922 300 901 00	gasket set for automatic transmission without differential comprising:		1	

PORSCHE

PET

PORSCHE

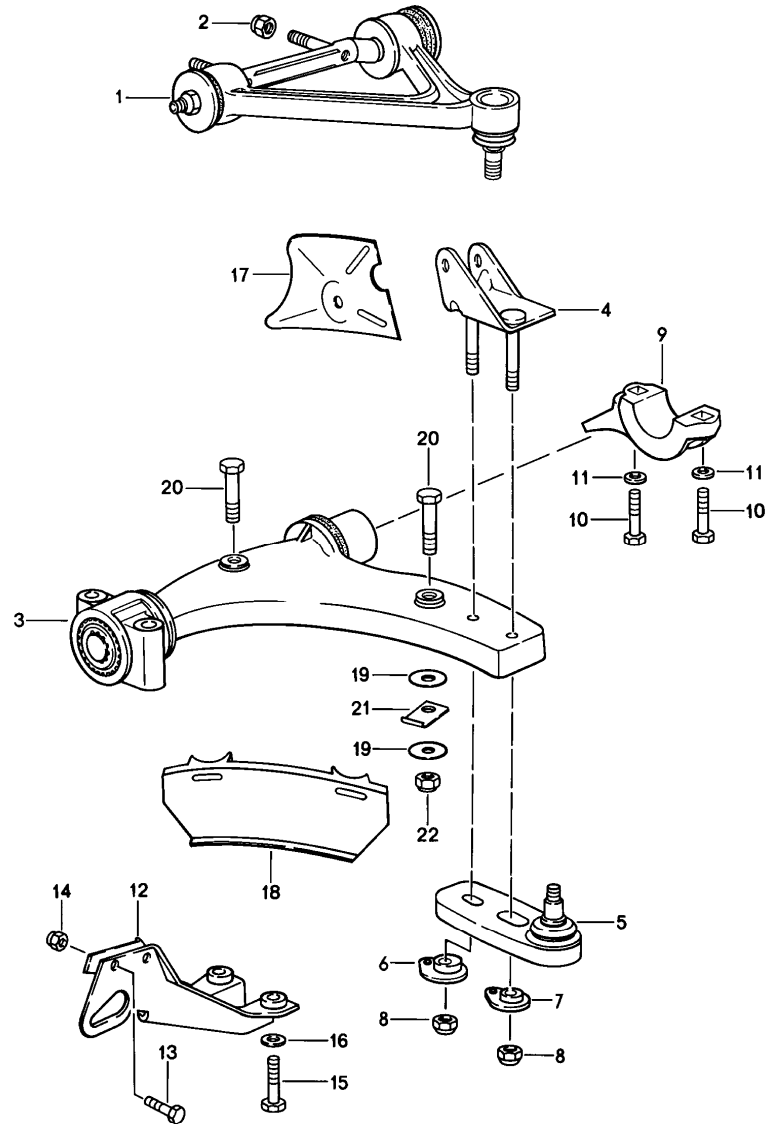
Model	Year	MG	SG	Illustration	Restrictions	UPD	17:52	23.01.2010
928	1982	3	98	398-00R		248		

Pos	Part Number	Description	Remark	Qty	Model
-	017 997 324 7	sealing ring		1	
-	004 997 054 8	sealing ring		1	
-	900 123 043 30	sealing ring A 12 X 15,5		4	
-	115 277 338 0	gasket		1	
-	116 271 018 0	gasket		1	
-	002 997 214 8	sealing ring		1	
-	900 123 019 30	sealing ring A 16 X 22		1	
-	006 997 614 6	sealing ring		1	
-	010 997 774 5	o-ring 19 X 1,8		1	
-	008 997 304 8	sealing ring 12,5 X 1,5		1	
-	001 997 354 8	sealing ring 6,5 X 1,5		1	
-	115 304 016 0	sealing ring		1	
-	900 123 105 30	sealing ring A 8 X 14		1	
-	002 997 574 8	sealing ring		1	
-	100 272 045 5	sealing ring		1	
-	109 272 099 2	boot		1	
-	115 272 149 2	boot		1	
-	115 272 065 5	sealing ring		4	
-	115 272 079 2	boot		1	
-	109 272 049 2	boot		1	
-	115 272 169 2	boot		1	
-	115 272 135 5	sealing ring		3	
-	922 321 301 07	sealing ring		2	
-	922 302 401 00	round seal 26,7 X 1,78		1	
-	922 302 402 01	o-ring 31 X 2		1	
-	000 997 484 8	sealing ring		1	

Model	Year	MG	SG	Illustration	Restrictions	UPD	17:52	23.01.2010
928	1982	3	98	398-00R		248		

Pos	Part Number	Description	Remark	Qty	Model
-	115 277 075 5	sealing ring		1	
-	115 272 119 2	boot		1	
-	010 997 084 5	sealing ring		2	
-	115 272 109 2	boot		1	
-	000 997 474 8	sealing ring		1	
-	115 272 089 2	boot		1	
-	008 997 354 5	sealing ring		1	
-	477 321 483 A	gasket		1	
-	922 321 537 00	o-ring		1	
>>	>>922 300 902 00	gasket set for differential automatic transmission comprising: sealing ring gasket shaft sealing ring o-ring		1 1 2 2	
>>	>>123 270 009 8	oil filter set comprising: oil filter		1 1	
-	115 271 158 0	oil sump gasket		1	
-	900 123 007 30	sealing ring for oil inlet		2	
-	900 123 033 20	sealing ring for drain plug converter		1	
-	928 116 911 00	repair kit clutch comprising: pressure plate clutch plate clutch plate clutch release bearing	80-	1 1 1 1	

Model	Year	MG	SG	Illustration	Restrictions	UPD	17:52	23.01.2010	PORSCHE	PET	PORSCHE
928	1982	4	01	401-00		248					

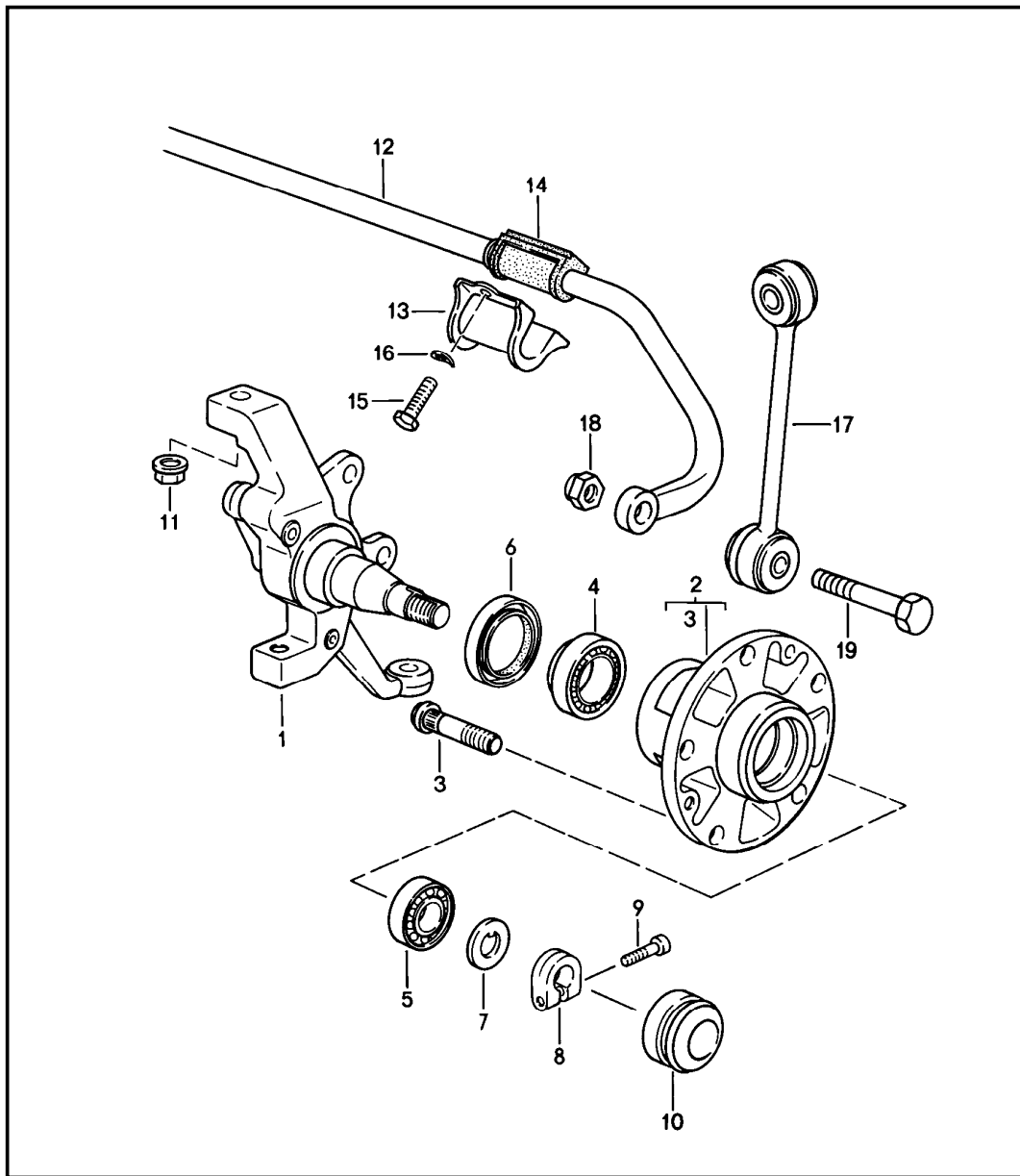


Pos	Part Number	Description	Remark	Qty	Model
		wishbone see technical information GR. 4 NR. 1/84			
1	928 341 027 33	wishbone upper	/L	1	
(1)	928 341 028 33	wishbone upper	/R	1	
2	900 910 094 02	lock nut		4	
3	928 341 017 02	wishbone lower		2	
4	928 341 091 05	clip	/L	1	
4	928 341 091 05	clip	/L	1	
(4) A	928 341 092 05	clip	/R	1	
(4)	928 341 092 05	clip	/R	1	
5 A	928 341 049 10	ball joint		2	
5	928 341 049 12	ball joint		2	
6	928 341 466 00	eccentric		2	
(6)	928 341 466 00	eccentric		2	
7 A	928 341 466 00	eccentric		2	
(7)	928 341 466 00	eccentric		2	
8	N 022 141 4	lock nut		4	
9	928 341 167 00	supporting bow		2	
10	900 082 048 08	hexagon-head bolt M 12 X 1,5 X 80		4	
11	928 341 165 00	washer		4	
12	928 341 064 02	protective bracket		1	
13	N 010 253 7	hexagon-head bolt M 10 X 22		4	
14	900 910 031 09	lock nut		4	
15	900 082 039 02	hexagon-head bolt M 12 X 1,5 X 100		4	
16	901 333 143 02	washer		4	
17 A	928 341 383 01	baffle plate	/L	1	928S

Model	Year	MG	SG	Illustration	Restrictions	UPD	17:52	23.01.2010	PORSCHE	PET	PORSCHE
928	1982	4	01	401-00		248					

Pos	Part Number	Description	Remark	Qty	Model	Pos	Part Number	Description	Remark	Qty	Model
(17)	928 341 383 05	baffle plate	/L	1	928S						
(17) A	928 341 384 01	baffle plate	/R	1	928S						
(17)	928 341 384 05	baffle plate	/R	1	928S						
18	928 341 389 01	spoiler		2	928S						
19	928 341 391 00	retaining washer		4	928S						
20	N 010 367 4	hexagon-head bolt M 6 X 60		4	928S						
21	928 341 395 00	fastening clip		4	928S						
22	900 910 012 02	lock nut M 6		4	928S						

Model	Year	MG	SG	Illustration	Restrictions	UPD	17:52	23.01.2010	PORSCHE	PET	PORSCHE
928	1982	4	01	401-05		248					

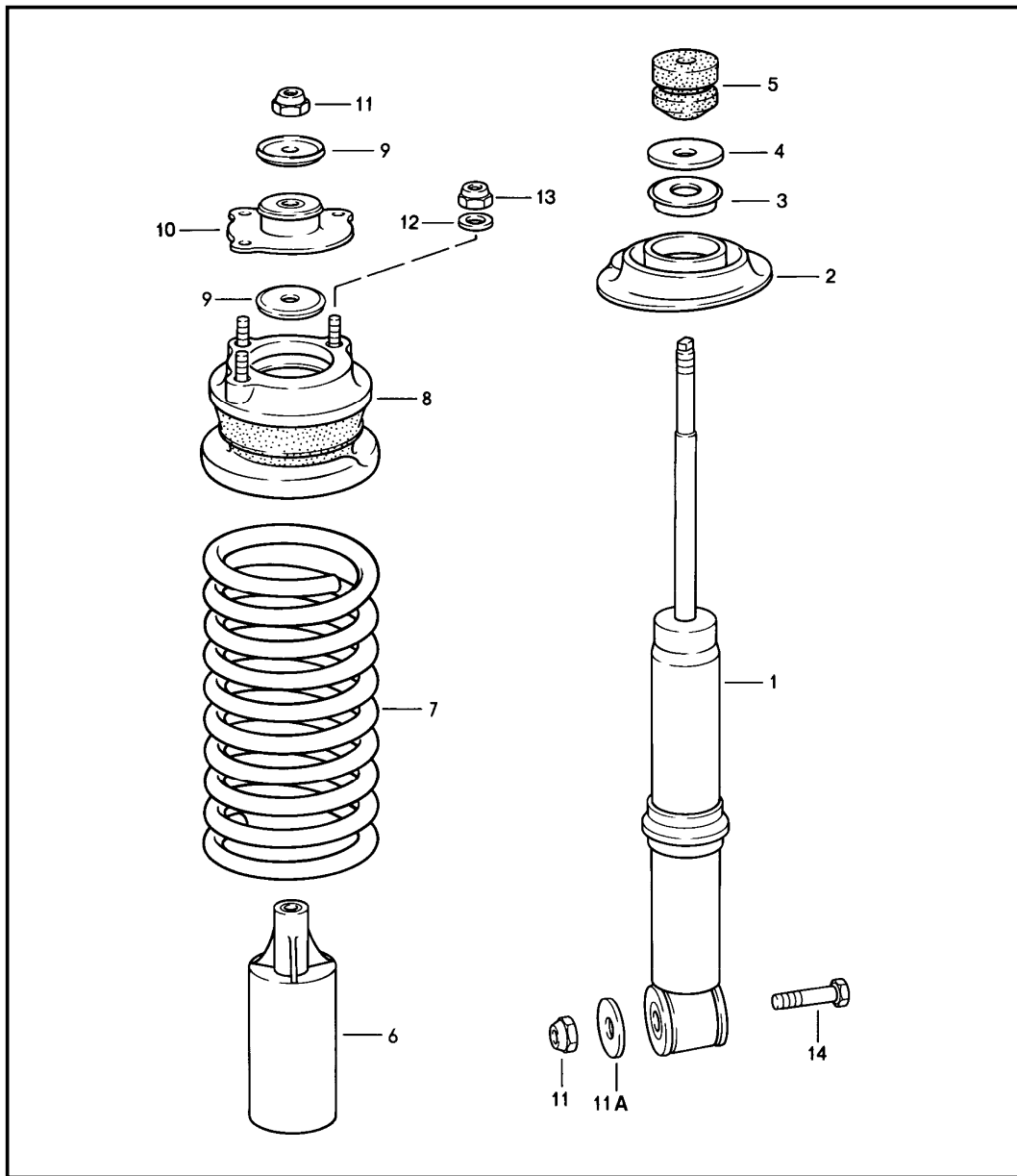


Pos	Part Number	Description	Remark	Qty	Model
		steering knuckle stabiliser front axle			
1	928 341 057 03	steering knuckle only together with floating calliper	/L	1	928
(1)	928 341 058 03	steering knuckle only together with floating calliper	/R	1	928
(1) A	928 341 057 05	steering knuckle only together with floating calliper	/L	80-	1
(1) A	928 341 058 05	steering knuckle only together with floating calliper	/R	80-	1
(1)	928 341 057 13	steering knuckle only together with floating calliper	/L	80-	1
(1)	928 341 058 13	steering knuckle only together with floating calliper	/R	80-	1
2	928 341 065 02	front wheel hub		2	
3	928 341 671 02	wheel bolt		10	
(3)	928 341 671 02	wheel bolt oversize		X	
4	999 059 090 00	taper roller bearing		2	
5	999 059 067 00	taper roller bearing		2	
6	477 405 641	radial sealing ring		2	
7	911 341 663 00	thrust washer		2	
8	911 341 673 00	clamping nut		2	
9	999 119 001 01	pan-head screw M 7 X 18		2	
10	911 341 684 00	cap		2	
11	900 380 010 09	lock nut M 12 X 1,5	-79	4	
(11)	999 084 059 02	lock nut M 12 X 1,5	80-	2	

Model	Year	MG	SG	Illustration	Restrictions	UPD	17:52	23.01.2010	PORSCHE	PET	PORSCHE
928	1982	4	01	401-05		248					

Pos	Part Number	Description	Remark	Qty	Model	Pos	Part Number	Description	Remark	Qty	Model
12	928 343 073 05	stabiliser 26 MM \$	-79	1							
(12)	928 343 073 05	stabiliser 28 MM \$	80-	1							
13	928 343 777 00	bearing clamp		2							
14	928 343 793 04	stabiliser mounting 26 MM \$	-79	2							
(14)	928 343 793 04	stabiliser mounting 28 MM \$	80-	2							
15	900 075 043 02	hexagon-head bolt M 10 X 30		4							
(15)	N 010 275 3	hexagon-head bolt M 10 X 35	/LL	1							
16	900 027 016 02	lock ring B 10		4							
17	928 343 069 00	stabiliser mounting		2							
18	900 910 046 02	lock nut M 12 X 1,5		2							
19	900 082 035 02	hexagon-head bolt M 12 X 1,5 X 60		2							

Model	Year	MG	SG	Illustration	Restrictions	UPD	17:53	23.01.2010	PORSCHE	PET	PORSCHE
928	1982	4	02	402-00		248					

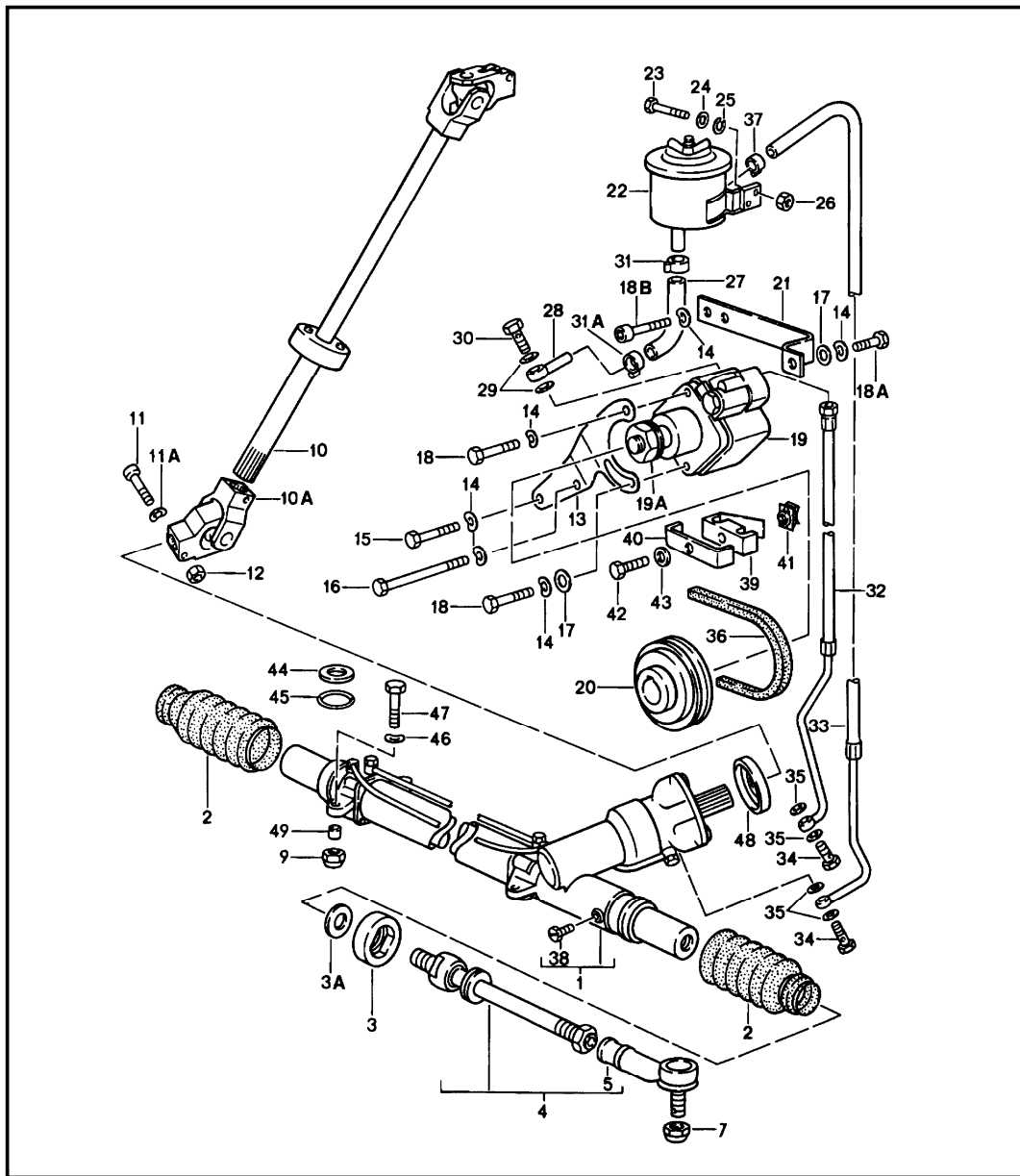


Pos	Part Number	Description	Remark	Qty	Model
1	928 343 055 04	suspension front axle		2	
(1)	928 343 055 05	vibration damper - boge -	80-	2	M474
2	928 343 525 00	concave washer lower		2	
-	928 343 533 00	spacer ring		X	
3	928 333 551 00	supporting cover		2	
4	911 333 511 00	washer		2	
5	928 343 527 02	additional spring		2	
6	928 343 507 02	protective tube		2	
7	928 343 511 01	front wheel spring identification blue see technical information 4/NR. 7 F >>92A08 00645 F >>92A08 20127		2	
	301	1 colour line			
	302	2 colour lines			
	303	3 colour lines only together with - boge -			
7	928 343 511 03	front wheel spring identification white F 92A08 20128>>		2	
	901	1 colour line			
	902	2 colour lines only together with - boge -			
7	928 343 511 04	front wheel spring identification green white only together with - bilstein -		2	

Model	Year	MG	SG	Illustration	Restrictions	UPD	17:53	23.01.2010	PORSCHE	PET	PORSCHE
928	1982	4	02	402-00		248					

Pos	Part Number	Description	Remark	Qty	Model	Pos	Part Number	Description	Remark	Qty	Model
8	928 343 047 07	concave washer upper		2							
9	928 343 523 00	washer		4							
10	928 343 051 01	mounting for absorber upper		2							
11	900 910 046 02	lock nut		4							
11AA	999 025 074 02	washer	80-	2							
11A	999 025 074 01	washer	80-	2							
12	900 025 008 09	washer		6							
13	900 910 031 09	lock nut		6							
14	900 082 040 02	hexagon-head bolt M 12 X 1,5 X 120		2							
(14)	900 082 044 02	hexagon-head bolt M 12 X 1,5 X 125	80-	2							

Model	Year	MG	SG	Illustration	Restrictions	UPD	17:53	23.01.2010	PORSCHE	PET	PORSCHE
928	1982	4	03	403-00		248					



Pos	Part Number	Description	Remark	Qty	Model
		steering gear			
		track rod			
		see technical information			
		NR-4/20			
1	A 928 347 010 22	steering gear	/LL	-81	1
(1)	> 928 347 010 24	steering gear	/LL		1
(1)	A 927 347 010 20	steering gear	/RL	-81	1
(1)	> 927 347 010 26	steering gear	/RL		1
2	928 347 191 03	bellows			2
3	928 347 329 00	stop		-81	2
		only together with			
		928.347.010.22			
		927.347.010.20			
(3)	928 347 329 04	stop			2
		only together with			
		928.347.010.24			
		927.347.010.22			
3A	928 347 331 00	spacer ring		-81	2
		only together with			
		928.347.010.22			
		927.347.010.20			
4	928 347 031 01	tie rod			2
5	928 347 322 02	ball joint			2
7	900 910 046 02	lock nut			2
9	900 910 031 09	lock nut			4
10	928 347 093 01	intermed. steering shaft	/LL		1
10	927 347 093 01	intermed. steering shaft	/RL		1
10A	928 347 021 04	universal joint			1
11	928 347 128 01	fit bolt			3
11A	N 012 241 1	spring washer			3
12	900 910 022 02	lock nut			3
(13)	928 347 443 07	support			1
14	N 012 241 8	spring washer			7
15	N 010 239 11	hexagon-head bolt			1
		M 8 X 18			

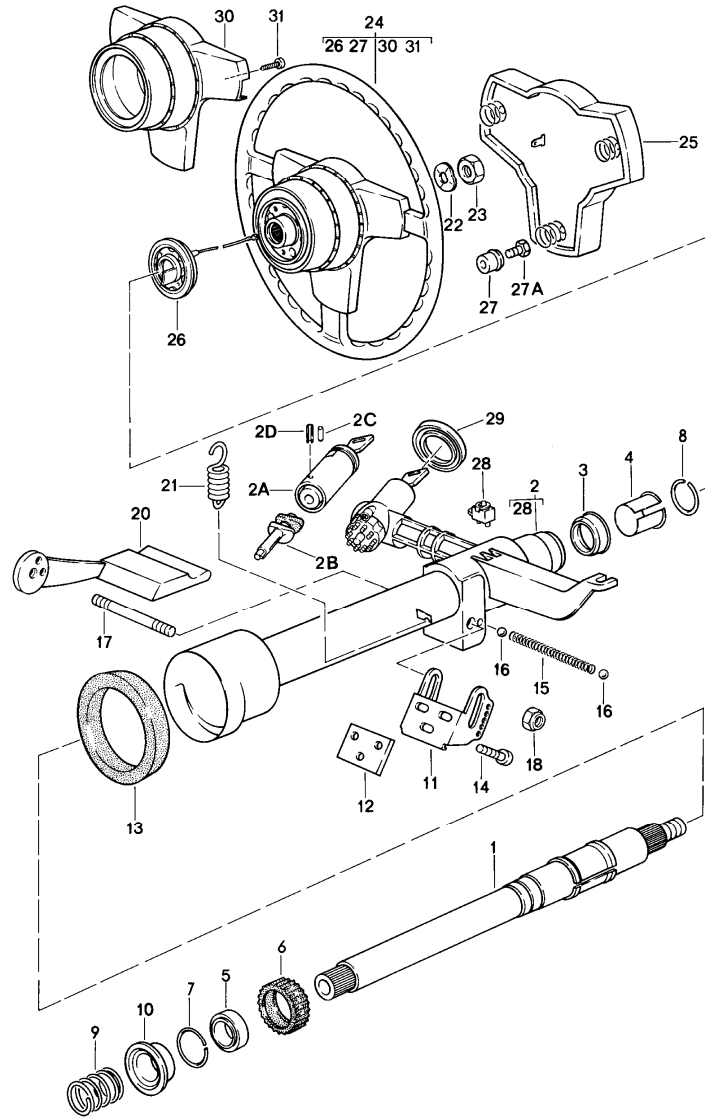
Model	Year	MG	SG	Illustration	Restrictions	UPD	17:53	23.01.2010	PORSCHE	PET	PORSCHE
928	1982	4	03	403-00		248					

Pos	Part Number	Description	Remark	Qty	Model	Pos	Part Number	Description	Remark	Qty	Model
16	900 074 050 02	hexagon-head bolt M 8 X 120		1		28	999 230 077 02	nipple with elastic ring		1	
(16)	900 075 321 02	screw		1		29	N 013 832 2	sealing ring		2	
17	900 025 007 02	washer		2		30	900 134 010 02	banjo bolt		1	
18	900 075 085 02	hexagon-head bolt M 8 X 20		2		31	999 512 297 02	hose clamp		1	
18A	900 074 139 02	hexagon-head bolt M 8 X 55		1		31A	999 512 298 02	hose clamp		1	
18B	900 119 052 02	pan-head screw M 8 X 16		2		32	928 347 447 02	pressure line	/LL	1	
19	A 928 347 431 05	vane type pump		1		(32)	927 347 447 01	pressure line	/RL	1	
-	928 347 431 EX	vane type pump		1		33	928 347 449 02	return line	/LL	1	
- *	928 347 921 00	repair kit for vane type pump 928 347 431 05		1		(33)	927 347 449 01	return line	/RL	1	
19A	900 910 094 02	lock nut M 14 X 1,5		1		-	900 067 008 02	pan-head screw M 6 X 12	/RL	1	
20	928 347 441 06	pulley for vane type pump 928.347.431.02	78	1		-	N 011 524 7	washer	/RL	1	
(20)	928 347 441 08	pulley for vane type pump 928.347.431.04/05		1		34	900 134 007 02	banjo bolt		2	
21	928 101 112 00	strut		1		35	900 123 042 20	sealing ring		4	
22	928 347 015 01	oil tank		1		36	999 192 128 50	narrow v-belt 12,5 X 978		1	
23	900 075 014 02	hexagon-head bolt M 6 X 18		2		37	N 023 569 2	hose clamp		1	
-	928 501 817 02	retaining bracket pressure line		1		38	999 063 002 40	screw plug AM 12 X 1,5	-81	1	
24	900 151 003 02	washer		2		39	999 511 121 40	clip		1	
25	N 012 007 2	lock ring A 6		2		40	928 347 455 00	shim		1	
26	900 076 010 02	hexagon nut		2		(41)	999 507 003 02	speed nut	81-	1	
27	928 347 445 00	moulded hose		1		(42)	900 187 032 02	tapping screw B 6,3 X 32	81-	1	
						41	999 507 328 02	captive nut	-80	1	
						42	N 010 220 3	hexagon-head bolt M 6 X 30	-80	1	
						43	N 011 524 7	washer		1	

Model	Year	MG	SG	Illustration	Restrictions	UPD	17:53	23.01.2010	PORSCHE	PET	PORSCHE
928	1982	4	03	403-00		248					

Pos	Part Number	Description	Remark	Qty	Model	Pos	Part Number	Description	Remark	Qty	Model
44	928 375 192 00	washer F >>92881 00468		4							
45	999 701 600 40	o-ring F >>92881 00468		4							
46	900 028 005 02	spring washer -A 10-		4							
47	N 010 445 2	hexagon-head bolt M 10 X 45	/LL	4							
(47)	N 010 445 2	hexagon-head bolt M 10 X 45	/RL	3							
(47)	N 010 450 5	hexagon-head bolt M 10 X 50	/RL	1							
48	928 347 923 00	protection cap		1							
49	928 347 779 03	bush		4							

Model	Year	MG	SG	Illustration	Restrictions	UPD	17:53	23.01.2010	PORSCHE	PET	PORSCHE
928	1982	4	03	403-05		248					



Pos	Part Number	Description	Remark	Qty	Model
1	928 347 061 06	steering wheel		1	
2	928 347 903 02	steering lock with steering outer tube with 1 key w/o stipulated lock number		1	
(2)	928 347 903 03	steering lock steering outer tube with 1 key state lock number		1	
2A	928 347 915 01	lock cylinder for steering lock with 1 key w/o stipulated lock number		1	
2A	928 347 917 01	lock cylinder for steering lock with 1 key with stipulated lock number		1	
2B	928 347 919 00	key see group 8/04/05 POS.53/1		1	
2B	928 347 919 00	ignition starter switch see group 9/01/00 POS.29		1	
2B	928 347 919 00	control cams		1	
2C	900 091 001 00	dowel pin		1	
2D	900 095 007 00	roll pin 3 X 12		1	
3	928 347 791 00	steering shaft bearing		1	
3	928 347 791 00	steering shaft bearing		1	
4	928 347 739 02	support ring		1	
5	928 347 735 01	steering shaft bearing	-81	1	
6	928 347 607 02	bush	-81	1	
7	900 906 015 00	circlip	-81	1	
8	113 415 531	circlip		1	

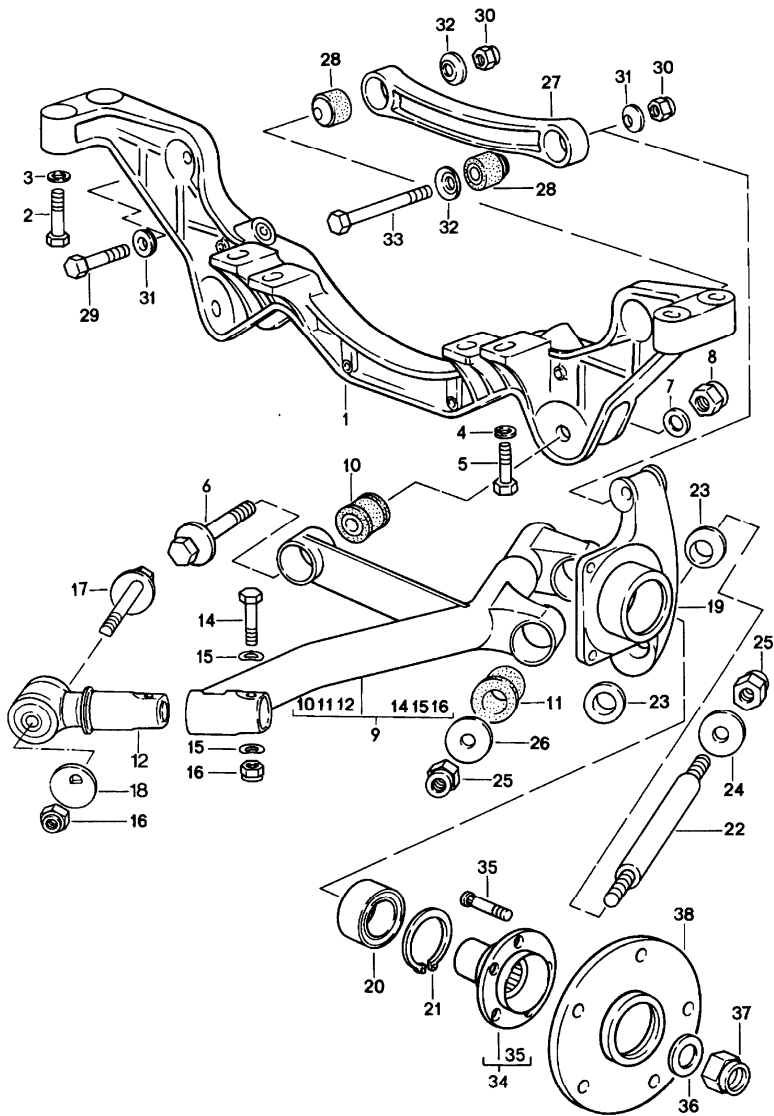
Model	Year	MG	SG	Illustration	Restrictions	UPD	17:53	23.01.2010	PORSCHE	PET	PORSCHE
928	1982	4	03	403-05		248					

Pos	Part Number	Description	Remark	Qty	Model	Pos	Part Number	Description	Remark	Qty	Model
9	928 347 213 04	compression spring		1			2LB	burgundy			
-	N 027 416 1	shim 0,5 MM		X		25	911 347 859 00	padded cap		1	928
-	N 100 512 01	shim 1,5 MM		X			70B	black			
						-	928 347 087 00	padded cap		1	
10	928 347 241 01	steering shaft bearing	-79	1			1RN	medium brown			
10	928 347 241 01	steering shaft bearing	80-	1			2LB	burgundy			
11	928 347 369 04	bracket		1		26	928 347 099 00	slip ring		1	
12	928 347 370 01	desk pad		X		27	321 419 779	insulating bush for 928 347 084 03		3	
(12)	928 347 370 02	desk pad		X							
(12)	928 347 370 03	desk pad		X		27	321 419 779 A	insulating bush for 928 347 084 02		4	
13 A	928 347 659 02	sealing ring		1							
13	928 347 659 02	sealing ring		1		27A	900 075 230 10	hexagon-head bolt M 4 X 16		X	
(14)	N 014 782 1	pan-head screw M 6 X 25		3		29	928 347 913 00	rubber boot		1	
15	928 347 375 01	compression spring		1		30	928 347 085 00	hub cover		1	
16	900 108 020 00	ball		2			70B	black			
17	928 347 259 02	threaded bolt		1		-	928 347 857 02	hub cover		1	
18	900 910 022 02	lock nut		2			2LB	burgundy			
20	928 347 033 02	control lever		1			1RN	medium brown			
21	928 347 377 03	tension spring		1		31	900 146 029 02	oval-head screw M 3,5 X 10		6	
22	N 012 239 1	spring washer		1							
23	900 078 007 02	hexagon nut M 18 X 1,5		1							
24 A	928 347 084 01	steering wheel	-79	1	928						
		70B black									
-	928 347 084 03	steering wheel		1	928						
		70B black									
-	928 347 084 02	sports steering wheel		1							
		1RN medium brown									
		1AJ black									

Model	Year	MG	SG	Illustration	Restrictions	UPD	17:53	23.01.2010
928	1982	4	98	498-00R		248		

Pos	Part Number	Description	Remark	Qty	Model
>>	>>928 347 921 00	repair kits repair kit for vane type pump 928.347.431.05 comprising: sealing ring front sealing ring inner support ring inner		X 1 2 2	

Model	Year	MG	SG	Illustration	Restrictions	UPD	17:53	23.01.2010	PORSCHE	PET	PORSCHE
928	1982	5	01	501-00		248					

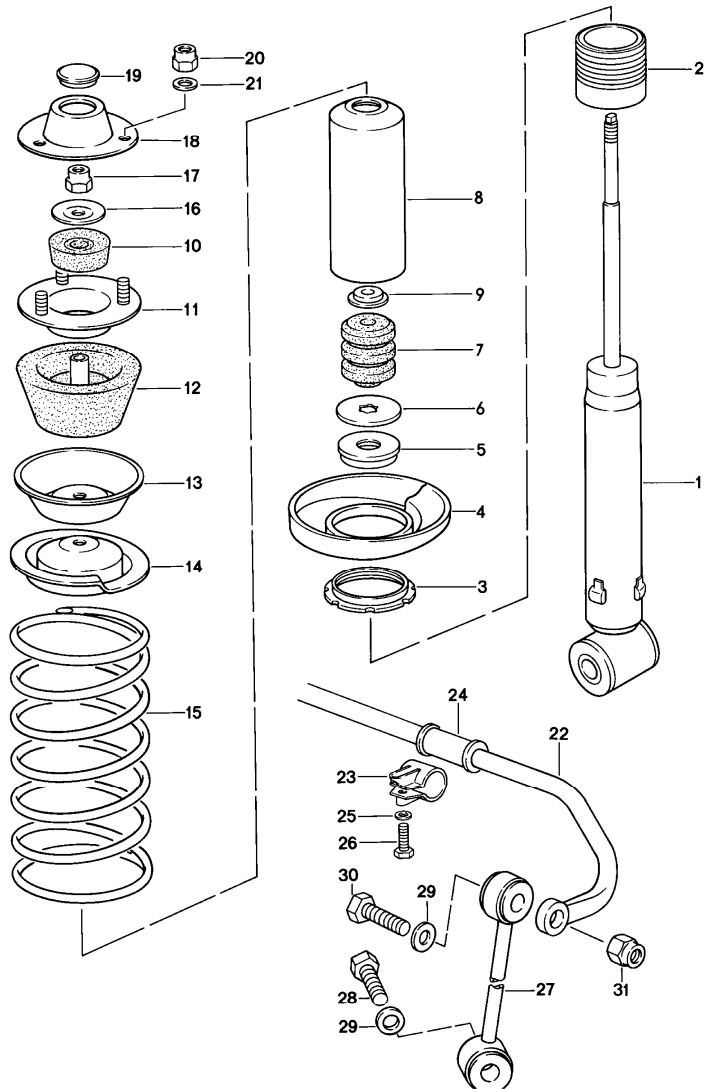


Pos	Part Number	Description	Remark	Qty	Model
		rear axle			
1	A 928 331 131 17	rear axle cross member	-79	1	
(1)	928 331 131 17	rear axle cross member	-79	1	
(1)	A 928 331 131 13	rear axle cross member only together with G.28.03		1	928
(1)	A 928 331 131 17	rear axle cross member only together with G.28.03	80-	1	
(1)	928 331 131 17	rear axle cross member only together with G.28.03	80-	1	
(1)	A 928 331 131 13	rear axle cross member		1	M249
(1)	A 928 331 131 17	rear axle cross member		1	M249
(1)	928 331 131 17	rear axle cross member		1	M249
(1)	A 928 331 131 14	rear axle cross member only together with G.28.05	80-	1	
(1)	A 928 331 131 18	rear axle cross member only together with G.28.05	80-	1	
(1)	928 331 131 18	rear axle cross member only together with G.28.05	80-	1	
2	N 010 473 6	hexagon-head bolt M 10 X 75		4	
-	928 331 133 00	washer		X	
3	900 223 011 02	washer		6	
4	900 027 016 02	lock ring B 10		2	
5	N 010 445 3	hexagon-head bolt M 10 X 45		2	
6	928 331 075 04	eccentric screw		2	
7	928 331 581 00	washer		2	
8	900 910 094 02	lock nut		2	
9	A 928 331 043 03	control arm lower	/L	-79	1

Model	Year	MG	SG	Illustration	Restrictions	UPD	17:53	23.01.2010	PORSCHE	PET	PORSCHE
928	1982	5	01	501-00		248					

Pos	Part Number	Description	Remark	Qty	Model	Pos	Part Number	Description	Remark	Qty	Model
9	928 331 043 06	control arm lower	/L 80-	1		26	928 331 647 00	washer		4	
(9) A	928 331 044 03	control arm lower	/R -79	1		27	928 331 101 02	control arm upper		2	
(9)	928 331 044 06	control arm lower	/R 80-	1		28	928 331 089 02	link bearing upper		4	
10	928 331 588 10	rubber mounting		2		29	900 074 065 02	hexagon-head bolt M 10 X 70		2	
11	928 331 588 13	rubber mounting		4		30	900 910 031 09	lock nut		4	
12	928 331 085 00	rocker bar		2		32	928 331 575 01	cone washer		4	
14	900 082 140 01	hexagon-head bolt M 12 X 1,5 X 75		2		31	928 331 649 02	cone washer		2	
15	900 028 014 02	spring washer		4		33	N 010 482 3	hexagon-head bolt M 10 X 105		2	
16	N 022 141 4	lock nut		4		34 A	928 331 065 01	wheel hub		2	
17	928 331 659 04	eccentric screw		2		(34)	928 331 065 07	wheel hub		2	
18	928 331 523 12	eccentric washer		2		35	928 341 671 02	wheel bolt		10	
19 A	928 331 219 07	wheel carrier F >>92CS8 20792	/L	1		(35)	901 331 671 01	wheel bolt widening of track		X	
19	928 331 219 07	wheel carrier F >>92CS8 20792	/L	1		36	928 331 591 02	washer		2	
(19)	928 331 219 03	wheel carrier F 92CS8 20793>>	/L	1		37	900 910 093 02	lock nut		2	
(19) A	928 331 220 07	wheel carrier F >>92CS8 20792	/R	1		38	477 501 701	spacer tube		X	
(19)	928 331 220 07	wheel carrier F >>92CS8 20792	/R	1							
(19)	928 331 220 03	wheel carrier F 92CS8 20793>>	/R	1							
20 A	928 331 583 00	angular-contact bearing		2							
(20)	999 053 050 00	angular-contact bearing		2							
21	900 042 030 02	circlip		2							
22	928 331 641 01	bearing pin		2							
23	928 331 655 06	cone washer		4							
24	928 331 647 02	washer		2							
25	900 910 094 02	lock nut		4							

Model	Year	MG	SG	Illustration	Restrictions	UPD	17:54	23.01.2010	PORSCHE	PET	PORSCHE
928	1982	5	02	502-00		248					

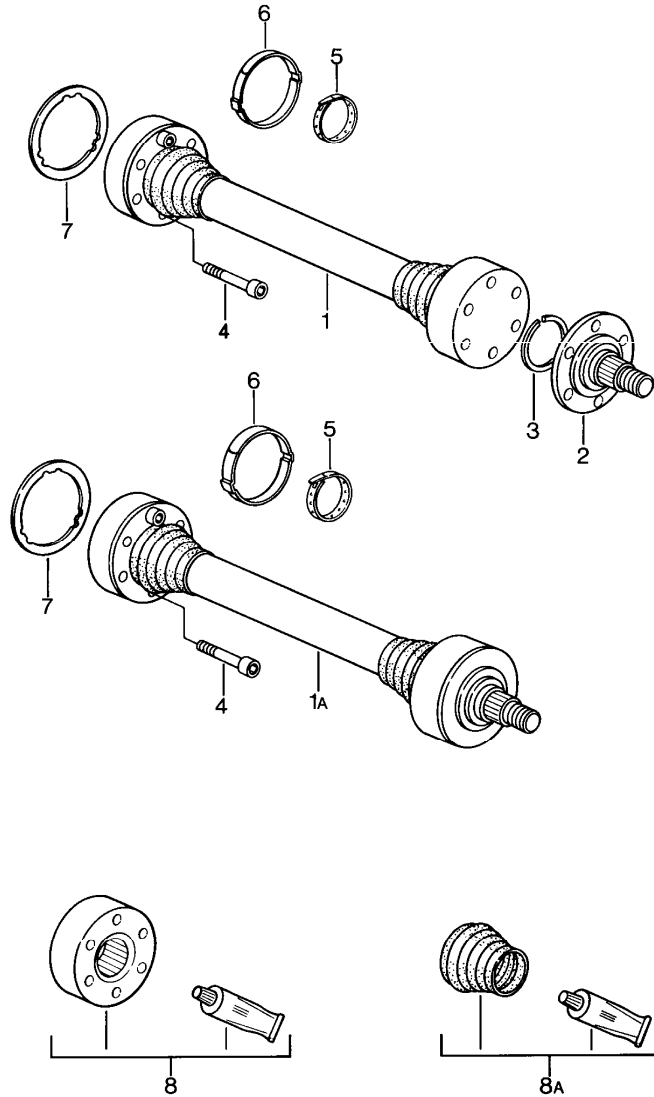


Pos	Part Number	Description	Remark	Qty	Model
		suspension stabiliser rear			
1	928 333 051 08	vibration damper - boge -		2	
(1)	928 333 051 12	vibration damper - bilstein -	80-	2	M474
2	928 333 511 05	threaded sleeve		2	
3	928 333 513 02	adjusting nut - boge -		2	
(3)	928 333 513 01	adjusting nut - bilstein -	80-	2	
4	928 333 521 02	concave washer lower		2	
5	928 333 551 00	supporting cover		2	
6	911 333 511 00	washer		2	
7	928 333 518 10	additional spring		2	
8	928 333 502 01	protective tube		2	
9	928 333 517 01	retaining ring		2	
10	928 333 465 01	damping rubber		2	
11	928 333 064 00	fastening plate		2	
12	928 333 043 00	supporting rubber		2	
13	928 333 436 00	supporting plate		2	
14	928 333 522 04	concave washer upper		2	
15	928 333 531 09	rear wheel spring identification green	-78	2	
	201	1 colour line			
	202	2 colour lines			
	203	3 colour lines			
(15)	928 333 531 12	rear wheel spring identification yellow	79-	2	
	101	1 colour line			

Model	Year	MG	SG	Illustration	Restrictions	UPD	17:54	23.01.2010	PORSCHE	PET	PORSCHE
928	1982	5	02	502-00		248					

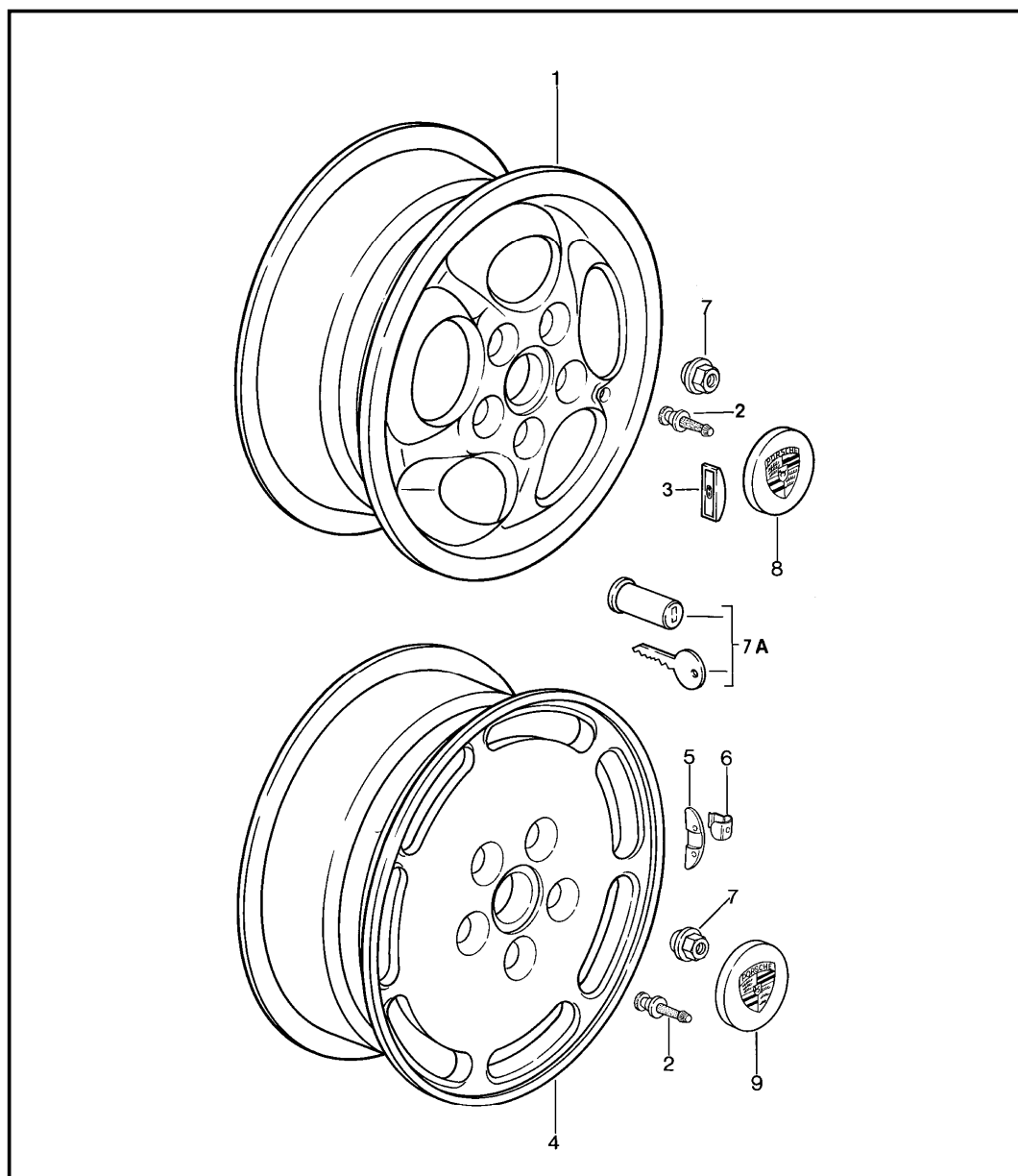
Pos	Part Number	Description	Remark	Qty	Model	Pos	Part Number	Description	Remark	Qty	Model
	102	2 colour lines									
	103	3 colour lines									
16	928 333 525 01	washer		2							
17	900 910 046 02	lock nut		2							
18	928 333 151 01	lid		2							
19	999 703 131 40	lid		2							
20	900 910 031 09	lock nut		6							
21	900 025 008 09	washer		6							
22	928 333 701 31	stabiliser 21 MM \$ F >>92BS8 00250 F >>92BS8 40422		1							
22	928 333 701 34	stabiliser 22 MM \$ F 92BS8 00251>> F 92BS8 40423>>		1							
23	928 333 085 00	clip		2							
24	928 333 754 31	rubber mounting 21 MM \$		2							
24	928 333 754 26	bearing 22 MM \$		2							
25	477 407 425	washer		2							
26	N 010 472 4	hexagon-head bolt M 10 X 85		2							
27	928 333 059 01	stabiliser mounting	/L	1							
(27)	928 333 060 01	stabiliser mounting	/R	1							
28	N 010 445 2	hexagon-head bolt M 10 X 45		2							
29	928 333 761 00	washer		4							
30	900 074 063 02	hexagon-head bolt M 10 X 55		2							
31	900 910 031 09	lock nut		2							

Model	Year	MG	SG	Illustration	Restrictions	UPD	17:54	23.01.2010	PORSCHE	PET	PORSCHE
928	1982	5	02	502-05		248					



Pos	Part Number	Description	Remark	Qty	Model
		drive shaft			
1	928 332 033 30	drive shaft	-81	2	
1A	928 332 033 30	drive shaft		2	
2	928 332 026 03	drive shaft	-81	2	
3	999 152 084 01	circlip		4	
(3)	999 152 084 01	circlip	82	2	
4	900 067 168 01	pan-head screw M 10 X 57		24	
(4)	900 067 168 01	pan-head screw M 10 X 57	82	8	
5	928 332 257 00	clip	-81	4	
(5)	928 332 257 01	clip	82	2	
6	999 512 315 02	clamp		2	
7	930 332 297 00	gasket	-81	6	
(7)	930 332 297 00	gasket	82	2	
8A	A 928 332 922 00	repair kit		X	
8A	* 928 332 922 01	repair kit	-81	X	
8	* 928 332 923 00	repair kit		X	
(8A)	* 928 332 924 00	repair kit	82	X	

Model	Year	MG	SG	Illustration	Restrictions	UPD	17:54	23.01.2010	PORSCHE	PET	PORSCHE
928	1982	6	01	601-00		248					

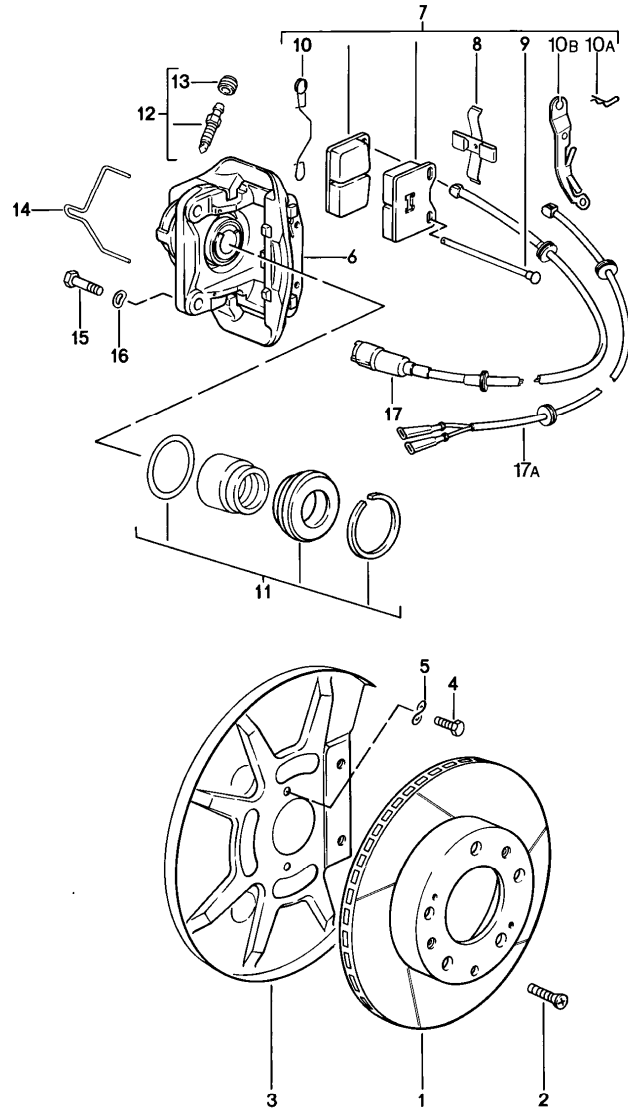


Pos	Part Number	Description	Remark	Qty	Model
		wheels			
1	928 361 916 00	alloy wheel 7 J X 16 matte	-79	4	
(1)	928 361 016 00	alloy wheel 7 J X 16 clear	80-	4	
(1)	928 361 919 00	alloy wheel 7 J X 15 matte	-79	4	
(1)	928 361 019 00	alloy wheel 7 J X 15 clear	80-	4	
(1)	928 362 114 20	alloy wheel 7 J X 16 winter wheel		4	
2	900 265 001 50	rubber valve		4	
3	901 361 410 00	balance stick-on weight 10 G		X	
3	901 361 411 00	balance stick-on weight 20 G		X	
3	901 361 412 00	balance stick-on weight 30 G		X	
3	901 361 413 00	balance stick-on weight 40 G		X	
3	901 361 414 00	balance stick-on weight 50 G		X	
3	901 361 415 00	balance stick-on weight 60 G		X	
3	901 361 416 00	balance stick-on weight 70 G		X	
3	901 361 417 00	balance stick-on weight 80 G		X	
-	928 362 030 02	emergency wheel with collapsible tire 5 J X 15	-79	1	
-	928 361 008 02	emergency wheel with collapsible tire 5 J X 15	80-	1	

Model	Year	MG	SG	Illustration	Restrictions	UPD	17:54	23.01.2010	PORSCHE	PET	PORSCHE
928	1982	6	01	601-00		248					

Pos	Part Number	Description	Remark	Qty	Model	Pos	Part Number	Description	Remark	Qty	Model
4	928 362 115 01	alloy wheel light alloy forged 7 J X 16	80-	4		9	477 601 051 D	hub cap for perforated disc wheel 928.361.021.05	80-	4	
(4)	928 361 021 08	perforated disc wheel light alloy lacquered 7 J X 16	82	4	M406	(9)	928 361 032 04	hub cap for perforated disc wheel 928 361 021 08	82	4	M406
5		balance weight coated		X		- A	911 361 510 02	small electric compressor		1	
-	928 361 410 00	balance weight 10 G		X		-	911 361 510 03	small electric compressor		1	
-	928 361 411 00	balance weight 20 G		X		- A	911 722 201 02	tyre pressure gauge		1	
-	928 361 412 00	balance weight 30 G		X		-	911 722 201 02	tyre pressure gauge		1	
-	928 361 413 00	balance weight 40 G		X		-	996 361 521 00	boot for impeller		1	
-	928 361 414 00	balance weight 50 G		X		-	911 361 522 00	protective film		1	
-	928 361 415 00	balance weight 60 G		X		-	999 914 001 40	plastic gloves		1	
-	928 361 416 00	balance weight 70 G		X							
-	928 361 417 00	balance weight 80 G		X							
6	928 361 420 01	retaining clip for balance weight		X							
7	999 182 003 36	wheel nut		20							
7A	928 361 047 03	wheel nut lockable 1 set		X							
-	928 361 310 00	cap		X							
8	928 361 032 01	hub cap not for perforated disc wheel 928.361.021.05		4							

Model	Year	MG	SG	Illustration	Restrictions	UPD	17:54	23.01.2010	PORSCHE	PET	PORSCHE
928	1982	6	02	602-00		248					

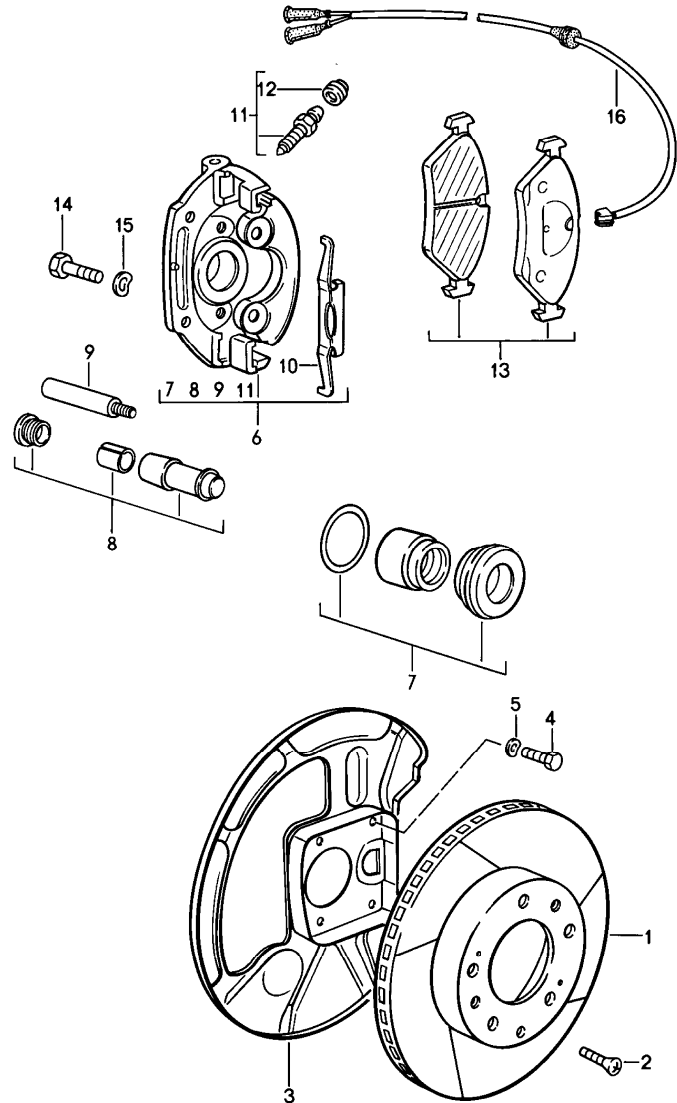


Pos	Part Number	Description	Remark	Qty	Model
		disc brake front axle floating calliper F >>92A08 00749			928 928 928
		use also: mounting parts for brake pad			
1	928 351 041 09	brake disc		2	
2	N 033 167 1	countersunk-head screw		4	
3	928 351 081 00	protective plate		2	
4	N 010 227 2	hexagon-head bolt M 7 X 12		4	
(5)	900 028 019 08	spring washer		4	
6	928 351 425 01	floating calliper without pad	/L	1	
(6)	928 351 426 01	floating calliper without pad	/R	1	
7	* 928 351 951 00	brake pad repair set with mounting parts		1	
(7)	944 351 951 02	brake pad repair set without mounting parts		1	
(7)	944 351 951 02	brake pad repair set without mounting parts without asbestos		1	
-	928 351 958 00	mounting parts		1	
8	* 928 351 935 00	expanding spring		2	
9	* 928 351 936 00	retaining pin		4	
10	928 351 937 00	retaining spring	-80	2	
10A*	901 351 955 10	safety seal		4	
10B*	928 351 823 00	cable guide plate	/L	1	
10C*	928 351 824 00	cable guide plate	/R	1	
11	* 928 351 941 00	gasket set		2	
12	928 351 945 00	ventilation valve		2	

Model	Year	MG	SG	Illustration	Restrictions	UPD	17:54	23.01.2010	PORSCHE	PET	PORSCHE
928	1982	6	02	602-00		248					

Pos	Part Number	Description	Remark	Qty	Model	Pos	Part Number	Description	Remark	Qty	Model
13	901 351 927 10	dust boot		2							
14	928 351 946 00	guide spring		2							
15	N 010 142 2	hexagon-head bolt M 12 X 1,5 X 50		4							
(16)	900 028 014 02	spring washer		4							
17	928 612 311 00	warning contact F >>92881 01800	-79	2							
(17) A	928 612 311 01	warning contact F 92881 01801>>	-80	2							
(17)	928 612 311 03	warning contact together with cable guide plate	-80	2							
17A	928 612 311 03	warning contact	81	2							

Model	Year	MG	SG	Illustration	Restrictions	UPD	17:54	23.01.2010	PORSCHE	PET	PORSCHE
928	1982	6	02	602-05		248					

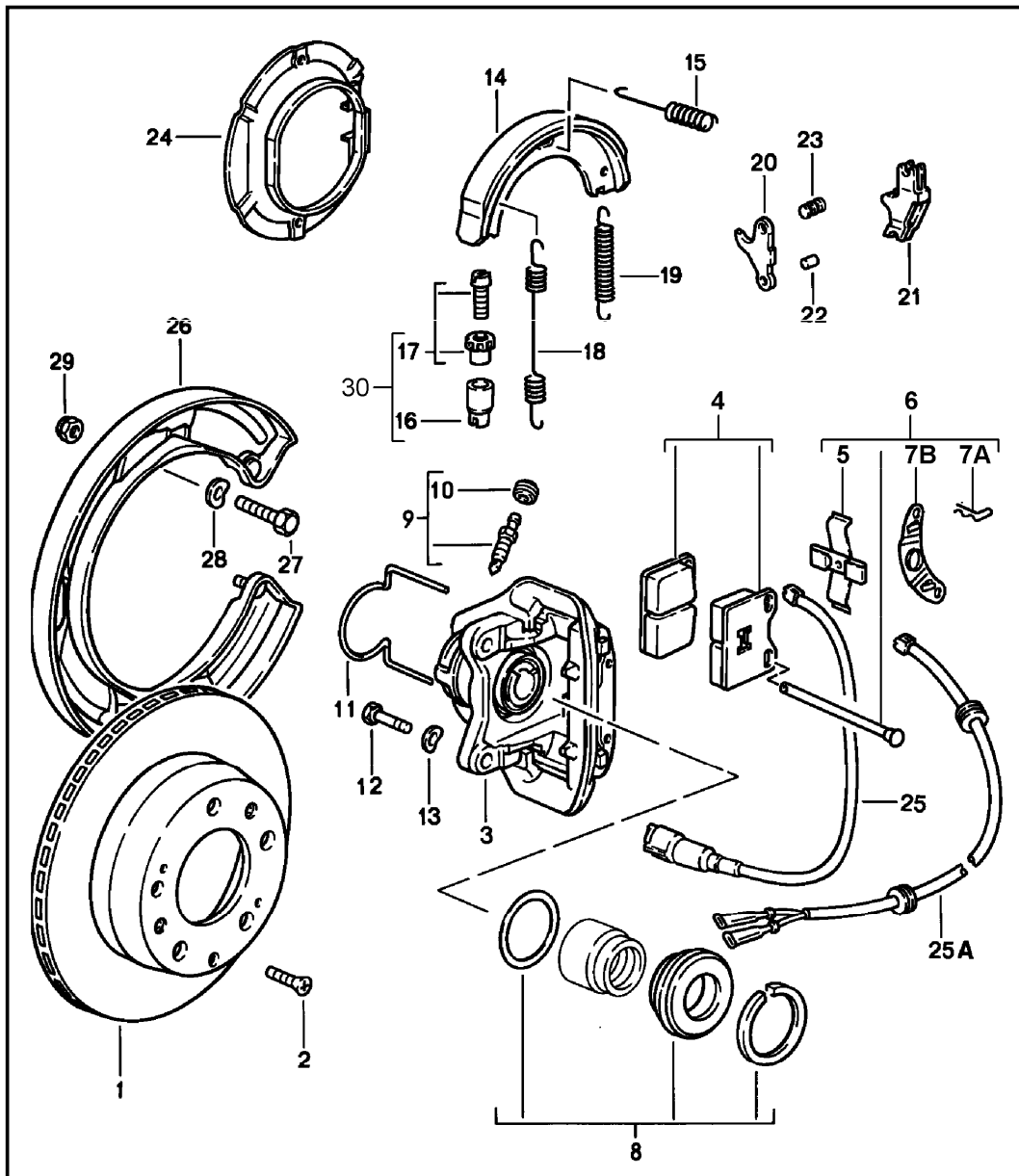


Pos	Part Number	Description	Remark	Qty	Model
		disc brake front axle floating calliper F 92A08 00750>> F 92A08 20001>>			928 928S
		use also: mounting parts for brake pad			
1	928 351 043 01	brake disc	/L	1	
(1)	928 351 044 01	brake disc	/R	1	
2	A N 033 167 1	countersunk-head screw M 6 X 12		4	
2	N 033 167 1	countersunk-head screw		4	
3	928 351 083 00	protective plate	/L	1	
(3)	928 351 084 00	protective plate	/R	1	
4	N 010 227 2	hexagon-head bolt M 7 X 12		8	
5	900 028 019 08	spring washer		8	
6	928 351 427 00	floating calliper without pad	/L	1	
(6)	928 351 428 00	floating calliper	/R	1	
7	928 351 943 00	gasket set		2	
8	* 928 351 949 00	set of damping sleeves		2	
9	928 351 947 00	guide pin		4	
10	928 351 953 00	retainer spring		2	
11	928 351 945 01	ventilation valve		2	
12	901 351 927 10	dust boot		2	
13	* 928 351 931 01	brake pad repair set		1	
(13)	928 351 931 01	brake pad repair set without asbestos		1	
14	N 010 142 2	hexagon-head bolt M 12 X 1,5 X 50		4	
15	900 028 014 02	spring washer		4	
16	928 612 315 01	warning contact		2	

Model	Year	MG	SG	Illustration	Restrictions	UPD	17:54	23.01.2010	PORSCHE	PET	PORSCHE
928	1982	6	02	602-05		248					

Pos	Part Number	Description	Remark	Qty	Model	Pos	Part Number	Description	Remark	Qty	Model
-	999 651 165 02	cable clamp		2							
-	999 651 162 40	cable holder		2							
-	999 651 154 40	cable tie		2							
-	999 651 161 40	cable tie		4							

Model	Year	MG	SG	Illustration	Restrictions	UPD	17:55	23.01.2010	PORSCHE	PET	PORSCHE
928	1982	6	03	603-00		248					

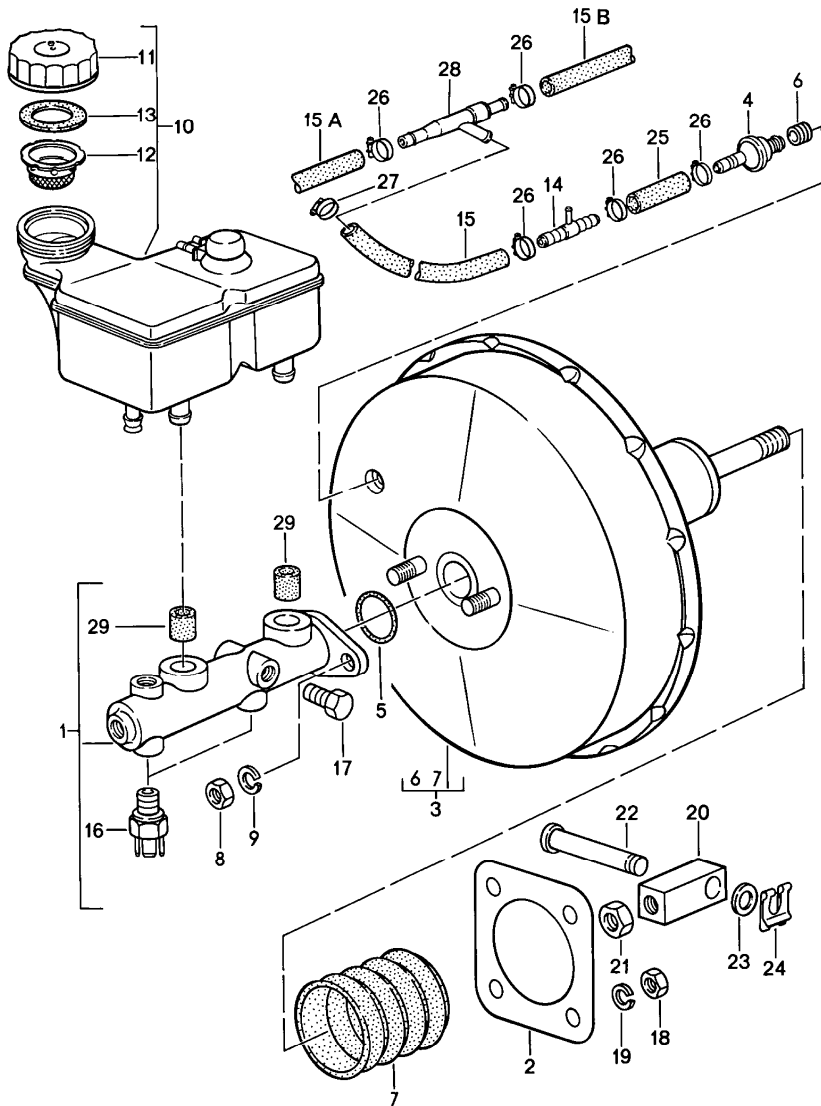


Pos	Part Number	Description	Remark	Qty	Model
		disc brake rear axle			
		use also: mounting parts for brake pad			
1	944 352 041 02	brake disc		2	
2	N 033 167 1	countersunk-head screw		4	
3	928 352 425 01	floating calliper without pad	/L	1	
(3)	928 352 426 01	floating calliper without pad	/R	1	
4	928 352 951 02	brake pad repair set -TEXTAR T 400- without mounting parts without asbestos		1	
-	928 352 953 00	set of fastening parts		1	
5	* 928 352 935 00	expanding spring		2	
6	* 928 352 953 00	set of fastening parts		4	
7	928 352 937 00	retaining spring	-79	2	
7A	* 901 351 955 10	safety seal	80-	4	
7B	928 352 823 00	cable guide plate	80-	2	
8	* 928 352 941 00	gasket set		2	
9	901 352 977 10	ventilation valve		2	
10	901 351 927 10	dust boot		2	
11	928 352 939 00	guide spring	/L -79	1	
(11)	928 352 940 00	guide spring	/R -79	1	
(11)	928 352 939 00	guide spring	/L 80-	1	
(11)	928 352 940 00	guide spring	/R 80-	1	
12	900 082 077 02	hexagon-head bolt M 12 X 1,5 X 37		4	
13	N 012 232 1	spring washer		4	
14	A 928 352 097 00	brake shoe		4	

Model	Year	MG	SG	Illustration	Restrictions	UPD	17:55	23.01.2010	PORSCHE	PET	PORSCHE
928	1982	6	03	603-00		248					

Pos	Part Number	Description	Remark	Qty	Model	Pos	Part Number	Description	Remark	Qty	Model
(14)	A 996 352 993 00	repair kit without asbestos		4		28	N 012 241 8	spring washer		6	
(14)	997 352 993 02	repair kit 1 set only together with compression spring 996.352.741.00 adjusting screw 993.352.071.00		1		(28)	N 012 226 5	spring washer		2	
15	928 352 957 02	compression spring		4		29	900 910 022 02	lock nut		6	
(15)	996 352 741 00	compression spring only together with repair kit 997.352.993.02		4		30	993 352 071 00	adjusting screw only together with repair kit 997.352.993.02		2	
16	911 352 944 00	support bush		2							
17	911 352 098 00	adjusting screw		2							
18	901 352 954 10	return spring		2							
19	901 352 932 10	return spring		2							
20	993 352 073 00	push-button lock		2							
21	993 352 073 00	push-button lock		2							
22	993 352 737 00	bolt		2							
23	928 352 447 00	articulated bolt		2							
24	928 352 081 01	brake mounting plate		2							
25	928 612 313 00	warning contact F >>92881 01800		2							
25A	928 612 313 01	warning contact F 92881 01801>>		2							
-	999 651 165 02	cable clamp		2							
-	999 651 163 40	cable clamp		2							
-	999 651 161 40	cable tie		7							
26	928 352 813 02	protective plate	/L	1							
(26)	928 352 814 02	protective plate	/R	1							
27	900 119 030 02	pan-head screw M 8 X 20		6							
(27)	N 010 215 13	hexagon-head bolt M 6 X 15		2							

Model	Year	MG	SG	Illustration	Restrictions	UPD	17:55	23.01.2010	PORSCHE	PET	PORSCHE
928	1982	6	04	604-00		248					

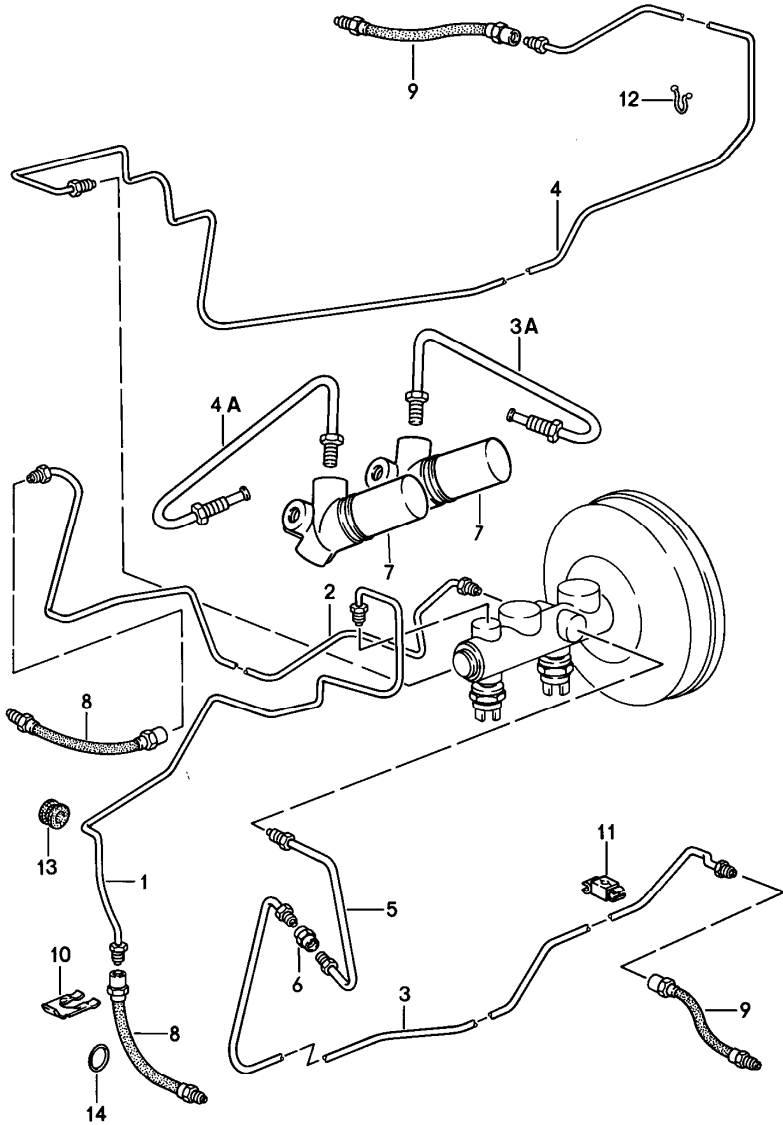


Pos	Part Number	Description	Remark	Qty	Model
1	A 928 355 011 04	brake master cylinder brake booster		1	
1	928 355 011 04	brake master cylinder		1	
2	477 611 951	gasket 4 MM brake booster \$ 9"		1	
2	477 611 951	gasket 2 MM brake booster \$ 10"		1	
3	928 355 023 04	brake booster F >>92891 01485	-79	1	
(3)	928 355 023 09	vacuum booster \$ 10" only together with floating calliper front F 92891 01486>> F >>92A08 00749		1	
(3)	928 355 023 09	vacuum booster only together with floating calliper front	80-	1	
4	431 611 933	check valve	/LL	1	
4	191 611 933 F	check valve	/RL	1	
5	251 611 243	sealing ring		1	
6	911 355 921 00	rubber seal		1	
7	477 611 115	bellows		1	
8	900 076 025 02	hexagon nut		2	
9	N 012 241 8	spring washer		2	
10	A 928 355 013 13	brake fluid reservoir complete		1	
(10)	A 928 355 650 06	container complete		1	
(10)	928 355 650 06	brake fluid reservoir		1	

Model	Year	MG	SG	Illustration	Restrictions	UPD	17:55	23.01.2010	PORSCHE	PET	PORSCHE
928	1982	6	04	604-00		248					

Pos	Part Number	Description	Remark	Qty	Model	Pos	Part Number	Description	Remark	Qty	Model
-	928 355 654 03	support for container		1		26	A 999 512 063 02	hose clamp		7	
						26	999 512 063 01	hose clamp		7	
11	477 611 361	lid		1		27	999 512 045 02	hose clamp		1	
12	211 611 381 B	strainer		1		28	035 133 753 A	venturi tube		1	
13	901 355 908 00	gasket		1		-	928 355 515 00	nozzle	80-	1	
14	321 611 813	t-socket		1		29	911 355 922 00	sealing plug		2	
15	928 355 663 00	moulded hose	/LL	1							
(15)	927 355 609 02	hose elbow	/RL	1							
-	999 181 022 51	hose		*							
15A	-	50 MM	/LL	2							
15B	-	640 MM		1							
16	113 945 515 G	brake light switch		2							
17	999 064 018 02	screw plug for brake master cylinder	/RL	1							
18	900 076 025 02	hexagon nut		4							
19	900 027 015 02	lock ring B 8		4							
20	928 355 509 00	intermediate piece for brake booster \$ 9"	-79	1							
(20)	928 355 509 01	intermediate piece for brake booster \$ 10"		1							
21	900 034 003 02	hexagon nut		1							
22	928 355 511 00	bolt		1							
23	900 025 009 02	washer		1							
24	N 012 653 1	lock		1							
-	999 181 022 51	hose		X							
25	-	50 MM	/LL	1							
(25)	-	280 MM	/RL	1							

Model	Year	MG	SG	Illustration	Restrictions	UPD	17:55	23.01.2010	PORSCHE	PET	PORSCHE
928	1982	6	04	604-05		248					



Pos	Part Number	Description	Remark	Qty	Model
		brake lines only together with vacuum booster 928.355.023.03 /04			
		without brake pressure regulator F >>92881 01129			
1	928 355 061 01	brake line left	/LL	1	
2	928 355 062 01	brake line right	/LL	1	
3	928 355 063 01	brake line left	/LL	1	
4	928 355 064 01	brake line right	/LL	1	
5	928 355 075 00	brake line left		1	
		with brake pressure regulator F >>92891 01485			
1	928 355 061 03	brake line left	/LL	1	
(1)	927 355 061 00	brake line left	/RL	1	
2	928 355 062 01	brake line right	/LL	1	
(2)	927 355 062 00	brake line right	/RL	1	
3	927 355 073 01	brake line left	/LL	1	
3A	928 355 093 01	brake line left short	/LL	1	
(3A)	927 355 063 01	brake line left	/RL	1	
4	927 355 071 00	brake line right	/RL	1	
(4)	927 355 067 00	brake line right	/RL	1	

Model	Year	MG	SG	Illustration	Restrictions	UPD	17:55	23.01.2010	PORSCHE	PET	PORSCHE
928	1982	6	04	604-05		248					

Pos	Part Number	Description	Remark	Qty	Model	Pos	Part Number	Description	Remark	Qty	Model
4A	928 355 092 01	brake line right short	/LL	1		2	928 355 062 02	brake line right	/LL -79	1	
(4A)	927 355 069 01	brake line left	/RL	1		(2)	928 355 062 03	brake line right	/LL 80-	1	
6	914 355 661 00	intermediate piece M 10 X 1		1		(2)	927 355 062 01	brake line right	/RL -79	1	
7	928 355 083 02	brake pressure regulator		2		(2)	927 355 062 02	brake line right	/RL 80-	1	
-	900 025 007 02	washer		2		3	927 355 073 01	brake line left		1	
-	N 010 237 6	hexagon-head bolt M 8 X 12		2		3A	928 355 093 01	brake line left	/LL	1	
-	914 355 667 00	distributor	/RL	1		(3A)	927 355 063 01	brake line left	/RL	1	
-	900 075 017 02	hexagon-head bolt M 6 X 25	/RL	1		4	927 355 071 01	brake line right		1	
-	900 028 008 01	spring washer	/RL	1		(4)	927 355 067 00	brake line right	/RL	1	
-	900 076 010 02	hexagon nut	/RL	1		4A	928 355 092 01	brake line right	/LL	1	
8	928 355 079 00	brake hose	/V -79	2		(4A)	927 355 069 01	brake line	/RL	1	
9	928 355 626 00	brake hose	/H -79	2		7	928 355 083 02	brake pressure regulator		2	
10	113 611 715 A	hose holder	-79	4		-	900 025 007 02	washer		2	
11	477 611 767 B	cable clip	-79	14		-	N 010 237 6	hexagon-head bolt M 8 X 12		2	
12	999 651 161 40	cable tie	-79	11		-	914 355 667 00	distributor	/RL	1	
13	999 702 031 50	rubber sleeve	-79	2		-	900 075 017 02	hexagon-head bolt M 6 X 25	/RL	1	
14	999 701 481 40	round seal	-79	12		-	900 028 008 01	spring washer	/RL	1	
		only together with vacuum booster 928.355.023.05/06 F 92891 01486>>				-	900 076 010 02	hexagon nut	/RL	1	
1	928 355 061 03	brake line left	/LL -79	1		8	928 355 079 00	brake hose floating calliper	/V	2	
(1)	928 355 061 04	brake line left	/LL 80-	1		(8)	928 355 079 02	brake hose floating calliper	/V	2	
(1)	927 355 061 00	brake line left	/RL -79	1		9	928 355 080 02	brake hose	/H	2	
(1)	927 355 061 01	brake line left	/RL 80-	1		10	113 611 715 A	hose holder		4	

Model	Year	MG	SG	Illustration	Restrictions	UPD	17:55	23.01.2010	PORSCHE	PET	PORSCHE
928	1982	6	04	604-05		248					

Pos	Part Number	Description	Remark	Qty	Model	Pos	Part Number	Description	Remark	Qty	Model
11	477 611 767 B	cable clip		14							
12	999 651 161 40	cable tie		11							
13	999 702 031 50	rubber sleeve		2							
14	999 701 481 40	round seal		12							

Model	Year	MG	SG	Illustration	Restrictions	UPD	17:55	23.01.2010
928	1982	6	98	698-00R		248		

Pos	Part Number	Description	Remark	Qty	Model
		repair kits			
		use also: mounting parts for brake pad			
>>	>>928 351 951 00	brake pad repair set (ENERGIT 394 - 380) for floating calliper comprising: brake pad with bore for warning contact	/V	1	928
-	928 351 935 00	expanding spring		2	
-	928 351 936 00	retaining pin		4	
-	901 351 955 10	safety seal		4	
-	928 351 823 00	cable guide plate left		1	
-	928 351 824 00	cable guide plate right		1	
>>	>>944 351 951 02	brake pad repair set ENERGIT 394 - 380 for floating calliper comprising: brake pad with bore for warning contact	/V	1	928
				4	
>>	>>944 351 951 02	brake pad repair set TEXTAR T 400 for floating calliper without asbestos comprising: brake pad with bore for warning contact	/V	1	928
				4	
>>	>>928 351 958 00	mounting parts 1 set comprising:	/V	1	
-	928 351 935 00	expanding spring		2	
-	928 351 936 00	retaining pin		4	

Model	Year	MG	SG	Illustration	Restrictions	UPD	17:55	23.01.2010
928	1982	6	98	698-00R		248		

Pos	Part Number	Description	Remark	Qty	Model
-	928 351 823 00	cable guide plate left		1	
-	928 351 824 00	cable guide plate right		1	
-	901 351 955 10	safety seal		1	
>>	>>928 351 941 00	gasket set for floating calliper comprising: gasket protection cap clamping ring	/V	2	928
>>	>>928 351 931 01	brake pad repair set (JURID 226/238) for floating calliper comprising: brake pad inner brake pad outer	/V	1	
>>	>>928 351 931 01	brake pad repair set TEXTAR T 400 for floating calliper without asbestos comprising: brake pad inner brake pad outer	/V	1	
>>	>>928 351 943 00	gasket set for floating calliper comprising: protection cap gasket	/V	2	
>>	>>928 351 949 00	set of damping sleeves 1 set for floating calliper	/V	2	

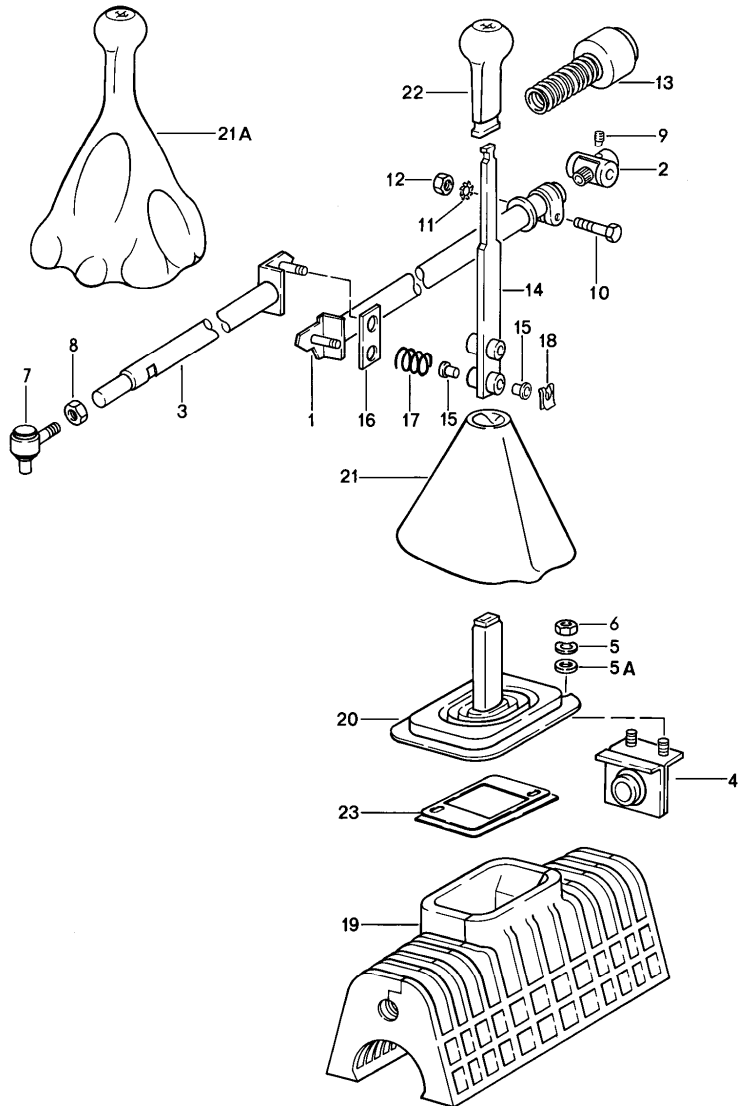
Model	Year	MG	SG	Illustration	Restrictions	UPD	17:55	23.01.2010
928	1982	6	98	698-00R		248		

Pos	Part Number	Description	Remark	Qty	Model
>>	>>928 352 951 00	brake pad repair set (ENERGIT 394 - 380) only together with floating calliper -ENERGIT- for front axle comprising: brake pad with bore for warning contact	/H	1	928
-	928 352 823 00	cable guide plate		2	
-	928 352 935 00	expanding spring		2	
-	928 352 953 00	set of fastening parts		4	
-	901 351 955 10	safety seal		4	
>>	>>928 352 952 00	brake pad repair set ENERGIT 394 - 380 only together with floating calliper ENERGIT for front axle comprising: brake pad with bore for warning contact	/H	1	
>>	>>928 352 953 00	mounting parts 1 set comprising:	/H	1	
-	928 352 823 00	cable guide plate		2	
-	928 352 935 00	expanding spring		2	
-	928 352 953 00	set of fastening parts		4	
-	901 351 955 10	safety seal		4	

Model	Year	MG	SG	Illustration	Restrictions	UPD	17:55	23.01.2010
928	1982	6	98	698-00R		248		

Pos	Part Number	Description	Remark	Qty	Model
>>	>>928 352 951 01	brake pad repair set (JURID 226/238) only together with floating calliper JURID for front axle comprising: brake pad with bore for warning contact	/H	1	
-	928 352 823 00	cable guide plate		4	
-	928 352 935 00	expanding spring		2	
-	928 352 953 00	set of fastening parts		2	
-	901 351 955 10	safety seal		4	
>>	>>928 352 951 02	brake pad repair set floating calliper for front axle	/H	1	
>>	>>928 352 953 00	set of fastening parts 1 set comprising:	/H	1	
-	928 352 823 00	cable guide plate		2	
-	928 352 935 00	expanding spring		2	
-	928 352 953 00	set of fastening parts		4	
-	901 351 955 10	safety seal		4	
>>	>>928 352 941 00	gasket set for floating calliper comprising: gasket protection cap clamping ring slide	/H	2	
				1	
				1	
				1	
				2	

Model	Year	MG	SG	Illustration	Restrictions	UPD	17:55	23.01.2010	PORSCHE	PET	PORSCHE
928	1982	7	01	701-00		248					

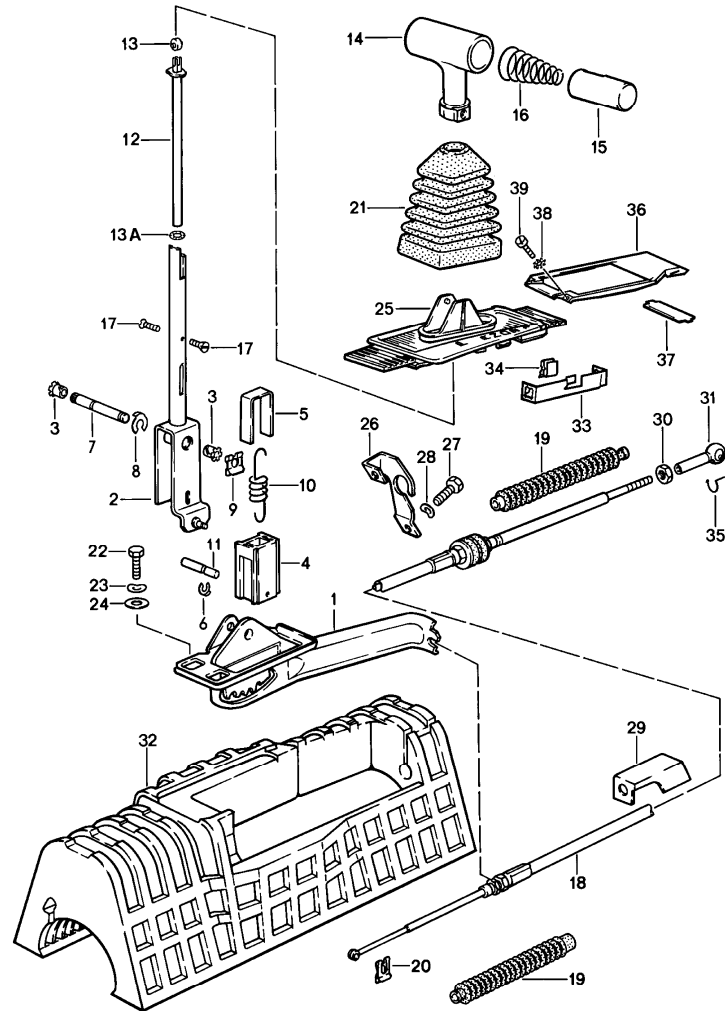


Pos	Part Number	Description	Remark	Qty	Model
		shift mechanism manual transmission			
1	928 424 028 01	gear shift rod	-80	1	928 G28.03
(1)	928 424 028 18	gear shift rod F 92A08 20001>>		1	928S
(1)	928 424 028 18	gear shift rod	81-	1	928 G28.05
2	928 424 029 00	bearing body		1	
3	928 424 009 01	guide tube F >>92891 00170	79	1	
(3)	928 424 009 08	guide tube F 92891 00171>>		1	
4	928 424 017 06	bearing bracket	78	1	
(4)	928 424 017 06	bearing bracket F >>92891 00170	-79	1	
(4)	928 424 017 05	bearing bracket F 92891 00171>>		1	
5	N 012 006 4	lock ring		2	
5A	N 011 524 7	washer		2	
6	900 076 010 02	hexagon nut		2	
7	928 424 005 01	angular joint		1	
8	900 034 003 02	hexagon nut		1	
9	928 424 229 00	conical screw		1	
10	N 040 222 2	hexagon-head bolt M 8 X 32		1	
11	999 523 102 02	lock washer		1	
12	900 076 025 02	hexagon nut		1	
13	928 424 209 00	bellows		1	
14	928 424 067 08	gearshift lever	/LL	1	
(14)	927 424 067 00	gearshift lever	/RL	1	
15	999 924 002 40	plain bearing		4	
16	928 424 149 01	friction strap		1	

Model	Year	MG	SG	Illustration	Restrictions	UPD	17:55	23.01.2010	PORSCHE	PET	PORSCHE
928	1982	7	01	701-00		248					

Pos	Part Number	Description	Remark	Qty	Model	Pos	Part Number	Description	Remark	Qty	Model
17	928 424 147 03	compression spring		2							
18	999 166 034 02	sl-lock	-81	2							
(18)	999 166 034 02	sl-lock	82	2							
19	928 424 182 01	sound absorber F >>92891 00170	-79	1							
(19)	928 424 182 03	sound absorber F 92891 00171>>		1							
20	928 424 181 03	sleeve		1	928						
21	928 424 139 02	bellows F >>92891 00016	-79	1	928						
(21)	928 424 023 01	leather bellows		1	928						
	1AJ	black F 92891 00017>>									
-	477 711 257	rubber ring		1	928						
21A	928 424 073 01	gearshift knob	80-	1	928S						
	1AJ	black									
21A	928 424 073 01	gearshift knob		1							
	2LB	burgundy									
	1RN	medium brown									
22	928 424 105 06	gearshift knob		1	928						
23	928 552 283 02	frame F >>92891 00016	-79	1							
-	928 552 441 02	speed nut	-79	2							
-	900 151 019 02	washer	-79	2							
-	N 013 957 5	tapping screw B 3,5 X 9,5	-79	2							
(23)	928 552 017 00	frame F 92891 00017>>		1							

Model	Year	MG	SG	Illustration	Restrictions	UPD	17:56	23.01.2010	PORSCHE	PET	PORSCHE
928	1982	7	01	701-05		248					

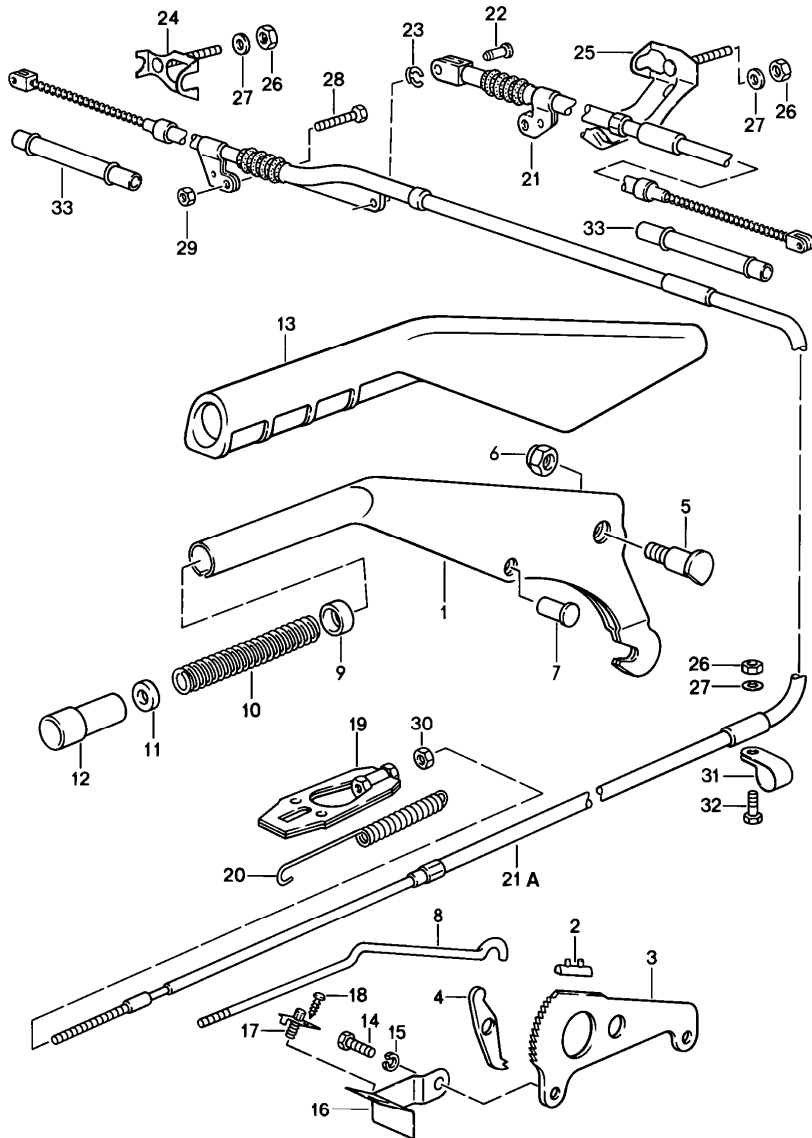


Pos	Part Number	Description	Remark	Qty	Model
		shift mechanism automatic transmission			
1	922 424 031 02	support		1	
2	922 424 061 01	selector lever	/LL	1	
(2)	922 424 061 01	selector lever	/RL	1	
3	999 924 001 40	bush		2	
4	922 424 172 00	locking piece		1	
5	922 424 171 00	clip		1	
6	999 166 040 02	kl-lock		1	
7	922 424 166 02	bearing pin F >>92891 02573		1	
(7)	922 424 166 03	bearing pin F 92891 02574>>		1	
8	999 166 022 02	kl-lock		1	
9	999 166 005 02	sl-lock		1	
10	922 424 168 01	tension spring		1	
11	922 424 167 01	straight pin		1	
12	922 424 170 03	push rod		1	
13	321 713 137	roller		1	
13A	999 701 608 40	round seal 5 X 2 B		2	
14	922 424 173 01	selector knob		1	
15	922 424 174 00	key		1	
16	922 424 176 01	compression spring		1	
-	922 424 201 00	concave washer		1	
-	922 424 203 00	concave washer		1	
17	A N 033 165 1	countersunk-head screw M 4 X 8		2	
(17)	N 033 165 1	countersunk-head screw M 4 X 8		2	
18	922 424 033 01	cable for selector lever		1	

Model	Year	MG	SG	Illustration	Restrictions	UPD	17:56	23.01.2010	PORSCHE	PET	PORSCHE
928	1982	7	01	701-05		248					

Pos	Part Number	Description	Remark	Qty	Model	Pos	Part Number	Description	Remark	Qty	Model
19	922 424 103 00	bellows		2							
20	N 012 644 1	lock		1							
21	A 928 426 139 00	bellows	-79	1							
(21)	928 426 139 00	bellows		1							
22	A 900 075 057 02	hexagon-head bolt M 6 X 16		3							
22	900 075 057 02	hexagon-head bolt M 6 X 16		3							
23	N 012 226 5	spring washer B 6		3							
24	N 011 550 1	washer		3							
25	928 552 091 02	frame	/LL -78	1							
(25)	A 927 552 091 03	frame	/RL	1							
(25)	927 552 091 03	frame	/RL	1							
(25)	928 552 091 04	frame	/LL 79-	1							
26	922 424 101 01	retaining bracket		1							
27	N 010 237 6	hexagon-head bolt M 8 X 12		2							
28	N 012 241 8	spring washer		2							
29	922 424 193 00	supporting plate		1							
30	900 076 027 02	hexagon nut		1							
31	911 423 147 00	ball socket		1							
32	922 424 182 00	sound absorber		1							
33	922 424 191 00	bracket		1							
34	999 591 462 02	clamp		2							
35	900 169 014 02	securing clip		1							
36	928 552 181 02	mounting shift gate		1							
37	928 552 317 02	separator for mounting		1							
38	900 114 015 01	shake-proof washer		2							
39	900 146 032 02	oval-head screw AM 3,5 X 10		2							

Model	Year	MG	SG	Illustration	Restrictions	UPD	17:56	23.01.2010	PORSCHE	PET	PORSCHE
928	1982	7	01	701-10		248					

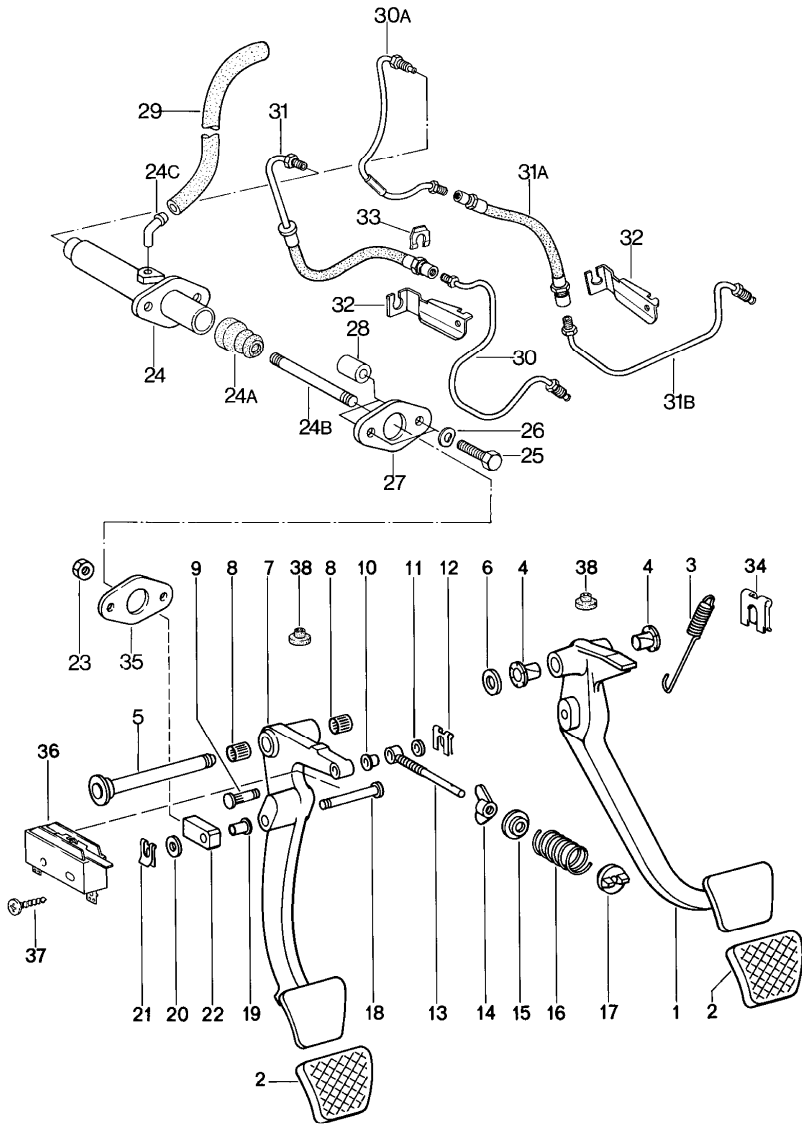


Pos	Part Number	Description	Remark	Qty	Model
		actuator handbrake			
1	928 424 253 13	parking-brake lever		1	
2	901 424 509 01	stop		1	
3	928 424 541 14	locking segment		1	
4	928 424 508 00	pawl		1	
5	928 424 527 00	bearing pin		1	
6	900 910 024 02	lock nut		1	
7	900 120 040 02	rivet		1	
8	928 424 255 12	push rod		1	
9	914 424 258 00	guide sleeve		1	
10	901 424 543 00	compression spring		1	
11	901 424 593 01	rubber ring for parking-brake lever		1	
12	928 424 523 12	push button		1	
13	928 424 259 00	parking-brake lever for parking-brake lever		1	
14	A N 010 239 11	hexagon-head bolt M 8 X 18		2	
14	N 010 239 11	hexagon-head bolt M 8 X 18		2	
15	900 027 015 02	lock ring B 8		2	
16	928 424 535 00	support	/LL	1	
(16)	927 424 535 00	support	/RL	1	
17	113 947 561 G	contact switch		1	
18	N 013 957 5	tapping screw B 3,5 X 9,5		1	
19	928 424 033 00	turnbuckle		1	
20	477 711 975	return spring		1	
21	928 424 551 16	parking-brake cable short	/L	1	

Model	Year	MG	SG	Illustration	Restrictions	UPD	17:56	23.01.2010	PORSCHE	PET	PORSCHE
928	1982	7	01	701-10		248					

Pos	Part Number	Description	Remark	Qty	Model	Pos	Part Number	Description	Remark	Qty	Model
21A	928 424 552 16	parking-brake cable long	/R	1							
22	999 166 048 02	bolt		1							
23	N 012 645 2	lock		1							
24	928 424 045 00	support	80-	2							
25	928 424 047 00	support	-79	1							
26	900 910 012 02	lock nut		3							
27	N 011 524 7	washer		3							
28	N 010 349 5	hexagon-head bolt M 6 X 45	-79	2							
(28)	900 074 111 02	hexagon-head bolt M 6 X 50	80-	2							
28	N 010 349 5	hexagon-head bolt M 6 X 45	80-	2	M249						
29	900 910 096 02	lock nut		2							
30	900 076 010 02	hexagon nut		1							
31	999 511 069 02	clamp		1							
32	900 075 010 02	hexagon-head bolt M 6 X 12		1							
33	928 424 405 01	guide tube		2							

Model	Year	MG	SG	Illustration	Restrictions	UPD	17:56	23.01.2010	PORSCHE	PET	PORSCHE
928	1982	7	02	702-00		248					



Pos	Part Number	Description	Remark	Qty	Model
		pedals insert brake booster \$ 10" F 92891 01486>> F 92892 09572>>			
1	928 423 501 05	brake pedal	/LL	1	
(1)	927 423 501 07	brake pedal	/RL	1	
(1)	928 423 515 01	brake pedal	/LL	1	M249
(1)	927 423 501 04	brake pedal	/RL	1	M249
2	928 423 210 03	rubber pad		2	
(2)	928 423 211 00	pedal cap		1	M249
3	928 423 531 02	return spring		- 81	1
(3)	928 423 531 03	return spring		82-	1
4	928 423 542 00	bearing sleeve		2	
5	928 423 037 02	bearing shaft		1	
-	928 423 523 00	spacer sleeve		1	M249
(6)	N 011 565 3	washer		- 80	2
(6)	N 011 565 3	washer		81-	2
7	A 928 423 311 06	clutch pedal	/LL	1	
(7)	927 423 311 01	clutch pedal	/RL	1	
(7)	928 423 313 00	clutch pedal	/LL	- 80	1
(7)	928 423 311 06	clutch pedal	/LL	81-	1
8	900 317 001 00	needle-roller bearing		2	
9	928 423 355 00	bolt		1	
10	999 924 001 40	bush		1	
11	900 089 006 02	washer		1	
12	999 166 044 01	sl-lock		1	
13	928 423 349 01	guiding rod		1	
14	999 044 001 02	winged nut		1	
15	928 423 353 00	concave washer		1	

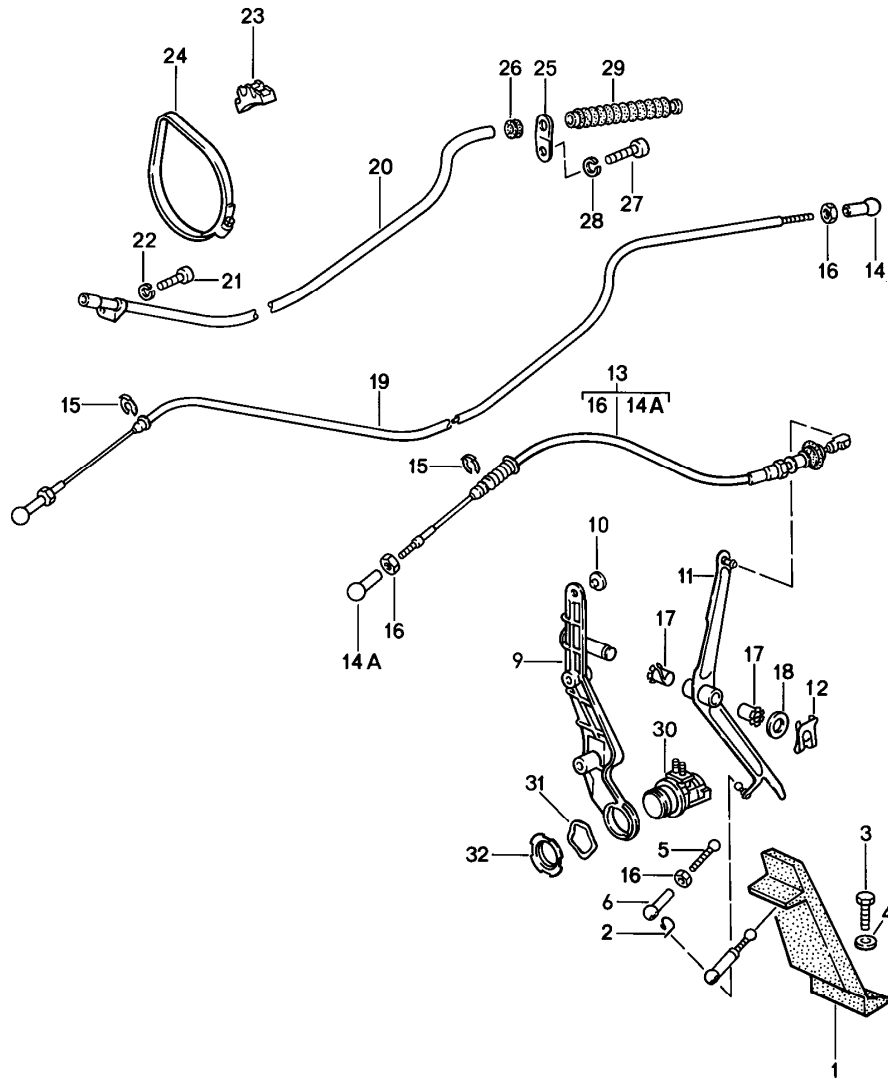
Model	Year	MG	SG	Illustration	Restrictions	UPD	17:56	23.01.2010	PORSCHE	PET	PORSCHE
928	1982	7	02	702-00		248					

Pos	Part Number	Description	Remark	Qty	Model	Pos	Part Number	Description	Remark	Qty	Model
16	928 423 357 04	clutch power spring		1		-	999 181 021 50	hose		*	
17	928 423 351 00	knife-edge bearing		1		29	-	330 MM only together with brake booster \$ 9"	-79	1	
18	928 423 513 00	bolt	/LL	1							
19	999 924 002 40	plain bearing	/LL	1		(29)	-	375 MM only together with brake booster \$ 10"		1	
20	900 025 008 09	washer	/LL	1							
21	999 166 034 02	sl-lock	/LL	1							
22	928 423 517 00	clevis	/LL	1		30	928 423 185 01	clutch tube only together with brake booster \$ 9"	/LL -79	1	
22A	999 168 017 40	ball socket	/RL	1							
23	900 076 025 02	hexagon nut		1				see technical information NR. 3/10			
24	928 423 193 00	clutch master cylinder only together with brake booster \$ 9"		1		30A	928 423 197 01	clutch tube only together with brake booster \$ 10"	/LL 80-	1	
(24)	928 423 173 06	clutch master cylinder only together with brake booster \$ 10"	/LL	1		(30)	927 423 185 00	clutch tube	/RL	1	
(24)	927 423 173 02	clutch master cylinder only together with brake booster \$ 10"	/RL	1		31	928 423 177 01	clutch hose only together with brake booster \$ 9"	/LL -79	1	
24A	928 423 908 00	bellows		1		31A	928 423 177 03	clutch hose only together with brake booster \$ 10"	/LL 80-	1	
24B	928 423 187 00	piston rod	/LL	1							
(24B)	927 423 187 01	piston rod	/RL	1		(31)	928 423 177 01	clutch hose	/RL	1	
24C	928 423 181 00	elbow only together with brake booster \$ 9"		1		31B	928 423 199 01	clutch tube only together with brake booster \$ 10"	/LL 80-	1	
(24C)	477 721 177	elbow only together with brake booster \$ 10"		1		32	928 423 189 00	support only together with brake booster \$ 9"	/LL -79	1	
25	N 010 340 4	hexagon-head bolt M 8 X 40		2		32	928 423 189 01	bump stop only together with brake booster \$ 10"	/LL 80-	1	
26	N 012 241 8	spring washer		2							
27	928 423 521 00	cover plate		1							
28	928 423 519 00	spacer tube		2							

Model	Year	MG	SG	Illustration	Restrictions	UPD	17:56	23.01.2010	PORSCHE	PET	PORSCHE
928	1982	7	02	702-00		248					

Pos	Part Number	Description	Remark	Qty	Model	Pos	Part Number	Description	Remark	Qty	Model
(32)	928 423 221 01	support only together with brake booster \$ 10" mounting parts for support 928.423.189.01	/LL 80-	1		-	900 067 081 02	pan-head screw M 8 X 35		2	
-	N 011 010 6	hexagon nut		1		-	900 115 013 01	serrated lock washer see technical information GR. X NR.15		2	
-	900 025 008 09	washer B 10,5		1							
(32)	927 423 189 00	support	/RL	1							
33	928 423 183 01	hose holder		2							
34	N 012 654 1	lock		1							
35	928 423 191 00	gasket		1							
36	928 613 413 01	microswitch		1							
37	900 143 013 02	oval-head sheetmetal screw B 2,9 X 16		2							
38	999 703 183 40	buffer		2							
		vertical pedal adjustment 15 MM brake pedal clutch pedal									
-	928 423 207 00	pedal spacer plate		2							
-	928 423 213 00	pedal spacer plate		1	M249						
-	900 067 057 02	pan-head screw M 8 X 20		2							
-	900 115 013 01	serrated lock washer see technical information GR. X NR.15 not usa vertical pedal adjustment 30 MM brake pedal clutch pedal		2							
-	928 423 207 00	pedal spacer plate		4							
-	928 423 213 00	pedal spacer plate		2	M249						

Model	Year	MG	SG	Illustration	Restrictions	UPD	17:56	23.01.2010	PORSCHE	PET	PORSCHE
928	1982	7	02	702-05		248					

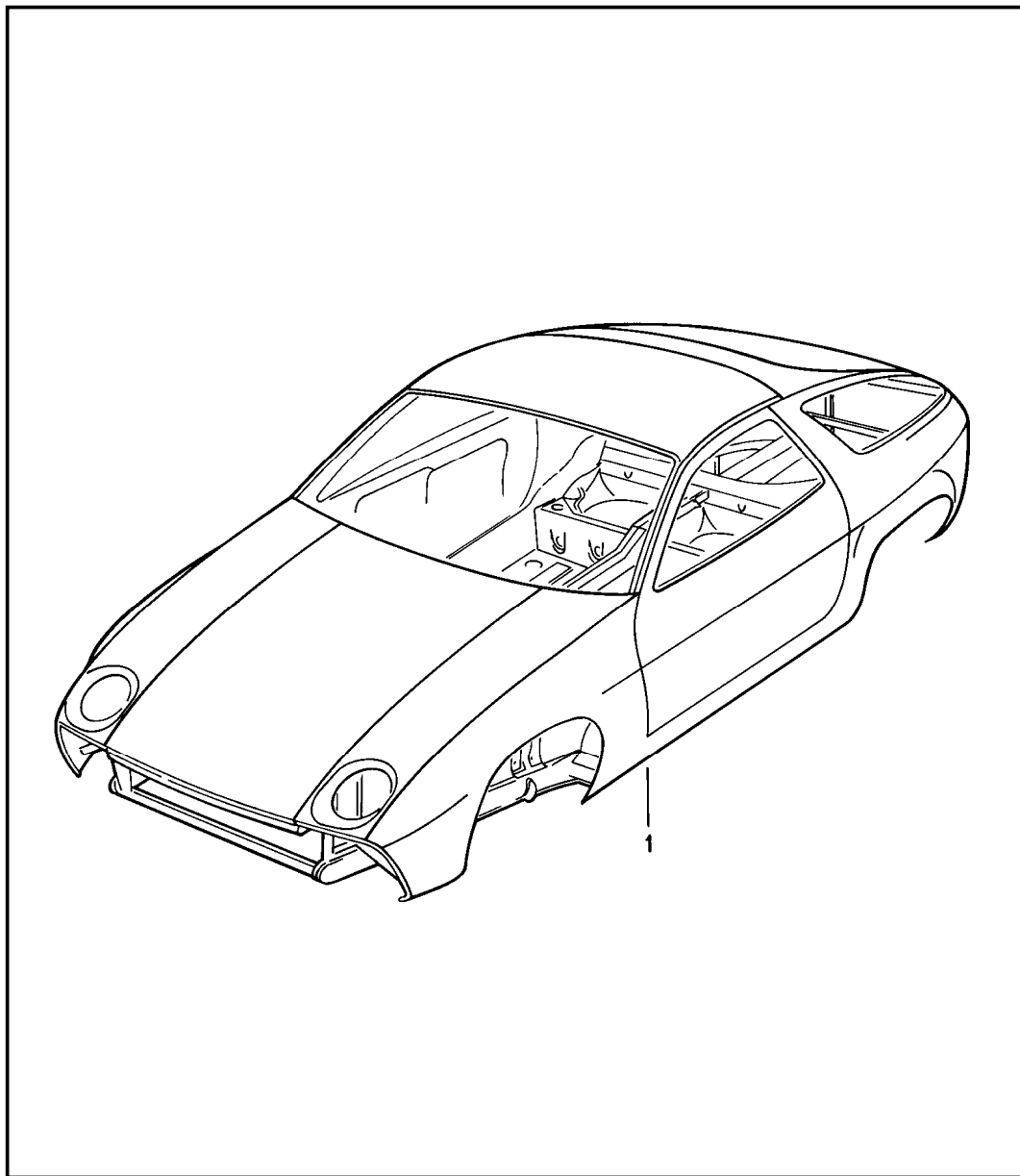


Pos	Part Number	Description	Remark	Qty	Model
		accelerator control			
1	911 423 111 02	accelerator pedal		1	
2	900 169 014 02	securing clip		1	
3	999 072 005 09	hexagon-head bolt M 6 X 12		2	
4	N 011 666 7	washer		2	
5	928 423 119 00	push rod	/LL	1	
(5)	927 423 119 00	push rod	/RL	1	
6	911 423 147 00	ball socket		1	
-	928 423 117 03	stop		1	
-	928 423 025 00	bump stop		1	
9	928 423 021 01	bearing bracket F >>92881 00656	/LL	1	
(9)	928 423 021 03	bearing bracket F 92881 00657>>	/LL	1	
-	900 076 010 02	hexagon nut	/LL -79	2	
-	N 012 226 5	spring washer	/LL -79	2	
(9)	927 423 129 03	bearing bracket	/RL	1	
-	900 076 025 02	hexagon nut	/RL -79	2	
-	N 012 241 8	spring washer	/RL -79	2	
10	999 703 183 40	buffer		1	
11	928 423 250 05	reverse lever F >>92881 00656	/LL	1	
(11)	928 423 250 05	reverse lever F 92881 00657>>	/LL	1	
(11)	927 423 250 02	reverse lever	/RL	1	
12	999 166 034 02	sl-lock		1	
13	928 423 023 06	accelerator cable	/LL	1	
(13)	927 423 023 01	accelerator cable	/RL	1	
-	927 423 025 01	guide tube	/RL	1	
14	N 015 521 3	ball socket		2	

Model	Year	MG	SG	Illustration	Restrictions	UPD	17:56	23.01.2010	PORSCHE	PET	PORSCHE
928	1982	7	02	702-05		248					

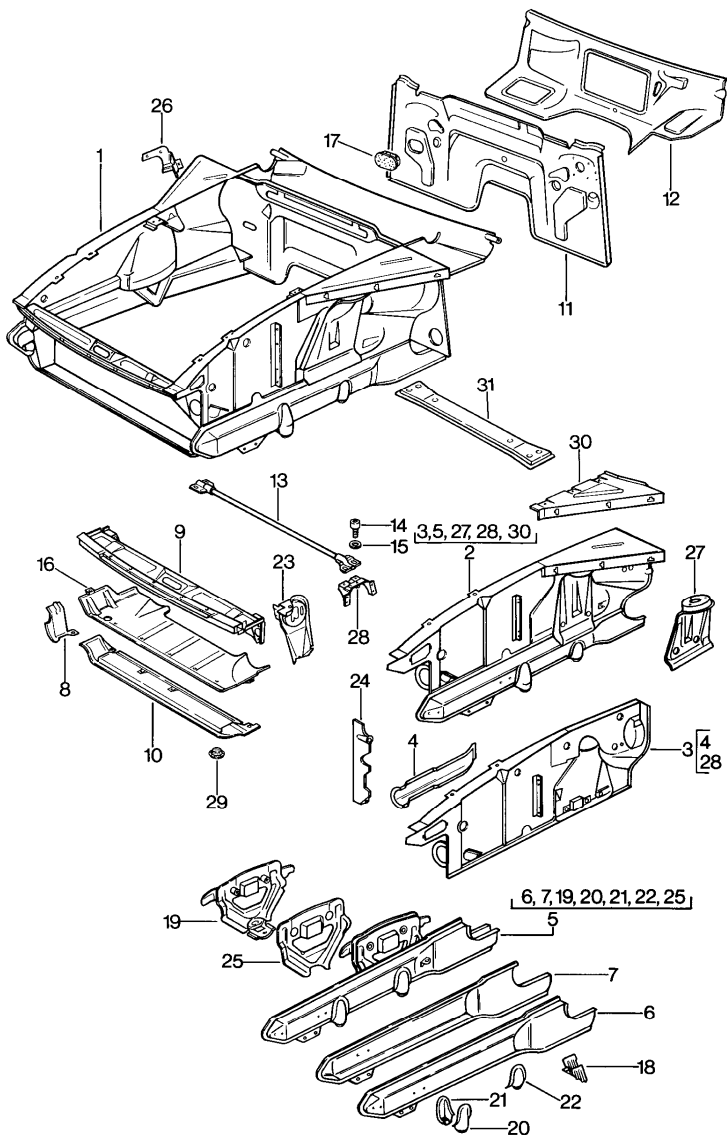
Pos	Part Number	Description	Remark	Qty	Model	Pos	Part Number	Description	Remark	Qty	Model
14A	911 423 147 00	ball socket		1		-	928 423 119 01	push rod	/LL	1	
15	999 166 046 02	lock		2		-	927 423 119 01	push rod	/RL	1	
16	900 076 027 02	hexagon nut		3		-	911 423 147 00	ball socket		1	
17	999 924 002 40	plain bearing		2		-	N 011 005 14	hexagon nut		1	
18 A	900 025 008 02	washer		1				vertical pedal adjustment 30 MM			
18	900 025 008 09	washer		1		-	928 423 025 01	bump stop	-78	1	
19 A	928 423 071 03	cable	-79	1	M249	-	928 423 133 05	bump stop	79-	1	
19	928 423 071 03	cable		1	M249	-	928 423 119 02	push rod	/LL	1	
20	928 423 073 01	guide tube		1	M249	-	927 423 119 01	push rod	/RL	1	
21	900 075 010 02	hexagon-head bolt M 6 X 12		1	M249	-	911 423 147 00	ball socket		1	
22 A	N 012 226 5	spring washer		1	M249	-	900 076 027 02	hexagon nut		1	
22	N 012 226 5	spring washer		1	M249			see technical information GR. X NR.15			
23	928 423 141 00	support		2	M249						
24 A	999 512 355 02	hose clamp		2	M249						
24	999 512 355 01	hose clamp		2	M249						
25	928 423 143 00	support		1	M249						
26	999 702 119 50	rubber sleeve		1	M249						
27	N 010 237 6	hexagon-head bolt M 8 X 12		1	M249						
28	900 027 015 02	lock ring B 8		1	M249						
29	928 423 277 00	sealing sleeve		1	M249						
30	928 606 111 00	kickdown switch		1	M249						
31	928 613 419 00	spring washer		1	M249						
32	928 613 421 00	grooved nut M 28 X 1,5		1	M249						
		vertical pedal adjustment 15 MM									
-	928 423 025 00	bump stop	-78	1							
-	928 423 133 04	bump stop	79-	1							

Model	Year	MG	SG	Illustration	Restrictions	UPD	17:56	23.01.2010	PORSCHE	PET	PORSCHE
928	1982	8	01	801-00		248					



Pos	Part Number	Description	Remark	Qty	Model
		body in white prime coated sealed with underbody protection bodyshells can only only available from current model year available until F >>92891 00769 F >>92892 00528 F >>92892 09535 use also: engine carrier 928.375.011.04			
1	928 500 901 02	body in white	/LL	1	
(1)	928 500 901 03	body in white	/LL	1	AUT.
(1)	928 500 901 05	body in white	/RL	1	
(1)	928 500 901 07	body in white	/RL	1	AUT.
(1)	928 500 901 60	body in white	/LL	1	M650
(1)	928 500 901 61	body in white	/LL	1	AUT. M650
(1)	928 500 901 63	body in white	/RL	1	M650
(1)	928 500 901 65	body in white	/RL	1	AUT. M650
		body in white bodyshells can only only available from current model year available			

Model	Year	MG	SG	Illustration	Restrictions	UPD	17:57	23.01.2010	PORSCHE	PET	PORSCHE
928	1982	8	01	801-05		248					

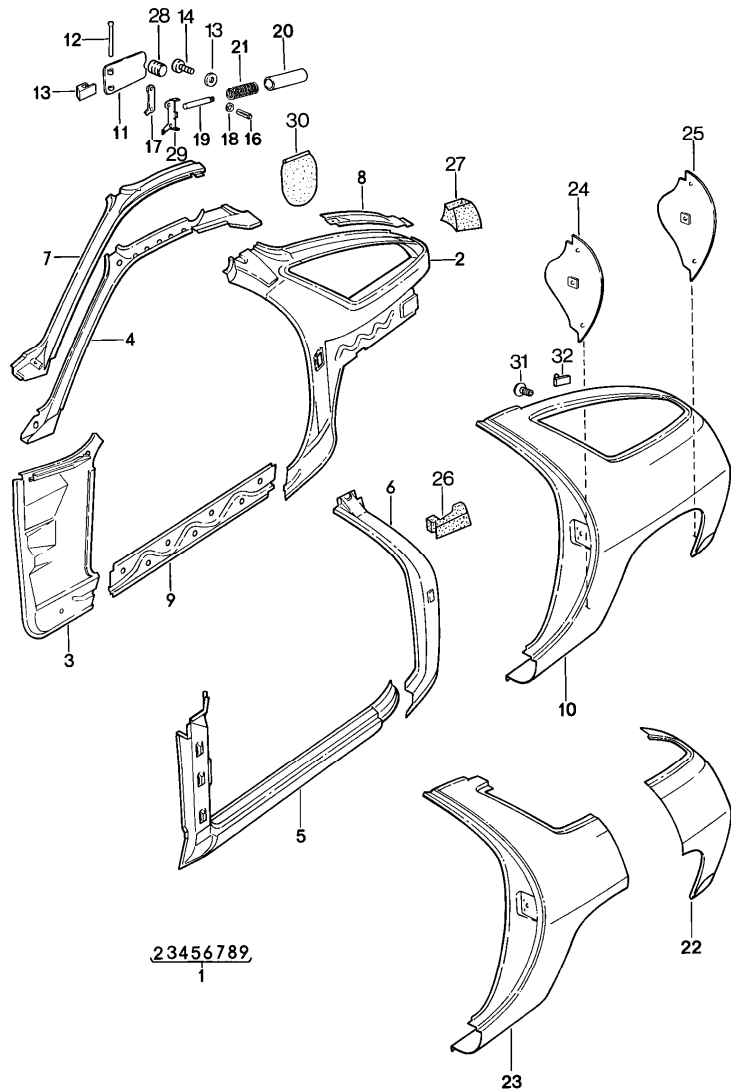


Pos	Part Number	Description	Remark	Qty	Model
1	A 928 501 949 05	body front section	/LL	1	
1	A 927 501 949 05	body front section order also: towing lug 928.722.101.05	/RL	1	
2	928 501 947 05	wheel housing with bracket	/LL/L	1	
(2)	A 928 501 014 02	wheel housing with bracket	/LL/R	78	1
2	928 501 948 05	wheel housing with bracket	/LL/R	1	
2	927 501 947 05 GRV	wheel housing with bracket	/RL/L	1	
2	927 501 948 05 GRV	wheel housing with bracket order also: towing lug 928.722.101.05	/RL/R	1	
3	928 501 035 03	wheel housing	/LL/L	85	1
3	A 927 501 035 02	wheel housing	/RL/L	-81	1
3	927 501 035 03	wheel housing	/RL/L	82	1
3	928 501 036 03	wheel housing	/LL/R	1	
3	A 927 501 036 02	wheel housing	/RL/R	-81	1
3	927 501 036 03	wheel housing	/RL/R	82	1
4	928 501 121 02	bracket impact absorber		2	
5	A 928 501 915 00	bracket	/L	1	
(5)	A 928 501 916 00	bracket see tpi GR.8 NR.3	/R	1	
5	928 501 915 01	bracket	/L	1	

Model	Year	MG	SG	Illustration	Restrictions	UPD	17:57	23.01.2010	PORSCHE	PET	PORSCHE
928	1982	8	01	801-05		248					

Pos	Part Number	Description	Remark	Qty	Model	Pos	Part Number	Description	Remark	Qty	Model
(5)	928 501 916 01	bracket see tpi GR.8 NR.3	/R	1		20	928 501 139 02	bracket	/L	1	
6	928 501 105 02	bracket outer	/L	1		(20)	928 501 140 02	bracket	/R	1	
(6)	928 501 106 02	bracket outer	/R	1		21	928 501 135 02	bracket	/L	1	
7	928 501 103 02	bracket inner	/L	1		(21)	928 501 136 02	bracket	/R	1	
(7)	928 501 104 02	bracket inner	/R	1		22	928 501 195 02	bracket	/L	1	
(8)	928 501 129 02	connecting cap	/L	1		(22)	928 501 196 02	bracket	/R	1	
8	928 501 130 02	connecting cap	/R	1		23	928 501 127 02	bracket for engine pop-up headlight		1	
9	928 501 033 02	terminal piece	/V	1		24	928 501 811 02	lining for radiator	/L	1	
10	928 501 031 03	cross member	/V	1		(24)	928 501 812 02	lining for radiator	/R	1	
11	928 502 201 02	firewall	/LL	1		25	928 501 191 02	bracket for wheel housing	/L	1	
12	928 502 203 02	cross panel	/LL	1		(25)	928 501 192 02	bracket for wheel housing	/R	1	
13	928 504 061 02	transverse strut for engine compartment		1		26	928 501 313 02	retaining bracket expansion tank	/LL	1	
14	900 119 053 02	pan-head screw 10 X 16		4		(26)	927 501 313 02	retaining bracket expansion tank	/RL	1	
15	900 025 008 09	washer 10,5		4		27	928 501 113 02	reinforcement suspension strut mounting	/L	1	
16	928 504 941 04	protective plate		1		(27)	928 501 114 02	reinforcement suspension strut mounting	/R	1	
17 A	928 504 357 02	water drain valve		-79 1		28	928 501 551 02	bearing bracket transverse strut		2	
(17) A	928 504 357 02	water drain valve		80 1		(29)	803 803 583 A	lid		9	
17	928 504 357 02	water drain valve		81- 1		30	928 501 081 02	side member		1	
18	928 501 307 02	bracket for stabiliser	/L	1		(30)	928 501 082 02	side member		1	
(18)	928 501 308 02	bracket for stabiliser	/R	1		31	928 501 091 02	cross member	78	1	
19	928 501 047 02	bracket	/L	1							
(19)	928 501 048 02	bracket	/R	1							

Model	Year	MG	SG	Illustration	Restrictions	UPD	17:57	23.01.2010	PORSCHE	PET	PORSCHE
928	1982	8	01	801-10		248					

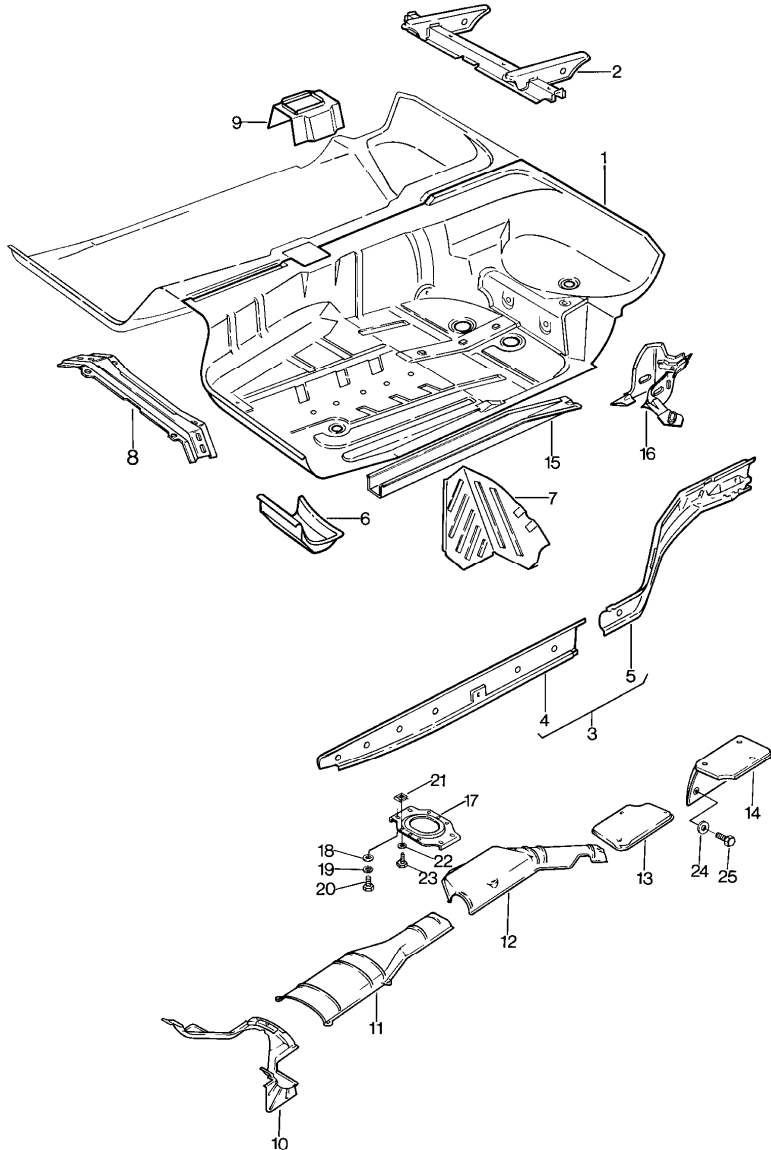


Pos	Part Number	Description	Remark	Qty	Model
		frame side section			
1	928 502 011 02	side section inner	/L	1	
(1)	928 502 012 02	side section inner	/R	1	
2	928 502 017 02	side section inner rear	/L	1	
(2)	928 502 017 04	side section inner rear		1	
(2)	928 502 018 02	side section inner rear	/R	1	
3 A	928 502 013 02	side section inner front	/L	1	
3	928 502 013 09	side section inner front	/LL/L	1	
(3)	927 502 013 09	side section inner front	/RL/L	1	
(3) A	928 502 014 02	side section inner front	/R	1	
(3)	928 502 014 09	side section inner front	/LL/R	1	
4	928 502 301 02	roof frame lateral	/L	1	
(4)	928 502 302 02	roof frame lateral	/R	1	
5	928 502 015 02	door sill	/L	1	
(5)	928 502 016 02	door sill	/R	1	
6	928 502 051 02	lock pillar	/L	1	
(6)	928 502 052 02	lock pillar	/R	1	
7	928 502 331 02	roof frame lateral	/L	1	
(7)	928 502 332 02	roof frame lateral	/R	1	
8	928 502 033 02	interior frame	/L	1	
(8)	928 502 034 02	interior frame	/R	1	

Model	Year	MG	SG	Illustration	Restrictions	UPD	17:57	23.01.2010	PORSCHE	PET	PORSCHE
928	1982	8	01	801-10		248					

Pos	Part Number	Description	Remark	Qty	Model	Pos	Part Number	Description	Remark	Qty	Model
9	928 502 111 02	separator		2		22	928 503 911 06	sub-part side section rear	/L	1	
10	928 503 061 02	side section outer F >>92BS8 00192 F >>92BS8 40296	/L	1	928 928S			F 92BS8 00193>> F 92BS8 40297>>			928 928S
(10)	928 503 061 12	side section outer F 92BS8 00193>> F 92BS8 40297>>	/L	1	928 928S	(22)	928 503 912 02	sub-part side section rear F >>92BS8 00192 F >>92BS8 40296	/R	1	928 928S
(10)	928 503 062 02	side section outer F >>92BS8 00192 F >>92BS8 40296	/R	1	928 928S	22	928 503 062 12	side section side section rear F 92BS8 00193>> F 92BS8 40297>>	/R	1	928 928S
(10)	928 503 062 12	side section outer F 92BS8 00193>> F 92BS8 40297>>	/R	1	928 928S	23	928 503 061 14	side section side section front	/L	1	
11	928 504 301 02	flap		1		(23)	928 503 062 12	side section side section front	/R	1	
12	928 504 313 02	axle		1							
13	928 504 326 02	stop		1		24	928 504 303 02	wheel cover	/L	1	
14	N 014 133 8	oval-head screw M 5 X 12		2		(24)	928 504 304 02	wheel cover	/R	1	
15	900 151 027 02	washer B 5,3		2		25	928 504 309 02	wheel cover rear	/L	1	
16	900 095 036 02	tensioning sleeve 2 X 8		1		26	928 504 281 02	seal lock pillar	/L	1	
17	928 504 335 02	desk pad		1		(26)	928 504 282 02	seal lock pillar	/R	1	
18	928 504 347 02	washer		1		27	928 504 283 02	seal	/L	1	
19	928 504 341 02	guiding rod		1		(27)	928 504 284 02	seal	/R	1	
20	928 504 343 02	protective tube		1		28	999 703 135 40	rubber buffer		1	
21	928 504 345 02	compression spring		1		29	928 504 325 02	hinge half		1	
22	928 503 911 02	sub-part side section rear F >>92BS8 00192 F >>92BS8 40296	/L	1	928 928S	30	928 201 057 02	protective flap		1	
						31	261 829 419	stopper		-79	4
						31	999 015 005 07	half-round screw		80-	4
						32	928 503 621 02	pneumatic spring mount			2

Model	Year	MG	SG	Illustration	Restrictions	UPD	17:57	23.01.2010	PORSCHE	PET	PORSCHE
928	1982	8	01	801-15		248					

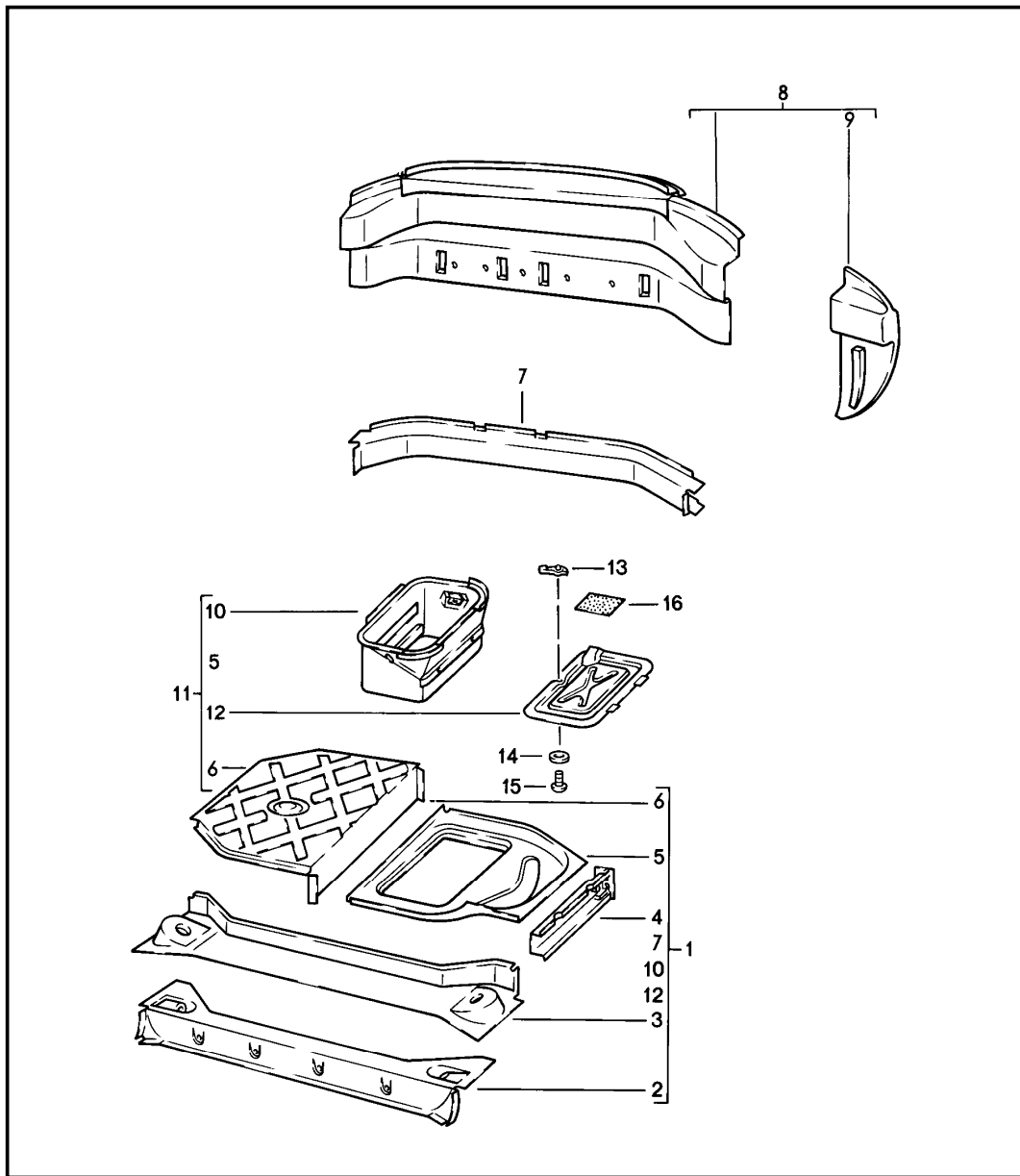


Pos	Part Number	Description	Remark	Qty	Model
		floor section frame centre			
1	A 928 501 053 02	floor section	/L	-79	1
(1)	928 501 953 03	floor section	/L	80-	1
(1)	A 928 501 054 02	floor section	/R	78	1
(1)	928 501 054 03	floor section	/R	-81	1
(1)	928 501 954 03	floor section	/R	82-	1
2	928 501 055 02	seat support	/L	78	1
(2)	928 501 055 60	seat support	/L		1
(2)	928 501 056 02	seat support	/R	78	1
(2)	928 501 056 60	seat support	/R		1
3	928 501 021 02	side member	/L		1
(3)	928 501 022 02	side member	/R		1
4	928 501 023 02	bracket 1	/L		1
(4)	928 501 024 02	bracket 2	/R		1
5	928 501 025 02	bracket 3	/L		1
(5)	928 501 026 02	bracket 3	/R		1
6	928 501 093 02	gusset plate	/L		1
(6)	928 501 094 02	gusset plate	/R		1
7	928 551 071 02	foot support	/LL		1
7	927 551 071 02	foot support	/RL		1
8	928 501 901 05	cross member		79-	1
9	928 501 059 02	reinforcement gearshift lever mounting			1
-	927 504 655 02	bearing plate FUER PEDALERIE			1
-	900 076 010 02	hexagon nut M 6			3

Model	Year	MG	SG	Illustration	Restrictions	UPD	17:57	23.01.2010	PORSCHE	PET	PORSCHE
928	1982	8	01	801-15		248					

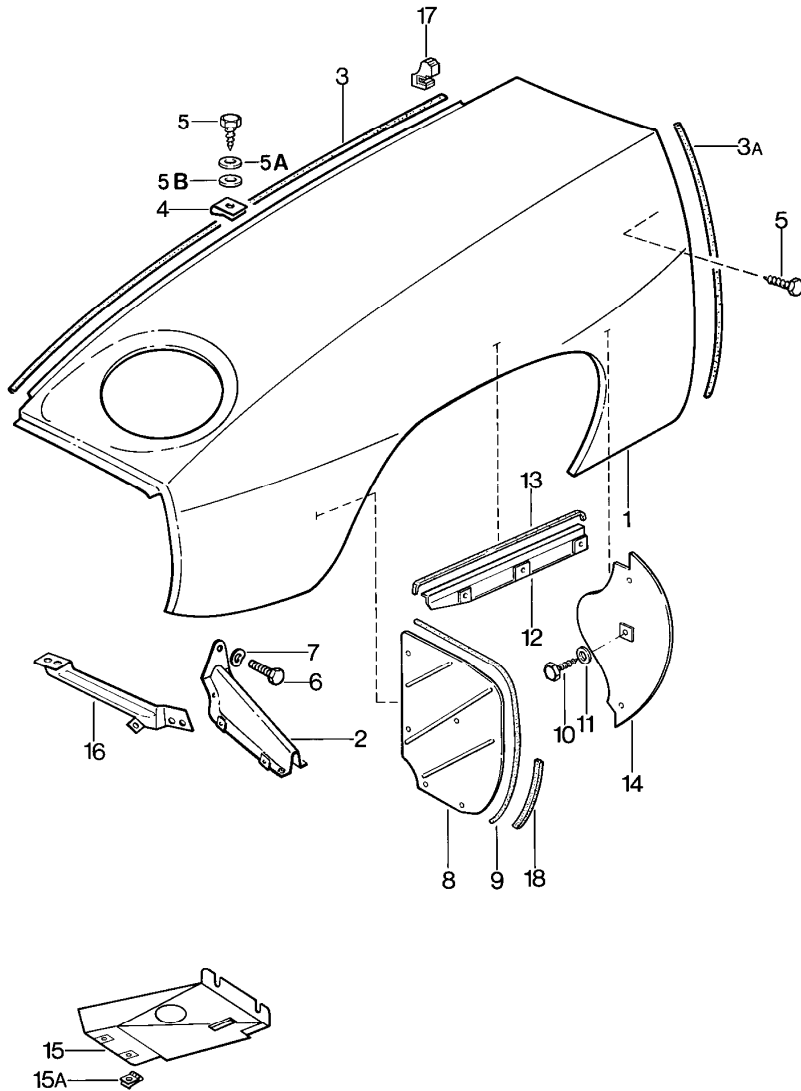
Pos	Part Number	Description	Remark	Qty	Model	Pos	Part Number	Description	Remark	Qty	Model
-	900 151 003 02	washer A 6,4		3							
10	928 504 921 02	heat protection plate	-79	1							
(10)	928 504 921 05	heat protection plate	80-	1							
11	928 504 925 03	heat protection plate	-79	1							
(11)	928 504 925 06	heat protection plate	80-	1							
(11) A	928 504 491 01	heat protection plate	80-82	1							
12	928 504 931 04	heat protection plate	-79	1							
(12) A	928 504 931 04	heat protection plate	80-	1							
(12)	928 504 931 04	heat protection plate	80-	1							
13	928 504 935 02	heat protection plate	-78	1							
14	928 504 051 02	heat protection plate	79-	1							
15	928 501 577 02	side member	/L	1							
15	928 501 578 50	side member	/R	1							
16	928 501 067 02	link bearing	/L	1							
16	928 501 068 02	link bearing	/R	1							
17	928 501 495 02	bridge seat belt		1							
18	900 025 007 02	washer 8,4		4							
19	900 027 015 02	lock ring B 8		4							
20	900 075 087 02	hexagon-head bolt M 8 X 16		4							
21	999 591 487 02	speed nut B 5,5		16							
22	N 011 666 7	washer B 6,4		16							
23	900 187 115 02	combination screw B 5,5 X 16		16							
24	N 011 524 7	washer B 6,4	79-	2							
25	N 010 210 13	hexagon-head bolt M 6 X 10	79-	2							

Model	Year	MG	SG	Illustration	Restrictions	UPD	17:57	23.01.2010	PORSCHE	PET	PORSCHE
928	1982	8	01	801-20		248					



Pos	Part Number	Description	Remark	Qty	Model
1	A 928 501 071 02	frame rear rear end		78	1
(1)	928 501 071 03	rear end		79-	1
2	928 501 515 02	cross member lower part			1
3	928 501 715 02	cross member			1
4	928 501 207 02	extension	/L		1
(4)	A 928 501 208 02	extension	/R		1
5	928 501 701 02	floor section	/L		1
6	928 501 702 02	floor section	/R		1
7	928 501 079 02	cross member			1
8	928 502 081 04	terminal piece	/LL		1
8	927 502 081 04	terminal piece	/RL		1
9	928 502 341 02	terminal piece	/L		1
(9)	928 502 342 02	terminal piece	/R		1
10	928 501 805 02	battery box		79-	1
11	A 928 501 075 02	floor		78	1
(11)	928 501 075 03	floor		79-	1
12	928 504 011 03	lid			1
13	928 504 103 02	latch			1
14	900 151 027 02	washer B 5,3			1
15	N 013 973 4	tapping screw BZ 5,5 X 13			1
16	911 201 259 00	desk pad for emergency wheel			3

Model	Year	MG	SG	Illustration	Restrictions	UPD	17:57	23.01.2010	PORSCHE	PET	PORSCHE
928	1982	8	01	801-25		248					

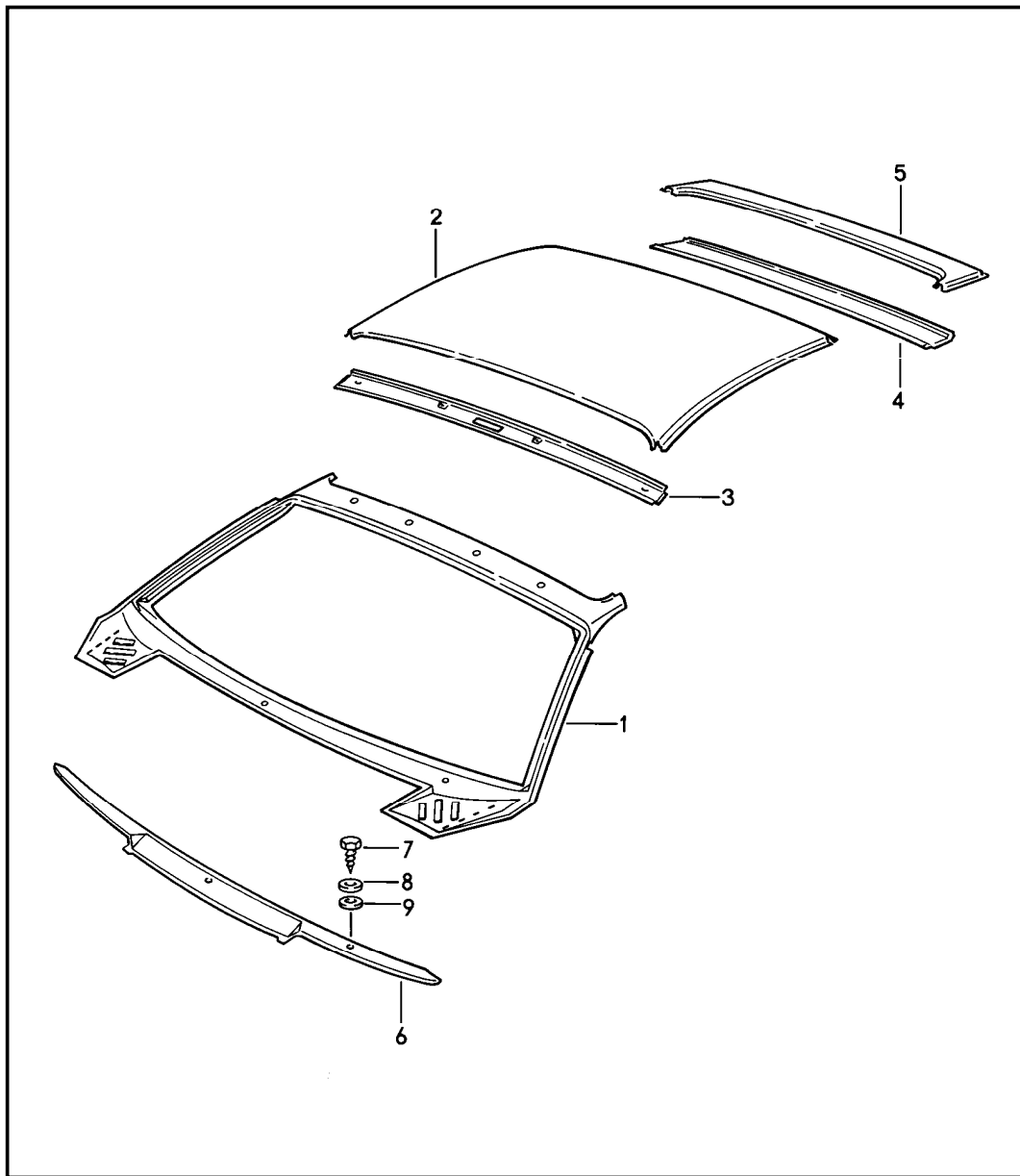


Pos	Part Number	Description	Remark	Qty	Model
		wing			
1	928 503 901 02	wing F >>92881 00479	/L	1	
(1)	928 503 902 02	wing F >>92881 00479	/R	1	
(1)	928 503 011 02	wing F 92881 00480>>	/L	1	
(1)	928 503 012 02	wing F 92881 00480>>	/R	1	
2	928 503 031 02	wing strut		2	928
(2)	928 503 031 03	wing strut		2	928S
3	000 043 129 00	sealing strap		2	
3A	000 043 129 00	sealing strap		*	
4	999 507 003 02	speed nut		26	
5	900 187 010 02	tapping screw BZ 6,3 X 19		26	
5A	900 151 003 02	washer A 6,4		26	
5B	999 704 157 40	washer		26	
6	900 075 010 02	hexagon-head bolt M 6 X 12		10	
7	N 012 226 5	spring washer A 6		10	
8	928 504 221 08	cover	/V	2	928
(8)	928 504 221 10	cover		2	928S
9	928 504 223 02	sealing strap		2	
10	900 075 057 02	hexagon-head bolt M 6 X 16		16	
11	900 151 003 02	washer A 6,4		16	
12	928 504 317 02	cover	/L	1	
(12)	928 504 318 02	cover	/R	1	
13	928 504 211 02	sealing strap		2	
14	928 504 315 02	cover	/L	1	

Model	Year	MG	SG	Illustration	Restrictions	UPD	17:57	23.01.2010	PORSCHE	PET	PORSCHE
928	1982	8	01	801-25		248					

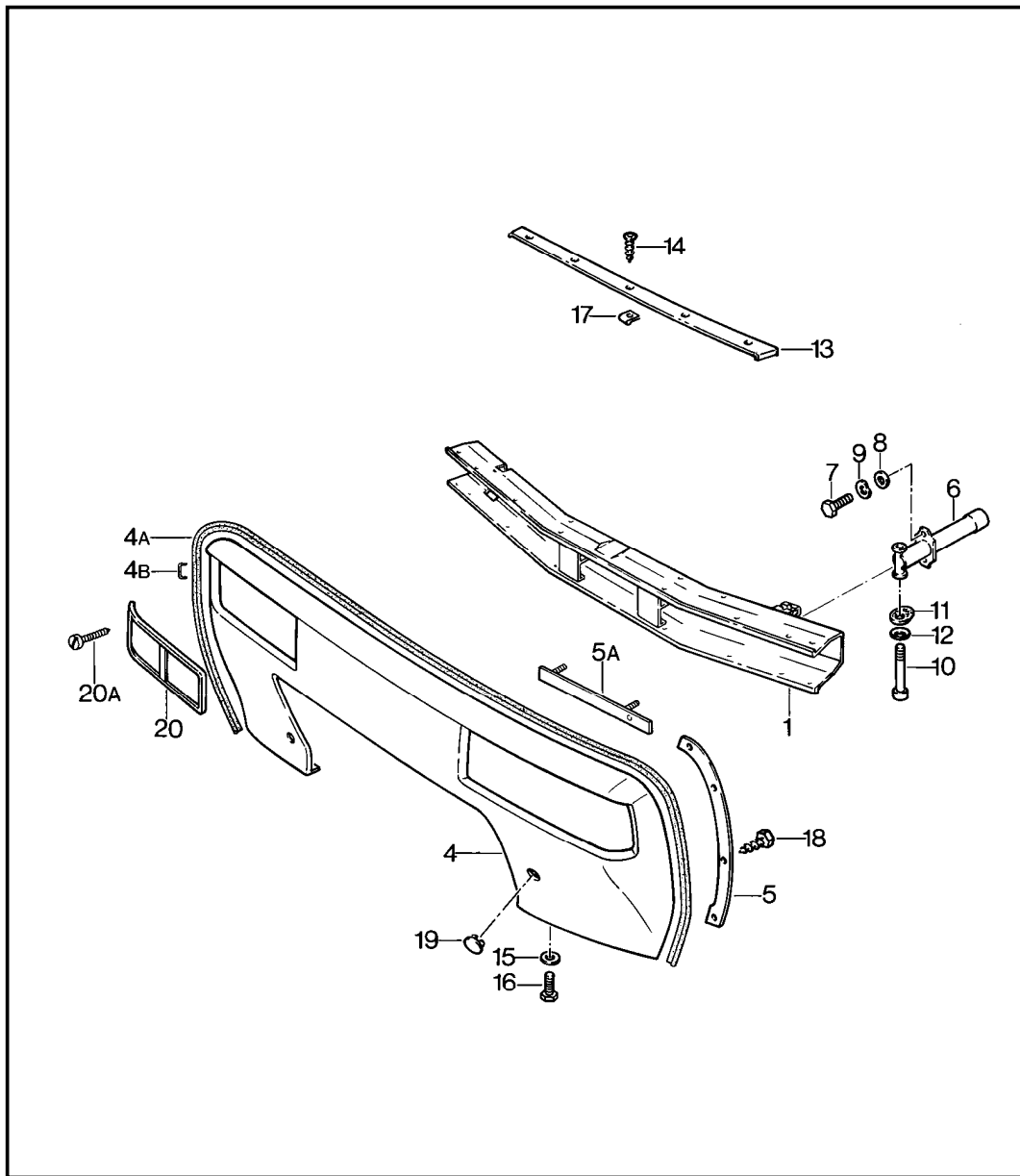
Pos	Part Number	Description	Remark	Qty	Model	Pos	Part Number	Description	Remark	Qty	Model
(14)	928 504 316 03	cover	/R	1							
15	928 504 027 02	cover headlamp casing lower	/L	1							
15	928 504 028 02	cover headlamp casing lower	/R	1							
15A	999 507 246 02	speed nut M 6		4							
17	928 511 577 02	seal		2							
18	928 504 228 02	gasket		2	928S:M 471						
18	928 504 233 02	gasket		2	928						

Model	Year	MG	SG	Illustration	Restrictions	UPD	17:58	23.01.2010	PORSCHE	PET	PORSCHE
928	1982	8	01	801-30		248					



Pos	Part Number	Description	Remark	Qty	Model
		outer roof panel			
		cowl			
1	928 503 041 08	cowl	/LL	1	
(1) A	927 503 041 02	cowl	/RL	1	
(1)	927 503 041 04	cowl	/RL	1	
2	928 503 501 02	roof		1	
3	928 502 383 02	roof frame	/V	1	
4	928 502 393 02	roof frame lower	/H	1	
5	928 502 395 02	roof frame upper	/H	1	
6	928 559 117 02	cowl panel outer part	/LL	1	
(6)	927 559 117 02	cowl panel	/RL	1	
-	928 559 251 02	gasket cowl panel 1600 MM		1	
7	900 187 010 02	tapping screw BZ 6,3 X 19		2	
8	900 151 003 02	washer A 6,4		2	
9	999 704 157 40	washer		2	

Model	Year	MG	SG	Illustration	Restrictions	UPD	17:58	23.01.2010	PORSCHE	PET	PORSCHE
928	1982	8	02	802-00		248					

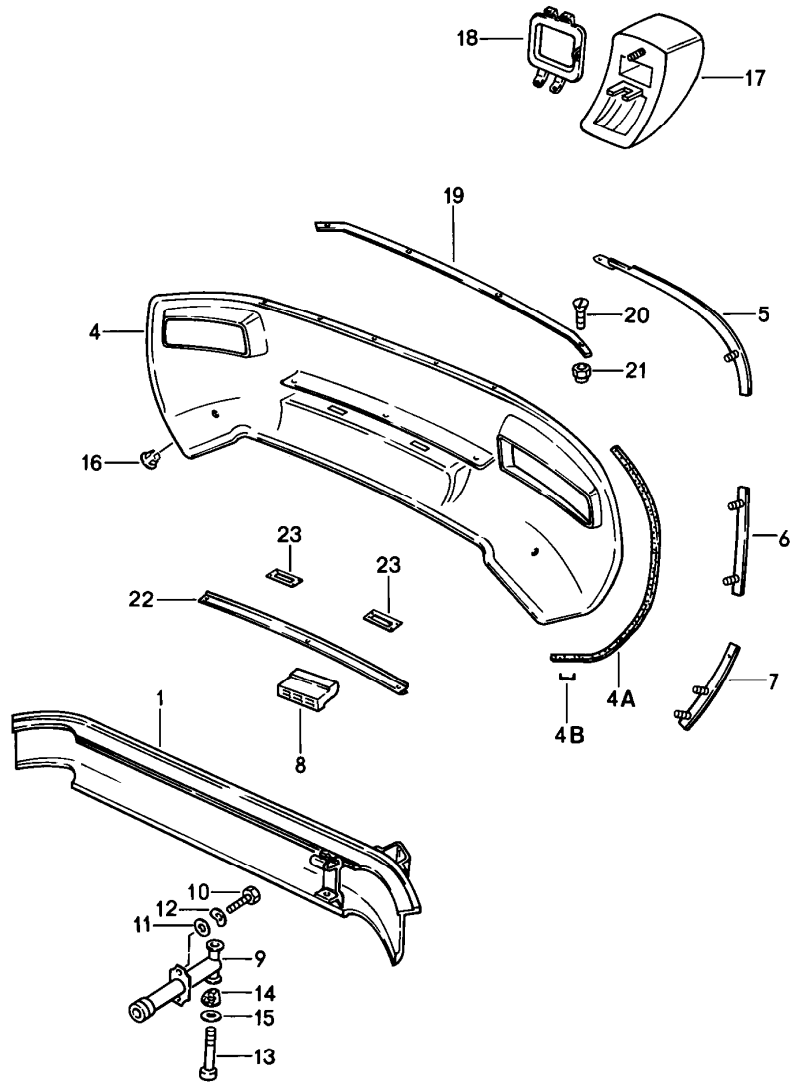


Pos	Part Number	Description	Remark	Qty	Model
		bumper front			
1	928 505 010 04	bracket		1	
(1)	928 505 010 03	bracket	78	1	M 58
(1)	928 505 010 05	bracket	79-	1	M 58
4	928 505 113 06	lining		1	
-	928 025 289 02	piping		*	
4A	-	2300 MM		1	
4B	999 591 539 07	fastening clamp		X	
5	928 505 033 02	retaining strip	/L	1	
(5)	928 505 034 02	retaining strip	/R	1	
5A	928 505 031 02	retaining strip		2	
6	928 505 017 02	impact pipe		2	
(6)	928 505 015 02	impact absorber		2	M 58
7	900 075 085 02	hexagon-head bolt M 8 X 20		4	
8	900 025 007 02	washer A 8,4		4	
9	N 012 241 8	spring washer B 8		4	
10	900 067 084 02	pan-head screw M 12 X 110		2	
11	999 025 212 09	washer 12		2	
(11)	928 505 243 02	eccentric washer		2	M 58
12	900 222 003 01	cup spring		2	
13	928 505 114 02	rail		1	
14	N 014 098 6	tapping screw B 4,8 X 16		5	
15	900 151 003 02	washer A 6,4		2	
16	900 075 057 02	hexagon-head bolt M 6 X 16		2	

Model	Year	MG	SG	Illustration	Restrictions	UPD	17:58	23.01.2010	PORSCHE	PET	PORSCHE
928	1982	8	02	802-00		248					

Pos	Part Number	Description	Remark	Qty	Model	Pos	Part Number	Description	Remark	Qty	Model
17	999 507 025 02	speed nut		13							
18	900 187 106 02	combination tapping screw B 4,8 X 13		8							
19	928 505 131 02	lid		2							
20	928 505 117 04	covering frame	/L	1							
20	928 505 118 04	covering frame	/R	1							
20A	900 143 125 07	oval-head sheetmetal screw B 3,5 X 13		1							

Model	Year	MG	SG	Illustration	Restrictions	UPD	17:58	23.01.2010	PORSCHE	PET	PORSCHE
928	1982	8	02	802-05		248					

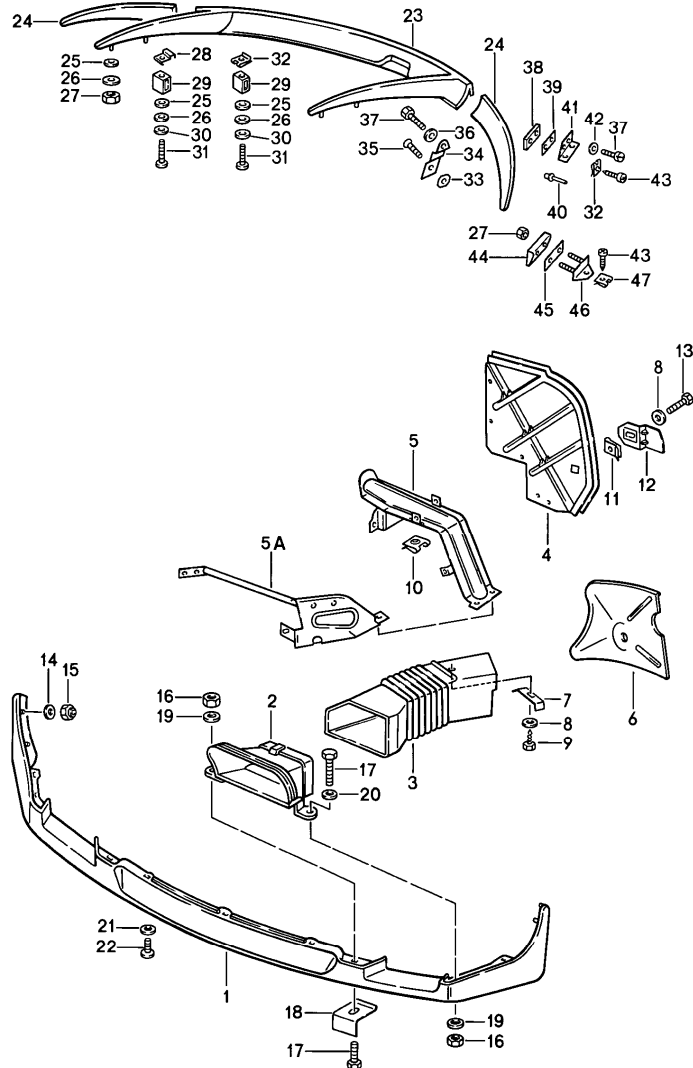


Pos	Part Number	Description	Remark	Qty	Model
		bumper rear			
1	A 928 505 020 07	bracket		78	1
1	928 505 020 07	bracket			1
(1)	A 928 505 020 07	bracket		79-	1
4	928 505 123 03	lining without rear foglamp			1
-	928 025 289 02	piping		*	
4A	-	1000 MM			2
4B	999 591 539 07	fastening clamp			X
5	928 505 035 02	retaining strip upper	/L		1
(5)	928 505 036 02	retaining strip upper	/R		1
6	928 505 037 02	retaining strip centre	/L		1
(6)	928 505 038 02	retaining strip centre	/R		1
7	928 505 039 02	retaining strip lower	/L		1
(7)	928 505 040 02	retaining strip lower	/R		1
-	999 190 313 02	buttonhead rivet 3,2			6
-	999 190 114 30	rivet 3,2			4
8	928 505 245 02	buffer			2
-	999 591 450 40	buttonhead rivet 4,8			3
-	999 190 312 30	buttonhead rivet 4,8			3
(9)	928 505 017 02	impact pipe			2
9	928 505 015 02	impact absorber			2 M 58
10	900 075 085 02	hexagon-head bolt M 8 X 20			4

Model	Year	MG	SG	Illustration	Restrictions	UPD	17:58	23.01.2010	PORSCHE	PET	PORSCHE
928	1982	8	02	802-05		248					

Pos	Part Number	Description	Remark	Qty	Model	Pos	Part Number	Description	Remark	Qty	Model
11	900 025 007 02	washer A 8,4		4							
12	N 012 241 8	spring washer B 8		4							
13	900 067 084 02	pan-head screw M 12 X 110		2							
14	999 025 212 09	washer 12		2							
(14)	928 505 243 02	eccentric washer		2	N 58						
-	900 143 046 02	tapping screw B 4,8 X 16		5							
15	900 222 003 01	cup spring		2							
-	N 011 556 2	washer		5							
16	928 505 131 02	lid for lining		2							
18	928 505 285 02	frame for fog lamp	/L	1							
19	928 505 267 02	rail		1							
20	900 269 050 07	countersunk-head screw M 5 X 25		11							
21	900 910 009 02	lock nut M 5		11							
22	928 505 253 02	reinforcement strip		1							
23	928 505 112 02	mounting plate		2							

Model	Year	MG	SG	Illustration	Restrictions	UPD	17:58	23.01.2010	PORSCHE	PET	PORSCHE
928	1982	8	02	802-10		248					

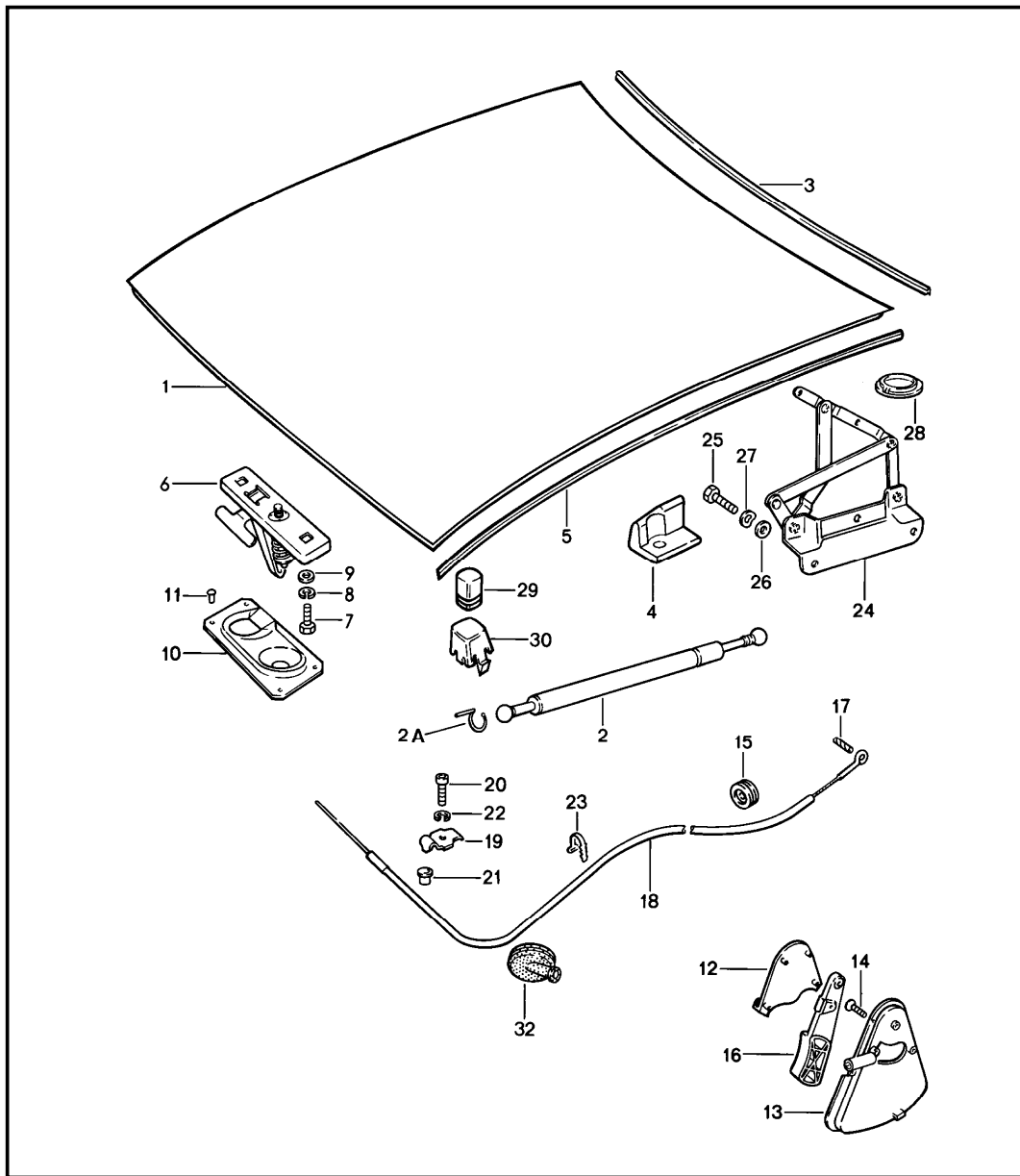


Pos	Part Number	Description	Remark	Qty	Model
1	928 505 071 03	spoiler front and rear		1	
2	928 505 159 02	front spoiler		1	
(2)	928 505 160 02	ventilation grille	/L	1	
3	928 504 159 02	ventilation grille	/R	1	
(3)	928 504 160 02	vent hose	/L	1	
4	928 504 221 10	vent hose	/R	1	
4	928 504 221 10	cover wheel housing front		2	
5	928 503 031 03	wing strut		2	
6	-	4/01/00 POS.17			
7	928 504 247 02	support		2	
8	900 151 003 02	washer B 6		16	
9	900 187 108 02	tapping screw B 6,3 X 16		12	
10	999 591 486 02	speed nut B 6,3		2	
11	999 507 246 02	speed nut M 6		2	
12	928 504 219 02	support		1	
12	928 504 220 02	support		1	
13	900 075 057 02	hexagon-head bolt M 6 X 16		2	
14	900 151 027 02	washer B 5,3		6	
15	900 910 008 02	lock nut M 5		6	
16	900 910 011 02	lock nut M 6		4	
17	900 075 017 02	hexagon-head bolt M 6 X 25		6	
18	928 505 373 02	support		6	

Model	Year	MG	SG	Illustration	Restrictions	UPD	17:58	23.01.2010	PORSCHE	PET	PORSCHE
928	1982	8	02	802-10		248					

Pos	Part Number	Description	Remark	Qty	Model	Pos	Part Number	Description	Remark	Qty	Model
19	N 011 612 3	washer R 6,6		6		40	999 190 151 30	tubular rivet 4 X 8		2	
20	900 151 003 02	washer B 6		2		41	928 512 595 02	bracket		2	
21	900 151 027 02	washer B 5,3		3		42	N 011 524 7	washer A 6,4		2	
22	999 141 001 02	half-round screw M 5 X 12		3		43	N 013 965 9	oval-head sheetmetal screw 4,2 X 9,5		4	
23	928 512 071 02	rear spoiler		1		44	928 512 609 02	base wedge		2	
24	928 512 073 02	rear spoiler	/L	1		45	928 512 615 02	desk pad		2	
24	928 512 074 02	rear spoiler	/R	1		46	928 512 605 02	bracket		2	
25	928 559 143 02	sealing ring		10		47	999 507 229 02	speed nut B 4,2		2	
26	999 025 083 70	washer 3,7 X 11 X 0,5		10							
27	900 910 006 02	lock nut M 4		4							
28	928 512 307 02	speed nut		6							
29	928 512 199 02	spacer		12							
30	900 025 002 02	washer A 4,3		12							
31	900 143 077 02	tapping screw B 4,2 X 32		12							
32	N 015 429 2	speed nut 4,2		6							
33	928 512 611 02	desk pad		2							
34	928 512 589 02	retaining bracket		2							
35	999 219 003 07	countersunk-head screw M 6 X 16		2							
36	900 151 037 07	washer A 6,4		2							
37	999 217 006 07	hexagon-head bolt M 6 X 10		4							
38	928 512 601 02	threaded plate		2							
39	928 512 613 02	desk pad		2							

Model	Year	MG	SG	Illustration	Restrictions	UPD	17:58	23.01.2010	PORSCHE	PET	PORSCHE
928	1982	8	03	803-00		248					

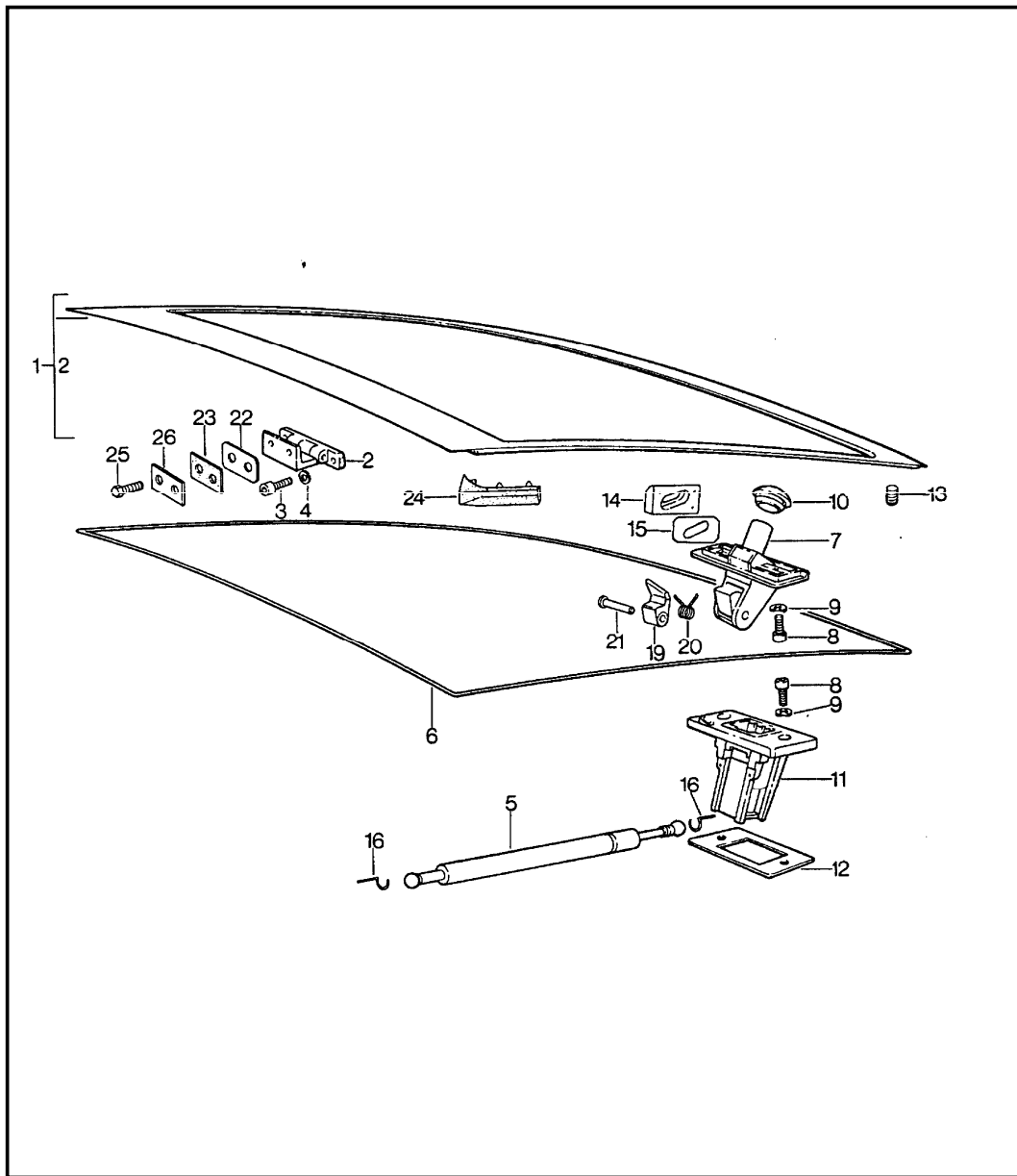


Pos	Part Number	Description	Remark	Qty	Model
		lid front			
1	928 511 005 03	lid		1	
2	928 511 139 03	gas-pressure spring		2	
2A	900 169 016 02	clip		4	
3	928 511 141 03	gasket	-79	1	
(3)	928 511 141 03	gasket	80-	1	
(5)	928 511 551 03	gasket lateral		2	
6	928 511 029 02	lid lock upper part		1	
7	900 076 010 02	hexagon nut M 6		2	
8	N 012 007 2	lock ring A 6		2	
9	N 011 666 7	washer B 6,4		2	
10	928 511 027 02	lid lock lower part		1	
11	999 190 128 30	blind rivet 4,8 X 2		4	
12	928 511 143 02	cover		1	
		70B black			
13	928 511 173 02	cup		1	
		70B black			
14	900 249 001 02	countersunk-head screw M 6 X 15		2	
		M 6 X 15			
15	477 823 591	grommet	78	1	
16	928 511 175 02	pull handle		1	
		70B black			
17	900 308 027 02	spiral clamping pin 3,5 X 10	-80	1	

Model	Year	MG	SG	Illustration	Restrictions	UPD	17:58	23.01.2010	PORSCHE	PET	PORSCHE
928	1982	8	03	803-00		248					

Pos	Part Number	Description	Remark	Qty	Model	Pos	Part Number	Description	Remark	Qty	Model
17	900 197 018 00	roll pin 4 X 12	81-	1							
18	928 511 037 04	wire pull	/LL	1							
18	927 504 037 00	wire pull	/RL	1							
19	928 511 541 02	clamping piece		1							
20	900 067 008 02	pan-head screw M 6 X 12		1							
21	928 511 543 02	sleeve		1							
22	N 012 007 2	lock ring A 6		1							
23	999 513 007 40	tie-wrap		3							
24	928 511 041 04	lid hinge	/L	1							
(24)	928 511 042 04	lid hinge	/R	1							
25	N 010 237 6	hexagon-head bolt M 8		10							
26	900 025 007 02	washer A 8,4		10							
27	N 012 241 8	spring washer A 8		10							
28	928 511 321 02	cap		2							
29	999 703 132 40	rubber buffer VERSTELLBAR		1							
30	928 511 203 02	support		2							
32	111 957 861	grommet		1							

Model	Year	MG	SG	Illustration	Restrictions	UPD	17:58	23.01.2010	PORSCHE	PET	PORSCHE
928	1982	8	03	803-05		248					

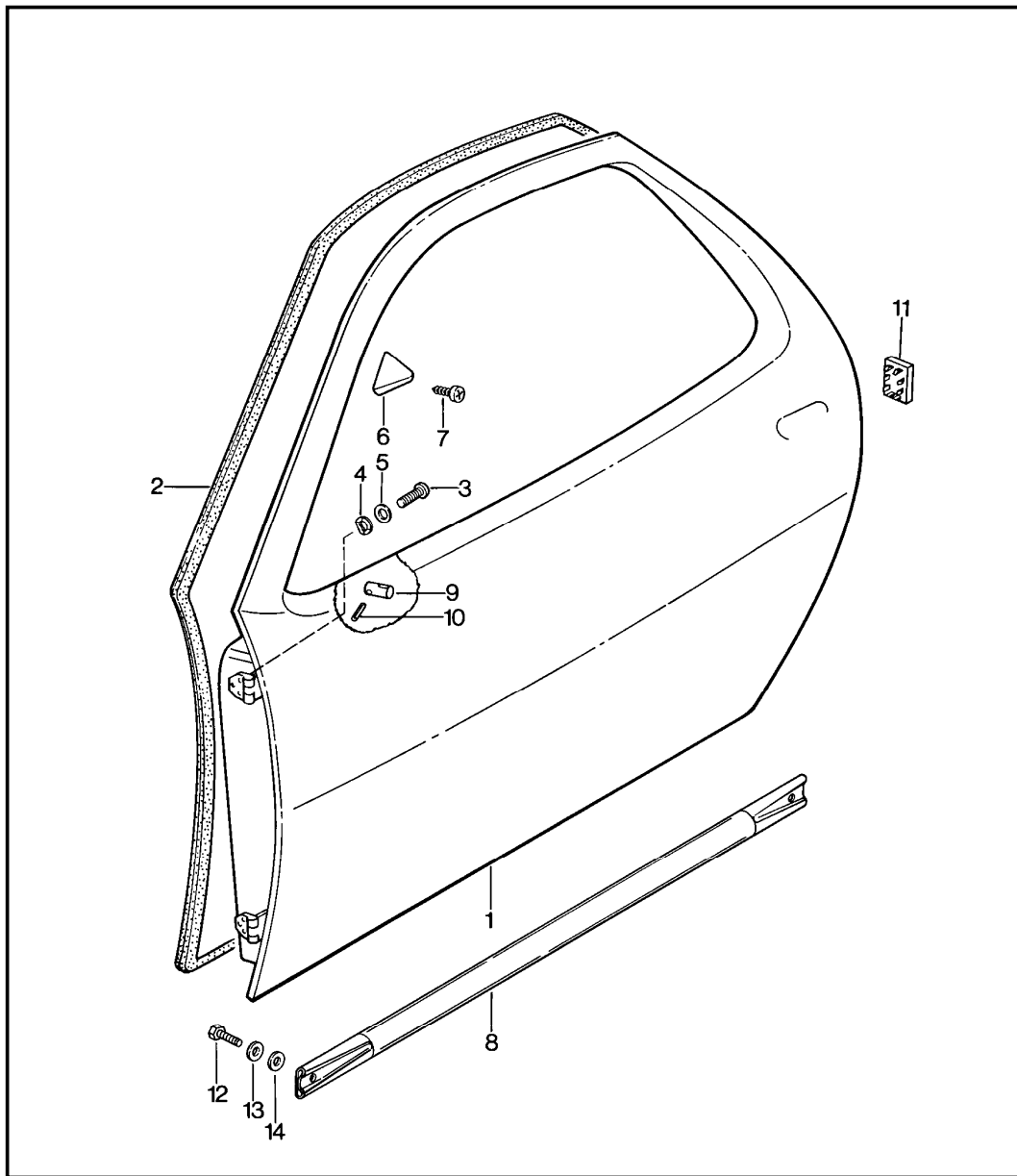


Pos	Part Number	Description	Remark	Qty	Model
		lid rear			
		differing parts for alarm system see group 8/04/20			
1	928 512 005 03	lid		1	
(1)	928 512 005 02	lid without rear window wiper	80	1	928
2	928 512 041 04	hinge		2	
3	999 509 012 02	pan-head screw M 6 X 20		8	
4	N 012 026 3	lock ring A 6		8	
5	928 512 331 05	gas-pressure spring		2	
6	928 512 129 02	gasket		1	
7	928 512 903 02	lid lock with secondary key w/o stipulated lock number		1	
(7)	928 512 901 02	lid lock with secondary key state lock number		1	
8	900 186 149 02	pan-head screw M 8 X 15		4	
9	999 523 102 02	lock washer		4	
10	928 512 169 02	gasket		1	
11	928 512 055 40	push-button lock lower part		1	928
11	928 512 055 40	push-button lock lower part	473	1	928S, 928:M
12	928 512 179 02	desk pad 1 MM		X	
(12)	928 512 181 02	desk pad 2 MM		X	
13	999 703 132 40	rubber buffer		2	

Model	Year	MG	SG	Illustration	Restrictions	UPD	17:58	23.01.2010	PORSCHE	PET	PORSCHE
928	1982	8	03	803-05		248					

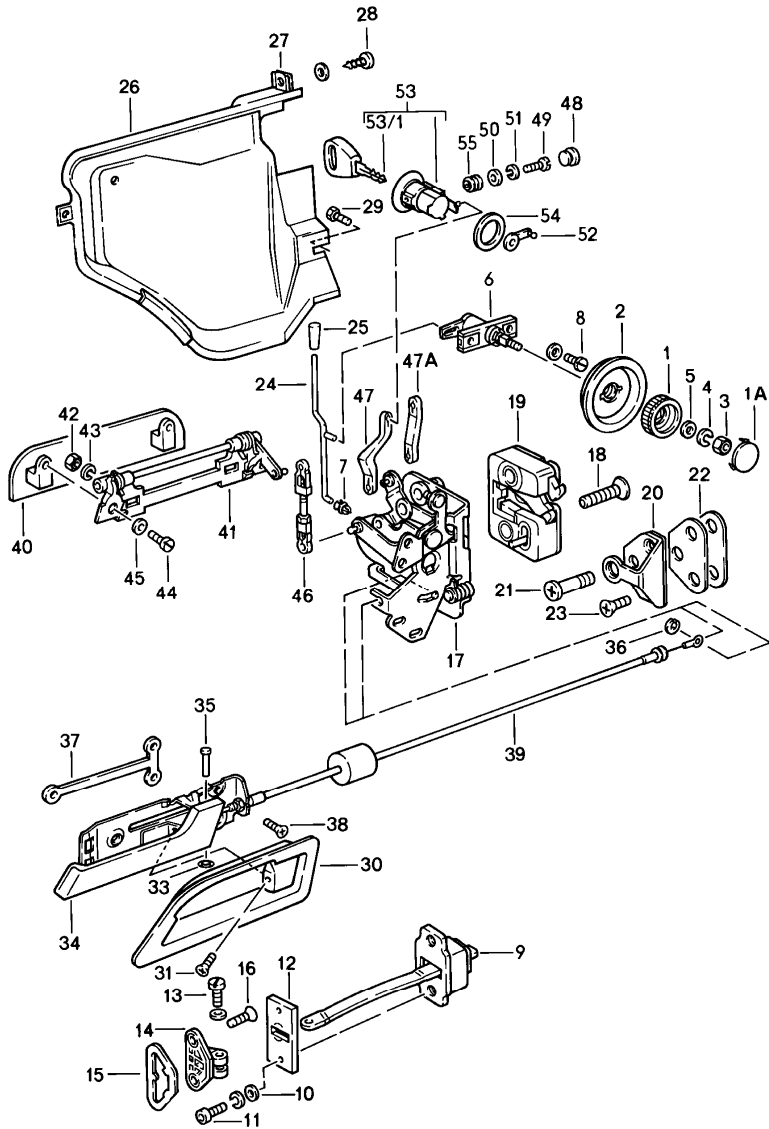
Pos	Part Number	Description	Remark	Qty	Model	Pos	Part Number	Description	Remark	Qty	Model
14	928 512 057 02	guide wedge		2							
15	928 512 263 02	plate		2							
16	900 169 016 02	clip		4							
19	928 512 161 02	latch		1							
20	928 512 163 02	spring		1							
21	928 512 165 02	clinch pin		1							
22	928 512 409 02	desk pad		X							
23	A 928 512 413 03	gasket	-80	2							
23	928 512 413 03	gasket	81	2							
23	928 512 413 07	gasket	82	2							
24	928 512 261 02	water deflector	/L	1							
(24)	928 512 262 02	water deflector	/R	1							
25	999 217 017 02	hexagon-head bolt M 8 X 18		4							
26	928 512 417 03	plate		2							

Model	Year	MG	SG	Illustration	Restrictions	UPD	17:59	23.01.2010	PORSCHE	PET	PORSCHE
928	1982	8	04	804-00		248					



Pos	Part Number	Description	Remark	Qty	Model
		door in white			
1	928 531 005 07	door in white prepared for mirror	/L	1	
(1)	928 531 006 07	door in white not prepared for mirror	/R	1	
1	927 531 005 08	door in white not prepared for mirror	/L	1	
(1)	927 531 006 10	driver's door prepared for mirror	/R	1	
2	928 537 345 03	door seal	/L	1	
(2)	928 537 346 03	door seal	/R	1	
3	N 014 770 3	pan-head screw M 8 X 15		12	
4	900 025 007 02	washer A 8,4		16	
5	900 027 015 02	lock ring B 8		16	
6	928 537 341 02	thrust wedge	/L	1	
(6)	928 537 342 02	thrust wedge	/R	1	
7	900 144 008 02	counters. head tapp. screw B 3,5 X 9,5		2	
8	928 531 601 03	reinforcement		2	M190
9	928 531 235 03	threaded piece		1	
10	N 013 295 1	tensioning sleeve 3 X 12		1	
11	928 537 723 02	dummy plug	80-	2	
12	N 010 239 11	hexagon-head bolt M 8 X 18		4	
13	N 012 009 3	lock ring A 8		4	
14	900 025 007 02	washer A 8,4		4	

Model	Year	MG	SG	Illustration	Restrictions	UPD	17:59	23.01.2010	PORSCHE	PET	PORSCHE
928	1982	8	04	804-05		248					



Pos	Part Number	Description	Remark	Qty	Model
		installation parts door			
		differing parts for alarm system see group 8/04/20			
1	928 537 581 03	rotary knob		2	
1A	911 531 703 00	cap		2	
2	928 537 585 02	bearing shell		2	
3	N 011 005 14	hexagon nut M 5		2	
4	N 012 222 4	spring washer A 5		2	
5	900 151 027 02	washer B 5,3		2	
(6)	928 537 095 02	bearing for rotary knob driver's door		1	
		- INTERTEIL -			
6	928 537 096 02	bearing TPP for rotary knob passenger's door		1	
		- INTERTEIL -			
7	993 531 563 00	linkage clip		2	
8	900 143 058 02	tapping screw BZ 4,5 X 9,5		4	
9	928 537 033 04	door support		2	
10	N 011 524 7	washer 6,4		4	
11	928 537 451 02	pan-head screw		4	
12	928 537 371 02	desk pad for door support		2	
(13)	900 309 031 02	roll pin 6 X 16	-79	2	

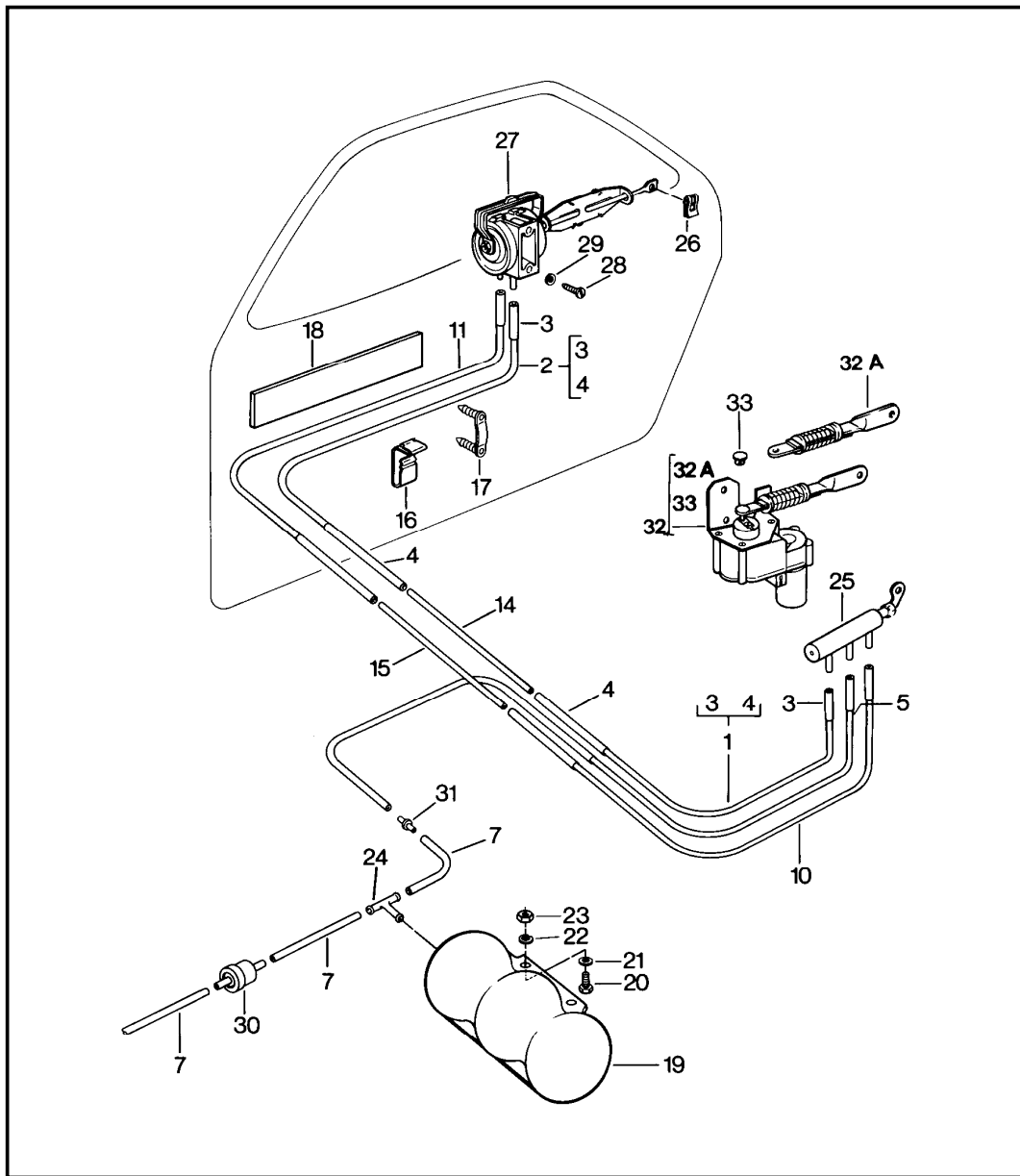
Model	Year	MG	SG	Illustration	Restrictions	UPD	17:59	23.01.2010	PORSCHE	PET	PORSCHE
928	1982	8	04	804-05		248					

Pos	Part Number	Description	Remark	Qty	Model	Pos	Part Number	Description	Remark	Qty	Model
13	928 537 419 03	pan-head screw		2		29	900 075 078 02	hexagon-head bolt M 8 X 15		2	
(14)	928 537 417 02	bearing bracket	/L	1		(30)	928 537 545 02	finger plate	/L	1	
14	928 537 418 02	bearing bracket	/R	1		30	928 537 546 02	finger plate	/R	1	
(15)	928 537 425 02	desk pad	/L	1		31	900 269 006 07	countersunk-head screw M 4 X 8		2	
15	928 537 426 02	desk pad	/R	1		33	999 591 242 01	speed nut		2	
16	928 537 459 02	oval-head screw M 6 X 25		4		(34)	928 537 547 02	interior handle	/L	1	
(17)	928 537 907 03	lock inner part	/L	1		34	928 537 548 02	interior handle	/R	1	
17	927 537 908 03	lock inner part	/R	1		35	928 537 557 02	bolt		2	
18	928 537 721 02	oval-head screw		4		36	900 116 002 01	lock washer 3,2		2	
(19)	928 537 153 03	door lock outer part	/L	1		37	928 537 157 02	nut lock		2	
19	928 537 154 03	door lock outer part	/R	1		38	900 269 015 02	countersunk-head screw M 5 X 10		6	
20	928 537 038 02	door lock striker		2	-79	39	928 537 055 02	bowden cable		2	
20	928 537 133 02	door lock striker		2		40	928 537 661 02	grab plate		2	
21	928 537 131 03	lock pin		2		(41) A	928 537 063 04	bearing	/L	-80	1
22	928 537 135 04	desk pad		2		(41) A	928 537 063 04	bearing	/L	81-	1
23	900 249 024 00	countersunk-head screw M 8X25		4		(41)	928 537 063 04	bearing		1	
(24)	928 537 160 04	locking rod		2		(41) A	928 537 064 04	bearing	/R	-80	1
25	928 555 359 02	locking knob		2		(41) A	928 537 064 04	bearing	/R	81-	1
(26)	928 537 333 02	covering for lock	/L	-80	1	(41)	928 537 064 04	bearing		1	
(26)	928 537 333 03	covering for lock	/L	81-	1	42	900 076 010 02	hexagon nut M 6		4	
26	928 537 334 02	covering for lock	/R	-80	1	43	N 012 006 4	lock ring B 6		4	
26	928 537 334 03	covering for lock	/R	81-	1	44	N 014 761 2	pan-head screw M 6 X 12		4	
27	999 507 033 02	speed nut B 4,8		4				M 6 X 12			
28	900 143 118 02	tapping screw B 4,8 X 13		4		45	N 012 226 5	spring washer B 6		4	
						46	928 537 140 02	connecting rod		-80	2

Model	Year	MG	SG	Illustration	Restrictions	UPD	17:59	23.01.2010	PORSCHE	PET	PORSCHE
928	1982	8	04	804-05		248					

Pos	Part Number	Description	Remark	Qty	Model	Pos	Part Number	Description	Remark	Qty	Model
46	928 537 140 03	connecting rod	81-	1				w/o stipulated lock number use also: operating rod 928.537.111.03		1	
(47)	928 537 111 02	operating rod	78	1							
47	928 537 112 02	operating rod	78	1							
47A	928 537 111 03	operating rod	-80	2		53/1	928 537 017 02	main key with key lamp state lock number		2	
47A	928 537 111 04	operating rod	81-	2							
48	999 703 224 40	cap		2		-	928 537 624 02	lid		2	
49	900 119 035 02	pan-head screw M 6 X 8	-80	2		-	928 537 625 02	contact plate		2	
49	999 218 003 02	pan-head screw M 6 X 18	81-	2		-	928 537 626 02	connecting lug		2	
50	N 011 524 7	washer B 6,4		2		-	928 537 627 02	pressure spring		2	
51	N 012 226 5	spring washer A 6	-80	2		-	928 537 628 02	knob		2	
52	928 537 117 03	driver	/L	1		53	928 537 630 02	bulb		2	
52	928 537 118 03	driver	/R	1		54	928 537 639 10	blank key		2	
(53)	928 537 633 05	door lock cylinder rosette black without key state lock number	79-	2		55	928 537 531 02	desk pad for lock cylinder		2	
(53)	928 537 633 06	door lock cylinder rosette chrome without key state lock number use also: operating rod 928.537.111.03	78	2			928 537 573 02	spacer sleeve	81-	2	
53	928 537 903 02	door lock cylinder rosette black secondary key w/o stipulated lock number	79-	2							
53 A	928 537 903 03	door lock cylinder	78	2							
53	928 537 903 04	door lock cylinder rosette chrome secondary key		2							
				1							

Model	Year	MG	SG	Illustration	Restrictions	UPD	17:59	23.01.2010	PORSCHE	PET	PORSCHE
928	1982	8	04	804-10		248					

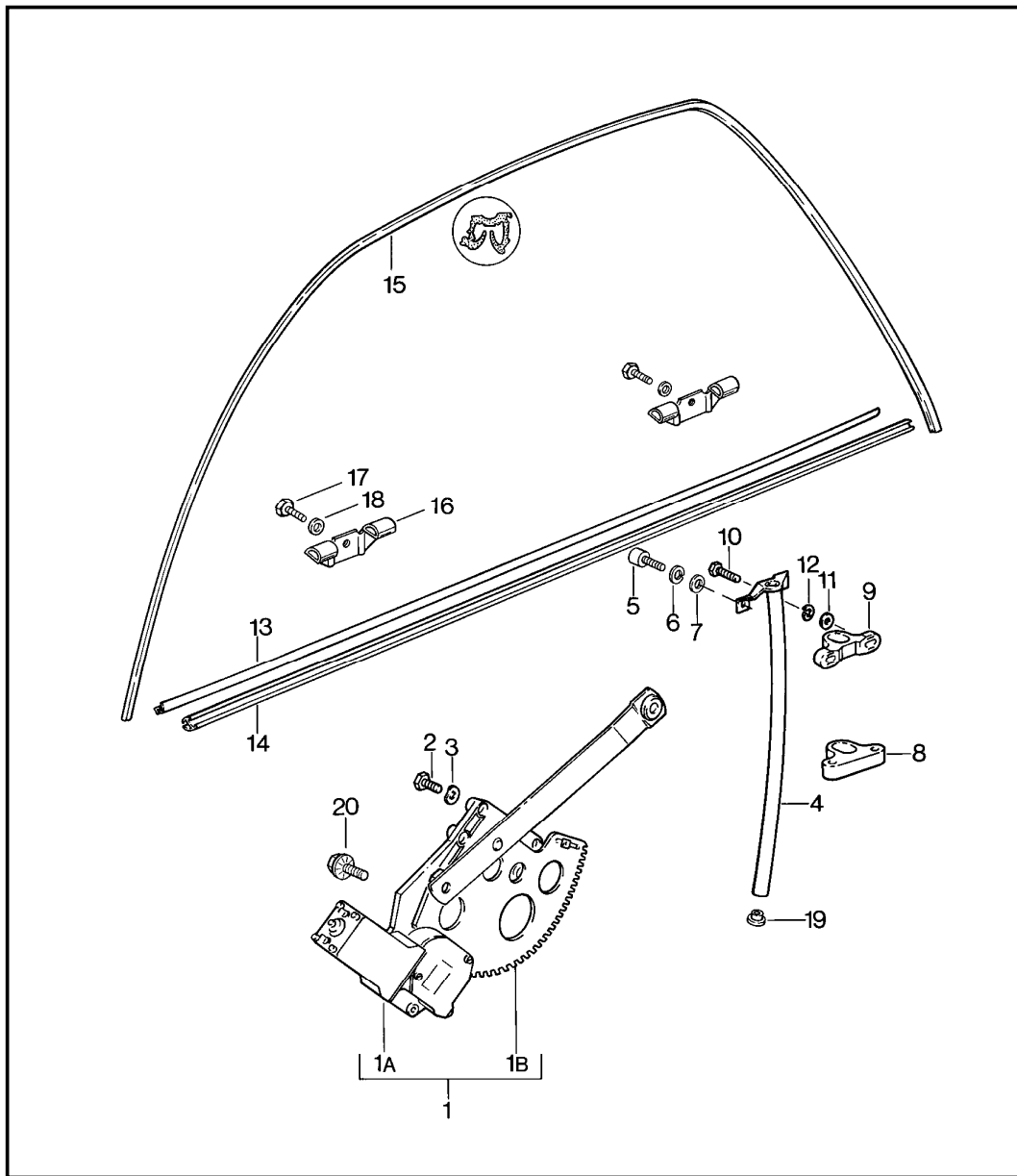


Pos	Part Number	Description	Remark	Qty	Model
		central locking system			
1	928 537 471 02	vacuum line red	/L	-79	1
2	928 537 472 02	vacuum line red	/R	-79	1
-	928 025 305 03	hose 2,6 X 1,7 red		-79	*
3	-	40 MM		-79	2
4	-	350 MM		-79	2
5	928 537 473 02	vacuum line blue		-79	1
7	928 574 723 02	vacuum line black 400 MM		-79	3
10	928 537 475 02	vacuum line light green		-79	1
11	928 537 476 02	vacuum line light green		-79	1
14	928 537 447 02	vacuum line red		-79	1
15	928 537 449 02	vacuum line light green		-79	1
16	928 537 394 02	clamp		-79	8
(16)	928 537 394 03	clamp		80-	8
17	928 537 411 02	clip		-79	4
-	999 911 227 40	base strap		-79	*
18	-	915 MM		-79	2
19	928 537 443 02	vacuum reservoir		-79	1
20	900 075 145 02	hexagon-head bolt M 5 X 16		-79	2
21	900 025 003 02	washer A 5,3		-79	4
22	N 012 222 4	spring washer A 5		-79	2

Model	Year	MG	SG	Illustration	Restrictions	UPD	17:59	23.01.2010	PORSCHE	PET	PORSCHE
928	1982	8	04	804-10		248					

Pos	Part Number	Description	Remark	Qty	Model	Pos	Part Number	Description	Remark	Qty	Model
23	N 011 005 14	hexagon nut M 5		-79 2							
24	901 628 745 20	t-socket		-79 1							
25	928 537 077 02	control valve	/LL	-79 1							
(25)	928 537 078 02	control valve	/RL	-79 1							
26	999 166 054 02	sl-lock		4							
(27)	928 537 079 02	vacuum timing unit	/RL	-79 1							
27	928 537 080 02	vacuum timing unit ELEMENT	/LL	-79 1							
28	N 013 968 7	tapping screw B 4,8 X 13		-79 2							
29	900 025 003 02	washer A 5,3		-79 4							
30	928 537 361 02	valve		-79 1							
31	928 574 689 02	connecting piece		-79 1							
32	928 624 401 02	electric motor	/L	80- 1							
(32)	928 624 402 02	electric motor	/R	80- 1							
32A	928 624 403 00	operating rod		80- 2							
33	999 591 570 40	clip		80- 2							
		wiring harnesses see group 9/02/15									

Model	Year	MG	SG	Illustration	Restrictions	UPD	17:59	23.01.2010	PORSCHE	PET	PORSCHE
928	1982	8	04	804-15		248					

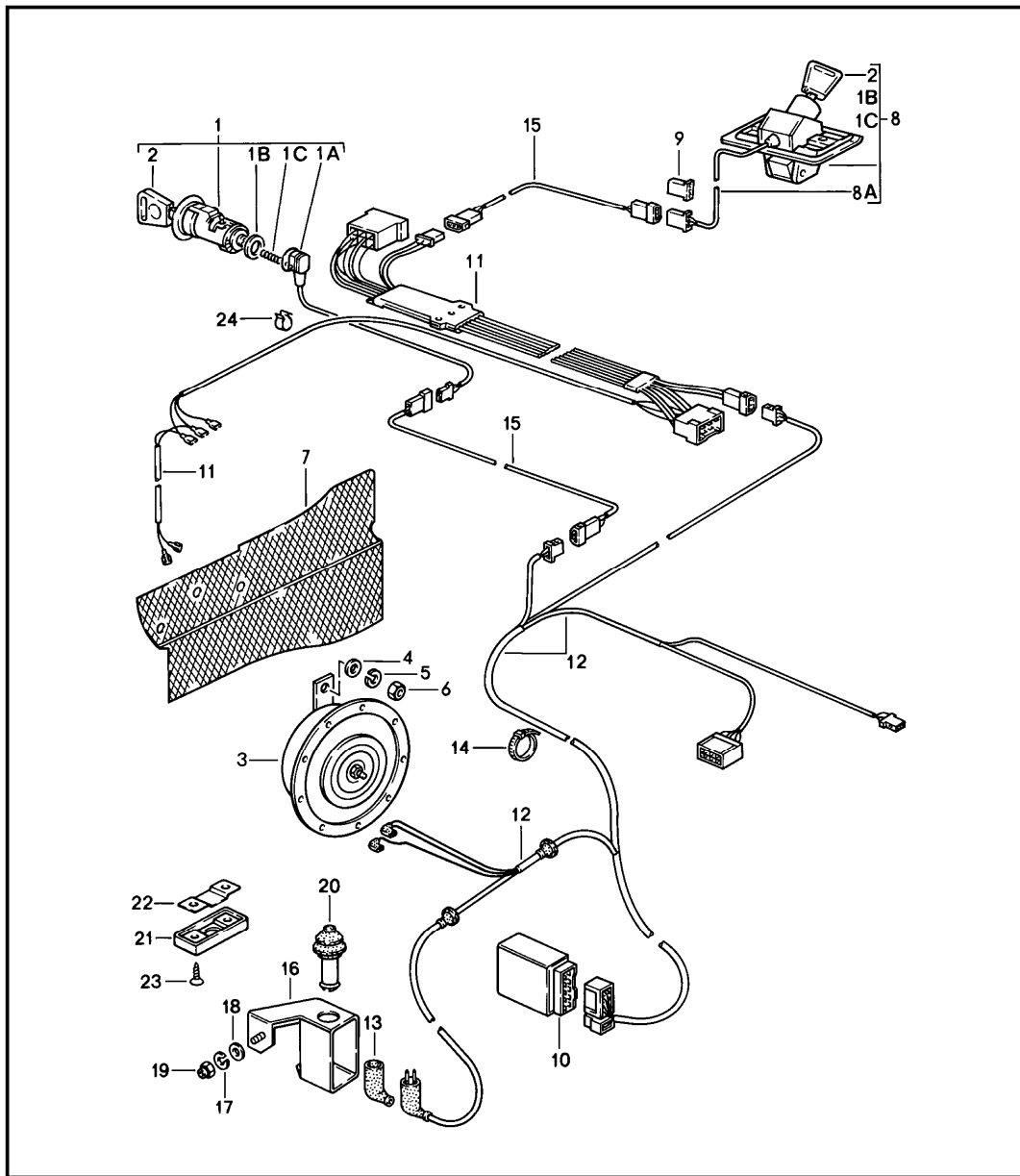


Pos	Part Number	Description	Remark	Qty	Model
		power windows			
1	A 928 537 075 02	power windows	/L	1	
1	928 537 075 06	power windows	/L	1	
1	A 928 537 076 02	power windows	/R	1	
1	928 537 076 06	power windows	/R	1	
1A	928 624 013 04	engine and transmission for window opener only together with 928.537.075.02	/L	1	
1	928 624 013 03	engine and transmission for window opener only together with 928.537.075.05	/L	1	
1A	928 624 014 04	engine and transmission for window opener only together with 928.537.076.02	/R	1	
1	928 624 014 03	engine and transmission for window opener only together with 928.537.076.05	/R	1	
1B	A 928 537 909 02	power windows without engine and transmission only together with 928.537.075.02	/L	1	
1B	928 537 909 04	power windows without engine and transmission only together with 928.537.075.05	/L	1	
1B	A 928 537 910 02	power windows without engine and transmission only together with 928.537.076.02	/R	1	
1B	928 537 910 04	power windows without engine and transmission only together with 928.537.076.05	/R	1	
2	N 010 210 13	hexagon-head bolt M 6 X 10		8	

Model	Year	MG	SG	Illustration	Restrictions	UPD	17:59	23.01.2010	PORSCHE	PET	PORSCHE
928	1982	8	04	804-15		248					

Pos	Part Number	Description	Remark	Qty	Model	Pos	Part Number	Description	Remark	Qty	Model
3	N 012 226 5	spring washer B 6		8		15	928 537 323 03	window guide	/L	1	
4	928 537 263 02	guide tube	/L	1		(15) A	928 537 324 03	window guide	/R	1	
(4)	928 537 264 02	guide tube	/R	1		(15)	928 537 324 03	window guide	/R	1	
5	900 067 008 02	pan-head screw M 6 X 12		4		-	999 920 004 02	u-clamp		10	
6	900 151 007 02	washer B 7,4		4		16	928 537 085 03	fleet angle		4	
7	N 012 006 4	lock ring B 6		4		17	N 014 761 2	pan-head screw M 6 X 12		4	
8	928 537 259 02	slide lower	/L	2		-	N 012 226 5	spring washer B 6		4	
(8)	928 537 260 02	slide lower	/R	2		18	N 011 524 7	washer A 6,4		4	
9	928 537 289 02	slide upper	/L	2		19	928 537 285 02	insert		2	
(9)	928 537 290 02	slide upper	/R	2		20	999 093 004 02	hexagon-head bolt		6	
10	900 075 016 02	hexagon-head bolt M 6 X 22		4							
11	N 011 524 7	washer B 6,4		4							
12	N 012 006 4	lock ring B 6		4							
13	A 928 537 319 03	sealing for door slot	/L	-79	1						
13	928 537 319 03	sealing for door slot	/L	80-	1						
(13)	A 928 537 320 03	sealing for door slot	/R	-79	1						
(13)	928 537 320 03	sealing for door slot	/R	80-	1						
14	A 928 537 321 03	sealing for door slot outer	/L	1							
14	928 537 321 03	sealing for door slot outer	/L	1							
(14)	A 928 537 322 03	sealing for door slot outer	/R	1							
(14)	928 537 322 03	sealing for door slot outer	/R	1							

Model	Year	MG	SG	Illustration	Restrictions	UPD	17:59	23.01.2010	PORSCHE	PET	PORSCHE
928	1982	8	04	804-20		248					

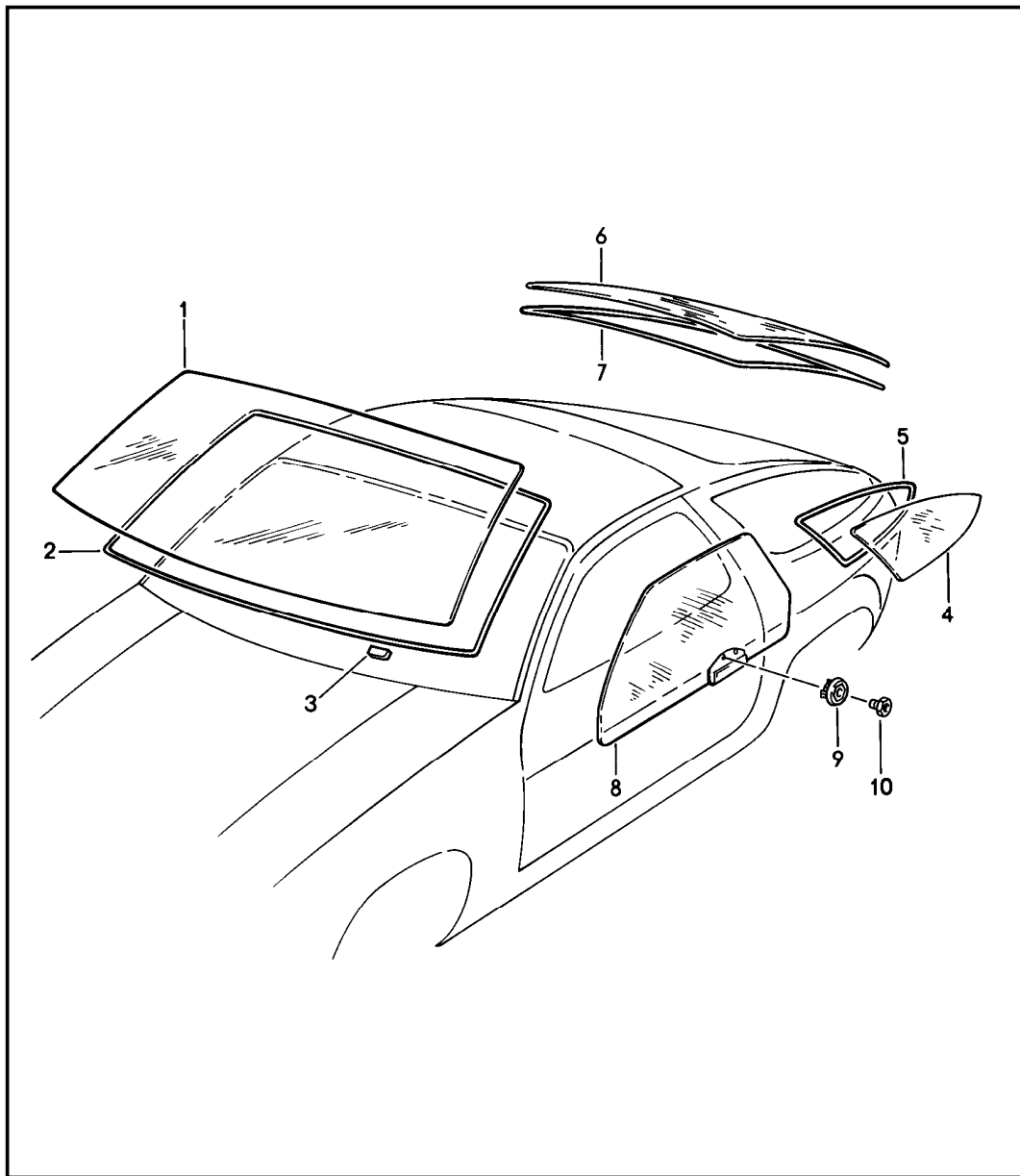


Pos	Part Number	Description	Remark	Qty	Model
1	928 537 906 02	alarm system door lock cylinder with microswitch with stipulated lock number state lock number	/R	1	
		secondary key		1	
		key		1	
1	928 537 905 02	door lock cylinder with microswitch with stipulated lock number state lock number secondary key key	/L	1	
		secondary key		1	
		key		1	
1	928 537 908 02	door lock cylinder with microswitch w/o stipulated lock number secondary key key	/R	1	
1	928 537 907 02	door lock cylinder with microswitch w/o stipulated lock number secondary key key	/L	1	
(1A)	928 537 713 02	contact switch	/L	1	
1A	928 537 714 02	contact switch	/R	1	
1B	928 537 493 02	compression spring		3	
1C	928 537 495 03	gasket		3	
2	928 537 019 02	key with key lamp with stipulated lock number state lock number		1	
2	928 537 639 10	blank key		1	
3	928 635 105 00	high volume horn		1	
4	900 025 008 09	washer A 10,5		1	
5	900 027 016 02	lock ring B 10		1	

Model	Year	MG	SG	Illustration	Restrictions	UPD	17:59	23.01.2010	PORSCHE	PET	PORSCHE
928	1982	8	04	804-20		248					

Pos	Part Number	Description	Remark	Qty	Model	Pos	Part Number	Description	Remark	Qty	Model
6	N 011 010 6	hexagon nut M 10		1		18	900 151 027 02	washer A 5,3		1	
7	928 504 353 02	protective grille	/LL	1		19	N 011 005 14	hexagon nut M 5		1	
7	927 504 353 02	protective grille	/RL	1		20	928 613 173 00	contact switch		1	
8	928 512 901 03	lid lock with stipulated lock number state lock number key		1		21	928 637 121 00	protection cap		1	
8	928 512 903 03	lid lock w/o stipulated lock number key		1		22	928 637 123 00	pressure plate		1	
8A	928 512 070 02	contact switch	/H	1		23	N 013 994 2	tapping screw B 4,8 X 16		2	
9	171 971 999 B	terminal sleeve housing		3		24	999 591 465 02	cable clamp		2	
10	928 618 117 00	alarm control unit		1		(24A)	N 011 005 14	hexagon nut		1	
10	928 618 117 01	alarm control unit	(CH)	1							
11	A 928 612 008 04	wiring harness		1							
11	928 612 008 04	wiring harness		1							
12	928 612 182 02	wiring harness with fuse for rear lid	/LL	1							
12	928 612 182 00	wiring harness without fuse for rear lid	/LL	1							
12	927 612 182 02	wiring harness	/RL	1							
13	113 927 249	protection cap		1							
14	999 513 003 40	tie-wrap		4							
15	928 612 183 00	wiring harness for doors and rear lid		3							
16	928 637 101 01	switch housing		1							
17	N 012 005 3	lock ring		1							

Model	Year	MG	SG	Illustration	Restrictions	UPD	18:00	23.01.2010	PORSCHE	PET	PORSCHE
928	1982	8	05	805-00		248					



Pos	Part Number	Description	Remark	Qty	Model
		window glazing			
1	A 928 541 013 02	windscreen clear	-80	1	
1	928 541 011 06	windscreen clear		1	
(1)	928 541 014 03	windscreen brown tinted		1	
(1)	928 541 011 05	windscreen green tinted		1	
1	928 541 011 07	windscreen green top tint		1	
2	477 898 011 A	adhesive set windscreen		1	
3	928 541 121 04	spacer		2	
4	928 543 101 02	side window clear	/L -79	1	
(4)	928 543 102 02	side window clear	/R -79	1	
(4)	928 543 103 08	side window brown tinted	/L	1	
(4)	928 543 103 03	side window brown rear spoiler	/L	1	
(4)	928 543 104 02	side window brown tinted	/R	1	
(4)	928 543 104 03	side window brown rear spoiler	/R	1	
(4)	928 543 105 02	side window green tinted	/L	1	
(4)	928 543 105 03	side window green rear spoiler	/L	1	

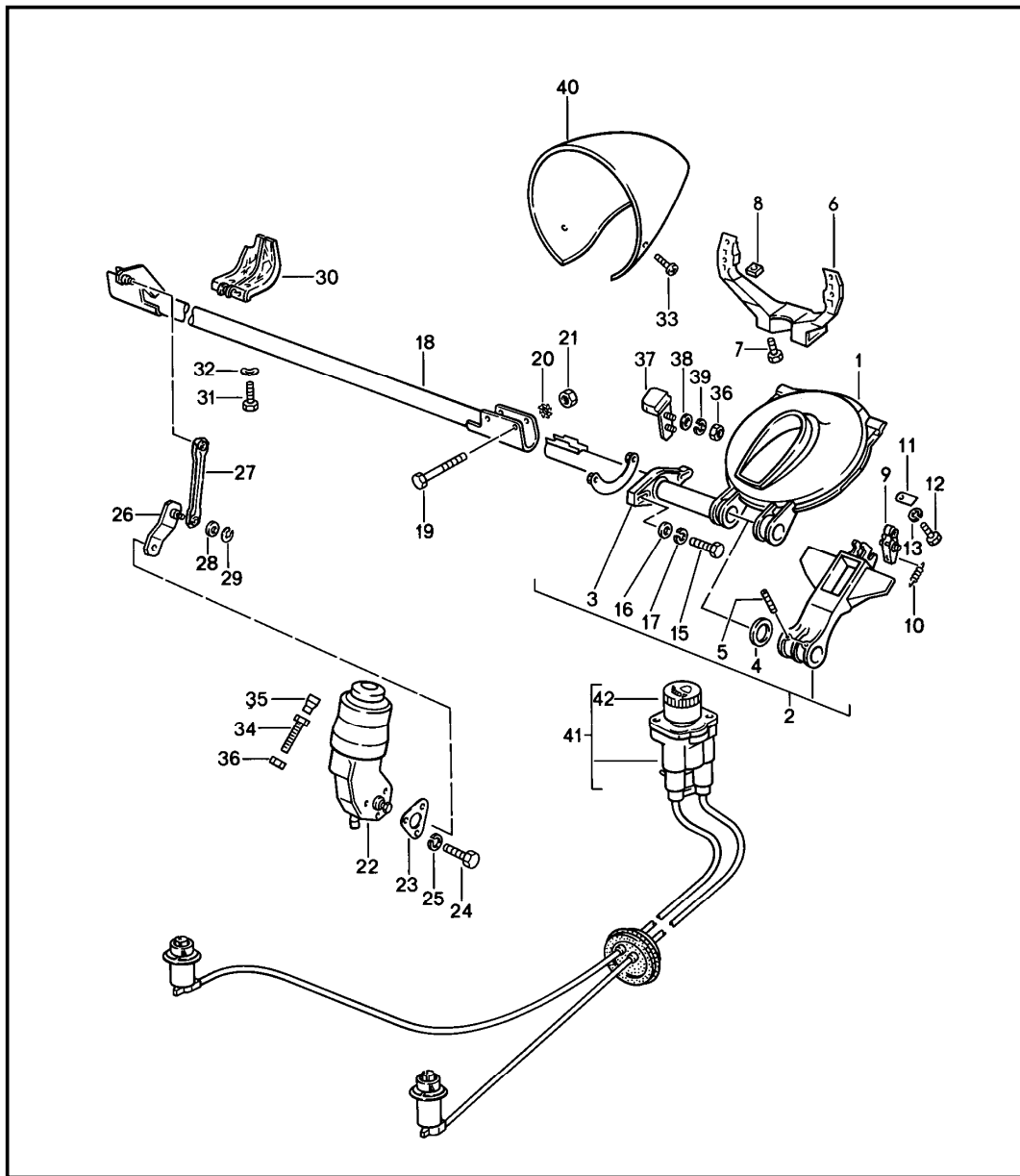
Model	Year	MG	SG	Illustration	Restrictions	UPD	18:00	23.01.2010	PORSCHE	PET	PORSCHE
928	1982	8	05	805-00		248					

Pos	Part Number	Description	Remark	Qty	Model	Pos	Part Number	Description	Remark	Qty	Model
(4)	928 543 106 02	side window green tinted	/R	1				sealing frame F >>92BS8 00192 F >>92BS8 40296 F >>92BS8 29570 F >>92BS8 20566	(J) (USA)		928 928S
(4)	928 543 106 03	side window green rear spoiler side window F 92BS8 00193>> F 92BS8 40297>> F 92BS8 29571>> F 92BS8 20567>>	/R	1	928 928S	5 A	928 543 037 03	sealing frame without rear spoiler	/L	1	
(4)	928 543 103 08	side window brown tinted	/L	1		5	928 543 037 04	sealing frame without rear spoiler	/L	1	
(4)	928 543 103 08	side window brown tinted	/L	1		5	928 543 038 03	sealing frame without rear spoiler	/R	1	
(4)	928 543 103 09	side window brown rear spoiler	/L	1		5	928 543 038 04	sealing frame without rear spoiler	/R	1	
(4)	928 543 104 08	side window brown tinted	/R	1		(5)	928 543 045 03	sealing frame with rear spoiler	/L	1	
(4)	928 543 104 09	side window brown rear spoiler	/R	1		5	928 543 046 03	sealing frame with rear spoiler F 92BS8 00193>> F 92BS8 40297>> F 92BS8 29571>> F 92BS8 20567>>	/R	1	928 928S
(4)	928 543 104 09	side window brown rear spoiler	/R	1		5	928 543 045 04	with rear spoiler sealing frame	/L	1	
(4)	928 543 105 08	side window green tinted	/L	1		5	928 543 046 04	with rear spoiler sealing frame	/R	1	
(4)	928 543 105 07	side window green rear spoiler	/L	1		6	928 545 107 03	with rear spoiler rear window brown tinted		1	
(4)	928 543 106 08	side window green tinted	/R	1		(6)	928 545 018 02	with rear spoiler rear window green tinted		1	
(4)	928 543 106 09	side window green rear spoiler	/R	1		7 A	999 915 509 40	adhesive set		1	
						7	000 043 300 94	adhesive set		1	

Model	Year	MG	SG	Illustration	Restrictions	UPD	18:00	23.01.2010	PORSCHE	PET	PORSCHE
928	1982	8	05	805-00		248					

Pos	Part Number	Description	Remark	Qty	Model	Pos	Part Number	Description	Remark	Qty	Model
8	928 537 013 02	door window glass clear	/L	1							
(8)	928 537 014 02	door window glass clear	/R	1							
(8)	928 537 015 02	door window glass brown tinted	/L	1							
(8)	928 537 016 02	door window glass brown tinted	/R	1							
(8)	928 537 101 02	door window glass green tinted	/L	1							
(8)	928 537 102 02	door window glass green tinted	/R	1							
9	928 537 281 04	fastening plug		4							
10	928 537 277 02	threaded piece		4							

Model	Year	MG	SG	Illustration	Restrictions	UPD	18:00	23.01.2010	PORSCHE	PET	PORSCHE
928	1982	8	06	806-00		248					

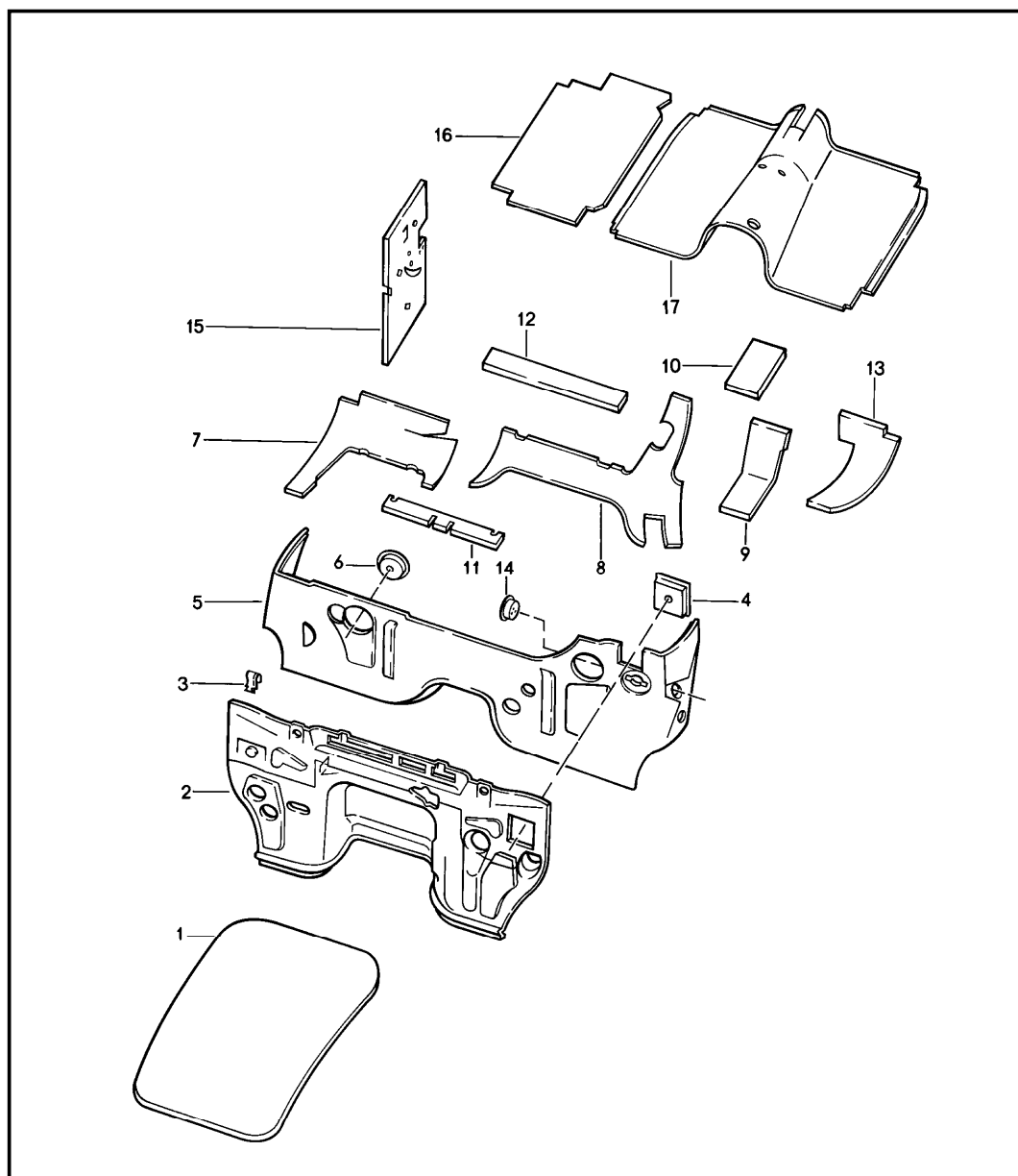


Pos	Part Number	Description	Remark	Qty	Model
		pop-up headlight			
1	A 928 750 243 02	swivel frame		2	
2	928 750 097 05	driving arm	/L	1	
2	928 750 098 05	driving arm	/R	1	
3	A 928 750 211 04	bearing headlamp shaft	-81	2	
3	928 750 211 04	bearing headlamp shaft	82	2	
4	928 750 253 02	washer		4	
5	900 095 085 02	spiral clamping pin		4	
6	928 750 285 03	supporting arm		2	
7	900 067 011 02	pan-head screw M 6 X 20		4	
-	999 025 108 02	washer 6,5		4	
8	900 076 010 02	hexagon nut M 6		4	
9	928 750 079 02	locking segment		2	
10	928 750 291 02	tension spring		2	
11	928 750 325 02	tab		8	
12	999 015 004 02	screw AM 5 X 10			
13	N 012 222 4	spring washer B 5		8	
-	928 750 255 05	bracket		2	
14	928 750 071 02	counterplate		2	
15	900 074 015 02	hexagon-head bolt M 6 X 30		4	
16	N 011 666 7	washer B 6,4		4	
17	N 012 006 4	lock ring B 6		4	
18	928 750 041 05	shaft		1	

Model	Year	MG	SG	Illustration	Restrictions	UPD	18:00	23.01.2010	PORSCHE	PET	PORSCHE
928	1982	8	06	806-00		248					

Pos	Part Number	Description	Remark	Qty	Model	Pos	Part Number	Description	Remark	Qty	Model
19	N 010 339 3	hexagon-head bolt M 6 X 45		4		39	N 012 006 4	lock ring B 6		4	
20	900 115 006 01	serrated lock washer A 6,4		4		40	928 750 083 02	housing pop-up headlight		2	
21	900 096 006 02	hexagon nut M 6		4		(41)	928 631 220 01	governor headlight levelling system manually adjustable until F >>92891 02996 F >>92892 09622 2 connection piece 928.631.203.03 use also:		1	
22	928 624 021 00	electric motor pop-up headlight		1							
23	928 750 207 02	plate		1							
24	900 075 010 02	hexagon-head bolt M 6 X 12		3							
25	N 012 006 4	lock ring B 6		3		42	928 631 221 01	rotary knob		1	
26	928 750 065 03	lever		1		-	928 631 223 02	rosette		1	
27	928 750 067 02	push rod		1		-	928 799 750 07	tension spring		2	
28	900 031 001 02	washer 8,4		2							
29	900 116 009 01	lock washer 6		2							
30	928 750 055 02	guide		1							
31	999 217 019 02	hexagon-head bolt M 6 X 12		2							
32	N 012 226 5	spring washer B6		2							
33	999 919 008 07	oval-head screw 4,2 X 13	-81	2							
33	900 143 125 07	oval-head sheetmetal screw 3,5 X 13	82	6							
34	N 010 221 3	hexagon-head bolt M 6 X 35		2							
35	914 504 319 00	grommet		2							
36	900 076 010 02	hexagon nut M 6		2							
37	928 750 031 02	stop bracket		2							
38	900 151 003 02	washer A 6,4		4							

Model	Year	MG	SG	Illustration	Restrictions	UPD	18:00	23.01.2010	PORSCHE	PET	PORSCHE
928	1982	8	07	807-00		248					

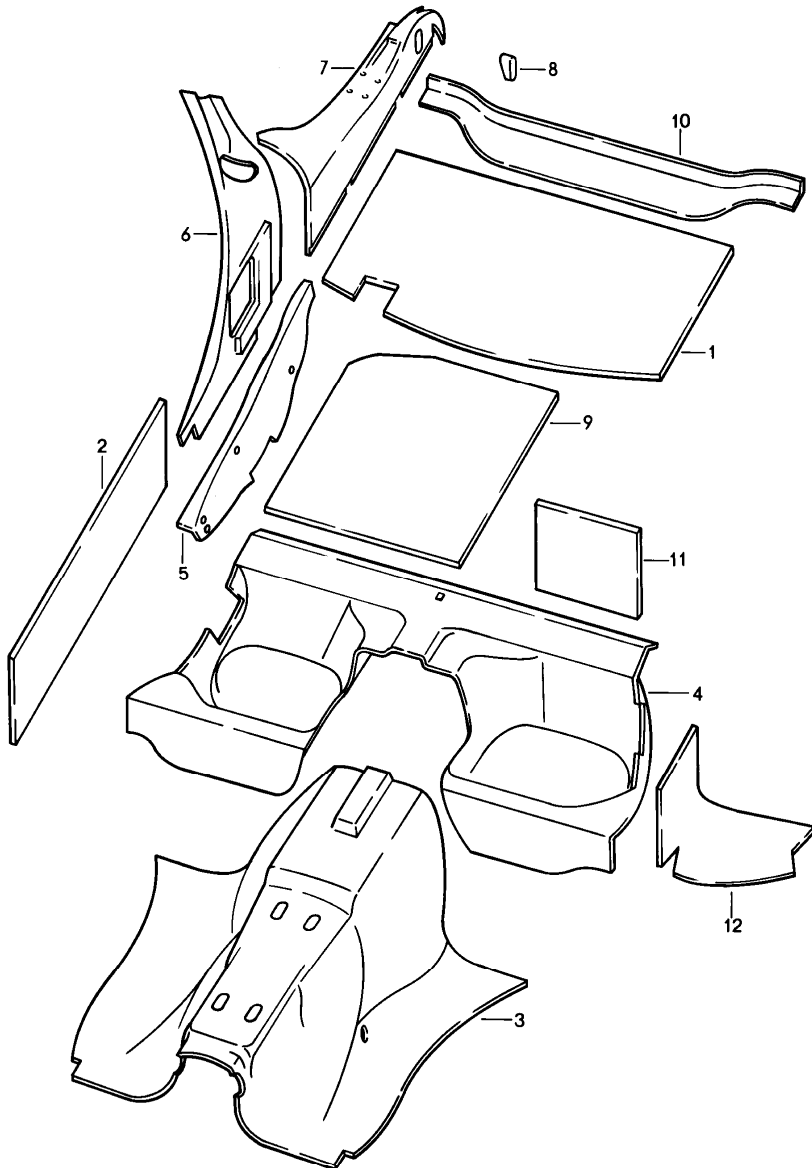


Pos	Part Number	Description	Remark	Qty	Model
		body sound proofing 1			
1	928 556 285 02	insulation bonnet	/H	1	
(1)	928 556 241 02	insulation bonnet	/V	1	
2	928 556 089 02	insulation engine compartment	/LL	1	
(2)	927 556 089 02	insulation engine compartment	/RL	1	
3	928 556 295 02	clamp		7	
4	928 556 057 03	insert firewall		1	
5 A	928 556 051 02	insulation firewall	/LL	-81	1
5	928 556 051 03	insulation firewall	/LL	1	
5	927 556 051 02	insulation firewall	/RL	-81	1
5	927 556 041 03	insulation firewall	/RL	82	1
6	928 556 063 05	insert firewall		1	
7	928 556 155 02	insulation cross panel	/LL/R	78	1
7	928 556 155 04	insulation cross panel	/LL/R	79-	1
(7)	927 556 155 03	insulation cross panel	/RL/R	1	
8	928 556 159 03	insulation cross panel centre	/LL	1	
(8) A	927 556 159 04	insulation	/RL	1	
(8)	927 556 159 04	insulation cross panel centre	/RL	1	
9	928 556 169 04	insert steering	/LL	1	

Model	Year	MG	SG	Illustration	Restrictions	UPD	18:00	23.01.2010	PORSCHE	PET	PORSCHE
928	1982	8	07	807-00		248					

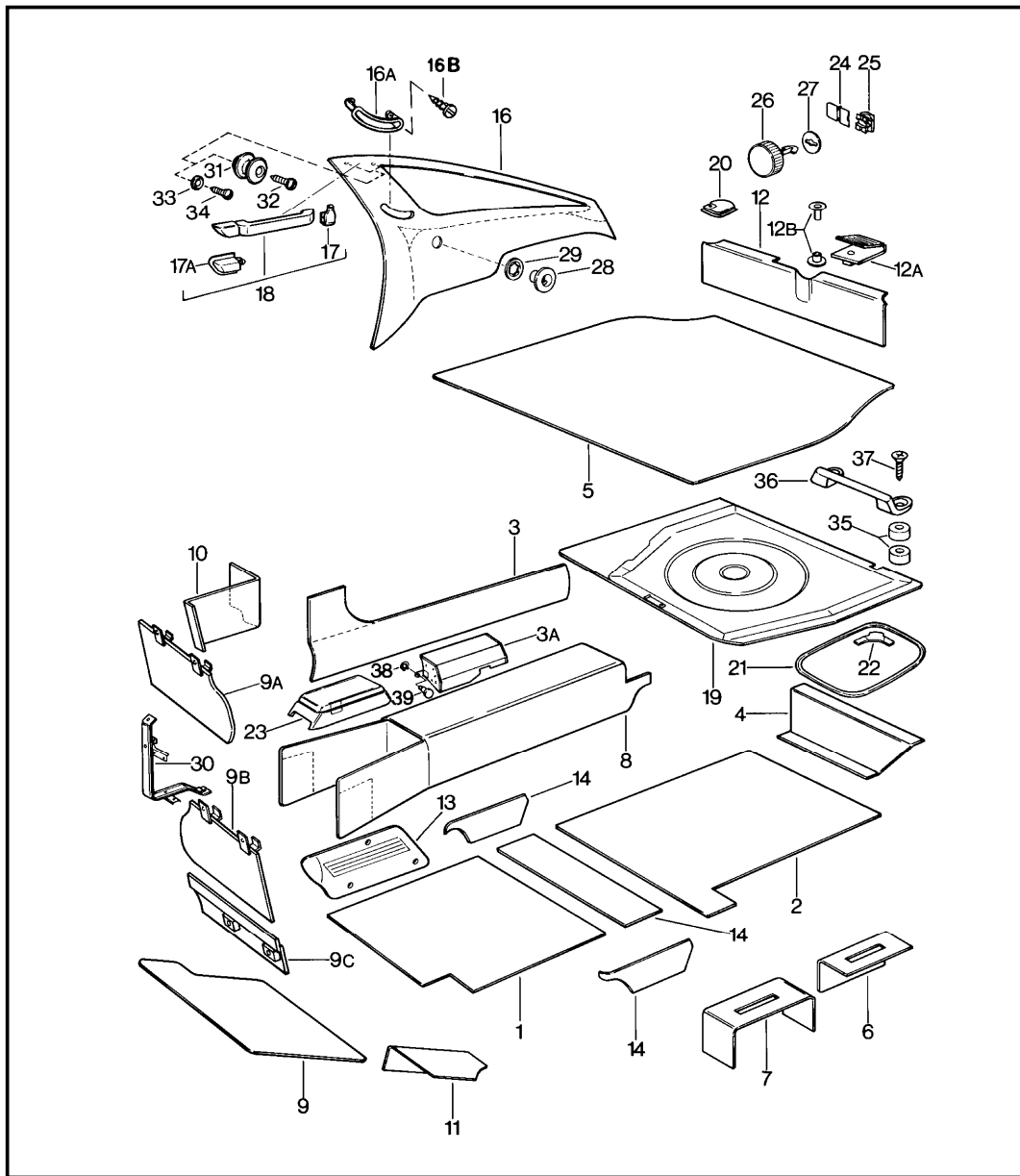
Pos	Part Number	Description	Remark	Qty	Model	Pos	Part Number	Description	Remark	Qty	Model
9	927 556 169 03	insert steering	/RL	1		17	928 556 031 02	insulation tunnel		1	
10	928 556 171 04	insert brake booster		1							
11	928 556 267 02	insulation cross panel		1							
12	928 556 387 03	insulation heater		1							
13	928 556 173 05	insulation cross panel	/LL/L	1							
13	927 556 173 03	insulation cross panel	/RL/L	1							
14	928 556 075 02	insert headlight levelling system		-81	1						
14	928 556 075 02	insert headlight levelling system	/RL	82	1						
14	928 556 075 06	insert headlight levelling system	/LL	82	1						
15	928 556 353 02	insulation side section	/LL	1							
15	928 556 354 02	insulation side section	/LL	1							
15	927 556 353 02	insulation side section	/RL	1							
16 A	928 556 291 02	insulation floor	/LL	-79	1						
16	928 556 291 03	insulation floor	/LL	1							
16	927 556 291 02	insulation floor	/RL	1							
16	928 556 292 02	insulation floor	/LL	1							
16 A	927 556 292 02	insulation floor	/RL	-79	1						
16 A	927 556 292 05	insulation	/RL	1							
16	927 556 292 05	insulation floor	/RL	1							

Model	Year	MG	SG	Illustration	Restrictions	UPD	18:00	23.01.2010	PORSCHE	PET	PORSCHE
928	1982	8	07	807-01		248					



Pos	Part Number	Description	Remark	Qty	Model
		body sound proofing 2			
1	928 556 233 02	insulation roof		1	
2	928 556 235 02	insulation door		2	
3	928 556 033 02	insulation		1	
3	928 556 033 03	insulation tunnel		1	AUT.
4	928 556 055 02	insulation seat well		1	
5	928 556 205 02	insulation	/LL/L	1	
5	928 556 206 02	insulation	/LL/R	1	
5	927 556 205 03	insulation	/RL/L	1	
5	927 556 206 03	insulation bracket	/RL/R	1	
6	928 556 261 05	insulation	/V/L	1	
6	928 556 262 05	insulation side section	/V/R	1	
7	928 556 251 03	insulation	/H/L	1	
7	928 556 252 03	insulation side section	/H/R	1	
8	928 556 265 02	insert side section		1	
9	928 556 239 02	insulation boot floor plate		1	
10	928 556 289 02	insulation terminal piece		1	
11	928 556 271 02	insulation seat well		2	
12	928 556 273 02	insulation		1	
12	928 556 274 02	insulation seat well		1	

Model	Year	MG	SG	Illustration	Restrictions	UPD	18:00	23.01.2010	PORSCHE	PET	PORSCHE
928	1982	8	07	807-05		248					



Pos	Part Number	Description	Remark	Qty	Model
1	928 551 011 02	linings			
		carpet velour pile	/LL/L	1	
	20B	dark green		78	
	40A	brown		78	
	70A	black		78	
	40D	cork		78	
(1)	928 551 012 02	carpet velour pile	/LL/R	1	
	20B	dark green		78	
	40A	brown		78	
	70A	black		78	
	40D	cork		78	
1	927 551 011 02	carpet velour pile	/RL/L	1	
	20B	dark green		78	
	40A	brown		78	
	70A	black		78	
	40D	cork		78	
(1)	927 551 012 02	carpet velour pile	/RL/R	1	
	20B	dark green		78	
	40A	brown		78	
	70A	black		78	
	40D	cork		78	
1	928 551 011 02	carpet cut pile	/LL/L	1	
	70E	black		79	
	20E	green		79	
	40E	brown		79	
	41D	cork		79	

Model	Year	MG	SG	Illustration	Restrictions	UPD	18:00	23.01.2010	PORSCHE	PET	PORSCHE
928	1982	8	07	807-05		248					

Pos	Part Number	Description	Remark	Qty	Model	Pos	Part Number	Description	Remark	Qty	Model
(1)	928 551 012 02	carpet cut pile	/LL/R	1			40E	brown	80-		
	70E	black		79			50B	beige	80-		
	20E	green		79			20S	mint green	81-		
	40E	brown		79			60A	grey	81-		
	41D	cork		79			80E	burgundy			M406
1	927 551 011 02	carpet cut pile	/RL/L	1		(1)	927 551 011 03	carpet cut pile	/RL/L	1	
	70E	black		79			70E	black	80-		
	20E	green		79			30B	blue	80-		
	40E	brown		79			40E	brown	80-		
	41D	cork		79			50B	beige	80-		
(1)	927 551 012 02	carpet cut pile	/RL/R	1			20S	mint green	81-		
	70E	black		79			60A	grey	81-		
	20E	green		79			80E	burgundy			M406
	40E	brown		79		(1)	927 551 012 03	carpet cut pile	/RL/R	1	
	41D	cork		79			70E	black	80-		
(1)	928 551 011 03	carpet cut pile	/LL/L	1			30B	blue	80-		
	70E	black		80-			40E	brown	80-		
	30B	blue		80-			50B	beige	80-		
	40E	brown		80-			20S	mint green	81-		
	50B	beige		80-			60A	grey	81-		
	20S	mint green		81-			80E	burgundy			M406
	60A	grey		81-		2	A 928 551 013 02	carpet velour pile	/L	1	
	80E	burgundy			M406		20B	dark green	78		
(1)	928 551 012 03	carpet cut pile	/LL/R	1			40A	brown	78		
	70E	black		80-			70A	black	78		
	30B	blue		80-			40D	cork	78		
						(2)	A 928 551 014 02	carpet velour pile	/R	1	

Model	Year	MG	SG	Illustration	Restrictions	UPD	18:00	23.01.2010	PORSCHE	PET	PORSCHE
928	1982	8	07	807-05		248					

Pos	Part Number	Description	Remark	Qty	Model	Pos	Part Number	Description	Remark	Qty	Model
	20B	dark green		78			40E	brown		79-	
	40A	brown		78			41D	cork		79	
	70A	black		78			30B	blue		80-	
	40D	cork		78			50B	beige		80-	
2	928 551 013 04	carpet velour pile	/L	1			20S	mint green		81-	
	20B	dark green		78			60A	grey		81-	
	40A	brown		78		2	928 551 013 04	carpet cut pile	/L	82	M406
	70A	black		78			70E	black		79-	
	40D	cork		78			20E	green		79	
(2)	928 551 014 04	carpet velour pile	/R	1			40E	brown		79-	
	20B	dark green		78			41D	cork		79	
	40A	brown		78			30B	blue		80-	
	70A	black		78			50B	beige		80-	
	40D	cork		78			20S	mint green		81-	
2	A 928 551 013 02	carpet cut pile	/L	1			60A	grey		81-	
	70E	black		79-			80E	burgundy		82	M406
	20E	green		79		(2)	928 551 014 04	carpet cut pile	/R	1	
	40E	brown		79-			70E	black		79-	
	41D	cork		79			20E	green		79	
	30B	blue		80-			40E	brown		79-	
	50B	beige		80-			41D	cork		79	
	20S	mint green		81-			30B	blue		80-	
	60A	grey		81-			50B	beige		80-	
	80E	burgundy		82	M406		20S	mint green		81-	
(2)	A 928 551 014 02	carpet cut pile	/R	1			60A	grey		81-	
	70E	black		79-			80E	burgundy		82	M406
	20E	green		79							

Model	Year	MG	SG	Illustration	Restrictions	UPD	18:00	23.01.2010	PORSCHE	PET	PORSCHE
928	1982	8	07	807-05		248					

Pos	Part Number	Description	Remark	Qty	Model	Pos	Part Number	Description	Remark	Qty	Model
(3)	928 551 031 02	lining side member velour pile	/LL/L	1			20E	green	79		
							40E	brown	79-		
	20B	dark green	78				41D	cork	79		
	40A	brown	78				30B	blue	80-		
	70A	black	78				50B	beige	80-		
	40D	cork	78				20S	mint green	81-		
3	928 551 032 02	lining side member velour pile	/LL/R	-79	1		60A	grey	81-		
	20B	dark green	78				80E	burgundy	82		M406
	40A	brown	78			3	928 551 032 02	lining cut pile	/LL/R	-79	1
	70A	black	78				70E	black	79-		
	40D	cork	78				20E	green	79		
(3)	928 551 032 03	lining side member velour pile	/LL/R	80-	1		40E	brown	79-		
							41D	cork	79		
(3)	927 551 031 02	lining side member velour pile	/RL/L	1		(3)	928 551 032 03	lining cut pile	/LL/R	80-	1
	20B	dark green	78				70E	black	79-		
	40A	brown	78				40E	brown	79-		
	70A	black	78				30B	blue	80-		
	40D	cork	78				50B	beige	80-		
(3)	927 551 032 02	lining side member velour pile	/RL/R	1			20S	mint green	81-		
	20B	dark green	78				60A	grey	81-		
	40A	brown	78			(3)	927 551 031 02	lining cut pile	/RL/L		1
	70A	black	78				70E	black	79-		
	40D	cork	78				20E	green	79		
(3)	928 551 031 02	lining cut pile	/LL/L	1			40E	brown	79-		
	70E	black	79-				41D	cork	79		
							30B	blue	80-		

Model	Year	MG	SG	Illustration	Restrictions	UPD	18:00	23.01.2010	PORSCHE	PET	PORSCHE
928	1982	8	07	807-05		248					

Pos	Part Number	Description	Remark	Qty	Model	Pos	Part Number	Description	Remark	Qty	Model
	50B	beige	80-				60A	grey	81-		
	20S	mint green	81-				80E	burgundy			M406
	60A	grey	81-			4	928 551 057 02	lining heel plate velour pile	/LL/L	1	
	80E	burgundy	82		M406		20B	dark green		78	
(3)	927 551 032 02	lining cut pile	/RL/R	1			40A	brown		78	
	70E	black	79-				70A	black		78	
	20E	green	79				40D	cork		78	
	40E	brown	79-			(4)	928 551 058 02	lining heel plate velour pile	/LL/R	1	
	41D	cork	79				20B	dark green		78	
	30B	blue	80-				40A	brown		78	
	50B	beige	80-				70A	black		78	
	20S	mint green	81-				40D	cork		78	
	60A	grey	81-			4	927 551 057 02	lining heel plate velour pile	/RL/L	1	
	80E	burgundy	82		M406		20B	dark green		78	
3A	928 551 505 03	cover	/LL	1			40A	brown		78	
	70E	black					70A	black		78	
	30B	blue					40D	cork		78	
	40E	brown				(4)	927 551 058 02	lining heel plate velour pile	/RL/R	1	
	50B	beige					20B	dark green		78	
	20S	mint green	81-				40A	brown		78	
	60A	grey	81-				70A	black		78	
	80E	burgundy			M406		40D	cork		78	
(3A)	927 551 505 03	cover	/RL	1			928 551 057 02	lining cut pile	/LL/L	1	
	70E	black					70E	black		79-	
	30B	blue									
	40E	brown									
	50B	beige									
	20S	mint green	81-								

Model	Year	MG	SG	Illustration	Restrictions	UPD	18:00	23.01.2010	PORSCHE	PET	PORSCHE
928	1982	8	07	807-05		248					

Pos	Part Number	Description	Remark	Qty	Model	Pos	Part Number	Description	Remark	Qty	Model
	20E	green		79		(4)	927 551 058 02	lining cut pile	/RL/R	1	
	40E	brown		79-			70E	black		79-	
	41D	cork		79			20E	green		79	
	30B	blue		80-			40E	brown		79-	
	50B	beige		80-			41D	cork		79	
	20S	mint green		81-			30B	blue		80-	
	60A	grey		81-			50B	beige		80-	
	80E	burgundy			M406		20S	mint green		81-	
(4)	928 551 058 02	lining cut pile	/LL/R	1			60A	grey		81-	
	70E	black		79-			80E	burgundy			M406
	20E	green		79		5	928 551 061 02	boot floor carpet velour pile		-79	1
	40E	brown		79-			20B	dark green		78	
	41D	cork		79			40A	brown		78	
	30B	blue		80-			70A	black		78	
	50B	beige		80-			40D	cork cut pile		78	
	20S	mint green		81-			70E	black		79	
	60A	grey		81-			20E	green		79	
	80E	burgundy			M406		40E	brown		79	
4	927 551 057 02	lining cut pile	/RL/L	1			41D	cork		79	
	70E	black		79-		(5)	928 551 061 03	boot floor carpet cut pile		80-	1
	20E	green		79			70E	black			
	40E	brown		79-			30B	blue			
	41D	cork		79			40E	brown			
	30B	blue		80-			50B	beige			
	50B	beige		80-			20S	mint green		81-	
	20S	mint green		81-			60A	grey		81-	
	60A	grey		81-			80E	burgundy			M406
	80E	burgundy			M406						

Model	Year	MG	SG	Illustration	Restrictions	UPD	18:00	23.01.2010	PORSCHE	PET	PORSCHE
928	1982	8	07	807-05		248					

Pos	Part Number	Description	Remark	Qty	Model	Pos	Part Number	Description	Remark	Qty	Model
-	928 504 207 02	lid		1			30B	blue	80-		
6	928 551 091 02	lining parking-brake cable velour pile	/LL	1			50B	beige	80-		
	20B	dark green		78			20S	mint green	81-		
	40A	brown		78			60A	grey	81-		
	70A	black		78			80E	burgundy			M406
	40D	cork		78		7	928 551 089 04	lining handbrake velour pile	/LL	1	
6	927 551 091 02	lining parking-brake cable velour pile	/RL	1			20B	dark green		78	
	20B	dark green		78			40A	brown		78	
	40A	brown		78			70A	black		78	
	70A	black		78			40D	cork		78	
	40D	cork		78		7	927 551 089 04	lining handbrake velour pile	/RL	1	
6	928 551 091 02	lining cut pile	/LL	1			20B	dark green		78	
	70E	black		79-			40A	brown		78	
	20E	green		79			70A	black		78	
	40E	brown		79-			40D	cork		78	
	41D	cork		79		7	928 551 089 04	lining cut pile	/LL	1	
	30B	blue		80-			70E	black		79-	
	50B	beige		80-			20E	green		79	
	20S	mint green		81-			40E	brown		79-	
	60A	grey		81-			41D	cork		79	
	80E	burgundy			M406		30B	blue		80-	
6	927 551 091 02	lining cut pile	/RL	1			50B	beige		80-	
	70E	black		79-			20S	mint green		81-	
	20E	green		79			60A	grey		81-	
	40E	brown		79-			80E	burgundy		82	M406
	41D	cork		79		7	927 551 089 04	lining cut pile	/RL	1	

Model	Year	MG	SG	Illustration	Restrictions	UPD	18:00	23.01.2010	PORSCHE	PET	PORSCHE
928	1982	8	07	807-05		248					

Pos	Part Number	Description	Remark	Qty	Model	Pos	Part Number	Description	Remark	Qty	Model
	70E	black	79-				20S	mint green	81-		
	20E	green	79				60A	grey	81-		
	40E	brown	79-				80E	burgundy	82		M406
	41D	cork	79			8	928 551 113 03	lining cut pile	AUT.	1	
	30B	blue	80-				70E	black	79-		
	50B	beige	80-				20E	green	79		
	20S	mint green	81-				40E	brown	79-		
	60A	grey	81-				41D	cork	79		
	80E	burgundy	82		M406		30B	blue	80-		
8	928 551 113 02	lining tunnel velour pile		1			50B	beige	80-		
	20B	dark green	78				20S	mint green	81-		
	40A	brown	78				60A	grey	81-		
	70A	black	78				80E	burgundy	82		M406
	40D	cork	78			9	928 551 049 02	lining firewall velour pile	/LL	1	
8	928 551 113 03	lining tunnel velour pile	AUT.	1			20B	dark green	78		
	20B	dark green	78				40A	brown	78		
	40A	brown	78				70A	black	78		
	70A	black	78				40D	cork	78		
	40D	cork	78			(9)	927 551 050 02	lining firewall velour pile	/RL	1	
8	928 551 113 02	lining cut pile		1			20B	dark green	78		
	70E	black	79-				40A	brown	78		
	20E	green	79				70A	black	78		
	40E	brown	79-				40D	cork	78		
	41D	cork	79			9	928 551 049 02	lining cut pile	/LL	1	
	30B	blue	80-				70E	black	79-		
	50B	beige	80-				20E	green	79		

Model	Year	MG	SG	Illustration	Restrictions	UPD	18:00	23.01.2010	PORSCHE	PET	PORSCHE
928	1982	8	07	807-05		248					

Pos	Part Number	Description	Remark	Qty	Model	Pos	Part Number	Description	Remark	Qty	Model
	40E	brown	79-				20B	dark green	78		
	41D	cork	79				40A	brown	78		
	30B	blue	80-				70A	black	78		
	50B	beige	80-				40D	cork	78		
	20S	mint green	81-			(10)	927 551 069 02	lining first-aid kit velour pile	/RL	1	
	60A	grey	81-								
	80E	burgundy	82		M406		20B	dark green	78		
(9)	927 551 050 02	lining cut pile	/RL	1			40A	brown	78		
	70E	black	79-				70A	black	78		
	20E	green	79				40D	cork	78		
	40E	brown	79-			10	928 551 069 02	lining cut pile	/LL	1	
	41D	cork	79								
	30B	blue	80-				70E	black	79-		
	50B	beige	80-				20E	green	79-		
	20S	mint green	81-				40E	brown	79-		
	60A	grey	81-				41D	cork	79		
	80E	burgundy	82		M406		30B	blue	80-		
9A	928 551 062 02	foot support	/LL	-79	1		50B	beige	80-		
(9A) A	927 799 551 07	foot support	/RL	1			20S	mint green	81-		
9A	927 799 551 07	foot support	/RL	1			60A	grey	81-		
(9B) A	928 799 551 10	foot support	/LL	80-	1	(10)	927 551 069 02	lining cut pile	/RL	1	
9B	928 799 551 10	foot support upper part	/LL	80-	1						
(9C)	928 551 066 02	foot support lower part	/LL	80-	1		70E	black	79-		
-	928 551 351 02	hinge		2			20E	green	79-		
-	900 143 113 07	tapping screw B 4,2 X 13		8			40E	brown	79-		
10	928 551 069 02	lining first-aid kit velour pile	/LL	1			41D	cork	79		
							30B	blue	80-		
							50B	beige	80-		
							20S	mint green	81-		

Model	Year	MG	SG	Illustration	Restrictions	UPD	18:00	23.01.2010	PORSCHE	PET	PORSCHE
928	1982	8	07	807-05		248					

Pos	Part Number	Description	Remark	Qty	Model	Pos	Part Number	Description	Remark	Qty	Model
	60A	grey	81-				20E	green	79		
	80E	burgundy	82		M406		40E	brown	79-		
-	928 551 087 02	tab first-aid kit		1			41D	cork	79		
11	928 551 035 02	lining foot support velour pile	/LL	1			30B	blue	80-		
	20B	dark green	78				50B	beige	80-		
	40A	brown	78				20S	mint green	81-		
	70A	black	78				60A	grey	81-		
	40D	cork	78			12	928 551 081 03	plate for tools leatherette	-79	1	M406
(11)	927 551 036 02	lining foot support velour pile	/RL	1			20B	dark green			
	20B	dark green	78				21S	brown			
	40A	brown	78				05T	black			
	70A	black	78			(12)	928 551 081 04	plate for tools without rear window wiper carpet	80-	1	
	40D	cork	78				40D	cork			
11	928 551 035 02	lining cut pile	/LL	1			70E	black			
	70E	black	79-				40E	brown			
	20E	green	79				30B	blue			
	40E	brown	79-				50B	beige			
	41D	cork	79				20S	mint green	81-		
	30B	blue	80-				60A	grey	81-		
	50B	beige	80-			(12)	928 551 081 05	plate for tools with rear window wiper leatherette	80-	1	
	20S	mint green	81-				05T	black			
	60A	grey	81-				30B	blue			
	80E	burgundy	82		M406		21S	brown carpet			
(11)	927 551 036 02	lining cut pile	/RL	1			70E	black	81-		
	70E	black	79-								

Model	Year	MG	SG	Illustration	Restrictions	UPD	18:00	23.01.2010	PORSCHE	PET	PORSCHE
928	1982	8	07	807-05		248					

Pos	Part Number	Description	Remark	Qty	Model	Pos	Part Number	Description	Remark	Qty	Model
	30B	blue	81-				40D	cork		78	
	40E	brown	81-			14	928 551 145 02	lining cut pile	/L	1	
	50B	beige	81-				70E	black		79-	
	20S	mint green	81-				20E	green		79	
	60A	grey	81-				40E	brown		79-	
	80E	burgundy	82		M406		41D	cork		79	
-	928 551 653 02	lining terminal piece	80-	1			30B	blue		80-	
	70E	black					50B	beige		80-	
	30B	blue					20S	mint green		81-	
	40E	brown					60A	grey		81-	
	50B	beige					80E	burgundy		82	M406
	20S	mint green	81-			(14)	928 551 146 02	lining cut pile	/R	1	
	60A	grey	81-				70E	black		79-	
	80E	burgundy	82		M406		20E	green		79	
12A	928 551 187 02	latch	-79	2			40E	brown		79-	
12B	900 190 022 03	tubular rivet	-79	2			41D	cork		79	
13	928 551 137 02	scuff plate	/LL	1			30B	blue		80-	
14	928 551 145 02	lining seat frame velour pile	/L	1			50B	beige		80-	
	20B	dark green	78				20S	mint green		81-	
	40A	brown	78				60A	grey		81-	
	70A	black	78				80E	burgundy		82	M406
	40D	cork	78			16 A	928 555 021 02	side trim panel leatherette	/LL/L	-78	1
(14)	928 551 146 02	lining seat frame velour pile	/R	1			20B	dark green			
	20B	dark green	78				21S	brown			
	40A	brown	78				05T	black			
	70A	black	78				40D	cork			
						(16)	928 555 021 03	side trim panel leatherette	/LL/L	-79	1

Model	Year	MG	SG	Illustration	Restrictions	UPD	18:00	23.01.2010	PORSCHE	PET	PORSCHE
928	1982	8	07	807-05		248					

Pos	Part Number	Description	Remark	Qty	Model	Pos	Part Number	Description	Remark	Qty	Model
	20B	dark green					05T	black			
	21S	brown					30B	blue			
	05T	black					21S	brown			
	40D	cork					50B	beige			
(16) A	928 555 022 02	side trim panel leatherette	/R	-78	1	(16)	927 555 021 04	side trim panel with loudspeaker opening leatherette	/RL/L	80-	1
	20B	dark green					05T	black			
	21S	brown					30B	blue			
	05T	black					21S	brown			
	40D	cork					50B	beige			
(16)	928 555 022 03	side trim panel leatherette	/R	-79	1	(16)	928 555 021 50	side trim panel leather	/LL/L	-78	1
	20B	dark green					20B	dark green			
	21S	brown					3NG	brown			
	05T	black					1AJ	black			
	40D	cork					40D	cork			
(16)	927 555 021 03	side trim panel leatherette	/RL/L	-79	1	(16)	928 555 021 51	side trim panel leather	/LL/L	-79	1
	20B	dark green					20B	dark green			
	21S	brown					3NG	brown			
	05T	black					1AJ	black			
	40D	cork					40D	cork			
(16)	928 555 021 04	side trim panel with loudspeaker opening leatherette	/LL/L	80-	1	(16) A	928 555 022 50	side trim panel leather	/R	-78	1
	05T	black					20B	dark green			
	30B	blue					3NG	brown			
	21S	brown					1AJ	black			
	50B	beige					40D	cork			
(16)	928 555 022 04	side trim panel with loudspeaker opening leatherette	/R	80-	1	(16)	927 555 021 51	side trim panel leather	/RL/L	-79	1
							20B	dark green			

Model	Year	MG	SG	Illustration	Restrictions	UPD	18:00	23.01.2010	PORSCHE	PET	PORSCHE
928	1982	8	07	807-05		248					

Pos	Part Number	Description	Remark	Qty	Model	Pos	Part Number	Description	Remark	Qty	Model
	3NG	brown					2LB	burgundy		82	M406
	1AJ	black				16A	928 555 275 02	rosette	/L	-79	1
	40D	cork				(16A) A	928 555 275 03	rosette	/L	80-	1
(16)	928 555 021 52	side trim panel with loudspeaker opening leather	/LL/L	80-	1	(16A)	928 555 275 04	rosette	/L	80-	1
	1AJ	black					70B	black			
	30B	blue				(16A)	928 555 276 02	rosette	/R	-79	1
	3NG	brown				(16A) A	928 555 276 03	rosette	/R	80-	1
	50B	beige				(16A)	928 555 276 04	rosette	/R	80-	1
	60S	hannibal grey					70B	black			
	20S	mint green				16B	900 143 007 02	tapping screw B 4,2 X 13			4
	2LB	burgundy		82	M406	-	928 555 271 02	clamp		78	6
(16)	928 555 022 52	side trim panel with loudspeaker opening leather	/R	80-	1	17	928 555 289 02	cap	/L	-81	1
	1AJ	black				(17)	928 555 290 02	cap	/R	-81	1
	30B	blue				17A	928 555 291 02	adjustable support	/L	-81	1
	3NG	brown				17A	928 555 292 02	adjustable support	/R	-81	1
	50B	beige				18	928 555 203 02	grab handle	/L	-81	1
	60S	hannibal grey				(18)	928 555 204 02	grab handle	/R	-81	1
	20S	mint green				19	928 556 045 02	spare wheel covering			1
	2LB	burgundy		82	M406	-	171 860 273 A	retaining strap			1
(16)	927 555 021 52	side trim panel with loudspeaker opening leather	/RL/L	80-	1	20	928 551 185 02	rubber stop	/L		1
	1AJ	black				(20)	928 551 186 02	rubber stop	/R		1
	30B	blue				21	928 504 105 02	gasket battery cover			1
	3NG	brown				22	928 504 107 02	sealing rubber battery cover			1
	50B	beige				-	928 555 631 02	luggage net		80-	1
	60S	hannibal grey				(23)	928 555 701 05	cassette box leatherette	/LL	80-	1
	20S	mint green					05T	black			
							30B	blue			

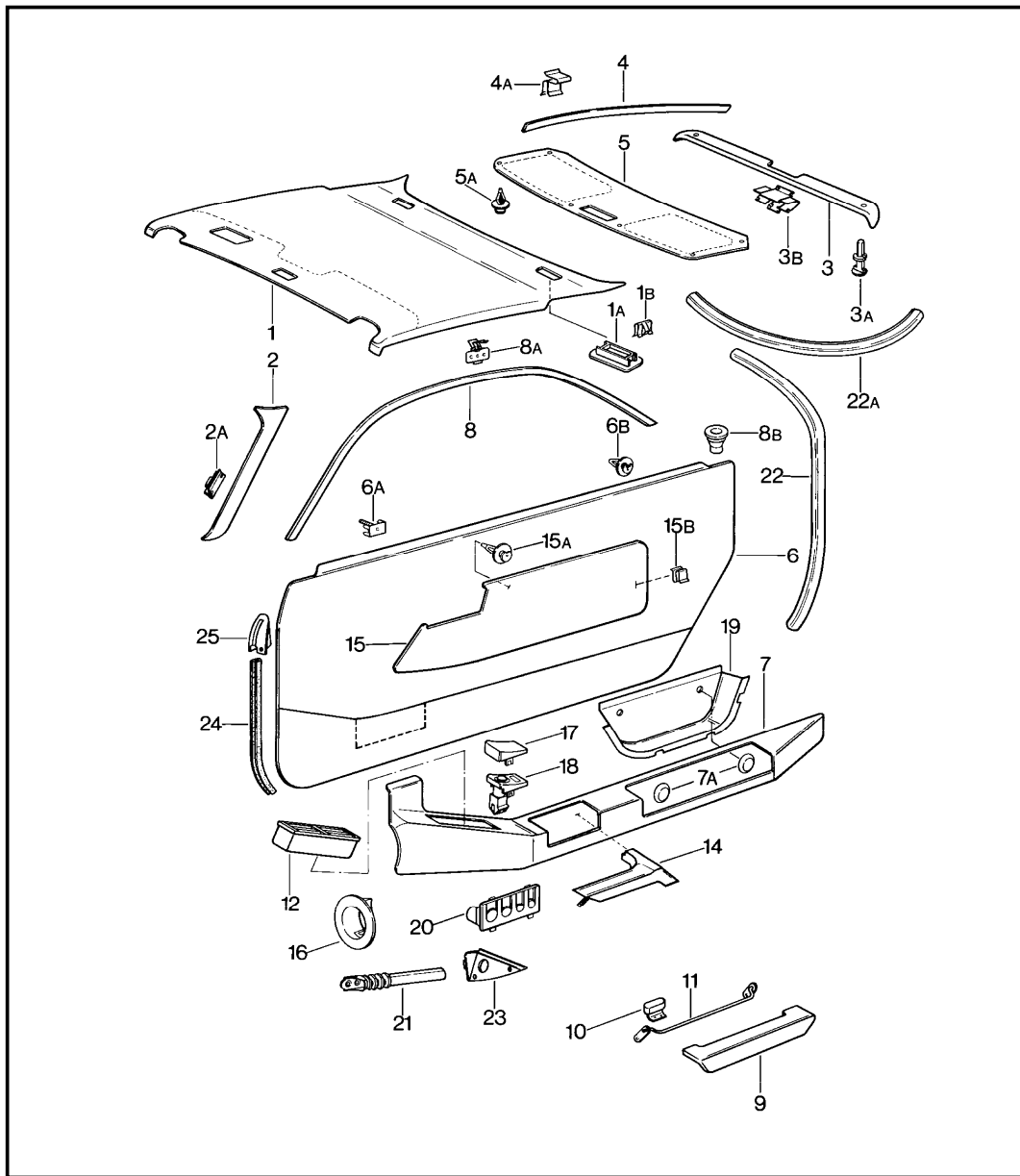
Model	Year	MG	SG	Illustration	Restrictions	UPD	18:00	23.01.2010	PORSCHE	PET	PORSCHE
928	1982	8	07	807-05		248					

Pos	Part Number	Description	Remark	Qty	Model	Pos	Part Number	Description	Remark	Qty	Model
	21S	brown				-	999 450 001 07	round head screw 4,2 X 25		4	
	50B	beige				24	928 551 199 02	cap	80-	2	
(23)	927 555 701 05	cassette box leatherette	/RL	80-	1	25	928 551 203 02	locking cam	80-	2	
	05T	black				26	928 551 221 02	knob	80-	2	
	30B	blue				27	999 591 483 40	lock washer	80-	2	
	21S	brown				28	928 555 777 02	end piece of rope	80-	4	
	50B	beige				29	999 591 484 02	clamping washer	80-	4	
(23)	928 555 701 53	cassette box leather	/LL	80-	1	30	927 551 073 03	clip	/RL	-80	2
	1AJ	black				30 A	927 551 073 03	clip	/RL	81-	2
	30B	blue				30	927 551 073 03	clip	/RL		1
	3NG	brown				30 A	928 551 073 04	clip	/LL		2
	60S	hannibal grey				30	928 551 073 04	clip	/LL		1
	20S	mint green				- A	928 551 911 00	floor mat with logo 928	/L		1
(23)	927 555 701 53	cassette box leather	/RL	80-	1		40A	brown			
	1AJ	black					70A	black			
	30B	blue				- A	928 551 912 00	floor mat with logo 928	/R		1
	3NG	brown					40A	brown			
	60S	hannibal grey					70A	black			
	20S	mint green				-	000 043 087 00	floor mat 1 set	/LL		X 2
- A	928 555 729 02	container insert		80	1		70E	black			
-	928 555 729 03 01C	container insert		80-	1		3KF	blue			
	928 555 729 03 01C	satin black					5MF	brown			
-	928 555 731 02 01C	cassette rack		80-	8		80E	burgundy			
-	928 555 741 02	partition panel		80-	1		60A	grey			
-	900 143 065 07	tapping screw 2,9 X 9,5		80-	14						

Model	Year	MG	SG	Illustration	Restrictions	UPD	18:00	23.01.2010	PORSCHE	PET	PORSCHE
928	1982	8	07	807-05		248					

Pos	Part Number	Description	Remark	Qty	Model	Pos	Part Number	Description	Remark	Qty	Model
31	928 555 469 03	knob coat hook	82	2							
32	900 145 091 07	tapping screw B 4,8 X 32	82	2							
33	999 591 102 07	protection washer 3,5	82	2							
34	900 145 062 07	tapping screw B 3,5 X 25	82	2							
35	928 555 615 02	spacer sleeve		8							
36	477 885 761	retaining bar		4							
37	900 269 050 07	countersunk-head screw M 5 X 25		4							
38	N 012 406 2	circlip 6 X 0,7		2							
39	900 253 005 07	knurled screw M 6 X 10		2							

Model	Year	MG	SG	Illustration	Restrictions	UPD	18:01	23.01.2010	PORSCHE	PET	PORSCHE
928	1982	8	07	807-10		248					



Pos	Part Number	Description	Remark	Qty	Model
		door trim panel			
		rooflining			
1	928 555 071 02	rooflining	/LL	1	
	20B	dark green			
	40A	brown			
	70A	black			
	40D	cork			
	30B	blue			
(1)	927 555 071 02	rooflining	/RL	1	
	20B	dark green			
	40A	brown			
	70A	black			
	40D	cork			
	30B	blue			
(1)	928 555 071 03	rooflining for cars without vanity mirror leatherette	/LL	1	
	40A	brown			
	70A	black			
	30B	blue			
(1)	927 555 071 03	rooflining for cars without vanity mirror leatherette	/RL	1	
	40A	brown			
	70A	black			
	30B	blue			
(1)	928 555 071 50	rooflining leather	/LL	1	
	20B	dark green			
	3NG	brown			
	1AJ	black			

Model	Year	MG	SG	Illustration	Restrictions	UPD	18:01	23.01.2010	PORSCHE	PET	PORSCHE
928	1982	8	07	807-10		248					

Pos	Part Number	Description	Remark	Qty	Model	Pos	Part Number	Description	Remark	Qty	Model
	40D	cork					40D	cork			
	30B	blue					30B	blue			
	60S	hannibal grey				2	928 555 251 50	lining windscreen frame leather	/L	1	
	20S	mint green					20B	dark green			
	2LB	burgundy		82			40D	cork			
(1)	927 555 071 50	rooflining leather	/RL	1			1AJ	black			
	20B	dark green					30B	blue			
	3NG	brown					3NG	brown			
	1AJ	black					60S	hannibal grey			
	40D	cork					20S	mint green			
	30B	blue					2LB	burgundy		82	
	60S	hannibal grey				2	928 555 252 50	lining windscreen frame leather	/R	1	
	20S	mint green					20B	dark green			
	2LB	burgundy		82			40D	cork			
1A	928 555 355 02	cap		2			1AJ	black			
1B	928 555 365 03	spring clamp		4			30B	blue			
(2)	928 555 073 02	lining windscreen frame leatherette	/L	1			3NG	brown			
	20B	dark green					60S	hannibal grey			
	40A	brown					20S	mint green			
	70A	black					2LB	burgundy		82	
	40D	cork				2A	A 999 591 749 02	clamp		6	
	30B	blue				(2A)	999 591 749 02	clamp		4	
2	928 555 074 02	lining windscreen frame leatherette	/R	1		3	928 555 047 03	lining rear lid leatherette	/H	-79	1
	20B	dark green					20B	dark green			
	40A	brown					21S	brown			
	70A	black					40D	cork			

Model	Year	MG	SG	Illustration	Restrictions	UPD	18:01	23.01.2010	PORSCHE	PET	PORSCHE
928	1982	8	07	807-10		248					

Pos	Part Number	Description	Remark	Qty	Model	Pos	Part Number	Description	Remark	Qty	Model
	05T	black					3NG	brown			
(3)	928 555 047 02	lining for cars without rear window wiper leatherette	/H 80-81	1			60S	hannibal grey			
	05T	black					20S	mint green			
	30B	blue				(3)	928 555 047 52	lining for cars with rear window wiper leather	/H 80-81	1	
	21S	brown					1AJ	black			
(3)	928 555 047 04	lining for cars with rear window wiper leatherette	/H 80-81	1			30B	blue			
	05T	black					3NG	brown			
	30B	blue					60S	hannibal grey			
	21S	brown					20S	mint green			
3	928 555 047 05	lining for cars with rear window wiper and luggage compartment lamp leatherette	/H 82	1		3	928 555 047 53	lining for cars with rear window wiper and luggage compartment lamp leather	/H 82	1	
	05T	black					1AJ	black			
	30B	blue					30B	blue			
	21S	brown					3NG	brown			
(3)	928 555 047 50	lining rear lid leather	/H -79	1			60S	hannibal grey			
	20B	dark green					20S	mint green			
	3NG	brown					2LB	burgundy		82	
	40D	cork				3A	999 591 564 40	expansion rivet		8	
	1AJ	black				3B	928 555 438 02	clamp		5	
(3)	928 555 047 51	lining for cars without rear window wiper leather	/H 80-81	1		4	928 555 037 02	lining rear lid leatherette	/L	1	
	1AJ	black					20B	dark green			
	30B	blue					21S	brown			
							40D	cork			
							05T	black			
							30B	blue			

Model	Year	MG	SG	Illustration	Restrictions	UPD	18:01	23.01.2010	PORSCHE	PET	PORSCHE
928	1982	8	07	807-10		248					

Pos	Part Number	Description	Remark	Qty	Model	Pos	Part Number	Description	Remark	Qty	Model
(4)	928 555 038 02	lining rear lid leatherette	/R	1		5	928 555 527 02	lining rear lid leatherette	/H	1	
	20B	dark green					20B	dark green			
	21S	brown					21S	brown			
	40D	cork					40D	cork			
	05T	black					05T	black			
	30B	blue					30B	blue			
(4)	928 555 037 50	lining rear lid leather	/L	1		(5)	928 555 527 50	lining rear lid leather	/H	1	
	20B	dark green					20B	dark green			
	3NG	brown					3NG	brown			
	40D	cork					40D	cork			
	1AJ	black					1AJ	black			
	30B	blue					30B	blue			
	60S	hannibal grey					60S	hannibal grey			
	20S	mint green					20S	mint green			
	2LB	burgundy		82			2LB	burgundy		82	
4	928 555 038 50	lining rear lid leather	/R	1		5A	999 591 559 40	clip		8	
	20B	dark green				(6)	928 555 015 03	door trim panel leatherette/ carpet	/L	1	928
	3NG	brown					BB1	dark green/green			
	40D	cork					BB3	brown/brown			
	1AJ	black					BB4	cork/cork			
	30B	blue					BB5	cork/brown			
	60S	hannibal grey					BB2	black/black			
	20S	mint green					BB6	blue/blue			
	2LB	burgundy		82			BB7	brown/beige			
4A	928 555 437 02	clamp		12			BB8	beige/beige			

Model	Year	MG	SG	Illustration	Restrictions	UPD	18:01	23.01.2010	PORSCHE	PET	PORSCHE
928	1982	8	07	807-10		248					

Pos	Part Number	Description	Remark	Qty	Model	Pos	Part Number	Description	Remark	Qty	Model
6	928 555 016 03	door trim panel leatherette/ carpet	/R	1	928		80S	can-can-red			
	BB1	dark green/green					95S	papyrus			
	BB3	brown/brown					60S	hannibal grey			
	BB4	cork/cork					20S	mint green			
	BB5	cork/brown				(6)	928 555 016 50	door trim panel leather/ carpet	/R	1	
	BB2	black/black					20B	dark green			
	BB6	blue/blue					3NG	brown			
	BB7	brown/beige					40D	cork			
	BB8	beige/beige					1AJ	black			
(6)	928 555 015 06	door trim panel leatherette/ carpet	/L	1	928S		30B	blue			
	BB2	black/black					80S	can-can-red			
	BB6	blue/blue					95S	papyrus			
	BB3	brown/brown					60S	hannibal grey			
	BB8	beige/beige					20S	mint green			
(6)	928 555 016 06	door trim panel leatherette/ carpet	/R	1	928S	(6)	928 555 015 54	door trim panel leather/ carpet	/L	1	
	BB2	black/black					BG1	black/black			
	BB6	blue/blue					BG2	brown/brown			
	BB3	brown/brown					BG3	blue/blue			
	BB8	beige/beige					BG5	beige/beige			
							HS7	burgundy/burgundy		82	
6	928 555 015 50	door trim panel leather/ carpet	/L	1		(6)	928 555 016 54	door trim panel leather/ carpet	/R	1	
	20B	dark green					BG1	black/black			
	3NG	brown					BG2	brown/brown			
	40D	cork					BG3	blue/blue			
	1AJ	black					BG5	beige/beige			
	30B	blue					HS7	burgundy/burgundy		82	

Model	Year	MG	SG	Illustration	Restrictions	UPD	18:01	23.01.2010	PORSCHE	PET	PORSCHE
928	1982	8	07	807-10		248					

Pos	Part Number	Description	Remark	Qty	Model	Pos	Part Number	Description	Remark	Qty	Model
6A	999 591 461 01	fastening clamp loudspeaker		8			20B	dark green	-79		
6B	823 867 299	clip		26			3NG	brown			
(7)	928 555 901 02	armrest leatherette	/L	1			1AJ	black			
	20B	dark green		-79			40D	cork	-79		
	40A	brown					30B	blue	80-		
	05T	black					80S	can-can-red			
	40D	cork		-79			95S	papyrus			
	30B	blue		80-			60S	hannibal grey	81-		
7	928 555 902 02	armrest leatherette	/R	1			20S	mint green	81-		
	20B	dark green		-79			2LB	burgundy	82		
	40A	brown				7A	928 555 383 02	cap		4	
	05T	black				(8)	928 555 025 02	lining door frame leatherette	/L	1	
	40D	cork		-79			20B	dark green			
	30B	blue		80-			40A	brown			
(7)	928 555 901 50	armrest leather	/L	1			70A	black			
	20B	dark green		-79			40D	cork			
	3NG	brown					30B	blue			
	1AJ	black					50B	beige			
	40D	cork		-79		8	928 555 026 02	lining door frame leatherette	/R	1	
	30B	blue		80-			20B	dark green			
	80S	can-can-red					40A	brown			
	95S	papyrus					70A	black			
	60S	hannibal grey		81-			40D	cork			
	20S	mint green		81-			30B	blue			
	2LB	burgundy		82			50B	beige			
7	928 555 902 50	armrest leather	/R	1		(8)	928 555 025 50	lining door frame leather	/L	1	

Model	Year	MG	SG	Illustration	Restrictions	UPD	18:01	23.01.2010	PORSCHE	PET	PORSCHE
928	1982	8	07	807-10		248					

Pos	Part Number	Description	Remark	Qty	Model	Pos	Part Number	Description	Remark	Qty	Model
		20B dark green						20B dark green			
		3NG brown						3NG brown			
		1AJ black						1AJ black			
		40D cork						40D cork			
		30B blue						30B blue			
		50B beige						50B beige			
		60S hannibal grey						60S hannibal grey			
		20S mint green						20S mint green			
		2LB burgundy		82				2LB burgundy		82	
(8)	928 555 026 50	lining door frame leather	/R	1		10	928 555 607 02	key		2	
		20B dark green				(11)	928 555 553 02	steering linkage	/L	1	
		3NG brown				11	928 555 554 02	steering linkage	/R	1	
		1AJ black				(12)	928 574 087 02	side vent	/L	1	
		40D cork				12	928 574 088 02	side vent	/R	1	
		30B blue				(14) A	928 555 053 02	handle leatherette	/L	-81	1
		50B beige						20B dark green			
		60S hannibal grey						40A brown			
		20S mint green						70A black			
		2LB burgundy		82				40D cork			
8A	928 555 493 02	clamp		14				30B blue			
8B	928 555 569 02	guide bush		2		(14) A	928 555 053 03	handle leatherette	/L	82	1
9	928 555 043 03	lid leatherette		2				20B dark green			
		20B dark green						40A brown			
		21S brown						70A black			
		05T black						40D cork			
		40D cork						30B blue			
9	928 555 233 50	lid leather		2		14 A	928 555 054 02	handle leatherette	/R	-81	1

Model	Year	MG	SG	Illustration	Restrictions	UPD	18:01	23.01.2010	PORSCHE	PET	PORSCHE
928	1982	8	07	807-10		248					

Pos	Part Number	Description	Remark	Qty	Model	Pos	Part Number	Description	Remark	Qty	Model
		20B dark green						30B blue			
		40A brown						60S hannibal grey			
		70A black						20S mint green			
		40D cork						2LB burgundy		82	
		30B blue				14	928 555 268 52	handle leather	/R	1	
14	A 928 555 054 03	handle leatherette	/R	82	1			1AJ black			
		20B dark green						3NG brown			
		40A brown						40D cork			
		70A black						30B blue			
		40D cork						60S hannibal grey			
		30B blue						20S mint green			
(14)	928 555 053 04	handle leatherette	/L		1			2LB burgundy		82	
		20B dark green				(15)	928 555 051 02	cover checker board velour	/L	1	
		40A brown						57A beige/black			
		05T black						47A brown/black			
		40D cork						37A blue/black			
		30B blue						79A black/white			
14	928 555 054 04	handle leatherette	/R		1			1BV grey/black		80-	
		20B dark green						4NV beige/brown		80-	
		40A brown				15	928 555 052 02	cover checker board velour	/R	1	
		05T black						57A beige/black			
		40D cork						47A brown/black			
		30B blue						37A blue/black			
(14)	928 555 267 52	handle leather	/L		1			79A black/white			
		1AJ black						1BV grey/black		80-	
		3NG brown						4NV beige/brown		80-	
		40D cork				(15)	928 555 051 02	cover pin stripe velour	/L	1	

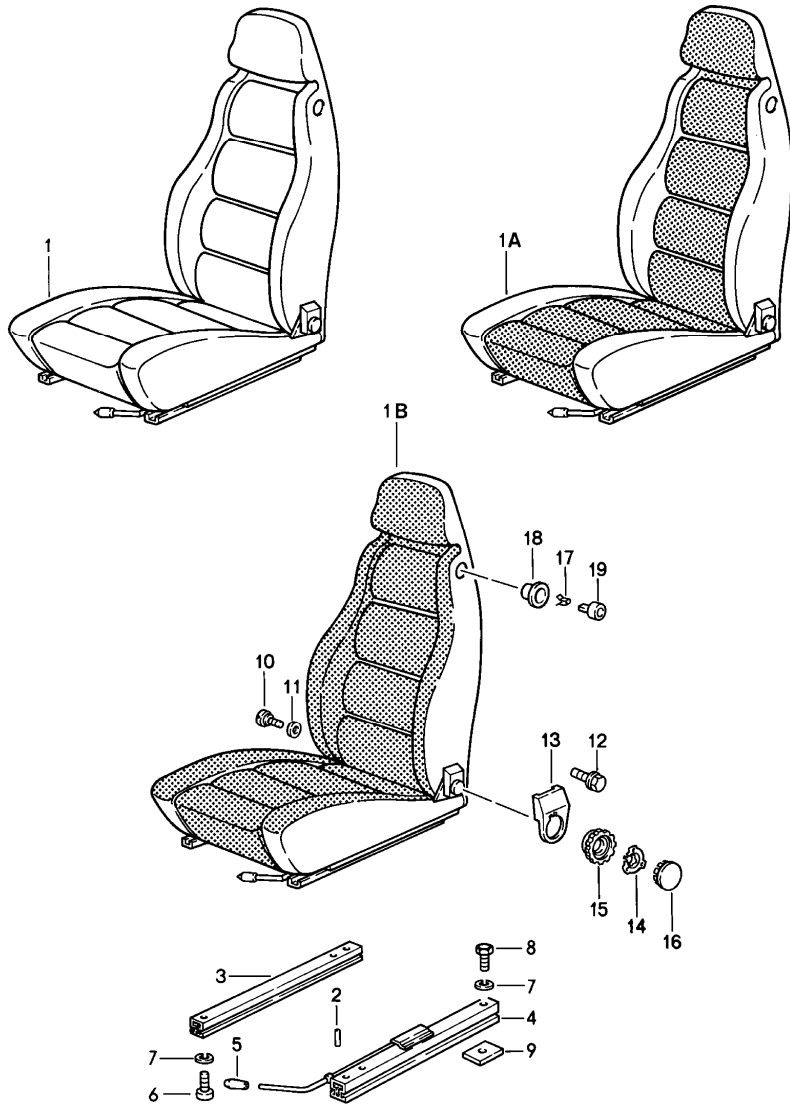
Model	Year	MG	SG	Illustration	Restrictions	UPD	18:01	23.01.2010	PORSCHE	PET	PORSCHE
928	1982	8	07	807-10		248					

Pos	Part Number	Description	Remark	Qty	Model	Pos	Part Number	Description	Remark	Qty	Model
	40D	cork					1GB	grey/black			
	80D	lobster					37B	blue/black			
	70D	black					8NB	beige/brown			
15	928 555 052 02	cover pin stripe velour	/R	1		15	928 555 052 02	cover berber cloth	/R	1	
	40D	cork					1GB	grey/black			
	80D	lobster					37B	blue/black			
	70D	black					8NB	beige/brown			
(15)	928 555 051 02	cover uni-coloured cloth	/L	1		(15)	928 555 051 02	cover stripe design	/L	1	M406
	30C	blue	80-				9LA	burgundy-grey			
	40C	brown	80-			15	928 555 052 02	cover stripe design	/R	1	M406
	50C	beige	80-				9LA	burgundy-grey			
	70F	black	80-			15	928 555 051 03	cover leatherette	/L	1	
15	928 555 052 02	cover uni-coloured cloth	/R	1			40D	cork			
	30C	blue	80-				20B	dark green			
	40C	brown	80-				21S	brown			
	50C	beige	80-				05T	black			
	70F	black	80-				30B	blue			
(15)	928 555 051 02	cover tartan cloth	/L	1			50B	beige			
	83S	red-blue	80-			15	928 555 052 03	cover leatherette	/R	1	
	23A	green-blue	80-				40D	cork			
	45A	brown-beige	80-				20B	dark green			
15	928 555 052 02	cover tartan cloth	/R	1			21S	brown			
	83S	red-blue	80-				05T	black			
	23A	green-blue	80-				30B	blue			
	45A	brown-beige	80-				50B	beige			
(15)	928 555 051 02	cover berber cloth	/L	1		(15)	928 555 051 50	cover leather	/L	1	

Model	Year	MG	SG	Illustration	Restrictions	UPD	18:01	23.01.2010	PORSCHE	PET	PORSCHE
928	1982	8	07	807-10		248					

Pos	Part Number	Description	Remark	Qty	Model	Pos	Part Number	Description	Remark	Qty	Model
	3NG	brown				18	927 555 461 02	mounting piece door mirror switch	/RL	1	
	1AJ	black				19	A 928 555 087 02	package box	/L	1	
	40D	cork				19	A 928 555 088 02	package box	/R	1	
	20B	dark green				(19)	928 555 087 03	package box	/L	1	
	30B	blue					71B	black			
	50B	beige				19	928 555 088 03	package box	/R	1	
	80S	can-can-red					71B	black			
	95S	papyrus				-	928 555 479 03	sealing film	/L	1	
	60S	hannibal grey				-	928 555 480 03	sealing film door	/R	1	
	20S	mint green									
15	928 555 052 50	cover leather	/R	1		21	928 555 551 02	cable guide		2	
	3NG	brown				(22)	928 555 579 02	edge protection	/L	1	
	1AJ	black				22	928 555 580 02	edge protection	/R	1	
	40D	cork				(22A)	928 555 425 02	lining b-pillar lining	/L	1	
	20B	dark green					05T	black			
	30B	blue				(22A)	928 555 426 02	lining b-pillar lining	/R	1	
	50B	beige					05T	black			
	80S	can-can-red				23	928 555 263 02	cover	/L	1	
	95S	papyrus				23	928 555 264 02	cover cable guide	/R	1	
	60S	hannibal grey									
	20S	mint green				24	928 551 315 03	piping		2	
15A	999 591 559 40	clip		6		25	928 551 433 02	cap	/L	1	
15BA	928 555 327 02	clamp		8		25	928 551 434 02	cap	/R	1	
15B	928 555 327 02	clamp		8							
16	928 555 317 02	rosette		2							
17	928 555 363 02	cover	/LL	1							
(17)	927 555 363 02	cover side vent	/RL	1							
18	928 555 461 02	mounting piece	/LL	1							

Model	Year	MG	SG	Illustration	Restrictions	UPD	18:01	23.01.2010	PORSCHE	PET	PORSCHE
928	1982	8	08	808-00		248					



Pos	Part Number	Description	Remark	Qty	Model
		front seat complete		-79	928 S
1	A 928 521 001 56	front seat manually adjustable leather	/L	1	928
		40D cork			
		20B dark green			
		3NG brown			
		1AJ black			
		30B blue			
		50B beige			
		10A yellow			
		99A white			
		80B light red			
		30A light blue			
		80S can-can-red			
		95S papyrus			
		60S hannibal grey			
		20S mint green			
(1)	A 928 521 002 56	front seat manually adjustable leather	/R	1	
		40D cork			
		20B dark green			
		3NG brown			
		1AJ black			
		30B blue			
		50B beige			
		10A yellow			
		99A white			
		80B light red			

Model	Year	MG	SG	Illustration	Restrictions	UPD	18:01	23.01.2010	PORSCHE	PET	PORSCHE
928	1982	8	08	808-00		248					

Pos	Part Number	Description	Remark	Qty	Model	Pos	Part Number	Description	Remark	Qty	Model	
	30A	light blue					99A	white				
	80S	can-can-red					80B	light red				
	95S	papyrus					30A	light blue				
	60S	hannibal grey					80S	can-can-red				
	20S	mint green					95S	papyrus				
(1)	A 928 521 001 53	comfort seat leather	/L	1	M437		60S	hannibal grey				
	40D	cork					20S	mint green				
	20B	dark green				1A	A 928 521 001 08	front seat manually adjustable leatherette/centre part checker board velour	/L	-79	1	
	3NG	brown					AC1	dark green/beige/black				
	1AJ	black					AC2	brown/brown/black				
	30B	blue					AC3	black/beige/black				
	50B	beige					AC4	black/brown/black				
	10A	yellow					AC5	black/blue/black				
	99A	white					AC6	cork/beige/black				
	80B	light red					AC7	black/black-white				
	30A	light blue					AD4	cork/brown/black				
	80S	can-can-red					(1A)	A 928 521 002 08	front seat manually adjustable leatherette/centre part checker board velour	/R	-79	1
	95S	papyrus					AC1	dark green/beige/black				
	60S	hannibal grey					AC2	brown/brown/black				
	20S	mint green										
(1)	A 928 521 002 53	comfort seat leather	/R	1	M438							
	40D	cork										
	20B	dark green										
	3NG	brown										
	1AJ	black										
	30B	blue										
	50B	beige										
	10A	yellow										

Model	Year	MG	SG	Illustration	Restrictions	UPD	18:01	23.01.2010	PORSCHE	PET	PORSCHE
928	1982	8	08	808-00		248					

Pos	Part Number	Description	Remark	Qty	Model	Pos	Part Number	Description	Remark	Qty	Model	
	AC3	black/ beige/black					AC3	black/ beige/black				
	AC4	black/ brown/black					AC4	black/ brown/black				
	AC5	black/ blue/black					AC5	black/ blue/black				
	AC6	cork/ beige/black					AC6	cork/ beige/black				
	AC7	black/ black-white					AC7	black/ black-white				
	AD4	cork/ brown/black					AD4	cork/ brown/black				
(1A)	A 928 521 001 06	comfort seat leatherette/ centre part checker board velour	/L	-79	1	M437	1A	A 928 521 001 08	front seat manually adjustable leatherette/ centre part pin stripe velour	/L	-79	1
	AC1	dark green/ beige/black					AC8	cork/cork				
	AC2	brown/ brown/black					AC9	black/cork				
	AC3	black/ beige/black					AD1	dark green/cork				
	AC4	black/ brown/black					AD2	black/lobster				
	AC5	black/ blue/black					AD3	black/black				
	AC6	cork/ beige/black				(1A)	A 928 521 002 08	front seat manually adjustable leatherette/ centre part pin stripe velour	/R	-79	1	
	AC7	black/ black-white					AC8	cork/cork				
	AD4	cork/ brown/black					AC9	black/cork				
(1A)	A 928 521 002 06	comfort seat leatherette/ centre part checker board velour	/R	-79	1	M438	AD1	dark green/cork				
	AC1	dark green/ beige/black					AD2	black/lobster				
	AC2	brown/ brown/black					AD3	black/black				
						(1A)	A 928 521 001 06	comfort seat leatherette/ centre part pin stripe velour	/L	-79	1	M437
							AC8	cork/cork				

Model	Year	MG	SG	Illustration	Restrictions	UPD	18:01	23.01.2010	PORSCHE	PET	PORSCHE
928	1982	8	08	808-00		248					

Pos	Part Number	Description	Remark	Qty	Model	Pos	Part Number	Description	Remark	Qty	Model
	AC9	black/cork					AJ2	black/ grey/black			
	AD1	dark green/cork					AJ3	brown/ beige/brown			
	AD2	black/lobster					AJ4	beige/ beige/brown			
	AD3	black/black					AJ5	beige/ brown/black			
(1A)	A 928 521 002 06	comfort seat leatherette/ centre part pin stripe velour	/R	-79	1 M438						
	AC8	cork/cork				(1A)	A 928 521 002 57	front seat manually adjustable leather/ centre part checker board velour	/R	1	
	AC9	black/cork					AH1	dark green/ beige/black			
	AD1	dark green/cork					AH2	brown/ brown/black			
	AD2	black/lobster					AH3	black/ beige/black			
	AD3	black/black					AH4	black/ blue/black			
1A	A 928 521 001 57	front seat manually adjustable leather/ centre part checker board velour	/L		1		AH5	cork/ beige/black			
	AH1	dark green/ beige/black					AH6	black/ black-white			
	AH2	brown/ brown/black					AH7	cork/ brown/black			
	AH3	black/ beige/black					AH8	black/ brown/black			
	AH4	black/ blue/black					AJ1	blue/ blue/black			
	AH5	cork/ beige/black					AJ2	black/ grey/black			
	AH6	black/ black-white					AJ3	brown/ beige/brown			
	AH7	cork/ brown/black					AJ4	beige/ beige/brown			
	AH8	black/ brown/black					AJ5	beige/ brown/black			
	AJ1	blue/ blue/black									

Model	Year	MG	SG	Illustration	Restrictions	UPD	18:01	23.01.2010	PORSCHE	PET	PORSCHE
928	1982	8	08	808-00		248					

Pos	Part Number	Description	Remark	Qty	Model	Pos	Part Number	Description	Remark	Qty	Model
(1A)	A 928 521 001 54	comfort seat leather/ centre part checker board velour	/L	1	M437		AH4	black/ blue/black			
	AH1	dark green/ beige/black					AH5	cork/ beige/black			
	AH2	brown/ brown/black					AH6	black/ black-white			
	AH3	black/ beige/black					AH7	cork/ brown/black			
	AH4	black/ blue/black					AH8	black/ brown/black			
	AH5	cork/ beige/black					AJ1	blue/ blue/black			
	AH6	black/ black-white					AJ2	black/ grey/black			
	AH7	cork/ brown/black					AJ3	brown/ beige/brown			
	AH8	black/ brown/black					AJ4	beige/ beige/brown			
	AJ1	blue/ blue/black					AJ5	beige/ brown/black			
	AJ2	black/ grey/black				1A	A 928 521 001 57	front seat manually adjustable leather/ centre part uni-coloured cloth	/L	1	
	AJ3	brown/ beige/brown					AK1	blue/blue			
	AJ4	beige/ beige/brown					AK2	brown/brown			
	AJ5	beige/ brown/black					AK3	beige/beige			
(1A)	A 928 521 002 54	comfort seat leather/ centre part checker board velour	/R	1	M438	(1A)	A 928 521 002 57	front seat manually adjustable leather/ centre part uni-coloured cloth	/R	1	
	AH1	dark green/ beige/black					AK4	black/black			
	AH2	brown/ brown/black					AK5	brown/beige			
	AH3	black/ beige/black					AK1	blue/blue			
							AK2	brown/brown			
							AK3	beige/beige			

Model	Year	MG	SG	Illustration	Restrictions	UPD	18:01	23.01.2010	PORSCHE	PET	PORSCHE
928	1982	8	08	808-00		248					

Pos	Part Number	Description	Remark	Qty	Model	Pos	Part Number	Description	Remark	Qty	Model
	AK4	black/black					AL7	beige/ brown-beige			
	AK5	brown/beige									
(1A)	A 928 521 001 54	comfort seat leather/ centre part uni-coloured cloth	/L	1	M437	(1A)	A 928 521 002 57	front seat manually adjustable leather/ centre part tartan cloth	/R	1	
	AK1	blue/blue					AL1	blue/ red-blue			
	AK2	brown/brown					AL2	black/ red-blue			
	AK3	beige/beige					AL3	blue/ green-blue			
	AK4	black/black					AL4	black/ green-blue			
	AK5	brown/beige					AL5	black/ brown-beige			
(1A)	A 928 521 002 54	comfort seat leather/ centre part uni-coloured cloth	/R	1	M438		AL6	brown/ brown-beige			
	AK1	blue/blue					AL7	beige/ brown-beige			
	AK2	brown/brown									
	AK3	beige/beige									
	AK4	black/black				(1A)	A 928 521 001 54	comfort seat leather/ centre part tartan cloth	/L	1	M437
	AK5	brown/beige					AL1	blue/ red-blue			
1A	A 928 521 001 57	front seat manually adjustable leather/ centre part tartan cloth	/L	1			AL2	black/ red-blue			
	AL1	blue/ red-blue					AL3	blue/ green-blue			
	AL2	black/ red-blue					AL4	black/ green-blue			
	AL3	blue/ green-blue					AL5	black/ brown-beige			
	AL4	black/ green-blue					AL6	brown/ brown-beige			
	AL5	black/ brown-beige					AL7	beige/ brown-beige			
	AL6	brown/ brown-beige									

Model	Year	MG	SG	Illustration	Restrictions	UPD	18:01	23.01.2010	PORSCHE	PET	PORSCHE
928	1982	8	08	808-00		248					

Pos	Part Number	Description	Remark	Qty	Model	Pos	Part Number	Description	Remark	Qty	Model
(1A)	A 928 521 002 54	comfort seat leather/ centre part tartan cloth	/R	1	M438		HS6	burgundy/ burgundy-grey			
	AL1	blue/ red-blue				1B	A 928 521 001 09	front seat manually adjustable leatherette/ seat and backrest surface checker board velour	/L	-79	1
	AL2	black/ red-blue					AA1	dark green/ beige/black			
	AL3	blue/ green-blue					AA2	brown/ brown/black			
	AL4	black/ green-blue					AA3	black/ beige/black			
	AL5	black/ brown-beige					AA4	black/ brown/black			
	AL6	brown/ brown-beige					AA5	black/ blue/black			
	AL7	beige/ brown-beige					AA6	cork/ beige/black			
1A	A 928 521 001 57	front seat manually adjustable leather/ centre part stripe design	/L	1			AA7	black/ black-white			
	HS6	burgundy/ burgundy-grey					AB4	cork/ brown/black			
(1A)	A 928 521 002 57	front seat manually adjustable leather/ centre part stripe design	/R	1		(1B)	A 928 521 002 09	front seat manually adjustable leatherette/ seat and backrest surface checker board velour	/R	-79	1
	HS6	burgundy/ burgundy-grey					AA1	dark green/ beige/black			
(1A)	A 928 521 001 54	comfort seat leather/ centre part stripe design	/L	1	M437		AA2	brown/ brown/black			
	HS6	burgundy/ burgundy-grey					AA3	black/ beige/black			
(1A)	A 928 521 002 54	comfort seat leather/ centre part stripe design	/R	1	M438		AA4	black/ brown/black			
							AA5	black/ blue/black			
							AA6	cork/ beige/black			

Model	Year	MG	SG	Illustration	Restrictions	UPD	18:01	23.01.2010	PORSCHE	PET	PORSCHE
928	1982	8	08	808-00		248					

Pos	Part Number	Description	Remark	Qty	Model	Pos	Part Number	Description	Remark	Qty	Model
	AA7	black/ black-white					AA7	black/ black-white			
	AB4	cork/ brown/black					AB4	cork/ brown/black			
(1B)	A 928 521 001 07	comfort seat leatherette/ seat and backrest surface checker board velour	/L	-79	1 M437	1B	A 928 521 001 09	front seat manually adjustable leatherette/ seat and backrest surface pin stripe velour	/L	-79	1
	AA1	dark green/ beige/black					AA8	cork/cork			
	AA2	brown/ brown/black					AA9	black/cork			
	AA3	black/ beige/black					AB1	dark green/cork			
	AA4	black/ brown/black					AB2	black/lobster			
	AA5	black/ blue/black				(1B)	A 928 521 002 09	front seat manually adjustable leatherette/ seat and backrest surface pin stripe velour	/R	-79	1
	AA6	cork/ beige/black					AA8	cork/cork			
	AA7	black/ black-white					AA9	black/cork			
	AB4	cork/ brown/black					AB1	dark green/cork			
(1B)	A 928 521 002 07	comfort seat leatherette/ seat and backrest surface checker board velour	/R	-79	1 M438		AB2	black/lobster			
	AA1	dark green/ beige/black					AB3	black/black			
	AA2	brown/ brown/black				(1B)	A 928 521 001 07	comfort seat leatherette/ seat and backrest surface pin stripe velour	/L	-79	1 M437
	AA3	black/ beige/black					AA8	cork/cork			
	AA4	black/ brown/black					AA9	black/cork			
	AA5	black/ blue/black					AB1	dark green/cork			
	AA6	cork/ beige/black					AB2	black/lobster			
							AB3	black/black			
						(1B)	A 928 521 002 07	comfort seat leatherette/ seat and backrest surface pin stripe velour	/R	-79	1 M438

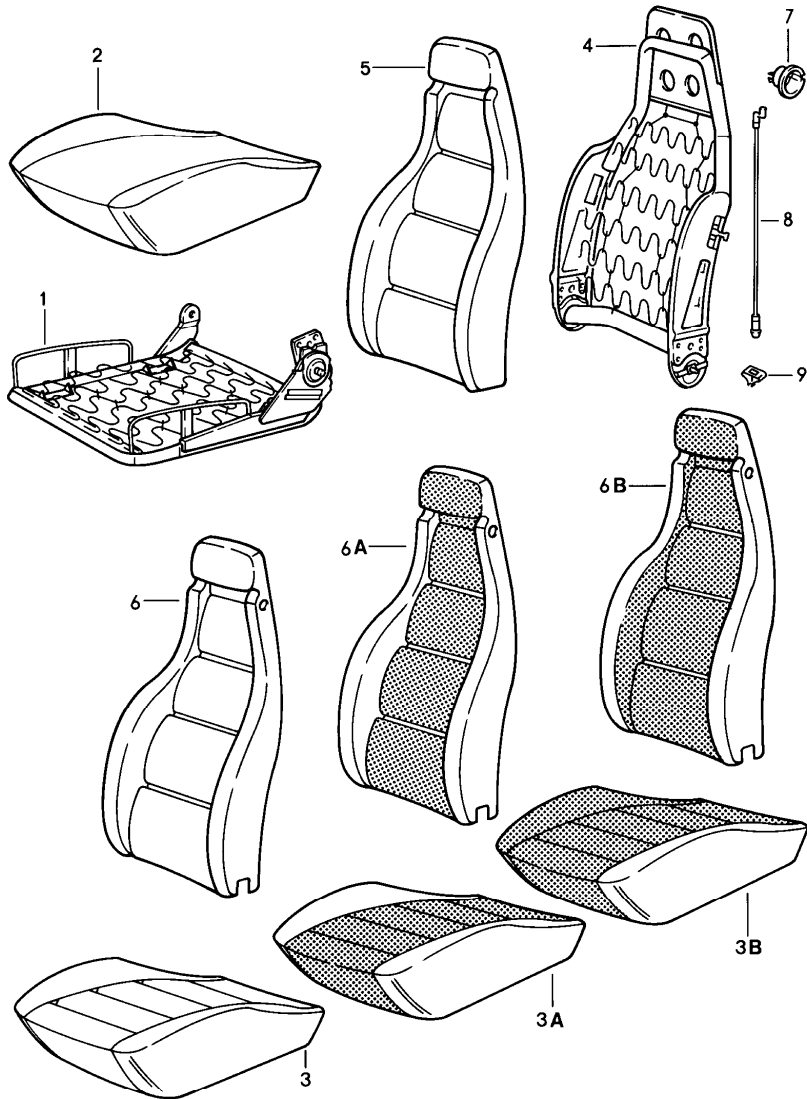
Model	Year	MG	SG	Illustration	Restrictions	UPD	18:01	23.01.2010	PORSCHE	PET	PORSCHE
928	1982	8	08	808-00		248					

Pos	Part Number	Description	Remark	Qty	Model	Pos	Part Number	Description	Remark	Qty	Model
	AA8	cork/cork					AK8	brown/ beige/brown			
	AA9	black/cork					AK9	beige/ beige/brown			
	AB1	dark green/cork				(1B) A	928 521 002 55	comfort seat leather/ seat and backrest surface berber cloth	/R	81-	1 M438
	AB2	black/lobster					AK6	black/ grey/black			
	AB3	black/black					AK7	blue/ blue/black			
1B	A 928 521 001 58	front seat manually adjustable leather/ seat and backrest surface berber cloth	/L	81-	1		AK8	brown/ beige/brown			
	AK6	black/ grey/black					AK9	beige/ beige/brown			
	AK7	blue/ blue/black				2	900 012 123 00	pin 2,5 X 12			2
	AK8	brown/ beige/brown				3	A 944 521 491 00	seat rail without locking device see tpi GR.8 NR.34			2
	AK9	beige/ beige/brown				3	944 521 491 00	seat rail			2
(1B)	A 928 521 002 58	front seat manually adjustable leather/ seat and backrest surface berber cloth	/R	81-	1	4	A 928 521 489 02	seat rail	/L		1
	AK6	black/ grey/black				(4)	A 928 521 490 02	seat rail with locking device	/R		1
	AK7	blue/ blue/black				(5)	911 521 533 01	handle for longitudinal adjustment			2
	AK8	brown/ beige/brown					01C	satin black			
	AK9	beige/ beige/brown				6	N 014 761 2	pan-head screw M 6 X 12			8
(1B)	A 928 521 001 55	comfort seat leather/ seat and backrest surface berber cloth	/L	81-	1 M437			M 6 X 12			
	AK6	black/ grey/black				7	N 012 006 4	lock ring B 6			16
	AK7	blue/ blue/black				8	900 075 057 02	hexagon-head bolt M 6 X 16			8
						9	928 521 101 04	threaded plate	80-		8
						10	911 521 371 00	screw			2

Model	Year	MG	SG	Illustration	Restrictions	UPD	18:01	23.01.2010	PORSCHE	PET	PORSCHE
928	1982	8	08	808-00		248					

Pos	Part Number	Description	Remark	Qty	Model	Pos	Part Number	Description	Remark	Qty	Model
11	999 025 117 40	washer 12,5 X 32 X 1		X							
12	911 521 547 00	hexagon-head bolt M 10 X 20		8							
13	911 521 359 02	cover	/L	1							
(13)	911 521 360 02	cover	/R	1							
14	911 521 571 00	tensioning spring		2							
15	911 521 381 00	shifting wheel backrest		2							
16	911 521 383 00	cover		2							
17	311 881 247	clamp		2							
18	928 521 815 02	rosette		2							
19	928 521 817 02	push button		2							

Model	Year	MG	SG	Illustration	Restrictions	UPD	18:01	23.01.2010	PORSCHE	PET	PORSCHE
928	1982	8	08	808-05		248					



Pos	Part Number	Description	Remark	Qty	Model
		front seat single parts			
1	928 521 069 02	seat frame	/L	1	
(1)	928 521 070 02	seat frame	/R	1	
(1)	928 521 069 05	seat frame comfort seat	/L	1	
(1)	928 521 070 05	seat frame comfort seat	/R	1	
2	928 521 385 04	foam part	/L	1	
(2)	928 521 386 04	foam part	/R	1	
3 A	928 521 037 50	seat cover leather	/L	1	
		40D cork			
		20B dark green			
		3NG brown			
		1AJ black			
		30B blue			
		50B beige			
		10A yellow			
		99A white			
		80B light red			
		30A light blue			
		80S can-can-red			
		95S papyrus			
		60S hannibal grey			
		20S mint green			
(3) A	928 521 038 50	seat cover leather	/R	1	
		40D cork			
		20B dark green			
		3NG brown			

Model	Year	MG	SG	Illustration	Restrictions	UPD	18:01	23.01.2010	PORSCHE	PET	PORSCHE
928	1982	8	08	808-05		248					

Pos	Part Number	Description	Remark	Qty	Model	Pos	Part Number	Description	Remark	Qty	Model
	1AJ	black					20B	dark green			
	30B	blue					3NG	brown			
	50B	beige					1AJ	black			
	10A	yellow					30B	blue			
	99A	white					50B	beige			
	80B	light red					10A	yellow			
	30A	light blue					99A	white			
	80S	can-can-red					80B	light red			
	95S	papyrus					30A	light blue			
	60S	hannibal grey					80S	can-can-red			
	20S	mint green					95S	papyrus			
3	A 928 521 037 53	seat cover leather	/L	1	M437		60S	hannibal grey			
	40D	cork				3A	A 928 521 037 03	seat cover leatherette/centre part checker board velour	/L	-79	1
	20B	dark green					AC1	dark green/beige/black			
	3NG	brown					AC2	brown/brown/black			
	1AJ	black					AC3	black/beige/black			
	30B	blue					AC4	black/brown/black			
	50B	beige					AC5	black/blue/black			
	10A	yellow					AC6	cork/beige/black			
	99A	white					AC7	black/black-white			
	80B	light red					AD4	cork/brown/black			
	30A	light blue									
	80S	can-can-red									
	95S	papyrus									
	60S	hannibal grey									
	20S	mint green									
(3)	A 928 521 038 53	seat cover leather	/R	1	M438						
	40D	cork									

Model	Year	MG	SG	Illustration	Restrictions	UPD	18:01	23.01.2010	PORSCHE	PET	PORSCHE
928	1982	8	08	808-05		248					

Pos	Part Number	Description	Remark	Qty	Model	Pos	Part Number	Description	Remark	Qty	Model	
(3A)	A 928 521 038 03	seat cover leatherette/ centre part checker board velour	/R	-79	1	(3A)	A 928 521 038 06	seat cover leatherette/ centre part checker board velour	/R	-79	1	M438
	AC1	dark green/ beige/black					AC1	dark green/ beige/black				
	AC2	brown/ brown/black					AC2	brown/ brown/black				
	AC3	black/ beige/black					AC3	black/ beige/black				
	AC4	black/ brown/black					AC4	black/ brown/black				
	AC5	black/ blue/black					AC5	black/ blue/black				
	AC6	cork/ beige/black					AC6	cork/ beige/black				
	AC7	black/ black-white					AC7	black/ black-white				
	AD4	cork/ brown/black					AD4	cork/ brown/black				
3A	A 928 521 037 06	seat cover leatherette/ centre part checker board velour	/L	-79	1	M437	3A	A 928 521 037 03	seat cover leatherette/ centre part pin stripe velour	/L	-79	1
	AC1	dark green/ beige/black					AC8	cork/cork				
	AC2	brown/ brown/black					AC9	black/cork				
	AC3	black/ beige/black					AD1	dark green/cork				
	AC4	black/ brown/black					AD2	black/lobster				
	AC5	black/ blue/black					AD3	black/black				
	AC6	cork/ beige/black					(3A)	A 928 521 038 03	seat cover leatherette/ centre part pin stripe velour	/R	-79	1
	AC7	black/ black-white					AC8	cork/cork				
	AD4	cork/ brown/black					AC9	black/cork				
							AD1	dark green/cork				
							AD2	black/lobster				

Model	Year	MG	SG	Illustration	Restrictions	UPD	18:01	23.01.2010	PORSCHE	PET	PORSCHE
928	1982	8	08	808-05		248					

Pos	Part Number	Description	Remark	Qty	Model	Pos	Part Number	Description	Remark	Qty	Model
	AD3	black/black					AH8	black/ brown/black			
3A	A 928 521 037 06	seat cover leatherette/ centre part pin stripe velour	/L	-79	1 M437		AJ1	blue/ blue/black			
	AC8	cork/cork					AJ2	black/ grey/black			
	AC9	black/cork					AJ3	brown/ beige/brown			
	AD1	dark green/cork					AJ4	beige/ beige/brown			
	AD2	black/lobster					AJ5	beige/ brown/black			
	AD3	black/black									
(3A)	A 928 521 038 06	seat cover leatherette/ centre part pin stripe velour	/R	-79	1 M438	(3A)	A 928 521 038 51	seat cover leather/ centre part checker board velour	/R	1	
	AC8	cork/cork					AH1	dark green/ beige/black			
	AC9	black/cork					AH2	brown/ brown/black			
	AD1	dark green/cork					AH3	black/ beige/black			
	AD2	black/lobster					AH4	black/ blue/black			
	AD3	black/black					AH5	cork/ beige/black			
3A	A 928 521 037 51	seat cover leather/ centre part checker board velour	/L		1		AH6	black/ black-white			
	AH1	dark green/ beige/black					AH7	cork/ brown/black			
	AH2	brown/ brown/black					AH8	black/ brown/black			
	AH3	black/ beige/black					AJ1	blue/ blue/black			
	AH4	black/ blue/black					AJ2	black/ grey/black			
	AH5	cork/ beige/black					AJ3	brown/ beige/brown			
	AH6	black/ black-white									
	AH7	cork/ brown/black									

Model	Year	MG	SG	Illustration	Restrictions	UPD	18:01	23.01.2010	PORSCHE	PET	PORSCHE
928	1982	8	08	808-05		248					

Pos	Part Number	Description	Remark	Qty	Model	Pos	Part Number	Description	Remark	Qty	Model
	AJ4	beige/ beige/brown					AH2	brown/ brown/black			
	AJ5	beige/ brown/black					AH3	black/ beige/black			
3A	A 928 521 037 54	seat cover leather/ centre part checker board velour	/L	1	M437		AH4	black/ blue/black			
	AH1	dark green/ beige/black					AH5	cork/ beige/black			
	AH2	brown/ brown/black					AH6	black/ black-white			
	AH3	black/ beige/black					AH7	cork/ brown/black			
	AH4	black/ blue/black					AH8	black/ brown/black			
	AH5	cork/ beige/black					AJ1	blue/ blue/black			
	AH6	black/ black-white					AJ2	black/ grey/black			
	AH7	cork/ brown/black					AJ3	brown/ beige/brown			
	AH8	black/ brown/black					AJ4	beige/ beige/brown			
	AJ1	blue/ blue/black					AJ5	beige/ brown/black			
	AJ2	black/ grey/black				3A	A 928 521 037 51	seat cover leather/ centre part uni-coloured cloth	/L	1	
	AJ3	brown/ beige/brown					AK1	blue/blue			
	AJ4	beige/ beige/brown					AK2	brown/brown			
	AJ5	beige/ brown/black					AK3	beige/beige			
(3A)	A 928 521 038 54	seat cover leather/ centre part checker board velour	/R	1	M438		AK4	black/black			
	AH1	dark green/ beige/black				(3A)	A 928 521 038 51	seat cover leather/ centre part uni-coloured cloth	/R	1	
							AK5	brown/beige			
							AK1	blue/blue			

Model	Year	MG	SG	Illustration	Restrictions	UPD	18:01	23.01.2010	PORSCHE	PET	PORSCHE
928	1982	8	08	808-05		248					

Pos	Part Number	Description	Remark	Qty	Model	Pos	Part Number	Description	Remark	Qty	Model	
	AK2	brown/brown					AL6	brown/ brown-beige				
	AK3	beige/beige					AL7	beige/ brown-beige				
	AK4	black/black				(3A) A	928 521 038 51	seat cover leather/ centre part tartan cloth	/R	1		
	AK5	brown/beige					AL1	blue/ red-blue				
3A	A 928 521 037 54	seat cover leather/ centre part uni-coloured cloth	/L	1	M437		AL2	black/ red-blue				
	AK1	blue/blue					AL3	blue/ green-blue				
	AK2	brown/brown					AL4	black/ green-blue				
	AK3	beige/beige					AL5	black/ brown-beige				
	AK4	black/black					AL6	brown/ brown-beige				
	AK5	brown/beige					AL7	beige/ brown-beige				
(3A)	A 928 521 038 54	seat cover leather/ centre part uni-coloured cloth	/R	1	M438		3A	A 928 521 037 54	seat cover leather/ centre part tartan cloth	/L	1	M437
	AK1	blue/blue					AL1	blue/ red-blue				
	AK2	brown/brown					AL2	black/ red-blue				
	AK3	beige/beige					AL3	blue/ green-blue				
	AK4	black/black					AL4	black/ green-blue				
	AK5	brown/beige					AL5	black/ brown-beige				
3A	A 928 521 037 51	seat cover leather/ centre part tartan cloth	/L	1			AL6	brown/ brown-beige				
	AL1	blue/ red-blue					AL7	beige/ brown-beige				
	AL2	black/ red-blue										
	AL3	blue/ green-blue										
	AL4	black/ green-blue										
	AL5	black/ brown-beige										

Model	Year	MG	SG	Illustration	Restrictions	UPD	18:01	23.01.2010	PORSCHE	PET	PORSCHE
928	1982	8	08	808-05		248					

Pos	Part Number	Description	Remark	Qty	Model	Pos	Part Number	Description	Remark	Qty	Model
(3A)	A 928 521 038 54	seat cover leather/ centre part tartan cloth	/R	1	M438	3B	A 928 521 037 04	seat cover leatherette/ seat surface checker board velour	/L	-79	1
	AL1	blue/ red-blue					AA1	dark green/ beige/black			
	AL2	black/ red-blue					AA2	brown/ brown/black			
	AL3	blue/ green-blue					AA3	black/ beige/black			
	AL4	black/ green-blue					AA4	black/ brown/black			
	AL5	black/ brown-beige					AA5	black/ blue/black			
	AL6	brown/ brown-beige					AA6	cork/ beige/black			
	AL7	beige/ brown-beige					AA7	black/ black-white			
3A	A 928 521 037 51	seat cover leather/ centre part stripe design	/L	1			AB4	cork/ brown/black			
	HS6	burgundy/ burgundy-grey			M406	(3B)	A 928 521 038 04	seat cover leatherette/ seat surface checker board velour	/R	-79	1
(3A)	A 928 521 038 51	seat cover leather/ centre part stripe design	/R	1			AA1	dark green/ beige/black			
	HS6	burgundy/ burgundy-grey			M406		AA2	brown/ brown/black			
							AA3	black/ beige/black			
3A	A 928 521 037 54	seat cover leather/ centre part stripe design	/L	1	M437		AA4	black/ brown/black			
	HS6	burgundy/ burgundy-grey			M406		AA5	black/ blue/black			
							AA6	cork/ beige/black			
(3A)	A 928 521 038 54	seat cover leather/ centre part stripe design	/R	1	M438		AA7	black/ black-white			
	HS6	burgundy/ burgundy-grey			M406		AB4	cork/ brown/black			

Model	Year	MG	SG	Illustration	Restrictions	UPD	18:01	23.01.2010	PORSCHE	PET	PORSCHE
928	1982	8	08	808-05		248					

Pos	Part Number	Description	Remark	Qty	Model	Pos	Part Number	Description	Remark	Qty	Model		
3B	A 928 521 037 07	seat cover leatherette/ seat surface checker board velour	/L	-79	1	M437	3B	A 928 521 037 04	seat cover leatherette/ seat surface pin stripe velour	/L	-79	1	
	AA1	dark green/ beige/black					AA8	cork/cork					
	AA2	brown/ brown/black					AA9	black/cork					
	AA3	black/ beige/black					AB1	dark green/cork					
	AA4	black/ brown/black					AB2	black/lobster					
	AA5	black/ blue/black					AB3	black/black					
	AA6	cork/ beige/black				(3B)	A 928 521 038 04	seat cover leatherette/ seat surface pin stripe velour	/R	-79	1		
	AA7	black/ black-white					AA8	cork/cork					
	AB4	cork/ brown/black					AA9	black/cork					
							AB1	dark green/cork					
(3B)	A 928 521 038 07	seat cover leatherette/ seat surface checker board velour	/R	-79	1	M438	AB2	black/lobster					
	AA1	dark green/ beige/black					AB3	black/black					
	AA2	brown/ brown/black					3B	A 928 521 037 07	seat cover leatherette/ seat surface pin stripe velour	/L	-79	1	M437
	AA3	black/ beige/black					AA8	cork/cork					
	AA4	black/ brown/black					AA9	black/cork					
	AA5	black/ blue/black					AB1	dark green/cork					
	AA6	cork/ beige/black					AB2	black/lobster					
	AA7	black/ black-white					AB3	black/black					
	AB4	cork/ brown/black					(3B)	A 928 521 038 07	seat cover leatherette/ seat surface pin stripe velour	/R	-79	1	M438
							AA8	cork/cork					
							AA9	black/cork					
							AB1	dark green/cork					
							AB2	black/lobster					

Model	Year	MG	SG	Illustration	Restrictions	UPD	18:01	23.01.2010	PORSCHE	PET	PORSCHE
928	1982	8	08	808-05		248					

Pos	Part Number	Description	Remark	Qty	Model	Pos	Part Number	Description	Remark	Qty	Model
	AB3	black/black					AK6	black/ grey/black			
3B	A 928 521 037 52	seat cover leather/ seat surface berber cloth	/L	81-	1		AK7	blue/ blue/black			
	AK6	black/ grey/black					AK8	brown/ beige/brown			
	AK7	blue/ blue/black					AK9	beige/ beige/brown			
	AK8	brown/ beige/brown				4	928 521 027 02	backrest frame	/L	1	
	AK9	beige/ beige/brown				(4)	928 521 028 02	backrest frame	/R	1	
(3B)	A 928 521 038 52	seat cover leather/ seat surface berber cloth	/R	81-	1	(4)	928 521 027 03	backrest frame comfort seat	/L	1	
	AK6	black/ grey/black				(4)	928 521 028 03	backrest frame comfort seat	/R	1	
	AK7	blue/ blue/black				5	928 521 393 02	foam part backrest	/L	1	
	AK8	brown/ beige/brown				(5)	928 521 394 02	foam part backrest	/R	1	
	AK9	beige/ beige/brown				6	A 928 521 072 50	backrest cover leather		2	
3B	A 928 521 037 55	seat cover leather/ seat surface berber cloth	/L	81-	1		40D	cork			
	AK6	black/ grey/black			M437		20B	dark green			
	AK7	blue/ blue/black					3NG	brown			
	AK8	brown/ beige/brown					1AJ	black			
	AK9	beige/ beige/brown					30B	blue			
(3B)	A 928 521 038 55	seat cover leather/ seat surface berber cloth	/R	81-	1		50B	beige			
					M438		10A	yellow			
							99A	white			
							80B	light red			
							30A	light blue			
							80S	can-can-red			
							95S	papyrus			
							60S	hannibal grey			

Model	Year	MG	SG	Illustration	Restrictions	UPD	18:01	23.01.2010	PORSCHE	PET	PORSCHE
928	1982	8	08	808-05		248					

Pos	Part Number	Description	Remark	Qty	Model	Pos	Part Number	Description	Remark	Qty	Model	
	20S	mint green					95S	papyrus				
6	A 928 521 071 53	backrest cover leather	/L	1	M437		60S	hannibal grey				
	40D	cork					20S	mint green				
	20B	dark green				6A	A 928 521 072 03	backrest cover leatherette/ centre part checker board velour		2		
	3NG	brown					AC1	dark green/ beige/black				
	1AJ	black					AC2	brown/ brown/black				
	30B	blue					AC3	black/ beige/black				
	50B	beige					AC4	black/ brown/black				
	10A	yellow					AC5	black/ blue/black				
	99A	white					AC6	cork/ beige/black				
	80B	light red					AC7	black/ black-white				
	30A	light blue					AD4	cork/ brown/black				
	80S	can-can-red					6A	A 928 521 071 06	backrest cover leatherette/ centre part checker board velour	/L	1	M437
(6)	A 928 521 072 53	backrest cover leather	/R	1	M438		AC1	dark green/ beige/black				
	40D	cork					AC2	brown/ brown/black				
	20B	dark green					AC3	black/ beige/black				
	3NG	brown					AC4	black/ brown/black				
	1AJ	black					AC5	black/ blue/black				
	30B	blue					AC6	cork/ beige/black				
	50B	beige										
	10A	yellow										
	99A	white										
	80B	light red										
	30A	light blue										
	80S	can-can-red										

Model	Year	MG	SG	Illustration	Restrictions	UPD	18:01	23.01.2010	PORSCHE	PET	PORSCHE
928	1982	8	08	808-05		248					

Pos	Part Number	Description	Remark	Qty	Model	Pos	Part Number	Description	Remark	Qty	Model
	AC7	black/ black-white					AC9	black/cork			
	AD4	cork/ brown/black					AD1	dark green/cork			
(6A)	A 928 521 072 06	backrest cover leatherette/ centre part checker board velour	/R	1	M438	(6A)	A 928 521 072 06	backrest cover leatherette/ centre part pin stripe velour	/R	1	M438
	AC1	dark green/ beige/black					AD2	black/lobster			
	AC2	brown/ brown/black					AD3	black/black			
	AC3	black/ beige/black					AC8	cork/cork			
	AC4	black/ brown/black					AC9	black/cork			
	AC5	black/ blue/black				6A	A 928 521 072 51	backrest cover leather/ centre part checker board velour		2	
	AC6	cork/ beige/black					AD1	dark green/cork			
	AC7	black/ black-white					AD2	black/lobster			
6A	A 928 521 072 03	backrest cover leatherette/ centre part pin stripe velour		2			AD3	black/black			
	AC8	cork/cork					AH1	dark green/ beige/black			
	AC9	black/cork					AH2	brown/ brown/black			
	AD1	dark green/cork					AH3	black/ beige/black			
	AD2	black/lobster					AH4	black/ blue/black			
	AD3	black/black					AH5	cork/ beige/black			
6A	A 928 521 071 06	backrest cover leatherette/ centre part pin stripe velour	/L	1	M437		AH6	black/ black-white			
	AC8	cork/cork					AH7	cork/ brown/black			
							AH8	black/ brown/black			
							AJ1	blue/ blue/black			
							AJ2	black/ grey/black			

Model	Year	MG	SG	Illustration	Restrictions	UPD	18:01	23.01.2010	PORSCHE	PET	PORSCHE
928	1982	8	08	808-05		248					

Pos	Part Number	Description	Remark	Qty	Model	Pos	Part Number	Description	Remark	Qty	Model
	AJ3	brown/ beige/brown					AH1	dark green/ beige/black			
	AJ4	beige/ beige/brown					AH2	brown/ brown/black			
	AJ5	beige/ brown/black					AH3	black/ beige/black			
6A	A 928 521 071 54	backrest cover leather/ centre part checker board velour	/L	1	M437		AH4	black/ blue/black			
	AH1	dark green/ beige/black					AH5	cork/ beige/black			
	AH2	brown/ brown/black					AH6	black/ black-white			
	AH3	black/ beige/black					AH7	cork/ brown/black			
	AH4	black/ blue/black					AH8	black/ brown/black			
	AH5	cork/ beige/black					AJ1	blue/ blue/black			
	AH6	black/ black-white					AJ2	black/ grey/black			
	AH7	cork/ brown/black					AJ3	brown/ beige/brown			
	AH8	black/ brown/black					AJ4	beige/ beige/brown			
	AJ1	blue/ blue/black					AJ5	beige/ brown/black			
	AJ2	black/ grey/black				6A	A 928 521 072 51	backrest cover leather/ centre part uni-coloured cloth		2	
	AJ3	brown/ beige/brown					AK1	blue/blue			
	AJ4	beige/ beige/brown					AK2	brown/brown			
	AJ5	beige/ brown/black					AK3	beige/beige			
(6A)	A 928 521 072 54	backrest cover leather/ centre part checker board velour	/R	1	M438		AK4	black/black			
							AK5	brown/beige			

Model	Year	MG	SG	Illustration	Restrictions	UPD	18:01	23.01.2010	PORSCHE	PET	PORSCHE
928	1982	8	08	808-05		248					

Pos	Part Number	Description	Remark	Qty	Model	Pos	Part Number	Description	Remark	Qty	Model
6A	A 928 521 071 54	backrest cover leather/ centre part uni-coloured cloth	/L	1	M437	6A	A 928 521 071 54	backrest cover leather/ centre part tartan cloth	/L	1	M437
	AK1	blue/blue					AL1	blue/ red-blue			
	AK2	brown/brown					AL2	black/ red-blue			
	AK3	beige/beige					AL3	blue/ green-blue			
	AK4	black/black					AL4	black/ green-blue			
	AK5	brown/beige					AL5	black/ brown-beige			
(6A)	A 928 521 072 54	backrest cover leather/ centre part uni-coloured cloth	/R	1	M438		AL6	brown/ brown-beige			
	AK1	blue/blue					AL7	beige/ brown-beige			
	AK2	brown/brown				(6A)	A 928 521 072 54	backrest cover leather/ centre part tartan cloth	/R	1	M438
	AK3	beige/beige					AL1	blue/ red-blue			
	AK4	black/black					AL2	black/ red-blue			
	AK5	brown/beige					AL3	blue/ green-blue			
6A	A 928 521 072 51	backrest cover leather/ centre part tartan cloth		2			AL4	black/ green-blue			
	AL1	blue/ red-blue					AL5	black/ brown-beige			
	AL2	black/ red-blue					AL6	brown/ brown-beige			
	AL3	blue/ green-blue					AL7	beige/ brown-beige			
	AL4	black/ green-blue				6A	A 928 521 072 51	backrest cover leather/ centre part stripe design		2	
	AL5	black/ brown-beige									
	AL6	brown/ brown-beige									
	AL7	beige/ brown-beige									

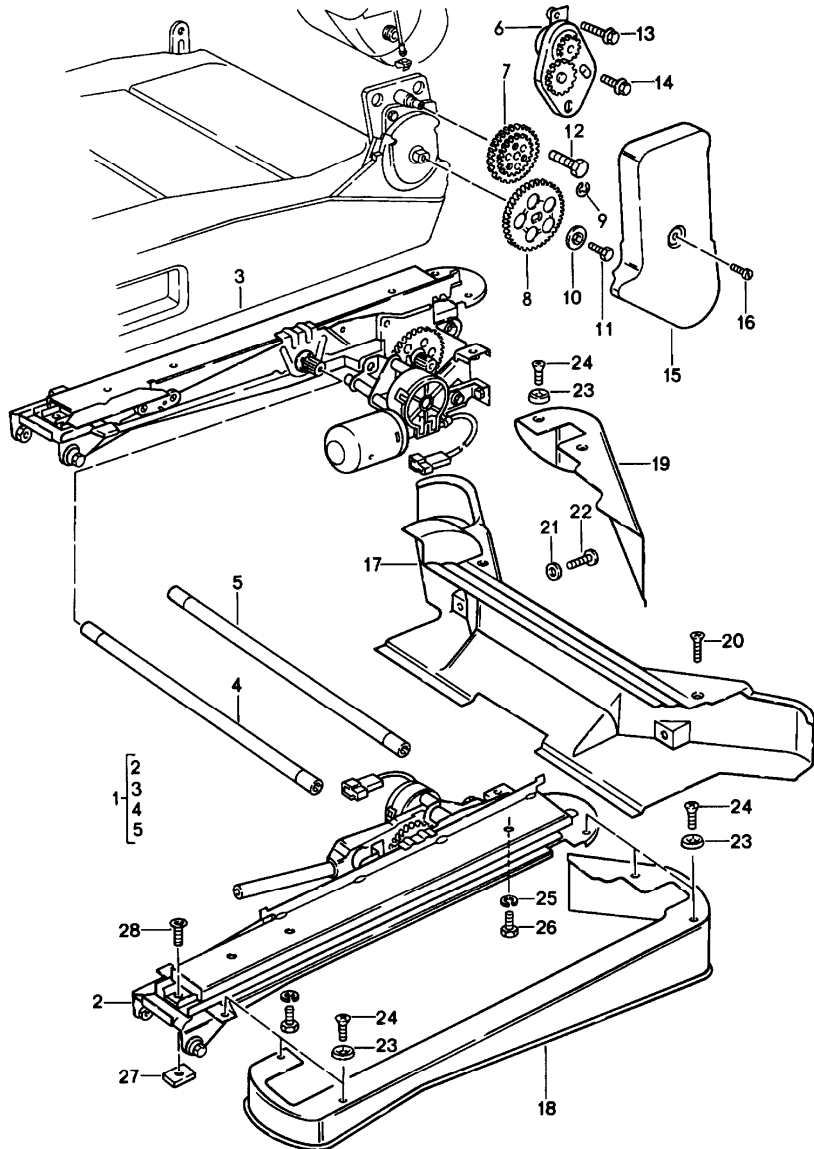
Model	Year	MG	SG	Illustration	Restrictions	UPD	18:01	23.01.2010	PORSCHE	PET	PORSCHE
928	1982	8	08	808-05		248					

Pos	Part Number	Description	Remark	Qty	Model	Pos	Part Number	Description	Remark	Qty	Model
	HS6	burgundy/ burgundy-grey			M406		AA2	brown/ brown/black			
6A	A 928 521 071 54	backrest cover leather/ centre part stripe design	/L	1	M437		AA3	black/ beige/black			
	HS6	burgundy/ burgundy-grey			M406		AA4	black/ brown/black			
(6A)	A 928 521 072 54	backrest cover leather/ centre part stripe design	/R	1	M438		AA5	black/ blue/black			
	HS6	burgundy/ burgundy-grey			M406		AA6	cork/ beige/black			
6B	A 928 521 072 04	backrest cover leatherette/ backrest surface checker board velour		-79	2		AA7	black/ black-white			
	AA1	dark green/ beige/black				(6B)	AB4	cork/ brown/black			
	AA2	brown/ brown/black					A 928 521 072 07	backrest cover leatherette/ backrest surface checker board velour	/R	-79	1 M438
	AA3	black/ beige/black					AA1	dark green/ beige/black			
	AA4	black/ brown/black					AA2	brown/ brown/black			
	AA5	black/ blue/black					AA3	black/ beige/black			
	AA6	cork/ beige/black					AA4	black/ brown/black			
	AA7	black/ black-white					AA5	black/ blue/black			
	AB4	cork/ brown/black					AA6	cork/ beige/black			
6B	A 928 521 071 07	backrest cover leatherette/ backrest surface checker board velour	/L	-79	1 M437		AA7	black/ black-white			
	AA1	dark green/ beige/black				6B	AB4	cork/ brown/black			
							A 928 521 072 04	backrest cover leatherette/ backrest surface pin stripe velour		-79	2
							AA8	cork/cork			

Model	Year	MG	SG	Illustration	Restrictions	UPD	18:01	23.01.2010	PORSCHE	PET	PORSCHE
928	1982	8	08	808-05		248					

Pos	Part Number	Description	Remark	Qty	Model	Pos	Part Number	Description	Remark	Qty	Model	
	AA9	black/cork				6B	A 928 521 071 55	backrest cover leather/ backrest surface berber cloth	/L	81-	1	M437
	AB1	dark green/cork										
	AB2	black/lobster										
	AB3	black/black										
6B	A 928 521 071 07	backrest cover leatherette/ backrest surface pin stripe velour	/L	-79	1	M437						
	AA8	cork/cork										
	AA9	black/cork										
	AB1	dark green/cork				(6B)	A 928 521 072 55	backrest cover leather/ backrest surface berber cloth	/R	81-	1	M438
	AB2	black/lobster										
	AB3	black/black										
(6B)	A 928 521 072 07	backrest cover leatherette/ backrest surface pin stripe velour	/R	-79	1	M438						
	AA8	cork/cork										
	AA9	black/cork										
	AB1	dark green/cork										
	AB2	black/lobster				7	928 521 813 02	support ring			2	
	AB3	black/black				8	911 521 361 01	wire pull			2	
6B	A 928 521 072 52	backrest cover leather/ backrest surface berber cloth		81-	2							
	AK6	black/ grey/black				9	911 521 369 00	terminal wire pull			2	
	AK7	blue/ blue/black										
	AK8	brown/ beige/brown										
	AK9	beige/ beige/brown										

Model	Year	MG	SG	Illustration	Restrictions	UPD	18:01	23.01.2010	PORSCHE	PET	PORSCHE
928	1982	8	08	808-10		248					

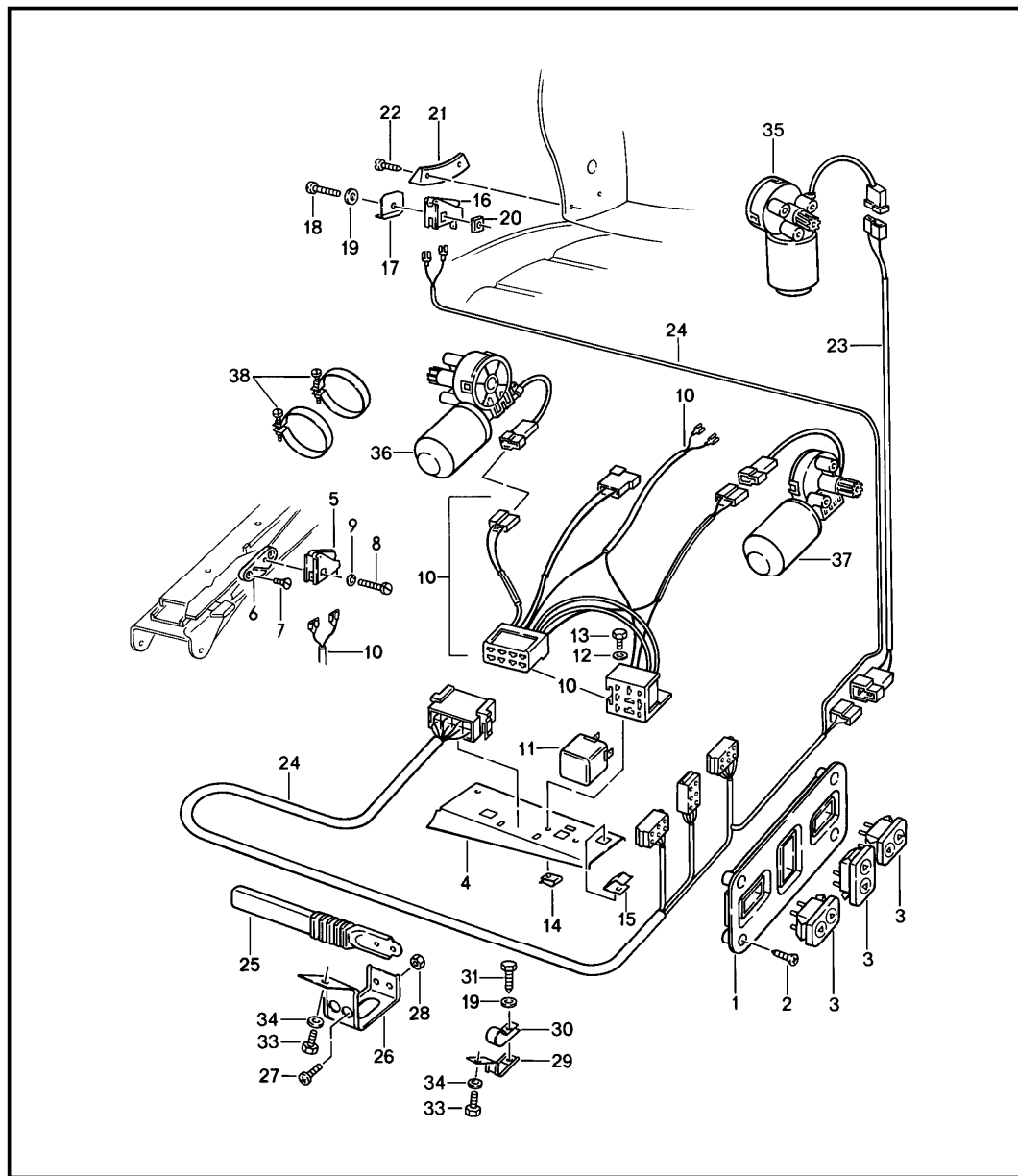


Pos	Part Number	Description	Remark	Qty	Model
		seat adjuster comfort seat single parts			M437/438
1	928 521 059 02	seat adjuster		2	
2	928 521 061 02	driving mechanism	/L	1	
3	928 521 062 02	driving mechanism	/R	1	
4	928 521 795 02	transmission tube for longitudinal adjustment		2	
5	928 521 797 02	transmission tube height adjustment		2	
6	928 521 055 02	bearing plate	/L	1	
(6)	928 521 056 02	bearing plate	/R	1	
7	928 521 653 02	gear wheel		1	
8	928 521 648 02	gear wheel		1	
9	900 116 005 02	lock washer		2	
10	928 521 705 02	dished washer		2	
11	N 010 208 5	screw M 6 X 8		2	
12	911 521 547 00	hexagon-head bolt M 10 X 20		4	
13	999 217 005 02	screw M 6 X 20		2	
14	999 217 003 02	screw M 6 X 8		2	
15	928 521 785 02	cover	/L	1	
(15)	928 521 786 02	cover M 4 X 8	/R	1	
16	N 014 122 8	oval-head screw M 4 X 8		2	
17	928 521 781 04	protection cap M 4 X 8	/H	2	
18	928 521 761 04	cover	/L	1	
(18)	928 521 764 04	cover	/L	1	

Model	Year	MG	SG	Illustration	Restrictions	UPD	18:01	23.01.2010	PORSCHE	PET	PORSCHE
928	1982	8	08	808-10		248					

Pos	Part Number	Description	Remark	Qty	Model	Pos	Part Number	Description	Remark	Qty	Model
(19)	928 521 762 04	cover	/R	1							
19	928 521 763 04	cover	/R	1							
20	900 269 018 07	countersunk-head screw M 5 X 16		2							
21	900 025 003 02	washer A 5,3		2							
22	900 146 037 07	oval-head screw M 5 X 16		2							
23	999 591 102 17	washer A 3,5		6							
24	900 145 071 07	tapping screw B 3,5 X 13		6							
25	N 012 006 4	lock ring B 6		4							
26	900 075 014 02	hexagon-head bolt		4							
27	928 521 101 04	threaded plate	80-	8							
28	900 249 008 02	countersunk-head screw M 6 X 12		4							

Model	Year	MG	SG	Illustration	Restrictions	UPD	18:01	23.01.2010	PORSCHE	PET	PORSCHE
928	1982	8	08	808-15		248					

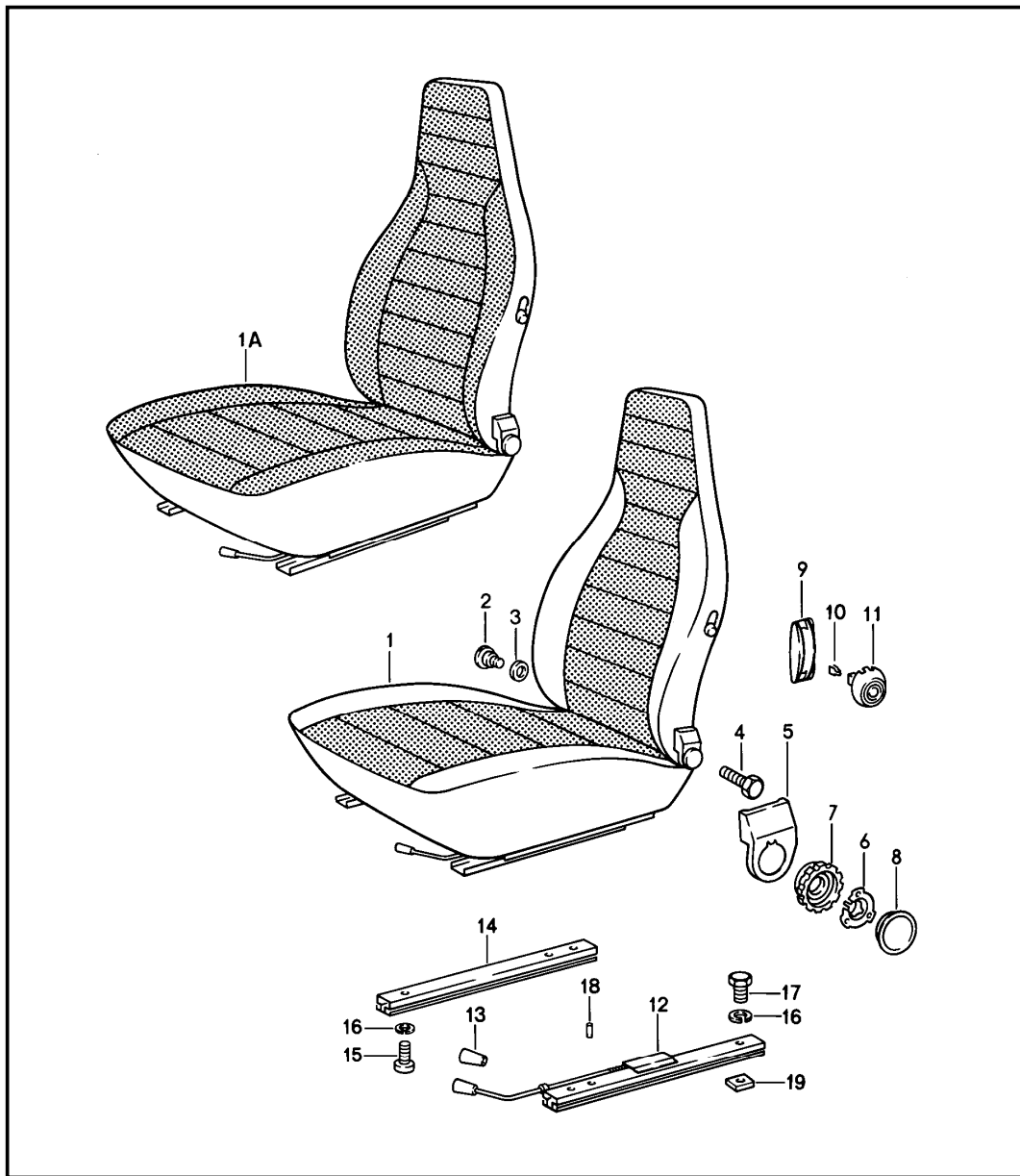


Pos	Part Number	Description	Remark	Qty	Model
		electrical equipment electric drive comfort seat			M437/438
1	928 521 351 04	rosette		2	
2	900 143 049 07	tapping screw BZ 3,5 X 9,5		8	
3	928 613 144 00	tip switch		6	
4	928 615 129 01	relay holder		2	
5	928 613 169 00	switch	-81	2	
6	928 613 471 00	spacer	-81	2	
7	900 269 049 02	countersunk-head screw M 4 X 6	-81	2	
8	900 146 025 02	oval-head screw M 4 X 18		2	
9	900 031 009 02	washer 4,3	-81	2	
10	928 612 174 01	wiring harness comfort seat	/R	-81	1
10	928 612 174 04	wiring harness comfort seat	/R	82	1
(10)	928 612 174 02	wiring harness comfort seat	/L	-81	1
10	928 612 174 03	wiring harness comfort seat	/L	82	1
11	928 615 123 00	relay	-81	2	
12	900 151 028 02	washer A 4,3		4	
13	900 187 013 02	tapping screw BZ 4,2 X 13	-81	6	
14	N 015 429 2	speed nut B 4,2	-81	2	
15	999 651 146 02	cable clamp		6	
16	928 613 167 00	switch	-81	2	
17	928 613 469 00	spacer	-81	1	M437
(17)	928 613 470 00	spacer	-81	1	M438

Model	Year	MG	SG	Illustration	Restrictions	UPD	18:01	23.01.2010	PORSCHE	PET	PORSCHE
928	1982	8	08	808-15		248					

Pos	Part Number	Description	Remark	Qty	Model	Pos	Part Number	Description	Remark	Qty	Model
18	900 146 055 02	oval-head screw M 4 X 25	-81	2		38	999 512 341 02	clamp		4	
19	900 025 002 02	washer A 4,3	-81	2							
20	928 613 473 00	threaded plate	-81	2							
21	928 521 895 03	pressure plate	-81	2							
22	900 143 049 07	tapping screw BZ 3,5 X 9,5	-81	8							
23	928 612 175 00	wiring harness		2							
24	928 612 173 01	wiring harness	-81	2							
24	928 612 173 02	wiring harness	82	2							
25	928 555 551 03	cable guide		2							
26	928 612 445 01	support		2							
27	N 014 139 11	oval-head screw AM 6 X 12		4							
28	900 076 010 02	hexagon nut M 6		4							
29	928 612 446 01	support		2							
30	999 511 081 02	pipe clamp		2							
31	900 187 013 02	tapping screw BZ 4,2 X 13		6							
32	900 151 028 02	washer A 4,3		2							
33	N 010 208 5	hexagon-head bolt M 6 X 8		4							
34	N 012 226 5	spring washer B 6		4							
35	928 624 123 00	adjusting motor backrest	/L	1							
(35)	928 624 124 00	adjusting motor backrest	/R	1							
36	928 624 124 00	adjusting motor height adjustment		2							
37	928 624 125 00	adjusting motor for longitudinal adjustment		2							

Model	Year	MG	SG	Illustration	Restrictions	UPD	18:02	23.01.2010	PORSCHE	PET	PORSCHE
928	1982	8	08	808-20		248					



Pos	Part Number	Description	Remark	Qty	Model
		front seat complete		80-	928
1 A	928 521 001 30	front seat leatherette/centre part checker board velour	/L	80-	1
	AC2	brown/brown/black			
	AC4	black/brown/black			
	AC5	black/blue/black			
	BC1	blue/blue/black			
	FD8	black/grey/black			
	FD9	brown/beige/brown			
	BC4	beige/beige/brown			
	BC5	beige/brown/black			
(1) A	928 521 002 30	front seat leatherette/centre part checker board velour	/R	80-	1
	AC2	brown/brown/black			
	AC4	black/brown/black			
	AC5	black/blue/black			
	BC1	blue/blue/black			
	FD8	black/grey/black			
	FD9	brown/beige/brown			

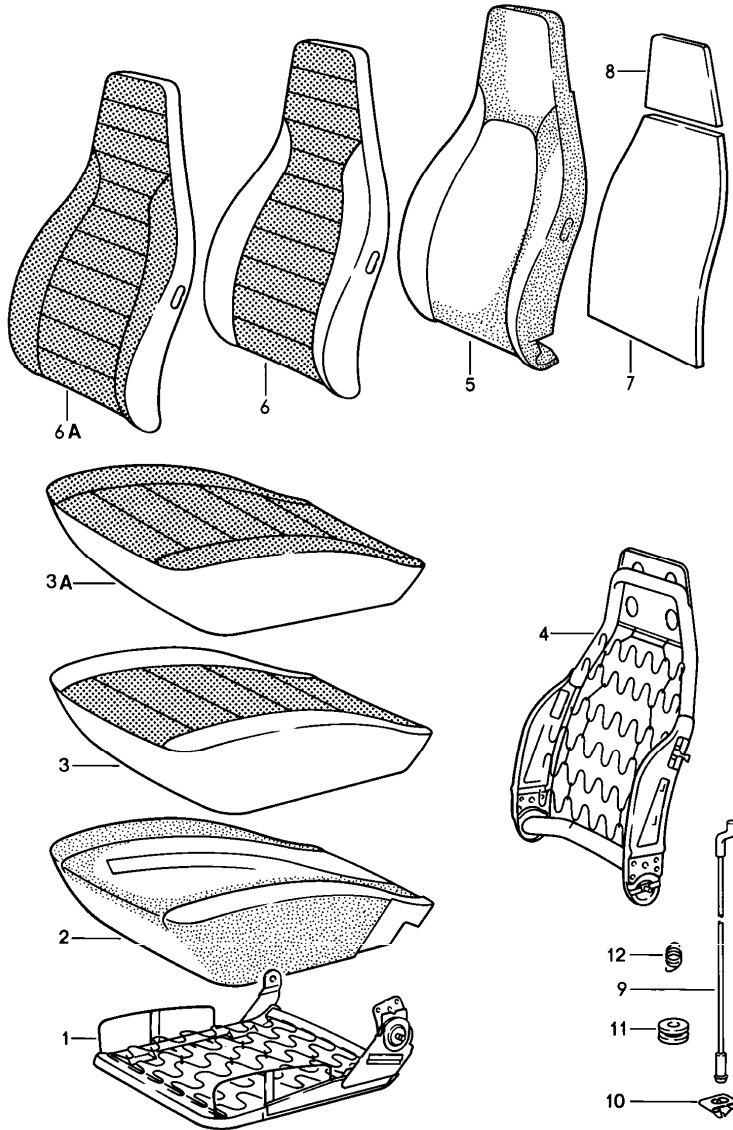
Model	Year	MG	SG	Illustration	Restrictions	UPD	18:02	23.01.2010	PORSCHE	PET	PORSCHE
928	1982	8	08	808-20		248					

Pos	Part Number	Description	Remark	Qty	Model	Pos	Part Number	Description	Remark	Qty	Model	
	BC4	beige/ beige/brown					BE6	brown/ brown-beige				
	BC5	beige/ brown/black					BE7	beige/ brown-beige				
1	A 928 521 001 30	front seat leatherette/ centre part uni-coloured cloth	/L	80-	1	(1)	A 928 521 002 30	front seat leatherette/ centre part tartan cloth	/R	80-	1	
	BD1	blue/blue					BE1	blue/ red-blue				
	BD2	brown/brown					BE2	black/ red-blue				
	BD3	beige/beige					BE3	blue/ green-blue				
	BD4	black/black					BE4	black/ green-blue				
	BD5	brown/beige					BE5	black/ brown-beige				
(1)	A 928 521 002 30	front seat leatherette/ centre part uni-coloured cloth	/R	80-	1		BE6	brown/ brown-beige				
	BD1	blue/blue					BE7	beige/ brown-beige				
	BD2	brown/brown					1A	A 928 521 001 31	front seat leatherette/ seat and backrest surface berber cloth	/L	81-	1
	BD3	beige/beige					GE9	black/ grey/black				
	BD4	black/black					BD7	blue/ blue/black				
	BD5	brown/beige					FE3	brown/ beige/brown				
1	A 928 521 001 30	front seat leatherette/ centre part tartan cloth	/L	80-	1		BD9	beige/ beige/brown				
	BE1	blue/ red-blue					(1A)	A 928 521 002 31	front seat leatherette/ seat and backrest surface berber cloth	/R	81-	1
	BE2	black/ red-blue					GE9	black/ grey/black				
	BE3	blue/ green-blue										
	BE4	black/ green-blue										
	BE5	black/ brown-beige										

Model	Year	MG	SG	Illustration	Restrictions	UPD	18:02	23.01.2010	PORSCHE	PET	PORSCHE
928	1982	8	08	808-20		248					

Pos	Part Number	Description	Remark	Qty	Model	Pos	Part Number	Description	Remark	Qty	Model
	BD7	blue/ blue/black						M 6 X 12			
	FE3	brown/ beige/brown				16	N 012 006 4	lock ring B 6		16	
	BD9	beige/ beige/brown				17	900 075 057 02	hexagon-head bolt M 6 X 16		8	
2	911 521 371 00	screw		2		18	900 012 123 00	pin A 2,5 X 12		2	
3	999 025 117 40	washer 12,5 X 32 X 1		X		19	928 521 101 04	threaded plate		8	
4	911 521 547 00	hexagon-head bolt M 10 X 20		4							
5	911 521 359 02	cover	/L	1							
(5)	911 521 360 02	cover	/R	1							
6	911 521 571 00	tensioning spring		2							
7	911 521 381 00	shifting wheel		2							
8	911 521 383 00	cover		2							
9	311 881 607 A	rosette actuating lever		2							
10	311 881 247	clamp		2							
11	113 881 633 E	control button		2							
	01C	satin black									
12	A 928 521 489 02	seat rail with locking device	/L	1							
(12)	928 521 490 02	seat rail with locking device	/R	1							
(13)	911 521 533 01	handle for longitudinal adjustment		2							
	01C	satin black									
14	A 944 521 491 00	seat rail without locking device see tpi GR.8 NR.34		2							
14	944 521 491 00	seat rail		2							
15	N 014 761 2	pan-head screw M 6 X 12		2							

Model	Year	MG	SG	Illustration	Restrictions	UPD	18:02	23.01.2010	PORSCHE	PET	PORSCHE
928	1982	8	08	808-25		248					



Pos	Part Number	Description	Remark	Qty	Model
		front seat single parts	80-		
1	911 521 069 56	seat frame	/L	80-	1
(1)	911 521 070 56	seat frame	/R	80-	1
2	911 521 385 02	foam part seat cushion	/L	80-	1
(2)	911 521 386 02	foam part seat cushion	/R	80-	1
3	A 911 521 037 11	cover for cushion leatherette/ centre part checker board velour	/L	80-	1
		AC2 brown/ brown/black			
		AC4 black/ brown/black			
		AC5 black/ blue/black			
		BC1 blue/ blue/black			
		FD8 black/ grey/black			
		FD9 brown/ beige/brown			
		BC4 beige/ beige/brown			
		BC5 beige/ brown/black			
(3)	A 911 521 038 11	cover for cushion leatherette/ centre part checker board velour	/R	80-	1
		AC2 brown/ brown/black			
		AC4 black/ brown/black			
		AC5 black/ blue/black			

Model	Year	MG	SG	Illustration	Restrictions	UPD	18:02	23.01.2010	PORSCHE	PET	PORSCHE
928	1982	8	08	808-25		248					

Pos	Part Number	Description	Remark	Qty	Model	Pos	Part Number	Description	Remark	Qty	Model	
	BC1	blue/ blue/black					BE3	blue/ green-blue				
	FD8	black/ grey/black					BE4	black/ green-blue				
	FD9	brown/ beige/brown					BE5	black/ brown-beige				
	BC4	beige/ beige/brown					BE6	brown/ brown-beige				
	BC5	beige/ brown/black					BE7	beige/ brown-beige				
3	A 911 521 037 11	cover for cushion leatherette/ centre part uni-coloured cloth	/L	80-	1	(3)	A 911 521 038 11	cover for cushion leatherette/ centre part tartan cloth	/R	80-	1	
	BD1	blue/blue					BE1	blue/ red-blue				
	BD2	brown/brown					BE2	black/ red-blue				
	BD3	beige/beige					BE3	blue/ green-blue				
	BD4	black/black					BE4	black/ green-blue				
	BD5	brown/beige					BE5	black/ brown-beige				
(3)	A 911 521 038 11	cover for cushion leatherette/ centre part uni-coloured cloth	/R	80-	1		BE6	brown/ brown-beige				
	BD1	blue/blue					BE7	beige/ brown-beige				
	BD2	brown/brown					3A	A 911 521 037 12	cover for cushion leatherette/ seat surface berber cloth	/L	80-	1
	BD3	beige/beige					GE9	black/ grey/black				
	BD4	black/black					BD7	blue/ blue/black				
	BD5	brown/beige					FE3	brown/ beige/brown				
3	A 911 521 037 11	cover for cushion leatherette/ centre part tartan cloth	/L	80-	1		BD9	beige/ beige/brown				
	BE1	blue/ red-blue										
	BE2	black/ red-blue										

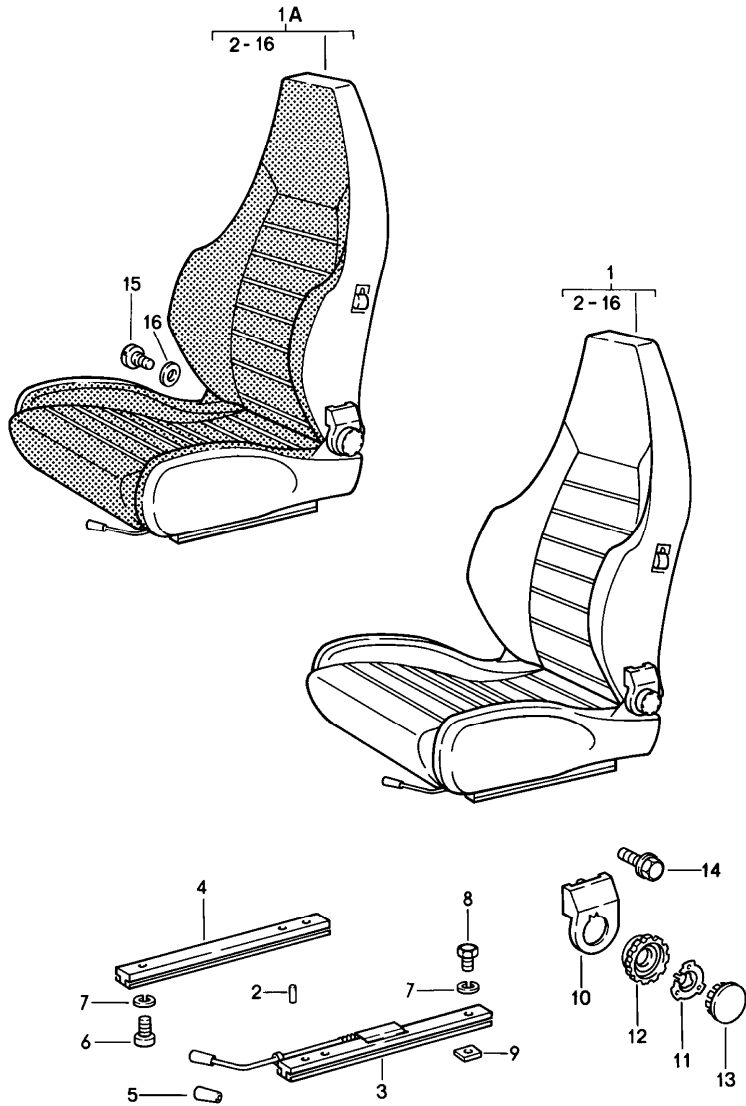
Model	Year	MG	SG	Illustration	Restrictions	UPD	18:02	23.01.2010	PORSCHE	PET	PORSCHE
928	1982	8	08	808-25		248					

Pos	Part Number	Description	Remark	Qty	Model	Pos	Part Number	Description	Remark	Qty	Model
(3A)	A 911 521 038 12	cover for cushion leatherette/ seat surface berber cloth	/R	80-	1		BD1	blue/blue			
	GE9	black/ grey/black					BD2	brown/brown			
	BD7	blue/ blue/black					BD3	beige/beige			
	FE3	brown/ beige/brown					BD4	black/black			
	BD9	beige/ beige/brown					BD5	brown-beige			
4	911 521 027 58	backrest frame	/L	80-	1	6	A 911 521 072 21	backrest cover leatherette/ centre part tartan cloth	80-	2	
(4)	911 521 028 58	backrest frame	/R	80-	1		BE1	blue/ red-blue			
5	911 521 393 02	foam part backrest		80-	2		BE2	black/ red-blue			
6	A 911 521 072 21	backrest cover leatherette/ centre part checker board velour		80-	2		BE3	blue/ green-blue			
	AC2	brown/ brown/black					BE4	black/ green-blue			
	AC4	black/ brown/black					BE5	black/ brown-beige			
	AC5	black/ blue/black					BE6	brown/ brown-beige			
	BC1	blue/ blue/black					BE7	beige/ brown-beige			
	FD8	black/ grey/black				6A	A 911 521 072 22	backrest cover leatherette/ backrest surface berber cloth	80-	2	
	FD9	brown/ beige/brown					GE9	black/ grey/black			
	BC4	beige/ beige/brown					BD7	blue/ blue/black			
	BC5	beige/ brown/black					FE3	brown/ beige/brown			
6	A 911 521 072 21	backrest cover leatherette/ centre part uni-coloured cloth		80-	2	7	911 521 575 00	filler piece backrest frame	80-	2	
						8	911 521 435 00	filler piece	80-	2	

Model	Year	MG	SG	Illustration	Restrictions	UPD	18:02	23.01.2010	PORSCHE	PET	PORSCHE
928	1982	8	08	808-25		248					

Pos	Part Number	Description	Remark	Qty	Model	Pos	Part Number	Description	Remark	Qty	Model
9	911 521 361 00	wire pull	80-	2							
10	911 521 369 00	terminal wire pull	80-	2							
11	911 521 343 00	guide bush wire pull	80-	2							
12	311 881 287 A	spring actuating lever	80-	2							

Model	Year	MG	SG	Illustration	Restrictions	UPD	18:02	23.01.2010	PORSCHE	PET	PORSCHE
928	1982	8	08	808-30		248					

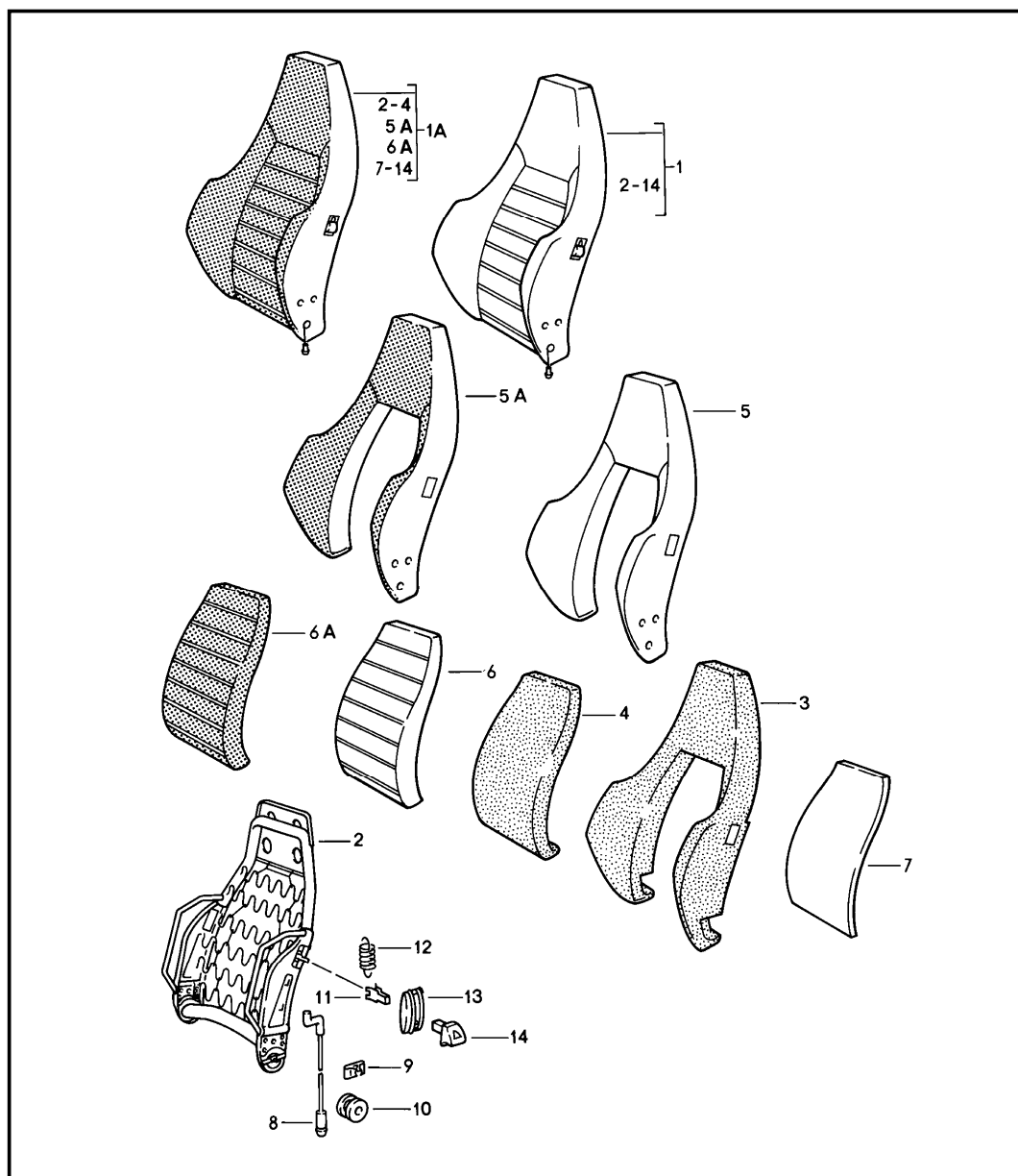


Pos	Part Number	Description	Remark	Qty	Model
		sports seat complete	80-81-		M409 M410
1	A 911 521 007 61	sports seat leather	/L	1	M409
	1AJ	black			
	3NG	brown			
	30B	dark blue			
	50B	beige			
	80S	can-can-red			
	95S	papyrus			
	60S	hannibal grey			
	20S	mint green			
(1)	A 911 521 008 61	sports seat leather	/R	1	M409
	1AJ	black			
	3NG	brown			
	30B	dark blue			
	50B	beige			
	80S	can-can-red			
	95S	papyrus			
	60S	hannibal grey			
	20S	mint green			
1A	A 911 521 007 06	sports seat leatherette/ seat and backrest surface berber cloth	/L	1	M410
	GE9	black/ grey/black			
	BD7	blue/ blue/black			
	FE3	brown/ beige/brown			
	BD9	beige/ beige/brown			

Model	Year	MG	SG	Illustration	Restrictions	UPD	18:02	23.01.2010	PORSCHE	PET	PORSCHE
928	1982	8	08	808-30		248					

Pos	Part Number	Description	Remark	Qty	Model	Pos	Part Number	Description	Remark	Qty	Model
(1A)	A 911 521 008 06	sports seat leatherette/ seat and backrest surface berber cloth	/R	1	M410	12	911 521 381 00	shifting wheel		2	
	GE9	black/ grey/black				13	911 521 383 00	cover		2	
	BD7	blue/ blue/black				14	911 521 371 00	screw inner		2	
	FE3	brown/ beige/brown				15	911 521 547 00	hexagon-head bolt M 10 X 20		4	
	BD9	beige/ beige/brown				16	999 025 117 40	washer 12,5 X 32 X 1		X	
2	900 012 123 00	pin A 2,5 X 12		2							
3	A 928 521 489 02	seat rail	/L	1							
(3)	A 928 521 490 02	seat rail with locking device	/R	1							
4	A 944 521 491 00	seat rail		2							
4	944 521 491 00	seat rail without locking device see tpi GR.8 NR.34		2							
5	A 911 521 533 00	handle		2							
(5)	911 521 533 01	handle for longitudinal adjustment		2							
	01C	satin black									
6	N 014 761 2	pan-head screw M 6 X 12		8							
		M 6 X 12									
7	N 012 006 4	lock ring B 6		16							
8	900 075 057 02	hexagon-head bolt M 6 X 16		8							
9	928 521 101 04	threaded plate		8							
10	911 521 359 02	cover	/L	1							
(10)	911 521 360 02	cover	/R	1							
11	911 521 571 00	tensioning spring		2							

Model	Year	MG	SG	Illustration	Restrictions	UPD	18:02	23.01.2010	PORSCHE	PET	PORSCHE
928	1982	8	08	808-35		248					



Pos	Part Number	Description	Remark	Qty	Model
		sports seat backrest single parts	80-81-		M409 M410
1	A 911 521 603 50	backrest leather	/L	1	M409
		1AJ black			
		3NG brown			
		30B dark blue			
		50B beige			
		80S can-can-red			
		95S papyrus			
		60S hannibal grey			
		20S mint green			
(1)	A 911 521 604 50	backrest leather	/R	1	M409
		1AJ black			
		3NG brown			
		30B dark blue			
		50B beige			
		80S can-can-red			
		95S papyrus			
		60S hannibal grey			
		20S mint green			
1A	A 911 521 603 06	backrest leatherette/backrest surface berber cloth	/L	1	M410
		GE9 black/grey/black			
		BD7 blue/blue/black			
		FE3 brown/beige/brown			

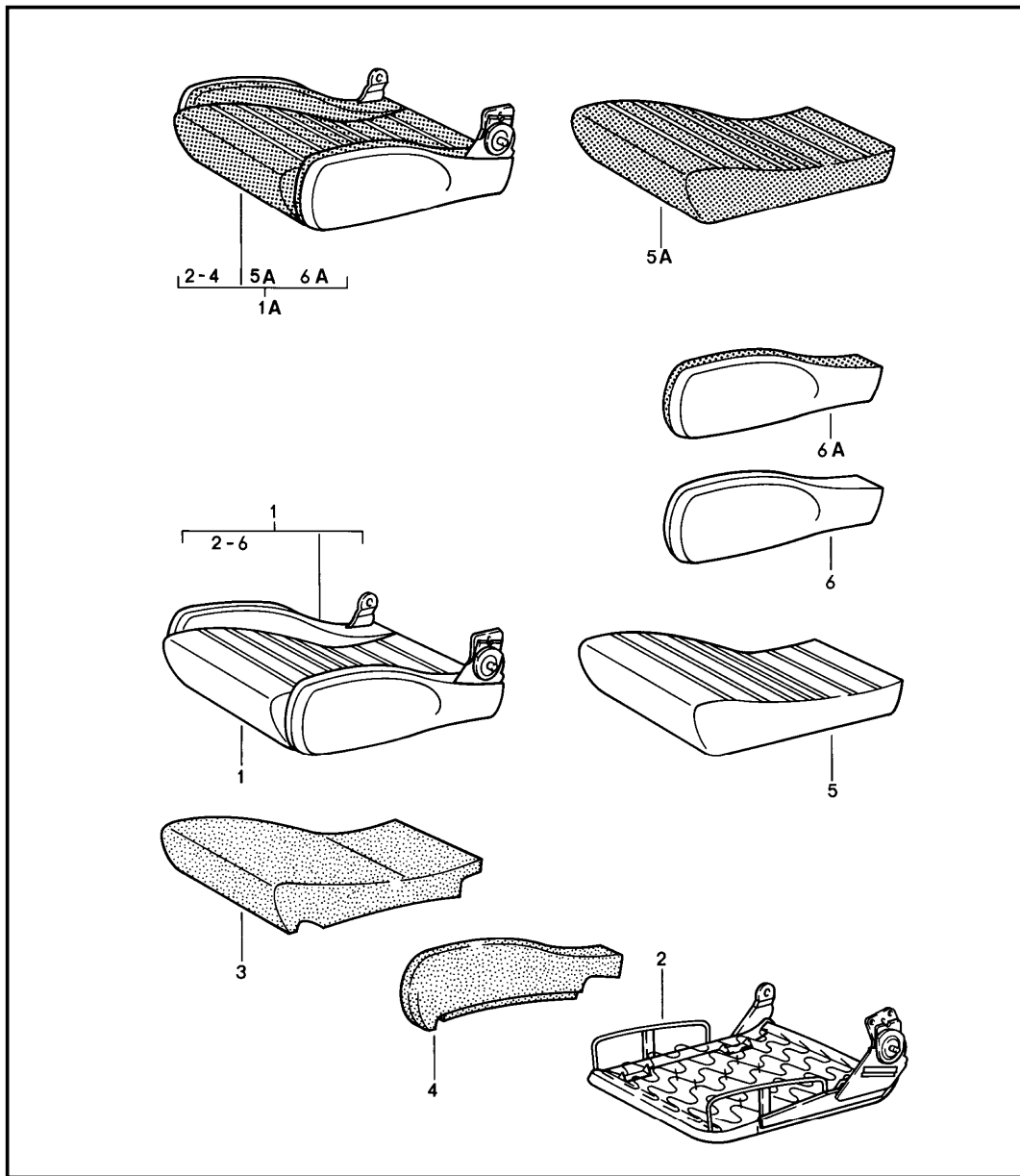
Model	Year	MG	SG	Illustration	Restrictions	UPD	18:02	23.01.2010	PORSCHE	PET	PORSCHE
928	1982	8	08	808-35		248					

Pos	Part Number	Description	Remark	Qty	Model	Pos	Part Number	Description	Remark	Qty	Model
	BD9	beige/ beige/brown					GE6	black/ grey/black			
(1A)	A 911 521 604 06	backrest leatherette/ backrest surface berber cloth	/R	1	M410		BD7	blue/ blue/black			
	GE9	black/ grey/black					FE3	brown/ beige/brown			
	BD7	blue/ blue/black				6	A 911 521 403 50	backrest cushion cover leather		2	M409
	FE3	brown/ beige/brown					1AJ	black			
	BD9	beige/ beige/brown					3NG	brown			
2	A 911 521 613 02	backrest frame	/L	1			30B	dark blue			
2	911 521 613 02	backrest frame	/L	1			50B	beige			
(2)	A 911 521 614 02	backrest frame	/R	1			80S	can-can-red			
(2)	911 521 614 02	backrest frame	/R	1			95S	papyrus			
3	911 521 751 02	foam part backrest side bolster		2			60S	hannibal grey			
4	911 521 104 02	foam part backrest cushion		2		6A	A 911 521 403 06	backrest cushion cover berber cloth		2	M410
5	A 911 521 072 70	backrest side bolster cover leather		2	M409		1GB	grey/black			
	1AJ	black					37B	blue/black			
	3NG	brown					8NB	beige/brown			
	30B	dark blue				7	911 521 575 00	cover		2	
	50B	beige				8	911 521 361 00	wire pull		2	
	80S	can-can-red				9	911 521 369 00	terminal wire pull		2	
	95S	papyrus				10	911 521 343 00	guide bush		2	
	60S	hannibal grey				11	311 881 247	clamp		2	
	20S	mint green				12	311 881 287 A	spring actuating lever		2	
5A	A 911 521 072 06	backrest side bolster cover leatherette/ backrest surface berber cloth		2	M410	13	911 521 815 00	rosette actuating lever		2	

Model	Year	MG	SG	Illustration	Restrictions	UPD	18:02	23.01.2010	PORSCHE	PET	PORSCHE
928	1982	8	08	808-35		248					

Pos	Part Number	Description	Remark	Qty	Model	Pos	Part Number	Description	Remark	Qty	Model
14	911 521 817 00	control button		2							
	01C	satin black									
	01C	satin black									

Model	Year	MG	SG	Illustration	Restrictions	UPD	18:02	23.01.2010	PORSCHE	PET	PORSCHE
928	1982	8	08	808-40		248					



Pos	Part Number	Description	Remark	Qty	Model
		sports seat seat cushion single parts	80- 81-		M409 M410
1	A 911 521 605 50	seat cushion leather	/L	1	M409
	1AJ	black			
	3NG	brown			
	30B	dark blue			
	50B	beige			
	80S	can-can-red			
	95S	papyrus			
	60S	hannibal grey			
	20S	mint green			
(1)	A 911 521 606 50	seat cushion leather	/R	1	M409
	1AJ	black			
	3NG	brown			
	30B	dark blue			
	50B	beige			
	80S	can-can-red			
	95S	papyrus			
	60S	hannibal grey			
	20S	mint green			
1A	A 911 521 605 06	seat cushion leatherette/ seat surface berber cloth	/L	1	M410
	GE9	black/ grey/black			
	BD7	blue/ blue/black			
	FE3	brown/ beige/brown			

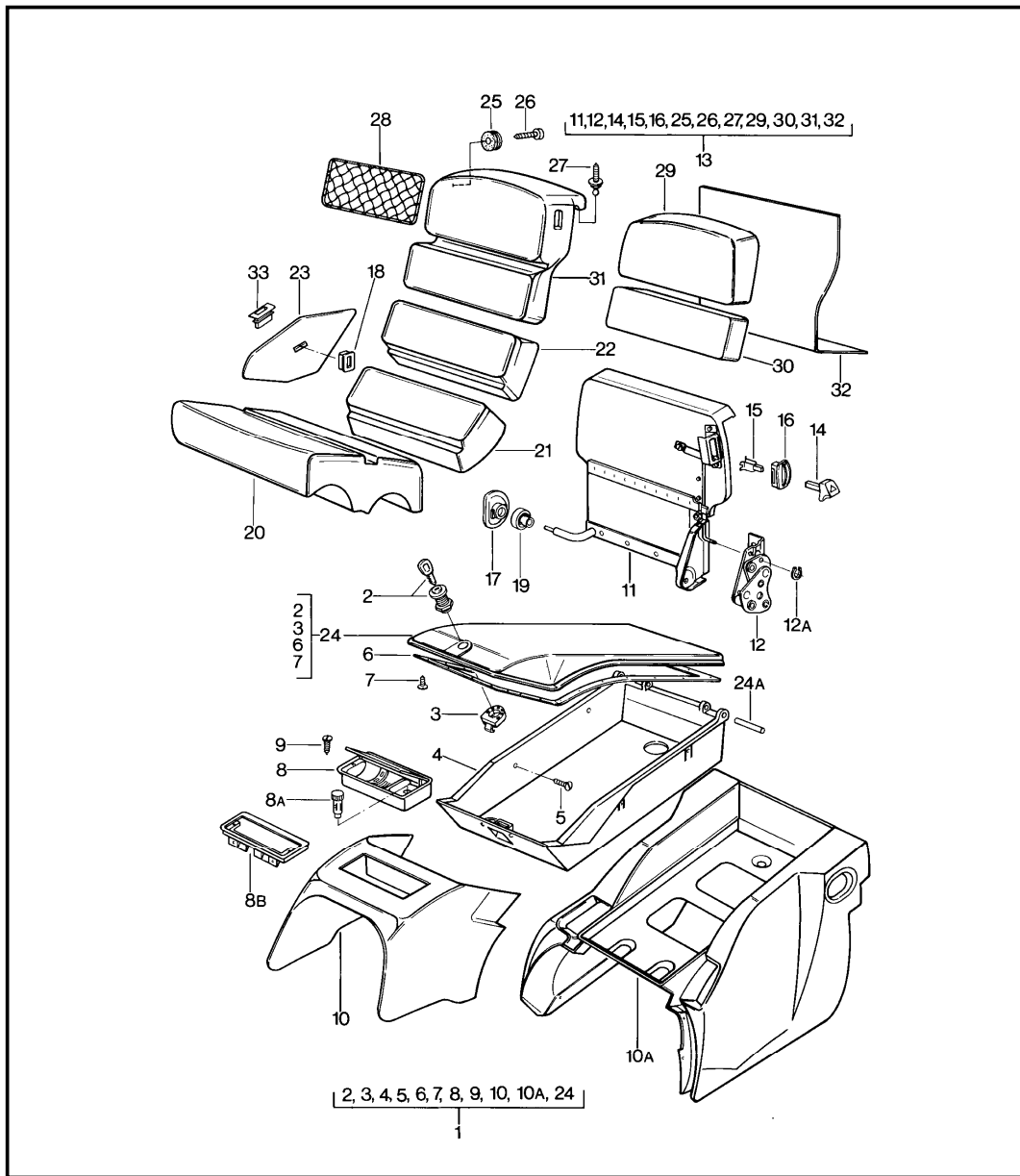
Model	Year	MG	SG	Illustration	Restrictions	UPD	18:02	23.01.2010	PORSCHE	PET	PORSCHE
928	1982	8	08	808-40		248					

Pos	Part Number	Description	Remark	Qty	Model	Pos	Part Number	Description	Remark	Qty	Model
		BD9 beige/ beige/brown				5A	A 911 521 439 06	cover for cushion berber cloth		2	M410
(1A)	A 911 521 606 06	seat cushion leatherette/ seat surface berber cloth	/R	1	M410		1GB	grey/black			
		GE9 black/ grey/black					37B	blue/black			
		BD7 blue/ blue/black					8NB	beige/brown			
		FE3 brown/ beige/brown				6	A 911 521 631 50	seat side bolster cover left seat leather	/L	1	M409
		BD9 beige/ beige/brown					1AJ	black			
2	911 521 621 01	seat frame	/L	1			3NG	brown			
(2)	911 521 622 01	seat frame	/R	1			30B	dark blue			
3	911 521 697 02	foam part seat cushion		2			50B	beige			
4	911 521 683 02	foam part	/L	1			80S	can-can-red			
(4)	911 521 654 02	foam part seat side bolster left seat	/R	1		(6)	A 911 521 632 50	seat side bolster cover left seat leather	/R	1	M409
(4)	911 521 653 02	foam part	/L	1			60S	hannibal grey			
(4)	911 521 684 02	foam part seat side bolster right seat	/R	1			20S	mint green			
5	A 911 521 439 50	cover for cushion leather		2	M409						
		1AJ black									
		3NG brown									
		30B dark blue									
		50B beige									
		80S can-can-red									
		95S papyrus									
		60S hannibal grey									
		20S mint green									
						(6)	A 911 521 633 50	seat side bolster cover right seat leather	/L	1	M409
							1AJ	black			
							3NG	brown			

Model	Year	MG	SG	Illustration	Restrictions	UPD	18:02	23.01.2010	PORSCHE	PET	PORSCHE
928	1982	8	08	808-40		248					

Pos	Part Number	Description	Remark	Qty	Model	Pos	Part Number	Description	Remark	Qty	Model
	30B	dark blue					GE9	black/ grey/black			
	50B	beige					BD7	blue/ blue/black			
	80S	can-can-red					FE3	brown/ beige/brown			
	95S	papyrus					BD9	beige/ beige/brown			
	60S	hannibal grey									
	20S	mint green									
(6)	A 911 521 634 50	seat side bolster cover right seat leather	/R	1	M409	(6A)	A 911 521 633 06	seat side bolster cover right seat leatherette/ seat surface berber cloth	/L	1	M410
	1AJ	black					GE9	black/ grey/black			
	3NG	brown					BD7	blue/ blue/black			
	30B	dark blue					FE3	brown/ beige/brown			
	50B	beige					BD9	beige/ beige/brown			
	80S	can-can-red									
	95S	papyrus									
	60S	hannibal grey									
	20S	mint green				(6A)	A 911 521 634 06	seat side bolster cover right seat leatherette/ seat surface berber cloth	/R	1	M410
6A	A 911 521 631 06	seat side bolster cover left seat leatherette/ seat surface berber cloth	/L	1	M410		GE9	black/ grey/black			
	GE9	black/ grey/black					BD7	blue/ blue/black			
	BD7	blue/ blue/black					FE3	brown/ beige/brown			
	FE3	brown/ beige/brown					BD9	beige/ beige/brown			
	BD9	beige/ beige/brown									
(6A)	A 911 521 632 06	seat side bolster cover left seat leatherette/ seat surface berber cloth	/R	1	M410						

Model	Year	MG	SG	Illustration	Restrictions	UPD	18:02	23.01.2010	PORSCHE	PET	PORSCHE
928	1982	8	08	808-45		248					



Pos	Part Number	Description	Remark	Qty	Model
		back seat with package box			
1	A 928 522 065 02	package box leatherette		1	
	40D	cork			
	20B	dark green			
	21S	brown			
	05T	black			
	30B	blue			
	50B	beige			
(1)	A 928 522 065 03	package box leatherette		1	AUT.
	40D	cork			
	20B	dark green			
	21S	brown			
	05T	black			
	30B	blue			
	50B	beige			
1	A 928 522 065 50	package box leather		1	
	40D	cork			
	20B	dark green			
	3NG	brown			
	1AJ	black			
	30B	blue			
	50B	beige			
	2LB	burgundy			
(1)	A 928 522 065 51	package box leather		1	AUT.
	40D	cork			
	20B	dark green			

Model	Year	MG	SG	Illustration	Restrictions	UPD	18:02	23.01.2010	PORSCHE	PET	PORSCHE
928	1982	8	08	808-45		248					

Pos	Part Number	Description	Remark	Qty	Model	Pos	Part Number	Description	Remark	Qty	Model
	3NG	brown					20B	dark green			
	1AJ	black					21S	brown			
	30B	blue					05T	black			
	50B	beige					30B	blue			
	2LB	burgundy					50B	beige			
-	N 014 139 11	oval-head screw M 6 X 12		3		(10) A	928 522 063 03	package box front leatherette		1	AUT.
-	900 089 005 02	washer 6		3			40D	cork			
-	N 012 226 5	spring washer B 6		3			20B	dark green			
2	928 522 015 02	push-button lock with keys		1			21S	brown			
3	928 522 069 02	catch		1			05T	black			
4	928 522 279 02	insert		1			30B	blue			
	70B	satin black				10	928 522 063 50	package box front leather		1	
5	900 144 017 07	tapping screw B 2,9 X 13		6			40D	cork			
6	928 522 269 02	cover strip lid		1			20B	dark green			
7	900 143 066 07	screw ST 4,2 X 9,5		19			3NG	brown			
-	999 141 010 07	countersunk-head screw 7 X 7		14			1AJ	black			
8	928 552 060 03	ashtray		1			30B	blue			
8A	928 652 103 00	cigarette lighter		1			50B	beige			
8B	928 522 277 03	frame for ashtray		1			80S	can-can-red			
9	900 144 017 07	tapping screw B 2,9 X 13		2			95S	papyrus			
10	A 928 522 063 02	package box front leatherette		1		(10)	60S	hannibal grey			
	40D	cork					20S	mint green			
							2LB	burgundy			
							928 522 063 51	package box front leather		1	AUT.
							40D	cork			

Model	Year	MG	SG	Illustration	Restrictions	UPD	18:02	23.01.2010	PORSCHE	PET	PORSCHE
928	1982	8	08	808-45		248					

Pos	Part Number	Description	Remark	Qty	Model	Pos	Part Number	Description	Remark	Qty	Model
	20B	dark green					20B	dark green			
	3NG	brown					21S	brown			
	1AJ	black					05T	black			
	30B	blue					30B	blue			
	50B	beige					50B	beige			
	80S	can-can-red				10A	928 522 067 50	package box rear leather		1	
	95S	papyrus					40D	cork			
	60S	hannibal grey					20B	dark green			
	20S	mint green					3NG	brown			
	2LB	burgundy					1AJ	black			
10AA	928 522 067 02	package box rear leatherette		1			30B	blue			
	40D	cork					50B	beige			
	20B	dark green					80S	can-can-red			
	21S	brown					95S	papyrus			
	05T	black					60S	hannibal grey			
	30B	blue					20S	mint green			
	50B	beige					2LB	burgundy			
(10A) A	928 522 067 03	package box rear leatherette		1	AUT.	(10A) A	928 522 067 51	package box rear leather		1	AUT.
	40D	cork					40D	cork			
	20B	dark green					20B	dark green			
	21S	brown					3NG	brown			
	05T	black					1AJ	black			
	30B	blue					30B	blue			
	50B	beige					50B	beige			
(10A)	928 522 067 05	package box rear leatherette		1	AUT.		80S	can-can-red			
	40D	cork					95S	papyrus			
							60S	hannibal grey			

Model	Year	MG	SG	Illustration	Restrictions	UPD	18:02	23.01.2010	PORSCHE	PET	PORSCHE
928	1982	8	08	808-45		248					

Pos	Part Number	Description	Remark	Qty	Model	Pos	Part Number	Description	Remark	Qty	Model
	20S	mint green					AE4	black/ brown/black			
	2LB	burgundy					AE5	black/ blue/black			
(10A)	928 522 067 55	package box rear leather		1	AUT.		AE6	cork/ beige/black			
	40D	cork					AE7	black/ black-white			
	20B	dark green				13 A	928 522 006 03	back seat backrest leatherette/ checker board velour	/R	1	
	3NG	brown					AG4	cork/ brown/black			
	1AJ	black					AE1	dark green/ beige/black			
	30B	blue					AE2	brown/ brown/black			
	50B	beige					AE3	black/ beige/black			
	80S	can-can-red					AE4	black/ brown/black			
	95S	papyrus					AE5	black/ blue/black			
	60S	hannibal grey					AE6	cork/ beige/black			
	20S	mint green					AE7	black/ black-white			
	2LB	burgundy					AE8	cork/cork			
11	928 522 013 02	backrest frame	/L	1			AE9	black/cork			
(11)	928 522 014 02	backrest frame	/R	1			AG1	dark green/cork			
12	928 522 085 03	backrest fittings	/L	1			AG2	black/lobster			
(12)	928 522 086 03	backrest fittings	/R	1			AG3	black/black			
12A	900 116 005 02	lock washer 7		2			13 A	928 522 005 03	back seat backrest leatherette/ pin stripe velour	/L	1
(13) A	928 522 005 03	back seat backrest leatherette/ checker board velour	/L	1			AG4	cork/ brown/black			
	AG4	cork/ brown/black					AE1	dark green/ beige/black			
	AE1	dark green/ beige/black					AE2	brown/ brown/black			
	AE2	brown/ brown/black					AE3	black/ beige/black			
	AE3	black/ beige/black				13 A	928 522 006 03	back seat backrest leatherette/ pin stripe velour	/R	1	

Model	Year	MG	SG	Illustration	Restrictions	UPD	18:02	23.01.2010	PORSCHE	PET	PORSCHE
928	1982	8	08	808-45		248					

Pos	Part Number	Description	Remark	Qty	Model	Pos	Part Number	Description	Remark	Qty	Model
	AE8	cork/cork				(13)	928 522 005 51	back seat backrest leather/ checker board velour	/L	1	
	AE9	black/cork									
	AG1	dark green/cork					AH1	dark green/ beige/black			
	AG2	black/lobster					AH2	brown/ brown/black			
	AG3	black/black					AH3	black/ beige/black			
(13)	928 522 005 50	back seat backrest leather	/L	1			AH4	black/ blue/black			
	40D	cork					AH5	cork/ beige/black			
	20B	dark green					AH6	black/ black-white			
	3NG	brown					AH7	cork/ brown/black			
	1AJ	black					AQ1	brown/ brown/black			
	30B	blue					AQ2	black/ brown/black			
	50B	beige					AQ3	black/ blue/black			
	80S	can-can-red					AJ1	blue/ blue/black			
	95S	papyrus					AJ2	black/ grey/black			
	60S	hannibal grey					AJ3	brown/ beige/brown			
	20S	mint green					AJ4	beige/ beige/brown			
13	928 522 006 50	back seat backrest leather	/R	1			AQ8	beige/ brown/black			
	40D	cork									
	20B	dark green					13	928 522 006 51	back seat backrest leather/ checker board velour	/R	1
	3NG	brown									
	1AJ	black					AH1	dark green/ beige/black			
	30B	blue									
	50B	beige									
	80S	can-can-red									
	95S	papyrus									
	60S	hannibal grey									
	20S	mint green									

Model	Year	MG	SG	Illustration	Restrictions	UPD	18:02	23.01.2010	PORSCHE	PET	PORSCHE
928	1982	8	08	808-45		248					

Pos	Part Number	Description	Remark	Qty	Model	Pos	Part Number	Description	Remark	Qty	Model
	AH2	brown/ brown/black				13	928 522 006 51	back seat backrest leather/ uni-coloured cloth	/R	1	
	AH3	black/ beige/black					AK1	blue/blue			
	AH4	black/ blue/black					AR2	brown/brown			
	AH5	cork/ beige/black					AK3	beige/beige			
	AH6	black/ black-white					AK4	black/black			
	AH7	cork/ brown/black				(13)	928 522 005 51	back seat backrest leather/ tartan cloth	/L	1	
	AQ1	brown/ brown/black					AS1	blue/ red-blue			
	AQ2	black/ brown/black					AS2	black/ red-blue			
	AQ3	black/ blue/black					AS3	blue/ green-blue			
	AJ1	blue/ blue/black					AS4	black/ green-blue			
	AJ2	black/ grey/black					AS5	black/ brown-beige			
	AJ3	brown/ beige/brown					AS6	brown/ brown-beige			
	AJ4	beige/ beige/brown					AS7	beige/ brown-beige			
	AQ8	beige/ brown/black				13	928 522 006 51	back seat backrest leather/ tartan cloth	/R	1	
(13)	928 522 005 51	back seat backrest leather/ uni-coloured cloth	/L	1			AS1	blue/ red-blue			
	AK1	blue/blue					AS2	black/ red-blue			
	AR2	brown/brown					AS3	blue/ green-blue			
	AK3	beige/beige					AS4	black/ green-blue			
	AK4	black/black					AS5	black/ brown-beige			
	AK5	brown/beige									

Model	Year	MG	SG	Illustration	Restrictions	UPD	18:02	23.01.2010	PORSCHE	PET	PORSCHE
928	1982	8	08	808-45		248					

Pos	Part Number	Description	Remark	Qty	Model	Pos	Part Number	Description	Remark	Qty	Model
	AS6	brown/ brown-beige					70B	satin black			
	AS7	beige/ brown-beige				19	928 522 635 02	bearing sleeve		2	
(13)	928 522 005 51	back seat backrest leather/ berber cloth	/L	1		(20) A	928 522 059 03	seat cushion front checker board velour	/L	1	
	AK6	black/ grey/black					57A	beige/black			
	AK7	blue/ blue/black					47A	brown/black			
	AK8	brown/ beige/brown					37A	blue/black			
	AK9	beige/ beige/brown					79A	black-white			
13	928 522 006 51	back seat backrest leather/ berber cloth	/R	1			1BV	grey/black			
	AK6	black/ grey/black					4NV	beige/brown			
	AK7	blue/ blue/black				(20)	928 522 059 04	seat cushion front checker board velour	/L	1	
	AK8	brown/ beige/brown					57A	beige/black			
	AK9	beige/ beige/brown					47A	brown/black			
14	113 881 633 E	control button		-79	2		37A	blue/black			
	01C	satin black					79A	black-white			
(14)	911 521 817 00	control button		80-	2		1BV	grey/black			
	01C	satin black					4NV	beige/brown			
15	311 881 247	clamp			2		928 522 060 03	seat cushion front checker board velour	/R	1	
16	311 881 607 A	rosette		-79	2		57A	beige/black			
(16)	911 521 815 00	rosette		80-	2		47A	brown/black			
	01C	satin black					37A	blue/black			
17	928 522 619 02	rosette			2		79A	black-white			
18	928 522 415 03	rosette			2		1BV	grey/black			
							4NV	beige/brown			
						20	928 522 060 04	seat cushion front checker board velour	/R	1	
							57A	beige/black			

Model	Year	MG	SG	Illustration	Restrictions	UPD	18:02	23.01.2010	PORSCHE	PET	PORSCHE
928	1982	8	08	808-45		248					

Pos	Part Number	Description	Remark	Qty	Model	Pos	Part Number	Description	Remark	Qty	Model
	47A	brown/black				(20)	928 522 059 04	seat cushion uni-coloured cloth	/L	1	
	37A	blue/black					30C	blue			
	79A	black-white					40C	brown			
	1BV	grey/black					50C	beige			
	4NV	beige/brown					70F	black			
(20)	A 928 522 059 03	seat cushion pin stripe velour	/L	1		20	A 928 522 060 03	seat cushion uni-coloured cloth	/R	1	
	40D	cork					30C	blue			
	80D	lobster					40C	brown			
	70D	black					50C	beige			
(20)	928 522 059 04	seat cushion pin stripe velour	/L	1			70F	black			
	40D	cork				20	928 522 060 04	seat cushion uni-coloured cloth	/R	1	
	80D	lobster					30C	blue			
	70D	black					40C	brown			
20	A 928 522 060 03	seat cushion pin stripe velour	/R	1			50C	beige			
	40D	cork					70F	black			
	80D	lobster				(20)	A 928 522 059 03	seat cushion tartan cloth	/L	1	
	70D	black					83S	red-blue			
20	928 522 060 04	seat cushion pin stripe velour	/R	1			23A	green-blue			
	40D	cork					45A	brown-beige			
	80D	lobster				(20)	928 522 059 04	seat cushion tartan cloth	/L	1	
	70D	black					83S	red-blue			
(20)	A 928 522 059 03	seat cushion uni-coloured cloth	/L	1			23A	green-blue			
	30C	blue					45A	brown-beige			
	40C	brown				20	A 928 522 060 03	seat cushion tartan cloth	/R	1	
	50C	beige					83S	red-blue			
	70F	black					23A	green-blue			

Model	Year	MG	SG	Illustration	Restrictions	UPD	18:02	23.01.2010	PORSCHE	PET	PORSCHE
928	1982	8	08	808-45		248					

Pos	Part Number	Description	Remark	Qty	Model	Pos	Part Number	Description	Remark	Qty	Model
20	928 522 060 04	45A brown-beige seat cushion tartan cloth	/R	1		20	A 928 522 060 03	seat cushion stripe design	/R	1	M406
		83S red-blue					9LA	burgundy-grey			
		23A green-blue				20	928 522 060 04	seat cushion stripe design	/R	1	M406
		45A brown-beige					9LA	burgundy-grey			
(20)	A 928 522 059 03	seat cushion berber cloth	/L	1		(20)	A 928 522 059 50	seat cushion front leather	/L	1	
		37B blue/black					40D	cork			
		8NB beige/brown					20B	dark green			
		1GB grey/black					3NG	brown			
(20)	928 522 059 04	seat cushion berber cloth	/L	1			1AJ	black			
		37B blue/black					30B	blue			
		8NB beige/brown					50B	beige			
		1GB grey/black					80S	can-can-red			
20	A 928 522 060 03	seat cushion berber cloth	/R	1			95S	papyrus			
		37B blue/black					60S	hannibal grey			
		8NB beige/brown				(20)	928 522 059 51	seat cushion front leather	/L	1	
		1GB grey/black					40D	cork			
20	928 522 060 04	seat cushion berber cloth	/R	1			20B	dark green			
		37B blue/black					3NG	brown			
		8NB beige/brown					1AJ	black			
		1GB grey/black					30B	blue			
(20)	A 928 522 059 03	seat cushion stripe design	/L	1	M406		50B	beige			
		9LA burgundy-grey					80S	can-can-red			
(20)	928 522 059 04	seat cushion stripe design	/L	1	M406		95S	papyrus			
		9LA burgundy-grey					60S	hannibal grey			
							20S	mint green			

Model	Year	MG	SG	Illustration	Restrictions	UPD	18:02	23.01.2010	PORSCHE	PET	PORSCHE
928	1982	8	08	808-45		248					

Pos	Part Number	Description	Remark	Qty	Model	Pos	Part Number	Description	Remark	Qty	Model
20	A 928 522 060 50	seat cushion front leather	/R	1			79A	black-white			
	40D	cork					1BV	grey/black			
	20B	dark green					4NV	beige/brown			
	3NG	brown				(21)	928 522 087 04	seat cushion centre checker board velour	/L	1	
	1AJ	black					57A	beige/black			
	30B	blue					47A	brown/black			
	50B	beige					37A	blue/black			
	80S	can-can-red					79A	black-white			
	95S	papyrus					1BV	grey/black			
	60S	hannibal grey					4NV	beige/brown			
	20S	mint green				21	A 928 522 088 03	seat cushion centre checker board velour	/R	1	
20	928 522 060 51	seat cushion front leather	/R	1			57A	beige/black			
	40D	cork					47A	brown/black			
	20B	dark green					37A	blue/black			
	3NG	brown					79A	black-white			
	1AJ	black					1BV	grey/black			
	30B	blue					4NV	beige/brown			
	50B	beige				21	928 522 088 04	seat cushion centre checker board velour	/R	1	
	80S	can-can-red					57A	beige/black			
	95S	papyrus					47A	brown/black			
	60S	hannibal grey					37A	blue/black			
	20S	mint green					79A	black-white			
(21)	A 928 522 087 03	seat cushion centre checker board velour	/L	1			1BV	grey/black			
	57A	beige/black					4NV	beige/brown			
	47A	brown/black				(21)	A 928 522 087 03	seat cushion pin stripe velour	/L	1	
	37A	blue/black									

Model	Year	MG	SG	Illustration	Restrictions	UPD	18:02	23.01.2010	PORSCHE	PET	PORSCHE
928	1982	8	08	808-45		248					

Pos	Part Number	Description	Remark	Qty	Model	Pos	Part Number	Description	Remark	Qty	Model
		40D cork						30C blue			
		80D lobster						40C brown			
		70D black						50C beige			
(21)	928 522 087 04	seat cushion pin stripe velour	/L	1				70F black			
		40D cork				21	928 522 088 04	seat cushion uni-coloured cloth	/R	1	
		80D lobster						30C blue			
		70D black						40C brown			
21	A 928 522 088 03	seat cushion pin stripe velour	/R	1				50C beige			
		40D cork						70F black			
		80D lobster				(21)	A 928 522 087 03	seat cushion tartan cloth	/L	1	
		70D black						83S red-blue			
21	928 522 088 04	seat cushion pin stripe velour	/R	1				23A green-blue			
		40D cork						45A brown-beige			
		80D lobster				(21)	928 522 087 04	seat cushion tartan cloth	/L	1	
		70D black						83S red-blue			
(21)	A 928 522 087 03	seat cushion uni-coloured cloth	/L	1				23A green-blue			
		30C blue						45A brown-beige			
		40C brown				21	A 928 522 088 03	seat cushion tartan cloth	/R	1	
		50C beige						83S red-blue			
		70F black						23A green-blue			
(21)	928 522 087 04	seat cushion uni-coloured cloth	/L	1				45A brown-beige			
		30C blue				21	928 522 088 04	seat cushion tartan cloth	/R	1	
		40C brown						83S red-blue			
		50C beige						23A green-blue			
		70F black						45A brown-beige			
21	A 928 522 088 03	seat cushion uni-coloured cloth	/R	1		(21)	A 928 522 087 03	seat cushion berber cloth	/L	1	

Model	Year	MG	SG	Illustration	Restrictions	UPD	18:02	23.01.2010	PORSCHE	PET	PORSCHE
928	1982	8	08	808-45		248					

Pos	Part Number	Description	Remark	Qty	Model	Pos	Part Number	Description	Remark	Qty	Model
		37B blue/black					40D cork				
		8NB beige/brown					20B dark green				
		1GB grey/black					3NG brown				
(21)	928 522 087 04	seat cushion berber cloth	/L	1			1AJ black				
		37B blue/black					30B blue				
		8NB beige/brown					50B beige				
		1GB grey/black					80S can-can-red				
21	A 928 522 088 03	seat cushion berber cloth	/R	1			95S papyrus				
		37B blue/black					60S hannibal grey				
		8NB beige/brown				(21)	20S mint green				
		1GB grey/black				928 522 087 51	seat cushion centre leather	/L		1	
21	928 522 088 04	seat cushion berber cloth	/R	1			40D cork				
		37B blue/black					20B dark green				
		8NB beige/brown					3NG brown				
		1GB grey/black					1AJ black				
(21)	A 928 522 087 03	seat cushion stripe design	/L	1	M406		30B blue				
		9LA burgundy-grey					50B beige				
(21)	928 522 087 04	seat cushion stripe design	/L	1	M406		80S can-can-red				
		9LA burgundy-grey					95S papyrus				
21	A 928 522 088 03	seat cushion stripe design	/R	1	M406		60S hannibal grey				
		9LA burgundy-grey				21	20S mint green				
		9LA burgundy-grey				A 928 522 088 50	seat cushion centre leather	/R		1	
21	928 522 088 04	seat cushion stripe design	/R	1	M406		40D cork				
		9LA burgundy-grey					20B dark green				
(21)	A 928 522 087 50	seat cushion centre leather	/L	1			3NG brown				
							1AJ black				
							30B blue				

Model	Year	MG	SG	Illustration	Restrictions	UPD	18:02	23.01.2010	PORSCHE	PET	PORSCHE
928	1982	8	08	808-45		248					

Pos	Part Number	Description	Remark	Qty	Model	Pos	Part Number	Description	Remark	Qty	Model
	50B	beige					37A	blue/black			
	80S	can-can-red					79A	black-white			
	95S	papyrus					1BV	grey/black			
	60S	hannibal grey					4NV	beige/brown			
	20S	mint green				(22)	928 522 045 03	seat cushion pin stripe velour	/L	1	
21	928 522 088 51	seat cushion centre leather	/R	1			40D	cork			
	40D	cork					80D	lobster			
	20B	dark green					70D	black			
	3NG	brown				22	928 522 046 03	seat cushion pin stripe velour	/R	1	
	1AJ	black					40D	cork			
	30B	blue					80D	lobster			
	50B	beige					70D	black			
	80S	can-can-red				(22)	928 522 045 03	seat cushion uni-coloured cloth	/L	1	
	95S	papyrus					30C	blue			
	60S	hannibal grey					40C	brown			
	20S	mint green					50C	beige			
(22)	928 522 045 03	seat cushion upper checker board velour	/L	1			70F	black			
	57A	beige/black				22	928 522 046 03	seat cushion uni-coloured cloth	/R	1	
	47A	brown/black					30C	blue			
	37A	blue/black					40C	brown			
	79A	black-white					50C	beige			
	1BV	grey/black					70F	black			
	4NV	beige/brown				(22)	928 522 045 03	seat cushion tartan cloth	/L	1	
22	928 522 046 03	seat cushion upper checker board velour	/R	1			83S	red-blue			
	57A	beige/black					23A	green-blue			
	47A	brown/black					45A	brown-beige			

Model	Year	MG	SG	Illustration	Restrictions	UPD	18:02	23.01.2010	PORSCHE	PET	PORSCHE
928	1982	8	08	808-45		248					

Pos	Part Number	Description	Remark	Qty	Model	Pos	Part Number	Description	Remark	Qty	Model
22	928 522 046 03	seat cushion tartan cloth	/R	1			60S	hannibal grey			
	83S	red-blue					20S	mint green			
	23A	green-blue				22	928 522 046 50	seat cushion upper leather	/R	1	
	45A	brown-beige					40D	cork			
(22)	928 522 045 03	seat cushion berber cloth	/L	1			20B	dark green			
	37B	blue/black					3NG	brown			
	8NB	beige/brown					1AJ	black			
	1GB	grey/black					30B	blue			
22	928 522 046 03	seat cushion berber cloth	/R	1			50B	beige			
	37B	blue/black					80S	can-can-red			
	8NB	beige/brown					95S	papyrus			
	1GB	grey/black					60S	hannibal grey			
(22)	928 522 045 03	seat cushion stripe design	/L	1	M406	(23)	928 522 041 03	seat well outer leatherette	/L	-78	1
	9LA	burgundy-grey					20S	mint green			
22	928 522 046 03	seat cushion stripe design	/R	1	M406		40D	cork			
	9LA	burgundy-grey					20B	dark green			
(22)	928 522 045 50	seat cushion upper leather	/L	1			21S	brown			
	40D	cork					05T	black			
	20B	dark green					30B	blue			
	3NG	brown				23	928 522 042 03	seat well outer leatherette	/R	-78	1
	1AJ	black					40D	cork			
	30B	blue					20B	dark green			
	50B	beige					21S	brown			
	80S	can-can-red					05T	black			
	95S	papyrus					30B	blue			

Model	Year	MG	SG	Illustration	Restrictions	UPD	18:02	23.01.2010	PORSCHE	PET	PORSCHE
928	1982	8	08	808-45		248					

Pos	Part Number	Description	Remark	Qty	Model	Pos	Part Number	Description	Remark	Qty	Model
	50B	beige				23	928 522 042 51	seat well outer leather	/R	-78	1
(23)	928 522 041 04	seat well outer leatherette	/L	79-	1		40D	cork			
	40D	cork					20B	dark green			
	20B	dark green					3NG	brown			
	21S	brown					1AJ	black			
	05T	black					30B	blue			
	30B	blue					50B	beige			
	50B	beige					80S	can-can-red			
23	928 522 042 04	seat well outer leatherette	/R	79-	1		95S	papyrus			
	40D	cork					60S	hannibal grey			
	20B	dark green				(23)	928 522 041 52	seat well outer leather	/L	79-	1
	21S	brown					40D	cork			
	05T	black					20B	dark green			
	30B	blue					3NG	brown			
	50B	beige					1AJ	black			
(23)	928 522 041 51	seat well outer leather	/L	-78	1		30B	blue			
	40D	cork					50B	beige			
	20B	dark green					80S	can-can-red			
	3NG	brown					95S	papyrus			
	1AJ	black					60S	hannibal grey			
	30B	blue					20S	mint green			
	50B	beige					2LB	burgundy		82	
	80S	can-can-red				23	928 522 042 52	seat well outer leather	/R	79-	1
	95S	papyrus					40D	cork			
	60S	hannibal grey					20B	dark green			
	20S	mint green									

Model	Year	MG	SG	Illustration	Restrictions	UPD	18:02	23.01.2010	PORSCHE	PET	PORSCHE
928	1982	8	08	808-45		248					

Pos	Part Number	Description	Remark	Qty	Model	Pos	Part Number	Description	Remark	Qty	Model
	3NG	brown				24A	900 309 010 00	roll pin 3 X 32		2	
	1AJ	black				25	928 555 469 02	knob luggage net	-79	4	
	30B	blue				26	900 145 053 07	tapping screw B 4,8 X 22	-79	4	
	50B	beige				27	999 591 602 12	tapping screw ST 4,2 X 16	-79	4	
	80S	can-can-red				28	928 555 471 02	luggage net backrest	-79	1	
	95S	papyrus				29	928 522 251 02	foam part upper	/L	1	
	60S	hannibal grey				(29)	928 522 252 02	foam part upper	/R	1	
	20S	mint green				30	928 522 253 02	foam part lower	/L	1	
	2LB	burgundy	82			(30)	928 522 254 02	foam part lower	/R	1	
24	928 522 061 02	lid package box leatherette	-79	1		31 A	928 522 037 03	back seat backrest cover leatherette/ checker board velour	/L	1	
	40D	cork					AE1	dark green/ beige/black			
	20B	dark green					AE2	brown/ brown/black			
	21S	brown					AE3	black/ beige/black			
	05T	black					AE4	black/ brown/black			
24	928 522 061 50	lid package box leather		1			AE5	black/ blue/black			
	40D	cork					AE6	cork/ beige/brown			
	20B	dark green					AE7	black/ black-white			
	3NG	brown					AG4	cork/ brown/black			
	1AJ	black									
	30B	blue									
	50B	beige									
	80S	can-can-red									
	95S	papyrus									
	60S	hannibal grey									
	20S	mint green									
	2LB	burgundy									

Model	Year	MG	SG	Illustration	Restrictions	UPD	18:02	23.01.2010	PORSCHE	PET	PORSCHE
928	1982	8	08	808-45		248					

Pos	Part Number	Description	Remark	Qty	Model	Pos	Part Number	Description	Remark	Qty	Model
(31)	A 928 522 038 03	back seat backrest cover leatherette/ checker board velour	/R	1		(31)	928 522 037 50	back seat backrest cover leather	/L	1	
	AE1	dark green/ beige/black					40D	cork			
	AE2	brown/ brown/black					20B	dark green			
	AE3	black/ beige/black					3NG	brown			
	AE4	black/ brown/black					1AJ	black			
	AE5	black/ blue/black					30B	blue			
	AE6	cork/ beige/brown					50B	beige			
	AE7	black/ black-white					80S	can-can-red			
	AG4	cork/ brown/black					95S	papyrus			
							60S	hannibal grey			
							20S	mint green			
31	A 928 522 037 03	back seat backrest cover leatherette/ pin stripe velour	/L	1		(31)	928 522 038 50	back seat backrest cover leather	/R	1	
	AE8	cork/cork					40D	cork			
	AE9	black/cork					20B	dark green			
	AG1	dark green/cork					3NG	brown			
	AG2	black/lobster					1AJ	black			
	AG3	black/black					30B	blue			
(31)	A 928 522 038 03	back seat backrest cover leatherette/ pin stripe velour	/R	1			50B	beige			
	AE8	cork/cork					80S	can-can-red			
	AE9	black/cork					95S	papyrus			
	AG1	dark green/cork					60S	hannibal grey			
	AG2	black/lobster					20S	mint green			
	AG3	black/black				(31)	928 522 037 51	back seat backrest cover leather/ checker board velour	/L	1	
							AH1	dark green/ beige/black			
							AH2	brown/ brown/black			

Model	Year	MG	SG	Illustration	Restrictions	UPD	18:02	23.01.2010	PORSCHE	PET	PORSCHE
928	1982	8	08	808-45		248					

Pos	Part Number	Description	Remark	Qty	Model	Pos	Part Number	Description	Remark	Qty	Model
	AH3	black/ beige/black					AH6	black/ black-white			
	AH4	black/ blue/black					AH7	cork/ brown/black			
	AH5	cork/ beige/black					AQ1	brown/ brown/black			
	AH6	black/ black-white					AQ2	black/ brown/black			
	AH7	cork/ brown/black					AQ3	black/ blue/black			
	AQ1	brown/ brown/black					AJ1	blue/ blue/black			
	AQ2	black/ brown/black					AJ2	black/ grey/black			
	AQ3	black/ blue/black					AJ3	brown/ beige/brown			
	AJ1	blue/ blue/black					AJ4	beige/ beige/brown			
	AJ2	black/ grey/black					AQ8	beige/ brown/black			
	AJ3	brown/ beige/brown				(31)	928 522 037 51	back seat backrest cover leather/ uni-coloured cloth	/L	1	
	AJ4	beige/ beige/brown					AK1	blue/blue			
	AQ8	beige/ brown/black					AR2	brown/brown			
(31)	928 522 038 51	back seat backrest cover leather/ checker board velour	/R	1			AK3	beige/beige			
	AH1	dark green/ beige/black				(31)	928 522 038 51	back seat backrest cover leather/ uni-coloured cloth	/R	1	
	AH2	brown/ brown/black					AK4	black/black			
	AH3	black/ beige/black					AK5	brown/beige			
	AH4	black/ blue/black					AK1	blue/blue			
	AH5	cork/ beige/black					AR2	brown/brown			
							AK3	beige/beige			
							AK4	black/black			
							AK5	brown/beige			

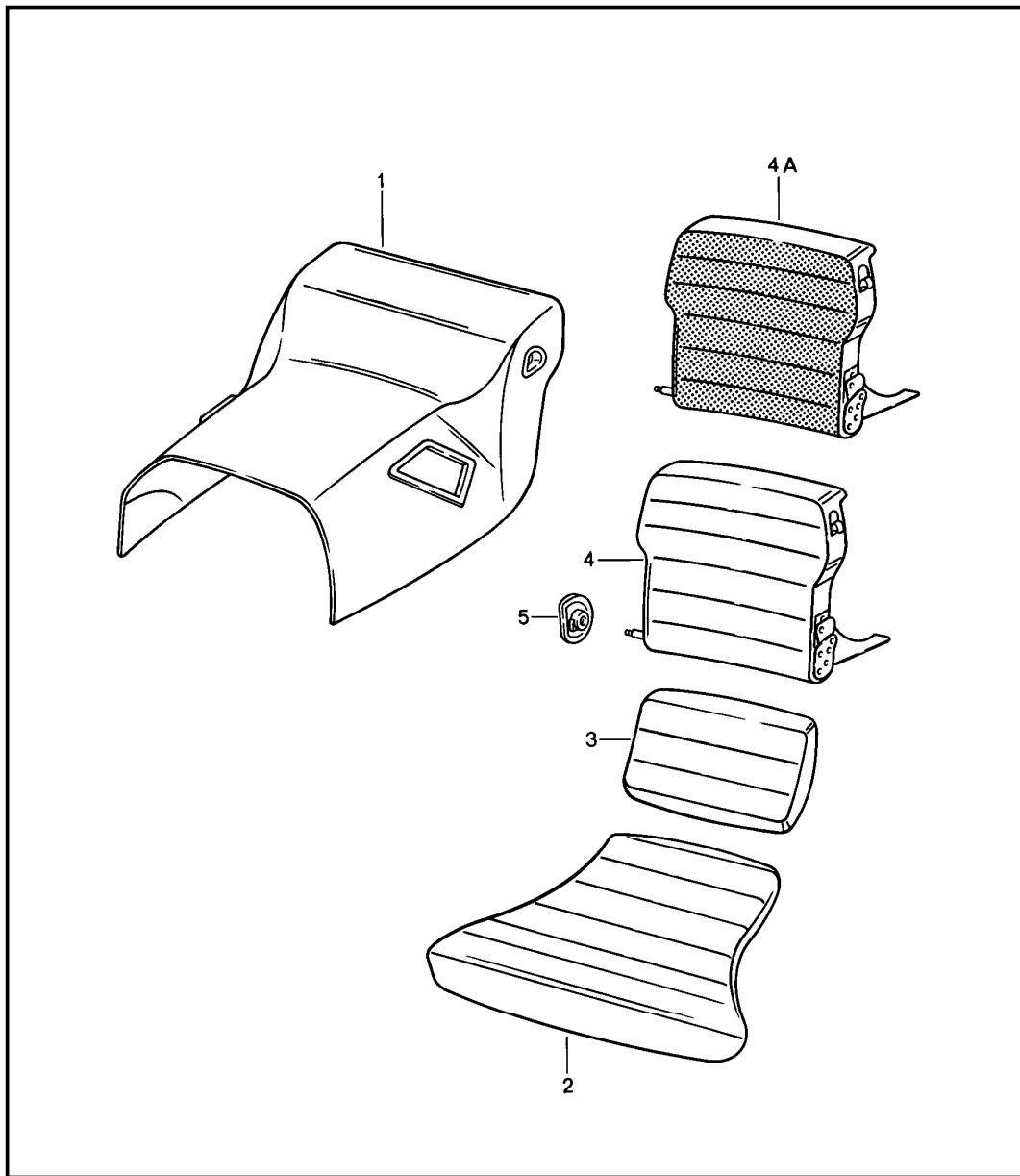
Model	Year	MG	SG	Illustration	Restrictions	UPD	18:02	23.01.2010	PORSCHE	PET	PORSCHE
928	1982	8	08	808-45		248					

Pos	Part Number	Description	Remark	Qty	Model	Pos	Part Number	Description	Remark	Qty	Model
(31)	928 522 037 51	back seat backrest cover leather/ tartan cloth	/L	1			AK7	blue/ blue/black			
	AS1	blue/ red-blue					AK8	brown/ beige/brown			
	AS2	black/ red-blue					AK9	beige/ beige/brown			
	AS3	blue/ green-blue				(31)	928 522 038 51	back seat backrest cover leather/ berber cloth	/R	1	
	AS4	black/ green-blue					AK6	black/ grey/black			
	AS5	black/ brown-beige					AK7	blue/ blue/black			
	AS6	brown/ brown-beige					AK8	brown/ beige/brown			
	AS7	beige/ brown-beige					AK9	beige/ beige/brown			
(31)	928 522 038 51	back seat backrest cover leather/ tartan cloth	/R	1		(31)	928 522 037 51	back seat backrest cover leather/ stripe design	/L	1	M406
	AS1	blue/ red-blue					HS6	burgundy/ burgundy-grey			
	AS2	black/ red-blue				(31)	928 522 038 51	back seat backrest cover leather/ stripe design	/R	1	M406
	AS3	blue/ green-blue					HS6	burgundy/ burgundy-grey			
	AS4	black/ green-blue				32	928 522 051 03	carpet for back seat backrest	/L	1	
	AS5	black/ brown-beige					20E	green			
	AS6	brown/ brown-beige					40E	brown			
	AS7	beige/ brown-beige					70E	black			
(31)	928 522 037 51	back seat backrest cover leather/ berber cloth	/L	1			41D	cork			
	AK6	black/ grey/black					30B	blue			
							50B	beige			
							80E	burgundy			

Model	Year	MG	SG	Illustration	Restrictions	UPD	18:02	23.01.2010	PORSCHE	PET	PORSCHE
928	1982	8	08	808-45		248					

Pos	Part Number	Description	Remark	Qty	Model	Pos	Part Number	Description	Remark	Qty	Model
(32)	928 522 052 03	carpet for back seat backrest	/R	1							
	20E	green									
	40E	brown									
	70E	black									
	41D	cork									
	30B	blue									
	50B	beige									
	80E	burgundy									
33	928 522 321 02	bag		2							
	70B	black									

Model	Year	MG	SG	Illustration	Restrictions	UPD	18:03	23.01.2010	PORSCHE	PET	PORSCHE
928	1982	8	08	808-50		248					



Pos	Part Number	Description	Remark	Qty	Model
		back seat lining tunnel without package box	80-		
1	A 928 522 345 30	lining tunnel leatherette 21S brown 05T black 30B blue 50B beige	80-	1	928
1	A 928 522 345 31	lining tunnel leatherette 21S brown 05T black 30B blue 50B beige	80-	1	928AUT.
1	A 928 522 345 50	lining tunnel leather 1AJ black 30B blue 50B beige 3NG brown 80S can-can-red 95S papyrus 60S hannibal grey 20S mint green	80-	1	
1	A 928 522 345 51	lining tunnel leather 1AJ black 30B blue	80-	1	AUT.

Model	Year	MG	SG	Illustration	Restrictions	UPD	18:03	23.01.2010	PORSCHE	PET	PORSCHE
928	1982	8	08	808-50		248					

Pos	Part Number	Description	Remark	Qty	Model	Pos	Part Number	Description	Remark	Qty	Model
	50B	beige				2	928 522 059 30	seat cushion tartan cloth	/L	80-	1 928
	3NG	brown					83S	red-blue			
	80S	can-can-red					23A	green-blue			
	95S	papyrus					45A	brown-beige			
	60S	hannibal grey				2	928 522 060 30	seat cushion tartan cloth	/R	80-	1 928
	20S	mint green					83S	red-blue			
2	928 522 059 30	seat cushion front checker board velour	/L	80-	1 928		23A	green-blue			
	47A	brown/black					45A	brown-beige			
	37A	blue/black				2	928 522 059 30	seat cushion berber cloth	/L	80-	1 928
	1BV	grey/black					37B	blue/black			
	4NV	beige/brown					8NB	beige/brown			
2	928 522 060 30	seat cushion front checker board velour	/R	80-	1 928		1GB	grey/black			
	47A	brown/black				2	928 522 060 30	seat cushion berber cloth	/R	80-	1 928
	37A	blue/black					37B	blue/black			
	1BV	grey/black					8NB	beige/brown			
	4NV	beige/brown					1GB	grey/black			
2	928 522 059 30	seat cushion uni-coloured cloth	/L	80-	1 928	2	928 522 059 60	seat cushion front leather	/L	80-	1 M409
	30C	blue					1AJ	black			
	40C	brown					30B	blue			
	50C	beige					50B	beige			
	70F	black					3NG	brown			
2	928 522 060 30	seat cushion uni-coloured cloth	/R	80-	1 928		80S	can-can-red			
	30C	blue					95S	papyrus			
	40C	brown					60S	hannibal grey			
	50C	beige					20S	mint green			
	70F	black									

Model	Year	MG	SG	Illustration	Restrictions	UPD	18:03	23.01.2010	PORSCHE	PET	PORSCHE
928	1982	8	08	808-50		248					

Pos	Part Number	Description	Remark	Qty	Model	Pos	Part Number	Description	Remark	Qty	Model
2	928 522 060 60	seat cushion front leather	/R 80-	1	M409		30C	blue			
	1AJ	black					40C	brown			
	30B	blue					50C	beige			
	50B	beige					70F	black			
	3NG	brown				3	928 522 045 30	seat cushion tartan cloth	/L 80-	1	928
	80S	can-can-red					83S	red-blue			
	95S	papyrus					23A	green-blue			
	60S	hannibal grey					45A	brown-beige			
	20S	mint green				3	928 522 046 30	seat cushion tartan cloth	/R 80-	1	928
3	928 522 045 30	seat cushion upper checker board velour	/L 80-	1	928		83S	red-blue			
	47A	brown/black					23A	green-blue			
	37A	blue/black				3	928 522 045 30	seat cushion berber cloth	/L 80-	1	928
	1BV	grey/black					45A	brown-beige			
	4NV	beige/brown					37B	blue/black			
3	928 522 046 30	seat cushion upper checker board velour	/R 80-	1	928		8NB	beige/brown			
	47A	brown/black					1GB	grey/black			
	37A	blue/black				3	928 522 046 30	seat cushion berber cloth	/R 80-	1	928
	1BV	grey/black					37B	blue/black			
	4NV	beige/brown					8NB	beige/brown			
3	928 522 045 30	seat cushion uni-coloured cloth	/L 80-	1	928	3	928 522 045 60	seat cushion upper leather	/L 80-	1	M409
	30C	blue					1AJ	black			
	40C	brown					30B	blue			
	50C	beige					50B	beige			
	70F	black					3NG	brown			
3	928 522 046 30	seat cushion uni-coloured cloth	/R 80-	1	928		80S	can-can-red			

Model	Year	MG	SG	Illustration	Restrictions	UPD	18:03	23.01.2010	PORSCHE	PET	PORSCHE
928	1982	8	08	808-50		248					

Pos	Part Number	Description	Remark	Qty	Model	Pos	Part Number	Description	Remark	Qty	Model
	95S	papyrus					95S	papyrus			
	60S	hannibal grey					60S	hannibal grey			
	20S	mint green					20S	mint green			
3	928 522 046 60	seat cushion upper leather	/R	80-	1 M409	4A	928 522 005 30	back seat backrest leatherette/ checker board velour	/L	1	928
	1AJ	black					AE2	brown/ brown/black			
	30B	blue					AE4	black/ brown/black			
	50B	beige					AE5	black/ blue/black			
	3NG	brown					BC1	blue/ blue/black			
	80S	can-can-red					FD8	black/ grey/black			
	95S	papyrus					FD9	brown/ beige/brown			
	60S	hannibal grey					BC4	beige/ beige/brown			
	20S	mint green					AM5	beige/ brown/black			
4	928 522 005 60	back seat backrest leather	/L	80-	1 M409	(4A)	928 522 006 30	back seat backrest leatherette/ checker board velour	/R	1	928
	1AJ	black					AE2	brown/ brown/black			
	30B	blue					AE4	black/ brown/black			
	3NG	brown					AE5	black/ blue/black			
	50B	beige					BC1	blue/ blue/black			
	80S	can-can-red					FD8	black/ grey/black			
	95S	papyrus					FD9	brown/ beige/brown			
	60S	hannibal grey									
	20S	mint green									
(4)	928 522 006 60	back seat backrest leather	/R	80-	1 M409						
	1AJ	black									
	30B	blue									
	3NG	brown									
	50B	beige									
	80S	can-can-red									

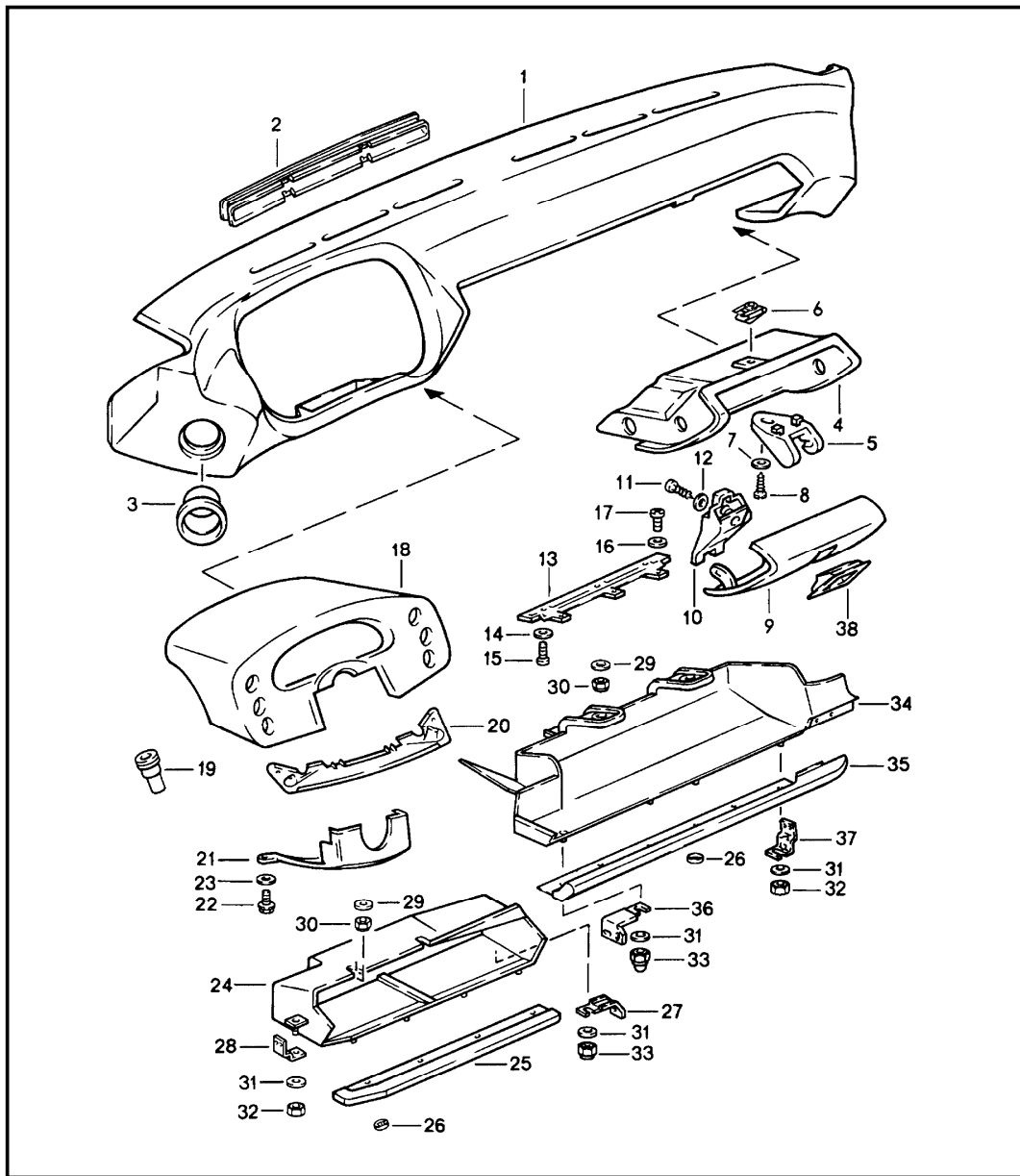
Model	Year	MG	SG	Illustration	Restrictions	UPD	18:03	23.01.2010	PORSCHE	PET	PORSCHE
928	1982	8	08	808-50		248					

Pos	Part Number	Description	Remark	Qty	Model	Pos	Part Number	Description	Remark	Qty	Model
	BC4	beige/ beige/brown					AP7	beige/ brown-beige			
	AM5	beige/ brown/black				(4A)	928 522 006 30	back seat backrest leatherette/ tartan cloth	/R	1	928
4A	928 522 005 30	back seat backrest leatherette/ uni-coloured cloth	/L	1	928		AP1	blue/ red-blue			
	BD1	blue/blue					AP2	black/ red-blue			
	AN2	brown/brown					AP3	blue/ green-blue			
	BD3	beige/beige					AP4	black/ green-blue			
	BD4	black/black					AP5	black/ brown-beige			
	BD5	brown/beige					AP6	brown/ brown-beige			
(4A)	928 522 006 30	back seat backrest leatherette/ uni-coloured cloth	/R	1	928		AP7	beige/ brown-beige			
	BD1	blue/blue					AP7	beige/ brown-beige			
	AN2	brown/brown				4A	928 522 005 30	back seat backrest leatherette/ berber cloth	/L	1	928
	BD3	beige/beige					GE9	black/ grey/black			
	BD4	black/black					BD7	blue/ blue/black			
	BD5	brown/beige					FE3	brown/ beige/brown			
4A	928 522 005 30	back seat backrest leatherette/ tartan cloth	/L	1	928		BD9	beige/ beige/brown			
	AP1	blue/ red-blue				(4A)	928 522 006 30	back seat backrest leatherette/ berber cloth	/R	1	928
	AP2	black/ red-blue					GE9	black/ grey/black			
	AP3	blue/ green-blue					BD7	blue/ blue/black			
	AP4	black/ green-blue					FE3	brown/ beige/brown			
	AP5	black/ brown-beige									
	AP6	brown/ brown-beige									

Model	Year	MG	SG	Illustration	Restrictions	UPD	18:03	23.01.2010	PORSCHE	PET	PORSCHE
928	1982	8	08	808-50		248					

Pos	Part Number	Description	Remark	Qty	Model	Pos	Part Number	Description	Remark	Qty	Model
5	BD9 928 522 619 30	beige/ beige/brown rosette backrest		2							

Model	Year	MG	SG	Illustration	Restrictions	UPD	18:03	23.01.2010	PORSCHE	PET	PORSCHE
928	1982	8	09	809-00		248					



Pos	Part Number	Description	Remark	Qty	Model
1	928 552 023 04	dashboard trim leatherette	/LL	1	
	05T	black			
	21S	brown			
	20B	dark green			
	40D	cork			
	30B	blue			
(1)	927 552 023 04	dashboard trim leatherette	/RL	1	
	05T	black			
	21S	brown			
	20B	dark green			
	40D	cork			
	30B	blue			
1	928 552 021 52	dashboard trim leather	/LL	1	
	1AJ	black			
	20B	dark green			
	3NG	brown			
	40D	cork			
	30B	blue			
	50B	beige			
	60S	hannibal grey			
	20S	mint green			
(1)	927 552 021 52	dashboard trim leather	/RL	1	
	1AJ	black			
	20B	dark green			
	3NG	brown			
	40D	cork			

Model	Year	MG	SG	Illustration	Restrictions	UPD	18:03	23.01.2010	PORSCHE	PET	PORSCHE
928	1982	8	09	809-00		248					

Pos	Part Number	Description	Remark	Qty	Model	Pos	Part Number	Description	Remark	Qty	Model
	30B	blue					CA1	black			
	50B	beige					CA2	dark green			
	60S	hannibal grey					CA3	brown			
	20S	mint green					CB3	cork			
(1)	928 552 021 52	dashboard leather	/LL	82	1	(9) A	927 552 053 03	lid leatherette	/RL	1	M406
	2LB	burgundy					CA1	black			
2	928 552 309 50	covering frame	/L		1		CA2	dark green			
	5XJ	black					CA3	brown			
2	928 552 310 50	covering frame	/R		1		CB3	cork			
	5XJ	black					CC2	blue			
3 A	928 552 057 02	cover			2	9	928 552 053 04	glove compartment cover leatherette	/LL	1	
3	928 552 057 03	cover air duct			2		CA1	black			
4 A	928 552 051 02	glove compartment	/LL		1		CA2	dark green			
4	928 552 051 02	glove compartment	/LL	78	1		CA3	brown			
4	928 552 051 05	glove compartment	/LL	79-	1		CB3	cork			
	71B	black					CC2	blue			
(4)	927 552 051 05	glove compartment	/RL		1	(9)	927 552 053 04	glove compartment cover leatherette	/RL	1	
	71B	black					CA1	black			
5 A	928 552 253 03	closing element		-79	1		CA2	dark green			
5	928 552 253 03	closing element			1		CA3	brown			
6	999 507 029 02	speed nut 4,8			2		CB3	cork			
7	900 151 002 07	washer A 5,3			2		CC2	blue			
8	900 143 019 07	oval-head sheetmetal screw B 4,8 X 22			2	(9)	928 552 059 52	glove compartment cover leather	/LL	1	
9 A	928 552 053 02	lid	/LL	78	1		1AJ	black			
	20B	dark green					20B	dark green			
9 A	928 552 053 03	lid leatherette	/LL	79-	1		3NG	brown			

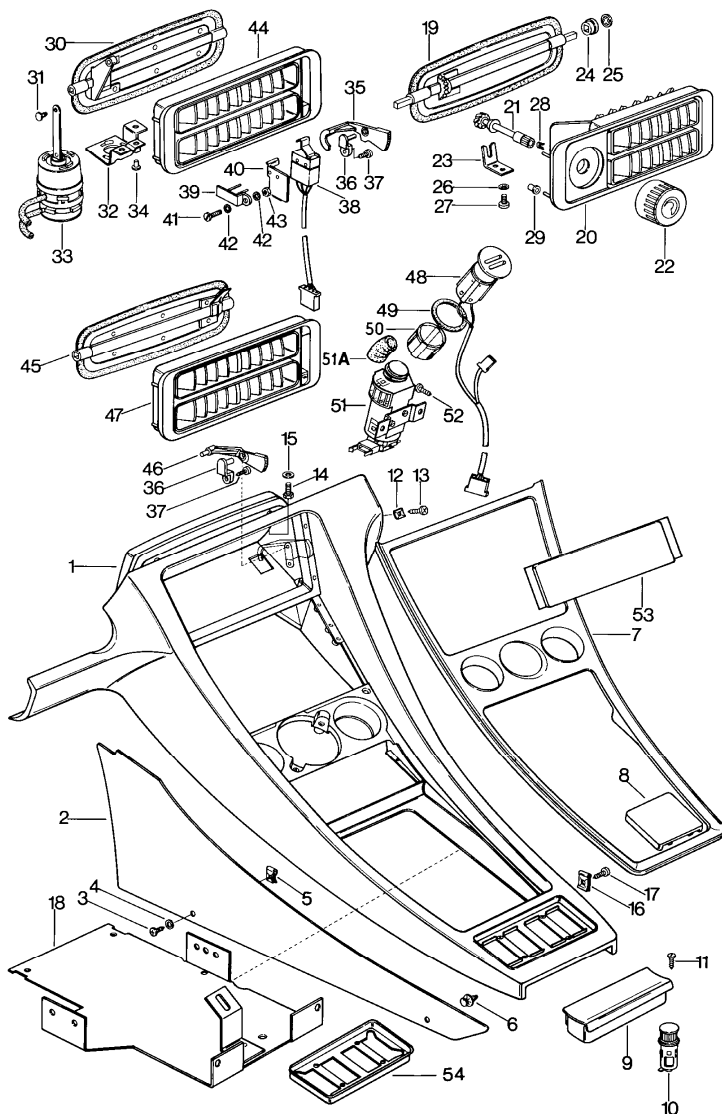
Model	Year	MG	SG	Illustration	Restrictions	UPD	18:03	23.01.2010	PORSCHE	PET	PORSCHE
928	1982	8	09	809-00		248					

Pos	Part Number	Description	Remark	Qty	Model	Pos	Part Number	Description	Remark	Qty	Model
	40D	cork				17	N 014 128 13	oval-head screw AM 5 X 8		3	
	30B	blue				18	A 928 552 031 02	instrument box		1	
	50B	beige					05T	black			
	60S	hannibal grey					2LB	burgundy			M406
	20S	mint green				18	928 552 031 03	instrument box		1	
	2LB	burgundy			M406		05T	black			
(9)	927 552 059 52	glove compartment cover leather	/RL	1			2LB	burgundy			M406
	1AJ	black				19	928 552 049 02	spacer sleeve		4	
	20B	dark green				20	928 552 321 02	cover		1	
	3NG	brown				21	928 552 135 03	cover		1	
	40D	cork					05T	black			
	30B	blue					2LB	burgundy			M406
	50B	beige				22	211 829 155	screw		2	
	60S	hannibal grey				23	900 025 007 02	washer A 8,4		2	
	20S	mint green				24	928 552 117 02	shelf driver's side	82	1	
	2LB	burgundy			M406		71B	black			
10	928 552 903 02	catch with lock cylinder with stipulated lock number state lock number		1		25	928 552 127 02	edge protection shelf leatherette	82	1	
11	900 143 113 07	tapping screw B 4,2 X 13		2			05T	black			
12	N 011 523 11	washer A 5,3		2			30B	blue			
13	928 552 055 03	hinge glove compartment		1			21S	brown			
14	900 151 002 07	washer A 5,3		3		25	928 552 127 50	edge protection shelf leather	82	1	
15	N 014 133 8	oval-head screw AM 5 X 12		3			1AJ	black			
16	N 011 523 11	washer A 5,3		3			30B	blue			
							3NG	brown			
							LG7	burgundy			M406

Model	Year	MG	SG	Illustration	Restrictions	UPD	18:03	23.01.2010	PORSCHE	PET	PORSCHE
928	1982	8	09	809-00		248					

Pos	Part Number	Description	Remark	Qty	Model	Pos	Part Number	Description	Remark	Qty	Model
26	999 507 251 02	mecano-speed-fix		7		(35)	928 552 097 50	edge protection shelf leather	/LL	1	
27	927 552 381 02	bracket	82	1							
28	928 552 395 02	bracket	82	1			1AJ	black			
29	N 011 524 7	washer A 6,4		2			20B	dark green			
30	900 085 003 02	cap nut M 6		2			3NG	brown			
31	900 151 027 02	washer A 5,3		2			50B	beige			
32	N 011 005 14	hexagon nut M 5		1			40D	cork			
33	N 011 141 2	cap nut M 5		1			30B	blue			
34	928 552 077 02	shelf	/LL	1		(35)	927 552 097 50	edge protection shelf leather	/RL	1	M406
	71B	black									
(34)	927 552 077 02	shelf	/RL	1			2LB	burgundy			
	71B	black									
35	928 552 079 02	edge protection shelf leatherette	/LL	1			1AJ	black			
	05T	black					20B	dark green			
	20B	dark green					3NG	brown			
	21S	brown					50B	beige			
	40D	cork					40D	cork			
	30B	blue					30B	blue			
(35)	927 552 079 02	edge protection shelf leatherette	/RL	1			2LB	burgundy			M406
	05T	black									
	20B	dark green				-	928 552 271 02	retaining bracket		1	
	21S	brown				36	928 552 382 02	bracket shelf		1	
	40D	cork				37	928 552 395 02	bracket shelf		1	
	30B	blue				38	928 552 315 50	rosette lid		1	

Model	Year	MG	SG	Illustration	Restrictions	UPD	15:57	28.01.2010	PORSCHE	PET	PORSCHE
928	1982	8	09	809-05		248					



Pos	Part Number	Description	Remark	Qty	Model
1	928 552 043 02	centre console centre console leatherette	/LL	78	1
	CA4	black			
	CA5	dark green			
	CA6	brown			
	CB4	cork			
(1)	928 552 043 04	centre console leatherette	/LL	79	1
	CA4	black			
	CA5	dark green			
	CA6	brown			
	CB4	cork			
(1)	927 552 043 04	centre console leatherette	/RL	79	1
	CA4	black			
	CA5	dark green			
	CA6	brown			
	CB4	cork			
(1)	928 552 043 05	centre console leatherette	/LL	80-	1
	CA4	black			
	CC3	blue			
	CA6	brown			
(1)	927 552 043 05	centre console leatherette	/RL	80-	1
	CA4	black			
	CC3	blue			
	CA6	brown			
(1)	928 552 043 06	centre console leatherette	/LL	80-	1
	CA4	black			M563

Model	Year	MG	SG	Illustration	Restrictions	UPD	15:57	28.01.2010	PORSCHE	PET	PORSCHE
928	1982	8	09	809-05		248					

Pos	Part Number	Description	Remark	Qty	Model	Pos	Part Number	Description	Remark	Qty	Model
	CC3	blue				(1)	928 552 045 54	centre console leather	/LL	80-	1 M563
	CA6	brown					1AJ	black			
(1)	927 552 043 06	centre console leatherette	/RL	80-	1 M563		30B	blue			
	CA4	black					3NG	brown			
	CC3	blue					60S	hannibal grey			
	CA6	brown				(1)	927 552 045 54	centre console leather	/RL	80-	1 M563
(1)	928 552 045 52	centre console leather	/LL	-79	1		1AJ	black			
	1AJ	black					30B	blue			
	20B	dark green					3NG	brown			
	3NG	brown					60S	hannibal grey			
	40D	cork				(1)	928 552 045 54	dashboard leather	/LL	80-	1
(1)	927 552 045 52	centre console leather	/RL	-79	1		2LB	burgundy		82	M406
	1AJ	black				2 A	928 552 073 02	side section velour pile	/L		1
	20B	dark green					70A	black		78	
	3NG	brown					20B	dark green		78	
	40D	cork					40A	brown		78	
(1) A	928 552 045 53	centre console leather	/LL	80-82	1		40D	cork		78	
	1AJ	black				2	927 552 073 02	side section velour pile	/L		1
	30B	blue					70A	black		78	
	3NG	brown					20B	dark green		78	
	60S	hannibal grey					40A	brown		78	
(1) A	927 552 045 53	centre console leather	/RL	80-82	1		40D	cork		78	
	1AJ	black				(2)	928 552 074 02	side section velour pile	/R		1
	30B	blue					70A	black		78	
	3NG	brown					20B	dark green		78	
	60S	hannibal grey					40A	brown		78	

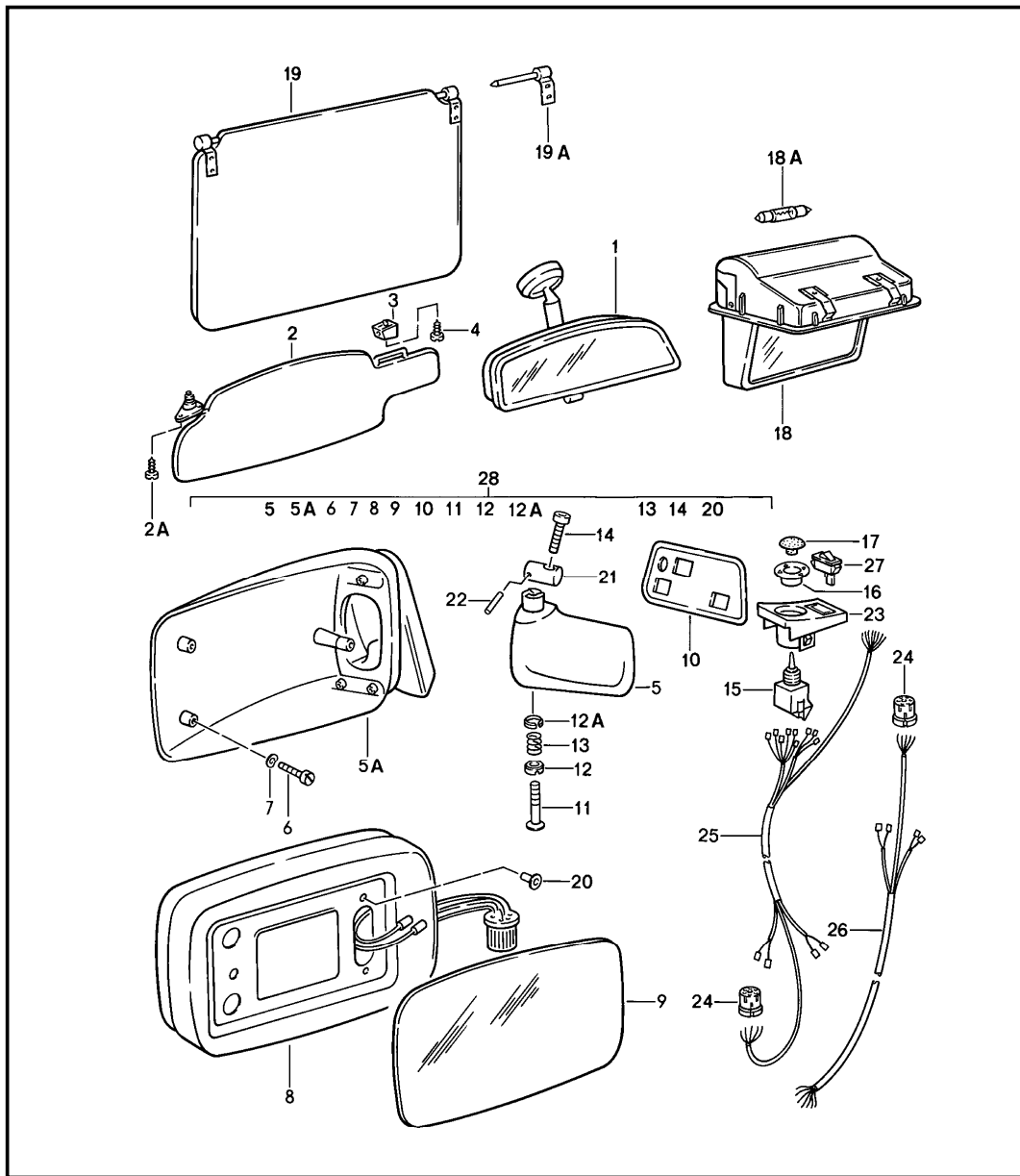
Model	Year	MG	SG	Illustration	Restrictions	UPD	15:57	28.01.2010	PORSCHE	PET	PORSCHE
928	1982	8	09	809-05		248					

Pos	Part Number	Description	Remark	Qty	Model	Pos	Part Number	Description	Remark	Qty	Model
	40D	cork		78		4	999 591 437 07	washer 4,8		4	
2	A 928 552 073 02	side section cut pile	/L	1		5	999 507 002 02	speed nut		2	
	70E	black		79-		6	823 867 299	clip		2	
	20E	green		79		7	928 552 047 04	cover	-79	1	
	40E	brown		79-		(7)	928 552 047 05	cover	80-	1	
	41D	cork		79		8	928 552 277 02	trim for switch		1	
	30B	blue		80-		9	928 552 060 02	ashtray		1	
	50B	beige		80-		10	928 652 103 00	cigarette lighter		1	
	80E	burgundy			M406	11	900 144 017 07	tapping screw B 2,9 X 13		2	
2	927 552 073 02	side section cut pile	/L	1		12	999 507 030 02	speed nut 4,8		3	
	70E	black		79-		13	900 187 018 02	hexagon-head tapping screw B 4,8 X 16		1	
	20E	green		79		14	900 075 145 02	hexagon-head bolt M 5 X 16		2	
	40E	brown		79-		15	900 025 003 02	washer A 5,3		2	
	41D	cork		79		16	999 507 002 02	speed nut			
	30B	blue		80-		17	900 143 046 07	tapping screw B 4,8 X 16		6	
	50B	beige		80-		18	928 552 085 02	mounting plate regulator and receiving part	-79	1	
(2)	928 552 074 02	side section cut pile	/R	1		(18)	928 552 389 02	mounting plate	80-	1	
	70E	black		79-		19	928 574 072 02	flap centre nozzle	-79	1	
	20E	green		79		20	928 574 040 02	covering frame	-79	1	
	40E	brown		79-		21	928 574 455 02	splined shaft	-79	1	
	41D	cork		79		22	928 574 453 02	rotary knob	-79	1	
	30B	blue		80-		23	928 552 187 03	axle bearing	-79	1	
	50B	beige		80-		24	928 574 291 02	bearing sleeve		2	
	80E	burgundy			M406						
3	N 014 098 6	tapping screw B 4,8 X 16		4							

Model	Year	MG	SG	Illustration	Restrictions	UPD	15:57	28.01.2010	PORSCHE	PET	PORSCHE
928	1982	8	09	809-05		248					

Pos	Part Number	Description	Remark	Qty	Model	Pos	Part Number	Description	Remark	Qty	Model
25	999 591 459 02	mecano-speed-fix		2		47	928 574 040 03	covering frame for cars with leatherette	80-	1	
26	900 114 007 01	shake-proof washer A 5,3	-79	2		(47)	928 574 040 50	covering frame for cars with leather	80-	1	
27	N 014 128 13	oval-head screw AM 5 X 8	-79	2		48	928 624 041 00	interior sensor	80-	1	
28	999 591 434 02	spring	-79	1		49	928 573 344 02	sealing ring	80-	1	
29	999 702 111 50	grommet		4		50	928 573 527 02	connecting piece	80-	1	
30	928 573 137 02	flap centre nozzle	80-	1	M563	51	928 624 113 01	interior sensor	80-	1	
31	928 574 735 02	bolt		1		51A	928 624 312 01	hose	/LL	1	
32	928 573 315 02	support	80-	1		(51A)	928 624 312 00	hose	/RL	1	
33	928 573 094 02	vacuum unit	80-	1		52	N 013 968 7	tapping screw B 4,8 X 13		2	
34	999 190 215 30	rivet	80-	3		53	928 552 270 04	cover	80-	1	
35	928 573 649 02	actuating lever	80-	1		54	928 552 313 50	frame for tip switch for cars with leather		1	
36	928 574 645 02	fastening part	80-	1							
37	900 143 031 02	oval-head sheetmetal screw B 4,2 X 9,5		1							
38	928 613 049 00	micro-changeover switch	80-	1							
39	928 573 747 02	support	80-	1							
40	928 573 745 02	support	80-	1							
41	900 119 024 02	pan-head screw M 4 X 12		1							
42	N 042 122 2	shake-proof washer		2							
43	N 011 004 6	hexagon nut M 4		1							
44	928 573 045 02	covering frame for cars with leatherette	80-	1	M563						
(44)	928 573 045 50	covering frame for cars with leather	80-	1	M563						
45	928 574 125 02	flap centre nozzle	80-	1							
46	928 574 649 02	actuating lever	80-	1							

Model	Year	MG	SG	Illustration	Restrictions	UPD	18:04	23.01.2010	PORSCHE	PET	PORSCHE
928	1982	8	09	809-10		248					



Pos	Part Number	Description	Remark	Qty	Model
1	477 857 511	interior mirror		1	
2	928 731 031 02	sun visor leatherette	/L	-79	1
	CB5	cork			
	CB1	dark green			
	CA9	black			
	CA7	brown			
(2)	928 731 032 04	sun visor without mirror leatherette	/R	-79	1
	CB5	cork			
	CB1	dark green			
	CA9	black			
	CA7	brown			
(2)	928 731 032 02	sun visor leatherette	/R	-79	1
	CB5	cork			
	CB1	dark green			
	CA9	black			
	CA7	brown			
(2)	927 731 031 02	sun visor with mirror leatherette	/L	-79	1
	CB5	cork			
	CB1	dark green			
	CA9	black			
	CA7	brown			
(2) A	928 731 031 06	sun visor leatherette	/L	80-	1
	CA9	black			

Model	Year	MG	SG	Illustration	Restrictions	UPD	18:04	23.01.2010	PORSCHE	PET	PORSCHE
928	1982	8	09	809-10		248					

Pos	Part Number	Description	Remark	Qty	Model	Pos	Part Number	Description	Remark	Qty	Model
	CA7	brown					40A	brown		-79	
	CC1	blue					70A	black		-79	
(2)	928 731 031 11	sun visor leatherette	/L	80-	1		BS1	black		80-	
	CA9	black					BS2	brown		80-	
	CA7	brown					BS3	blue		80-	
	CC1	blue					2LB	burgundy			
(2)	928 731 032 07	sun visor without mirror leatherette	/R	80-	1	(2)	928 731 032 50	sun visor without mirror leather	/R	1	
	CA9	black					40D	cork		-79	
	CA7	brown					20B	dark green		-79	
	CC1	blue					40A	brown		-79	
(2) A	928 731 032 06	sun visor leatherette	/R	80-	1	M650	70A	black		-79	
	CA9	black					BS1	black		80-	
	CA7	brown					BS2	brown		80-	
	CC1	blue					BS3	blue		80-	
(2)	928 731 032 11	sun visor leatherette	/R	80-	1	(2)	927 731 031 50	sun visor leather	/L	1	M650
	CA9	black					40D	cork		-79	
	CA7	brown					20B	dark green		-79	
	CC1	blue					40A	brown		-79	
(2)	927 731 031 04	sun visor with mirror leatherette	/L	80-	1	M650	70A	black		-79	
	CA9	black					BS1	black		80-	
	CA7	brown					BS2	brown		80-	
	CC1	blue					BS3	blue		80-	
(2)	928 731 031 50	sun visor leather	/L		1	(2)	928 731 032 51	sun visor with mirror leather	/R	1	
	40D	cork					40D	cork		-79	
	20B	dark green									

Model	Year	MG	SG	Illustration	Restrictions	UPD	18:04	23.01.2010	PORSCHE	PET	PORSCHE
928	1982	8	09	809-10		248					

Pos	Part Number	Description	Remark	Qty	Model	Pos	Part Number	Description	Remark	Qty	Model
	20B	dark green		-79		7	N 012 222 4	spring washer A 5		3	
	40A	brown		-79		8	A 911 799 731 04	covering frame	/L	1	
	70A	black		-79		8	911 731 027 06	covering frame	/L	1	
	BS1	black		80-		(8)	A 911 731 028 06	covering frame	/R	1	
	BS2	brown		80-		(8)	911 731 028 06	covering frame	/R	1	
	BS3	blue		80-		9	911 731 035 08	mirror glass plane		1	
	2LB	burgundy				(9)	911 731 035 09	mirror glass convex	(J) (N) (S)	1	
2A	900 145 016 07	tapping screw 4,2 X 16		4		10	928 731 247 03	desk pad	/LL/L	1	
3	911 731 331 00	support		2	M650	(10)	928 731 249 03	desk pad	/LL/R	1	
3	911 731 331 00	support		2		(10)	927 731 247 03	desk pad	/RL/R	1	
4	N 013 962 3	tapping screw 3,9 X 16		-80		(10)	927 731 249 03	desk pad	/RL/L	1	
4	900 143 034 07	oval-head sheetmetal screw 3,9 X 19		81-		11	911 731 257 02	guide tube		1	
-	A 927 731 023 03	mirror housing	/RL	78		12	911 731 345 02	centring washer lower		1	
-	927 731 023 04	mirror housing	/RL	79-		12A	911 731 347 00	centring washer upper		1	
5	A 928 731 141 06	mirror base	/LL/L	1		13	911 731 029 01	compression spring		1	
5	928 731 141 06	mirror base	/LL/L	1		14	999 218 019 02	screw M 5 X 45		1	
(5)	A 928 731 143 08	mirror base	/LL/R	1		15	911 613 115 00	switch		1	
(5)	928 731 143 08	mirror base	/LL/R	1		16	928 555 463 02	threaded bush		1	
(5)	A 927 731 141 06	mirror base	/RL/R	1		17	928 613 462 00	knob		1	
(5)	927 731 141 06	mirror base	/RL/R	1		18	928 731 013 02	vanity mirror		1	
(5)	A 927 731 143 08	mirror base	/RL/L	1		18A	900 631 105 90	bulb 12 V - 5 W		1	
(5)	927 731 143 08	mirror base	/RL/L	1		19	A 928 731 035 02	sun visor leatherette	/H	2	
5A	A 911 731 043 00	mirror housing	/L	1			CB7	dark green		-79	
5A	911 731 043 03	mirror housing	/L	1			CB8	black		-79	
(5A)	A 911 731 044 00	mirror housing	/R	1			CB6	brown		-79	
(5A)	911 731 044 03	mirror housing	/R	1							
6	999 143 003 02	hexagon-head bolt M 5 X 12		3							

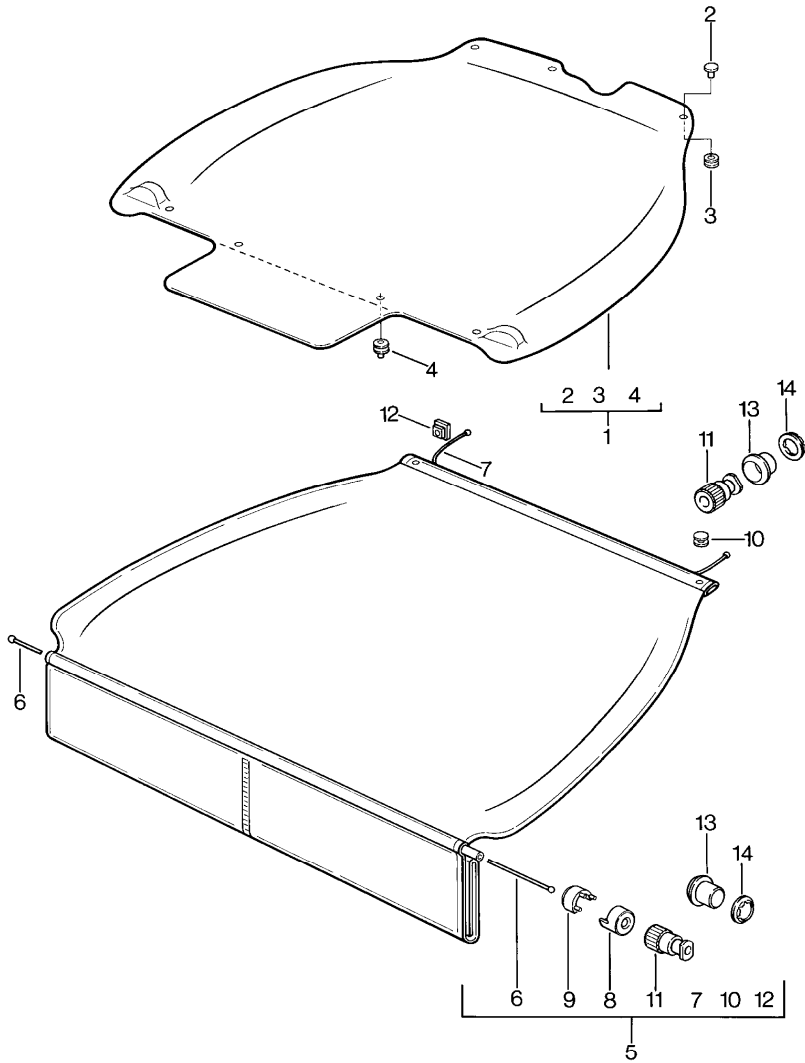
Model	Year	MG	SG	Illustration	Restrictions	UPD	18:04	23.01.2010	PORSCHE	PET	PORSCHE
928	1982	8	09	809-10		248					

Pos	Part Number	Description	Remark	Qty	Model	Pos	Part Number	Description	Remark	Qty	Model
	CB9	cork		-79			70A	black		-79	
	70A	black		80-			BS1	black		80-	
	30B	blue		80-			BS2	brown		80-	
	40A	brown		80-			BS3	blue		80-	
19	928 731 035 04	sun visor leatherette	/H	2			SC3	hannibal grey		80-	
	CB7	dark green		-79			SD3	mint green		80-	
	CB8	black		-79			2LB	burgundy			
	CB6	brown		-79		19A	928 731 043 02	bearing bracket	/L	1	
	CB9	cork		-79		19A	928 731 044 02	bearing bracket	/R	1	
	70A	black		80-		20	999 703 128 40	grommet mirror glass		3	
	30B	blue		80-		21	928 531 235 03	threaded piece		2	
	40A	brown		80-		22	N 013 295 1	tensioning sleeve		1	
19	A 928 731 035 50	sun visor leather	/H	2		23	928 555 461 02	mounting piece	/LL	1	
	20B	dark green		-79		(23)	927 555 461 02	mounting piece	/RL	1	
	40A	brown		-79		24	803 971 979	plug socket 7-pole		1	
	40D	cork		-79				electrical components door mirror passenger's side			
	70A	black		-79		25	928 612 164 00	wiring harness driver's side		-79	1
	BS1	black		80-		(25)	928 612 164 02	wiring harness driver's side		80-	1
	BS2	brown		80-		26	928 612 166 00	wiring harness passenger's side		-79	1
	BS3	blue		80-		(26)	928 612 166 02	wiring harness passenger's side		80-	1
	SC3	hannibal grey		80-		27	911 613 113 00	changeover switch			1
	SD3	mint green		80-		28	928 731 927 02	door mirror plane	/LL/L		1
	2LB	burgundy				(28)	928 731 928 02	door mirror plane	/LL/R		1
19	928 731 035 51	sun visor leather	/H	2							
	20B	dark green		-79							
	40A	brown		-79							
	40D	cork		-79							

Model	Year	MG	SG	Illustration	Restrictions	UPD	18:04	23.01.2010	PORSCHE	PET	PORSCHE
928	1982	8	09	809-10		248					

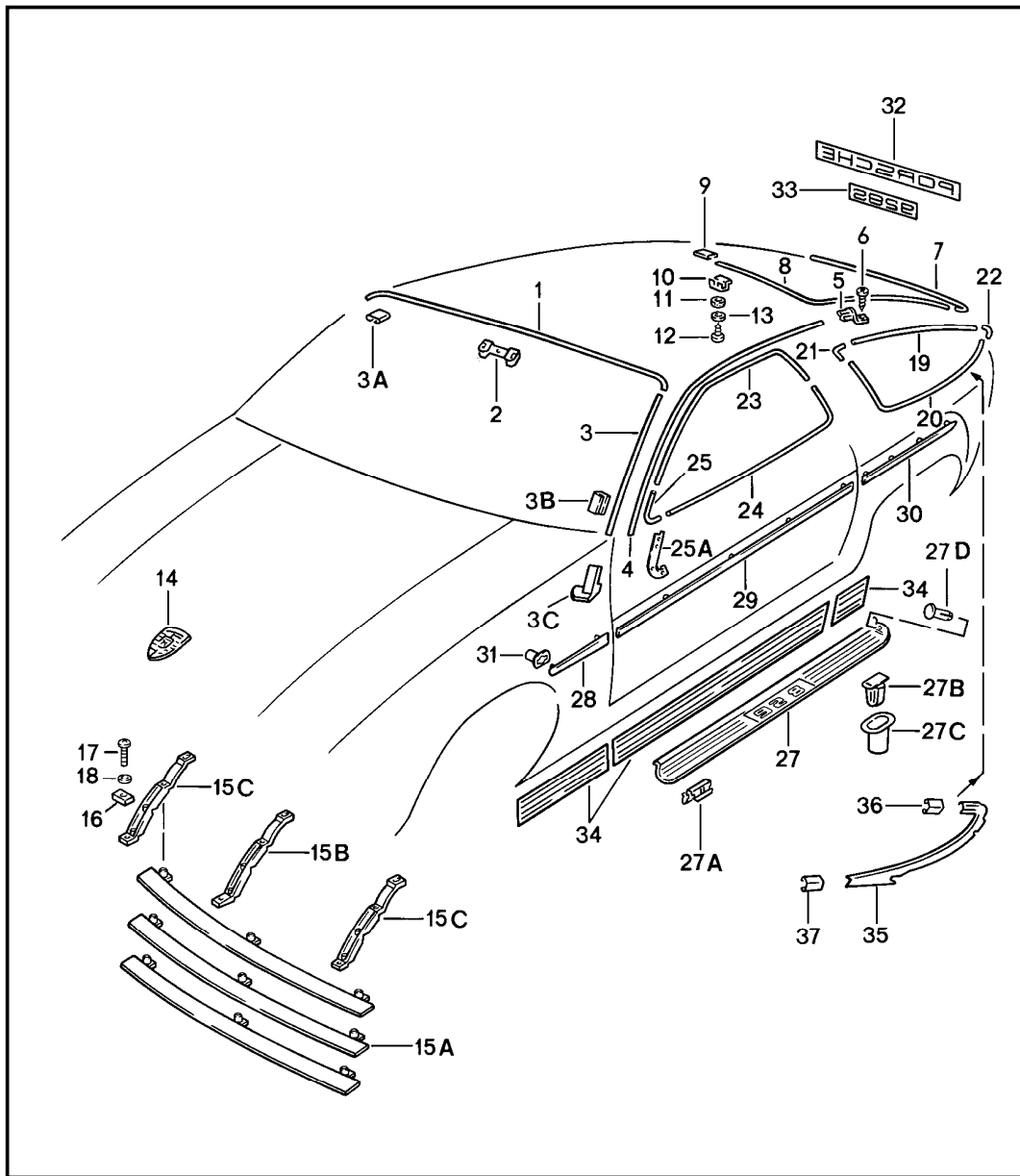
Pos	Part Number	Description	Remark	Qty	Model	Pos	Part Number	Description	Remark	Qty	Model
(28)	928 731 929 02	door mirror convex	/LL/L	1							
(28) A	928 731 930 02	door mirror convex	/LL/R	1							
(28)	927 731 927 02	door mirror plane	/RL/L	1							
(28)	927 731 928 02	door mirror plane	/RL/R	1							
(28)	927 731 929 02	door mirror convex	/RL/L	1							

Model	Year	MG	SG	Illustration	Restrictions	UPD	18:04	23.01.2010	PORSCHE	PET	PORSCHE
928	1982	8	09	809-15		248					



Pos	Part Number	Description	Remark	Qty	Model
1	928 555 083 03	luggage compartment cover			
		luggage compartment cover	-79	1	
		perlon velour			
		20B dark green			
		40A brown			
		70A black			
2	999 591 802 17	cap	-79	4	
3	999 591 803 17	circular spring	-79	4	
4	999 591 607 12	tenax upper part	-79	4	
5	928 555 179 02	luggage compartment cover	80-	1	
		70G black			
		30D blue			
		40B brown			
		2LB burgundy			M406
-	999 701 639 40	round rubber cord	80-	*	
6	-	1150 MM	80-	1	
7	-	740 MM	80-	2	
8	928 555 795 02	end piece of pipe	80-	2	
9	928 555 785 02	clamp for fabric	80-	2	
10	900 190 005 03	tubular rivet B 4 X 9 X 6	80-	2	
11	928 555 775 02	belt end piece	80-	4	
12	928 555 791 02	rosette	80-	2	
		70B black			
13	928 555 777 02	end piece of rope		4	
14	999 591 484 02	clamping washer		4	

Model	Year	MG	SG	Illustration	Restrictions	UPD	18:04	23.01.2010	PORSCHE	PET	PORSCHE
928	1982	8	10	810-00		248					



Pos	Part Number	Description	Remark	Qty	Model
		cover strip decorative fittings			
		F >>92CS8 00354			928
		F >>92CS8 40998			928S
		F 92CS8 00355>>			928
		F 92CS8 40999>>			928 S
		see tpi			
		GR.8 NR.38			
1	A 928 559 103 02	cover strip 70H black		1	
1	928 559 103 04	cover strip 70K black		1	
2	928 559 285 02	clamp		9	
3	928 559 105 02	water drain strip 70H black	/L	1	
3	928 559 106 02	water drain strip 70H black	/R	1	
3	928 559 105 05	water drain strip 70K black	/L	1	
3	928 559 106 05	water drain strip 70K black	/R	1	
3A	928 559 213 03	sleeve 70H black	/L	1	
3A	928 559 214 03	sleeve 70H black	/R	1	
3A	928 559 213 05	sleeve 70K black	/L	1	
3A	928 559 214 05	sleeve 70K black	/R	1	
3B	928 559 107 02	clamp		9	
3C	928 559 111 02	water drain strip	/L	1	

Model	Year	MG	SG	Illustration	Restrictions	UPD	18:04	23.01.2010	PORSCHE	PET	PORSCHE
928	1982	8	10	810-00		248					

Pos	Part Number	Description	Remark	Qty	Model	Pos	Part Number	Description	Remark	Qty	Model
3C	928 559 112 02	end piece	/R	1			70H	black for cars with rear spoiler			
4	928 559 119 04	roof edge strip	/L	1							
4	928 559 120 04	roof edge strip	/R	1		8	928 559 154 05	cover strip	/R	1	
5	928 559 121 03	roof edge strip	/L	1			70K	black for cars with rear spoiler			
5	928 559 122 03	roof edge strip terminal piece	/R	1							
6	900 145 044 07	tapping screw 4,2 X 19		2		9 A	928 559 155 02	sleeve		3	
7 A	928 559 151 03	cover strip		1			70H	black			
7	928 559 151 04	cover strip		1		9	928 559 155 03	sleeve		3	
	70H	black					70K	black			
7	928 559 151 04	cover strip		1		10	928 559 133 04	retaining clip		16	
	70K	black				11	928 559 143 02	sealing ring		16	
8 A	928 559 153 02	cover strip	/L	-81	1	12	900 143 066 07	tapping screw 7 X 7		16	
8	928 559 153 04	cover strip	/L	1		13	999 025 083 70	washer 3,7		16	
	70H	black				14 A	901 559 210 20	lid emblem		1	
8	928 559 153 06	cover strip	/L	1		14	993 559 211 00	lid emblem		1	
	70K	black				15A	928 559 135 04	cross strut radiator grille		3	
8	928 559 153 03	cover strip	/L	1		15B	928 559 137 02	centre web		1	
	70H	black for cars with rear spoiler				15C	928 559 139 02	outer part		2	
8	928 559 153 05	cover strip	/L	1		16	928 559 141 02	desk pad		2	
	70K	black for cars with rear spoiler				17	999 921 004 02	oval-head screw M 4 X 15		9	
8 A	928 559 154 02	cover strip	/R	-81	1	18	900 151 001 02	washer A 4,3		9	
8	928 559 154 04	cover strip	/R	1		19 A	928 543 419 02	moulding section	/L	-81	1
	70H	black				19	928 543 419 08	moulding section	/L	1	
8	928 559 154 06	cover strip	/R	1			70H	black			
	70K	black				19	928 543 419 08	moulding section	/L	1	
8	928 559 154 03	cover strip	/R	1			70K	black			

Model	Year	MG	SG	Illustration	Restrictions	UPD	18:04	23.01.2010	PORSCHE	PET	PORSCHE
928	1982	8	10	810-00		248					

Pos	Part Number	Description	Remark	Qty	Model	Pos	Part Number	Description	Remark	Qty	Model
19	A 928 543 419 03	moulding section rear spoiler	/L -81	1			70K	black rear spoiler			
19	928 543 419 07	moulding section	/L	1		20	928 543 418 02	moulding section	/R -81	1	
	70H	black rear spoiler				20	928 543 418 08	moulding section	/R	1	
19	928 543 419 07	moulding section	/L	1			70H	black			
	70K	black rear spoiler				20	928 543 418 08	moulding section	/R	1	
19	A 928 543 420 02	moulding section	/R -81	1		20	928 543 418 03	moulding section rear spoiler	/R -81	1	
19	928 543 420 08	moulding section	/R	1		20	928 543 418 07	moulding section	/R	1	
	70H	black					70H	black rear spoiler			
19	928 543 420 08	moulding section	/R	1		20	928 543 418 07	moulding section	/R	1	
	70K	black					70K	black rear spoiler			
19	A 928 543 420 03	moulding section rear spoiler	/R -81	1		21	A 928 543 413 02	corner piece	-81	2	
19	928 543 420 07	moulding section	/R	1		21	928 543 413 04	corner piece		2	
	70H	black rear spoiler					70H	black			
19	928 543 420 07	moulding section	/R	1		21	928 543 413 04	corner piece		2	
	70K	black rear spoiler					70K	black			
20	A 928 543 417 02	moulding section	/L -81	1		22	928 543 415 02	corner piece F >>92BS8 00192 F >>92BS8 40296		2	928 928S
20	928 543 417 08	moulding section	/L	1		22	928 543 415 05	corner piece		2	
	70H	black					70H	black			
20	928 543 417 08	moulding section	/L	1		22	928 543 415 05	corner piece		2	
	70K	black					70K	black F 92BS8 00193>> F 92BS8 40297>>			928 928S
20	A 928 543 417 03	moulding section rear spoiler	/L -81	1		23	928 537 311 02	moulding	/L	1	
20	928 543 417 07	moulding section	/L	1			70H	black			
	70H	black rear spoiler				23	928 537 311 04	moulding	/L	1	
20	928 543 417 07	moulding section	/L	1			70K	black			

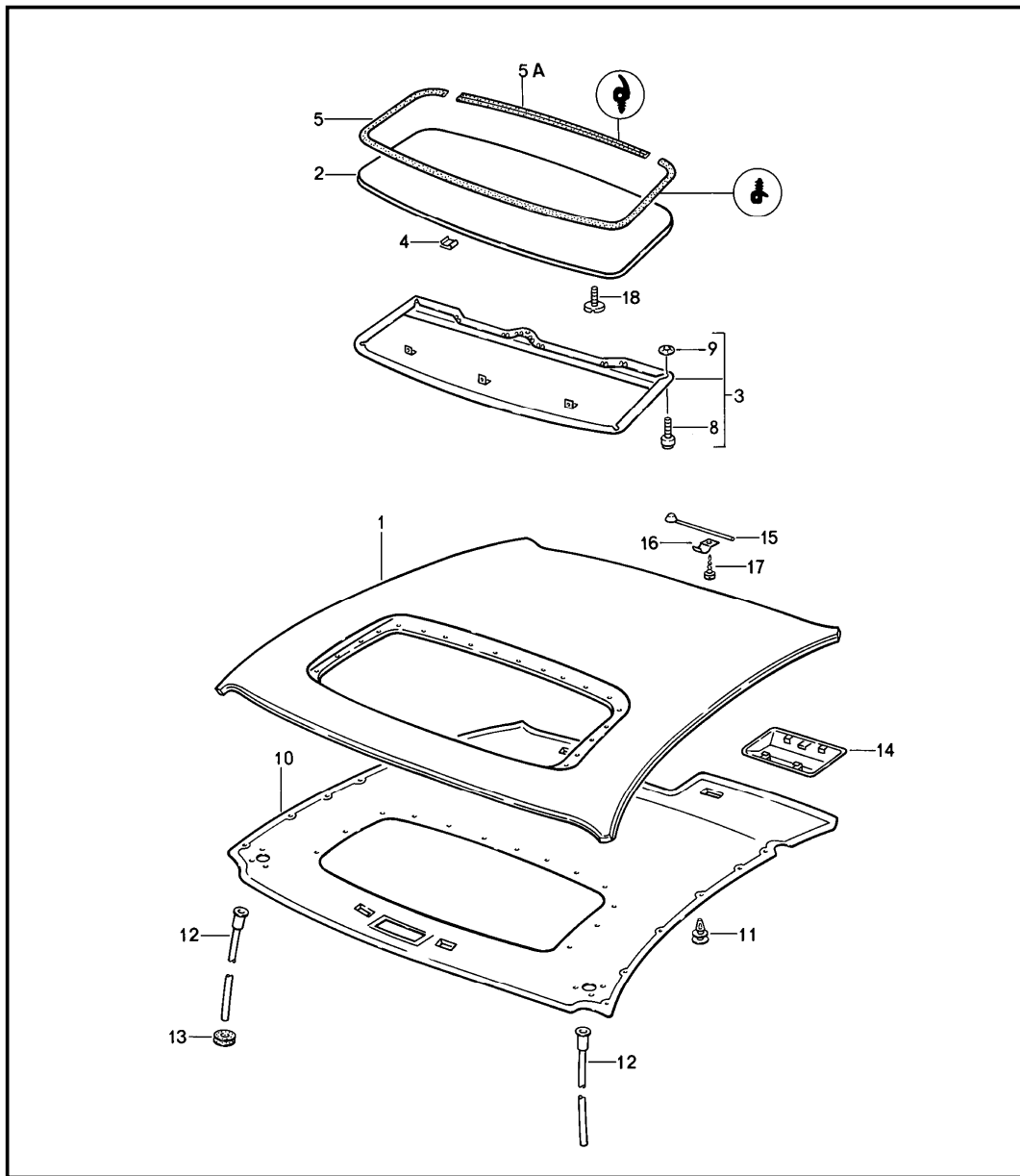
Model	Year	MG	SG	Illustration	Restrictions	UPD	18:04	23.01.2010	PORSCHE	PET	PORSCHE
928	1982	8	10	810-00		248					

Pos	Part Number	Description	Remark	Qty	Model	Pos	Part Number	Description	Remark	Qty	Model
23	928 537 312 02	moulding	/R	1		27D	999 591 519 40	expansion rivet		2	
	70H	black						protective moulding			
23	928 537 312 04	moulding	/R	1		28	928 559 037 03	protective moulding	/V/L	1	
	70K	black				28	928 559 038 03	protective moulding wing	/V/R	1	
24	928 537 313 02	moulding	/L	1		-	928 559 175 03	adhesive tape wing		2	
	70H	black				29	928 559 033 03	protective moulding	/L	1	
24	928 537 313 04	moulding	/L	1		29	928 559 034 03	protective moulding door	/R	1	
	70K	black				-	928 559 965 00	adhesive tape door		2	
24	928 537 314 02	moulding	/R	1		30	928 559 041 03	protective moulding	/H/L	1	
	70H	black				30	928 559 042 03	protective moulding side section	/H/R	1	
25	928 537 301 03	moulding connection	/L	1		-	928 559 181 03	adhesive tape side section		2	
	70H	black				31	928 559 281 02	bush		10	
25	928 537 301 05	moulding connection	/L	1		32	928 505 325 04	logo dark grey		1	
	70K	black				32	928 505 325 03	logo white		1	
25	928 537 302 03	moulding connection	/R	1		32	928 505 325 05	logo light grey		1	
	70H	black				33	928 505 335 04	logo dark grey		1	
25A	928 537 369 03	filler piece	/L	1		33	928 505 335 05	logo silver		1	
(25A)	928 537 370 03	filler piece	/R	1		34	928 559 075 02	stone guard film	/L	1	
-	900 143 114 07	tapping screw B 3,5 X 9,5		2		34	928 559 076 02	stone guard film 1 set	/R	1	
27	928 799 551 30	scuff plate	/L	1		-	928 537 403 02	clip moulding connection		2	
27	928 551 056 02	scuff plate	/R	1		35	928 543 437 02	trim frame	/L	1	
27A	928 551 123 02	clamp		12			70H	black rear spoiler			
27B	999 591 451 40	fastening clamp		12							
27C	999 702 116 40	grommet		12							

Model	Year	MG	SG	Illustration	Restrictions	UPD	18:04	23.01.2010	PORSCHE	PET	PORSCHE
928	1982	8	10	810-00		248					

Pos	Part Number	Description	Remark	Qty	Model	Pos	Part Number	Description	Remark	Qty	Model
35	928 543 437 03	trim frame	/L	1							
	70K	black rear spoiler									
35	928 543 438 02	trim frame	/R	1							
	70H	black rear spoiler									
35	928 543 438 03	trim frame	/R	1							
	70K	black rear spoiler									
36	928 543 439 02	sleeve		2							
	70H	black trim frame rear spoiler									
36	928 543 439 03	sleeve		2							
	70K	black trim frame rear spoiler									
37	928 543 439 04	sleeve	/L	1							
	70H	black trim frame rear spoiler									
37	928 543 439 04	sleeve	/L	1							
	70K	black trim frame rear spoiler									
37	928 543 440 04	sleeve	/R	1							
	70H	black trim frame rear spoiler									
37	928 543 440 04	sleeve	/R	1							
	70K	black trim frame rear spoiler									

Model	Year	MG	SG	Illustration	Restrictions	UPD	18:04	23.01.2010	PORSCHE	PET	PORSCHE
928	1982	8	11	811-00		248					

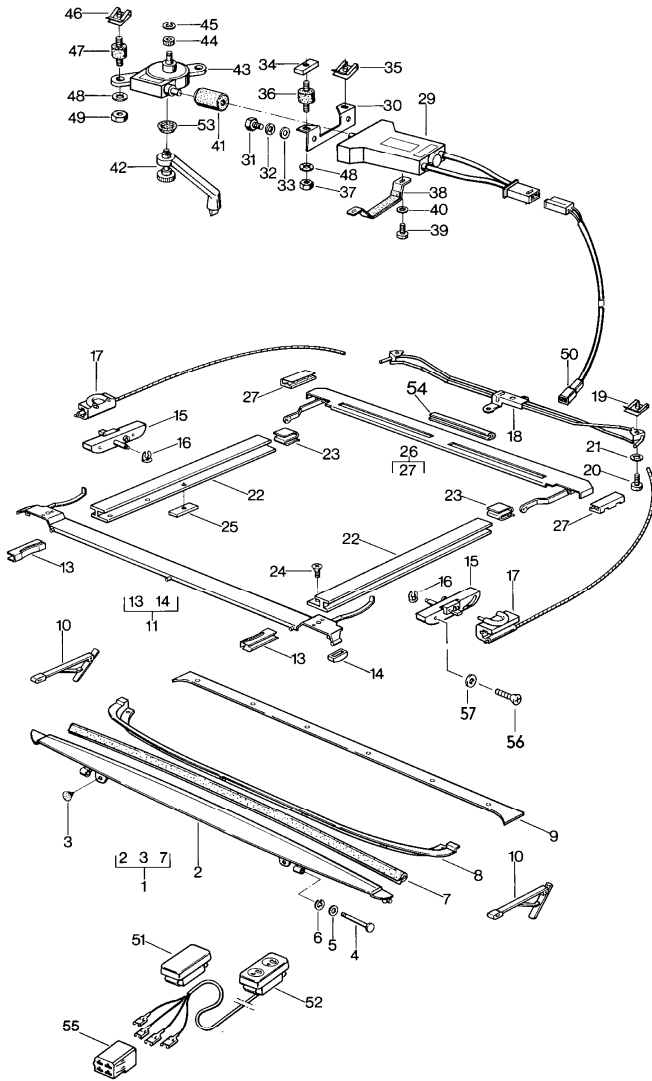


Pos	Part Number	Description	Remark	Qty	Model
		electric sunroof			
1	928 503 027 60	roof		1	
2	928 564 033 41	lid		1	
3	928 564 069 40	roofliner frame leatherette		1	
	40D	cork			
	20B	dark green			
	21S	brown			
	05T	black			
	30B	blue			
(3)	928 564 069 50	roofliner frame leather		1	
	40D	cork			
	20B	dark green			
	3NG	brown			
	1AJ	black			
	30B	blue			
	60S	hannibal grey			
	20S	mint green			
	2LB	burgundy			
4	999 591 898 02	clamp		18	
5	928 564 259 02	gasket		1	
5A	928 564 261 02	gasket		1	
8	928 564 399 40	sliding piece		3	
9	999 591 377 02	speed nut		3	
10	928 555 071 60	rooflining leatherette		1	
	40D	cork			
	20B	dark green			
	21S	brown			

Model	Year	MG	SG	Illustration	Restrictions	UPD	18:04	23.01.2010	PORSCHE	PET	PORSCHE
928	1982	8	11	811-00		248					

Pos	Part Number	Description	Remark	Qty	Model	Pos	Part Number	Description	Remark	Qty	Model
	70A	black				18	900 072 003 02	adjusting screw M 5 X 12		2	
(10)	928 555 071 63	rooflining leather		1							
	40D	cork									
	20B	dark green									
	3NG	brown									
	1AJ	black									
	2LB	burgundy									
11	999 591 559 40	clip		10							
12	928 564 413 02	water drain hose		2							
13	021 119 569 A	rubber sleeve		2							
14	928 555 301 60	cover engine leatherette		1							
	40D	cork									
	20B	dark green									
	21S	brown									
	05T	black									
(14)	928 555 301 61	cover engine leather		1							
	40D	cork									
	20B	dark green									
	3NG	brown									
	1AJ	black									
	2LB	burgundy									
15	928 564 081 02	wire spring		1							
16	928 564 379 02	clamping piece		1							
17	N 013 970 5	tapping screw B 4,8 X 9,5		1							
17	N 106 568 02	tapping screw B 4,8 X 9,5		1							

Model	Year	MG	SG	Illustration	Restrictions	UPD	18:05	23.01.2010	PORSCHE	PET	PORSCHE
928	1982	8	11	811-05		248					

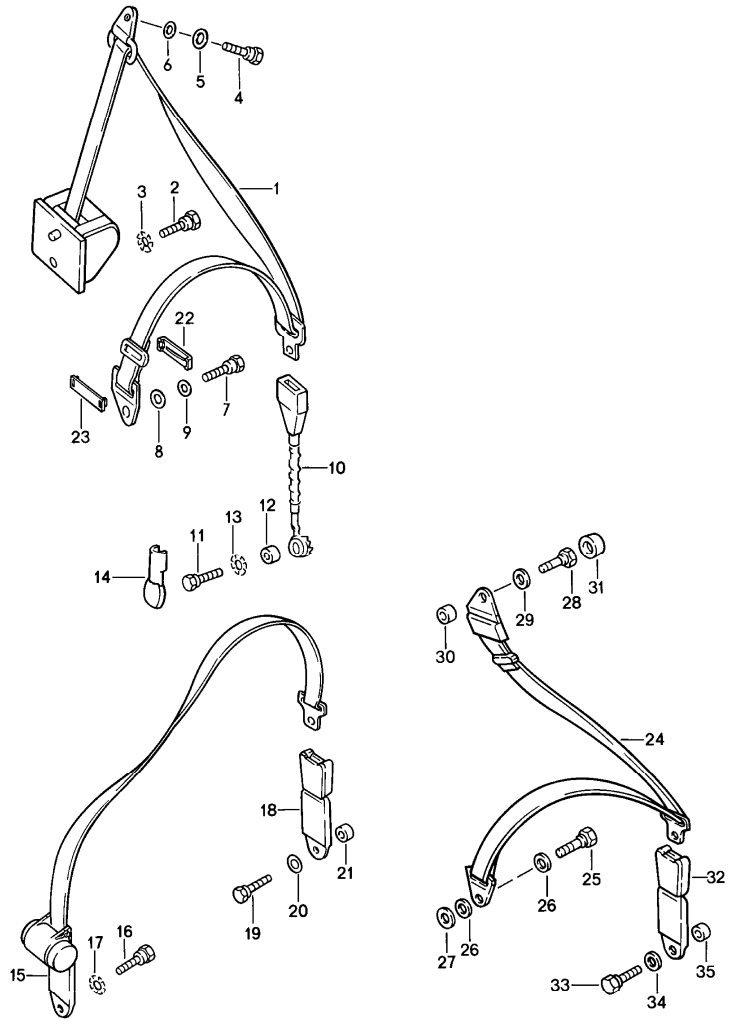


Pos	Part Number	Description	Remark	Qty	Model
1	928 564 013 02	sunroof installation parts			
1	928 564 013 02	air deflector		1	
2	928 564 023 02	wind deflector plate		1	
3	928 564 629 02	rubber buffer		2	
4	999 088 009 07	bolt		2	
5	900 089 015 07	washer		2	
6	900 116 001 07	lock washer		2	
7	928 564 358 02	edge protection		1	
8	928 564 341 02	cover		1	
9	928 564 105 02	cover strip		1	
10	928 564 057 02	hinge	/L	1	
10	928 564 058 02	hinge	/R	1	
11	928 564 061 40	guide		1	
13	928 564 267 02	slide		2	
14	928 564 268 03	guide shoe		2	
15 A	928 564 045 42	gate guide	/L	1	
(15)	928 564 045 42	gate guide	/L	1	
15 A	928 564 046 42	gate guide	/R	1	
(15)	928 564 046 42	gate guide	/R	1	
16	999 166 026 07	lock	-79	2	
17	928 564 083 43	guide	/L	1	
17	928 564 084 43	guide	/R	1	
18	928 564 209 40	guide tube		1	
19	999 507 248 02	speed nut M 5		2	
20	N 014 133 8	oval-head screw M 5 X 12		3	
21	N 012 005 3	lock ring B 5		2	
22	928 564 015 41	guide rail	/L	-80	1

Model	Year	MG	SG	Illustration	Restrictions	UPD	18:05	23.01.2010	PORSCHE	PET	PORSCHE
928	1982	8	11	811-05		248					

Pos	Part Number	Description	Remark	Qty	Model	Pos	Part Number	Description	Remark	Qty	Model
22	928 564 015 41	guide rail	/L	82	1	46	999 507 248 02	speed nut		2	
22	928 564 016 41	guide rail	/R	-80	1	47	999 703 306 00	bonded rubber mounting		2	
22	928 564 016 41	guide rail	/R	82	1	48	N 012 005 3	lock ring		2	
23	999 591 448 02	fixing clip			2	49	N 011 005 14	hexagon nut M 5		2	
24	900 269 052 00	countersunk-head screw M 4 X 10			6	50	928 612 006 01	wiring harness		1	
25	928 502 617 60	threaded plate M 4			2	51	928 613 123 04	display specimen		1	
26	928 564 167 41	water drain plate		-79	1	52	928 613 120 00	tip switch		1	
(26)	928 564 167 41	water drain plate		80-	1	53	901 564 663 05	cap		1	
29	928 624 007 00	motor			1	-	999 911 041 00	edge protection		*	
30	928 624 105 00	engine bracket			1	54	--- --- --- --	150 MM		1	
31	N 010 208 5	hexagon-head bolt M 6 X 8			2	55	928 612 413 03	connector housing		1	
32	N 012 006 4	lock ring B 6			2	56	999 217 008 02	hexagon-head bolt M 5 X 10		4	
33	N 011 524 7	washer A 6,4			2	57	900 025 003 02	washer A 5,3		4	
34	928 502 617 61	threaded plate M 5			1						
35	999 507 248 02	speed nut M 5			2						
36	999 703 308 00	bonded rubber mounting			2						
37	N 011 005 14	hexagon nut M 5			2						
38	928 624 011 00	motor mount			1						
39	N 013 883 3	tapping screw			1						
40	900 025 003 02	washer			1						
41	911 624 103 00	clutch			1						
42	901 564 085 05	crank			1						
43	928 564 025 02	transmission			1						
44	928 564 125 02	drive pinion			1						
45	900 116 003 01	lock washer			1						

Model	Year	MG	SG	Illustration	Restrictions	UPD	18:05	23.01.2010	PORSCHE	PET	PORSCHE
928	1982	8	12	812-00		248					

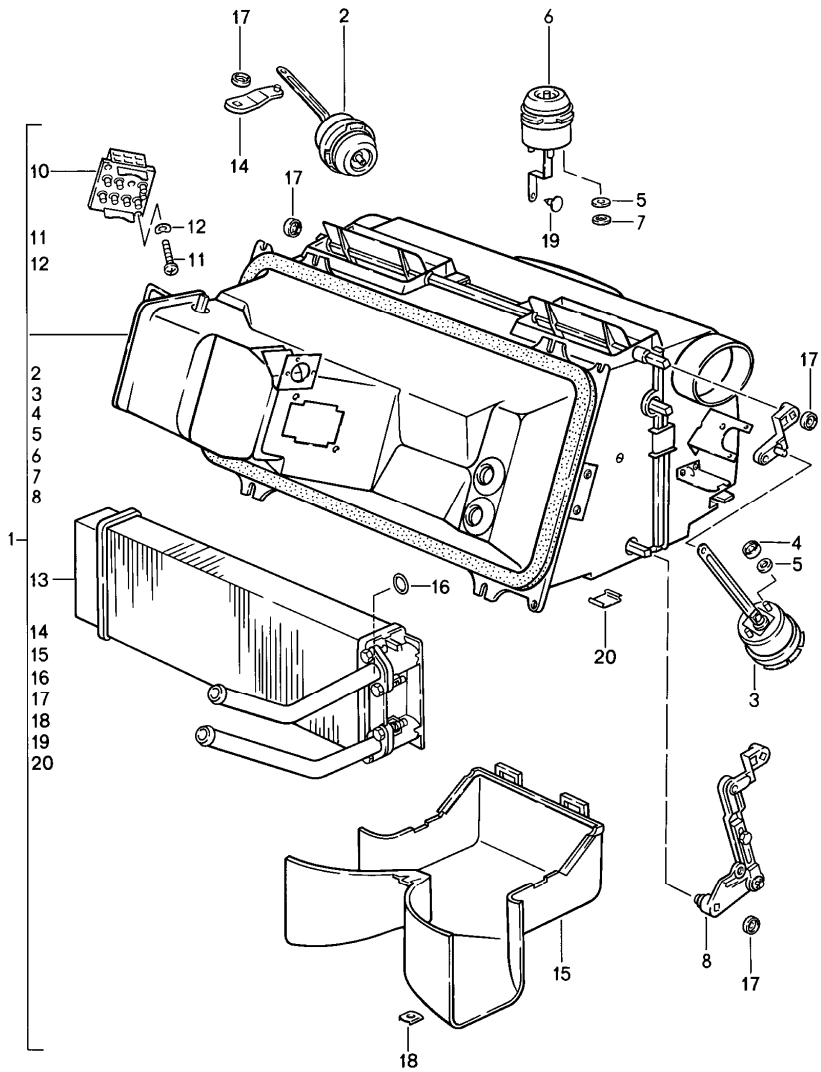


Pos	Part Number	Description	Remark	Qty	Model
1	928 803 126 02	seat belt front and rear			
		seat belt automatic			
		seat belt automatic	-79	2	
1	928 803 126 09	seat belt automatic			
		seat belt automatic	-79	2	
(1) A	928 803 126 09	seat belt automatic	80-	2	
(1)	928 803 126 09	seat belt automatic	80-	2	
(1) A	928 803 126 04	seat belt automatic	(GB)	2	
(1)	928 803 126 05	seat belt automatic	(GB)	2	
(1)	928 803 126 05	seat belt automatic	(AUS)	-79	2
(1) A	928 803 126 09	seat belt automatic	(AUS)	80-	2
(1)	928 803 126 09	seat belt automatic	(AUS)	80-	2
2	928 803 121 02	fastening screw		2	
3	N 012 112 2	serrated lock washer J 12,5		2	
4	111 857 793 E	fastening screw		2	
5	N 011 655 2	washer 11,5		2	
6	211 857 771	washer		4	
7	901 803 119 22	fastening screw		2	
8	999 025 212 09	washer 12		2	
9	211 857 771	washer		2	
10	928 803 183 02	seat belt buckle	/L	-79	1
(10)	928 803 184 02	seat belt buckle	/R	-79	1
(10)	928 803 183 04	seat belt buckle	/L (GB)	-79	1
(10)	928 803 183 07	seat belt buckle	/L (AUS)	-79	1

Model	Year	MG	SG	Illustration	Restrictions	UPD	18:05	23.01.2010	PORSCHE	PET	PORSCHE
928	1982	8	12	812-00		248					

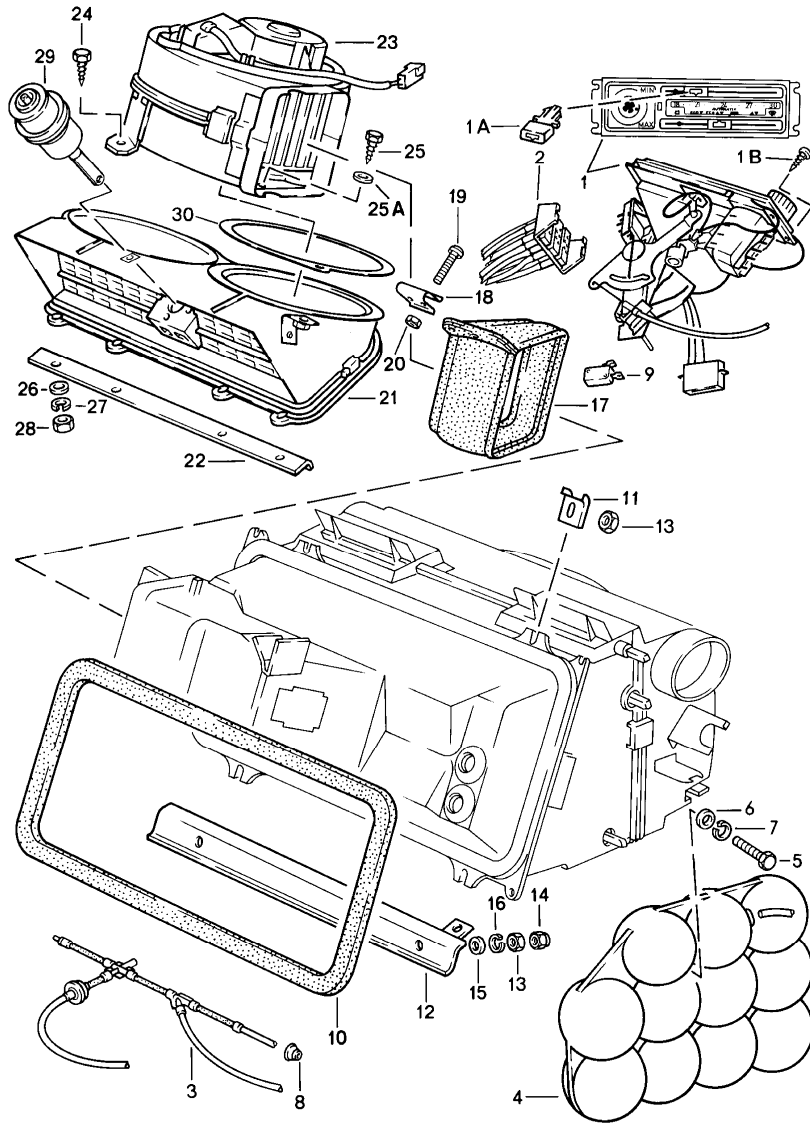
Pos	Part Number	Description	Remark	Qty	Model	Pos	Part Number	Description	Remark	Qty	Model
(10)	928 803 184 07	seat belt buckle	/R (AUS) -79	1		30	901 803 116 40	spacer sleeve	(AUS)	2	
(10)	928 803 183 05	seat-belt buckle	80-	2		31	811 857 845	screw-on cap	(AUS)	2	
11	111 857 799	screw for seat belt buckle		1		32	928 803 051 02	lock	(AUS)	2	
12	928 803 259 02	spacer sleeve		2		(32)	928 803 081 02	push-button lock	/L (AUS)	1	M417
13	N 012 112 2	serrated lock washer 12,5		2		(32)	928 803 082 02	push-button lock	/R (AUS)	1	M417
14	803 019 845	cap		2		33	111 857 793 E	fastening screw	(AUS)	2	
15	928 803 015 02	lap belt automatic		2		34	211 857 771	washer	(AUS)	2	
(15)	928 803 015 04	lap belt	(GB)	2		35	928 803 259 02	spacer sleeve	(AUS)	2	
16	111 857 799 A	fastening screw		2							
17	N 012 112 2	serrated lock washer 12,5		2							
18	928 803 081 02	push-button lock	/L -79	1							
(18)	928 803 082 02	push-button lock	/R -79	1							
(18)	928 803 051 02	lock	80-	2							
19	111 857 793 E	fastening screw		2							
20	211 857 771	washer		4							
21	928 803 259 02	spacer sleeve		2							
-	928 803 903 02	lap belt		1							
22	928 803 151 02	clip upper part		1							
23	928 803 153 02	clip lower part		1							
24	927 803 021 02	seat belt automatic	(AUS)	2							
25	111 857 793 E	fastening screw	(AUS)	2							
26	211 857 771	washer	(AUS)	4							
27	N 011 655 2	washer	(AUS)	2							
28	111 857 793 E	fastening screw	(AUS)	2							
29	211 857 771	washer	(AUS)	2							

Model	Year	MG	SG	Illustration	Restrictions	UPD	18:05	23.01.2010	PORSCHE	PET	PORSCHE
928	1982	8	13	813-00		248					



Pos	Part Number	Description	Remark	Qty	Model
1	928 574 037 02	heater		1	
(1)	928 574 037 03	heater	-79 80-	1	
2	928 574 062 03	vacuum unit flap		1	
3	928 574 077 02	vacuum unit defroster		1	
4	999 507 243 02	kronen-fix		6	
5	928 574 465 02	rubber washer		9	
6	928 574 079 02	vacuum unit footwell		1	
7	999 507 247 02	mecano-speed-fix		3	
8	928 574 082 02	actuator control flap		1	
10	928 618 101 01	thermo bi-metal switch		1	
11	900 146 025 02	screw M 4 X 18		2	
12	N 012 224 3	spring washer B 4		2	
13	928 574 047 02	heat exchanger	/LL	1	
(13)	927 574 047 02	heat exchanger	/RL	1	
14	928 574 397 02	bearing lever		1	
15	928 574 027 02	housing footwell		1	
16	999 701 615 40	o-ring		2	
17	999 591 425 03	mecano-speed-fix		6	
18	999 507 244 02	kronen-fix		1	
19	928 574 735 02	bolt		1	
20	928 574 423 02	clamp		8	

Model	Year	MG	SG	Illustration	Restrictions	UPD	18:05	23.01.2010	PORSCHE	PET	PORSCHE
928	1982	8	13	813-05		248					

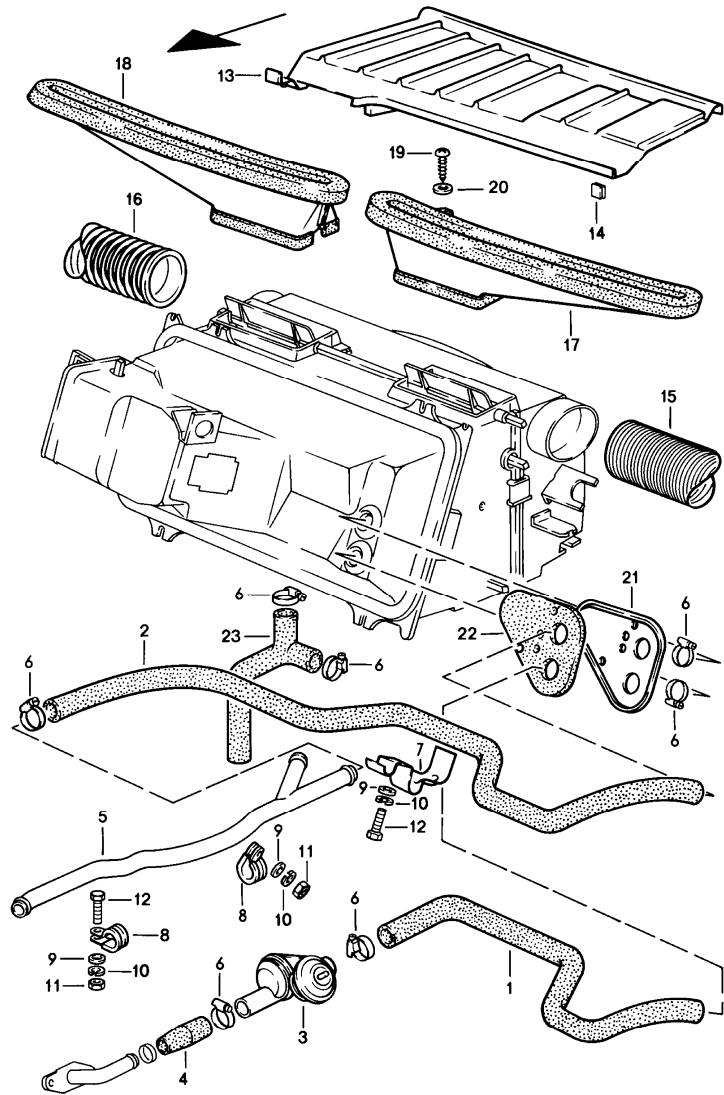


Pos	Part Number	Description	Remark	Qty	Model
1	928 574 061 04	control switch lines			
1	928 574 119 02	control switch	-79	1	M489
(1) A	928 574 061 05	control switch english	80-	1	
1	928 574 119 03	control switch english	-79	1	
(1)	928 573 061 04	control switch air conditioner german	80-	1	
(1)	928 573 119 02	control switch air conditioner german	-79	1	
(1)	928 573 061 05	control switch air conditioner english	80-	1	
(1)	928 573 119 03	control switch air conditioner english	-79	1	
(1)	928 573 060 04	control switch automatic air conditioner		1	
1A	928 574 093 02	control button blower switch rotary knob see group 9/03/00 - 10 + 12		2	
1B	113 415 869	oval-head screw AM 3,5 X 10		4	
2	928 574 670 02	vacuum line complete	-79	1	
(2)	928 574 670 03	vacuum line complete	80-	1	
3	928 574 710 08	vacuum line		1	
4	171 820 601	vacuum tank		1	
5	N 010 221 3	hexagon-head bolt M 6 X 35		1	
6	N 011 524 7	washer A 6,4		1	

Model	Year	MG	SG	Illustration	Restrictions	UPD	18:05	23.01.2010	PORSCHE	PET	PORSCHE
928	1982	8	13	813-05		248					

Pos	Part Number	Description	Remark	Qty	Model	Pos	Part Number	Description	Remark	Qty	Model
7	N 012 007 2	lock ring A 6,4		1		22	928 556 303 02	reinforcement bracket		1	
8	311 949 149 B	grommet		1		23	928 574 033 05	blower	/LL	1	
9	928 613 128 00	micro-changeover switch		1		23	927 574 033 04	blower	/RL	1	
-	928 613 049 00	micro-changeover switch automatic air conditioner		1		24	900 187 104 02	tapping screw B 4,8 X 13		2	
10	928 574 387 02	gasket heater		1		25	900 075 265 02	hexagon-head bolt 5 X 16	-79	2	
11	928 574 581 02	clip		2		(25)	900 187 033 02	tapping screw B 4,8 X 50		1	
12	928 556 301 02	reinforcement bracket		1		25A	900 151 002 07	washer A 5,3		1	
13	900 076 010 02	hexagon nut M 6		4		26	N 011 524 7	washer A 6,4		4	
14	900 070 002 02	cap nut M 6		2		27	N 012 006 4	lock ring B 6		4	
15	N 011 524 7	washer A 6,4		4		28	900 076 010 02	hexagon nut M 6		4	
16	N 012 006 4	lock ring B 6		6		-	477 819 343	spring clamp		2	
17	928 574 389 04	rubber connecting piece	/LL	-80	1	-	928 511 321 02	cap		1	
(17)	928 574 389 04	rubber connecting piece	/RL	-80	1	-	928 574 259 02	gasket		1	
17	928 574 389 04	rubber connecting piece		81-	1	-	999 915 270 40	gasket		*	
18	928 574 425 02	clamping bow		-80	1	-	999 703 058 40	cap plug		2	
19	N 010 264 4	hexagon-head bolt M 5 X 25		-80	2	-	928 574 459 02	cable holder		1	
20	N 011 005 14	hexagon nut M 5		-80	2	-	928 659 021 01	outer sensor automatic air conditioner	80-	1	
21 A	928 574 031 03	suction housing heater	/LL	-79	1	-	928 573 344 02	sealing ring		1	
(21)	928 574 031 03	suction housing heater	/LL		1	-	928 573 527 02	connecting piece		1	
(21)	927 574 031 02	suction housing heater	/RL		1	29	928 573 077 02	vacuum unit suction housing		1	M563/573
(21)	928 573 031 05	suction housing air conditioner	/LL		1	30	928 574 133 02	gasket	/LL	1	
(21)	927 573 031 03	suction housing air conditioner	/RL		1	(30)	928 574 133 02	gasket	/RL	1	

Model	Year	MG	SG	Illustration	Restrictions	UPD	18:05	23.01.2010	PORSCHE	PET	PORSCHE
928	1982	8	13	813-10		248					

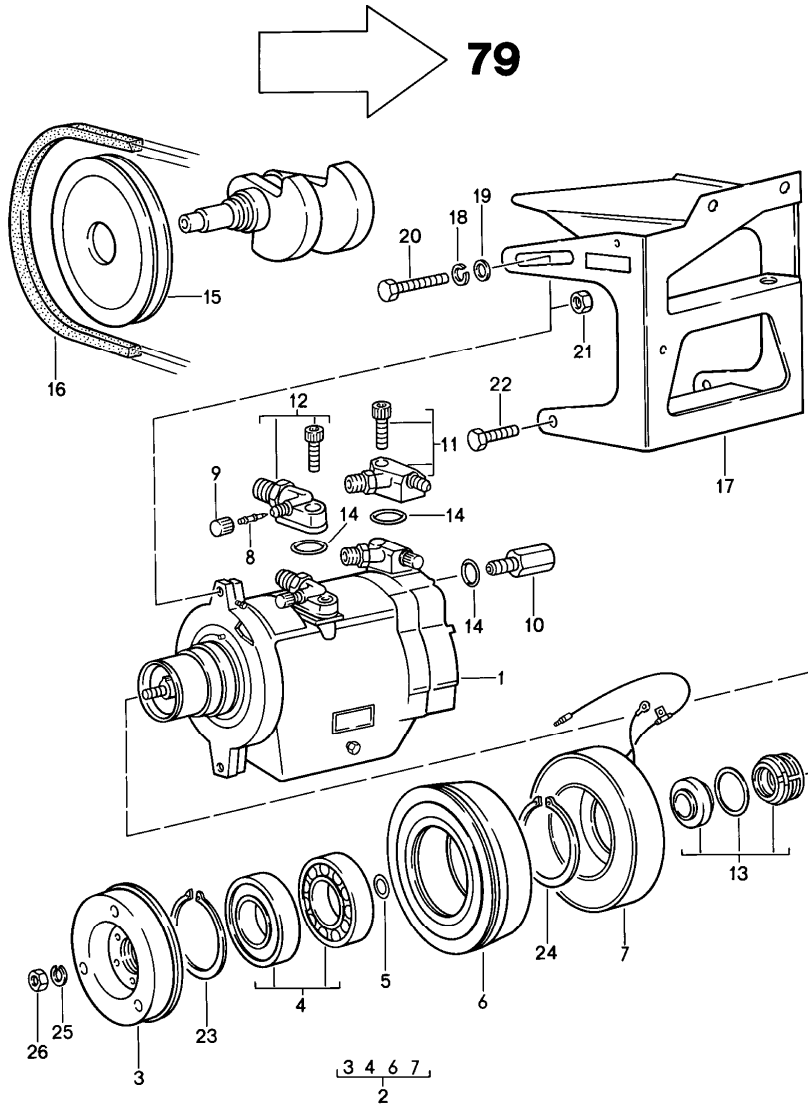


Pos	Part Number	Description	Remark	Qty	Model
1	928 574 587 03	heater hose nozzle		1	
		heater hose intake	/LL	1	
(1) A	927 574 587 03	heater hose intake	/RL	1	
(1)	927 574 587 03	heater hose	/RL	1	
2	928 574 589 04	heater hose return line	/LL	1	
(2) A	927 574 589 03	heater hose return line	/RL	1	
(2)	927 574 589 03	heater hose return line	/RL	1	
3	928 574 573 03	disc valve		1	
4	928 574 567 02	connecting hose		1	
5	928 574 106 03	heater pipeline	/LL	1	
(5)	927 574 106 03	heater pipeline	/RL	1	
6	999 512 346 00	hose clamp		6	
7	928 574 605 02	hose holder		1	
8	999 511 066 02	clamp		2	
9	N 011 524 7	washer A 6,4		3	
10	N 012 006 4	lock ring B 6		3	
11	900 076 010 02	hexagon nut M 6		2	
12	900 075 057 02	hexagon-head bolt M 6 X 16		2	
13	928 574 553 04	cowl panel covering		1	
(13)	927 574 553 04	cowl panel covering		1	
14	999 920 005 02	u-clamp		4	
15	928 574 625 02	flexible pipe	/L	1	
16	928 574 626 02	flexible pipe	/R	1	
17	928 574 631 02	defroster vent	/L	1	

Model	Year	MG	SG	Illustration	Restrictions	UPD	18:05	23.01.2010	PORSCHE	PET	PORSCHE
928	1982	8	13	813-10		248					

Pos	Part Number	Description	Remark	Qty	Model	Pos	Part Number	Description	Remark	Qty	Model
18	928 574 632 02	defroster vent	/R	1							
19	900 143 031 02	oval-head sheetmetal screw B 4,2 X 9,5		4							
20	N 011 522 14	washer A 4,3		4							
21	928 574 055 02	lid	/LL	1							
(21)	927 574 055 02	lid	/RL	1							
21	928 573 065 02	seal	/LL	1	M563/573						
21	927 573 065 02	seal	/RL	1	M563/573						
22	928 574 585 02	cover plate		1							
22	928 573 551 02	cover plate		1	M563/573						
23	928 574 583 04	water drain hose		1							

Model	Year	MG	SG	Illustration	Restrictions	UPD	18:06	23.01.2010	PORSCHE	PET	PORSCHE
928	1982	8	13	813-15		248					

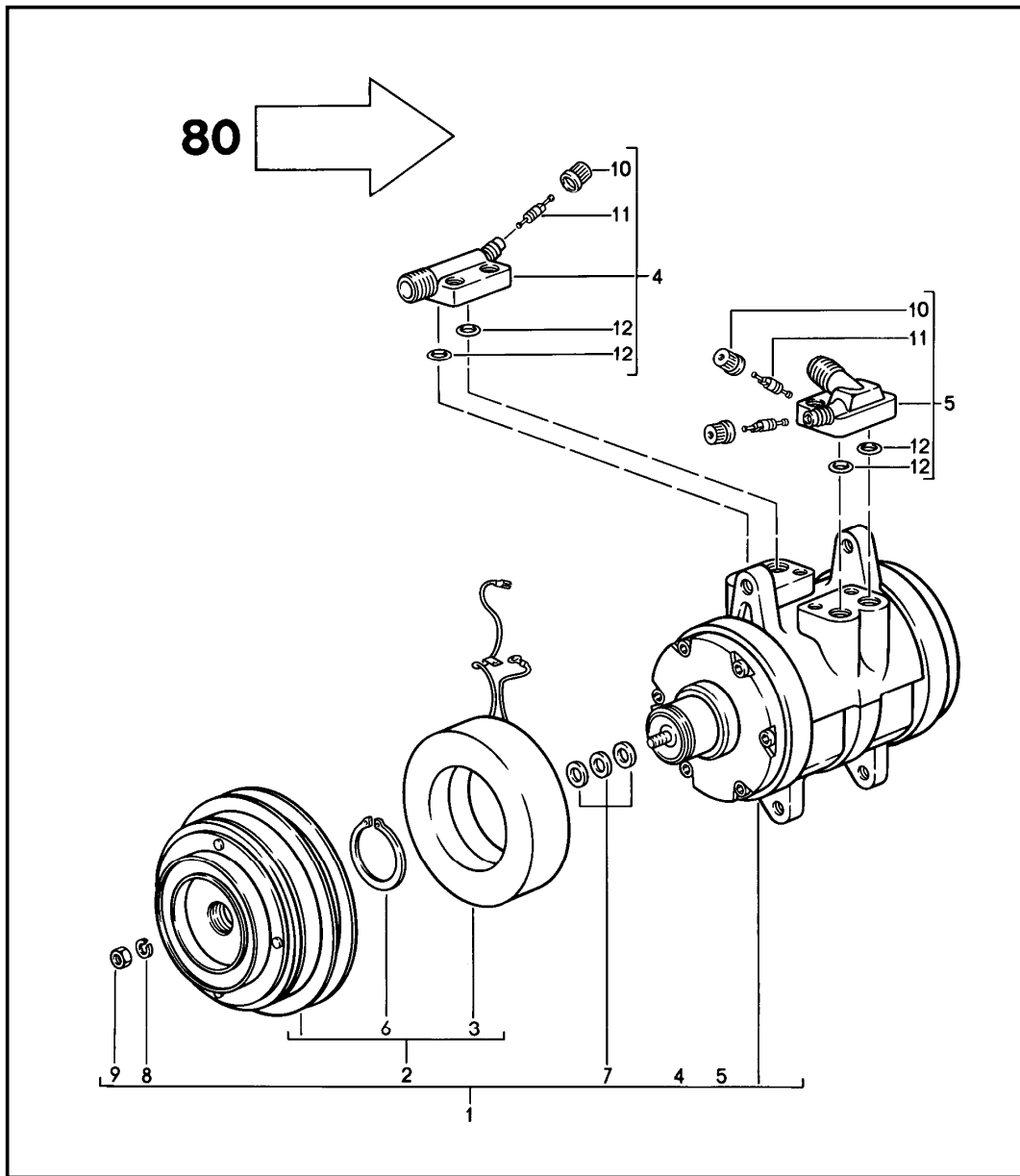


Pos	Part Number	Description	Remark	Qty	Model
		compressor	-79		
		F >>92A08 00356			928
(1)	928 126 010 01	compressor with magnetic clutch		1	
2	928 573 902 02	clip complete		1	
3	928 573 903 02	clutch plate		1	
4	928 573 904 02	set of bearings		1	
5	928 573 905 02	shim		1	
6	928 573 906 02	pulley		1	
7	928 573 907 02	coil		1	
8	928 573 908 03	valve insert		1	
9	928 573 909 02	cap		1	
10	928 573 910 02	relief valve		1	
11	928 573 911 02	pressure valve		1	
12	928 573 912 02	suction valve		1	
13	928 573 913 02	shaft seal		1	
14	928 573 914 02	gasket set complete		1	
15	928 102 115 00	v-belt pulley		1	
		M >> 818 1765			
		M >> 818 9378	AUT.		
15	928 102 118 00	v-belt pulley		1	
		M 818 1766 >>			
		M 818 9379 >>	AUT.		
16	999 192 146 50	narrow v-belt 12,5 X 1075		1	
		M 818 1766 >>			
		M 818 9379 >>	AUT.		
16	999 192 127 50	narrow v-belt 12,5 X 1022		1	
		M >> 818 1765			
		M >> 818 9378	AUT.		
17	928 126 017 00	compressor console		1	

Model	Year	MG	SG	Illustration	Restrictions	UPD	18:06	23.01.2010	PORSCHE	PET	PORSCHE
928	1982	8	13	813-15		248					

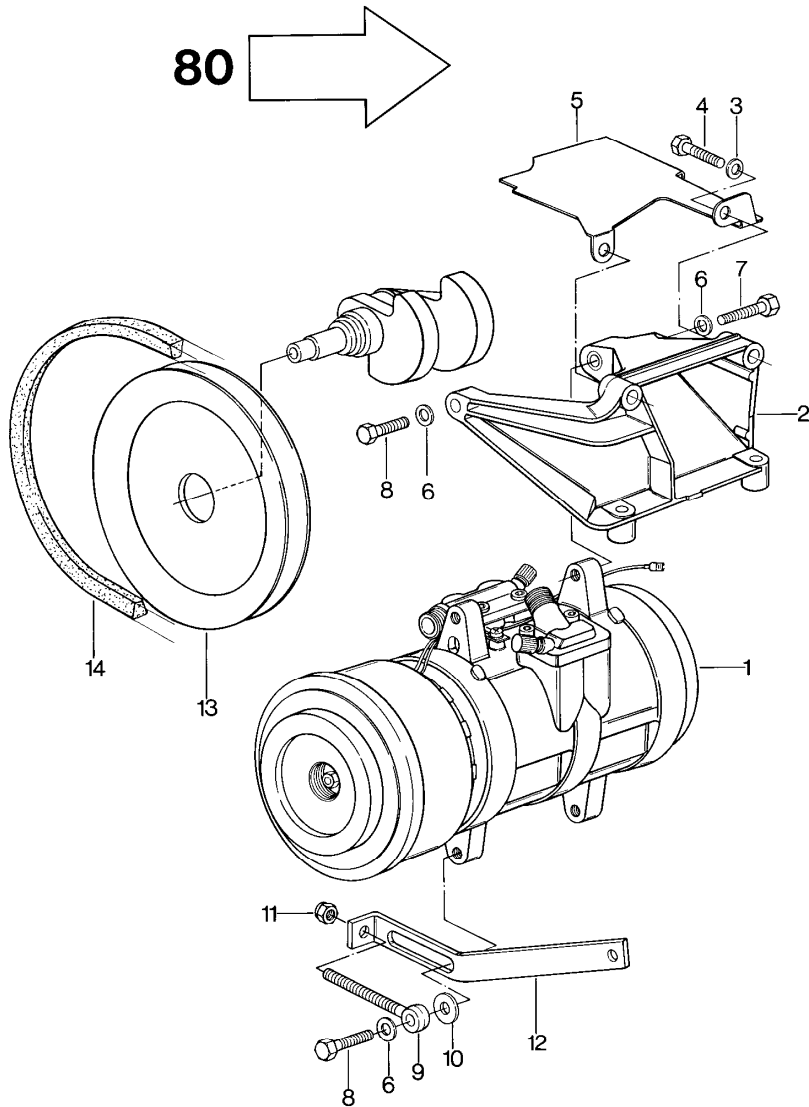
Pos	Part Number	Description	Remark	Qty	Model	Pos	Part Number	Description	Remark	Qty	Model
18	N 012 242 3	spring washer B 10		3							
19	900 025 008 02	washer 10,5		1							
20	N 040 249 2	screw M 10 X 40		1							
21	N 011 010 6	hexagon nut M 10		1							
22	900 075 041 02	hexagon-head bolt M 10 X 25		2							
23	999 152 090 00	circlip 41\$		1							
24	999 152 091 00	circlip		1							
-	928 126 123 03	strut		1							
25	900 027 015 02	lock ring A 8		1							
26	900 076 025 02	hexagon nut M 8		1							
-	928 126 125 00	driver		1							
-	900 075 311 02	screw M 8 X 85		1							
-	900 082 087 02	screw M 10 X 45		1							

Model	Year	MG	SG	Illustration	Restrictions	UPD	18:06	23.01.2010	PORSCHE	PET	PORSCHE
928	1982	8	13	813-19		248					



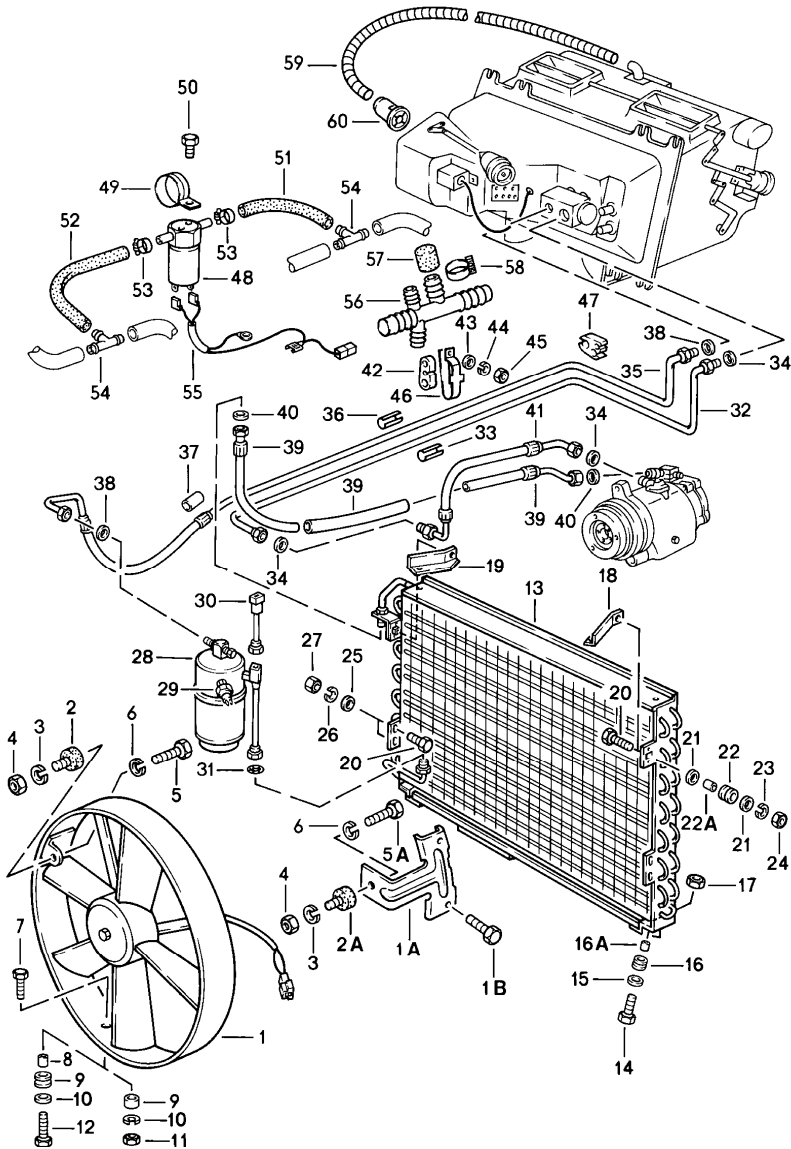
Pos	Part Number	Description	Remark	Qty	Model
		compressor	80-		
		F 92A08 00357>>			928
1	928 126 010 06	compressor		1	
2	928 126 901 00	clutch		1	
3	928 126 925 00	solenoid coil		1	
4	928 126 904 00	pressure valve		1	
5	928 126 903 00	suction valve		1	
6	477 298 843	circlip		1	
7	477 298 829	spacer 0,1 MM		X	
(7)	477 298 829 A	spacer 0,2 MM		X	
(7)	477 298 829 B	spacer 0,5 MM		X	
(7)	477 298 829 C	spacer 0,8 MM		X	
(7)	477 298 829 B	spacer 1,0 MM		X	
8	900 027 015 02	lock ring B 8		1	
9	N 011 008 8	hexagon nut M 8		1	
10	928 573 909 02	cap		2	
11	928 573 908 03	valve insert		2	
12	944 126 935 01	o-ring		4	

Model	Year	MG	SG	Illustration	Restrictions	UPD	18:06	23.01.2010	PORSCHE	PET	PORSCHE
928	1982	8	13	813-20		248					



Pos	Part Number	Description	Remark	Qty	Model
		M 573 UND 563 compressor assembly			
		F 92A08 00357>>			
		see group			
1	-	8/13/19			
2	928 126 017 02	compressor console		1	
3	N 012 241 8	spring washer		5	
4	N 010 340 4	hexagon-head bolt M 8 X 40		4	
5	928 126 116 02	heat shield		1	
6	N 012 242 3	spring washer B 10		3	
7	900 083 048 02	hexagon-head bolt M 10 X 40		1	
8	900 083 057 02	hexagon-head bolt M 10 X 33		2	
9	999 460 003 02	eye screw		1	
10	928 101 303 00	washer	-80	1	
10	928 101 303 00	washer	81-	1	
11	900 910 024 02	lock nut M 8		1	
12	A 928 126 123 03	strut		1	
12	928 126 123 03	strut		1	
13	928 102 118 03	v-belt pulley		1	
14	999 192 305 50	narrow v-belt 12,5 X 1125		1	

Model	Year	MG	SG	Illustration	Restrictions	UPD	18:06	23.01.2010	PORSCHE	PET	PORSCHE
928	1982	8	13	813-25		248					



Pos	Part Number	Description	Remark	Qty	Model
1	928 624 103 00	M 573 lines blower			
		blower	-79	1	
(1)	928 624 103 01	blower	80-	1	
1A	928 573 345 02	support for blower	80-	2	
1B	999 217 023 02	hexagon-head bolt M 5 X 12	80-	2	
-	999 513 002 40	tie-wrap		2	
2	999 703 305 00	rubber buffer	-79	2	
2A	999 703 310 00	rubber buffer	80-	2	
3	N 012 006 4	lock ring B 6		2	
4	900 076 010 02	hexagon nut M 6		2	
5	N 010 211 4	hexagon-head bolt M 6 X 12	-79	2	
5A	999 217 021 02	hexagon-head bolt M 6 X 8	80-	2	
6	N 012 006 4	lock ring B 6		2	
7	900 075 017 02	hexagon-head bolt M 6 X 25	-79	1	
8	928 573 347 02	spacer tube	80-	1	
9	911 511 332 00	spacer	-79	1	
(9)	999 702 125 50	rubber sleeve	80-	1	
10	N 011 524 7	washer A 6,4	-79	1	
(10)	900 151 002 07	washer 5,3	80-	1	
11	900 910 011 02	lock nut M 6	-79	1	
12	999 217 024 02	hexagon-head bolt M 5 X 16	80-	1	

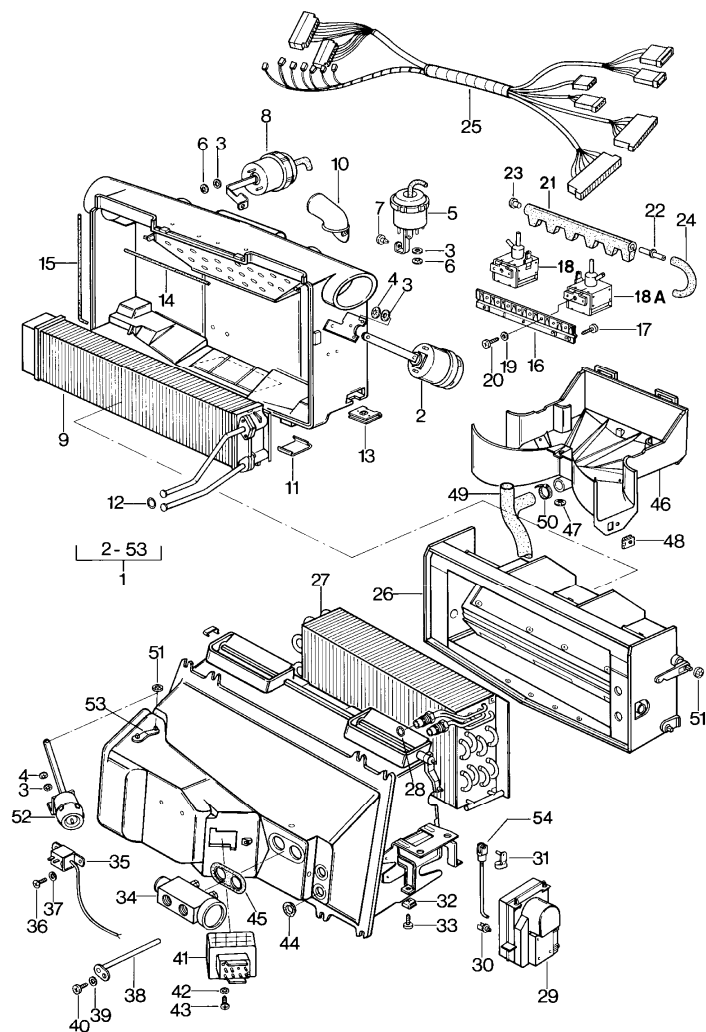
Model	Year	MG	SG	Illustration	Restrictions	UPD	18:06	23.01.2010	PORSCHE	PET	PORSCHE
928	1982	8	13	813-25		248					

Pos	Part Number	Description	Remark	Qty	Model	Pos	Part Number	Description	Remark	Qty	Model
13	928 573 143 03	condenser		1		29	959 613 137 00	low pressure switch		1	
14	900 075 057 02	hexagon-head bolt M 6 X 16	-79	2		30	928 613 131 01	thermostat	-79	1	
14	999 217 025 02	hexagon-head bolt M 6 X 20	80-	2		30	928 613 131 01	thermostat	80-	1	
15	N 011 524 7	washer A 6,4	-79	2		31	999 701 619 40	o-ring		1	
15	900 151 003 02	washer A 6,4	80-	2		32	928 573 091 03	intake pipe NW 13	/LL	1	
16	999 702 046 50	rubber sleeve		2		(32)	927 573 091 04	intake pipe NW 13	/RL	1	
16A	928 573 347 02	spacer tube	80-	2		33	928 573 573 02	hose intake pipe NW 13		2	
17	900 910 011 02	lock nut M 6		2		34	999 707 251 40	o-ring 14,0 X 1,8		1	
18	928 573 089 02	retaining bracket	/L	1		35	928 573 093 03	pressure line NW 8	/LL	1	
19	928 573 090 02	retaining bracket	/R	1		(35)	927 573 093 02	pressure line NW 8	/RL	-79	1
20	900 075 017 02	hexagon-head bolt M 6 X 25	-79	2		(35)	927 573 093 04	pressure line NW 8	/RL	80-	1
20	999 217 022 02	hexagon-head bolt M 6 X 16	80-	4		36	928 573 571 02	hose pressure line NW 8		1	
21	N 011 524 7	washer A 6,4		4		37	928 573 615 02	hose		1	
22	111 955 641	rubber sleeve	-79	2		38	999 707 247 40	o-ring 7,5 X 1,8		2	
(22)	999 702 046 50	rubber sleeve	80-	2		39	928 573 397 02	hose line NW 10	-79	1	
22A	928 573 347 02	spacer tube	80-	2		39	928 573 097 04	hose line NW 10	80-	1	
23	N 012 006 4	lock ring A 6		2		40	999 707 250 40	o-ring 10,6 X 1,8		2	
24	900 076 010 02	hexagon nut M 6		2		41	928 573 098 02	hose line NW 13	-79	1	
25	N 011 524 7	washer A 6,4		4		(41)	928 573 098 03	hose line NW 13	80-	1	
26	N 012 006 4	lock ring B 6		4		42	928 573 645 03	spacer rubber	/LL	1	
27	900 076 010 02	hexagon nut M 6		4		(42)	927 573 645 03	spacer rubber	/RL	1	
28	928 573 941 03	desiccator		1							

Model	Year	MG	SG	Illustration	Restrictions	UPD	18:06	23.01.2010	PORSCHE	PET	PORSCHE
928	1982	8	13	813-25		248					

Pos	Part Number	Description	Remark	Qty	Model	Pos	Part Number	Description	Remark	Qty	Model
43	N 011 524 7	washer A 6,4		2							
44	N 012 006 4	lock ring B 6		1							
45	900 076 010 02	hexagon nut M 6		1							
46	928 574 603 04	pipe clamp		1							
47	928 573 575 02	clamping piece		1							
-	928 574 679 02	4 way connector		2							
48	928 606 215 01	electric air valve		1							
49	999 511 124 02	pipe clamp		1							
49	999 511 124 01	pipe clamp		1							
50	999 072 005 09	hexagon-head bolt M 6 X 12		1							
-	999 239 008 40	hose 9,5 X 15,5		*							
51	-	150 MM		1							
52	-	290 MM		1							
53	N 023 570 2	hose clamp		2							
54	999 137 014 40	t-piece		2							
55	928 612 181 00	wiring harness		1							
56	928 110 439 00	distributing piece	-79	1							
57	930 110 256 00	cap	-79	1							
58	999 512 056 02	hose clamp	-79	1							
59	999 181 188 30	hose inner 24,5		*							
(59)	928 573 357 02	hose 850 MM		1							
60	928 573 355 02	intake socket		1							

Model	Year	MG	SG	Illustration	Restrictions	UPD	18:06	23.01.2010	PORSCHE	PET	PORSCHE
928	1982	8	13	813-30		248					



Pos	Part Number	Description	Remark	Qty	Model
		M 573 M 563 air conditioner			
1	928 573 037 02	air conditioner	/LL	-79	1
(1)	927 573 037 02	air conditioner	/RL	-79	1
(1)	928 573 037 03	air conditioner	/LL	80-	1
(1)	927 573 037 03	air conditioner	/RL	80-	1
(1)	928 573 036 02	air conditioner automatic	/LL	80-	1 M563
(1)	927 573 036 02	air conditioner automatic	/RL	80-	1 M563
2	928 574 077 02	vacuum unit defroster flap			1
3	928 574 465 02	rubber washer			9
4	999 507 243 02	kronen-fix			6
5	928 574 079 02	vacuum unit footwell		-79	1
(5)	928 574 079 06	vacuum unit footwell		80-	1
6	999 507 247 02	mecano-speed-fix			6
7	928 574 735 02	bolt		80-	1
8	928 573 309 03	vacuum unit centre nozzle		80-	1
9	928 574 047 02	heat exchanger	/LL		1
(9)	927 574 047 02	heat exchanger	/RL		1
10	928 573 356 02	exhaust socket	/LL	-79	1
(10)	927 573 356 02	exhaust socket	/RL	-79	1
11	928 574 423 02	clamp			8
12	999 701 615 40	o-ring			2
13	999 591 368 02	speed nut 4,2			2
-	999 911 214 50	sealing cord			*
14	-	152 MM			1
15	-	800 MM			1

Model	Year	MG	SG	Illustration	Restrictions	UPD	18:06	23.01.2010	PORSCHE	PET	PORSCHE
928	1982	8	13	813-30		248					

Pos	Part Number	Description	Remark	Qty	Model	Pos	Part Number	Description	Remark	Qty	Model
16	928 573 693 02	support		80-	1	34	928 573 123 02	expansion valve		1	
17	N 013 965 9	oval-head sheetmetal screw B 4,2 X 9,5		80-	2	35	928 613 135 00	temperature switch		1	
18	928 573 691 02	solenoid valve	/LL	80-	2	M563	35	928 613 133 00	temperature switch use also: 928.613.163.00	1	
18	928 573 691 02	solenoid valve	/RL	80-	6	M563	-	928 613 163 00	adapter	1	
(18A)	928 573 692 02	change-over valve black	/LL	80-	4	M563	36	900 075 145 02	hexagon-head bolt M 5 X 16	2	
18A	928 573 692 02	change-over valve black			1	M573	37	N 012 225 2	spring washer B 5	2	
19	900 025 001 02	washer A 3,2		80-	6		38	928 573 581 02	capillary tube	1	
20	N 013 932 1	tapping screw B 2,9 X 6,5		80-	6		39	900 028 006 01	washer A 3	1	
21	928 573 695 02	connection		80-	1		40	N 013 953 2	tapping screw B 2,9 X 9,5	1	
22	928 574 689 02	connecting piece		80-	4		41	928 618 101 01	thermo bi-metal switch	1	
23	928 574 721 02	stopper		80-	2		42	N 012 224 3	spring washer A 4	2	
24	928 574 717 02	moulded hose		80-	6		43	900 146 025 02	screw M 4 X 18	2	
25	928 612 921 01	wiring harness		80-	1		44	928 574 383 02	grommet	2	
26	928 573 038 02	flap housing	/LL	-79	1		45 A	928 573 383 03	grommet	-80	1
(26)	927 573 038 02	flap housing	/RL	-79	1		45	928 573 383 03	grommet	81-	1
(26)	928 573 038 03	flap housing	/LL	80-	1		46	928 574 027 02	housing		1
(26)	927 573 038 03	flap housing	/RL	80-	1		47	999 507 244 02	kronen-fix		1
27	928 573 013 02	evaporator	/LL		1		48	999 507 020 02	speed nut		1
(27)	927 573 013 02	evaporator	/RL		1		48	999 507 020 01	speed nut 4,2		1
28	999 701 620 40	o-ring			2		49	928 574 583 04	water drain hose for air conditioner		1
29	928 573 150 03	control mechanism			1	M563	-	928 423 523 00	spacer sleeve		1
30	993 531 563 00	linkage clip		80-	1	M563	50	999 513 001 40	tie-wrap		1
31	999 166 050 02	bolt		80-	1	M563	51	999 591 425 03	mecano-speed-fix		2
32	999 507 037 02	speed nut 4,2		80-	2						
33	900 143 121 07	tapping screw B 4,2 X 16		80-	2						

Model	Year	MG	SG	Illustration	Restrictions	UPD	18:06	23.01.2010	PORSCHE	PET	PORSCHE
928	1982	8	13	813-30		248					

Pos	Part Number	Description	Remark	Qty	Model	Pos	Part Number	Description	Remark	Qty	Model
52	928 574 062 03	vacuum unit flap		1							
53	928 574 397 02	bearing lever		1							
54	928 573 313 02	gear shift rod		1	M563						
-	928 573 299 02	plastic foam strip		2							
-	928 573 717 02	vacuum line control valve fresh-air flap		1							
-	928 573 676 02	vacuum line control valve centre nozzle		1							
-	999 513 025 40	tie-wrap 9,5 X 211		2							
-	928 573 094 02	vacuum unit centre nozzle automatic air conditioner		1							

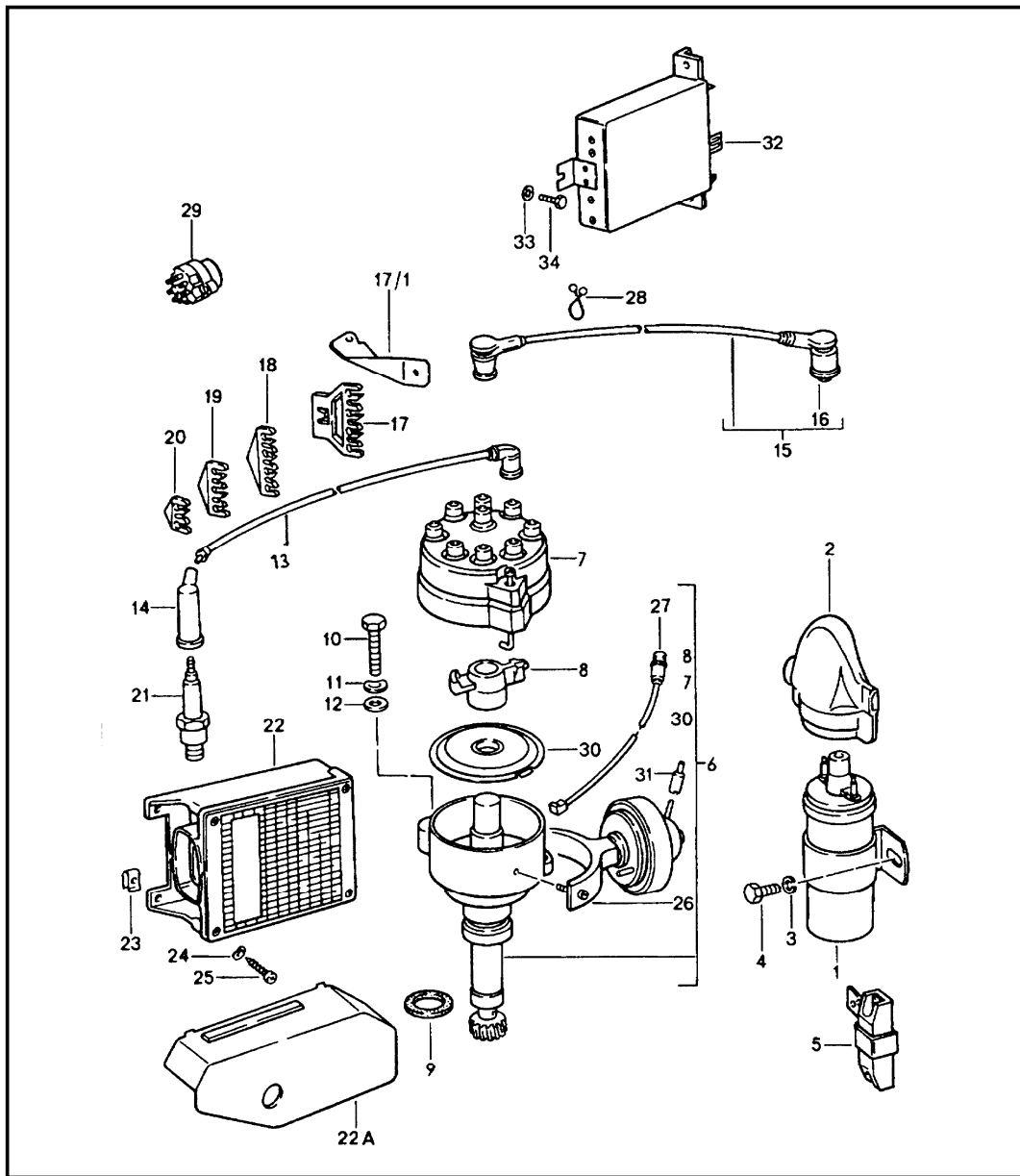
Model	Year	MG	SG	Illustration	Restrictions	UPD	18:07	23.01.2010
928	1982	8	98	898-00R		248		

Pos	Part Number	Description	Remark	Qty	Model
		repair kits			
>>	>>928 799 537 13	set of locks		1	
>>	>>928 799 537 15	set of locks		1	M533
		comprising: steering outer tube with steering lock door lock cylinder lid lock rear upper part fuel tank cap with lock cylinder glove compartment lock with lock cylinder main key without battery secondary key use also: BIS MOD. 78		1 2 1 1 1 2 2	
>>	>>928 537 111 03	operating rod		2	
>>	>>928 559 075 02	stone guard film 1 set	/L	1	
>>	>>928 559 076 02	stone guard film 1 set	/R	1	
>>	>>928 799 574 15	air conditioner 1 set for subsequent installation left-hand drive use also:	-79	1	
>>	>>928 573 061 04	control switch lettering german	-79	1	
>>	>>928 573 061 05	control switch lettering english	-79	1	
>>	>>928 102 115 00	v-belt pulley	-79	1	
>>	>>999 192 127 50	narrow v-belt M >> 818 1765 M >> 818 9378 M >> 828 0812 M >> 828 9102	79	1	
>>	>>928 102 118 00	v-belt pulley	-79	1	

Model	Year	MG	SG	Illustration	Restrictions	UPD	18:07	23.01.2010
928	1982	8	98	898-00R		248		

Pos	Part Number	Description	Remark	Qty	Model
>>	>>999 192 146 50	narrow v-belt M 818 1766 >> M 818 9379 >> M 828 0813 >> M 828 9103 >>	-79	1	
>>	>>928 799 574 21	air conditioner 1 set for subsequent installation left-hand drive use also:	80-	1	M573
>>	>>928 573 061 06	control switch lettering german	80-	1	M573
>>	>>928 573 061 07	control switch lettering english	80-	1	M573
>>	>>928 102 118 03	v-belt pulley	80-	1	M573
>>	>>999 192 148 50	v-belt	80-	1	M573

Model	Year	MG	SG	Illustration	Restrictions	UPD	18:07	23.01.2010	PORSCHE	PET	PORSCHE
928	1982	9	01	901-00		248					



Pos	Part Number	Description	Remark	Qty	Model
		electrical components engine			
1	928 602 503 00	ignition coil		1	
2	928 602 801 00	cap		1	
3	900 028 004 01	spring washer		2	
4	N 010 237 6	hexagon-head bolt M 8 X 12	-80	2	
(4)	N 010 239 11	hexagon-head bolt M 8 X 18	81-	2	
5	046 905 109	series resistor green OHM 0,4		1	
(5)	046 905 109 A	series resistor red OHM 0,6		1	
6	> 928 602 031 01	distributor M28.01/02	-79	1	
(6)	928 602 031 AX	distributor M28.01/02	-79	1	
(6)	> 928 602 031 01	distributor	(AUS) 80-	1	
(6)	928 602 031 AX	distributor M28.09/10	(AUS) 80-	1	
(6)	> 928 602 031 02	distributor	80-	1	
(6)	928 602 031 BX	distributor M28.09/10	80-	1	
(6)	> 928 602 033 00	distributor	80-	1	
(6)	928 602 033 X	distributor M28.11/12	80-	1	
7	928 602 902 00	distributor cap		1	
8	928 602 904 02	rotor for 928 602 031 00 928 602 031 01	-79	1	
(8)	928 602 904 04	rotor for 928 602 031 02	80- 81-	1	

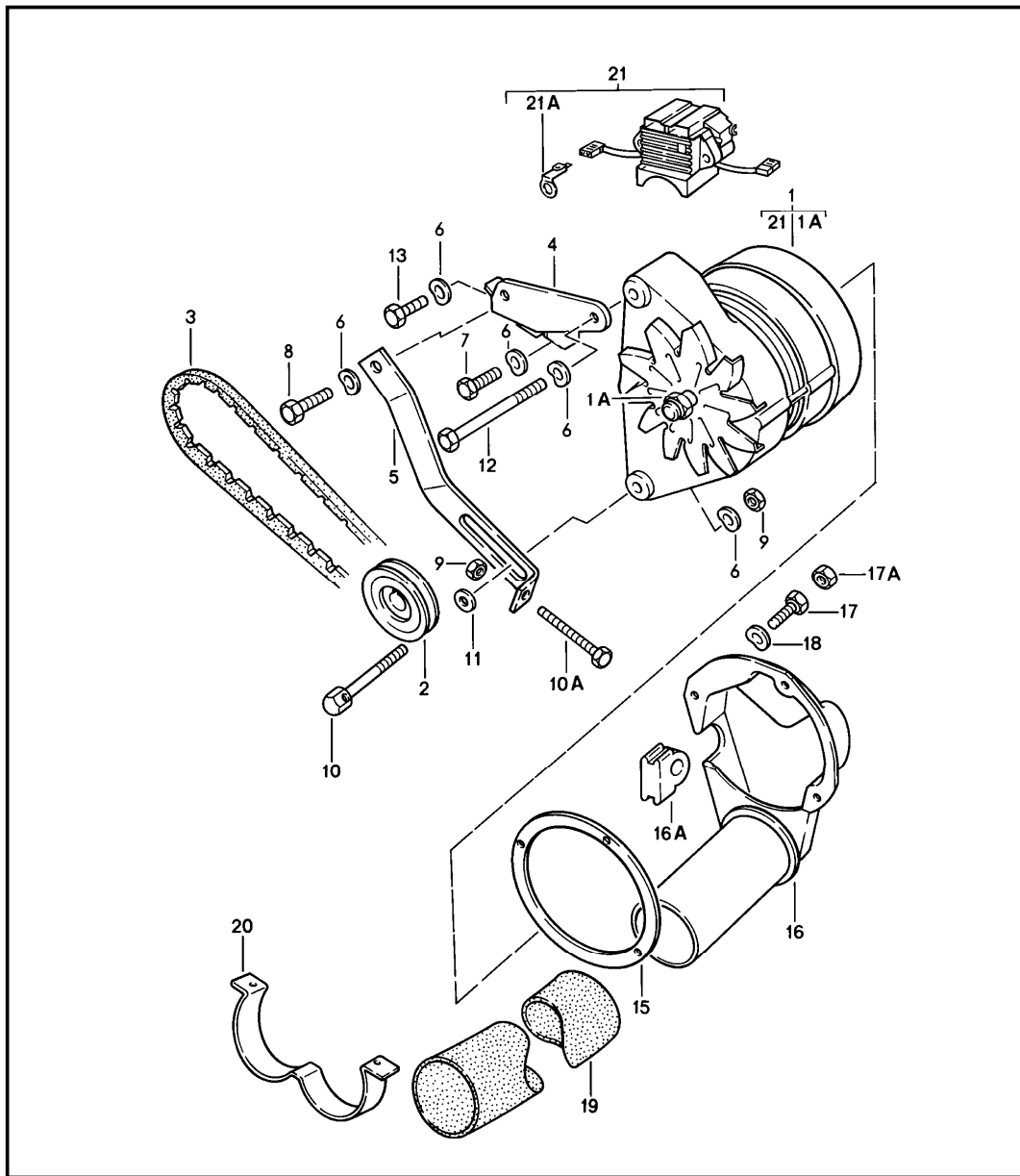
Model	Year	MG	SG	Illustration	Restrictions	UPD	18:07	23.01.2010	PORSCHE	PET	PORSCHE
928	1982	9	01	901-00		248					

Pos	Part Number	Description	Remark	Qty	Model	Pos	Part Number	Description	Remark	Qty	Model	
(8)	928 602 904 05	rotor for 928 602 033 00	80-	1		19	928 609 139 01	pipe holder		2		
						20	928 609 139 00	pipe holder		2		
9	928 602 103 00	sealing ring		1		21	A 999 170 170 90	spark plug 145/14/3 A (BERU)		8	928	
10	A N 010 247 7	hexagon-head bolt M 8 X 35		1		(21)	999 170 170 90	spark plug (BOSCH) W 8 DC		8	928	
10	N 010 247 8	hexagon-head bolt M 8 X 35		1		(21)	A 999 170 119 90	spark plug 175/14/3A BERU		8	928S	
11	N 012 241 8	spring washer		1		(21)	999 170 156 90	spark plug (BOSCH) WR 7 DC		8	928S	
12	900 089 006 02	washer		1		22	928 602 702 02	tsz switch unit		1		
13	928 609 061 00	ignition lead ZYL.1		1		22A	928 612 871 02	cover ignition switch unit		1		
(13)	928 609 061 01	ignition lead ZYL. 2		1		23	999 591 348 02	speed nut		3		
(13)	928 609 061 02	ignition lead cylinder 3		1		24	900 028 007 02	spring washer		3		
(13)	928 609 061 03	ignition lead cylinder 4		1		25	900 143 046 02	tapping screw B 4,8 X 16		3		
(13)	928 609 061 05	ignition lead ZYL. 5/6		2		26	928 602 906 00	vacuum timing unit f.ignition distributor 928.602.031.00	-79	1	928	
(13)	928 609 061 06	ignition lead cylinder 7		1		-	999 651 163 40	cable clamp		1		
(13)	928 609 061 08	ignition lead cylinder 8		1		(26)	928 602 915 05	vacuum timing unit f.ignition distributor 928.602.031.02	80-	1	928	
14	928 609 105 02	ignition cable connector screened connector	-79	8	928	(26)	928 602 915 04	vacuum timing unit f.ignition distributor 928.602.031.01	-79	1	928	
(14)	928 609 105 03	ignition cable connector screened connector	80-	8		(26)	928 602 915 04	vacuum timing unit f.ignition distributor 928.602.031.01	(AUS) (S)	80-	1	928
15	928 609 061 07	ignition lead		1		(26)	928 602 915 01	vacuum timing unit f.ignition distributor 928.602.033.00		1	928S	
16	477 035 281	screened connector		1		27	928 602 907 00	supply cable		1		
17	928 609 139 03	support ignition lead		1		28	999 651 161 40	cable tie		1		
17A	928 609 140 00	support right	-80	1								
(17B)	928 609 140 01	support right	80-	1								
18	928 609 139 02	pipe holder		2								

Model	Year	MG	SG	Illustration	Restrictions	UPD	18:07	23.01.2010	PORSCHE	PET	PORSCHE
928	1982	9	01	901-00		248					

Pos	Part Number	Description	Remark	Qty	Model	Pos	Part Number	Description	Remark	Qty	Model
29	964 613 012 00	ignition starter switch ignition starter switch see group 4/03/05		1							
30	928 602 905 00	dust cover f.ignition distributor 928.602.031.00		1							
(30)	928 602 913 00	dust cover f.ignition distributor 928.602.031.01/031.02 928.602.032.02/032.03 928.602.033.00		1							
31	911 110 297 00	stopper for vacuum unit	(AUS) (S)	1							

Model	Year	MG	SG	Illustration	Restrictions	UPD	18:07	23.01.2010	PORSCHE	PET	PORSCHE
928	1982	9	01	901-05		248					

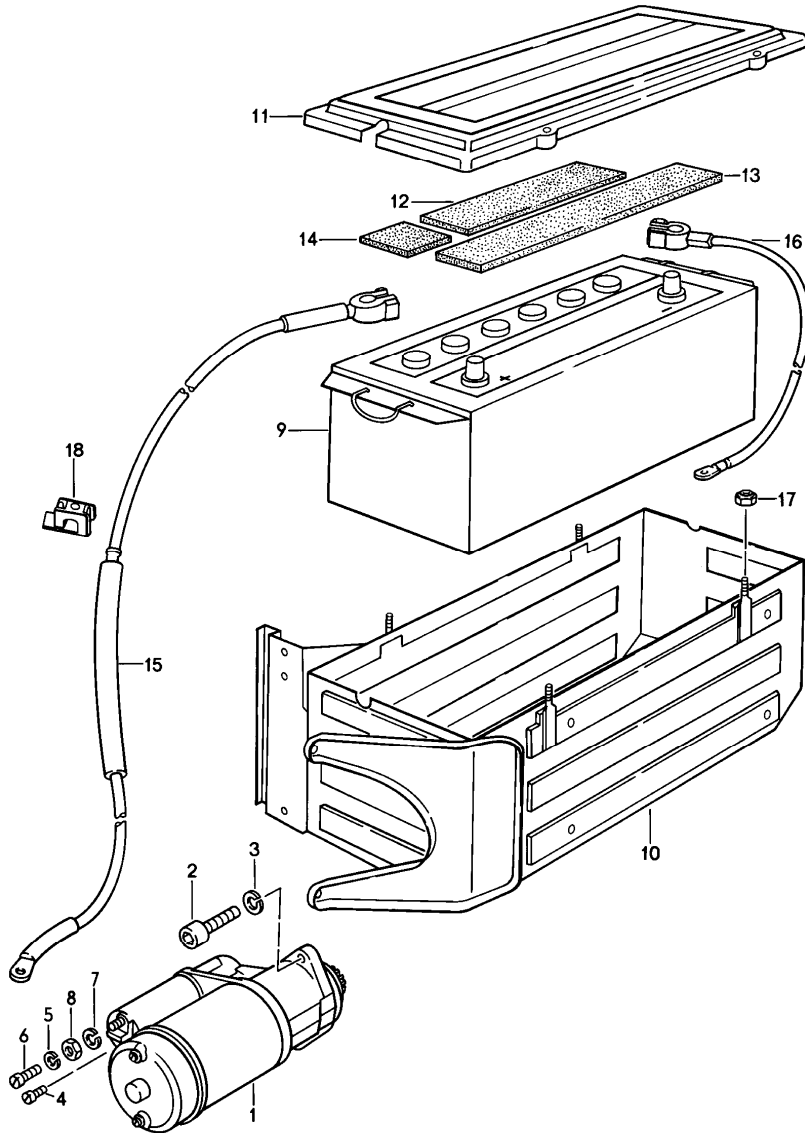


Pos	Part Number	Description	Remark	Qty	Model
		generator			
1	> 928 603 113 03	generator	-81	1	
(1)	> 928 603 114 01	generator	82	1	
1A	901 603 905 00	hexagon nut M 16 X 1	-81	1	
1A	* 928 603 904 00	set of fastening parts	82	1	
2	928 603 131 00	pulley	-81	1	
(2)	928 603 145 02	pulley	82	1	
3	999 192 135 50	narrow v-belt 9,5 X 875	-81	1	
3	999 192 214 50	poly-rib belt K4 858	82	1	
4	A 928 101 041 03	support generator	-78	1	
(4)	928 101 041 03	support		1	
(5)	928 101 402 07	tension shackle for generator		1	
6	N 012 241 8	spring washer		5	
7	900 075 085 02	hexagon-head bolt M 8 X 20		1	
8	900 075 029 09	hexagon-head bolt M 8 X 25		1	
9	900 076 025 02	hexagon nut	-81	2	
(9)	900 076 025 02	hexagon nut	82	2	
10	928 101 403 00	hexagon-head bolt M 8 X 75		1	
10A	N 010 274 1	hexagon-head bolt		1	
11	900 223 001 02	washer		1	
12	900 074 050 02	hexagon-head bolt M 8 X 120		1	
13	N 010 239 11	hexagon-head bolt M 8 X 18		1	
15	928 603 135 01	sealing ring	-81	1	

Model	Year	MG	SG	Illustration	Restrictions	UPD	18:07	23.01.2010	PORSCHE	PET	PORSCHE
928	1982	9	01	901-05		248					

Pos	Part Number	Description	Remark	Qty	Model	Pos	Part Number	Description	Remark	Qty	Model
15	928 603 135 02	sealing ring	82	1							
16	928 603 133 01	ventilation cowl	-81	1							
16	928 603 133 04	ventilation cowl	82	1							
16A	928 612 865 02	hose piece only together with 928 603 114 00	82	1							
17	900 067 008 02	pan-head screw M 6 X 12	-81	3							
17A	N 011 005 14	hexagon nut	82	4							
18	N 012 226 5	spring washer	-81	3							
(18)	900 025 003 02	washer	82	8							
19	928 603 143 00	breather hose 1170 MM		1							
(19)	928 603 143 01	flexible pipe 320 MM		1	M563						
(19)	928 603 143 00	breather hose 1170 MM		1	M563						
(19)	928 603 143 04	flexible pipe 900 MM		1	M563						
-	928 603 365 00	edge protection	81-	3							
- A	999 512 349 02	hose clamp	-81	2	M563						
-	999 512 349 02	hose clamp		2	M563						
-	999 513 023 40	tie-wrap		1	M563						
20	928 603 139 00	retaining bar		1							
21	928 603 901 02	regulator	-81	1							
21	911 603 913 01	electronic regulator	82	1							
21A	911 603 911 00	push-on connector only together with 928.603.913.01 928.603.114.00	82	1							

Model	Year	MG	SG	Illustration	Restrictions	UPD	18:07	23.01.2010	PORSCHE	PET	PORSCHE
928	1982	9	02	902-00		248					

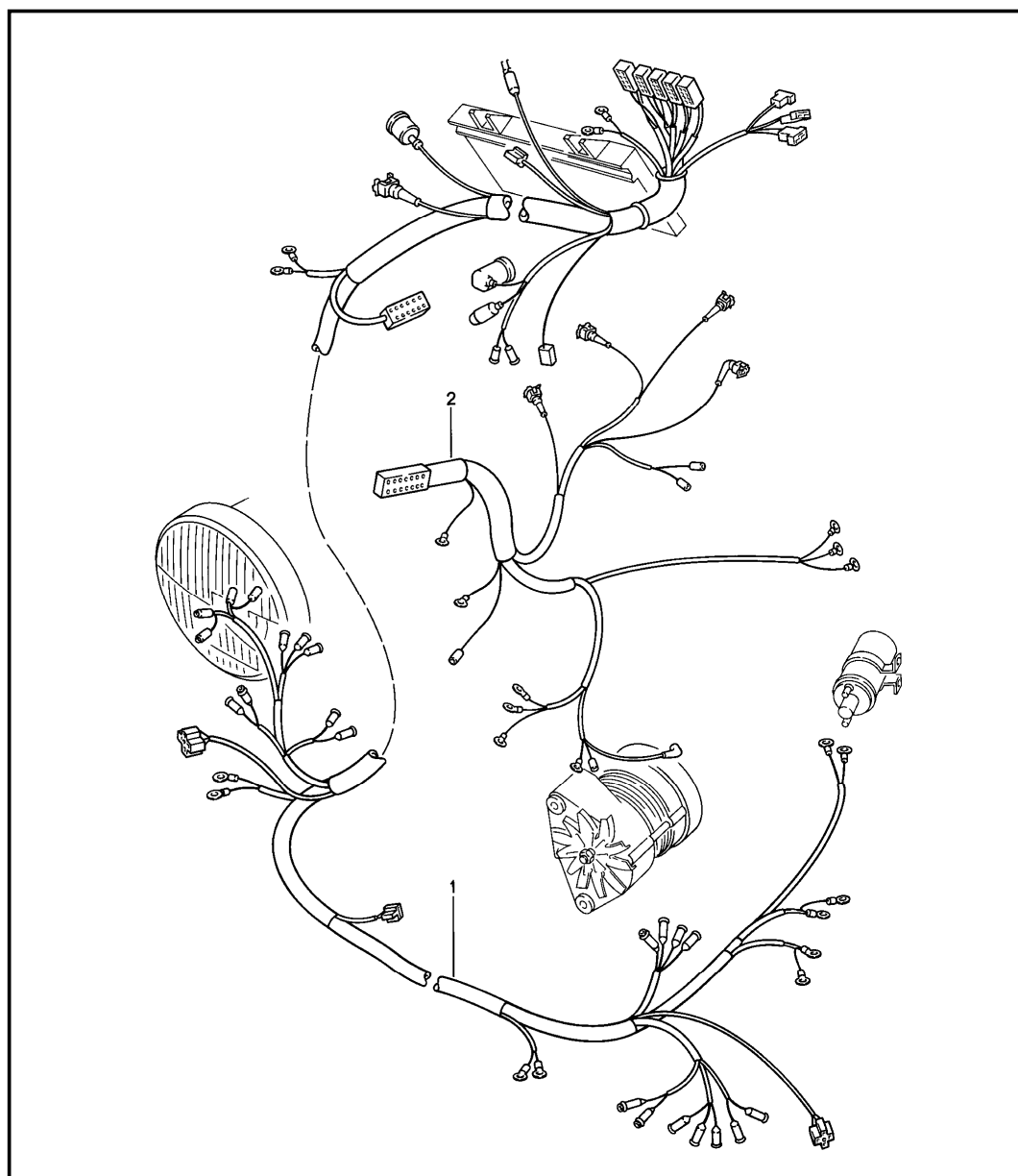


Pos	Part Number	Description	Remark	Qty	Model
1	> 928 604 103 04	starter battery		1	
2	900 067 124 02	pan-head screw M 10 X 35		2	
3	900 027 016 02	lock ring B 10		2	
4	900 075 275 02	pan-head screw AM 4 X 8		1	
5	N 012 005 3	lock ring		1	
6	900 075 276 02	pan-head screw AM 5 X 6		1	
7	N 012 009 3	lock ring A 8		1	
8	900 076 025 02	hexagon nut		1	
9	A 928 611 101 00	battery 12 V - 66 AH		1	
(9)	928 611 101 01	battery 12 V - 66 AH		1	
(9)	999 611 088 20	battery 12 V - 88 AH		1	
10	928 611 017 01	battery box	-78	1	
11	928 611 147 01	cover for housing	-78	1	
12	928 611 153 00	rubber strip	-78	1	
13	928 611 153 01	rubber strip	-78	1	
14	928 611 159 00	rubber plate	-78	1	
15	928 612 007 00	battery-starter cable	/LL	-78	1
(15)	928 612 007 01	battery-starter cable	/RL	-78	1
(15)	928 612 007 01	battery-starter cable		79-	1
-	928 612 140 00	cable holder		1	
-	N 012 234 5	spring washer		1	
-	900 187 016 02	hexagon-head tapping screw 6,3 X 13		1	

Model	Year	MG	SG	Illustration	Restrictions	UPD	18:07	23.01.2010	PORSCHE	PET	PORSCHE
928	1982	9	02	902-00		248					

Pos	Part Number	Description	Remark	Qty	Model	Pos	Part Number	Description	Remark	Qty	Model
-	999 513 003 40	tie-wrap		1							
-	999 702 124 50	grommet battery-starter cable		1							
-	999 611 104 00	pole covering battery		1							
16	928 612 009 00	ground cable	/LL	-78	1						
(16)	928 612 009 10	ground cable	/RL	-78	1						
(16)	928 612 009 10	ground cable		-81	1						
(16)	928 612 009 13	ground cable	/RL	-78	1	M197					
(16)	928 612 009 13	ground cable		-81	1	M197					
(16)	928 612 009 13	ground cable		82	1						
17	900 910 012 02	lock nut		-78	4						
18	928 612 902 00	clamp battery-starter cable			10						
-	999 044 001 02	winged nut for ground cable			1						
-	N 012 241 8	spring washer for ground cable			1						
-	900 151 008 02	washer			1						
-	999 702 128 50	dummy grommet for mount ground cable mounting parts battery			1						
-	911 611 209 00	bracket		-81	1						
-	928 611 209 02	clamp		-81	1	M197					
-	928 611 209 02	clamp		82	1						
-	900 025 007 02	washer		79-	1						
-	900 027 015 02	lock ring B 8		79-	1						
-	900 075 087 02	hexagon-head bolt M 8 X 16		79-	1						

Model	Year	MG	SG	Illustration	Restrictions	UPD	18:07	23.01.2010	PORSCHE	PET	PORSCHE
928	1982	9	02	902-05		248					

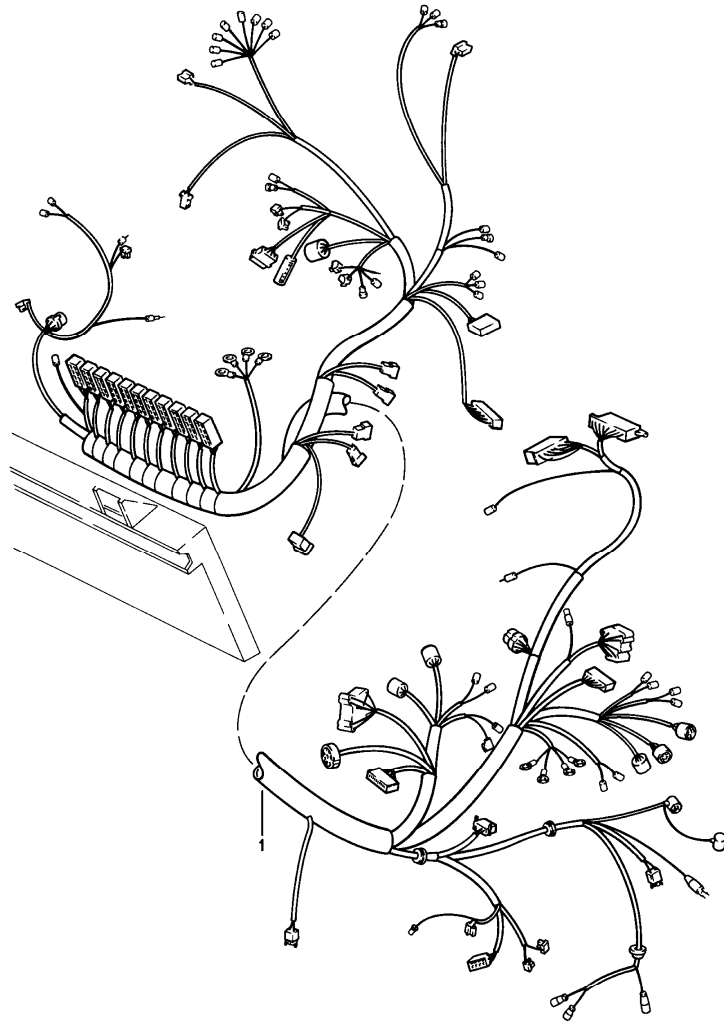


Pos	Part Number	Description	Remark	Qty	Model
		wiring harness FRONT luggage compartment engine			
1	928 612 001 02	wiring harness FRONT luggage compartment F >>92891 01485 F >>92892 09571	/LL	1	
(1)	928 612 001 06	wiring harness FRONT luggage compartment F 92891 01486>> F 92892 09572>>	/LL	1	
(1)	927 612 001 00	wiring harness FRONT luggage compartment	/RL	1	
(1)	928 612 001 02	wiring harness FRONT luggage compartment F >>92891 01485 F >>92892 09571		-79	M573
2	928 612 002 00	wiring harness engine		-81	
(2)	928 612 002 04	wiring harness engine		82	
-	928 612 497 00	protection cap oil pressure sender		2	
-	928 612 907 00	wiring harness control pressure		80-	
-	928 612 011 00	ground cable engine body		1	
-	928 612 012 01	wiring harness starter switch transmission		-78	M249
-	928 612 012 02	wiring harness starter switch transmission		79-	M249
-	999 651 168 40	cable holder		1	M249
-	927 612 201 00	wiring harness engine compartment lamp	/RL	1	
		mounting parts wiring harness FRONT luggage compartment			

Model	Year	MG	SG	Illustration	Restrictions	UPD	18:07	23.01.2010	PORSCHE	PET	PORSCHE
928	1982	9	02	902-05		248					

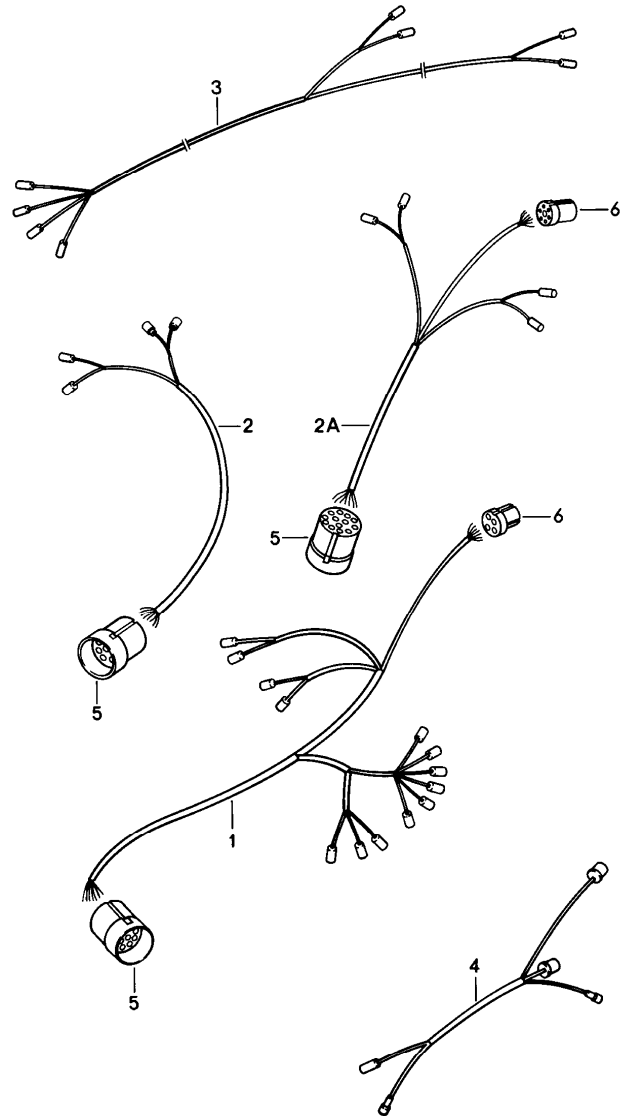
Pos	Part Number	Description	Remark	Qty	Model	Pos	Part Number	Description	Remark	Qty	Model
-	999 511 124 02	pipe clamp	-81	1		-	900 076 025 02	hexagon nut	-78	1	
-	999 511 124 01	pipe clamp	-81	1		-	N 010 239 11	hexagon-head bolt M 8 X 18	79-	1	
-	928 503 113 02	hexagon-head bolt	-81	1							
-	999 507 328 02	captive nut	-81	1							
-	999 511 138 02	pipe clamp	82	1							
-	928 503 113 02	hexagon-head bolt	82	1							
-	928 612 867 00	cable connection single pole		1							
-	928 612 869 00	protection cap		1							
-	N 012 006 4	lock ring		1							
-	928 612 868 00	hexagon-head bolt		1							
-	999 513 023 40	tie-wrap		13							
-	999 513 007 40	tie-wrap long		8							
-	999 513 023 40	tie-wrap		2							
-	999 651 161 40	cable tie		11							
-	999 651 159 02	cable clamp	-78	2							
-	N 020 621 1	clamp		6							
-	928 612 459 00	cable cover		1	M573						
		mounting parts wiring harness engine									
-	999 511 069 02	clamp		1							
-	999 513 023 40	tie-wrap		4							
-	999 651 162 40	cable holder		1							
-	999 651 154 40	cable tie		2							
-	999 651 166 40	cable tie		1							
-	928 612 477 00	plug-protection		1							
		mounting parts ground cable engine									
-	N 012 241 8	spring washer		1							

Model	Year	MG	SG	Illustration	Restrictions	UPD	18:07	23.01.2010	PORSCHE	PET	PORSCHE
928	1982	9	02	902-10		248					



Pos	Part Number	Description	Remark	Qty	Model
		wiring harness dashboard			
1	928 612 003 03	wiring harness	/LL	-78	1
(1)	928 612 003 06	wiring harness F >>92891 01485	/LL	79	1
(1)	928 612 003 09	wiring harness F 92891 01486>>	/LL	79	1
(1)	928 612 003 13	wiring harness	/LL /LL	80 81	1
(1)	928 612 003 15	wiring harness	/LL	81	1 928S:M 499
(1) A	928 612 003 20	wiring harness	/LL	82	1
(1)	928 612 003 20	wiring harness	/LL	82	1
(1)	927 612 003 00	wiring harness	/RL	-78	1
(1)	927 612 003 01	wiring harness F >>92891 01485	/RL	79	1
(1)	927 612 003 02	wiring harness F 92891 01486>>	/RL	79	1
(1)	927 612 003 04	wiring harness	/RL /RL	80 81	1
(1)	927 612 003 07	wiring harness	/RL	82	1
-	928 612 091 00	bridge central electrical system			1
		mounting parts wiring harness dashboard			
-	999 513 002 40	tie-wrap			1
-	999 513 023 40	tie-wrap			1
-	999 651 152 02	cable clamp			1
-	999 591 380 02	cable clamp			5
-	477 971 939	cable terminal			5

Model	Year	MG	SG	Illustration	Restrictions	UPD	18:08	23.01.2010	PORSCHE	PET	PORSCHE
928	1982	9	02	902-15		248					

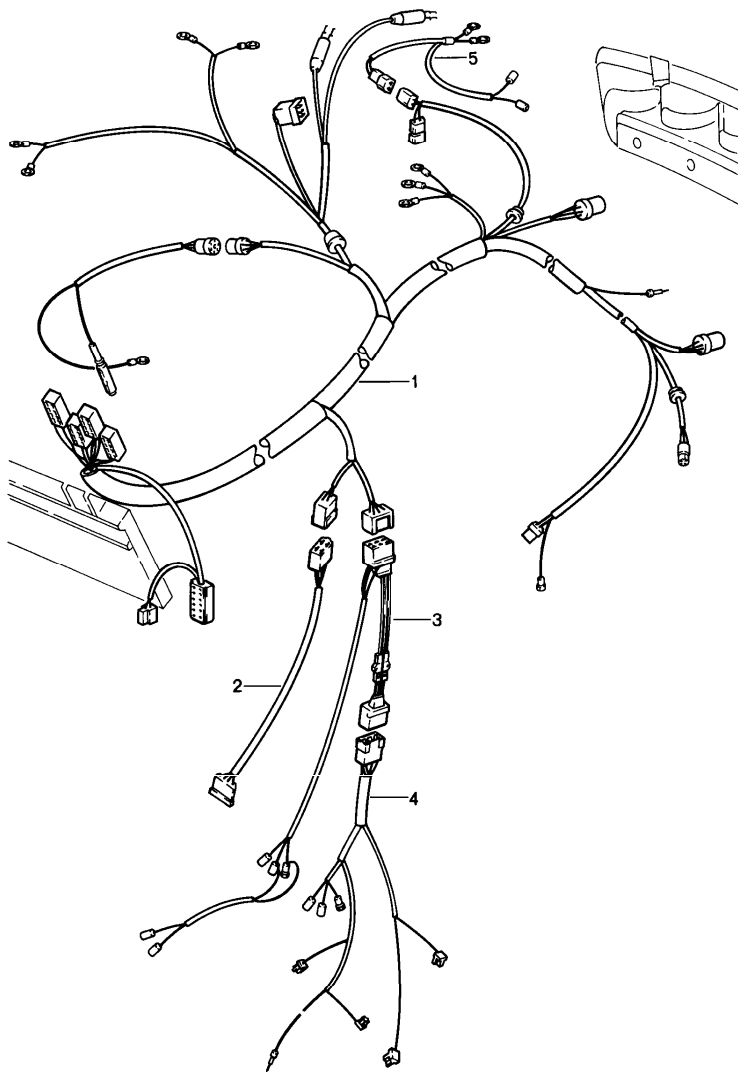


Pos	Part Number	Description	Remark	Qty	Model
		wiring harness passenger compartment doors			
1	928 612 164 00	wiring harness door driver's side only together with door mirror passenger's side	-79	1	M261
(1)	928 612 164 02	wiring harness door driver's side only together with door mirror passenger's side	80-	1	M261/528
(1)	928 612 163 00	wiring harness door driver's side without door mirror passenger's side	-79	1	
(1)	928 612 163 02	wiring harness	80-	1	
2	928 612 167 00	wiring harness door passenger's side without door mirror passenger's side	-79	1	
2A	928 612 166 00	wiring harness door passenger's side only together with with door mirror passenger's side	-79	1	M261
(2A)	928 612 166 02	wiring harness door passenger's side only together with door mirror passenger's side	80-	1	M261/528
-	928 612 167 02	wiring harness door door guard light power windows actuator loudspeaker	80-	2	

Model	Year	MG	SG	Illustration	Restrictions	UPD	18:08	23.01.2010	PORSCHE	PET	PORSCHE
928	1982	9	02	902-15		248					

Pos	Part Number	Description	Remark	Qty	Model	Pos	Part Number	Description	Remark	Qty	Model
3	928 612 067 00	wiring harness loudspeaker rear right left	-79	1				mounting parts wiring harness driver's side door			
(3)	928 612 067 02	wiring harness loudspeaker rear right left	/LL 80-	1		- A	999 651 163 40	cable clamp	-79	1	
						- A	999 651 164 40	cable clamp	-81	2	
						-	113 142 261 A	clip		2	
(3)	927 612 067 00	wiring harness loudspeaker rear right left	/RL 80-	1		5	861 972 524	connector housing 12-pole		1	
4	928 612 172 01	wiring harness illumination gearshift lever	-78	1	M249	6	803 971 979	plug socket 7-pole		1	
(4)	928 612 172 01	wiring harness illumination gearshift lever	79-	1	M249	-	999 651 167 02	cable clamp		1	
								mounting parts wiring harness passenger's side door			
-	928 612 068 02	wiring harness for amplifier	/LL 80-	1	M494	-	999 651 163 40	cable clamp		2	
-	927 612 068 00	wiring harness	/RL 80-	1	M494						
-	928 612 040 00	wiring harness fan	/LL	1							
-	927 612 040 00	wiring harness fan	/RL	1							
-	928 612 016 01	wiring harness back-up light switch		1							
-	928 612 038 00	wiring harness glove compartment light		1							
-	928 612 020 00	wiring harness for cigarette lighter	80-	1							
		mounting parts wiring harness back-up light switch									
-	999 651 160 02	cable holder		2							

Model	Year	MG	SG	Illustration	Restrictions	UPD	16:03	28.01.2010	PORSCHE	PET	PORSCHE
928	1982	9	02	902-20		248					

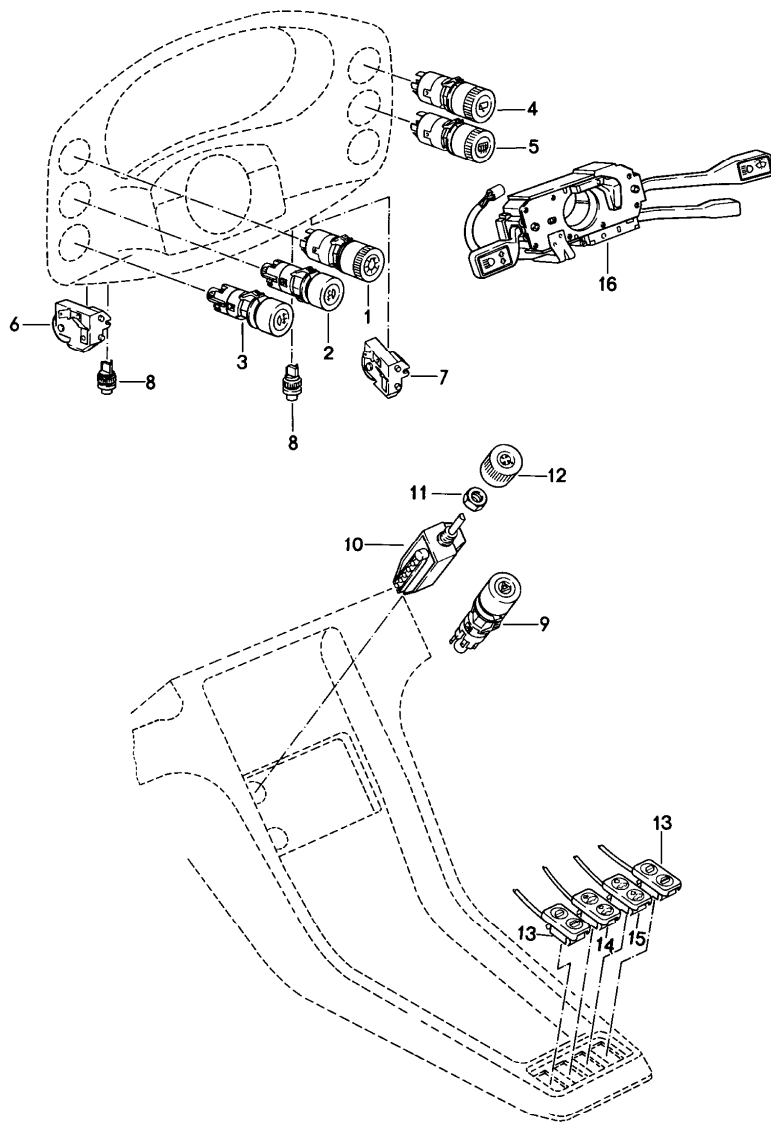


Pos	Part Number	Description	Remark	Qty	Model
1	928 612 004 05	wiring harness rear end			
		wiring harness without in-tank fuel pump	/LL	-78	1
(1)	928 612 004 07	wiring harness with in-tank fuel pump	/LL	79	1
(1) A	928 612 004 18	wiring harness	/LL	80-	1
(1)	928 612 004 18	wiring harness	/LL	80-	1
(1)	927 612 004 01	wiring harness without in-tank fuel pump	/RL	-78	1
(1)	927 612 004 03	wiring harness with in-tank fuel pump	/RL	79	1
(1)	927 612 004 10	wiring harness	/RL	80-	1
(1)	927 612 004 10	wiring harness	/RL	80-	1
-	928 612 037 00	wiring harness rear lid door contact switch		79-	1
2	928 612 006 01	wiring harness sunroof			1
3	928 612 008 03	wiring harness lock pillar			1
4	928 612 005 00	wiring harness rear lid		-79	1
(4)	928 612 005 01	wiring harness rear lid		-81	1
-	928 612 005 02	wiring harness rear lid		82	1
5	928 612 039 00	wiring harness license plate light			1
-	928 612 045 00	wiring harness double rear fog light	(GB)		1
-	928 612 007 00	wiring harness battery-starter cable	/LL	-78	1

Model	Year	MG	SG	Illustration	Restrictions	UPD	16:03	28.01.2010	PORSCHE	PET	PORSCHE
928	1982	9	02	902-20		248					

Pos	Part Number	Description	Remark	Qty	Model	Pos	Part Number	Description	Remark	Qty	Model
-	928 612 007 01	wiring harness	/RL /LL /RL	-78	1						
		battery-starter cable									
-	928 612 009 00	ground cable battery	/LL	-81	1						
-	928 612 009 10	ground cable battery	/RL	-81	1						
-	928 612 009 13	ground cable battery	/RL	-81	1	M197					
-	928 612 009 13	ground cable battery		82	1						
		mounting parts wiring harness rear end									
-	999 513 021 40	tie-wrap			1						
-	900 622 001 40	grommet			1						
-	999 651 154 40	cable tie			3						
-	113 941 189	grommet			1						
-	999 651 162 40	cable holder			4						
-	999 651 158 02	cable holder			1						
		mounting parts wiring harness rear lid									
-	477 971 939	cable terminal			5						
-	999 591 379 01	cable clamp			5						

Model	Year	MG	SG	Illustration	Restrictions	UPD	18:08	23.01.2010	PORSCHE	PET	PORSCHE
928	1982	9	03	903-00		248					

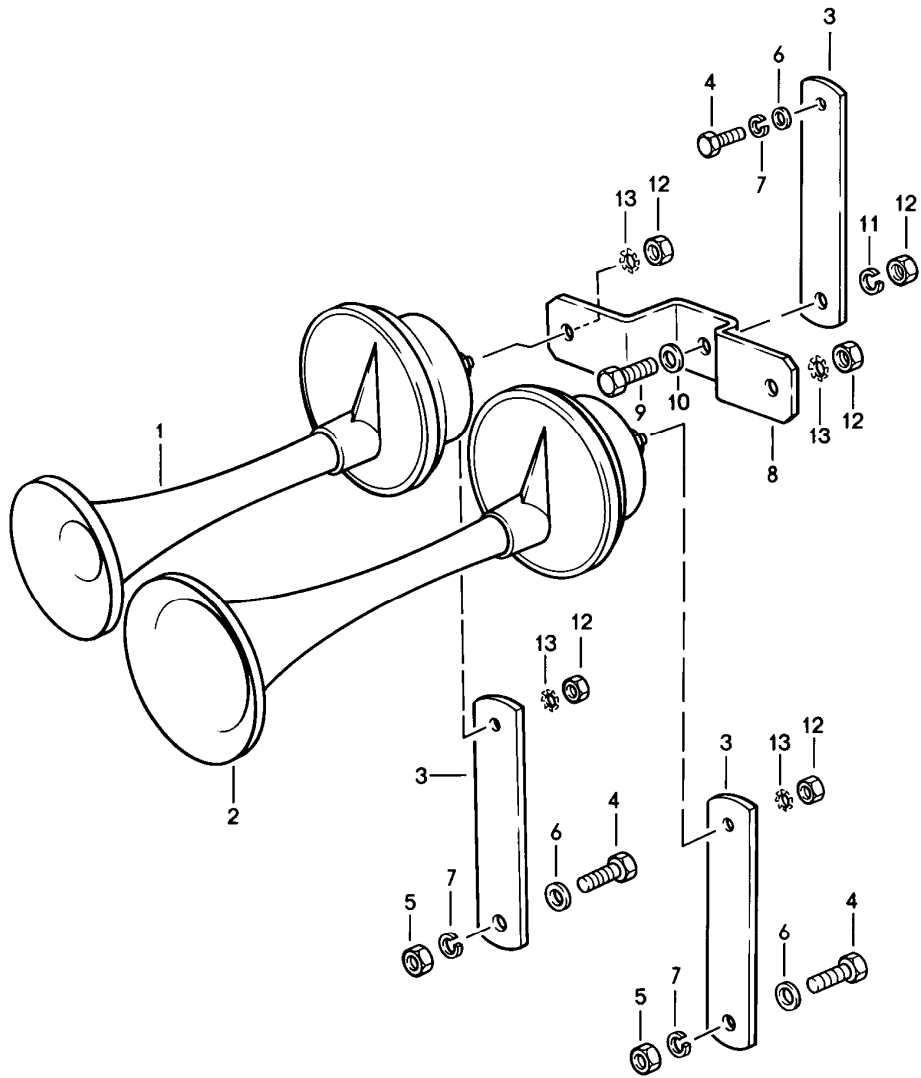


Pos	Part Number	Description	Remark	Qty	Model
1	928 613 103 00	switch manually		1	
2	928 613 111 00	combined switch for light		1	
3	928 613 109 00	switch fog headlamp		1	
(3)	928 613 125 00	switch rear fog light		1	
		push-button for trip meter		1	
4	928 613 113 00	push-button for trip meter	-79	1	
5	928 613 107 01	combined switch rear window wiper		1	
6	928 613 121 01	combined switch rear window heating		1	
7	928 613 122 00	potentiometer illumination		1	
8	928 613 124 00	potentiometer for interval relay		1	
		push-button for trip meter		1	
(8)	928 613 124 00	push-button for intensive windscreen washer		1	
9 A	928 613 105 01	push-button for intensive windscreen washer	-79	1	
(9)	928 613 105 01	hazard warning light sw.		1	
(9)	928 613 105 01	hazard warning light sw.		1	
10	928 613 127 00	hazard warning light sw.		1	
11	999 034 007 02	blower switch		1	
12	928 613 731 01	hexagon flat nut M 12 X 1		1	
-	999 591 434 02	rotary knob blower switch		1	
		spring blower switch		1	
13	928 613 123 05	tip switch for window opener		2	

Model	Year	MG	SG	Illustration	Restrictions	UPD	18:08	23.01.2010	PORSCHE	PET	PORSCHE
928	1982	9	03	903-00		248					

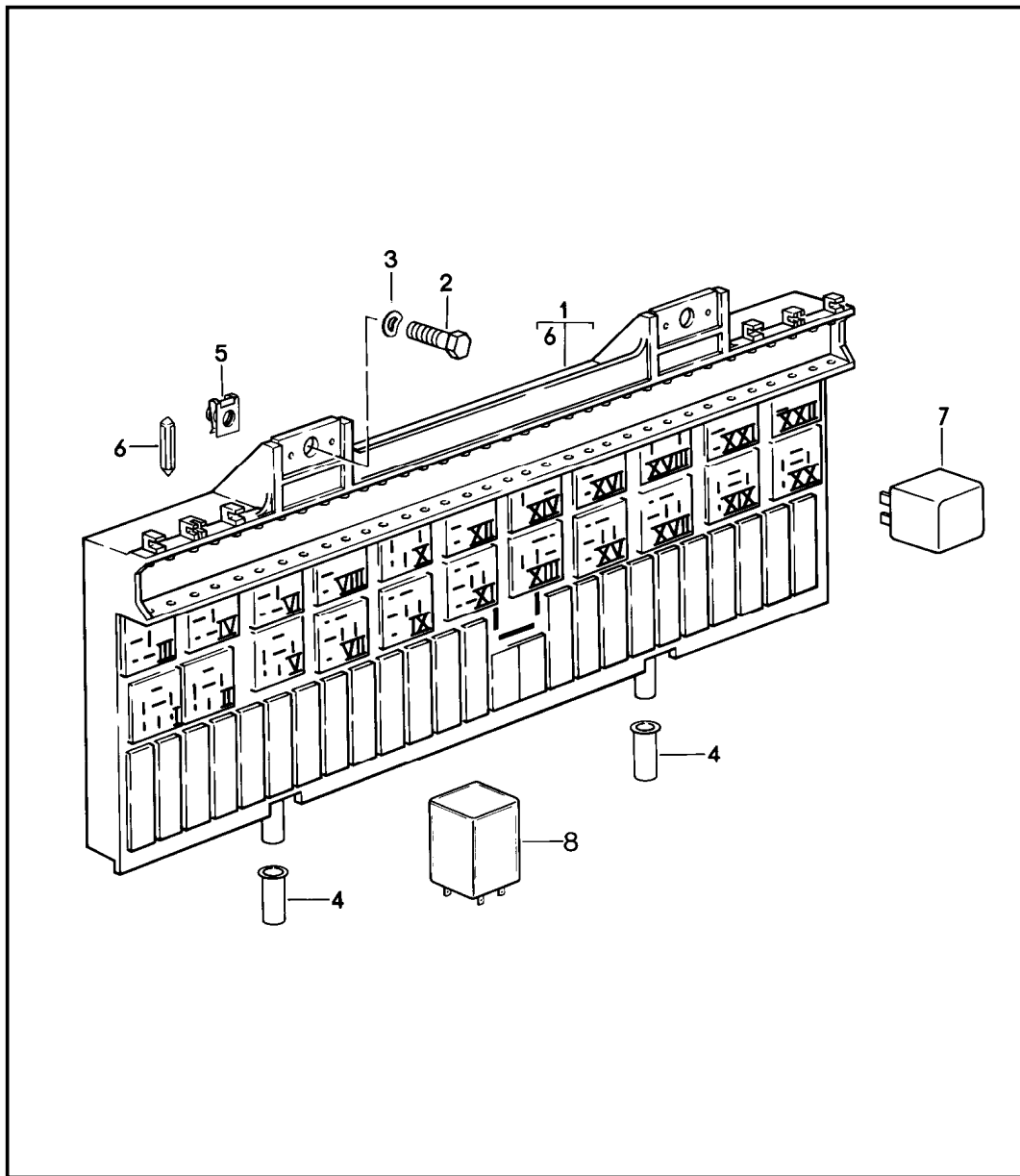
Pos	Part Number	Description	Remark	Qty	Model	Pos	Part Number	Description	Remark	Qty	Model
14	928 613 120 00	tip switch		1	M650						
15	928 613 129 03	tip switch rear window wiper		1							
(15)	928 613 123 04	display specimen		1							
		switch door mirror see group									
(16)	928 613 101 03	steering column switch with headlight washer system without cruise control		1							
(16)	928 613 101 03	steering column switch without headlight washer system without cruise control	-80	1							
(16)	928 613 101 05	steering column switch with headlight washer system with cruise control		1	M489						
(16)	928 613 101 10	steering column switch without headlight washer system with cruise control	80-	1	M489						
(16)	928 613 101 06	steering column switch with headlight washer system with cruise control lettering english	(J) 80-	1							
(16)	928 613 101 07	steering column switch with headlight washer system with cruise control	(F)	1							
(16)	928 613 101 11	steering column switch without headlight washer system with cruise control	(F)	1							
-	999 651 165 02	cable clamp		1							

Model	Year	MG	SG	Illustration	Restrictions	UPD	18:09	23.01.2010	PORSCHE	PET	PORSCHE
928	1982	9	03	903-05		248					



Pos	Part Number	Description	Remark	Qty	Model
		fanfare			
1	911 635 101 20	fanfare high-pitched		1	
1	911 635 101 21	fanfare short high-pitched		1	
2	911 635 102 20	fanfare low-pitched		1	
2	911 635 102 21	fanfare long low-pitched		1	
3	928 635 101 00	support	-81	3	928 928 928S
4	900 075 087 02	hexagon-head bolt M 8 X 16		2	928 928S
5	900 076 025 02	hexagon nut M 8		2	928
6	900 025 007 02	washer 8,4		2	928
(6)	900 025 007 02	washer		1	928S
7	900 027 015 02	lock ring B 8		2	928 928S
-	999 507 328 02	captive nut	80	1	928S
8	928 635 103 01	support	-80	1	928S
(8)	928 635 103 01	support	-81	1	928S
9	900 075 267 02	hexagon-head bolt M 6 X 14		1	928S
(10)	N 011 524 7	washer A 6,4		1	928S
(11)	N 012 006 4	lock ring B 6		1	928S
(12)	900 076 010 02	hexagon nut M 6		2	928 928S
(13)	N 012 006 4	lock ring B 8	-80 -80	2	928 928S
13	N 042 121 3	shake-proof washer	81- 81-	2	928 928S

Model	Year	MG	SG	Illustration	Restrictions	UPD	18:09	23.01.2010	PORSCHE	PET	PORSCHE
928	1982	9	03	903-10		248					



Pos	Part Number	Description	Remark	Qty	Model
		central electrical system relay fuse			
1	928 610 105 00	mounting plate F >>92881 01738 F >>92881 01210	-79	1	M249
(1)	928 610 105 01	mounting plate	-79	1	
(1) A	928 610 105 04	mounting plate	80	1	
(1)	928 610 105 04	mounting plate	-81	1	
(1)	928 610 105 05	mounting plate	82	1	
2	900 075 014 02	hexagon-head bolt M 6 X 18		2	
3	N 012 226 5	spring washer		2	
4	928 628 287 00	grommet		2	
5	999 507 246 02	speed nut		2	
6	N 017 121 1	safety fuse 8 A		X	
(6)	N 017 121 4	safety fuse 16 A		X	
(6)	N 017 121 5	safety fuse 25 A		X	
(6)	900 321 002 90	safety fuse T 0,40 B central locking system		2	
7	-	relay	-79	X	
I-II	928 615 115 00	double relay for rear window heating		1	
IIIA	928 615 116 00	relay pop-up headlight	-78	1	
IV	928 615 127 00	relay pop-up headlight	-78	1	
V	111 953 227 D	flasher relay		1	
(V)	928 615 131 00	flasher relay only together with trailer coupling		1	

Model	Year	MG	SG	Illustration	Restrictions	UPD	18:09	23.01.2010	PORSCHE	PET	PORSCHE
928	1982	9	03	903-10		248					

Pos	Part Number	Description	Remark	Qty	Model	Pos	Part Number	Description	Remark	Qty	Model
VI	928 615 117 00	relay power windows		1				relay front seat see group 8/08/15			
VII	928 618 111 00	relay headlight washer system		1				relay	80		
IX	911 618 102 01	relay seat belt		1		I-II	928 615 115 00	double relay for rear window heating		1	
X	928 615 117 00	relay fanfare		1		V	111 953 227 D	flasher relay		1	
XI	928 618 103 00	diode group		1		(V)	928 615 131 00	flasher relay only together with trailer coupling		1	
(XI)	928 618 105 00	relay compressor air conditioner		1	M573	VI	928 615 117 00	relay power windows		1	
XII	928 615 117 00	relay fog headlamp		1		VII	928 618 111 00	relay headlight washer system		1	
XIII	928 615 119 00	relay high beam		1		X	928 615 117 00	relay fanfare		1	
XIV	928 615 123 00	relay		1		XII	928 615 117 00	relay fog headlamp		1	
XV	928 615 125 00	bridge starter		1		XIII	993 615 101 00	switch unit		1	
(XV)	928 615 117 00	relay starter		1	M249	XIV	928 615 125 00	bridge starter		1	
XVIA	928 615 116 00	relay		1		(XIV)	928 615 117 00	relay starter		1	
XVIIA	928 615 113 01	relay fuel pump		1		XV A	928 618 113 01	relay intensive windscreen washer		1	
XVIII	928 615 111 00	relay		1	M573	(XV)	928 618 115 00	contact bow without intensive windscreen washer		1	
XIX	993 615 101 00	switch unit windscreen wiper system		1		XVIIA	928 615 113 01	relay fuel pump		1	
XX A	928 618 113 01	relay intensive windscreen washer		1		XVIII	928 615 111 00	relay blower		1	M573
(XX)	928 618 115 00	contact bow without intensive windscreen washer		1		XIXA	928 618 107 02	relay pop-up headlight		1	
XXI	928 615 117 00	relay blower		1		XIX	928 618 107 05	relay pop-up headlight		1	
XXII	928 615 117 00	relay defroster		1							

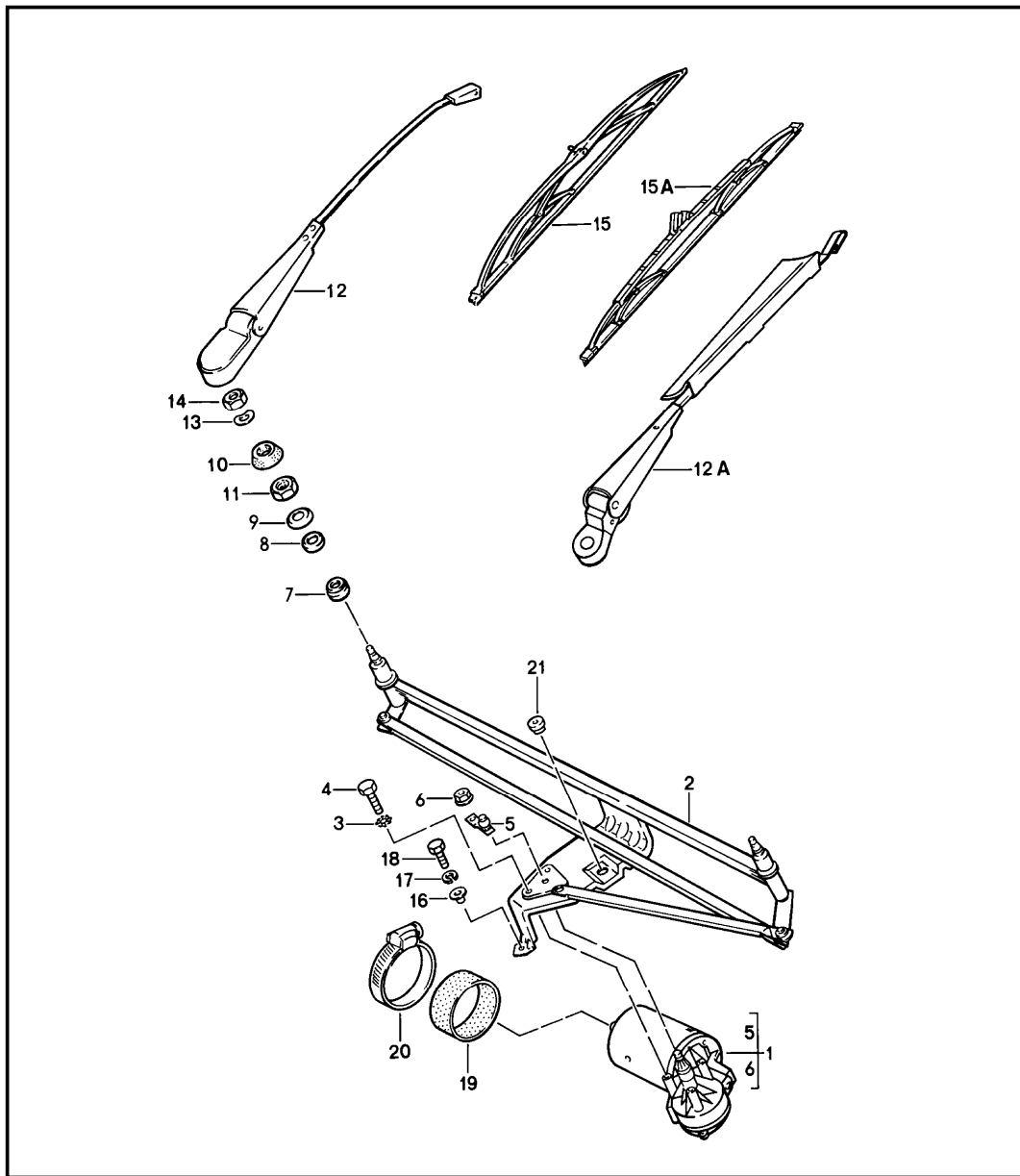
Model	Year	MG	SG	Illustration	Restrictions	UPD	18:09	23.01.2010	PORSCHE	PET	PORSCHE
928	1982	9	03	903-10		248					

Pos	Part Number	Description	Remark	Qty	Model	Pos	Part Number	Description	Remark	Qty	Model
XX A	928 618 107 02	relay pop-up headlight		1		XIX A	928 618 107 02	relay pop-up headlight		1	
XX	928 618 107 05	relay pop-up headlight		1		XIX	928 618 107 05	relay pop-up headlight		1	
XXI	928 615 117 00	relay blower		1		XX A	928 618 107 02	relay pop-up headlight		1	
XXII	928 615 117 00	relay defroster		1		XX	928 618 107 05	relay pop-up headlight		1	
		relay	81			XXI	928 615 117 00	relay blower		1	
I-II	928 615 115 00	double relay for rear window heating		1		XXII	928 615 117 00	relay defroster		1	
V	111 953 227 D	flasher relay		1				relay	82		
(V)	928 615 131 00	flasher relay only together with trailer coupling		1		I-II	928 615 115 00	slow-action relay for rear window heating		1	
VI A	928 615 116 00	relay power windows		1		V	111 953 227 D	flasher relay		1	
VII	928 618 111 00	relay headlight washer system		1		(V)	928 615 131 00	flasher relay only together with trailer coupling		1	
X	928 615 117 00	relay horn		1		VI A	928 615 116 00	relay power windows		1	
XII	928 615 117 00	relay fog headlamp		1		VII	928 618 111 00	relay headlight washer system		1	
XIII	993 615 101 00	switch unit		1		X	141 951 253 B	relay horn		1	
XIV	928 615 125 00	bridge starter		1		XII	141 951 253 B	relay fog headlamp		1	
(XIV)	928 615 117 00	relay starter		1	M249	XIII	993 615 101 00	switch unit		1	
XV A	928 618 113 01	relay intensive windscreen washer		1		XIV	928 612 473 00	plug bridge for starter		1	
(XV)	928 618 115 00	contact bow without intensive windscreen washer		1		(XIV)	141 951 253 B	relay starter		1	M249
XVII A	928 615 113 01	relay fuel pump		1		XV A	928 618 113 01	relay intensive windscreen washer		1	
XVIII	928 615 111 00	relay blower		1	M573	XVII A	928 615 113 01	relay fuel pump		1	

Model	Year	MG	SG	Illustration	Restrictions	UPD	18:09	23.01.2010	PORSCHE	PET	PORSCHE
928	1982	9	03	903-10		248					

Pos	Part Number	Description	Remark	Qty	Model	Pos	Part Number	Description	Remark	Qty	Model
XVIII	141 951 253 B	relay blower air conditioner		1							
XIXA	928 618 107 02	relay pop-up headlight		1							
XIX	928 618 107 05	relay pop-up headlight		1							
XX A	928 618 107 02	relay pop-up headlight		1							
XX	928 618 107 05	relay pop-up headlight		1							
XXI	141 951 253 B	relay blower		1							
XXII	141 951 253 B	relay intensive windscreen washer		1							
		relay front seat see group 8/08/15									
		relay centre console		X							
8	911 618 102 01	relay seat belt		80-	1						
(8)	928 618 104 00	relay rear window wiper		80-	1						
(8)	911 617 119 00	switch unit emission control	(J)	80-	2						

Model	Year	MG	SG	Illustration	Restrictions	UPD	18:09	23.01.2010	PORSCHE	PET	PORSCHE
928	1982	9	04	904-00		248					

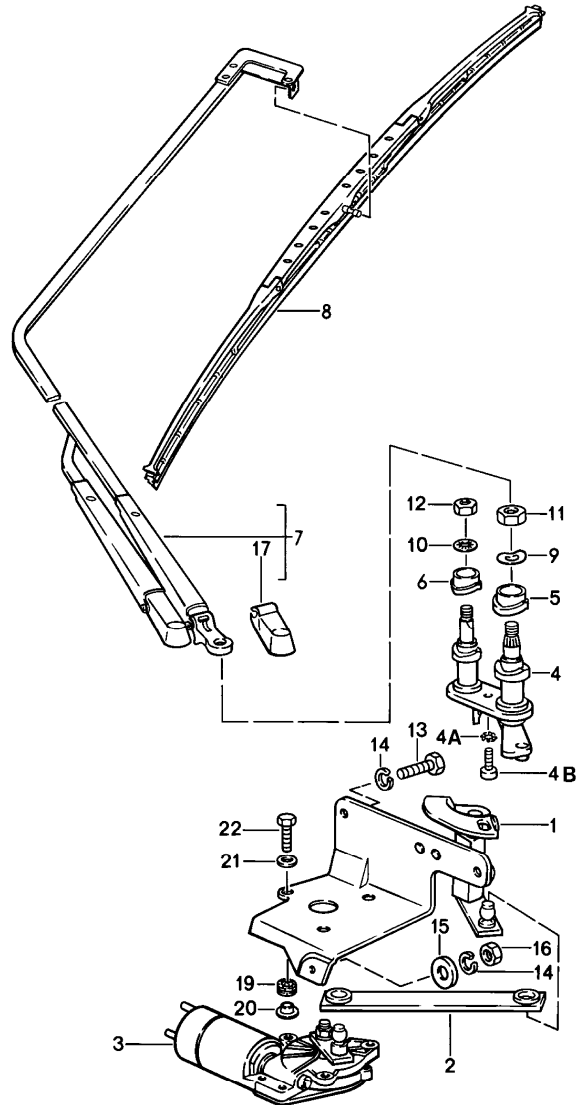


Pos	Part Number	Description	Remark	Qty	Model
		windscreen wiper system front			
1	928 628 303 00	wiper motor	-80	1	
(1)	928 628 303 01	wiper motor	81-	1	
2	928 628 221 00	crank drive	/LL	1	
(2)	927 628 221 00	crank drive	/RL	1	
3	N 042 121 3	shake-proof washer		3	
4	900 075 010 02	hexagon-head bolt		3	
5 A	928 628 233 02	lever wiper motor		1	
(5)	928 628 233 02	lever for wiper motor		1	
6	999 084 045 02	lock nut	-80	1	
(6)	999 084 055 02	lock nut	81-	1	
7	901 628 924 00	rubber bush		2	
8	901 628 923 01	rubber bush		2	
9	911 628 963 00	flange washer		2	
10	928 628 716 02	grommet	/R	1	
(10)	928 628 717 01	grommet	/L	1	
11	477 955 149	hexagon nut		2	
12	928 628 213 01	wiper arm passenger's side	/LL -78	1	
12A	928 628 213 05	wiper arm passenger's side	/LL 79-	1	
(12)	927 628 213 02	wiper arm	/RL	2	
12	928 628 213 06	wiper arm with spoiler driver's side	/LL -78	1	
(12A)	928 628 213 06	wiper arm with spoiler driver's side	/LL 79-	1	

Model	Year	MG	SG	Illustration	Restrictions	UPD	18:09	23.01.2010	PORSCHE	PET	PORSCHE
928	1982	9	04	904-00		248					

Pos	Part Number	Description	Remark	Qty	Model	Pos	Part Number	Description	Remark	Qty	Model
(12A)	928 628 213 06	wiper arm with spoiler driver's side	/LL 79-	1							
-	928 628 623 00	cap		2							
13	803 955 437	washer		2							
14	N 011 151 2	hexagon nut		2							
15	928 628 217 01	wiper blade	-78	2							
15A	478 955 425	wiper blade	79-	2							
16	928 628 289 00	bush		2							
-	N 011 666 7	washer		1							
17	N 012 006 4	lock ring B 6		2							
(18)	900 075 014 02	hexagon-head bolt M 6 X 18		2							
19	928 628 759 00	rubber strap		1							
20	928 628 760 00	hose clamp		1							
21	928 628 287 00	grommet		2							
-	999 507 246 02	speed nut		2							

Model	Year	MG	SG	Illustration	Restrictions	UPD	18:09	23.01.2010	PORSCHE	PET	PORSCHE
928	1982	9	04	904-05		248					

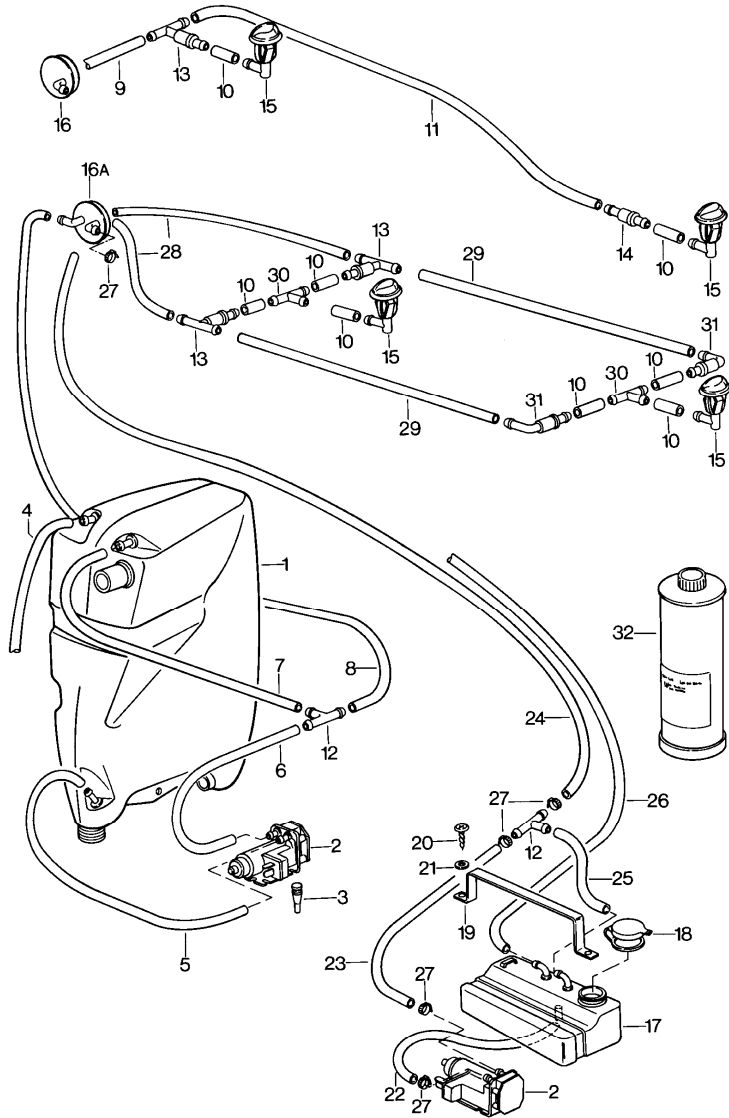


Pos	Part Number	Description	Remark	Qty	Model
		windscreen wiper system rear			
1	928 628 071 03	engine bracket with bearing		1	
2	928 628 202 02	joint rod		1	
3	928 628 403 02	wiper motor with crank		1	
4	928 628 309 02	wiper bearing upper		1	
4A	N 012 007 2	lock ring A 6		1	
4B	900 119 014 02	pan-head screw		1	
5 A	928 628 325 01	bush	-81	1	
(5)	928 628 325 01	bush		1	
6 A	928 628 326 01	bush	-81	1	
(6)	928 628 326 01	bush		1	
7	928 628 610 05	wiper arm without cap		1	
8	477 955 427 C	wiper blade		1	
9	N 012 241 8	spring washer		1	
10	900 114 002 02	shake-proof washer		1	
(11)	900 076 025 02	hexagon nut M 8		1	
12	900 076 010 02	hexagon nut		1	
13	900 119 014 02	pan-head screw M 6 X 20		2	
14	N 012 007 2	lock ring A 6		3	
15	900 151 006 09	washer		1	
16	900 076 010 02	hexagon nut		1	
17	928 628 622 00	cap		1	

Model	Year	MG	SG	Illustration	Restrictions	UPD	18:09	23.01.2010	PORSCHE	PET	PORSCHE
928	1982	9	04	904-05		248					

Pos	Part Number	Description	Remark	Qty	Model	Pos	Part Number	Description	Remark	Qty	Model
(17)	928 628 623 00	cap for cars with rear spoiler	81-	2							
(17)	928 628 621 00	cap for cars without rear spoiler	81-	1	928						
(17)	928 628 622 00	cap wiper arm for cars without rear spoiler	81-	1	928						
19	928 628 287 00	grommet		3							
20	928 628 289 00	bush		3							
21	N 011 524 7	washer		3							
(22)	900 075 014 02	hexagon-head bolt M 6 X 18		3							
-	928 628 903 00	installation set rear window wiper use also:	80-	1							
-	928 551 081 05	retainer plate for rear window wiper	80-	1							
-	928 555 047 04	lining lower leatherette	80-	1							
	70A	black									
	30B	blue									
	40A	brown									
-	928 555 047 52	lining lower leather	80-	1							
	70A	black									
	30B	blue									
	40A	brown									

Model	Year	MG	SG	Illustration	Restrictions	UPD	18:09	23.01.2010	PORSCHE	PET	PORSCHE
928	1982	9	04	904-10		248					

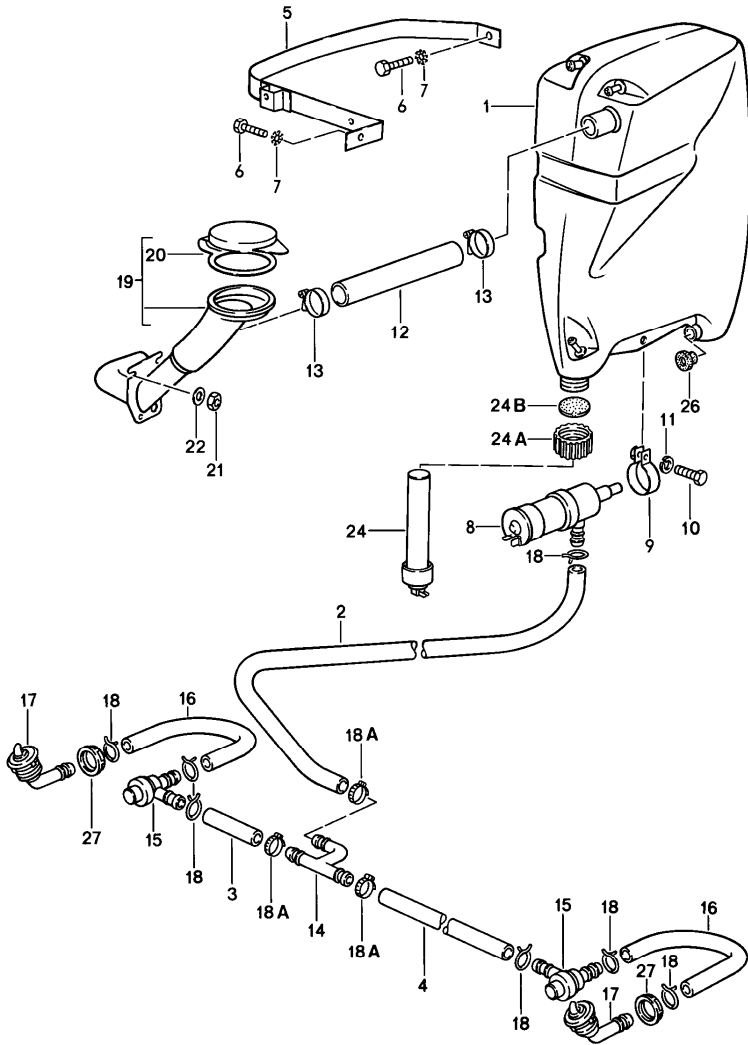


Pos	Part Number	Description	Remark	Qty	Model
		windscreen washer system			
1	A 928 528 975 01	water reservoir		1	
(1)	928 528 975 01	water reservoir		1	
-	928 641 501 01	tank gauge switch		1	
-	928 628 735 00	cap		1	
-	928 628 737 00	sealing ring		1	
2	928 628 074 01	pump		2	
3	914 628 741 00	stopper motor pump		3	
-	999 181 029 40	hose		X	
4	.	320 MM		1	
5	.	620 MM		1	
6	.	100 MM		1	
7	.	400 MM		1	
8	.	450 MM	/LL	1	
-	.	1170 MM		1	
9	.	160 MM		1	
10	.	25 MM		1	
11	.	650 MM		1	
12	901 628 749 20	t-piece	/RL	2	
13	914 628 433 00	valve		3	
14	914 628 215 00	valve		1	
15	928 628 079 00	nozzle		2	
16	928 528 073 03	hose connection	/LL	1	
16	927 528 073 03	hose connection	/RL	1	
16A	928 528 073 04	hose connection	/LL	1	
16A	927 528 073 04	hose connection	/RL	1	
17	928 628 091 00	container		1	

Model	Year	MG	SG	Illustration	Restrictions	UPD	18:09	23.01.2010	PORSCHE	PET	PORSCHE
928	1982	9	04	904-10		248					

Pos	Part Number	Description	Remark	Qty	Model	Pos	Part Number	Description	Remark	Qty	Model
18	928 528 183 03	lid		1							
19	928 628 189 00	restraining strap		1							
20	900 143 031 02	oval-head sheetmetal screw 4,2 X 9,5		2							
21	900 025 002 02	washer		2							
-	999 181 722 40	hose 4,6 X 1,8		*							
22	.	145 MM		1							
23	.	300 MM		1							
24	.	1860 MM		1							
25	.	250 MM		1							
26	.	1060 MM	/LL	1							
26	.	2260 MM	/RL	1							
27	999 512 069 02	hose clamp		5							
-	999 181 029 40	hose 140 MM 650 MM		X 2 2							
30	901 628 745 20	t-socket		2							
31	477 955 481	valve		2							
32	928 628 931 00	silicone remover 1000 CCM		X							
		mounting parts motor pump									
-	927 628 471 00	support		1							
-	901 511 791 21	rubber washer		2							
-	999 507 240 00	speed nut		2							
-	N 020 301 1	hose		2							
-	900 025 002 02	washer		2							
-	900 187 013 02	tapping screw 4,2 X 13		2							
-	928 628 757 00	grommet		1							

Model	Year	MG	SG	Illustration	Restrictions	UPD	18:10	23.01.2010	PORSCHE	PET	PORSCHE
928	1982	9	04	904-15		248					

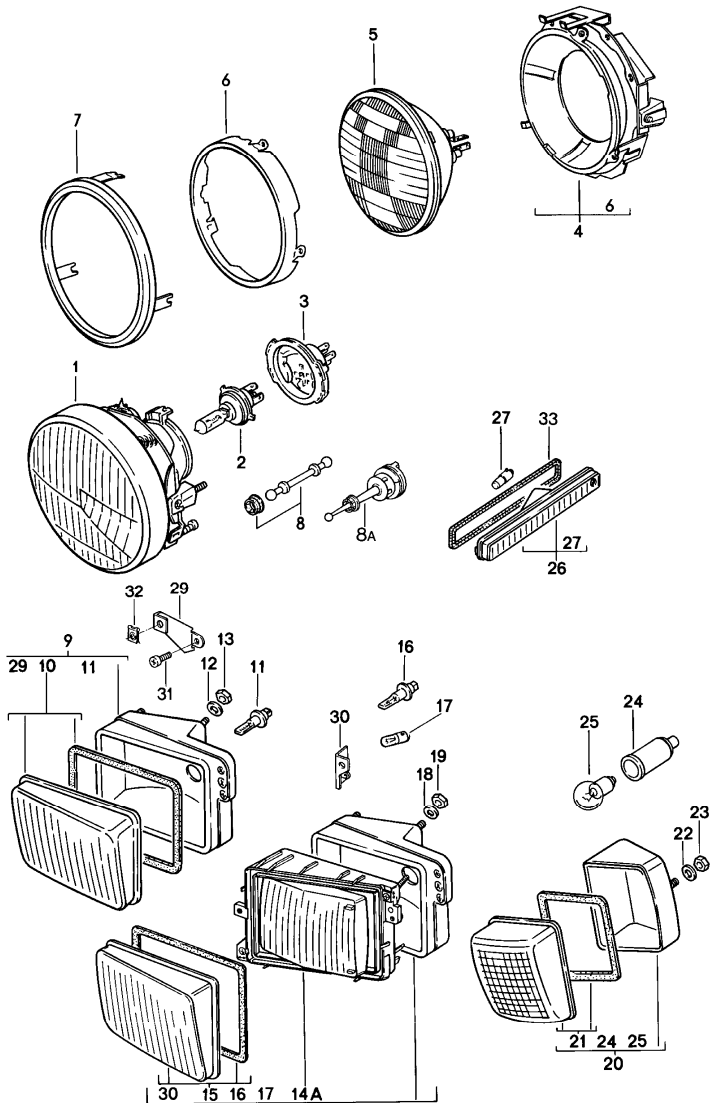


Pos	Part Number	Description	Remark	Qty	Model
		headlight washer system			
1	A 928 628 075 03	water reservoir		1	
(1)	928 528 975 01	water reservoir		1	
2	928 628 743 00	pressure hose		1	
3	A 928 628 743 02	water hose		1	
(3)	999 181 806 40	hose 225 MM		*	
4	928 628 743 01	water hose		1	
5	928 628 087 00	restraining strap		1	
6	900 075 085 02	hexagon-head bolt M 8 X 20		2	
7	900 115 004 01	serrated lock washer		2	
8	191 955 681	pump		1	
9	928 628 085 00	restraining strap		1	
10	900 075 014 02	hexagon-head bolt M 6 X 18		1	
11	N 011 524 7	washer		1	
-	999 181 286 50	hose		*	
12	-	270 MM		1	
13	999 512 272 02	hose clamp		2	
14	914 628 413 10	distributing piece		1	
(15)	477 955 183	pressure control valve		2	
16	928 528 161 02	hose C 9 X 15		2	
17	928 528 071 02	jet carrier		2	
18	999 512 304 02	hose clamp		7	
18A	N 023 569 2	hose clamp		3	
19	928 628 179 00	filler neck	/LL	1	
(19)	927 528 085 02	filler neck	/RL	1	
20	928 528 181 02	lid		1	
21	900 076 010 02	hexagon nut		2	

Model	Year	MG	SG	Illustration	Restrictions	UPD	18:10	23.01.2010	PORSCHE	PET	PORSCHE
928	1982	9	04	904-15		248					

Pos	Part Number	Description	Remark	Qty	Model	Pos	Part Number	Description	Remark	Qty	Model
22	900 151 003 02	washer		2							
24	928 641 501 01	tank gauge switch		1							
24A	928 628 735 00	cap		1							
24B	928 628 737 00	sealing ring		1							
26	928 628 193 00	gasket		1							
27	900 281 002 40	hexagon nut		2							
-	927 612 463 00	grommet		1							
-	927 528 181 02	filling hose	/RL	1							
-	927 528 179 02	support filler neck	/RL	1							
-	999 512 084 02	hose clamp	/RL	1							
-	999 512 084 02	hose clamp	/LL	2							

Model	Year	MG	SG	Illustration	Restrictions	UPD	18:10	23.01.2010	PORSCHE	PET	PORSCHE
928	1982	9	05	905-00		248					

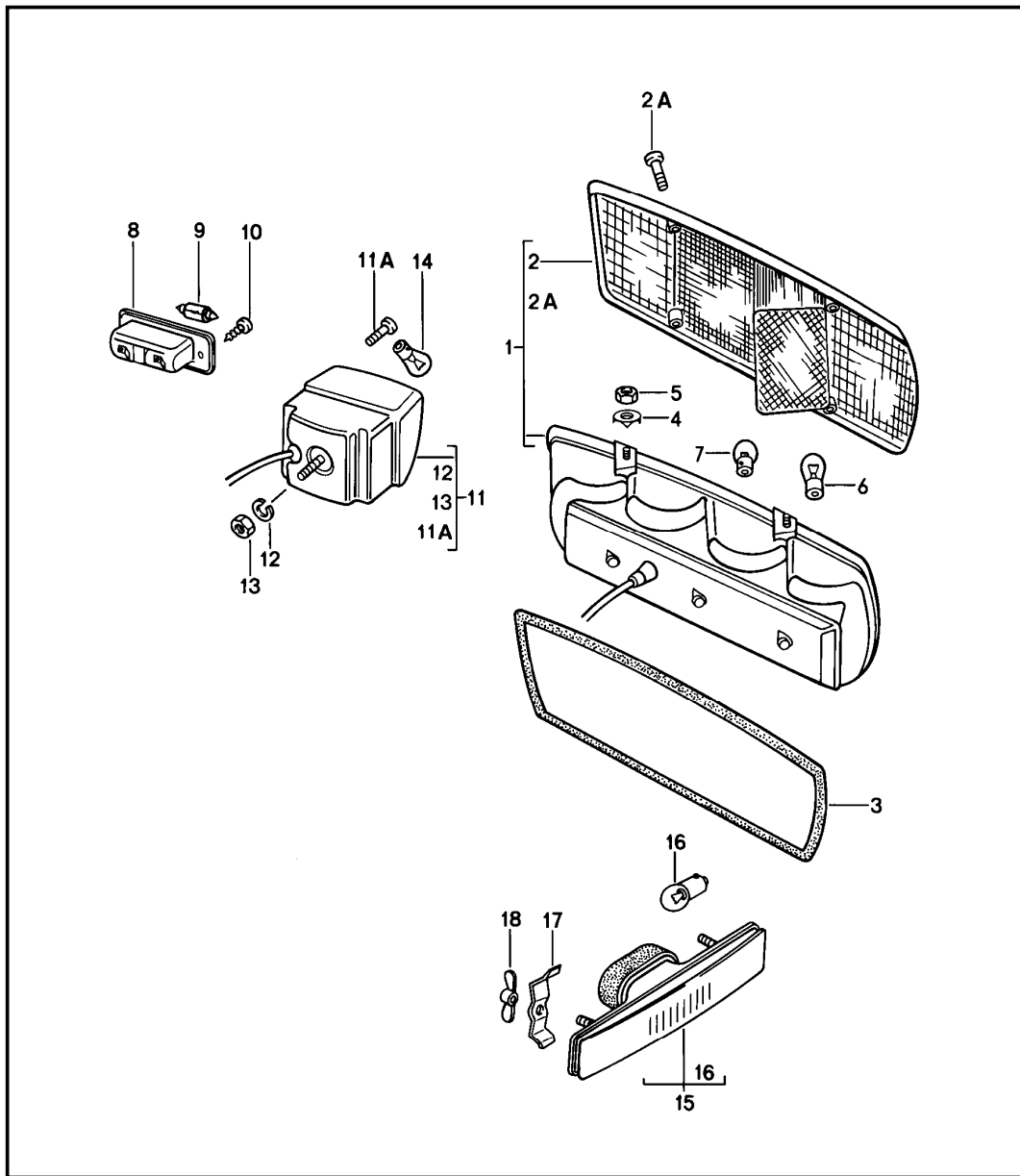


Pos	Part Number	Description	Remark	Qty	Model
		headlamp direction indicator light front not for USA, CDN			
1	928 631 101 03	headlamp H 4	/LL	2	
(1)	928 631 102 01	headlamp H 4	/RL	2	M492
2	999 631 202 90	halogen bulb H 4		2	
(2)	999 631 202 91	halogen bulb H 4	(F)	2	
3	928 631 923 00	protective cap		2	
8	928 631 203 02	bolt F >>92891 02996 F >>92892 09622		2	
(8)	928 631 203 03	bolt F 92891 02997>> F 92892 09623>>		2	
8A	928 631 201 02	support		2	
9	928 631 414 01	high-beam headlight	/L	1	
(9)	928 631 414 00	high-beam headlight	/R	1	
(9)	928 631 415 01	high-beam headlight	/L (F)	1	
(9)	928 631 415 00	high-beam headlight	/R (F)	1	
10	928 631 927 00	lens rubber seal mounting parts	/L	1	
(10)	928 631 928 00	lens rubber seal mounting parts	/R	1	
(10)	928 631 927 02	lens rubber seal mounting parts	/L (F)	1	
(10)	928 631 928 02	lens rubber seal mounting parts	/R (F)	1	
11	900 631 126 90	halogen bulb H 3, 12 V - 55 W		2	

Model	Year	MG	SG	Illustration	Restrictions	UPD	18:10	23.01.2010	PORSCHE	PET	PORSCHE
928	1982	9	05	905-00		248					

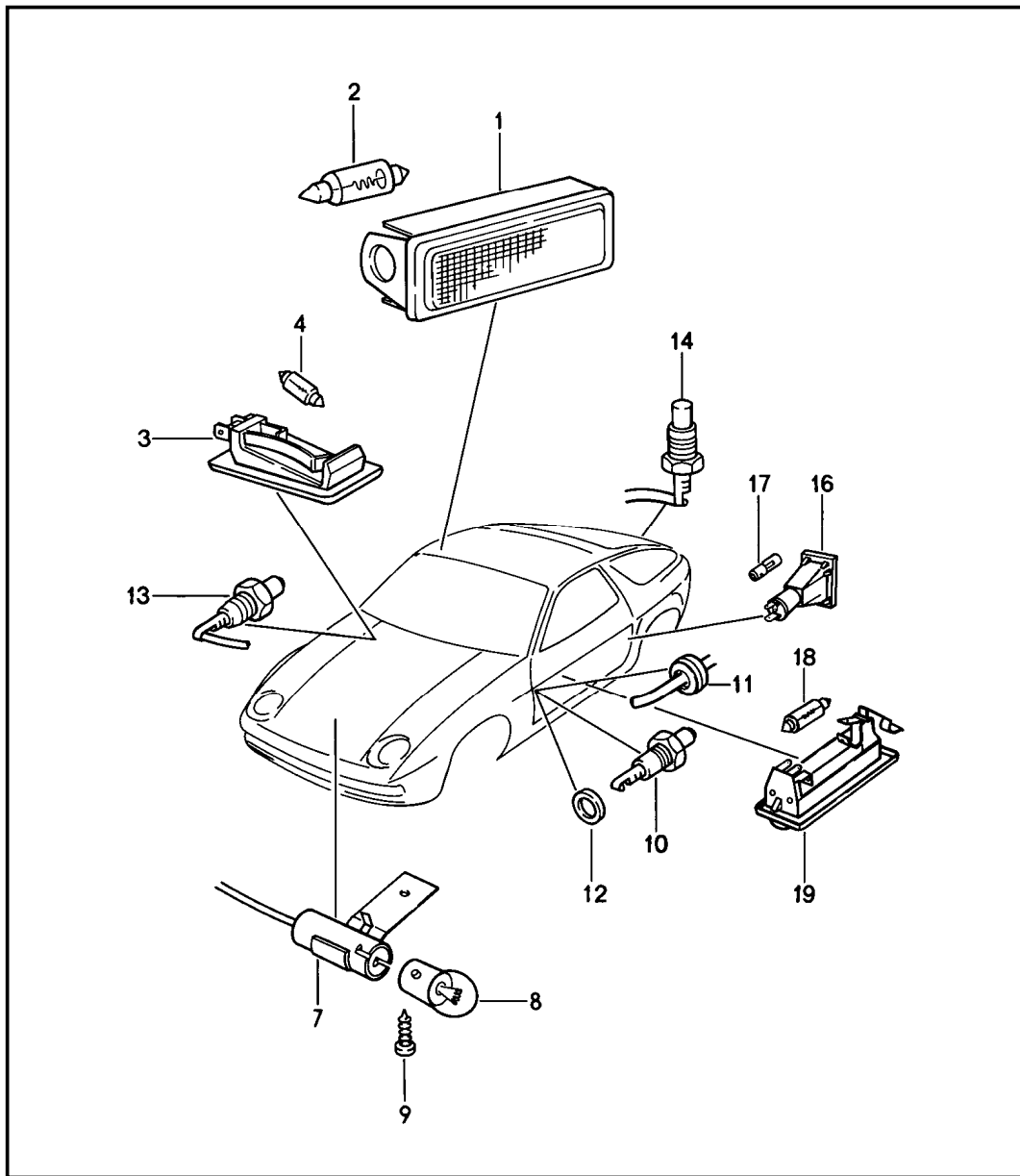
Pos	Part Number	Description	Remark	Qty	Model	Pos	Part Number	Description	Remark	Qty	Model
12	900 151 027 02	washer		8		23	900 910 009 02	lock nut		4	
13	900 910 009 02	lock nut		8		24	311 971 867 A	protection cap		2	
14	928 631 416 01	fog headlamp	/L	1		25	900 631 127 90	bulb 12 V - 21 W		2	
(14)	928 631 416 00	fog headlamp	/R	1		26	928 631 410 01	direction indicator light		2	
(14)	928 631 418 01	fog headlamp	/L (E) (F)	1		-	999 507 252 02	nut		2	
(14)	928 631 418 00	fog headlamp	/R (E) (F)	1		27	900 631 103 90	bulb 12 V - 4 W		2	
14A	928 631 947 00	retaining frame with lens inner		2		29	928 631 435 00	support		2	
15	928 631 925 00	lens rubber seal mounting parts	/L	1		(30)	928 631 437 01	support		2	
(15)	928 631 926 00	lens rubber seal mounting parts	/R	1		31	N 014 133 8	oval-head screw M 5 X 12		4	
(15)	928 631 925 02	lens rubber seal mounting parts	/L (F)	1		32	999 591 338 02	speed nut		4	
(15)	928 631 926 02	lens rubber seal mounting parts	/R (F)	1		33	928 631 448 00	gasket headlight levelling system see group 8/06/00		2	
16	900 631 126 90	halogen bulb H 3, 12 V - 55 W		2							
17	900 631 103 90	bulb 12 V - 4 W		2							
18	900 151 027 02	washer		8							
19	900 910 009 02	lock nut		8							
20	928 631 421 01	direction indicator light	/L	1							
(20)	928 631 421 00	direction indicator light	/R	1							
21	928 631 929 00	lens rubber seal mounting parts	/L	1							
21	928 631 930 00	lens rubber seal mounting parts	/R	1							
22	900 151 027 02	washer		4							

Model	Year	MG	SG	Illustration	Restrictions	UPD	18:10	23.01.2010	PORSCHE	PET	PORSCHE
928	1982	9	05	905-10		248					



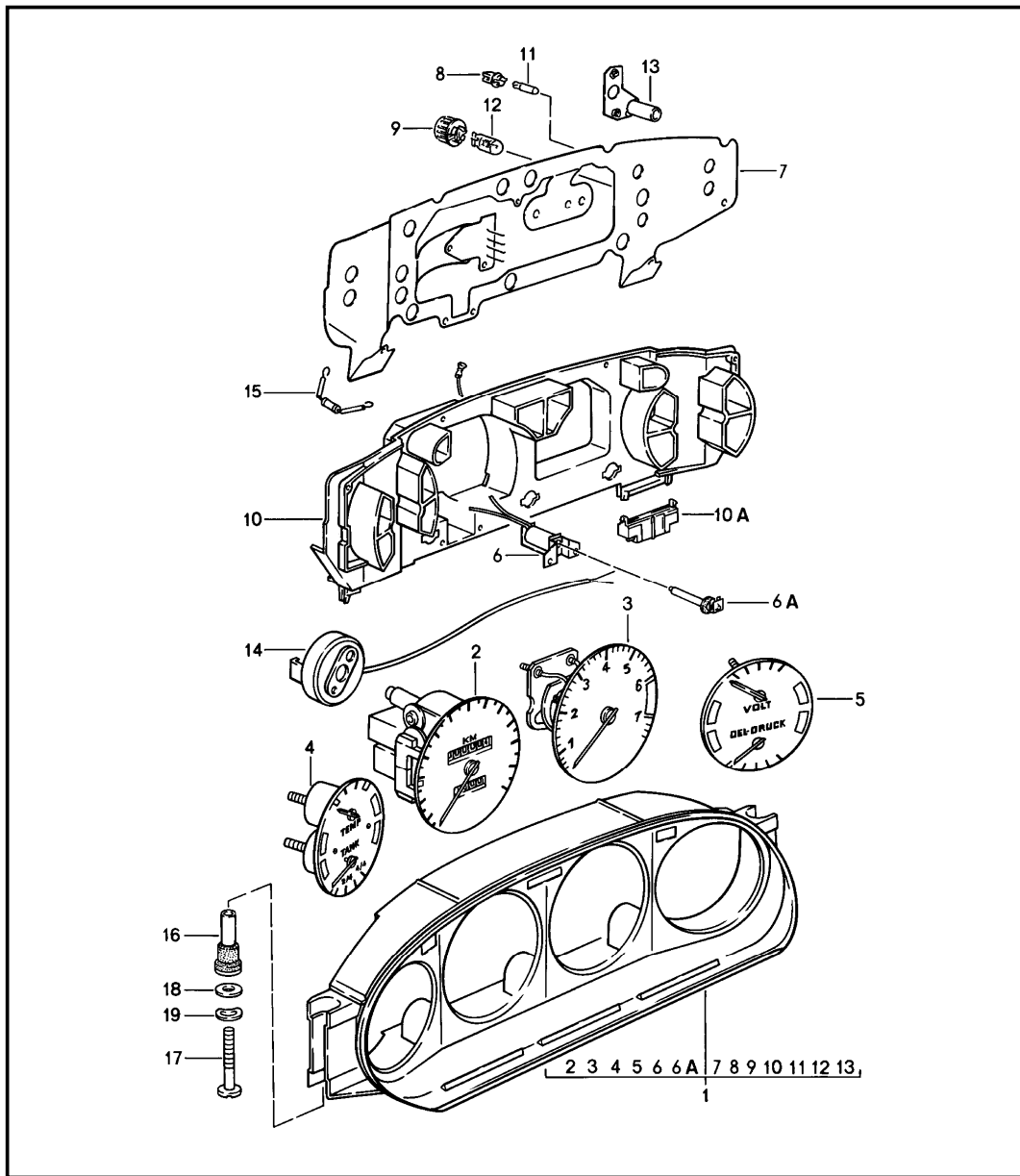
Pos	Part Number	Description	Remark	Qty	Model
		rear light			
1	928 631 931 02	rear light	/L	1	
(1)	928 631 932 02	rear light	/R	1	
2	928 631 933 02	lens	/L	1	
(2)	928 631 934 02	lens	/R	1	
2A	928 631 941 00	screw rear light		8	
4	928 631 439 00	washer		8	
5	900 910 009 02	lock nut		8	
6	900 631 127 90	bulb 12 V - 21 W		2	
6	999 631 114 90	bulb 12 V - 32 CP		6	
7	900 631 115 90	bulb 12 V - 10 W		2	
8	928 631 620 00	license plate light	/H	2	
9	900 631 105 90	bulb 12 V - 5 W		2	
10	900 145 044 07	tapping screw B 4,2 X 22		4	
11 A	928 631 935 02	rear fog light	/L	1	
(11)	928 631 935 02	rear fog light	/L	1	
(11) A	928 631 936 02	rear fog light	/R	1	
(11)	928 631 936 02	rear fog light	/R	1	
11A	928 631 943 00	screw		4	
12	N 012 006 4	lock ring B 6		2	
13	900 076 010 02	hexagon nut M 6		2	
14	900 631 127 90	bulb 12 V - 21 W		2	
-	113 971 935 D	push-on connector	-80	1	

Model	Year	MG	SG	Illustration	Restrictions	UPD	18:10	23.01.2010	PORSCHE	PET	PORSCHE
928	1982	9	05	905-15		248					



Pos	Part Number	Description	Remark	Qty	Model
		interior lights			
1	911 632 102 00	light		3	
2	900 631 106 90	linolite lamp 12 V - 10 W		3	
3	928 632 101 00	glove compartment light		1	
4	999 631 018 90	bulb		1	
7	928 632 105 00	engine compartment lamp		1	
8	900 631 115 90	bulb 12 V - 10 W		1	
9	N 013 970 5	tapping screw B 4,2 X 9,5		1	
9	N 106 568 02	tapping screw B 4,8 X 9,5		1	
10	964 613 601 00	door contact switch		2	
11	321 971 905	rubber sleeve		2	
12	900 031 001 60	washer		2	
13	964 613 601 00	door contact switch glove compartment		1	
14	928 613 119 00	door contact switch rear lid		1	
16	928 631 131 00	door guard light	80-	2	
17	900 631 120 90	bulb 12 V - 2 W	80-	2	
18	928 632 109 01	footwell light	80-	2	
(19)	900 631 106 90	linolite lamp 12 V - 10 W	80-	1	

Model	Year	MG	SG	Illustration	Restrictions	UPD	18:10	23.01.2010	PORSCHE	PET	PORSCHE
928	1982	9	06	906-00		248					



Pos	Part Number	Description	Remark	Qty	Model
1	928 641 114 30	instrument cluster	(AUS) (CDN)	1	
		instrument cluster	-78		
2 >	928 641 901 00	speedometer		1	
2	928 641 901 X	speedometer		1	
3	928 641 907 00	tachometer		1	
4	928 641 913 00	indicator - temperatur. - fuel gauge -		1	
5	928 641 919 00	indicator - volt - oil -		1	
(1)	928 641 101 30	instrument cluster	-78	1	
(2) >	928 641 901 00	speedometer		1	
(2)	928 641 901 X	speedometer		1	
(3)	928 641 907 00	tachometer		1	
(4)	928 641 909 00	indicator - temperatur. - fuel gauge -		1	
(5)	928 641 915 00	indicator - volt - oil -		1	
(1)	928 641 111 30	instrument cluster	(GB) -78	1	
(2)	928 641 903 00	speedometer		1	
(3)	928 641 907 00	tachometer		1	
(4)	928 641 913 00	indicator - temperatur. - fuel gauge -		1	
(5)	928 641 919 00	indicator - volt - oil -		1	
(1)	928 641 109 30	instrument cluster	(AUS) (CDN)	1	
			-81		
(2) A	928 641 967 00	speedometer		1	
(2)	928 641 967 00	speedometer		1	
(3) A	928 641 971 00	tachometer		1	
(3)	928 641 971 00	tachometer		1	
(4)	928 641 943 00	indicator - temperatur. - fuel gauge -		1	

Model	Year	MG	SG	Illustration	Restrictions	UPD	18:10	23.01.2010	PORSCHE	PET	PORSCHE
928	1982	9	06	906-00		248					

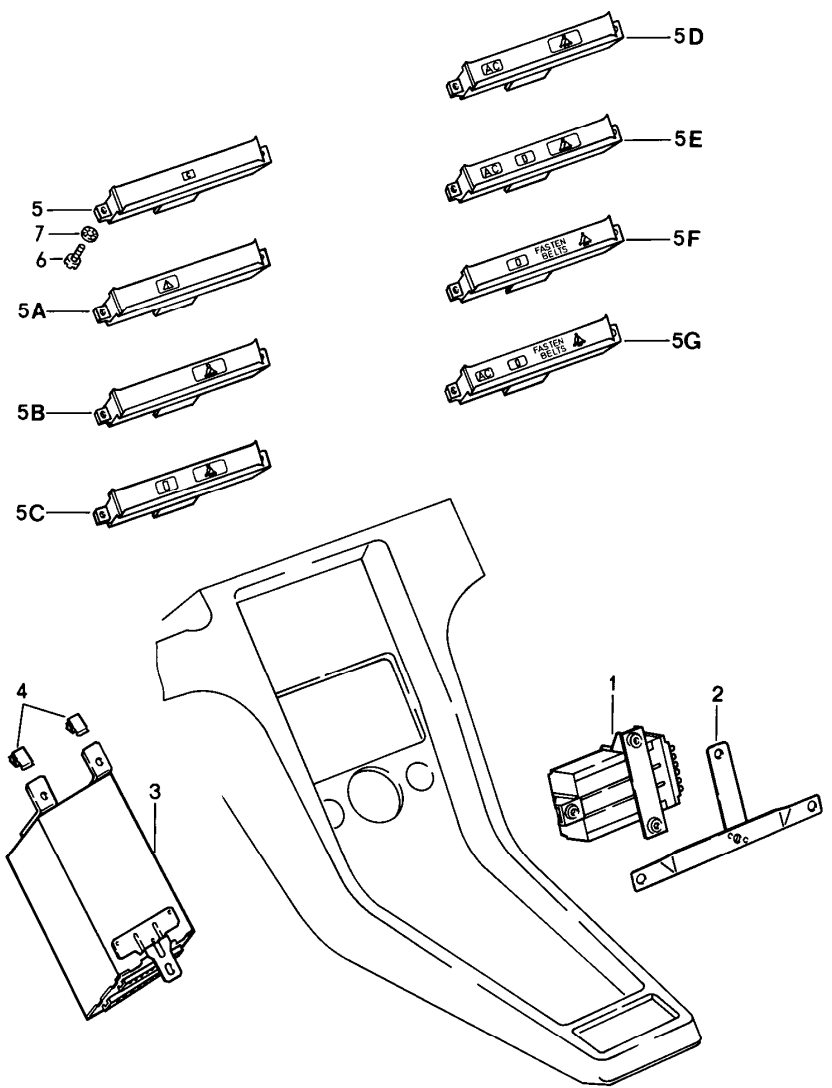
Pos	Part Number	Description	Remark	Qty	Model	Pos	Part Number	Description	Remark	Qty	Model
(5) A	928 641 941 00	indicator - volt - oil -		1		(2) A	928 641 967 00	speedometer		1	
(5)	928 641 955 00	indicator - volt - oil -		1		(2)	928 641 967 00	speedometer		1	
(1)	928 641 103 30	instrument cluster	-81	1	M489	(3) A	928 641 971 00	tachometer		1	
(2) A	928 641 967 00	speedometer		1		(3)	928 641 971 00	tachometer		1	
(2)	928 641 967 00	speedometer		1		(4)	928 641 949 00	indicator - temperat. - fuel gauge -		1	
(3) A	928 641 971 00	tachometer		1		(5)	928 641 947 00	indicator - volt - oil -	-80	1	
(3)	928 641 971 00	tachometer		1		(5)	928 641 962 00	indicator - volt - oil -	81	1	
(4)	928 641 933 00	indicator - temperat. - fuel gauge -		1		1	928 641 103 31	instrument cluster	82	1	M489
(5) A	928 641 961 00	display - volt - oil -	-80	1		2	928 641 967 00	speedometer		1	
(5)	928 641 961 00	indicator - volt - oil -		1		3	928 641 965 01	tachometer		1	
(1) A	928 641 105 30	instrument cluster	(GB)	79		4	928 641 933 00	indicator - temperat. - fuel gauge -		1	
2	928 641 951 00	speedometer		1		5	928 641 961 00	indicator - volt - oil -		1	
(3)	928 641 971 00	tachometer		1		1	928 641 104 31	instrument cluster	(F)	82	
(4)	928 641 943 00	indicator - temperat. - fuel gauge -		1		2	928 641 967 00	speedometer		1	
(5)	928 641 941 00	indicator - volt - oil -		1		3	928 641 965 01	tachometer		1	
(1)	928 641 116 30	instrument cluster	(GB)	-81		4	928 641 949 00	indicator - temperat. - fuel gauge -		1	
(2) A	928 641 957 00	speedometer		1		5	928 641 962 00	indicator - volt - oil -		1	
(2)	928 641 957 X	speedometer		1		1	928 641 114 31	instrument cluster	82	1	
(3) A	928 641 971 00	tachometer		1		2	928 641 967 00	speedometer		1	
(3)	928 641 971 00	tachometer		1		3	928 641 965 01	tachometer		1	
(4)	928 641 943 00	indicator - temperat. - fuel gauge -		1		4	928 641 943 00	indicator - temperat. - fuel gauge -		1	
(5) A	928 641 941 00	indicator - volt - oil -		1		5	928 641 963 00	indicator - volt - oil -		1	
(5)	928 641 955 00	indicator - volt - oil -		1		1	928 641 116 31	instrument cluster	(GB)	82	
(1)	928 641 104 30	instrument cluster	(F)	-81		2 >	928 641 957 00	speedometer		1	

Model	Year	MG	SG	Illustration	Restrictions	UPD	18:10	23.01.2010	PORSCHE	PET	PORSCHE
928	1982	9	06	906-00		248					

Pos	Part Number	Description	Remark	Qty	Model	Pos	Part Number	Description	Remark	Qty	Model
3	928 641 965 02	tachometer		1		13	928 641 958 00	printed circuit board with bulb		3	
4	928 641 943 00	indicator - temperat. - fuel gauge -		1				temperature gauge			
5	928 641 963 00	indicator - volt - oil -		1				fuel-level indicator			
6	928 641 921 00	solenoid coil trip meter		1		(13)	928 641 959 00	printed circuit board with bulb		1	
6A	928 641 960 00	zero adjustment shaft trip meter		1				oil pressure indicator			
7	928 641 923 00	printed circuit film	-78	1		14	928 606 210 00	pulse sender		1	
(7)	928 641 939 00	printed circuit film	-81	1		15	928 641 981 00	resistor for charging control indicator	82	1	
(7)	928 641 973 01	printed circuit film	82	1				for subsequent installat. for generator	-81		
(7)	928 641 973 01	printed circuit film	82	1				928 603 114 00			
8	999 631 301 90	bulb (1,2 WATT)		X		16	928 552 049 02	spacer sleeve		4	
9	928 641 927 00	bulb socket (3,0 W)		4		17	N 019 908 1	pan-head screw M 6 X 100		2	
10	928 641 929 00	plate	-78	1		18	N 011 524 7	washer A 6,4		2	
(10)	928 641 953 00	plate	-81	1		19	N 012 226 5	spring washer B 6		2	
(10)	928 641 968 00	plate consumption indicator	82	1				mounting parts pulse sender transmission			
10A	928 641 977 00	plug with guide for instrument cluster without consumption indicator		3		-	915 660 509 00	tensioning spring		1	
10A	928 641 975 00	plug with guide for instrument cluster with consumption indicator	82	3		-	900 025 014 02	washer		1	
						-	900 075 010 02	hexagon-head bolt		1	
						-	999 651 158 02	cable holder		1	
11	900 631 129 90	bulb 12 V-1,2 W		19		-	928 606 305 00	retaining bracket		1	
11	999 631 301 90	bulb 12 V-1,2 W		19		-	999 651 163 40	cable clamp		1	
12	900 631 019 90	glass-base bulb 12 V-3 W		4							

Model	Year	MG	SG	Illustration	Restrictions	UPD	18:10	23.01.2010	PORSCHE	PET	PORSCHE
928	1982	9	06	906-05		248					

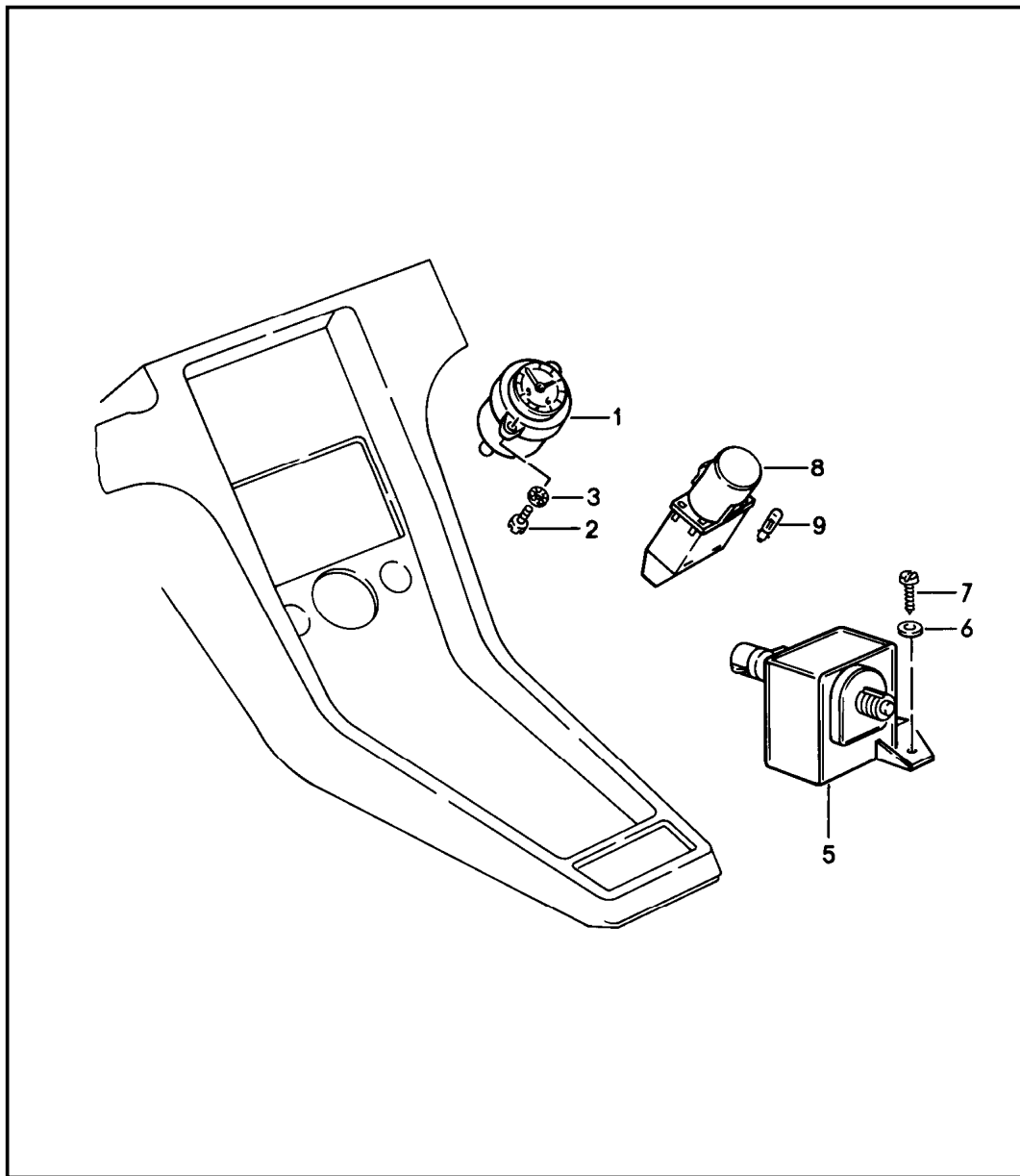
Pos	Part Number	Description	Remark	Qty	Model
1	928 641 603 02	central indicator		1	
-	928 612 423 00	bulb controlling device		1	
2	927 641 607 00	connector housing 12-pole		1	
(2)	928 641 607 01	support	/LL	80-	1
(2)	927 641 607 00	support	/RL	80-	1
3	928 641 602 01	support		1	
4	999 591 470 02	central indicator	/RL	2	
5	928 641 604 00	cable clamp		1	M489
(5)	928 641 605 00	display	-78	1	
5A	928 641 609 00	display	-78	1	
5B	928 641 609 02	keypad with warning light for seat belt automatic air conditioner	79	1	
5C	928 641 609 03	keypad with warning light for seat belt with key for central indicator automatic air conditioner	80-	1	
5D	928 641 609 04	keypad with warning light for seat belt air conditioner manually	80-	1	M573



Model	Year	MG	SG	Illustration	Restrictions	UPD	18:10	23.01.2010	PORSCHE	PET	PORSCHE
928	1982	9	06	906-05		248					

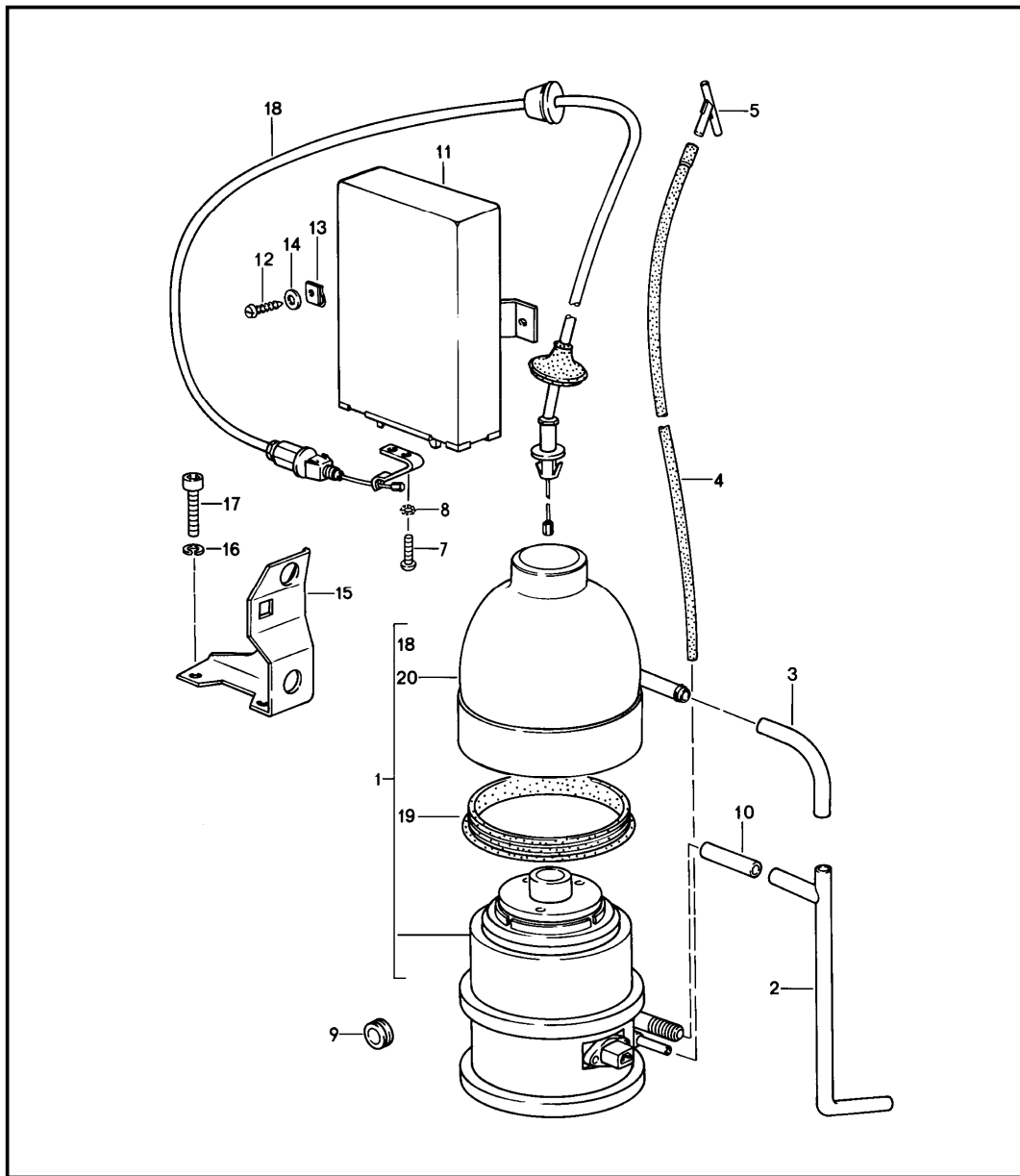
Pos	Part Number	Description	Remark	Qty	Model	Pos	Part Number	Description	Remark	Qty	Model
5E	928 641 609 05	keypad with warning light for seat belt key central indicator air conditioner manually	-81	1	M573						
6	900 146 032 02	oval-head screw AM 3,5 X 10		2							
7	900 114 015 01	shake-proof washer		2							
-	928 641 610 00	adapter for cars without bulb controlling device	80-	1							
-	928 641 601 01	adapter for cars without central indicator	80-	1							
- A	928 641 601 01	adapter for cars without central indicator		1							

Model	Year	MG	SG	Illustration	Restrictions	UPD	18:11	23.01.2010	PORSCHE	PET	PORSCHE
928	1982	9	06	906-10		248					



Pos	Part Number	Description	Remark	Qty	Model
		instruments centre console			
1	928 641 701 00	clock		1	
2	900 146 032 02	oval-head screw AM 3,5 X 10		2	
3	900 114 015 01	shake-proof washer		2	
8	928 632 013 02	double indicator light	-79	1	M489
(8)	928 632 013 03	double indicator light	-79	1	
(8)	928 632 013 06	double indicator light	(F) -79	1	
9	900 631 129 90	bulb 12 V - 1,2 W	-79	1	

Model	Year	MG	SG	Illustration	Restrictions	UPD	18:11	23.01.2010	PORSCHE	PET	PORSCHE
928	1982	9	07	907-00		248					



Pos	Part Number	Description	Remark	Qty	Model
1	928 617 121 00	cruise control drive link brake booster \$ 9"		1	
(1)	928 617 121 01	drive link brake booster \$ 10"		1	
2	928 617 124 00	breather pipe		1	
3	928 617 123 00	connecting piece		1	
4	928 574 710 08	vacuum line		1	
5	928 574 678 02	y-piece		1	
7	900 146 005 02	oval-head screw		2	
8	900 114 018 01	shake-proof washer		2	
9	021 119 569 A	rubber sleeve		1	
-	N 020 359 1	hose		*	
10	-	48 MM		1	
11	928 617 127 00	cruise control regulator		1	
12	900 187 013 02	tapping screw 4,2 X 13		2	
13	N 015 429 2	speed nut		2	
14	900 151 001 02	washer		2	
15	928 110 196 02	support		1	
16	N 012 226 5	spring washer		2	
17	N 014 740 2	pan-head screw M 6 X 16		2	
18	928 617 901 00	bowden cable		1	
19	928 617 902 00	gasket		1	
20	928 617 903 00	protection cap		1	

Model	Year	MG	SG	Illustration	Restrictions	UPD	18:11	23.01.2010
928	1982	9	98	998-00R		248		

Pos	Part Number	Description	Remark	Qty	Model
		repair kits			
>>	>>928 603 904 00	set of fastening parts for pulley generator 928.603.114.00 comprising: nut SW 24 washer thrust washer woodruff key PVC-ROHR		X	
		rear window wiper for subsequent installation		1	
				1	
				1	
				1	
				1	
>>	>>928 628 903 00	installation set comprising:	80-	X	
-	928 628 070 02	assembly frame		1	
-	928 628 403 02	wiper motor		1	
-	928 628 307 02	wiper bearing engine bracket		1	
				1	
-	928 628 202 02	joint rod		1	
-	928 628 309 02	wiper bearing		1	
-	928 628 325 01	bush		1	
-	928 628 326 01	bush spring washer B 8		1	
				2	
-	900 114 002 02	shake-proof washer 6,4		3	
-	900 076 025 02	hexagon nut M 8		2	
-	900 076 010 02	hexagon nut M 6		3	
-	477 955 427 C	wiper blade		1	
-	999 591 564 40	expansion rivet sealing ring		6	
				2	
-	928 618 104 00	relay		1	
-	928 613 129 03	tip switch		1	
-	928 613 123 04	display specimen pan-head screw M 6 X 15		1	
				1	

PORSCHE

PET

PORSCHE

Model	Year	MG	SG	Illustration	Restrictions	UPD	18:11	23.01.2010
928	1982	9	98	998-00R		248		

Pos	Part Number	Description	Remark	Qty	Model
-	900 119 014 02	pan-head screw M 6 X 20		2	
-	900 910 009 02	lock nut M 5 flat connector		1	
-	900 151 006 09	washer B 6,4		1	
-				6	

M000 ! SUMMARY OF OPTIONAL EXTRAS "M"
M020 SPEEDOMETER WITH TWO SCALES MPH-KM/H
M026 WITH ACTIVATED CHARCOAL CANISTER
M027 VERSION FOR CALIFORNIA
M034 VERSION FOR ITALY
M058 IMPACT ABSORBERS FRONT AND REAR
M062 VERSION FOR SWEDEN
M113 VERSION FOR CANADA
M124 VERSION FOR FRANCE
M157 EXHAUST GAS RECIRCULATION,
M157 AIR PUMP AND CATALYST -79
M157 THREE-BED CATALYST,
M157 OXYGEN SENSOR, L-JETRONIC 80
M157 AIR PUMP, THREE-BED CATALYST,
M157 OXYGEN SENSOR, CENTRAL COLD
M157 START INJECTION, L-JETRONIC 81-
M186 SEAT BELT FOR BACK SEATS
M187 HEADLAMPS WITH SEALED-BEAM
M187 INSERT "ASYMMETRIC"
M190 INCREASED SIDE DOOR STRENGTH
M193 VERSION FOR JAPAN
M197 STRONGER BATTERY
M220 LOCKING DIFFERENTIAL 40 %
M249 AUTOMATIC TRANSMISSION
M261 OUTSIDE MIRROR - PLAIN - PASSENGER'S SIDE,
M261 ELECTRICALLY ADJUSTABLE AND HEATABLE
M406 928 S - ANNIVERSARY CAR 82
M406
M406 CONSTRUCTIONS"
M406 LACQUER: METEORMETALLIC
M406 INTERIOR EQUIPMENT: BURGUNDY
M409 SPORT SEATS, LEATHER
M410 SPORT SEATS, SEAT AND BACKREST SURFACE
M410 CLOTH/LEATHERETTE
M418 SIDE PROTECTION MOLDINGS
M437 COMFORT SEAT LEFT,
M437 ELECTRICALLY ADJUSTABLE
M438 COMFORT SEAT RIGHT,
M438 ELECTRICALLY ADJUSTABLE
M462 928 - SPECIAL MODEL 82
M462 WEISSACH
M462 LACQUER: HELLBRONCE-METALLIC
M462 INTERIOR EQUIPMENT: LEATHER-
M462 MEDIUM BROWN
M467 OUTSIDE MIRROR FOR DRIVER'S SIDE, CONVEX,
M467 ELECTRICALLY HEATABLE AND ADJUSTABLE
M473 WITH FRONT SPOILER AND REAR SPOILER
M474 SHOCK ABSORBER (SPORTING) FRONT AND REAR
M479 VERSION FOR AUSTRALIA
M484 SYMBOLS AND INSIGNIAS
M484 FOR SWITCHES AND INSTRUMENTS

M489	SWITCHES AND INSIGNIAS IN GERMAN LANGUAGE
M492	FOR LEFT-HAND TRAFFIC
M494	ADDITIONAL AMPLIFIER
M528	OUTER REAR VIEW MIRROR FOR PASSENGER'S SIDE
M528	- CONVEX - ELECTRICALLY HEATABLE AND ADJUSTABLE
M533	ANTI-THEFT DEVICE
M553	VERSION FOR USA, CANADA
M563	AIRBAG - PASSENGER'S SIDE
M568	TINTED SIDE GLASSES AND TINTED WINDSHIELD
M573	AIR CONDITIONER
M650	ELECTRICAL SLIDING ROOF
M981	LEATHER EQUIPMENT

Model	Year	MG	SG	Illustration	VIN No.	Update	15:00	01.09.2008
928	82					230		

EQUIPMENT BY COUNTRY REGULATIONS

=====

(A) AUSTRIA
(AG) THE GULF STATES
(AUS) AUSTRALIA

(B) BELGIUM

(CDN) CANADA

(CH) SWITZERLAND

(D) FEDERAL REPUBLIC OF GERMANY

(DK) DENMARK

(E) SPAIN

(F) FRANCE

(GB) GREAT BRITAIN

(GR) GREECE

(HK) HONGKONG

(I) ITALY

(J) JAPAN

(L) LUXEMBURG

Model	Year	MG	SG	Illustration	VIN No.	Update		
928	82					230	15:00	01.09.2008

(N) NORWAY

(NL) NETHERLANDS

(NS) NEW ZEALAND

(P) PORTUGAL

(RC) TAIWAN

(S) SWEDEN

(SA) SAUDI ARABIA

(SF) FINLAND

(USA) UNITED STATES OF AMERICA

Model	Year	MG	SG	Illustration	VIN No.	Update	15:00	01.09.2008
928	82					230		

LEGENDS AND NOTICES

=====

IN COLUMN -S- STATUS

- N NEW ADDITION

- P PART ALREADY IN PROGRAMME, BUT NEW
AT THIS APPLICATION

- W DELETED AT THIS APPLICATION, BUT CONTINUED
TO BE CARRIED

- A STOCK TO BE USED UP

- U DELETED WITHOUT REPLACEMENT

- * PART ALSO OR ONLY AVAILABLE
IN REPAIR KIT

- > ALSO AVAILABLE IN EXCHANGE

IN COLUMN - ILL. -

- 1 IDENTIFICATION NO. IN ILLUSTRATION

- (1) PART ONLY SIMILAR AS ILLUSTRATED

- PART IS NOT ILLUSTRATED

Model	Year	MG	SG	Illustration	VIN No.	Update	15:00	01.09.2008
928	82					230		

FIG.-NUMBERS FOR WHICH THERE IS SHOWN NO TEXT ARE
NOT VALID FOR THIS EDITION OF CATALOGUE

IN COLUMN -PART NUMBER/CODE-

000 000 000 00 PART NUMBER EQUALS ORDERING NO., IF A CODE IS
SHOWN, IT WILL HAVE TO BE PART OF ORDERING
NUMBER

AC3 COLOUR CODE

IN COLUMN -TEXT

INSTALLATION WIRH ENGINE OR CHASSIS
NUMBER-RANGE

EXAMPLE:

M 28C 01291 >> FROM ENGINE NO.

F >> 92 CS84 01291 UP TO VIN

Model 928	Year 82	MG	SG	Illustration	VIN No.	Update 230	15:00	01.09.2008
--------------	------------	----	----	--------------	---------	---------------	-------	------------

		TRANSM.			
VEHICLE TYPE	TYPE	MY	TRANSMISSION NO.	TECHNICAL DATA	
928	G28.03	78 8	118 0001>>	5-SPEED	
928 M249	A22.01	78 8	168 0001>>	3-SPEED	
928 (USA) (CDN) (J)	A22.02	78 8	168 1001>>	3-SPEED	
928	G28.03	79 9	119 0001>>	5-SPEED	
928 M249	A28.01	79 9	169 0001>>	3-SPEED	
928 (USA) (CDN) (J)	A22.02	79 9	169 3001>>	3-SPEED	
928	G28.03	80 A	11 00001>05000	5-SPEED	
928	G28.05	80 A	11 05001>09999	5-SPEED	
928 M249	A22.01	80 A	16 00001>03000	3-SPEED	
928 S	G28.05	80 A	11 05001>09999	5-SPEED	
928 S M249	A22.04	80 A	16 00001>03000	3-SPEED	
928	G28.05	81 B	11 10001>19999	5-SPEED	
928 M249	A22.01	81 B	16 10001>15000	3-SPEED	
928 S M249	A22.04	81 B	16 15001>19999	3-SPEED	
928 M249 (USA) (CDN) (J)	A22.01	81 B	16 10001>15000	3-SPEED	
928	G28.09	82 C	11C 0001>9999	5-SPEED	
928 M249	A22.01	82 C	16C 0001>5000	3-SPEED	
928 S	G28.05	82 C	11C 0001>9999	5-SPEED	
928 S M249	A22.04	82 C	16C 5001>9999	3-SPEED	

Model	Year	MG	SG	Illustration	VIN No.	Update		
928	82					230	14:59	01.09.2008

```

MODEL YEAR-----+          !
                                     !
SERIAL NUMBER-----+

SHORT TRANSMISSION NO.=====> PORSCHE-TRANSMISSION-TYPE
=====
722 270 03 01 722 005 0. . . . . =A22.01
                                I_____I
                                V
SHORT TRANSMISSION NO.          V
=====                          V
                                V_____V
DIGIT:           1      2 3 4   5 6 7
EXAMPLE:         A      0 0 6   0 0 7
                =      =====
                !          !
TRANSMISSION TYPE----+          !
                                     !
SERIAL NUMBER-----+

```

Model 928	Year 82	MG	SG	Illustration	VIN No.	Update 230	14:59	01.09.2008
--------------	------------	----	----	--------------	---------	---------------	-------	------------

		ENGINE			
VEHICLE TYPE		TYPE	MY	ENGINE NO.	TECHNICAL DATA
928		M28.01	78 8	818 0001>9000	8ZYL/4,5L/177KW
928 M249		M28.02	78 8	818 9001>9999	8ZYL/4,5L/177KW
928 (USA) (CDN) (J)		M28.03	78 8	828 0001>9000	8ZYL/4,5L/169KW
928 M249 (USA) (CDN) (J)		M28.04	78 8	828 9001>9999	8ZYL/4,5L/169KW
928		M28.01	79 9	819 0001>5000	8ZYL/4,5L/177KW
928 M249		M28.02	79 9	819 5001>9999	8ZYL/4,5L/177KW
928 (USA) (CDN) (J)		M28.03	79 9	829 0001>5000	8ZYL/4,5L/169KW
928 M249 (USA) (CDN) (J)		M28.04	79 9	829 5001>9999	8ZYL/4,5L/169KW
928		M28.09	80 A	800 0001>5000	8ZYL/4,5L/177KW
928 M249		M28.10	80 A	800 5001>5999	8ZYL/4,5L/177KW
928 S		M28.11	80 A	820 0001>1000	8ZYL/4,7L/221KW
928 S M249		M28.12	80 A	820 5001>6000	8ZYL/4,7L/221KW
928 (USA) (CDN) (J)		M28.13	80 A	810 0001>5000	8ZYL/4,5L/170KW
928 M249 (USA) (CDN) (J)		M28.14	80 A	810 5001>9999	8ZYL/4,5L/170KW
928		M28.09	81 B	801 0001>5000	8ZYL/4,5L/177KW
928 M249		M28.10	81 B	801 5001>8000	8ZYL/4,5L/177KW
928 S		M28.11	81 B	821 0001>5000	8ZYL/4,7L/221KW
928 S M249		M28.12	81 B	821 5001>8000	8ZYL/4,7L/221KW
928 (USA) (CDN)		M28.15	81 B	811 0001>5000	8ZYL/4,5L/170KW
928 M249 (USA) (CDN)		M28.16	81 B	811 5001>8000	8ZYL/4,5L/170KW
928 (J)		M28.17	81 B	801 8001>9000	8ZYL/4,5L/170KW
928 M249 (J)		M28.18	81 B	801 9001>9999	8ZYL/4,5L/170KW
928		M28.09	82 C	80C 0001>5000	8ZYL/4,5L/177KW
928 M249		M28.10	82 C	80C 5001>8000	8ZYL/4,5L/177KW
928 S		M28.11	82 C	82C 0001>5000	8ZYL/4,7L/221KW
928 S M249		M28.12	82 C	82C 5001>8000	8ZYL/4,7L/221KW

Model	Year	MG	SG	Illustration	VIN No.	Update		
928	82					230	14:59	01.09.2008

928 (USA) (CDN)				M28.15	82 C 81C 0001>5000	8ZYL/4,5L/170KW		
928 M249 (USA) (CDN)				M28.16	82 C 81C 5001>8000	8ZYL/4,5L/170KW		
928 (J)				M28.17	82 C 80C 8001>9000	8ZYL/4,5L/170KW		
928 M249 (J)				M28.18	82 C 80C 9001>9999	8ZYL/4,5L/170KW		

Model	Year	MG	SG	Illustration	VIN No.	Update		
928	82					230	14:59	01.09.2008

ENGINE VERSION-----+ !	!
	!
MODEL YEAR-----+	!
	!
SERIAL NUMBER-----+	

Model	Year	MG	SG	Illustration	VIN No.	Update		
928	82					230	14:59	01.09.2008

VEHICLE TYPE	MY	VIN	ENGINE TYPE
928	78 8	92881 00001>>	M28.01/02 177KW
928 (USA) (CDN)	78 8	92882 00001>09500	M28.03/04 169KW
928 (J)	78 8	92882 09501>>	M28.03/04 169KW
928	79 9	92891 00001>>	M28.01/02 177KW
928 (USA) (CDN)	79 9	92892 00001>09500	M28.03/04 169KW
928 (J)	79 9	92892 09501>>	M28.03/04 169KW
928	80 A	92A08 00001>05000	M28.09/10 177KW
928 S	80 A	92A08 20001>25000	M28.11/12 221KW
928 (USA) (CDN)	80 A	92A08 10001>15000	M28.13/14 170KW
928 (J)	80 A	92A08 00001>05000	M28.13/14 170KW
928	81 B	92BS8 00001>05000	M28.09/10 177KW
928 S	81 B	92BS8 40001>45000	M28.11/12 221KW
928 (USA) (CDN)	81 B	92BS8 20001>25000	M28.15/16 170KW
928 (J)	81 B	92BS8 29500>29999	M28.17/18 170KW
928	82 C	92CS8 00001>05000	M28.09/10 177KW
928 S	82 C	92CS8 40001>45000	M28.11/12 221KW
928 (USA) (CDN)	82 C	92CS8 20001>25000	M28.15/16 170KW
928 (J)	82 C	92CS8 09501>09999	M28.17/18 170KW

Model	Year	MG	SG	Illustration	VIN No.	Update	14:59	01.09.2008
928	82					230		

EXPLANATION OF THE ABRIDGED VERSION OF THE VEHICLE IDENT. NUMBERS (VIN)

=====

USED IN THE CATALOGUE

=====

--->MOD.79

=====

DIGIT: 1 2 3 4 5 6 7 8 9 10

EXAMPLE: 9 2 8 9 1 0 0 2 5 3

===== = = =====

! ! ! !

VEHICLE TYPE-----+ ! ! !

! ! !

MODEL YEAR-----+ ! !

! !

CODE FOR BODY AND ENGINE-----+ !

!

SERIAL NUMBER-----+

MOD.80--->

=====

DIGIT: 1 2 3 4 5 6 7 8 9 10 11 12 13 14 15 16 17

EXAMPLE: W P O Z Z Z 9 2 Z C S 8 0 0 3 1 6

=== = = = =====

Model	Year	MG	SG	Illustration	VIN No.	Update		
928	82					230	14:59	01.09.2008

	!	!	!	!	!			
VEHICLE TYPE 1ST+2ND DIGIT-----+	!	!	!	!	!			
	!	!	!	!	!			
MODEL YEAR-----+	!	!	!	!	!			
	!	!	!	!	!			
MANUFACTURING LOCATION-----+	!	!	!	!	!			
	!	!	!	!	!			
VEHICLE TYPE 3RD DIGIT-----+	!	!	!	!	!			
	!	!	!	!	!			
SERIAL NUMBER-----+	!	!	!	!	!			

Model	Year	MG	SG	Illustration	VIN No.	Update		
928	82					230	14:59	01.09.2008

THIS PARTS CATALOGUE CONTAINS ALL ORDER INFORMATION OF
TYPE 928 FROM MODEL YEAR 1978 TO MODEL YEAR 1982

IT IS AVAILABLE IN TWO EDITIONS IN THE FOLLOWING LANGUAGES:

EDITION

USA, CANADA - *

EDITION

ALL OTHER COUNTRIES - GERMAN

* - ENGLISH

- FRENCH

- ITALIAN

- SPANISH

UPDATING IS BEING PERFORMED BY CHANGING OF UPDATE.

THE EDITION CAN BE RECOGNIZED BY THE CURRENT NO.
YEAR IN THE BOTTOM LINE OF SUBJECT UPDATE.

THE PREVIOUS UPDATE SHOULD NO LONGER BE USED.

ALL ILLUSTRATIONS ARE SUBJECT TO CHANGE WITHOUT OBLIGATION.

Model	Year	MG	SG	Illustration	VIN No.	Update		
928	82					230	14:59	01.09.2008

"WE RESERVE THE RIGHT TO SUPPLY A SUBSEQUENTLY
PRODUCED COMPONENT, ON WHICH ADDITIONAL WORK
IS NECESSARY, INSTEAD OF THE COMPONENT LISTED IN
THE CATALOGUE"