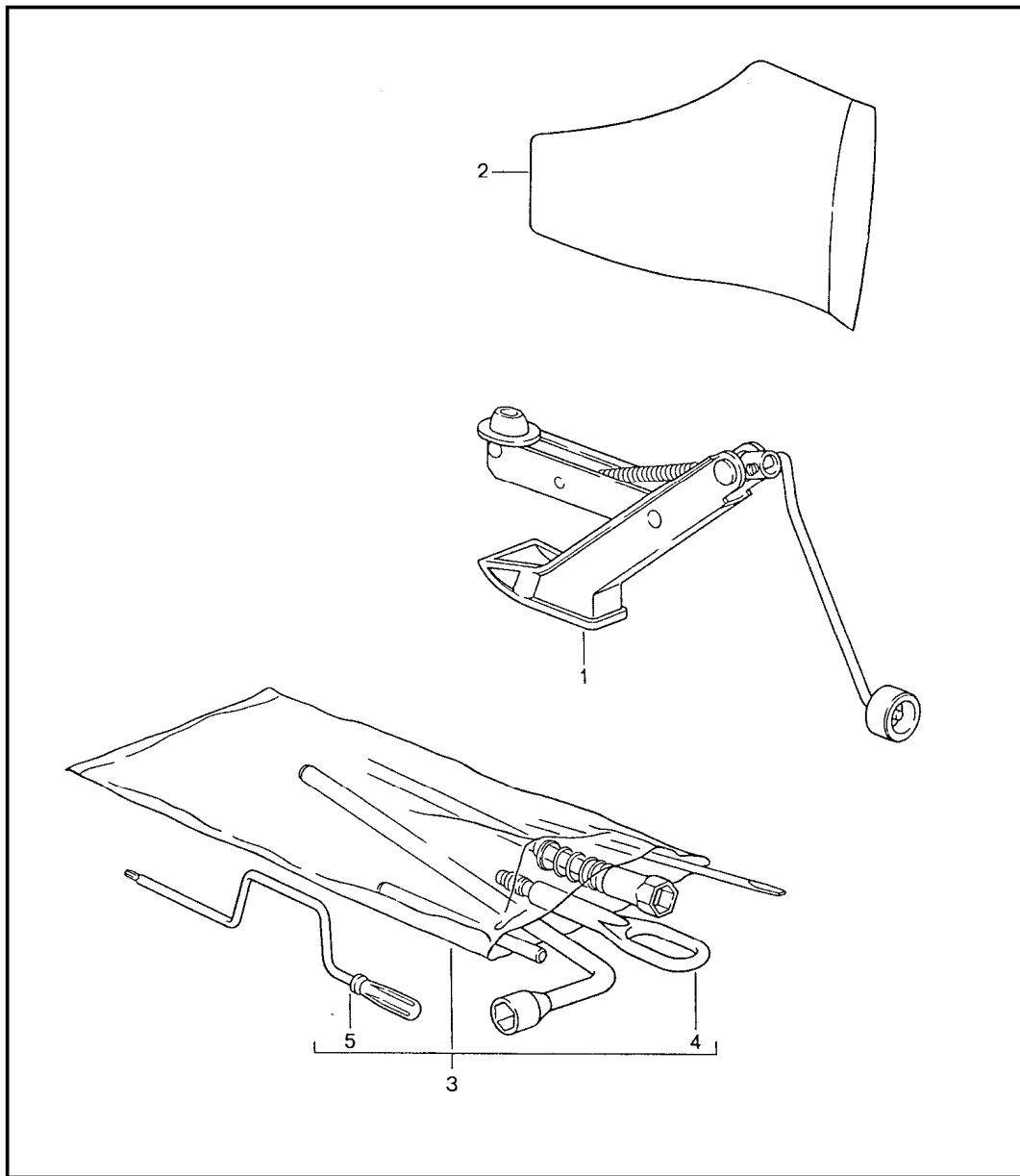
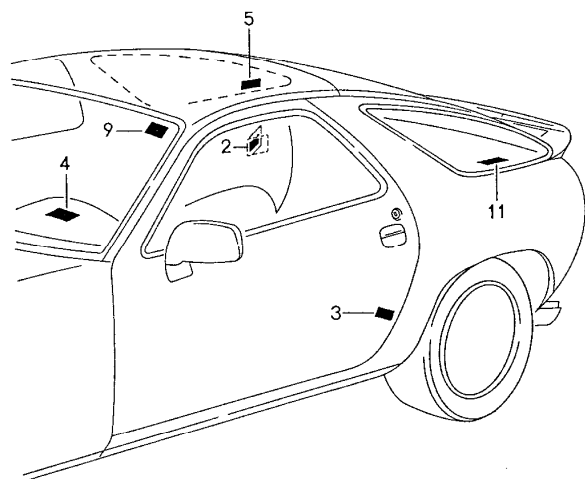
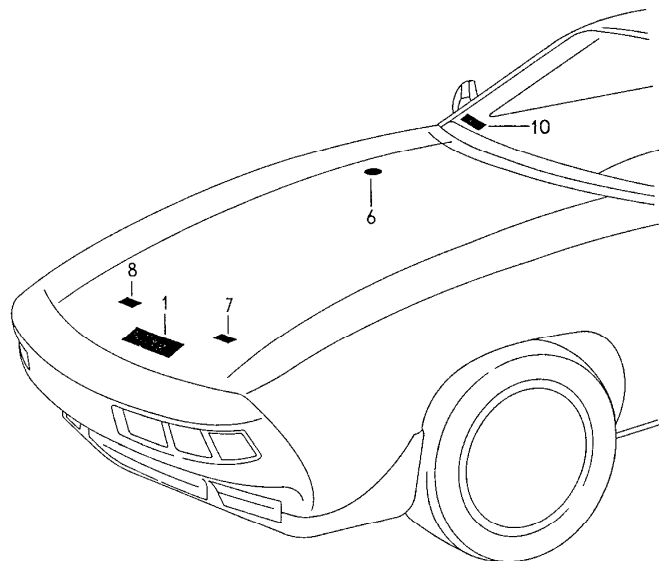


Model	Year	MG	SG	Illustration	Restrictions	UPD	19:10	23.01.2010	PORSCHE	PET	PORSCHE
928	1991	0	01	001-00		248					



Pos	Part Number	Description	Remark	Qty	Model
1	928 721 011 03	tool jack		1	
(1)	000 721 711 01	jack	(AUS)	1	
2	928 551 093 02	bag for jack		1	
3	-	tool set comprising:		1	
-	477 012 233	spark plug wrench		1	
-	999 571 045 02	rim wrench		1	
-	999 195 011 02	double-end spanner 8 X 9		1	
-	999 195 012 02	double-end spanner 10 X 11		1	
-	999 195 013 02	double-end spanner 12 X 13		1	
-	999 195 014 02	double-end spanner 14 X 15		1	
-	999 195 015 02	double-end spanner 17 X 19		1	
-	911 721 107 02	screwdriver		1	
-	911 721 107 02	screwdriver for cross-recess screw		1	
-	911 721 107 02	screwdriver for slotted screw		1	
-	999 107 006 02	universal pliers		1	
4	928 722 101 05	towing lug		X	
5	928 521 907 02	crank		1	
6	911 721 237 00	intermediate piece for emergency control power windows		1	

Model	Year	MG	SG	Illustration	Restrictions	UPD	19:11	23.01.2010	PORSCHE	PET	PORSCHE
928	1991	0	01	001-05		248					



Pos	Part Number	Description	Remark	Qty	Model
		stickers			
1	928 006 101 53	sticker engine specifications	(S)	87	1
(1)	928 006 101 53	sticker engine specifications	(S)	88	1
(1)	928 006 101 59	sticker engine specifications	(S)	89	1
(1)	928 006 101 71	sticker engine specifications	(S)	90-	1 M249
(1)	928 006 101 72	sticker engine specifications	(S)	90-	1 M481
(1)	928 006 101 54	sticker engine specifications	(AUS)	87	1
(1)	928 006 101 54	sticker engine specifications	(AUS)	88	1
(1)	928 006 101 60	sticker engine specifications	(AUS)	89	1
(1)	928 006 119 05	sticker engine specifications	(CH)		1
2	928 006 117 07	sticker octane rating	(S)	87	1
(2)	928 006 117 07	sticker octane rating	(S)	88-	1
(2)	928 006 117 03	sticker type of fuel	(A) (CH) (NL)		1 M298/299
		unleaded			
(2) U	928 701 117 12	sticker type of fuel	(F)	90-	1
(2) U	928 701 117 10	sticker type of fuel	(I)	90-	1
(2) U	928 701 117 11	sticker type of fuel	(E)	90-	1
(2) U	928 701 117 08	sticker type of fuel	(GB)	90-	1
(2)	928 006 117 01	sticker required octane number leaded fuel	(D) (NL)		1

Model	Year	MG	SG	Illustration	Restrictions	UPD	19:11	23.01.2010	PORSCHE	PET	PORSCHE
928	1991	0	01	001-05		248					

Pos	Part Number	Description	Remark	Qty	Model	Pos	Part Number	Description	Remark	Qty	Model
(2)	928 006 101 79	sticker engine specifications	(AUS) 90-	1	M249	-	928 701 173 03	sticker unleaded EUROSUPER	(B) (F) (L) -89	1	
(2)	928 006 101 80	sticker engine specifications	(AUS) 90-	1	M481						
(2)	930 701 203 01	sticker required octane number	(J)	1		(4)	928 701 173 06	sticker unleaded	(S) 90-	1	
(2)	928 006 518 01	sticker tyre pressure		-88	1	(4)	944 701 210 02	sticker unleaded EUROSUPER	(A) (NL) (S) -89 (D) (D)	1	
(2)	928 006 516 02	sticker tyre pressure	(AUS) -88	1		5	477 000 258	sticker unleaded	(AUS) (J)	1	
(2)	928 701 287 05	sticker for tyre pressure monitoring		89-	1	(5)	944 701 201 03	sticker unleaded	(A) (NL) (S) (D)	1	
(2)	928 701 287 06	sticker for tyre pressure monitoring	(GB) 89-	1		(5)	928 701 171 02	sticker unleaded	(B) (F) (L)	1	
(2)	928 701 287 07	sticker for tyre pressure monitoring	(F) 89-	1		(5)	944 701 201 05	sticker unleaded	(S)	1	
(2)	928 701 287 08	sticker for tyre pressure monitoring	(J) 89-	1		6	928 006 511 01	sticker coolant		1	
(2)	928 701 287 09	sticker for tyre pressure monitoring	(E) 89-	1		6	928 006 511 00	sticker coolant	(F)	1	
(2)	928 701 287 11	sticker for tyre pressure monitoring	(AUS) 89	1		7	964 701 163 00	sticker high voltage		1	
(2)	928 701 287 12	sticker for tyre pressure monitoring	(AUS) 89	1	M639	(7)	928 006 105 03	sticker firing order		1	
(2)	928 701 287 11	sticker tyre pressure monitoring	(AUS) 90-	1	M395	8	928 006 101 54	sticker engine specifications	(AUS) -89	1	
(2)	928 701 287 13	sticker tyre pressure monitoring	(AUS) 90-	1	M400	9	928 701 102 02	indication sticker sekuriflex	(A) (NL) (S) -90 (CH) (D)	1	
(2)	928 006 117 04	sticker required octane number	(AUS) -89	1		(9)	928 701 102 06	indication sticker sekuriflex	(GB) -90 (J)	1	(SA) (AUS)
4	928 701 173 02	sticker unleaded	(AUS) (J)	1		(9)	928 701 102 03	indication sticker sekuriflex	(F) -90	1	
(4)	928 701 173 04	sticker unleaded	(S) -89	1		(9)	928 701 102 04	indication sticker sekuriflex	(I) -90	1	
						(9)	928 701 102 05	indication sticker sekuriflex	(E) -90	1	

Model	Year	MG	SG	Illustration	Restrictions	UPD	19:11	23.01.2010	PORSCHE	PET	PORSCHE
928	1991	0	01	001-05		248					

Pos	Part Number	Description	Remark	Qty	Model	Pos	Part Number	Description	Remark	Qty	Model
11	911 701 250 00	sticker alarm system		1							

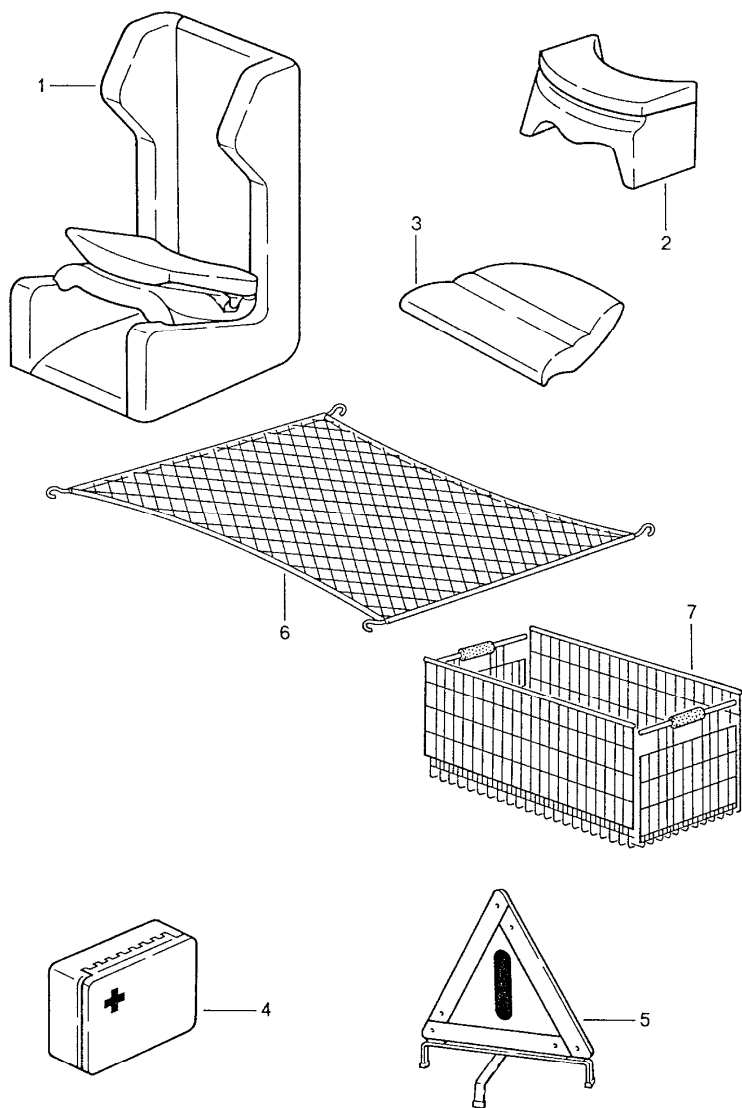
Model	Year	MG	SG	Illustration	Restrictions	UPD	19:11	23.01.2010	PORSCHE	PET	PORSCHE
928	1991	0	02	002-00		248					

Pos	Part Number	Description	Remark	Qty	Model
		accessories			
		widening of track for rear axle see technical information GR.X 5			
1	477 501 701	spacer tube 21 MM		2	
2	901 331 671 01	wheel bolt		10	
3	928 361 047 03	wheel nut 1 set lockable		1	
3A	928 361 310 00	cap wheel nut		X	
3B	928 361 306 03	wheel nut lockable without lock		4	
		snow chains			
5	911 361 909 00	snow chains RINGMATIC for tyre 185/70 R 15 215/60 R 15 205/55 R 16 225/50 R 16		1	
		trailer coupling with electric installation set			
6	928 722 003 00	trailer coupling with electric installation set		1	
6A	928 612 905 01	electric installation set	85-	1	
7	928 731 051 02	outside mirror for caravan	/L	1	
(7)	928 731 052 02	outside mirror for caravan	/R	1	
-	911 361 510 03	small electric compressor		1	
-	911 722 201 02	tyre pressure gauge		1	
		vertical pedal adjustment see group 7/02/00 + 7/02/05			
-	000 043 079 00	floor mat rubber set front		1	

Model	Year	MG	SG	Illustration	Restrictions	UPD	19:11	23.01.2010	PORSCHE	PET	PORSCHE
928	1991	0	02	002-00		248					

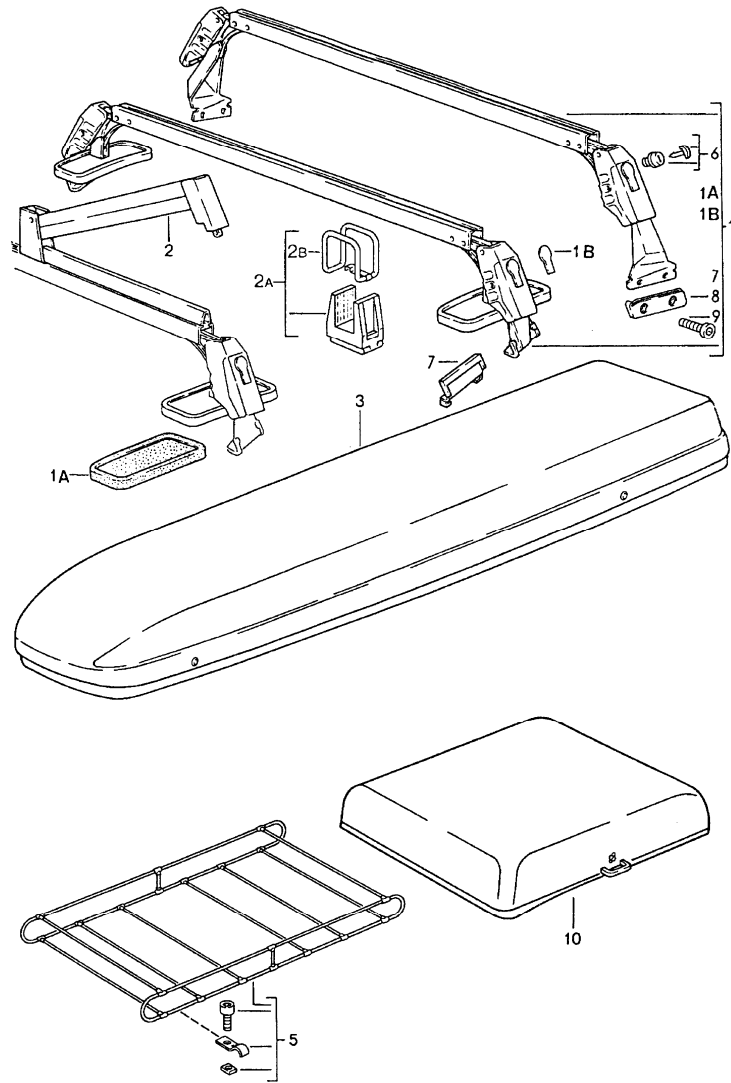
Pos	Part Number	Description	Remark	Qty	Model	Pos	Part Number	Description	Remark	Qty	Model
		floor mats front see group 8/07/05									

Model	Year	MG	SG	Illustration	Restrictions	UPD	19:11	23.01.2010	PORSCHE	PET	PORSCHE
928	1991	0	02	002-01		248					



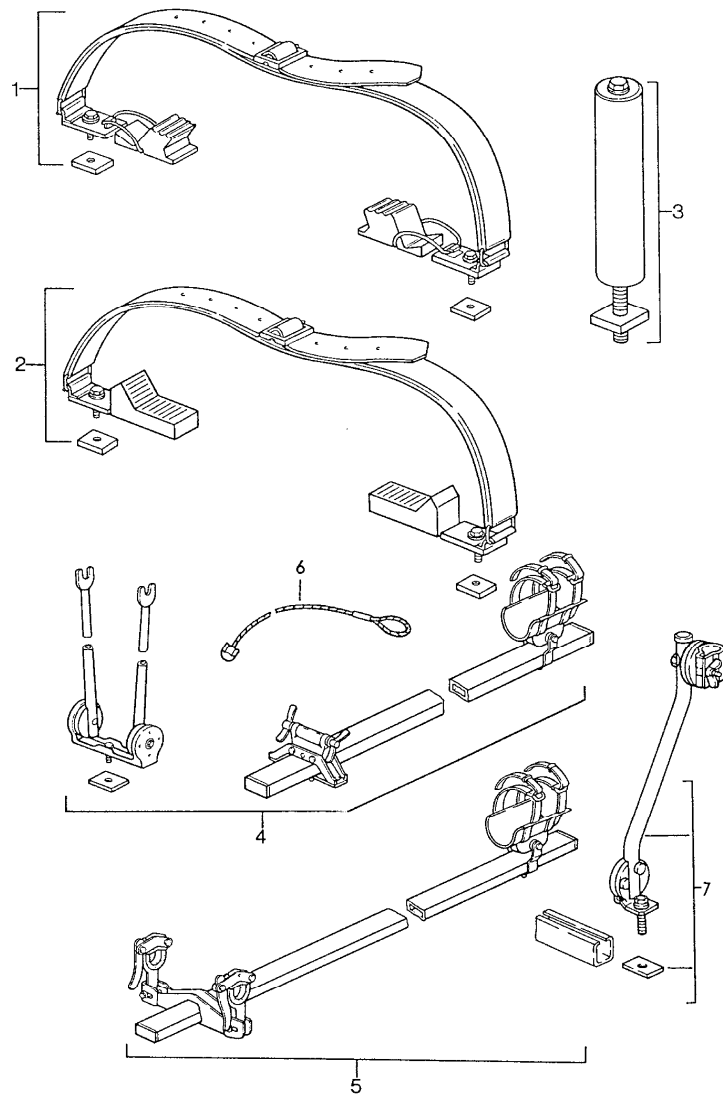
Pos	Part Number	Description	Remark	Qty	Model
		accessories			
1	944 522 051 01	child car seat up to 4 years		1	
2	928 522 050 00	child car seat older than 4 years only together with child car seat cushion		1	
3	928 522 159 02	child car seat cushion porsche lettering cloth	/L	1	
	4CR	black			
(3)	928 522 160 02	child car seat cushion porsche lettering cloth	/R	1	
	4CR	black			
(5)	911 721 104 01	warning triangle	(D)	1	
6	928 555 631 02	luggage net		1	
7	000 043 002 00	car basket foldable		X	

Model	Year	MG	SG	Illustration	Restrictions	UPD	19:11	23.01.2010	PORSCHE	PET	PORSCHE
928	1991	0	02	002-05		248					



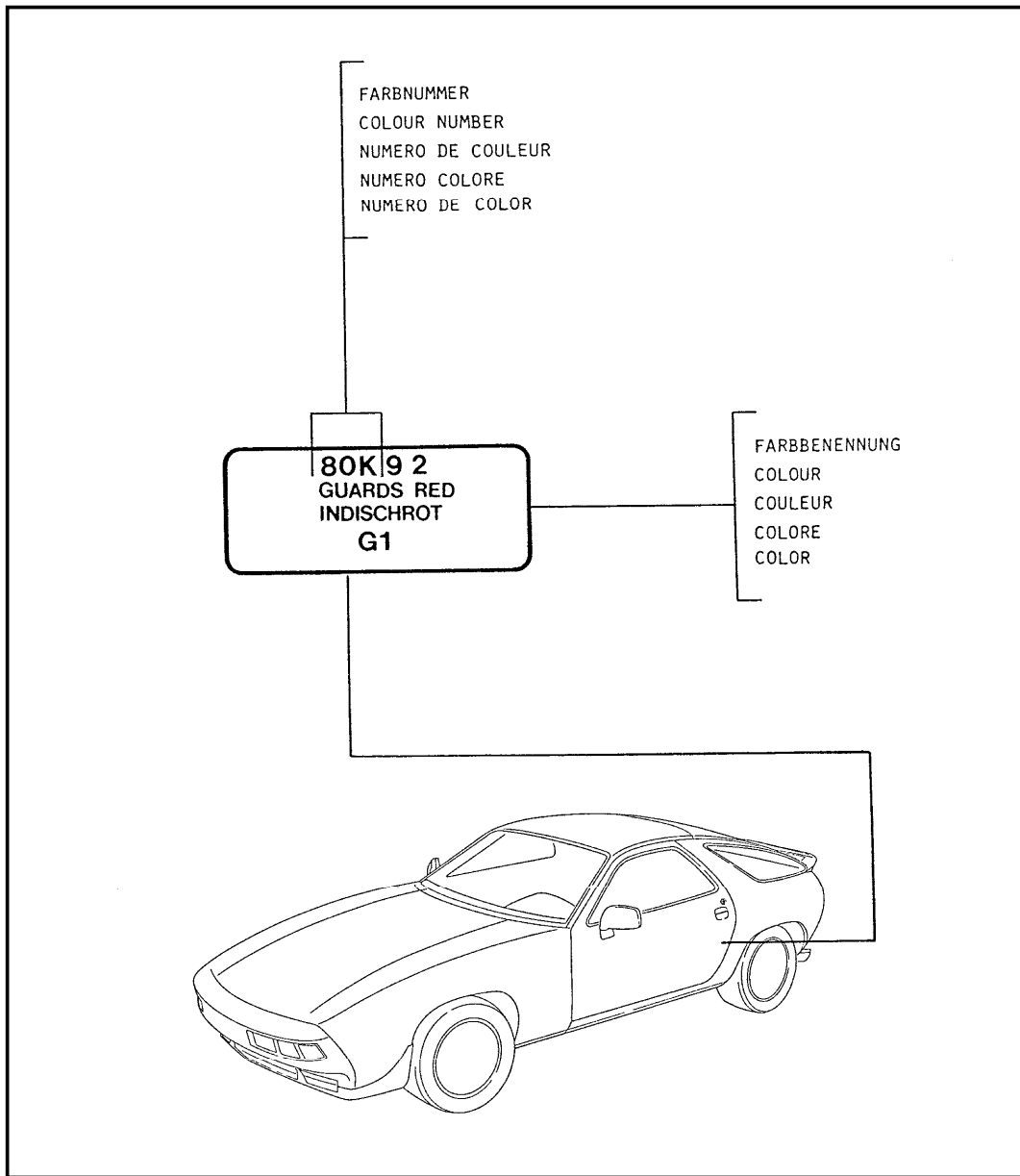
Pos	Part Number	Description	Remark	Qty	Model
		roof transport system			
1	928 801 055 02	set of main supports		1	
1A	928 801 267 02	rubber plate		2	
1B	928 801 111 02	protection cap		4	
2	928 801 061 02	retaining strip set		4	
2A	928 801 903 02	rubber support for skis 1 set		1	
2B	928 801 193 02	retaining strap 1 set		1	
3	928 801 063 02	ski box	/L	1	
(3)	928 801 064 02	ski box	/R	1	
5	928 801 081 02	roof luggage rack set		1	
6	928 801 011 02	cylinder lock spring clamp with keys state lock number		4	
7	928 801 271 02	protective rubber		2	
8	928 801 167 02	protective rubber		2	
9	900 119 072 00	pan-head screw M 8 X 18		4	
10	928 801 073 02	box for suitcase		1	

Model	Year	MG	SG	Illustration	Restrictions	UPD	19:11	23.01.2010	PORSCHE	PET	PORSCHE
928	1991	0	02	002-06		248					



Pos	Part Number	Description	Remark	Qty	Model
		roof transport system			
1	928 801 019 02	set of surf board supports		1	
2	928 801 017 02	set - canoe carrier		1	
3	928 801 085 02	ladder support mandrel set		1	
4	928 801 093 02	set - bike carrier racing bike		1	
5	928 801 095 02	set - bike carrier standard bike		1	
6	928 801 079 02	safety rope		1	
7	928 801 097 02	support for bicycle		1	

Model	Year	MG	SG	Illustration	Restrictions	UPD	19:12	23.01.2010	PORSCHE	PET	PORSCHE
928	1991	0	04	004-00		248					



Pos	Part Number	Description	Remark	Qty	Model
		lacquers basic materials			
-	911 096 050 00	polyester filler 1 KG. GLASSIT-NON-FERRO 839-10		X	
-	911 096 051 00	hardener 30 GR. GLASSIT 948-36 red		X	
-	911 096 052 00	primer filler 1LTR. GLASSOFIX 238-150		X	
-	911 096 053 00	hardener 500 ML. GLASSOFIX 352-228		X	
-	911 096 054 00	primer filler 1 LTR. GLASSODUR 285-100 white		X	
-	911 096 055 00	hardener 500 ML. GLASSODUR 929-28/1		X	
-	911 096 056 00	wash primer 2 LTR. GLASSOFIX 2K 934-200		X	
-	911 096 057 00	hardener 1 LTR. GLASSOFIX 934-100		X	
-	911 096 058 00	polyurethane plastic putty 1 KG. GLASSODUR 995-20		X	
-	911 096 059 00	hardener 1 KG. GLASSODUR 929-13		X	
-	911 096 060 00	thinner 1 KG. GLASSODUR 352-91		X	
-	911 096 062 00	additional lacquer 1 LTR. GLASSODUR 521-111		X	
-	911 096 063 00	underbody protection 1 KG. GLASSOHD 1109-		X	

Model	Year	MG	SG	Illustration	Restrictions	UPD	19:12	23.01.2010	PORSCHE	PET	PORSCHE
928	1991	0	04	004-00		248					

Pos	Part Number	Description	Remark	Qty	Model	Pos	Part Number	Description	Remark	Qty	Model
-	000 043 001 00	tin SN 90% CA. 200 G		X			92E	polar silver metallic			92E
-	911 095 903 80	synthetic resin prime coat metallic 1 LTR.		X		-	911 096 064 00	clear lacquer 1 LTR. GLASSODUR-MS 923-85		X	
	80D	cassis red metallic			80D	-	911 095 902 60	top-coat paint 2 K - ACRYL 1 LTR.		X	
	697	diamond-blue metallic			697		347	dark blue			347
	40D	espresso brown metallic			40D		80F	carmine red			80F
	699	granite green metallic			699		10W	summer yellow			10W
	35Y	lagoon green metallic			35Y		027	guards red			027
	35V	marine blue metallic			35V		80K	guards red			80K
	40B	nougat brown metallic			40B		499	caramel beige			499
	980	silver metallic			980		21M	turquoise			21M
	36P	venetian blue metallic			36P		700	black			700
	37B	baltic blue metallic			37B		908	grand prix white			908
	693	stone grey metallic			693		60M	linen			60M
	22D	slate grey metallic			22D		548	apricot beige			548
	81L	velvet red metallic			81L		22C	murano green			22C
	81K	coral metallic			81K		38B	maritime blue			38B
	550	linen grey metallic			550		22S	signal green			22S
	22E	forest green metallic			22E		22R	mint green			22R
	40L	cognac brown metallic			40L		82N	rubystone red			82N
	22L	oak green metallic			22L	-	911 095 932 20	paint touch-up applicator		X	
	738	black-metallic			738		027	guards red			027
	37X	horizon blue metallic			37X		80K	guards red			80K
	37U	cobalt blue metallic			37U		80F	carmine red			80F
	37W	midnight blue metallic			37W		700	black			700
	82H	coral red metallic			82H		908	grand prix white			908
	38A	amethyst metallic			38A		10W	summer yellow			10W
	37Z	amazon green metallic			37Z		499	caramel beige			499

Model	Year	MG	SG	Illustration	Restrictions	UPD	19:12	23.01.2010	PORSCHE	PET	PORSCHE
928	1991	0	04	004-00		248					

Pos	Part Number	Description	Remark	Qty	Model	Pos	Part Number	Description	Remark	Qty	Model
	21M	turquoise			21M		40L	cognac brown metallic			40L
	347	dark blue			347		22L	oak green metallic			22L
	60M	linen			60M		738	black-metallic			738
	548	apricot beige			548		37X	horizon blue metallic			37X
	22C	murano green			22C		37U	cobalt blue metallic			37U
	38B	maritime blue			38B		37W	midnight blue metallic			37W
	22S	signal green			22S		82H	coral red metallic			82H
	22R	mint green			22R		38A	amethyst metallic			38A
	82N	rubystone red			82N		37Z	amazon green metallic			37Z
-	911 095 933 20	paint touch-up applicator set comprising: top-coat paint and clear lacquer		X			92E	polar silver metallic			92E
	80D	cassis red metallic			80D						
	697	diamond-blue metallic			697						
	980	silver metallic			980						
	699	granite green metallic			699						
	40D	espresso brown metallic			40D						
	35V	marine blue metallic			35V						
	35Y	lagoon green metallic			35Y						
	36P	venetian blue metallic			36P						
	40B	nougat brown metallic			40B						
	37B	baltic blue metallic			37B						
	693	stone grey metallic			693						
	22D	slate grey metallic			22D						
	81L	velvet red metallic			81L						
	81K	coral metallic			81K						
	550	linen grey metallic			550						
	22E	forest green metallic			22E						

Model	Year	MG	SG	Illustration	Restrictions	UPD	19:12	23.01.2010
928	1991	0	05	005-00		248		

Pos	Part Number	Description	Remark	Qty	Model
-	999 571 062 00	preservative agent sealing compound securing liquid preservative agent care kit comprising: suitcase		1	
-	999 901 013 40	liquid preservative		1	
-	999 901 014 41	cleaning agent		1	
-	999 901 015 40	polisher		1	
-	999 901 016 40	tar remover		1	
-	999 901 017 40	dashboard cleaner		1	
-	999 901 018 40	paint polish		1	
-	999 901 019 41	insect remover		1	
-	999 901 020 40	spot remover		1	
-	999 901 021 40	polishing cotton		1	
-	999 901 022 40	polishing cloth		1	
-	000 044 000 02	preservative agent 250 ML		X	
-	999 917 803 00	window cleaner spray bottle 250 ML		X X	
-	928 628 931 00	silicone remover 1000 ML		X	
-	999 901 017 41	window cleaner 250 ML summer		X	
-	999 901 033 40	window cleaner 1000 ML winter		X	
-	999 901 030 40	rim cleaner spray bottle 500 ML		X	
-	999 901 031 40	rim cleaner refilling bottle 1000 ML		X	
-	999 901 036 40	car shampoo refilling bottle 1000 ML		X	

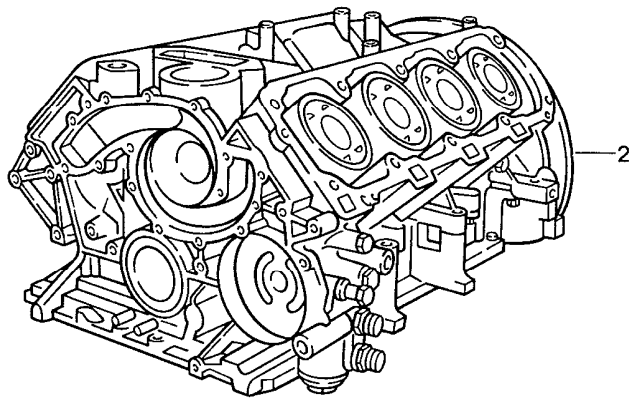
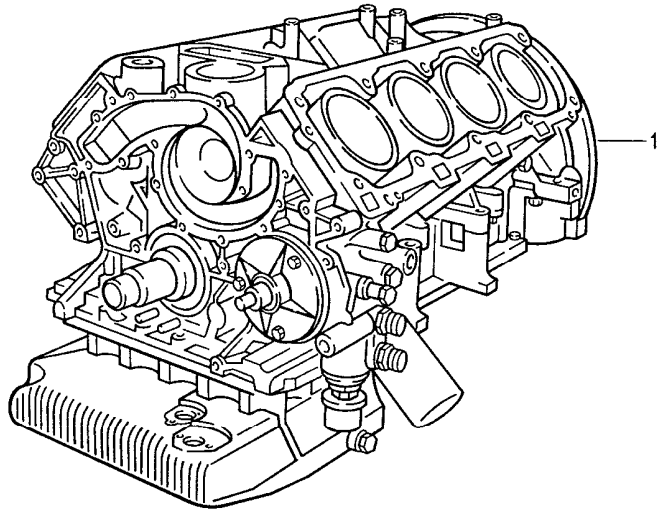
Model	Year	MG	SG	Illustration	Restrictions	UPD	19:12	23.01.2010
928	1991	0	05	005-00		248		

Pos	Part Number	Description	Remark	Qty	Model
-	000 043 010 00	sealing compound loctite -573- 1 TUBE - 50 CCM		X	
-	000 043 010 00	loctite -574- 1 TUBE - 50 CCM		X	
-	928 101 921 00	securing liquid loctite -270- 10 CCM high strength		X	
-	000 043 012 00	loctite -221- low strength 10 CCM		X	

Model	Year	MG	SG	Illustration	Restrictions	UPD	19:12	23.01.2010
928	1991	0	06	006-00		248		

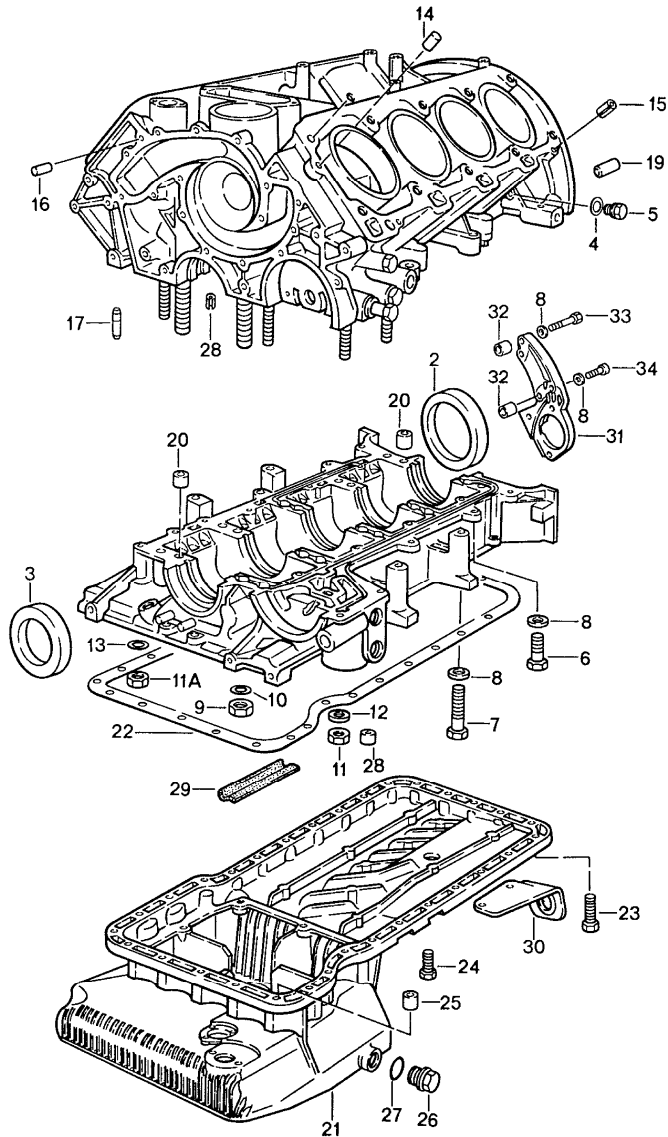
Pos	Part Number	Description	Remark	Qty	Model
		adhesive lubricants			
		adhesive			
		adhesive set loctite for pasting glass ceramics metal thermoset plastic		X	
-	000 043 051 00	adhesive loctite 312 50 CCM		X	
-	000 043 202 65	loctite AKTIVATOR NF 736 180 CCM		X	
-	000 043 013 00	loctite -80646- adhesive remover spray bottle 311 G		X	
-	000 043 204 86	adhesive set for polyurethane parts adhesive 150 ML hardener 150 ML		X	
		lubricants			
-	000 043 004 00	mounting paste optimoly ht 90 G		X	
-	000 043 020 00	optimoly TA mounting paste 1 100-gramme tube		X	
-	000 043 005 00	grease for drive shaft 90 G		X	
-	000 043 024 00	extreme-pressure grease optimoly OLISTA-LONGTIME 3EP extreme-pressure grease 80 G		X	
-	000 043 204 21	grease for lock cylinder spraying can		X	

Model	Year	MG	SG	Illustration	Restrictions	UPD	19:12	23.01.2010	PORSCHE	PET	PORSCHE
928	1991	1	01	101-00		248					



Pos	Part Number	Description	Remark	Qty	Model
		replacement engine short engine crankcase			M28.41/42/47
		replacement engine ready for installation on request			
		short engine with pistons crankshaft oil pump oil pan			M28.41/42/47
1	> 928 100 911 14	short engine		1	M28.41/42/47
2	> 928 101 907 09	crankcase with pistons		1	M28.41/42/47

Model	Year	MG	SG	Illustration	Restrictions	UPD	19:12	23.01.2010	PORSCHE	PET	PORSCHE
928	1991	1	01	101-05		248					

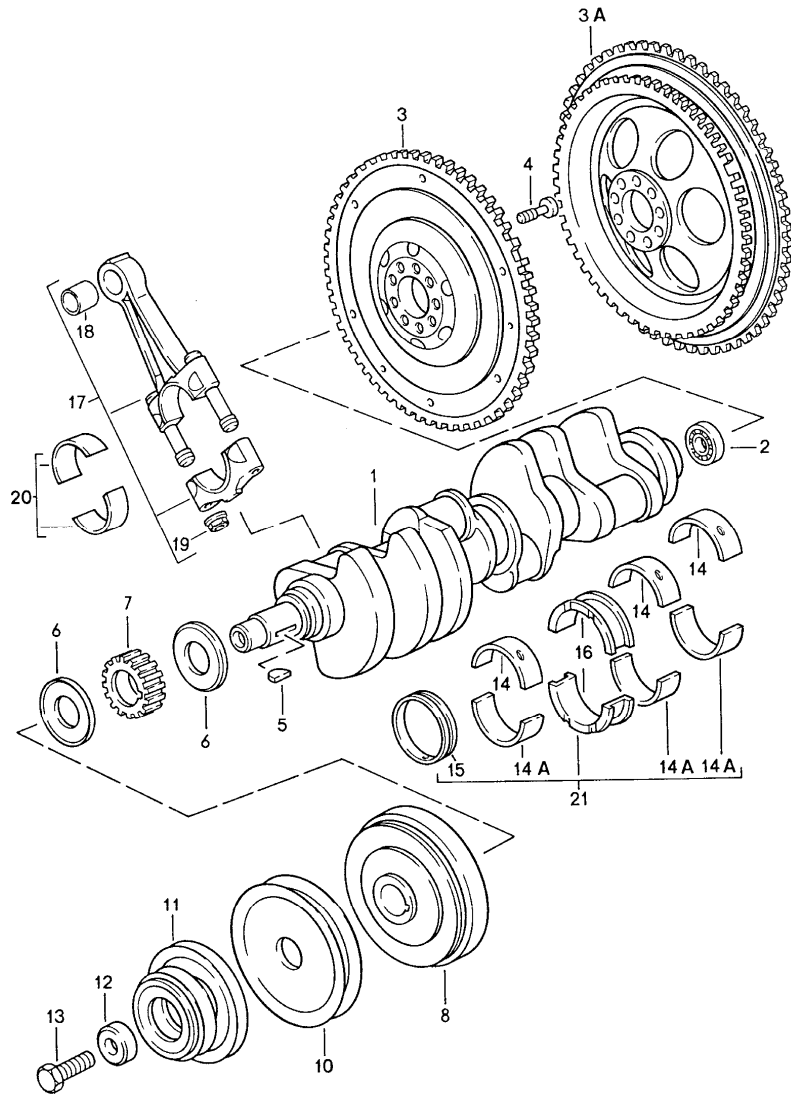


Pos	Part Number	Description	Remark	Qty	Model
		crankcase single parts			M28.41/42/47
2	* 999 113 264 40	radial sealing ring 90 X 110 X 12		1	
3	* 999 113 263 40	shaft sealing ring 60 X 85 X 10		1	
4	* 900 123 055 30	sealing ring A 12 X 17		2	
5	N 029 703 1	screw plug M 12 X 1,5		2	
6	900 075 099 02	hexagon-head bolt M 8 X 30		6	
7	N 010 361 4	hexagon-head bolt M 8 X 65		10	
8	900 025 007 02	washer A 8,4		24	
9	928 101 742 00	hexagon nut M 12 X 1,5		10	
10	928 101 301 02	washer		10	
11	N 011 010 13	hexagon nut M 10		22	
11A	928 101 741 00	hexagon nut M 10		10	
12	900 025 008 09	washer A 10,5		2	
13	928 101 303 00	washer		10	
14	999 012 034 00	straight pin 8 M 6 X 12		4	
15	900 095 072 01	tensioning sleeve 6 X 12		2	
16	N 013 199 1	straight pin 6 X 12		2	
17	911 101 011 01	splash valve		8	
19	900 012 070 00	straight pin 12 X 18		2	
20	928 101 195 03	fitting bushing		1	
21	928 101 208 01	oil pan	- 88	1	

Model	Year	MG	SG	Illustration	Restrictions	UPD	19:12	23.01.2010	PORSCHE	PET	PORSCHE
928	1991	1	01	101-05		248					

Pos	Part Number	Description	Remark	Qty	Model	Pos	Part Number	Description	Remark	Qty	Model
21	928 101 208 01	oil pan	89-	1							
22	* 928 101 207 00	oil sump gasket		1							
23	900 075 347 02	screw M 6 X 28 Z1		25							
24	900 075 341 02	combination screw M 6 X 25 Z1		5							
25	928 101 189 00	dowel sleeve		2							
26	944 107 197 01	screw plug		1							
27	* 900 123 118 30	sealing ring A 22 X 27		1							
28	N 013 315 1	roll pin 5 X 10		1							
29	928 604 121 00	insulating piece		1							
30	928 423 221 01	support		1							
31	928 101 093 02	mounting plate		1							
32	928 101 197 00	fitting bushing		2							
33	N 040 301 1	hexagon-head bolt M 8 X 48		2							
34	900 119 004 02	pan-head screw M 8 X 30		2							

Model	Year	MG	SG	Illustration	Restrictions	UPD	19:13	23.01.2010	PORSCHE	PET	PORSCHE
928	1991	1	02	102-00		248					

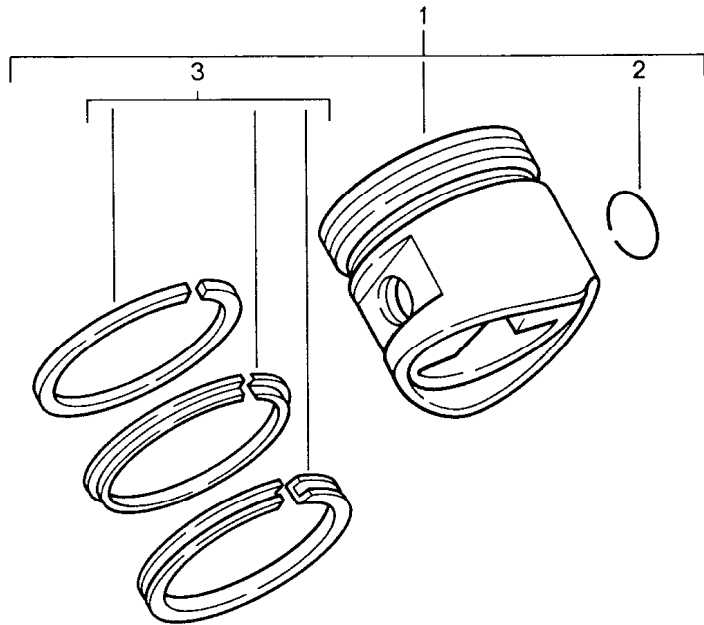


Pos	Part Number	Description	Remark	Qty	Model
		crankshaft connecting rod			M28.41/42/47
1	> 928 102 011 27	crankshaft		1	
2	928 102 111 02	deep-groove ball bearing		1	
3	> 928 102 208 03	flywheel		1	M28.41/47
3A	928 102 075 03	flywheel	AUT.	-88	1 M28.42
3A	928 102 075 04	flywheel	AUT.	89-	1 M28.42
4	928 102 151 01	pan-head screw		9	
5	900 118 014 00	woodruff key		1	
6	928 102 125 02	flange washer		2	
7	A 928 105 125 12	gear wheel		1	
7	928 105 125 12	gear wheel		1	
8	928 102 120 23	vibration damper orange		-89	1 M28.41/42
8	928 102 120 23	vibration damper black-grey		90-	1 M28.42/47
-	928 102 126 00	spacer		88-	1 M28.41 M637
10	928 102 118 03	v-belt pulley compressor		1	
11	928 102 139 11	pulley M >> 81L 51762	AUT.	1	M28.41/42 M28.42
11	928 102 139 12	pulley M 81L 51763 >>	AUT.	1	M28.42
12	928 102 124 01	thrust washer		1	
13	900 083 036 02	hexagon-head bolt M 18 X 1,5 X 45		1	
14	* 928 101 115 02	main bearing shell 002 upper half 2,4,5		3	
14A	* 928 101 115 03	main bearing shell 002 lower half 2,4,5		3	
14	* 928 101 115 50	main bearing shell upper half 2,4,5 undersize 0.25 mm		X	

Model	Year	MG	SG	Illustration	Restrictions	UPD	19:13	23.01.2010	PORSCHE	PET	PORSCHE
928	1991	1	02	102-00		248					

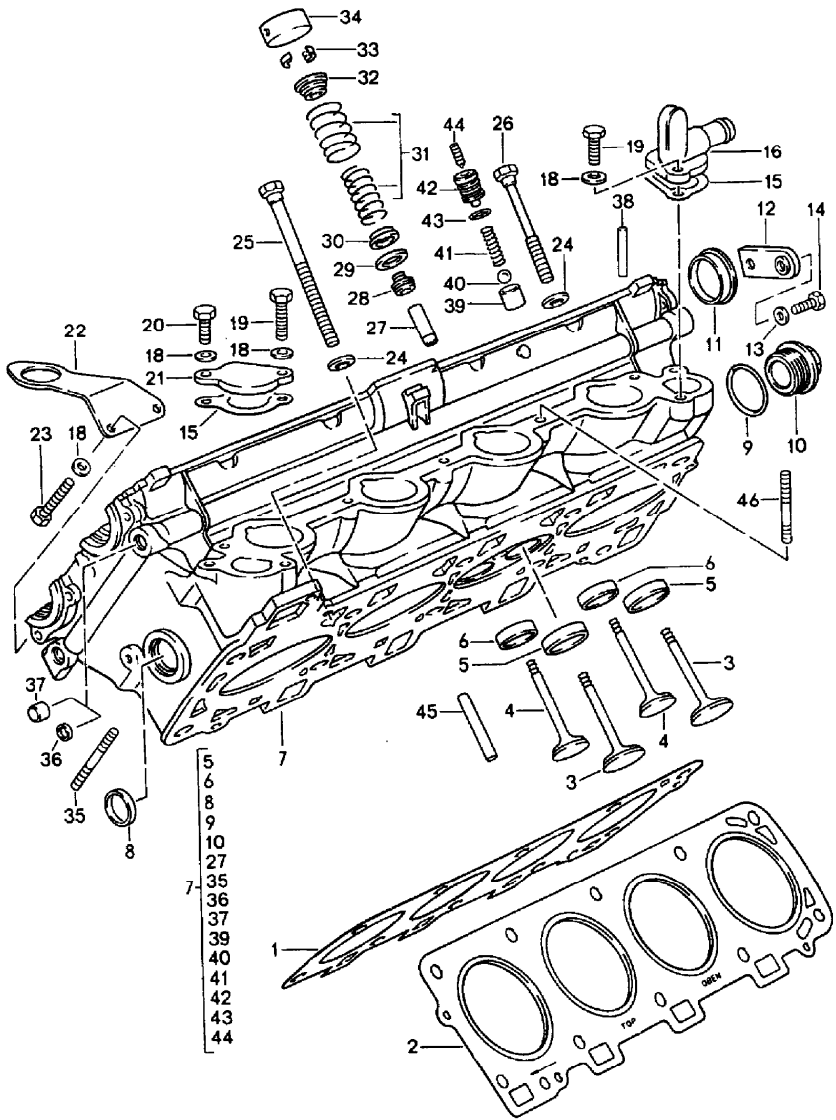
Pos	Part Number	Description	Remark	Qty	Model	Pos	Part Number	Description	Remark	Qty	Model
14A*	928 101 115 51	main bearing shell lower half 2,4,5 undersize 0.25 mm		X		21	* 928 101 901 57	set of crankshaft bearings undersize 0.25 mm		1	
14	* 928 101 115 60	main bearing shell upper half 2,4,5 undersize 0.50 mm		X		21	* 928 101 901 67	set of crankshaft bearings undersize 0.50 mm		1	
14A*	928 101 115 61	main bearing shell lower half 2,4,5 undersize 0.50 mm		X							
15	* 928 101 117 08	main bearing bush i		1							
15	* 928 101 117 58	main bearing bush i undersize 0.25 mm		1							
15	* 928 101 117 68	main bearing bush i undersize 0.50 mm		1							
16	* 928 101 142 02	thrust bearing		2							
	002	NR.3									
16	* 928 101 142 54	thrust bearing NR.3 undersize 0.25 mm		2							
16	* 928 101 142 64	thrust bearing NR.3 undersize 0.50 mm		2							
17	928 103 008 02	connecting rod M >> 81J 00726 M >> 81J 06740	AUT.	8	M28.41 M28.42						
(17) A	928 103 008 02	connecting rod M 81J 00727 >> M 81J 06741 >>	AUT.	8	M28.41 M28.42						
(17)	928 103 008 02	connecting rod		8							
18	944 103 133 02	piston pin bush		8							
19	928 103 172 02	connecting rod nut		16							
20	928 103 143 02	conrod bearing shell		16							
20	928 103 143 52	conrod bearing shell oversize 0.25 mm		X							
20	928 103 143 57	conrod bearing shell oversize 0.50 mm		X							
21	* 928 101 901 07	set of crankshaft bearings		1							

Model	Year	MG	SG	Illustration	Restrictions	UPD	19:13	23.01.2010	PORSCHE	PET	PORSCHE
928	1991	1	02	102-05		248					



Pos	Part Number	Description	Remark	Qty	Model
		piston piston rings			M28.41/42/47
1	928 103 043 09	piston tolerance group 0 99,98 MM - ks -		8	
1	928 103 043 19	piston tolerance group 1 99,99 MM - ks -		X	
1	928 103 043 29	piston tolerance group 2 100,00 MM - ks -		X	
1	928 103 043 59	piston tolerance group 0 100,48 MM - ks -		X	
1	928 103 043 69	piston tolerance group 1 100,49 MM - ks -		X	
1	928 103 043 79	piston tolerance group 2 100,50 MM - ks -		X	
2	N 012 277 1	circlip		16	
3	928 103 906 22	set of piston rings 100,00 MM		X	
3	928 103 906 23	set of piston rings 100,50 MM		X	

Model	Year	MG	SG	Illustration	Restrictions	UPD	19:13	23.01.2010	PORSCHE	PET	PORSCHE
928	1991	1	03	103-00		248					



Pos	Part Number	Description	Remark	Qty	Model
		cylinder head			M28.41/42/47
1	* 928 104 367 02	cylinder head gasket cylinders 1 - 4	/R	1	
1	928 104 367 05	cylinder head gasket cylinders 1 - 4 without asbestos	/R	1	
1	928 104 367 11	cylinder head gasket for recond. cylinder heads	/R	1	
2	* 928 104 368 02	cylinder head gasket cylinders 5 - 8	/L	1	
2	928 104 368 05	cylinder head gasket cylinders 5 - 8 without asbestos	/L	1	
2	928 104 368 11	cylinder head gasket for recond. cylinder heads	/L	1	
3	928 105 641 05	intake valve		16	
4	928 105 642 06	exhaust valve		16	
5	928 104 611 15	valve seat ring intake		16	
6	928 104 612 14	valve seat ring exhaust		16	
6	928 104 612 14	valve seat ring exhaust		16	
7	A 928 104 014 02	cylinder head M >> 81K 00120 M >> 81K 05238	AUT.	2	M28.41/42 M28.41 M28.42
7	A 928 104 014 03	cylinder head M 81K 00121 >> M 81K 05239 >>	AUT.	2	M28.41 M28.41 M28.42
7	> 928 104 014 04	cylinder head	89-90	2	M28.47
7	> 928 104 014 06	cylinder head	91-	2	
8	900 036 014 02	lid		2	
9	* N 043 811 1	sealing ring C 38 X 44		2	
10	A 999 064 030 30	screw plug CM 38 X 1,5		2	

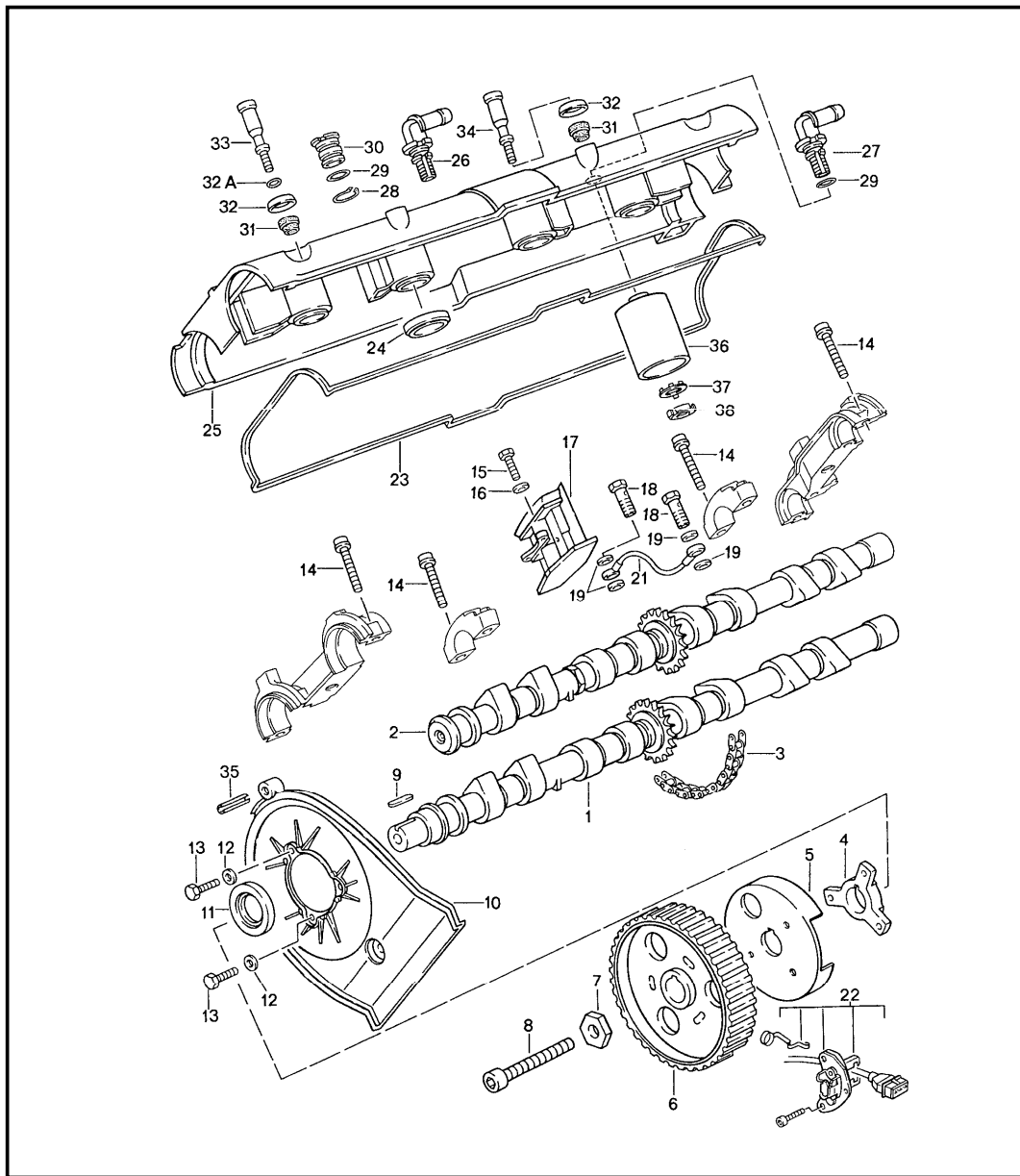
Model	Year	MG	SG	Illustration	Restrictions	UPD	19:13	23.01.2010	PORSCHE	PET	PORSCHE
928	1991	1	03	103-00		248					

Pos	Part Number	Description	Remark	Qty	Model	Pos	Part Number	Description	Remark	Qty	Model
10	944 104 228 01	screw plug		2		26	A 928 101 233 01	hexagon-head bolt M 12 X 1,5 X 130		2	
11	* 928 105 215 00	lid		6		26	928 101 233 01	hexagon-head bolt M 12 X 1,5 X 130		2	
12	928 105 205 00	support		6							
13	N 011 524 7	washer A 6,4		6				M >> 81K 00120 M >> 81K 05328	AUT.		M28.41 M28.42
14	900 075 016 02	hexagon-head bolt M 6 X 22		5		(26)	928 101 233 02	hexagon-head bolt M 12 X 1,5 X 149 M 81K 00121 >> M 81K 05239 >>	AUT.	2	M28.41 M28.42
15	A 928 106 167 01	gasket	87	2		27	944 104 327 51	valve guide 1st oversize		32	
15	* 928 106 167 01	gasket without asbestos		2		28	928 104 601 00	valve stem seal		32	
16	928 104 713 02	adapter cylinders 1 - 4	87	1		29	944 105 465 02	washer 0,5 MM		X	
(16)	928 104 713 02	adapter cylinders 1 - 4	88-	1		(29)	944 105 465 03	washer 1,0 MM		X	
18	900 025 007 02	washer A 8,4		8		(29)	944 105 465 04	washer 1,5 MM		X	
19	N 010 242 12	hexagon-head bolt M 8 X 25		3		(29)	944 105 465 05	washer 2,0 MM		X	
20	900 075 079 02	hexagon-head bolt M 8 X 22		1		30	928 105 469 07	washer		32	
21	928 104 219 00	lid cylinders 5 - 8		1		31	928 105 905 07	set of valve springs		32	
22	928 113 173 02	shackle for transportation		2		32	944 105 467 03	concave washer		32	
23	900 075 085 02	hexagon-head bolt M 8 X 20		2		33	928 105 221 10	valve collet		64	
24	944 104 229 00	washer M 12 X 1,5		20		34	928 105 312 02	hydraulic valve tappet		32	
25	A 928 101 231 01	hexagon-head bolt M 12 X 1,5 X 180		18		35	999 062 044 02	stud BM 8 X 30		16	
25	928 101 231 01	hexagon-head bolt M 12 X 1,5 X 180 M >> 81K 00120 M >> 81K 05238	AUT.	18	M28.41 M28.42	36	N 011 918 1	lid		X	
						37	911 101 182 00	stopper		X	
						38	928 105 262 00	pin		5	
(25)	928 101 231 02	hexagon-head bolt M 12 X 1,5 X 199 M 81K 00121 >> M 81K 05239 >>	AUT.	18	M28.41 M28.42	39	928 104 121 00	valve seat		1	
						40	N 025 669 2	ball		1	
						41	928 104 129 00	compression spring		1	
						42	928 104 119 01	spring guide		1	

Model	Year	MG	SG	Illustration	Restrictions	UPD	19:13	23.01.2010	PORSCHE	PET	PORSCHE
928	1991	1	03	103-00		248					

Pos	Part Number	Description	Remark	Qty	Model	Pos	Part Number	Description	Remark	Qty	Model
43	999 701 654 40	o-ring		1							
44	999 218 035 02	threaded pin		1							
45	000 043 204 45	sleeve 7 MM		X							
46	999 223 002 02	stud M 8 X 40		10							

Model	Year	MG	SG	Illustration	Restrictions	UPD	19:13	23.01.2010	PORSCHE	PET	PORSCHE
928	1991	1	03	103-05		248					

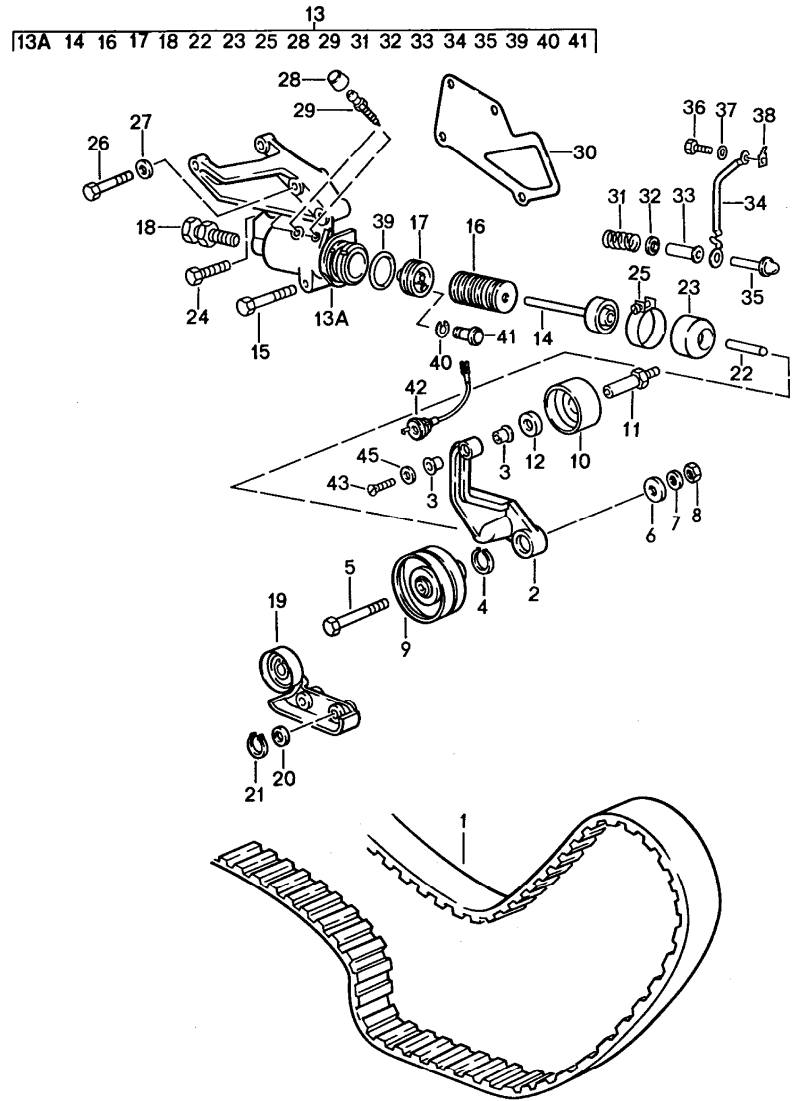


Pos	Part Number	Description	Remark	Qty	Model
		camshaft			M28.41/42/47
1	A 928 105 273 00	camshaft exhaust cylinders 1 - 4	87	1	
1	928 105 273 00	camshaft exhaust cylinders 1 - 4	88-	1	
1	928 105 273 01	camshaft exhaust cylinders 1 - 4	88-	1	M28.41 M637 M28.47
(1)	A 928 105 274 00	camshaft exhaust cylinders 5 - 8	87	1	
(1)	928 105 274 00	camshaft exhaust cylinders 5 - 8	88-	1	
(1)	928 105 274 01	camshaft exhaust cylinders 5 - 8	88- 89-	1	M28.41 M637 M28.47
2	A 928 105 271 00	camshaft intake cylinders 1 - 4	87	1	
2	928 105 271 00	camshaft intake cylinders 1 - 4	88-	1	
2	928 105 271 01	camshaft intake cylinders 1 - 4	88-	1	M28.41 M637 M28.47
(2)	A 928 105 272 00	camshaft intake cylinders 5 - 8	87	1	
(2)	928 105 272 00	camshaft intake cylinders 5 - 8	88-	1	
(2)	928 105 272 01	camshaft intake cylinders 5 - 8	88-	1	M28.41 M637 M28.47
3	944 105 501 05	timing chain		2	
4	928 105 459 00	hub		2	

Model	Year	MG	SG	Illustration	Restrictions	UPD	19:13	23.01.2010	PORSCHE	PET	PORSCHE
928	1991	1	03	103-05		248					

Pos	Part Number	Description	Remark	Qty	Model	Pos	Part Number	Description	Remark	Qty	Model
5	928 105 460 01	rotor trim		2		23	A 928 104 447 09	gasket	-88	2	
6	928 105 530 01	camshaft timing gear		2		23	928 104 447 09	gasket	89-	2	
7	928 105 457 02	washer		2		24	928 104 443 08	sealing ring		8	
8	N 010 455 3	screw M 10 X 55		2		25	A 928 104 461 08	cylinder head cover	87	2	
9	900 117 055 00	feather key		2		25	928 104 461 08	cylinder head cover	88-	2	
10	U 928 105 127 06	toothed belt covering	/L	1		26	928 107 733 02	adapter cylinders 1 - 4		1	
10	928 105 127 06	toothed belt covering	/L	1		27	928 107 733 00	adapter cylinders 1 - 4		1	
(10)	928 105 148 06	toothed belt covering	/R	1		28	N 012 420 1	circlip 20 X 1,2		2	
11	999 113 282 40	shaft sealing ring		2		29	900 174 056 40	o-ring 17 X 2,5		4	
12	900 025 007 02	washer A 6,4		6		30	928 104 485 01	lid cylinders 5 - 8		2	
13	900 075 014 02	hexagon-head bolt M 6 X 18		6		31	928 104 115 02	thrust ring		26	
14	999 218 023 02	combination screw M 8 X 35		52		32	928 104 116 00	thrust washer		26	
(14)	999 510 029 02	combination screw M 8 X 40		18		32A	900 123 144 30	sealing ring		12	
15	900 067 089 02	pan-head screw M 6 X 22		4		33	928 104 111 01	pan-head screw short		18	
16	N 011 524 7	washer A 6,4		4		34	928 104 117 01	pan-head screw long		28	
17	928 105 028 08	chain adjuster cylinders 1 - 4		1		35	999 095 103 01	roll pin		2	
(17)	928 105 027 08	chain adjuster cylinders 5 - 8		1		36	928 107 731 01	oil separator		1	
18	928 105 476 00	banjo bolt		2		37	900 160 015 00	tab washer B 18		2	
19	900 123 050 30	sealing ring		4		38	900 159 008 02	grooved nut		2	
20	928 105 476 00	banjo bolt		1		--	928 105 509 01	guide rail upper		1	
21	928 105 213 04	pipeline cylinders 1 - 4		1		--	944 105 949 00	guide rail repair kit		1	
(21)	928 105 214 04	pipeline cylinders 5 - 8		1							
22	-	see group 9/01/02									

Model	Year	MG	SG	Illustration	Restrictions	UPD	19:13	23.01.2010	PORSCHE	PET	PORSCHE
928	1991	1	03	103-10		248					

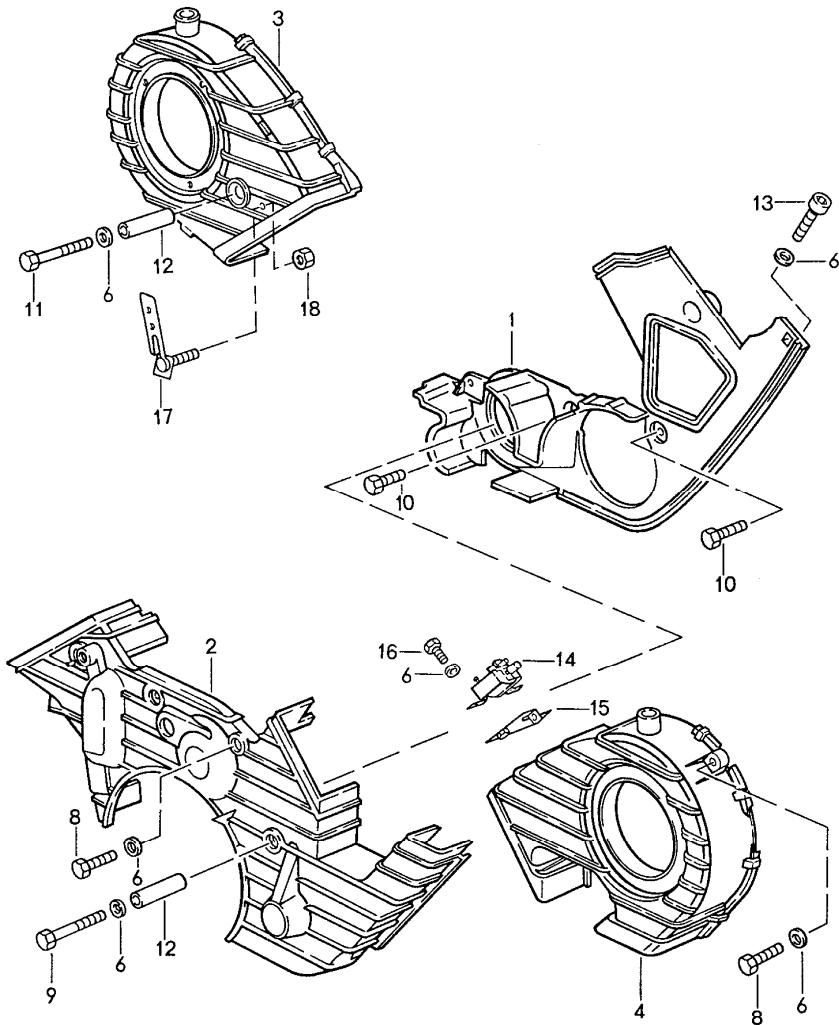


Pos	Part Number	Description	Remark	Qty	Model
		driving mechanism camshaft			M28.41/42/47
1	A 928 105 157 30	toothed belt		87	1
1	928 105 157 50	toothed belt		88-90	1
1	928 105 157 50	toothed belt		91-	1
2	928 105 489 02	carrier for tension roller			1
3	928 105 613 04	bearing sleeve			2
4	N 042 364 1	circlip 20 X 1,75			1
5	900 074 139 02	hexagon-head bolt M 8 X 55			1
6	999 025 068 07	washer 9 X 25 X 3,5			1
7	900 025 007 02	washer A 8,4			1
8	900 076 025 02	hexagon nut M 8			1
9	928 105 512 12	tensioning roller			1
10	928 105 571 04	roller			1
11	928 105 570 08	bearing pin			1
12	928 105 572 00	washer			1
13	928 105 036 00	tension roller housing			1
13A	928 105 066 00	tension roller housing			1
14	A 928 105 059 04	piston			1
14	928 105 059 04	piston			1
15	N 010 360 6	hexagon-head bolt M 8 X 60			1
16	928 105 539 03	bi-metal plate			35
17	928 105 588 00	valve support			1
18	928 105 075 03	adjusting screw			1
19	928 105 067 00	carrier for tension roller			1
		M >> 81H 01233			M28.41
		M >> 81H 08036	AUT.		M28.42

Model	Year	MG	SG	Illustration	Restrictions	UPD	19:13	23.01.2010	PORSCHE	PET	PORSCHE
928	1991	1	03	103-10		248					

Pos	Part Number	Description	Remark	Qty	Model	Pos	Part Number	Description	Remark	Qty	Model
(19)	928 105 067 01	carrier for tension roller M 81H 01234 >> 85L 01162 M 81H 08037 >> 81L 51964	AUT.	1	M28.41/47 M28.42	38	999 652 315 02	flat plug for carrier for tension roller		1	
(19)	928 105 067 00	carrier for tension roller M 85L 01163 >> M 81L 51965 >>	AUT.	1	M28.47 M28.42	39	999 701 650 40	O-ring 27,5 X 1,5		1	
20	900 234 003 02	shim 8 X 14 X 1		2		40	900 906 002 00	circlip		1	
21	N 012 408 2	circlip 8 X 0,8		2		41	928 105 589 00	valve		1	
22	928 105 551 02	push rod		1		42	928 606 148 00	extension cable		1	
23	928 105 552 08	convoluted air bellows		1		43	900 249 008 02	countersunk-head screw 6 X 12		1	
24	900 074 134 02	hexagon-head bolt M 8 X 45		1		45	928 105 562 00	washer		1	
(25)	999 512 344 02	clamp 49,9 - 53,0		1		46	928 105 578 03	mounting		1	
26	900 074 139 02	hexagon-head bolt M 8 X 55		2		47	N 012 277 1	circlip		1	
27	900 025 007 02	washer A 8,4		1							
28	211 611 483	dust boot		2							
29	211 611 477 A	bleeder valve		2							
30	928 105 611 05	gasket		1							
(30)	928 105 611 05	gasket without asbestos		1							
31	928 105 577 03	compression spring		1							
32	900 025 008 09	washer		1							
33	928 105 574 01	guide sleeve		1							
34	928 105 615 01	bridge	-88	1							
(34)	928 607 110 00	cable	89-	1							
35	928 105 573 02	push rod		1							
36	N 010 205 6	hexagon-head bolt M 5 X 10		1							
37	900 025 003 02	washer A 5,3		1							

Model	Year	MG	SG	Illustration	Restrictions	UPD	19:14	23.01.2010	PORSCHE	PET	PORSCHE
928	1991	1	03	103-15		248					

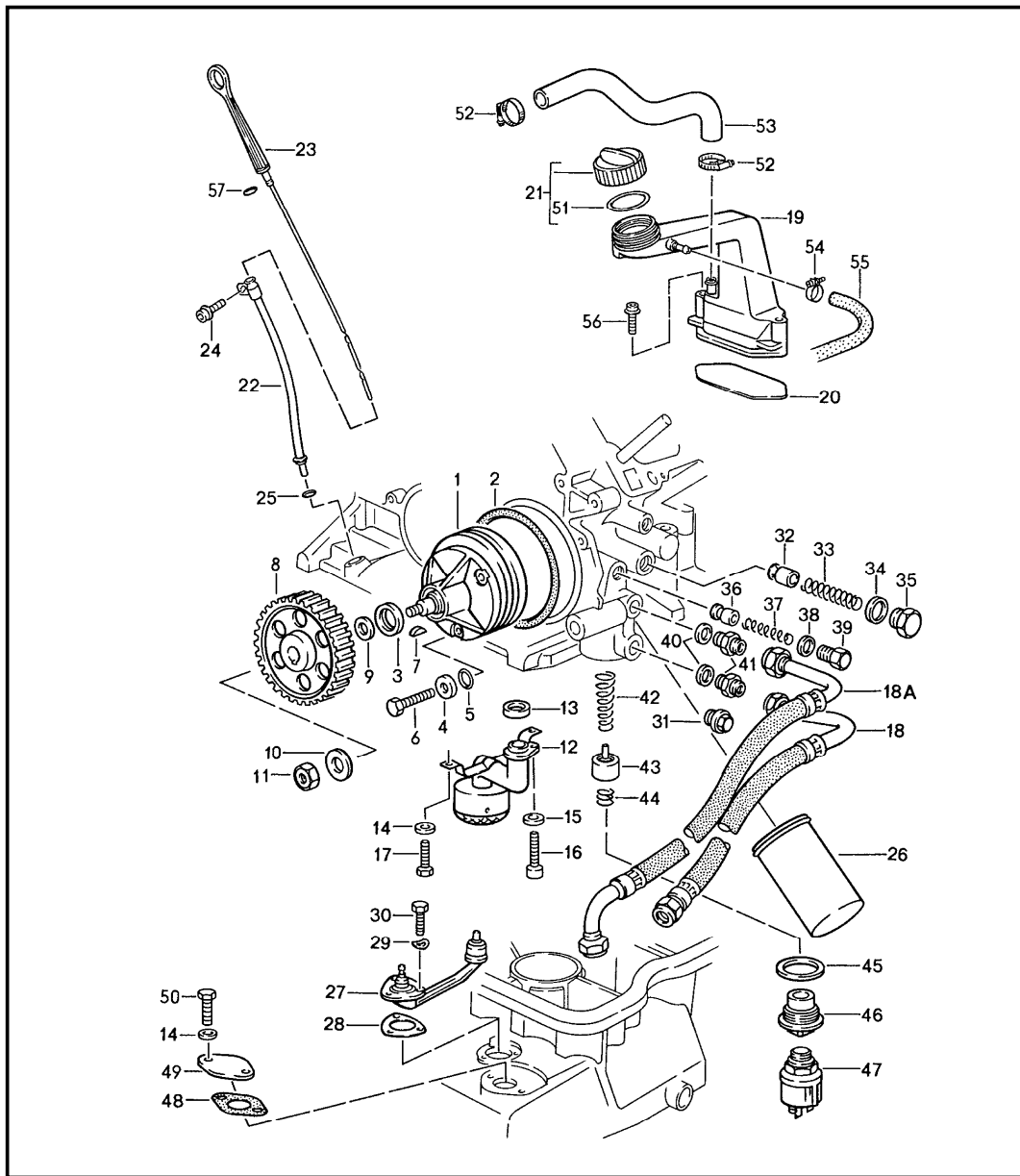


Pos	Part Number	Description	Remark	Qty	Model
		toothed belt covering			M28.41/42/47
1	928 105 147 05	toothed belt covering rear M >> 81H 01233 M >> 81H 08036	AUT.	1	M28.41 M28.42
(1)	928 105 147 07	toothed belt covering rear M 81H 01234 >> 85L 01162 M 81H 08037 >> 81L 51964	AUT.	1	M28.41/47 M28.42
(1)	928 105 147 05	toothed belt covering rear M 85L 01163 >> M 81L 51965 >>	AUT.	1	M28.47 M28.42
2	928 105 144 05	toothed belt covering front M >> 81H 00659 M >> 81H 06735	AUT.	1	M28.41 M28.42
(2)	928 105 144 07	toothed belt covering front M 81H 00660 >> M 81H 06736 >>	AUT.	1	M28.41 M28.42
3	928 105 146 06	toothed belt covering	/R	1	
4	928 105 145 09	toothed belt covering	/L	1	
6	N 011 666 7	washer A 6,4		X	
8	900 075 014 02	hexagon-head bolt M 6 X 18		5	
9	N 040 307 1	hexagon-head bolt M 6 X 73		1	
10	900 074 015 02	hexagon-head bolt M 6 X 30		2	
11	900 075 346 02	hexagon-head bolt M 6 X 40		1	
(11)	N 010 366 4	hexagon-head bolt M 6 X 55		1	
12	928 105 445 00	spacer tube 44,5 MM			
13	900 067 011 02	pan-head screw M 6 X 20		X	
14	911 618 123 01	vacuum valve		1	

Model	Year	MG	SG	Illustration	Restrictions	UPD	19:14	23.01.2010	PORSCHE	PET	PORSCHE
928	1991	1	03	103-15		248					

Pos	Part Number	Description	Remark	Qty	Model	Pos	Part Number	Description	Remark	Qty	Model
15	928 110 532 00	support									
16	900 074 015 02	hexagon-head bolt M 6 X 30		2							
17	928 602 067 00	support		1							
18	900 910 012 02	lock nut		1							

Model	Year	MG	SG	Illustration	Restrictions	UPD	19:14	23.01.2010	PORSCHE	PET	PORSCHE
928	1991	1	04	104-00		248					



Pos	Part Number	Description	Remark	Qty	Model
		engine lubrication			M28.41/42/47
1	928 107 008 02	oil pump		1	
2	999 701 633 40	o-ring 98 X 3		1	
3	999 113 275 40	shaft sealing ring 20 X 30 X 7		1	
4	928 107 165 00	washer A 8,4		3	
5	999 701 006 40	o-ring		3	
6	N 040 301 1	hexagon-head bolt M 8 X 48		3	
7	N 012 713 1	woodruff key 5 X 6,5		1	
8	928 107 107 13	gear wheel		1	
9	928 107 166 00	support washer		1	
10	928 101 303 00	washer 10,5		1	
11	N 011 010 6	hexagon nut M 10		1	
12	928 107 032 06	suction tube		1	
13	928 107 136 04	sealing ring		1	
14	N 011 524 7	washer A 6,4		4	
15	900 025 007 02	washer A 8,4		1	
16	N 014 726 1	pan-head screw M 8 X 30		1	
17	999 072 005 09	hexagon-head bolt M 6 X 12		2	
18 A	928 107 301 07	oil hose		87	1
18	928 107 301 07	oil hose		-89	1
(18)	928 107 301 08	oil hose		90-	1 M28.42/47
18A A	928 107 302 08	oil hose		87	1
18A	928 107 302 08	oil hose		-89	1

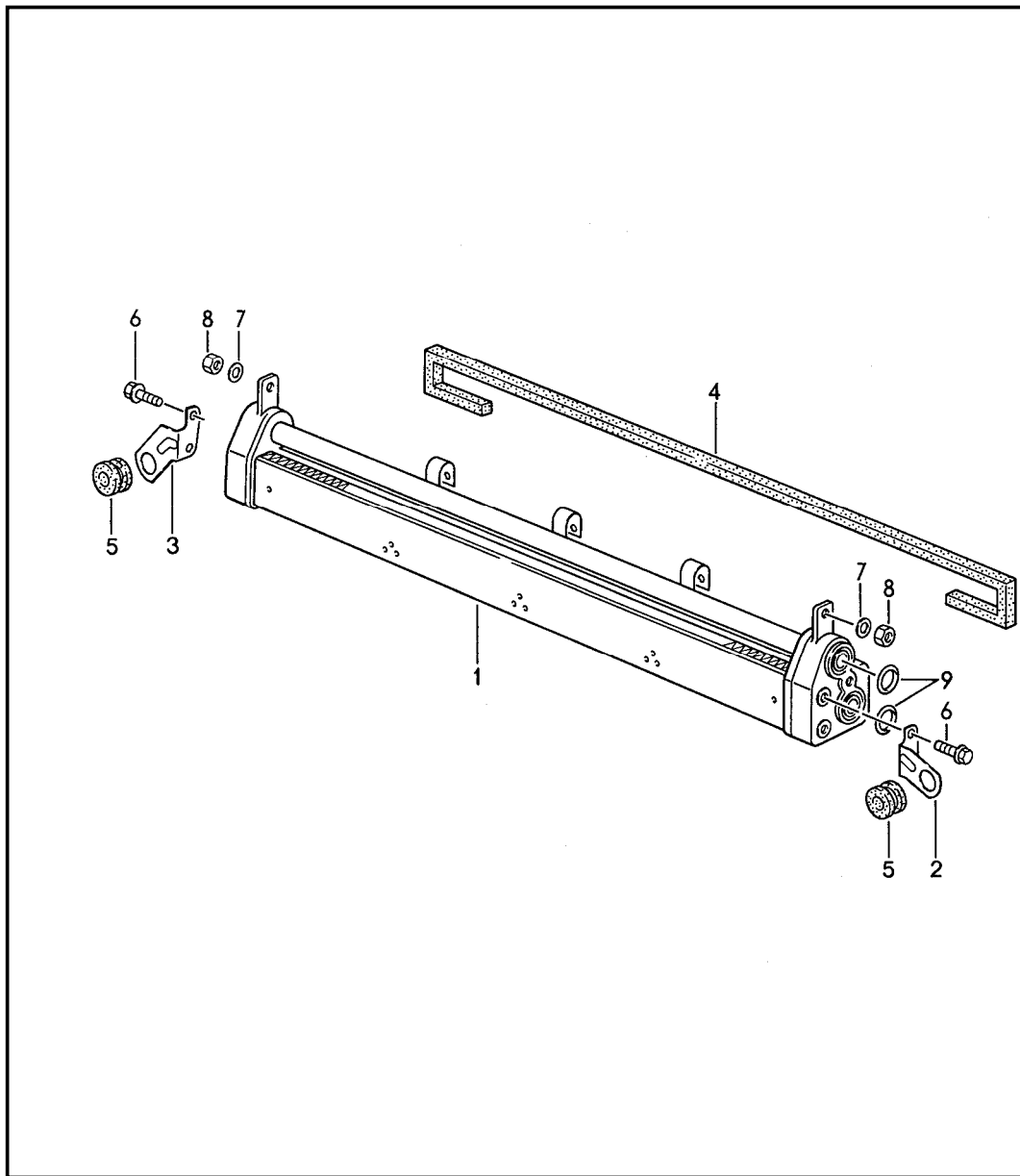
Model	Year	MG	SG	Illustration	Restrictions	UPD	19:14	23.01.2010	PORSCHE	PET	PORSCHE
928	1991	1	04	104-00		248					

Pos	Part Number	Description	Remark	Qty	Model	Pos	Part Number	Description	Remark	Qty	Model
(18A)	928 107 302 09	oil hose	90-	1	M28.42/47	40	900 123 118 30	sealing ring A 22 X 27		2	
19	A 928 107 303 07	filler neck		1		41	900 915 003 02	screw socket		2	
19	928 107 303 07	filler neck		1		42	928 107 171 01	spring		1	
20	928 107 307 00	gasket		1		43	928 107 172 02	regulator insert		1	
21	944 107 091 01	oil filler cover		1		44	928 107 173 00	spring		1	
22	A 928 107 020 03	guide tube		1		45	900 123 143 70	sealing ring C 48 X 55		1	
22	928 107 020 03	guide tube		1		46	928 107 174 07	screw plug		1	
23	928 107 041 01	oil level dipstick		1		47	928 606 203 01	oil pressure sender with warning contact	-88	1	
24	900 075 357 02	combination screw M 6 X 12 Z1		1				with warning contact			
25	900 174 044 40	round seal 9 X 2		1		(47)	928 606 203 03	pressure transmitter	89-	1	
26	928 107 201 05	oil filter		1		(47)	928 606 203 05	pressure transmitter with warning contact	89-	1	
27	928 606 301 02	tank gauge switch	87	1		48	A 928 107 169 01	gasket		1	
(27)	928 606 301 03	tank gauge switch	88-	1		(48)	928 107 169 01	gasket without asbestos		1	
28	928 606 213 03	gasket		1		49	928 107 209 00	lid		1	
29	900 028 007 02	spring washer B 5		3		50	N 010 217 9	hexagon-head bolt M 6 X 20		2	
30	N 010 207 6	hexagon-head bolt M 5 X 12		3		51	999 701 846 40	o-ring		1	
31	N 016 163 2	screw plug M 22 X 1,5		2		52	999 512 346 02	hose clamp		2	
32	928 107 182 00	piston		1		53	928 107 445 02	hose		1	
33	928 107 183 01	compression spring		1		54	N 023 570 2	hose clamp		2	
34	900 123 060 30	sealing ring A 24 X 29		1		55	928 107 603 00	hose		1	
35	928 107 181 01	screw plug		1		56	900 075 344 02	hexagon-head bolt M 6 X 50 Z1		2	
36	928 107 179 02	piston		1		57	999 701 320 40	o-ring 6 X 2		1	
37	928 107 176 02	compression spring		1		-	928 107 212 00	engine oil cooler	90-	1	
38	900 123 140 30	sealing ring A 18 X 22		1							
39	928 107 180 01	screw plug		1							

Model	Year	MG	SG	Illustration	Restrictions	UPD	19:14	23.01.2010	PORSCHE	PET	PORSCHE
928	1991	1	04	104-00		248					

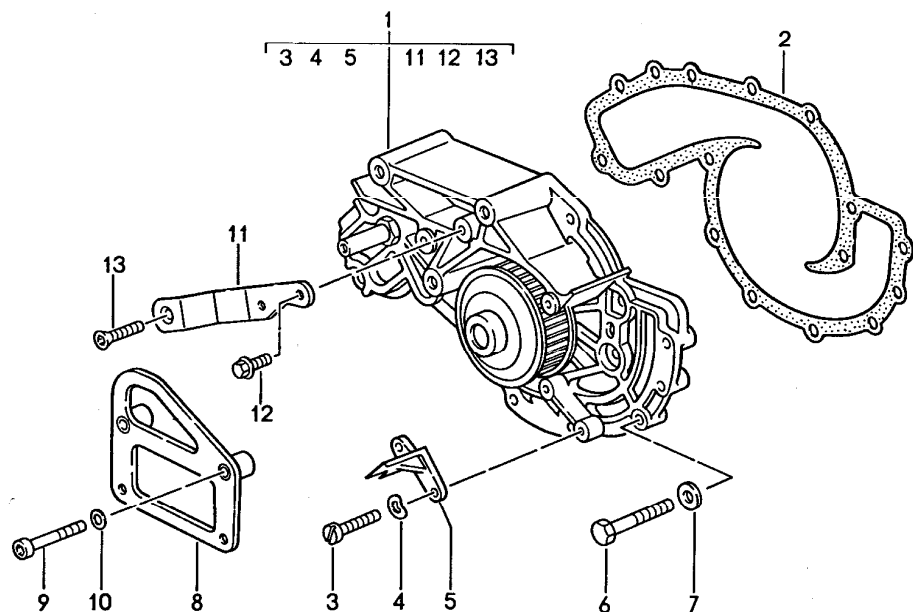
Pos	Part Number	Description	Remark	Qty	Model	Pos	Part Number	Description	Remark	Qty	Model
-	900 331 022 40	o-ring	90-	2							
-	900 075 014 02	hexagon-head bolt M 6 X 18	90-	2							
-	N 011 524 7	washer A 6,4	90-	2							
-	999 591 882 02	speed nut M 6	90-	2							

Model	Year	MG	SG	Illustration	Restrictions	UPD	19:14	23.01.2010	PORSCHE	PET	PORSCHE
928	1991	1	04	104-05		248					



Pos	Part Number	Description	Remark	Qty	Model
		engine oil cooling	90-		M28.42/47
1	928 107 212 00	engine oil cooler		1	
2	928 107 213 00	support		1	
3	928 107 214 00	support		1	
4	928 504 671 02	gasket		1	
5	999 702 079 50	grommet		2	
6	900 067 269 02	combination screw M 6 X 16		4	
7	900 151 008 02	washer A 8,4		2	
8	900 076 025 02	hexagon nut M 8		2	
9	900 331 022 40	o-ring		2	

Model	Year	MG	SG	Illustration	Restrictions	UPD	19:14	23.01.2010	PORSCHE	PET	PORSCHE
928	1991	1	05	105-00		248					

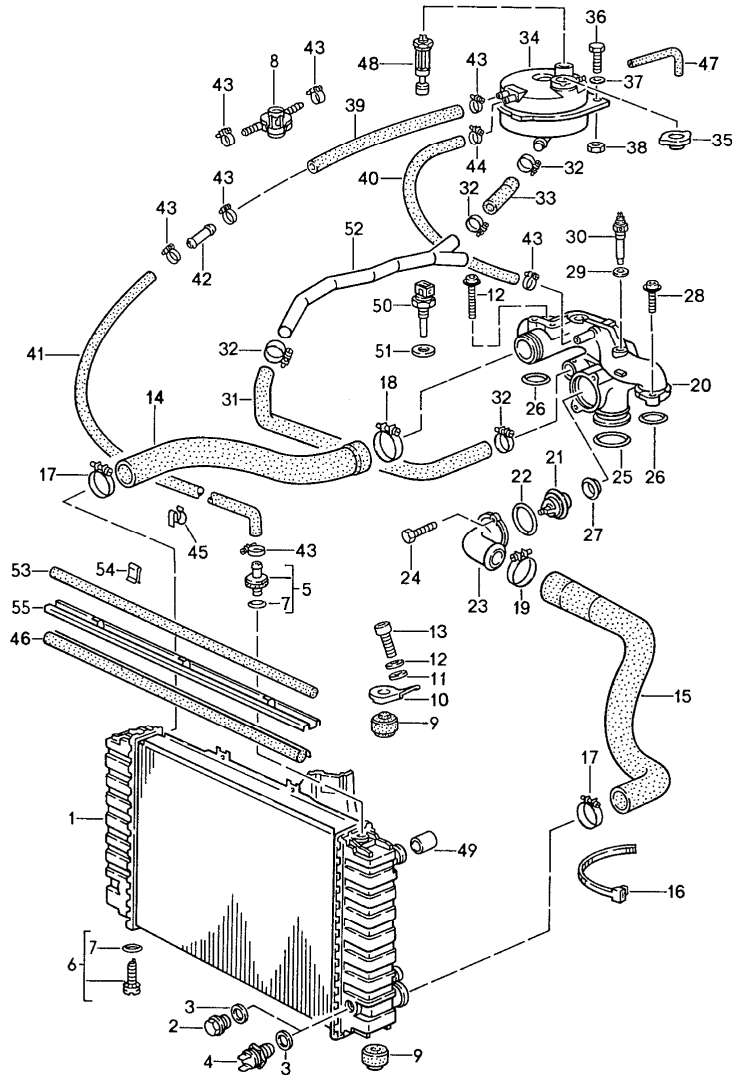


Pos	Part Number	Description	Remark	Qty	Model
		water pump see technical information GRP.1 NR.4/90			M28.41/42/47
1	> 928 106 015 13	water pump M >> 81H 00659 M >> 81H 06735	AUT.	1	M28.41 M28.42
1	> 928 106 015 20	water pump M 81H 00660 >> M 81H 06736 >>	AUT.	1	M28.41 M28.42
(1)	928 106 015 X	water pump we take back: 928.106.015.20		1	
(1)	928 106 915 X	water pump we take back: 928.106.015.20 comprising:		1	
-	928 106 134 05	gasket		1	
-	900 014 066 02	pan-head screw		2	
-	N 011 523 7	washer		2	
-	928 105 176 01	pointer for t.d.c.		1	
-	900 075 015 02	hexagon-head bolt		5	
-	900 075 341 02	combination screw		8	
-	N 011 524 7	washer		15	
-	928 106 015 X	water pump -----		1	
2	* 928 106 134 05	gasket without asbestos		1	
3	900 014 066 02	pan-head screw M 5 X 18		2	
4	900 025 003 02	washer A 5,3		2	
5	928 105 176 01	pointer for t.d.c.		1	
6	N 010 217 9	hexagon-head bolt M 6 X 20		5	
6	900 075 341 02	combination screw M 6 X 25		8	

Model	Year	MG	SG	Illustration	Restrictions	UPD	19:14	23.01.2010	PORSCHE	PET	PORSCHE
928	1991	1	05	105-00		248					

Pos	Part Number	Description	Remark	Qty	Model	Pos	Part Number	Description	Remark	Qty	Model
7	N 011 524 7	washer A 6,4		X							
8	928 101 412 03	shackle for transportation		1							
9	900 067 081 02	pan-head screw M 8 X 35		2							
10	N 011 525 13	washer A 8,4		1							
11	928 105 564 00	support M 81H 00660 >> M 81H 06736 >>	AUT.	1	M28.41 M28.42						
12	900 075 355 02	combination screw M 6 X 16 Z1		1							
13	900 249 008 02	countersunk-head screw M 6 X 12		1							

Model	Year	MG	SG	Illustration	Restrictions	UPD	19:14	23.01.2010	PORSCHE	PET	PORSCHE
928	1991	1	05	105-05		248					

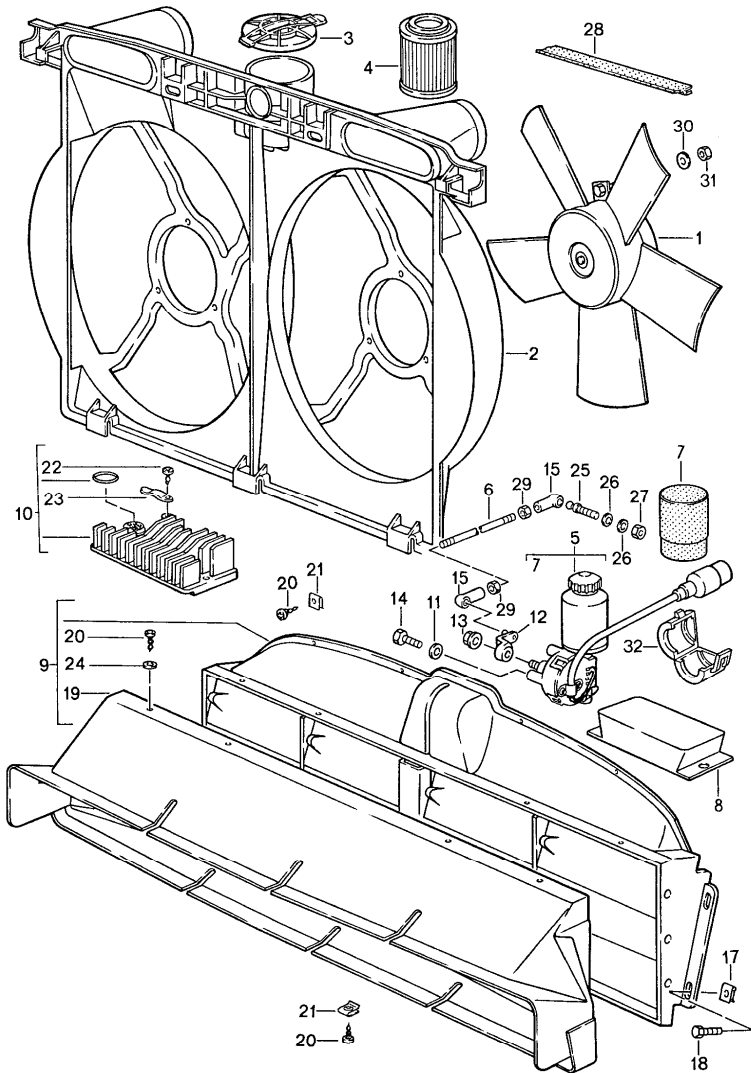


Pos	Part Number	Description	Remark	Qty	Model
		water cooling 1			M28.41/42/47
1	928 106 044 01	radiator engine oil cooler	-89	1	M28.41
1	928 106 044 01	radiator engine oil cooler	89	1	M28.47
(1)	928 106 043 01	radiator engine oil cooler transmission oil cooler	AUT. -89	1	M28.42
(1)	928 106 023 20	radiator	90-	1	M28.47
(1)	928 106 042 03	radiator transmission oil cooler	AUT. 90-	1	M28.42
2	N 016 163 2	screw plug CM 22 X 1,5		1	
3	* 900 123 149 70	sealing ring A 22 X 29		1	
4	928 606 149 00	temperature switch		1	
5	928 106 443 02	breather adapter		1	
6	928 106 444 01	drain plug		1	
7	999 701 651 40	o-ring 7,65 X 1,78		X	
8	928 641 513 00	pressure switch		1	
9	928 106 177 01	rubber mounting		4	
10	928 106 178 01	support		2	
11	900 151 008 02	washer A 8,4		2	
12	900 067 248 02	hexagon socket head bolt M 8 X 70 Z1		1	
13	900 119 052 02	pan-head screw M 8 X 16		2	
14	928 106 238 08	hose		1	
15	928 106 239 09	hose		1	
16	999 513 010 40	tie-wrap		1	
17	999 512 404 00	hose clamp 50 - 70 W2		2	

Model	Year	MG	SG	Illustration	Restrictions	UPD	19:14	23.01.2010	PORSCHE	PET	PORSCHE
928	1991	1	05	105-05		248					

Pos	Part Number	Description	Remark	Qty	Model	Pos	Part Number	Description	Remark	Qty	Model
18	999 512 331 02	hose clamp S 61/15		1		38	999 591 571 02	speed nut B 6,3		2	
19	999 512 334 02	hose clamp S 59/15		1		-	999 181 709 50	hose 8 X 14 70 MM		*	
20	928 106 065 03	regulator housing		1		40	928 106 275 03	moulded hose	/LL	1	
21 A	928 106 129 16	thermostat	-89	1		(40)	927 106 275 03	moulded hose	/RL	1	
21	928 106 129 17	thermostat	90-	1		41	928 106 277 02	hose	/LL	1	
22 *	999 701 632 40	o-ring		1		(41)	927 106 277 02	hose	/RL	1	
23	928 106 173 02	lid regulator housing		1		42	999 230 106 02	nipple		1	
24	900 075 341 02	combination screw M 6 X 25 Z1		2		43	N 023 570 2	hose clamp S 17/9		X	
25 *	999 701 627 40	o-ring 53 X 7		1		44	N 023 570 2	hose clamp		X	
26	928 106 227 00	gasket		2		45	999 651 165 02	cable clamp		3	
27	928 106 163 00	gasket		1		46	928 106 271 02	sealing strip		1	
28	900 067 276 02	hexagon socket head bolt M 8 X 35 Z1		3		47	928 106 425 00	overpressure hose 350 MM		1	
29 *	900 123 007 30	sealing ring A 14 X 18		1		48	928 641 503 01	tank gauge switch for cooling water		1	
30	928 606 201 01	remote temperature sensor	-88	1		49	928 106 142 00	water drain tube for radiator		1	
30	928 606 201 03	temperature sensor	89-	1		50	928 606 126 00	temperature sensor		1	
31	928 106 321 03	line	/LL	1		51	900 123 006 30	sealing ring		1	
(31)	927 106 321 05	line	/RL	1		52	-	see group 8/13/10			
32	999 512 374 02	hose clamp SGT 20 - 32/9		3		53	999 911 379 40	gasket 17 X 12 X 615		1	M28.41/47
33	928 106 323 01	line		1		(53)	999 911 357 40	gasket 17 X 12 X 615	AUT.	1	M28.42
34	928 106 256 03	expansion tank	/LL	1		54	999 591 440 02	clamp 0,75 - 1,0		3	
(34)	927 106 256 01	expansion tank	/RL	1		55	928 106 131 00	profile strip		1	
35	928 106 257 03	catch		1							
36	900 187 015 02	tapping screw 6,3 X 16		2							
37	N 011 612 3	washer R 6,6		2							

Model	Year	MG	SG	Illustration	Restrictions	UPD	19:14	23.01.2010	PORSCHE	PET	PORSCHE
928	1991	1	05	105-06		248					

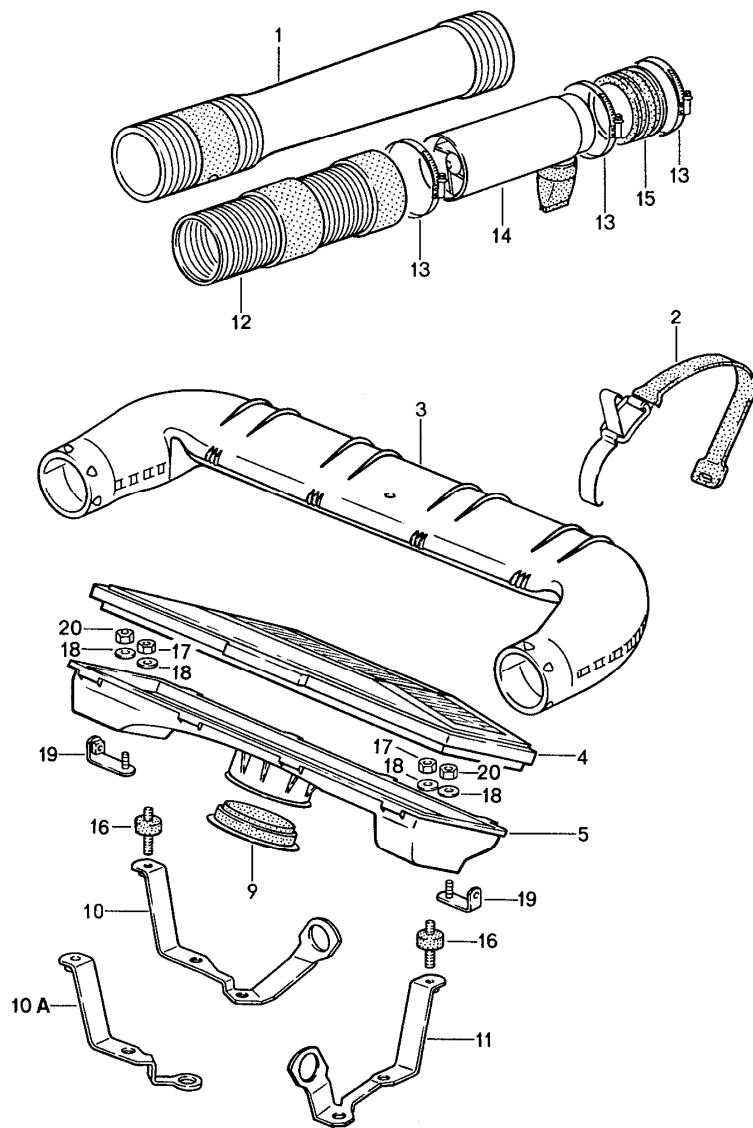


Pos	Part Number	Description	Remark	Qty	Model
		water cooling 2			M28.41/42/47
1	928 624 145 00	blower		2	
2	928 106 259 02	air duct		1	
3	928 106 143 00	lid		1	
4	* 928 113 445 00	filter cartridge		1	
5	928 624 051 00	adjusting motor	-90	1	
6	928 575 527 00	linkage	-90	1	
7	928 624 333 00	water protection cap	-90	1	
8	928 618 418 00	control unit		1	
9	928 575 951 01	adjusting flaps	-90	1	
(9)	928 575 351 02	air duct	91-	1	
10	928 618 421 00	output final stage		1	
11	N 011 524 7	washer A 6,4	-90	3	
12	928 575 053 00	crank	-90	1	
13	999 084 045 02	lock nut	-90	1	
14	N 010 215 13	hexagon-head bolt	-90	3	
15	999 168 021 40	ball socket	-90	2	
17	999 507 330 02	nut lock		X	
18	N 044 734 1	pan-head screw M 5 X 15		X	
19	928 575 521 01	air duct	-90	1	
20	N 013 957 5	tapping screw		X	
21	N 900 488 01	speed nut		X	
22	N 014 133 8	oval-head screw		1	
23	928 616 982 00	retainer spring		1	
24	N 011 521 3	washer		X	
25	999 167 033 00	ball pin	-90	1	
26	N 011 522 15	washer	-90	2	

Model	Year	MG	SG	Illustration	Restrictions	UPD	19:14	23.01.2010	PORSCHE	PET	PORSCHE
928	1991	1	05	105-06		248					

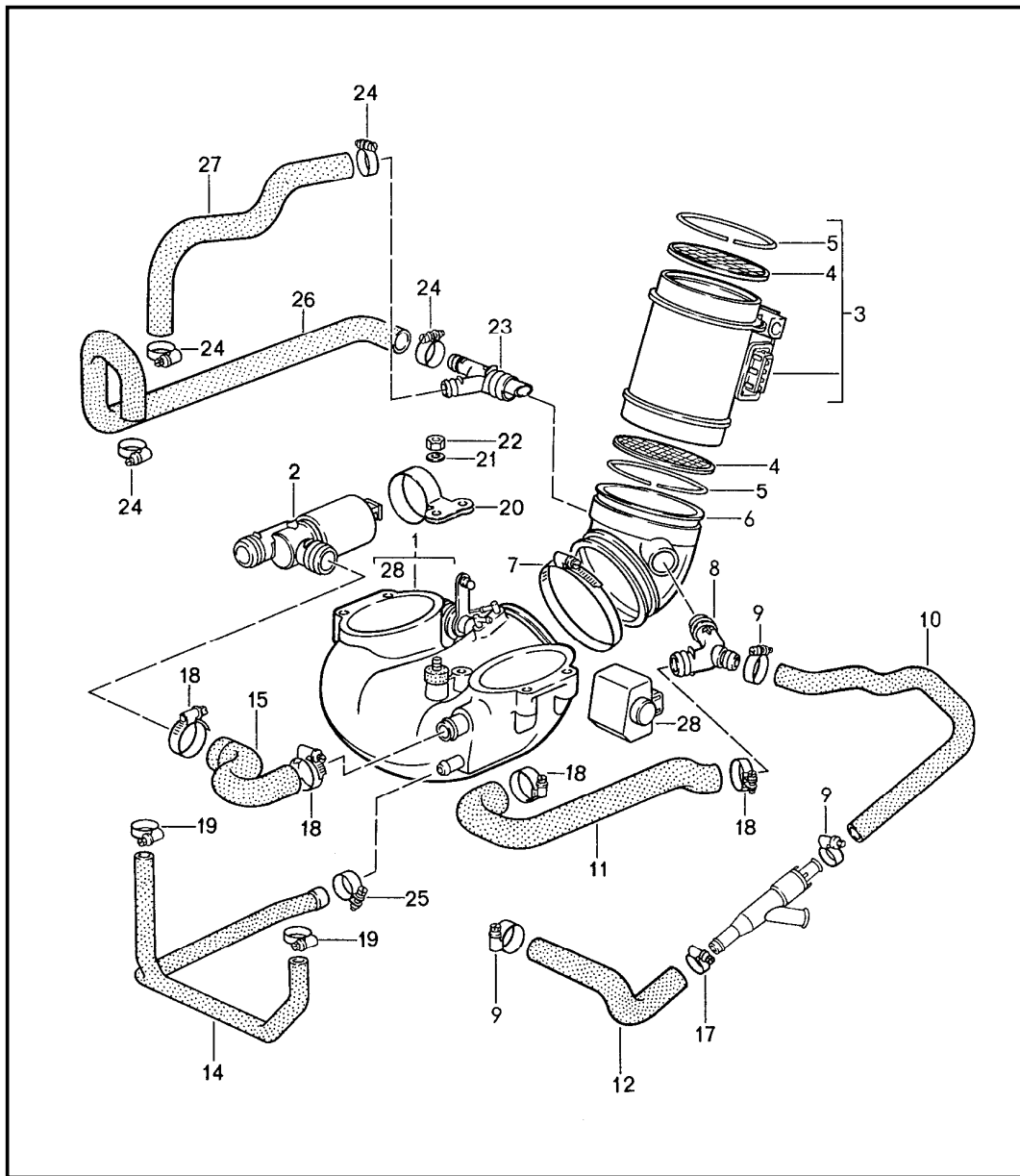
Pos	Part Number	Description	Remark	Qty	Model	Pos	Part Number	Description	Remark	Qty	Model
27	900 084 020 02	lock nut M 4	-90	1							
28	928 106 271 02	sealing strip		1							
29	N 011 004 6	hexagon nut M 4	-90	2							
30	N 011 666 7	washer B 6,4		6							
31	900 910 012 02	lock nut M 6		6							
32	944 612 450 00	support	-90	1							
-	999 591 981 02	retaining clip		2							

Model	Year	MG	SG	Illustration	Restrictions	UPD	19:15	23.01.2010	PORSCHE	PET	PORSCHE
928	1991	1	06	106-00		248					



Pos	Part Number	Description	Remark	Qty	Model
		air cleaner lh-jetronic			M28.41/42/47
1	928 110 272 04	suction hose		2	
(1)	928 110 272 13	suction hose	(CH)	87	M28.41/42
(1)	928 110 272 13	suction hose		88-89	M28.41
(1)	928 110 272 13	suction hose	(CH)	90-	M28.42/47
2	928 110 363 06	restraining strap		4	
3	928 110 230 06	air cleaner upper part		1	
(3)	928 110 230 06	air cleaner upper part	CH (CH)	90-	M28.47
4	* 928 110 185 03	air cleaner cartridge		1	
5	A 928 110 229 05	air cleaner lower part		87	
(5)	928 110 229 05	air cleaner lower part		88-	
9	928 110 132 00	hose		1	
10	928 110 145 03	support		87	
10A	928 110 146 01	support		88-	
11	928 110 525 07	support		87	
(11)	928 110 526 00	support		88-	
12	928 110 272 05	suction hose		2	M317
13	999 512 350 02	hose clamp		6	M317
14	928 110 274 01	sand separator		2	M317
15	928 110 347 00	rubber sleeve		2	M317
16	931 110 191 00	bonded rubber buffer		2	
17	900 910 010 02	lock nut		2	
18	N 011 666 7	washer		4	
19	928 111 011 00	support		2	
20	900 910 010 02	lock nut		2	

Model	Year	MG	SG	Illustration	Restrictions	UPD	19:15	23.01.2010	PORSCHE	PET	PORSCHE
928	1991	1	07	107-00		248					

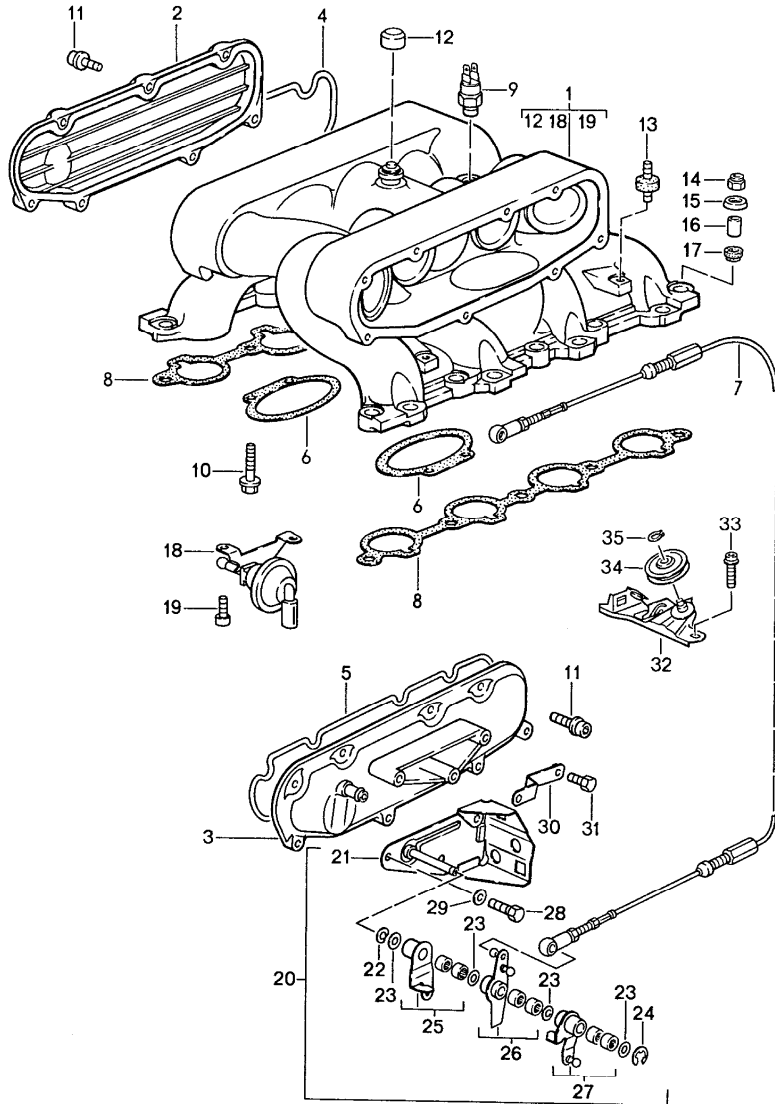


Pos	Part Number	Description	Remark	Qty	Model
		lh-jetronic 1			M28.41/42/47
1	A 928 110 093 03	throttle body		87	1
1	928 110 093 03	throttle body			1
2	928 606 161 01	idle-speed adjuster			1
3	> 928 606 141 00	mass air flow meter			1
4	928 110 901 00	strainer			2
5	928 110 902 00	circlip			2
6	928 110 222 01	air-guide cowl			1
7	999 512 350 02	hose clamp			2
8	928 110 689 01	connecting piece			1
9	999 512 554 00	hose clamp			3
10	928 110 224 00	hose			1
11	A 928 110 174 09	hose		87	1
11	928 110 174 09	hose		88-	1
12	928 110 220 00	hose			1
14	928 107 603 00	hose			1
15	928 110 633 00	hose			1
16	A 999 512 381 02	clamp			1
16	999 512 497 02	clamp			1
17	999 512 457 00	clamp			1
18	999 512 374 02	hose clamp			4
19	N 023 570 2	hose clamp			1
20	928 110 543 01	support			1
21	N 011 524 7	washer			2
22	900 076 010 02	hexagon nut			2
23	928 110 690 01	connecting piece			1
24	999 512 346 02	hose clamp			4
25	999 512 554 00	hose clamp			1

Model	Year	MG	SG	Illustration	Restrictions	UPD	19:15	23.01.2010	PORSCHE	PET	PORSCHE
928	1991	1	07	107-00		248					

Pos	Part Number	Description	Remark	Qty	Model	Pos	Part Number	Description	Remark	Qty	Model
26	928 107 313 02	hose		1							
27	928 110 432 01	hose		1							
28	928 606 157 00	throttle-valve switch		1							

Model	Year	MG	SG	Illustration	Restrictions	UPD	19:15	23.01.2010	PORSCHE	PET	PORSCHE
928	1991	1	07	107-05		248					

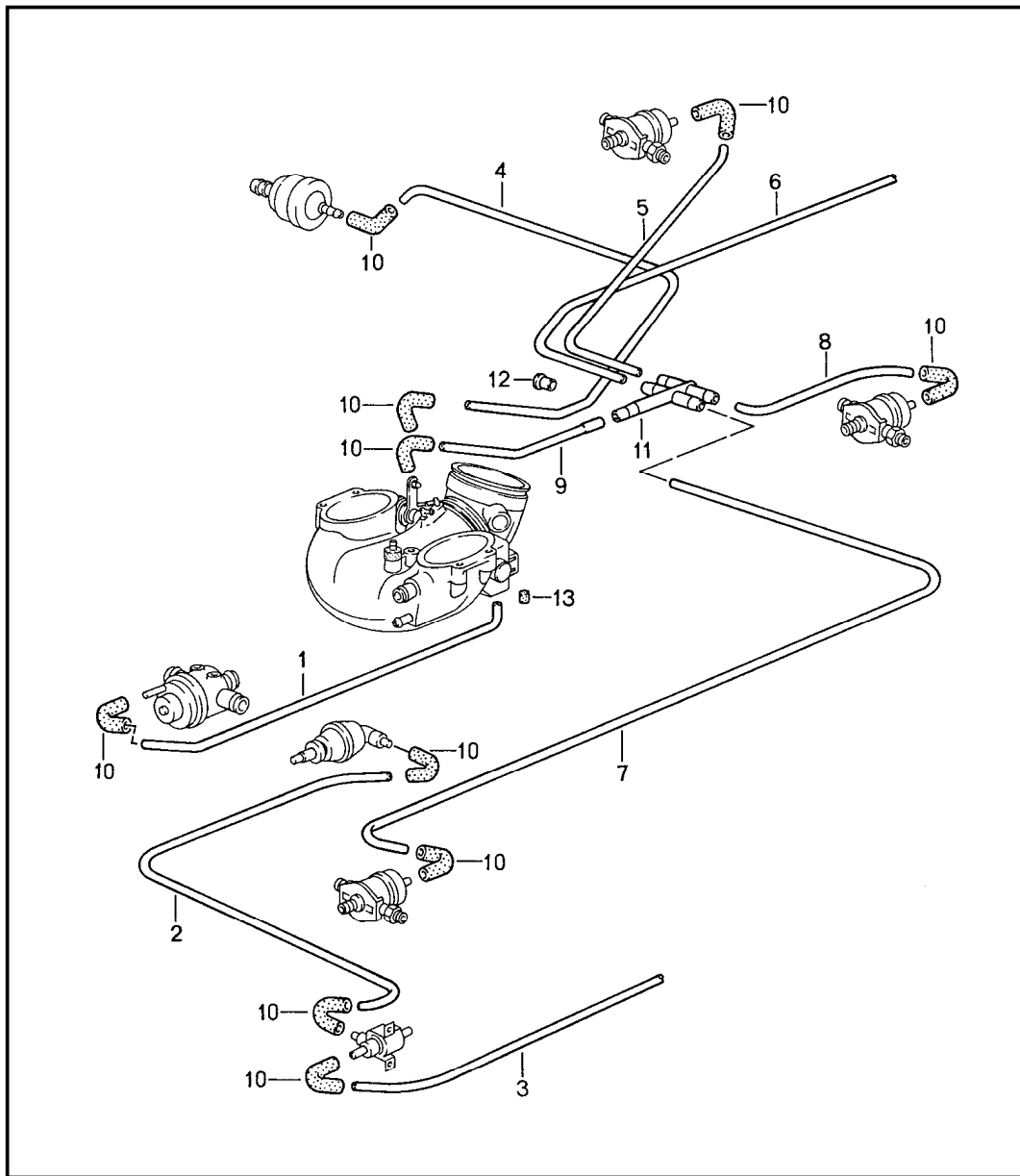


Pos	Part Number	Description	Remark	Qty	Model
		lh-jetronic 2			M28.41/42/47
1	928 110 228 02	intake distributor	-89	1	M28.41/42
(1)	928 110 228 02	intake distributor	AUT. 89- 90-	1	M28.47 M28.42
-	928 110 650 00	bush		2	
-	928 110 658 01	torsion spring		1	
-	N 012 439 2	lock		1	
		for flap			
2	928 110 711 00	lid		1	
3	928 110 232 00	lid		1	
4	* 928 110 713 01	gasket		1	
(4) A	928 110 713 01	gasket		1	
5	* 928 110 714 01	gasket		1	
(5) A	928 110 714 01	gasket		1	
6	* 928 110 637 02	gasket		2	
7	928 110 626 01	bowden control		1	
8	* 928 110 580 02	gasket		2	
9	928 606 217 00	temperature switch		1	
10	900 074 321 0A	hexagon-head bolt M 8 X 40		4	
11	900 067 270 0A	pan-head screw M 6 X 25		16	
12	928 110 430 01	cap		1	
13	931 110 191 00	bonded rubber buffer		4	
14	900 910 022 02	lock nut		10	
15	928 110 693 00	thrust washer		10	
16	928 110 698 01	spacer sleeve		10	
17	* 928 110 694 01	thrust ring		10	
18	928 110 160 00	vacuum unit		1	

Model	Year	MG	SG	Illustration	Restrictions	UPD	19:15	23.01.2010	PORSCHE	PET	PORSCHE
928	1991	1	07	107-05		248					

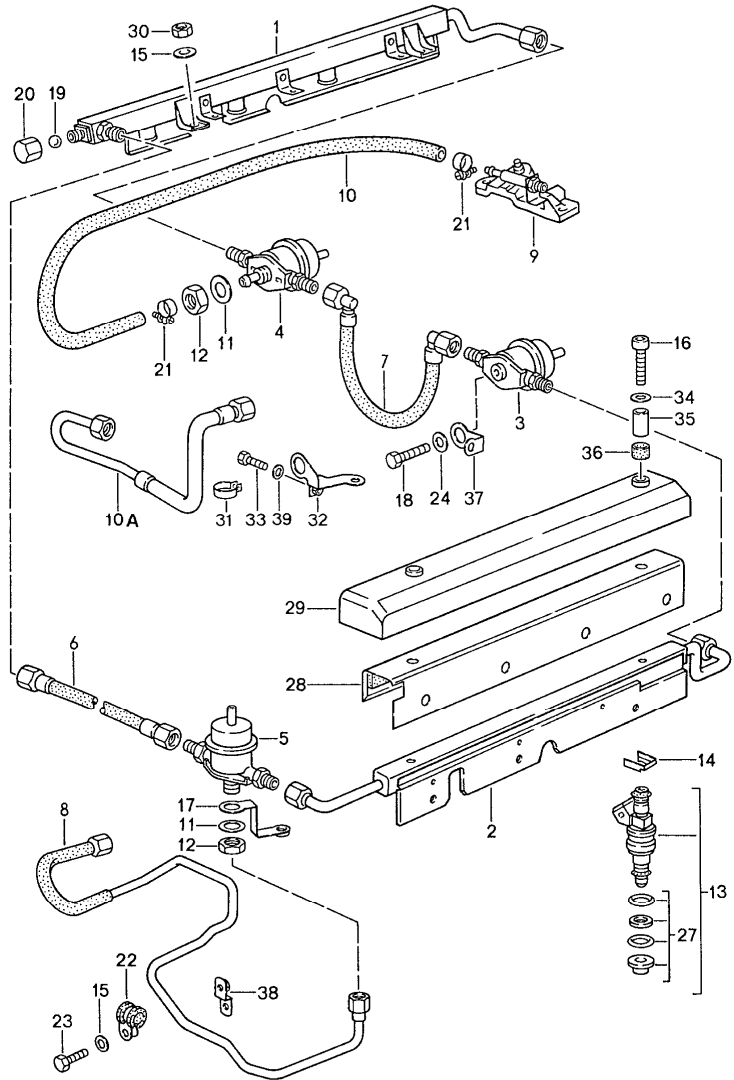
Pos	Part Number	Description	Remark	Qty	Model	Pos	Part Number	Description	Remark	Qty	Model
19	900 067 269 0A	pan-head screw M 6 X 16		2							
20	928 110 627 02	bracket		1							
21	928 110 677 02	bracket		1							
22	928 110 741 01	spring washer		1							
23	999 234 024 00	thrust washer		4							
24	900 116 005 02	lock washer		1							
25	928 110 696 00	reverse lever		1							
26	928 110 695 00	actuating lever		1							
27	928 110 697 00	reverse lever		1							
28	900 075 128 02	screw M 8 X 20		3							
29	900 031 025 0A	washer 8,4		3							
30	928 110 670 00	support		1							
31	999 072 005 09	hexagon-head bolt		1							
32	928 110 640 02	bracket	88-	1							
33	900 067 271 09	combination screw M 8 X 20 Z 1		2							
34	928 110 642 01	deflection roller		1							
35	N 012 408 2	circlip 8 X 0,8		1							

Model	Year	MG	SG	Illustration	Restrictions	UPD	19:15	23.01.2010	PORSCHE	PET	PORSCHE
928	1991	1	07	107-10		248					



Pos	Part Number	Description	Remark	Qty	Model
-	N 020 139 1	lh-jetronic 3 hose 4 X 1 500 MM 300 MM 800 MM 720 MM 220 MM 450 MM 605 MM 220 MM		*	M28.41/42/47
9	928 110 014 01	pipeline		1	
10	928 574 717 02	moulded hose		X	
11	928 110 441 03	distributing piece		1	M28.41/47
(11)	928 110 441 02	distributing piece	AUT.	1	M28.42
12	900 312 012 02	stopper		1	
13	930 110 292 00	stopper		X	

Model	Year	MG	SG	Illustration	Restrictions	UPD	19:15	23.01.2010	PORSCHE	PET	PORSCHE
928	1991	1	07	107-15		248					

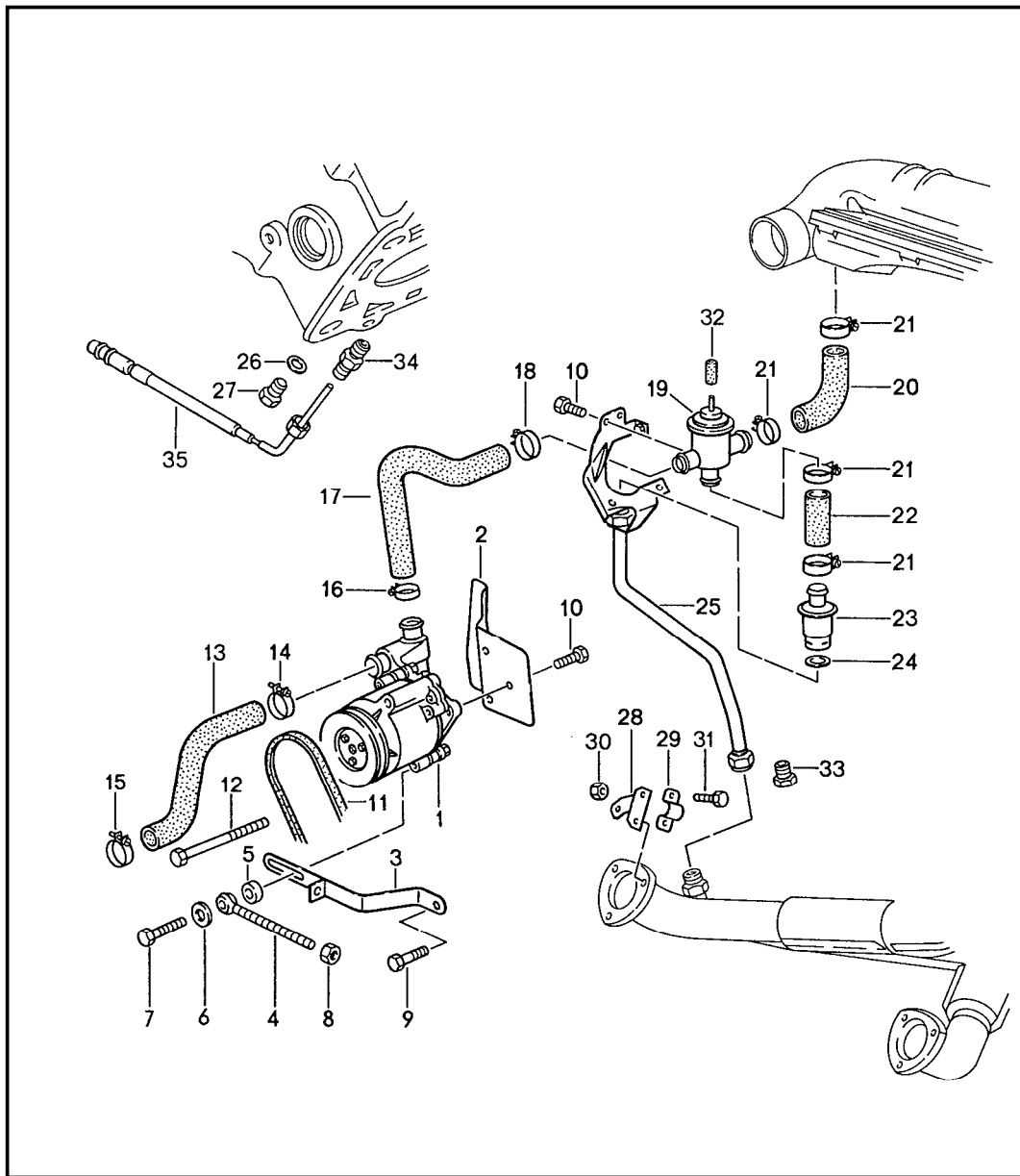


Pos	Part Number	Description	Remark	Qty	Model
		lh-jetronic 4			M28.41/42/47
1	A 928 110 080 17	distributor injection tube	/R	87	1
1	928 110 080 17	distributor injection tube	/R	88-	1
2	A 928 110 079 17	distributor injection tube	/L	87	1
2	928 110 079 17	distributor injection tube	/L	88-	1
3	930 110 602 01	diaphragm damper			1
4	928 110 198 02	pressure regulator		87	1
(4)	928 110 198 04	pressure regulator		88-90	1
(4)	928 110 198 04	pressure regulator		91	1
5	928 110 202 01	diaphragm damper			1
6	928 110 269 01	fuel hose			1
7	928 110 271 02	fuel hose			1
8	928 110 367 15	fuel line feed line			1
9	928 110 640 01	bracket		87	1
10	928 110 359 04	hose elbow		87	1
10A	928 110 359 08	fuel line return line		-89	1
10A	928 110 359 08	fuel line return line		90-	1
11	900 025 020 02	washer A 17			2
12	900 034 013 02	hexagon nut M 16 X 1,5			2
13	928 606 119 02	injector valve			8
14	930 110 388 00	retaining clip			8
15	N 011 524 7	washer A 6,4			5
16	900 067 117 0A	hexagon socket head bolt M 6 X 16			4
17	928 110 525 04	support			1

Model	Year	MG	SG	Illustration	Restrictions	UPD	19:15	23.01.2010	PORSCHE	PET	PORSCHE
928	1991	1	07	107-15		248					

Pos	Part Number	Description	Remark	Qty	Model	Pos	Part Number	Description	Remark	Qty	Model
18	N 010 237 6	hexagon-head bolt M 8 X 12		1		39	N 011 556 2	washer A 5,3		1	
19	900 108 022 00	ball 9 MM		1							
20	A 928 110 475 01	cap nut M 12 X 1,5		1							
20	928 110 475 03	cap nut M 12 X 1,5		1							
21	999 512 160 02	hose clamp S 13/9		2							
22	999 511 116 02	clamp		1							
23	999 072 005 09	hexagon-head bolt M 6 X 12		1							
24	944 110 312 00	washer		1							
27	* 928 110 904 00	gasket set for injector valve		8							
28	-		/L								
28	-		/R								
29	928 110 017 00	cover	/L	1							
29	928 110 018 00	cover	/R	1							
30	900 076 010 02	hexagon nut M 6		4							
31	999 511 191 02	pipe clamp 8 / 12	88-	1							
32	928 110 145 04	support	88-	1							
33	900 075 361 02	hexagon-head bolt M 5 X 12 M 5 X 12		1							
34	900 151 006 0A	washer B 6,4		4							
35	928 110 765 00	guide sleeve		4							
36	999 702 153 40	rubber sleeve		4							
37	928 110 525 08	support	88-	1							
38	928 110 278 01	support		1							

Model	Year	MG	SG	Illustration	Restrictions	UPD	19:16	23.01.2010	PORSCHE	PET	PORSCHE
928	1991	1	08	108-00		248					

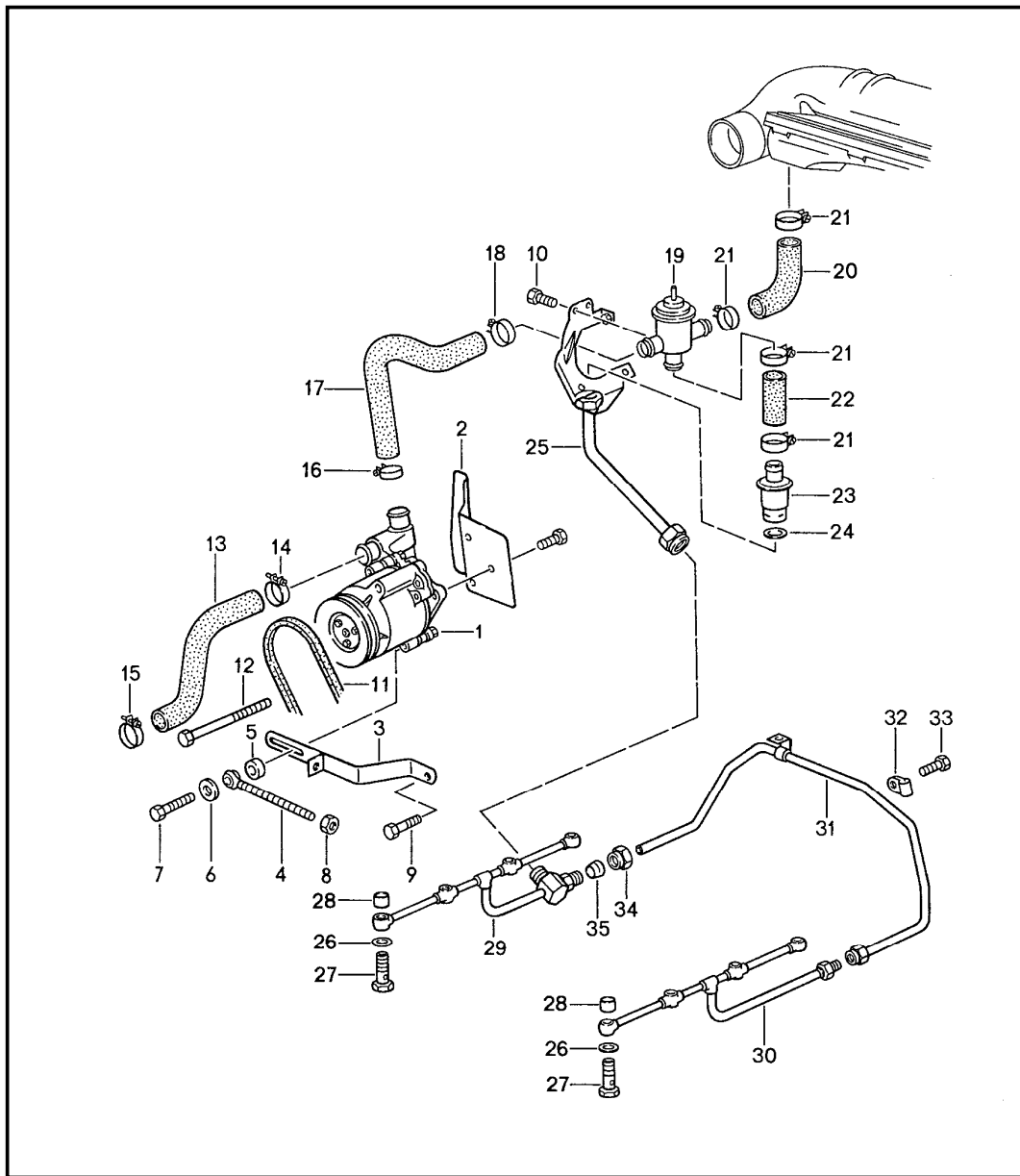


Pos	Part Number	Description	Remark	Qty	Model
		air injection for cars with catalytic converter			M28.41/42/47
1	928 113 017 00	air pump		1	
2	928 113 125 05	cover plate		1	
3	928 113 113 10	strut		1	
4	999 460 002 02	eye screw		1	
5	999 025 075 02	washer 8,5 X 19 X 6		1	
6	900 025 007 02	washer A 8,4		2	
7	N 010 340 6	hexagon-head bolt M 8 X 40		1	
8	900 076 025 02	hexagon nut M 8		1	
9	900 075 079 02	hexagon-head bolt M 8 X 22		1	
10	900 075 357 02	combination screw M 6 X 12		5	
11	999 192 306 50	narrow v-belt 12,5 X 925		1	
12	900 074 049 02	screw M 8 X 110		1	
13	928 113 155 02	moulded hose		1	
14	999 512 044 02	hose clamp		1	
15	999 512 358 02	hose clamp		1	
16	999 512 038 02	hose clamp		1	
17	928 113 139 10	moulded hose		1	
18	999 512 552 00	hose clamp		1	
19	930 113 147 01	diverter valve		1	
20	928 113 159 03	moulded hose		1	
21	999 512 237 02	hose clamp		4	
22	928 113 140 07	moulded hose		1	
23	911 113 115 01	check valve		1	

Model	Year	MG	SG	Illustration	Restrictions	UPD	19:16	23.01.2010	PORSCHE	PET	PORSCHE
928	1991	1	08	108-00		248					

Pos	Part Number	Description	Remark	Qty	Model	Pos	Part Number	Description	Remark	Qty	Model
24	900 123 060 30	sealing ring A 24 X 29		1							
25	928 113 146 04	pipeline		1							
26	900 123 043 30	sealing ring A 12 X 15,5		8							
27	900 124 008 02	screw plug M 12 X 1,5		8							
28	928 113 215 02	support		1							
29	999 512 329 02	clip		1							
30	N 011 005 14	hexagon nut M 5		2							
31	N 010 205 6	hexagon-head bolt M 5 X 10		2							
32	911 110 297 00	stopper		1	M900						
33	928 113 216 00	screw plug		1	M900						
34	928 606 255 00	adapter	89-	2							
35	928 606 155 02	temperature sensor cylinder 4 and cylinder 8	89-90	2							
35	928 606 155 02	temperature sensor cylinder 3 and cylinder 7	91-	2							

Model	Year	MG	SG	Illustration	Restrictions	UPD	19:16	23.01.2010	PORSCHE	PET	PORSCHE
928	1991	1	08	108-05		248					

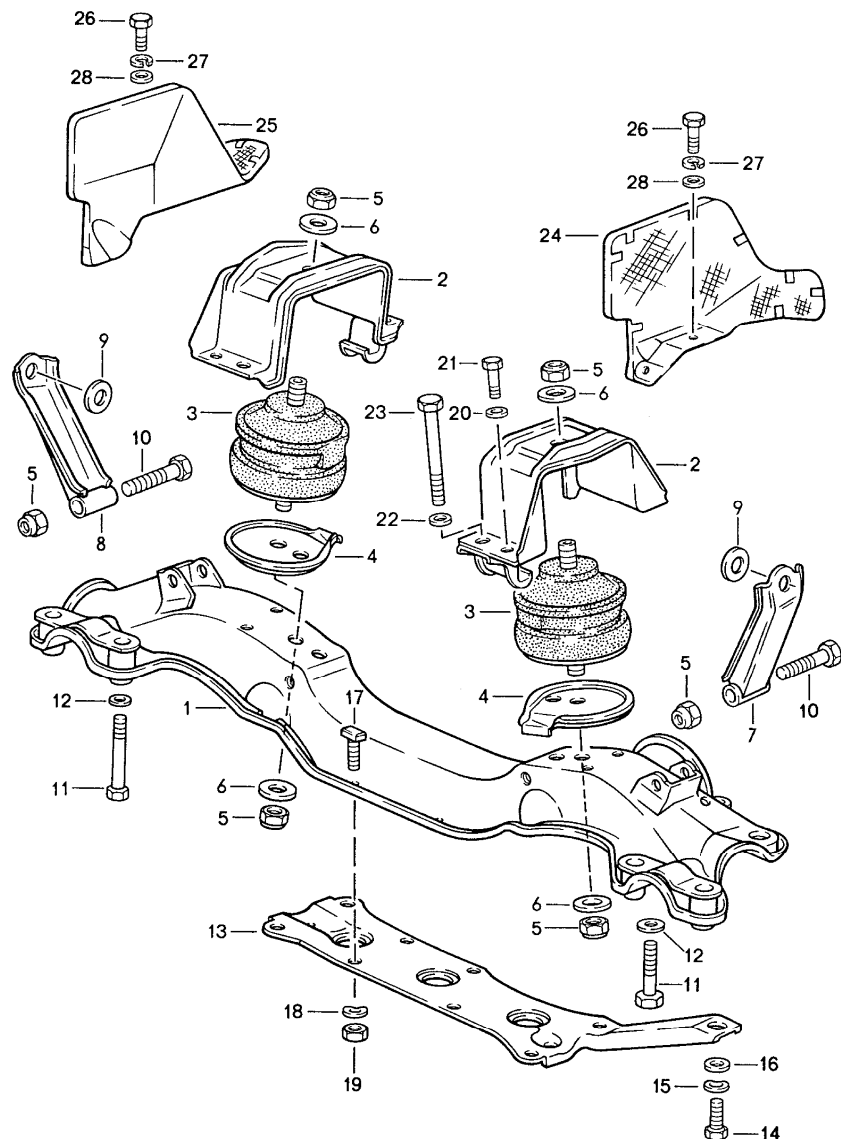


Pos	Part Number	Description	Remark	Qty	Model
		air injection for cars without catalytic converter			M28.41/42/47
1	928 113 017 00	air pump		1	
2	928 113 125 05	cover plate		1	
3	928 113 113 10	strut		1	
4	999 460 002 02	eye screw		1	
5	999 025 075 02	washer 8,5 X 19 X 6		1	
6	900 025 007 02	washer A 8,4		2	
7	N 010 340 6	hexagon-head bolt M 8 X 40		1	
8	900 076 025 02	hexagon nut M 8		1	
9	900 075 079 02	hexagon-head bolt M 8 X 22		1	
10	900 075 357 02	combination screw M 6 X 12		5	
11	999 192 306 50	narrow v-belt 12,5 X 925		1	
12	900 074 049 02	screw M 8 X 110		1	
13	928 113 155 02	moulded hose		1	
14	999 512 044 02	hose clamp		1	
15	999 512 358 02	hose clamp		1	
16	999 512 038 02	hose clamp		1	
17	928 113 139 10	moulded hose		1	
18	999 512 552 00	hose clamp		1	
19	930 113 147 01	diverter valve		1	
20	928 113 159 03	moulded hose		1	
21	999 512 237 02	hose clamp		4	
22	928 113 140 07	moulded hose		1	
23	911 113 115 01	check valve		1	

Model	Year	MG	SG	Illustration	Restrictions	UPD	19:16	23.01.2010	PORSCHE	PET	PORSCHE
928	1991	1	08	108-05		248					

Pos	Part Number	Description	Remark	Qty	Model	Pos	Part Number	Description	Remark	Qty	Model
24	900 123 060 30	sealing ring A 24 X 29		1							
25	928 113 146 05	pipeline		1							
26	900 123 043 30	sealing ring A 12 X 15,5		X							
27	999 134 039 02	banjo bolt		X							
28	999 209 003 30	sleeve 12,2 X 18		X							
29	928 113 123 01	distributor line cylinders 1 - 4		1							
30	928 113 123 02	distributor line cylinders 5 - 8		1							
31	928 113 135 05	connecting line		1							
32	999 511 171 02	pipe clamp		1							
33	900 075 358 02	hexagon-head bolt M 8 X 20		1							
34	900 104 020 02	union nut		1							
35	N 020 823 1	cutting ring		1							

Model	Year	MG	SG	Illustration	Restrictions	UPD	19:16	23.01.2010	PORSCHE	PET	PORSCHE
928	1991	1	09	109-00		248					



Pos	Part Number	Description	Remark	Qty	Model
		engine suspension			M28.41/42/47
1	928 375 011 06	engine carrier	/LL	1	
(1)	927 375 011 06	engine carrier	/RL	1	
2	928 375 069 01	engine bracket		2	
3	928 375 039 00	hydraulic mount		2	
4	928 375 371 00	stop plate		2	
5	900 910 046 02	lock nut M 12 X 1,5		4	
6	999 025 091 02	washer		4	
7	928 375 063 00	bracket	/L	1	
8	928 375 064 00	bracket	/R	1	
9	928 375 211 00	washer		2	
10	N 010 156 3	hexagon-head bolt M 12 X 1,5 X 70		2	
11	N 010 455 3	screw M 10 X 55		2	
12	928 375 212 00	washer		2	
13	928 375 019 00	reinforcement plate	/LL	1	
(13)	927 375 021 02	reinforcement plate	/RL	1	
14	900 075 043 02	hexagon-head bolt M 10 X 30	/LL	1	
14	900 075 043 02	hexagon-head bolt M 10 X 30	/RL	2	
15	900 025 008 09	washer B 10	/LL	1	
15	900 025 008 09	washer B 10	/RL	2	
16	900 223 011 02	washer B 10,5	/LL	1	
16	900 223 011 02	washer B 10,5	/RL	2	
17	928 375 125 00	t-headed screw		4	
18	N 012 241 8	spring washer B 8		4	

Model	Year	MG	SG	Illustration	Restrictions	UPD	19:16	23.01.2010	PORSCHE	PET	PORSCHE
928	1991	1	09	109-00		248					

Pos	Part Number	Description	Remark	Qty	Model	Pos	Part Number	Description	Remark	Qty	Model
19	900 910 022 02	lock nut M 8		4							
20	900 025 007 02	washer A 8,4		4							
21	N 010 335 5	hexagon-head bolt M 8 X 35		4							
22	052 103 377	washer		4							
23	N 010 482 3	hexagon-head bolt M 10 X 105		4							
24	928 375 067 01	heat shield	/L	1							
25	928 375 068 01	heat shield	/R	1							
26	900 075 057 02	hexagon-head bolt M 6 X 16		4							
27	N 012 006 4	lock ring B 6		4							
28	900 223 003 02	washer 6,4		4							

PORSCHE

PET

PORSCHE

Model	Year	MG	SG	Illustration	Restrictions	UPD	19:16	23.01.2010
928	1991	1	98	198-00R		248		

Pos	Part Number	Description	Remark	Qty	Model
		repair kits maintenance set gasket set			M28.41/42/47
>>	>>928 100 901 03	gasket set engine comprising:		1	M28.41/42/47
-	900 123 118 30	sealing ring A 22 X 27		1	
-	999 113 275 40	shaft sealing ring A 20 X 30 X 7		1	
-	900 123 007 30	sealing ring A 14 X 18		1	
-	900 123 149 70	sealing ring A 22 X 29		1	
-	900 123 115 30	sealing ring A 8 X 11,5		1	
-	900 123 055 30	sealing ring A 12 X 16		1	
-	900 123 060 30	sealing ring A 24 X 29		2	
-	900 123 143 70	sealing ring A 48 X 55		1	
-	928 104 601 07	valve stem seal		32	
-	928 101 207 00	oil sump gasket		1	
-	928 104 367 05	cylinder head gasket cylinders 1 - 4		1	
-	928 104 368 05	cylinder head gasket cylinders 5 - 8		1	
-	928 106 134 05	gasket		1	
-	928 106 227 00	gasket		2	
-	928 107 136 04	sealing ring		1	
-	928 107 307 00	gasket D 3		1	
-	999 701 846 40	o-ring		1	
-	944 111 205 00	sealing ring		8	
-	928 606 213 03	gasket		1	
-	928 110 132 00	hose		1	

Model	Year	MG	SG	Illustration	Restrictions	UPD	19:16	23.01.2010
928	1991	1	98	198-00R		248		

Pos	Part Number	Description	Remark	Qty	Model
-	999 113 264 40	radial sealing ring 90 X 110 X 12		1	
-	928 603 135 03	sealing ring		1	
-	999 113 263 40	shaft sealing ring 60 X 85 X 10		1	
-	999 113 282 40	shaft sealing ring		2	
-	999 701 633 40	o-ring 98 X 3		1	
-	928 107 169 01	gasket		1	
-	999 701 627 40	o-ring 53 X 7		1	
-	999 701 632 40	o-ring 65 X 5		1	
-	N 043 811 1	sealing ring C 38 X 44		2	
-	928 105 215 00	lid		6	
-	928 106 167 01	gasket		2	
-	999 701 731 40	o-ring		22	
-	900 123 050 30	sealing ring		6	
-	928 104 447 09	gasket		2	
-	928 104 443 08	sealing ring		8	
-	900 174 044 40	round seal		1	
-	928 105 262 00	pin		5	
-	928 110 713 01	gasket		1	
-	928 110 714 01	gasket		1	
-	928 110 637 02	gasket		2	
-	928 110 580 02	gasket		2	
-	928 110 694 01	thrust ring		10	
-	900 123 144 30	sealing ring		12	
-	928 105 611 05	gasket		1	
-	000 043 204 45	sleeve		2	
>>	>>928 104 903 01	gasket set cylinder head comprising:		1	M28.41/42/47

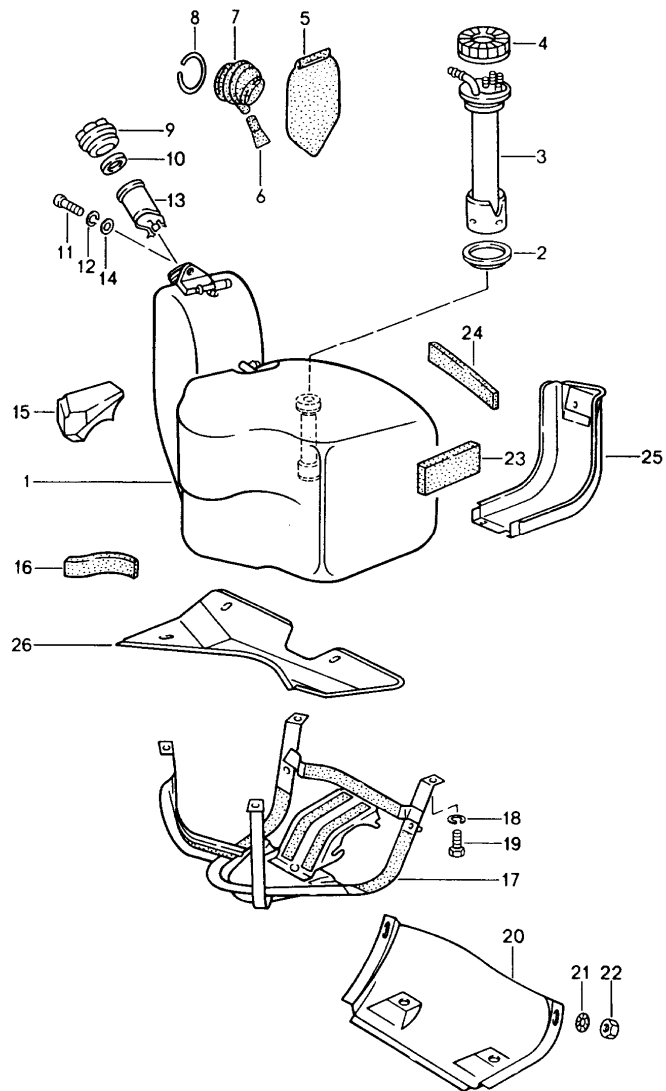
Model	Year	MG	SG	Illustration	Restrictions	UPD	19:16	23.01.2010
928	1991	1	98	198-00R		248		

Pos	Part Number	Description	Remark	Qty	Model
-	928 104 367 05	cylinder head gasket		1	
-	928 104 368 05	cylinder head gasket		1	
-	928 105 215 00	lid		2	
-	928 105 205 00	support		2	
-	900 123 050 30	sealing ring		8	
-	999 113 282 40	shaft sealing ring		2	
-	944 111 205 00	sealing ring		8	
-	928 110 580 02	gasket		2	
-	900 123 144 30	sealing ring		12	
-	928 104 443 08	sealing ring		8	
-	928 104 447 09	gasket		2	
-	928 106 227 00	gasket		2	
-	000 043 204 45	sleeve		5	
>>	>>928 101 901 08	set of crankshaft bearings 1 set comprising:		1	M28.41/42/47
-	928 101 115 02	main bearing shell		3	
	002				
-	928 101 115 03	main bearing shell		3	
	002				
-	928 101 142 03	thrust bearing		2	
	002				
-	928 101 117 08	main bearing bush i		1	
>>	>>928 101 901 58	set of crankshaft bearings 1 set undersize 0.25 mm comprising:		1	M28.41/42/47
-	928 101 115 50	main bearing shell		3	
-	928 101 115 51	main bearing shell		3	
-	928 101 142 54	thrust bearing		2	
-	928 101 117 58	main bearing bush i		1	

Model	Year	MG	SG	Illustration	Restrictions	UPD	19:16	23.01.2010
928	1991	1	98	198-00R		248		

Pos	Part Number	Description	Remark	Qty	Model
>>	>>928 101 901 68	set of crankshaft bearings 1 set undersize 0.50 mm comprising:		1	M28.41/42/47
-	928 101 115 60	main bearing shell		3	
-	928 101 115 61	main bearing shell		3	
-	928 101 142 64	thrust bearing		2	
-	928 101 117 68	main bearing bush i		1	
>>	>>928 100 931 07	maintenance set for periodic maintenance comprising:		1	M28.41/42/47
-	999 170 156 90	spark plug		8	
-	928 107 201 05	oil filter		1	
-	900 123 011 30	sealing ring		1	
-	928 110 253 06	fuel filter		1	
-	928 110 185 03	air cleaner cartridge		1	
-	928 113 445 00	filter cartridge		1	
>>	>>928 100 931 08	maintenance set for periodic maintenance comprising:	89-	1	M28.41/42/47
-	999 170 156 90	spark plug		8	
-	928 107 201 05	oil filter		1	
-	900 123 011 30	sealing ring		1	
-	928 110 185 03	air cleaner cartridge		1	
>>	>>928 103 906 22	set of piston rings 100,00 MM		X	M28.41/42/47
>>	>>928 103 906 23	set of piston rings 100,50 MM		X	M28.41/42/47
>>	>>000 043 202 60	subsequent installation for AU	(D)	1	M28.41/42/47

Model	Year	MG	SG	Illustration	Restrictions	UPD	19:16	23.01.2010	PORSCHE	PET	PORSCHE
928	1991	2	01	201-00		248					

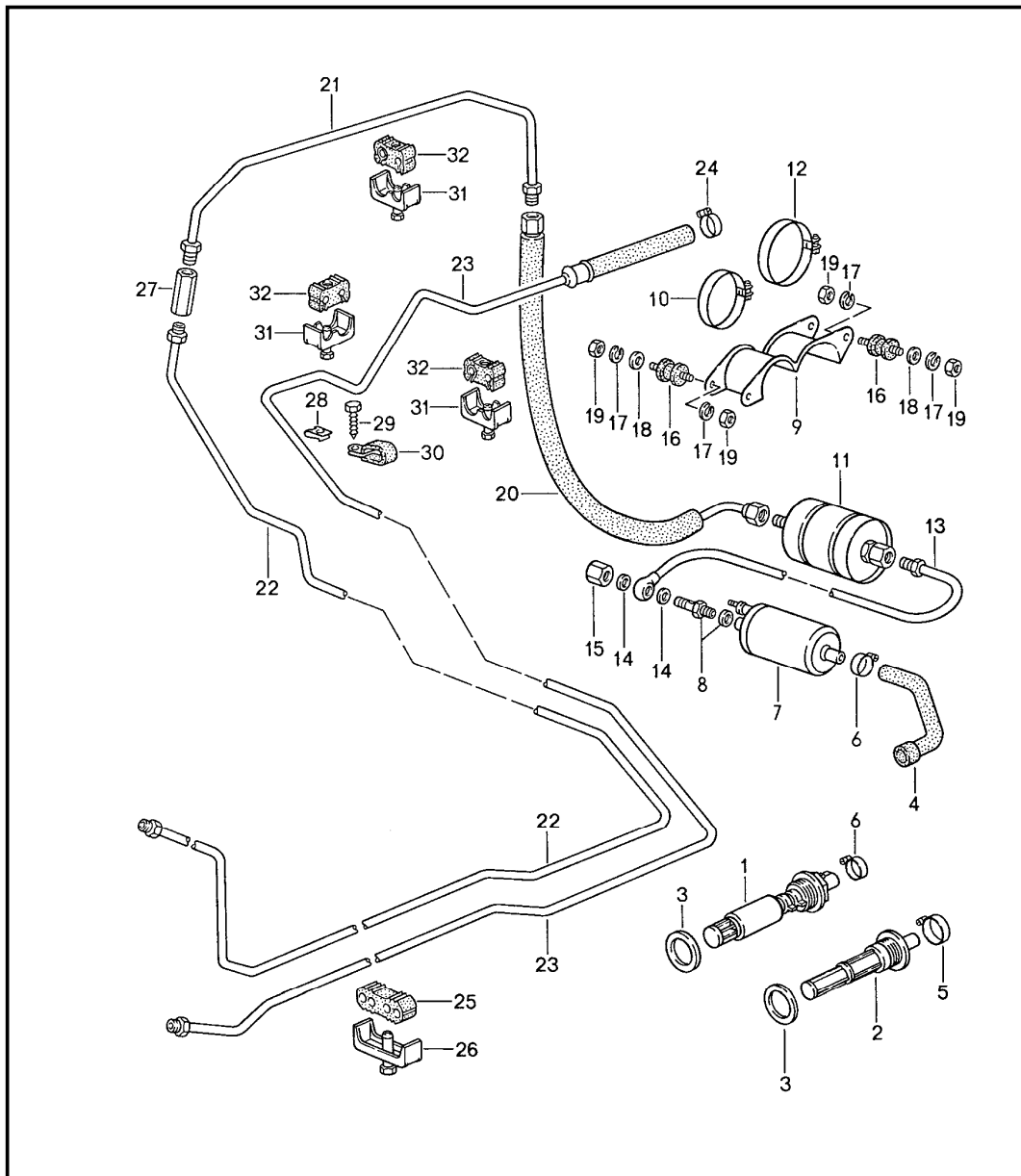


Pos	Part Number	Description	Remark	Qty	Model
1	928 201 003 05	fuel tank		1	
1 A	928 201 003 04	fuel tank use also: POS.13 for (USA) (CDN) M 298/ M 299		1	
1	928 201 003 08	fuel tank use also: POS.13 for (USA) (CDN) M 298/ M 299		1	
2	928 201 327 02	gasket		1	
3	928 641 030 01	tank gauge fuel tank	-88	1	
3	928 641 030 02	tank gauge fuel tank	89-	1	
4 A	113 201 375	union nut		1	
4	113 201 375	union nut		1	
		01C black			
5	928 201 057 02	protective flap		1	
6	928 201 255 02	drain bush		1	
7	928 201 333 02	grommet		1	
8	900 906 046 00	outer ring		1	
9	928 201 901 03	fuel tank cap with stipulated lock number state lock number		1	
(9)	928 201 903 02	fuel tank cap w/o stipulated lock number		1	
10	928 201 275 03	sealing ring		1	
11	N 014 707 2	pan-head screw M 8 X 15		1	
12	900 142 002 01	lock ring A 8		1	
13	928 201 027 03	insert		1	

Model	Year	MG	SG	Illustration	Restrictions	UPD	19:16	23.01.2010	PORSCHE	PET	PORSCHE
928	1991	2	01	201-00		248					

Pos	Part Number	Description	Remark	Qty	Model	Pos	Part Number	Description	Remark	Qty	Model
14	900 025 007 02	washer A 8,4		1							
15	928 201 107 02	desk pad		1							
-	999 911 227 40	base strap 210 MM		*							
				1							
17	A 928 201 313 06	tank covering	87	1							
(17)	928 201 313 06	tank covering	88-	1							
18	900 027 015 02	lock ring B 8		X							
19	N 010 246 4	hexagon-head bolt M 8 X 45		X							
20	928 201 145 03	lid		1							
21	N 042 121 3	shake-proof washer A 6,4		2							
22	900 076 010 02	hexagon nut M 6		4							
23	928 201 345 02	spacer		1							
-	999 911 227 40	base strap 290 MM		*							
				1							
25	928 201 373 03	cover		1							
26	928 201 059 03	cover		1							

Model	Year	MG	SG	Illustration	Restrictions	UPD	9:28	29.01.2010	PORSCHE	PET	PORSCHE
928	1991	2	01	201-05		248					

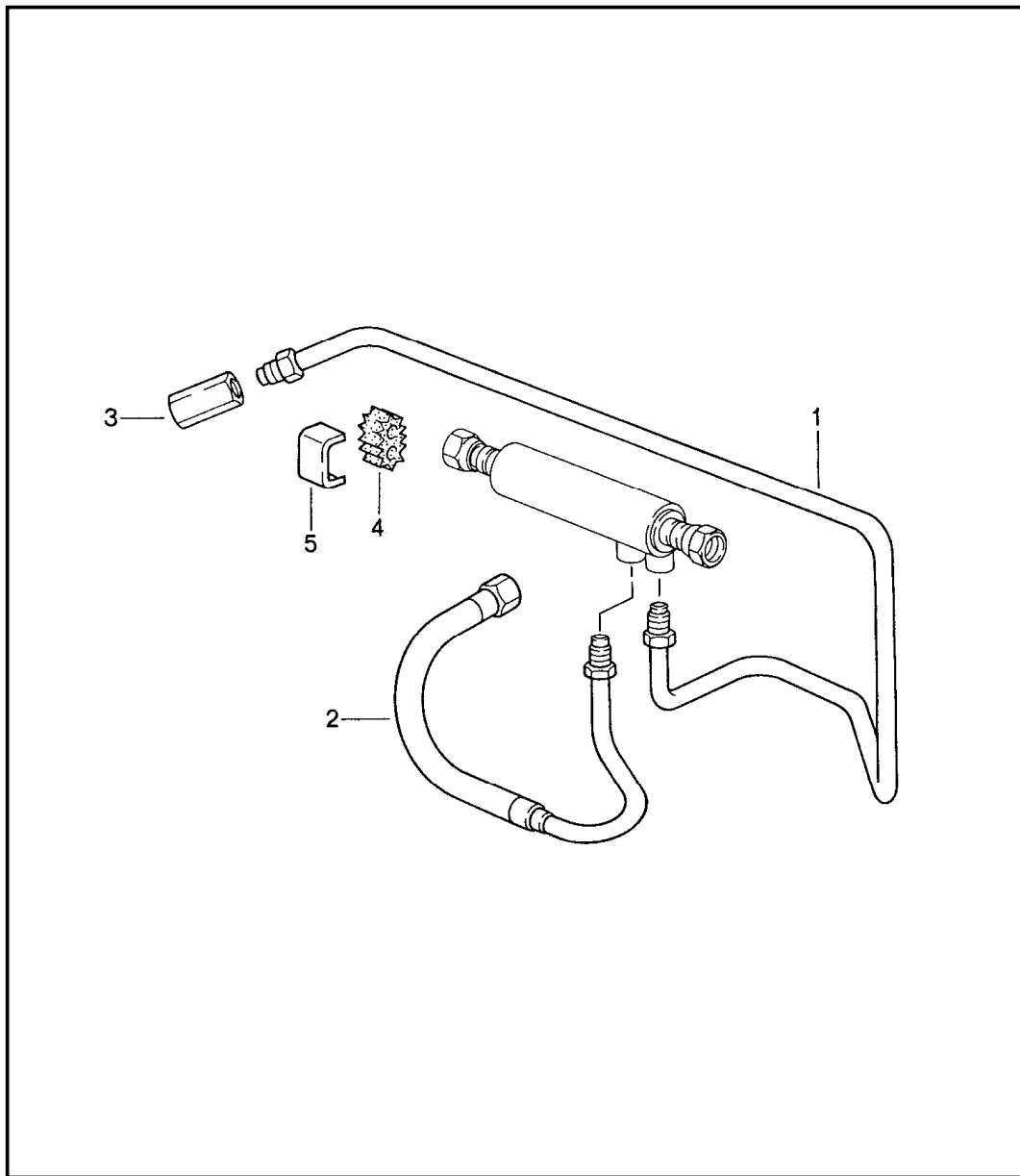


Pos	Part Number	Description	Remark	Qty	Model
		fuel system			
1	928 608 013 00	in-tank fuel pump		1	M460
2	928 201 081 04	fuel strainer M 37 X 1,5 for cars without in-tank fuel pump	-88	1	
		M 37 X 1,5 for cars without in-tank fuel pump			
3	928 201 187 02	sealing ring		1	
4	928 356 550 04	fuel hose		1	M460
4	928 356 550 05	fuel hose	-88	1	
5	999 512 346 00	hose clamp A 20/9		1	
6	999 512 554 00	hose clamp A 18/9	-88	1	
6	999 512 554 00	hose clamp A 18/9		2	M460
7	928 608 104 02	fuel pump	-88	1	
(7)	928 608 104 03	fuel pump	89-	1	
8	893 906 093	retaining valve		1	
9	928 356 151 01	support		1	
10	999 512 394 00	hose clamp		1	
11	928 110 253 04	fuel filter		1	(AG) (SA)
11	928 110 253 06	fuel filter		1	
12	999 512 276 02	clamp		1	
13	A 928 356 063 10	fuel line		1	
14	900 123 005 20	sealing ring A 12 X 16		2	
15	A 928 110 475 01	cap nut		1	
15	928 110 475 01	cap nut		1	
16	944 610 115 00	bonded rubber mounting		6	
17	N 012 006 4	lock ring B 6		12	

Model	Year	MG	SG	Illustration	Restrictions	UPD	9:28	29.01.2010	PORSCHE	PET	PORSCHE
928	1991	2	01	201-05		248					

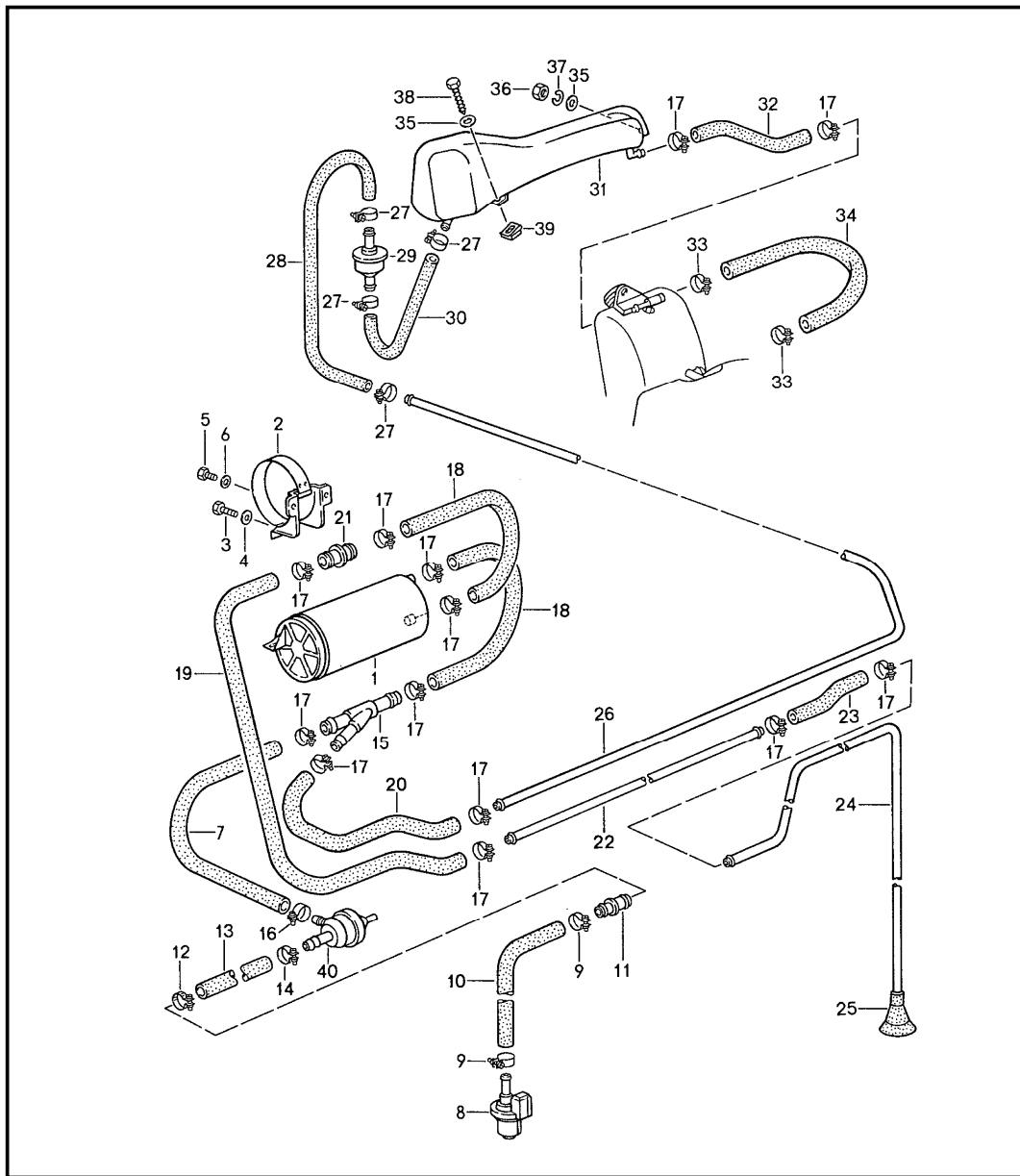
Pos	Part Number	Description	Remark	Qty	Model	Pos	Part Number	Description	Remark	Qty	Model
18	N 011 666 7	washer B 6,4		9							
19	900 076 010 02	hexagon nut M 6		12							
20	928 356 053 01	fuel line		1							
20	928 356 053 01	fuel line		1							
21	928 356 057 00	fuel line		1							
22	928 356 029 10	fuel line to engine compartment		1							
23	928 356 031 05	fuel line return line to tank		1							
24	N 023 569 2	hose clamp AR 16/9		1							
25	928 356 551 01	rubber mounting		6							
26	928 356 553 00	supporting bow		5							
27	477 209 169	connecting piece		1							
28	999 591 487 02	speed nut		1							
29	900 187 115 02	combination screw									
30	999 511 085 02	clamp		1							
31	928 356 555 00	clamp		X							
32	928 356 525 01	rubber mounting		X							

Model	Year	MG	SG	Illustration	Restrictions	UPD	19:17	23.01.2010	PORSCHE	PET	PORSCHE
928	1991	2	01	201-10		248					



Pos	Part Number	Description	Remark	Qty	Model
		fuel cooler			
1	928 356 185 01	return line	87	1	
(1)	928 356 185 03	return line	88-	1	
(1)	928 356 189 00	return line	88-	1	M637
2	928 356 081 04	fuel supply line see group 1/07/15 AB MOD. 88-	87	1	
3	477 209 169	connecting piece		1	
4	928 356 525 00	rubber mounting		2	
5	928 356 527 00	supporting bow		2	

Model	Year	MG	SG	Illustration	Restrictions	UPD	19:17	23.01.2010	PORSCHE	PET	PORSCHE
928	1991	2	01	201-15		248					

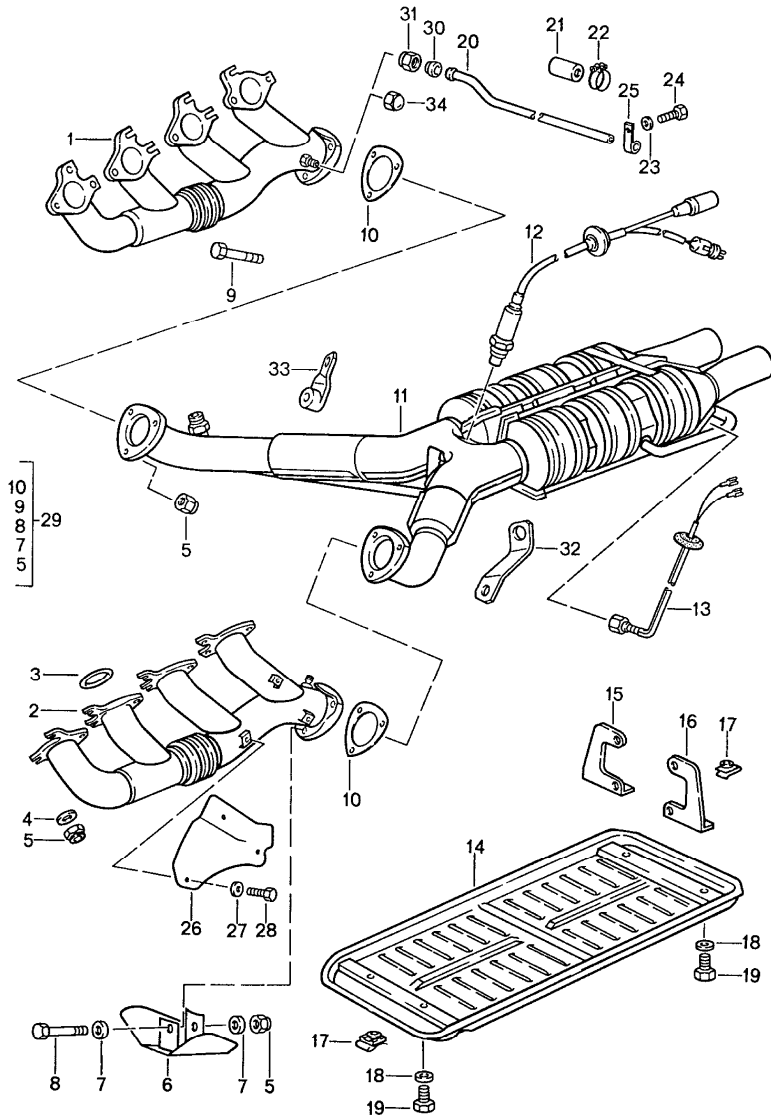


Pos	Part Number	Description	Remark	Qty	Model
		tank ventilation			
1	993 201 221 01	carbon canister		1	
2	928 201 015 02	bracket		1	
3	900 075 014 02	hexagon-head bolt M 6 X 18		1	
4	803 817 121	washer B 6,4		1	
5	900 075 260 02	hexagon-head bolt M 6 X 16		1	
6	N 011 524 7	washer B 6,4		1	
-	999 181 168 50	hose 12 X 18,5 250 MM		*	
8	944 605 240 01	bleeder valve		1	
9	999 512 055 02	hose clamp		2	
10	999 181 419 50	hose		1	
11	999 137 058 40	reducing socket		1	
12	N 023 577 2	hose clamp		1	
13	928 110 652 01	moulded hose		1	
14	999 512 554 00	hose clamp		2	
15	928 201 219 02	connecting piece		1	
16	900 272 003 02	hose clamp		2	
17	N 023 569 2	hose clamp		X	
18	477 201 747 C	hose		2	
19	900 180 031 50	hose		1	
-	999 181 716 50	hose 9,5 X 15,5 530 MM		*	
21	930 110 267 00	hose connection		1	
22	928 201 353 06	purge-air line front		1	

Model	Year	MG	SG	Illustration	Restrictions	UPD	19:17	23.01.2010	PORSCHE	PET	PORSCHE
928	1991	2	01	201-15		248					

Pos	Part Number	Description	Remark	Qty	Model	Pos	Part Number	Description	Remark	Qty	Model
-	999 181 716 50	hose 9,5 X 15,5 170 MM		*							
				1							
24	928 201 355 06	purge-air line rear		1							
25	928 201 195 02	end piece		1							
26	928 201 341 08	vent line		1							
27	999 512 554 00	hose clamp		4							
28	928 201 368 00	hose		1							
29	928 201 083 02	shut-off valve		1							
30	928 201 368 01	hose		1							
31	928 201 013 07	expansion tank		1							
-	999 181 716 50	hose 9,5 X 15,5 250 MM		*							
				1							
33	N 023 565 3	hose clamp		2							
34	928 201 194 03	hose		1							
35	N 011 524 7	washer A 6,4		2							
36	900 076 010 02	hexagon nut		1							
37	N 012 006 4	lock ring		1							
38	N 013 892 4	tapping screw		1							
39	999 507 003 02	speed nut		1							
40	928 110 429 08	vacuum valve		1							

Model	Year	MG	SG	Illustration	Restrictions	UPD	19:17	23.01.2010	PORSCHE	PET	PORSCHE
928	1991	2	02	202-00		248					

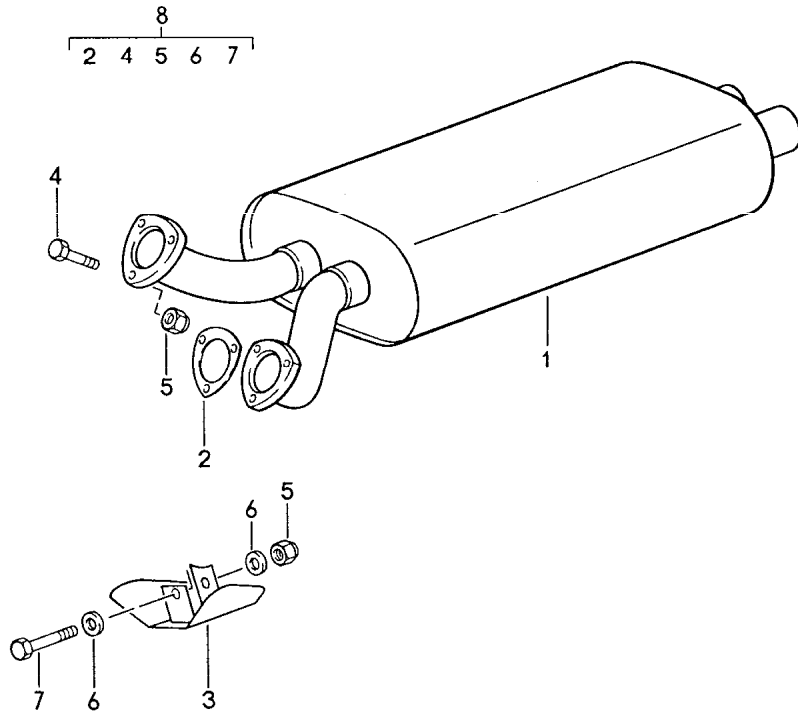


Pos	Part Number	Description	Remark	Qty	Model
1	928 111 145 07	exhaust system catalytic converter		1	
(1)	927 111 145 02	exhaust manifold cylinders 1 - 4	/RL	1	
2	928 111 146 07	exhaust manifold cylinders 5 - 8		1	
(2)	927 111 146 00	exhaust manifold cylinders 5 - 8	/RL	1	
3	944 111 205 00	sealing ring		8	
4	928 111 181 00	washer		16	
5	999 084 052 02	lock nut M 8		22	
6	928 111 067 01	protective plate		1	M28.41/47
7	999 025 078 02	washer 8,4 X 17 X 1,5		2	M28.41/47
8	900 074 283 02	hexagon-head bolt M 8 X 45		1	M28.41/47
9	900 074 287 02	hexagon-head bolt M 8 X 35		5	M28.41/47
9	900 074 287 02	hexagon-head bolt M 8 X 35		6	M28.42
10	A 928 111 127 02	gasket		2	
(10)	928 111 127 02	gasket without asbestos		2	
11	928 113 214 03	catalytic converter	(J)	1	M28.42
11	A 928 113 219 01	catalytic converter		-89	1
11	928 113 219 04	catalytic converter		90-	1
12	928 606 128 01	oxygen sensor heated		1	
13	928 606 145 00	temperature sensor	(J)	2	M28.42
14	928 113 161 03	catalytic converter cover	(J)	1	M28.42
15	928 113 148 00	retaining bracket	/R (J)	1	M28.42
16	928 113 163 00	retaining bracket	/L (J)	1	M28.42

Model	Year	MG	SG	Illustration	Restrictions	UPD	19:17	23.01.2010	PORSCHE	PET	PORSCHE
928	1991	2	02	202-00		248					

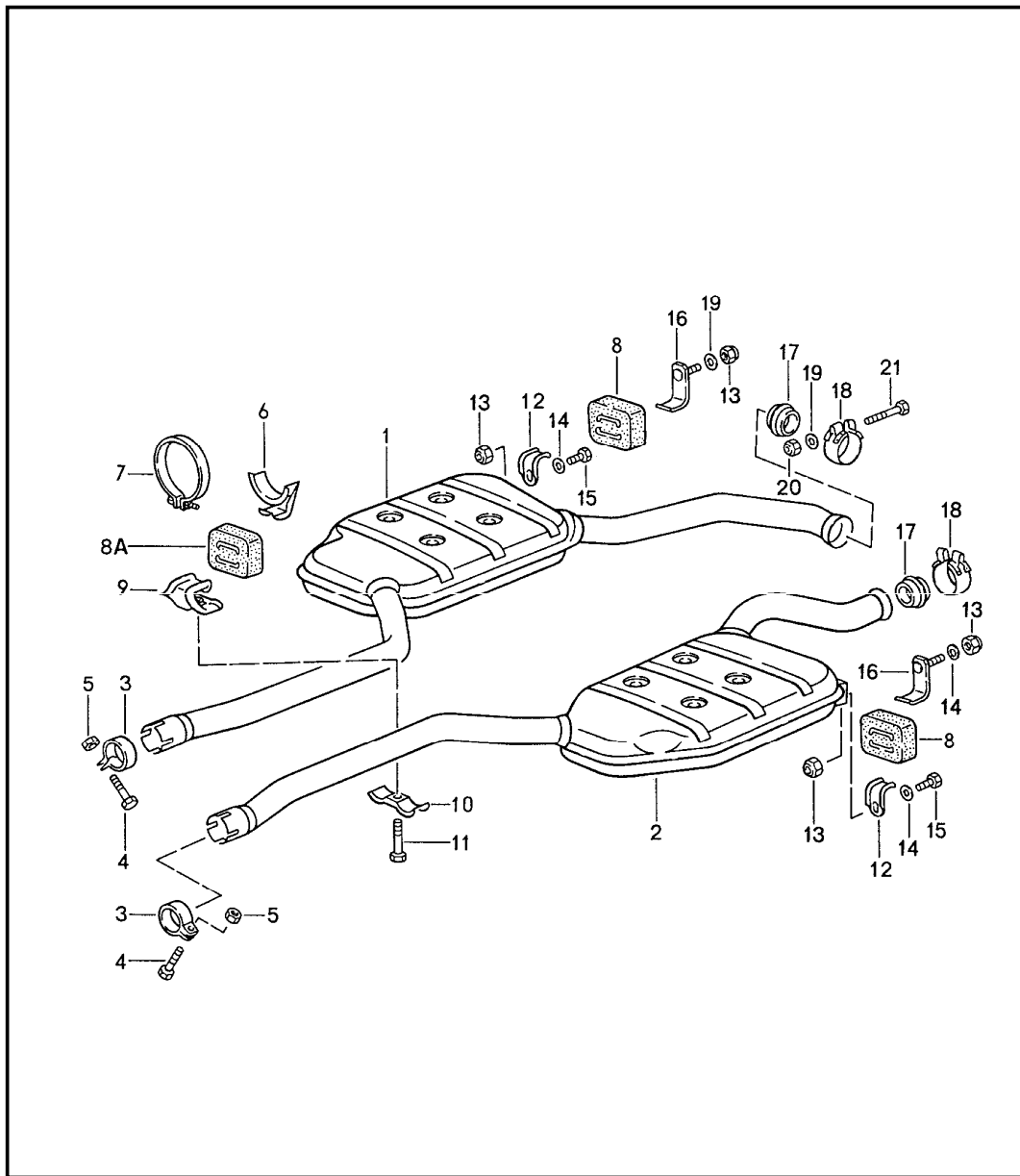
Pos	Part Number	Description	Remark	Qty	Model	Pos	Part Number	Description	Remark	Qty	Model
17	999 507 003 02	speed nut	(J)	4	M28.42						
18	N 011 524 7	washer A 6,4	(J)	4	M28.42						
19	900 187 015 02	tapping screw B 6,3 X 13	(J)	4	M28.42						
20	928 111 149 05	pipeline cylinders 1 - 4		-88	1						
(20)	928 111 150 01	pipeline cylinders 5 - 8		-88	1						
21	035 133 335 B	cap		2							
22	999 512 160 02	hose clamp S 13/9		2							
23	N 011 524 7	washer A 6,4		2							
24	999 072 005 09	hexagon-head bolt M 6 X 12		2							
25	928 111 158 00	retaining bar		2							
(25)	928 111 158 01	pipe clamp		2							
26	928 111 103 01	protective plate		1							
27	900 025 045 02	washer 6,4		3							
28	900 075 312 02	hexagon-head bolt M 6 X 12		3							
29	928 111 901 00	set of fastening parts		1							
30	900 102 009 00	cutting ring		2							
31	N 021 022 2	union nut		2							
32	928 111 162 00	bracket	/R	1							
33	928 111 161 00	bracket	/L	1							
34	930 113 153 00	cap use also: for exhaust manifold MOD.89-		89-	2						

Model	Year	MG	SG	Illustration	Restrictions	UPD	19:17	23.01.2010	PORSCHE	PET	PORSCHE
928	1991	2	02	202-05		248					



Pos	Part Number	Description	Remark	Qty	Model
		exhaust system front muffler			
1	A 928 111 096 03	front muffler		87	1
1	928 111 096 03	front muffler			1
2	A 928 111 127 02	gasket			2
2	928 111 127 02	gasket without asbestos			2
3	928 111 067 01	protective plate			1
4	900 074 287 02	hexagon-head bolt M 8 X 35			5 M28.41/47
4	900 074 287 02	hexagon-head bolt M 8 X 35	AUT.		6 M28.42
5	999 084 052 02	lock nut M 8			6
6	999 025 078 02	washer 8,4 X 17 X 1,5			2
7	900 074 283 02	hexagon-head bolt M 8 X 45			1 M28.41/47
8	928 111 901 00	set of fastening parts			1

Model	Year	MG	SG	Illustration	Restrictions	UPD	19:18	23.01.2010	PORSCHE	PET	PORSCHE
928	1991	2	02	202-10		248					

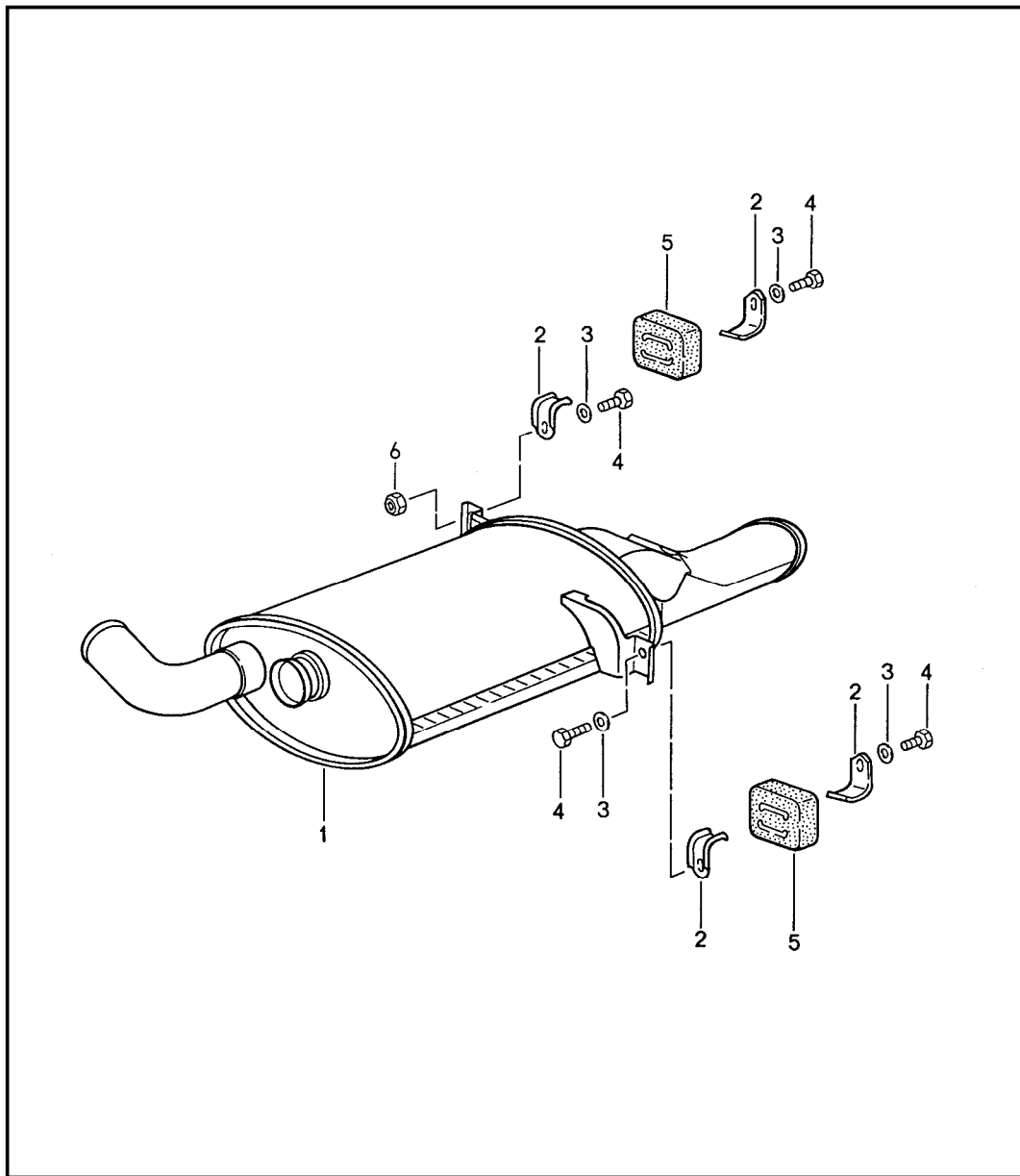


Pos	Part Number	Description	Remark	Qty	Model
		exhaust system intermediate silencer			
1	928 111 094 01	intermediate silencer	/R	-88	1
1	928 111 094 01	intermediate silencer	/R (CH)	90-	1 M639
(1)	928 111 094 04	intermediate silencer	/R	88-	1 M637
(1)	928 111 094 04	intermediate silencer	/R	89-	1
2	928 111 093 01	intermediate silencer	/L	-88	1
2	928 111 093 01	intermediate silencer	/L (CH)	90-	1 M639
(2)	928 111 093 03	intermediate silencer	/L	88-	1 M637
(2)	928 111 093 03	intermediate silencer	/L	89-	1
3	928 111 424 00	pipe clamp			2
4	900 155 036 02	hexagon-head bolt M 10 X 50			2
5	999 084 047 02	lock nut M 10			2
6	928 111 278 00	hook			1
7	999 512 325 02	clamp			1
8	928 111 259 02	rubber mounting			4
8A	928 111 259 02	rubber mounting			1
9	928 111 287 00	support			1
10	928 111 288 00	support			1
11	900 155 036 02	hexagon-head bolt M 10 X 50			1
12	928 111 264 01	hook			6
13	900 910 022 02	lock nut			4
14	900 025 007 02	washer			4
15	900 075 366 02	hexagon-head bolt M 8 X 16			
16	928 111 260 00	hook			2
17	928 111 246 05	sealing ring		87	2

Model	Year	MG	SG	Illustration	Restrictions	UPD	19:18	23.01.2010	PORSCHE	PET	PORSCHE
928	1991	2	02	202-10		248					

Pos	Part Number	Description	Remark	Qty	Model	Pos	Part Number	Description	Remark	Qty	Model
(17)	928 111 246 05	sealing ring	88-	2							
18	928 111 427 00	pipe clamp		2							
19	999 025 078 02	washer		2							
20	999 084 052 02	lock nut		2							
21	900 074 304 02	hexagon-head bolt M 8 X 60		2							

Model	Year	MG	SG	Illustration	Restrictions	UPD	19:18	23.01.2010	PORSCHE	PET	PORSCHE
928	1991	2	02	202-15		248					



Pos	Part Number	Description	Remark	Qty	Model
		exhaust system main exhaust muffler			
1	928 111 097 04	main exhaust muffler	-89	1	
(1)	928 111 097 04	main exhaust muffler		1	
(1)	928 111 097 04	main exhaust muffler		1	CH
2	928 111 264 01	hook		4	
3	900 025 007 02	washer		4	
4	900 075 087 02	hexagon-head bolt		4	
5	928 111 259 02	rubber mounting		2	
- A	928 111 271 03	cover	88-89	2	M637/639
-	928 111 271 03	cover	90-	2	
-	900 075 001 03	hexagon-head bolt M 5 X 8		2	
-	900 198 001 02	square nut M 5		2	
6	900 910 022 02	lock nut		X	

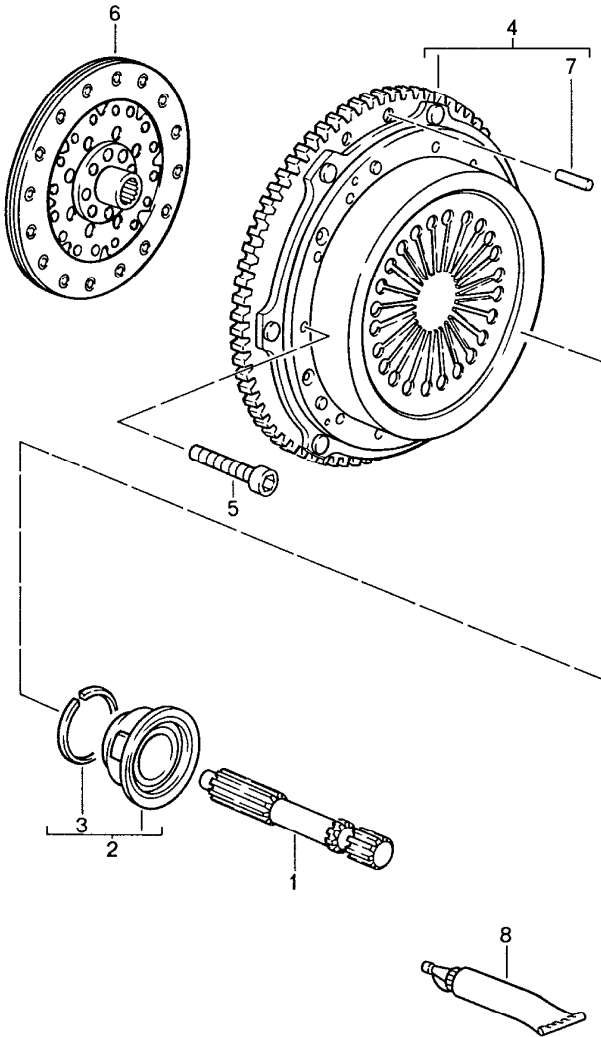
Model	Year	MG	SG	Illustration	Restrictions	UPD	19:18	23.01.2010
928	1991	2	98	298-00R		248		

Pos	Part Number	Description	Remark	Qty	Model
		repair kits			M28.41/42/47
>>	>>928 113 911 00	conversion set for subsequent installation catalytic converter see technical information GR.2 NR. 3/3A/3B/87 comprising:		1	M28.41/42/47
-	000 043 078 00	installation instructions		1	
-	928 113 219 01	catalytic converter		1	
-	928 111 424 00	pipe clamp		2	
-	900 155 036 02	hexagon-head bolt		2	
-	999 084 047 02	lock nut		2	
-	928 606 128 01	oxygen sensor		1	
-	928 607 433 00	coding plug		1	
-	928 607 434 00	coding plug		1	
-	900 124 008 02	screw plug		8	
-	900 123 043 30	sealing ring		8	
-	928 113 146 04	pipeline		1	
-	900 123 060 30	sealing ring		1	
-	928 113 215 02	support		1	
-	999 512 329 02	clip		1	
-	N 010 205 6	hexagon-head bolt		2	
-	N 011 005 14	hexagon nut		2	
-	928 006 117 03	sticker		1	
-	911 701 241 00	sticker		1	
-	944 701 201 03	sticker		1	
-	928 201 027 03	insert		1	
-	900 312 012 02	stopper		1	
-	928 111 127 02	gasket		2	
-	900 074 287 02	hexagon-head bolt		6	
-	900 074 283 02	hexagon-head bolt		1	
-	999 025 078 02	washer		2	

Model	Year	MG	SG	Illustration	Restrictions	UPD	19:18	23.01.2010
928	1991	2	98	298-00R		248		

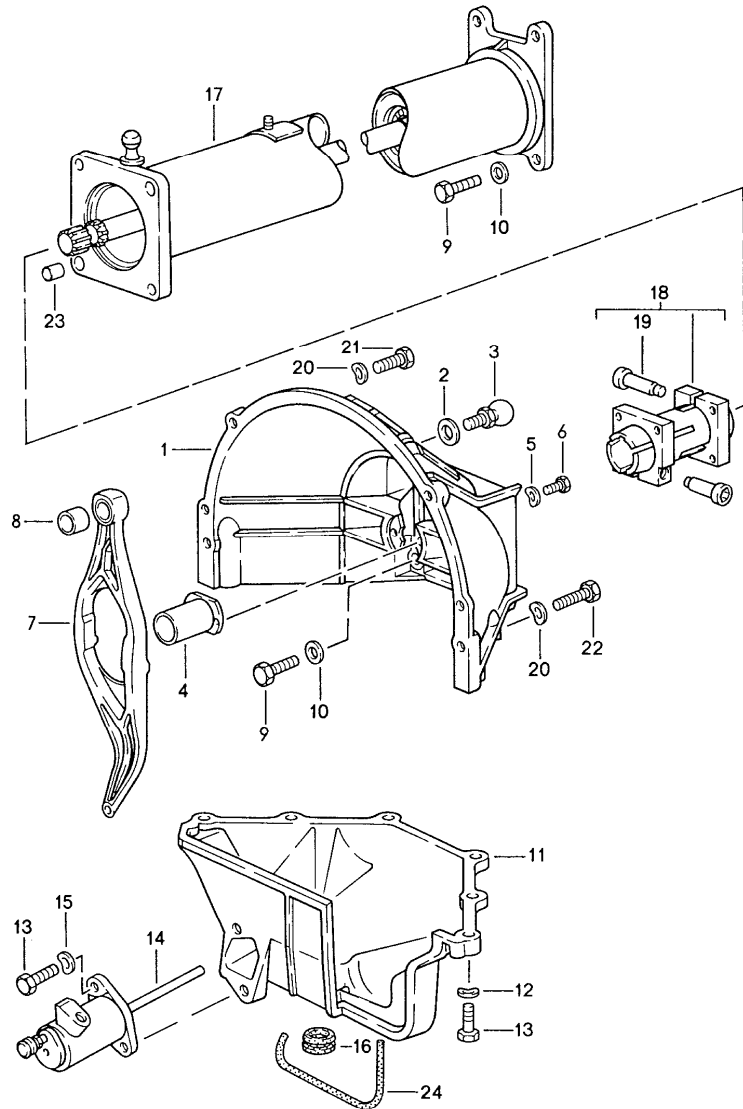
Pos	Part Number	Description	Remark	Qty	Model
-	999 084 052 02	lock nut		6	
-	928 504 091 00	heat protection plate		1	
-	960 307 917 00	hose protecting sleeve		2	
-	928 307 190 00	connection piece		1	
>>	>>928 111 901 00	set of fastening parts for front muffler catalytic converter comprising:		1	
-	928 111 127 02	gasket		2	
-	900 074 287 02	hexagon-head bolt		6	
-	900 074 283 02	hexagon-head bolt		1	
-	999 025 078 02	washer		2	
-	999 084 052 02	lock nut		6	

Model	Year	MG	SG	Illustration	Restrictions	UPD	19:18	23.01.2010	PORSCHE	PET	PORSCHE
928	1991	3	01	301-00		248					



Pos	Part Number	Description	Remark	Qty	Model
		manual transmission clutch			G28.12/13/55
		see technical information group 3 NR. 1/94			
1	928 421 235 16	central shaft		1	
2	928 116 085 05	clutch release bearing		1	
2	928 116 085 08	clutch release bearing		1	
3	999 152 068 01	circlip		1	
4	> 928 116 004 10	pressure plate	-88	1	
(4)	928 116 004 12	pressure plate	89-	1	
5	900 067 284 02	pan-head screw M 8 X 53		9	
6	A 928 116 013 17	clutch plate	87	1	
(6)	A 928 116 013 23	clutch plate	88-	1	
(6)	928 116 013 28	clutch plate	88-	1	
7	N 013 381 1	straight pin	-88	2	
(7)	N 013 373 1	straight pin	-88	2	
8	000 043 024 00	extreme-pressure grease		X	
-	928 116 911 01	repair kit for clutch	-88	1	
-	928 116 911 02	repair kit for clutch	88-	1	

Model	Year	MG	SG	Illustration	Restrictions	UPD	19:18	23.01.2010	PORSCHE	PET	PORSCHE
928	1991	3	01	301-05		248					

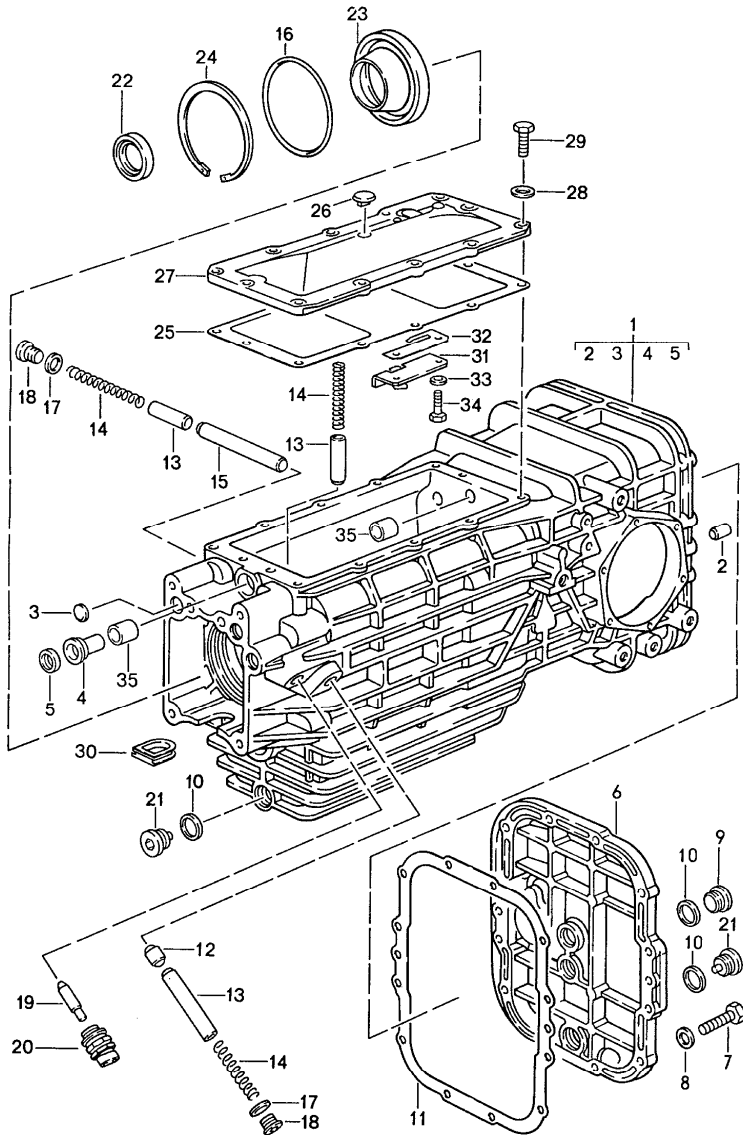


Pos	Part Number	Description	Remark	Qty	Model
		central tube			G28.12/13/55
1	928 116 402 00	clutch housing	-88	1	
1	928 116 402 01	clutch housing	89-	1	
2	900 025 007 02	washer A 8,4		1	
3	928 116 075 01	ball pin 8 MM §		1	
4	928 116 087 15	guide tube		1	
4	928 116 087 16	guide tube		1	
5	N 011 524 7	washer A 6,4		2	
6	900 075 057 02	hexagon-head bolt M 6 X 16		2	
7	928 116 832 08	clutch release lever		1	
8	928 116 145 03	ball socket		1	
9	N 010 445 2	hexagon-head bolt M 10 X 45		8	
10	900 025 008 09	washer A 10,5		8	
11	928 116 412 03	lid clutch housing		1	
11	928 116 412 03	lid clutch housing		1	G28.55 M637
12	N 012 241 8	spring washer B 8		6	
13	900 075 099 02	hexagon-head bolt M 8 X 30		8	
14	A 928 116 237 22	clutch operating cylinder	-89	1	
14	928 116 237 22	clutch operating cylinder	90-	1	
15	900 027 015 02	lock ring B 8		2	
16	928 116 425 00	cap		3	
17	> 928 421 012 26	central tube		1	
18	922 421 051 02	clamping sleeve		1	

Model	Year	MG	SG	Illustration	Restrictions	UPD	19:18	23.01.2010	PORSCHE	PET	PORSCHE
928	1991	3	01	301-05		248					

Pos	Part Number	Description	Remark	Qty	Model	Pos	Part Number	Description	Remark	Qty	Model
19	931 421 240 00	clamping screw		2							
20	N 011 531 14	washer B 12		2							
21	N 010 142 2	hexagon-head bolt M 12 X 1,5 X 50		2							
22	N 010 156 3	hexagon-head bolt M 12 X 1,5 X 70		1							
(22)	900 082 020 09	hexagon-head bolt		1							
23	900 197 042 01	roll pin 10 X 12		2							
24	928 116 427 02	sealing strip		1							

Model	Year	MG	SG	Illustration	Restrictions	UPD	19:19	23.01.2010	PORSCHE	PET	PORSCHE
928	1991	3	02	302-00		248					

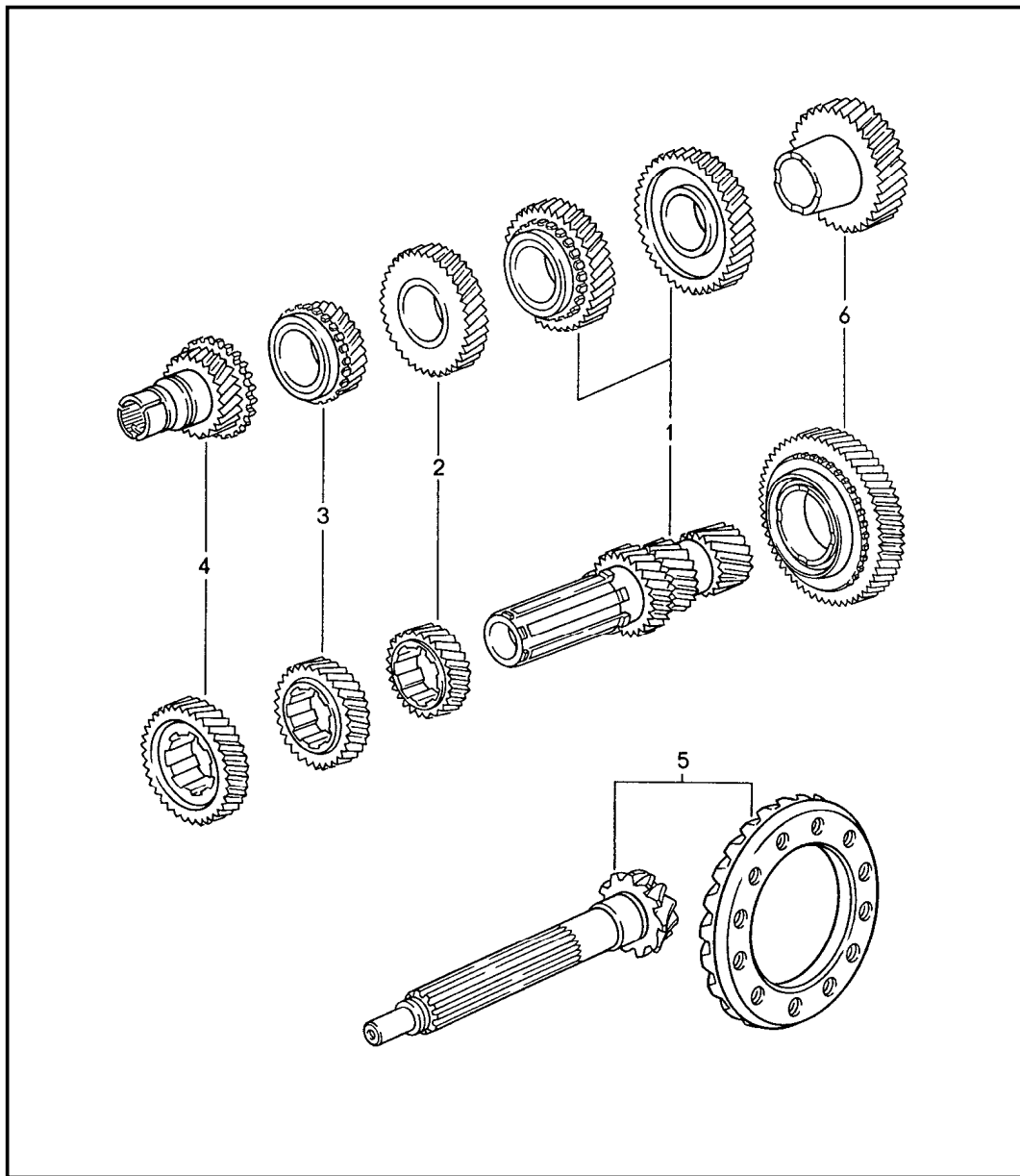


Pos	Part Number	Description	Remark	Qty	Model
		manual transmission replacement transmission transmission case			G28.12/13/55
- >	928 300 005 12	manual transmission complete	-89	1	G28.12
- >	928 300 015 12	manual transmission complete	-89	1	G28.12
- >	928 300 015 55	manual transmission complete		1	G28.55 M637 G28.55 M639 G28.55 M221
- >	928 300 030 55	manual transmission complete porsche limited-slip differential		89	90 1
- >	928 300 030 TX	manual transmission complete porsche limited-slip differential		90	1
- >	928 300 030 56	manual transmission complete porsche limited-slip differential		91-	1 G28.55 M221
1 A	928 301 012 00	transmission case	-88	1	
1	928 301 012 00	transmission case		89	1
(1)	928 301 012 01	transmission case		90-	1 G28.55 M221
2	900 012 086 00	straight pin 6 X 18		2	
3	900 040 013 02	cover plate		3	
4	928 301 502 03	guide bush		1	
5 *	928 303 120 01	shaft sealing ring		1	
6	928 301 306 00	housing cover rear	-90	1	
6	928 301 306 06	housing cover rear		91-	1

Model	Year	MG	SG	Illustration	Restrictions	UPD	19:19	23.01.2010	PORSCHE	PET	PORSCHE
928	1991	3	02	302-00		248					

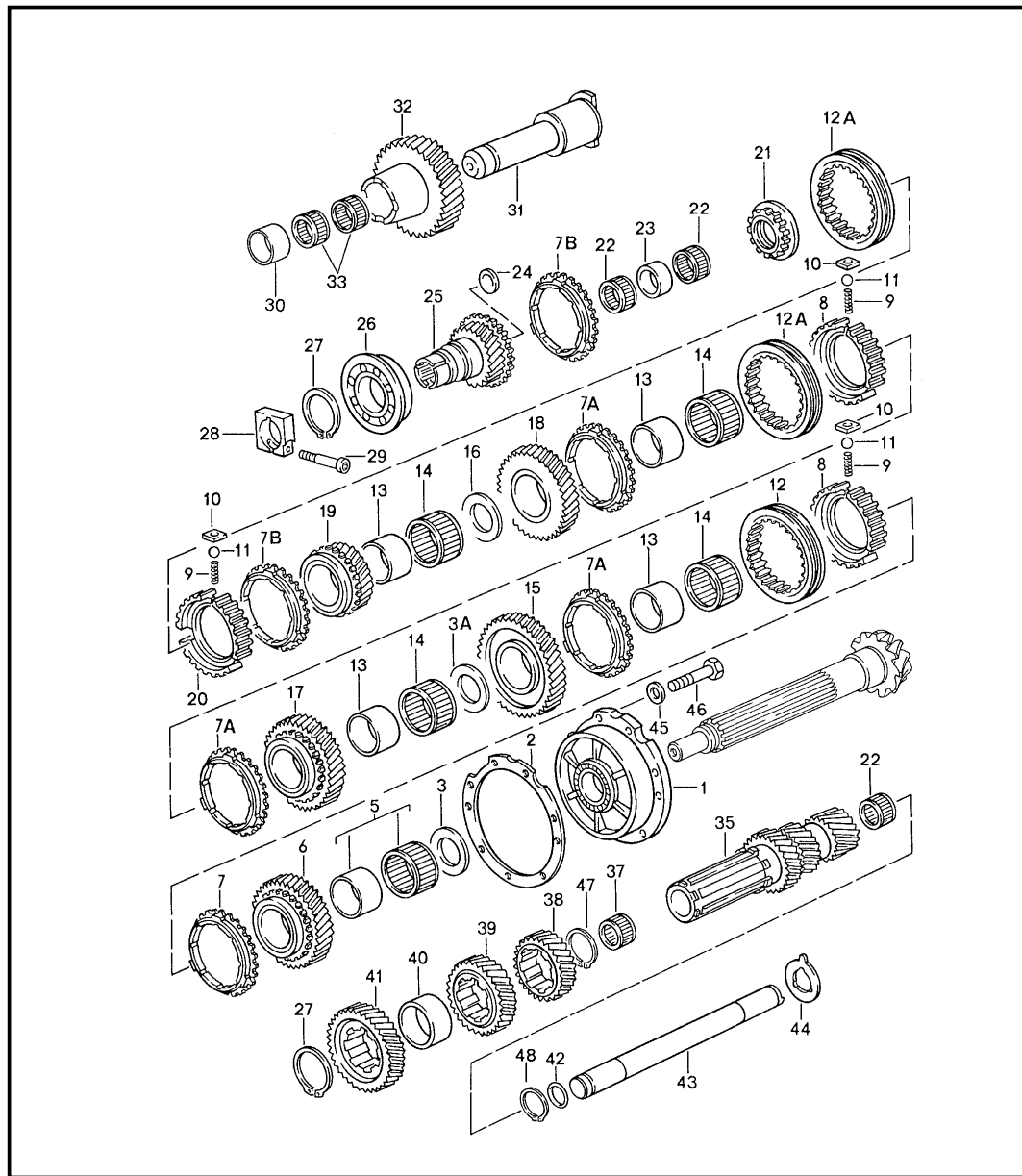
Pos	Part Number	Description	Remark	Qty	Model	Pos	Part Number	Description	Remark	Qty	Model
7	900 075 099 02	hexagon-head bolt M 8 X 30		12		33	N 012 226 5	spring washer B 6		2	
8	900 025 007 02	washer A 8,4		12		34	900 075 057 02	hexagon-head bolt M 6 X 16		2	
9	900 219 001 30	screw plug		1		35	999 203 003 00	bearing sleeve		2	
10	900 123 118 30	sealing ring A 22 X 27		3							
11	* 928 301 395 03	gasket		1							
12	928 303 231 24	detent		1							
13	928 303 234 00	arresting bush		3							
14	928 303 235 24	compression spring		3							
15	928 303 232 00	detent		1							
16	* 999 701 904 40	o-ring		1							
17	900 123 043 30	sealing ring		2							
18	900 219 006 02	screw plug		2							
19	928 606 241 02	cam follower		1							
20	914 613 541 02	back-up light switch		1							
21	999 063 008 02	screw plug		2							
22	* 928 302 167 03	shaft sealing ring		1							
23	928 302 175 12	housing		1							
24	N 101 003 1	circlip		1							
25	* 928 301 393 07	gasket		1							
26	928 301 311 01	bleeder		1							
27	928 301 303 11	lid		1							
28	N 011 524 7	washer A 6,4		12							
29	900 075 016 02	hexagon-head bolt M 6 X 22		12							
30	928 301 171 00	cap		1							
31	928 303 025 05	reversing gear lock		1							
32	928 303 287 01	leaf spring		1							

Model	Year	MG	SG	Illustration	Restrictions	UPD	19:19	23.01.2010	PORSCHE	PET	PORSCHE
928	1991	3	03	303-00		248					



Pos	Part Number	Description	Remark	Qty	Model
		manual transmission gear wheel sets			G28.12/13/55
1	928 302 901 18	gear set 1st/2nd gear Z = 17:44 Z = 22:38 use also: 999.152.087.01 928.302.278.00		1	
2	928 302 903 18	gear wheel pair 3rd gear Z = 26:32		1	
3	928 302 904 19	gear wheel pair 4th speed Z = 29:27		1	
4	928 302 905 32	gear set 5th gear Z = 22:32		1	G28.12
4	928 302 905 32	gear set 5th gear Z = 22:32		1	G28.55 M637 M639
5	928 302 911 65	ring gear and pinion shaft Z = 11:29		1	G28.12
5	928 302 911 64	ring gear and pinion shaft Z = 11:30		1	G28.55 M637 M639
6	928 302 907 03	gear set reverse gear		1	

Model	Year	MG	SG	Illustration	Restrictions	UPD	19:19	23.01.2010	PORSCHE	PET	PORSCHE
928	1991	3	03	303-05		248					

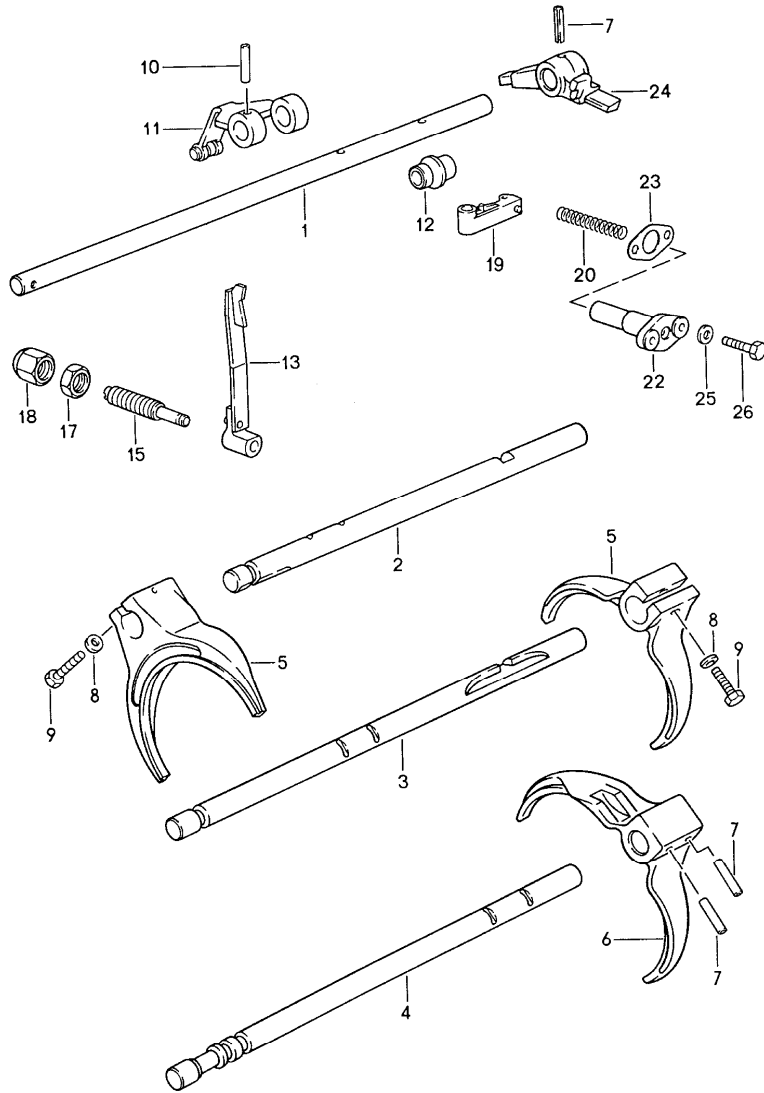


Pos	Part Number	Description	Remark	Qty	Model
		manual transmission gears and shafts			G28.12/13/55
1	928 302 063 34	bearing sleeve		1	
2	928 302 298 10	adjusting shim 0,10 MM		X	
(2)	928 302 298 11	adjusting shim 0,15 MM		X	
(2)	928 302 298 12	adjusting shim 0,20 MM		X	
(2)	928 302 298 13	adjusting shim 0,50 MM		X	
3	928 302 267 10	shim 2,20 MM		1	
(3)	928 302 267 11	shim 2,30 MM		X	
(3)	928 302 267 12	shim 2,40 MM		X	
(3)	928 302 267 13	shim 2,50 MM		X	
(3)	928 302 267 14	shim 2,60 MM		X	
(3)	928 302 267 15	shim 2,70 MM		X	
(3)	928 302 267 16	shim 2,80 MM		X	
(3)	928 302 267 17	shim 2,90 MM		X	
(3)	928 302 267 18	shim 3,00 MM		X	
(3)	928 302 267 19	shim 3,10 MM		X	
(3)	928 302 267 21	shim 3,20 MM		X	
(3)	928 302 267 22	shim 3,30 MM		X	
3A	928 302 267 13	shim 2,50 MM		1	
5	999 201 223 01	needle cage		1	

Model	Year	MG	SG	Illustration	Restrictions	UPD	19:19	23.01.2010	PORSCHE	PET	PORSCHE
928	1991	3	03	303-05		248					

Pos	Part Number	Description	Remark	Qty	Model	Pos	Part Number	Description	Remark	Qty	Model
6	-	loose gear wheel reverse gear				22	928 302 163 00	needle cage		4	
7	928 304 211 02	synchroniser ring		1		23	928 302 165 01	thrust ring		1	
7A	928 304 211 12	synchroniser ring		3		24	900 040 013 02	cover plate		1	
7B A	928 304 211 05	synchroniser ring		2		25	-	drive shaft			
7B	928 304 211 05	synchroniser ring		2		26	999 052 138 00	deep-groove ball bearing		1	
8	928 304 221 04	guide sleeve 1st gear 2nd gear 3rd gear reverse gear		2		27	900 041 047 01	circlip 55 X 2		2	
9	928 304 261 01	compression spring		9		28	922 421 239 02	clamping piece		1	
10	928 304 251 00	stone		9		29	931 421 240 00	clamping screw		1	
11	N 025 653 2	ball		9		30	928 302 234 00	spacer sleeve		1	
12	928 304 231 02	shift sleeve 1st gear reverse gear		1		31	928 302 229 11	reverse idler shaft		1	
12A	928 304 231 00	shift sleeve 2nd gear 3rd gear 4th speed 5th gear		2		32	-	reverse idler gear			
13	928 302 271 01	inner ring		4		33	999 201 227 00	needle cage		2	
14	999 201 260 00	needle cage		4		34	928 302 281 03	thrust washer		1	
15	-	loose gear wheel 1st gear				35	-	countershaft axle		1	
16	928 302 267 20	thrust washer		1		37	999 201 290 00	needle-roller bearing		1	
17	-	loose gear wheel 2nd gear				38	-	fixed gear wheel			
18	-	loose gear wheel 3rd gear				39	-	fixed gear wheel			
19	-	loose gear wheel 4th speed				40	928 302 279 03	spacer sleeve		1	
20	928 304 021 11	guide sleeve 4th speed 5th gear		1		41	-	fixed gear wheel			
21	928 302 266 09	lock nut		1		42 *	928 302 283 01	round seal		1	
						43	928 302 036 02	countershaft axle		1	
						44	928 302 281 03	thrust washer		1	
						45	999 523 102 02	lock washer		7	
						46	N 010 244 6	hexagon-head bolt M 8 X 30		7	
						47	999 042 031 01	circlip 35 X 1,5		1	
						48	N 012 314 1	circlip		1	
						-	928 302 131 00	funnel		1	

Model	Year	MG	SG	Illustration	Restrictions	UPD	19:19	23.01.2010	PORSCHE	PET	PORSCHE
928	1991	3	04	304-00		248					

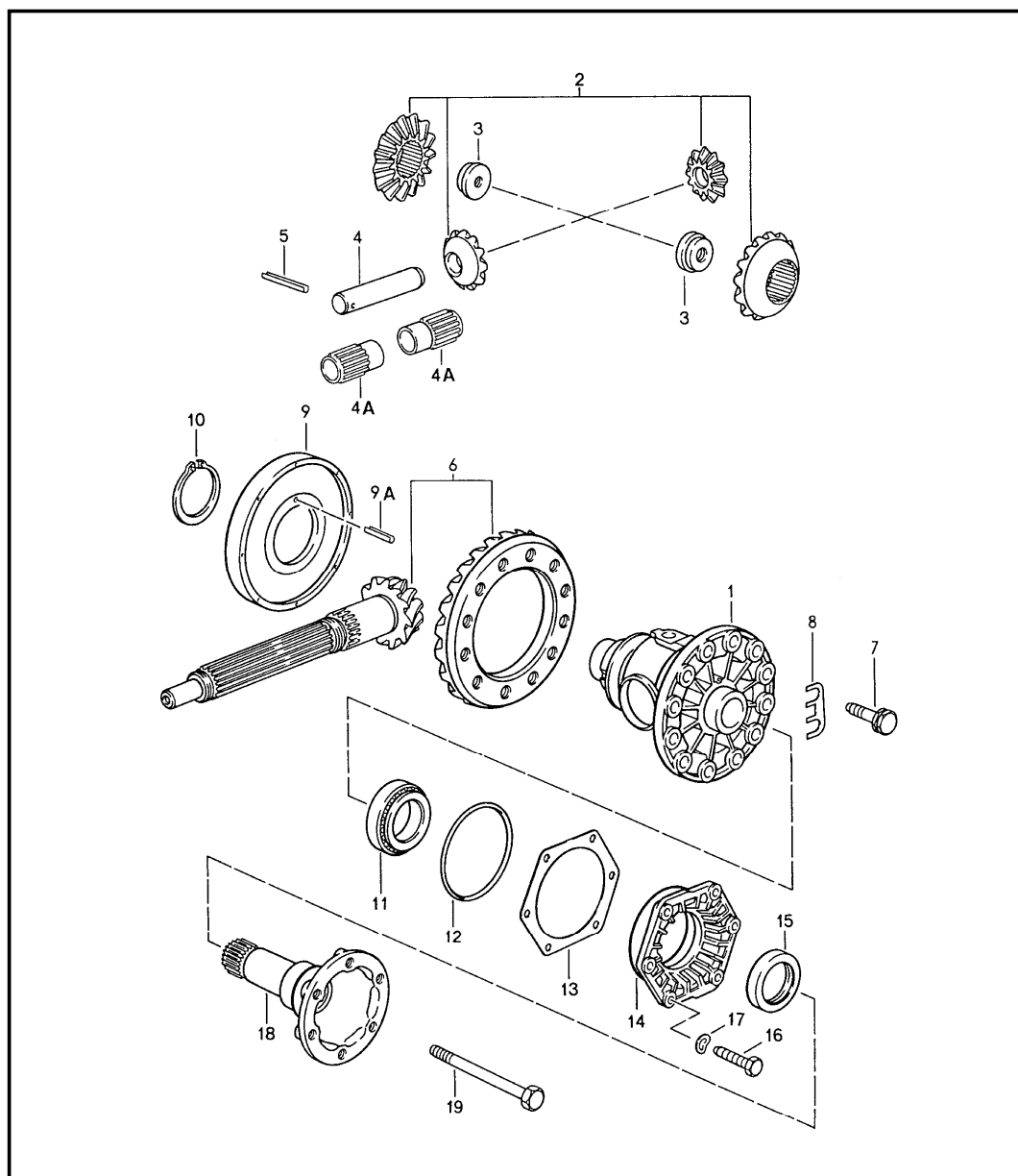


Pos	Part Number	Description	Remark	Qty	Model
		manual transmission shift rods shift forks			G28.12/13/55
1	928 303 107 30	inner shift rod		1	
(2)	928 303 102 34	gear shift rod 4th speed 5th gear		1	
3	928 303 101 28	gear shift rod 2nd gear 3rd gear		1	
4	928 303 105 27	gear shift rod 1st gear reverse gear		1	
5	928 303 113 27	shift fork 2nd gear 3rd gear 4th speed 5th gear		2	
6	928 303 115 41	shift fork 1st gear reverse gear		1	
7	N 013 317 1	roll pin		3	
8	N 011 525 13	washer A 8,4		2	
9	N 010 359 4	hexagon-head bolt M 8 X 40		2	
10	900 309 013 00	roll pin		1	
11	A 928 303 032 06	preselector lever		87	1
(11)	928 303 032 06	preselector lever		88-	1
12	928 303 301 04	trip cam		1	
13	928 303 034 09	spring		1	
-	928 303 306 01	bolt		1	
15	928 303 331 04	threaded bolt M 14 X 1		1	
16	N 012 410 1	circlip 10 X 1		1	
17	999 076 032 02	hexagon nut M 14 X 1		1	

Model	Year	MG	SG	Illustration	Restrictions	UPD	19:19	23.01.2010	PORSCHE	PET	PORSCHE
928	1991	3	04	304-00		248					

Pos	Part Number	Description	Remark	Qty	Model	Pos	Part Number	Description	Remark	Qty	Model
18	999 070 012 02	cap nut M 14 X 1		1							
19	928 303 031 00	roller lever		1							
20	928 303 309 01	compression spring		1							
22	928 303 311 02	guide sleeve		1							
23	* 928 303 313 00	gasket		1							
24	928 303 117 08	shift finger		1							
25	N 011 524 7	washer A 6,4		2							
26	900 075 016 02	hexagon-head bolt M 6 X 22		2							
-	N 012 439 2	lock washer		1							

Model	Year	MG	SG	Illustration	Restrictions	UPD	19:19	23.01.2010	PORSCHE	PET	PORSCHE
928	1991	3	05	305-00		248					

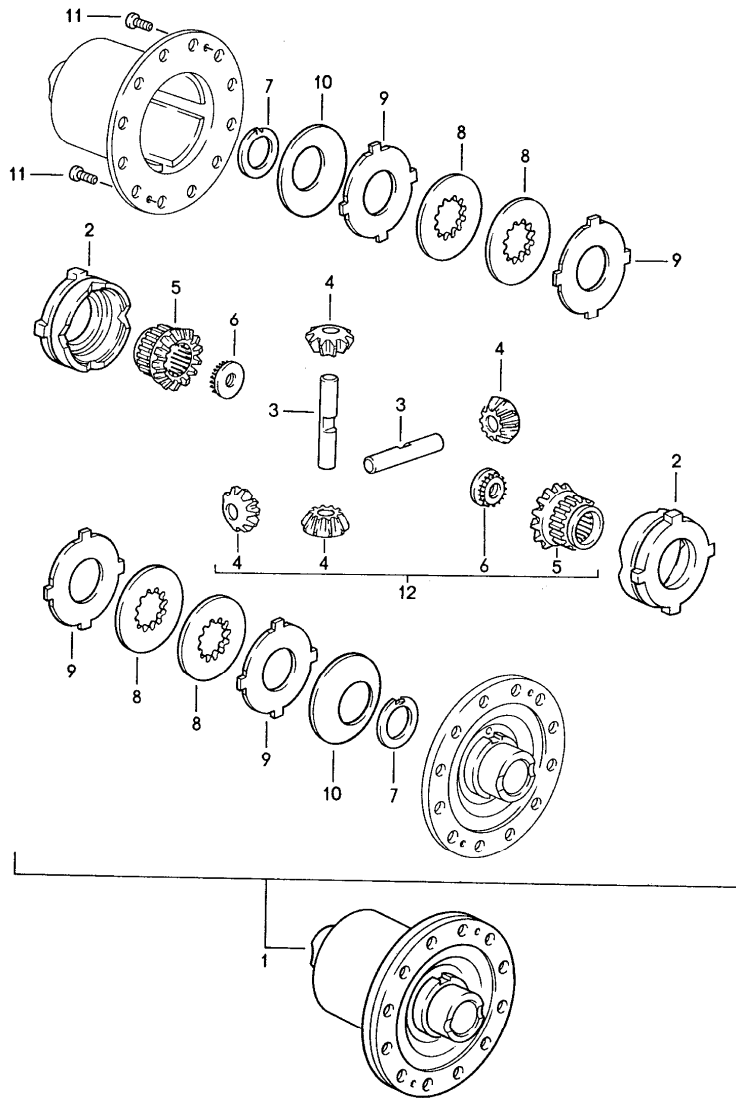


Pos	Part Number	Description	Remark	Qty	Model
		manual transmission differential			G28.12/13/55
1	928 332 212 08	differential housing	-89	1	
2	A 928 332 902 02	differential pinions 1 set	-89	1	
2	950 332 902 00	gear set 1 set	-89	1	
3	928 332 279 03	threaded disc	-89	2	
4	928 332 207 07	differential bolt 18 MM Ø	-89	1	
4A	999 201 237 00	needle cage	-89	2	
5	900 309 035 00	roll pin 5 X 40	-89	1	
6	928 302 911 65	ring gear and pinion shaft 11 : 29	-89	1	G28.12
(6)	928 302 911 64	ring gear and pinion shaft 11 : 30		1	G28.55
7	928 332 276 03	hexagon-head bolt		12	
8	928 332 285 00	tab washer		6	
9	928 318 024 05	carrier disc with magnets	-89	1	
9A	N 043 285 1	roll pin 5 X 18	-89	1	
10	999 152 089 01	circlip		1	
11	999 059 027 00	taper roller bearing FAG		2	
12	* 928 332 217 02	o-ring		2	
13	928 332 219 00	adjusting shim 0,15 MM		X	
(13)	928 332 219 01	adjusting shim 0,20 MM		X	
(13)	928 332 219 02	adjusting shim 0,25 MM		X	
(13)	928 332 219 03	adjusting shim 0,30 MM		X	
(13)	928 332 219 04	adjusting shim 0,10 MM		X	

Model	Year	MG	SG	Illustration	Restrictions	UPD	19:19	23.01.2010	PORSCHE	PET	PORSCHE
928	1991	3	05	305-00		248					

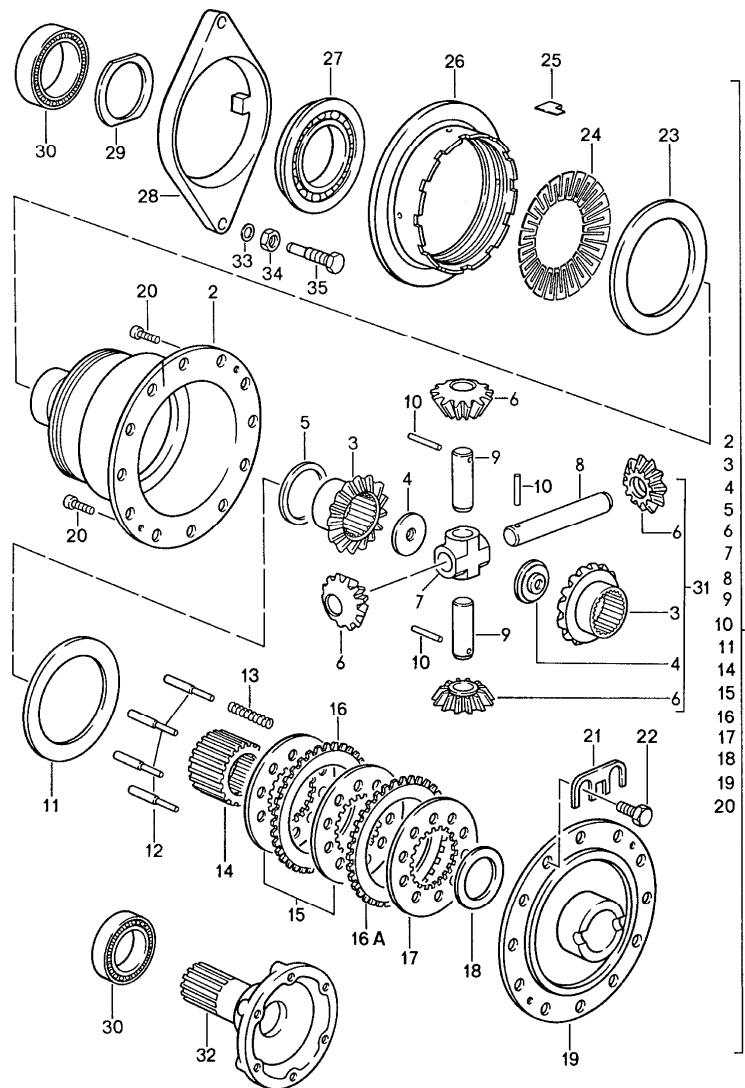
Pos	Part Number	Description	Remark	Qty	Model	Pos	Part Number	Description	Remark	Qty	Model
14	928 332 213 02	housing		2							
(14)	928 332 213 05	housing	90-	1	M221						
15 *	928 332 215 02	shaft sealing ring		2							
16	900 075 099 02	hexagon-head bolt M 8 X 30		12							
17	900 025 007 02	washer A 8,4		12							
18	928 332 206 10	joint flange	-89	2							
19	900 074 292 02	hexagon-head bolt M 10 X 98		2							

Model	Year	MG	SG	Illustration	Restrictions	UPD	19:20	23.01.2010	PORSCHE	PET	PORSCHE
928	1991	3	05	305-05		248					



Pos	Part Number	Description	Remark	Qty	Model
		manual transmission limited-slip differential	-89		G28.12/13/55
1	928 332 052 20	limit.-slip different. 40%		1	
2	928 332 511 00	thrust ring		2	
3	928 332 541 00	differential shaft		2	
4	*	-		4	
5	*	-		2	
6	* 928 332 279 01	threaded disc		2	
7	901 332 561 11	thrust washer		2	
8	928 332 551 00	inner disc 2,0 MM		4	
9	917 332 552 10	disc with external splines 1,9 MM		4	
(9)	917 332 552 11	disc with external splines 2,0 MM		X	
(9)	917 332 552 12	disc with external splines 2,1 MM		X	
10	928 332 555 20	cup spring		2	
11	900 249 023 00	countersunk-head screw M 6 X 10		2	
12	928 332 905 00	differential pinions 1 set		1	

Model	Year	MG	SG	Illustration	Restrictions	UPD	19:20	23.01.2010	PORSCHE	PET	PORSCHE
928	1991	3	05	305-06		248					

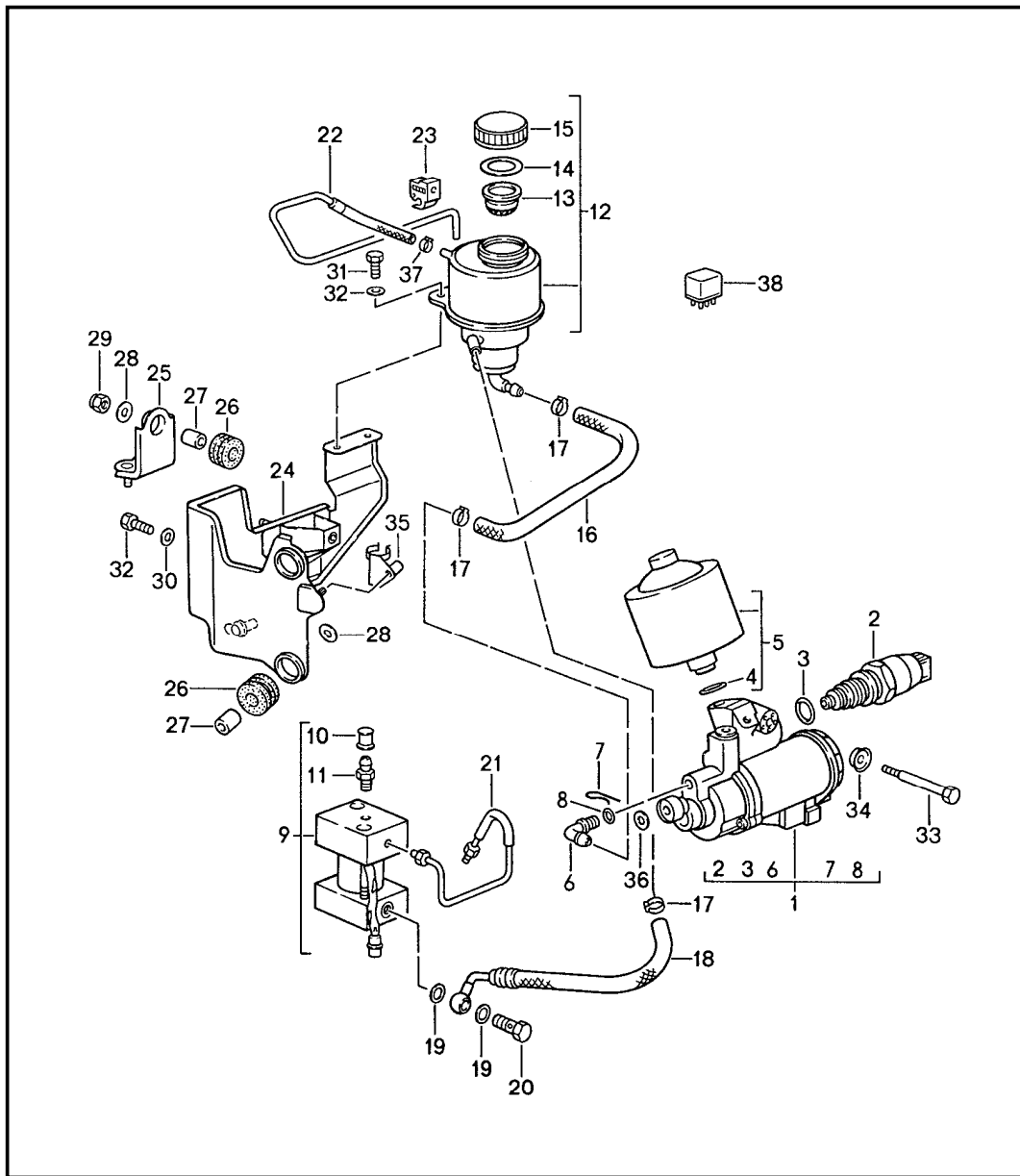


Pos	Part Number	Description	Remark	Qty	Model
		manual transmission porsche limited-slip differential	90-		G28.55 M221
1	928 332 075 03	limited-slip differential		1	
2	928 332 701 15	housing		1	
3	*	-		2	
4	* 943 332 279 02	nut		2	
5	928 332 719 00	thrust washer 1,8 MM		X	
5	928 332 719 01	thrust washer 1,9 MM		X	
5	928 332 719 02	thrust washer 2,0 MM		X	
5	928 332 719 03	thrust washer 2,1 MM		X	
5	928 332 719 04	thrust washer 2,2 MM		X	
6	*	-		4	
7	928 332 745 00	4 way connector		1	
8	928 332 741 00	differential bolt		1	
9	928 332 743 00	differential bolt		2	
10	900 309 035 00	roll pin 5 X 40		3	
11	928 332 711 00	thrust ring		1	
12	928 332 715 08	pressure pin		4	
13	928 332 716 02	coil pressure spring		4	
14	928 332 748 03	disc carrier		1	
15	928 332 728 00	inner disc		5	
16	928 332 726 05	disc with external splines 1,5 MM		8	
16A	928 332 726 03	disc with external splines 1,1 MM		1	
16A	928 332 726 04	disc with external splines 1,3 MM		X	

Model	Year	MG	SG	Illustration	Restrictions	UPD	19:20	23.01.2010	PORSCHE	PET	PORSCHE
928	1991	3	05	305-06		248					

Pos	Part Number	Description	Remark	Qty	Model	Pos	Part Number	Description	Remark	Qty	Model
16A	928 332 726 06	disc with external splines 1,7 MM		X		26	928 332 750 01	adjusting nut	91	1	
16A	928 332 726 07	disc with external splines 1,9 MM		X		27	928 332 761 04	engaging mount		1	
16A	928 332 726 08	disc with external splines 2,1 MM		X		28	928 332 771 02	engaging lever		1	
16A	928 332 726 09	disc with external splines 2,3 MM		X		29	928 332 718 00	washer		1	
16A	928 332 726 10	disc with external splines 2,5 MM		X		30	999 059 027 00	taper roller bearing		2	
16A	928 332 726 11	disc with external splines 2,7 MM		X		31	928 332 907 00	differential pinions 1 set		1	
17	928 332 724 00	inner disc		5		32	928 332 206 20	joint flange		2	
18	928 332 720 50	thrust washer 1,8 MM		X		33	900 123 043 30	sealing ring A 12 X 15,5		1	
18	928 332 720 51	thrust washer 1,9 MM		X		34	N 011 020 8	hexagon nut		1	
18	928 332 720 52	thrust washer 2,0 MM		X		35	928 332 271 05	hexagon-head bolt		1	
18	928 332 720 53	thrust washer 2,1 MM		X							
18	928 332 720 54	thrust washer 2,2 MM		X							
18	928 332 720 55	thrust washer 2,3 MM		X							
18	928 332 720 56	thrust washer 2,4 MM		X							
19	928 332 706 10	housing cover		1							
20	900 249 008 02	countersunk-head screw M 6 X 12		2							
21	928 332 285 00	tab washer		6							
22	928 332 276 03	hexagon-head bolt		12							
23	928 332 713 02	thrust ring		1							
24	928 332 756 06	leverage washer		1							
25	950 332 753 02	tab washer		1							
26	928 332 077 00	adjusting nut	90	1							

Model	Year	MG	SG	Illustration	Restrictions	UPD	19:20	23.01.2010	PORSCHE	PET	PORSCHE
928	1991	3	05	305-07		248					

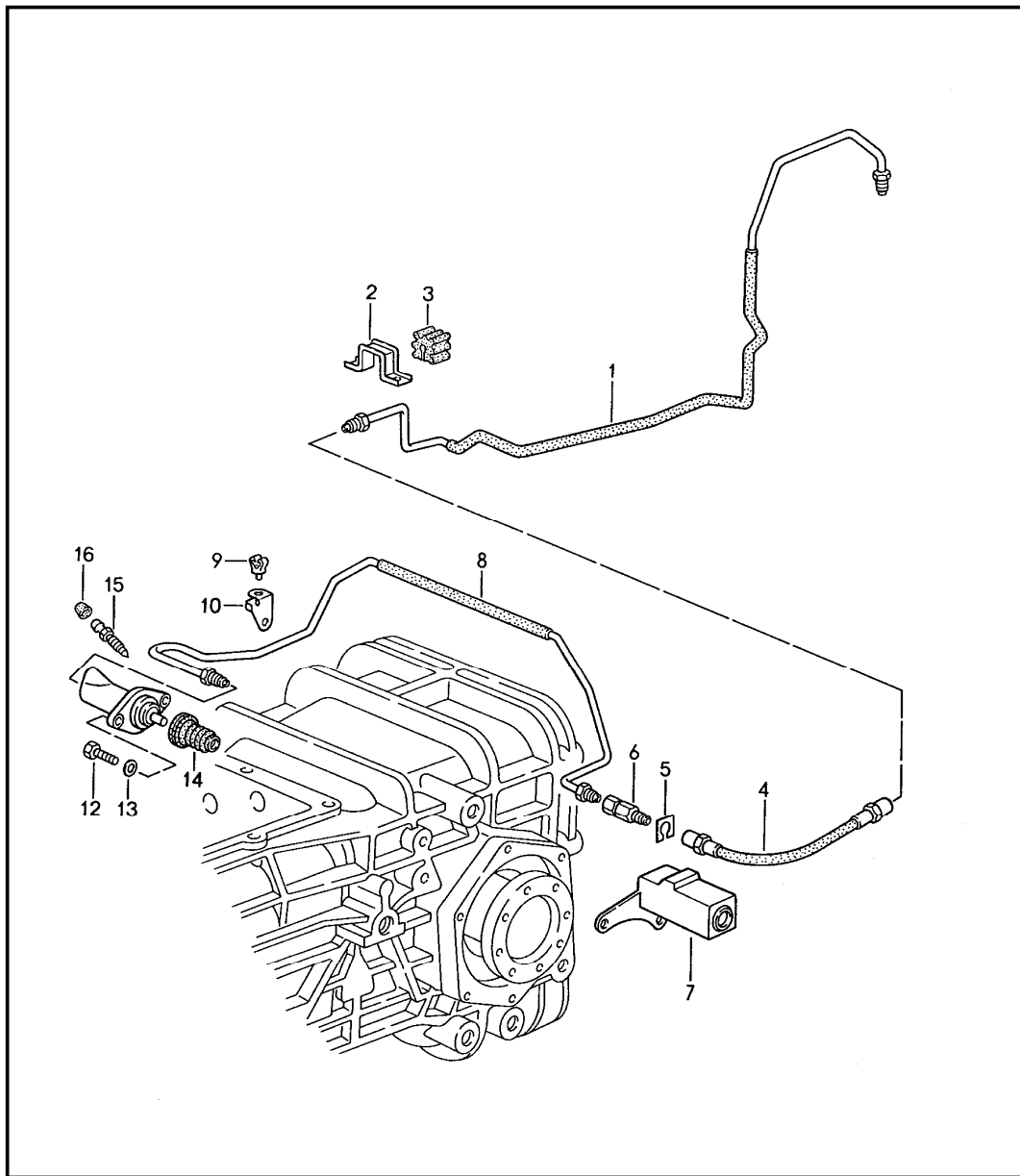


Pos	Part Number	Description	Remark	Qty	Model
		manual transmission lock control 1	90-		G28.55 M221
1	928 315 906 00	pump		1	
2	964 606 904 00	pressure switch		1	
3	999 707 094 40	o-ring 17,3 X 2,4		1	
4	999 707 123 40	o-ring 11,3 X 2,4		1	
5	928 315 905 00	pressure accumulator		1	
6	999 230 366 40	elbow		1	
7	999 021 003 00	lock		1	
8	999 707 075 40	o-ring		1	
9	928 315 163 00	valve support		1	
10	930 351 919 00	ventilation valve		1	
11	930 351 927 00	dust boot		1	
12	928 315 013 01	expansion tank	-90	1	
(12)	928 315 013 01	expansion tank	91-	1	
13	211 611 381 B	strainer		1	
14	901 355 908 00	gasket		1	
15	911 355 905 02	lid	-90	1	
(15)	928 315 025 00	lid	91-	1	
16	928 315 801 00	feed line		1	
17	999 512 532 00	terminal		3	
18	928 315 098 01	hose line return line		1	
19	900 123 033 20	sealing ring		2	
20	900 175 002 02	screw		1	
21	928 315 091 02	connecting line		1	
22	928 315 097 01	vent line	-90	1	
(22)	928 315 097 02	vent line	91-	1	
23	999 591 930 40	support		1	

Model	Year	MG	SG	Illustration	Restrictions	UPD	19:20	23.01.2010	PORSCHE	PET	PORSCHE
928	1991	3	05	305-07		248					

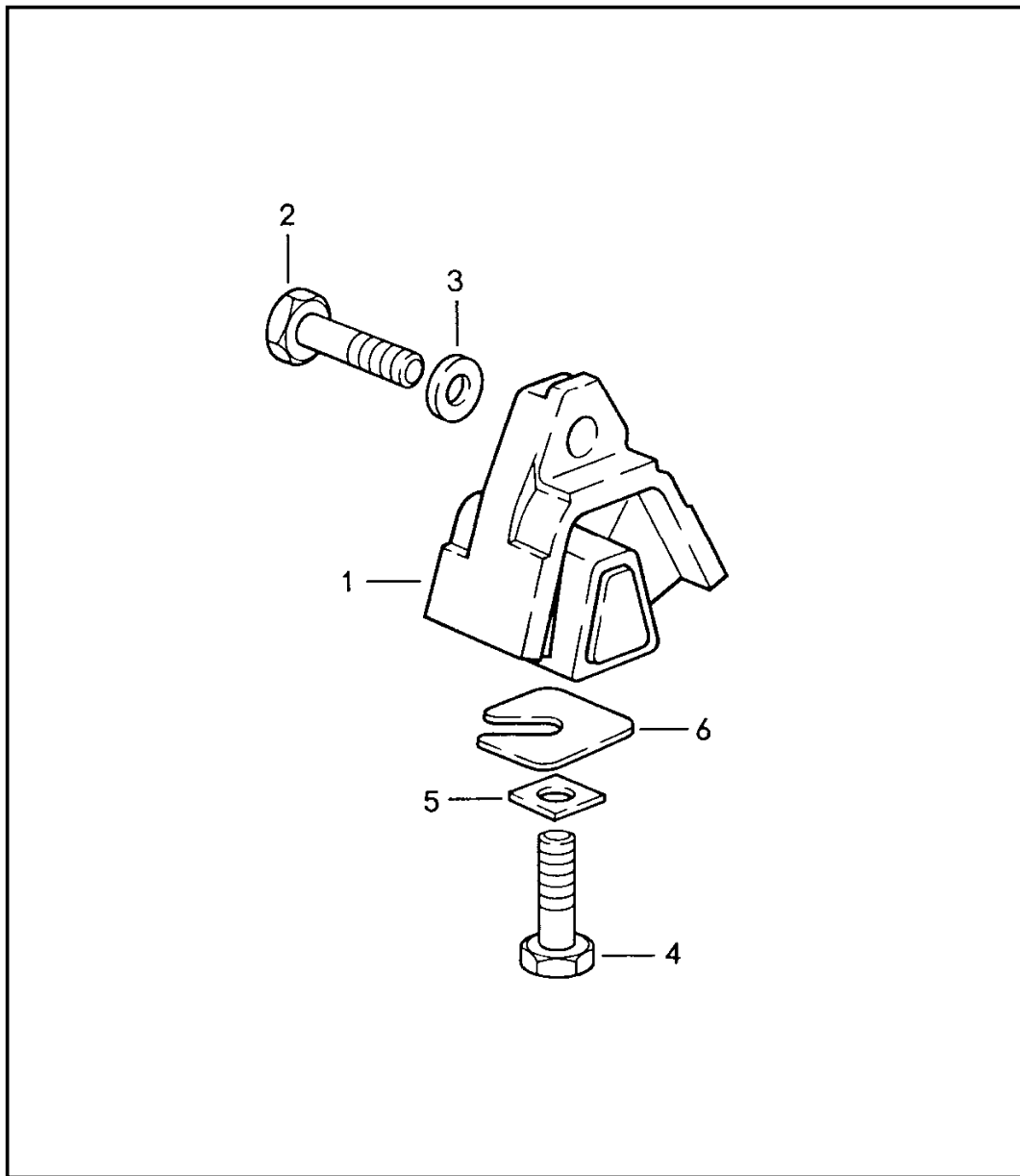
Pos	Part Number	Description	Remark	Qty	Model	Pos	Part Number	Description	Remark	Qty	Model
24	928 315 043 02	support		1							
25	928 315 047 02	bracket		1							
26	964 356 635 00	rubber mounting		3							
27	928 355 633 00	bush		3							
28	N 011 550 1	washer B 6,5		X							
29	900 910 010 09	lock nut M 6		X							
30	N 011 666 7	washer B 6,4		4							
31	900 075 057 02	hexagon-head bolt M 6 X 16		2							
32	999 072 005 09	hexagon-head bolt M 6 X 12		2							
33	999 074 043 02	hexagon-head bolt M 6 X 65		1							
34	999 025 202 02	washer		1							
35	911 612 450 00	support		1							
36	900 025 007 02	washer A 8,4		1							
37	999 512 555 00	terminal 9,8 - 12,3		1							
38	A 964 615 135 00	relay for pump		1							
-	A 993 606 153 00	lateral accelerat. sensor		1							
-	993 606 153 00	lateral accelerat. sensor		1							

Model	Year	MG	SG	Illustration	Restrictions	UPD	19:20	23.01.2010	PORSCHE	PET	PORSCHE
928	1991	3	05	305-08		248					



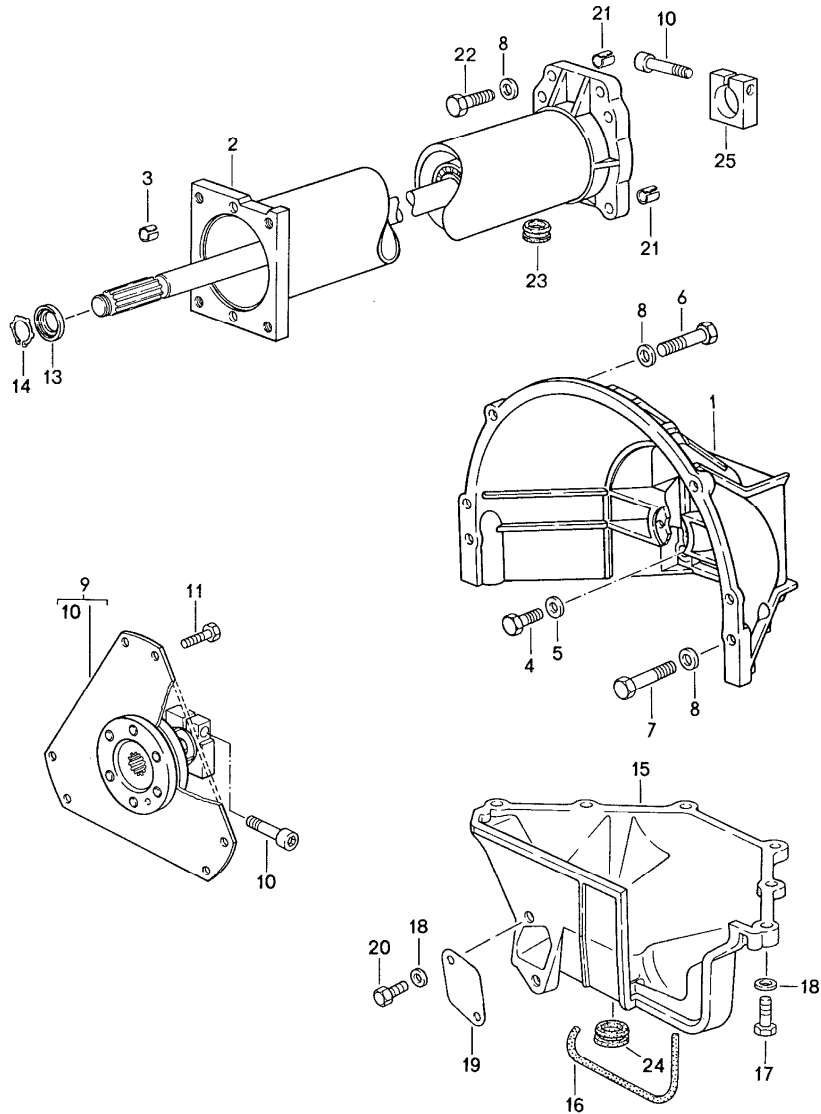
Pos	Part Number	Description	Remark	Qty	Model
		manual transmission lock control 2	90-		G28.55 M221
1	928 315 095 02	line		1	
2	928 315 807 00	support		1	
3	928 315 805 00	rubber mounting		1	
4	A 944 355 081 01	brake hose		1	
4	944 355 081 01	brake hose		1	
5	999 166 071 01	support		1	
6	928 315 211 03	pressure valve		1	
7	928 315 187 06	support		1	
8	928 315 085 04	connecting line		1	
9	999 651 190 40	cable clip		1	
10	928 315 189 02	support		1	
11	928 332 775 09	slave cylinder		1	
12	N 010 233 6	hexagon-head bolt M 8 X 28		2	
13	900 025 007 02	washer A 8,4		2	
14	928 332 051 02	bellows		1	
15	211 611 477 A	bleeder valve		1	
16	211 611 483	dust boot		1	

Model	Year	MG	SG	Illustration	Restrictions	UPD	19:20	23.01.2010	PORSCHE	PET	PORSCHE
928	1991	3	06	306-00		248					



Pos	Part Number	Description	Remark	Qty	Model
		manual transmission transmission suspension			G28.12/13/55
1	928 375 045 16	transmission mounting		2	
2	N 010 142 2	hexagon-head bolt M 12 X 1,5 X 50		2	
3	901 333 143 01	washer		2	
4	N 040 108 1	hexagon-head bolt M 12 X 1,5 X 40		2	
5	999 025 086 02	square washer 12,1 X 24		2	
6	928 331 520 01	washer 1 MM		X	
(6)	928 331 520 02	washer 2 MM		X	
(6)	928 331 520 03	washer 3 MM		X	
(6)	928 331 520 04	washer 4 MM		X	

Model	Year	MG	SG	Illustration	Restrictions	UPD	19:20	23.01.2010	PORSCHE	PET	PORSCHE
928	1991	3	07	307-00		248					

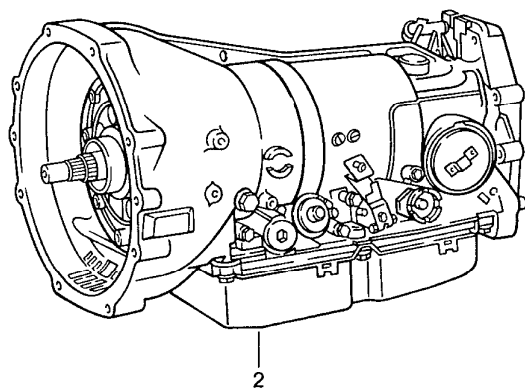
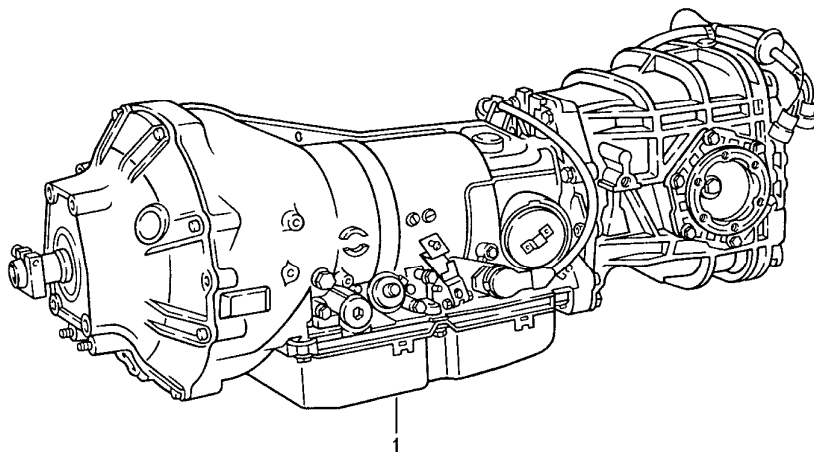


Pos	Part Number	Description	Remark	Qty	Model
		automatic transmission central tube			A28.12/14/16
1	928 116 402 00	clutch housing	-88	1	
1	928 116 402 01	clutch housing	89-	1	
2	> 960 421 012 07	central tube with bearing and shaft		1	
3	900 197 042 01	roll pin 10 X 12		2	
4	N 010 445 2	hexagon-head bolt BM 10 X 45		4	
5	900 025 008 09	washer A 10,5		4	
6	N 010 142 2	hexagon-head bolt M 12 X 1,5 X 50		2	
7	N 010 165 3	hexagon-head bolt M 12 X 1,5 X 65		2	
8	N 011 531 14	washer A 13		8	
9	922 116 041 03	drive plate		1	
10	931 421 240 00	clamping screw		2	
11	003 323 699 A	hexagon-head bolt		1	
13	922 421 257 00	bush		1	
14	900 273 003 01	circlip 22 X 1,2		1	
15	928 116 412 01	lid	-88	1	
(15)	928 116 412 03	lid clutch housing	89-	1	
16	928 116 427 02	sealing strip D= 10 X 340		1	
17	900 075 099 02	hexagon-head bolt M 8 X 30		6	
18	900 025 007 02	washer A 8,4		8	
19	922 116 121 00	cover plate		1	

Model	Year	MG	SG	Illustration	Restrictions	UPD	19:20	23.01.2010	PORSCHE	PET	PORSCHE
928	1991	3	07	307-00		248					

Pos	Part Number	Description	Remark	Qty	Model	Pos	Part Number	Description	Remark	Qty	Model
20	N 010 237 6	hexagon-head bolt M 8 X 12		2							
21	900 197 044 01	tensioning sleeve 16 X 16		2							
22	N 010 142 6	hexagon-head bolt M 12 X 1,5 X 50		4							
23	477 521 177	cap		1							
24	928 116 425 00	cap		1							
25	922 421 255 00	clamping piece		1							

Model	Year	MG	SG	Illustration	Restrictions	UPD	19:21	23.01.2010	PORSCHE	PET	PORSCHE
928	1991	3	07	307-05		248					

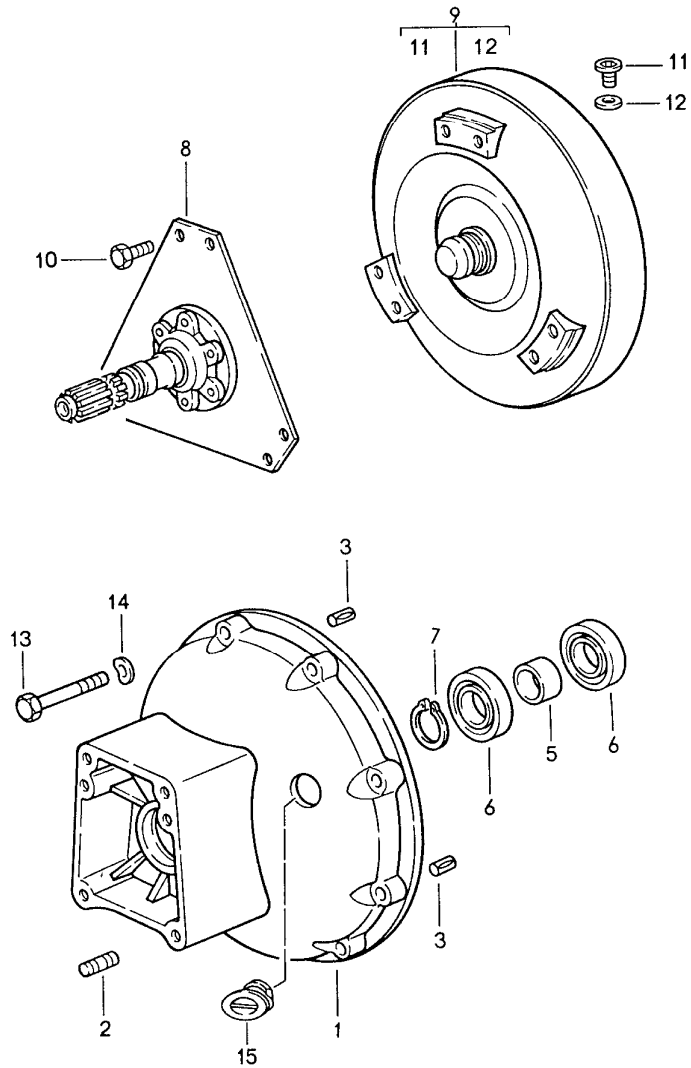


Pos	Part Number	Description	Remark	Qty	Model
		automatic transmission replacement transmission			A28.12/14/16
1	> 960 300 004 12	automatic transmission without limited-slip differential	-88	1	A28.12
-	960 300 004 MX	automatic transmission without limited-slip differential	-88	1	A28.12
1	> 960 300 014 12	automatic transmission with limit.-slip different. 40%	-88	1	A28.12
1	960 300 014 MX	automatic transmission with limit.-slip different. 40%	-88	1	A28.12
1	> 960 300 004 14	automatic transmission without limited-slip differential	-88	1	A28.14
1	> 960 300 014 14	automatic transmission with limit.-slip different. 40%	-88	1	A28.14
1	> 960 300 004 16	automatic transmission without limited-slip differential	89	1	A28.16
1	> 960 300 014 16	automatic transmission with limit.-slip different. 40%	89	1	A28.16
1	> 960 300 030 16	automatic transmission with porsche limited-slip differential	90	1	A28.16 M221
1	> 960 300 030 17	automatic transmission with porsche limited-slip differential	91-	1	A28.16
-	> 960 300 030 SX	automatic transmission with porsche limited-slip differential	91-	1	A28.16 M221
2	> 722 270 210 1	short transmission without converter and differential	-88	1	A28.12/14

Model	Year	MG	SG	Illustration	Restrictions	UPD	19:21	23.01.2010	PORSCHE	PET	PORSCHE
928	1991	3	07	307-05		248					

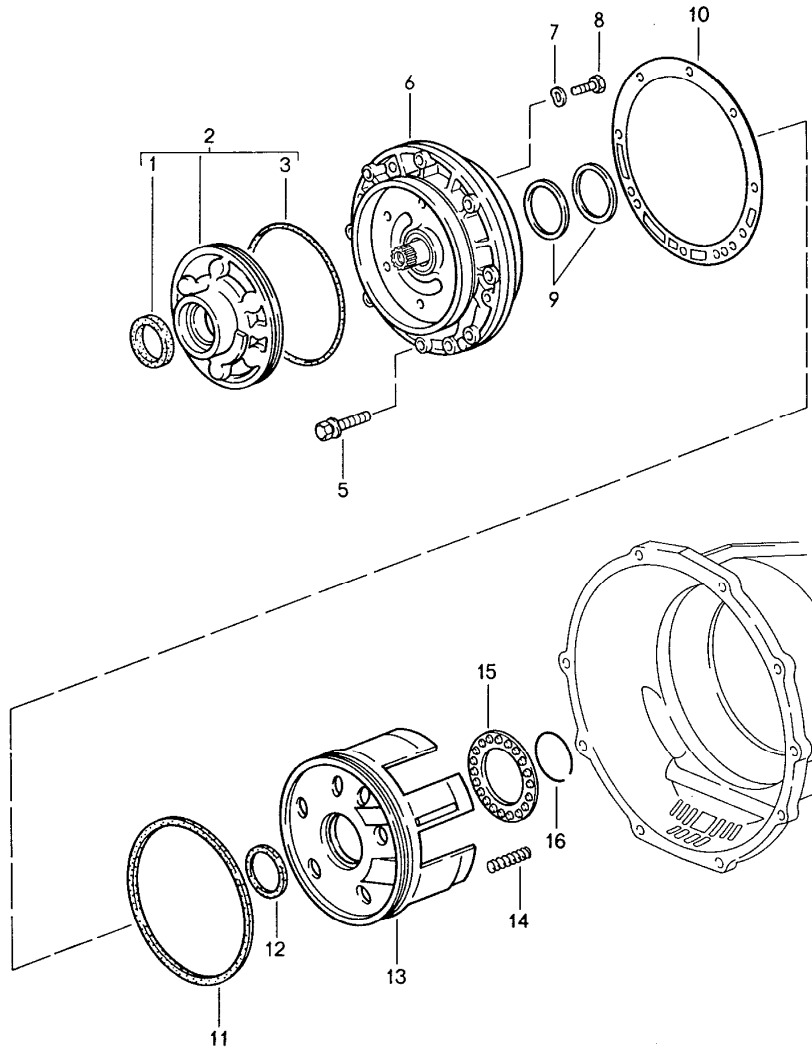
Pos	Part Number	Description	Remark	Qty	Model	Pos	Part Number	Description	Remark	Qty	Model
2	> 722 270 320 1	short transmission without converter and differential	89-	1	A28.16						

Model	Year	MG	SG	Illustration	Restrictions	UPD	19:21	23.01.2010	PORSCHE	PET	PORSCHE
928	1991	3	07	307-10		248					



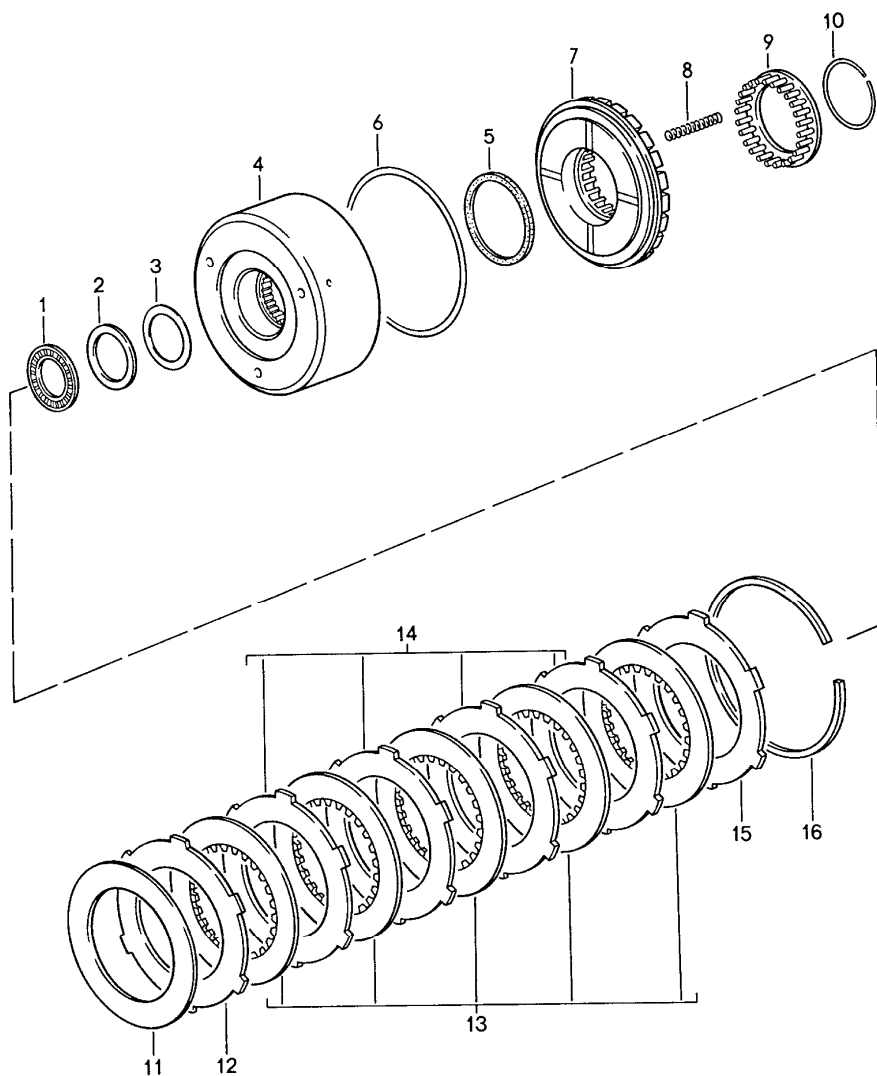
Pos	Part Number	Description	Remark	Qty	Model
		automatic transmission converter converter housing			A28.12/14/16
1	960 321 101 03	converter housing front		1	
2	999 062 004 02	stud BM 8 X 12		2	
3	900 185 011 02	grooved pin		2	
5	922 421 260 00	spacer sleeve		1	
6	900 052 122 00	deep-groove ball bearing		2	
7	N 012 380 1	circlip 40 X 1,75		1	
8	960 116 042 02	drive plate		1	
9	722 250 060 2	torque converter		1	
10	003 323 699 A	hexagon-head bolt		6	
11	900 219 010 02	screw plug		1	
12	900 123 033 20	sealing ring		1	
13	N 014 715 3	pan-head screw M 8 X 45		8	
14	900 025 007 02	washer A 8,4		8	
15	960 321 115 01	stopper		3	

Model	Year	MG	SG	Illustration	Restrictions	UPD	19:21	23.01.2010	PORSCHE	PET	PORSCHE
928	1991	3	07	307-15		248					



Pos	Part Number	Description	Remark	Qty	Model
		automatic transmission primary pump			A28.12/14/16
1	018 997 044 7	sealing ring		1	
2	A 722 270 009 7	primary pump	-88	1	
2	A 140 270 009 7	primary pump	89	1	
2	140 270 009 7	primary pump	90-	1	
3	016 997 144 8	sealing ring		1	
5	960 307 915 00	combination screw M 8 X 40		9	
6	722 270 050 5	lid	-88	1	
(6)	722 270 170 5	lid	89-	1	A28.16
7	N 012 241 8	spring washer B 8		6	
8	N 040 222 2	hexagon-head bolt M 8 X 32		6	
9	126 272 095 5	sealing ring		2	
10	A 126 271 128 0	gasket		1	
10	126 271 128 0	gasket without asbestos		1	
11	126 272 019 2	boot		1	
12	126 272 009 2	boot		1	
13	126 272 093 1	piston	-88	1	
(13)	126 272 223 1	piston	89-	1	A28.16
14	100 993 040 2	spring	-88	20	
(14)	126 993 270 2	spring	89-	20	A28.16
15	126 272 036 4	concave washer		1	
16	126 994 043 5	circlip		1	

Model	Year	MG	SG	Illustration	Restrictions	UPD	19:21	23.01.2010	PORSCHE	PET	PORSCHE
928	1991	3	07	307-20		248					

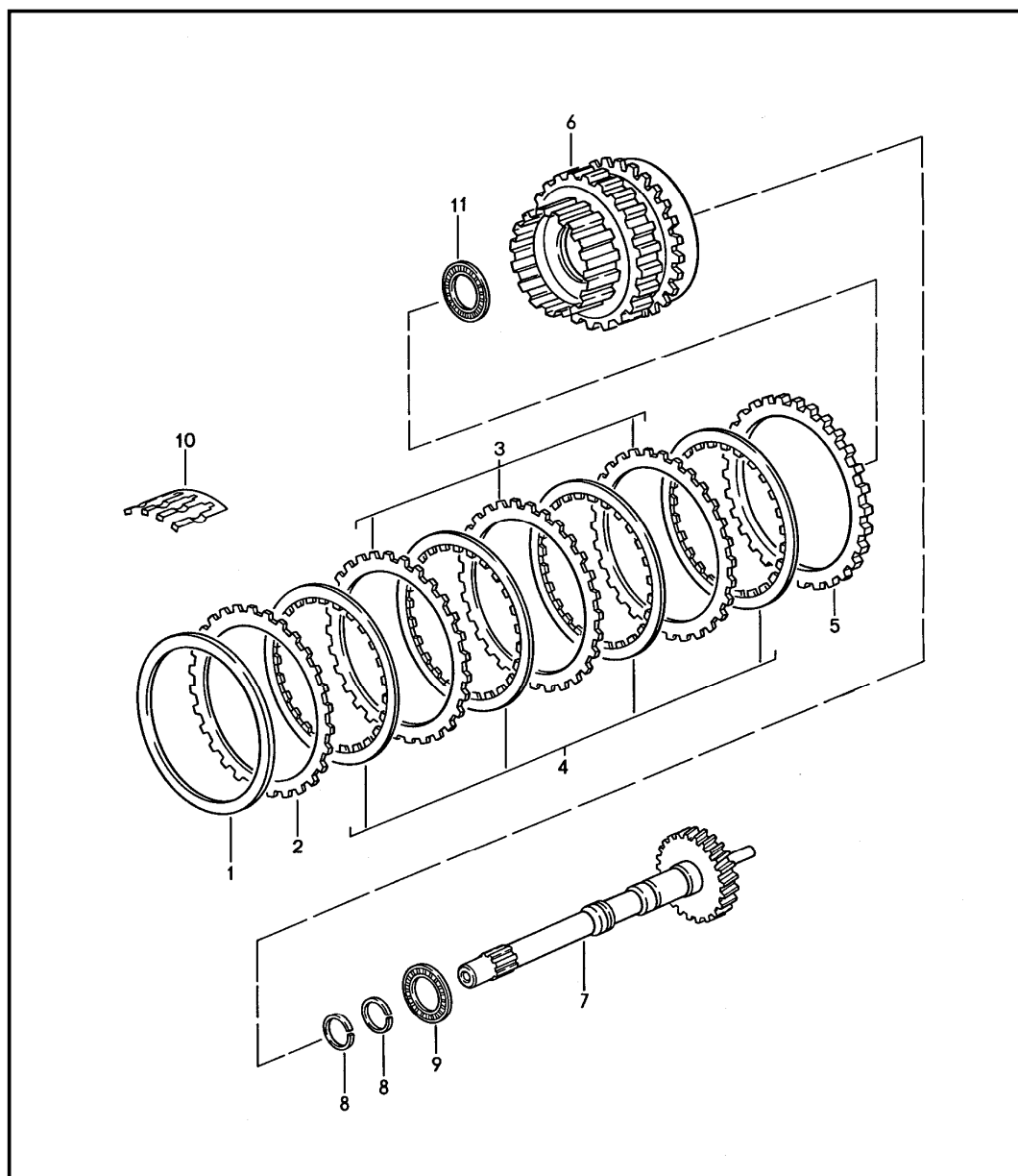


Pos	Part Number	Description	Remark	Qty	Model
		automatic transmission clutch K 1			A28.12/14/16
1	007 981 681 0	needle-roller bearing	-88	1	
(1)	010 981 431 0	needle-roller bearing	89-	1	A28.16
2	000 272 256 2	thrust washer		1	
3	126 272 055 2	spacer 0,1 MM		X	
(3)	126 272 065 2	spacer 0,2 MM		X	
(3)	126 272 075 2	spacer 0,5 MM		X	
4	126 270 762 8	disc carrier K 1	-88	1	
(4)	126 270 274 9	disc carrier K 1	89-	1	A28.16
5	126 272 039 2	boot inner		1	
6	109 272 099 2	boot outer	-88	1	
(6)	100 272 019 2	boot outer	89-	1	A28.16
7	126 272 113 1	piston K 1	-88	1	
(7)	126 272 203 1	piston K 1	89-	1	A28.16
8	126 993 700 2	spring		24	
9	126 272 106 4	concave washer	-88	1	
(9)	126 272 086 4	concave washer	89-	1	A28.16
10	126 994 063 5	circlip		1	
11	126 993 172 6	cup spring		1	
12	126 272 492 6	disc with external splines 2,0 MM		1	
13	126 272 062 5	inner disc 2,14 MM		1	

Model	Year	MG	SG	Illustration	Restrictions	UPD	19:21	23.01.2010	PORSCHE	PET	PORSCHE
928	1991	3	07	307-20		248					

Pos	Part Number	Description	Remark	Qty	Model	Pos	Part Number	Description	Remark	Qty	Model
14	126 272 502 6	disc with external splines 3,5 MM		X							
(14)	126 272 512 6	disc with external splines 4,0 MM		X							
15	126 272 322 6	disc with external splines 4,5 MM		1							
16	126 994 053 4	circlip 2,0 MM		2							
(16)	126 994 063 4	circlip 2,5 MM		X							
(16)	126 994 073 4	circlip 3,0 MM		X							
-	126 270 135 0	guide ring K 1	89-	1	A28.16						
-	014 997 844 8	sealing ring K 1	89-	1	A28.16						

Model	Year	MG	SG	Illustration	Restrictions	UPD	19:21	23.01.2010	PORSCHE	PET	PORSCHE
928	1991	3	07	307-25		248					

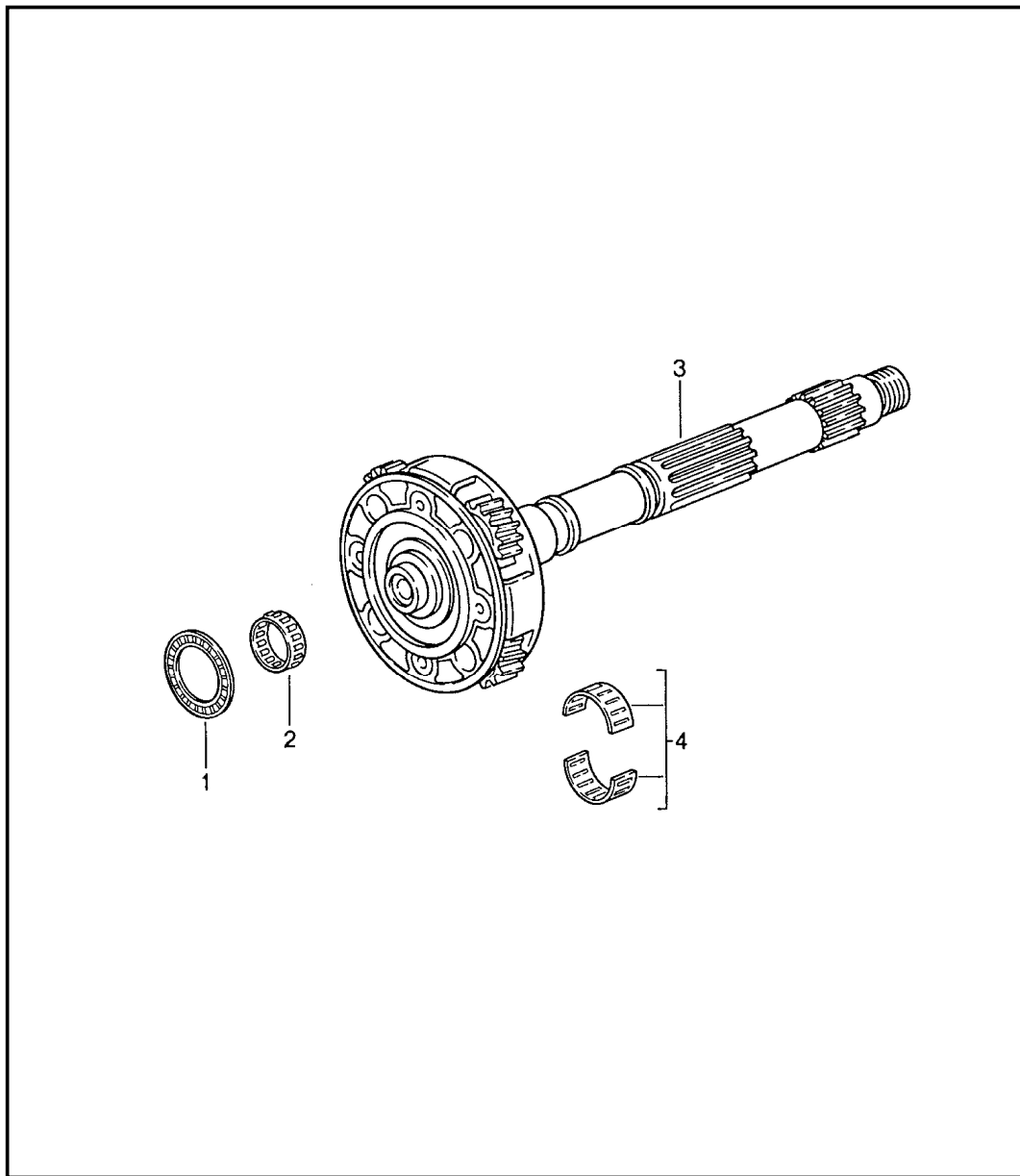


Pos	Part Number	Description	Remark	Qty	Model
		automatic transmission drive shaft gear set			A28.12/14/16
1	126 272 095 2	spacer 2,5 MM		X	
(1)	126 272 105 2	spacer 3,0 MM		X	
(1)	126 272 115 2	spacer 3,5 MM		X	
2	126 272 682 6	disc with external splines 2,8 MM	-88	1	
(2)	126 272 682 6	disc with external splines 2,8 MM	89-	1	A28.16
(2)	126 272 642 6	disc with external splines 3,3 MM	89-	1	A28.16
(2)	126 272 652 6	disc with external splines 3,8 MM	89-	1	A28.16
3	126 272 672 6	disc with external splines 2,3 MM		X	
(3)	126 272 682 6	disc with external splines 2,8 MM		X	
4	126 272 092 5	inner disc 2,1 MM		4	
5	126 272 692 6	disc with external splines 7,7 MM		1	
6	126 270 044 3	planet-gear carrier A >> 894 132	-88	1	
(6)	126 270 414 3	planet-gear carrier A 894 133 >>	-88	1	
(6)	126 270 364 3	planet-gear carrier	89-	1	A28.16
7	722 270 002 5	drive shaft		1	
8	126 272 005 5	sealing ring		2	
9	007 981 991 0	needle-roller bearing	-88	1	
(9)	010 981 421 0	needle-roller bearing	89-	1	A28.16
10	126 993 041 5	spring		1	
(10)	126 993 182 6	cup spring reverse gear	89-	1	A28.16

Model	Year	MG	SG	Illustration	Restrictions	UPD	19:21	23.01.2010	PORSCHE	PET	PORSCHE
928	1991	3	07	307-25		248					

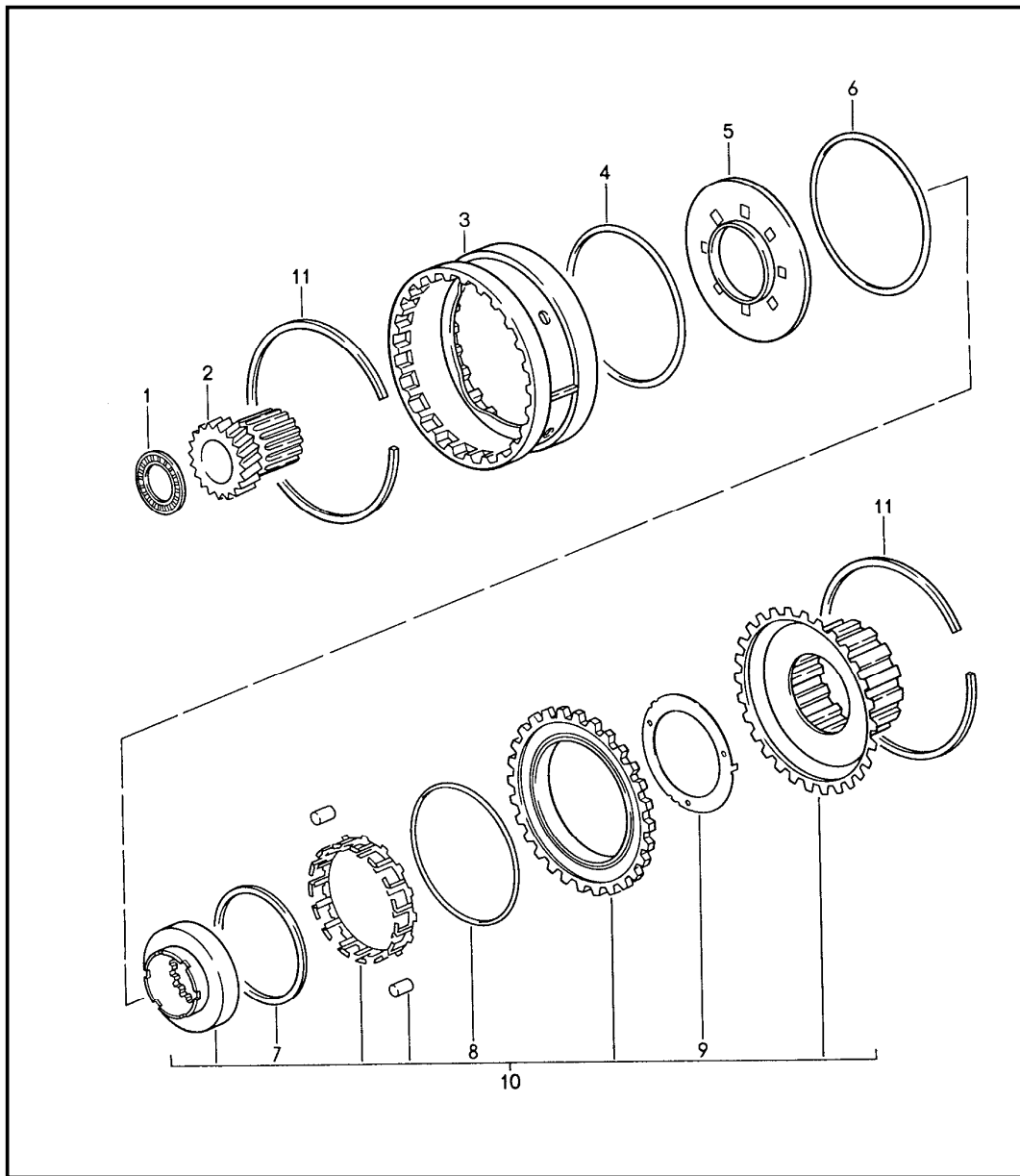
Pos	Part Number	Description	Remark	Qty	Model	Pos	Part Number	Description	Remark	Qty	Model
11	007 981 991 0	needle-roller bearing	-88	1							
(11)	010 981 431 0	needle-roller bearing	89-	1	A28.16						

Model	Year	MG	SG	Illustration	Restrictions	UPD	19:22	23.01.2010	PORSCHE	PET	PORSCHE
928	1991	3	07	307-30		248					



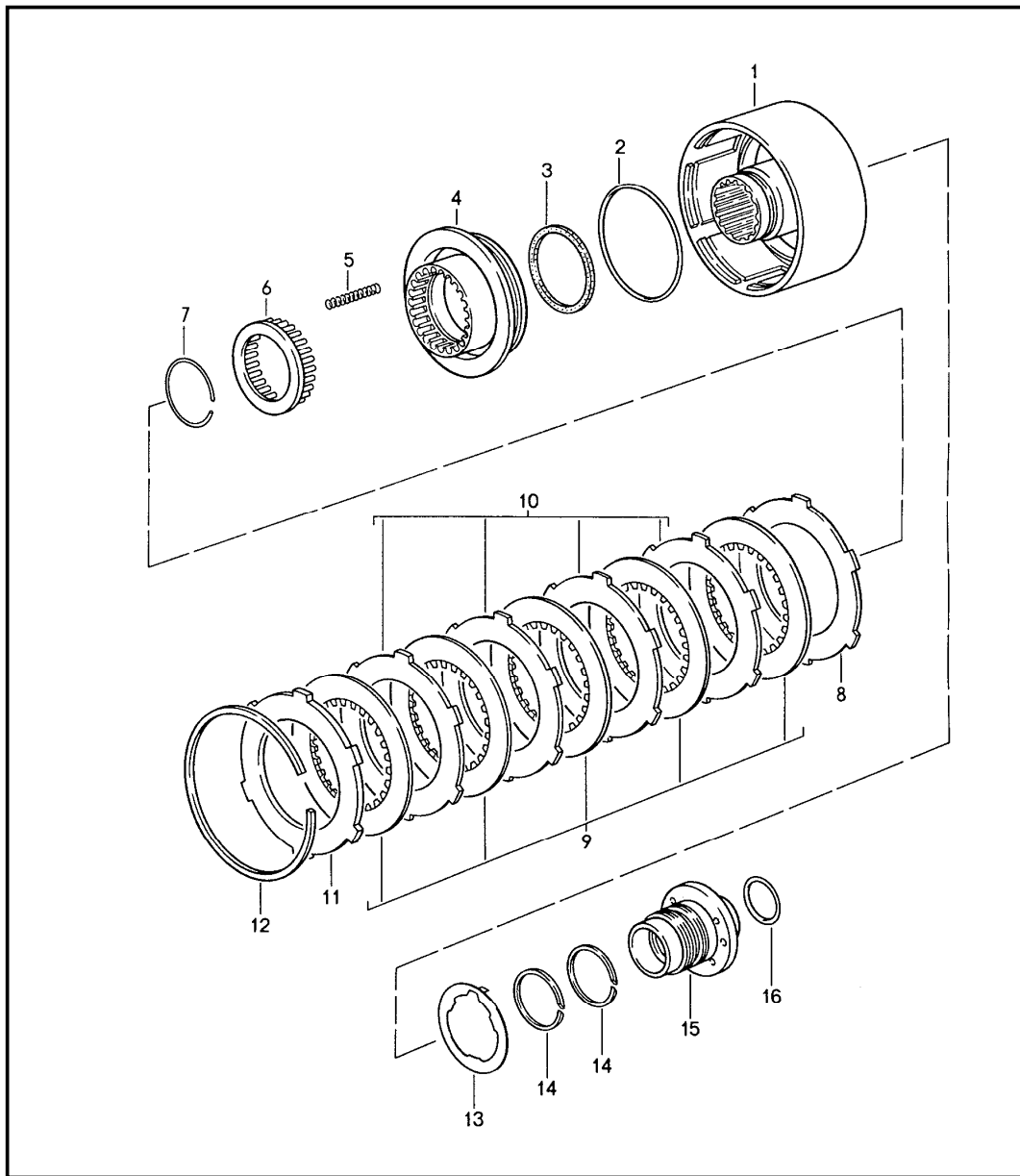
Pos	Part Number	Description	Remark	Qty	Model
		automatic transmission planet-gear carrier			A28.12/14/16
1	007 981 571 0	needle-roller bearing		1	
2	008 981 001 0	needle-roller bearing		1	
3	722 270 144 3	planet-gear carrier		1	
4	011 981 821 0	needle-roller bearing		1	

Model	Year	MG	SG	Illustration	Restrictions	UPD	19:22	23.01.2010	PORSCHE	PET	PORSCHE
928	1991	3	07	307-35		248					



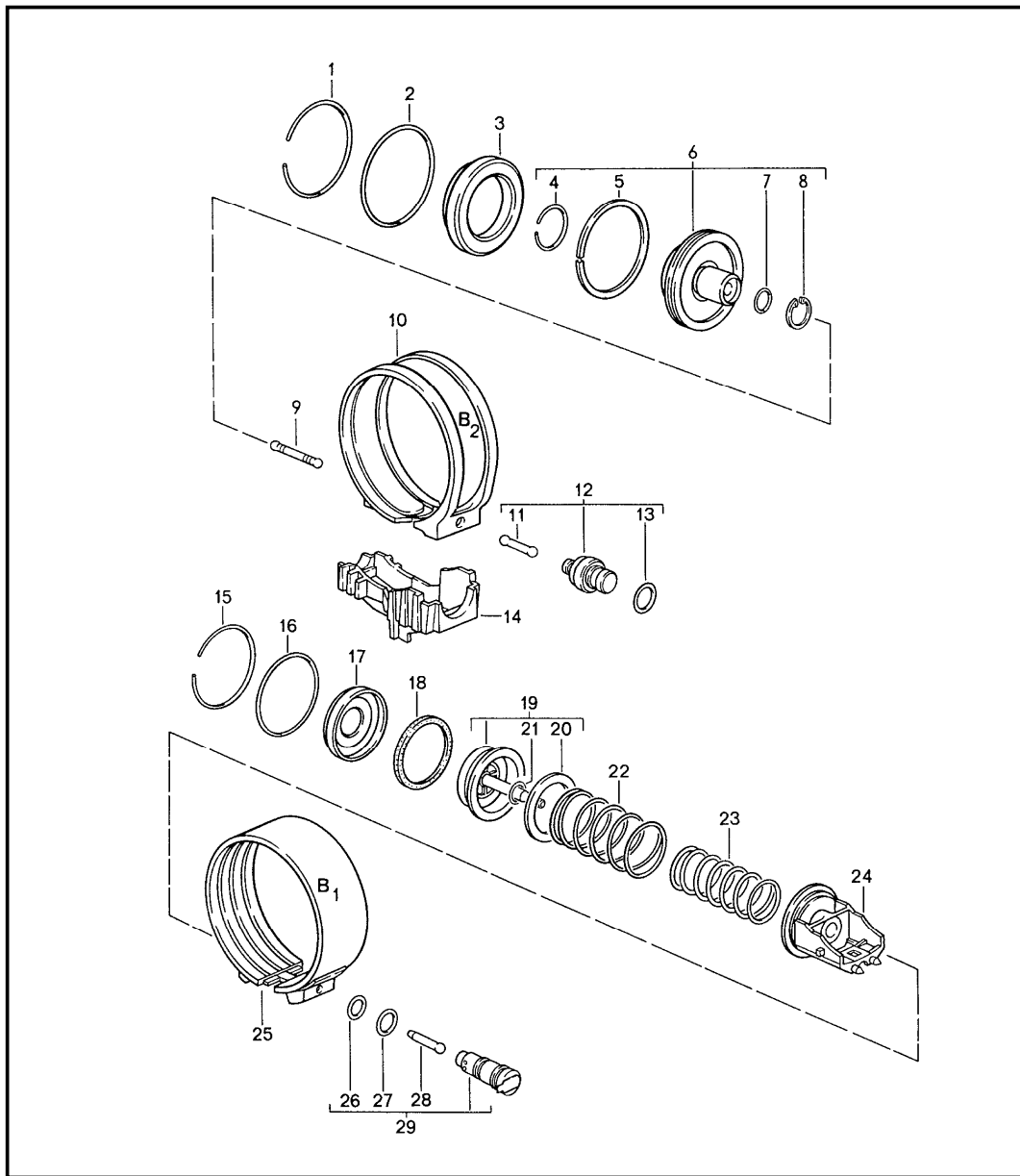
Pos	Part Number	Description	Remark	Qty	Model
		automatic transmission free wheel lock			A28.12/14/16
1	007 981 571 0	needle-roller bearing		1	
2	126 272 000 7	sun gear		1	
3	126 272 100 8	driver		1	
4	126 272 175 2	shim 0,1 MM		X	
(4)	126 272 185 2	shim 0,2 MM		X	
(4)	126 272 195 2	shim 0,5 MM		X	
5	126 270 007 6	washer		1	
6	009 997 604 8	sealing ring A >> 723 862		1	
(6)	007 997 334 8	sealing ring A 723 863 >>		1	
7	126 272 176 2	thrust washer		1	
8	000 997 614 8	sealing ring		1	
9	126 272 306 2	thrust washer		1	
10	126 270 503 1	free wheel lock with disc carrier inner		1	
11	126 272 017 3	circlip		2	

Model	Year	MG	SG	Illustration	Restrictions	UPD	19:22	23.01.2010	PORSCHE	PET	PORSCHE
928	1991	3	07	307-40		248					



Pos	Part Number	Description	Remark	Qty	Model
		automatic transmission clutch K 2			A28.12/14/16
1	126 270 892 8	disc carrier A >> 330 5964		1	
1	140 270 152 8	disc carrier A 330 5965 >>		1 1	
		order also: 126 270 206 2 124 270 018 9		1 1	
2	126 272 025 5	sealing ring		1	
3	126 272 039 2	boot		1	
4	126 272 123 1	piston		1	
5	126 993 070 3	spring		21	
6	126 272 026 4	concave washer		1	
7	126 994 063 5	circlip		1	
8	126 272 472 6	disc with external splines 2,0 MM		1	
9	126 272 072 5	inner disc 2,14 MM		5	
10	126 272 362 6	disc with external splines 3,0 MM		X	
(10)	126 272 482 6	disc with external splines 3,5 MM		X	
(11)	126 272 342 6	disc with external splines 4,5 MM		X	
12	126 272 027 3	circlip 2,0 MM		X	
(12)	126 994 033 4	circlip 2,5 MM		X	
(12)	126 994 043 4	circlip 3,0 MM		X	
13	126 272 226 2	thrust washer		1	
14	126 272 095 5	sealing ring		2	
15	722 272 014 5	flange		1	
16	006 997 754 8	sealing ring		1	

Model	Year	MG	SG	Illustration	Restrictions	UPD	19:22	23.01.2010	PORSCHE	PET	PORSCHE
928	1991	3	07	307-45		248					

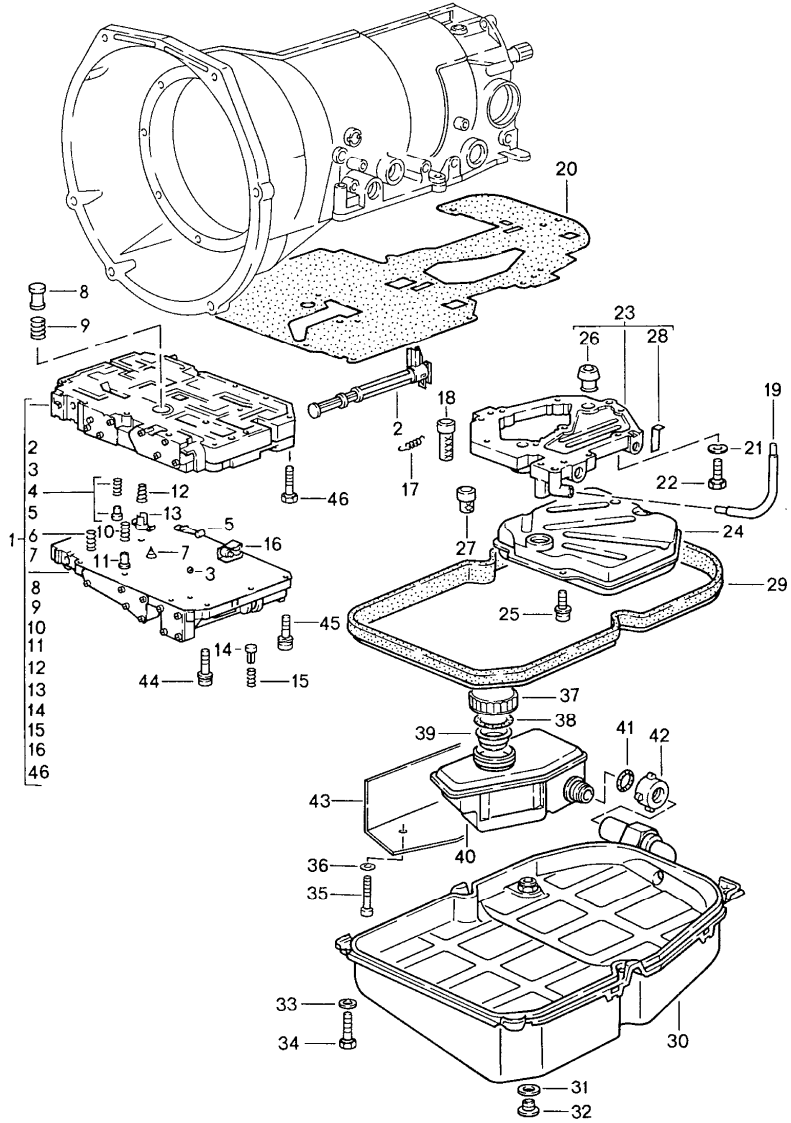


Pos	Part Number	Description	Remark	Qty	Model
		automatic transmission brake bands			A28.12/14/16
1	126 994 013 5	circlip		1	
2	* 005 997 704 8	sealing ring		1	
3	126 277 090 3	lid		1	
4	900 906 037 00	circlip A 42		1	
5	126 277 245 5	sealing ring		1	
6	124 270 003 2	piston brake band A	>> 909 453	1	
(6)	107 270 003 2	piston brake band A 909 454	>>	-88	1
(6)	107 270 043 2	piston brake band		89-	1 A28.16
7	126 277 095 5	sealing ring		1	
8	900 042 005 01	circlip 25 X 1,2		1	
9	126 277 717 5	pin 47,2 MM		X	
(9)	126 277 727 5	pin 48,0 MM		X	
(9)	126 277 737 5	pin 48,8 MM		X	
(9)	126 277 747 5	pin 49,6 MM		X	
10	126 270 206 2	brake band A 383 608	>> 330 5964	1	
10	126 270 206 2	brake band without asbestos		1	
11	126 277 517 5	pin		1	
12	126 270 208 9	valve A	>> 825 582	1	

Model	Year	MG	SG	Illustration	Restrictions	UPD	19:22	23.01.2010	PORSCHE	PET	PORSCHE
928	1991	3	07	307-45		248					

Pos	Part Number	Description	Remark	Qty	Model	Pos	Part Number	Description	Remark	Qty	Model
(12)	126 270 368 9	valve A 825 583 >> 909 453		1							
(12)	126 270 338 9	valve A 909 454 >> 330 9639		1							
(12)	124 270 018 9	valve		1							
13	005 997 814 8	sealing ring		1							
14	126 277 094 0	support A >> 825 582		1							
(14)	140 277 004 0	support A 825 583 >>		1							
15	126 994 083 5	circlip		1							
16	* 005 997 864 8	sealing ring		1							
17	126 277 020 3	lid		1							
18	115 272 109 2	boot		1							
19	126 270 973 2	piston		1							
20	900 234 109 02	shim 8 X 14 X 0,5		X							
(20)	900 234 003 02	shim 8 X 14 X 1,0		X							
21	000 997 024 8	sealing ring		1							
22	126 993 010 1	spring 95,3 MM		1							
23	126 993 570 1	spring 111,6 MM		1							
24	126 277 574 0	support		1							
25	126 270 186 2	brake band		1							
26	005 997 804 8	sealing ring		1							
27	010 997 084 5	sealing ring		1							
28	126 277 097 5	pin		1							
29	126 270 308 9	valve		1							

Model	Year	MG	SG	Illustration	Restrictions	UPD	19:22	23.01.2010	PORSCHE	PET	PORSCHE
928	1991	3	07	307-50		248					

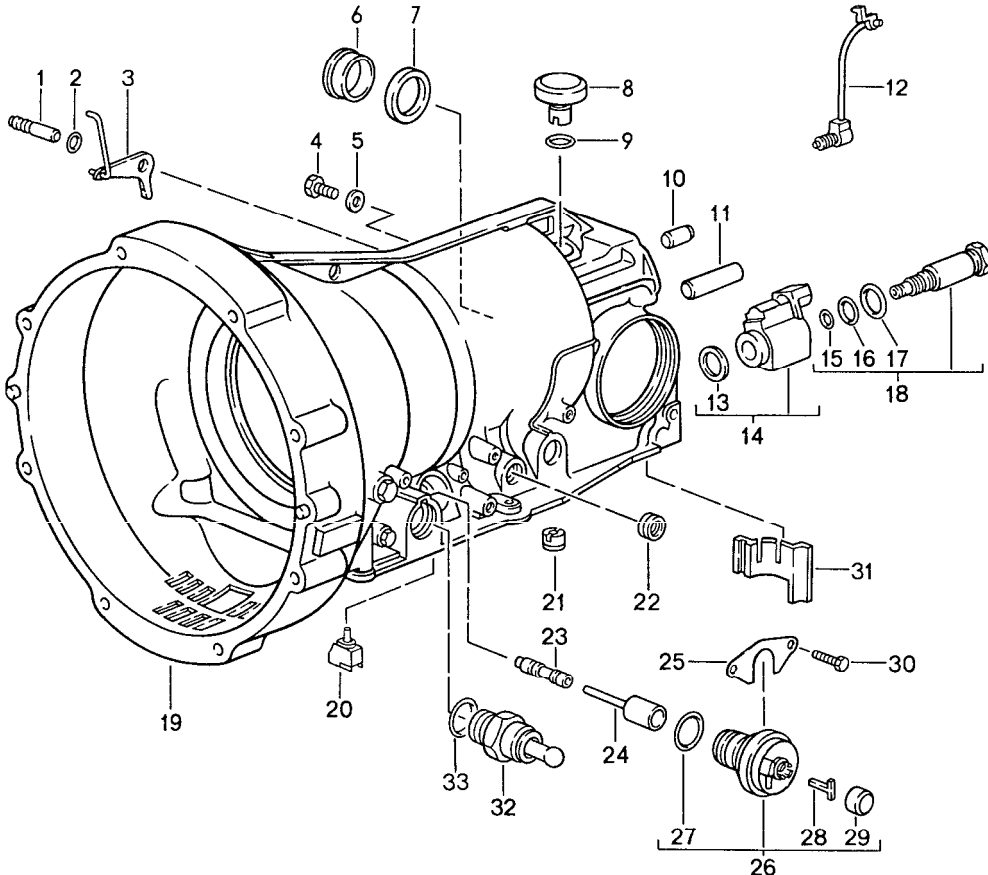


Pos	Part Number	Description	Remark	Qty	Model
		automatic transmission shift-valve body			A28.12/14/16
1	> 722 270 340 7	shift-valve body	-88	1	
(1)	> 722 270 380 7	shift-valve body	89-	1	A28.16
2	126 270 057 0	regulating valve		1	
3	116 991 002 9	ball		18	
4	126 270 047 0	slide		1	
5	126 270 258 9	valve		1	
6	722 993 080 1	spring		1	
7	115 993 150 5	spring		1	
8	126 277 193 6	valve		1	
9	126 993 200 2	spring		1	
10	115 993 280 4	spring		1	
11	126 270 198 9	valve		1	
12	126 993 690 3	spring		1	
13	126 277 223 6	valve		1	
14	126 277 263 6	valve		1	
15	126 993 730 3	spring		1	
16	126 270 288 9	valve		1	
(16)	126 270 218 9	valve		1	
17	722 993 001 0	spring		1	
18	126 270 029 8	filter		1	
19	126 277 004 7	oil tube		1	
20	* 126 277 108 0	gasket		1	
21	N 012 226 5	spring washer B 6		9	
22	N 010 220 3	hexagon-head bolt		9	
23	722 270 030 5	lid		1	
24	* 126 277 029 5	oil filter		1	

Model	Year	MG	SG	Illustration	Restrictions	UPD	19:22	23.01.2010	PORSCHE	PET	PORSCHE
928	1991	3	07	307-50		248					

Pos	Part Number	Description	Remark	Qty	Model	Pos	Part Number	Description	Remark	Qty	Model
25	960 307 911 00	combination screw M 5 X 12		3		46	900 014 006 02	pan-head screw M 5 X 30		2	
26	126 270 058 9	valve		1							
27	126 270 019 8	strainer		2							
28	126 277 007 3	lock 24 MM		1							
29 A	126 271 028 0	gasket		1							
29	126 271 108 0	oil sump gasket		1							
30	722 270 111 2	oil pan A >> 874 059		1							
(30)	722 270 111 2	oil pan A 874 060 >>		1							
31 *	900 123 062 30	gasket		1							
32	960 307 912 00	screw plug		1							
33	N 011 525 13	washer A 8,4		6							
34	N 010 244 11	hexagon-head bolt M 8 X 30		6							
35	900 067 008 02	pan-head screw M 6 X 40		2							
36	N 011 666 7	washer B 6,4		2							
37	960 307 481 00	threaded cover		1							
38	477 321 483 A	gasket		1							
39	477 321 479 A	strainer		1							
40	960 307 075 00	filling container		1							
41	477 321 487	o-ring		X							
42	477 321 485	union nut		1							
43	960 307 421 00	heat shield		1							
44	960 307 913 00	combination screw M 6 X 55		12							
45	960 307 914 00	combination screw M 6 X 50		3							

Model	Year	MG	SG	Illustration	Restrictions	UPD	19:23	23.01.2010	PORSCHE	PET	PORSCHE
928	1991	3	07	307-55		248					

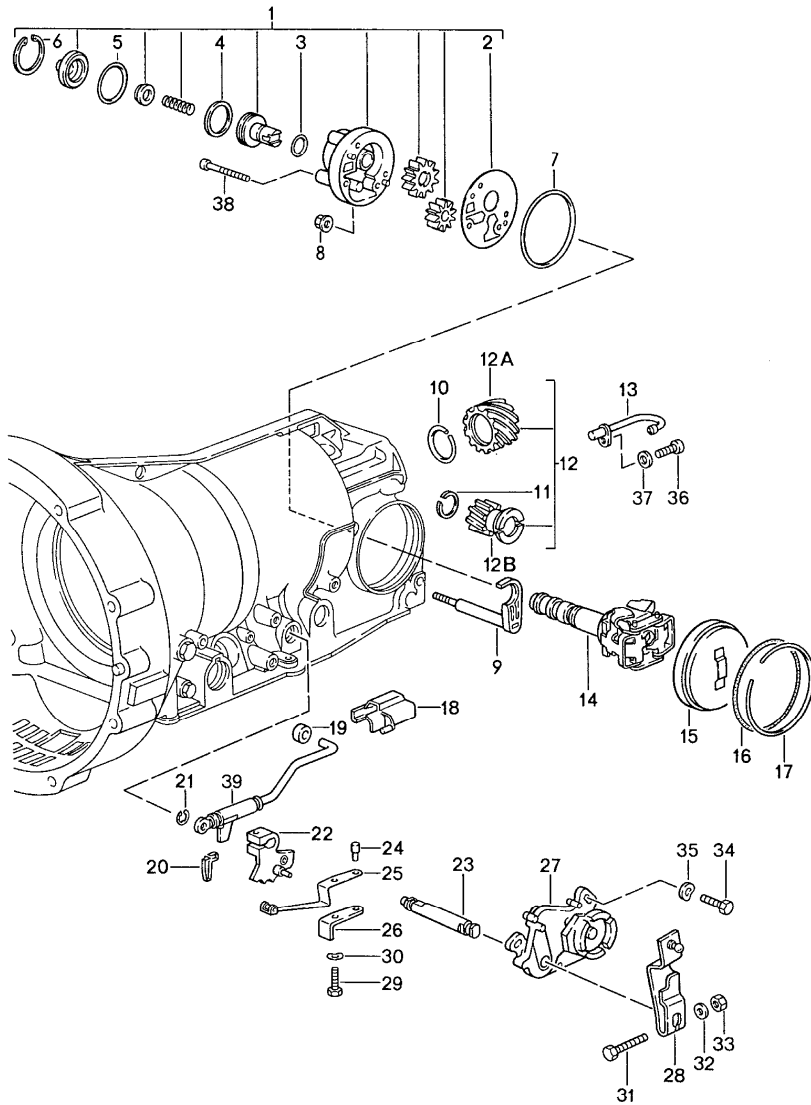


Pos	Part Number	Description	Remark	Qty	Model
		automatic transmission transmission case accessories			A28.12/14/16
1	126 278 027 4	shaft		1	
2	005 997 744 8	sealing ring		1	
3	126 270 045 9	lever		1	
4	115 997 063 0	screw plug		3	
5	900 123 105 30	sealing ring		3	
6	126 277 035 0	bush	-88	1	
(6)	126 277 085 0	bush	89-	1	A28.16
7	006 997 734 7	sealing ring		1	
8	126 270 018 2	bleeder		1	
9	005 997 784 8	sealing ring		1	
10	900 012 163 00	straight pin		1	
(10)	N 013 220 2	straight pin		2	
11	126 991 000 1	bolt		1	
12	722 270 008 4	oil splash tube		1	
13	115 304 016 0	sealing ring		1	
14	000 304 279 0	solenoid switch -BINDER- only together with 000 304 229 0		1	
(14)	000 304 279 0	switch -ELEKTROTEILE- only together with 000 304 289 0		1	
15	001 997 354 8	sealing ring		1	
16	008 997 304 8	sealing ring		1	
17	008 997 314 8	sealing ring		1	
18	000 304 289 0	solenoid switch -BINDER- only together with 000 304 239 0		1	

Model	Year	MG	SG	Illustration	Restrictions	UPD	19:23	23.01.2010	PORSCHE	PET	PORSCHE
928	1991	3	07	307-55		248					

Pos	Part Number	Description	Remark	Qty	Model	Pos	Part Number	Description	Remark	Qty	Model
(18)	000 304 289 0	solenoid switch -ELEKTROTEILE- only together with 000 304 279 0		1							
19	722 270 111 1	transmission case	-88	1							
(19)	722 270 141 1	transmission case	89-	1	A28.16						
20	126 270 105 0	temperature restrictor red		1							
21	126 270 058 9	valve		1							
22	006 997 014 7	sealing ring		1							
23	126 277 213 2	piston		1							
24	126 277 207 5	pin		1							
25	126 277 054 0	support		1							
26	126 270 927 9	pressure control valve		1							
27	014 997 114 8	sealing ring		1							
28	126 277 044 0	support		1							
29	126 277 008 1	cover		1							
30	900 075 355 02	combination screw		2							
31	126 277 008 4	shim		1							
32	002 545 451 4	overload protection switch		1							
33	016 997 354 8	sealing ring		1							
--	140 277 004 2	funnel		1							

Model	Year	MG	SG	Illustration	Restrictions	UPD	19:23	23.01.2010	PORSCHE	PET	PORSCHE
928	1991	3	07	307-60		248					



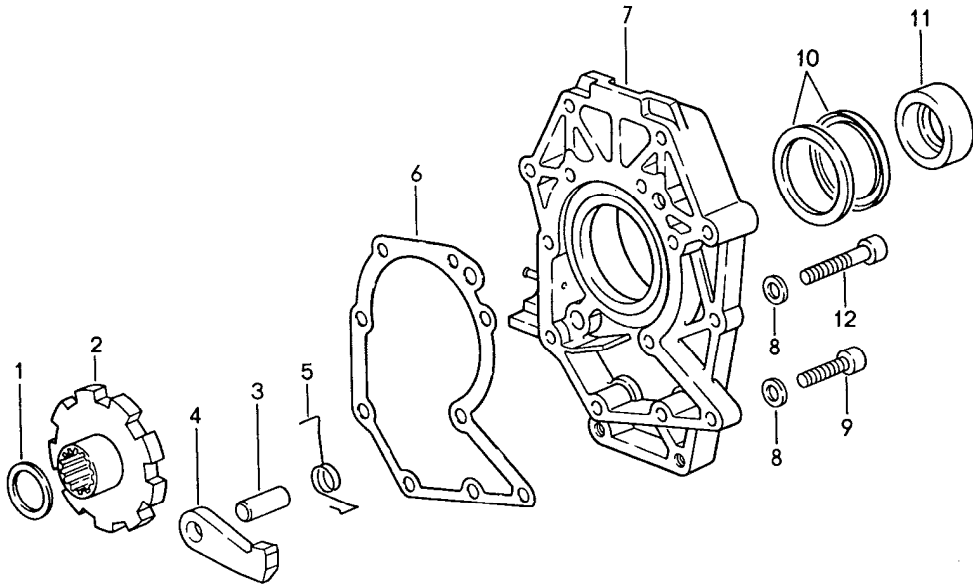
Pos	Part Number	Description	Remark	Qty	Model
		automatic transmission transmission case installation parts			A28.12/14/16
1	126 270 029 7	secondary pump		1	
2	126 277 131 4	intermediate plate		1	
3	126 277 205 5	sealing ring		1	
4	005 997 844 8	sealing ring		1	
5	126 277 085 5	sealing ring		1	
6	900 042 045 07	circlip		1	
7	005 997 854 8	sealing ring		1	
8	960 302 902 00	nut		1	
9	126 270 005 9	lever		1	
10	722 994 023 5	circlip		1	
11	999 152 053 01	circlip		1	
12 A	126 270 044 2	gear wheel		1	
12A	722 274 031 5	gear wheel		1	
12B	126 274 041 5	gear wheel		1	
-	722 274 005 1	spacer ring A	>> 874 041	1	
13	126 270 038 4	oil tube A	>> 877 595	1	
14	126 270 097 4	centrifugal governor		1	
15	126 270 000 8	lid		1	
16	016 997 394 8	sealing ring		1	
17	126 994 023 5	circlip		1	
18	126 277 607 7	guide piece		1	
19	126 278 001 7	roller		1	
20	126 271 039 4	shim		1	
21	900 116 003 02	circlip		1	
22	126 270 045 7	shift segment		1	
23	126 278 021 0	shaft		1	

Model	Year	MG	SG	Illustration	Restrictions	UPD	19:23	23.01.2010	PORSCHE	PET	PORSCHE
928	1991	3	07	307-60		248					

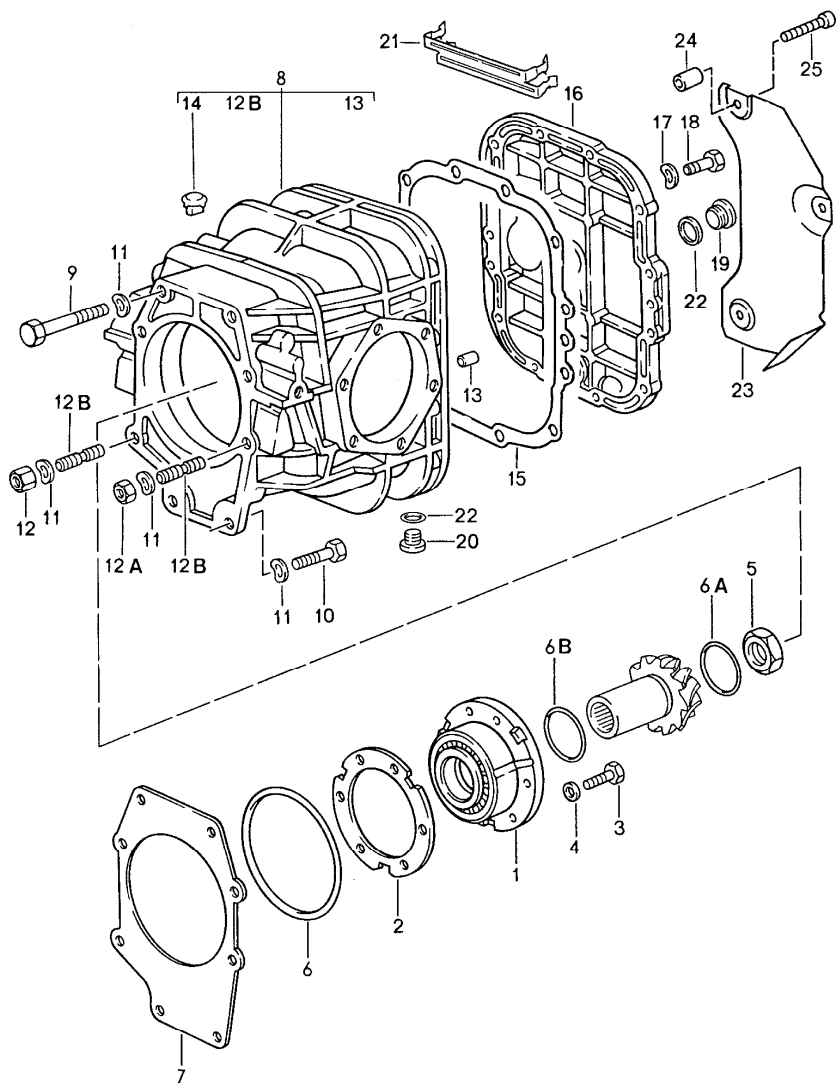
Pos	Part Number	Description	Remark	Qty	Model	Pos	Part Number	Description	Remark	Qty	Model
24	126 991 031 0	bolt		1							
25	126 270 027 8	leaf spring		1							
26	126 278 034 0	support		1							
27	000 545 660 6	switch		1							
28	928 426 063 01	lever		1							
29	900 075 369 07	screw		1							
30	N 012 226 5	spring washer		1							
31	900 074 015 02	hexagon-head bolt		1							
32	N 011 524 7	washer		1							
33	900 076 010 02	hexagon nut		1							
34	900 075 162 02	hexagon-head bolt		2							
35	N 012 226 5	spring washer		2							
36	900 067 206 02	screw		1							
37	N 012 226 5	spring washer B 6		1							
38	N 044 703 3	pan-head screw		3							
39	126 270 036 5	linkage		1							

Model	Year	MG	SG	Illustration	Restrictions	UPD	9:32	29.01.2010	PORSCHE	PET	PORSCHE
928	1991	3	07	307-65		248					

Pos	Part Number	Description	Remark	Qty	Model
		automatic transmission intermediate plate parking lock			A28.12/14/16
1	126 272 075 2	spacer 0,5 MM		X	
2	126 272 011 7	gear wheel		1	
3	126 991 000 1	bolt		1	
4	123 278 002 1	pawl		1	
5	126 993 062 0	spring		1	
6	A 722 271 038 0	gasket		1	
6	722 271 038 0	gasket without asbestos		1	
7	960 321 031 03	intermediate plate		1	
8	722 990 034 0	washer		9	
9	900 067 025 02	screw		4	
10	999 113 307 40	sealing ring		2	
11	960 302 403 03	intermediate ring use also:		1	
11A	999 201 438 00	shim		1	
12	900 067 222 02	pan-head screw		5	



Model	Year	MG	SG	Illustration	Restrictions	UPD	9:33	29.01.2010	PORSCHE	PET	PORSCHE
928	1991	3	07	307-70		248					

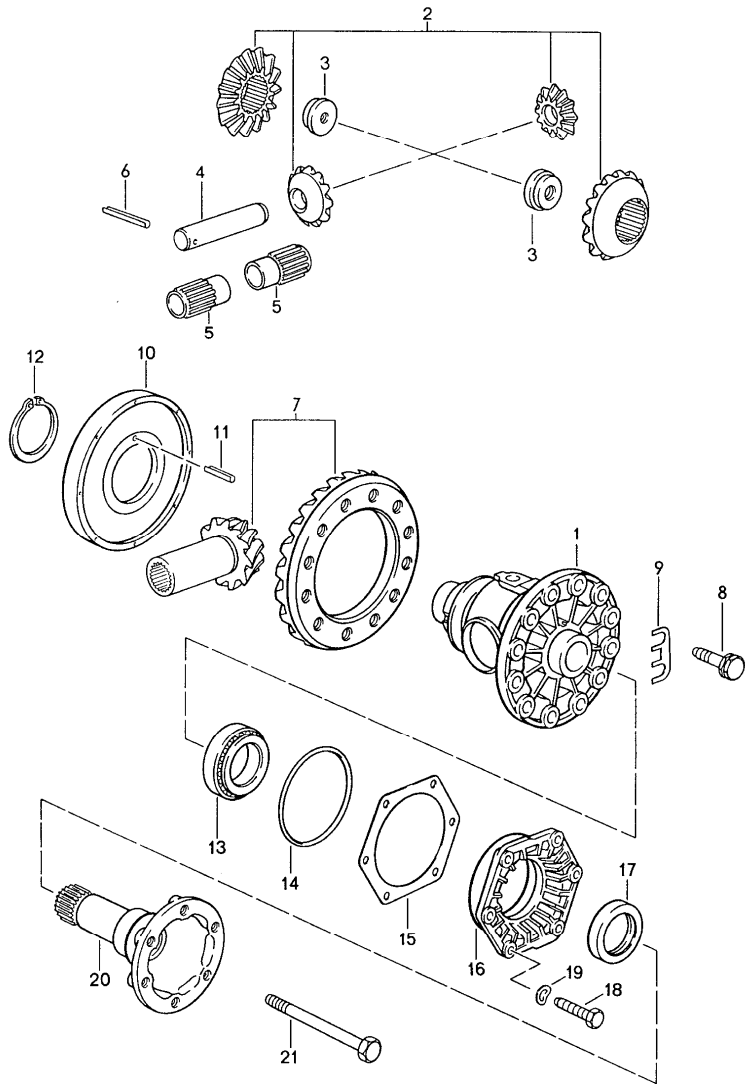


Pos	Part Number	Description	Remark	Qty	Model
		automatic transmission differential 1			A28.12/14/16
1	960 302 063 09	bearing sleeve		1	
2	960 302 299 05	adjusting shim 0,15 MM		X	
2	960 302 299 06	adjusting shim 0,20 MM		X	
2	960 302 299 07	adjusting shim 0,25 MM		X	
2	960 302 299 08	adjusting shim 0,40 MM		X	
2	960 302 299 09	adjusting shim 0,50 MM		X	
3	N 014 726 7	pan-head screw M 8 X 30		6	
4	N 015 371 1	shake-proof washer		6	
5	922 302 282 00	collar nut		1	
6	999 701 743 40	o-ring 144,5 X 3		1	
6A	960 302 305 00	round seal		1	
6B	960 302 303 00	round seal		1	
7	960 302 297 05	adjusting shim 0,15 MM		X	
7	960 302 297 06	adjusting shim 0,20 MM		X	
7	960 302 297 07	adjusting shim 0,25 MM		X	
7	960 302 297 08	adjusting shim 0,40 MM		X	
7	960 302 297 09	adjusting shim 0,50 MM		X	
8	960 321 041 02	rear axle housing	-89	1	A28.12/14/16
(8)	960 321 041 03	rear axle housing	90-	1	A28.16 M221
9	900 074 063 02	hexagon-head bolt M 10 X 55		4	

Model	Year	MG	SG	Illustration	Restrictions	UPD	9:33	29.01.2010	PORSCHE	PET	PORSCHE
928	1991	3	07	307-70		248					

Pos	Part Number	Description	Remark	Qty	Model	Pos	Part Number	Description	Remark	Qty	Model
10	900 075 041 09	hexagon-head bolt M 10 X 25		2							
11	900 031 005 02	washer A 10,5		8							
12	999 076 027 02	nut		1							
12A	N 011 010 6	hexagon nut M 10		1							
12B	999 062 118 02	stud BM 10 X 28		1							
12B	999 062 182 02	stud BM 10 X 25		1							
13	900 012 086 00	straight pin		2							
14	928 301 311 01	bleeder		1							
15	928 301 395 03	gasket		1							
16	928 301 306 01	housing cover	-91	1							
16	928 301 306 07	housing cover	91-	1							
17	900 025 007 02	washer		12							
18	900 075 099 02	hexagon-head bolt M 8 X 30		12							
19	900 219 001 30	screw plug		1							
20	999 063 008 02	screw plug		1							
21	960 301 149 01	heat shield		1							
22	900 123 118 30	sealing ring		2							
23	960 321 305 00	heat protection plate		1							
24	960 321 307 00	spacer		3							
25	999 073 022 02	hexagon-head bolt		3							

Model	Year	MG	SG	Illustration	Restrictions	UPD	19:24	23.01.2010	PORSCHE	PET	PORSCHE
928	1991	3	07	307-75		248					

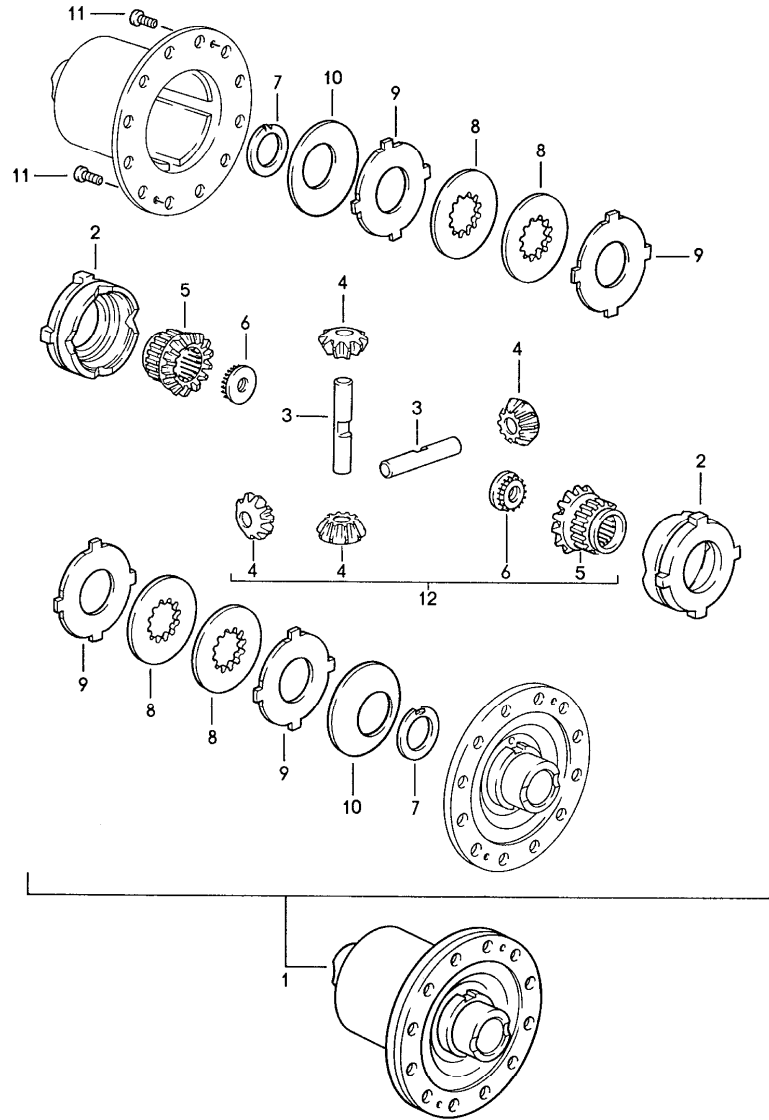


Pos	Part Number	Description	Remark	Qty	Model
		automatic transmission differential 2			A28.12/14/16
1	928 332 212 08	differential housing	-89	1	
2	A 928 332 902 02	differential pinions 1 set	-89	1	
2	950 332 902 00	gear set 1 set	-89	1	
3	928 332 279 03	nut	-89	2	
4	928 332 207 07	differential bolt	-89	1	
5	999 201 237 00	needle cage	-89	2	
6	900 309 035 00	roll pin 5 X 40	-89	1	
7	960 302 911 00	ring gear and pinion shaft 33 : 15		1	A28.12
7	960 302 911 03	ring gear and pinion shaft 33 : 13		1	A28.14/16
8	928 332 276 03	hexagon-head bolt		12	
9	928 332 285 00	tab washer		6	
10	928 318 024 05	carrier disc with magnets	-89	1	
11	N 043 285 1	roll pin 5 X 18	-89	1	
12	999 152 089 01	circlip	-89	1	
13	999 059 027 00	taper roller bearing		2	
14	* 928 332 217 02	o-ring		2	
15	928 332 219 00	adjusting shim 0,15 MM		X	
15	928 332 219 01	adjusting shim 0,20 MM		X	
15	928 332 219 02	adjusting shim 0,25 MM		X	
15	928 332 219 03	adjusting shim 0,50 MM		X	
15	928 332 219 04	adjusting shim 0,10 MM		X	
16	928 332 213 02	housing		2	

Model	Year	MG	SG	Illustration	Restrictions	UPD	19:24	23.01.2010	PORSCHE	PET	PORSCHE
928	1991	3	07	307-75		248					

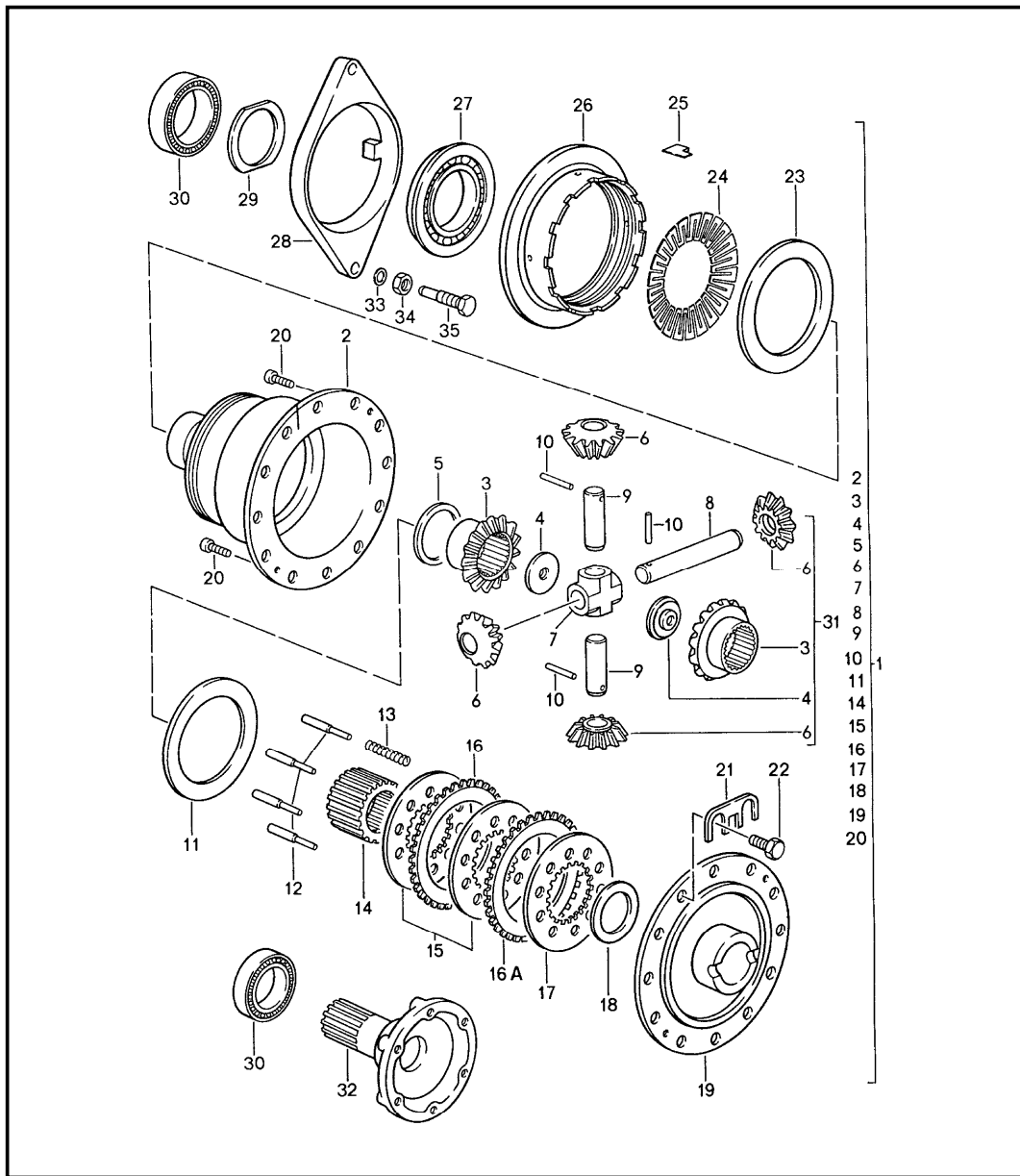
Pos	Part Number	Description	Remark	Qty	Model	Pos	Part Number	Description	Remark	Qty	Model
(16)	928 332 213 05	housing	90-	1	M221						
17	* 928 332 215 02	shaft sealing ring		2							
18	900 075 099 02	hexagon-head bolt M 8 X 30		12							
19	900 025 007 02	washer		12							
20	928 332 206 10	joint flange	-89	2							
20	928 332 206 20	joint flange	90-	2							
21	900 074 181 02	screw M 10 X 95		2							

Model	Year	MG	SG	Illustration	Restrictions	UPD	19:24	23.01.2010	PORSCHE	PET	PORSCHE
928	1991	3	07	307-80		248					



Pos	Part Number	Description	Remark	Qty	Model
		automatic transmission limited-slip differential	-89		A28.12/14/16
1	928 332 052 20	limit.-slip different. 40%		1	
2	928 332 511 00	thrust ring		2	
3	928 332 541 00	differential shaft		2	
4	*	-		4	
5	*	-		2	
6	* 928 332 279 01	threaded disc		2	
7	901 332 561 11	thrust washer		2	
8	928 332 551 00	inner disc 2,0 MM		4	
9	917 332 552 10	disc with external splines 1,9 MM		4	
(9)	917 332 552 11	disc with external splines 2,0 MM		X	
(9)	917 332 552 12	disc with external splines 2,1 MM		X	
10	928 332 555 20	cup spring		2	
11	900 249 023 00	countersunk-head screw M 6 X 10		2	
12	928 332 905 00	differential pinions 1 set		1	

Model	Year	MG	SG	Illustration	Restrictions	UPD	19:25	23.01.2010	PORSCHE	PET	PORSCHE
928	1991	3	07	307-81		248					

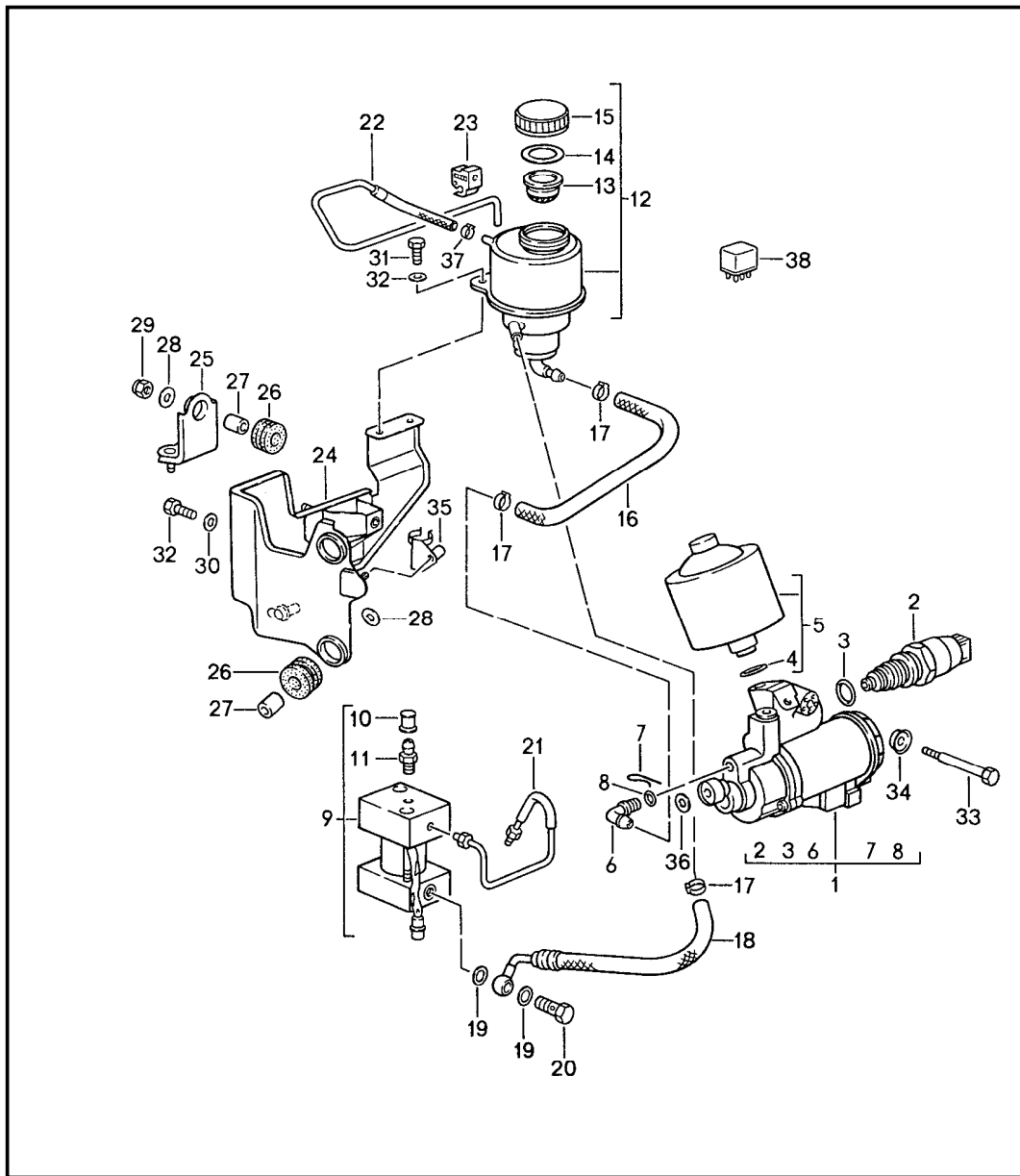


Pos	Part Number	Description	Remark	Qty	Model
		automatic transmission porsche limited-slip differential	90-		A28.16 M221
1	928 332 075 03	limited-slip differential		1	
2	928 332 701 15	housing		1	
3	*	shaft bevel gear		2	
4	* 943 332 279 02	nut		2	
5	928 332 719 00	thrust washer 1,8 MM		X	
5	928 332 719 01	thrust washer 1,9 MM		X	
5	928 332 719 02	thrust washer 2,0 MM		X	
5	928 332 719 03	thrust washer 2,1 MM		X	
5	928 332 719 04	thrust washer 2,2 MM		X	
6	*	bevel pinion		4	
7	928 332 745 00	4 way connector		1	
8	928 332 741 00	differential bolt		1	
9	928 332 743 00	differential bolt		2	
10	900 309 035 00	roll pin 5 X 40		3	
11	928 332 711 00	thrust ring		1	
12	928 332 715 08	pressure pin		4	
13	928 332 716 02	coil pressure spring		4	
14	928 332 748 03	disc carrier		1	
15	928 332 728 00	inner disc		5	
16	928 332 726 05	disc with external splines 1,5 MM		8	
16	928 332 726 03	disc with external splines 1,1 MM		X	
16	928 332 726 04	disc with external splines 1,3 MM		X	

Model	Year	MG	SG	Illustration	Restrictions	UPD	19:25	23.01.2010	PORSCHE	PET	PORSCHE
928	1991	3	07	307-81		248					

Pos	Part Number	Description	Remark	Qty	Model	Pos	Part Number	Description	Remark	Qty	Model
16	928 332 726 06	disc with external splines 1,7 MM		X		26	928 332 750 01	adjusting nut	91	1	
16	928 332 726 07	disc with external splines 1,9 MM		X		27	928 332 761 04	engaging mount		1	
16	928 332 726 08	disc with external splines 2,1 MM		X		28	928 332 771 02	engaging lever		1	
16	928 332 726 09	disc with external splines 2,3 MM		X		29	928 332 718 00	washer		1	
16	928 332 726 10	disc with external splines 2,5 MM		X		30	999 059 027 00	taper roller bearing		2	
16	928 332 726 11	disc with external splines 2,7 MM		X		31	928 332 907 00	differential pinions 1 set		1	
17	928 332 724 00	inner disc		5		32	928 332 206 20	joint flange		2	
18	928 332 720 50	thrust washer 1,8 MM		X		33	900 123 043 30	sealing ring A 12 X 15,5		1	
18	928 332 720 51	thrust washer 1,9 MM		X		34	N 011 020 8	hexagon nut		1	
18	928 332 720 52	thrust washer 2,0 MM		X		35	928 332 271 05	hexagon-head bolt		1	
18	928 332 720 53	thrust washer 2,1 MM		X							
18	928 332 720 54	thrust washer 2,2 MM		X							
18	928 332 720 55	thrust washer 2,3 MM		X							
18	928 332 720 56	thrust washer 2,4 MM		X							
19	928 332 706 10	housing cover		1							
20	900 249 008 02	countersunk-head screw M 6 X 12		2							
21	928 332 285 00	tab washer		6							
22	928 332 276 03	hexagon-head bolt		12							
23	928 332 713 02	thrust ring		1							
24	928 332 756 06	leverage washer		1							
25	950 332 753 02	tab washer		1							
26	928 332 077 00	adjusting nut	90	1							

Model	Year	MG	SG	Illustration	Restrictions	UPD	19:25	23.01.2010	PORSCHE	PET	PORSCHE
928	1991	3	07	307-82		248					

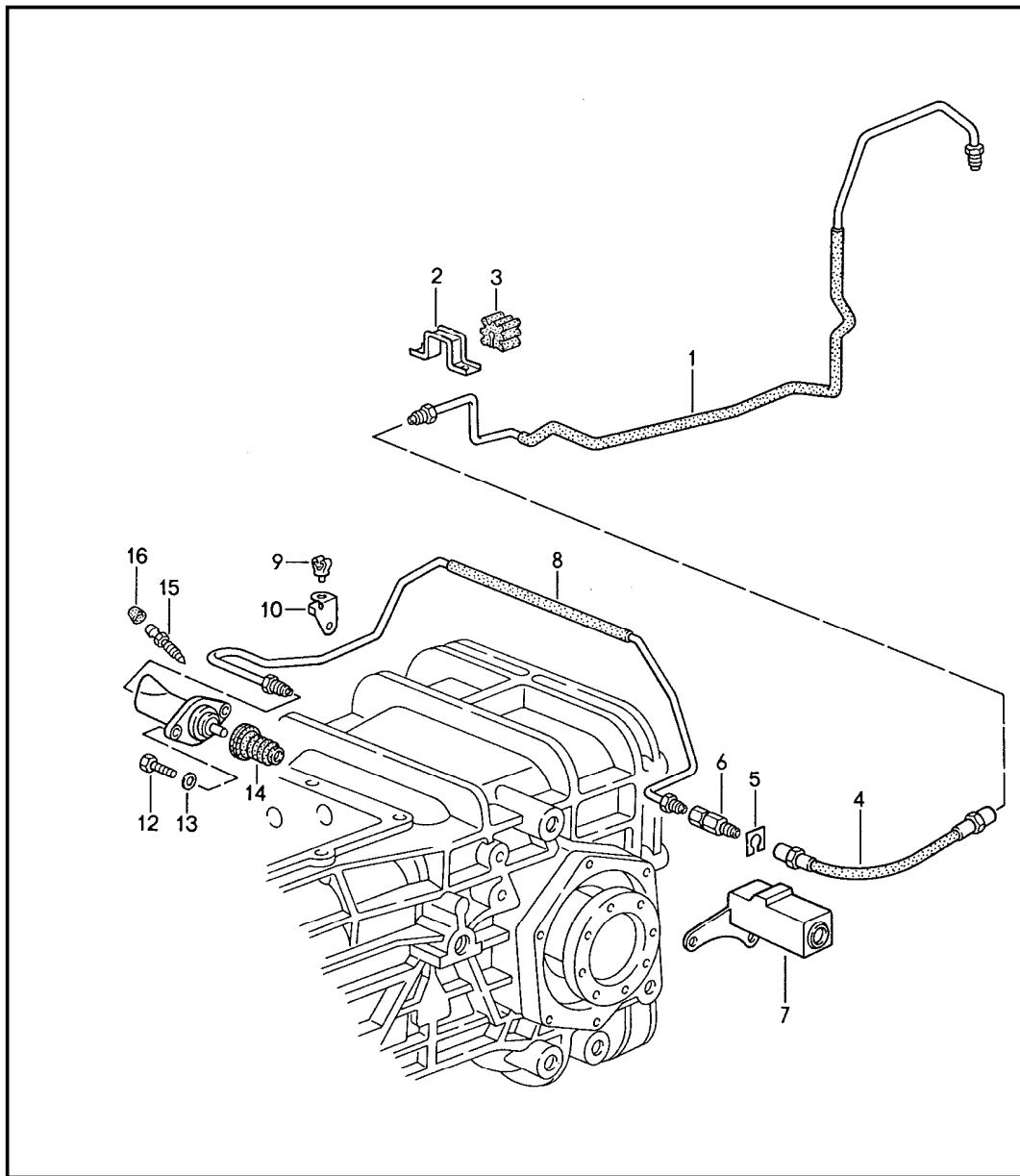


Pos	Part Number	Description	Remark	Qty	Model
		automatic transmission lock control 1	90-		A28.16 M221
1	928 315 906 00	pump		1	
2	964 606 904 00	pressure switch		1	
3	999 707 094 40	o-ring 17,3 X 2,4		1	
4	999 707 123 40	o-ring 11,3 X 2,4		1	
5	928 315 905 00	pressure accumulator		1	
6	999 230 366 40	elbow		1	
7	999 021 003 00	lock		1	
8	999 707 075 40	o-ring		1	
9	928 315 163 00	valve support		1	
10	930 351 919 00	ventilation valve		1	
11	930 351 927 00	dust boot		1	
12	928 315 013 01	expansion tank		1	
13	211 611 381 B	strainer		1	
14	901 355 908 00	gasket		1	
15	911 355 905 02	lid		1	
16	928 315 801 00	feed line		1	
17	999 512 532 00	terminal		3	
18	928 315 098 01	hose line return line		1	
19	900 123 033 20	sealing ring		2	
20	900 175 002 02	screw		1	
21	928 315 091 02	connecting line		1	
22	928 315 097 01	vent line		1	
23	999 591 930 40	support		1	
24	928 315 043 02	support		1	
25	928 315 047 02	bracket		1	
26	964 356 635 00	rubber mounting		3	

Model	Year	MG	SG	Illustration	Restrictions	UPD	19:25	23.01.2010	PORSCHE	PET	PORSCHE
928	1991	3	07	307-82		248					

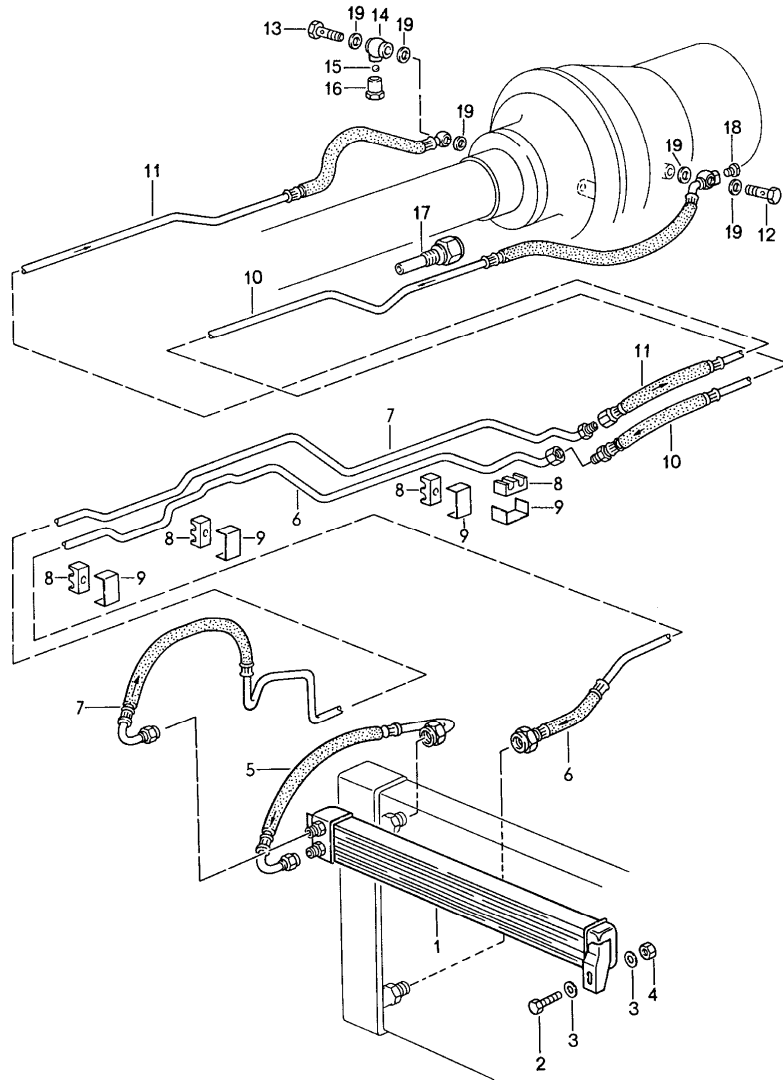
Pos	Part Number	Description	Remark	Qty	Model	Pos	Part Number	Description	Remark	Qty	Model
27	928 355 633 00	bush		3							
28	N 011 550 1	washer B 6,5		X							
29	900 910 010 09	lock nut M 6		X							
30	N 011 666 7	washer B 6,4		4							
31	900 075 057 02	hexagon-head bolt M 6 X 16		2							
32	999 072 005 09	hexagon-head bolt M 6 X 12		2							
33	999 074 043 02	hexagon-head bolt M 6 X 65		1							
34	999 025 202 02	washer		1							
35	911 612 450 00	support		1							
36	900 025 007 02	washer A 8,4		1							
37	999 512 527 00	clamp		1							
38	A 964 615 135 00	relay for pump		1							
-	A 993 606 153 00	lateral accelerat. sensor		1							
-	993 606 153 00	lateral accelerat. sensor		1							

Model	Year	MG	SG	Illustration	Restrictions	UPD	19:25	23.01.2010	PORSCHE	PET	PORSCHE
928	1991	3	07	307-83		248					



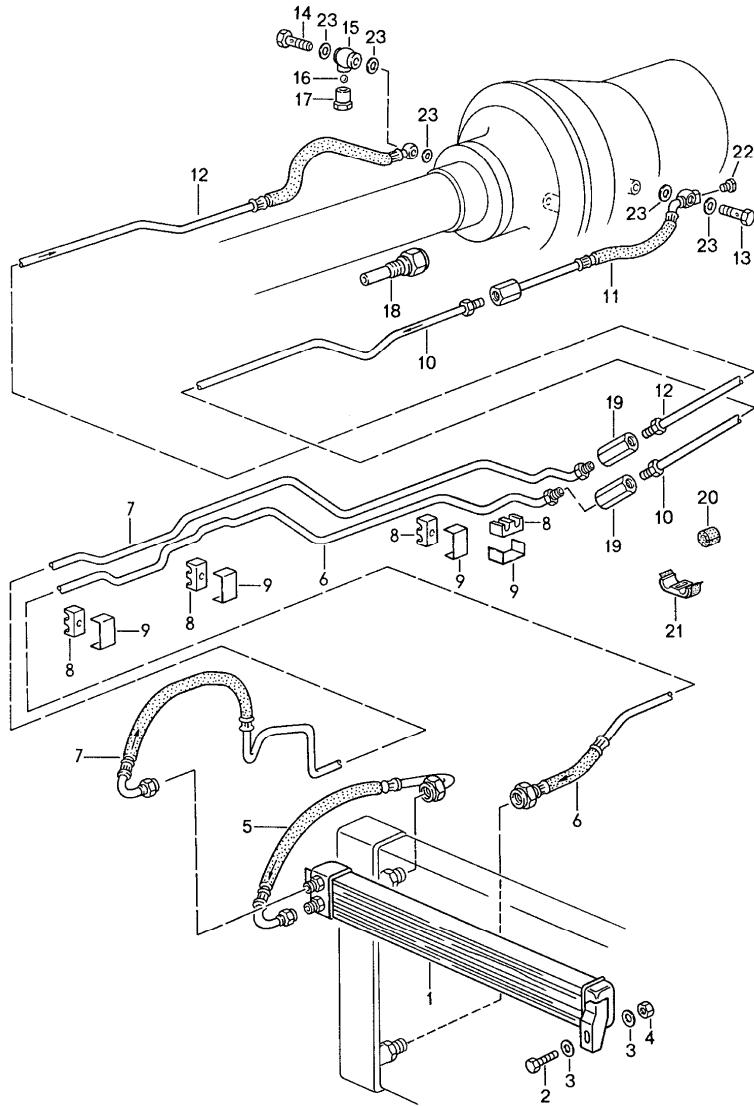
Pos	Part Number	Description	Remark	Qty	Model
		automatic transmission lock control 2	90-		A28.16 M221
1	928 315 095 02	line		1	
2	928 315 807 00	support		1	
3	928 315 805 00	rubber mounting		1	
4	A 944 355 081 01	brake hose		1	
4	944 355 081 01	brake hose		1	
5	999 166 071 01	support		1	
6	928 315 211 03	pressure valve		1	
7	928 315 187 06	support		1	
8	928 315 085 04	connecting line		1	
9	999 651 190 40	cable clip		1	
10	928 315 189 02	support		1	
11	928 332 775 09	slave cylinder		1	
12	N 010 233 6	hexagon-head bolt M 8 X 28		2	
13	900 025 007 02	washer A 8,4		2	
14	928 332 051 02	bellows		1	
15	211 611 477 A	bleeder valve		1	
16	211 611 483	dust boot		1	

Model	Year	MG	SG	Illustration	Restrictions	UPD	19:25	23.01.2010	PORSCHE	PET	PORSCHE
928	1991	3	07	307-85		248					



Pos	Part Number	Description	Remark	Qty	Model
		automatic transmission atf cooler atf lines			A28.12/14/16
		for cars with front muffler MOD.87-12.88 (MOD.89) for cars with catalytic converter MOD.87			
1	928 307 027 06	transmission oil cooler		1	
2	900 075 057 02	hexagon-head bolt M 6 X 16		2	
3	N 011 524 7	washer A 6,4		4	
4	900 076 010 02	hexagon nut		2	
5	928 307 072 01	oil pipe		1	
6	960 307 028 02	oil pipe supply		1	
7	928 307 073 01	oil pipe return line		1	
8	928 356 525 01	rubber mounting		5	
9	928 356 555 00	clamp		5	
10	928 307 070 00	oil pipe supply		1	
11	960 307 039 00	oil pipe return line		1	
12	999 134 030 02	banjo bolt M 14 X 1,5		1	
13	960 307 161 01	banjo bolt		1	
14	960 307 057 01	nipple		1	
15	N 025 657 1	ball		1	
16	960 307 163 00	screw plug		1	
17	928 606 152 00	temperature switch		1	
18	900 219 002 02	screw plug		1	
19	900 123 007 30	sealing ring A 14 X 18		X	

Model	Year	MG	SG	Illustration	Restrictions	UPD	19:25	23.01.2010	PORSCHE	PET	PORSCHE
928	1991	3	07	307-86		248					

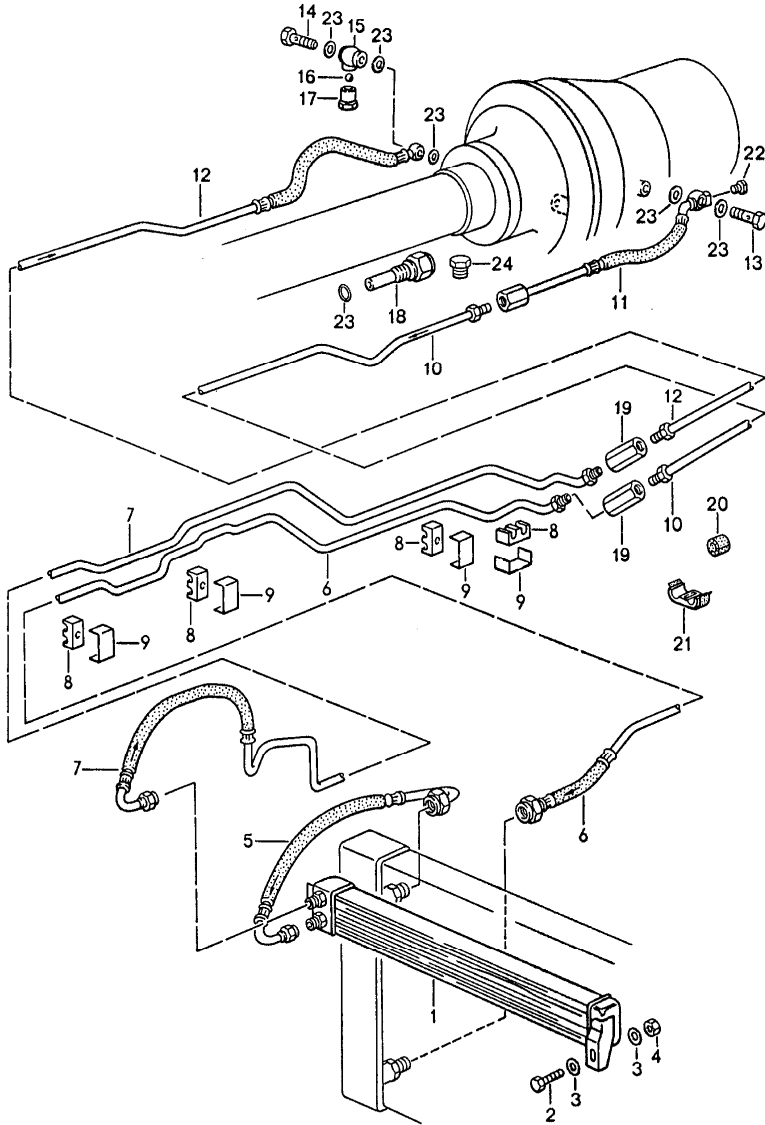


Pos	Part Number	Description	Remark	Qty	Model
		automatic transmission atf cooler atf lines for cars with catalytic converter MOD.88-11/88 (MOD.89)			A28.12/14/16
1	928 307 027 06	transmission oil cooler		1	
2	900 075 057 02	hexagon-head bolt M 6 X 16		2	
3	N 011 524 7	washer A 6,4		4	
4	900 076 010 02	hexagon nut		2	
5	928 307 072 01	oil pipe		1	
6	960 307 076 00	oil pipe supply		1	
7	960 307 077 00	oil pipe return line		1	
8	928 356 525 01	rubber mounting		5	
9	928 356 555 00	clamp		5	
10	960 307 078 00	oil pipe supply		1	
11	960 307 073 00	oil pipe supply		1	
12	960 307 079 00	oil pipe return line		1	
13	999 134 030 02	banjo bolt M 14 X 1,5		1	
14	960 307 161 01	banjo bolt		1	
15	960 307 057 01	nipple		1	
16	N 025 657 1	ball		1	
17	960 307 163 00	screw plug		1	
18	928 606 152 00	temperature switch		1	
19	477 209 169	connecting piece		2	
20	960 307 213 00	protective tube		2	
21	960 307 211 00	support		4	

Model	Year	MG	SG	Illustration	Restrictions	UPD	19:25	23.01.2010	PORSCHE	PET	PORSCHE
928	1991	3	07	307-86		248					

Pos	Part Number	Description	Remark	Qty	Model	Pos	Part Number	Description	Remark	Qty	Model
22	900 219 002 02	screw plug		1							
23	900 123 007 30	sealing ring A 14 X 18		X							
-	960 307 209 00	plate		X							

Model	Year	MG	SG	Illustration	Restrictions	UPD	19:26	23.01.2010	PORSCHE	PET	PORSCHE
928	1991	3	07	307-87		248					

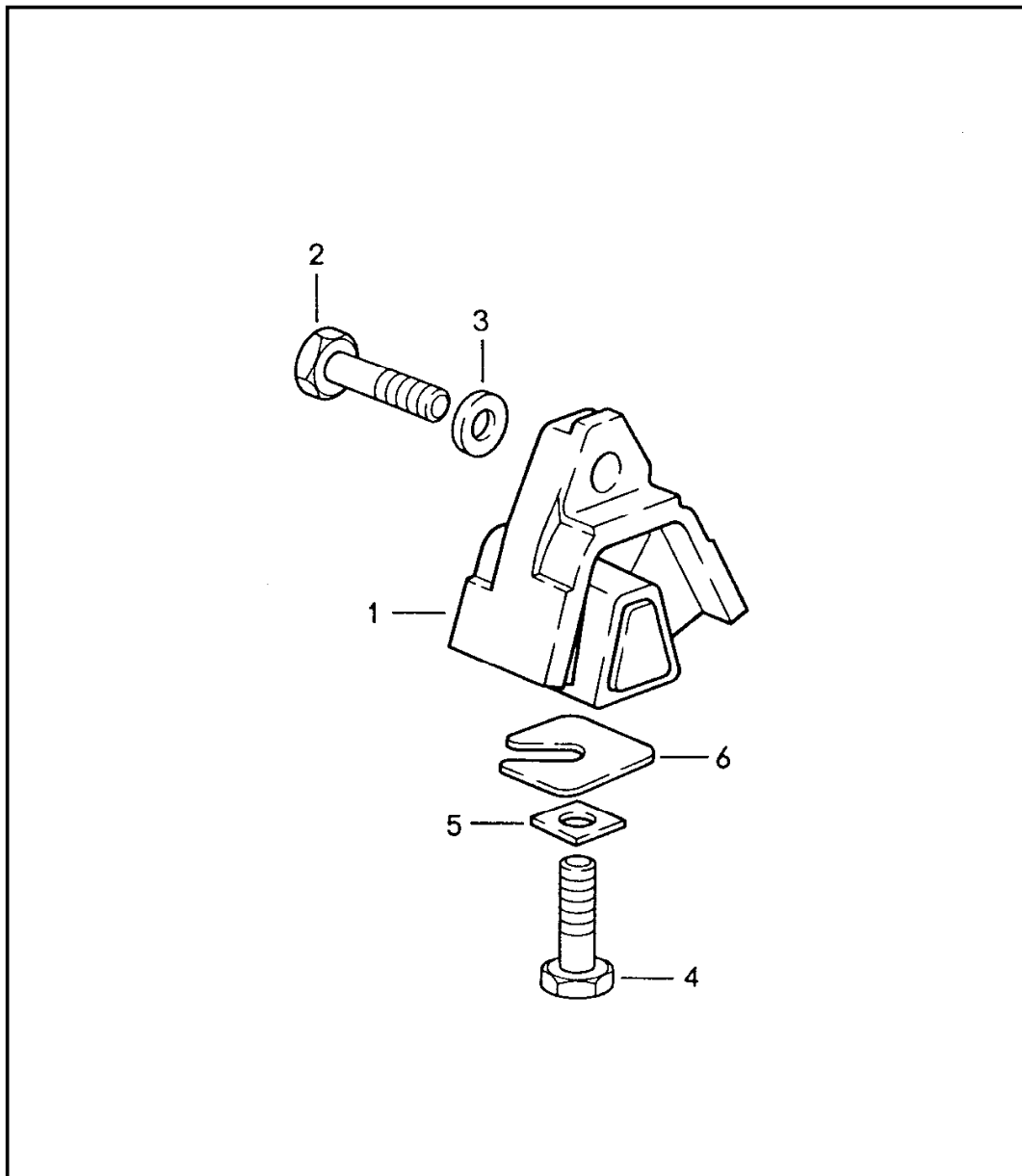


Pos	Part Number	Description	Remark	Qty	Model
		automatic transmission atf cooler atf lines			A28.16
		for cars with catalytic converter MOD.88-11/88 (MOD.89)			
1	928 307 027 06	transmission oil cooler		1	
2	900 075 057 02	hexagon-head bolt M 6 X 16		2	
3	N 011 524 7	washer A 6,4		4	
4	900 076 010 02	hexagon nut		2	
5	928 307 072 01	oil pipe		1	
6	928 307 071 02	oil pipe supply		1	
7	928 307 073 02	oil pipe return line		1	
8	928 356 525 01	rubber mounting		5	
9	928 356 555 00	clamp		5	
10	928 307 080 01	oil pipe supply		1	
11	928 307 069 01	oil pipe supply		1	
12	928 307 074 01	oil pipe return line		1	
13	999 134 030 02	banjo bolt M 14 X 1,5		1	
14	960 307 161 01	banjo bolt		1	
15	960 307 057 01	nipple		1	
16	N 025 657 1	ball		1	
17	960 307 163 00	screw plug		1	
18	928 606 152 00	temperature switch	-90	1	
18	928 606 152 00	temperature switch	91-	1	M208
19	477 209 169	connecting piece		2	
20	960 307 213 00	protective tube		2	

Model	Year	MG	SG	Illustration	Restrictions	UPD	19:26	23.01.2010	PORSCHE	PET	PORSCHE
928	1991	3	07	307-87		248					

Pos	Part Number	Description	Remark	Qty	Model	Pos	Part Number	Description	Remark	Qty	Model
21	960 307 211 00	support		4							
22	900 219 002 02	screw plug		1							
23	900 123 007 30	sealing ring A 14 X 18		X							
24	900 219 002 02	screw plug M 14 X 1,5	91-	1							
-	960 307 209 00	plate		X							

Model	Year	MG	SG	Illustration	Restrictions	UPD	19:26	23.01.2010	PORSCHE	PET	PORSCHE
928	1991	3	07	307-90		248					



Pos	Part Number	Description	Remark	Qty	Model
		automatic transmission transmission suspension			A28.12/14/16
1	928 375 045 16	transmission mounting		2	
2	N 010 142 2	hexagon-head bolt M 12 X 1,5 X 50		2	
3	W 901 333 143 01	washer		4	
3	999 025 091 02	washer		2	
4	N 040 108 1	hexagon-head bolt M 12 X 1,5 X 40		2	
5	928 375 331 00	square washer		2	
6	928 331 520 01	washer 1 MM		X	
6	928 331 520 02	washer 2 MM		X	
6	928 331 520 03	washer 3 MM		X	
6	928 331 520 04	washer 4 MM		X	

PORSCHE

PET

PORSCHE

Model	Year	MG	SG	Illustration	Restrictions	UPD	19:26	23.01.2010
928	1991	3	98	398-00R		248		

Pos	Part Number	Description	Remark	Qty	Model
>>	>>928 300 901 01	gasket set gasket set manual transmission comprising:		1	G28.12/13/55
-	928 301 111 00	o-ring		1	
-	928 301 393 06	gasket		1	
-	928 301 393 07	gasket		1	
-	928 301 395 03	gasket		1	
-	928 302 167 03	shaft sealing ring		1	
-	928 302 283 00	round seal		1	
-	928 302 283 01	round seal		1	
-	928 303 120 01	shaft sealing ring		1	
-	928 332 215 02	shaft sealing ring		2	
-	928 332 217 02	o-ring		2	
-	928 303 313 00	gasket		1	
-	999 701 904 40	o-ring		1	
>>	>>126 270 530 0	gasket set automatic transmission without differential comprising:		1	A28.12/14/16
-	018 997 044 7	sealing ring		1	
-	016 997 144 8	sealing ring		1	
-	126 272 005 5	sealing ring		2	
-	126 272 025 5	sealing ring		1	
-	126 272 039 2	boot		2	
-	126 272 019 2	boot		1	
-	126 272 009 2	boot		1	
-	126 272 095 5	sealing ring		2	
-	126 271 128 0	gasket		1	
-	006 997 014 7	sealing ring		1	
-	006 997 734 7	sealing ring		1	
-	006 997 754 8	sealing ring		1	

Model	Year	MG	SG	Illustration	Restrictions	UPD	19:26	23.01.2010
928	1991	3	98	398-00R		248		

Pos	Part Number	Description	Remark	Qty	Model
-	126 272 095 5	sealing ring		2	
-	005 997 774 8	sealing ring		1	
-	005 997 814 8	sealing ring		1	
-	126 277 095 5	sealing ring		1	
-	126 277 075 5	sealing ring		1	
-	005 997 704 8	sealing ring		1	
-	005 997 804 8	sealing ring		1	
-	010 997 084 5	sealing ring		1	
-	005 997 864 8	sealing ring		1	
-	900 123 105 30	sealing ring		3	
-	126 277 085 5	sealing ring		1	
-	005 997 844 8	sealing ring		1	
-	005 997 854 8	sealing ring		1	
-	126 277 028 0	sealing ring		1	
-	922 321 301 07	sealing ring		1	
-	010 997 084 5	sealing ring		1	
-	722 271 038 0	gasket		1	
-	014 997 114 8	sealing ring		1	
-	008 997 314 8	sealing ring		1	
-	008 997 304 8	sealing ring		1	
-	001 997 354 8	sealing ring		1	
-	115 304 016 0	sealing ring		1	
-	016 997 394 8	sealing ring		1	
-	126 271 028 0	oil sump gasket		1	
-	005 997 784 8	sealing ring		1	
>>	>>960 302 901 00	gasket set differential comprising:		1	A28.12/14/16
-	999 701 743 40	o-ring		1	
-	928 301 395 03	gasket		1	
-	928 332 215 02	shaft sealing ring		2	

PORSCHE

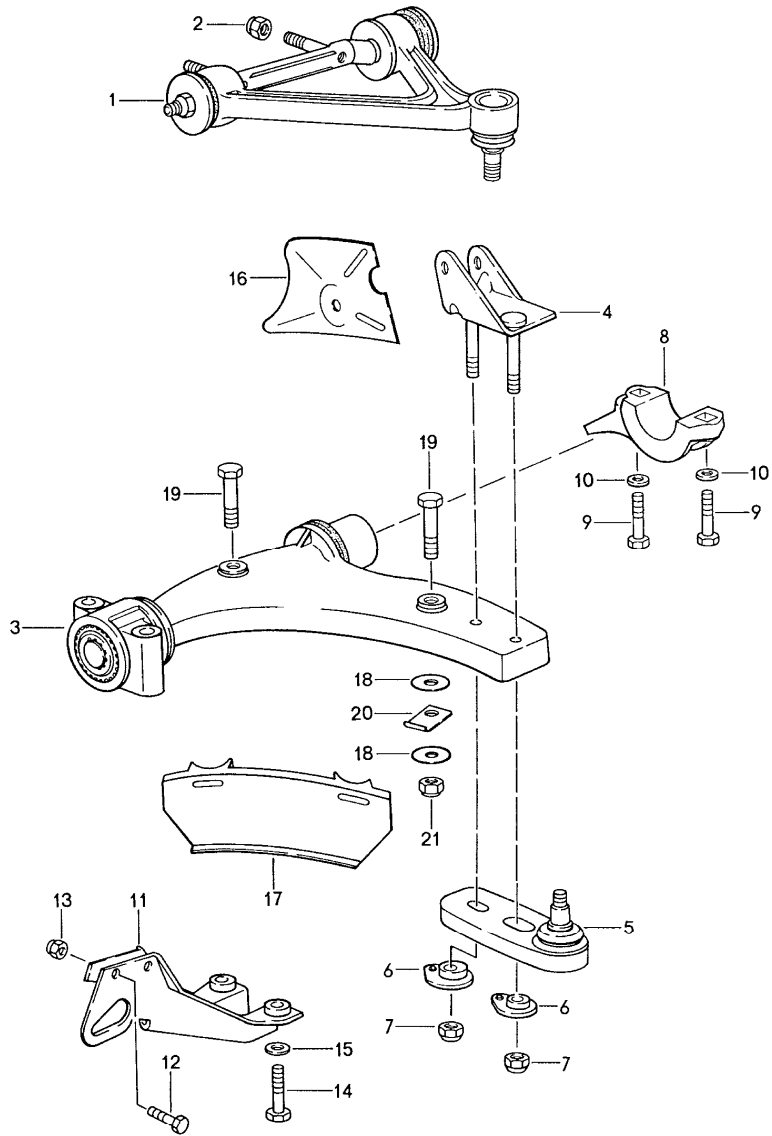
PET

PORSCHE

Model	Year	MG	SG	Illustration	Restrictions	UPD	19:26	23.01.2010
928	1991	3	98	398-00R		248		

Pos	Part Number	Description	Remark	Qty	Model
-	928 332 217 02	o-ring		2	
>>	>>960 307 901 01	oil filter set comprising:		1	A28.12/14/16
-	126 277 029 5	oil filter		1	
-	126 271 028 0	oil sump gasket		1	
-	N 013 806 2	sealing ring		1	
-	900 123 033 20	sealing ring		1	
-	928 116 911 01	repair kit for clutch comprising: pressure plate clutch plate clutch release bearing guide tube	-88	1	
-	928 116 911 02	repair kit for clutch comprising: pressure plate clutch plate clutch release bearing guide tube	88-	1	
				1	
				1	
				1	
				1	

Model	Year	MG	SG	Illustration	Restrictions	UPD	19:26	23.01.2010	PORSCHE	PET	PORSCHE
928	1991	4	01	401-00		248					

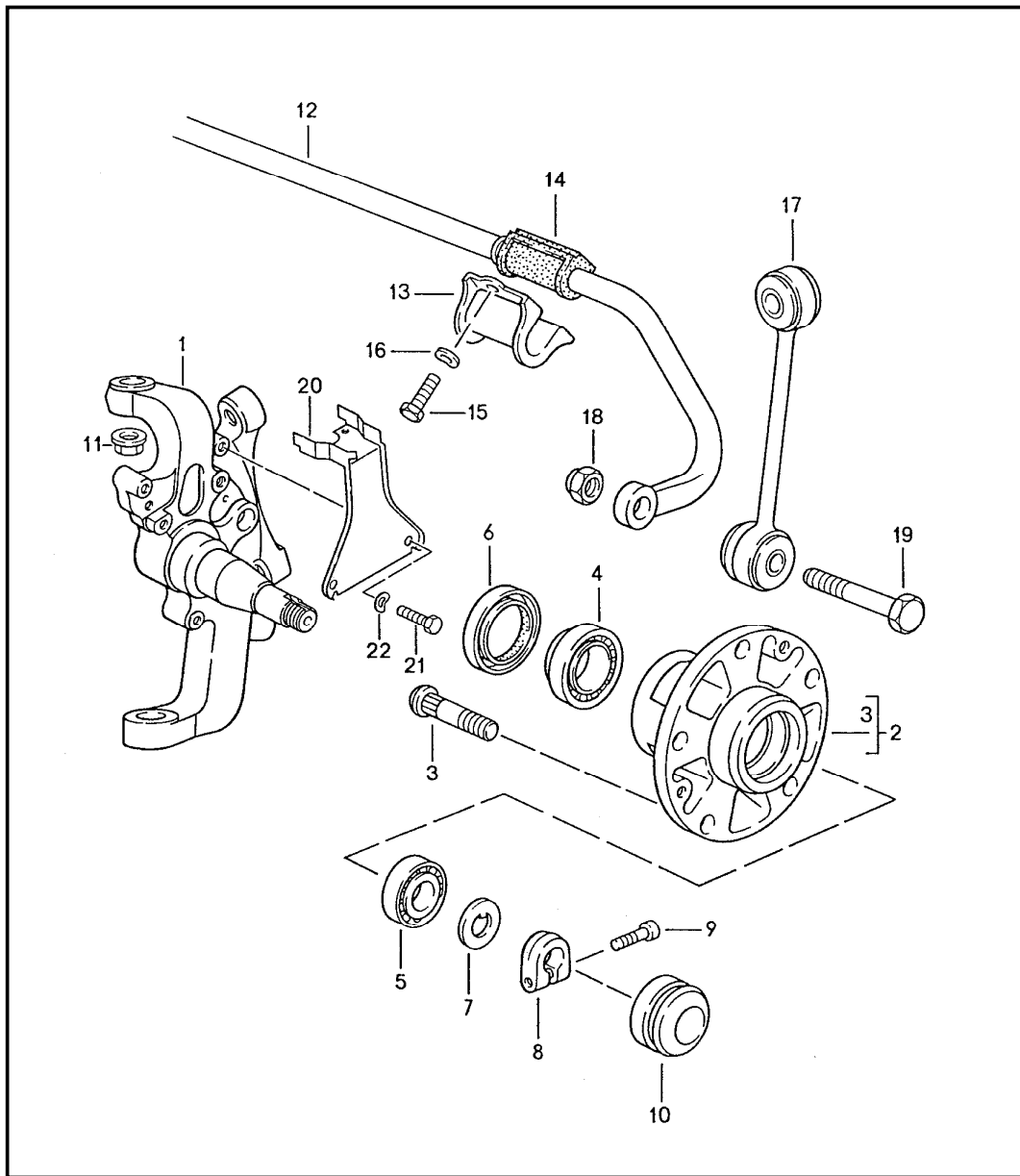


Pos	Part Number	Description	Remark	Qty	Model
1	928 341 027 37	wishbone			
		wishbone upper	/L	1	
(1)	928 341 028 37	wishbone upper	/R	1	
2	N 900 385 01	lock nut		4	
3	928 341 017 04	wishbone lower		2	
4	928 341 091 06	clip	/L	1	
(4)	928 341 092 06	clip	/R	1	
5	928 341 049 08	articulated carrier		2	
6	928 341 466 01	eccentric		4	
7	900 910 115 02	lock nut		4	
8	928 341 167 00	supporting bow	-89	2	
8	928 341 167 00	supporting bow	90-	2	
9	900 082 048 08	hexagon-head bolt M 12 X 1,5 X 80		4	
10	928 341 165 00	washer		4	
11	928 341 064 02	protective bracket		2	
12	N 010 253 7	hexagon-head bolt M 10 X 22		4	
13	N 021 130 3	lock nut		4	
14	900 082 039 02	hexagon-head bolt M 12 X 1,5 X 100		4	
15	901 333 143 02	washer		4	
16	928 341 383 05	baffle plate	/L	-88	1
(16)	928 341 383 05	baffle plate	/L	89-	1
(16)	928 341 384 05	baffle plate	/R	-88	1
(16)	928 341 384 05	baffle plate	/R	89-	1
17	928 341 389 03	spoiler	/L	2	
(17)	928 341 390 03	spoiler	/R	1	
18	928 341 391 00	retaining washer		4	

Model	Year	MG	SG	Illustration	Restrictions	UPD	19:26	23.01.2010	PORSCHE	PET	PORSCHE
928	1991	4	01	401-00		248					

Pos	Part Number	Description	Remark	Qty	Model	Pos	Part Number	Description	Remark	Qty	Model
19	N 010 367 4	hexagon-head bolt M 6 X 60		4							
20	928 341 395 01	fastening clip		4							
21	900 910 012 02	lock nut M 6		4							

Model	Year	MG	SG	Illustration	Restrictions	UPD	19:26	23.01.2010	PORSCHE	PET	PORSCHE
928	1991	4	01	401-05		248					

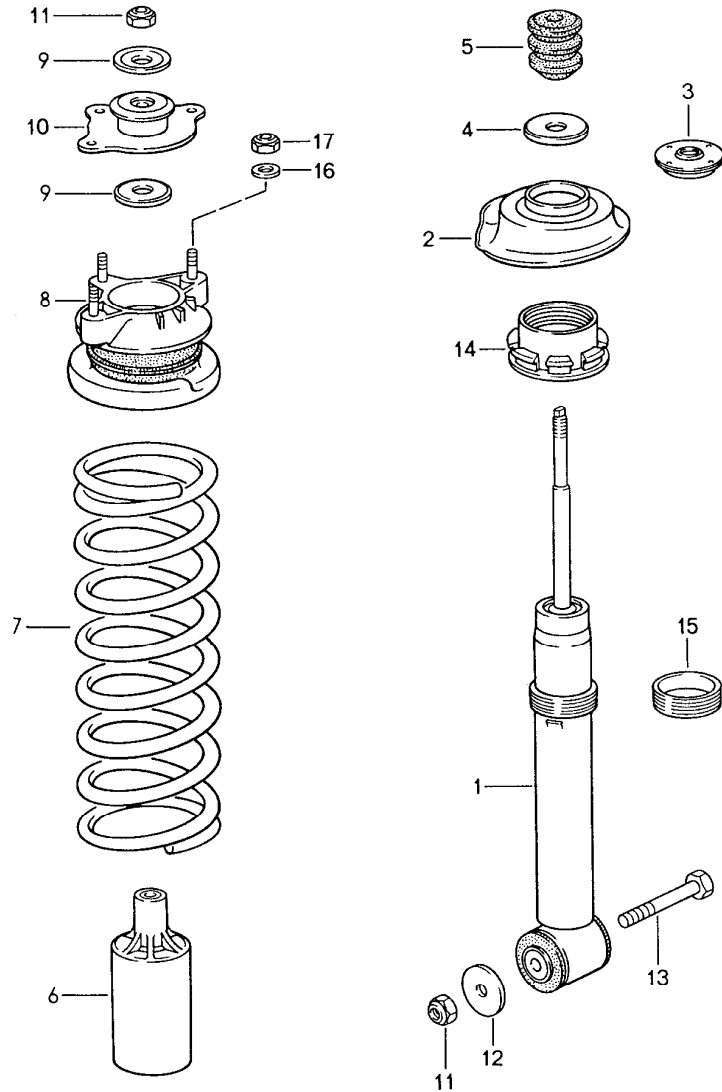


Pos	Part Number	Description	Remark	Qty	Model
		steering knuckle			
1	928 341 057 16	steering knuckle	/L	-88	1
(1)	928 341 057 17	steering knuckle	/L	89-	1
1	928 341 058 16	steering knuckle	/R	-88	1
(1)	928 341 058 17	steering knuckle	/R	89-	1
2	928 341 066 04	front wheel hub		-88	2
(2)	928 341 066 04	front wheel hub		89-	2
3	928 341 671 02	wheel bolt			10
(3)	928 341 671 02	wheel bolt oversize			X
4	999 059 090 00	taper roller bearing			2
5	999 059 089 01	taper roller bearing			2
6	477 405 641	radial sealing ring			2
7	911 341 663 00	thrust washer			2
8	911 341 673 00	clamping nut			2
9	999 119 001 01	pan-head screw M 7 X 18			2
10	911 341 684 00	cap			2
11	900 380 010 09	lock nut M 12 X 1,5			4
12	928 343 073 06	stabiliser			1
13	928 343 777 00	bearing clamp			2
14	928 343 793 04	stabiliser mounting			2
15	900 075 043 02	hexagon-head bolt M 10 X 30	/RL		4
(15)	N 010 275 3	hexagon-head bolt M 10 X 35	/LL		1
(15)	900 075 043 02	hexagon-head bolt M 10 X 30	/LL		3
16	900 027 016 02	lock ring B 10			4
17	928 343 069 01	stabiliser mounting			2

Model	Year	MG	SG	Illustration	Restrictions	UPD	19:26	23.01.2010	PORSCHE	PET	PORSCHE
928	1991	4	01	401-05		248					

Pos	Part Number	Description	Remark	Qty	Model	Pos	Part Number	Description	Remark	Qty	Model
18	N 022 141 1	lock nut M 12 X 1,5		2							
19	N 010 154 3	hexagon-head bolt M 12 X 1,5 X 55		2							
20	928 341 085 01	support	89-	2	M482						
21	N 010 227 2	hexagon-head bolt M 6 X 18	89-	4	M482						
22	N 012 226 5	spring washer B 6	89-	4	M482						

Model	Year	MG	SG	Illustration	Restrictions	UPD	19:26	23.01.2010	PORSCHE	PET	PORSCHE
928	1991	4	02	402-00		248					

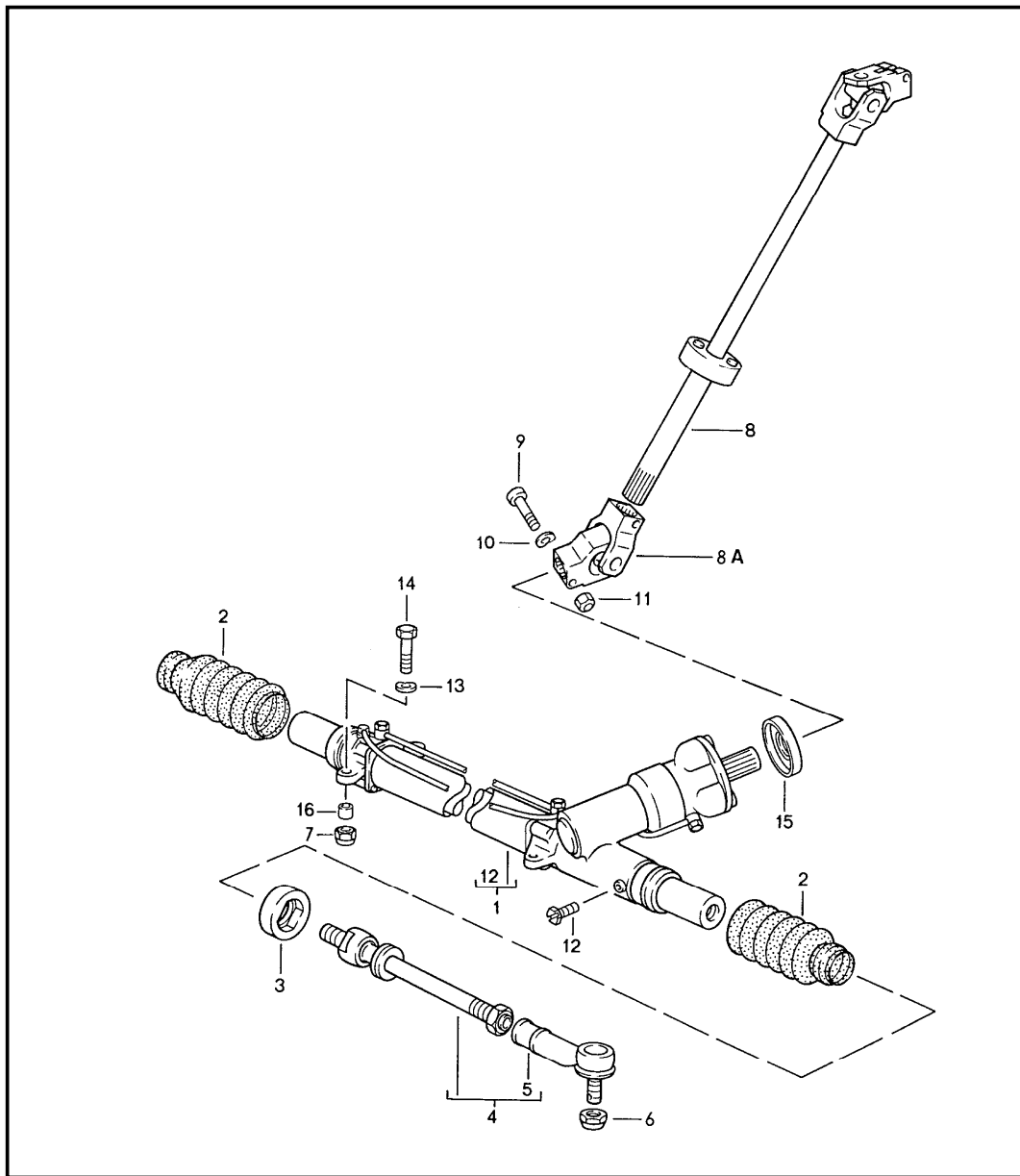


Pos	Part Number	Description	Remark	Qty	Model
		suspension			
1	928 343 055 07	vibration damper - boge -		2	
(1) U	928 343 055 09	vibration damper - bilstein -		2	
(1)	928 343 055 09	vibration damper - boge -		2	M474 M637
2	928 343 525 03	concave washer		2	
3	928 333 551 00	supporting cover		2	
4	911 333 511 00	washer		2	
5	928 343 527 02	additional spring		2	
6	928 343 507 03	boot		2	
7	928 343 511 09	front wheel spring 1 set		1	
		404 identification brown			
7	928 343 511 12	front wheel spring 1 set		1	M637
		504 identification orange			
8 A	928 343 047 07	concave washer	-88	2	
8	928 343 047 07	concave washer	89-	2	
9	928 343 523 00	washer		4	
10	928 343 051 01	mounting for absorber		2	
11	N 022 141 1	lock nut NM 12 X 1,5		4	
12 A	999 025 074 02	washer		2	
12	999 025 074 01	washer		2	
13	900 082 044 02	hexagon-head bolt M 12 X 1,5 X 125		2	
14	928 343 535 02	nut		2	
15	928 343 537 00	threaded ring		2	
16	900 025 008 09	washer A 10,5		6	

Model	Year	MG	SG	Illustration	Restrictions	UPD	19:26	23.01.2010	PORSCHE	PET	PORSCHE
928	1991	4	02	402-00		248					

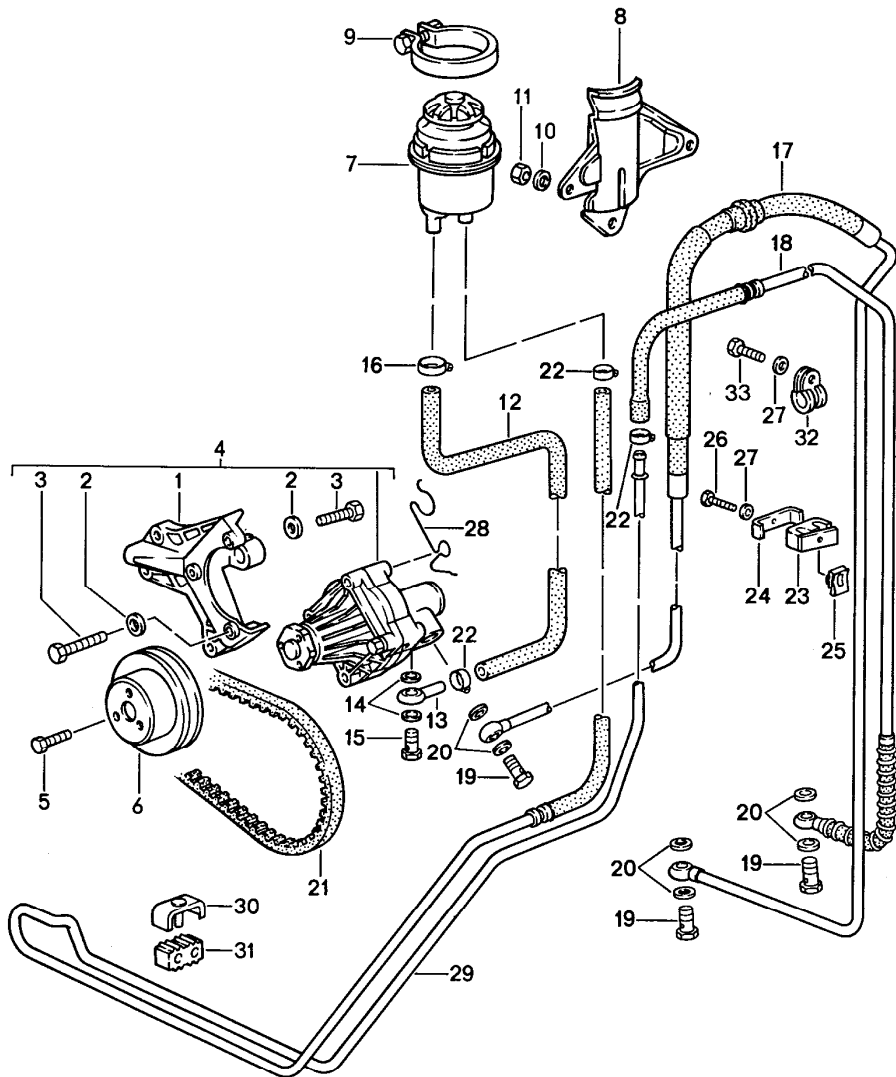
Pos	Part Number	Description	Remark	Qty	Model	Pos	Part Number	Description	Remark	Qty	Model
17	900 910 031 09	lock nut NM 10		6							

Model	Year	MG	SG	Illustration	Restrictions	UPD	19:27	23.01.2010	PORSCHE	PET	PORSCHE
928	1991	4	03	403-00		248					



Pos	Part Number	Description	Remark	Qty	Model
		steering gear tie rod			
1	> 928 347 010 24	steering gear	/LL	-90	1
1	A 928 347 010 27	steering gear	/LL	91-	1
1	> 928 347 010 27	steering gear			1
1	> 927 347 010 26	steering gear	/RL	-90	1
1	> 927 347 010 26	steering gear	/RL	91-	1
(2)	928 347 191 03	bellows			2
3	928 347 329 04	stop			2
4	928 347 031 07	tie rod			2
5	928 347 322 02	ball joint			2
6	900 910 046 02	lock nut			2
7	N 021 130 3	lock nut			4
8	928 347 093 01	intermed. steering shaft	/LL		1
(8)	927 347 093 01	intermed. steering shaft	/RL		1
8A	928 347 021 04	universal joint			1
9	N 010 359 4	hexagon-head bolt			3
10	N 012 241 8	spring washer B 8			3
11	900 910 022 02	lock nut			3
12	999 063 002 40	screw plug AM 12 X 1,5			1
13	900 028 005 02	spring washer A 10			4
14	N 010 445 2	hexagon-head bolt M 10 X 45	/LL		4
(14)	N 010 445 2	hexagon-head bolt M 10 X 45	/RL		3
(14)	N 010 450 5	hexagon-head bolt M 10 X 50	/RL		1
15	928 347 923 00	protection cap			1
16	928 347 779 03	bush			4

Model	Year	MG	SG	Illustration	Restrictions	UPD	19:27	23.01.2010	PORSCHE	PET	PORSCHE
928	1991	4	03	403-01		248					



Pos	Part Number	Description	Remark	Qty	Model
		power steering lines			
1	A 928 347 121 03	support	-90	1	
1	928 347 121 03	support		1	
(1)	928 347 121 02	support	91	1	
2	900 025 007 02	washer A 8,4		5	
3	N 010 353 3	hexagon-head bolt M 8 X 42		4	
4	> 928 347 089 01	vane type pump	-90	1	
4	> 928 347 089 01	vane type pump	91	1	
-	928 347 921 01	repair kit for 928.347.089.00	-90	1	
5	999 072 005 09	hexagon-head bolt M 6 X 12		3	
6	928 347 441 10	pulley		1	
7	928 347 015 03	oil tank		1	
-	928 347 925 00	lid for oil tank		1	
-	928 347 927 00	gasket for lid		1	
8	928 347 333 00	support		1	
-	928 501 817 02	retaining bracket for lines		1	
9	999 512 350 02	hose clamp SGL 80-100-9		1	
10	900 151 008 02	washer B 8,4		3	
11	900 084 004 02	hexagon nut NM 8		3	
11	900 084 004 03	hexagon nut NM 8		3	
12	928 347 445 05	moulded hose		1	

Model	Year	MG	SG	Illustration	Restrictions	UPD	19:27	23.01.2010	PORSCHE	PET	PORSCHE
928	1991	4	03	403-01		248					

Pos	Part Number	Description	Remark	Qty	Model	Pos	Part Number	Description	Remark	Qty	Model
13	999 230 158 02	nipple with elastic ring		1		28	928 347 429 00	support		1	
14	N 100 184 01	sealing ring A 16 X 20		2		(28)	928 347 429 01	support		1	
15	900 134 014 02	banjo bolt A 10		1		29	928 347 350 00	radiator coil		1	
16	999 512 346 00	hose clamp		1		30	928 347 555 00	clamp		2	
17	928 347 447 05	pressure line	/LL	-90	1	31	928 347 527 00	rubber mounting		2	
17	928 347 447 07	pressure line	/LL	91	1	32	999 511 156 00	clamp		2	
(17)	927 347 447 02	pressure line	/RL	-90	1	(32)	N 020 601 1	pipe clamp		2	
(17)	927 347 447 04	pressure line	/RL	91	1	33	N 010 210 7	hexagon-head bolt M 6 X 10		2	
18	928 347 449 07	return line	/LL	-90	1						
18	928 347 449 09	return line	/LL	91	1						
(18)	927 347 449 03	return line	/RL	-90	1						
(18)	927 347 449 05	return line	/RL	91	1						
19	900 134 007 02	banjo bolt		2							
20	900 123 042 20	sealing ring 14 X 18		4							
21	999 192 286 50	v-belt 12,5 X 1000		1							
22	999 512 554 00	hose clamp A 8 X 9		3							
24	999 511 121 40	clip		-90	1						
(24)	928 347 560 00	pipe clamp		91	1						
23	928 347 455 00	shim		-90	1						
(23)	928 347 529 00	shim		91	1						
25	999 507 003 02	speed nut B 6,3		1							
26	900 187 032 02	tapping screw 6,3 X 32		1							
(26)	900 143 155 02	combination screw B 4,8 X 32 ZI		1							
27	N 011 524 7	washer A 6,4		2							

Model	Year	MG	SG	Illustration	Restrictions	UPD	19:27	23.01.2010	PORSCHE	PET	PORSCHE
928	1991	4	03	403-05		248					

Pos	Part Number	Description	Remark	Qty	Model	Pos	Part Number	Description	Remark	Qty	Model
4	928 347 739 02	support ring		1			7LD	burgundy			
8	113 415 531	circlip		1			5JX	greyish green	-88		
9	928 347 213 07	compression spring		1			3LZ	mahogany			
-	N 100 545 01	shim 0,3 MM		X			2UT	caramel			
-	N 027 416 1	shim 0,5 MM		X			6KT	venetian blue			
-	N 100 511 01	shim 1,0 MM		X			2JZ	marine blue			
-	N 100 512 01	shim 1,5 MM		X			7LZ	velvet red			
							8WH	slate grey			
						(24)	928 347 084 05	sports steering wheel	91-	1	
10	928 347 241 01	steering shaft bearing	-88	1			1AJ	black			
10	928 347 241 01	steering shaft bearing	89-	1			7WH	classic grey			
11	928 347 369 04	bracket		1			9WW	cobalt blue			
12	928 347 370 01	desk pad		X			4XW	magenta			
(12)	928 347 370 02	desk pad		X			M47	matador red			
(12)	928 347 370 03	desk pad		X			D17	carrara grey			
13	928 347 659 02	sealing ring		1			J27	sherwood green			
14	N 014 782 1	pan-head screw M 6 X 25		3			L07	scala red			
15	928 347 375 01	compression spring		1			A37	greenwich grey			
16	900 108 020 00	ball 6 MM		2		(24)	928 347 084 04	sports steering wheel	-90	1	M018
17	928 347 259 02	threaded bolt		1			7YA	black			
18	900 910 022 02	lock nut		2			7LD	burgundy			
20	928 347 033 02	control lever		1			5JX	greyish green	-88		
21	928 347 377 03	tension spring		1			2UT	caramel			
22	N 012 239 1	spring washer B 18		1			6KT	venetian blue			
23	900 078 007 02	hexagon nut M 18 X 1,5		1			2JZ	marine blue			
24	928 347 084 02	sports steering wheel	-90	1			7LZ	velvet red			
	1AJ	black				(24)	928 347 084 06	sports steering wheel	91-	1	M018
							1AJ	black			

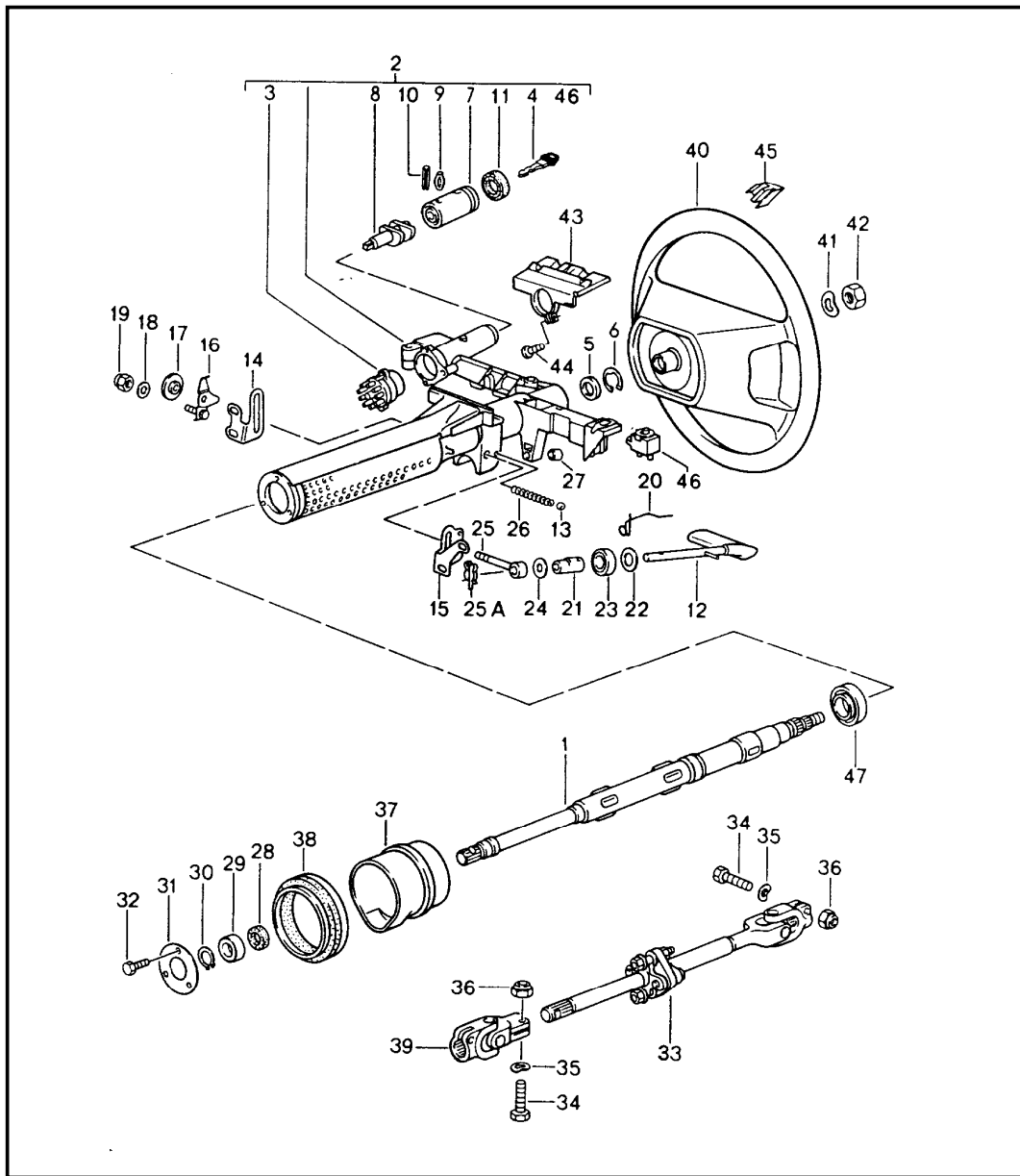
Model	Year	MG	SG	Illustration	Restrictions	UPD	19:27	23.01.2010	PORSCHE	PET	PORSCHE
928	1991	4	03	403-05		248					

Pos	Part Number	Description	Remark	Qty	Model	Pos	Part Number	Description	Remark	Qty	Model
	7WH	classic grey					9WW	cobalt blue			
	9WW	cobalt blue					4XW	magenta			
	4XW	magenta					M47	matador red			
	M47	matador red					D17	carrara grey			
	D17	carrara grey					J27	sherwood green			
	J27	sherwood green					L07	scala red			
	L07	scala red					A37	greenwich grey			
	A37	greenwich grey				26	928 347 099 00	slip ring		1	
25	911 347 859 01	padded cap	87	1		27	321 419 779 A	insulating bush		4	
	1AJ	black				27A	900 075 230 10	hexagon-head bolt M 4 X 16		4	
	7LD	burgundy				28	911 613 125 00	buzzer contact		1	
	5JX	greyish green				29	928 347 913 00	rubber boot		1	
	3LZ	mahogany				30	928 347 857 02	hub cover		1	
	2UT	caramel					1DB	black			
	6KT	venetian blue					7LD	burgundy			
	2JZ	marine blue					5JX	greyish green	-88		
25	911 347 859 07	padded cap	88-90	1			8MF	mahogany			
	1AJ	black					5KF	marine blue			
	7LD	burgundy				30	928 347 857 02	hub cover	91-	1	
	5JX	greyish green	88				1DB	black			
	3LZ	mahogany					5XL	classic grey			
	2UT	caramel					6ZH	cobalt blue			
	6KT	venetian blue					5XW	magenta			
	2JZ	marine blue				31	113 415 869	oval-head screw M 3,5 X 10		6	
	7LZ	velvet red				32	-	ignition starter switch see group engine electrics			
25	911 347 859 07	padded cap	91-	1							
	1AJ	black									
	7WH	classic grey									

Model	Year	MG	SG	Illustration	Restrictions	UPD	19:27	23.01.2010	PORSCHE	PET	PORSCHE
928	1991	4	03	403-05		248					

Pos	Part Number	Description	Remark	Qty	Model	Pos	Part Number	Description	Remark	Qty	Model
33	-	key see group 8/04/05 8/04/20									
34	999 052 151 00	deep-groove ball bearing 19 X 32 X 7		1							

Model	Year	MG	SG	Illustration	Restrictions	UPD	19:27	23.01.2010	PORSCHE	PET	PORSCHE
928	1991	4	03	403-06		248					



Pos	Part Number	Description	Remark	Qty	Model
		airbag			
		steering parts			
		steering wheel	91-91-		
1	928 347 019 02	steering shaft		1	
2	928 347 903 14	steering lock with steering outer tube with 1 key w/o stipulated lock number		1	
(2)	928 347 903 13	steering lock with steering outer tube with 1 key state lock number		1	
3	-	see group 9/01/00			
4	-	see group 8/04/05			
5	999 234 004 00	shim		1	
6	999 042 017 01	snap ring		1	
7	928 347 915 01	lock cylinder for steering lock with 1 key w/o stipulated lock number		1	
7	928 347 917 01	lock cylinder for steering lock with 1 key with stipulated lock number		1	
8	928 347 919 00	control cams		1	
9	900 091 001 00	dowel pin 3 X 8		1	
10	900 095 007 00	roll pin 3 X 12		1	
11	928 347 913 00	rubber boot		1	
12	A 928 347 033 05	control lever		1	
		70B	black		
(12)	928 347 033 06	control lever		1	
		70A	black		

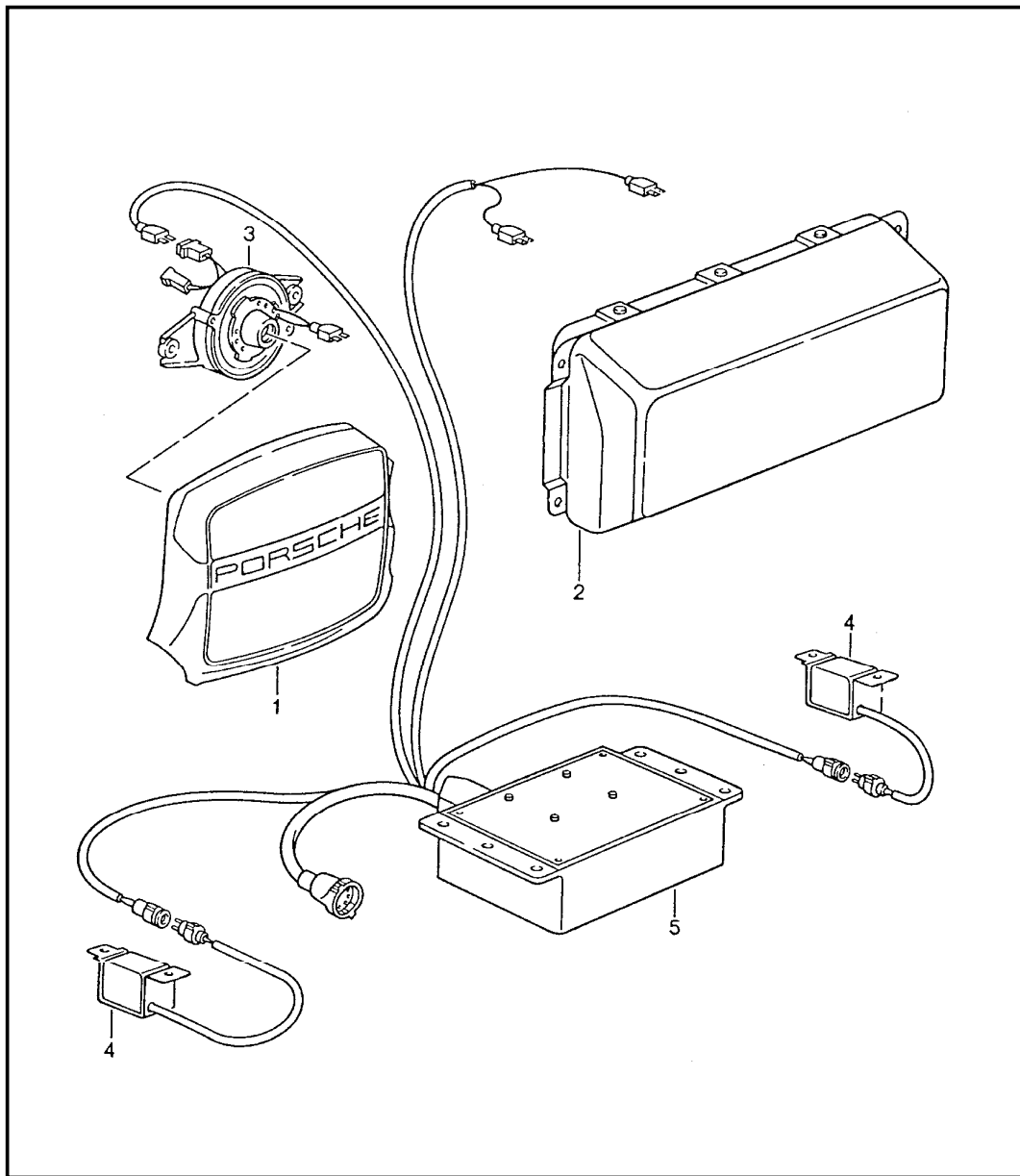
Model	Year	MG	SG	Illustration	Restrictions	UPD	19:27	23.01.2010	PORSCHE	PET	PORSCHE
928	1991	4	03	403-06		248					

Pos	Part Number	Description	Remark	Qty	Model	Pos	Part Number	Description	Remark	Qty	Model
13	900 108 020 00	ball		1		35	N 012 241 8	spring washer B 8		1	
14	928 347 366 00	bracket	/R	1		36	900 910 022 02	lock nut M 8		1	
15	928 347 365 00	bracket	/L	1		37	928 347 709 11	funnel		1	
16	928 347 082 00	valve lever		1		38	928 347 659 02	sealing ring		1	
17	928 347 086 00	adjusting nut		1		39	928 347 021 04	universal joint		1	
18	900 223 003 02	washer 6,4		1		40	944 347 804 51	sports steering wheel	91-	1	
19	900 910 010 09	lock nut M 6		1			1AJ	black			
20	928 347 376 01	spring		1			7WH	classic grey			
21 A	928 347 341 00	eccentric		1			9WW	cobalt blue			
(21)	928 347 341 01	eccentric		1			4XW	magenta			
22	999 025 208 40	washer 15,1 X 26 X 1,2		1		41	N 012 238 1	spring washer B 16		1	
23	999 201 340 00	needle-roller bearing 15 X 28 X 13		1		42	900 078 006 01	hexagon nut M 16		1	
24	N 012 230 1	washer B 10		X		43	928 347 059 03	guide runner		1	
25 A	928 347 055 00	tensioning device		1		44	N 014 128 13	oval-head screw M 5 X 8		1	
25A	999 021 005 01	cotter pin		1		45	944 347 836 00	horn button	/R	91-	1
26	928 347 375 01	compression spring		1			01C	black			
27	999 924 002 40	plain bearing		1			7WH	classic grey			
28	999 235 002 90	sealing ring 24 X 33 X 8		1			9WW	cobalt blue			
29	999 052 155 00	deep-groove ball bearing 20 X 37 X 9		1			4XW	magenta			
30	999 041 021 01	circlip 20 X 1,2		1		(45)	944 347 835 00	horn button	/L	91-	1
31	928 347 719 01	flange		1			01C	black			
32	999 072 005 09	hexagon-head bolt M 6 X 12		3			7WH	classic grey			
33	928 347 093 01	intermed. steering shaft		1			9WW	cobalt blue			
34	N 010 359 4	hexagon-head bolt M 8 X 38		1			4XW	magenta			
						-	944 612 355 00	wiper contact		1	
						-	944 347 831 00	switch housing	/L	91-	1

Model	Year	MG	SG	Illustration	Restrictions	UPD	19:27	23.01.2010	PORSCHE	PET	PORSCHE
928	1991	4	03	403-06		248					

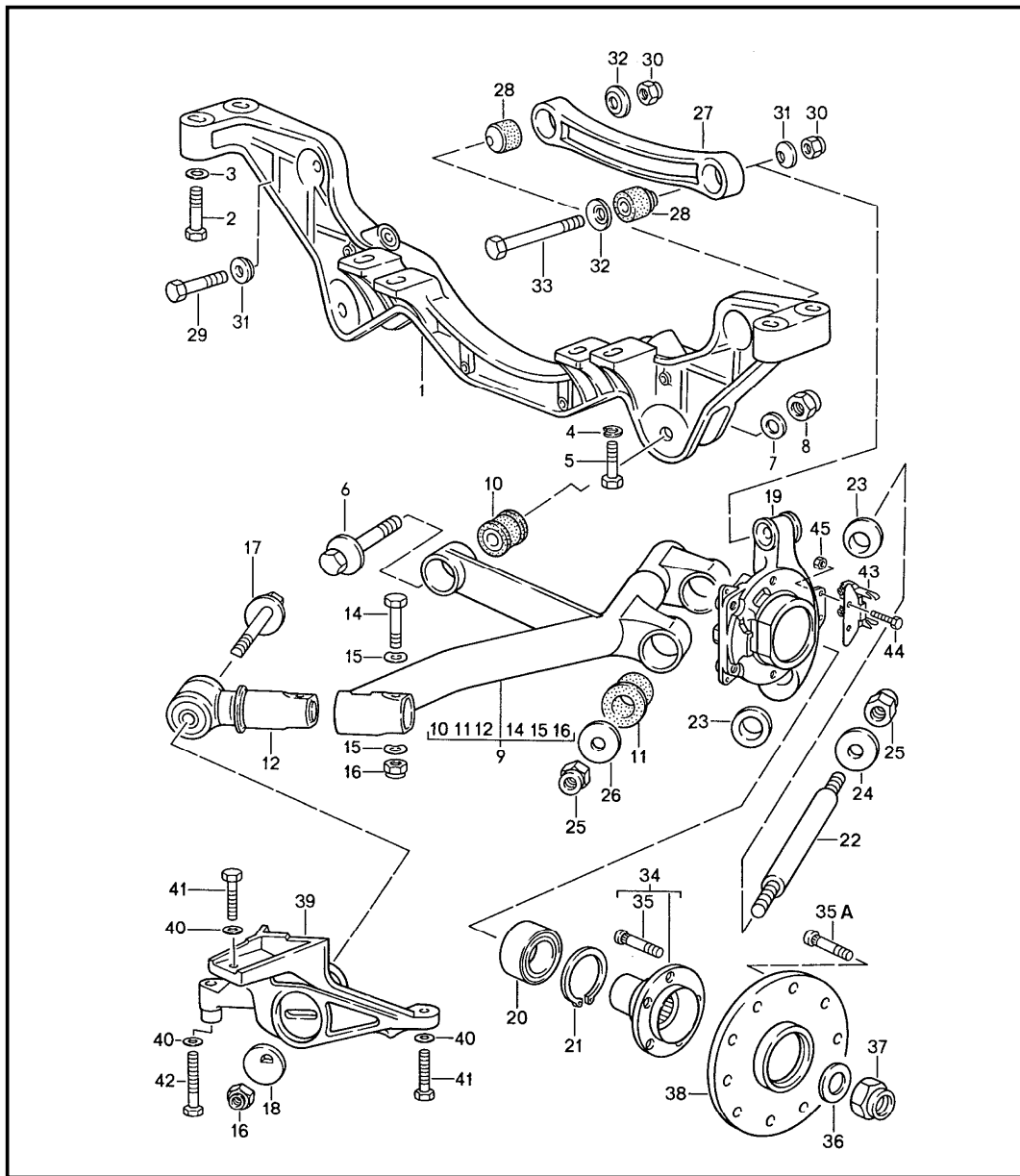
Pos	Part Number	Description	Remark	Qty	Model	Pos	Part Number	Description	Remark	Qty	Model
		01C black									
		6ZF cobalt blue									
		4XC classic grey									
		6WX magenta									
-	944 347 832 00	switch housing	/R	91-	1						
		01C black									
		6ZF cobalt blue									
		4XC classic grey									
		6WX magenta									
47	999 052 160 00	deep-groove ball bearing 30 X 42 X 7			1						

Model	Year	MG	SG	Illustration	Restrictions	UPD	19:27	23.01.2010	PORSCHE	PET	PORSCHE
928	1991	4	03	403-07		248					



Pos	Part Number	Description	Remark	Qty	Model
		airbag airbag unit switch unit	/LL 91-		
1	A 944 347 089 03	airbag unit driver's side		1	
	1AJ	black			
	3LZ	mahogany	90		
	2JZ	marine blue	90		
	7LD	burgundy	90		
(1)	944 347 989 06	airbag unit driver's side set		1	
	1AJ	black			
	7WH	classic grey	91-		
	9WW	cobalt blue	91-		
	4XW	magenta	91-		
2	928 803 071 01	airbag unit passenger's side		1	
3	928 652 211 01	support for contact		1	
4	928 613 220 02	front sensor		2	
5	928 618 217 00	switch unit		1	
-	928 618 401 00	shear bolt		2	
-	964 612 901 00	securing clip blue		1	
-	999 073 030 02	pan-head screw M 6 X 19		2	
-	N 013 968 7	tapping screw B 4,8 X 13		2	
-	944 618 401 00	nut M 6		4	
-	N 011 524 7	washer A 6,4		4	

Model	Year	MG	SG	Illustration	Restrictions	UPD	19:28	23.01.2010	PORSCHE	PET	PORSCHE
928	1991	5	01	501-00		248					

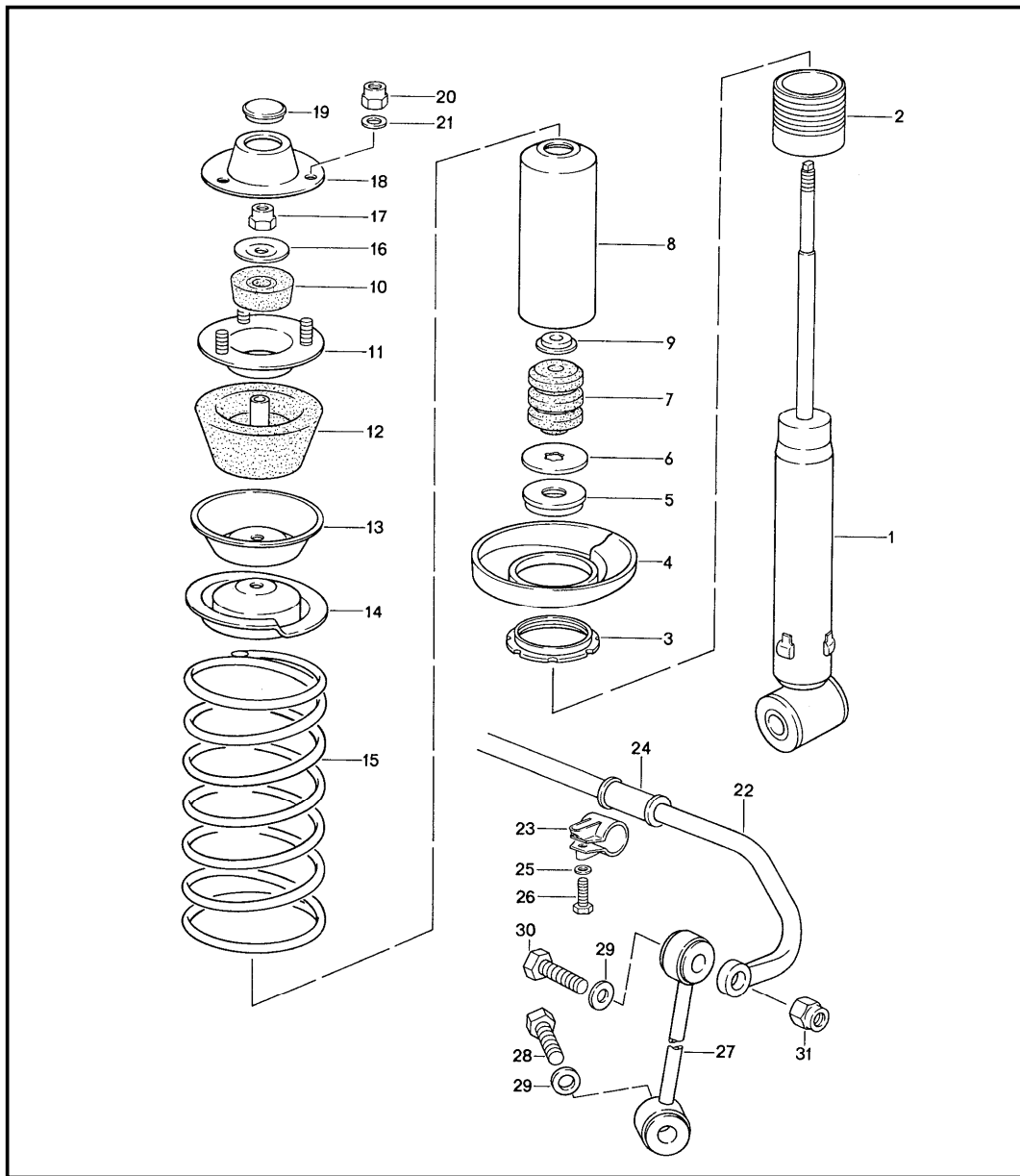


Pos	Part Number	Description	Remark	Qty	Model
1	928 331 131 17	rear axle			
(1)	928 331 131 17	rear axle cross member		1	M249
(1)	928 331 131 18	rear axle cross member		1	M481
2	N 010 473 6	hexagon-head bolt M 10 X 75		4	
3	900 223 011 02	washer B 10,5		4	
4	999 025 086 02	square washer 12,1 X 24		2	
4A	999 025 085 02	washer 12,5 X 30 X 1		X	
5	N 010 141 4	hexagon-head bolt M 12 X 1,5 X 45		2	
6	928 331 075 04	eccentric screw		2	
7	928 331 581 00	washer		2	
8	900 910 094 02	lock nut		2	
9	928 331 043 06	control arm	/L	1	
(9)	928 331 044 06	control arm	/R	1	
10	928 331 588 10	rubber mounting		2	
11	928 331 588 13	rubber mounting		4	
12	928 331 085 00	rocker bar		2	
14	900 082 140 01	hexagon-head bolt M 12 X 1,5 X 75		2	
15	900 028 014 02	spring washer		4	
16	N 022 141 4	lock nut		4	
17	928 331 659 05	eccentric screw		2	
18	928 331 523 12	eccentric washer		2	
(19)	928 331 219 09	wheel carrier	/L	-88	1
(19)	928 331 219 09	bracket	/L	89-	1 M482
19	928 331 220 09	wheel carrier	/R	-88	1
(19)	928 331 220 09	bracket	/R	89-	1 M482
20	A 928 331 583 00	angular-contact bearing		2	

Model	Year	MG	SG	Illustration	Restrictions	UPD	19:28	23.01.2010	PORSCHE	PET	PORSCHE
928	1991	5	01	501-00		248					

Pos	Part Number	Description	Remark	Qty	Model	Pos	Part Number	Description	Remark	Qty	Model
(20)	999 053 050 00	angular-contact bearing		2		43	928 331 081 01	support	89-	2	M482
21	900 042 030 02	circlip		2		44	900 075 014 02	hexagon-head bolt M 6 X 18	89-	4	M482
22	928 331 641 01	bearing pin		2		45	900 910 012 02	lock nut M 6	89-	4	M482
23	928 331 655 06	cone washer		4							
24	928 331 647 02	washer		2							
25	900 910 094 02	lock nut		4							
26	928 331 647 00	washer		4							
27	928 331 101 02	control arm		2							
28	928 331 089 02	link bearing		4							
29	N 010 470 7	hexagon-head bolt M 10 X 70		2							
30	900 910 031 09	lock nut		4							
32	928 331 575 01	cone washer		4							
31	928 331 649 02	cone washer		2							
33	N 010 482 3	hexagon-head bolt M 10 X 105		2							
34	928 331 065 07	wheel hub		2							
35	928 341 671 02	wheel bolt		10							
(35)	928 341 671 02	wheel bolt oversize		10							
35A	904 341 671 00	wheel bolt		10	M393						
36	928 331 591 02	washer		2							
37	900 910 093 02	lock nut		2							
38	951 331 611 02	spacer ring 17 MM		2	M393						
39	928 331 111 00	link bearing	/L	1							
(39)	928 331 112 00	link bearing	/R	1							
40	900 223 011 02	washer		10							
41	N 010 450 5	hexagon-head bolt M 10 X 50		4							
42	N 010 473 6	hexagon-head bolt M 10 X 75		6							

Model	Year	MG	SG	Illustration	Restrictions	UPD	19:28	23.01.2010	PORSCHE	PET	PORSCHE
928	1991	5	02	502-00		248					

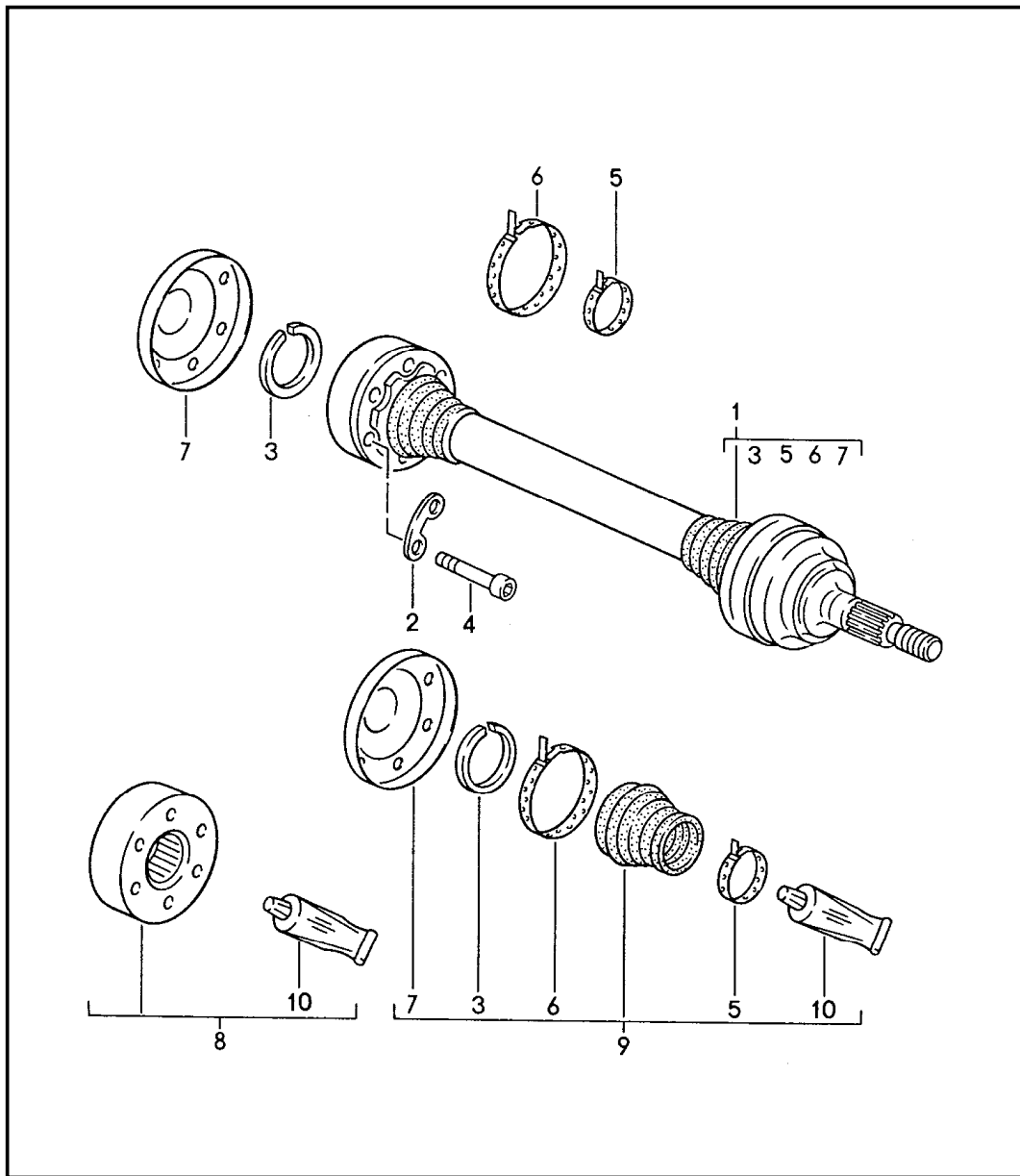


Pos	Part Number	Description	Remark	Qty	Model
		suspension stabiliser			
1	928 333 051 16	vibration damper - boge -		2	
(1)	928 333 051 17	vibration damper - boge -	- 89	2	M474 M637
2	928 333 511 05	threaded sleeve		2	
3	928 333 513 02	adjusting nut		2	
4	928 333 521 07	concave washer		2	
5	928 333 551 00	supporting cover		2	
6	911 333 511 00	washer		2	
7	928 333 518 10	additional spring		2	
8	928 333 502 01	protective tube		2	
9	928 333 517 01	retaining ring		2	
10	928 333 465 01	damping rubber		2	
11	928 333 064 00	fastening plate		2	
12	928 333 043 00	supporting rubber		2	
13	928 333 436 02	supporting plate		2	
14	928 333 522 08	concave washer		2	
15	928 333 531 14	rear wheel spring identification blue		2	
	301	1 colour line			
	302	2 colour lines			
	303	3 colour lines			
16	928 333 525 01	washer		2	
17	900 910 046 02	lock nut		2	
18	928 333 151 01	lid		2	
19	999 703 131 40	lid		2	
20	900 910 031 09	lock nut		6	
21	900 025 008 09	washer A 10,5		6	

Model	Year	MG	SG	Illustration	Restrictions	UPD	19:28	23.01.2010	PORSCHE	PET	PORSCHE
928	1991	5	02	502-00		248					

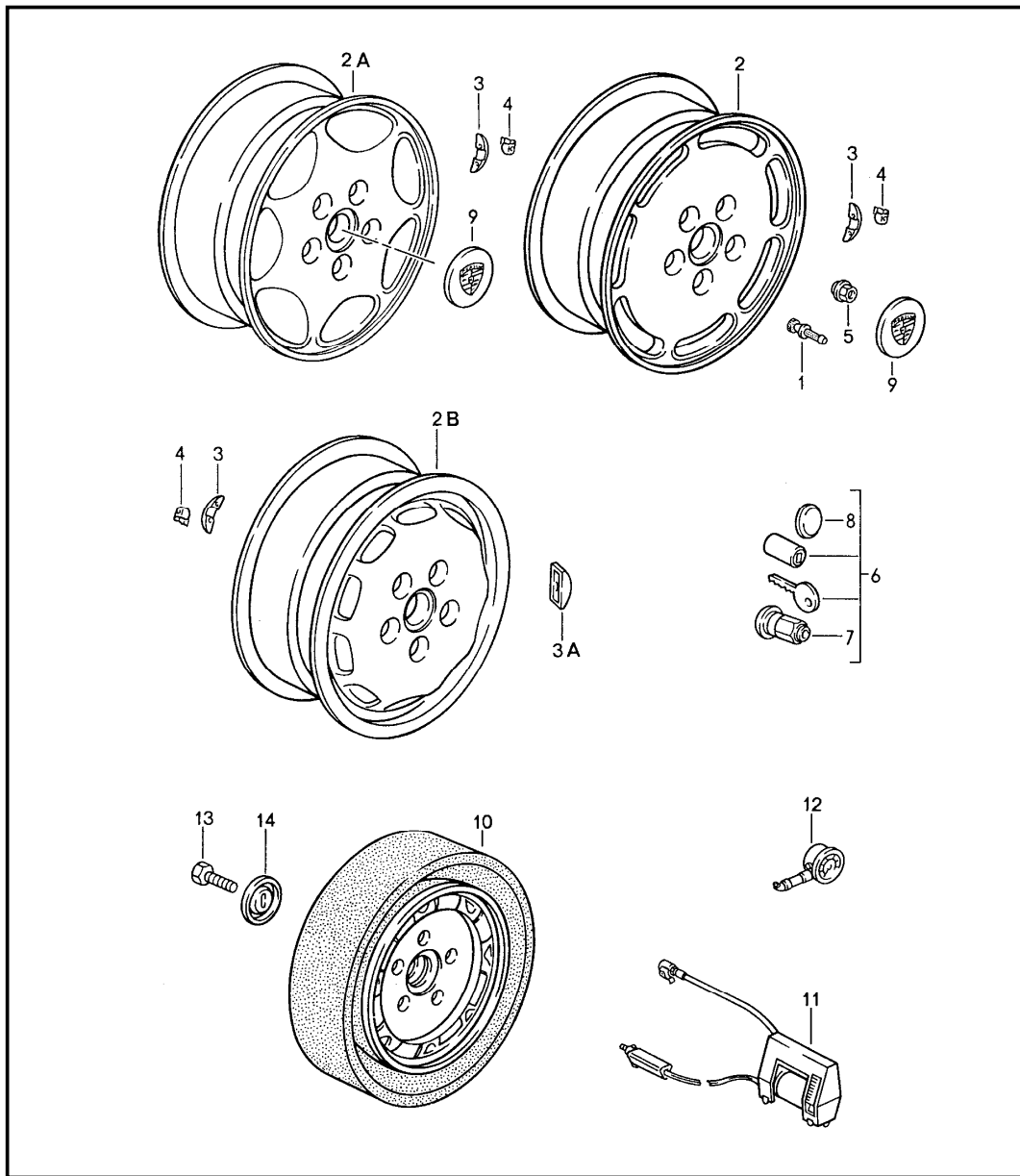
Pos	Part Number	Description	Remark	Qty	Model	Pos	Part Number	Description	Remark	Qty	Model
22	928 333 701 34	stabiliser 22 MM \$		1							
23	928 333 085 00	clip		2							
24	928 333 754 26	bearing 22 MM \$		2							
25	477 407 425	washer		2							
26	N 010 472 4	hexagon-head bolt M 10 X 85		2							
27	928 333 059 01	stabiliser mounting	/L	1							
27	928 333 060 01	stabiliser mounting	/R	1							
28	N 010 445 2	hexagon-head bolt M 10 X 45		2							
29	928 333 761 00	washer		4							
30	900 074 063 02	hexagon-head bolt M 10 X 55		2							
31	900 910 031 09	lock nut		2							

Model	Year	MG	SG	Illustration	Restrictions	UPD	19:28	23.01.2010	PORSCHE	PET	PORSCHE
928	1991	5	02	502-05		248					



Pos	Part Number	Description	Remark	Qty	Model
		drive shaft			
1	A 928 332 033 44	drive shaft		2	
1	928 332 033 49	drive shaft		2	
1	A 928 332 033 44	drive shaft		2	
1	928 332 033 49	drive shaft		2	
2	911 332 191 00	plate		6	
3	999 152 084 01	circlip		2	
4	900 067 123 01	pan-head screw M 10 X 50		12	
5	928 332 257 01	clip		4	
6	911 332 257 00	clip		4	
7	997 332 267 00	lid		2	
8	928 332 923 01	repair kit		X	
9	928 332 924 02	repair kit		X	
9	000 043 301 08	repair kit		X	
10	000 043 005 00	grease for drive shaft optimoly 1 90-gramme tube		X	

Model	Year	MG	SG	Illustration	Restrictions	UPD	19:29	23.01.2010	PORSCHE	PET	PORSCHE
928	1991	6	01	601-00		248					



Pos	Part Number	Description	Remark	Qty	Model
1	900 265 001 50	wheels rubber valve		4	
2	928 362 115 01	alloy wheel 7 J X 16 ET 65 forged light platinum	-88	2	
2	928 362 155 01	alloy wheel 7 J X 16 ET 65 forged light platinum	89-	2	M482 M347
(2)	928 362 117 01	alloy wheel 8 J X 16 ET 52,3 forged light platinum	-88	2	
(2)	928 362 157 01	alloy wheel 8 J X 16 ET 52,3 forged light platinum	89-	2	M482 M347
(2)	928 362 115 00	alloy wheel 7 J X 16 ET 65 forged silver	-88	2	
(2)	928 362 155 00	alloy wheel 7 J X 16 ET 65 forged silver	89-	2	M482
2A	928 362 154 05	alloy wheel 7,5 X 16 ET 65 cast	(GT) (S4)	90-	2 M482 M400
(2)	928 362 117 00	alloy wheel 8 J X 16 ET 52,3 forged silver	-88	2	
(2)	928 362 157 00	alloy wheel 8 J X 16 ET 52,3 forged silver	89-	2	M482
2A	928 362 158 02	alloy wheel 9 J X 16 ET 52,3 cast	(GT) (S4)	90-	2 M482 M400
2A	928 362 117 30	alloy wheel 8 J X 16 ET 60 forged silver	-88	2	M393 M637

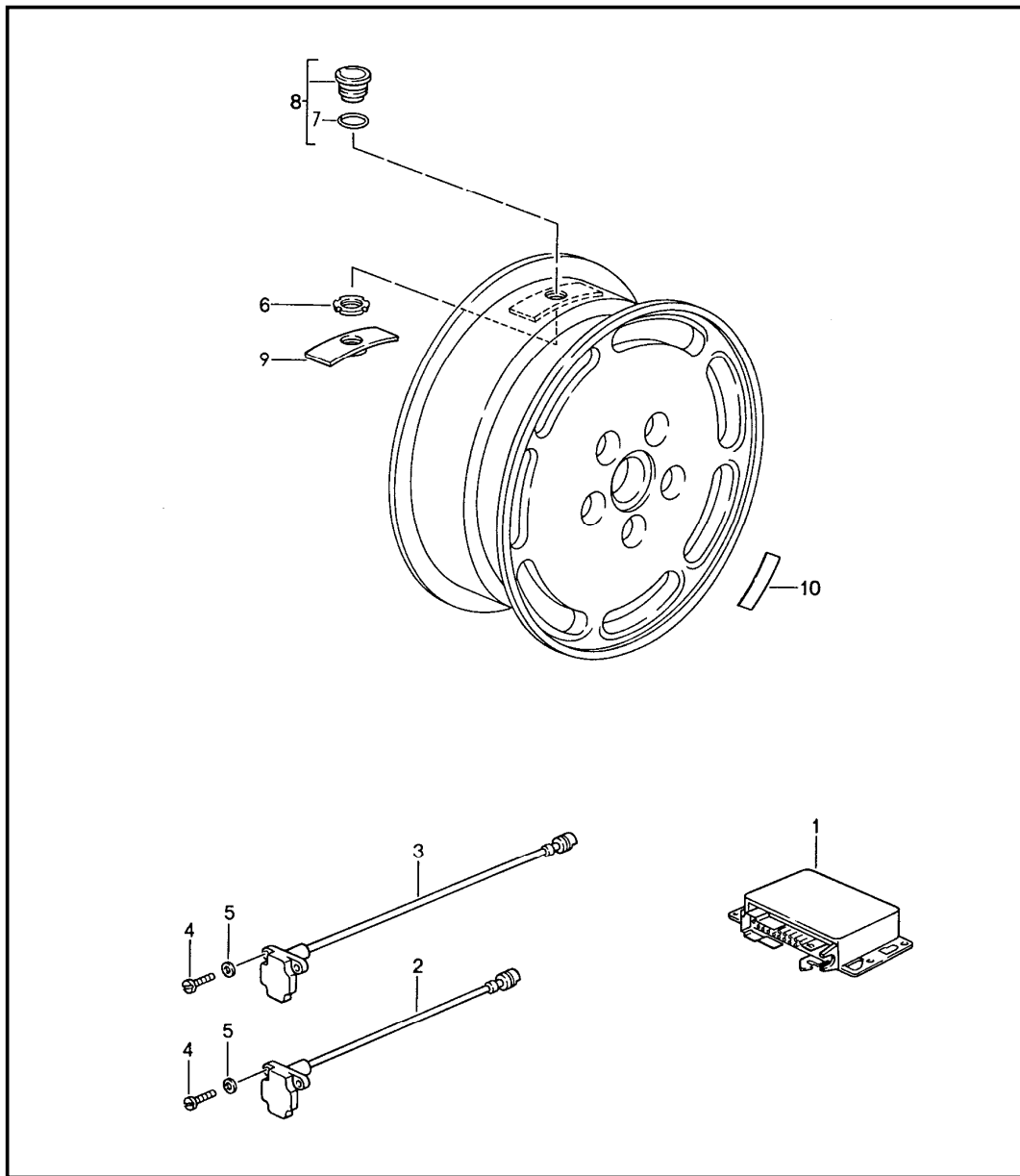
Model	Year	MG	SG	Illustration	Restrictions	UPD	19:29	23.01.2010	PORSCHE	PET	PORSCHE
928	1991	6	01	601-00		248					

Pos	Part Number	Description	Remark	Qty	Model	Pos	Part Number	Description	Remark	Qty	Model
2A	928 362 119 30	alloy wheel 9 J X 16 ET 60 forged silver	-88	2	M393 M637	3	928 361 426 00	balance weight 55 G		X	
2A	928 362 157 30	alloy wheel 8 J X 16 ET 60 forged silver	89	2	M482 M393 M637 M639	3	928 361 415 00	balance weight 60 G		X	
2A	928 362 159 30	alloy wheel 9 J X 16 ET 60 forged silver	89	2	M482 M393 M637 M639	3	928 361 416 00	balance weight 70 G		X	
2A	928 362 159 30	alloy wheel 9 J X 16 ET 60 forged silver	89	2	M482 M393 M637 M639	3	928 361 417 00	balance weight 80 G		X	
2B	928 362 114 20	alloy wheel 7 J X 16 ET 65 for winter use	-88	4		3A	901 361 410 50	balance stick-on weight 5 G		X	
(2B)	928 362 154 20	alloy wheel 7 J X 16 ET 65 for winter use	89-	2	M482	3A	901 361 410 00	balance stick-on weight 10 G		X	
(2B)	928 362 156 20	alloy wheel 8 J X 16 ET 52,3 for winter use	89-	2	M482	3A	901 361 411 50	balance stick-on weight 15 G		X	
3	928 361 421 00	balance weight 5 G		X		3A	901 361 411 00	balance stick-on weight 20 G		X	
3	928 361 410 00	balance weight 10 G		X		3A	901 361 412 50	balance stick-on weight 25 G		X	
3	928 361 422 00	balance weight 15 G		X		3A	901 361 412 00	balance stick-on weight 30 G		X	
3	928 361 411 00	balance weight 20 G		X		3A	901 361 413 50	balance stick-on weight 35 G		X	
3	928 361 423 00	balance weight 25 G		X		3A	901 361 413 00	balance stick-on weight 40 G		X	
3	928 361 412 00	balance weight 30 G		X		3A	901 361 414 50	balance stick-on weight 45 G		X	
3	928 361 424 00	balance weight 35 G		X		3A	901 361 414 00	balance stick-on weight 50 G		X	
3	928 361 413 00	balance weight 40 G		X		3A	901 361 415 50	balance stick-on weight 55 G		X	
3	928 361 425 00	balance weight 45 G		X		3A	901 361 415 00	balance stick-on weight 60 G		X	
3	928 361 414 00	balance weight 50 G		X		3A	901 361 416 50	balance stick-on weight 65 G		X	
						3A	901 361 416 00	balance stick-on weight 70 G		X	
						3A	901 361 417 50	balance stick-on weight 75 G		X	

Model	Year	MG	SG	Illustration	Restrictions	UPD	19:29	23.01.2010	PORSCHE	PET	PORSCHE
928	1991	6	01	601-00		248					

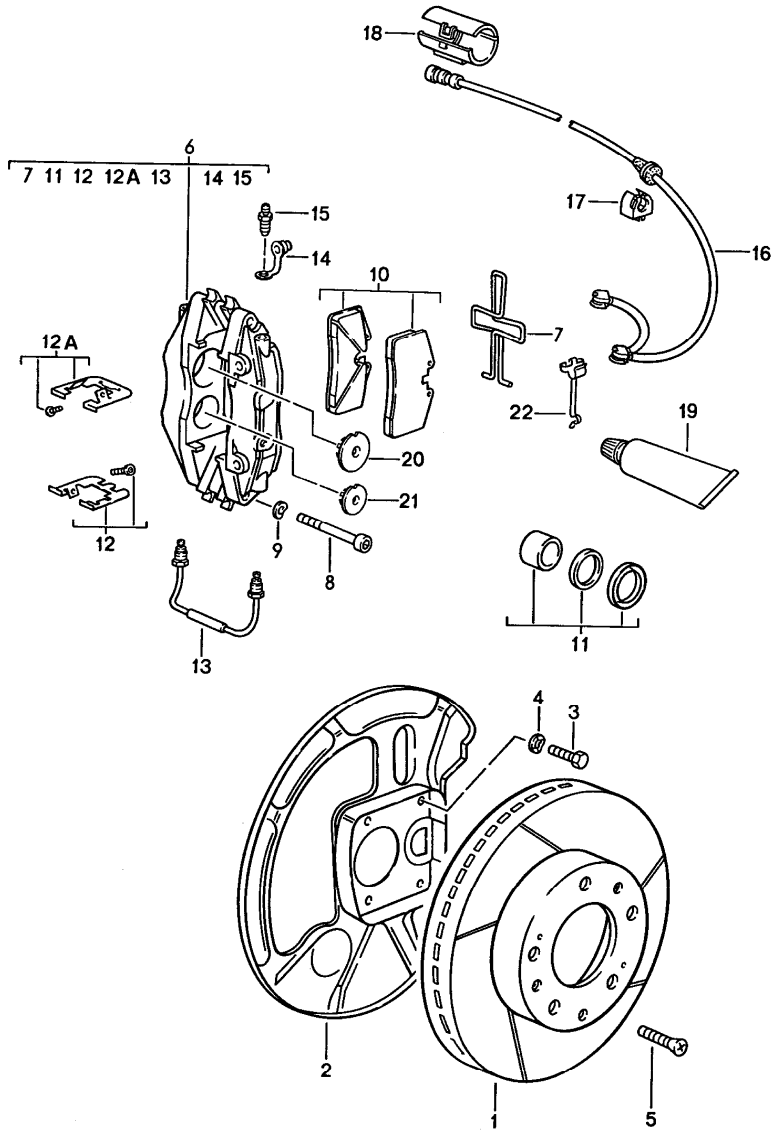
Pos	Part Number	Description	Remark	Qty	Model	Pos	Part Number	Description	Remark	Qty	Model
3A	901 361 417 00	balance stick-on weight 80 G		X		-	996 361 521 00	boot for impeller		1	
4	A 928 361 420 01	retaining clip for balance weight		X		11	911 361 510 02	small electric compressor	87	1	
4	928 361 420 01	retaining clip for balance weight		X		(11)	911 652 052 00	small electric compressor	88-	1	
5	999 182 003 36	wheel nut		X		12	911 722 201 02	tyre pressure gauge		1	
6	928 361 047 03	wheel nut lockable 1 set comprising: wheel nut		X		-	999 914 001 40	plastic gloves		1	
7	928 361 306 03	wheel nut		X		-	911 361 522 00	protective film		1	
8	965 361 167 00	cap		X		13	N 040 281 1	hexagon-head bolt M 10 X 45		1	
9	477 601 051 D	hub cap for alloy wheel 928.362.115.01		4		14	477 813 157	fastening plate		1	
(9)	928 361 031 00	hub cap for alloy wheel 928.362.115.00		4							
(9)	928 361 032 01	hub cap for alloy wheel 928.362.114.20		4							
(9)	928 361 032 02	hub cap for alloy wheel 928.362.158.02	90-	4							
10	928 362 030 02	emergency wheel 5 1/2 J X 15 with collapsible tire		1							
(10)	928 362 030 02	emergency wheel 5 1/2 J X 15 with collapsible tire	(GB)	1							
(10)	928 362 030 02	emergency wheel 5 1/2 J X 15 with collapsible tire		1							

Model	Year	MG	SG	Illustration	Restrictions	UPD	19:29	23.01.2010	PORSCHE	PET	PORSCHE
928	1991	6	01	601-05		248					



Pos	Part Number	Description	Remark	Qty	Model
		tyre pressure monitoring	89-		M482
1	928 618 150 01	control unit	-90	1	
1	928 618 150 01	control unit	91-	1	
2	928 606 413 00	pressure transmitter	/V	2	
3	928 606 414 00	pressure transmitter	/H	2	
4	N 044 734 1	pan-head screw M 5 X 15		8	
5	N 012 225 3	spring washer B 5		8	
6	928 361 203 01	nut		8	
7	999 707 035 40	o-ring 30 X 1,5		8	
8	928 361 022 00	pressure switch	/V	4	
8	928 361 023 00	pressure switch	/H	4	
9 A	928 361 201 02	protection cap		8	
(9)	928 361 201 02	protection cap		8	
10	928 701 287 10	indication sticker for tyre assembly		X	

Model	Year	MG	SG	Illustration	Restrictions	UPD	19:29	23.01.2010	PORSCHE	PET	PORSCHE
928	1991	6	02	602-00		248					

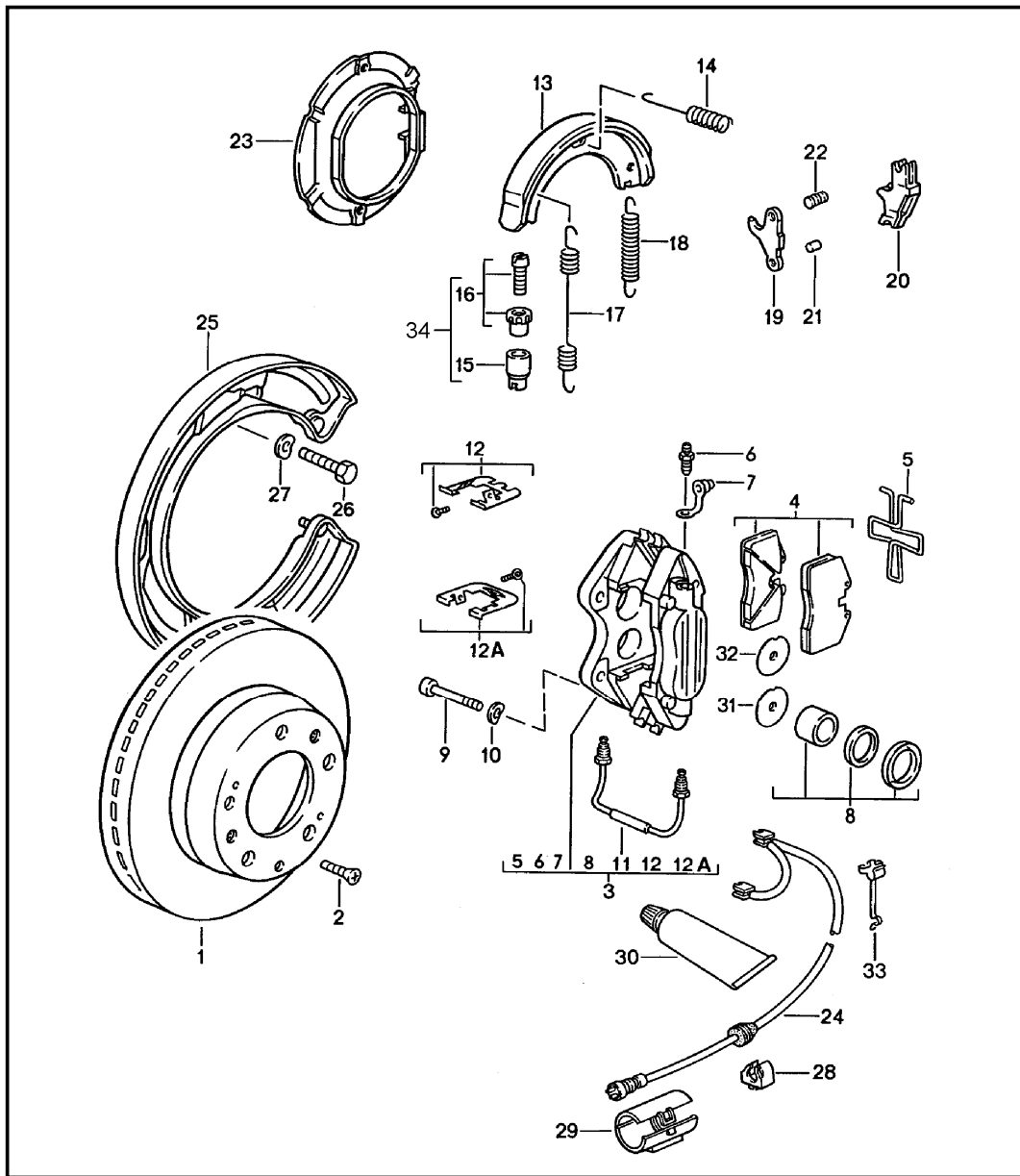


Pos	Part Number	Description	Remark	Qty	Model
		disc brake front see technical information GR.4 NR. 1/89			
1	928 351 043 60	brake disc	/L	1	
(1)	928 351 044 60	brake disc	/R	1	
2	928 351 083 03	protective plate	/L -88	1	
2	928 351 083 03	protective plate	/L 89-	1	
(2)	928 351 084 03	protective plate	/R -88	1	
(2)	928 351 084 03	protective plate	/R 89-	1	
3	N 010 227 2	hexagon-head bolt M 7 X 12		8	
4	900 028 019 08	spring washer B 7		8	
5	N 033 167 1	countersunk-head screw M 6 X 12		4	
6 A	928 351 421 00	fixed calliper without pad \$ 36/42 MM	/L 87	1	
(6)	928 351 421 01	fixed calliper without pad \$ 36/44 MM	/L -88	1	
(6)	928 351 421 03	fixed calliper without pad \$ 36/44 MM	/L 89-	1	
(6)	928 351 421 03	fixed calliper without pad \$ 36/44 MM	/L 91-	1	
(6) A	928 351 422 00	fixed calliper without pad \$ 36/42 MM	/R 87	1	
(6)	928 351 422 01	fixed calliper without pad \$ 36/44 MM	/R -88	1	
(6)	928 351 422 03	fixed calliper without pad \$ 36/44 MM	/R 89-	1	
(6)	928 351 422 03	fixed calliper without pad \$ 36/44 MM	/R 91-	1	

Model	Year	MG	SG	Illustration	Restrictions	UPD	19:29	23.01.2010	PORSCHE	PET	PORSCHE
928	1991	6	02	602-00		248					

Pos	Part Number	Description	Remark	Qty	Model	Pos	Part Number	Description	Remark	Qty	Model
7	928 351 950 01	expanding spring		2		21	964 351 096 01	damping plate \$ 36 MM	89-	4	
8	900 067 154 02	pan-head screw M 12 X 1,5 X 70		4				only together with 928.351.421/422.02			
9	N 011 564 2	washer		4		(20)	928 351 096 17	damping plate \$ 44 MM		4	
(10)	993 351 939 01	brake pad repair set without asbestos use also: mounting parts		1		(21)	928 351 096 19	damping plate \$ 36 MM		4	
11	928 351 919 00	repair kit \$ 42 MM	87	X		(20)	928 351 096 18	damping plate \$ 42 MM		4	
(11)	928 351 919 01	repair kit \$ 44 MM	-88	X		(21)	928 351 096 19	damping plate \$ 36 MM		4	
(11)	928 351 919 10	repair kit \$ 44 MM	89-	X				only together with 928.351.421/422.00			
(11)	951 351 919 01	gasket set \$ 36 MM	-88	X		22	928 612 361 00	cable holder	89-	2	
(11)	951 351 919 10	repair kit \$ 36 MM	89-	X							
12	993 351 959 00	repair kit		X							
12A	993 351 959 01	repair kit		X							
13	928 351 971 00	connecting line		2							
14	930 351 927 00	dust boot		4							
15	930 351 919 00	ventilation valve		4							
16	928 612 315 02	warning contact	-88	2							
(16)	928 612 365 01	warning contact	89-	2							
17	928 612 409 00	clip		6							
18	928 612 531 01	push-on connector	/L	1							
(18)	928 612 531 00	push-on connector	/R	1							
19	000 043 117 00	brake cylinder paste 1 50-g tube		X							
20	A 965 351 096 00	damping plate	89-	4							
20	965 351 096 00	damping plate \$ 44 MM	89-	4							

Model	Year	MG	SG	Illustration	Restrictions	UPD	19:29	23.01.2010	PORSCHE	PET	PORSCHE
928	1991	6	03	603-00		248					

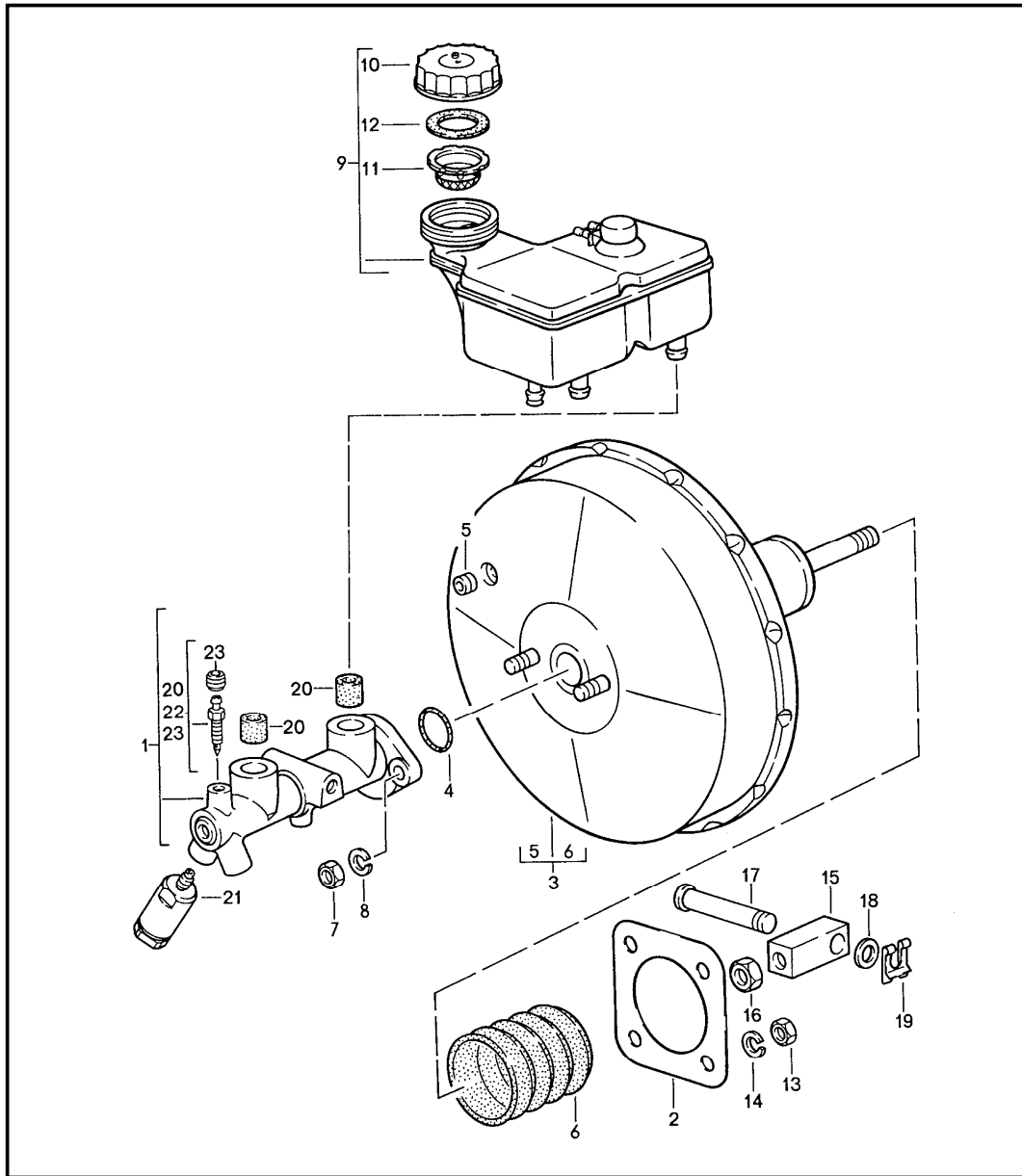


Pos	Part Number	Description	Remark	Qty	Model
1	951 352 041 01	disc brake rear see technical information GR.4 NR. 1/89		2	
2	N 033 167 1	countersunk-head screw M 6 X 12		4	
3	928 352 421 00	fixed calliper	/L	-88	1
3	928 352 421 01	fixed calliper	/L	89-	1
(3)	928 352 422 00	fixed calliper	/R	-88	1
(3)	928 352 422 01	fixed calliper	/R	89-	1
(4)	965 352 939 04	brake pad repair set without asbestos use also: mounting parts		1	
5	951 352 950 00	expanding spring		2	
6	930 351 919 00	ventilation valve		2	
7	930 351 927 00	dust boot		2	
8	951 352 919 00	gasket set \$ 30 MM		-88	X
8	951 352 919 11	gasket set \$ 30 MM		89-	X
(8)	951 352 919 01	repair kit \$ 28 MM		-88	X
(8)	951 352 919 10	gasket set \$ 28 MM		89-	X
9	900 082 077 02	hexagon-head bolt M 12 X 1,5 X 37 X 20		4	
10	N 012 232 1	spring washer B 12		4	
11	951 352 971 00	connecting line		2	
12	993 352 959 00	repair kit		X	
12A	993 352 959 01	repair kit		X	
13 A	996 352 993 00	repair kit		4	

Model	Year	MG	SG	Illustration	Restrictions	UPD	19:29	23.01.2010	PORSCHE	PET	PORSCHE
928	1991	6	03	603-00		248					

Pos	Part Number	Description	Remark	Qty	Model	Pos	Part Number	Description	Remark	Qty	Model
(13)	997 352 993 02	repair kit 1 set only together with compression spring 996.352.741.00 adjusting screw 993.352.071.00		1		26	N 010 217 9	hexagon-head bolt M 6 X 20	89-	4	
14	928 352 957 02	compression spring		4		27	N 012 226 5	spring washer B 6		6	
(14)	996 352 741 00	compression spring only together with repair kit 997.352.993.02		4		28	928 612 409 00	clip		6	
15	911 352 944 00	support bush		2		29	928 612 531 01	push-on connector	/L	2	
16	911 352 098 00	adjusting screw		2		(29)	928 612 531 00	push-on connector	/R	2	
17	901 352 954 10	return spring		2		30	000 043 117 00	brake cylinder paste 1 50-g tube		X	
18	901 352 932 10	return spring		2		31	964 352 096 00	damping plate \$ 30 MM	89-	4	
19	993 352 073 00	push-button lock		2		32	964 352 096 01	damping plate \$ 28 MM only together with 928.352.421/422.01	89-	4	
20	993 352 073 00	push-button lock		2		(31)	928 352 096 10	damping plate \$ 30 MM	-88	4	
21	993 352 737 00	bolt		2		(32)	928 352 096 11	damping plate only together with 928.352.421/422.00	-88	4	
22	928 352 447 00	articulated bolt		2		33	928 612 361 00	cable holder	89-	2	
23	928 352 081 01	brake mounting plate		2		34	993 352 071 00	adjusting screw only together with repair kit 997.352.993.02		2	
24	928 612 313 02	warning contact	-88	2							
(24) A	928 612 363 01	warning contact	89	2							
(24)	928 612 363 01	warning contact	90-	2							
-	928 612 529 01	clip		4							
-	928 612 409 00	clip		6							
-	928 612 531 00	push-on connector	/L	1							
-	928 612 532 00	push-on connector	/R	1							
25	928 352 813 03	protective plate	/L	-88	1						
25	928 352 813 05	protective plate	/L	89-	1						
(25)	928 352 814 03	protective plate	/R	-88	1						
(25)	928 352 814 05	protective plate	/R	89-	1						
26	999 072 005 09	hexagon-head bolt M 6 X 12	-88	6							

Model	Year	MG	SG	Illustration	Restrictions	UPD	19:29	23.01.2010	PORSCHE	PET	PORSCHE
928	1991	6	04	604-00		248					

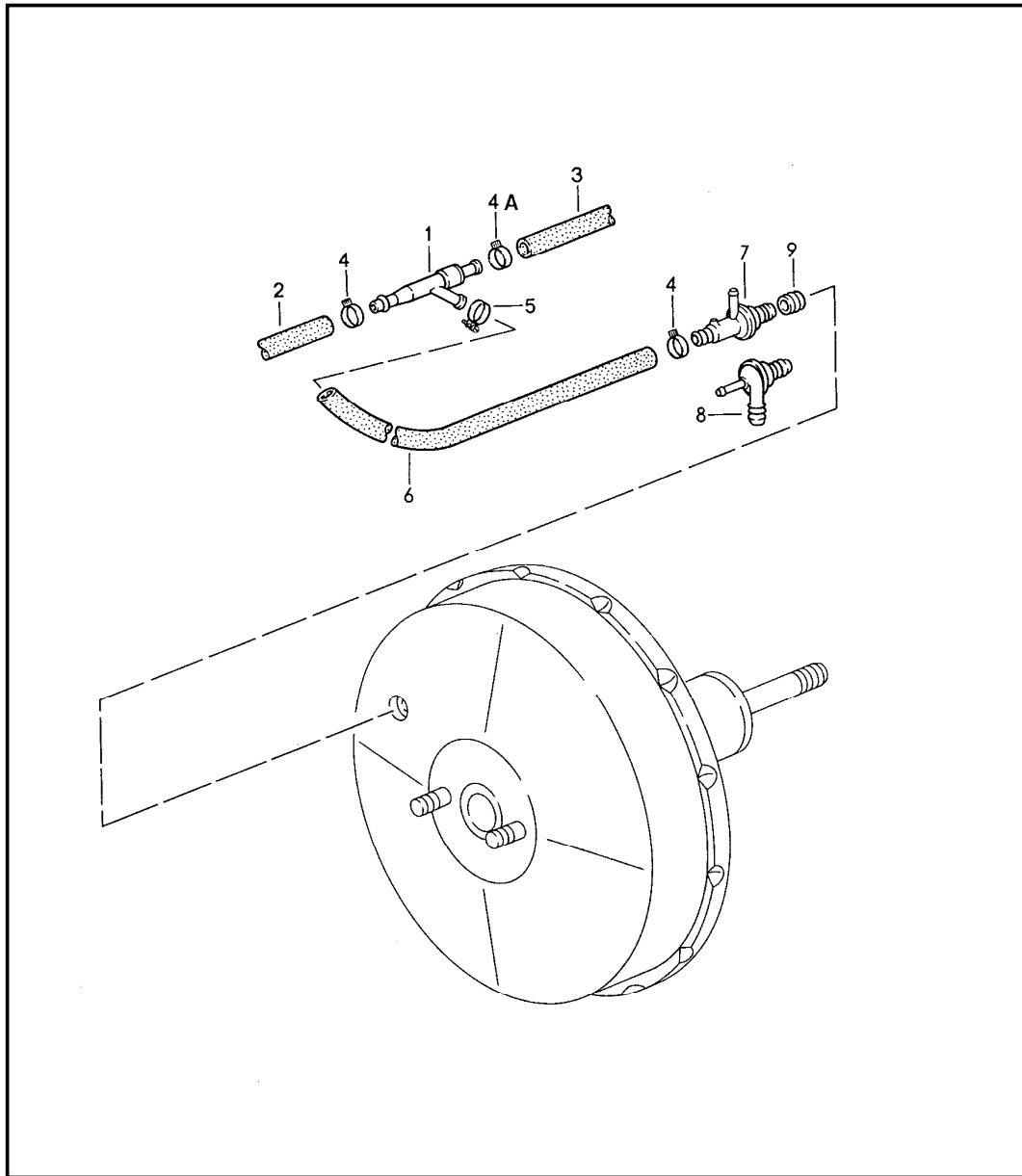


Pos	Part Number	Description	Remark	Qty	Model
1	928 355 011 24	brake master cylinder	/LL	1	
(1)	927 355 011 24	brake master cylinder	/RL	1	
2	477 611 951	gasket		1	
3	928 355 023 09	vacuum booster		1	
(4)	944 355 819 00	gasket		1	
5	911 355 921 00	rubber seal		1	
6	477 611 115	bellows		1	
7	999 084 425 02	lock nut M 8		2	
8	N 011 525 13	washer A 8,4		2	
9 A	928 355 650 06	container complete		1	
(9)	928 355 650 06	brake fluid reservoir		1	
-	928 355 654 03	support for container		1	
10	477 611 361	lid		1	
11	211 611 381 B	strainer		1	
12	901 355 908 00	gasket		1	
13	900 910 022 09	lock nut M 8		4	
14	900 025 007 02	washer A 8,4		4	
15	928 355 563 01	intermediate piece		1	
16	900 034 003 02	hexagon nut M 10		1	
17	928 355 511 00	bolt		1	
18	900 025 009 02	washer A 13		1	
19	N 012 653 1	lock B 9		1	

Model	Year	MG	SG	Illustration	Restrictions	UPD	19:29	23.01.2010	PORSCHE	PET	PORSCHE
928	1991	6	04	604-00		248					

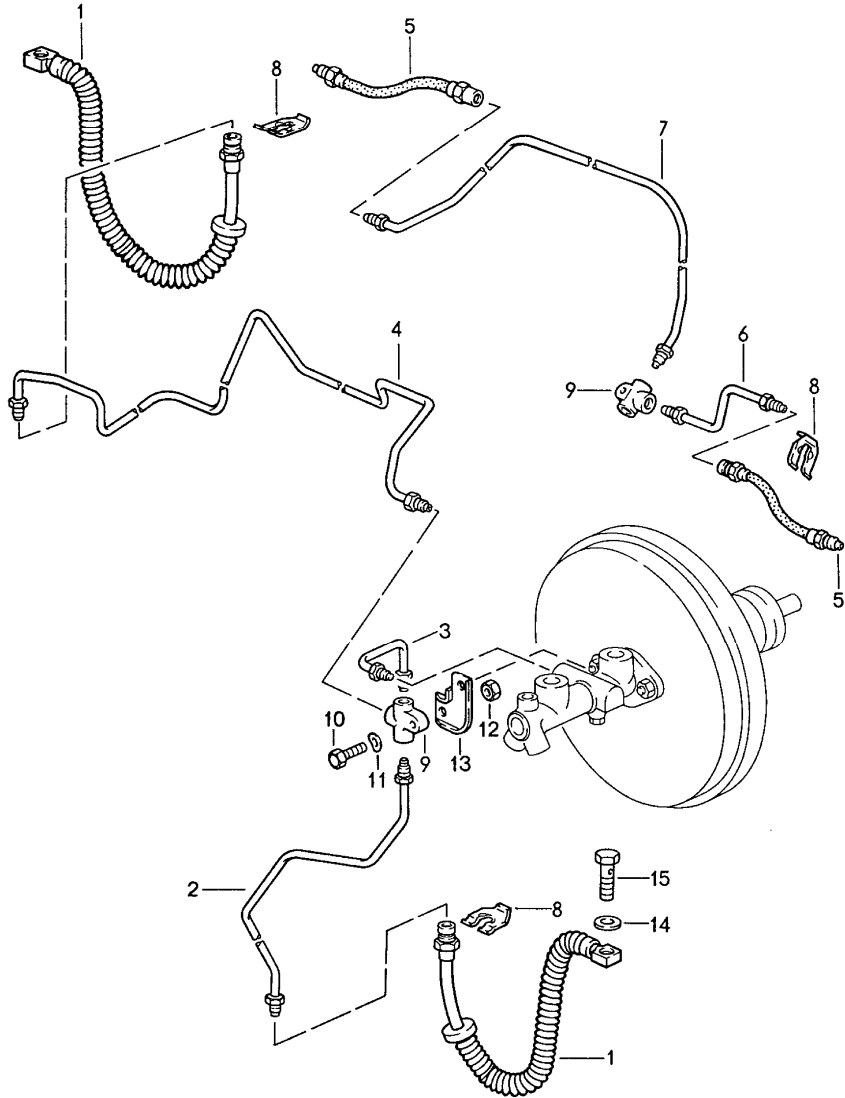
Pos	Part Number	Description	Remark	Qty	Model	Pos	Part Number	Description	Remark	Qty	Model
20	911 355 922 00	sealing plug		2							
21	951 355 305 01	brake pressure regulator		1							
22	928 351 945 03	ventilation valve		1							
23	901 351 927 10	dust boot		1							

Model	Year	MG	SG	Illustration	Restrictions	UPD	19:29	23.01.2010	PORSCHE	PET	PORSCHE
928	1991	6	04	604-01		248					



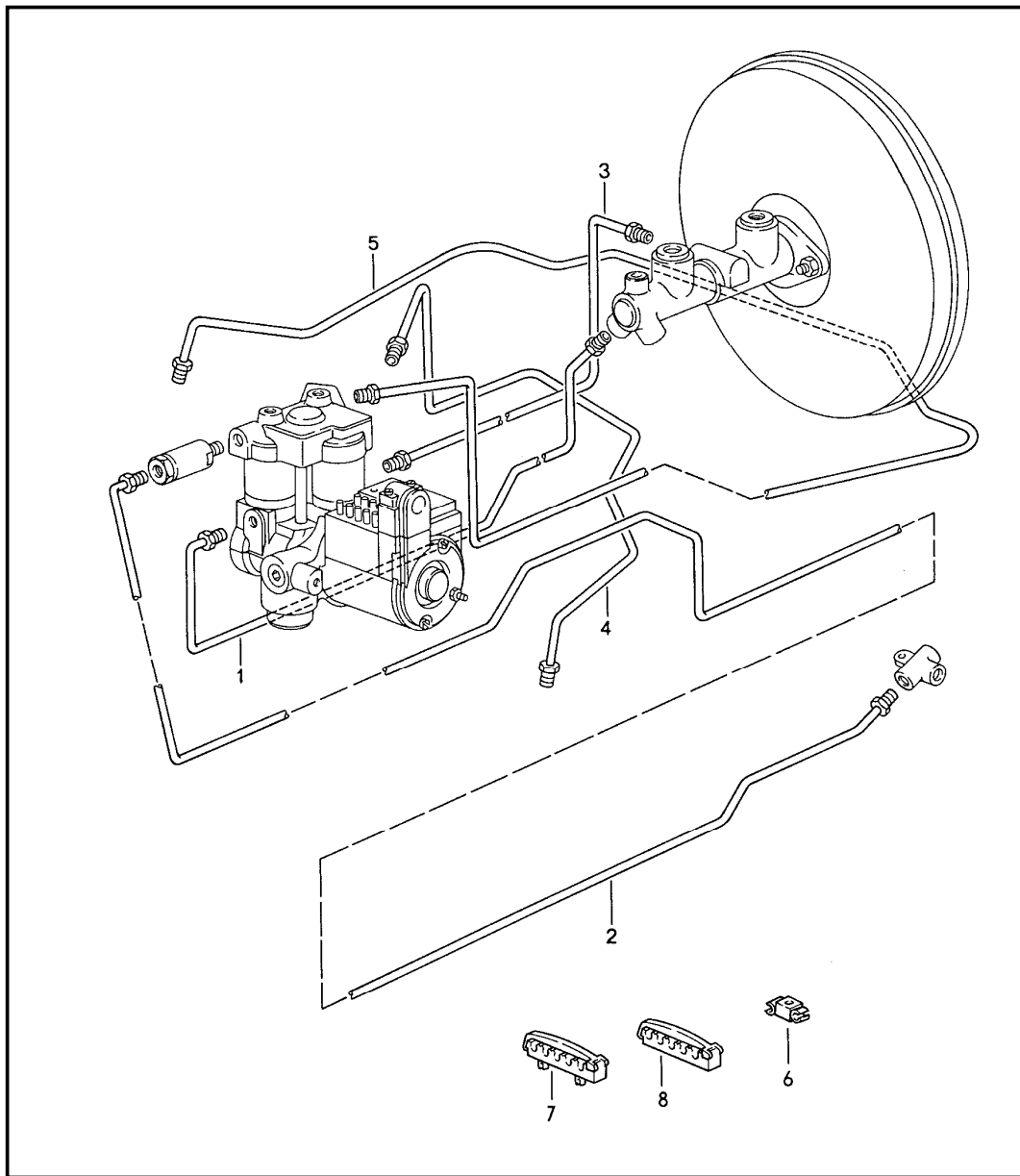
Pos	Part Number	Description	Remark	Qty	Model
		venturi tube			
1	035 133 753 A	venturi tube		1	
2	-	vacuum hose see group 1/07/00			
3	-	vacuum hose see group 1/07/00			
4	999 512 457 00	clamp		2	
4A	999 512 554 00	hose clamp		1	
5 A	999 512 381 02	clamp		1	
5	999 512 456 00	clamp		1	
6	928 110 663 00	vacuum hose	/LL	1	
(6)	927 110 145 01	vacuum hose	/RL	1	
7	928 355 660 03	check valve	/LL	1	
8	477 611 933 A	check valve	/RL	1	
9	911 355 921 00	rubber seal		1	

Model	Year	MG	SG	Illustration	Restrictions	UPD	19:30	23.01.2010	PORSCHE	PET	PORSCHE
928	1991	6	04	604-05		248					



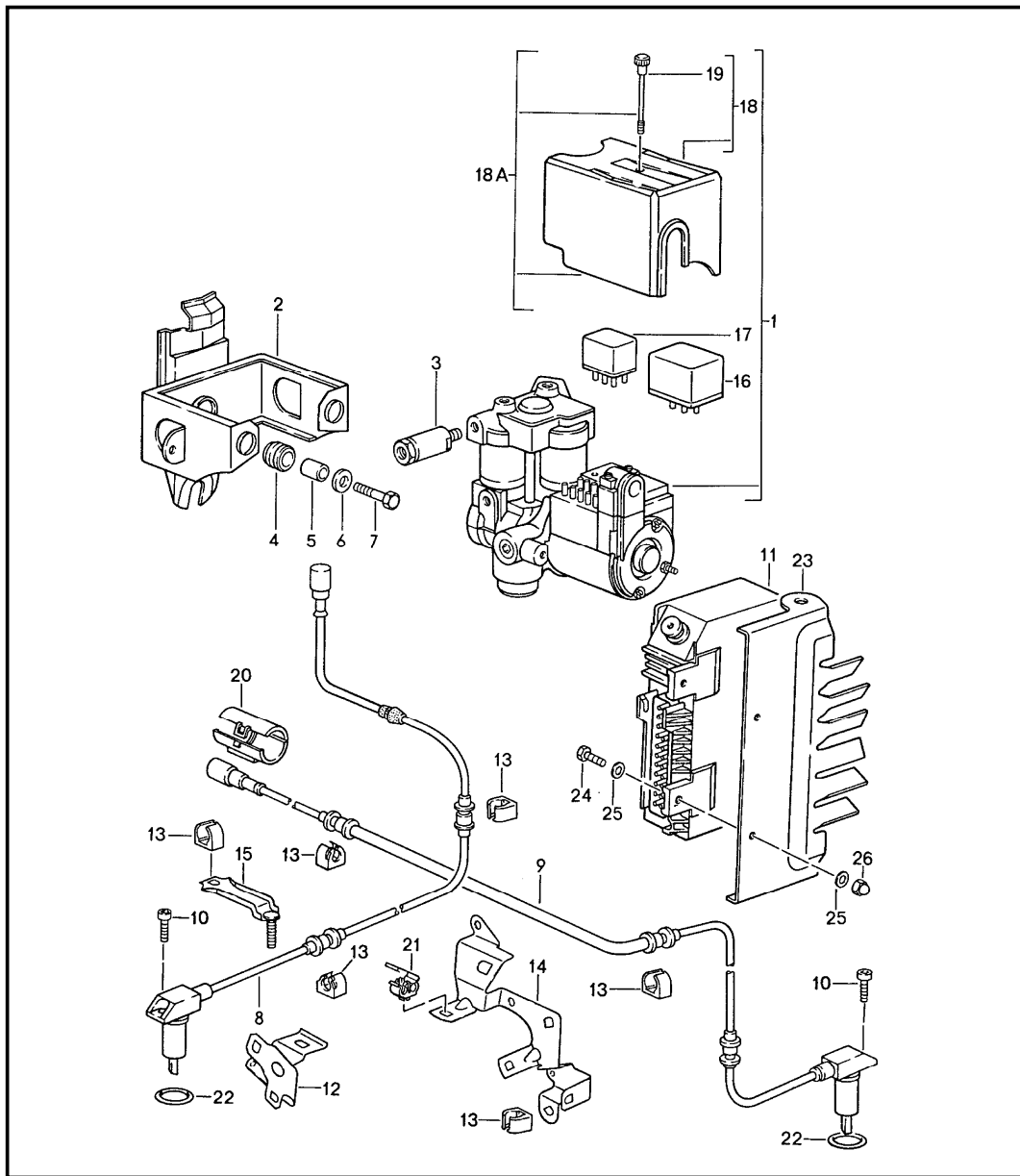
Pos	Part Number	Description	Remark	Qty	Model
		brake lines			
1	928 355 081 02	brake hose front		2	
2	928 355 053 01	brake line left front	/LL	1	
(2)	927 355 053 01	brake line left front	/RL	1	
3	928 355 049 00	brake line	/LL	1	
(3)	927 355 049 00	brake line	/RL	1	
4	928 355 051 02	brake line front	/LL	1	
(4)	927 355 051 01	brake line front	/RL	1	
5	928 355 080 02	brake hose rear		2	
6	928 355 057 04	brake line rear	/L	1	
7	928 355 059 01	brake line rear	/R	1	
8	113 611 715 A	brake hose bracket		4	
9	914 355 667 00	distributor		4	
10	900 075 017 02	hexagon-head bolt M 6 X 25		2	
11	N 012 226 5	spring washer B 6		2	
12	900 076 010 02	hexagon nut M 6		2	
13	928 355 651 00	support	/LL	1	
(13)	927 355 651 00	support	/RL	1	
14	N 013 806 2	sealing ring A 10 X 14		2	
15	999 134 027 02	banjo bolt M 10 X 1		2	

Model	Year	MG	SG	Illustration	Restrictions	UPD	19:30	23.01.2010	PORSCHE	PET	PORSCHE
928	1991	6	04	604-10		248					



Pos	Part Number	Description	Remark	Qty	Model
		brake lines anti-lock brake system			
1	928 355 131 00	brake line	/LL	1	
(1)	927 355 131 00	brake line	/RL	1	
2	928 355 137 02	brake line		1	
3	928 355 141 00	brake line	/LL	1	
(3)	927 355 141 00	brake line	/RL	1	
4	928 355 147 01	brake line		1	
5	928 355 148 02	brake line	/LL	1	
(5)	927 355 148 01	brake line	/RL	1	
6	477 611 767 B	cable clip		17	
7	928 355 637 00	support		2	
8	928 355 637 01	support		1	

Model	Year	MG	SG	Illustration	Restrictions	UPD	19:30	23.01.2010	PORSCHE	PET	PORSCHE
928	1991	6	04	604-15		248					



Pos	Part Number	Description	Remark	Qty	Model
		hydraulic unit speed sensor control unit anti-lock brake system			
(1)	928 355 755 DX	hydraulic unit	-88	1	
(1) A	928 355 755 05	hydraulic unit	89-	1	
(1)	928 355 955 00	hydraulic unit	90-	1	
2	928 355 041 04	support		1	
3	951 355 305 01	brake pressure regulator		1	
4	928 355 635 00	rubber mounting		3	
5	928 355 633 00	bush		3	
6	N 011 666 7	washer B 6,4		3	
7	N 010 219 2	hexagon-head bolt M 6 X 28		3	
8	928 606 404 02	speed sensor	/V	2	
9	928 606 402 01	speed sensor	/H	2	
10	N 014 740 2	pan-head screw M 6 X 16	/V	2	
(10)	N 014 743 2	pan-head screw M 6 X 30	/H	2	
11	> 928 618 118 00	control unit	-88	1	
(11)	> 928 618 118 00	control unit	89	1	
(11)	> 928 618 120 01	control unit	90-	1	
-	927 618 073 00	bracket for control unit left	/RL	-89	1
-	927 618 074 00	bracket for control unit right	/RL	-89	1
12	928 341 239 00	support	/L	1	
(12)	928 341 240 00	support	/R	1	
13	928 612 409 00	clip		X	

Model	Year	MG	SG	Illustration	Restrictions	UPD	19:30	23.01.2010	PORSCHE	PET	PORSCHE
928	1991	6	04	604-15		248					

Pos	Part Number	Description	Remark	Qty	Model	Pos	Part Number	Description	Remark	Qty	Model
14	928 331 239 00	support	/L	1		(23)	927 618 433 00	cooling plate	/RL	90	1
(14)	928 331 240 00	support	/R	1		(23)	927 618 433 01	cooling plate	/RL	91	1
15	928 331 099 01	support		2		24	900 075 057 02	hexagon-head bolt M 6 X 16		90-	2
16	928 618 930 00	relay for hydraulic unit 928.355.755.01		87	1	25	N 011 524 7	washer A 6,4		90-	4
(16)	928 618 930 01	relay for hydraulic unit 928.355.755.04/05/06		88-	1	26	N 011 121 1	cap nut M 6		90-	2
17	928 618 931 00	relay for hydraulic unit 928.355.755.01		87	1						
(17)	928 618 931 01	relay for hydraulic unit 928.355.755.04		88	1						
(17)	928 618 931 02	relay for hydraulic unit 928.355.755.05/06		89-	1						
18	928 355 960 00	cap for hydraulic unit 928.355.755.01		87	1						
18A	928 355 960 01	cap for hydraulic unit 928.355.755.04/05/06		88-	1						
19	928 355 961 00	knurled screw for hydraulic unit 928.355.755.01		87	1						
20	928 612 531 01	push-on connector	/L	1							
(20)	928 612 531 00	push-on connector	/R	1							
21	928 612 529 01	clip		4							
22	900 174 032 40	round seal 18 X 2,5		4							
23	928 618 433 00	cooling plate	/LL	90-	1						

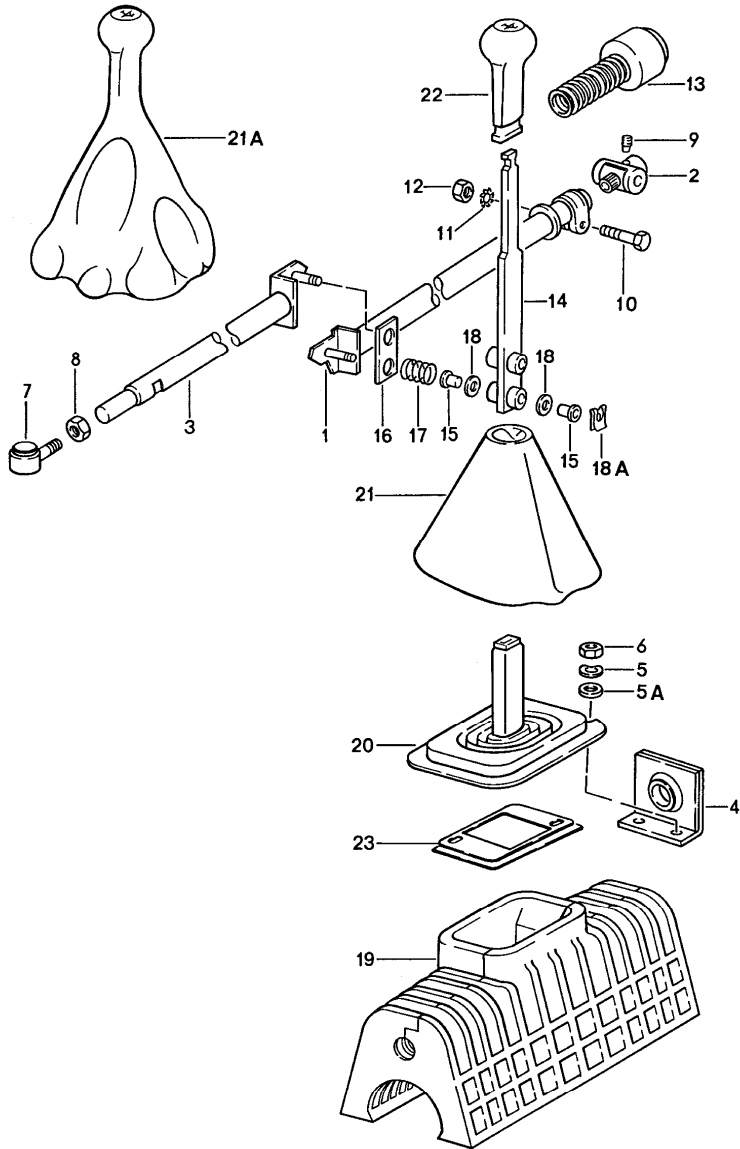
Model	Year	MG	SG	Illustration	Restrictions	UPD	19:30	23.01.2010
928	1991	6	98	698-00R		248		

Pos	Part Number	Description	Remark	Qty	Model
>>	>>928 351 939 01	repair kits repair kit (JURID 238) comprising: brake pad use also: mounting parts	/V	1 4	
>>	>>928 351 939 02	brake pad repair set without asbestos (TEXTAR T 400) comprising: brake pad use also: mounting parts	/V	1 4	M475
>>	>>993 351 939 01	brake pad repair set without asbestos (TEXTAR T 428 FF) comprising: brake pad use also: mounting parts	/V	1 4	
>>	>>928 351 919 00	repair kit comprising: piston boot inner boot outer \$ 42 MM	/V	2 1 1 1	
>>	>>928 351 919 01	repair kit comprising: piston boot inner boot outer \$ 44 MM	/V	2 1 1 1	
>>	>>951 351 919 01	gasket set comprising: piston boot inner boot outer \$ 36 MM	/V	2 1 1 1	
>>	>>993 351 959 00	repair kit comprising: spring plate screw lower	/V	2 1 2	

Model	Year	MG	SG	Illustration	Restrictions	UPD	19:30	23.01.2010
928	1991	6	98	698-00R		248		

Pos	Part Number	Description	Remark	Qty	Model
>>	>>993 351 959 01	repair kit comprising: spring plate screw upper	/V	2	
				1	
				2	
>>	>>951 351 939 01	brake pad repair set (JURID 238) comprising: brake pad use also: mounting parts	/H	1	
				4	
>>	>>965 352 939 04	brake pad repair set	/H	1	
>>	>>965 352 939 04	brake pad repair set without asbestos (TEXTAR T 428) comprising: brake pad use also: mounting parts		1	
				4	
>>	>>951 352 919 00	gasket set comprising: piston boot inner boot outer \$ 30 MM	/H	2	
				1	
				1	
				1	
>>	>>951 352 919 01	repair kit comprising: piston boot inner boot outer \$ 28 MM	/H	2	
				1	
				1	
				1	
>>	>>993 352 959 00	repair kit comprising: spring plate upper screw	/H	2	
				1	
				2	
>>	>>993 352 959 01	repair kit comprising: spring plate lower screw	/H	2	
				1	
				2	

Model	Year	MG	SG	Illustration	Restrictions	UPD	19:30	23.01.2010	PORSCHE	PET	PORSCHE
928	1991	7	01	701-00		248					

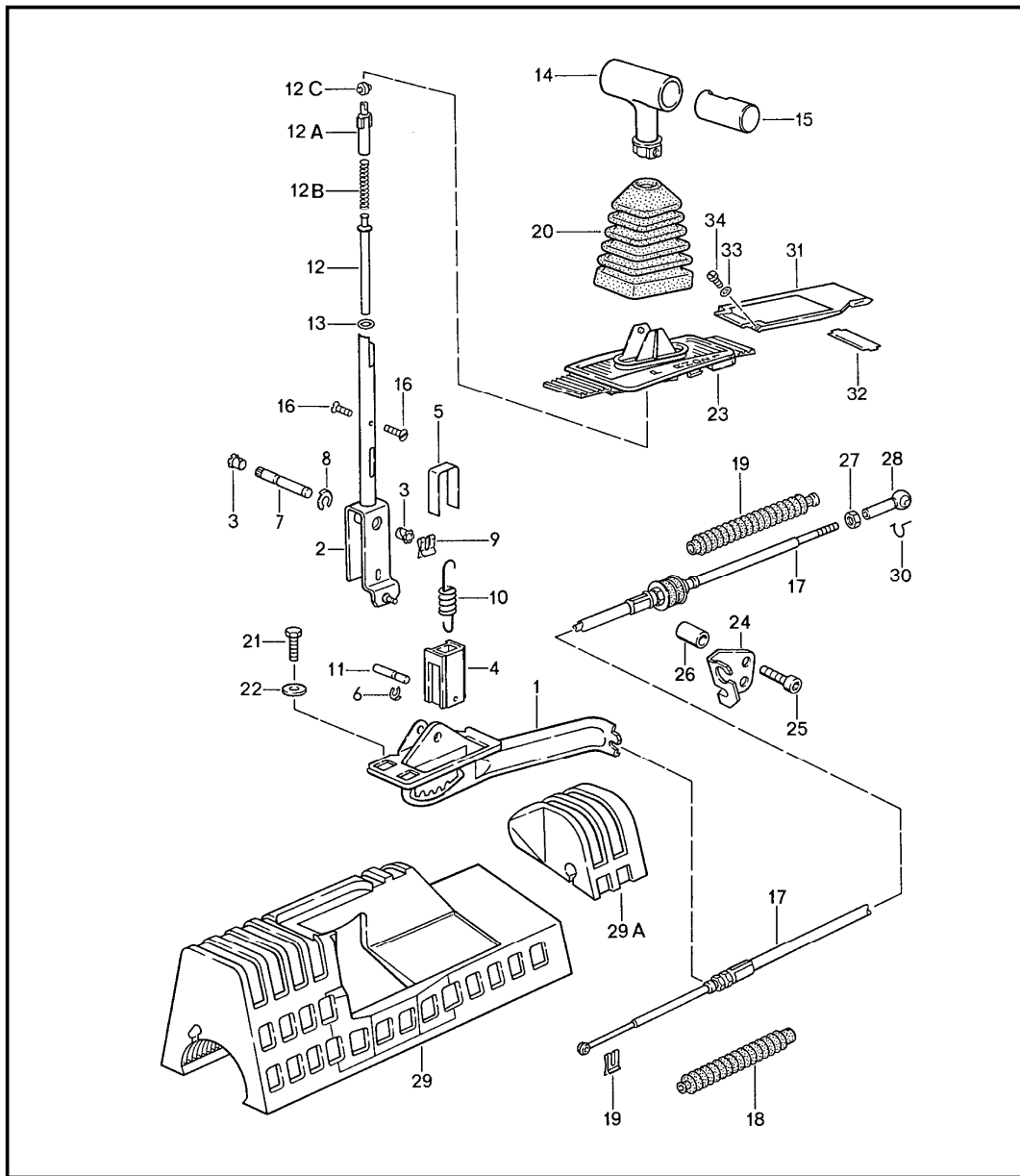


Pos	Part Number	Description	Remark	Qty	Model
		shift mechanism for cars with manual transmission			
1	928 424 028 19	gear shift rod		1	
2	928 424 029 00	bearing body		1	
3	928 424 009 10	guide tube		1	
4	928 424 017 05	bearing bracket		1	
5	999 523 104 02	lock washer 6 PN		2	
6	900 076 010 02	hexagon nut M 6		2	
7	928 424 005 01	angular joint		1	
8	900 034 003 02	hexagon nut M 10		1	
9	928 424 229 00	conical screw		1	
10	N 040 222 2	hexagon-head bolt M 8 X 32		1	
11	999 523 102 02	lock washer		1	
12	900 076 025 02	hexagon nut M 8		1	
13	928 424 209 01	bellows		1	
14	928 424 067 11	gearshift lever	/LL	1	
(14)	927 424 067 00	gearshift lever	/RL	1	
14	928 424 067 50	gearshift lever		1	M637 M639
15	999 924 002 40	plain bearing		4	
16	928 424 149 02	friction strap		1	
17	928 424 147 03	compression spring		2	
18	900 234 510 02	support washer S 10 X 16		2	
19	928 424 182 03	sound absorber		1	
20	928 424 181 04	sleeve		1	

Model	Year	MG	SG	Illustration	Restrictions	UPD	19:30	23.01.2010	PORSCHE	PET	PORSCHE
928	1991	7	01	701-00		248					

Pos	Part Number	Description	Remark	Qty	Model	Pos	Part Number	Description	Remark	Qty	Model
21A	928 424 073 03	head shift rod with leather bellows	-90	1							
	1AJ	black	-90								
	7LD	burgundy	-90								
	5JX	greyish green	-88								
	8LY	mahogany	-90								
	3UY	caramel	-88								
	3UJ	caramel	-90								
	7JJ	venetian blue	-90								
	4MT	velvet red	-90								
	2WT	slate grey	-90								
	8KY	marine blue	-90								
21A	928 424 073 04	head shift rod with leather bellows	-91	1							
	1AJ	black									
	6XL	classic grey									
	9YL	cobalt blue									
	6YL	magenta									
	M05	matador red									
	D35	carrara grey									
	J25	sherwood green									
	L07	scala red									
	A37	greenwich grey									
23	928 552 017 00	frame		1							

Model	Year	MG	SG	Illustration	Restrictions	UPD	19:31	23.01.2010	PORSCHE	PET	PORSCHE
928	1991	7	01	701-05		248					

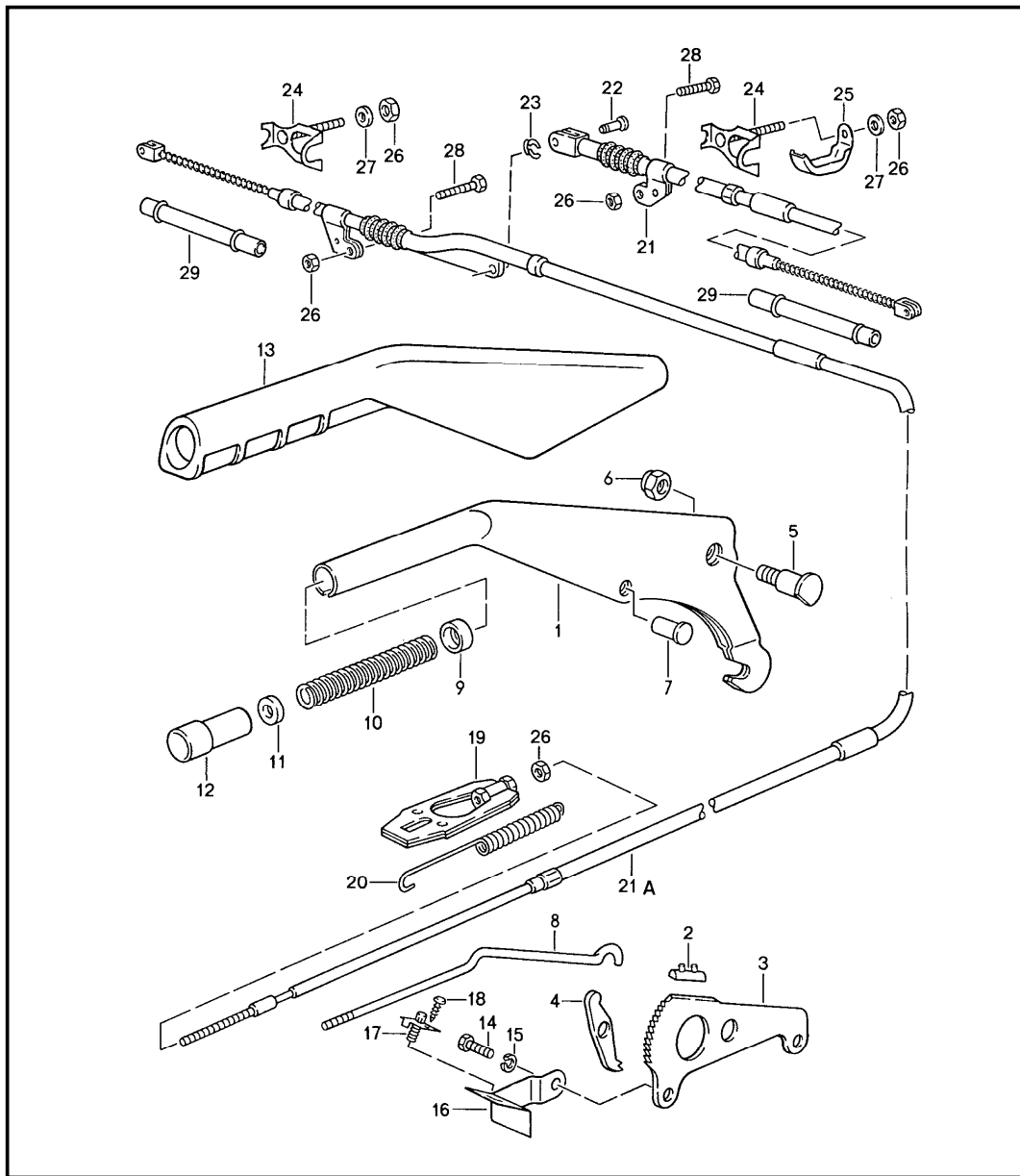


Pos	Part Number	Description	Remark	Qty	Model
		shift mechanism for cars with automatic transmission			
1	928 426 031 00	support		1	
2	928 426 261 01	selector lever		1	
3	999 924 001 40	bush		2	
4	922 424 172 00	locking piece		1	
5	922 424 171 01	clip		1	
6	999 166 040 02	kl-lock		1	
7	928 426 166 00	bearing pin		1	
9	999 166 005 02	sl-lock		1	
10	928 426 168 01	tension spring		1	
11	922 424 167 01	straight pin		1	
12	928 426 293 01	push rod		1	
12A	928 426 271 01	guide		1	
12B	999 521 037 01	compression spring		1	
12C	321 713 137	roller		1	
13	999 701 608 40	round seal 5 X 2 B		2	
14	928 426 075 01	selector knob	/LL	1	
	1AJ	black			
	7LD	burgundy	-90		
	5JX	greyish green	-88		
	8LY	mahogany	-90		
	3UY	caramel	-88		
	3UJ	caramel	-90		
	8KY	marine blue	-90		
	7JJ	venetian blue	-90		
	4MT	velvet red	-90		
	2WT	slate grey	-90		

Model	Year	MG	SG	Illustration	Restrictions	UPD	19:31	23.01.2010	PORSCHE	PET	PORSCHE
928	1991	7	01	701-05		248					

Pos	Part Number	Description	Remark	Qty	Model	Pos	Part Number	Description	Remark	Qty	Model
	8YR	black		91-		15	928 426 275 01	key		1	
	6XL	classic grey		91-		16	N 014 121 6	oval-head screw M 4 X 6		2	
	9YL	cobalt blue		91-		17	928 426 033 04	cable		1	
	6YL	magenta		91-		18	922 424 103 00	bellows		2	
	M05	matador red		91-		19	N 012 644 1	lock		1	
	D35	carrara grey		91-		20	928 426 139 00	bellows		1	
	J25	sherwood green		91-		21	900 075 057 02	hexagon-head bolt M 6 X 16		3	
	L07	scala red		91-		22	N 011 550 1	washer B 6,5		3	
	A37	greenwich grey		91-		23	927 552 091 20	frame	/RL	1	
(14)	927 426 075 01	selector knob	/RL		1	(23)	928 552 091 20	frame		1	
	1AJ	black				24	928 426 111 04	retaining bracket		1	
	7LD	burgundy		-90		25	N 014 715 3	pan-head screw		2	
	5JX	greyish green		-90		26	928 426 113 00	spacer sleeve		2	
	8LY	mahogany		-90		27	N 011 005 14	hexagon nut M 5		1	
	3UY	caramel		-88		28	911 423 147 00	ball socket		1	
	3UJ	caramel		-90		29	928 426 187 00	sound absorber lower part		1	
	8KY	marine blue		-90		29A	928 426 188 00	sound absorber upper part		1	
	7JJ	venetian blue		-90		30	900 169 014 02	securing clip		1	
	4MT	velvet red		-90		31	928 552 181 02	mounting shift gate		1	
	2WT	slate grey		-90		32	928 552 317 02	separator for mounting mounting shift gate		1	
	8YR	black		91-		33	900 114 015 01	shake-proof washer A 3,7		2	
	6XL	classic grey		91-		34	900 146 032 02	oval-head screw AM 3,5 X 10		2	
	9YL	cobalt blue		91-							
	6YL	magenta		91-							
	M05	matador red		91-							
	D35	carrara grey		91-							
	J25	sherwood green		91-							
	L07	scala red		91-							
	A37	greenwich grey		91-							

Model	Year	MG	SG	Illustration	Restrictions	UPD	19:31	23.01.2010	PORSCHE	PET	PORSCHE
928	1991	7	01	701-10		248					

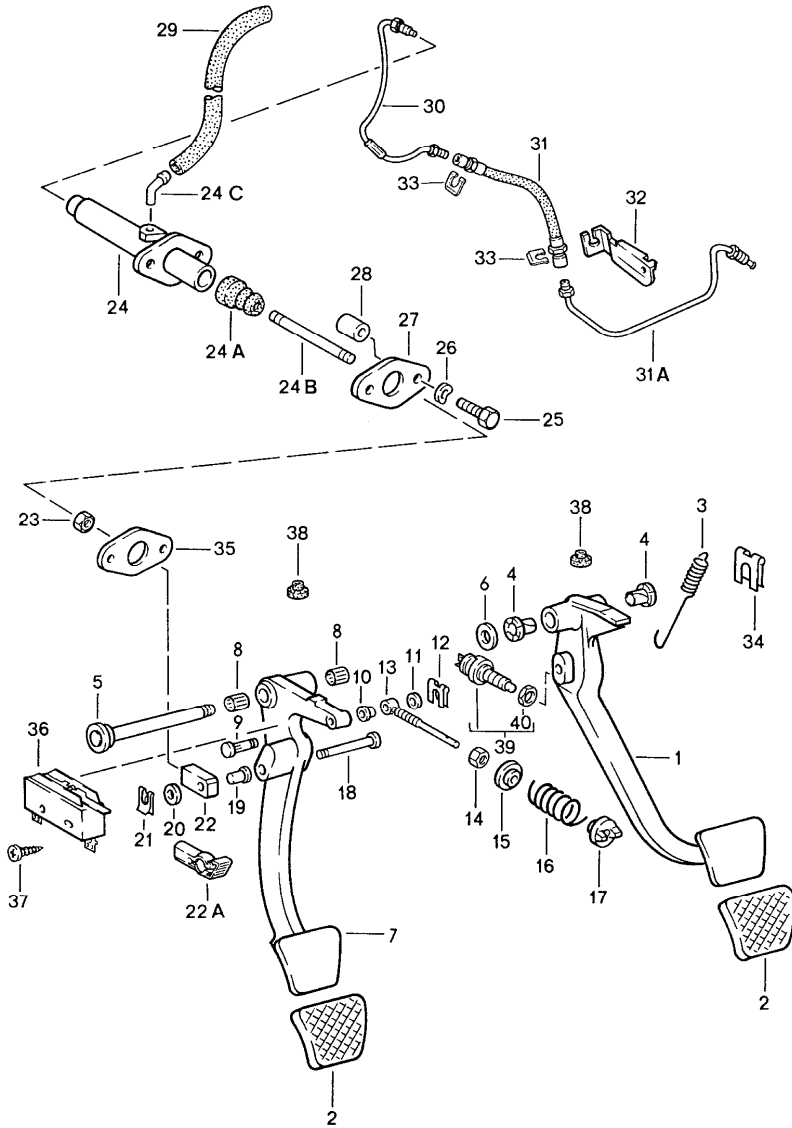


Pos	Part Number	Description	Remark	Qty	Model
1	928 424 253 13	actuator handbrake			
1A	928 424 051 00	parking-brake lever	-90	1	
		8YR black			
		1AJ black			
		6XL classic grey			
		9YL cobalt blue			
		6YL magenta			
		M05 matador red			
		D35 carrara grey			
		J25 sherwood green			
2	901 424 509 01	stop		1	
3	928 424 541 14	locking segment		1	
4	928 424 508 00	pawl		1	
5	928 424 527 00	bearing pin		1	
6	900 084 004 02	hexagon nut		1	
6	900 084 004 03	hexagon nut		1	
7	900 120 040 02	rivet		1	
8	928 424 255 12	push rod		1	
9	914 424 258 00	guide sleeve		1	
10	901 424 543 00	compression spring		1	
11	901 424 593 01	rubber ring		1	
12	928 424 523 12	push button		1	
13	928 424 259 00	parking-brake lever	-90	1	
14	N 010 239 11	hexagon-head bolt M 8 X 18		2	
15	900 027 015 02	lock ring B 8		2	
16	928 424 535 00	support	/LL	1	

Model	Year	MG	SG	Illustration	Restrictions	UPD	19:31	23.01.2010	PORSCHE	PET	PORSCHE
928	1991	7	01	701-10		248					

Pos	Part Number	Description	Remark	Qty	Model	Pos	Part Number	Description	Remark	Qty	Model
(16)	927 424 535 00	support	/RL	1							
17	113 947 561 G	contact switch		1							
18	N 013 957 5	tapping screw B 3,5 X 9,5		1							
19	928 424 033 00	turnbuckle		1							
20	477 711 975	return spring		1							
21	928 424 551 16	parking-brake cable	/L	1							
21A	928 424 552 16	parking-brake cable	/R	1							
22	999 166 048 02	bolt A 6 X 17 X 14		1							
23	N 012 645 2	lock		1							
24	928 424 045 00	support		1							
25	928 424 423 01	support		1							
26	900 910 010 02	lock nut		5							
27	N 011 524 7	washer A 6,4		2							
28	900 074 111 02	hexagon-head bolt M 6 X 50		2	M481						
(28)	N 010 349 5	hexagon-head bolt M 6 X 45		2	M249						
29	928 424 405 01	guide tube		2							

Model	Year	MG	SG	Illustration	Restrictions	UPD	19:31	23.01.2010	PORSCHE	PET	PORSCHE
928	1991	7	02	702-00		248					



Pos	Part Number	Description	Remark	Qty	Model
		pedals			
1	928 423 501 05	brake pedal	/LL	1	M481
(1)	927 423 501 07	brake pedal	/RL	1	M481
(1)	928 423 515 01	brake pedal	/LL	1	M249
(1)	927 423 501 08	brake pedal	/RL	1	M249
2	928 423 210 03	rubber pad		2	
(2)	928 423 211 00	pedal cap		1	M249
3	928 423 531 03	return spring		1	
4	928 423 542 00	bearing sleeve		2	
5	928 423 037 02	bearing shaft		1	
-	928 423 523 00	spacer sleeve		1	M249
6	N 011 565 3	washer		2	
7 A	927 423 311 05	clutch pedal	/RL	1	
7	927 423 311 05	clutch pedal	/RL	1	
7 A	928 423 311 09	clutch pedal	/LL	1	
7	928 423 311 09	clutch pedal	/LL	1	
8	900 317 001 00	needle-roller bearing		2	
9	928 423 355 00	bolt		1	
9 U	928 423 355 01	bolt		1	
10	999 924 001 40	bush		1	
11	900 089 006 02	washer A 8,4		1	
12	N 900 470 01	lock washer		1	
13	928 423 349 01	guiding rod		1	
14	900 076 025 02	hexagon nut M 8		1	
15	928 423 353 00	concave washer		1	
16	928 423 357 04	clutch power spring		1	
17	928 423 351 00	knife-edge bearing		1	
18	928 423 513 00	bolt	/LL	1	

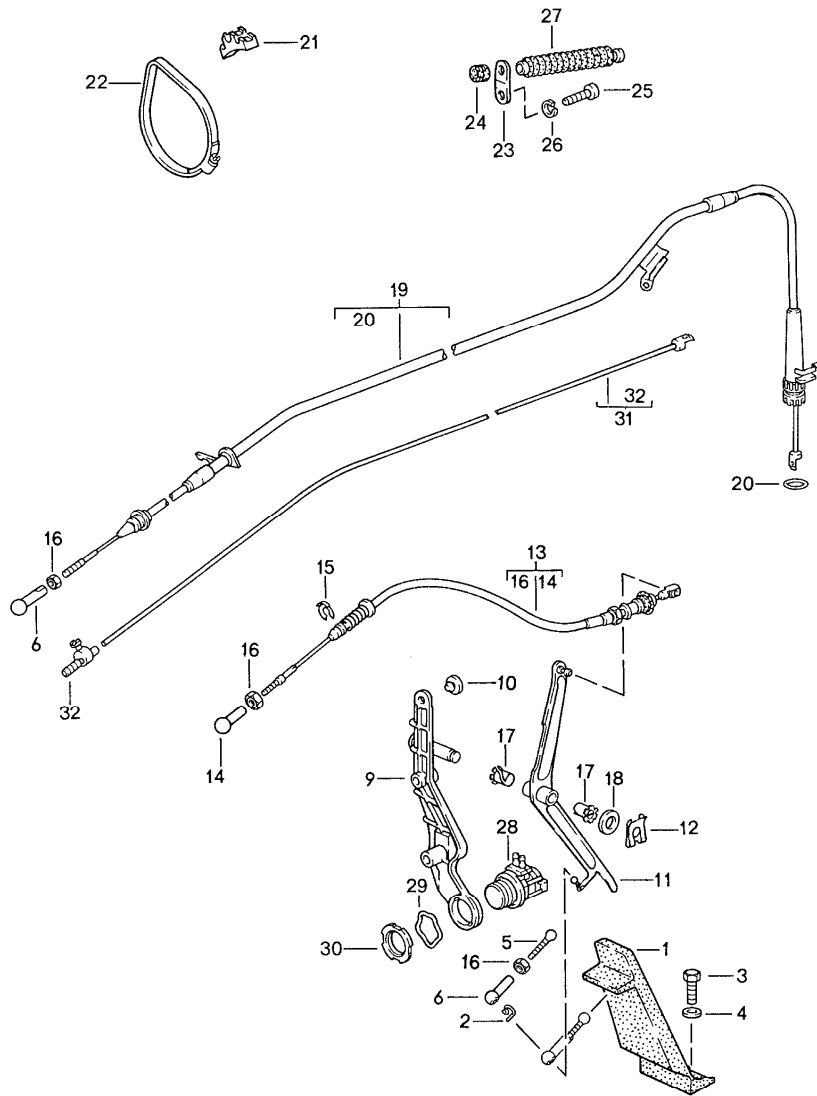
Model	Year	MG	SG	Illustration	Restrictions	UPD	19:31	23.01.2010	PORSCHE	PET	PORSCHE
928	1991	7	02	702-00		248					

Pos	Part Number	Description	Remark	Qty	Model	Pos	Part Number	Description	Remark	Qty	Model
19	999 924 002 40	plain bearing	/LL	1		31A	928 423 199 03	clutch tube	/LL	1	
20	900 025 008 09	washer A 10,5	/LL /LL	1		32	928 423 189 01	bump stop	/LL	1	
21	999 166 034 02	sl-lock	/LL	1		-	N 011 010 6	hexagon nut M 10		1	
22	928 423 517 00	clevis	/LL	1		(32)	927 423 189 00	support	/RL	1	
22A	999 168 017 40	ball socket	/RL	1		33	928 423 183 01	hose holder	/LL	2	
23	900 076 025 02	hexagon nut M 8		1		33	928 423 183 01	hose holder	/RL	1	
24	928 423 173 06	clutch master cylinder	/LL	1		34	N 012 654 1	lock		1	
(24)	927 423 173 02	clutch master cylinder	/RL	1		35	928 423 191 00	gasket		1	
24A	928 423 908 00	bellows		1		36	928 613 413 01	microswitch		1	
24B	928 423 187 00	piston rod	/LL	1		37	900 143 013 02	oval-head sheetmetal screw B 2,9 X 16		2	
(24B)	927 423 187 01	piston rod	/RL	1		38	999 703 183 40	buffer		2	
24C	477 721 177	angled pipe		1		39	477 945 515	brake light switch		1	
25	N 010 340 4	hexagon-head bolt M 8 X 40		2		40	481 945 529	nut M 12 X 1		1	
26	N 012 241 8	spring washer B 8		2				vertical pedal adjustment 15 MM for brake pedal and clutch pedal			
27	928 423 521 00	cover plate		1							
28	928 423 519 00	spacer tube		2							
-	999 181 021 50	hose		*		-	928 423 207 00	pedal spacer plate		2	M481
29	-	375 MM		1		-	928 423 213 00	pedal spacer plate		1	M249
30	928 423 197 02	clutch tube	/LL	-90	1	-	900 067 057 02	pan-head screw M 8 X 20		2	
30	928 423 197 04	clutch tube	/LL	91-	1	-	900 115 013 01	serrated lock washer see technical information GR. X NR. 15		2	
(30)	927 423 185 02	clutch tube	/RL		1			vertical pedal adjustment 30 MM for brake pedal and clutch pedal			
31 A	928 423 077 00	clutch hose	/LL		1						
(31) A	928 423 077 07	clutch hose	/LL		1						
(31)	928 423 077 07	clutch hose	/LL		1						
(31)	927 423 077 00	clutch hose	/RL	-88	1						
(31) A	927 423 077 08	clutch hose	/RL	89	1	-	928 423 207 00	pedal spacer plate		4	M481
(31)	927 423 077 08	clutch hose	/RL	90-	1	-	928 423 213 00	pedal spacer plate		2	M249

Model	Year	MG	SG	Illustration	Restrictions	UPD	19:31	23.01.2010	PORSCHE	PET	PORSCHE
928	1991	7	02	702-00		248					

Pos	Part Number	Description	Remark	Qty	Model	Pos	Part Number	Description	Remark	Qty	Model
-	900 067 081 02	pan-head screw M 8 X 35		2							
-	900 115 013 01	serrated lock washer see technical information GR. X NR. 15		2							

Model	Year	MG	SG	Illustration	Restrictions	UPD	19:31	23.01.2010	PORSCHE	PET	PORSCHE
928	1991	7	02	702-05		248					



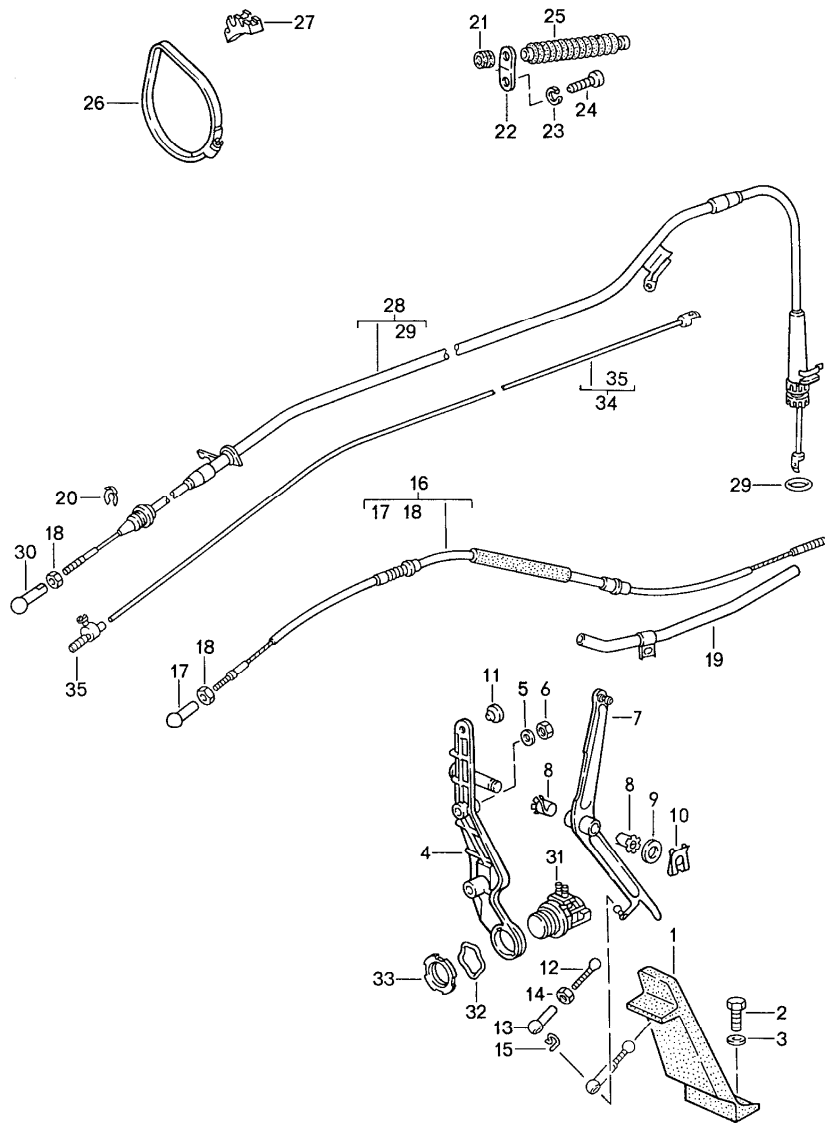
Pos	Part Number	Description	Remark	Qty	Model
1	911 423 111 02	accelerator control left-hand drive accelerator pedal		1	
2	900 169 014 02	securing clip		1	
3	999 072 005 09	hexagon-head bolt M 6 X 12		2	
4	N 011 666 7	washer B 6,4		2	
5	928 423 119 00	push rod		1	
6	911 423 147 00	ball socket		1	
9	928 423 021 03	bearing bracket		1	
-	900 076 010 02	hexagon nut M 6		2	
-	N 012 226 5	spring washer B 6		2	
(10)	999 703 183 40	buffer		1	
11	928 423 250 05	reverse lever		1	
12	999 166 034 02	sl-lock		1	
13	928 423 023 08	accelerator cable		1	
14	911 423 147 00	ball socket		1	
15	999 166 046 02	lock		2	
16	N 011 005 14	hexagon nut BM 5		3	
17	999 924 002 40	plain bearing		2	
18	900 234 041 01	shim 10 X 16 X 1,3		1	
19	928 423 041 06	cable for control pressure		1	M249
20	999 701 960 40	sealing ring		1	
21	928 423 141 00	support		2	M249
22 A	999 512 355 02	hose clamp		2	M249
22	999 512 355 01	hose clamp		2	M249

Model	Year	MG	SG	Illustration	Restrictions	UPD	19:31	23.01.2010	PORSCHE	PET	PORSCHE
928	1991	7	02	702-05		248					

Pos	Part Number	Description	Remark	Qty	Model	Pos	Part Number	Description	Remark	Qty	Model
23	928 423 143 00	support		1	M249						
24	999 702 119 50	rubber sleeve		1	M249						
25	N 010 210 7	hexagon-head bolt M 6 X 10		1							
26	N 011 524 7	washer A 6,4		1							
27	928 423 277 00	sealing sleeve		1	M249						
28	928 606 111 00	kickdown switch		1	M249						
29	928 613 419 00	spring washer		1	M249						
30	928 613 421 00	grooved nut M 28 X 1,5		1	M249						
31	928 423 901 02	cable		1	M249						
32	477 723 601	nipple		1	M249						
		vertical pedal adjustment 15 MM									
-	928 423 133 04	bump stop		1							
-	928 423 119 01	push rod	/LL	1							
-	927 423 119 01	push rod	/RL	1							
-	911 423 147 00	ball socket		1							
-	N 011 005 14	hexagon nut M 5 see technical information GR. X NR. 15		1							
		vertical pedal adjustment 30 MM									
-	928 423 133 05	bump stop		1							
-	928 423 119 02	push rod	/LL	1							
-	927 423 119 01	push rod	/RL	1							
-	911 423 147 00	ball socket		1							
-	N 011 005 14	hexagon nut M 5 see technical information GR. X NR. 15		1							

Model	Year	MG	SG	Illustration	Restrictions	UPD	19:31	23.01.2010	PORSCHE	PET	PORSCHE
928	1991	7	02	702-10		248					

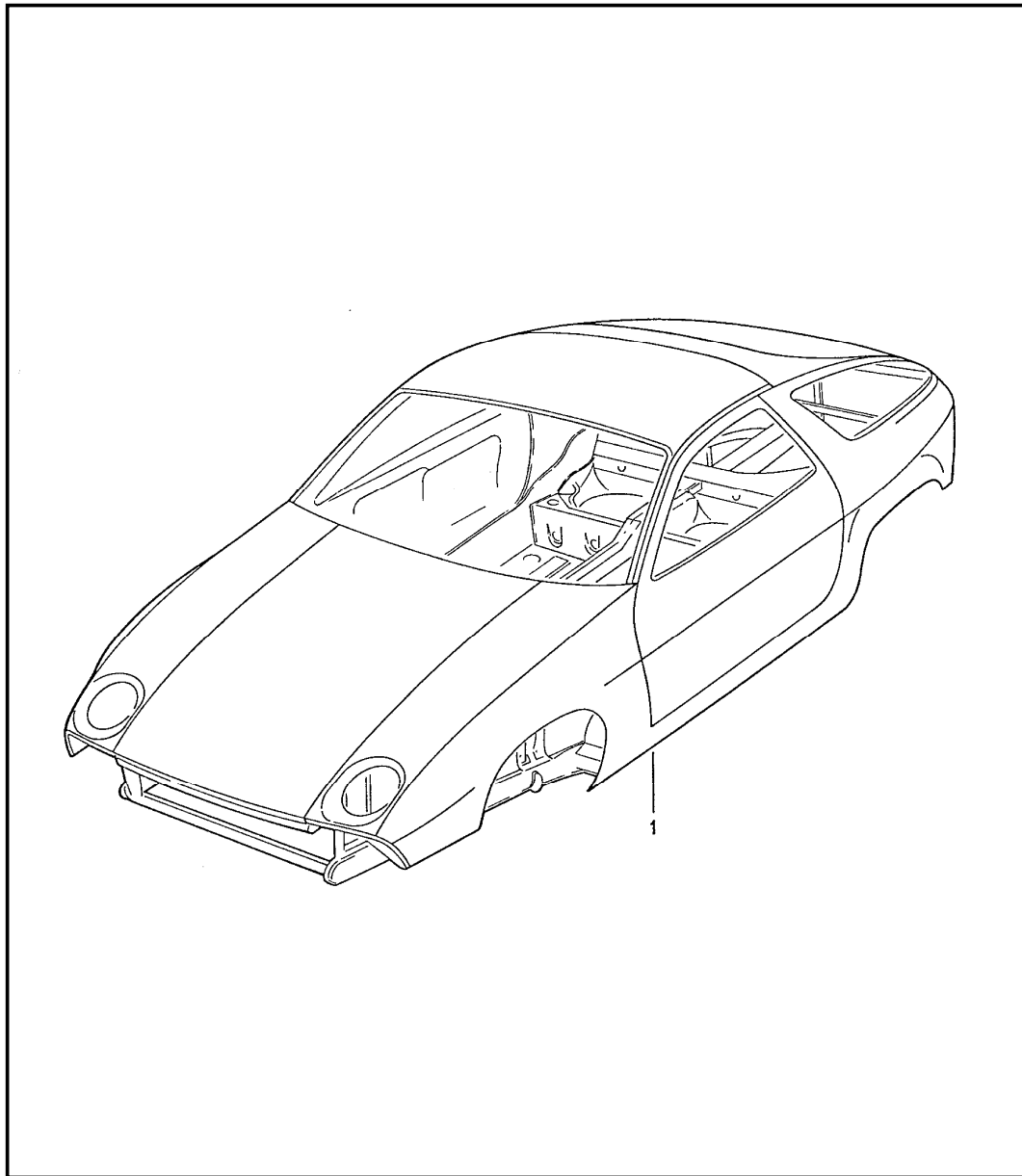
Pos	Part Number	Description	Remark	Qty	Model
1	911 423 111 02	accelerator control right-hand drive		1	
2	999 072 005 09	accelerator pedal		1	
3	999 072 005 09	hexagon-head bolt M 6 X 12		2	
4	N 011 666 7	washer B 6,4		2	
5	927 423 129 03	bearing bracket		1	
6	900 076 025 02	hexagon nut M 8		2	
7	N 012 241 8	spring washer B 8		2	
8	927 423 250 02	reverse lever		1	
9	999 924 002 40	plain bearing		2	
10	900 234 041 01	shim 10 X 16 X 1,3		1	
11	999 166 034 02	sl-lock		2	
12	999 703 183 40	buffer		2	
13	927 423 119 00	push rod		1	
14	911 423 147 00	ball socket		3	
15	N 011 005 14	hexagon nut M 5		1	
16	900 169 014 02	securing clip		1	
17	927 423 023 05	accelerator cable		1	
18	N 015 521 3	ball socket		2	
19	N 011 005 14	hexagon nut M 5		2	
20	927 423 025 03	guide tube		1	
21	999 166 046 02	lock		1	M249
22	999 702 119 50	rubber sleeve		1	M249
23	928 423 143 00	support		1	M249
24	N 011 524 7	washer A 6,4		1	M249



Model	Year	MG	SG	Illustration	Restrictions	UPD	19:31	23.01.2010	PORSCHE	PET	PORSCHE
928	1991	7	02	702-10		248					

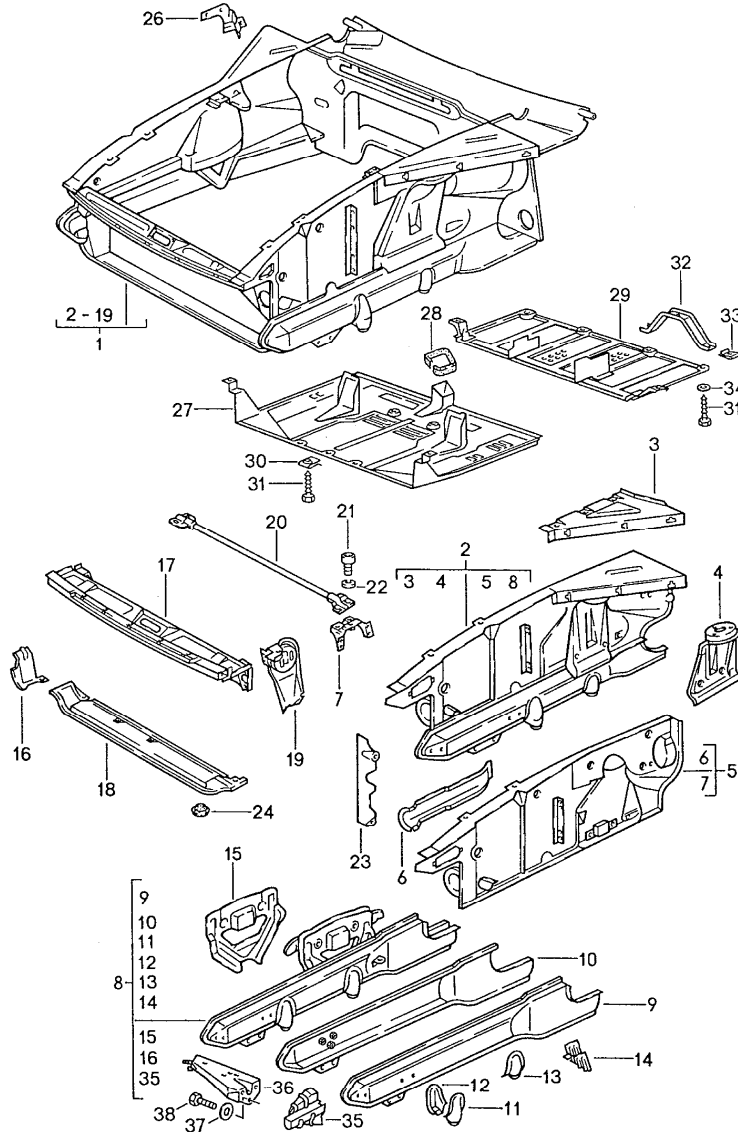
Pos	Part Number	Description	Remark	Qty	Model	Pos	Part Number	Description	Remark	Qty	Model
24	N 010 210 7	hexagon-head bolt M 6 X 10		1	M249						
25	928 423 277 00	sealing sleeve		1	M249						
26	A 999 512 355 02	hose clamp		2	M249						
26	999 512 355 01	hose clamp		2	M249						
27	928 423 141 00	support		2	M249						
28	928 423 041 06	cable for control pressure		1	M249						
29	999 701 960 40	sealing ring		1							
30	911 423 147 00	ball socket		1							
31	928 606 111 00	kickdown switch		1	M249						
32	928 613 419 00	spring washer		1	M249						
33	928 613 421 00	grooved nut		1	M249						
34	928 423 901 01	cable		1	M249						
35	477 723 601	nipple		1	M249						
		vertical pedal adjustment 15 MM									
-	928 423 133 04	bump stop		1							
-	927 423 119 01	push rod		1							
-	911 423 147 00	ball socket		1							
-	N 011 005 14	hexagon nut M 5		1							
		vertical pedal adjustment 30 MM									
-	928 423 133 05	bump stop		1							
-	927 423 119 01	push rod		1							
-	911 423 147 00	ball socket		1							
-	N 011 005 14	hexagon nut M 5		1							

Model	Year	MG	SG	Illustration	Restrictions	UPD	19:32	23.01.2010	PORSCHE	PET	PORSCHE
928	1991	8	01	801-00		248					



Pos	Part Number	Description	Remark	Qty	Model
		body in white prime coated sealed sprayed with filler with underbody protection bodyshells can only only available from current model year available			
1	928 500 901 08	body in white	/LL	1	
(1)	928 500 901 09	body in white	/LL	1	AUT.
(1)	928 500 901 11	body in white	/RL	1	
(1)	928 500 901 13	body in white	/RL	1	AUT.
(1)	928 500 901 66	body in white	/LL	1	M650
(1)	928 500 901 67	body in white	/LL	1	AUT. M650
(1)	928 500 901 69	body in white	/RL	1	M650
(1)	928 500 901 71	body in white	/RL	1	AUT. M650

Model	Year	MG	SG	Illustration	Restrictions	UPD	19:32	23.01.2010	PORSCHE	PET	PORSCHE
928	1991	8	01	801-05		248					



Pos	Part Number	Description	Remark	Qty	Model
		body front section			
1	A 928 501 011 05	body front section	/LL	-89	1 M481
(1)	A 928 501 011 06	body front section	/LL	90	1 M481
(1)	A 928 501 011 10	body front section	/LL	91	1 M481
(1)	A 928 501 011 11	body front section airbag	/LL	91	1 M481
(1)	A 928 501 011 12	body front section	/LL	91	1 M249
(1)	A 928 501 011 13	body front section airbag	/LL	91	1 M249
(1)	A 928 501 011 55	body front section	/LL	-89	1 M249
(1)	A 928 501 011 08	body front section	/LL	90	1 M249
(1)	A 927 501 011 05	body front section	/RL	-90	1 M481
(1)	A 927 501 011 06	body front section	/RL	91	1 M481
(1)	A 927 501 011 07	body front section	/RL	91	1 M249
(1)	A 927 501 011 55	body front section	/RL	-90	1 M249
(2)	928 501 013 07	wheel housing	/LL/L		1
(2)	928 501 014 07	wheel housing	/LL/R		1
(2)	927 501 013 07	wheel housing	/RL/L		1
(2)	927 501 014 07	wheel housing	/RL/R		1
3	928 501 081 02	side member	/L		1
(3)	928 501 082 02	side member	/R		1
4	928 501 083 03	reinforcement mounting suspension strut mounting	/L		1
(4)	928 501 084 03	reinforcement mounting suspension strut mounting	/R		1
(5)	928 501 035 05	wheel housing	/LL/L		1
(5)	927 501 035 05	wheel housing	/RL/L		1
(5)	928 501 036 05	wheel housing	/LL/R		1
(5)	927 501 036 05	wheel housing	/RL/R		1

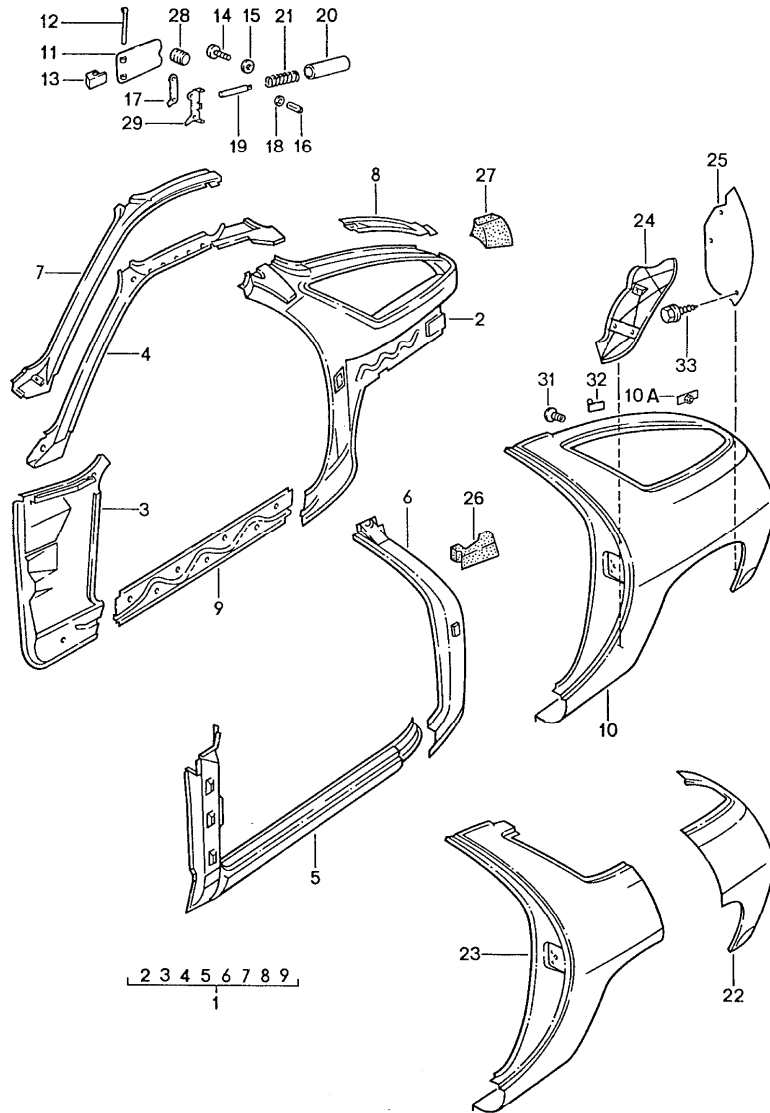
Model	Year	MG	SG	Illustration	Restrictions	UPD	19:32	23.01.2010	PORSCHE	PET	PORSCHE
928	1991	8	01	801-05		248					

Pos	Part Number	Description	Remark	Qty	Model	Pos	Part Number	Description	Remark	Qty	Model
6	928 501 121 03	bracket impact absorber	/L	1		16	928 501 040 00	connecting cap	/R	1	
(6)	928 501 122 03	bracket impact absorber	/R	1		17	928 501 033 03	terminal piece	/V	1	
7	928 501 551 03	bearing bracket transverse strut	/L	1		18	928 501 031 05	cross member		1	
	GRV	prime coated				19	928 501 127 03	bracket for engine pop-up headlight		1	
(7)	928 501 582 03	bearing bracket transverse strut	/R	1		20	928 504 061 02	transverse strut		1	
	GRV	prime coated				21	900 119 053 02	pan-head screw M 10 X 16		4	
(8)	928 501 015 07	bracket	/L	1		22	900 025 008 02	washer A 10,5		4	
(8)	928 501 016 07	bracket	/R	1		23	928 501 811 02	lining for radiator	/L	1	
9	928 501 105 03	bracket outer	/L	1		(23)	928 501 812 03	lining for radiator	/R	1	
(9)	928 501 106 03	bracket outer	/R	1		24	803 803 583 A	lid		9	
10	928 501 103 02	bracket inner	/L	1		25	928 504 357 02	water drain valve		1	
(10)	928 501 104 03	bracket inner	/R	1		26	928 501 313 03	retaining bracket for expansion tank	/LL	1	
11	928 501 139 02	bracket	/L	1		(26)	927 501 313 02	retaining bracket for expansion tank	/RL	1	
(11)	928 501 140 02	bracket	/R	1		27	928 504 021 02	protective plate	/V	1	
12	928 501 135 02	bracket	/L	1		28	928 504 215 00	edge protection		1	
(12)	928 501 136 02	bracket	/R	1		29	928 504 029 02	protective plate	/H	1	
13	928 501 195 02	bracket	/L	1		30	999 591 348 02	speed nut B 4,8		9	
(13)	928 501 196 02	bracket	/R	1		31	900 187 018 02	hexagon-head tapping screw B 4,8 X 16		9	
14	928 501 307 02	bracket for stabiliser	/L	1		32	928 504 137 02	fastening angle		2	
(14)	928 501 308 02	bracket for stabiliser	/R	1		33	999 591 699 02	speed nut B 4,8		4	
15	928 501 047 02	bracket	/L	1		33	999 591 699 01	speed nut B 4,8		4	
(15)	928 501 048 02	bracket	/R	1							
(16)	928 501 039 00	connecting cap	/L	1							

Model	Year	MG	SG	Illustration	Restrictions	UPD	19:32	23.01.2010	PORSCHE	PET	PORSCHE
928	1991	8	01	801-05		248					

Pos	Part Number	Description	Remark	Qty	Model	Pos	Part Number	Description	Remark	Qty	Model
34	N 011 665 3	washer B 5,3		4							
35	928 501 078 00	reinforcement towing lug		1							
36	928 501 596 00	support for fanfare	-89	1							
(36)	928 501 596 01	support for fanfare	90-	1							
37	N 011 666 7	washer B 6,4		3							
38	900 075 291 02	screw M 6 X 16		3							

Model	Year	MG	SG	Illustration	Restrictions	UPD	19:32	23.01.2010	PORSCHE	PET	PORSCHE
928	1991	8	01	801-10		248					



Pos	Part Number	Description	Remark	Qty	Model
		frame side section			
1	A 928 502 011 13	side section left	/LL	87	1
1	A 928 502 011 14	side section left	/LL	88	1
(1)	A 928 502 011 16	side section left	/LL	89	1
(1)	A 928 502 011 15	side section left	/LL	90-	1
(1)	A 928 502 011 68	side section left	/LL	87	1 M650
(1)	A 928 502 011 69	side section left	/LL	88	1 M650
(1)	A 928 502 011 17	side section left	/LL	89	1 M650
(1)	A 928 502 011 70	side section left	/LL	90-	1 M650
(1)	A 927 502 011 05	side section left	/RL	87	1
(1)	A 927 502 011 06	side section left	/RL	88-89	1
(1)	A 927 502 011 07	side section left	/RL	90-	1
(1)	A 927 502 011 16	side section left	/RL (AUS)	90-	1
(1)	A 927 502 011 63	side section left	/RL	87	1 M650
(1)	A 927 502 011 64	side section left	/RL	88-89	1 M650
(1)	A 927 502 011 65	side section left	/RL	90-	1 M650
(1)	A 927 502 011 17	side section left	/RL (AUS)	90-	1 M650
(1)	A 928 502 012 13	side section right	/LL	87-89	1

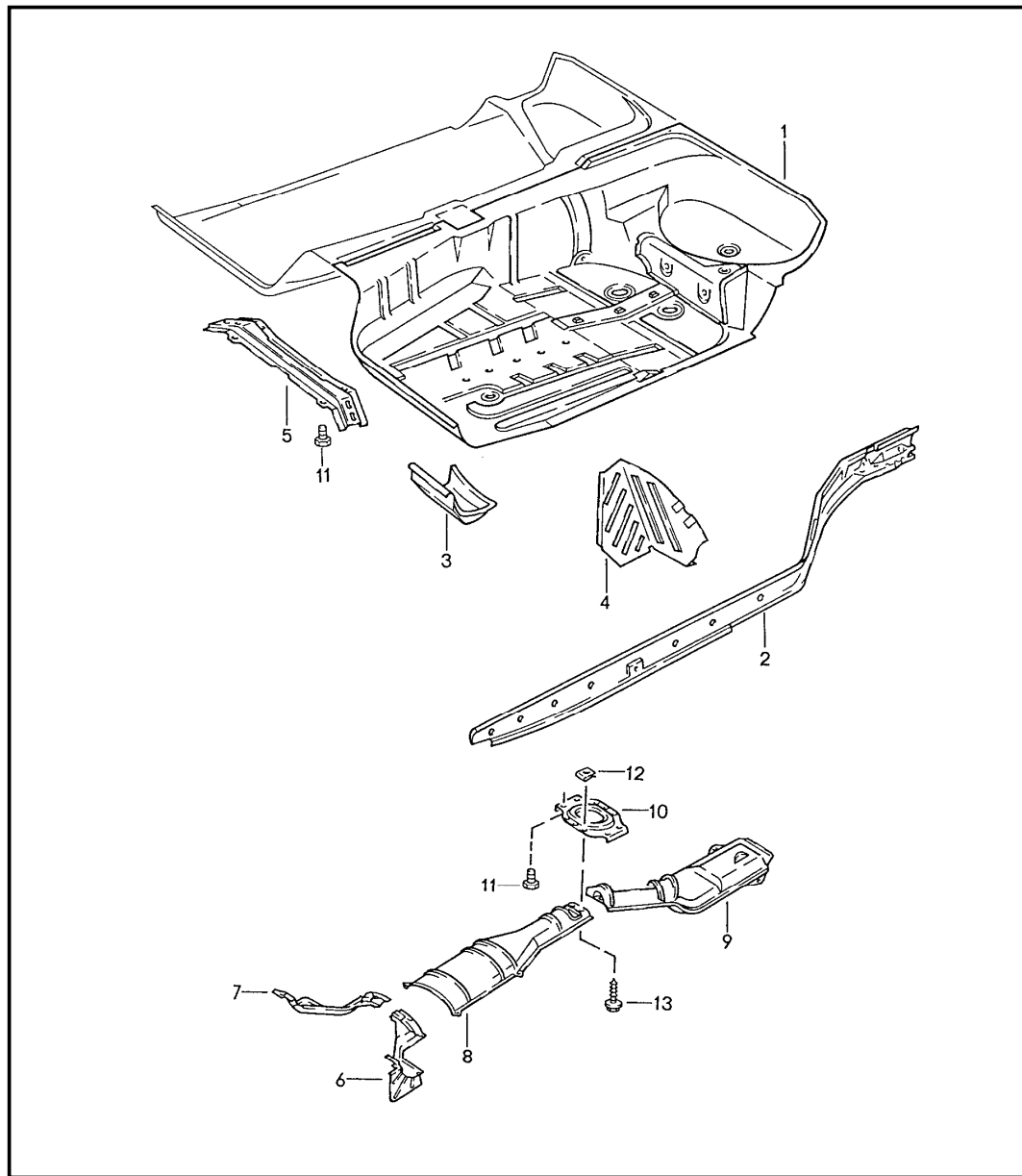
Model	Year	MG	SG	Illustration	Restrictions	UPD	19:32	23.01.2010	PORSCHE	PET	PORSCHE
928	1991	8	01	801-10		248					

Pos	Part Number	Description	Remark	Qty	Model	Pos	Part Number	Description	Remark	Qty	Model
(1)	A 928 502 012 14	side section right	/LL 90-	1		(2)	927 502 044 02	side section inner rear	/RL/R (AUS) 90-	1	
(1)	A 928 502 012 68	side section right	/LL 87-89	1	M650	3	928 502 013 09	side section inner front	/LL/L 87	1	
(1)	A 928 502 012 15	side section right	/LL 90-	1	M650	3	928 502 013 10	side section inner front	/LL/L 88	1	
(1)	A 927 502 012 05	side section right	/RL -88	1		(3)	928 502 013 11	side section inner front	/LL/L 89-	1	
(1)	A 927 502 012 08	side section right	/RL 89	1		(3)	928 502 014 09	side section inner front	/LL/R -89	1	
(1)	A 927 502 012 10	side section right	/RL 90-	1		(3)	928 502 014 12	side section inner front	/LL/R 90-	1	
(1)	A 927 502 012 16	side section right	/RL (AUS) 90-	1		(3)	927 502 013 10	side section inner front	/RL/L 87	1	
(1)	A 927 502 012 63	side section right	/RL -88	1	M650	(3)	927 502 013 11	side section inner front	/RL/L 88-	1	
(1)	A 927 502 012 09	side section right	/RL 89	1	M650	(3)	927 502 014 10	side section inner front	/RL/R -88	1	
(1)	A 927 502 012 06	side section right	/RL 89	1	M538	(3)	927 502 014 11	side section inner front	/RL/R 89-	1	
(1)	A 927 502 012 07	side section right	/RL 89	1	M538/650	(3)	927 502 014 11	side section inner front	/RL/R 89-90	1	M538
(1)	A 927 502 012 11	side section right	/RL 90-	1	M650	(3)	927 502 014 11	side section inner front	/RL/R 91	1	
(1)	A 927 502 012 17	side section right	/RL (AUS) 90-	1	M650	4	928 502 301 02	roof frame lateral	/L	1	
(2)	928 502 043 05	side section inner rear	/L -89	1		(4)	928 502 302 02	roof frame lateral	/R	1	
(2)	928 502 043 06	side section inner rear	/L 90-	1		(5)	928 502 015 03	door sill	/L	1	
(2)	927 502 043 03	side section inner rear	/RL/L (AUS) 90-	1		(5)	928 502 016 03	door sill	/R	1	
(2)	928 502 044 05	side section inner rear	/R -89	1		6	928 502 051 02	lock pillar	/L	1	
(2)	928 502 044 06	side section inner rear	/R 90-	1		(6)	928 502 052 02	lock pillar	/R	1	
						7	928 502 331 02	roof frame lateral upper	/L	1	
						(7)	928 502 332 02	roof frame lateral upper	/R	1	

Model	Year	MG	SG	Illustration	Restrictions	UPD	19:32	23.01.2010	PORSCHE	PET	PORSCHE
928	1991	8	01	801-10		248					

Pos	Part Number	Description	Remark	Qty	Model	Pos	Part Number	Description	Remark	Qty	Model	
8	928 502 033 02	interior frame	/L	1		(23)	928 503 914 04	sub-part wing front	/R	-89	1	
(8)	928 502 034 02	interior frame	/R	1								
9	928 502 111 02	separator		2		24	928 504 303 02	wheel cover	/L	-89	1	
(10)	928 503 061 16	side section	/L	-89	1	(24)	928 504 303 03	wheel-housing liner	/L	90-	1	
(10)	928 503 061 18	side section	/L	-89	1	M637/639	(24)	928 504 304 02	wheel cover	/R	-89	1
(10)	928 503 061 18	side section	/L	90-	1		(24)	928 504 304 03	wheel-housing liner	/R	90-	1
(10)	928 503 062 16	side section	/R	-89	1		25	928 504 309 03	wheel cover	/L	90	1
(10)	928 503 062 18	side section	/R	-89	1	M637/639	(25)	928 504 309 04	wheel cover	/L	90	1
(10)	928 503 062 18	side section	/R	90-	1		26	928 504 281 02	seal	/L	-89	1
10A	928 512 591 02	threaded plate it is necessary to rework		-88	2	M471	(26)	928 504 281 03	seal	/L	90-	1
11	928 504 301 02	flap		1		(26)	928 504 282 02	seal lock pillar	/R		1	
12	928 504 313 02	axle		1		27	928 504 283 02	seal	/L/H	87-	1	
13	928 504 326 02	stop		1		(27)	928 504 284 02	seal	/R/H	87-	1	
14	900 146 109 00	oval-head screw M 5 X 12		2		28	999 703 135 40	rubber buffer			1	
15	N 011 665 11	washer B 5,3		2		29	928 504 325 02	hinge half			1	
16	900 095 036 02	tensioning sleeve 2 X 8		1		31	999 015 005 07	half-round screw			4	
17	928 504 335 02	desk pad		1		32	928 503 621 02	pneumatic spring mount			2	
18	928 504 347 02	washer		1		33	900 187 115 02	combination screw B 5,5 X 16			10	
19	928 504 341 02	guiding rod		1								
20	928 504 343 02	protective tube		1								
21	928 504 345 02	compression spring		1								
22	928 503 911 08	sub-part wing rear	/L	-89	1							
22	928 503 912 08	sub-part wing rear	/R	-89	1							
23	928 503 913 04	sub-part wing front	/L	-89	1							

Model	Year	MG	SG	Illustration	Restrictions	UPD	19:32	23.01.2010	PORSCHE	PET	PORSCHE
928	1991	8	01	801-15		248					

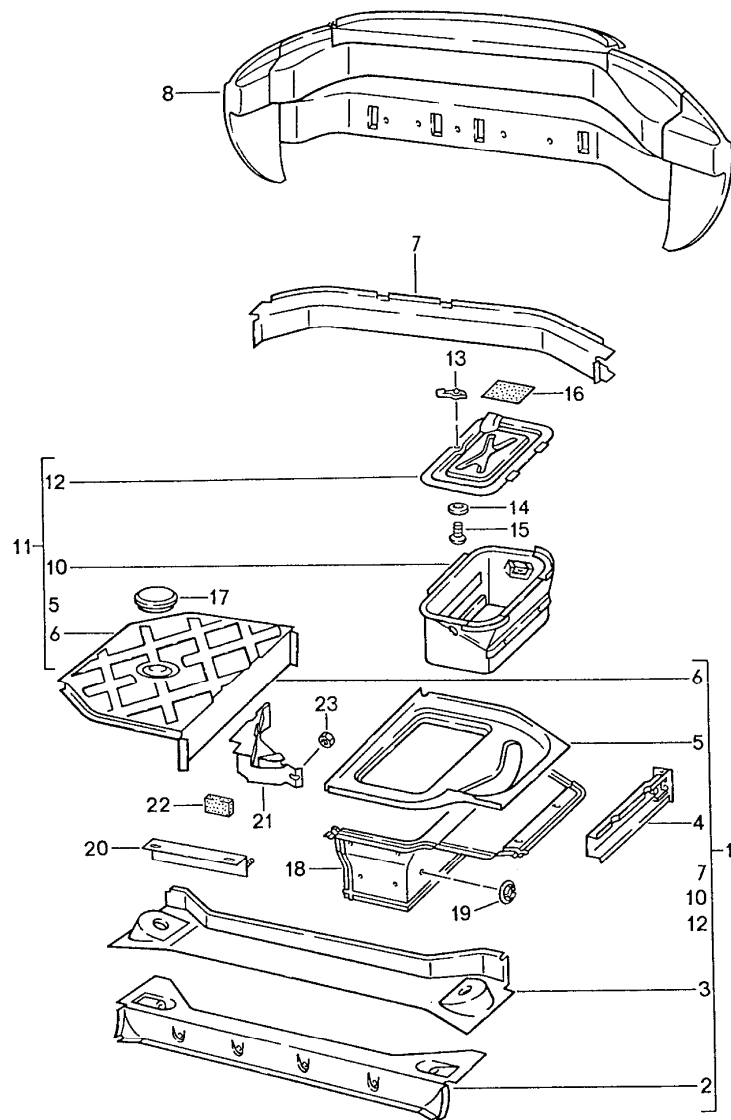


Pos	Part Number	Description	Remark	Qty	Model
		floor section frame centre			
1	928 501 953 04	floor section	/LL/L	-89	1
(1)	928 501 954 04	floor section	/LL/R	-89	1
(1)	927 501 953 04	floor section	/RL/L	-89	1
(1)	927 501 954 04	floor section	/RL/R	-89	1
(1) U	928 501 051 14	floor section complete	/LL	90	1 M481
(1) U	928 501 051 20	floor section complete	/LL	91	1 M481
(1) U	928 501 051 63	floor section complete	/LL	90	1 M249
(1) U	928 501 051 21	floor section complete	/LL	91	1 M249
(1) U	927 501 051 10	floor section complete	/RL	90	1 M481
(1) U	927 501 051 11	floor section complete	/RL	91	1 M481
(1) U	927 501 051 56	floor section complete	/RL	90	1 M249
(1) U	927 501 051 12	floor section complete	/RL	91	1 M249
(1)	928 501 053 08	floor section	/LL/L	90-	1
(1)	928 501 054 09	floor section	/LL/R	90-	1
(1)	927 501 053 07	floor section	/RL/L	90-	1
(1)	927 501 054 08	floor section	/RL/R	90-	1
2	928 501 021 04	side member	/LL/L		1
(2)	928 501 022 05	side member	/LL/R		1
(2)	927 501 021 05	side member	/RL/L		1
(2)	927 501 022 04	bracket	/RL/R		1
3	928 501 093 03	gusset plate	/L		1
(3)	928 501 094 03	gusset plate	/R		1
4	928 551 071 02	foot support	/LL/L	-89	1

Model	Year	MG	SG	Illustration	Restrictions	UPD	19:32	23.01.2010	PORSCHE	PET	PORSCHE
928	1991	8	01	801-15		248					

Pos	Part Number	Description	Remark	Qty	Model	Pos	Part Number	Description	Remark	Qty	Model
(4)	928 504 071 02	foot support	/LL/L 90-	1							
(4)	927 551 071 02	foot support	/RL/R	1							
5	928 501 901 05	cross member		1							
6	928 504 921 05	heat protection plate		1							
6A	928 504 825 02	support for heat protection plate		1							
7	928 504 924 05	heat protection plate		1							
8	928 504 091 00	heat protection plate		1							
(8)	928 504 091 01	heat protection plate	(J)	1							
9	928 504 931 04	heat protection plate	/L	1							
(9)	928 504 932 04	heat protection plate	/R	1							
10	928 501 495 02	bridge seat belt		1							
11	999 075 032 02	hexagon-head bolt M 8 X 20		4							
12	999 591 487 02	speed nut B 5,5		16							
13	900 187 115 02	combination screw B 5,5 X 16		16							

Model	Year	MG	SG	Illustration	Restrictions	UPD	19:32	23.01.2010	PORSCHE	PET	PORSCHE
928	1991	8	01	801-20		248					

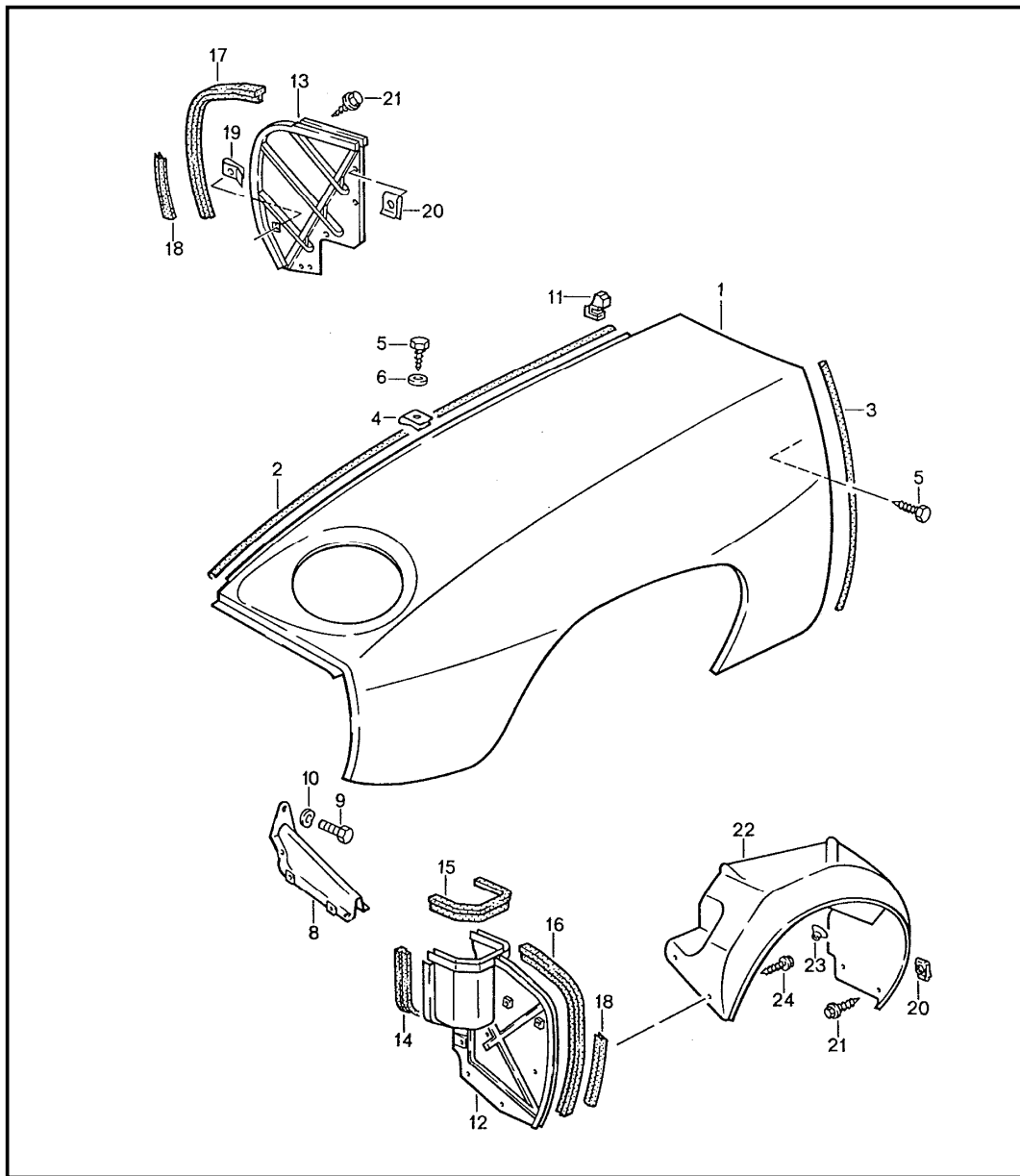


Pos	Part Number	Description	Remark	Qty	Model
		frame rear rear end			
(1)	928 501 071 05	rear end	-89	1	
(1)	928 501 071 06	rear end	90-	1	
		GRV prime coated			
2	928 501 515 03	cross member lower half 2,4,5		1	
(3)	928 501 715 03	cross member		1	
4	928 501 207 02	extension bracket	/L	1	
(4)	928 501 208 04	extension bracket	/R	1	
(5)	928 501 701 04	floor section	/L	1	
(6)	928 501 702 03	floor section	/R	1	
7	928 501 079 04	cross member		1	
8	928 502 081 06	terminal piece order also: threaded bolt 999.190.327.30	/LL	1	
8	927 502 081 06	terminal piece order also: threaded bolt 999.190.327.30	/RL	1	
(10)	928 501 805 04	battery box		1	
(11)	928 501 075 05	floor section	/H -89	1	
(11)	928 501 075 06	floor section	90-	1	
12	928 504 011 04	lid		1	
13	928 504 103 02	latch		1	
14	N 011 665 3	washer B 5,3		1	
15	N 013 973 4	tapping screw B 5,5 X 13		1	
16	911 201 259 00	desk pad for emergency wheel		4	

Model	Year	MG	SG	Illustration	Restrictions	UPD	19:32	23.01.2010	PORSCHE	PET	PORSCHE
928	1991	8	01	801-20		248					

Pos	Part Number	Description	Remark	Qty	Model	Pos	Part Number	Description	Remark	Qty	Model
17	928 504 207 02	lid		1							
18	928 504 053 00	heat protection plate		1							
19	999 591 736 02	speed nut		10							
(18)	928 504 501 01	heat protection plate	90-	1							
20	928 504 407 00	fastening angle	90-	1							
-	999 591 865 02	nut	90-	2							
-	999 591 736 02	speed nut	90-	8							
-	900 151 027 02	washer	90-	2							
-	N 021 196 1	lock nut	90-	2							
21	928 612 541 00	cover		1							
22	928 612 494 00	piece of plastic foam		1							
23	999 591 839 40	hexagon nut		1							

Model	Year	MG	SG	Illustration	Restrictions	UPD	19:33	23.01.2010	PORSCHE	PET	PORSCHE
928	1991	8	01	801-25		248					

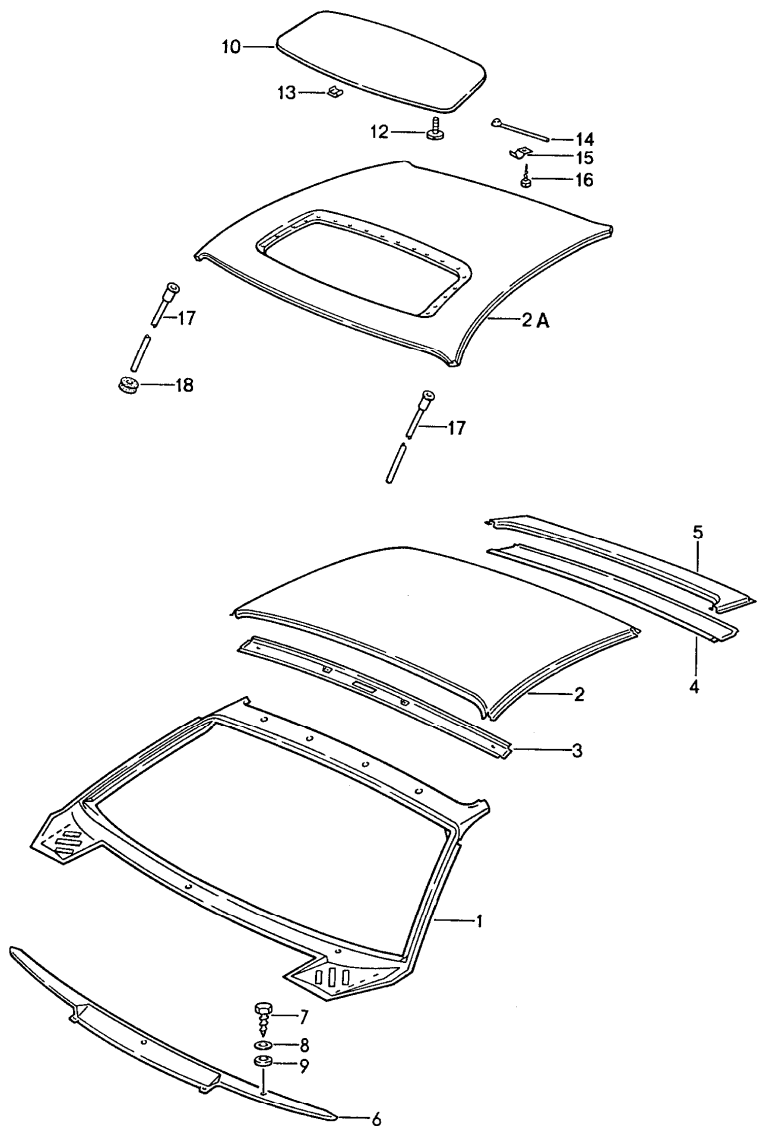


Pos	Part Number	Description	Remark	Qty	Model
		wing			
1	928 503 011 08	wing	/L	-89	1
1	928 503 012 08	wing	/R	-89	1
1	928 503 011 10	wing	/L	-89	1 M637/639
1	928 503 012 10	wing	/R	-89	1 M637/639
1	928 503 011 10	wing	/L	90-	1
1	928 503 012 10	wing	/R	90-	1
2	000 043 129 00	sealing strap			2
3	000 043 129 00	sealing strap			*
4	999 507 003 02	speed nut			26
5	999 450 007 02	combination screw			24
6	999 704 157 40	washer 5,5 X 18 X 1,5			24
8	928 503 031 04	wing strut			2
9	999 072 005 09	hexagon-head bolt M 6 X 12			10
10	N 012 226 5	spring washer			10
11	928 511 579 03	seal			2
12	928 504 221 11	cover	/L		1
13	928 504 222 11	cover	/R		1
14	928 504 223 04	sealing strap	/L		1
15	928 504 223 05	sealing strap	/L		1
16	928 504 223 07	sealing strap	/L		1
17	928 504 223 08	sealing strap	/L		1
18	928 504 223 09	sealing strap			2
19	999 507 048 03	speed nut M 6			2
20	999 591 487 02	speed nut B 5,5			15
21	900 187 115 02	combination screw B 5,5 X 16			15

Model	Year	MG	SG	Illustration	Restrictions	UPD	19:33	23.01.2010	PORSCHE	PET	PORSCHE
928	1991	8	01	801-25		248					

Pos	Part Number	Description	Remark	Qty	Model	Pos	Part Number	Description	Remark	Qty	Model
22	928 504 381 05	wheel-housing liner	/L	-89	1						
(22)	928 504 382 05	wheel-housing liner	/R	-89	1						
(22)	928 504 381 05	wheel-housing liner	/L	-89	1	M637/639					
(22)	928 504 382 05	wheel-housing liner	/R	-89	1	M637/639					
(22)	928 504 381 05	wheel-housing liner	/L	90-	1						
(22)	928 504 382 05	wheel-housing liner	/R	90-	1						
23	999 049 022 40	plastic nut			2						
24	900 187 108 02	tapping screw BZ 6,3 X 16			4						

Model	Year	MG	SG	Illustration	Restrictions	UPD	19:33	23.01.2010	PORSCHE	PET	PORSCHE
928	1991	8	01	801-30		248					

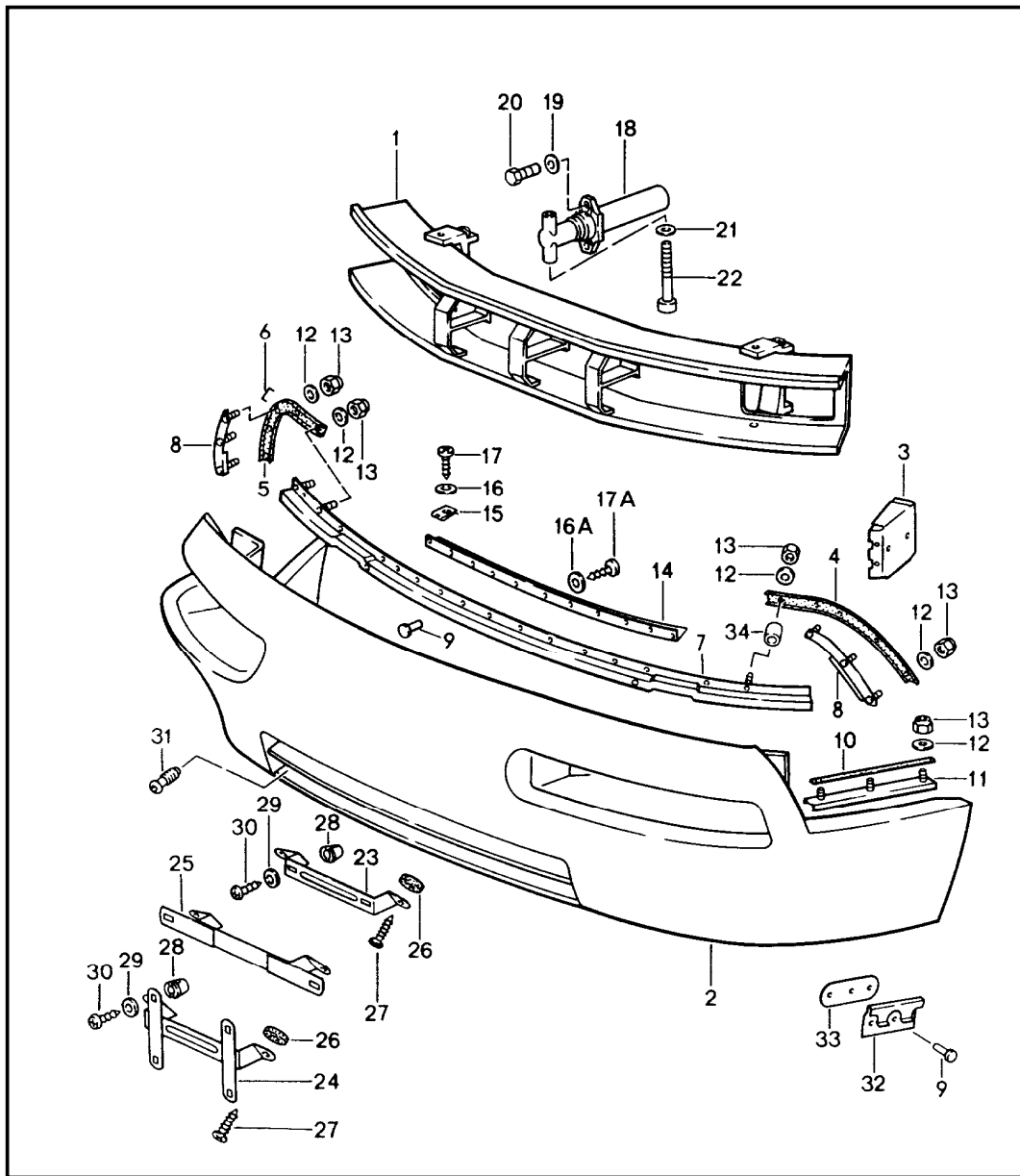


Pos	Part Number	Description	Remark	Qty	Model
		roof cowl			
1	928 503 041 08	cowl	/LL	1	
(1)	927 503 041 04	cowl	/RL	1	
2	928 503 501 02	roof	-89	1	
(2)	928 503 501 03	outer roof panel	90-	1	
2A	928 503 027 60	roof	-88	1	M650
2A	928 503 027 61	outer roof panel	89-	1	M650
3	928 502 383 02	roof frame	/V	1	
4	928 502 393 02	roof frame lower	/H	1	
5	928 502 395 02	roof frame upper	/H	1	
6	928 559 117 02	cowl panel outer part	/LL	1	
(6)	927 559 117 02	cowl panel	/RL	1	
-	928 559 251 02	gasket cowl panel 1600 MM		1	
7	900 187 010 02	tapping screw BZ 6,3 X 19		2	
8	900 151 003 02	washer A 6,4		2	
9	999 704 157 40	washer		2	
10	928 564 033 41	lid		1	
12	900 072 003 02	adjusting screw M 5 X 12		2	
13	999 591 898 02	clamp	-90	18	
13	999 591 898 02	clamp	91	18	
14	928 564 081 02	wire spring		1	
15	928 564 379 02	clamping piece		1	
16	N 013 970 5	tapping screw B 4,8 X 9,5		1	

Model	Year	MG	SG	Illustration	Restrictions	UPD	19:33	23.01.2010	PORSCHE	PET	PORSCHE
928	1991	8	01	801-30		248					

Pos	Part Number	Description	Remark	Qty	Model	Pos	Part Number	Description	Remark	Qty	Model
16	N 106 568 02	tapping screw B 4,8 X 9,5		1							
17	928 564 413 02	water drain hose		2							
18	021 119 569 A	rubber sleeve		2							

Model	Year	MG	SG	Illustration	Restrictions	UPD	19:33	23.01.2010	PORSCHE	PET	PORSCHE
928	1991	8	02	802-00		248					

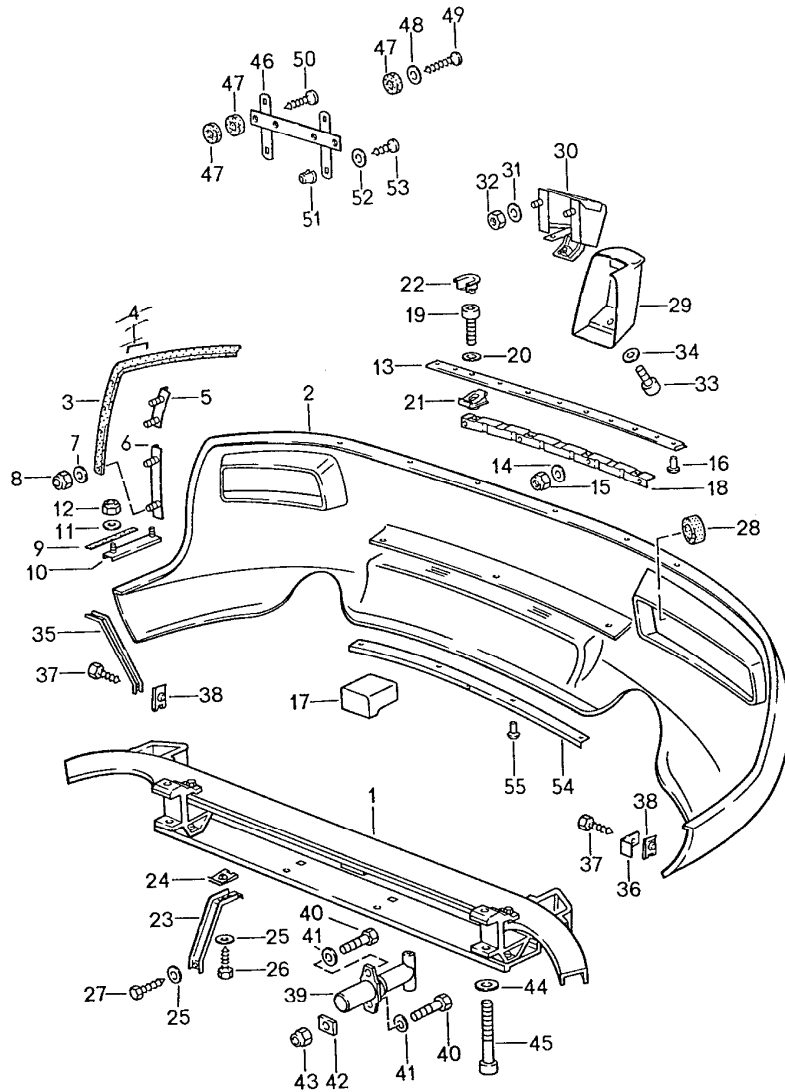


Pos	Part Number	Description	Remark	Qty	Model
		bumper front			
1	928 505 010 20	bracket		1	
(1)	928 505 010 21	bracket		1	M215
(2)	928 505 113 20	lining		1	
3	928 505 047 21	support		87	2 M215
3	928 505 047 21	support		88-	2 M215
(4)	928 505 051 00	piping	/L	-89	1
		70B black			
(4)	928 505 051 01	piping			1
		70B black			
(4)	928 505 143 03	piping	/L	90-	1
		01C satin black			
(5)	928 505 052 00	piping	/R	-89	1
		70B black			
(5)	928 505 052 01	piping	/R	91-	1
		70B black			
(5)	928 505 143 03	piping	/R	90-	1
		01C satin black			
-	928 505 191 00	cap		2	
6	999 591 539 07	fastening clamp		X	
7	928 505 031 20	retaining strip upper		2	
8	928 505 033 20	retaining strip	/L	1	
(8)	928 505 034 20	retaining strip	/R	1	
9	A 999 190 104 30	blind rivet		-90	20
(9)	999 190 114 30	rivet		90	20
(9)	999 190 114 30	rivet		91-	31
10	000 043 101 00	sealing cord		1	
11	928 505 049 00	attachment strip		2	

Model	Year	MG	SG	Illustration	Restrictions	UPD	19:33	23.01.2010	PORSCHE	PET	PORSCHE
928	1991	8	02	802-00		248					

Pos	Part Number	Description	Remark	Qty	Model	Pos	Part Number	Description	Remark	Qty	Model
12	N 011 665 3	washer B 5,3		12		28	999 591 498 40	special nut		2	
13	N 021 196 1	lock nut M 5		16		29	N 011 522 8	washer		2	
14	928 505 114 20	rail		1		30	900 143 134 00	tapping screw		2	
15	999 591 485 02	speed nut B 4,8		5		31	928 722 107 01	cap towing lug front		1	
16	900 025 003 02	washer A 5,3		5		32	999 591 861 02	clamp for front spoiler		6	
16A	900 025 044 07	washer A 4,3		6		33	999 591 862 02	desk pad		6	
17	900 143 147 07	tapping screw B 4,8 X 16	-90	5		34	928 505 511 04	sleeve	90-	2	
(17)	900 143 147 07	tapping screw B 4,8X16	91-	11							
17A	900 143 113 07	tapping screw B 4,2 X 13		6							
18	993 505 019 00	impact pipe		2							
(18)	928 505 015 22	impact absorber		2	M058/215						
19	900 025 007 02	washer 8,4		4							
20	900 075 339 08	hexagon-head bolt M 8 X 30	-90	4							
(20)	999 062 009 02	stud M 8 X 28	91-	4							
21	900 025 009 02	washer A 13		2							
22	900 067 084 02	pan-head screw M 12 X 110		2							
23	928 701 121 04	support for number plate		1							
25	928 701 050 05	support for number plate		1							
26	914 571 903 10	sealing ring		2							
27	N 014 000 2	tapping screw B 4,8 X 19		2							

Model	Year	MG	SG	Illustration	Restrictions	UPD	19:33	23.01.2010	PORSCHE	PET	PORSCHE
928	1991	8	02	802-05		248					



Pos	Part Number	Description	Remark	Qty	Model
1	928 505 020 20	bumper rear		1	
(1)	928 505 020 21	bracket		1	M215
2	928 505 123 20	lining		1	
(2)	928 505 123 21	lining		1	M215
-	928 505 657 00	cap		1	
(3) A	928 505 145 20	G2X prime coated for towing lug piping	/L	1	
3 A	928 505 146 20	piping	/R	1	
(3)	928 799 505 53	piping		2	-89
(3)	928 505 145 03	70B black piping		2	90-
-	928 505 145 01C	black piping	order also:		
-	928 505 191 00	cap		1	
4	999 591 539 07	fastening clamp		X	
(5)	928 505 035 20	retaining strip upper	/L	1	
5	928 505 036 20	retaining strip upper	/R	1	
(6)	928 505 037 20	retaining strip lower	/L	1	
6	928 505 038 20	retaining strip lower	/R	1	
-	928 505 511 04	sleeve		2	90-
7	N 011 665 3	washer B 5,3		8	
8	900 910 009 02	lock nut M 5		8	
9	000 043 101 00	sealing cord		X	
10	928 505 043 00	attachment strip		2	

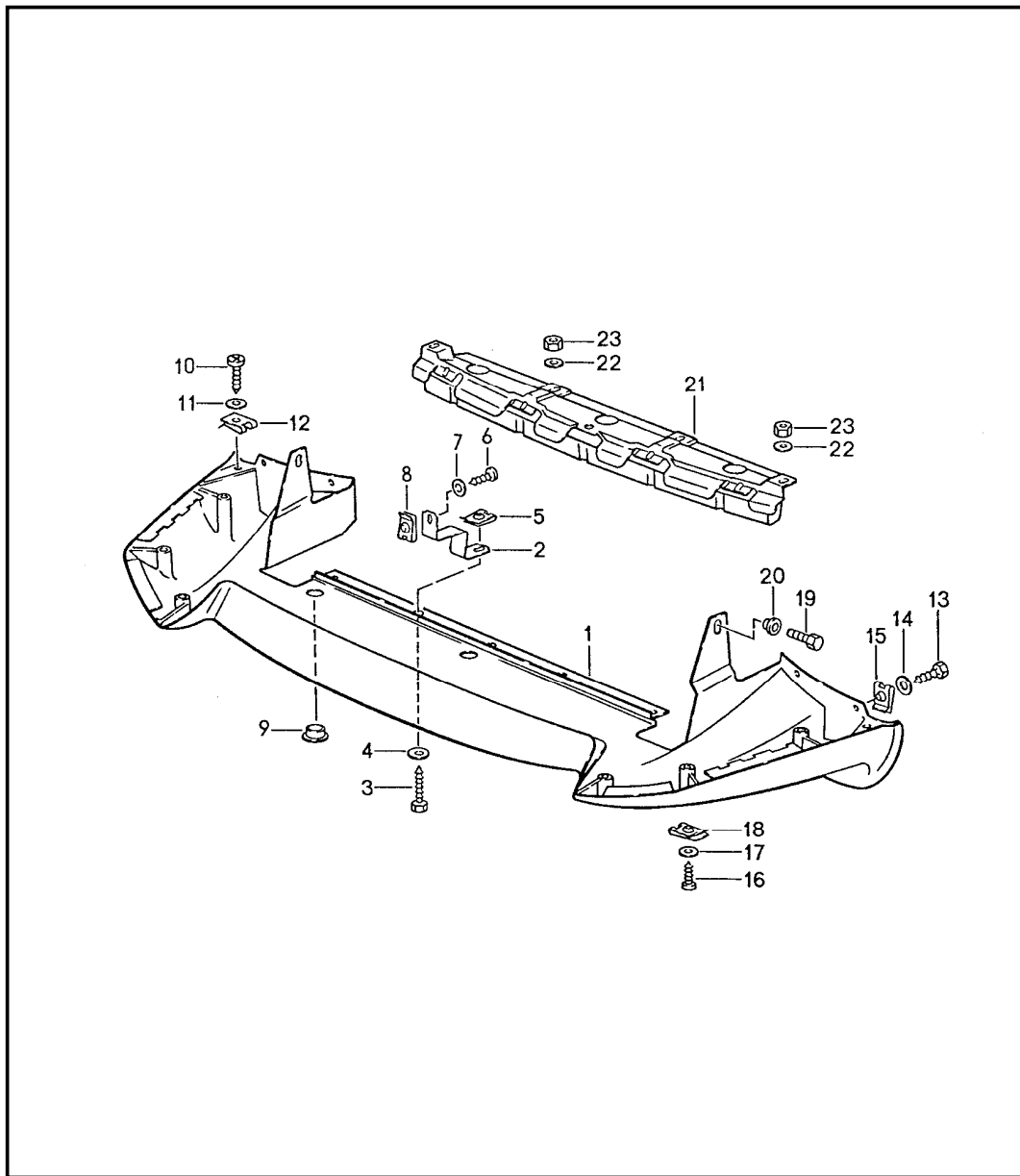
Model	Year	MG	SG	Illustration	Restrictions	UPD	19:33	23.01.2010	PORSCHE	PET	PORSCHE
928	1991	8	02	802-05		248					

Pos	Part Number	Description	Remark	Qty	Model	Pos	Part Number	Description	Remark	Qty	Model
11	N 011 665 3	washer B 5,3		4			01C	black			
12	900 910 009 02	lock nut M 5		4		30	928 505 065 20	mounting piece		2	M215
13	928 505 447 00	reinforcement strip		1		31	N 011 525 13	washer A 8,4		6	M215
14	N 011 665 3	washer B 5,3		4		32	900 076 025 02	hexagon nut M 8		6	M215
15	900 910 009 02	lock nut M 5		4		33	900 067 185 07	pan-head screw M 6 X 12		2	M215
16	A 999 190 104 30	blind rivet	-90	X		34	900 031 028 07	washer 6,4		2	M215
17	928 505 245 20	buffer		2		35	928 505 522 02	bracket	/R	1	
18	928 505 273 02	retaining strip		1		36	928 505 523 00	retaining bracket	/L	1	
19	N 044 728 1	pan-head screw M 5 X 20		4		37	900 187 115 02	combination screw B 3,5 X 16		2	
20	N 011 665 3	washer B 5,3		4		38	999 591 487 02	speed nut B 5,5		2	
21	999 507 330 02	nut lock M 5		4		39	928 505 018 20	impact pipe		2	
22	928 505 389 00	cap		4		(39)	928 505 016 22	impact absorber		2	M058/215
23	928 505 279 02	rear support		2		40	900 075 339 08	hexagon-head bolt	-90	4	
24	N 902 689 01	speed nut B 4,2		2		(40)	900 075 222 02	combination screw	91-	4	
24	999 591 742 01	speed nut B 4,2		2		41	900 025 007 02	washer 8,4	-90	4	
25	900 025 002 02	washer A 4,3		4		42	928 505 321 02	desk pad		2	
26	N 043 884 1	tapping screw B 4,2 X 13		2		43	900 910 095 02	lock nut M 8		2	
27	N 043 890 1	tapping screw B 4,2 X 9,5		2		44	900 025 009 02	washer A 13		2	
28	999 703 066 50	grommet	-89	2		45	900 067 084 02	pan-head screw M 12 X 110		2	
(28)	999 703 066 50	grommet	90-	2		(46)	928 701 050 03	support for number plate		1	CH
29	928 505 005 20	buffer	/L	1	M215	47	914 571 903 10	sealing ring		2	
	01C	black				48	900 025 003 02	washer A 5,3		2	
(29)	928 505 006 20	buffer	/R	1	M215						

Model	Year	MG	SG	Illustration	Restrictions	UPD	19:33	23.01.2010	PORSCHE	PET	PORSCHE
928	1991	8	02	802-05		248					

Pos	Part Number	Description	Remark	Qty	Model	Pos	Part Number	Description	Remark	Qty	Model
49	N 013 971 3	tapping screw B 4,8 X 22		2							
54	928 505 269 02	reinforcement strip		1							
55	999 190 114 30	rivet		X							

Model	Year	MG	SG	Illustration	Restrictions	UPD	19:33	23.01.2010	PORSCHE	PET	PORSCHE
928	1991	8	02	802-10		248					

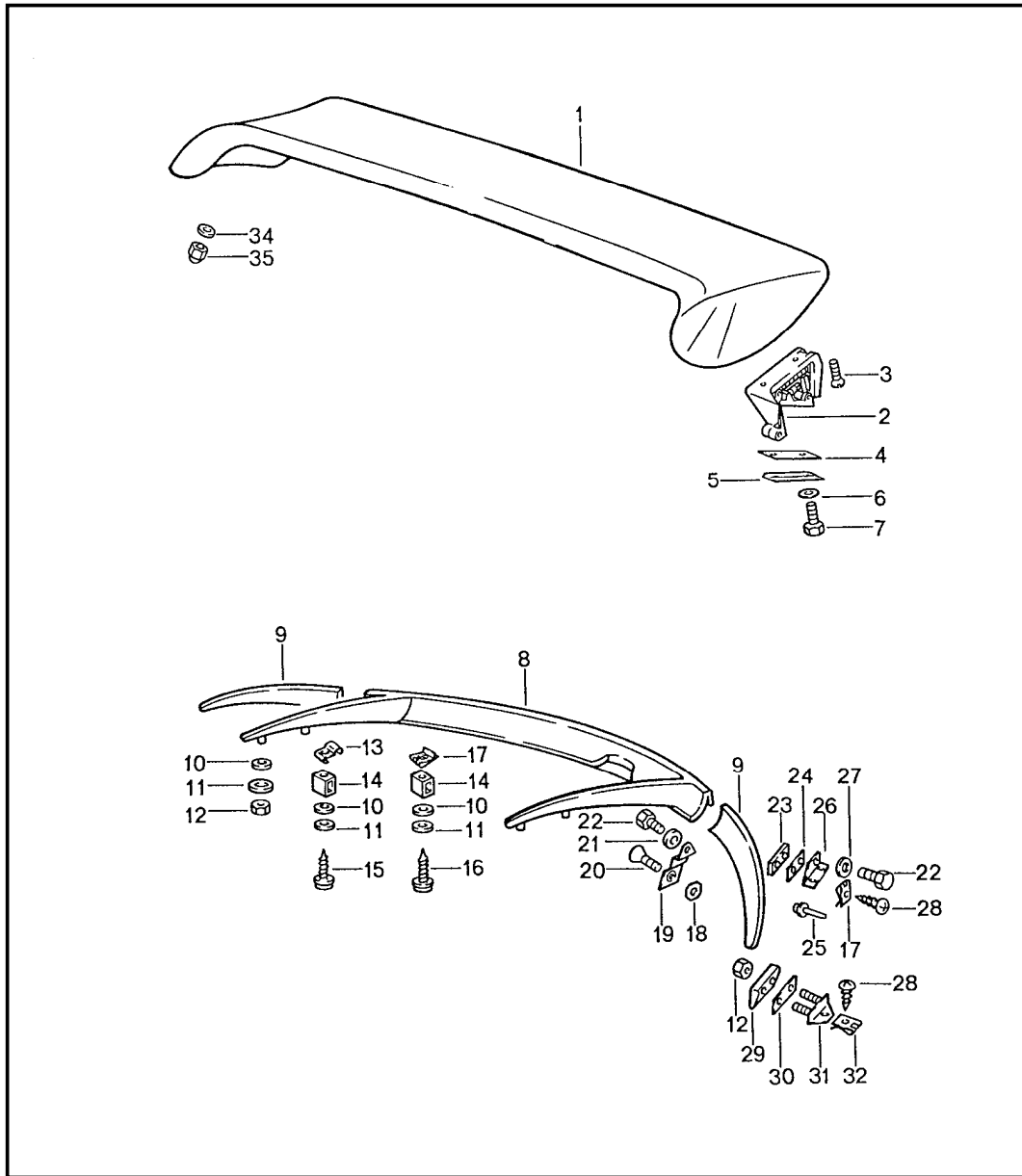


Pos	Part Number	Description	Remark	Qty	Model
1	928 505 071 20	spoiler front			
	70B	black			
(1)	928 505 071 21	front spoiler		-89	1
	70B	black			
2	928 505 289 02	support		-89	3
3	900 187 121 02	tapping screw B 4,8 X 22			3
4	N 011 665 3	washer B 5,3		-89	3
5	999 591 699 02	speed nut B 4,8		-89	3
5	999 591 699 01	speed nut B 4,8		-89	3
6	900 143 147 07	tapping screw B 4,8 X 16		-89	3
7	N 011 665 3	washer B 5,3		-89	3
8	999 591 699 02	speed nut B 4,8		-89	3
8	999 591 699 01	speed nut B 4,8		-89	3
9	999 703 343 40	stopper F F	>>92HS8 41176 >>92HS8 49649		1
10	900 143 148 07	tapping screw B 4,8 X 19	(J)		2
11	N 011 665 3	washer B 5,3			2
12	999 591 699 02	speed nut B 4,8		-89	2
12	999 591 699 01	speed nut B 4,8		-89	2
(12)	999 591 938 02	clamp B 4,8		-90	2

Model	Year	MG	SG	Illustration	Restrictions	UPD	19:33	23.01.2010	PORSCHE	PET	PORSCHE
928	1991	8	02	802-10		248					

Pos	Part Number	Description	Remark	Qty	Model	Pos	Part Number	Description	Remark	Qty	Model
(12)	999 591 938 01	clamp B 4,8	-90	2							
13	900 187 004 02	hexagon-head tapping screw 4,8 X 19		4							
14	N 011 665 3	washer B 5,3		4							
15	999 591 699 02	speed nut B 4,8		4							
15	999 591 699 01	speed nut B 4,8		4							
16	900 143 147 07	tapping screw B 4,8 X 16		6							
17	900 025 003 02	washer A 5,3		6							
18	999 591 699 02	speed nut B 4,8		6							
18	999 591 699 01	speed nut B 4,8		6							
19	N 010 215 13	hexagon-head bolt M 6 X 15		2							
20	937 503 255 00	spacer	-89	2							
20	900 151 027 02	washer B 5,3	90-	2							
21	928 505 059 02	bracket front spoiler	-89	1							
21	928 505 059 03	bracket front spoiler	90-	1							
22	N 011 666 6	washer B 6,4		4							
23	900 910 118 00	lock nut M 6		4							

Model	Year	MG	SG	Illustration	Restrictions	UPD	19:33	23.01.2010	PORSCHE	PET	PORSCHE
928	1991	8	02	802-15		248					

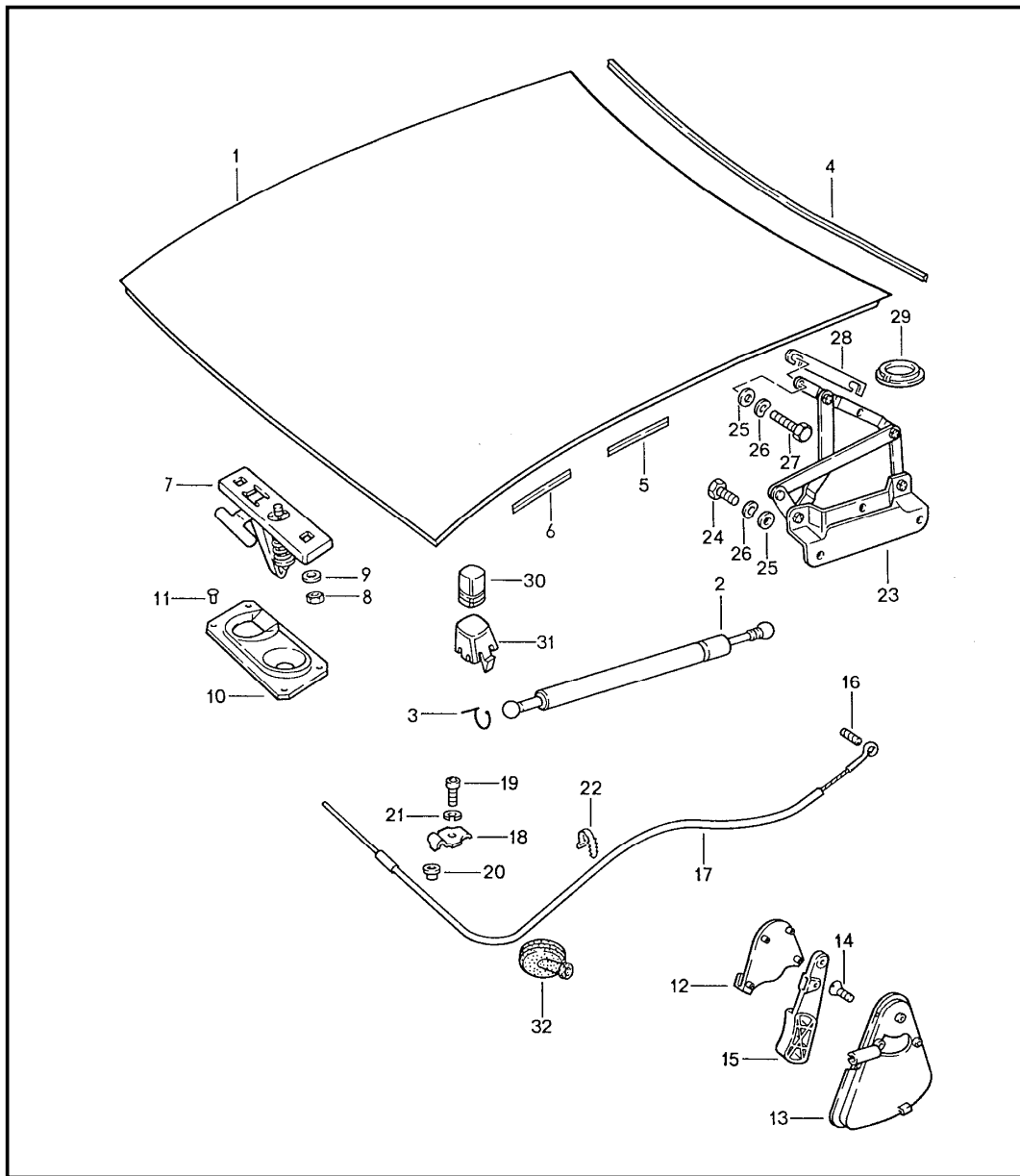


Pos	Part Number	Description	Remark	Qty	Model
		spoiler rear			
		spoiler collapsible		87	1
1	928 512 078 04	rear spoiler		1	
		70C			
2	928 512 111 02	hinge	/L	1	
2	928 512 112 02	hinge	/R	1	
3	900 249 008 02	countersunk-head screw M 6 X 12		4	
4	928 512 223 02	adhesive film	/L	1	
4	928 512 224 02	adhesive film	/R	1	
5	928 512 277 00	desk pad		2	
6	900 151 037 07	washer 6,4		4	
7	999 217 079 07	hexagon-head bolt M 6 X 12		4	
		spoiler fixed		88-	1
1	928 512 078 03	rear spoiler		1	
		70C			
		black			
34	900 151 037 07	washer A 6,4		4	
35	900 085 014 07	cap nut M 6		4	
		spoiler integrated		1	M471
8	928 512 071 02	rear spoiler		1	
9	928 512 073 02	rear spoiler	/L	1	
9	928 512 074 02	rear spoiler	/R	1	
10	928 559 143 02	sealing ring		10	
11	999 025 083 70	washer 3,7 X 11 X 0,5		10	

Model	Year	MG	SG	Illustration	Restrictions	UPD	19:33	23.01.2010	PORSCHE	PET	PORSCHE
928	1991	8	02	802-15		248					

Pos	Part Number	Description	Remark	Qty	Model	Pos	Part Number	Description	Remark	Qty	Model
12	900 910 006 02	lock nut M 4 M 4		4							
13	928 512 307 02	speed nut		6							
14	928 512 199 02	spacer		12							
15	999 450 004 02	tapping screw B 4,2 X 28		4							
16	999 450 005 02	tapping screw B 4,2 X 32		6							
17	N 015 429 2	speed nut B 4,2		6							
18	928 512 611 02	desk pad		2							
19	928 512 589 02	retaining bracket		2							
20	999 219 003 07	countersunk-head screw M 6 X 16		2							
21	900 151 037 07	washer A 6,4		2							
22	999 217 006 07	hexagon-head bolt M 6 X 10		4							
23	928 512 601 02	threaded plate		2							
24	928 512 613 02	desk pad		2							
25	999 190 151 30	tubular rivet D 4 X 4,8 - 6		2							
26	928 512 595 02	bracket		2							
27	N 011 524 7	washer A 6,4		2							
28	N 013 965 9	oval-head sheetmetal screw BZ 4,2 X 9,5		4							
29	928 512 609 02	base wedge		2							
30	928 512 615 02	desk pad		2							
31	928 512 605 02	bracket		2							
32	999 507 229 02	speed nut B 4,2		2							

Model	Year	MG	SG	Illustration	Restrictions	UPD	19:34	23.01.2010	PORSCHE	PET	PORSCHE
928	1991	8	03	803-00		248					

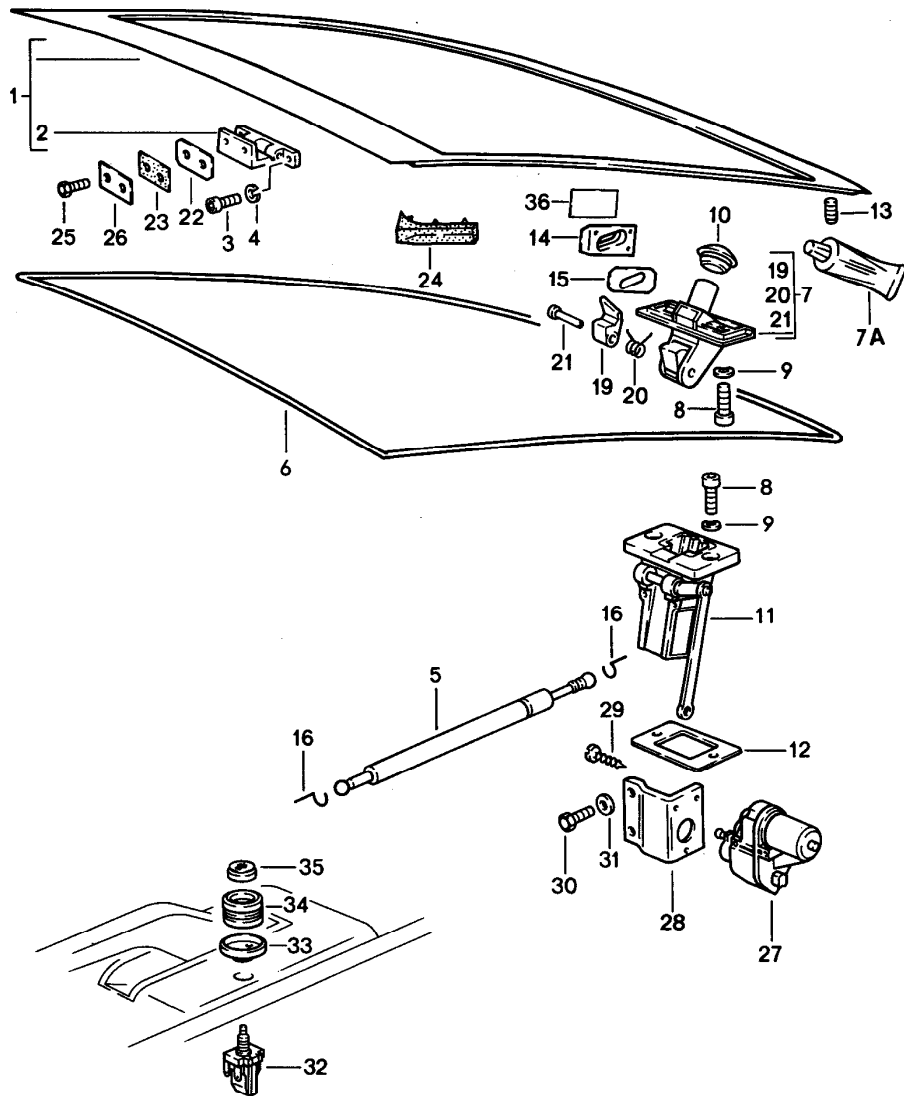


Pos	Part Number	Description	Remark	Qty	Model
		bonnet installation parts			
1	928 511 005 03	bonnet	-90	1	
(1)	928 511 005 04	bonnet	90-	1	
2	928 511 139 03	gas-pressure spring		2	
3	900 169 016 02	clip		4	
4	928 511 141 03	gasket		1	
5	928 504 551 03	gasket lateral	-88	2	
6	928 504 551 03	gasket lateral	-88	2	
(6)	928 504 551 03	gasket lateral	89-	2	
7	928 511 029 03	lid lock upper part		1	
8	900 076 010 02	hexagon nut M 6		2	
9	N 015 404 1	washer 6,4		2	
10	928 511 027 02	lid lock lower part		1	
11	999 190 128 30	blind rivet 4,8 X 7,4		4	
12	928 511 143 02	cover		1	
		70B black			
13	928 511 173 02	cup		1	
		70B black			
14	900 249 001 02	countersunk-head screw M 6 X 15		2	
		M 6 X 15			
15	928 511 175 02	pull handle		1	
		70B black			
16	900 197 018 00	roll pin 4 X 12		1	

Model	Year	MG	SG	Illustration	Restrictions	UPD	19:34	23.01.2010	PORSCHE	PET	PORSCHE
928	1991	8	03	803-00		248					

Pos	Part Number	Description	Remark	Qty	Model	Pos	Part Number	Description	Remark	Qty	Model
17	928 511 037 04	wire pull	/LL -89	1							
(17)	927 504 037 00	wire pull	/RL -89	1							
(17)	928 504 037 00	wire pull	/LL 90-	1							
(17)	927 504 037 00	wire pull	/RL 90-	1							
18	928 511 541 02	clamping piece		1							
19	900 067 008 02	pan-head screw M 6 X 12		1							
20	928 511 543 02	sleeve		1							
21	N 012 007 2	lock ring A 6		1							
22	999 513 007 40	tie-wrap		1							
23	928 511 041 04	lid hinge	/L -90	1							
(23)	928 511 041 04	lid hinge	/L 91	1							
(23)	928 511 042 04	lid hinge	/R -90	1							
(23)	928 511 042 04	lid hinge	/R 91	1							
24	N 010 237 6	hexagon-head bolt M 8 X 12		6							
25	900 025 007 02	washer 8,4		10							
27	900 075 309 08	hexagon-head bolt M 8 X 20		4							
28	928 511 419 02	compensating plate		X							
29	928 511 321 03	cap		2							
30	999 703 132 40	rubber buffer		2							
31	928 511 203 02	support		2							
32	111 957 861	grommet		1							

Model	Year	MG	SG	Illustration	Restrictions	UPD	19:34	23.01.2010	PORSCHE	PET	PORSCHE
928	1991	8	03	803-05		248					

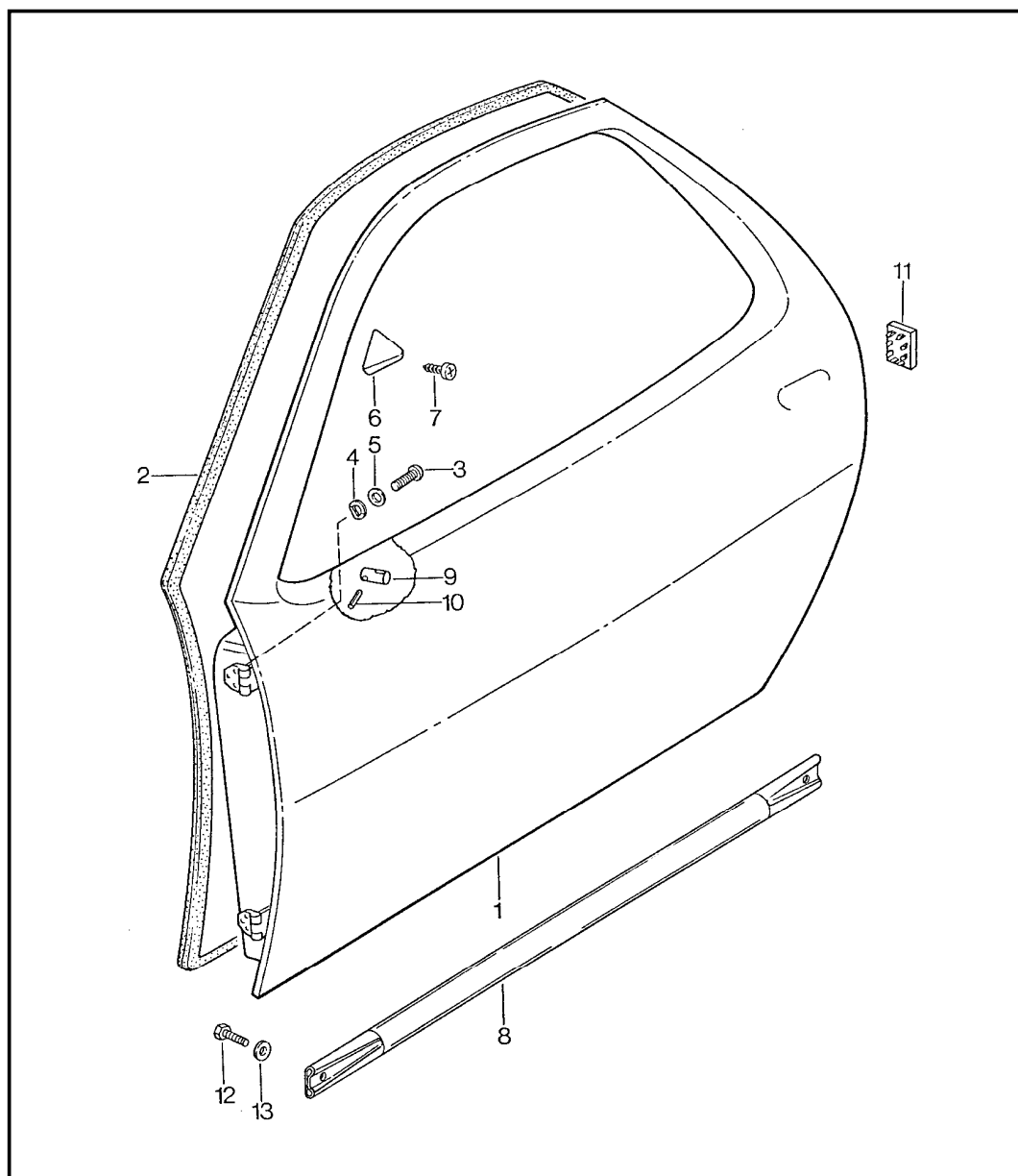


Pos	Part Number	Description	Remark	Qty	Model
		rear lid installation parts			
		differing parts for cars with alarm system see group 8/04/20			
1	928 512 005 05	rear lid GRV prime coated		1	
(1)	928 512 005 06	rear lid	88-89	1	M637
2	928 512 041 04	hinge	-90	2	
(2)	928 512 041 04	hinge	91-	2	
3	999 509 012 02	pan-head screw M 6 X 20		8	
4	N 012 026 3	lock ring A 6		8	
5	928 512 331 05	gas-pressure spring		2	
6	928 512 129 04	gasket	-89	1	
(6)	928 512 129 04	gasket	90-	1	
7	928 512 903 02	lid lock upper part w/o stipulated lock number with 1 key		1	
(7)	928 512 901 02	lid lock upper part with stipulated lock number with 1 key state lock number		1	
7A	000 043 204 21	grease for lock cylinder		X	
8	N 014 770 3	pan-head screw M 8 X 15		4	
9	999 523 102 02	lock washer		4	
10	928 512 169 02	gasket	87	1	
(10)	928 512 169 03	gasket lock cylinder	88-	1	
11	928 512 055 20	lid lock lower part		1	

Model	Year	MG	SG	Illustration	Restrictions	UPD	19:34	23.01.2010	PORSCHE	PET	PORSCHE
928	1991	8	03	803-05		248					

Pos	Part Number	Description	Remark	Qty	Model	Pos	Part Number	Description	Remark	Qty	Model
12	928 512 179 02	desk pad		X			70B	black			
(12)	928 512 181 02	desk pad		X		(33) A	928 613 431 01	rosette passenger's side		1	
13	999 703 140 40	rubber buffer		2							
14	928 512 057 02	guide wedge		2		(33)	928 613 431 01	rosette passenger's side	-92	1	
-	928 512 531 02	adhesive film for guide wedge		2			70B	black			
15	928 512 263 02	plate		2		34 A	928 613 433 00	knob		2	
16	900 169 016 02	clip		4		(34)	928 613 433 00	knob	-92	2	
19	928 512 161 02	latch		1			70B	black			
20	928 512 163 02	spring		1		35 A	928 613 437 00	cap with symbol		2	
21	928 512 165 02	clinch pin		1		(35)	928 613 437 00	cap with symbol	-92	2	
22	928 512 409 02	desk pad		X			70B	black			
23	928 512 413 07	gasket		2							
24	928 512 261 02	water deflector	/L	1							
(24)	928 512 262 02	water deflector	/R	1							
25	999 217 017 02	hexagon-head bolt M 8 X 18		4							
26	928 512 417 03	plate		2							
27	928 624 407 02	electric motor		1							
28	928 624 049 00	support		1							
29	N 013 954 2	oval-head sheetmetal screw B 2,9 X 13		3							
30	999 072 005 09	hexagon-head bolt M 6 X 12		2							
31	N 011 524 7	washer A 6,4		2							
32	928 613 114 00	switch rear lid release rear lid release		-92							
33 A	928 613 431 00	rosette driver's side		1							
(33)	928 613 431 00	rosette driver's side		1							

Model	Year	MG	SG	Illustration	Restrictions	UPD	19:34	23.01.2010	PORSCHE	PET	PORSCHE
928	1991	8	04	804-00		248					

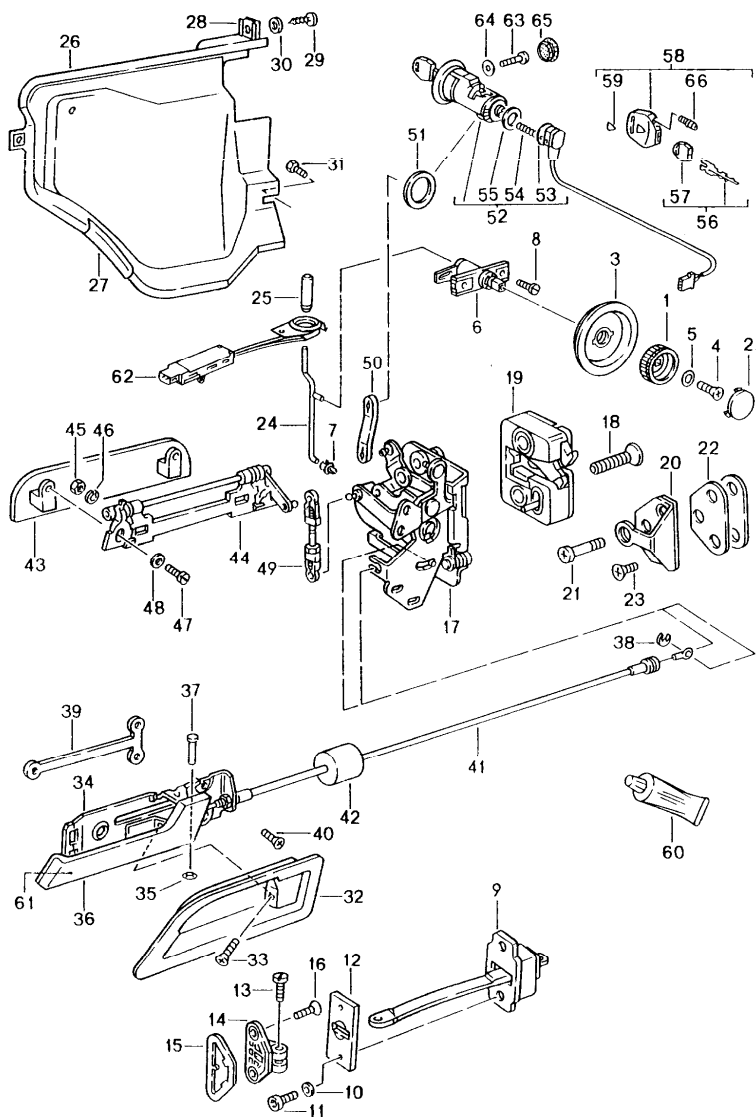


Pos	Part Number	Description	Remark	Qty	Model
		door in white			
(1)	928 531 005 10	door in white prepared for mirror	/L	1	
	GRV	prime coated			
(1)	928 531 006 10	door in white not prepared for mirror	/R	1	
	GRV	prime coated			
(1)	927 531 005 10	door in white not prepared for mirror	/RL/L	1	
	GRV	prime coated			
(1)	927 531 006 10	driver's door prepared for mirror	/R	1	
	GRV	prime coated			
2	928 537 345 03	door seal	/L	-90	1
2	928 537 345 05	door seal	/L	91	1
(2)	928 537 346 03	door seal	/R	-90	1
(2)	928 537 346 05	door seal	/R	91	1
3	N 014 770 3	pan-head screw M 8 X 16			12
4	900 025 007 02	washer A 8,4			12
5	999 523 102 02	lock washer 8			12
6	928 537 341 02	thrust wedge	/L		1
(6)	928 537 342 02	thrust wedge	/R		1
7	900 144 008 02	counters. head tapp. screw B 3,5 X 9,5			2
8	928 531 601 03	reinforcement reinforcement			2
9	928 531 235 03	threaded piece			1
10	N 013 295 1	tensioning sleeve 3 X 12			1
11	928 537 723 02	dummy plug			2

Model	Year	MG	SG	Illustration	Restrictions	UPD	19:34	23.01.2010	PORSCHE	PET	PORSCHE
928	1991	8	04	804-00		248					

Pos	Part Number	Description	Remark	Qty	Model	Pos	Part Number	Description	Remark	Qty	Model
12	900 075 085 02	hexagon-head bolt M 8 X 20		4							
13	N 012 009 3	lock ring A 8		4							

Model	Year	MG	SG	Illustration	Restrictions	UPD	19:34	23.01.2010	PORSCHE	PET	PORSCHE
928	1991	8	04	804-05		248					



Pos	Part Number	Description	Remark	Qty	Model
		installation parts for door			
		differing parts for cars with alarm system see group 8/04/20			
1	928 537 581 03	rotary knob		2	
2	911 531 703 00	cap		2	
3	928 537 585 02	bearing shell		2	
4	999 218 010 02	oval-head screw M 5 X 12		2	
5	N 011 665 3	washer B 5,3		2	
6	928 537 096 02	bearing		2	
7	993 531 563 00	linkage clip		2	
8	N 013 968 7	tapping screw B 4,8 X 13		4	
9	928 537 033 04	door support		2	
10	N 011 524 7	washer A 6,4		4	
11	928 537 451 02	pan-head screw		4	
12	928 537 371 02	desk pad		2	
13	928 537 419 03	pan-head screw		2	
14	928 537 417 02	bearing bracket	/L	1	
(14)	928 537 418 02	bearing bracket	/R	1	
15	928 537 425 02	desk pad	/L	1	
(15)	928 537 426 02	desk pad	/R	1	
16	928 537 459 02	oval-head screw M 6 X 25		4	
17	928 537 907 03	lock inner part	/L -88	1	
(17)	927 537 908 03	lock inner part	/R -88	1	

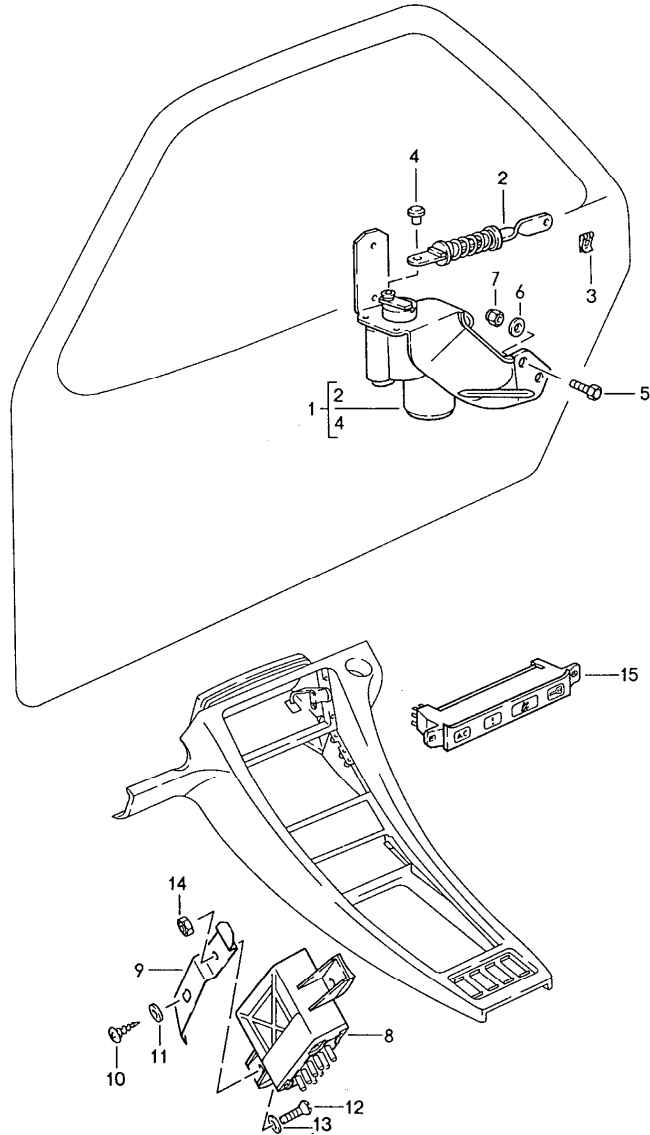
Model	Year	MG	SG	Illustration	Restrictions	UPD	19:34	23.01.2010	PORSCHE	PET	PORSCHE
928	1991	8	04	804-05		248					

Pos	Part Number	Description	Remark	Qty	Model	Pos	Part Number	Description	Remark	Qty	Model
(17)	928 537 053 09	door lock inner part	/LL/L 89-	1		28	999 507 348 02	speed nut B 4,8		4	
(17)	928 537 054 10	door lock inner part	/LL/R 89-	1		28	999 507 348 01	speed nut B 4,8		4	
(17)	927 537 053 10	door lock inner part	/RL/L 89-	1		29	900 143 118 02	tapping screw B 4,8		4	
(17)	927 537 054 09	door lock inner part	/RL/R 89-	1		30	900 151 028 02	washer B 4,3		4	
18	928 537 721 02	oval-head screw outer part		4		31	N 010 239 11	hexagon-head bolt M 8 X 18		2	
(19)	928 537 153 03	door lock outer part	/L	1		(32)	928 537 545 02	finger plate	/L	1	
19	928 537 154 03	door lock outer part	/R	1		32	928 537 546 02	finger plate	/R	1	
20	928 537 133 02	door lock striker		-89	2	33	900 269 006 07	countersunk-head screw M 4 X 8		2	
20	928 537 133 04	door lock striker		90-	1	34	928 537 049 02	bearing plate	/L	1	
21	928 537 131 03	lock pin		-89	2	(34)	928 537 050 02	bearing plate	/R	1	
21	928 537 131 03	lock pin		90-	1	35	999 591 242 01	speed nut D = 4,0		2	
22	928 537 135 04	desk pad		-90	2	36	928 537 169 00	interior handle	/L	1	
(22)	928 537 135 04	desk pad		91	2		70B	satin black			
23	900 249 024 00	countersunk-head screw M 8 X 25		4		(36)	928 537 170 00	interior handle	/R	1	
24	928 537 160 04	locking rod		2			70B	satin black			
(24)	928 537 160 05	locking rod		89-	2	37	928 537 557 02	bolt		2	
25	928 555 359 02	locking knob		-88	2	38	900 116 002 01	lock washer		2	
(25)	928 637 138 00	locking knob		89-	2	39	928 537 157 02	nut lock		2	
	01C	satin black				40	900 269 015 02	countersunk-head screw M 5 X 10		6	
26	928 537 333 03	covering for lock	/L	-88	1	41	928 537 055 02	bowden cable		2	
(26)	928 537 333 04	covering for lock	/L	89-	1	42	911 613 636 00	damping piece		2	
(26)	928 537 334 03	covering for lock	/R	-88	1	43	928 537 661 02	grab plate		2	
(26)	928 537 334 04	covering for lock	/R	89-	1	44	928 537 063 04	bearing	/L	1	
-	999 911 037 50	tread		*		(44)	928 537 064 04	bearing	/R	1	
27	-	70 MM		2							

Model	Year	MG	SG	Illustration	Restrictions	UPD	19:34	23.01.2010	PORSCHE	PET	PORSCHE
928	1991	8	04	804-05		248					

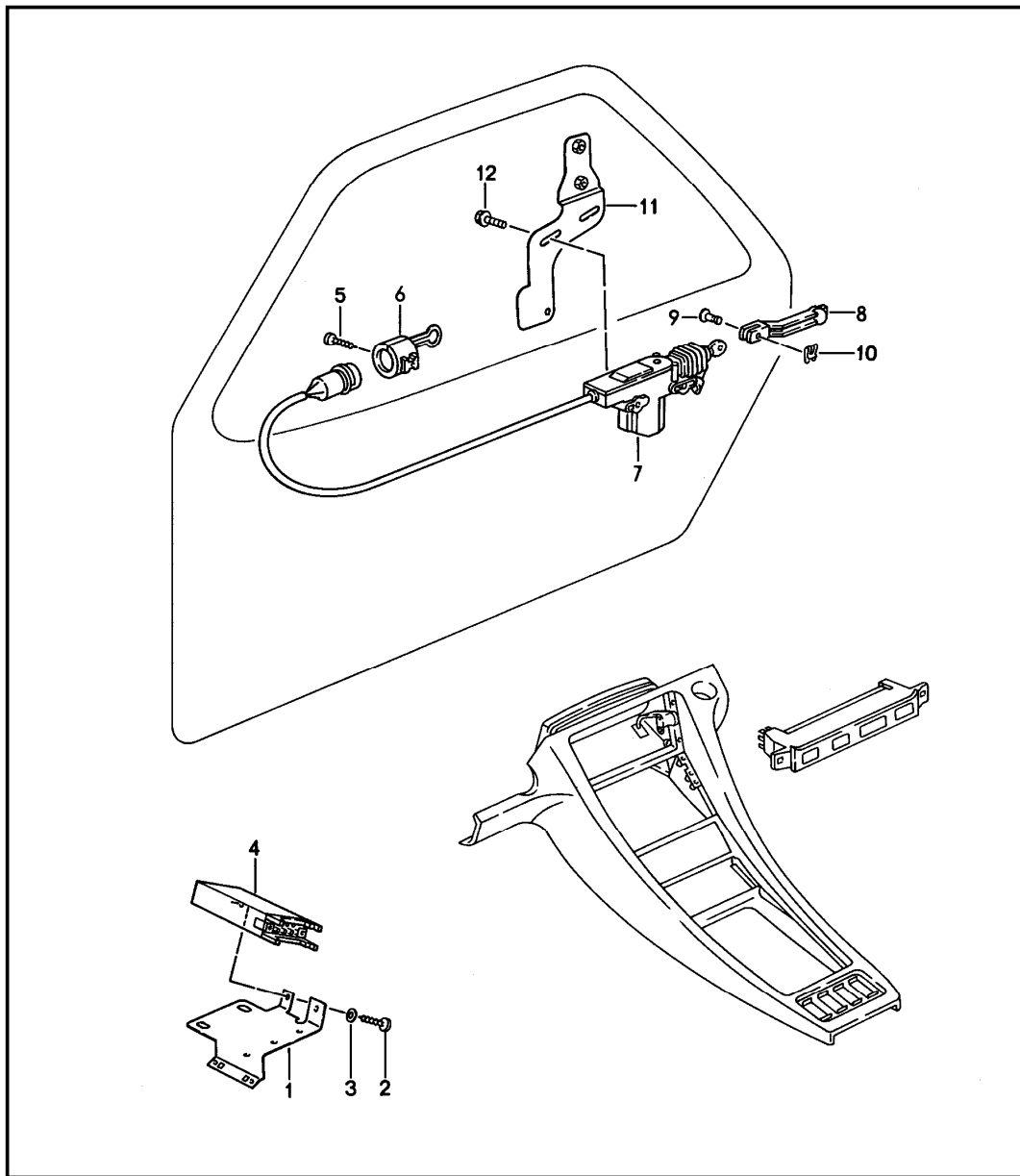
Pos	Part Number	Description	Remark	Qty	Model	Pos	Part Number	Description	Remark	Qty	Model
45	900 076 010 02	hexagon nut M 6		4		62	928 637 137 00	pulse sender	89-	2	
46	N 012 006 4	lock ring B 6		4		63	900 119 035 02	pan-head screw M 6X8		2	
47	N 014 761 2	pan-head screw M 6 X 12 M 6 X 12		4		64	N 011 524 7	washer		2	
						65	999 703 224 40	cap		2	
48	N 012 226 5	spring washer A 6		4		66	928 537 630 02	bulb		1	
49	928 537 140 03	connecting rod		1							
50	928 537 111 04	operating rod		2							
51	928 537 531 03	desk pad		2							
52	928 537 633 05	door lock cylinder with stipulated lock number without key state lock number Pos 53 use also:		2							
52	928 537 903 02	door lock cylinder with 1 key w/o stipulated lock number Pos 53 use also:		2							
53	928 537 713 02	contact switch	/L	1							
53	928 537 714 02	contact switch	/R	1							
54	928 537 493 02	compression spring		2							
55	928 537 495 03	gasket		2							
56	928 538 033 02	key state lock number with stipulated lock number Information available		3							
57	944 538 431 00	key cap		2							
58	944 538 041 00	key lamp		2							
59	944 538 443 00	crest		2							
60	000 043 204 21	grease for lock cylinder		X							
61	928 537 747 00	luminous point		2							

Model	Year	MG	SG	Illustration	Restrictions	UPD	19:34	23.01.2010	PORSCHE	PET	PORSCHE
928	1991	8	04	804-10		248					



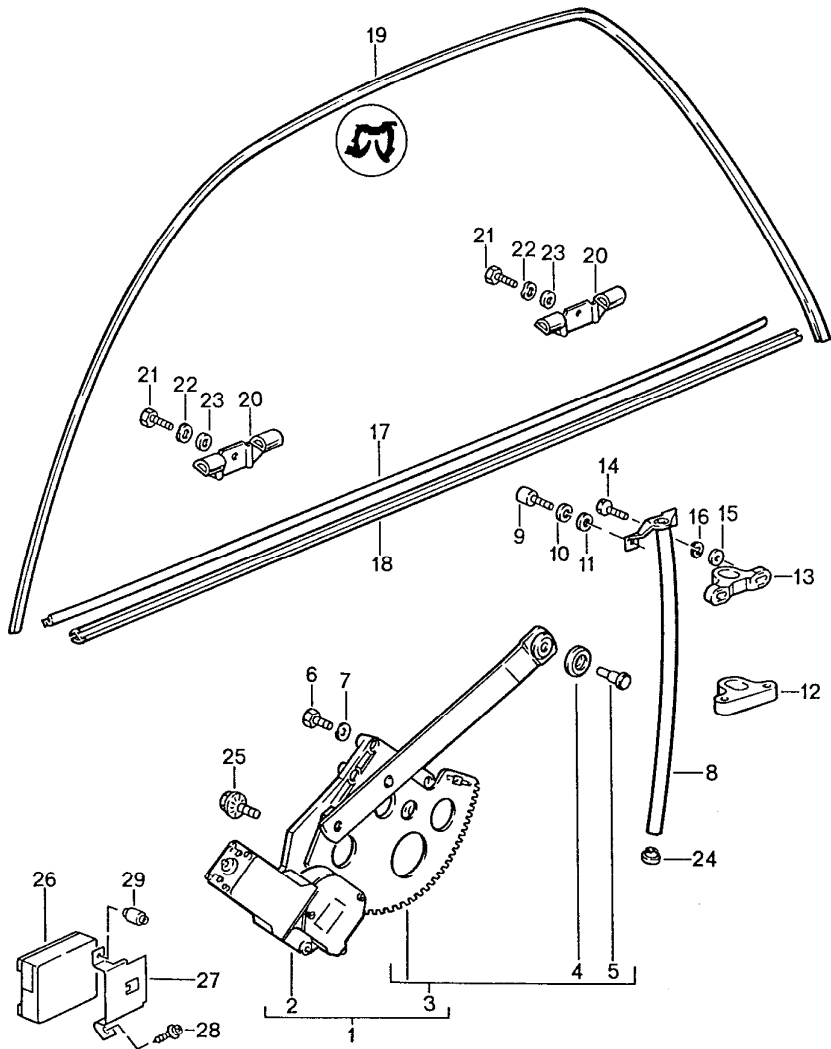
Pos	Part Number	Description	Remark	Qty	Model
		central locking system	-88		
1	928 624 401 02	electric motor	/L	1	
1	928 624 402 02	electric motor	/R	1	
2	928 624 403 00	operating rod		2	
3	999 166 054 02	sl-lock		4	
4	999 591 570 40	clip		2	
5	N 010 207 6	hexagon-head bolt M5 X 12		4	
6	900 151 027 02	washer B5,3		4	
7	900 910 009 02	lock nut M5		4	
8	928 618 125 00	control unit		1	
9	928 618 135 00	support		1	
10	N 014 139 7	oval-head screw M 6 X 20		1	
11	N 011 524 7	washer A 6,4		1	
12	N 014 140 5	oval-head screw M 6 X 25		1	
13	N 011 524 7	washer A 6,4		1	
14	900 076 010 02	hexagon nut M 6 see group		1	
15	-	9/06/05 wiring harnesses see group 9/02/11			

Model	Year	MG	SG	Illustration	Restrictions	UPD	19:35	23.01.2010	PORSCHE	PET	PORSCHE
928	1991	8	04	804-11		248					



Pos	Part Number	Description	Remark	Qty	Model
		central locking system	89-		
1	928 618 416 01	mounting plate	89	1	
(1)	928 618 416 01	mounting plate	90	1	
2	N 013 957 5	tapping screw BZ 3,5 X 9,5	-90	2	
3	N 011 521 3	washer A 3,7	-90	2	
4	911 618 113 01	control unit	-90	1	
5	900 143 104 02	oval-head sheetmetal screw BZ 3,5 X 9,5		2	
6	944 612 450 01	support		2	
7	928 624 211 00	transmission element use also: for vehicles up to MOD.90 928 612 930 00		2	
8	928 537 571 00	operating rod		2	
9	N 100 438 01	bolt		2	
10	N 012 644 1	lock		2	
11	928 537 113 03	support	/L	1	
(11)	928 537 114 03	support	/R	1	
12	999 919 035 02	hexagon-head bolt		4	

Model	Year	MG	SG	Illustration	Restrictions	UPD	19:35	23.01.2010	PORSCHE	PET	PORSCHE
928	1991	8	04	804-15		248					

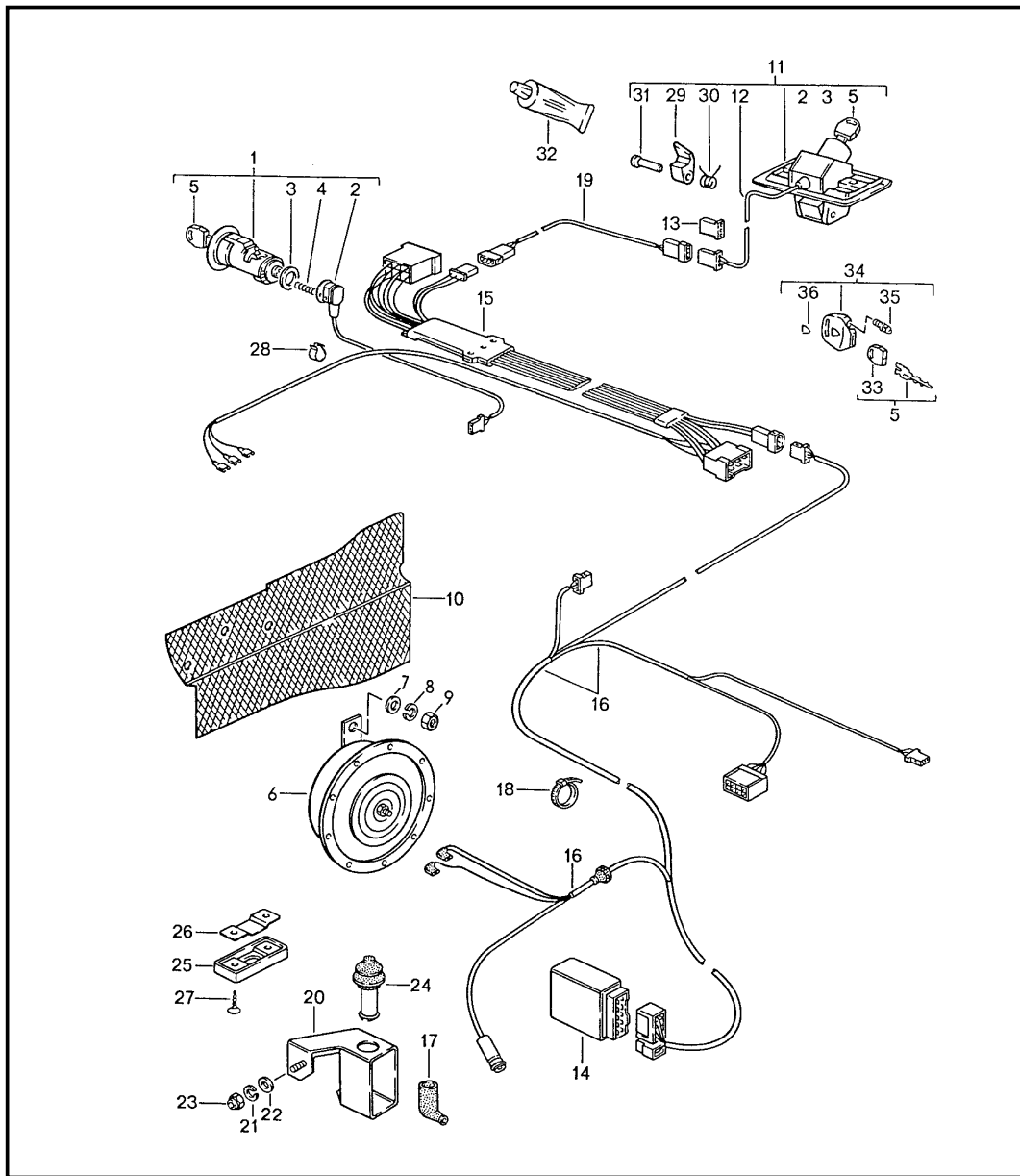


Pos	Part Number	Description	Remark	Qty	Model
1	928 537 075 06	power windows power windows with engine and transmission	/L	-90	1
(1)	928 537 076 06	power windows with engine and transmission	/R	-90	1
(1)	928 537 075 06	power windows with engine and transmission	/L	91	1
(1)	928 537 076 06	power windows with engine and transmission	/R	91	1
2	928 624 013 03	engine and transmission for window opener	/L		1
(2)	928 624 014 03	engine and transmission for window opener	/R		1
3	928 537 909 04	power windows without engine and transmission	/L		1
(3)	928 537 910 04	power windows without engine and transmission	/R		1
4	928 537 918 00	roller			2
5	928 537 917 00	bolt			2
6	N 010 210 13	hexagon-head bolt M 6 X 10			8
7	N 012 226 5	spring washer A 6			8
8	928 537 263 02	guide tube	/L		1
(8)	928 537 264 02	guide tube	/R		1
9	900 067 008 02	pan-head screw M 6 X 12			4
10	900 151 007 02	washer B 7,4			4
11	N 012 006 4	lock ring B 6			4
12	928 537 259 02	slide lower	/L		2

Model	Year	MG	SG	Illustration	Restrictions	UPD	19:35	23.01.2010	PORSCHE	PET	PORSCHE
928	1991	8	04	804-15		248					

Pos	Part Number	Description	Remark	Qty	Model	Pos	Part Number	Description	Remark	Qty	Model
(12)	928 537 260 02	slide lower	/R	2		29	999 049 008 40	plastic nut	90-	1	
13	928 537 289 02	slide upper	/L	2							
(13)	928 537 290 02	slide upper	/R	2							
14	900 075 016 02	hexagon-head bolt M 6 X 22		4							
15	N 011 524 7	washer B 6,4		4							
16	N 012 006 4	lock ring B 6		4							
17	928 537 319 03	sealing for door slot	/L	1							
(17)	928 537 320 03	sealing for door slot	/R	1							
18	928 537 321 03	sealing for door slot outer	/L	1							
18	928 537 322 03	sealing for door slot outer	/R	1							
19	928 537 323 03	window guide	/L	1							
(19)	928 537 324 03	window guide	/R	1							
-	999 920 004 02	u-clamp		10							
20	928 537 085 03	fleet angle		4							
21	N 014 761 2	pan-head screw M 6 X 12 M 6 X 12		4							
22	N 012 226 5	spring washer B 6		4							
23	999 025 108 02	washer 6,4		4							
24	928 537 285 02	insert		2							
25	999 093 004 02	hexagon-head bolt		6							
26	928 618 040 00	control unit		90-	1						
27	928 618 241 00	support		90-	1						
28	900 143 143 02	tapping screw B 4,2 X 16		90-	1						

Model	Year	MG	SG	Illustration	Restrictions	UPD	19:35	23.01.2010	PORSCHE	PET	PORSCHE
928	1991	8	04	804-20		248					

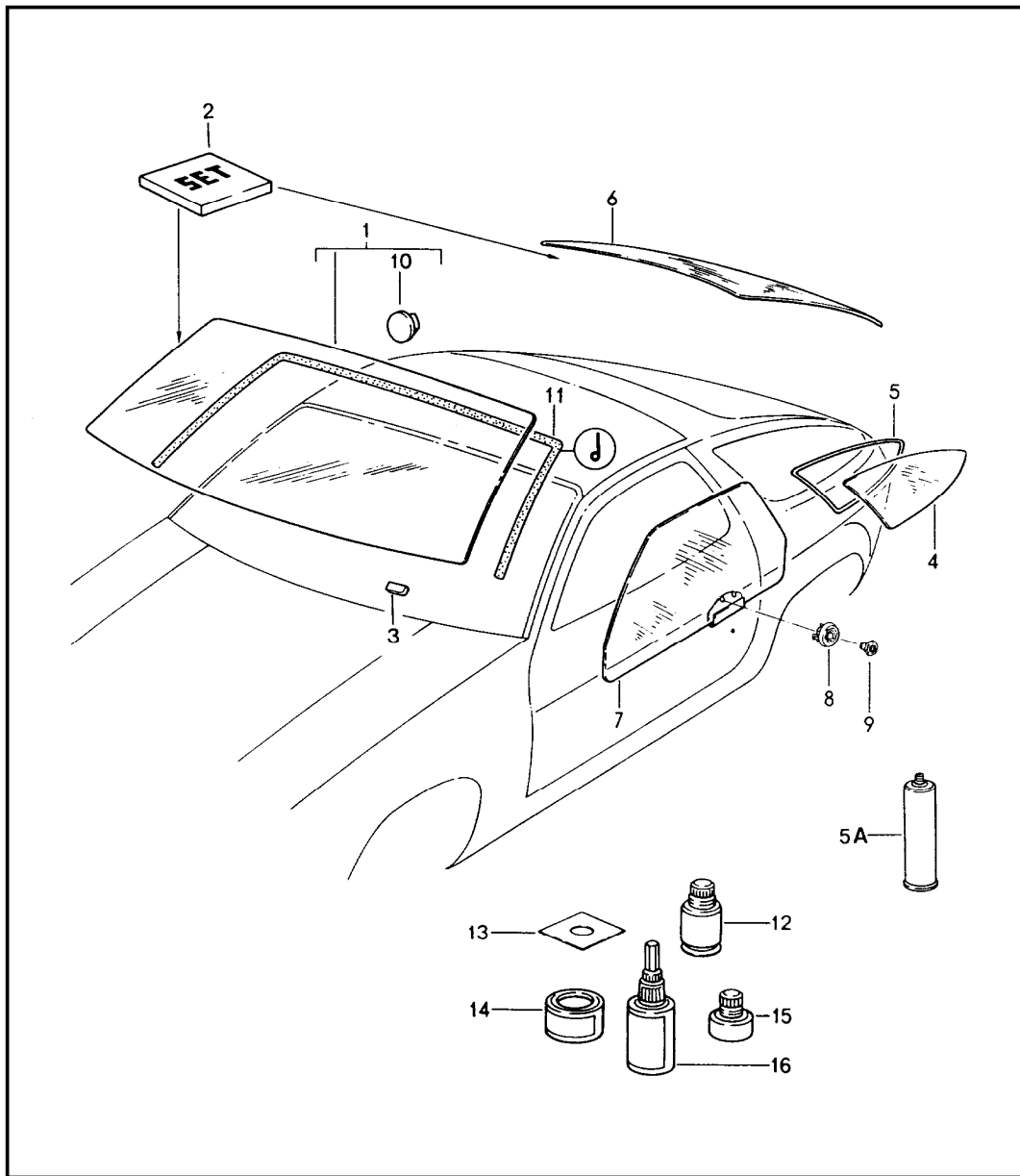


Pos	Part Number	Description	Remark	Qty	Model
		alarm system			M525/533
1	928 537 906 02	door lock cylinder with microswitch with stipulated lock number with 1 key state lock number	/R	1	
1	928 537 905 02	door lock cylinder with microswitch with stipulated lock number with 1 key state lock number	/L	1	
1	928 537 908 02	door lock cylinder with microswitch with 1 key	/R	1	
1	928 537 907 02	door lock cylinder with microswitch with 1 key	/L	1	
(2)	928 537 713 02	contact switch	/L	1	
2	928 537 714 02	contact switch	/R	1	
3	928 537 493 02	compression spring		3	
4	928 537 495 03	gasket		3	
5	928 538 032 02	key state lock number with stipulated lock number		3	
6	928 635 105 00	high volume horn	-89	1	
(6)	964 637 117 00	horn	90-	1	
7	900 025 008 09	washer A 10,5		1	
(7)	900 025 007 02	washer A 8,4	90-	1	
8	900 027 016 02	lock ring B 10	-89	1	
9	N 011 010 6	hexagon nut M 10	-89	1	
(9)	900 076 025 02	hexagon nut M 8	90-	1	

Model	Year	MG	SG	Illustration	Restrictions	UPD	19:35	23.01.2010	PORSCHE	PET	PORSCHE
928	1991	8	04	804-20		248					

Pos	Part Number	Description	Remark	Qty	Model	Pos	Part Number	Description	Remark	Qty	Model
10	928 504 353 02	protective grille	/LL	1		22	900 151 027 02	washer A 5,3		1	
10	927 504 353 02	protective grille	/RL	1		23	N 011 005 14	hexagon nut M 5		1	
11	928 512 901 03	lid lock upper part with stipulated lock number with 1 key state lock number		1 1		24	928 613 173 00	contact switch		1	
11	928 512 903 03	lid lock upper part w/o stipulated lock number with 1 key		1 1		25	928 637 121 00	protection cap		1	
12	928 512 070 02	contact switch	/H	1		26	928 637 123 00	pressure plate		1	
13	171 971 999 B	terminal sleeve housing		3		27	N 014 098 6	tapping screw		2	
14	> 928 637 104 00	alarm control unit		-88 1		28	999 591 465 02	cable clamp		2	
(14)	928 637 104 01	alarm control unit	(CH)	-88 1		29	928 512 161 03	latch		1	
(14)	> 928 637 104 03	alarm control unit		89-90 1		30	928 512 163 02	spring		1	
(14)	928 637 104 04	alarm control unit	(CH)	89-90 1		31	928 512 165 02	clinch pin		1	
(14)	A 928 618 260 00	alarm control unit		91 1		32	000 043 204 21	grease for lock cylinder		X	
(14)	A 928 618 260 01	alarm control unit		91 1		33	944 538 431 00	key cap		3	
(14)	928 618 260 03	alarm control unit		91 1		34	944 538 041 00	key lamp		2	
-	928 618 261 00	support for control unit		91 1		35	928 537 630 02	bulb		2	
15	928 612 008 08	wiring harness		-89 1		36	944 538 443 00	crest		2	
(15)	928 612 008 09	wiring harness		90- 1							
16	928 612 182 05	wiring harness		-88 1							
16	928 612 182 07	wiring harness		89- 1							
17	113 927 249	protection cap		1							
18	999 513 003 40	tie-wrap		4							
19	928 612 187 00	wiring harness	/LL	1							
19	928 612 183 00	wiring harness	/RL	1							
20	928 637 021 00	switch housing		1							
21	N 012 005 3	lock ring B 5		1							

Model	Year	MG	SG	Illustration	Restrictions	UPD	19:35	23.01.2010	PORSCHE	PET	PORSCHE
928	1991	8	05	805-00		248					



Pos	Part Number	Description	Remark	Qty	Model
		window glazing			
1	928 541 011 06	windscreen clear with antenna	-88	1	
1 A	928 541 015 04	windscreen tinted green with antenna	-88	1	
1	928 541 015 05	windscreen tinted green with antenna		1	
1 A	928 541 015 04	windscreen sekuriflex tinted green with antenna	-88	1	
1	928 541 015 05	windscreen sekuriflex tinted green with antenna		1	
1	928 541 017 04	windscreen sekuriflex clear with antenna	-88	1	
1 A	928 541 016 05	windscreen green green top tint with antenna	-88	1	
1	928 541 011 06	windscreen clear	89	1	
1	928 541 011 05	windscreen tinted green	89	1	
1	928 541 011 07	windscreen green green top tint	89	1	

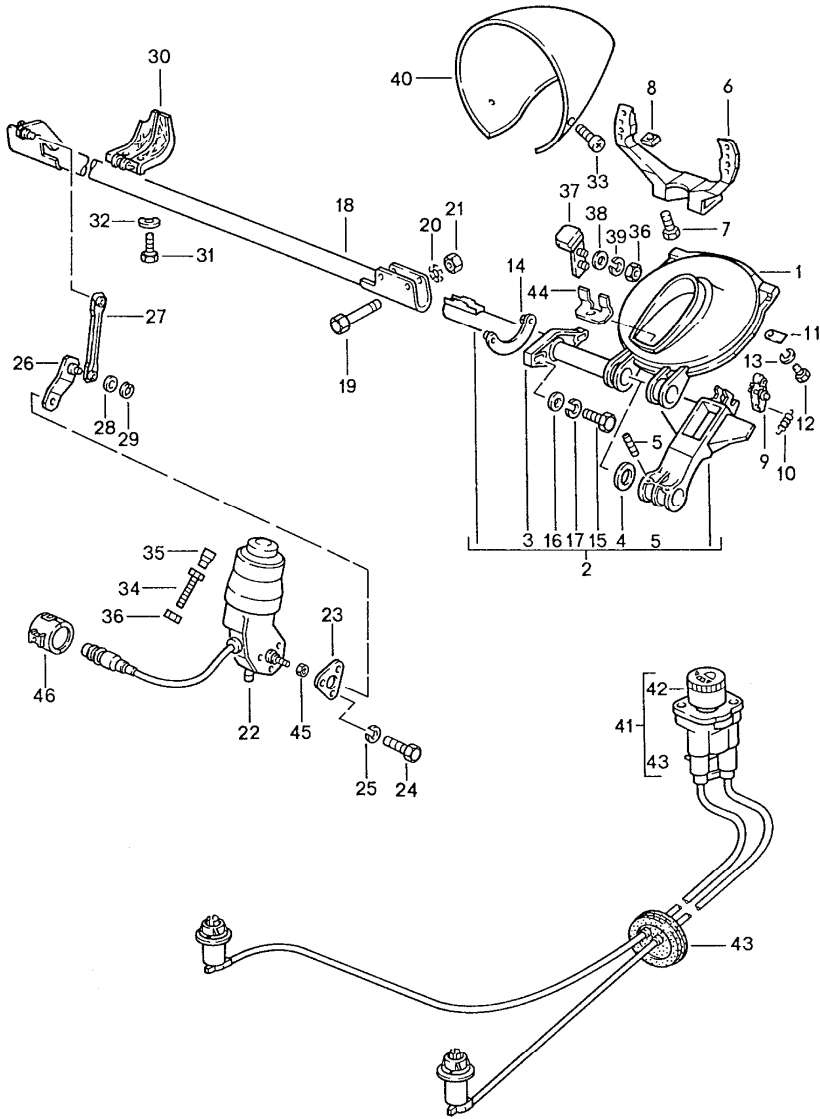
Model	Year	MG	SG	Illustration	Restrictions	UPD	19:35	23.01.2010	PORSCHE	PET	PORSCHE
928	1991	8	05	805-00		248					

Pos	Part Number	Description	Remark	Qty	Model	Pos	Part Number	Description	Remark	Qty	Model
1	928 541 011 06	windscreen clear	90	1		(4)	928 543 106 08	side window tinted green	/R	1	
1	928 541 011 05	windscreen tinted green	90	1		(4)	928 543 106 09	side window tinted green	/R	1	M471
1	928 541 011 07	windscreen green green top tint	90	1		5	928 543 037 04	sealing frame	/L	1	
1	928 541 011 06	windscreen clear	91	1		(5)	928 543 038 04	sealing frame without rear spoiler	/R	1	
1	928 541 011 05	windscreen tinted green	91	1		(5)	928 543 045 04	sealing frame	/L	-88	1
1	928 541 011 07	windscreen green green top tint	91	1		(5)	928 543 046 04	sealing frame with rear spoiler	/R	-88	1
1	928 541 011 06	windscreen airbag clear	91	1		(5A)	000 043 204 82	adhesive		1	
1	928 541 011 05	windscreen airbag tinted green	91	1		6	928 545 018 03	rear window tinted green		1	M471
1	928 541 011 07	windscreen airbag green green top tint	91	1		6	928 545 018 02	rear window tinted green		1	
-	911 541 112 02	film for stickers		X		(6)	928 545 018 04	rear window tinted green	89-	1	M602
2	A 999 915 509 40	adhesive set		1	M562	-	477 898 011 A	sealing set rear window		1	
2	000 043 300 94	adhesive set windscreen		1	M562	7	928 537 101 02	door window glass tinted green	/L	1	
2	477 898 011 A	adhesive set windscreen		1		(7)	928 537 102 02	door window glass tinted green	/R	1	
3	928 541 121 04	spacer		2		8	928 537 281 04	fastening plug		4	
4	928 543 105 08	side window tinted green	/L	1		9	928 537 277 02	threaded piece		4	
(4)	928 543 105 09	side window tinted green	/L	1	M471	10	477 845 043	adhesive plate		1	
				1		11	928 555 509 02	pipng windscreen		1	
							01C	black			

Model	Year	MG	SG	Illustration	Restrictions	UPD	19:35	23.01.2010	PORSCHE	PET	PORSCHE
928	1991	8	05	805-00		248					

Pos	Part Number	Description	Remark	Qty	Model	Pos	Part Number	Description	Remark	Qty	Model
		mounting parts for interior mirror see technical information GR.6 NR.2/91									
12	000 043 157 00	cleaning agent		X							
13	000 043 177 00	cover foil		1							
14	000 043 158 00	primer PRIMER		X							
15	000 043 202 65	loctite activator		X							
16	000 043 051 00	adhesive		X							

Model	Year	MG	SG	Illustration	Restrictions	UPD	19:35	23.01.2010	PORSCHE	PET	PORSCHE
928	1991	8	06	806-00		248					

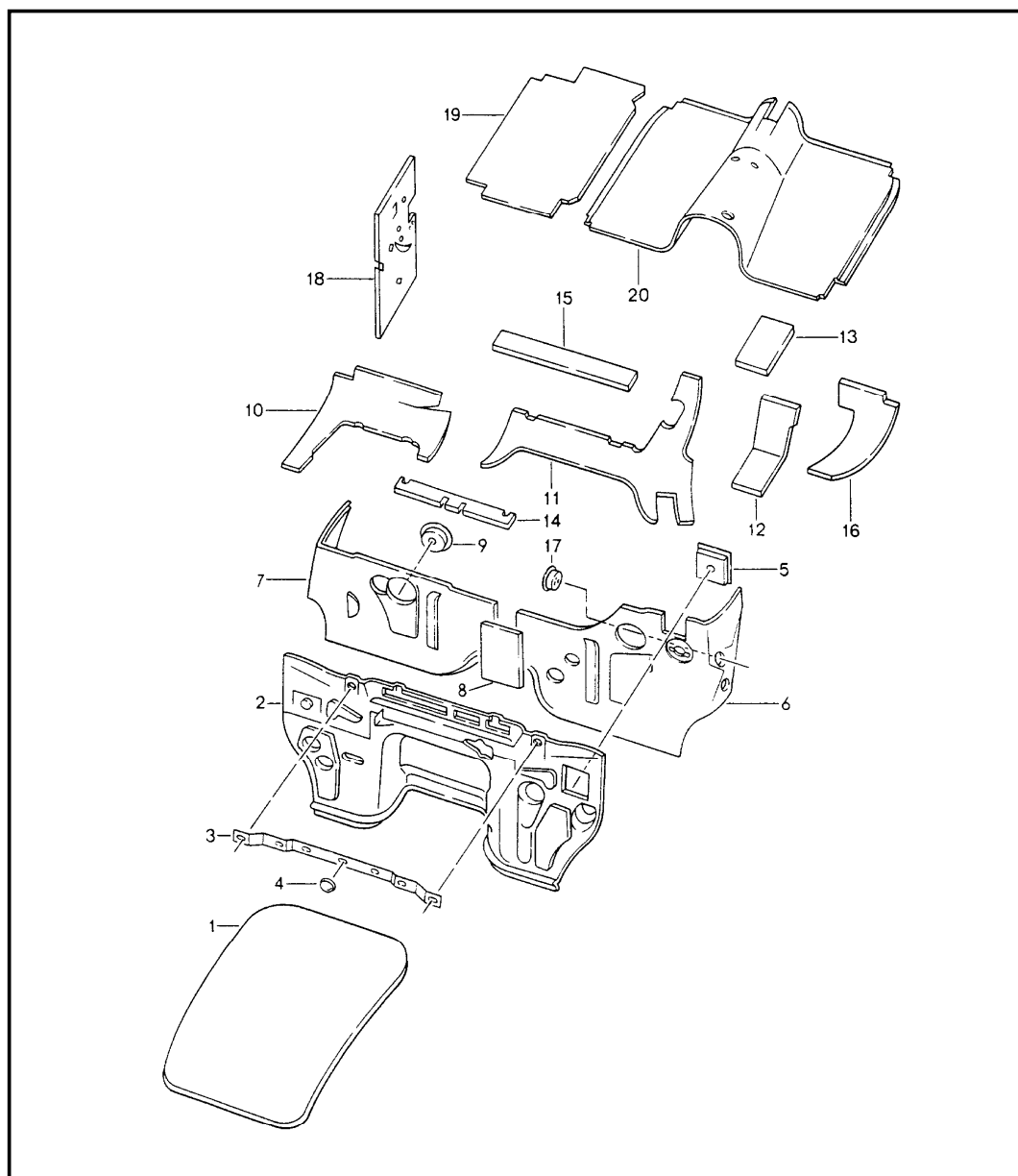


Pos	Part Number	Description	Remark	Qty	Model
		pop-up headlight			
1	928 750 243 05	swivel frame	-89	2	
1	928 750 243 05	swivel frame	90-	2	
2	928 750 097 05	driving arm	/L -89	1	
(2)	928 750 097 05	driving arm	/L 90-	1	
2	928 750 098 05	driving arm	/R -89	1	
(2)	928 750 098 05	driving arm	/R 90-	1	
3	928 750 211 04	bearing headlamp shaft		2	
				1	
4	928 750 253 02	washer		4	
5	900 095 085 02	spiral clamping pin		4	
6	928 750 285 03	supporting arm	-89	2	
6	928 750 285 04	supporting arm	90-	2	
7	900 067 011 02	pan-head screw M 6 X 20		4	
-	999 025 108 02	washer 6,5		4	
8	900 076 010 02	hexagon nut M 6		4	
9	928 750 079 02	locking segment		2	
10	928 750 291 02	tension spring		2	
11	928 750 325 02	tab		4	
12	999 015 004 02	screw AM 5 X 10		4	
13	900 025 003 02	washer A 5,3		4	
14	928 750 071 02	counterplate		2	
15	900 074 015 02	hexagon-head bolt M 6 X 30		4	
16	N 011 666 7	washer B 6,4		4	
17	N 012 006 4	lock ring B 6		4	

Model	Year	MG	SG	Illustration	Restrictions	UPD	19:35	23.01.2010	PORSCHE	PET	PORSCHE
928	1991	8	06	806-00		248					

Pos	Part Number	Description	Remark	Qty	Model	Pos	Part Number	Description	Remark	Qty	Model
18	928 750 041 05	shaft centre		1 1		39	N 012 006 4	lock ring B 6		4	
19	900 075 343 02	hexagon-head bolt M 6 X 45		4		40	928 750 083 02	housing		2	
20	999 025 093 09	washer 6,4		4		(41)	928 631 220 01	governor headlight levelling system manually adjustable	-89	1	
21	900 910 012 02	lock nut M 6		4		(41)	928 613 146 00	potentiometer without lines	90-	1	
22	928 624 023 00	engine		1		42	928 631 221 01	rotary knob	-89	1	
23	928 750 207 02	plate		1		(42)	928 613 148 00	rotary knob	90-	1	
24	999 072 005 09	hexagon-head bolt M 6 X 12		3			01C	black			
25	N 012 006 4	lock ring B 6		3		-	928 631 223 02	rosette	-89	1	
26	928 750 065 03	lever		1		-	928 631 223 03	rosette	90-	1	
27	928 750 067 02	push rod		1		-	928 799 750 07	tension spring	-89	2	
28	900 031 001 02	washer 8,4		2		-	900 034 013 02	hexagon nut	90-	1	
29	900 116 009 01	lock washer 6		2		43	927 631 224 01	grommet	-89	1	
30	928 750 183 03	guide		1		44	928 750 255 05	bracket		2	
31	999 218 016 02	combination screw M 6 X 16		2		45	999 084 055 02	lock nut M 8		1	
32	N 012 226 5	spring washer B6		2		46	944 612 450 01	support		1	
33	999 919 008 07	oval-head screw 3,9 X 13		2							
34	N 010 221 3	hexagon-head bolt M 6 X 35		2							
35	914 504 319 00	grommet		2							
36	900 076 010 02	hexagon nut M 6		2							
37	928 750 031 02	stop bracket		2							
38	900 151 003 02	washer A 6,4		4							

Model	Year	MG	SG	Illustration	Restrictions	UPD	19:36	23.01.2010	PORSCHE	PET	PORSCHE
928	1991	8	07	807-00		248					

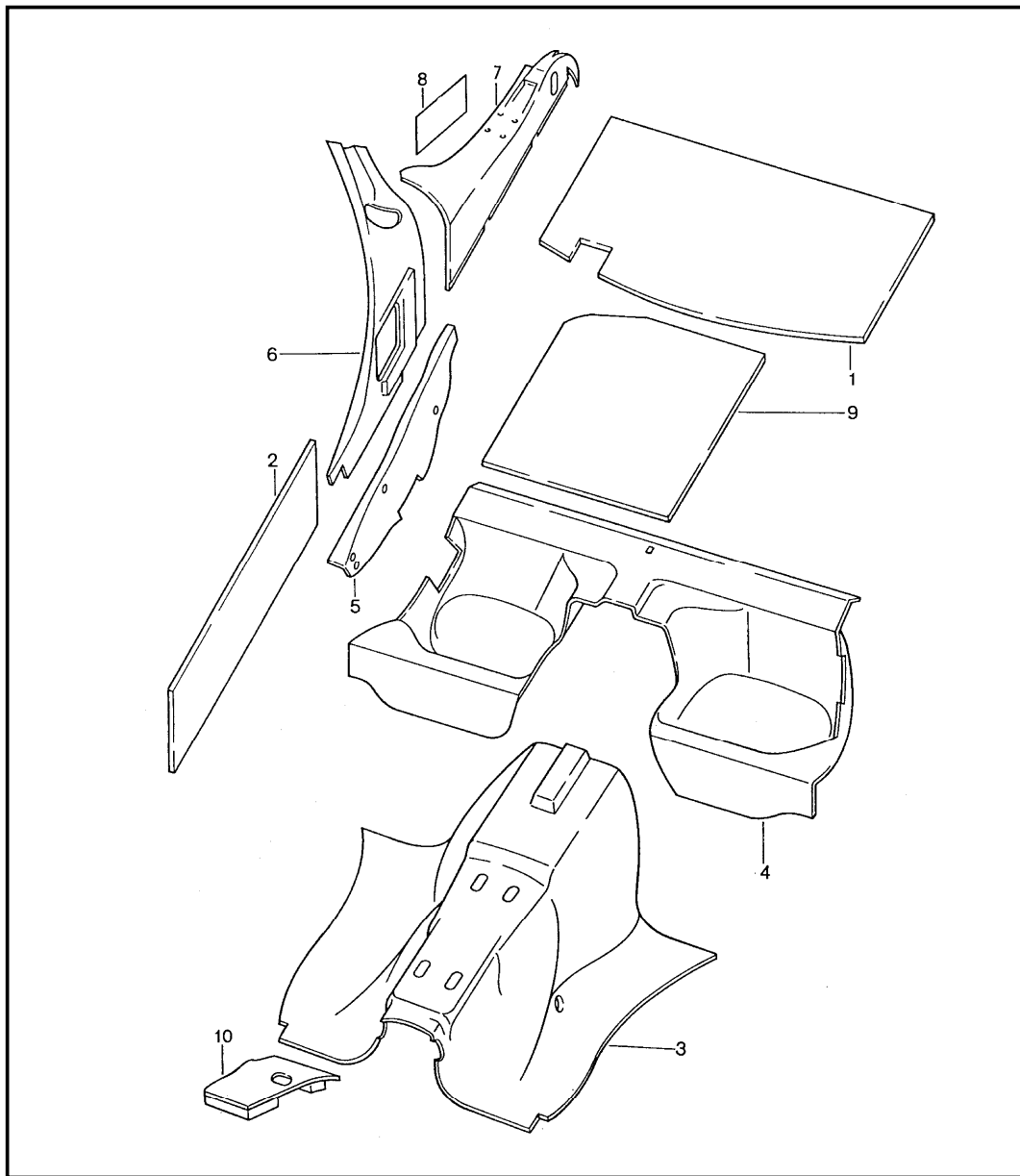


Pos	Part Number	Description	Remark	Qty	Model
		body sound proofing 1			
1	928 556 285 02	insulation bonnet	/H	1	
2	928 556 089 06	insulation	/LL	1	
(2)	927 556 089 05	insulation engine compartment	/RL	1	
3	928 556 623 02	retaining strip		1	
4	999 591 590 02	speed nut		7	
5	928 556 057 03	insert firewall		1	
6 A	928 556 061 04	sound absorber	/LL/L	-89	1
(6)	928 556 061 05	sound absorber	/LL/L	90-	1
(6)	927 556 061 04	sound absorber firewall	/RL/L	87-	1
7	928 556 062 03	insulation	/LL/R	-89	1
(7)	928 556 062 06	sound absorber	/LL/R	90-	1
(7)	927 556 062 04	sound absorber firewall	/RL/R		1
8	928 556 065 03	insulation firewall intermediate piece		1	
9	928 556 063 05	insert firewall		1	
10	928 556 155 04	insulation	/LL	-89	1
(10)	928 556 155 04	insulation	/LL	90-	1
(10)	927 556 155 03	insulation cross panel right	/RL		1
11	928 556 159 06	insulation	/LL	-89	1
(11)	928 556 159 06	insulation	/LL	90-	1
(11)	927 556 159 04	insulation cross panel centre	/RL		1
12	928 556 169 04	insert	/LL	-89	1

Model	Year	MG	SG	Illustration	Restrictions	UPD	19:36	23.01.2010	PORSCHE	PET	PORSCHE
928	1991	8	07	807-00		248					

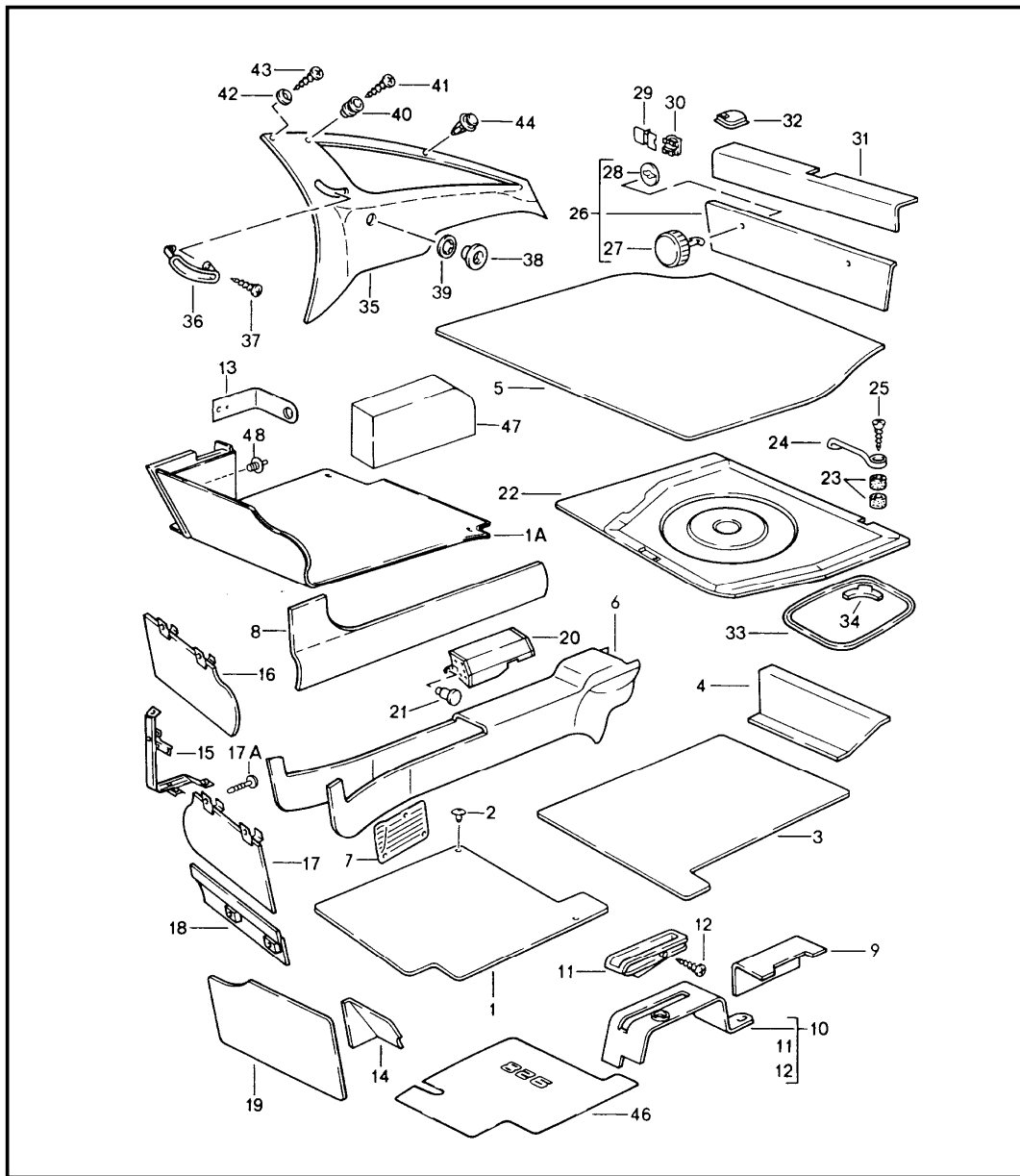
Pos	Part Number	Description	Remark	Qty	Model	Pos	Part Number	Description	Remark	Qty	Model
(12)	928 556 169 04	insert	/LL 90-	1		(20)	928 556 031 04	insulation tunnel front	90-	1	
(12)	927 556 169 03	insert steering shaft	/RL	1							
13	928 556 171 04	insert	-89	1							
(13)	928 556 171 04	insert brake booster	90-	1							
14	928 556 267 02	insulation cross panel		1							
15	928 556 387 03	insulation heater		1							
16	928 556 173 05	insulation	/LL -89	1							
(16)	928 556 173 05	insulation	/LL 90-	1							
(16)	927 556 173 03	insulation cross panel	/RL	1							
17	928 556 075 05	insert headlight levelling system	/RL	1							
(17)	928 556 075 06	insert headlight levelling system	/LL	1							
(17)	928 556 075 05	insert headlight levelling system	(J) 88-	1							
18	928 556 353 04	insulation	/LL/L -88	1							
(18)	928 556 353 05	sound absorber	/LL 89-	1							
(18)	927 556 353 02	insulation	/RL/R -89	1							
(18)	927 556 354 04	insulation side section	/RL/R 90-	1							
(19)	928 556 291 05	insulation	/LL/L -89	1							
(19)	928 556 253 00	insulation	/LL/L 90-	1							
(19)	927 556 291 03	sound absorber	/RL/L	1							
19	928 556 292 03	sound absorber	/LL/R -89	1							
(19)	928 556 253 00	insulation	/LL/R 90-	1							
(19)	927 556 292 05	insulation floor	/RL/R	1							
20	928 556 031 04	insulation	-89	1							

Model	Year	MG	SG	Illustration	Restrictions	UPD	19:36	23.01.2010	PORSCHE	PET	PORSCHE
928	1991	8	07	807-01		248					



Pos	Part Number	Description	Remark	Qty	Model
		body sound proofing 2			
1	928 556 233 02	insulation roof		1	
2	928 556 235 02	insulation door		2	
(3)	928 556 033 06	insulation tunnel		1	
(4)	928 556 055 05	sound absorber seat well		1	
5	928 556 205 04	insulation	/L	1	
5	927 556 206 04	insulation bracket	/R	1	
6	928 556 261 05	insulation	/V/L	-88	1
(6)	928 556 261 05	insulation	/V/L	89-	1
6	928 556 262 05	insulation	/V/R	-88	1
(6)	928 556 262 05	insulation rear bulkhead	/V/R	89-	1
7	928 556 251 03	insulation	/H/L	-88	1
(7)	928 556 251 04	insulation	/H/L	89	1
(7)	928 556 251 05	insulation	/H/L	90-	1
7	928 556 252 03	insulation	/H/R	-88	1
(7)	928 556 252 04	insulation	/H/R	89	1
(7)	928 556 252 05	insulation rear bulkhead	/H/R	90-	1
9	928 556 239 02	insulation		1	
(9)	928 556 239 03	insulation	6	1	M293/295 M496
(9)	928 556 239 04	insulation boot floor plate		1	M195
10	928 556 495 02	insulation		1	/495 M195

Model	Year	MG	SG	Illustration	Restrictions	UPD	19:36	23.01.2010	PORSCHE	PET	PORSCHE
928	1991	8	07	807-05		248					



Pos	Part Number	Description	Remark	Qty	Model
1	928 551 011 06	linings			
		carpet	/LL/L	-89	1
		70E black		-88	
		5FV black		89-	
		5MF mahogany		-90	
		3KF marine blue		-88	
		4KV marine blue		89-	
		80E burgundy		-88	
		8MD burgundy		89-90	
		8JK greyish green		-88	
		2XF linen		-90	
		8UT cashmere beige		89-	
		4MM plum red		-88	
		7VM silver-grey		-88	
		1VD champagne		-88	
		5UM caramel		-90	
		3KM venetian blue		-90	
(1)	928 551 011 08	carpet	/LL/L	90-	1
		5FV black		89-	
		5MF mahogany		-90	
		4KV marine blue		89-	
		8MD burgundy		89-90	
		2XF linen		-90	
		8UT cashmere beige		89-	
		5UM caramel		-90	
		3KM venetian blue		-90	

Model	Year	MG	SG	Illustration	Restrictions	UPD	19:36	23.01.2010	PORSCHE	PET	PORSCHE
928	1991	8	07	807-05		248					

Pos	Part Number	Description	Remark	Qty	Model	Pos	Part Number	Description	Remark	Qty	Model
	3WT	slate grey	89-90				8MD	burgundy	89-90		
	7VT	silk grey	89-90				8JK	greyish green	-88		
	9MT	velvet red	89-90				2XF	linen	-90		
	4XR	classic grey	91				8UT	cashmere beige	89-		
	4ZN	cobalt blue	91				4MM	plum red	-88		
	8WZ	magenta	91				7VM	silver-grey	-88		
	6YR	light grey	91				1VD	champagne	-88		
	M33	matador red	91				5UM	caramel	-90		
	D13	carrara grey	91				3KM	venetian blue	-90		
	J23	sherwood green	91				3WT	slate grey	89-90		
(1A)	928 551 010 05	carpet	/LL/R	87	1		7VT	silk grey	89-90		
	70E	black	-88			(1A)	928 551 010 08	carpet	/LL/R	90-	1
	5MF	mahogany	-90				5FV	black	89-		
	3KF	marine blue	-88				5MF	mahogany	-90		
	80E	burgundy	-88				4KV	marine blue	89-		
	8JK	greyish green	-88				8MD	burgundy	89-90		
	2XF	linen	-90				2XF	linen	-90		
	4MM	plum red	-88				8UT	cashmere beige	89-		
	7VM	silver-grey	-88				5UM	caramel	-90		
	1VD	champagne	-88				3KM	venetian blue	-90		
	5UM	caramel	-90				3WT	slate grey	89-90		
	3KM	venetian blue	-90			(1A)	928 551 010 07	carpet	/LL/R	-89	1
							7VT	silk grey	89-90		
	70E	black	-88				9MT	velvet red	89-90		
	5FV	black	89-				4XR	classic grey	91		
	5MF	mahogany	-90				4ZN	cobalt blue	91		
	3KF	marine blue	-88				8WZ	magenta	91		
	4KV	marine blue	89-				6YR	light grey	91		
	80E	burgundy	-88				M33	matador red	91		

Model	Year	MG	SG	Illustration	Restrictions	UPD	19:36	23.01.2010	PORSCHE	PET	PORSCHE
928	1991	8	07	807-05		248					

Pos	Part Number	Description	Remark	Qty	Model	Pos	Part Number	Description	Remark	Qty	Model
	D13	carrara grey		91			3KM	venetian blue		-90	
	J23	sherwood green		91			3WT	slate grey		89-90	
(1A)	927 551 009 05	carpet	/RL/L	87	1		7VT	silk grey		89-90	
	70E	black		-88			9MT	velvet red		89-90	
	5MF	mahogany		-90			4XR	classic grey		91	
	3KF	marine blue		-88			4ZN	cobalt blue		91	
	80E	burgundy		-88			8WZ	magenta		91	
	8JK	greyish green		-88			6YR	light grey		91	
	2XF	linen		-90			M33	matador red		91	
	4MM	plum red		-88			D13	carrara grey		91	
	7VM	silver-grey		-88			J23	sherwood green		91	
	1VD	champagne		-88		(1)	927 551 012 06	carpet	/RL/R	89-	1
	5UM	caramel		-90			5FV	black		89-	
	3KM	venetian blue		-90			5MF	mahogany		-90	
(1A)	927 551 009 07	carpet	/RL/L	88-	1		4KV	marine blue		89-	
	70E	black		-88			8MD	burgundy		89-90	
	5FV	black		89-			2XF	linen		-90	
	5MF	mahogany		-90			8UT	cashmere beige		89-	
	3KF	marine blue		-88			5UM	caramel		-90	
	4KV	marine blue		89-			3KM	venetian blue		-90	
	80E	burgundy		-88			3WT	slate grey		89-90	
	8MD	burgundy		89-90			7VT	silk grey		89-90	
	8JK	greyish green		-88			9MT	velvet red		89-90	
	2XF	linen		-90			4XR	classic grey		91	
	8UT	cashmere beige		89-			4ZN	cobalt blue		91	
	4MM	plum red		-88			8WZ	magenta		91	
	7VM	silver-grey		-88			6YR	light grey		91	
	1VD	champagne		-88			M33	matador red		91	
	5UM	caramel		-90			D13	carrara grey		91	

Model	Year	MG	SG	Illustration	Restrictions	UPD	19:36	23.01.2010	PORSCHE	PET	PORSCHE
928	1991	8	07	807-05		248					

Pos	Part Number	Description	Remark	Qty	Model	Pos	Part Number	Description	Remark	Qty	Model
	J23	sherwood green	91				8MD	burgundy	89-90		
-	928 551 342 00	cover for control units	90-	1			8JK	greyish green	-88		
	5FV	black	89-				2XF	linen	-90		
	5MF	mahogany	-90				4MM	plum red	-88		
	4KV	marine blue	89-				7VM	silver-grey	-88		
	8MD	burgundy	89-90				1VD	champagne	-88		
	2XF	linen	-90				5UM	caramel	-90		
	8UT	cashmere beige	89-				3KM	venetian blue	-90		
	7VT	silk grey	89-90				8UT	cashmere beige	89-		
	9MT	velvet red	89-90				7VT	silk grey	89-90		
	3WT	slate grey	89-90				9MT	velvet red	89-90		
	5UM	caramel	-90				3WT	slate grey	89-90		
	3KM	venetian blue	-90			(3)	928 551 013 08	carpet	/LL/L	90-	1
	4XR	classic grey	91				5FV	black	89-		
	4ZN	cobalt blue	91				5MF	mahogany	-90		
	8WZ	magenta	91				4KV	marine blue	89-		
	6YR	light grey	91				8MD	burgundy	89-90		
	M33	matador red	91				2XF	linen	-90		
	D13	carrara grey	91				5UM	caramel	-90		
	J23	sherwood green	91				3KM	venetian blue	-90		
2	N 900 685 01	rotary knob		4			8UT	cashmere beige	89-		
3	928 551 013 07	carpet	/LL/L	-89	1		7VT	silk grey	89-90		
	70E	black	-88				9MT	velvet red	89-90		
	5FV	black	89-				3WT	slate grey	89-90		
	5MF	mahogany	-90				4XR	classic grey	91		
	3KF	marine blue	-88				4ZN	cobalt blue	91		
	4KV	marine blue	89-				8WZ	magenta	91		
	80E	burgundy	-88				6YR	light grey	91		
							M33	matador red	91		

Model	Year	MG	SG	Illustration	Restrictions	UPD	19:36	23.01.2010	PORSCHE	PET	PORSCHE
928	1991	8	07	807-05		248					

Pos	Part Number	Description	Remark	Qty	Model	Pos	Part Number	Description	Remark	Qty	Model
	D13	carrara grey		91			8UT	cashmere beige		89-	
	J23	sherwood green		91			7VT	silk grey		89-90	
(3)	928 551 014 07	carpet	/LL/R	-89	1		9MT	velvet red		89-90	
	70E	black		-88			3WT	slate grey		89-90	
	5FV	black		89-			4XR	classic grey		91	
	5MF	mahogany		-90			4ZN	cobalt blue		91	
	3KF	marine blue		-88			8WZ	magenta		91	
	4KV	marine blue		89-			6YR	light grey		91	
	80E	burgundy		-88			M33	matador red		91	
	8MD	burgundy		89-90			D13	carrara grey		91	
	8JK	greyish green		-88			J23	sherwood green		91	
	2XF	linen		-90		(3)	927 551 013 03	carpet	/RL/L	1	
	4MM	plum red		-88			70E	black		-88	
	7VM	silver-grey		-88			5FV	black		89-	
	1VD	champagne		-88			5MF	mahogany		-90	
	5UM	caramel		-90			3KF	marine blue		-88	
	3KM	venetian blue		-90			4KV	marine blue		89-	
	8UT	cashmere beige		89-			80E	burgundy		-88	
	7VT	silk grey		89-90			8MD	burgundy		89-90	
	9MT	velvet red		89-90			8JK	greyish green		-88	
	3WT	slate grey		89-90			2XF	linen		-90	
(3)	928 551 014 08	carpet	/LL/R	90-	1		4MM	plum red		-88	
	5FV	black		89-			7VM	silver-grey		-88	
	5MF	mahogany		-90			1VD	champagne		-88	
	4KV	marine blue		89-			5UM	caramel		-90	
	8MD	burgundy		89-90			3KM	venetian blue		-90	
	2XF	linen		-90			8UT	cashmere beige		89-	
	5UM	caramel		-90			7VT	silk grey		89-90	
	3KM	venetian blue		-90			9MT	velvet red		89-90	

Model	Year	MG	SG	Illustration	Restrictions	UPD	19:36	23.01.2010	PORSCHE	PET	PORSCHE
928	1991	8	07	807-05		248					

Pos	Part Number	Description	Remark	Qty	Model	Pos	Part Number	Description	Remark	Qty	Model
	3WT	slate grey	89-90				4XR	classic grey	91		
	2YN	white	-88				4ZN	cobalt blue	91		
	4XR	classic grey	91				8WZ	magenta	91		
	4ZN	cobalt blue	91				6YR	light grey	91		
	8WZ	magenta	91				M33	matador red	91		
	6YR	light grey	91				D13	carrara grey	91		
	M33	matador red	91				J23	sherwood green	91		
	D13	carrara grey	91			4	928 551 057 03	lining heel plate	/L	1	
(3)	927 551 014 03	carpet	/RL/R	1			70E	black	-88		
	70E	black	-88				5FV	black	89-		
	5FV	black	89-				5MF	mahogany	-90		
	5MF	mahogany	-90				3KF	marine blue	-88		
	3KF	marine blue	-88				4KV	marine blue	89-		
	4KV	marine blue	89-				80E	burgundy	-88		
	80E	burgundy	-88				8MD	burgundy	89-90		
	8MD	burgundy	89-90				8JK	greyish green	-88		
	8JK	greyish green	-88				2XF	linen	-90		
	2XF	linen	-90				4MM	plum red	-88		
	4MM	plum red	-88				7VM	silver-grey	-88		
	7VM	silver-grey	-88				1VD	champagne	-88		
	1VD	champagne	-88				5UM	caramel	-90		
	5UM	caramel	-90				3KM	venetian blue	-90		
	3KM	venetian blue	-90				8UT	cashmere beige	89-		
	8UT	cashmere beige	89-				7VT	silk grey	89-90		
	7VT	silk grey	89-90				9MT	velvet red	89-90		
	9MT	velvet red	89-90				3WT	slate grey	89-90		
	3WT	slate grey	89-90				4XR	classic grey	91		
	2YN	white	-88				4ZN	cobalt blue	91		

Model	Year	MG	SG	Illustration	Restrictions	UPD	19:36	23.01.2010	PORSCHE	PET	PORSCHE
928	1991	8	07	807-05		248					

Pos	Part Number	Description	Remark	Qty	Model	Pos	Part Number	Description	Remark	Qty	Model
	8WZ	magenta		91			M33	matador red		91	
	6YR	light grey		91			D13	carrara grey		91	
	M33	matador red		91			J23	sherwood green		91	
	D13	carrara grey		91		5	928 551 061 03	boot floor carpet	-89	1	
	J23	sherwood green		91			70E	black		-88	
(4)	928 551 058 03	lining heel plate	/R	1			5FV	black		89-	
	70E	black		-88			5MF	mahogany		-90	
	5FV	black		89-			3KF	marine blue		-88	
	5MF	mahogany		-90			4KV	marine blue		89-	
	3KF	marine blue		-88			80E	burgundy		-88	
	4KV	marine blue		89-			8MD	burgundy		89-90	
	80E	burgundy		-88			8JK	greyish green		-88	
	8MD	burgundy		89-90			2XF	linen		-90	
	8JK	greyish green		-88			4MM	plum red		-88	
	2XF	linen		-90			7VM	silver-grey		-88	
	4MM	plum red		-88			1VD	champagne		-88	
	7VM	silver-grey		-88			5UM	caramel		-90	
	1VD	champagne		-88			3KM	venetian blue		-90	
	5UM	caramel		-90			8UT	cashmere beige		89-	
	3KM	venetian blue		-90			7VT	silk grey		89-90	
	8UT	cashmere beige		89-			9MT	velvet red		89-90	
	7VT	silk grey		89-90			3WT	slate grey		89-90	
	9MT	velvet red		89-90		(5)	928 551 061 10	boot floor carpet		90-	1
	3WT	slate grey		89-90			5FV	black		89-	
	4XR	classic grey		91			5MF	mahogany		-90	
	4ZN	cobalt blue		91			4KV	marine blue		89-	
	8WZ	magenta		91			8MD	burgundy		89-90	
	6YR	light grey		91			2XF	linen		-90	
							5UM	caramel		-90	

Model	Year	MG	SG	Illustration	Restrictions	UPD	19:36	23.01.2010	PORSCHE	PET	PORSCHE
928	1991	8	07	807-05		248					

Pos	Part Number	Description	Remark	Qty	Model	Pos	Part Number	Description	Remark	Qty	Model
	3KM	venetian blue	-90				7VT	silk grey	89-90		
	8UT	cashmere beige	89-				9MT	velvet red	89-90		
	7VT	silk grey	89-90				3WT	slate grey	89-90		
	9MT	velvet red	89-90			(5)	928 551 061 05	boot floor carpet	(AUS) (CDN)	1	
	3WT	slate grey	89-90						-89		
	4XR	classic grey	91				70E	black	-88		
	4ZN	cobalt blue	91				5FV	black	89-		
	8WZ	magenta	91				5MF	mahogany	-90		
	6YR	light grey	91				3KF	marine blue	-88		
	M33	matador red	91				4KV	marine blue	89-		
	D13	carrara grey	91				80E	burgundy	-88		
	J23	sherwood green	91				8MD	burgundy	89-90		
(5)	928 551 061 04	boot floor carpet	-89	1	M293/295 M496		8JK	greyish green	-88		
	70E	black	-88				2XF	linen	-90		
	5FV	black	89-				4MM	plum red	-88		
	5MF	mahogany	-90				7VM	silver-grey	-88		
	3KF	marine blue	-88				1VD	champagne	-88		
	4KV	marine blue	89-				5UM	caramel	-90		
	80E	burgundy	-88				3KM	venetian blue	-90		
	8MD	burgundy	89-90				8UT	cashmere beige	89-		
	8JK	greyish green	-88				7VT	silk grey	89-90		
	2XF	linen	-90				9MT	velvet red	89-90		
	4MM	plum red	-88			(5)	928 551 061 13	boot floor carpet	(AUS) (CDN)	1	
	7VM	silver-grey	-88						90-		
	1VD	champagne	-88				5FV	black	89-		
	5UM	caramel	-90				5MF	mahogany	-90		
	3KM	venetian blue	-90				4KV	marine blue	89-		
	8WT	cashmere beige	89-				8MD	burgundy	89-90		
							2XF	linen	-90		

Model	Year	MG	SG	Illustration	Restrictions	UPD	19:36	23.01.2010	PORSCHE	PET	PORSCHE
928	1991	8	07	807-05		248					

Pos	Part Number	Description	Remark	Qty	Model	Pos	Part Number	Description	Remark	Qty	Model
	5UM	caramel	-90				7VT	silk grey	89-90		
	3KM	venetian blue	-90				9MT	velvet red	89-90		
	8UT	cashmere beige	89-				3WT	slate grey	89-90		
	7VT	silk grey	89-90			6	928 551 113 05	lining tunnel for cars with with it is necessary to rework	-89	1	M195/496
	9MT	velvet red	89-90				70E	black	-88		
	3WT	slate grey	89-90				5FV	black	89-		
	4XR	classic grey	91				5MF	mahogany	-90		
	4ZN	cobalt blue	91				3KF	marine blue	-88		
	8WZ	magenta	91				4KV	marine blue	89-		
	6YR	light grey	91				80E	burgundy	-88		
	M33	matador red	91				8MD	burgundy	89-90		
	D13	carrara grey	91				8JK	greyish green	-88		
	J23	sherwood green	91				2XF	linen	-90		
(5)	928 551 061 07	boot floor carpet	-89	1	M195		4MM	plum red	-88		
	70E	black	-88				7VM	silver-grey	-88		
	5FV	black	89-				1VD	champagne	-88		
	5MF	mahogany	-90				5UM	caramel	-90		
	3KF	marine blue	-88				3KM	venetian blue	-90		
	4KV	marine blue	89-				8UT	cashmere beige	89-		
	80E	burgundy	-88				7VT	silk grey	89-90		
	8MD	burgundy	89-90				9MT	velvet red	89-90		
	8JK	greyish green	-88				3WT	slate grey	89-90		
	2XF	linen	-90			(6)	928 551 113 06	lining tunnel for cars with with it is necessary to rework	90-	1	M195/496
	4MM	plum red	-88				5FV	black	89-		
	7VM	silver-grey	-88				5MF	mahogany	-90		
	1VD	champagne	-88								
	5UM	caramel	-90								
	3KM	venetian blue	-90								
	8UT	cashmere beige	89-								

Model	Year	MG	SG	Illustration	Restrictions	UPD	19:36	23.01.2010	PORSCHE	PET	PORSCHE
928	1991	8	07	807-05		248					

Pos	Part Number	Description	Remark	Qty	Model	Pos	Part Number	Description	Remark	Qty	Model
	4KV	marine blue	89-				7VM	silver-grey	-88		
	8MD	burgundy	89-90				1VD	champagne	-88		
	2XF	linen	-90				5UM	caramel	-90		
	5UM	caramel	-90				3KM	venetian blue	-90		
	3KM	venetian blue	-90				8UT	cashmere beige	89-		
	8UT	cashmere beige	89-				7VT	silk grey	89-90		
	7VT	silk grey	89-90				9MT	velvet red	89-90		
	9MT	velvet red	89-90				3WT	slate grey	89-90		
	3WT	slate grey	89-90				4XR	classic grey	91		
	4XR	classic grey	91				4ZN	cobalt blue	91		
	4ZN	cobalt blue	91				8WZ	magenta	91		
	8WZ	magenta	91				6YR	light grey	91		
	6YR	light grey	91				M33	matador red	91		
	M33	matador red	91				D13	carrara grey	91		
	D13	carrara grey	91				J23	sherwood green	91		
	J23	sherwood green	91			8	927 551 032 03	lining side member	/RL/R	1	
7	928 551 137 02	scuff plate	/LL	1			70E	black	-88		
(8)	927 551 031 05	lining side member	/RL/L	1			5FV	black	89-		
	70E	black	-88				5MF	mahogany	-90		
	5FV	black	89-				3KF	marine blue	-88		
	5MF	mahogany	-90				4KV	marine blue	89-		
	3KF	marine blue	-88				80E	burgundy	-88		
	4KV	marine blue	89-				8MD	burgundy	89-90		
	80E	burgundy	-88				8JK	greyish green	-88		
	8MD	burgundy	89-90				2XF	linen	-90		
	8JK	greyish green	-88				4MM	plum red	-88		
	2XF	linen	-90				7VM	silver-grey	-88		
	4MM	plum red	-88				1VD	champagne	-88		

Model	Year	MG	SG	Illustration	Restrictions	UPD	19:36	23.01.2010	PORSCHE	PET	PORSCHE
928	1991	8	07	807-05		248					

Pos	Part Number	Description	Remark	Qty	Model	Pos	Part Number	Description	Remark	Qty	Model
	5UM	caramel	-90				8UT	cashmere beige	89-		
	3KM	venetian blue	-90				7VT	silk grey	89-90		
	8UT	cashmere beige	89-				9MT	velvet red	89-90		
	7VT	silk grey	89-90				3WT	slate grey	89-90		
	9MT	velvet red	89-90			(8)	928 551 031 08	lining side member	/LL/L 90-	1	
	3WT	slate grey	89-90				5FV	black	89-		
	4XR	classic grey	91				5MF	mahogany	-90		
	4ZN	cobalt blue	91				4KV	marine blue	89-		
	8WZ	magenta	91				8MD	burgundy	89-90		
	6YR	light grey	91				2XF	linen	-90		
	M33	matador red	91				5UM	caramel	-90		
	D13	carrara grey	91				3KM	venetian blue	-90		
	J23	sherwood green	91				8UT	cashmere beige	89-		
(8)	928 551 031 07	lining side member	/LL/L -89	1			7VT	silk grey	89-90		
	70E	black	-88				9MT	velvet red	89-90		
	5FV	black	89-				3WT	slate grey	89-90		
	5MF	mahogany	-90				4XR	classic grey	91		
	3KF	marine blue	-88				4ZN	cobalt blue	91		
	4KV	marine blue	89-				8WZ	magenta	91		
	80E	burgundy	-88				6YR	light grey	91		
	8MD	burgundy	89-90				M33	matador red	91		
	8JK	greyish green	-88				D13	carrara grey	91		
	2XF	linen	-90				J23	sherwood green	91		
	4MM	plum red	-88			8	928 551 032 07	lining side member	/LL/R -89	1	
	7VM	silver-grey	-88				70E	black	-88		
	1VD	champagne	-88				5FV	black	89-		
	5UM	caramel	-90				5MF	mahogany	-90		
	3KM	venetian blue	-90				3KF	marine blue	-88		

Model	Year	MG	SG	Illustration	Restrictions	UPD	19:36	23.01.2010	PORSCHE	PET	PORSCHE
928	1991	8	07	807-05		248					

Pos	Part Number	Description	Remark	Qty	Model	Pos	Part Number	Description	Remark	Qty	Model
	4KV	marine blue	89-				8WZ	magenta	91		
	80E	burgundy	-88				6YR	light grey	91		
	8MD	burgundy	89-90				M33	matador red	91		
	8JK	greyish green	-88				D13	carrara grey	91		
	2XF	linen	-90				J23	sherwood green	91		
	4MM	plum red	-88			9	928 551 091 02	lining parking-brake cable	/LL	1	
	7VM	silver-grey	-88				70E	black	-88		
	1VD	champagne	-88				5FV	black	89-		
	5UM	caramel	-90				5MF	mahogany	-90		
	3KM	venetian blue	-90				3KF	marine blue	-88		
	8UT	cashmere beige	89-				4KV	marine blue	89-		
	7VT	silk grey	89-90				80E	burgundy	-88		
	9MT	velvet red	89-90				8MD	burgundy	89-90		
	3WT	slate grey	89-90				8JK	greyish green	-88		
(8)	928 551 032 08	lining side member	/LL/R 90-	1			2XF	linen	-90		
	5FV	black	89-				4MM	plum red	-88		
	5MF	mahogany	-90				7VM	silver-grey	-88		
	4KV	marine blue	89-				1VD	champagne	-88		
	8MD	burgundy	89-90				5UM	caramel	-90		
	2XF	linen	-90				3KM	venetian blue	-90		
	5UM	caramel	-90				8UT	cashmere beige	89-		
	3KM	venetian blue	-90				7VT	silk grey	89-90		
	8UT	cashmere beige	89-				9MT	velvet red	89-90		
	7VT	silk grey	89-90				3WT	slate grey	89-90		
	9MT	velvet red	89-90				4XR	classic grey	91		
	3WT	slate grey	89-90				4ZN	cobalt blue	91		
	4XR	classic grey	91				8WZ	magenta	91		
	4ZN	cobalt blue	91				6YR	light grey	91		

Model	Year	MG	SG	Illustration	Restrictions	UPD	19:36	23.01.2010	PORSCHE	PET	PORSCHE
928	1991	8	07	807-05		248					

Pos	Part Number	Description	Remark	Qty	Model	Pos	Part Number	Description	Remark	Qty	Model
	M33	matador red		91			M33	matador red		91	
	D13	carrara grey		91			D13	carrara grey		91	
	J23	sherwood green		91			J23	sherwood green		91	
	L03	scala red		91			L03	scala red		91	
	A43	greenwich grey		91			A43	greenwich grey		91	
(9)	927 551 091 02	lining parking-brake cable	/RL	1		10	928 551 089 04	lining handbrake	/LL	-89	1
	70E	black		-88			70E	black		-88	
	5FV	black		89-			5FV	black		89-	
	5MF	mahogany		-90			5MF	mahogany		-90	
	3KF	marine blue		-88			3KF	marine blue		-88	
	4KV	marine blue		89-			4KV	marine blue		89-	
	80E	burgundy		-88			80E	burgundy		-88	
	8MD	burgundy		89-90			8MD	burgundy		89-90	
	8JK	greyish green		-88			8JK	greyish green		-88	
	2XF	linen		-90			2XF	linen		-90	
	4MM	plum red		-88			4MM	plum red		-88	
	7VM	silver-grey		-88			7VM	silver-grey		-88	
	1VD	champagne		-88			1VD	champagne		-88	
	5UM	caramel		-90			5UM	caramel		-90	
	3KM	venetian blue		-90			3KM	venetian blue		-90	
	8UT	cashmere beige		89-			8UT	cashmere beige		89-	
	7VT	silk grey		89-90			7VT	silk grey		89-90	
	9MT	velvet red		89-90			9MT	velvet red		89-90	
	3WT	slate grey		89-90			3WT	slate grey		89-90	
	4XR	classic grey		91		(10)	928 551 089 06	lining handbrake	/LL	88-89	1 M637
	4ZN	cobalt blue		91			70E	black		-88	
	8WZ	magenta		91			5FV	black		89-	
	6YR	light grey		91			5MF	mahogany		-90	

Model	Year	MG	SG	Illustration	Restrictions	UPD	19:36	23.01.2010	PORSCHE	PET	PORSCHE
928	1991	8	07	807-05		248					

Pos	Part Number	Description	Remark	Qty	Model	Pos	Part Number	Description	Remark	Qty	Model
	3KF	marine blue	-88				5FV	black	89-		
	4KV	marine blue	89-				4KV	marine blue	89-		
	80E	burgundy	-88				8UT	cashmere beige	89-		
	8MD	burgundy	89-90				4XR	classic grey	91		
	8JK	greyish green	-88				4ZN	cobalt blue	91		
	2XF	linen	-90				8WZ	magenta	91		
	4MM	plum red	-88				6YR	light grey	91		
	7VM	silver-grey	-88				M33	matador red	91		
	1VD	champagne	-88				D13	carrara grey	91		
	5UM	caramel	-90				J23	sherwood green	91		
	3KM	venetian blue	-90				L03	scala red	91		
	8UT	cashmere beige	89-				A43	greenwich grey	91		
	7VT	silk grey	89-90			10	928 551 089 05	lining handbrake	/LL (J) -89	1	
	9MT	velvet red	89-90				70E	black	-88		
	3WT	slate grey	89-90				5FV	black	89-		
(10)	928 551 089 08	lining handbrake	/LL 90	1			5MF	mahogany	-90		
	5FV	black	89-				3KF	marine blue	-88		
	5MF	mahogany	-90				4KV	marine blue	89-		
	4KV	marine blue	89-				80E	burgundy	-88		
	8MD	burgundy	89-90				8MD	burgundy	89-90		
	2XF	linen	-90				8JK	greyish green	-88		
	5UM	caramel	-90				2XF	linen	-90		
	3KM	venetian blue	-90				4MM	plum red	-88		
	8UT	cashmere beige	89-				7VM	silver-grey	-88		
	7VT	silk grey	89-90				1VD	champagne	-88		
	9MT	velvet red	89-90				5UM	caramel	-90		
	3WT	slate grey	89-90				3KM	venetian blue	-90		
(10)	928 551 089 10	lining handbrake	/LL 91	1			8UT	cashmere beige	89-		

Model	Year	MG	SG	Illustration	Restrictions	UPD	19:36	23.01.2010	PORSCHE	PET	PORSCHE
928	1991	8	07	807-05		248					

Pos	Part Number	Description	Remark	Qty	Model	Pos	Part Number	Description	Remark	Qty	Model
(10)	928 551 089 09	lining handbrake	/LL (J)	90	1	(10)	928 551 089 07	lining handbrake	/LL (J)	88-89	1 M637
	7VT	silk grey		89-90			70E	black		-88	
	9MT	velvet red		89-90			5FV	black		89-	
	3WT	slate grey		89-90			5MF	mahogany		-90	
	5FV	black		89-			3KF	marine blue		-88	
	5MF	mahogany		-90			4KV	marine blue		89-	
	4KV	marine blue		89-			80E	burgundy		-88	
	8MD	burgundy		89-90			8MD	burgundy		89-90	
	2XF	linen		-90			8JK	greyish green		-88	
	5UM	caramel		-90			2XF	linen		-90	
	3KM	venetian blue		-90			4MM	plum red		-88	
	8UT	cashmere beige		89-			7VM	silver-grey		-88	
	7VT	silk grey		89-90			1VD	champagne		-88	
	9MT	velvet red		89-90			5UM	caramel		-90	
	3WT	slate grey		89-90			3KM	venetian blue		-90	
(10)	928 551 089 11	lining handbrake	/LL (J)	91	1		8UT	cashmere beige		89-	
	5FV	black		89-			7VT	silk grey		89-90	
	4KV	marine blue		89-			9MT	velvet red		89-90	
	8UT	cashmere beige		89-			3WT	slate grey		89-90	
	4XR	classic grey		91		10	927 551 089 04	lining handbrake	/RL	-89	1
	4ZN	cobalt blue		91			70E	black		-88	
	8WZ	magenta		91			5FV	black		89-	
	6YR	light grey		91			5MF	mahogany		-90	
	M33	matador red		91			3KF	marine blue		-88	
	D13	carrara grey		91			4KV	marine blue		89-	
	J23	sherwood green		91			80E	burgundy		-88	
	L03	scala red		91			8MD	burgundy		89-90	
	A43	greenwich grey		91			8JK	greyish green		-88	

Model	Year	MG	SG	Illustration	Restrictions	UPD	19:36	23.01.2010	PORSCHE	PET	PORSCHE
928	1991	8	07	807-05		248					

Pos	Part Number	Description	Remark	Qty	Model	Pos	Part Number	Description	Remark	Qty	Model
	2XF	linen		-90			8WZ	magenta		91	
	4MM	plum red		-88			6YR	light grey		91	
	7VM	silver-grey		-88			M33	matador red		91	
	1VD	champagne		-88			D13	carrara grey		91	
	5UM	caramel		-90			J23	sherwood green		91	
	3KM	venetian blue		-90			L03	scala red		91	
	8UT	cashmere beige		89-			A43	greenwich grey		91	
	7VT	silk grey		89-90		11	928 551 325 02	rosette		-90	1
	9MT	velvet red		89-90			70B	black			
	3WT	slate grey		89-90		(11)	928 551 325 03	rosette		91	1
(10)	927 551 089 05	lining handbrake	/RL	90	1		70B	black			
	5FV	black		89-		12	900 143 001 02	tapping screw B 2,9 X 6,5			2
	5MF	mahogany		-90		13	928 551 087 03	tab		-89	1
	4KV	marine blue		89-		14	928 551 035 02	lining foot support	/LL	-89	1
	8MD	burgundy		89-90			70E	black		-88	
	2XF	linen		-90			5FV	black		89-	
	5UM	caramel		-90			5MF	mahogany		-90	
	3KM	venetian blue		-90			3KF	marine blue		-88	
	8UT	cashmere beige		89-			4KV	marine blue		89-	
	7VT	silk grey		89-90			80E	burgundy		-88	
	9MT	velvet red		89-90			8MD	burgundy		89-90	
	3WT	slate grey		89-90			8JK	greyish green		-88	
(10)	927 551 089 06	lining handbrake	/RL	91	1		2XF	linen		-90	
	5FV	black		89-			4MM	plum red		-88	
	4KV	marine blue		89-			7VM	silver-grey		-88	
	8UT	cashmere beige		89-			1VD	champagne		-88	
	4XR	classic grey		91			5UM	caramel		-90	
	4ZN	cobalt blue		91			3KM	venetian blue		-90	

Model	Year	MG	SG	Illustration	Restrictions	UPD	19:36	23.01.2010	PORSCHE	PET	PORSCHE
928	1991	8	07	807-05		248					

Pos	Part Number	Description	Remark	Qty	Model	Pos	Part Number	Description	Remark	Qty	Model
		8UT cashmere beige	89-				4KV marine blue	89-			
		7VT silk grey	89-90				80E burgundy	-88			
		9MT velvet red	89-90				8MD burgundy	89-90			
		3WT slate grey	89-90				8JK greyish green	-88			
(14)	928 551 035 03	lining foot support	/LL 90-	1			2XF linen	-90			
		5FV black	89-				4MM plum red	-88			
		5MF mahogany	-90				7VM silver-grey	-88			
		4KV marine blue	89-				1VD champagne	-88			
		8MD burgundy	89-90				5UM caramel	-90			
		2XF linen	-90				3KM venetian blue	-90			
		5UM caramel	-90				8UT cashmere beige	89-			
		3KM venetian blue	-90				7VT silk grey	89-90			
		8UT cashmere beige	89-				9MT velvet red	89-90			
		7VT silk grey	89-90				3WT slate grey	89-90			
		9MT velvet red	89-90				4XR classic grey	91			
		3WT slate grey	89-90				4ZN cobalt blue	91			
		4XR classic grey	91				8WZ magenta	91			
		4ZN cobalt blue	91				6YR light grey	91			
		8WZ magenta	91				M33 matador red	91			
		6YR light grey	91				D13 carrara grey	91			
		M33 matador red	91				J23 sherwood green	91			
		D13 carrara grey	91			15	928 551 073 06	clip	/LL	-89	2
		J23 sherwood green	91			(15)	927 551 073 04	clip	/RL		2
(14)	927 551 036 02	lining foot support	/RL	1		16	927 551 062 05	foot support	/RL	-89	1
		70E black	-88			(16)	927 551 062 06	foot support	/RL	90-	1
		5FV black	89-			17	928 551 062 05	foot support	/LL	-89	1
		5MF mahogany	-90			(17)	928 551 062 06	foot support	/LL	90-	1
		3KF marine blue	-88			17A	999 703 369 40	stopper 6,9 - 7,1	/LL	90-	2

Model	Year	MG	SG	Illustration	Restrictions	UPD	19:36	23.01.2010	PORSCHE	PET	PORSCHE
928	1991	8	07	807-05		248					

Pos	Part Number	Description	Remark	Qty	Model	Pos	Part Number	Description	Remark	Qty	Model
18	928 551 066 03	foot support	/LL	-89	1		70E	black	-88		
19	928 551 049 02	lining firewall	/LL		1		5FV	black	89-		
		70E black		-88			5MF	mahogany	-90		
		5FV black		89-			3KF	marine blue	-88		
		5MF mahogany		-90			4KV	marine blue	89-		
		3KF marine blue		-88			80E	burgundy	-88		
		4KV marine blue		89-			8MD	burgundy	89-90		
		80E burgundy		-88			8JK	greyish green	-88		
		8MD burgundy		89-90			2XF	linen	-90		
		8JK greyish green		-88			4MM	plum red	-88		
		2XF linen		-90			7VM	silver-grey	-88		
		4MM plum red		-88			1VD	champagne	-88		
		7VM silver-grey		-88			5UM	caramel	-90		
		1VD champagne		-88			3KM	venetian blue	-90		
		5UM caramel		-90			8UT	cashmere beige	89-		
		3KM venetian blue		-90			7VT	silk grey	89-90		
		8UT cashmere beige		89-			9MT	velvet red	89-90		
		7VT silk grey		89-90			3WT	slate grey	89-90		
		9MT velvet red		89-90			4XR	classic grey	91		
		3WT slate grey		89-90			4ZN	cobalt blue	91		
		4XR classic grey		91			8WZ	magenta	91		
		4ZN cobalt blue		91			6YR	light grey	91		
		8WZ magenta		91			M33	matador red	91		
		6YR light grey		91			D13	carrara grey	91		
		M33 matador red		91			J23	sherwood green	91		
		D13 carrara grey		91		20	928 551 505 06	cover	/LL	1	
		J23 sherwood green		91			70E	black	-88		
(19)	927 551 050 02	lining firewall	/RL		1		5FV	black	89-		
							5MF	mahogany	-90		

Model	Year	MG	SG	Illustration	Restrictions	UPD	19:36	23.01.2010	PORSCHE	PET	PORSCHE
928	1991	8	07	807-05		248					

Pos	Part Number	Description	Remark	Qty	Model	Pos	Part Number	Description	Remark	Qty	Model
	3KF	marine blue	-88				4KV	marine blue	89-		
	4KV	marine blue	89-				80E	burgundy	-88		
	80E	burgundy	-88				8MD	burgundy	89-90		
	8MD	burgundy	89-90				8JK	greyish green	-88		
	8JK	greyish green	-88				2XF	linen	-90		
	2XF	linen	-90				4MM	plum red	-88		
	4MM	plum red	-88				7VM	silver-grey	-88		
	7VM	silver-grey	-88				1VD	champagne	-88		
	1VD	champagne	-88				5UM	caramel	-90		
	5UM	caramel	-90				3KM	venetian blue	-90		
	3KM	venetian blue	-90				8UT	cashmere beige	89-		
	8UT	cashmere beige	89-				7VT	silk grey	89-90		
	7VT	silk grey	89-90				9MT	velvet red	89-90		
	9MT	velvet red	89-90				3WT	slate grey	89-90		
	3WT	slate grey	89-90				928 551 505 07 S				
	4XR	classic grey	91			(20)	927 551 505 06	cover	/RL	1	
	4ZN	cobalt blue	91				70E	black	-88		
	8WZ	magenta	91				5FV	black	89-		
	6YR	light grey	91				5MF	mahogany	-90		
	M33	matador red	91				3KF	marine blue	-88		
	D13	carrara grey	91				4KV	marine blue	89-		
	J23	sherwood green	91				80E	burgundy	-88		
	928 551 505 06 S						8MD	burgundy	89-90		
(20)	928 551 505 07	cover	/LL 88-89	1	M637		8JK	greyish green	-88		
	70E	black	-88				2XF	linen	-90		
	5FV	black	89-				4MM	plum red	-88		
	5MF	mahogany	-90				7VM	silver-grey	-88		
	3KF	marine blue	-88				1VD	champagne	-88		

Model	Year	MG	SG	Illustration	Restrictions	UPD	19:36	23.01.2010	PORSCHE	PET	PORSCHE
928	1991	8	07	807-05		248					

Pos	Part Number	Description	Remark	Qty	Model	Pos	Part Number	Description	Remark	Qty	Model
	5UM	caramel	-90				8MD	burgundy	89-90		
	3KM	venetian blue	-90				8JK	greyish green	-88		
	8UT	cashmere beige	89-				2XF	linen	-90		
	7VT	silk grey	89-90				4MM	plum red	-88		
	9MT	velvet red	89-90				7VM	silver-grey	-88		
	3WT	slate grey	89-90				1VD	champagne	-88		
	4XR	classic grey	91				5UM	caramel	-90		
	4ZN	cobalt blue	91				3KM	venetian blue	-90		
	8WZ	magenta	91				8UT	cashmere beige	89-90		
	6YR	light grey	91				7VT	silk grey	89-90		
	M33	matador red	91				9MT	velvet red	89-90		
	D13	carrara grey	91				3WT	slate grey	89-90		
	J23	sherwood green	91			(26)	928 551 081 08	plate for tools rear	91	1	
	927 551 505 06 S						5FV	black			
21	999 058 001 00	knurled screw M 6 X 10		2			8UT	cashmere beige			
22	928 556 045 03	spare wheel covering	-89	1			4XR	classic grey			
(22)	928 556 045 04	spare wheel covering	90-	1			4ZN	cobalt blue			
23	928 555 615 02	spacer sleeve		8			8WZ	magenta			
24	477 885 761	retaining bar		4			6YR	light grey			
25	900 269 050 07	countersunk-head screw M 5 X 25		8			M33	matador red			
26	928 551 081 06	plate for tools rear	-90	1			D13	carrara grey			
	70E	black	-88				J23	sherwood green			
	5FV	black	89-90			27	928 551 221 02	knob		2	
	5MF	mahogany	-90			28	999 591 483 40	lock washer		2	
	3KF	marine blue	-88			29	928 551 199 02	cap		2	
	4KV	marine blue	89-			30	928 551 203 02	locking cam		2	
	80E	burgundy	-88			31	928 551 653 02	lining terminal piece		1	

Model	Year	MG	SG	Illustration	Restrictions	UPD	19:36	23.01.2010	PORSCHE	PET	PORSCHE
928	1991	8	07	807-05		248					

Pos	Part Number	Description	Remark	Qty	Model	Pos	Part Number	Description	Remark	Qty	Model
	70E	black	-88			33	928 504 105 02	gasket for lid		1	
	5FV	black	89-								
	5MF	mahogany	-90			34	928 504 107 02	sealing rubber for battery cover		1	
	3KF	marine blue	-88								
	4KV	marine blue	89-			35	928 555 021 07	side trim panel with loudspeaker opening leatherette	/L	-88	1
	80E	burgundy	-88								
	8MD	burgundy	89-90				05T	black			
	8JK	greyish green	-88				1MX	mahogany			
	2XF	linen	-90				1KX	marine blue			
	4MM	plum red	-88				3MX	burgundy			
	7VM	silver-grey	-88				4JX	greyish green			
	1VD	champagne	-88			(35)	928 555 022 07	side trim panel with loudspeaker opening leatherette	/R	-88	1
	5UM	caramel	-90								
	3KM	venetian blue	-90				05T	black			
	8UT	cashmere beige	89-				1MX	mahogany			
	7VT	silk grey	89-90				1KX	marine blue			
	9MT	velvet red	89-90				3MX	burgundy			
	3WT	slate grey	89-90				4JX	greyish green			
	4XR	classic grey	91			(35)	928 555 921 00	side trim panel with loudspeaker opening leatherette	/L	-88	1 M490
	4ZN	cobalt blue	91								
	8WZ	magenta	91				05T	black			
	6YR	light grey	91				1MX	mahogany			
	M33	matador red	91				1KX	marine blue			
	D13	carrara grey	91				3MX	burgundy			
	J23	sherwood green	91				4JX	greyish green			
(32)	928 551 185 02	rubber stop	/L	1		(35)	928 555 922 00	side trim panel with loudspeaker opening leatherette	/R	-88	1 M490
	70B	black									
(32)	928 551 186 02	rubber stop	/R	1			05T	black			
	70B	black					1MX	mahogany			

Model	Year	MG	SG	Illustration	Restrictions	UPD	19:36	23.01.2010	PORSCHE	PET	PORSCHE
928	1991	8	07	807-05		248					

Pos	Part Number	Description	Remark	Qty	Model	Pos	Part Number	Description	Remark	Qty	Model
	1KX	marine blue					KZ2	black			
	3MX	burgundy					TV1	mahogany			
	4JX	greyish green					TS1	marine blue			
(35)	928 555 921 02	side trim panel with loudspeaker opening leatherette	/L 89-90	1			LG7	burgundy			
	70A	black					QC2	greyish green			
	1MX	mahogany					UD5	caramel			
	1KX	marine blue				(35)	UD6	venetian blue			
	3MX	burgundy				928 555 022 57	side trim panel with loudspeaker opening leather	/R -88	1		
(35)	928 555 922 02	side trim panel with loudspeaker opening leatherette	/R 89-90	1			KZ2	black			
	70A	black					TV1	mahogany			
	1MX	mahogany					TS1	marine blue			
	1KX	marine blue					LG7	burgundy			
	3MX	burgundy					QC2	greyish green			
(35)	928 555 921 02	side trim panel with loudspeaker opening leatherette	/L 91	1			UD5	caramel			
	70A	black				(35)	UD6	venetian blue			
	2WJ	classic grey				928 555 921 01	side trim panel with loudspeaker opening leather	/L -88	1	M490	
	9ZH	cobalt blue					KZ2	black			
	4WY	magenta					TV1	mahogany			
(35)	928 555 922 02	side trim panel with loudspeaker opening leatherette	/R 91	1			TS1	marine blue			
	70A	black					LG7	burgundy			
	2WJ	classic grey					QC2	greyish green			
	9ZH	cobalt blue				(35)	UD5	caramel			
	4WY	magenta				928 555 922 01	side trim panel with loudspeaker opening leather	/R -88	1	M490	
(35)	928 555 021 57	side trim panel with loudspeaker opening leather	/L -88	1			UD6	venetian blue			
							KZ2	black			
							TV1	mahogany			

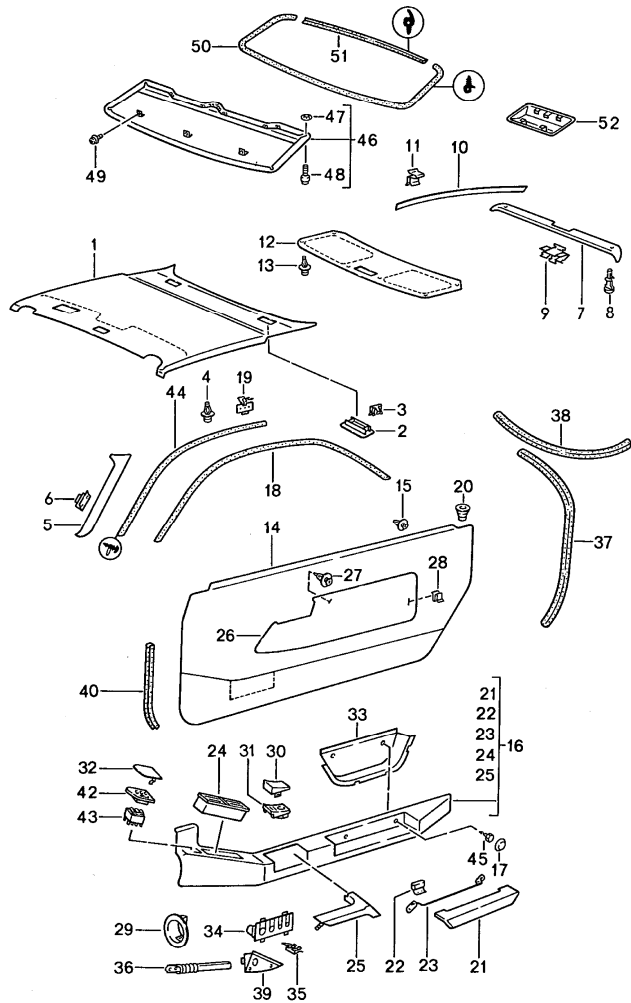
Model	Year	MG	SG	Illustration	Restrictions	UPD	19:36	23.01.2010	PORSCHE	PET	PORSCHE
928	1991	8	07	807-05		248					

Pos	Part Number	Description	Remark	Qty	Model	Pos	Part Number	Description	Remark	Qty	Model
	TS1	marine blue					9YL	cobalt blue			
	LG7	burgundy					6YL	magenta			
	QC2	greyish green					M05	matador red			
	UD5	caramel					D35	carrara grey			
	UD6	venetian blue					J25	sherwood green			
(35)	928 555 921 03	side trim panel with loudspeaker opening leather	/L 89-90	1	M680	(35)	928 555 922 03	side trim panel with loudspeaker opening leather	/R 91	1	M680
	KZ2	black					H05	marine blue			
	TV1	mahogany					8YR	black			
	TS1	marine blue					6XL	classic grey			
	LG7	burgundy					9YL	cobalt blue			
	4MT	velvet red					6YL	magenta			
	2WT	slate grey					M05	matador red			
	UD5	caramel					D35	carrara grey			
	UD6	venetian blue					J25	sherwood green			
(35)	928 555 922 03	side trim panel with loudspeaker opening leather	/R 89-90	1	M680		H05	marine blue			
	KZ2	black				36	928 555 275 04	rosette	/L	1	
	TV1	mahogany					70B	black			
	TS1	marine blue				(36)	928 555 276 04	rosette	/R	1	
	LG7	burgundy					70B	black			
	4MT	velvet red				37	900 143 007 02	tapping screw B 4,2 X 13		4	
	2WT	slate grey				38	-	see group 8/09/15 POS.9		2	
	UD5	caramel				39	-	see group 8/09/15 POS.10		2	
	UD6	venetian blue				40	928 555 469 03	knob for coat hook		2	
(35)	928 555 921 03	side trim panel with loudspeaker opening leather	/L 91	1	M680	41	900 145 091 07	tapping screw B 4,8 X 32		2	
	8YR	black				42	999 591 102 07	protection washer		5	
	6XL	classic grey									

Model	Year	MG	SG	Illustration	Restrictions	UPD	19:36	23.01.2010	PORSCHE	PET	PORSCHE
928	1991	8	07	807-05		248					

Pos	Part Number	Description	Remark	Qty	Model	Pos	Part Number	Description	Remark	Qty	Model
43	900 145 062 07	tapping screw B 3,5 X 25		5		(47)	928 551 099 01	cover	-89	1	M195
44	823 867 299	clip		6			70E	black	-88		
-	928 555 631 02	luggage net		1			5FV	black	89-		
46	A 928 551 911 01	floor mat	/LL/L	-88	1		5MF	mahogany	-90		
	70A	black					3KF	marine blue	-88		
	40A	brown					4KV	marine blue	89-90		
(46)	A 928 551 912 01	floor mat	/LL/R	-88	1		80E	burgundy	-88		
	70A	black					8MD	burgundy	89-90		
	40A	brown					8JK	greyish green	-88		
47	928 551 099 00	cover		-89	1		2XF	linen	-90		
	70E	black		-88			4MM	plum red	-88		
	5FV	black		89-			7VM	silver-grey	-88		
	5MF	mahogany		-90			1VD	champagne	-88		
	3KF	marine blue		-88			5UM	caramel	-90		
	4KV	marine blue		89			3KM	venetian blue	-90		
	80E	burgundy		-88			8UT	cashmere beige	89-		
	8MD	burgundy		89			7VT	silk grey	89-90		
	8JK	greyish green		-88			9MT	velvet red	89-90		
	2XF	linen		-90			3WT	slate grey	89-90		
	4MM	plum red		-88		48	999 591 957 40	fastening screw cover control units	89-	1	
	7VM	silver-grey		-88							
	1VD	champagne		-88							
	5UM	caramel		-90							
	3KM	venetian blue		-90							
	8UT	cashmere beige		89-							
	7VT	silk grey		89-90							
	9MT	velvet red		89-90							
	3WT	slate grey		89-90							

Model	Year	MG	SG	Illustration	Restrictions	UPD	19:37	23.01.2010	PORSCHE	PET	PORSCHE
928	1991	8	07	807-10		248					



Pos	Part Number	Description	Remark	Qty	Model
1	928 555 071 08	door trim panel rooflining leatherette		1	
	70A	black			
	3MX	burgundy	-90		
	2KA	greyish green	-88		
	5MA	mahogany	-90		
	3KA	marine blue			
	6WG	classic grey	91		
	6YU	cobalt blue	91		
	6WW	magenta	91		
(1)	928 555 071 54	rooflining leather		1	
	KZ2	black	-90		
	LG7	burgundy	-90		
	QC2	greyish green	-88		
	TV1	mahogany	-90		
	TS1	marine blue	-90		
	UD5	caramel	-90		
	UD6	venetian blue	-90		
	4MT	velvet red	-90		
	2WT	slate grey	-90		
	8YR	black	91		
	6XL	classic grey	91		
	9YL	cobalt blue	91		
	6YL	magenta	91		
	M05	matador red	91		
	D35	carrara grey	91		
	J25	sherwood green	91		

Model	Year	MG	SG	Illustration	Restrictions	UPD	19:37	23.01.2010	PORSCHE	PET	PORSCHE
928	1991	8	07	807-10		248					

Pos	Part Number	Description	Remark	Qty	Model	Pos	Part Number	Description	Remark	Qty	Model
	H05	marine blue	90-			2	928 555 355 02	cap	-89	2	
(1)	928 555 071 62	rooflining leatherette		1	M650	(2)	928 555 254 50	cap	90-	2	
	70A	black					1AJ	black	90		
	5MA	mahogany	-90				2LX	mahogany	90		
	3KA	marine blue					7JX	marine blue	90		
	3MX	burgundy	-90				7LD	burgundy	90		
	1JL	greyish green	-88				4MT	velvet red	90		
	8WL	classic grey	91				2WT	slate grey	90		
	6YJ	cobalt blue	91				4UC	caramel	90		
	6WZ	magenta	91				7KC	venetian blue	90		
(1)	928 555 071 63	rooflining leather	-90	1	M650		8YR	black	91		
	KZ2	black					6XL	classic grey	91		
	TV1	mahogany					9YL	cobalt blue	91		
	TS1	marine blue					6YL	magenta	91		
	LG7	burgundy					M05	matador red	91		
	QC2	greyish green					D35	carrara grey	91		
	UD5	caramel					J25	sherwood green	91		
	UD6	venetian blue					H05	marine blue			
(1)	928 555 071 63	rooflining leather	91	1	M650	3	928 555 365 03	spring clamp		4	
	8YR	black				4	823 867 299	clip		15	
	6XL	classic grey				-	999 591 559 40	clip		10	M650
	9YL	cobalt blue				5	928 555 073 02	lining windscreen frame leatherette	/L	1	
	6YL	magenta					70A	black			
	M05	matador red					3MX	burgundy	-90		
	D35	carrara grey					4JX	greyish green	-88		
	J25	sherwood green					1MX	mahogany	-90		
	H05	marine blue					1KX	marine blue			
							9WH	classic grey	91		

Model	Year	MG	SG	Illustration	Restrictions	UPD	19:37	23.01.2010	PORSCHE	PET	PORSCHE
928	1991	8	07	807-10		248					

Pos	Part Number	Description	Remark	Qty	Model	Pos	Part Number	Description	Remark	Qty	Model
	7YG	cobalt blue		91			TS1	marine blue		-90	
	9YF	magenta		91			UD5	caramel		-90	
(5)	928 555 074 02	lining windscreen frame leatherette	/R	1			UD6	venetian blue		-90	
	70A	black					4MT	velvet red		89-90	
	3MX	burgundy		-90		(5)	928 555 251 51	lining windscreen frame leather	/L	91	1
	4JX	greyish green		-88							
	1MX	mahogany		-90			8YR	black			
	1KX	marine blue					6XL	classic grey			
	9WH	classic grey		91			9YL	cobalt blue			
	7YG	cobalt blue		91			6YL	magenta			
	9YF	magenta		91			M05	matador red			
(5)	928 555 251 50	lining windscreen frame leather	/L	-90	1		D35	carrara grey			
	KZ2	black		-90			J25	sherwood green			
	LG7	burgundy		-90		(5)	928 555 252 51	lining windscreen frame leather	/R	91	1
	QC2	greyish green		-88							
	TV1	mahogany		-90			8YR	black			
	TS1	marine blue		-90			6XL	classic grey			
	UD5	caramel		-90			9YL	cobalt blue			
	UD6	venetian blue		-90			6YL	magenta			
	4MT	velvet red		89-90			M05	matador red			
	2WT	slate grey		89-90			D35	carrara grey			
5	928 555 252 50	lining windscreen frame leather	/R	-90	1		J25	sherwood green			
	KZ2	black		-90			H05	marine blue			
	LG7	burgundy		-90		6	999 591 749 02	clamp			4
	QC2	greyish green		-88		7	928 555 047 05	lining lid lower leatherette	/H		1
	TV1	mahogany		-90							

Model	Year	MG	SG	Illustration	Restrictions	UPD	19:37	23.01.2010	PORSCHE	PET	PORSCHE
928	1991	8	07	807-10		248					

Pos	Part Number	Description	Remark	Qty	Model	Pos	Part Number	Description	Remark	Qty	Model
	5CT	black	-90			9	928 555 438 02	clamp		5	
	1MA	burgundy	-90			10	928 555 037 02	lining lid lateral leatherette	/L	1	
	1JL	greyish green	-88								
	5MA	mahogany	-90								
	3KA	marine blue					5CT	black			
	8WL	classic grey	91				1MA	burgundy	-90		
	6YJ	cobalt blue	91				1JL	greyish green	-88		
	6WZ	magenta	91				5MA	mahogany	-90		
7	928 555 047 53	lining lid lower leather	/H	1			3KA	marine blue			
	KZ2	black	-90				8WL	classic grey	91		
	LG7	burgundy	-90			(10)	928 555 038 02	lining lid lateral leatherette	/R	1	
	QC2	greyish green	-88								
	TV1	mahogany	-90				5CT	black			
	TS1	marine blue	-90				1MA	burgundy	-90		
	UD5	caramel	-90				1JL	greyish green	-88		
	UD6	venetian blue	-90				5MA	mahogany	-90		
	4MT	velvet red	89-90				3KA	marine blue			
	2WT	slate grey	89-90				8WL	classic grey	91		
	8YR	black	91				6YJ	cobalt blue	91		
	6XL	classic grey	91				6WZ	magenta	91		
	9YL	cobalt blue	91			(10)	928 555 037 50	lining lid lateral leather	/L	1	
	6YL	magenta	91								
	M05	matador red	91				KZ2	black	-90		
	D35	carrara grey	91				LG7	burgundy	-90		
	J25	sherwood green	91				QC2	greyish green	-88		
	H05	marine blue	91				TV1	mahogany	-90		
8	999 591 564 40	expansion rivet black		8							

Model	Year	MG	SG	Illustration	Restrictions	UPD	19:37	23.01.2010	PORSCHE	PET	PORSCHE
928	1991	8	07	807-10		248					

Pos	Part Number	Description	Remark	Qty	Model	Pos	Part Number	Description	Remark	Qty	Model
	TS1	marine blue	-90				M05	matador red	91		
	UD5	caramel	-90				D35	carrara grey	91		
	UD6	venetian blue	-90				J25	sherwood green	91		
	4MT	velvet red	89-90				H05	marine blue	91		
	2WT	slate grey	89-90			11	928 555 437 02	clamp		12	
	8YR	black	91			12	928 555 527 02	lining lid upper leatherette	/H	1	
	6XL	classic grey	91				5CT	black			
	9YL	cobalt blue	91				1MA	burgundy	-90		
	6YL	magenta	91				1JL	greyish green	-88		
	M05	matador red	91				5MA	mahogany	-90		
	D35	carrara grey	91				3KA	marine blue			
	J25	sherwood green	91				8WL	classic grey	91		
	H05	marine blue	91				6YJ	cobalt blue	91		
(10)	928 555 038 50	lining lid lateral leather	/R	1			6WZ	magenta	91		
	KZ2	black	-90			(12)	928 555 527 50	lining lid upper leather	/H	1	
	LG7	burgundy	-90				KZ2	black	-90		
	QC2	greyish green	-88				LG7	burgundy	-90		
	TV1	mahogany	-90				QC2	greyish green	-88		
	TS1	marine blue	-90				TV1	mahogany	-90		
	UD5	caramel	-90				TS1	marine blue	-90		
	UD6	venetian blue	-90				UD5	caramel	-90		
	4MT	velvet red	89-90				UD6	venetian blue	-90		
	2WT	slate grey	89-90				4MT	velvet red	89-90		
	8YR	black	91				2WT	slate grey	89-90		
	6XL	classic grey	91				8YR	black	91		
	9YL	cobalt blue	91				6XL	classic grey	91		
	6YL	magenta	91								

Model	Year	MG	SG	Illustration	Restrictions	UPD	19:37	23.01.2010	PORSCHE	PET	PORSCHE
928	1991	8	07	807-10		248					

Pos	Part Number	Description	Remark	Qty	Model	Pos	Part Number	Description	Remark	Qty	Model
	9YL	cobalt blue		91			TY8	greyish green/linen			
	6YL	magenta		91		14	928 555 225 02	door trim panel leatherette/carpet	/L	89-90	1
	M05	matador red		91			SM3	black/black			
	D35	carrara grey		91			TY3	mahogany/mahogany			
	J25	sherwood green		91			SM5	marine blue/marine blue			
	H05	marine blue		91			SM7	burgundy/burgundy			
13	999 591 559 40	clip		8			TY4	black/linen			
14	928 555 225 00	door trim panel leatherette/carpet	/L	-88	1		TY6	mahogany/linen			
	BB2	black/black					TY5	marine blue/linen			
	JP8	burgundy/burgundy					TY7	burgundy/linen			
	QC6	greyish green/grey-green					SL2	black/cashmere beige			
	TY3	mahogany/mahogany					SL3	marine blue/cashmere beige			
	TY2	marine blue/marine blue				(14)	928 555 226 02	door trim panel leatherette/carpet	/R	89-90	1
	TY4	black/linen					SM3	black/black			
	TY6	mahogany/linen					TY3	mahogany/mahogany			
	TY5	marine blue/linen					SM5	marine blue/marine blue			
	TY7	burgundy/linen					SM7	burgundy/burgundy			
	TY8	greyish green/linen					TY4	black/linen			
(14)	928 555 226 00	door trim panel leatherette/carpet	/R	-88	1		TY6	mahogany/linen			
	BB2	black/black					TY5	marine blue/linen			
	JP8	burgundy/burgundy					TY7	burgundy/linen			
	QC6	greyish green/grey-green					SL2	black/cashmere beige			
	TY3	mahogany/mahogany					SL3	marine blue/cashmere beige			
	TY2	marine blue/marine blue				(14)	928 555 225 01	door trim panel leatherette/carpet	/L	-88	1 M490
	TY4	black/linen					BB2	black/black			
	TY6	mahogany/linen					JP8	burgundy/burgundy			
	TY5	marine blue/linen					QC6	greyish green/grey-green			
	TY7	burgundy/linen									

Model	Year	MG	SG	Illustration	Restrictions	UPD	19:37	23.01.2010	PORSCHE	PET	PORSCHE
928	1991	8	07	807-10		248					

Pos	Part Number	Description	Remark	Qty	Model	Pos	Part Number	Description	Remark	Qty	Model
		TY3 mahogany/mahogany					SM7	burgundy/burgundy			
		TY2 marine blue/marine blue				(14)	928 555 225 03	door trim panel leatherette/carpet	/L	91	1
		TY4 black/linen					SM3	black/black			
		TY6 mahogany/linen					SM5	marine blue/marine blue			
		TY5 marine blue/linen					APU	classic grey/classic grey			
		TY7 burgundy/linen					ARU	cobalt blue/cobalt blue			
		TY8 greyish green/linen					ASU	magenta/magenta			
(14)	928 555 226 01	door trim panel leatherette/carpet	/R	-88	1 M490		AQQ	black/light grey			
		BB2 black/black					APW	classic grey/light grey			
		JP8 burgundy/burgundy					ARW	cobalt blue/light grey			
		QC6 greyish green/grey-green					ASW	magenta/light grey			
		TY3 mahogany/mahogany					SL2	black/cashmere beige			
		TY2 marine blue/marine blue				(14)	928 555 226 03	door trim panel leatherette/carpet	/R	91	1
		TY4 black/linen					SM3	black/black			
		TY6 mahogany/linen					SM5	marine blue/marine blue			
		TY5 marine blue/linen					APU	classic grey/classic grey			
		TY7 burgundy/linen					ARU	cobalt blue/cobalt blue			
		TY8 greyish green/linen					ASU	magenta/magenta			
(14)	928 555 225 03	door trim panel leatherette/carpet	/L	89-90	1 M680		AQQ	black/light grey			
		SM3 black/black					APW	classic grey/light grey			
		TY3 mahogany/mahogany					ARW	cobalt blue/light grey			
		SM5 marine blue/marine blue					ASW	magenta/light grey			
		SM7 burgundy/burgundy					SL2	black/cashmere beige			
(14)	928 555 226 03	door trim panel leatherette/carpet	/R	89-90	1 M680	(14)	928 555 225 50	door trim panel leather/carpet	/L	-88	1
		SM3 black/black					LA2	black/black			
		TY3 mahogany/mahogany					LL1	burgundy/burgundy			
		SM5 marine blue/marine blue					QC7	greyish green/grey-green			

Model	Year	MG	SG	Illustration	Restrictions	UPD	19:37	23.01.2010	PORSCHE	PET	PORSCHE
928	1991	8	07	807-10		248					

Pos	Part Number	Description	Remark	Qty	Model	Pos	Part Number	Description	Remark	Qty	Model
	TZ2	mahogany/mahogany					UC4	black/silver grey			
	TY9	marine blue/marine blue					UC5	marine blue/silver-grey			
	TZ4	black/linen					RV9	black/champagne			
	TZ6	mahogany/linen					UC9	marine blue/champagne			
	TZ5	marine blue/linen					UC7	caramel/caramel			
	TZ7	burgundy/linen					UC8	venetian bl./venetian blue			
	TZ8	greyish green/linen				(14)	928 555 225 52	door trim panel leather/carpet	/L	89-90	1
	UC3	black/lipstick red					SM4	black/black			
	UC6	marine blue/lipstick red					TZ2	mahogany/mahogany			
	UC4	black/silver grey					SM6	marine blue/marine blue			
	UC5	marine blue/silver-grey					SM8	burgundy/burgundy			
	RV9	black/champagne					TZ4	black/linen			
	UC9	marine blue/champagne					TZ6	mahogany/linen			
	UC7	caramel/caramel					TZ5	marine blue/linen			
	UC8	venetian bl./venetian blue					TZ7	burgundy/linen			
(14)	928 555 226 50	door trim panel leather/carpet	/R	-88	1		SL5	marine blue/cashmere beige			
	LA2	black/black					SL6	black/silk grey			
	LL1	burgundy/burgundy					SL7	marine blue/silk grey			
	QC7	greyish green/grey-green					SL8	velvet red/velvet red			
	TZ2	mahogany/mahogany					SL9	slate grey/slate grey			
	TY9	marine blue/marine blue					UC7	caramel/caramel			
	TZ4	black/linen					UC8	venetian bl./venetian blue			
	TZ6	mahogany/linen				(14)	928 555 226 52	door trim panel leather/carpet	/R	89-90	1
	TZ5	marine blue/linen					SM4	black/black			
	TZ7	burgundy/linen					TZ2	mahogany/mahogany			
	TZ8	greyish green/linen					SM6	marine blue/marine blue			
	UC3	black/lipstick red					SM8	burgundy/burgundy			
	UC6	marine blue/lipstick red					TZ4	black/linen			

Model	Year	MG	SG	Illustration	Restrictions	UPD	19:37	23.01.2010	PORSCHE	PET	PORSCHE
928	1991	8	07	807-10		248					

Pos	Part Number	Description	Remark	Qty	Model	Pos	Part Number	Description	Remark	Qty	Model
	TZ6	mahogany/linen					UC8	venetian bl./venetian blue			
	TZ5	marine blue/linen				(14)	928 555 226 51	door trim panel leather/carpet	/R	-88	1 M490
	TZ7	burgundy/linen					LA2	black/black			
	SL5	marine blue/cashmere beige					LL1	burgundy/burgundy			
	SL6	black/silk grey					QC7	greyish green/grey-green			
	SL7	marine blue/silk grey					TZ2	mahogany/mahogany			
	SL8	velvet red/velvet red					TY9	marine blue/marine blue			
	SL9	slate grey/slate grey					TZ4	black/linen			
	UC7	caramel/caramel					TZ6	mahogany/linen			
	UC8	venetian bl./venetian blue					TZ5	marine blue/linen			
(14)	928 555 225 51	door trim panel leather/carpet	/L	-88	1 M490		TZ7	burgundy/linen			
	LA2	black/black					TZ8	greyish green/linen			
	LL1	burgundy/burgundy					UC3	black/lipstick red			
	QC7	greyish green/grey-green					UC6	marine blue/lipstick red			
	TZ2	mahogany/mahogany					UC4	black/silver grey			
	TY9	marine blue/marine blue					UC5	marine blue/silver-grey			
	TZ4	black/linen					RV9	black/champagne			
	TZ6	mahogany/linen					UC9	marine blue/champagne			
	TZ5	marine blue/linen					UC7	caramel/caramel			
	TZ7	burgundy/linen					UC8	venetian bl./venetian blue			
	TZ8	greyish green/linen				(14) A	928 555 225 23	door trim panel leather/carpet	/L	89-90	1 M680
	UC3	black/lipstick red					SM4	black/black			
	UC6	marine blue/lipstick red					TZ2	mahogany/mahogany			
	UC4	black/silver grey					SM6	marine blue/marine blue			
	UC5	marine blue/silver-grey					SM8	burgundy/burgundy			
	RV9	black/champagne					TZ4	black/linen			
	UC9	marine blue/champagne					TZ6	mahogany/linen			
	UC7	caramel/caramel					TZ5	marine blue/linen			

Model	Year	MG	SG	Illustration	Restrictions	UPD	19:37	23.01.2010	PORSCHE	PET	PORSCHE
928	1991	8	07	807-10		248					

Pos	Part Number	Description	Remark	Qty	Model	Pos	Part Number	Description	Remark	Qty	Model
	TZ7	burgundy/linen					TZ2	mahogany/mahogany			
	SL4	black/cashmere beige					SM6	marine blue/marine blue			
	SL5	marine blue/cashmere beige					SM8	burgundy/burgundy			
	SL6	black/silk grey					TZ4	black/linen			
	SL7	marine blue/silk grey					TZ6	mahogany/linen			
	SL8	velvet red/velvet red					TZ5	marine blue/linen			
	SL9	slate grey/slate grey					TZ7	burgundy/linen			
	UC7	caramel/caramel					SL4	black/cashmere beige			
	UC8	venetian bl./venetian blue					SL5	marine blue/cashmere beige			
14	A 928 555 226 23	door trim panel leather/carpet	/R	89-90	1 M680		SL6	black/silk grey			
	SM4	black/black					SL7	marine blue/silk grey			
	TZ2	mahogany/mahogany					SL8	velvet red/velvet red			
	SM6	marine blue/marine blue					SL9	slate grey/slate grey			
	SM8	burgundy/burgundy					UC7	caramel/caramel			
	TZ4	black/linen					UC8	venetian bl./venetian blue			
	TZ6	mahogany/linen				(14)	928 555 226 53	door trim panel leather/carpet	/R	89-90	1 M680
	TZ5	marine blue/linen					SM4	black/black			
	TZ7	burgundy/linen					TZ2	mahogany/mahogany			
	SL4	black/cashmere beige					SM6	marine blue/marine blue			
	SL5	marine blue/cashmere beige					SM8	burgundy/burgundy			
	SL6	black/silk grey					TZ4	black/linen			
	SL7	marine blue/silk grey					TZ6	mahogany/linen			
	SL8	velvet red/velvet red					TZ5	marine blue/linen			
	SL9	slate grey/slate grey					TZ7	burgundy/linen			
	UC7	caramel/caramel					SL4	black/cashmere beige			
	UC8	venetian bl./venetian blue					SL5	marine blue/cashmere beige			
(14)	928 555 225 53	door trim panel leather/carpet	/L	89-90	1 M680		SL6	black/silk grey			
	SM4	black/black					SL7	marine blue/silk grey			

Model	Year	MG	SG	Illustration	Restrictions	UPD	19:37	23.01.2010	PORSCHE	PET	PORSCHE
928	1991	8	07	807-10		248					

Pos	Part Number	Description	Remark	Qty	Model	Pos	Part Number	Description	Remark	Qty	Model
	SL8	velvet red/velvet red					AQS	black/cashmere beige			
	SL9	slate grey/slate grey					AVA	matador red/matador red			
	UC7	caramel/caramel					AVB	carrara grey/carrara grey			
	UC8	venetian bl./venetian blue					AVC	sherwood gr./sherw. green			
(14)	928 555 225 53	door trim panel leather/carpet	/L	91	1	15	823 867 299	clip		4	
	ATZ	black/black				(16) A	928 555 017 03	armrest leatherette	/L	-88	1
	CFQ	marine blue/marine blue					70A	black			
	APV	classic grey/classic grey					3MX	burgundy			
	ARV	cobalt blue/cobalt blue					2KA	greyish green			
	ASV	magenta/magenta					5MA	mahogany			
	AQR	black/light grey					3KA	marine blue			
	APX	classic grey/light grey				16 A	928 555 018 03	armrest leatherette	/R	-88	1
	ARX	cobalt blue/light grey					70A	black			
	ASX	magenta/light grey					3MX	burgundy			
	AQS	black/cashmere beige					2KA	greyish green			
	AVA	matador red/matador red					5MA	mahogany			
	AVB	carrara grey/carrara grey					3KA	marine blue			
	AVC	sherwood gr./sherw. green				(16)	928 555 101 03	armrest leatherette	/L		1
(14)	928 555 226 53	door trim panel leather/carpet	/R	91	1		WR4	black			
	ATZ	black/black					WR5	mahogany		-90	
	CFQ	marine blue/marine blue					WR6	marine blue		-91	
	APV	classic grey/classic grey					WR7	burgundy		-90	
	ARV	cobalt blue/cobalt blue					WR8	greyish green		-88	
	ASV	magenta/magenta					9WH	classic grey			
	AQR	black/light grey					7YG	cobalt blue			
	APX	classic grey/light grey					9YF	magenta			
	ARX	cobalt blue/light grey				16	928 555 102 03	armrest leatherette	/R		1
	ASX	magenta/light grey									

Model	Year	MG	SG	Illustration	Restrictions	UPD	19:37	23.01.2010	PORSCHE	PET	PORSCHE
928	1991	8	07	807-10		248					

Pos	Part Number	Description	Remark	Qty	Model	Pos	Part Number	Description	Remark	Qty	Model
	WR4	black					WS3	marine blue	-90		
	WR5	mahogany	-90				WS4	burgundy	-90		
	WR6	marine blue	-91				WS5	greyish green	-88		
	WR7	burgundy	-90				WS6	caramel	-90		
	WR8	greyish green	-88				WS7	venetian blue	-90		
	9WH	classic grey					SM1	velvet red	89-90		
	7YG	cobalt blue					SM2	slate grey	89-90		
	9YF	magenta					8YR	black	91		
16	A 928 555 049 51	armrest leather	/L	-88	1		H05	marine blue			
	KZ2	black					6XL	classic grey	91		
	7LD	burgundy					9YL	cobalt blue	91		
	QC2	greyish green					6YL	magenta	91		
	TV1	mahogany				(16)	928 555 102 52	armrest leather	/R	1	
	TS1	marine blue					WS1	black	-90		
	UD5	caramel					WS2	mahogany	-90		
	UD6	venetian blue					WS3	marine blue	-90		
(16)	A 928 555 050 51	armrest leather	/R	-88	1		WS4	burgundy	-90		
	KZ2	black					WS5	greyish green	-88		
	7LD	burgundy					WS6	caramel	-90		
	QC2	greyish green					WS7	venetian blue	-90		
	TV1	mahogany					SM1	velvet red	89-90		
	TS1	marine blue					SM2	slate grey	89-90		
	UD5	caramel					8YR	black	91		
	UD6	venetian blue					H05	marine blue			
(16)	928 555 101 52	armrest leather	/L		1		6XL	classic grey	91		
	WS1	black	-90				9YL	cobalt blue	91		
	WS2	mahogany	-90				6YL	magenta	91		
						17	928 555 383 02	cap		4	

Model	Year	MG	SG	Illustration	Restrictions	UPD	19:37	23.01.2010	PORSCHE	PET	PORSCHE
928	1991	8	07	807-10		248					

Pos	Part Number	Description	Remark	Qty	Model	Pos	Part Number	Description	Remark	Qty	Model
(18)	928 555 025 02	lining door frame leatherette	/L	1			4MT	velvet red	89-90		
							2WT	slate grey	89-90		
	70A	black					LG7	burgundy	89-90		
	3MX	burgundy		-90			8YR	black	91-		
	2KA	greyish green		-88			6XL	classic grey	91-		
	5MA	mahogany		-90			9YL	cobalt blue	91-		
	3KA	marine blue		-91			6YL	magenta	91-		
	6WG	classic grey		91			M05	matador red	91-		
	6YU	cobalt blue		91			D35	carrara grey	91-		
	6WW	magenta		91			J25	sherwood green	91-		
18	928 555 026 02	lining door frame leatherette	/R	1		(18)	928 555 026 50	lining door frame leather	/R	1	
	70A	black					H05	marine blue			
	3MX	burgundy		-90			KZ2	black	-90		
	2KA	greyish green		-88			LG6	dark green	-88		
	5MA	mahogany		-90			QC2	greyish green	-88		
	3KA	marine blue		-91			TV1	mahogany	-90		
	6WG	classic grey		91			TS1	marine blue	-90		
	6YU	cobalt blue		91			UD5	caramel	-90		
	6WW	magenta		91			UD6	venetian blue	-90		
(18)	928 555 025 50	lining door frame leather	/L	1			4MT	velvet red	89-90		
							2WT	slate grey	89-90		
	KZ2	black		-90			LG7	burgundy	89-90		
	LG6	dark green		-88			8YR	black	91-		
	QC2	greyish green		-88			6XL	classic grey	91-		
	TV1	mahogany		-90			9YL	cobalt blue	91-		
	TS1	marine blue		-90			6YL	magenta	91-		
	UD5	caramel		-90			M05	matador red	91-		
	UD6	venetian blue		-90			D35	carrara grey	91-		

Model	Year	MG	SG	Illustration	Restrictions	UPD	19:37	23.01.2010	PORSCHE	PET	PORSCHE
928	1991	8	07	807-10		248					

Pos	Part Number	Description	Remark	Qty	Model	Pos	Part Number	Description	Remark	Qty	Model
	J25	sherwood green	91-				D35	carrara grey	91		
	H05	marine blue					J25	sherwood green	91		
19	999 591 760 02	clamp		14			H05	marine blue			
20	928 555 569 02	guide bush		2		22	928 555 607 02	key		2	
21	928 555 043 03	lid leatherette		2		(23)	928 555 553 02	steering linkage	/L	1	
	05T	black				23	928 555 554 02	steering linkage	/R	1	
	3MX	burgundy	-90			(24)	928 574 087 03	side vent	/L	1	
	4JX	greyish green	-88			24	928 574 088 03	side vent	/R	1	
	1MX	mahogany	-90			(25)	928 555 053 04	handle leatherette	/L	1	
	1KX	marine blue	-91				05T	black			
	9WH	classic grey	91				3MX	burgundy	-90		
	7YG	cobalt blue	91				4JX	greyish green	-88		
	9YF	magenta	91				1MX	mahogany	-90		
21	928 555 233 50	lid leather		2			1KX	marine blue	-91		
	KZ2	black	-90				9WH	classic grey	91		
	LL1	burgundy	-90				7YG	cobalt blue	91		
	QC2	greyish green	-88				9YF	magenta	91		
	TV1	mahogany	-90			25	928 555 054 04	handle leatherette	/R	1	
	TS1	marine blue	-90				05T	black			
	UD5	caramel	-90				3MX	burgundy	-90		
	UD6	venetian blue	-90				4JX	greyish green	-88		
	4MT	velvet red	89-90				1MX	mahogany	-90		
	2WT	slate grey	89-90				1KX	marine blue	-91		
	8YR	black	91				9WH	classic grey	91		
	6XL	classic grey	91				7YG	cobalt blue	91		
	9YL	cobalt blue	91				9YF	magenta	91		
	6YL	magenta	91			(25)	928 555 267 52	handle leather	/L	1	
	M05	matador red	91								

Model	Year	MG	SG	Illustration	Restrictions	UPD	19:37	23.01.2010	PORSCHE	PET	PORSCHE
928	1991	8	07	807-10		248					

Pos	Part Number	Description	Remark	Qty	Model	Pos	Part Number	Description	Remark	Qty	Model
	KZ2	black	-90				6XL	classic grey	91		
	LL1	burgundy	-90				9YL	cobalt blue	91		
	QC2	greyish green	-88				6YL	magenta	91		
	TV1	mahogany	-90				M05	matador red	91		
	TS1	marine blue	-90				D35	carrara grey	91		
	UD5	caramel	-90				J25	sherwood green	91		
	UD6	venetian blue	-90				H05	marine blue			
	4MT	velvet red	89-90			26	928 555 051 02	cover pin stripe velour	/L -90	1	
	2WT	slate grey	89-90				7BN	black-white	-88		
	8YR	black	91				8GJ	blue-white	-88		
	6XL	classic grey	91				1MJ	burgundy-white	-88		
	9YL	cobalt blue	91				3JV	greyish green-white	-88		
	6YL	magenta	91				6LN	mahogany-white	-88		
	M05	matador red	91				2LN	black-red	88		
	D35	carrara grey	91				4TN	cashmere beige-white	89-90		
	J25	sherwood green	91				7BN	black-white	89-90		
	H05	marine blue					6LN	mahogany-white	89-90		
25	928 555 268 52	handle leather	/R	1			8GJ	blue-white	89-90		
	KZ2	black	-90				1MJ	burgundy-white	89-90		
	LL1	burgundy	-90				4WJ	linen white	89-90		
	QC2	greyish green	-88			(26)	928 555 052 02	cover pin stripe velour	/R -90	1	
	TV1	mahogany	-90				7BN	black-white	-88		
	TS1	marine blue	-90				8GJ	blue-white	-88		
	UD5	caramel	-90				1MJ	burgundy-white	-88		
	UD6	venetian blue	-90				3JV	greyish green-white	-88		
	4MT	velvet red	89-90				6LN	mahogany-white	-88		
	2WT	slate grey	89-90				2LN	black-red	88		
	8YR	black	91				4TN	cashmere beige-white	89-90		

Model	Year	MG	SG	Illustration	Restrictions	UPD	19:37	23.01.2010	PORSCHE	PET	PORSCHE
928	1991	8	07	807-10		248					

Pos	Part Number	Description	Remark	Qty	Model	Pos	Part Number	Description	Remark	Qty	Model
	7BN	black-white	89-90			(26)	928 555 052 02	cover pin stripe flannel	/R	-90	1
	6LN	mahogany-white	89-90				8BF	anthracite		-88	
	8GJ	blue-white	89-90				6GF	blue		-88	
	1MJ	burgundy-white	89-90				1MF	burgundy		-88	
	4WJ	linen white	89-90				9JF	greyish green		-88	
26	928 555 051 02	cover porsche lettering cloth	/L	-90	1		9LF	mahogany		-88	
	2CZ	black	-90			26	928 555 051 02	cover multicolour	/L	-90	1
	6HZ	blue	-90				5TC	cashmere beige		89-90	
	5LZ	burgundy	-90				2VV	black		89-90	
	1JK	greyish green	-88				8XV	mahogany		89-90	
	4MR	mahogany	-90				9JV	marine blue		89-90	
	7TH	cashmere beige	89-90				1MV	burgundy		89-90	
	5WZ	linen	89-90				6UV	linen		89-90	
(26)	928 555 052 02	cover porsche lettering cloth	/R	-90	1	(26)	928 555 052 02	cover multicolour	/R	-90	1
	2CZ	black	-90				5TC	cashmere beige		89-90	
	6HZ	blue	-90				2VV	black		89-90	
	5LZ	burgundy	-90				8XV	mahogany		89-90	
	1JK	greyish green	-88				9JV	marine blue		89-90	
	4MR	mahogany	-90				1MV	burgundy		89-90	
	7TH	cashmere beige	89-90				6UV	linen		89-90	
	5WZ	linen	89-90			26	928 555 051 50	cover leather	/L	-90	1
26	928 555 051 02	cover pin stripe flannel	/L	-90	1		KZ2	black		-90	
	8BF	anthracite	-88				LG7	burgundy		-90	
	6GF	blue	-88				LG5	champagne		-88	
	1MF	burgundy	-88				QC2	greyish green		-88	
	9JF	greyish green	-88				TV1	mahogany		-90	
	9LF	mahogany	-88				TS1	marine blue		-90	

Model	Year	MG	SG	Illustration	Restrictions	UPD	19:37	23.01.2010	PORSCHE	PET	PORSCHE
928	1991	8	07	807-10		248					

Pos	Part Number	Description	Remark	Qty	Model	Pos	Part Number	Description	Remark	Qty	Model
	TW1	linen		-90			9YL	cobalt blue			
	UD3	plum red		-88			6YL	magenta			
	UD4	silver-grey		-88			M05	matador red			
	UD5	caramel		-90			D35	carrara grey			
	UD6	venetian blue		-90			J25	sherwood green			
	2WH	cashmere beige		89-90			H05	marine blue			
	5VT	silk grey		89-90		(26)	928 555 052 51	cover leather	/R	91	1
	4MT	velvet red		89-90			8YR	black			
	2WT	slate grey		89-90			6XL	classic grey			
(26)	928 555 052 50	cover leather	/R	-90	1		9YL	cobalt blue			
	KZ2	black		-90			6YL	magenta			
	LG7	burgundy		-90			M05	matador red			
	LG5	champagne		-88			D35	carrara grey			
	QC2	greyish green		-88			J25	sherwood green			
	TV1	mahogany		-90			H05	marine blue			
	TS1	marine blue		-90		27	433 867 299 A	clip			4
	TW1	linen		-90		28	928 555 327 02	clamp			4
	UD3	plum red		-88		29	928 555 317 02	rosette			2
	UD4	silver-grey		-88		30	928 555 363 02	cover	/LL		1
	UD5	caramel		-90		(30)	927 555 363 02	cover	/RL		1
	UD6	venetian blue		-90		31	928 555 461 03	mounting piece door mirror switch	/LL		1
	2WH	cashmere beige		89-90			70B	satin black			
	5VT	silk grey		89-90		(31)	927 555 462 03	mounting piece door mirror switch	/RL		1
	4MT	velvet red		89-90			70B	satin black			
	2WT	slate grey		89-90		32	928 555 361 02	cover memory switch	/L		1
(26)	928 555 051 51	cover leather	/L	91	1		70B	satin black			
	8YR	black									
	6XL	classic grey									

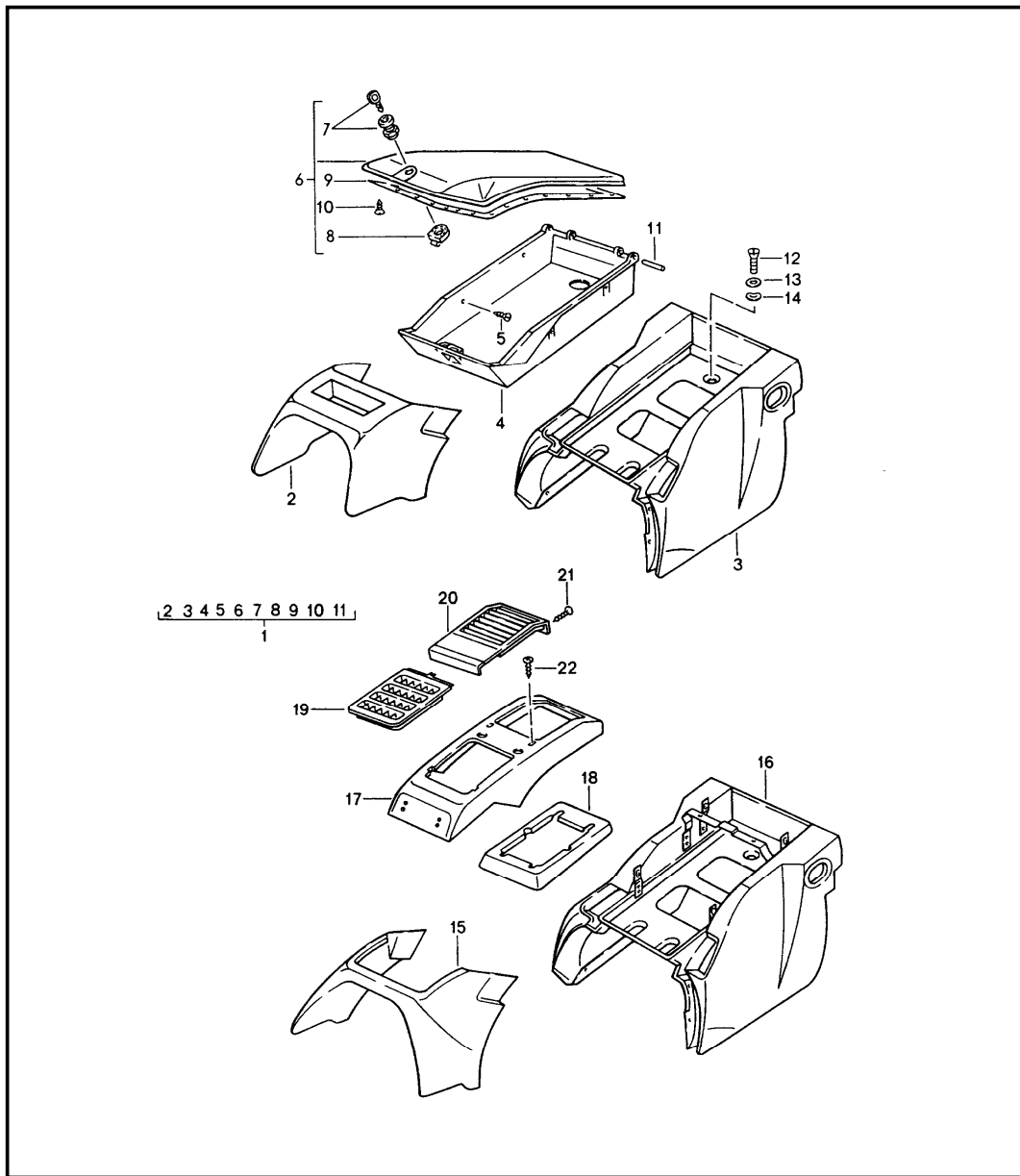
Model	Year	MG	SG	Illustration	Restrictions	UPD	19:37	23.01.2010	PORSCHE	PET	PORSCHE
928	1991	8	07	807-10		248					

Pos	Part Number	Description	Remark	Qty	Model	Pos	Part Number	Description	Remark	Qty	Model
(32)	928 555 362 02	cover memory switch	/R	1		(43)	928 613 235 00	memory switch	/R	1	M538
	70B	satin black					01C	satin black			
33	928 555 087 03	package box	/L	1		44	999 911 314 40	pipng		2	
	71B	black				45	900 187 032 02	tapping screw		4	
(33)	928 555 088 03	package box	/R	1		46	928 564 069 40	roofliner frame leatherette		1	M650
	71B	black					70A	black	88-		
-	928 555 479 03	sealing film	/L	-90	1		3MX	burgundy	-90		
-	928 555 480 03	sealing film	/R	-90	1		2KA	greyish green	-88		
-	928 555 479 03	sealing film	/L	91	1		5MA	mahogany	-90		
-	928 555 480 03	sealing film door	/R	91	1		3KA	marine blue	-91		
36	928 555 551 02	cable guide		2			6WJ	classic grey	91		
37	928 555 579 02	edge protection	/L	1			7YU	cobalt blue	91		
(37)	928 555 580 02	edge protection	/R	1			6YU	cobalt blue	91		
38	928 555 425 02	lining side window	/L	1			8YA	magenta	91		
	05T	black		89-		(46)	928 564 069 50	roofliner frame leather	-90	1	M650
(38)	928 555 426 02	lining side window	/R	1			KZ2	black			
	05T	black		89-			LG7	burgundy			
39	928 555 263 02	cover	/L	1			QC2	greyish green			
(39)	928 555 264 02	cover cable guide	/R	1			TV1	mahogany			
40	928 551 315 03	pipng		2			TS1	marine blue			
42	928 613 245 00	mounting piece	/L	1	M537		UD1	caramel			
	01C	satin black				(46)	928 564 069 50	roofliner frame leather	91	1	M650
(42)	928 613 246 00	mounting piece	/R	1	M538		UD2	venetian blue			
	01C	satin black					8YR	black			
43	928 613 235 00	memory switch	/L	1	M537		6XL	classic grey			
	01C	satin black					9YL	cobalt blue			
							6YL	magenta			

Model	Year	MG	SG	Illustration	Restrictions	UPD	19:37	23.01.2010	PORSCHE	PET	PORSCHE
928	1991	8	07	807-10		248					

Pos	Part Number	Description	Remark	Qty	Model	Pos	Part Number	Description	Remark	Qty	Model
	M05	matador red				(52)	928 555 301 61	cover sunroof leather	91	1	
	D35	carrara grey									
	J25	sherwood green					8YR	black			
	H05	marine blue					H05	marine blue			
47	999 591 377 02	speed nut		3			6XL	classic grey			
48	928 564 399 40	sliding piece		3			9YL	cobalt blue			
49	900 146 114 07	combination screw M 3,5 X 8		3			6YL	magenta			
50	928 564 259 02	gasket		1			M05	matador red			
51	928 564 261 02	gasket		1			D35	carrara grey			
52	928 555 301 60	engine cover sunroof leatherette		1			J25	sherwood green			
	70A	black									
	3MX	burgundy		-90							
	2KA	greyish green		-88							
	5MA	mahogany		-90							
	3KA	marine blue		-90							
	6WG	classic grey		91							
	6YU	cobalt blue		91							
	6WW	magenta		91							
(52)	928 555 301 61	cover sunroof leather		-90	1						
	1AJ	black									
	7LD	burgundy									
	5JX	greyish green									
	2LX	mahogany									
	H05	marine blue									
	4UC	caramel									
	7KC	venetian blue									

Model	Year	MG	SG	Illustration	Restrictions	UPD	19:37	23.01.2010	PORSCHE	PET	PORSCHE
928	1991	8	07	807-20		248					



Pos	Part Number	Description	Remark	Qty	Model
1	928 522 065 60	package box rear leather	-90	1	
	KZ2	black			
	LG7	burgundy			
	QC2	greyish green	-88		
	LG5	champagne	-88		
	TV1	mahogany			
	TS1	marine blue			
	TW1	linen			
	UD3	plum red	-88		
	UD4	silver-grey	-88		
	UD5	caramel			
	UD6	venetian blue			
	2WH	cashmere beige			
	5VT	silk grey			
	4MT	velvet red			
	2WT	slate grey			
(1)	928 522 065 62	package box rear leather	91	1	
	8YR	black			
	6XL	classic grey			
	9YL	cobalt blue			
	6YL	magenta			
	8ZL	light grey			
	4YU	cashmere beige			
	M05	matador red			
	D35	carrara grey			

Model	Year	MG	SG	Illustration	Restrictions	UPD	19:37	23.01.2010	PORSCHE	PET	PORSCHE
928	1991	8	07	807-20		248					

Pos	Part Number	Description	Remark	Qty	Model	Pos	Part Number	Description	Remark	Qty	Model
	J25	sherwood green					UD5	caramel			
1	928 522 065 10	package box leatherette	-90	1			UD6	venetian blue			
	05T	black					2WH	cashmere beige			
	3MX	burgundy					5VT	silk grey			
	4JX	greyish green	-88				4MT	velvet red			
	1MX	mahogany					2WT	slate grey			
	1KX	marine blue				(2)	928 522 063 57	package box front part leather	91	1	
	4WX	linen					8YR	black			
	7RT	cashmere beige					6XL	classic grey			
(1)	928 522 065 10	package box rear leatherette	91	1			9YL	cobalt blue			
	05T	black					6YL	magenta			
	2WJ	classic grey					8ZL	light grey			
	9ZH	cobalt blue					4YU	cashmere beige			
	4WY	magenta					M05	matador red			
	1ZU	light grey					D35	carrara grey			
	7RT	cashmere beige					J25	sherwood green			
2	928 522 063 55	package box front part leather	-90	1		(2)	928 522 063 07	package box rear front part leatherette		1	
	KZ2	black					4JX	greyish green	-88		
	LG7	burgundy					3MX	burgundy	-90		
	QC2	greyish green	-88				1MX	mahogany	-90		
	LG5	champagne	-88				1KX	marine blue	-90		
	TV1	mahogany					4WX	linen	-90		
	TS1	marine blue					7RT	cashmere beige	89-		
	TW1	linen					05T	black	87-		
	UD3	plum red	-88				2WJ	classic grey	91		
	UD4	silver-grey	-88				9ZH	cobalt blue	91		

Model	Year	MG	SG	Illustration	Restrictions	UPD	19:37	23.01.2010	PORSCHE	PET	PORSCHE
928	1991	8	07	807-20		248					

Pos	Part Number	Description	Remark	Qty	Model	Pos	Part Number	Description	Remark	Qty	Model
	4WY	magenta		91			J25	sherwood green			
	1ZU	light grey		91		3	928 522 067 07	package box rear leatherette		1	
3	928 522 067 57	package box rear leather		-90	1		4JX	greyish green		-88	
	KZ2	black					3MX	burgundy		-90	
	LG7	burgundy					4WX	linen		-90	
	QC2	greyish green		-88			1MX	mahogany		-90	
	LG5	champagne		-88			1KX	marine blue		-90	
	TV1	mahogany					05T	black		87-	
	TS1	marine blue					7RT	cashmere beige		89-	
	TW1	linen					2WJ	classic grey		91	
	UD3	plum red		-88			9ZH	cobalt blue		91	
	UD4	silver-grey		-88			4WY	magenta		91	
	UD5	caramel					1ZU	light grey		91	
	UD6	venetian blue				4	928 522 279 02	insert package box		1	
	2WH	cashmere beige				5	900 144 017 07	tapping screw B 2,9 X 13		6	
	5VT	silk grey				6	928 522 061 50	lid package box leather		-90	1
	4MT	velvet red					KZ2	black			
	2WT	slate grey					LG7	burgundy			
(3)	928 522 067 59	package box rear leather		91	1		QC2	greyish green		-88	
	8YR	black					LG5	champagne		-88	
	6XL	classic grey					TV1	mahogany			
	9YL	cobalt blue					TS1	marine blue			
	6YL	magenta					TW1	linen			
	8ZL	light grey					UD3	plum red		-88	
	4YU	cashmere beige					UD4	silver-grey		-88	
	M05	matador red					UD5	caramel			
	D35	carrara grey									

Model	Year	MG	SG	Illustration	Restrictions	UPD	19:37	23.01.2010	PORSCHE	PET	PORSCHE
928	1991	8	07	807-20		248					

Pos	Part Number	Description	Remark	Qty	Model	Pos	Part Number	Description	Remark	Qty	Model
	UD6	venetian blue				7	928 522 015 02	push-button lock with 1 key		1	
	2WH	cashmere beige				8	928 522 069 02	catch		1	
	5VT	silk grey				9	928 522 269 02	cover strip for lid		1	
	4MT	velvet red				10	900 143 066 07	tapping screw 7 X 7		3	
	2WT	slate grey				(10)	999 141 010 07	countersunk-head screw 7 X 7		14	
(6)	928 522 061 51	lid package box leather	91	1		11	900 309 010 00	roll pin 3 X 32		2	
	8YR	black				12	N 014 139 11	oval-head screw M 6 X 12		4	
	6XL	classic grey				13	900 089 005 02	washer 6		4	
	9YL	cobalt blue				14	N 012 226 5	spring washer A 6		4	
	6YL	magenta				15	928 522 063 08	front part for auxiliary air conditioner rear leatherette		1	M570
	8ZL	light grey					4WX	linen	-90		
	4YU	cashmere beige					3MX	burgundy	-90		
	M05	matador red					4JX	greyish green	-88		
	D35	carrara grey					1MX	mahogany	-90		
	J25	sherwood green					1KX	marine blue	-90		
6	928 522 061 02	lid package box leatherette		1			05T	black			
	4WX	linen	-90				7RT	cashmere beige	89-		
	3MX	burgundy	-90				2WJ	classic grey	91		
	4JX	greyish green	-88				9ZH	cobalt blue	91		
	1MX	mahogany	-90				4WY	magenta	91		
	1KX	marine blue	-90				1ZU	light grey	91		
	05T	black									
	7RT	cashmere beige	89-								
	2WJ	classic grey	91								
	9ZH	cobalt blue	91								
	4WY	magenta	91								
	1ZU	light grey	91								

Model	Year	MG	SG	Illustration	Restrictions	UPD	19:37	23.01.2010	PORSCHE	PET	PORSCHE
928	1991	8	07	807-20		248					

Pos	Part Number	Description	Remark	Qty	Model	Pos	Part Number	Description	Remark	Qty	Model
(15)	928 522 063 56	front part for auxiliary air conditioner rear leather	-90	1	M570		J25	sherwood green			
	KZ2	black				16	928 522 067 08	package box rear leatherette		1	M570
	LG7	burgundy					4WX	linen	-90		
	QC2	greyish green	-88				3MX	burgundy	-90		
	LG5	champagne	-88				4JX	greyish green	-88		
	TV1	mahogany					1MX	mahogany	-90		
	TS1	marine blue					1KX	marine blue	-90		
	TW1	linen					05T	black	87-		
	UD3	plum red	-88				7RT	cashmere beige	89-		
	UD4	silver-grey	-88				2WJ	classic grey	91		
	UD5	caramel					9ZH	cobalt blue	91		
	UD6	venetian blue					4WY	magenta	91		
	2WH	cashmere beige				(16)	928 522 067 58	package box rear leather	-90	1	M570
	5VT	silk grey					KZ2	black			
	4MT	velvet red					LG7	burgundy			
	2WT	slate grey					QC2	greyish green	-88		
(15)	928 522 063 58	front part for auxiliary air conditioner rear leather	91	1	M570		LG5	champagne	-88		
	8YR	black					TV1	mahogany			
	6XL	classic grey					TS1	marine blue			
	9YL	cobalt blue					TW1	linen			
	6YL	magenta					UD3	plum red	-88		
	8ZL	light grey					UD4	silver-grey	-88		
	4YU	cashmere beige					UD5	caramel			
	M05	matador red					UD6	venetian blue			
	D35	carrara grey					2WH	cashmere beige			
							5VT	silk grey			

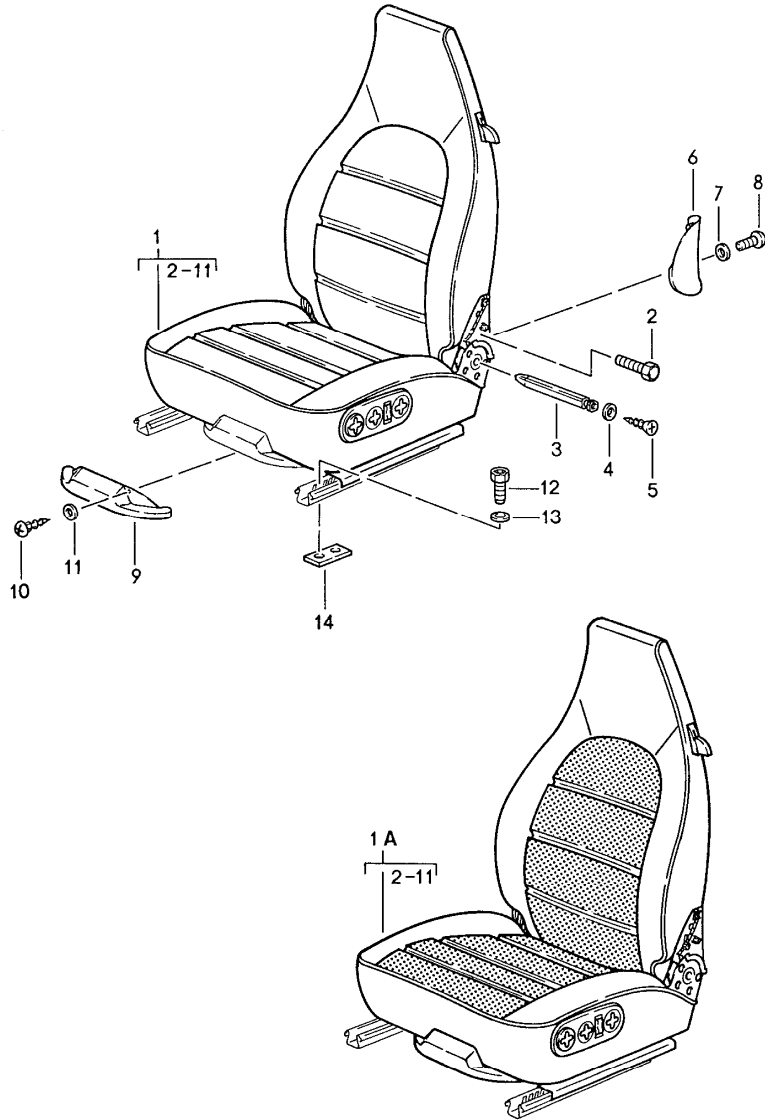
Model	Year	MG	SG	Illustration	Restrictions	UPD	19:37	23.01.2010	PORSCHE	PET	PORSCHE
928	1991	8	07	807-20		248					

Pos	Part Number	Description	Remark	Qty	Model	Pos	Part Number	Description	Remark	Qty	Model
	4MT	velvet red				(17)	928 570 031 50	cover for auxiliary air conditioner rear leather	-90	1	M570
(16)	928 522 067 60	package box rear leather	91	1	M570		KZ2	black			
	2WT	slate grey					LG7	burgundy			
	8YR	black					QC2	greyish green	-88		
	6XL	classic grey					LG5	champagne	-88		
	9YL	cobalt blue					TV1	mahogany			
	6YL	magenta					TS1	marine blue			
	8ZL	light grey					TW1	linen			
	4YU	cashmere beige					UD3	plum red	-88		
	M05	matador red					UD4	silver-grey	-88		
	D35	carrara grey					UD5	caramel			
	J25	sherwood green					UD6	venetian blue			
17	928 570 031 00	cover auxiliary air conditioner rear leatherette		1	M570		2WH	cashmere beige			
	4WX	linen	-90				5VT	silk grey			
	1MA	burgundy	-90				4MT	velvet red			
	1JL	greyish green	-88			(17)	928 570 031 51	cover for auxiliary air conditioner rear leather	91	1	M570
	5MA	mahogany	-90				8YR	black			
	3KA	marine blue	-90				6XL	classic grey			
	5CT	black	87-				9YL	cobalt blue			
	7RT	cashmere beige	89-				6YL	magenta			
	2WJ	classic grey	91				8ZL	light grey			
	9ZH	cobalt blue	91				4YU	cashmere beige			
	4WY	magenta	91				M05	matador red			
	1ZU	light grey	91				D35	carrara grey			

Model	Year	MG	SG	Illustration	Restrictions	UPD	19:37	23.01.2010	PORSCHE	PET	PORSCHE
928	1991	8	07	807-20		248					

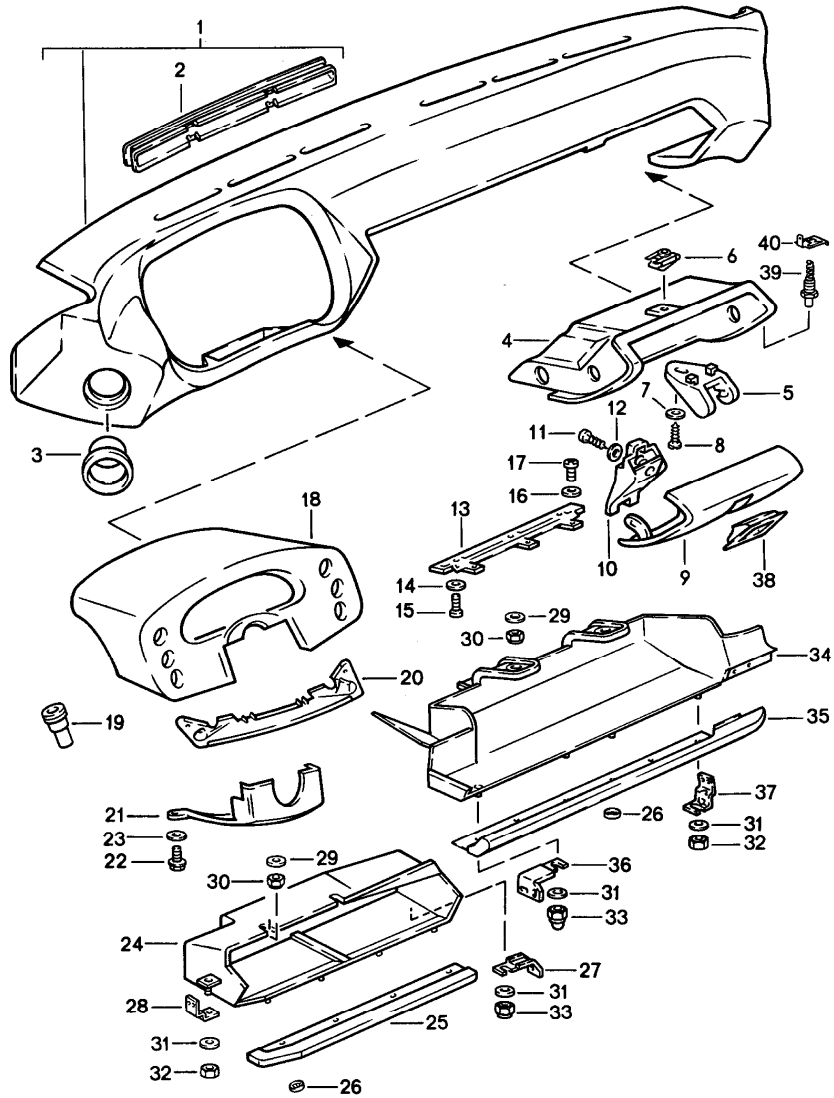
Pos	Part Number	Description	Remark	Qty	Model	Pos	Part Number	Description	Remark	Qty	Model
	J25	sherwood green									
18	928 570 293 01	gasket	-90	1	M570						
(18)	928 570 293 01	gasket	91	1	M570						
19	928 570 033 00	nozzle		1	M570						
20	928 570 053 00	grille		1	M570						
	1DB	black									
21	900 145 097 07	tapping screw B 3,5 X 16		2	M570						
22	999 591 716 02	tapping nut 3,0		4	M570						

Model	Year	MG	SG	Illustration	Restrictions	UPD	19:37	23.01.2010	PORSCHE	PET	PORSCHE
928	1991	8	08	808-00		248					



Pos	Part Number	Description	Remark	Qty	Model
		seat complete			
		group 8/08/00 - 8/08/50			
		see group 8/08/00 - 8/08/95 catalogue STZ.18			

Model	Year	MG	SG	Illustration	Restrictions	UPD	19:37	23.01.2010	PORSCHE	PET	PORSCHE
928	1991	8	09	809-00		248					



Pos	Part Number	Description	Remark	Qty	Model
		dashboard trim	-89		
1	928 552 023 04	dashboard trim leatherette	/LL	1	
	05T	black			
	3MX	burgundy			
	4JX	greyish green			
	1MX	mahogany			
	1KX	marine blue			
1	927 552 023 04	dashboard trim leatherette	/RL	1	
	05T	black			
	3MX	burgundy			
	4JX	greyish green			
	1MX	mahogany			
	1KX	marine blue			
1	928 552 021 52	dashboard trim leather	/LL	1	
	KZ2	black			
	LG7	burgundy			
	NY3	greyish green			
	TV1	mahogany			
	TS1	marine blue			
	UD5	caramel			
	UD6	venetian blue			
	4MT	velvet red			
	2WT	slate grey			
1	927 552 021 52	dashboard trim leather	/RL	1	
	KZ2	black			
	LG7	burgundy			
	NY3	greyish green			

Model	Year	MG	SG	Illustration	Restrictions	UPD	19:37	23.01.2010	PORSCHE	PET	PORSCHE
928	1991	8	09	809-00		248					

Pos	Part Number	Description	Remark	Qty	Model	Pos	Part Number	Description	Remark	Qty	Model
	TV1	mahogany					JQ5	burgundy			
	TS1	marine blue					NY1	greyish green	-88		
	UD5	caramel					TV4	mahogany			
	UD6	venetian blue					TS4	marine blue			
	4MT	velvet red				(9)	927 552 053 04	lid leatherette	/RL	1	
	2WT	slate grey					CA1	black			
2	928 552 309 50	defroster trim	/L	1			JQ5	burgundy			
	70B	black					NY1	greyish green	-88		
(2)	928 552 310 50	defroster trim	/R	1			TV4	mahogany			
	70B	black					TS4	marine blue			
2	928 552 309 50	defroster trim	/L	1		(9)	928 552 059 52	lid leather	/LL	1	
		for					LA1	black			
		928.552.021.52	/LL				LL6	burgundy			
		927.552.021.52	/RL				NY3	greyish green	-88		
		leather					TT9	mahogany			
(2)	928 552 310 50	defroster trim	/R	1			TT8	marine blue			
		for					UD5	caramel			
		928.552.021.52	/LL				UD6	venetian blue			
		927.552.021.52	/RL				SM1	velvet red	89		
		leather					SM2	slate grey	89		
3	928 552 057 03	cover air duct		2		(9)	927 552 059 52	lid leather	/RL	1	
4	928 552 051 05	glove compartment	/LL	1			LA1	black			
	71B	black					LL6	burgundy			
(4)	927 552 051 05	glove compartment	/RL	1			NY3	greyish green	-88		
	71B	black					TT9	mahogany			
5	928 552 253 03	closing element		1			TT8	marine blue			
6	999 507 029 02	speed nut		2			UD5	caramel			
7	900 151 002 07	washer A 5,3		2			UD6	venetian blue			
8	900 143 019 07	oval-head sheetmetal screw B 4,8 X 22		2			SM1	velvet red	89		
9	928 552 053 04	lid leatherette	/LL	1			SM2	slate grey	89		
	CA1	black									

Model	Year	MG	SG	Illustration	Restrictions	UPD	19:37	23.01.2010	PORSCHE	PET	PORSCHE
928	1991	8	09	809-00		248					

Pos	Part Number	Description	Remark	Qty	Model	Pos	Part Number	Description	Remark	Qty	Model
	UD6	venetian blue					9JJ	marine blue			
	SM1	velvet red	89			(21)	928 552 135 04	cover	89	1	
	SM2	slate grey	89				9MM	burgundy			
10	928 552 903 02	catch with lock cylinder with stipulated lock number state lock number		1			4MJ	mahogany			
11	900 143 113 07	tapping screw B 4,2 X 13		2		(21)	928 552 135 05	cover	89	1	M454
12	N 011 523 11	washer A 5,3		2			9MM	burgundy			
13	928 552 055 03	hinge		1			4MJ	mahogany			
14	900 151 002 07	washer A 5,3		3			01C	satin black			
15	N 014 133 8	oval-head screw M 5 X 12		3		22	211 829 155	screw M 8		2	
16	N 011 523 11	washer A 5,3		3		23	900 025 007 02	washer 8,4		2	
17	N 014 128 13	oval-head screw M 5 X 8		3		24	928 552 117 02	shelf driver's side	/LL	1	
18	928 552 031 03	instrument box		1			71B	black			
	05T	black				(24)	927 552 118 02	shelf driver's side	/RL	1	AUT.
	3MX	burgundy					71B	black			
	4JX	greyish green	-88			(24)	927 552 118 03	shelf driver's side	/RL	1	
	1MX	mahogany					71B	black			
	1KX	marine blue				25	928 552 127 02	edge protection shelf leatherette	/LL	1	
19	928 552 049 02	spacer sleeve		4			05T	black			
20	928 552 321 02	cover		1			3MX	burgundy			
21	928 552 135 03	cover	-88	1			4JX	greyish green	-88		
	01C	black					1MX	mahogany			
	9MM	burgundy					1KX	marine blue			
	1DJ	greyish green									
	4MJ	mahogany									

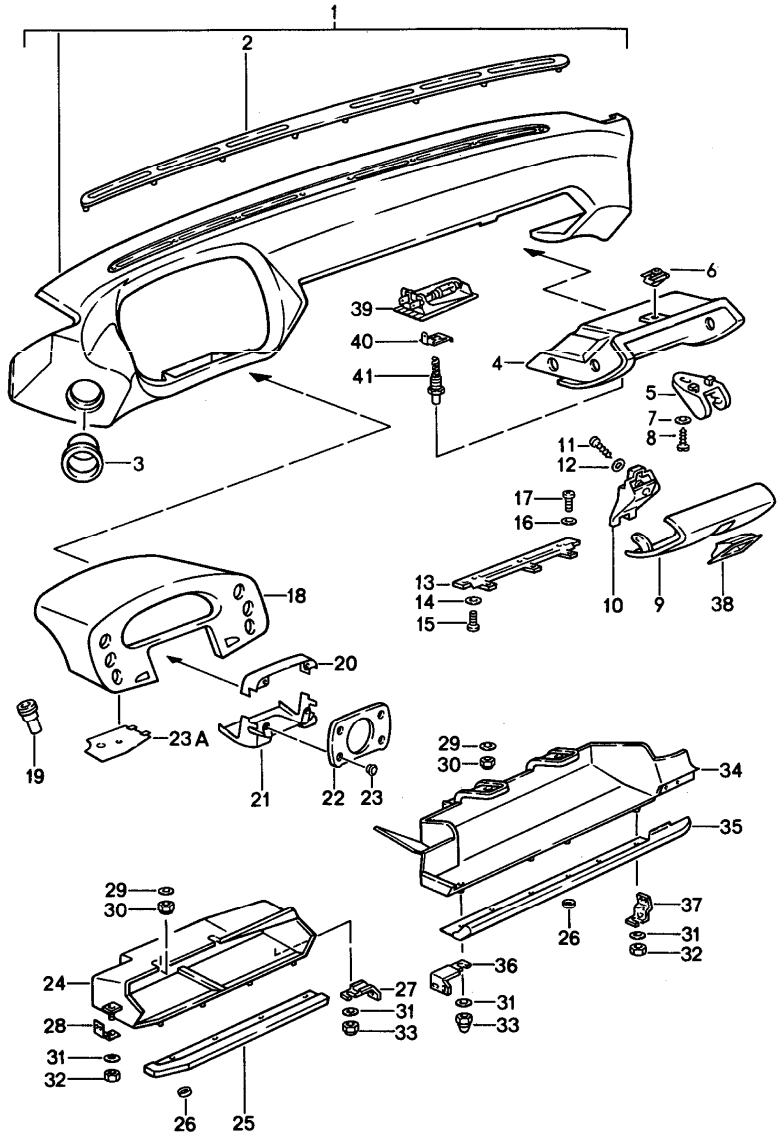
Model	Year	MG	SG	Illustration	Restrictions	UPD	19:37	23.01.2010	PORSCHE	PET	PORSCHE
928	1991	8	09	809-00		248					

Pos	Part Number	Description	Remark	Qty	Model	Pos	Part Number	Description	Remark	Qty	Model
(25)	927 552 128 02	edge protection shelf leatherette	/RL	1		26	999 507 251 02	mecano-speed-fix \$ 5 MM		7	
	05T	black				(27)	927 552 381 02	bracket	/R	1	
	3MX	burgundy				(28)	928 552 395 02	bracket	/L	1	
	4JX	greyish green	-88			29	N 011 524 7	washer A 6,4		2	
	1MX	mahogany				30	900 085 003 02	cap nut M 6		2	
	1KX	marine blue				31	900 151 027 02	washer A 5,3		2	
25	928 552 127 50	edge protection shelf leather	/LL	1		32	N 011 005 14	hexagon nut M 5		1	
	KZ2	black				33	N 011 141 2	cap nut M 5		1	
	LG7	burgundy				34	928 552 077 02	shelf	/LL	1	
	NY3	greyish green	-88				71B	black			
	TV1	mahogany				(34)	927 552 077 02	shelf	/RL	1	
	TS1	marine blue					71B	black			
	UD5	caramel				35	928 552 079 02	edge protection shelf leatherette	/LL	1	
	UD6	venetian blue					05T	black			
	4MT	velvet red	89				3MX	burgundy			
	2WT	slate grey	89				4JX	greyish green	-88		
(25)	927 552 128 50	edge protection shelf leather	/RL	1			1MX	mahogany			
	KZ2	black					1KX	marine blue			
	LG7	burgundy				(35)	927 552 079 02	edge protection shelf leatherette	/RL	1	
	NY3	greyish green	-88				05T	black			
	TV1	mahogany					3MX	burgundy			
	TS1	marine blue					4JX	greyish green	-88		
	UD5	caramel					1MX	mahogany			
	UD6	venetian blue					1KX	marine blue			
	4MT	velvet red	89								
	2WT	slate grey	89								

Model	Year	MG	SG	Illustration	Restrictions	UPD	19:37	23.01.2010	PORSCHE	PET	PORSCHE
928	1991	8	09	809-00		248					

Pos	Part Number	Description	Remark	Qty	Model	Pos	Part Number	Description	Remark	Qty	Model
(35)	928 552 097 50	edge protection shelf leather	/LL	1							
	KZ2	black									
	LG7	burgundy									
	NY3	greyish green		-88							
	TV1	mahogany									
	TS1	marine blue									
	UD5	caramel									
	UD6	venetian blue									
	4MT	velvet red		89							
	2WT	slate grey		89							
(35)	927 552 097 50	edge protection shelf leather	/RL	1							
	KZ2	black									
	LG7	burgundy									
	NY3	greyish green		-88							
	TV1	mahogany									
	TS1	marine blue									
	UD5	caramel									
	UD6	venetian blue									
	4MT	velvet red		89							
	2WT	slate grey		89							
(36)	928 552 382 02	bracket	/L	1							
(37)	928 552 395 02	bracket	/R	1							
38	928 552 315 50	rosette for lid		1	M981						
39	964 613 601 00	door contact switch		1							
40	999 507 245 02	speed nut		1							

Model	Year	MG	SG	Illustration	Restrictions	UPD	19:37	23.01.2010	PORSCHE	PET	PORSCHE
928	1991	8	09	809-01		248					



Pos	Part Number	Description	Remark	Qty	Model
1	928 552 023 06	dashboard trim leatherette	/LL	1	
	05T	black			
	3MX	burgundy		90	
	1MX	mahogany		90	
	1KX	marine blue		90	
	9WH	classic grey		91	
	7YG	cobalt blue		91	
	9YF	magenta		91	
(1)	927 552 023 06	dashboard trim leatherette	/RL	1	
	05T	black			
	3MX	burgundy		90	
	1MX	mahogany		90	
	1KX	marine blue		90	
	9WH	classic grey		91	
	7YG	cobalt blue		91	
	9YF	magenta		91	
1	928 552 021 54	dashboard trim leather	/LL	1	
	KZ2	black		90	
	LG7	burgundy		90	
	TV1	mahogany		90	
	TS1	marine blue		90	
	UD5	caramel		90	
	UD6	venetian blue		90	
	4MT	velvet red		90	
	2WT	slate grey		90	
	8YR	black		91	

Model	Year	MG	SG	Illustration	Restrictions	UPD	19:37	23.01.2010	PORSCHE	PET	PORSCHE
928	1991	8	09	809-01		248					

Pos	Part Number	Description	Remark	Qty	Model	Pos	Part Number	Description	Remark	Qty	Model
	6XL	classic grey		91			6ZH	cobalt blue		91	
	9YL	cobalt blue		91			5XW	magenta		91	
	6YL	magenta		91		-	900 336 001 02	washer 4		8	
	M05	matador red		91		-	999 919 100 02	screw 4,0 X 10		8	
	D35	carrara grey		91		3	928 552 057 03	cover		1	
	J25	sherwood green		91			70B	black			
(1)	927 552 021 54	dashboard trim leather	/RL	1		4	928 552 051 05	glove compartment	/LL	1	
	KZ2	black		90			71B	black			
	LG7	burgundy		90		(4)	927 552 051 05	glove compartment	/RL	1	
	TV1	mahogany		90			71B	black			
	TS1	marine blue		90		5	928 552 253 03	closing element		1	
	UD5	caramel		90			70B	black			
	UD6	venetian blue		90		6	999 507 029 02	speed nut		2	
	4MT	velvet red		90		7	900 151 002 07	washer		2	
	2WT	slate grey		90		8	900 143 019 07	oval-head sheetmetal screw B 4,8 X 22		2	
	8YR	black		91		9	928 552 053 04	glove compartment cover leatherette	/LL	1	
	6XL	classic grey		91			CA1	black			
	9YL	cobalt blue		91			JQ5	burgundy		90	
	6YL	magenta		91			TV4	mahogany		90	
	M05	matador red		91			TS4	marine blue		90	
	D35	carrara grey		91			9WH	classic grey		91	
	J25	sherwood green		91			7YG	cobalt blue		91	
2	928 552 309 51	defroster trim		1			9YF	magenta		91	
	5XJ	black				(9)	927 552 053 04	glove compartment cover leatherette	/RL	1	
	7UJ	mahogany		90			CA1	black			
	8KM	marine blue		90			JQ5	burgundy		90	
	9MJ	burgundy		90							
	5XL	classic grey		91							

Model	Year	MG	SG	Illustration	Restrictions	UPD	19:37	23.01.2010	PORSCHE	PET	PORSCHE
928	1991	8	09	809-01		248					

Pos	Part Number	Description	Remark	Qty	Model	Pos	Part Number	Description	Remark	Qty	Model
	TV4	mahogany		90			6YL	magenta			
	TS4	marine blue		90			M05	matador red			
	9WH	classic grey		91			D35	carrara grey			
	7YG	cobalt blue		91			J25	sherwood green			
	9YF	magenta		91		(9)	927 552 059 54	glove compartment cover leather	/RL	91	1
9	928 552 059 52	glove compartment cover leather	/LL	90	1		8YR	black			
	LA1	black		90			6XL	classic grey			
	LL6	burgundy					9YL	cobalt blue			
	TT9	mahogany					6YL	magenta			
	TT8	marine blue					M05	matador red			
	UD5	caramel					D35	carrara grey			
	UD6	venetian blue					J25	sherwood green			
	SM1	velvet red				10	928 552 903 02	catch with lock cylinder with stipulated lock number state lock number			1
(9)	927 552 059 52	glove compartment cover leather	/RL	90	1						
	LA1	black		90		11	900 143 113 07	tapping screw B 4,2 X 13			2
	LL6	burgundy				12	N 011 523 11	washer A 5,0			2
	TT9	mahogany				13	928 552 055 03	hinge			1
	TT8	marine blue				14	900 151 002 07	washer A 5,3			3
	UD5	caramel				15	N 014 133 8	oval-head screw M 5 X 12			3
	UD6	venetian blue				16	N 011 523 11	washer A 5,3			3
	SM1	velvet red				17	N 014 128 13	oval-head screw M 5 X 8			3
9	928 552 059 54	glove compartment cover leather	/LL	91	1	18	928 552 031 04	instrument box			1
	8YR	black					05T	black			
	6XL	classic grey					3MX	burgundy		90	
	9YL	cobalt blue					1MX	mahogany		90	

Model	Year	MG	SG	Illustration	Restrictions	UPD	19:37	23.01.2010	PORSCHE	PET	PORSCHE
928	1991	8	09	809-01		248					

Pos	Part Number	Description	Remark	Qty	Model	Pos	Part Number	Description	Remark	Qty	Model
	1KX	marine blue				23	928 552 767 00	cap		4	
	9WH	classic grey	91				9MM	burgundy	90		
	7YG	cobalt blue	91				4MJ	mahogany	90		
	9YF	magenta	91				9JJ	marine blue			
19	928 552 049 02	spacer sleeve		4			01C	black			
20	928 552 569 02	cover		1			4XC	classic grey	91		
	9MM	burgundy	90				6ZF	cobalt blue	91		
	4MJ	mahogany	90				6WX	magenta	91		
	9JJ	marine blue				(23A)	928 552 521 00	cover	/L	1	
	01C	black					9MM	burgundy	90		
	4XC	classic grey	91				4MJ	mahogany	90		
	6ZF	cobalt blue	91				9JJ	marine blue			
	6WX	magenta	91				01C	satin black			
21	928 552 579 02	cover		1			4XC	classic grey	91		
	9MM	burgundy	90				6ZF	cobalt blue	91		
	4MJ	mahogany	90				6WX	magenta	91		
	9JJ	marine blue				(23A)	928 552 522 00	cover	/R	1	
	01C	black					9MM	burgundy	90		
	4XC	classic grey	91				4MJ	mahogany	90		
	6ZF	cobalt blue	91				9JJ	marine blue			
	6WX	magenta	91				01C	satin black			
22	928 552 567 02	cover		1			4XC	classic grey	91		
	9MM	burgundy	90				6ZF	cobalt blue	91		
	4MJ	mahogany	90				6WX	magenta	91		
	9JJ	marine blue				24	928 552 117 02	shelf	/LL	1	
	01C	black					71B	black			
	4XC	classic grey	91			(24)	927 552 118 02	shelf	/RL	1	M249
	6ZF	cobalt blue	91			(24)	927 552 118 03	shelf driver's side	/RL	1	
	6WX	magenta	91								

Model	Year	MG	SG	Illustration	Restrictions	UPD	19:37	23.01.2010	PORSCHE	PET	PORSCHE
928	1991	8	09	809-01		248					

Pos	Part Number	Description	Remark	Qty	Model	Pos	Part Number	Description	Remark	Qty	Model
25	928 552 127 02	edge protection shelf leatherette	/LL	1			6YL	magenta		91	
	05T	black					M05	matador red		91	
	3MX	burgundy	90				D35	carrara grey		91	
	1MX	mahogany	90				J25	sherwood green		91	
	9WH	classic grey	91			(25)	927 552 128 50	edge protection shelf leather	/RL	1	
	7YG	cobalt blue	91				KZ2	black		90	
	9YF	magenta	91				LG7	burgundy		90	
(25)	927 552 128 02	edge protection shelf leatherette	/RL	1			TV1	mahogany		90	
	05T	black					TS1	marine blue			
	3MX	burgundy	90				UD5	caramel		90	
	1MX	mahogany	90				UD6	venetian blue		90	
	9WH	classic grey	91				4MT	velvet red		90	
	7YG	cobalt blue	91				2WT	slate grey		90	
	9YF	magenta	91				8YR	black		91	
(25)	928 552 127 50	edge protection shelf leather	/LL	1			6XL	classic grey		91	
	KZ2	black	90				9YL	cobalt blue		91	
	LG7	burgundy	90				6YL	magenta		91	
	TV1	mahogany	90				M05	matador red		91	
	TS1	marine blue				26	999 507 251 02	mecano-speed-fix \$ 5 MM		7	
	UD5	caramel	90								
	UD6	venetian blue	90			27	927 552 381 02	bracket	/R	1	
	4MT	velvet red	90			28	928 552 395 02	bracket	/L	1	
	2WT	slate grey	90			29	N 011 524 7	washer A 6,4		2	
	8YR	black	91			30	900 085 003 02	cap nut M 6		2	
	6XL	classic grey	91			31	900 151 027 02	washer A 5,3		2	
	9YL	cobalt blue	91								

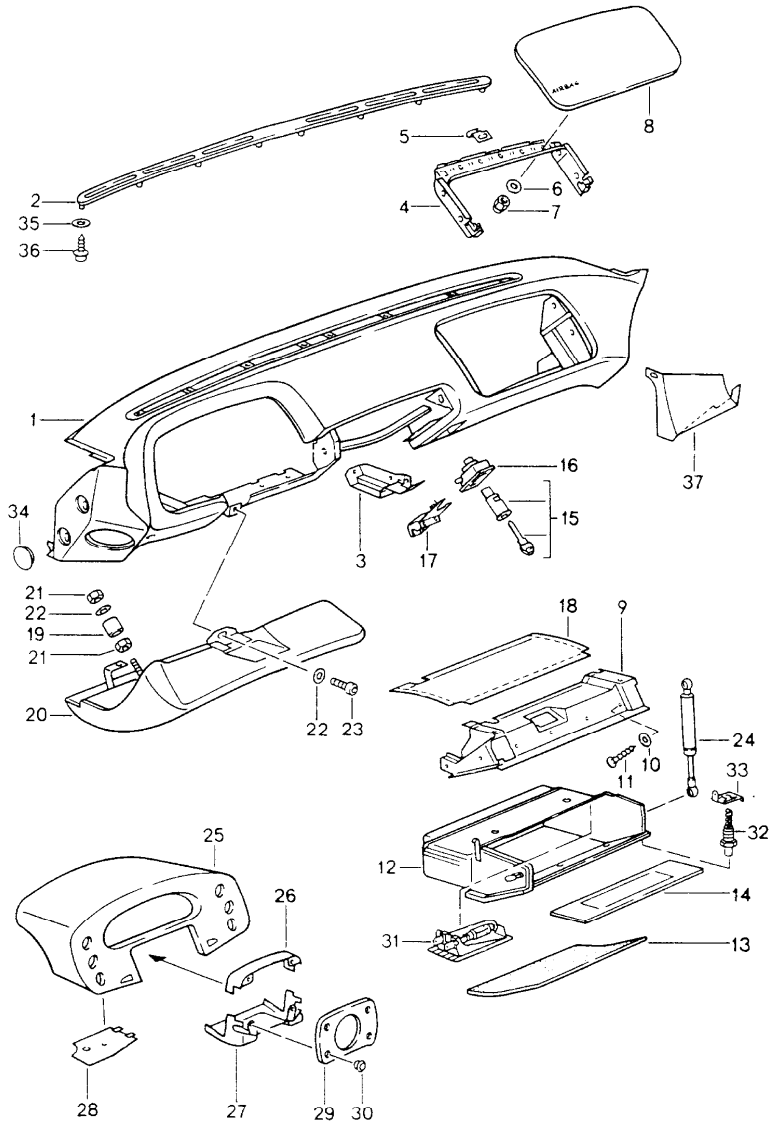
Model	Year	MG	SG	Illustration	Restrictions	UPD	19:37	23.01.2010	PORSCHE	PET	PORSCHE
928	1991	8	09	809-01		248					

Pos	Part Number	Description	Remark	Qty	Model	Pos	Part Number	Description	Remark	Qty	Model
32	N 011 005 14	hexagon nut M 5		1			TV1	mahogany		90	
33	N 011 141 2	cap nut M 5		1			TS1	marine blue			
34	928 552 077 02	shelf	/LL	1			UD5	caramel		90	
	71B	black					UD6	venetian blue		90	
(34)	927 552 077 02	shelf	/RL	1			4MT	velvet red		90	
	71B	black					2WT	slate grey		90	
35	928 552 079 02	edge protection shelf leatherette	/LL	1			8YR	black		91	
	05T	black					6XL	classic grey		91	
	3MX	burgundy		90			9YL	cobalt blue		91	
	1MX	mahogany		90			6YL	magenta		91	
	1KX	marine blue					M05	matador red		91	
	9WH	classic grey		91			D35	carrara grey		91	
	7YG	cobalt blue		91			J25	sherwood green		91	
	9YF	magenta		91		(35)	927 552 097 50	edge protection shelf leather	/RL	1	
(35)	927 552 079 02	edge protection shelf leatherette	/RL	1			KZ2	black		90	
	05T	black					LG7	burgundy		90	
	3MX	burgundy		90			TV1	mahogany		90	
	1MX	mahogany		90			TS1	marine blue			
	1KX	marine blue					UD5	caramel		90	
	9WH	classic grey		91			UD6	venetian blue		90	
	7YG	cobalt blue		91			4MT	velvet red		90	
	9YF	magenta		91			2WT	slate grey		90	
(35)	928 552 097 50	edge protection shelf leather	/LL	1			8YR	black		91	
	KZ2	black		90			6XL	classic grey		91	
	LG7	burgundy		90			9YL	cobalt blue		91	
							6YL	magenta		91	
							M05	matador red		91	
							D35	carrara grey		91	

Model	Year	MG	SG	Illustration	Restrictions	UPD	19:37	23.01.2010	PORSCHE	PET	PORSCHE
928	1991	8	09	809-01		248					

Pos	Part Number	Description	Remark	Qty	Model	Pos	Part Number	Description	Remark	Qty	Model
	J25	sherwood green	91								
36	928 552 382 02	bracket	/L	1							
37	928 552 395 02	bracket	/R	1							
38	928 552 315 50	rosette		1							
	70B	black									
39	928 632 111 01	light central electrical system		1							
40	964 613 601 00	door contact switch		1							
41	999 507 245 02	speed nut		1							

Model	Year	MG	SG	Illustration	Restrictions	UPD	19:38	23.01.2010	PORSCHE	PET	PORSCHE
928	1991	8	09	809-02		248					



Pos	Part Number	Description	Remark	Qty	Model
		dashboard trim airbag		91	
1	928 552 023 07	dashboard trim leatherette		1	
	05T	black			
	1KX	marine blue			
	9WH	classic grey	91		
	7YG	cobalt blue	91		
	9YF	magenta	91		
(1)	928 552 021 53	dashboard trim leather		1	
	TS1	marine blue			
	8YR	black	91		
	6XL	classic grey	91		
	9YL	cobalt blue	91		
	6YL	magenta	91		
	M05	matador red	91		
	D35	carrara grey	91		
	J25	sherwood green	91		
2	928 552 309 51	covering frame		1	
	5XJ	black			
	8KM	marine blue			
	5XL	classic grey	91		
	6ZH	cobalt blue	91		
	5XW	magenta	91		
3	928 552 483 00	retaining bracket		1	
4	928 552 113 00	frame		1	
5	928 552 582 02	hook		2	
6	900 151 027 02	washer A 5,3		7	

Model	Year	MG	SG	Illustration	Restrictions	UPD	19:38	23.01.2010	PORSCHE	PET	PORSCHE
928	1991	8	09	809-02		248					

Pos	Part Number	Description	Remark	Qty	Model	Pos	Part Number	Description	Remark	Qty	Model
7	900 096 014 02	cap nut		4			4XR	classic grey	91		
8	928 552 105 00	lid airbag leatherette		1			4ZN	cobalt blue	91		
	05T	black					8WZ	magenta	91		
	1KX	marine blue					6YR	light grey	91		
	9WH	classic grey	91				M33	matador red	91		
	7YG	cobalt blue	91				D13	carrara grey	91		
	9YF	magenta	91				J23	sherwood green	91		
(8)	928 552 015 00	lid airbag leather		1		13	928 552 053 05	cover lower carpet		1	
	TT8	marine blue					4KV	marine blue			
	8YR	black	91				8UT	cashmere beige			
	6XL	classic grey	91				5FV	black			
	9YL	cobalt blue	91				4XR	classic grey	91		
	6YL	magenta	91				4ZN	cobalt blue	91		
	M05	matador red	91				8WZ	magenta	91		
	D35	carrara grey	91				6YR	light grey	91		
	J25	sherwood green	91				M33	matador red	91		
9	928 552 419 00	glove compartment		1			D13	carrara grey	91		
	71B	black upper part				14	928 552 689 00	rubber pad		1	
10	N 011 665 10	washer		7		15	928 537 901 00	lock cylinder for glove compartment lock state lock number		1	
11	900 143 019 07	oval-head sheetmetal screw B 4,8 X 22		7		16	928 538 051 00	finger plate		1	
12	928 552 051 07	glove compartment		1			01C	satin black			
	71B	black				17	928 538 061 01	catch		1	
(13) A	928 552 267 03	carpet		1		(17)	928 538 061 01	catch		1	M981
	4KV	marine blue				(18) A	928 552 099 01	cover glove compartment	91	1	
	8UT	cashmere beige				(18)	928 552 099 01	cover		1	
	5FV	black									

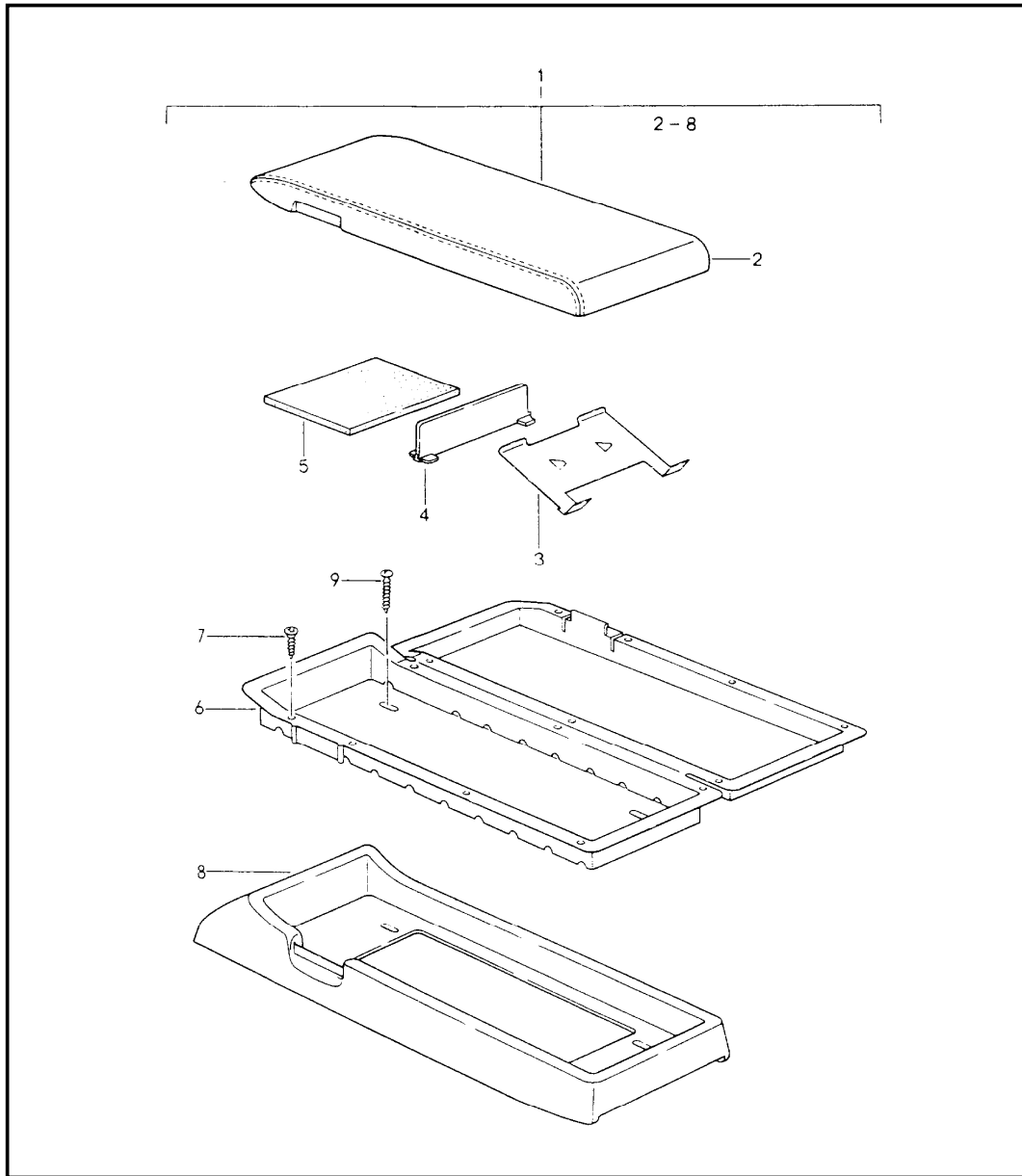
Model	Year	MG	SG	Illustration	Restrictions	UPD	19:38	23.01.2010	PORSCHE	PET	PORSCHE
928	1991	8	09	809-02		248					

Pos	Part Number	Description	Remark	Qty	Model	Pos	Part Number	Description	Remark	Qty	Model
	70B	black				26	928 552 569 02	cover		1	
19	999 924 061 02	bush		1			8JJ	marine blue			
(19)	999 924 082 02	bush		1	M981		01C	black			
20	928 552 131 00	knee protection trim leatherette		1			4XC	classic grey	91		
	1KX	marine blue					6ZF	cobalt blue	91		
	05T	black					6WX	magenta	91		
	7YG	cobalt blue	91			27	928 552 579 02	cover		1	
	9YF	magenta	91				9JJ	marine blue			
	9WH	classic grey	91				01C	black			
(20)	928 552 131 50	knee protection trim leather		1	M981		4XC	classic grey	91		
	TT8	marine blue					6ZF	cobalt blue	91		
	8YR	black	91			28	928 552 521 00	cover instrument box lower		1	
	6XL	classic grey	91				9JJ	marine blue			
	9YL	cobalt blue	91				01C	satin black			
	6YL	magenta	91				4XC	classic grey	91		
	M05	matador red	91				6ZF	cobalt blue	91		
	D35	carrara grey	91				6WX	magenta	91		
	J25	sherwood green	91			(28)	928 552 522 00	cover instrument box lower		1	
21	900 076 010 02	hexagon nut		1			9JJ	marine blue			
22	900 031 011 02	washer		1			01C	satin black			
23	N 014 701 7	pan-head screw		1			4XC	classic grey	91		
24	928 552 752 00	damper		1			6ZF	cobalt blue	91		
25	928 552 031 04	instrument box		1			6WX	magenta	91		
	1KX	marine blue				29	928 552 567 03	cover steering column switch		1	
	05T	black					9JJ	marine blue			
	9WH	classic grey	91								
	7YG	cobalt blue	91								
	9YF	magenta	91								

Model	Year	MG	SG	Illustration	Restrictions	UPD	19:38	23.01.2010	PORSCHE	PET	PORSCHE
928	1991	8	09	809-02		248					

Pos	Part Number	Description	Remark	Qty	Model	Pos	Part Number	Description	Remark	Qty	Model
	01C	black					D13	carrara grey	91		
	4XC	classic grey	91				J23	sherwood green	91		
	6ZF	cobalt blue	91								
	6WX	magenta	91								
30	928 552 767 00	cap		4							
	9JJ	marine blue									
	01C	black									
	4XC	classic grey	91								
	6ZF	cobalt blue	91								
	6WX	magenta	91								
31	928 632 111 01	light central electrical system		1							
32	964 613 601 00	door contact switch		1							
33	999 507 245 02	speed nut		1							
34	999 703 381 40	stopper		1							
	01C	satin black 25-27 X 33 X 5									
35	900 336 001 02	washer 4		8							
36	999 919 100 02	screw 4,0 X 10		8							
37	928 552 360 00	terminal piece carpet	/R	1							
	5FV	black									
	4KV	marine blue									
	8UT	cashmere beige									
	4XR	classic grey	91								
	4ZN	cobalt blue	91								
	8WZ	magenta	91								
	6YR	light grey	91								
	M33	matador red	91								

Model	Year	MG	SG	Illustration	Restrictions	UPD	19:38	23.01.2010	PORSCHE	PET	PORSCHE
928	1991	8	09	809-03		248					



Pos	Part Number	Description	Remark	Qty	Model
1	928 555 701 53	cassette box cassette box leather	/LL	-90	1
	KZ2	black			
	LG7	burgundy			
	QC2	greyish green		-88	
	TV1	mahogany			
	TS1	marine blue			
	UD5	caramel			
	UD6	venetian blue			
	4MT	velvet red		89-90	
	2WT	slate grey		89-90	
(1)	927 555 701 53	cassette box leather	/RL	-90	1
	KZ2	black			
	LG7	burgundy			
	QC2	greyish green		-88	
	TV1	mahogany			
	TS1	marine blue			
	UD5	caramel			
	UD6	venetian blue			
	4MT	velvet red		89-90	
	2WT	slate grey		89-90	
(1)	928 555 701 54	cassette box leather	/LL	91	1
	8YR	black			
	6XL	classic grey			
	9YL	cobalt blue			
	6YL	magenta			
	M05	matador red			

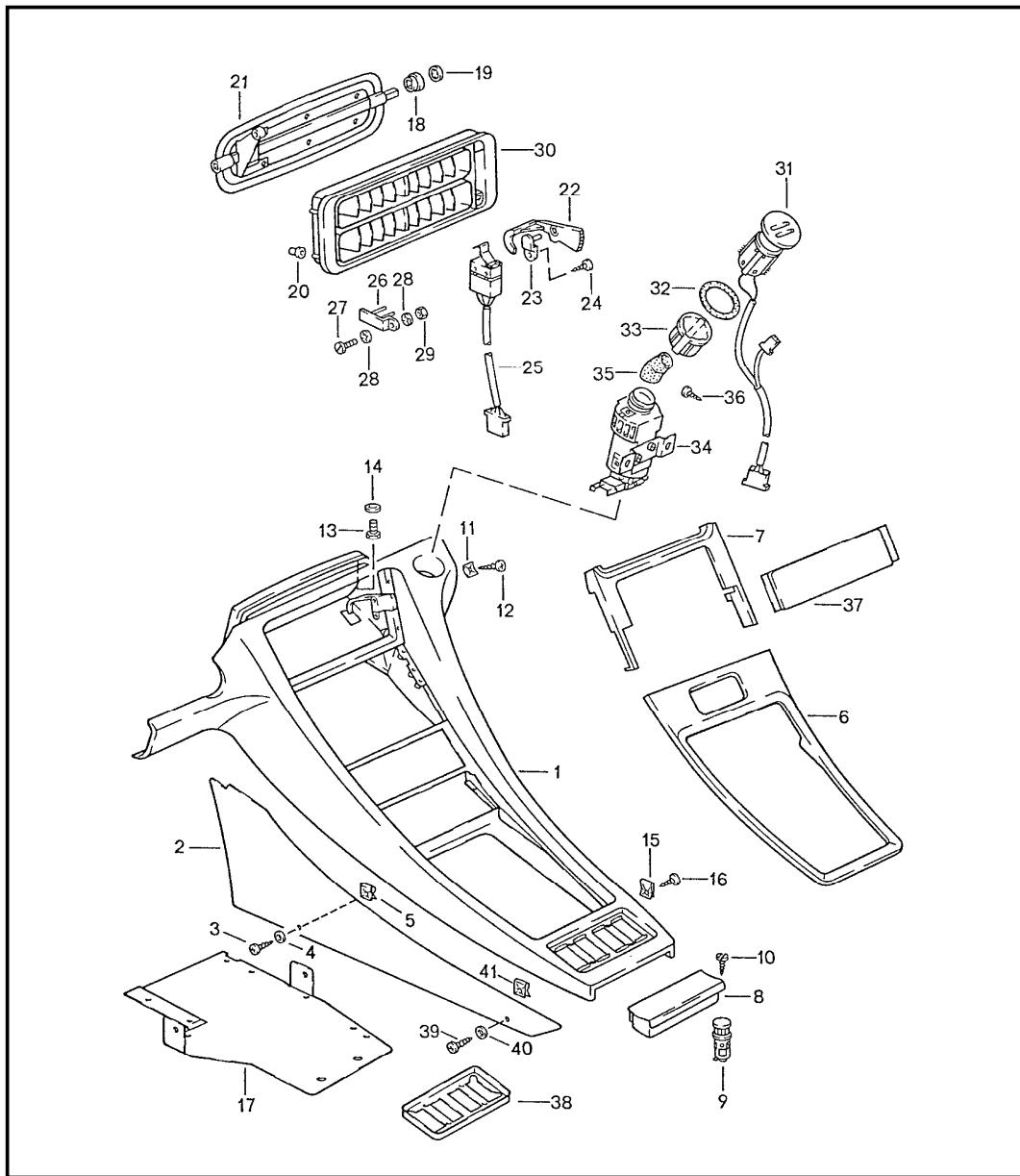
Model	Year	MG	SG	Illustration	Restrictions	UPD	19:38	23.01.2010	PORSCHE	PET	PORSCHE
928	1991	8	09	809-03		248					

Pos	Part Number	Description	Remark	Qty	Model	Pos	Part Number	Description	Remark	Qty	Model		
(1)	927 555 701 54	D35 carrara grey	/RL	91	1		KZ2 black		-90				
		J25 sherwood green					8YR black	91-					
		cassette box leather					LG7 burgundy	-90					
		8YR black					QC2 greyish green	-88					
		6XL classic grey					TV1 mahogany	-90					
		9YL cobalt blue					TS1 marine blue	-90					
		6YL magenta					UD5 caramel	-90					
		M05 matador red					UD6 venetian blue	-90					
		D35 carrara grey					4MT velvet red	89-90					
		J25 sherwood green					2WT slate grey	89-90					
(1)	928 555 701 55	cassette box leather	/LL	91	1		6XL classic grey		91				
		8YR black					9YL cobalt blue	91					
		6XL classic grey					6YL magenta	91					
		9YL cobalt blue					M05 matador red	91					
		6YL magenta					D35 carrara grey	91					
		M05 matador red					J25 sherwood green	91					
		D35 carrara grey					(2) 927 555 705 51 lid leather	/RL	1				
		J25 sherwood green					KZ2 black	-90					
		cassette box leather					8YR black	91-					
		8YR black					LG7 burgundy	-90					
6XL classic grey	QC2 greyish green	-88											
9YL cobalt blue	TV1 mahogany	-90											
6YL magenta	TS1 marine blue	-90											
M05 matador red	UD5 caramel	-90											
D35 carrara grey	UD6 venetian blue	-90											
J25 sherwood green	4MT velvet red	89-90											
(1)	927 555 701 55	cassette box leather	/RL	91	1		2WT slate grey		89-90				
		8YR black					6XL classic grey	91					
		6XL classic grey					9YL cobalt blue	91					
		9YL cobalt blue					6YL magenta	91					
		6YL magenta					M05 matador red	91					
		M05 matador red					D35 carrara grey	91					
		D35 carrara grey					J25 sherwood green	91					
		J25 sherwood green					(2) 928 555 705 51 lid leather	/LL	1				
		cassette box leather					KZ2 black	-90					
		8YR black					8YR black	91-					
6XL classic grey	LG7 burgundy	-90											
9YL cobalt blue	QC2 greyish green	-88											
6YL magenta	TV1 mahogany	-90											
M05 matador red	TS1 marine blue	-90											
D35 carrara grey	UD5 caramel	-90											
J25 sherwood green	UD6 venetian blue	-90											
2	928 555 705 51	lid leather	/LL	1	1		6XL classic grey		91				

Model	Year	MG	SG	Illustration	Restrictions	UPD	19:38	23.01.2010	PORSCHE	PET	PORSCHE
928	1991	8	09	809-03		248					

Pos	Part Number	Description	Remark	Qty	Model	Pos	Part Number	Description	Remark	Qty	Model
	9YL	cobalt blue		91			6YL	magenta		91	
	6YL	magenta		91			M05	matador red		91	
	M05	matador red		91			D35	carrara grey		91	
	D35	carrara grey		91			J25	sherwood green		91	
	J25	sherwood green		91		(8)	927 555 703 51	lower part leather	/RL	1	
3	928 555 731 02	cassette rack		8			KZ2	black		-90	
	01C	satin black					8YR	black		91-	
4	928 555 741 02	partition panel		1			LG7	burgundy		-90	
5	928 555 735 03	cover 82 X 108		1			QC2	greyish green		-88	
6	928 555 729 03	container insert	/LL	1			TV1	mahogany		-90	
	01C	satin black					TS1	marine blue		-90	
(6)	927 555 729 03	container insert	/RL	1			UD5	caramel		-90	
	01C	satin black					UD6	venetian blue		-90	
7	900 143 065 07	tapping screw B 2,9 X 9,5		14			4MT	velvet red		89-90	
8	928 555 703 51	lower part leather	/LL	1			2WT	slate grey		89-90	
	KZ2	black		-90			6XL	classic grey		91	
	8YR	black		91-			9YL	cobalt blue		91	
	LG7	burgundy		-90			6YL	magenta		91	
	QC2	greyish green		-88			M05	matador red		91	
	TV1	mahogany		-90			D35	carrara grey		91	
	TS1	marine blue		-90			J25	sherwood green		91	
	UD5	caramel		-90		9	999 450 001 07	round head screw B 4,2 X 25		4	
	UD6	venetian blue		-90							
	4MT	velvet red		89-90							
	2WT	slate grey		89-90							
	6XL	classic grey		91							
	9YL	cobalt blue		91							

Model	Year	MG	SG	Illustration	Restrictions	UPD	19:38	23.01.2010	PORSCHE	PET	PORSCHE
928	1991	8	09	809-05		248					



Pos	Part Number	Description	Remark	Qty	Model
1	928 552 043 08	centre console leatherette	/LL	1	
	TS4	marine blue	-90		
	JQ5	burgundy	-90		
	NY1	greyish green	-88		
	TV4	mahogany	-90		
	TS4	marine blue	-90		
	CA4	black			
	9WH	classic grey	91		
	7YG	cobalt blue	91		
	9YF	magenta	91		
(1)	928 552 043 10	centre console leatherette		1	M562
	CA4	black			
	9WH	classic grey	91		
	7YG	cobalt blue	91		
	9YF	magenta	91		
(1)	927 552 043 08	centre console leatherette	/RL	1	
	TS4	marine blue	-90		
	JQ5	burgundy	-90		
	NY1	greyish green	-88		
	TV4	mahogany	-90		
	TS4	marine blue	-90		
	CA4	black			
	9WH	classic grey	91		
	7YG	cobalt blue	91		
	9YF	magenta	91		
(1)	928 552 045 55	centre console leather	/LL	1	

Model	Year	MG	SG	Illustration	Restrictions	UPD	19:38	23.01.2010	PORSCHE	PET	PORSCHE
928	1991	8	09	809-05		248					

Pos	Part Number	Description	Remark	Qty	Model	Pos	Part Number	Description	Remark	Qty	Model
	LA1	black	-90			(1)	928 552 045 56	centre console leather	91	1	M562
	LL6	burgundy	-90				8YR	black			
	NY3	greyish green	-88				6XL	classic grey			
	TT9	mahogany	-90				9YL	cobalt blue			
	TT8	marine blue	-90				6YL	magenta			
	UD5	caramel	-90				M05	matador red			
	UD6	venetian blue	-90				D35	carrara grey			
	SM1	velvet red	89-90				J25	sherwood green			
	SM2	slate grey	89-90			(1)	927 552 045 55	centre console leather	/RL	91	1
(1)	927 552 045 55	centre console leather	/RL	-90	1		8YR	black			
	LA1	black	-90				6XL	classic grey			
	LL6	burgundy	-90				9YL	cobalt blue			
	NY3	greyish green	-88				6YL	magenta			
	TT9	mahogany	-90				M05	matador red			
	TT8	marine blue	-90				D35	carrara grey			
	UD5	caramel	-90				J25	sherwood green			
	UD6	venetian blue	-90			2	927 552 073 02	side section carpet centre console	/L	1	M564
	SM1	velvet red	89-90				70E	black	-88		
	SM2	slate grey	89-90				5FV	black	89-		
(1)	928 552 045 55	centre console leather	/LL	91	1		80E	burgundy	-88		
	8YR	black					8MD	burgundy	89-90		
	6XL	classic grey					8JK	greyish green	-88		
	9YL	cobalt blue					1VD	champagne	-88		
	6YL	magenta					5MF	mahogany	-90		
	M05	matador red					3KF	marine blue	-88		
	D35	carrara grey					4KV	marine blue	89-90		
	J25	sherwood green					2XF	linen	-90		

Model	Year	MG	SG	Illustration	Restrictions	UPD	19:38	23.01.2010	PORSCHE	PET	PORSCHE
928	1991	8	09	809-05		248					

Pos	Part Number	Description	Remark	Qty	Model	Pos	Part Number	Description	Remark	Qty	Model
	4MM	plum red	-88				5FV	black	89-		
	7VM	silver-grey	-88				80E	burgundy	-88		
	5UM	caramel	-90				8MD	burgundy	89-90		
	3KM	venetian blue	-90				8JK	greyish green	-88		
	8UT	cashmere beige	90-				1VD	champagne	-88		
	7VT	silk grey	89-90				5MF	mahogany	-90		
	9MT	velvet red	89-90				3KF	marine blue	-88		
	3WT	slate grey	89-90				4KV	marine blue	89-90		
	4XR	classic grey	91				2XF	linen	-90		
	4ZN	cobalt blue	91				4MM	plum red	-88		
	8WZ	magenta	91				7VM	silver-grey	-88		
	6YR	light grey	91				5UM	caramel	-90		
	M33	matador red	91				3KM	venetian blue	-90		
	D13	carrara grey	91				8UT	cashmere beige	90-		
	J23	sherwood green	91				7VT	silk grey	89-90		
(2)	927 552 073 03	side section carpet centre console	/L	91	1 M562		9MT	velvet red	89-90		
	5FV	black	89-				3WT	slate grey	89-90		
	8UT	cashmere beige	90-				4XR	classic grey	91		
	4XR	classic grey	91				4ZN	cobalt blue	91		
	4ZN	cobalt blue	91				8WZ	magenta	91		
	8WZ	magenta	91				6YR	light grey	91		
	6YR	light grey	91				M33	matador red	91		
	M33	matador red	91				D13	carrara grey	91		
	D13	carrara grey	91				J23	sherwood green	91		
	J23	sherwood green	91			(2)	928 552 074 03	side section carpet centre console	/R	91	1 M562
(2)	928 552 074 02	side section carpet centre console	/R		1 M564		5FV	black	89-		
	70E	black	-88				8UT	cashmere beige	90-		
							4XR	classic grey	91		

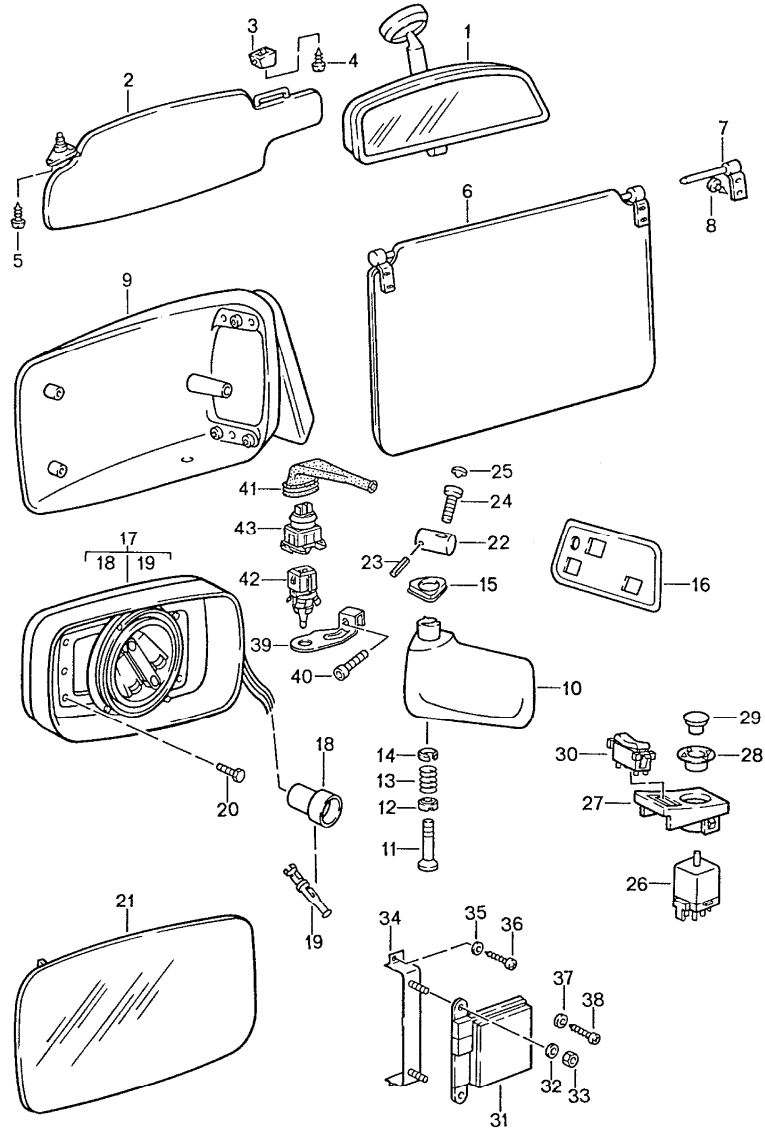
Model	Year	MG	SG	Illustration	Restrictions	UPD	19:38	23.01.2010	PORSCHE	PET	PORSCHE
928	1991	8	09	809-05		248					

Pos	Part Number	Description	Remark	Qty	Model	Pos	Part Number	Description	Remark	Qty	Model
	4ZN	cobalt blue	91			8	928 552 060 02	ashtray		1	
	8WZ	magenta	91				70B	black			
	6YR	light grey	91			9	928 652 103 00	cigarette lighter		1	
	M33	matador red	91			10	900 144 017 07	tapping screw		2	
	D13	carrara grey	91			11	999 507 030 02	speed nut 4,8		3	
	J23	sherwood green	91			12	900 187 018 02	hexagon-head tapping screw 4,8 X 16		1	
3	N 014 098 6	tapping screw 4,8 X 16		4		13	900 075 145 02	hexagon-head bolt M 5 X 16		2	
4	999 591 437 07	washer 4,8		4		14	900 025 003 02	washer A 5,3		2	
5	999 507 002 02	speed nut		2		15	999 507 002 02	speed nut		2	
6	928 552 047 07	cover lower for interior equipment leather		1		16	900 143 046 07	tapping screw B 4,8 X 16		6	
(6)	928 552 047 09	cover lower for interior equipment leather		1	M570	17	928 552 389 02	mounting plate for cruise control regulator and receiving part		1	
6	928 552 047 08	cover lower for interior equipment leatherette		1		18	928 574 291 02	bearing sleeve		2	
(6)	928 552 047 10	cover lower for interior equipment leatherette		1	M570	19	999 591 459 02	mecano-speed-fix		2	
7	928 552 362 00	cover upper for interior equipment leatherette		1		20	999 702 111 50	grommet		4	
7	928 552 362 50	cover upper for interior equipment leather		1		(21)	928 574 125 02	flap		1	
8	A 928 552 060 02	ashtray	-90	1		--	928 574 434 02	shaft		1	
						22	928 574 649 02	actuating lever		1	
							70B	satin black			
						23	928 574 645 02	fastening part		1	
						24	900 143 031 02	oval-head sheetmetal screw B 4,2 X 9,5		1	
						25	928 613 049 01	micro-changeover switch		1	
						26	928 573 747 04	support		1	
						27	900 119 024 02	pan-head screw M 4 X 12		1	

Model	Year	MG	SG	Illustration	Restrictions	UPD	19:38	23.01.2010	PORSCHE	PET	PORSCHE
928	1991	8	09	809-05		248					

Pos	Part Number	Description	Remark	Qty	Model	Pos	Part Number	Description	Remark	Qty	Model
28	N 042 122 2	shake-proof washer		2							
29	N 011 004 6	hexagon nut M 4		1							
30	928 574 040 03	covering frame for interior equipment leatherette		1							
30	928 574 040 50	covering frame for interior equipment leather		1							
31	928 624 041 00	interior sensor		1							
32	928 573 344 02	sealing ring		1							
33	928 573 527 02	connecting piece		1							
34	928 624 113 01	interior sensor blower		1							
35	928 624 312 01	hose	/LL	1							
(35)	928 624 312 00	hose	/RL	1							
36	N 013 968 7	tapping screw B 4,8 X 13		2							
37	928 552 270 05	cover		1							
	70B	black radio									
38	928 552 313 50	frame		1							
	70B	black for tip switch for interior equipment leather									
39	N 014 098 6	tapping screw 4,8 X 16		2							
40	999 591 437 07	washer 4,8		2							
41	999 507 002 02	speed nut		2							

Model	Year	MG	SG	Illustration	Restrictions	UPD	19:38	23.01.2010	PORSCHE	PET	PORSCHE
928	1991	8	09	809-10		248					



Pos	Part Number	Description	Remark	Qty	Model
1	477 857 511 A	sun visor interior mirror door mirror		1	
	70B	black			
(2)	928 731 031 11	sun visor with mirror leatherette	/L	1	
	CA9	black			
	RS8	burgundy	-90		
	RS9	greyish green	-88		
	TV3	mahogany	-90		
	TS3	marine blue	-90		
	6WJ	classic grey	91		
	7YU	cobalt blue	91		
	8YA	magenta	91		
(2)	928 731 032 11	sun visor with mirror leatherette	/R	1	
	CA9	black			
	RS8	burgundy	-90		
	RS9	greyish green	-88		
	TV3	mahogany	-90		
	TS3	marine blue	-90		
	6WJ	classic grey	91		
	7YU	cobalt blue	91		
	8YA	magenta	91		
(2)	928 731 031 12	sun visor with mirror leatherette	/L (AUS) (S)	1	
	CA9	black			
	RS8	burgundy	-90		
	RS9	greyish green	-88		

Model	Year	MG	SG	Illustration	Restrictions	UPD	19:38	23.01.2010	PORSCHE	PET	PORSCHE
928	1991	8	09	809-10		248					

Pos	Part Number	Description	Remark	Qty	Model	Pos	Part Number	Description	Remark	Qty	Model
		TV3 mahogany	-90				TZ1 burgundy		-90		
		TS3 marine blue	-90				UA1 greyish green		-88		
		6WJ classic grey	91				TY1 mahogany		-90		
		7YU cobalt blue	91				TW9 marine blue		-90		
		8YA magenta	91				UD1 caramel		-90		
(2)	928 731 032 12	sun visor with mirror leatherette	/R (AUS) (S)	1			UD2 venetian blue		-90		
		CA9 black					SM1 velvet red		-90		
		RS8 burgundy	-90			(2)	928 731 053 50	sun visor with mirror leather	/L	1	
		RS9 greyish green	-88								
		TV3 mahogany	-90				8YR black		91		
		TS3 marine blue	-90				6XL classic grey		91		
		6WJ classic grey	91				9YL cobalt blue		91		
		7YU cobalt blue	91				6YL magenta		91		
		8YA magenta	91				M05 matador red		91		
(2)	928 731 053 50	sun visor with mirror leather	/L	1			D35 carrara grey		91		
		LA1 black	-90				J25 sherwood green		91		
		TZ1 burgundy	-90			(2)	928 731 054 50	sun visor with mirror leather	/R	1	
		UA1 greyish green	-88								
		TY1 mahogany	-90				8YR black		91		
		TW9 marine blue	-90				6XL classic grey		91		
		UD1 caramel	-90				9YL cobalt blue		91		
		UD2 venetian blue	-90				6YL magenta		91		
		SM1 velvet red	-90				M05 matador red		91		
		SM2 slate grey	-90				D35 carrara grey		91		
(2)	928 731 054 50	sun visor with mirror leather	/R	1		(2)	928 731 053 51	sun visor with mirror leather	/L (AUS) (S)	1	
		LA1 black	-90								
							LA1 black		-90		

Model	Year	MG	SG	Illustration	Restrictions	UPD	19:38	23.01.2010	PORSCHE	PET	PORSCHE
928	1991	8	09	809-10		248					

Pos	Part Number	Description	Remark	Qty	Model	Pos	Part Number	Description	Remark	Qty	Model
		TZ1 burgundy	-90				6YL magenta		91		
		UA1 greyish green	-88				M05 matador red		91		
		TY1 mahogany	-90				D35 carrara grey		91		
		TW9 marine blue	-90				J25 sherwood green		91		
		UD1 caramel	-90			3	911 731 331 00 support			2	
		UD2 venetian blue	-90			3	911 731 331 00 support			2	M650
(2)	928 731 054 51	sun visor with mirror leather	/R (AUS) (S)	1		4	900 143 034 07 oval-head sheetmetal screw 3,9 X 19			2	
		LA1 black	-90			5	900 145 016 07 tapping screw 4,2 X 19			6	
		TZ1 burgundy	-90			6	928 731 035 04 sun visor leatherette rear	/H	-91	2	
		UA1 greyish green	-88				70A black				
		TY1 mahogany	-90				3MX burgundy		-90		
		TW9 marine blue	-90				2KA greyish green		-88		
		UD1 caramel	-90				5MA mahogany		-90		
		UD2 venetian blue	-90				3KA marine blue		-90		
(2)	928 731 053 51	sun visor with mirror leather	/L (AUS) (S)	1			6WJ classic grey		91		
		8YR black	91				7YU cobalt blue		91		
		6XL classic grey	91				8YA magenta		91		
		9YL cobalt blue	91			(6)	928 731 035 52 sun visor leather rear	/H	-91	2	
		6YL magenta	91				LA1 black		-90		
		M05 matador red	91				LL6 burgundy		-90		
		D35 carrara grey	91				NY3 greyish green		-88		
		J25 sherwood green	91				TT9 mahogany		-90		
(2)	928 731 054 51	sun visor with mirror leather	/R (AUS) (S)	1			TT8 marine blue		-90		
		8YR black	91				UD1 caramel		-90		
		6XL classic grey	91				UD2 venetian blue		-90		
		9YL cobalt blue	91				SM1 velvet red		-90		

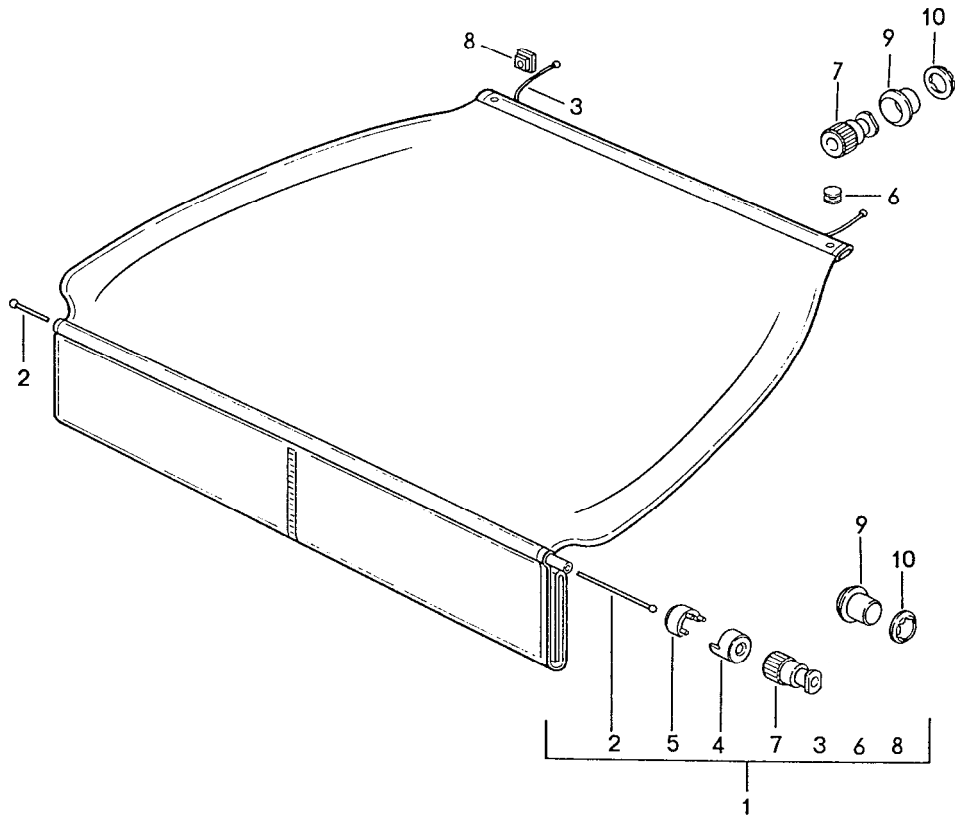
Model	Year	MG	SG	Illustration	Restrictions	UPD	19:38	23.01.2010	PORSCHE	PET	PORSCHE
928	1991	8	09	809-10		248					

Pos	Part Number	Description	Remark	Qty	Model	Pos	Part Number	Description	Remark	Qty	Model
	SM2	slate grey		-90		(16)	927 731 249 04	desk pad	/RL/L	1	
(6)	928 731 035 52	sun visor leather rear	/H	-91	2	17	944 731 027 01	electric installation set		2	
	8YR	black		91		(17)	928 624 067 00	covering frame with transmission		2	M537/538
	6XL	classic grey		91		18	803 971 980	pin connector socket 7-pole		2	
	9YL	cobalt blue		91		19	N 017 564 1	round connector 1,6 - 1		X	
	6YL	magenta		91		20	999 143 003 02	hexagon-head bolt M 5 X 10		6	
	M05	matador red		91		21	944 731 035 02	mirror glass plane		1	
	D35	carrara grey		91		(21)	944 731 035 04	mirror glass plane	(S)	1	
	J25	sherwood green		91		(21)	944 731 035 03	mirror glass convex		1	
7	928 731 043 02	bearing bracket	/L		1	(21)	944 731 035 05	mirror glass convex	(S)	1	
7	928 731 044 02	bearing bracket	/R		1	22	928 531 235 03	threaded piece		2	
8	900 145 016 07	tapping screw 4,2 X 19		90-	4	23	N 013 295 1	tensioning sleeve		1	
9	911 731 043 03	mirror housing	/L		1	24	999 218 019 02	screw M 5 X 45	-90	2	
9	911 731 044 03	mirror housing	/R		1	(24)	999 218 073 02	pan-head screw M 5 X 45	91	2	
10	928 731 141 06	mirror base	/LL/L		1	25	999 703 137 40	cap		2	
(10)	928 731 143 08	mirror base	/LL/R		1	26	928 613 241 00	switch		1	
(10)	927 731 141 06	mirror base	/RL/R		1	27	928 555 461 03	mounting piece	/LL	1	
(10)	927 731 143 08	mirror base	/RL/L		1		70B	satin black			
11	911 731 257 02	guide tube			2	(27)	927 555 462 03	mounting piece	/RL	1	
12	911 731 345 02	centring washer lower			2		70B	satin black			
13	911 731 029 01	compression spring			2	28	928 555 463 02	threaded bush		1	
14	911 731 347 00	centring washer upper			2	29	928 613 082 00	knob		1	
15	944 731 143 00	seal			2	30	928 613 240 00	switch		1	
16	928 731 247 03	desk pad	/LL/L		1						
(16)	928 731 249 04	desk pad	/LL/R		1						
(16)	927 731 247 03	desk pad	/RL/R		1						

Model	Year	MG	SG	Illustration	Restrictions	UPD	19:38	23.01.2010	PORSCHE	PET	PORSCHE
928	1991	8	09	809-10		248					

Pos	Part Number	Description	Remark	Qty	Model	Pos	Part Number	Description	Remark	Qty	Model
	01C	satin black									
31	928 618 136 00	control unit	-89	1	M537/538						
31	928 618 136 02	control unit	90-	1	M537/538						
32	N 011 525 13	washer A 8,4	/LL	2	M537						
33	900 076 025 02	hexagon nut M 8	/LL	2	M537						
34	928 618 431 00	retaining bracket	/LL	1	M537						
35	N 011 524 7	washer A 6,4	/LL	2	M537						
36	N 014 138 7	oval-head screw M 6 X 10	/LL	2	M537						
37	N 011 666 7	washer B 6,4	/RL	2	M538						
38	N 014 142 3	oval-head screw M 6 X 20	/RL	2	M538						
39	928 641 342 00	support	/LL	1							
(39)	927 641 342 00	support	/RL	1							
40	N 014 760 3	pan-head screw M 5 X 12		1							
41	911 612 817 00	protection cap		1							
42	928 641 142 00	temperature sensor		1							
43	443 906 232	connector housing		1							

Model	Year	MG	SG	Illustration	Restrictions	UPD	19:38	23.01.2010	PORSCHE	PET	PORSCHE
928	1991	8	09	809-15		248					

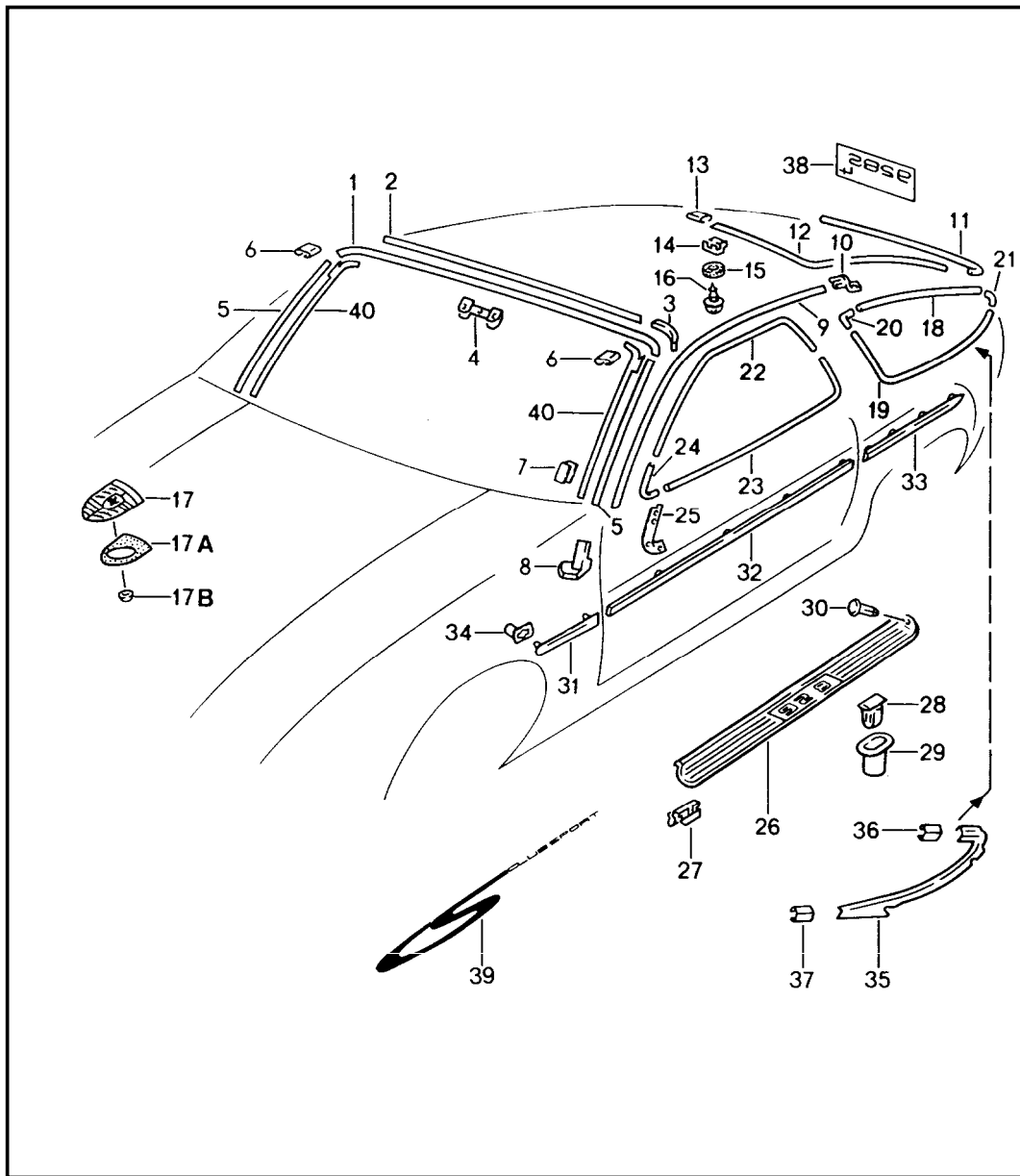


Pos	Part Number	Description	Remark	Qty	Model
		luggage compartment cover			
1	928 555 179 02	luggage compartment cover		1	
	70G	black			
	30D	blue	-88		
	40B	brown	-88		
	2LB	burgundy	-90		
	6JG	greyish green	-90		
	7MG	mahogany	-90		
	5KG	marine blue	-90		
	5WG	classic grey	91		
	7ZF	cobalt blue	91		
	7YM	magenta	91		
(1)	928 555 179 03	luggage compartment cover		1	M293/295 M496
	70G	black			
	7MG	mahogany			
	5KG	marine blue			
	2LB	burgundy			
	6JG	greyish green	-88		
-	999 701 639 40	round rubber cord		*	
2	-	1150 MM		1	
3	-	740 MM		2	
4	928 555 795 02	end piece of pipe		2	
5	928 555 785 02	clamp for fabric		2	
6	900 190 005 03	tubular rivet B 4 X 9 X 6		2	
7	928 555 775 02	belt end piece		4	
8	928 555 791 02	rosette		2	
	70B	black			
9	928 555 777 02	end piece of rope		4	

Model	Year	MG	SG	Illustration	Restrictions	UPD	19:38	23.01.2010	PORSCHE	PET	PORSCHE
928	1991	8	09	809-15		248					

Pos	Part Number	Description	Remark	Qty	Model	Pos	Part Number	Description	Remark	Qty	Model
10	999 591 484 02	clamping washer		4							

Model	Year	MG	SG	Illustration	Restrictions	UPD	19:38	23.01.2010	PORSCHE	PET	PORSCHE
928	1991	8	10	810-00		248					



Pos	Part Number	Description	Remark	Qty	Model
		decorative fittings exterior equipment			
1	928 559 103 04	cover strip		1	
	70K	black			
2	928 559 295 02	adhesive tape		1	
3	928 559 245 03	sealing strap		2	
4	928 559 285 02	clamp		9	
5	928 559 105 05	water drain strip	/L -90	1	
	70K	black			
(5)	928 559 106 05	water drain strip	/R -90	1	
	70K	black			
(5)	928 559 105 07	water drain strip	/L 91	1	
	70K	black			
(5)	928 559 106 07	water drain strip	/R 91	1	
	70K	black			
6	928 559 213 05	sleeve	/L	1	
	70K	black			
6	928 559 214 05	sleeve	/R	1	
	70K	black			
7	928 559 107 02	clamp		8	
8	928 559 111 05	end piece	/L	1	
	70B	black			
(8)	928 559 112 05	end piece	/R	1	
	70B	black			
9	928 559 119 04	roof edge strip	/L	1	
(9)	928 559 120 04	roof edge strip	/R	1	
10	928 559 121 03	roof edge strip	/L	1	
(10)	928 559 122 03	roof edge strip end piece	/R	1	
11	928 559 151 04	cover strip	-87	1	

Model	Year	MG	SG	Illustration	Restrictions	UPD	19:38	23.01.2010	PORSCHE	PET	PORSCHE
928	1991	8	10	810-00		248					

Pos	Part Number	Description	Remark	Qty	Model	Pos	Part Number	Description	Remark	Qty	Model
(11)	928 559 151 05	black lower cover strip	88-	1		17	993 559 211 00	lid emblem		1	
12	928 559 153 06	black lower cover strip	/L	1		17A	901 559 215 20	desk pad		1	
(12)	928 559 153 05	black lateral for lid with spoiler cover strip	/L	1	M471	17B	999 591 423 03	tapping nut		2	
(12)	928 559 154 06	black lateral for lid with spoiler cover strip	/R	1		18	928 543 419 10	moulding section	/L	1	
(12)	928 559 154 05	black lateral for lid with spoiler cover strip	/R	1	M471		70K	black upper			
13	928 559 155 03	black sleeve		3		(18)	928 543 419 09	moulding section	/L	-89	1 M471
14	928 559 133 04	black retaining clip	-89	8	M471		70K	black upper			
14	928 559 133 04	black retaining clip		19		(18)	928 543 420 10	moulding section	/R	1	
15	928 559 143 02	black sealing ring	-89	8	M471		70K	black upper			
15	928 559 143 02	black sealing ring		19		(18)	928 543 420 09	moulding section	/R	-89	1 M471
16	999 919 030 02	black screw	-89	8	M471		70K	black upper			
16	999 919 030 02	black screw		19		19	928 543 417 10	moulding section	/L	1	
17	A 901 559 210 20	black lid emblem		1			70K	black lower			
						(19)	928 543 417 09	moulding section	/L	-89	1 M471
							70K	black lower			
						(19)	928 543 418 10	moulding section	/R	1	
							70K	black lower			
						(19)	928 543 418 09	moulding section	/R	-89	1 M471
							70K	black lower			
						20	928 543 413 04	corner piece		2	
							70K	black upper			
						21	928 543 415 05	corner piece		2	
							70K	black lower			
						22	928 537 311 04	moulding	/L	1	

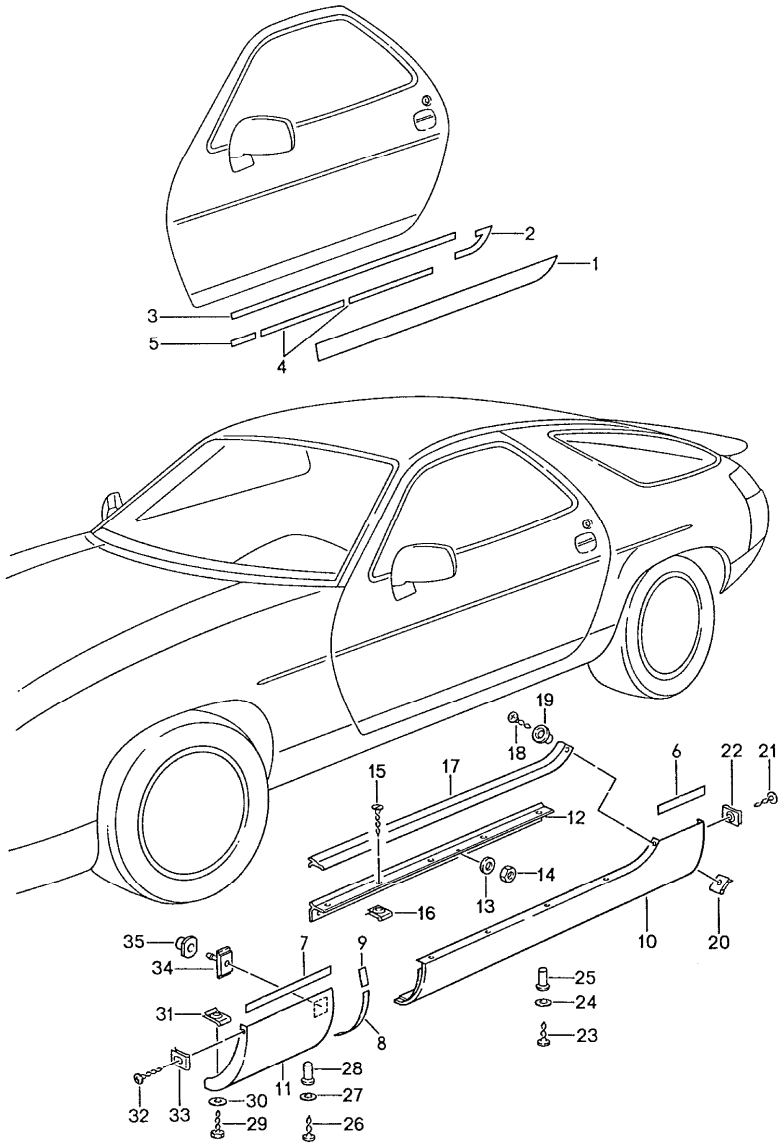
Model	Year	MG	SG	Illustration	Restrictions	UPD	19:38	23.01.2010	PORSCHE	PET	PORSCHE
928	1991	8	10	810-00		248					

Pos	Part Number	Description	Remark	Qty	Model	Pos	Part Number	Description	Remark	Qty	Model
	70K	black upper				-	928 559 175 03	adhesive tape wing		2	
(22)	928 537 312 04	moulding	/R	1		32	928 559 033 03	protective moulding	/L	1	
	70K	black upper				(32)	928 559 034 03	protective moulding door	/R	1	
23	928 537 313 04	moulding	/L	1		-	928 559 965 00	adhesive tape door		2	
	70K	black lower				33	928 559 041 03	protective moulding	/L	1	
(23)	928 537 314 04	moulding	/R	1		(33)	928 559 042 03	protective moulding side section rear	/R	1	
	70K	black lower				-	928 559 181 03	adhesive tape side section rear		2	
24	928 537 301 05	moulding connection	/L	1		34	928 559 281 02	bush		10	
(24)	928 537 302 05	moulding connection	/R	1		35	928 543 437 03	trim frame	/L	-89	1 M471
	70K	black					70K	black rear spoiler			
25 A	928 537 369 03	filler piece	/L	-87	1						
(25) A	928 537 370 03	filler piece	/R	-87	1	(35)	928 543 438 03	trim frame	/R	-89	1 M471
25	928 537 369 03	desk pad	/L	1			70K	black rear spoiler			
25	928 537 370 03	desk pad	/R	1							
-	900 143 114 07	tapping screw B 3,5 X 9,5		2		36	928 543 439 03	sleeve		-89	2 M471
							70K	black trim frame rear spoiler			
26	928 551 055 02	scuff plate	/L	1							
(26)	928 551 056 02	scuff plate	/R	1		37	928 543 439 04	sleeve	/L	-89	1 M471
27	928 551 123 02	clamp		12			70K	black trim frame rear spoiler			
28	999 591 451 40	fastening clamp		12							
29	999 702 116 40	grommet oval		12		(37)	928 543 440 04	sleeve	/R	-89	1 M471
(29)	999 702 115 40	grommet round		2			70K	black trim frame rear spoiler			
30	999 591 519 40	expansion rivet		2		38	928 505 335 06	logo dark grey		1	928 S4
31	928 559 037 03	protective moulding	/L	1							
(31)	928 559 038 03	protective moulding	/R	1		38	928 505 335 07	logo light grey		1	928 S4

Model	Year	MG	SG	Illustration	Restrictions	UPD	19:38	23.01.2010	PORSCHE	PET	PORSCHE
928	1991	8	10	810-00		248					

Pos	Part Number	Description	Remark	Qty	Model	Pos	Part Number	Description	Remark	Qty	Model
38	928 559 921 00	logo prime coated -GT- order also:		1	M481						
-	928 559 421 00	adhesive tape		2							
(38)	928 559 921 01	logo prime coated -S4- order also:		1	M249						
-	928 559 421 01	adhesive tape		2							
39	928 559 339 00	logo black	-89	1	M637						
(39)	928 559 339 01	logo silver	-89	1	M637						
40	928 559 519 00	sealing rubber	91	1							
	70C	black water drain strip windscreen									
(40)	928 559 520 00	sealing rubber	91	1							
	70C	black water drain strip windscreen									

Model	Year	MG	SG	Illustration	Restrictions	UPD	19:39	23.01.2010	PORSCHE	PET	PORSCHE
928	1991	8	10	810-05		248					

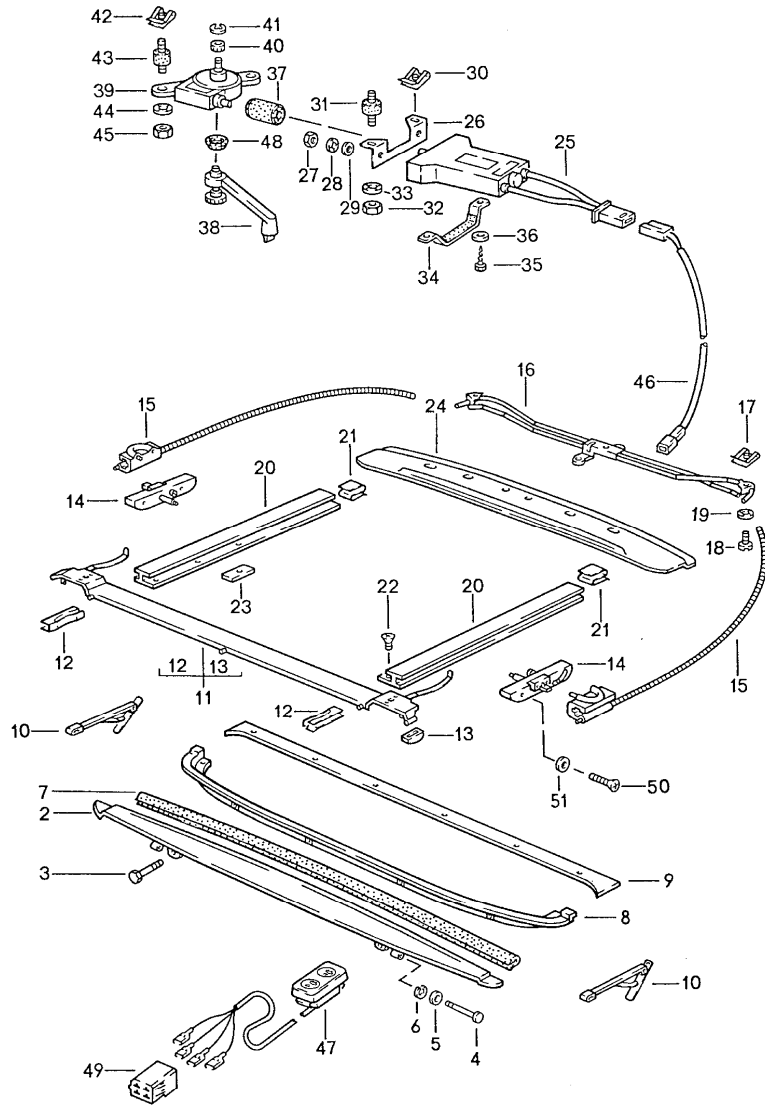


Pos	Part Number	Description	Remark	Qty	Model
		sill cover			
1	928 559 197 02	sill cover	/L	1	
(1)	928 559 198 02	sill cover door	/R	1	
2	928 559 397 03	adhesive tape	/L	1	
(2)	928 559 398 03	adhesive tape corner panel	/R	1	
-	000 043 113 00	adhesive tape 1120 MM 470 MM 62 MM 185 MM 368 MM 165 MM 78 MM		1	
10	928 559 085 02	sill cover	/L	1	
(10)	928 559 086 02	sill cover door sill	/R	1	
11	928 559 083 02	sill cover	/L	1	
(11)	928 559 084 02	sill cover wing	/R	1	
12	928 504 483 04	door sill rail F >>92HS8 40626 F >>92HS8 49605 F >>92HS8 60788	/L	-87	1
(12)	928 504 483 05	door sill rail F 92HS8 40627>> F 92HS8 49606>> F 92HS8 60789>>	/L		1
(12)	928 504 484 04	door sill rail F >>92HS8 40626 F >>92HS8 49605 F >>92HS8 60788	/R	-87	1
(12)	928 504 484 05	door sill rail F 92HS8 40627>> F 92HS8 49606>> F 92HS8 60789>>	/R		1
13	N 011 524 7	washer A 6,4		10	
14	900 910 096 02	lock nut M 6		10	

Model	Year	MG	SG	Illustration	Restrictions	UPD	19:39	23.01.2010	PORSCHE	PET	PORSCHE
928	1991	8	10	810-05		248					

Pos	Part Number	Description	Remark	Qty	Model	Pos	Part Number	Description	Remark	Qty	Model
15	900 144 034 07	tapping screw B 4,2 X 16		10		25	999 591 717 40	expander nut B 4,2		12	
16	999 591 797 02	speed nut B 4,2		10		26	900 143 147 07	tapping screw B 4,8 X 16		2	
17	928 559 289 04	cover strip F >>92HS8 40626 F >>92HS8 49605 F >>92HS8 60788	/L	-87	1	27	N 011 665 3	washer B 5,3		2	
(17)	928 559 290 04	cover strip F >>92HS8 40626 F >>92HS8 49605 F >>92HS8 60788	/R	-87	1	28	999 591 779 40	expander nut B 4,8		2	
(17)	928 559 289 05	cover strip F 92HS8 40627>> F 92HS8 49606>> F 92HS8 60789>>	/L		1	29	900 187 010 02	tapping screw BZ 6,3 X 19		2	
	70B	black				30	900 151 008 02	washer B 8,4		2	
(17)	928 559 290 05	cover strip F 92HS8 40627>> F 92HS8 49606>> F 92HS8 60789>>	/R		1	31	999 507 003 02	speed nut B 6,3		2	
	70B	black				32	900 144 033 07	tapping screw B 4,2 X 13 F >>92HS8 40080 F >>92HS8 49560 F >>92HS8 60065		2	
18	900 144 035 07	tapping screw B 4,2 X 19		2		33	999 591 787 09	speed nut B 4,2 F >>92HS8 40080 F >>92HS8 49560 F >>92HS8 60065		2	
19	928 559 314 00	spacer sleeve		2		34	928 559 281 02	bush		2	
20	999 591 873 02	speed nut B 4,2		2		35	928 559 273 00	support		2	
21	900 144 033 07	tapping screw B 4,2 X 13 F >>92HS8 40080 F >>92HS8 49560 F >>92HS8 60065		2							
22	999 591 787 09	speed nut B 4,2 F >>92HS8 40080 F >>92HS8 49560 F >>92HS8 60065		2							
23	900 143 085 07	tapping screw B 4,2 X 16		12							
24	N 011 665 3	washer B 5,3		12							

Model	Year	MG	SG	Illustration	Restrictions	UPD	19:39	23.01.2010	PORSCHE	PET	PORSCHE
928	1991	8	11	811-05		248					

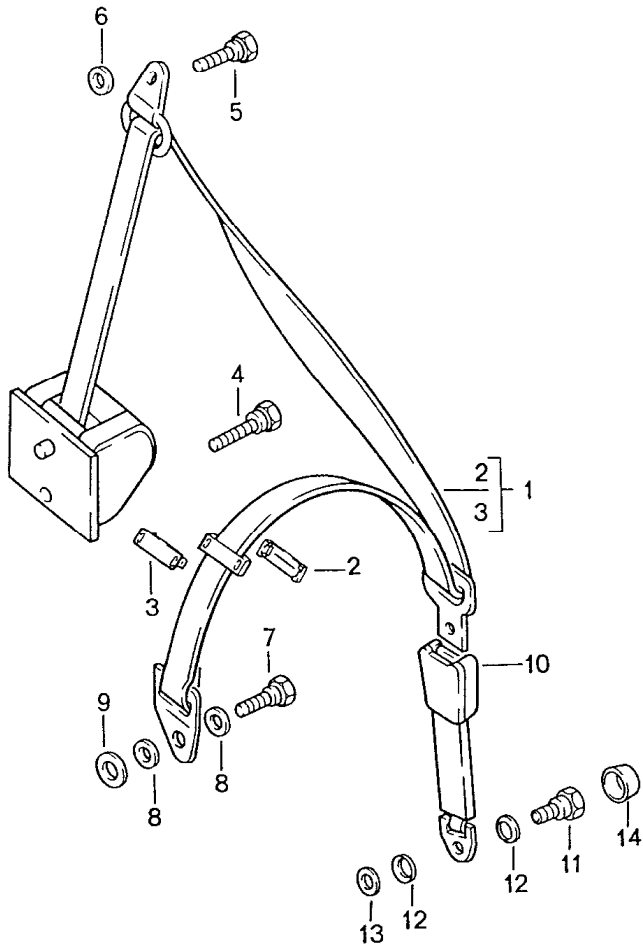


Pos	Part Number	Description	Remark	Qty	Model
		sunroof electrically adjustable			
2	928 564 023 03	wind deflector plate		1	
	70K	black			
3	999 217 078 07	hexagon-head bolt M 4 X 6		2	
4	999 088 009 07	bolt		2	
5	900 089 015 07	washer		2	
6	900 116 001 07	lock washer		2	
7	928 564 358 02	edge protection		1	
8	928 564 341 03	cover		1	
9	928 564 105 03	cover strip		1	
10	928 564 057 02	hinge	/L	1	
10	928 564 058 02	hinge	/R	1	
11	928 564 061 40	guide	/V	1	
12	928 564 267 02	slide		2	
13	928 564 268 03	guide shoe		2	
14	928 564 045 42	gate guide	/L	1	
14	928 564 046 42	gate guide	/R	1	
15	928 564 083 43	guide	/L	1	
15	928 564 084 43	guide	/R	1	
16	928 564 209 40	guide tube		1	
17	999 507 248 02	speed nut M 5		2	
18	N 014 133 8	oval-head screw M 5 X 12		3	
19	N 012 005 3	lock ring B 5		2	
20	928 564 015 42	guide rail	/L	1	
20	928 564 016 42	guide rail	/R	1	
21	999 591 448 02	fixing clip		2	

Model	Year	MG	SG	Illustration	Restrictions	UPD	19:39	23.01.2010	PORSCHE	PET	PORSCHE
928	1991	8	11	811-05		248					

Pos	Part Number	Description	Remark	Qty	Model	Pos	Part Number	Description	Remark	Qty	Model
22	900 269 052 07	countersunk-head screw M 4 X 10		6		45	N 011 005 14	hexagon nut M 5		2	
23	928 502 617 60	threaded plate M 4		2		46	928 612 006 01	wiring harness		1	
24	928 564 167 41	water drain plate		1		47	928 613 120 00	tip switch	-89	1	M650
25	911 624 016 03	motor		1		(47)	928 613 120 02	tip switch	90-	1	M650
26	928 624 105 02	engine bracket		1			01C	black			
27	N 011 005 14	hexagon nut M 5		2		48	901 564 663 05	cap		1	
28	N 012 005 3	lock ring B 5		2		49	928 612 413 03	connector housing		1	
29	900 025 003 02	washer A 5,3		2		50	999 217 008 02	hexagon-head bolt M 5 X 10		4	
30	999 507 248 02	speed nut M 5		1		51	900 025 003 02	washer A 5,3		4	
31	999 703 308 00	bonded rubber mounting		2							
32	N 011 005 14	hexagon nut M 5		2							
33	N 012 005 3	lock ring B 5		2							
34	928 624 011 02	motor mount		1							
35	N 013 883 3	tapping screw B 4,8 X 9,5		1							
36	900 025 003 02	washer A 5,3		1							
37	911 624 103 00	clutch		1							
38	901 564 085 05	crank		1							
39	928 564 025 02	transmission		1							
40	928 564 125 02	drive pinion		1							
41	900 116 003 02	circlip		1							
42	999 507 248 02	speed nut		2							
43	999 703 306 00	bonded rubber mounting		2							
44	N 012 005 3	lock ring B 5		2							

Model	Year	MG	SG	Illustration	Restrictions	UPD	9:43	29.01.2010	PORSCHE	PET	PORSCHE
928	1991	8	12	812-00		248					

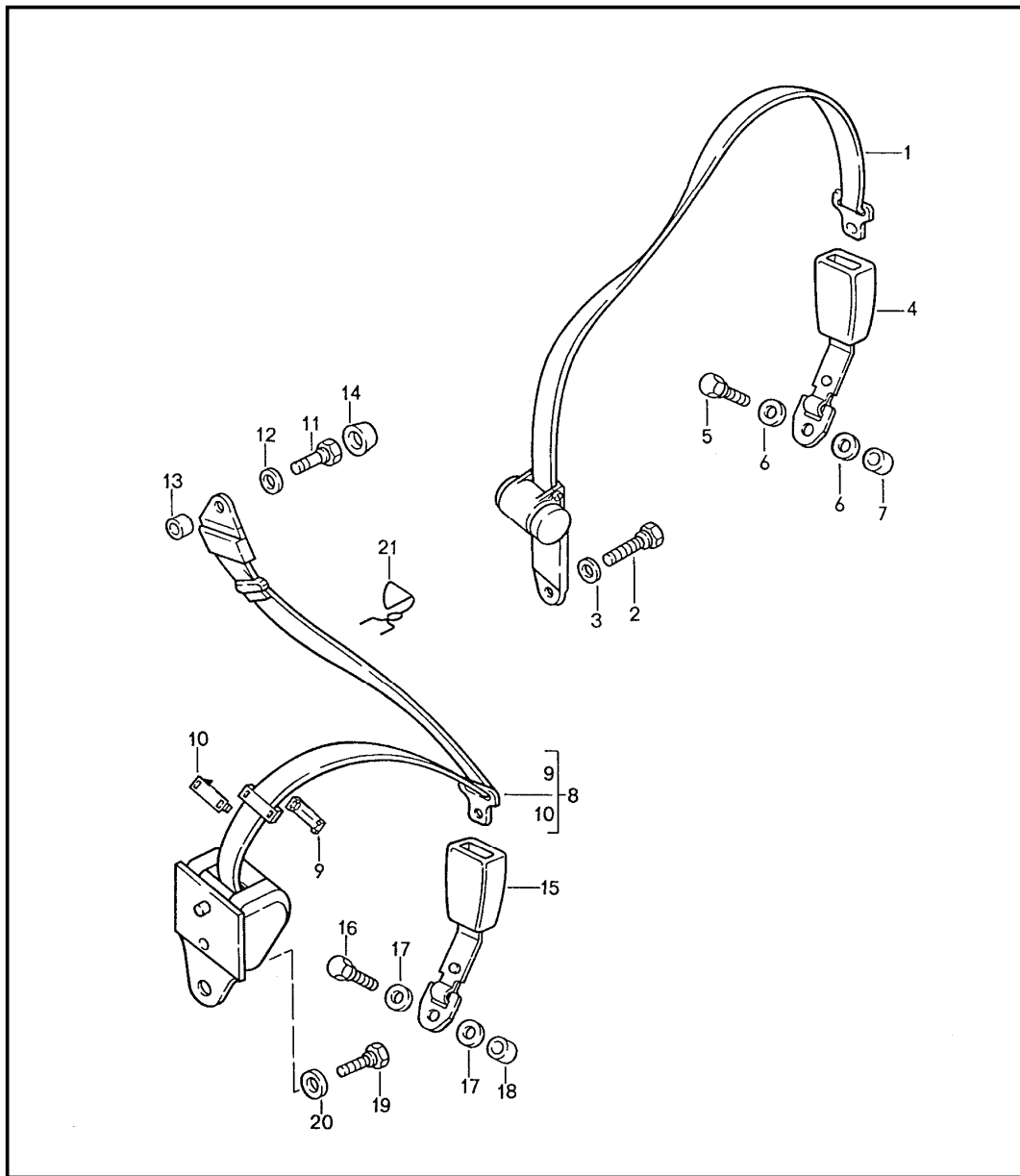


Pos	Part Number	Description	Remark	Qty	Model
		seat belt automatic front			
1	928 803 126 10	seat belt	-90	2	
	70B	black			
(1)	928 803 033 00	seat belt	91	2	
	70B	black			
2	928 803 151 02	clip upper part	-90	2	
3	928 803 153 02	clip lower part	-90	2	
4	928 803 121 02	fastening screw		2	
5	111 857 793 E	fastening screw for relay lever		2	
6	928 803 212 02	spacer		2	
7	111 857 793 E	fastening screw		2	
8	211 857 771	washer		4	
9	928 803 212 02	spacer		2	
10	928 803 183 13	seat-belt buckle driver's side		1	
		F >>92KS8 41283			
	70B	black			
10	928 803 183 12	seat-belt buckle passenger's side		1	
		F >>92KS8 41283			
	70B	black			
10	964 803 183 01	seat-belt buckle		1	
	70B	black			
		driver's side			
		F 92KS8 41284>>			
10	964 803 183 00	seat-belt buckle		1	
	70B	black			
		passenger's side			
		F 92KS8 41284>>			
(10)	964 803 183 05	seat-belt buckle		1	

Model	Year	MG	SG	Illustration	Restrictions	UPD	9:43	29.01.2010	PORSCHE	PET	PORSCHE
928	1991	8	12	812-00		248					

Pos	Part Number	Description	Remark	Qty	Model	Pos	Part Number	Description	Remark	Qty	Model
	70B	black driver's side for sports seat F 92KS8 41284>>									
(10)	964 803 183 04	seat-belt buckle		1							
	70B	black passenger's side for sports seat F 92KS8 41284>>									
11	914 803 468 10	screw F >>92KS8 41283		2							
(11)	959 803 701 00	hexagon-head bolt F 92KS8 41284>>		2							
12	911 803 533 00	cup spring F >>92KS8 41283		4							
(12)	999 028 014 02	spring washer F 92KS8 41284>>		2							
13	911 803 531 00	paper washer F >>92KS8 41283		2							
(13)	N 011 655 2	washer F 92KS8 41284>>		2							
14	811 857 845	screw-on cap		2							
	70B	black									

Model	Year	MG	SG	Illustration	Restrictions	UPD	19:40	23.01.2010	PORSCHE	PET	PORSCHE
928	1991	8	12	812-05		248					

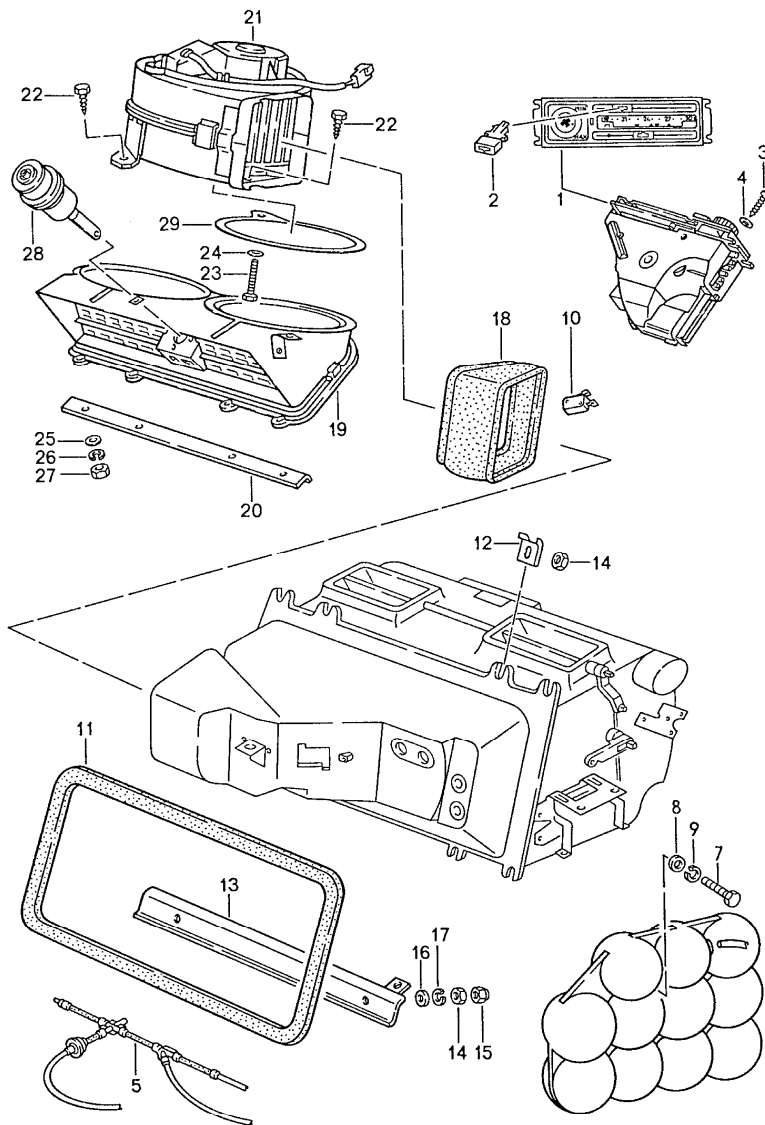


Pos	Part Number	Description	Remark	Qty	Model
1	928 803 015 06	seat belt rear lap belt automatic	/L	-88	1
	70B	black			
(1)	928 803 016 06	lap belt automatic	/R	-88	1
	70B	black			
1	928 803 015 07	lap belt automatic	/L	89	1
	70B	black			
(1)	928 803 016 07	lap belt automatic	/R	89	1
	70B	black			
2	111 857 799 A	fastening screw			2
3	111 857 707 A	spacer			2
4	928 803 091 02	lock			2
5	111 857 793 E	fastening screw			2
6	211 857 771	washer			4
7	928 803 259 02	spacer sleeve			2
8	927 803 021 03	seat belt automatic	/L	-87	1 M335
(8)	927 803 021 04	seat belt automatic	/L	-88	1 M335
	70B	black			
(8)	927 803 021 05	seat belt automatic	/L	89-	1 M335
	70B	black			
(8)	927 803 022 03	seat belt automatic	/R	-87	1 M335
(8)	927 803 022 04	seat belt automatic	/R	-88	1 M335
	70B	black			

Model	Year	MG	SG	Illustration	Restrictions	UPD	19:40	23.01.2010	PORSCHE	PET	PORSCHE
928	1991	8	12	812-05		248					

Pos	Part Number	Description	Remark	Qty	Model	Pos	Part Number	Description	Remark	Qty	Model
(8)	927 803 022 05	seat belt automatic	/R 89-	1	M335						
	70B	black									
9	928 803 151 02	clip upper part		2							
10	928 803 153 02	clip lower part		2							
11	111 857 793 E	fastening screw		2							
(11)	111 857 793 C	fastening screw		2							
12	211 857 771	washer		2							
13	901 803 116 40	spacer sleeve		2							
14	811 857 845	screw-on cap		2							
	70B	black									
15	928 803 091 02	lock		2							
16	111 857 793 E	fastening screw		2							
17	211 857 771	washer		4							
18	928 803 259 02	spacer sleeve		2							
19	111 857 799 A	fastening screw		2							
20	111 857 707 A	spacer		2							
21	928 803 243 05	eye	(AUS)	2							

Model	Year	MG	SG	Illustration	Restrictions	UPD	19:40	23.01.2010	PORSCHE	PET	PORSCHE
928	1991	8	13	813-05		248					

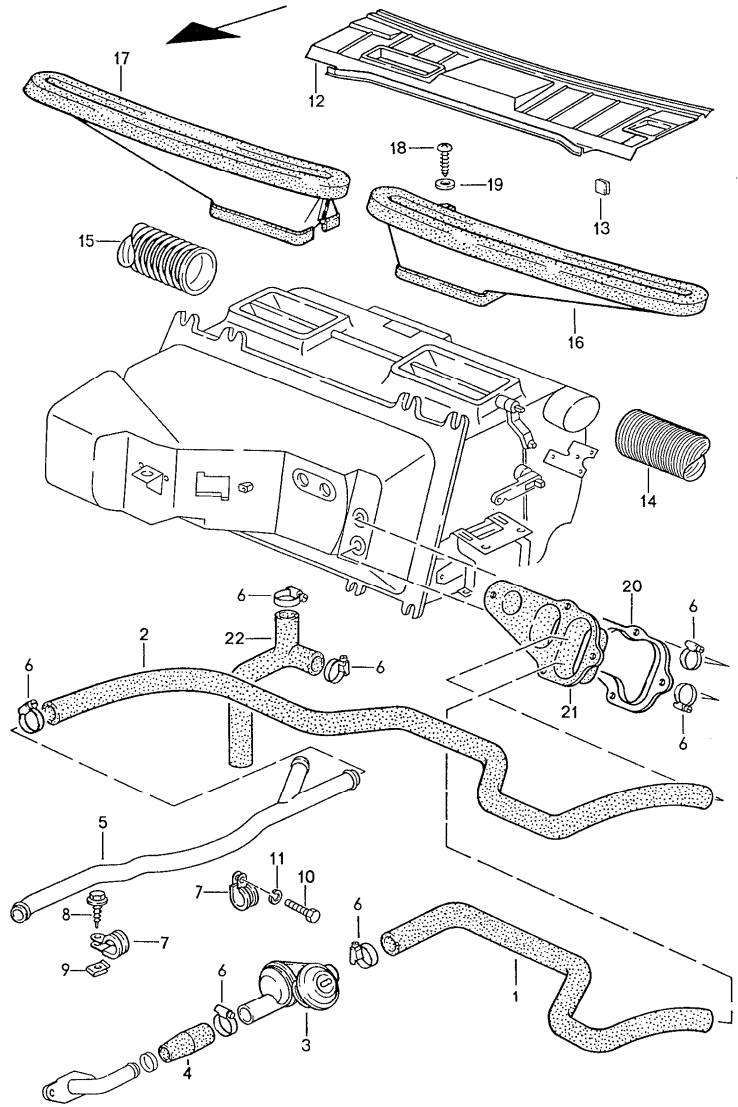


Pos	Part Number	Description	Remark	Qty	Model
		air conditioner control switch lines air duct			
1	928 573 060 08	control switch	-90	1	
(1)	928 573 060 10	control switch	91	1	
2	928 574 093 03	control button blower switch and rotary knob see group 9/03/00 POS. 10+12		2	
		70B black			
3	999 919 008 07	oval-head screw 3,9 X 13		4	
4	N 011 522 14	washer A 4,3		4	
5	928 574 710 09	vacuum line	/LL	-90	1
(5)	928 574 710 10	vacuum line	/LL	1	M454
(5)	927 574 710 08	vacuum line	/RL	-90	1
(5)	927 574 710 09	vacuum line	/RL	1	M454
6	171 820 601	vacuum tank		1	
7	N 010 221 3	hexagon-head bolt M 6 X 35		1	
8	N 011 524 7	washer A 6,4		1	
9	N 012 006 4	lock ring B 6,4		1	
10	928 613 049 01	micro-changeover switch		1	
11	928 574 387 02	gasket		1	
12	928 574 581 02	clip		2	
13	928 556 301 02	reinforcement bracket	-89	1	
14	900 076 010 02	hexagon nut M 6	-89	6	
15	900 070 002 02	cap nut M 6	-89	2	

Model	Year	MG	SG	Illustration	Restrictions	UPD	19:40	23.01.2010	PORSCHE	PET	PORSCHE
928	1991	8	13	813-05		248					

Pos	Part Number	Description	Remark	Qty	Model	Pos	Part Number	Description	Remark	Qty	Model
16	N 011 524 7	washer A 6,4	-89	4							
17	N 012 006 4	lock ring B 6	-89	6							
18	928 574 389 04	rubber connecting piece		1							
19	928 573 031 05	suction housing	/LL	1							
(19)	927 573 031 03	suction housing	/RL	1							
20	928 556 303 02	reinforcement bracket		1							
21	928 574 033 05	blower	/LL	1							
(21)	927 574 033 04	blower	/RL	1							
22	900 187 104 02	tapping screw B 4,8 X 13		2							
23	900 187 033 02	tapping screw B 4,8 X 50		1							
24	900 151 002 07	washer A 5,3		1							
25	N 011 524 7	washer A 6,4		4							
26	N 012 006 4	lock ring B 6		4							
27	900 076 010 02	hexagon nut M 6		4							
28	928 573 077 04	vacuum unit suction housing		1							
-	999 915 270 40	gasket 6 X 15		*							
29	928 574 133 02	gasket		1							

Model	Year	MG	SG	Illustration	Restrictions	UPD	19:40	23.01.2010	PORSCHE	PET	PORSCHE
928	1991	8	13	813-10		248					

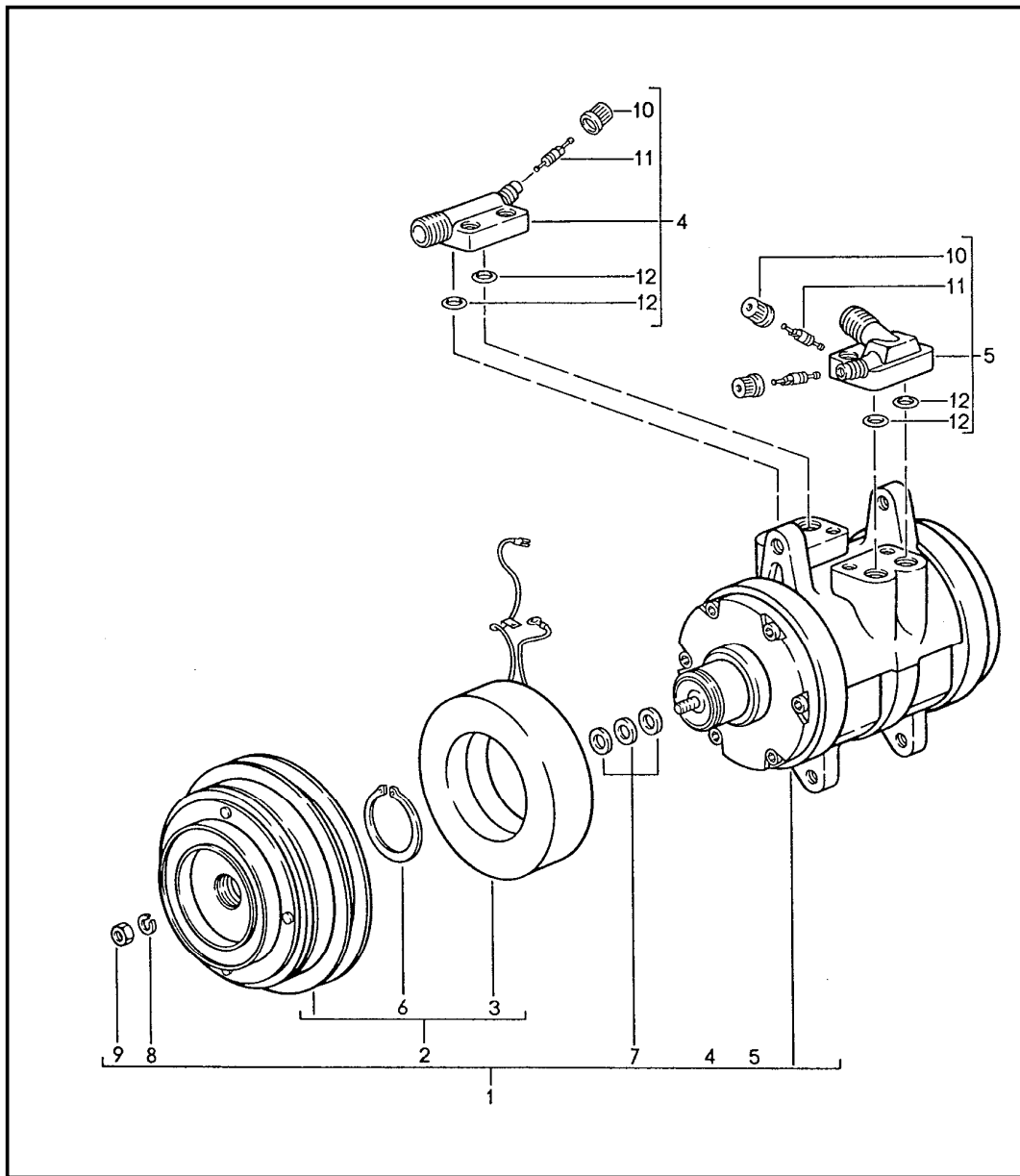


Pos	Part Number	Description	Remark	Qty	Model
		air conditioner hoses heating nozzles			
1	928 574 587 03	heater hose intake	/LL	1	
(1)	927 574 587 03	heater hose intake	/RL	1	
(2)	928 574 589 04	heater hose return line	/LL	1	
(2)	927 574 589 03	heater hose return line	/RL	1	
3	A 928 574 573 03	disc valve		1	
3	928 574 573 03	disc valve		1	
(4)	928 574 567 03	connecting hose		1	
5	928 574 106 03	heater pipeline	/LL	1	
(5)	927 574 106 04	heater pipeline	/RL	1	
6	999 512 346 00	hose clamp		6	
7	999 511 066 02	clamp		2	
8	900 187 108 02	tapping screw BZ 6,3 X 16		1	
9	999 507 003 02	speed nut B 6,3 X 16		1	
10	900 075 014 02	hexagon-head bolt M 6 X 18		1	
11	N 012 006 4	lock ring B 6		1	
12	928 574 553 05	cowl panel covering	/LL	-91	1
(12)	927 574 157 00	cowl panel covering	/RL	-91	1
13	999 920 005 02	u-clamp		4	
14	928 574 626 02	flexible pipe	LL/L	1	M573
(14)	928 572 228 00	air duct	90-	1	
15	928 574 625 02	flexible pipe	-89	1	
(15)	928 572 227 00	air duct	90-	1	
(15)	928 572 625 00	flexible pipe	90-	1	

Model	Year	MG	SG	Illustration	Restrictions	UPD	19:40	23.01.2010	PORSCHE	PET	PORSCHE
928	1991	8	13	813-10		248					

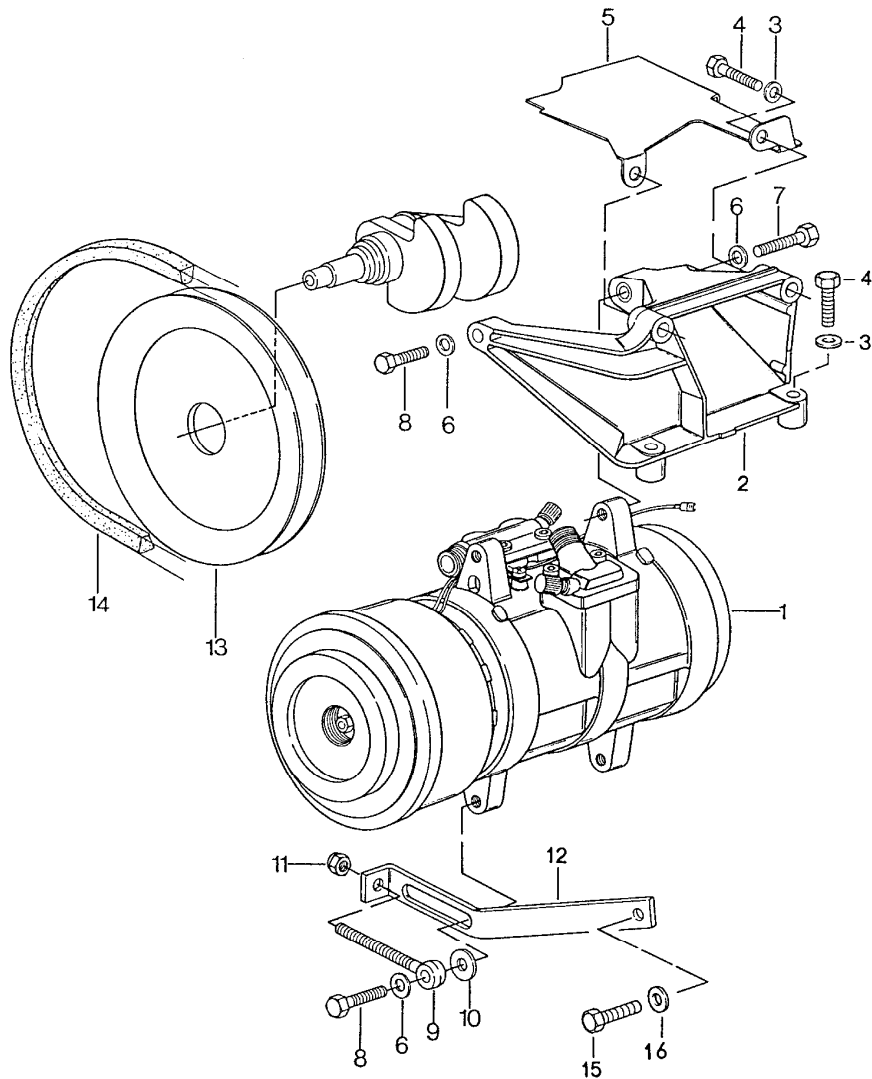
Pos	Part Number	Description	Remark	Qty	Model	Pos	Part Number	Description	Remark	Qty	Model
16	928 574 631 02	defroster vent	-89	1							
(16)	928 574 632 02	defroster vent	90-	1							
17	928 574 631 02	defroster vent	-89	1							
(17)	928 574 632 02	defroster vent	90-	1							
-	928 574 652 05	gasket lower	90-	2							
18	900 143 031 02	oval-head sheetmetal screw B 4,2 X 9,5		4							
19	900 025 002 02	washer A 4,3		4							
20	928 573 065 03	lid	/LL	1							
(20)	927 573 065 03	lid	/RL	1							
21	928 573 551 03	plate	/LL	1							
(21)	927 573 551 03	plate	/RL	1							
22	928 574 583 04	water drain hose		1							

Model	Year	MG	SG	Illustration	Restrictions	UPD	19:40	23.01.2010	PORSCHE	PET	PORSCHE
928	1991	8	13	813-15		248					



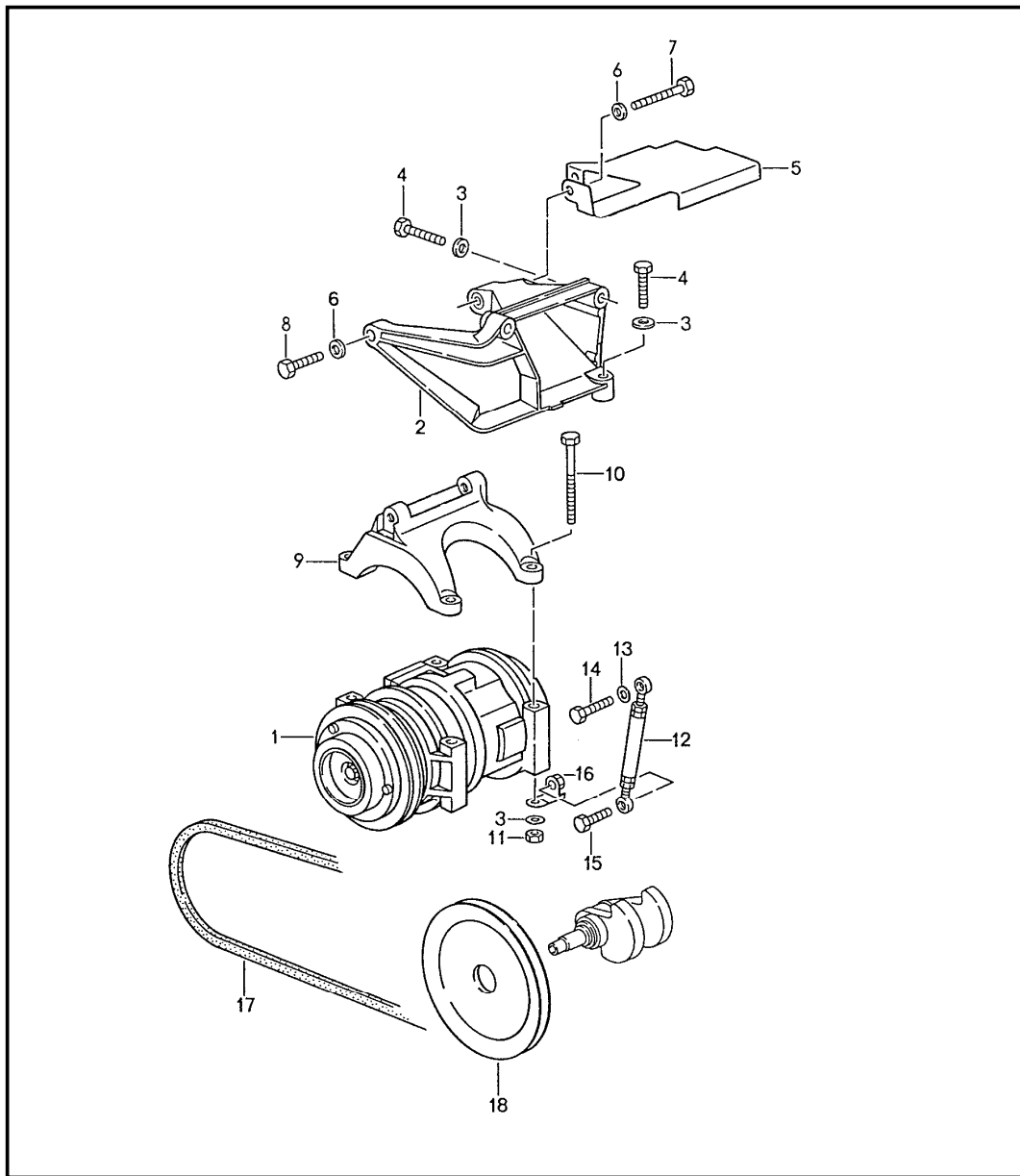
Pos	Part Number	Description	Remark	Qty	Model
		air conditioner compressor	-89		
1	928 126 010 06	compressor		1	
2	928 126 901 00	clutch		1	
3	928 126 925 00	solenoid coil		1	
4	928 126 904 00	pressure valve		1	
5	928 126 903 00	suction valve		1	
6	477 298 843	circlip		1	
7	477 298 829	spacer 0,1 MM		X	
(7)	477 298 829 A	spacer 0,2 MM		X	
(7)	477 298 829 B	spacer 0,5 MM		X	
(7)	477 298 829 C	spacer 0,8 MM		X	
(7)	477 298 829 B	spacer 1,0 MM		X	
8	900 027 015 02	lock ring B8		1	
9	N 011 008 8	hexagon nut M8		1	
10	928 573 909 02	cap		2	
11	928 573 908 03	valve insert		2	
12	944 126 935 01	o-ring		4	

Model	Year	MG	SG	Illustration	Restrictions	UPD	19:40	23.01.2010	PORSCHE	PET	PORSCHE
928	1991	8	13	813-20		248					



Pos	Part Number	Description	Remark	Qty	Model
		compressor assembly	-89		
1	928 126 010 06	compressor		1	
2	928 126 017 04	bracket		1	
3	900 025 007 02	washer A 8,4		4	
4	N 010 340 6	hexagon-head bolt M 8 X 40		4	
5	928 126 116 02	heat shield		1	
6	900 025 008 09	washer A 10,5		3	
7	900 083 059 02	hexagon-head bolt M 10 X 45		1	
8	900 083 057 02	hexagon-head bolt M 10 X 33		2	
9	999 460 003 02	eye screw		1	
10	928 101 303 00	washer		1	
11	900 084 004 02	hexagon nut M 8		1	
11	900 084 004 03	hexagon nut M 8		1	
12	928 126 123 03	strut		1	
13	928 102 118 03	v-belt pulley	-89	1	
14	999 192 305 50	narrow v-belt 12,5 X 1125		1	
15	N 010 233 6	hexagon-head bolt M 8 X 28		1	
16	900 025 007 02	washer A 8,4		1	

Model	Year	MG	SG	Illustration	Restrictions	UPD	19:41	23.01.2010	PORSCHE	PET	PORSCHE
928	1991	8	13	813-21		248					

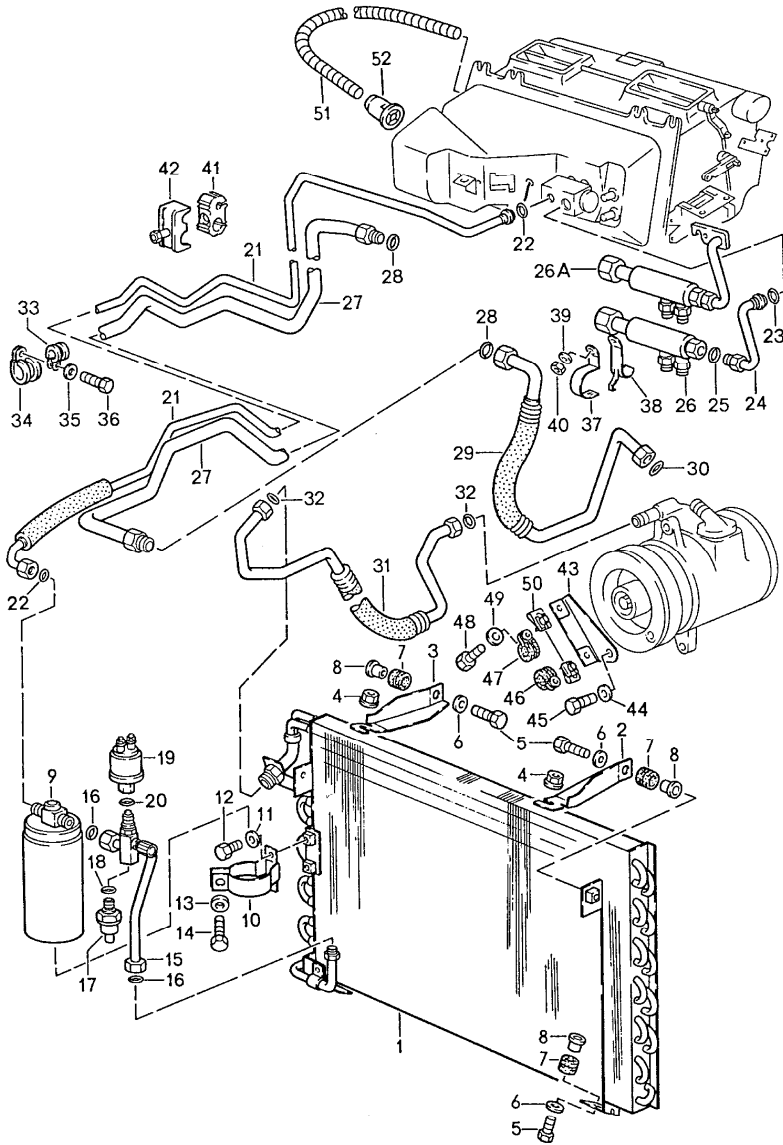


Pos	Part Number	Description	Remark	Qty	Model
1	928 126 113 00	compressor assembly	90-	1	
2	928 126 017 04	compressor		1	
3	900 025 007 02	bracket		4	
4	N 010 340 6	washer A 8,4		4	
5	928 126 116 02	hexagon-head bolt M 8 X 40		1	
6	900 025 008 09	heat shield		3	
7	900 083 059 02	washer A 10,5		1	
8	900 083 057 02	hexagon-head bolt M 10 X 45		2	
(8)	900 083 048 02	hexagon-head bolt M 10 X 33	90-	1	
9	928 126 035 00	hexagon-head bolt M 10 X 1,25 X 40		1	
10	N 101 111 01	support		4	
(10)	N 101 111 01	hexagon-head bolt M 8 X 95	90-	1	
(10)	900 074 195 02	hexagon-head bolt M 8 X 95	90-	3	
11	900 076 025 02	hexagon-head bolt M 8 X 100		4	
12	928 126 123 04	hexagon nut M 8		1	
13	900 025 007 02	strut		1	
14	N 040 222 2	washer A 8,4		1	
(14)	N 010 233 6	hexagon-head bolt M 8 X 32	90-	1	
15	N 100 067 01	hexagon-head bolt M 8 X 28		1	
(15)	900 074 321 02	hexagon-head bolt M 8 X 22	90-	1	
		hexagon-head bolt M 8 X 40			

Model	Year	MG	SG	Illustration	Restrictions	UPD	19:41	23.01.2010	PORSCHE	PET	PORSCHE
928	1991	8	13	813-21		248					

Pos	Part Number	Description	Remark	Qty	Model	Pos	Part Number	Description	Remark	Qty	Model
16	928 126 139 01	bracket	90-	1							
18	928 102 118 04	v-belt pulley		1							
17	999 192 335 50	narrow v-belt 12,5 X 1080		1							

Model	Year	MG	SG	Illustration	Restrictions	UPD	19:41	23.01.2010	PORSCHE	PET	PORSCHE
928	1991	8	13	813-25		248					

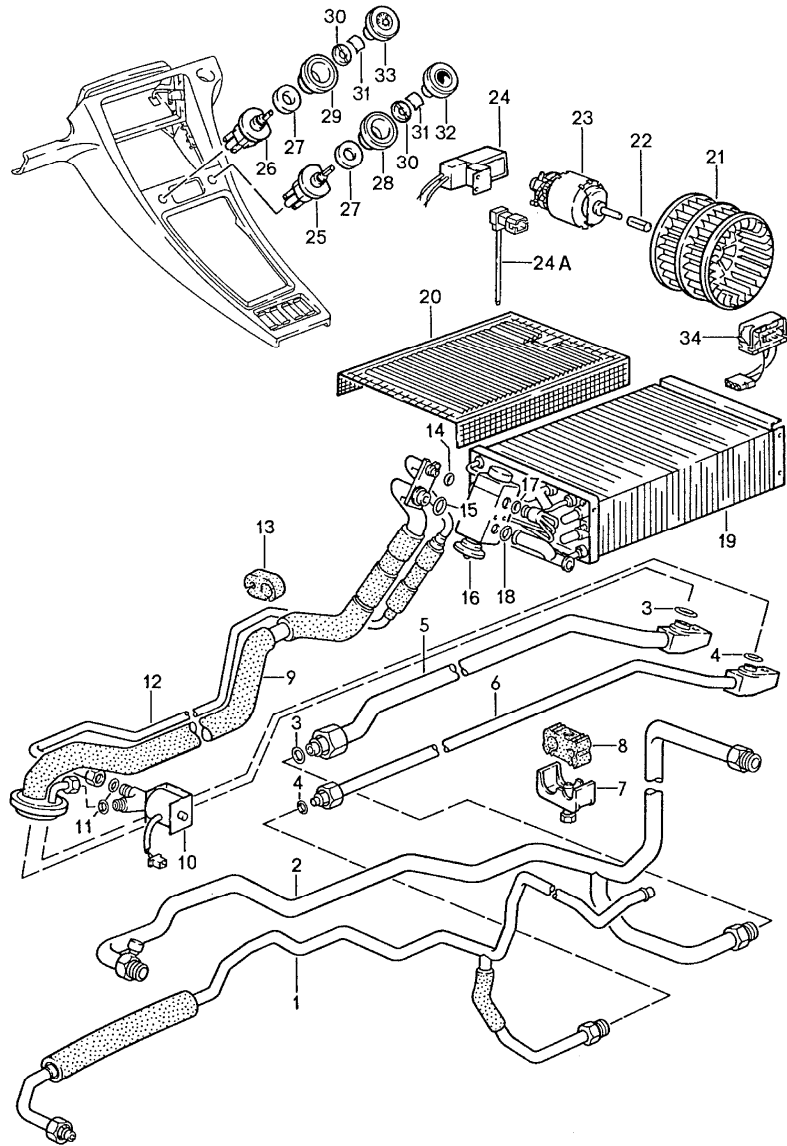


Pos	Part Number	Description	Remark	Qty	Model
		air conditioner lines auxiliary units			
1	928 573 011 06	condenser		1	M481
(1)	928 573 021 00	condenser		1	M249
2	928 573 101 03	retaining bracket	/L	1	
3	928 573 102 03	retaining bracket	/R	1	
4	999 084 613 02	lock nut M 6		2	
5	N 010 217 9	hexagon-head bolt M 6 X 20		4	
6	900 151 003 02	washer A 6,4		4	
7	999 702 046 50	rubber sleeve		4	
8	928 573 347 03	spacer tube		4	
(9)	944 573 943 00	desiccator		1	
10	944 573 081 00	support		1	
11	900 025 003 02	washer A 5,3		2	
12	N 010 207 6	hexagon-head bolt M 5 X 12		2	
13	900 025 003 02	washer A 5,3		1	
14	900 075 145 02	hexagon-head bolt M 5 X 15		1	
15	928 573 095 04	connecting tube		1	
16	999 707 247 40	o-ring		2	
17	959 613 137 00	low pressure switch		1	
18	900 174 011 40	o-ring		1	
19	928 606 150 00	pressure transmitter		1	
20	999 707 261 40	o-ring		1	
21	928 573 093 08	pressure line NW 8	/LL	1	

Model	Year	MG	SG	Illustration	Restrictions	UPD	19:41	23.01.2010	PORSCHE	PET	PORSCHE
928	1991	8	13	813-25		248					

Pos	Part Number	Description	Remark	Qty	Model	Pos	Part Number	Description	Remark	Qty	Model
(21)	927 573 093 09	pressure line NW 8	/RL	1		32	999 707 250 40	o-ring		2	
22	999 707 247 40	o-ring		2		33	999 511 116 02	clamp		1	
23	999 707 251 40	o-ring		1		34	999 511 066 02	clamp		1	
24	928 573 092 03	intake pipe NW 13 F >>92HS8 41972 F >>92HS8 49744	/LL (J)	1		35	N 012 006 4	lock ring B 6		1	
(24)	927 573 092 03	intake pipe NW 13 F >>92HS8 41972	/RL	1		36	900 075 014 02	hexagon-head bolt M 6 X 18		1	
25	999 707 252 40	o-ring F >>92HS8 41972 F >>92HS8 41972 F >>92HS8 49744	/LL (J)	1		37	928 573 809 02	support fuel cooler	/V	1	
26	928 573 063 03	fuel cooler F >>92HS8 41972 F >>92HS8 49744	/LL (J)	1		38	928 573 807 02	support fuel cooler	/H	1	
26A	928 573 063 05	fuel cooler F 92HS8 41973>> F 92HS8 49745>>	/LL (J)	1		39	N 011 524 7	washer A 6,4		1	
(26A)	927 573 063 01	fuel cooler	/RL	88		40	900 076 010 02	hexagon nut M 6		1	
(26A)	927 573 063 01	fuel cooler	/RL	89-		41	999 703 353 40	damping piece		1	
27	928 573 091 10	intake pipe NW 16		1		42	999 591 863 40	clamp		1	
28	999 707 252 40	o-ring		2		43	928 573 411 02	fastening angle	-89	1	
29	928 573 098 05	hose line NW 16		-89		44	900 025 008 09	washer A 10,5		1	
(29)	928 573 098 05	hose line NW 16		-89	M637 M637	45	900 083 026 02	hexagon-head bolt M 10 X 1,25 X 20		1	
(29)	928 573 098 06	hose line NW 13		90-		46	N 020 601 1	pipe clamp		1	
30	999 707 251 40	o-ring		1		47	999 511 118 02	pipe clamp		1	
31	928 573 097 06	hose line NW 10		-89		47	999 511 118 01	pipe clamp		1	
(31)	928 573 097 09	refrigerant line NW 10		-89	M637 M637	48	900 075 057 02	hexagon-head bolt M 6 X 16		2	
(31)	928 573 097 09	refrigerant line NW 10		90-		49	N 011 524 7	washer A 6,4		2	
						50	999 507 326 02	captive nut M 6		2	
						51	928 573 357 02	hose 850 MM		1	
						52	928 573 355 02	intake socket		1	

Model	Year	MG	SG	Illustration	Restrictions	UPD	19:41	23.01.2010	PORSCHE	PET	PORSCHE
928	1991	8	13	813-26		248					

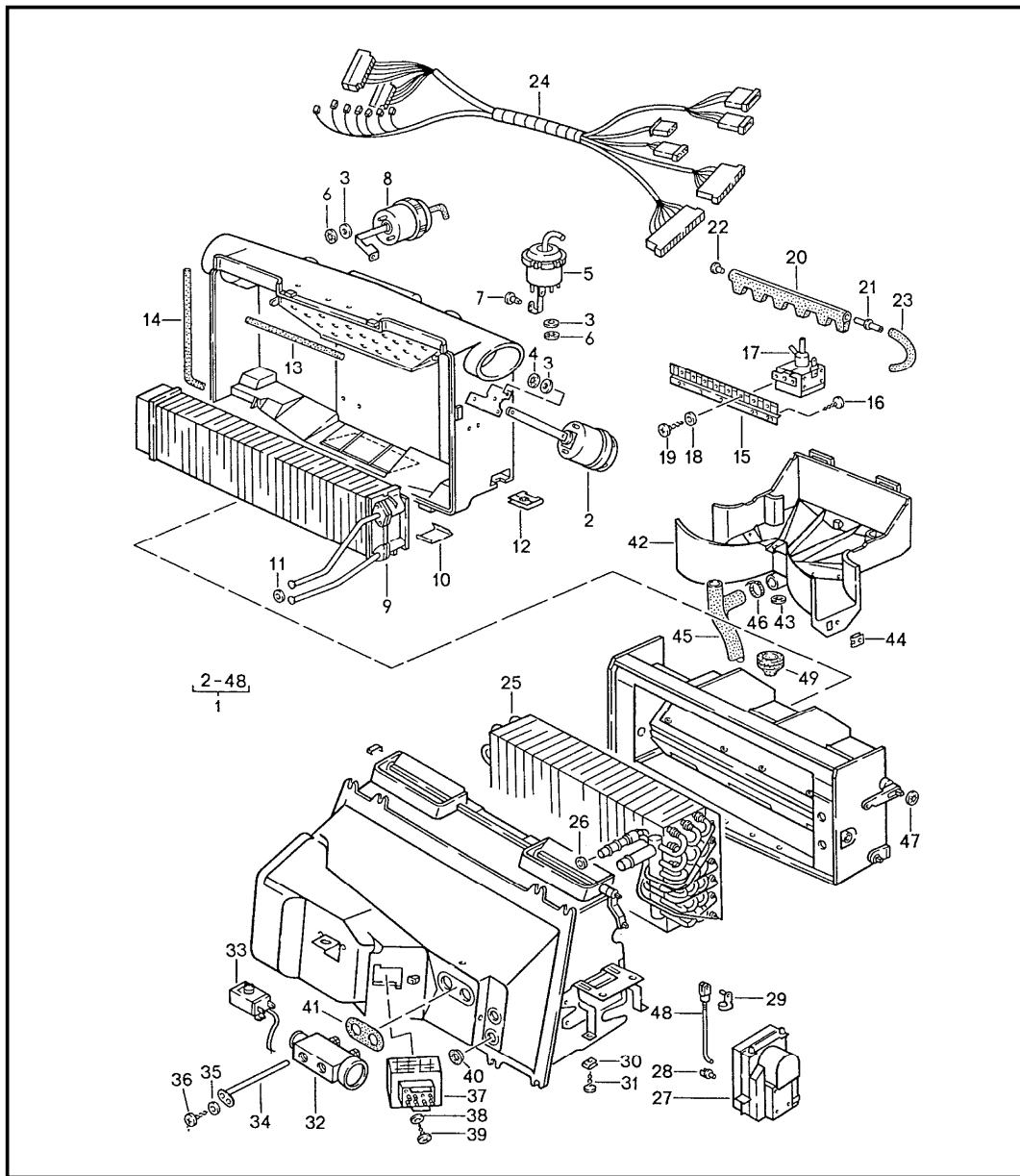


Pos	Part Number	Description	Remark	Qty	Model
		air conditioner lines auxiliary units			M570
1	928 570 093 04	pressure line NW 8	/LL	1	
(1)	927 570 093 03	pressure line NW 8	/RL	1	
2	928 570 091 03	intake pipe NW 16		1	
3	999 707 251 40	o-ring		2	
4	999 707 247 40	o-ring		2	
5	928 570 101 02	refrigerant line NW 13		1	
6	928 570 103 02	refrigerant line NW 8		1	
7	999 591 863 40	clamp		1	
8	999 591 864 40	rubber mounting		1	
9	928 570 105 01	refrigerant line		1	
10	928 615 201 01	solenoid valve		1	
11	999 707 284 40	o-ring		2	
12	928 570 109 03	refrigerant line		1	
13	928 570 455 00	rubber mounting		1	
14	999 707 247 40	o-ring		1	
15	999 707 251 40	o-ring		1	
16	928 573 123 05	expansion valve		1	
17	999 707 250 40	o-ring		1	
18	999 707 251 40	o-ring		1	
19	928 570 211 00	evaporator		1	
20	928 570 291 00	protective grille		1	
21	928 570 212 00	impeller		1	
22	928 570 295 00	bush		1	
23	928 624 117 00	blower motor		1	

Model	Year	MG	SG	Illustration	Restrictions	UPD	19:41	23.01.2010	PORSCHE	PET	PORSCHE
928	1991	8	13	813-26		248					

Pos	Part Number	Description	Remark	Qty	Model	Pos	Part Number	Description	Remark	Qty	Model
24	928 618 041 01	control unit		1							
-	928 612 222 01	wiring harness control unit connection point		1							
24A	928 612 222 01	wiring harness		1							
-	928 612 221 01	wiring harness connection point centre console		1							
25	928 613 153 00	potentiometer		1							
26	911 613 243 00	blower switch		1							
27	928 613 171 00	spacer		2							
28	928 613 178 00	rosette interior equipment leatherette	/R	1							
(28)	928 613 178 01	rosette interior equipment leather	/R	1							
29	928 613 177 00	rosette interior equipment leatherette	/L	1							
(29)	928 613 177 01	rosette interior equipment leather	/L	1							
30	911 613 119 02	rosette		2							
31	928 613 219 00	spring clip		2							
32	928 613 154 01	knob	/R	1							
33	928 613 155 01	knob	/L	1							
-	928 570 425 01	water drain hose		1							
34	928 618 137 00	series resistor		1							

Model	Year	MG	SG	Illustration	Restrictions	UPD	19:41	23.01.2010	PORSCHE	PET	PORSCHE
928	1991	8	13	813-30		248					



Pos	Part Number	Description	Remark	Qty	Model
1	A 928 573 036 06	air conditioner	/LL	-88	1
(1)	A 927 573 036 06	air conditioner	/RL	-88	1
(1)	A 928 573 036 07	air conditioner	/LL	-89	1
(1)	A 927 573 036 08	air conditioner	/RL	-89	1
(1)	928 573 036 08	air conditioner	/LL	90	1
(1)	927 573 036 08	air conditioner	/RL	90-	1
(1)	928 573 036 09	air conditioner	/LL	91-	1
2	928 574 077 02	vacuum unit defroster vent			1
3	928 574 465 02	rubber washer			9
4	999 507 243 02	kronen-fix			6
5	928 574 079 06	vacuum unit footwell			1
6	999 507 247 02	mecano-speed-fix			6
7	928 574 735 02	bolt			1
8	928 573 309 03	vacuum unit centre nozzle			1
9	928 574 047 02	heat exchanger	/LL		1
(9)	927 574 047 02	heat exchanger	/RL		1
10	928 574 423 02	clamp			8
11	999 701 615 40	o-ring			2
12	999 591 368 02	speed nut 4,2			2
-	999 911 214 50	sealing cord			*
13	-	152 MM			1
14	-	800 MM			1
15	928 573 693 04	support			1
16	999 919 010 02	oval-head sheetmetal screw B 4,2 X 9,5			3
17	928 573 691 02	solenoid valve	/LL		5

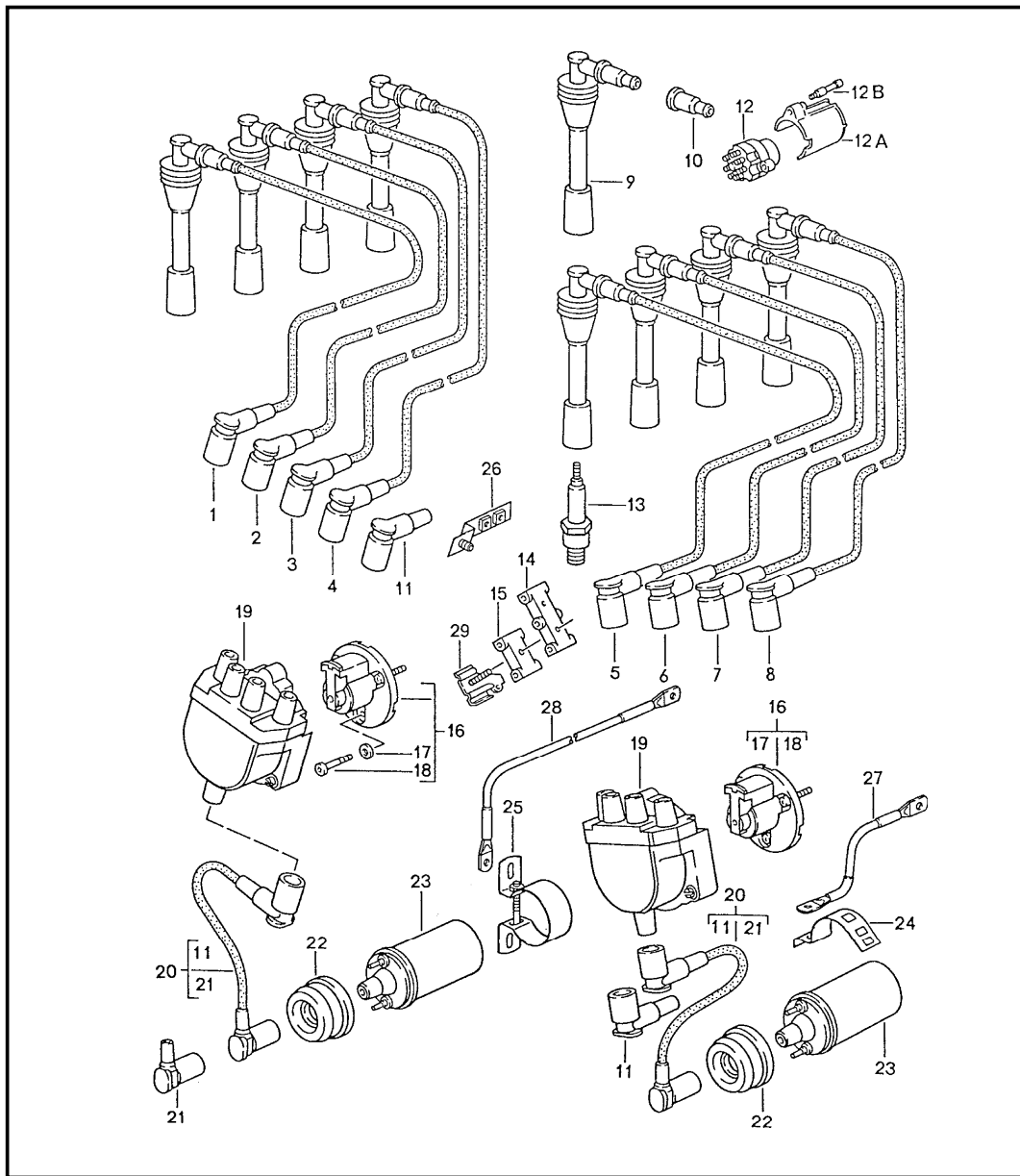
Model	Year	MG	SG	Illustration	Restrictions	UPD	19:41	23.01.2010	PORSCHE	PET	PORSCHE
928	1991	8	13	813-30		248					

Pos	Part Number	Description	Remark	Qty	Model	Pos	Part Number	Description	Remark	Qty	Model
(17)	928 573 692 02	change-over valve	/RL	5		39	900 146 025 02	screw M 4 X 18		2	
18	900 025 001 02	washer A 3,2		5		40	928 574 383 02	grommet		2	
19	N 013 932 1	tapping screw B 2,9 X 6,5		5		41	928 573 383 03	grommet		1	
20	928 573 695 03	connection		1		42	928 574 027 02	housing	-89	1	
21	928 574 689 02	connecting piece		4		(42)	928 574 027 03	housing	90-	1	
22	928 574 721 02	stopper		2		43	999 507 244 02	kronen-fix		1	
23	928 574 717 02	moulded hose		4		44	999 507 020 02	speed nut 4,2		1	
24	928 612 921 04	wiring harness		1		44	999 507 020 01	speed nut 4,2		1	
25	928 573 013 04	evaporator	/LL	1		45	928 574 583 04	water drain hose		1	
(25)	927 573 013 04	evaporator	/RL	1		-	928 423 523 00	spacer sleeve		1	
26	999 707 251 40	o-ring		1		46	999 513 001 40	tie-wrap		1	
(26)	999 707 250 40	o-ring		1		47	999 591 425 03	mecano-speed-fix		1	
27	928 624 129 00	control mechanism		1		-	928 573 299 02	plastic foam strip 9,5 X 211		2	
28	993 531 563 00	linkage clip		1		48	928 573 313 02	gear shift rod		1	
29	999 166 050 02	bolt		1		49	928 573 531 02	grommet		1	
30	999 507 037 02	speed nut 4,2		2							
31	900 143 121 07	tapping screw B 4,2 X 16		2							
32	928 573 123 05	expansion valve		1							
33	928 613 133 00	temperature switch		1							
34	928 573 581 02	capillary tube		1							
35	900 028 006 01	washer A 3		1							
36	N 013 953 2	tapping screw B 2,9 X 9,5		1							
37	928 618 101 01	thermo bi-metal switch		1					-88	1	
37	928 616 101 00	series resistor		1					89-	1	
38	N 012 224 3	spring washer A 4		2							

Model	Year	MG	SG	Illustration	Restrictions	UPD	19:41	23.01.2010
928	1991	8	98	898-00R		248		

Pos	Part Number	Description	Remark	Qty	Model
		repair kits			
>>	>>928 799 537 13	set of locks	-89	1	
>>	>>928 799 537 15	set of locks	-89	1	M533
		comprising: steering outer tube with steering lock door lock cylinder lid lock upper part fuel tank cap with lock cylinder glove compartment lock with lock cylinder key when required order also: key lamp see group 8/04/05 POS.59		1	
>>	>>928 537 902 00	set of locks comprising: lock cylinder for steering lock door lock cylinder lid lock upper part fuel tank cap with lock cylinder glove compartment lock with lock cylinder key	90-	1	
				1	
				2	
				1	
				1	
				1	
				1	
				3	
>>	>>928 537 902 01	set of locks	91	1	M562
		comprising: lock cylinder for steering lock door lock cylinder lid lock upper part fuel tank cap with lock cylinder glove compartment lock with lock cylinder key		1	
				2	
				1	
				1	
				1	
				1	
				3	
>>	>>928 559 075 02	stone guard film 1 set	/L	1	
>>	>>928 559 076 02	stone guard film 1 set	/R	1	

Model	Year	MG	SG	Illustration	Restrictions	UPD	19:41	23.01.2010	PORSCHE	PET	PORSCHE
928	1991	9	01	901-00		248					

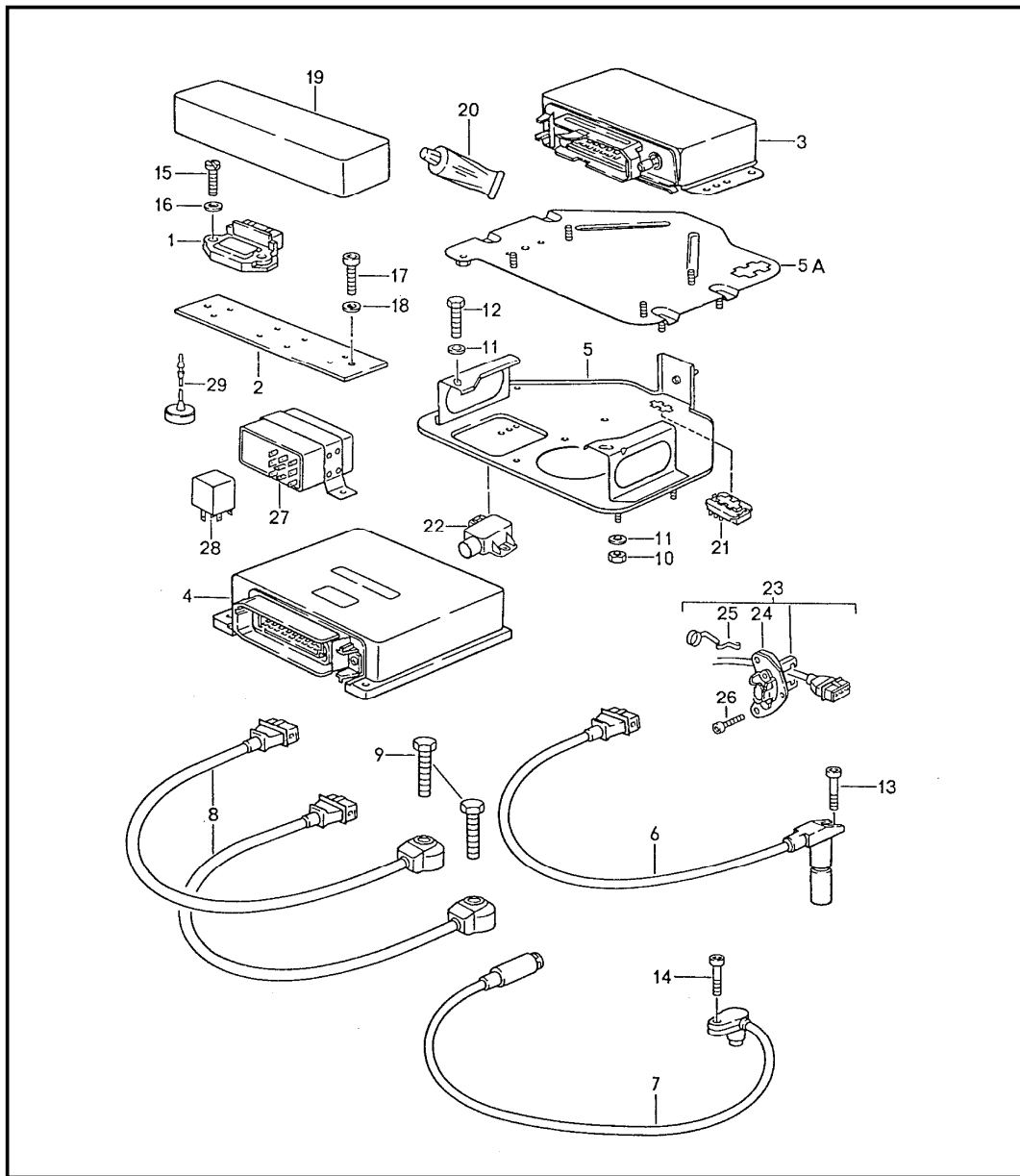


Pos	Part Number	Description	Remark	Qty	Model
		engine electrics			
1	928 602 060 19	ignition lead cylinder 1		1	
2	928 602 060 20	ignition lead cylinder 2		1	
3	928 602 060 21	ignition lead cylinder 3		1	
4	928 602 060 22	ignition lead cylinder 4		1	
5	928 602 060 23	ignition lead cylinder 5		1	
6	928 602 060 24	ignition lead cylinder 6		1	
7	928 602 060 25	ignition lead cylinder 7		1	
8	928 602 060 26	ignition lead cylinder 8		1	
9	928 602 311 00	spark plug connector		8	
10	999 659 001 40	water protection cap		8	
11	928 602 557 00	suppression connector		8	
(11)	944 602 557 00	distributor plug cylinder 1 and cylinder 5		2	
12	964 613 012 00	ignition starter switch		1	
-	928 613 223 00	retainer spring for ignition starter switch	-89	1	
12A	928 612 088 02	cap	90-	1	
12B	928 612 883 00	bolt	90-	1	
13	999 170 156 90	spark plug WR 7DC		8	M28.41/42 M28.47
14	928 602 323 00	support		5	
15	928 602 322 00	cable holder		9	
(16)	928 602 213 00	rotor		2	
17	N 012 005 3	lock ring		6	

Model	Year	MG	SG	Illustration	Restrictions	UPD	19:41	23.01.2010	PORSCHE	PET	PORSCHE
928	1991	9	01	901-00		248					

Pos	Part Number	Description	Remark	Qty	Model	Pos	Part Number	Description	Remark	Qty	Model
18	928 602 223 00	screw		6							
19	928 602 211 01	distributor cap		2							
20	928 602 039 00	ignition lead	-88	2							
21	928 602 131 00	ignition coil plug	-88	2							
22	927 602 801 00	protection cap	-88	2							
23	944 602 115 00	ignition coil	-88	2							
20	928 602 039 00	ignition lead	89	2							
21	928 602 131 00	ignition coil plug	89	2							
22	927 602 801 00	protection cap	89	2							
23	944 602 115 00	ignition coil	89	2							
(20)	928 602 040 00	ignition lead	89	2	M298/299						
(21)	928 602 557 00	suppression connector	89	2	M298/299						
(22)	927 602 801 00	protection cap	89	2	M298/299						
(23)	928 602 116 00	ignition coil	89	1	M298/299						
(20)	928 602 040 01	ignition lead	/L	90-	1						
(20)	928 602 040 00	ignition lead	/R	90-	2						
(21)	928 602 557 00	suppression connector		90-	2						
(22)	927 602 801 00	protection cap		90-	2						
(23)	928 602 116 00	ignition coil		90-	2						
24	928 602 511 00	clamping bow		1							
25	944 602 117 00	clamp		1							
26	928 602 067 00	support		1							
27	928 612 819 00	ground cable	/L	1							
28	928 612 814 00	ground cable	/R	1							
29	928 602 041 00	support	/L	2							
(29)	928 602 042 00	support	/R	2							

Model	Year	MG	SG	Illustration	Restrictions	UPD	19:42	23.01.2010	PORSCHE	PET	PORSCHE
928	1991	9	01	901-02		248					



Pos	Part Number	Description	Remark	Qty	Model
1	928 602 706 01	engine electrics lh-jetronic ignition switch unit		2	
2	928 602 716 00	heat dissipator		1	
3	928 618 124 11	ignition control unit see q-information GR.2 NR.3/86	87	1	
(3) >	928 618 124 15	ignition control unit	88	1	
(3)	928 618 124 RX	ignition control unit	88	1	
(3) A	928 618 124 16	ignition control unit	-89	1	M637
(3)	928 618 124 QX	ignition control unit	-89	1	M637
(3) >	928 618 124 22	ignition control unit	89	1	M639
(3) >	928 618 124 22	ignition control unit	90-	1	M481
(3) >	928 618 124 15	ignition control unit	90-	1	M249
(3)	928 618 124 RX	ignition control unit	90-	1	M249
-	911 612 422 00	adapter plug for cars without catalytic converter		1	
-	928 618 951 00	retaining clip	87	1	
(4) >	928 618 123 13	control unit	-90	1	
(4)	928 618 123 NX	control unit lh-jetronic	-90	1	
(4) >	928 618 123 14	control unit lh-jetronic	-90	1	M637/639
(4)	928 618 123 MX	control unit lh-jetronic	-90	1	M637/639
(4) >	928 618 123 25	control unit	91	1	M249
(4)	928 618 123 PX	control unit lh-jetronic	91	1	M249
(4) >	928 618 123 26	control unit lh-jetronic	91	1	M481
(4)	928 618 123 RX	control unit lh-jetronic	91	1	M481
5	928 618 010 01	bracket	-88	1	

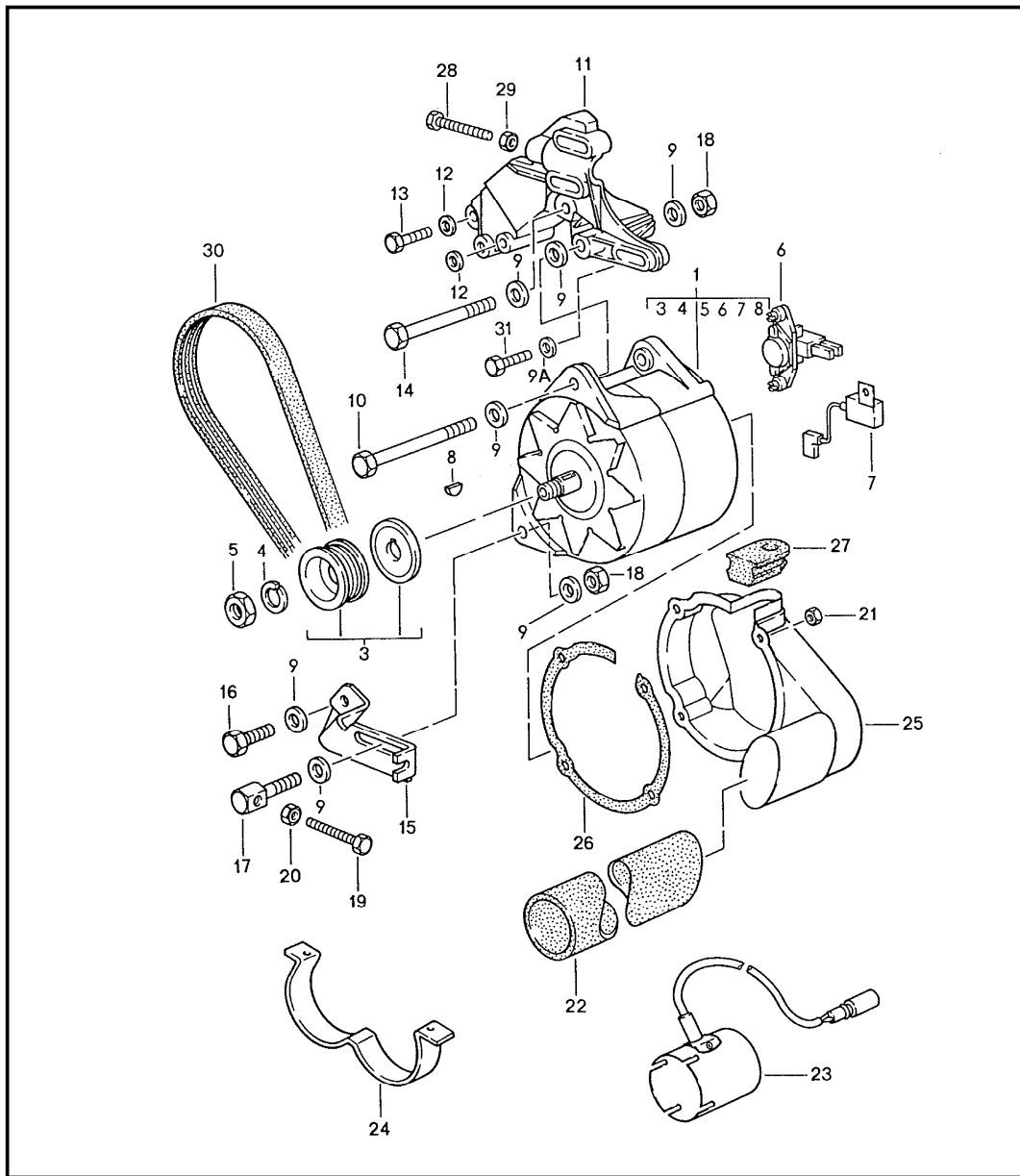
Model	Year	MG	SG	Illustration	Restrictions	UPD	19:42	23.01.2010	PORSCHE	PET	PORSCHE
928	1991	9	01	901-02		248					

Pos	Part Number	Description	Remark	Qty	Model	Pos	Part Number	Description	Remark	Qty	Model
(5)	928 618 010 02	bracket		89		(21)	928 607 435 00	coding plug	(AUS)	-88	1 M481
(5)	928 618 010 02	bracket	/RL	90-		(21)	928 607 436 00	coding plug	(AUS)	-88	1 M249
(5)	928 618 231 01	bracket	/LL	90-		(21)	928 607 431 00	coding plug		89-	1 M481
5A	928 618 130 01	bracket	/LL	90-		(21)	928 607 432 00	coding plug		89-	1 M249
-	928 618 411 00	grommet		1		(21)	928 607 438 00	coding plug		89-	1 M298/481
6	944 606 115 00	pulse sender		1		(21)	928 607 439 00	coding plug		89-	1 M249/299
7	911 606 108 00	timing mark sender		-88		(21)	928 607 440 00	coding plug		89	1 M298/481
8	911 606 141 00	knock sensor		-90		(21)	928 607 441 00	coding plug	(AUS)	89	1 M249/299
(8)	928 606 144 00	knock sensor		91-					(AUS)		
9	999 217 082 02	hexagon-head bolt M 8 X 30		2		22	928 606 303 00	potentiometer for cars without catalytic converter			1
10	N 011 005 14	hexagon nut M 5		5		23	944 606 170 02	hall sender cylinders 1 - 4			1
11	900 025 003 02	washer A 5,3		4		24	928 606 180 01	cap			1
12	N 010 205 6	hexagon-head bolt M 5 X 10		4		25	928 606 282 00	tensioning spring			1
13	999 218 005 02	pan-head screw M 6 X 16		1		26	900 067 255 02	pan-head screw M 5 X 12			2
14	900 067 089 02	pan-head screw M 6 X 25		-88		27	928 618 175 00	relay ignition circuit monitor.		89-	1 M298/299
15	900 075 260 02	hexagon-head bolt M 6 X 15		4		27	928 618 175 00	relay ignition circuit monitor.	(J)	89-	1
16	N 011 524 7	washer A 6,4		4		28	928 615 175 00	plug bridge for cars without catalytic converter		89-	1
17	900 075 260 02	hexagon-head bolt M 6 X 15		2		29	928 612 273 00	cap for plug socket		89-	1
18	N 011 524 7	washer A 6,4		2				mounting parts			
19	928 602 707 00	cover		1				timing mark sender			
20	999 915 031 00	sealing compound CURIL K 2 1 100-gramme tube		X		-	N 011 524 7	washer A 6,4			1
21	928 607 431 00	coding plug		-88	M481	-	N 010 212 4	hexagon-head bolt M 6 X 12			1
(21)	928 607 432 00	coding plug		-88	M249						

Model	Year	MG	SG	Illustration	Restrictions	UPD	19:42	23.01.2010	PORSCHE	PET	PORSCHE
928	1991	9	01	901-02		248					

Pos	Part Number	Description	Remark	Qty	Model	Pos	Part Number	Description	Remark	Qty	Model
-	999 511 142 02	clamp 17 X 15 sensor		1							
-	477 971 851	cable clip		1							
-	N 020 904 4	tie-wrap		1							

Model	Year	MG	SG	Illustration	Restrictions	UPD	19:42	23.01.2010	PORSCHE	PET	PORSCHE
928	1991	9	01	901-05		248					

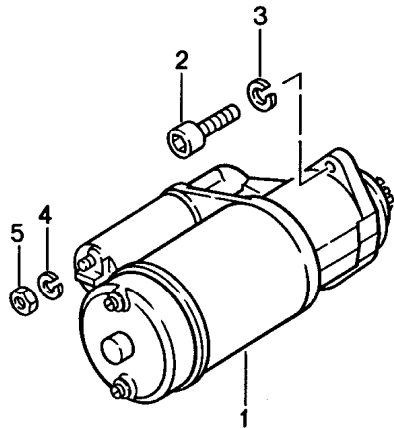
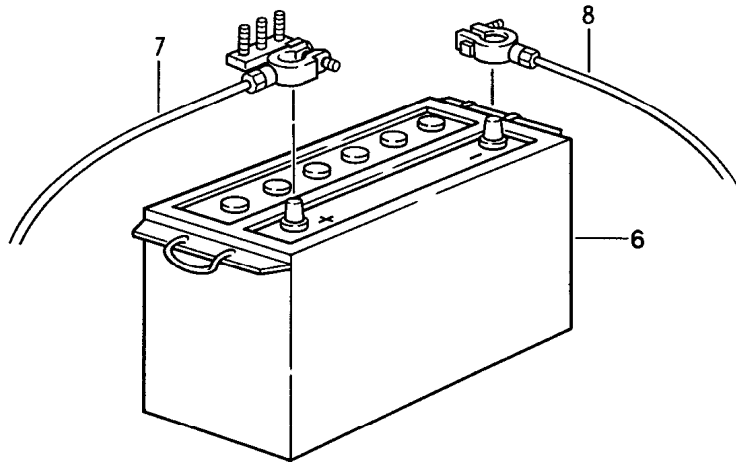


Pos	Part Number	Description	Remark	Qty	Model
1	> 928 603 011 01	generator	-89	1	
(1)	928 603 049 00	generator	88-	1	M637
(1)	> 928 603 011 05	generator	90-	1	
3	928 603 021 01	pulley	-89	1	
(3)	928 603 021 01	pulley 1990 without spacer	90-	1	
4	N 012 016 1	lock ring		1	
(4)	N 011 542 2	washer A 17	88-	1	M637
5	900 034 013 02	hexagon nut M 16 X 1,5		1	
(5)	N 011 022 1	hexagon nut M 16 X 1,5	88-	1	M637
6	A 944 603 141 01	regulator		1	
(6)	928 603 142 00	regulator		1	
(6)	928 603 153 00	regulator	88-	1	M637
7	944 603 143 00	condenser		1	
8	928 603 903 00	woodruff key		1	
9	900 025 008 09	washer A 10,5		7	
9A	928 101 302 00	washer A 8,4		3	
10	900 074 197 02	hexagon-head bolt M 10 X 130		1	
11	928 101 123 02	support		1	
12	900 025 007 02	washer A 8,4		2	
13	N 010 335 5	hexagon-head bolt M 8 X 35		1	
14	900 074 197 02	hexagon-head bolt M 10 X 130		1	
15	928 101 127 00	support		1	

Model	Year	MG	SG	Illustration	Restrictions	UPD	19:42	23.01.2010	PORSCHE	PET	PORSCHE
928	1991	9	01	901-05		248					

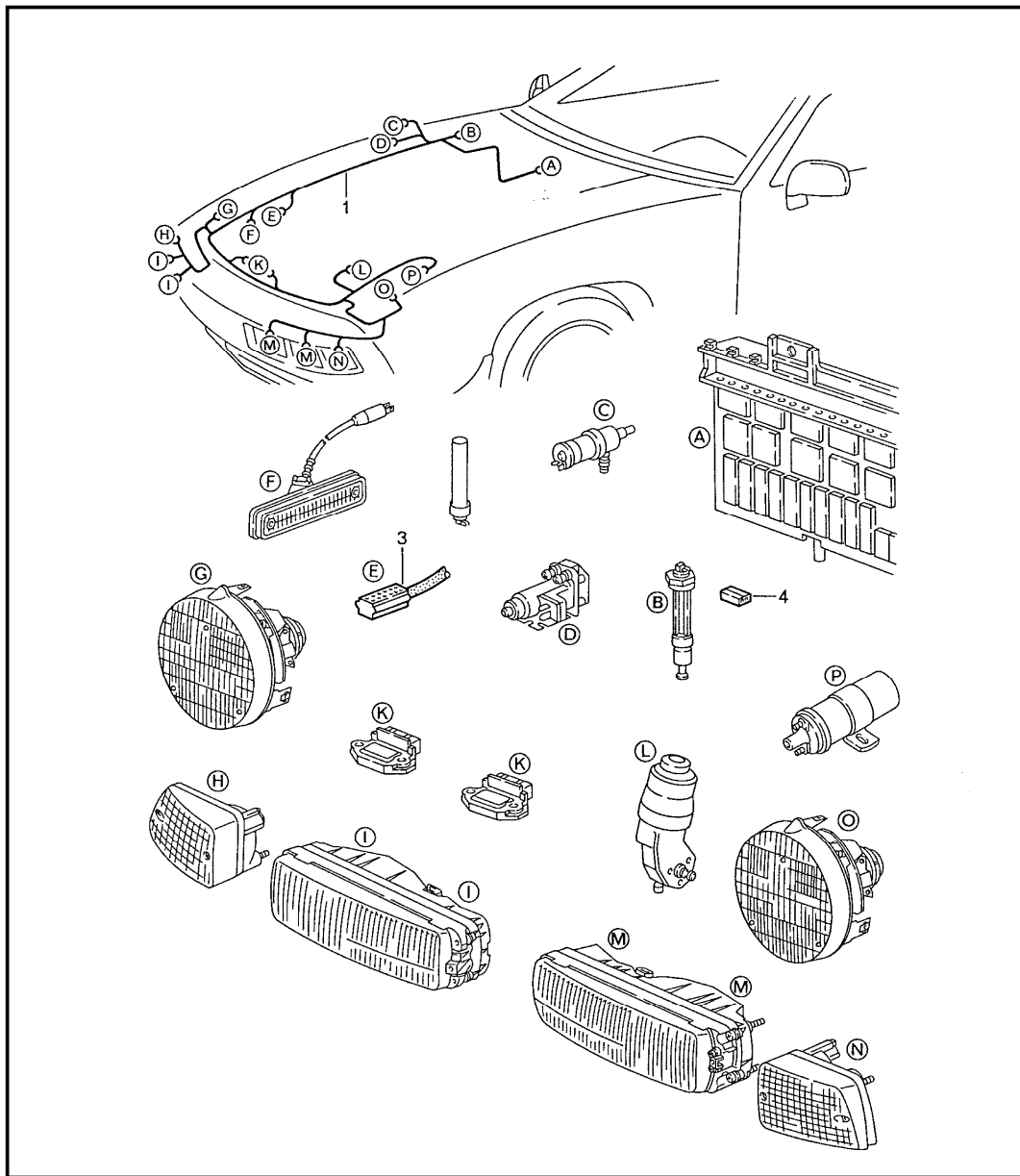
Pos	Part Number	Description	Remark	Qty	Model	Pos	Part Number	Description	Remark	Qty	Model
16	900 075 041 09	hexagon-head bolt M 10 X 25		1		(30)	999 192 347 50	poly-rib belt K 6 - 872 - LW M 81L 51763 >>	90-	1	M249
17	928 101 129 00	threaded bolt		1							
18	900 910 031 09	lock nut VM 10		2		31	N 010 353 3	hexagon-head bolt M 8 X 42		3	
19	N 010 248 1	hexagon-head bolt M 8 X 60		1							
20	900 076 025 02	hexagon nut M 8		1							
21	N 011 005 14	hexagon nut M 5		4							
-	900 025 003 02	washer A 5,3		4							
22	928 603 143 01	flexible pipe 320 MM		1							
(22)	928 603 143 04	flexible pipe 900 MM		1							
23	928 659 021 01	outer sensor for automatic air conditioner		1							
24	928 603 139 00	retaining bar		1							
25	928 603 133 07	ventilation cowl		1							
(25)	928 603 035 02	ventilation cowl	88-	1	M637						
26	928 603 135 03	sealing ring		1							
(26)	928 603 135 04	gasket	88-	1	M637						
27	928 612 865 03	hose piece		1							
(27) U	928 612 865 04	hose piece	88-	1	M637						
(27)	928 612 865 06	hose piece		1	M637						
28	N 010 361 4	hexagon-head bolt M 8 X 65		1							
29	900 076 025 02	hexagon nut M 8		1							
30	999 192 266 50	poly-rib belt K 6 - 858 - LW	-89	1							
(30)	999 192 266 50	poly-rib belt K 6 - 858 - LW	90-	1	M481						

Model	Year	MG	SG	Illustration	Restrictions	UPD	19:42	23.01.2010	PORSCHE	PET	PORSCHE
928	1991	9	02	902-00		248					



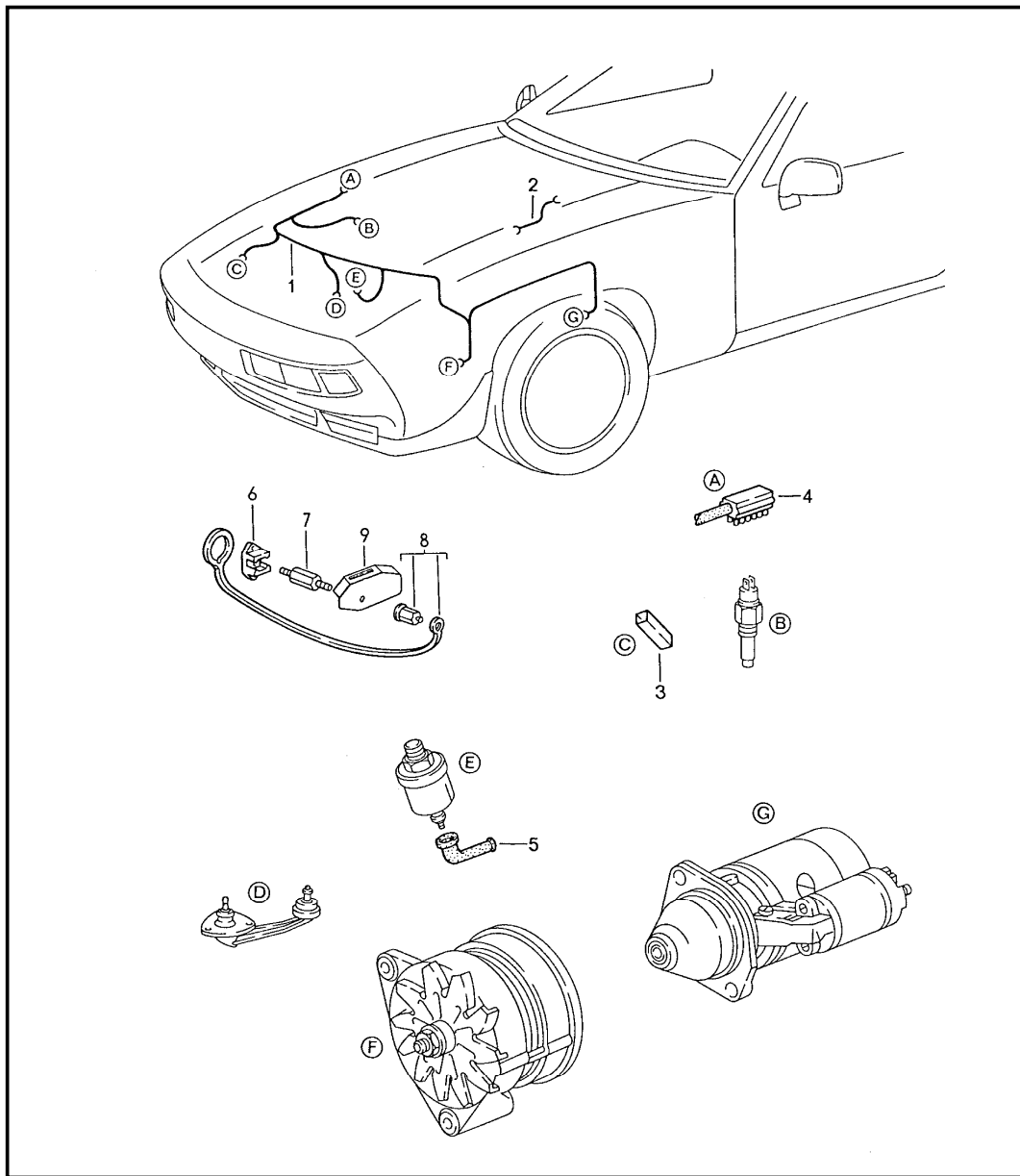
Pos	Part Number	Description	Remark	Qty	Model
1	> 928 604 103 04	starter battery		1	
2	900 067 124 02	pan-head screw M 10 X 35		2	
3	900 027 016 02	lock ring B 10		2	
4	N 012 009 3	lock ring A 8		1	
5	900 076 025 02	hexagon nut M 8		1	
6	A 928 611 105 01	battery 12V - 72 AH		1	
(6)	928 611 173 02	battery 12V - 72AH		1	
(6)	928 611 175 03	battery 12V - 75AH		1	
(6)	999 611 053 20	battery 12V - 50 AH	88-	1	M637
7	— — — —	see group 9/02/12		.	
8	— — — —	see group 9/02/12		.	
-	999 611 104 00	pole covering battery	-89	1	
-	928 611 851 01	pole covering battery	90-	1	
		mounting parts battery			
-	928 611 209 02	clamp		1	
-	900 067 147 02	pan-head screw M 8 X 25		1	
-	N 011 525 13	washer		1	
-	911 611 209 00	bracket	88-	1	M637
-	N 014 725 2	pan-head screw M 8 X 25	88-	1	M637
-	N 011 525 13	washer	88-	2	M637

Model	Year	MG	SG	Illustration	Restrictions	UPD	19:42	23.01.2010	PORSCHE	PET	PORSCHE
928	1991	9	02	902-05		248					



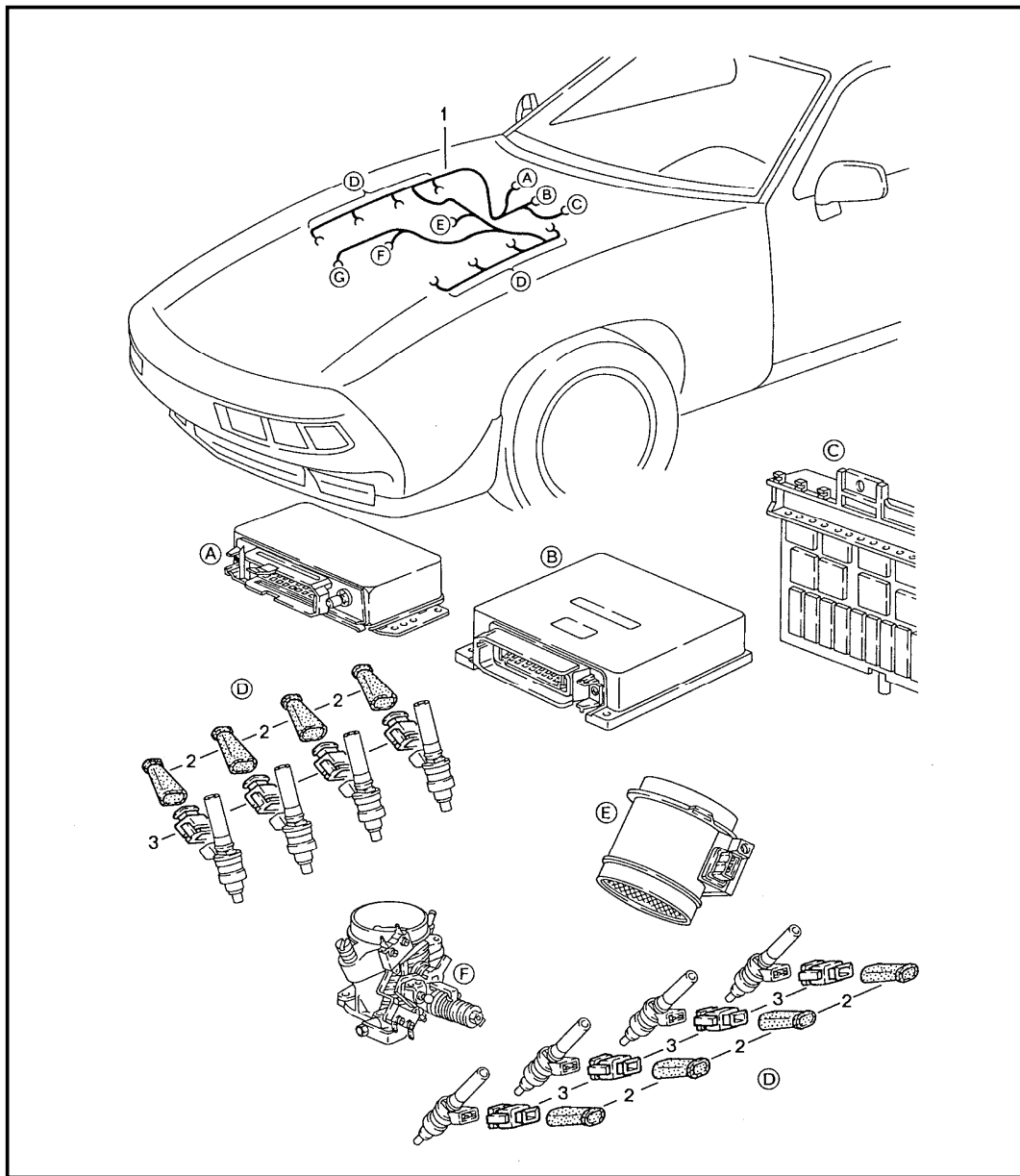
Pos	Part Number	Description	Remark	Qty	Model
		wiring harness front			
1	928 612 001 22	wiring harness	/LL	-88	1
(1)	928 612 001 26	wiring harness	/LL	89	1
(1)	928 612 001 30	wiring harness	/LL	90	1
(1)	928 612 001 34	wiring harness	/LL	91-	1
1	927 612 001 06	wiring harness	/RL	-88	1
(1)	927 612 001 06	wiring harness	/RL	-88	1
(1)	927 612 001 08	wiring harness	/RL	89	1
(1)	927 612 001 10	wiring harness	/RL	90-	1
(1)	927 612 001 12	wiring harness	/RL	91-	1
3	911 612 115 02	connector housing			1
4	810 971 989	connector housing			1
		mounting parts			
-	999 511 138 02	pipe clamp			1
-	928 503 113 02	hexagon-head bolt M 6 X 25			1
-	999 513 023 40	tie-wrap 120 MM			13
-	999 513 007 40	tie-wrap 88 MM			8
-	999 513 023 40	tie-wrap 160 MM			2

Model	Year	MG	SG	Illustration	Restrictions	UPD	19:42	23.01.2010	PORSCHE	PET	PORSCHE
928	1991	9	02	902-06		248					



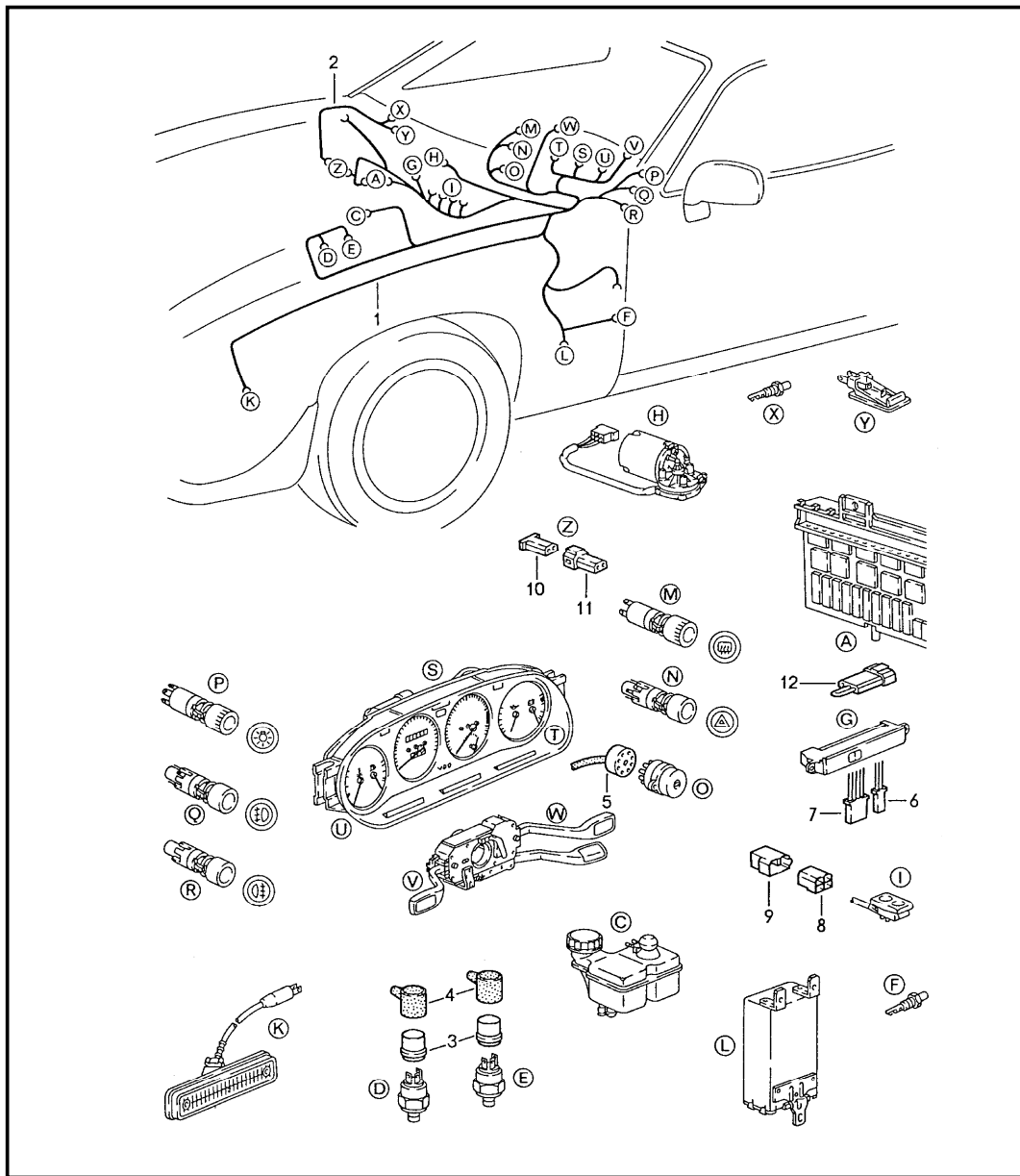
Pos	Part Number	Description	Remark	Qty	Model
		wiring harness engine			
(1)	928 607 002 14	wiring harness M >> 81H 00957 M >> 81H 07304		87	1 M28.41 M28.42
(1)	928 607 002 15	wiring harness M 81H 00958 >> M 81H 07305 >>		87	1 M28.41 M28.42
(1)	928 607 002 15	wiring harness		88	1
(1)	928 607 002 16	wiring harness		88	1 M637
1	928 607 002 17	wiring harness		89-	1
2	928 612 011 00	ground cable			1
3	111 971 977	plug with guide			1
4	911 612 113 05	connector housing			1
5	928 612 497 00	protection cap			2
6	928 612 867 00	cable connection			1
7	928 612 868 01	hexagon-head bolt			1
8	928 612 073 00	protection cap			1
9	928 612 871 02	cover			1

Model	Year	MG	SG	Illustration	Restrictions	UPD	19:43	23.01.2010	PORSCHE	PET	PORSCHE
928	1991	9	02	902-08		248					



Pos	Part Number	Description	Remark	Qty	Model
		wiring harness lh-jetronic			
1	928 607 015 04	wiring harness see q-information GR.2 NR.3/86	/LL	-88	1
(1)	928 607 015 08	wiring harness	/LL	89	1
(1)	928 607 015 09	wiring harness	/LL	90	1
(1)	928 607 015 11	wiring harness	/LL	91-	1
(1)	927 607 015 00	wiring harness see q-information GR.2 NR.3/86	/RL	-88	1
(1)	927 607 015 03	wiring harness	/RL	89-	1
(1)	927 607 015 05	wiring harness	/RL	91-	1
2	944 612 128 00	protection cap			10
3	928 612 825 00	connector housing			8
		mounting parts			
-	N 020 904 4	tie-wrap			X
-	N 020 626 2	clamp B 15 X 16			2
-	999 651 159 02	cable clamp			1
-	999 511 177 02	clamp B 20 X 15	/RL		1
-	999 511 076 02	clamp B 20 X 18			1

Model	Year	MG	SG	Illustration	Restrictions	UPD	19:43	23.01.2010	PORSCHE	PET	PORSCHE
928	1991	9	02	902-10		248					



Pos	Part Number	Description	Remark	Qty	Model
		wiring harness dashboard			
1	A 928 612 003 31	wiring harness	/LL	87	1
(1)	928 612 003 31	wiring harness	/LL	87	1
(1)	A 928 612 003 37	wiring harness	/LL	88	1
(1)	928 612 003 37	wiring harness	/LL	88	1
(1)	928 612 003 41	wiring harness	/LL	89	1
(1)	A 928 612 003 51	wiring harness	/LL	90	1
(1)	928 612 003 51	wiring harness	/LL	90	1
(1)	A 928 612 003 65	wiring harness	/LL	91	1
(1)	928 612 003 65	wiring harness	/LL	91-	1
(1)	A 928 612 003 30	wiring harness	/LL	87	1 M537
(1)	928 612 003 30	wiring harness	/LL	87	1 M537
(1)	A 928 612 003 36	wiring harness	/LL	88	1 M537
(1)	928 612 003 36	wiring harness	/LL	88	1 M537
(1)	928 612 003 40	wiring harness	/LL	89	1 M537
(1)	A 928 612 003 50	wiring harness	/LL	90	1 M537
(1)	928 612 003 50	wiring harness	/LL	90	1 M537
(1)	A 928 612 003 64	wiring harness	/LL	91	1 M537
(1)	928 612 003 64	wiring harness	/LL	91-	1 M537
(1)	A 928 612 003 38	wiring harness	/LL	88	1 M637
(1)	928 612 003 38	wiring harness	/LL	88-	1 M637
(1)	A 928 612 003 39	wiring harness	/LL	88	1 M637
(1)	928 612 003 39	wiring harness	/LL	88-	1 M637 M 607
1	A 927 612 003 20	wiring harness F >>92HS8 41006	/RL	87	1
(1)	927 612 003 20	wiring harness F >>92HS8 41006	/RL	87	1
(1)	927 612 003 22	wiring harness F 92HS8 41007>>	/RL	87	1

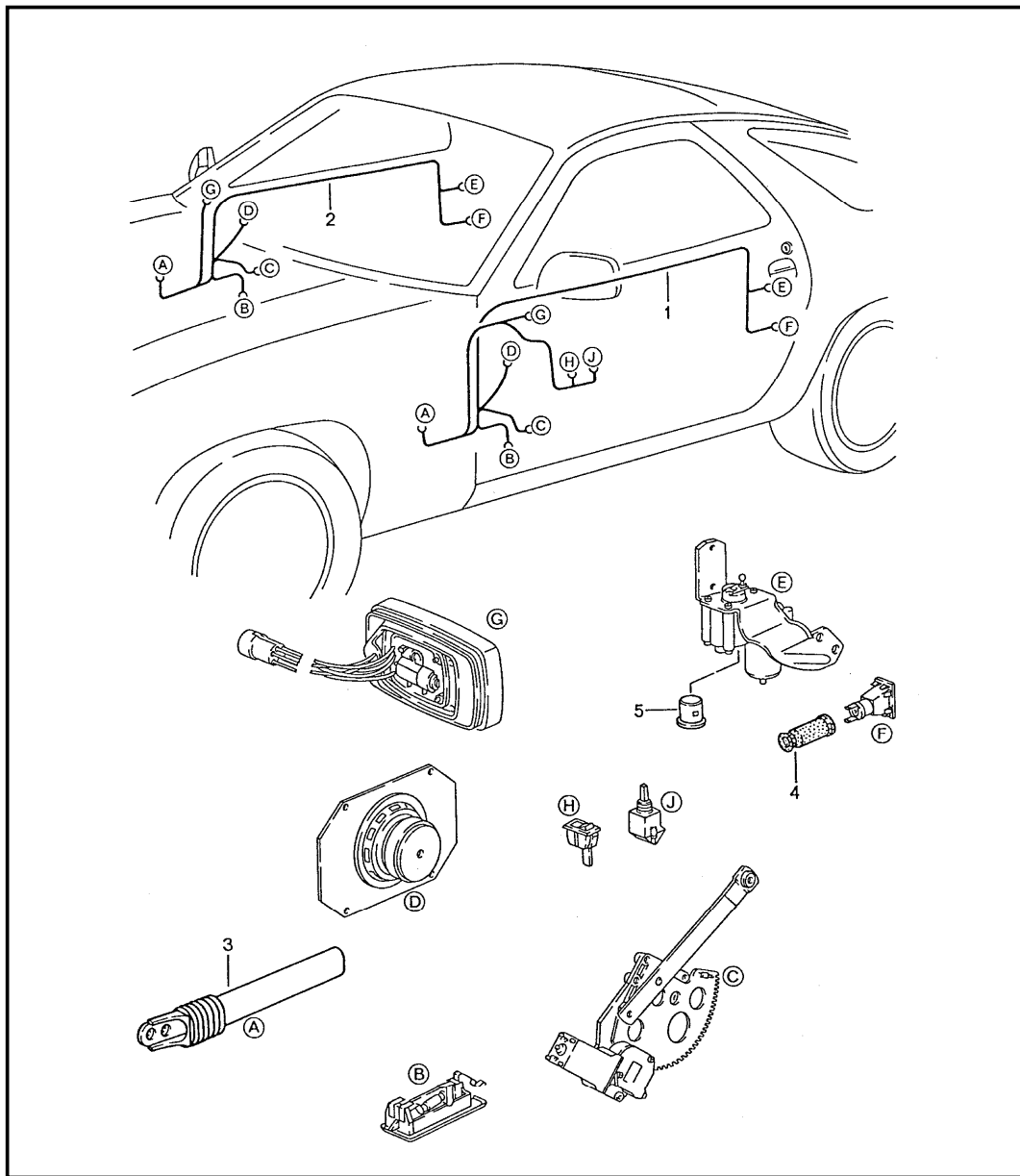
Model	Year	MG	SG	Illustration	Restrictions	UPD	19:43	23.01.2010	PORSCHE	PET	PORSCHE
928	1991	9	02	902-10		248					

Pos	Part Number	Description	Remark	Qty	Model	Pos	Part Number	Description	Remark	Qty	Model	
(1)	A 927 612 003 26	wiring harness	/RL	88	1	4	211 945 521 C	protection cap		2		
(1)	927 612 003 26	wiring harness	/RL	88	1	5	911 612 889 00	connector housing		1		
(1)	927 612 003 28	wiring harness	/RL	89	1	6	171 971 998 A	connector housing		1		
(1)	A 927 612 003 37	wiring harness	/RL	90	1	7	171 971 998 C	connector housing		1		
(1)	927 612 003 37	wiring harness	/RL	90	1	8	928 612 414 04	connector housing		X		
(1)	A 927 612 003 49	wiring harness	/RL	91	1	9	928 612 413 00	connector housing blue		X		
(1)	927 612 003 49	wiring harness	/RL	91-	1	(9)	928 612 413 03	connector housing yellow		X		
1	A 927 612 003 19	wiring harness F >>92HS8 40937	/RL	87	1	M538	10	171 971 999 A	terminal sleeve housing	1		
(1)	927 612 003 19	wiring harness F >>92HS8 40937	/RL	87	1	M538	11	171 971 998 A	connector housing	1		
(1)	927 612 003 21	wiring harness F 92HS8 40938>>	/RL	87	1	M538	12	928 607 422 00	coding plug	/RL -89	1	
(1)	A 927 612 003 25	wiring harness	/RL	88	1	M538	(12)	928 607 421 00	coding plug	/RL -88	1	M061
(1)	927 612 003 25	wiring harness	/RL	88	1	M538	(12)	928 607 421 00	coding plug	/RL 89	1	M061
(1)	927 612 003 29	wiring harness	/RL	89	1	M538	-	928 612 202 03	wiring harness switch unit - EX -	(J) -88	1	
(1)	A 927 612 003 36	wiring harness	/RL	90	1	M538	-	928 612 202 04	wiring harness switch unit - EX -	(J) -89	1	
(1)	927 612 003 36	wiring harness	/RL	90	1	M538	-	928 612 202 06	wiring harness switch unit - EX -	(J) 90-	1	
(1)	A 927 612 003 48	wiring harness	/RL	91	1	M538	-	928 612 202 01	single line switch unit - EX -	(J) -88	1	
(1)	927 612 003 48	wiring harness	/RL	91-	1	M538	-	911 617 108 00	diode	(J) -88	1	
-	A 928 612 043 05	wiring harness	/LL	90	1		-	999 513 002 40	tie-wrap 286 MM		1	
-	928 612 043 05	wiring harness for instrument box	/LL	90-	1		-	999 513 023 40	tie-wrap 293 MM		1	
-	A 927 612 043 02	wiring harness	/RL	90	1		-	999 513 007 40	tie-wrap 80 MM		8	
-	927 612 043 02	wiring harness for instrument box	/RL	90-	1		-	999 651 152 02	cable clamp		1	
2	928 612 038 00	wiring harness glove compartment light		-90	1							
(2)	928 612 038 02	wiring harness glove compartment light		91-	1							
3	113 945 525	terminal sleeve housing			2							

Model	Year	MG	SG	Illustration	Restrictions	UPD	19:43	23.01.2010	PORSCHE	PET	PORSCHE
928	1991	9	02	902-10		248					

Pos	Part Number	Description	Remark	Qty	Model	Pos	Part Number	Description	Remark	Qty	Model
-	999 591 380 02	cable clamp		5							
-	477 971 939	cable terminal		5							
-	928 612 091 00	bridge for central electrical system		1							
12A	928 612 088 02	cap	90-	1							
12B	928 612 883 00	bolt	90-	1							

Model	Year	MG	SG	Illustration	Restrictions	UPD	19:43	23.01.2010	PORSCHE	PET	PORSCHE
928	1991	9	02	902-11		248					

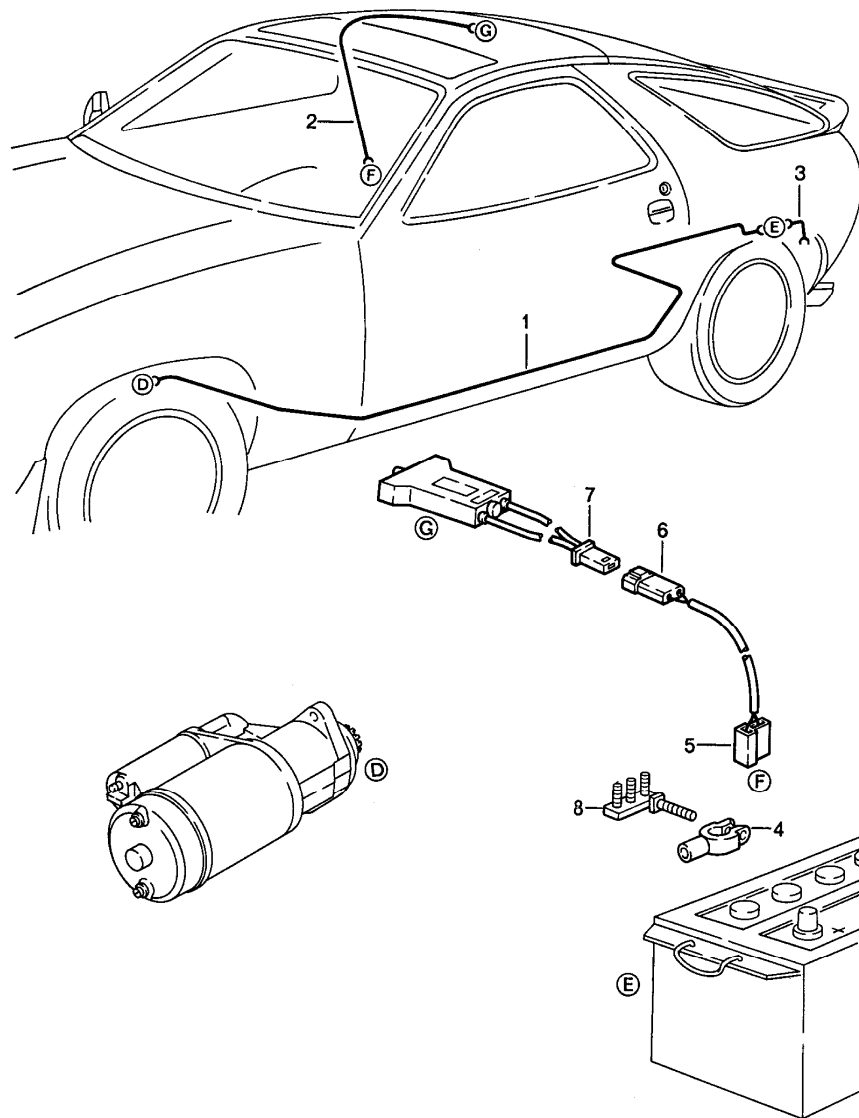


Pos	Part Number	Description	Remark	Qty	Model
		wiring harness door			
1	928 612 167 05	wiring harness	/LL	-88	1
(1)	928 612 167 11	wiring harness	/LL	89	1
(1)	928 612 167 17	wiring harness	/LL	90	1
(1)	928 612 167 21	wiring harness	/LL	91	1
(1)	928 612 167 07	wiring harness	/LL	88	1 M637
(1)	927 612 167 02	wiring harness	/RL	-88	1
(1)	927 612 167 06	wiring harness	/RL	89	1
(1)	928 612 167 17	wiring harness	/RL	90	1
(1)	928 612 167 22	wiring harness	/RL	91	1
(1)	928 612 167 03	wiring harness	/LL	-88	1 M537
(1)	928 612 167 09	wiring harness	/LL	89	1 M537
(1)	928 612 167 15	wiring harness	/LL	90	1 M537
(1)	928 612 167 19	wiring harness	/LL	91	1 M537
(1)	927 612 167 00	wiring harness	/RL	-88	1 M538
(1)	927 612 167 04	wiring harness	/RL	89	1 M538
(1)	928 612 167 15	wiring harness	/RL	90	1 M538
(1)	928 612 167 20	wiring harness	/RL	91	1 M538
2	928 612 167 06	wiring harness	/LL	-88	1
(2)	928 612 167 12	wiring harness	/LL	89	1
(2)	928 612 167 18	wiring harness	/LL	90	1
(2)	928 612 167 22	wiring harness	/LL	91	1
(2)	928 612 167 08	wiring harness	/LL	88-	1 M637
(2)	927 612 167 03	wiring harness	/RL	-88	1
(2)	927 612 167 07	wiring harness	/RL	89	1
(2)	928 612 167 18	wiring harness	/RL	90	1
(2)	928 612 167 21	wiring harness	/RL	91	1
(2)	928 612 167 04	wiring harness	/LL	-88	1 M537

Model	Year	MG	SG	Illustration	Restrictions	UPD	19:43	23.01.2010	PORSCHE	PET	PORSCHE
928	1991	9	02	902-11		248					

Pos	Part Number	Description	Remark	Qty	Model	Pos	Part Number	Description	Remark	Qty	Model
(2)	928 612 167 10	wiring harness	/LL	89	1 M537						
(2)	928 612 167 16	wiring harness	/LL	90	1 M537						
(2)	928 612 167 20	wiring harness	/LL	91	1 M537						
(2)	927 612 167 01	wiring harness	/RL	-88	1 M538						
(2)	927 612 167 05	wiring harness	/RL	89	1 M538						
(2)	928 612 167 16	wiring harness	/RL	90	1 M538						
(2)	928 612 167 19	wiring harness	/RL	91	1 M538						
3	928 555 551 02	cable guide		2							
4	999 659 002 50	water protection cap		2							
5	928 612 131 00	connector housing		2							
		mounting parts									
-	477 971 851	cable clip		4							
-	928 537 411 02	cable clamp grey		4							

Model	Year	MG	SG	Illustration	Restrictions	UPD	19:43	23.01.2010	PORSCHE	PET	PORSCHE
928	1991	9	02	902-12		248					

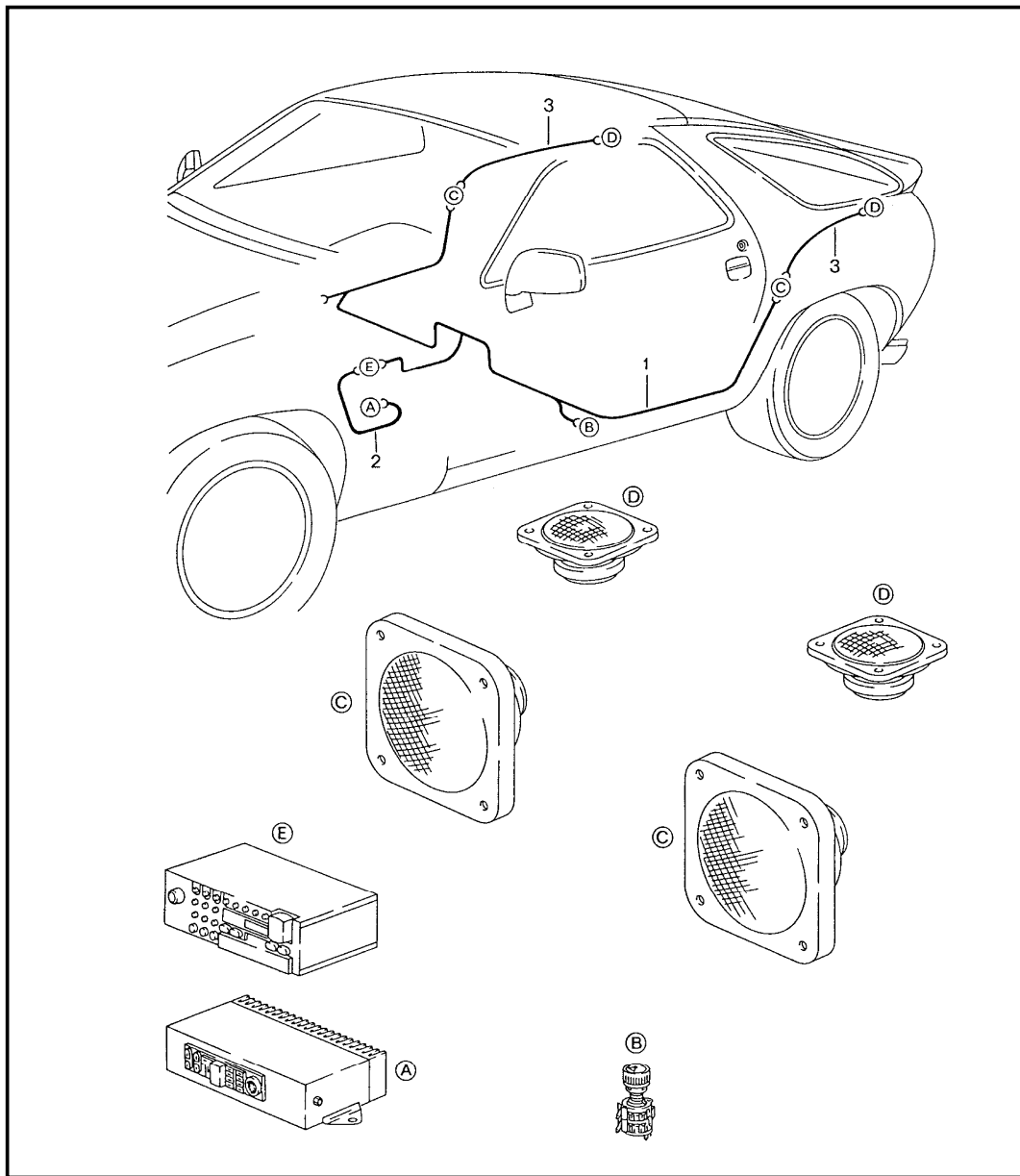


Pos	Part Number	Description	Remark	Qty	Model
		wiring harness passenger compartment			
1	928 612 007 03	wiring harness starter battery	-89	1	
(1)	928 612 007 04	wiring harness starter battery	90-	1	
2	928 612 006 01	wiring harness sunroof	-89	1	
3	928 612 009 13	ground cable battery body		1	
4	928 611 898 01	terminal clamp	-89	1	
(4)	928 611 898 02	terminal clamp	90-	1	
5	999 652 167 40	terminal sleeve housing		1	
6	171 971 998 A	connector housing		1	
7	171 971 999 A	terminal sleeve housing		1	
8	928 611 850 03	distributing piece	90	1	
(8)	928 611 085 00	distributing piece	91-	1	
		mounting parts battery-starter cable			
-	999 513 003 40	tie-wrap		1	
-	999 511 156 00	clamp 13/15 W 5		13	
-	999 591 839 40	hexagon nut T 5		13	
-	999 702 124 50	grommet		1	
		mounting parts ground cable			
-	900 075 398 02	hexagon-head bolt M 8 X 16 SB		1	
-	N 012 241 8	spring washer B 8		1	
-	900 151 008 02	washer A 8,4		1	

Model	Year	MG	SG	Illustration	Restrictions	UPD	19:43	23.01.2010	PORSCHE	PET	PORSCHE
928	1991	9	02	902-12		248					

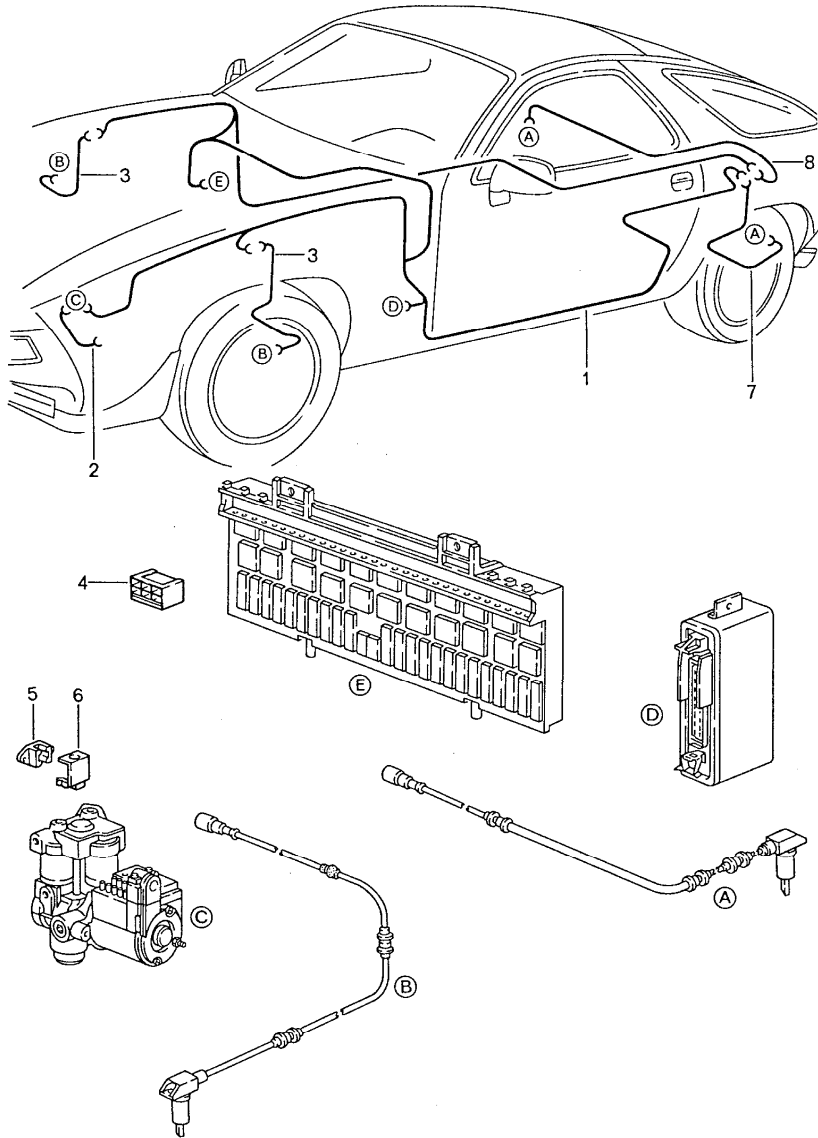
Pos	Part Number	Description	Remark	Qty	Model	Pos	Part Number	Description	Remark	Qty	Model
-	999 702 128 50	dummy grommet 8 X 10 X 15		1							

Model	Year	MG	SG	Illustration	Restrictions	UPD	19:43	23.01.2010	PORSCHE	PET	PORSCHE
928	1991	9	02	902-15		248					



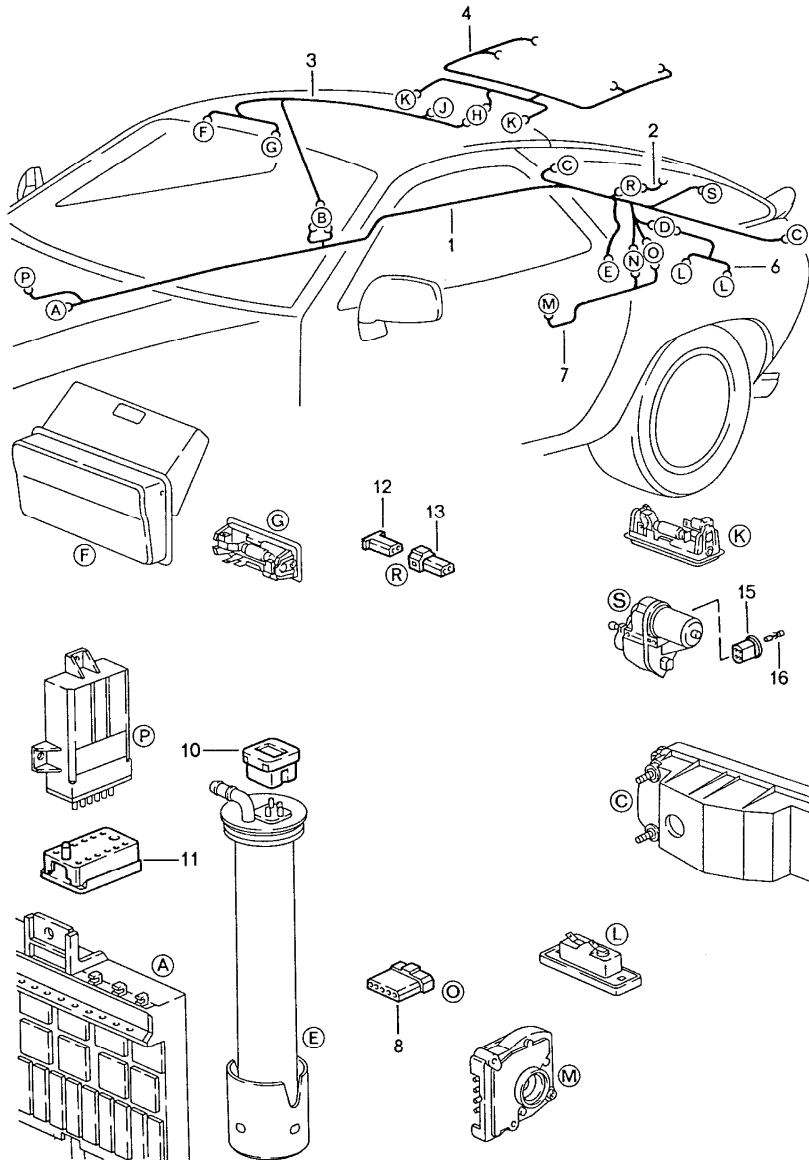
Pos	Part Number	Description	Remark	Qty	Model
		wiring harness loudspeaker			
		for cars without booster			
1	928 612 066 04	wiring harness	-88	1	
-	928 612 261 00	plug bridge	-88	1	
		for cars with booster			
(1)	928 612 068 04	wiring harness		1	
2	928 645 406 00	connecting cable	-88	1	M494
(2)	928 645 172 00	wiring harness	89	1	M680
(2)	928 645 172 00	wiring harness	91-	1	
3	928 612 069 01	wiring harness	-88	2	M490
(3)	928 612 069 02	wiring harness	89	2	M680
(3)	928 612 069 02	wiring harness	91-	2	
-	928 612 261 00	plug bridge	91-	2	

Model	Year	MG	SG	Illustration	Restrictions	UPD	19:44	23.01.2010	PORSCHE	PET	PORSCHE
928	1991	9	02	902-17		248					



Pos	Part Number	Description	Remark	Qty	Model
		wiring harness anti-lock brake system			
1	928 612 121 05	wiring harness	/LL	-88	1
(1)	928 612 121 06	wiring harness	/LL	89	1
(1)	928 612 121 07	wiring harness	/LL	89	1 M482
(1)	928 612 121 19	wiring harness		90	1
(1)	928 612 121 21	wiring harness		91-	1
(1)	927 612 121 04	wiring harness	/RL	-88	1
(1)	927 612 121 05	wiring harness	/RL	89	1
(1)	927 612 121 06	wiring harness	/RL	89	1 M482
(1)	927 612 121 18	wiring harness	/RL	90	1
(1)	927 612 121 20	wiring harness	/RL	91-	1
2	928 612 189 01	ground strap			1
3	928 612 403 00	wiring harness		-88	2
(3)	928 612 404 00	wiring harness		89-	2 M482
4	161 971 975 A	connector housing			1
5	928 612 867 00	cable connection			1
6	928 612 874 00	cap			1
7	928 612 405 00	wiring harness	/L	-88	1
(7)	928 612 420 00	wiring harness	/L	89-	1 M482
8	928 612 406 00	wiring harness	/R	-88	1
(8)	928 612 430 00	wiring harness	/R	89-	1 M482

Model	Year	MG	SG	Illustration	Restrictions	UPD	19:44	23.01.2010	PORSCHE	PET	PORSCHE
928	1991	9	02	902-20		248					

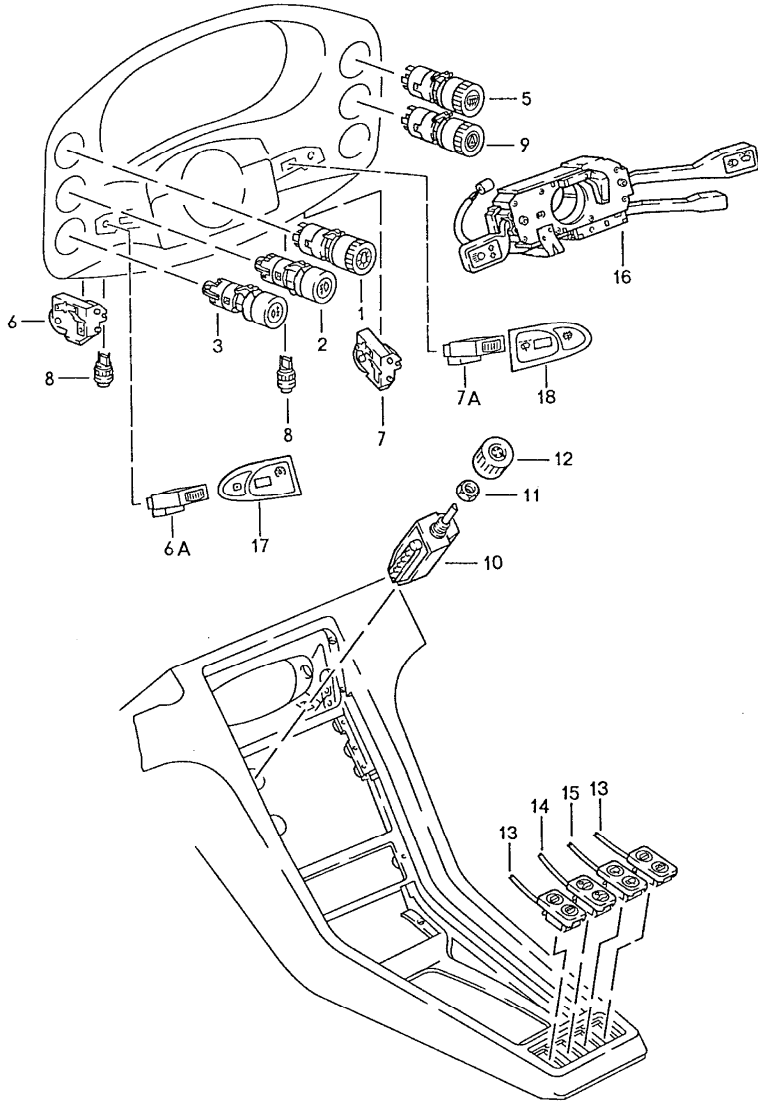


Pos	Part Number	Description	Remark	Qty	Model
		wiring harness rear end			
1	928 612 004 33	wiring harness	/LL	-88	1 M481
(1)	928 612 004 37	wiring harness		88	1 M637
(1)	928 612 004 39	wiring harness	/LL	89	1 M481
(1)	928 612 004 49	wiring harness	/LL	90	1 M481
(1)	928 612 004 57	wiring harness	/LL	91-	1 M481
(1)	928 612 004 34	wiring harness	/LL	-88	1 M249
(1)	928 612 004 40	wiring harness	/LL	89	1 M249
(1)	928 612 004 50	wiring harness	/LL	90	1 M249
(1)	928 612 004 58	wiring harness	/LL	91-	1 M249
(1)	927 612 004 20	wiring harness	/RL	-88	1 M481
(1)	927 612 004 22	wiring harness	/RL	89	1 M481
(1)	927 612 004 28	wiring harness	/RL	90	1 M481
(1)	927 612 004 32	wiring harness	/RL	91-	1 M481
(1)	927 612 004 21	wiring harness	/RL	-88	1 M249
(1)	927 612 004 23	wiring harness	/RL	89	1 M249
(1)	927 612 004 29	wiring harness	/RL	90	1 M249
(1)	927 612 004 33	wiring harness	/RL	91-	1 M249
-	N 100 641 01	safety fuse T 1,0 B rear lid release		1	
-	928 612 479 00	fuse holder rear lid release		1	
2	928 612 037 01	wiring harness		1	
3	928 612 008 07	wiring harness	-89	1	
(3)	928 612 008 09	wiring harness		90-	1
(4)	928 612 005 03	wiring harness		1	
(4)	928 612 005 04	wiring harness		89-	1 M602
6	928 612 039 01	wiring harness	-88	1	
(6)	928 612 039 02	wiring harness		89-	1

Model	Year	MG	SG	Illustration	Restrictions	UPD	19:44	23.01.2010	PORSCHE	PET	PORSCHE
928	1991	9	02	902-20		248					

Pos	Part Number	Description	Remark	Qty	Model	Pos	Part Number	Description	Remark	Qty	Model
7	928 612 012 07	wiring harness	-90	1	M249	-	113 941 189	grommet pulse sender		1	
(7)	928 612 012 08	wiring harness	91-	1	M249	-	999 651 158 02	cable holder pulse sender		1	
7	928 612 016 02	wiring harness back-up light G >> 11H 05467	87	1	M481 G28.12			wheel housing			
(7)	928 612 016 03	wiring harness back-up light G 11H 05468 >>	87-	1	M481 G28.12	-	999 513 021 40	tie-wrap rear lid		1	
(7)	928 612 016 03	wiring harness	89	1		-	477 971 939	cable terminal		5	
(7)	928 612 016 04	wiring harness	91-	1		-	999 591 380 02	cable clamp		5	
-	928 612 072 00	wiring harness for fuel pump	-88	1	M460						
-	928 612 072 00	wiring harness for fuel pump	89	1							
8	171 971 998 E	connector housing 6-pole		1							
9	171 971 998 C	connector housing 4-pole		1							
10	901 612 891 01	connector housing triple		1							
11	944 612 215 00	connector housing 14-pole		1							
12	171 971 999 A	terminal sleeve housing 2-pole		1							
13	171 971 998 A	connector housing 2-pole		1							
14	803 971 979	plug socket		2							
15	928 612 131 00	connector housing		1							
16	999 652 269 12	contact spring mounting parts transmission		4							
-	999 651 160 02	cable holder		2							
-	928 612 493 00	cable holder		1	M249						
-	999 651 168 40	cable holder		1	M249						

Model	Year	MG	SG	Illustration	Restrictions	UPD	19:44	23.01.2010	PORSCHE	PET	PORSCHE
928	1991	9	03	903-00		248					



Pos	Part Number	Description	Remark	Qty	Model
1	928 613 103 00	switch manually		1	
2	928 613 111 00	combined switch for light		1	
3	928 613 109 00	switch for fog headlamp		1	
(3)	928 613 130 00	switch for fog lamp	(J)	89	1
	70B	black for intensive windscreen washer			
5	928 613 107 01	push-button		1	
6	928 613 121 01	combined switch for rear window heating	-88	1	
6A	928 613 031 00	potentiometer	90-	1	
	70B	black			
7	928 613 122 00	potentiometer interval relay	-89	1	
7A	928 613 015 00	potentiometer	90-	1	
	70B	black interval relay			
8	928 613 124 00	potentiometer	-88	1	
(8)	928 613 124 00	push-button trip meter	-89	1	
		push-button for intensive windscreen washer			
9	928 613 105 01	push-button		1	
10	928 613 127 00	hazard warning light sw.		1	
11	999 034 007 02	blower switch		1	
12	928 613 731 01	hexagon flat nut M 12 X 1		1	
-	999 591 434 02	rotary knob blower switch		1	
		spring blower switch		1	

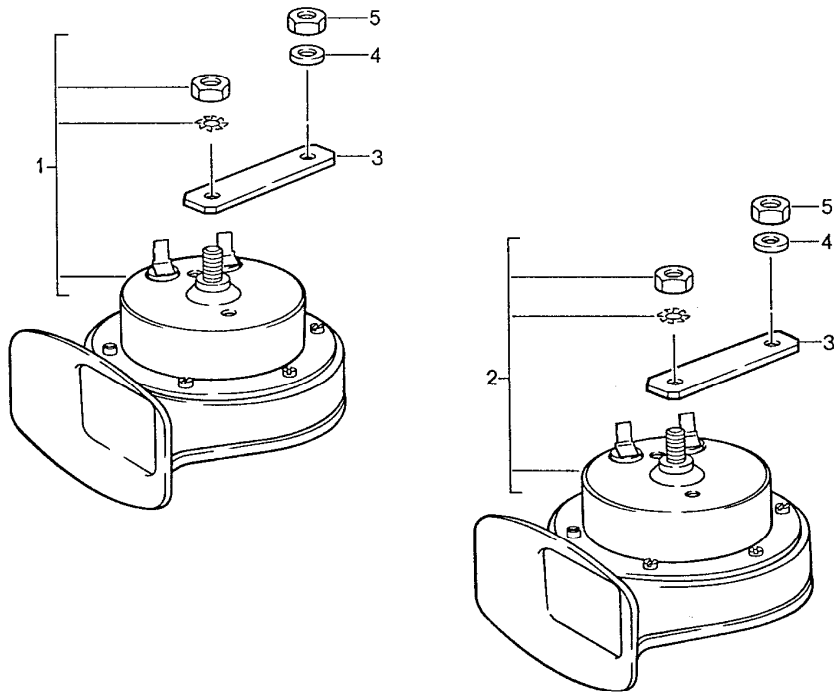
Model	Year	MG	SG	Illustration	Restrictions	UPD	19:44	23.01.2010	PORSCHE	PET	PORSCHE
928	1991	9	03	903-00		248					

Pos	Part Number	Description	Remark	Qty	Model	Pos	Part Number	Description	Remark	Qty	Model
13	928 613 123 05	tip switch for window opener	-89	2		(16)	928 613 101 07	steering column switch with headlight washer system with cruise control	(F)	-88	1
(13)	928 613 123 07	tip switch	90-	2							
	01C	black for window opener				(16)	928 613 333 00	steering column switch		89	1
(14)	928 613 120 00	tip switch	-89	1	M650		01C	black with headlight washer system without cruise control			
(14)	928 613 120 02	tip switch	90-	1	M650						
	01C	black									
15	928 613 129 03	tip switch for rear window wiper	-89	1		(16)	928 613 330 00	steering column switch		89	1
							01C	black with headlight washer system with cruise control			
(15)	928 613 129 04	tip switch	90-	1							
	70B	black for rear window wiper				(16)	928 613 331 00	steering column switch		89	1
(15)	928 613 123 04	display specimen		1			01C	black with headlight washer system with cruise control lettering english			
	70B	black									
		switch door mirror see group 8/09/10				(16)	928 613 332 00	steering column switch	(F)	89	1
16	928 613 101 03	steering column switch with headlight washer system without cruise control	-88	1			01C	black with headlight washer system with cruise control			
(16)	928 613 101 05	steering column switch with headlight washer system with cruise control	-88	1		(16)	964 613 337 00	steering column switch		90-	1
							01C	black with headlight washer system without cruise control			
(16)	928 613 101 06	steering column switch with headlight washer system with cruise control lettering english	-88	1		(16)	964 613 331 00	steering column switch		90-	1
							01C	black with headlight washer system with cruise control			
						(16)	964 613 333 00	steering column switch	(F)	90-	1

Model	Year	MG	SG	Illustration	Restrictions	UPD	19:44	23.01.2010	PORSCHE	PET	PORSCHE
928	1991	9	03	903-00		248					

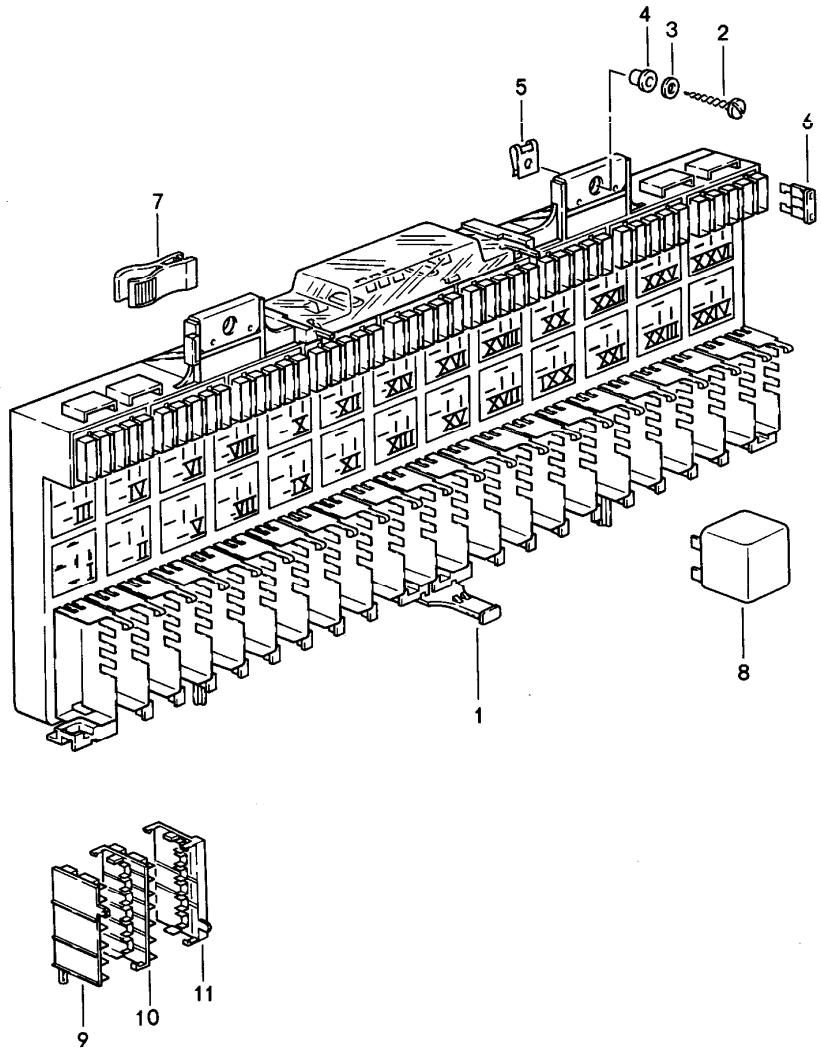
Pos	Part Number	Description	Remark	Qty	Model	Pos	Part Number	Description	Remark	Qty	Model
(16)	964 613 332 00	black with headlight washer system with cruise control steering column switch	90-	1							
-	964 652 104 00	black with headlight washer system with cruise control lettering english contact plate	90-	1							
17	928 613 341 00	switch	90-	1							
18	928 613 342 00	black switch	90-	1							
-	999 651 165 02	black intensive windscreen washer cable clamp		1							

Model	Year	MG	SG	Illustration	Restrictions	UPD	19:44	23.01.2010	PORSCHE	PET	PORSCHE
928	1991	9	03	903-05		248					



Pos	Part Number	Description	Remark	Qty	Model
		fanfare			
1	928 635 221 00	fanfare high-pitched	-89	1	
1	171 951 223	fanfare high-pitched	90-	1	
1	928 635 221 00	fanfare high-pitched	91-	1	
2	928 635 222 00	fanfare low-pitched	-89	1	
2	171 951 221	fanfare low-pitched	90-	1	
2	928 635 222 00	fanfare low-pitched	91-	1	
3	944 635 411 00	support	-89	2	
3	928 635 112 00	support	90-	2	
4	900 025 007 02	washer A 8		2	
5	900 910 003 02	lock nut VM 8		2	

Model	Year	MG	SG	Illustration	Restrictions	UPD	19:44	23.01.2010	PORSCHE	PET	PORSCHE
928	1991	9	03	903-10		248					



Pos	Part Number	Description	Remark	Qty	Model
		central electrical system relay fuse			
1	A 928 610 105 16	mounting plate		1	
(1)	928 610 105 16	mounting plate	-88	1	
(1)	928 610 105 17	mounting plate	89	1	
1	928 610 105 19	mounting plate	90	1	
(1)	928 610 105 21	mounting plate	90	1	M193
(1)	928 610 105 22	mounting plate	91	1	
2	N 013 935 2	tapping screw BZ 6,3 X 25		2	
3	N 902 076 01	washer 6,4 X 17 X 1,6		2	
4	928 628 287 00	grommet		2	
5	999 507 034 02	speed nut B 6,3		2	
6	999 607 001 00	fuse 1 AMP.		X	
(6)	999 607 004 00	fuse 5 AMP.		X	
(6)	999 607 005 00	fuse 7,5 AMP.		X	
(6)	N 017 131 11	fuse 10 AMP.		X	
(6)	999 607 007 00	fuse 15 AMP.		X	
(6)	N 017 131 13	fuse 20 AMP.		X	
(6)	999 607 009 00	fuse 25 AMP.		X	
(6)	999 607 010 00	fuse 30 AMP.		X	
7	443 941 802	tool		1	
		relay	-88		
I-II	928 615 115 00	double relay rear window heating		1	

Model	Year	MG	SG	Illustration	Restrictions	UPD	19:44	23.01.2010	PORSCHE	PET	PORSCHE
928	1991	9	03	903-10		248					

Pos	Part Number	Description	Remark	Qty	Model	Pos	Part Number	Description	Remark	Qty	Model
IV	141 951 253 B	relay x-contact		1		XX	141 951 253 B	relay fuel pump		1	
V	111 953 227 D	flasher relay		1		XXI	928 618 225 01	relay interior light		1	
(V)	928 615 131 00	flasher relay trailer coupling		1	M208	XXII	928 615 125 00	bridge back-up light		1	M481
VI	928 615 128 00	relay power windows		1		XXII	141 951 253 B	relay back-up light		1	M249
VIIU	928 618 205 00	interval relay		1		XXIII	928 618 107 04	relay headlamp		1	
VII	993 615 101 00	switch unit		1		XXIV	928 618 107 04	relay headlamp		1	
VIII	141 951 253 B	relay defroster		1		XXIV	928 618 107 04	relay headlamp		1	
IX A	928 618 113 01	relay intensive windscreen washer		1		XXIII	928 618 107 01	relay headlamp	(GB)	1	
X	141 951 253 B	relay fresh air inlet box		1		XXIV	928 618 107 01	relay headlamp	(GB)	1	
XI	928 618 223 00	interference-suppr. choke		1		XXV	141 951 253 B	relay lh-jetronic		1	
XII	141 951 253 B	relay fanfare		1				relay		89	
XIII	141 951 253 B	relay fog headlamp		1		I-II	928 615 115 00	double relay rear window heating		1	
XIII	928 615 117 02	relay fog headlamp		1	M193	IV	141 951 253 B	relay x-contact		1	
XIV	141 951 253 B	relay starter		1		V	111 953 227 D	flasher relay		1	
XV	928 618 109 01	relay kickdown		1	M249	V	944 615 112 02	relay trailer coupling		1	M208
XVI	928 615 203 00	relay ignition control unit		1		VI	944 615 112 02	relay power windows		1	
XVIIA	928 615 124 01	relay anti-lock brake system		1		VI	944 615 116 00	relay power windows	(AUS)	1	
XVII	928 615 124 03	relay anti-lock brake system		1		VII	993 615 101 00	switch unit		1	
XVIII	944 615 119 00	relay cooling air control		1		VIII	141 951 253 B	relay defroster		1	
XIX	928 618 111 00	relay headlight washer system		1		IX A	928 618 113 01	relay intensive windscreen washer		1	
						X	141 951 253 B	relay blower		1	

Model	Year	MG	SG	Illustration	Restrictions	UPD	19:44	23.01.2010	PORSCHE	PET	PORSCHE
928	1991	9	03	903-10		248					

Pos	Part Number	Description	Remark	Qty	Model	Pos	Part Number	Description	Remark	Qty	Model
XI	928 618 223 00	interference-suppr. choke		1		XXV	141 951 253 B	relay lh-jetronic		1	
XII	141 951 253 B	relay fanfare		1				relay	90		
XIII	141 951 253 B	relay fog headlamp		1		I-II	928 615 115 00	double relay rear window heating		1	
XIII	928 615 117 02	relay fog headlamp		1	M193	IV	141 951 253 B	relay fog headlamp		1	
XIV	141 951 253 B	relay starter		1		V	141 951 253 B	relay starter		1	
XV	928 618 108 00	relay kickdown		1		VI	944 615 119 00	relay cooling air control		1	
XVI	928 615 203 00	relay ignition control unit		1		VII	928 618 111 00	relay headlight washer system		1	
XVIIA	928 615 124 01	relay anti-lock brake system		1		IX	141 951 253 B	relay fog headlamp		1	M193
XVII	928 615 124 03	relay anti-lock brake system		1		IX A	928 618 113 01	relay intensive windscreen washer		1	
XVIII	944 615 119 00	relay cooling air control		1		X	141 951 253 B	relay x-contact		1	
XIX	928 618 111 00	relay headlight washer system		1		XI	993 615 101 00	switch unit		1	
XX	141 951 253 B	relay fuel pump		1		XII	141 951 253 B	relay blower		1	
XXI	928 618 225 01	relay interior light		1		XIII	111 953 227 D	flasher relay		1	
XXII	928 615 125 00	bridge back-up light		1	M481	XIII	928 615 131 00	flasher relay trailer coupling		1	M208
XXII	928 615 114 00	relay back-up light		1	M249	XIV	141 951 253 B	relay defroster		1	
XXIII	928 618 107 04	relay headlamp		1		XV A	928 615 124 01	relay anti-lock brake system		1	
XXIV	928 618 107 04	relay headlamp		1		XV	928 615 124 03	relay anti-lock brake system		1	
XXIII	928 618 107 01	relay headlamp	(GB)	1		XVI	141 951 253 B	relay fanfare		1	
XXIV	928 618 107 01	relay headlamp	(GB)	1		XVII	928 618 108 00	relay kickdown		1	M249
						XVIII	928 615 125 00	bridge back-up light		1	M481

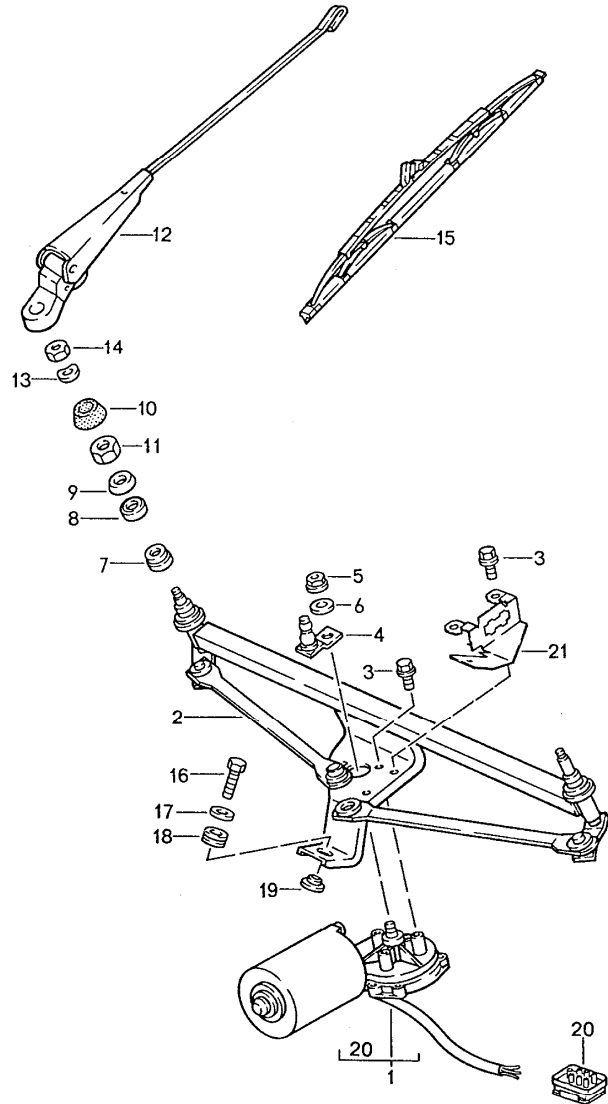
Model	Year	MG	SG	Illustration	Restrictions	UPD	19:44	23.01.2010	PORSCHE	PET	PORSCHE
928	1991	9	03	903-10		248					

Pos	Part Number	Description	Remark	Qty	Model	Pos	Part Number	Description	Remark	Qty	Model
XVIII	928 615 114 00	relay back-up light		1	M249	XII	141 951 253 B	relay blower		1	
XIX	928 618 225 01	relay interior light		1		XIII	111 953 227 D	flasher relay		1	
XXI	928 618 223 00	interference-suppr. choke		1		XIII	928 615 131 00	flasher relay trailer coupling		1	M208
XXII	928 615 203 00	relay ignition control unit		1		XIV	141 951 253 B	relay defroster		1	
XXIII	928 618 107 04	relay headlamp		1		XV A	928 615 124 01	relay anti-lock brake system		1	
XXIV	928 618 107 04	relay headlamp		1		XV	928 615 124 03	relay anti-lock brake system		1	
XXIII	928 618 107 01	relay headlamp	(GB)	1		XVI	141 951 253 B	relay fanfare		1	
XXIV	928 618 107 01	relay headlamp	(GB)	1		XVII	928 618 108 00	relay kickdown		1	M249
XXV	141 951 253 B	relay lh-jetronic		1		XVIII	928 615 125 00	bridge back-up light		1	M481
XXVI	141 951 253 B	relay fuel pump		1		XVIII	928 615 114 00	relay back-up light		1	M249
		relay		91-		XIX	964 618 221 00	control unit speedometer		1	
I-II	928 615 115 00	double relay rear window heating		1		XXI	928 618 223 00	interference-suppr. choke		1	
IV	141 951 253 B	relay fog headlamp		1		XXII	928 615 203 00	relay ignition control unit		1	
V	141 951 253 B	relay starter		1		XXIII	928 618 107 04	double relay for		1	
VII	928 618 111 00	relay headlight washer system		1		XXIV	928 618 107 04	headlamp		1	
VIII	141 951 253 B	relay fog headlamp	(J)	1		XXV	141 951 253 B	relay lh-jetronic		1	
VIII	928 615 125 00	bridge fog headlamp		1		XXVI	141 951 253 B	relay fuel pump		1	
IX A	928 618 113 01	relay intensive windscreen washer		1				relay for front seat electrically adjustable see group 8/08/20			
X	141 951 253 B	relay x-contact		1				relay centre console			
XI	993 615 101 00	switch unit		1							

Model	Year	MG	SG	Illustration	Restrictions	UPD	19:44	23.01.2010	PORSCHE	PET	PORSCHE
928	1991	9	03	903-10		248					

Pos	Part Number	Description	Remark	Qty	Model	Pos	Part Number	Description	Remark	Qty	Model
-	928 618 102 03	relay seat belt		1		(11)	928 612 335 25	coding element -M-		1	
-	928 618 104 00	relay rear window wiper		1		(11)	928 612 335 25	coding element -N-		1	
-	911 617 119 00	switch unit emission control	(J)	2		(11)	928 612 335 25	coding element -O-		1	
-	928 637 160 00	relay		89-	M525	(11)	928 612 335 25	coding element -P-		1	
-	928 637 160 00	relay connector		89-	M533	(11)	928 612 335 25	coding element -Q-		1	
9	928 612 331 00	initial housing red		8		(11)	928 612 335 25	coding element -R-		1	
(9)	928 612 331 00	initial housing black		14		(11)	928 612 335 25	coding element -S-		1	
10	928 612 332 00	module housing		22		(11)	928 612 335 25	coding element -T-		1	
11	928 612 335 25	coding element -A-		1		(11)	928 612 335 25	coding element -U-		1	
(11)	928 612 335 25	coding element -B-		1		(11)	928 612 335 25	coding element -V-		1	
(11)	928 612 335 25	coding element -C-		1		(11)	928 612 335 25	coding element -W-		1	
(11)	928 612 335 25	coding element -D-		1							
(11)	928 612 335 25	coding element -E-		1							
(11)	928 612 335 25	coding element -F-		1							
(11)	928 612 335 25	coding element -G-		1							
(11)	928 612 335 25	coding element -H-		1							
(11)	928 612 335 25	coding element -J-		1							
(11)	928 612 335 25	coding element -K-		1							
(11)	928 612 335 25	coding element -L-		1							

Model	Year	MG	SG	Illustration	Restrictions	UPD	19:44	23.01.2010	PORSCHE	PET	PORSCHE
928	1991	9	04	904-00		248					

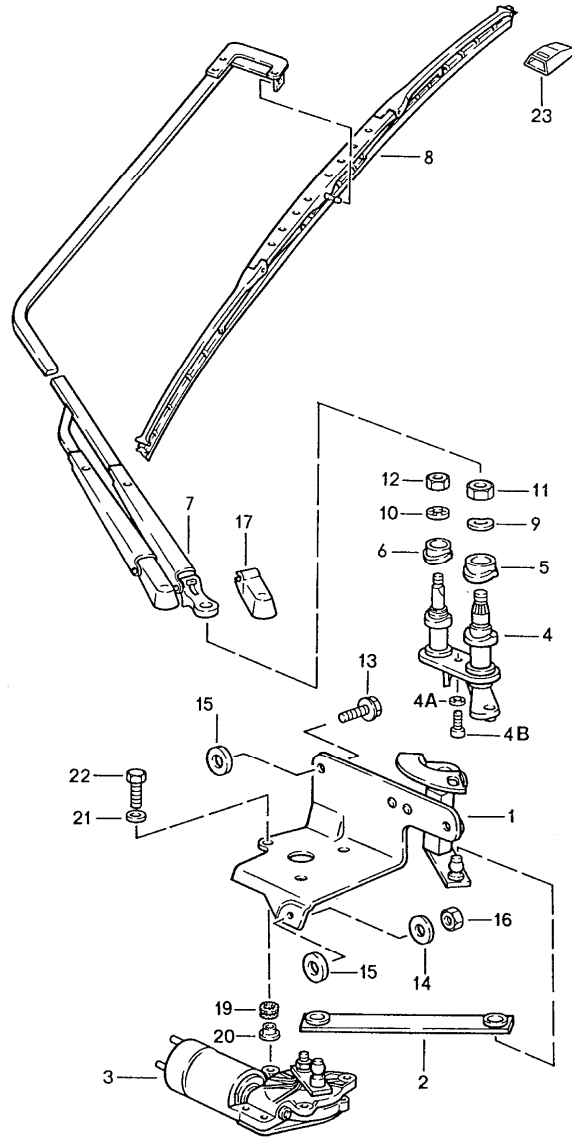


Pos	Part Number	Description	Remark	Qty	Model
		windscreen wiper system			
1	944 628 303 01	wiper motor	/LL	1	
1	927 628 303 03	wiper motor	/RL	1	
2	928 628 221 03	crank drive	/LL	1	
2	927 628 221 03	crank drive	/RL	1	
3	900 278 002 02	hexagon-head bolt CM 6 X 16	-90	3	
(3)	999 217 164 02	hexagon-head bolt M 6 X 15	91-	3	
4 A	928 628 243 04	lever		1	
(4)	928 628 243 04	lever		1	
5	900 076 025 02	hexagon nut		1	
6	N 012 229 3	spring washer		1	
7	944 628 129 00	rubber bush		2	
8	944 628 128 00	bush		2	
9	944 628 125 00	washer		2	
10	928 628 716 02	grommet	/R	1	
(10)	928 628 717 01	grommet	/R	1	
11	999 034 013 02	hexagon nut		2	
12	928 628 213 10	wiper arm	/LL -90	2	
(12)	928 628 213 10	wiper arm	/LL 91-	2	
(12)	927 628 213 06	wiper arm	/RL -90	2	
(12)	927 628 213 06	wiper arm	/RL 91-	2	
-	928 628 623 00	cap	-90	2	
-	928 628 623 01	cap	91-	2	
		01C satin black			
13	803 955 437	washer		2	
14	900 076 025 02	hexagon nut		2	
(15)	928 628 217 05	wiper blade	/LL	2	
(15)	927 628 217 00	wiper blade	/RL	2	

Model	Year	MG	SG	Illustration	Restrictions	UPD	19:44	23.01.2010	PORSCHE	PET	PORSCHE
928	1991	9	04	904-00		248					

Pos	Part Number	Description	Remark	Qty	Model	Pos	Part Number	Description	Remark	Qty	Model
(15)	928 628 901 02	wiper blade	91-	2							
16	N 010 217 9	hexagon-head bolt M 6 X 20		1							
17	N 902 707 01	washer 6,1 X 18 X 1,5		1							
18	944 628 126 00	grommet		1							
19	944 628 127 00	bush		1							
-	999 507 246 02	speed nut M 6		1							
20	911 612 867 02	connector		1							
21	928 628 230 00	retaining bracket	/LL	1							
(21)	927 628 230 00	retaining bracket	/RL	1							

Model	Year	MG	SG	Illustration	Restrictions	UPD	19:45	23.01.2010	PORSCHE	PET	PORSCHE
928	1991	9	04	904-05		248					

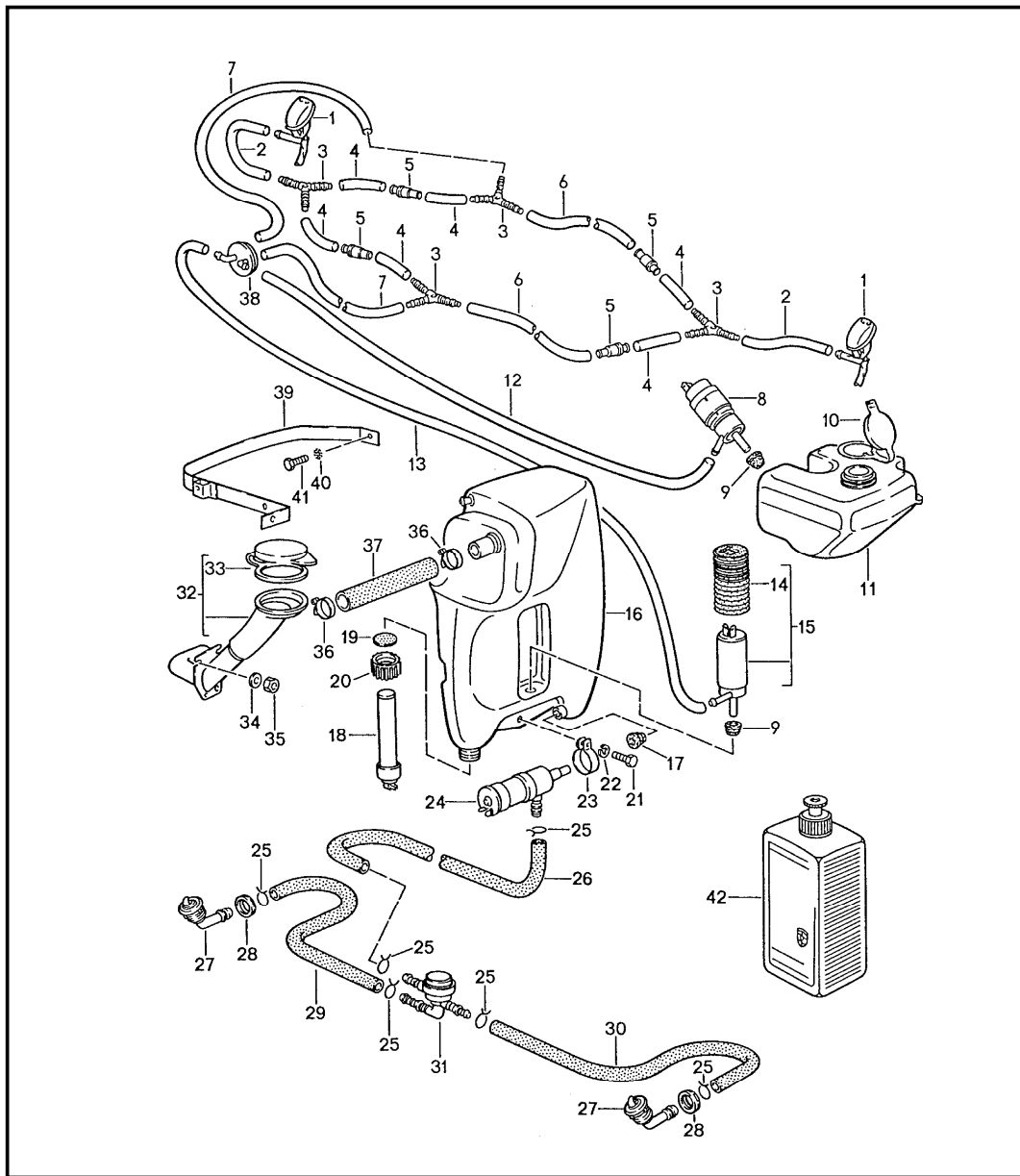


Pos	Part Number	Description	Remark	Qty	Model
		rear window wiper			
1	928 628 071 03	engine bracket with bearing	-90	1	
1	928 628 071 03	engine bracket with bearing	91-	1	
2	928 628 202 02	joint rod		1	
3	928 628 403 02	wiper motor		1	
4	928 628 309 03	wiper bearing		1	
4A	N 012 007 02	lock ring A 6		1	
4B	900 075 057 02	hexagon-head bolt		1	
5	928 628 325 01	bush		1	
6	928 628 326 01	bush		1	
7	928 628 610 05	wiper arm		1	
8	A 928 628 218 01	wiper blade		1	
(8)	928 628 218 02	wiper blade		1	
9	803 955 437	washer B 8		1	
10	N 011 524 7	washer 6,4		1	
11	900 076 025 02	hexagon nut M 8		1	
12	900 076 010 02	hexagon nut M 6		1	
13	900 075 338 02	hexagon-head bolt M 6 X 25		2	
14	N 011 524 7	washer 6,4 X 14		3	
15	N 011 666 7	washer 6,4		X	
16	900 910 010 09	lock nut VM 6		1	
(17)	928 628 623 00	cap		2	M471

Model	Year	MG	SG	Illustration	Restrictions	UPD	19:45	23.01.2010	PORSCHE	PET	PORSCHE
928	1991	9	04	904-05		248					

Pos	Part Number	Description	Remark	Qty	Model	Pos	Part Number	Description	Remark	Qty	Model
17	928 628 621 00	cap guiding rod		1							
(17)	928 628 622 00	cap wiper arm		1							
		relay for rear window wiper see group 9/03/10									
19	928 628 287 00	grommet		3							
20	928 628 289 00	bush		3							
21	N 011 524 7	washer 6,4		3							
22	900 075 014 02	hexagon-head bolt M 6 X 18		3							
23	928 628 428 00	cap	-89	1							

Model	Year	MG	SG	Illustration	Restrictions	UPD	19:45	23.01.2010	PORSCHE	PET	PORSCHE
928	1991	9	04	904-10		248					

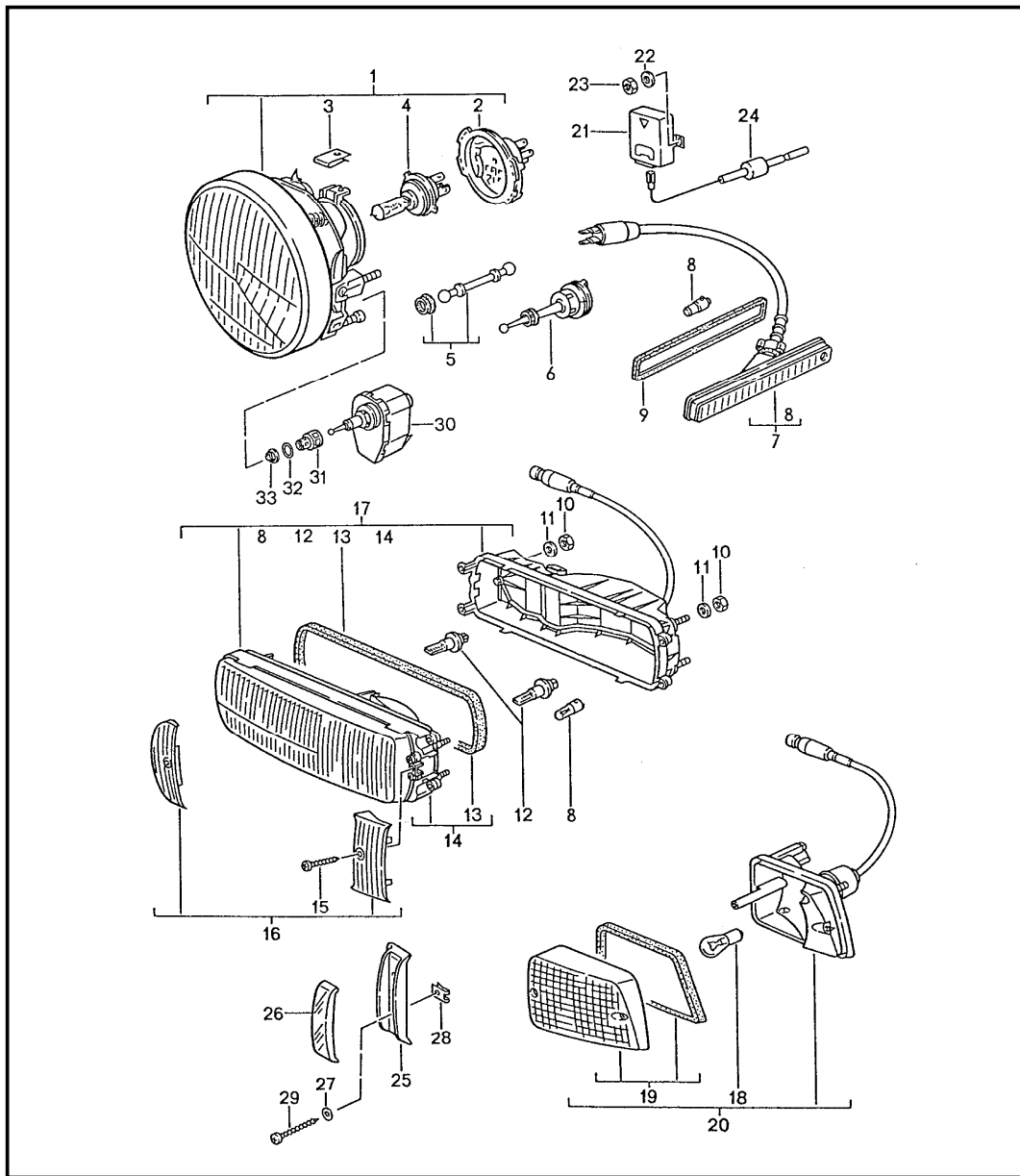


Pos	Part Number	Description	Remark	Qty	Model
		windscreen washer system headlight washer system intensive windshield washer			
1	928 628 077 00	nozzle		2	
-	999 181 722 40	hose 4,6 X 1,8		*	
2	-	120 MM		2	
3	999 137 054 40	y-piece		4	
-	999 181 722 40	hose 4,6 X 1,8		*	
4	-	60 MM		6	
5	914 628 215 00	valve		4	
-	999 181 722 40	hose 4,6 X 1,8		*	
6	-	230 MM		2	
7	-	270 MM		2	
8	431 955 651	pump		1	
9	431 955 465 B	gasket		2	
10	928 528 183 03	lid		1	
11	928 528 091 00	container	/LL	1	
(11)	927 528 091 00	container	/RL	1	
-	999 181 722 40	hose 4,6 X 1,8		*	
12	-	780 MM		1	
13	-	1000 MM		1	
14	928 612 504 00	rubber mounting	-88	1	
(14) U	928 612 504 01	rubber sleeve	89-	1	
(15)	928 628 172 01	pump	-88	1	
(15)	928 628 172 01	pump	89-	1	
16 A	928 528 075 01	container		1	
(16)	928 528 075 01	container		1	
17	928 628 193 00	gasket		1	

Model	Year	MG	SG	Illustration	Restrictions	UPD	19:45	23.01.2010	PORSCHE	PET	PORSCHE
928	1991	9	04	904-10		248					

Pos	Part Number	Description	Remark	Qty	Model	Pos	Part Number	Description	Remark	Qty	Model
18	928 641 501 01	tank gauge switch		1		37	-	270 MM		1	
19	928 628 737 00	sealing ring		1		38	928 528 073 04	hose connection		1	
20	928 628 735 00	cap		1		39	928 628 087 01	restraining strap		1	
21	900 075 014 02	hexagon-head bolt M 6 X 18		1		40	900 115 004 01	serrated lock washer 8,4		2	
22	N 011 524 7	washer 6,4		1		41	900 075 085 02	hexagon-head bolt M 8 X 20		2	
23	928 628 185 01	restraining strap		1		42	928 628 931 00	silicone remover 1000 ML		1	
24	191 955 681	pump		1							
25	999 512 489 00	hose clamp		6							
-	999 181 806 40	hose		*							
26	-	2300 MM		1							
27	928 528 071 02	jet carrier		2							
-	944 628 803 00	rubber washer		4							
28	900 281 002 40	hexagon nut		2							
-	999 181 806 40	hose		*							
29	-	400 MM		1							
30	-	900 MM		1							
31	281 955 187	valve		1							
32	928 528 179 01	filler neck	/LL	1							
(32)	927 528 085 02	filler neck	/RL	1							
33	928 528 181 02	lid		1							
34	900 025 002 02	washer A 4,3	/LL	2							
35	N 043 890 1	tapping screw B 4,2 X 9,5	/LL	2							
(34)	900 151 003 02	washer 6,4	/RL	2							
(35)	900 076 010 02	hexagon nut M 6	/RL	2							
36	999 512 272 02	hose clamp		2							
-	999 181 286 50	hose		*							

Model	Year	MG	SG	Illustration	Restrictions	UPD	19:45	23.01.2010	PORSCHE	PET	PORSCHE
928	1991	9	05	905-00		248					

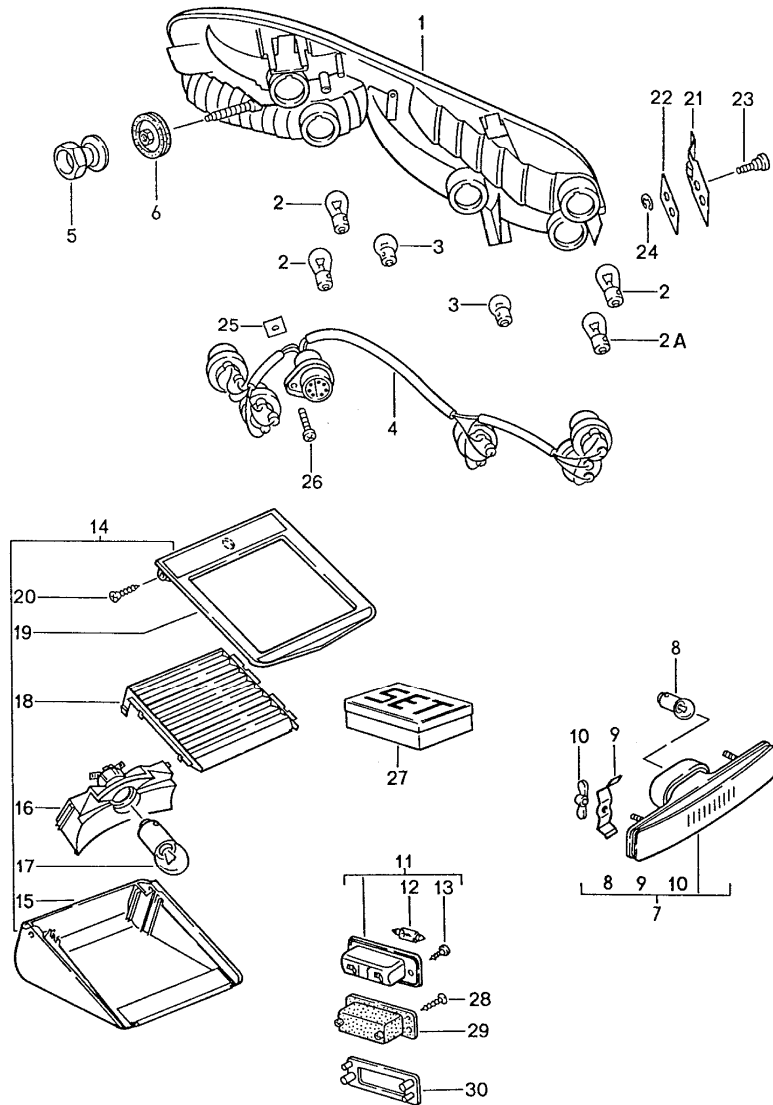


Pos	Part Number	Description	Remark	Qty	Model
1	928 631 101 03	headlamp H-4	/LL	2	
(1)	928 631 102 01	headlamp H-4	/RL	2	M492
(1)	928 631 101 04	headlamp H-4	(F)	2	
2	928 631 923 00	protective cap		2	
3	999 591 751 02	speed nut B 3,9		6	
4	999 631 202 90	halogen bulb H-4		2	
(4)	999 631 202 91	halogen bulb H-4	(F)	2	
5	928 631 203 03	bolt	-89	2	
6	928 631 201 02	support	-89	2	
7	928 631 410 01	direction indicator light	-90	2	
(7)	928 631 410 01	direction indicator light	91-	2	
8	900 631 103 90	bulb 12 V-4 W		4	
9	928 631 448 00	gasket		2	
10	N 011 005 14	hexagon nut M 5		6	
11	N 011 665 3	washer B 5,3		6	
(11)	944 503 255 00	spacer		6	
12	900 631 126 90	halogen bulb H-3		4	
13	951 631 167 00	gasket		2	
14	928 631 951 00	lamp insert	/L	1	
(14)	928 631 952 00	lamp insert	/R	1	
(14)	928 631 951 01	lamp insert	/L (F)	1	
(14)	928 631 952 01	lamp insert	/R (F)	1	

Model	Year	MG	SG	Illustration	Restrictions	UPD	19:45	23.01.2010	PORSCHE	PET	PORSCHE
928	1991	9	05	905-00		248					

Pos	Part Number	Description	Remark	Qty	Model	Pos	Part Number	Description	Remark	Qty	Model
15	900 143 004 00	cross-recess screw		4		29	900 143 084 07	oval-head sheetmetal screw		4	(SA)
16	928 631 961 00	trim cover		2		30	928 624 163 00	adjusting motor	90-	2	
(16)	928 631 963 00	trim cover	(F)	2		31	928 631 106 00	adapter	90-	2	
17	928 631 405 00	additional headlamp	/L	1		32	928 624 165 00	sealing ring	90-	2	
(17)	928 631 406 00	additional headlamp	/R	1		33	928 631 215 00	circlip	90-	2	
(17)	928 631 407 00	additional headlamp	/R (F)	1							
(17)	928 631 408 00	additional headlamp	(F)	1							
18	900 631 127 90	bulb 12 V-21 W		2							
19	928 631 929 01	lens	/L	1							
(19)	928 631 930 01	lens	/R	1							
20	928 631 421 21	direction indicator light	/L	1							
(20)	928 631 421 20	direction indicator light	/R	1							
21	911 618 231 00	control unit	(GB)	-88	1						
22	900 025 003 02	washer A 5,3	(GB)	-88	2						
23	N 011 005 14	hexagon nut M 5	(GB)	-88	2						
24	927 612 220 00	single line with diode F >>92HS8 41006	(GB)		1						
(24)	927 612 220 00	single line with diode F >>92HS8 40937	(GB)		1						
(25)	928 505 045 20	protective bar		2	(SA)						
25	A 928 505 045 20	protective bar		2	(SA)						
25	928 505 045 20	protective bar		2							
	70B	black									
26	928 505 045 20	cap		2	(SA)						
27	N 011 663 3	washer B 3,7		4	(SA)						
28	999 591 349 02	speed nut		4	(SA)						

Model	Year	MG	SG	Illustration	Restrictions	UPD	19:45	23.01.2010	PORSCHE	PET	PORSCHE
928	1991	9	05	905-10		248					

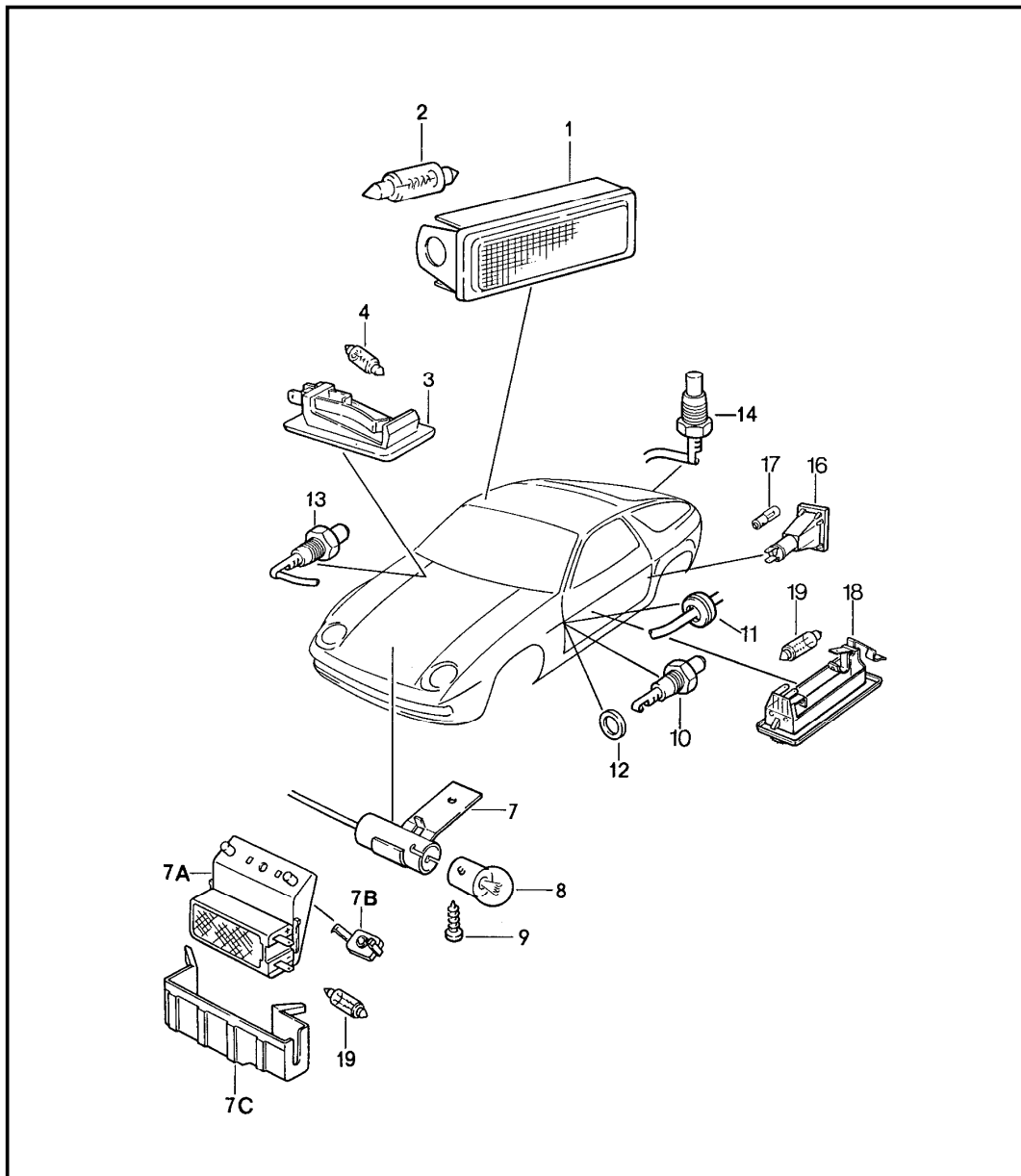


Pos	Part Number	Description	Remark	Qty	Model
		rear light			
		rear light 1987-1991 exchange in pairs			
1	928 631 483 00	rear light without rear foglamp	/L	1	
(1)	928 631 483 00	rear light without rear foglamp	/L (J)	1	
(1)	928 631 484 00	rear light without rear foglamp	/R	1	
(1)	928 631 484 00	rear light without rear foglamp	/R (J)	1	
(1) A	928 631 483 00	rear light with rear foglamp	/L	1	
(1)	928 631 483 00	rear light with rear foglamp	/L	1	
(1) A	928 631 484 00	rear light with rear foglamp	/R	1	
(1)	928 631 484 00	rear light with rear foglamp	/R	1	
2	900 631 127 90	bulb 12 V - 21 W		3	
2A	999 631 024 90	bulb 12 V - 21/4 W		1	
3	900 631 104 90	bulb 12 V - 5 W		3	
4	928 631 465 01	wiring harness without rear foglamp	-89	2	
(4)	928 631 465 00	wiring harness with rear foglamp		2	
5	928 631 468 00	hexagon nut		2	
6	928 631 467 00	washer		2	
-	999 703 066 50	grommet		2	
11	928 631 620 00	license plate light	-88	2	
(11) A	964 631 620 01	license plate light	89-	2	
(11)	964 631 620 01	license plate light	89-	2	

Model	Year	MG	SG	Illustration	Restrictions	UPD	19:45	23.01.2010	PORSCHE	PET	PORSCHE
928	1991	9	05	905-10		248					

Pos	Part Number	Description	Remark	Qty	Model	Pos	Part Number	Description	Remark	Qty	Model
	01C	black									
12	900 631 105 90	bulb	-88	2							
(12)	900 631 105 90	bulb 12 V - 5 W	89-	2							
13	900 145 044 07	tapping screw	-88	4							
(13)	999 919 084 07	tapping screw B 4,2 X 22	89-	4							
14	928 631 070 00	additional brake light		1							
15	928 631 460 00	housing for light		1							
16	928 631 471 00	reflector		1							
17	900 631 127 90	bulb		1							
18	928 631 472 00	lens		1							
19	928 631 061 00	frame for light		1							
20	900 145 099 07	rais. counters. h. tap. s. B 4,9 X 13		2							
21	928 631 457 01	support		2							
22	928 631 459 01	plate		2							
23	999 014 013 02	pan-head screw		4							
24	N 012 432 1	lock washer		4							
25	928 631 919 00	cover plate		2							
26	N 014 133 8	oval-head screw M 5 X 12		2							
27	A 000 043 069 00	adhesive set for frame for light rear window		1							
28	999 919 067 02	countersunk-head screw KA 3 X 10		4							
29	964 612 620 00	cap		2							
30	928 631 603 00	mounting plate		2							

Model	Year	MG	SG	Illustration	Restrictions	UPD	9:50	29.01.2010	PORSCHE	PET	PORSCHE
928	1991	9	05	905-15		248					

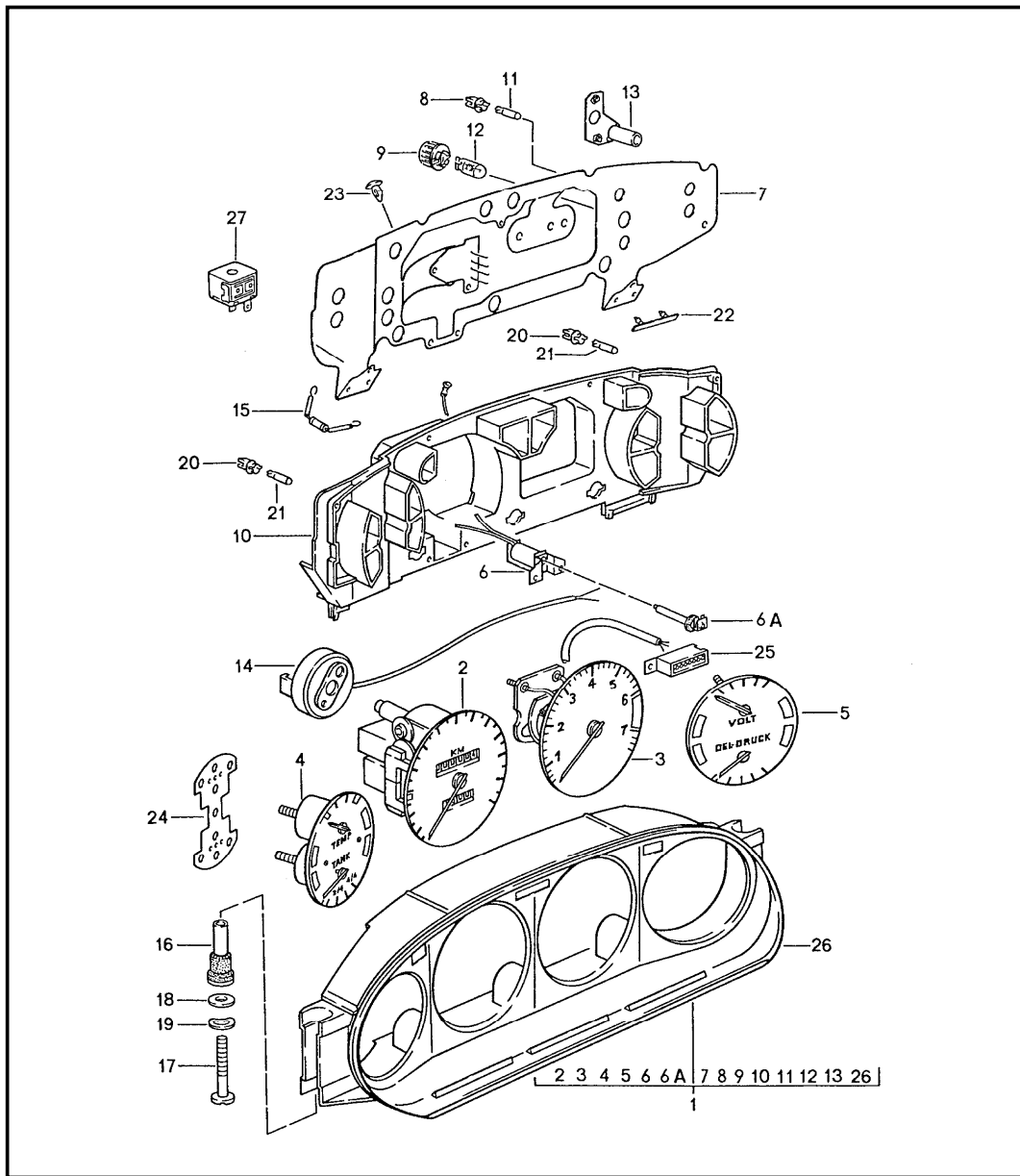


Pos	Part Number	Description	Remark	Qty	Model
		interior lights			
1	911 632 102 00	light front rear rear lid		3 1 1 1	
2	900 631 106 90	linolite lamp 12 V - 10 W		3	
3	928 632 101 00	glove compartment light		1	
4	999 631 018 90	bulb 12 V - 3 W		1	
(7)	928 632 105 01	engine compartment lamp	-90	1	
7A	928 632 111 01	light	91-	1	
7B	928 632 113 00	cap	91-	1	
7C	928 632 112 00	protection cap	91-	1	
8	900 631 115 90	bulb 12 V - 10 W		1	
9	N 013 970 5	tapping screw B 4,8 X 9,5	-90	1	
9	N 106 568 02	tapping screw B 4,8 X 9,5		1	
(9)	900 143 164 02	combination screw BZ 4,2 X 13 Z1	91-	1	
-	999 507 050 40	expander nut	91-	1	
10	928 613 147 00	door contact switch		2	
11	321 971 905	rubber sleeve		2	
12	900 031 001 60	washer 8,4		2	
13	964 613 601 00	door contact switch		2	
14	928 613 119 00	door contact switch		1	
-	900 631 102 90	bulb 12 V - 2 W ashtray light		1	
16	928 631 131 00	door guard light		2	
17	900 631 120 90	bulb 12 V - 2 W		2	

Model	Year	MG	SG	Illustration	Restrictions	UPD	9:50	29.01.2010	PORSCHE	PET	PORSCHE
928	1991	9	05	905-15		248					

Pos	Part Number	Description	Remark	Qty	Model	Pos	Part Number	Description	Remark	Qty	Model
18	928 632 109 01	footwell light		2							
19	900 631 106 90	linolite lamp 12 V - 10 W		2							

Model	Year	MG	SG	Illustration	Restrictions	UPD	19:48	23.01.2010	PORSCHE	PET	PORSCHE
928	1991	9	06	906-00		248					



Pos	Part Number	Description	Remark	Qty	Model
		instrument cluster	-88		
(1)	928 641 104 37	instrument cluster	(F)	1	M481
2	928 641 967 07	speedometer		1	
3	928 641 965 15	tachometer		1	
4	928 641 949 02	indicator - temperatur. - fuel gauge -		1	
5	928 641 962 03	indicator - volt - oil -		1	
(1)	928 641 134 03	instrument cluster	(F)	1	M249
2	> 928 641 967 08	speedometer		1	
2	928 641 967 HX	speedometer		1	
3	928 641 965 16	tachometer		1	
4	928 641 949 02	indicator - temperatur. - fuel gauge -		1	
5	928 641 962 03	indicator - volt - oil -		1	
(1)	928 641 106 37	instrument cluster	(A) (CH) (S) (D) (I) (N) (SF) (B) (L) (NL)	1	M481
2	928 641 967 07	speedometer		1	
3	928 641 965 15	tachometer		1	
4	928 641 933 03	indicator - temperatur. - fuel gauge -		1	
5 A	928 641 961 03	indicator		1	
5	928 641 961 CX	indicator - volt - oil -		1	
(1)	928 641 136 03	instrument cluster	(A) (CH) (S) (D) (I) (N) (SF) (B) (L) (NL)	1	M249
2	> 928 641 967 08	speedometer		1	
2	928 641 967 HX	speedometer		1	
3	928 641 965 16	tachometer		1	

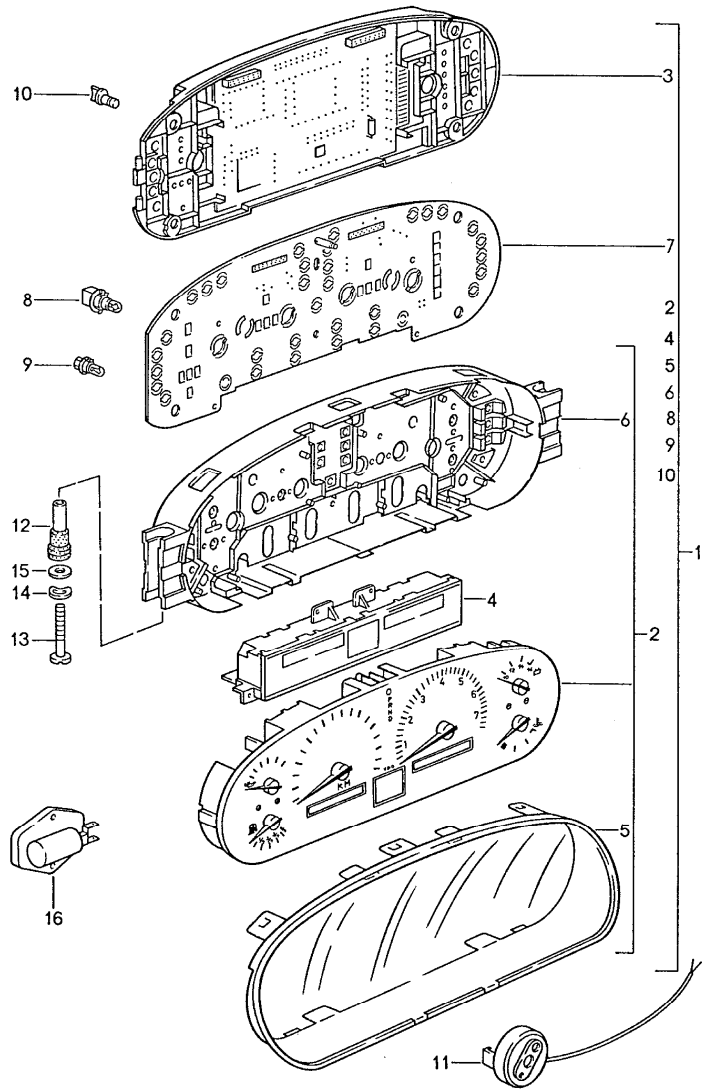
Model	Year	MG	SG	Illustration	Restrictions	UPD	19:48	23.01.2010	PORSCHE	PET	PORSCHE
928	1991	9	06	906-00		248					

Pos	Part Number	Description	Remark	Qty	Model	Pos	Part Number	Description	Remark	Qty	Model
4	928 641 933 03	indicator - temperat. - fuel gauge -		1		5	928 641 963 03	indicator - volt - oil -		1	
5	A 928 641 961 03	indicator		1		(1)	928 641 137 03	instrument cluster		1	(SA) M249
5	928 641 961 CX	indicator - volt - oil -		1		2	928 641 967 10	speedometer		1	
(1)	928 641 116 37	instrument cluster	(GB)	1	(HK) M481	3	928 641 965 16	tachometer		1	
2	928 641 957 06	speedometer		1		4	928 641 943 02	indicator - temperat. - fuel gauge -		1	
3	928 641 965 15	tachometer		1		5	928 641 963 03	indicator - volt - oil -		1	
4	928 641 943 02	indicator - temperat. - fuel gauge -		1				valid for other countries			
5	928 641 963 03	indicator - volt - oil -		1		(1)	928 641 114 37	instrument cluster		1	M481
(1)	928 641 126 03	instrument cluster	(GB)	1	(HK) M249	2	928 641 967 07	speedometer		1	
2	928 641 957 05	speedometer		1		3	928 641 965 15	tachometer		1	
3	928 641 965 16	tachometer		1		4	928 641 943 02	indicator - temperat. - fuel gauge -		1	
4	928 641 943 02	indicator - temperat. - fuel gauge -		1		5	928 641 963 03	indicator - volt - oil -		1	
5	928 641 963 03	indicator - volt - oil -		1		(1)	928 641 124 03	instrument cluster		1	M249
(1)	928 641 127 03	instrument cluster	(J)	1	M249	2	> 928 641 967 08	speedometer		1	
2	> 928 641 967 08	speedometer		1		2	928 641 967 HX	speedometer		1	
2	928 641 967 HX	speedometer		1		3	928 641 965 16	tachometer		1	
3	928 641 965 16	tachometer		1		4	928 641 943 02	indicator - temperat. - fuel gauge -		1	
4	928 641 943 02	indicator - temperat. - fuel gauge -		1		5	928 641 963 03	indicator - volt - oil -		1	
5	928 641 963 03	indicator - volt - oil -		1		6	928 641 921 00	solenoid coil trip meter		1	
(1)	928 641 117 37	instrument cluster		1	(SA) M481	6A	928 641 960 00	zero adjustment shaft trip meter		1	
2	928 641 967 09	speedometer		1		(7)	928 641 973 02	printed circuit film		1	
3	928 641 965 15	tachometer		1		8	999 631 301 90	bulb 12 V-1,2 W		19	
4	928 641 943 02	indicator - temperat. - fuel gauge -		1							

Model	Year	MG	SG	Illustration	Restrictions	UPD	19:48	23.01.2010	PORSCHE	PET	PORSCHE
928	1991	9	06	906-00		248					

Pos	Part Number	Description	Remark	Qty	Model	Pos	Part Number	Description	Remark	Qty	Model
9	928 641 927 00	bulb socket 12 V-3,0 W		4		-	915 660 509 00	tensioning spring		1	
10	928 641 968 01	mounting plate		1		-	N 011 524 7	washer 6,4		1	
11	999 631 301 90	bulb 12 V-1,2 W		19		-	900 075 010 02	hexagon-head bolt M 6 X 12		1	
12	900 631 019 90	glass-base bulb 12 V-3 W		4		-	999 651 158 02	cable holder		1	
13	928 641 958 00	printed circuit board temperature gauge fuel-level indicator charging control indicator		3		-	928 606 305 00	retaining bracket		1	
(13)	928 641 959 00	printed circuit board oil pressure indicator		1		-	113 142 261 A	clip		1	
14	928 606 210 01	pulse sender		1							
15	928 641 981 01	resistor		1							
16	928 552 049 02	spacer sleeve		4							
17	N 019 908 1	pan-head screw M 6 X 100		2							
18	A N 011 524 7	washer A 6,4		2							
(18)	N 011 524 7	washer A 6,4		2							
19	N 012 226 5	spring washer B 6		2							
20	928 641 982 00	bulb socket		4							
21	928 641 983 00	bulb 12 V-1,2W		4							
22	928 641 985 00	clip		3							
23	928 641 984 00	clip		4							
24	928 641 986 00	gasket		2							
25	944 612 553 00	connector housing		1	M249						
26	928 641 987 00	housing		1							
(27)	928 618 153 00	relay buzzer mounting parts pulse sender		1	M215						

Model	Year	MG	SG	Illustration	Restrictions	UPD	19:48	23.01.2010	PORSCHE	PET	PORSCHE
928	1991	9	06	906-01		248					



Pos	Part Number	Description	Remark	Qty	Model
		instrument cluster	89-		
		instrument cluster	89		
1	928 641 158 00	instrument cluster	(F)	1	M481
2	928 641 990 11	assembly - display -		1	
3	928 641 991 01	assembly - electronics -		1	
4	928 641 992 00	module		1	
1	928 641 158 01	instrument cluster	(F)	1	M481/639
2	928 641 990 11	assembly - display -		1	
3	928 641 991 01	assembly - electronics -		1	
4	928 641 992 00	module		1	
1	928 641 159 00	instrument cluster	(F)	1	M249
2	928 641 990 06	assembly - display -		1	
3	928 641 991 01	assembly - electronics -		1	
4	928 641 992 00	module		1	
1	928 641 150 00	instrument cluster	(A) (CH) (S) (D) (I) (N) (SF) (B) (L) (NL)	1	M481
2	928 641 990 10	assembly - display -		1	
3	928 641 991 00	assembly - electronics -		1	
4	928 641 992 00	module		1	
1	928 641 150 01	instrument cluster	(A) (CH) (S) (D) (I) (N) (NL) (B) (L) (SF)	1	M481/639
2	928 641 990 10	assembly - display -		1	

Model	Year	MG	SG	Illustration	Restrictions	UPD	19:48	23.01.2010	PORSCHE	PET	PORSCHE
928	1991	9	06	906-01		248					

Pos	Part Number	Description	Remark	Qty	Model	Pos	Part Number	Description	Remark	Qty	Model
3	928 641 991 00	assembly - electronics -		1		3	928 641 991 05	assembly - electronics -		1	
4	928 641 992 00	module		1		4	928 641 992 00	module		1	
1	928 641 151 00	instrument cluster	(A) (CH) (S) (D) (I) (N) (SF) (B) (L) (NL)	1	M249			valid for other countries			
2	928 641 990 05	assembly - display -		1		1	928 641 154 00	instrument cluster		1	M481
3	928 641 991 00	assembly - electronics -		1		2	928 641 990 12	assembly - display -		1	
4	928 641 992 00	module		1		3	928 641 991 02	assembly - electronics -		1	
1	928 641 156 00	instrument cluster	(GB)	1	M481	4	928 641 992 00	module		1	
2	928 641 990 13	assembly - display -		1		1	928 641 154 01	instrument cluster		1	M481/639
3	928 641 991 03	assembly - electronics -		1		2	928 641 990 12	assembly - display -		1	
4	928 641 992 00	module		1		3	928 641 991 02	assembly - electronics -		1	
1	928 641 156 01	instrument cluster	(GB)	1	M481 M639	4	928 641 992 00	module		1	
2	928 641 990 13	assembly - display -		1		1	928 641 155 00	instrument cluster		1	M249
3	928 641 991 03	assembly - electronics -		1		2	928 641 990 07	assembly - display -		1	
4	928 641 992 00	module		1		3	928 641 991 02	assembly - electronics -		1	
1	928 641 157 00	instrument cluster	(GB)	1	M249	4	928 641 992 00	module		1	
2	928 641 990 08	assembly - display -		1				instrument cluster		90	
3	928 641 991 03	assembly - electronics -		1		1	928 641 158 02	instrument cluster	(F)	1	M481
4	928 641 992 00	module		1		2	928 641 990 11	assembly - display -		1	
1	928 641 163 00	instrument cluster	(J)	1	M249	3	928 641 991 07	assembly - electronics -		1	
2	928 641 990 07	assembly - display -		1		4	928 641 992 00	module		1	
						1	928 641 159 01	instrument cluster	(F)	1	M249
						2	928 641 990 06	assembly - display -		1	
						3	928 641 991 07	assembly - electronics -		1	

Model	Year	MG	SG	Illustration	Restrictions	UPD	19:48	23.01.2010	PORSCHE	PET	PORSCHE
928	1991	9	06	906-01		248					

Pos	Part Number	Description	Remark	Qty	Model	Pos	Part Number	Description	Remark	Qty	Model
4	928 641 992 00	module		1		3	928 641 991 11	assembly - electronics -		1	
1	928 641 150 02	instrument cluster	(A) (CH) (S) (D) (I) (N) (SF) (B) (L) (NL)	1	M481	4	928 641 992 00	module		1	
2	928 641 990 10	assembly - display -		1		1	928 641 163 01	instrument cluster	(J)	1	M249
3	928 641 991 06	assembly - electronics -		1		2	928 641 990 07	assembly - display -		1	
4	928 641 992 00	module		1		3	928 641 991 11	assembly - electronics -		1	
1	928 641 151 01	instrument cluster	(A) (CH) (S) (D) (I) (N) (SF) (B) (L) (NL)	1	M249	4	928 641 992 00	module		1	
2	928 641 990 05	assembly - display -		1		1	928 641 164 02	instrument cluster	(I)	1	M481
3	928 641 991 06	assembly - electronics -		1		2	928 641 990 15	assembly - display -		1	
4	928 641 992 00	module		1		3	928 641 991 12	assembly - electronics -		1	
1	928 641 156 02	instrument cluster	(GB)	1	M481	4	928 641 992 00	module		1	
2	928 641 990 13	assembly - display -		1		1	928 641 165 01	instrument cluster	(I)	1	M249
3	928 641 991 09	assembly - electronics -		1		2	928 641 990 16	assembly - display -		1	
4	928 641 992 00	module		1		3	928 641 991 12	assembly - electronics -		1	
1	928 641 157 01	instrument cluster	(GB)	1	M249	4	928 641 992 00	module valid for other countries		1	
2	928 641 990 08	assembly - display -		1		1	928 641 154 02	instrument cluster		1	M481
3	928 641 991 09	assembly - electronics -		1		2	928 641 990 12	assembly - display -		1	
4	928 641 992 00	module		1		3	928 641 991 08	assembly - electronics -		1	
1	928 641 162 02	instrument cluster	(J)	1	M481	4	928 641 992 00	module		1	
2	928 641 990 12	assembly - display -		1		1	928 641 155 01	instrument cluster		1	M249
						2	928 641 990 07	assembly - display -		1	
						3	928 641 991 08	assembly - electronics -		1	
						4	928 641 992 00	module		1	

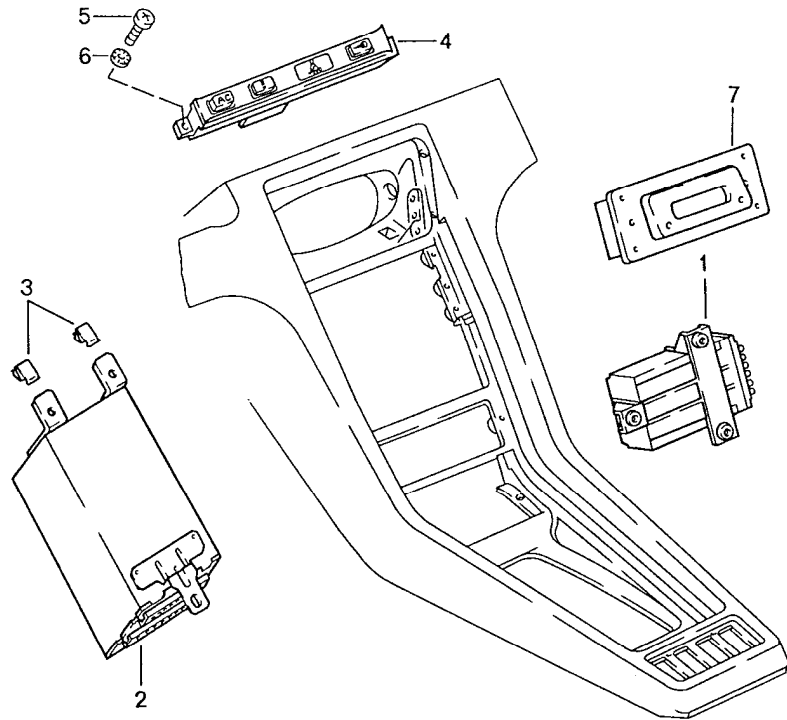
Model	Year	MG	SG	Illustration	Restrictions	UPD	19:48	23.01.2010	PORSCHE	PET	PORSCHE
928	1991	9	06	906-01		248					

Pos	Part Number	Description	Remark	Qty	Model	Pos	Part Number	Description	Remark	Qty	Model
		instrument cluster	91-			2	928 641 990 13	assembly - display -		1	
1	928 641 158 04	instrument cluster	(F)	1	M481	3	928 641 991 15	assembly - electronics -		1	
2	928 641 990 11	assembly - display -		1		4	928 641 992 00	module		1	
3	928 641 991 16	assembly - electronics -		1		1	928 641 157 03	instrument cluster	(GB)	1	M249
4	928 641 992 00	module		1		2	928 641 990 08	assembly - display -		1	
1	928 641 159 03	instrument cluster	(F)	1	M249	3	928 641 991 15	assembly - electronics -		1	
2	928 641 990 06	assembly - display -		1		4	928 641 992 00	module		1	
3	928 641 991 16	assembly - electronics -		1		1	928 641 162 04	instrument cluster	(J)	1	M481
4	928 641 992 00	module		1		2	928 641 990 12	assembly - display -		1	
1	928 641 150 04	instrument cluster	(A) (CH) (S) (D) (I) (N) (SF) (B) (L) (NL)	1	M481	3	928 641 991 17	assembly - electronics -		1	
2	928 641 990 10	assembly - display -		1		4	928 641 992 00	module		1	
3	928 641 991 13	assembly - electronics -		1		1	928 641 163 03	instrument cluster	(J)	1	M249
4	928 641 992 00	module		1		2	928 641 990 07	assembly - display -		1	
1	928 641 151 03	instrument cluster	(A) (CH) (S) (D) (I) (N) (SF) (B) (L) (NL)	1	M249	3	928 641 991 17	assembly - electronics -		1	
2	928 641 990 05	assembly - display -		1		4	928 641 992 00	module		1	
3	928 641 991 13	assembly - electronics -		1		1	928 641 164 04	instrument cluster	(I)	1	M481
4	928 641 992 00	module		1		2	928 641 990 15	assembly - display -		1	
1	928 641 156 04	instrument cluster	(GB)	1	M481	3	928 641 991 18	assembly - electronics -		1	
						4	928 641 992 00	module		1	
						1	928 641 165 03	instrument cluster	(I)	1	M249
						2	928 641 990 16	assembly - display -		1	

Model	Year	MG	SG	Illustration	Restrictions	UPD	19:48	23.01.2010	PORSCHE	PET	PORSCHE
928	1991	9	06	906-01		248					

Pos	Part Number	Description	Remark	Qty	Model	Pos	Part Number	Description	Remark	Qty	Model
3	928 641 991 18	assembly		1		13	N 019 908 1	pan-head screw M 6 X 100		2	
4	928 641 992 00	- electronics - module		1		14	N 011 524 7	washer A 6,4		2	
1	928 641 154 04	valid for other countries instrument cluster		1	M481	15	N 012 226 5	spring washer B 6		2	
2	928 641 990 12	assembly - display -		1		16	928 616 110 00	series resistor		1	
3	928 641 991 14	assembly		1		-	915 660 509 00	tensioning spring	-90	1	
4	928 641 992 00	- electronics - module		1		-	N 011 524 7	washer 6,4	-90	1	
1	928 641 155 03	instrument cluster		1	M249	-	999 072 005 09	hexagon-head bolt M 6 X 12	-90	1	
2	928 641 990 07	assembly - display -		1		-	999 651 158 02	cable holder	-90	1	
3	928 641 991 14	assembly		1		-	928 606 305 00	retaining bracket	-90	1	
4	928 641 992 00	- electronics - module		1		-	113 142 261 A	clip	-90	1	
5	928 641 987 01	housing		1							
6	928 641 968 02	housing		1							
7	928 641 973 03	printed circuit board		1							
8	928 641 982 01	glass-base bulb 12V 2W		4							
9	928 641 982 02	glass-base bulb 12V 1,5W red		4							
9	999 631 027 90	glass-base bulb 12V 1,5W clear		10							
9	928 641 982 04	glass-base bulb 12V 1,2W		16							
10	928 641 984 01	knob		4							
11	928 606 210 01	pulse sender	-90	1							
12	928 552 049 02	spacer sleeve		4							

Model	Year	MG	SG	Illustration	Restrictions	UPD	19:48	23.01.2010	PORSCHE	PET	PORSCHE
928	1991	9	06	906-05		248					

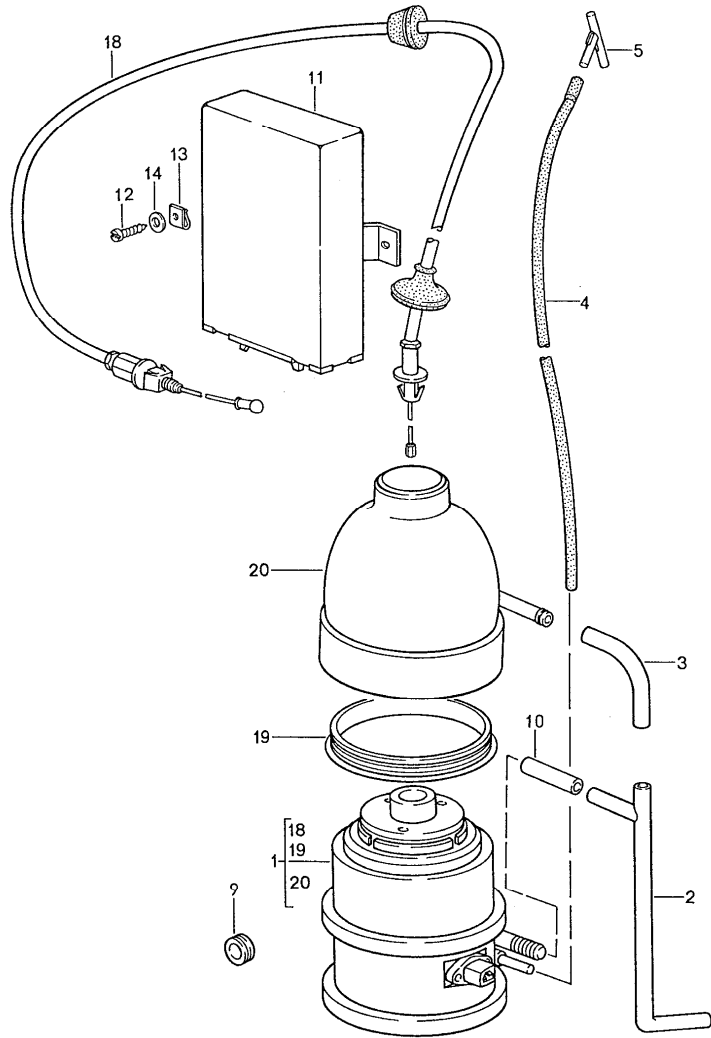


Pos	Part Number	Description	Remark	Qty	Model
		central indicator			
1	928 641 603 09	bulb controlling device		-90	1
(1)	928 641 603 09	bulb controlling device		-90	1 M612
(1) A	928 641 603 11	bulb controlling device		90	1 M602
(1)	928 641 603 11	bulb controlling device		-90	1 M602/612
(1)	928 641 603 09	bulb controlling device		91-	1
(1)	928 641 603 11	bulb controlling device		91-	1 M602
(1)	928 641 603 11	bulb controlling device	(AUS)	91-	1
(2)	928 641 602 05	central indicator	(J)	87	1
(2)	928 641 602 05	central indicator		87	1
(2)	928 641 602 05	central indicator		88-	1
3	999 591 470 02	cable clamp	/RL		2
4	928 641 609 15	keypad		87	1
(4)	928 641 609 10	keypad without air conditioner		88	1 M637
(4)	928 641 609 13	keypad with air conditioner		88	1 M637
(4)	928 641 609 17	keypad		89	1
(4)	928 641 609 22	keypad		90-	1
	70B	black			
5	999 919 008 07	oval-head screw 3,9 X 13			2
6	N 011 522 14	washer 4,3			2
7	928 641 701 03	clock digital display		-89	1
(7)	928 641 701 05	clock		90-	1
	70B	black analogue display			
		mounting parts indicator			
-	900 151 027 02	washer B 5,3			2

Model	Year	MG	SG	Illustration	Restrictions	UPD	19:48	23.01.2010	PORSCHE	PET	PORSCHE
928	1991	9	06	906-05		248					

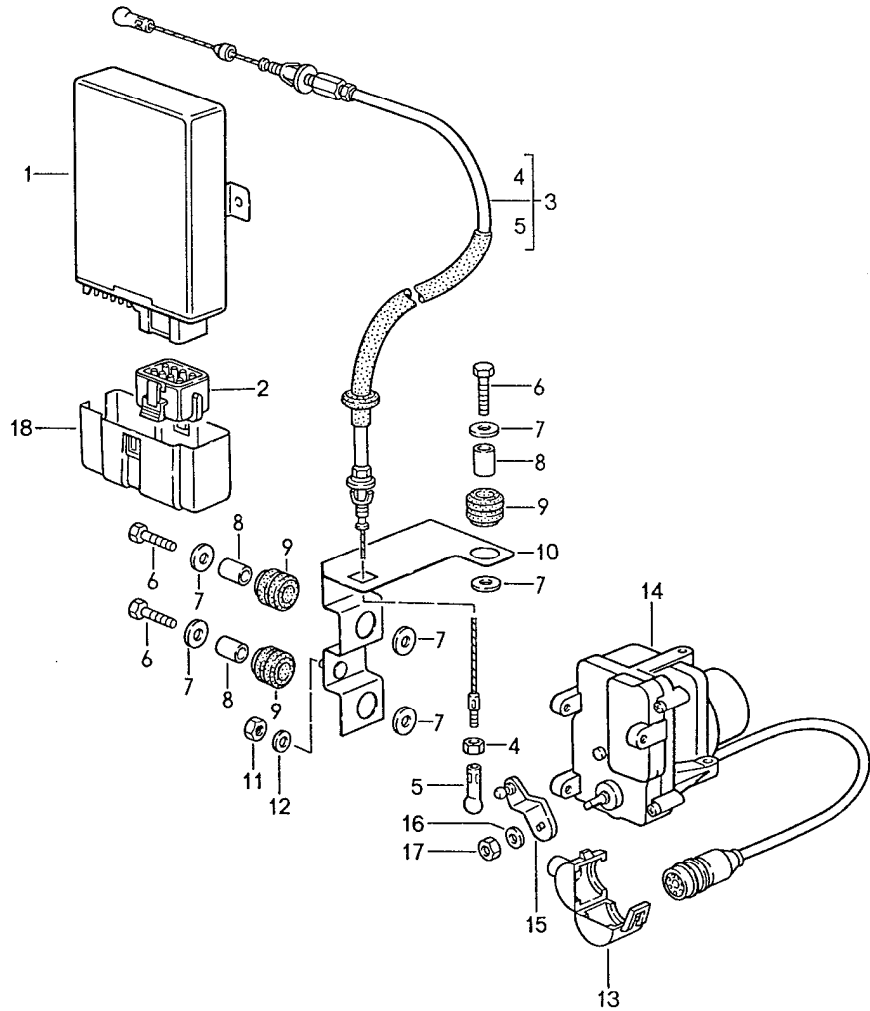
Pos	Part Number	Description	Remark	Qty	Model	Pos	Part Number	Description	Remark	Qty	Model
-	N 011 005 14	hexagon nut M 5		2							

Model	Year	MG	SG	Illustration	Restrictions	UPD	19:48	23.01.2010	PORSCHE	PET	PORSCHE
928	1991	9	07	907-00		248					



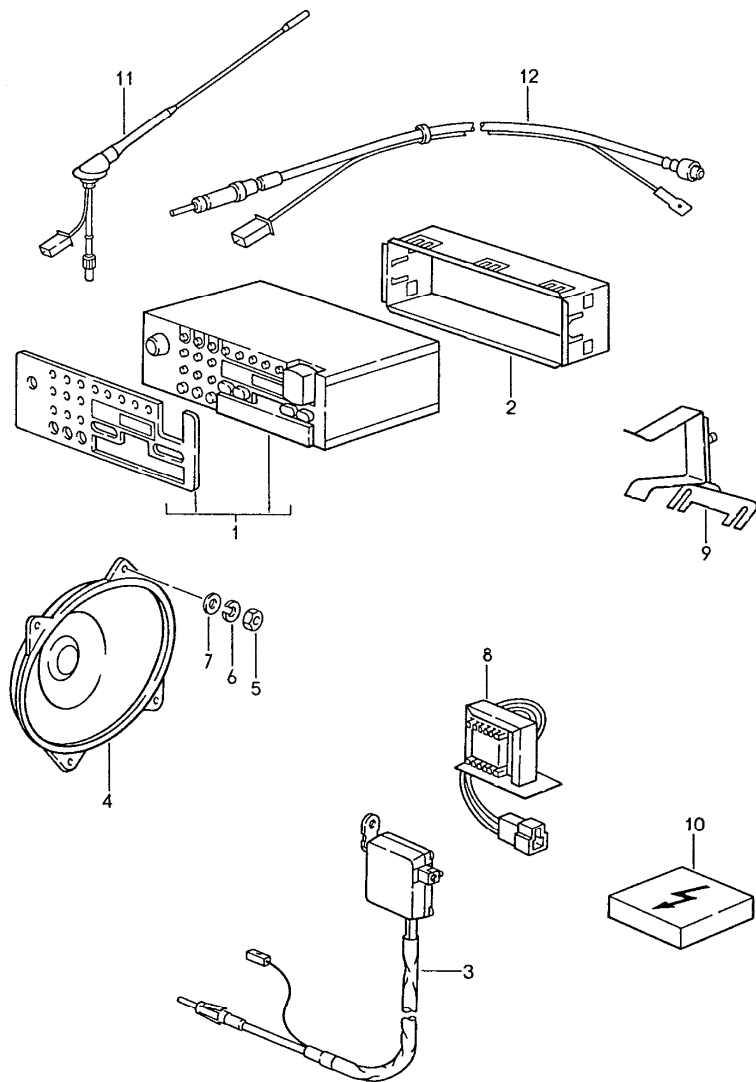
Pos	Part Number	Description	Remark	Qty	Model
		cruise control	87		
1	928 617 121 04	drive link		1	
2	928 617 124 00	breather pipe		1	
3	928 617 123 00	connecting piece vacuum line see group 8/13/05 POS.5		1 1	
5	928 574 678 02	y-piece		1	
9	021 119 569 A	rubber sleeve		1	
-	N 020 359 1	hose 9 X 14		*	
10	-	48 MM		1	
11	928 617 127 00	cruise control regulator		1	
12	900 187 013 02	tapping screw 4,2 X 13		2	
13	N 015 429 2	speed nut		2	
14	900 151 001 02	washer 4,3		2	
18	928 617 125 03	bowden cable		1	
19	928 617 902 00	gasket		1	
20	928 617 903 00	protection cap		1	

Model	Year	MG	SG	Illustration	Restrictions	UPD	19:48	23.01.2010	PORSCHE	PET	PORSCHE
928	1991	9	07	907-01		248					



Pos	Part Number	Description	Remark	Qty	Model
		cruise control	88-		
1	911 617 227 00	control unit		1	
2	911 617 427 00	coding plug		1	
3	928 110 606 00	bowden cable		1	
4	N 011 005 14	hexagon nut		1	
5	911 423 147 00	ball socket		1	
6	900 075 017 02	hexagon-head bolt M 6 X 25		3	
7	N 011 666 7	washer B 6,4		6	
8	999 531 014 02	bush		3	
9	999 702 133 40	rubber mounting		3	
10	928 617 065 00	support		1	
11	900 076 010 02	hexagon nut M 6		2	
12	N 011 524 7	washer A 6,4		2	
13	944 612 450 00	support		1	
14	944 617 121 00	drive link		1	
15	944 423 047 00	lever		1	
16	N 012 229 3	spring washer A 8		1	
17	N 011 018 4	hexagon nut M 8 X 1		1	
18	911 617 133 02	cap		1	

Model	Year	MG	SG	Illustration	Restrictions	UPD	19:48	23.01.2010	PORSCHE	PET	PORSCHE
928	1991	9	11	911-00		248					

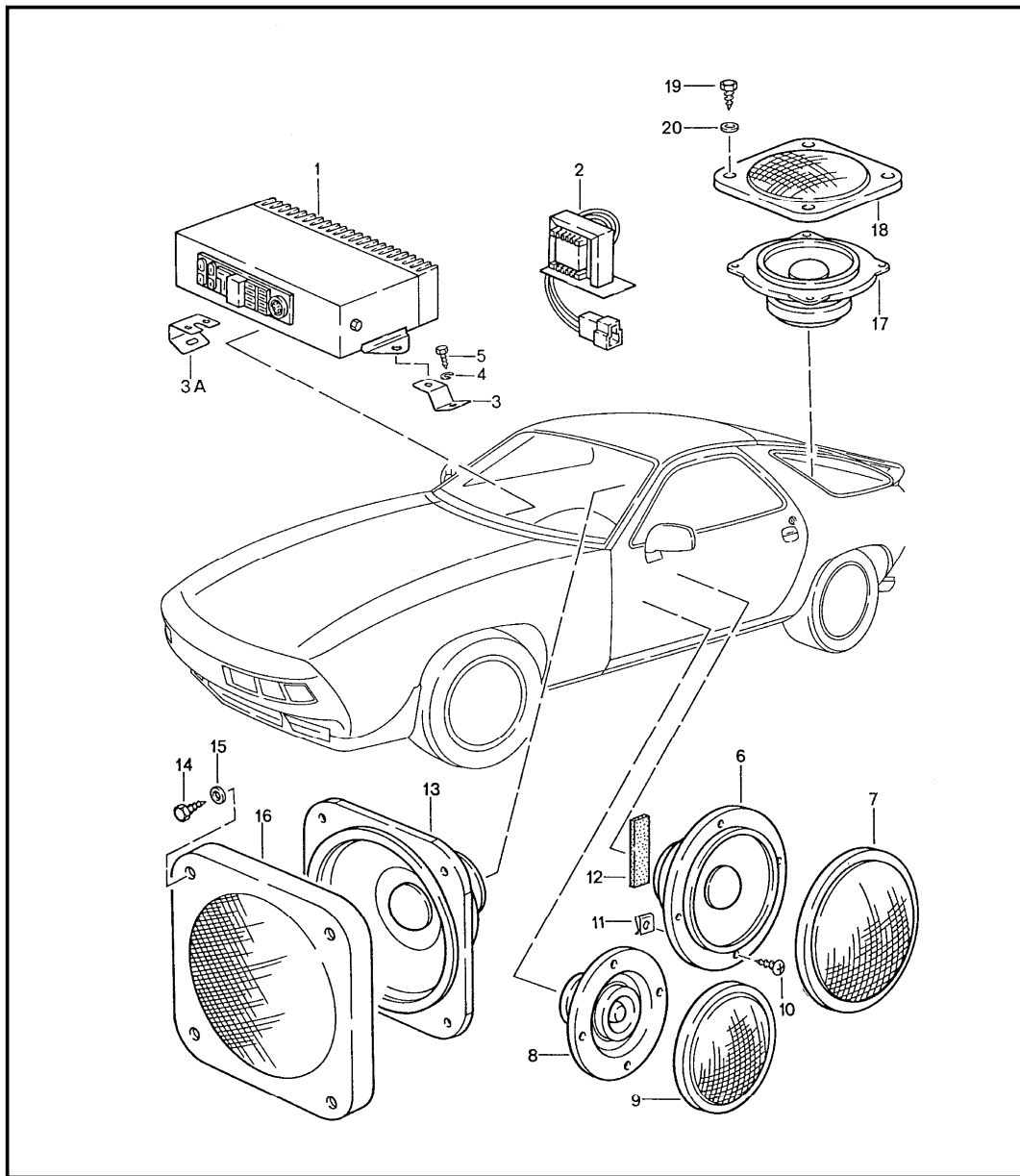


Pos	Part Number	Description	Remark	Qty	Model
1	> 911 645 168 00	radio installation parts		1	
(1)	> 911 645 169 00	radio LUDWIGSBURG SQM 26		1	
(1)	> 911 645 071 01	radio BERLIN IQR 86	-87	1	
(1)	> 911 645 071 01	radio BERLIN IQR 88	88-	1	
(1)	> 911 645 159 01	radio BREMEN SQR 46	(A) (CH) (D) -90	1	
(1)	> 911 645 139 02	radio TORONTO SQR 46	-90	1	
(1)	> 964 645 101 00	radio SYMPHONY	91-	1	
-	928 645 903 00	cover cover left		1	
-	928 645 904 00	cover cover right		1	
-	911 645 263 00	connecting cable for antenna	-88	1	M326
-	> 928 645 018 00	installation set cd player CD 10	89-	1	
2	911 645 173 02	retaining frame		1	
(2)	911 645 173 03	retaining frame with alarm contact	89-	1	
3	928 645 173 02	antenna booster	-88	1	
-	941 645 183 00	extension cable	-88	1	
4	928 645 402 00	loudspeaker front	-88	2	
(4)	928 645 403 00	loudspeaker rear	-88	2	
5	N 011 004 6	hexagon nut M 4	-88	16	

Model	Year	MG	SG	Illustration	Restrictions	UPD	19:48	23.01.2010	PORSCHE	PET	PORSCHE
928	1991	9	11	911-00		248					

Pos	Part Number	Description	Remark	Qty	Model	Pos	Part Number	Description	Remark	Qty	Model
6	900 027 011 01	lock ring B 4	-88	16							
7	900 151 001 02	washer A 4,3	-88	16							
(8)	999 619 138 00	interference-suppr. choke	-90	1							
9	928 645 011 01	retaining bracket	-90	1							
(9)	928 645 020 00	retaining bracket	91-	1							
10	928 645 901 01	suppression set		1							
11	928 645 201 00	antenna with booster	89-	1							
-	928 645 902 00	antenna rod		1							
12	944 645 202 00	extension cable for antenna	89-	1							

Model	Year	MG	SG	Illustration	Restrictions	UPD	19:49	23.01.2010	PORSCHE	PET	PORSCHE
928	1991	9	11	911-01		248					

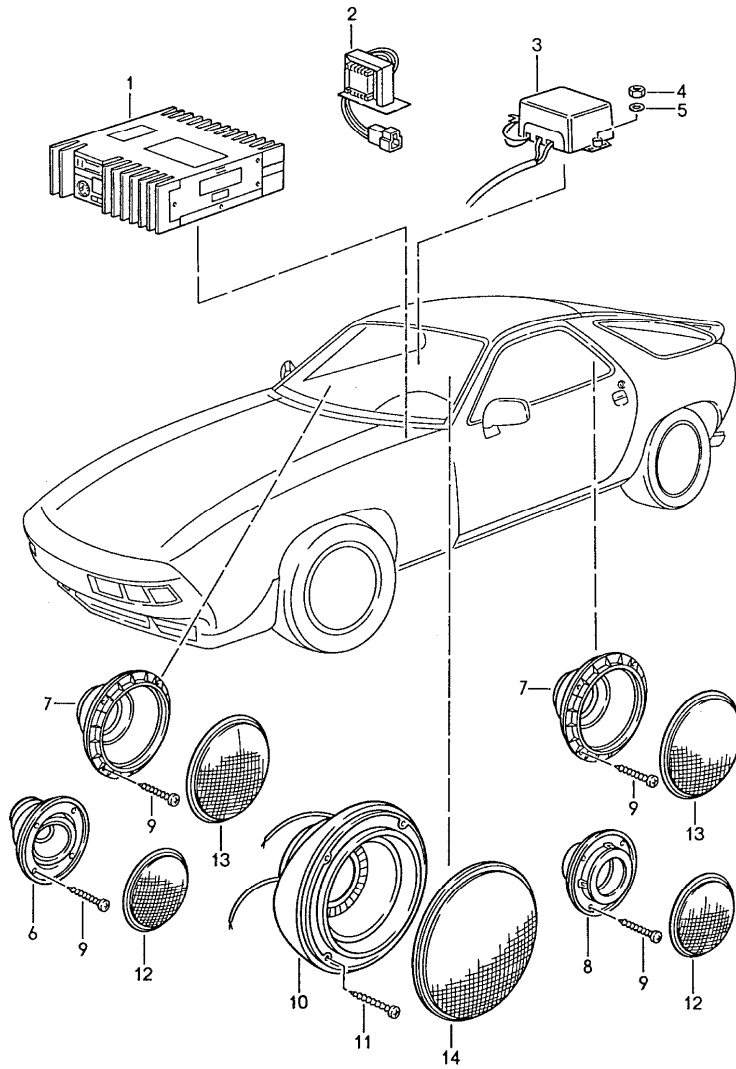


Pos	Part Number	Description	Remark	Qty	Model
		booster loudspeaker	-88		M490 M490
1	> 928 645 405 02	amplifier		1	
(2)	999 619 141 00	interference-suppr. choke	-90	1	
(2)	999 619 142 00	interference-suppr. choke use also: for subsequent installat. radio		1	
3	928 645 077 01	support		1	
(3A)	928 645 044 00	retaining bar		1	
4	N 012 222 4	spring washer B 5		2	
5	N 013 968 7	tapping screw 4,8 X 13		2	
6	928 645 428 00	mid-range loudspeaker		2	
7	928 645 430 00	grille		2	
8	928 645 427 00	tweeter		2	
9	928 645 429 00	grille		2	
10	900 143 047 07	tapping screw B 4,2 X 19		16	
11	999 591 583 02	speed nut		16	
12	928 612 494 00	piece of plastic foam		2	
13	928 645 411 02	bass loudspeaker		2	
14	900 143 135 07	tapping screw B 4,2 X 45		8	
15	900 025 049 07	washer A 4,3		8	
16	928 645 425 00	cover	/L	1	
(16)	928 645 426 00	cover	/R	1	
17	928 645 413 00	mid-range loudspeaker		2	
18	928 645 423 00	loudspeaker grille		2	
19	900 143 121 07	tapping screw B 4,2 X 16		8	

Model	Year	MG	SG	Illustration	Restrictions	UPD	19:49	23.01.2010	PORSCHE	PET	PORSCHE
928	1991	9	11	911-01		248					

Pos	Part Number	Description	Remark	Qty	Model	Pos	Part Number	Description	Remark	Qty	Model
20	900 025 049 07	washer A 4,3 wiring harness for loudspeaker see group 9/02/15		8							

Model	Year	MG	SG	Illustration	Restrictions	UPD	19:49	23.01.2010	PORSCHE	PET	PORSCHE
928	1991	9	11	911-02		248					

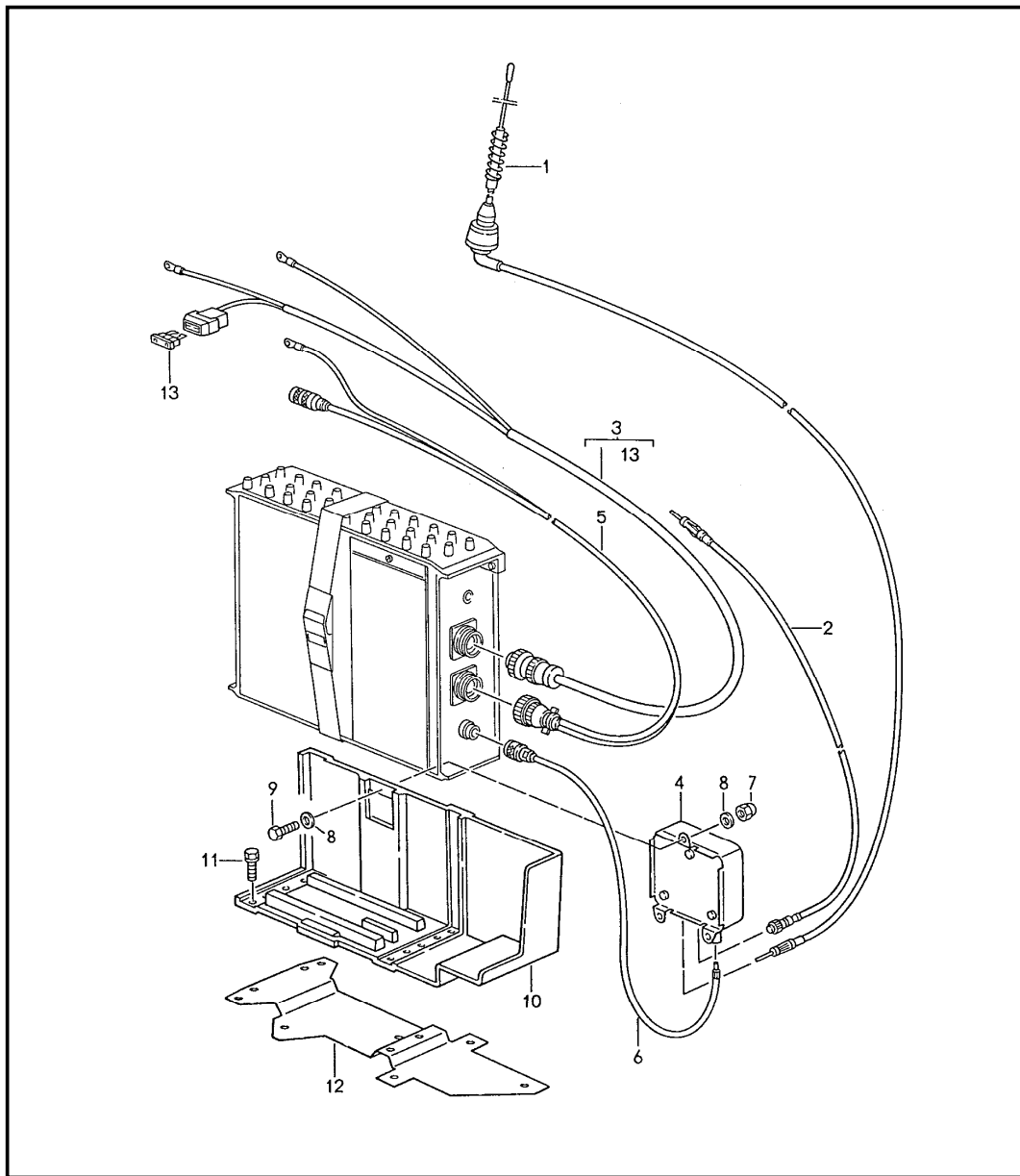


Pos	Part Number	Description	Remark	Qty	Model
		sound system with booster	89-		
1	> 928 645 435 01	booster		1	
2	999 619 142 00	interference-suppr. choke		1	
3	928 645 441 00	diplexer		2	
4	N 011 004 6	hexagon nut M 4		4	
5	900 025 002 02	washer A 4,3		4	
6	928 645 211 00	tweeter		2	
7	928 645 212 00	mid-range loudspeaker		4	
8	928 645 214 00	tweeter		2	
9	900 143 047 07	tapping screw B 4,2 X 19		32	
10	928 645 215 00	bass loudspeaker	/L	1	
(10)	928 645 216 00	bass loudspeaker	/R	1	
11	900 143 077 02	tapping screw B 4,2 X 32		8	
12	A 928 555 689 00	grille for tweeter		4	
(12)	928 555 689 00	grille		4	
		01C black for tweeter			
13	A 928 555 691 00	grille for mid-range loudspeaker		4	
(13)	928 555 691 00	grille		4	
		01C black for mid-range loudspeaker			
14	A 928 555 693 00	grille for woofer		2	
(14)	928 555 693 00	grille		2	

Model	Year	MG	SG	Illustration	Restrictions	UPD	19:49	23.01.2010	PORSCHE	PET	PORSCHE
928	1991	9	11	911-02		248					

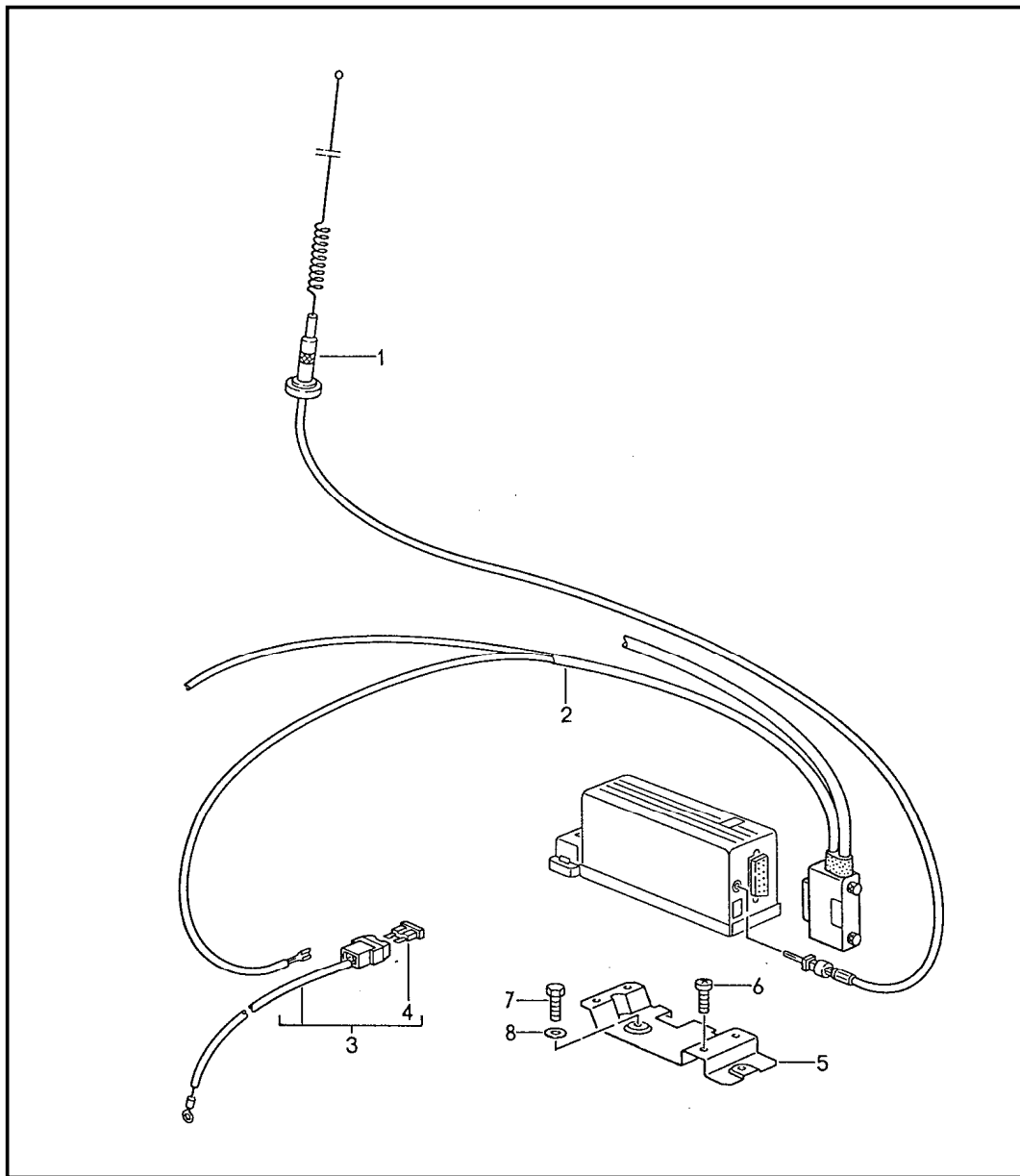
Pos	Part Number	Description	Remark	Qty	Model	Pos	Part Number	Description	Remark	Qty	Model
	01C	black for woofer									

Model	Year	MG	SG	Illustration	Restrictions	UPD	19:49	23.01.2010	PORSCHE	PET	PORSCHE
928	1991	9	12	912-00		248					



Pos	Part Number	Description	Remark	Qty	Model
		preparation for telephone			M496
1	928 646 125 00	antenna		1	
2	928 646 032 00	wiring harness		1	
3	928 646 071 03	wiring harness		1	
4	928 646 115 00	diplexer		1	
5	928 646 035 00	wiring harness		1	
6	928 646 034 00	line		1	
7	N 011 141 2	cap nut M 5		3	
8	900 025 003 02	washer A 5,3		6	
9	900 075 145 02	hexagon-head bolt M 5 X 16		3	
10	928 646 117 00	bracket		1	
11	999 075 048 02	hexagon-head bolt M 6 X 22		4	
12	928 502 581 02	retainer plate		1	
13	999 607 007 00	fuse 15 A		1	

Model	Year	MG	SG	Illustration	Restrictions	UPD	19:49	23.01.2010	PORSCHE	PET	PORSCHE
928	1991	9	12	912-01		248					



Pos	Part Number	Description	Remark	Qty	Model
		preparation for telephone			M195
1	928 646 126 00	antenna		1	
2	928 646 037 00	wiring harness		1	
3	928 646 301 00	wiring harness		1	
4	999 607 007 00	fuse 15 A		1	
5	928 646 015 00	retainer plate		1	
6	900 146 011 02	oval-head screw M 4 X 10		4	
7	900 075 057 02	hexagon-head bolt M 6 X 16		2	
8	900 025 014 02	washer B 6,4		2	

M000 ! SUMMARY OF OPTIONAL EXTRAS "M!"
M018 SPORTS STEERING WHEEL
M018 WITH ELEVATED HUB 30MM
M020 SPEEDOMETER WITH TWO SCALES MPH-KM/H
M024 VERSION FOR GREECE
M027 VERSION FOR CALIFORNIA
M034 VERSION FOR ITALY
M058 IMPACT ABSORBERS FRONT AND REAR
M061 VERSION FOR GREAT BRITAIN
M062 VERSION FOR SWEDEN
M063 VERSION LUXEMBURG
M111 VERSION FOR AUSTRIA
M113 VERSION FOR CANADA
M114 VERSION FOR TAIWAN
M119 VERSION FOR SPAIN
M124 VERSION FOR FRANCE
M126 CONTROL AND INDICATIONS IN FRENCH LETTERING
M127 CONTROL AND INDICATIONS IN SCHWEDISCH
M130 CONTROL AND INDICATIONS IN ENGLISH LETTERING
M139 SEAT HEATING SYSTEM, LEFT SEAT
M150 OPERATES WITH LEADED GAS
M157 THREE-BED CATALYST, OXYGEN SENSOR AND DIGITAL
M157 ELECTRICAL ENGINE EQUIPMENT
M158 RADIO BLAUPUNKT RENO SQR 46
M193 VERSION FOR JAPAN
M195 PREPARED FOR CELLULAR-TELEPHONE SYSTEM
M208 TRAILER COUPLING
M215 VERSION FOR SAUDI ARABIA
M219 DIFFERENTIAL
M220 LOCKING DIFFERENTIAL 40 %
M221 PORSCHE-LOCKING DIFFERENTIAL
M249 AUTOMATIC TRANSMISSION
M261 OUTSIDE MIRROR - PLAIN - PASSENGER'S SIDE,
M261 ELECTRICALLY ADJUSTABLE AND HEATABLE
M277 VERSION FOR SWITZERLAND
M286 INTENSIFIED WINDSHIELD WASHER
M293 PREPARED FOR TELEPHONE BECKER
M293 B-2 NETWORK
M295 PREPARED FOR TELEPHONE TEKADE
M295 B-2 NETWORK
M298 CATALYST TOGETHER WITH
M298 MANUAL TRANSMISSION
M299 CATALYST TOGETHER WITH
M299 AUTOMATIC TRANSMISSION
M302 NAME OF TYPE ON REAR END
M317 EQUIPMENT FOR COUNTRIES
M317 WITH DUST-LADEN AIR
M325 VERSION FOR SOUTH AFRICA/NEW ZEALAND
M326 RADIO BLAUPUNKT BERLIN IQR 88
M326 WITH ARI
M328 RADIO BLAUPUNKT BREMEN SQR 46

M328 WITH ARI
M329 RADIO BLAUPUNKT TORONTO SQR 48
M330 RADIO BLAUPUNKT TORONTO SQR 46
M331 RADIO "PORSCHE CR-1"
M335 AUTOMATIC SAFETY BELT, 3-POINT,
M335 REAR
M340 SEAT HEATING SYSTEM, RIGHT SEAT
M341 CENTRAL LOCKING SYSTEM
M347 FORGED WHEELS PLATINUM-ANODIZED
M347 RIM 7 X 16
M347 TIRE 225/50 VR 16
M383 SPORT SEAT LEFT, ELECTRICAL
M383 VERTICALLY ADJUSTABLE
M387 SPORT SEAT RIGHT, ELECTRICAL
M387 VERTICALLY ADJUSTABLE
M393 CLUB-SPORT - WHEEL 16 INCHES
M395 LIGHT-METAL RIMS,
M395 FORGED, 16 IN.
M400 CAST WHEEL, CLUB-SPORT 7,5/9J X 16
M400 (CAST ALUMINIUM)
M418 SIDE PROTECTION MOLDINGS
M423 BOX FOR CASSETTES AND COINS
M430 FOG HEAD-LAMP YELLOW
M437 COMFORT SEAT LEFT,
M437 ELECTRICALLY ADJUSTABLE
M438 COMFORT SEAT RIGHT,
M438 ELECTRICALLY ADJUSTABLE
M441 PREPARED FOR RADIO
M454 AUTOMATIC SPEED CONTROL
M460 ADDITIONAL INTANK PUMP
M462 WINDSHIELD "SEKURIFLEX"
M463 WINDSHIELD CLEAR
M467 OUTSIDE MIRROR FOR DRIVER'S SIDE, CONVEX,
M467 ELECTRICALLY HEATABLE AND ADJUSTABLE
M471 INTEGRATED REAR SPOILER
M474 SHOCK ABSORBER (SPORTING) FRONT AND REAR
M475 BRAKE PADS WITHOUT ASBESTOS
M479 VERSION FOR AUSTRALIA
M481 MANUAL TRANSMISSION
M482 TIRE PRESSURE GAUGE
M483 DEFERRING ENGINE PARTS FOR RIGHT HAND DRIVE
M484 VERSION FOR USA
M488 INSCRIPTIONS IN GERMAN LANGUAGE
M489 SWITCHES AND INSIGNIAS IN GERMAN LANGUAGE
M490 SOUND SYSTEM
M492 FOR LEFT-HAND TRAFFIC
M494 ADDITIONAL AMPLIFIER
M496 PREPARED FOR PHILIPS TELEPHONE "C"-NETWORK
M498 WITHOUT VEHICLE-TYPE-LETTERING ON REAR END
M499 VERSION FOR GERMANY
M513 BACK-SUPPORT (LORDOSE) RIGHT SEAT

M525 ANTI-THEFT DEVICE WITH CONTINUOUS SOUND
M528 OUTER REAR VIEW MIRROR FOR PASSENGER'S SIDE
M528 - CONVEX - ELECTRICALLY HEATABLE AND ADJUSTABLE
M533 ANTI-THEFT DEVICE
M537 SEATING POSITION CONTROL FOR
M537 CONFORT SEAT, LEFT
M538 SEATING POSITION CONTROL
M538 FOR CONFORT SEAT, RIGHT
M553 VERSION FOR USA, CANADA
M562 AIRBAGDRIVER'S SIDE AND FRONT PASSENGER'S SIDE
M564 WITHOUT AIRBAG
M567 WINDSHIELD TINTED, UPPER PART
M567 DARKER COLOURED
M570 AIR CONDITIONER WITH IMPROVED EFFICIENCY
M573 AIR CONDITIONER
M576 WITHOUT REAR FOG LAMP
M586 BACK-SUPPORT (LORDOSE) LEFT SEAT
M593 ANTIBLOCK SYSTEM (BOSCH)
M595 REAR SPOILER WITH COLOR OF THE CAR
M602 ARAISED STOP LAMP
M612 PREPARED FOR PHILIPS TELEPHONE "C2"-NETWORK
M637 CLUB-SPORT "CS"
M639 VERSION "GT"
M650 ELECTRICAL SLIDING ROOF
M680 HI-FI SOUND SYSTEM WITH BOOSTER
M685 REAR SEATS, DEVIDED
M686 RADIO BLAUPUNKT LUDWIGSBURG SQM 26 ARI
M688 RADIO BLAUPUNKT BOSTON SQM 23
M690 CD-PLAYER "CD-10"
M690 RADIO + ARI
M691 CD-PLAYER "CD-2" WITH RADIO
M900 TOURIST'S
M900 CARS
M933 SEAT COVERS, REAR
M933 CLOTH/LEATHER/LEATHER
M935 SEAT COVERS REAR, DRAPED LEATHER
M948 SEAT COVERS, FRONT
M948 CLOTH/LEATHER/LEATHER
M980 SEAT COVER - DRAPED LEATHER
M981 LEATHER EQUIPMENT
M983 SEAT COVERS FRONT, LEATHER
M986 PARTIAL LEATHER EQUIPMENT

Model	Year	MG	SG	Illustration	VIN No.	Update		
928	91					230	16:55	01.09.2008

EQUIPMENT BY COUNTRY REGULATIONS

=====

- (A) AUSTRIA
- (AG) ARABIAN GULF STATES
- (AUS) AUSTRALIA
- (B) BELGIUM
- (CDN) CANADA
- (CH) SWITZERLAND
- (D) FEDERAL REPUBLIC OF GERMANY
- (DK) DENMARK
- (E) SPAIN
- (F) FRANCE
- (GB) GREAT BRITAIN
- (GR) GREECE
- (HK) HONGKONG
- (I) ITALY
- (J) JAPAN

Model	Year	MG	SG	Illustration	VIN No.	Update		
928	91					230	16:55	01.09.2008

(L) LUXEMBURG

(N) NORWAY

(NL) NETHERLANDS

(NZ) NEW ZEALAND

(P) PORTUGAL

(RC) TAIWAN

(S) SWEDEN

(SA) SAUDI ARABIA

(SF) FINLAND

(USA) UNITED STATES OF AMERICA

(ZA) SOUTH AFRICA

Model	Year	MG	SG	Illustration	VIN No.	Update	16:55	01.09.2008
928	91					230		

IN COLUMN - A -

IDENTIFICATION LETTER FOR PERIOD OF INSTALLATION
 THAT IS REPEATED SEVERAL TIMES IN THE CATALOG GROUP.

EXPLANATION PLEASE FIND IN TEXT COLUMN OF THE CATALOG GROUP

IN COLUMN - QU - = NO. OF PIECES

- 1 NUMBER PER APPLICATION
- X NUMBER AS NEEDED
- * AVAILABLE ONLY IN RUNNING LENGTHS 1 = 1 METRE

IN COLUMN - MODEL/SYMBOL -

- M650 OPTIONAL EQUIPMENT - SEE M-NO. LIST
- 90 LIMITATION OF MODEL YEAR FOR INSTANCE: VALID UP TO
 END OF MODEL YEAR 1990
- /LL LHD
- /RL RHD
- +
- /V FRONT I

Model	Year	MG	SG	Illustration	VIN No.	Update		
928	91					230	16:55	01.09.2008

I
 /H REAR I
 I----> APPLIES TO
 /L LEFT I DIRECTION OF TRAVEL
 I
 /R RIGHT I
 -----+
 AUT. AUTOMATIC
 WW THE PART CAN BE USED INSTEAD OF THE
 PRECEDING ONE

Model	Year	MG	SG	Illustration	VIN No.	Update	16:54	01.09.2008
928	91					230		

LEGENDS AND NOTICES

=====

IN COLUMN -S- STATUS

- N NEW ADDITION

- P PART ALREADY IN PROGRAMME, BUT NEW
AT THIS APPLICATION

- W DELETED AT THIS APPLICATION, BUT CONTINUED
TO BE CARRIED

- A STOCK TO BE USED UP

- U DELETED WITHOUT REPLACEMENT

- E THIS PART NO. IS NO LONGER AVAILABLE FROM PORSCHE

- * PART ALSO OR ONLY AVAILABLE
IN REPAIR KIT

- > ALSO AVAILABLE IN EXCHANGE

- IN COLUMN - ILL. -

- 1 IDENTIFICATION NO. IN ILLUSTRATION

- (1) PART ONLY SIMILAR AS ILLUSTRATED

Model	Year	MG	SG	Illustration	VIN No.	Update	16:54	01.09.2008
928	91					230		

- PART IS NOT ILLUSTRATED

FIG.-NUMBERS FOR WHICH THERE IS SHOWN NO TEXT ARE
NOT VALID FOR THIS EDITION OF CATALOGUE

IN COLUMN -PART NUMBER/CODE-

000 000 000 00 PART NUMBER EQUALS ORDERING NO., IF A CODE IS
SHOWN, IT WILL HAVE TO BE PART OF ORDERING
NUMBER

AC3 COLOUR CODE

IN COLUMN -TEXT

INSTALLATION WIRH ENGINE OR CHASSIS
NUMBER-RANGE

EXAMPLE:

M 65H 00134 >> FROM ENGINE NO.

F >> 95 HS90 00143 UP TO VIN

Model 928	Year 91	MG	SG	Illustration	VIN No.	Update 230	16:54	01.09.2008
--------------	------------	----	----	--------------	---------	---------------	-------	------------

VEHICLE TYPE	TRANSM.			TRANSMISSION NO.	TECHNICAL DATA
	TYPE	MY			
928 S4	G28.12	87 H	11H 00001 > 11H 05000	5-SPEED	
928 S4 (USA) (CDN)	G28.13	87 H	11H 05000 > 11H 10000	5-SPEED	
928 S4 M249	A28.14	87 H	16H 10001 > 16H 15000	4-SPEED	
928 S4 (USA) (CDN) (J) M249	A28.12	87 H	16H 00001 > 16H 05000	4-SPEED	
928 S4	G28.12	88 J	G2812 1J00001>1J10000	5-SPEED	
928 S4 M220	G28.12	88 J	G2812 2J10001>2J20000	5-SPEED	
928 CS M637	G28.55	88 J	G2855 2J10001>2J11000	5-SPEED	
928 S4 (USA) (CDN)	G28.13	88 J	G2813 1J00001>1J10000	5-SPEED	
928 S4 (USA) (CDN) M220	G28.13	88 J	G2813 2J10001>2J20000	5-SPEED	
928 S4 M249	A28.14	88 J	A2814 1J00001>1J10000	4-SPEED	
928 S4 M249/220	A28.14	88 J	A2814 2J10001>2J20000	4-SPEED	
928 S4 (USA) (CDN) (J) M249	A28.12	88 J	A2812 1J00001>1J10000	4-SPEED	
928 S4 (USA) (CDN) (J) M249/	A28.12	88 J	A2812 2J10001>2J20000	4-SPEED	
			220		
928 S4	G28.12	89 K	G2812 1K00001>1K10000	5-SPEED	
928 S4 M220	G28.12	89 K	G2812 2K00001>2K20000	5-SPEED	
928 CS M637/ 928 GT	G28.55	89 K	G2855 2K00001>2K01000	5-SPEED	
928 S4 M249	A28.16	89 K	A2816 1K00001>1K10000	4-SPEED	
928 S4 M249/220	A28.16	89 K	A2816 2K00001>2K20000	4-SPEED	
928 S4	A28.16	90 L	A2816 3L00001>3L20000	4-SPEED	
928 GT	G28.55	90 L	G2855 3L00001>3L20000	5-SPEED	
928 S4	A28.16	91 M	A2816 3M00001>3M20000	4-SPEED	
928 GT	G28.55	91 M	G2855 3M00001>3M00001	5-SPEED	

Model	Year	MG	SG	Illustration	VIN No.	Update	16:54	01.09.2008
928	91					230		

EXPLANATION OF THE TRANSMISSION-NUMBERS USED IN THE CATALOGUE >>MOD.87

=====

DIGIT: 1 2 3 4 5 6 7 8

EXAMPLE: 1 1 H 0 6 8 4 5

 = = = =====

 ! ! ! !

TRANSMISSION TYPE-----+ ! ! !

 ! ! !

TRANSMISSION VERSION-----+ ! !

 ! !

MODEL YEAR-----+ !

 !

SERIAL NUMBER-----+ !

EXPLANATION OF THE TRANSMISSION-NUMBERS USED IN THE CATALOGUE MOD.88>>

=====

DIGIT: 1 2 3 4 5 6 7 8 9 10 11 12

EXAMPLE: G 2 8 1 2 1 K 0 0 5 4 3

 = ===== = = =====

 ! ! ! ! !

 ! ! ! ! !

TRANSMISSION TYPE-----+ ! ! ! !

 ! ! ! !

TRANSMISSION VERSION-----+ ! ! !

 ! ! !

INDEX OF VARIANTS-----+ ! !

Model	Year	MG	SG	Illustration	VIN No.	Update	16:54	01.09.2008
928	91					230		

```

!      !
MODEL YEAR-----+      !
!
SERIAL NUMBER-----+

```

```

SHORT TRANSMISSION NO.=====> PORSCHE-TRANSMISSION-TYPE
=====

```

```

722 270 21 01 722 326 02 . . . . . = A28.12/14
722 270 32 01 722 360 02 . . . . . = A28.16  SEE TPI GR.3/NR.5/12.90
722 270 32 01 722 360 03 . . . . . = A28.16  SEE TPI GR.3/NR.5/12.90

```

I _____ I

V

SHORT TRANSMISSION NO.

V

=====

V

_____V_____

DIGIT: 1 2 3 4 5 6 7

EXAMPLE: A 9 0 9 6 3 8

= =====

! !

TRANSMISSION TYPE----+ !

!

SERIAL NUMBER-----+ !

Model	Year	MG	SG	Illustration	VIN No.	Update		
928	91					230	16:54	01.09.2008

ENGINE

VEHICLE TYPE	TYPE	MY	ENGINE NO.	TECHNICAL DATA
928 S4	M28.41	87 H	81H 00001>05000	8CYL/5L/235KW
928 S4 M249	M28.42	87 H	81H 05001>10000	8CYL/5L/235KW
928 S4/CS M637	M28.41	88 J	81J 00001>05000	8CYL/5L/235KW
928 S4 M249	M28.42	88 J	81J 05001>10000	8CYL/5L/235KW
928 S4/CS M637	M28.41	89 K	81K 00001>05000	8CYL/5L/235KW
928 S4 M249	M28.42	89 K	81K 05001>10000	8CYL/5L/235KW
928 GT	M28.47	89 K	85K 00061>50000	8CYL/5L/243KW
928 S4	M28.42	90 L	81L 50001>60000	8CYL/5L/235KW
928 GT	M28.47	90 L	85L 00061>50000	8CYL/5L/243KW
928 S4	M28.42	91 M	81M 50001>60000	8CYL/5L/235KW
928 GT	M28.47	91 M	85M 00001>50000	8CYL/5L/243KW

Model	Year	MG	SG	Illustration	VIN No.	Update		
928	91					230	16:54	01.09.2008

EXPLANATION OF THE MOTOR-NUMBERS USED IN THE CATALOGUE

=====

DIGIT: 1 2 3 4 5 6 7 8

EXAMPLE: 8 1 L 0 0 1 3 6

= = = =====

! ! ! !

ENGINE TYPE (8 = 8-CYL.-ENGINE)-----+ ! ! !

! ! !

ENGINE VERSION-----+ ! !

! !

MODEL YEAR-----+ !

!

SERIAL NUMBER-----+ !

Model 928	Year 91	MG	SG	Illustration	VIN No.	Update 230	16:54	01.09.2008
--------------	------------	----	----	--------------	---------	---------------	-------	------------

VEHICLE TYPE	MY	VIN	ENGINE TYPE
928 S4	87 H	92HS8 40001>45000	M28.41/42, 235 KW
928 S4 (J)	87 H	92HS8 49501>49999	M28.42, 235 KW
928 S4 (USA) (CDN)	87 H	92HS8 60001>65000	M28.41/42, 235 KW
928 S4	88 J	92JS8 40001>45000	M28.41/42, 235 KW
928 CS M637	88 J	92JS8 45001>46000	M28.41, 235 KW
928 S4 (J)	88 J	92JS8 49501>49999	M28.42, 235 KW
928 S4 (USA) (CDN)	88 J	92JS8 60001>65000	M28.41/42, 235 KW
928 CS M637 (USA) (CDN)	88 J	92JS8 65001>66000	M28.41, 235 KW
928 S4/CS	89 K	92KS8 40001>45000	M28.41/42, 235 KW
928 GT	89 K	92KS8 40001>45000	M28.47, 243 KW
928 S4/CS (USA) (CDN)	89 K	92KS8 60001>65000	M28.41/42, 235 KW
928 GT (USA) (CDN)	89 K	92KS8 60001>65000	M28.47, 243 KW
928 S4	90 L	92LS8 40001>49500	M28.42, 235 KW
928 GT	90 L	92LS8 40001>49500	M28.47, 243 KW
928 S4 (USA) (CDN)	90 L	92LS8 60001>69500	M28.42, 235 KW
928 GT (USA) (CDN)	90 L	92LS8 60001>69500	M28.47, 243 KW
928 S4	91 M	92MS8 00001>05000	M28.42, 235 KW
928 GT	91 M	92MS8 00001>05000	M28.47, 243 KW
928 S4 (USA) (CDN)	91 M	92MS8 10001>15000	M28.42, 235 KW
928 GT (USA) (CDN)	91 M	92MS8 10001>15000	M28.47, 243 KW

Model	Year	MG	SG	Illustration	VIN No.	Update	16:54	01.09.2008
928	91					230		

EXPLANATION OF THE ABRIDGED VERSION OF THE VEHICLE IDENT. NUMBERS (VIN)

=====

USED IN THE CATALOGUE

=====

DIGIT: 1 2 3 4 5 6 7 8 9 10 11 12 13 14 15 16 17

EXAMPLE: W P O Z Z Z 9 2 Z K S 8 4 0 1 2 5

 === = = = =====

 ! ! ! ! !

VEHICLE TYPE 1ST+2ND DIGIT-----+ ! ! ! !

 ! ! ! !

MODEL YEAR-----+ ! ! !

 ! ! !

MANUFACTURING LOCATION-----+ ! !

 ! !

VEHICLE TYPE 3RD DIGIT-----+ !

 !

SERIAL NUMBER-----+ +

Model	Year	MG	SG	Illustration	VIN No.	Update		
928	91					230	16:53	01.09.2008

THIS PARTS CATALOGUE CONTAINS ALL ORDER INFORMATION OF
TYPE 928 FROM MODEL YEAR 1987 TO MODEL YEAR 1991

IT IS AVAILABLE IN TWO EDITIONS IN THE FOLLOWING LANGUAGES:

EDITION

USA, CANADA - *

EDITION

ALL OTHER COUNTRIES - GERMAN

* - ENGLISH

- FRENCH

- ITALIAN

- SPANISH

UPDATING IS BEING PERFORMED BY CHANGING OF UPDATE.

THE EDITION CAN BE RECOGNIZED BY THE CURRENT NO.
YEAR IN THE BOTTOM LINE OF SUBJECT UPDATE.

THE PREVIOUS UPDATE SHOULD NO LONGER BE USED.

ALL ILLUSTRATIONS ARE SUBJECT TO CHANGE WITHOUT OBLIGATION.