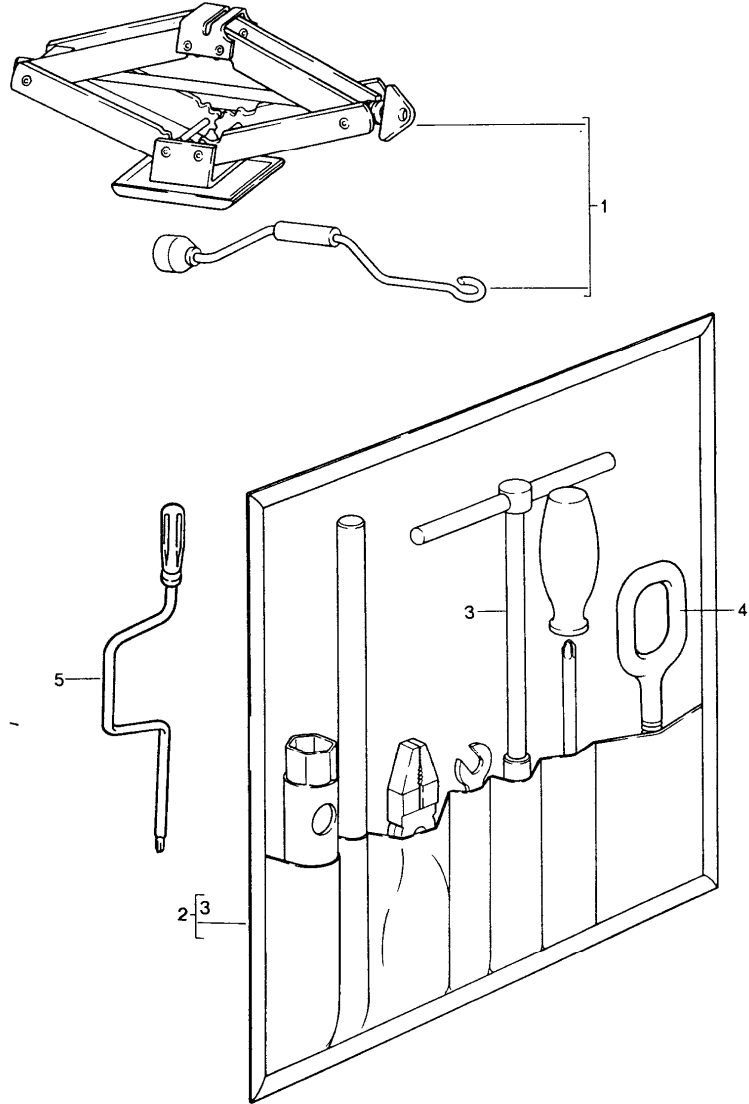


Model	Year	MG	SG	Illustration	Restrictions	UPD	17:41	24.02.2010	PORSCHE	PET	PORSCHE
9442	1988	0	01	001-00		248					



Pos	Part Number	Description	Remark	Qty	Model
		accessories			
1	000 721 710 01	jack		1	
(2)	944 721 027 05	tool bag with contents comprising: tool bag angular screw driver		1 1	
3	477 012 233	spark plug wrench rim wrench operating rod for rim wrench double-end spanner 10 X 13 handle insert for cross-recess screw and slotted screw universal pliers		1 1 1 1 1 1	
-	928 361 311 00	hook for cover wheel nut use also:		1	
4	996 721 151 00	towing lug		1	
4	928 722 101 05	towing lug		1	M058
4	951 722 101 00	towing lug		1	TURBO
5	928 521 907 02	crank for emergency control		1	M437/438

PORSCHE

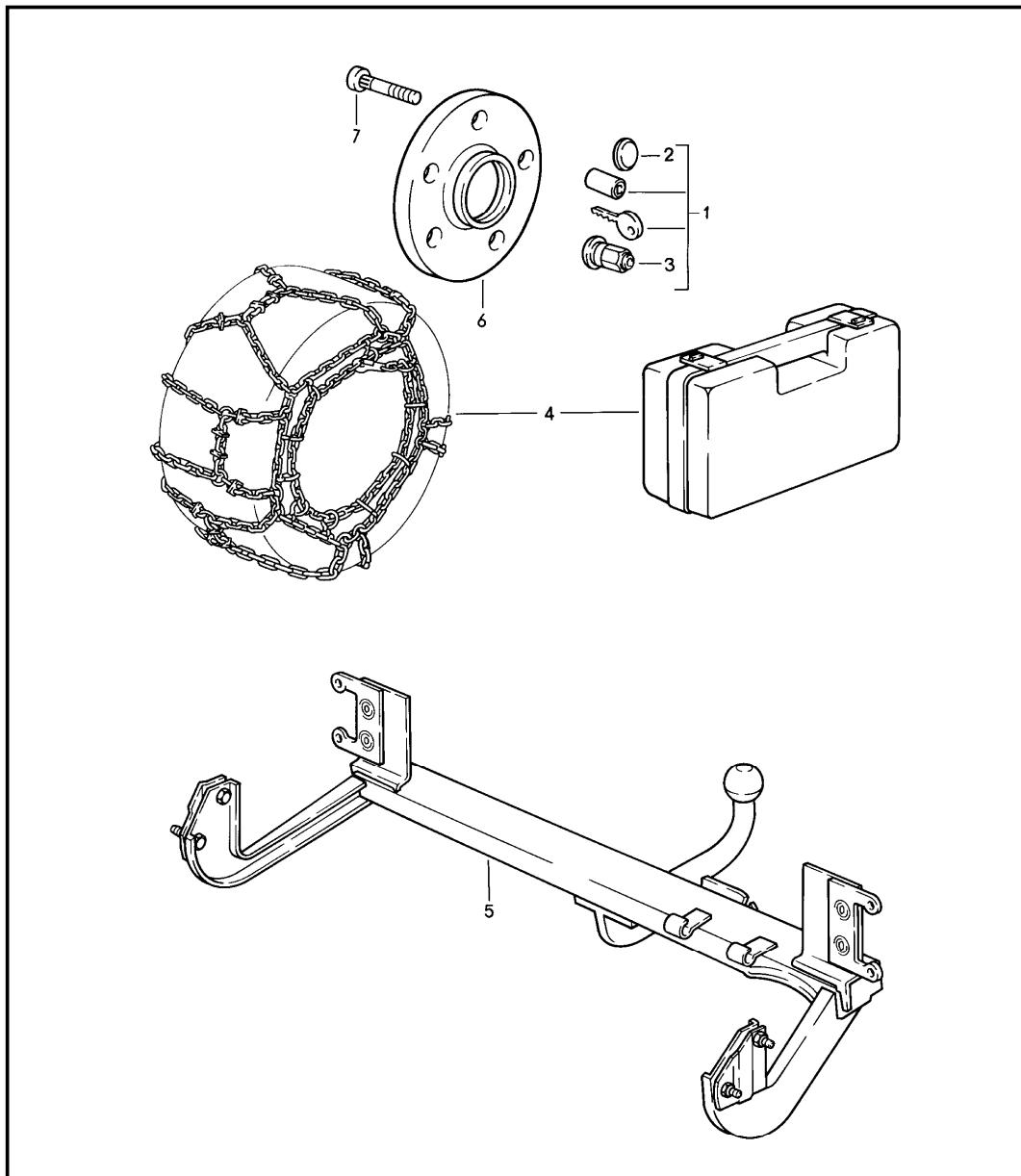
PET

PORSCHE

Model	Year	MG	SG	Illustration	Restrictions	UPD	17:41	24.02.2010
9442	1988	0	01	001-05		248		

Pos	Part Number	Description	Remark	Qty	Model
		stickers			
-	944 006 113 02	sticker engine specifications	(S)	1	
-	944 006 119 03	sticker engine specifications	(CH)	1	
-	944 006 119 07	sticker engine specifications	(CH)	1	944S
-	944 701 201 01	sticker unleaded regular fuel		1	
-	944 701 201 02	sticker unleaded premium fuel		1	
-	944 701 179 00	sticker tyre pressure 185/70 - VR 15	(AUS)	1	
-	937 701 127 00	sticker tyre pressure 205/55 - VR 16		1	
-	944 701 181 00	sticker tyre pressure 205/55 - VR 16	(AUS)	1	
-	937 701 127 00	sticker tyre pressure 215/60/15		1	
-	928 701 145 05	sticker for emergency wheel	(D)	1	
-	996 361 701 01	sticker for emergency wheel	(CDN) (F) (B) (L)	1	
-	996 361 701 00	sticker for emergency wheel	(GB) (USA) (J)	1	
-	928 701 148 05	sticker for emergency wheel	(I)	1	
-	411 000 263 A	sticker octane rating		1	98ROZ
-	944 701 203 00	sticker octane rating		1	96ROZ

Model	Year	MG	SG	Illustration	Restrictions	UPD	17:42	24.02.2010	PORSCHE	PET	PORSCHE
9442	1988	0	02	002-00		248					

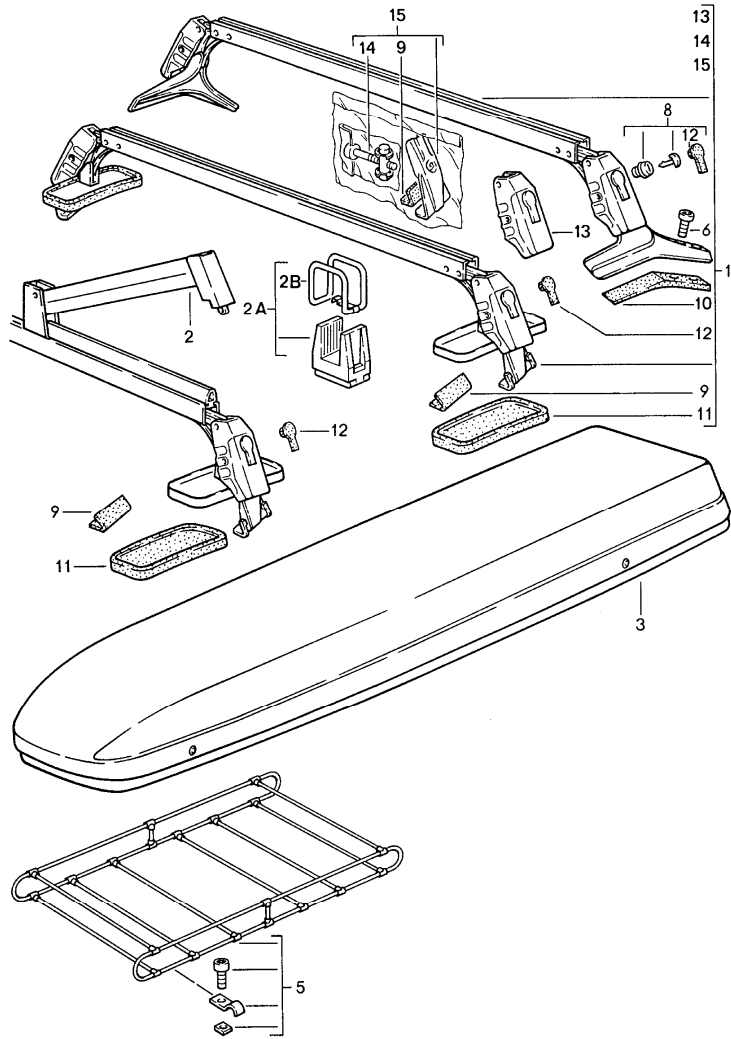


Pos	Part Number	Description	Remark	Qty	Model
		accessories			
1	928 361 047 03	wheel nut lockable 1 set comprising: wheel nut lock cap		1 4 4 4	
2	965 361 167 00	cap		4	
3	928 361 306 03	wheel nut lockable without lock		4	
-	928 361 312 01	blank key for wheel nut lockable		X	
		snow chains			
4	911 361 909 00	snow chains 1 set for tyre 185/70 R 15 205/55 R 16 215/60 R 15		1	
(4)	993 361 931 00	snow chains 1 set for tyre 225/50 VR 16		1	TURBO
		trailer coupling			
5	944 722 901 00	trailer coupling complete with electric installation set use also: 944.111.064.00		1 2	
(5)	944 722 901 01	trailer coupling complete with electric installation set use also: 944.111.064.00		1	M058
-	928 006 901 00	sticker drawbar load		1	
-	111 919 209 A	indicator light		1	

Model	Year	MG	SG	Illustration	Restrictions	UPD	17:42	24.02.2010	PORSCHE	PET	PORSCHE
9442	1988	0	02	002-00		248					

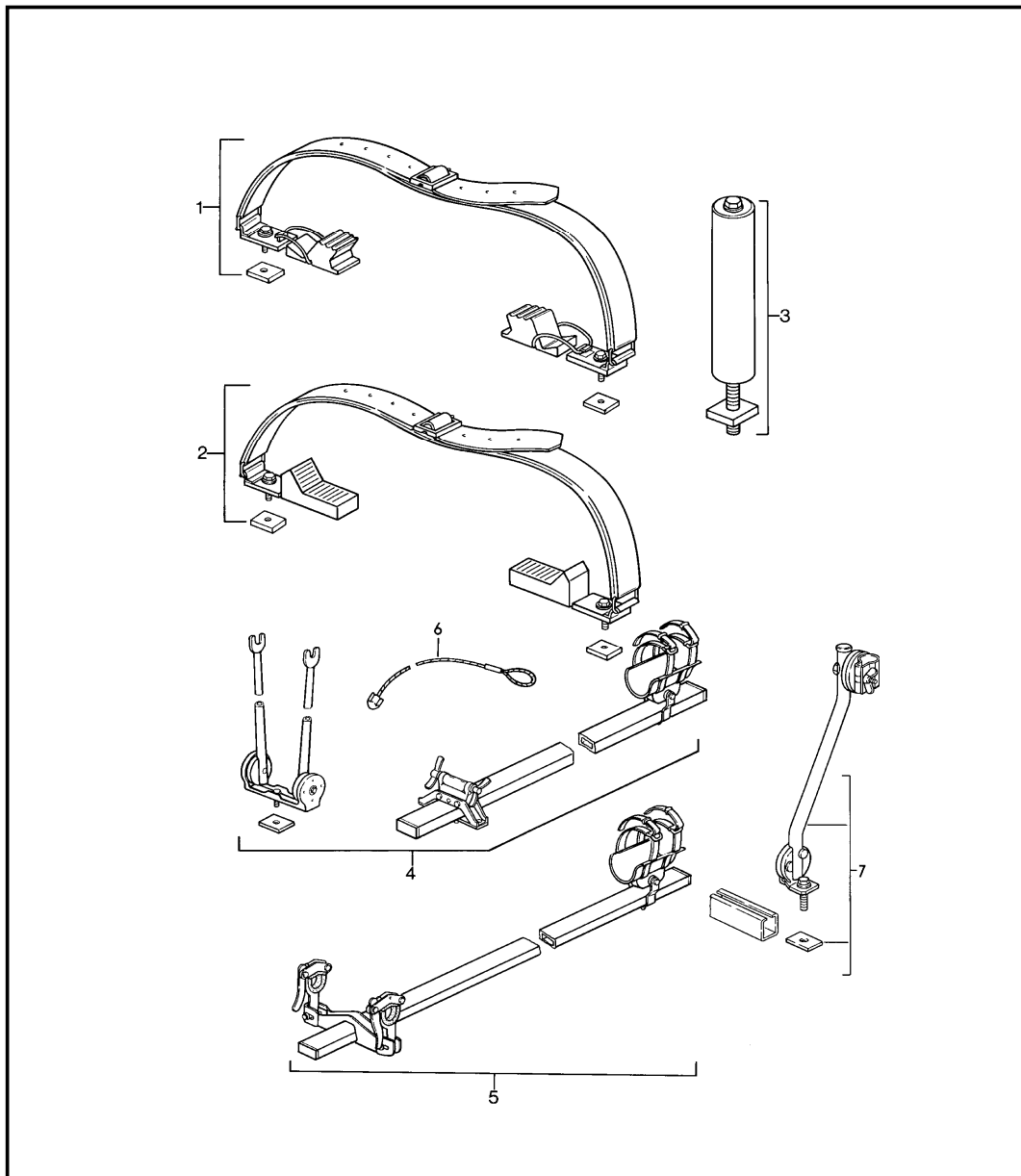
Pos	Part Number	Description	Remark	Qty	Model	Pos	Part Number	Description	Remark	Qty	Model
-	900 631 132 90	bulb 12V, 1,2W		1							
-	431 953 231	relay		1							
-	944 331 905 00	widening of track 17 MM from model 87 on only together with forged wheel 1 set comprising:	/H	1							
6	951 331 611 02	spacer ring 17 MM	/H	2							
7	904 341 671 00	wheel bolt	/H	10							
-	999 182 003 36	wheel nut		10							

Model	Year	MG	SG	Illustration	Restrictions	UPD	17:42	24.02.2010	PORSCHE	PET	PORSCHE
9442	1988	0	02	002-06		248					



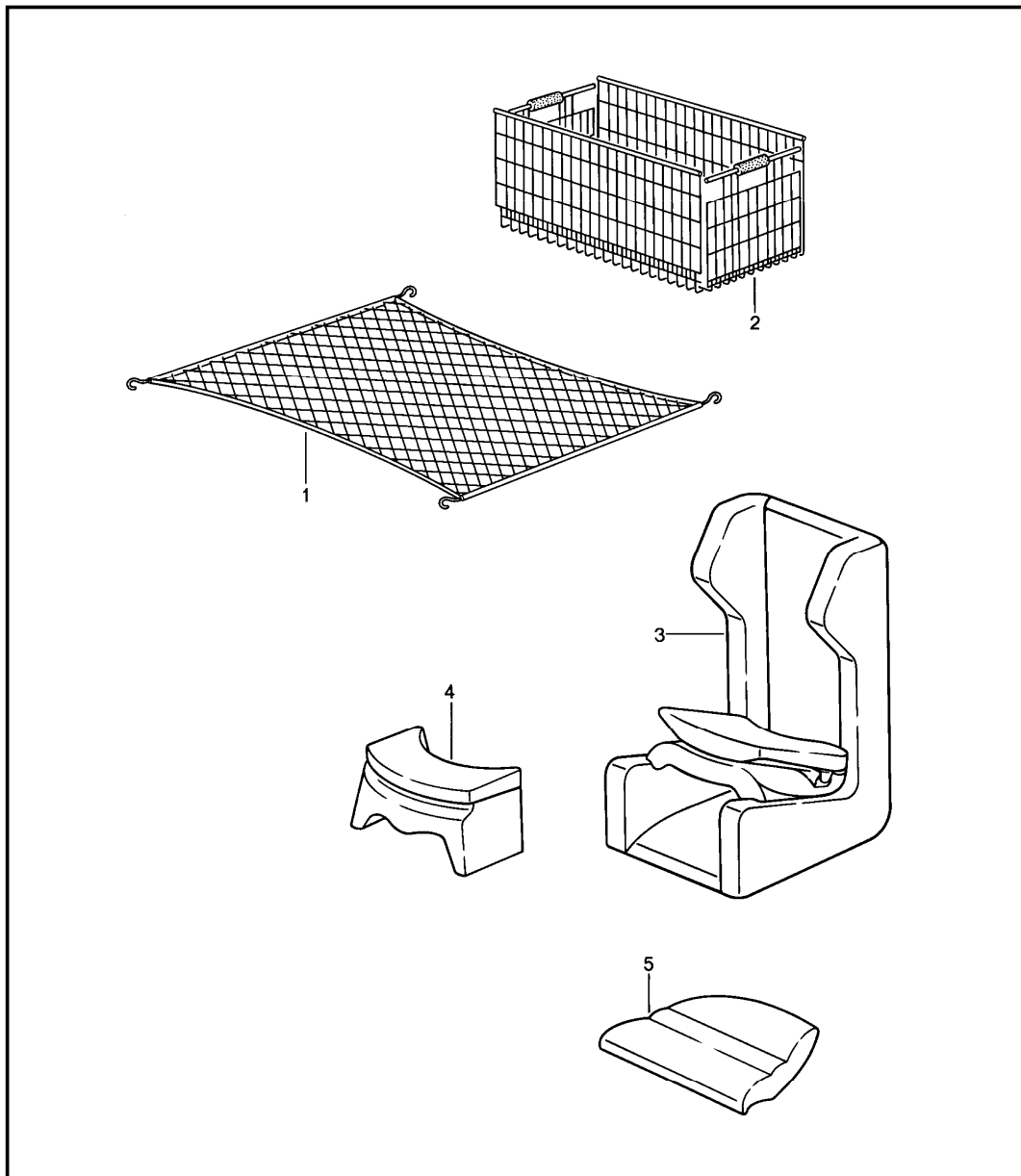
Pos	Part Number	Description	Remark	Qty	Model
		roof transport system			
1	944 801 005 00	main support 1 set		1	
2	928 801 061 02	retaining strip 1 set		1	
2A	928 801 903 02	rubber support for skis 1 set		1	
2B	928 801 193 02	retaining strap 1 set		1	
3	928 801 063 02	ski box	/L	1	
(3)	928 801 064 02	ski box	/R	1	
5	928 801 081 02	roof rack 1 set		1	
6	999 119 012 07	pan-head screw		4	
8	928 801 011 02	cylinder lock with keys		1	
9	477 091 145	protection cap		2	
10	477 091 151 A	protective rubber	/L	1	
(10)	477 091 152 A	protective rubber	/R	1	
11	928 801 267 02	rubber plate		2	
12	928 801 111 02	protection cap		4	
13	928 801 107 02	lid		2	
14	944 801 901 01	parts kit comprising: bolt screw lock		X	
				1	
				1	
				2	
15	944 801 901 00	parts kit comprising: support desk pad screw washer		X	
				2	
				2	
				2	
				2	

Model	Year	MG	SG	Illustration	Restrictions	UPD	17:42	24.02.2010	PORSCHE	PET	PORSCHE
9442	1988	0	02	002-07		248					



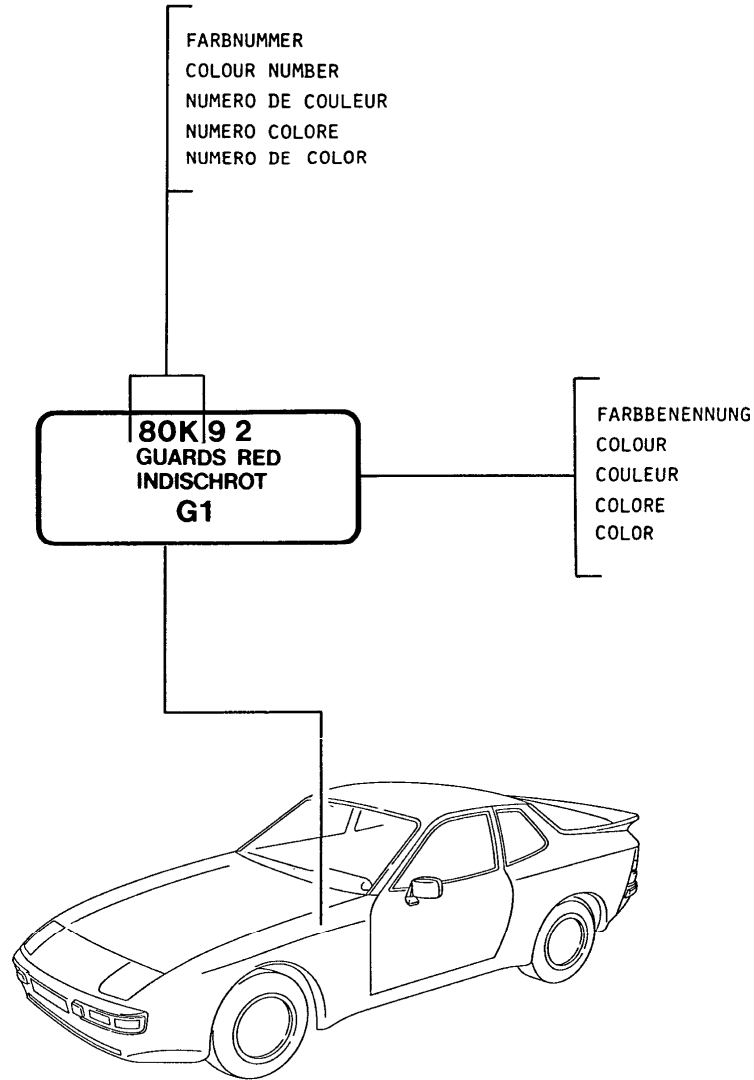
Pos	Part Number	Description	Remark	Qty	Model
		roof transport system			
1	928 801 019 02	set of surf board supports		1	
2	928 801 017 02	set - canoe carrier		1	
3	928 801 085 02	ladder support mandrel		X	
4	928 801 093 02	set - bike carrier racing bike		1	
5	928 801 095 02	set - bike carrier standard bike		1	
6	928 801 079 02	safety rope for anti-theft protection		1	
7	928 801 097 02	support for bicycle		1	

Model	Year	MG	SG	Illustration	Restrictions	UPD	17:42	24.02.2010	PORSCHE	PET	PORSCHE
9442	1988	0	02	002-10		248					



Pos	Part Number	Description	Remark	Qty	Model
		accessories			
1	477 863 539	luggage net		1	
2	000 043 002 00	car basket foldable		1	
3	944 522 051 01	child car seat up to 4 years		1	
4	928 522 050 00	child car seat older than 4 years only together with child car seat cushion		1	
5	944 522 159 00	child car seat cushion		1	
	4CR	black for back seat left			
5	944 522 160 00	child car seat cushion		1	
	4CR	black for back seat right			
-	000 043 081 00	floor mat set		X	

Model	Year	MG	SG	Illustration	Restrictions	UPD	17:42	24.02.2010	PORSCHE	PET	PORSCHE
9442	1988	0	04	004-00		248					



Pos	Part Number	Description	Remark	Qty	Model
		lacquers basic materials			
-	911 096 050 00	polyester filler 1 KG GLASSIT-NON-FERRO 839-10		X	
-	911 096 051 00	hardener 30 GR GLASSIT 948-36 red		X	
-	911 096 052 00	primer filler 1 LTR GLASSOFIX 238-150		X	
-	911 096 053 00	hardener 500 ML GLASSOFIX 352-228		X	
-	911 096 054 00	primer filler 1 LTR GLASSODUR 285-100 white		X	
-	911 096 055 00	hardener 500 ML GLASSODUR 929-28/1		X	
-	911 096 056 00	wash primer 2 LTR GLASSOFIX 2K 934-200		X	
-	911 096 057 00	hardener 1 LTR GLASSOFIX 934-100		X	
-	911 096 058 00	polyurethane plastic putty 1 KG GLASSODUR 995-20		X	
-	911 096 059 00	hardener 1 KG GLASSODUR 929-13		X	
-	911 096 060 00	thinner 1 LTR GLASSODUR 352-91		X	
-	911 096 062 00	additional lacquer 1 LTR GLASSODUR 521-111		X	
-	911 096 063 00	underbody protection 1 KG GLASSOHYD 1109-		X	

Model	Year	MG	SG	Illustration	Restrictions	UPD	17:42	24.02.2010	PORSCHE	PET	PORSCHE
9442	1988	0	04	004-00		248					

Pos	Part Number	Description	Remark	Qty	Model	Pos	Part Number	Description	Remark	Qty	Model
-	000 043 001 00	tin SN 90% CA 200 G		X		-	ALN 769 Y5B	copenhagen blue		X	LY5B
		primer metallic 1 LTR				-	ALN 769 Y5D	azure blue		X	L Y5D
-	ALD 645 M5U	diamond-blue metallic		X	L M5U	-	ALN 769 90E	alpine white		X	L 90E
-	ALD 645 Y4Z	FLAMINGO-METALLIC		X	L Y4Z	-	ALN 769 M3A	guards red		X	L M3A
-	911 095 903 80	paint		X	M3Y	-	ALN 769 M1A	summer yellow		X	L M1A
	822	garnet red metallic				-	ALN 769 Y3E	MALVENROT		X	L Y3E
-	ALD 645 B7V	graphite metallic		X	LB7V	-	911 095 902 60	paint		X	
-	ALD 645 A1Y	KALAHARI-METALLIC		X	LA1Y		536	pastel beige			L M1N
-	911 095 903 80	paint		X	M6Y		700	black			L 041
	33N	crystal green metallic				-	L 090 E01	alpine white		X	L 90E
-	ALD 645 B8Z	MAHAGONI-METALLIC		X	LB8Z	-	L 0Y5 D01	azure blue		X	L Y5D
-	ALD 645 Y1Y	MANDELBEIGE-METALLIC		X	L Y1Y	-	L 0Y3 E01	MALVENROT		X	L Y3E
-	ALD 645 Y3V	MARASCHINOROT-METALLIC		X	L Y3V	-	L 0M1 A01	summer yellow		X	L M1A
-	ALD 645 Y6Y	NILGRUEN-METALLIC		X	L Y6Y	-	L 0M3 A01	paint		X	L M3A
-	ALD 645 M8V	nougat brown metallic		X	L M8V	-	L 0Y5 B01	copenhagen blue		X	L Y5B
-	ALD 645 Y5Z	NAUTIC-METALLIC		X	L Y5Z	-	911 095 932 20	paint		X	
-	ALD 645 Y9Y	satin black metallic		X	L Y9Y		451	mocha black			L M9V
-	ALD 645 Y5V	SAPHIR-METALLIC		X	LY5V		700	black			L 041
-	ALD 645 M3Z	SILBERROSA-METALLIC		X	LM3Z			paint touch-up applicator set comprising: paint touch-up applicator top-coat paint paint touch-up applicator clear lacquer			
-	ALD 645 Y7U	stone grey metallic		X	LY7U	-	L 0M5 U02	diamond-blue metallic		X	L M5U
-	ALD 645 Y7Y	zermatt silver metallic		X	LY7Y	-	L 0Y4 Z02	FLAMINGO - METALLIC		X	L Y4Z
-	911 095 903 80	paint		X	LOA9	-	L 0Y1 Y02	MANDELBEIGE - METALLIC		X	L Y1Y
	947	pearlescent effect				-	L 0Y3 V02	MARASCHINOROT - METALLIC		X	L Y3V
-	911 096 064 00	clear lacquer 1 LTR GLASSODUR-MS 923-85		X		-	L 0Y5 Z02	NAUTIC - METALLIC		X	L Y5Z
		final acrylic lacquer 2 K 1 LTR				-	L 0Y6 Y02	NILGRUEN - METALLIC		X	L Y6Y

Model	Year	MG	SG	Illustration	Restrictions	UPD	17:42	24.02.2010	PORSCHE	PET	PORSCHE
9442	1988	0	04	004-00		248					

Pos	Part Number	Description	Remark	Qty	Model	Pos	Part Number	Description	Remark	Qty	Model
-	L 0Y9 Y02	satin black metallic		X	L Y9Y						
-	911 095 933 20	paint touch-up applicator		X	M 3Y						
	822	garnet red metallic									
-	L 0B7 V02	graphite metallic		X	L B7V						
-	L 0A1 Y02	KALAHARI-METALLIC		X	L A1Y						
-	911 095 933 20	paint touch-up applicator		X	M 6Y						
	33N	crystal green metallic									
-	L 0B8 Z02	MAHAGONI-METALLIC		X	L B8Z						
-	L 0Y5 V02	SAPHIR - METALLIC		X	L Y5V						
-	L 0Y7 U02	stone grey metallic		X	L Y7U						
-	L 0M3 Z02	SILBERROSA - METALLIC		X	L M3Z						
-	L 0Y7 Y02	zermatt silver metallic		X	L Y7Y						

Model	Year	MG	SG	Illustration	Restrictions	UPD	17:43	24.02.2010
9442	1988	0	05	005-00		248		

Pos	Part Number	Description	Remark	Qty	Model
-	928 101 921 00	securing liquid sealing compound preservative agent securing liquid loctite -270- 10 CCM high strength		X	
-	000 043 012 00	loctite -221- 10 CCM low strength		X	
-	000 043 010 00	sealing compound loctite -574- 50 CCM		X	
-	000 043 011 00	loctite -638- 10 CCM for balance shaft		X	
-	000 043 013 00	loctite adhesive remover -80646- spraying can		X	
-	AMV 176 000 05	adhesive sealing compound 310 CCM		1	
-	000 043 051 00	loctite for pasting metal glass ceramics thermoset plastic adhesive set comprising:		X	
-	000 043 051 00	adhesive loctite -317- 50 CCM		X	
-	000 043 202 65	loctite AKTIVATOR NF 736 180 CCM		X	
-	000 043 019 01	sealing compound SILASTIK 730 RTV 125 CCM		X	

Model	Year	MG	SG	Illustration	Restrictions	UPD	17:43	24.02.2010
9442	1988	0	05	005-00		248		

Pos	Part Number	Description	Remark	Qty	Model
-	000 043 004 00	mounting paste optimoly ht 1 90-gramme tube		X	
-	000 043 020 00	optimoly mounting paste 1 100-gramme tube silver		X	
-	000 043 005 00	grease for drive shaft OPTIMOL - OLISTAMOLY 1 90-gramme tube		X	
-	000 043 204 21	grease for lock cylinder spraying can preservative agent		X	
-	999 571 062 00	care kit comprising: suitcase		1	
-	999 901 013 40	liquid preservative		1	
-	999 901 014 41	cleaning agent		1	
-	999 901 015 40	polisher		1	
-	999 901 016 40	tar remover		1	
-	999 901 017 40	dashboard cleaner		1	
-	999 901 018 40	paint polish		1	
-	999 901 019 41	insect remover		1	
-	999 901 020 40	spot remover		1	
-	999 901 021 40	polishing cotton		1	
-	999 901 022 40	polishing cloth		1	
-	000 044 000 02	preservative agent 250 ML		X	
-	999 901 017 41	window cleaner summer 250 ML		X	
-	999 901 033 40	window cleaner winter 1000 ML		X	
-	999 901 036 40	car shampoo refilling bottle 1000 ML		X	

PORSCHE

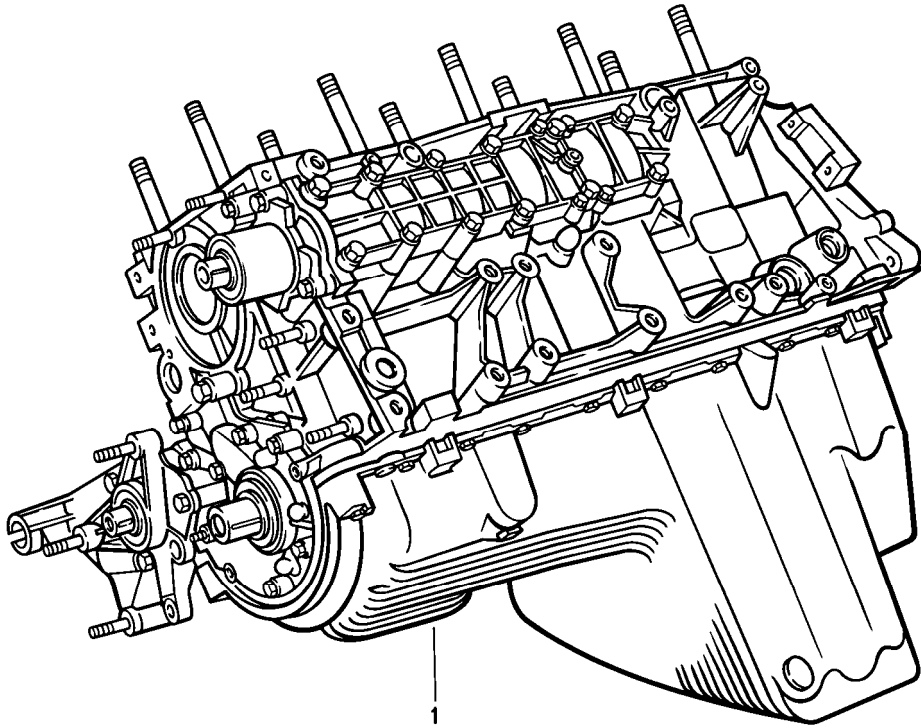
PET

PORSCHE

Model	Year	MG	SG	Illustration	Restrictions	UPD	17:43	24.02.2010
9442	1988	0	05	005-00		248		

Pos	Part Number	Description	Remark	Qty	Model
-	999 917 803 00	window cleaner spray bottle 250 ML		X	
-	928 628 931 00	silicone remover 1000 ML		X	
-	999 901 030 40	rim cleaner spray bottle 500 ML		X	
-	999 901 031 40	rim cleaner refilling bottle 1000 ML		X	

Model	Year	MG	SG	Illustration	Restrictions	UPD	17:43	24.02.2010	PORSCHE	PET	PORSCHE
9442	1988	1	01	101-00		248					

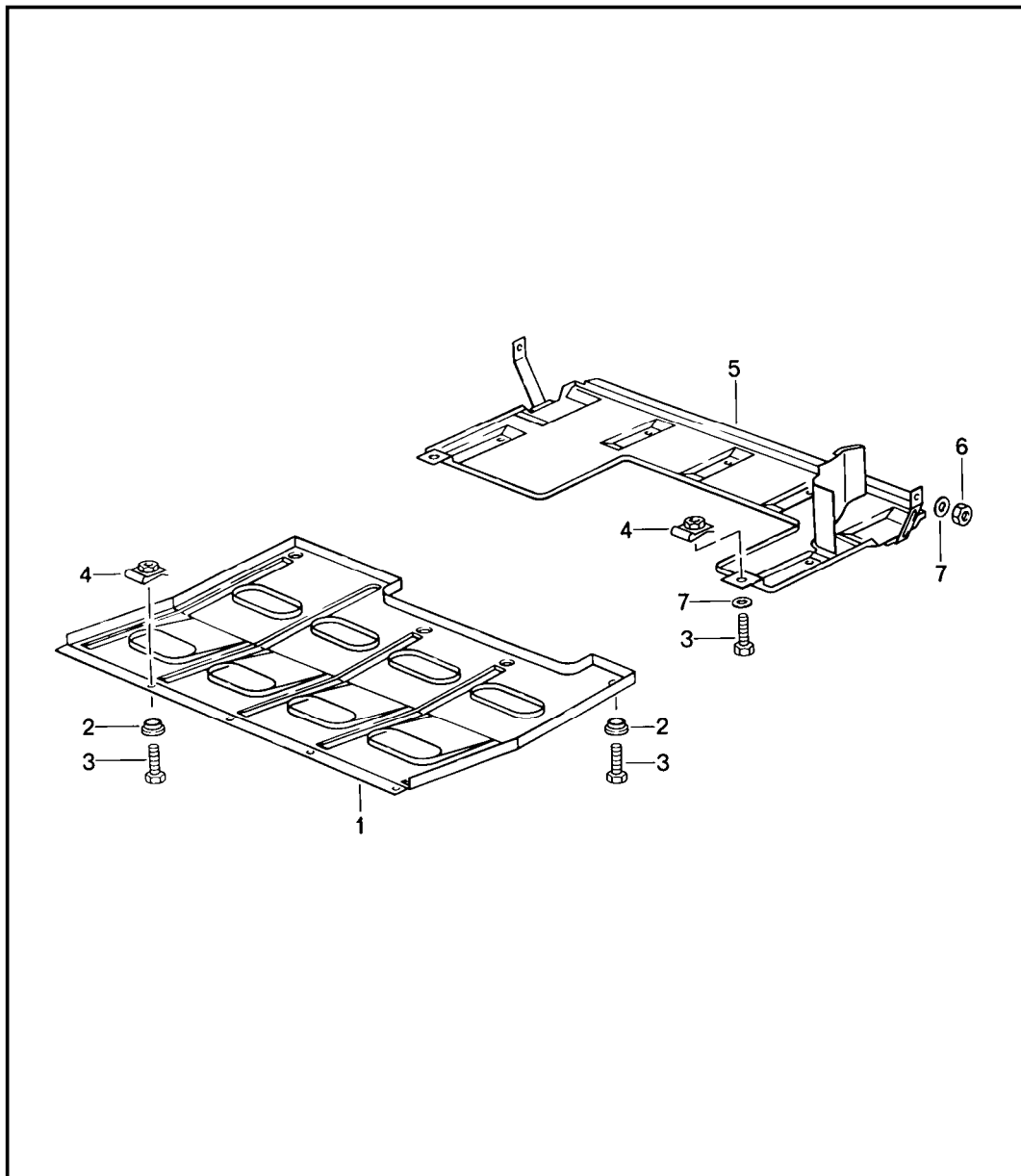


Pos	Part Number	Description	Remark	Qty	Model
		replacement engine			
-	944 100 000 37	replacement engine 120 KW (163 DIN-PS)		1	M44.05 M573
- >	944 100 000 40	replacement engine 120 KW (163 DIN-PS)	AUT.	1	M44.06
-	944 100 000 41	replacement engine 120 KW (163 DIN-PS)	AUT.	1	M44.06 M573
-	944 100 000 46	replacement engine 110 KW (150 DIN-PS)		1	M44.07 M298
-	944 100 000 49	replacement engine 110 KW (150 DIN-PS)	AUT.	1	M44.08 M299
		short engine			
1 >	944 100 902 00	short engine		1	M44.05/06 M44..A
		use also:			
	M	>> 41H 00420			M44.05
	M	>> 41H 20125			M44.06
		944.107.329.00		1	
		900.174.044.40		1	
		944.107.025.01		1	
		944.101.027.05		1	
		up to model 86			
		order also:			
		944.107.911.01		1	
		944.102.216.01		1	
1 >	944 100 902 01	short engine		1	M44.07/08 M44..B
		use also:			
	M	>> 43H 05638			M44.07
	M	>> 43H 61344			M44.08
		944.107.329.00		1	
		900.174.044.40		1	
		944.107.025.01		1	
		944.101.027.05		1	
		up to model 86			
		order also:			
		944.107.911.01		1	
		944.102.216.01		1	
1 >	944 100 902 02	short engine		1	M44.50/51 M44.52 M44..C
		use also:			
	M	>> 45H 01415			M44.50/51

Model	Year	MG	SG	Illustration	Restrictions	UPD	17:43	24.02.2010	PORSCHE	PET	PORSCHE
9442	1988	1	01	101-00		248					

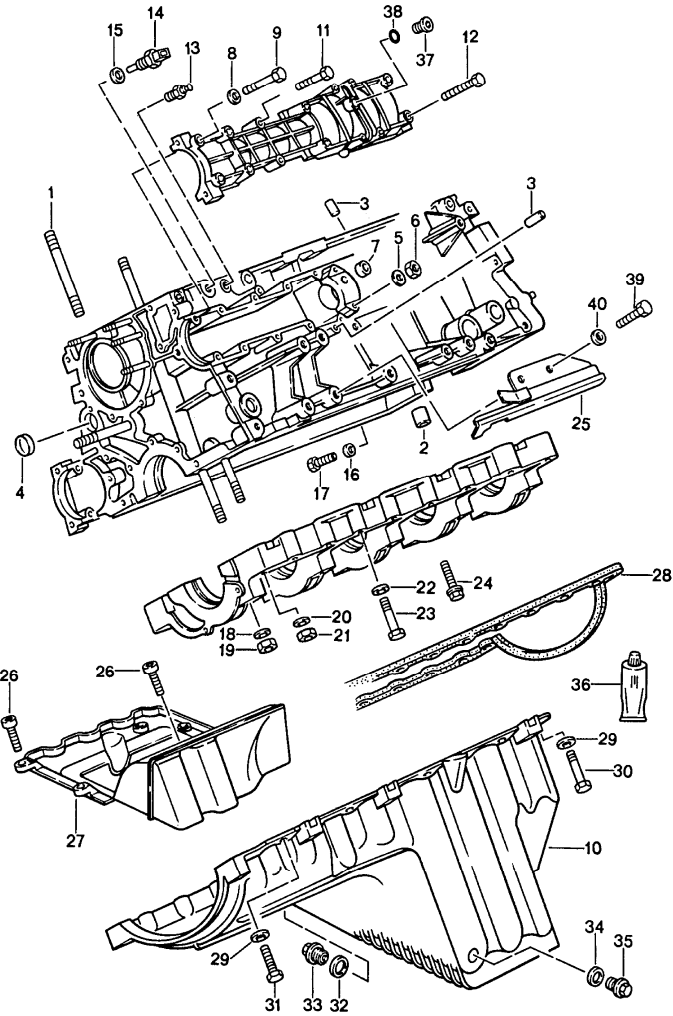
Pos	Part Number	Description	Remark	Qty	Model	Pos	Part Number	Description	Remark	Qty	Model
		944.107.329.00		1							
		900.174.044.40		1							
		944.107.025.01		1							
		951.101.027.03		1							
		MOD. 86									
		order also:									
		944.107.911.01		1							
		944.102.216.01		1							
1	> 944 100 902 03	short engine		1	M44.40 M44..D						
		use also:									
		M >> 42H 03028									
		944.107.329.00		1							
		900.174.044.40		1							
		944.107.025.01		1							
		944.101.024.04		1							
1	> 944 100 902 04	short engine		1	M44.09/10 M44..E						

Model	Year	MG	SG	Illustration	Restrictions	UPD	17:43	24.02.2010	PORSCHE	PET	PORSCHE
9442	1988	1	01	101-05		248					



Pos	Part Number	Description	Remark	Qty	Model
		protective plate			
1	944 504 167 01	protective plate		1	
2	944 503 257 00	spacer		8	
3	N 010 215 13	hexagon-head bolt M 6 X 15		11	
4	999 507 326 02	captive nut		3	
5	951 504 069 00	protective plate		1	TURBO
6	900 076 010 02	hexagon nut		2	TURBO
7	N 011 666 7	washer		5	TURBO

Model	Year	MG	SG	Illustration	Restrictions	UPD	17:43	24.02.2010	PORSCHE	PET	PORSCHE
9442	1988	1	01	101-10		248					

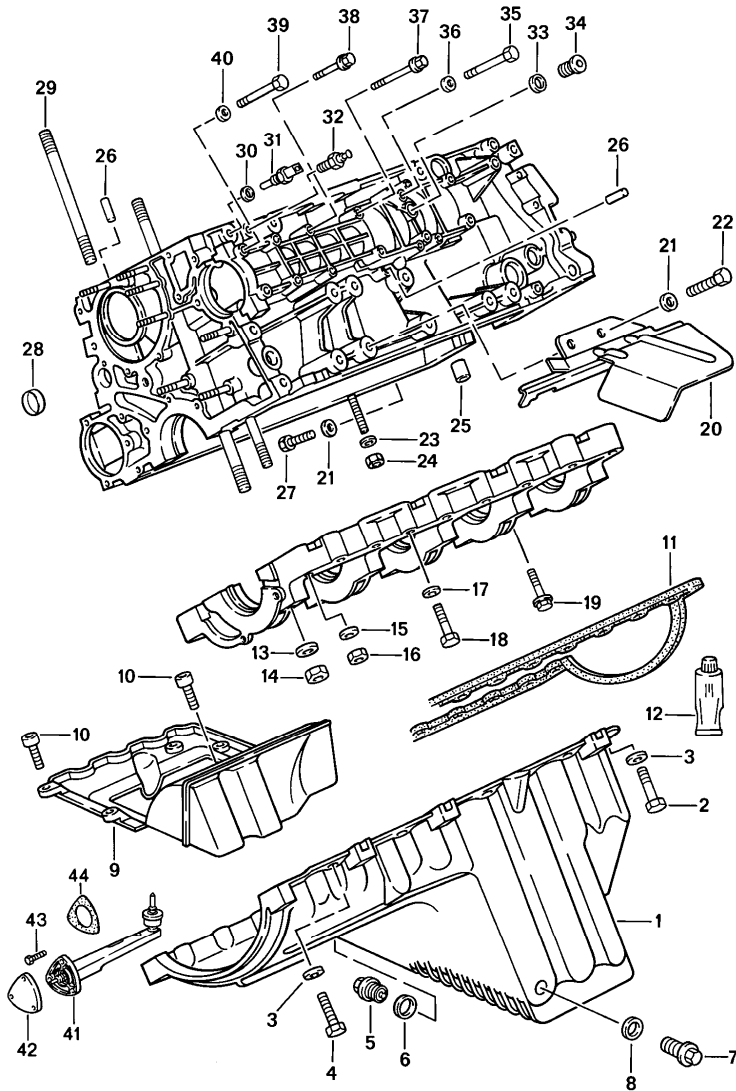


Pos	Part Number	Description	Remark	Qty	Model
		crankcase mounting parts	-86		
1	944 101 197 00	stud		10	
2	928 101 195 03	fitting bushing		1	
3	999 012 034 00	straight pin 8 X 12		4	
4	N 011 919 1	lid		2	
5	999 025 141 02	washer 8,1 X 17 X 3		4	
6	999 076 034 02	hexagon nut M 8		4	
7	951 107 241 02	sealing ring		1	
8	900 025 007 02	washer		8	
9	900 074 139 02	hexagon-head bolt M 8 X 55		X	
9	N 010 361 4	hexagon-head bolt M 8 X 65		4	M657
10	944 101 201 11	oil pan see tpi GR.1 NR.21		1	
11	900 075 349 02	hexagon-head bolt M 6 X 42		2	
12	900 075 344 02	hexagon-head bolt M 6 X 50		16	
13	928 606 201 01	remote temperature sensor		1	
14	944 606 125 00	temperature sensor		1	
15	900 123 101 30	sealing ring 12 X 18		1	
16	900 123 105 30	sealing ring 8 X 14		1	
17	900 075 087 02	hexagon-head bolt M 8 X 16		1	
18	944 104 229 00	washer		10	
19	N 011 020 8	hexagon nut M 12 X 1,5		10	
20	928 101 303 00	washer		7	

Model	Year	MG	SG	Illustration	Restrictions	UPD	17:43	24.02.2010	PORSCHE	PET	PORSCHE
9442	1988	1	01	101-10		248					

Pos	Part Number	Description	Remark	Qty	Model	Pos	Part Number	Description	Remark	Qty	Model
21	N 011 010 13	hexagon nut M 10		7							
22	900 025 007 02	washer		X							
23	900 074 040 02	hexagon-head bolt M 8 X 50		X							
24	900 075 345 02	hexagon-head bolt M 6 X 35 M 6 X 35		X							
25	944 101 033 00	heat shield		1							
26	900 119 001 02	pan-head screw M 5 X 12		7							
27	944 107 389 01	insert for oil sump		1							
28	944 101 205 02	oil sump gasket		1							
29	N 011 524 7	washer		22							
30	900 075 344 02	hexagon-head bolt M 6 X 50		4							
31	900 075 341 02	combination screw M 6 X 25		18							
32	900 123 118 30	sealing ring		1							
33	944 107 197 01	screw plug		1							
34	900 123 049 30	sealing ring		1							
35	N 016 164 1	screw plug		1							
36	000 043 019 01	sealing compound 1 tube SILASTIC 730 RTV		X							
37	900 219 002 02	screw plug		1							
38	900 123 007 30	sealing ring A 14 X 18		1							
39	900 075 085 02	hexagon-head bolt		2							
40	900 025 007 02	washer		2							

Model	Year	MG	SG	Illustration	Restrictions	UPD	17:43	24.02.2010	PORSCHE	PET	PORSCHE
9442	1988	1	01	101-15		248					

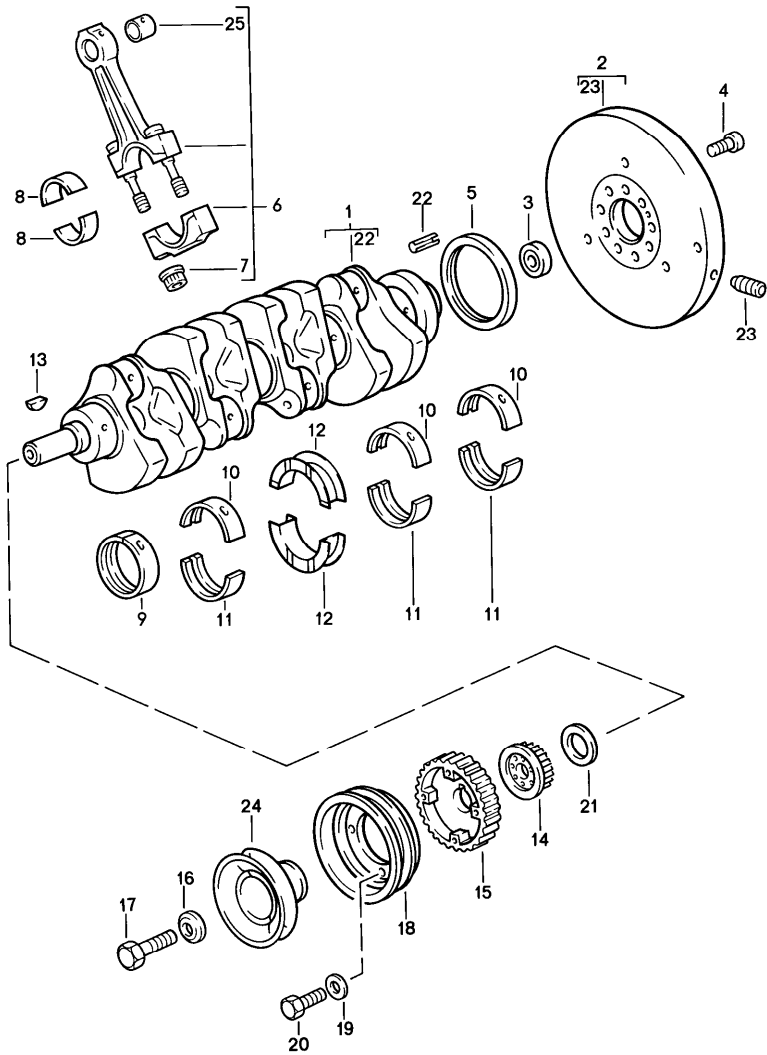


Pos	Part Number	Description	Remark	Qty	Model
		crankcase mounting parts	87-		
1	944 101 201 11	oil pan		1	M44.05/06/07 M44.08 M44.40/51
		see tpi GR. 1 NR. 21			
		M >> 41H 00419			M44.05
		M >> 41H 20124			M44.06
		M >> 43H 05637			M44.07
		M >> 43H 61343			M44.08
		M >> 45H 01414			M44.50/51
		M >> 42H 03027			M44.40
1	944 101 201 14	oil pan		1	M44.05/06/07 M44.08/09 M44.10/40/51 M44.52
		M 41H 00420 >>			M44.05
		M 41H 20125 >>			M44.06
		M 43H 05638 >>			M44.07
		M 43H 61344 >>			M44.08
		M 45H 01415 >>			M44.50/51
		M 42H 03028 >>			M44.52 M44.40
2	N 040 259 1	hexagon-head bolt M 6 X 50		4	
3	N 011 524 7	washer		22	
4	900 075 017 02	hexagon-head bolt M 6 X 25		18	
5	944 107 197 01	screw plug		1	
6	900 123 118 30	sealing ring		1	
7	N 016 164 1	screw plug		1	
8	900 123 049 30	sealing ring		1	
9	944 107 389 01	insert for oil sump		1	M44.05/06/07 M44.08 M44.40/51
		M >> 41H 00419			M44.05
		M >> 41H 20124			M44.06
		M >> 43H 05637			M44.07
		M >> 43H 61343			M44.08
		M >> 45H 01414			M44.50/51
		M >> 42H 03027			M44.40

Model	Year	MG	SG	Illustration	Restrictions	UPD	17:43	24.02.2010	PORSCHE	PET	PORSCHE
9442	1988	1	01	101-15		248					

Pos	Part Number	Description	Remark	Qty	Model	Pos	Part Number	Description	Remark	Qty	Model
9	944 107 389 02	insert for oil sump M 41H 00420 >> M 41H 20125 >> M 43H 05638 >> M 43H 61344 >> M 45H 01415 >> M 42H 03028 >>		1	M44.05/06/07 M44.08/09 M44.10/40/51 M44.05 M44.06 M44.07 M44.08 M44.50/51 M44.40	29	944 101 197 00	stud		10	
						30	900 123 101 30	sealing ring		1	
						31	944 606 125 00	temperature sensor		1	
						32	928 606 201 01	remote temperature sensor		1	
						33	900 123 007 30	sealing ring		1	
10	900 119 001 02	pan-head screw M 5 X 12		7		34	900 219 002 02	screw plug		1	
11	944 101 205 02	oil sump gasket		1		35	900 074 326 08	hexagon-head bolt M 8 X 58		4	
12	000 043 019 01	sealing compound 1 tube SILASTIC 730 RTV		X		36	999 025 141 02	washer		4	
						37	900 075 344 02	hexagon-head bolt M 6 X 50 Z1		16	
13	944 104 229 00	washer		10		38	900 075 349 02	hexagon-head bolt M 6 X 42 Z1		4	
14	N 011 020 8	hexagon nut M 12 X 1,5		10		39	900 074 139 02	hexagon-head bolt M 8 X 55 hexagon-head bolt M 8 X 65		X 4	M657
15	928 101 303 00	washer		7		40	900 025 007 02	washer		8	
16	N 011 010 13	hexagon nut M 10		7		41	944 613 150 00	sender for oil level		1	
17	900 025 007 02	washer		7		42	944 101 329 01	lid		1	
18	900 074 040 02	hexagon-head bolt M 8 X 50 M 6 X 35		7		43	999 074 035 02	hexagon-head bolt M 5 X 20		3	
20	944 101 033 00	heat shield		1		44	944 101 233 02	gasket without asbestos		1	
21	900 025 007 02	washer		2		-	999 062 044 02	stud for chain adjuster		3	
22	900 075 085 02	hexagon-head bolt		2							
23	N 011 524 7	washer		1							
24	900 076 010 02	hexagon nut		1							
25	928 101 195 03	fitting bushing		1							
26	999 012 034 00	straight pin 8 X 12		4							
27	900 075 087 02	hexagon-head bolt		1							
-	900 123 105 30	sealing ring		1							
28	N 011 919 1	lid		2							

Model	Year	MG	SG	Illustration	Restrictions	UPD	17:43	24.02.2010	PORSCHE	PET	PORSCHE
9442	1988	1	02	102-00		248					

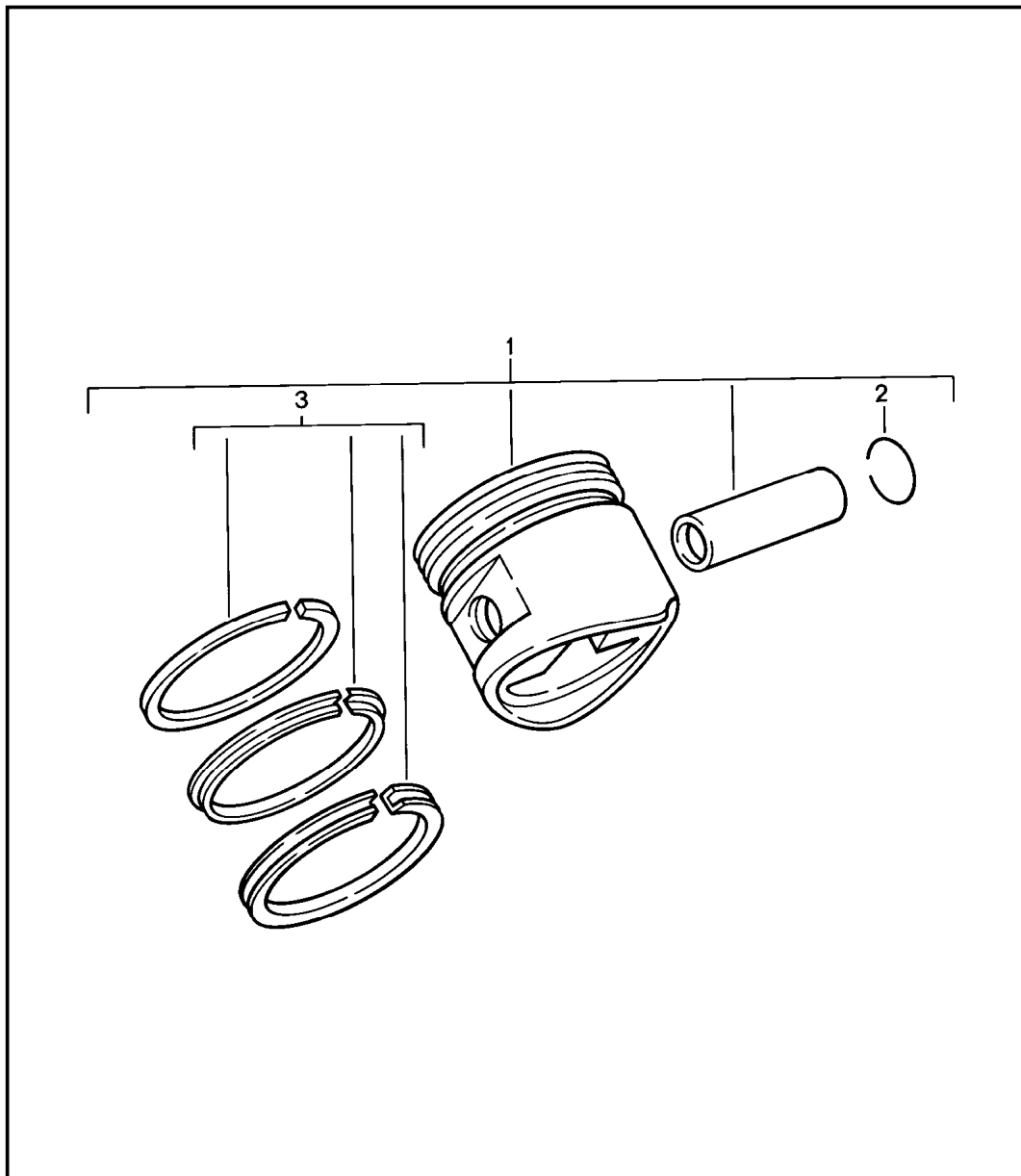


Pos	Part Number	Description	Remark	Qty	Model
1	> 944 102 015 13	crankshaft		1	
2	944 102 051 01	flywheel		1	M44.05/07 M44.09
2	944 102 053 02	flywheel	AUT.	1	M44.06/08 M44.10
2	951 102 051 01	flywheel		1	M44.50/51 M44.52
2	944 102 051 02	flywheel		1	M44.40
3	931 102 111 00	deep-groove ball bearing		1	
4	930 102 206 00	pan-head screw		9	
5	* 999 113 264 40	radial sealing ring		1	
6	944 103 008 02	connecting rod		4	M44.05/06/07 M44.08/09 M44.10/40
6	944 103 001 00	connecting rod		4	M44.50/51 M44.52
7	928 103 172 02	connecting rod nut		8	
8	928 103 143 02	conrod bearing shell		8	
8	928 103 143 52	conrod bearing shell oversize 0.25 mm		X	
8	928 103 143 57	conrod bearing shell oversize 0.50 mm		X	
9	* 928 101 117 08	main bearing bush i		1	
9	* 928 101 117 58	main bearing bush i undersize 0.25 mm		X	
9	* 928 101 117 68	main bearing bush i undersize 0.50 mm		X	
10	* 928 101 115 02	main bearing shell		3	
10	* 928 101 115 50	main bearing shell undersize 0.25 mm		X	
10	* 928 101 115 60	main bearing shell undersize 0.50 mm		X	

Model	Year	MG	SG	Illustration	Restrictions	UPD	17:43	24.02.2010	PORSCHE	PET	PORSCHE
9442	1988	1	02	102-00		248					

Pos	Part Number	Description	Remark	Qty	Model	Pos	Part Number	Description	Remark	Qty	Model
11	* 928 101 115 03 002	main bearing shell		3		19	N 011 524 7	washer		4	M44.05/06/07 M44.08/09 M44.10/51/52
11	* 928 101 115 51	main bearing shell undersize 0.25 mm		X				M >> 41H 10080 M >> 41H 20196 M >> 43H 11260 M >> 43H 62893			M44.05 M44.06 M44.07 M44.08
11	* 928 101 115 61	main bearing shell undersize 0.50 mm		X				M >> 42H 05461 M >> 45H 83873			M44.40 M44.51
12	* 944 101 139 00 002	thrust bearing		2		19	900 031 011 02	washer		4	M44.40 M44.05 M44.06 M44.07
12	* 928 101 133 53	thrust bearing undersize 0.25 mm		X				M 41H 10081 >> M 41H 20197 >> M 43H 11261 >> M 43H 62894 >> M 42H 05462 >> M 45H 83874 >>			M44.08 M44.40 M44.51
12	* 928 101 133 63	thrust bearing undersize 0.50 mm		X		20	900 075 057 02	hexagon-head bolt		4	M44.05/06/07 M44.08/09 M44.10/51/52
13	900 117 036 00	feather key 5 X 5 X 22		1				M >> 41H 10080 M >> 41H 20196 M >> 43H 11260 M >> 43H 62893 M >> 42H 05461 M >> 45H 83873			M44.05 M44.06 M44.07 M44.08 M44.40 M44.51
14	944 105 125 02	gear wheel		1	M44.05/06/07 M44.08/09 M44.10/51/52						
		driving mechanism camshaft									
14	944 105 125 06	gear wheel driving mechanism camshaft		1	M44.40	20	900 067 279 08	pan-head screw		4	M44.40 M44.05 M44.06 M44.07 M44.08 M44.40 M44.51
								M 41H 10081 >> M 41H 20197 >> M 43H 11261 >> M 43H 62894 >> M 42H 05462 >> M 45H 83874 >>			
15	944 102 209 08	gear wheel		1	M44.05/06/07 M44.08/09 M44.10/51/52						
		driving mechanism balance shaft			M44.10/51/52	21	900 234 127 00	support washer		1	
15	944 102 209 11	gear wheel driving mechanism balance shaft		1	M44.40	22	900 095 031 00	tensioning sleeve 6 X 16		1	
						23	477 105 276	threaded pin		3	
16	944 102 210 02	washer		1		24	944 102 214 03	pulley		1	M657
17	900 082 085 02	hexagon-head bolt M 16 X 1,5 X 60		1		25	944 103 133 02	piston pin bush		1	
18	944 102 116 12	pulley		1	M44.05/06/07 M44.08/09 M44.10/51/52						
18	944 102 123 02	vibration damper		1	M44.40						

Model	Year	MG	SG	Illustration	Restrictions	UPD	17:44	24.02.2010	PORSCHE	PET	PORSCHE
9442	1988	1	02	102-05		248					



Pos	Part Number	Description	Remark	Qty	Model
		piston			
		piston rings			
1	944 103 074 03	piston tolerance group 0 100,00 MM		4	M44.05/06
1	944 103 074 13	piston tolerance group 1 100,00 MM		4	M44.05/06
1	944 103 074 23	piston tolerance group 2 100,00 MM		4	M44.05/06
1	944 103 074 53	piston tolerance group 0 100,50 MM		4	M44.05/06
1	944 103 074 63	piston tolerance group 1 100,50 MM		4	M44.05/06
1	944 103 074 73	piston tolerance group 2 100,50 MM		4	M44.05/06
1	944 103 091 07	piston tolerance group 0 100,00 MM		4	M44.07/08
1	944 103 091 17	piston tolerance group 1 100,00 MM		4	M44.07/08
1	944 103 091 27	piston tolerance group 2 100,00 MM		4	M44.07/08
1	944 103 091 57	piston tolerance group 0 100,50 MM		4	M44.07/08
1	944 103 091 67	piston tolerance group 1 100,50 MM		4	M44.07/08
1	944 103 091 77	piston tolerance group 2 100,50 MM		4	M44.07/08
1	944 103 088 02	piston		4	M44.09/10
		tolerance group 0 100,00 MM			
1	944 103 088 12	piston		4	M44.09/10

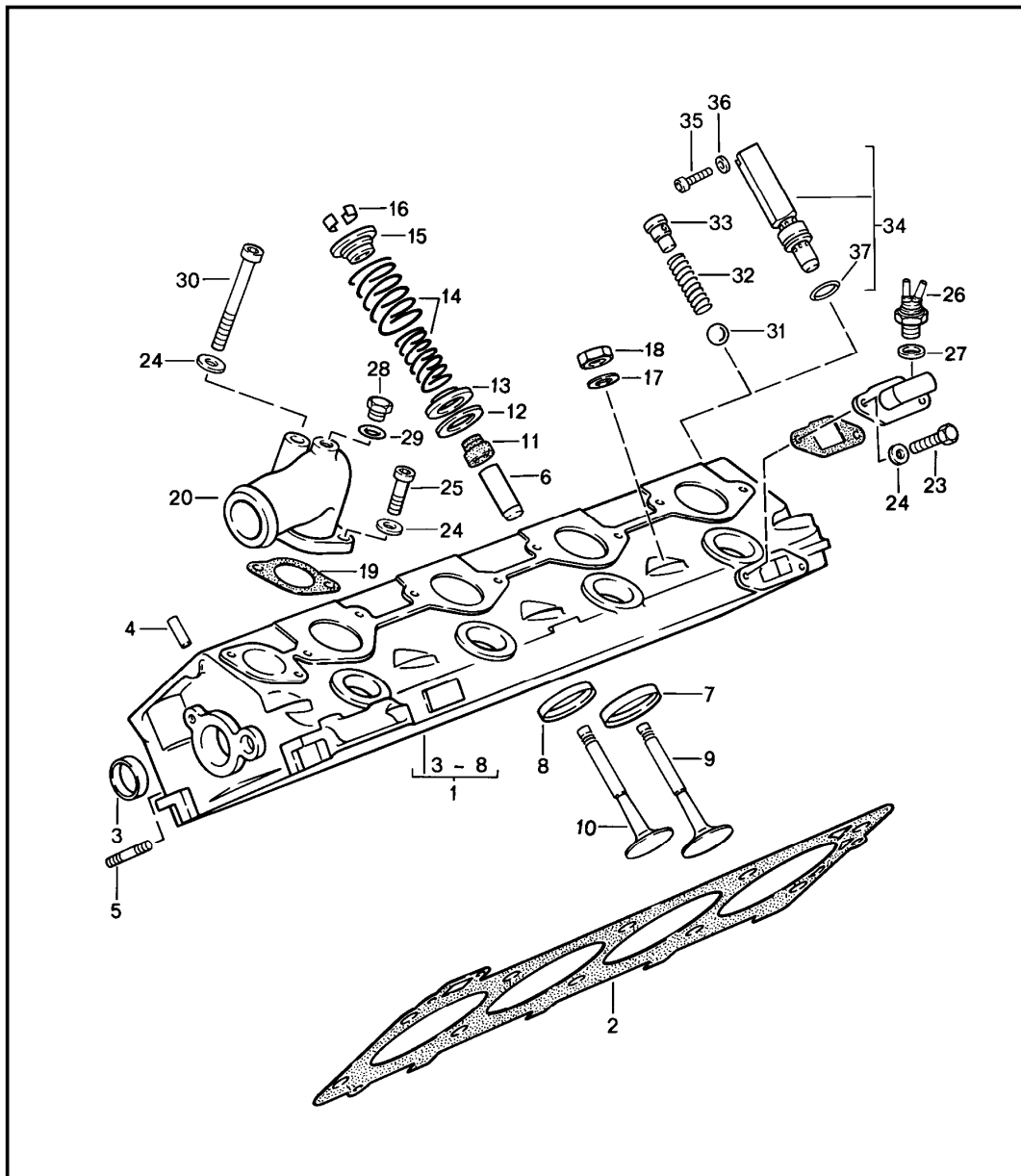
Model	Year	MG	SG	Illustration	Restrictions	UPD	17:44	24.02.2010	PORSCHE	PET	PORSCHE
9442	1988	1	02	102-05		248					

Pos	Part Number	Description	Remark	Qty	Model	Pos	Part Number	Description	Remark	Qty	Model
1	944 103 088 22	tolerance group 1 100,00 MM piston		4	M44.09/10	1	951 103 091 51	piston tolerance group 0 100,50 MM		4	M44.50/51 M44.52
1	944 103 088 52	tolerance group 2 100,00 MM piston		4	M44.09/10	1	951 103 091 61	piston tolerance group 1 100,50 MM		4	M44.50/51 M44.52
1	944 103 088 62	tolerance group 0 100,50 MM piston		4	M44.09/10	1	951 103 091 71	piston tolerance group 2 100,50 MM		4	M44.50/51 M44.52
1	944 103 088 72	tolerance group 1 100,50 MM piston		4	M44.09/10	1	944 103 015 06	piston	87	4	M44.40
		tolerance group 2 100,50 MM for M44.50 piston only by sets		4	M44.09/10	1	944 103 015 06	piston tolerance group 0 100,00 MM	88	4	M44.40
		for M44.51 piston only by sets				1	944 103 015 16	piston	87	4	M44.40
		M 45H 00388				1	944 103 015 16	piston tolerance group 1 100,00 MM	88	4	M44.40
		M 45H 00634 >> 45H 00653				1	944 103 015 26	piston	87	4	M44.40
		M 45H 00734 >> 45H 00735				1	944 103 015 26	piston tolerance group 2 100,00 MM	88	4	M44.40
		M 45H 00754 >> 45H 00785				1	944 103 015 56	piston tolerance group 0 100,50 MM		4	M44.40
		M 45H 00847 >> 45H 00856				1	944 103 015 66	piston tolerance group 1 100,50 MM		4	M44.40
		M 45H 01077 >> 45H 01106				1	944 103 015 76	piston tolerance group 2 100,50 MM		4	M44.40
		M 45H 01200 >> 45H 01205				2	N 012 277 1	circlip		8	
		M 45H 01253 >> 45H 01306				3	944 103 902 82	set of piston rings 100,00 MM		4	M44.05/06/07 M44.08/09 M44.10/40
		M 45H 01498 >> 45H 01547				3	944 103 902 92	set of piston rings 100,50 MM		4	M44.05/06/07 M44.08/09 M44.10/40
		M 45H 01620 >> 45H 01649									
		M 45H 01701 >> 45H 01706									
		M 45H 01817 >> 45H 01830									
		M 45H 01861 >> 45H 01880									
		M 45H 01882 >> 45H 01890									
1	951 103 091 01	piston		4	M44.50/51 M44.52						
1	951 103 091 11	tolerance group 0 100,00 MM piston		4	M44.50/51 M44.52						
1	951 103 091 21	tolerance group 1 100,00 MM piston		4	M44.50/51 M44.52						
		tolerance group 2 100,00 MM									

Model	Year	MG	SG	Illustration	Restrictions	UPD	17:44	24.02.2010	PORSCHE	PET	PORSCHE
9442	1988	1	02	102-05		248					

Pos	Part Number	Description	Remark	Qty	Model	Pos	Part Number	Description	Remark	Qty	Model
3	951 103 901 02	set of piston rings 100,00 MM		4	M44.50/51 M44.52						
3	951 103 901 03	set of piston rings 100,50 MM		4	M44.50/51 M44.52						

Model	Year	MG	SG	Illustration	Restrictions	UPD	17:44	24.02.2010	PORSCHE	PET	PORSCHE
9442	1988	1	03	103-00		248					

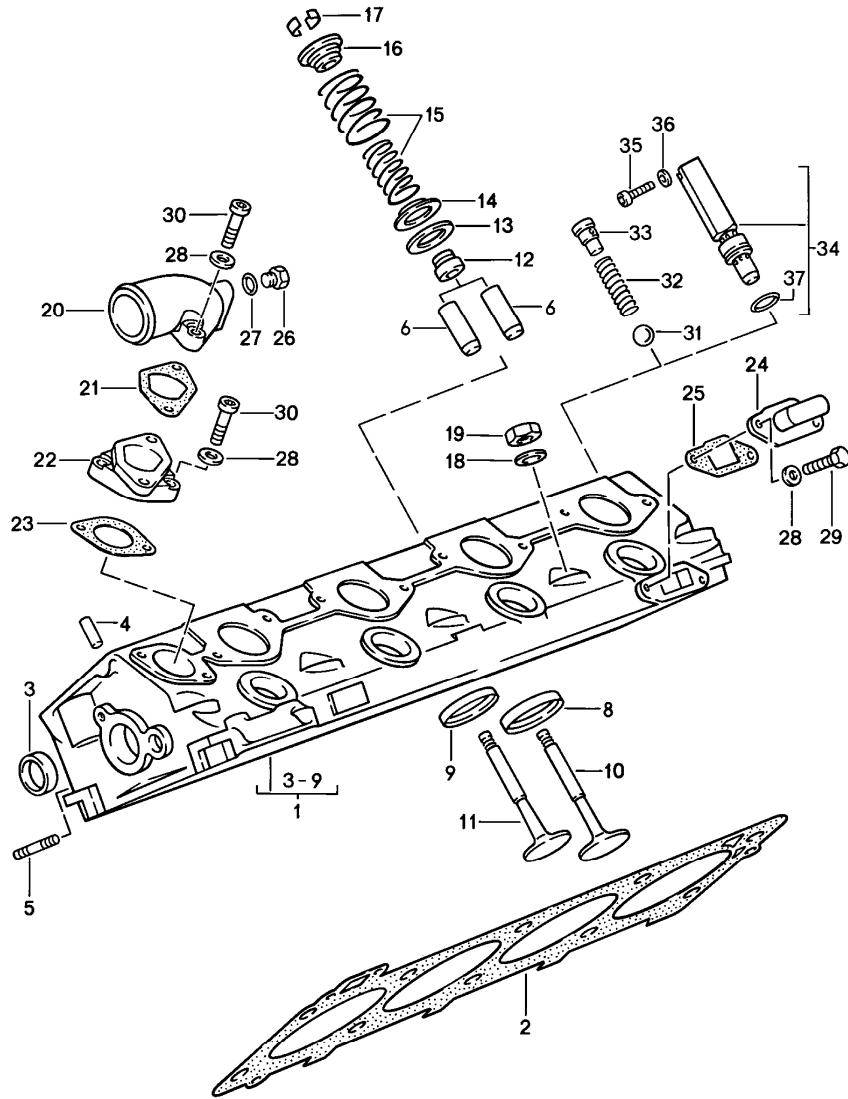


Pos	Part Number	Description	Remark	Qty	Model
		cylinder head			-10 M44.05
		valves			
1	> 944 104 033 06	cylinder head	-87	1	
1	> 944 104 033 08	cylinder head	88	1	
2	951 104 374 02	cylinder head gasket		1	
(2)	951 104 374 50	cylinder head gasket for recond. cylinder heads		1	
3	900 036 005 02	lid		2	
4	900 302 019 00	straight pin		2	
5	999 062 044 02	stud M 8 X 30		8	
6	944 104 328 51	valve guide 1st oversize		8	
7	944 104 331 51	valve seat ring intake oversize		4	
8	944 104 333 50	valve seat ring exhaust oversize		4	
9	928 105 409 02	intake valve		4	
10	928 105 410 04	exhaust valve		4	
-	000 043 204 48	sleeve for valve stem seal		X	
11	928 104 193 12	valve stem seal		8	
12	928 105 468 03	washer 0,5		X	
12	928 105 470 03	washer 1,0		X	
13	928 105 469 06	washer		8	
14	928 105 905 09	set of valve springs		8	
15	928 105 449 04	concave washer		8	
16	901 105 417 00	collet		16	
17	944 104 229 00	washer		10	

Model	Year	MG	SG	Illustration	Restrictions	UPD	17:44	24.02.2010	PORSCHE	PET	PORSCHE
9442	1988	1	03	103-00		248					

Pos	Part Number	Description	Remark	Qty	Model	Pos	Part Number	Description	Remark	Qty	Model
18	999 076 043 02	hexagon nut M 12 X 1,5		10		35	N 014 740 2	pan-head screw		1	
19	944 104 311 06	gasket		1		36	999 123 032 30	sealing ring		1	
20	944 104 315 04	cooling water socket		1		37	999 707 078 40	o-ring		1	
21	944 104 317 04	adapter		1	M44/05/06						
21	944 104 317 05	adapter	(AUS)	1	M44.05/06						
21	944 104 317 05	adapter		1	M44.07/08 M44.09/10						
22	* 928 106 197 01	gasket		1							
23	900 075 079 02	hexagon-head bolt M 8 X 20		2							
24	900 025 007 02	washer A 8,4		4							
25	N 014 725 2	pan-head screw M 8 X 25		2							
26	058 131 851 A	thermo valve	(AUS)	1	M44.05/06						
26	058 131 851 A	thermo valve		1	M44.07/08 M44.09/10						
27	N 013 808 3	sealing ring A 10 X 16	(AUS)	1	M44.05/06						
27	N 013 808 3	sealing ring A 10 X 16		1	M44.07/08 M44.09/10						
28	931 106 156 00	screw plug		1							
29	N 013 830 7	sealing ring A 8 X 12		1							
30	N 044 732 1	pan-head screw M 8 X 75		1							
31	N 025 669 2	ball		1							
32	928 104 129 00	compression spring		1							
33	951 104 229 00	guide piece for cylinder head 944.104.033.08		1							
34	944 107 239 01	pressure relief valve		1							

Model	Year	MG	SG	Illustration	Restrictions	UPD	17:44	24.02.2010	PORSCHE	PET	PORSCHE
9442	1988	1	03	103-03		248					

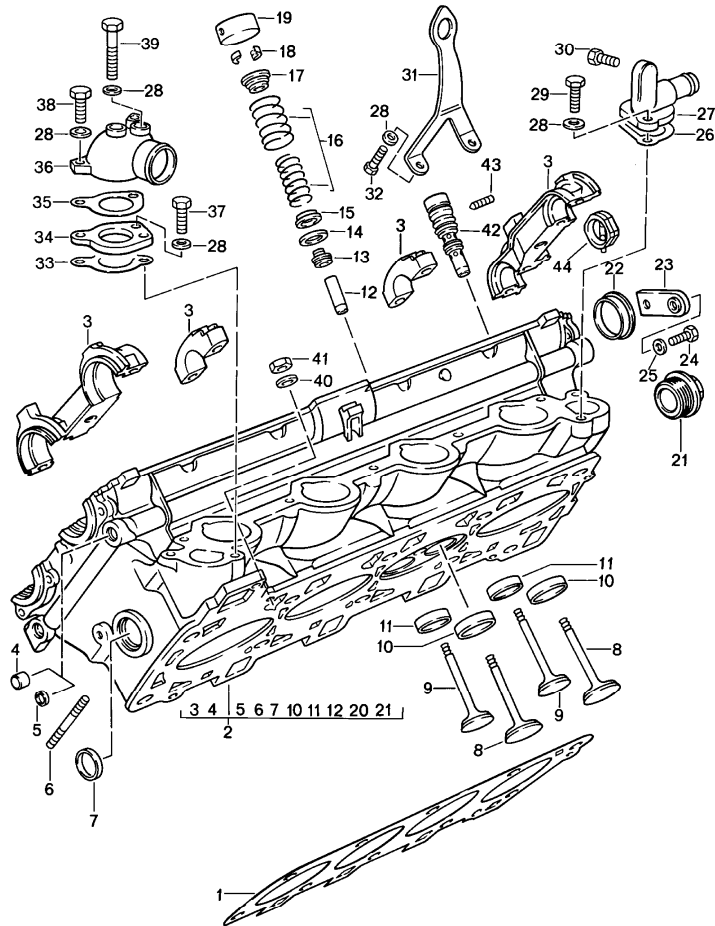


Pos	Part Number	Description	Remark	Qty	Model
		cylinder head			M44.50/51 M44.52
1	> 951 104 038 01	cylinder head		1	M44.50/51
1	951 104 038 04	cylinder head		1	M44.52
2	951 104 374 02	cylinder head gasket		1	
(2)	951 104 374 50	cylinder head gasket for recond. cylinder heads		1	
3	900 036 005 02	lid		2	
4	900 302 019 00	straight pin		2	
5	999 062 044 02	stud M 8 X 30		8	
6	944 104 328 51	valve guide 1st oversize		8	
8	951 104 331 50	valve seat ring intake oversize		4	
9	951 104 333 51	valve seat ring exhaust oversize		4	
10	951 105 415 00	intake valve		4	
11	951 105 416 07	exhaust valve		4	
-	000 043 204 48	sleeve for valve stem seal		X	
12	951 104 195 01	valve stem seal		8	M44.50/51
12	951 104 195 01	valve stem seal		8	M44.52
13	928 105 468 03	washer 0,5 MM		X	
13	928 105 470 03	washer 1,0 MM		X	
14	928 105 469 06	washer		8	
15	951 105 905 10	set of valve springs		8	
16	928 105 449 04	concave washer		8	
17	901 105 417 00	collet		16	

Model	Year	MG	SG	Illustration	Restrictions	UPD	17:44	24.02.2010	PORSCHE	PET	PORSCHE
9442	1988	1	03	103-03		248					

Pos	Part Number	Description	Remark	Qty	Model	Pos	Part Number	Description	Remark	Qty	Model
18	944 104 229 00	washer		10							
19	999 076 043 02	hexagon nut M 12 X 1,5		10							
20	951 104 315 00	cooling water socket		1							
21	951 104 311 03	gasket without asbestos		1							
22	951 104 313 00	intermediate piece		1							
23	944 104 311 06	gasket without asbestos		1							
24	944 104 317 04	adapter		1							
25	928 106 197 04	gasket without asbestos		1 1							
26	931 106 156 00	screw plug		1							
27	N 013 830 7	sealing ring A 8 X 12		1							
28	N 011 525 13	washer A 8,4		6							
29	N 044 704 1	pan-head screw M 8 X 28		4							
30	N 044 704 1	pan-head screw M 8 X 28		4							
30	N 014 777 2	pan-head screw M 8 X 30		4							
31	N 025 669 2	ball		1							
32	928 104 129 00	compression spring		1							
33	951 104 229 00	guide piece for cylinder head 951.104.038.02		1							
34	944 107 239 01	pressure relief valve		1							
35	N 014 740 2	pan-head screw		1							
36	999 123 032 30	sealing ring		1							
37	999 707 078 40	o-ring		1							

Model	Year	MG	SG	Illustration	Restrictions	UPD	17:44	24.02.2010	PORSCHE	PET	PORSCHE
9442	1988	1	03	103-04		248					

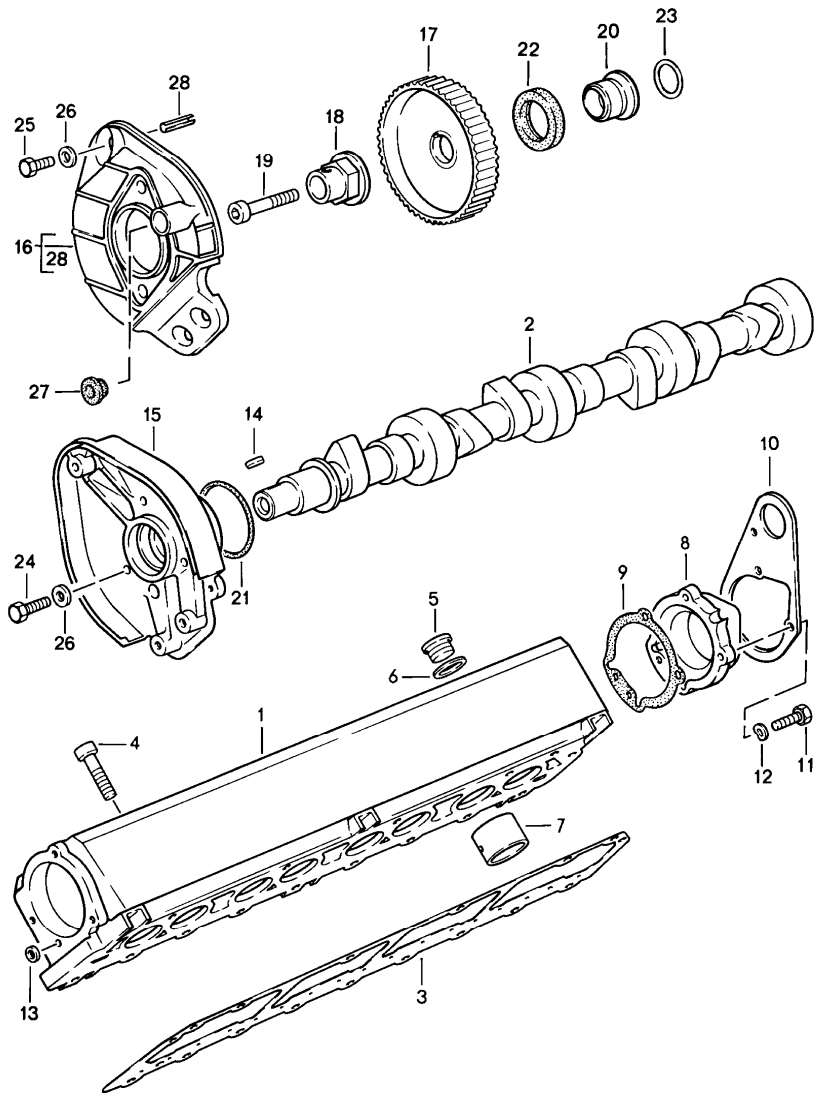


Pos	Part Number	Description	Remark	Qty	Model
		cylinder head valves			M44.40
1	951 104 374 02	cylinder head gasket		1	
(1)	951 104 374 50	cylinder head gasket for recond. cylinder heads		1	
2	> 944 104 013 03	cylinder head		1	
4	911 101 182 00	stopper		X	
5	N 011 918 1	lid		X	
6	999 062 139 02	stud BM 8 X 26		12	
7	900 036 014 02	lid		1	
8	928 105 641 05	intake valve		8	
9	928 105 642 06	exhaust valve		8	
-	000 043 204 45	sleeve for valve stem seal		X	
10	928 104 611 17	valve seat ring intake oversize 0.25 mm		8	
11	928 104 612 14	valve seat ring exhaust oversize 0.25 mm		8	
12	944 104 327 51	valve guide 1st oversize		16	
13	928 104 601 07	valve stem seal		16	
14	944 105 465 02	washer 0,5 MM		X	
14	944 105 465 03	washer 1,0 MM		X	
14	944 105 465 04	washer 1,5 MM		X	
15	944 105 463 02	washer		16	
16	944 105 907 01	set of valve springs		16	
17	944 105 467 03	concave washer		16	
18	928 105 221 10	valve collet		32	

Model	Year	MG	SG	Illustration	Restrictions	UPD	17:44	24.02.2010	PORSCHE	PET	PORSCHE
9442	1988	1	03	103-04		248					

Pos	Part Number	Description	Remark	Qty	Model	Pos	Part Number	Description	Remark	Qty	Model
19	928 105 312 02	hydraulic valve tappet		16		41	999 076 043 02	hexagon nut M 12 X 1,5		10	
21	944 104 228 01	screw plug		1		42 A	944 107 139 00	pressure relief valve		1	
22	928 105 215 00	lid		3		42	944 107 139 00	pressure relief valve		1	
23	928 105 205 00	support		3		43	999 218 035 02	threaded pin M 6 X 20		1	
24	900 075 016 02	hexagon-head bolt M 6 X 22		3		(44)	928 105 262 00	pin		2	
25	N 011 524 7	washer A 6,4		3							
26	928 106 167 01	gasket		1							
27	928 104 713 02	adapter		1							
28	900 025 007 02	washer A 8,4		7							
29	900 075 029 09	hexagon-head bolt M 8 X 25		2							
30	N 010 113 4	hexagon-head bolt		1							
31	944 104 415 01	shackle for transportation		1							
32	N 012 241 11	spring washer M 8 X 22		2							
33	944 104 305 03	gasket		1							
33	944 104 305 03	gasket without asbestos		1							
34	944 104 323 00	intermediate flange		1							
35	944 104 302 03	gasket		1							
35	944 104 302 03	gasket without asbestos		1							
36	944 104 308 01	cooling water socket		1							
37	N 014 725 2	pan-head screw M 8 X 25		1							
38	N 014 725 2	pan-head screw M 8 X 25		1							
39	N 044 732 1	pan-head screw M 8 X 75		1							
40	944 104 229 00	washer		10							

Model	Year	MG	SG	Illustration	Restrictions	UPD	17:50	24.02.2010	PORSCHE	PET	PORSCHE
9442	1988	1	03	103-05		248					

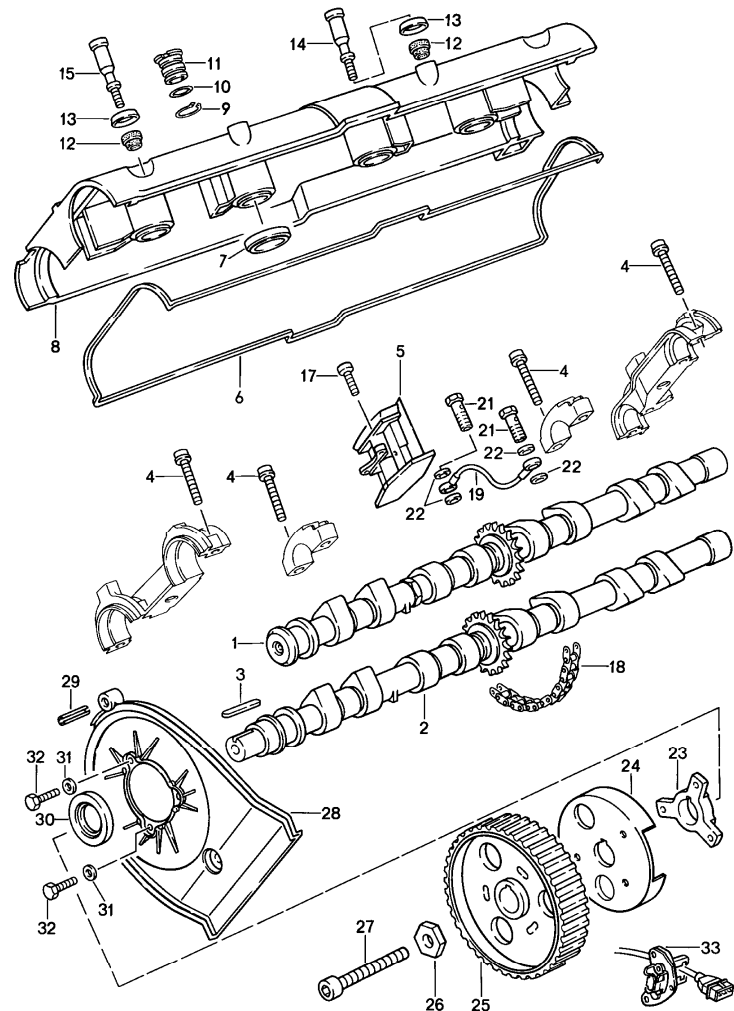


Pos	Part Number	Description	Remark	Qty	Model
		camshaft housing			M44.05/06/07 M44.08/09 M44.10/50/51 M44.52
1	944 105 250 07	camshaft housing		1	
2	944 105 155 09	camshaft		1	M44.05/06/07 M44.08/09 M44.10
2	944 105 155 05	camshaft		1	M44.50/51 M44.52
3	* 928 105 199 12	gasket		1	
4	900 067 214 02	pan-head screw M 8 X 35		15	
5	900 219 009 30	screw plug M 18 X 1,5		6	
6	900 123 140 30	sealing ring A 18 X 22		6	
7	928 105 311 06	hydraulic valve tappet		8	
8	928 105 153 04	lid		1	
9	* 928 105 189 02	gasket		1	
10	944 101 413 02	engine lifting bracket		1	
11	900 075 016 02	hexagon-head bolt M 6 X 22		3	
12	N 012 226 5	spring washer B 6		3	
13	* 928 105 184 00	sealing ring		1	
14	900 117 045 00	feather key 4 X 4		1	
15	944 105 119 03	camshaft bearing		1	
16	944 105 029 01	bracket		1	
17	944 105 545 03	camshaft timing gear		1	
18	944 105 142 00	driver		1	
19	999 510 022 08	pan-head screw M 10 X 65		1	

Model	Year	MG	SG	Illustration	Restrictions	UPD	17:50	24.02.2010	PORSCHE	PET	PORSCHE
9442	1988	1	03	103-05		248					

Pos	Part Number	Description	Remark	Qty	Model	Pos	Part Number	Description	Remark	Qty	Model
20	928 105 139 02	spacer sleeve M >> 41F 03833 M >> 41F 20298 M >> 43F 06994 M >> 43F 21202		1	M44.05 M44.06 M44.07 M44.08						
20	928 105 139 04	spacer sleeve M 41F 03834 >> M 41F 20299 >> M 43F 06995 >> M 43F 21203 >>		1	M44.05/06/07 M44.08/09 M44.10 M44.05 M44.06 M44.07 M44.08						
21	* 999 701 602 40	o-ring 50 X 5		1							
22	* 999 113 282 40	shaft sealing ring 30 X 47 M >> 41F 03833 M >> 41F 20298 M >> 43F 06994 M >> 43F 21202		1	M44.05 M44.06 M44.07 M44.08						
22	999 113 349 40	shaft sealing ring 32 X 47 M 41F 03834 >> M 41F 20299 >> M 43F 06995 >> M 43F 21203 >>		1	M44.05/06/07 M44.08/09 M44.10 M44.05 M44.06 M44.07 M44.08						
23	* 944 105 321 00	gasket		1							
24	N 010 347 3	hexagon-head bolt M 6 X 35		3							
25	900 074 015 02	hexagon-head bolt M 6 X 30		3							
26	N 011 524 7	washer A 6,4		6							
27	944 105 131 00	stopper		1							
28	999 095 103 01	roll pin 8 X 16		2							

Model	Year	MG	SG	Illustration	Restrictions	UPD	17:50	24.02.2010	PORSCHE	PET	PORSCHE
9442	1988	1	03	103-07		248					

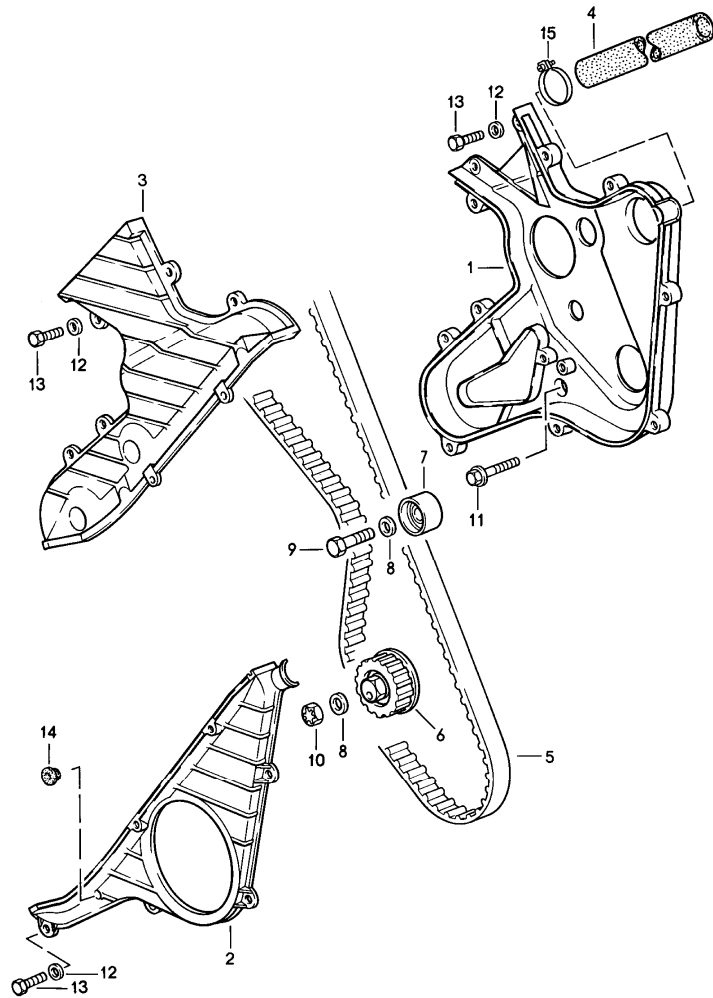


Pos	Part Number	Description	Remark	Qty	Model
		camshaft			M44.40
1	944 105 277 04	camshaft intake		1	
2	944 105 275 04	camshaft exhaust		1	
3	900 117 073 00	feather key		1	
4	999 218 026 02	pan-head screw M 8 X 37		24	
4	999 510 029 02	combination screw M 8 X 40		24	
5	944 105 049 01	chain adjuster		1	
--	928 105 509 01	guide rail upper		1	
--	944 105 949 00	guide rail repair kit		1	
6	928 104 447 09	gasket		1	
7	928 104 443 08	sealing ring		4	
8	928 104 461 08	cylinder head cover		1	
9	N 012 420 1	circlip		2	
10	900 174 056 40	o-ring		2	
11	928 104 485 01	lid		2	
12	928 104 115 02	thrust ring		13	
13	928 104 116 00	thrust washer		13	
14	928 104 117 01	pan-head screw long		10	
15	928 104 111 01	pan-head screw short		3	
17	N 014 703 2	pan-head screw M 6 X 22		2	
18	944 105 501 05	timing chain		1	
19	944 105 167 07	pipeline		1	
21	928 105 476 00	banjo bolt		2	
22	900 123 050 30	sealing ring		4	

Model	Year	MG	SG	Illustration	Restrictions	UPD	17:50	24.02.2010	PORSCHE	PET	PORSCHE
9442	1988	1	03	103-07		248					

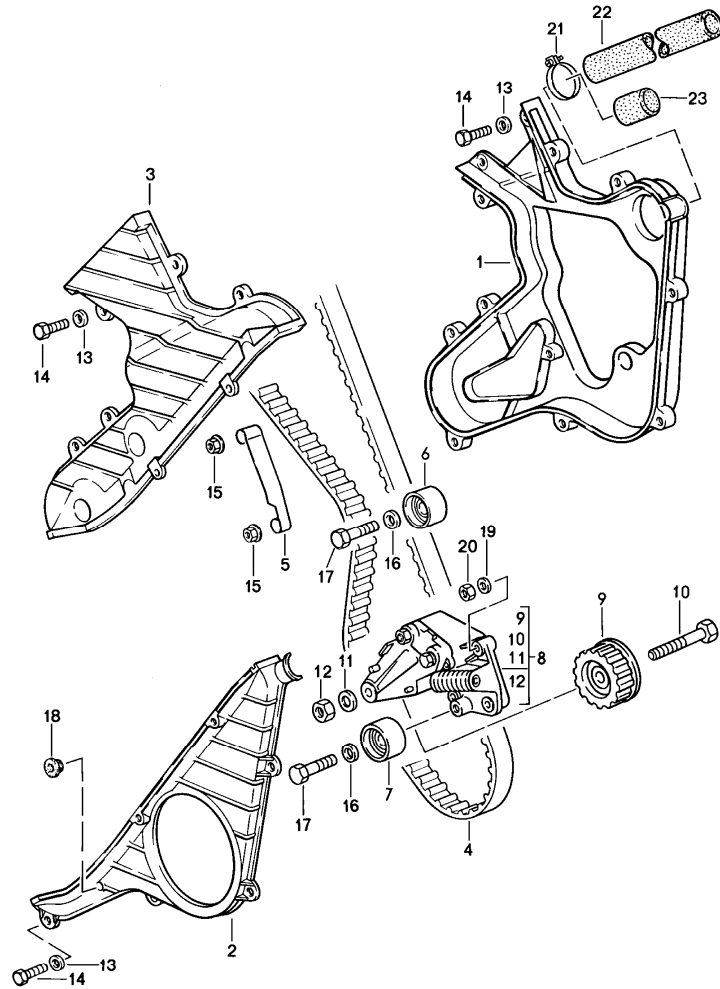
Pos	Part Number	Description	Remark	Qty	Model	Pos	Part Number	Description	Remark	Qty	Model
23	928 105 459 00	hub		1							
24	944 105 229 03	rotor trim		1							
25	944 105 545 12	camshaft timing gear		1							
26	928 105 457 02	washer		1							
27	999 510 022 08	pan-head screw M 10 X 65		1							
28	944 105 179 04	toothed belt covering		1							
29	999 095 103 01	roll pin		1							
30	999 113 282 40	shaft sealing ring		1							
31	900 025 007 02	washer		3							
32	900 075 014 02	hexagon-head bolt		3							
33	-	hall sender see group 9/01/01									
(34)	944 105 189 04	toothed belt covering		1							

Model	Year	MG	SG	Illustration	Restrictions	UPD	17:50	24.02.2010	PORSCHE	PET	PORSCHE
9442	1988	1	03	103-10		248					



Pos	Part Number	Description	Remark	Qty	Model
		driving mechanism camshaft	-86		
1	944 105 045 04	toothed belt covering		1	
2	944 105 048 00	toothed belt covering		1	
3	944 105 047 00	toothed belt covering		1	
4	944 105 149 01	hose		1	M44.05/06/07 M44.08
4	951 105 149 03	breather hose		1	M44.50/51 M44.52
5	944 105 157 04	toothed belt		1	
6	944 105 027 04	tensioning roller		1	
7	944 105 273 02	roller		1	WW
8	N 011 527 12	washer A 10,5		2	
9	900 075 111 08	hexagon-head bolt M 10 X 35		1	
10	N 022 149 2	lock nut M 10		1	
11	900 075 344 02	hexagon-head bolt M 6 X 50		2	
12	N 011 524 7	washer A 6,4		11	
13	999 072 005 09	hexagon-head bolt M 6 X 12		11	
14	999 703 164 40	stopper		1	
15	999 512 252 02	hose clamp LA 23 - 35		2	M44.50/51 M44.52

Model	Year	MG	SG	Illustration	Restrictions	UPD	17:50	24.02.2010	PORSCHE	PET	PORSCHE
9442	1988	1	03	103-12		248					

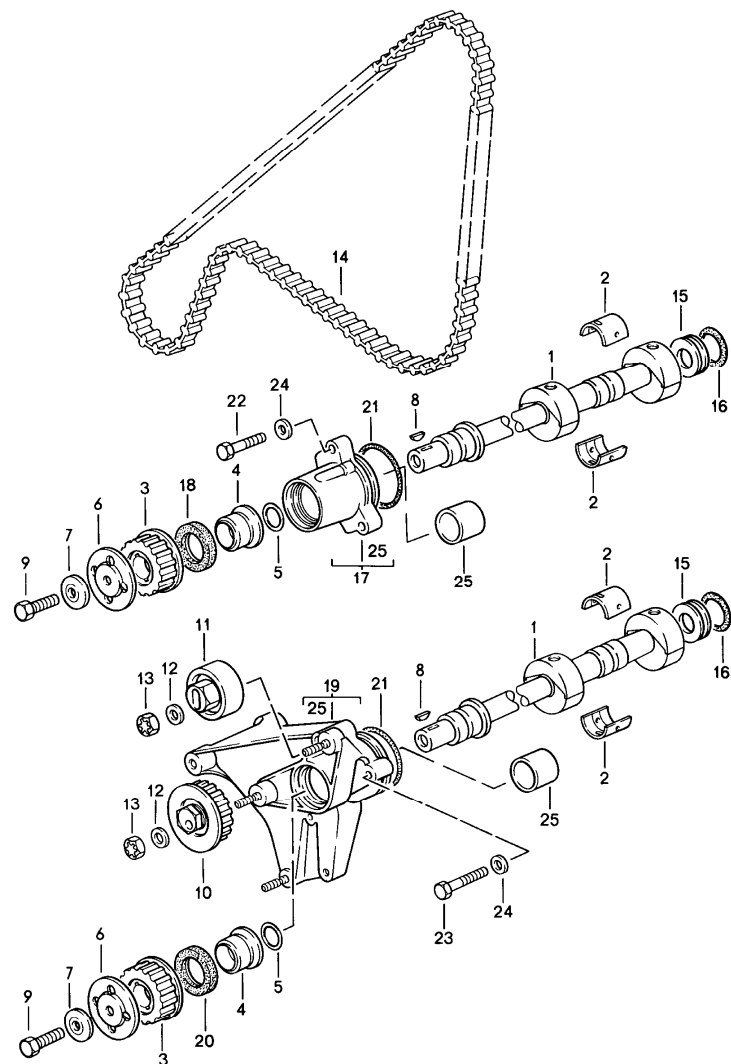


Pos	Part Number	Description	Remark	Qty	Model
		driving mechanism camshaft	87-		
1	944 105 039 02	toothed belt covering		1	M44.05/06/07 M44.08/09 M44.10/51/52
1	944 105 033 02	toothed belt covering		1	M44.40
2	944 105 037 00	toothed belt covering		1	
3	944 105 041 01	toothed belt covering		1	M44.05/06/07 M44.08/09 M44.10/51/52
3	944 105 035 01	toothed belt covering		1	M44.40
4	944 105 157 04	toothed belt		1	M44.05/06/07 M44.08/09 M44.10/51/52
4	944 105 323 02	toothed belt		1	M44.40
5	944 105 213 01	securing clip		1	
6	944 105 241 03	roller		1	
7	944 105 241 02	roller		1	M44.40
8	944 105 067 14	tensioner for toothed belt		1	M44.05/10 M44.51/52
8	944 105 067 09	tensioner for toothed belt		1	M44.40
9	944 105 631 04	tensioning roller		1	M44.05/06/07 M44.08/09 M44.10/51/52
9	944 105 631 10	tensioning roller		1	M44.40
10	N 010 445 2	hexagon-head bolt M 10 X 45		1	
11	900 025 008 09	washer		1	
12	900 910 034 02	lock nut M 10		1 1	
13	N 011 524 7	washer		11	
14	999 072 005 09	hexagon-head bolt M 6 X 12		11	
15	999 084 092 02	lock nut		2	
16	900 025 008 09	washer		2	

Model	Year	MG	SG	Illustration	Restrictions	UPD	17:50	24.02.2010	PORSCHE	PET	PORSCHE
9442	1988	1	03	103-12		248					

Pos	Part Number	Description	Remark	Qty	Model	Pos	Part Number	Description	Remark	Qty	Model
17	900 075 043 02	hexagon-head bolt M 10 X 30		2							
18	999 703 164 40	stopper		1							
19	900 025 007 02	washer		3							
20	900 076 025 02	hexagon nut		3							
21	999 512 252 02	hose clamp		1							
22	944 105 149 01	hose		1	M44.05/06/07 M44.08/09 M44.10						
22	951 105 149 03	breather hose		1	M44.51						
22	944 110 218 00	breather hose		1	M44.40						
23	944 106 103 03	cap		1							

Model	Year	MG	SG	Illustration	Restrictions	UPD	17:50	24.02.2010	PORSCHE	PET	PORSCHE
9442	1988	1	03	103-15		248					

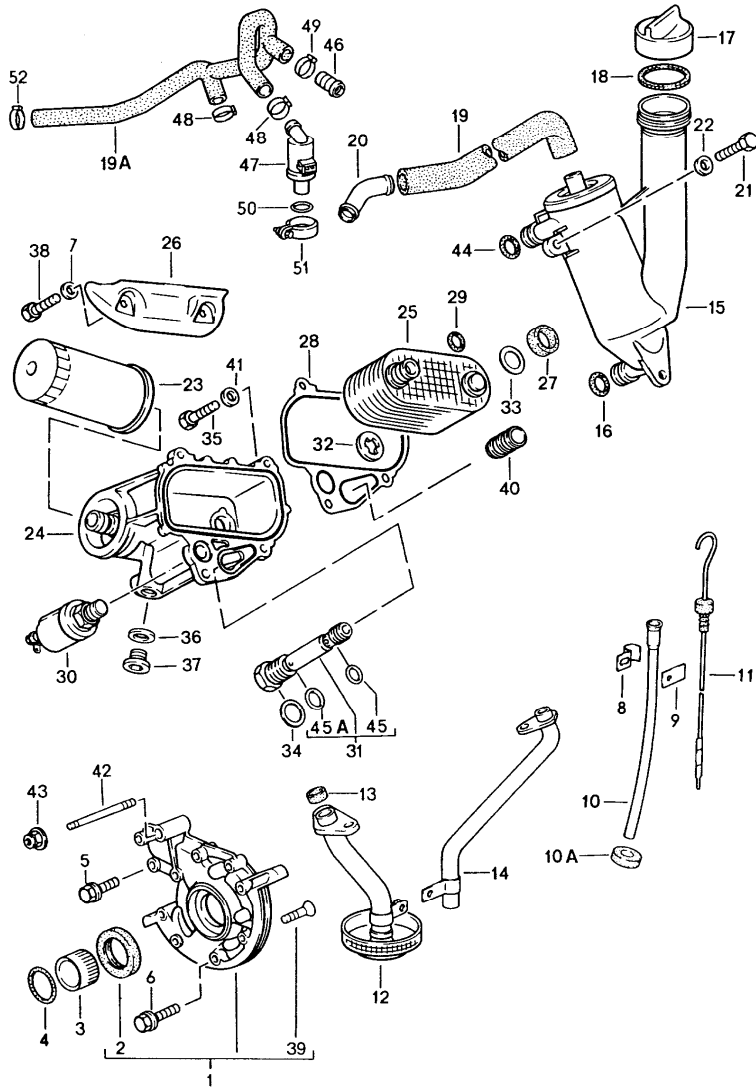


Pos	Part Number	Description	Remark	Qty	Model
		driving mechanism balance shaft			
1	944 102 923 00	balance shaft		2	
2	944 101 121 07	bearing shell	-86	4	
2	944 101 121 10	bearing shell	87-	4	
3	944 102 205 04	gear wheel		2	
4	928 105 139 02	spacer sleeve		2	
5	* 944 105 321 00	gasket		2	
6	944 102 281 04	flange washer		2	
7	944 102 213 00	washer		2	
8	N 012 708 2	woodruff key		2	
9	N 010 275 3	hexagon-head bolt M 10 X 35		2	
10	944 102 025 07	tensioning roller		1	
11	944 102 277 06	roller		1	
12	N 011 527 12	washer A 10,5		2	
13	N 022 149 2	lock nut M 10		2	
14	944 102 219 04	toothed belt technical information group 1 NR.15/95 attention		1	
15	944 101 145 02	locking ring	-86	2	
15	944 101 145 03	locking ring	87	2	
16	* 999 701 614 40	round seal 23,16 X 5,33	-86	2	
16	999 701 875 40	round seal	87	2	
17	944 101 045 00	bearing case	/L	1	
18	* 999 113 282 40	shaft sealing ring 30 X 47	/L	1	
19	944 101 042 02	bearing case	/R	1	

Model	Year	MG	SG	Illustration	Restrictions	UPD	17:50	24.02.2010	PORSCHE	PET	PORSCHE
9442	1988	1	03	103-15		248					

Pos	Part Number	Description	Remark	Qty	Model	Pos	Part Number	Description	Remark	Qty	Model
20	* 999 113 281 40	shaft sealing ring 30 X 48	/R	1							
21	* 999 701 652 40	o-ring 56,7 X 3,53		2							
22	N 010 335 5	hexagon-head bolt M 8 X 35		3							
23	N 010 360 6	hexagon-head bolt M 8 X 60		3	M657						
24	900 025 007 02	washer A 8,4		6							
25	944 101 125 02	bearing sleeve		2							
25	944 101 125 50	bearing sleeve 0,5 MM oversize		2							
26	944 347 442 00	dowel sleeve		1	M657						

Model	Year	MG	SG	Illustration	Restrictions	UPD	17:51	24.02.2010	PORSCHE	PET	PORSCHE
9442	1988	1	04	104-00		248					



Pos	Part Number	Description	Remark	Qty	Model
		engine lubrication			M44.05/06/07 M44.08/09 M44.10/40
1	944 107 014 11	oil pump up to model 86 use also: 944.107.911.01		1	
2	* 999 113 331 40	shaft sealing ring 38 X 52 X 7		1	
3	944 107 161 02	toothed sleeve		1	
4	* 999 707 283 40	round seal 28 X 2,58		1	
5	900 075 345 02	hexagon-head bolt M 6 X 35		4	
6	900 075 343 02	hexagon-head bolt M 6 X 45		3	
8	944 101 225 00	clip	M >> 41G 02537 M >> 41G 20268 M >> 43G 05281 M >> 43G 60757	1	M44.05 M44.06 M44.07 M44.08
9	944 101 231 00	retaining bracket		1	
10	944 101 223 00	guide tube	M >> 41G 02537 M >> 41G 20268 M >> 43G 05281 M >> 43G 60757	1	M44.05 M44.06 M44.07 M44.08
10	944 101 027 01	guide tube	M 41G 02538 >> 41H 00419 M 41G 20269 >> 41H 20124 M 43G 05282 >> 43H 05637 M 43G 60758 >> 43H 61343	1	M44.05 M44.06 M44.07 M44.08
10	944 101 027 05	guide tube	M 41H 00420 >> M 41H 20125 >> M 43H 05638 >> M 43H 61344 >>	1	M44.05/06/07 M44.08/09 M44.10 M44.05 M44.06 M44.07 M44.08
10	944 101 024 04	guide tube		1	M44.40
10A	900 174 044 40	round seal		1	

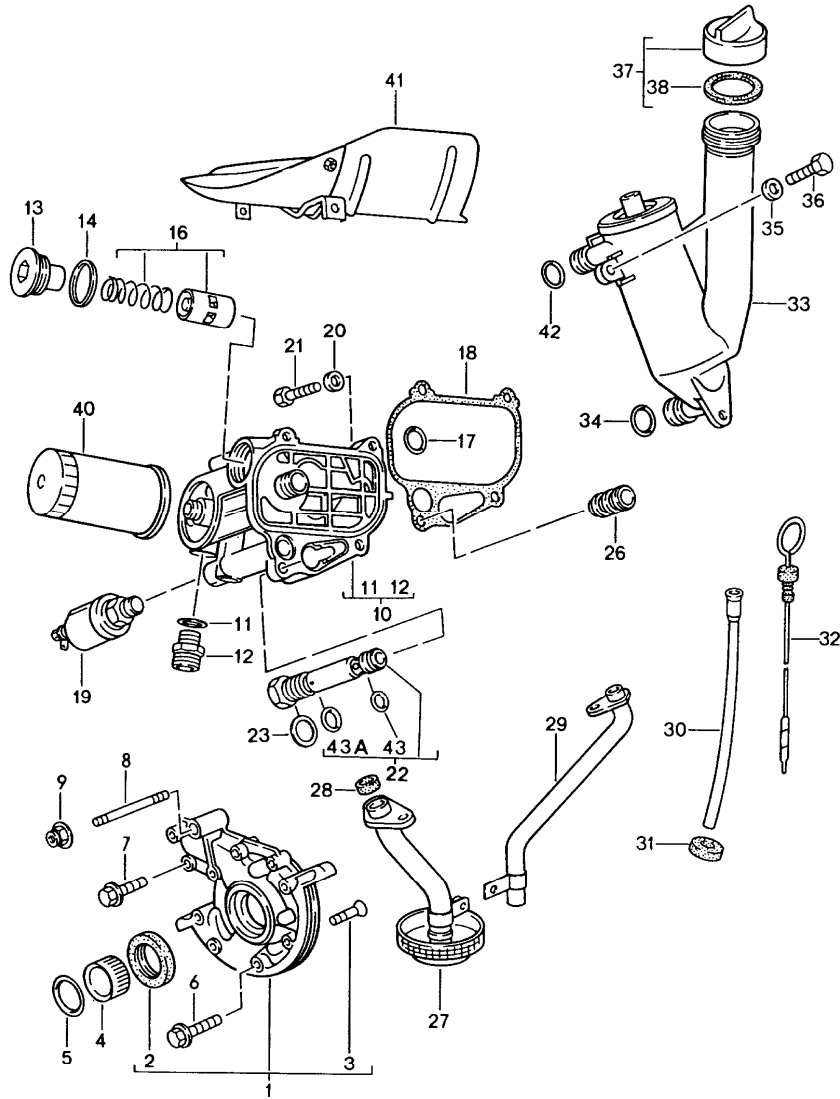
Model	Year	MG	SG	Illustration	Restrictions	UPD	17:51	24.02.2010	PORSCHE	PET	PORSCHE
9442	1988	1	04	104-00		248					

Pos	Part Number	Description	Remark	Qty	Model	Pos	Part Number	Description	Remark	Qty	Model
-	944 107 329 00	spacer sleeve		1		18	999 701 846 40	o-ring		1	M44.05/06/07 M44.08/09 M44.10/40
11	944 107 221 02	oil level dipstick		1	M44.05/06/07 M44.08 M44.05 M44.06 M44.07 M44.08			4,00 X 45,00 M 41G 01802 >> M 41G 20224 >> M 43G 03393 >> M 43G 60524 >>			M44.05 M44.06 M44.07 M44.08
		M >> 41H 00419									
		M >> 41H 20124									
		M >> 43H 05637									
		M >> 43H 61343									
11	944 107 025 01	oil level dipstick		1	M44.05/06/07 M44.08/09 M44.10/40 M44.05 M44.06 M44.07 M44.08	19	944 107 187 01	moulded hose	-87	1	M44.05/06/07 M44.08
		M 41H 00420 >>				19	944 107 311 00	connecting hose	-87	1	M44.40
		M 41H 20125 >>				19A	944 107 187 02	moulded hose	88-	1	M44.09/10
		M 43H 05638 >>				19A	944 107 311 02	moulded hose	88-	1	M44.40
		M 43H 61344 >>				20	944 107 367 00	connecting piece		1	M44.05/06
12	944 107 032 06	suction tube		1	M44.05/06/07 M44.08 M44.40 M44.05 M44.06 M44.07 M44.08 M44.40	20	944 107 367 01	connecting piece	(AUS)	1	M44.05/06
		M >> 41H 00419				20	944 107 367 01	connecting piece		1	M44.07/08 M44.09/10
		M >> 41H 20124									
		M >> 43H 05637									
		M >> 43H 61343									
		M >> 42H 03027									
12	944 107 032 07	suction tube		1	M44.05/06/07 M44.08/09 M44.10/40 M44.05 M44.06 M44.07 M44.08 M44.40	21	900 075 029 09	hexagon-head bolt M 8 X 25		3	
		M 41H 00420 >>				22	900 025 007 02	washer A 8,4		7	
		M 41H 20125 >>				23	944 107 201 03	oil filter		1	WW
		M 43H 05638 >>				23	944 107 201 03	oil filter		1	WW
		M 43H 61344 >>				24	944 107 149 06	housing	87	1	
		M 42H 03028 >>				25	944 107 165 01	oil-water radiator		1	WW
13	944 107 136 03	sealing ring		1		25	944 107 165 03	oil-water radiator		1	WW
14	944 107 183 03	return pipe		1		26	944 107 053 02	cover plate		1	M44.05/06/07 M44.08/09 M44.10
15	944 107 180 08	oil separator		1	M44.05/06/07 M44.08/09 M44.10	26	944 107 053 03	cover plate	-87	1	M44.40
15	944 107 182 00	oil separator		1	M44.40	26	944 107 053 03	cover plate	88	1	M44.40
16	* 999 701 661 40	round seal 24 X 5		2		27	944 107 153 02	rubber ring		1	
17	944 107 091 01	oil filler cover		1		28	944 107 147 03	gasket		1	
18	999 701 653 40	o-ring 3,53 X 44,04		1	M44.05 M44.06 M44.07 M44.08	29	999 707 043 40	o-ring		2	
		M >> 41G 01801				30	928 606 203 01	oil pressure sender		1	
		M >> 41G 20223									
		M >> 43G 03392									
		M >> 43G 60523									

Model	Year	MG	SG	Illustration	Restrictions	UPD	17:51	24.02.2010	PORSCHE	PET	PORSCHE
9442	1988	1	04	104-00		248					

Pos	Part Number	Description	Remark	Qty	Model	Pos	Part Number	Description	Remark	Qty	Model
30	928 606 203 04	oil pressure sender		1		-	000 043 010 00	loctite -574- 50 ML		1	
31	944 107 035 11	relief valve	-86	1							
31	944 107 035 02	relief valve	87-	1		-	000 043 124 00	loctite ACTIVATOR N -764- 120 ML		1	
32	944 107 154 00	washer		1							
33	944 107 219 00	shim		X							
34	* N 043 815 3	sealing ring A 20 X 24		1							
35	900 075 029 09	hexagon-head bolt M 8 X 25		4							
36	* 900 123 106 30	sealing ring A 18 X 24		1							
37	N 016 161 1	screw plug		1							
39	900 249 017 02	countersunk-head screw M 6 X 25		2							
40	944 101 181 01	guide sleeve	-86	1							
41	900 232 004 02	washer		1							
42	944 102 216 01	stud	-86	1							
43	944 102 243 00	collar nut	-86	1							
44	999 701 613 40	round seal 20 X 5		1							
45	999 707 145 40	o-ring	-86	1							
45	999 707 144 40	sealing ring	87-	1							
45A	999 707 146 40	o-ring	-86	1							
45A	999 707 144 40	sealing ring	87-	1							
46	944 107 324 00	valve	88-	1							
47	944 616 104 00	heating tube	88-	1							
48	999 512 346 02	hose clamp	88-	2							
49	999 512 457 00	clamp	88-	1							
50	900 174 056 40	o-ring	88-	1							
51	999 512 480 02	clip	88-	1							
52	999 512 374 02	hose clamp	88-	1							

Model	Year	MG	SG	Illustration	Restrictions	UPD	17:51	24.02.2010	PORSCHE	PET	PORSCHE
9442	1988	1	04	104-01		248					

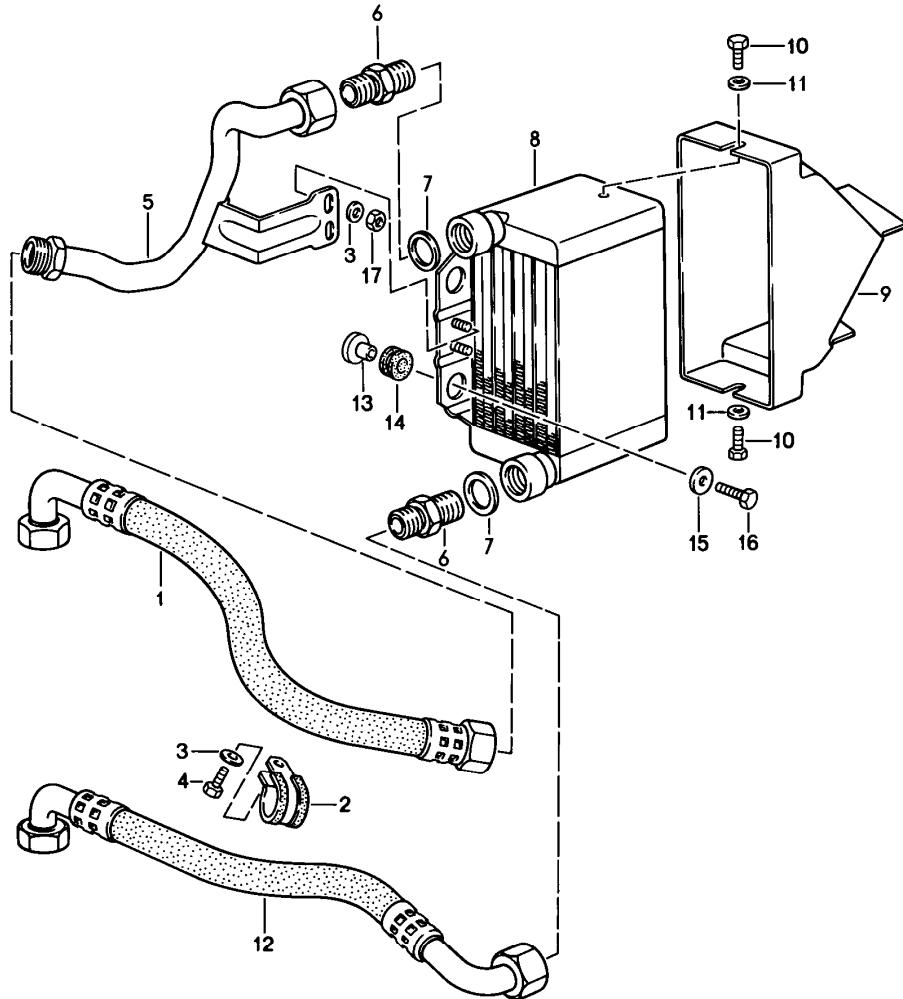


Pos	Part Number	Description	Remark	Qty	Model
		engine lubrication			M44.50/51
1	944 107 014 11	oil pump up to model 86 use also: 944.107.911.01		1	
2	999 113 331 40	shaft sealing ring 38 X 52 X 7		1	
3	900 249 017 02	countersunk-head screw M 6 X 25		2	
4	944 107 161 02	toothed sleeve		1	
5	999 707 283 40	round seal 28 X 2,58		1	
6	900 075 343 02	hexagon-head bolt M 6 X 45		3	
7	900 075 345 02	hexagon-head bolt M 6 X 35		4	
8	944 102 216 01	stud	-86	1	
9	944 102 243 00	collar nut	-86	1	
10	951 107 051 00	thermostat housing		1	
11	900 123 011 30	sealing ring A 22 X 27		2	
12	900 915 101 02	screw socket		2	
13	951 107 153 01	screw plug		1	
14	900 123 136 30	sealing ring A 42 X 49		1	
16	951 107 155 01	thermostat insert		1	
17	999 707 043 40	o-ring		1	
18	944 107 147 03	gasket		1	
19	928 606 203 01	oil pressure sender		1	
20	900 232 004 02	washer		4	
21	900 075 029 09	hexagon-head bolt M 8 X 25		4	
22	944 107 035 11	relief valve	86	1	

Model	Year	MG	SG	Illustration	Restrictions	UPD	17:51	24.02.2010	PORSCHE	PET	PORSCHE
9442	1988	1	04	104-01		248					

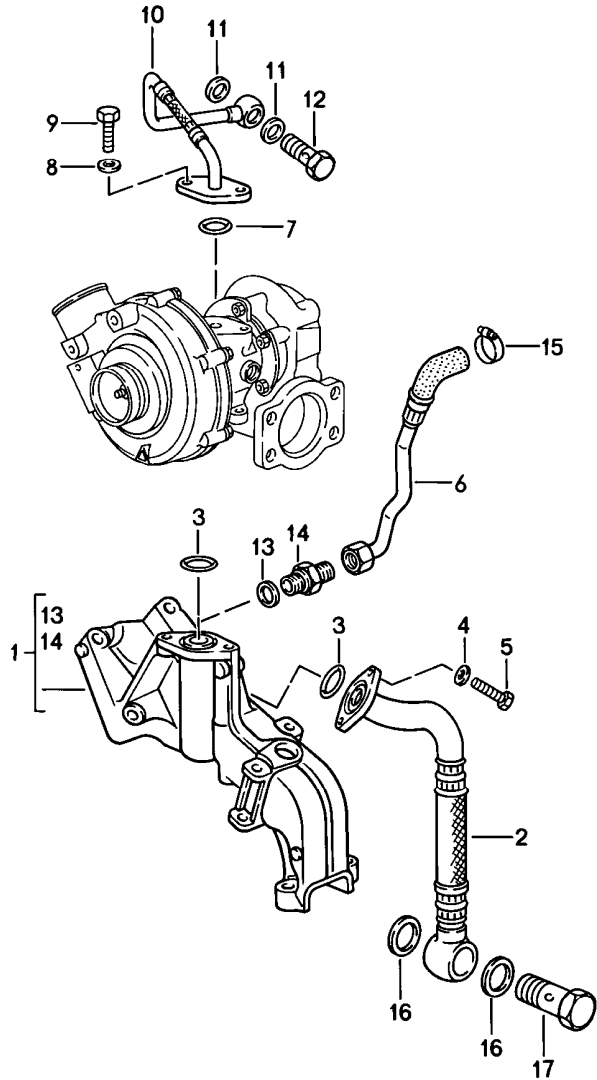
Pos	Part Number	Description	Remark	Qty	Model	Pos	Part Number	Description	Remark	Qty	Model
22	944 107 035 02	relief valve	87-	1		43	999 707 145 40	o-ring	-86	1	
23	N 043 815 3	sealing ring A 20 X 24		1		43	999 707 144 40	sealing ring	87-	1	
26	944 101 181 01	guide sleeve	-86	1		43A	999 707 146 40	o-ring	-86	1	
27	944 107 032 06	suction tube M >> 45H 01414		1	M44.50/51	43A	999 707 144 40	sealing ring	87-	1	
27	944 107 032 07	suction tube M 45H 01415 >>		1	M44.51	-	000 043 010 00	loctite -574- 50 ML		1	
28	944 107 136 03	sealing ring		1		-	000 043 124 00	loctite ACTIVATOR N -764- 120 ML		1	
29	944 107 183 03	return pipe		1							
30	951 101 027 00	guide tube M >> 45H 01414		1							
30	951 101 027 03	guide tube M 45H 01415 >>		1							
31	900 174 044 40	round seal		1							
-	944 107 329 00	spacer sleeve		1							
32	951 107 021 01	oil level dipstick M >> 45H 01414		1							
32	944 107 025 01	oil level dipstick M 45H 01415 >>		1							
33	944 107 180 09	oil separator		1							
34	999 701 661 40	round seal 24 X 5		2							
35	900 025 007 02	washer A 8,4		3							
36	900 075 029 09	hexagon-head bolt M 8 X 25		3							
37	944 107 091 01	oil filler cover		1							
38	999 701 846 40	o-ring 4,00 X 45,00		1							
40	944 107 201 03	oil filter		1							
40	944 107 201 03	oil filter		1	WW						
41	951 107 053 01	cover plate		1							
42	999 701 613 40	round seal 20 X 5		1							

Model	Year	MG	SG	Illustration	Restrictions	UPD	17:51	24.02.2010	PORSCHE	PET	PORSCHE
9442	1988	1	04	104-03		248					



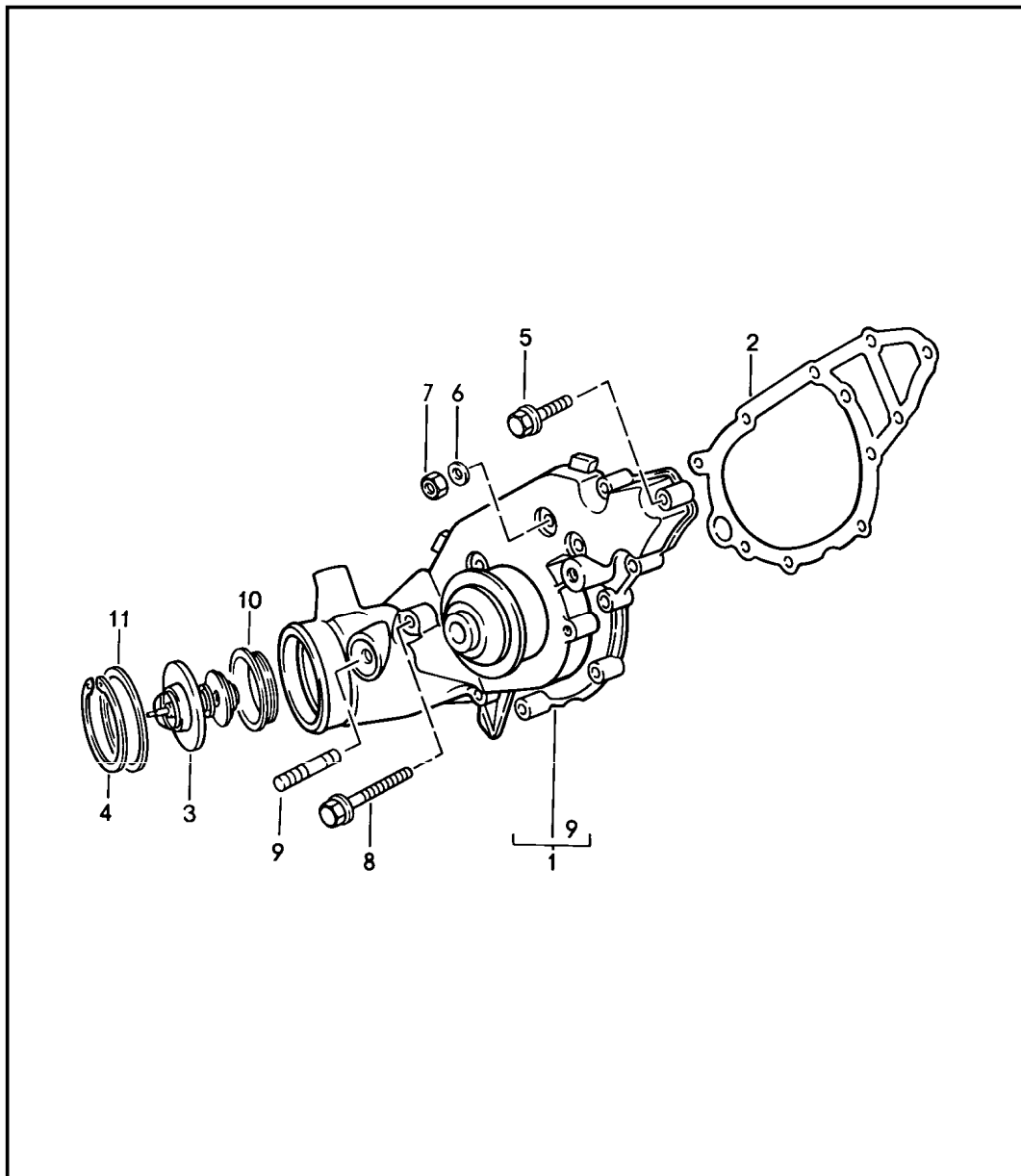
Pos	Part Number	Description	Remark	Qty	Model
		oil cooling			M44.50/51 M44.52
1	951 207 113 03	oil pipe F >>95GN1 02751		1	
1	951 207 113 01	oil pipe F 95GN1 02752>>		1	
2	N 020 647 1	clamp		1	
3	N 011 524 7	washer		1	
4	N 010 215 13	hexagon-head bolt		1	
5	951 207 112 02	oil pipe		1	
6	900 915 101 02	screw socket		2	
7	900 123 011 30	sealing ring A 22 X 27		2	
8	951 207 309 02	oil cooler		1	
9	951 207 311 03	air duct		1	
10	N 010 210 13	hexagon-head bolt M 6 X 10		2	
11	N 011 666 7	washer B 6,4		2	
12	951 207 111 03	oil pipe		1	
13	951 207 114 00	spacer sleeve		2	
14	056 129 669 B	grommet		2	
15	N 011 612 3	washer R 7		2	
16	900 075 341 02	combination screw M 6 X 25		2	
17	900 076 010 02	hexagon nut		2	

Model	Year	MG	SG	Illustration	Restrictions	UPD	17:51	24.02.2010	PORSCHE	PET	PORSCHE
9442	1988	1	04	104-05		248					



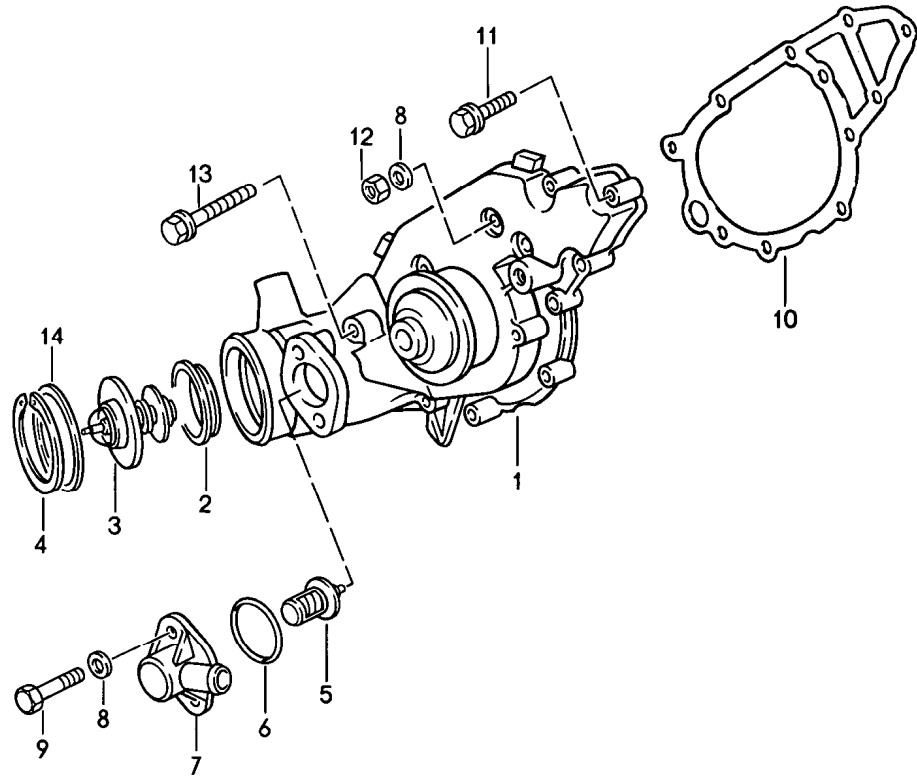
Pos	Part Number	Description	Remark	Qty	Model
		engine lubrication			M44.50/51
		turbocharger			M44.52
1	951 101 023 00	engine carrier		1	
2	951 107 108 00	oil hose		1	
3	900 174 058 40	round seal		2	
4	N 011 524 7	washer		2	
5	N 010 217 9	hexagon-head bolt M 6 X 20		2	
6	951 123 083 00	vent line		1	
7	999 707 043 40	o-ring		1	
8	900 025 007 02	washer		2	
9	900 075 085 02	hexagon-head bolt M 8 X 20		2	
10	951 107 317 03	oil pipe	86	1	
10	951 107 317 05	oil pipe	87-	1	
11	900 123 007 30	sealing ring A 14 X 18		2	
12	N 021 074 1	banjo bolt		1	
13	900 123 140 30	sealing ring A 18 X 22		1	
14	N 100 462 01	screw socket		1	
15	999 512 552 00	hose clamp S 25 / 9 ZV		1	
16	900 123 049 30	sealing ring A 26 X 32		2	
17	N 100 407 01	banjo bolt LL 22		1	

Model	Year	MG	SG	Illustration	Restrictions	UPD	17:51	24.02.2010	PORSCHE	PET	PORSCHE
9442	1988	1	05	105-00		248					



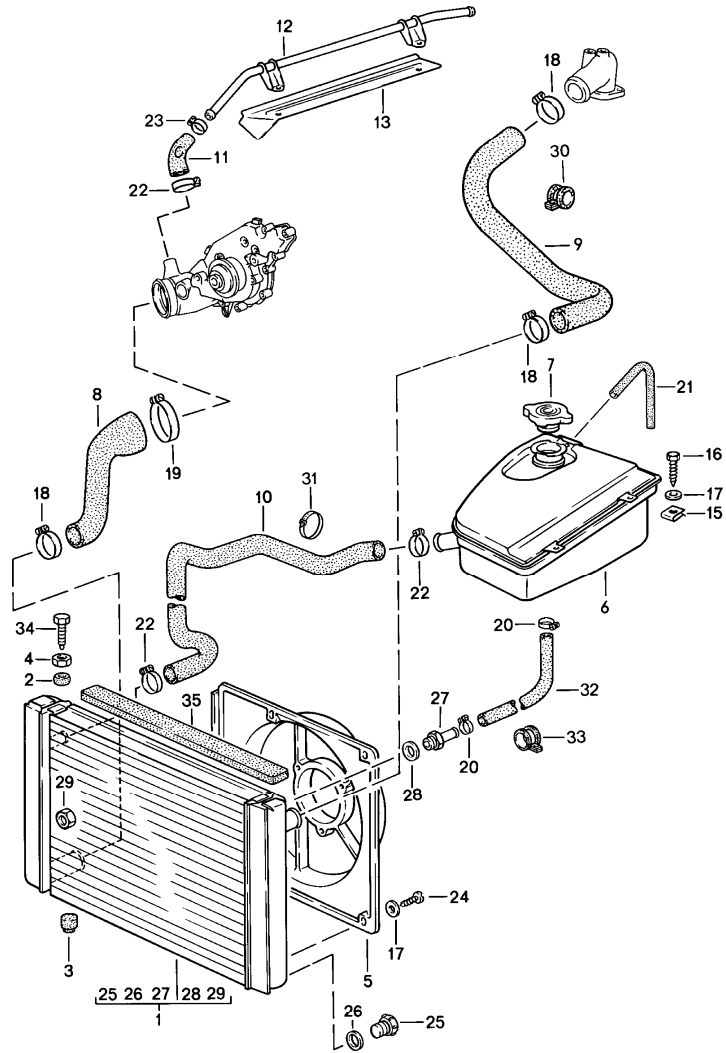
Pos	Part Number	Description	Remark	Qty	Model
		water pump			M44.05/06/07 M44.08/09 M44.10/40
1	944 106 021 13	water pump	-86	1	
1	> 944 106 021 22	water pump	87-	1	
2	944 106 132 04	gasket without asbestos		1	
3	944 106 129 05	thermostat		1	
4	900 042 025 01	circlip 55 X 2		1	
5	900 075 345 02	hexagon-head bolt M 6 X 35		7	
5	900 075 345 01	hexagon-head bolt M 6 X 35		7	
6	N 011 524 7	washer A 6,4		4	
7	900 076 010 02	hexagon nut M 6		4	
8	900 074 302 02	hexagon-head bolt M 6 X 70		1	
8	900 074 302 01	hexagon-head bolt M 6 X 70		1	
9	900 081 060 02	stud M 6 X 16		1	
10	951 106 155 00	sealing ring		1	
11	944 106 929 05	sealing ring		1	

Model	Year	MG	SG	Illustration	Restrictions	UPD	17:51	24.02.2010	PORSCHE	PET	PORSCHE
9442	1988	1	05	105-03		248					



Pos	Part Number	Description	Remark	Qty	Model
		water pump			M44.50/51
1	> 951 106 021 01	water pump	-86	1	
1	> 951 106 021 08	water pump	87-	1	
2	951 106 155 00	sealing ring		1	
3	944 106 129 05	thermostat		1	
4	900 042 025 01	circlip 55 X 2		1	
5	951 106 311 00	thermostat		1	
6	999 707 283 40	round seal 28 X 2,5		1	
7	951 106 313 00	housing		1	
8	N 011 524 7	washer A 6,4		2	
9	900 067 011 02	pan-head screw M 6 X 20		2	
10	944 106 132 04	gasket		1	
10	944 106 132 04	gasket without asbestos		1	
11	900 075 345 02	hexagon-head bolt M 6 X 35		7	
11	900 075 345 01	hexagon-head bolt M 6 X 35		7	
12	900 076 010 02	hexagon nut M 6		4	
13	900 074 302 02	hexagon-head bolt M 6 X 70		1	
13	900 074 302 01	hexagon-head bolt M 6 X 70		1	
14	944 106 929 05	sealing ring		1	

Model	Year	MG	SG	Illustration	Restrictions	UPD	17:52	24.02.2010	PORSCHE	PET	PORSCHE
9442	1988	1	05	105-05		248					

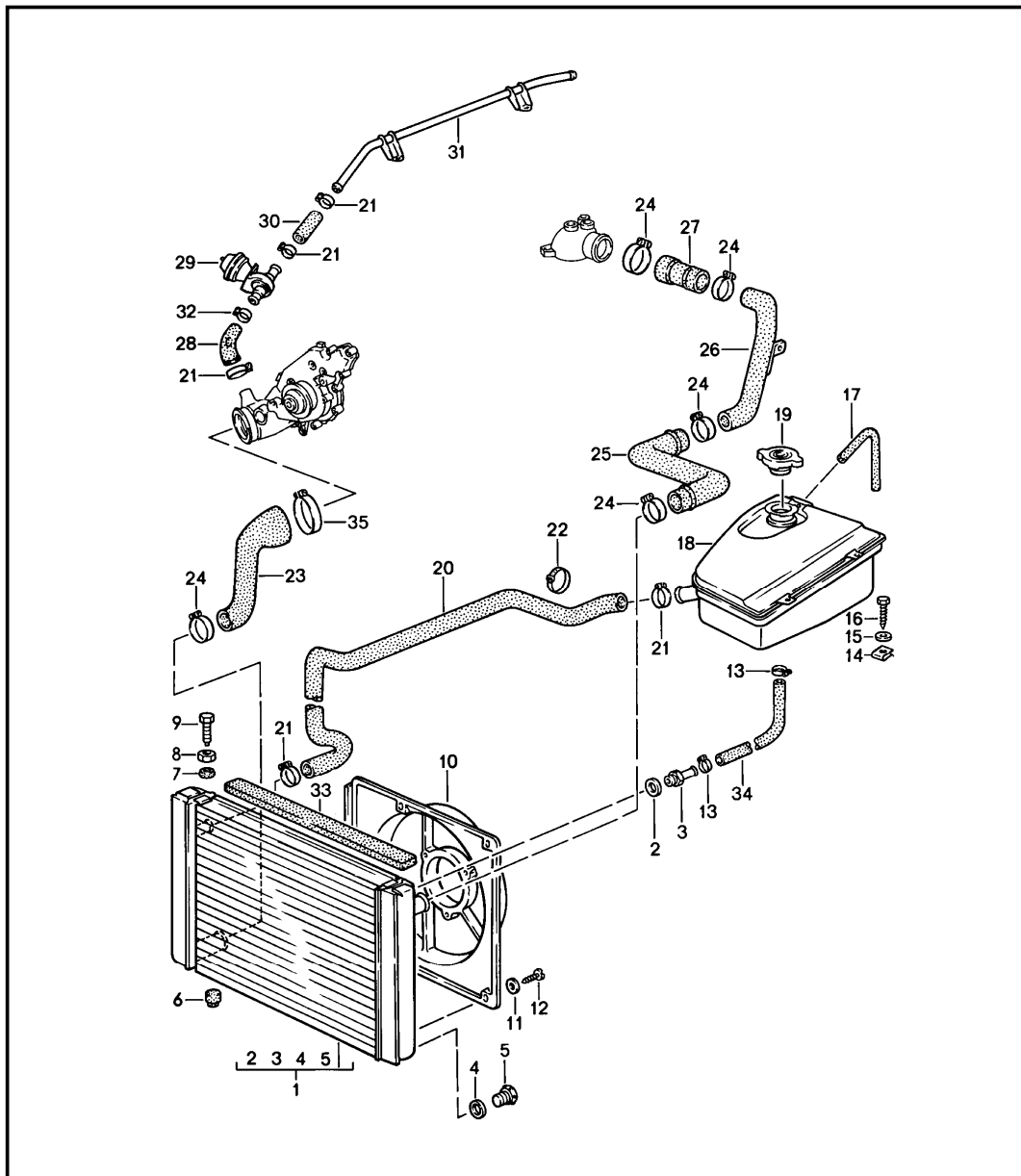


Pos	Part Number	Description	Remark	Qty	Model
		water cooling			M44.05/06/07 M44.08/09 M44.10
1	944 106 031 03	radiator		1	
1	944 106 027 06	radiator	AUT.	1	
2	951 106 053 00	rubber mounting		2	
3	951 106 107 00	rubber mounting		2	
4	900 076 025 02	hexagon nut		2	
5	944 106 141 02	airscoop		1	
5	944 106 143 02	airscoop for air conditioner		1	
6	944 106 125 06	expansion tank F >>94FN4 02187 F >>94FN4 53065		1	
6	944 106 125 06	expansion tank F 94FN4 02188>> F 94FN4 53066>>	-86	1	
6	944 106 125 06	expansion tank	87-	1	
7	944 106 257 00	lid		1	
8	944 106 237 07	water hose		1	
9	944 106 239 07	water hose		1	
10	944 106 245 02	water hose		1	
11	944 106 241 03	water hose		1	
12	944 106 243 03	water tube		1	
13	944 106 247 00	heat shield	AUT.	1	
15	477 955 461	speed nut		2	
16	N 090 172 1	combination screw 6,3 X 19		2	
17	N 011 524 7	washer A 6,4		6	
18	999 512 500 00	hose clamp 32 - 50		3	
19	999 512 390 00	hose clamp 60 - 80		1	

Model	Year	MG	SG	Illustration	Restrictions	UPD	17:52	24.02.2010	PORSCHE	PET	PORSCHE
9442	1988	1	05	105-05		248					

Pos	Part Number	Description	Remark	Qty	Model	Pos	Part Number	Description	Remark	Qty	Model
20	999 512 554 00	hose clamp 12 - 20		3							
21	944 106 251 00	water hose		1							
22	999 512 392 00	hose clamp 23 - 35		3							
23	999 512 346 00	hose clamp 16 - 25		1							
24	900 187 111 02	combination screw 6,3 X 12		4							
(24)	900 187 111 01	combination screw 6,3 X 12		4							
25	944 106 353 00	screw plug	-86	1							
25	944 106 353 01	screw plug	87-	1							
26	944 106 354 00	sealing ring		1							
27	944 106 927 00	screw socket		1							
28	944 106 928 00	sealing ring		1							
29	944 106 355 00	nut	AUT.	2							
30	999 511 130 02	pipe clamp 44/20		1							
31	999 513 010 40	tie-wrap 9 X 140		2							
32	951 106 249 01	water hose		1							
33	999 511 118 02	pipe clamp B 15		1							
33	999 511 118 01	pipe clamp B 15		1							
34	900 046 004 02	hexagon-head bolt		2							
35	944 556 837 00	sealing rubber		1							

Model	Year	MG	SG	Illustration	Restrictions	UPD	17:52	24.02.2010	PORSCHE	PET	PORSCHE
9442	1988	1	05	105-07		248					

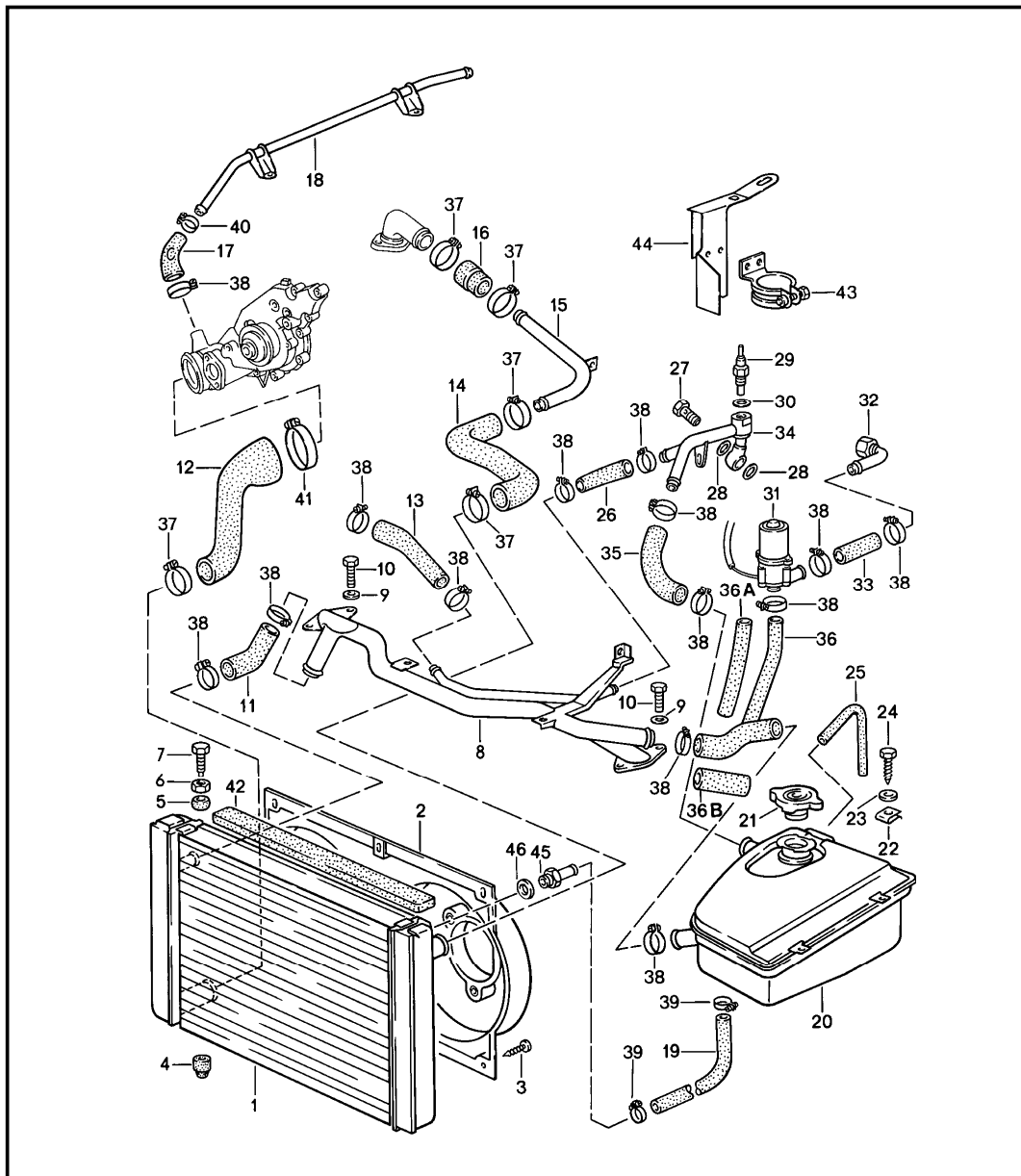


Pos	Part Number	Description	Remark	Qty	Model
		water cooling			M44.40
1	944 106 031 03	radiator		1	
2	944 106 928 00	sealing ring		1	
3	944 106 927 00	screw socket		1	
4	-	sealing ring		1	
5	944 106 353 01	screw plug		1	
6	951 106 107 00	rubber mounting		2	
7	951 106 053 00	rubber mounting		2	
8	900 076 025 02	hexagon nut		2	
9	900 046 004 02	hexagon-head bolt		2	
10	944 106 141 02	airscoop		1	
(10)	944 106 143 02	airscoop for air conditioner		1	
11	N 011 524 7	washer		6	
12	900 187 111 02	combination screw 6,3 X 12		6	
12	900 187 111 01	combination screw 6,3 X 12		6	
13	999 512 554 00	hose clamp 12 - 20		2	
14	477 955 461	speed nut		2	
15	N 011 524 7	washer A 6,4		6	
16	N 090 172 1	combination screw 6,3 X 19		2	
17	944 106 251 00	water hose		1	
18	944 106 125 06	expansion tank		1	
19	944 106 257 00	lid		1	
20	944 106 245 02	water hose		1	
21	999 512 392 00	hose clamp		5	
22	999 513 003 40	tie-wrap		4	

Model	Year	MG	SG	Illustration	Restrictions	UPD	17:52	24.02.2010	PORSCHE	PET	PORSCHE
9442	1988	1	05	105-07		248					

Pos	Part Number	Description	Remark	Qty	Model	Pos	Part Number	Description	Remark	Qty	Model
23	944 106 237 07	water hose		1							
24	999 512 500 00	hose clamp 32 - 50		5							
25	944 106 239 06	water hose		1							
26	944 106 091 01	cooling water tube		1							
27	944 106 235 01	water hose		1							
28	944 106 241 04	water hose		1							
29	928 574 573 03	disc valve		1							
30	944 106 253 01	water hose		1							
31	944 106 243 07	cooling water tube		1							
32	999 512 391 00	hose clamp 16 - 25		1							
33	944 556 837 00	sealing rubber		1							
34	951 106 249 01	water hose		1							
35	999 512 390 00	hose clamp 60 - 80		1							

Model	Year	MG	SG	Illustration	Restrictions	UPD	17:52	24.02.2010	PORSCHE	PET	PORSCHE
9442	1988	1	05	105-10		248					

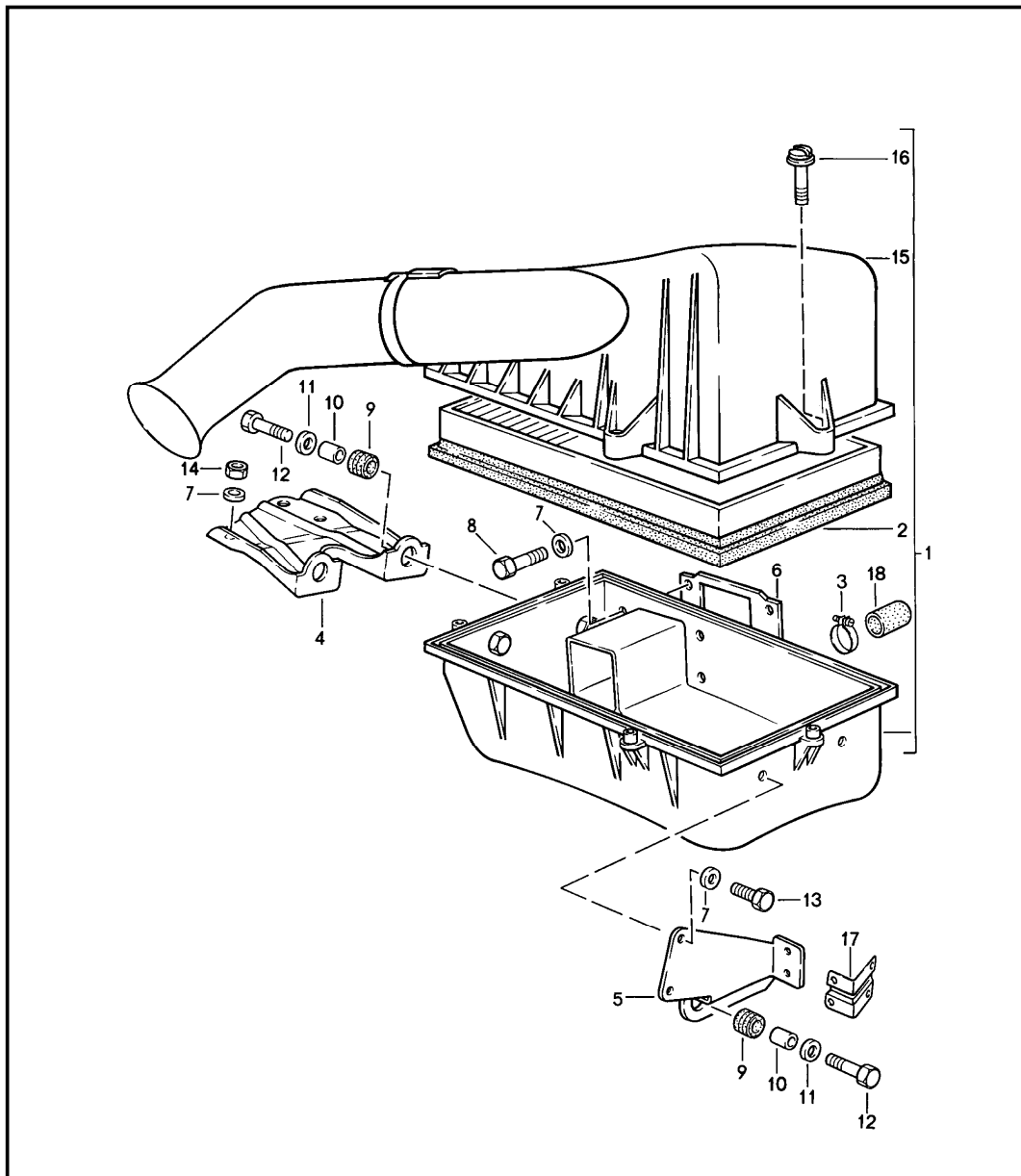


Pos	Part Number	Description	Remark	Qty	Model
		water cooling			M44.50/51 M44.52
1	951 106 031 50	radiator		1	
-	944 106 353 01	screw plug		1	
2	951 106 143 00	airscoop		1	
3	900 187 111 02	combination screw		6	
3	900 187 111 01	combination screw		6	
4	951 106 107 00	rubber mounting		2	
5	951 106 053 00	rubber mounting		2	
6	900 076 025 02	hexagon nut M 8		2	
7	900 046 004 02	hexagon-head bolt AM 8 X 40		2	
8	951 110 171 02	bracket	-87	1	M44.50/51
8	951 110 171 03	bracket	88-	1	M44.52
9	N 011 666 7	washer B 6,4		4	
10	900 075 014 02	hexagon-head bolt M 6 X 18		4	
11	951 106 245 03	water hose		1	
12	951 106 237 02	water hose		1	
13	951 106 321 02	water hose		1	
14	951 106 241 01	water hose		1	
15	951 106 091 00	water tube		1	
16	951 106 239 01	water hose		1	
17	944 106 241 03	water hose		1	
18	944 106 243 03	water tube		1	
19	951 106 249 01	water hose		1	
20	951 106 025 02	expansion tank		1	
21	944 106 257 00	lid		1	
22	477 955 461	speed nut		2	

Model	Year	MG	SG	Illustration	Restrictions	UPD	17:52	24.02.2010	PORSCHE	PET	PORSCHE
9442	1988	1	05	105-10		248					

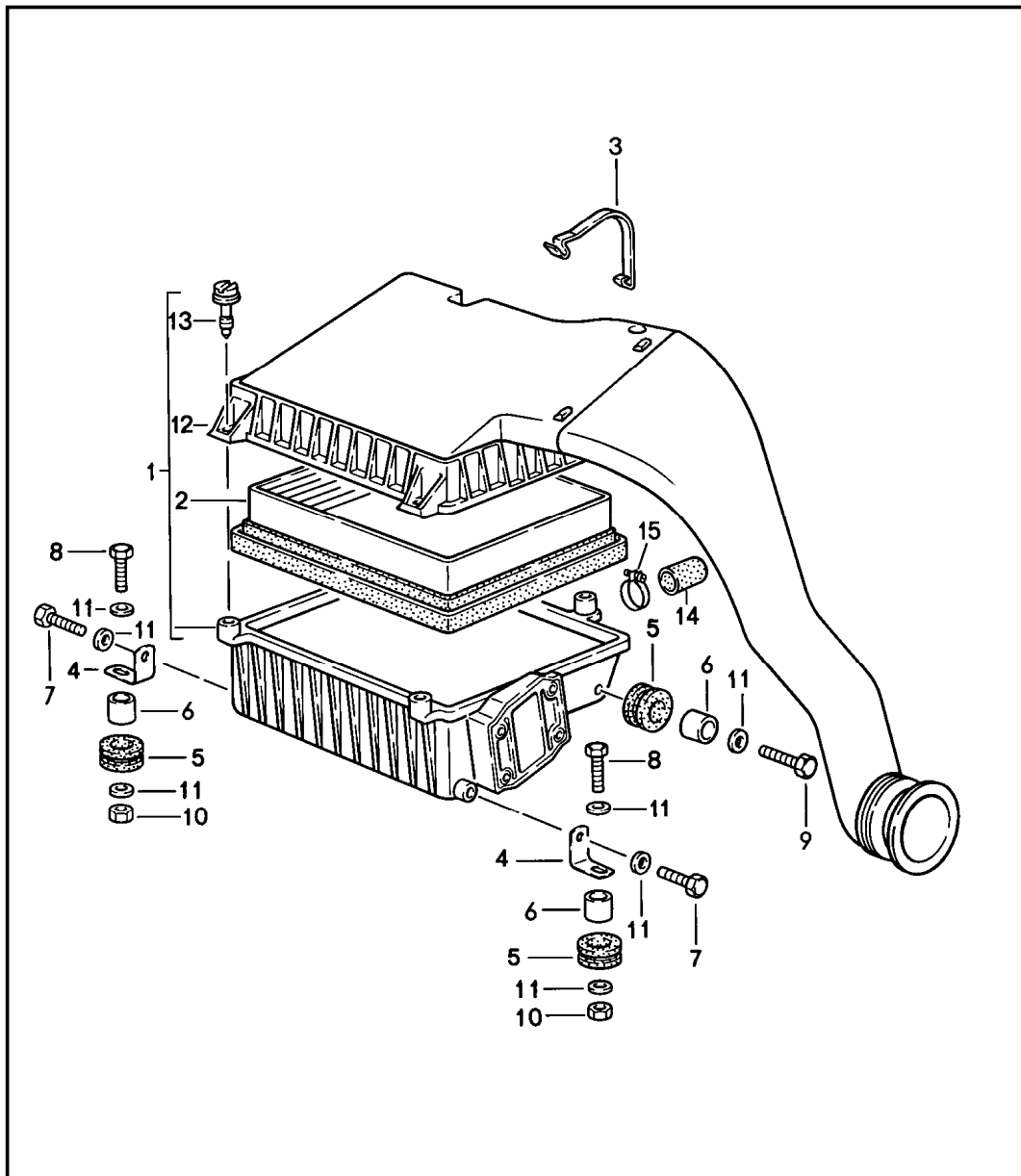
Pos	Part Number	Description	Remark	Qty	Model	Pos	Part Number	Description	Remark	Qty	Model
23	N 011 524 7	washer A 6,4		2		43	951 106 325 00	clamp for water pump		1	
24	N 090 172 1	combination screw 6,3 X 19		2		44	951 106 323 00	support for water pump		1	
25	944 106 251 00	water hose		1							
26	951 106 322 02	water hose		1		45	944 106 927 00	screw socket		1	
27	900 175 005 02	banjo bolt M 16 X 1,5		1		46	944 106 928 00	sealing ring A 18 X 12		1	
28	N 013 848 5	sealing ring A 16 X 22		2							
29	930 606 118 00	temperature switch		1							
30	900 123 007 30	sealing ring		1							
31	951 606 130 01	water pump		1							
32	951 106 055 00	line		1							
33	951 106 248 00	water hose		1							
34	951 106 056 05	water tube M >> 45G 03689		1							
34	951 106 056 08	water tube M 45G 03690 >>		-87 1							
34	951 106 056 08	water tube		88 1							
35	951 106 251 02	water hose		1							
36	951 106 247 02	water hose		-87 1	M44.50/51						
36A	951 106 247 04	water hose		88- 1	M44.52						
36B	951 106 243 01	water hose		88- 1	M44.52						
37	999 512 500 00	hose clamp 32 - 50		1							
38	999 512 392 00	hose clamp SGT 20 - 32/13		X X							
40	999 512 346 00	hose clamp 16 - 25		X							
41	999 512 390 00	hose clamp SB 60 - 80		1							
42	944 556 837 00	sealing rubber		1							

Model	Year	MG	SG	Illustration	Restrictions	UPD	17:52	24.02.2010	PORSCHE	PET	PORSCHE
9442	1988	1	06	106-00		248					



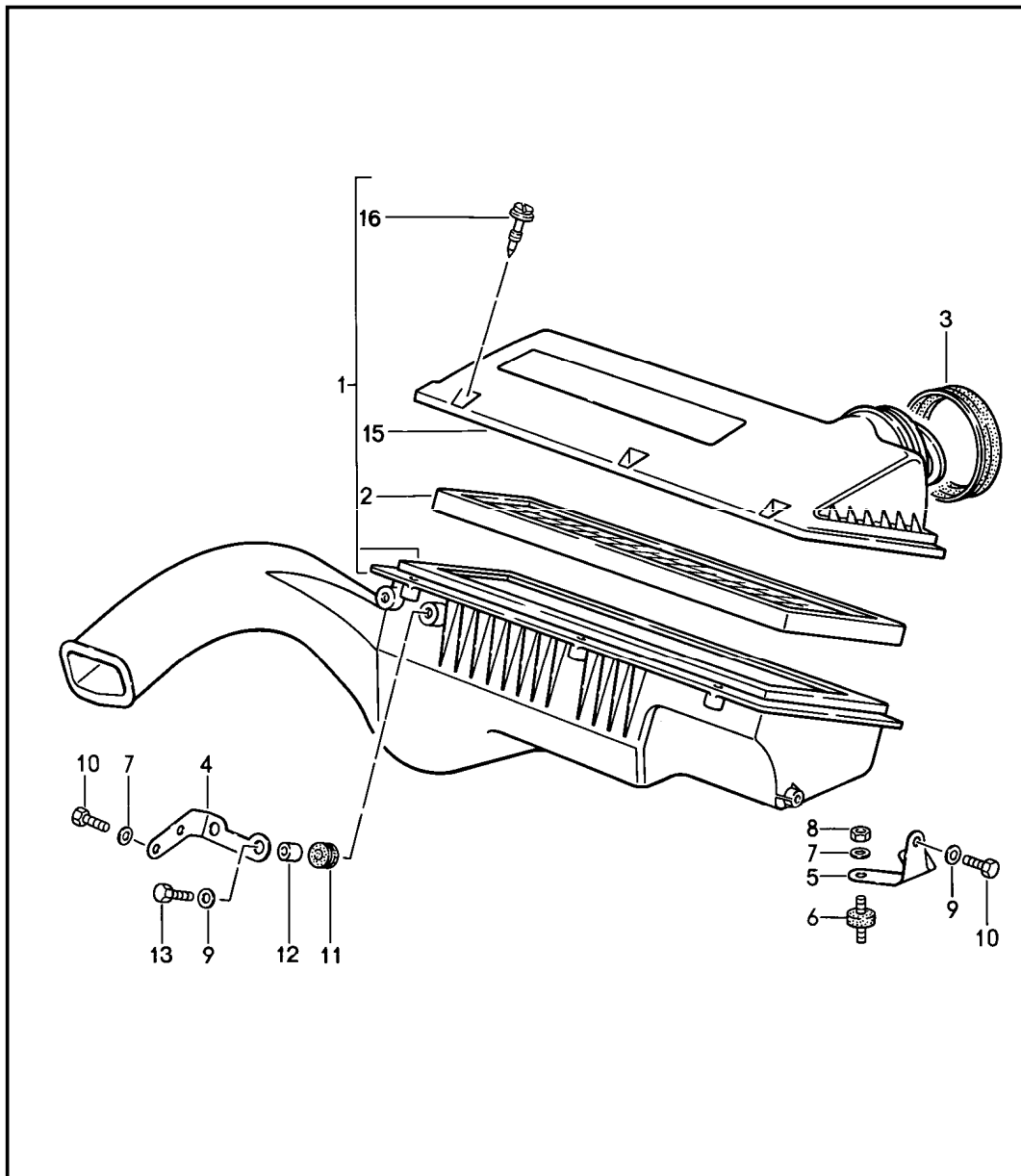
Pos	Part Number	Description	Remark	Qty	Model
		air cleaner system			M44.05/06/07 M44.08/09 M44.10
1	944 110 012 07	air cleaner		1	
2	944 110 186 02	air cleaner cartridge		1	
2A	944 110 195 00	bellows		1	
3	999 512 252 02	hose clamp		1	
4	944 110 067 01	support	/V	1	
5	944 110 155 01	support	/H	1	
6	944 110 353 00	gasket		1	
7	N 011 524 7	washer A 6,4		11	
8	900 074 151 02	hexagon-head bolt M 6 X 38		X	
9	056 129 669 B	grommet		4	
10	052 109 135	spacer sleeve		4	
11	N 011 612 3	washer 6,6		4	
12	900 075 014 02	hexagon-head bolt M 6 X 18		4	
13	N 010 210 13	hexagon-head bolt M 6 X 10		4	
14	900 076 010 02	hexagon nut M 6		3	
15	944 110 221 00	air cleaner cover without POS. 16 connection piece long		1	
15	944 110 221 01	air cleaner cover without POS. 16 connection piece short		1	
16	944 110 225 00	combination screw		5	
17	944 110 255 00	support		1	
18	944 106 103 03	cap		1	

Model	Year	MG	SG	Illustration	Restrictions	UPD	17:52	24.02.2010	PORSCHE	PET	PORSCHE
9442	1988	1	06	106-05		248					



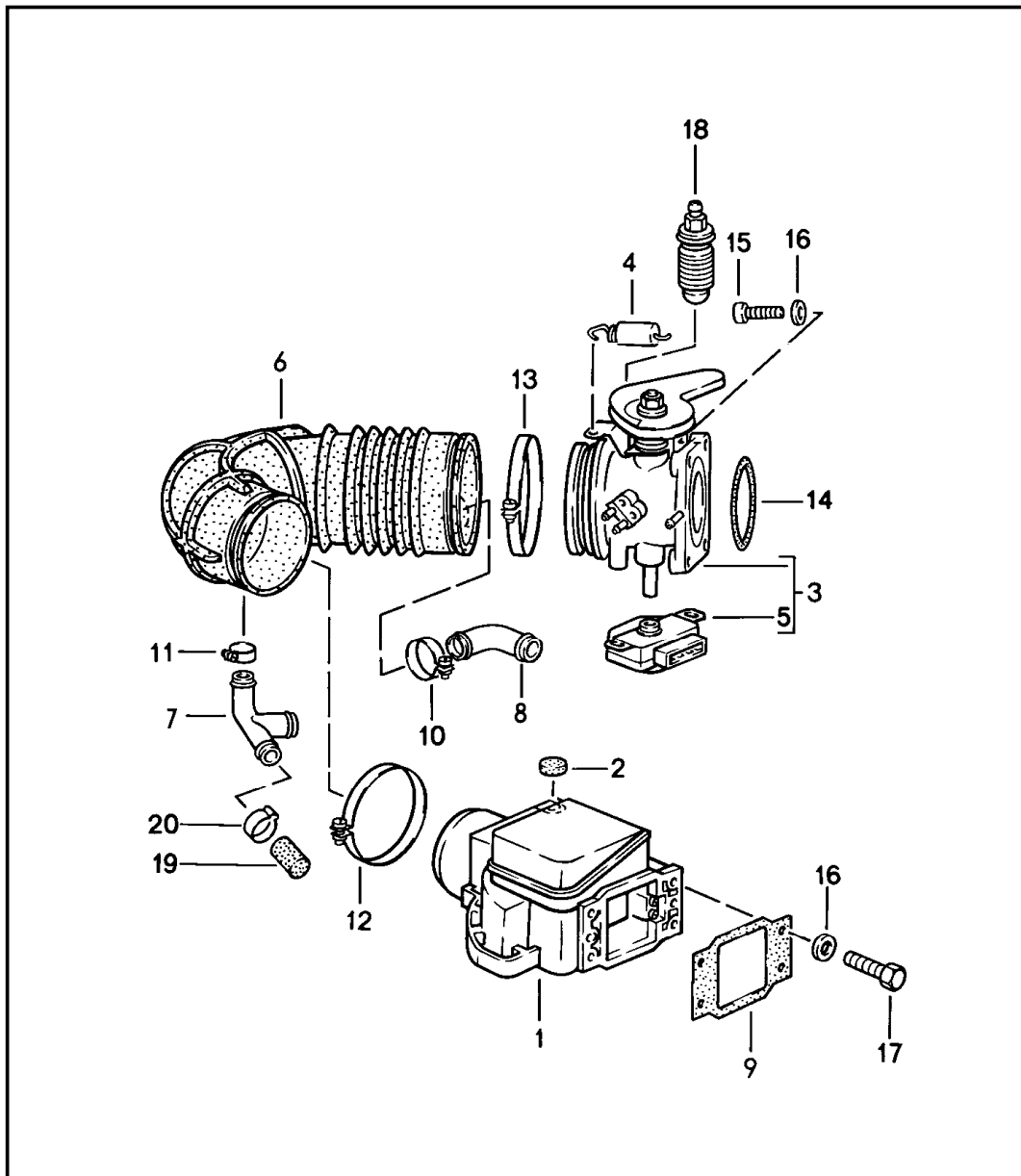
Pos	Part Number	Description	Remark	Qty	Model
		air cleaner system			M44.50/51 M44.52
1	951 110 021 02	air cleaner		1	
2	951 110 121 01	air cleaner cartridge		1	
3	951 110 421 01	clip		1	M44.50
3	951 110 421 02	clip		1	M44.51
4	951 110 169 02	support		2	
5	951 110 173 00	rubber sleeve		3	
6	951 110 175 00	sleeve		3	
7	N 010 210 13	hexagon-head bolt M 6 X 10		2	
8	N 010 217 9	hexagon-head bolt M 6 X 20		2	
9	900 075 057 02	hexagon-head bolt M 6 X 16		1	
10	900 076 010 02	hexagon nut M 6		2	
11	N 011 524 7	washer A 6,4		7	
12	951 110 021 50	air cleaner cover		1	
13	944 110 225 01	combination screw		X	
14	944 106 103 00	cap		1	
15	999 512 252 02	hose clamp		1	
-	944 110 195 00	bellows		1	

Model	Year	MG	SG	Illustration	Restrictions	UPD	17:53	24.02.2010	PORSCHE	PET	PORSCHE
9442	1988	1	06	106-10		248					



Pos	Part Number	Description	Remark	Qty	Model
		air cleaner system			M44.40
1	944 110 014 00	air cleaner		1	
2	944 110 188 00	air cleaner cartridge		1	
3	944 110 014 60	connecting hose		1	
4	944 110 158 00	retaining bracket		1	
5	944 110 149 00	retaining bracket		1	
6	930 110 579 01	bonded rubber buffer		2	
6	999 703 265 00	bonded rubber buffer		2	
7	N 011 524 7	washer		4	
8	900 076 010 02	hexagon nut		2	
9	N 011 612 3	washer		3	
10	999 072 005 09	hexagon-head bolt		3	
11	056 129 669 B	grommet		2	
12	052 109 135	spacer sleeve		2	
13	N 010 217 9	hexagon-head bolt		2	
15	944 110 014 50	air cleaner cover		1	
16	944 110 225 01	combination screw		X	
-	944 106 103 03	cap		1	

Model	Year	MG	SG	Illustration	Restrictions	UPD	7:46	25.02.2010	PORSCHE	PET	PORSCHE
9442	1988	1	07	107-00		248					

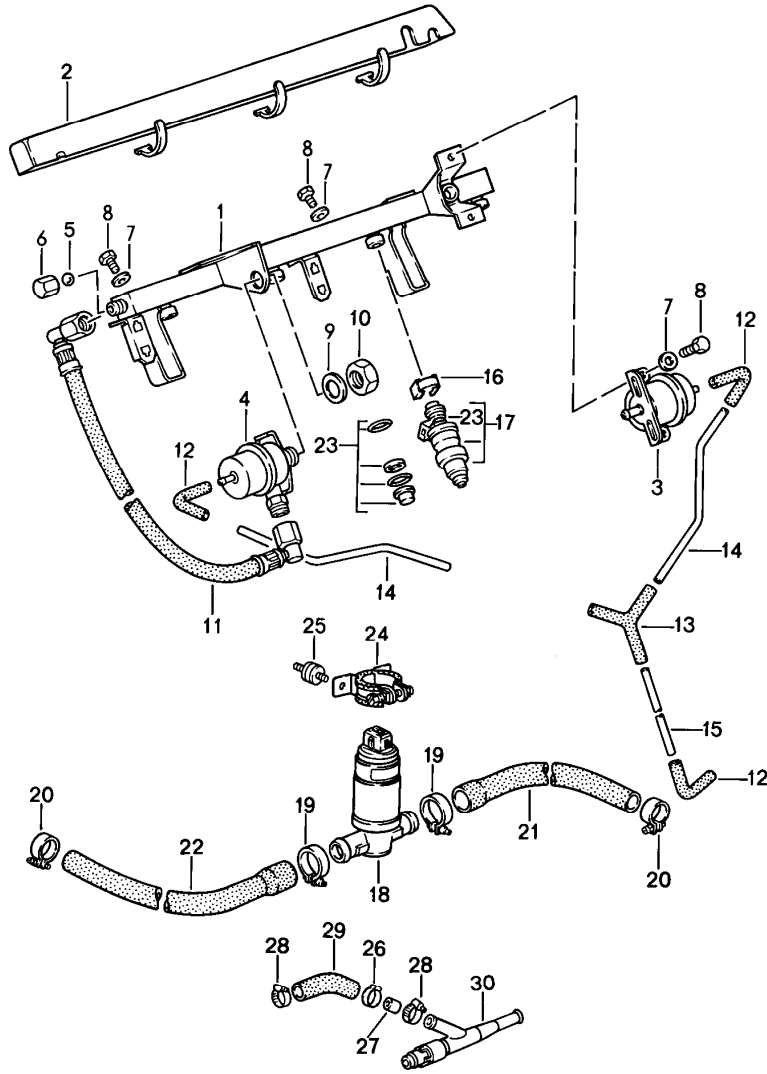


Pos	Part Number	Description	Remark	Qty	Model
		l-jetronic			M44.05/06/07 M44.08/09 M44.10
1	> 944 606 121 01	mass air flow meter		1	
1	944 606 121 AX	mass air flow meter		1	
2	944 606 935 01	stopper blue		1	
3	944 110 094 02	flap connection		1	M44.05
3	944 110 009 02	flap connection	(B)	1	M44.05/09
3	944 110 095 02	flap connection	AUT.	1	M44.06
3	944 110 094 03	flap connection		1	M44.07/09
4	944 110 071 00	return spring		1	
4	944 110 071 01	return spring	AUT.	1	
5	944 606 113 01	throttle-valve switch		1	
6	944 110 358 04	air box		1	
7	944 110 363 02	connecting piece		1	
8	944 107 367 00	connecting piece		1	M44.05/06
(8)	944 107 367 01	connecting piece	(AUS)	1	M44.05/06
(8)	944 107 367 01	connecting piece		1	M44.07/08 M44.09/10
9	944 110 353 00	gasket		1	
10	999 512 552 00	hose clamp 25/9		1	
11	999 512 045 02	hose clamp 22/9		1	
12	999 512 235 02	hose clamp 77/9		1	
13	999 512 302 02	hose clamp 85/9		1	
14	* 999 701 468 40	round seal 67,5 X 4		1	
15	900 067 089 02	pan-head screw M 6 X 25		4	

Model	Year	MG	SG	Illustration	Restrictions	UPD	7:46	25.02.2010	PORSCHE	PET	PORSCHE
9442	1988	1	07	107-00		248					

Pos	Part Number	Description	Remark	Qty	Model	Pos	Part Number	Description	Remark	Qty	Model
16	N 011 524 7	washer A 6,4		8							
17	N 010 347 5	hexagon-head bolt M 6 X 35		4							
18	930 110 919 00	throttle screw		1							
19	930 110 256 00	stopper M 41H 01303 >> M 43H 13065 >>		1	M44.05/07 M44.09 M44.05 M44.07						
20	999 512 457 00	clamp M 41H 01303 >> M 43H 13065 >>		1	M44.05/07 M44.09 M44.05 M44.07						
-	930 110 520 00	cap		1							

Model	Year	MG	SG	Illustration	Restrictions	UPD	7:47	25.02.2010	PORSCHE	PET	PORSCHE
9442	1988	1	07	107-05		248					

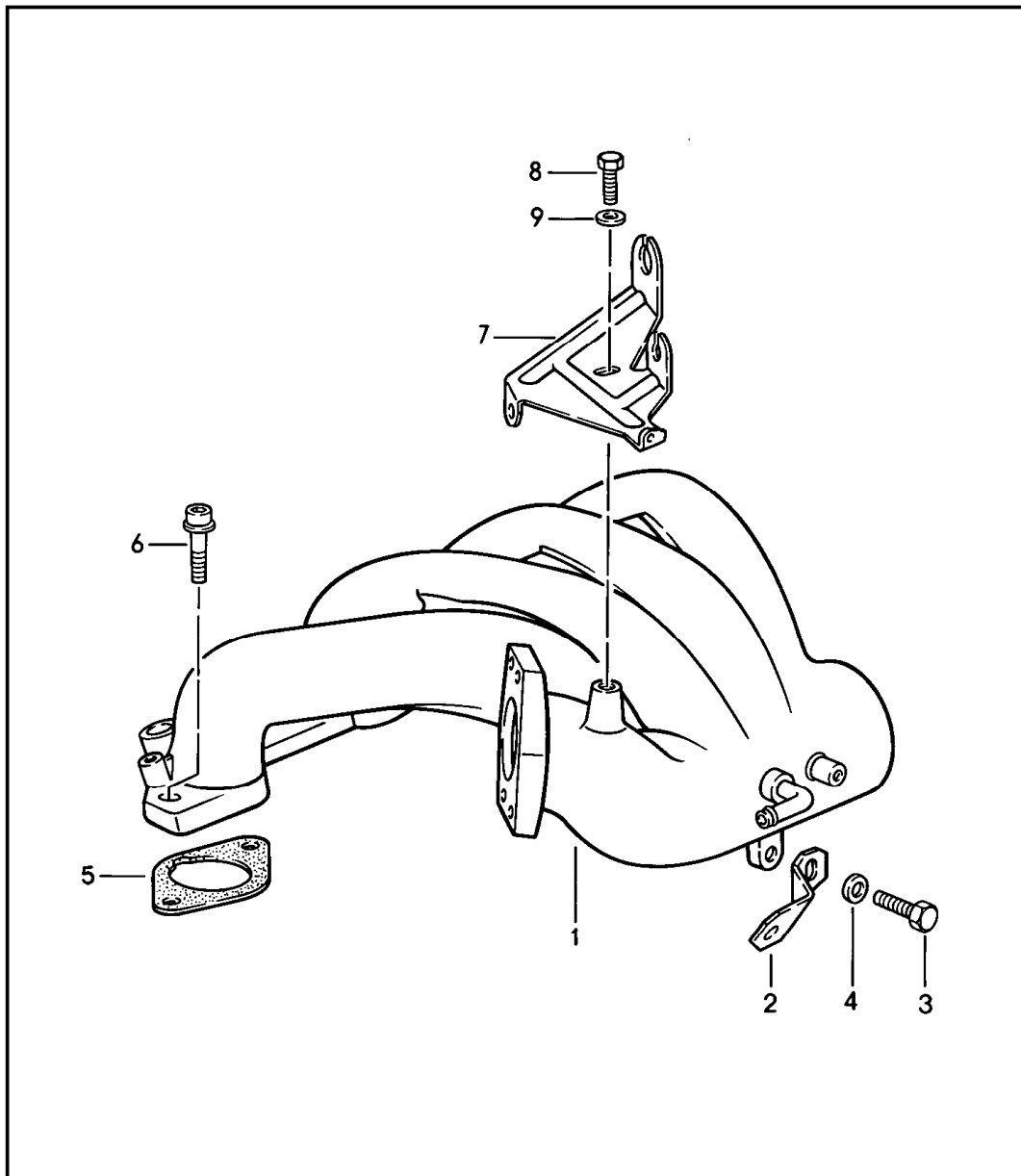


Pos	Part Number	Description	Remark	Qty	Model
		l-jetronic			M44.05/06/07 M44.08/09 M44.10
1	944 110 080 20	fuel collection pipe		1	
2	944 607 081 03	cover		1	
3	944 110 198 03	pressure regulator		1	
4	944 110 201 03	diaphragm damper		1	
5	900 108 022 00	ball		1	
6	928 110 475 01	cap nut		1	
6	928 110 475 03	cap nut		1	
7	N 011 524 7	washer		4	
8	999 072 005 09	hexagon-head bolt M 6 X 12		4	
9	900 031 013 02	washer	85	1	
9	N 012 238 5	spring washer	86-	1	
10	900 034 013 02	hexagon nut M 16 X 1,5		1	
11	944 110 413 02	fuel line		1	
12	928 574 717 02	moulded hose		X	
13	928 573 727 02	distributing piece		X	
-	N 020 139 11	pipe 4 X 1			
14	-	180 MM		2	
15	-	380 MM		1	
16	930 110 388 00	retaining clip		4	
17	930 606 120 00	injector valve		4	
18	930 606 161 00	idle-speed adjuster		1	
19	999 512 326 00	hose clamp SGT 23 - 35 / 9 W 2		2	
20	999 512 346 00	hose clamp SGT 16 - 25 / 9 W 2		2	
21	944 110 214 01	hose		1	

Model	Year	MG	SG	Illustration	Restrictions	UPD	7:47	25.02.2010	PORSCHE	PET	PORSCHE
9442	1988	1	07	107-05		248					

Pos	Part Number	Description	Remark	Qty	Model	Pos	Part Number	Description	Remark	Qty	Model
22	944 110 217 00	hose		1							
23	944 110 901 00	gasket set for injector valve		4							
24	999 512 395 02	clamp		1							
25	928 110 191 10	bonded rubber mounting		2							
25	999 703 264 00	bonded rubber mounting		2							
26	999 512 457 00	clamp		1							
27	944 110 241 04	restrictor		1							
28	999 512 456 00	clamp		2							
29	944 110 361 02	moulded hose		1							
30	-	venturi tube see group 6/04/00									

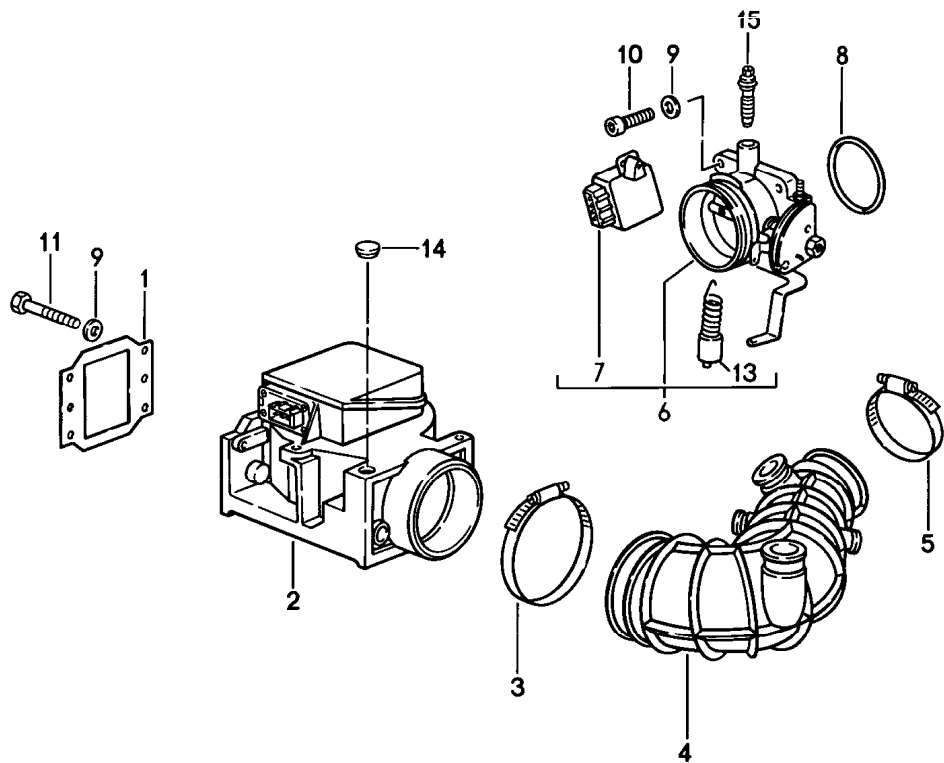
Model	Year	MG	SG	Illustration	Restrictions	UPD	7:47	25.02.2010	PORSCHE	PET	PORSCHE
9442	1988	1	07	107-10		248					



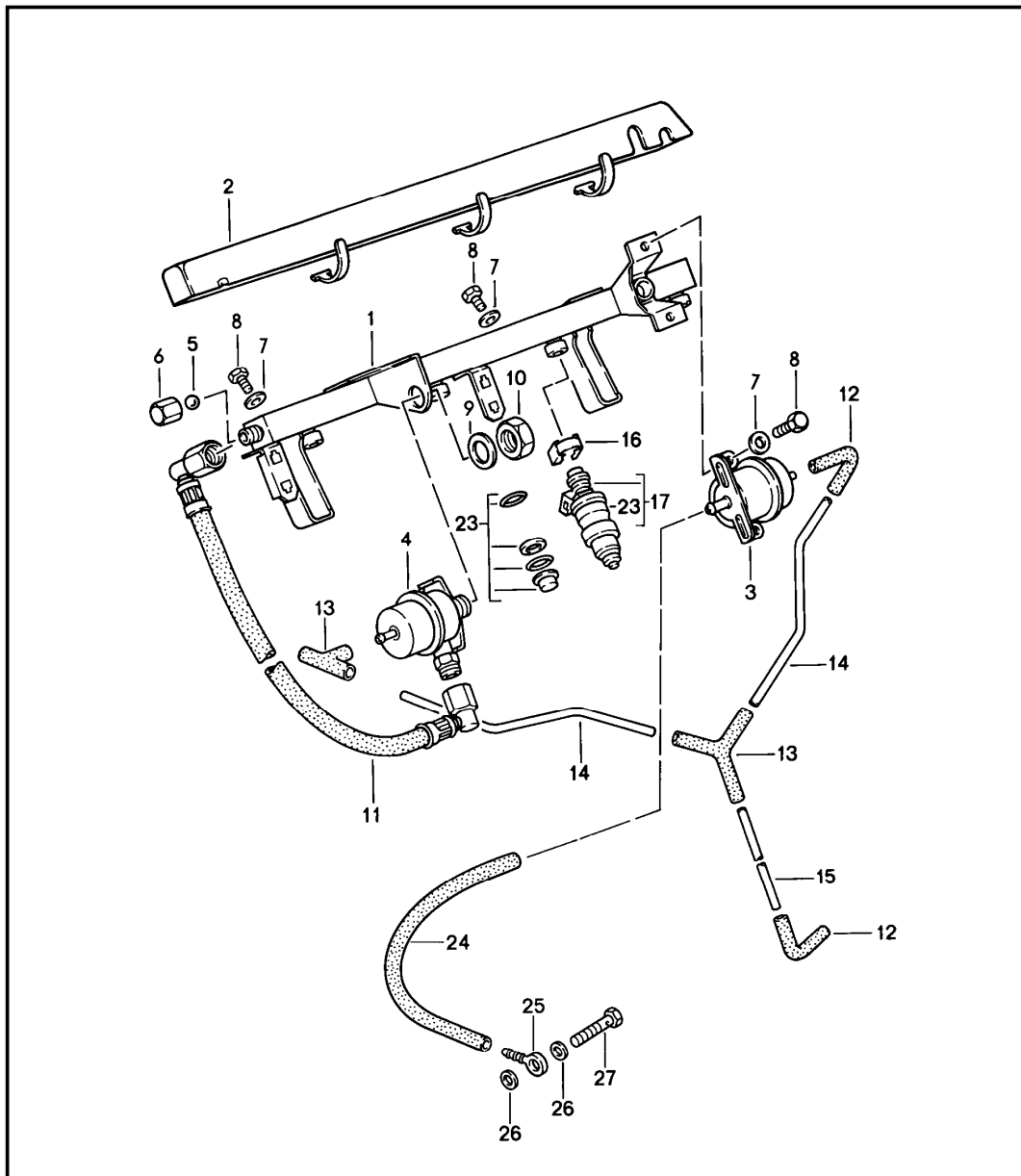
Pos	Part Number	Description	Remark	Qty	Model
		1-jetronic			M44.05/06/07 M44.08/09 M44.10
	3				
1	944 110 051 09	intake manifold	-87	1	
1	944 110 052 02	intake manifold	88-	1	
2	944 110 165 01	bracket		1	
3	900 075 085 02	hexagon-head bolt M 8 X 20		1	
4	900 025 007 02	washer 8,4		9	
5	944 110 163 05	gasket		4	
5	944 110 163 05	gasket without asbestos	(S)	4	
6	900 067 214 02	pan-head screw M 8 X 35		8	
7	944 110 161 05	support		1	
8	900 075 057 02	hexagon-head bolt M 6 X 16		1	
9	N 011 666 7	washer B 6,4		1	

Model	Year	MG	SG	Illustration	Restrictions	UPD	7:47	25.02.2010	PORSCHE	PET	PORSCHE
9442	1988	1	07	107-15		248					

Pos	Part Number	Description	Remark	Qty	Model
		l-jetronic 1			M44.50/51 M44.52
1	928 110 201 01	sealing frame		1	
2	> 951 606 121 01	mass air flow meter		1	
3	999 512 226 02	hose clamp		1	
4	951 110 198 02	air box		1	
5	999 512 342 02	hose clamp S 60 / 9 ZY		1	
6	951 110 098 02	flap connection		1	
7	951 606 113 00	throttle-valve switch		1	
8	999 701 331 40	round seal		1	
9	N 011 524 7	washer		8	
10	N 014 734 1	pan-head screw M 6 X 22		4	
11	900 075 343 02	hexagon-head bolt M 6 X 45		4	
13	951 110 098 90	return spring		1	
14	944 606 935 01	stopper		1	
15	951 110 919 00	throttle screw		1	

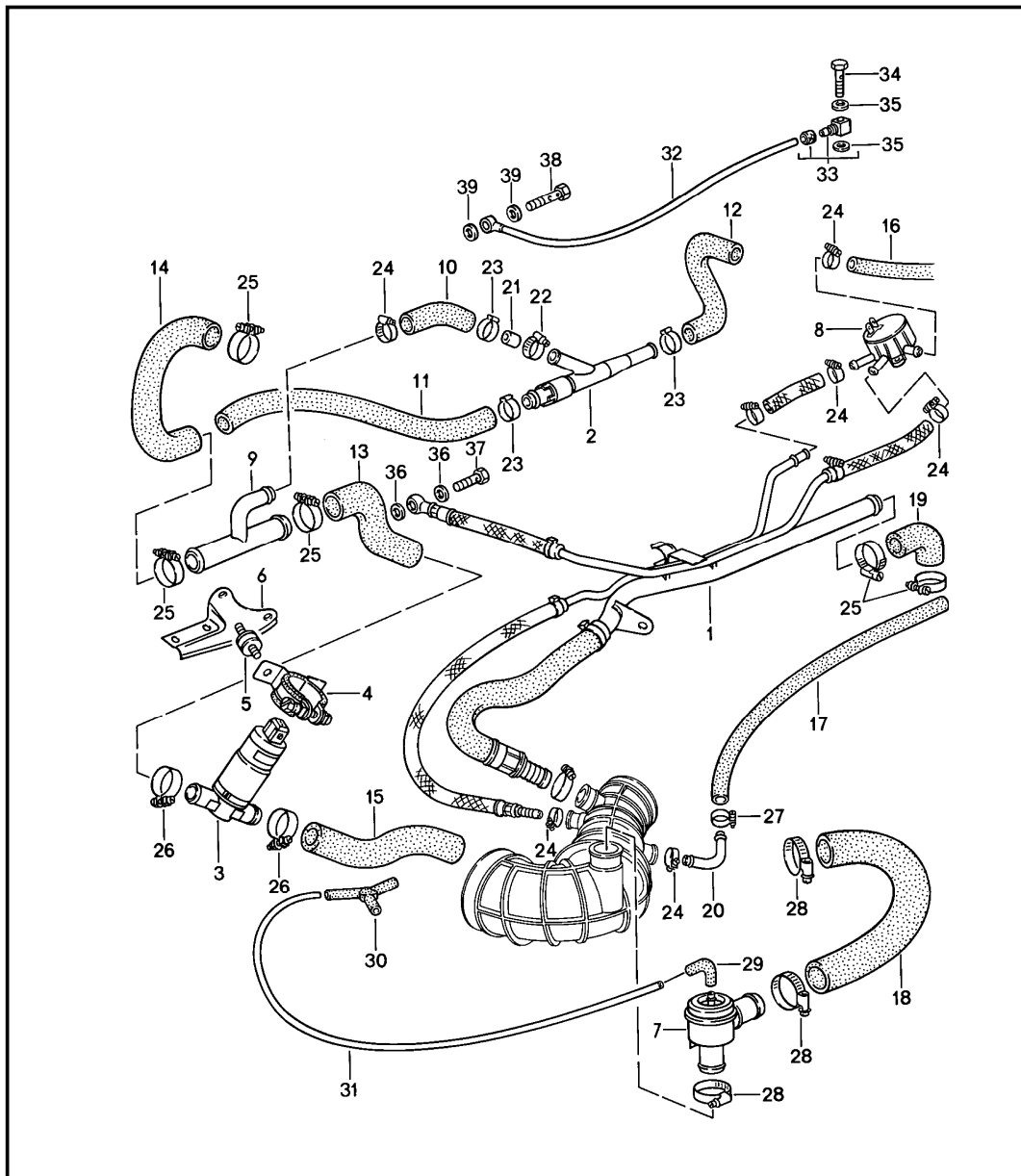


Model	Year	MG	SG	Illustration	Restrictions	UPD	7:47	25.02.2010	PORSCHE	PET	PORSCHE
9442	1988	1	07	107-20		248					



Pos	Part Number	Description	Remark	Qty	Model
		1-jetronic			M44.50/51
		2			M44.52
1	944 110 080 20	fuel collection pipe		1	
2	944 607 081 03	cover		1	
3	944 110 198 03	pressure regulator		1	
4	944 110 201 03	diaphragm damper		1	
5	900 108 022 00	ball		1	
6 A	928 110 475 01	cap nut		1	
6	928 110 475 03	cap nut		1	
7	N 011 524 7	washer		4	
8	999 072 005 09	hexagon-head bolt M 6 X 12		4	
9	N 012 238 5	spring washer		1	
10	900 034 013 02	hexagon nut M 16 X 1,5		1	
11	944 110 413 02	fuel line		1	
12	928 574 717 02	moulded hose		X	
13	928 573 727 02	distributing piece		X	
-	N 020 139 11	pipe 4 X 1		*	
14	-	180 MM		2	
15	-	380 MM		1	
16	930 110 388 00	retaining clip		4	
17	951 606 110 00	injector valve SGT 23 - 35 / 9W2		4	
23	944 110 901 00	gasket set for injector valve		4	
24	951 110 323 00	hose		1	M44.52
25	999 230 113 02	nipple		1	M44.52
26	900 123 050 30	sealing ring		2	M44.52
27	911 110 899 00	banjo bolt		1	M44.52

Model	Year	MG	SG	Illustration	Restrictions	UPD	7:47	25.02.2010	PORSCHE	PET	PORSCHE
9442	1988	1	07	107-25		248					

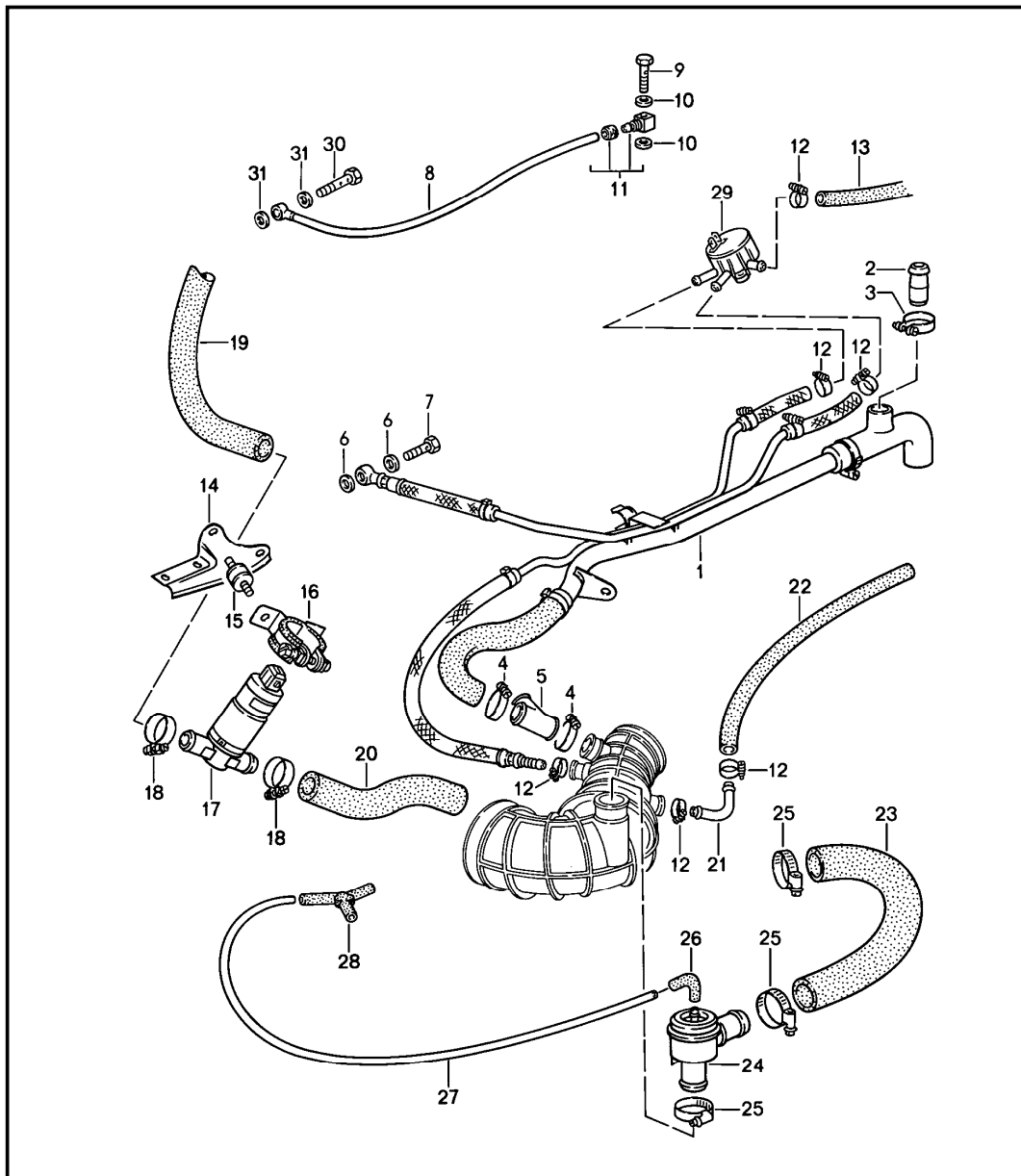


Pos	Part Number	Description	Remark	Qty	Model
		1-jetronic 3	-87		M44.50/51
1	951 110 061 03	control line		1	
2	067 133 753 A	venturi tube		1	
3	930 606 161 00	idle-speed adjuster		1	
4	999 512 395 02	clamp		1	
5	928 110 191 10	bonded rubber mounting		2	
5	999 703 264 00	bonded rubber mounting		2	
6	951 110 597 01	retaining bracket		1	
7	993 110 337 50	shut-off valve		1	
8	951 606 117 00	cycle valve		1	
9	951 110 263 00	connecting piece		1	
10	951 110 265 00	hose		1	
11	951 110 213 00	moulded hose		1	
12	951 110 211 01	vacuum hose		1	
13	951 110 219 01	hose		1	
14	951 110 215 03	hose		1	
15	951 110 217 01	hose		1	
16	951 123 331 02	hose		1	
17	999 181 152 50	hose 600 MM		* 1	
18	951 110 511 00	hose		1	
19	931 110 183 01	moulded hose		1	
20	951 110 190 00	connecting piece		1	
21	944 110 241 04	restrictor		1	
22	999 512 346 02	hose clamp		1	
23	999 512 457 00	clamp 16 - 25/9		3	
24	999 512 301 02	hose clamp 18,2 - 21,7		6	

Model	Year	MG	SG	Illustration	Restrictions	UPD	7:47	25.02.2010	PORSCHE	PET	PORSCHE
9442	1988	1	07	107-25		248					

Pos	Part Number	Description	Remark	Qty	Model	Pos	Part Number	Description	Remark	Qty	Model
25	999 512 374 02	hose clamp 20 - 32/9		4							
26	999 512 421 02	hose clamp 23 - 35/9		2							
27	999 512 160 02	hose clamp 13/9		1							
28	999 512 356 02	hose clamp 25 - 40/9		3							
29	928 574 717 02	moulded hose		1							
30	928 573 727 02	distributing piece		1							
-	N 020 139 11	pipe 4 X 1 550 MM		*							
32	944 618 810 00	pressure line control unit		1							
33	959 618 117 00	ring piece		1							
34	959 618 115 00	banjo bolt		1							
35	A 959 618 116 00	sealing ring		2							
35	959 618 116 01	sealing ring		2							
36	900 123 043 30	sealing ring		2							
37	N 021 071 2	banjo bolt		1							
38	N 900 887 01	banjo bolt		1							
39	900 123 115 30	sealing ring		3							

Model	Year	MG	SG	Illustration	Restrictions	UPD	7:48	25.02.2010	PORSCHE	PET	PORSCHE
9442	1988	1	07	107-27		248					

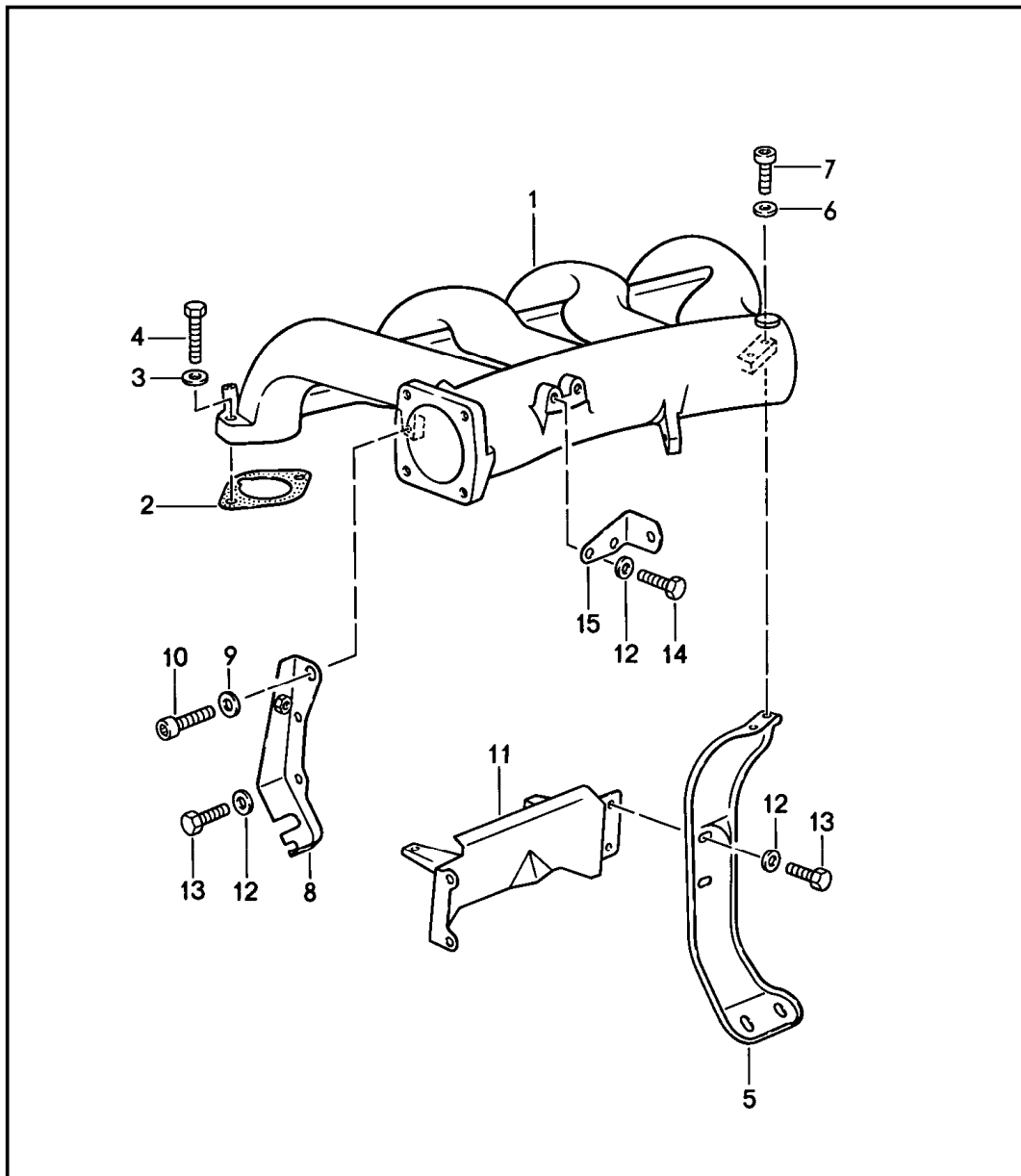


Pos	Part Number	Description	Remark	Qty	Model
		1-jetronic	88-		M44.51/52
1	951 110 061 04	control line		1	
2	944 107 324 00	valve		1	
3	999 512 457 00	clamp		1	
4	999 512 346 02	hose clamp		2	
5	951 110 225 01	pipe		1	
6	900 123 043 30	sealing ring		2	
7	N 021 071 2	banjo bolt		1	
8	944 618 810 00	pressure line control unit		1	
9	959 618 115 00	banjo bolt		1	
10	A 959 618 116 00	sealing ring		2	
10	959 618 116 01	sealing ring		2	
11	959 618 117 00	ring piece		1	
12	999 512 301 02	hose clamp		6	
13	951 123 331 02	hose wastegate		1	
14	951 110 597 01	retaining bracket		1	
15	928 110 191 10	bonded rubber mounting		2	
15	999 703 264 00	bonded rubber mounting		2	
16	999 512 395 02	clamp		1	
17	930 606 161 00	idle-speed adjuster		1	
18	999 512 421 02	hose clamp		2	
19	951 110 221 00	hose		1	
20	951 110 217 01	hose		1	
21	951 110 190 00	connecting piece		1	
22	999 181 152 50	hose 600 MM		* 1	
23	951 110 511 00	hose		1	
24	993 110 337 50	shut-off valve		1	

Model	Year	MG	SG	Illustration	Restrictions	UPD	7:48	25.02.2010	PORSCHE	PET	PORSCHE
9442	1988	1	07	107-27		248					

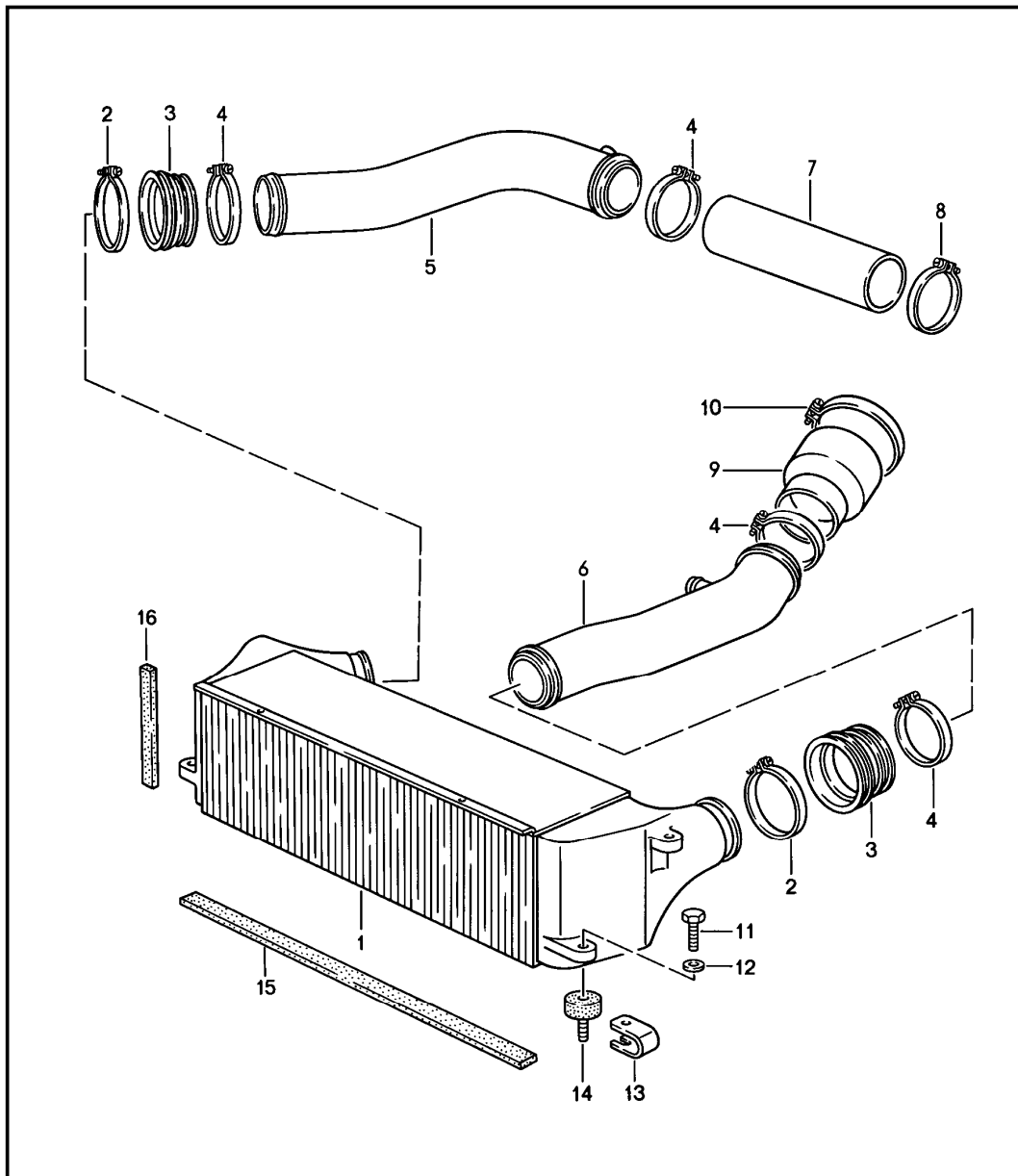
Pos	Part Number	Description	Remark	Qty	Model	Pos	Part Number	Description	Remark	Qty	Model
25	999 512 356 02	hose clamp		3							
26	928 574 717 02	moulded hose		1							
-	N 020 139 11	pipe 4 X 1		*							
27	-	550 MM		1							
28	928 573 727 02	distributing piece		1							
29	951 606 117 00	cycle valve		1							
30	N 900 887 01	banjo bolt		1							
31	900 123 115 30	sealing ring		3							

Model	Year	MG	SG	Illustration	Restrictions	UPD	7:48	25.02.2010	PORSCHE	PET	PORSCHE
9442	1988	1	07	107-30		248					



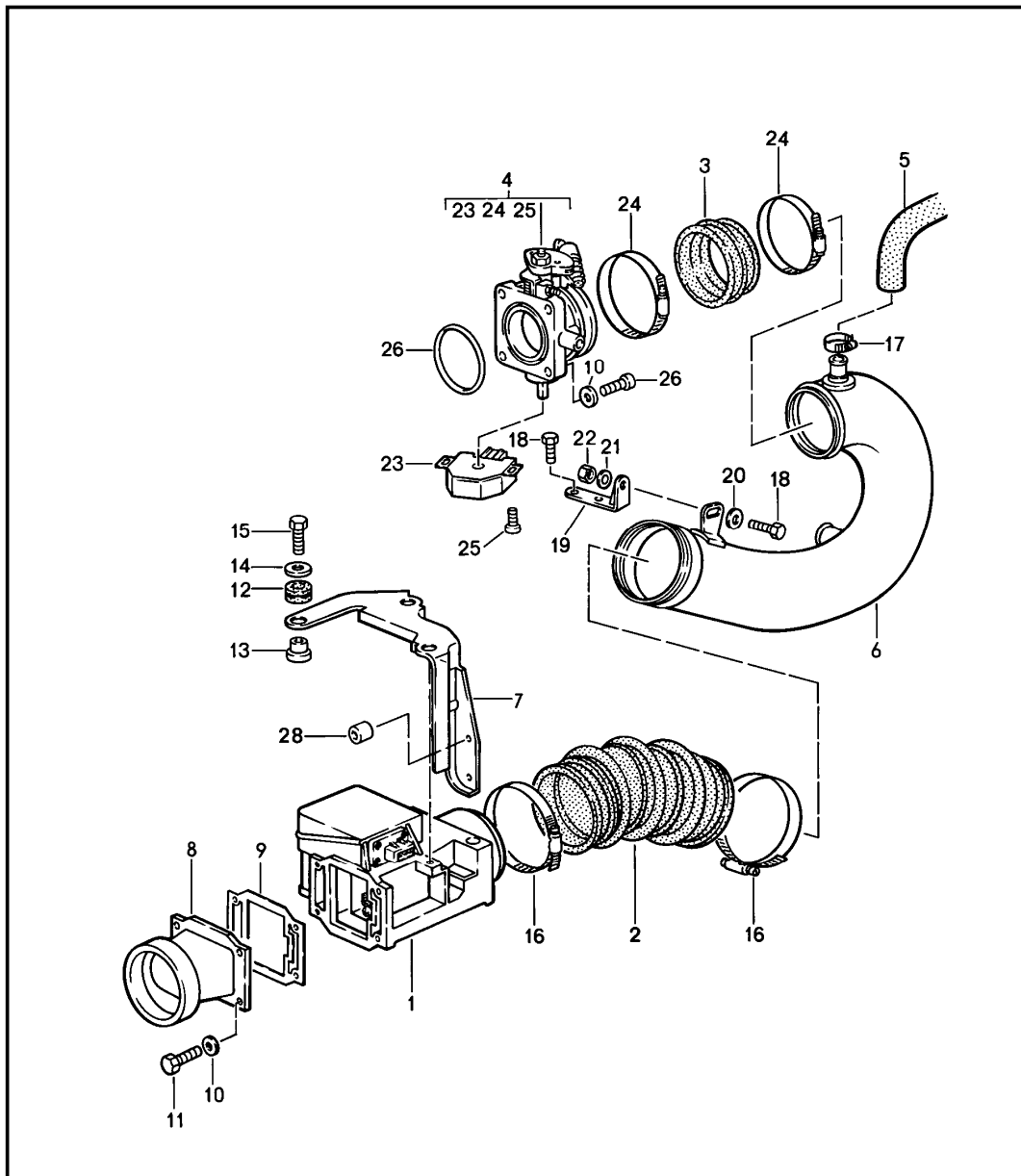
Pos	Part Number	Description	Remark	Qty	Model
		l-jetronic 4			M44.50/51 M44.52
1	951 110 052 01	intake manifold		1	M44.50/51
1	951 110 052 03	intake manifold		1	M44.52
2	944 110 163 05	gasket		4	
2	944 110 163 05	gasket without asbestos	(S)	4	
3	900 025 007 02	washer		8	
4	900 067 214 02	pan-head screw M 8 X 35		8	
5	951 110 155 01	bracket		1	
6	900 031 011 02	washer		2	
7	900 067 089 02	pan-head screw M 6 X 22		2	
8	951 110 153 03	bracket		1	
(8)	951 110 154 03	bracket		1	M573
9	900 025 007 02	washer		1	
10	900 075 085 02	hexagon-head bolt M 8 X 22		1	
11	951 110 315 01	heat shield		1	
12	N 011 524 7	washer		6	
13	999 072 005 09	hexagon-head bolt M 6 X 12		4	
14	900 075 057 02	hexagon-head bolt M 6 X 15		2	
15	951 110 162 04	support		1	

Model	Year	MG	SG	Illustration	Restrictions	UPD	7:48	25.02.2010	PORSCHE	PET	PORSCHE
9442	1988	1	07	107-35		248					



Pos	Part Number	Description	Remark	Qty	Model
		charge air cooler			M44.50/51 M44.52
1	951 110 037 00	charge air cooler		1	
2	999 512 270 02	hose clamp A 9 X 75		2	
3	951 110 371 01	hose		2	
4	999 512 040 02	hose clamp S 63 / 9		4	
5	951 110 310 03	pipe		1	
6	951 110 311 04	pipe		1	
7	951 110 370 02	hose		1	
8	999 512 324 02	hose clamp S 59 / 9		1	
9	951 110 372 01	hose		1	
10	999 512 006 02	hose clamp S 78 / 9		1	
11	900 075 016 02	hexagon-head bolt M 6 X 22		4	
12	N 011 666 7	washer A 6,4		4	
13	931 110 212 00	retaining bar		4	
14	999 703 315 00	bonded rubber buffer		4	
15	999 911 278 40	sealing strap		1	
16	000 043 205 06	sealing strap		2	

Model	Year	MG	SG	Illustration	Restrictions	UPD	7:48	25.02.2010	PORSCHE	PET	PORSCHE
9442	1988	1	07	107-40		248					

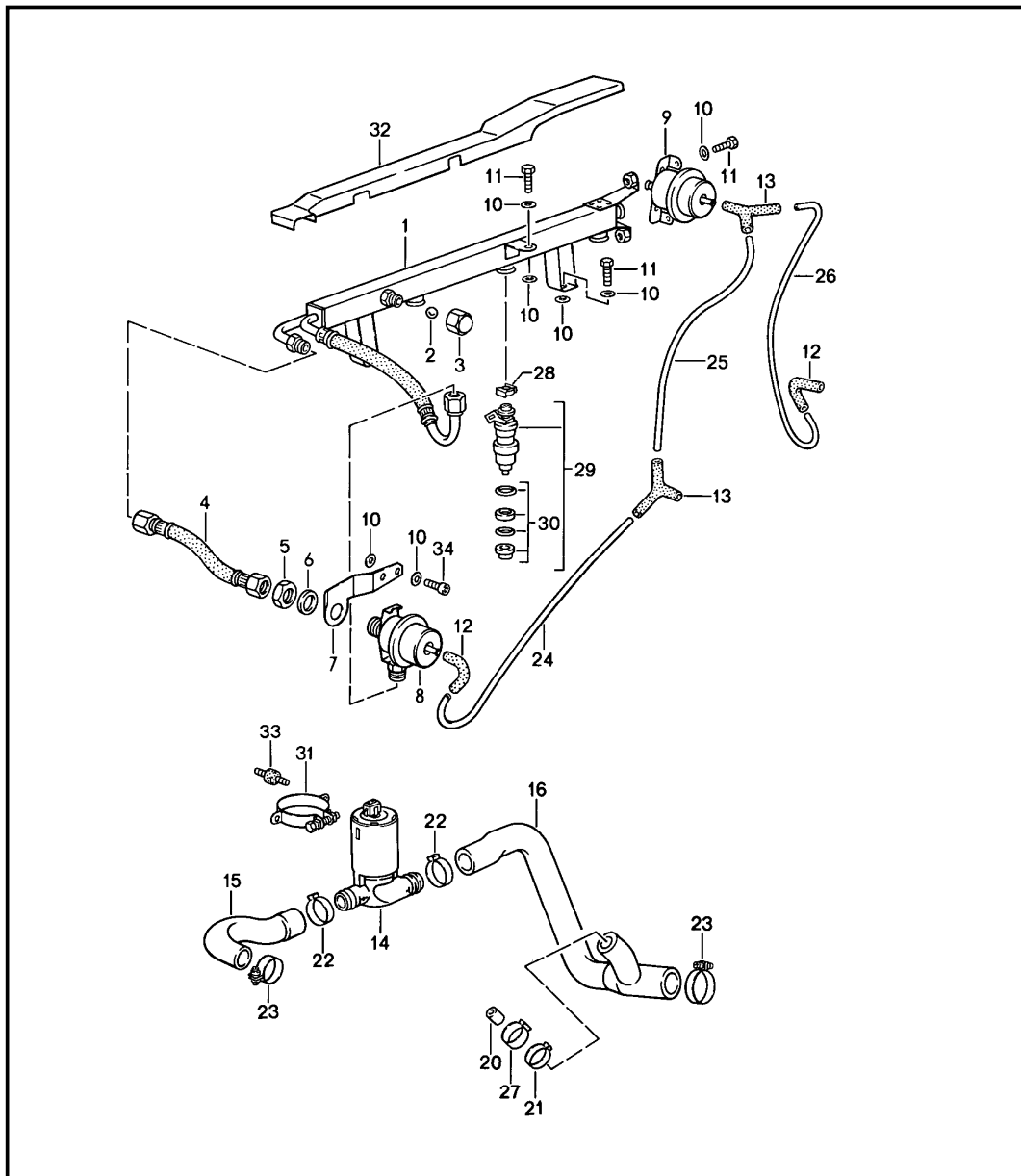


Pos	Part Number	Description	Remark	Qty	Model
		l-jetronic 1			M44.40
1	> 944 606 124 00	mass air flow meter		1	
2	944 110 317 02	moulded hose		1	
3	944 110 321 02	connecting hose		1	
4	944 110 083 01	throttle body		1	
5	944 107 311 00	connecting hose		1	
6	944 110 323 05	intake manifold	87	1	
6	944 110 323 04	intake manifold	88-	1	
7	944 110 145 00	support		1	
8	944 110 014 70	intake trumpet		1	
9	928 110 201 01	sealing frame		1	
10	N 011 524 7	washer		4	
11	900 075 057 02	hexagon-head bolt		4	
12	999 702 159 40	rubber sleeve		3	
13	944 110 437 00	sleeve		3	
14	N 011 612 3	washer		3	
15	900 075 017 02	hexagon-head bolt		3	
16	N 023 576 1	hose clamp		2	
17	999 512 045 02	hose clamp		1	
18	N 040 268 1	hexagon-head bolt		3	
19	944 110 123 01	support		1	
20	900 025 014 02	washer		1	
21	N 011 524 7	washer		1	
22	900 910 096 02	lock nut		1	
23	944 606 113 01	throttle-valve switch		1	
24	999 512 410 02	hose clamp		2	
25	900 146 120 02	screw		2	
26	999 701 331 40	round seal		1	

Model	Year	MG	SG	Illustration	Restrictions	UPD	7:48	25.02.2010	PORSCHE	PET	PORSCHE
9442	1988	1	07	107-40		248					

Pos	Part Number	Description	Remark	Qty	Model	Pos	Part Number	Description	Remark	Qty	Model
27	N 014 734 1	pan-head screw		4							
28	999 085 001 02	socket head nut		2							
-	944 110 227 00	cover plate		1							
-	964 110 930 00	return spring		1							

Model	Year	MG	SG	Illustration	Restrictions	UPD	7:48	25.02.2010	PORSCHE	PET	PORSCHE
9442	1988	1	07	107-45		248					

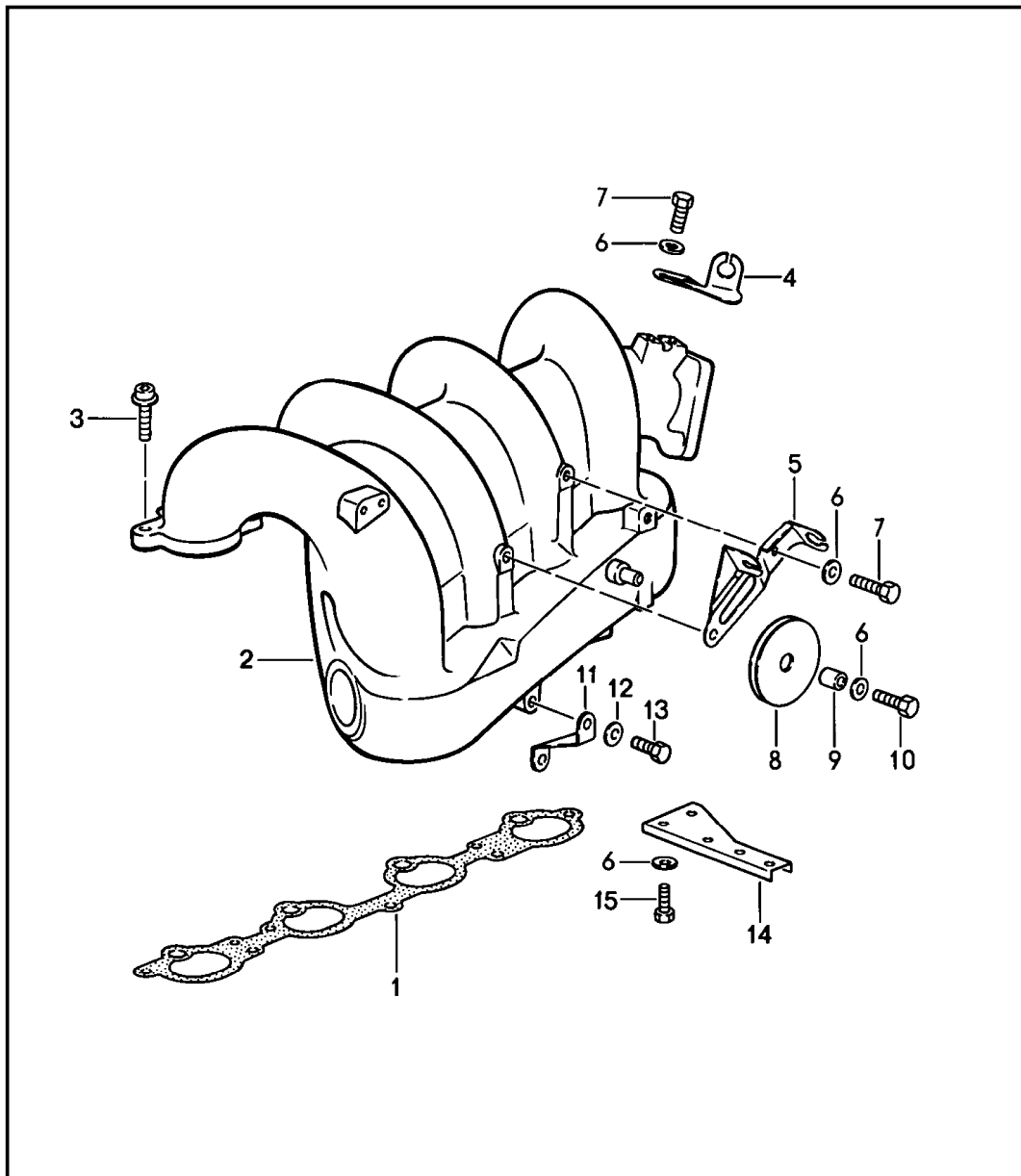


Pos	Part Number	Description	Remark	Qty	Model
		l-jetronic			M44.40
2		2			
1	944 110 080 13	fuel collection pipe		1	
2	900 108 022 00	ball		1	
3	A 928 110 475 01	cap nut		1	
3	928 110 475 03	cap nut		1	
4	944 110 384 00	fuel line		1	
5	900 034 013 02	hexagon nut BM 16 X 1,5		1	
6	N 012 238 5	spring washer		1	
7	944 110 381 02	support		1	
8	944 110 201 04	diaphragm damper		1	
9	944 110 198 04	pressure regulator		1	
10	900 025 004 30	washer		12	
11	900 075 355 02	combination screw M 6 X 16		5	
12	928 574 717 02	moulded hose		2	
13	928 573 727 02	distributing piece		2	
14	964 606 160 00	idle-speed adjuster		1	
15	944 110 214 02	moulded hose		1	
16	944 110 235 00	moulded hose		1	
(16)	944 110 235 01	moulded hose		1	
20	944 110 241 04	restrictor		1	
21	999 512 457 00	clamp 18,2 - 21,0		4	
22	999 512 455 00	hose clamp 24,0 - 27,0		2	
23	N 023 561 1	hose clamp A 9 X 30		2	
-	N 020 139 11	pipe 4 X 1		*	
24	-	560 MM		1	

Model	Year	MG	SG	Illustration	Restrictions	UPD	7:48	25.02.2010	PORSCHE	PET	PORSCHE
9442	1988	1	07	107-45		248					

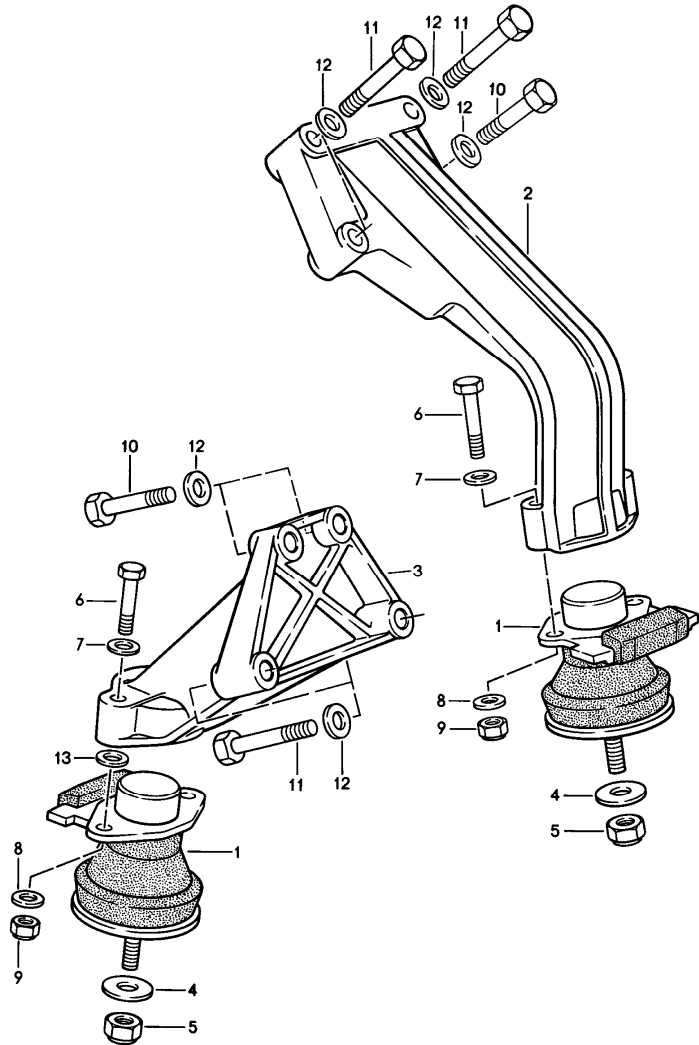
Pos	Part Number	Description	Remark	Qty	Model	Pos	Part Number	Description	Remark	Qty	Model
25	-	380 MM		1							
26	-	820 MM		1							
27	999 512 456 00	clamp 19,8 X 22,6		1							
28	930 110 388 00	retaining clip		4							
29	944 606 112 01	injector valve		4							
30	944 110 901 00	gasket set for injector valve		4							
31	944 110 147 00	clamp		1							
32	944 607 010 01	cover		1							
33	928 110 191 10	bonded rubber mounting		2							
33	999 703 264 00	bonded rubber mounting		2							
34	900 067 009 02	pan-head screw M 6 X 15		2							

Model	Year	MG	SG	Illustration	Restrictions	UPD	7:49	25.02.2010	PORSCHE	PET	PORSCHE
9442	1988	1	07	107-50		248					



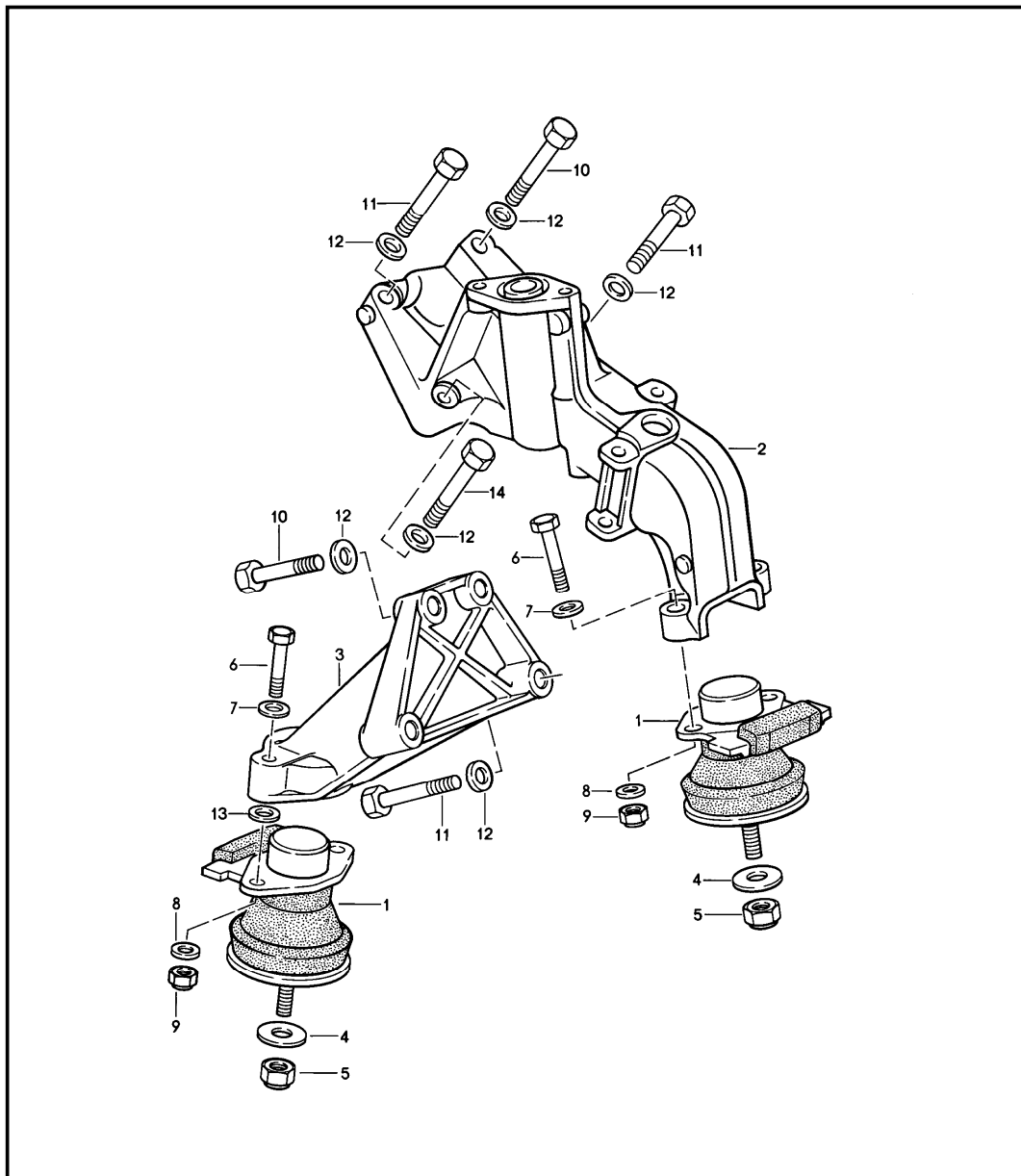
Pos	Part Number	Description	Remark	Qty	Model
		1-jetronic 3			M44.40
1	944 110 305 02	gasket		1	
1	944 110 305 02	gasket without asbestos		1	
2	944 110 056 02	intake manifold	87	1	
2	944 110 056 03	intake manifold	88	1	
3	999 067 035 02	pan-head screw M 8 X 32		7	
4	944 110 224 00	support		1	
5	944 110 226 00	support		1	
6	N 011 524 7	washer 6,4		4	
7	900 075 057 02	hexagon-head bolt M 6 X 16		3	
8	944 110 222 00	deflection roller		1	
9	944 110 220 00	bush		1	
10	900 075 341 02	combination screw M 6 X 25		1	
11	944 110 164 01	support		1	
12	900 025 007 02	washer		1	
13	900 075 085 02	hexagon-head bolt		1	
14	944 110 023 01	support		1	
15	N 040 268 1	hexagon-head bolt M 6 X 14		2	

Model	Year	MG	SG	Illustration	Restrictions	UPD	7:49	25.02.2010	PORSCHE	PET	PORSCHE
9442	1988	1	09	109-00		248					



Pos	Part Number	Description	Remark	Qty	Model
		engine suspension			M44.05/06/07 M44.08/09 M44.10/40
1	944 375 042 04	hydraulic mount		2	M44.05/06/07 M44.08/09 M44.10
1	951 375 042 04	hydraulic mount		2	M44.40
2	944 375 123 03	engine carrier	/L	1	
3	944 375 124 02	engine carrier	/R	1	
4	477 407 425	washer		2	
5	N 022 149 2	lock nut VM 10		2	
6	N 010 351 6	hexagon-head bolt M 8 X 52		4	
6	900 074 139 02	hexagon-head bolt M 8 X 55		4	
7	900 223 001 02	washer 8,4		4	
8	900 025 007 02	washer A 8,4		4	
9	900 910 022 09	lock nut VM 8		4	
10	N 010 445 3	hexagon-head bolt M 10 X 45		3	
11	900 074 063 02	hexagon-head bolt M 10 X 55		5	
12	900 025 008 09	washer A 10,5		8	
13	900 223 001 02	washer		4	

Model	Year	MG	SG	Illustration	Restrictions	UPD	7:49	25.02.2010	PORSCHE	PET	PORSCHE
9442	1988	1	09	109-05		248					



Pos	Part Number	Description	Remark	Qty	Model
		engine suspension			M44.50/51 M44.52
1	951 375 042 04	hydraulic mount		2	
2	951 101 023 00	engine carrier	/L	1	
3	944 375 124 02	engine carrier	/R	1	
4	477 407 425	washer		2	
5	N 022 149 2	lock nut		2	
6	N 010 351 6	hexagon-head bolt M 8 X 52		4	
7	900 223 001 02	washer		4	
8	900 025 007 02	washer		4	
9	900 910 022 09	lock nut		4	
10	N 010 445 3	hexagon-head bolt M 10 X 45		4	
11	900 074 063 02	hexagon-head bolt M 10 X 55		2	
12	900 025 008 09	washer		8	
13	900 223 001 02	washer		4	
14	900 067 222 02	pan-head screw M 10 X 55		1	

Model	Year	MG	SG	Illustration	Restrictions	UPD	7:49	25.02.2010
9442	1988	1	98	198-00R		248		

Pos	Part Number	Description	Remark	Qty	Model
		repair kits			
>>	>>944 100 901 03	gasket set for crankcase comprising:		1	
-	999 701 614 40	round seal		2	
-	999 113 282 40	shaft sealing ring		1	
-	999 113 281 40	shaft sealing ring		1	
-	999 701 652 40	o-ring		2	
-	944 101 205 02	oil sump gasket		1	
-	N 043 815 3	sealing ring		2	
-	999 113 264 40	radial sealing ring		1	
-	944 105 321 00	gasket		2	
-	944 106 132 04	gasket		1	
-	999 113 331 40	shaft sealing ring		1	
-	999 707 283 40	round seal		1	
-	944 107 136 03	sealing ring		1	
-	900 123 106 30	sealing ring		1	
-	944 107 153 02	rubber ring		1	
-	999 707 043 40	o-ring		2	
-	944 107 147 03	gasket		1	
-	999 701 661 40	round seal		2	
-	900 123 101 30	sealing ring		1	
-	900 123 118 30	sealing ring		1	
-	951 107 241 02	sealing ring		1	
-	900 123 007 30	sealing ring		1	
>>	>>944 100 901 00	gasket set for cylinder head comprising:		1	-10 M44.05
-	951 104 374 02	cylinder head gasket		1	
-	928 104 193 12	valve stem seal		8	
-	928 111 193 12	gasket		4	
-	928 105 199 12	gasket		1	

Model	Year	MG	SG	Illustration	Restrictions	UPD	7:49	25.02.2010
9442	1988	1	98	198-00R		248		

Pos	Part Number	Description	Remark	Qty	Model
-	944 110 163 02	gasket		4	
-	928 106 197 01	gasket		1	
-	944 104 311 01	gasket		1	
-	928 105 184 00	sealing ring		1	
-	999 701 602 40	o-ring		1	
-	999 113 282 40	shaft sealing ring		1	
-	928 105 189 02	gasket		1	
-	944 105 321 00	gasket		1	
-	900 123 140 30	sealing ring		6	
-	999 701 468 40	round seal		1	
-	944 111 135 01	gasket		2	
>>	>>944 101 901 00	set of crankshaft bearings comprising:		1	
-	928 101 117 08	main bearing bush i		1	
-	928 101 115 02	main bearing shell		3	
	002	upper			
-	928 101 115 01	main bearing shell lower		3	
-	944 101 139 00	thrust bearing		2	
	002				
>>	>>928 101 901 52	set of crankshaft bearings undersize 0.25 mm comprising:		1	
-	928 101 117 58	main bearing bush i		1	
-	928 101 115 50	main bearing shell upper		3	
-	928 101 115 51	main bearing shell lower		3	
-	928 101 133 53	thrust bearing		2	
>>	>>928 101 901 62	set of crankshaft bearings undersize 0.50 mm comprising:		1	
-	928 101 117 68	main bearing bush i		1	
-	928 101 115 60	main bearing shell upper		3	

Model	Year	MG	SG	Illustration	Restrictions	UPD	7:49	25.02.2010
9442	1988	1	98	198-00R		248		

Pos	Part Number	Description	Remark	Qty	Model
-	928 101 115 61	main bearing shell lower		3	
-	928 101 133 63	thrust bearing		2	
>>	>>951 100 901 00	gasket set for cylinder head comprising:		1	M44.51/52
-	951 104 374 02	cylinder head gasket		1	
-	951 104 195 01	valve stem seal		8	
-	944 111 196 00	gasket		4	
-	928 105 199 12	gasket		1	
-	944 110 163 05	gasket		4	
-	928 106 197 01	gasket		1	
-	944 104 311 01	gasket		1	
-	951 104 311 01	gasket		1	
-	928 105 184 00	sealing ring		1	
-	999 701 602 40	o-ring		1	
-	999 113 349 40	shaft sealing ring		1	
-	928 105 189 02	gasket		1	
-	944 105 321 00	gasket		1	
-	900 123 140 30	sealing ring		6	
-	999 701 331 40	round seal		1	
-	944 111 205 04	sealing ring		2	
>>	>>944 100 901 04	gasket set for cylinder head comprising:		1	M44.40
-	951 104 374 02	cylinder head gasket		1	
-	928 104 601 07	valve stem seal		16	
-	944 104 305 03	gasket		1	
-	944 104 302 03	gasket		1	
-	928 106 167 01	gasket		1	
-	N 043 811 1	sealing ring		1	
-	928 104 447 09	gasket		1	
-	999 113 282 40	shaft sealing ring		1	

Model	Year	MG	SG	Illustration	Restrictions	UPD	7:49	25.02.2010
9442	1988	1	98	198-00R		248		

Pos	Part Number	Description	Remark	Qty	Model
-	900 123 050 30	sealing ring		4	
-	900 174 056 40	o-ring		2	
-	928 104 115 02	thrust ring		13	
-	944 110 305 02	gasket		1	
-	999 701 331 40	round seal		1	
-	944 111 205 00	sealing ring		4	
-	944 111 135 01	gasket		2	
>>	>>944 103 902 82	set of piston rings 100,00 MM		4	-10 M44.05 M44.40
>>	>>944 103 902 92	set of piston rings 100,50 MM		4	-10 M44.05 M44.40
>>	>>951 103 901 02	set of piston rings 100,00 MM		4	M44.50/51 M44.52
>>	>>951 103 901 03	set of piston rings 100,50 MM		4	M44.50/51 M44.52
>>	>>951 100 930 00	maintenance parts for periodic maintenance comprising:		1	M44.50/51 M44.52
-	944 107 201 03	oil filter		1	
-	951 110 121 01	air cleaner cartridge		1	
-	928 110 253 06	fuel filter		1	
-	900 123 118 30	sealing ring		1	
-	999 170 156 90	spark plug		4	
>>	>>944 100 930 00	maintenance set for periodic maintenance comprising:		1	-10 M44.05
-	944 107 201 03	oil filter		1	
-	944 110 186 02	air cleaner cartridge		1	
-	928 110 253 06	fuel filter		1	

PORSCHE

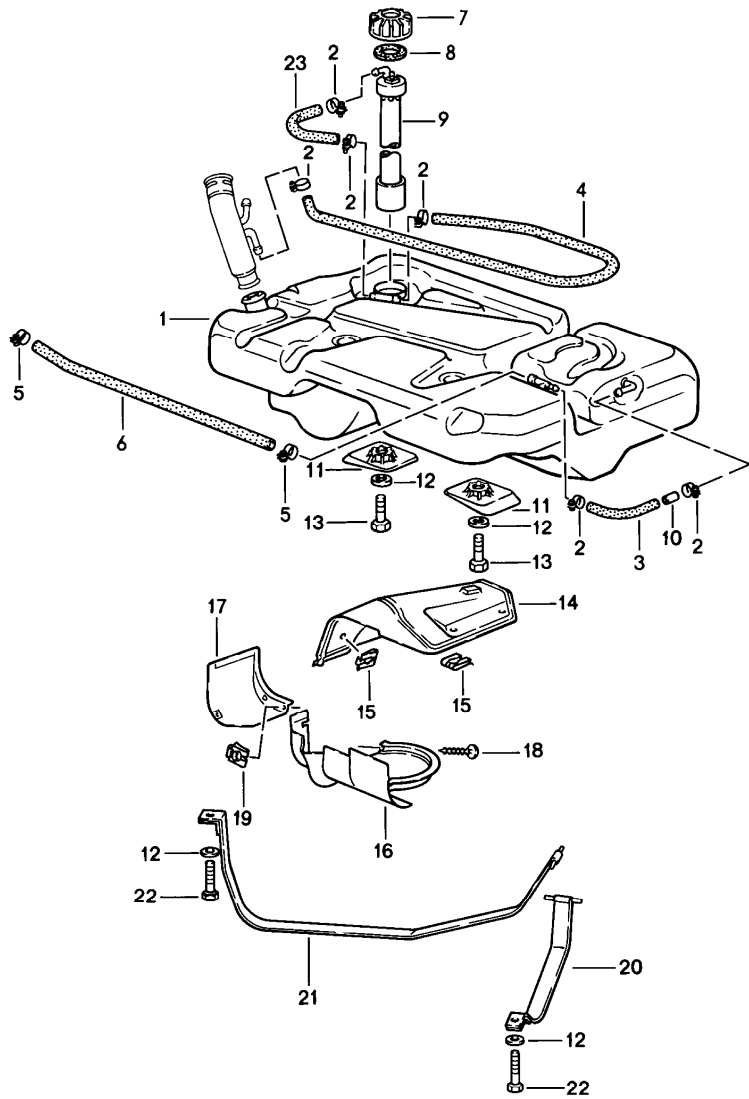
PET

PORSCHE

Model	Year	MG	SG	Illustration	Restrictions	UPD	7:49	25.02.2010
9442	1988	1	98	198-00R		248		

Pos	Part Number	Description	Remark	Qty	Model
-	900 123 118 30	sealing ring		1	
-	999 170 156 90	spark plug		4	
>>	>>944 100 930 02	maintenance parts for periodic maintenance comprising:		1	M44.40
-	944 107 201 03	oil filter		1	
-	944 110 188 00	air cleaner cartridge		1	
-	928 110 253 06	fuel filter		1	
-	900 123 118 30	sealing ring		1	
-	999 170 156 90	spark plug		4	
>>	>>944 110 901 00	gasket set for injector valve		4	
>>	>>000 043 202 61	subsequent installation for AU	(D)	1	M44.40

Model	Year	MG	SG	Illustration	Restrictions	UPD	7:49	25.02.2010	PORSCHE	PET	PORSCHE
9442	1988	2	01	201-00		248					

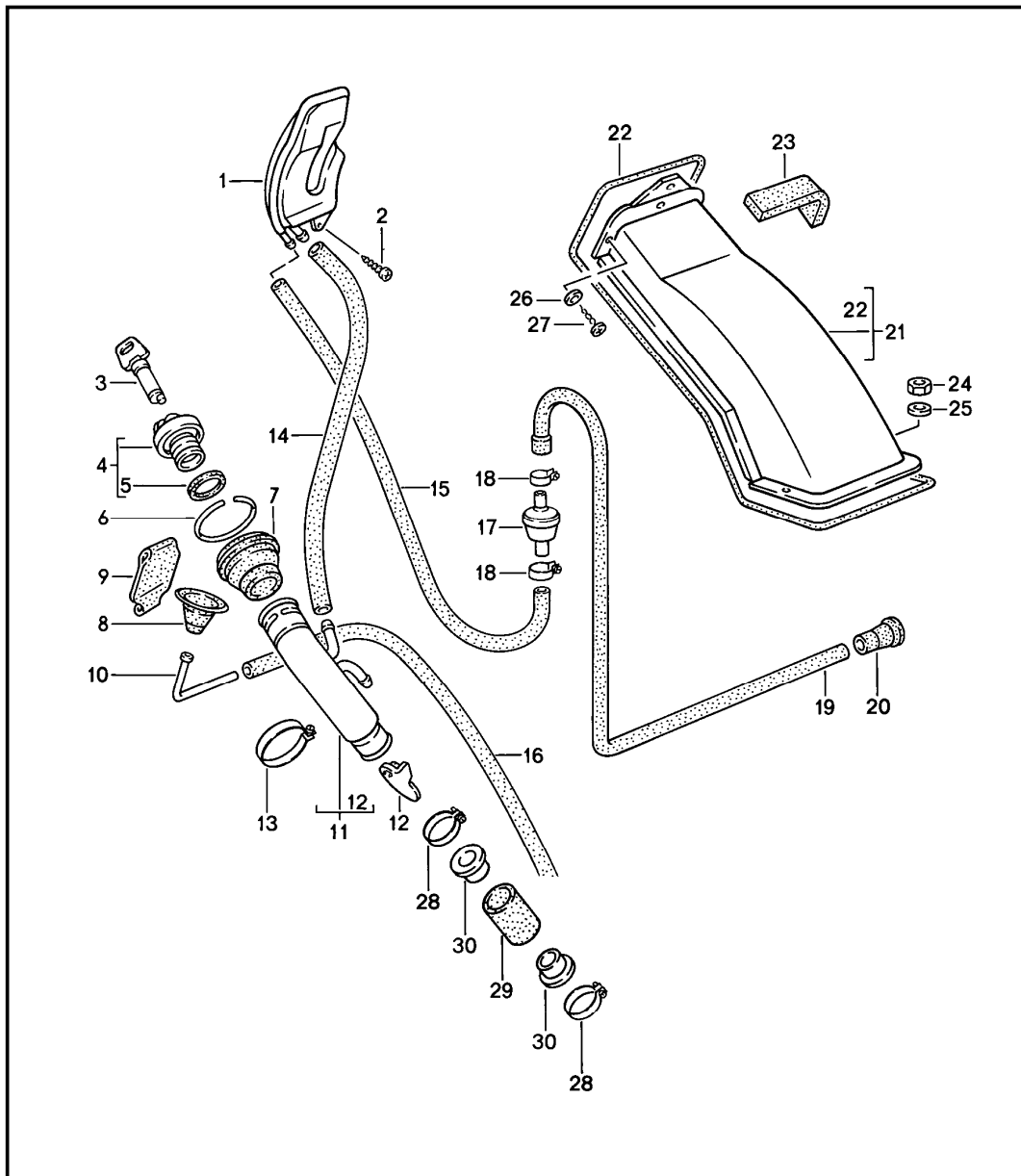


Pos	Part Number	Description	Remark	Qty	Model
		fuel tank			
1	951 201 021 03	fuel tank		1	
2	N 023 570 2	hose clamp		6	
-	999 181 716 50	hose 9,5 X 3		*	
3	-	220 MM		1	
4	-	1860 MM		1	
5	999 512 482 00	hose clamp SM 9C21-W3		2	
-	999 181 058 40	hose 15 X 3,5		*	
6	-	930 MM	86	1	
(6)	951 201 123 02	hose	87-	1	
7	951 201 375 00	union nut		1	
8	944 201 327 00	sealing ring		1	
9	944 641 037 01	tank gauge		1	
10	911 201 263 02	restrictor		1	
11	951 201 173 02	fastening plate		2	
12	N 900 741 01	washer		2	
13	900 075 033 02	hexagon-head bolt M 8 X 40		2	
14	944 201 435 00	heat protection plate		1	
15	N 012 653 3	lock washer		4	
16	944 201 331 00	cover		1	
17	951 201 025 00	lid		1	
18	900 143 124 07	tapping screw		2	
19	N 015 482 1	speed nut		2	
20	951 201 315 00	restraining strap	/L	1	
21	951 201 312 01	restraining strap	/R	1	
22	900 075 033 02	hexagon-head bolt M 8 X 40		2	

Model	Year	MG	SG	Illustration	Restrictions	UPD	7:49	25.02.2010	PORSCHE	PET	PORSCHE
9442	1988	2	01	201-00		248					

Pos	Part Number	Description	Remark	Qty	Model	Pos	Part Number	Description	Remark	Qty	Model
23	951 201 227 01	hose		1							
24	N 023 570 2	hose clamp A 9 X 15 ZY		1							

Model	Year	MG	SG	Illustration	Restrictions	UPD	7:49	25.02.2010	PORSCHE	PET	PORSCHE
9442	1988	2	01	201-03		248					

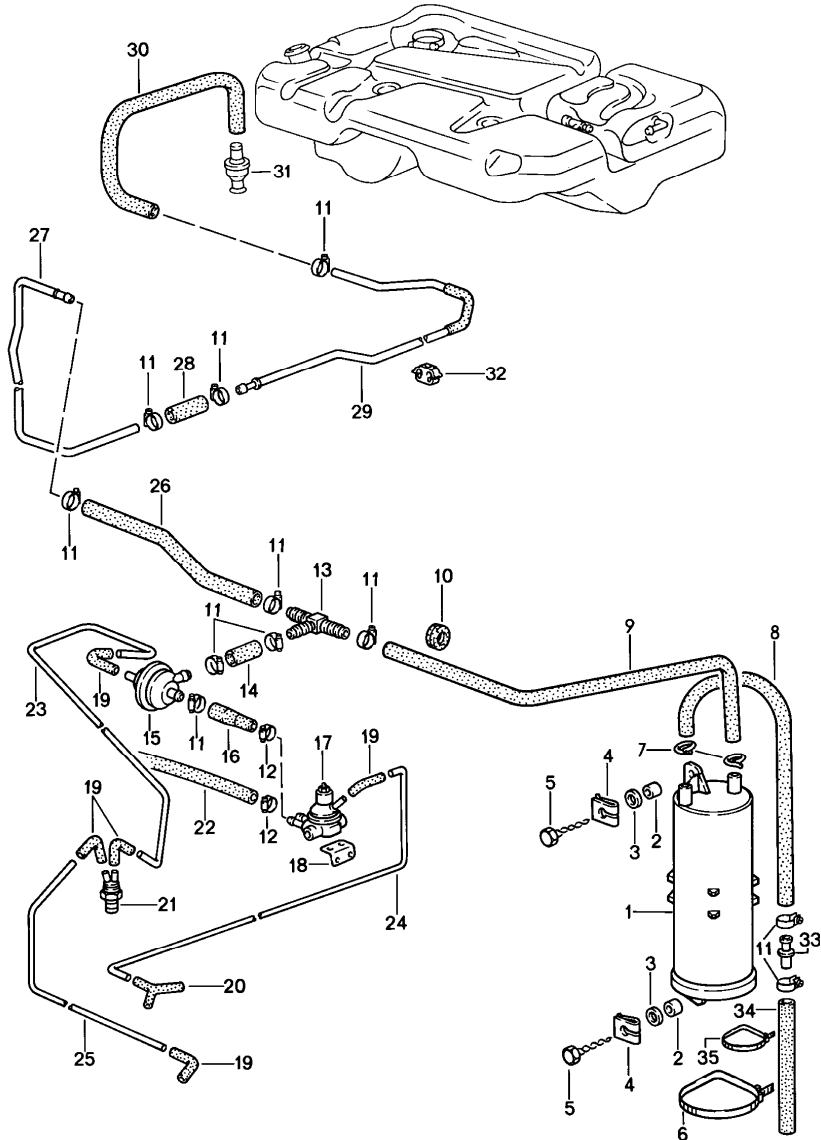


Pos	Part Number	Description	Remark	Qty	Model
1	944 201 041 03	filler neck		1	
2	N 043 864 1	expansion tank		1	
2		screw BM 3 X 6		1	
3	477 201 594	lock cylinder with 1 key w/o stipulated lock number		1	
3	477 201 594 A	lock cylinder with 1 key state lock number		1	
4	944 201 061 01	fuel tank cap		1	
5	944 201 553 00	gasket		1	
6	900 906 045 03	circlip		1	
7	931 201 281 02	sleeve		1	
8	944 201 461 00	grommet		1	
9	928 201 057 02	protective flap		1	
10	477 201 283 A	connection piece		1	
11	944 201 039 00	filler neck		1	M298/299
11	944 201 039 03	filler neck		1	
11	944 201 039 03	filler neck	(A) (AUS) 87-	1	
12	931 201 359 02	flap		1	
13	999 513 003 40	tie-wrap		2	
14	999 181 354 40	hose		1	
15	951 201 449 01	hose		1	
16	477 201 393 A	hose		1	
17	928 201 083 02	shut-off valve		1	
18	N 023 570 2	hose clamp		2	
19	944 201 159 01	breather hose		1	
20	321 201 890 A	end piece		1	
21	944 201 047 03	cover		1	
-	000 043 202 08	packing cord		*	

Model	Year	MG	SG	Illustration	Restrictions	UPD	7:49	25.02.2010	PORSCHE	PET	PORSCHE
9442	1988	2	01	201-03		248					

Pos	Part Number	Description	Remark	Qty	Model	Pos	Part Number	Description	Remark	Qty	Model
22	-	\$ 4 MM		1							
-	000 043 205 05	sound absorber		*							
23	-	100 MM		1							
24	N 011 005 14	hexagon nut M 5		2							
25	900 025 003 02	washer A 5,3		2							
26	900 151 028 02	washer 4,3		3							
27	N 013 957 5	tapping screw B 3,5 X 9,5		3							
28	113 201 281 B	hose clamp		2							
29	951 201 319 00	hose		1							
30	944 201 217 00	hose		2							
-	431 971 848 A	clip		2							

Model	Year	MG	SG	Illustration	Restrictions	UPD	7:50	25.02.2010	PORSCHE	PET	PORSCHE
9442	1988	2	01	201-05		248					

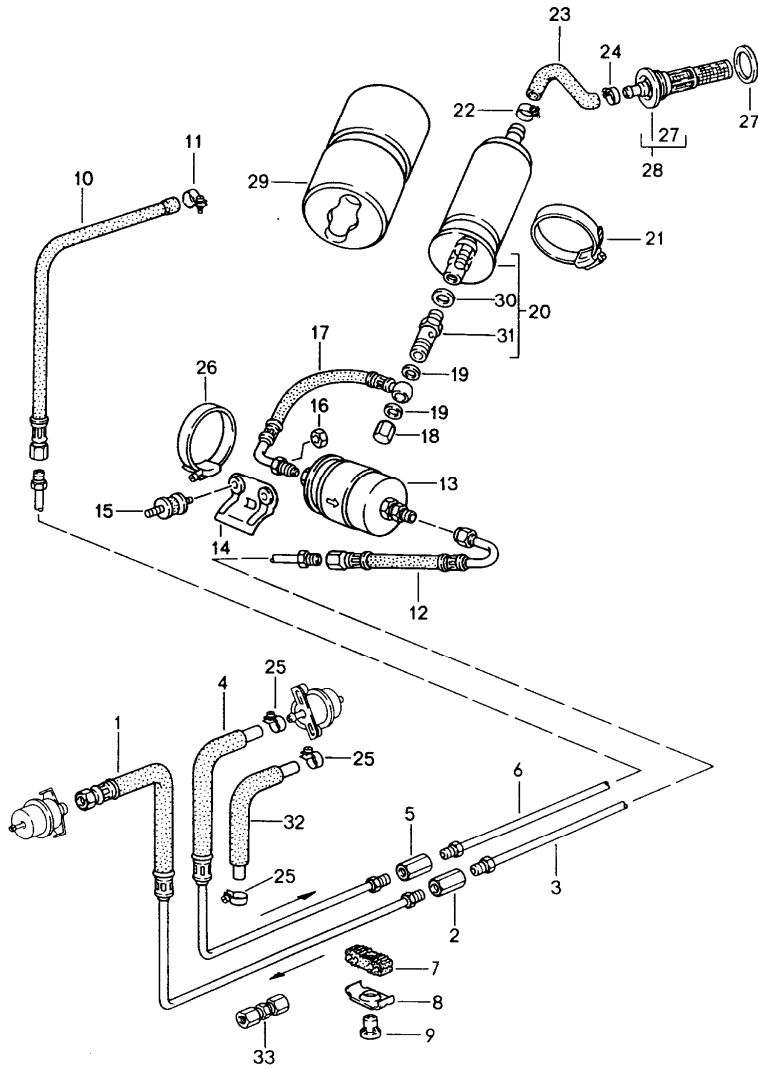


Pos	Part Number	Description	Remark	Qty	Model
		carbon canister			
1	928 201 014 06	carbon canister		1	
2	477 201 279	sleeve		2	
3	N 011 666 7	washer		2	
4	N 015 433 1	speed nut		2	
5	N 013 891 1	tapping screw B 6,3 X 19		2	
6	N 020 906 3	tie-wrap 6,5 X 450		1	
7	999 512 265 02	hose clamp		2	
-	N 020 362 1	hose 12 X 2,5		*	
8	-	460 MM		1	
9	999 181 353 40	hose		1	
10	021 119 569 A	rubber sleeve		1	
11	999 512 554 00	hose clamp 12 - 22		9	
12	999 512 160 02	hose clamp S 13/9		2	
13	477 201 767 B	t-piece		1	
14	999 181 352 40	hose		1	
15	928 110 429 08	vacuum valve		1	
16	944 110 182 02	hose		1	944 TURBO
16	944 110 182 04	hose		1	944 S
17	944 110 429 00	control valve		1	944 TURBO
17	944 605 240 01	bleeder valve		1	944 S
18	944 110 366 00	retaining bracket		1	
19	928 574 717 02	moulded hose		4	
20	928 573 727 02	distributing piece		1	
21	058 131 851 A	thermo valve		1	

Model	Year	MG	SG	Illustration	Restrictions	UPD	7:50	25.02.2010	PORSCHE	PET	PORSCHE
9442	1988	2	01	201-05		248					

Pos	Part Number	Description	Remark	Qty	Model	Pos	Part Number	Description	Remark	Qty	Model
-	999 181 152 50	hose 7,5 X 13,5		*							
22	-	730 MM		1	944						
22	-	600 MM		1	TURBO						
-	N 020 139 1	hose 4 X 1		*							
23	-	850 MM		1							
24	-	580 MM		1							
25	-	480 MM		1							
26	944 201 773 00	hose		1							
27	944 201 153 00	breather pipe		1							
28	944 201 775 00	hose		1							
29	477 201 743 E	pipe		1							
30	944 201 159 01	breather hose		1							
31	928 201 083 02	shut-off valve		1							
32	999 591 715 40	cable holder		6							
33	999 137 029 40	hose connection		1							
-	999 181 168 50	hose 12 X 18,5		*							
34	-	900 MM		1	944						
34	-	970 MM		1	TURBO						
35	443 971 850 A	tie-wrap		4	944						
35	999 513 003 40	tie-wrap		2	TURBO						

Model	Year	MG	SG	Illustration	Restrictions	UPD	7:50	25.02.2010	PORSCHE	PET	PORSCHE
9442	1988	2	01	201-10		248					

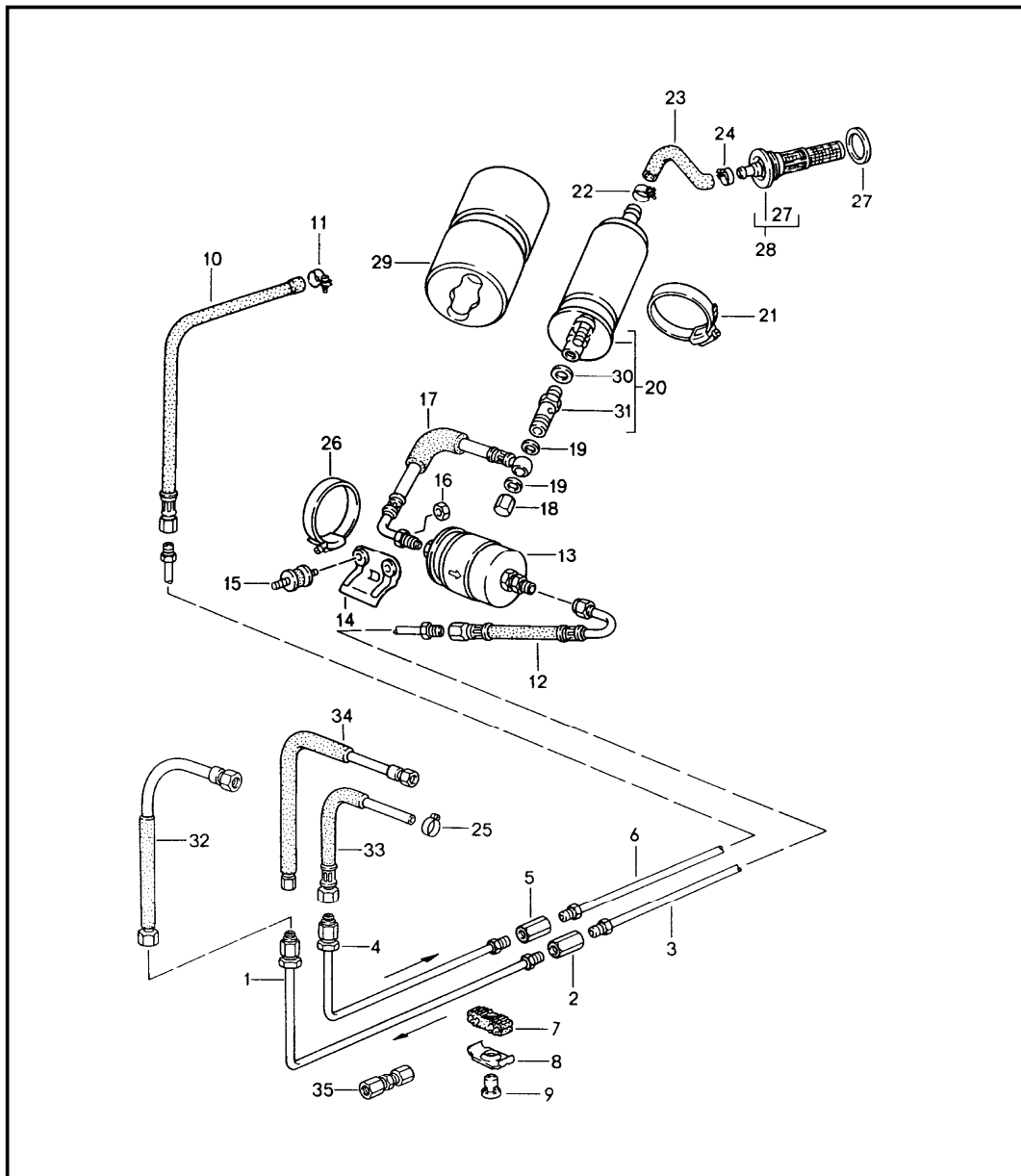


Pos	Part Number	Description	Remark	Qty	Model
		fuel system			M44.05/06/07 M44.08/09 M44.10/50/51 M44.52
1	951 356 919 03	fuel line		1	
2	477 209 169	connecting piece		1	
3	951 356 967 02	fuel line		1	
4	951 356 917 03	fuel return line		1	
5	477 209 161	connecting piece		1	
6	951 356 935 02	fuel return line		1	
7	999 591 975 40	rubber mounting		9	
8	999 511 199 40	clamp		9	
9	999 511 199 40	clamp		9	
10	951 356 061 02	fuel hose		1	
11	999 512 554 00	hose clamp		1	
12	A 951 356 047 03	fuel hose	-86	1	
12	951 356 047 03	fuel hose		1	
13	928 110 253 04	fuel filter		1	(AG) (SA)
13	928 110 253 06	fuel filter		1	
14	951 356 471 01	support		1	
14	951 356 471 01	support		1	M249
15	944 610 115 00	bonded rubber mounting		2	
16	900 076 010 02	hexagon nut		4	
17	951 356 041 07	fuel line		1	
17	951 356 041 04	fuel line		1	M249
18	A 928 110 475 01	cap nut		1	
18	928 110 475 03	cap nut		1	
19	N 013 812 2	sealing ring		2	
20	944 608 102 04	fuel pump		1	944
20	944 608 102 04	fuel pump		1	TURBO

Model	Year	MG	SG	Illustration	Restrictions	UPD	7:50	25.02.2010	PORSCHE	PET	PORSCHE
9442	1988	2	01	201-10		248					

Pos	Part Number	Description	Remark	Qty	Model	Pos	Part Number	Description	Remark	Qty	Model
21	999 512 397 00	hose clamp		1							
22	999 512 554 00	hose clamp		1							
23	951 356 557 00	fuel hose		1							
24	999 512 346 00	hose clamp		1							
25	N 023 577 2	hose clamp		1							
26	999 512 390 00	hose clamp		1							
27	928 201 187 02	sealing ring		1							
28	928 201 081 04	fuel filter		1							
29	944 356 091 00	housing		1							
30	N 013 812 3	sealing ring		1							
31	944 608 951 01	check valve		1							
32	951 356 997 00	fuel hose		1							
33	000 043 200 28	connection piece		1							

Model	Year	MG	SG	Illustration	Restrictions	UPD	7:50	25.02.2010	PORSCHE	PET	PORSCHE
9442	1988	2	01	201-15		248					

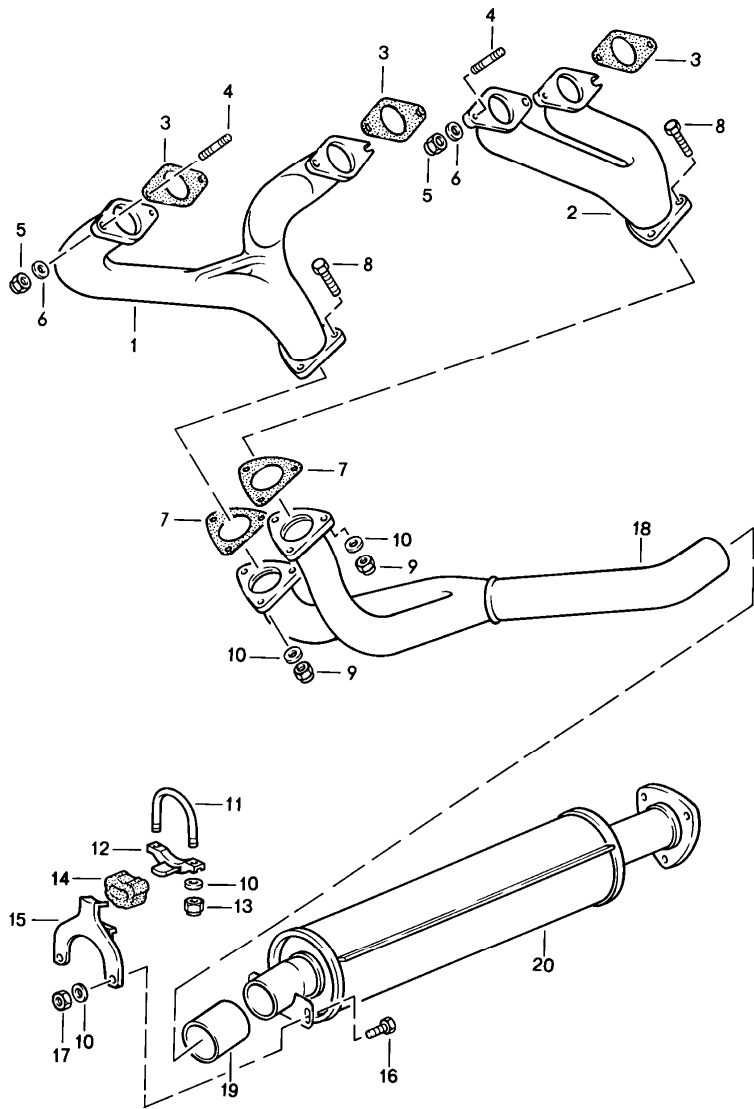


Pos	Part Number	Description	Remark	Qty	Model
		fuel system			M44.40
1	944 356 969 10	fuel line		1	
2	477 209 169	connecting piece		1	
3	951 356 967 02	fuel line		1	
4	944 356 937 10	fuel return line		1	
5	477 209 161	connecting piece		1	
6	951 356 935 02	fuel return line		1	
7	999 591 975 40	rubber mounting		9	
8	999 511 199 40	clamp		9	
9	999 511 199 40	clamp		9	
10	951 356 061 02	fuel hose		1	
11	N 023 569 2	hose clamp		1	
12	951 356 047 03	fuel hose		1	
13	928 110 253 04	fuel filter		1	(AG) (SA)
13	928 110 253 06	fuel filter		1	
14	951 356 471 01	support		1	
15	944 610 115 00	bonded rubber mounting		2	
16	900 076 010 02	hexagon nut		1	
17	951 356 041 07	fuel line		1	
18	A 928 110 475 01	cap nut		1	
18	928 110 475 03	cap nut		1	
19	N 013 812 2	sealing ring		2	
20	944 608 102 06	fuel pump		1	
21	999 512 397 00	hose clamp		1	
22	999 512 554 00	hose clamp		1	
23	951 356 557 00	fuel hose		1	
24	999 512 346 00	hose clamp		1	
25	N 023 577 2	hose clamp		1	
26	999 512 390 00	hose clamp		1	

Model	Year	MG	SG	Illustration	Restrictions	UPD	7:50	25.02.2010	PORSCHE	PET	PORSCHE
9442	1988	2	01	201-15		248					

Pos	Part Number	Description	Remark	Qty	Model	Pos	Part Number	Description	Remark	Qty	Model
27	928 201 187 02	sealing ring		1							
28	928 201 081 04	fuel filter		1							
29	944 356 091 00	housing		1							
30	N 013 812 3	sealing ring		1							
31	944 608 951 01	check valve		1							
32	944 356 029 12	fuel hose		1							
33	944 356 027 11	fuel hose	87	1							
34	944 356 027 14	fuel hose	88-	1							

Model	Year	MG	SG	Illustration	Restrictions	UPD	7:50	25.02.2010	PORSCHE	PET	PORSCHE
9442	1988	2	02	202-00		248					

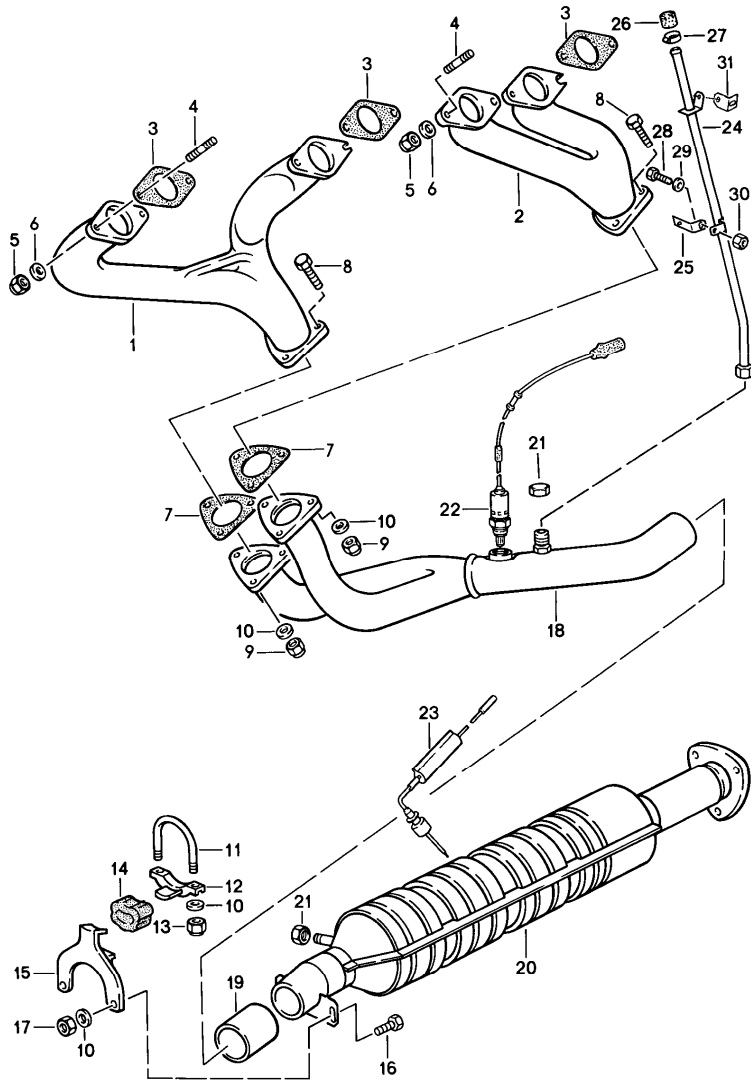


Pos	Part Number	Description	Remark	Qty	Model
		exhaust system front muffler			M44.05/06
1	944 111 127 05	exhaust manifold cylinders 1 and 4 sheet metal elbow		1	
2	944 111 129 04	exhaust manifold cyl. 2 and 3 sheet metal elbow		1	
3	944 111 196 00	gasket		4	
3	944 111 196 01	gasket without asbestos		4	
4	999 062 044 02	stud M 8 X 30		8	
5	999 084 052 02	lock nut M 8		8	
6	928 111 181 00	washer		8	
7	944 111 135 01	gasket		2	
7	944 111 135 01	gasket without asbestos		2	
8	900 074 282 02	hexagon-head bolt M 8 X 35		6	
9	N 022 008 4	lock nut VM 8		6	
10	900 025 007 02	washer A 8,4		8	
11	477 253 139	clip		1	
12	944 111 307 00	support		1	
13	900 910 097 02	lock nut VM 8		2	
14	944 111 142 01	rubber mounting		1	
15	931 111 061 02	hook		1	
16	N 010 240 16	hexagon-head bolt M 8 X 20		2	
17	900 076 025 02	hexagon nut M 8		2	
18	944 111 983 01	exhaust pipe		1	

Model	Year	MG	SG	Illustration	Restrictions	UPD	7:50	25.02.2010	PORSCHE	PET	PORSCHE
9442	1988	2	02	202-00		248					

Pos	Part Number	Description	Remark	Qty	Model	Pos	Part Number	Description	Remark	Qty	Model
19	944 111 981 00	sleeve		1							
20	944 111 985 01	front muffler		1							

Model	Year	MG	SG	Illustration	Restrictions	UPD	7:50	25.02.2010	PORSCHE	PET	PORSCHE
9442	1988	2	02	202-05		248					

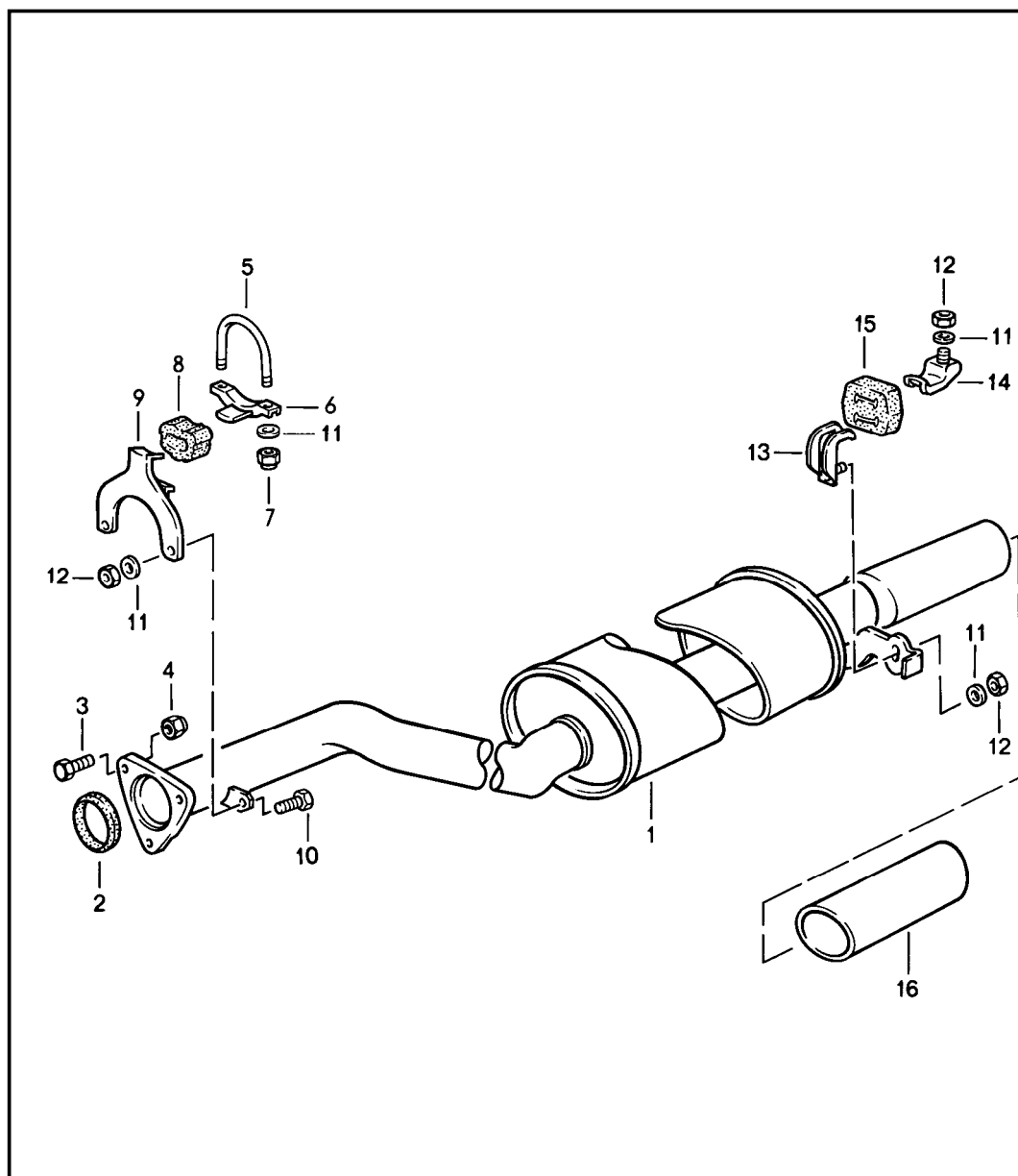


Pos	Part Number	Description	Remark	Qty	Model
		exhaust system			M44.05/06 M44.07/08
		catalytic converter			
1	944 111 127 05	exhaust manifold cylinders 1 and 4 sheet metal elbow		1	
2	944 111 129 04	exhaust manifold cyl. 2 and 3 sheet metal elbow		1	
3	944 111 196 00	gasket		4	
3	944 111 196 01	gasket without asbestos		4	
4	999 062 044 02	stud M 8 X 30		8	
5	999 084 052 02	lock nut M 8		8	
6	928 111 181 00	washer		8	
7	944 111 135 01	gasket		2	
7	944 111 135 01	gasket without asbestos		2	
8	900 074 282 02	hexagon-head bolt M 8 X 35		6	
9	N 022 008 4	lock nut VM 8		6	
10	900 025 007 02	washer A 8,4		8	
11	477 253 139	clip		1	
12	944 111 307 00	support		1	
13	900 910 097 02	lock nut VM 8		2	
14	944 111 142 01	rubber mounting		1	
15	931 111 061 02	hook		1	
16	N 010 240 16	hexagon-head bolt M 8 X 20		2	
17	900 076 025 02	hexagon nut M 8		2	
18	944 111 987 03	exhaust pipe		1	

Model	Year	MG	SG	Illustration	Restrictions	UPD	7:50	25.02.2010	PORSCHE	PET	PORSCHE
9442	1988	2	02	202-05		248					

Pos	Part Number	Description	Remark	Qty	Model	Pos	Part Number	Description	Remark	Qty	Model
19	944 111 981 00	sleeve		1							
20	944 111 989 03	catalytic converter		1							
20	944 111 991 03	catalytic converter	(J)	1							
20	944 111 989 05	catalytic converter	(CH) 87	1							
21	930 113 153 00	cap		1							
22	944 606 135 02	oxygen sensor		1							
23	951 606 019 00	temperature sensor	(J)	1							
24	A 944 111 175 03	exhaust emission tube		1							
24	944 111 175 05	exhaust emission tube		1							
25	944 111 177 02	support		1							
26	034 133 335 D	cap		1							
27	999 512 160 02	hose clamp		1							
28	999 072 005 09	hexagon-head bolt M 6 X 12		1							
29	N 011 524 7	washer A 6,4		1							
30	900 076 010 02	hexagon nut M 6		1							
31	944 111 179 00	support		1							

Model	Year	MG	SG	Illustration	Restrictions	UPD	7:51	25.02.2010	PORSCHE	PET	PORSCHE
9442	1988	2	02	202-10		248					

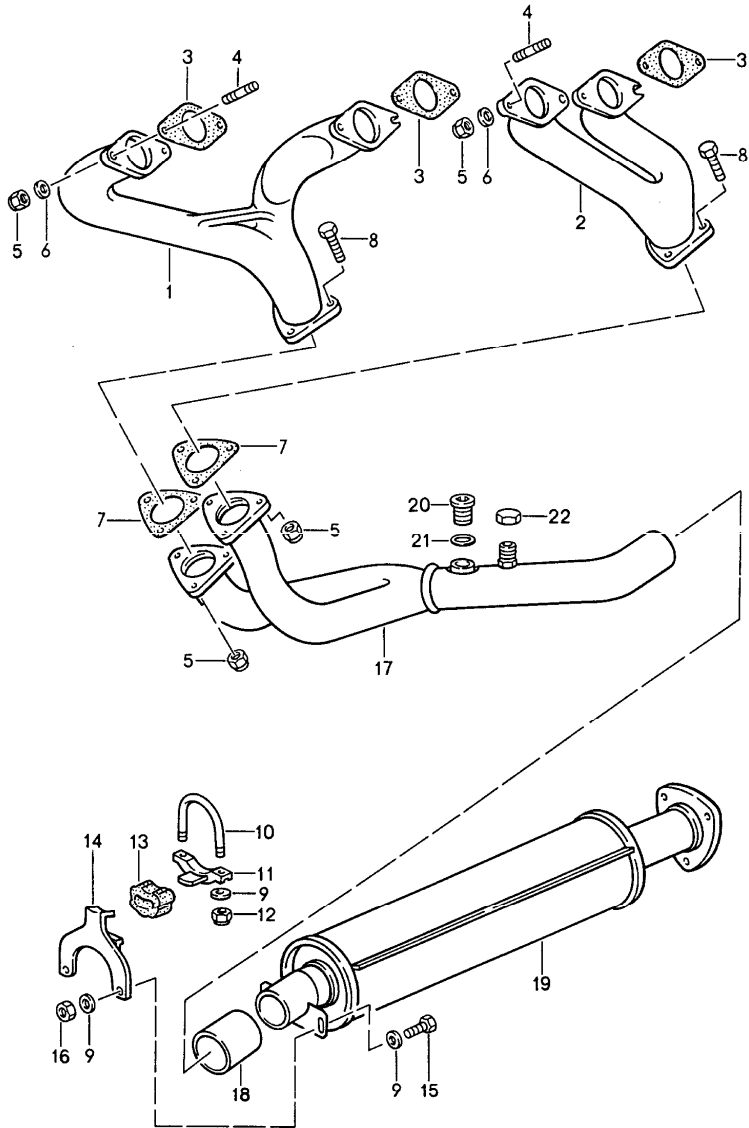


Pos	Part Number	Description	Remark	Qty	Model
		exhaust system			M44.05/06 M44.07/08
		rear muffler			
1	944 111 083 01	rear muffler		1	
1	944 111 041 03	rear muffler	(CH)	87	
1	944 111 084 00	rear muffler	(S)		
2	944 111 203 00	sealing ring		1	
3	900 074 268 02	hexagon-head bolt M 8 X 40		3	
4	999 084 052 02	lock nut VM 8		3	
5	477 253 139	clip		1	
6	944 111 307 00	support		1	
7	900 910 003 02	lock nut VM 8		2	
8	944 111 142 01	rubber mounting		1	
9	931 111 061 02	hook		1	
9	944 111 211 00	hook	(CH)	87	
10	N 010 240 16	hexagon-head bolt M 8 X 20		2	
11	900 025 007 02	washer A 8,4		7	
12	900 076 025 02	hexagon nut M 8		6	
13	931 111 264 01	hook		2	
13	944 111 064 01	hook	(CH)	87	
13	944 111 064 00	hook for cars with trailer coupling		2	
14	931 111 121 01	hook		2	
15	928 111 259 02	rubber mounting		2	
16	477 253 191 C	ornamental exhaust pipe chrome		1	

Model	Year	MG	SG	Illustration	Restrictions	UPD	7:51	25.02.2010	PORSCHE	PET	PORSCHE
9442	1988	2	02	202-10		248					

Pos	Part Number	Description	Remark	Qty	Model	Pos	Part Number	Description	Remark	Qty	Model
16	477 253 191 C	ornamental exhaust pipe black		1							

Model	Year	MG	SG	Illustration	Restrictions	UPD	7:51	25.02.2010	PORSCHE	PET	PORSCHE
9442	1988	2	02	202-11		248					

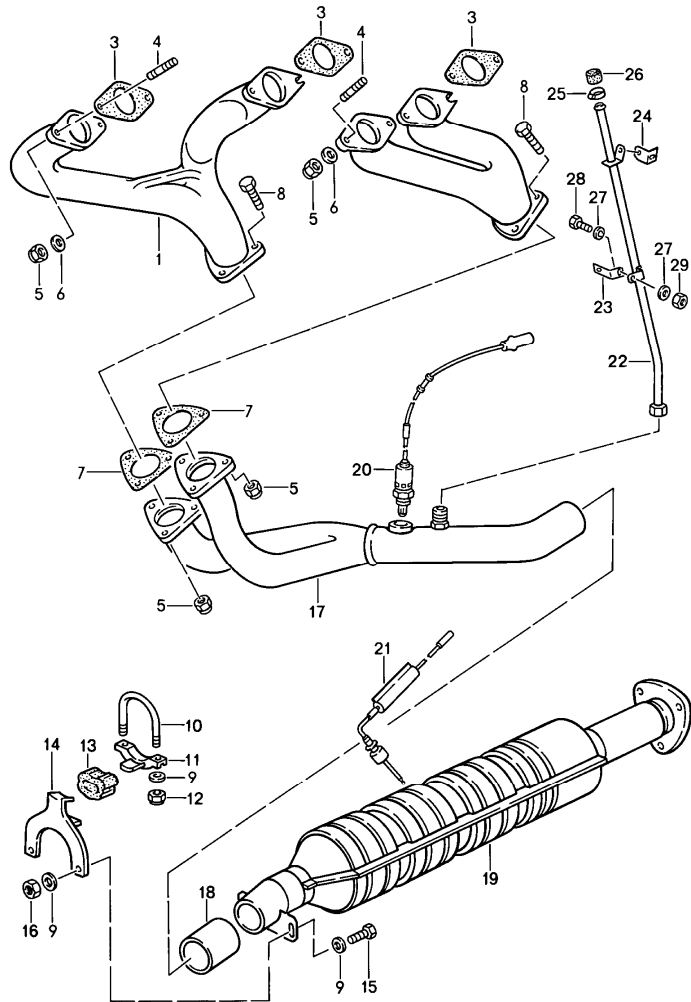


Pos	Part Number	Description	Remark	Qty	Model
		exhaust system front muffler			M44.09/10
1	944 111 127 05	exhaust manifold cylinders 1 and 4		1	
2	944 111 129 04	exhaust manifold cyl. 2 and 3		1	
3	944 111 196 00	gasket		4	
3	944 111 196 01	gasket without asbestos		4	
4	999 062 044 02	stud M 8 X 30		8	
5	999 084 052 02	lock nut M 8		14	
6	928 111 181 00	washer		8	
7	944 111 135 01	gasket		2	
7	944 111 135 01	gasket without asbestos		2	
8	900 074 282 02	hexagon-head bolt M 8 X 37		6	
9	900 025 007 02	washer		6	
10	477 253 139	clip		1	
11	944 111 307 00	support		1	
12	900 910 003 02	lock nut VM 8		2	
13	944 111 142 01	rubber mounting		1	
14	931 111 061 02	hook		1	
15	N 010 240 16	hexagon-head bolt M 8 X 20		2	
16	900 076 025 02	hexagon nut M 8		2	
17	944 111 987 03	exhaust pipe		1	
18	944 111 981 00	sleeve		1	
19	944 111 985 03	front muffler		1	M44.09

Model	Year	MG	SG	Illustration	Restrictions	UPD	7:51	25.02.2010	PORSCHE	PET	PORSCHE
9442	1988	2	02	202-11		248					

Pos	Part Number	Description	Remark	Qty	Model	Pos	Part Number	Description	Remark	Qty	Model
19	944 111 985 01	front muffler		1	M44.10						
20	900 219 015 00	screw plug		1							
21	900 123 009 20	sealing ring		1							
22	951 111 171 00	cap		1							

Model	Year	MG	SG	Illustration	Restrictions	UPD	7:51	25.02.2010	PORSCHE	PET	PORSCHE
9442	1988	2	02	202-12		248					

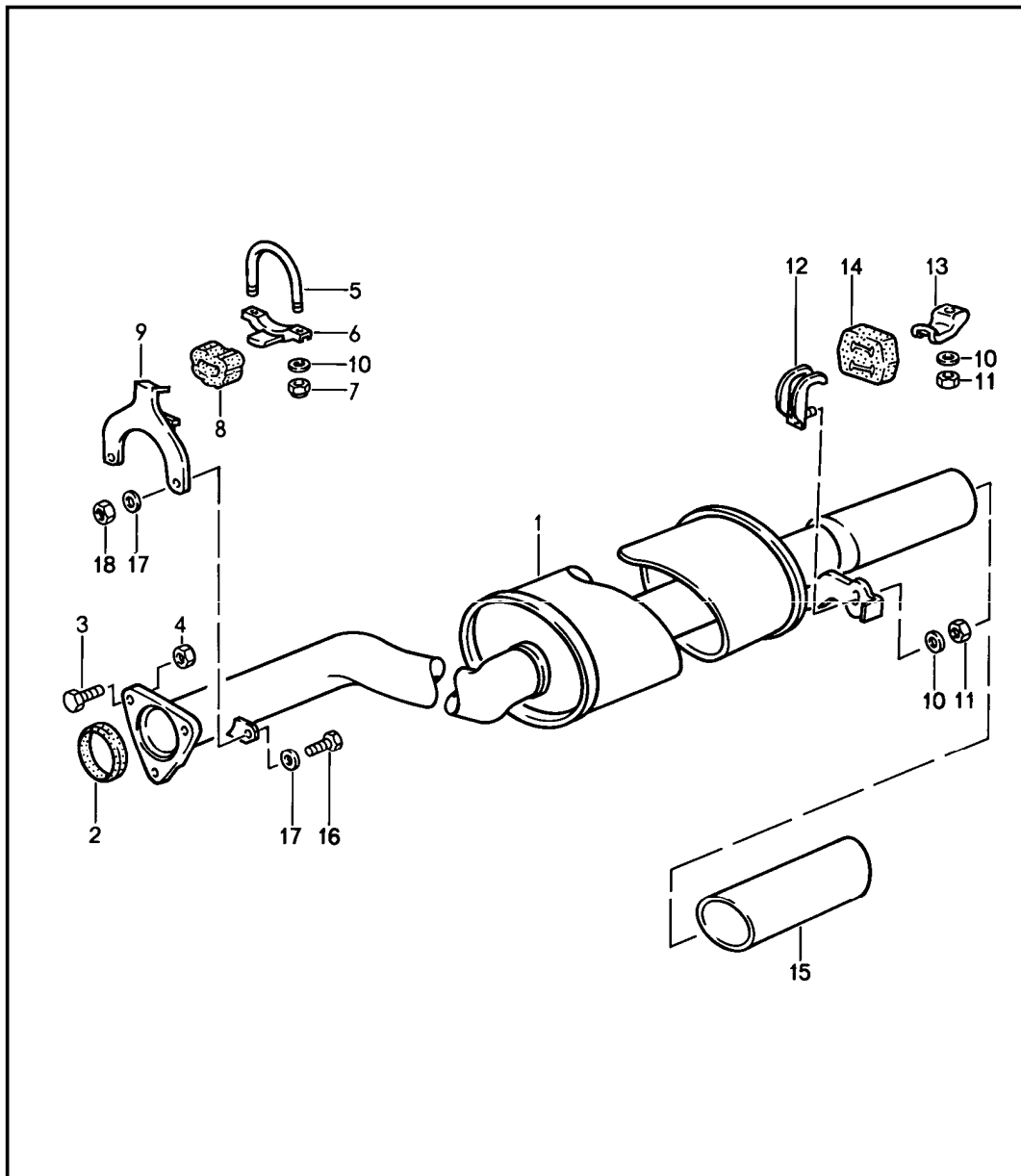


Pos	Part Number	Description	Remark	Qty	Model
		exhaust system catalytic converter			M44.09/10
1	944 111 127 05	exhaust manifold cylinders 1 and 4		1	
2	944 111 129 04	exhaust manifold cyl. 2 and 3		1	
3	944 111 196 00	gasket		4	
3	944 111 196 01	gasket without asbestos		4	
4	999 062 044 02	stud M 8 X 30		8	
5	999 084 052 02	lock nut M 8		14	
6	928 111 181 00	washer		8	
7	944 111 135 01	gasket		2	
7	944 111 135 01	gasket without asbestos		2	
8	900 074 282 02	hexagon-head bolt M 8 X 37		6	
9	900 025 007 02	washer		6	
10	477 253 139	clip		1	
11	944 111 307 00	support		1	
12	900 910 003 02	lock nut VM 8		2	
13	944 111 142 01	rubber mounting		1	
14	931 111 061 02	hook		1	
15	N 010 240 16	hexagon-head bolt M 8 X 20		2	
16	900 076 025 02	hexagon nut		2	
17	944 111 987 03	exhaust pipe		1	
18	944 111 981 00	sleeve		1	
19	944 111 989 05	catalytic converter		1	M44.09
19	944 111 989 06	catalytic converter	(CH)	1	M44.09

Model	Year	MG	SG	Illustration	Restrictions	UPD	7:51	25.02.2010	PORSCHE	PET	PORSCHE
9442	1988	2	02	202-12		248					

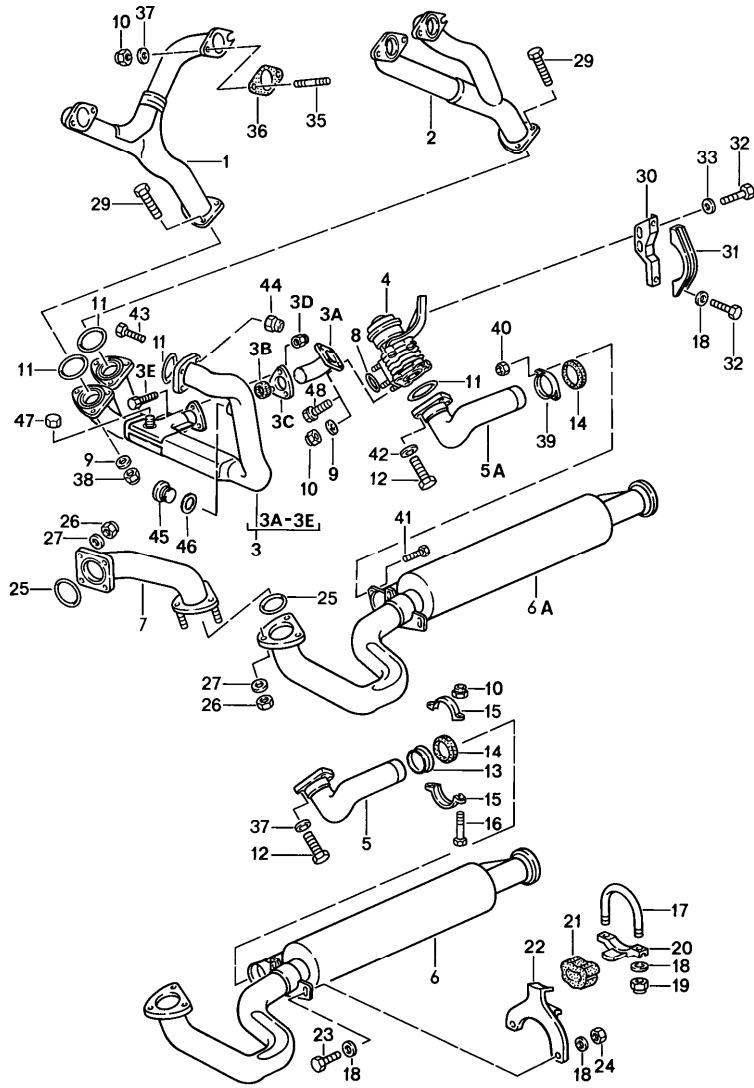
Pos	Part Number	Description	Remark	Qty	Model	Pos	Part Number	Description	Remark	Qty	Model
19	944 111 989 03	catalytic converter		1	M44.10						
19	944 111 991 06	catalytic converter	(J)	1	M44.09						
19	944 111 991 03	catalytic converter	(J)	1	M44.10						
20	944 606 135 02	oxygen sensor		1							
21	951 606 019 00	temperature sensor	(J)	1							
22 A	944 111 175 03	exhaust emission tube		1							
22	944 111 175 05	exhaust emission tube		1							
23	944 111 177 02	support		1							
24	944 111 279 01	support		1							
25	999 512 160 02	hose clamp		1							
26	034 133 335 D	cap		1							
27	N 011 666 7	washer		4							
28	999 072 005 09	hexagon-head bolt M 6 X 12		2							
29	900 076 010 02	hexagon nut		2							

Model	Year	MG	SG	Illustration	Restrictions	UPD	7:51	25.02.2010	PORSCHE	PET	PORSCHE
9442	1988	2	02	202-13		248					



Pos	Part Number	Description	Remark	Qty	Model
		exhaust system rear muffler			M44.09/10
1	944 111 083 01	rear muffler		1	M44.10
(1)	944 111 041 03	rear muffler		1	M44.09
2	944 111 204 00	sealing ring		1	M44.10
2	944 111 203 00	sealing ring		1	M44.09
3	900 074 268 02	hexagon-head bolt BM 8 X 40		3	
4	999 084 052 02	lock nut		3	
5	477 253 139	clip		1	
6	944 111 307 00	support		1	
7	900 910 003 02	lock nut		2	
8	944 111 142 01	rubber mounting	VM 8	1	
9	944 111 211 00	hook		1	M44.09
9	931 111 061 02	hook		1	M44.10
10	900 025 007 02	washer		6	
11	900 076 025 02	hexagon nut		4	
12	944 111 064 01	hook		2	M44.09
12	931 111 264 01	hook		2	M44.10
13	931 111 121 01	hook		2	
14	928 111 259 02	rubber mounting		2	
15	477 253 191 C	ornamental exhaust pipe		1	
16	900 075 087 02	hexagon-head bolt		2	M44.10
17	N 011 525 13	washer		4	M44.10
18	900 076 025 02	hexagon nut		2	M44.10

Model	Year	MG	SG	Illustration	Restrictions	UPD	7:51	25.02.2010	PORSCHE	PET	PORSCHE
9442	1988	2	02	202-15		248					

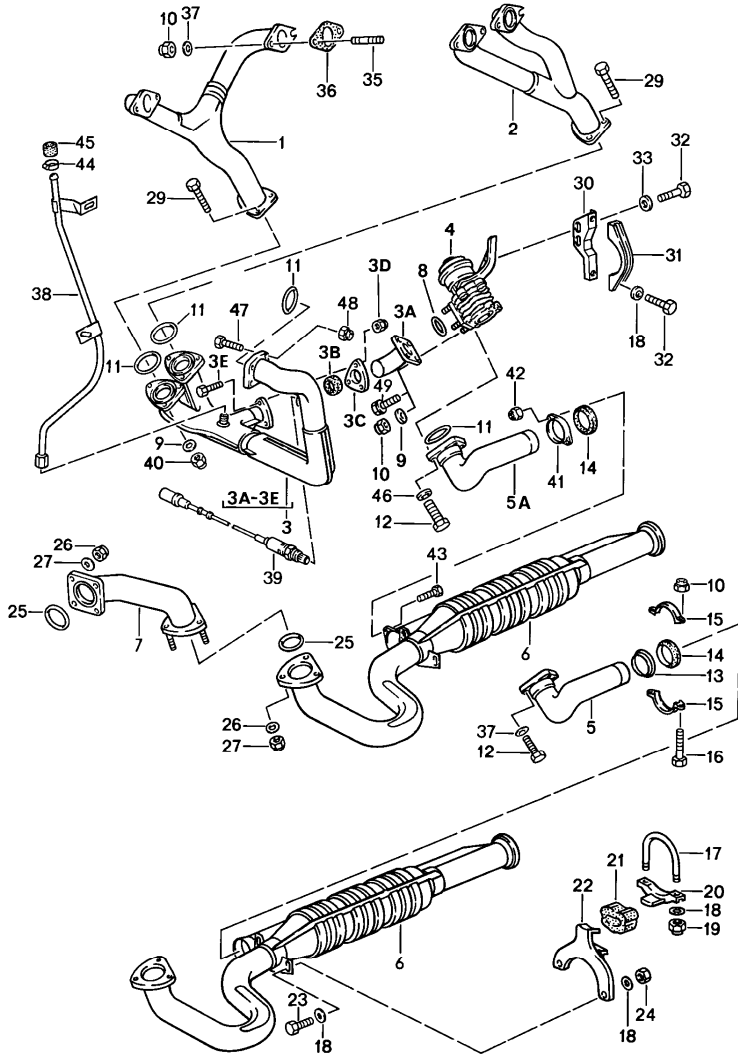


Pos	Part Number	Description	Remark	Qty	Model
		exhaust system			M44.50/51 M44.52
		front muffler			
		see technical information			
1	951 111 127 07	exhaust manifold cylinders 1 and 4		1	
2	951 111 129 05	exhaust manifold cyl. 2 and 3		1	
3	951 111 096 16	exhaust pipe		1	
3A	951 123 027 01	exhaust pipe		1	
3B	930 123 134 04	gasket		1	
3C	951 123 260 01	flange		1	
3D	999 084 051 02	lock nut		3	
3E	900 074 267 02	hexagon-head bolt		3	
4	951 123 015 04	wastegate		1	
5	951 123 040 05	exhaust pipe F >>95GN1 01000		1	
5A	951 123 040 06	exhaust pipe F 95GN1 01001>>		1	
6	951 111 093 03	front muffler F >>95GN1 01000		1	
6A	951 111 093 04	front muffler F 95GN1 01001>>		1	
7	951 111 097 02	exhaust pipe		1	
8	993 111 195 00	sealing ring		1	
9	999 025 078 02	washer		14	
10	999 084 052 02	lock nut		14	
11	944 111 205 04	sealing ring		4	
12	900 075 079 02	hexagon-head bolt M 8 X 25		4	
13	951 123 139 00	support washer		1	
14	951 123 134 02	gasket		1	

Model	Year	MG	SG	Illustration	Restrictions	UPD	7:51	25.02.2010	PORSCHE	PET	PORSCHE
9442	1988	2	02	202-15		248					

Pos	Part Number	Description	Remark	Qty	Model	Pos	Part Number	Description	Remark	Qty	Model
14	951 123 134 02	gasket without asbestos		1		39	951 123 138 01	flange		1	
15	951 123 135 00	clamp		2		40	900 910 096 02	lock nut M 6		2	
16	900 074 268 02	hexagon-head bolt		6		41	900 074 234 02	hexagon-head bolt M 6 X 45		2	
17	477 253 139	clip		1		42	N 012 009 1	lock ring		4	
18	900 025 007 02	washer		6		43	N 010 020 2	hexagon-head bolt		4	
19	900 910 003 02	lock nut VM 8		2		44	N 900 730 01	lock nut		3	
20	944 111 307 00	support		1		45	900 219 015 00	screw plug		1	
21	944 111 142 01	rubber mounting		1		46	W 900 123 009 20	sealing ring		1	
22	951 111 061 01	hook		1		46	944 111 207 00	sealing ring		1	
23	900 075 087 02	hexagon-head bolt		2		47	951 111 171 00	cap		1	
24	900 076 025 02	hexagon nut		2		48	900 075 420 02	hexagon-head bolt		4	
25	944 111 205 03	sealing ring		2		49	900 081 052 02	stud		3	
26	999 084 047 02	lock nut		8							
27	900 025 008 09	washer		8							
28	900 074 284 02	hexagon-head bolt M 10 X 40		4							
29	900 074 283 02	hexagon-head bolt M 8 X 45		6							
30	951 123 155 02	support		1							
31	951 123 179 02	clip		1							
32	900 075 085 02	hexagon-head bolt		2							
33	900 223 001 02	washer		2							
34	900 075 085 02	hexagon-head bolt M 8 X 20		2							
35	999 062 044 02	stud		8							
36	944 111 196 00	gasket		4							
36	944 111 196 01	gasket without asbestos		4							
38	999 084 052 02	lock nut M 8		6							

Model	Year	MG	SG	Illustration	Restrictions	UPD	7:52	25.02.2010	PORSCHE	PET	PORSCHE
9442	1988	2	02	202-20		248					

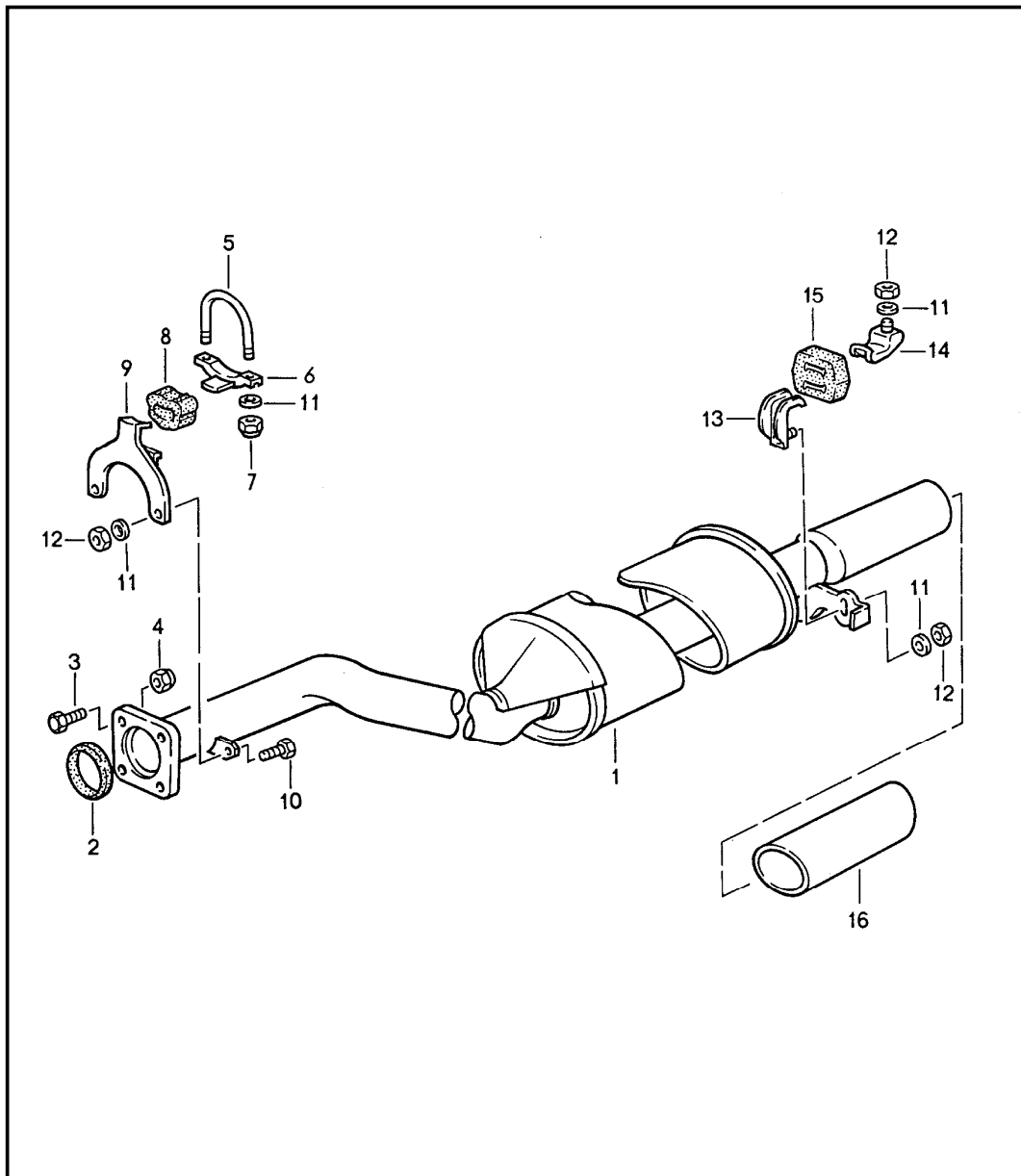


Pos	Part Number	Description	Remark	Qty	Model
		exhaust system			M44.50/51 M44.52
		catalytic converter see technical information			
1	951 111 127 07	exhaust manifold cylinders 1 and 4		1	
1	951 111 131 06	exhaust manifold cylinders 1 and 4	(J)	1	
2	951 111 129 05	exhaust manifold cyl. 2 and 3		1	
2	951 111 133 04	exhaust manifold cyl. 2 and 3	(J)	1	
3	951 111 096 16	exhaust pipe		1	
3	951 111 096 15	exhaust pipe	(J)	1	
3A	951 123 027 00	exhaust pipe		1	
3B	930 123 134 04	gasket		1	
3C	951 123 260 01	flange		1	
3D	999 084 051 02	lock nut		3	
3E	900 074 267 02	hexagon-head bolt		3	
4	951 123 015 04	wastegate		1	
5	951 123 040 05	exhaust pipe F >>95GN1 00060		1	
5A	951 123 040 06	exhaust pipe F 95GN1 00061>>		1	
6	951 111 094 11	catalytic converter use also: F >>95GN1 00060		1	
		951.123.040.06		1	
		951.123.138.01		1	
		900.910.096.02		2	
		900.074.234.02		2	
(6)	951 111 094 12	catalytic converter use also: F >>95GN1 00060	(J)	1	
		951.123.040.06		1	
		951.123.138.01		1	
		900.910.096.02		2	
		900.074.234.02		2	

Model	Year	MG	SG	Illustration	Restrictions	UPD	7:52	25.02.2010	PORSCHE	PET	PORSCHE
9442	1988	2	02	202-20		248					

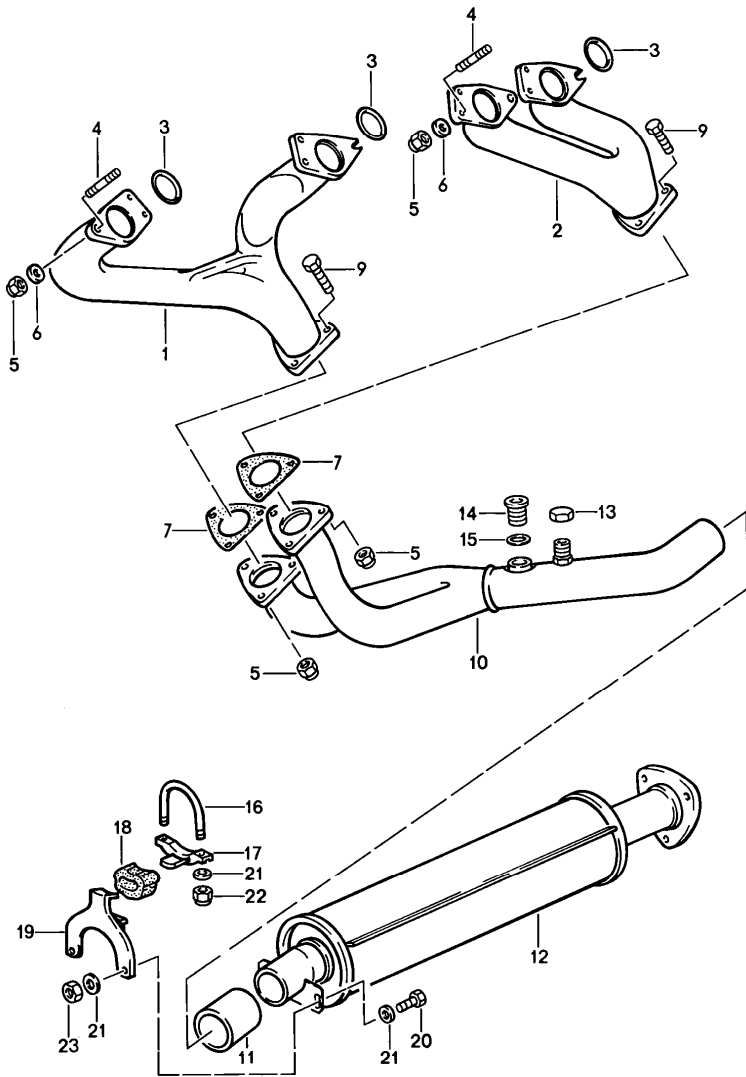
Pos	Part Number	Description	Remark	Qty	Model	Pos	Part Number	Description	Remark	Qty	Model
7	951 111 098 01	exhaust pipe		1		31	951 123 179 02	clip		1	
8	993 111 195 00	sealing ring		1		32	900 075 085 02	hexagon-head bolt M 8 X 20		2	
9	999 025 078 02	washer		X		33	900 223 001 02	washer		2	
10	999 084 052 02	lock nut		10		34	900 075 085 02	hexagon-head bolt M 8 X 20		2	
11	944 111 205 04	sealing ring		4		35	999 062 044 02	stud		8	
12	900 075 079 02	hexagon-head bolt M 8 X 25		4		36	944 111 196 00	gasket		4	
13	951 123 139 00	support washer		1		36	944 111 196 01	gasket without asbestos		4	
14	951 123 134 02	gasket		1		37	928 111 181 00	washer		4	
14	951 123 134 02	gasket without asbestos		1		38	951 111 175 02	exhaust emission tube		1	
15	951 123 135 00	clamp				39	951 606 135 00	oxygen sensor		1	
16	900 074 268 02	hexagon-head bolt BM 8 X 40		2		40	999 084 052 02	lock nut		6	
17	477 253 139	clip		1		41	951 123 138 01	flange		1	
18	900 025 007 02	washer		6		42	900 910 096 02	lock nut M 6		2	
19	900 910 003 02	lock nut VM 8		2		43	900 074 234 02	hexagon-head bolt M 6 X 40		2	
20	944 111 307 00	support		1		44	999 512 160 02	hose clamp		1	
21	944 111 142 01	rubber mounting		1		45	034 133 335 D	cap		1	
22	951 111 061 01	hook		1		46	N 012 009 1	lock ring		1	
23	900 075 087 02	hexagon-head bolt M 8 X 15		2		47	N 010 020 2	hexagon-head bolt		4	
24	900 076 025 02	hexagon nut		2		48	N 900 730 01	lock nut		3	
25	944 111 205 03	sealing ring		2		49	900 075 420 02	hexagon-head bolt		4	
26	999 084 047 02	lock nut		8							
27	900 025 008 09	washer		8							
28	900 074 284 02	hexagon-head bolt M 10 X 40		4							
29	900 074 268 02	hexagon-head bolt		6							
30	951 123 155 02	support		1							

Model	Year	MG	SG	Illustration	Restrictions	UPD	8:39	25.02.2010	PORSCHE	PET	PORSCHE
9442	1988	2	02	202-25		248					



Pos	Part Number	Description	Remark	Qty	Model
		exhaust system			M44.50/51 M44.52
		rear muffler			
1	951 111 083 01	rear muffler		1	
1	951 111 041 00	rear muffler	(CH)	87	
2	928 111 244 03	sealing ring		1	
3	N 010 020 2	hexagon-head bolt M 10 X 38		4	
4	N 900 730 01	lock nut M 10		4	
5	477 253 139	clip		1	
6	944 111 307 00	support		1	
7	900 910 003 02	lock nut M 8		2	
		VM 8			
8	944 111 142 01	rubber mounting		1	
9	931 111 061 02	hook		1	
9	951 111 111 02	hook	(CH)	87	
10	900 075 078 02	hexagon-head bolt M 8 X 15		2	
11	900 025 007 02	washer		8	
12	900 076 025 02	hexagon nut M 8		8	
13	931 111 264 01	hook		2	
13	944 111 064 01	hook	(CH)	87	
14	931 111 121 01	hook		2	
15	928 111 259 02	rubber mounting		1	
16	477 253 191 C	ornamental exhaust pipe black		1	

Model	Year	MG	SG	Illustration	Restrictions	UPD	8:39	25.02.2010	PORSCHE	PET	PORSCHE
9442	1988	2	02	202-27		248					

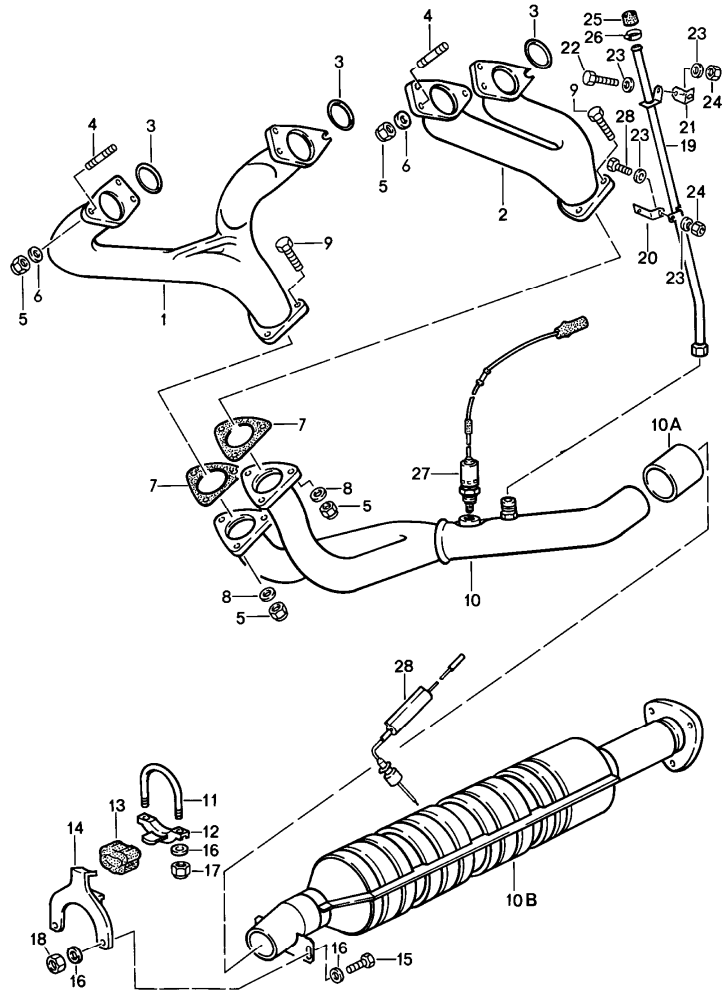


Pos	Part Number	Description	Remark	Qty	Model
		exhaust system front muffler			M44.40
1	944 111 183 03	exhaust manifold cylinders 1 and 4		1	
2	944 111 184 02	exhaust manifold cyl. 2 and 3		1	
3	944 111 205 00	sealing ring		4	
4	999 062 139 02	stud		12	
5	999 084 052 02	lock nut M 8		18	
6	928 111 181 00	washer		12	
7	944 111 135 01	gasket		2	
7	944 111 135 01	gasket without asbestos		2	
8	999 025 078 02	washer A 8,4		6	
9	900 074 282 02	hexagon-head bolt		6	
-	944 111 082 04	front muffler		1	
10	944 111 987 07	exhaust pipe		1	
11	944 111 981 01	sleeve		1	
12	944 111 985 02	front muffler		1	
13	951 111 171 00	cap		1	
14	900 219 015 00	screw plug		1	
15	900 123 009 20	sealing ring		1	
16	477 253 139	clip		1	
17	944 111 307 00	support		1	
18	944 111 142 01	rubber mounting		1	
19	931 111 061 02	hook		1	
20	900 075 087 02	hexagon-head bolt M 8 X 15		2	
21	900 025 007 02	washer A 8,4		4	

Model	Year	MG	SG	Illustration	Restrictions	UPD	8:39	25.02.2010	PORSCHE	PET	PORSCHE
9442	1988	2	02	202-27		248					

Pos	Part Number	Description	Remark	Qty	Model	Pos	Part Number	Description	Remark	Qty	Model
22	900 910 003 02	lock nut VM 8		2							
23	900 076 025 02	hexagon nut M 8		2							

Model	Year	MG	SG	Illustration	Restrictions	UPD	8:40	25.02.2010	PORSCHE	PET	PORSCHE
9442	1988	2	02	202-28		248					

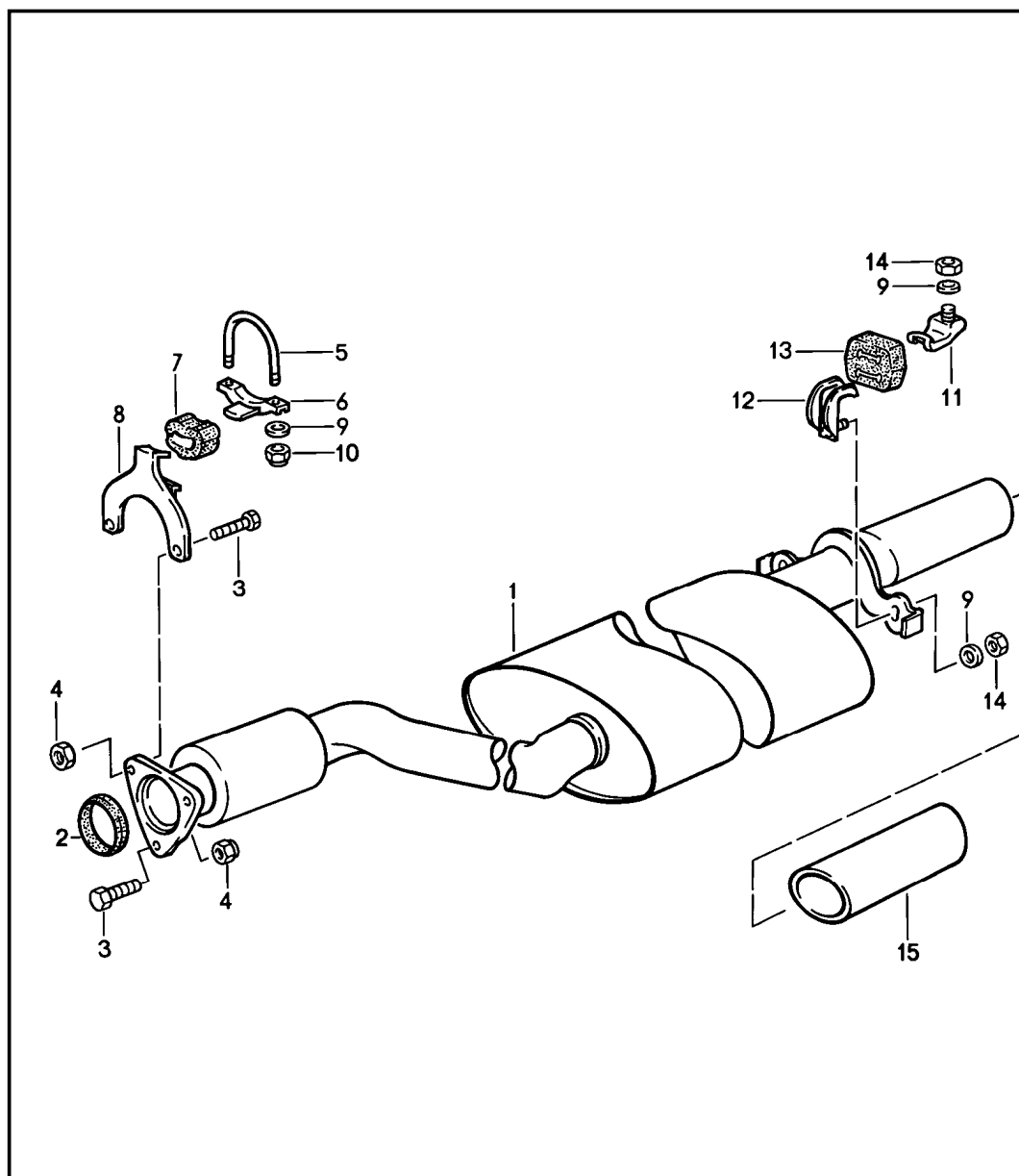


Pos	Part Number	Description	Remark	Qty	Model
		exhaust system catalytic converter			M44.40
1	944 111 183 03	exhaust manifold cylinders 1 and 4		1	
2	944 111 184 02	exhaust manifold cyl. 2 and 3		1	
3	944 111 205 00	sealing ring		4	
4	999 062 139 02	stud		12	
5	999 084 052 02	lock nut M 8		18	
6	928 111 181 00	washer		12	
7	944 111 135 01	gasket		2	
7	944 111 135 01	gasket without asbestos		2	
8	999 025 078 02	washer A 8,4		6	
9	900 074 282 02	hexagon-head bolt M 8 X 37		6	
10	944 111 987 07	exhaust pipe		1	
10A	944 111 981 01	sleeve		1	
10B	944 111 989 04	catalytic converter		1	
10B	944 111 991 04	catalytic converter	(J)	1	
11	477 253 139	clip		1	
12	944 111 307 00	support		1	
13	944 111 142 01	rubber mounting		1	
14	931 111 061 02	hook		1	
15	900 075 087 02	hexagon-head bolt M 8 X 15		2	
16	900 025 007 02	washer A 8,4		4	
17	900 910 003 02	lock nut VM 8 VM 8		2	

Model	Year	MG	SG	Illustration	Restrictions	UPD	8:40	25.02.2010	PORSCHE	PET	PORSCHE
9442	1988	2	02	202-28		248					

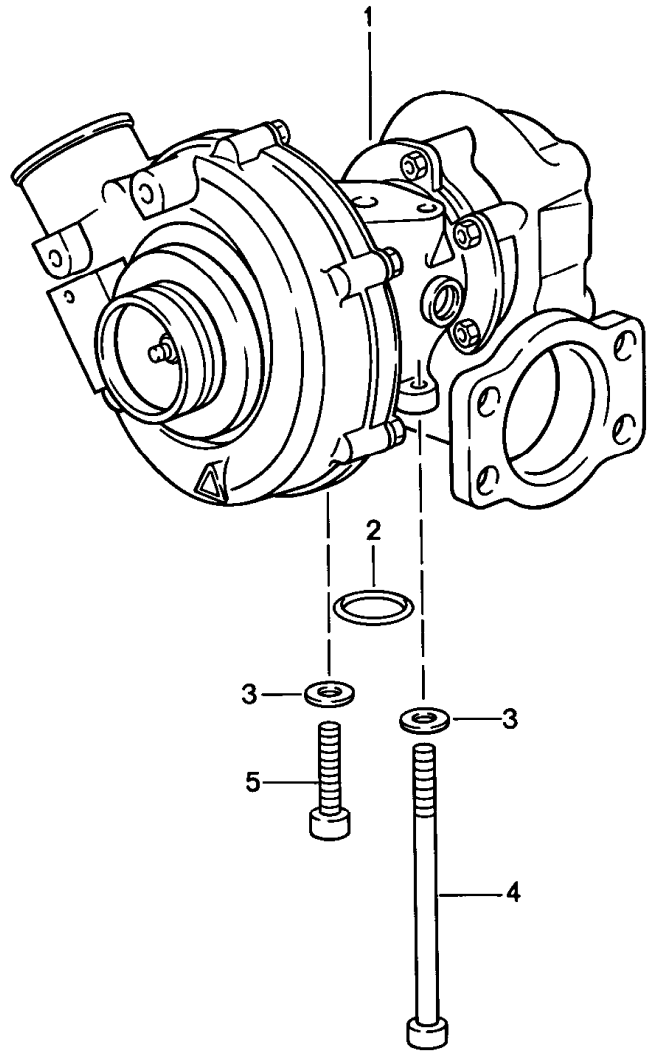
Pos	Part Number	Description	Remark	Qty	Model	Pos	Part Number	Description	Remark	Qty	Model
18	900 076 025 02	hexagon nut M 8		2							
19	A 944 111 275 02	exhaust emission tube		1							
19	944 111 275 02	exhaust emission tube		1							
20	944 111 177 02	support		1							
21	944 111 279 01	support		1							
22	999 072 005 09	hexagon-head bolt M 6 X 12		2							
23	N 011 666 7	washer B 6,4		4							
24	900 076 010 02	hexagon nut M 6		2							
25	034 133 335 D	cap		1							
26	999 512 160 02	hose clamp		1							
27	944 606 135 02	oxygen sensor		1							
28	951 606 019 00	temperature sensor	(J)	1							

Model	Year	MG	SG	Illustration	Restrictions	UPD	8:40	25.02.2010	PORSCHE	PET	PORSCHE
9442	1988	2	02	202-29		248					



Pos	Part Number	Description	Remark	Qty	Model
		exhaust system rear muffler			M44.40
1	944 111 041 03	rear muffler		1	
2	944 111 204 00	sealing ring		1	
3	900 074 268 02	hexagon-head bolt BM 8 X 40		3	
4	999 084 052 02	lock nut M 8		3	
5	477 253 139	clip		1	
6	944 111 307 00	support		1	
7	944 111 142 01	rubber mounting		1	
8	944 111 211 00	hook		1	
9	900 025 007 02	washer A 8,4		6	
10	900 910 003 02	lock nut VM 8		2	
		VM 8			
11	931 111 121 01	hook		2	
12	944 111 064 01	hook		2	
13	928 111 259 02	rubber mounting		2	
14	900 076 025 02	hexagon nut M 8		4	
15	477 253 191 C	ornamental exhaust pipe		1	

Model	Year	MG	SG	Illustration	Restrictions	UPD	8:40	25.02.2010	PORSCHE	PET	PORSCHE
9442	1988	2	02	202-30		248					



Pos	Part Number	Description	Remark	Qty	Model
		turbocharger			M44.50/51/52
		see q-information group 2 3/87			
1 >	951 123 131 02	turbocharger		1	M44.50/51
1	951 123 131 BX	turbocharger		1	M44.50/51
1 >	951 123 131 03	turbocharger		1	M44.52
2	900 174 058 40	round seal		1	
3	900 025 007 02	washer		2	
4	N 044 721 1	pan-head screw M 8 X 125		1	
5	900 067 214 02	pan-head screw M 8 X 35		1	
-	900 081 052 02	stud M 10 X 25		4	

Model	Year	MG	SG	Illustration	Restrictions	UPD	11:21	25.02.2010
9442	1988	2	98	298-00R		248		

Pos	Part Number	Description	Remark	Qty	Model
		repair kits			
>>	>>951 123 901 00	gasket set for turbocharger without mounting parts comprising:		1	M44.51
-	900 123 019 30	sealing ring		2	
-	999 707 043 40	o-ring		1	
-	900 174 058 40	round seal		1	
-	944 111 205 03	sealing ring		2	
-	944 111 205 04	sealing ring		1	
-	900 123 019 30	sealing ring		1	
>>	>>944 113 911 01	conversion set for subsequent installation catalytic converter comprising:	85	1	M44.05/06
-	944 111 081 05	catalytic converter		1	
-	944 111 135 01	gasket		2	
-	944 111 203 00	sealing ring		1	
-	900 074 287 02	hexagon-head bolt		9	
-	900 025 007 02	washer		6	
-	N 022 008 4	lock nut		9	
-	944 606 135 02	oxygen sensor		1	
-	944 423 193 01	support		1	
-	N 020 680 1	clamp		1	
-	N 010 207 6	hexagon-head bolt		1	
-	N 012 225 2	spring washer		1	
-	N 011 005 14	hexagon nut		1	
-	951 504 869 00	heat shield		1	
-	999 591 485 02	speed nut		4	
-	N 090 239 1	combination screw		4	
-	944 111 175 02	exhaust emission tube		1	
-	944 111 177 02	support		1	

Model	Year	MG	SG	Illustration	Restrictions	UPD	11:21	25.02.2010
9442	1988	2	98	298-00R		248		

Pos	Part Number	Description	Remark	Qty	Model
-	944 111 179 00	support		1	
-	999 072 005 09	hexagon-head bolt		2	
-	N 011 524 7	washer		2	
-	900 076 010 02	hexagon nut		2	
-	034 133 335 D	cap		1	
-	999 512 160 02	hose clamp		1	
-	944 701 201 02	sticker		1	
-	944 201 901 00	sleeve		1	
-	> 944 618 121 04	control unit		1	
-	944 618 121 DX	control unit		1	
-	944 101 033 00	heat shield		1	
>>	>>944 113 911 02	conversion set for subsequent installation catalytic converter comprising:	86-	1	M44.05/06 M44.10
-	000 043 059 00	installation instructions		1	
-	944 111 081 05	catalytic converter		1	
-	944 111 135 01	gasket		2	
-	944 111 203 00	sealing ring		1	
-	900 074 287 02	hexagon-head bolt		9	
-	900 025 007 02	washer		6	
-	N 022 008 4	lock nut		9	
-	944 606 135 02	oxygen sensor		1	
-	944 423 193 01	support		1	
-	N 020 680 1	clamp		1	
-	N 010 207 6	hexagon-head bolt		1	
-	N 012 225 2	spring washer		1	
-	N 011 005 14	hexagon nut		1	
-	951 504 869 00	heat shield		1	
-	999 591 485 02	speed nut		4	
-	N 090 239 1	combination screw		4	
-	944 111 175 02	exhaust emission tube		1	

Model	Year	MG	SG	Illustration	Restrictions	UPD	11:21	25.02.2010
9442	1988	2	98	298-00R		248		

Pos	Part Number	Description	Remark	Qty	Model
-	944 111 177 02	support		1	
-	944 111 179 00	support		1	
-	999 072 005 09	hexagon-head bolt		2	
-	N 011 524 7	washer		2	
-	900 076 010 02	hexagon nut		2	
-	035 133 335 B	cap		1	
-	999 512 160 02	hose clamp		1	
-	944 701 201 02	sticker		1	
-	944 201 901 00	sleeve		1	
>>	>>944 113 911 04	conversion set for subsequent installation catalytic converter comprising:	88	1	M44.09
-	000 043 060 00	installation instructions		1	
-	944 111 081 07	catalytic converter		1	
-	944 111 135 01	gasket		2	
-	900 074 282 02	hexagon-head bolt		6	
-	999 084 052 02	lock nut		9	
-	944 111 204 00	sealing ring		1	
-	900 074 268 02	hexagon-head bolt		3	
-	N 010 240 16	hexagon-head bolt		1	
-	900 076 025 02	hexagon nut		1	
-	900 025 007 02	washer		2	
-	944 111 175 03	exhaust emission tube		1	
-	944 111 177 02	support		1	
-	944 111 279 01	support		1	
-	999 072 005 09	hexagon-head bolt		2	
-	900 076 010 02	hexagon nut		2	
-	N 011 666 7	washer		4	
-	034 133 335 D	cap		1	
-	999 512 006 02	hose clamp		1	
-	944 606 135 02	oxygen sensor		1	

Model	Year	MG	SG	Illustration	Restrictions	UPD	11:21	25.02.2010
9442	1988	2	98	298-00R		248		

Pos	Part Number	Description	Remark	Qty	Model
-	944 612 621 00	clamping bow		1	
-	951 504 869 00	heat shield		1	
-	999 591 485 02	speed nut		2	
-	N 090 239 1	combination screw		2	
-	944 701 201 02	sticker		1	
-	911 701 241 00	sticker		1	
-	944 201 901 00	sleeve		1	
>>	>>951 113 911 00	conversion set for subsequent installation catalytic converter comprising:		1	M44.51/52
-	000 043 059 00	installation instructions		1	
-	951 111 094 11	catalytic converter		1	
-	951 123 139 00	support washer		1	
-	951 123 134 02	gasket		1	
-	951 123 135 00	clamp		2	
-	900 074 268 02	hexagon-head bolt		2	
-	999 084 052 02	lock nut		2	
-	944 111 205 03	sealing ring		1	
-	900 025 008 09	washer		4	
-	999 084 047 02	lock nut		4	
-	928 111 244 03	sealing ring		1	
-	N 010 020 2	hexagon-head bolt		3	
-	N 900 730 01	lock nut		3	
-	951 606 135 00	oxygen sensor		1	
-	951 111 175 00	exhaust emission tube		1	
-	944 111 177 02	support		1	
-	944 111 179 00	support		1	
-	999 072 005 09	hexagon-head bolt		2	
-	N 011 524 7	washer		2	
-	900 076 010 02	hexagon nut		2	
-	035 133 335 B	cap		1	

Model	Year	MG	SG	Illustration	Restrictions	UPD	11:21	25.02.2010
9442	1988	2	98	298-00R		248		

Pos	Part Number	Description	Remark	Qty	Model
-	999 512 160 02	hose clamp		1	
-	944 201 901 00	sleeve		1	
-	944 701 201 02	sticker		1	
-	951 101 327 01	heat protection plate		1	
>>	>>944 113 911 03	conversion set for subsequent installation catalytic converter comprising:		1	M44.40
-	944 111 081 06	catalytic converter		1	
-	944 111 204 00	sealing ring		1	
-	900 074 268 02	hexagon-head bolt		3	
-	999 084 052 02	lock nut		9	
-	944 111 135 01	gasket		2	
-	999 025 078 02	washer		6	
-	900 074 282 02	hexagon-head bolt		6	
-	944 111 275 02	exhaust emission tube		1	
-	944 111 177 02	support		1	
-	944 111 279 01	support		1	
-	999 072 005 09	hexagon-head bolt		2	
-	N 011 666 7	washer		4	
-	900 076 010 02	hexagon nut		2	
-	034 133 335 D	cap		1	
-	999 512 160 02	hose clamp		1	
-	900 075 079 02	hexagon-head bolt		1	
-	900 025 007 02	washer		1	
-	944 606 135 02	oxygen sensor		1	
-	951 504 869 00	heat shield		1	
-	999 591 485 02	speed nut		4	
-	N 090 239 1	combination screw		4	
-	944 201 901 00	sleeve		1	
-	944 701 201 02	sticker		1	
-	000 043 059 01	installation instructions		1	

Model	Year	MG	SG	Illustration	Restrictions	UPD	11:21	25.02.2010
9442	1988	2	98	298-00R		248		

Pos	Part Number	Description	Remark	Qty	Model
-	911 701 241 00	sticker		1	
-	944 612 621 00	clamping bow		1	
>>	>>944 111 901 00	set of fastening parts for subsequent installation catalytic converter comprising:		1	M44.05/08 M44.10
-	944 111 135 01	gasket		2	
-	900 074 287 02	hexagon-head bolt		9	
-	N 022 008 4	lock nut		9	
-	900 025 007 02	washer		8	
-	944 111 142 01	rubber mounting		2	
-	N 010 240 16	hexagon-head bolt		2	
-	900 076 025 02	hexagon nut		2	
-	944 111 981 00	sleeve		1	
-	931 111 061 02	hook		1	
-	944 111 203 00	sealing ring		1	
-	928 111 259 02	rubber mounting		2	
-	930 113 153 00	cap		1	
>>	>>944 111 901 01	set of fastening parts for rear muffler comprising:		1	-08 M44.05 M44.10
-	944 111 203 00	sealing ring		1	
-	900 074 287 02	hexagon-head bolt		3	
-	N 022 008 4	lock nut		3	
-	944 111 142 01	rubber mounting		2	
-	N 010 240 16	hexagon-head bolt		2	
-	900 025 007 02	washer		4	
-	900 076 025 02	hexagon nut		4	
-	928 111 259 02	rubber mounting		2	
-	477 253 191 C	ornamental exhaust pipe		1	
-	931 111 061 02	hook		1	

Model	Year	MG	SG	Illustration	Restrictions	UPD	11:21	25.02.2010
9442	1988	2	98	298-00R		248		

Pos	Part Number	Description	Remark	Qty	Model
-	931 111 264 01	hook		2	
>>	>>944 111 901 02	set of fastening parts for front muffler and rear muffler comprising:		1	-08 M44.05 M44.10
-	944 111 135 01	gasket		2	
-	900 074 287 02	hexagon-head bolt		9	
-	N 022 008 4	lock nut		9	
-	900 025 007 02	washer		12	
-	N 010 240 16	hexagon-head bolt		4	
-	900 076 025 02	hexagon nut		6	
-	477 253 140 A	bearing		2	
-	928 111 259 02	rubber mounting		2	
-	477 253 191 C	ornamental exhaust pipe		1	
-	931 111 061 02	hook		2	
-	931 111 264 01	hook		2	
-	930 113 153 00	cap		1	
-	944 111 981 00	sleeve		1	
-	944 111 203 00	sealing ring		1	
>>	>>944 111 901 03	set of fastening parts for front muffler for catalytic converter comprising:		1	M44.09/40
-	944 111 135 01	gasket		2	
-	900 074 282 02	hexagon-head bolt		6	
-	900 074 268 02	hexagon-head bolt		3	
-	999 084 052 02	lock nut		9	
-	944 111 142 01	rubber mounting		2	
-	928 111 259 02	rubber mounting		2	
-	900 025 007 02	washer		2	

Model	Year	MG	SG	Illustration	Restrictions	UPD	11:21	25.02.2010
9442	1988	2	98	298-00R		248		

Pos	Part Number	Description	Remark	Qty	Model
-	900 076 025 02	hexagon nut		2	
-	N 010 240 16	hexagon-head bolt		2	
>>	>>944 111 901 04	set of fastening parts for comprising: rear muffler		1	M44.09/40
-	900 074 268 02	hexagon-head bolt		3	
-	999 084 052 02	lock nut		3	
-	944 111 142 01	rubber mounting		2	
-	928 111 259 02	rubber mounting		2	
-	900 025 007 02	washer		2	
-	900 076 025 02	hexagon nut		2	
-	477 253 191 C	ornamental exhaust pipe		1	
>>	>>944 111 901 05	set of fastening parts for front muffler and rear muffler comprising:		1	
-	944 111 135 01	gasket		2	
-	900 074 282 02	hexagon-head bolt		6	
-	900 074 268 02	hexagon-head bolt		3	
-	999 084 052 02	lock nut		9	
-	944 111 142 01	rubber mounting		2	
-	928 111 259 02	rubber mounting		2	
-	900 025 007 02	washer		4	
-	900 076 025 02	hexagon nut		4	
-	N 010 240 16	hexagon-head bolt		2	
-	477 253 191 C	ornamental exhaust pipe		1	
>>	>>951 111 901 03	parts kit for front muffler and catalytic converter F >>95GN1 00060 F >>95GN1 50060 for first repair only comprising:		1	M44.50/51

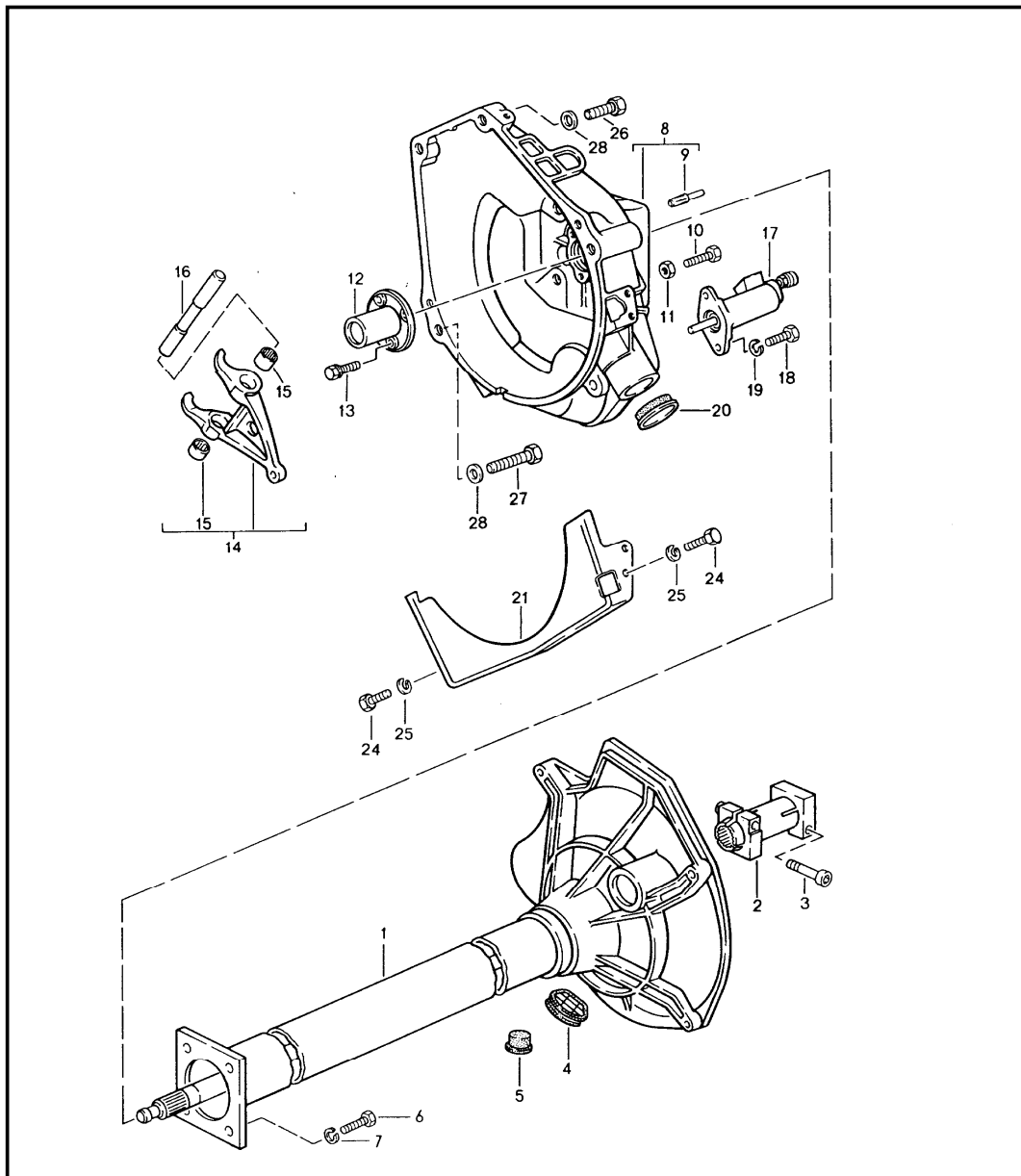
Model	Year	MG	SG	Illustration	Restrictions	UPD	11:21	25.02.2010
9442	1988	2	98	298-00R		248		

Pos	Part Number	Description	Remark	Qty	Model
-	951 123 040 06	exhaust pipe		1	
-	944 111 205 04	sealing ring		1	
-	900 075 079 02	hexagon-head bolt		4	
-	951 123 138 01	flange		1	
-	928 111 181 00	washer		4	
>>	>>951 111 901 00	set of fastening parts for front muffler for catalytic converter comprising:		1	M44.50/51 M44.52
-	900 910 096 02	lock nut		2	
-	951 123 134 02	gasket		1	
-	900 074 234 02	hexagon-head bolt		2	
-	900 025 007 02	washer		4	
-	944 111 142 01	rubber mounting		2	
-	951 111 061 01	hook		1	
-	900 075 087 02	hexagon-head bolt		2	
-	900 076 025 02	hexagon nut		2	
-	944 111 205 03	sealing ring		1	
-	999 084 047 02	lock nut		3	
-	900 025 008 09	washer		3	
-	928 111 244 03	sealing ring		1	
-	N 010 020 2	hexagon-head bolt		4	
-	N 900 730 01	lock nut		4	
-	928 111 259 02	rubber mounting		2	
>>	>>951 111 901 01	set of fastening parts for rear muffler comprising:		1	
-	928 111 244 03	sealing ring		1	
-	N 010 020 2	hexagon-head bolt		4	
-	N 900 730 01	lock nut		4	
-	944 111 142 01	rubber mounting		2	

Model	Year	MG	SG	Illustration	Restrictions	UPD	11:21	25.02.2010
9442	1988	2	98	298-00R		248		

Pos	Part Number	Description	Remark	Qty	Model
-	900 075 087 02	hexagon-head bolt		2	
-	900 025 007 02	washer		4	
-	900 076 025 02	hexagon nut		4	
-	928 111 259 02	rubber mounting		2	
-	477 253 191 C	ornamental exhaust pipe		1	
-	931 111 061 02	hook		1	
-	931 111 264 01	hook		2	
>>	>>951 111 901 02	set of fastening parts for front muffler and rear muffler		1	M44.50/51 M44.52
-	900 910 096 02	lock nut		2	
-	951 123 134 02	gasket		1	
-	900 074 234 02	hexagon-head bolt		2	
-	900 025 007 02	washer		8	
-	944 111 142 01	rubber mounting		2	
-	951 111 061 01	hook		1	
-	900 075 087 02	hexagon-head bolt		4	
-	900 076 025 02	hexagon nut		6	
-	944 111 205 03	sealing ring		1	
-	999 084 047 02	lock nut		3	
-	900 025 008 09	washer		3	
-	928 111 244 03	sealing ring		1	
-	N 010 020 2	hexagon-head bolt		4	
-	N 900 730 01	lock nut		4	
-	928 111 259 02	rubber mounting		2	
-	477 253 191 C	ornamental exhaust pipe		1	
-	931 111 061 02	hook		2	
-	931 111 264 01	hook		1	

Model	Year	MG	SG	Illustration	Restrictions	UPD	11:21	25.02.2010	PORSCHE	PET	PORSCHE
9442	1988	3	01	301-00		248					

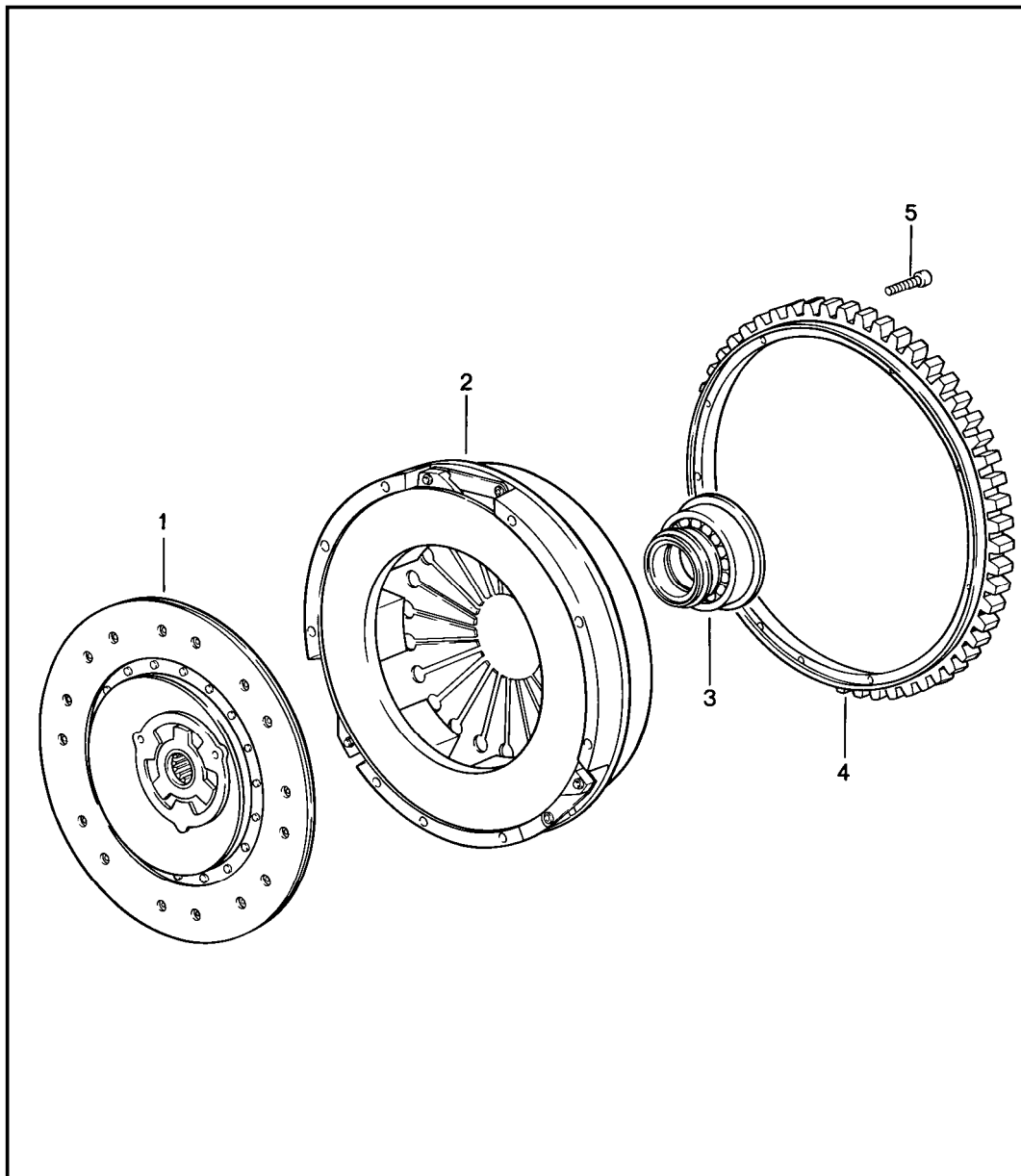


Pos	Part Number	Description	Remark	Qty	Model
1	> 944 421 012 02	central tube manual transmission central tube ready for installation		1	
2	W 922 421 051 02	clamping sleeve		1	
2	922 421 051 02	clamping sleeve		1	
3	931 421 240 00	clamping screw		4	
4	477 521 277 C	cap		1	
5	477 521 177	cap		1	
6	N 010 275 4	hexagon-head bolt M 10 X 35		4	
7	N 012 028 1	lock ring 10		4	
8	944 116 043 06	clutch housing	-86	1	944
8	A 944 116 043 06	clutch housing	87	1	944
8	944 116 043 06	clutch housing		1	944
8	A 951 116 043 00	clutch housing	86	1	TURBO
8	A 951 116 043 02	clutch housing	87	1	TURBO
8	951 116 043 02	clutch housing		1	TURBO
9	N 012 690 1	grooved pin 10 X 32		3	
10	N 010 221 3	hexagon-head bolt M 6 X 35		1	
11	900 076 010 02	hexagon nut M 6		1	
12	016 141 181	guide sleeve		1	
13	N 090 194 2	hexagon-head bolt M 7 X 16		3	
14	931 116 085 00	clutch release lever		1	944
14	951 116 085 00	clutch release lever		1	TURBO
15	999 201 213 00	needle sleeve		2	
16	951 116 133 00	clutch control shaft		1	
17	944 116 237 00	clutch operating cylinder		1	

Model	Year	MG	SG	Illustration	Restrictions	UPD	11:21	25.02.2010	PORSCHE	PET	PORSCHE
9442	1988	3	01	301-00		248					

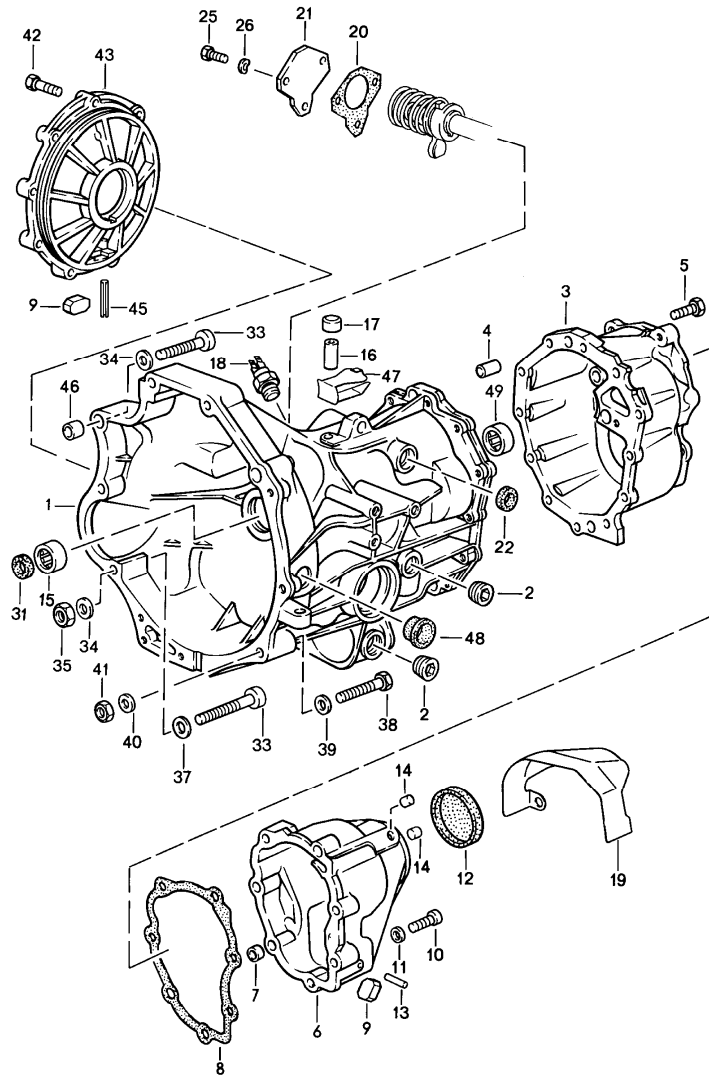
Pos	Part Number	Description	Remark	Qty	Model	Pos	Part Number	Description	Remark	Qty	Model
-	* 928 116 901 00	repair kit clutch operating cylinder		1							
18	N 010 233 6	hexagon-head bolt M 8 X 28		2							
19	900 027 015 02	lock ring B 8		2							
20	931 116 177 00	cap		1							
21	944 116 093 01	protective plate		1							
24	900 075 040 02	hexagon-head bolt M 10 X 20		2							
25	N 012 028 1	lock ring A 10		2							
26	N 010 142 2	hexagon-head bolt M 12 X 50		2							
27	N 010 191 2	hexagon-head bolt M 12 X 95		2							
28	N 011 531 7	washer A 13		4							

Model	Year	MG	SG	Illustration	Restrictions	UPD	11:22	25.02.2010	PORSCHE	PET	PORSCHE
9442	1988	3	01	301-05		248					



Pos	Part Number	Description	Remark	Qty	Model
		clutch			
1	944 116 011 02	clutch plate without asbestos		1	M44.05/07/09 M44.09/40
1 A	951 116 011 15	clutch plate without asbestos		1	M44.50/51 M44.52
2 >	944 116 023 01	pressure plate		1	M44.05/07/09
2 >	951 116 023 01	pressure plate		1	M44.50/51 M44.52
2	944 116 023 07	pressure plate		1	M44.40
3	931 116 082 04	clutch release bearing		1	-10 M44.05 M44.40
3	951 116 082 01	clutch release bearing		1	M44.50/51
4	944 116 239 03	starter ring		1	M44.05/07/09 M44.09/40
4	951 116 239 00	starter ring		1	M44.50/51
5	900 067 020 02	pan-head screw M 8 X 50		9	M44.05/07 M44.09/40
5	999 510 012 02	pan-head screw M 8 X 50		9	M44.50/51
-	951 116 911 00	repair kit for clutch		1	M44.50/51/52

Model	Year	MG	SG	Illustration	Restrictions	UPD	11:22	25.02.2010	PORSCHE	PET	PORSCHE
9442	1988	3	02	302-00		248					



Pos	Part Number	Description	Remark	Qty	Model
		replacement transmission transmission case manual transmission			
- >	016 300 049 S	replacement transmission		1	5Y 944
- >	016 300 046 M	replacement transmission with limited-slip differential		1	5Z 944
- >	016 300 046 N	replacement transmission		1	5S 944
-	016 300 046 NX	replacement transmission		1	5S 944
-	016 300 046 Q	replacement transmission with limited-slip differential		1	7V 944
- >	016 300 047	replacement transmission		1	5P TURBO
- >	016 300 049 R	replacement transmission with limited-slip differential		1	5R TURBO
- >	016 300 049 R	replacement transmission with limited-slip differential		1	AOR TURBO S
- >	016 300 047 B	replacement transmission		1	UY TURBO
- >	016 300 047 C	replacement transmission with limited-slip differential		1	9U TURBO
- >	016 300 048 F	replacement transmission		1	AGP 944 S
- >	016 300 048 G	replacement transmission with limited-slip differential		1	AGR 944 S
1	016 301 103 AF	transmission case		1	5Y 5S 5Z 7V
1	016 301 103 AH	transmission case		1	5P 5R UY 9U AOR AGR AGP
2	111 301 127 E	screw plug M 24 X 1,5		2	
3	016 301 211 F	end plate		1	5Y 5S 5Z 7V
		G	>> 5Y 28 08 6		
		G	>> 5S 28 08 6		
		G	>> 5Z 28 08 6		
		G	>> 7V 28 08 6		

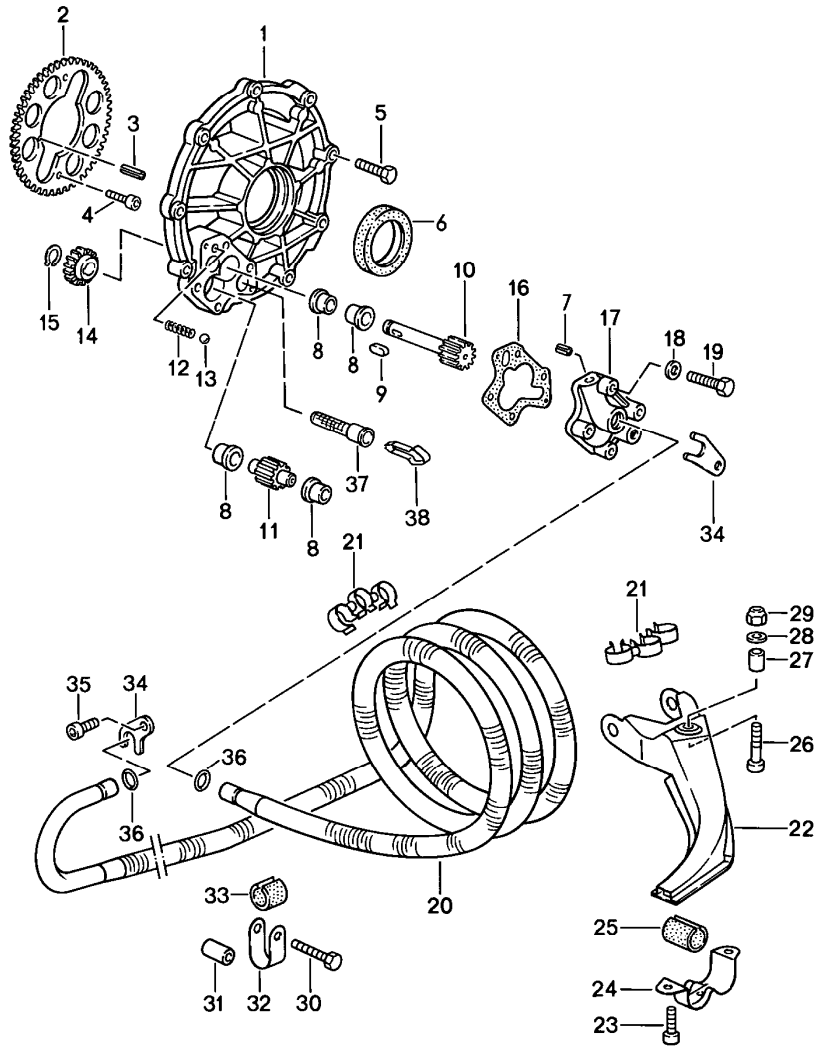
Model	Year	MG	SG	Illustration	Restrictions	UPD	11:22	25.02.2010	PORSCHE	PET	PORSCHE
9442	1988	3	02	302-00		248					

Pos	Part Number	Description	Remark	Qty	Model	Pos	Part Number	Description	Remark	Qty	Model
3	016 301 211 M	end plate G 5Y 29 08 6 >> G 5S 29 08 6 >> G 5Z 29 08 6 >> G 7V 29 08 6 >> see tpi GR.3 NR.1		1	5Y 5S 5Z 7V	(12)	016 301 467	lid		1	5P 5R 9U AGP AGR AOR
3	016 301 211 N	end plate G >> 5P 29 03 7 G >> 5R 29 03 7 G >> UY 29 03 7 G >> 9U 29 03 7 G >>AGP 29 03 7 G >>AGR 29 03 7		1	5P 5R UY 9U AGP AGR		N 013 371 1	straight pin 6 M 6 X 24		1	
3	016 301 211 N	end plate G 5P 30 03 7 >> G 5R 30 03 7 >> G UY 30 03 7 >> G 9U 30 03 7 >> G AGP 30 03 7>> G AGR 30 03 7>> see tpi GR.3 NR.1		1	5P 5R UY 9U AGP AGR AOR		019 301 115	stopper		2	
4	014 301 473	guide sleeve		2			083 311 123	needle sleeve		1	
5	N 010 332 4	hexagon-head bolt M 8 X 32		12			014 301 473	guide sleeve		1	
6	016 301 231 F	lid		1	5Y 5S 5Z 7V UY 9U AGP AGR		014 301 485	cap		1	
6	016 301 231 AA	lid use also: 2X 019.301.115		1	5P 5R AOR		084 941 521	switch		1	
7	016 301 299	dowel sleeve		2			477 599 181 A	protective plate		1	
8	* 016 301 235 C	gasket		1			* 016 301 455 A	gasket		1	
9	084 301 143 A	magnet		2			016 301 453 B	lid		1	
10	N 014 715 1	pan-head screw M 8 X 45		7			* 928 303 120 01	shaft sealing ring		1	
11	900 025 007 02	washer 8,4		5			900 075 193 08	hexagon-head bolt M 6 X 16		3	
12	088 301 467 B	lid		1	5Y 5S 5Z 7V		N 012 226 5	spring washer B 6		3	
							* 016 311 113 C	radial shaft seal		1	
							N 090 194 2	hexagon-head bolt M 7 X 16		3	
							900 067 268 02	pan-head screw M 12 X 80		3	
							900 028 014 02	spring washer B 12		3	
							N 011 020 8	hexagon nut M 12		1	
							900 025 009 02	washer A 13		4	
							900 074 064 02	hexagon-head bolt M 10 X 60		1	
							900 025 008 09	washer A 10,5		1	
							N 012 230 6	spring washer B 10		1	

Model	Year	MG	SG	Illustration	Restrictions	UPD	11:22	25.02.2010	PORSCHE	PET	PORSCHE
9442	1988	3	02	302-00		248					

Pos	Part Number	Description	Remark	Qty	Model	Pos	Part Number	Description	Remark	Qty	Model
41	N 011 010 13	hexagon nut M 10		1							
42	N 090 191 1	hexagon-head bolt M 8 X 35		9							
43	088 409 131 C	transmission cover		1	5Y 5S 5Z 7V UY 9U AGP AGR						
43	016 409 131 B	transmission cover		1	5P 5R AOR						
45	N 013 291 1	tensioning sleeve 4 X 28		1							
46	019 301 153	dowel sleeve		2							
47	016 301 349	cover plate		1							
49	088 311 123	needle sleeve		1	5Y 5S 5Z 7V						
(49)	016 311 123 B	needle sleeve		1	5P 5R UY 9U AOR AGP AGR						

Model	Year	MG	SG	Illustration	Restrictions	UPD	11:22	25.02.2010	PORSCHE	PET	PORSCHE
9442	1988	3	02	302-10		248					

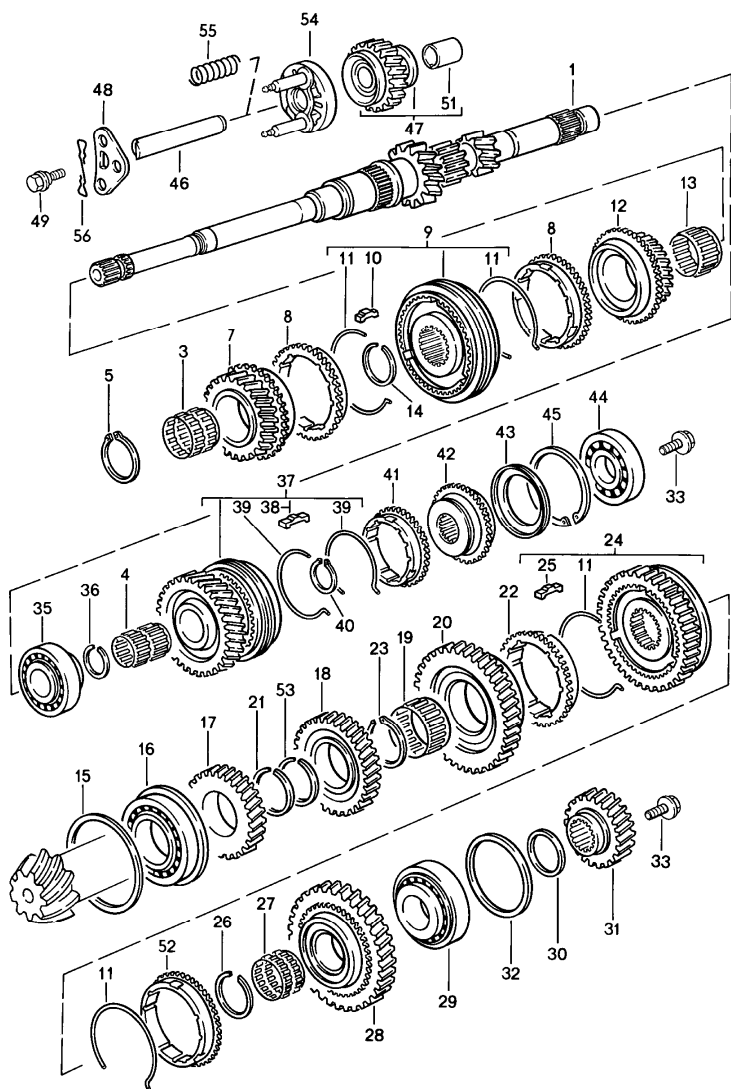


Pos	Part Number	Description	Remark	Qty	Model
		oil cooling			5P 5R AOR
1	016 409 131 B	transmission cover		1	
2	016 115 165 A	drive wheel		1	
2	016 115 165	drive wheel		1	M220
3	N 100 792 01	roll pin		1	
4	999 119 011 00	pan-head screw M 8 X 1 X 25		4	M220
5	N 090 191 1	hexagon-head bolt M 8 X 35		9	
6	016 409 399 B	radial shaft seal		1	
7	900 012 068 00	roll pin		2	
8	930 307 243 00	bearing sleeve		4	
9	900 117 069 00	woodruff key		1	
10	016 115 119	oil pump gear		1	
11	930 307 241 00	oil pump gear		1	
12	930 307 321 00	compression spring		1	
13	N 025 667 2	ball		1	
14	016 115 125	drive wheel		1	
15	900 041 005 01	circlip		1	
16	016 115 189	gasket 0,15 MM		X	
16	016 115 189 A	gasket 0,20 MM		X	
17	016 115 107 A	lid		1	
18	N 011 524 2	washer		4	
19	N 010 346 5	hexagon-head bolt M 6 X 30		4	
20	951 307 039 01	radiator coil		1	
20	951 307 039 01	radiator coil		1	M030/758
21	951 307 379 00	clip		2	
22	951 307 089 02	support		1	

Model	Year	MG	SG	Illustration	Restrictions	UPD	11:22	25.02.2010	PORSCHE	PET	PORSCHE
9442	1988	3	02	302-10		248					

Pos	Part Number	Description	Remark	Qty	Model	Pos	Part Number	Description	Remark	Qty	Model
23	N 014 750 3	pan-head screw M 6 X 10		2							
24	951 307 385 03	clip		1							
25	951 307 383 01	hose		2							
26	900 067 214 02	pan-head screw M 8 X 35		1							
27	016 301 299	dowel sleeve		1							
28	900 025 007 02	washer 8,4		1							
29	900 910 003 02	lock nut VM 8 VM 8		1							
30	900 074 134 02	hexagon-head bolt M 8 X 45		1							
31	999 531 015 02	sleeve		1							
32	999 511 144 02	clip		1							
33	951 307 383 00	hose		1							
34	016 301 161	connecting piece		2							
35	N 014 715 3	pan-head screw		1							
36	N 028 203 3	sealing ring		2							
37	016 115 157	oil strainer		1							
38	016 115 191	clamp		1							

Model	Year	MG	SG	Illustration	Restrictions	UPD	11:22	25.02.2010	PORSCHE	PET	PORSCHE
9442	1988	3	03	303-00		248					



Pos	Part Number	Description	Remark	Qty	Model
		gears and shafts manual transmission			5Y 5S 5Z 7V
1	016 311 105 S	drive shaft		1	
3	016 311 115	needle-roller bearing 4th speed		1	
4	016 311 116 A	needle-roller bearing 5th gear		1	
5	016 311 344	circlip		1	
7	016 311 351 B	shifting gear 4th speed		1	
8	016 311 295	synchroniser ring 3rd/4th gear		2	
9	088 311 301 B	synchronising hub 3rd/4th gear with operating sleeve		1	
10	088 311 245	detent 3rd/4th gear		3	
11	088 311 311 D	spring		4	
12	005 311 285	shifting gear 3rd gear		1	
13	016 311 213 H	needle-roller bearing 3rd gear		1	
14	088 311 317	circlip 1,50		1	
14	088 311 317 B	circlip 1,56		X	
14	088 311 317 C	circlip 1,62		X	
15	088 311 391	shim 0,20		1	
15	088 311 391 A	shim 0,25		X	
15	088 311 391 B	shim 0,30		X	
15	088 311 391 C	shim 0,35		X	

Model	Year	MG	SG	Illustration	Restrictions	UPD	11:22	25.02.2010	PORSCHE	PET	PORSCHE
9442	1988	3	03	303-00		248					

Pos	Part Number	Description	Remark	Qty	Model	Pos	Part Number	Description	Remark	Qty	Model
15	088 311 391 D	shim 0,40		X		23	016 311 287	circlip 1,65		1	
15	088 311 391 E	shim 0,65		X		23	016 311 287 A	circlip 1,70		X	
15	088 311 391 F	shim 0,90		X		23	016 311 287 B	circlip 1,75		X	
15	088 311 391 G	shim 1,15		X		24	016 311 239 E	synchronising hub 1st/2nd gear with operating sleeve		1	
16	016 311 220 E	taper roller bearing		1							
17	016 311 149 H	gear wheel 4th speed		1		25	088 311 313	detent 1st/2nd gear		3	
18	016 311 131 E	gear wheel 3rd gear		1		26	016 311 327	circlip 1,50		1	
19	016 311 229 A	needle-roller bearing 2nd gear		1		26	016 311 327 A	circlip 1,55		X	
20	016 311 271	shifting gear 2nd gear		1		26	016 311 327 B	circlip 1,60		X	
21	016 311 363 AA	circlip 2,24		1		27	016 311 207 A	needle-roller bearing 1st gear		1	
21	016 311 363 AB	circlip 2,26		X		28	016 311 257	shifting gear 1st gear		1	
21	016 311 363 AC	circlip 2,28		X		29	016 311 375 B	taper roller bearing G >> 5Y 28 08 6 G >> 5Z 28 08 6 G >> 5S 28 08 6 G >> 7V 28 08 6		1	
21	016 311 363 AD	circlip 2,30		X							
21	016 311 363 AE	circlip 2,32		X		29	016 311 375 H	taper roller bearing G 5Y 29 08 6 >> G 5Z 29 08 6 >> G 5S 29 08 6 >> G 7V 29 08 6 >>		1	
21	016 311 363 AF	circlip 2,34		X							
21	016 311 363 AG	circlip 2,36		X		30	016 311 391	adjusting shim 1,10		1	
21	016 311 363 AH	circlip 2,38		X		30	016 311 391 A	adjusting shim 1,40		X	
21	016 311 363 AJ	circlip 2,40		X		30	016 311 391 B	adjusting shim 1,70		X	
22	016 311 295	synchroniser ring 2nd gear		1		30	016 311 391 C	adjusting shim 2,00		X	

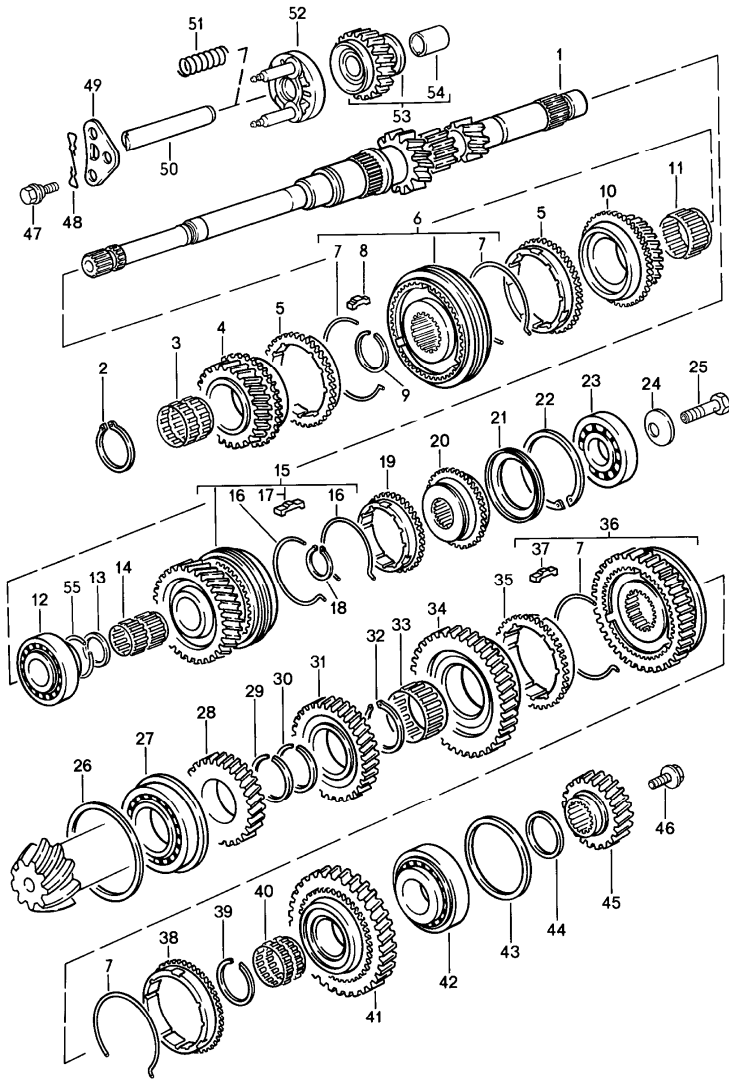
Model	Year	MG	SG	Illustration	Restrictions	UPD	11:22	25.02.2010	PORSCHE	PET	PORSCHE
9442	1988	3	03	303-00		248					

Pos	Part Number	Description	Remark	Qty	Model	Pos	Part Number	Description	Remark	Qty	Model
30	016 311 391 D	adjusting shim 2,30		X		32	016 311 393 AR	shim 0,30		X	
31	016 311 159 C	gear wheel 5th gear		1	5Y 5Z	32	016 311 393 AS	shim 0,33		X	
		G >> 5Y 28 08 6				32	016 311 393 M	shim 0,36		X	
		G >> 5Z 28 08 6				32	016 311 393 N	shim 0,39		X	
		G >> 5S 28 08 6				32	016 311 393 P	shim 0,42		X	
		G >> 7V 28 08 6				32	016 311 393 Q	shim 0,45		X	
32	016 311 393	shim 0,24		1		32	016 311 393 R	shim 0,69		X	
32	016 311 393 A	shim 0,27		X		32	016 311 393 S	shim 0,93		X	
32	016 311 393 B	shim 0,30		X		32	016 311 393 T	shim 1,17		X	
32	016 311 393 C	shim 0,33		X		32	016 311 393 AA	shim 1,41		X	
32	016 311 393 D	shim 0,36		X		33	N 902 582 01	clamping screw		2	
32	016 311 393 E	shim 0,39		X		35	016 311 427	cylindrical-roller bearing		1	
32	016 311 393 F	shim 0,42		X		36	N 900 606 01	circlip A 27 X 1,35		1	
32	016 311 393 G	shim 0,45		X		36	N 900 606 02	circlip A 27 X 1,40		X	
32	016 311 393 H	shim 0,69		X		36	N 900 606 03	circlip A 27 X 1,45		X	
32	016 311 393 J	shim 0,93		X		37	016 311 353 B	shifting gear 5th gear		1	5Y 5Z
32	016 311 393 K	shim 1,17		X		37	016 311 353 E	shifting gear 5th gear		1	5S 7V
32	016 311 393 L	shim 1,41		X		38	016 311 246	detent 5th gear		3	
		G 5Y 29 08 6 >>				39	014 311 311 C	spring 5th gear		2	
		G 5Z 29 08 6 >>				40	N 900 607 01	circlip A 27 X 1,9		1	
		G 5S 29 08 6 >>									
		G 7V 29 08 6 >>									
32	016 311 393 AP	shim 0,24		1							
32	016 311 393 AQ	shim 0,27		X							

Model	Year	MG	SG	Illustration	Restrictions	UPD	11:22	25.02.2010	PORSCHE	PET	PORSCHE
9442	1988	3	03	303-00		248					

Pos	Part Number	Description	Remark	Qty	Model	Pos	Part Number	Description	Remark	Qty	Model
41	014 311 295 E	synchroniser ring 5th gear		1							
42	016 311 192 A	clutch hub 5th gear		1							
43	016 311 449	dust plate		1							
44	016 311 445	four-point bearing		1							
45	N 900 608 01	circlip A 68 X 2,83		1							
45	N 900 608 02	circlip A 68 X 2,90		X							
46	016 311 519 B	reverse idler gear shaft		1							
47	016 311 529 D	reverse idler gear		1							
48	016 311 853 B	retainer plate		1							
49	088 301 291 A	shouldered bolt		1							
50	088 301 291 A	shouldered bolt M 8 X 16		1							
51	088 311 533	bush		1							
52	016 311 247	synchroniser ring 1st gear		1							
53	016 311 363 AJ	circlip 2,40		1							
54	016 311 839 C	synchroniser ring		1							
55	016 311 859 C	compression spring		1							
56	016 311 861 C	spring		1							

Model	Year	MG	SG	Illustration	Restrictions	UPD	11:22	25.02.2010	PORSCHE	PET	PORSCHE
9442	1988	3	03	303-05		248					



Pos	Part Number	Description	Remark	Qty	Model
		gears and shafts manual transmission			5P 5R UY 9U AGP AGR AOR
1	016 311 105 AL	drive shaft		1	
1 A	016 311 105 AL	drive shaft		1	AOR
1	016 311 105 AL	drive shaft		1	AOR
2	016 311 344	circlip		1	
3	016 311 115	needle-roller bearing 4-speed		1	
4	016 311 347 A	shifting gear 4-speed		1	
5	016 311 295	synchroniser ring 3rd/4th gear		2	
6	016 311 301 B	synchronising hub 3rd/4th gear with operating sleeve		1	
7	088 311 311 D	spring		4	
8	088 311 245	detent 3rd/4th gear		3	
9	088 311 317	circlip 1,50		1	
9	088 311 317 B	circlip 1,56		X	
9	088 311 317 C	circlip 1,62		X	
10	016 311 279	shifting gear 3rd gear		1	
11	016 311 213 H	needle-roller bearing 3rd gear		1	
12	016 311 427 C	cylindrical-roller bearing		1	
13	016 311 155 B	thrust washer		1	
14	016 311 116 A	needle-roller bearing 4th speed		1	
15	016 311 353 K	shifting gear 5th gear		1	
16	014 311 311 C	spring		2	

Model	Year	MG	SG	Illustration	Restrictions	UPD	11:22	25.02.2010	PORSCHE	PET	PORSCHE
9442	1988	3	03	303-05		248					

Pos	Part Number	Description	Remark	Qty	Model	Pos	Part Number	Description	Remark	Qty	Model
17	016 311 246	detent 5th gear		3		29	016 311 363 AB	circlip 2,26		X	
18	N 900 607 01	circlip A 27 X 1,9		1		29	016 311 363 AC	circlip 2,28		X	
19	014 311 295 E	synchroniser ring 5th gear		1		29	016 311 363 AD	circlip 2,30		X	
20	016 311 192 A	clutch hub 5th gear		1		29	016 311 363 AE	circlip 2,32		X	
21	016 311 449	dust plate		1		29	016 311 363 AF	circlip 2,34		X	
22	N 900 608 01	circlip A 68 X 2,83		1		29	016 311 363 AG	circlip 2,36		X	
22	N 900 608 02	circlip A 68 X 2,90		X		29	016 311 363 AH	circlip 2,38		X	
23	016 311 445	four-point bearing		1		29	016 311 363 AJ	circlip 2,40		X	
24	016 311 324	cup spring		1		30	016 311 363 AJ	circlip 2,40		1	
25	020 311 308 C	screw		1		31	016 311 131 G	gear wheel 3rd gear		1	
26	016 311 391 E	shim 0,20		1		32	016 311 287	circlip 1,65		1	
26	016 311 391 F	shim 0,25		X		32	016 311 287 A	circlip 1,70		X	
26	016 311 391 G	shim 0,30		X		32	016 311 287 B	circlip 1,75		X	
26	016 311 391 H	shim 0,35		X		33	016 311 229 A	needle-roller bearing 2nd gear		1	
26	016 311 391 J	shim 0,40		X		34	016 311 265 B	shifting gear 2nd gear		1	
26	016 311 391 K	shim 0,65		X		35	016 311 295	synchroniser ring 2nd gear		1	
26	016 311 391 L	shim 0,90		X		36	016 311 239 E	synchronising hub 1st/2nd gear		1	
26	016 311 391 M	shim 1,15		X		37	088 311 313	detent 1st/2nd gear		3	
27	016 311 220 L	taper roller bearing		1		38	016 311 247	synchroniser ring		1	
28	016 311 149 K	gear wheel 4th speed		1							
29	016 311 363 AA	circlip 2,24		1							

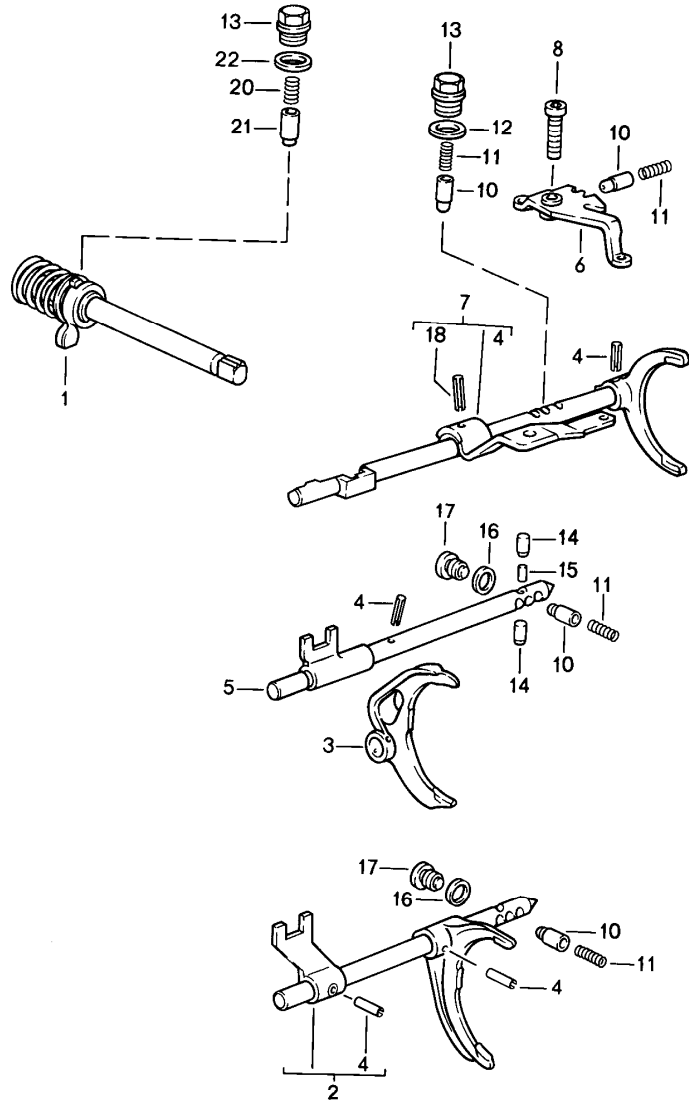
Model	Year	MG	SG	Illustration	Restrictions	UPD	11:22	25.02.2010	PORSCHE	PET	PORSCHE
9442	1988	3	03	303-05		248					

Pos	Part Number	Description	Remark	Qty	Model	Pos	Part Number	Description	Remark	Qty	Model
39	016 311 327	circlip 1,50		1		43	016 311 393 H	shim 0,69		X	
39	016 311 327 A	circlip 1,55		X		43	016 311 393 J	shim 0,93		X	
39	016 311 327 B	circlip 1,60		X		43	016 311 393 K	shim 1,17		X	
40	016 311 207 A	needle-roller bearing 1st gear		1		43	016 311 393 L	shim 1,41		X	
41	016 311 257 C	shifting gear 1st gear		1				G 5P 30 03 7 >> G 5R 30 03 7 >> G UY 30 03 7 >> G 9U 30 03 7 >> G AGP 30 03 7>> G AGR 30 03 7>> G AOR 30 03 7>>			
42	016 311 375 F	taper roller bearing G >> 5P 29 03 7 G >> 5R 29 03 7 G >> UY 29 03 7 G >> 9U 29 03 7 G >>AGP 29 03 7 G >>AGR 29 03 7		1		43	016 311 393 AP	shim 0,24		X	
42	016 311 375 H	taper roller bearing G 5P 30 03 7 >> G 5R 30 03 7 >> G UY 30 03 7 >> G 9U 30 03 7 >> G AGP 30 03 7>> G AGR 30 03 7>> G AOR 30 03 7>>		1		43	016 311 393 AQ	shim 0,27		X	
43	016 311 393	shim 0,24		1		43	016 311 393 AR	shim 0,30		X	
43	016 311 393 A	shim 0,27		X		43	016 311 393 AS	shim 0,33		X	
43	016 311 393 B	shim 0,30		X		43	016 311 393 M	shim 0,36		X	
43	016 311 393 C	shim 0,33		X		43	016 311 393 N	shim 0,39		X	
43	016 311 393 D	shim 0,36		X		43	016 311 393 P	shim 0,42		X	
43	016 311 393 E	shim 0,39		X		43	016 311 393 Q	shim 0,45		X	
43	016 311 393 F	shim 0,42		X		43	016 311 393 R	shim 0,69		X	
43	016 311 393 G	shim 0,45		X		43	016 311 393 S	shim 0,93		X	
						43	016 311 393 T	shim 1,17		X	
						43	016 311 393 AA	shim 1,41		X	

Model	Year	MG	SG	Illustration	Restrictions	UPD	11:22	25.02.2010	PORSCHE	PET	PORSCHE
9442	1988	3	03	303-05		248					

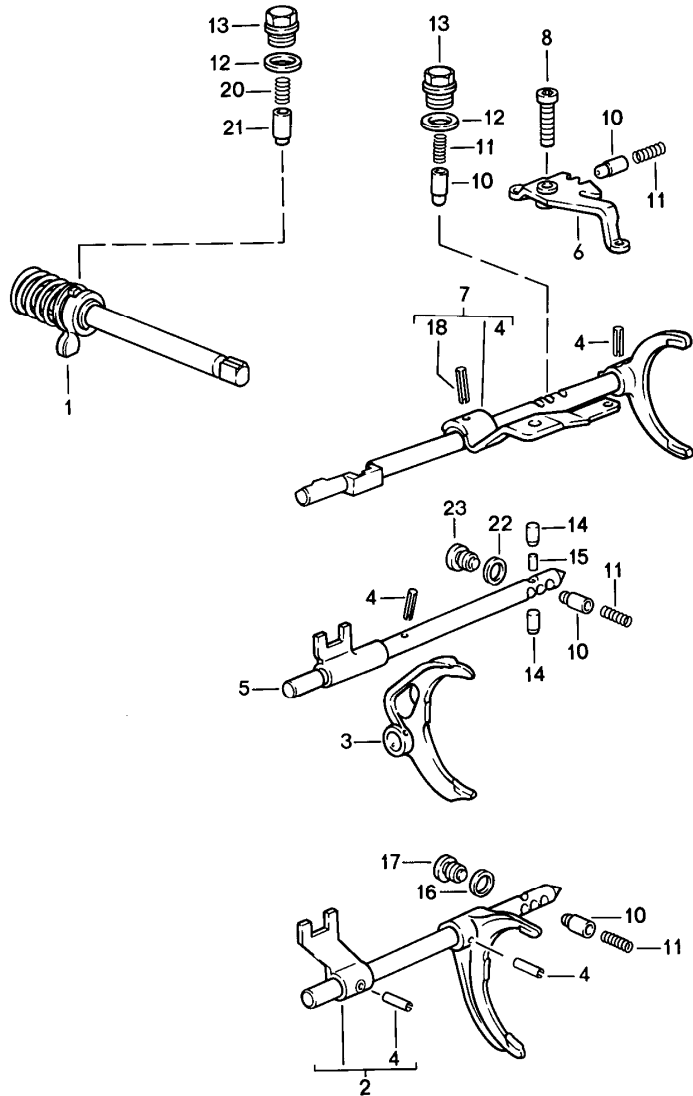
Pos	Part Number	Description	Remark	Qty	Model	Pos	Part Number	Description	Remark	Qty	Model
44	016 311 391	adjusting shim 1,10		1							
44	016 311 391 A	adjusting shim 1,40		X							
44	016 311 391 B	adjusting shim 1,70		X							
44	016 311 391 C	adjusting shim 2,00		X							
44	016 311 391 D	adjusting shim 2,30		X							
45	016 311 159 T	gear wheel 5th gear		1							
46	N 902 582 01	clamping screw		1							
47	088 301 291 A	shouldered bolt		1							
48	016 311 861 C	spring		1							
49	016 311 853 B	retainer plate		1							
50	016 311 519 B	reverse idler gear shaft		1							
51	016 311 859 C	compression spring		1							
52	016 311 839 C	synchroniser ring		1							
53	016 311 529 D	reverse idler gear		1							
54	088 311 533	bush		1							
55	016 311 287 C	circlip		1							

Model	Year	MG	SG	Illustration	Restrictions	UPD	11:23	25.02.2010	PORSCHE	PET	PORSCHE
9442	1988	3	04	304-00		248					



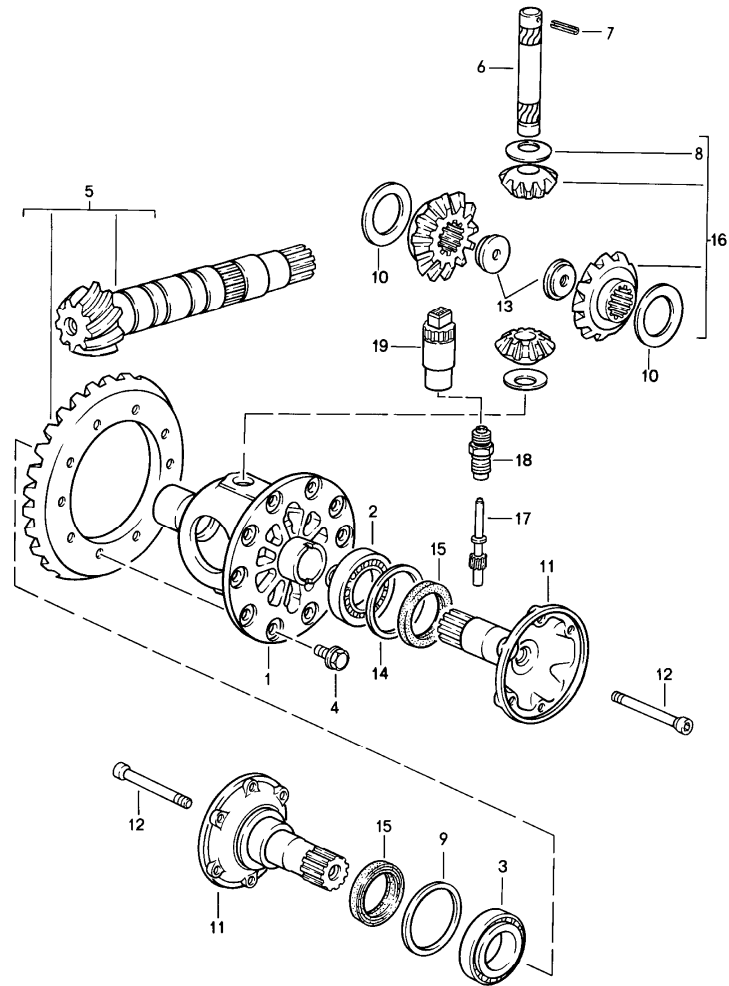
Pos	Part Number	Description	Remark	Qty	Model
		transmission control manual transmission			5Y 5S 5Z 7V
1	016 311 475 G	shift rod ready for installation		1	
2	016 311 549 A	shift fork 1st/2nd gear		1	
3	016 311 561 A	shift fork 3rd/4th gear		1	
4	N 900 073 01	tensioning sleeve 6 X 22		4	
5	016 311 567	gear shift rod 3rd/4th gear		1	
6	016 311 573 B	reverse lever		1	
7	016 311 575 C	gear shift rod 5th gear and reverse gear		1	
8	084 311 589 B	pan-head screw M 10 X 32		1	
10	084 311 621 D	bush		4	
11	014 311 641 A	compression spring		4	
12	900 123 140 30	sealing ring A 18 X 22		1	
13	005 311 689	screw plug		1	
14	014 311 629	detent		2	
15	014 311 635	intermediate piece		1	
16	* 088 311 599	sealing ring		2	
17	088 311 721	stop screw		2	
18	N 013 336 1	tensioning sleeve 6 X 26		1	
20	016 311 735 A	compression spring		1	
21	016 311 717 C	bush		1	
22	* 005 311 599	sealing washer		1	

Model	Year	MG	SG	Illustration	Restrictions	UPD	11:28	25.02.2010	PORSCHE	PET	PORSCHE
9442	1988	3	04	304-05		248					



Pos	Part Number	Description	Remark	Qty	Model
		transmission control			5P 5R UY 9U AGP AGR AOR
		manual transmission			
1	016 311 475 G	shift rod ready for installation		1	
2	016 311 549 C	shift fork 1st/2nd gear		1	
3	016 311 561 A	shift fork 3rd/4th gear		1	
4	N 900 073 01	tensioning sleeve 6 X 22		4	
5	016 311 567 A	gear shift rod 3rd/4th gear		1	
6	016 311 573 B	reverse lever		1	
7	016 311 575 D	gear shift rod 5th gear and reverse gear		1	
8	084 311 589 B	pan-head screw M 10 X 32		1	
10	084 311 621 D	bush		3	
11	014 311 641 A	compression spring		3	
12	005 311 599	sealing washer		2	
13	005 311 689	screw plug		2	
14	014 311 629	detent		2	
15	014 311 635	intermediate piece		1	
16	088 311 599	sealing ring		1	
17	088 311 721	stop screw		1	
18	N 013 336 1	tensioning sleeve 6 X 26		1	
20	016 311 735 A	compression spring		1	
21	016 311 717 C	bush		1	
22	084 311 719	sealing ring		1	
23	N 016 027 5	screw plug		1	

Model	Year	MG	SG	Illustration	Restrictions	UPD	11:28	25.02.2010	PORSCHE	PET	PORSCHE
9442	1988	3	05	305-00		248					

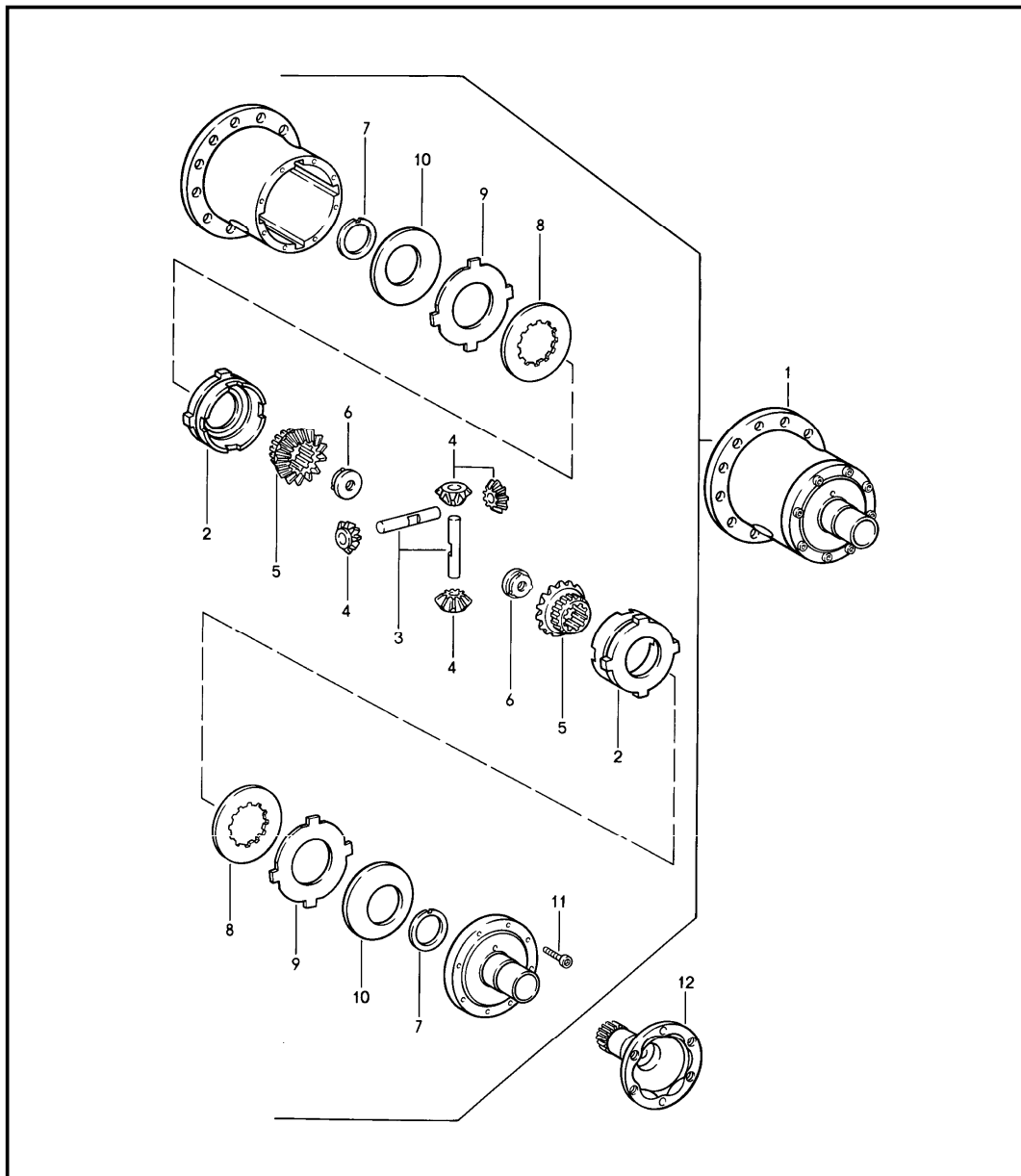


Pos	Part Number	Description	Remark	Qty	Model
		differential manual transmission			
1	088 409 121 B	differential housing		1	5Y 5Z 5S 7V
1	016 409 121 B	differential housing		1	5P 5R UY 9U
1	016 409 121 C	differential housing		1	AGP AGR
2	016 409 123	taper roller bearing	/L	1	
3	113 517 185 C	taper roller bearing	/R	1	
4	088 409 135 A	hexagon-head bolt M 10 X 18		10	
5	016 409 143 BF	ring gear and pinion shaft 9 : 35		1	5Y 5Z 5S 7V
5	016 409 143 AQ	ring gear and pinion shaft 8 : 27		1	5P 5R UY 9U AOR
5	016 409 143 BD	ring gear and pinion shaft 9 : 35		1	AGP AGR
6	005 409 177	bolt		1	
7	N 013 319 1	tensioning sleeve 5 X 36		1	
8	* 016 409 170	thrust washer		2	
9	113 517 201 A	shim 0,15	/R	1	
9	113 517 202 A	shim 0,20	/R	X	
9	113 517 203 A	shim 0,30	/R	X	
9	113 517 204 A	shim 0,40	/R	X	
9	113 517 205 A	shim 0,50	/R	X	
9	113 517 206 A	shim 0,60	/R	X	
9	02A 409 210 A	shim 0,70	/R	X	
9	02A 409 210 C	shim 0,80	/R	X	

Model	Year	MG	SG	Illustration	Restrictions	UPD	11:28	25.02.2010	PORSCHE	PET	PORSCHE
9442	1988	3	05	305-00		248					

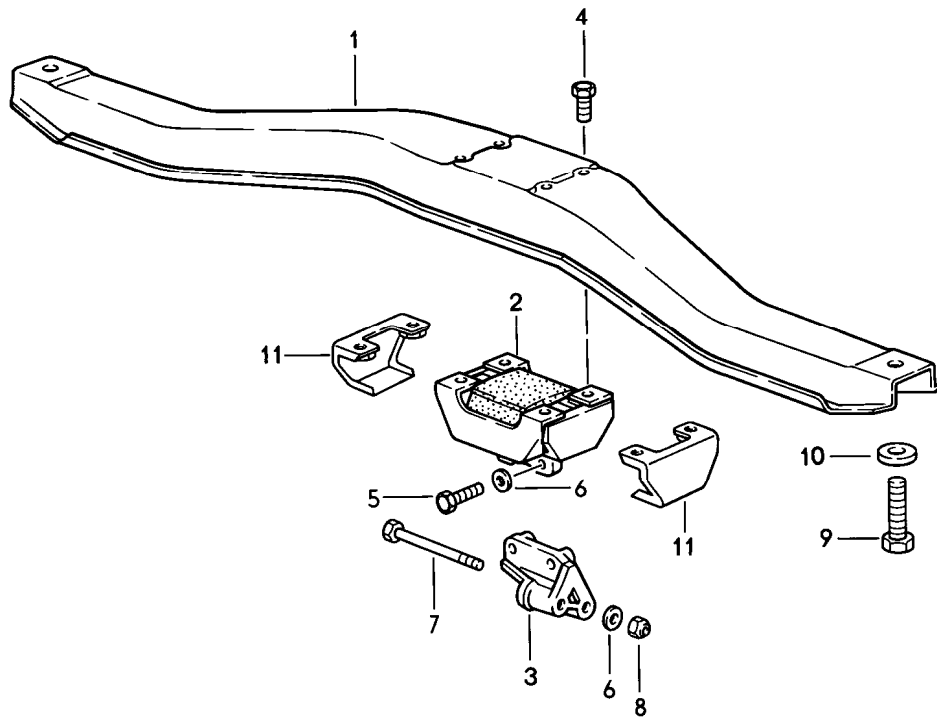
Pos	Part Number	Description	Remark	Qty	Model	Pos	Part Number	Description	Remark	Qty	Model
9	02A 409 210 E	shim 0,90	/R	X		18	014 409 193 A	bush		1	
9	02A 409 210 G	shim 1,00	/R	X		19	944 606 210 00	pulse sender		1	
9	113 517 211 A	shim 1,20	/R	X		-	016 409 187	speedometer pinion drive wheel		1	
10	* 011 519 215	thrust washer 0,50		2							
10	088 409 249	thrust washer 0,60		X							
10	088 409 249 A	thrust washer 0,70		X							
10	088 409 249 B	thrust washer 0,80		X							
11	088 409 355 C	flanged shaft		2	5Y 5Z 5S 7V						
11	016 409 355 A	flanged shaft		2	5P 5R UY 9U AGP AGR AOR						
12	088 409 359	screw		2							
13	016 409 161	nut		2							
14	018 409 381	shim 0,15	/L	1							
14	018 409 383	shim 0,20	/L	X							
14	018 409 385	shim 0,25	/L	X							
14	018 409 387	shim 0,50	/L	X							
14	018 409 389	shim 0,80	/L	X							
14	018 409 391	shim 1,00	/L	X							
14	018 409 393	shim 1,50	/L	X							
15	* 016 409 399 B	radial shaft seal		2							
16	951 333 951 00	repair kit differential pinions		1							
17	088 409 197	speedometer pinion		1							

Model	Year	MG	SG	Illustration	Restrictions	UPD	11:28	25.02.2010	PORSCHE	PET	PORSCHE
9442	1988	3	05	305-05		248					



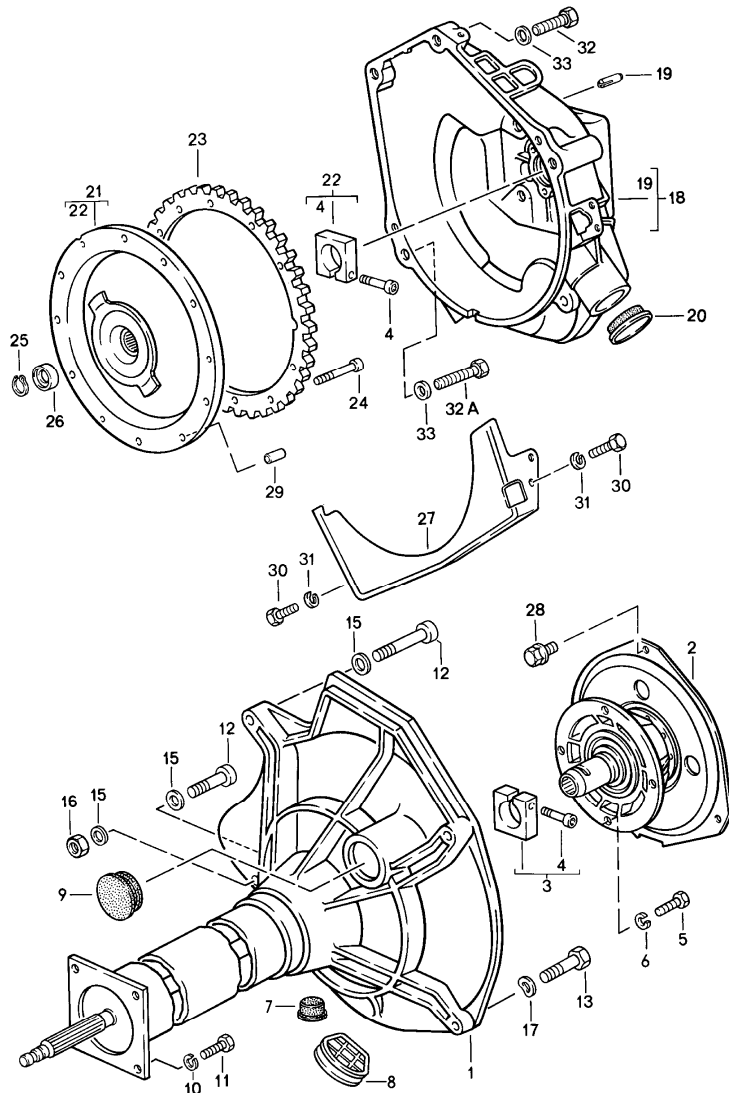
Pos	Part Number	Description	Remark	Qty	Model
		limited-slip differential manual transmission			M220
1	951 332 053 05	limited-slip differential		1	
1	951 332 053 05	limit.-slip different. 40%		1	M758
2	951 332 511 00	thrust ring		2	
2	951 332 511 00	thrust ring		2	M758
3	951 332 541 00	differential shaft		2	
4	944 332 531 00	bevel pinion		4	
5	944 332 535 00	shaft bevel gear		2	
6	016 409 161	nut		2	
7	944 332 561 00	thrust washer		2	
8	917 332 551 10	inner disc		2	
8	951 332 551 00	inner disc		2	M758
9	917 332 552 10	disc with external splines 1,90		2	
9	917 332 552 11	disc with external splines 2,00		X	
9	917 332 552 12	disc with external splines 2,10		X	
10	928 332 555 00	cup spring 2,00		2	
11	999 119 011 00	pan-head screw M 8 X 1 X 25		8	
12	088 409 355 C	flanged shaft		2	5Y 5Z 5S 7V
12	016 409 355 A	flanged shaft		2	5P 5R AGP AGR

Model	Year	MG	SG	Illustration	Restrictions	UPD	11:28	25.02.2010	PORSCHE	PET	PORSCHE
9442	1988	3	06	306-00		248					



Pos	Part Number	Description	Remark	Qty	Model
		transmission suspension manual transmission			
1	944 375 024 03	transmission carrier		1	
2	944 375 045 04	transmission mounting		1	
3	944 375 287 04	support		1	
4	900 075 087 02	hexagon-head bolt M 8 X 16		4	
5	900 075 099 02	hexagon-head bolt M 8 X 30		2	
6	900 025 007 02	washer A 8,4		4	
7	N 010 391 4	hexagon-head bolt M 8 X 100		2	
8	900 910 022 09	lock nut M 8		2	
9	N 010 449 2	hexagon-head bolt M 10 X 50		2	
10	477 407 425	washer		2	
11	944 375 079 01	stop		2	

Model	Year	MG	SG	Illustration	Restrictions	UPD	11:28	25.02.2010	PORSCHE	PET	PORSCHE
9442	1988	3	07	307-00		248					

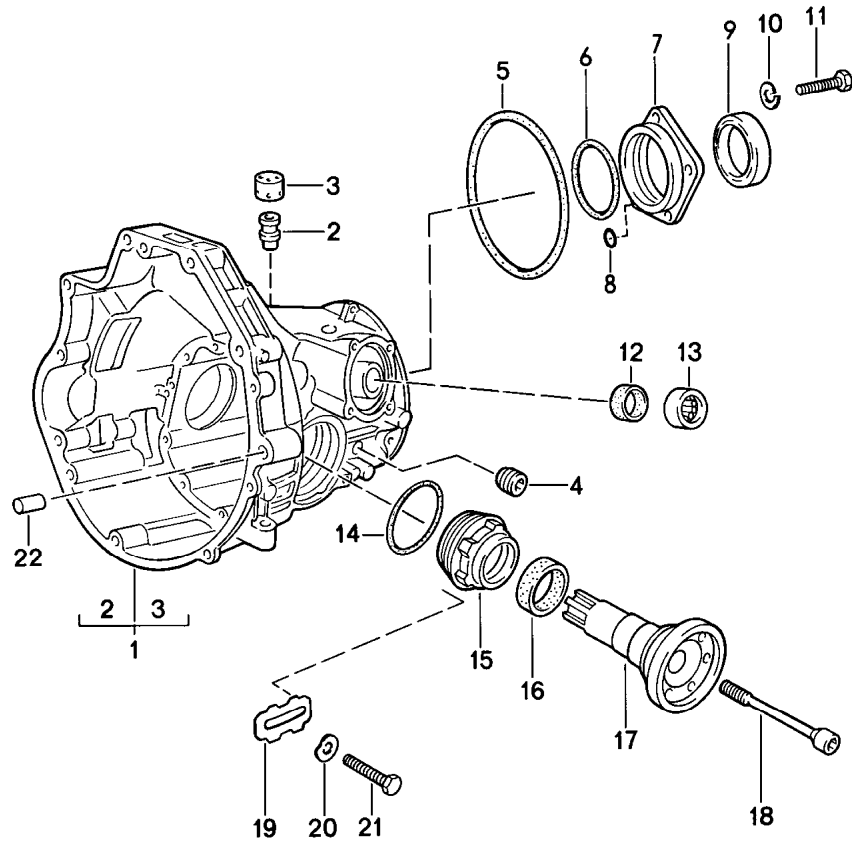


Pos	Part Number	Description	Remark	Qty	Model
		central tube automatic transmission			
1	> 944 421 107 03	central tube		1	
2	944 421 110 00	converter mounting		1	
3	922 421 239 02	clamping piece		1	
4	931 421 240 00	clamping screw		2	
5	900 075 029 09	hexagon-head bolt M 8 X 25		4	
6	N 012 241 11	spring washer B 8		4	
7	477 521 177	cap		1	
8	477 521 277 C	cap		1	
9	477 521 277 A	cap		1	
10	900 027 016 02	lock ring B 10		4	
11	N 010 275 4	hexagon-head bolt M 10 X 35		4	
12	900 067 268 02	pan-head screw M 12 X 80		3	
13	N 040 240 2	hexagon-head bolt M 10 X 50		1	
14	900 028 014 02	spring washer B 12		3	
15	N 011 531 7	washer A 13		1	
16	N 011 020 8	hexagon nut M 12		1	
17	900 025 008 09	washer		1	
18	944 116 043 06	clutch housing	-86	1	
18	A 944 116 043 06	clutch housing	87	1	
18	944 116 043 06	clutch housing		1	
19	N 012 690 1	grooved pin 10 X 32		3	
20	931 116 177 00	cap		2	

Model	Year	MG	SG	Illustration	Restrictions	UPD	11:28	25.02.2010	PORSCHE	PET	PORSCHE
9442	1988	3	07	307-00		248					

Pos	Part Number	Description	Remark	Qty	Model	Pos	Part Number	Description	Remark	Qty	Model
21	A 944 116 065 02	damper	-86	1		33	N 011 531 7	washer A 13		4	
21	944 116 065 02	damper		1							
22	922 421 255 00	clamping piece		1							
23	944 116 239 02	starter ring		1							
24	N 014 717 2	pan-head screw M 8 X 40		9							
25	900 273 002 01	circlip 17 X 1		1							
26	944 116 631 00	spacer sleeve 1,00		1							
26	944 116 631 01	spacer sleeve 2,00		X							
26	944 116 631 02	spacer sleeve 3,00		X							
26	944 116 631 03	spacer sleeve 4,00		X							
26	944 116 631 04	spacer sleeve 5,00		X							
26	944 116 631 05	spacer sleeve 6,00		X							
26	944 116 631 06	spacer sleeve 7,00		X							
26	944 116 631 07	spacer sleeve 8,00		X							
27	944 116 093 01	protective plate		1							
28	003 323 699 A	hexagon-head bolt		3							
29	999 095 019 00	clamping pin S 10 X 20		2							
30	N 010 254 6	hexagon-head bolt M 10 X 25		2							
31	N 012 028 1	lock ring A 10		2							
32	N 010 142 2	hexagon-head bolt M 12 X 50		2							
32A	N 010 191 2	hexagon-head bolt M 12 X 95		2							

Model	Year	MG	SG	Illustration	Restrictions	UPD	11:29	25.02.2010	PORSCHE	PET	PORSCHE
9442	1988	3	08	308-00		248					

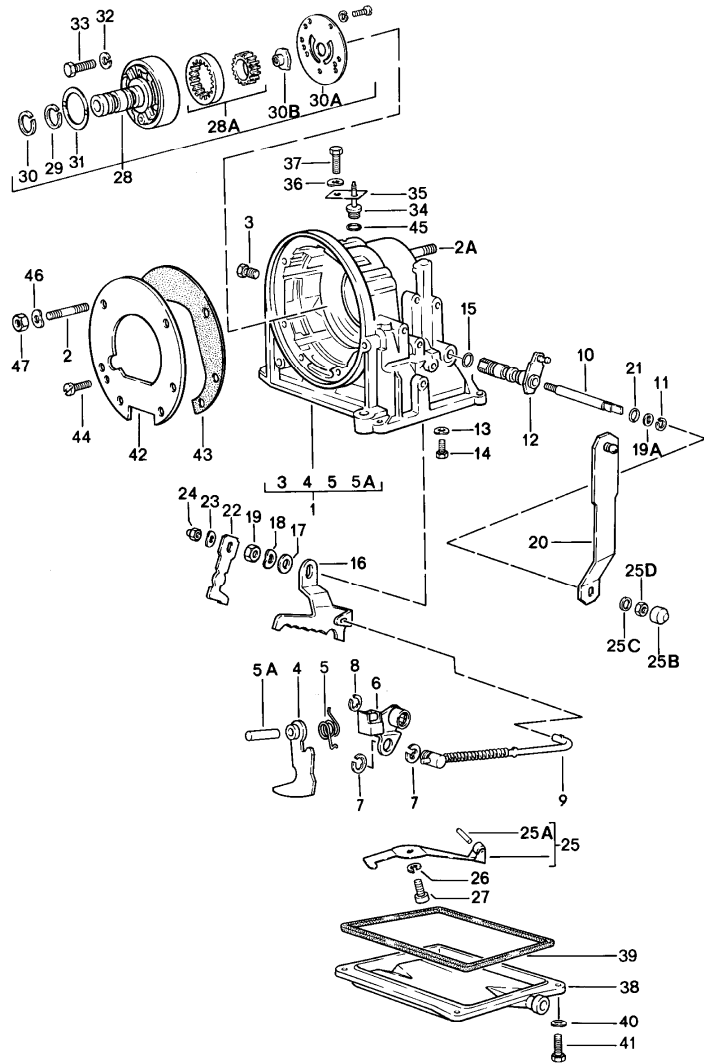


Pos	Part Number	Description	Remark	Qty	Model
		replacement transmission final-drive housing for automatic transmission			
- >	087 300 038 D	replacement transmission ready for installation	944	1	RCE
- >	087 300 038 E	replacement transmission ready for installation	944	1	RCF
1	087 409 051 P	final-drive housing		1	RCE
1	087 409 051 Q	final-drive housing		1	RCF
2	010 409 847	breather pipe	-87	2	
2	010 409 847	breather pipe	88	2	
3	087 409 841	cap	-87	2	
3	087 409 841	cap	88	2	
4	111 301 127 E	screw plug M 24 X 1,5		1	
5	* 010 409 549 B	round seal		1	
6	* 087 409 549	round seal		1	
7	087 409 623 A	lid		1	
8	* 089 409 637 A	sealing ring		1	
9	* 087 409 529 B	radial shaft seal		2	
10	N 012 028 1	lock ring A 10		5	
11	900 075 111 08	hexagon-head bolt M 10 X 30		5	
12	* 087 409 133	radial shaft seal		1	
13	082 409 139	needle-roller bearing		1	
14	* 011 519 345	round seal		2	
15	087 409 173	adjusting ring		2	
16	* 016 409 399 B	radial shaft seal		1	
17	087 409 355	flanged shaft	/L	1	
17	087 409 356	flanged shaft	/R	1	
18	087 409 359	screw	/L	1	

Model	Year	MG	SG	Illustration	Restrictions	UPD	11:29	25.02.2010	PORSCHE	PET	PORSCHE
9442	1988	3	08	308-00		248					

Pos	Part Number	Description	Remark	Qty	Model	Pos	Part Number	Description	Remark	Qty	Model
18	087 409 360	screw	/R	1							
19	010 409 257	tab washer		2							
20	N 012 226 5	spring washer B 6		2							
21	N 010 215 13	hexagon-head bolt M 6 X 15		2							
22	019 301 153	dowel sleeve		2							

Model	Year	MG	SG	Illustration	Restrictions	UPD	11:29	25.02.2010	PORSCHE	PET	PORSCHE
9442	1988	3	09	309-00		248					

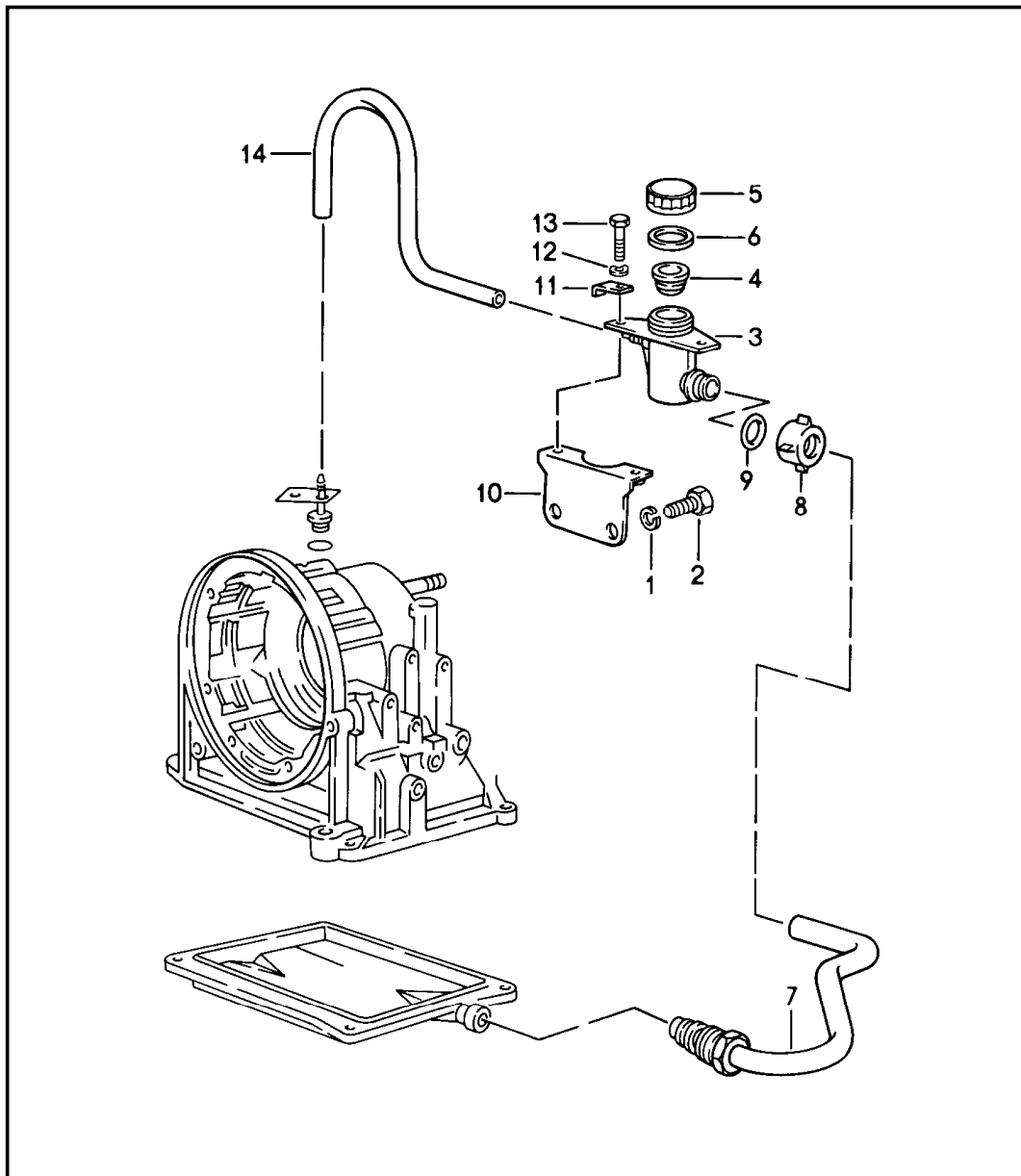


Pos	Part Number	Description	Remark	Qty	Model
		transmission case automatic transmission			
1	010 321 101 G	transmission case		1	
2	N 900 044 02	stud AM 8A X 56		4	
2A	N 014 523 2	stud AM 10A X 38		2	
3	003 507 133 A	screw plug M 10 X 1		3	
4	010 321 117 B	lever for parking lock		1	
5	010 321 121 A	torsion spring		1	
5A	010 321 123	bolt		1	
6	010 321 135	engaging lever for parking lock		1	
7	N 012 436 2	lock washer G G	>>RCE 17 11 4 >>RCF 17 11 4	2	
7	010 321 140	lock washer G RCE 18 11 5>> G RCF 18 11 5>>		1	
8	N 012 438 1	lock washer		1	
9	010 321 153 A	operating rod G G	>>RCE 17 11 5 >>RCF 17 11 5	1	
9	010 321 153 C	operating rod G RCE 18 11 5>> G RCF 18 11 5>>		1	
10	010 321 209 C	shaft		1	
11	N 023 641 1	circlip A 10 X 1		1	
12	087 321 171 C	lever for cable control		1	
13	N 012 226 5	spring washer B 6		1	
14	N 010 224 1	hexagon-head bolt M 6 X 3,5		1	

Model	Year	MG	SG	Illustration	Restrictions	UPD	11:29	25.02.2010	PORSCHE	PET	PORSCHE
9442	1988	3	09	309-00		248					

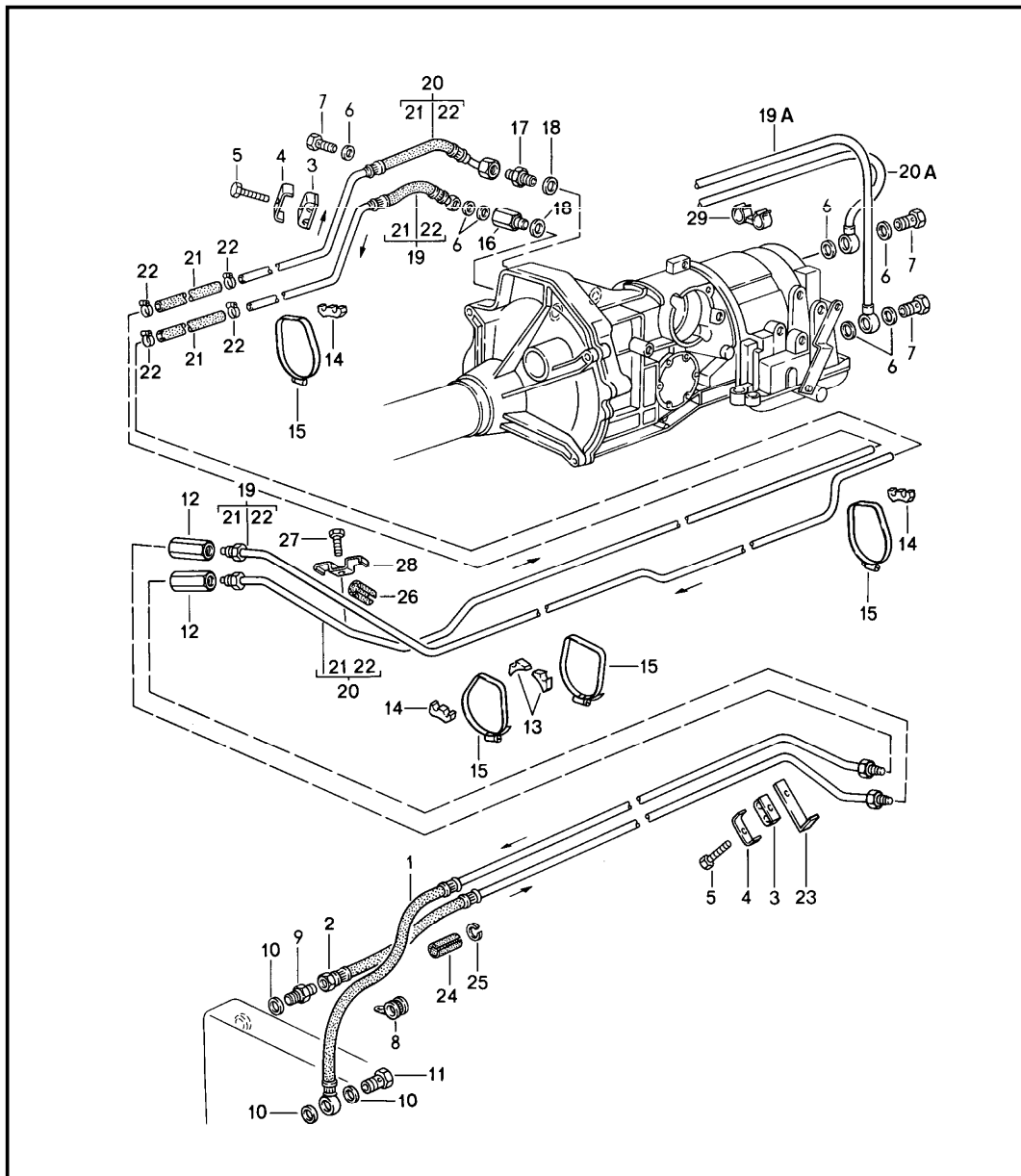
Pos	Part Number	Description	Remark	Qty	Model	Pos	Part Number	Description	Remark	Qty	Model
15	* N 028 201 2	round seal 14 X 2,5		1		30	010 321 261	piston ring		2	
16	010 321 193 B	locking segment		1		30A	010 321 279	plate		1	
17	211 611 179	washer A 16		1		30B	003 321 273	driver		1	
18	N 012 238 5	spring washer B 16		1		31	010 323 161 A	thrust washer		1	
19	N 011 164 2	hexagon nut M 16 X 1,5		1		32	N 012 006 4	lock ring B 6		5	
19A	010 321 180 B	support washer		1		33	N 010 347 3	hexagon-head bolt M 6 X 35		5	
20	087 321 201 D	lever for cable control		1		34	477 321 303 A	lid		1	
21	* 010 321 182	round seal		1		35	011 321 307	clip		1	
22	010 321 215 E	lever for kickdown control		1		36	N 012 226 5	spring washer B 6		1	
23	N 012 228 3	spring washer B 8		1		37	999 072 005 09	hexagon-head bolt M 6 X 12		1	
24	N 011 008 8	hexagon nut M 8		1		38	010 321 359 F	oil pan		1	
25	010 321 221	leaf spring		1		39	* 010 321 371 B	gasket		1	
25A	N 013 325 1	tensioning sleeve 6 X 22		1		40	N 012 038 1	lock ring A 8		4	
25B	010 321 227	protection cap		1		41	N 010 240 16	hexagon-head bolt M 8 X 20		4	
25C	010 321 229	spacer		1		42	010 321 383 B	intermediate plate		1	
25D	N 011 137 1	hexagon nut M 10 X 1		1		43	* 010 321 385 B	gasket		2	
26	900 027 015 02	lock ring B 8		1		44	900 014 004 02	pan-head screw AM 5 X 15		1	
27	N 010 239 11	hexagon-head bolt M 8 X 18		1		45	* 003 321 419	round seal 24,5		1	
28	010 321 241 F	oil pump		1		46	N 012 228 3	spring washer B 8		4	
28A	003 321 263	gear set for oil pump		1		47	N 011 008 8	hexagon nut M 8		4	
29	003 321 261	piston ring		2							

Model	Year	MG	SG	Illustration	Restrictions	UPD	11:29	25.02.2010	PORSCHE	PET	PORSCHE
9442	1988	3	09	309-05		248					



Pos	Part Number	Description	Remark	Qty	Model
		oil inlet automatic transmission			
1	N 012 028 1	lock ring B 10		2	
2	N 010 253 7	hexagon-head bolt M 10 X 22		2	
3	477 321 475	filling container		1	
4	477 321 479 A	strainer		1	
5	477 321 481	screw-on cap		1	
6	477 321 483 A	gasket		1	
7	477 321 405	filler tube		1	
8	477 321 485	union nut		1	
9	477 321 487	o-ring 18 X 3		2	
10	477 321 491	support		1	
11	477 321 494	packing plate		2	
12	N 012 226 5	spring washer B 6		2	
13	N 010 215 13	hexagon-head bolt M 6 X 15		2	
14	477 321 495	hose 340 MM		1	

Model	Year	MG	SG	Illustration	Restrictions	UPD	11:29	25.02.2010	PORSCHE	PET	PORSCHE
9442	1988	3	09	309-10		248					

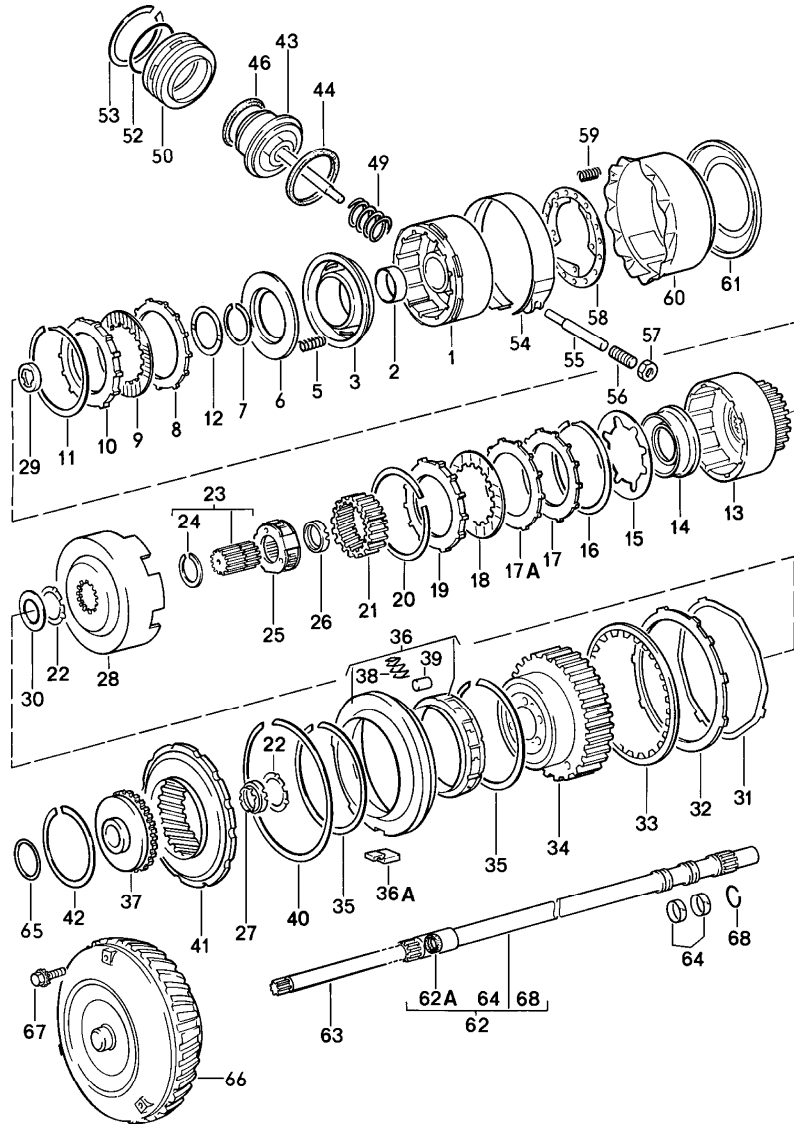


Pos	Part Number	Description	Remark	Qty	Model
		oil cooling automatic transmission			
1	944 307 010 03	pressure line		1	
2	944 307 011 01	return line		1	
3	999 511 121 40	clip		3	
4	928 347 455 00	shim		3	
5	N 010 220 3	hexagon-head bolt M 6 X 30		3	
6	900 123 043 30	sealing ring A 12 X 15,5		3	
7	999 134 018 02	banjo bolt A 6		1	
8	999 511 118 02	pipe clamp B 15		1	
8	999 511 118 01	pipe clamp B 15		1	
9	N 900 450 01	connection piece ALL 10		1	
10	900 123 007 30	sealing ring A 14 X 18		3	
11	900 134 007 02	banjo bolt A 8		1	
12	477 209 169	connecting piece		2	
13	477 723 567	support		2	
14	944 307 190 00	support		3	
15	999 512 350 02	hose clamp IA 80 - 100		4	
16	087 409 057	union	(J)	1	
17	087 409 057 B	union	(J)	1	
18	010 409 563 A	sealing ring	(J)	2	
19	944 307 004 03	pressure line	(J)	1	
19A	944 307 004 05	pressure line		1	
20	944 307 005 02	return line	(J)	1	
20A	944 307 005 04	return line		1	

Model	Year	MG	SG	Illustration	Restrictions	UPD	11:29	25.02.2010	PORSCHE	PET	PORSCHE
9442	1988	3	09	309-10		248					

Pos	Part Number	Description	Remark	Qty	Model	Pos	Part Number	Description	Remark	Qty	Model
21	999 181 532 50	connecting hose		2							
22	999 512 554 00	hose clamp LB 12 - 22		4							
23	944 107 237 00	support		2							
24	922 307 121 00	hose piece		2							
25	900 906 024 00	circlip		2							
26	431 609 781	breather hose		2							
27	N 010 215 13	hexagon-head bolt M 6 X 15		1							
28	999 511 140 02	pipe clamp		1							
29	999 591 616 40	hose holder	85	2							
(29)	999 651 218 09	cable holder	86-	2							

Model	Year	MG	SG	Illustration	Restrictions	UPD	11:29	25.02.2010	PORSCHE	PET	PORSCHE
9442	1988	3	10	310-00		248					



Pos	Part Number	Description	Remark	Qty	Model
		transmission control automatic transmission			
1	087 323 109	clutch drum		1	
2	010 323 115	bearing sleeve		1	
3	010 323 121 B	piston		1	
5	010 323 129 A	compression spring		24	
6	010 323 131 A	concave washer		1	
7	003 323 135 A	circlip 55		1	
8	087 323 139	disc with external splines		4	
9	087 323 141 A	disc with external splines		4	
10	087 323 153	pressure plate		1	
11	087 323 157 B	circlip 2,03		1	
11	087 323 157	circlip 1,50		X	
11	087 323 157 A	circlip 1,70		X	
11	087 323 157 C	circlip 2,30		X	
11	087 323 157 D	circlip 2,50		X	
12	010 323 161 A	thrust washer		1	
13	087 323 209	clutch bell-housing		1	
14	010 323 217 A	piston		1	
15	010 323 229 D	cup spring forward clutch		1	
16	010 323 157	circlip 2,03		1	
17	010 323 237 A	pressure plate		1	
17A	010 323 139	disc with external splines forward clutch		4	
18	010 323 241 B	inner disc		5	

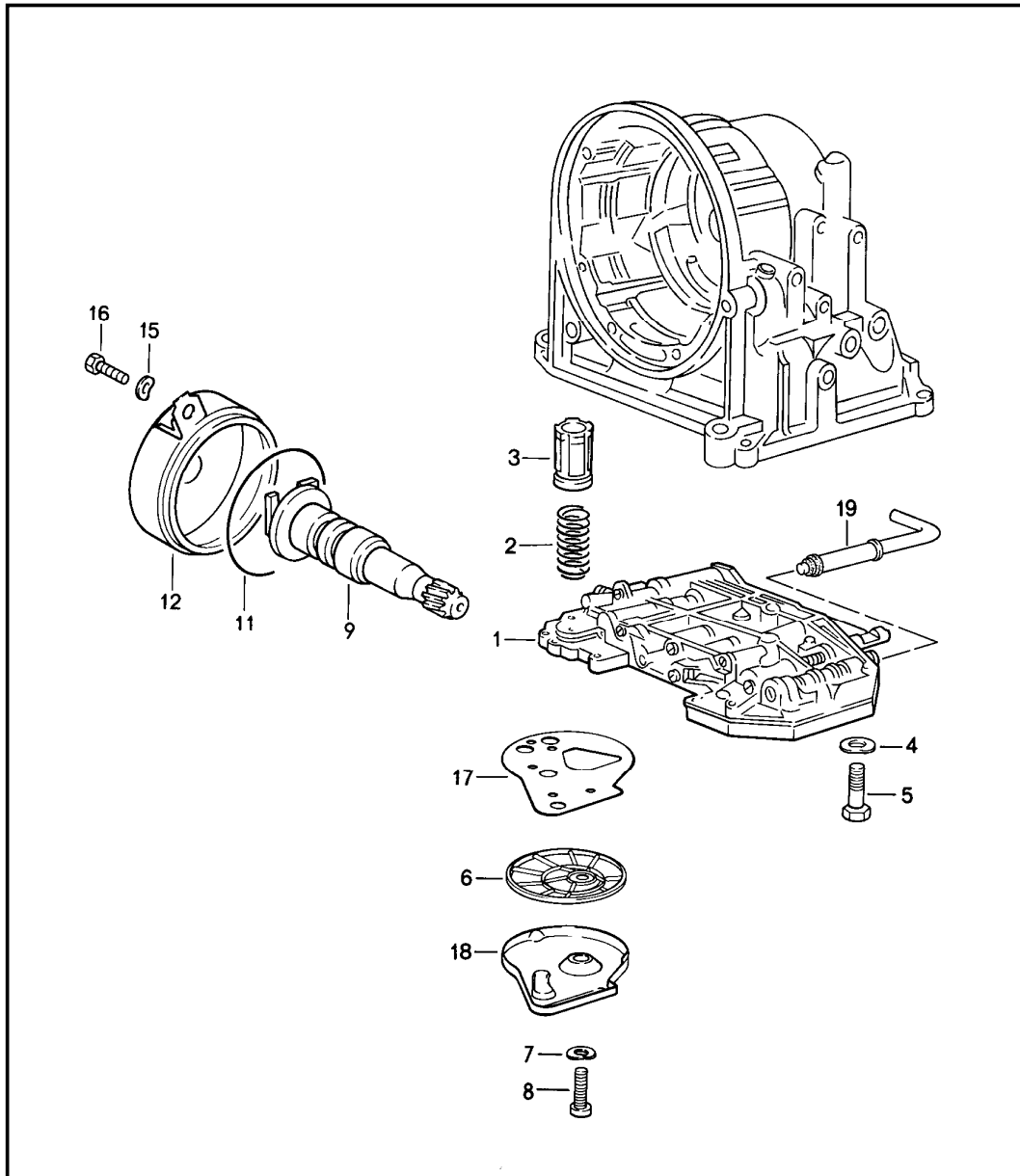
Model	Year	MG	SG	Illustration	Restrictions	UPD	11:29	25.02.2010	PORSCHE	PET	PORSCHE
9442	1988	3	10	310-00		248					

Pos	Part Number	Description	Remark	Qty	Model	Pos	Part Number	Description	Remark	Qty	Model
19	010 323 253 G	pressure plate 2,30		1		41	090 323 363 B	ring gear		1	
19	010 323 253 H	pressure plate 2,70		X		42	010 323 369 A	circlip		1	
19	010 323 253 J	pressure plate 3,10		X		43	087 323 512 A	piston		1	
19	010 323 253 K	pressure plate 3,50		X		44	003 323 525 A	sealing ring		1	
19	010 323 253 L	pressure plate 3,90		X		46	010 323 487 C	sealing ring		1	
20	010 323 159 B	lock ring		1		49	010 323 505 A	compression spring		1	
21	010 323 273 C	ring gear		1		50	087 323 529	lid		1	
22	010 323 291 A	thrust washer		1		52	010 323 533	round seal		3	
23	010 323 285 F	sun gear		1		53	010 323 537 A	circlip		1	
24	N 042 465 1	circlip		1		54 A	010 323 461 A	brake band		1	
25	010 323 303 F	planet-gear carrier		1		54	010 323 461 A	brake band		1	
26	010 323 340 D	needle-roller bearing		1		55	010 323 543 A	bolt		1	
27	010 323 339 D	needle-roller bearing		1		56	010 323 455 A	adjusting screw		1	
28	087 323 281	driving shell		1		57	N 011 162 9	hexagon nut M 12 X 1,5		1	
29	010 321 157 A	needle-roller bearing		1		58	010 323 497 C	supporting plate		1	
30	010 323 293 C	thrust washer		1		59	010 323 489 B	compression spring		20	
32	010 323 227 A	disc with external splines		4		60	010 323 493 G	pipe		1	
33	010 323 231 C	inner disc		4		61	010 323 477	piston		1	
34	010 323 805 F	planet-gear carrier		1		62	087 323 553 A	turbine shaft		1	
35	010 323 651	circlip		2		62A	087 323 559	gasket		1	
36	010 323 383 C	free wheel lock 1st gear		1		63	010 323 561 A	oil pump shaft		1	
36A	010 323 389 E	feather key		1		64	010 323 557 A	piston ring		2	
37	087 323 373	hub		1		65	010 323 345 C	adjusting shim 0,40		1	
38	010 323 643	compression spring		10		(65)	010 323 346 C	adjusting shim 1,20		X	
39	N 026 360 1	roller		10		66	003 323 571 J	converter		1	RCE
40	010 323 653 A	circlip		1		66	082 323 571	converter		1	RCF
						67	003 323 699 A	hexagon-head bolt		3	

Model	Year	MG	SG	Illustration	Restrictions	UPD	11:29	25.02.2010	PORSCHE	PET	PORSCHE
9442	1988	3	10	310-00		248					

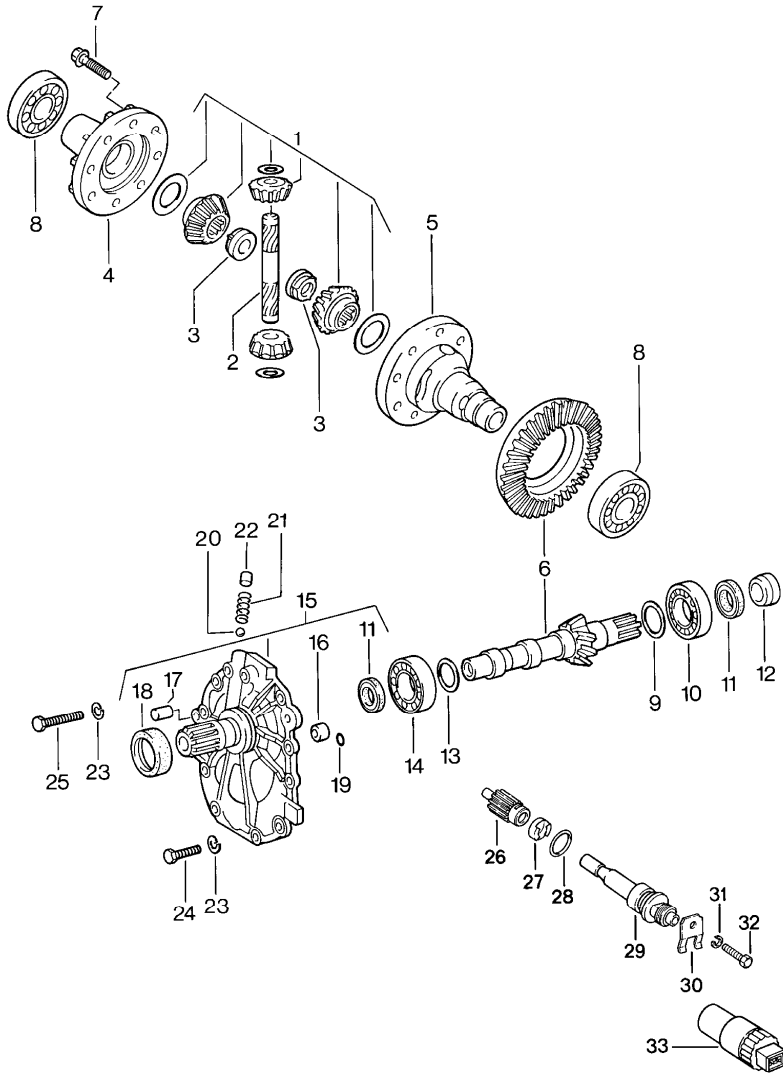
Pos	Part Number	Description	Remark	Qty	Model	Pos	Part Number	Description	Remark	Qty	Model
68	010 323 558	wire ring		1							

Model	Year	MG	SG	Illustration	Restrictions	UPD	11:30	25.02.2010	PORSCHE	PET	PORSCHE
9442	1988	3	10	310-05		248					



Pos	Part Number	Description	Remark	Qty	Model
		slide-valve gearbox oil strainer regulator automatic transmission			
1	087 325 037 C	slide-valve gearbox		1	RCE
1	087 325 037 J	slide-valve gearbox		1	RCE
2	003 325 417	compression spring		1	
3	003 325 405 F	piston		1	
4	N 012 226 5	spring washer B 6		11	
5	N 010 346 5	hexagon-head bolt M 6 X 30		11	
6	010 325 421 A	oil strainer B 5		1	
8	900 014 004 02	pan-head screw AM 5 X 15		2	
9	087 325 041 B	regulator		1	
11	* 011 519 345	round seal		1	
12	089 325 371 A	lid		1	
15	N 012 228 3	spring washer B 8		2	
16	N 010 240 16	hexagon-head bolt 8 X 20		2	
17	010 325 443	gasket		1	
18	010 325 429 A	lid		1	
19	010 325 277	manual valve		1	

Model	Year	MG	SG	Illustration	Restrictions	UPD	11:43	25.02.2010	PORSCHE	PET	PORSCHE
9442	1988	3	11	311-00		248					



Pos	Part Number	Description	Remark	Qty	Model
1	* 016 598 081 A	differential automatic transmission repair kit differential pinions		1	
2	087 409 177	axle		1	
3	016 409 161	nut		2	
4	087 409 365	lid		1	
5	087 409 121	differential housing		1	
6	087 409 143 K	ring gear and pinion shaft 12:37		1	RCE
6	087 409 143 J	ring gear and pinion shaft 11:38		1	RCF
7	087 409 135 A	hexagon-head bolt M 10 X 1 X 24		10	
8	113 517 185 C	taper roller bearing		2	
9	087 409 641 D	adjusting shim 1,10		1	
9	087 409 641 E	adjusting shim 1,125		X	
9	087 409 641 F	adjusting shim 1,15		X	
9	087 409 641 G	adjusting shim 1,175		X	
9	087 409 641 H	adjusting shim 1,20		X	
9	087 409 641 J	adjusting shim 1,225		X	
9	087 409 641 K	adjusting shim 1,25		X	
9	087 409 641 L	adjusting shim 1,275		X	
9	087 409 641 M	adjusting shim 1,30		X	
9	087 409 641 N	adjusting shim 1,325		X	
9	087 409 641 P	adjusting shim 1,35		X	

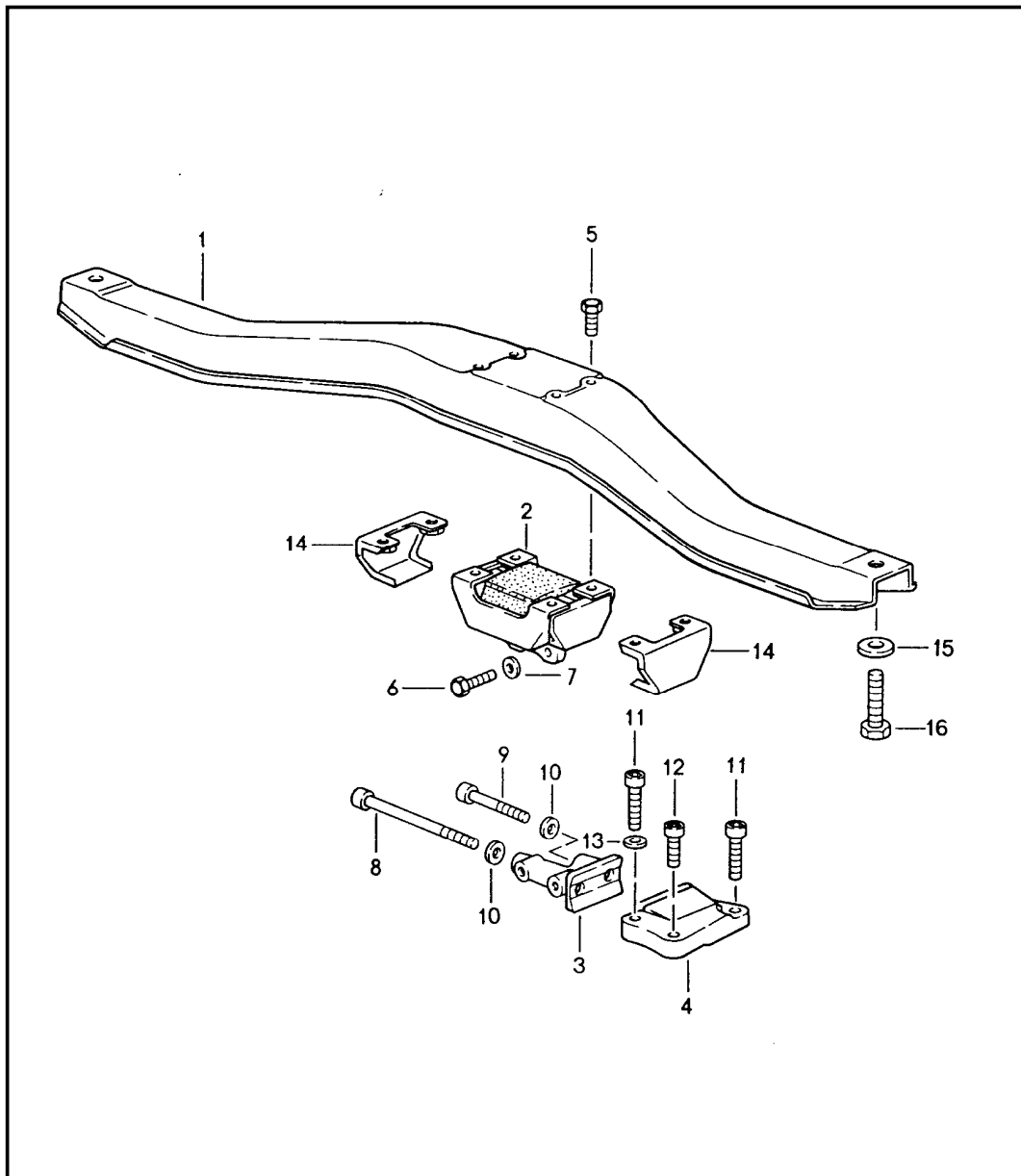
Model	Year	MG	SG	Illustration	Restrictions	UPD	11:43	25.02.2010	PORSCHE	PET	PORSCHE
9442	1988	3	11	311-00		248					

Pos	Part Number	Description	Remark	Qty	Model	Pos	Part Number	Description	Remark	Qty	Model
9	087 409 641 Q	adjusting shim 1,375		X		9	087 409 641 AR	adjusting shim 1,85		X	
9	087 409 641 R	adjusting shim 1,40		X		9	087 409 641 AS	adjusting shim 1,875		X	
9	087 409 641 S	adjusting shim 1,425		X		9	087 409 641 AT	adjusting shim 1,90		X	
9	087 409 641 T	adjusting shim 1,45		X		10	087 409 551 C	taper roller bearing		1	
9	087 409 641 AA	adjusting shim 1,475		X		11	087 409 085 B	radial shaft seal		2	
9	087 409 641 AB	adjusting shim 1,50		X		12	087 409 639 A	bush		1	
9	087 409 641 AC	adjusting shim 1,525		X		13	082 519 141 AE	adjusting shim 1,10		1	
9	087 409 641 AD	adjusting shim 1,55		X		13	082 519 141 AF	adjusting shim 1,125		X	
9	087 409 641 AE	adjusting shim 1,575		X		13	082 519 141 AG	adjusting shim 1,15		X	
9	087 409 641 AF	adjusting shim 1,60		X		13	082 519 141 AH	adjusting shim 1,175		X	
9	087 409 641 AG	adjusting shim 1,625		X		13	082 519 141 AJ	adjusting shim 1,20		X	
9	087 409 641 AH	adjusting shim 1,65		X		13	082 519 141 AK	adjusting shim 1,225		X	
9	087 409 641 AJ	adjusting shim 1,675		X		13	082 519 141 AL	adjusting shim 1,25		X	
9	087 409 641 AK	adjusting shim 1,70		X		13	082 519 141 AM	adjusting shim 1,275		X	
9	087 409 641 AL	adjusting shim 1,725		X		13	082 519 141 AN	adjusting shim 1,30		X	
9	087 409 641 AM	adjusting shim 1,75		X		13	082 519 141 AP	adjusting shim 1,325		X	
9	087 409 641 AN	adjusting shim 1,775		X		13	082 519 141 AQ	adjusting shim 1,35		X	
9	087 409 641 AP	adjusting shim 1,80		X		13	082 519 141 AR	adjusting shim 1,375		X	
9	087 409 641 AQ	adjusting shim 1,825		X		13	082 519 141 AS	adjusting shim 1,40		X	
						13	082 519 141 AT	adjusting shim 1,425		X	

Model	Year	MG	SG	Illustration	Restrictions	UPD	11:43	25.02.2010	PORSCHE	PET	PORSCHE
9442	1988	3	11	311-00		248					

Pos	Part Number	Description	Remark	Qty	Model	Pos	Part Number	Description	Remark	Qty	Model
13	082 519 141 BA	adjusting shim 1,45		X		14	003 519 251	taper roller bearing		1	
13	082 519 141 BB	adjusting shim 1,475		X		15	087 409 524 C	lid		1	
13	082 519 141 BC	adjusting shim 1,50		X		16	019 301 153	dowel sleeve		1	
13	082 519 141 BD	adjusting shim 1,525		X		17	N 022 301 1	straight pin A 10 X 20		1	
13	082 519 141 BE	adjusting shim 1,55		X		18	* 010 409 568	radial shaft seal		1	
13	082 519 141 BF	adjusting shim 1,575		X		19	089 409 637 A	sealing ring 6 X 2		2	
13	082 519 141 BG	adjusting shim 1,60		X		20	N 025 657 1	ball		1	
13	082 519 141 BH	adjusting shim 1,625		X		21	089 409 713	spring		1	
13	082 519 141 BJ	adjusting shim 1,65		X		22	087 409 095	lid		2	
13	082 519 141 BK	adjusting shim 1,675		X		23	900 027 015 02	lock ring A 8		11	
13	082 519 141 BL	adjusting shim 1,70		X		24	N 010 233 6	hexagon-head bolt M 8 X 28		9	
13	082 519 141 BM	adjusting shim 1,725		X		25	N 040 276 1	hexagon-head bolt M 8 X 52		2	
13	082 519 141 BN	adjusting shim 1,75		X		26	010 409 196	pinion		1	
13	082 519 141 BP	adjusting shim 1,775		X		27	010 409 189	safety clip		1	
13	082 519 141 BQ	adjusting shim 1,80		X		28	003 321 419	round seal		1	
13	082 519 141 BR	adjusting shim 1,825		X		29	010 409 193	pinion support		1	
13	082 519 141 BS	adjusting shim 1,85		X		30	010 409 195 A	support		1	
13	082 519 141 BT	adjusting shim 1,875		X		31	N 012 036 1	lock ring		1	
13	082 519 141 CA	adjusting shim 1,90		X		32	N 010 215 13	hexagon-head bolt M 6 X 15		1	
						33	944 606 210 01	pulse sender		1	
						-	087 409 187	drive pinion		1	
						-	087 409 189	bush for speedometer drive		1	

Model	Year	MG	SG	Illustration	Restrictions	UPD	11:43	25.02.2010	PORSCHE	PET	PORSCHE
9442	1988	3	12	312-00		248					



Pos	Part Number	Description	Remark	Qty	Model
		transmission suspension automatic transmission			
1	944 375 024 03	transmission carrier		1	
2	944 375 045 04	transmission mounting		1	
3	944 375 287 03	support		1	
4	944 375 285 02	suspender bracket		1	
5	900 075 087 02	hexagon-head bolt M 8 X 16		1	
6	900 075 099 02	hexagon-head bolt M 8 X 30		2	
7	900 025 007 02	washer A 8,4		4	
8	N 100 359 03	hexagon socket head bolt M 10 X 140		1	
9	N 014 752 3	hexagon socket head bolt M 10 X 70		1	
10	900 025 008 09	washer A 10,5		2	
11	N 014 733 1	hexagon socket head bolt M 10 X 50		2	
12	900 067 124 02	hexagon socket head bolt M 10 X 35		1	
13	900 031 005 02	washer		3	
14	944 375 079 01	stop		2	
15	477 407 425	washer		2	
16	N 010 449 2	hexagon-head bolt		2	

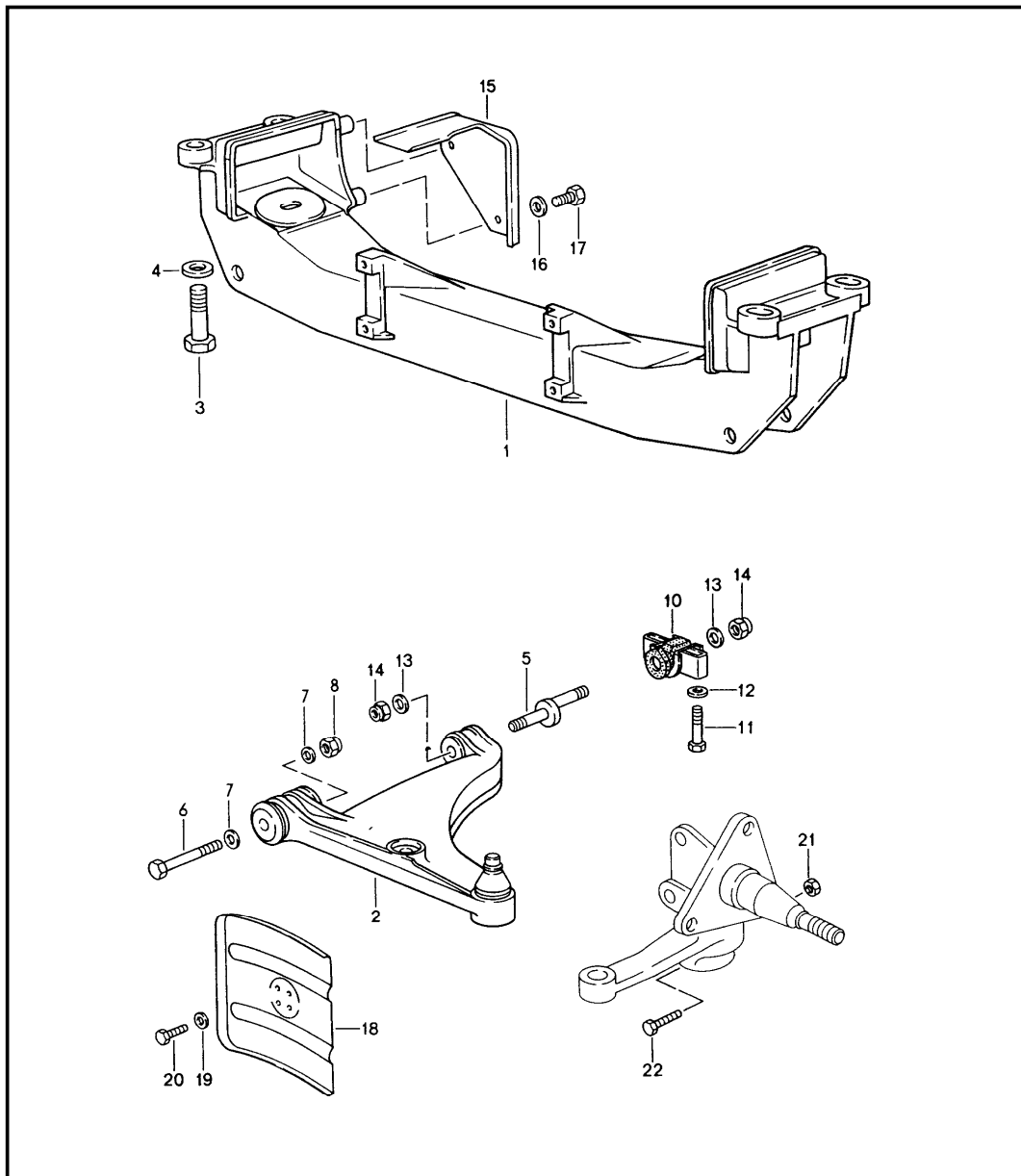
Model	Year	MG	SG	Illustration	Restrictions	UPD	11:43	25.02.2010
9442	1988	3	98	398-00R		248		

Pos	Part Number	Description	Remark	Qty	Model
		repair kits			
>>	>>477 300 912 B	gasket set for manual transmission comprising:		1	
-	928 303 120 01	shaft sealing ring		1	
-	016 409 399 B	radial shaft seal		2	
-	113 301 185 A	sealing ring		1	
-	016 301 235 C	gasket		1	
-	088 311 599	sealing ring		2	
-	016 311 113 C	radial shaft seal		1	
-	016 301 455 A	gasket		1	
-	005 311 599	sealing washer		1	
-	084 311 719	sealing ring		1	
>>	>>477 398 001	gasket set for automatic transmission comprising:		1	
-	010 321 182	round seal		1	
-	010 321 371 B	gasket		1	
-	010 321 385 B	gasket		1	
-	003 321 419	round seal		2	
-	010 323 117	sealing ring		1	
-	010 323 119	sealing ring		1	
-	010 323 487 C	sealing ring		1	
-	003 323 525 A	sealing ring		1	
-	010 323 533	round seal		3	
-	087 409 085 B	radial shaft seal		2	
-	087 409 133	radial shaft seal		1	
-	016 409 399 B	radial shaft seal		2	
-	087 409 529 B	radial shaft seal		2	
-	010 409 549 B	round seal		1	
-	087 409 549	round seal		1	

Model	Year	MG	SG	Illustration	Restrictions	UPD	11:43	25.02.2010
9442	1988	3	98	398-00R		248		

Pos	Part Number	Description	Remark	Qty	Model
-	010 409 568	radial shaft seal		1	
-	089 409 637 A	sealing ring		1	
-	011 519 345	round seal		3	
-	N 028 201 2	round seal		1	
>>	>>951 333 951 00	repair kit differential pinions use also: 088.409.249.A 088.409.249.B		1	RH RCA RCB QK QL QM
>>	>>000 043 106 00	installation set oil cooling for subsequent installation comprising:		1	M249
-	944 307 313 00	connection piece		1	
-	900 123 007 30	sealing ring		4	
-	928 606 217 00	temperature switch		1	
-	944 307 311 00	double hollow screw		1	
-	000 043 106 01	installation instructions		1	
-	951 116 911 00	repair kit for clutch comprising: pressure plate clutch plate clutch release bearing		1 1 1 1	

Model	Year	MG	SG	Illustration	Restrictions	UPD	11:44	25.02.2010	PORSCHE	PET	PORSCHE
9442	1988	4	01	401-00		248					

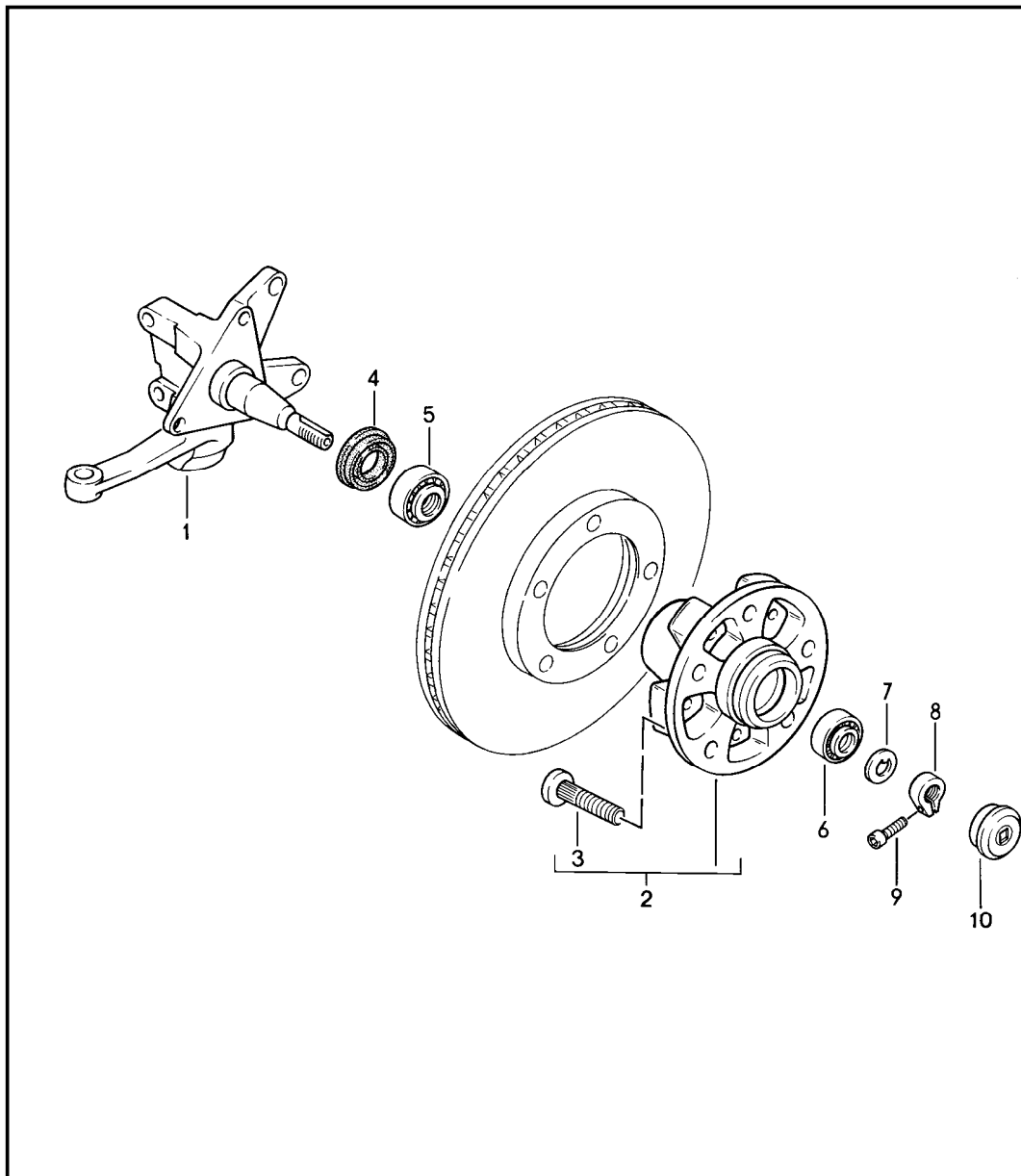


Pos	Part Number	Description	Remark	Qty	Model
1	944 341 103 07	wishbone cross member	/LL	1	
(1)	945 341 103 04	cross member	/RL	1	
2	951 341 027 00	wishbone	/L -86	1	
2	951 341 028 00	wishbone	/R -86	1	
2	944 341 027 02	wishbone	/L 87-	1	
2	944 341 028 02	wishbone	/R 87-	1	
2	944 341 927 31	wishbone	/L 87-	1	M030/758
2	944 341 928 31	wishbone	/R 87-	1	M030/758
2	944 341 928 31	wishbone	/R 87-	1	M030/758
3	N 010 183 1	hexagon-head bolt M 12 X 75		4	
4	999 025 074 02	washer 12,4 X 34 X 5		4	
4	999 025 074 01	washer 12,4 X 34 X 5		4	
5	951 341 431 02	eccentric bolt		2	
6	900 082 039 02	hexagon-head bolt M 12 X 1,5 X 100		2	
7	900 025 009 02	washer A 13		2	
8	N 021 131 1	lock nut M 12 X 15		2	
10	951 341 023 00	rubber mounting		2	
10	951 341 023 30	rubber mounting		2	M030/758
11	N 040 321 1	hexagon-head bolt M 10 X 65		4	
12	900 223 011 02	washer		4	
13	900 223 010 02	washer		4	
14	N 021 131 1	lock nut		4	
15	951 341 108 02	heat protection plate	/LL	1	
(15)	952 341 108 02	heat protection plate	/RL 86-	1	

Model	Year	MG	SG	Illustration	Restrictions	UPD	11:44	25.02.2010	PORSCHE	PET	PORSCHE
9442	1988	4	01	401-00		248					

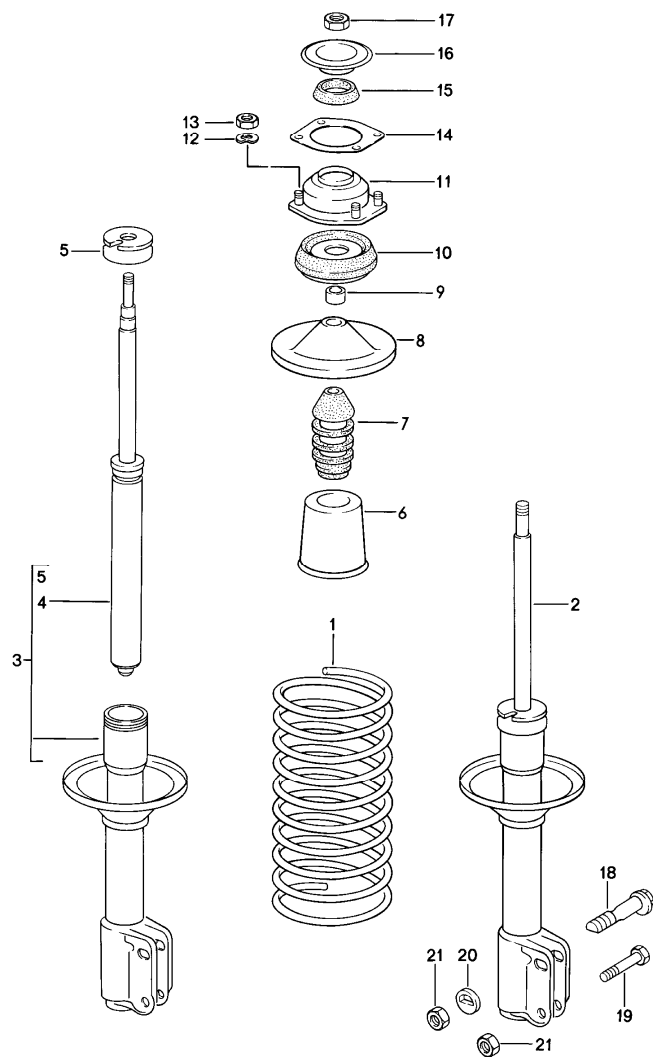
Pos	Part Number	Description	Remark	Qty	Model	Pos	Part Number	Description	Remark	Qty	Model
(15)	951 341 107 00	heat protection plate	/LL	1	TURBO						
16	N 011 524 7	washer A 6		2							
17	N 010 215 13	hexagon-head bolt M 6 X 15		2							
18	951 341 590 00	air baffle plate		2	TURBO						
19	N 011 666 7	washer B 6,4		8	TURBO						
20	999 072 005 09	hexagon-head bolt M 6 X 12		8	TURBO						
21	N 021 130 2	lock nut VM 10		2							
22	N 010 445 6	hexagon-head bolt M 10 X 45 X 20		2							
-	952 347 713 00	heat protection plate lower	/RL	1	TURBO						
-	952 347 711 01	heat protection plate upper	/RL	1	TURBO						

Model	Year	MG	SG	Illustration	Restrictions	UPD	11:44	25.02.2010	PORSCHE	PET	PORSCHE
9442	1988	4	01	401-05		248					



Pos	Part Number	Description	Remark	Qty	Model
		steering knuckle			
1	477 407 311 N	steering knuckle	/L	-86	1 944
1	477 407 312 L	steering knuckle	/R	-86	1 944
(1)	951 341 655 01	steering knuckle	/L	-86	1 TURBO
(1)	951 341 656 01	steering knuckle	/R	-86	1 TURBO
1	944 341 655 06	steering knuckle	/L	87-	1 944, 944 S
1	944 341 656 06	steering knuckle	/R	87-	1 944, 944 S
1	951 341 655 06	steering knuckle	/L	87-	1 TURBO
1	951 341 656 06	steering knuckle	/R	87-	1 TURBO
1	951 341 655 34	steering knuckle	/L	87-	1 M030/758
1	951 341 656 34	steering knuckle	/R	87-	1 M030/758
2	477 405 065 B	front wheel hub		-86	2 944
(2)	951 341 056 00	front wheel hub		-86	2 TURBO
2	951 341 065 06	front wheel hub		87-	2
2	951 341 065 08	front wheel hub		87-	2 M030/758
3	904 341 671 00	wheel bolt		-86	10
3	928 341 671 02	wheel bolt		87-	10
4	477 405 641	radial sealing ring			2
5	999 059 098 00	taper roller bearing		-86	2
5	999 059 090 00	taper roller bearing		87-	2
6	999 059 065 00	taper roller bearing		-86	2
6	999 059 089 01	taper roller bearing		87-	2
7	911 341 663 00	thrust washer			2
8	911 341 673 00	clamping nut			2
9	999 119 001 01	pan-head screw			2
10	477 405 692 C	cap			2

Model	Year	MG	SG	Illustration	Restrictions	UPD	14:13	25.02.2010	PORSCHE	PET	PORSCHE
9442	1988	4	02	402-00		248					

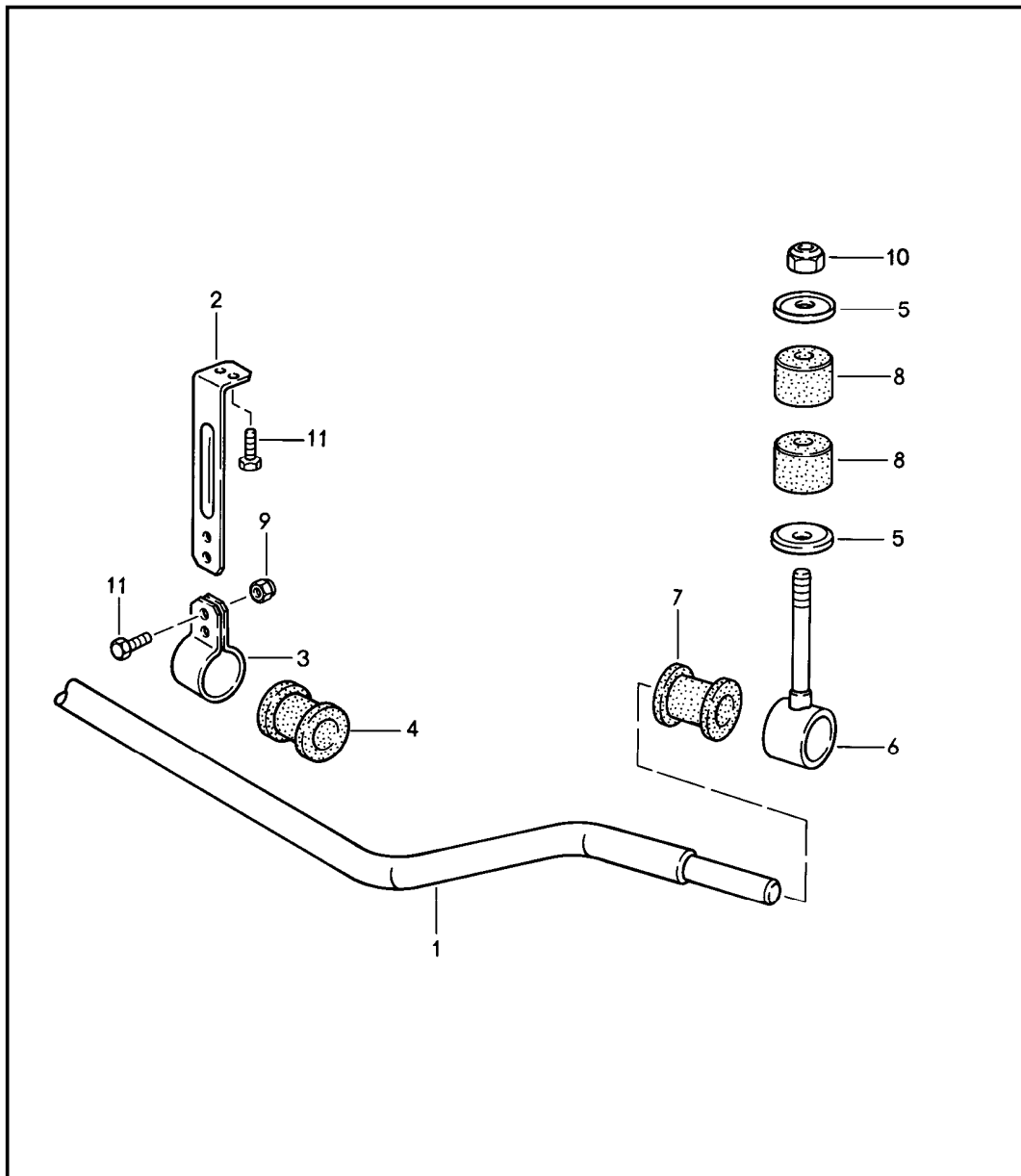


Pos	Part Number	Description	Remark	Qty	Model
		suspension shock absorber front			
		see technical information GR.4, NR.2/92			
1	477 411 105 Q	coil spring 1 set identification		1	944
	954	blue			
1	951 343 531 00	coil spring 1 set identification		1	944S
	904	white			
1	951 343 531 01	coil spring 1 set identification		1	TURBO 944S M474
	104	yellow			
1	477 411 105 G	coil spring 1 set identification	-86	1	944 M030
	954	red			
1	944 343 531 00	coil spring 1 set identification	87-	1	944/944S M030
	954	white blue			
1	944 343 531 01	coil spring 1 set identification	87-	1	TURBO M030 M758
	104	white yellow			
2	944 343 031 12	shock absorber - fichtel + sachs -	/L -86	1	944
2	944 343 032 12	shock absorber - fichtel + sachs -	/R -86	1	944
2	944 343 031 17	shock absorber - fichtel + sachs -	/L 87-	1	944/944S

Model	Year	MG	SG	Illustration	Restrictions	UPD	14:13	25.02.2010	PORSCHE	PET	PORSCHE
9442	1988	4	02	402-00		248					

Pos	Part Number	Description	Remark	Qty	Model	Pos	Part Number	Description	Remark	Qty	Model
2	944 343 032 17	shock absorber - fichtel + sachs -	/R 87-	1	944/944S	7	171 412 303 C	rubber stop	-86	2	944
2	951 343 031 05	shock absorber - fichtel + sachs -	/L	1	TURBO	7	951 343 527 00	rubber stop	87-	2	944/944S
2	951 343 032 05	shock absorber - fichtel + sachs -	/R	1	TURBO	(7)	951 343 527 00	rubber stop		2	TURBO
3	944 343 031 11	shock absorber - koni -	/L -86	1	944 M474	8	133 412 341	concave washer		2	
3	944 343 032 11	shock absorber - koni -	/R -86	1	944 M474	9	823 412 365	spacer sleeve		2	
3	951 343 031 06	shock absorber - koni -	/L	1	M474 TURBO	10	944 343 071 00	suspension strut mounting	-86	2	
3	951 343 032 06	shock absorber - koni -	/R	1	M474 TURBO	11	477 412 345	bearing flange	-86	2	
3	944 343 051 00	shock absorber - koni -	/L -86	1	944 M030	11	951 343 018 04	suspension strut mounting	87-	2	
3	944 343 052 00	shock absorber - koni -	/R -86	1	944 M030	11	951 343 018 30	suspension strut mounting	87-	2	M030
3	951 343 031 32	shock absorber - koni -	/L 87-	1	M030	-	944 343 903 01	insulation for suspension strut mounting		2	
3	951 343 032 32	shock absorber - koni - use also:	/R 87-	1	M030	12	N 012 228 3	spring washer B 12		8	
-	951 343 524 00	adjusting nut		1		13	N 011 008 8	hexagon nut M 8		8	
-	951 343 525 32	concave washer		1		(14)	133 412 367	sealing ring		2	
4	944 343 059 00	shock absorber insert - koni -	-86	2	944 M474	15	477 412 411	stop ring	-86	2	
5	171 412 045	union nut		2		16	477 412 147	stop	-86	2	
6	171 412 135	boot	-86	2	944	17	N 022 150 1	lock nut VM 14 X 1,5		2	
6	431 412 135	boot	87-	2	944/944S	18	171 407 265	eccentric screw		2	
6	431 412 135	boot		2	TURBO	19	900 082 058 02	hexagon-head bolt M 12 X 1,5 X 50		2	
6	951 343 529 30	boot		2	M030	20	944 343 175 00	eccentric washer		2	
						21	N 022 141 4	lock nut VM 12 X 1,5		4	
						-	999 703 346 40	stopper		2	

Model	Year	MG	SG	Illustration	Restrictions	UPD	14:13	25.02.2010	PORSCHE	PET	PORSCHE
9442	1988	4	02	402-05		248					

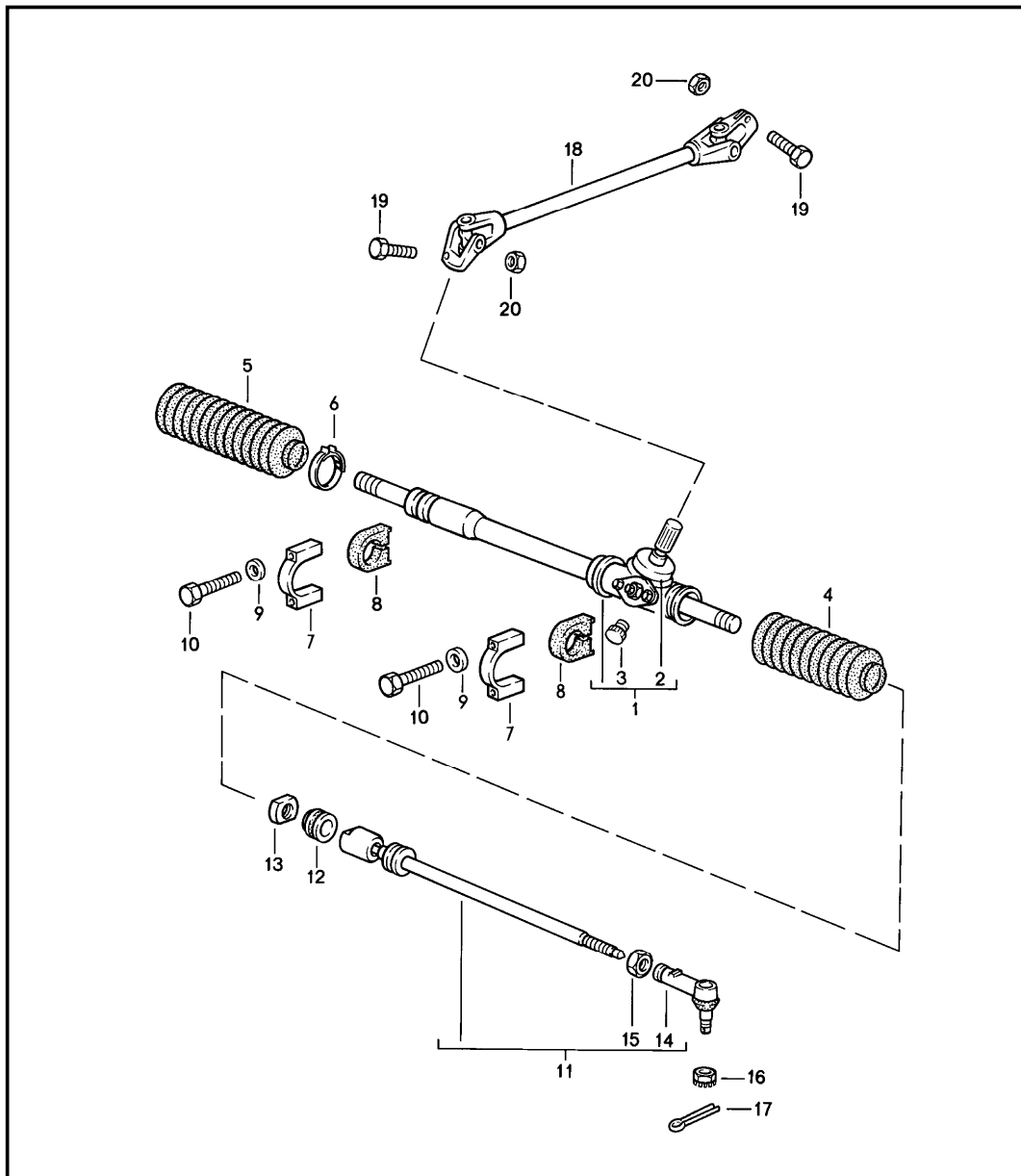


Pos	Part Number	Description	Remark	Qty	Model
		stabiliser			
1	944 343 707 00	stabiliser \$ 20 MM	-86	1	944
1	944 343 706 00	stabiliser \$ 23 MM	-86	1	M030/404
1	944 343 706 02	stabiliser \$ 24 MM	-86	1	TURBO
1	944 343 707 01	stabiliser \$ 21,5 MM	87-	1	944, 944S
1	944 343 706 04	stabiliser \$ 25,5 MM	87-	1	TURBO, 944 944S M404
1	944 343 706 05	stabiliser \$ 26,8 MM	87-	1	M030/758
2	944 343 733 00	suspension	-86	2	
2	944 343 733 01	suspension	87-	2	
3	944 343 731 00	clip	-86	2	
3	A 944 343 731 02	clip	87-	2	
3	944 343 731 02	clip	87-	2	
4	477 411 053 G	rubber bush \$ 20 MM	-86	2	944
4	477 411 053 J	rubber bush \$ 23 MM	-86	2	M030/404
4	477 411 053 K	rubber bush \$ 24 MM	-86	2	TURBO
4	951 343 794 07	rubber bush \$ 21,5 MM	87-	2	944, 944S
4	951 343 794 02	rubber bush \$ 25,5 MM		2	TURBO
4	951 343 794 04	rubber bush \$ 26,8 MM	87-	2	M030/758
5	477 411 043	concave washer		4	
6	951 343 075 00	bush		2	

Model	Year	MG	SG	Illustration	Restrictions	UPD	14:13	25.02.2010	PORSCHE	PET	PORSCHE
9442	1988	4	02	402-05		248					

Pos	Part Number	Description	Remark	Qty	Model	Pos	Part Number	Description	Remark	Qty	Model
7	951 343 793 00	rubber bush for stabiliser \$ 20 MM ; \$ 21,5 MM ; \$ 23 MM ; \$ 24 MM		2							
7	951 343 793 30	rubber bush for stabiliser \$ 25,5 MM ; \$ 26,8 MM		2							
8	951 343 795 01	rubber mounting		4							
9	900 910 022 09	lock nut VM 8		4							
10	N 900 876 01	lock nut VM 10		2							
11	900 075 079 02	hexagon-head bolt M 8 X 22		4							

Model	Year	MG	SG	Illustration	Restrictions	UPD	14:13	25.02.2010	PORSCHE	PET	PORSCHE
9442	1988	4	03	403-00		248					

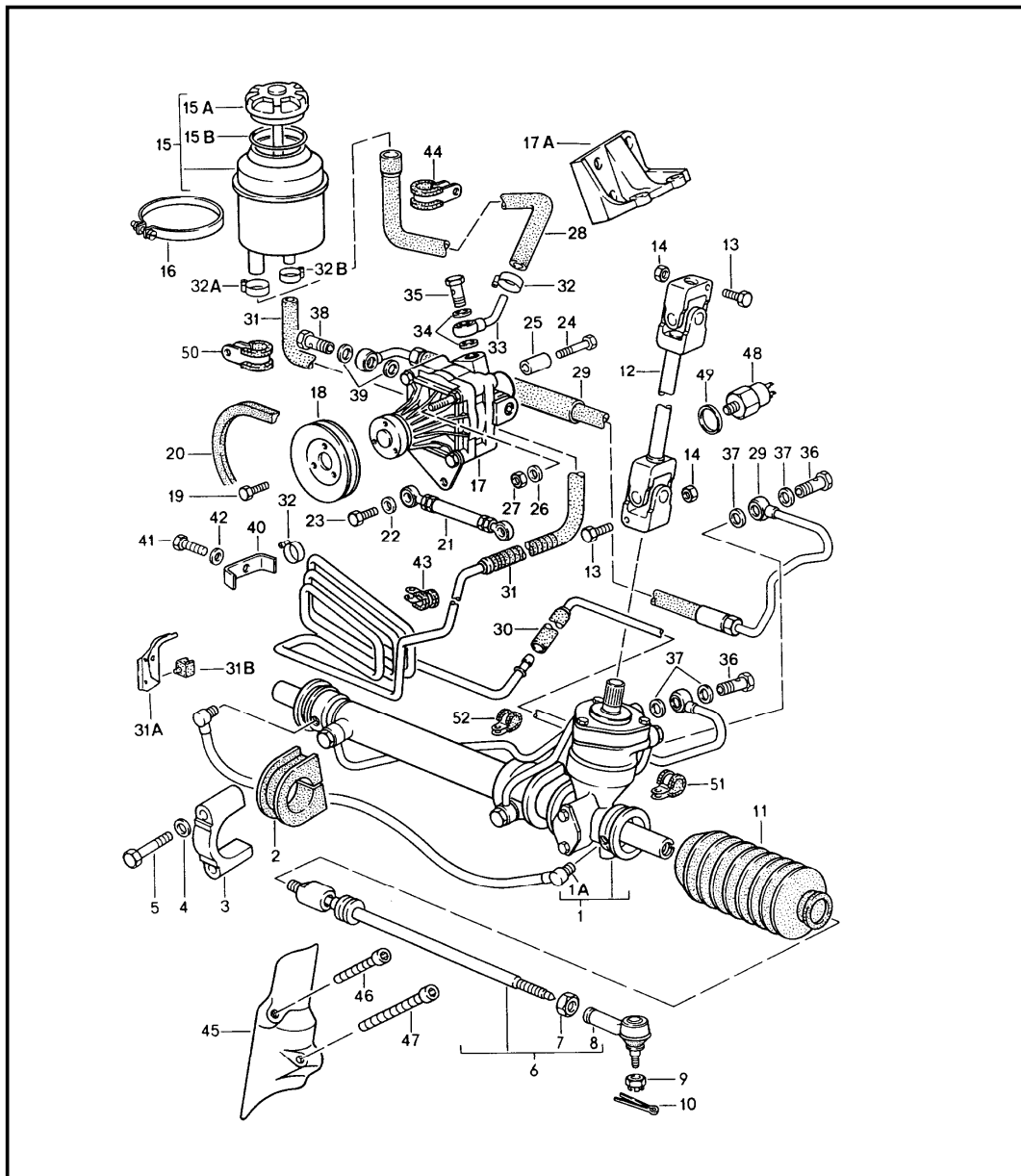


Pos	Part Number	Description	Remark	Qty	Model
		steering gear tie rod			
1	944 347 011 00	steering gear	/LL	1	
(1)	945 347 011 00	steering gear	/RL	1	
2	477 419 321	cap		1	
3	477 419 115	stopper		1	
4	171 419 831 C	boot	/L	1	
5	171 419 832 C	bellows	/R	1	
6	823 419 843	terminal \$ 45 MM		1	
7	944 347 223 01	clip	/LL	2	
(7)	945 347 223 00	clip	/RL	2	
8	944 347 137 00	rubber insert	/L	1	
(8)	944 347 139 00	rubber insert	/R	1	
9	900 025 007 02	washer A 8,4		2	
10	N 010 360 6	hexagon-head bolt M 8 X 60	/LL	4	
(10)	900 074 134 02	hexagon-head bolt M 8 X 45	/RL	4	
11	944 347 033 01	tie rod	-86	2	
(11)	944 347 033 03	tie rod	87-	2	
12	477 419 827	stop ring		2	
13	171 419 855	nut M 22 X 1,5		2	
14	944 347 333 01	ball joint	-86	2	
14	944 347 333 02	ball joint	87-	2	
15	900 078 005 01	hexagon nut M 14		2	
16	N 011 212 2	castle nut M 12 X 1,5	-86	2	
(16)	N 022 141 1	lock nut M 12	87-	2	

Model	Year	MG	SG	Illustration	Restrictions	UPD	14:13	25.02.2010	PORSCHE	PET	PORSCHE
9442	1988	4	03	403-00		248					

Pos	Part Number	Description	Remark	Qty	Model	Pos	Part Number	Description	Remark	Qty	Model
17	N 012 532 1	cotter pin 3 X 25	-86	2							
18	944 347 027 01	drive shaft	/LL	1							
(18)	945 347 027 00	drive shaft	/RL	1							
19	N 010 335 7	hexagon-head bolt M 8 X 35		2							
20	900 910 022 09	lock nut M 8		2							

Model	Year	MG	SG	Illustration	Restrictions	UPD	14:13	25.02.2010	PORSCHE	PET	PORSCHE
9442	1988	4	03	403-02		248					



Pos	Part Number	Description	Remark	Qty	Model
		power steering steering gear vane type pump lines			M657
		see technical information GR.4, NR.6/90			
1	> 944 347 011 24	steering gear	/LL	1	
(1)	> 945 347 011 22	steering gear	/RL	1	
1A	944 347 311 00	compensating line		1	
2	944 347 137 00	rubber insert	/L	1	
(2)	944 347 139 01	rubber insert	/R	1	
(3)	945 347 023 00	clip	/RL	2	
3	944 347 223 01	clip	/LL	2	
4	900 025 007 02	washer A 8,4		4	
5	900 074 281 08	hexagon-head bolt M 8 X 60		4	
6	944 347 033 20	tie rod	-86	2	
(6)	944 347 033 23	tie rod	87-	2	
7	900 078 005 01	hexagon nut M 14		2	
8	944 347 333 00	ball joint	-86	2	
8	944 347 333 04	ball joint	87-	2	
9	N 011 212 2	castle nut	-86	2	
(9)	N 022 141 1	lock nut	87-	2	
10	N 012 532 1	cotter pin	-86	2	
11	171 419 831 C	boot		2	
12	944 347 027 02	drive shaft	/LL	1	
(12)	945 347 027 00	drive shaft	/RL	1	
13	N 010 335 7	hexagon-head bolt M 8 X 35		2	
14	900 910 022 09	lock nut M 8		2	

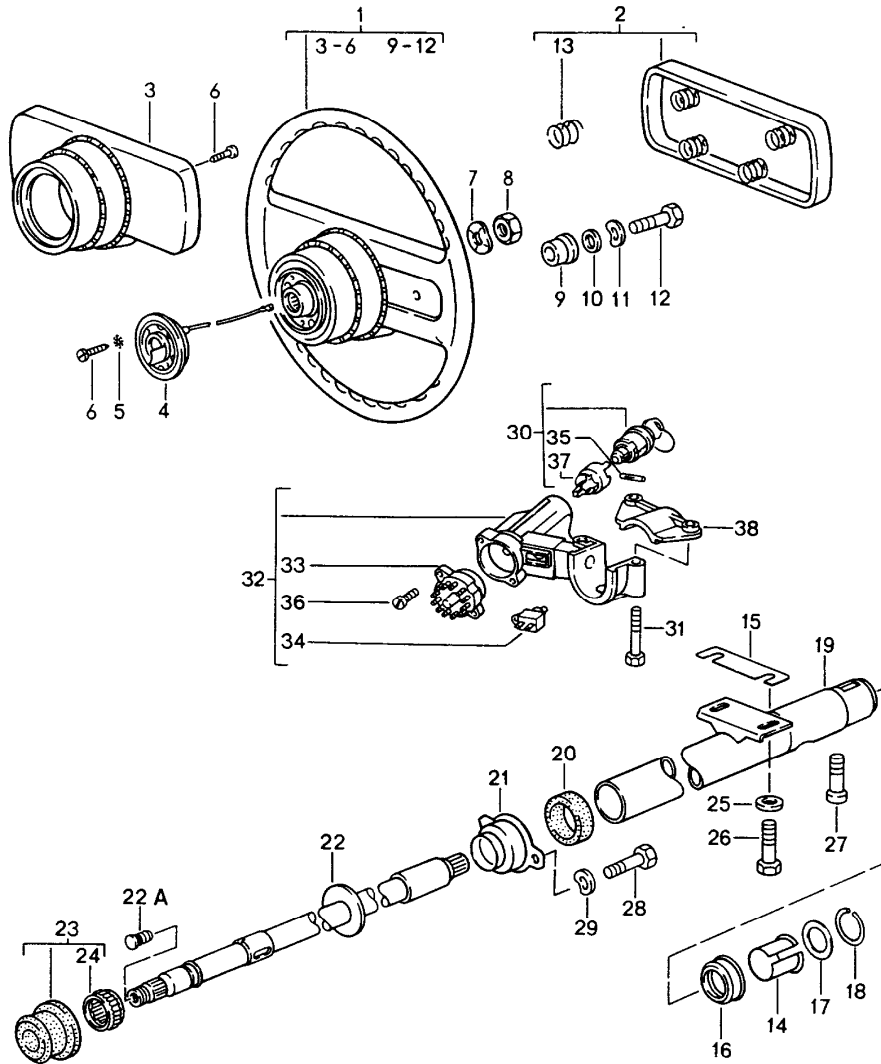
Model	Year	MG	SG	Illustration	Restrictions	UPD	14:13	25.02.2010	PORSCHE	PET	PORSCHE
9442	1988	4	03	403-02		248					

Pos	Part Number	Description	Remark	Qty	Model	Pos	Part Number	Description	Remark	Qty	Model
15	928 347 015 05	oil tank		1		31A	944 347 465 02	support		1	
15A	928 347 925 00	lid		1		31B	944 347 467 00	cable clip for line bracket		4	
15B	928 347 927 00	gasket		1							
16	999 512 350 02	hose clamp		1		32	N 023 569 2	hose clamp A 9/16		2	
17 >	944 347 432 08	vane type pump		1	944, TURBO						
17 >	944 347 432 04	vane type pump		1	944S	32A	999 512 346 02	hose clamp 16 - 25		1	
17A	944 101 147 01	bracket for vane type pump		1		32B	999 512 554 00	hose clamp 12 - 22		1	
18	944 347 437 03	pulley		1		33	999 230 158 02	nipple with elastic ring		1	
19	900 075 010 02	hexagon-head bolt M 6 X 12		3		34	N 100 184 01	sealing ring D 16 X 20		2	
20	999 192 236 50	narrow v-belt 9,5 X 950		1		35	900 134 014 02	banjo bolt		1	
21	944 347 053 02	strut		1		36	999 134 018 02	banjo bolt 12	/LL	2	
22	N 011 525 13	washer A 8,4		1		36	999 134 018 02	banjo bolt 12	/RL	1	
23	N 010 242 12	hexagon-head bolt M 8 X 25		2		36	N 021 053 2	banjo bolt 10	/RL	1	
24	N 010 359 4	hexagon-head bolt M 8 X 38		1		37	900 123 026 20	sealing ring D 12 X 15,5	/LL	4	
25	944 347 441 02	sleeve 26 MM		1		37	900 123 026 20	sealing ring D 12 X 15,5	/RL	2	
26	900 025 007 02	washer		1		37	N 100 390 01	sealing ring D 10 X 13,5	/RL	2	
(26)	944 347 442 00	dowel sleeve 13 MM		1		38	900 134 007 02	banjo bolt		1	
27	900 076 025 02	hexagon nut M 8		1		39	900 123 042 20	sealing ring D 14 X 18		2	
28	944 347 445 02	moulded hose		1		40	928 347 455 00	shim		1	
29	944 347 447 02	pressure line	/LL	1		41	900 074 015 02	hexagon-head bolt M 6 X 30		1	
(29)	945 347 447 02	pressure line	/RL	1		42	N 011 524 7	washer A 6,4		1	
30	944 347 449 06	return line	/LL	1		43	999 511 153 02	clip B 15 X 8		3	
(30)	945 347 449 02	return line	/RL	1							
31	944 347 459 03	return line		1							

Model	Year	MG	SG	Illustration	Restrictions	UPD	14:13	25.02.2010	PORSCHE	PET	PORSCHE
9442	1988	4	03	403-02		248					

Pos	Part Number	Description	Remark	Qty	Model	Pos	Part Number	Description	Remark	Qty	Model
44	999 512 346 00	hose clamp A 9/22		1							
-	944 105 101 00	spacer sleeve		1	TURBO						
45	951 101 129 00	heat shield		1	TURBO						
46	900 067 236 08	pan-head screw M 6 X 40		1	TURBO						
47	900 067 237 08	pan-head screw M 6 X 70		1	TURBO						
48	944 606 209 00	pressure transmitter		1	944S						
49	N 013 806 3	sealing ring		1	944S						
-	944 612 956 00	wiring harness for pressure transmitter		1	944S						
50	999 512 428 02	clamp		1							
51	N 020 626 2	clamp 16 X 15		1							
52	999 511 153 02	clip 8 X 15		1							

Model	Year	MG	SG	Illustration	Restrictions	UPD	14:13	25.02.2010	PORSCHE	PET	PORSCHE
9442	1988	4	03	403-05		248					



Pos	Part Number	Description	Remark	Qty	Model
		steering wheels steering column			
1	944 347 084 05	sports steering wheel leatherette \$ 380 MM		1	
	1AJ	black			
	4RB	brown			
	7LD	burgundy			
(1)	944 347 084 08	sports steering wheel leather \$ 380 MM		1	
	1AJ	black			
	4RB	brown			
	7LD	burgundy			
1	944 347 084 10	steering wheel leather with elevated hub \$ 363 MM		1	M018
	1AJ	black			
	4RB	brown			
	7LD	burgundy			
1	944 347 084 09	sports steering wheel leather \$ 363 MM		1	M431
	1AJ	black			
	4RB	brown			
	7LD	burgundy			
1	928 347 084 07	sports steering wheel leather \$ 363		1	M431
	1AJ	black			
2	944 347 859 08	padded cap leatherette		1	
	1DB	black			
	4RB	brown			

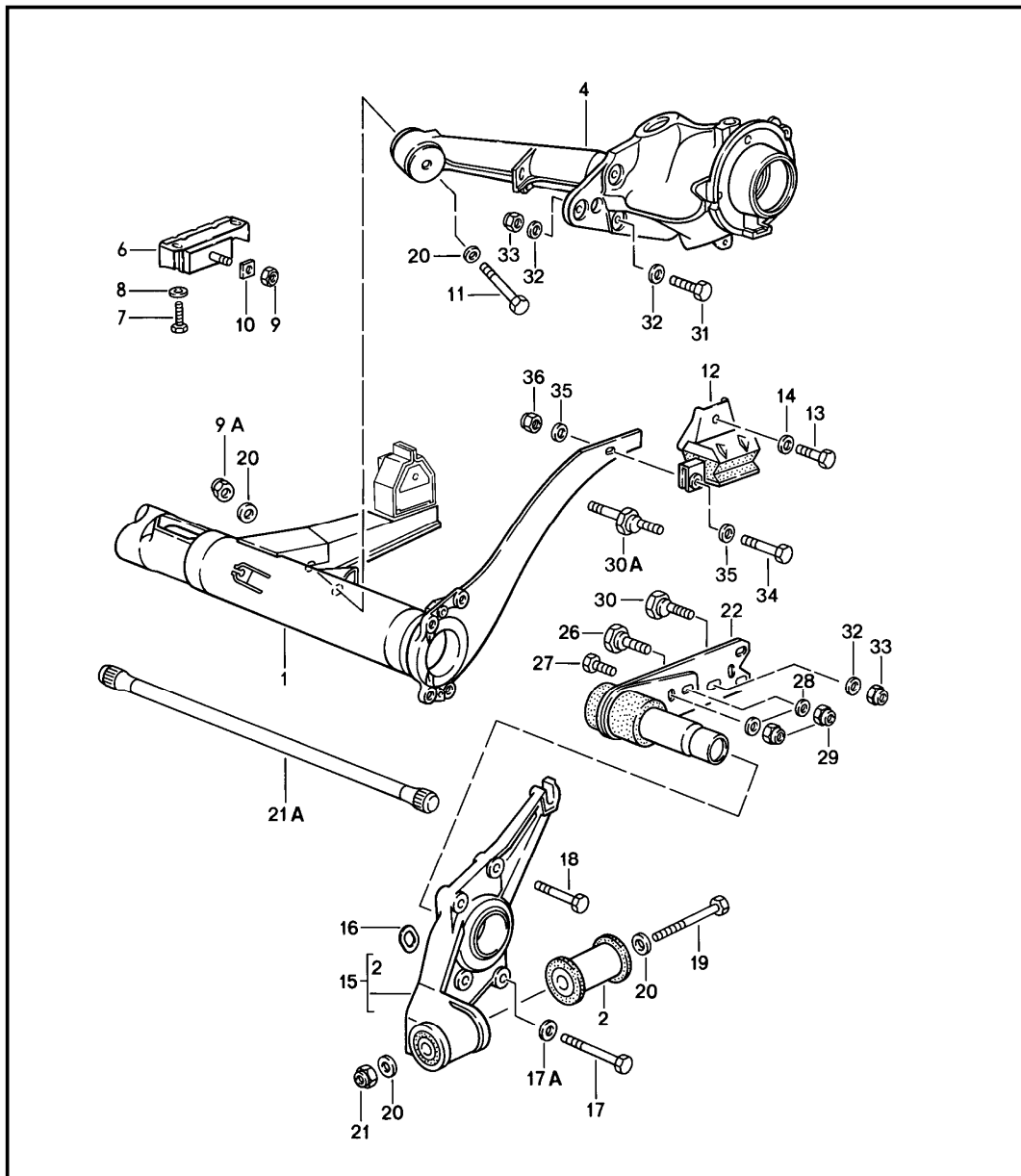
Model	Year	MG	SG	Illustration	Restrictions	UPD	14:13	25.02.2010	PORSCHE	PET	PORSCHE
9442	1988	4	03	403-05		248					

Pos	Part Number	Description	Remark	Qty	Model	Pos	Part Number	Description	Remark	Qty	Model
	7LD	burgundy				20	411 417 613	rubber mounting		1	
2	944 347 859 05	padded cap leather		1		21	411 417 605	support ring		1	
	1AJ	black				22	944 347 067 02	steering column	/LL	1	
	4RB	brown				(22)	944 347 019 03	steering column	/LL -86 /LL -86	1	TURBO 944 M657
	7LD	burgundy				22	944 347 019 04	steering column	/LL 87- /LL 87-	1	TURBO 944 M657
3	928 347 857 02	lining for four-spoke steering wheel		1		(22)	945 347 067 02	steering column	/RL	1	
	1DB	black				(22)	945 347 019 03	steering column	/RL -86 /RL -86	1	TURBO 944 M657
	4RB	brown				(22)	945 347 019 04	steering column	/RL 87- /RL 87-	1	TURBO 944 M657
	7LD	burgundy									
4	928 347 099 00	slip ring		1							
5	N 012 131 2	shake-proof washer J 3,7		3		23	477 419 059	needle sleeve		1	
6	900 146 029 02	oval-head screw AM 3,5 X 10		6		24	113 415 511	needle-roller bearing		1	
7	N 012 238 5	spring washer B 16		1		25	900 025 041 02	washer A 8,4		2	
8	900 078 006 01	hexagon nut M 16 X 1,5		1		26	999 074 022 02	shear bolt		2	
9	321 419 779 A	insulating bush		4		27	N 010 241 0	hexagon-head bolt M 8 X 22		1	
10	900 025 002 02	washer A 4,3		4		28	N 010 215 13	hexagon-head bolt M 6 X 15	/LL	2	
11	N 042 122 2	shake-proof washer A 4,3		4		(28)	999 072 005 09	hexagon-head bolt M 6 X 12	/RL	2	
12	N 010 261 3	hexagon-head bolt M 4 X 15		3		29	211 805 243	spring washer		2	
13	171 419 697	spring		3		30	944 538 075 00	lock cylinder w/o stipulated lock number		1	
14	171 419 341	support ring		1		(30)	944 538 075 01	lock cylinder with stipulated lock number		1	
15	944 347 473 00	shim		X							
17	999 234 004 00	shim		1		31	944 347 343 01	shear bolt		2	
18	999 042 017 01	snap ring		1		32	944 347 975 03	housing for steering lock		1	
19	944 347 063 04	steering column tube		1							

Model	Year	MG	SG	Illustration	Restrictions	UPD	14:13	25.02.2010	PORSCHE	PET	PORSCHE
9442	1988	4	03	403-05		248					

Pos	Part Number	Description	Remark	Qty	Model	Pos	Part Number	Description	Remark	Qty	Model
33	964 613 012 00	ignition starter switch		1							
(34)	911 613 125 00	buzzer contact		1	(SA)						
35	944 347 363 00	lock		1							
36	N 014 122 8	oval-head screw M 4 X 8		2							
37	944 538 183 00	control cams		1							
38	944 347 351 02	retainer plate		1							

Model	Year	MG	SG	Illustration	Restrictions	UPD	14:14	25.02.2010	PORSCHE	PET	PORSCHE
9442	1988	5	01	501-00		248					

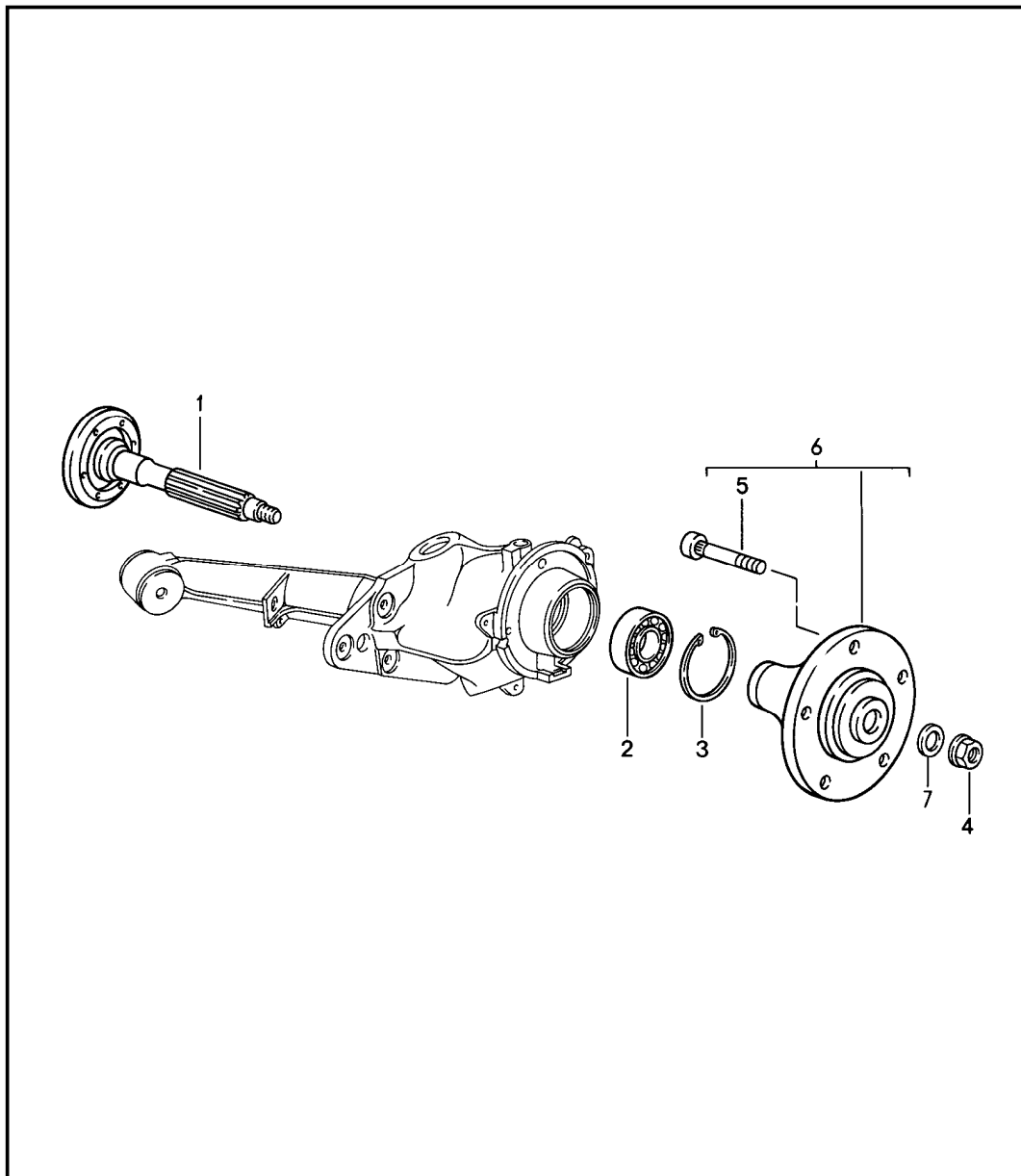


Pos	Part Number	Description	Remark	Qty	Model
1	A 944 331 045 00	rear axle carrier			
		rear-axle trailing arm			
1	944 331 045 02	rear-axle cross-tube	-86	1	
2	477 501 069 A	rubber bush		2	
3	951 331 705 00	cable holder		2	
4	951 331 021 01	rear-axle trailing arm	/L	1	
4	951 331 022 01	rear-axle trailing arm	/R	1	
4	951 331 021 31	rear-axle trailing arm	/L	87-	M030
4	951 331 022 31	rear-axle trailing arm	/R	87-	M030
4	951 331 021 32	rear-axle trailing arm	/L	87-	M030/593
4	951 331 022 32	rear-axle trailing arm	/R	87-	M030/593
-	964 331 199 02	retainer plate		2	
-	900 074 130 02	hexagon-head bolt M 8 X 40		4	
6	477 501 089	mounting		2	
7	900 075 043 02	hexagon-head bolt M 10 X 30		4	
8	900 025 008 09	washer A 10,5		4	
9	N 022 149 2	lock nut VM 10		2	
9A	N 021 131 1	lock nut M 12 X 1,5		2	
10	477 501 697	washer		2	
11	N 010 190 4	hexagon-head bolt M 12 X 90		2	
12	944 331 075 00	supporting mount	/L	1	
(12)	944 331 076 00	supporting mount	/R	1	
13	900 075 040 02	hexagon-head bolt M 10 X 20		2	
14	N 012 230 6	spring washer B 10		8	

Model	Year	MG	SG	Illustration	Restrictions	UPD	14:14	25.02.2010	PORSCHE	PET	PORSCHE
9442	1988	5	01	501-00		248					

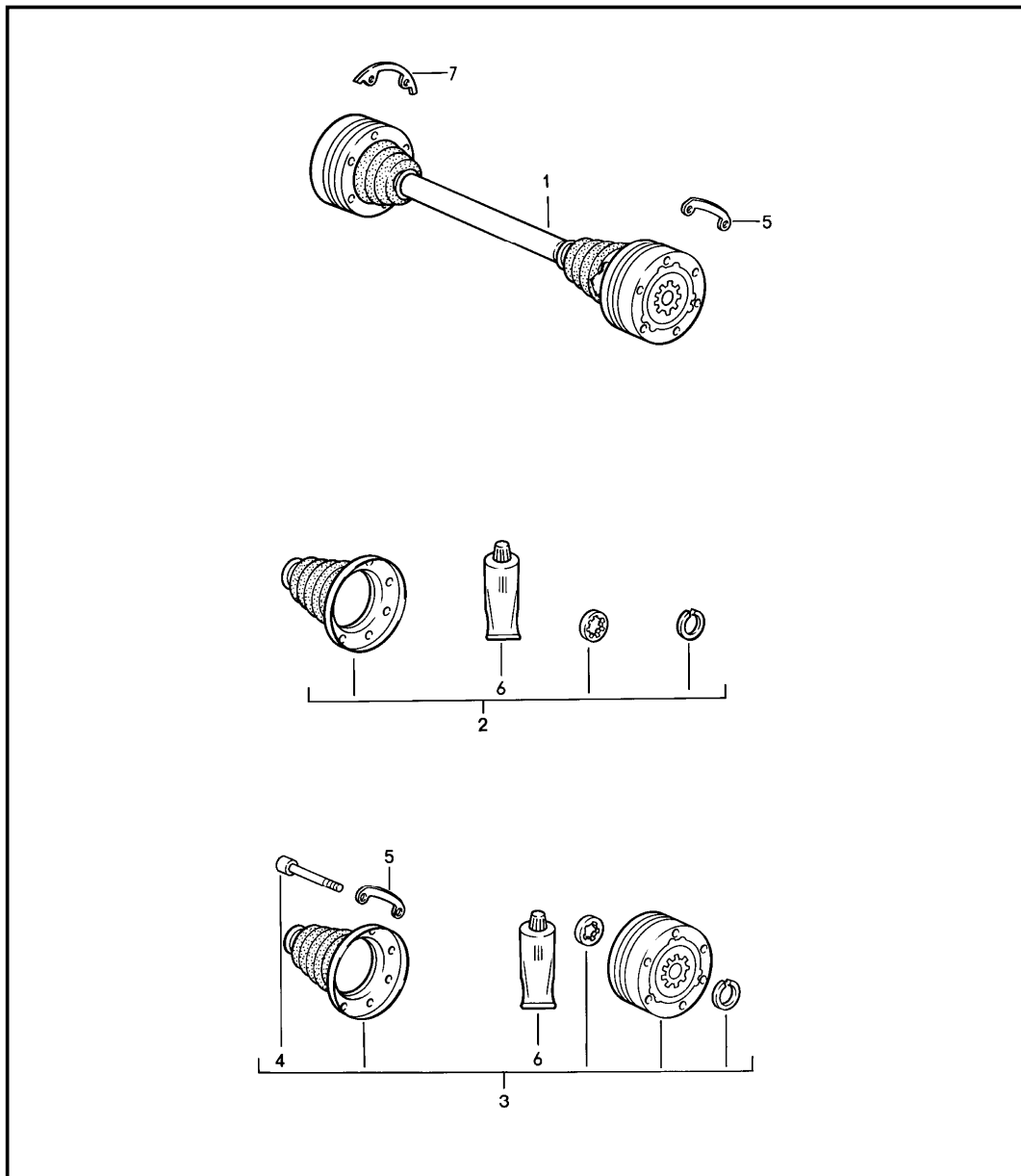
Pos	Part Number	Description	Remark	Qty	Model	Pos	Part Number	Description	Remark	Qty	Model
15	A 944 331 059 00	bearing flange	/L	1		29	900 910 092 02	lock nut VM 16 X 1,5		4	
15	944 331 059 00	bearing flange	/L	1		30	477 511 519	camber eccentric		2	
(15)	A 944 331 060 00	bearing flange	/R	1		30A	477 511 515	camber eccentric only together with stabiliser		2	
(15)	944 331 060 00	bearing flange	/R	1		31	N 040 108 2	hexagon-head bolt M 12 X 1,5 X 40		4	
16	951 331 667 00	washer		2		32	N 011 531 7	washer A 13		8	
17	N 010 465 5	hexagon-head bolt M 10 X 65		2		33	N 022 141 4	lock nut VM 12 X 1,5		4	
17	900 074 248 03	hexagon-head bolt M 10 X 65		2		34	N 010 242 12	hexagon-head bolt M 8 X 25		2	
17A	N 012 230 6	spring washer B 10		8		35	900 025 007 02	washer A 8,4		4	
18	N 010 455 3	screw M 10 X 55		6		36	N 022 146 1	lock nut VM 8		2	
19	900 082 059 02	hexagon-head bolt M 12 X 1,5 X 115		2							
20	803 199 347	washer		8							
21	N 022 141 4	lock nut VM 12 X 1,5		2							
(21A)	944 333 115 00	torsion bar \$ 23,5 MM	/L	1							
(21A)	944 333 116 00	torsion bar \$ 23,5 MM	/R	1							
(21A)	944 333 103 00	torsion bar \$ 24,5 MM	/L	-86	944 M030						
(21A)	944 333 104 00	torsion bar \$ 24,5 MM	/R	-86	944 M030						
(21A)	951 333 103 30	torsion bar \$ 25,5 MM	/L	1	M030/758						
(21A)	951 333 104 30	torsion bar \$ 25,5 MM	/R	1	M030/758						
22	951 333 021 00	rear axle strut		2							
26	911 333 303 00	eccentric screw		2							
27	911 333 305 00	hexagon-head bolt		2							
28	999 025 135 02	washer		4							

Model	Year	MG	SG	Illustration	Restrictions	UPD	14:14	25.02.2010	PORSCHE	PET	PORSCHE
9442	1988	5	01	501-05		248					



Pos	Part Number	Description	Remark	Qty	Model
		rear wheel shaft			
1	951 332 235 01	rear wheel shaft	-86	2	
1	951 332 235 35	rear wheel shaft	87-	2	
2	999 053 020 01	angular-contact bearing		2	
3	N 012 350 1	circlip		2	
4	900 910 093 02	lock nut M 22 X 1,5		2	
5	904 341 671 00	wheel bolt		10	
6	951 331 067 00	wheel hub	-86	2	
6 A	944 331 067 01	wheel hub	87-	2	
6	944 331 067 01	wheel hub	87-	2	
7	928 331 591 02	washer		2	

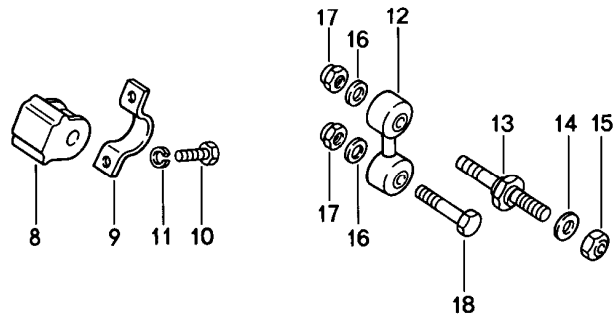
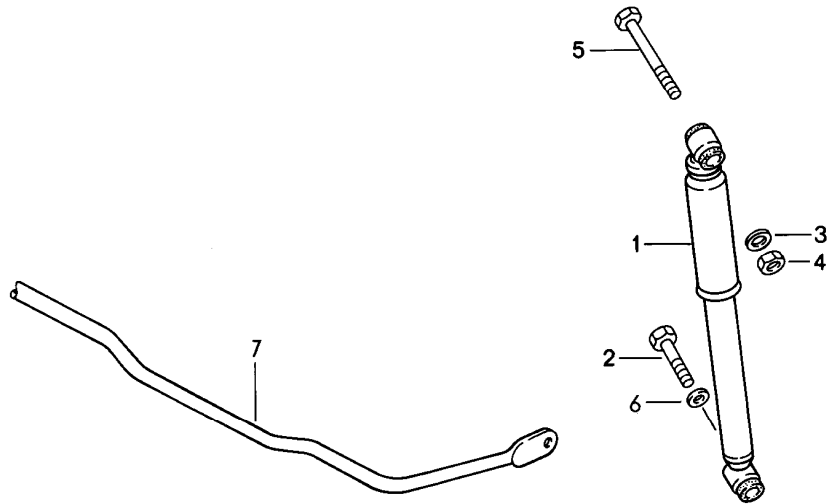
Model	Year	MG	SG	Illustration	Restrictions	UPD	14:14	25.02.2010	PORSCHE	PET	PORSCHE
9442	1988	5	01	501-10		248					



Pos	Part Number	Description	Remark	Qty	Model
		drive shaft see technical information GR.4 NR.2/87 see tpi GR.4 NR.4/92			
1	944 332 038 01	drive shaft		2	
1	951 332 038 02	drive shaft	87-	2	TURBO
1	944 332 038 09	drive shaft	/L	1	AUT.
1	944 332 038 10	drive shaft	/R	1	AUT.
2	944 331 903 00	repair kit dust bellows		4	
(2)	951 332 903 00	repair kit dust bellows	87-	4	TURBO
3	944 331 901 00	repair kit constant-velocity joint		4	
(3)	951 332 901 00	repair kit constant-velocity joint	87-	4	TURBO
4	* 893 407 237	pan-head screw		24	
5	944 332 191 00	plate		6	
6	000 043 110 01	grease 1 100-gramme tube		X	
7	951 332 233 01	plate		6	

Model	Year	MG	SG	Illustration	Restrictions	UPD	14:14	25.02.2010	PORSCHE	PET	PORSCHE
9442	1988	5	02	502-00		248					

Pos	Part Number	Description	Remark	Qty	Model
		vibration damper stabiliser			
1	951 333 032 05	vibration damper - fichtel + sachs -		2	944/944S
1	951 333 032 06	vibration damper - fichtel + sachs -		2	TURBO
(1)	951 333 032 01	vibration damper - koni -		2	M474
1	951 333 032 04	vibration damper - koni -		2	M030
2	900 082 054 02	hexagon-head bolt M 14 X 1,5 X 85		2	
3	043 101 129	washer B 12		2	
4	N 022 141 1	lock nut M 12 X 1,5		2	
5	900 082 044 02	hexagon-head bolt M 12 X 1,5 X 125		2	
6	999 025 062 02	washer		2	
7	477 511 411 A	stabiliser \$ 14 MM		1	
7	477 511 413	stabiliser \$ 18 MM		1	
7	477 511 415	stabiliser \$ 20 MM		1	
8	477 411 313 F	rubber mounting \$ 14 MM		2	
8	477 411 313 B	stabiliser mounting \$ 18 MM		2	
8	477 411 313 C	stabiliser mounting \$ 20 MM		2	
9	113 411 333	retaining bow		2	
10	900 075 085 02	hexagon-head bolt M 8 X 20		4	
11	900 027 015 02	lock ring B 8		4	



Model	Year	MG	SG	Illustration	Restrictions	UPD	14:14	25.02.2010	PORSCHE	PET	PORSCHE
9442	1988	5	02	502-00		248					

Pos	Part Number	Description	Remark	Qty	Model	Pos	Part Number	Description	Remark	Qty	Model
12	477 511 051 A	stabiliser mounting		2							
13	477 511 515	camber eccentric		2							
14	N 011 531 4	washer A 13		2							
15	N 022 141 4	lock nut M 12 X 1,5		2							
16	900 025 008 09	washer A 10,5		4							
17	N 022 149 2	lock nut M 10		4							
18	N 010 452 4	hexagon-head bolt M 10 X 52		2							

Model	Year	MG	SG	Illustration	Restrictions	UPD	14:14	25.02.2010
9442	1988	5	98	598-00R		248		

Pos	Part Number	Description	Remark	Qty	Model
		repair kits			
>>	>>944 331 903 00	repair kit dust bellows comprising: dust bellows with bellow support spring		4	
-	113 517 279	circlip		1	
-	000 043 110 01	grease 1 100-gramme tube		2	
>>	>>951 332 903 00	repair kit dust bellows comprising: dust bellows bellow support		1	TURBO
-	911 332 257 00	clip		1	
-	928 332 257 01	clip		1	
-	900 041 013 01	circlip		1	
-	000 043 110 01	grease 1 100-gramme tube		1	
>>	>>944 331 901 00	repair kit constant-velocity joint comprising: constant-velocity joint dust bellows with bellow support spring		4	
-	113 517 279	circlip		1	
-	000 043 110 01	grease 1 100-gramme tube		1	
-	893 407 237	pan-head screw		6	
>>	>>951 332 901 00	repair kit constant-velocity joint comprising: constant-velocity joint dust bellows bellow support		4	TURBO
-	911 332 257 00	clip		1	
-	928 332 257 01	clip		1	
-	900 041 013 01	circlip		1	

PORSCHE

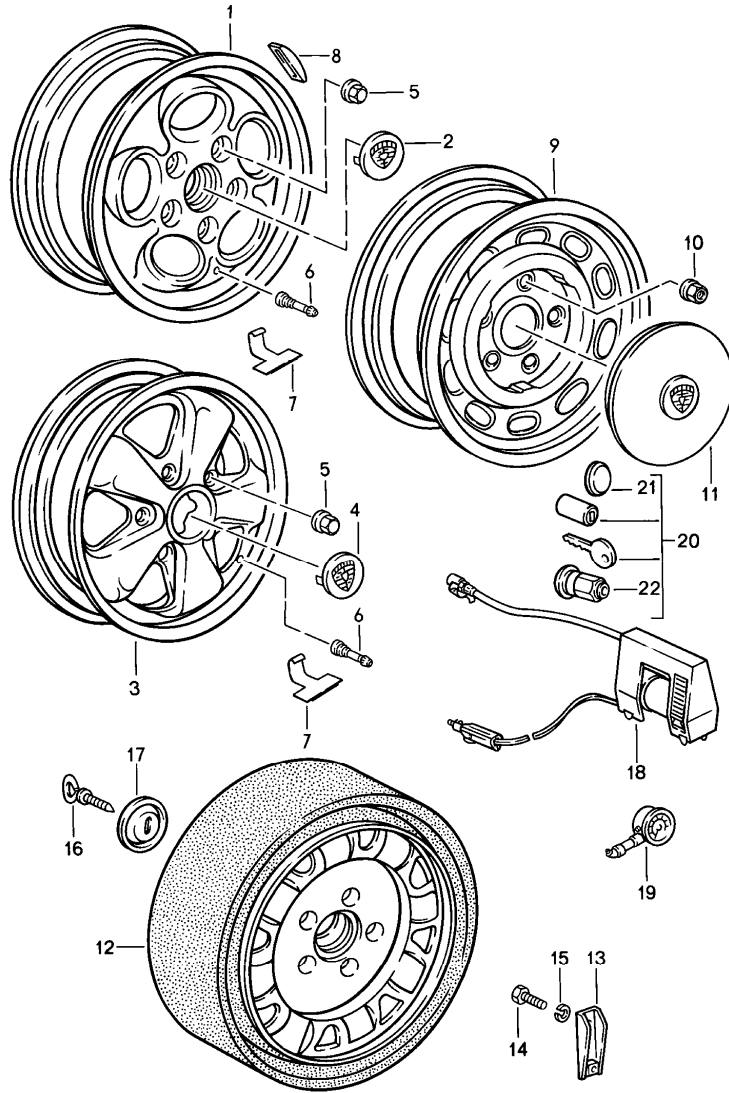
PET

PORSCHE

Model	Year	MG	SG	Illustration	Restrictions	UPD	14:14	25.02.2010
9442	1988	5	98	598-00R		248		

Pos	Part Number	Description	Remark	Qty	Model
-	000 043 110 01	grease 1 100-gramme tube		1	
-	893 407 237	pan-head screw		12	

Model	Year	MG	SG	Illustration	Restrictions	UPD	14:15	25.02.2010	PORSCHE	PET	PORSCHE
9442	1988	6	01	601-00		248					



Pos	Part Number	Description	Remark	Qty	Model
		disc wheel	-86		
1	951 362 104 00	alloy wheel 7J X 15 ET 23,3 cast silver metallic		4	
(1)	951 362 114 00	alloy wheel 7J X 16 ET 23,3 cast silver metallic		2	
(1)	951 362 116 00	alloy wheel 8J X 16 ET 23,3 cast silver metallic		2	
2	928 361 032 01	hub cap		4	
3	951 362 115 90	alloy wheel 7J X 16 ET 23,3 forged aluminium alloy unvarnished rim flange polished		4	
3	951 362 115 00	alloy wheel 7J X 16 ET 23,3 forged aluminium alloy rim flange polished black star		4	
3	951 362 117 00	alloy wheel 8J X 16 ET 23,3 forged aluminium alloy black star rim flange polished		2	
3	951 362 117 90	alloy wheel 8J X 16 ET 23,3 unvarnished rim flange polished		2	
(3)	911 361 020 41	alloy wheel 7J X 15 ET 23,3 forged aluminium alloy black star rim flange polished		2	944

Model	Year	MG	SG	Illustration	Restrictions	UPD	14:15	25.02.2010	PORSCHE	PET	PORSCHE
9442	1988	6	01	601-00		248					

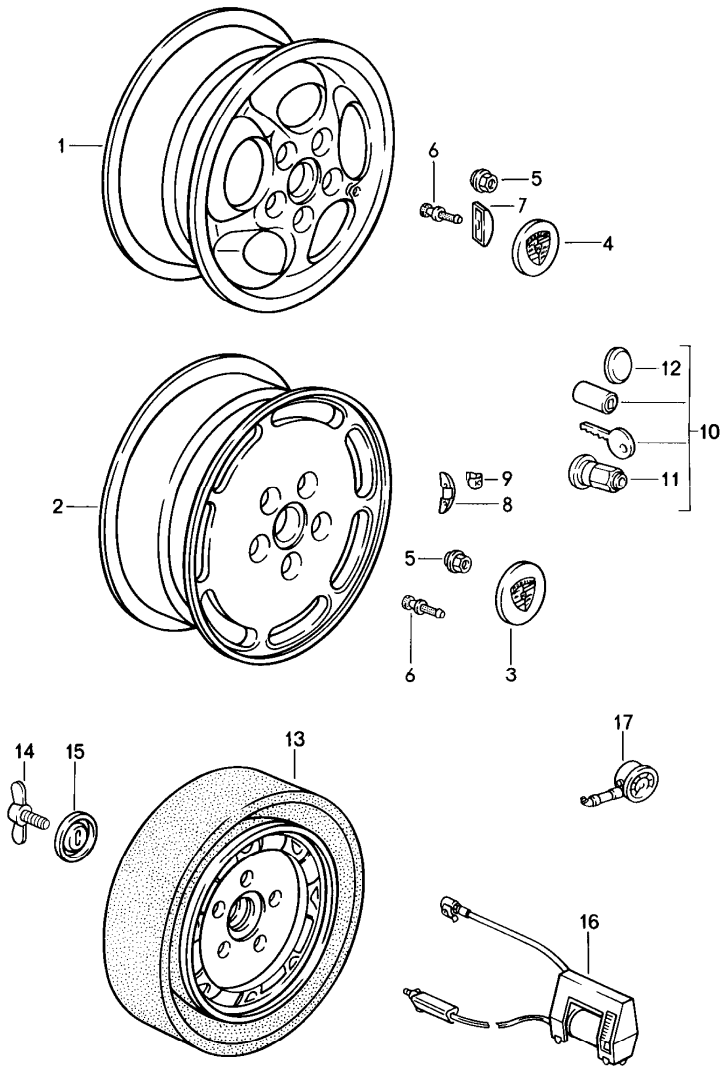
Pos	Part Number	Description	Remark	Qty	Model	Pos	Part Number	Description	Remark	Qty	Model
(3)	911 361 020 93	alloy wheel 7J X 15 ET 23,3 forged aluminium alloy unvarnished rim flange polished		2		(8)	901 361 413 50	balance stick-on weight 35 G		X	
						(8)	901 361 413 00	balance stick-on weight 40 G		X	
(3)	911 361 020 42	alloy wheel 8J X 15 ET 10,6 forged aluminium alloy black star rim flange polished		2		(8)	901 361 414 50	balance stick-on weight 45 G		X	
						(8)	901 361 414 00	balance stick-on weight 50 G		X	
(3)	911 361 020 94	alloy wheel 8J X 15 ET 10,6 forged aluminium alloy unvarnished rim flange polished		2		(8)	901 361 415 50	balance stick-on weight 55 G		X	
						(8)	901 361 415 00	balance stick-on weight 60 G		X	
4	911 361 032 28	hub cap black		4		(8)	901 361 416 50	balance stick-on weight 65 G		X	
(4)	911 361 032 29	hub cap grand prix white		4		(8)	901 361 416 00	balance stick-on weight 70 G		X	
(4)	911 361 032 30	hub cap platinum-metallic		4		(8)	901 361 417 50	balance stick-on weight 75 G		X	
(4)	911 361 032 31	hub cap white gold metallic		4		(8)	901 361 417 00	balance stick-on weight 80 G		X	
5	999 182 003 36	wheel nut		20		(12)	928 362 030 02	emergency wheel alloy wheel with collapsible tire		1	
6	900 265 001 50	rubber valve \$ 15,2		4		13	477 813 191	support		1	
7	965 361 561 00	valve support		4		14	N 010 251 2	hexagon-head bolt M 10 X 18		1	
(8)	901 361 410 50	balance stick-on weight 5 G		X		15	900 027 016 02	lock ring		1	
8	901 361 410 00	balance stick-on weight 10 G		X		16	914 722 104 10	wing screw M 10 X 55		1	
(8)	901 361 411 50	balance stick-on weight 15 G		X		(16)	914 722 104 10	wing screw M 10 X 75	(GB)	1	
(8)	901 361 411 00	balance stick-on weight 20 G		X		17	477 813 157	washer		1	
(8)	901 361 412 50	balance stick-on weight 25 G		X		18	911 652 052 00	small electric compressor		1	
(8)	901 361 412 00	balance stick-on weight 30 G		X		19	911 722 201 02	tyre pressure gauge		1	

Model	Year	MG	SG	Illustration	Restrictions	UPD	14:15	25.02.2010	PORSCHE	PET	PORSCHE
9442	1988	6	01	601-00		248					

Pos	Part Number	Description	Remark	Qty	Model	Pos	Part Number	Description	Remark	Qty	Model
20	928 361 047 03	wheel nut lockable 1 set		1							
21	928 361 310 00	cap		4							
22	928 361 306 03	wheel nut lockable without lock		4							
-	928 361 312 01	blank key for wheel nut lockable		X							

Model	Year	MG	SG	Illustration	Restrictions	UPD	14:15	25.02.2010	PORSCHE	PET	PORSCHE
9442	1988	6	01	601-01		248					

Pos	Part Number	Description	Remark	Qty	Model
1	944 362 104 00	disc wheel alloy wheel 7J X 15 ET 52,3 cast silver metallic	87-	4	
1	951 362 114 01	alloy wheel 7J X 16 ET 52,3 cast silver metallic		2	
1	951 362 116 01	alloy wheel 8J X 16 ET 52,3 cast silver metallic		2	
2	944 362 115 00	alloy wheel 7J X 16 ET 52,3 forged aluminium alloy silver metallic		2	
2	944 362 115 01	alloy wheel 7J X 16 ET 52,3 forged aluminium alloy platinum		2	
2	928 362 117 00	alloy wheel 8J X 16 ET 52,3 forged aluminium alloy silver metallic		2	
2	928 362 117 01	alloy wheel 8J X 16 ET 52,3 forged aluminium alloy platinum		2	
(2)	951 362 115 30	alloy wheel 7J X 16 ET 65 forged aluminium alloy silver metallic	88	2	M030/758
(2)	928 362 119 30	alloy wheel 9J X 16 ET 60 forged aluminium alloy silver metallic	88	2	M030/758
3	928 361 031 00	hub cap		4	



Model	Year	MG	SG	Illustration	Restrictions	UPD	14:15	25.02.2010	PORSCHE	PET	PORSCHE
9442	1988	6	01	601-01		248					

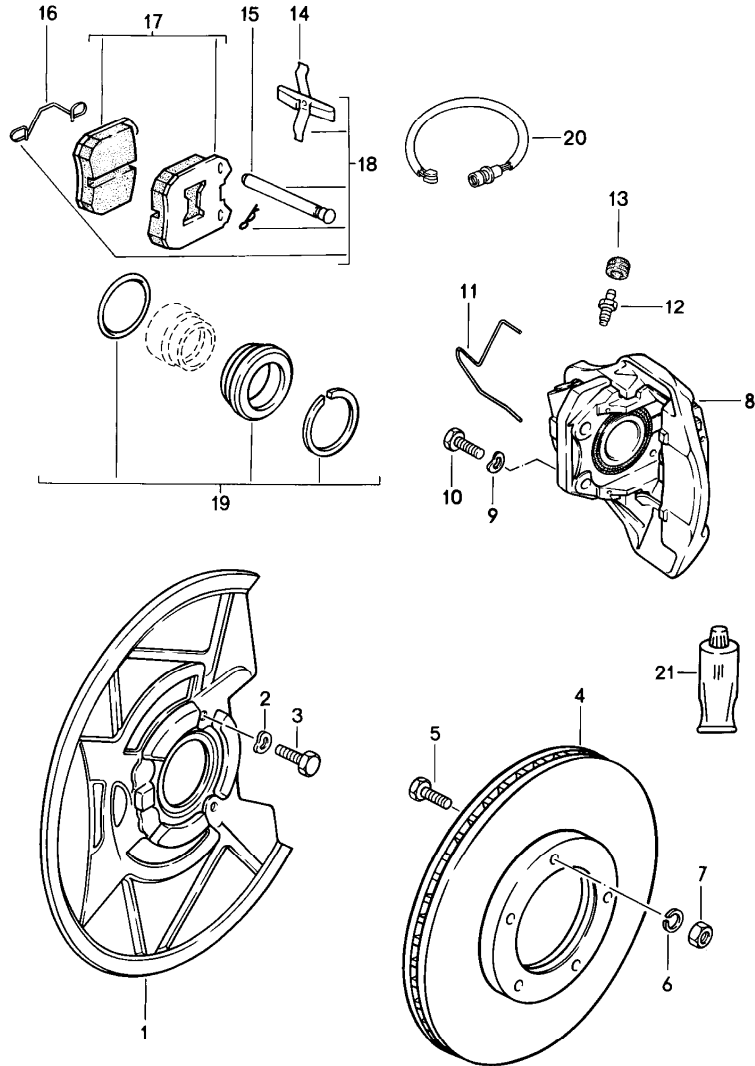
Pos	Part Number	Description	Remark	Qty	Model	Pos	Part Number	Description	Remark	Qty	Model
4	928 361 032 01	hub cap silver metallic		4		7	901 361 417 00	balance stick-on weight 80 G		X	
4	477 601 051 D	hub cap platinum		4				balance weight			
5	999 182 003 36	wheel nut		20		8	928 361 421 00	balance weight 5 G		X	
6	900 265 001 50	rubber valve \$ 15,2		4		8	928 361 410 00	balance weight 10 G		X	
7	901 361 410 50	balance stick-on weight 5 G		X		8	928 361 422 00	balance weight 15 G		X	
7	901 361 410 00	balance stick-on weight 10 G		X		8	928 361 411 00	balance weight 20 G		X	
7	901 361 411 50	balance stick-on weight 15 G		X		8	928 361 423 00	balance weight 25 G		X	
7	901 361 411 00	balance stick-on weight 20 G		X		8	928 361 412 00	balance weight 30 G		X	
7	901 361 412 50	balance stick-on weight 25 G		X		8	928 361 424 00	balance weight 35 G		X	
7	901 361 412 00	balance stick-on weight 30 G		X		8	928 361 413 00	balance weight 40 G		X	
7	901 361 413 50	balance stick-on weight 35 G		X		8	928 361 425 00	balance weight 45 G		X	
7	901 361 413 00	balance stick-on weight 40 G		X		8	928 361 414 00	balance weight 50 G		X	
7	901 361 414 50	balance stick-on weight 45 G		X		8	928 361 426 00	balance weight 55 G		X	
7	901 361 414 00	balance stick-on weight 50 G		X		8	928 361 415 00	balance weight 60 G		X	
7	901 361 415 50	balance stick-on weight 55 G		X		8	928 361 416 00	balance weight 70 G		X	
7	901 361 415 00	balance stick-on weight 60 G		X		8	928 361 417 00	balance weight 80 G		X	
7	901 361 416 50	balance stick-on weight 65 G		X		9	928 361 420 01	retaining clip for balance weight		X	
7	901 361 416 00	balance stick-on weight 70 G		X		10	928 361 047 03	wheel nut lockable 1 set		1	
7	901 361 417 50	balance stick-on weight 75 G		X		11	928 361 306 03	wheel nut lockable without lock		4	

Model	Year	MG	SG	Illustration	Restrictions	UPD	14:15	25.02.2010	PORSCHE	PET	PORSCHE
9442	1988	6	01	601-01		248					

Pos	Part Number	Description	Remark	Qty	Model	Pos	Part Number	Description	Remark	Qty	Model
12	928 361 310 00	cap		4							
-	928 361 312 01	blank key for wheel nut lockable		X							
		winter wheel									
-	928 362 114 20	alloy wheel 7 X 16 ET 65 cast		4	M758						
		emergency wheel									
13	944 362 030 01	emergency wheel steel wheel 5 1/2 X 15 with collapsible tire	-87	1							
13	944 362 030 01	emergency wheel steel wheel 5 1/2 X 15 with collapsible tire	88	1							
(13)	928 362 030 02	emergency wheel alloy wheel 5 1/2 X 15 with collapsible tire		1							
14	914 722 104 10	wing screw M 10 X 55		1							
15	477 813 157	washer		1							
(16)	911 652 052 00	small electric compressor		1							
17	911 722 201 02	tyre pressure gauge		1							

Model	Year	MG	SG	Illustration	Restrictions	UPD	14:15	25.02.2010	PORSCHE	PET	PORSCHE
9442	1988	6	02	602-00		248					

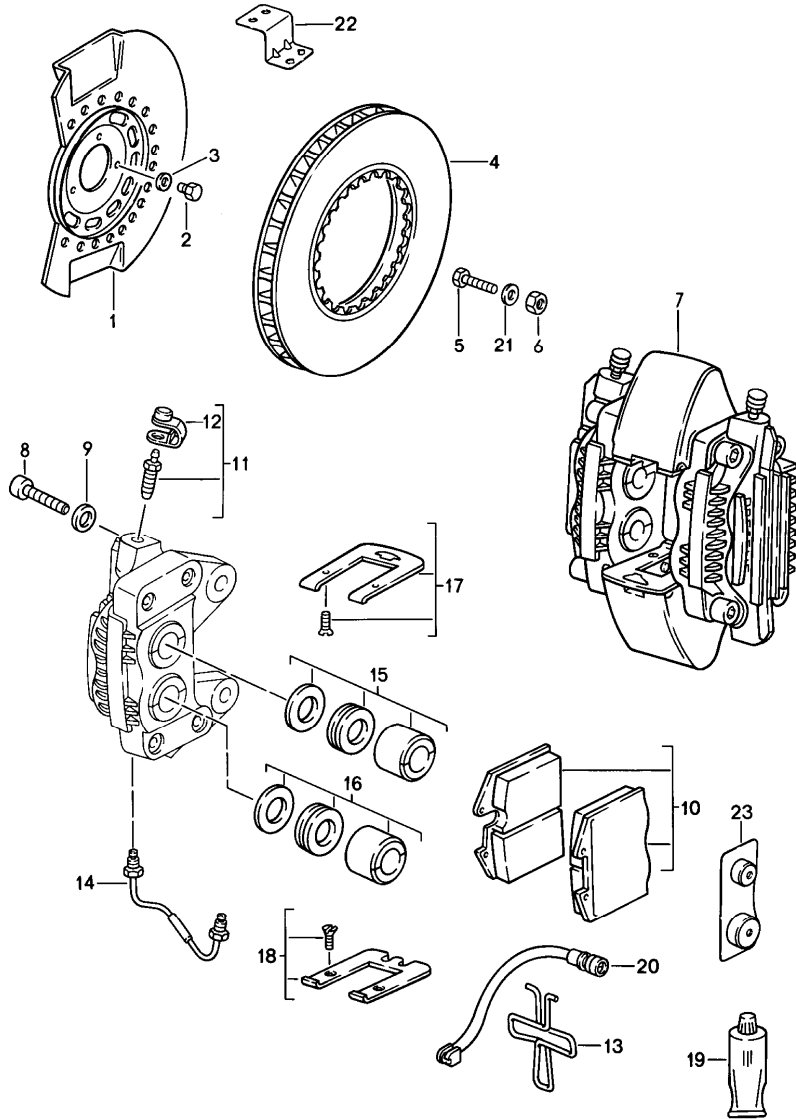
Pos	Part Number	Description	Remark	Qty	Model
		disc brake front axle			944, 944S
1	944 351 085 00	cover plate		2	
2	N 012 234 5	spring washer B 7		6	
3	N 010 226 2	hexagon-head bolt M 7 X 10		6	
4	477 405 083 A	brake disc	-86	2	
4	944 351 041 05	brake disc	87-	2	
5	900 075 079 02	hexagon-head bolt M 8 X 22		10	
6	N 012 241 1	spring washer B 8		10	
7	900 076 025 02	hexagon nut M 8		10	
8	944 351 429 00	floating calliper	/L	1	
8	944 351 430 00	floating calliper	/R	1	
9	900 028 014 02	spring washer B 12		4	
10	N 040 108 1	hexagon-head bolt M 12 X 1,5 X 40		4	
11	431 615 169	guide spring		2	
12	944 351 957 00	ventilation valve		2	
13	944 351 959 00	dust boot		2	
14	* 928 351 935 00	expanding spring		2	
15	* 928 351 936 00	retaining pin		4	
16	* 928 351 955 00	safety seal		2	
17	944 351 951 02	brake pad repair set without asbestos		1	
18	944 351 952 01	mounting parts		1	
19	* 928 351 941 00	gasket set		1	
20	944 612 211 02	warning contact	-86	2	
20	944 612 212 00	warning contact	87-	2	



Model	Year	MG	SG	Illustration	Restrictions	UPD	14:15	25.02.2010	PORSCHE	PET	PORSCHE
9442	1988	6	02	602-00		248					

Pos	Part Number	Description	Remark	Qty	Model	Pos	Part Number	Description	Remark	Qty	Model
21	000 043 117 00	brake cylinder paste 1 50-g tube		X							
-	944 341 705 00	cable holder		1							
-	944 612 635 00	clip		4							
-	944 612 557 00	support		2							

Model	Year	MG	SG	Illustration	Restrictions	UPD	14:15	25.02.2010	PORSCHE	PET	PORSCHE
9442	1988	6	02	602-01		248					

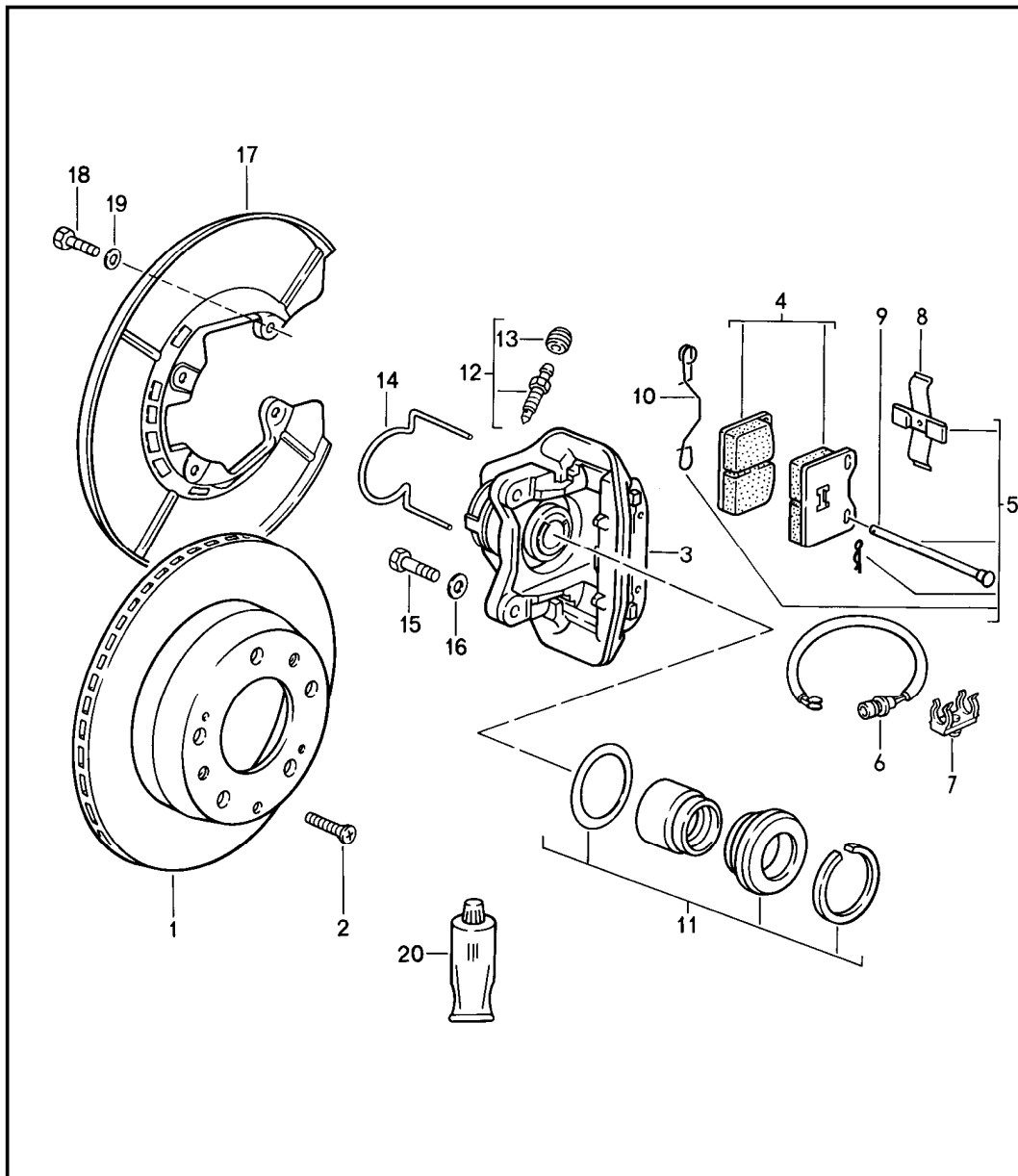


Pos	Part Number	Description	Remark	Qty	Model
		disc brake front axle			TURBO
		see technical information GR.4, NR.1/89 GR.4, NR.1/93			
1	951 351 805 00	cover plate	/L -86	1	
1	951 351 085 00	cover plate	/L 87-	1	
(1)	951 351 806 00	cover plate	/R -86	1	
1	951 351 086 00	cover plate for M 030/758 it is necessary to rework	/R 87-	1	
2	N 010 226 2	hexagon-head bolt M 7 X 10		6	
3	N 012 234 5	spring washer		6	
4	951 351 041 00	brake disc	-86	2	
4 A	951 351 041 02	brake disc	87-	2	
4	951 351 041 02	brake disc	87-	2	
(4)	928 351 043 60	brake disc	/L	1	M758
(4)	928 351 044 60	brake disc	/R	1	M758
5	N 010 242 12	hexagon-head bolt M 8 X 22		10	
6	N 022 146 1	lock nut		10	
7	951 351 421 00	fixed calliper piston \$ 36/38 see technical information GR.4 NR.2/86	/L -86	1	
7	951 351 421 01	fixed calliper piston \$ 36/40	/L 87-	1	
(7)	951 351 422 00	fixed calliper piston \$ 36/38 see technical information GR.4 NR.2/86	/R -86	1	
(7)	951 351 422 01	fixed calliper piston \$ 36/40	/R 87-	1	

Model	Year	MG	SG	Illustration	Restrictions	UPD	14:15	25.02.2010	PORSCHE	PET	PORSCHE
9442	1988	6	02	602-01		248					

Pos	Part Number	Description	Remark	Qty	Model	Pos	Part Number	Description	Remark	Qty	Model
7	951 351 093 00	fixed calliper piston \$ 36/44	/L	1	M758	15	928 351 919 01	gasket set 44 \$		2	M758
7	951 351 094 00	fixed calliper piston \$ 36/44	/R	1	M758	16	951 351 919 01	gasket set 36 \$		2	
8	N 010 137 2	hexagon-head bolt M 12 X 1,5 X 35		4		17	964 351 959 01	repair kit spring plate		2	
8	900 067 154 02	pan-head screw M 12 X 1,5 X 70		4	M758	17	993 351 959 01	repair kit spring plate		2	M758
9	900 028 014 02	spring washer B 12		4		18	964 351 959 00	repair kit spring plate		2	
9	N 011 564 2	washer B 13		4	M758	18	993 351 959 00	repair kit spring plate		2	M758
10	964 351 939 03	brake pad repair set without asbestos use also:		1		19	000 043 020 00	optimoly 1 100-gramme tube		X	
-	928 351 096 19	damping plate for piston \$ 36		4		19	000 043 117 00	brake cylinder paste 1 50-g tube		X	
-	951 351 096 00	damping plate for piston \$ 40		4		20	944 612 211 00	warning contact	-86	2	
10	993 351 939 01	brake pad repair set without asbestos use also: POS. (23)		1	M758	(20)	944 612 365 01	warning contact use also:	87-	2	
11	930 351 919 00	ventilation valve		4		-	928 612 361 00	cable holder	87-	2	
12	930 351 927 00	dust boot		4		21	N 012 241 11	spring washer		10	
13	951 352 950 00	expanding spring		2		22	951 341 705 00	cable holder		2	
13	928 351 950 01	expanding spring		2	M758	-	999 651 202 40	clip for POS.22		2	
14	951 351 971 00	connecting line		2		23	951 351 089 04	vibration damper		4	M758
14	928 351 971 00	connecting line		2	M758						
15	951 351 919 00	gasket set 38 \$		2					-86	2	
15	951 351 919 02	gasket set 40 \$		2					87-	2	

Model	Year	MG	SG	Illustration	Restrictions	UPD	14:15	25.02.2010	PORSCHE	PET	PORSCHE
9442	1988	6	03	603-00		248					

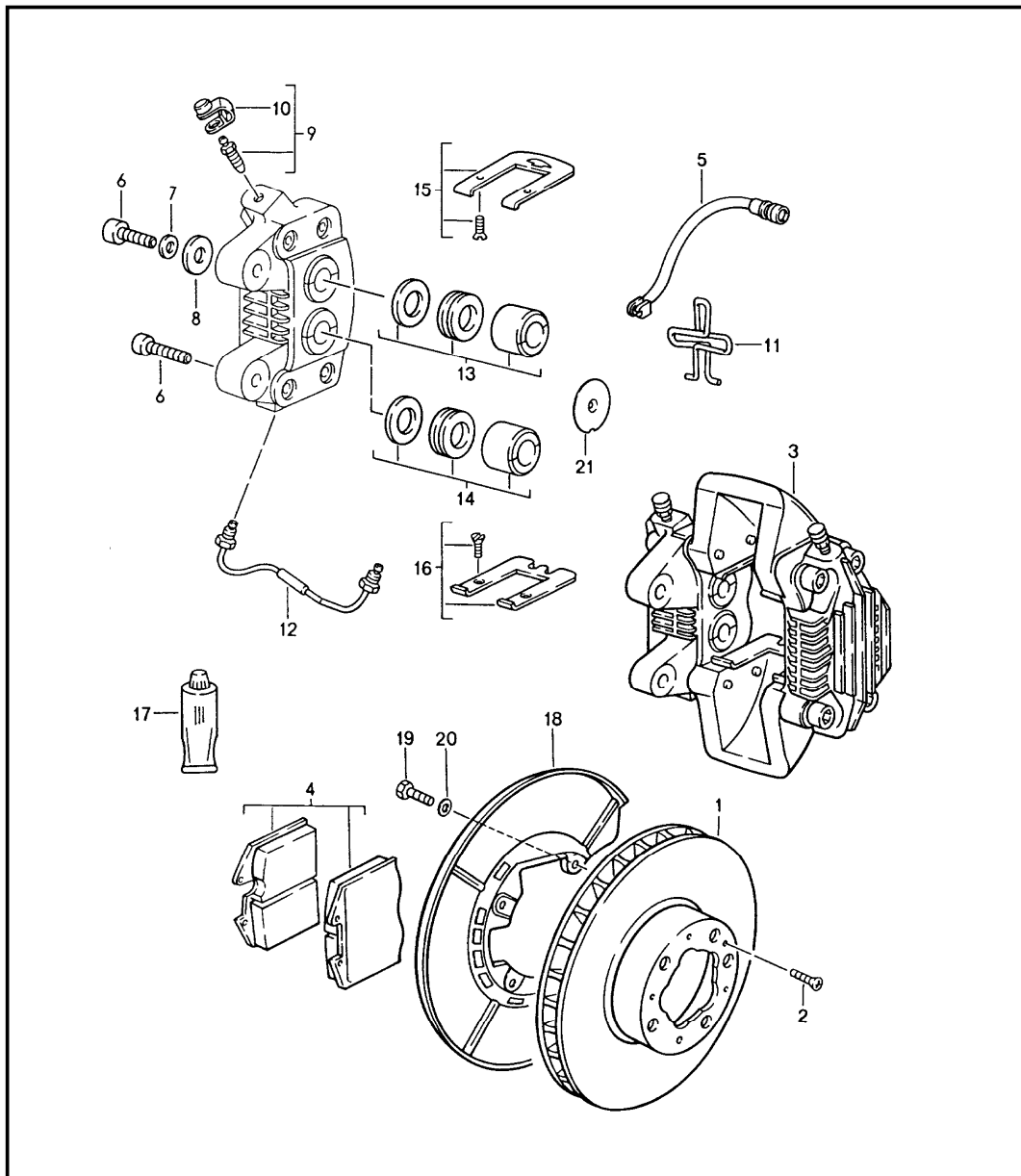


Pos	Part Number	Description	Remark	Qty	Model
		disc brake rear axle			944, 944S
1	944 352 041 02	brake disc	-86	2	
1	944 352 041 03	brake disc	87-	2	
2	N 033 167 1	countersunk-head screw M 6 X 12		2	
3	944 352 429 00	floating calliper without pad	/L	1	
3	944 352 430 00	floating calliper without pad	/R	1	
4	944 352 951 02	brake pad repair set without asbestos		1	
5	944 352 952 00	mounting parts		1	
6	944 612 211 01	warning contact	-86	2	
6	944 612 212 01	warning contact	87-	2	
7	999 651 203 40	cable holder		2	
8	* 928 352 935 00	expanding spring		2	
9	* 928 351 936 00	retaining pin		4	
10	944 352 963 00	safety seal		2	
11	* 928 352 941 00	gasket set		2	
12	901 352 977 10	bleeder valve		2	
13	901 351 927 10	dust boot		2	
14	944 352 954 00	guide spring	/R	1	
(14)	944 352 953 00	guide spring	/L	1	
15	900 082 077 02	hexagon-head bolt M 12 X 1,5 X 37		4	
16	N 012 232 1	spring washer		4	
17	964 352 801 00	protective plate		2	
18	999 072 005 09	hexagon-head bolt M 6 X 12		8	
19	N 012 226 5	spring washer B 8		8	

Model	Year	MG	SG	Illustration	Restrictions	UPD	14:15	25.02.2010	PORSCHE	PET	PORSCHE
9442	1988	6	03	603-00		248					

Pos	Part Number	Description	Remark	Qty	Model	Pos	Part Number	Description	Remark	Qty	Model
20	000 043 117 00	brake cylinder paste 1 50-g tube		X							

Model	Year	MG	SG	Illustration	Restrictions	UPD	14:15	25.02.2010	PORSCHE	PET	PORSCHE
9442	1988	6	03	603-01		248					

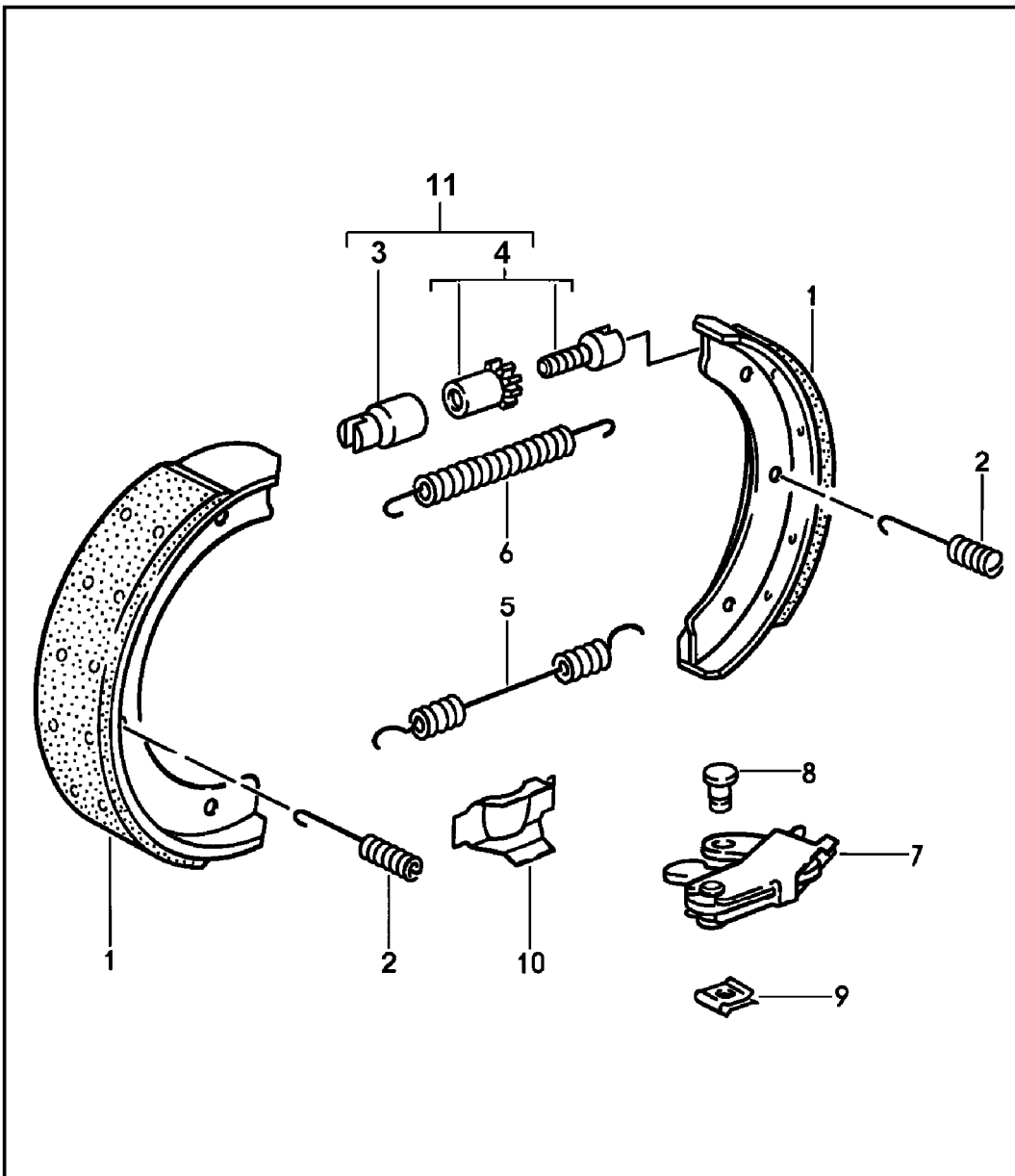


Pos	Part Number	Description	Remark	Qty	Model
		disc brake rear axle			TURBO
		see technical information GR.4, NR.1/89 GR.4, NR.1/93			
1	951 352 041 01	brake disc	-86	2	
1	951 352 041 02	brake disc	87-	2	
2	N 033 167 1	countersunk-head screw M 6 X 12		2	
3	951 352 421 00	fixed calliper	/L	1	
(3)	951 352 422 00	fixed calliper	/R	1	
4	964 351 939 03	brake pad repair set without asbestos use also: POS. (21)		1	
4	965 352 939 04	brake pad repair set without asbestos use also: POS. (21)		1	M758
5	944 612 211 01	warning contact	-86	2	
(5)	944 612 365 01	warning contact use also:	87-	2	
-	928 612 361 00	cable holder	87-	2	
6	N 040 108 1	hexagon-head bolt M 12 X 1,5 X 40		4	
7	N 012 232 1	spring washer B 12		4	
8	999 025 131 01	spacer		4	
9	930 351 919 00	ventilation valve		4	
10	930 351 927 00	dust boot		4	
11	951 352 950 00	expanding spring		2	
12	951 352 971 00	connecting line		2	
13	951 352 919 00	gasket set \$ 30		2	
14	951 352 919 01	repair kit \$ 28		2	

Model	Year	MG	SG	Illustration	Restrictions	UPD	14:15	25.02.2010	PORSCHE	PET	PORSCHE
9442	1988	6	03	603-01		248					

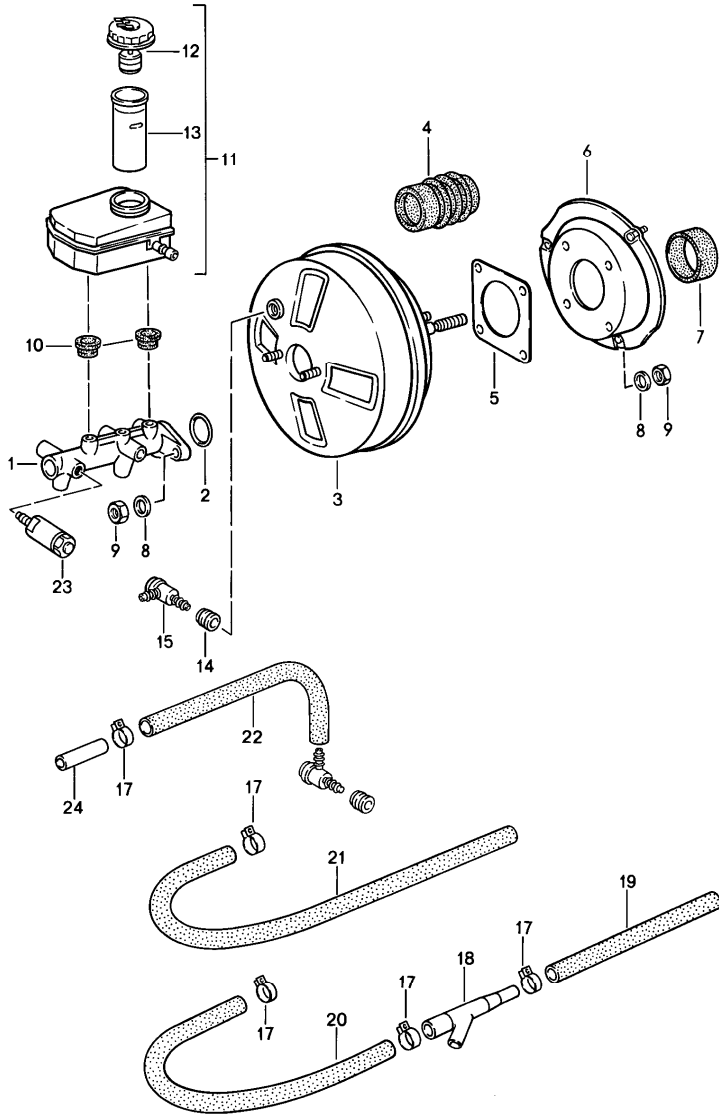
Pos	Part Number	Description	Remark	Qty	Model	Pos	Part Number	Description	Remark	Qty	Model
15	993 352 959 01	repair kit spring plate		2							
16	993 352 959 00	repair kit spring plate		2							
17	000 043 020 00	optimoly 1 100-gramme tube		X							
17	000 043 117 00	brake cylinder paste 1 50-g tube		X							
18	964 352 801 00	protective plate		2							
19	999 072 005 09	hexagon-head bolt M 6 X 12		8							
20	N 012 226 5	spring washer		8							
21	928 352 096 10	damping plate for piston \$ 30		4							
21	928 352 096 11	damping plate for piston \$ 28		4							

Model	Year	MG	SG	Illustration	Restrictions	UPD	14:16	25.02.2010	PORSCHE	PET	PORSCHE
9442	1988	6	03	603-04		248					



Pos	Part Number	Description	Remark	Qty	Model
		handbrake			
1	A 996 352 993 00	repair kit without asbestos		4	
(1)	997 352 993 02	repair kit 1 set only together with compression spring 996.352.741.00 adjusting screw 993.352.071.00		1	
2	928 352 957 02	compression spring		4	
(2)	996 352 741 00	compression spring only together with repair kit 997.352.993.02		4	
3	911 352 944 00	support bush		2	
4	911 352 098 00	adjusting screw		2	
5	A 951 352 454 00	return spring		2	
5	996 352 723 00	return spring		2	
6	901 352 932 10	return spring		2	
7	951 352 090 00	expanding bow		2	
8	477 609 459	bolt		2	
9	N 900 588 01	lock		2	
10	951 352 807 00	supporting plate		2	
11	993 352 071 00	adjusting screw only together with repair kit 997.352.993.02		2	

Model	Year	MG	SG	Illustration	Restrictions	UPD	14:16	25.02.2010	PORSCHE	PET	PORSCHE
9442	1988	6	04	604-00		248					

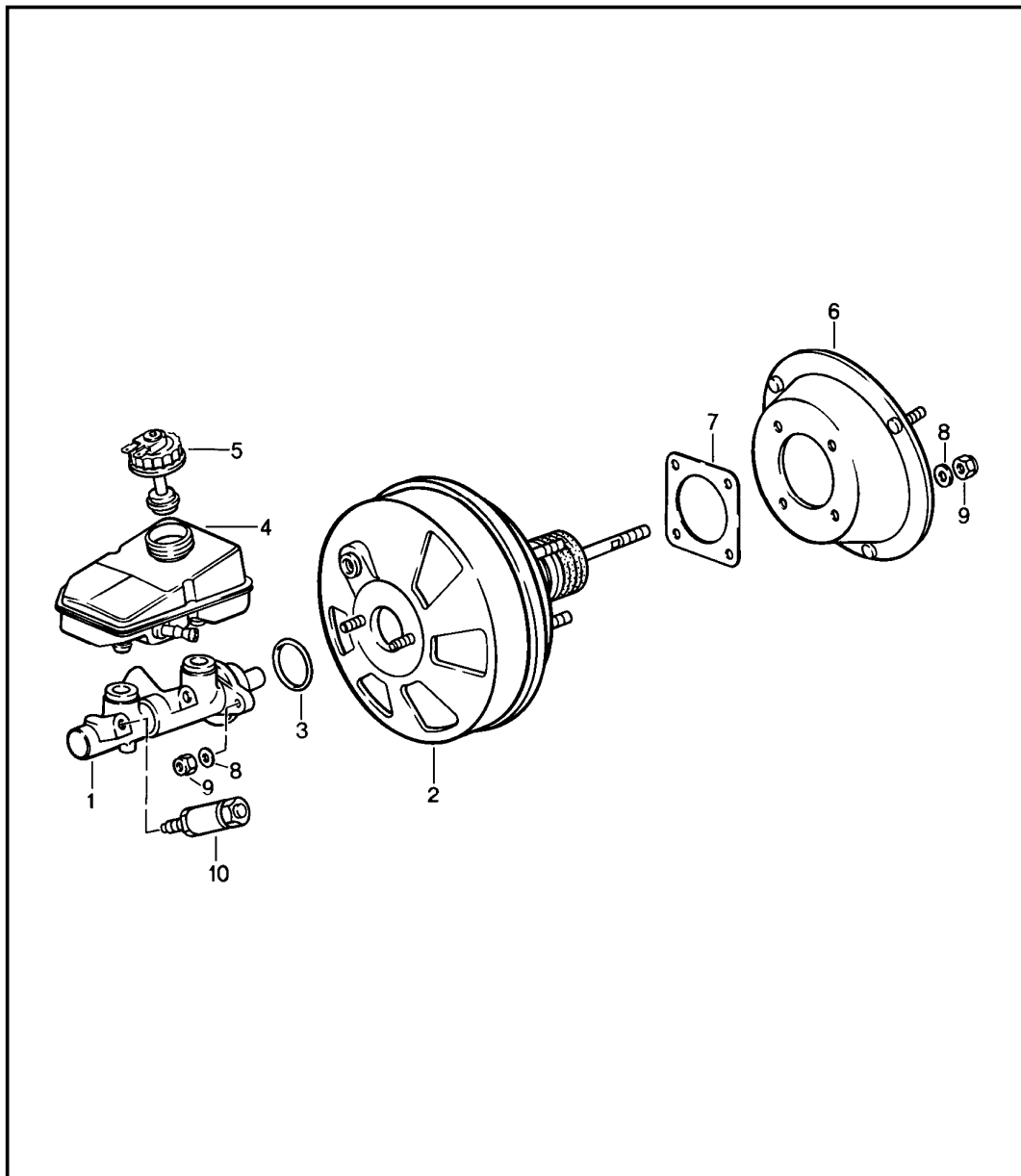


Pos	Part Number	Description	Remark	Qty	Model
		brake master cylinder brake booster expansion tank			
1	944 355 011 00	brake master cylinder - girling -	/LL	-86	1 944
1	944 355 011 01	brake master cylinder - ate -		-86	1 944, TURBO
1	944 355 011 10	brake master cylinder - girling -	/LL	87-	1 944,944S
1	951 355 011 01	brake master cylinder - ate -		87-	1 944,944S TURBO
2	251 611 243	brake light switch see group 9/06/00			
2	251 611 243	sealing ring			1
3	944 355 023 00	brake booster - girling -	/LL	-86	1 944
3	944 355 023 10	brake booster - girling -	/LL	87-	1 944,944S
3	944 355 023 11	brake booster - ate -			1 944,944S TURBO
4	944 355 323 00	bellows			1
5	477 611 951	gasket			1
6	951 355 021 01	intermediate piece			1
7	477 611 969 D	gasket			1
8	900 025 007 02	washer			9
9	900 076 025 02	hexagon nut M 8			9
10	911 355 922 00	sealing plug			2
11	A 951 355 303 02	expansion tank			1
11	951 355 303 02	expansion tank			1
12	951 355 351 00	lid with float			1
13	951 355 385 00	restrictor bush			1
14	911 355 921 00	rubber seal			1

Model	Year	MG	SG	Illustration	Restrictions	UPD	14:16	25.02.2010	PORSCHE	PET	PORSCHE
9442	1988	6	04	604-00		248					

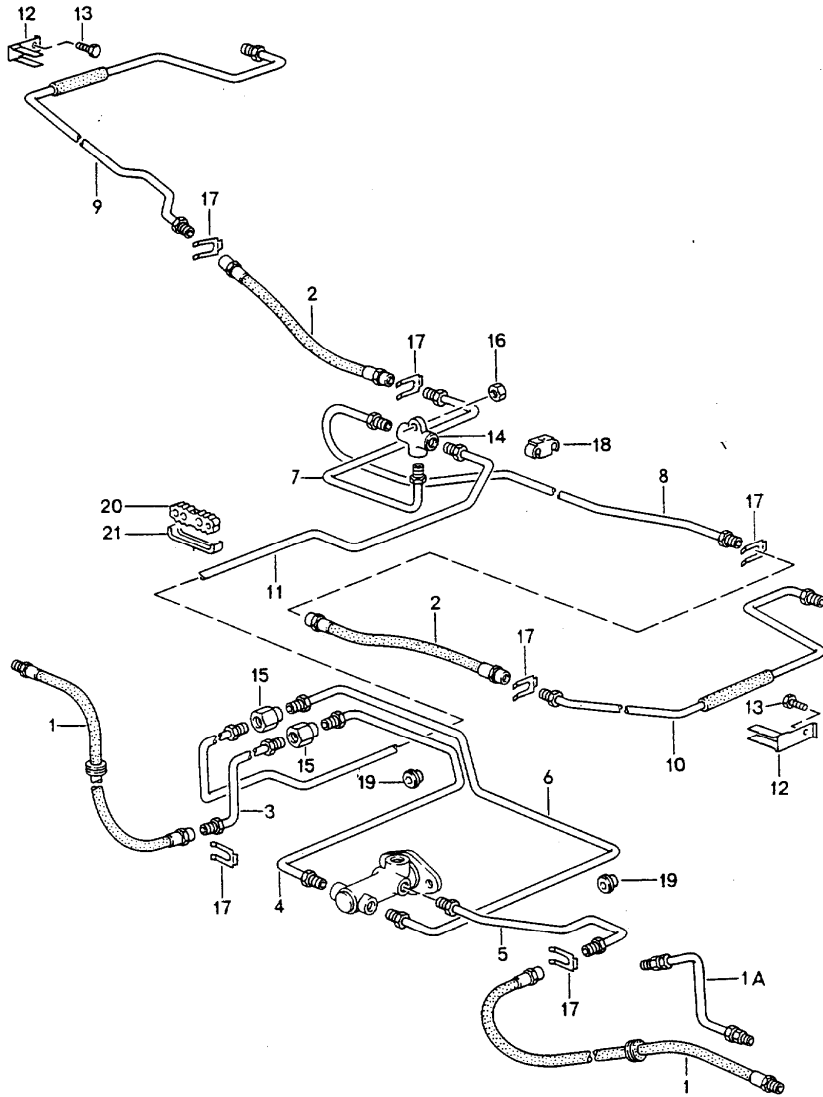
Pos	Part Number	Description	Remark	Qty	Model	Pos	Part Number	Description	Remark	Qty	Model
15	477 611 933 A	check valve		1							
15	191 611 933 F	check valve		1	TURBO						
17	999 512 346 00	hose clamp		3							
18	067 133 753 A	venturi tube		1							
-	999 239 011 40	hose 12 X 19		*							
19	-	140 MM		1	944/944S						
(19)	951 110 211 01	vacuum hose		1	TURBO						
20	944 110 219 00	moulded hose		1	944						
20	944 110 219 01	moulded hose		1	944 AUT.						
(20)	944 110 231 00	moulded hose		1	944 S						
(20)	951 110 213 00	moulded hose		1	TURBO						
21	944 110 219 00	moulded hose		1	944						
(21)	944 110 231 01	moulded hose		1	944 S						
(21)	951 110 223 01	moulded hose		1	TURBO						
-	321 611 813	t-socket		1	TURBO						
-	N 024 125 2	hose clamp		2	TURBO						
23	951 355 305 01	brake pressure regulator		1	TURBO						
23	928 355 305 02	brake pressure regulator		1	944S						
24	999 137 029 40	hose connection		1	TURBO						
-	951 355 023 02	heat shield		1	TURBO						
-	999 072 005 09	hexagon-head bolt M 6 X 12		3	TURBO						
-	900 076 010 02	hexagon nut M 6		3	TURBO						
-	N 011 547 1	washer A 6,5		6	TURBO						

Model	Year	MG	SG	Illustration	Restrictions	UPD	14:16	25.02.2010	PORSCHE	PET	PORSCHE
9442	1988	6	04	604-01		248					



Pos	Part Number	Description	Remark	Qty	Model
		brake master cylinder brake booster expansion tank -ABS-			M593
1	951 355 011 01	brake master cylinder - ate -		1	
2	944 355 023 11	brake booster - ate -		1	
3	251 611 243	sealing ring		1	
4 A	951 355 303 02	expansion tank		1	
4	951 355 303 02	expansion tank		1	
5	951 355 351 00	lid		1	
6	951 355 021 01	intermediate piece		1	
7	477 611 951	gasket		1	
8	N 011 525 13	washer		4	
9	N 022 146 1	lock nut		4	
10	930 351 919 00	ventilation valve		1	

Model	Year	MG	SG	Illustration	Restrictions	UPD	14:16	25.02.2010	PORSCHE	PET	PORSCHE
9442	1988	6	04	604-05		248					

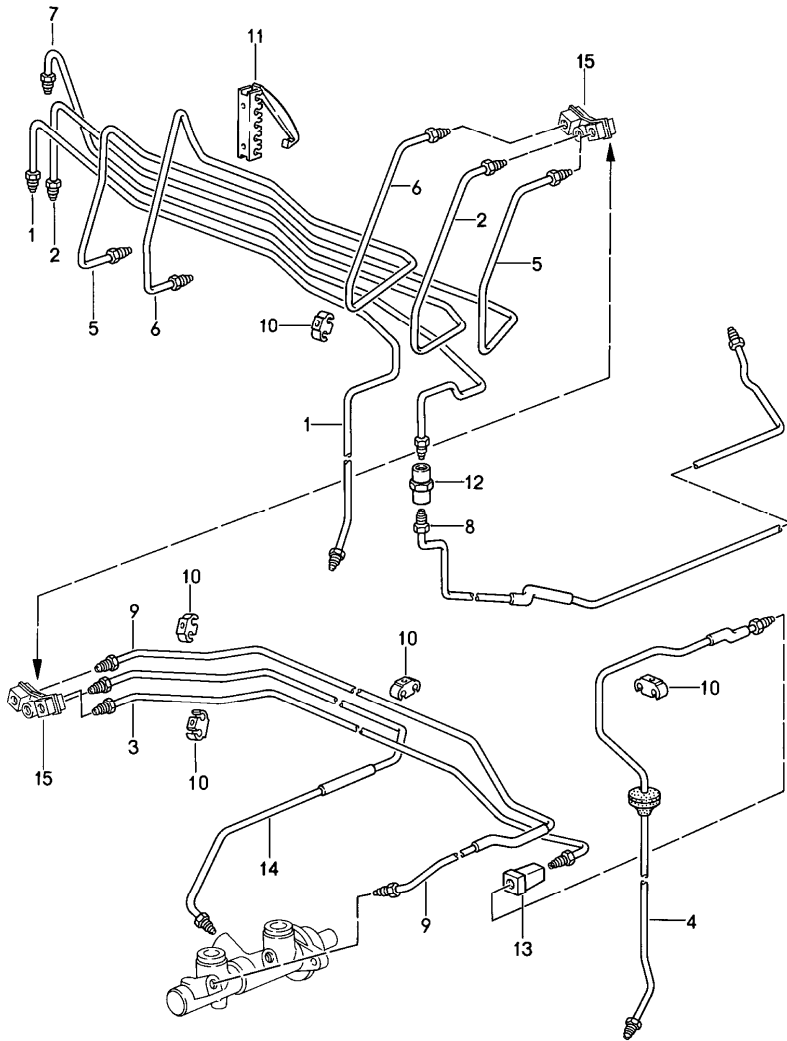


Pos	Part Number	Description	Remark	Qty	Model
		brake lines			
1	477 611 071 B	brake hose	/V	-86	2
(1)	951 355 079 00	brake hose	/V	-86	2 TURBO
1	944 355 079 01	brake hose	/V	87-	2
1	951 355 079 31	brake hose	/V	87-	2 M758
1A	951 355 041 30	brake line	/L	87-	1 M758
1A	951 355 042 30	brake line	/R	87-	1 M758
2	944 355 081 01	brake hose	/H		2
3	951 355 032 01	brake line	/R	-86	1
3	951 355 032 10	brake line	/R	87-	1
4	951 355 031 03	brake line	/R	-86	1
4	951 355 031 15	brake line	/R	87-	1
5	951 355 029 10	brake line	/L		1
6	944 355 034 01	brake line		-86	1
(6)	951 355 033 03	brake line		-86	1 TURBO
6	951 355 033 10	brake line		87-	1 944 S, TURBO
6	944 355 034 10	brake line		87-	1 944.
7 A	951 355 062 03	brake line	/R		1
7	951 355 062 03	brake line	/R		1
8	951 355 061 02	brake line	/L		1
9	944 355 036 01	brake line	/R	-86	1
(9)	951 355 036 01	brake line	/R	-86	1 TURBO
9	951 355 036 02	brake line	/R	87-	1
10	944 355 035 01	brake line	/L	-86	1
(10)	951 355 035 01	brake line	/L	-86	1 TURBO
10	951 355 035 02	brake line	/L	87-	1
11	951 355 037 02	brake line			1
12	477 611 783	support			2
13	N 010 210 13	hexagon-head bolt			2

Model	Year	MG	SG	Illustration	Restrictions	UPD	14:16	25.02.2010	PORSCHE	PET	PORSCHE
9442	1988	6	04	604-05		248					

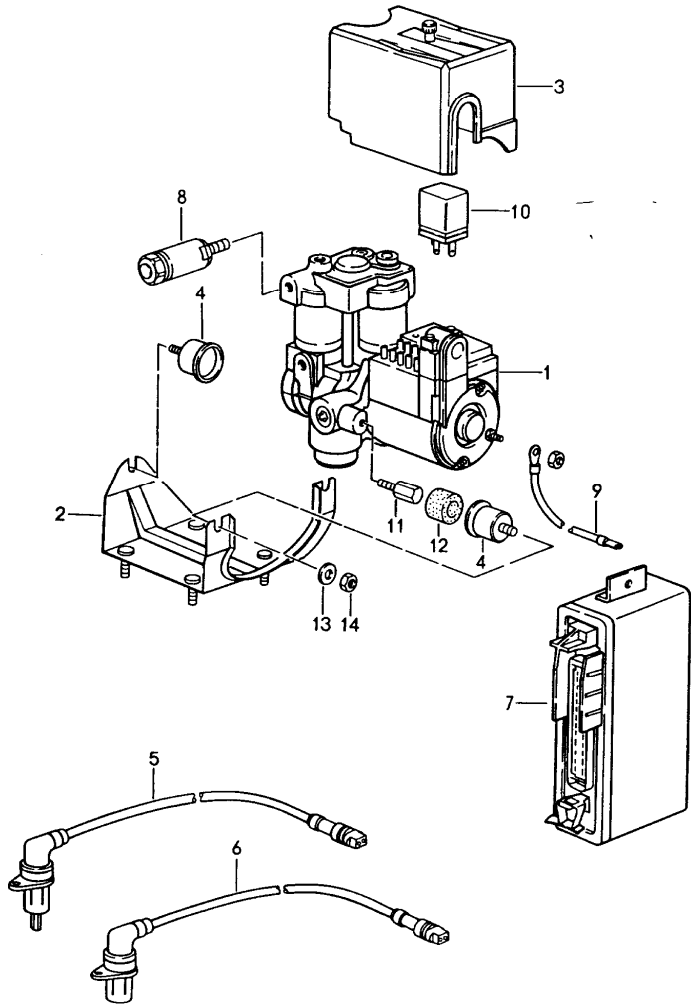
Pos	Part Number	Description	Remark	Qty	Model	Pos	Part Number	Description	Remark	Qty	Model
14	914 355 667 00	distributor		1							
15	951 355 661 00	intermediate piece	-86	2							
(15)	944 355 083 02	intermediate piece	87-	1							
16	N 011 116 5	hexagon nut		1							
17	113 611 715 A	brake hose bracket		6							
18	811 611 797	clip		12							
19	951 355 755 00	rubber sleeve		4							
20	999 591 975 40	rubber mounting		8							
21	999 511 199 40	clamp		8							

Model	Year	MG	SG	Illustration	Restrictions	UPD	14:16	25.02.2010	PORSCHE	PET	PORSCHE
9442	1988	6	05	605-00		248					



Pos	Part Number	Description	Remark	Qty	Model
		brake lines -ABS-			M593
1	944 355 045 10	brake line	/R	1	
2	944 355 047 15	brake line	/L	1	
3	944 355 049 00	brake line	/L	1	
4	944 355 051 01	brake line	/L 87-	1	
5	944 355 073 10	brake line	/V	1	
6	944 355 055 10	brake line	/H	1	
7	944 355 061 00	brake line	/H	1	944/944S
7	944 355 069 00	brake line	/H	1	TURBO
8	951 355 059 01	brake line	/H 87-	1	
9	944 355 034 10	brake line		1	
10	811 611 797	clip		6	
11	928 355 637 01	support		1	
12	914 355 661 00	intermediate piece		1	
13	944 355 665 00	intermediate piece		1	
14	951 355 031 15	brake line		1	
15	944 355 083 03	intermediate piece		1	

Model	Year	MG	SG	Illustration	Restrictions	UPD	14:17	25.02.2010	PORSCHE	PET	PORSCHE
9442	1988	6	05	605-02		248					



Pos	Part Number	Description	Remark	Qty	Model
		hydraulic unit -ABS-			M593
1	951 355 913 00	hydraulic unit		1	
2	944 355 063 00	support		1	
3	928 355 960 00	cap F >>94JN4 00603 F >>95JN1 00621 F >>94JN4 21057		1	
3	928 355 960 01	cap F 94JN4 00604>> F 95JN1 00622>> F 94JN4 21058>>		1	
4	944 355 631 00	bearing sleeve		3	
4A	437 614 177	rubber buffer		3	
5	928 606 404 02	speed sensor	/V	2	
6	944 606 401 02	speed sensor	/H	2	
7	> 928 618 118 00	control unit		1	
8	928 355 305 02	brake pressure regulator		1	944
8	951 355 305 01	brake pressure regulator		1	944S/TURBO
9	928 612 189 01	ground strap		1	
10	928 618 931 00	relay for valve F >>94JN4 00603 F >>95JN1 00621 F >>94JN4 21057		1	
10	928 618 931 01	relay for valve F 94JN4 00604>> F 95JN1 00622>> F 94JN4 21058>>		1	
10	928 618 930 00	relay for engine F >>94JN4 00603 F >>95JN1 00621 F >>94JN4 21057		1	

Model	Year	MG	SG	Illustration	Restrictions	UPD	14:17	25.02.2010	PORSCHE	PET	PORSCHE
9442	1988	6	05	605-02		248					

Pos	Part Number	Description	Remark	Qty	Model	Pos	Part Number	Description	Remark	Qty	Model
10	928 618 930 01	relay for engine F 94JN4 00604>> F 95JN1 00622>> F 94JN4 21058>>		1							
11	944 355 667 00	bolt M 6		3							
12	437 614 177	rubber buffer		3							
13	N 011 666 7	washer B 6,4		3							
14	N 011 062 3	cap nut M 6		3							

Model	Year	MG	SG	Illustration	Restrictions	UPD	14:17	25.02.2010
9442	1988	6	98	698-00R		248		

Pos	Part Number	Description	Remark	Qty	Model
		repair kits			
>>	>>944 351 951 02	brake pad repair set without asbestos comprising: brake pad	/V	1	944/944S
				4	
>>	>>944 351 952 01	mounting parts for brake pad repair set comprising:	/V	1	944/944S
-	928 351 935 00	expanding spring		2	
-	928 351 936 00	retaining pin		4	
-	928 351 955 00	safety seal		2	
>>	>>964 351 939 03	brake pad repair set without asbestos comprising: brake pad use also:	/V	1	TURBO
			87-	4	
-	928 351 096 19	damping plate for piston \$ 36	/V	4	TURBO
-	951 351 096 00	damping plate for piston \$ 40	/V	4	TURBO
>>	>>993 351 939 01	brake pad repair set	/V	1	TURBO M758
		without asbestos comprising: brake pad use also:		4	
-	951 351 089 04	vibration damper	/V	4	TURBO M758
>>	>>928 351 941 00	gasket set for floating calliper comprising: gasket protection cap circlip	/V	2	944/944S
				1	
				1	
				1	

Model	Year	MG	SG	Illustration	Restrictions	UPD	14:17	25.02.2010
9442	1988	6	98	698-00R		248		

Pos	Part Number	Description	Remark	Qty	Model
>>	>>951 351 919 01	gasket set for fixed calliper comprising: piston \$ 36 MM sealing ring scraper ring	/V	2	TURBO
				1	
				1	
				1	
>>	>>951 351 919 00	gasket set for fixed calliper comprising: piston \$ 38 MM sealing ring scraper ring	/V -86	2	TURBO
				1	
				1	
				1	
>>	>>951 351 919 02	gasket set for fixed calliper comprising: piston \$ 40 MM sealing ring scraper ring	/V 87-	2	TURBO
				1	
				1	
				1	
>>	>>928 351 919 01	repair kit for fixed calliper comprising: piston \$ 44 MM sealing ring scraper ring	/V	2	TURBO M758
				1	
				1	
				1	
>>	>>964 351 959 00	repair kit comprising: spring plate countersunk-head screw	/V	2	TURBO
				1	
				2	
>>	>>964 351 959 01	repair kit comprising: spring plate countersunk-head screw	/V	2	TURBO
				1	
				2	
>>	>>993 351 959 00	repair kit comprising: spring plate countersunk-head screw	/V	2	TURBO M758
				1	
				2	
>>	>>993 351 959 01	repair kit comprising: spring plate countersunk-head screw	/V	2	TURBO M758
				1	
				2	

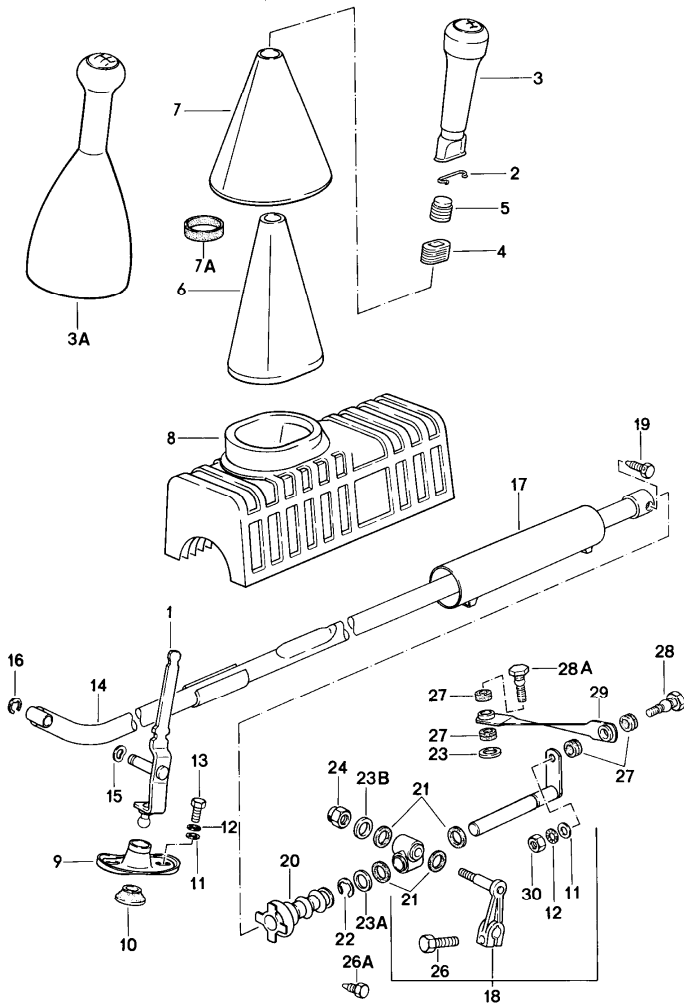
Model	Year	MG	SG	Illustration	Restrictions	UPD	14:17	25.02.2010
9442	1988	6	98	698-00R		248		

Pos	Part Number	Description	Remark	Qty	Model
>>	>>944 352 951 02	brake pad repair set without asbestos	/H	1	944/944S
>>	>>944 352 952 00	mounting parts for brake pad repair set comprising: expanding spring retaining pin retaining spring safety seal	/H	1 2 4 2 4	944/944S
>>	>>965 352 939 04	brake pad repair set without asbestos comprising: brake pad	/H	1 4	TURBO M758
>>	>>964 351 939 03	brake pad repair set without asbestos comprising: brake pad use also:	/H	1 4	TURBO
-	928 352 096 10	damping plate for piston \$ 30	/H	4	TURBO
-	928 352 096 11	damping plate for piston \$ 28	/H	4	TURBO
>>	>>928 352 941 00	gasket set for floating calliper comprising: gasket protection cap circlip slide	/H	2 1 1 1 2	944/944S
>>	>>951 352 919 01	repair kit for fixed calliper comprising: piston \$ 28 MM sealing ring scraper ring	/H	2 1 1 1	TURBO
>>	>>951 352 919 00	gasket set for fixed calliper comprising: piston \$ 30 MM sealing ring scraper ring	/H	2 1 1 1	TURBO

Model	Year	MG	SG	Illustration	Restrictions	UPD	14:17	25.02.2010
9442	1988	6	98	698-00R		248		

Pos	Part Number	Description	Remark	Qty	Model
>>	>>993 352 959 00	repair kit comprising: spring plate countersunk-head screw	/H	2	TURBO
				1	
				2	
>>	>>993 352 959 01	repair kit comprising: spring plate countersunk-head screw	/H	2	TURBO
				1	
				2	
>>	>>944 355 011 00	brake master cylinder for brake master cylinder GIRLING	-86	1	944
>>	>>944 355 911 01	repair kit for brake master cylinder - ate -	-86	1	944 TURBO

Model	Year	MG	SG	Illustration	Restrictions	UPD	14:17	25.02.2010	PORSCHE	PET	PORSCHE
9442	1988	7	01	701-00		248					

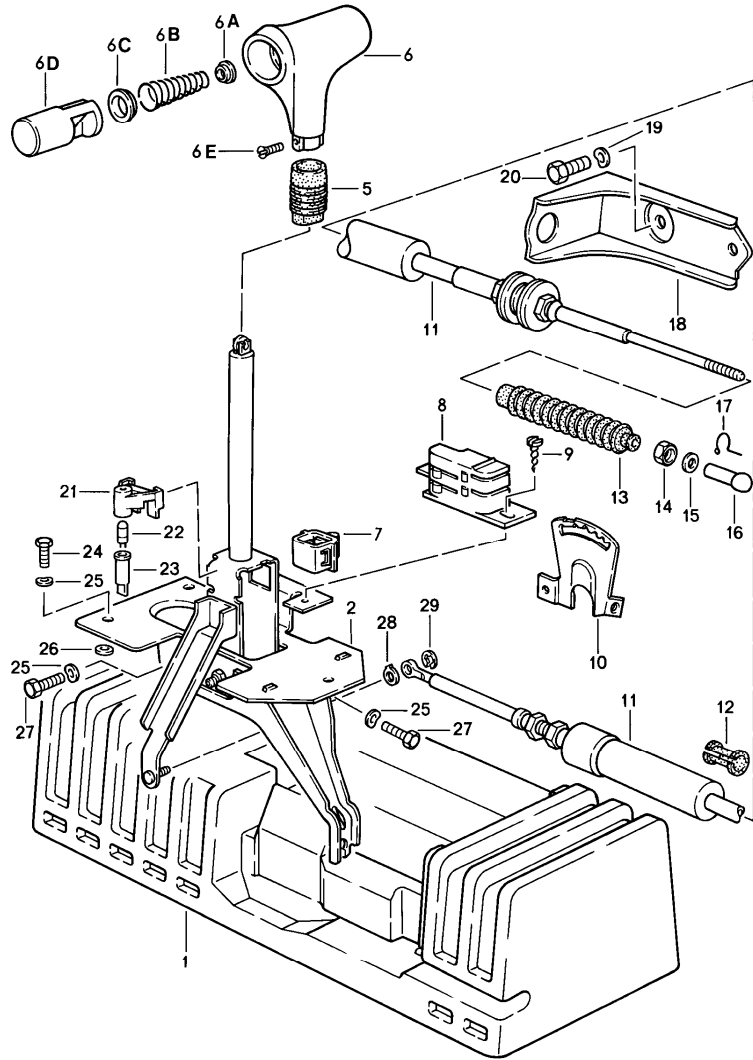


Pos	Part Number	Description	Remark	Qty	Model
		actuator for manual transmission			
1	477 711 205 D	gearshift lever		1	
2	477 711 269	retainer spring		1	
3	477 711 289 A	gearshift knob leatherette		1	
		01C black			
		89S brown			
		9MM burgundy			
3A	944 424 075 00	gearshift knob with boot leather		1	M018/416 M431
		1AJ black			
		4RB brown			
		7LD burgundy			
4	477 711 219	vibration damper		1	
(4)	931 424 111 00	vibration damper		1	M018/416 M431
5	477 711 217	vibration damper		1	
(5)	931 424 110 00	vibration damper		1	M018/416 M431
6	477 711 270 B	inner sleeve		1	
7	944 424 023 00	boot		1	
		05T black			
		4RB brown			
		3MX burgundy			
7A	477 711 257	rubber ring		1	
8	477 711 239	sound absorber		1	
9	944 424 229 00	bearing bracket		1	
10	944 424 231 01	bearing shell		1	

Model	Year	MG	SG	Illustration	Restrictions	UPD	14:17	25.02.2010	PORSCHE	PET	PORSCHE
9442	1988	7	01	701-00		248					

Pos	Part Number	Description	Remark	Qty	Model	Pos	Part Number	Description	Remark	Qty	Model
11	N 011 525 13	washer A 8,4		3							
12	N 012 108 2	serrated lock washer 8,4		3							
13	N 010 237 6	hexagon-head bolt M 8 X 12		2							
14	944 424 019 00	gear shift rod		1							
15	900 028 005 02	spring washer A 10		1							
16	N 012 437 1	lock washer		1							
17	477 711 285	protective tube		1							
18	944 424 013 02	intermediate shift lever		1							
19	823 711 833	hexagon-head bolt		1							
20	477 711 159 B	bellows		1							
21	477 711 149	sealing ring		4							
22	N 012 415 1	circlip 15 X 1		1							
23	999 025 096 02	washer		2							
23A	477 711 139 A	washer		1							
23B	477 711 139	washer		1							
24	900 910 003 02	lock nut M 8 VM 8		2							
25	N 012 241 11	spring washer B 8 X 15		2							
26	443 711 189 A	hexagon-head bolt		1							
26A	443 711 189 A	hexagon-head bolt		1							
27	477 711 155 A	sealing ring		4							
28	944 424 147 00	ball pin		1							
28A	477 711 147 A	ball pin		1							
29	944 424 141 00	joint rod		1							

Model	Year	MG	SG	Illustration	Restrictions	UPD	14:17	25.02.2010	PORSCHE	PET	PORSCHE
9442	1988	7	01	701-05		248					

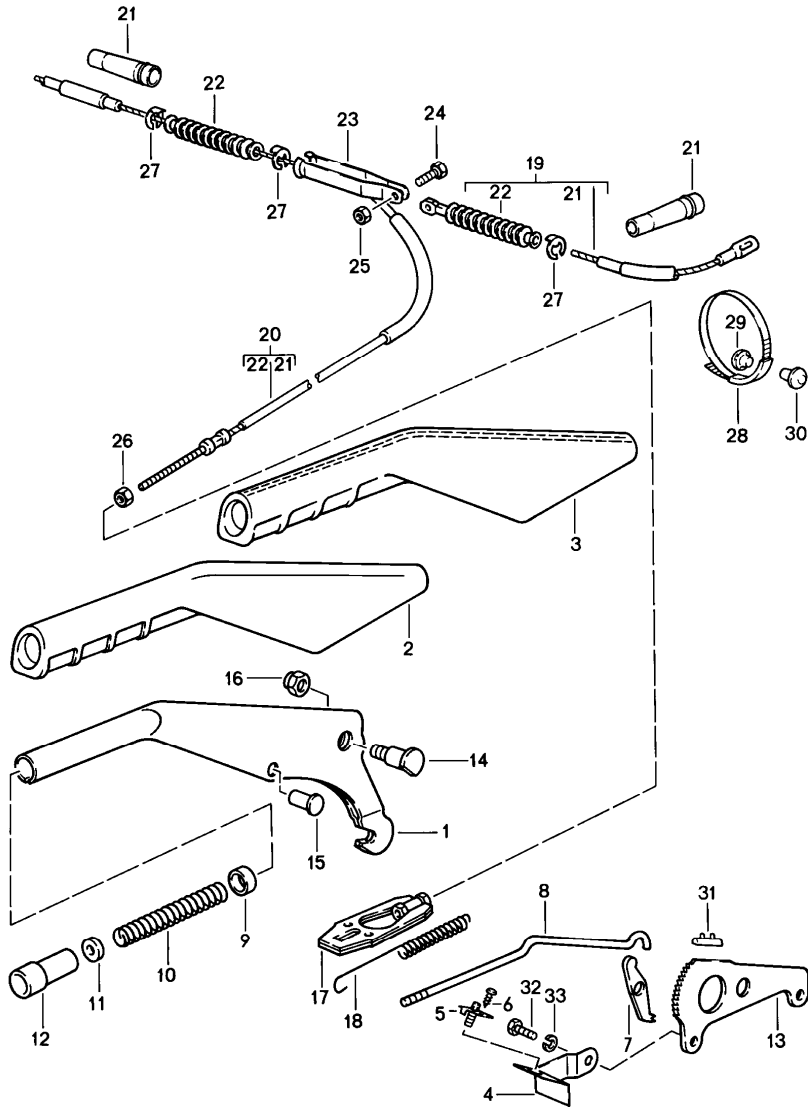


Pos	Part Number	Description	Remark	Qty	Model
		actuator for automatic transmission			
(1)	944 426 182 01	sound absorber use also:		1	
-	944 426 181 00	sound absorber		1	
2	944 426 025 01	gearshift bracket		1	
5	944 426 279 00	cover		1	
	01C	black			
	89S	brown			
6	928 426 075 00	selector knob	/LL	1	
	1AJ	black			
	4RB	brown			
	7LD	burgundy			
(6)	927 426 075 00	selector knob	/RL	1	
	1AJ	black			
	4RB	brown			
	7LD	burgundy			
6A	922 424 203 00	concave washer		1	
6B	922 424 176 03	compression spring		1	
6C	922 424 201 00	concave washer		1	
6D	928 426 174 01	key		1	
6E	N 033 165 1	countersunk-head screw M 4 X 8		2	
7	171 927 145 A	contacts		1	
8	311 927 147 B	support for contact		1	
-	944 612 061 01	switch for shift mechanism		1	
-	944 613 621 01	contact spring		1	
9	N 013 968 1	tapping screw B 4,8 X 13		2	

Model	Year	MG	SG	Illustration	Restrictions	UPD	14:17	25.02.2010	PORSCHE	PET	PORSCHE
9442	1988	7	01	701-05		248					

Pos	Part Number	Description	Remark	Qty	Model	Pos	Part Number	Description	Remark	Qty	Model
10	944 426 109 01	locking segment		1							
11	477 713 265 C	cable		1							
12	431 609 781	breather hose		2							
13	477 609 715	sealing sleeve		1							
14	N 011 005 14	hexagon nut M 5		1							
15	900 151 027 02	washer B 5,3		1							
16	911 423 147 00	ball socket		1							
17	900 169 014 02	securing clip		1							
18	477 713 281 A	retaining bracket		1							
19	N 012 038 1	lock ring B 8		2							
20	N 010 240 16	hexagon-head bolt M 8 X 20		2							
21	321 713 855 A	bulb holder		1							
22	900 631 132 90	bulb		1							
23	111 919 243	bulb socket		1							
24	N 010 217 9	hexagon-head bolt M 6 X 20		3							
25	N 012 226 5	spring washer B 6		5							
26	N 900 067 01	washer 6,4		3							
27	N 010 215 13	hexagon-head bolt M 6 X 15		2							
28	473 867 471	sealing ring		1							
29	N 012 325 1	lock washer		1							

Model	Year	MG	SG	Illustration	Restrictions	UPD	14:17	25.02.2010	PORSCHE	PET	PORSCHE
9442	1988	7	01	701-10		248					

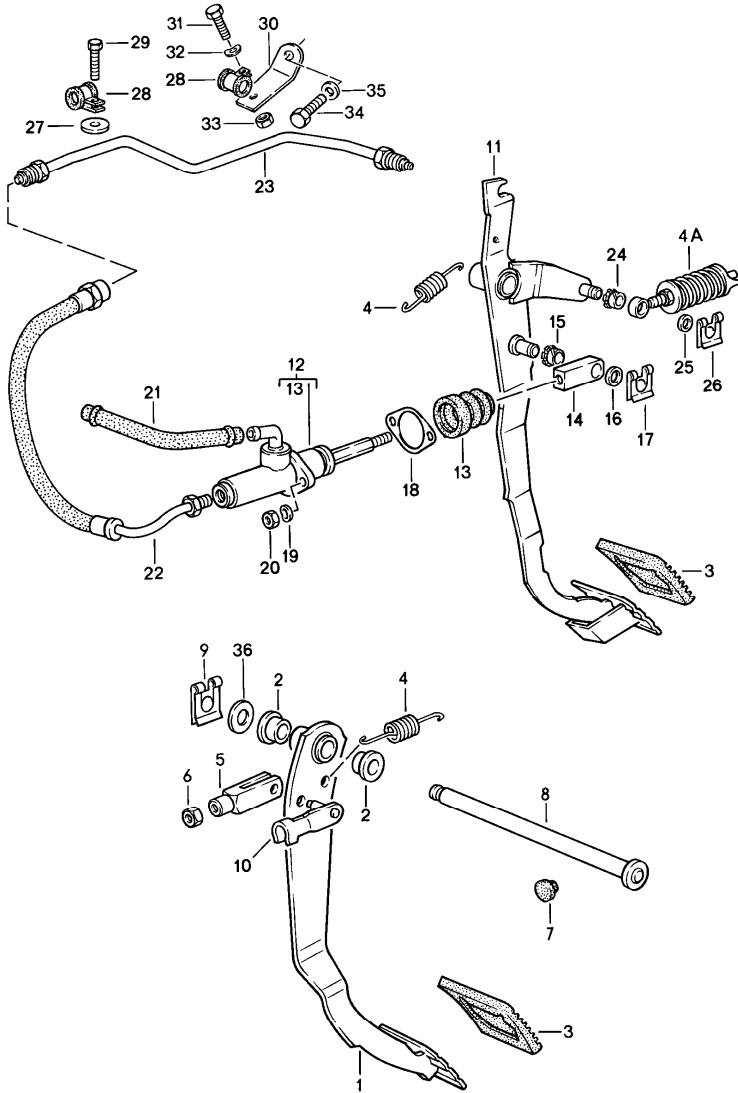


Pos	Part Number	Description	Remark	Qty	Model
1	928 424 253 14	parking-brake lever		1	
2	944 424 259 01	cover		1	
	1AJ	black			
	4RB	brown			
	7LD	burgundy			
3	944 424 049 00	parking-brake lever		1	TURBO
	1AJ	black			
4	944 424 535 00	support	/LL	1	
(4)	945 424 535 00	support	/RL	1	
5	968 613 601 00	contact switch		1	
6	N 013 957 5	tapping screw B 3,5 X 9,5		1	
7	928 424 508 00	pawl		1	
8	928 424 255 12	push rod		1	
9	914 424 258 00	guide sleeve		1	
10	901 424 543 00	compression spring		1	
11	901 424 593 01	rubber ring		1	
12	928 424 523 12	push button		1	
13	928 424 541 14	locking segment		1	
14	928 424 527 00	bearing pin		2	
15	900 120 040 02	rivet		1	
16	900 084 004 02	hexagon nut		1	
16	900 084 004 03	hexagon nut		1	
17	928 424 033 00	turnbuckle		1	
18	944 424 537 00	return spring		1	
19	951 424 071 02	parking-brake cable short		1	
20	951 424 072 02	parking-brake cable long		1	

Model	Year	MG	SG	Illustration	Restrictions	UPD	14:17	25.02.2010	PORSCHE	PET	PORSCHE
9442	1988	7	01	701-10		248					

Pos	Part Number	Description	Remark	Qty	Model	Pos	Part Number	Description	Remark	Qty	Model
21	477 609 723	guide tube		2							
22	477 609 715	sealing sleeve		2							
23	477 711 965	compensating bow		1							
24	N 010 217 4	hexagon-head bolt M 6 X 20		1							
25	900 910 012 02	lock nut M 6		1							
26	900 076 010 02	hexagon nut M 6		1							
27	N 012 328 1	lock 8		3							
28	477 711 979	retaining strap		2							
29	N 013 530 3	rivet		2							
30	N 013 510 1	compression rivet		2							
31	901 424 509 01	stop		1							
32	N 010 239 11	hexagon-head bolt M 8 X 8		1							
33	900 027 015 02	lock ring B 8		1							

Model	Year	MG	SG	Illustration	Restrictions	UPD	14:17	25.02.2010	PORSCHE	PET	PORSCHE
9442	1988	7	02	702-00		248					

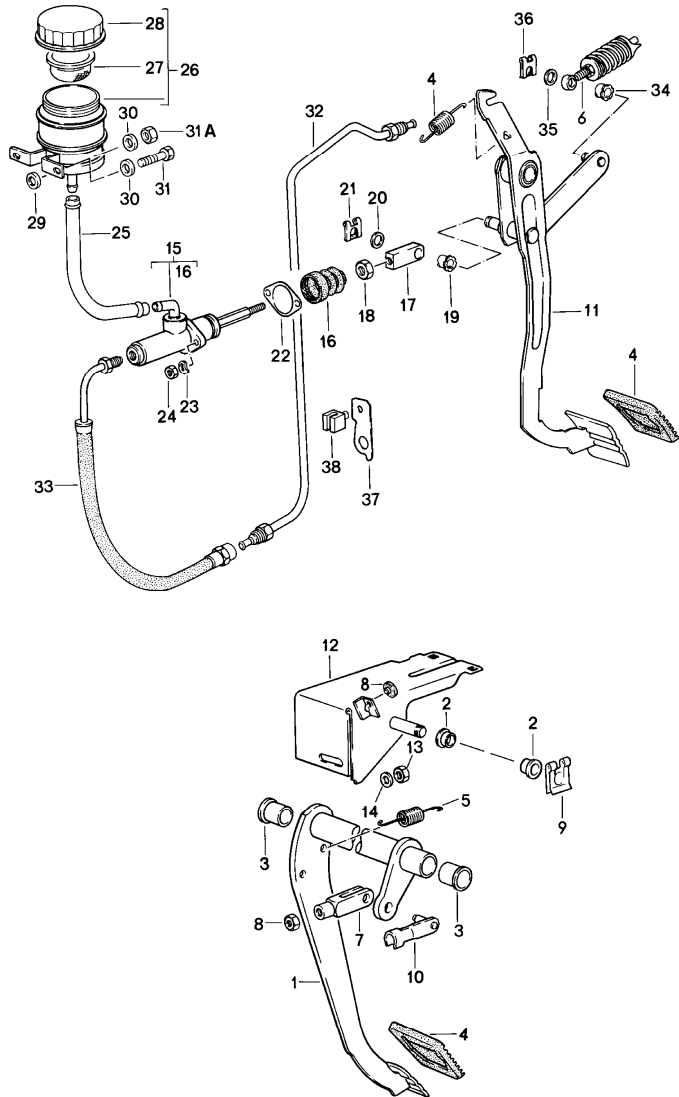


Pos	Part Number	Description	Remark	Qty	Model
		brake clutch pedals left-hand drive			
1	944 423 051 00	brake pedal	-86	1	
1	944 423 051 03	brake pedal	87-	1	
(1)	944 423 051 04	brake pedal		1	AUT.
2	443 721 153 A	bearing sleeve		2	
(2)	999 201 021 00	needle sleeve	86- 88	2	TURBO 944S
3	321 721 173	pedal cap		2	
(3)	827 723 173	cap		1	AUT.
4	321 721 191	return spring		2	
4A	477 721 353 A	clutch power spring		1	
4A	951 423 053 02	clutch power spring		1	TURBO
5	803 721 213	clevis	-86	1	
5	999 166 061 30	clevis	87-	1	
6	N 011 010 6	hexagon nut M 10		1	
7	999 703 183 40	buffer		1	
8	843 721 309	bolt 12 X 185 X 180		1	
(8)	N 023 151 2	bolt 12 X 144 X 139		1	AUT.
9	N 012 653 1	lock		1	
10	N 023 476 1	bolt 8 X 32		1	
11	944 423 937 01	clutch pedal		1	
11	951 423 037 00	clutch pedal		1	TURBO
12	477 721 171	clutch master cylinder		1	
13	928 423 908 00	bellows		1	
14	928 423 517 00	clevis		1	
15	999 924 002 40	plain bearing		1	

Model	Year	MG	SG	Illustration	Restrictions	UPD	14:17	25.02.2010	PORSCHE	PET	PORSCHE
9442	1988	7	02	702-00		248					

Pos	Part Number	Description	Remark	Qty	Model	Pos	Part Number	Description	Remark	Qty	Model
16	900 025 008 09	washer A 10,5		1							
17	999 166 034 02	sl-lock		1							
18	928 423 191 00	gasket		1							
19	900 027 015 02	lock ring B 8		2							
20	900 076 025 02	hexagon nut M 8		3							
21	999 181 021 50	hose 12,5 X 7,5 220 MM		*							
22	951 423 189 01	clutch hose		1	944/TURBO						
22	477 721 189 A	clutch hose		1	944S						
23	951 423 091 11	clutch pipeline		1	944/TURBO						
23	944 423 091 00	clutch pipeline		1	944S						
24	999 924 001 40	bush		1							
25	N 011 525 13	washer A 8,4		1							
26	N 900 470 01	lock washer		1							
27	N 900 067 01	washer 6,4		1							
28	N 020 680 1	clamp		1							
29	N 010 264 4	hexagon-head bolt M 6 X 20		1							
30	944 423 193 01	support		1							
31	N 010 207 6	hexagon-head bolt M 5 X 12		1							
32	N 012 225 2	spring washer B 5		1							
33	N 011 005 14	hexagon nut M 5		1							
34	N 010 239 11	hexagon-head bolt M 8 X 18		1							
35	900 025 007 02	washer		1							
36	311 955 255	washer		1							

Model	Year	MG	SG	Illustration	Restrictions	UPD	14:18	25.02.2010	PORSCHE	PET	PORSCHE
9442	1988	7	02	702-05		248					

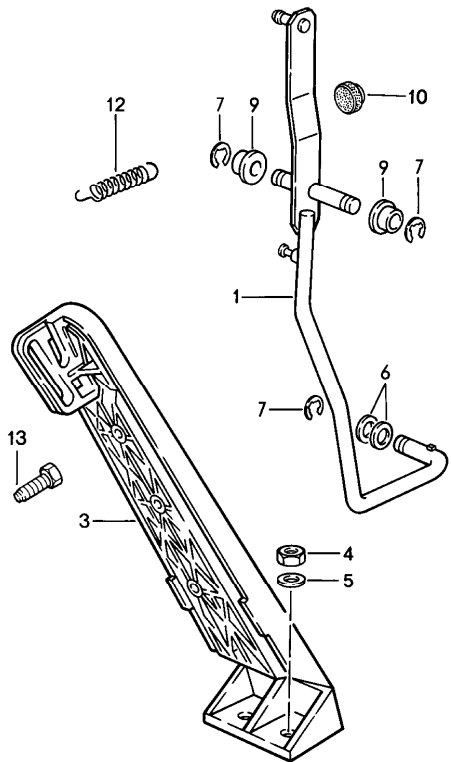
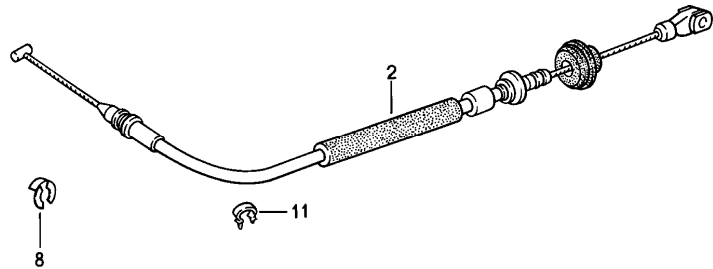


Pos	Part Number	Description	Remark	Qty	Model
		brake clutch pedals right-hand drive			
1	945 423 051 00	brake pedal		1	
(1)	478 723 141	brake pedal		1	AUT.
2	443 721 153 A	bearing sleeve		2	
3	478 721 153	bearing sleeve		2	
4	321 721 173	pedal cap		2	
(4)	827 723 173	cap		1	AUT.
5	321 721 191	return spring		2	
6	477 721 353 A	clutch power spring		1	
7	803 721 213	clevis		1	
8	N 011 010 6	hexagon nut M 10		1	
9	N 012 653 1	lock		1	
10	N 023 476 1	bolt 8 X 32		1	
11	478 721 315 A	clutch pedal		1	
12	478 721 113 A	bracket		1	
13	900 076 025 02	hexagon nut M 8		3	
14	N 012 229 3	spring washer A 8		3	
15	478 721 171	clutch master cylinder		1	
16	928 423 908 00	bellows		1	
17	478 721 179	intermediate piece		1	
18	N 011 118 14	hexagon nut BM 8		1	
19	999 924 002 40	plain bearing		1	
20	900 025 008 09	washer A 10,5		1	
21	999 166 034 02	sl-lock		1	

Model	Year	MG	SG	Illustration	Restrictions	UPD	14:18	25.02.2010	PORSCHE	PET	PORSCHE
9442	1988	7	02	702-05		248					

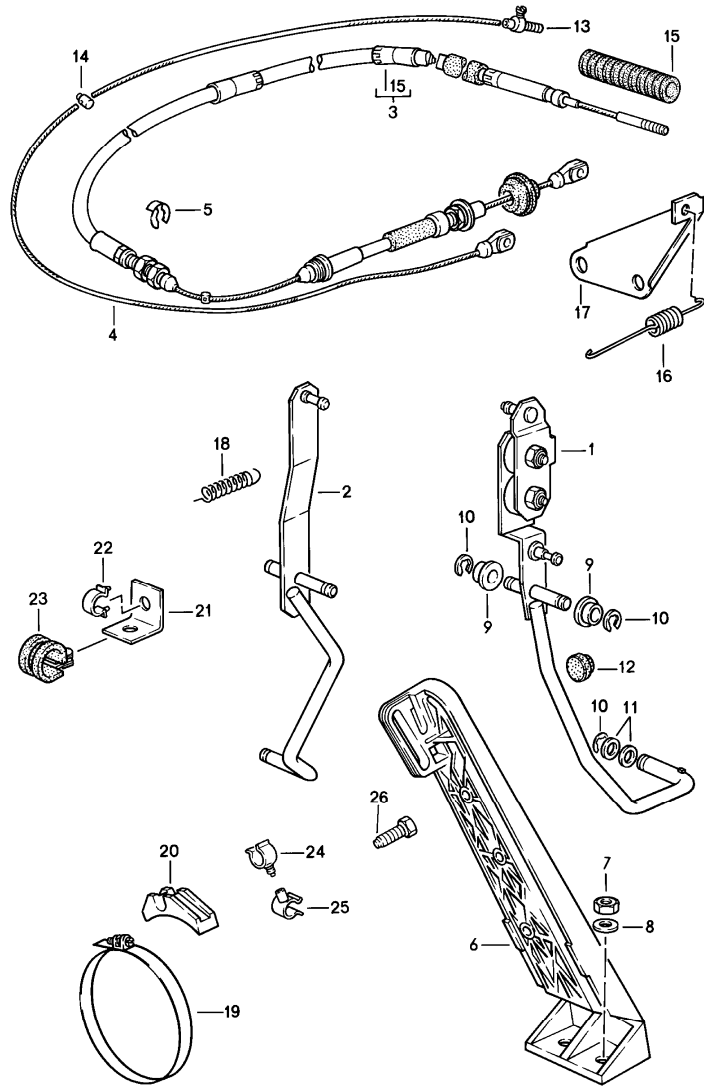
Pos	Part Number	Description	Remark	Qty	Model	Pos	Part Number	Description	Remark	Qty	Model
22	928 423 191 00	gasket		1							
23	N 012 229 3	spring washer B 8		2							
24	900 076 025 02	hexagon nut M 8		2							
-	999 181 021 50	hose 7,5 X12,5 120 MM		*							
				1							
26	944 423 210 00	expansion tank		1							
27	211 611 381 B	strainer		1							
28	477 611 361	lid		1							
29	052 109 135	spacer sleeve		2							
30	N 012 226 5	spring washer B 6		2							
31	900 075 014 02	hexagon-head bolt M 6 X 15		2							
31A	900 076 010 02	hexagon nut M 6		2							
32	945 423 091 02	clutch tube		1							
32	945 423 091 10	clutch tube		1	944 S						
33	478 721 189	clutch hose		1							
33	945 423 089 11	clutch hose		1	944 S						
34	999 924 001 40	bush		1							
35	N 011 525 13	washer A 8,4		1							
36	N 900 470 01	lock washer		1							
37	945 423 193 00	support		1							
38	999 591 578 40	clip		1							

Model	Year	MG	SG	Illustration	Restrictions	UPD	14:18	25.02.2010	PORSCHE	PET	PORSCHE
9442	1988	7	02	702-10		248					



Pos	Part Number	Description	Remark	Qty	Model
		accelerator pedal accelerator cable for manual transmission			
1	944 423 031 00	accelerator control	/LL	1	
(1)	945 423 031 01	accelerator control	/RL	1	
(1)	944 423 034 00	accelerator control	/LL	1	M454
(1)	945 423 034 00	accelerator control	/RL	1	M454
2	944 423 023 07	accelerator cable	/LL	1	944
2	944 423 023 10	accelerator cable	/LL	1	944 S
(2)	951 423 023 03	accelerator cable	/LL	1	TURBO
(2)	945 423 023 05	accelerator cable	/RL	1	944
(2)	945 423 023 10	accelerator cable	/RL	1	944 S
(2)	952 423 023 03	accelerator cable	/RL	1	TURBO
3	827 723 511 A	accelerator pedal		1	
4	900 076 010 02	hexagon nut M 6		2	
5	803 817 121	washer		2	
6	900 025 038 40	washer		2	
7	N 012 436 2	lock washer		3	
8	N 012 323 1	circlip		1	
9	477 721 543	bearing sleeve		2	
10	999 703 183 40	buffer		1	
11	477 971 851	cable clip	/RL	1	
12	944 423 831 00	spring		1	
13	944 423 731 00	adjusting screw		1	

Model	Year	MG	SG	Illustration	Restrictions	UPD	14:18	25.02.2010	PORSCHE	PET	PORSCHE
9442	1988	7	02	702-15		248					



Pos	Part Number	Description	Remark	Qty	Model
		accelerator pedal accelerator cable for automatic transmission			
1	944 423 033 00	accelerator control	/LL	1	
2	945 423 031 01	accelerator control	/RL	1	
3	944 423 071 07	cable	/LL	1	
(3)	945 423 071 06	cable	/RL	1	
4	944 423 973 03	cable	/LL	1	
(4)	945 423 973 02	cable	/RL	1	
5	N 012 323 1	circlip		1	
6	827 723 511 A	accelerator pedal		1	
7	900 076 010 02	hexagon nut M 6		2	
8	803 817 121	washer		2	
9	477 721 543	bearing sleeve		2	
10	N 012 436 2	lock washer		3	
11	900 025 038 40	washer		2	
12	999 703 183 40	buffer		1	
13	477 723 601	nipple		1	
14	477 723 611	nipple		1	
15	311 713 269 A	bellows		1	
16	477 723 563 C	tension spring		1	
17	944 423 141 00	support		1	
18	944 423 833 00	spring		1	
19	999 512 350 02	hose clamp		1	
20	477 723 567	support		1	
21	477 971 881 A	retaining bracket		1	
22	477 971 851	cable clip		1	
23	999 511 116 02	clamp		X	
24	999 591 573 40	hose holder		3	

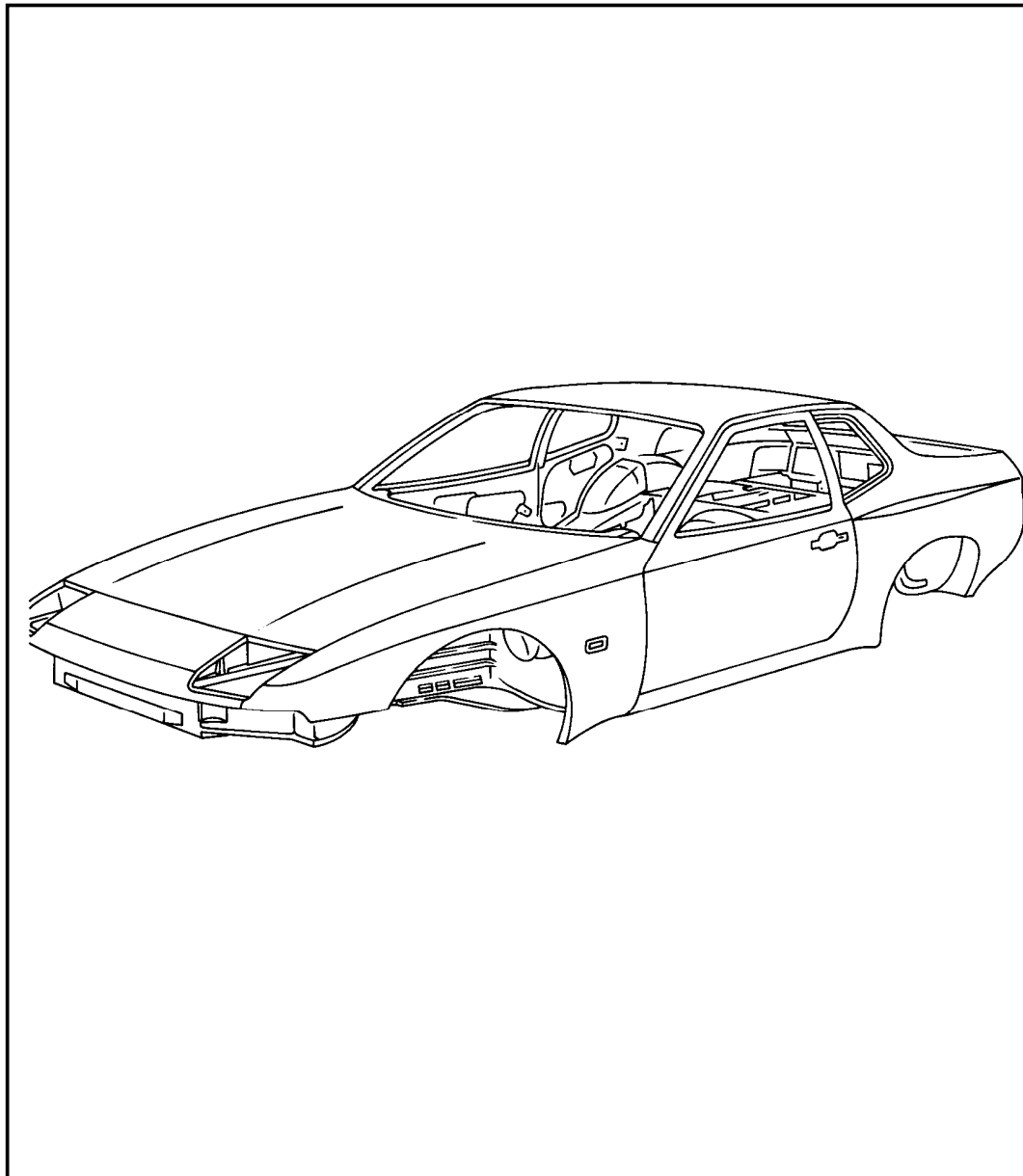
Model	Year	MG	SG	Illustration	Restrictions	UPD	14:18	25.02.2010	PORSCHE	PET	PORSCHE
9442	1988	7	02	702-15		248					

Pos	Part Number	Description	Remark	Qty	Model	Pos	Part Number	Description	Remark	Qty	Model
25	999 591 572 40	hose holder		3							
26	944 423 731 00	adjusting screw		1							

Model	Year	MG	SG	Illustration	Restrictions	UPD	14:18	25.02.2010
9442	1988	7	98	798-00R		248		

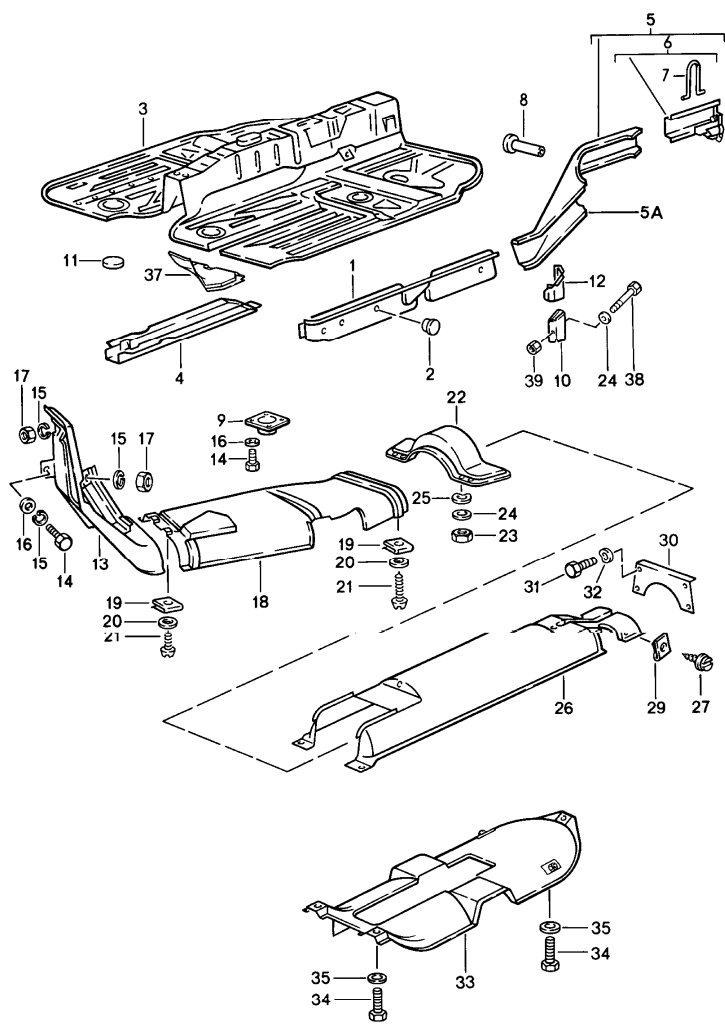
Pos	Part Number	Description	Remark	Qty	Model
		repair kits			
		see technical information GR3, NR.1/90			
>>	>>945 423 901 00	installation set comprising:		1	
-	945 502 981 00	spacer 70 X 38		1	
-	945 502 983 00	spacer 50 X 38		1	
-	900 151 008 02	washer		4	
-	900 076 025 02	hexagon nut		2	
-	900 075 099 02	hexagon-head bolt		1	
-	900 075 085 02	hexagon-head bolt		1	
-	477 407 425	washer		1	

Model	Year	MG	SG	Illustration	Restrictions	UPD	14:18	25.02.2010	PORSCHE	PET	PORSCHE
9442	1988	8	01	801-00		248					



Pos	Part Number	Description	Remark	Qty	Model
		body in white prime coated sealed sprayed with filler with underbody protection bodyshells can only only available from current model year available			
1	944 500 901 00	body in white	/LL	1	
(1)	944 500 901 01	body in white	/LL	1	M650
(1)	945 500 901 00	body in white	/RL	1	
(1)	945 500 901 01	body in white	/RL	1	M650
(1)	951 500 901 00	body in white	/LL	1	TURBO
(1)	951 500 901 01	body in white	/LL	1	TURBO M650
(1)	952 500 901 00	body in white	/RL	1	TURBO
(1)	952 500 901 01	body in white	/RL	1	TURBO M650

Model	Year	MG	SG	Illustration	Restrictions	UPD	14:19	25.02.2010	PORSCHE	PET	PORSCHE
9442	1988	8	01	801-05		248					

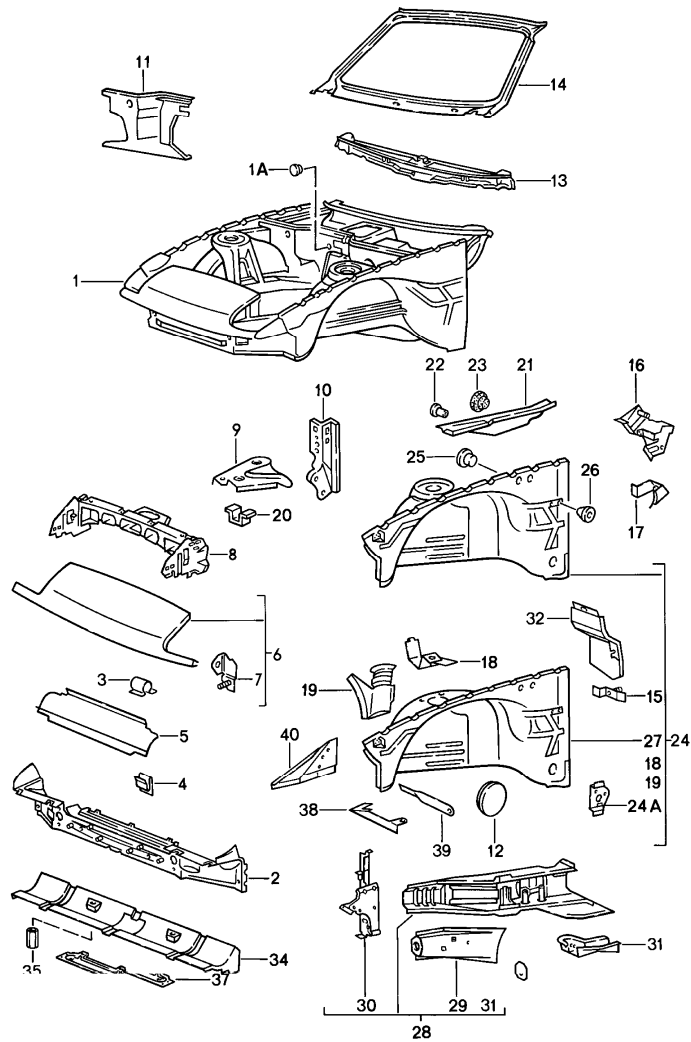


Pos	Part Number	Description	Remark	Qty	Model
1	944 501 119 01	side member heat shield		1	
(1)	944 501 120 01	side member centre	/L	1	
2	999 703 119 40	stopper		2	
(2)	803 803 583	drain bush		2	
(2)	803 803 583 A	cap		10	
3	944 501 203 00	floor section centre	-86	1	
3	944 501 501 00	floor section centre	87-	1	
4	477 803 283	side member		2	
5	951 501 105 00	side member use also: 477.803.145	/L	1	
(5A)	951 501 116 00	side member use also: 477.803.145	/R	1	
6	477 803 125 A	end piece	/L	1	
(6)	944 502 066 02	end piece	/R	1	
7	477 803 129	retaining bow		2	
8	477 803 145	bush		2	
9	951 501 265 00	jacking point centre		2	
10	951 501 083 00	jacking point	/L/H	1	
(10)	951 501 084 00	jacking point	/R/H	1	
11	411 803 595	lid 136 MM \$		2	
12	477 803 871 A	jacking point	/L/H	1	
(12)	477 803 872 A	jacking point	/R/H	1	
13	477 809 214 A	cover plate		1	
14	999 072 005 09	hexagon-head bolt M 6 X 12		X	

Model	Year	MG	SG	Illustration	Restrictions	UPD	14:19	25.02.2010	PORSCHE	PET	PORSCHE
9442	1988	8	01	801-05		248					

Pos	Part Number	Description	Remark	Qty	Model	Pos	Part Number	Description	Remark	Qty	Model
15	N 012 006 4	lock ring B 6		3		34	999 072 005 09	hexagon-head bolt M 6 X 12		4	
16	N 011 524 7	washer A 6,4		X		35	900 151 029 02	washer 6,4		4	
17	900 076 010 02	hexagon nut M 6		2		37	951 501 181 00	gusset plate	/L	1	
18	477 803 387 B	heat shield		1		(37)	951 501 182 00	gusset plate	/R	1	
19	N 015 458 1	speed nut B 4,8 X 20		4		38	N 010 375 4	hexagon-head bolt M 8 X 75		2	
20	900 151 027 02	washer B 5,3		4		39	900 910 003 02	lock nut M 8		2	
21	N 013 968 7	tapping screw B 4,8 X 13		4				VM 8			
22	477 803 253	transverse strut		1							
23	N 011 008 8	hexagon nut M 8		4							
24	N 011 525 13	washer A 8,4		4							
25	900 027 015 02	lock ring B 8		4							
26	A 951 504 869 00	heat shield upper		1							
26	951 504 869 00	heat shield		1							
27	N 090 239 1	combination screw B 4,8 X 13		2							
29	999 591 485 02	speed nut B 4,8 X 13		2							
30	477 803 291	transverse strut		2							
31	N 010 237 6	hexagon-head bolt M 8 X 12		8							
32	N 012 229 3	spring washer A 8		8							
33	951 503 139 00	heat shield	-86	1							
(33)	951 503 139 00	heat shield	87-	1	M249						
(33)	944 503 137 00	heat shield	87-	1							

Model	Year	MG	SG	Illustration	Restrictions	UPD	14:19	25.02.2010	PORSCHE	PET	PORSCHE
9442	1988	8	01	801-10		248					

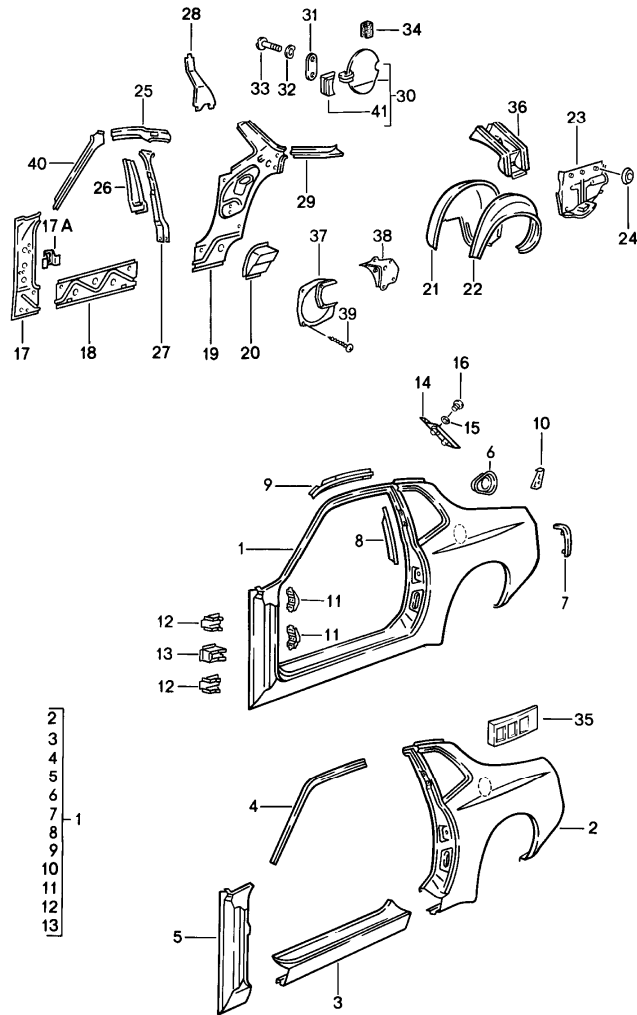


Pos	Part Number	Description	Remark	Qty	Model
		body front section			
1 A	951 501 011 01	body front section	/LL	-86	1
1	951 501 011 03	body front section	/LL		1
(1) A	952 501 011 01	body front section	/RL	86	1
(1)	952 501 011 03	body front section	/RL		1
1A	111 971 911 A	rubber sleeve			1
(2)	951 502 051 00	end plate with cross member	/V		1
3	999 591 852 02	clamp			5
4	477 819 212	clamp			4
5	944 575 321 00	air duct			1 944, 944S
(5)	944 575 131 00	air duct			1 944S
(5)	951 504 321 01	air duct			1 TURBO
6	944 503 033 02	end plate			1 944, 944 S
(6)	951 503 033 00	end plate			1 TURBO
(7)	951 503 069 00	bracket	/L		1
(7)	951 503 070 00	bracket	/R		1
8	951 501 025 03	lock carrier			1
	GRV	prime coated			
9	477 805 699 A	corner plate	/L		1
10	477 805 057 A	reinforcement	/L		1
(10)	477 805 058 A	reinforcement	/R		1
11	951 502 201 00	firewall	/L		1
11	951 502 202 00	firewall	/R	-86	1
11	951 502 202 01	firewall	/R	87-	1
12	944 504 217 00	lid			1 944S
13	944 502 079 03	cross member			1
14 A	944 502 911 01	windscreen frame		-87	1
14	944 502 911 01	windscreen frame		87	1 M462/562

Model	Year	MG	SG	Illustration	Restrictions	UPD	14:19	25.02.2010	PORSCHE	PET	PORSCHE
9442	1988	8	01	801-10		248					

Pos	Part Number	Description	Remark	Qty	Model	Pos	Part Number	Description	Remark	Qty	Model
14	944 502 911 01	windscreen frame only together with windscreen from MOD. 1988		1		24A	944 502 071 00	mounting		1	
						25	999 703 103 40	stopper	/L	2	
						26	999 703 179 40	stopper		X	
15	945 501 183 00	bracket	/RL	86-	1	27	944 501 101 02	wheel housing	/L	1	
16	945 501 346 00	bearing bracket	/RL	86-	1	(27)	944 501 102 02	wheel housing	/R	1	
17	945 501 551 00	stop	/RL	86-	1	28	951 501 017 00	side member	/L	1	
18	944 501 094 00	support ignition coil			1	(28)	951 501 018 00	side member	/R	1	
(18)	944 501 094 01	support ignition coil		88	1	M758	29	944 501 081 00	filler plate	/L	1
						(29)	944 501 082 00	filler plate	/R	1	
19	944 501 292 00	support expansion tank			1	30	951 501 045 00	separator	/L	1	
20	477 805 693	support horn			1	(30)	951 501 046 00	separator	/R	1	
21	944 502 119 01	side member upper	/LL/L		1	31	951 501 165 00	closing element	/L	1	
(21)	945 502 119 02	side member upper	/RL/L	86-	1	32	944 504 112 00	water protection	87-	1	M593
(21) A	944 502 120 01	side member upper	/LL/R		1	34	944 575 121 02	cooling air duct		1	944,944S
21	944 502 120 03	side member upper	/LL/R		1	35	999 049 001 40	plastic nut		8	
(21)	945 502 120 03	side member upper	/RL/R		1	36	477 809 035	support water reservoir		1	
22	311 881 945 A	stopper	/R		2	37	951 501 251 00	bracket		1	944,944S
23	803 803 583 A	lid			6	(37)	951 501 251 00	bracket		1	TURBO
24	944 501 901 04	wheel housing right-hand drive POS. 15 order also:	/L	-86	1	38	944 503 525 02	support	/L	1	
(24)	944 501 901 04	wheel housing right-hand drive POS. 15 order also:	/L	87-	1	(38)	944 503 526 00	support	/R	1	
(24)	944 501 902 04	wheel housing	/LL/R		1	39	944 503 523 00	support	/L	1	
(24)	945 501 902 01	wheel housing	/RL/R		1	(39)	944 503 524 00	support	/R	1	
						40	944 501 461 00	supporting plate	/L	1	M758
						(40)	951 501 862 00	supporting plate	/R	1	M758

Model	Year	MG	SG	Illustration	Restrictions	UPD	14:19	25.02.2010	PORSCHE	PET	PORSCHE
9442	1988	8	01	801-15		248					



Pos	Part Number	Description	Remark	Qty	Model
		side section			
1	944 503 061 04	side section it is necessary to rework	/L	1	M758
(1)	944 503 062 04	side section it is necessary to rework	/R	1	M758
2	944 503 903 02	side section outer it is necessary to rework	/L	1	M758
(2)	944 503 904 02	side section outer it is necessary to rework	/R	1	M758
3	944 503 611 00	door sill	/L	1	
(3)	944 503 612 00	door sill	/R	1	
4	944 503 517 00	roof frame	/L	1	
(4)	944 503 518 00	roof frame	/R	1	
5	944 503 401 01	hinge pillar	/L	1	
(5) A	944 503 402 01	hinge pillar	/R	1	
(5)	944 503 606 01	hinge pillar	/R	1	
6	944 503 068 00	pot tank filler neck		1	
7	477 809 375 A	bracket for light	/L	1	
(7)	477 809 376 A	bracket for light	/R	1	
8	477 809 445	reinforcement	/L	1	
(8)	477 809 446	reinforcement	/R	1	
9	477 809 585	filler plate	/L	1	
(9)	477 809 586	filler plate	/R	1	
10	477 809 617	retaining bracket lid boot floor lining	/L	1	
(10)	477 809 618	retaining bracket	/R	1	
11	477 809 653	mounting plate		4	
12	477 809 655	hinge reinforcement		4	
13	477 809 625	reinforcement		2	

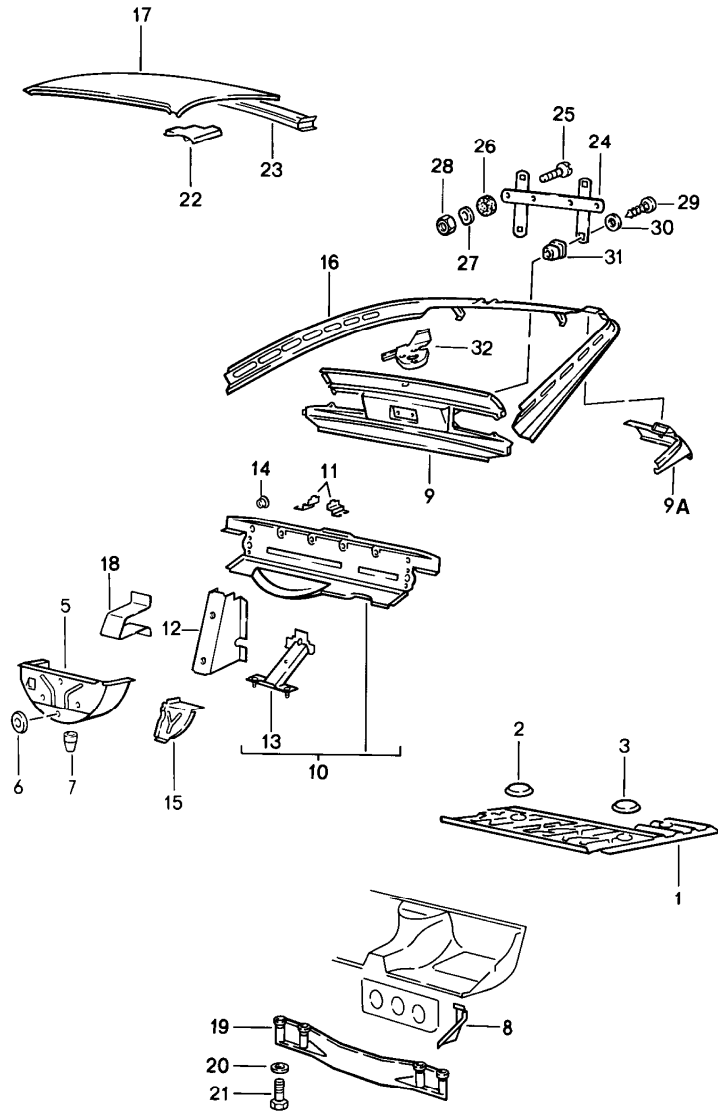
Model	Year	MG	SG	Illustration	Restrictions	UPD	14:19	25.02.2010	PORSCHE	PET	PORSCHE
9442	1988	8	01	801-15		248					

Pos	Part Number	Description	Remark	Qty	Model	Pos	Part Number	Description	Remark	Qty	Model
14	944 503 097 00	reinforcement	/L	1		(20)	931 502 388 01	corner plate	/R	1	
(14)	944 503 098 00	reinforcement	/R	1		21	944 501 043 00	wheel housing	/L	1	
15	928 504 355 02	gasket		4		(21)	944 501 044 01	wheel housing	/R	1	
16	999 015 005 07	half-round screw		4		22	931 502 411 01	wheel housing it is necessary to rework	/L	1	M758
17	477 809 393 A	hinge pillar use also: left-hand drive POS. 17A	/L	1		(22)	931 502 412 01	wheel housing it is necessary to rework	/R	1	M758
(17)	477 809 394 A	hinge pillar use also: right-hand drive POS. 17A	/R	1		23	944 502 025 00	side section	/L/H	1	
17A	944 502 373 00	mounting switch rear lid release		1		(23)	944 502 026 00	side section	/R	1	
18	477 809 433	separator		2		24	803 803 583	drain bush		X	
19	944 502 901 02	side section F >>94GN4 01585 F >>95GN1 00495	/L	1	944 TURBO	(24)	021 119 569	rubber sleeve		X	M650
19	944 502 901 04	side section order also: POS. 37 POS. 39 for M490: POS. 38 POS. 39 F 94GN4 01586>> F 95GN1 00496>>	/L	1 1 3 1 4	944 TURBO	25	477 809 037	separator	/L	1	
(19)	944 502 902 02	side section F >>94GN4 01585 F >>95GN1 00495	/R	1	944 TURBO	(25)	477 809 037	separator	/L	1	M650
(19)	944 502 902 04	side section with expansion tank order also: POS. 37 POS. 39 for M490: POS. 38 POS. 39 F 94GN4 01586>> F 95GN1 00496>>	/R	1 1 3 1 4	944 TURBO	(25) A	477 809 038	separator	/R	1	
20	931 502 387 01	corner plate	/L	1		26	477 809 397	centre pillar	/L	1	
						(26)	477 809 398	centre pillar	/R	1	
						27	944 502 049 00	reinforcement	/L	1	
						(27)	944 502 050 00	reinforcement	/R	-86	1
						(27)	944 502 050 00	reinforcement	/R	87-	1
						29 A	944 502 439 00	reinforcement	/L	1	
						29	944 502 439 00	reinforcement	/L	1	
						(29)	477 809 440	reinforcement	/R	1	
						30	944 504 095 00	flap		1	
						31	944 504 403 00	desk pad		X	
						32	N 012 222 4	spring washer A 5		2	
						33	900 146 106 07	oval-head screw M 5 X 12		2	
						34	944 504 397 00	stop		1	
						(35)	944 555 275 01	filler piece	/L	1	

Model	Year	MG	SG	Illustration	Restrictions	UPD	14:19	25.02.2010	PORSCHE	PET	PORSCHE
9442	1988	8	01	801-15		248					

Pos	Part Number	Description	Remark	Qty	Model	Pos	Part Number	Description	Remark	Qty	Model
(35)	944 555 276 00	filler piece	/R	1							
36	951 201 049 00	cover lower part filler neck		1							
37	944 504 621 00	adapter for loudspeaker	/L	1							
(37)	944 504 622 00	adapter for loudspeaker	/R	1							
38	944 504 611 01	adapter for loudspeaker	/L	1	M490						
(38)	944 504 612 01	adapter for loudspeaker	/R	1	M490						
39	N 090 114 1	tapping screw B 3,9 X 9,5		8							
40	944 502 041 00	side section inner	/L	1							
(40)	944 502 042 00	side section inner	/R	1							

Model	Year	MG	SG	Illustration	Restrictions	UPD	14:19	25.02.2010	PORSCHE	PET	PORSCHE
9442	1988	8	01	801-20		248					

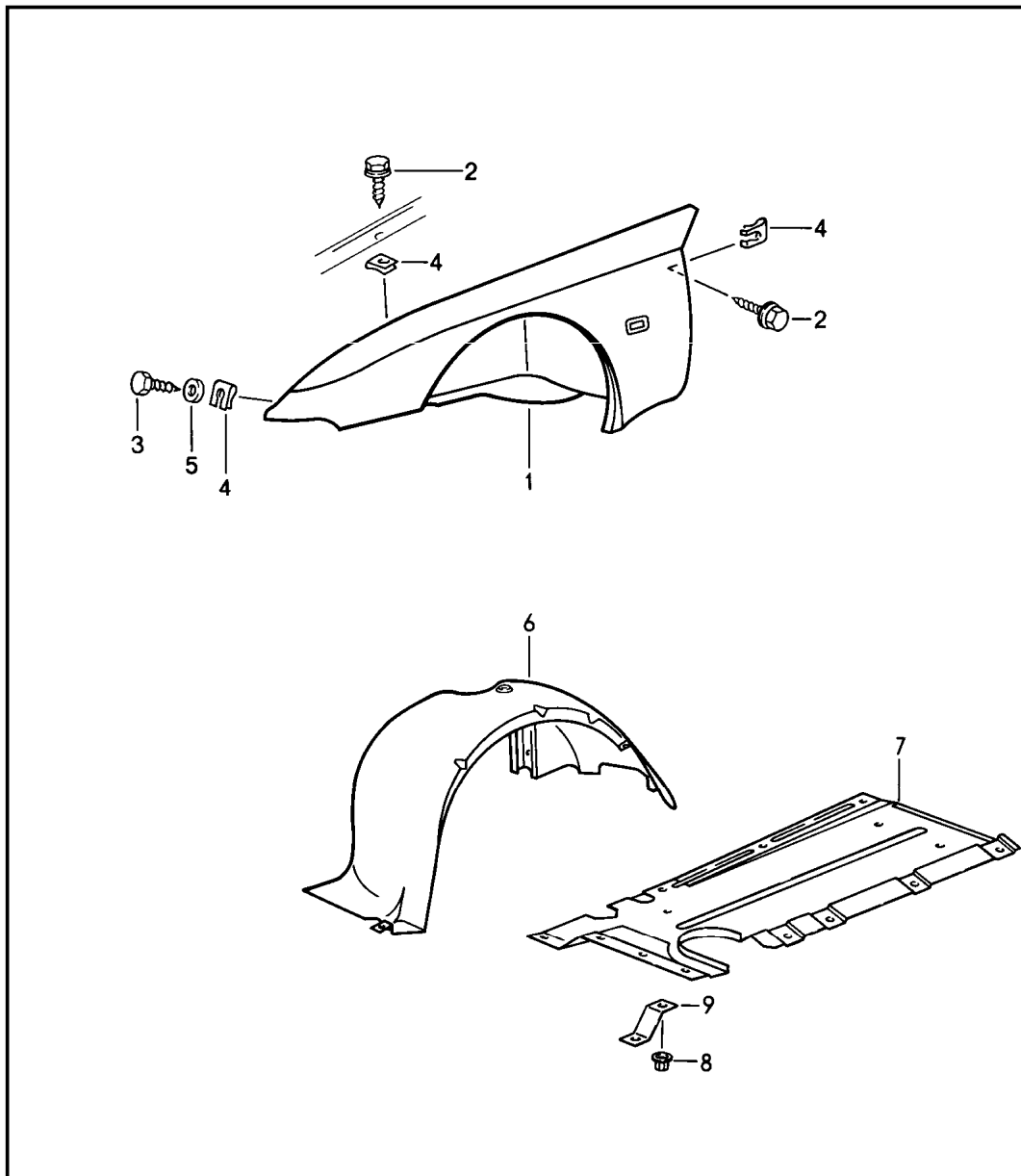


Pos	Part Number	Description	Remark	Qty	Model
		transmission carrier boot floor plate roof			
1	951 501 075 00	boot floor plate		1	
2	944 504 207 00	lid tank gauge		1	
3	411 803 595	lid 136 MM \$		1	
5	951 501 131 00	spare-wheel well	/V	1	
6	803 803 583	drain bush		3	
7	111 701 309	rubber sleeve		1	
8	477 813 145 B	corner panel	/L	1	
(8)	477 813 146 B	corner panel	/R	1	
9	944 503 037 01	end plate		1	
9A	944 502 345 01	reinforcement	/L	1	
(9A)	944 502 346 01	reinforcement	/R	1	
10	944 503 901 01	end plate		1	
11	477 813 169	fastening angle scissors type jack	/L	1	
(11)	477 813 170	fastening angle scissors type jack	/R	1	
12	944 503 165 01	support		1	
13	944 502 091 00	support rear muffler		1	
14	999 703 179 40	stopper		1	
14	999 703 179 40	stopper	/H	1	
(14)	999 703 180 40	stopper	/V	1	
15	477 813 309	corner panel	/L	1	
(15)	944 502 210 00	corner panel	/R	1	
16	944 502 035 02	lock carrier	/H	1	
17	944 503 912 02	roof		1	
17	944 503 912 02	roof		1	

Model	Year	MG	SG	Illustration	Restrictions	UPD	14:19	25.02.2010	PORSCHE	PET	PORSCHE
9442	1988	8	01	801-20		248					

Pos	Part Number	Description	Remark	Qty	Model	Pos	Part Number	Description	Remark	Qty	Model
(17)	944 503 912 00	roof F >>94GN4 04474 F >>95GN1 01653		1	M650 944 TURBO	32	944 501 207 01	retaining bracket electric motor		1	
17	944 503 912 03	roof F 94GN4 04475>> F 95GN1 01654>>		1	M650 944 TURBO						
18	944 503 171 00	support for spare wheel		2							
19	477 813 285	transverse strut seat well		1							
20	900 074 181 02	screw M 10 X 95		4							
21	900 025 008 09	washer 10,5		4							
22	477 817 033	reinforcement	/V/L	1							
(22)	477 817 034	reinforcement	/V/R	1							
23	477 817 171 A	roof frame		1							
24	928 701 050 03	support	(CH) (J) (USA)	1							
25	N 014 143 1	oval-head screw AM 6 X 22		2							
(25)	N 100 457 01	countersunk-head screw M 5 X 25	(CH) (J) (USA)	2							
26	803 011 243	rubber washer for number plate		2							
(27)	900 151 027 02	washer A 5,3	(CH) (J) (USA)	2							
28	900 910 009 02	lock nut M 5	(CH) (J) (USA)	2							
29	900 143 134 00	tapping screw BZ 4,2 X 9,5	(CH) (J) (USA)	4							
30	N 011 522 8	washer 4,3	(CH) (J) (USA)	4							
31	999 591 498 40	special nut	(CH) (J) (USA)	4							

Model	Year	MG	SG	Illustration	Restrictions	UPD	14:19	25.02.2010	PORSCHE	PET	PORSCHE
9442	1988	8	01	801-25		248					

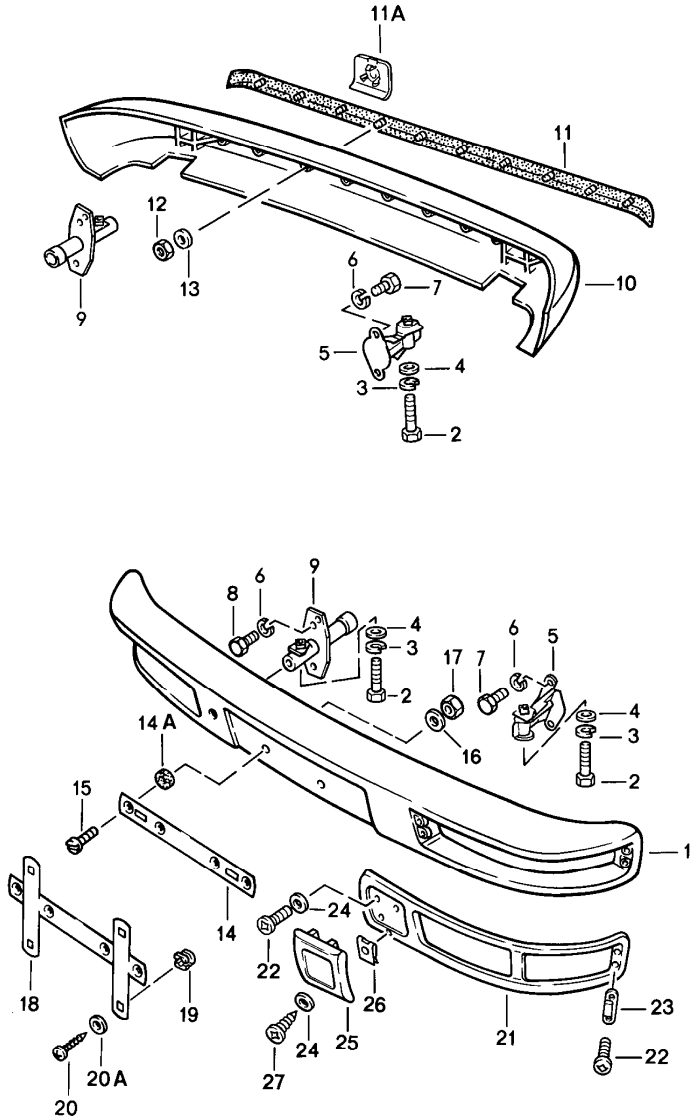


Pos	Part Number	Description	Remark	Qty	Model
		wing			
1	931 503 021 02	wing	/L	1	944,944S
(1)	931 503 022 02	wing	/R	1	944,944S
(1)	951 503 021 02	wing	/L	1	TURBO
(1)	951 503 022 02	wing	/R	1	TURBO
2	N 090 172 1	combination screw		22	
3	N 013 891 1	tapping screw 6,3 X 19		24	
4	999 507 003 02	speed nut B 6,3 X 17		24	
5	N 011 524 7	washer A 6,4		2	
6	944 504 381 03	wheel-housing liner	/L	1	944,944S
(6)	944 504 382 03	wheel-housing liner	/R	1	944,944S
(6)	944 504 381 02	wheel-housing liner	/L	1	TURBO
(6)	944 504 382 02	wheel-housing liner	/R	1	TURBO
7	944 504 311 00	lining	/L	1	TURBO
(7)	944 504 312 00	lining	/R	1	TURBO
8	999 049 008 40	plastic nut		12	
9	A 944 504 281 00	retaining bracket		4	
9	944 504 281 01	support		4	
10	N 013 891 1	tapping screw B 6,3 X 19		X	
11	N 011 666 7	washer B 6,4		X	
12	999 507 034 02	speed nut B 6,3		X	
13	N 012 062 2	speed nut B 6,3		X	
14	944 504 907 00	lid	/L	1	
(14)	944 504 908 00	lid	/R	1	
15	999 591 485 02	speed nut B 4,8		4	

Model	Year	MG	SG	Illustration	Restrictions	UPD	14:19	25.02.2010	PORSCHE	PET	PORSCHE
9442	1988	8	01	801-25		248					

Pos	Part Number	Description	Remark	Qty	Model	Pos	Part Number	Description	Remark	Qty	Model
16	900 143 159 07	combination screw B 4,8 X 19		4							
17	999 190 361 40	blind rivet A 5,0 X 12		2							

Model	Year	MG	SG	Illustration	Restrictions	UPD	14:20	25.02.2010	PORSCHE	PET	PORSCHE
9442	1988	8	02	802-00		248					

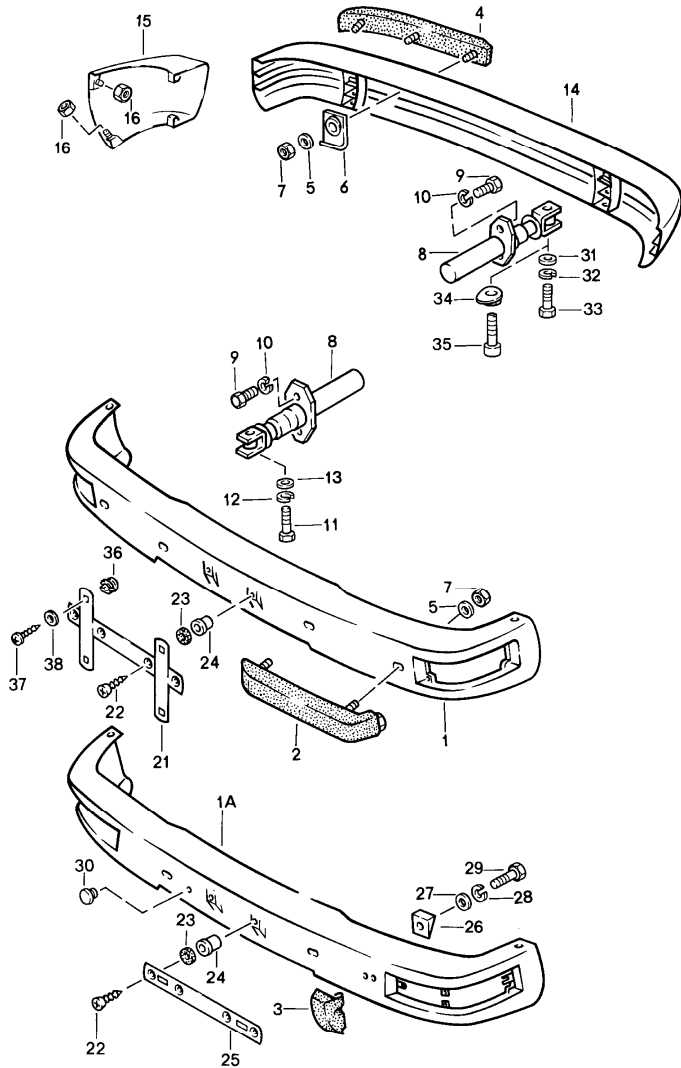


Pos	Part Number	Description	Remark	Qty	Model
		bumper without impact absorber			
1	931 505 087 00	bumper	/V	1	
(1)	931 505 087 01	bumper	/V	1	M288
2	900 074 064 02	hexagon-head bolt M 10 X 60		4	
3	900 027 016 02	lock ring B 10		4	
4	900 025 008 09	washer A 10,5		4	
5	477 807 131 A	bumper reinforcement		3	
6	N 012 009 3	lock ring A 8		8	
7	900 075 087 02	hexagon-head bolt M 8 X 20		6	
8	900 075 029 09	hexagon-head bolt M 8 X 25		2	
9	944 505 039 01	bumper reinforcement	/V/R	1	944, 944S
9	944 505 039 01	bumper reinforcement	/H/R	1	TURBO () M472
10	931 505 387 00	bumper	/H	1	
10	951 505 387 01	bumper	/H	1	TURBO () M472
11	477 807 319	protective moulding	/H	1	
(11)	951 505 069 00	protective moulding	/H	1	TURBO
-	951 505 346 00	lid towing lug		1	TURBO
12	900 910 010 09	lock nut M 6		10	
13	N 011 524 7	washer A 6,4		10	
14	911 701 121 03	support		1	
14A	914 571 903 10	sealing ring		4	
15	N 100 457 01	countersunk-head screw M 5 X 25		2	

Model	Year	MG	SG	Illustration	Restrictions	UPD	14:20	25.02.2010	PORSCHE	PET	PORSCHE
9442	1988	8	02	802-00		248					

Pos	Part Number	Description	Remark	Qty	Model	Pos	Part Number	Description	Remark	Qty	Model
16	900 151 027 02	washer A 5,3		2							
17	900 910 009 02	lock nut M 5		2							
18	928 701 050 03	support	/V (J)	1							
19	999 591 498 40	special nut		X							
20	900 143 134 00	tapping screw BZ 4,2 X 9,5		X							
20A	N 011 522 8	washer 4,3 towing lug see group 0/01/00		X							
21	931 505 195 01	frame for light	/L	1							
(21)	931 505 196 01	frame for light	/R	1							
22	N 014 117 9	oval-head screw M 4 X 15		10							
23	931 505 199 00	clip		2							
24	900 025 002 02	washer A 4,3		6							
25	931 505 201 00	bumper horn	/L	1							
(25)	931 505 202 00	bumper horn	/R	1							
26	999 507 018 02	speed nut B 4,2		2							
27	900 143 047 07	tapping screw B 4,2 X 19		2							

Model	Year	MG	SG	Illustration	Restrictions	UPD	14:20	25.02.2010	PORSCHE	PET	PORSCHE
9442	1988	8	02	802-05		248					

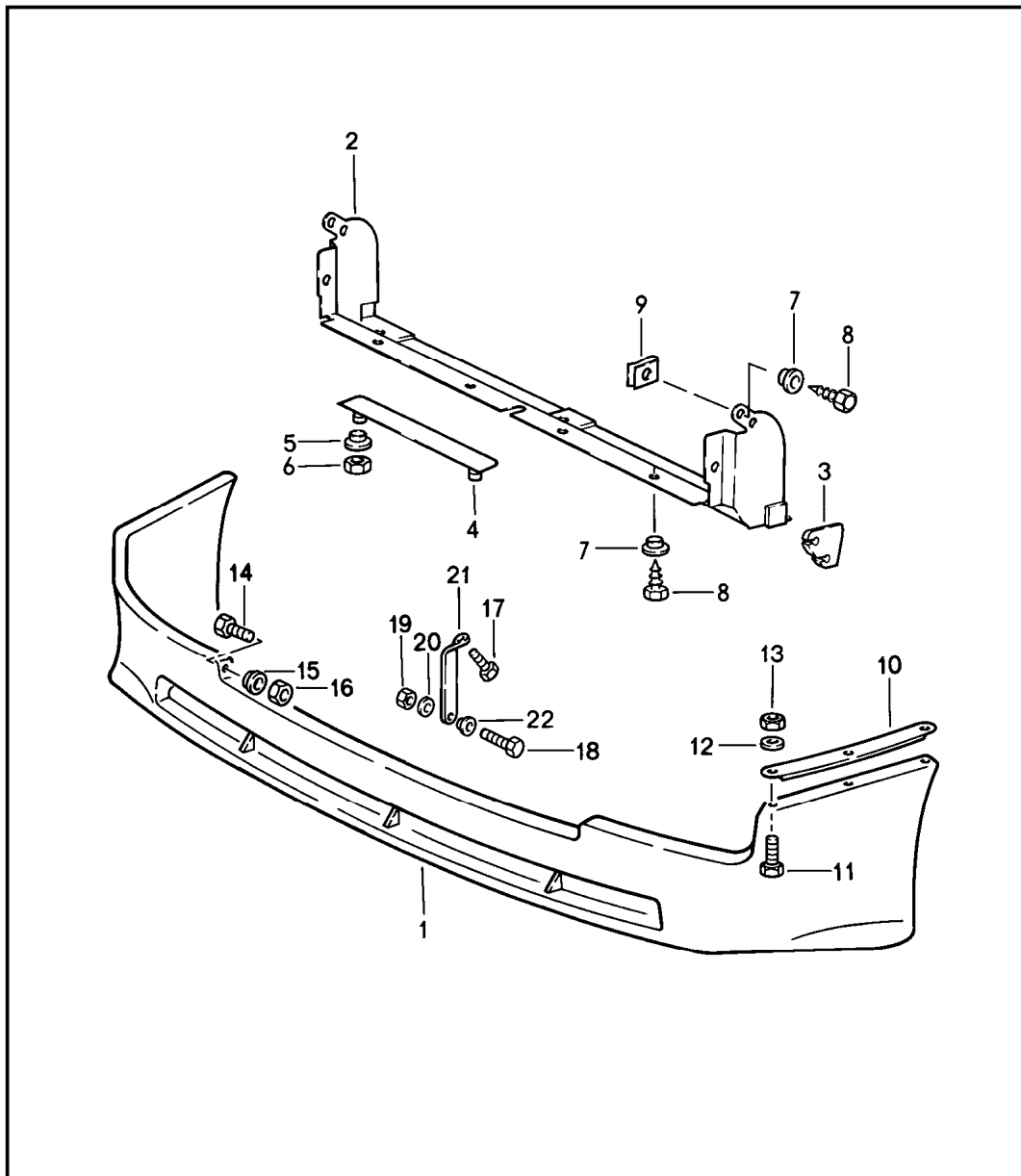


Pos	Part Number	Description	Remark	Qty	Model
		bumper with impact absorber			
1A	931 505 109 05	bumper	/V	1	M058
(1A)	931 505 109 06	bumper	/V	1	M058/288
3	477 807 353	bumper horn	/L	1	M058
(3)	477 807 354	bumper horn	/R	1	M058
(4)	944 505 061 00	rubber moulding	/L	1	
4	944 505 062 00	rubber moulding	/R	1	
5	N 011 612 3	washer R 7		6	M058
6	477 807 197	support	/H	6	
7	113 101 175	hexagon nut		6	M058
8	944 505 017 03	impact absorber		4	
9	N 010 240 16	hexagon-head bolt M 8 X 20		8	
10	900 027 015 02	lock ring A 8		8	
11	N 010 165 2	hexagon-head bolt M 12 X 65	/V	2	
12	N 012 042 4	lock ring B 12	/V	2	
13	N 011 531 7	washer A 13	/V	2	
14	944 505 301 00	bumper	/H		
(15)	931 505 059 00	cover prime coated	/L	1	
15	931 505 060 00	cover prime coated	/R	1	
16	900 910 007 02	lock nut M 5		4	
21	928 701 050 03	support		1	M036
22	N 043 983 1	tapping screw B 5,5 X 32		2	
23	944 505 351 00	spacer rubber		2	

Model	Year	MG	SG	Illustration	Restrictions	UPD	14:20	25.02.2010	PORSCHE	PET	PORSCHE
9442	1988	8	02	802-05		248					

Pos	Part Number	Description	Remark	Qty	Model	Pos	Part Number	Description	Remark	Qty	Model
24	N 902 508 01	special nut		2							
25	911 701 121 03	support		1	M058						
26	477 807 361	plate	/L	1	M058						
(26)	477 807 362	plate	/R	1	M058						
27	N 011 652 1	washer 7		2	M058						
28	N 012 006 4	lock ring B 6		2	M058						
29	N 010 339 3	hexagon-head bolt M 6 X 40		2	M058						
30	999 703 181 40	stopper towing lug see group 0/01/00		1	M058						
				1	M058						
32	N 012 042 4	lock ring B 12	/H	2							
34	944 505 243 00	eccentric washer	/H	2							
35	N 100 436 02	pan-head screw M 12 X 1,5 X 65	/H	2							
36	999 591 498 40	special nut		X							
37	900 143 134 00	tapping screw BZ 4,2 X 9,5		X							
38	N 011 522 8	washer 4,3									

Model	Year	MG	SG	Illustration	Restrictions	UPD	14:20	25.02.2010	PORSCHE	PET	PORSCHE
9442	1988	8	02	802-10		248					



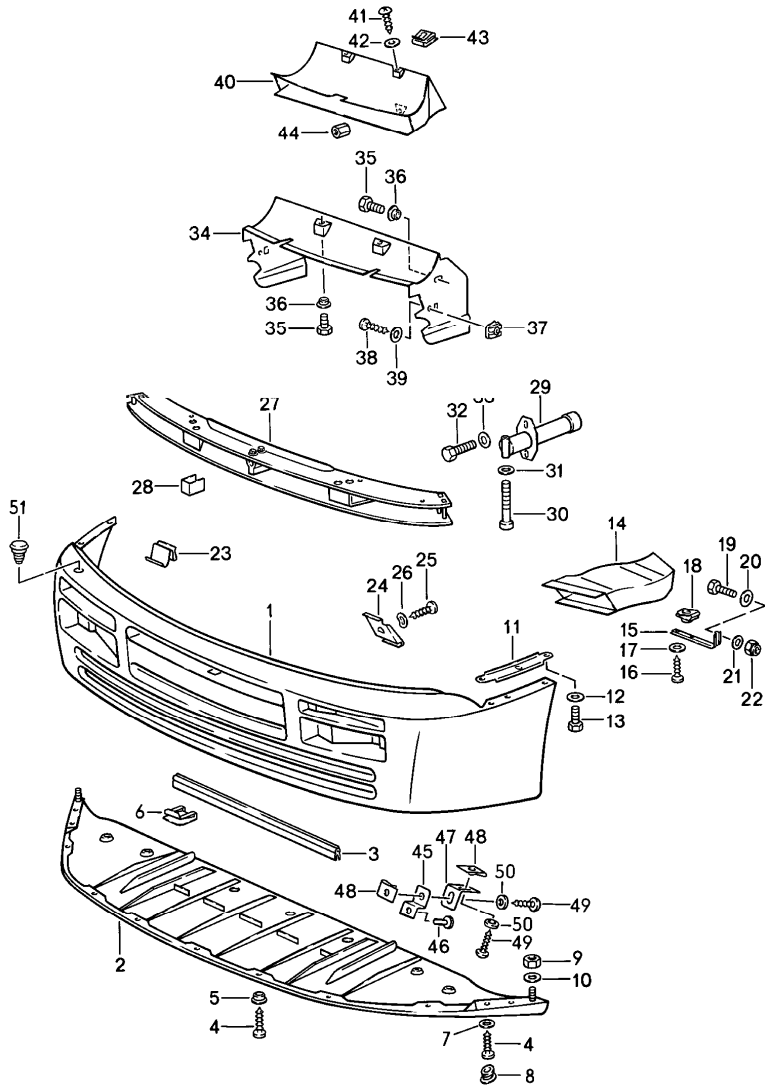
Pos	Part Number	Description	Remark	Qty	Model
		front spoiler			944, 944S
1	931 505 371 03	front spoiler		1	
(1)	931 505 371 05	front spoiler for fog headlamp		1	
2	944 575 221 00	air duct		1	
(2)	944 575 221 01	air duct		1	M573
3	951 575 137 01	grommet		1	M573
4	944 505 055 00	attachment strip		2	
5	928 503 255 00	spacer		4	
6	900 910 010 09	lock nut M 6		4	
7	937 503 255 01	spacer		5	
8	N 010 215 13	hexagon-head bolt M 6 X 15		5	
9	999 507 246 02	speed nut M 6		2	
10	944 503 513 00	attachment strip		2	
11	N 010 215 13	hexagon-head bolt M6 X 15		6	
12	N 011 524 7	washer A 6,4		6	
13	900 910 010 09	lock nut M 6		6	
14	N 010 215 13	hexagon-head bolt M6 X 15		2	
15	937 503 255 00	spacer		2	
16	900 910 010 09	lock nut M 6		2	
17	999 072 005 09	hexagon-head bolt M 6 X 12		2	
18	N 010 215 13	hexagon-head bolt M 6 X 15		1	
19	900 910 010 09	lock nut M 6		1	

Model	Year	MG	SG	Illustration	Restrictions	UPD	14:20	25.02.2010	PORSCHE	PET	PORSCHE
9442	1988	8	02	802-10		248					

Pos	Part Number	Description	Remark	Qty	Model	Pos	Part Number	Description	Remark	Qty	Model
20	N 011 524 7	washer A 6,4		1							
21	944 505 179 00	retaining bracket		1							
22	944 503 255 00	spacer		1							

Model	Year	MG	SG	Illustration	Restrictions	UPD	14:20	25.02.2010	PORSCHE	PET	PORSCHE
9442	1988	8	02	802-15		248					

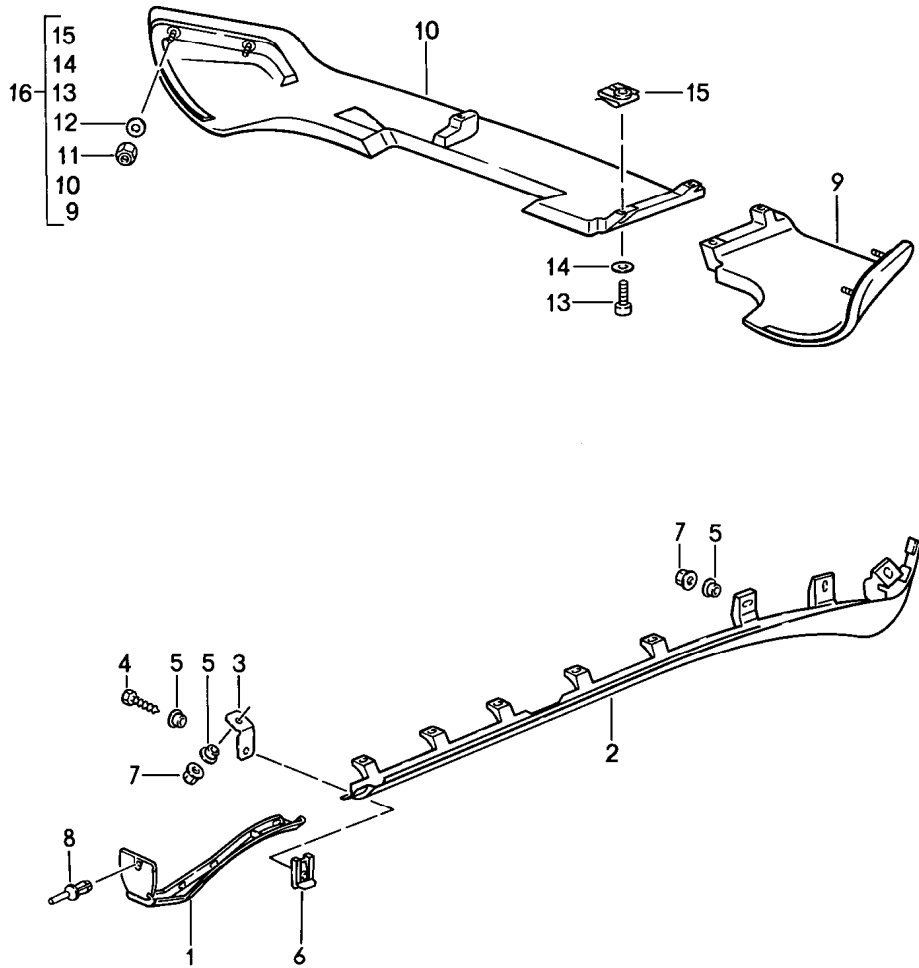
Pos	Part Number	Description	Remark	Qty	Model
		front apron and bumper			TURBO
1	951 505 071 00	lining upper part		1	
2	951 505 075 02	front apron lower part		1	
2	951 505 075 02	front apron lower part	88	1	M758
3	944 505 523 00	pipings		1	
4	N 013 967 9	tapping screw B 4,2		9	
5	951 505 157 00	spacer		7	
6	999 591 742 02	speed nut		9	
7	900 151 028 02	washer B 4,3		2	
8	951 505 347 00	stopper		2	
9	900 910 010 09	lock nut M 6		2	
10	N 011 666 7	washer B 6,4		2	
11	951 505 513 00	attachment strip	/L	1	
(11)	951 505 514 00	attachment strip	/R	1	
12	N 011 666 7	washer B 6,4		6	
13	N 010 215 13	hexagon-head bolt M 6 X 15		6	
14	951 575 361 00	air duct	/L	1	
(14)	951 575 362 00	air duct	/R	1	
15	951 575 371 00	fastening angle		2	
16	N 013 884 4	tapping screw BZ 4,8 X 13		4	
17	N 011 665 3	washer B 5,3		4	
18	N 015 458 1	speed nut 4,8 X 19		4	



Model	Year	MG	SG	Illustration	Restrictions	UPD	14:20	25.02.2010	PORSCHE	PET	PORSCHE
9442	1988	8	02	802-15		248					

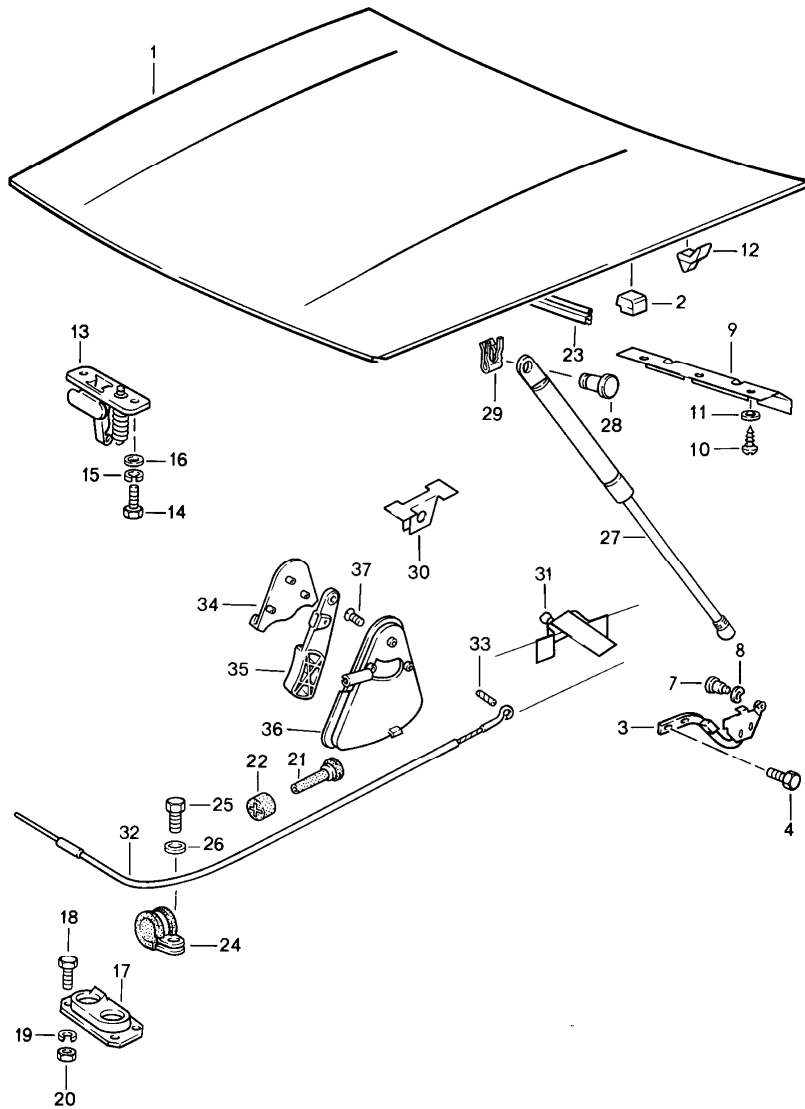
Pos	Part Number	Description	Remark	Qty	Model	Pos	Part Number	Description	Remark	Qty	Model
19	N 010 215 13	hexagon-head bolt M 6 X 15		4		39	N 011 665 3	washer B 5,3		2	
20	N 011 666 7	washer B 6,4		4		40	951 575 131 00	air duct		1	
21	N 011 524 7	washer A 6,4		4		41	900 143 007 02	tapping screw B 4,2 X 13		2	
22	900 910 010 09	lock nut M 6		4		42	900 025 002 02	washer A 4,3		2	
23	951 505 373 00	spring		4		43	N 015 447 1	speed nut 4,2 X 10,3		2	
24	951 505 353 00	cap		1		44	999 049 001 40	plastic nut		2	
25	900 143 072 02	oval-head sheetmetal screw B 3,9 X 19		1		45	951 505 381 00	fastening angle		3	
26	N 011 663 1	washer B 3,7		1		46	999 190 151 30	tubular rivet 4 X 11,05		3	
27	951 505 010 01	bumper		1		47	951 505 355 00	bracket		3	
28	951 505 349 00	cap		1		48	N 015 470 2	speed nut		6	
29	951 505 017 00	impact pipe		2		49	N 013 968 7	tapping screw		6	
(29)	951 505 015 00	impact absorber		2	M036/058	50	N 011 665 3	washer		6	
30	N 100 897 01	pan-head screw M 8 X 70		2		51	951 628 301 00	cover	87-	2	
31	900 031 001 02	washer 8,4		2							
32	N 010 242 12	hexagon-head bolt M 8 X 25		2							
33	N 011 525 13	washer A 8		2							
34	951 575 133 00	air duct		1							
(34)	951 575 133 01	air duct		1	M573						
35	999 217 013 00	hexagon-head bolt M 6		4							
36	937 503 255 01	spacer		4							
37	N 015 458 1	speed nut 4,8 X 19		2							
38	N 013 884 4	tapping screw 4,8 X 13		2							

Model	Year	MG	SG	Illustration	Restrictions	UPD	14:20	25.02.2010	PORSCHE	PET	PORSCHE
9442	1988	8	02	802-20		248					



Pos	Part Number	Description	Remark	Qty	Model
		sill cover winged rear apron			TURBO TURBO M472
1	951 559 193 00	sill cover	/V/L	1	
(1)	951 559 194 00	sill cover	/V/R	1	
2	951 559 195 00	sill cover	/H/L	1	
(2)	951 559 196 00	sill cover	/H/R	1	
3	951 559 385 00	fastening angle		2	
4	N 013 891 1	tapping screw B 6,3 X 19		8	
5	928 503 255 00	spacer		22	
6	999 591 327 02	speed nut B 6,3 X 25 X 16		6	
7	999 049 008 40	plastic nut		10	
8	999 190 361 40	rivet 5 X 12		2	
9	951 504 051 00	winged rear apron	/L	1	
10	951 504 052 00	winged rear apron	/R	1	
11	900 910 010 02	lock nut M 6		4	
12	N 011 666 7	washer B 6,4		4	
13	999 218 057 00	pan-head screw M 6 X 10		5	
14	N 011 557 6	washer 6,4		5	
15	999 507 336 02	captive nut M 6		5	
16	951 504 951 00	winged rear apron set see group 8/98/00		1	

Model	Year	MG	SG	Illustration	Restrictions	UPD	14:20	25.02.2010	PORSCHE	PET	PORSCHE
9442	1988	8	03	803-00		248					

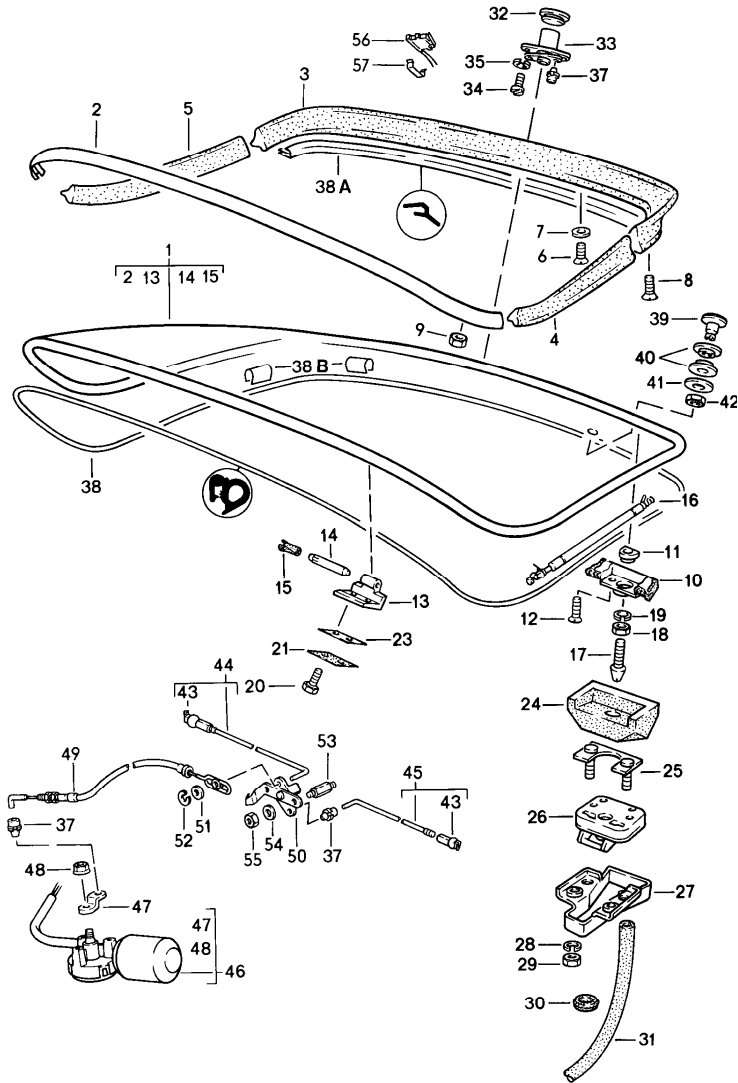


Pos	Part Number	Description	Remark	Qty	Model
		lid front actuator			
1	944 511 905 00	lid		1	
2	477 823 185	filler piece		2	
3	944 511 301 00	hinge	/L	1	
(3)	944 511 302 00	hinge	/R	1	
4	N 014 331 2	hexagon-head bolt M 8 X 18		4	
7	944 511 307 00	bearing pin		2	
8	944 511 309 00	washer		2	
9	944 511 201 00	tab washer		1	M533
10	900 143 007 02	tapping screw BZ 4,2 X 13		3	M533
11	900 025 002 02	washer BZ 4,3		3	M533
12	937 511 237 00	guide piece		2	
13	944 511 029 00	lid lock upper part		1	
14	999 072 005 09	hexagon-head bolt M 6 X 12		2	
17	928 511 027 02	lid lock lower part		1	
18	900 075 116 02	hexagon-head bolt M 4 X 8		4	
19	N 012 004 2	lock ring B 4		4	
20	N 011 004 6	hexagon nut M 4		4	
21	477 823 591	grommet		1	
22	477 823 593	stopper		1	
23	928 511 141 04	gasket		1	
24	999 511 177 02	clamp		1	
25	999 072 005 09	hexagon-head bolt M 6 X 12		1	

Model	Year	MG	SG	Illustration	Restrictions	UPD	14:20	25.02.2010	PORSCHE	PET	PORSCHE
9442	1988	8	03	803-00		248					

Pos	Part Number	Description	Remark	Qty	Model	Pos	Part Number	Description	Remark	Qty	Model
26	N 011 524 7	washer		1							
27	944 511 351 01	gas-pressure spring		2							
28	999 094 011 09	bolt	-87	2							
(28)	999 094 011 09	bolt	88-	2							
29	N 900 470 01	lock washer	-87	2							
30	944 511 373 00	pneumatic spring mount		2							
31	944 501 371 00	pneumatic spring mount	/L	1							
(31)	944 501 372 00	pneumatic spring mount	/R	1							
32	944 511 037 00	bowden cable		1							
33	900 197 018 00	roll pin 4 X 12		1							
34	928 511 143 02	cover		1							
35	928 511 175 02	pull handle		1							
	70B	black									
36	928 511 173 02	cup		1							
	70B	black									
37	900 249 001 02	countersunk-head screw M 6 X 15 M 6 X 15		2							

Model	Year	MG	SG	Illustration	Restrictions	UPD	14:21	25.02.2010	PORSCHE	PET	PORSCHE
9442	1988	8	03	803-05		248					



Pos	Part Number	Description	Remark	Qty	Model
1	477 827 027 J	rear lid rear spoiler		1	
1	944 512 929 04	rear lid with moulding and rear spoiler F >>94FN4 00259		1	
2	477 853 313 A	trim frame		1	
3	937 512 555 00	rear spoiler		1	
4	937 512 557 00	rear spoiler	/L	1	
5	937 512 558 00	rear spoiler	/R	1	
6	N 033 183 1	countersunk-head screw M 5 X 20		7	
7	477 827 453 A	washer		7	
8	N 033 185 1	countersunk-head screw M 4 X 16		4	
9	N 021 255 1	slotted nut M 4		12	
10	477 827 033 A	housing F >>94FN4 00259	/L	1	
10	944 512 033 01	housing F 94FN4 00260>>	/L	1	
(10)	477 827 034 A	housing F >>94FN4 00259	/R	1	

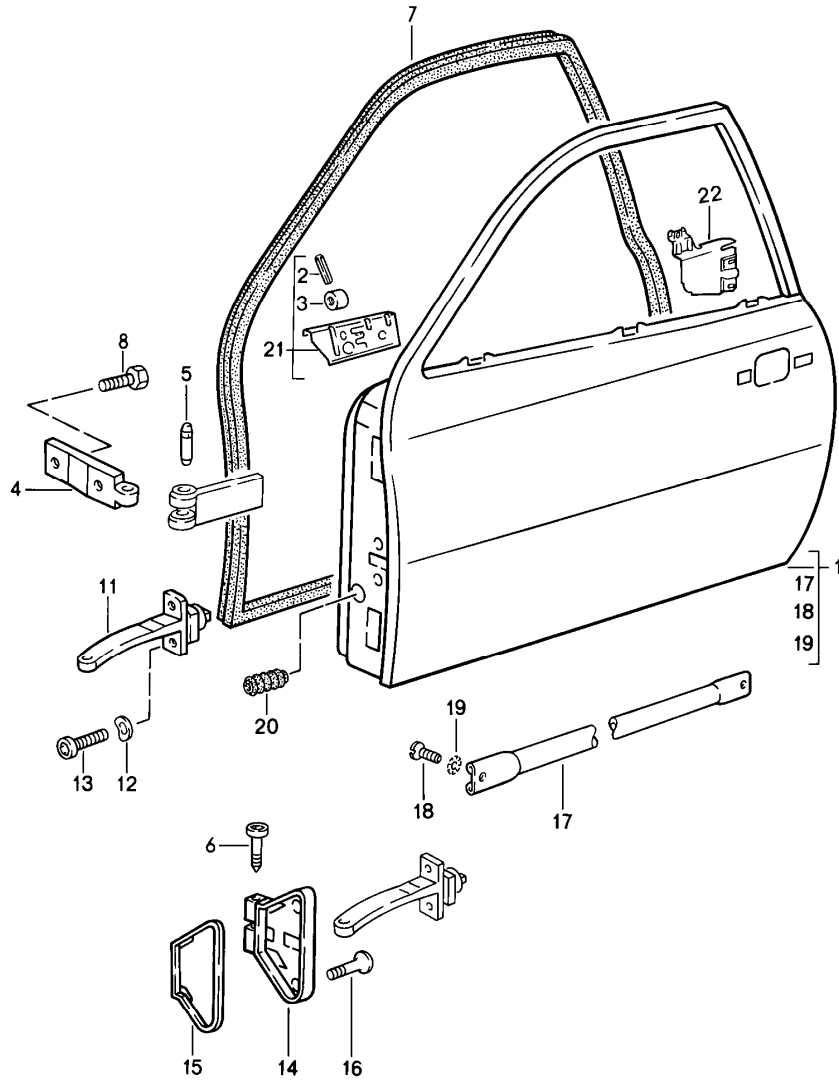
Model	Year	MG	SG	Illustration	Restrictions	UPD	14:21	25.02.2010	PORSCHE	PET	PORSCHE
9442	1988	8	03	803-05		248					

Pos	Part Number	Description	Remark	Qty	Model	Pos	Part Number	Description	Remark	Qty	Model
(10)	944 512 034 01	housing F 94FN4 00260>>	/R	1		26	944 538 955 01	rear lid lock F 94HN4 00001>>94JN4 00720 F 94FN4 00260>>94JN4 21227 F 95GN1 00001>>95JN1 00936	/L	1	944S 944 TURBO
11	477 827 035	rubber mounting		2							
12	999 219 011 07	countersunk-head screw M 6 X 16,		4		(26)	944 538 055 01	rear lid lock F 94JN4 00721>> F 94JN4 21228>> F 95JN1 00937>>	/L	1	944S 944 TURBO
13	477 827 305 B	hinge half		2							
14	944 512 311 00	hinge pin		2		(26)	477 827 506 A	rear lid lock F >>94FN4 00259	/R	1	
15	477 827 441	bush		2							
(16)	944 512 348 00	gas-pressure spring	/R	1		(26)	944 538 956 01	rear lid lock F 94HN4 00001>>94JN4 00720 F 94FN4 00260>>94JN4 21227 F 95GN1 00001>>95JN1 00936	/R	1	944S 944 TURBO
16	944 512 349 00	gas-pressure spring	/L	1							
17	477 827 527	lock pin F >>94FN4 00259		2		(26)	944 538 056 01	rear lid lock F 94JN4 00721>> F 94JN4 21228>> F 95JN1 00937>>	/R	1	944S 944 TURBO
17	944 538 547 00	lock pin F 94FN4 00260>>		2							
18	N 011 008 8	hexagon nut M 8		2		27	477 827 541	water drip pan		2	
19	900 027 015 02	lock ring B 8		2		28	N 012 006 4	lock ring B 6		4	
20	N 014 770 3	pan-head screw M 8 X 12		4		29	900 076 010 02	hexagon nut M 6		4	
21	928 512 417 03	plate		2		30	111 971 911 A	rubber sleeve		2	
23	944 512 413 00	gasket		2		31	477 827 547	hose 400 MM		2	
24	477 827 365 D	gasket F >>94FN4 00259	/L	1		32	477 827 529 A	sealing ring		1	
24	944 512 365 01	gasket F 94FN4 00260>>	/L	1		33	944 538 911 00	lock cylinder w/o stipulated lock number with 2 secondary keys	-87	1	
(24)	477 827 366 D	gasket F >>94FN4 00259	/R	1		(33)	944 538 911 01	lock cylinder w/o stipulated lock number with 2 secondary keys	88-	1	
(24)	944 512 366 01	gasket F 94FN4 00260>>	/R	1		(33)	477 827 573 B	lock cylinder with stipulated lock number	-87	1	
25	951 512 447 00	reinforcement plate		2		(33)	944 538 073 00	lock cylinder with stipulated lock number state lock number	88-	1	
26	477 827 505 A	rear lid lock F >>94FN4 00259	/L	1		34	N 014 139 5	oval-head screw M 6 X 12		2	

Model	Year	MG	SG	Illustration	Restrictions	UPD	14:21	25.02.2010	PORSCHE	PET	PORSCHE
9442	1988	8	03	803-05		248					

Pos	Part Number	Description	Remark	Qty	Model	Pos	Part Number	Description	Remark	Qty	Model
35	N 012 007 2	lock ring A 6		2		49	944 512 097 02	bowden cable F >>94JN4 00521 F >>94JN4 20941 F >>95JN1 00441		1	944S 944 TURBO
37	993 531 563 00	linkage clip	-87	2							
(37)	999 166 054 02	sl-lock	88-	1		(49)	944 512 097 03	bowden cable F 94JN4 00522>> F 94JN4 20942>> F 95JN1 00442>>		1	944S 944 TURBO
38	944 512 043 00	seal for rear lid		1							
38A	944 512 463 00	additional gasket	-86	1		50	944 512 095 00	lever		1	
38A	944 512 463 00	additional gasket	87-	1		52	N 012 054 2	clamping washer		1	
39	477 845 333	screw plug		1		53	944 512 201 00	stud		2	
40	477 955 439	grommet		2		54	N 011 524 7	washer B 6		2	
41	477 845 331	washer		1		55	900 076 010 02	hexagon nut M 6		2	
42	N 011 118 14	hexagon nut M 8		1		56	944 624 030 00	microswitch F 94JN4 00721>> F 94JN4 21228>> F 95JN1 00937>>		1	944S 944 TURBO
43	N 015 704 1	ball socket	-87	1		57	999 591 910 00	clamp F 94JN4 00721>> F 94JN4 21228>> F 95JN1 00937>>		1	944S 944 TURBO
(43)	999 168 025 00	ball socket	88-	1							
44	944 512 092 01	pull rod	/R	1							
45	944 512 091 00	pull rod	/L	1							
46	944 624 024 01	electric motor see technical information GR.5,NR.1/93 F >>94GN4 04474 F >>95GN1 01653		1	944 TURBO						
(46)	944 624 024 01	electric motor see technical information GR.5,NR.1/93 F 94GN4 04475>> F 95GN1 01654>>	-87	1	944 TURBO						
(46)	944 624 024 02	electric motor see technical information GR.5,NR.1/93	88-	1							
47	944 624 824 00	lever F >>94GN4 04474 F >>95GN1 01653		1	944 TURBO						
(47)	944 624 824 01	lever F 94GN4 04475>> F 95GN1 01654>>	-87	1	944 TURBO						
(47)	944 624 814 00	lever	88-	1							
48	999 084 045 02	lock nut		1							

Model	Year	MG	SG	Illustration	Restrictions	UPD	14:21	25.02.2010	PORSCHE	PET	PORSCHE
9442	1988	8	04	804-00		248					

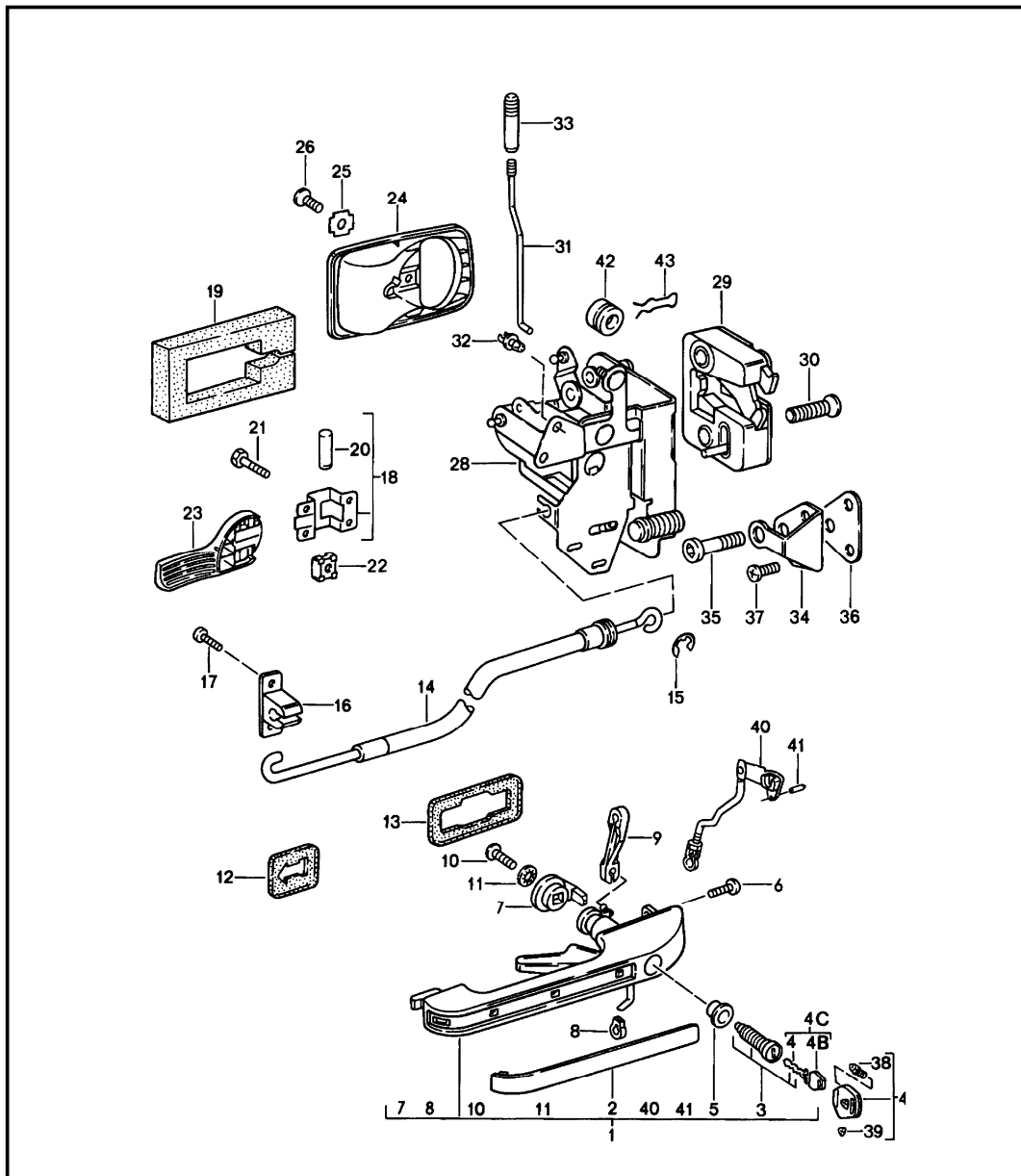


Pos	Part Number	Description	Remark	Qty	Model
		door			
1	944 531 005 02	door in white prepared for door mirror	/L	1	
1	945 531 005 02	door in white not prepared for door mirror	/RL/L	1	
(1)	945 531 006 02	door in white prepared for door mirror	/R	1	
(1)	944 531 006 02	door in white not prepared for door mirror	/R	1	
2	N 013 295 1	tensioning sleeve		2	
3	928 531 235 03	threaded piece		2	
4	171 831 403	hinge half		4	
5	321 831 421	hinge pin		4	
6	928 537 419 03	pan-head screw		2	
7	944 537 091 00	door seal	/L	1	
(7)	944 537 092 00	door seal	/R	1	
8	N 902 180 01	combination screw M 8 X 14		8	
11	944 537 609 00	door support		2	
12	N 011 524 7	washer B 6		4	
13	900 067 008 02	pan-head screw M 6 X 12		4	
14	928 537 417 02	bearing bracket	/L	1	
(14)	928 537 418 02	bearing bracket	/R	1	
15	928 537 425 02	desk pad	/L	1	
(15)	928 537 426 02	desk pad	/R	1	
16	928 537 459 02	oval-head screw M 6 X 20		4	
17	477 831 155	reinforcement		2	M190

Model	Year	MG	SG	Illustration	Restrictions	UPD	14:21	25.02.2010	PORSCHE	PET	PORSCHE
9442	1988	8	04	804-00		248					

Pos	Part Number	Description	Remark	Qty	Model	Pos	Part Number	Description	Remark	Qty	Model
18	999 147 006 02	oval-head screw M 8 X 16		4	M190						
19	N 012 133 1	shake-proof washer V 8,4		4	M190						
20	477 971 910	bellows		2							
21	944 531 239 00	reinforcement door mirror	/L	1							
(21)	944 531 240 00	reinforcement door mirror	/R	1							
22	944 531 135 00	cover plate	/L	1							
(22)	944 531 136 00	cover plate	/R	1							

Model	Year	MG	SG	Illustration	Restrictions	UPD	14:21	25.02.2010	PORSCHE	PET	PORSCHE
9442	1988	8	04	804-05		248					



Pos	Part Number	Description	Remark	Qty	Model
1	944 538 905 00	outer door handle door lock			
		outer door handle	/L	85	1
(1)	944 538 906 00	outer door handle	/R	85	1
(1)	944 538 905 01	outer door handle w/o stipulated lock number M341: microswitch 911.613.133.00 order also:	/L	86-	1
(1)	944 538 905 02	outer door handle with stipulated lock number M341: microswitch 911.613.133.00 order also:	/L	86-	1
(1)	944 538 906 01	outer door handle w/o stipulated lock number M341: microswitch 911.613.133.00 order also:	/R	86-	1
(1)	944 538 906 02	outer door handle with stipulated lock number M341: microswitch 911.613.133.00 order also:	/R	86-	1
2	823 837 239	cover		85	2
3	944 538 903 00	lock cylinder w/o stipulated lock number with 2 secondary keys		85	2
(3)	944 538 903 01	lock cylinder with stipulated lock number state lock number with 2 secondary keys grease for lock cylinder see group 0/05/00		85	2
4	944 538 331 00	blank key			2
4A	944 538 041 00	key lamp			1
4B	944 538 431 00	key cap			1

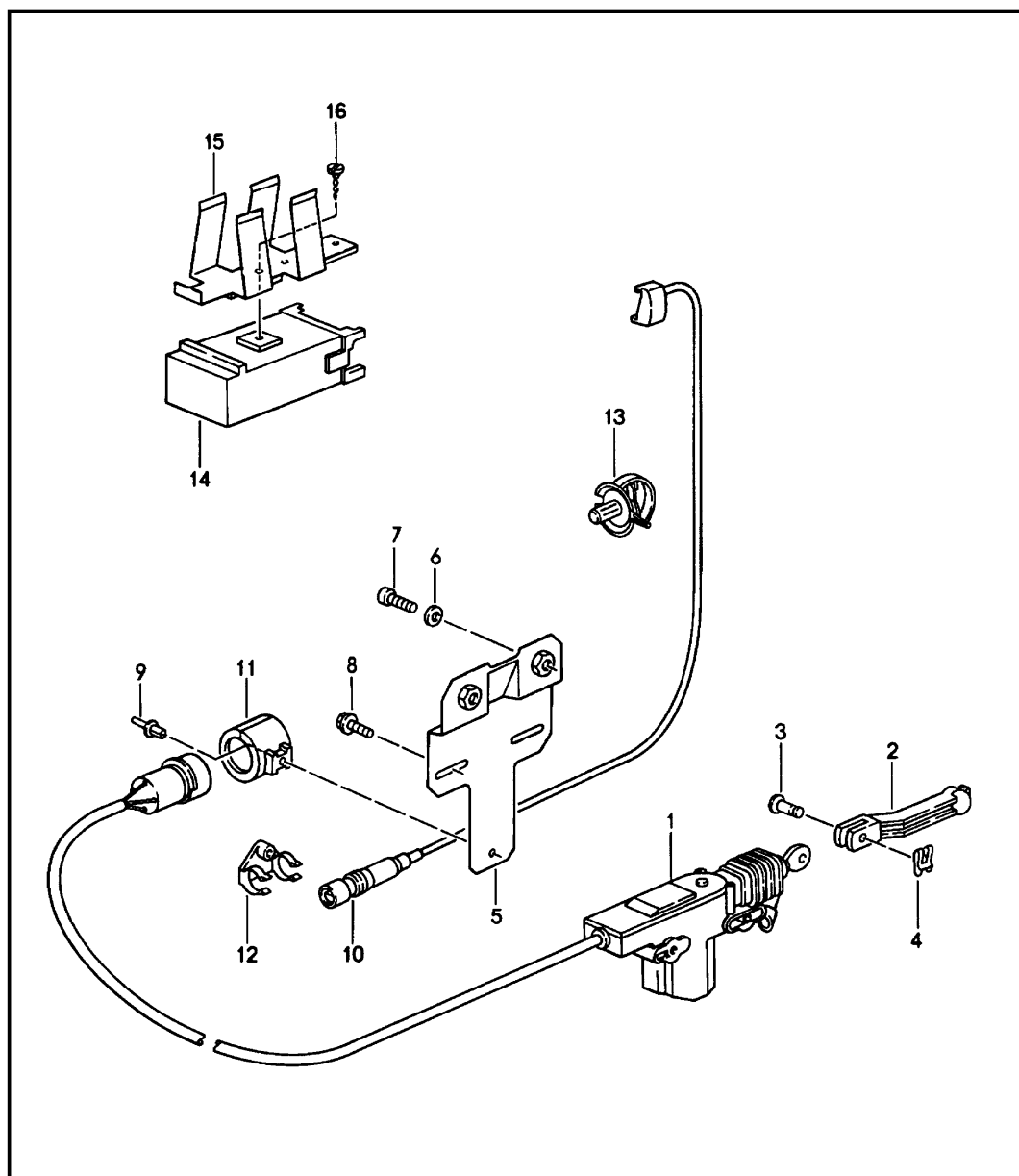
Model	Year	MG	SG	Illustration	Restrictions	UPD	14:21	25.02.2010	PORSCHE	PET	PORSCHE
9442	1988	8	04	804-05		248					

Pos	Part Number	Description	Remark	Qty	Model	Pos	Part Number	Description	Remark	Qty	Model
4C	944 538 933 00	key with stipulated lock number state lock number Information available		1			01C	black		85	
							4RB	brown		85	
5	111 837 227 B	sealing ring	85	2			8CJ	light grey		85	
6	803 837 951	self-lock. fillister screw		2			9MM	burgundy		85	
7	477 837 497	driver	85	2			3DL	black		86-	
8	999 168 004 40	ball socket	85	2			5TL	brown		86-	
9	477 837 505 A	connecting piece	/L	1			1FL	light grey		86-	
(9)	477 837 506 A	connecting piece	/R	1			4LL	burgundy		86-	
10	N 033 165 1	countersunk-head screw AM 4 X 8	85	2		(23)	944 537 226 00	handle inner door release	/R	1	
11	N 012 116 1	serrated lock washer V 4,3	85	2			01C	black		85	
							4RB	brown		85	
12	867 837 209	desk pad	/V	2			8CJ	light grey		85	
13	171 837 211 A	desk pad	/H	2			9MM	burgundy		85	
14	477 837 017 A	bowden cable		2			3DL	black		86-	
15	900 116 002 02	lock washer 3,2		2			5TL	brown		86-	
16	477 837 115 A	support		2			1FL	light grey		86-	
17	999 217 029 02	hexagon-head bolt M 6 X 10 self-locking M 6 X 10, SELBSTSICHERND		4			4LL	burgundy		86-	
18	944 537 029 00	inner door release	/L	1		24	944 537 229 00	rosette		2	
							8UC	brown		85	
(18)	944 537 030 00	inner door release	/R	1			7DC	light grey		85	
19	477 831 304 A	seal		2			3MC	burgundy		85	
20	N 013 666 1	rivet B 4 X 32		2			3DL	black			
							5TL	brown		86-	
21	999 217 029 02	hexagon-head bolt M 6 X 10, SELBSTSICHERND		8			1FL	light grey		86-	
							4LL	burgundy		86-	
22	477 837 521	captive nut		8		26	N 014 216 1	countersunk-head screw AM 5 X 10		2	
23	944 537 225 00	handle inner door release	/L	1		28	928 537 907 03	lock inner part	/LL/L	85	1

Model	Year	MG	SG	Illustration	Restrictions	UPD	14:21	25.02.2010	PORSCHE	PET	PORSCHE
9442	1988	8	04	804-05		248					

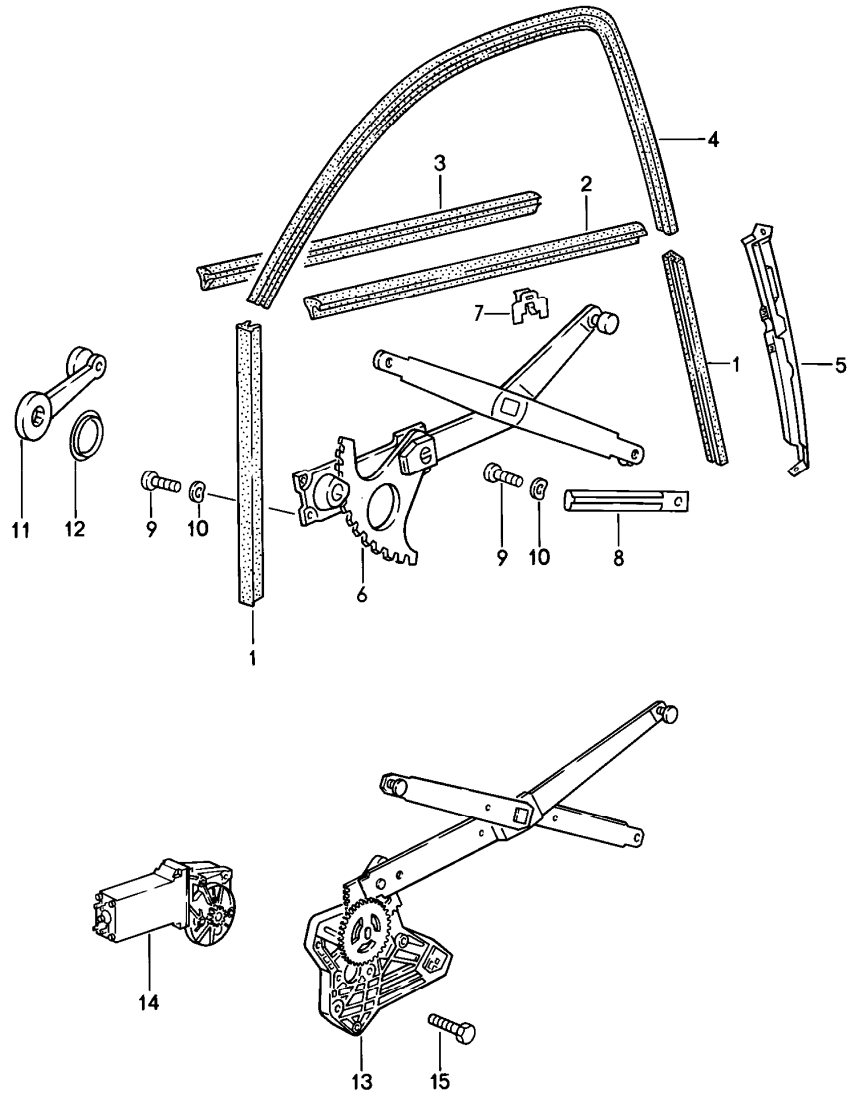
Pos	Part Number	Description	Remark	Qty	Model	Pos	Part Number	Description	Remark	Qty	Model
28	928 537 053 07	door lock inner part	/LL/L	86-	1						
(28)	928 537 908 04	lock inner part	/LL/R	85	1						
(28)	928 537 054 08	door lock inner part	/LL/R	86-	1						
(28)	927 537 907 04	lock inner part	/RL/L	85	1						
(28)	927 537 053 08	door lock inner part	/RL/L	86-	1						
(28)	927 537 908 03	lock inner part	/RL/R	85	1						
(28)	927 537 054 07	door lock inner part	/RL/R	86-	1						
29	928 537 153 03	door lock outer part	/L		1						
(29)	928 537 154 03	door lock outer part	/R		1						
30	928 537 721 02	oval-head screw M 8 X 35			4						
31	477 837 183 A	locking rod			2						
32	477 837 187	clip			2						
(33)	944 555 359 01	knob			2						
	01C	black									
34	928 537 133 02	door lock striker			2						
35	928 537 131 03	lock pin			2						
36	928 537 135 04	desk pad			2						
37	900 269 027 02	countersunk-head screw M 8 X 16			4						
38	928 537 630 02	bulb E 5,5			1						
39	944 538 443 00	crest			1						
40	944 537 261 00	reverse lever	/L		1						
(40)	944 537 262 00	reverse lever	/R		1						
41	N 023 323 2	roll pin			2						

Model	Year	MG	SG	Illustration	Restrictions	UPD	14:21	25.02.2010	PORSCHE	PET	PORSCHE
9442	1988	8	04	804-06		248					



Pos	Part Number	Description	Remark	Qty	Model
		central locking system	86-		M341
1	944 624 211 00	transmission element		2	
2	944 537 511 00	operating rod		2	
3	N 100 438 01	bolt		2	
4	N 012 644 1	lock		2	
5	944 537 151 00	mounting plate		2	
6	N 011 524 7	washer A 6,4		4	
7	N 014 765 2	pan-head screw M 6 X 10		4	
8	999 919 035 02	hexagon-head bolt		4	
9	N 038 504 1	expansion rivet 15 X 7,5		2	
10	964 613 134 00	microswitch		2	
11	944 612 450 01	support		2	
12	321 971 898 B	support		2	
13	944 612 555 00	cable holder		14	
14	911 618 113 01	control unit		1	
15	944 618 163 00	support		1	
16	999 919 032 02	oval-head screw		1	

Model	Year	MG	SG	Illustration	Restrictions	UPD	14:21	25.02.2010	PORSCHE	PET	PORSCHE
9442	1988	8	04	804-10		248					

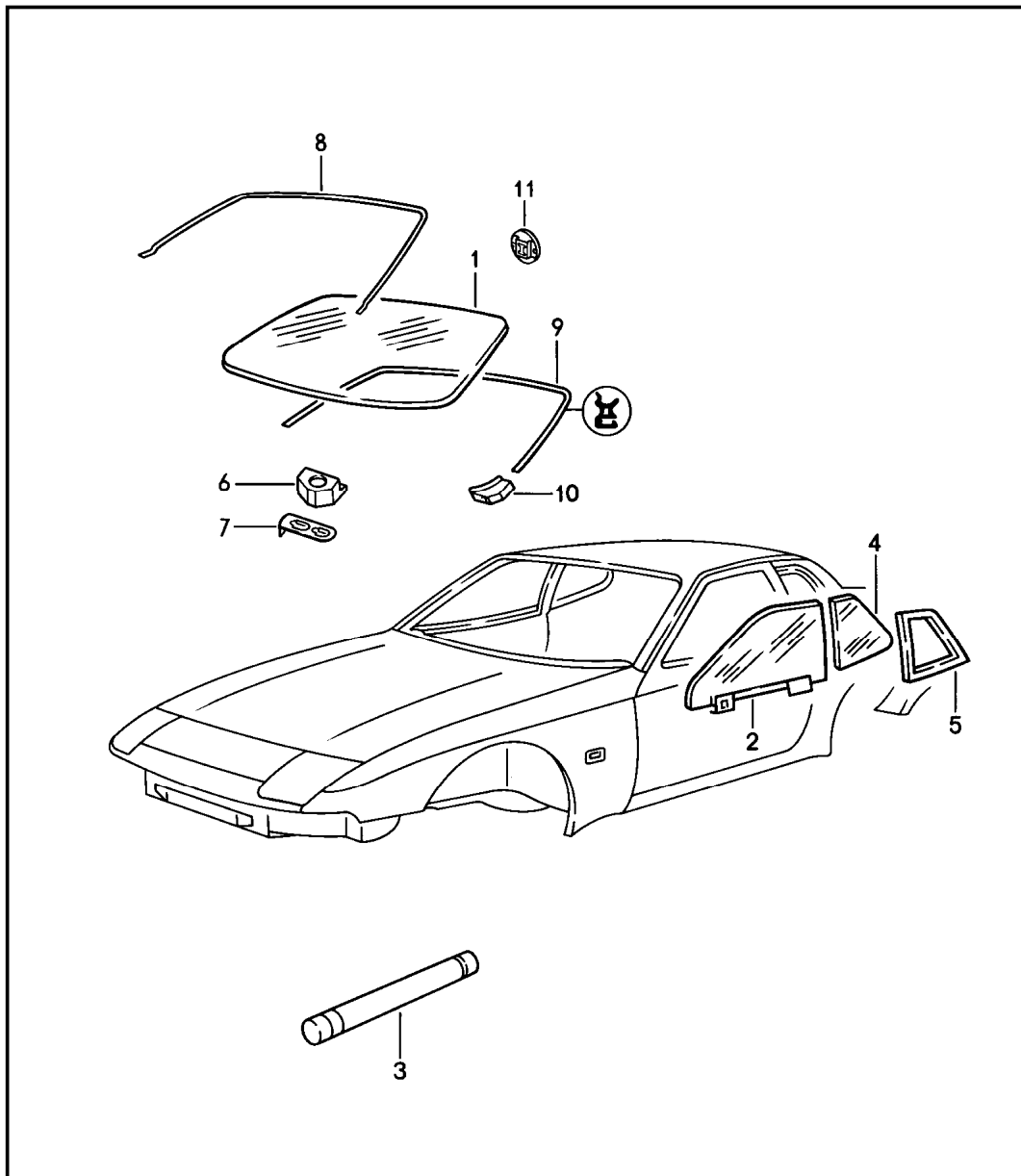


Pos	Part Number	Description	Remark	Qty	Model
		power windows window guide			
1	477 837 385	window guide		4	
2	477 837 469 A	sealing strip outer	/L	1	
(2)	477 837 470 A	sealing strip outer	/R	1	
3	477 837 471 A	seal inner		2	
4	944 537 079 00	window guide	/L	1	
(4)	944 537 080 00	window guide	/R	1	
5	944 531 103 00	window guide rail	/L	86-	1
(5)	944 531 104 00	window guide rail	/R	86-	1
6	944 537 041 00	power windows	/L	1	
(6)	944 537 042 00	power windows	/R	1	
7	171 837 485	clamp		10	
8	944 537 589 00	guide rail		2	
9	999 217 029 02	hexagon-head bolt M 6 X 10 self-locking		12	
		M 6 X 10, SELBSTSICHERND			
10	N 011 652 1	washer A 7 X 12		12	
11	944 555 057 00	window crank		2	
		01C black	85		
		4RB brown	85		
		8CJ light grey	85		
		9MM burgundy	85		
		3DL black	86-		
		5TL brown	86-		
		1FL light grey	86-		
		4LL burgundy	86-		

Model	Year	MG	SG	Illustration	Restrictions	UPD	14:21	25.02.2010	PORSCHE	PET	PORSCHE
9442	1988	8	04	804-10		248					

Pos	Part Number	Description	Remark	Qty	Model	Pos	Part Number	Description	Remark	Qty	Model
(11)	944 555 057 01	window crank	87-	2							
	3DL	black									
	5TL	brown									
	1FL	light grey									
	4LL	burgundy									
12	111 837 595	desk pad		2							
	01C	black									
	90V	brown									
	9MM	burgundy	86-								
13	477 837 391 C	cross-arm power window	/L	1							
(13)	477 837 392 C	cross-arm power window	/R	1							
14	477 959 123 A	engine and transmission	/L	1							
(14)	477 959 124 A	engine and transmission	/R	1							
15	N 014 228 4	countersunk-head screw AM 6 X 12		6							
		electrical components see group 9/02/27,9/03/00									

Model	Year	MG	SG	Illustration	Restrictions	UPD	14:22	25.02.2010	PORSCHE	PET	PORSCHE
9442	1988	8	05	805-00		248					

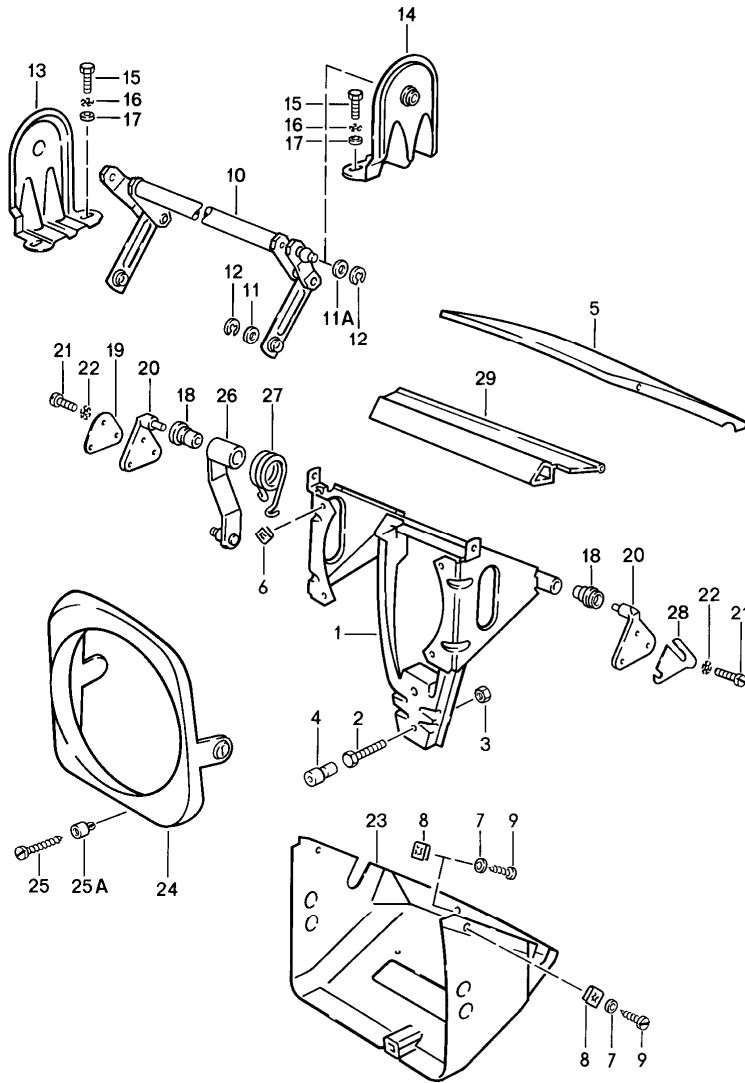


Pos	Part Number	Description	Remark	Qty	Model
		window glazing			
1	944 541 011 10	windscreen clear with antenna	-87	1	
1	944 541 011 13	windscreen clear with antenna	87-	1	M462
1	944 541 011 13	windscreen clear with antenna	88-	1	
(1)	944 541 011 09	windscreen tinted with antenna	-87	1	
(1)	944 541 011 12	windscreen tinted with antenna	87-	1	M462
(1)	944 541 011 12	windscreen tinted with antenna	88-	1	
(1)	944 541 011 11	windscreen tinted green top tint and antenna	-87	1	
(1)	944 541 011 14	windscreen tinted green top tint and antenna	87-	1	M462
(1)	944 541 011 14	windscreen tinted green top tint and antenna	88-	1	
-	477 845 043	adhesive plate interior mirror		1	
(2)	944 542 023 01	door window glass tinted	/L	1	

Model	Year	MG	SG	Illustration	Restrictions	UPD	14:22	25.02.2010	PORSCHE	PET	PORSCHE
9442	1988	8	05	805-00		248					

Pos	Part Number	Description	Remark	Qty	Model	Pos	Part Number	Description	Remark	Qty	Model
(2)	944 542 024 01	door window glass tinted	/R	1							
3	000 043 300 94	adhesive set windscreen windscreen		1							
(4)	477 845 311 A	side window tinted	/L	1							
(4)	477 845 312 A	side window tinted	/R	1							
5	944 557 321 00	rubber seal	/L	1							
(5)	944 557 322 00	rubber seal	/R	1							
6	944 559 031 02	spacer		2					-87		
6	944 559 031 02	spacer		2					88-		
7	944 559 337 00	fastening part		2							
8	944 559 535 04	cover strip F >>94FN4 04780 F >>95GN1 40314		1	944 TURBO						
8	944 559 535 03	cover strip F 94FN4 04781>> F 95GN1 40315>>		1	944 TURBO						
9	944 559 543 02	frame		1					-87		
10	944 559 341 00	stopper	/L	1							
(10)	944 559 342 00	stopper	/R	1							
-	000 043 204 82	adhesive for cover strip		X							

Model	Year	MG	SG	Illustration	Restrictions	UPD	14:22	25.02.2010	PORSCHE	PET	PORSCHE
9442	1988	8	06	806-00		248					

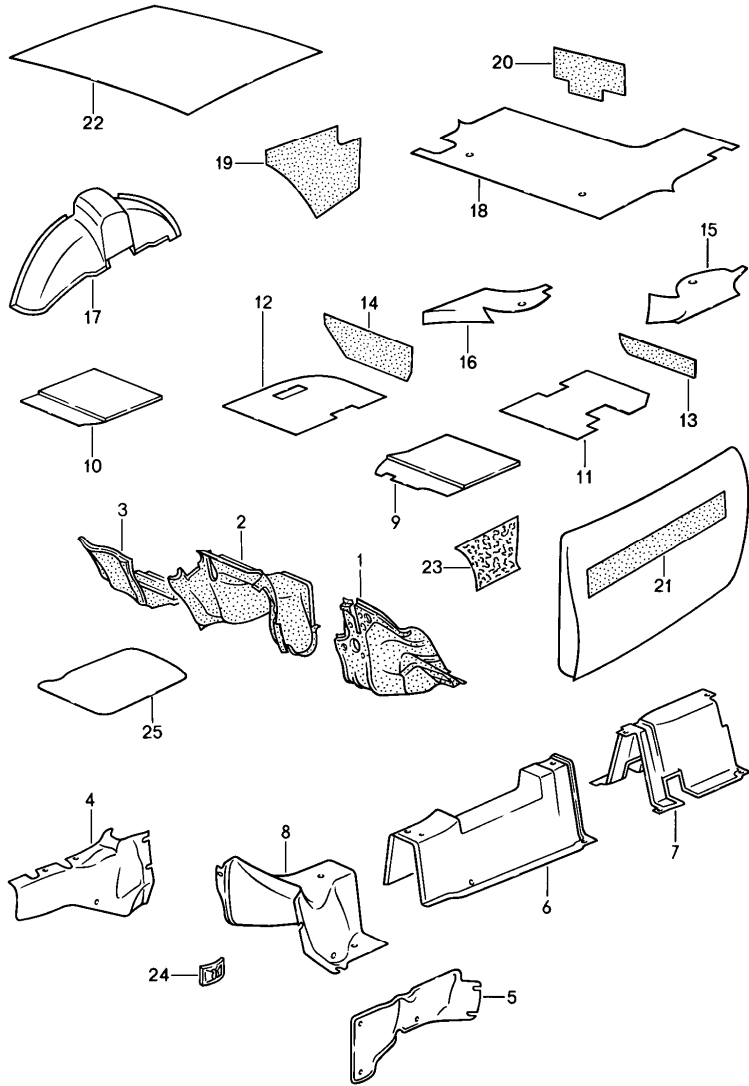


Pos	Part Number	Description	Remark	Qty	Model
		pop-up headlight			
1	944 750 605 00	swivel frame	/L	1	
(1)	944 750 606 00	swivel frame	/R	1	
2	N 010 221 3	hexagon-head bolt M 6 X 35		2	
3	900 076 010 02	hexagon nut M 6		2	
4	914 504 319 00	grommet		2	
5	477 805 611	housing cover	/L	1	
(5)	951 503 611 00	housing cover	/L	1	TURBO
(5)	477 805 612	housing cover	/R	1	
(5)	951 503 612 00	housing cover	/R	1	TURBO
6	999 507 252 02	nut B 4,2 X 17	- 87	8	
7	900 151 028 02	washer 4,1		4	
8	N 015 438 1	speed nut B 3,5 X 16,5		10	
9	N 014 086 4	tapping screw B 3,5 X 9,13		10	
10	477 805 615	control shaft		1	
11	N 011 525 13	washer		2	
11A	477 805 695	washer		1	
12	N 012 436 2	lock washer 6		3	
13	477 805 617	bearing bracket		1	
14	477 805 622	bearing bracket		1	
15	N 010 215 13	hexagon-head bolt M 6 X 15		4	
16	N 012 105 3	serrated lock washer A 6,4		4	
17	N 011 524 7	washer A 6,4		4	
18	477 805 623	bush		4	

Model	Year	MG	SG	Illustration	Restrictions	UPD	14:22	25.02.2010	PORSCHE	PET	PORSCHE
9442	1988	8	06	806-00		248					

Pos	Part Number	Description	Remark	Qty	Model	Pos	Part Number	Description	Remark	Qty	Model
19	914 750 169 10	plate		4							
(19)	951 750 169 00	plate		2	TURBO						
20	914 750 271 10	bearing bracket		4							
(20)	951 750 271 00	bearing bracket		2	TURBO						
21	999 072 005 09	hexagon-head bolt M 6 X 12		12							
22	N 012 105 3	serrated lock washer A 6,4		12							
(23)	944 750 631 00	housing	/L	1							
(23)	944 750 632 00	housing	/R	1							
24	477 805 633	retaining ring	/L	1							
(24)	951 503 633 00	retaining ring	/L	1	TURBO						
(24)	477 805 634	retaining ring	/R	1							
(24)	951 503 634 00	retaining ring	/R	1	TURBO						
25	N 043 979 2	tapping screw BZ 4,2 X 45		2							
25A	477 857 173	clip		2							
26	477 805 651	lever		2							
27	477 805 661	spring	/L	1							
(27)	477 805 662	spring	/R	1							
28	477 805 663	desk pad		X							
29	477 853 363	cover strip	/L	1							
(29)	477 853 364	cover strip	/R	1							

Model	Year	MG	SG	Illustration	Restrictions	UPD	14:22	25.02.2010	PORSCHE	PET	PORSCHE
9442	1988	8	07	807-00		248					

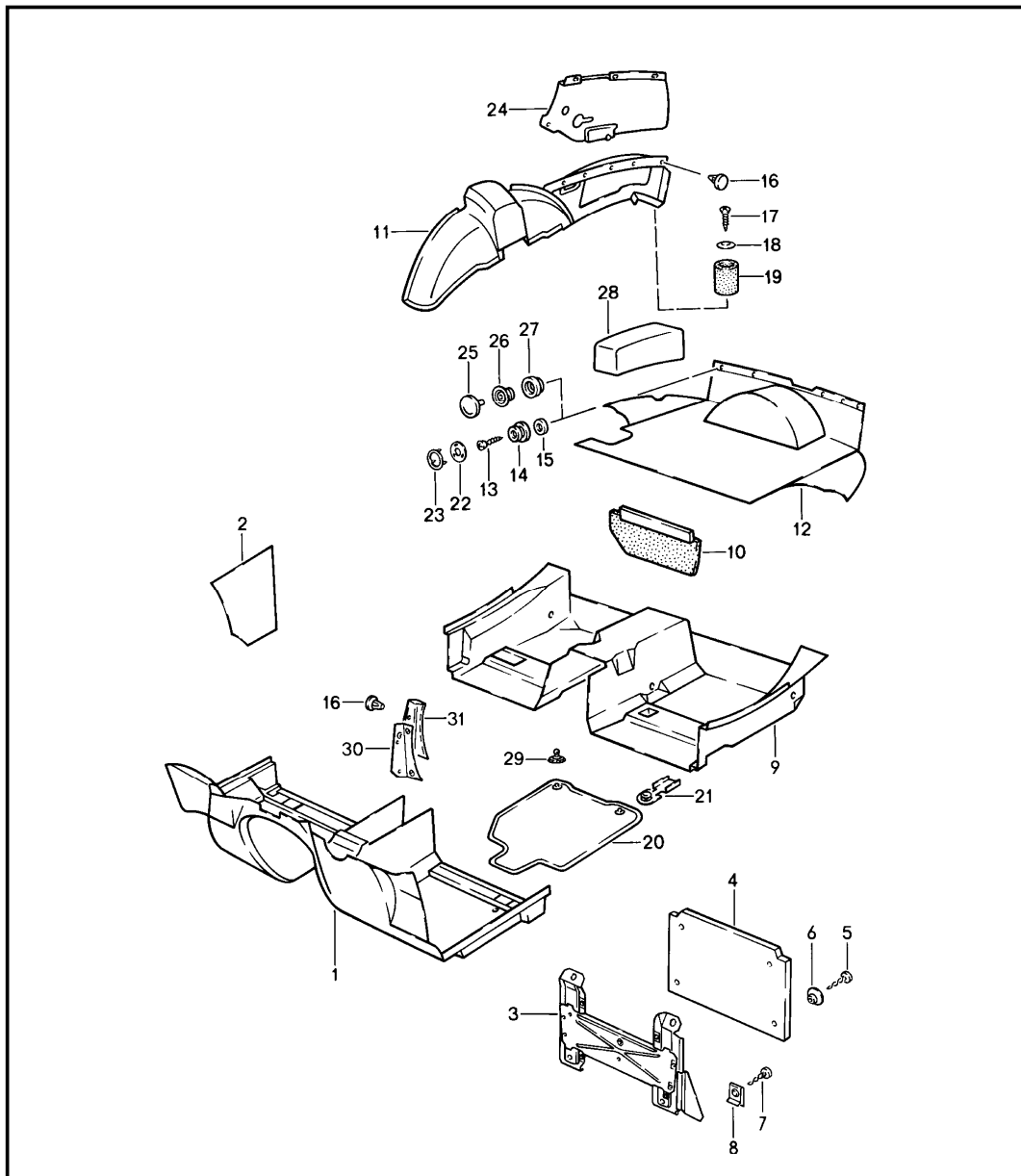


Pos	Part Number	Description	Remark	Qty	Model
		sound absorber			
1	944 556 865 02	sound absorber	/LL/L	1	
(1)	945 556 865 01	sound absorber firewall	/RL/L	1	
2	944 556 855 02	sound absorber	/LL	1	
(2)	945 556 855 01	sound absorber firewall centre	/RL	1	
3	A 944 556 866 00	insulation	/LL/R	1	
3	944 556 866 03	insulation	/LL/R	1	
(3)	945 556 866 03	sound absorber firewall	/RL/R	1	
4	944 556 074 00	heat protection	/R	1	
5	951 556 075 00	heat protection	/L	1	TURBO
6	951 556 071 01	heat protection		1	
7	951 556 621 00	heat protection		1	
8	944 556 077 00	heat protection	/LL	1	
(8)	945 556 077 00	heat protection	/RL	1	
9	944 556 775 01	sound absorber	/LL/L	1	
(9)	945 556 775 01	sound absorber	/RL/L	1	
10	944 556 776 01	sound absorber	/LL/R	1	
(10)	945 556 776 01	sound absorber	/RL/R	1	
11	944 556 157 00	sound absorber	/L	1	
12	944 556 158 00	sound absorber	/R	1	
13	944 556 085 00	sound absorber	/L	1	
(13)	944 556 086 00	sound absorber	/R	1	
(14)	944 556 085 00	sound absorber	/L	1	
14	944 556 086 00	sound absorber	/R	1	
15	944 556 777 01	sound absorber	/L	1	
16	944 556 778 01	sound absorber	/R	1	
(17)	944 556 885 00	sound absorber	/L	1	

Model	Year	MG	SG	Illustration	Restrictions	UPD	14:22	25.02.2010	PORSCHE	PET	PORSCHE
9442	1988	8	07	807-00		248					

Pos	Part Number	Description	Remark	Qty	Model	Pos	Part Number	Description	Remark	Qty	Model
17	944 556 886 00	sound absorber	/R	1							
18	944 556 081 00	sound absorber boot floor plate		1							
(19)	477 863 865	insulation	/L	1							
19	477 863 866	sound absorber	/R	1							
20	477 863 867	insulation spare-wheel well		1							
21	993 556 521 00	insulation door		2							
22	944 556 609 00	sound absorber roof		1							
23	944 556 853 02	insulation	/LL/L	1							
(23)	945 556 853 02	insulation	/RL/L	1							
(23)	944 556 854 03	insulation	/LL/R	1							
(23)	945 556 854 04	insulation side section	/RL/R	1							
24	N 900 661 01	clamping washer		X							
25	477 863 771	sound absorber	/L	1							
(25)	944 556 772 01	sound absorber bonnet	/R	1							

Model	Year	MG	SG	Illustration	Restrictions	UPD	14:22	25.02.2010	PORSCHE	PET	PORSCHE
9442	1988	8	07	807-05		248					



Pos	Part Number	Description	Remark	Qty	Model
1	944 555 055 00	linings floor mat	/LL	-86	1
	3BF	black		85	
	8NF	brown		85	
	4BF	grey		85	
	2LF	burgundy		85	
	5MD	can-can-red		85	
	1YD	white		85	
	9VD	champagne		85	
	1DR	black		86-	
	9RR	brown		86-	
	2FR	light grey		86-	
	4JR	burgundy/burgundy		86-	
	2MC	can-can-red		86-	
	3YC	white		86-	
	4VC	champagne		86-	
1	944 555 055 01	floor mat	/LL	87-	1
	1DR	black		86-	
	9RR	brown		86-	
	2FR	light grey		86-	
	4JR	burgundy/burgundy		86-	
	2MC	can-can-red		86-	
	3YC	white		86-	
	4VC	champagne		86-	
(1)	945 555 055 00	floor mat	/RL	86	1
	1DR	black			
	9RR	brown			
	2FR	light grey/light grey			
	4JR	burgundy			

Model	Year	MG	SG	Illustration	Restrictions	UPD	14:22	25.02.2010	PORSCHE	PET	PORSCHE
9442	1988	8	07	807-05		248					

Pos	Part Number	Description	Remark	Qty	Model	Pos	Part Number	Description	Remark	Qty	Model
	2MC	can-can-red					3YC	white		86-	
	3YC	white					4VC	champagne		86-	
	4VC	champagne				2	944 555 082 00	lining	/LL/R	1	
(1)	945 555 055 01	floor mat	/RL	87-	1		3BF	black		85	
	1DR	black					8NF	brown		85	
	9RR	brown					4BF	grey		85	
	2FR	light grey/light grey					2LF	burgundy		85	
	4JR	burgundy					5MD	can-can-red		85	
	2MC	can-can-red					1YD	white		85	
	3YC	white					9VD	champagne		85	
	4VC	champagne					1DR	black		86-	
1	944 555 055 01	floor mat	/LL		1		9RR	brown		86-	
	8FC	silver-grey			88		2FR	light grey/light grey		86-	
(1)	945 555 055 01	floor mat	/RL		1		4JR	burgundy		86-	
	8FC	silver-grey			88		2MC	can-can-red		86-	
(2)	945 555 081 00	lining	/LL/L		1		3YC	white		86-	
	3BF	black			85		4VC	champagne		86-	
	8NF	brown			85	2	944 555 082 02	lining	/LL/R	87-	1 M593
	4BF	grey			85		1DR	black		86-	
	2LF	burgundy			85		9RR	brown		86-	
	5MD	can-can-red			85		2FR	light grey/light grey		86-	
	1YD	white			85		4JR	burgundy		86-	
	9VD	champagne			85		2MC	can-can-red		86-	
(2)	944 555 081 00	lining	/LL/L		1		3YC	white		86-	
	1DR	black			86-		4VC	champagne		86-	
	9RR	brown			86-	(2)	945 555 082 00	lining	/RL/R	86-	1
	2FR	light grey/light grey			86-		1DR	black			
	4JR	burgundy			86-		9RR	brown			
	2MC	can-can-red			86-		2FR	light grey/light grey			

Model	Year	MG	SG	Illustration	Restrictions	UPD	14:22	25.02.2010	PORSCHE	PET	PORSCHE
9442	1988	8	07	807-05		248					

Pos	Part Number	Description	Remark	Qty	Model	Pos	Part Number	Description	Remark	Qty	Model
	4JR	burgundy					8FC	silver-grey		88	
	2MC	can-can-red				2	944 555 082 00	lining	/LL/R	1	
	3YC	white					8FC	silver-grey		88	
	4VC	champagne				(2)	945 555 081 00	lining	/RL/L	1	
(2)	A 945 555 082 02	lining	/RL/R	87	1 M593		8FC	silver-grey		88	
	1DR	black				(2)	945 555 082 00	lining	/RL/R	1	
	9RR	brown					8FC	silver-grey		88	
	2FR	light grey/light grey				3	A 944 551 049 01	bracket	/LL	-86	1
	4JR	burgundy				3	944 551 049 01	bracket	/LL	1	
	2MC	can-can-red				(3)	A 945 551 049 01	bracket	/RL	86	1
	3YC	white				(3)	945 551 049 01	bracket	/RL	1	944/944S
	4VC	champagne				(3)	945 551 049 02	bracket	/RL	1	TURBO
(2)	945 555 082 03	lining	/RL/R	87-	1 M593	4	A 944 551 149 00	foot support	/LL	-86	1
	1DR	black				4	A 944 551 149 02	foot support	/LL	87-	1
	9RR	brown				4	944 551 149 02	foot support	/LL	1	
	2FR	light grey/light grey				(4)	A 945 551 149 02	foot support	/RL	86	1
	4JR	burgundy				(4)	A 945 551 149 02	foot support	/RL	87-	1
	2MC	can-can-red				(4)	945 551 149 02	foot support	/RL	1	
	3YC	white				5	N 013 971 3	tapping screw B 4,8 X 22		4	
	4VC	champagne				6	901 423 368 00	washer		4	
(2)	945 555 081 00	lining	/RL/L	86-	1	7	N 013 968 7	tapping screw B 4,8 X 13		2	
	1DR	black				8	999 591 348 02	speed nut B 4,8		2	
	9RR	brown				9	944 555 071 00	floor mat	/LL	1	
	2FR	light grey/light grey					3BF	black		85	
	4JR	burgundy					8NF	brown		85	
	2MC	can-can-red					4BF	light grey		85	
	3YC	white					2LF	burgundy		85	
	4VC	champagne									
(2)	944 555 081 00	lining	/LL/L		1						

Model	Year	MG	SG	Illustration	Restrictions	UPD	14:22	25.02.2010	PORSCHE	PET	PORSCHE
9442	1988	8	07	807-05		248					

Pos	Part Number	Description	Remark	Qty	Model	Pos	Part Number	Description	Remark	Qty	Model
	5MD	can-can-red		85			9RR	brown		86-	
	1YD	white		85			2FR	light grey		86-	
	9VD	champagne		85			4JR	burgundy		86-	
	1DR	black		86-			2MC	can-can-red		86-	
	9RR	brown		86-			3YC	white		86-	
	2FR	light grey		86-			4VC	champagne		86-	
	4JR	burgundy		86-			8FC	silver-grey		88	
	2MC	can-can-red		86-		10	477 863 572 A	lining	/R	1	
	3YC	white		86-			3BF	black		85	
	4VC	champagne		86-			8NF	brown		85	
	8FC	silver-grey		88			4BF	grey		85	
(9)	945 555 071 00	floor mat	/RL	86-	1		2LF	burgundy		85	
	1DR	black					5MD	can-can-red		85	
	9RR	brown					1YD	white		85	
	2FR	light grey					9VD	champagne		85	
	4JR	burgundy					1DR	black		86-	
	2MC	can-can-red					9RR	brown		86-	
	3YC	white					2FR	light grey		86-	
	4VC	champagne					4JR	burgundy		86-	
	8FC	silver-grey		88			2MC	can-can-red		86-	
(10)	477 863 571 A	lining	/L		1		3YC	white		86-	
	3BF	black		85			4VC	champagne		86-	
	8NF	brown		85			8FC	silver-grey		88	
	4BF	grey		85		11	944 555 083 02	side trim panel	/L	1	
	2LF	burgundy		85			3BF	black		85	
	5MD	can-can-red		85			8NF	brown		85	
	1YD	white		85			4BF	grey		85	
	9VD	champagne		85			2LF	burgundy		85	
	1DR	black		86-			5MD	can-can-red		85	

Model	Year	MG	SG	Illustration	Restrictions	UPD	14:22	25.02.2010	PORSCHE	PET	PORSCHE
9442	1988	8	07	807-05		248					

Pos	Part Number	Description	Remark	Qty	Model	Pos	Part Number	Description	Remark	Qty	Model
	1YD	white		85			8NF	brown		85	
	9VD	champagne		85			2LF	burgundy		85	
	1DR	black		86-			5MD	can-can-red		85	
	9RR	brown		86-			1YD	white		85	
	2FR	light grey		86-			9VD	champagne		85	
	4JR	burgundy		86-			1DR	black		86-	
	2MC	can-can-red		86-			9RR	brown		86-	
	3YC	white		86-			2FR	light grey		86-	
	4VC	champagne		86-			4JR	burgundy		86-	
	8FC	silver-grey		88			2MC	can-can-red		86-	
(11)	944 555 084 01	side trim panel	/R	1			3YC	white		86-	
	3BF	black		85			4VC	champagne		86-	
	8NF	brown		85		(11)	944 555 084 02	side trim panel	/R	1	M335
	4BF	grey		85			3BF	black		85	
	2LF	burgundy		85			4BF	grey		85	
	5MD	can-can-red		85			8NF	brown		85	
	1YD	white		85			2LF	burgundy		85	
	9VD	champagne		85			5MD	can-can-red		85	
	1DR	black		86-			1YD	white		85	
	9RR	brown		86-			9VD	champagne		85	
	2FR	light grey		86-			1DR	black		86-	
	4JR	burgundy		86-			9RR	brown		86-	
	2MC	can-can-red		86-			2FR	light grey		86-	
	3YC	white		86-			4JR	burgundy		86-	
	4VC	champagne		86-			2MC	can-can-red		86-	
	8FC	silver-grey		88			3YC	white		86-	
11	944 555 083 03	side trim panel	/L	1	M335		4VC	champagne		86-	
	3BF	black		85			8FC	silver-grey		88	
	4BF	grey		85							

Model	Year	MG	SG	Illustration	Restrictions	UPD	14:22	25.02.2010	PORSCHE	PET	PORSCHE
9442	1988	8	07	807-05		248					

Pos	Part Number	Description	Remark	Qty	Model	Pos	Part Number	Description	Remark	Qty	Model
12	944 555 063 03	boot floor lining		1			RS1	champagne/black		85	
	3BF	black	85				RS2	champagne/brown		85	
	4BF	grey	85				1DR	black		86-	
	8NF	brown	85				9RR	brown		86-	
	2LF	burgundy	85				2FR	light grey		86-	
	RS3	can-can-red	85				4JR	burgundy		86-	
	RR7	white/brown	85				RV8	can-can red/black		86-	
	RR9	white/burgundy	85				RV3	white/brown		86-	
	RS1	champagne/black	85				RV4	white/black		86-	
	RS2	champagne/brown	85				RV5	white/burgundy		86-	
	1DR	black	86-				RV6	champagne/black		86-	
	9RR	brown	86-				RV7	champagne/brown		86-	
	2FR	light grey	86-			(12)	945 555 063 04	boot floor lining	/RL (GB)	1	
	4JR	burgundy/burgundy	86-				3BF	black		85	
	RV8	can-can-red	86-				4BF	grey		85	
	RV3	white/brown	86-				8NF	brown		85	
	RV4	white/black	86-				2LF	burgundy		85	
	RV5	white/burgundy	86-				RS3	can-can red/black		85	
	RV6	champagne/black	86-				RR7	white/brown		85	
	RV7	champagne/brown	86-				RR8	white/black		85	
12	945 555 063 03	boot floor lining	/RL	1	M447		RR9	white/burgundy		85	
	3BF	black	85				RS1	champagne/black		85	
	4BF	grey	85				RS2	champagne/brown		85	
	8NF	brown	85				1DR	black		86-	
	2LF	burgundy	85				9RR	brown		86-	
	RS3	can-can red/black	85				2FR	light grey		86-	
	RR7	white/brown	85				4JR	burgundy		86-	
	RR8	white/black	85				RV8	can-can red/black		86-	
	RR9	white/burgundy	85				RV3	white/brown		86-	

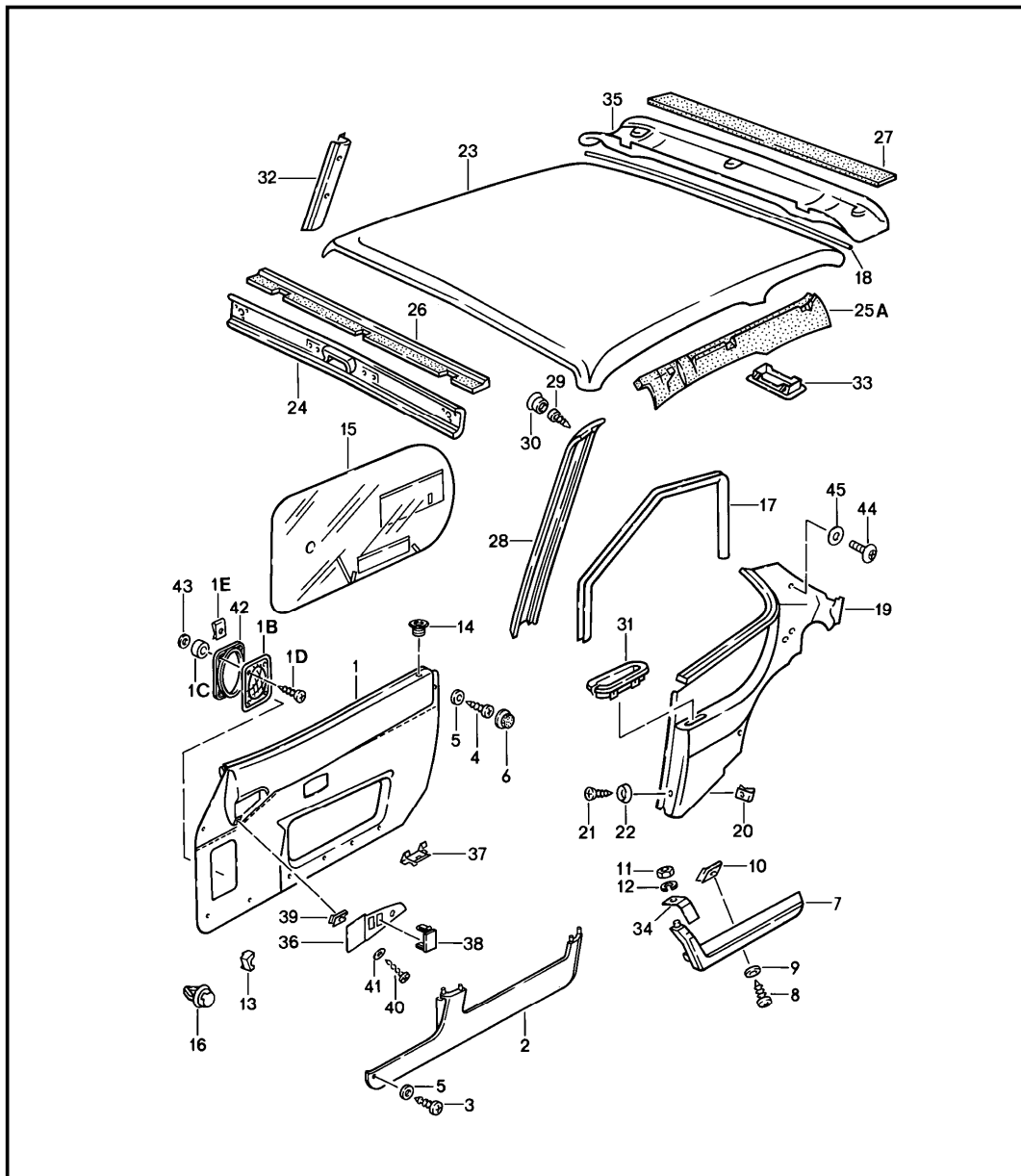
Model	Year	MG	SG	Illustration	Restrictions	UPD	14:22	25.02.2010	PORSCHE	PET	PORSCHE
9442	1988	8	07	807-05		248					

Pos	Part Number	Description	Remark	Qty	Model	Pos	Part Number	Description	Remark	Qty	Model
	RV4	white/black	86-			19	999 703 176 40	round buffer		2	
	RV5	white/burgundy	86-			(20)	944 555 913 00	floor mat with logo	/LL/L	1	
	RV6	champagne/black	86-								
	RV7	champagne/brown	86-				3BF	black			
12	945 555 063 03	boot floor lining		1			8NF	brown			
	8FC	silver-grey	88			(20)	944 555 914 00	floor mat with logo	/LL/R	1	
(12)	945 555 063 05	boot floor lining	(AUS)	1							
	1DR	black					3BF	black			
	9RR	brown					8NF	brown			
	2FR	light grey				20	000 043 088 00	floor mats 1 set	/V	1	
	4JR	burgundy					1DR	black			
	RV8	can-can-red					9RR	brown			
	RV3	white/brown					4JR	burgundy			
	RV4	white/black					4BF	light grey			
	RV5	white/burgundy				20	944 555 213 00	floor mat use also: POS.21	/LL/L	88	M757
	RV6	champagne/black									
	RV7	champagne/brown					1WJ	silver-grey use also: POS.21			
13	N 013 957 5	tapping screw B 3,5 X 9,5		6							
14	968 555 901 00	set of fastening parts		6		(20)	944 555 214 00	floor mat use also: POS.21	/LL/R	88	M757
15	900 151 027 02	washer 5,3		6							
16	477 863 747	clip		X							
	01C	black				(20)	945 555 213 00	floor mat use also: POS.21	/RL/L	88	M757
	90V	brown									
	4BF	grey					1WJ	silver-grey use also: POS.21			
	9MM	burgundy									
17	900 143 064 07	tapping screw B 3,5 X 25		2		(20)	945 555 214 00	floor mat	/RL/R	88	M757
18	N 011 521 3	washer A 3,7 X 8		2							

Model	Year	MG	SG	Illustration	Restrictions	UPD	14:22	25.02.2010	PORSCHE	PET	PORSCHE
9442	1988	8	07	807-05		248					

Pos	Part Number	Description	Remark	Qty	Model	Pos	Part Number	Description	Remark	Qty	Model
	1WJ	silver-grey use also: POS.21					2FR	light grey			
21	944 555 216 00	fastening clip	88	4	M757		4JR	burgundy			
22	968 555 901 00	set of fastening parts		6			9RR	brown			
23	968 555 901 00	set of fastening parts		6			2MC	can-can-red			
24	944 555 389 00	cover	/LL 87-	1	M650		3YC	white			
(24)	945 555 389 00	cover	/RL 87-	1	M650	32	4VC	champagne			
25	999 591 885 13	push button cap		6		33	999 591 837 40	push button		2	
	041	black					944 551 437 00	sleeve		2	
	4BF	grey									
	3MC	burgundy									
	90V	brown									
26	999 591 834 17	push button upper part		6							
27	999 591 836 17	push button lower part		6							
29	999 591 606 12	tenax lower part		4	M757						
30	478 863 765	foot support	/RL/R	1							
(30)	478 863 763 A	foot support	/RL/R	1	M249						
31	478 863 767	carpet	/RL/R	1							
	1DR	black									
	2FR	light grey									
	4JR	burgundy									
	9RR	brown									
	2MC	can-can-red									
	3YC	white									
	4VC	champagne									
(31)	478 863 767 A	carpet	/RL/R	1	M249						
	1DR	black									

Model	Year	MG	SG	Illustration	Restrictions	UPD	14:22	25.02.2010	PORSCHE	PET	PORSCHE
9442	1988	8	07	807-10		248					



Pos	Part Number	Description	Remark	Qty	Model
(1)	944 555 017 00	door trim panel rooflining			
		door trim panel power windows manually leatherette	/L	1	
		NU1 black			
		NU2 brown			
		NU3 black/light grey			
		NU4 burgundy			
1	944 555 018 00	door trim panel power windows manually leatherette	/R	1	
		NU1 black			
		NU2 brown			
		NU3 black/light grey			
		NU4 burgundy			
(1)	944 555 017 02	door trim panel power windows manually leatherette	/L	87-	1 M490
		NU1 black			
		NU2 brown			
		NU3 black/light grey			
		NU4 burgundy			
(1)	944 555 018 02	door trim panel power windows manually leatherette	/R	87-	1 M490
		NU1 black			
		NU2 brown			
		NU3 black/light grey			
		NU4 burgundy			

Model	Year	MG	SG	Illustration	Restrictions	UPD	14:22	25.02.2010	PORSCHE	PET	PORSCHE
9442	1988	8	07	807-10		248					

Pos	Part Number	Description	Remark	Qty	Model	Pos	Part Number	Description	Remark	Qty	Model
(1)	944 555 017 01	door trim panel power windows electric leatherette	/L	1	M651		NU6	brown			
							NU7	black/light grey			
							NU8	burgundy			
	NU1	black				1	944 555 018 01	door trim panel leatherette/ porsche lettering cloth	/R	1	M651
	NU2	brown									
	NU3	black/light grey					NU5	black			
	NU4	burgundy					NU6	brown			
1	944 555 018 01	door trim panel power windows electric leatherette	/R	1	M651		NU7	black/light grey			
							NU8	burgundy			
	NU1	black				(1)	944 555 017 03	door trim panel leatherette/ porsche lettering cloth	/L	87-	1 M490/651
	NU2	brown									
	NU3	black/light grey					NU5	black			
	NU4	burgundy					NU6	brown			
(1)	944 555 017 03	door trim panel power windows electric leatherette	/L	87-	1 M490/651		NU7	black/light grey			
							NU8	burgundy			
	NU1	black				(1)	944 555 018 03	door trim panel leatherette/ porsche lettering cloth	/R	87-	1 M490/651
	NU2	brown									
	NU3	black/light grey					NU5	black			
	NU4	burgundy					NU6	brown			
(1)	944 555 018 03	door trim panel power windows electric leatherette	/R	87-	1 M490/651		NU7	black/light grey			
							NU8	burgundy			
	NU1	black				(1)	944 555 017 01	door trim panel leatherette/ pin stripe flannel	/L	1	M651
	NU2	brown									
	NU3	black/light grey					NU9	black/anthracite			
	NU4	burgundy					NW1	brown-brown			
(1)	944 555 017 01	door trim panel leatherette/ porsche lettering cloth	/L	1	M651		NW2	black/light grey			
							NW3	burgundy-burgundy			
	NU5	black				1	944 555 018 01	door trim panel leatherette/ pin stripe flannel	/R	1	M651

Model	Year	MG	SG	Illustration	Restrictions	UPD	14:22	25.02.2010	PORSCHE	PET	PORSCHE
9442	1988	8	07	807-10		248					

Pos	Part Number	Description	Remark	Qty	Model	Pos	Part Number	Description	Remark	Qty	Model
	NU9	black/anthracite				(1)	944 555 017 03	door trim panel leatherette/ pin stripe velour	/L	87-	1 M490/651
	NW1	brown-brown					NW4	black-white			
	NW2	black/light grey					NW5	brown-beige			
	NW3	burgundy-burgundy					NW7	burgundy-white			
(1)	944 555 017 03	door trim panel leatherette/ pin stripe flannel	/L	87-	1 M490/651		RD9	black/light grey		86-	
	NU9	black/anthracite				(1)	944 555 018 03	door trim panel leatherette/ pin stripe velour	/R	87-	1 M490/651
	NW1	brown-brown					NW4	black-white			
	NW2	black/light grey					NW5	brown-beige			
	NW3	burgundy-burgundy					NW7	burgundy-white			
(1)	944 555 018 03	door trim panel leatherette/ pin stripe flannel	/R	87-	1 M490/651		RD9	black/light grey		86-	
	NU9	black/anthracite				(1)	944 555 017 01	door trim panel power windows electric leatherette/ pin stripe velour	/L		1 M651
	NW1	brown-brown					NW6	light grey-white		85	
	NW2	black/light grey				1	944 555 018 01	door trim panel power windows electric leatherette/ pin stripe velour	/R		1 M651
	NW3	burgundy-burgundy					NW6	light grey-white		85	
(1)	944 555 017 01	door trim panel leatherette/ pin stripe velour	/L		1 M651	(1)	944 555 017 01	door trim panel power windows electric leatherette/ multicolour	/L	88	1 M757
	NW4	black-white					US9	grey			
	NW5	brown-beige				1	944 555 018 01	door trim panel power windows electric leatherette/ multicolour	/R	88	1 M757
	NW7	burgundy-white					US9	grey			
1	944 555 018 01	door trim panel leatherette/ pin stripe velour	/R		1 M651						
	NW4	black-white									
	NW5	brown-beige									
	NW7	burgundy-white									
	RD9	black/light grey								86-	

Model	Year	MG	SG	Illustration	Restrictions	UPD	14:22	25.02.2010	PORSCHE	PET	PORSCHE
9442	1988	8	07	807-10		248					

Pos	Part Number	Description	Remark	Qty	Model	Pos	Part Number	Description	Remark	Qty	Model
(1)	944 555 017 03	door trim panel power windows electric leatherette/ multicolour	/L	88	1 M758		RC2	black/champagne		86-	
	WR9	burgundy					RC3	burgundy/pearl white		86-	
							RC4	brown/champagne		86-	
							RC6	brown/pearl white		86-	
1	944 555 018 03	door trim panel power windows electric leatherette/ multicolour	/R	88	1 M758	(1)	944 555 017 51	door trim panel power windows electric leather	/L	87-	1 M490/981
	WR9	burgundy					QD4	black		86-	
							QD7	brown		86-	
							QD5	light grey		86-	
							QD6	burgundy		86-	
							RB9	can-can-red		86-	
							RC1	black/pearl white		86-	
							RC2	black/champagne		86-	
							RC3	burgundy/pearl white		86-	
							RC4	brown/champagne		86-	
							RC6	brown/pearl white		86-	
						(1)	944 555 018 51	door trim panel power windows electric leather	/R	87-	1 M490/981
							QD4	black		86-	
							QD7	brown		86-	
							QD5	light grey		86-	
							QD6	burgundy		86-	
							RB9	can-can-red		86-	
							RC1	black/pearl white		86-	
							RC2	black/champagne		86-	
							RC3	burgundy/pearl white		86-	
							RC4	brown/champagne		86-	
							RC6	brown/pearl white		86-	
(1)	944 555 018 50	door trim panel power windows electric leather	/R	86-	1 M981						
							QD4	black		86-	
							QD7	brown		86-	
							QD5	light grey		86-	
							QD6	burgundy		86-	
							RB9	can-can-red		86-	
							RC1	black/pearl white		86-	
							RC2	black/champagne		86-	
							RC3	burgundy/pearl white		86-	
							RC4	brown/champagne		86-	
							RC6	brown/pearl white		86-	

Model	Year	MG	SG	Illustration	Restrictions	UPD	14:22	25.02.2010	PORSCHE	PET	PORSCHE
9442	1988	8	07	807-10		248					

Pos	Part Number	Description	Remark	Qty	Model	Pos	Part Number	Description	Remark	Qty	Model
1B	477 867 081	cover loudspeaker	-86	2			RU6	white/brown	86-		
	01C	black					RU7	white/black	86-		
	4RB	brown					RU8	white/burgundy	86-		
	8CJ	light grey	85				RU9	champagne/black	86-		
	9MM	burgundy					RV1	brown/champagne	86-		
	2DJ	light grey	86-				RV2	can-can red/black	86-		
(1B)	944 555 149 00	loudspeaker grille	87-	2	M651		UR7	silver-grey	88		
	01C	satin black				2	944 555 274 00	shelf	/R	1	
1C	477 035 375	bush		8			3BF	black	85		
1D	N 014 091 4	tapping screw B 3,9 X 16	-86	8			8NF	brown	85		
1D	900 143 178 07	oval-head sheetmetal screw	87-	8	M651		4BF	light grey	85		
1E	N 100 472 01	speed nut		8			2LF	burgundy	85		
(1E)	999 507 071 00	speed nut		2			RR1	white/brown	85		
(2)	944 555 273 00	shelf	/L	1			RR2	white/black	85		
	3BF	black	85				RR3	white/burgundy	85		
	8NF	brown	85				RR4	champagne/black	85		
	4BF	light grey	85				RR5	champagne/brown	85		
	2LF	burgundy	85				RR6	can-can red/black	85		
	RR1	white/brown	85				1DR	black	86-		
	RR2	white/black	85				9RR	brown	86-		
	RR3	white/burgundy	85				2FR	light grey	86-		
	RR4	champagne/black	85				4JR	burgundy	86-		
	RR5	champagne/brown	85				RU6	white/brown	86-		
	RR6	can-can red/black	85				RU7	white/black	86-		
	1DR	black	86-				RU8	white/burgundy	86-		
	9RR	brown	86-				RU9	champagne/black	86-		
	2FR	light grey	86-				RV1	brown/champagne	86-		
	4JR	burgundy	86-				RV2	can-can red/black	86-		
							UR7	silver-grey	88		

Model	Year	MG	SG	Illustration	Restrictions	UPD	14:22	25.02.2010	PORSCHE	PET	PORSCHE
9442	1988	8	07	807-10		248					

Pos	Part Number	Description	Remark	Qty	Model	Pos	Part Number	Description	Remark	Qty	Model
(2)	944 555 043 00	shelf	/L 87-	1	M490		90V	brown			
	1DR	black					9MM	burgundy			
	9RR	brown				(7)	477 867 171	armrest	/L	1	
	2FR	light grey					041	black			
	4JR	burgundy					89S	brown			
	RU6	white/brown					5FA	light grey			
	RU7	white/black					3MA	burgundy			
	RU8	white/burgundy				7	477 867 172	armrest	/R	1	
	RU9	champagne/black					041	black			
	RV1	champagne/brown					89S	brown			
	RV2	can-can red/black					5FA	light grey			
(2)	944 555 044 00	shelf	/R 87-	1	M490		3MA	burgundy			
	1DR	black				(7)	944 555 075 50	armrest leather	/L	1	
	9RR	brown					1AJ	black			
	2FR	light grey					4RB	brown			
	4JR	burgundy					1FW	light grey			
	RU6	white/brown					7LD	burgundy			
	RU7	white/black					80S	can-can-red			
	RU8	white/burgundy					8YD	pearl white			
	RU9	champagne/black					1VD	champagne			
	RV1	champagne/brown				(7)	944 555 076 50	armrest leather	/R	1	
	RV2	can-can red/black					1AJ	black			
3	N 013 962 2	tapping screw B 3,9 X 16		6			4RB	brown			
4	311 867 167	tapping screw 4,2		4			1FW	light grey			
5	900 151 028 02	washer 4,3		10			7LD	burgundy			
6	311 867 169	cap		4			80S	can-can-red			
	01C	black					8YD	pearl white			
							1VD	champagne			

Model	Year	MG	SG	Illustration	Restrictions	UPD	14:22	25.02.2010	PORSCHE	PET	PORSCHE
9442	1988	8	07	807-10		248					

Pos	Part Number	Description	Remark	Qty	Model	Pos	Part Number	Description	Remark	Qty	Model
8	900 143 046 02	tapping screw B 4,8 X 16		6		19	944 555 021 01	side trim panel F >>94GN4 01585 F >>95GN1 00495	/L	1	M186 944 TURBO
9	N 012 222 4	spring washer A 5		6			05T	black			
10	999 591 722 02	speed nut B 4,8 X 19,8		6			NX3	brown			
11	900 910 010 09	lock nut M 6		2			5LX	burgundy			
12	N 011 524 7	washer 6		2		(19)	944 555 022 01	side trim panel F >>94GN4 01585 F >>95GN1 00495	/R	1	M186 944 TURBO
(13)	944 555 449 00	mounting	/L	1			05T	black			
13	944 555 450 00	mounting	/R	1			NX3	brown			
14	928 555 569 02	guide bush		2			5LX	burgundy			
(15) A	944 555 177 00	sealing film	/L	1		(19)	944 555 021 08	side trim panel F 94GN4 01586>> F 95GN1 00496>>	/L	1	M186 944 TURBO
(15)	944 555 177 05	seal	/L	1			05T	black			
15 A	944 555 178 00	sealing film	/R	1			NX3	brown			
15	944 555 178 05	seal	/R	1			5LX	burgundy			
16	823 867 299	clip		27		(19)	944 555 021 07	side trim panel F 94GN4 01586>> F 95GN1 00496>>	/L	1	944 TURBO
(17)	944 555 031 01	door seal	/L	1			05T	black			
(17)	944 555 032 01	door seal	/R	1			NX3	brown			
18	477 867 543	roof strut		3			5LX	burgundy			
19	944 555 021 00	side trim panel F >>94GN4 01585 F >>95GN1 00495	/L	1	944 TURBO	(19)	944 555 021 09	side trim panel	/L	87-	1 M490
		05T black					05T black				
		NX3 brown					NX3 brown				
		5LX burgundy					5LX burgundy				
(19)	944 555 022 00	side trim panel F >>94GN4 01585 F >>95GN1 00495	/R	1	944 TURBO	19	944 555 022 08	side trim panel F 94GN4 01586>> F 95GN1 00496>>	/R	1	M186 944 TURBO
		05T black					05T black				
		NX3 brown					NX3 brown				
		5LX burgundy					5LX burgundy				

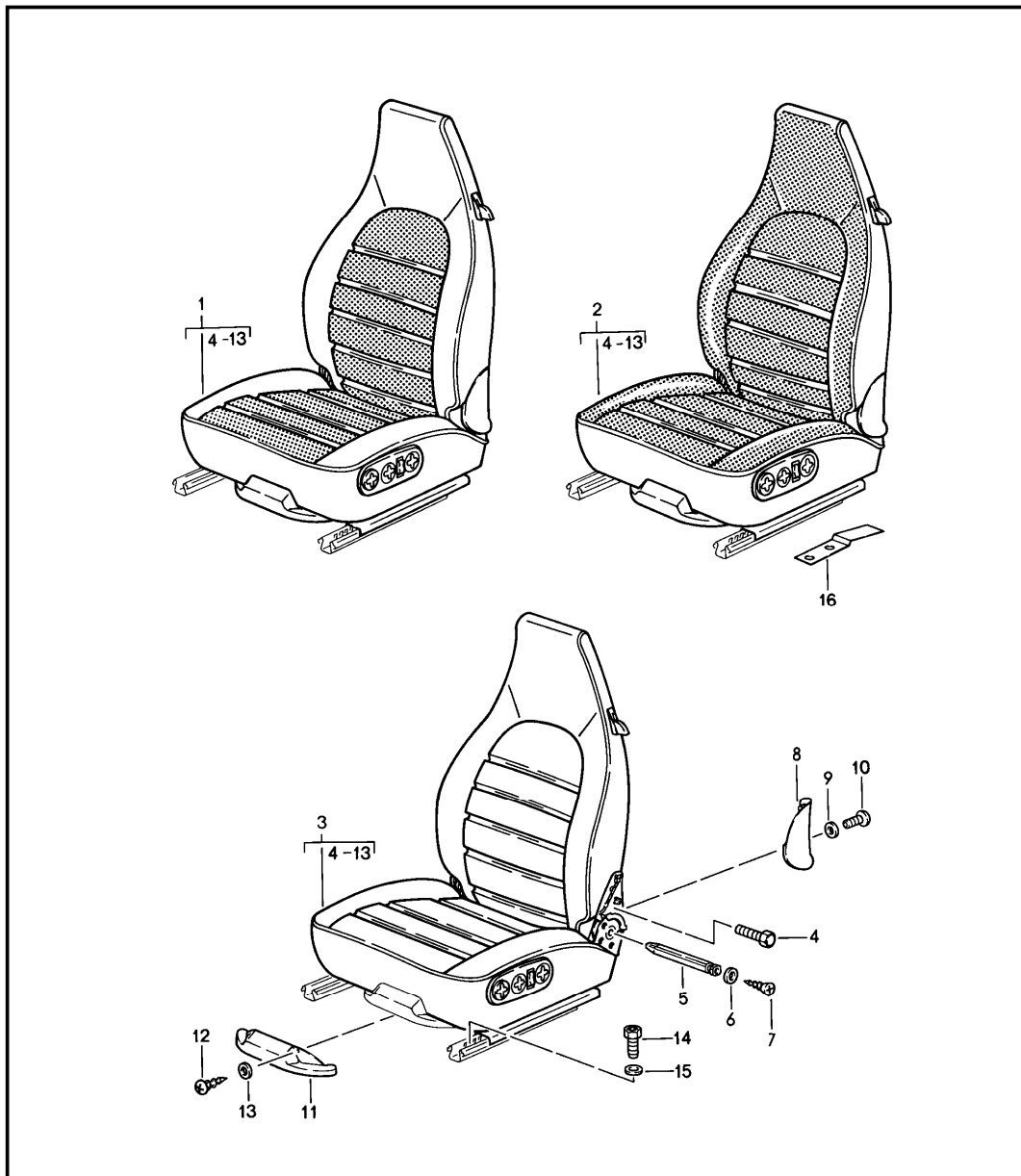
Model	Year	MG	SG	Illustration	Restrictions	UPD	14:22	25.02.2010	PORSCHE	PET	PORSCHE
9442	1988	8	07	807-10		248					

Pos	Part Number	Description	Remark	Qty	Model	Pos	Part Number	Description	Remark	Qty	Model
19	944 555 022 07	side trim panel F 94GN4 01586>> F 95GN1 00496>>	/R	1	944 TURBO	26	944 564 531 01	roof frame padding	/V	1	M650
	05T	black				27	944 555 533 00	roof frame padding	/H	1	M650
	NX3	brown				28	944 555 053 00	lining	/L	1	
	5LX	burgundy					05T	black			
(19)	944 555 022 09	side trim panel	/R	87-	1 M490		4RB	brown			
	05T	black					3MX	burgundy		-87	
	NX3	brown					7MW	burgundy		88-	
	5LX	burgundy				(28)	944 555 054 00	lining windscreen frame	/R	1	
20	N 015 438 1	speed nut B 3,5 X 16,5		2			05T	black			
21	N 014 087 5	rais. counters. h. tap. s. B 3,5 X 16		4			4RB	brown			
22	N 011 578 1	cone washer 3,7		4			3MX	burgundy		-87	
23	477 867 503	rooflining		1			7MW	burgundy		88-	
	05T	black				29	N 013 962 2	tapping screw B 3,9 X 16		6	
	4RB	brown				30	914 552 233 10	filler piece		6	
	8LC	burgundy					01C	black			
(23)	944 555 519 00	rooflining		1	M650		90V	brown			
	05T	black					9MM	burgundy			
	4RB	brown				31	477 867 653	rosette		2	
	5LX	burgundy				32	477 867 655	lining	/L	1	
24	944 555 037 00	lining roof frame	/V	1			05T	black			
	05T	black					4RB	brown			
	4RB	brown					5LX	burgundy			
	3MX	burgundy				(32)	477 867 656	lining	/R	1	
	7MW	burgundy					05T	black			
25A	944 555 115 00	roof frame padding	/L	1			4RB	brown			
(25A)	944 555 116 00	roof frame padding	/R	1			5LX	burgundy			
						33	477 867 923 A	cap		2	
							01C	black			

Model	Year	MG	SG	Illustration	Restrictions	UPD	14:22	25.02.2010	PORSCHE	PET	PORSCHE
9442	1988	8	07	807-10		248					

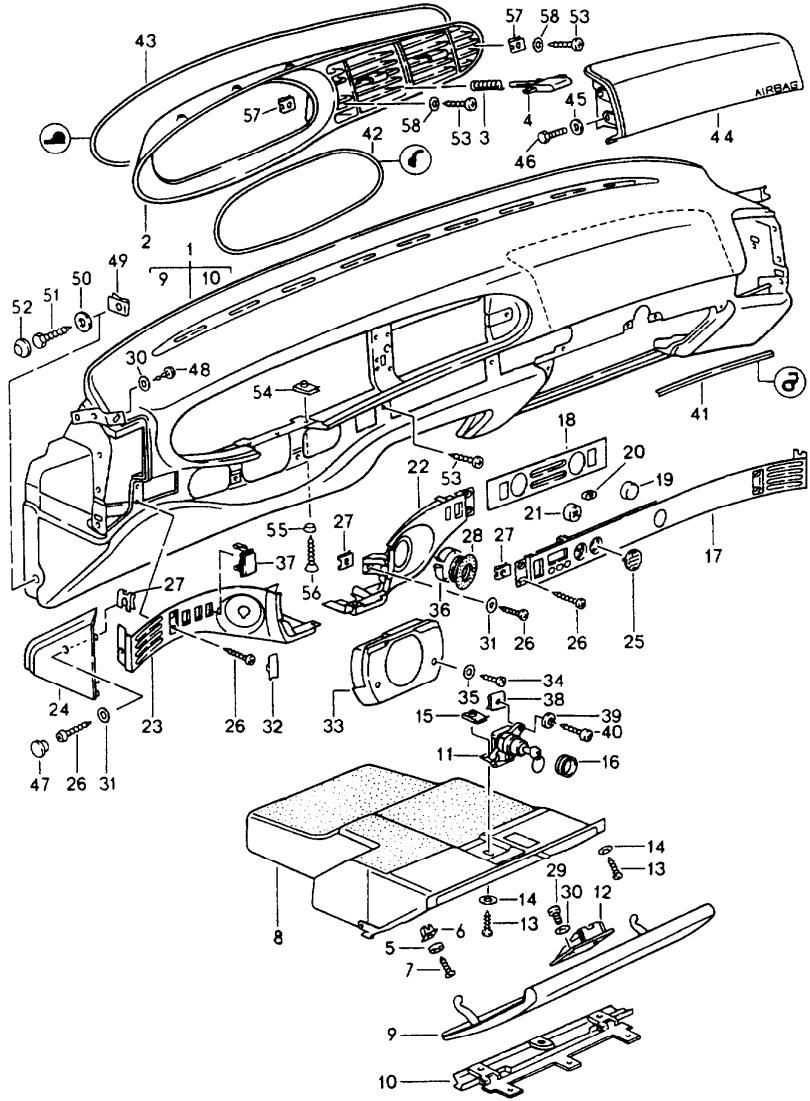
Pos	Part Number	Description	Remark	Qty	Model	Pos	Part Number	Description	Remark	Qty	Model
	89S	brown				45	111 857 795	cover disc		2	
	9MM	burgundy									
(34)	477 867 153	fastening hook	/L	1							
34	477 867 154	fastening hook	/R	1							
35	A 944 555 041 00	lining F >>94GN4 04474 F >>95GN1 01653	/H	1	M650 944 TURBO						
	05T	black									
	4RB	brown									
	5LX	burgundy									
35	944 555 041 01	lining	/H	1	M650						
	05T	black									
	4RB	brown									
	5LX	burgundy									
(36)	944 555 271 00	cover	/LL/L	1							
36	944 555 272 01	cover	/LL/R	1							
(36)	945 555 271 01	cover	/RL/L	1							
(36)	945 555 272 00	cover	/RL/R	1							
37	944 555 437 00	clamp		2							
38	951 613 255 00	cover		X							
	1DB	black									
39	N 100 509 02	speed nut		4							
40	N 013 959 3	tapping screw B 3,5 X 16		4							
		B 3,5 X 16									
41	N 011 554 6	washer 3,7		4							
42	944 555 159 00	frame		2	M651						
43	900 025 002 02	washer		8	M651						
44	211 857 785 A	stopper		2							
	01C	black									

Model	Year	MG	SG	Illustration	Restrictions	UPD	14:26	25.02.2010	PORSCHE	PET	PORSCHE
9442	1988	8	08	808-00		248					



Pos	Part Number	Description	Remark	Qty	Model
		seat complete			
		group 8/08/00 - 8/08/55			
		see group 8/04/00 - 8/04/56 catalogue STZ 18			

Model	Year	MG	SG	Illustration	Restrictions	UPD	17:51	25.02.2010	PORSCHE	PET	PORSCHE
9442	1988	8	09	809-00		248					



Pos	Part Number	Description	Remark	Qty	Model
1	944 552 085 00	dashboard trim	/LL	1	
	NW8	black			
	NW9	brown			
	NX1	black/light grey			
	NX2	burgundy	-87		
	UR3	burgundy	88-		
(1)	945 552 085 00	dashboard trim	/RL	86-	1
	NW8	black			
	NW9	brown			
	NX1	black/light grey			
	NX2	burgundy	-87		
	UR3	burgundy	88-		
1	944 552 085 50	dashboard trim leather	/LL	86-	1 M981
	86-				
	QE6	black			
	RB1	brown			
	QE4	black/light grey			
	NY4	burgundy	-87		
	US7	burgundy	88-		
	RB2	can-can red/black			
	RB3	black/pearl white			
	RB4	black/champagne			
	RB5	burgundy/pearl white			
	RB6	cadbury brown/champagne			
	RB8	cadbury brown/pearl white			
(1)	945 552 085 50	dashboard trim leather	/RL	86-	1 M981
	86-				
	QE6	black			
	RB1	brown			

Model	Year	MG	SG	Illustration	Restrictions	UPD	17:51	25.02.2010	PORSCHE	PET	PORSCHE
9442	1988	8	09	809-00		248					

Pos	Part Number	Description	Remark	Qty	Model	Pos	Part Number	Description	Remark	Qty	Model
	QE4	black/light grey					4DY	light grey			
	NY4	burgundy	-87				5LX	burgundy			
	US7	burgundy	88-			9	944 552 123 50	glove compartment cover leather	/LL	86-	1 M981
	RB2	can-can red/black					1AJ	black		86-	
	RB3	black/pearl white					4RB	brown		86-	
	RB4	black/champagne					1FW	light grey		86-	
	RB5	burgundy/pearl white					7LD	burgundy		86-	
	RB6	cadbury brown/champagne					80S	can-can-red		86-	
	RB8	cadbury brown/pearl white					8YD	pearl white		86-	
2	944 552 023 00	dashboard trim	/LL	1			1VD	champagne		86-	
(2)	945 552 023 00	dashboard trim centre nozzle	/RL	1		(9)	945 552 123 50	glove compartment cover leather	/RL	86-	1 M981
3	944 572 421 00	spring		1			1AJ	black		86-	
4	944 572 419 00	knob		1			4RB	brown		86-	
5	944 552 259 00	plug		2			1FW	light grey		86-	
6	999 591 679 40	special nut		2			7LD	burgundy		86-	
7	N 902 662 01	combination tapping screw B 3,5 X 16		2			80S	can-can-red		86-	
8	944 552 049 00	glove compartment	/LL	1			8YD	pearl white		86-	
(8)	944 552 049 01	glove compartment	/LL	1	M573		1VD	champagne		86-	
(8) A	945 552 049 00	glove compartment	/RL	1		10	928 552 055 03	hinge			1
(8)	945 552 049 00	glove compartment	/RL	1		11	944 538 951 00	push-button lock w/o stipulated lock number		-86	1
9	944 552 123 00	glove compartment cover	/LL	1		(11)	944 538 951 02	twist lock w/o stipulated lock number		87-	1
	05T	black				(11)	944 538 951 01	push-button lock with stipulated lock number		-86	1
	4RB	brown				(11)	944 538 951 03	twist lock with stipulated lock number		87-	1
	4DY	light grey									
	5LX	burgundy									
(9)	945 552 123 00	glove compartment cover	/RL	86-	1	12 A	944 538 061 21	closing element		-86	1
	05T	black				(12)	944 538 061 21	closing element twist lock			1
	4RB	brown									

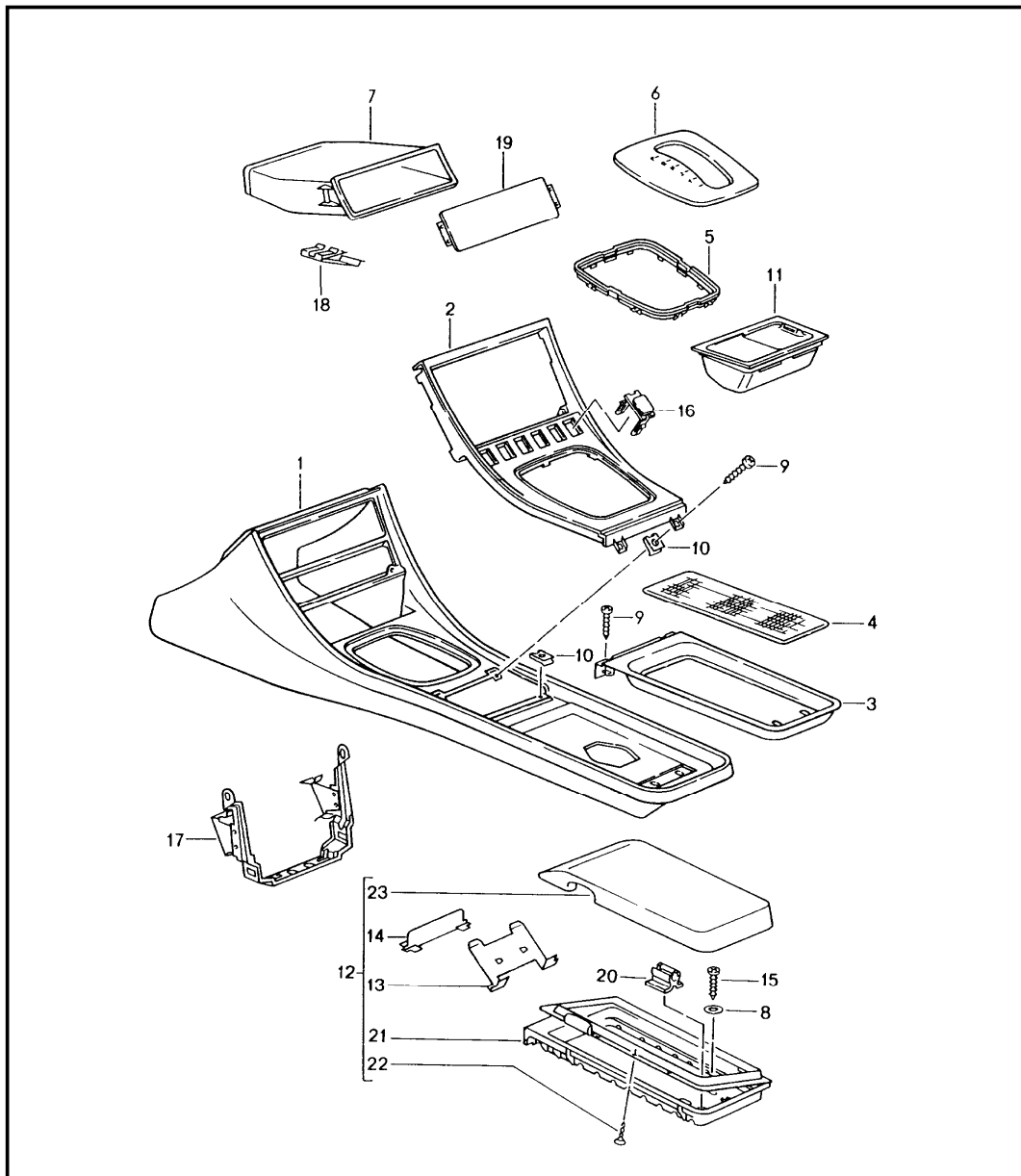
Model	Year	MG	SG	Illustration	Restrictions	UPD	17:51	25.02.2010	PORSCHE	PET	PORSCHE
9442	1988	8	09	809-00		248					

Pos	Part Number	Description	Remark	Qty	Model	Pos	Part Number	Description	Remark	Qty	Model
13	N 013 958 14	tapping screw 3,5 X 13		1		26	N 013 959 3	tapping screw 3,5 X 16		4	
14	N 011 663 4	washer B 3,7		1				B 3,5 X 16			
15	999 591 349 02	speed nut B 3,5		1		27	N 015 438 1	speed nut B 4,8 X 16		2	
16	944 538 529 00	sealing ring glove compartment lock		1		28	944 552 447 00	cover ignition starter lock		1	
(16)	944 552 585 00	retaining ring	87-	1		29	N 014 128 13	oval-head screw M 5 X 8		2	
17	944 552 436 00	strip for switches	/LL/R	1		30	N 011 665 10	washer B 5,3		2	
(17)	945 552 435 00	strip for switches cover see group 8/13/30 knob blower switch see group 8/13/30 knob slide see group 8/13/30 knob thermostat see group 8/13/30	/RL/R 86-	1		31	N 011 554 6	washer B 3,7 DIN 433		1	
				1		32	944 552 449 00	cover	/L	1	
				1		(32)	944 552 450 00	cover strip for switches	/R	1	
				1		33	944 552 073 00	lining 1DB black		1	
				1		(33)	944 552 073 01	lining 1DB black		1	M454
22	944 552 431 00	strip for switches	/LL	1		34	999 073 047 02	tapping screw B 3,5 X 9,5		2	
(22)	945 552 431 00	strip for switches centre	/RL 86-	1		35	N 011 554 6	washer 3,7		2	
23	944 552 429 00	strip for switches	/LL/L	1		36	944 552 452 00	clip		1	
(23)	945 552 429 00	strip for switches	/RL/L 86-	1		37	944 613 257 00	cover	/LL	1	
24	944 552 083 00	trim cover 1DB black	/L	1		(37)	945 613 257 00	cover	/RL	1	
(24)	944 552 084 00	trim cover 1DB black	/R	1		38	999 591 763 02	speed nut B 4,8 push-button lock		3	
25	944 552 451 00	rosette interior sensor		1		(38)	999 591 777 02	speed nut B 4,8 twist lock		3	M562
26	N 013 959 3	tapping screw 3,5 X 16		4		39	N 011 556 2	washer 5,3		3	

Model	Year	MG	SG	Illustration	Restrictions	UPD	17:51	25.02.2010	PORSCHE	PET	PORSCHE
9442	1988	8	09	809-00		248					

Pos	Part Number	Description	Remark	Qty	Model	Pos	Part Number	Description	Remark	Qty	Model
40	N 013 975 4	tapping screw B 4,8 X 19 push-button lock		3							
(40)	900 143 046 02	tapping screw B 4,8 X 16 twist lock		3	M562						
41	944 552 035 00	gasket		1							
42	999 911 342 40	pipng dashboard trim inner		1							
43	999 911 320 40	pipng dashboard trim outer		1							
47	944 552 767 00	cap		2							
	01C	black									
48	N 013 968 7	tapping screw B 4,2 X 13		2							
49	N 015 449 1	speed nut B 6,3		2							
50	999 025 167 07	washer B 7,4		2							
51	900 187 123 07	tapping screw B 6,3 X 22		2							
52	928 555 383 02	cap		2							
	70B	black									
53	N 013 959 3	tapping screw 3,5 X 16 B 3,5 X 16		10							
54	999 591 733 07	speed nut 3,5		2							
55	N 100 401 02	cone washer B 4,2		2							
56	900 145 070 07	tapping screw 3,5 X 19		2							
57	N 015 438 1	speed nut 3,5		3							
58	N 011 554 6	washer 3,7		3							

Model	Year	MG	SG	Illustration	Restrictions	UPD	17:51	25.02.2010	PORSCHE	PET	PORSCHE
9442	1988	8	09	809-01		248					



Pos	Part Number	Description	Remark	Qty	Model
1	944 552 051 00	cassette box centre console		1	
	05T	black			
	4RB	brown			
	4DY	light grey			
	5LX	burgundy			
1 A	944 552 951 00	centre console		1	
	05T	black			
	4RB	brown			
	4DY	light grey			
	5LX	burgundy			
(1)	944 552 051 50	centre console leather	86-	1	M981
	1AJ	black			
	4RB	brown			
	1FW	light grey			
	7LD	burgundy			
	80S	can-can-red			
	8YD	pearl white			
	1VD	champagne			
(1) A	944 552 951 50	centre console leather		1	M981
	1AJ	black			
	4RB	brown			
	1FW	light grey			
	7LD	burgundy			
	80S	can-can-red			
	8YD	pearl white			
	1VD	champagne			

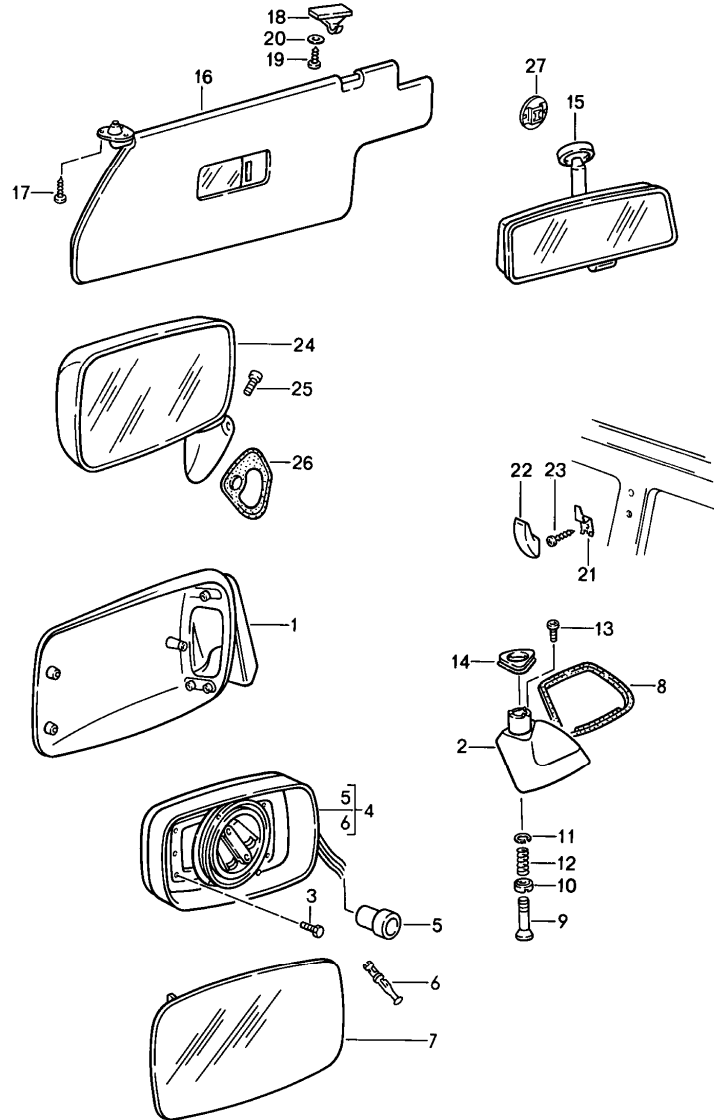
Model	Year	MG	SG	Illustration	Restrictions	UPD	17:51	25.02.2010	PORSCHE	PET	PORSCHE
9442	1988	8	09	809-01		248					

Pos	Part Number	Description	Remark	Qty	Model	Pos	Part Number	Description	Remark	Qty	Model
2	944 552 117 00	trim cover		1			80S	can-can-red	86-		
(2)	944 552 117 01	covering frame	/LL	1	M249		8YD	pearl white	86-		
(2)	945 552 117 01	covering frame	/RL	1	M249		1VD	champagne	86-		
3	944 552 155 00	tray centre console		1			5NW	wild buffalo	86-		
4	944 552 161 00	insert		1		(12) A	945 552 063 50	cassette box leather	/RL 86-	1	
5	944 552 257 00	frame		1			1AJ	black			
7	944 552 157 00	shelf		1			4RB	brown			
		1DB	black				1FW	light grey			
8	900 151 028 07	washer B 4,3		2			7LD	burgundy			
9	N 013 958 14	tapping screw 3,5 X 13		6			80S	can-can-red	86-		
10	999 591 349 02	speed nut		4			8YD	pearl white	86-		
11	944 552 171 00	ashtray		1			1VD	champagne	86-		
12	A 944 552 063 00	cassette box	/LL	1			5NW	wild buffalo	86-		
		05T	black			13	928 555 731 02	cassette rack		1	
		4RB	brown				01C	satin black			
		4DY	light grey			14	928 555 741 02	partition panel		1	
		5LX	burgundy			15	N 902 663 01	oval-head sheetmetal screw 4,2 X 25		2	
(12) A	945 552 063 00	cassette box	/RL	86-	1	16	944 613 256 00	cover fader		1	
		05T	black			(16)	944 613 259 01	cover switch		5	
		4RB	brown			17	944 552 067 01	support	-86	1	
		4DY	light grey			17	944 552 067 02	support	87-	1	
		5LX	burgundy			18	944 552 557 00	spring clamp		2	
12	A 944 552 063 50	cassette box leather	/LL	86-	1	19	A 944 552 061 00	cover		1	
		1AJ	black			19	A 944 552 261 01	cover		1	
		4RB	brown				1DB	black			
		1FW	light grey			19	944 552 261 02	cover		1	
		7LD	burgundy				1DB	black			

Model	Year	MG	SG	Illustration	Restrictions	UPD	17:51	25.02.2010	PORSCHE	PET	PORSCHE
9442	1988	8	09	809-01		248					

Pos	Part Number	Description	Remark	Qty	Model	Pos	Part Number	Description	Remark	Qty	Model
21	944 552 553 01	frame cassette box	/LL	1			1AJ	black			
	01C	black					4RB	brown			
(21)	945 552 553 01	frame cassette box	/RL	1			1FW	light grey			
	01C	black					7LD	burgundy			
22	900 144 017 07	tapping screw 2,9 X 13		8			80S	can-can-red			
23	944 552 165 00	lid leatherette	/LL	1			8YD	pearl white			
	05T	black					1VD	champagne			
	4RB	brown					5NW	wild buffalo			
	4DY	light grey									
	5LX	burgundy									
(23)	945 552 165 00	lid leatherette	/RL	1							
	05T	black									
	4RB	brown									
	4DY	light grey									
	5LX	burgundy									
23	944 552 165 50	lid leather	/LL	1							
	1AJ	black									
	4RB	brown									
	1FW	light grey									
	7LD	burgundy									
	80S	can-can-red									
	8YD	pearl white									
	1VD	champagne									
	5NW	wild buffalo									
(23)	945 552 165 50	lid leather	/RL	1							

Model	Year	MG	SG	Illustration	Restrictions	UPD	17:51	25.02.2010	PORSCHE	PET	PORSCHE
9442	1988	8	09	809-05		248					

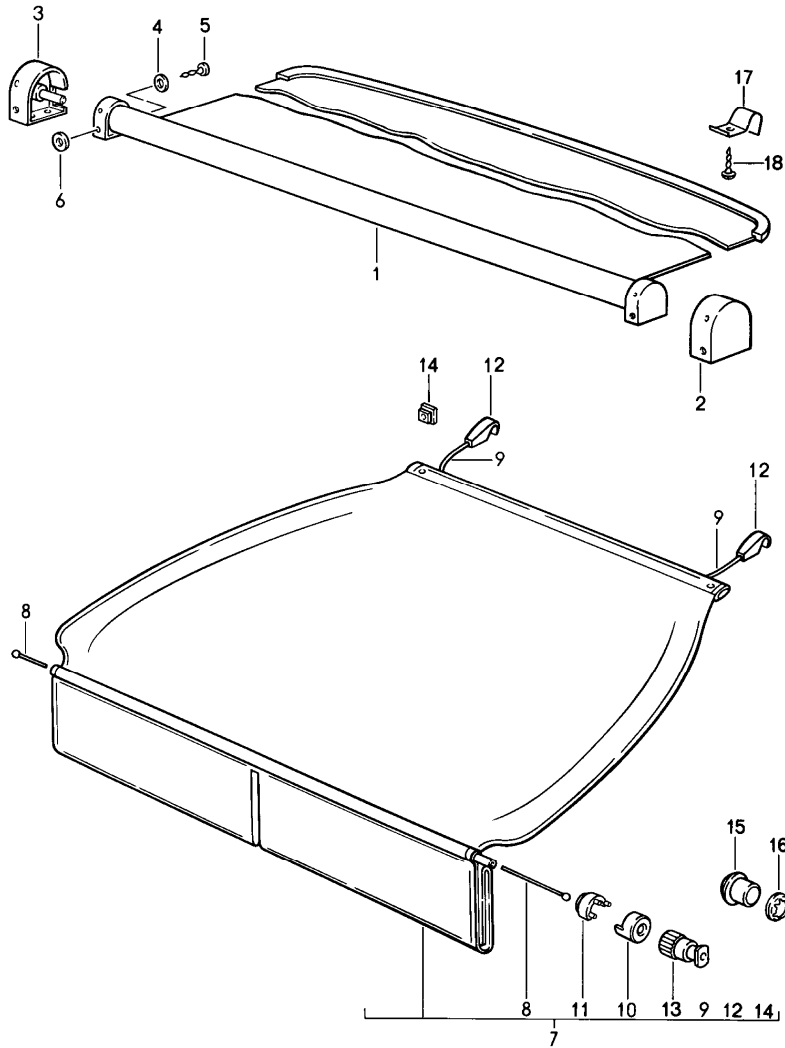


Pos	Part Number	Description	Remark	Qty	Model
		rear-view mirror sun visor door mirror			
1	A 911 731 043 03	mirror housing	/L	-86	1
1	911 731 043 03	mirror housing	/L		1
(1)	A 911 731 044 03	mirror housing	/R	86	1
(1)	911 731 044 03	mirror housing	/R		1
2	944 731 141 00	mirror base order also: POS.8	/LL/L		1
(2)	944 731 142 00	mirror base order also: POS.(8)	/LL/R		1
(2)	945 731 142 00	mirror base order also: POS.(8)	/RL/R		1
2	945 731 141 00	mirror base order also: POS.8	/RL/L		1
3	999 143 003 02	hexagon-head bolt M 5 X 10 self-locking			3
4	944 731 027 01	electric installation set		-86	1
4	944 731 027 01	covering frame with transmission		87-	1
5	803 971 980	pin connector socket			1
6	N 017 564 1	round connector			6
7	A 944 731 035 02	mirror glass plane		-86	1
7	944 731 035 02	mirror glass plane			1
(7)	A 944 731 035 03	mirror glass convex		-86	1
(7)	944 731 035 03	mirror glass convex			1
(7)	944 731 035 04	mirror glass plane	(S)	87-	1

Model	Year	MG	SG	Illustration	Restrictions	UPD	17:51	25.02.2010	PORSCHE	PET	PORSCHE
9442	1988	8	09	809-05		248					

Pos	Part Number	Description	Remark	Qty	Model	Pos	Part Number	Description	Remark	Qty	Model
(7)	944 731 035 05	mirror glass convex	(S) 87-	1			4RB	brown			
(7)	477 857 611 B	mirror glass plane		1	M637		3MX	burgundy			
(7)	477 857 611 D	mirror glass convex	/LL/R	1	M637	(16)	944 731 032 02	sun visor	/R (AUS) (S)	1	
8	944 731 505 01	desk pad	/L	1			05T	black			
(8)	945 731 506 01	desk pad	/R	1			4RB	brown			
9	911 731 257 02	guide tube		1		17	N 014 096 3	tapping screw B 4,2 X 22		6	
10	911 731 345 02	centring washer lower		1		18	944 731 439 00	support sun visor		2	
11	911 731 347 00	centring washer upper		1		19	900 143 047 07	tapping screw B 4,2 X 19		4	
12	911 731 029 01	compression spring		1		20	900 151 028 02	washer B 4,3		4	
13	999 067 026 07	pan-head screw M 5 X 40 X 25		1		21	901 552 872 20	coat hook		2	
14	944 731 143 00	seal		1		22	901 552 871 40	cover		2	
-	944 731 902 00	installation set electric adjustable and heatable door mirror plane	/LL/R -86	1		23	900 250 007 02	tapping screw AM 5 X 12		2	
15	477 857 511 A	interior mirror		1		24	477 857 521 D	door mirror plane	/LL/L	1	M637
	01C	black				(24)	477 857 522 D	door mirror plane	/LL/R	1	M637
16	944 731 031 01	sun visor	/L	1		(24)	477 857 522 H	door mirror convex	/LL/R	1	M637
	05T	black				(24)	478 857 522 D	door mirror plane	/RL/R	1	M637
	4RB	brown				25	999 067 026 07	pan-head screw		1	M637
	3MX	burgundy				26	477 857 579	desk pad	/L	1	M637
(16)	944 731 031 02	sun visor	/L (AUS) (S)	1		(26)	478 857 579	desk pad	/R	1	M637
	05T	black				27	477 845 043	adhesive plate adhesive set see group 0/05/00		1	
	4RB	brown									
	3MX	burgundy									
(16)	944 731 032 01	sun visor	/R	1							
	05T	black									

Model	Year	MG	SG	Illustration	Restrictions	UPD	17:52	25.02.2010	PORSCHE	PET	PORSCHE
9442	1988	8	09	809-10		248					

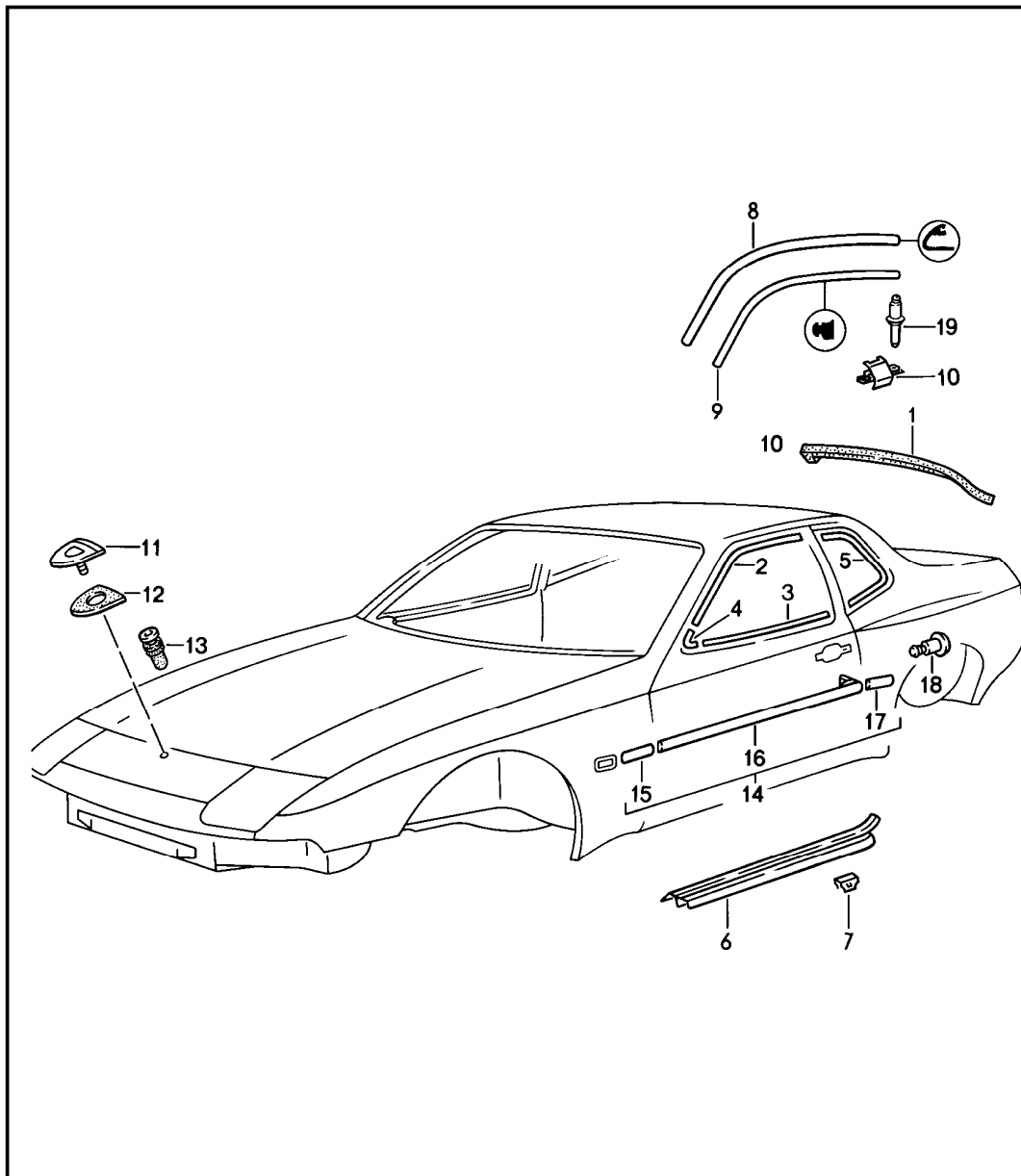


Pos	Part Number	Description	Remark	Qty	Model
1	477 863 511 A	luggage compartment cover		1	
	05T	black			
	89S	brown			
	5LX	burgundy			
2	477 863 517 A	lid luggage compartment cover with square wrench 17,5 MM	/L	1	
	05T	black			
	89S	brown			
	9MM	burgundy			
3	477 863 518 A	lid luggage compartment cover with pin 17,5 MM	/R	1	
	05T	black			
	89S	brown			
	9MM	burgundy			
(2)	477 863 517 B	lid luggage compartment cover with hole 16 MM	/L	1	
	05T	black			
(3)	477 863 518 B	lid luggage compartment cover with square wrench 16 MM	/R	1	
	05T	black			
4	900 025 003 02	washer A 5,3		2	
5	N 013 971 3	tapping screw 4,8 X 22		2	
6	999 704 139 40	spacer		2	

Model	Year	MG	SG	Illustration	Restrictions	UPD	17:52	25.02.2010	PORSCHE	PET	PORSCHE
9442	1988	8	09	809-10		248					

Pos	Part Number	Description	Remark	Qty	Model	Pos	Part Number	Description	Remark	Qty	Model
7	A 944 555 027 00	luggage compartment cover	87-	1	M685						
	70G	black									
	40B	brown									
	2LB	burgundy									
7	944 555 027 02	luggage compartment cover	87-	1	M685						
	70G	black									
	40B	brown									
	2LB	burgundy									
-	999 701 639 40	round rubber cord	87-	*							
		1265 MM		1							
		875 MM		2							
10	928 555 795 02	end piece of pipe	87-	2							
11	928 555 785 02	clamp for fabric	87-	2							
12	944 555 775 00	hook	87-	2							
13	928 555 775 02	belt end piece	87-	2							
14	928 555 791 02	rosette	87-	2							
15	928 555 777 02	end piece of rope	87-	2							
16	999 591 484 02	clamping washer	87-	2							
17	477 863 521 B	hook		2							
18	N 013 932 4	tapping screw		2							

Model	Year	MG	SG	Illustration	Restrictions	UPD	17:52	25.02.2010	PORSCHE	PET	PORSCHE
9442	1988	8	10	810-00		248					

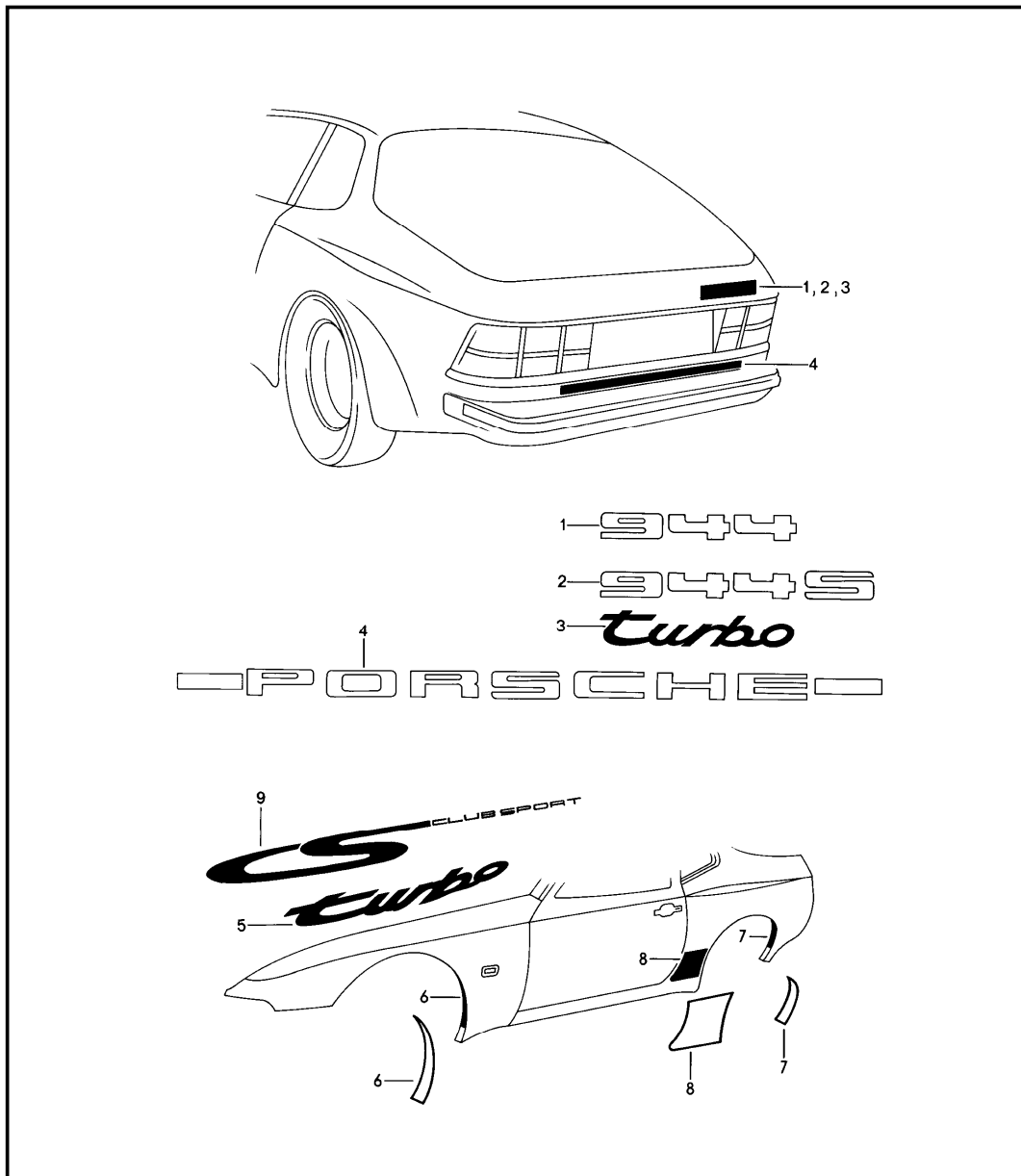


Pos	Part Number	Description	Remark	Qty	Model
		moulding			
1	477 853 313 A	trim frame	/H	1	
2	477 853 373 B	moulding	/L	1	
(2)	477 853 374 B	moulding	/R	1	
3	477 853 371 B	moulding	/L	1	
(3)	477 853 372 B	moulding	/R	1	
4	477 853 375 A	moulding		2	
5	477 853 365 A	trim frame	/L	1	
(5)	477 853 366 A	trim frame	/R	1	
6	944 551 121 00	scuff plate	/L	1	
(6)	944 551 122 00	scuff plate	/R	1	
7	477 853 655	clamp		10	
8	944 559 705 00	roof edge strip	/L	1	
(8)	944 559 706 00	roof edge strip	/R	1	
9	944 559 707 00	sealing rubber		2	
10	999 591 732 02	clamp		12	
11	A 901 559 210 20	lid emblem		1	
11	993 559 211 00	lid emblem		1	
12	901 559 215 20	desk pad		1	
13	A 999 702 175 50	grommet		2	
13	999 702 175 50	grommet		2	
14	931 559 901 00	set of moldings moulding order also: adhesive AMV 176.000.05		1	M418
15	931 559 137 00	side guard wing	/V	2	
(15)	944 559 137 00	side guard wing	/V	2	944 S
16	931 559 133 00	side guard	/L	1	

Model	Year	MG	SG	Illustration	Restrictions	UPD	17:52	25.02.2010	PORSCHE	PET	PORSCHE
9442	1988	8	10	810-00		248					

Pos	Part Number	Description	Remark	Qty	Model	Pos	Part Number	Description	Remark	Qty	Model
(16)	931 559 134 00	side guard door	/R	1							
17	931 559 141 00	side guard	/L	1							
(17)	931 559 142 00	side guard side section	/R	1							
-	931 559 175 00	adhesive tape side guard wing		2							
-	944 559 177 00	adhesive tape side guard wing		2	944 S						
-	931 559 165 00	adhesive tape side guard door		2							
- A	931 559 182 00	adhesive tape	/L	1							
-	931 559 182 00	adhesive tape side guard side section		2							
-	AMV 176 000 05	adhesive sealing compound		1							
18	999 190 326 40	rivet		2							
19	431 805 121 A	bolt		X							

Model	Year	MG	SG	Illustration	Restrictions	UPD	17:52	25.02.2010	PORSCHE	PET	PORSCHE
9442	1988	8	10	810-05		248					

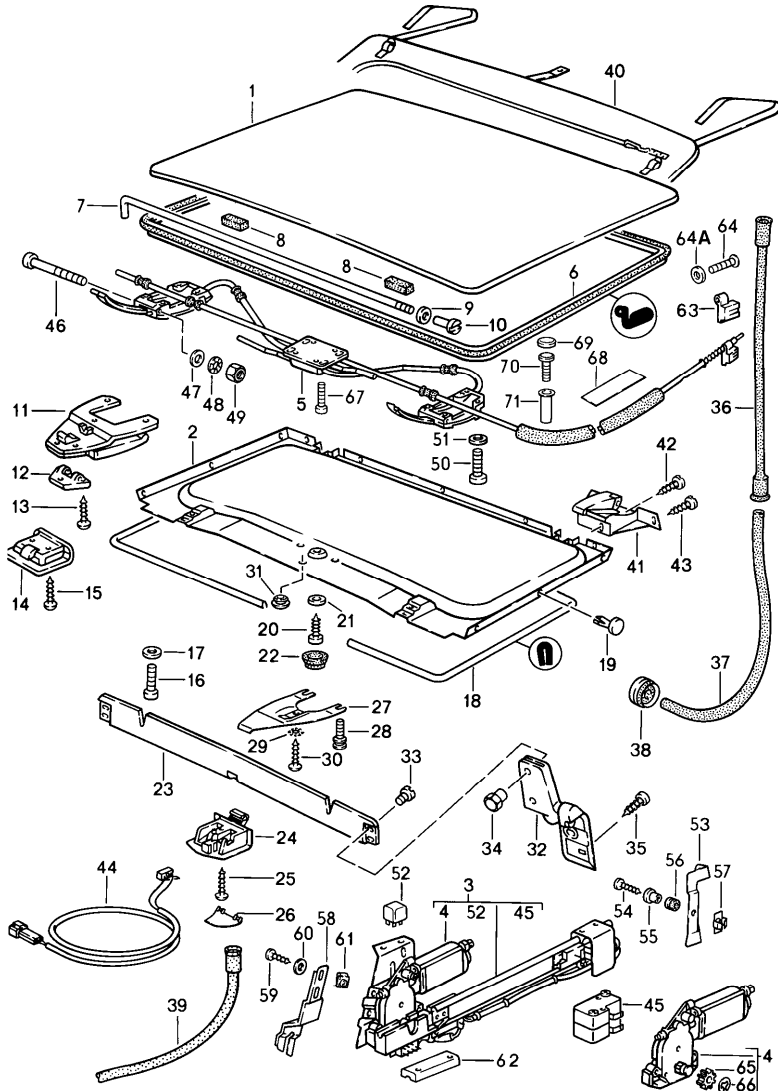


Pos	Part Number	Description	Remark	Qty	Model
		insignias stone guard film			
1	944 559 193 00	logo black		1	
1	944 559 193 01	logo silver		1	
2	944 559 191 00	logo black		1	944 S
2	944 559 191 01	logo silver		1	944 S
3	951 559 093 00	logo black		1	TURBO
3	951 559 093 01	logo silver		1	TURBO
4	477 853 635 B	logo black	/H	1	
4	477 853 635 C	logo silver	/H	1	
5	951 559 221 00	logo black		1	TURBO M501
5	951 559 221 01	logo silver		1	TURBO M501
6	944 559 321 00	stone guard film 3YK clear	/L	1	
6	944 559 322 00	stone guard film 3YK clear	/R	1	
6	944 559 321 01	stone guard film 6YA alpine white 1ZZ zermatt silver metallic	/L	1	
6	944 559 322 01	stone guard film 6YA alpine white 1ZZ zermatt silver metallic	/R	1	
7	944 559 323 00	stone guard film	/L	1	

Model	Year	MG	SG	Illustration	Restrictions	UPD	17:52	25.02.2010	PORSCHE	PET	PORSCHE
9442	1988	8	10	810-05		248					

Pos	Part Number	Description	Remark	Qty	Model	Pos	Part Number	Description	Remark	Qty	Model
	3YK	clear									
7	944 559 324 00	stone guard film	/R	1							
	3YK	clear									
7	944 559 323 01	stone guard film	/L	1							
	6YA	alpine white									
	1ZZ	zermatt silver metallic									
7	944 559 324 01	stone guard film	/R	1							
	6YA	alpine white									
	1ZZ	zermatt silver metallic									
8	944 559 325 00	stone guard film	/L	1							
	3YK	clear									
8	944 559 326 00	stone guard film	/R	1							
	3YK	clear									
8	944 559 325 01	stone guard film	/L	1							
	6YA	alpine white									
	1ZZ	zermatt silver metallic									
8	944 559 326 01	stone guard film	/R	1							
	6YA	alpine white									
	1ZZ	zermatt silver metallic									
9	944 559 223 00	logo black		1							
9	944 559 223 01	logo silver		1							

Model	Year	MG	SG	Illustration	Restrictions	UPD	17:53	25.02.2010	PORSCHE	PET	PORSCHE
9442	1988	8	11	811-00		248					



Pos	Part Number	Description	Remark	Qty	Model
		lifting roof			M650
1	944 564 021 01	roof		1	
2	944 564 047 01	lining		1	
	05T	black			
	4RB	brown			
	5LX	burgundy			
3	944 624 055 00	electric drive		1	
	F	>>94GN4 04474			944
	F	>>95GN1 01653			TURBO
4	944 624 011 00	electric motor		1	
	F	>>94GN4 04474			944
	F	>>95GN1 01653			TURBO
5	944 564 941 00	assembly kit		1	
		see tpi			
		group			
		8			
		NR. 43			
	F	>>94GN4 04474			944
	F	>>95GN1 01653			TURBO
6	944 564 114 01	gasket		1	
	F	>>94GN4 04858			944
	F	>>95GN1 01923			TURBO
6	944 564 114 04	gasket		1	
	F	94GN4 04859>>			944
	F	95GN1 01924>>			TURBO
7	477 871 761	tensioning device		1	
8	477 871 789	sealing strip		2	
9	N 012 226 5	spring washer		1	
	B 6				
10	477 871 763 A	threaded sleeve		1	
11	477 871 217	roof catch	/V	2	
12	477 871 219	bearing bracket		2	
13	N 033 174 1	countersunk-head screw		6	
	M 3 X 6				
14	477 871 665 A	centring wedge	/V	2	
15	N 013 964 4	tapping screw		5	
	B 4,2 X 16				

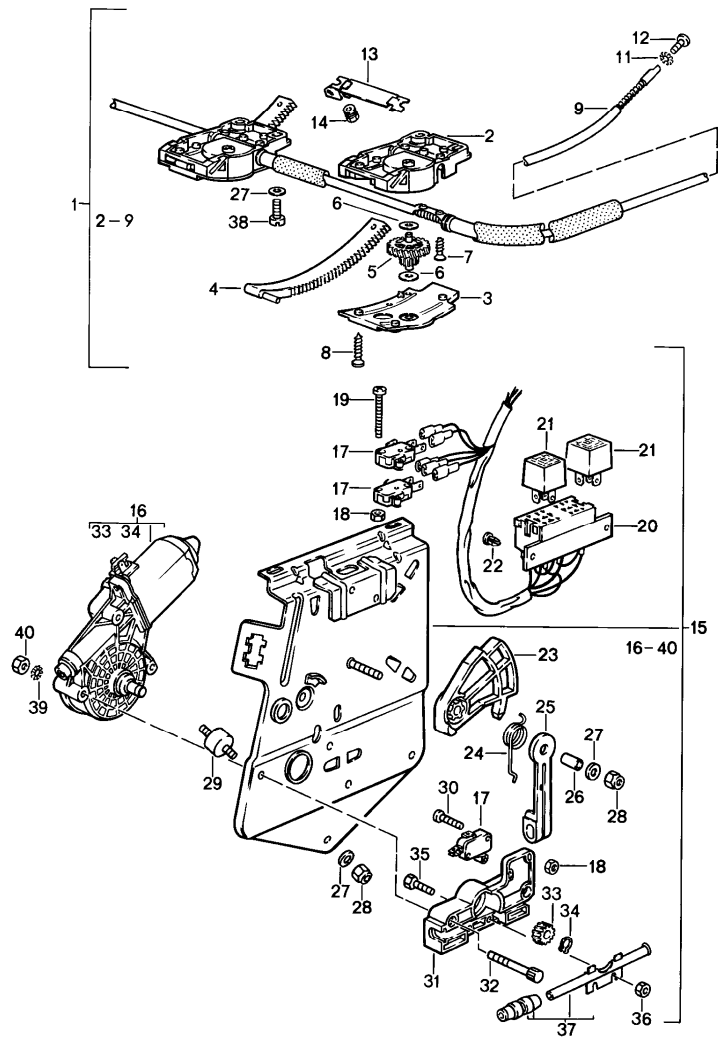
Model	Year	MG	SG	Illustration	Restrictions	UPD	17:53	25.02.2010	PORSCHE	PET	PORSCHE
9442	1988	8	11	811-00		248					

Pos	Part Number	Description	Remark	Qty	Model	Pos	Part Number	Description	Remark	Qty	Model
16	900 270 064 07	countersunk-head screw M 5 X 16		2		33	477 837 959	self-lock. fillister screw		4	
17	999 704 606 17	cone washer		6		34	477 871 701 A	cap nut		4	
18	944 564 621 00	edge protection F >>94GN4 04858 F >>95GN1 01923		1	944 TURBO	35	900 143 031 02	oval-head sheetmetal screw B 4,2 X 9,5		4	
(18)	944 564 623 00	edge protection F 94GN4 04859>> F 95GN1 01924>>		1	944 TURBO	(36)	944 564 064 00	water drain hose	/R/H	1	
19	477 871 053	clip		11		37	944 564 237 00	water drain tube	/L/H	1	
20	311 867 167	tapping screw		1		(37)	944 564 238 00	water drain tube	/R/H	1	
21	900 151 028 02	washer		1		38	021 119 569	rubber sleeve		X	
22	311 867 169	cap		1		39	321 877 233 C	water drain hose	/V	2	
	01C	black				40	477 871 027	retaining pocket		1	
	90V	brown					05T	black			
	9MM	burgundy					4RB	brown			
							3MX	burgundy			
23	944 564 093 00	air deflector		1		41	944 564 161 00	gate guide	/L/H	1	
24	944 564 683 00	bearing		1		(41)	944 564 162 00	gate guide	/R/H	1	
25	N 013 964 4	tapping screw 4,2 X 16		5		42	N 014 133 8	oval-head screw M 5 X 12		2	
26	944 564 685 00	flap		1		43	N 014 264 4	oval-head screw AM 5 X 10		4	
27	944 564 223 00	fastening part		1		44	944 613 033 00	microswitch		1	
28	944 564 224 00	adjusting screw		2		45	944 613 127 00	microswitch F >>94GN4 04474 F >>95GN1 01653		2	944 TURBO
29	N 012 222 4	spring washer A 5		5		46	N 100 718 01	pan-head screw M 5 X 70 F >>94GN4 04474 F >>95GN1 01653		2	944 TURBO
30	N 014 133 8	oval-head screw M 5 X 12		1		47	900 025 003 02	washer A 5,3 F >>94GN4 04474 F >>95GN1 01653		2	944 TURBO
31	944 564 233 00	cap		3		48	N 012 104 2	serrated lock washer 5,3 F >>94GN4 04474 F >>95GN1 01653		2	944 TURBO
	01C	black									
	90V	brown									
	9MM	burgundy									
32	477 871 635 A	hinge	/L	1							
(32)	477 871 636 A	hinge	/R	1							

Model	Year	MG	SG	Illustration	Restrictions	UPD	17:53	25.02.2010	PORSCHE	PET	PORSCHE
9442	1988	8	11	811-00		248					

Pos	Part Number	Description	Remark	Qty	Model	Pos	Part Number	Description	Remark	Qty	Model
49	N 011 005 14	hexagon nut M 5 F >>94GN4 04474 F >>95GN1 01653		2	944 TURBO	61	999 591 722 02	speed nut B 4,8 X 19 F >>94GN4 04474 F >>95GN1 01653		2	944 TURBO
50	999 218 005 02	pan-head screw M 6 F >>94GN4 04474 F >>95GN1 01653		4	944 TURBO	62	944 564 517 00	lid F >>94GN4 04474 F >>95GN1 01653		1	944 TURBO
51	N 011 524 7	washer A 6,4 F >>94GN4 04474 F >>95GN1 01653		4	944 TURBO	63	944 564 425 01	driver F >>94GN4 04474 F >>95GN1 01653		1	944 TURBO
52	431 951 253 D	relay electric drive		2		64	999 014 012 02	screw M 3,5 X 28 F >>94GN4 04474 F >>95GN1 01653		1	944 TURBO
53	944 564 521 00	support F >>94GN4 04474 F >>95GN1 01653		1	944 TURBO	64A	999 523 115 02	washer 3,5 F >>94GN4 04474 F >>95GN1 01653		1	944 TURBO
54	N 013 967 5	tapping screw BZ 4,2 X 19 F >>94GN4 04474 F >>95GN1 01653		1	944 TURBO	65	944 564 437 00	pinion F >>94GN4 04474 F >>95GN1 01653		1	944 TURBO
55	944 624 415 00	spacer sleeve F >>94GN4 04474 F >>95GN1 01653		1	944 TURBO	66	900 116 003 02	circlip F >>94GN4 04474 F >>95GN1 01653		1	944 TURBO
56	944 624 417 00	rubber sleeve F >>94GN4 04474 F >>95GN1 01653		1	944 TURBO	67	N 014 745 2	pan-head screw M 6 X 14 micro-self-locking F >>94GN4 04474 F >>95GN1 01653		4	944 TURBO
57	N 902 577 01	speed nut B 4,2 F >>94GN4 04474 F >>95GN1 01653		1	944 TURBO	68	944 556 441 00	felt strip F >>94GN4 04474 F >>95GN1 01653		1	944 TURBO
58	944 564 433 00	support F >>94GN4 04474 F >>95GN1 01653		1	944 TURBO	69	999 703 347 40	cap F 94GN4 04859>> F 95GN1 01924>>		4	944 TURBO
59	N 013 884 4	tapping screw BZ 4,8 X 13 F >>94GN4 04474 F >>95GN1 01653		2	944 TURBO	70	999 119 016 40	adjusting screw M 4 X 10 F 94GN4 04859>> F 95GN1 01924>>		4	944 TURBO
60	N 012 201 2	washer 5,5 F >>94GN4 04474 F >>95GN1 01653		2	944 TURBO	71	999 500 033 17	blind rivet nut M 4 F 94GN4 04859>> F 95GN1 01924>>		4	944 TURBO

Model	Year	MG	SG	Illustration	Restrictions	UPD	17:53	25.02.2010	PORSCHE	PET	PORSCHE
9442	1988	8	11	811-05		248					

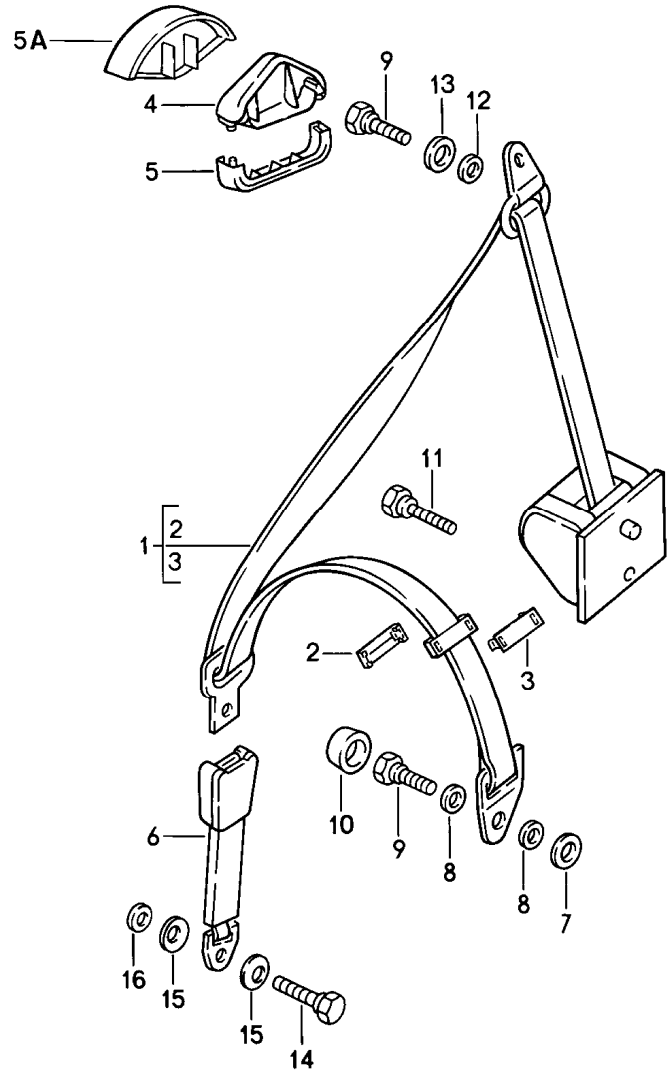


Pos	Part Number	Description	Remark	Qty	Model
		lifting roof driving mechanism			M650
		F 94GN4 04475>> F 95GN1 01654>>			944 TURBO
1	944 564 041 01	assembly kit		1	
2	944 564 507 01	guide		2	
3	944 564 509 01	plate		2	
4	944 564 501 01	segment	/L	1	
(4)	944 564 502 01	segment	/R	1	
5	944 564 430 01	gear wheel		2	
6	944 564 459 01	shim		4	
7	999 919 051 02	countersunk-head screw M 4 X 8		4	
8	999 919 052 02	countersunk-head screw M 4 X 18		10	
9	944 564 043 02	shaft		1	
11	999 523 116 01	lock washer		3	
12	N 014 121 6	oval-head screw M 4 X 6		1	
13	944 564 461 00	support	/L	1	
(13)	944 564 462 00	support	/R	1	
14	999 076 036 02	adjusting nut M 4		4	
15	944 624 055 01	electric drive		1	
16	944 624 011 01	electric motor		1	
17	944 613 128 01	microswitch		3	
18	N 011 002 2	hexagon nut		4	
19	900 146 072 02	oval-head screw M 3 X 25		2	
20	944 612 011 01	wiring harness		1	
21	431 951 253 D	relay		2	
22	999 591 854 40	expansion rivet		2	

Model	Year	MG	SG	Illustration	Restrictions	UPD	17:53	25.02.2010	PORSCHE	PET	PORSCHE
9442	1988	8	11	811-05		248					

Pos	Part Number	Description	Remark	Qty	Model	Pos	Part Number	Description	Remark	Qty	Model
23	944 564 535 00	lever		1							
24	944 564 539 00	spring		1							
25	944 564 537 00	lever		1							
26	944 564 541 00	sleeve		1							
27	N 011 524 7	washer 6,4		6							
28	900 910 012 02	lock nut M 6		2							
29	999 703 349 00	rubber mounting		1							
30	N 044 134 2	oval-head screw M 3 X 20		2							
31	944 564 515 01	housing		1							
32	944 564 543 00	screw		2							
33	944 564 437 01	pinion		1							
34	900 116 003 02	circlip		1							
35	900 075 100 02	hexagon-head bolt M 4 X 12		2							
36	N 011 004 6	hexagon nut M 4		2							
37	944 564 048 00	pipe		1							
38	900 067 011 02	pan-head screw		4							
39	999 523 117 01	lock washer		3							
40	900 076 010 02	hexagon nut M 6		3							

Model	Year	MG	SG	Illustration	Restrictions	UPD	17:53	25.02.2010	PORSCHE	PET	PORSCHE
9442	1988	8	12	812-00		248					

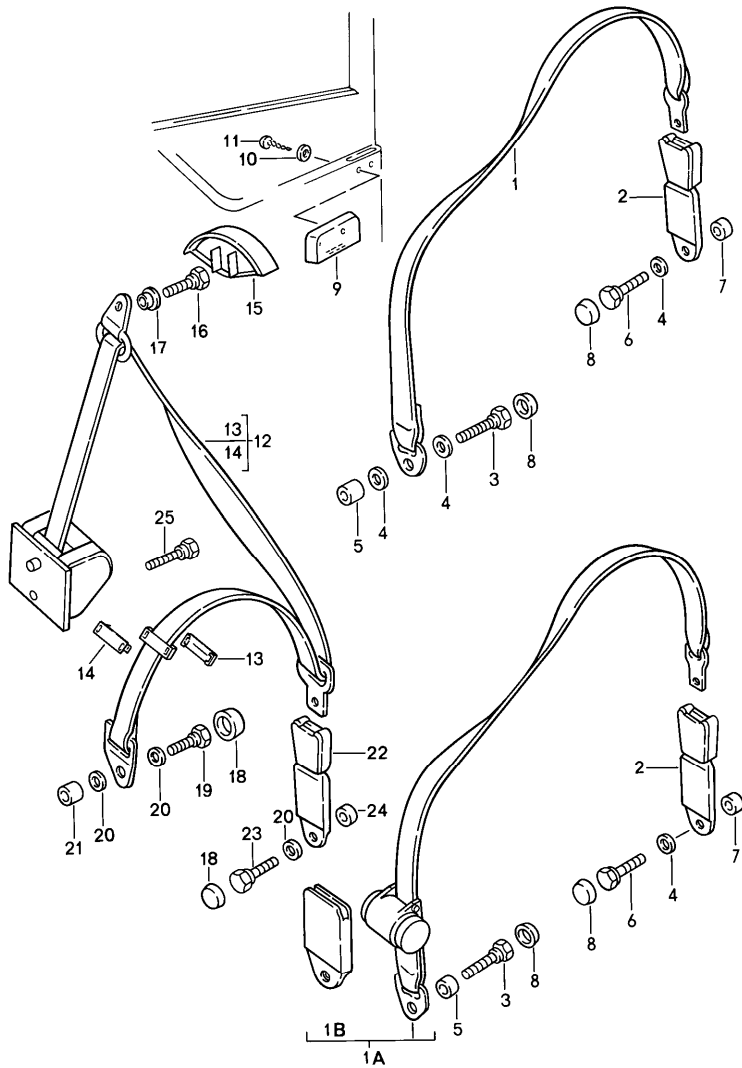


Pos	Part Number	Description	Remark	Qty	Model
1	944 803 125 00	seat belt front			
(1)	944 803 126 00	seat belt	/L	1	
2	928 803 151 02	clip upper part	/R	2	
3	928 803 153 02	clip lower part		2	
4	928 803 141 00	cover upper part		85	2
5	928 803 143 00	cover lower part		85	2
5A	944 803 141 00	cover		86-	2
	70B	black			
6	928 803 183 13	seat-belt buckle			1
	70B	black driver's side			
(6)	928 803 183 12	seat-belt buckle			1
	70B	black passenger's side			
6	928 803 183 11	seat-belt buckle driver's side			1 M383/387
(6)	928 803 183 10	seat-belt buckle passenger's side			1 M383/387
7	111 857 707 A	spacer			2
8	211 857 771	washer		85	8
8	911 803 533 00	cup spring		86	2
9	111 857 793 E	fastening screw		85	4
9	111 857 793 E	fastening screw		86	2
10	811 857 845	screw-on cap			2
11	111 857 799 A	fastening screw			2
12	928 803 212 02	spacer			2
13	928 803 157 02	washer			2

Model	Year	MG	SG	Illustration	Restrictions	UPD	17:53	25.02.2010	PORSCHE	PET	PORSCHE
9442	1988	8	12	812-00		248					

Pos	Part Number	Description	Remark	Qty	Model	Pos	Part Number	Description	Remark	Qty	Model
14	914 803 468 10	screw		2							
15	911 803 533 00	cup spring		4							
16	911 803 531 00	paper washer		2							

Model	Year	MG	SG	Illustration	Restrictions	UPD	17:53	25.02.2010	PORSCHE	PET	PORSCHE
9442	1988	8	12	812-05		248					

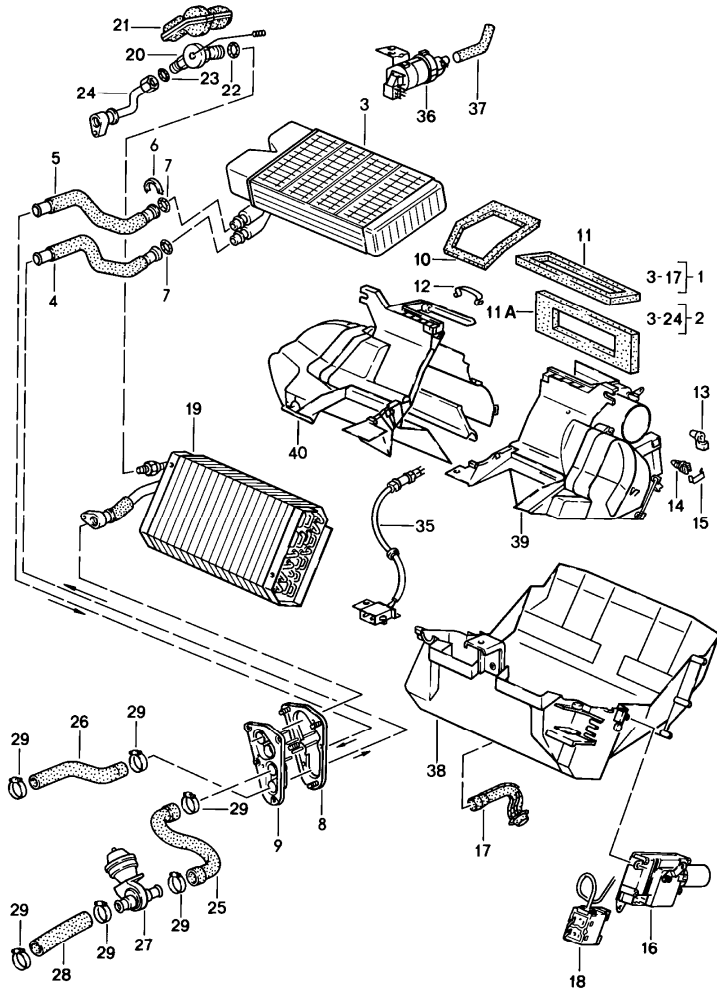


Pos	Part Number	Description	Remark	Qty	Model
		seat belt rear lap belt manually			M186
1	477 857 795	lap belt		2	
2	477 857 739 A	seat-belt buckle		2	
3	803 019 811 B	screw	85	2	
3	111 857 793 E	fastening screw	86	2	
4	211 857 771	washer		6	
5	928 803 259 02	spacer sleeve		2	
6	477 857 853	screw		2	
7	A 477 857 643	spacer sleeve		2	
(7)	999 209 033 02	spacer sleeve		2	
8	811 857 845	screw-on cap		4	
9	477 857 375 A	support for seatbelt		2	
		01C black			
		89S brown			
		9MM burgundy			
10	900 151 027 02	washer B 5,3 X 15		4	
11	900 146 003 02	oval-head screw M 5 X 11		4	
		three-point seat belt automatic			M335
(12)	945 803 021 01	seat belt	/L	1	
12	945 803 022 01	seat belt	/R	1	
13	928 803 151 02	clip upper part		2	
14	928 803 153 02	clip lower part		2	
15	944 803 141 00	cover		2	
		70B black			
16	111 857 793 E	fastening screw		2	

Model	Year	MG	SG	Illustration	Restrictions	UPD	17:53	25.02.2010	PORSCHE	PET	PORSCHE
9442	1988	8	12	812-05		248					

Pos	Part Number	Description	Remark	Qty	Model	Pos	Part Number	Description	Remark	Qty	Model
17	945 803 311 00	spacer ring		2							
18	811 857 845	screw-on cap		4							
19	803 019 811 B	screw		2							
20	211 857 771	washer		6							
21	928 803 259 02	spacer sleeve		2							
22	477 857 739 A	seat-belt buckle		2							
23	477 857 853	screw		2							
24	A 477 857 643	spacer sleeve		2							
(24)	999 209 033 02	spacer sleeve		2							
25	911 803 150 00	screw		2							

Model	Year	MG	SG	Illustration	Restrictions	UPD	17:53	25.02.2010	PORSCHE	PET	PORSCHE
9442	1988	8	13	813-00		248					

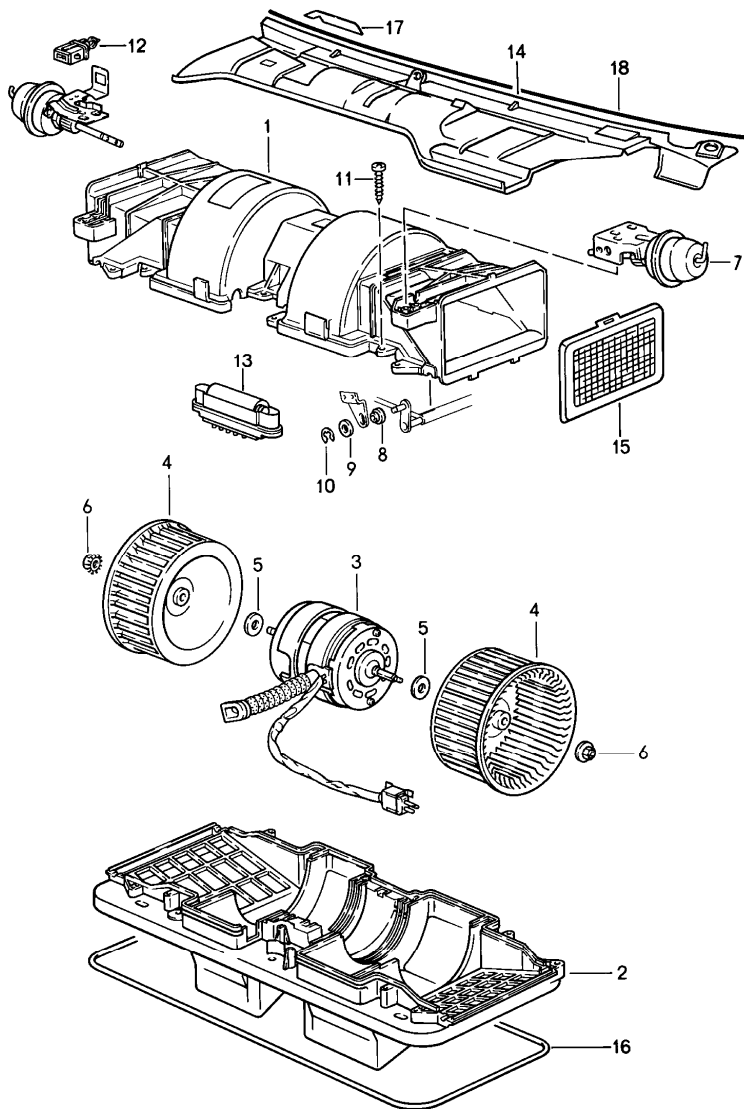


Pos	Part Number	Description	Remark	Qty	Model
		heater air conditioner			
1	944 572 020 01	heater		-86	1
1	944 572 020 03	heater		87-	1
2	944 573 020 01	heater		-86	1 M573
2	944 573 020 02	heater		87-	1 M573
3	944 572 130 00	heat exchanger			1
4	944 572 184 00	water tube return line			1
5	944 572 185 00	water tube supply			1
6	944 572 287 00	clip			2
7	944 572 188 00	o-ring			2
8	944 572 262 00	mounting plate			1
(9)	944 572 264 00	gasket			1
9	944 573 264 00	gasket			1 M573
10	944 572 201 00	gasket	/L		1
(10)	944 572 202 00	gasket	/R		1
11	944 572 162 01	gasket			1
11A	944 572 162 02	gasket			1
12	944 572 215 00	spring clamp			9
13	944 572 313 00	bearing connecting rod			3
14	944 572 314 00	bearing connecting rod			3
15	944 572 217 00	spring clamp connecting rod			3
16	944 624 119 00	electric motor 60 degrees			2
(16)	944 624 120 00	electric motor 98 degrees			1
17	944 572 221 00	water drain hose			1
18	944 659 221 00	temperature sensor			1 M573

Model	Year	MG	SG	Illustration	Restrictions	UPD	17:53	25.02.2010	PORSCHE	PET	PORSCHE
9442	1988	8	13	813-00		248					

Pos	Part Number	Description	Remark	Qty	Model	Pos	Part Number	Description	Remark	Qty	Model
19	A 944 573 211 01	evaporator		1	M573	37	944 572 529 00	hose interior sensor		1	
19	944 573 211 01	evaporator		1	M573						
20	944 573 201 00	expansion valve		1	M573	38	A 944 572 135 01	housing lower part		1	
21	477 820 447 B	insulator		1	M573	38	944 572 135 01	housing lower part		1	
22	944 573 215 00	o-ring		1	M573						
23	999 707 251 40	o-ring		1	M573	39	944 572 121 01	housing	/L	-86	1
24	944 573 213 00	refrigerant line		1	M573	39	944 572 121 01	housing	/L	87-	1
25	944 572 587 01	heater hose supply		1	944	40	944 572 122 01	housing	/R		1
(25)	944 572 587 02	water hose supply		1	944S						
26	944 572 589 00	water hose return line		1							
27	928 574 573 03	disc valve		1							
28	944 572 385 01	heater hose		1							
29	999 512 346 00	hose clamp SGT 16-25		X							
30	944 653 021 02	control switch manually		1							
	01C	black									
(30)	944 653 021 03	control switch		1	M424						
	01C	satin black automatic									
(30)	944 653 021 01	control switch		1	M573						
31	944 653 203 00	cover		1							
	1DB	black									
32	944 653 207 00	knob blower switch		1							
33	944 653 205 00	knob		2							
34	944 653 208 00	knob temperature control		1							
35	944 653 121 00	temperature sensor		1							
36	944 624 013 00	interior sensor		1							

Model	Year	MG	SG	Illustration	Restrictions	UPD	17:53	25.02.2010	PORSCHE	PET	PORSCHE
9442	1988	8	13	813-05		248					

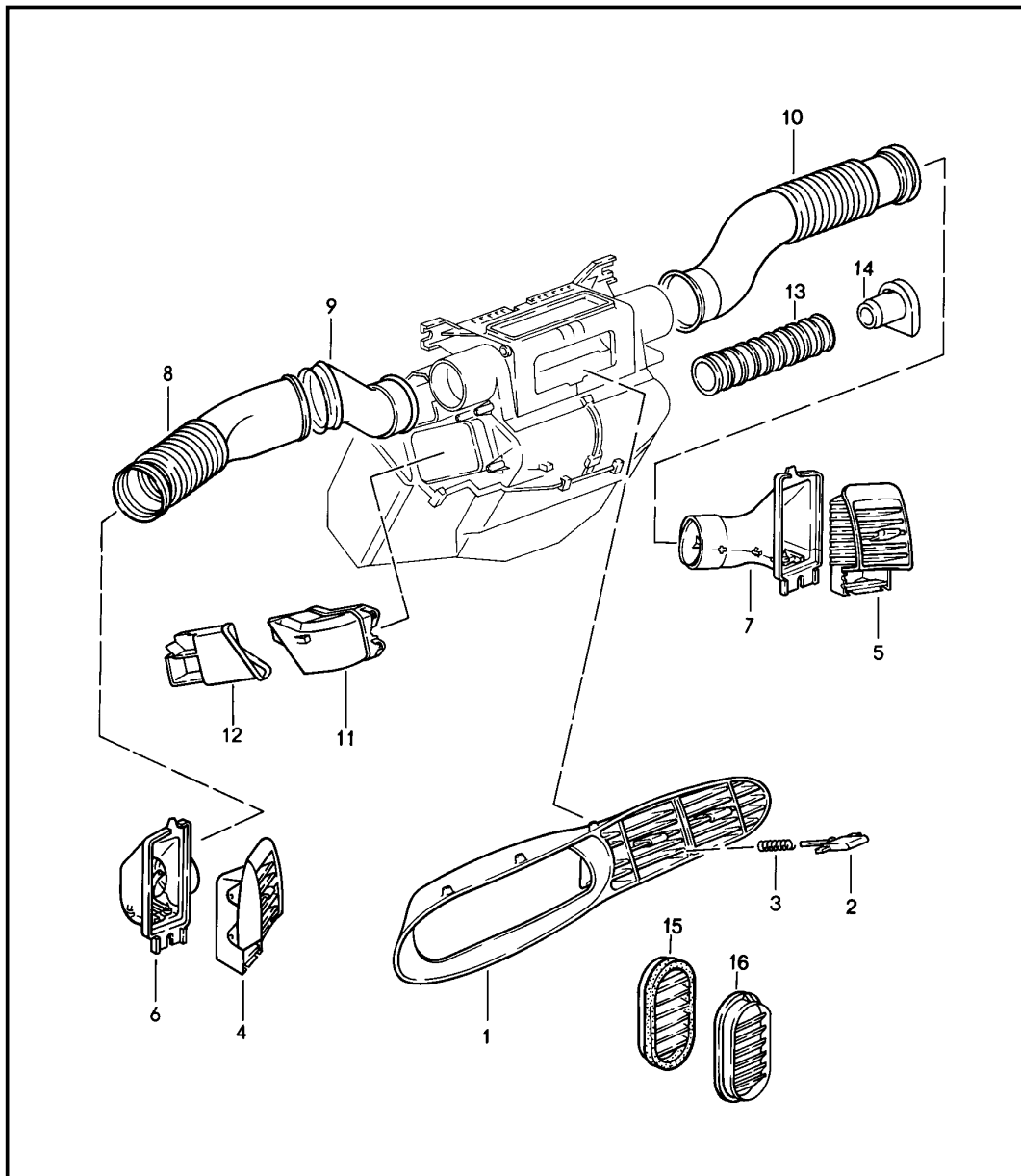


Pos	Part Number	Description	Remark	Qty	Model
1	944 572 105 00	blower housing upper part		1	
2	944 572 103 01	housing lower part	/LL	1	
(2)	945 572 103 00	housing lower part	/RL 86-	1	
3	944 624 117 00	electric motor		1	
(3)	944 624 117 00	electric motor		1	M573
4	944 572 211 00	fan	/L	1	
(4)	944 572 212 00	fan	/R	1	
5	944 572 470 00	washer		2	
6	477 820 471 A	nut M 5		2	
7	944 572 119 00	vacuum unit	/L	1	
(7)	944 572 120 00	vacuum unit	/R	1	
8	944 572 183 00	bearing		2	
9	944 572 225 00	washer		2	
10	944 572 222 00	circlip		2	
11	944 572 464 00	tapping screw B 5 X 12		16	
12	944 653 123 00	outer sensor		1	
13	944 616 101 00	ballast resistor		1	
14	944 572 063 03	cover	/LL	1	
(14)	945 572 063 03	cover	/RL	1	
15	944 572 104 00	air cleaner		2	
16	477 898 011 A	sealing cord		1	
17	944 504 513 00	filler piece		2	
18	000 043 204 87	adhesive tape roller 5 M		1	

Model	Year	MG	SG	Illustration	Restrictions	UPD	17:53	25.02.2010	PORSCHE	PET	PORSCHE
9442	1988	8	13	813-05		248					

Pos	Part Number	Description	Remark	Qty	Model	Pos	Part Number	Description	Remark	Qty	Model
-	944 572 905 00	retrofit kit particle filter use also:		1							
-	944 572 464 00	tapping screw		2							
-	944 616 105 00	ballast resistor		1							
-	944 616 106 00	cover		1							
-	944 572 593 00	gasket		1							

Model	Year	MG	SG	Illustration	Restrictions	UPD	17:54	25.02.2010	PORSCHE	PET	PORSCHE
9442	1988	8	13	813-10		248					

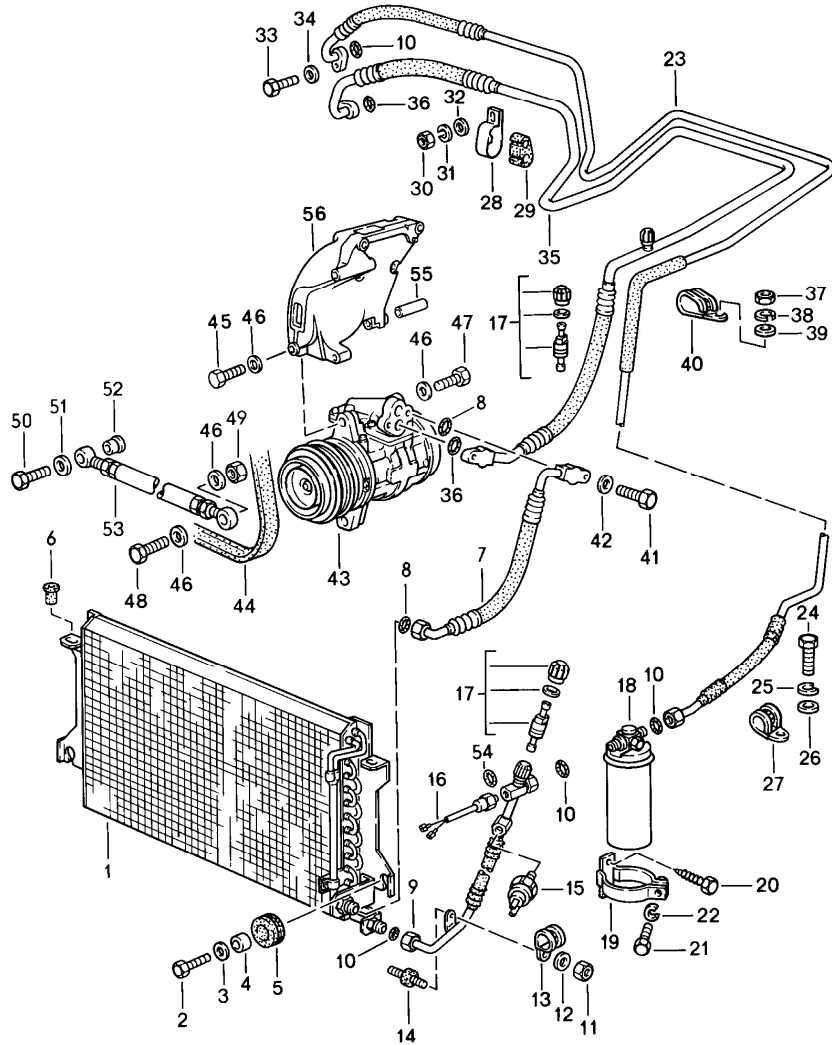


Pos	Part Number	Description	Remark	Qty	Model
1	944 552 023 00	air duct			
		dashboard trim	/LL	1	
(1)	945 552 023 00	dashboard trim	/RL	86-	1
2	944 572 419 00	knob		1	
3	944 572 421 00	spring		1	
4	944 572 251 00	side vent	/L	1	
		QE7	black		
		QE8	brown		
		QE9	burgundy		
5	944 572 252 00	side vent	/R	1	
		QE7	black		
		QE8	brown		
		QE9	burgundy		
6	944 572 241 00	air duct	/L	1	
7	944 572 242 00	air duct	/R	1	
8	944 572 425 00	air duct	/LL	1	
(8)	945 572 425 00	air duct	/RL	86-	1
9	944 572 427 00	air duct	/LL	1	
(9)	945 572 427 00	air duct	/RL	86-	1
10	944 572 426 00	air duct		1	
11	944 572 125 00	footwell outlet vent	/L	1	
(11)	944 572 126 00	footwell outlet vent	/R	1	
12	944 572 415 00	footwell outlet vent	/LL/L	1	
(12)	945 572 415 00	footwell outlet vent	/RL/L	1	
(12)	944 572 416 00	footwell outlet vent	/LL/R	1	
(12)	945 572 416 00	footwell outlet vent	/RL/R	1	
13	944 573 613 00	air hose		1	
14	944 573 355 00	air vent		1	
15	477 819 179 A	cover	/L	1	

Model	Year	MG	SG	Illustration	Restrictions	UPD	17:54	25.02.2010	PORSCHE	PET	PORSCHE
9442	1988	8	13	813-10		248					

Pos	Part Number	Description	Remark	Qty	Model	Pos	Part Number	Description	Remark	Qty	Model
(15)	477 819 180 A	01C black cover	/R	1							
16	477 819 175	01C black cover		2							

Model	Year	MG	SG	Illustration	Restrictions	UPD	17:54	25.02.2010	PORSCHE	PET	PORSCHE
9442	1988	8	13	813-15		248					



Pos	Part Number	Description	Remark	Qty	Model
		refrigerant circuit			M573
1	944 573 011 05	condenser		1	
2	N 010 217 9	hexagon-head bolt M 6 X 20		2	
3	N 011 612 3	washer R 6,6		2	
4	052 109 135	spacer sleeve		2	
5	056 129 669 B	grommet		2	
6	944 573 457 00	rubber sleeve		2	
7	944 573 197 08	refrigerant line compressor condenser		1	
8	999 707 250 40	o-ring		2	
9	944 573 095 03	refrigerant line F >>94GN4 01809 F >>95GN1 00586		1	944 TURBO
9	944 573 095 04	refrigerant line condenser desiccator F 94GN4 01810>> F 95GN1 00587>>		1	944 TURBO
9 A	944 573 095 05	refrigerant line condenser desiccator	87	1	
9 A	944 573 095 08	refrigerant line condenser desiccator		1	
9	944 573 095 09	refrigerant line condenser desiccator		1	
10	999 707 247 40	o-ring		4	
11	900 076 010 02	hexagon nut M 6		1	
12	900 025 008 09	washer A 6,4		1	
13	N 020 647 1	clamp RSGU 23/15		1	
14	928 110 191 00	bonded rubber buffer		1	

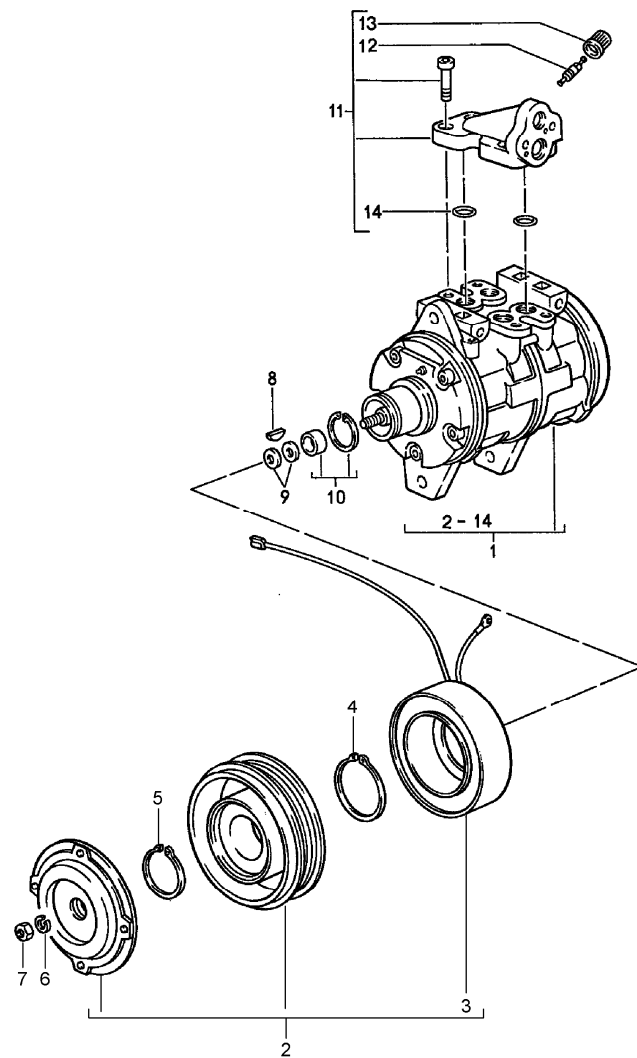
Model	Year	MG	SG	Illustration	Restrictions	UPD	17:54	25.02.2010	PORSCHE	PET	PORSCHE
9442	1988	8	13	813-15		248					

Pos	Part Number	Description	Remark	Qty	Model	Pos	Part Number	Description	Remark	Qty	Model
15	959 613 137 00	low pressure switch		1		30	900 076 010 02	hexagon nut M 6		1	
16	928 613 131 01	thermostat F >>94GN4 00908 F >>95GN1 00295		1	944 TURBO	31	N 012 006 4	lock ring B 6		1	
16	944 653 053 00	pressure switch high F 94GN4 00909>> F 95GN1 00296>>		1	944 TURBO	32	N 011 524 7	washer A 6,4		1	
17	928 573 096 03	valve		1		33	900 075 016 02	hexagon-head bolt M 6 X 22		2	
18	944 573 943 00	desiccator		1		34	N 011 524 7	washer A 6,4		1	
19	944 573 081 00	support		1		35	944 573 091 03	refrigerant line evaporator compressor	-86	1	
20	N 013 884 5	tapping screw B 4,8 X 13		2		35	944 573 091 05	refrigerant line evaporator compressor	87-	1	944,944S
21	N 010 264 4	hexagon-head bolt M 5 X 20		1		(35)	951 573 091 02	refrigerant line evaporator compressor	87-	1	TURBO
22	N 012 005 3	lock ring B 5		1		36	999 707 251 40	o-ring		2	
23	944 573 093 03	refrigerant line desiccator evaporator	-86	1		37	900 076 010 02	hexagon nut M 6		1	
23	944 573 093 04	refrigerant line desiccator evaporator	87	1		38	N 012 006 4	lock ring B 6		1	
23	944 573 093 05	refrigerant line desiccator evaporator	88	1		39	N 011 524 7	washer A 6,4		1	
24	N 010 215 13	hexagon-head bolt M 6 X 15		1		40	N 902 512 01	pipe clamp RSGW 1,5 X 15/15		1	
25	N 012 006 4	lock ring B 6		1		41	N 040 222 1	hexagon-head bolt M 8 X 32		1	
26	N 011 524 7	washer A 6,4		1		42	N 011 525 13	washer A 8,4		1	
27	999 511 116 02	clamp B 15 X 10 GI B 15 X 10 GI		1		43	944 126 008 00	compressor		1	
28	944 573 453 00	support		1		44	999 192 285 50	poly-rib belt K 6 - 1000 LW		1	
29	944 573 455 00	spacer rubber		1		45	900 082 088 02	hexagon-head bolt M 10 X 1,25 X 50		1	

Model	Year	MG	SG	Illustration	Restrictions	UPD	17:54	25.02.2010	PORSCHE	PET	PORSCHE
9442	1988	8	13	813-15		248					

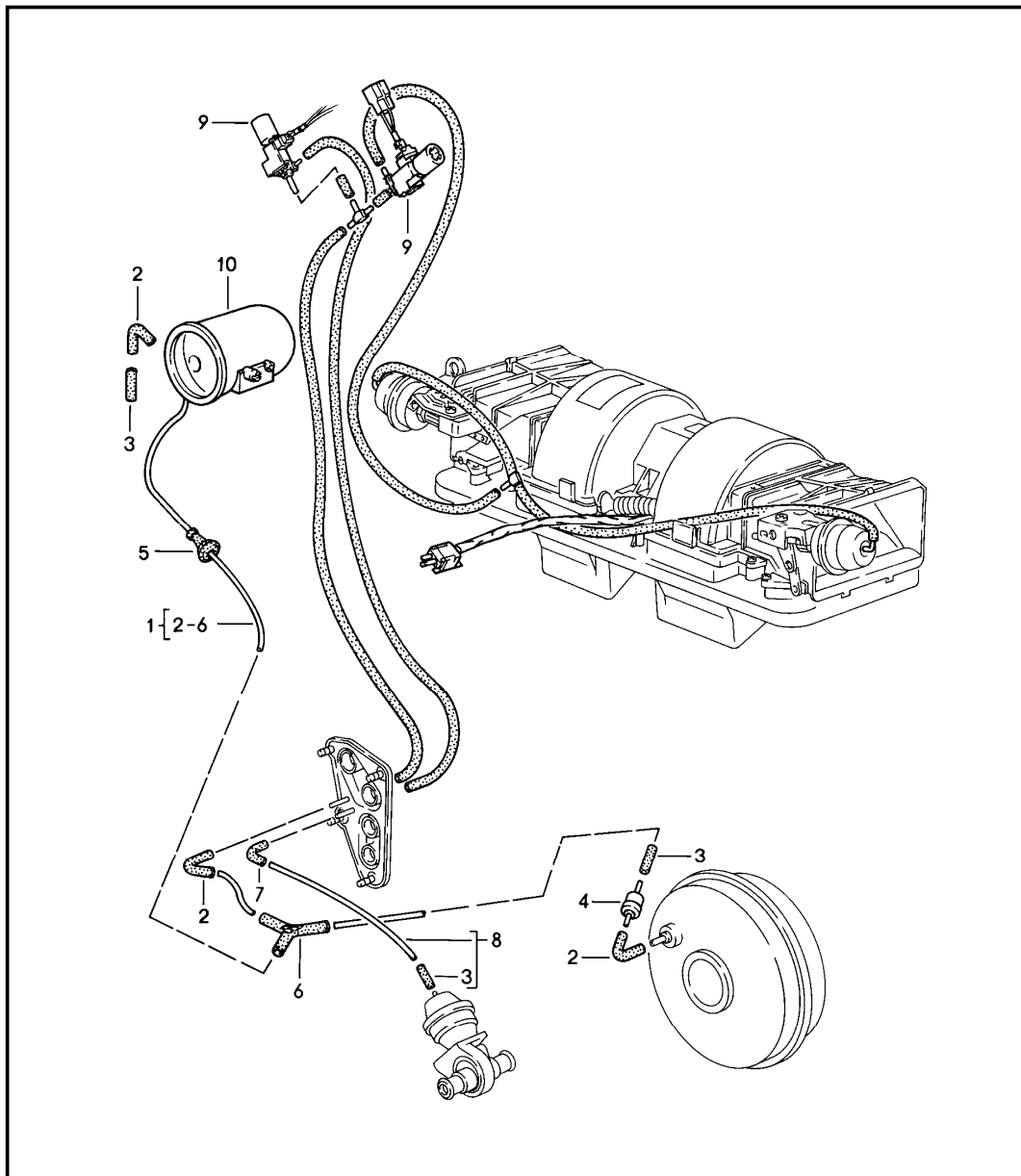
Pos	Part Number	Description	Remark	Qty	Model	Pos	Part Number	Description	Remark	Qty	Model
46	900 025 008 09	washer A 10,5		4							
47	900 074 139 02	hexagon-head bolt M 8 X 55		1							
48	N 040 125 1	hexagon-head bolt M 10 X 1,25 X 30		1							
49	N 021 194 1	lock nut M 10		1							
50	N 010 359 4	hexagon-head bolt M 8 X 38		1							
51	900 025 007 02	washer A 8,4		1							
52	944 126 127 01	bush		1							
53	944 126 021 03	strut		1							
54	999 707 261 40	o-ring		1							
-	944 126 135 00	sleeve		1							
-	944 126 123 04	bracket		1							

Model	Year	MG	SG	Illustration	Restrictions	UPD	17:54	25.02.2010	PORSCHE	PET	PORSCHE
9442	1988	8	13	813-20		248					



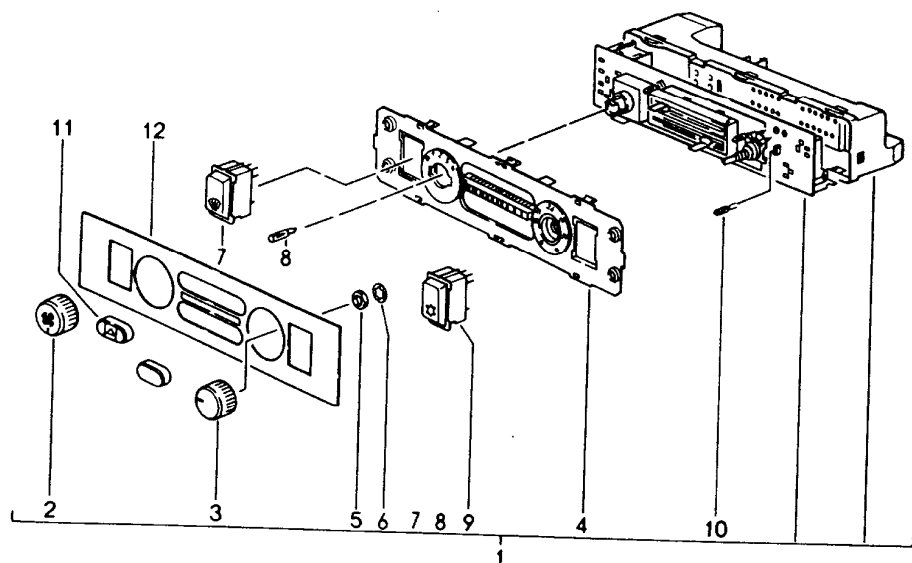
Pos	Part Number	Description	Remark	Qty	Model
		compressor			M573
1	944 126 008 00	compressor		1	
2	944 126 923 01	clutch		1	
3	944 126 925 01	solenoid coil		1	
4	477 298 841	circlip internal diameter 45,8 MM		1	
5	477 298 843	circlip internal diameter 37 MM		1	
6	900 027 015 02	lock ring B 8		1	
7	N 011 008 8	hexagon nut M 8		1	
8	944 126 905 00	spring		1	
9	477 298 829	spacer 0,1 MM		X	
(9)	477 298 829 A	spacer 0,2 MM		X	
(9)	477 298 829 B	spacer 0,5 MM		X	
(9)	477 298 829 C	spacer 0,8 MM		X	
(9)	477 298 829 B	spacer 1,0 MM		X	
10	930 126 921 00	set of shaft seals		1	
11	944 126 940 00	valve		1	
12	928 573 908 03	valve insert		1	
13	928 573 909 02	cap		1	
14	944 126 935 01	o-ring		1	

Model	Year	MG	SG	Illustration	Restrictions	UPD	17:54	25.02.2010	PORSCHE	PET	PORSCHE
9442	1988	8	13	813-25		248					



Pos	Part Number	Description	Remark	Qty	Model
		vacuum control			
1	944 572 710 00	vacuum line	/LL	1	
(1)	945 572 710 00	vacuum line	/RL	86-	1
2	928 574 717 02	moulded hose	/LL	3	
3	A 928 574 747 03	connecting piece	/RL	86-	3
3	928 574 747 03	connecting piece	/RL	86-	3
4	928 537 361 02	valve		1	
5	477 819 849	grommet		1	
6	928 573 727 02	distributing piece		1	
7	928 574 717 02	moulded hose		1	
8	944 572 709 00	vacuum line		1	
9	944 659 215 02	heater valve		-86	2
9	944 659 215 01	recirculating air valve		87-	1
(9)	944 659 215 02	heater valve		87-	1
10	945 573 808 00	vacuum reservoir		1	

Model	Year	MG	SG	Illustration	Restrictions	UPD	17:54	25.02.2010	PORSCHE	PET	PORSCHE
9442	1988	8	13	813-30		248					



Pos	Part Number	Description	Remark	Qty	Model
		control switch			
1	944 653 021 02	control switch		1	
	01C	black			
(1)	944 653 021 03	control switch		1	M424
	01C	black			
(1)	944 653 021 04	control switch		1	M573
	01C	black			
2	944 653 207 00	knob blower switch		1	
3	944 653 208 00	knob temperature control		1	
4	944 653 911 00	cover clear		1	
(4)	944 653 912 00	cover clear		1	M424/573
5	999 034 021 30	hexagon nut M 7 X 0,75		1	
6	900 028 045 02	spring washer A 8		1	
7	944 653 923 00	tip switch		1	M424
(7)	944 653 921 00	tip switch		1	M573
8	900 631 134 90	bulb 1,2W		1	
9	944 653 924 00	tip switch		1	M424
(9)	944 653 922 00	tip switch		1	M573
10	999 631 031 90	bulb		3	
11	944 653 205 00	knob		2	
12	944 653 203 00	cover		1	
	1DB	black			

Model	Year	MG	SG	Illustration	Restrictions	UPD	17:55	25.02.2010
9442	1988	8	98	898-00R		248		

Pos	Part Number	Description	Remark	Qty	Model
>>	>>944 538 001 21	repair kits set of locks set for door handle and ignition starter lock rear lid lock glove compartment lock and fuel tank cap comprising: rear lid lock lock cylinder door handle lock cylinder ignition starter lock lock cylinder fuel tank cap glove compartment lock key use also: lid 944.201.061.01	85	1	
>>	>>944 538 001 21	set of locks F >>94JN4 00720 F >>94JN4 21227 F >>95JN1 00936	-87	1	944S 944 TURBO
>>	>>944 538 001 23	set of locks F >>94JN4 00720 F >>94JN4 21227 F >>95JN1 00936	86-87	1	M341 944S 944 TURBO
>>	>>944 538 001 30	set of locks F 94JN4 00721>> F 94JN4 21228>> F 95JN1 00937>>	88-	1	944S 944 TURBO
>>	>>944 538 001 27	set of locks F 94JN4 00721>> F 94JN4 21228>> F 95JN1 00937>>	88-	1	M341 944S 944 TURBO

Model	Year	MG	SG	Illustration	Restrictions	UPD	17:55	25.02.2010
9442	1988	8	98	898-00R		248		

Pos	Part Number	Description	Remark	Qty	Model
		set of locks comprising: door handle	/L	1	
		door handle	/R	1	
		lock cylinder		1	
		ignition starter lock			
		lock cylinder		1	
		rear lid lock			
		lock cylinder		1	
		fuel tank cap			
		glove compartment lock		1	
		rear lid lock	/L	1	
		rear lid lock	/R	1	
		secondary key		3	
		key ring		1	
		key tag		1	
>>	>>000 043 038 00	adhesive set for windscreen		1	
>>	>>944 731 902 00	installation set door mirror plane electrically adjustable and heated comprising:	/LL/R	-86	1
-	911 731 044 03	mirror housing		1	
-	928 731 143 08	mirror base		1	
-	999 143 003 02	hexagon-head bolt M 5 X 10		3	
-	944 731 027 01	electric installation set with transmission and mirror housing		1	
-	944 731 035 02	mirror glass plane		1	
-	477 831 140 C	reinforcement		1	
-	928 531 235 03	threaded piece		1	
-	N 013 295 1	tensioning sleeve		1	
-	944 731 508 00	desk pad		1	
-	911 731 257 02	guide tube		1	
-	911 731 345 02	centring washer lower		1	
-	911 731 347 00	centring washer upper		1	

Model	Year	MG	SG	Illustration	Restrictions	UPD	17:55	25.02.2010
9442	1988	8	98	898-00R		248		

Pos	Part Number	Description	Remark	Qty	Model
-	911 731 029 01	compression spring		1	
-	944 613 220 00	rocker switch		1	
		without M 651 power window order also:			
-	944 612 034 00	wiring harness		1	
-	477 971 910	bellows		1	
-	951 504 951 00	winged rear apron set comprising:		1	944,944S M472
-	951 504 051 00	winged rear apron	/L	1	
-	951 504 052 00	winged rear apron	/R	1	
-	900 910 010 02	lock nut M 6		4	
-	N 011 666 7	washer		4	
-	999 218 057 00	pan-head screw M 6 X 10		5	
-	N 011 557 6	washer		5	
-	999 507 336 02	captive nut M 6		5	
-	944 501 941 00	repair kit rivet comprising: rivet assembly sleeve		1 20 1	
>>	>>931 559 901 00	set of moldings moulding comprising:		1	M418
-	931 559 137 00	side guard wing	/V	2	
-	931 559 133 00	side guard door	/L	1	
-	931 559 134 00	side guard door	/R	1	
-	931 559 141 00	side guard side section	/L	1	

PORSCHE

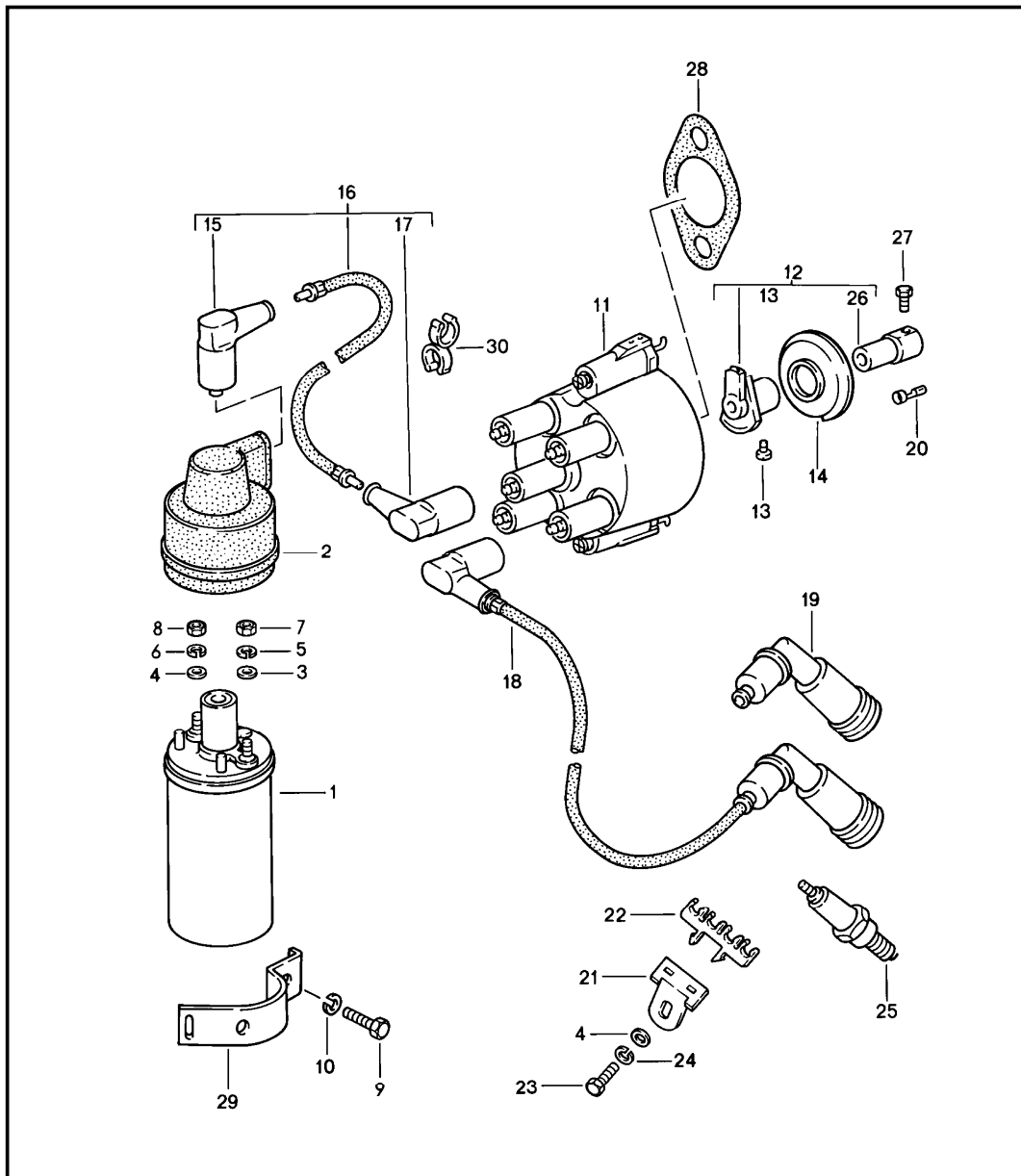
PET

PORSCHE

Model	Year	MG	SG	Illustration	Restrictions	UPD	17:55	25.02.2010
9442	1988	8	98	898-00R		248		

Pos	Part Number	Description	Remark	Qty	Model
-	931 559 142 00	side guard side section use also: adhesive AMV 176.000.05	/R	1 1	

Model	Year	MG	SG	Illustration	Restrictions	UPD	17:55	25.02.2010	PORSCHE	PET	PORSCHE
9442	1988	9	01	901-00		248					

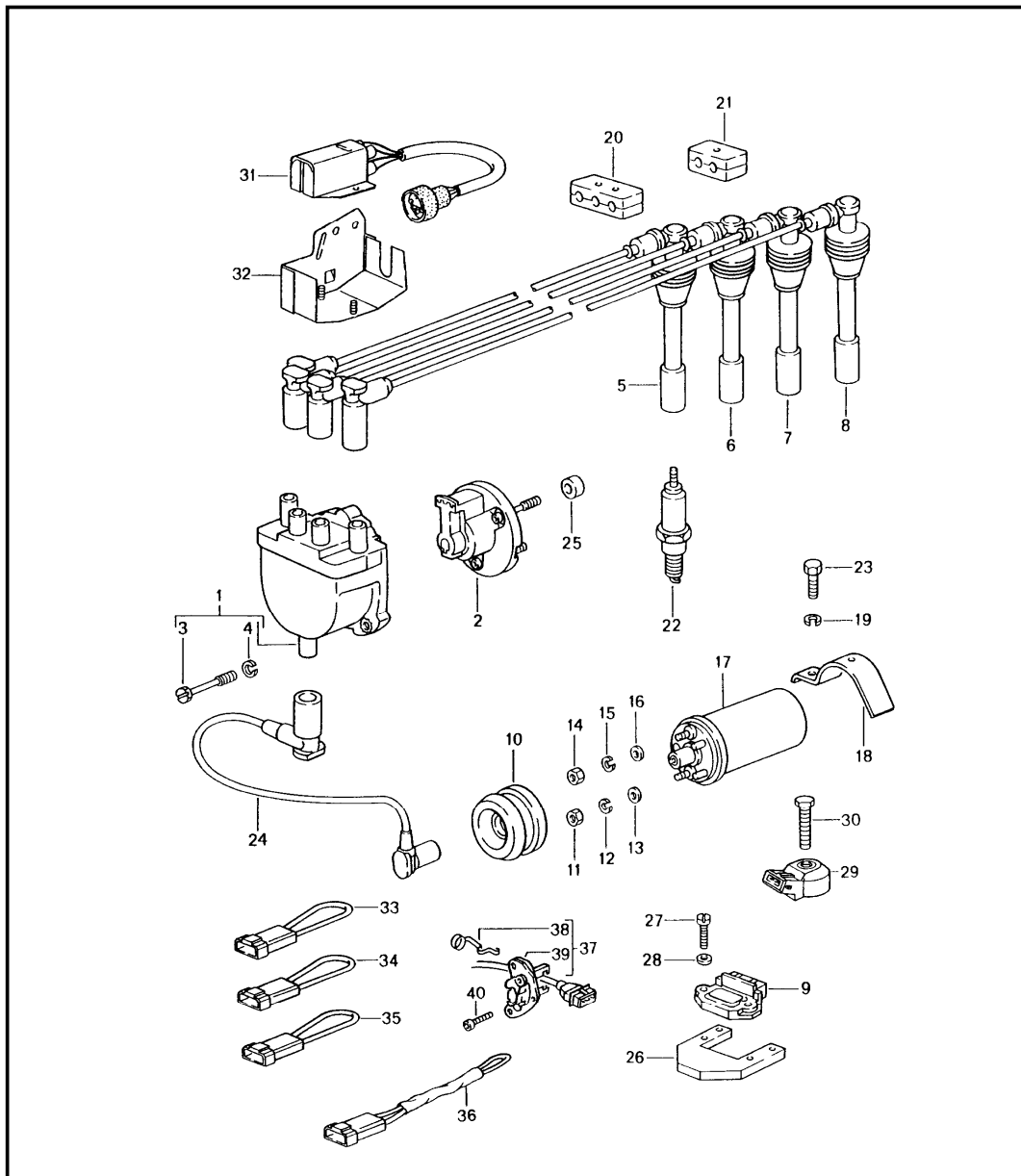


Pos	Part Number	Description	Remark	Qty	Model
		engine electrics 1			,06 M44.05 07,08,09,10 51,52
1	944 602 115 00	ignition coil		1	
2	944 602 801 00	protection cap		1	
3	900 025 003 02	washer A 5,3		1	
4	N 011 524 7	washer A 6,4		1	
5	N 012 005 3	lock ring B 5		1	
6	N 012 006 4	lock ring B 6		1	
7	N 011 005 14	hexagon nut M 5		1	
8	900 076 010 02	hexagon nut M 6		1	
9	900 025 007 02	washer A 8,4		2	
10	N 014 706 7	pan-head screw		2	
11	944 602 251 00	distributor cap		1	
12	944 602 901 00	rotor comprising: POS. 12, 13, 26		1	
13	-	pan-head screw		1	
14	944 602 803 00	dust cover		1	
15	944 609 131 00	ignition coil plug		1	
16	944 609 017 01	ignition lead		1	
17	944 609 133 00	distributor plug		5	
18	944 609 015 15	ignition lead for cylinder 1		1	
(18)	944 609 015 16	ignition lead for cylinder 2		1	

Model	Year	MG	SG	Illustration	Restrictions	UPD	17:55	25.02.2010	PORSCHE	PET	PORSCHE
9442	1988	9	01	901-00		248					

Pos	Part Number	Description	Remark	Qty	Model	Pos	Part Number	Description	Remark	Qty	Model
(18)	944 609 015 17	ignition lead for cylinder 3		1							
(18)	944 609 015 18	ignition lead for cylinder 4		1							
19	928 609 105 03	ignition cable connector		4							
20	911 609 310 00	cable screw		X							
21	944 609 217 00	support for ignition lead		1							
22	052 905 471 A	support for ignition lead		4							
23	999 072 005 09	hexagon-head bolt M 6 X 12		1							
24	N 012 226 5	spring washer B 6		1							
25	999 170 156 90	spark plug WR 7 DC - bosch -		4							
27	999 217 008 02	hexagon-head bolt M 5 X 10		1							
28	944 602 257 00	sealing sleeve		1							
29	944 602 294 00	clamping bow		1							
29	944 602 294 01	clamping bow		1	M44.52						
30	944 609 227 00	support for ignition lead		1							
-	944 609 219 00	support for ignition lead		1	M44.51/52						

Model	Year	MG	SG	Illustration	Restrictions	UPD	17:55	25.02.2010	PORSCHE	PET	PORSCHE
9442	1988	9	01	901-01		248					

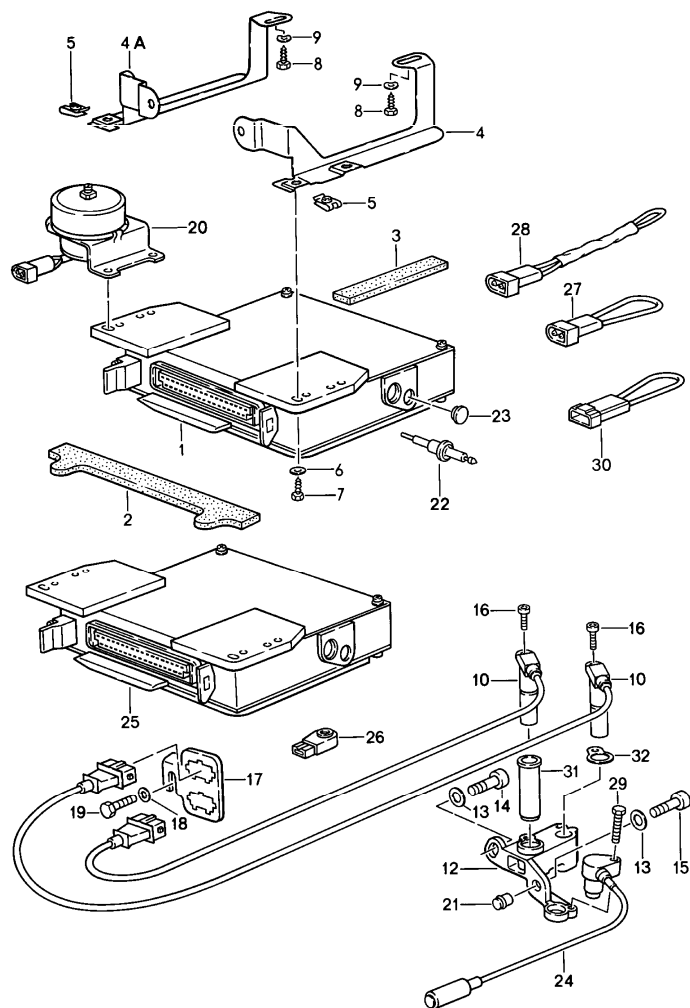


Pos	Part Number	Description	Remark	Qty	Model
		engine electrics 1			M44.40
1	928 602 211 01	distributor cap		1	
2	A 944 602 213 00	rotor		1	
2	944 602 213 01	rotor		1	
3	928 602 223 00	screw		3	
4	N 012 005 3	lock ring B 5		3	
5	944 602 060 05	ignition lead cylinder 1		1	
6	944 602 060 06	ignition lead cylinder 2		1	
7	944 602 060 07	ignition lead cylinder 3		1	
8	944 602 060 08	ignition lead cylinder 4		1	
9	928 602 706 01	ignition switch unit		1	
10	944 602 801 00	protection cap		1	
11	900 076 010 02	hexagon nut M 6		1	
12	N 012 006 4	lock ring B 6		1	
13	N 011 524 7	washer A 6,4		1	
14	N 011 005 14	hexagon nut M 5		1	
15	N 012 005 3	lock ring B 5		1	
16	900 025 003 02	washer A 5,3		1	
17	944 602 115 00	ignition coil		1	
18	944 602 294 00	clamping bow		1	
19	900 025 007 02	washer A 8,4		1	
20	928 602 323 00	support		1	
21	928 602 322 00	cable holder		1	

Model	Year	MG	SG	Illustration	Restrictions	UPD	17:55	25.02.2010	PORSCHE	PET	PORSCHE
9442	1988	9	01	901-01		248					

Pos	Part Number	Description	Remark	Qty	Model	Pos	Part Number	Description	Remark	Qty	Model
22	999 170 156 90	spark plug WR 7 DC - bosch -		4							
23	N 014 706 7	pan-head screw M 8 X 12		1							
24	944 602 060 09	ignition lead		1							
25	A 944 105 137 01	spacer sleeve		3							
25	944 105 137 02	spacer sleeve		3							
26	035 905 357 A	heat dissipator		1							
27	N 014 125 1	oval-head screw M 4 X 18		2							
28	900 025 003 02	washer A 5,3		2							
29	944 606 145 00	knock sensor		2							
30	N 010 233 6	hexagon-head bolt M 8 X 28		1							
31	944 616 523 00	ballast resistor for injector valve		1							
32	944 606 141 02	support		1							
34	928 607 421 00	coding plug	(J)	1							
35	928 607 422 00	coding plug		1							
36	944 612 522 00	coding plug	(S)	1							
(36)	944 612 525 00	coding plug	(AUS)	1							
37	944 606 170 02	hall sender		1							
38	928 606 282 00	tensioning spring		1							
39	928 606 180 01	cap		1							
40	900 067 255 02	pan-head screw M 5 X 12		2							

Model	Year	MG	SG	Illustration	Restrictions	UPD	17:55	25.02.2010	PORSCHE	PET	PORSCHE
9442	1988	9	01	901-05		248					

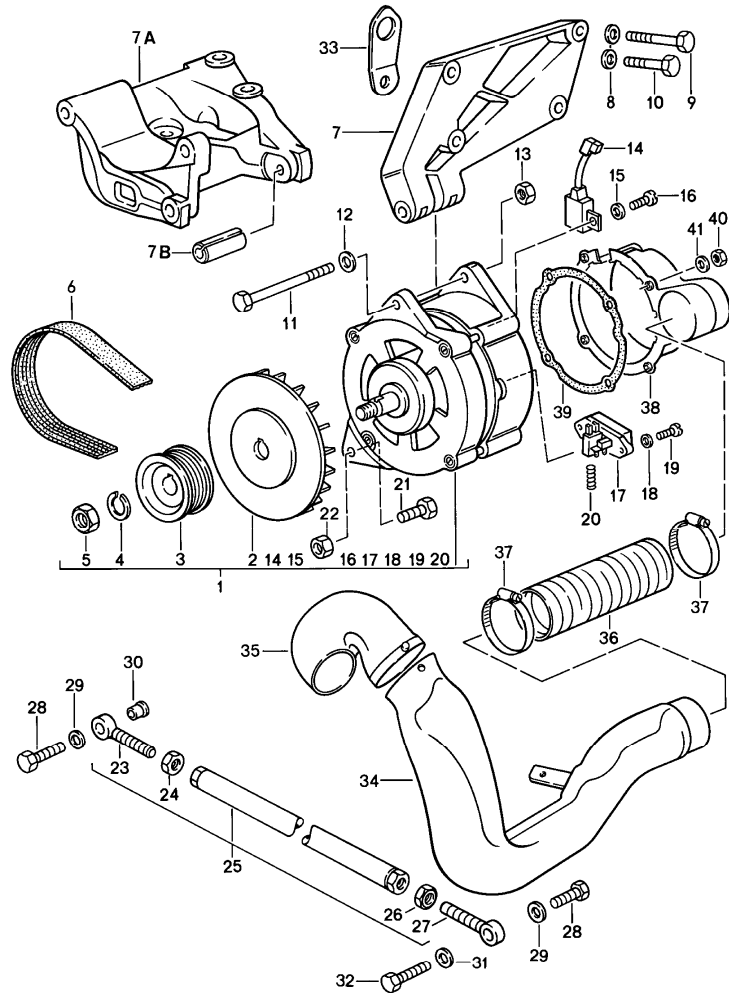


Pos	Part Number	Description	Remark	Qty	Model
		engine electrics 2			
1	> 944 618 121 03	control unit - dme -		-87	1 M44.05/06
1	> 944 618 121 04	control unit - dme -		-87	1 M44.07/08
1	944 618 121 DX	control unit - dme -		-87	1 M44.07/08
1	> 944 618 121 05	control unit		88	1 M44.09/10
1	944 618 121 EX	control unit - dme -		88	1 M44.09/10
1	> 944 618 124 01	control unit - dme -			1 M44.40
1	> 951 618 121 08	control unit - dme -		88	1 M44.50/51
1	> 951 618 121 10	control unit		88	1 M44.52
1	951 618 121 KX	control unit - dme -		88	1 M44.52
-	944 612 417 01	cover for safety contact			1
2	944 618 119 00	plastic foam strip			1
3	944 618 120 00	plastic foam strip			1
4	944 618 141 00	bracket	/L		1
4A	944 618 142 00	bracket	/R		1
5	N 901 561 01	speed nut			4
6	900 025 003 02	washer A 5,3			4
7	900 187 004 02	hexagon-head tapping screw B 4,8 X 18			4
8	N 013 884 5	tapping screw B 4,8 X 13	/LL		2
9	N 012 225 2	spring washer B 5	/LL		2
10	944 606 115 00	pulse sender			2
(12)	944 101 031 03	support			1

Model	Year	MG	SG	Illustration	Restrictions	UPD	17:55	25.02.2010	PORSCHE	PET	PORSCHE
9442	1988	9	01	901-05		248					

Pos	Part Number	Description	Remark	Qty	Model	Pos	Part Number	Description	Remark	Qty	Model
12	944 101 321 07	support		1		28	944 612 421 00	adapter plug		1	
13	900 025 007 02	washer A 8,4		2		29	999 217 048 02	hexagon-head bolt M 8 X 25		1	
14	N 014 726 3	pan-head screw M 8 X 30		1		30	911 612 422 00	adapter plug		1	
15	N 014 725 2	pan-head screw M 8 X 25		1		31	944 101 320 00	sleeve		1	
16	999 217 026 02	locking screw M 6 X 24				32	944 101 335 00	washer 0,3		X	
17	944 612 151 00	support		1		32	951 101 325 00	washer 2,0		X	
18	N 011 524 7	washer A 6,4		1							
19	N 010 215 13	hexagon-head bolt M 6 X 15		1							
20	944 606 051 00	altitude capsule Internteil zu 944.606.051.	(J)	1							
21	900 197 047 08	tensioning sleeve		1							
22	944 618 940 00	adjusting key		1							
23	911 606 411 01	stopper		1							
24	911 606 108 00	timing mark sender for top dead center		1							
25	> 951 618 113 02	control unit		1	M44.50/51						
25	951 618 113 BX	control unit antiknock regulation		1	M44.50/51						
25	> 951 618 113 09	control unit		1	M44.52						
25	951 618 113 JX	control unit antiknock regulation		1	M44.52						
26	944 606 145 00	knock sensor		1	M44.50/51/52						
-	N 010 233 6	hexagon-head bolt M 8 X 28		1	M44.50/51/52						
-	999 915 031 00	sealing compound CURIL K 2 1 100-gramme tube		X							
27	944 612 525 00	coding plug		1							

Model	Year	MG	SG	Illustration	Restrictions	UPD	17:55	25.02.2010	PORSCHE	PET	PORSCHE
9442	1988	9	02	902-00		248					

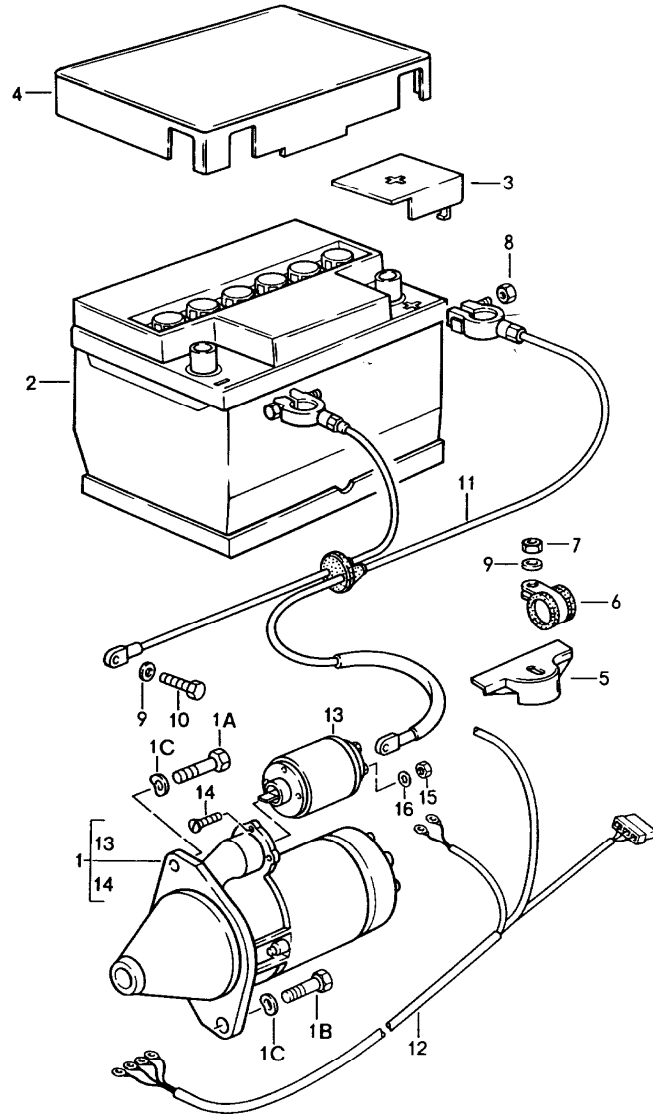


Pos	Part Number	Description	Remark	Qty	Model
		generator with mounting parts			
1	> 944 603 019 01	generator		1	
2	928 603 443 02	fan		1	
3	944 603 021 01	pulley		1	
4	928 603 611 00	retainer		1	
5	900 034 013 02	hexagon nut M 16 X 1,5		1	
6	999 192 284 50	poly-rib belt K 6 X 720		1	
(6)	999 192 299 50	poly-rib belt K 6 X 1000		1	M573
7	944 603 134 02	bracket		1	
7A	944 126 123 06	bracket		1	M573
7B	944 126 135 00	sleeve		1	M573
8	N 011 527 12	washer A 10,5		4	
9	N 010 470 7	hexagon-head bolt M 10 X 70		4	
(9)	N 010 470 7	hexagon-head bolt M 10 X 70		3	TURBO
10	N 010 480 3	hexagon-head bolt M 10 X 80		1	TURBO
11	900 074 197 02	hexagon-head bolt M 10 X 130		1	
12	900 025 008 09	washer A 10,5		1	
13	900 910 031 09	lock nut VF M 10		1	
14	944 603 143 00	condenser		1	
15	N 012 226 5	spring washer A 6		1	
16	N 010 710 8	pan-head screw AM 6 X 10		1	
(17)	928 603 142 00	regulator		1	

Model	Year	MG	SG	Illustration	Restrictions	UPD	17:55	25.02.2010	PORSCHE	PET	PORSCHE
9442	1988	9	02	902-00		248					

Pos	Part Number	Description	Remark	Qty	Model	Pos	Part Number	Description	Remark	Qty	Model
18	N 012 004 2	lock ring B 4		2		36	944 603 153 00	connecting hose 60 X 200		1	
19	N 014 125 1	oval-head screw AM 4 X 18		2		(36)	944 603 153 01	connecting hose 60 X 450		1	M573
20	059 903 519	compression spring		1		-	900 910 010 09	lock nut M 6		1	
21	N 010 340 6	hexagon-head bolt M 8 X 40		1	M573	-	N 011 524 7	washer A 6,4		1	
22	900 910 022 09	lock nut VM 8		1	M573	37	999 512 349 02	hose clamp		2	
23	900 037 016 02	eye screw		1		38	951 603 115 02	ventilation cowl		1	
(23)	900 037 018 02	eye screw		1	M573	(38)	951 603 113 03	ventilation cowl		1	M573
24	N 011 008 24	hexagon nut M 8		1		39	928 603 135 03	sealing ring		1	
(24)	900 076 033 02	hexagon nut M 10		1	M573	40	N 011 005 14	hexagon nut M 5		4	
25	944 126 021 03	strut		1		41	N 012 225 3	spring washer B 5		4	
26	900 076 025 02	hexagon nut M 8		1		-	999 511 116 02	clamp		1	
(26)	N 011 010 6	hexagon nut M 10		1	M573	-	999 651 168 40	cable holder		1	
27	900 037 019 02	eye screw		1		-	181 971 847	cable clip		1	
(27)	900 037 017 02	eye screw		1	M573						
28	N 010 445 2	hexagon-head bolt M 10 X 45		1							
29	900 025 008 09	washer		2							
30	944 126 127 01	bush		1	M573						
31	900 025 008 09	washer A 10,5		1	M573						
32	N 040 125 1	hexagon-head bolt M 10 X 1,25 X 30		1	M573						
33	944 101 411 02	bracket for transportation		1							
34	944 603 441 00	air duct long		1							
35	944 603 442 00	air duct short		1							

Model	Year	MG	SG	Illustration	Restrictions	UPD	17:55	25.02.2010	PORSCHE	PET	PORSCHE
9442	1988	9	02	902-10		248					

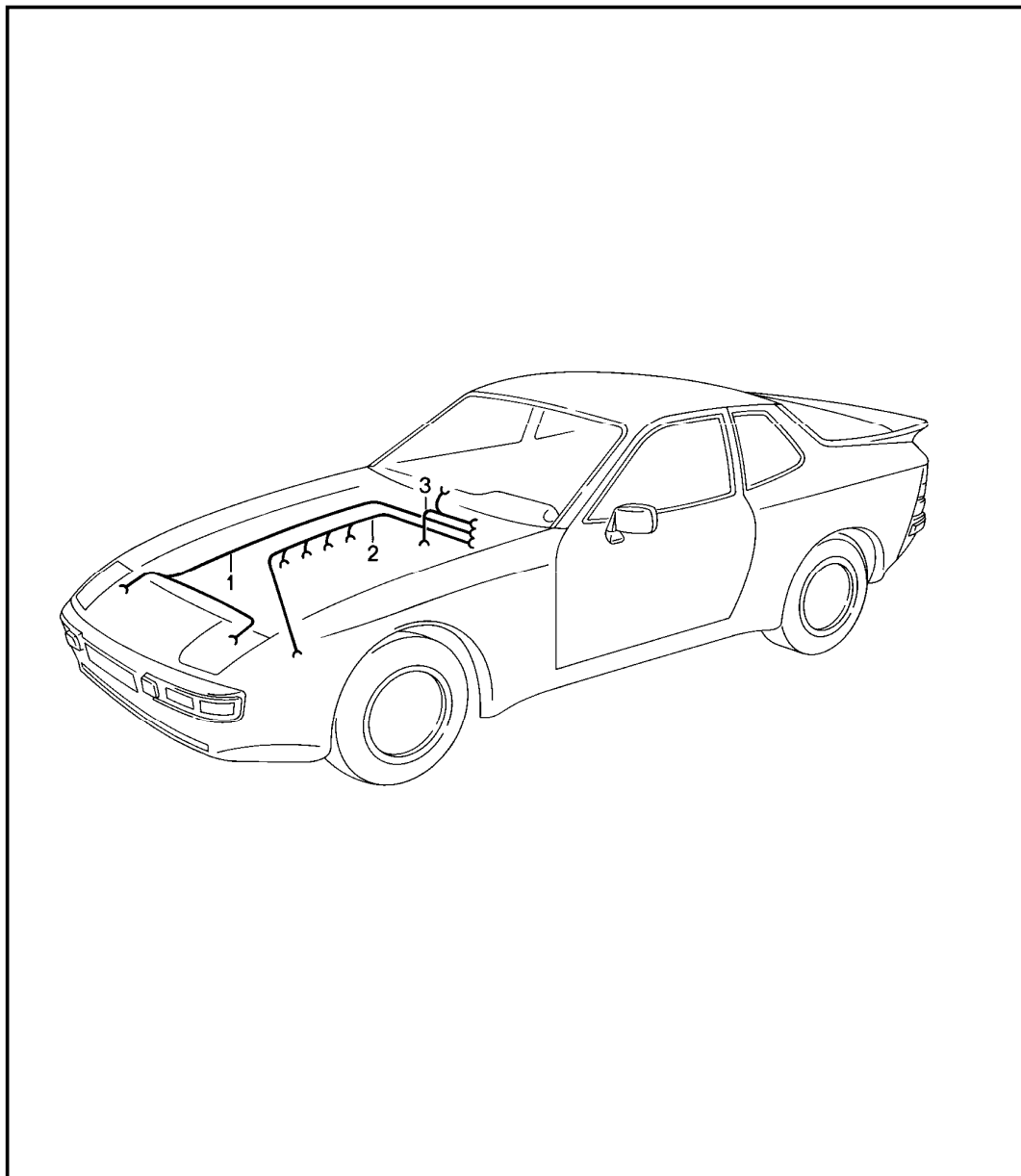


Pos	Part Number	Description	Remark	Qty	Model
1	> 951 604 101 00	starter		1	
1A	N 010 491 1	hexagon-head bolt M 12 X 50		1	
1B	N 040 253 1	hexagon-head bolt M 12 X 35		1	
1C	900 028 014 02	spring washer B 12		2	
2	999 611 053 20	battery 50 AH		1	
2	944 611 105 00	battery 63 AH		1	
3	477 915 429	pole covering	/RL	1	
4	281 915 411 F	battery cover for battery 50 AH		1	
4	477 915 411 A	battery cover for battery 63 AH		1	
5	914 611 233 10	tension terminal	/LL	1	
(5)	911 611 209 00	bracket	/RL	1	
6	N 020 607 1	clamp B 20 X 20 GI	/LL	1	
7	900 076 010 02	hexagon nut		1	
8	477 915 489	hexagon nut M 8		1	
9	N 012 008 5	washer B 8		1	
10	N 010 239 11	hexagon-head bolt M 8 X 18		1	
11	944 612 027 00	wiring harness battery starter	/LL	1	

Model	Year	MG	SG	Illustration	Restrictions	UPD	17:55	25.02.2010	PORSCHE	PET	PORSCHE
9442	1988	9	02	902-10		248					

Pos	Part Number	Description	Remark	Qty	Model	Pos	Part Number	Description	Remark	Qty	Model
(11)	945 612 027 00	wiring harness battery starter	/RL	1							
12	944 607 029 00	wiring harness starter generator		1	944/TURBO						
12	944 607 029 02	wiring harness starter generator		1	944S						
12	944 607 029 01	wiring harness starter generator		1	944/TURBO M573						
12	944 607 029 03	wiring harness starter generator		1	944S M573						
-	951 604 043 00	heat shield	/L	1	TURBO						
-	951 604 454 01	heat shield	/R	1	TURBO						
-	999 659 006 50	protection cap		1							
13	951 604 902 00	solenoid engaging switch		1							
14	951 604 901 00	countersunk-head screw		1							
15	N 011 005 14	hexagon nut M 5		1							
16	900 025 003 02	washer A 5,3		1							

Model	Year	MG	SG	Illustration	Restrictions	UPD	17:56	25.02.2010	PORSCHE	PET	PORSCHE
9442	1988	9	02	902-20		248					

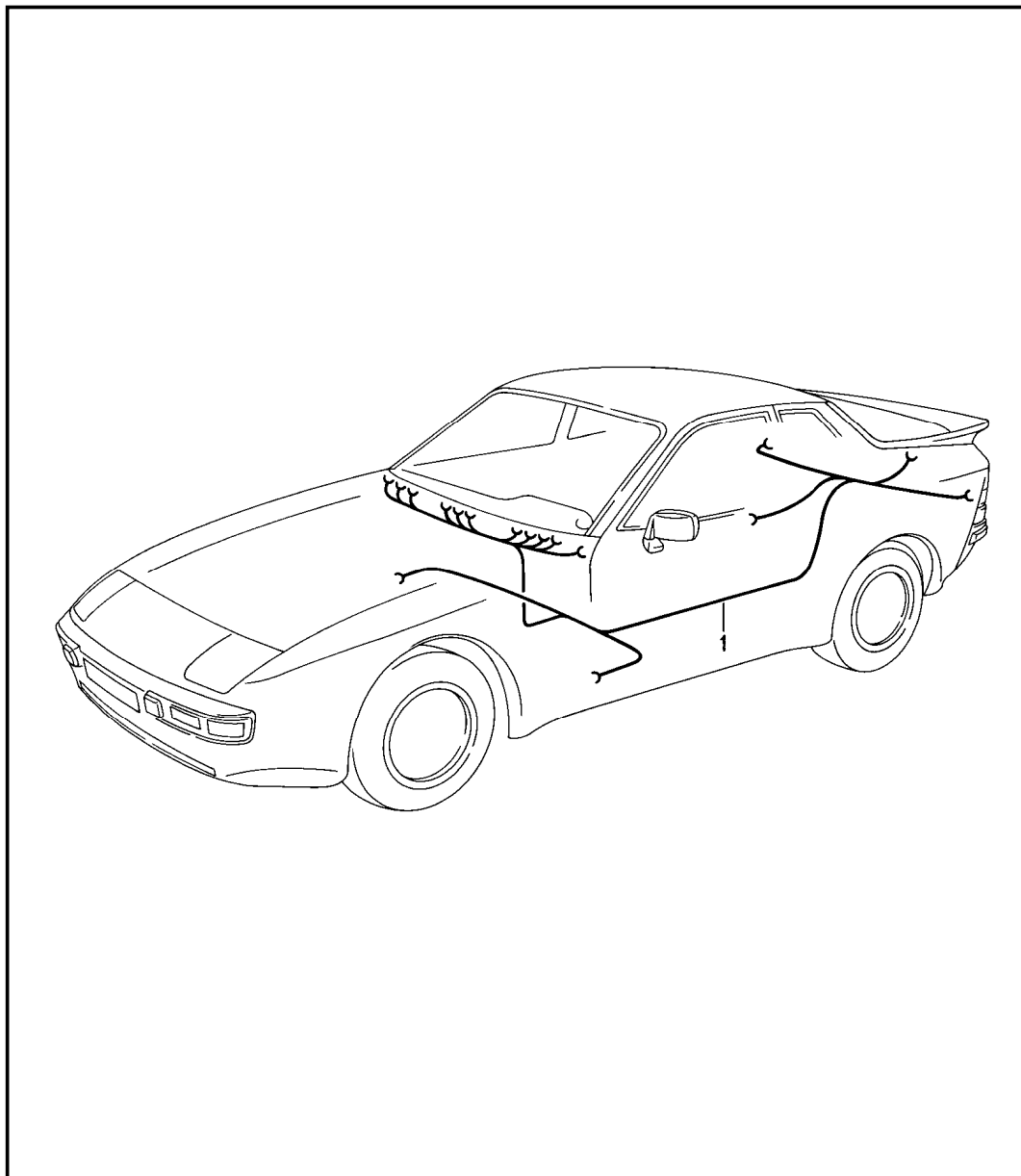


Pos	Part Number	Description	Remark	Qty	Model
		wiring harnesses engine heating air conditioner			
1	944 612 001 30	wiring harness engine compartment	/LL	-86	1 944
1	944 612 001 31	wiring harness engine compartment	/LL	-86	1 944 M573
1	944 612 001 53	wiring harness engine compartment	/LL	87	1 944
1	944 612 001 54	wiring harness engine compartment	/LL	87	1 944 M573
1	944 612 001 73	wiring harness engine compartment	/LL	88	1 944
1	944 612 001 74	wiring harness engine compartment	/LL	88	1 944 M573
1	944 612 001 50	wiring harness engine compartment	/LL	87	1 944S
1	944 612 001 51	wiring harness engine compartment	/LL	87	1 944S M573
1	944 612 001 70	wiring harness engine compartment	/LL	88	1 944S
1	944 612 001 71	wiring harness engine compartment	/LL	88	1 944S M573
(1)	945 612 001 30	wiring harness engine compartment	/RL	86	1 944
(1)	945 612 001 31	wiring harness engine compartment	/RL	86	1 944 M573
(1)	945 612 001 52	wiring harness engine compartment	/RL	87	1 944
(1)	945 612 001 53	wiring harness engine compartment	/RL	87	1 944 M573
(1)	945 612 001 72	wiring harness engine compartment	/RL	88	1 944

Model	Year	MG	SG	Illustration	Restrictions	UPD	17:56	25.02.2010	PORSCHE	PET	PORSCHE
9442	1988	9	02	902-20		248					

Pos	Part Number	Description	Remark	Qty	Model	Pos	Part Number	Description	Remark	Qty	Model
(1)	945 612 001 73	wiring harness engine compartment	/RL	88	1 944 M573	2	951 607 021 01	wiring harness - dme - M 45G 00001 >>	-86	1	TURBO
(1)	945 612 001 50	wiring harness engine compartment	/RL	87	1 944S	2	951 607 021 02	wiring harness - dme -	87	1	TURBO
(1)	945 612 001 51	wiring harness engine compartment	/RL	87	1 944 M573	2	951 607 021 03	wiring harness - dme -	88	1	TURBO
(1)	945 612 001 70	wiring harness engine compartment	/RL	88	1 944S	-	911 617 108 00	diode heating air conditioner		1	M657
(1)	945 612 001 71	wiring harness engine compartment	/RL	88	1 944S M573	3	944 612 633 00	wiring harness for air conditioner and heating		1	
1	951 612 001 00	wiring harness engine compartment	/LL	-86	1 TURBO						
(1)	951 612 001 05	wiring harness engine compartment	/LL	87	1 TURBO	-	477 971 235	ground strap engine body		1	
1	951 612 001 10	wiring harness engine compartment	/LL	88	1 TURBO						
(1)	952 612 001 00	wiring harness engine compartment	/RL	86	1 TURBO						
(1)	952 612 001 05	wiring harness engine compartment	/RL	87	1 TURBO						
(1)	952 612 001 10	wiring harness engine compartment	/RL	88	1 TURBO						
2	944 607 021 01	wiring harness - dme -		-86	1 944						
2	944 607 021 02	wiring harness - dme -		87	1 944						
2	944 607 021 03	wiring harness - dme -		88	1 944						
2	944 607 040 01	wiring harness - dme -		87	1 944S						
2	944 607 040 03	wiring harness - dme -		88	1 944S						
2	951 607 021 00	wiring harness - dme - M >> 44G 00400		-86	1 TURBO						

Model	Year	MG	SG	Illustration	Restrictions	UPD	17:56	25.02.2010	PORSCHE	PET	PORSCHE
9442	1988	9	02	902-25		248					

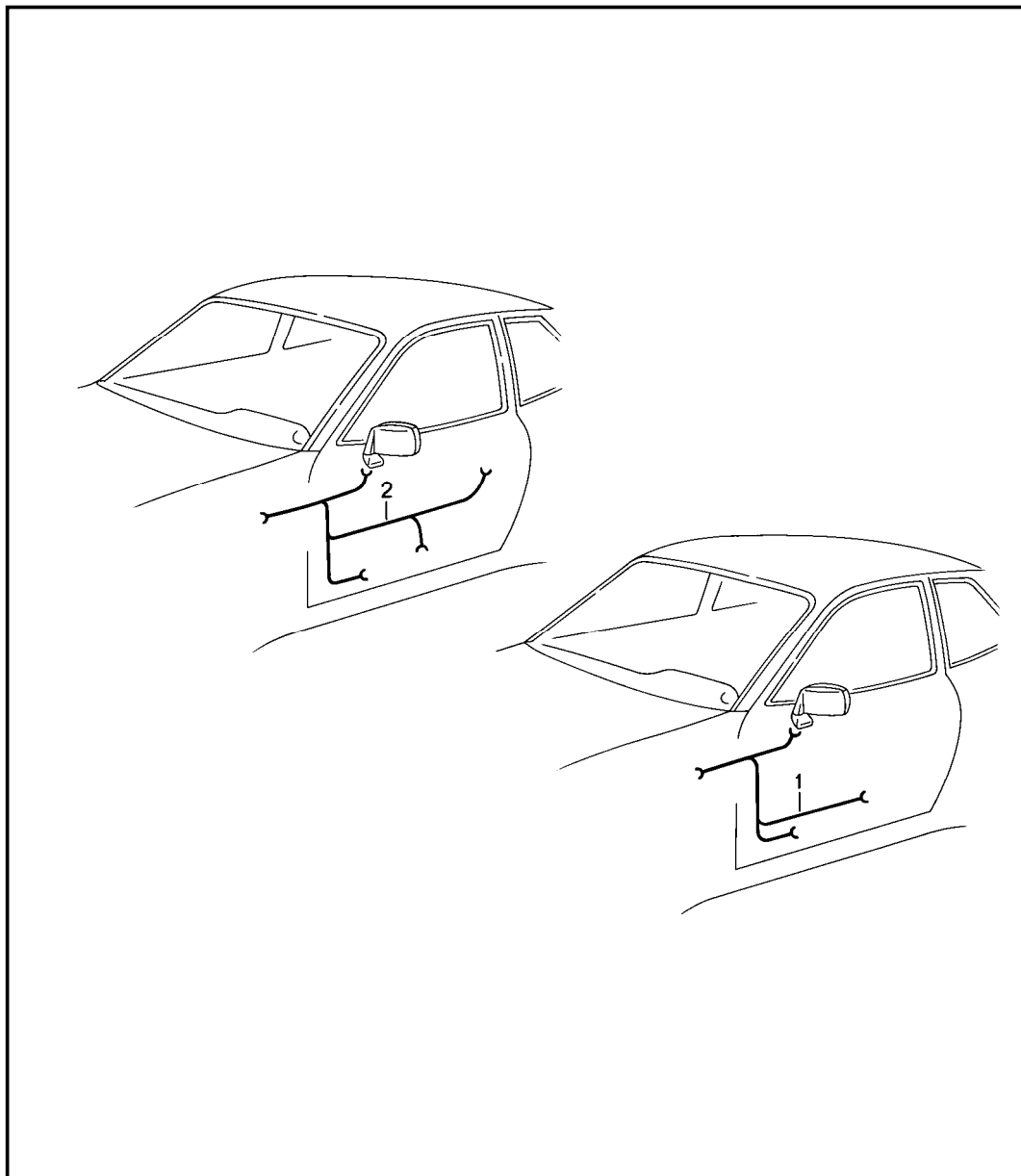


Pos	Part Number	Description	Remark	Qty	Model
		wiring harnesses passenger compartment			
1	951 612 006 00	wiring harness passenger compartment	/LL	85	1
1	951 612 006 04	wiring harness passenger compartment	/LL	86	1
1	951 612 006 09	wiring harness passenger compartment	/LL	87	1
1	951 612 006 18	wiring harness passenger compartment	/LL	88	1
1	944 612 006 01	wiring harness passenger compartment	/LL	85	1 AUT.
1	944 612 006 05	wiring harness passenger compartment	/LL	86	1 AUT.
1	944 612 006 10	wiring harness passenger compartment	/LL	87	1 AUT.
1	944 612 006 13	wiring harness passenger compartment	/LL	88	1 AUT.
1	951 612 006 02	wiring harness passenger compartment		85	1 (SA)
1	951 612 006 06	wiring harness passenger compartment		86	1 (SA)
1	951 612 006 11	wiring harness passenger compartment		87	1 (SA)
1	951 612 006 20	wiring harness passenger compartment		88	1 (SA)
1	944 612 006 04	wiring harness passenger compartment		85	1 (SA) AUT.
1	944 612 006 07	wiring harness passenger compartment		86	1 (SA) AUT.
1	944 612 006 12	wiring harness passenger compartment		87	1 (SA) AUT.
1	944 612 006 15	wiring harness passenger compartment		88	1 (SA) AUT.
1	952 612 006 01	wiring harness passenger compartment	/RL	86	1
1	952 612 006 05	wiring harness passenger compartment	/RL	87	1

Model	Year	MG	SG	Illustration	Restrictions	UPD	17:56	25.02.2010	PORSCHE	PET	PORSCHE
9442	1988	9	02	902-25		248					

Pos	Part Number	Description	Remark	Qty	Model	Pos	Part Number	Description	Remark	Qty	Model
1	952 612 006 06	wiring harness passenger compartment	/RL	88	1						
1	945 612 006 02	wiring harness passenger compartment	/RL	86	1	AUT.					
1	945 612 006 05	wiring harness passenger compartment	/RL	87-	1	AUT.					

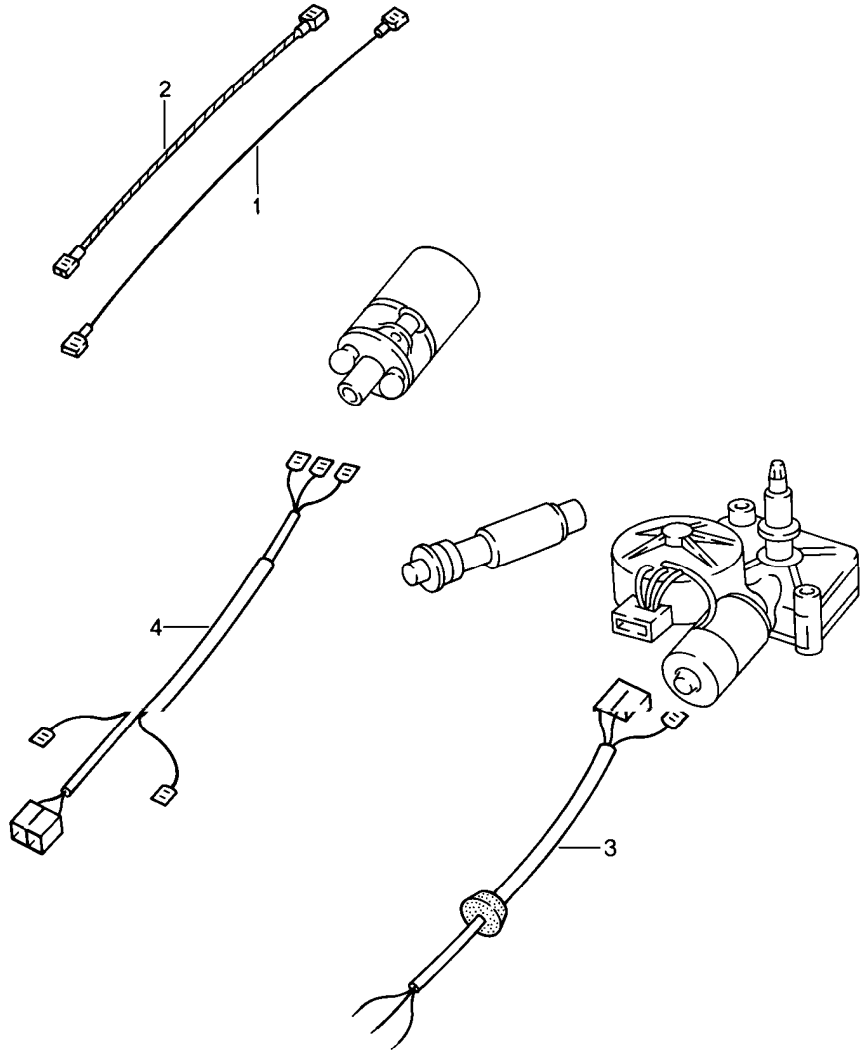
Model	Year	MG	SG	Illustration	Restrictions	UPD	17:56	25.02.2010	PORSCHE	PET	PORSCHE
9442	1988	9	02	902-27		248					



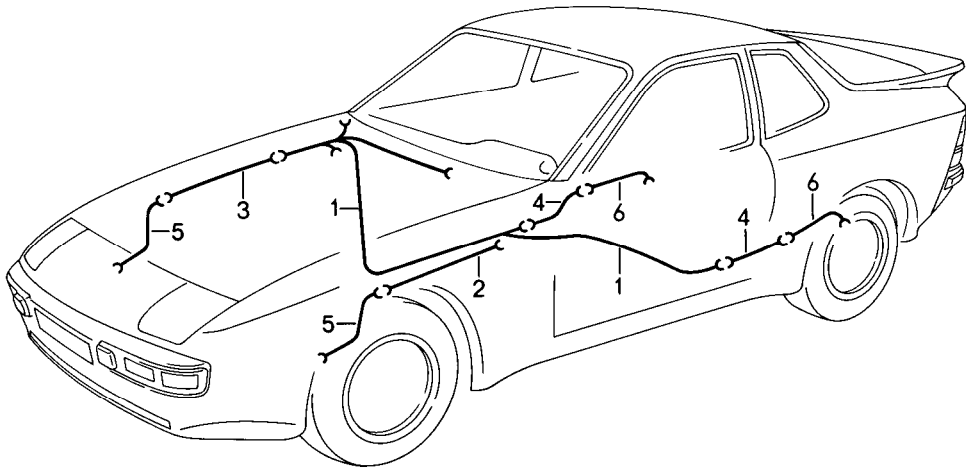
Pos	Part Number	Description	Remark	Qty	Model
		wiring harnesses doors			
1	944 612 033 00	wiring harness driver's door	85	1	
1	944 612 033 03	wiring harness driver's door	86-	1	
1	944 612 034 00	wiring harness passenger's door	85	1	
1	944 612 034 04	wiring harness passenger's door	86-	1	
2	944 612 033 04	wiring harness driver's door	86-	1	M341
2	944 612 034 03	wiring harness passenger's door	86-	1	M341

Model	Year	MG	SG	Illustration	Restrictions	UPD	17:56	25.02.2010	PORSCHE	PET	PORSCHE
9442	1988	9	02	902-30		248					

Pos	Part Number	Description	Remark	Qty	Model
1	477 971 257 B	wiring harnesses rear end line gas-pressure spring rear window		2	
2	477 971 263 B	ground strap gas-pressure spring		2	
3	477 971 345 A	wiring harness for rear window wiper		1	
4	944 612 051 00	wiring harness for fuel pump		1	



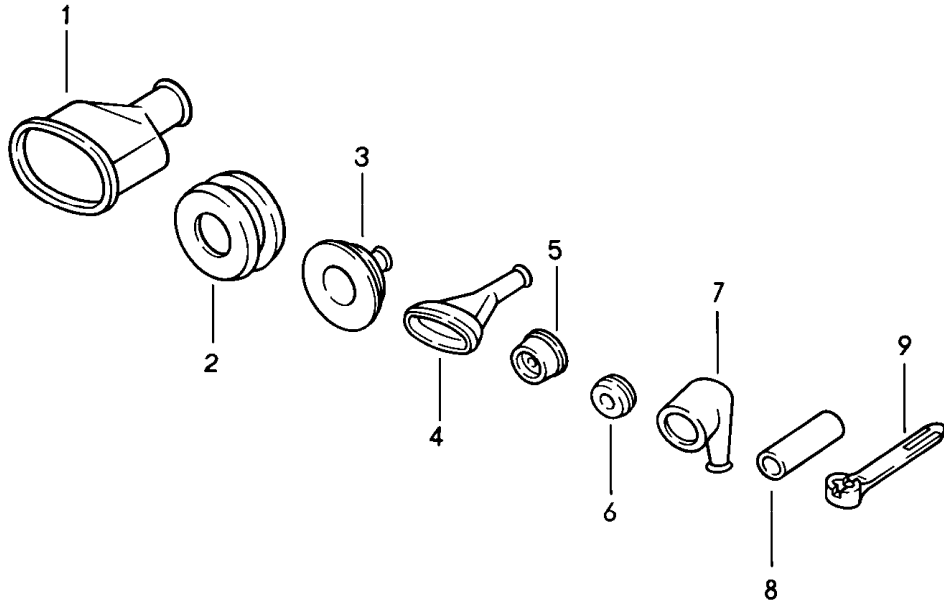
Model	Year	MG	SG	Illustration	Restrictions	UPD	17:56	25.02.2010	PORSCHE	PET	PORSCHE
9442	1988	9	02	902-31		248					



Pos	Part Number	Description	Remark	Qty	Model
		wiring harness anti-lock brake system brake pad wear indicator			
1	944 612 067 00	wiring harness anti-lock brake system	/LL	1	
1	945 612 067 00	wiring harness anti-lock brake system	/RL	1	
2	944 612 107 00	additional cable for brake pad wear indicator		1	
2	944 612 111 00	additional cable for anti-lock brake system and brake pad wear indicator		1	M593
3	944 612 108 00	additional cable for brake pad wear indicator		1	
3	944 612 110 00	additional cable for anti-lock brake system and brake pad wear indicator		1	M593
4	944 612 109 00	additional cable for brake pad wear indicator		2	
4	944 612 112 00	additional cable for anti-lock brake system and brake pad wear indicator		2	M593
5	928 606 404 02	speed sensor		2	
6	944 606 401 02	speed sensor		2	

Model	Year	MG	SG	Illustration	Restrictions	UPD	17:57	25.02.2010	PORSCHE	PET	PORSCHE
9442	1988	9	02	902-37		248					

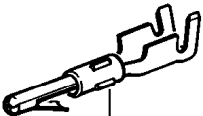
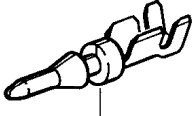
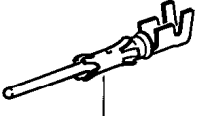
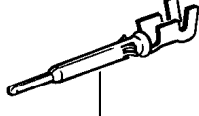



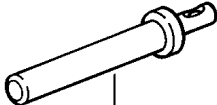



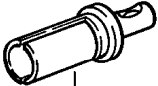
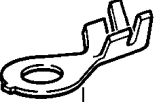
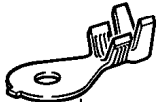
Pos	Part Number	Description	Remark	Qty	Model
		protective grommet tie-wrap			
1	431 971 866	protective grommet for terminal sleeve housing		X	
2	477 971 871 B	protective grommet for wiring harness engine		1	
3	021 119 569	rubber sleeve for wiring harness rear end		1	
(3)	477 971 911	protective grommet for wiring harness battery		1	
(3)	944 612 324 00	rubber sleeve		1	
4	022 906 102	protection cap		X	
(4)	944 612 128 00	protection cap		X	
5	411 941 189	grommet		X	
6	111 941 189	drain bush		X	
7	113 927 249	protection cap		1	
8	059 971 891	sleeve		X	
		tie-wrap			
9	477 971 850 A	tie-wrap 360 X 4,5		X	
(9)	N 020 902 1	tie-wrap 120 X 6,5		X	
(9)	999 513 003 40	tie-wrap 140 X 3,6		X	
(9)	999 513 049 40	tie-wrap for bolt		X	
(9)	999 513 010 40	tie-wrap for bolt		X	



Model	Year	MG	SG	Illustration	Restrictions	UPD	17:57	25.02.2010	PORSCHE	PET	PORSCHE
9442	1988	9	02	902-37		248					

Pos	Part Number	Description	Remark	Qty	Model	Pos	Part Number	Description	Remark	Qty	Model
(9)	443 971 850 A	tie-wrap for bolt		X							

Model	Year	MG	SG	Illustration	Restrictions	UPD	17:57	25.02.2010	PORSCHE	PET	PORSCHE
9442	1988	9	02	902-50		248					

				Pos	Part Number	Description	Remark	Qty	Model
				1	N 017 586 2	round connector contact pin cable shoe		X	
				2	944 612 428 00	round connector \$ 0,5 - 1,0 CUSN		X	
				3	N 017 564 1	round connector \$ 0,5 - 1,0 CUSN		X	
				4	N 017 562 4	cylindrical socket \$ 0,5 - 1,0 CUSN		X	
				6	N 017 599 4	cylindrical socket \$ 2,5 - 6,0 CUSN		X	
				7	944 612 427 00	contact bush \$ 0,75 - 1,5 CUSN		X	
				8	999 652 369 12	pin \$ 0,5 - 2,0 CUAG		X	
				9	911 612 907 00	contact pin \$ 0,5 - 2,0 CUAG		X	
				10	944 612 548 00	contact bush \$ 0,5 - 2,0 CUAG		X	
				11	999 652 351 22	contact bush \$ 0,5 - 2,0 CUBE		X	
				12	999 652 371 12	bush \$ 0,5 - 2,0 CUAG		X	
				13	N 017 505 4	cable shoe \$ 5,0 - 1,0		X	
				(13)	N 017 515 4	cable shoe \$ 5,0 - 2,5		X	
				(13)	N 017 516 2	cable shoe \$ 6,0 - 2,5		X	
				(13)	N 017 518 2	cable shoe \$ 8,0 - 2,5 CUSN		X	
				(13)	999 652 246 10	cable shoe \$ 8,0 - 2,5 CUSN		X	
				(13)	999 652 235 10	cable shoe \$ 10 - 2,5		X	
				14	999 652 208 10	cable shoe \$ 6,0 - 2,5		X	

Model	Year	MG	SG	Illustration	Restrictions	UPD	17:57	25.02.2010	PORSCHE	PET	PORSCHE
9442	1988	9	02	902-52		248					

Pos	Part Number	Description	Remark	Qty	Model
1	111 971 958	flat plug push-on connector flat receptacle with clip 2,8 X 1		X	
(1)	N 017 243 1	flat receptacle without clip 2,8 X 1,5 CUZN		X	
2	111 971 959	flat receptacle with clip 6,3 X 1 CUSN		X	
2	N 017 491 8	flat receptacle with clip 6,3 X 2,5 CUZN		X	
2	N 017 494 3	flat receptacle with clip 6,3 X 6,0 CUSN		X	
(2)	999 652 106 02	flat receptacle without clip 6,3 X 1,5 CUSN		X	
3	N 017 453 1	flat receptacle without clip 7,7 X 2,5 CUZN		X	
3	N 017 245 1	flat receptacle without clip 7,7 X 10 CUSN		X	
5	N 017 242 1	flat receptacle with push-on connector 6,3 X 1		X	
6	N 017 498 2	flat receptacle 6,3 X 1 CUSN		X	
7	999 652 116 02	flat receptacle 6,3 X 1,5		X	
8	999 652 122 10	multiple plug connector 6,3		X	

Model	Year	MG	SG	Illustration	Restrictions	UPD	17:57	25.02.2010	PORSCHE	PET	PORSCHE
9442	1988	9	02	902-52		248					

Pos	Part Number	Description	Remark	Qty	Model	Pos	Part Number	Description	Remark	Qty	Model
9	N 017 457 2	flat plug with clip 2,8 X 1		X		21	999 652 456 22	contact spring \$ 0,75 - 1,5		X	
10	111 971 985	flat plug with clip 6,3 X 1		X							
10	111 971 986	flat plug with clip 6,3 X 2,5		X							
11	999 652 125 10	flat plug 6,3/\$ 2,8		X							
11	999 652 315 02	flat plug 6,3/\$ 5,3 CUSN		X							
(11)	999 652 315 02	flat plug 6,3/\$ 5,3		X							
12	911 603 911 00	connector 6,3		X							
13	171 971 519 A	ground connector 6,3		X							
14	999 652 142 40	push-on connector 6,3		X							
(14)	999 652 142 40	push-on connector 6,3 5-pole 6,3 single pole		X							
15	999 652 151 40	push-on connector 6,3		X							
16	999 652 275 10	contact 6,3		X							
17	N 903 353 03	contact spring \$ 2,5 - 3,5		X							
18	999 652 451 22	coding element 6,3/\$ 0,5 - 1,0		X							
19	999 652 380 12	contact spring \$ 0,4 - 0,75		X							
20	999 652 269 12	contact spring		X							

Model	Year	MG	SG	Illustration	Restrictions	UPD	17:57	25.02.2010	PORSCHE	PET	PORSCHE
9442	1988	9	02	902-54		248					

Pos	Part Number	Description	Remark	Qty	Model
		insulated cable connection connector housing single pole			
1	999 652 149 40	insulated cable connection \$ 1,5		X	
2	111 971 921	protection cap 6,3		X	
3	999 652 160 40	protection cap 6,3		X	
5	211 971 921	protection cap 6,3		X	
6	059 905 371	diode connector 6,3		X	
7	111 971 921 B	connector housing 6,3		X	
8	999 652 119 40	connector housing 6,3		X	
9	825 971 990	terminal sleeve housing 6,3		X	
11	431 971 995	terminal sleeve housing 6,3		X	
12	823 971 976	connector housing 2,8		X	
13	823 971 990	terminal sleeve housing 2,8		X	
16	171 971 998	connector housing 1,6		X	
17	171 971 999	terminal sleeve housing 1,6		X	
18	999 653 002 90	connector housing with		X	
-	999 652 371 12	bush		X	
21	111 971 977	plug with guide 6,3		X	
22	813 972 643 A	flat connector socket		X	

Model	Year	MG	SG	Illustration	Restrictions	UPD	17:57	25.02.2010	PORSCHE	PET	PORSCHE
9442	1988	9	02	902-56		248					

Pos	Part Number	Description	Remark	Qty	Model
1	999 652 370 40	connector housing 2-pole		X	
-	999 652 371 12	bush		X	
2	999 652 372 40	clip		X	
3	999 652 368 40	connector housing for		X	
-	999 652 369 12	pin		X	
4	911 612 887 00	connector housing for		X	
-	999 652 351 22	contact bush		X	
5	928 612 557 00	connector housing for		X	
-	944 612 548 00	contact bush		X	
6	999 652 381 00	connector housing with contact bush		X	
7	911 645 112 00	adapter plug with contact bush		X	
8	944 612 547 00	connector housing for		X	
-	944 612 548 00	contact bush		X	
9	911 612 118 00	connector housing with contact bush		X	
10	999 652 167 40	terminal sleeve housing 6,3		X	
11	999 652 192 47	connector housing 6,3		X	
12	810 971 989	connector housing 6,3		X	
13	171 906 231	connector housing 6,3		X	
14	171 971 934	connector housing 6,3		X	

Model	Year	MG	SG	Illustration	Restrictions	UPD	17:57	25.02.2010	PORSCHE	PET	PORSCHE
9442	1988	9	02	902-56		248					

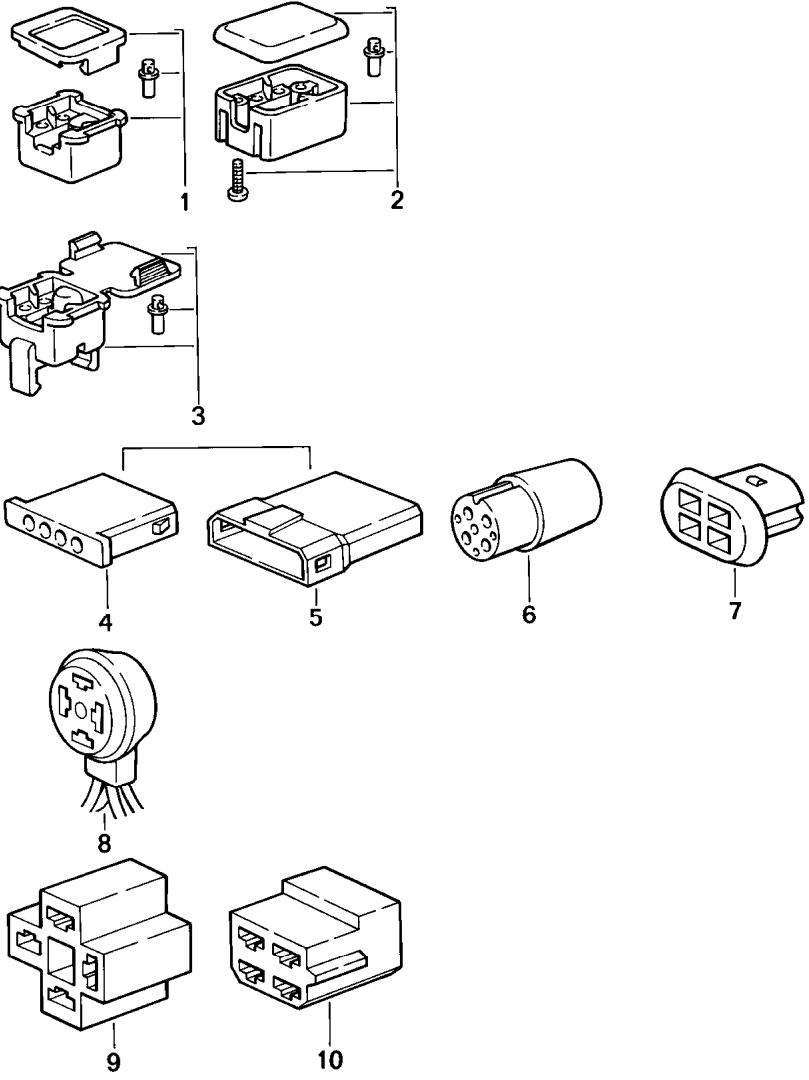
Pos	Part Number	Description	Remark	Qty	Model	Pos	Part Number	Description	Remark	Qty	Model
15	815 971 989	connector housing 6,3		X							
16	022 906 231 A	connector housing grey for		X							
-	N 903 353 03	contact spring		X							
16	928 612 825 00	connector housing beige		X							
18	810 971 993	terminal sleeve housing		X							
19	171 971 998 A	terminal sleeve housing 1,6		X							
20	171 971 999 A	connector housing 1,6		X							
21	171 971 999 A	terminal sleeve housing 1,6		X							
22	944 612 439 00	connector housing for cigarette lighter		X							

Model	Year	MG	SG	Illustration	Restrictions	UPD	17:57	25.02.2010	PORSCHE	PET	PORSCHE
9442	1988	9	02	902-58		248					

Pos	Part Number	Description	Remark	Qty	Model
1	165 941 165	connector housing 3-pole		X	
2	113 945 525	terminal sleeve housing 6,3		X	
3	944 612 436 00	connector for		X	
-	944 612 428 00	round connector		X	
4	944 612 435 00	connector housing for		X	
-	944 612 427 00	contact bush		X	
5	171 971 998 B	connector housing 1,6		X	
6	171 971 999 B	terminal sleeve housing 1,6		X	
7	113 919 113	connector housing 1,6		X	
8	821 971 970	connector housing 6,3		X	
9	821 971 975	terminal sleeve housing 6,3		X	
10	111 941 341	terminal sleeve housing 6,3		X	
11	914 612 327 10	connector housing 6,3		X	
12	311 906 231 B	connector housing		X	
13	022 906 233 B	connector housing		X	

Model	Year	MG	SG	Illustration	Restrictions	UPD	17:58	25.02.2010	PORSCHE	PET	PORSCHE
9442	1988	9	02	902-60		248					

Pos	Part Number	Description	Remark	Qty	Model
1	901 612 891 01	connector housing 4-pole		X	
-	999 652 371 12	bush		X	
2	901 612 891 00	connector housing with		X	
-	999 652 371 12	bush		X	
3	944 612 217 00	connector housing with		X	
-	999 652 351 22	contact bush		X	
4	171 971 999 C	connector housing 1,6		X	
5	171 971 998 C	terminal sleeve housing 1,6		X	
6	914 612 325 00	plug socket 1,6		X	
7	928 612 131 00	connector housing		X	
8	901 612 334 00	plug socket		X	
9	928 631 108 00	connector housing 6,3		X	
10	803 905 897	connector housing 6,3		X	



Model	Year	MG	SG	Illustration	Restrictions	UPD	17:58	25.02.2010	PORSCHE	PET	PORSCHE
9442	1988	9	02	902-62		248					

Pos	Part Number	Description	Remark	Qty	Model
		connector housing 5-pole 6-pole 7-pole 5-pole			
1	113 971 835	terminal sleeve housing 2,8		X	
2	901 612 333 00	plug socket for standard type relay		X	
3	928 612 411 00	clutch with contact bush		X	
4	803 971 835 A	terminal sleeve housing for relay		X	
5	928 612 335 25	coding element		X	
6	928 612 332 00	module housing		X	
-	999 652 451 22	coding element		X	
7	928 612 331 00	initial housing		X	
8	928 612 542 00	clutch housing		X	
9	944 612 539 00	clutch 6-pole		X	
13	171 971 999 E	connector housing 1,6		X	
14	171 971 998 E	connector housing 1,6		X	
15	803 971 831	terminal sleeve housing 6,3		X	
16	911 612 868 01	clutch with contact bush		X 6	
(16)	911 612 868 01	clutch with contact bush		X 6	
17	911 612 867 02	connector with contact pin		X 6	

Model	Year	MG	SG	Illustration	Restrictions	UPD	17:58	25.02.2010	PORSCHE	PET	PORSCHE
9442	1988	9	02	902-62		248					

Pos	Part Number	Description	Remark	Qty	Model	Pos	Part Number	Description	Remark	Qty	Model
18	928 612 469 00	clutch for contact pin		X							
19	944 612 537 00	clutch		X							
20	901 612 330 00	multiple plug connection		X							
21	901 612 061 00	clutch 7-pole		X							
27	911 612 332 00	plug socket		X							
28	911 612 331 00	connector		X							
29	803 971 980	pin connector socket		X							
30	803 971 979	plug socket		X							
31	071 906 233	terminal sleeve housing		X							
32	111 953 631	terminal sleeve housing		X							

Model	Year	MG	SG	Illustration	Restrictions	UPD	17:58	25.02.2010	PORSCHE	PET	PORSCHE
9442	1988	9	02	902-64		248					

Pos	Part Number	Description	Remark	Qty	Model
		connector housing 8-pole 9-pole			
1	944 612 117 00	connector housing with		X	
-	999 652 371 12	bush		8	
2	928 612 117 01	connector housing with		X	
-	999 652 371 12	bush		8	
3	999 652 395 40	connector housing		X	
4	999 652 396 40	clip		X	
5	944 612 554 00	connector housing for		X	
-	944 612 548 00	contact bush			
6	944 612 553 00	connector housing		X	
7	803 971 971	connector housing 6,3		X	
8	113 971 998 B	connector housing		X	
9	321 971 999 A	terminal sleeve housing		X	
10	911 612 120 00	connector housing 6,3		X	
		9-pole			
16	135 937 501 A	terminal sleeve housing		X	
17	849 941 593	connector housing		X	

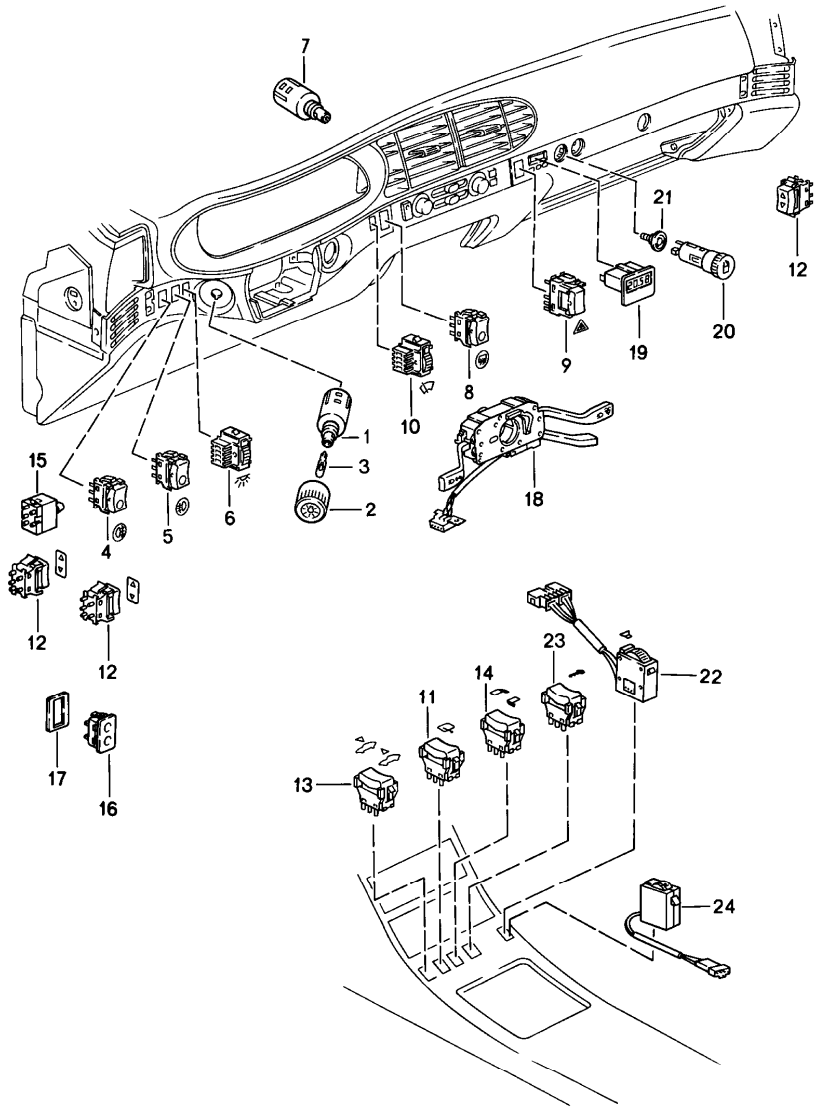
Model	Year	MG	SG	Illustration	Restrictions	UPD	17:58	25.02.2010	PORSCHE	PET	PORSCHE
9442	1988	9	02	902-66		248					

Pos	Part Number	Description	Remark	Qty	Model
		connector housing 10-pole until 22-pole			
1	911 612 889 00	connector housing with contact bush		X	
(2)	944 613 531 01	connector housing for		X	
-	944 612 548 00	contact bush		X	
8	861 972 524	connector housing		X	
9	911 612 122 02	connector housing with contact bush		X	
10	928 612 423 00	connector housing		X	
11	911 612 884 00	connector housing		X	
11	911 612 121 01	connector housing		X	
16	911 612 115 02	connector housing		X	
17	911 612 113 05	connector housing		X	
18	911 612 115 03	connector housing		X	
19	944 612 215 00	connector housing with contact bush		X	
22	944 612 311 00	connector housing for		X	
-	999 652 380 12	contact spring		X	
25	171 971 971 C	connector housing beige		X	
25	171 971 971 E	connector housing white		X	

Model	Year	MG	SG	Illustration	Restrictions	UPD	17:58	25.02.2010	PORSCHE	PET	PORSCHE
9442	1988	9	02	902-66		248					

Pos	Part Number	Description	Remark	Qty	Model	Pos	Part Number	Description	Remark	Qty	Model
		20-pole									
28	171 971 971	connector housing yellow		X							
28	171 971 971 D	connector housing red		X							
		22-pole									
31	171 971 971 A	connector housing black		X							
31	171 971 971 B	connector housing blue		X							

Model	Year	MG	SG	Illustration	Restrictions	UPD	17:58	25.02.2010	PORSCHE	PET	PORSCHE
9442	1988	9	03	903-00		248					

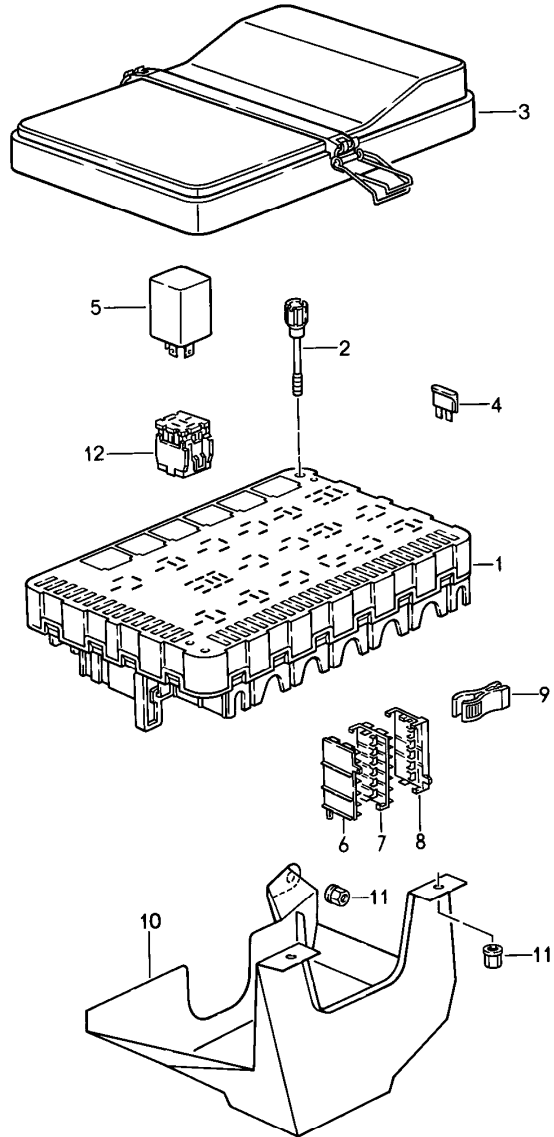


Pos	Part Number	Description	Remark	Qty	Model
		switch steering column switch clock			
1	993 613 531 00	light switch		1	
2	944 613 533 01	knob		1	
3	999 631 130 90	bulb 0,30 W		1	
4	944 613 121 01	switch for fog headlamp		1	
5	944 613 120 04	switch for rear fog light		1	
6	944 613 131 00	potentiometer		1	
7	944 641 321 00	tip switch trip meter		1	
8	944 613 117 00	rocker switch for rear window heating		1	
9	944 613 235 00	hazard warning light sw.		1	
		01C satin black cap with symbol black mat			
10	944 613 115 00	potentiometer windscreen washer system		1	
11	951 613 113 00	rocker switch		1	
		01C satin black for rear window wiper			
12	951 613 133 00	tip switch for power window		3	
13	944 613 123 00	tip switch for lifting roof		1	
14	944 613 220 00	rocker switch mirror changeover switch		1	
15	944 613 125 00	switch for door mirror		1	
16	944 613 129 01	tip switch		1	

Model	Year	MG	SG	Illustration	Restrictions	UPD	17:58	25.02.2010	PORSCHE	PET	PORSCHE
9442	1988	9	03	903-00		248					

Pos	Part Number	Description	Remark	Qty	Model	Pos	Part Number	Description	Remark	Qty	Model
	01C	satin black for rear lid release				-	999 632 014 00	bulb socket for cigarette lighter		1	
17	477 867 185 A	mounting piece		1		-	N 012 469 1	circlip for cigarette lighter		1	
	1DB	black for switch				22	951 645 053 00	fader	85	1	
		steering column switch				(22)	944 645 054 00	fader	86-	1	
18	944 613 512 00	steering column switch for cars without headlight washer system		1		23	951 613 147 00	switch	86-	1	
(18)	944 613 505 00	steering column switch for cars without headlight washer system		1	M454/488		01C	satin black door latch			
(18)	944 613 509 00	steering column switch for cars without headlight washer system		1	M126/454	24	944 631 230 00	switch for headlight levelling system	88	1	M605
(18)	944 613 507 00	steering column switch for cars without headlight washer system		1	/130 M454						
(18)	944 613 511 00	steering column switch for cars with headlight washer system		1							
(18)	944 613 506 00	steering column switch for cars with headlight washer system		1	M454/488						
(18)	944 613 510 00	steering column switch for cars with headlight washer system		1	M126/454						
(18)	944 613 508 00	steering column switch for cars with headlight washer system		1	/130 M454						
19	944 641 213 00	clock		1							
	01C	satin black									
-	944 641 900 00	glass-base bulb		1							
20	944 652 307 00	cigarette lighter		1							
21	644 652 112 00	glower		1							

Model	Year	MG	SG	Illustration	Restrictions	UPD	17:59	25.02.2010	PORSCHE	PET	PORSCHE
9442	1988	9	03	903-05		248					



Pos	Part Number	Description	Remark	Qty	Model
		central electrical system			
1	944 610 110 00	mounting plate		1	
2	944 610 611 00	screw		2	
3 A	944 610 017 00	lid	-86	1	
3	944 610 017 02	lid		1	
		use also:			
-	944 610 221 02	assignment sticker german		1	
-	944 610 231 02	assignment sticker english		1	
-	944 610 241 02	assignment sticker french		1	
-	944 610 251 02	assignment sticker italian		1	
-	944 610 261 02	assignment sticker spanish		1	
		fuse			
4	999 607 005 00	fuse 7,5 A		X	
4	999 607 007 00	fuse 15 A		X	
4	999 607 009 00	fuse 25 A		X	
4	999 607 010 00	fuse 30 A		X	
5		relay			
G1	944 615 119 00	relay for blower		1	
G2	141 951 253 B	relay for KL 15		1	
G3	928 615 203 00	relay for rear window heating		1	
G4	111 953 227 D	flasher relay		1	

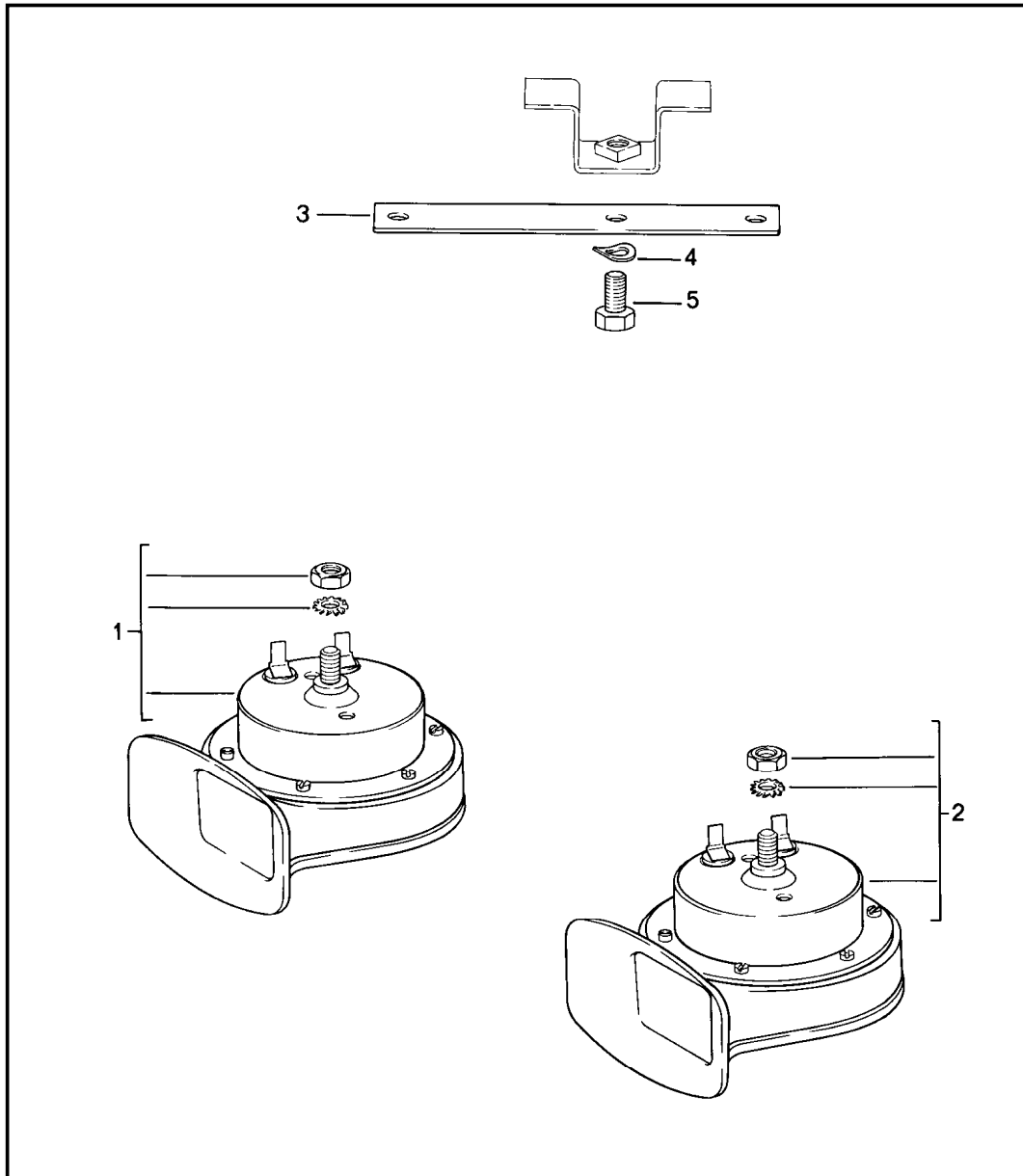
Model	Year	MG	SG	Illustration	Restrictions	UPD	17:59	25.02.2010	PORSCHE	PET	PORSCHE
9442	1988	9	03	903-05		248					

Pos	Part Number	Description	Remark	Qty	Model	Pos	Part Number	Description	Remark	Qty	Model	
G4	928 615 131 00	flasher relay for cars with trailer coupling		1		G7	944 615 112 02	relay for power window		1		
G5	A 993 615 227 00	relay for - dme -		1		G8	944 618 215 00	relay buzzer	(J)	1	(SA)	
G5	993 615 227 01	relay for - dme -		1		G9	993 615 101 00	switch unit		1		
G6	944 610 183 03	adapter for cars with rear fog light		1		G10	A 944 615 105 01	relay for 1. motor fan	-86	1		
G6	944 610 183 02	adapter for cars with fog headlamp		1		G10	944 615 105 02	relay for 1. motor fan	87-	1		
G6	944 610 183 04	adapter for cars with fog headlamp	(CH)	1		G10	A 944 615 104 03	relay for 2. motor fan		1		
G6	944 610 183 01	adapter for cars with fog headlamp	(CH)	1		G10	944 615 104 04	relay for 2. motor fan		1		
G6	944 610 183 05	adapter for cars with fog headlamp	(J)	1		G11	141 951 253 B	relay for fog headlamp rear fog light		1		
G6	944 610 183 07	adapter for cars with rear fog light only together with control unit for reduced light	/RL (GB)	87-	1	G12	141 951 253 B	relay for additional headlamp		1		
G6	944 610 183 08	adapter for cars with fog headlamp rear fog light only together with control unit for reduced light	/RL (GB)	87-	1	G13	141 951 253 B	relay for fanfare		1		
G6	944 610 183 09	adapter for cars with rear fog light	/RL	87-	1	G14	191 937 503	relay for KL X		1		
G6	944 610 183 10	adapter for cars with fog headlamp rear fog light	/RL	87-	1	TURBO	G15	928 618 111 00	relay for headlight washer system		1	
						G16	928 618 102 03	relay warning time relay	(USA) (CDN)	1	(SA)	
						G16	911 617 119 00	switch unit for exhaust gas temperature monitoring	(J)	1		

Model	Year	MG	SG	Illustration	Restrictions	UPD	17:59	25.02.2010	PORSCHE	PET	PORSCHE
9442	1988	9	03	903-05		248					

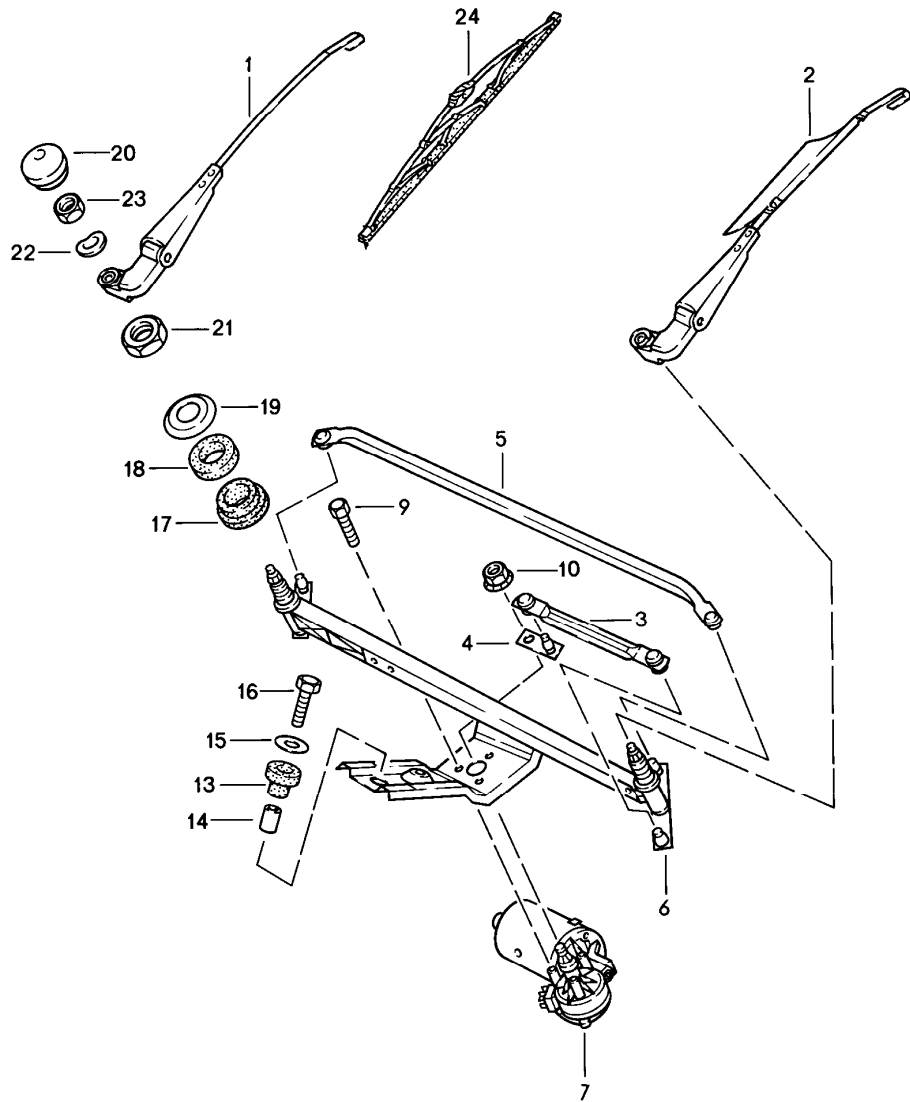
Pos	Part Number	Description	Remark	Qty	Model	Pos	Part Number	Description	Remark	Qty	Model
G17A	944 615 115 00	relay air-conditioning switch		1							
G18	944 615 117 02	relay lifting roof		1							
G19	951 618 149 00	relay for water pump turbocharger		1	TURBO						
G20A	928 615 124 01	relay anti-lock brake system		1	M593						
G20	928 615 124 03	relay anti-lock brake system		1	M593						
6	928 612 331 00	initial housing black		X							
7	928 612 332 00	module housing		X							
8	928 612 335 25	coding element		X							
9	443 941 802	tool		1							
10	944 610 219 02	cover	88	1							
11	999 591 839 40	hexagon nut		3							
12	928 610 511 00	relay carrier		6							

Model	Year	MG	SG	Illustration	Restrictions	UPD	17:59	25.02.2010	PORSCHE	PET	PORSCHE
9442	1988	9	03	903-10		248					



Pos	Part Number	Description	Remark	Qty	Model
1	A 928 635 222 00	horn fanfare low-pitched		1	
1	928 635 222 00	fanfare low-pitched		1	
2	A 928 635 221 00	fanfare high-pitched		1	
2	928 635 221 00	fanfare high-pitched		1	
3	944 635 411 00	support		2	
4	N 012 228 3	spring washer B 8		1	
5	900 075 078 02	hexagon-head bolt M 8 X 15		1	

Model	Year	MG	SG	Illustration	Restrictions	UPD	17:59	25.02.2010	PORSCHE	PET	PORSCHE
9442	1988	9	04	904-00		248					

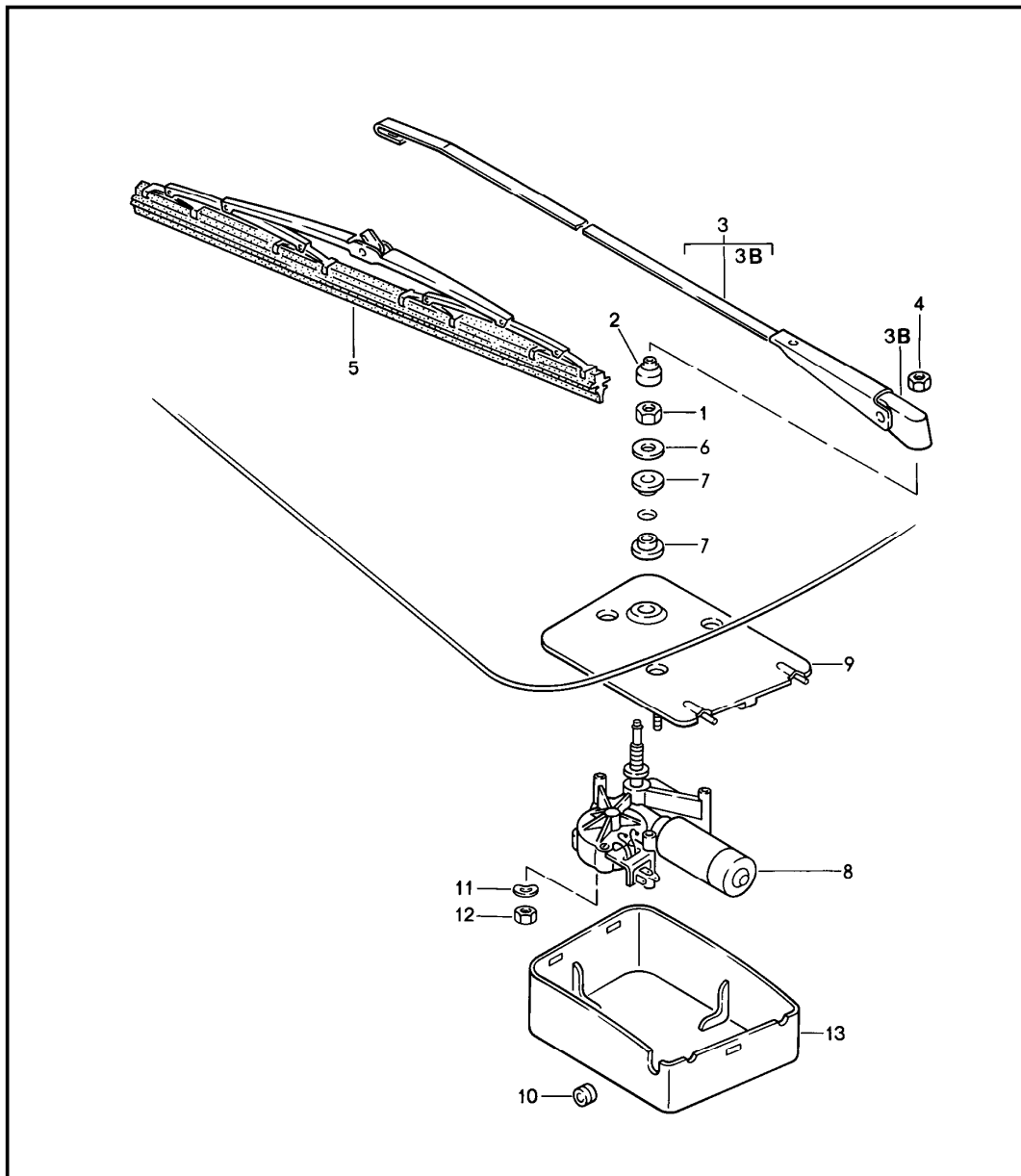


Pos	Part Number	Description	Remark	Qty	Model
		windscreen wiper system			
		see tpi GR.9 , NR.8 , 07/94	/LL		
		see tpi GR.9 ,NR.13, 05/97	/RL		
1	944 628 028 01	wiper arm right	/LL	-87	1
(1)	945 628 028 01	wiper arm right	/RL	-87	1
1	944 628 028 02	wiper arm right	/LL	88	1
1	945 628 028 02	wiper arm right	/RL	88	1
2	944 628 027 01	wiper arm left	/LL	-87	1
(2)	945 628 028 01	wiper arm left	/RL	-87	1
(2)	944 628 028 02	wiper arm left	/LL	88	1
(2)	945 628 028 02	wiper arm left	/RL	88	1
3	944 628 033 00	connecting rod short	/LL		1
(3)	945 628 034 00	connecting rod short	/RL		1
4	944 628 330 00	crank			1
5	944 628 034 00	connecting rod long	/LL		1
(5)	945 628 033 00	connecting rod long	/RL		1
6	944 628 961 00	frame	/LL		1
(6)	945 628 961 00	frame	/RL		1
7	944 628 303 01	wiper motor			1
9	900 278 003 02	screw M 6 X 20			3
12	N 012 229 3	spring washer M 6			1

Model	Year	MG	SG	Illustration	Restrictions	UPD	17:59	25.02.2010	PORSCHE	PET	PORSCHE
9442	1988	9	04	904-00		248					

Pos	Part Number	Description	Remark	Qty	Model	Pos	Part Number	Description	Remark	Qty	Model
13	944 628 126 00	grommet		1							
14	944 628 127 00	bush		1							
15	N 902 707 01	washer B 6,4		1							
16	900 075 341 02	combination screw M 6 X 20		1							
17	944 628 129 00	rubber bush		2							
18	944 628 128 01	rubber bush		2							
19	944 628 125 01	flange washer		2							
20	944 628 305 00	cap		2							
21	999 034 013 02	hexagon nut M 18 X 1,5		2							
22	803 955 437	washer		2							
23	N 011 151 3	hexagon nut M 8		2							
24	478 955 425	wiper blade	-87	2							
24	928 628 901 01	wiper blade	88	2							
24	928 628 901 03	wiper blade	88	2							
- A	944 628 101 00	cover wiper motor		1							
-	944 628 101 02	cover wiper motor		1							
	01C	satin black									

Model	Year	MG	SG	Illustration	Restrictions	UPD	17:59	25.02.2010	PORSCHE	PET	PORSCHE
9442	1988	9	04	904-05		248					

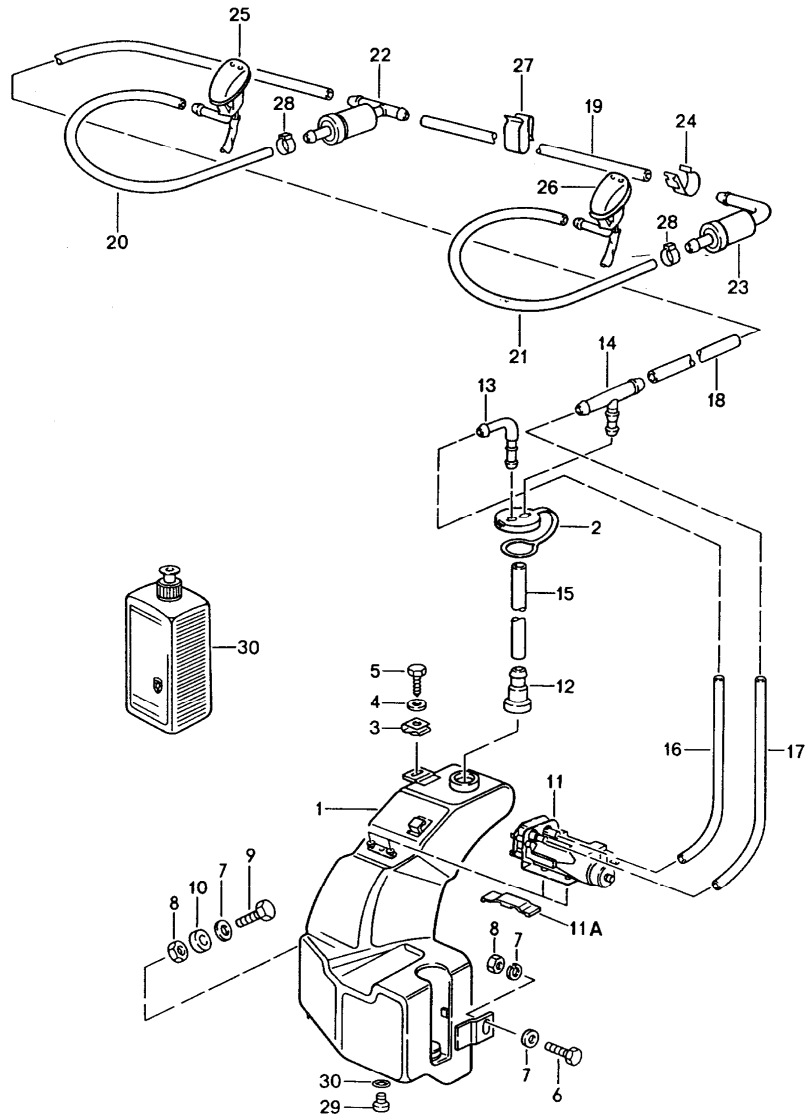


Pos	Part Number	Description	Remark	Qty	Model
		rear window wiper			M425
1	311 955 243 A	hexagon nut M 12 X 1		1	
2	211 955 275 A	cap		1	
(3)	477 955 409 A	wiper arm		1	
3B	477 955 415	cap		1	
4	999 084 045 02	lock nut		1	
(5) A	928 628 218 01	wiper blade		1	
(5)	928 628 218 02	wiper blade		1	
(6)	477 955 435 A	washer		1	
7	477 955 439	grommet		2	
8	477 955 713 A	wiper motor together with rear lid MOD.88- use also:		1	
-	944 628 071 02	mounting plate		1	
	03C	black			
-	445 955 753	bush		1	
-	533 955 758	grommet		1	
-	944 628 103 00	bush		1	
-	N 014 133 8	oval-head screw M 5 X 12		2	
-	N 011 524 7	washer A 6,4		4	
-	999 209 017 02	spacer sleeve		2	
-	999 702 180 40	rubber sleeve		2	
9	944 628 071 00	mounting plate	-86	1	
9	944 628 071 01	mounting plate	87-	1	
10	111 941 189	drain bush		1	
11	N 012 226 5	spring washer B 6		3	

Model	Year	MG	SG	Illustration	Restrictions	UPD	17:59	25.02.2010	PORSCHE	PET	PORSCHE
9442	1988	9	04	904-05		248					

Pos	Part Number	Description	Remark	Qty	Model	Pos	Part Number	Description	Remark	Qty	Model
12	900 076 010 02	hexagon nut M 6		3							
13	477 955 737	cap	-86	1							
13	477 955 737 A	cap	87-	1							
	01C	satin black									
-	311 949 149 B	grommet for wiring harness		1							
-	171 971 999 A	terminal sleeve housing		1							
-	937 503 255 01	spacer		2							
-	N 011 524 7	washer		2							
-	N 014 140 5	oval-head screw M 6 X 15		2							
-	111 953 547	grommet		2							

Model	Year	MG	SG	Illustration	Restrictions	UPD	17:59	25.02.2010	PORSCHE	PET	PORSCHE
9442	1988	9	04	904-10		248					

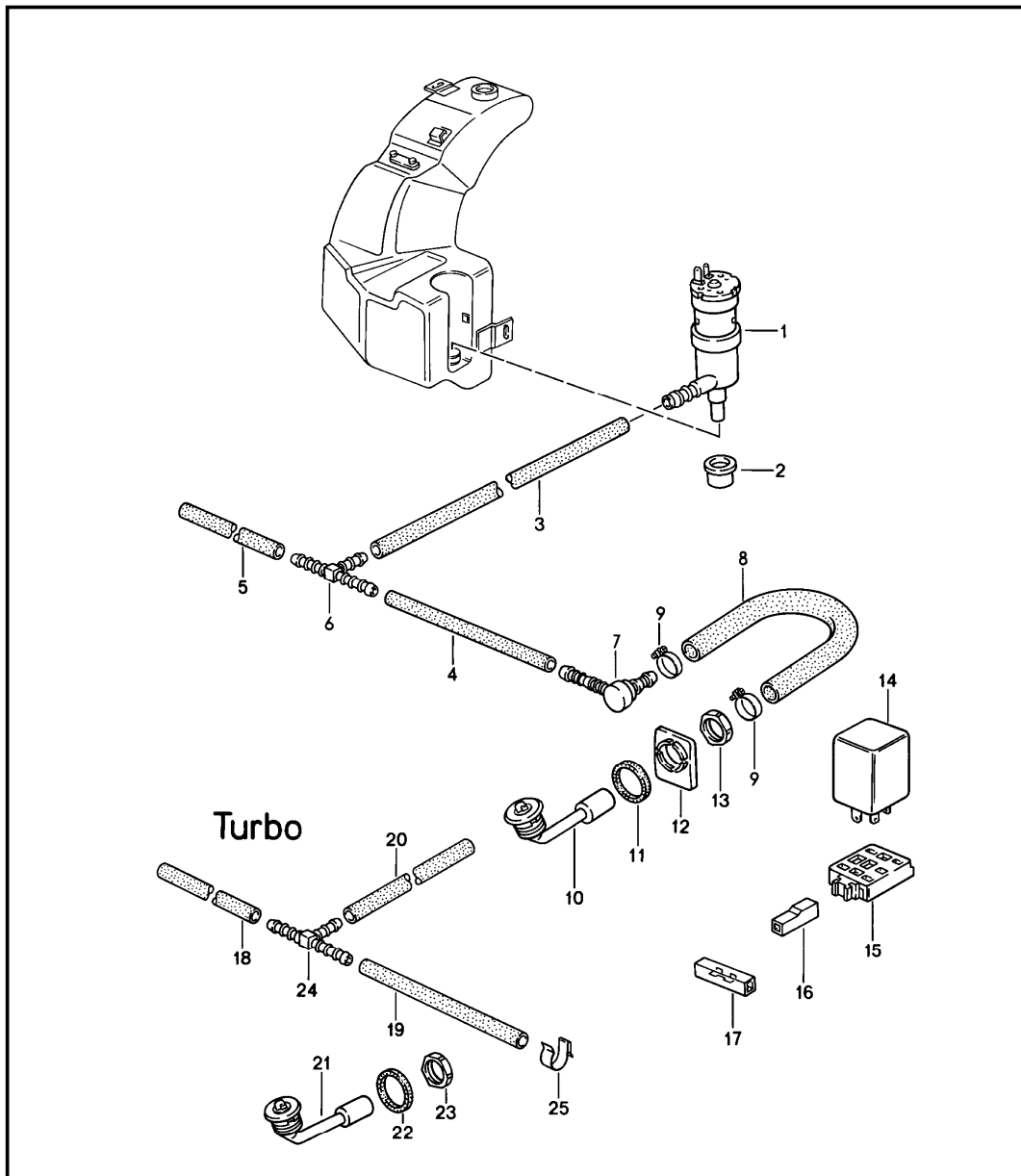


Pos	Part Number	Description	Remark	Qty	Model
		windscreen washer system			
1	477 955 451 D	water reservoir	-87	1	
(1)	944 628 060 00	water reservoir	88	1	
(1)	944 628 061 00	water reservoir	88	1	M288
2	477 955 455	lid	-87	1	
(2)	911 628 077 01	lid	88	1	
3	477 955 461	speed nut 6,3 X 22		1	
4	900 151 029 02	washer 6,4		1	
5	N 013 891 1	tapping screw B 6,3 X 19		1	
6	N 010 218 6	hexagon-head bolt M 6 X 25		1	
7	N 011 612 3	washer R 7		4	
8	900 076 010 02	hexagon nut M 6		2	
9	N 010 220 3	hexagon-head bolt M 6 X 30		1	
10	052 109 135	spacer sleeve		1	
11	823 955 651	pump	-87	1	
11	928 628 172 01	pump	88	1	
11A	477 955 743	clip		1	
12	911 628 749 00	t-piece		1	
13	477 955 456	connection piece		1	
14	477 955 459	t-socket		1	
-	999 181 722 40	hose 4 X 1		*	
15	-	500 MM		2	
16	-	260 MM		1	
17	-	280 MM		1	
18	-	1680 MM		1	

Model	Year	MG	SG	Illustration	Restrictions	UPD	17:59	25.02.2010	PORSCHE	PET	PORSCHE
9442	1988	9	04	904-10		248					

Pos	Part Number	Description	Remark	Qty	Model	Pos	Part Number	Description	Remark	Qty	Model
19	-	390 MM		1							
20	-	250 MM	/R	1							
		330 MM	/L	1							
22	914 628 433 00	valve		1							
23	477 955 481	valve		1							
24	477 955 981	cable terminal		4							
25	944 628 077 00	nozzle	/R	1							
	01C	black heatable									
26	928 628 077 00	nozzle	/L	1							
	70B	black heatable									
27	944 628 181 00	retaining clip		6							
28	N 100 020 01	clamp		8							
29	999 063 015 40	stopper		1							
30	999 707 171 40	o-ring		1							

Model	Year	MG	SG	Illustration	Restrictions	UPD	18:00	25.02.2010	PORSCHE	PET	PORSCHE
9442	1988	9	04	904-15		248					

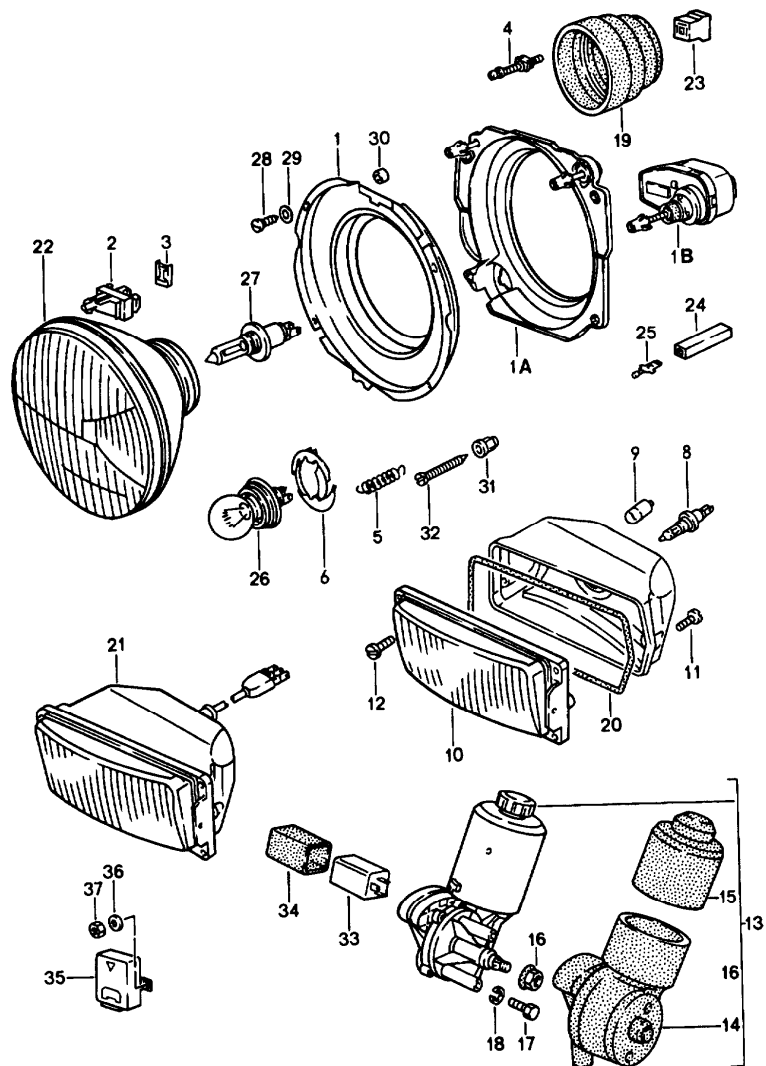


Pos	Part Number	Description	Remark	Qty	Model
		headlight washer system			M288
1	191 955 681	pump		1	
2	431 955 465 A	gasket		1	
-	N 020 126 1	pipe 12,5 X 1,25		*	
3	-	410 MM		1	
4	-	800 MM		1	
5	-	60 MM		1	
6	113 955 975 B	t-piece		1	
7	477 955 183	pressure control valve		2	
8	928 528 161 02	hose		2	
9	N 023 570 2	hose clamp		4	
10	928 528 071 02	jet carrier		2	
		03C black			
(10)	477 955 177	jet carrier		2	M036/058
11	944 628 803 00	rubber washer		2	
12	944 628 801 00	torsion protection		2	
13	N 019 121 1	nut MPG 11		2	
14	928 618 111 00	relay		1	
15	135 937 501 A	terminal sleeve housing		1	
16	825 971 990	terminal sleeve housing		1	
17	111 937 077 E	line distributor		1	
-	999 181 806 40	hose 10 X 3 480 MM 550 MM 700 MM		*	TURBO
				1	
				1	
21	911 628 071 01	jet carrier		2	TURBO
		01C satin black			
22	N 011 568 2	washer		2	TURBO
23	N 019 121 1	nut		2	TURBO

Model	Year	MG	SG	Illustration	Restrictions	UPD	18:00	25.02.2010	PORSCHE	PET	PORSCHE
9442	1988	9	04	904-15		248					

Pos	Part Number	Description	Remark	Qty	Model	Pos	Part Number	Description	Remark	Qty	Model
24	281 955 187	valve		1	TURBO						
25	999 651 159 02	cable clamp		6	TURBO						
26	N 023 570 2	hose clamp		4	TURBO						

Model	Year	MG	SG	Illustration	Restrictions	UPD	18:00	25.02.2010	PORSCHE	PET	PORSCHE
9442	1988	9	05	905-00		248					



Pos	Part Number	Description	Remark	Qty	Model
-	944 631 911 05	headlamp electric motor pop-up headlight		2	
-	944 631 911 04	headlamp installation set		2	M605
-	944 631 911 09	headlamp installation set		2	M492
-	944 631 911 08	headlamp installation set		2	M492/605
1	477 941 046	retaining frame	-87	2	
1A *	944 631 907 00	retaining frame		88	2
1B *	944 631 909 00	electric motor		88	2 M605
-	944 631 912 00	articulated piece		88	6
2	321 941 133	articulated piece		2	
3	321 941 135	tab washer for articulated piece		2	
4	113 941 141	adjusting screw with threaded pin		4	
5	321 941 157	tension spring		2	
6	111 941 160	retainer spring	(J)	2	
8	900 631 126 90	halogen bulb H 3		2	
9	900 631 103 90	bulb 12 V - 4 W		2	
10	944 631 407 00	additional headlamp with retaining frame	/L	87-	1 944,944S
(10)	944 631 409 00	additional headlamp yellow with retaining frame	/L (F)	87-	1 944,944S
(10)	944 631 408 00	additional headlamp with retaining frame	/R	87-	1 944,944S

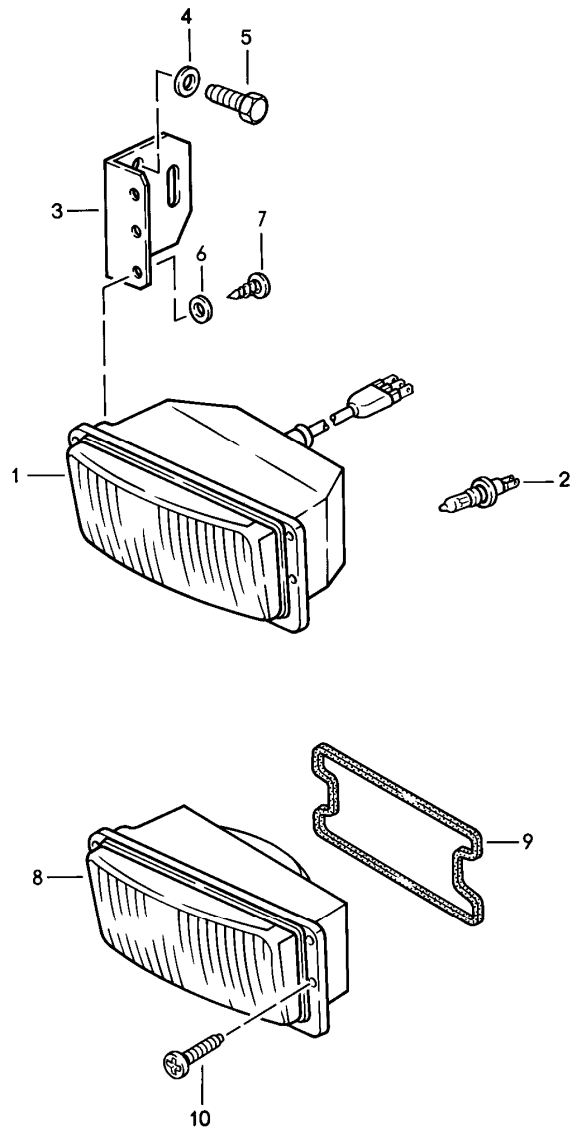
Model	Year	MG	SG	Illustration	Restrictions	UPD	18:00	25.02.2010	PORSCHE	PET	PORSCHE
9442	1988	9	05	905-00		248					

Pos	Part Number	Description	Remark	Qty	Model	Pos	Part Number	Description	Remark	Qty	Model
(10)	944 631 410 00	additional headlamp yellow with retaining frame	/R (F) 87-	1	944,944S	(21)	944 631 407 00	additional headlamp white	/L 87-	1	944,944S
11	N 014 122 8	oval-head screw M 4 X 8 M 4 X 8		6		(21)	944 631 408 00	additional headlamp white	/R 87-	1	944,944S
12	900 146 053 07	oval-head screw M 4 X 18	-86	6		(21)	944 631 409 00	additional headlamp yellow	/L (F) 87-	1	944,944S
13	477 941 379 B	electric motor for pop-up headlight		1		(21)	944 631 410 00	additional headlamp yellow	/R (F) 87-	1	944,944S
14	477 941 386	protection cap lower		1		22	477 941 771 B	headlamp	-87	2	
15	477 941 387	protection cap upper		1		(22)	477 941 773	headlamp	-87	2	M492
16	999 084 049 02	lock nut		1		(22)	477 941 775 C	headlamp	(J) -86	2	
17	999 072 005 09	hexagon-head bolt M 6 X 12		3		22 *	944 631 910 00	headlamp	88	2	
18	N 012 006 4	lock ring B 6		3		22 *	944 631 911 00	headlamp	88	2	M492
19	* 944 612 057 00	cap for headlamp unit		2		23	111 941 341	terminal sleeve housing 3-pole		2	
-	* 944 612 435 00	connector housing		2		24	111 971 977	plug with guide		6	
-	* 944 612 427 00	contact bush		2		25	111 971 986	flat plug 6,3 X 0,8 with clip		6	
-	* 944 612 428 00	round connector		4		26	900 631 109 90	bulb 12 V 45/50 W	(J)	2	
20	477 941 715	gasket	-86	2		27	999 631 202 90	halogen bulb		2	
(20)	944 631 421 00	gasket	87-	2	944,944S	(27)	999 631 202 91	halogen bulb	(F)	2	
21	477 941 751 D	high-beam headlight white	/L -86	1	944,944S	28 *	900 143 041 00	tapping screw B 3,9 X 19		8	
(21)	944 631 409 00	additional headlamp yellow	/L (F) -86	1	944,944S	30 *	477 941 543	spacer sleeve		X	
(21)	477 941 752 D	high-beam headlight white	/R -86	1	944,944S	31	477 857 173	clip		2	
(21)	944 631 410 00	additional headlamp yellow	/R (F) -86	1	944,944S	32	N 043 979 2	tapping screw BZ 4,2 X 45		2	
						33 A	111 943 383 C	relay		1	
						34	477 971 923	protection cap		1	
						35	911 618 231 00	control unit for reduced light	(GB) 87-	1	
						36	N 011 524 7	washer	(GB)	2	

Model	Year	MG	SG	Illustration	Restrictions	UPD	18:00	25.02.2010	PORSCHE	PET	PORSCHE
9442	1988	9	05	905-00		248					

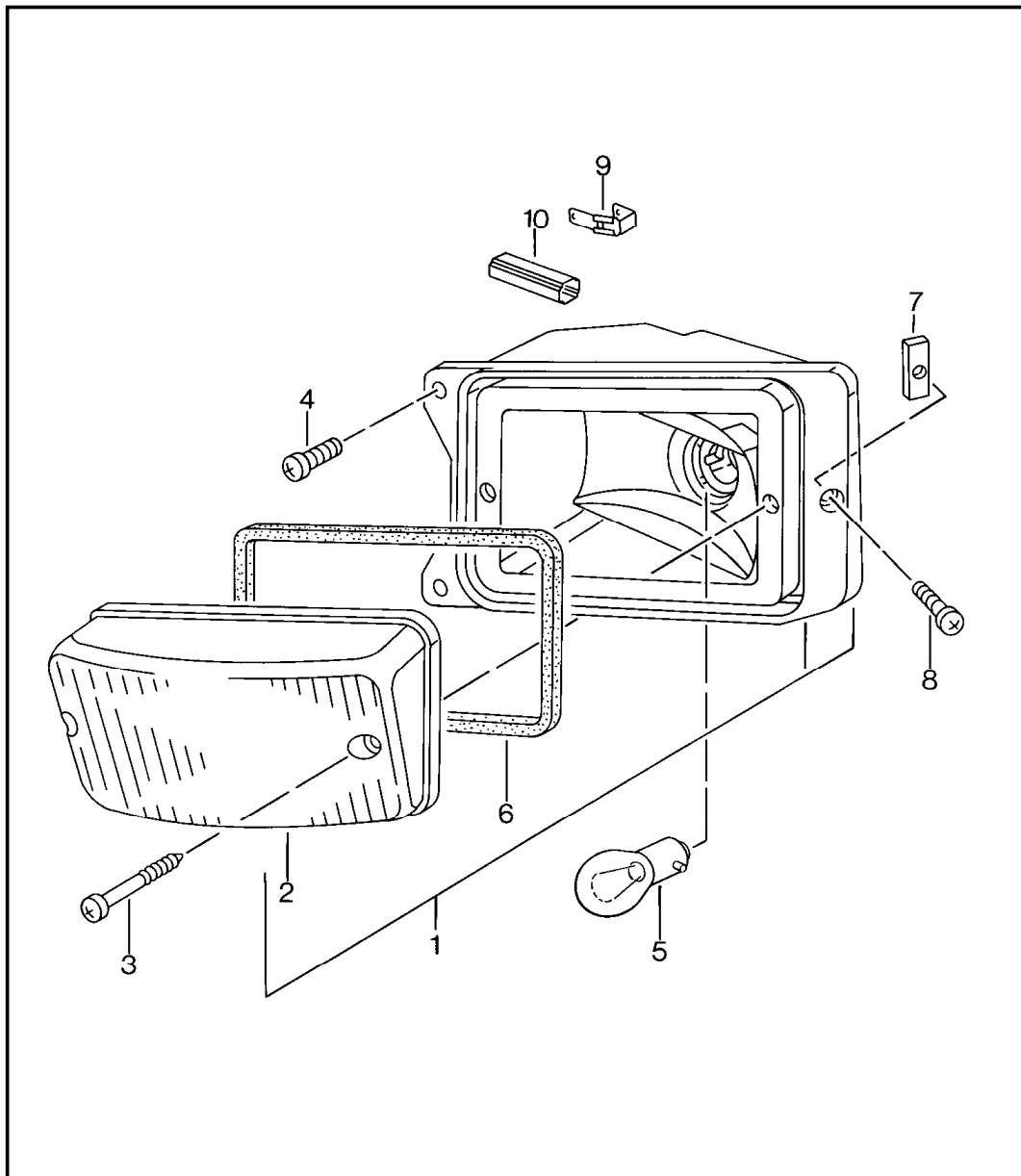
Pos	Part Number	Description	Remark	Qty	Model	Pos	Part Number	Description	Remark	Qty	Model
37	900 076 010 02	hexagon nut	(GB)	1							

Model	Year	MG	SG	Illustration	Restrictions	UPD	18:00	25.02.2010	PORSCHE	PET	PORSCHE
9442	1988	9	05	905-06		248					



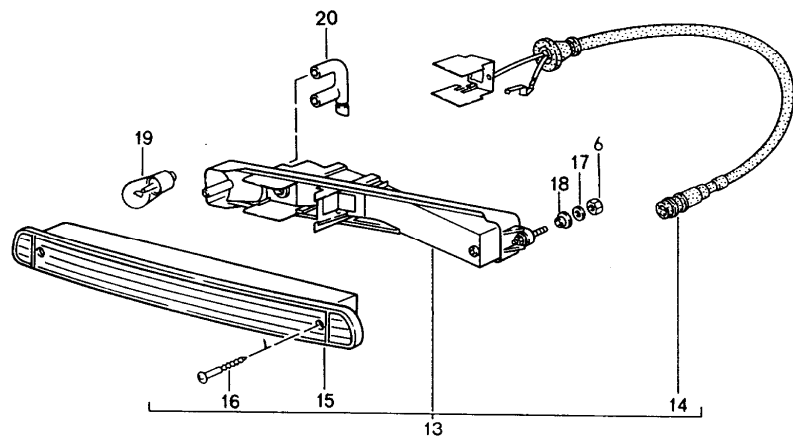
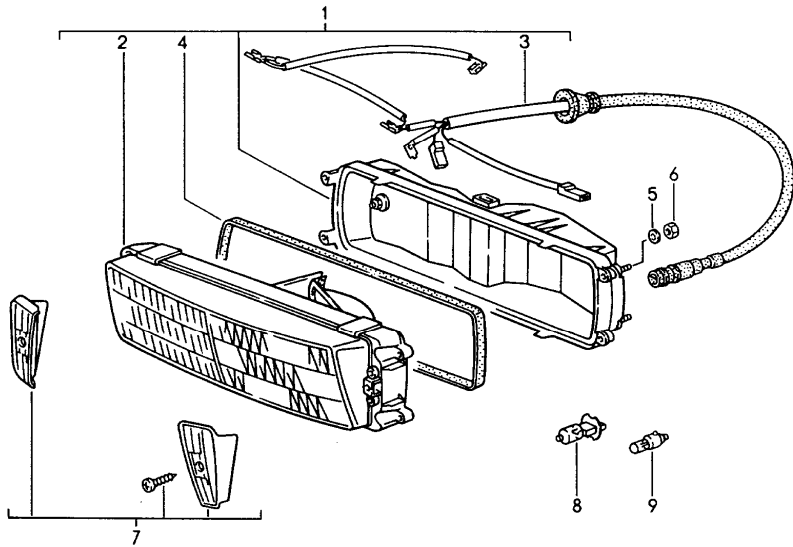
Pos	Part Number	Description	Remark	Qty	Model
		fog headlamp			944, 944S
1	944 631 201 01	fog headlamp white	/L	1	
1	944 631 203 01	fog headlamp yellow	/L (F)	1	
(1)	944 631 202 01	fog headlamp white	/R	1	
(1)	944 631 204 01	fog headlamp yellow	/R (F)	1	
2	900 631 126 90	halogen bulb H 3		2	
3	944 501 375 00	support		2	
4	900 025 003 02	washer A 5,3		8	
5	N 013 971 3	tapping screw B 4,8 X 22		8	
6	N 011 524 7	washer A 6,4		4	
7	999 072 005 09	hexagon-head bolt M 6 X 12		4	
8	944 631 901 00	headlamp unit white	/L	1	
(8)	944 631 902 00	headlamp unit white	/R	1	
(8)	944 631 903 00	headlamp unit yellow	/L	1	
(8)	944 631 904 00	headlamp unit yellow	/R	1	
9	437 941 715	gasket		2	
10	N 010 707 2	oval-head screw		4	
-	944 612 177 00	wiring harness	(CH) (N) (S)	1	

Model	Year	MG	SG	Illustration	Restrictions	UPD	18:00	25.02.2010	PORSCHE	PET	PORSCHE
9442	1988	9	05	905-10		248					



Pos	Part Number	Description	Remark	Qty	Model
		direction indicator light front			944, 944S
1	477 953 043	direction indicator light	/L	1	
(1)	477 953 044	direction indicator light	/R	1	
2	477 953 161	lens direction indicator light	/L	1	
(2)	477 953 162	lens direction indicator light	/R	1	
3	331 945 185	oval-head screw		4	
4	900 146 011 02	oval-head screw AM 4 X 10		4	
5	900 631 127 90	bulb 12V-21W		2	
6	477 953 165	gasket		2	
7	931 505 181 00	threaded plate		2	
8	N 014 119 1	oval-head screw BM 4 X 20		2	
9	111 971 511	line distributor		1	
10	111 971 921	protection cap for flat connector		4	
-	944 631 213 00	moulded hose		2	

Model	Year	MG	SG	Illustration	Restrictions	UPD	18:00	25.02.2010	PORSCHE	PET	PORSCHE
9442	1988	9	05	905-11		248					

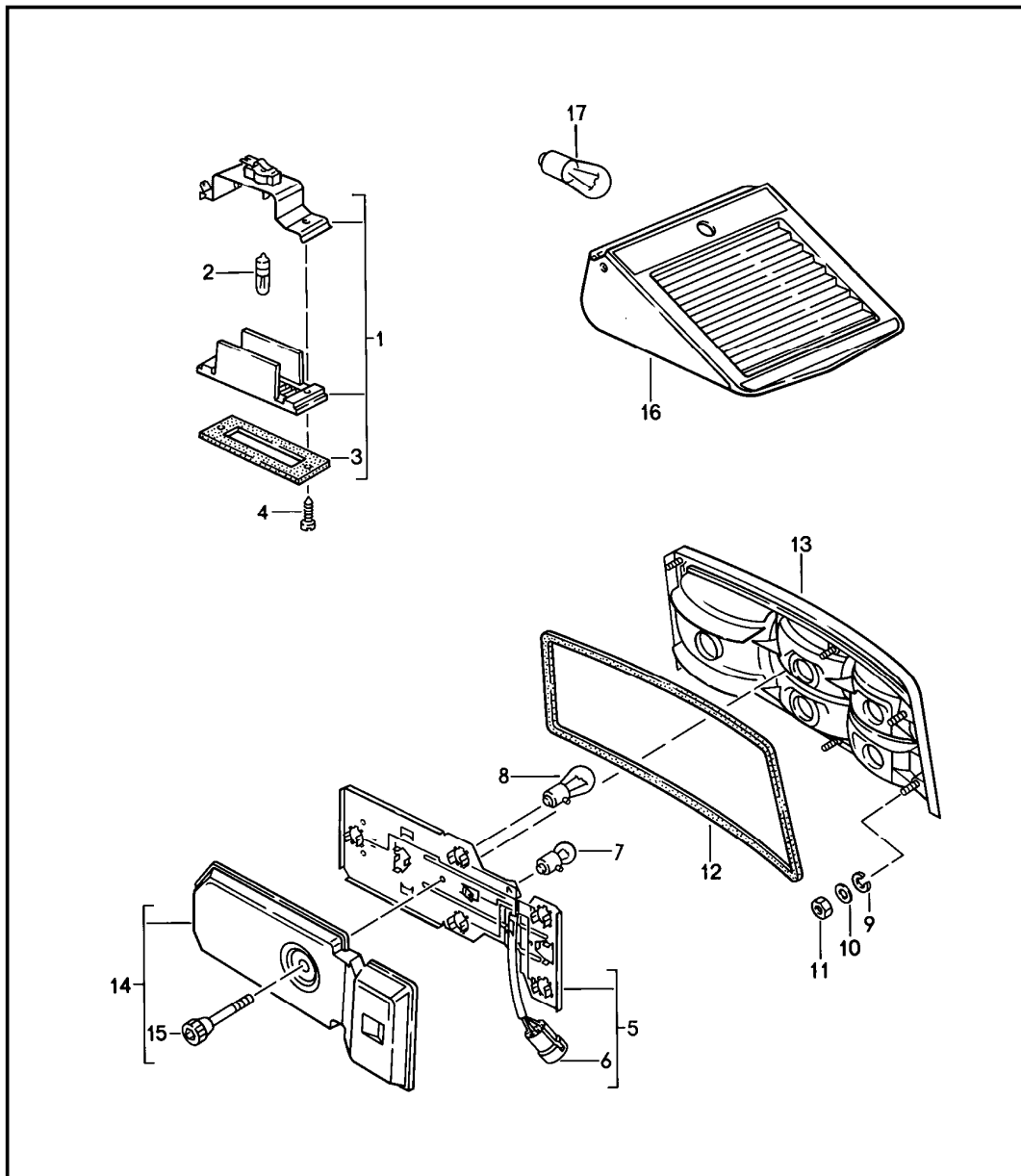


Pos	Part Number	Description	Remark	Qty	Model
		additional headlamp direction indicator light			TURBO
1	951 631 211 00	combined lights white	/L	1	
(1)	951 631 212 00	combined lights white	/R	1	
1	951 631 213 00	combined lights yellow	/L (F)	1	
(1)	951 631 214 00	combined lights yellow	/R (F)	1	
2	951 631 221 00	headlamp unit white	/L	1	
(2)	951 631 222 00	headlamp unit white	/R	1	
2	951 631 221 01	headlamp unit yellow	/L (F)	1	
(2)	951 631 222 01	headlamp unit yellow	/R (F)	1	
3	951 612 061 00	wiring harness		2	
4	951 631 167 00	gasket		2	
5	N 011 665 3	washer B 5,3		6	
6	N 011 005 14	hexagon nut M 5		10	
7	951 631 931 00	trim cover set white	/L	1	
(7)	951 631 932 00	trim cover set white	/R	1	
7	951 631 933 00	trim cover set yellow	/L (F)	1	
(7)	951 631 934 00	trim cover set yellow	/R (F)	1	
8	900 631 126 90	halogen bulb H 3		4	

Model	Year	MG	SG	Illustration	Restrictions	UPD	18:00	25.02.2010	PORSCHE	PET	PORSCHE
9442	1988	9	05	905-11		248					

Pos	Part Number	Description	Remark	Qty	Model	Pos	Part Number	Description	Remark	Qty	Model
9	900 631 103 90	bulb 12 V - 4 W		2							
13	951 631 411 00	direction indicator light	/L	1							
(13)	951 631 412 00	direction indicator light	/R	1							
14	951 612 062 00	wiring harness		2							
15	951 631 161 00	lens	/L	1							
(15)	951 631 162 00	lens	/R	1							
16	411 953 169	oval-head sheetmetal screw		4							
17	N 011 692 3	washer 5,1 X 15		4							
18	944 503 255 00	spacer		4							
19	900 631 127 90	bulb 12 V - 21 W		2							
20	951 631 313 00	moulded hose		2							

Model	Year	MG	SG	Illustration	Restrictions	UPD	18:00	25.02.2010	PORSCHE	PET	PORSCHE
9442	1988	9	05	905-15		248					

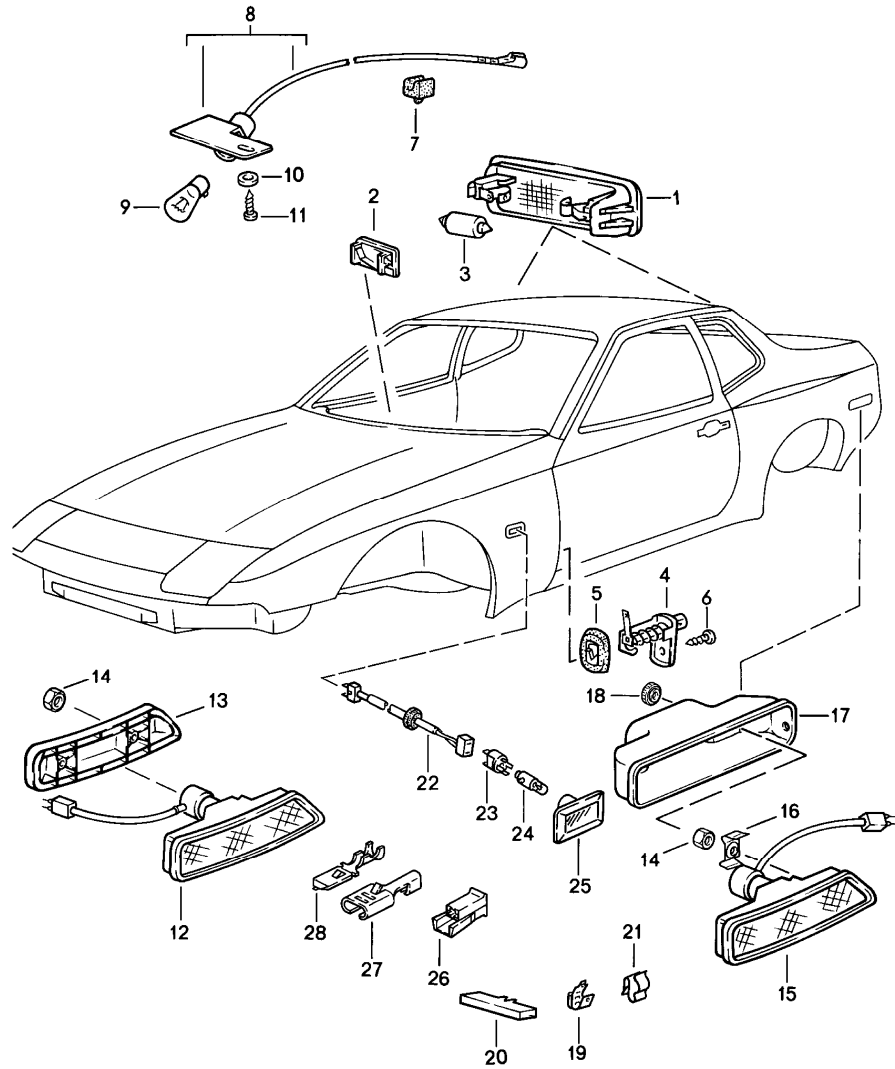


Pos	Part Number	Description	Remark	Qty	Model
1	477 943 021 A	license plate light rear light		2	
2	900 631 103 90	bulb 12V - 4W		2	
3	477 943 131	gasket		2	
4	N 013 961 2	tapping screw B 3,9 X 13	-85	2	
(4)	900 146 041 07	oval-head screw M 3 X 15	86-	4	
-	N 011 535 5	washer A 3,2	86-	4	
-	N 041 184 1	lock nut	86-	4	
5	477 945 113	bulb holder	/L	1	
(5)	477 945 114	bulb holder	/R	1	
6	803 971 980	pin connector socket 7-pole		2	
7	900 631 104 90	bulb 12V - 5W		2	
8	900 631 127 90	bulb 12V - 21W		7	
9	N 012 005 3	lock ring B 5		12	
10	N 012 222 4	spring washer B 5		12	
11	N 011 005 14	hexagon nut M 5		12	
-	000 043 172 00	sealing cord 9 MM \$ roller 10 M		*	
12	-	1070 MM		2	
13	477 945 205	housing with lens	/L	1	
(13)	477 945 206	housing with lens	/R	1	

Model	Year	MG	SG	Illustration	Restrictions	UPD	18:00	25.02.2010	PORSCHE	PET	PORSCHE
9442	1988	9	05	905-15		248					

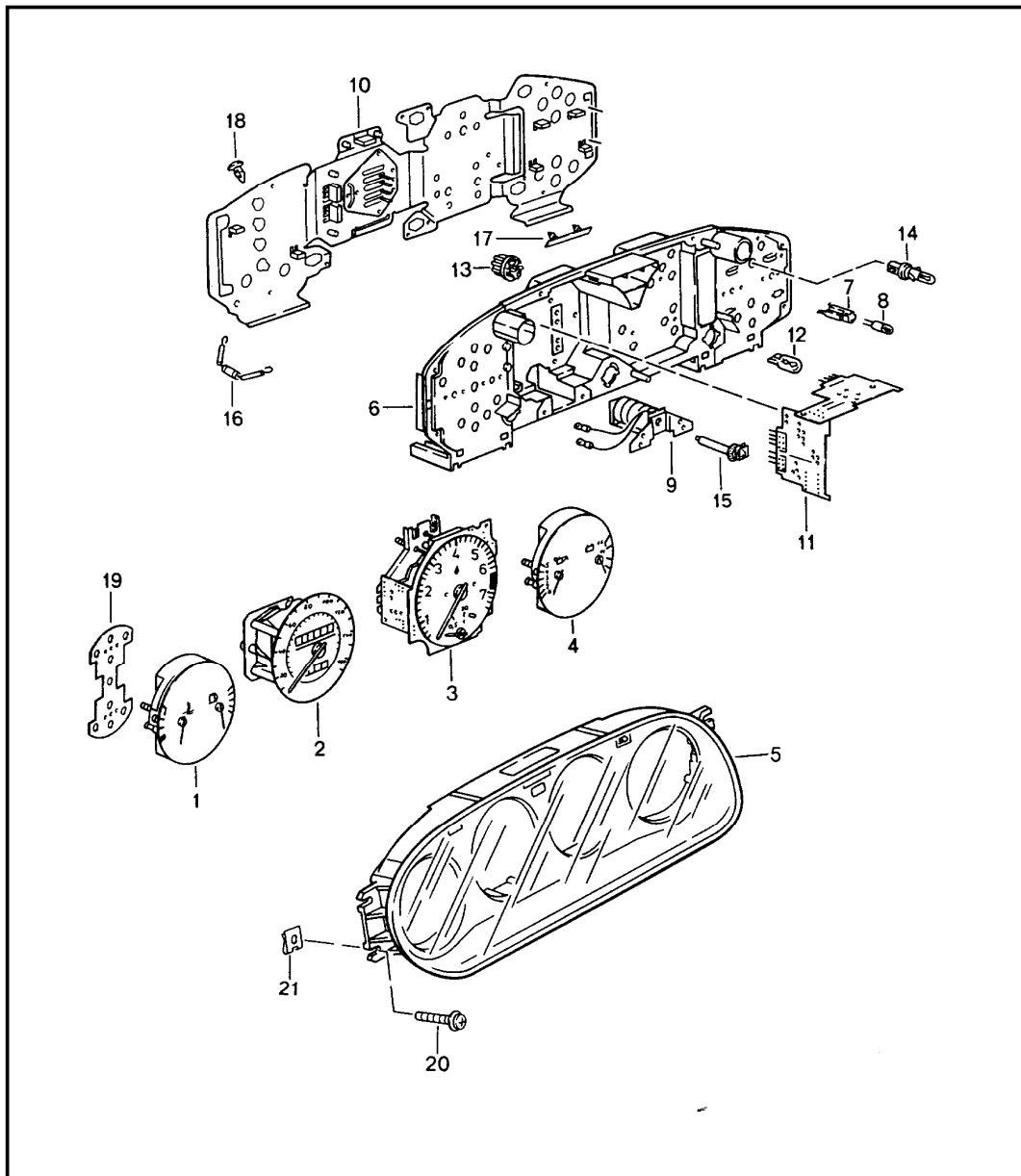
Pos	Part Number	Description	Remark	Qty	Model	Pos	Part Number	Description	Remark	Qty	Model
(13)	477 945 215	housing with lens for cars with rear fog light	/L	1							
(13)	477 945 216	housing with lens for cars with rear fog light	/R	1							
14	477 945 285	cap with knurled screw		2							

Model	Year	MG	SG	Illustration	Restrictions	UPD	18:01	25.02.2010	PORSCHE	PET	PORSCHE
9442	1988	9	05	905-20		248					



Pos	Part Number	Description	Remark	Qty	Model
1	823 947 105 B	interior light direction indicator light		2	
2	944 632 113 00	interior light luggage compartment lamp		1	
3	900 631 106 90	glove compartment light		2	
(3)	999 631 018 90	linolite lamp 12V - 10W		1	
4	968 613 601 00	bulb 12V - 3W		2	
5	944 613 114 00	contact switch		2	
6	N 013 957 5	gasket		2	
7	477 947 633	tapping screw BZ 3,5 X 9,5		3	
8	477 947 633	clip		1	
9	944 628 051 00	engine compartment lamp		1	
10	900 631 115 90	bulb 12V - 10W		1	
11	900 151 028 02	washer 4,3		1	
19	900 143 031 02	oval-head sheetmetal screw B 4,2 X 9,5		2	
20	111 971 511	line distributor		2	
22	111 971 977	plug with guide single pole		2	
23	477 971 193	wiring harness for direction indicator light		2	
24	161 949 111	bulb holder		2	
25	999 631 032 90	bulb 12V - 5W		2	
25	4A0 949 101	direction indicator light		2	

Model	Year	MG	SG	Illustration	Restrictions	UPD	18:01	25.02.2010	PORSCHE	PET	PORSCHE
9442	1988	9	06	906-00		248					

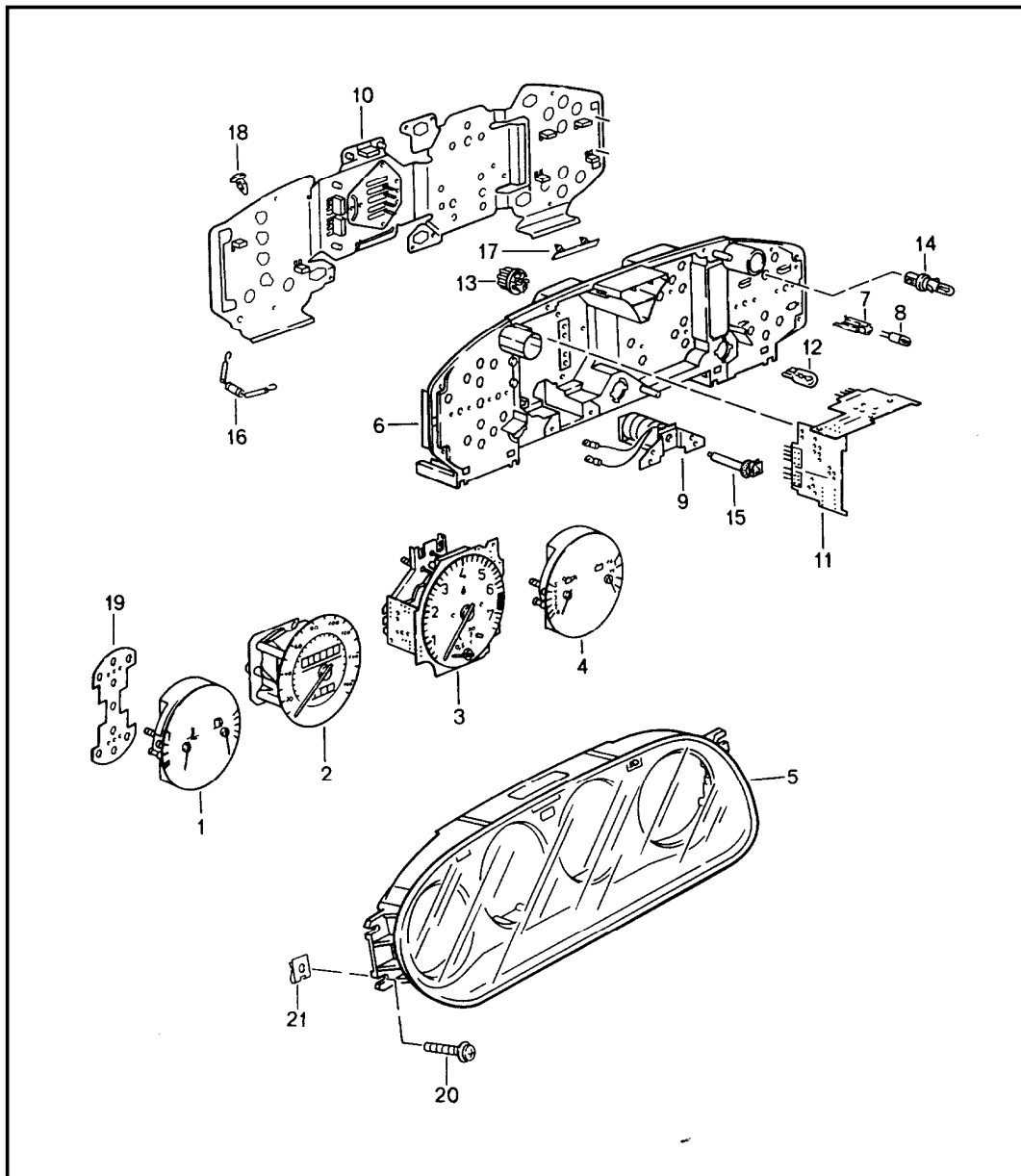


Pos	Part Number	Description	Remark	Qty	Model
		instrument cluster	-86		
1	944 641 953 00	instrument insert left - temperat. - fuel gauge - german		1	
1 A	944 641 953 02	instrument insert		1	
1	944 641 953 BX	instrument insert left - temperat. - fuel gauge - french		1	
1	944 641 953 04	instrument cluster left - temperat. - fuel gauge - english		1	
2	944 641 951 00	speedometer 270 KM/H		1	
2	944 641 951 01	speedometer 170 MPH + 270 KM/H	(GB)	1	
2	944 641 951 02	speedometer 270 KM/H with speed warning device	(J)	1	
2	944 641 951 03	speedometer 270 KM/H with speed warning device		1	(SA)
2	944 641 951 04	speedometer 270 KM/H		1	AUT.
2	944 641 951 05	speedometer 170 MPH + 270 KM/H	(GB)	1	AUT.
2	944 641 951 06	speedometer 270 KM/H with speed warning device	(J)	1	AUT.
2	944 641 951 07	speedometer 270 KM/H with speed warning device		1	(SA) AUT.
3	944 641 952 00	tachometer		1	
3	944 641 952 02	tachometer	(GB)	1	
3	944 641 952 12	tachometer		1	AUT.

Model	Year	MG	SG	Illustration	Restrictions	UPD	18:01	25.02.2010	PORSCHE	PET	PORSCHE
9442	1988	9	06	906-00		248					

Pos	Part Number	Description	Remark	Qty	Model	Pos	Part Number	Description	Remark	Qty	Model
3	944 641 952 12	tachometer	(GB)	1	AUT.						
3	944 641 952 01	tachometer		1	TURBO						
4	944 641 954 00	instrument insert right - volt - oil - german		1							
4	944 641 954 02	instrument insert right - volt - oil - french		1							
4	944 641 954 01	instrument insert right - volt - oil - english		1							
5	944 641 941 01	covering frame		1							
6	928 641 968 01	mounting plate		1							
7	928 641 982 00	bulb socket		6							
8	928 641 983 00	bulb		6							
9	928 641 921 00	solenoid coil		1							
10	944 641 961 01	printed circuit board		1							
11	944 641 959 02	printed circuit board		1							
12	900 631 019 90	glass-base bulb 12 V - 3 W		4							
13	928 641 927 00	bulb socket		4							
14	999 631 301 90	bulb		4							
15	928 641 960 00	zero adjustment shaft		1							
16	928 641 981 01	resistor		1							
17	928 641 985 00	clip		3							
18	928 641 984 00	clip		4							
19	928 641 986 00	gasket		1							
20	900 143 151 02	combination tapping screw B 4,2 X 16		4							
21	N 015 429 2	speed nut B 4,2		4							

Model	Year	MG	SG	Illustration	Restrictions	UPD	18:01	25.02.2010	PORSCHE	PET	PORSCHE
9442	1988	9	06	906-01		248					



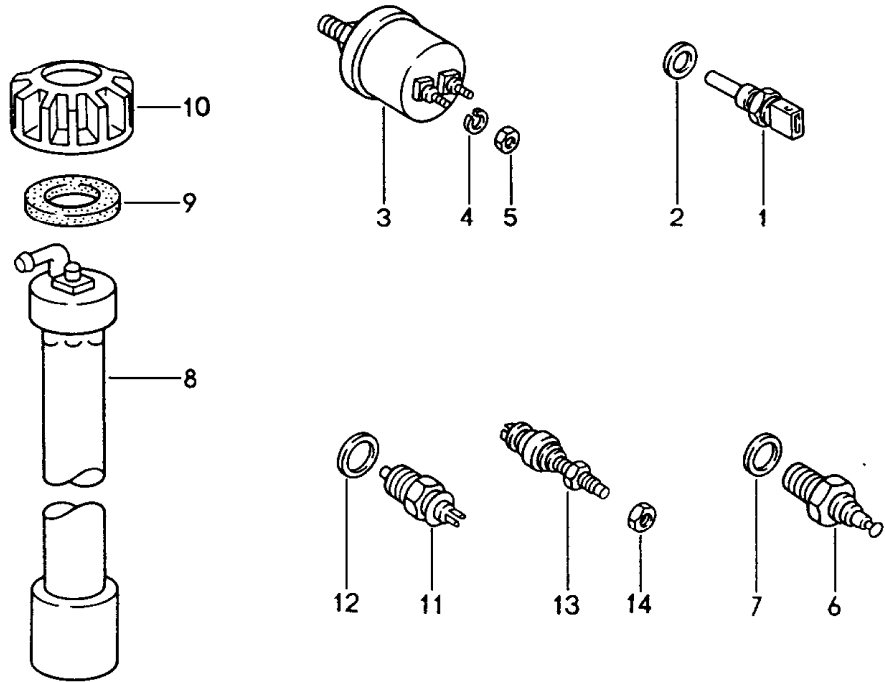
Pos	Part Number	Description	Remark	Qty	Model
		instrument cluster	87-		
1	944 641 953 03	instrument cluster left - temperat. - fuel gauge - german		1	
1	944 641 953 05	instrument cluster left - temperat. - fuel gauge - french		1	
1	944 641 953 04	instrument cluster left - temperat. - fuel gauge - english		1	
2	944 641 951 10	speedometer 270 KM/H		1	944/944S
2	944 641 951 11	speedometer 170 MPH + 270 KM/H	(GB)	1	944/944S
2	944 641 951 12	speedometer 270 KM/H with speed warning device		1	944/944S (SA)
2	944 641 951 18	speedometer 270 KM/H		1	944 AUT.
2	944 641 951 19	speedometer 170 MPH + 270 KM/H	(GB)	1	944 AUT.
2	944 641 951 20	speedometer 270 KM/H with speed warning device		1	944 AUT. (SA)
2	944 641 951 13	speedometer 300 KM/H		1	TURBO
2	944 641 951 14	speedometer 180 MPH + 300 KM/H	(GB)	1	TURBO
2	944 641 951 16	speedometer 300 KM/H with speed warning device		1	TURBO (SA)
3	944 641 952 08	tachometer		1	944
3	944 641 952 09	tachometer		1	944S
3	944 641 952 12	tachometer		1	944 AUT.
3	944 641 952 01	tachometer		1	TURBO

Model	Year	MG	SG	Illustration	Restrictions	UPD	18:01	25.02.2010	PORSCHE	PET	PORSCHE
9442	1988	9	06	906-01		248					

Pos	Part Number	Description	Remark	Qty	Model	Pos	Part Number	Description	Remark	Qty	Model
4	944 641 954 03	instrument cluster right - volt - oil - german		1							
4	944 641 954 05	instrument cluster right - volt - oil - french		1							
4	944 641 954 04	instrument cluster right - volt - oil - english		1							
5	944 641 941 01	covering frame		1							
6	928 641 968 01	mounting plate		1							
7	928 641 982 00	bulb socket		6							
8	928 641 983 00	bulb		6							
9	928 641 921 00	solenoid coil		1							
10	944 641 961 01	printed circuit board		1							
11	944 641 959 02	printed circuit board		1							
12	900 631 019 90	glass-base bulb 12 V - 3 W		4							
13	928 641 927 00	bulb socket		4							
14	999 631 301 90	bulb		4							
15	928 641 960 00	zero adjustment shaft		1							
16	928 641 981 01	resistor		1							
17	928 641 985 00	clip		3							
18	928 641 984 00	clip		4							
19	928 641 986 00	gasket		1							
20	900 143 151 02	combination tapping screw B 4,2 X 16		4							
21	N 015 429 2	speed nut B 4,2		4							

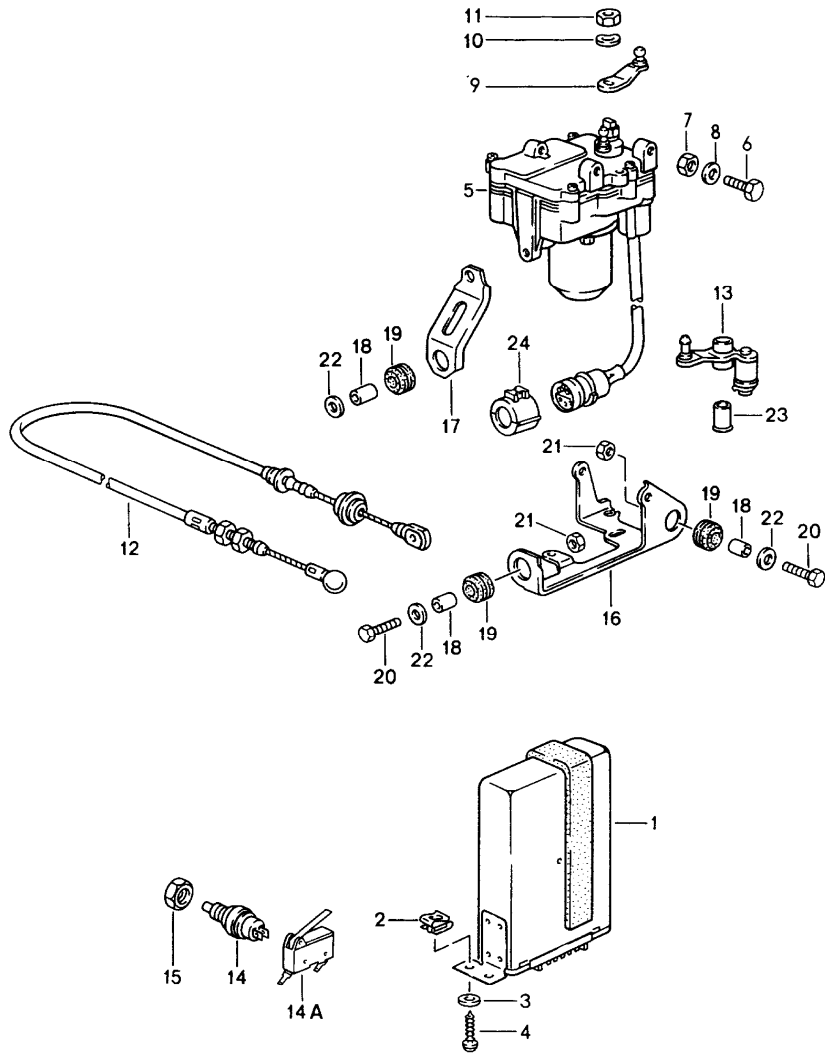
Model	Year	MG	SG	Illustration	Restrictions	UPD	18:01	25.02.2010	PORSCHE	PET	PORSCHE
9442	1988	9	06	906-05		248					

Pos	Part Number	Description	Remark	Qty	Model
		switch and sender			
1	944 606 125 00	temperature sensor		1	
2	900 123 101 30	sealing ring 12 X 18		1	
3	928 606 203 01	oil pressure sender		1	
4	N 012 224 3	spring washer A 4		2	
5	N 011 004 6	hexagon nut M 4		2	
6	928 606 201 01	remote temperature sensor for cooling water		1	
7	900 123 007 30	sealing ring A 14 X 18		1	
8	944 641 037 01	tank gauge		1	
9	944 201 327 00	sealing ring		1	
10	951 201 375 00	union nut		1	
11	084 941 521	switch back-up light		1	
12	900 123 106 30	sealing ring		1	
13	477 945 515	brake light switch		1	
14	481 945 529	nut		1	



Model	Year	MG	SG	Illustration	Restrictions	UPD	18:01	25.02.2010	PORSCHE	PET	PORSCHE
9442	1988	9	07	907-00		248					

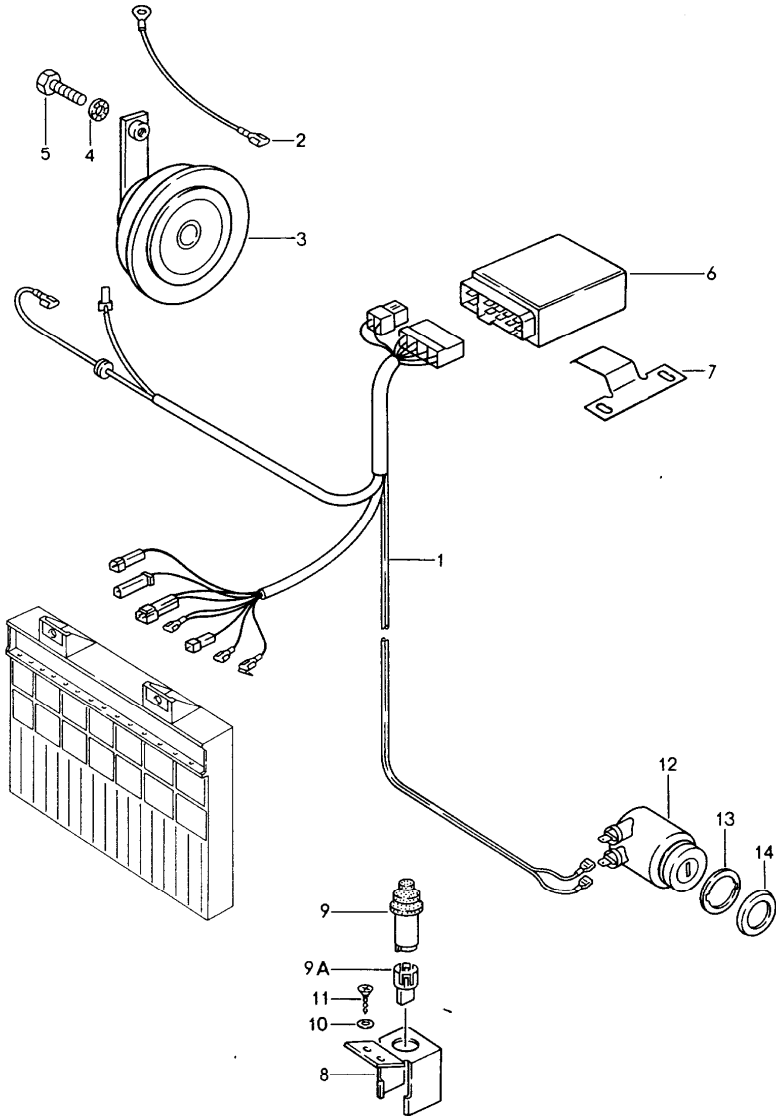
Pos	Part Number	Description	Remark	Qty	Model
		cruise control			M454
1	944 617 132 00	control unit		1	
2	N 015 422 2	speed nut B 4,2 X 17		2	
3	N 012 225 3	spring washer B 5		2	
4	N 013 964 4	tapping screw B 4,2 X 16		2	
5	944 617 121 00	drive link		1	
6	999 072 005 09	hexagon-head bolt M 6 X 12		2	
7	900 076 010 02	hexagon nut M 6		2	
8	N 011 524 7	washer A 6,4		2	
9	944 423 047 00	rubber mounting for drive link		1	
10	N 012 229 3	spring washer A 8		1	
11	N 011 018 4	hexagon nut M 8 X 1		1	
12	944 423 025 02	cable	/LL	1	
(12)	945 423 025 01	cable	/RL	1	
13	944 423 055 00	reverse lever	/LL	1	
13	945 423 055 00	reverse lever	/RL	1	
14	944 613 413 00	switch for clutch pedal	/LL	1	
14A	928 613 413 01	microswitch for clutch pedal	/RL	1	
15	481 945 529	nut M 12 X 1		1	
16	944 423 215 02	support		1	
17	944 423 115 02	strut		1	



Model	Year	MG	SG	Illustration	Restrictions	UPD	18:01	25.02.2010	PORSCHE	PET	PORSCHE
9442	1988	9	07	907-00		248					

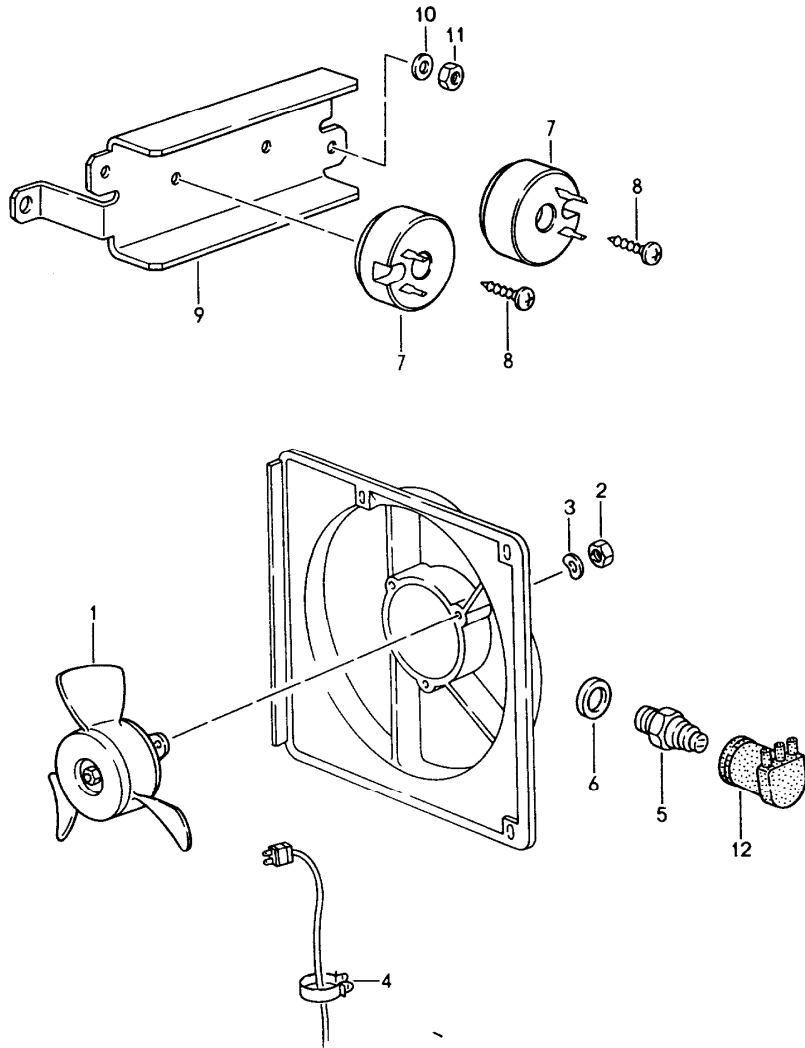
Pos	Part Number	Description	Remark	Qty	Model	Pos	Part Number	Description	Remark	Qty	Model
18	999 531 014 02	bush		3							
19	999 702 133 40	rubber mounting		3							
20	900 075 017 02	hexagon-head bolt M 6 X 25		2							
21	900 076 010 02	hexagon nut M 6		2							
22	N 011 666 7	washer B 6,1		4							
23	999 924 001 40	bush		2							
24	944 612 450 00	support		1							
-	999 651 207 40	cable holder		2							
-	171 721 570 A	locking plate for cable		1							

Model	Year	MG	SG	Illustration	Restrictions	UPD	18:02	25.02.2010	PORSCHE	PET	PORSCHE
9442	1988	9	09	909-00		248					



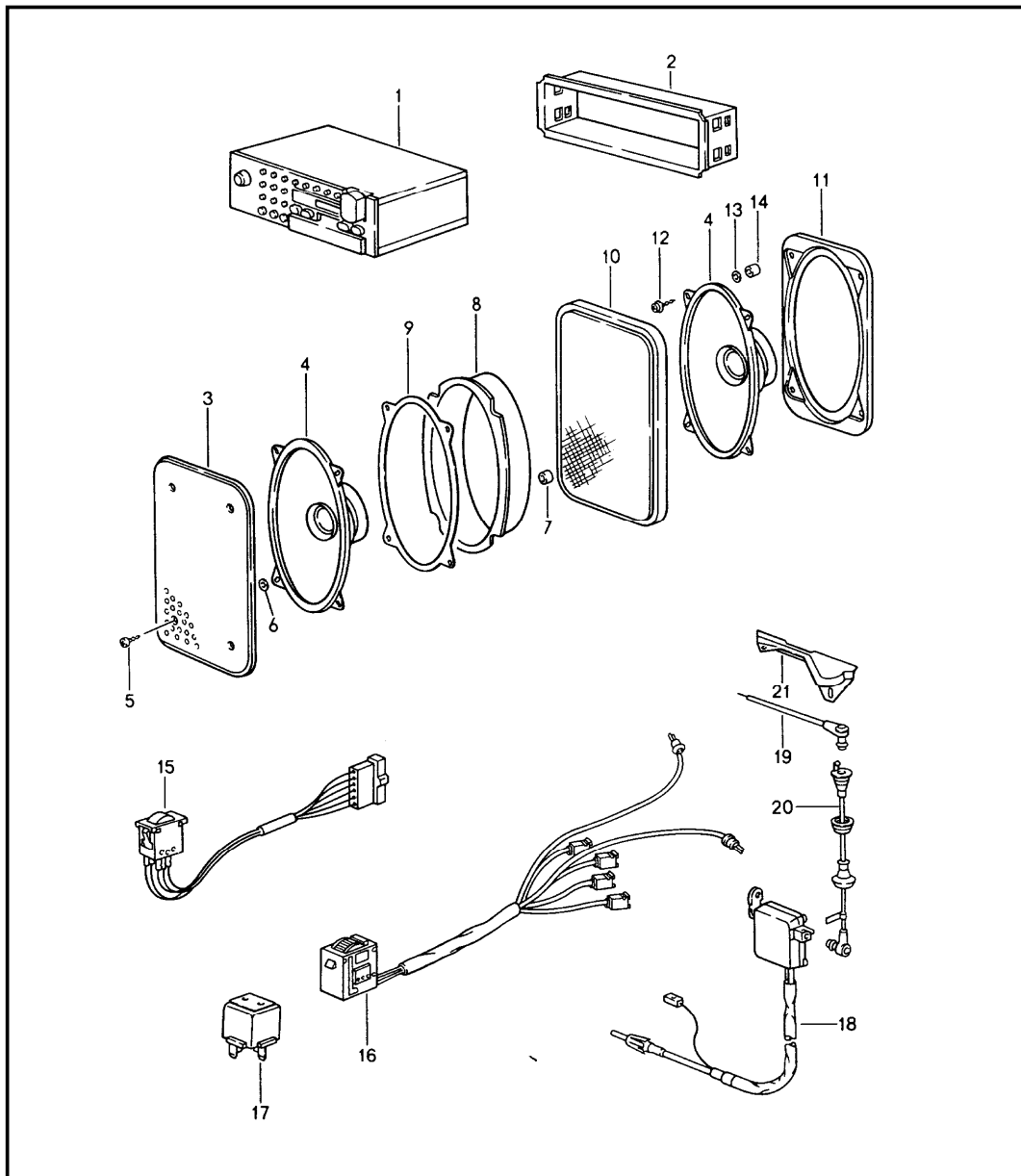
Pos	Part Number	Description	Remark	Qty	Model
		alarm system			
1	477 971 163	wiring harness		1	
2	477 971 325	single line		1	
3	A 944 637 103 01	horn		1	
3	944 637 103 01	horn		1	
4	999 523 102 02	lock washer J 8,4		1	
5	900 075 087 02	hexagon-head bolt M 8 X 16		1	
6	> 911 637 104 02	alarm control unit		1	
6	911 637 104 03	alarm control unit	(CH)	1	
7	944 637 051 01	support		1	944/944S
7	944 637 051 00	support		1	TURBO
8	477 805 713	support		1	
9	928 613 173 00	contact switch		1	
9A	477 971 837	connector housing for contact switch		1	
10	N 011 521 3	washer A 3,7		2	
11	N 013 957 5	tapping screw 3,5 X 9,5		2	
12	911 637 101 00	alarm switch with keys		1	
13	477 951 255	washer		1	
14	477 951 251	rosette		1	
		01C satin black			

Model	Year	MG	SG	Illustration	Restrictions	UPD	18:02	25.02.2010	PORSCHE	PET	PORSCHE
9442	1988	9	10	910-00		248					



Pos	Part Number	Description	Remark	Qty	Model
1	944 624 021 03	electric fan		1	944
1	944 624 021 03	electric fan		2	,TURBO M573
2	900 910 012 02	lock nut M 6		3	
3	N 011 666 7	washer A 6,4		3	
4	999 651 168 40	cable holder		1	
5	944 606 481 00	temperature switch		1	944
(5)	951 606 481 00	switch		1	,TURBO M573
6	N 043 808 1	sealing ring A 22 X 29		1	
7	944 616 521 00	series resistor 52,5 W/0,9 OHM		1	944
7	944 616 521 00	series resistor 52,5 W/0,9 OHM		2	,TURBO M573
8	900 250 016 02	tapping screw AM 5 X 16		1	
9	944 616 511 00	heat dissipator	/LL	-86	1
9	944 616 511 01	heat dissipator	/LL	87-	1
9	944 616 511 00	heat dissipator	/RL		1
10	N 012 226 5	spring washer A 6		2	
11	900 076 010 02	hexagon nut M 6		2	
12	477 971 934	protection cap		1	
-	944 616 513 00	temperature switch		1	
-	N 011 005 14	hexagon nut M 5		1	

Model	Year	MG	SG	Illustration	Restrictions	UPD	18:02	25.02.2010	PORSCHE	PET	PORSCHE
9442	1988	9	11	911-00		248					

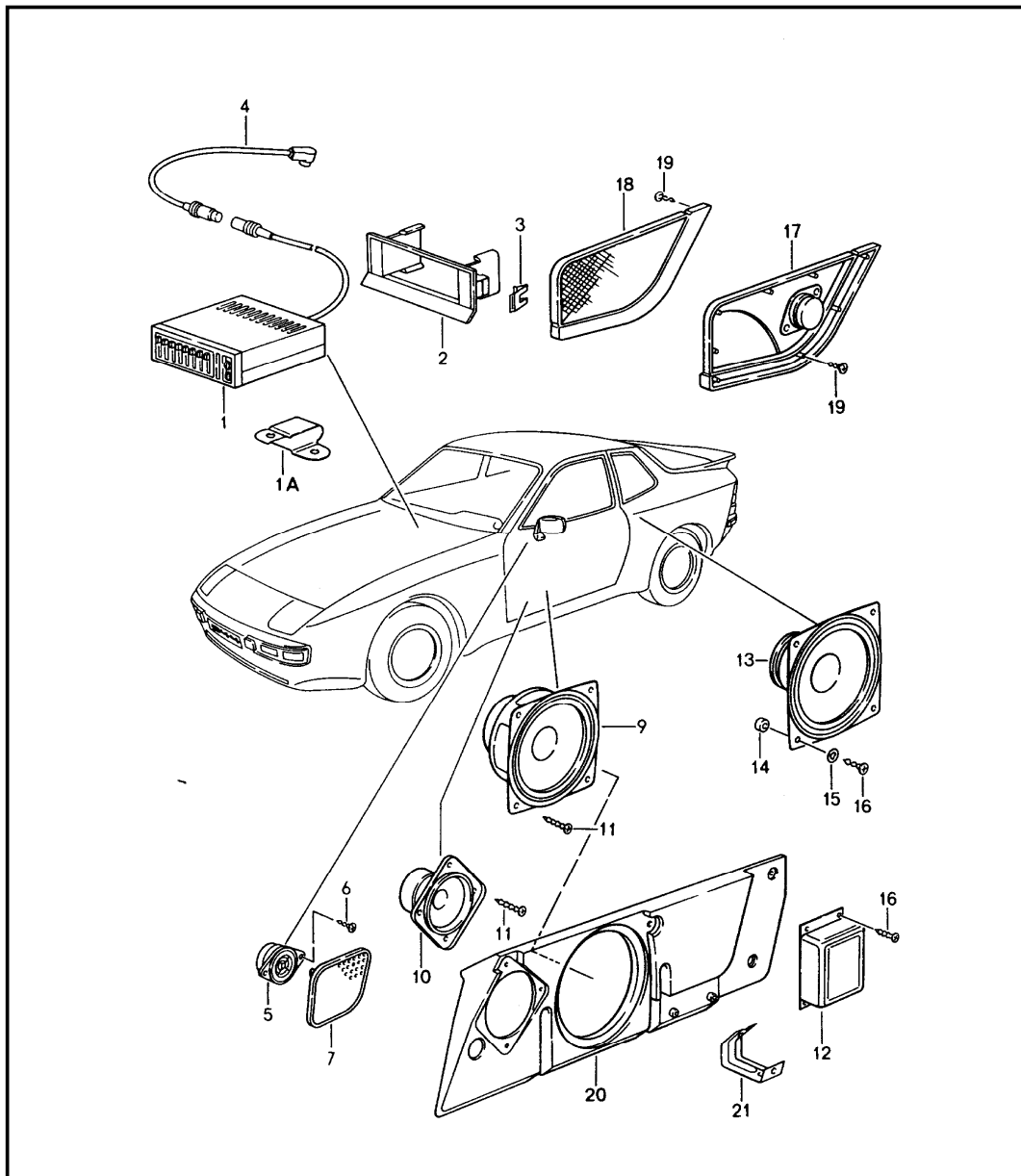


Pos	Part Number	Description	Remark	Qty	Model
(1) >	911 645 158 00	radio radio BOSTON SQM 23 w/o motorist radio information		1	
(1) >	911 645 159 01	radio BREMEN SQR 46		1	
(1) >	911 645 139 02	radio TORONTO SQR 46		1	
(1) >	911 645 168 00	radio LUDWIGSBURG SQM 26		1	
(1) >	911 645 169 00	radio BERLIN IQR 86		1	
2	911 645 173 02	retaining frame		1	
3	477 867 081	loudspeaker grille	/V	2	
		01C black			
		4RB brown			
		8CJ light grey		85	
		9MM burgundy			
		2DJ light grey		86-	
4	944 645 451 00	loudspeaker front		2	
4	944 645 461 01	loudspeaker rear		2	
5	N 014 091 4	tapping screw 3,9 X 16	/V	8	
5	N 013 962 2	tapping screw 3,9 X 16	/H	8	
6	900 151 028 02	washer	/H	8	
7	477 867 373	bush	/V	8	
7	477 035 375	bush	/H	8	
8	944 645 015 00	water protection	/V	2	
9	477 035 999	gasket	/H	2	
10	944 555 149 00	loudspeaker grille		2	M651
		01C satin black			

Model	Year	MG	SG	Illustration	Restrictions	UPD	18:02	25.02.2010	PORSCHE	PET	PORSCHE
9442	1988	9	11	911-00		248					

Pos	Part Number	Description	Remark	Qty	Model	Pos	Part Number	Description	Remark	Qty	Model
11	944 555 159 00	frame		2	M651						
12	900 143 178 07	oval-head sheetmetal screw 3,9 X 22		8	M651						
13	900 025 002 02	washer		8	M651						
14	477 035 375	bush		8	M651						
15	951 645 053 00	fader	85	1							
16	944 645 054 00	fader	86-	1							
17	944 615 103 00	switch unit for radio lifting roof		1							
18	944 645 173 01	antenna booster		1							
19	944 645 185 01	connecting cable for antenna booster		1							
20	941 645 183 00	extension cable for antenna booster		1							
21	944 645 413 00	cover for antenna booster		1							

Model	Year	MG	SG	Illustration	Restrictions	UPD	18:02	25.02.2010	PORSCHE	PET	PORSCHE
9442	1988	9	11	911-05		248					



Pos	Part Number	Description	Remark	Qty	Model
		SOUNDSYSTEM			
1	> 944 645 417 01	equaliser BEA 80		1	
(1)	> 944 645 417 02	equaliser BEA 108		1	
-	944 645 517 00	connecting cable for radio equaliser BEA 108		1	
1A	944 645 065 00	retaining bar for equaliser		1	
2	944 645 501 00	cover for BEA 80		1	
(2)	944 645 501 01	cover for BEA 108		1	
3	944 645 557 00	spring clamp		2	
4	944 645 171 00	connecting cable		1	
5	944 645 427 00	tweeter		2	
6	N 013 958 7	tapping screw		4	
7	944 645 431 00	cover	/L	1	
	01C	black			
	4RB	brown			
	9MM	burgundy			
(7)	944 645 432 00	cover	/R	1	
	01C	black			
	4RB	brown			
	9MM	burgundy			
9	944 645 429 00	woofer		2	
10	944 645 419 00	mid-range loudspeaker		2	
11	900 143 031 02	oval-head sheetmetal screw B 4,2 X 9,5		10	

Model	Year	MG	SG	Illustration	Restrictions	UPD	18:02	25.02.2010	PORSCHE	PET	PORSCHE
9442	1988	9	11	911-05		248					

Pos	Part Number	Description	Remark	Qty	Model	Pos	Part Number	Description	Remark	Qty	Model
12	944 645 437 00	diplexer		2							
13	944 645 425 00	bass loudspeaker		2							
14	477 035 375	bush		8							
15	900 025 002 02	washer A 4,3		8							
16	N 013 961 2	tapping screw B 3,9 X 13		8							
17	944 645 045 00	loudspeaker	/L	1							
	01C	black									
	4RB	brown									
	9MM	burgundy									
18	944 645 046 00	loudspeaker	/R	1							
	01C	black									
	4RB	brown									
	9MM	burgundy									
19	999 919 032 02	oval-head screw 3,5 X 10		16							
20	944 555 943 00	retaining frame	/L	1							
20	944 555 944 00	retaining frame	/R	1							
21	944 531 243 00	retaining bracket for retaining frame		4							

Model	Year	MG	SG	Illustration	Restrictions	UPD	7:46	26.02.2010
9442	1988	9	98	998-00R		248		

Pos	Part Number	Description	Remark	Qty	Model
		installation set repair kits			
>>	>>944 628 995 00	installation set rear window wiper	-86	1	
-	477 955 713 A	wiper motor		1	
-	944 628 071 00	mounting plate		1	
-	N 012 226 5	spring washer B 6		3	
-	900 076 010 02	hexagon nut M 6		3	
-	477 955 737	cap		1	
-	477 955 439	grommet		2	
-	477 955 435 A	washer		1	
-	311 955 243 A	hexagon nut M 12 X 1		1	
-	211 955 275 A	cap		1	
-	477 955 409 A	wiper arm		1	
-	999 084 045 02	lock nut		1	
-	A 928 628 218 01	wiper blade		1	
-	928 628 218 02	wiper blade		1	
-	477 971 345 A	wiring harness for rear window wiper		1	
-	951 613 113 00	rocker switch		1	
	01C	satin black			
>>	>>944 628 995 02	installation set rear window wiper comprising:	-87	1	
-	477 955 713 A	wiper motor		1	
-	944 628 071 01	mounting plate		1	
-	N 012 226 5	spring washer B 6		3	
-	900 076 010 02	hexagon nut M 6		3	
-	477 955 737	cap		1	
-	477 955 439	grommet		2	

Model	Year	MG	SG	Illustration	Restrictions	UPD	7:46	26.02.2010
9442	1988	9	98	998-00R		248		

Pos	Part Number	Description	Remark	Qty	Model
-	477 955 435 A	washer		1	
-	311 955 243 A	hexagon nut M 12 X 1		1	
-	211 955 275 A	cap		1	
-	477 955 409 A	wiper arm		1	
-	999 084 045 02	lock nut		1	
-	928 628 218 01	wiper blade		1	
-	477 971 345 A	wiring harness		1	
-	951 613 113 00	rocker switch		1	
	01C	satin black			
-	937 503 255 01	spacer		2	
-	N 011 524 7	washer A 6,4		2 2	
-	N 014 140 5	oval-head screw M 6 X 15		2	
-	111 953 547	grommet		2	
-	951 613 113 00	rocker switch		1	
	01C	satin black			
>>	>>944 631 911 05	headlamp installation set comprising:		2	
-	944 631 910 00	headlamp		1	
-	944 631 907 00	retaining frame		1	
-	944 612 057 00	cap		1	
-	999 507 252 02	nut B 3,9		3	
-	N 013 964 4	tapping screw B 4,2 X 16		1	
-	900 143 041 00	tapping screw B 3,9 X 19		3	
-	900 025 002 02	washer A 4,3		3	
-	477 941 543	spacer sleeve		3	
-	999 651 224 40	cable holder		1	
-	944 612 436 00	connector		1	

Model	Year	MG	SG	Illustration	Restrictions	UPD	7:46	26.02.2010
9442	1988	9	98	998-00R		248		

Pos	Part Number	Description	Remark	Qty	Model
-	944 612 427 00	contact bush		2	
-	944 612 428 00	round connector		1	
>>	>>944 631 911 04	headlamp installation set comprising:		2 2	M605
-	944 631 910 00	headlamp		1	
-	944 631 907 00	retaining frame		1	
-	944 612 057 00	cap		1	
-	999 507 252 02	nut B 3,9		3	
-	N 013 964 4	tapping screw B 4,2 X 16		1	
-	900 143 041 00	tapping screw B 3,9 X 19		3	
-	900 025 002 02	washer A 4,3		3	
-	477 941 543	spacer sleeve		3	
-	999 651 224 40	cable holder		1	
-	944 631 909 00	electric motor		1	
>>	>>944 631 911 09	headlamp installation set comprising:		2	M492
-	944 631 911 00	headlamp		1	
-	944 631 907 00	retaining frame		1	
-	944 612 057 00	cap		1	
-	999 507 252 02	nut B 3,9		3	
-	N 013 964 4	tapping screw B 4,2 X 16		1	
-	900 143 041 00	tapping screw B 3,9 X 19		3	
-	900 025 002 02	washer A 4,3		3	
-	477 941 543	spacer sleeve		3	
-	999 651 224 40	cable holder		1	
-	944 612 436 00	connector		1	

Model	Year	MG	SG	Illustration	Restrictions	UPD	7:46	26.02.2010
9442	1988	9	98	998-00R		248		

Pos	Part Number	Description	Remark	Qty	Model
-	944 612 427 00	contact bush		2	
-	944 612 428 00	round connector		1	
>>	>>944 631 911 08	headlamp installation set comprising:		2	M492/605
-	944 631 911 00	headlamp		1	
-	944 631 907 00	retaining frame		1	
-	944 612 057 00	cap		1	
-	999 507 252 02	nut B 3,9		3	
-	N 013 964 4	tapping screw B 4,2 X 16		1	
-	900 143 041 00	tapping screw B 3,9 X 19		3	
-	900 025 002 02	washer A 4,3		3	
-	477 941 543	spacer sleeve		3	
-	999 651 224 40	cable holder		1	
-	944 631 909 00	electric motor		1	

M000 ! SUMMARY OF OPTIONAL EXTRAS "M!"
M020 SPEEDOMETER WITH TWO SCALES MPH-KM/H
M026 WITH ACTIVATED CHARCOAL CANISTER
M036 IMPACT ABSORBERS
M036 FRONT AND REAR
M058 IMPACT ABSORBERS FRONT AND REAR
M062 VERSION FOR SWEDEN
M124 VERSION FOR FRANCE
M157 THREE-BED CATALYST, OXYGEN SENSOR AND DIGITAL
M157 ELECTRICAL ENGINE EQUIPMENT
M190 INCREASED SIDE DOOR STRENGTH
M193 VERSION FOR JAPAN
M215 VERSION FOR SAUDI ARABIA
M220 LOCKING DIFFERENTIAL 40 %
M249 AUTOMATIC TRANSMISSION
M255 FUEL CONSUMTION INDICATOR
M288 HEADLAMP WASHER
M395 LIGHT-METAL RIMS, FORGED
M395 6J X 16 WITH TIRES 205/55 VR16
M404 STABILIZER, FRONT AND REAR
M409 SPORT SEATS, LEATHER
M410 SPORT SEATS, SEAT AND BACKREST SURFACE
M410 CLOTH/LEATHERETTE
M418 SIDE PROTECTION MOLDINGS
M423 BOX FOR CASSETTES AND COINS
M425 REAR WINDOW WIPER
M454 AUTOMATIC SPEED CONTROL
M463 SIDE GLASSES TINTED
M468 SIDE GLASSES GREEN AND WINDSHIELD GREEN -
M468 UPPER PART DARKER COLORED
M474 SHOCK ABSORBER (SPORTING) FRONT AND REAR
M475 BRAKE PADS WITHOUT ASBESTOS
M479 VERSION FOR AUSTRALIA
M484 VERSION FOR USA
M492 FOR LEFT-HAND TRAFFIC
M533 ANTI-THEFT DEVICE
M553 VERSION FOR USA, CANADA
M560 DETACHABLE ROOF
M568 TINTED SIDE GLASSES AND TINTED WINDSHIELD
M573 AIR CONDITIONER
M651 ELECTRIC WINDOW OPENER
M657 POWER ASSISTED STEERING

Model	Year	MG	SG	Illustration	VIN No.	Update		
9442	88					249	17:06	02.03.2010

THIS PARTS CATALOGUE CONTAINS ALL ORDER INFORMATION OF
TYPE 944 FROM MODEL YEAR 1985/2 TO MODEL YEAR 1988

IT IS AVAILABLE IN TWO EDITIONS IN THE FOLLOWING LANGUAGES:

EDITION

USA, CANADA - *

EDITION

ALL OTHER COUNTRIES - GERMAN

* - ENGLISH

- FRENCH

- ITALIAN

- SPANISH

UPDATING IS BEING PERFORMED BY CHANGING OF UPDATE.

THE EDITION CAN BE RECOGNIZED BY THE CURRENT NO.
YEAR IN THE BOTTOM LINE OF SUBJECT UPDATE.

THE PREVIOUS UPDATE SHOULD NO LONGER BE USED.

ALL ILLUSTRATIONS ARE SUBJECT TO CHANGE WITHOUT OBLIGATION.

Model	Year	MG	SG	Illustration	VIN No.	Update	17:10	02.03.2010
9442	88					249		

EQUIPMENT BY COUNTRY REGULATIONS

=====

(A) AUSTRIA
(AG) THE GULF STATES
(AUS) AUSTRALIA

(B) BELGIUM

(CDN) CANADA

(CH) SWITZERLAND

(D) FEDERAL REPUBLIC OF GERMANY

(DK) DENMARK

(E) SPAIN

(F) FRANCE

(GB) GREAT BRITAIN

(GR) GREECE

(HK) HONGKONG

(I) ITALY

(J) JAPAN

(L) LUXEMBURG

Model	Year	MG	SG	Illustration	VIN No.	Update		
9442	88					249	17:10	02.03.2010

(N) NORWAY

(NL) NETHERLANDS

(NS) NEW ZEALAND

(P) PORTUGAL

(RC) TAIWAN

(S) SWEDEN

(SA) SAUDI ARABIA

(SF) FINLAND

(USA) UNITED STATES OF AMERICA

Model 9442	Year 88	MG	SG	Illustration	VIN No.	Update 249	17:10	02.03.2010
---------------	------------	----	----	--------------	---------	---------------	-------	------------

IN COLUMN - A -

IDENTIFICATION LETTER FOR PERIOD OF INSTALLATION
THAT IS REPEATED SEVERAL TIMES IN THE CATALOG GROUP.

EXPLANATION PLEASE FIND IN TEXT COLUMN OF THE CATALOG GROUP

IN COLUMN - QU - = NO. OF PIECES

1 NUMBER PER APPLICATION

X NUMBER AS NEEDED

* AVAILABLE ONLY IN RUNNING LENGTHS 1 = 1 METRE

IN COLUMN - MODEL/SYMBOL -

M650 OPTIONAL EQUIPMENT - SEE M-NO. LIST

-88 LIMITATION OF MODEL YEAR FOR INSTANCE: VALID UP TO
END OF MODEL YEAR 1988

/LL LHD

/RL RHD

-----+

/V FRONT I

Model	Year	MG	SG	Illustration	VIN No.	Update	17:10	02.03.2010
9442	88					249		

I
 /H REAR I
 I----> APPLIES TO
 /L LEFT I DIRECTION OF TRAVEL
 I
 /R RIGHT I
 -----+
 AUT. AUTOMATIC
 WW THE PART CAN BE USED INSTEAD OF THE
 PRECEDING ONE

Model	Year	MG	SG	Illustration	VIN No.	Update	17:09	02.03.2010
9442	88					249		

LEGENDS AND NOTICES

=====

IN COLUMN -S- STATUS

- N NEW ADDITION

- P PART ALREADY IN PROGRAMME, BUT NEW
AT THIS APPLICATION

- W DELETED AT THIS APPLICATION, BUT CONTINUED
TO BE CARRIED

- A STOCK TO BE USED UP

- U DELETED WITHOUT REPLACEMENT

- * PART ALSO OR ONLY AVAILABLE
IN REPAIR KIT

- > ALSO AVAILABLE IN EXCHANGE

IN COLUMN - ILL. -

- 1 IDENTIFICATION NO. IN ILLUSTRATION

- (1) PART ONLY SIMILAR AS ILLUSTRATED

- PART IS NOT ILLUSTRATED

Model	Year	MG	SG	Illustration	VIN No.	Update	17:09	02.03.2010
9442	88					249		

FIG.-NUMBERS FOR WHICH THERE IS SHOWN NO TEXT ARE
NOT VALID FOR THIS EDITION OF CATALOGUE

IN COLUMN -PART NUMBER/CODE-

000 000 000 00 PART NUMBER EQUALS ORDERING NO., IF A CODE IS
SHOWN, IT WILL HAVE TO BE PART OF ORDERING
NUMBER

AC3 COLOUR CODE

IN COLUMN -TEXT

INSTALLATION WIRH ENGINE OR CHASSIS
NUMBER-RANGE

EXAMPLE:

M 41F 00134 >> FROM ENGINE NO.

F >> 94 HN40 00143 UP TO VIN

Model 9442	Year 88	MG	SG	Illustration	VIN No.	Update 249	17:09	02.03.2010
---------------	------------	----	----	--------------	---------	---------------	-------	------------

VEHICLE TYPE	TRANSM.			TRANSMISSION NO.	TECHNICAL DATA
	TYPE	MY			
944	016 J	85 F	5Y>		5-SPEED
944 M220	016 J	85 F	5Z>		5-SPEED
944 M249	087 M	85 F	RCE.. .. .>		3-SPEED
944 (USA) (CDN) (J)	016 K	85 F	5S>		5-SPEED
944 (USA) (CDN) (J) M220	016 K	85 F	7V>		5-SPEED
944 (USA) (CDN) (J) M249	087 N	85 F	RCF.. .. .>		3-SPEED
944	016 J	86 G	5Y>		5-SPEED
944 M220	016 J	86 G	5Z>		5-SPEED
944 M249	087 M	86 G	RCE.. .. .>		3-SPEED
944 TURBO	016 R	86 G	5P>		5-SPEED
944 TURBO M220	016 R	86 G	5R>		5-SPEED
944 (USA) (CDN) (J)	016 K	86 G	5S>		5-SPEED
944 (USA) (CDN) (J) M220	016 K	86 G	7V>		5-SPEED
944 (USA) (CDN) (J) M249	087 N	86 G	RCF.. .. .>		3-SPEED
944	016 J	87 H	5Y>		5-SPEED
944 M220	016 J	87 H	5Z>		5-SPEED
944 M249	087 M	87 H	RCE.. .. .>		3-SPEED
944 S	083 D	87 H	AGP.. .. .>		5-SPEED
944 S M220	083 D	87 H	AGR.. .. .>		5-SPEED
944 TURBO	016 R	87 H	5P>		5-SPEED
944 TURBO M220	016 R	87 H	5R>		5-SPEED
944 TURBO	016 S	87 H	UY>		5-SPEED
944 TURBO M220	016 S	87 H	9U>		5-SPEED
944 (USA) (CDN)	016 K	87 H	5S>		5-SPEED
944 (USA) (CDN) M220	016 K	87 H	7V>		5-SPEED
944 (USA) (CDN) M249	087 N	87 H	RCF.. .. .>		3-SPEED
944	016 J	88 J	5Y>		5-SPEED

Model	Year	MG	SG	Illustration	VIN No.	Update	17:09	02.03.2010
9442	88					249		

944 M220			016 J	88 J 5Z>		5-SPEED		
944 M249			087 M	88 J RCE.. .. .>		3-SPEED		
944 S			083 D	88 J AGP.. .. .>		5-SPEED		
944 S M220			083 D	88 J AGR.. .. .>		5-SPEED		
944 TURBO			016 R	88 J 5P>		5-SPEED		
944 TURBO M220			016 R	88 J 5R>		5-SPEED		
944 TURBO			016 S	88 J UY>		5-SPEED		
944 TURBO M220			016 S	88 J 9U>		5-SPEED		
944 TURBO S			016 R	88 J 5R>AOR		5-SPEED		
944 (USA) (CDN)			087 N	88 J RCF.. .. .>		3-SPEED		

Model	Year	MG	SG	Illustration	VIN No.	Update	17:09	02.03.2010
9442	88					249		

EXPLANATION OF THE TRANSMISSION-NUMBERS USED IN THE CATALOGUE

=====

DIGIT:		1	2	3	4	5	6	7	8
EXAMPLE:		A	O	S	1	9	0	2	0
		=====	====	====	====	====	====	====	====
			!	!	!	!	!	!	!
			!	!	!	!	!	!	!
CODE LETTERS-----	+				!	!	!	!	!
					!	!	!	!	!
MANUFACTURING DAY-----	+					!	!	!	!
						!	!	!	!
MANUFACTURING MONTH-----	+							!	!
								!	!
MANUFACTURING YEAR-----	+								!

Model 9442	Year 88	MG	SG	Illustration	VIN No.	Update 249	17:09	02.03.2010
---------------	------------	----	----	--------------	---------	---------------	-------	------------

ENGINE

VEHICLE TYPE	TYPE	MY	ENGINE NO.	TECHNICAL DATA
944	M44.05	85 F	41F 00001>20000	4CYL/2,5L/120KW
944 M249	M44.06	85 F	41F 20001>30000	4CYL/2,5L/120KW
944	M44.07	85 F	43F 00001>20000	4CYL/2,5L/110KW
944 M249	M44.08	85 F	43F 20001>30000	4CYL/2,5L/110KW
944	M44.05	86 G	41G 00001>20000	4CYL/2,5L/120KW
944 M298	M44.06	86 G	41G 20001>30000	4CYL/2,5L/120KW
944 M298	M44.07	86 G	43G 00001>60000	4CYL/2,5L/110KW
944 M299	M44.08	86 G	43G 60001>90000	4CYL/2,5L/110KW
944 TURBO	M44.50	86 G	44G 00001>00400	4CYL/2,5L/162KW
944 TURBO	M44.51	86 G	45G 00001>20000	4CYL/2,5L/162KW
944	M44.05	87 H	41H 00001>20000	4CYL/2,5L/120KW
944 M249	M44.06	87 H	41H 20001>30000	4CYL/2,5L/120KW
944 M298	M44.07	87 H	43H 00001>60000	4CYL/2,5L/110KW
944 M299	M44.08	87 H	43H 60001>90000	4CYL/2,5L/110KW
944 S	M44.40	87 H	42H 00001>50000	4CYL/2,5L/140KW
944 TURBO	M44.51	87 H	45H 00001>10000	4CYL/2,5L/162KW
944	M44.09	88 J	46J 00001>60000	4CYL/2,5L/118KW
944 M249	M44.10	88 J	46J 60001>70000	4CYL/2,5L/118KW
944 S	M44.40	88 J	42J 00001>50000	4CYL/2,5L/140KW
944 TURBO	M44.51	88 J	45J 00001>10000	4CYL/2,5L/162KW
944 TURBO S	M44.52	88 J	47J 00061>10000	4CYL/2,5L/184KW

Model	Year	MG	SG	Illustration	VIN No.	Update	17:08	02.03.2010
9442	88					249		

EXPLANATION OF THE MOTOR-NUMBERS USED IN THE CATALOGUE

=====

DIGIT: 1 2 3 4 5 6 7 8

EXAMPLE: 4 5 J 0 0 1 3 6

= = = =====

! ! ! !

ENGINE TYPE (4 = 4-CYL.-ENGINE) -----+ ! ! !

! ! !

ENGINE VERSION-----+ ! !

! !

MODEL YEAR-----+ !

!

SERIAL NUMBER-----+ !

Model	Year	MG	SG	Illustration	VIN No.	Update	17:07	02.03.2010
9442	88					249		

VEHICLE TYPE	MY	VEHICLE IDENT.NR.	ENGINE TYPE
944	85 F	94FN4 00001>30000	M44.05/06 120KW
944 (USA) (CDN)	85 F	94FN4 50001>80000	M44.07/08 110KW
944 (J)	85 F	94FN4 00001>30000	M44.07/08 110KW
944	86 G	94GN4 00001>30000	M44.05/06 120KW
944 M298 (J)	86 G	94GN4 00001>30000	M44.07 110KW
944 M299	86 G	94GN4 00001>30000	M44.08 110KW
944 (USA) (CDN)	86 G	94GN4 50001>80000	M44.07/08 110KW
944 TURBO	86 G	95GN1 40001>50000	M44.50 162KW
944 TURBO	86 G	95GN1 00001>40000	M44.51 162KW
944 TURBO (USA) (CDN)	86 G	95GN1 50001>70000	M44.51 162KW
944	87 H	94HN4 20001>50000	M44.05/06 120KW
944 M298	87 H	94HN4 20001>50000	M44.07 110KW
944 M299	87 H	94HN4 20001>50000	M44.08 110KW
944 S	87 H	94HN4 00001>08000	M44.40 140KW
944 S M637	87 H	94HN4 08001>20000	M44.40 140KW
944 S (USA) (CDN)	87 H	94HN4 50001>60000	M44.40 135KW
944 S (USA) (CDN) M637	87 H	94HN4 60001>65000	M44.40 135KW
944 S (USA) (CDN) M562	87 H	94HN4 65001>80000	M44.40 135KW
944 TURBO	87 H	95HN1 00001>04000	M44.51 162KW
944 TURBO M637	87 H	95HN1 04001>50000	M44.51 162KW
944 TURBO (USA)	87 H	95HN1 50001>60000	M44.51 162KW
944 TURBO (CDN)	87 H	95HN1 60001>65000	M44.51 162KW
944 TURBO (CDN) M637	87 H	95HN1 65001>70000	M44.51 162KW
944	88 J	94JN4 20001>70000	M44.09/10 118KW
944 (USA) (CDN)	88 J	94JN4 70001>80000	M44.09/10 118KW
944 (USA) (CDN) M562/563	88 J	94JN4 80001>90000	M44.10 118KW
944 S	88 J	94JN4 00001>08000	M44.40 140KW

Model	Year	MG	SG	Illustration	VIN No.	Update		
9442	88					249	17:07	02.03.2010

944 S M637				88 J 94JN4	08001>50000	M44.40	140KW	
944 S (USA) (CDN) M637				88 J 94JN4	50001>65000	M44.40	140KW	
944 S (USA) (CDN) M562/563				88 J 94JN4	65001>80000	M44.40	140KW	
944 TURBO				88 J 95JN1	00001>04000	M44.51	162KW	
944 TURBO M637				88 J 95JN1	04001>10000	M44.51	162KW	
944 TURBO (USA)				88 J 95JN1	50001>60000	M44.51	162KW	
944 TURBO (CDN)				88 J 95JN1	60001>65000	M44.51	162KW	
944 TURBO (CDN) M637				88 J 95JN1	65001>80000	M44.51	162KW	
944 TURBO S				88 J 95JN1	04001>50000	M44.52	184KW	
944 TURBO S (USA)				88 J 95JN1	50001>60000	M44.52	184KW	

Model	Year	MG	SG	Illustration	VIN No.	Update	17:07	02.03.2010
9442	88					249		

EXPLANATION OF THE ABRIDGED VERSION OF THE VEHICLE IDENT. NUMBERS (VIN)

USED IN THE CATALOGUE

DIGIT:		1	2	3	4	5	6	7	8	9	10	11	12	13	14	15	16	17
--------	--	---	---	---	---	---	---	---	---	---	----	----	----	----	----	----	----	----

EXAMPLE:		W	P	O	Z	Z	Z	9	4	Z	J	N	4	0	0	1	2	5
----------	--	---	---	---	---	---	---	---	---	---	---	---	---	---	---	---	---	---

		===		=	=	=	=====
--	--	-----	--	---	---	---	-------

						!	!	!	!		!
VEHICLE TYPE 1ST+2ND DIGIT-----+						!	!	!	!		!

						!	!	!	!		!
MODEL YEAR-----+						!	!	!	!		!

						!	!	!	!		!
MANUFACTURING LOCATION-----+						!	!	!	!		!

						!	!	!	!		!
VEHICLE TYPE 3RD DIGIT-----+						!	!	!	!		!

SERIAL NUMBER-----+						!	!	!	!		!
---------------------	--	--	--	--	--	---	---	---	---	--	---