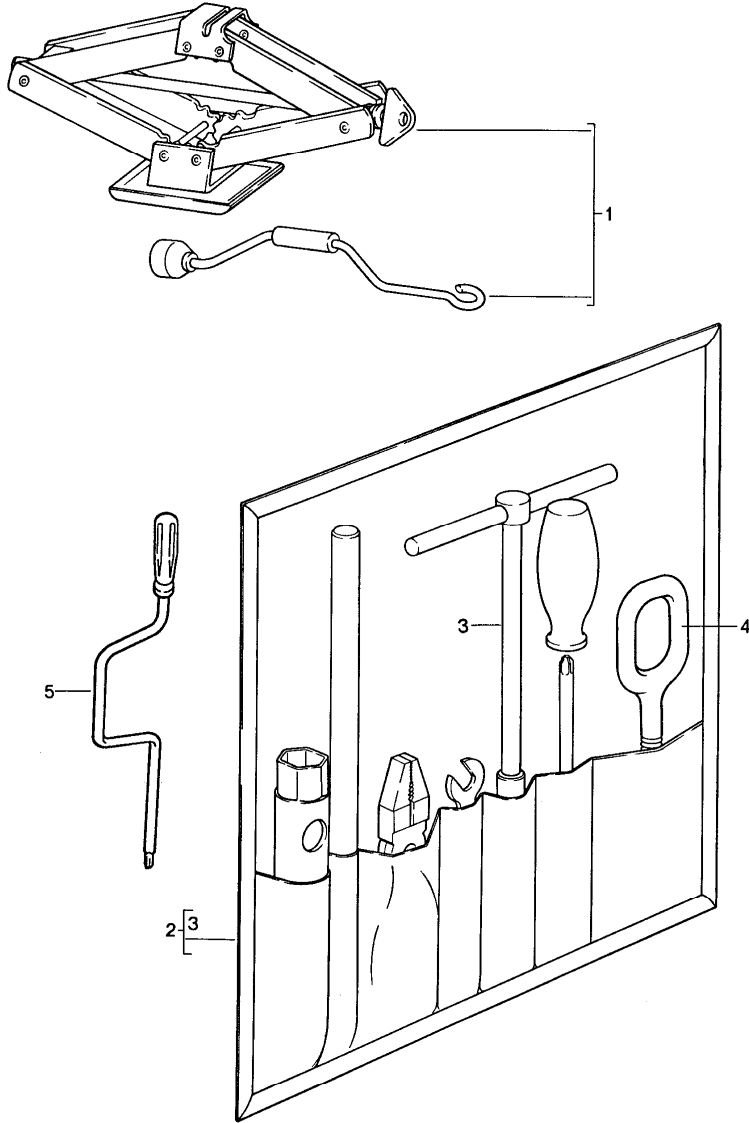
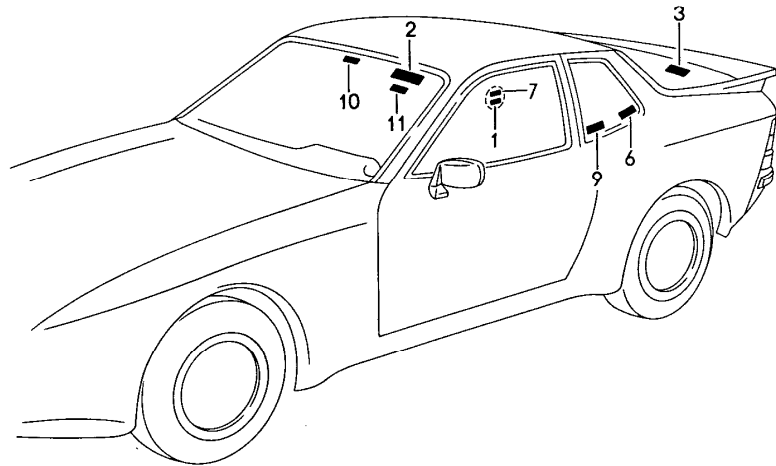
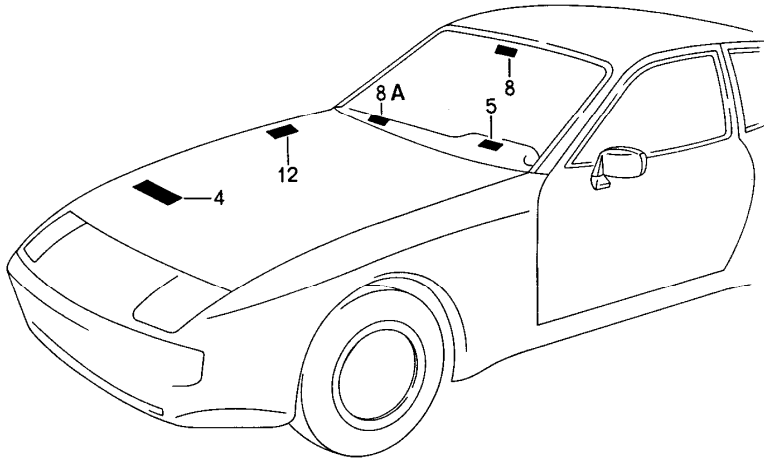


Model	Year	MG	SG	Illustration	Restrictions	UPD	22:22	23.01.2010	PORSCHE	PET	PORSCHE
9442	1991	0	01	001-00		248					



Pos	Part Number	Description	Remark	Qty	Model
		accessories			
(1)	000 721 710 01	jack		1	
(2)	944 721 027 05	tool bag with contents comprising: tool bag angular screw driver		1 1	
3	477 012 233	spark plug wrench rim wrench operating rod for rim wrench double-end spanner 10 X 13 handle insert for cross-recess screw and slotted screw universal pliers		1 1 1 1 1 1 1	
-	928 361 311 00	hook for cover wheel nut use also:		1	
4	996 721 151 00	towing lug		1	944
4	928 722 101 05	towing lug		1	M058
4	951 722 101 00	towing lug		1	944S2/TURBO
5	928 521 907 02	crank for emergency control		1	M437/438

Model	Year	MG	SG	Illustration	Restrictions	UPD	22:22	23.01.2010	PORSCHE	PET	PORSCHE
9442	1991	0	01	001-05		248					



Pos	Part Number	Description	Remark	Qty	Model
		stickers			
		stickers			
		tyre pressure			
1	937 701 127 00	sticker		1	944
1	944 701 287 19	sticker	(AUS)	1	944
1	944 701 287 20	sticker	(AUS)	1	944 M395/458
1	944 701 287 18	sticker	(AUS)	1	944 M164
1	951 701 127 00	sticker		89	944S2
1	964 701 287 00	sticker		90 91	944S2 TURBO CABRIO
1	964 701 287 03	sticker		91	944S2
1	951 701 287 05	sticker	(AUS)	-90	944S2 M395/458
1	944 701 287 23	sticker	(AUS)	91	944S2 /399 M395
1	951 701 287 09	sticker	(AUS)	-90	944S2 M030/031
1	944 701 287 24	sticker		91	944S2 COUPE M030/400
1	951 701 127 00	sticker		89	TURBO
1	964 701 287 00	sticker		90	TURBO
1	951 701 287 06	sticker	(AUS)	89	TURBO M393/637
1	951 701 287 09	sticker	(AUS)	90 91	TURBO TURBO CABRIO
		stickers			
		sekuriflex			
2	928 701 102 02	indication sticker german		1	
2	928 701 102 06	indication sticker english		1	
2	928 701 102 03	indication sticker french		1	

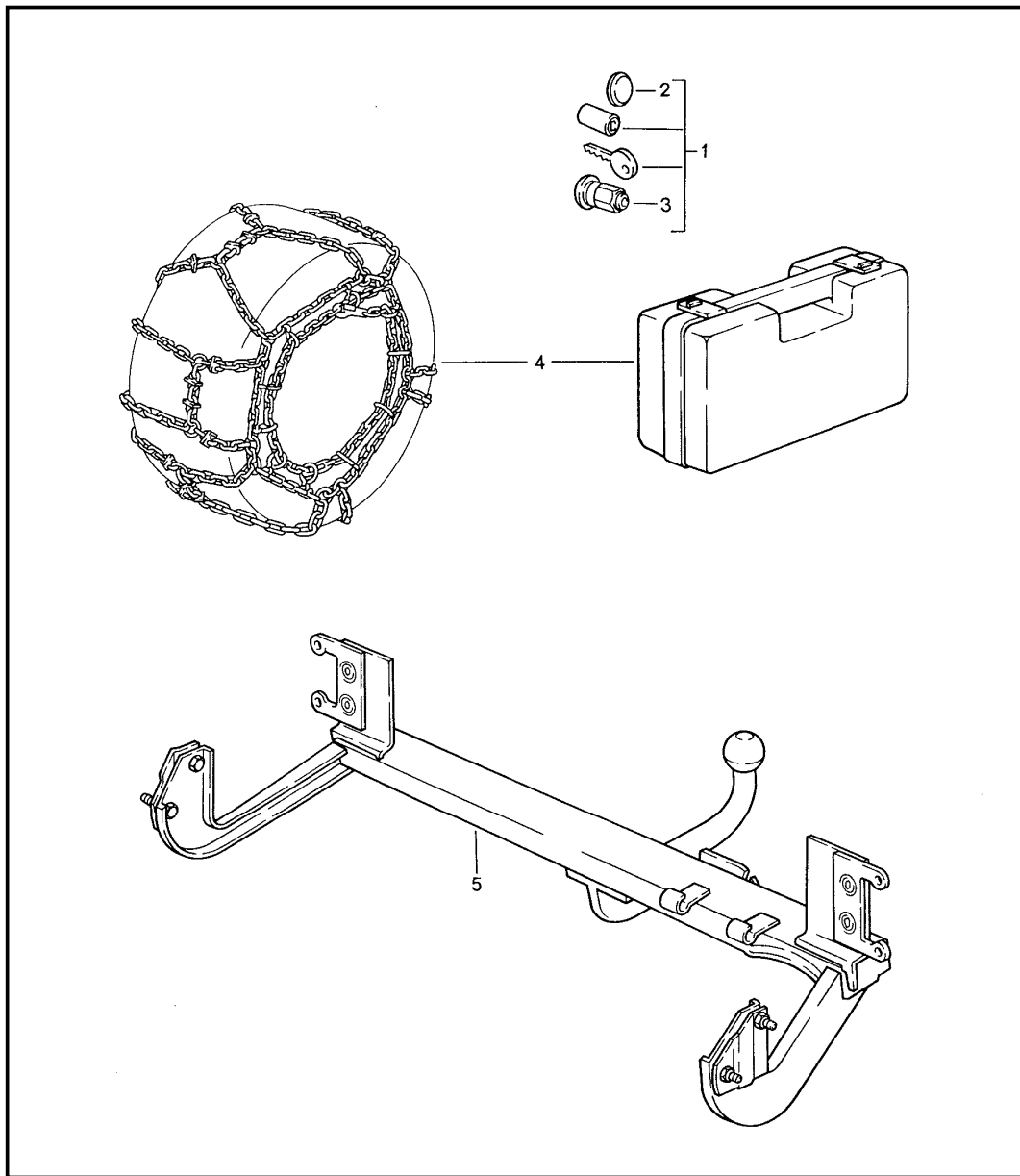
Model	Year	MG	SG	Illustration	Restrictions	UPD	22:22	23.01.2010	PORSCHE	PET	PORSCHE
9442	1991	0	01	001-05		248					

Pos	Part Number	Description	Remark	Qty	Model	Pos	Part Number	Description	Remark	Qty	Model
2	928 701 102 04	indication sticker italian		1				stickers unleaded dashboard			
2	928 701 102 05	indication sticker spanish		1		5	928 701 173 02	sticker english		1	
		stickers emergency wheel				5	944 701 210 02	sticker german		1	
3	928 701 145 05	sticker german		1		5	928 701 173 03	sticker french		1	
3	996 361 701 00	sticker english		1		5	928 701 173 04	sticker swedish		1	
3	996 361 701 01	sticker french		1				stickers unleaded side window			
3	928 701 148 05	sticker italian		1		6	477 000 258	sticker english		1	
3	928 701 149 00	sticker spanish		1		6	944 701 201 03	sticker german		1	
3	928 701 150 00	sticker "MAX 80 KM/H"	91	1		6	928 701 171 02	sticker french		1	
		stickers engine specifications				6	944 701 201 05	sticker swedish		1	
4	944 006 113 09	sticker	(S)	1	944	6	911 701 257 02	sticker italian		1	
4	944 006 117 10	sticker	(AUS)	1	944	6	911 701 257 03	sticker spanish		1	
4	944 006 115 31	sticker	(N) (CDN) (USA) (AUS)	-90 1	944S2			stickers octane rating			
4	944 006 115 32	sticker	(AUS) (CDN) (USA)	91	944S2	7	928 006 117 07	sticker swedish		1	95ROZ
4	944 006 113 10	sticker	(S)	1	944S2	7	928 006 117 03	sticker german		1	95ROZ
4	944 006 117 11	sticker	(AUS)	89	944S2	7	928 006 117 08	sticker english		1	95ROZ
4	944 006 117 12	sticker	(AUS)	90	944S2	7	928 006 117 09	sticker french	-90	1	95ROZ
4	944 006 117 13	sticker	(AUS)	91	944S2	7	928 006 117 12	sticker french	91	1	95ROZ
4	951 006 115 12	sticker	(AUS) (CDN)	-90	TURBO						
4	951 006 117 03	sticker	(AUS)	89	TURBO						
4	951 006 117 04	sticker	(AUS)	90	TURBO						
4	951 006 119 08	sticker	(S)	-90	TURBO						

Model	Year	MG	SG	Illustration	Restrictions	UPD	22:22	23.01.2010	PORSCHE	PET	PORSCHE
9442	1991	0	01	001-05		248					

Pos	Part Number	Description	Remark	Qty	Model	Pos	Part Number	Description	Remark	Qty	Model	
7	928 006 117 10	sticker italian		1	95ROZ	10	941 701 151 12	sticker french		1		
7	928 006 117 11	sticker spanish		1	95ROZ	10	941 701 151 11	sticker english		1		
7	930 701 203 01	sticker english		1	91ROZ			stickers convertible top control electric			CABRIO	
		stickers unleaded			CABRIO	10	941 701 151 16	sticker german		1		
7	944 701 201 07	sticker german		1		10	941 701 151 20	sticker spanish		1		
7	911 701 257 04	sticker italian		1		10	941 701 151 19	sticker italian		1		
7	911 701 257 05	sticker spanish		1		10	941 701 151 21	sticker japanese		1		
7	944 701 201 06	sticker swedish		1		10	941 701 151 18	sticker french		1		
		stickers airbag				10	941 701 151 17	sticker english		1		
8A	928 701 421 03	sticker german english	91	1				stickers convertible top latch			CABRIO	
8A	928 701 421 04	sticker french english	91	1		11	941 701 153 10	sticker	/L	1		
		sticker alarm system				(11)	941 701 154 10	sticker	/R	1		
9	911 701 250 00	sticker		2				sticker contains asbestos				
		stickers convertible top control manually			CABRIO	12	944 006 222 00	sticker	(CH)	90-	1	944/951
10	941 701 151 10	sticker german		1								
10	941 701 151 14	sticker spanish		1								
10	941 701 151 13	sticker italian		1								
10	941 701 151 15	sticker japanese		1								

Model	Year	MG	SG	Illustration	Restrictions	UPD	22:22	23.01.2010	PORSCHE	PET	PORSCHE
9442	1991	0	02	002-00		248					

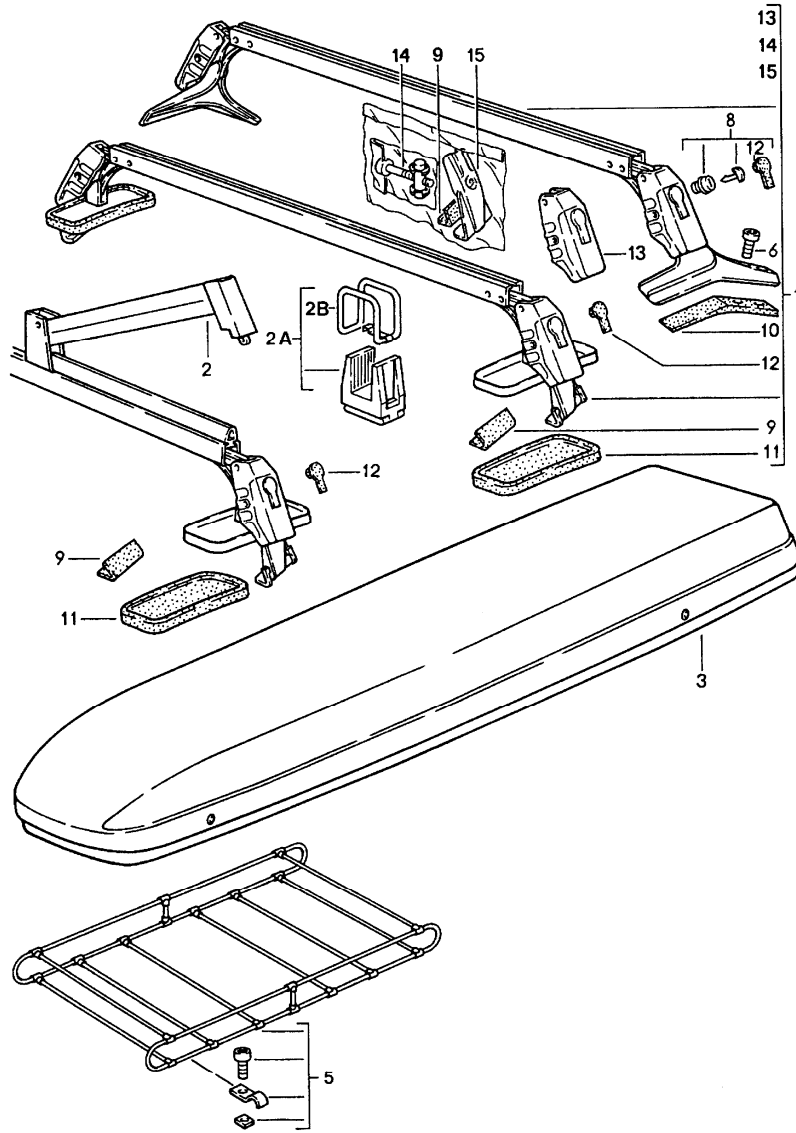


Pos	Part Number	Description	Remark	Qty	Model
		accessories			
1	928 361 047 03	wheel nut lockable 1 set comprising: wheel nut lock cap		1 4 4 4	
2	965 361 167 00	cap		4	
3	928 361 306 03	wheel nut lockable without lock		4	
-	928 361 312 01	blank key for wheel nut lockable		X	
		snow chains			
4	911 361 909 00	snow chains 1 set for tyre 185/70 R 15 205/55 R 16 215/60 R 15		1	
4	993 361 931 00	snow chains 1 set for tyre 225/50 R 16		1	
		trailer coupling			
5	944 722 901 00	trailer coupling complete with electric installation set use also:		1	
-	944 111 064 00	hook for rear muffler		2	
5	944 722 901 01	trailer coupling complete with electric installation set use also:		1	M058
-	944 111 064 00	hook for rear muffler		2	

Model	Year	MG	SG	Illustration	Restrictions	UPD	22:22	23.01.2010	PORSCHE	PET	PORSCHE
9442	1991	0	02	002-00		248					

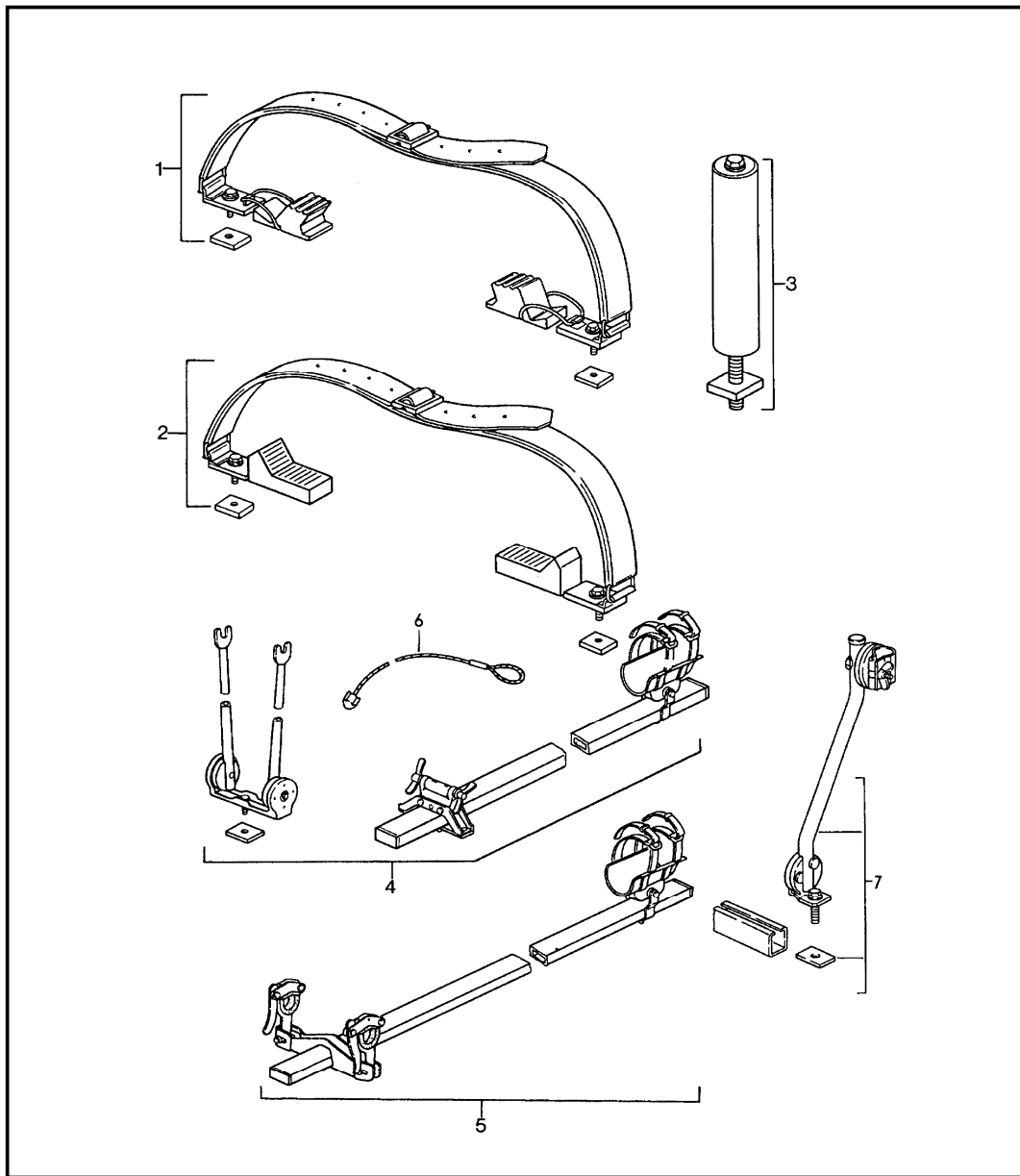
Pos	Part Number	Description	Remark	Qty	Model	Pos	Part Number	Description	Remark	Qty	Model
		BEI ENTFALL DER winged rear apron use also:									
-	999 703 326 40	stopper		4							
-	928 006 901 00	sticker drawbar load		1							
-	111 919 209 A	indicator light		1							
-	900 631 132 90	bulb 12V/1,2W		1							
-	431 953 231	relay		1							

Model	Year	MG	SG	Illustration	Restrictions	UPD	22:22	23.01.2010	PORSCHE	PET	PORSCHE
9442	1991	0	02	002-06		248					



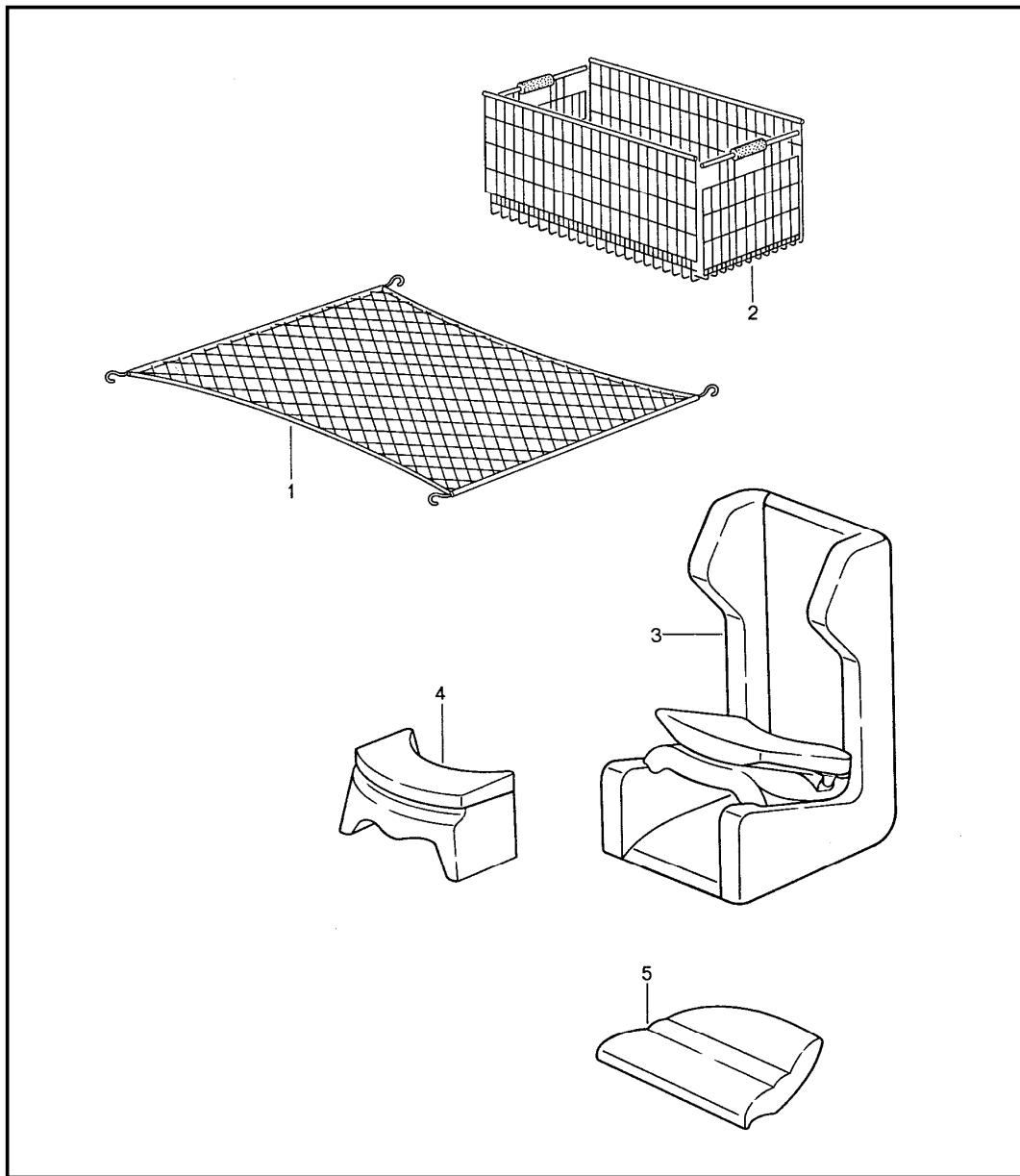
Pos	Part Number	Description	Remark	Qty	Model
		roof transport system			
1	944 801 005 00	main support 1 set		1	
2	928 801 061 02	retaining strip 1 set		1	
2A	928 801 903 02	rubber support for skis		1	
2B	928 801 193 02	retaining strap		1	
3	928 801 063 02	ski box	/L	1	
3	928 801 064 02	ski box	/R	1	
5	928 801 081 02	roof rack set		1	
6	999 119 012 07	pan-head screw		4	
8	928 801 011 02	cylinder lock with keys		2	
9	477 091 145	protection cap		2	
10	477 091 151 A	protective rubber	/L	1	
(10)	477 091 152 A	protective rubber	/R	1	
11	928 801 267 02	rubber plate		2	
12	928 801 111 02	protection cap		4	
13	928 801 107 02	lid		2	
14	944 801 901 01	parts kit comprising: bolt screw lock		X 1 1 2	
15	944 801 901 00	parts kit comprising: support desk pad screw washer		X 2 2 2 2	

Model	Year	MG	SG	Illustration	Restrictions	UPD	22:23	23.01.2010	PORSCHE	PET	PORSCHE
9442	1991	0	02	002-07		248					



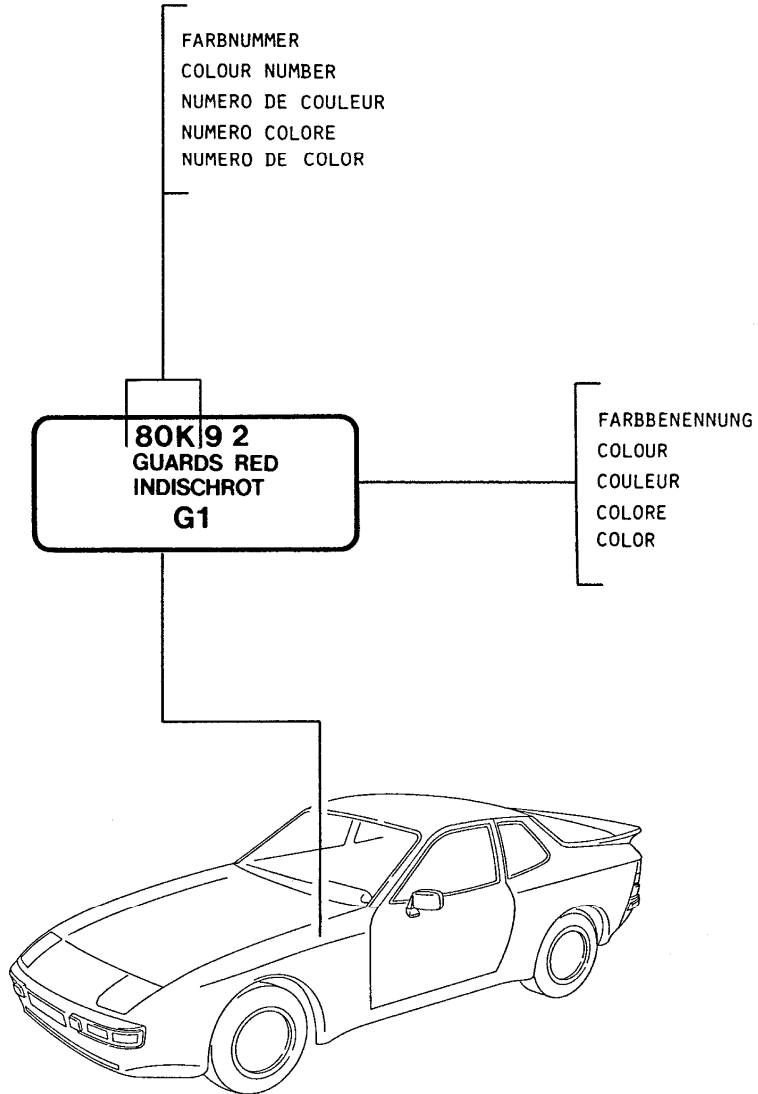
Pos	Part Number	Description	Remark	Qty	Model
		roof transport system			
1	928 801 019 02	set of surf board supports		1	
2	928 801 017 02	set - canoe carrier		1	
3	928 801 085 02	ladder support mandrel 1 set		1	
4	928 801 093 02	set - bike carrier for racing bike		1	
5	928 801 095 02	set - bike carrier for standard bike		1	
6	928 801 079 02	safety rope for anti-theft protection		1	
7	928 801 097 02	support for bicycle		1	

Model	Year	MG	SG	Illustration	Restrictions	UPD	22:23	23.01.2010	PORSCHE	PET	PORSCHE
9442	1991	0	02	002-10		248					



Pos	Part Number	Description	Remark	Qty	Model
		accessories			
1	477 863 539	luggage net		1	
2	000 043 002 00	car basket foldable		1	
3	944 522 051 01	child car seat up to 4 years		1	
4	928 522 050 00	child car seat older than 4 years only together with child car seat cushion		1	
5	944 522 159 00	child car seat cushion	/L	1	
	4CR	black for back seat			
5	944 522 160 00	child car seat cushion	/R	1	
	4CR	black for back seat			
-	000 043 081 00	floor mat rubber 1 set		1	
				2	

Model	Year	MG	SG	Illustration	Restrictions	UPD	22:23	23.01.2010	PORSCHE	PET	PORSCHE
9442	1991	0	04	004-00		248					



Pos	Part Number	Description	Remark	Qty	Model
		paint touch-up applicator			
		paint touch-up applicator			
-	L 090 E01	alpine white		X	L 90E
-	L 0Y5 D01	azure blue		X	L Y5D
-	L 0M3 A01	paint		X	L M3A
-	911 095 932 20	paint	-90	X	L 041
		700 black			
-	L 0M3 B01	rubystone red	91-	X	L M3B
-	L 0M5 A01	maritime blue	91-	X	L M51
-	911 095 932 20	paint	91-	X	
		908 grand prix white			
		80K guards red	91-		
		82N rubystone red	91-		
		38B maritime blue	91-		
		paint touch-up applicator set comprising: paint touch-up applicator top-coat paint paint touch-up applicator clear lacquer			
-	L 0Y9 Y02	satin black metallic	-90	X	L Y9Y
-	L 0Y7 U02	stone grey metallic	-90	X	L Y7U
-	L 0Y7 Y02	zermatt silver metallic	-90	X	L Y7Y
-	L 0Y5 U02	glacier blue metallic		X	L Y5U
-	L 0Y1 Z02	bamboo metallic	-90	X	L Y1Z
-	L 0M3 U02	velvet red metallic	-90	X	L M3U
-	L 0M5 P02	baltic blue metallic	-90	X	L M5P
-	L 0M1 U02	linen grey metallic	-90	X	L M1U
-	L 0Y7 T02	crystal silver metallic		X	L Y7T
-	L 0Y9 Z02	panther black metallic		X	L Y9Z
-	L 0Y7 P02	titanium metallic		X	L Y7P

Model	Year	MG	SG	Illustration	Restrictions	UPD	22:23	23.01.2010	PORSCHE	PET	PORSCHE
9442	1991	0	04	004-00		248					

Pos	Part Number	Description	Remark	Qty	Model	Pos	Part Number	Description	Remark	Qty	Model
-	L 0Z3 T02	cyclamen red metallic		X	L Z3T						
-	L 0Y9 B02	brilliant black	91-	X	L Y9B						
-	L 0M5 N02	cobalt blue metallic	91-	X	L M5N						
-	911 095 933 20	top-coat paint	91-	X							
	738	black-metallic									
	38A	amethyst metallic	91-								
	22D	slate grey metallic	91-								
	92E	polar silver metallic	91-								
	37W	midnight blue metallic	91-								
	37U	cobalt blue metallic	91-								

Model	Year	MG	SG	Illustration	Restrictions	UPD	22:23	23.01.2010
9442	1991	0	05	005-00		248		

Pos	Part Number	Description	Remark	Qty	Model
		securing liquid sealing compound preservative agent			
		securing liquid			
-	928 101 921 00	loctite -270- 10 CCM high strength		X	
-	000 043 012 00	loctite -221- 10 CCM low strength		X	
		sealing compound			
-	000 043 010 00	loctite -574- 50 CCM		X	
-	000 043 011 00	loctite -638- 10 CCM for balance shaft		X	
-	000 043 013 00	loctite adhesive remover -80646- spraying can		X	
-	AMV 176 000 05	adhesive sealing compound 310 CCM		1	
		loctite for pasting metal glass ceramics thermoset plastic adhesive set comprising:		X	
-	000 043 051 00	adhesive loctite -317- 50 CCM		X	
-	000 043 202 65	loctite AKTIVATOR NF 736 180 CCM		X	
-	000 043 019 01	sealing compound SILASTIK 730 RTV 90 CCM		X	

Model	Year	MG	SG	Illustration	Restrictions	UPD	22:23	23.01.2010
9442	1991	0	05	005-00		248		

Pos	Part Number	Description	Remark	Qty	Model
-	PCG 043 300 86	sealing compound Loctite 5920 80 CCM		X	
-	000 043 004 00	mounting paste optimoly ht 1 90-gramme tube		X	
-	000 043 020 00	optimoly mounting paste OPTIMOLY - TA 1 100-gramme tube silver		X	
-	000 043 110 01	grease OPTITEMP PU35 1 100-gramme tube		X	
-	000 043 204 21	grease for lock cylinder spraying can preservative agent		X	
-	999 571 062 00	care kit comprising: suitcase		1	
-	999 901 013 40	liquid preservative		1	
-	999 901 014 41	cleaning agent		1	
-	999 901 015 40	polisher		1	
-	999 901 016 40	tar remover		1	
-	999 901 017 40	dashboard cleaner		1	
-	999 901 018 40	paint polish		1	
-	999 901 019 41	insect remover		1	
-	999 901 020 40	spot remover		1	
-	999 901 021 40	polishing cotton		1	
-	999 901 022 40	polishing cloth		1	
-	000 044 000 02	preservative agent 250 ML		X	
-	999 901 017 41	window cleaner summer 250 ML		X	
-	999 901 033 40	window cleaner winter 1000 ML		X	

PORSCHE

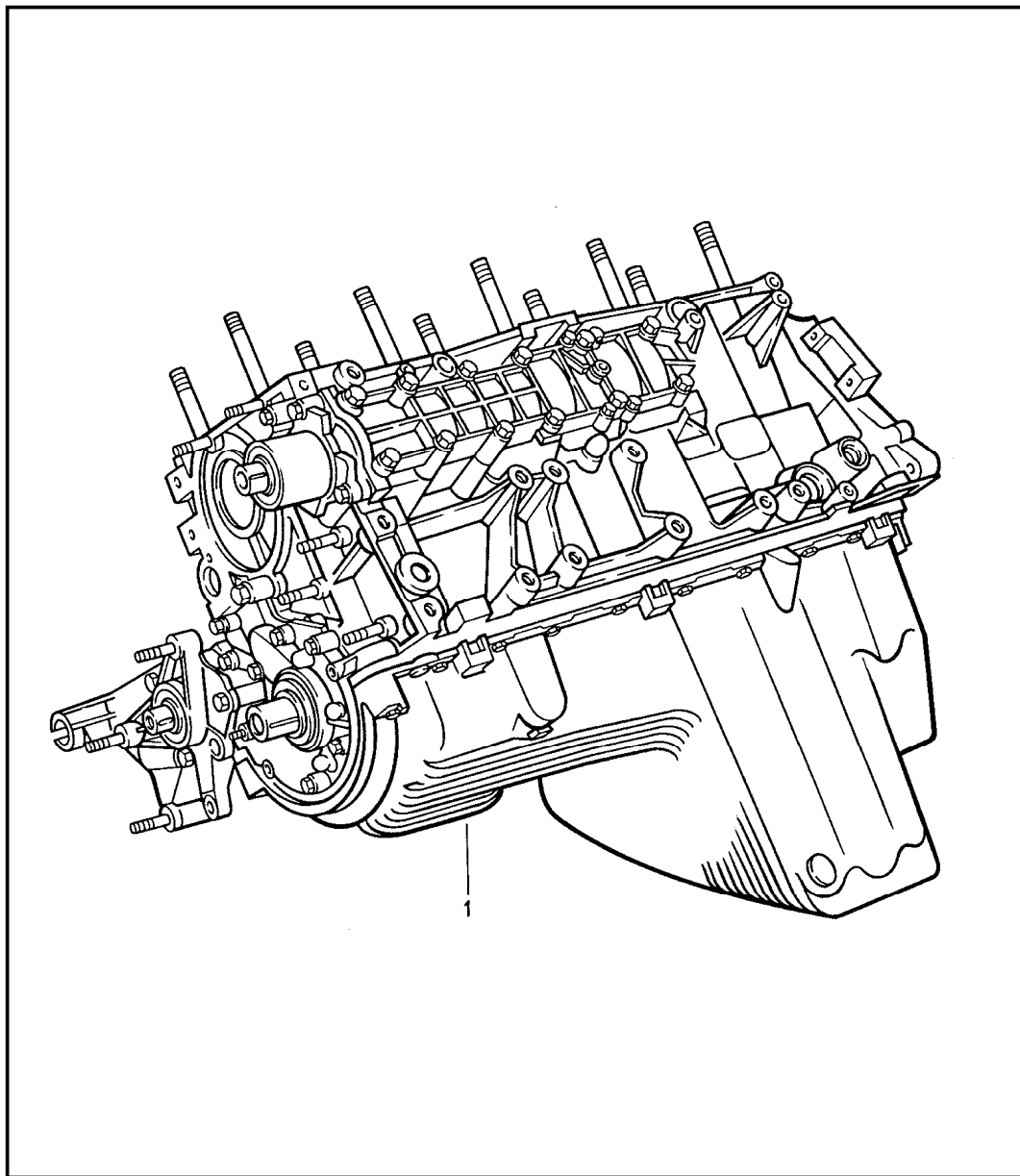
PET

PORSCHE

Model	Year	MG	SG	Illustration	Restrictions	UPD	22:23	23.01.2010
9442	1991	0	05	005-00		248		

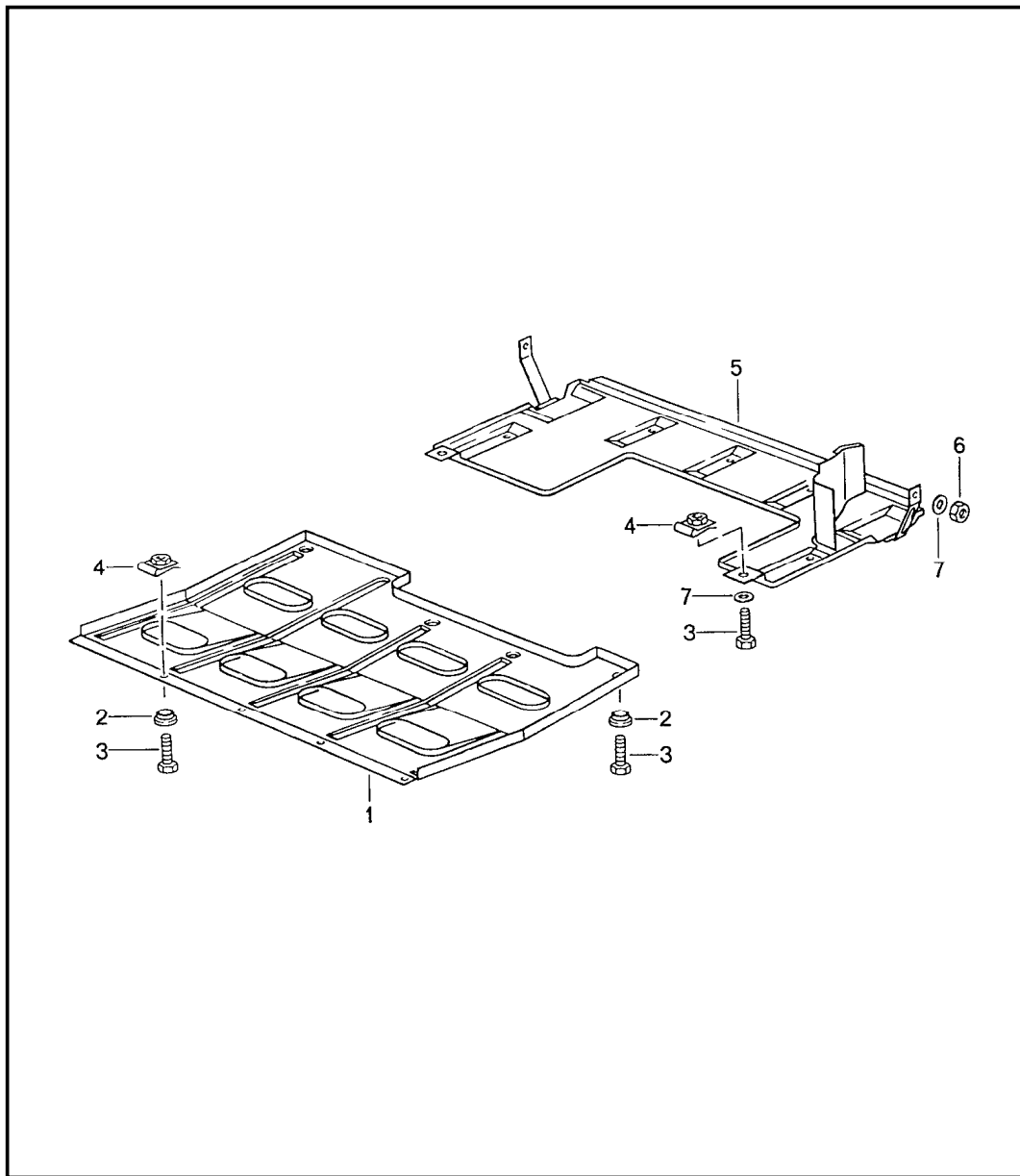
Pos	Part Number	Description	Remark	Qty	Model
-	999 901 036 40	car shampoo refilling bottle 1000 ML		X	
-	999 917 803 00	window cleaner spray bottle 250 ML		X	
-	928 628 931 00	silicone remover 1000 ML		X	
-	999 901 030 40	rim cleaner spray bottle 500 ML		X	
-	999 901 031 40	rim cleaner refilling bottle 1000 ML		X	

Model	Year	MG	SG	Illustration	Restrictions	UPD	22:23	23.01.2010	PORSCHE	PET	PORSCHE
9442	1991	1	01	101-00		248					



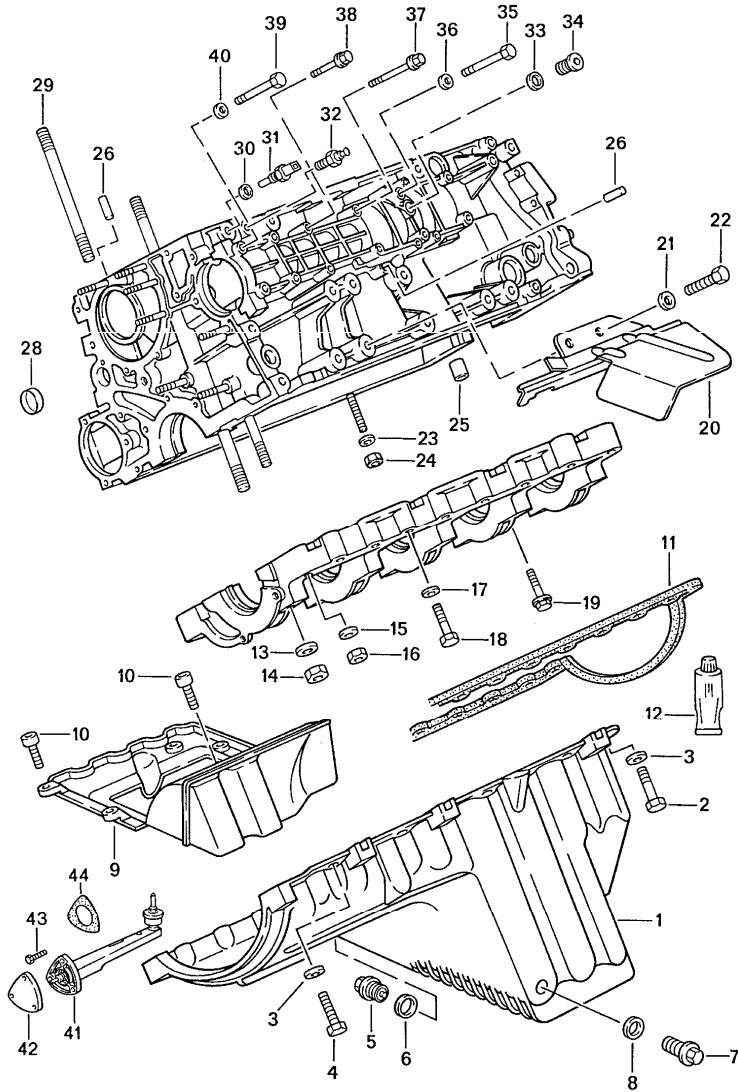
Pos	Part Number	Description	Remark	Qty	Model
		short engine			
1	> 944 100 902 05	short engine		1	M44.11/12 M44..F M44..F
1	> 944 100 902 06	short engine		1	M44.41 M44..G M44..G
1	> 944 100 902 02	short engine		1	M44.52 M44..C M44..C

Model	Year	MG	SG	Illustration	Restrictions	UPD	22:24	23.01.2010	PORSCHE	PET	PORSCHE
9442	1991	1	01	101-05		248					



Pos	Part Number	Description	Remark	Qty	Model
		protective plate			
1	944 504 167 01	protective plate		1	
2	944 503 257 00	spacer		8	
3	N 010 215 13	hexagon-head bolt M 6 X 15		11	
4	999 507 326 02	captive nut		3	
5	951 504 069 00	protective plate		1	TURBO
6	900 076 010 02	hexagon nut		2	TURBO
7	N 011 666 7	washer		5	TURBO

Model	Year	MG	SG	Illustration	Restrictions	UPD	22:24	23.01.2010	PORSCHE	PET	PORSCHE
9442	1991	1	01	101-15		248					

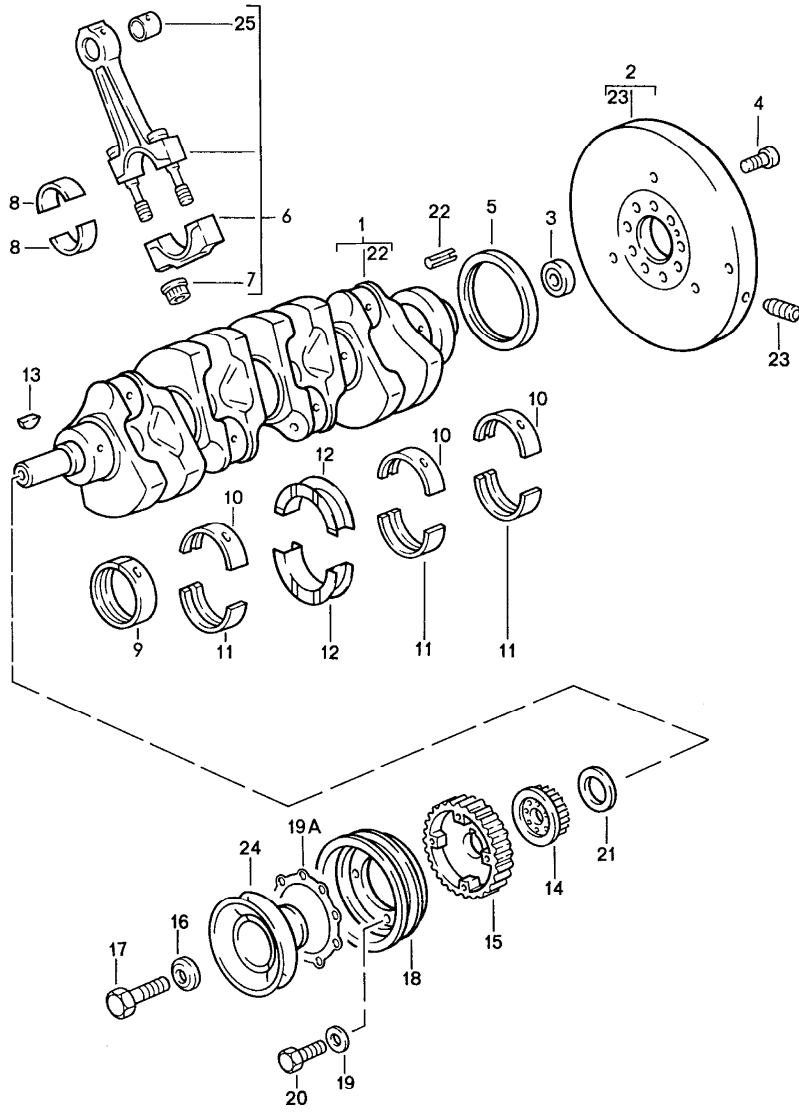


Pos	Part Number	Description	Remark	Qty	Model
		crankcase mounting parts			
1	944 101 201 14	oil pan M --46K M --46K M --47K		1	M44.11/12/52 M44.11 M44.12 M44.52
1	944 101 204 00	oil pan		1	M44.41/52
2	N 040 259 1	hexagon-head bolt M 6 X 50		4	
3	N 011 524 7	washer		22	
4	900 075 017 02	hexagon-head bolt M 6 X 25		18	
5	944 107 197 01	screw plug		1	
6	900 123 118 30	sealing ring		1	
7	N 016 164 1	screw plug		1	
8	900 123 049 30	sealing ring		1	
9	944 107 389 02	insert for oil sump M --46K M --46K M --47K		1	M44.11 M44.12 M44.52
9	944 107 389 03	insert for oil sump		1	M44.41/52
10	900 119 001 02	pan-head screw M 5 X 12		7	
11	944 101 205 02	oil sump gasket		1	
12	000 043 019 01	sealing compound 1 tube SILASTIK 730 RTV		X	
12	000 043 010 00	loctite 574 1 50-g tube		1	
13	944 104 229 00	washer		10	
14	N 011 020 8	hexagon nut M 12 X 1,5		10	
15	928 101 303 00	washer		7	
16	N 011 010 13	hexagon nut M 10		7	
17	900 025 007 02	washer		7	

Model	Year	MG	SG	Illustration	Restrictions	UPD	22:24	23.01.2010	PORSCHE	PET	PORSCHE
9442	1991	1	01	101-15		248					

Pos	Part Number	Description	Remark	Qty	Model	Pos	Part Number	Description	Remark	Qty	Model
18	900 074 040 02	hexagon-head bolt M 8 X 50		7		39	900 074 139 02	hexagon-head bolt M 8 X 55		X	
19	900 075 345 02	hexagon-head bolt M 6 X 35		5				hexagon-head bolt M 8 X 65		4	M657
		M 6 X 35				40	900 025 007 02	washer		8	
20	944 101 033 04	heat shield		1		41	944 613 150 00	sender for oil level		1	
21	900 025 007 02	washer		2		42	944 101 329 01	lid		1	
22	900 075 085 02	hexagon-head bolt		2		43	999 074 035 02	hexagon-head bolt M 5 X 20		3	
23	N 011 524 7	washer		1		44	944 101 233 02	gasket		1	
24	900 076 010 02	hexagon nut		1		--	999 062 044 02	stud for chain adjuster M 8 X 30		3	
25	928 101 195 03	fitting bushing		1				stud for water pump M 6 X 35		3	
26	999 012 034 00	straight pin 8 X 12		4		--	999 062 093 02	stud for water pump M 6 X 35		1	
28	N 011 919 1	lid \$ 25 MM		2				stud for water pump M 6 X 32		7	
28	N 011 920 1	lid \$ 26 MM		2		--	999 062 095 02	stud for water pump M 6 X 32		2	
29	944 101 197 01	stud		10	M44.11/12			stud M 10 X 55		8	
29	944 101 197 00	stud		10	M44.52	--	944 101 185 05	stud		2	
29	944 101 197 03	stud		10	M44.41	--	944 101 185 06	stud M 12 X 110		8	
30	900 123 101 30	sealing ring		1							
31	944 606 125 00	temperature sensor		1							
32	928 606 201 01	remote temperature sensor		1							
33	900 123 007 30	sealing ring		1							
34	900 219 002 02	screw plug		1							
35	900 074 326 08	hexagon-head bolt M 8 X 58		4							
36	999 025 141 02	washer		4							
37	900 075 344 02	hexagon-head bolt M 6 X 50 Z1		16							
38	900 075 349 02	hexagon-head bolt M 6 X 42 Z1		4							

Model	Year	MG	SG	Illustration	Restrictions	UPD	22:24	23.01.2010	PORSCHE	PET	PORSCHE
9442	1991	1	02	102-00		248					

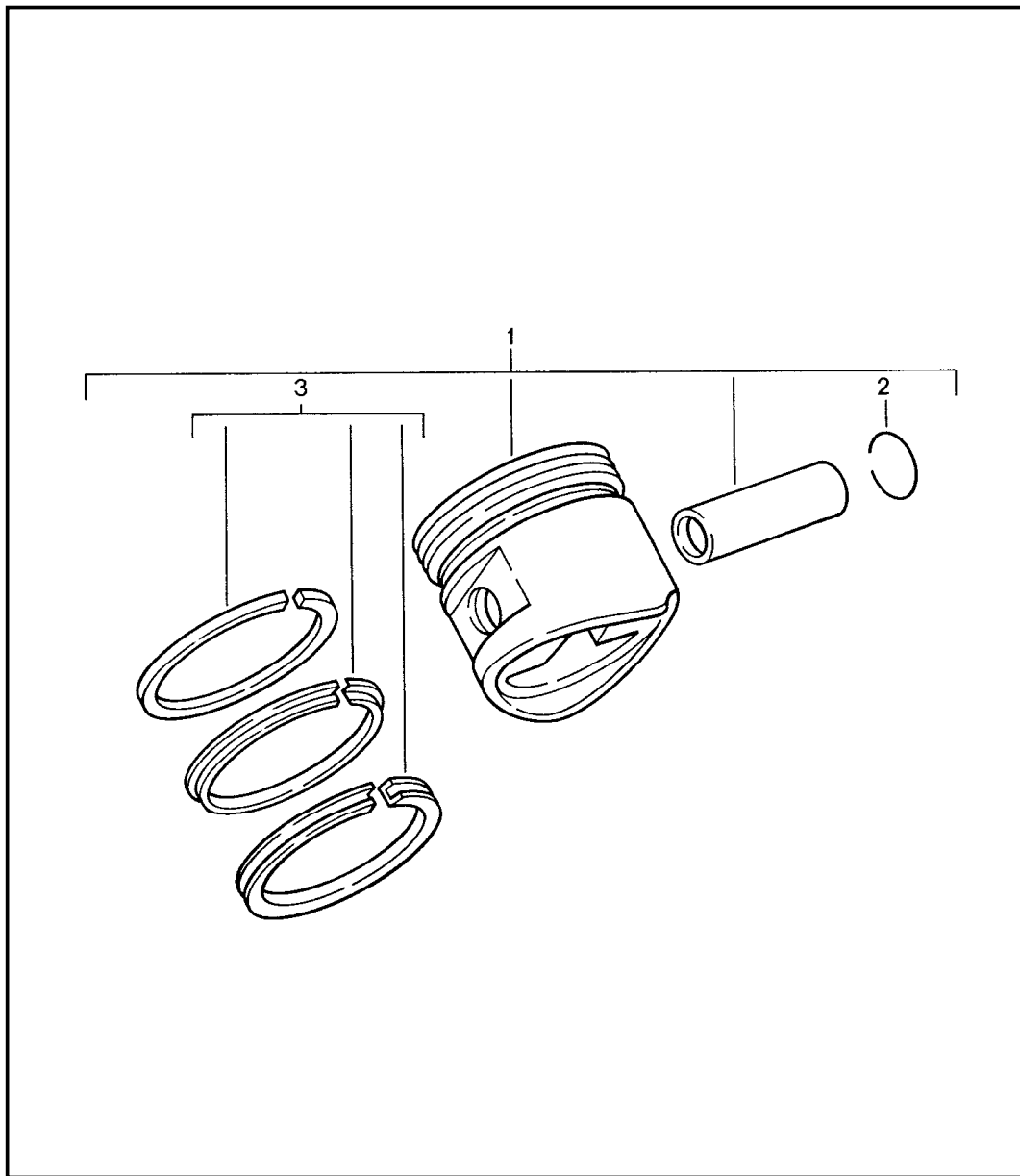


Pos	Part Number	Description	Remark	Qty	Model
		crankshaft connecting rod			
1	> 944 102 015 13	crankshaft		1	M44.11/12/52
1	> 944 102 015 11	crankshaft		1	M44.41
2	944 102 051 01	flywheel		1	M44.11
2	944 102 053 02	flywheel		1	M44.12
2	944 102 105 07	flywheel		1	M44.41
2	951 102 051 01	flywheel		1	M44.52
3	931 102 111 00	deep-groove ball bearing		1	
4	930 102 206 00	pan-head screw		9	
5	* 999 113 264 40	radial sealing ring		1	
6	944 103 008 02	connecting rod		4	
7	928 103 172 02	connecting rod nut		8	
8	928 103 143 02	conrod bearing shell		8	
8	928 103 143 52	conrod bearing shell oversize 0.25 mm		X	
8	928 103 143 57	conrod bearing shell oversize 0.50 mm		X	
9	* 928 101 117 08	main bearing bush i		1	
9	* 928 101 117 58	main bearing bush i undersize 0.25 mm		X	
9	* 928 101 117 68	main bearing bush i undersize 0.50 mm		X	
10	* 928 101 115 02	main bearing shell		3	
	002	upper half 2,4,5			
10	* 928 101 115 50	main bearing shell undersize 0.25 mm		X	
10	* 928 101 115 60	main bearing shell undersize 0.50 mm		X	
11	* 928 101 115 03	main bearing shell		3	
	002	lower half 2,4,5			
11	* 928 101 115 51	main bearing shell undersize 0.25 mm		X	

Model	Year	MG	SG	Illustration	Restrictions	UPD	22:24	23.01.2010	PORSCHE	PET	PORSCHE
9442	1991	1	02	102-00		248					

Pos	Part Number	Description	Remark	Qty	Model	Pos	Part Number	Description	Remark	Qty	Model
11	* 928 101 115 61	main bearing shell undersize 0.50 mm		X							
12	* 944 101 139 00	thrust bearing		2							
	002	yellow									
12	* 928 101 133 53	thrust bearing undersize 0.25 mm		X							
12	* 928 101 133 63	thrust bearing undersize 0.50 mm		X							
13	900 117 036 00	feather key 5 X 5 X 22		1							
14	944 105 125 02	gear wheel driving mechanism camshaft		1	M44.11/12/52						
14	944 105 125 06	gear wheel driving mechanism camshaft		1	M44.41						
15	944 102 209 11	gear wheel driving mechanism balance shaft		1	M44.11/12/52						
15	944 102 209 11	gear wheel driving mechanism balance shaft		1	M44.41						
16	944 102 210 02	washer		1							
17	900 082 085 02	hexagon-head bolt M 16 X 1,5 X 60		1							
18	944 102 116 12	pulley		1	M44.11/12/52						
18	944 102 123 06	vibration damper		1	M44.41						
19	900 031 011 02	washer		X	M44.11/12						
19A	944 102 124 00	packing plate		1	M44.41						
20	900 067 279 08	pan-head screw		X							
21	900 234 127 00	support washer		1							
22	900 095 031 00	tensioning sleeve 6 X 16		1							
23	477 105 276	threaded pin		3							
24	944 102 214 03	pulley		1	M657						
25	944 103 133 02	piston pin bush		1							

Model	Year	MG	SG	Illustration	Restrictions	UPD	22:24	23.01.2010	PORSCHE	PET	PORSCHE
9442	1991	1	02	102-05		248					

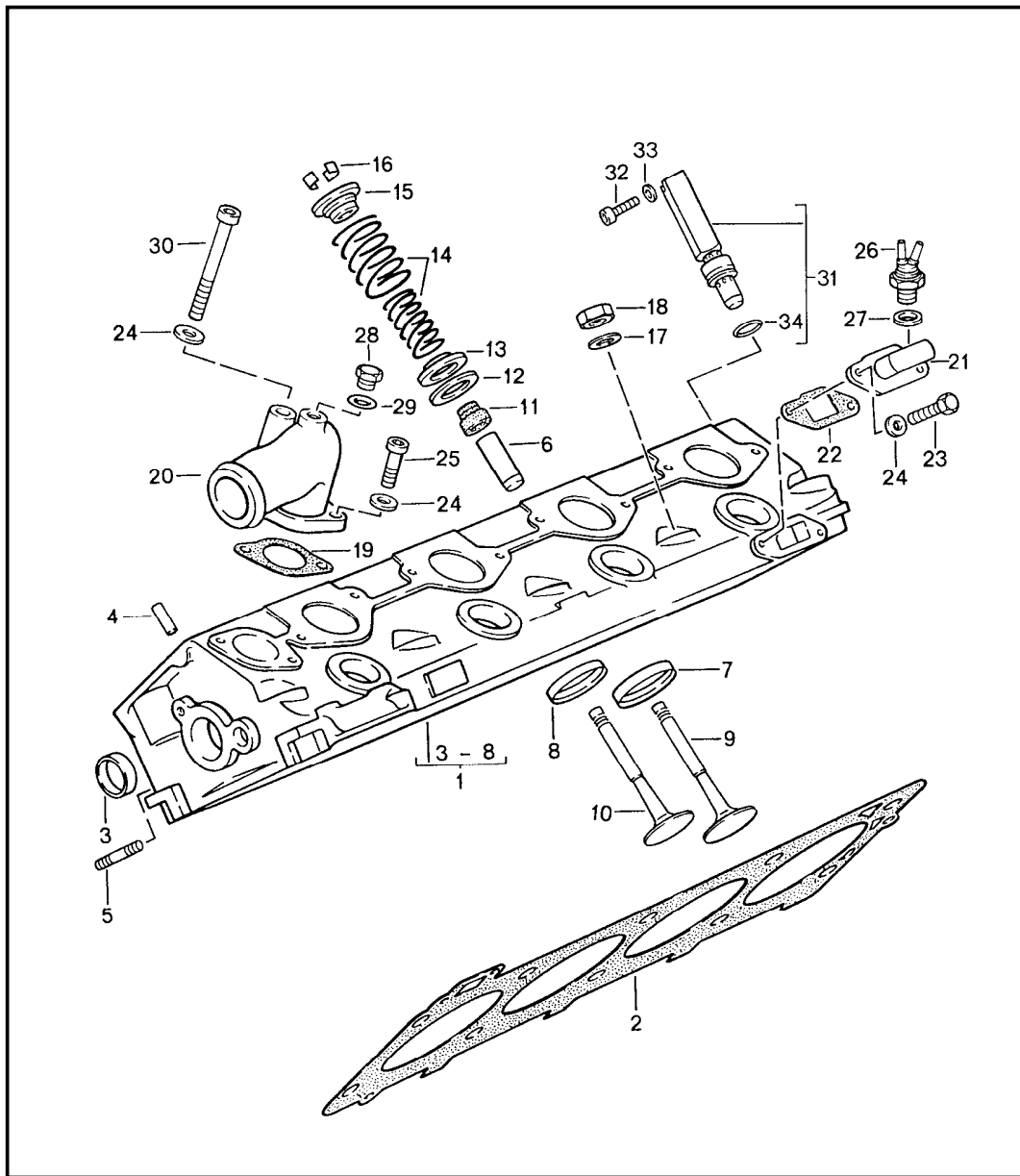


Pos	Part Number	Description	Remark	Qty	Model
		piston piston rings			
1	944 103 099 00	piston tolerance group 0 104,00 MM		4	M44.11/12
1	944 103 099 10	piston tolerance group 1 104,00 MM		4	M44.11/12
1	944 103 099 20	piston tolerance group 2 104,00 MM		4	M44.11/12
1	944 103 099 50	piston tolerance group 0 104,50		4	M44.11/12
1	944 103 099 60	piston tolerance group 1 104,50		4	M44.11/12
1	944 103 099 70	piston tolerance group 2 104,50		4	M44.11/12
1	944 103 068 00	piston tolerance group 0 104,00		4	M44.41
1	944 103 068 10	piston tolerance group 1 104,00		4	M44.41
1	944 103 068 20	piston tolerance group 2 104,00		4	M44.41
1	944 103 068 50	piston tolerance group 0 104,50		4	M44.41
1	944 103 068 60	piston tolerance group 1 104,50		4	M44.41
1	944 103 068 70	piston tolerance group 2 104,50		4	M44.41
1	951 103 091 01	piston tolerance group 0 100,00		4	M44.52

Model	Year	MG	SG	Illustration	Restrictions	UPD	22:24	23.01.2010	PORSCHE	PET	PORSCHE
9442	1991	1	02	102-05		248					

Pos	Part Number	Description	Remark	Qty	Model	Pos	Part Number	Description	Remark	Qty	Model
1	951 103 091 11	piston tolerance group 1 100,00		4	M44.52						
1	951 103 091 21	piston tolerance group 2 100,00		4	M44.52						
1	951 103 091 51	piston tolerance group 0 100,50		4	M44.52						
1	951 103 091 61	piston tolerance group 1 100,50		4	M44.52						
1	951 103 091 71	piston tolerance group 2 100,50		4	M44.52						
2	N 012 277 1	circlip		8							
3	944 103 902 24	set of piston rings 104,00		4	M44.11/12						
3	944 103 902 25	set of piston rings 104,50		4	M44.11/12						
3	944 103 902 60	set of piston rings 104,00		4	M44.41						
3	944 103 902 61	set of piston rings 104,50		4	M44.41						
3	951 103 901 02	set of piston rings 100,00		4	M44.52						
3	951 103 901 03	set of piston rings 100,50		4	M44.52						

Model	Year	MG	SG	Illustration	Restrictions	UPD	22:24	23.01.2010	PORSCHE	PET	PORSCHE
9442	1991	1	03	103-00		248					

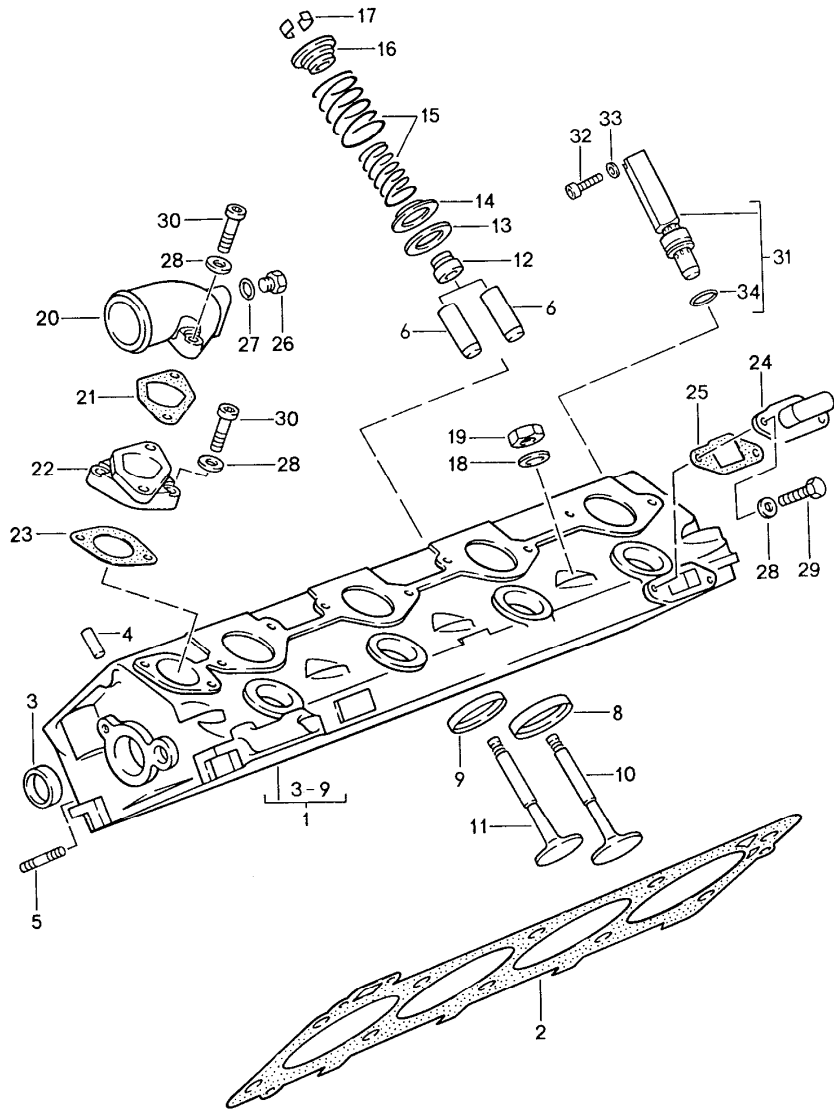


Pos	Part Number	Description	Remark	Qty	Model
		cylinder head valves			M44.11/12
1	> 944 104 040 02	cylinder head		1	
2	944 104 394 04	cylinder head gasket		1	
(2)	944 104 394 51	cylinder head gasket for recon. cylinder heads		1	
3	900 036 005 02	lid		2	
4	900 302 019 00	straight pin		2	
5	999 062 044 02	stud M 8 X 30		8	
6	944 104 328 51	valve guide 1st oversize		8	
7	944 104 332 50	valve seat ring intake oversize		4	
8	944 104 347 50	valve seat ring exhaust oversize		4	
9	944 105 409 03	intake valve		4	
10	944 105 418 00	exhaust valve		4	
-	000 043 204 48	sleeve for valve stem seal		X	
11	964 104 111 06	valve stem seal		8	
12	928 105 468 03	washer 0,5		X	
12	928 105 470 03	washer 1,0		X	
13	928 105 469 06	washer		8	
14	928 105 905 09	set of valve springs		8	
15	928 105 449 04	concave washer		8	
16	901 105 417 00	collet		16	
17	944 104 229 00	washer		10	
18	999 076 043 02	hexagon nut M 12 X 1,5		10	

Model	Year	MG	SG	Illustration	Restrictions	UPD	22:24	23.01.2010	PORSCHE	PET	PORSCHE
9442	1991	1	03	103-00		248					

Pos	Part Number	Description	Remark	Qty	Model	Pos	Part Number	Description	Remark	Qty	Model
19	* 944 104 311 01	gasket		1							
20	944 104 315 04	cooling water socket		1							
21	944 104 317 05	adapter		1							
22	928 106 197 04	gasket		1							
23	900 075 079 02	hexagon-head bolt M 8 X 22		2							
24	900 025 007 02	washer A 8,4		4							
25	N 014 725 2	pan-head screw M 8 X 25		2							
26	928 110 128 01	thermo valve		1							
27	N 013 808 3	sealing ring A 10 X 16		1							
28	931 106 156 00	screw plug		1							
29	N 013 830 7	sealing ring A 8 X 12		1							
30	N 044 732 1	pan-head screw M 8 X 75		1							
31	944 107 239 01	pressure relief valve		1							
32	N 014 740 2	pan-head screw		1							
33	N 013 841 2	sealing ring		1							
34	999 707 078 40	o-ring		1							

Model	Year	MG	SG	Illustration	Restrictions	UPD	22:25	23.01.2010	PORSCHE	PET	PORSCHE
9442	1991	1	03	103-03		248					

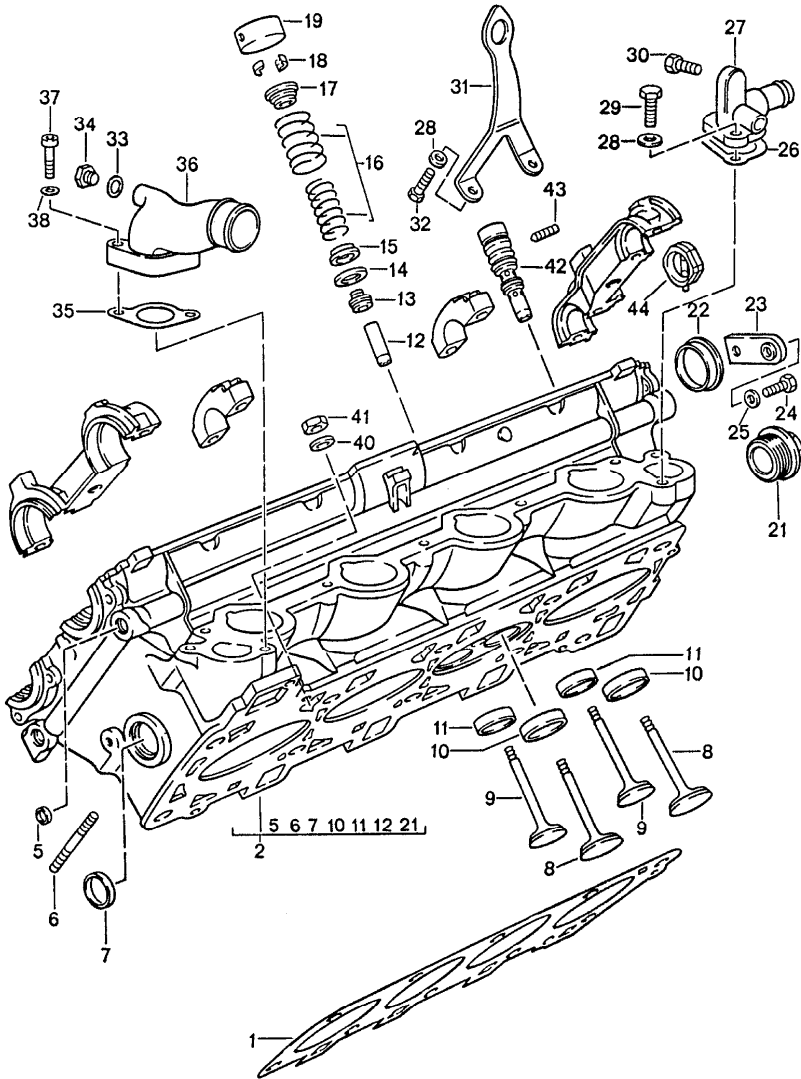


Pos	Part Number	Description	Remark	Qty	Model
		cylinder head valves			M44.52
1	> 951 104 038 04	cylinder head		1	
2	951 104 374 02	cylinder head gasket		1	
(2)	951 104 374 50	cylinder head gasket for recond. cylinder heads		1	
3	900 036 005 02	lid		2	
4	900 302 019 00	straight pin		2	
5	999 062 044 02	stud M 8 X 30		8	
6	944 104 328 51	valve guide 1st oversize		8	
8	951 104 331 50	valve seat ring intake oversize		4	
9	951 104 333 51	valve seat ring exhaust oversize		4	
10	951 105 415 00	intake valve		4	
11	951 105 416 07	exhaust valve		4	
-	000 043 204 48	sleeve for valve stem seal		X	
12	951 104 195 01	valve stem seal		8	
13	928 105 468 03	washer 0,5 MM		X	
13	928 105 470 03	washer 1,0 MM		X	
14	928 105 469 06	washer		8	
15	951 105 905 10	set of valve springs		8	
16	928 105 449 04	concave washer		8	
17	901 105 417 00	collet		16	
18	944 104 229 00	washer		10	
19	999 076 043 02	hexagon nut M 12 X 1,5		10	

Model	Year	MG	SG	Illustration	Restrictions	UPD	22:25	23.01.2010	PORSCHE	PET	PORSCHE
9442	1991	1	03	103-03		248					

Pos	Part Number	Description	Remark	Qty	Model	Pos	Part Number	Description	Remark	Qty	Model
20	951 104 315 00	cooling water socket		1							
21	951 104 311 03	gasket		1							
22	951 104 313 00	intermediate piece		1							
23	944 104 311 06	gasket		1							
24	944 104 317 05	adapter		1							
25	928 106 197 04	gasket		1							
26	931 106 156 00	screw plug		1							
27	N 013 830 7	sealing ring A 8 X 12		1							
28	900 025 007 02	washer A 8,4		6							
29	N 044 704 1	pan-head screw M 8 X 28		4							
30	N 014 777 2	pan-head screw		4							
31	944 107 239 01	pressure relief valve		1							
32	N 014 740 2	pan-head screw		1							
33	N 013 841 2	sealing ring		1							
34	999 707 078 40	o-ring		1							
-	928 110 128 01	thermo valve		1							
-	N 013 808 3	sealing ring		1							

Model	Year	MG	SG	Illustration	Restrictions	UPD	22:25	23.01.2010	PORSCHE	PET	PORSCHE
9442	1991	1	03	103-04		248					

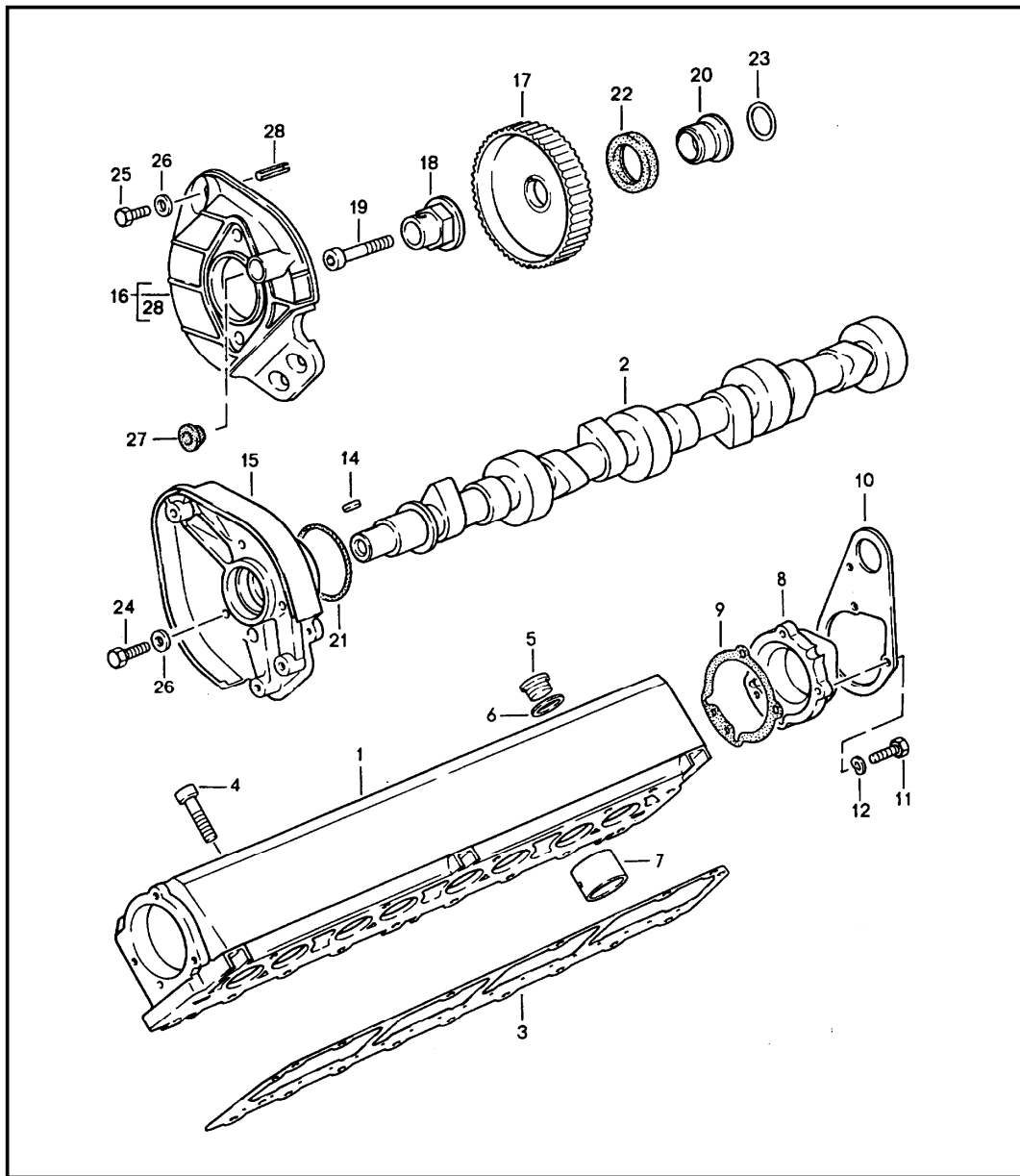


Pos	Part Number	Description	Remark	Qty	Model
		cylinder head valves			M44.41
1	944 104 394 04	cylinder head gasket		1	
(1)	944 104 394 51	cylinder head gasket for recond. cylinder heads		1	
2	> 944 104 013 05	cylinder head		1	
5	N 011 918 1	lid		X	
6	999 062 139 02	stud BM 8 X 26		12	
7	900 036 014 02	lid		1	
8	928 105 641 05	intake valve		8	
9	928 105 642 06	exhaust valve		8	
-	000 043 204 45	sleeve for valve stem seal		X	
10	928 104 611 17	valve seat ring intake oversize 0.25 mm		8	
11	928 104 612 14	valve seat ring exhaust oversize 0.25 mm		8	
12	944 104 327 51	valve guide 1st oversize		16	
13	A 928 104 601 07	valve stem seal	-90	16	
13	928 104 601 07	valve stem seal		16	
14	944 105 465 02	washer 0,5 MM		X	
14	944 105 465 03	washer 1,0 MM		X	
14	944 105 465 04	washer 1,5 MM		X	
15	944 105 463 02	washer		16	
16	944 105 907 03	set of valve springs		16	
16	944 105 907 07	set of valve springs		16	

Model	Year	MG	SG	Illustration	Restrictions	UPD	22:25	23.01.2010	PORSCHE	PET	PORSCHE
9442	1991	1	03	103-04		248					

Pos	Part Number	Description	Remark	Qty	Model	Pos	Part Number	Description	Remark	Qty	Model
17	944 105 467 03	concave washer		16		44	928 105 262 00	pin		2	
18	928 105 221 10	valve collet		32							
19	928 105 312 02	hydraulic valve tappet		16							
21	944 104 228 01	screw plug		1							
22	928 105 215 00	lid		3							
23	928 105 205 00	support		3							
24	900 075 016 02	hexagon-head bolt M 6 X 22		3							
25	N 011 524 7	washer A 6,4		3							
26	928 106 167 01	gasket		1							
27	928 104 713 03	adapter		1							
28	900 025 007 02	washer A 8,4		7							
29	900 075 029 09	hexagon-head bolt M 8 X 25		2							
30	N 010 113 4	hexagon-head bolt		1							
31	944 104 415 01	shackle for transportation		1							
32	N 012 241 11	spring washer M 8 X 22		2							
33	N 013 830 7	sealing ring		1							
34	931 106 156 00	screw plug		1							
35	944 104 365 04	gasket		1							
36	944 104 312 01	cooling water socket		1							
37	N 014 726 1	pan-head screw M 8 X 30		2							
38	900 031 001 02	washer		2							
40	944 104 229 00	washer		10							
41	999 076 043 02	hexagon nut M 12 X 1,5		10							
42	944 107 139 00	pressure relief valve		1							
43	999 218 035 02	threaded pin M 6 X 20		1							

Model	Year	MG	SG	Illustration	Restrictions	UPD	22:25	23.01.2010	PORSCHE	PET	PORSCHE
9442	1991	1	03	103-05		248					

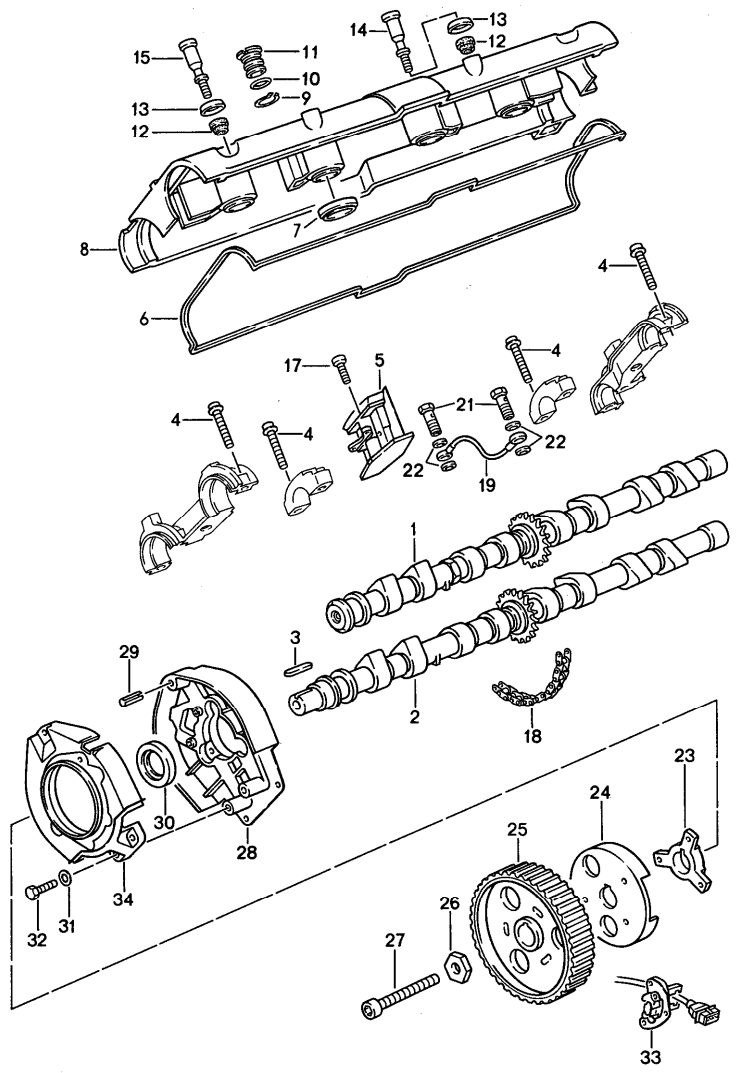


Pos	Part Number	Description	Remark	Qty	Model
		camshaft housing			M44.11/12/52
		camshaft			
1	944 105 250 07	camshaft housing		1	
2	944 105 155 10	camshaft		1	M44.11/12
2	944 105 155 05	camshaft		1	M44.52
3	* 944 105 199 03	gasket		1	
4	900 067 214 02	pan-head screw M 8 X 35		15	
5	900 219 009 30	screw plug M 18 X 1,5		6	
6	900 123 140 30	sealing ring A 18 X 22		6	
7	928 105 311 06	hydraulic valve tappet		8	
8	928 105 153 04	lid		1	
9	* 928 105 189 02	gasket		1	
10	944 101 413 02	engine lifting bracket		1	
11	900 075 016 02	hexagon-head bolt M 6 X 22		3	
12	N 012 226 5	spring washer B 6		3	
14	900 117 045 00	feather key 4 X 4		1	
15	944 105 119 03	camshaft bearing		1	
16	944 105 029 01	bracket		1	
17	944 105 545 03	camshaft timing gear		1	
18	944 105 142 00	driver		1	
19	999 510 022 08	pan-head screw M 10 X 65		1	
20	928 105 139 04	spacer sleeve		1	
21	* 999 701 602 40	o-ring 50 X 5		1	
22	999 113 349 40	shaft sealing ring 32 X 47		1	
23	* 944 105 321 00	gasket		1	

Model	Year	MG	SG	Illustration	Restrictions	UPD	22:25	23.01.2010	PORSCHE	PET	PORSCHE
9442	1991	1	03	103-05		248					

Pos	Part Number	Description	Remark	Qty	Model	Pos	Part Number	Description	Remark	Qty	Model
24	N 010 347 3	hexagon-head bolt M 6 X 35		3							
25	900 074 015 02	hexagon-head bolt M 6 X 30		3							
26	N 011 524 7	washer A 6,4		6							
27	944 105 131 00	stopper		1							
28	999 095 103 01	roll pin 8 X 16		2							

Model	Year	MG	SG	Illustration	Restrictions	UPD	22:25	23.01.2010	PORSCHE	PET	PORSCHE
9442	1991	1	03	103-07		248					

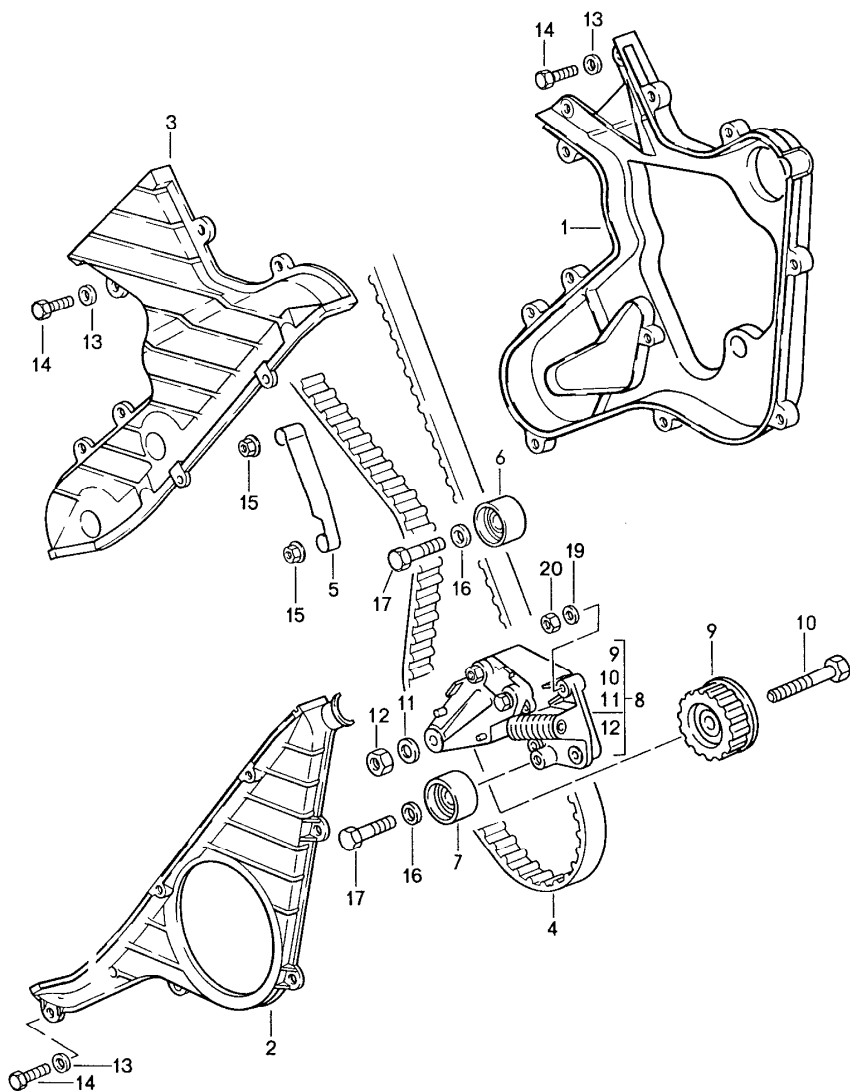


Pos	Part Number	Description	Remark	Qty	Model
		camshaft			M44.41
1	944 105 277 07	camshaft intake		1	
2	944 105 275 09	camshaft exhaust		1	
3	900 117 073 00	feather key		1	
4	999 510 029 02	combination screw M 8 X 40		24	
5	944 105 049 01	chain adjuster		1	
--	928 105 509 01	guide rail upper		1	
--	944 105 949 00	guide rail repair kit		1	
6	928 104 447 09	gasket		1	
7	928 104 443 08	sealing ring		4	
8	928 104 461 08	cylinder head cover		1	
9	N 012 420 1	circlip		2	
10	900 174 056 40	o-ring		2	
11	928 104 485 01	lid		2	
12	928 104 115 02	thrust ring		13	
13	928 104 116 00	thrust washer		13	
14	928 104 117 01	pan-head screw long		10	
15	928 104 111 01	pan-head screw short		3	
17	N 014 740 2	pan-head screw		2	
18	944 105 501 05	timing chain		1	
19	944 105 167 07	pipeline		1	
21	928 105 476 00	banjo bolt		2	
22	900 123 050 30	sealing ring		4	
23	928 105 459 00	hub		1	
24	944 105 229 03	rotor trim		1	

Model	Year	MG	SG	Illustration	Restrictions	UPD	22:25	23.01.2010	PORSCHE	PET	PORSCHE
9442	1991	1	03	103-07		248					

Pos	Part Number	Description	Remark	Qty	Model	Pos	Part Number	Description	Remark	Qty	Model
25	944 105 545 12	camshaft timing gear		1							
26	928 105 457 02	washer		1							
27	999 510 022 08	pan-head screw		1							
28	944 105 179 08	toothed belt covering		1							
28	944 105 179 09	toothed belt covering		1							
29	999 095 103 01	roll pin		1							
30	999 113 282 40	shaft sealing ring		1							
31	900 025 007 02	washer		3							
32	900 075 014 02	hexagon-head bolt		3							
33	-	hall sender see group 9/01/01									
34	944 105 189 04	toothed belt covering		1							
-	944 105 131 01	stopper		1							

Model	Year	MG	SG	Illustration	Restrictions	UPD	22:25	23.01.2010	PORSCHE	PET	PORSCHE
9442	1991	1	03	103-12		248					

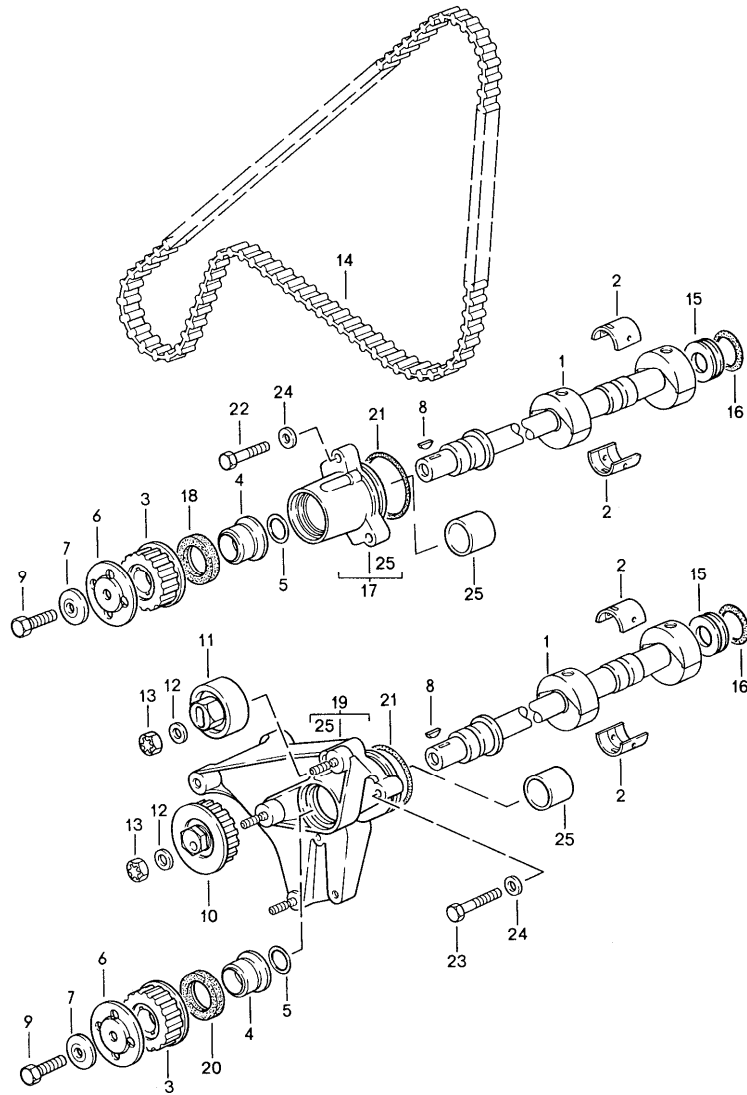


Pos	Part Number	Description	Remark	Qty	Model
1	944 105 039 04	driving mechanism camshaft		1	M44.11/12 M44.52
(1)	944 105 039 05	toothed belt covering M 47M 01259 >>		1	M44.52
1	944 105 033 08	toothed belt covering		1	M44.41
2	944 105 037 00	toothed belt covering M >> 47M 01258		1	M44.52
(2)	944 105 037 01	toothed belt covering M 47M 01259 >>		1	M44.52
3	944 105 041 01	toothed belt covering		1	M44.11/12/52
3	944 105 035 01	toothed belt covering		1	M44.41
4	944 105 157 04	toothed belt		1	M44.11/12/52
4	944 105 323 02	toothed belt		1	M44.41
5	944 105 213 01	securing clip		1	
6	944 105 241 03	roller		1	
7	944 105 241 02	roller		1	M44.41
8	944 105 067 14	tensioner for toothed belt		1	M44.11/12/52
8	944 105 067 13	tensioner for toothed belt		1	M44.41
9	944 105 631 04	tensioning roller		1	M44.11/12/52
9	944 105 631 10	tensioning roller		1	M44.41
10	N 010 445 2	hexagon-head bolt M 10 X 45		1	
11	900 025 008 09	washer		1	
12	900 910 034 02	lock nut M 10		1	
13	N 011 524 7	washer		11	
14	999 072 005 09	hexagon-head bolt M 6 X 12		11	
15	999 084 092 02	lock nut		2	
16	900 025 008 09	washer		2	

Model	Year	MG	SG	Illustration	Restrictions	UPD	22:25	23.01.2010	PORSCHE	PET	PORSCHE
9442	1991	1	03	103-12		248					

Pos	Part Number	Description	Remark	Qty	Model	Pos	Part Number	Description	Remark	Qty	Model
17	900 075 043 02	hexagon-head bolt M 10 X 30		2							
19	900 025 007 02	washer		3							
20	900 076 025 02	hexagon nut		3							

Model	Year	MG	SG	Illustration	Restrictions	UPD	22:26	23.01.2010	PORSCHE	PET	PORSCHE
9442	1991	1	03	103-15		248					

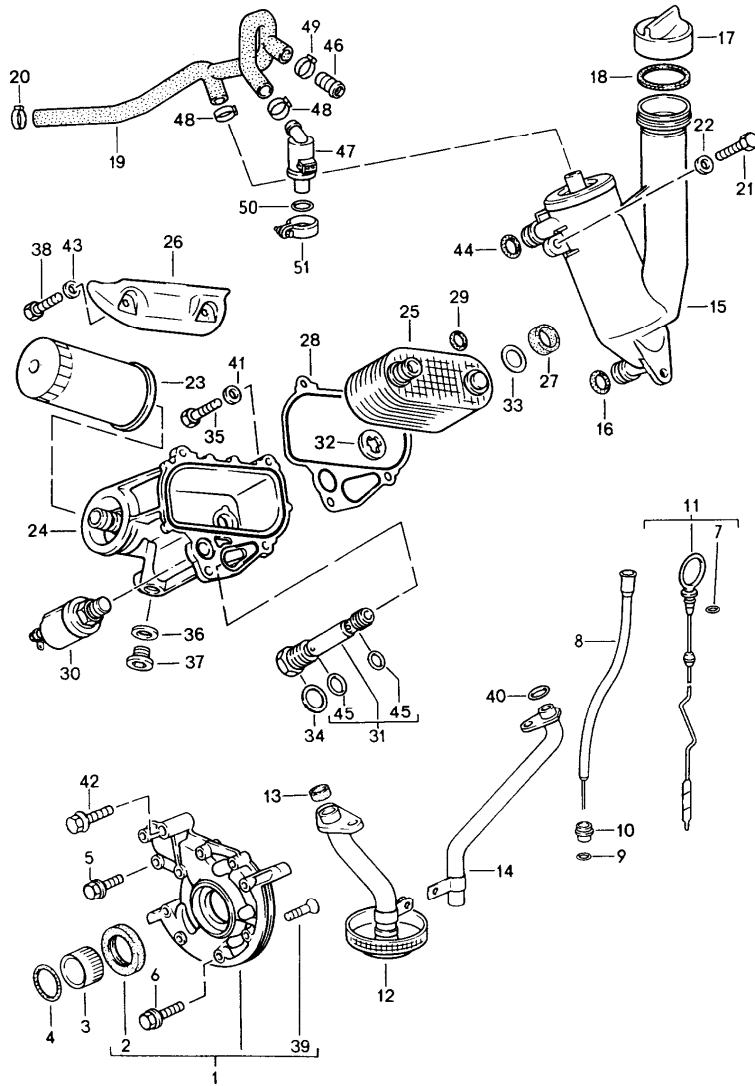


Pos	Part Number	Description	Remark	Qty	Model
		driving mechanism balance shaft			
1	944 102 023 01	balance shaft		2	M44.11/12
1	944 102 923 00	balance shaft		2	M44.41/52
2	944 101 121 10	bearing shell		4	
3	944 102 205 04	gear wheel		2	
4	928 105 139 02	spacer sleeve		2	
5	* 944 105 321 00	gasket		2	
6	944 102 281 04	flange washer		2	
7	944 102 213 00	washer		2	
8	N 012 708 2	woodruff key		2	
9	N 010 275 3	hexagon-head bolt M 10 X 35		2	
10	944 102 025 07	tensioning roller		1	
11	944 102 277 06	roller		1	
12	N 011 527 12	washer A 10,5		2	
13	N 022 149 2	lock nut M 10		2	
14	944 102 219 04	toothed belt technical information group 1 NR.15/95 attention		1	
15	944 101 145 03	locking ring		2	
16	999 701 875 40	round seal		2	
17	944 101 045 00	bearing case	/L	1	
18	* 999 113 282 40	shaft sealing ring 30 X 47	/L	1	
19	944 101 042 02	bearing case	/R	1	
20	* 999 113 281 40	shaft sealing ring 30 X 48	/R	1	
21	* 999 701 652 40	o-ring 56,7 X 3,53		2	

Model	Year	MG	SG	Illustration	Restrictions	UPD	22:26	23.01.2010	PORSCHE	PET	PORSCHE
9442	1991	1	03	103-15		248					

Pos	Part Number	Description	Remark	Qty	Model	Pos	Part Number	Description	Remark	Qty	Model
22	N 010 335 5	hexagon-head bolt M 8 X 35		3							
23	N 010 360 6	hexagon-head bolt M 8 X 60		3	M657						
24	900 025 007 02	washer A 8,4		6							
25	944 101 125 02	bearing sleeve		2							
25	944 101 125 50	bearing sleeve 0,5 MM oversize		2							
-	944 347 442 00	dowel sleeve		1	M657						

Model	Year	MG	SG	Illustration	Restrictions	UPD	22:26	23.01.2010	PORSCHE	PET	PORSCHE
9442	1991	1	04	104-00		248					

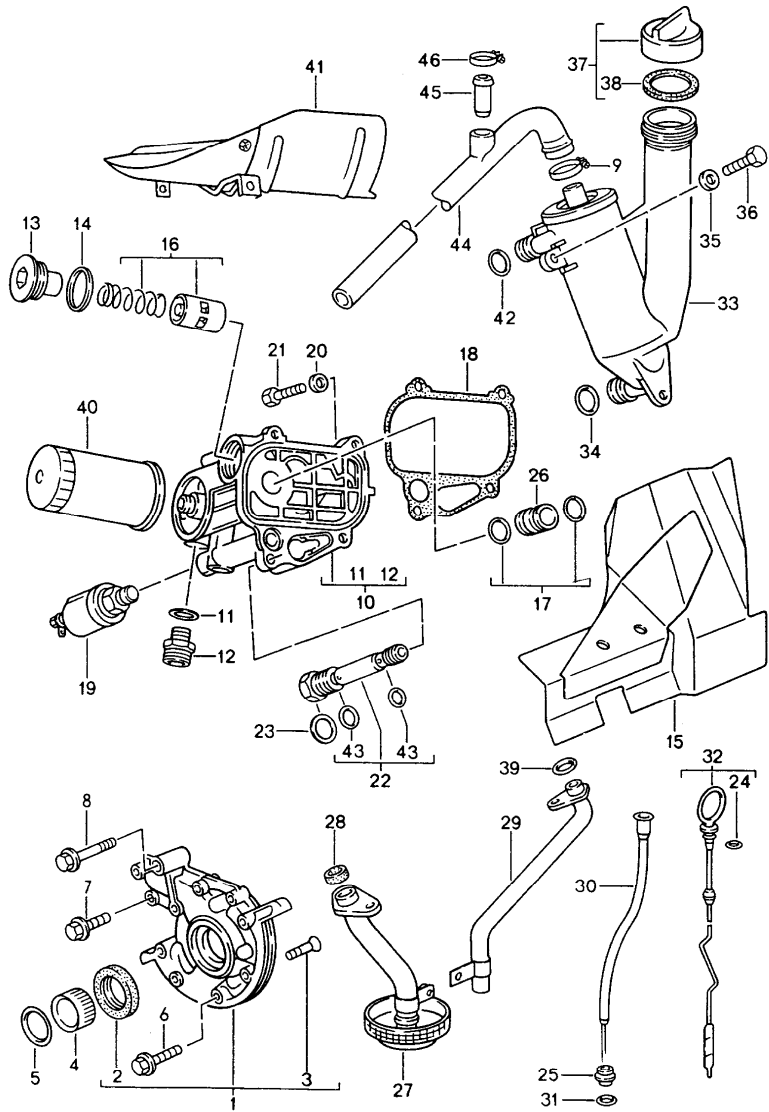


Pos	Part Number	Description	Remark	Qty	Model
		engine lubrication			M44.11/12
1	944 107 014 11	oil pump		1	
2	* 999 113 331 40	shaft sealing ring 38 X 52 X 7		1	
3	944 107 161 02	toothed sleeve		1	
4	* 999 707 283 40	round seal 28 X 2,58		1	
5	900 075 345 02	hexagon-head bolt M 6 X 35		4	
6	900 075 343 02	hexagon-head bolt M 6 X 45		3	
7	900 331 013 40	o-ring		1	
8	944 101 027 05	guide tube			M44.11/12
9	900 174 044 40	round seal		1	
10	944 107 329 00	spacer sleeve		1	
11	944 107 025 01	oil level dipstick		1	
12	944 107 032 07	suction tube		1	
13	944 107 136 03	sealing ring		1	
14	944 107 183 03	return pipe M --46K M --46K		1	M44.11 M44.12
14	944 107 052 01	return pipe M 46K -- M 46K --		1	
15	944 107 180 08	oil separator		1	
16	* 999 701 661 40	round seal 24 X 5		2	
17	944 107 091 01	oil filler cover		1	
18	999 701 846 40	o-ring		1	
19	944 107 187 02	moulded hose		1	
20	999 512 374 02	hose clamp		1	
21	900 075 029 09	hexagon-head bolt M 8 X 25		3	

Model	Year	MG	SG	Illustration	Restrictions	UPD	22:26	23.01.2010	PORSCHE	PET	PORSCHE
9442	1991	1	04	104-00		248					

Pos	Part Number	Description	Remark	Qty	Model	Pos	Part Number	Description	Remark	Qty	Model
22	900 025 007 02	washer A 8,4		7		46	944 107 324 00	valve		1	
23	944 107 201 08	oil filter		1		47	944 616 104 00	heating tube		1	
24	944 107 149 06	housing		1		48	999 512 346 02	hose clamp		2	
25	944 107 165 01	oil-water radiator		1		49	999 512 457 00	clamp		1	
(26)	944 107 053 02	cover plate		1		50	900 174 056 40	o-ring		1	
27	944 107 153 02	rubber ring		1		51	999 512 480 02	clip		1	
28	944 107 147 03	gasket		1		-	000 043 010 00	loctite -574- 50 ML		1	
29	999 707 043 40	o-ring		2		-	000 043 124 00	loctite ACTIVATOR N -764- 120 ML		1	
30	928 606 203 01	oil pressure sender		1							
31	944 107 035 02	relief valve		1							
32	944 107 154 00	washer		1							
33	944 107 219 00	shim		X							
34	* N 043 815 3	sealing ring A 20 X 24		1							
35	900 075 029 09	hexagon-head bolt M 8 X 25		4							
36	* 900 123 106 30	sealing ring A 18 X 24		1							
37	N 016 161 1	screw plug		1							
38	999 072 005 09	hexagon-head bolt M 6 X 12		2							
39	900 249 017 02	countersunk-head screw M 6 X 25		2							
40	999 707 079 40	o-ring		1							
41	900 232 004 02	washer		1							
42	900 074 317 02	hexagon-head bolt M 10 X 45 Z1		1							
43	N 011 524 7	washer A 6,4		2							
44	999 701 613 40	round seal 20 X 5		1							
45	999 707 144 40	sealing ring		2							

Model	Year	MG	SG	Illustration	Restrictions	UPD	22:26	23.01.2010	PORSCHE	PET	PORSCHE
9442	1991	1	04	104-01		248					

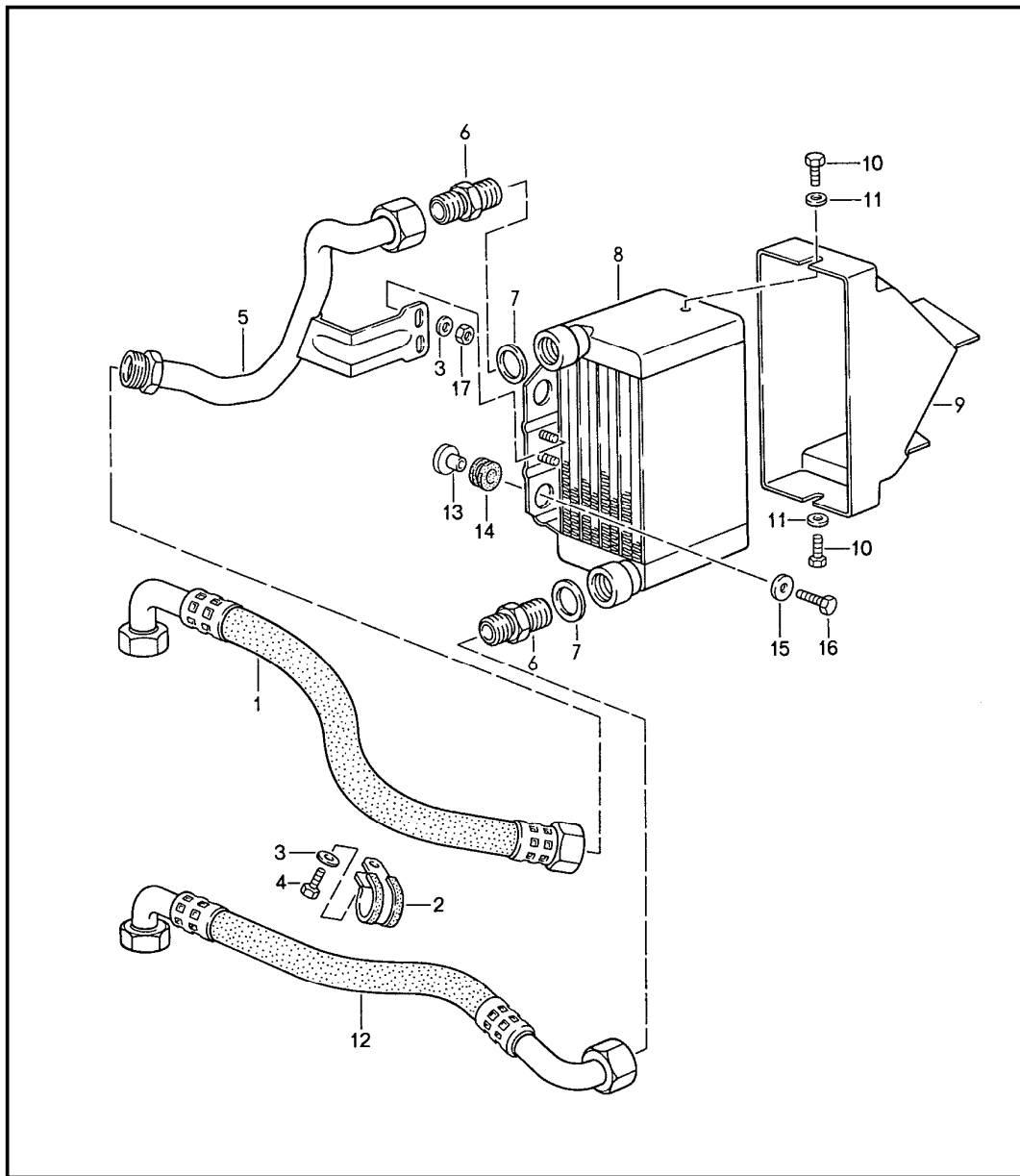


Pos	Part Number	Description	Remark	Qty	Model
		engine lubrication			M44.41/52
1	944 107 014 11	oil pump		1	
2	999 113 331 40	shaft sealing ring 38 X 52 X 7		1	
3	900 249 017 02	countersunk-head screw M 6 X 25		2	
4	944 107 161 02	toothed sleeve		1	
5	999 707 283 40	round seal 28 X 2,58		1	
6	900 075 343 02	hexagon-head bolt M 6 X 45		3	
7	900 075 345 02	hexagon-head bolt M 6 X 35		4	
8	900 074 317 02	hexagon-head bolt M 10 X 45 Z1		1	
9	999 512 252 02	hose clamp		1	
10	951 107 051 00	thermostat housing		1	M44.52
10	944 107 056 00	thermostat housing		1	M44.41
11	900 123 011 30	sealing ring A 22 X 27		2	
12	900 915 101 02	screw socket		2	
13	951 107 153 01	screw plug		1	
14	900 123 136 30	sealing ring A 42 X 49		1	
15	951 101 025 00	heat shield		1	M44.52
16	951 107 155 01	thermostat insert		1	
17	999 707 043 40	o-ring		2	
18	944 107 147 03	gasket		1	
19	928 606 203 01	oil pressure sender		1	
20	900 232 004 02	washer		4	
21	900 075 029 09	hexagon-head bolt M 8 X 25		4	

Model	Year	MG	SG	Illustration	Restrictions	UPD	22:26	23.01.2010	PORSCHE	PET	PORSCHE
9442	1991	1	04	104-01		248					

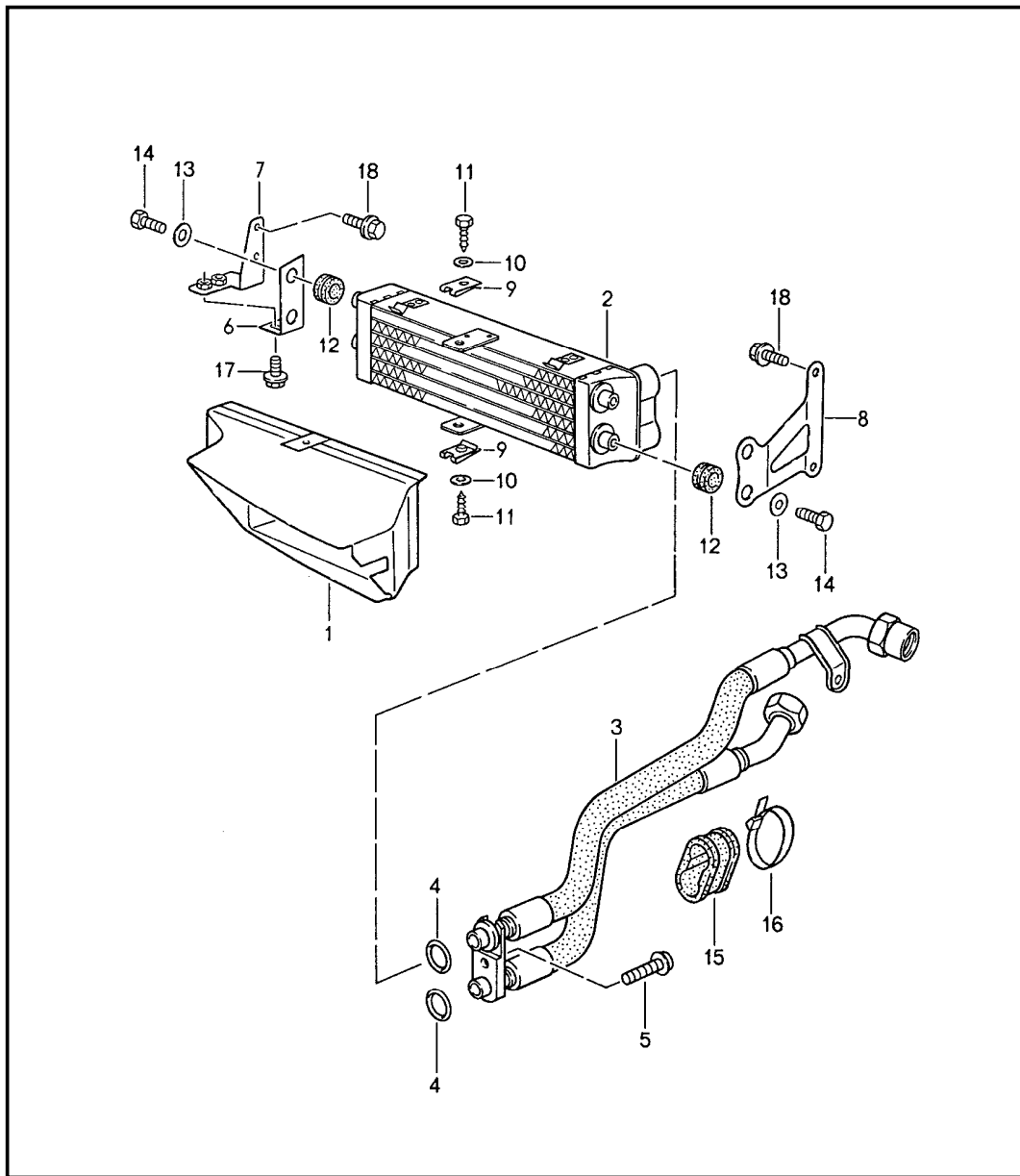
Pos	Part Number	Description	Remark	Qty	Model	Pos	Part Number	Description	Remark	Qty	Model
22	944 107 035 02	relief valve		1	M44.52	42	999 701 613 40	round seal 20 X 5		1	
22	944 107 035 02	relief valve		1	M44.41	43	999 707 144 40	sealing ring		2	
23	N 043 815 3	sealing ring A 20 X 24		1		44	944 107 311 03	moulded hose		1	M44.41
24	900 331 013 40	o-ring		1		45	944 107 324 00	valve		1	
25	944 107 329 00	spacer sleeve		1		46	999 512 457 00	clamp		1	
26	951 107 152 03	connection piece		1		-	000 043 010 00	loctite -574- 50 ML		1	
27	944 107 032 07	suction tube		1		-	000 043 124 00	loctite ACTIVATOR N -764- 120 ML		1	
28	944 107 136 03	sealing ring		1							
29	944 107 183 03	return pipe M --47K		1	M44.52 M44.52						
29	944 107 052 01	return pipe M 47K --		1	M44.41/52 M44.52						
30	951 101 027 03	guide tube		1	M44.52						
30	944 101 024 08	guide tube		1	M44.41						
31	900 174 044 40	round seal		1							
32	944 107 025 01	oil level dipstick		1							
33	944 107 180 09	oil separator		1	M44.52						
33	944 107 180 10	oil separator		1	M44.41						
34	999 701 661 40	round seal 24 X 5		2							
35	900 025 007 02	washer A 8,4		3							
36	900 075 029 09	hexagon-head bolt M 8 X 25		3							
37	944 107 091 01	oil filler cover		1							
38	999 701 846 40	o-ring 4,00 X 45,00		1							
39	999 707 079 40	o-ring M 47K --		1	M44.41/52						
40	944 107 201 08	oil filter		1							
41	951 107 053 01	cover plate		1	M44.52						
(41)	944 107 053 04	cover plate		1	M44.41						

Model	Year	MG	SG	Illustration	Restrictions	UPD	22:26	23.01.2010	PORSCHE	PET	PORSCHE
9442	1991	1	04	104-03		248					



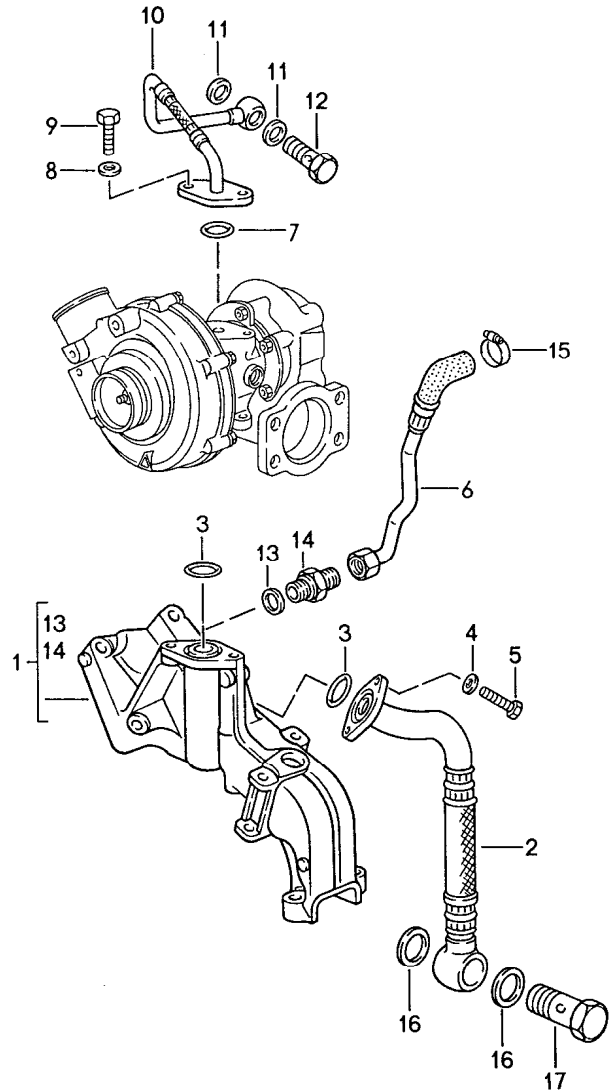
Pos	Part Number	Description	Remark	Qty	Model
		oil cooling			M44.52
1	951 207 113 01	oil pipe F >>95KN1 01308		1	
1	951 207 113 03	oil pipe F 95KN1 01309>>95LN1 00350	-89	1	
1	951 207 113 02	oil pipe F 95LN1 00351>>	90-	1	
2	N 020 647 1	clamp		1	
3	N 011 524 7	washer		1	
4	N 010 215 13	hexagon-head bolt		1	
5	951 207 112 02	oil pipe		1	
6	900 915 101 02	screw socket		2	
7	900 123 011 30	sealing ring A 22 X 27		2	
8	951 207 309 02	oil cooler		1	
9	951 207 311 03	air duct		1	
10	N 010 210 13	hexagon-head bolt M 6 X 10		2	
11	N 011 666 7	washer B 6,4		2	
12	951 207 111 03	oil pipe		1	
13	951 207 114 00	spacer sleeve		2	
14	056 129 669 B	grommet		2	
15	N 011 612 3	washer R 7		2	
16	900 075 341 02	combination screw M 6 X 25		2	
17	900 076 010 02	hexagon nut		2	

Model	Year	MG	SG	Illustration	Restrictions	UPD	22:26	23.01.2010	PORSCHE	PET	PORSCHE
9442	1991	1	04	104-04		248					



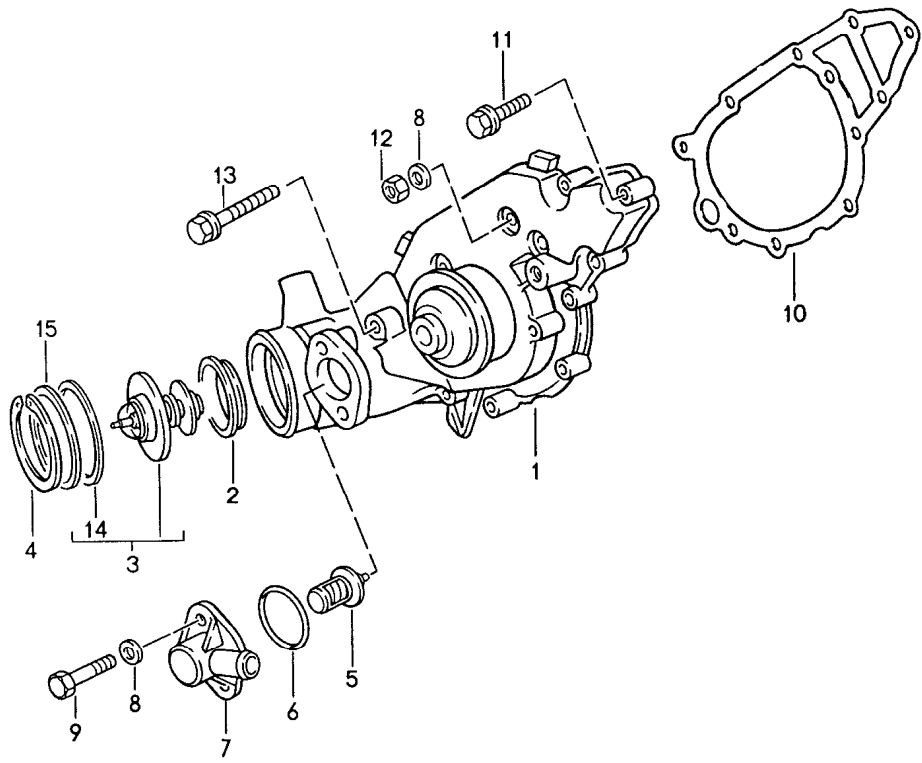
Pos	Part Number	Description	Remark	Qty	Model
		oil cooling			M44.41
1	944 207 311 00	air duct		1	
2	944 207 309 00	oil cooler		1	
3	944 207 011 02	oil pipe with union nut	89	1	
(3)	944 207 011 03	oil pipe ohne union nut	90-	1	
4	900 331 022 40	o-ring		X	
5	N 090 378 1	pan-head screw M 8 X 25		X	
6	944 207 315 00	support		1	
7	944 207 313 00	support		1	
8	944 207 317 00	support		1	
9	999 591 489 02	speed nut		2	
9	999 591 489 01	speed nut		2	
10	N 011 665 3	washer		2	
11	N 013 884 4	tapping screw		2	
12	056 129 669 B	grommet		4	
13	N 011 612 3	washer		4	
14	999 072 005 09	hexagon-head bolt		4	
15	930 207 265 00	rubber mounting		1	
16	N 020 906 3	tie-wrap		1	
17	900 075 357 02	combination screw M 6 X 12		2	
18	900 075 374 02	combination screw M 6 X 14		4	

Model	Year	MG	SG	Illustration	Restrictions	UPD	22:27	23.01.2010	PORSCHE	PET	PORSCHE
9442	1991	1	04	104-05		248					



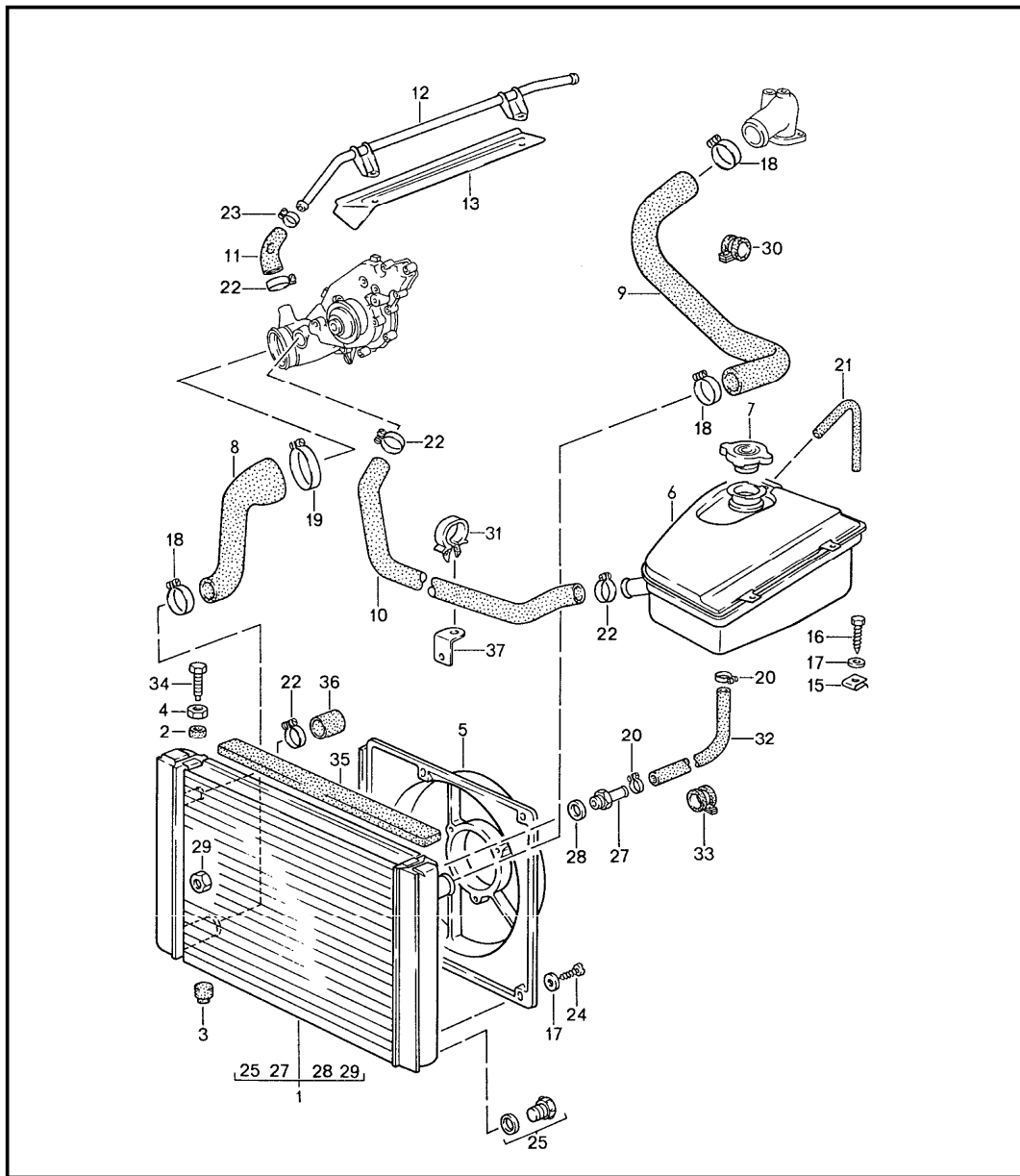
Pos	Part Number	Description	Remark	Qty	Model
		engine lubrication turbocharger			M44.52
1	951 101 023 00	engine carrier		1	
2	951 107 108 00	oil hose		1	
3	900 174 058 40	round seal		2	
4	N 011 524 7	washer		2	
5	N 010 217 9	hexagon-head bolt M 6 X 20		2	
6	951 123 083 00	vent line		1	
7	999 707 043 40	o-ring		1	
8	900 025 007 02	washer		2	
9	900 075 085 02	hexagon-head bolt M 8 X 20		2	
10	951 107 317 05	oil pipe		1	
11	900 123 007 30	sealing ring A 14 X 18		2	
12	N 021 074 1	banjo bolt		1	
13	900 123 140 30	sealing ring A 18 X 22		1	
14	N 100 462 01	screw socket		1	
15	999 512 552 00	hose clamp S 25 / 9 ZY		1	
16	900 123 049 30	sealing ring A 26 X 32		2	
17	N 100 407 01	banjo bolt LL 22		1	

Model	Year	MG	SG	Illustration	Restrictions	UPD	22:27	23.01.2010	PORSCHE	PET	PORSCHE
9442	1991	1	05	105-00		248					



Pos	Part Number	Description	Remark	Qty	Model
		water pump			
1	> 944 106 021 24	water pump		1	M44.11/12/41
1	> 951 106 021 10	water pump		1	M44.52
2	951 106 155 00	sealing ring		1	
3	944 106 019 00	thermostat		1	
4	900 042 025 01	circlip 55 X 2		1	
5	951 106 311 00	thermostat		1	M44.52
6	999 707 283 40	round seal 28 X 2,5		1	
7	951 106 313 00	housing black		1	
8	N 011 524 7	washer		2	
9	900 067 011 02	pan-head screw M 6 X 20		2	
10	944 106 132 03	gasket		1	M44.11/12/41
10	944 106 132 04	gasket		1	M44.52
11	900 075 345 02	hexagon-head bolt M 6 X 35		7	
11	900 075 345 01	hexagon-head bolt M 6 X 35		7	
12	900 076 010 02	hexagon nut M 6		4	
13	900 074 302 02	hexagon-head bolt M 6 X 70		1	
13	900 074 302 01	hexagon-head bolt M 6 X 70		1	
14	944 106 929 08	sealing ring		1	
15	900 234 160 00	shim		1	

Model	Year	MG	SG	Illustration	Restrictions	UPD	22:27	23.01.2010	PORSCHE	PET	PORSCHE
9442	1991	1	05	105-05		248					

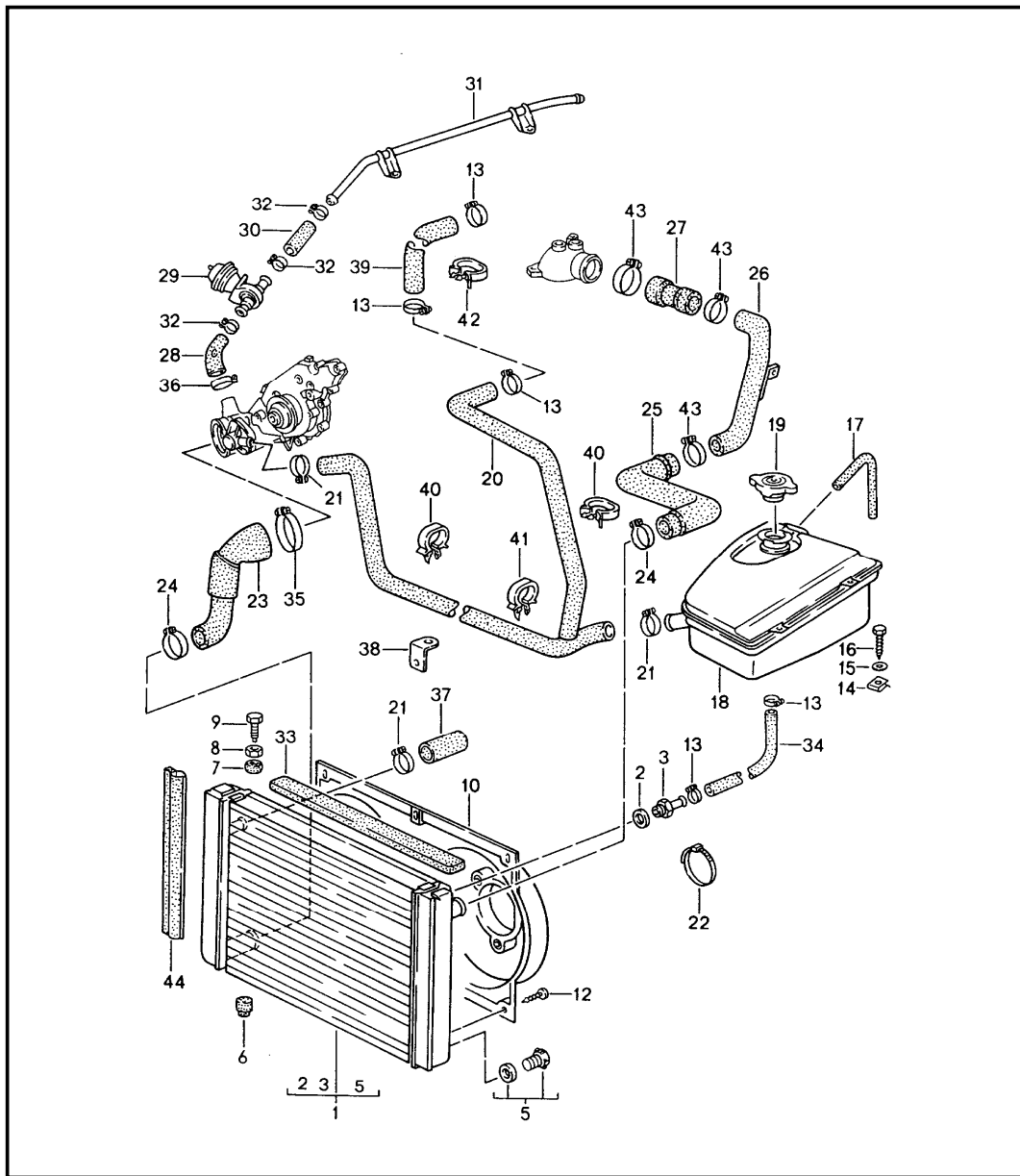


Pos	Part Number	Description	Remark	Qty	Model
		water cooling			M44.11/12
1	944 106 031 03	radiator		1	
1	944 106 027 06	radiator	AUT.	1	
2	951 106 053 00	rubber mounting		2	
3	951 106 107 00	rubber mounting		2	
4	900 076 025 02	hexagon nut		2	
5	944 106 141 02	airscoop		1	
5	944 106 143 02	airscoop for air conditioner		1	
6	944 106 125 06	expansion tank		1	
7	944 106 257 00	lid		1	
8	944 106 237 07	water hose		1	
9	944 106 239 07	water hose		1	
10	944 106 215 01	water hose		1	
11	944 106 241 03	water hose		1	
12	944 106 243 03	water tube		1	
13	944 106 247 00	heat shield	AUT.	1	
15	477 955 461	speed nut		2	
16	N 090 172 1	combination screw 6,3 X 19		2	
17	N 011 524 7	washer A 6,4		6	
18	999 512 500 00	hose clamp 32 - 50		3	
19	999 512 390 00	hose clamp 60 - 80		1	
20	900 272 002 02	hose clamp 10 - 16		3	
21	944 106 251 00	water hose		1	
22	999 512 392 00	hose clamp 23 - 35		4	

Model	Year	MG	SG	Illustration	Restrictions	UPD	22:27	23.01.2010	PORSCHE	PET	PORSCHE
9442	1991	1	05	105-05		248					

Pos	Part Number	Description	Remark	Qty	Model	Pos	Part Number	Description	Remark	Qty	Model
23	999 512 346 00	hose clamp 16 - 25		1							
24	900 187 111 02	combination screw 6,3 X 12		4							
24	900 187 111 01	combination screw 6,3 X 12		4							
25	944 106 353 01	screw plug M 10 X 1		1							
27	944 106 927 00	screw socket		1							
28	944 106 928 00	sealing ring		1							
29	944 106 355 00	nut	AUT.	2							
30	999 511 130 02	pipe clamp 44/20		1							
31	321 971 847 A	clip		1							
32	944 106 249 01	water hose		1							
33	999 511 177 02	clamp B 15		1							
34	900 046 004 02	hexagon-head bolt		2							
35	944 556 837 00	sealing rubber		1							
36	944 106 103 02	cap		1							
37	477 971 881 B	retaining bracket		1							

Model	Year	MG	SG	Illustration	Restrictions	UPD	22:27	23.01.2010	PORSCHE	PET	PORSCHE
9442	1991	1	05	105-07		248					

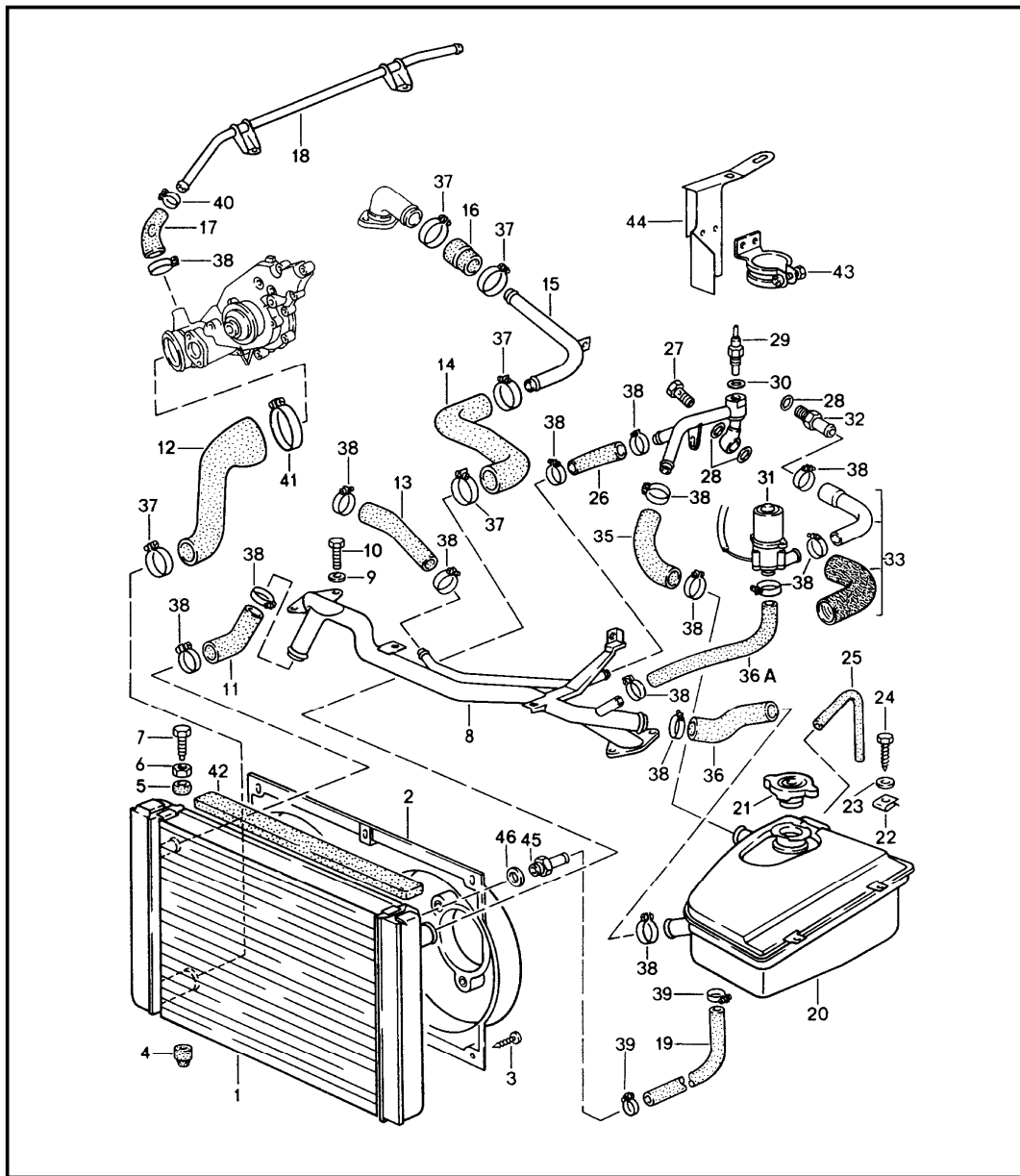


Pos	Part Number	Description	Remark	Qty	Model
		water cooling			M44.41
1	951 106 031 03	radiator		1	
2	944 106 928 00	sealing ring		1	
3	944 106 927 00	screw socket		1	
5	944 106 353 01	screw plug		1	
6	951 106 107 00	rubber mounting		2	
7	951 106 053 00	rubber mounting		2	
8	900 076 025 02	hexagon nut		2	
9	900 046 004 02	hexagon-head bolt		2	
10	951 106 143 00	airscoop		1	
12	900 187 111 02	combination screw 6,3 X 12		6	
12	900 187 111 01	combination screw 6,3 X 12		6	
13	900 272 002 02	hose clamp 10 - 16		2	
14	477 955 461	speed nut		2	
15	N 011 524 7	washer A 6,4		6	
16	N 090 172 1	combination screw 6,3 X 19		2	
17	944 106 251 00	water hose		1	
18	944 106 125 06	expansion tank		1	
19	944 106 257 00	lid		1	
20	944 106 217 02	water hose		1	
21	999 512 392 00	hose clamp		5	
22	999 513 003 40	tie-wrap		4	
23	951 106 237 04	water hose		1	
24	999 512 500 00	hose clamp 32 - 50		5	
25	944 106 239 06	water hose		1	
26	944 106 091 01	cooling water tube		1	

Model	Year	MG	SG	Illustration	Restrictions	UPD	22:27	23.01.2010	PORSCHE	PET	PORSCHE
9442	1991	1	05	105-07		248					

Pos	Part Number	Description	Remark	Qty	Model	Pos	Part Number	Description	Remark	Qty	Model
27	944 106 235 01	water hose		1							
28	944 106 241 04	water hose		1							
29	928 574 573 03	disc valve		1							
30	944 106 253 01	water hose		1							
31	944 106 243 07	cooling water tube		1							
32	999 512 391 00	hose clamp 16 - 25		3							
33	944 556 837 00	sealing rubber		1							
34	951 106 249 01	water hose		1							
35	999 512 390 00	hose clamp 60 - 80		1							
36	999 512 421 02	hose clamp 23 - 35		1							
37	944 106 103 02	cap		1							
38	477 971 881 B	retaining bracket		1							
39	944 106 236 02	water hose		1							
40	321 971 847 B	clip		2							
41	321 971 847 A	clip		1							
42	171 971 847 A	clip		1							
43	999 512 384 02	hose clamp 25 - 40		3							
44	944 025 115 00	rubber seal 334 MM		* 2							

Model	Year	MG	SG	Illustration	Restrictions	UPD	22:28	23.01.2010	PORSCHE	PET	PORSCHE
9442	1991	1	05	105-10		248					

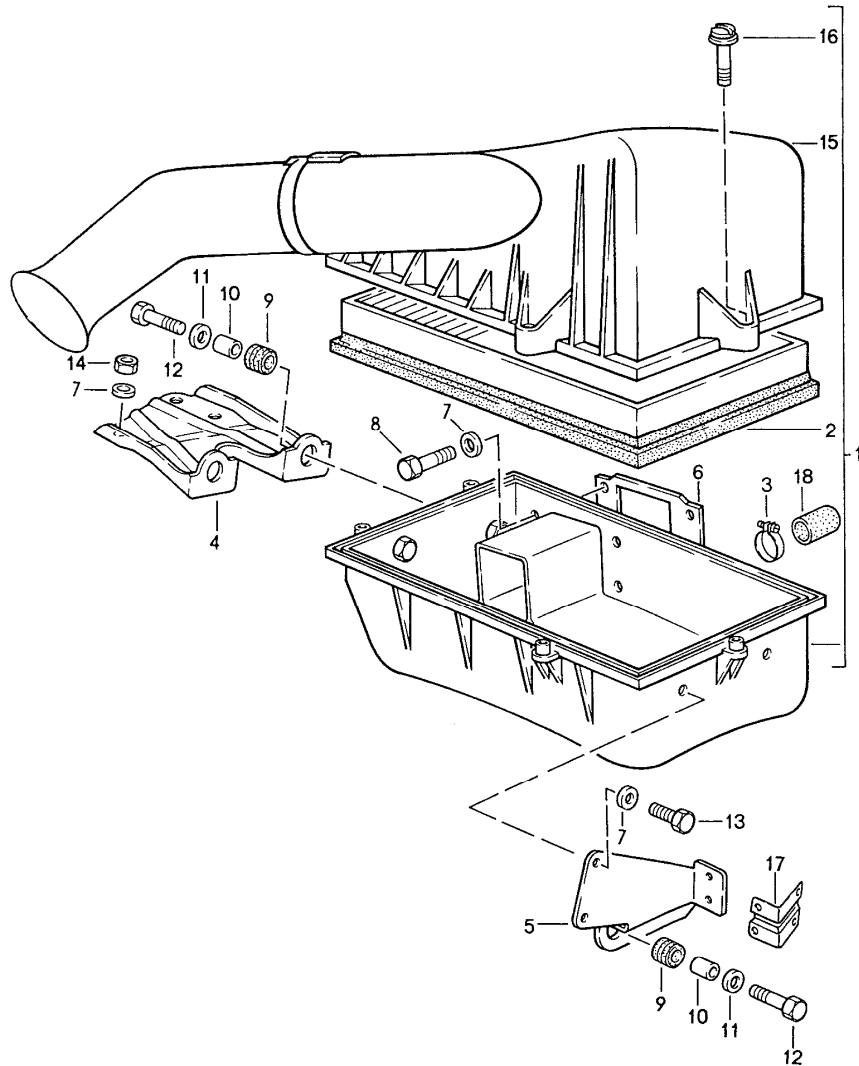


Pos	Part Number	Description	Remark	Qty	Model
		water cooling			M44.52
1	951 106 031 50	radiator		1	
2	951 106 143 00	airscoop		1	
3	900 187 111 02	combination screw		6	
3	900 187 111 01	combination screw		6	
4	951 106 107 00	rubber mounting		2	
5	951 106 053 00	rubber mounting		2	
6	900 076 025 02	hexagon nut M 8		2	
7	900 046 004 02	hexagon-head bolt AM 8 X 40		2	
8	951 110 171 03	bracket		1	
9	N 011 666 7	washer B 6,4		4	
10	900 075 014 02	hexagon-head bolt M 6 X 18		4	
11	951 106 245 03	water hose		1	
12	951 106 237 04	water hose		1	
13	951 106 321 02	water hose		1	
14	951 106 241 01	water hose		1	
15	951 106 091 00	water tube		1	
16	951 106 239 01	water hose		1	
17	944 106 241 03	water hose		1	
18	944 106 243 03	water tube		1	
19	951 106 249 01	water hose		1	
20	951 106 025 02	expansion tank		1	
21	944 106 257 00	lid		1	
22	477 955 461	speed nut A 6,4		2	
24	N 090 172 1	combination screw 6,3 X 19		2	
25	944 106 251 00	water hose		1	

Model	Year	MG	SG	Illustration	Restrictions	UPD	22:28	23.01.2010	PORSCHE	PET	PORSCHE
9442	1991	1	05	105-10		248					

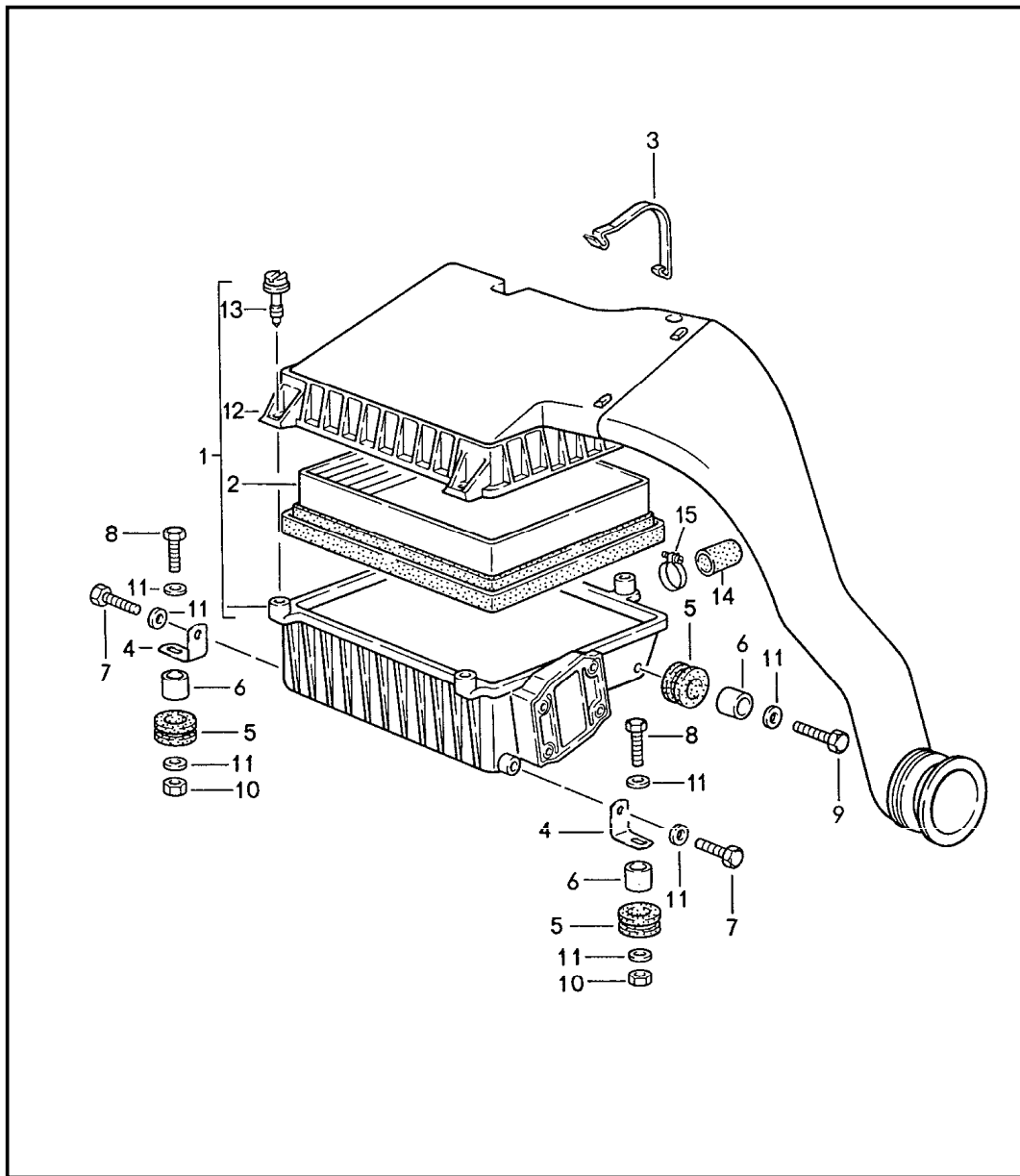
Pos	Part Number	Description	Remark	Qty	Model	Pos	Part Number	Description	Remark	Qty	Model
26	951 106 322 02	water hose		1		44	951 106 323 00	support for water pump		1	
27	900 175 005 02	banjo bolt M 16 X 1,5		1							
28	N 013 848 5	sealing ring A 16 X 22		3		45	944 106 927 00	screw socket		1	
29	951 606 106 00	temperature switch		1		46	944 106 928 00	sealing ring A 18 X 12		1	
30	900 123 007 30	sealing ring		1							
31	A 951 606 130 01	water pump		1							
31	951 606 130 01	water pump		1							
(32)	A 951 106 055 00	line F >>95LN1 00896		1							
32	999 230 365 02	connecting piece F 95LN1 00897>>		1							
(33)	A 951 106 248 01	water hose F >>95LN1 00896		1							
33	951 106 048 00	water hose F 95LN1 00897>>		1							
34	951 106 056 08	water tube		1							
35	951 106 251 02	water hose		1							
36	951 106 243 01	water hose		1							
36A	951 106 247 04	water hose		1							
37	999 512 500 00	hose clamp 32 - 50		X							
38	999 512 392 00	hose clamp SGT 20 - 32/13		X							
39	900 272 002 02	hose clamp 10 - 16		2							
40	999 512 346 00	hose clamp 16 - 25		X							
41	999 512 390 00	hose clamp SB 60 - 80		1							
42	944 556 837 00	sealing rubber		1							
43	951 106 325 00	clamp for water pump		1							

Model	Year	MG	SG	Illustration	Restrictions	UPD	22:28	23.01.2010	PORSCHE	PET	PORSCHE
9442	1991	1	06	106-00		248					



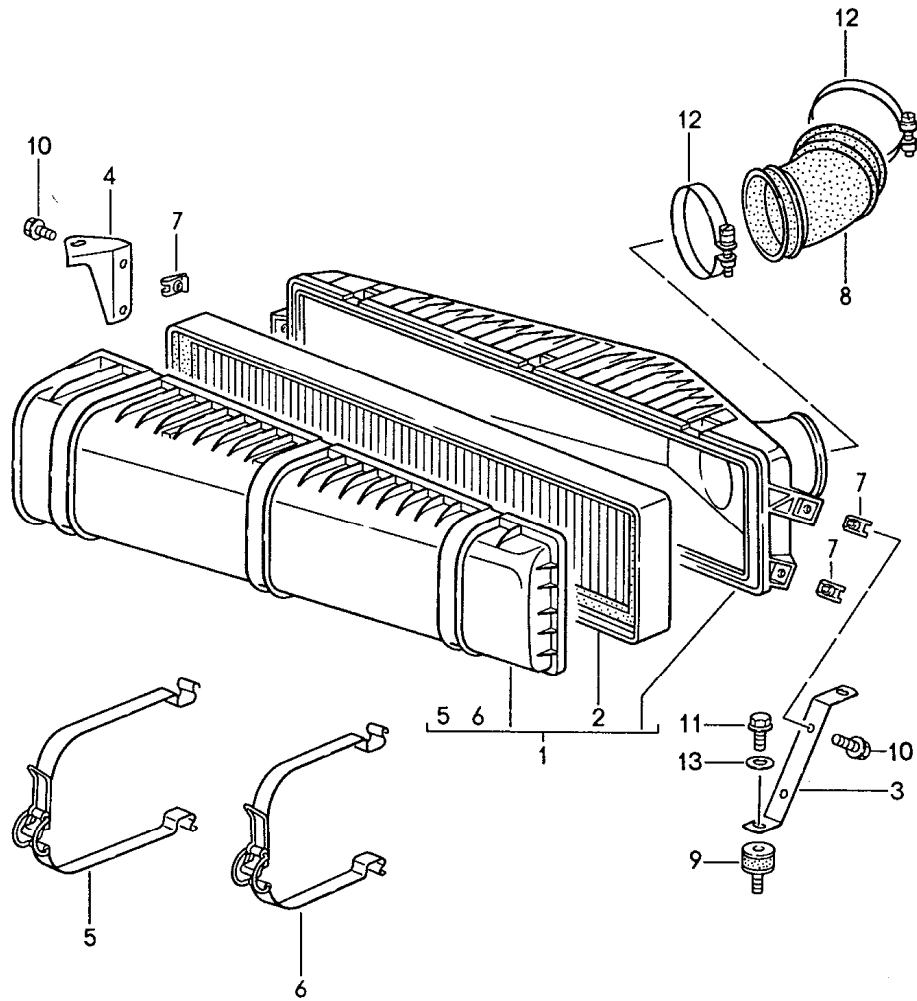
Pos	Part Number	Description	Remark	Qty	Model
		air cleaner system			M44.11/12
1	944 110 012 07	air cleaner		1	
2	944 110 186 02	air cleaner cartridge		1	
		hose clamp		1	
4	944 110 067 01	support	/V	1	
5	944 110 155 01	support	/H	1	
6	944 110 353 00	gasket		1	
7	N 011 524 7	washer A 6,4		11	
8	900 074 151 02	hexagon-head bolt M 6 X 38		X	
9	056 129 669 B	grommet		4	
10	052 109 135	spacer sleeve		4	
11	N 011 612 3	washer 6,6		4	
12	900 075 014 02	hexagon-head bolt M 6 X 18		4	
13	N 010 210 13	hexagon-head bolt M 6 X 10		4	
14	900 076 010 02	hexagon nut M 6		3	
15	944 110 221 01	air cleaner cover without screw		1	
16	944 110 225 00	combination screw		5	
17	944 110 255 00	support		1	
18	944 106 103 00	cap		1	

Model	Year	MG	SG	Illustration	Restrictions	UPD	22:28	23.01.2010	PORSCHE	PET	PORSCHE
9442	1991	1	06	106-05		248					



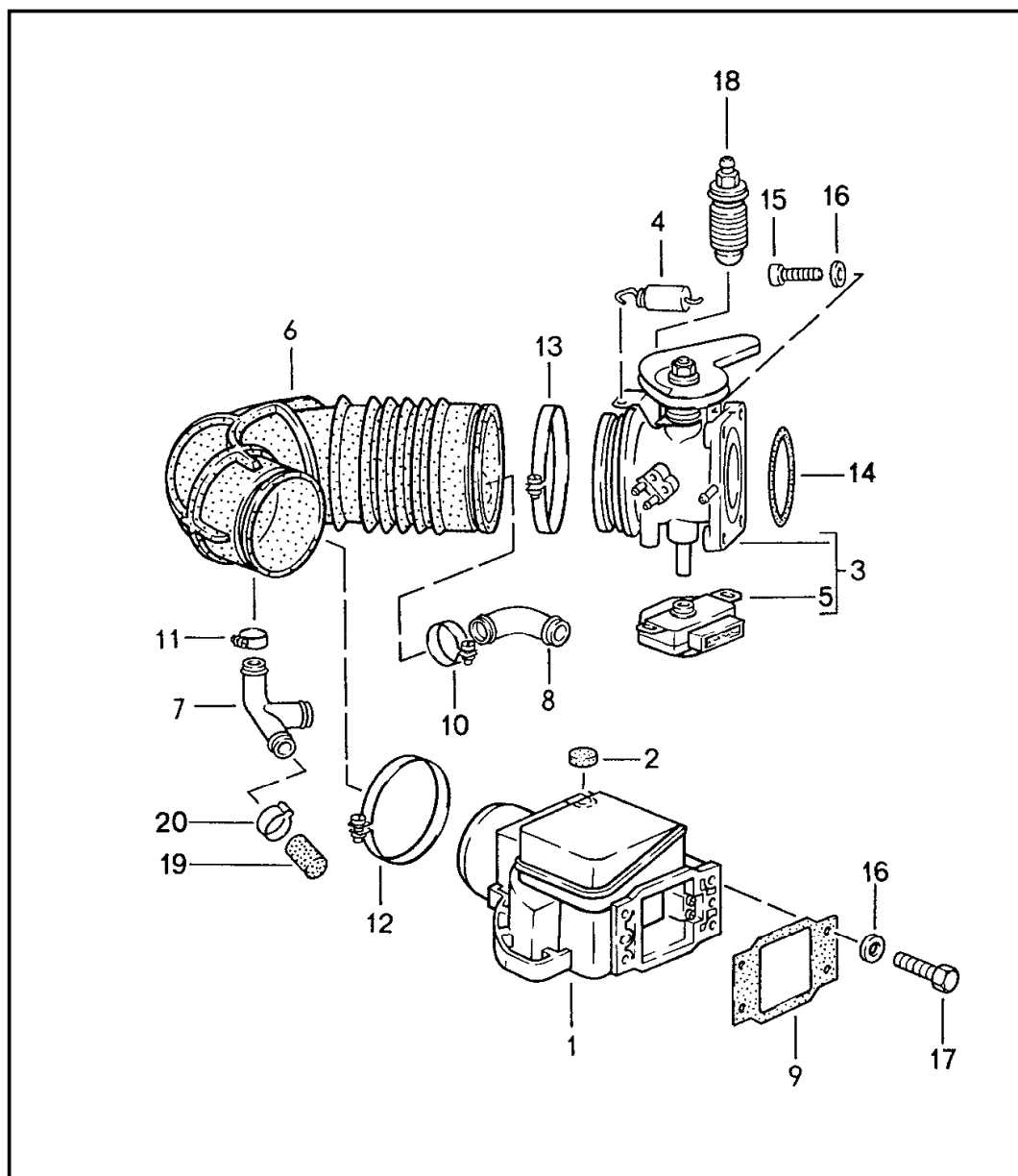
Pos	Part Number	Description	Remark	Qty	Model
		air cleaner system			M44.52
1	951 110 021 02	air cleaner		1	
2	951 110 121 01	air cleaner cartridge		1	
3	951 110 421 02	clip		1	
4	951 110 169 02	support		2	
5	951 110 173 00	rubber sleeve		3	
6	951 110 175 00	sleeve		3	
7	N 010 210 13	hexagon-head bolt M 6 X 10		2	
8	N 010 217 9	hexagon-head bolt M 6 X 20		2	
9	900 075 057 02	hexagon-head bolt M 6 X 16		1	
10	900 076 010 02	hexagon nut M 6		2	
11	N 011 524 7	washer A 6,4		7	
12	951 110 021 50	air cleaner cover		1	
13	944 110 225 01	combination screw		X	
14	944 106 103 00	cap hose clamp		1 1	

Model	Year	MG	SG	Illustration	Restrictions	UPD	22:28	23.01.2010	PORSCHE	PET	PORSCHE
9442	1991	1	06	106-10		248					



Pos	Part Number	Description	Remark	Qty	Model
		air cleaner system			M44.41
1	944 110 016 01	air cleaner		1	
2	944 110 166 00	air cleaner cartridge		1	
3	944 110 333 00	retaining bracket		1	
4	944 110 334 00	retaining bracket		1	
5	944 110 116 00	clamp		2	
6	944 110 116 01	clamp		1	
7	999 507 246 02	speed nut		4	
8	944 110 307 01	air box		1	
9	999 703 315 00	bonded rubber buffer		3	
10	N 100 515 01	hexagon-head bolt M 6 X 15		3	
11	900 075 363 02	hexagon-head bolt M 6 X 10 Z1		3	
12	999 512 317 00	clip LC 60-80/9		2	
13	N 011 666 7	washer 6,4		3	

Model	Year	MG	SG	Illustration	Restrictions	UPD	22:28	23.01.2010	PORSCHE	PET	PORSCHE
9442	1991	1	07	107-00		248					

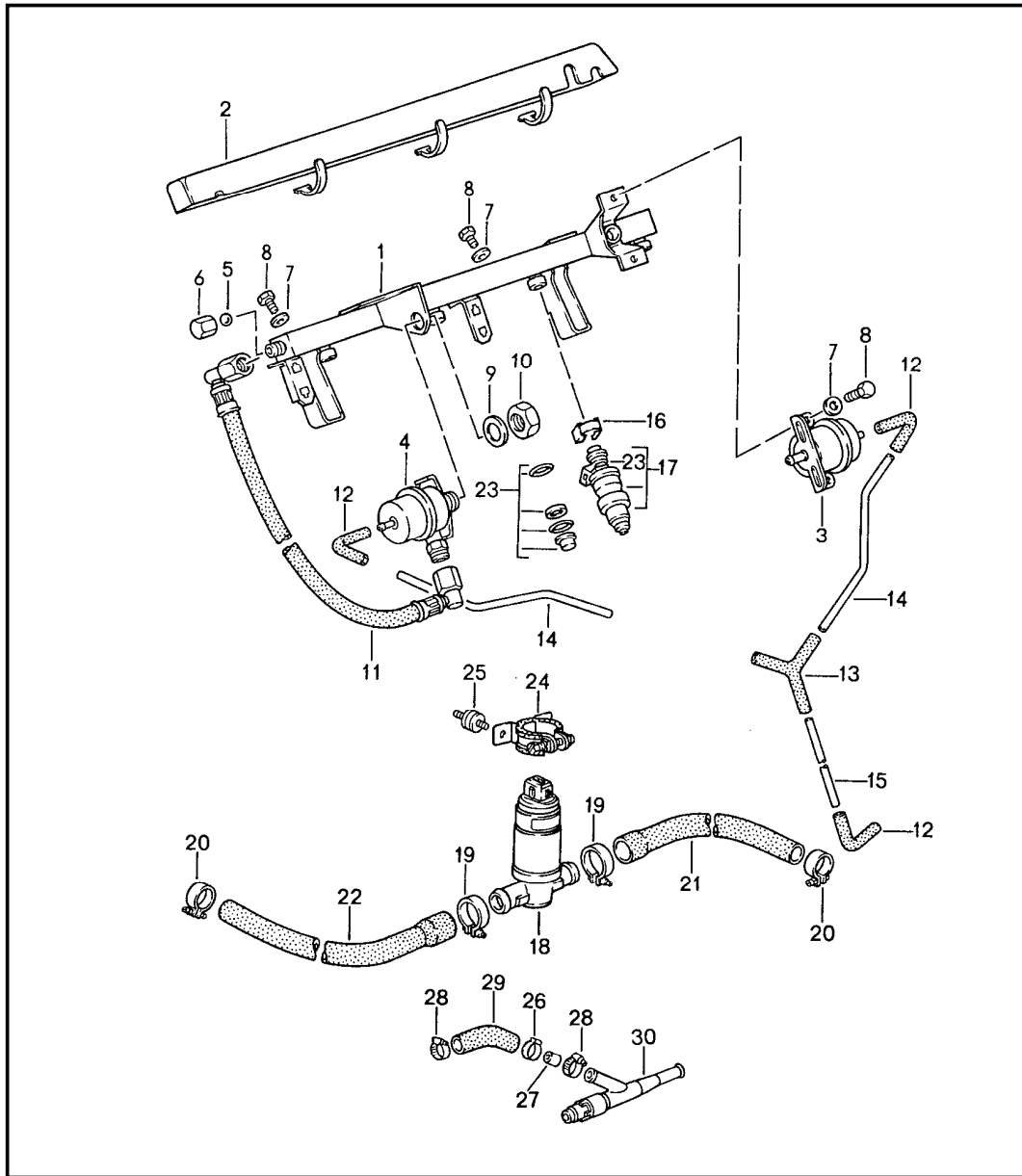


Pos	Part Number	Description	Remark	Qty	Model
		l-jetronic 1			M44.11/12
1	> 944 606 121 01	mass air flow meter		1	
1	944 606 121 AX	mass air flow meter		1	
2	944 606 935 01	stopper blue		1	
3	944 110 094 02	flap connection		1	M44.11
3	944 110 009 02	flap connection	(B)	1	M44.11
3	944 110 095 02	flap connection		1	M44.12
3	944 110 009 03	flap connection	(B)	1	M44.12
4	944 110 071 00	return spring		1	
4	944 110 071 01	return spring	AUT.	1	
5	944 606 113 01	throttle-valve switch		1	
6	944 110 358 04	air box		1	
7	944 110 363 02	connecting piece		1	
8	944 107 367 01	connecting piece		1	
9	944 110 353 00	gasket		1	
10	999 512 552 00	hose clamp 25/9		1	
11	999 512 045 02	hose clamp 22/9		1	
12	999 512 235 02	hose clamp 77/9		1	
13	999 512 302 02	hose clamp 85/9		1	
14	* 999 701 468 40	round seal 67,5 X 4		1	
15	900 067 089 02	pan-head screw M 6 X 25		4	
16	N 011 524 7	washer A 6,4		8	
17	N 010 347 5	hexagon-head bolt M 6 X 35		4	
18	930 110 919 00	throttle screw		1	

Model	Year	MG	SG	Illustration	Restrictions	UPD	22:28	23.01.2010	PORSCHE	PET	PORSCHE
9442	1991	1	07	107-00		248					

Pos	Part Number	Description	Remark	Qty	Model	Pos	Part Number	Description	Remark	Qty	Model
19	930 110 256 00	stopper		1	M44.11						
20	999 512 457 00	clamp		1	M44.11						
-	930 110 520 00	cap		1							

Model	Year	MG	SG	Illustration	Restrictions	UPD	22:29	23.01.2010	PORSCHE	PET	PORSCHE
9442	1991	1	07	107-05		248					

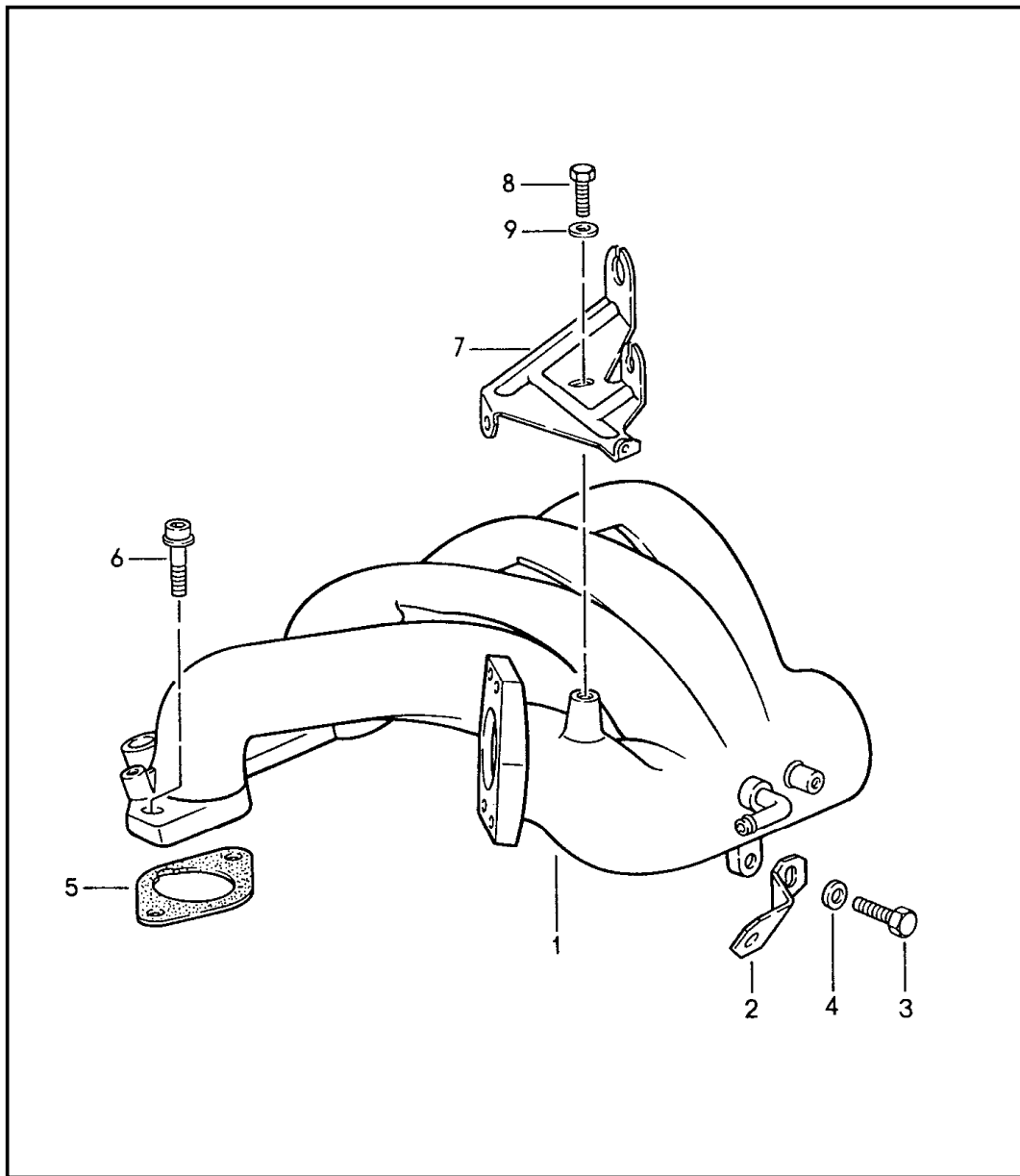


Pos	Part Number	Description	Remark	Qty	Model
		1-jetronic			M44.11/12
1	944 110 080 20	fuel collection pipe		1	
2	944 607 081 03	cover		1	
3	944 110 198 04	pressure regulator		1	M44.11
		M >> 46K 02979			M44.12
		M >> 46K 61255			
3	944 110 198 06	pressure regulator		1	M44.11
		M 46K 02980 >>			M44.12
		M 46K 61256 >>			
4	944 110 201 04	diaphragm damper		1	
5	900 108 022 00	ball		1	
6	928 110 475 01	cap nut		1	
6	928 110 475 03	cap nut		1	
7	N 011 524 7	washer		4	
8	999 072 005 09	hexagon-head bolt		4	
		M 6 X 12			
9	N 012 238 5	spring washer		1	
10	900 034 013 02	hexagon nut		1	
		M 16 X 1,5			
11	944 110 413 02	fuel line		1	
12	928 574 717 02	moulded hose		X	
13	928 573 727 03	y-piece		X	
-	N 020 139 11	pipe		*	
		4 X 1			
14	-	180 MM		2	
15	-	380 MM		1	
16	930 110 388 00	retaining clip		4	
17	944 606 114 00	injector valve		4	
18	930 606 161 00	idle-speed adjuster		1	
19	999 512 326 00	hose clamp		2	
		SGT 23 - 35 / 9 W 2			
20	999 512 346 00	hose clamp		2	
		SGT 16 - 25 / 9 W 2			

Model	Year	MG	SG	Illustration	Restrictions	UPD	22:29	23.01.2010	PORSCHE	PET	PORSCHE
9442	1991	1	07	107-05		248					

Pos	Part Number	Description	Remark	Qty	Model	Pos	Part Number	Description	Remark	Qty	Model
21	944 110 214 01	hose		1							
22	944 110 217 00	hose		1							
23	944 110 901 00	gasket set for injector valve		4							
24	999 512 395 02	clamp		1							
25	928 110 191 10	bonded rubber mounting		2							
25	999 703 264 00	bonded rubber mounting		2							
26	999 512 457 00	clamp 18,2 - 21,0		3							
27	944 110 241 04	restrictor		1							
28	999 512 456 00	clamp 19,8 - 22,6		2							
29	944 110 361 06	hose		1							
30	-	see group 6/04/00									

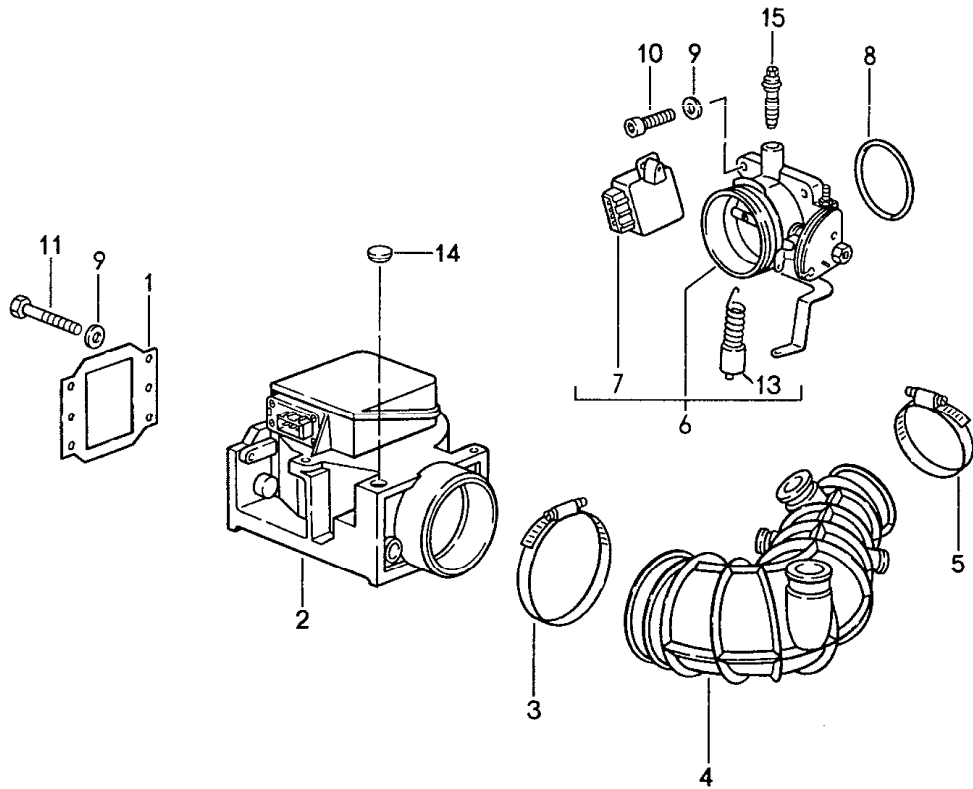
Model	Year	MG	SG	Illustration	Restrictions	UPD	22:29	23.01.2010	PORSCHE	PET	PORSCHE
9442	1991	1	07	107-10		248					



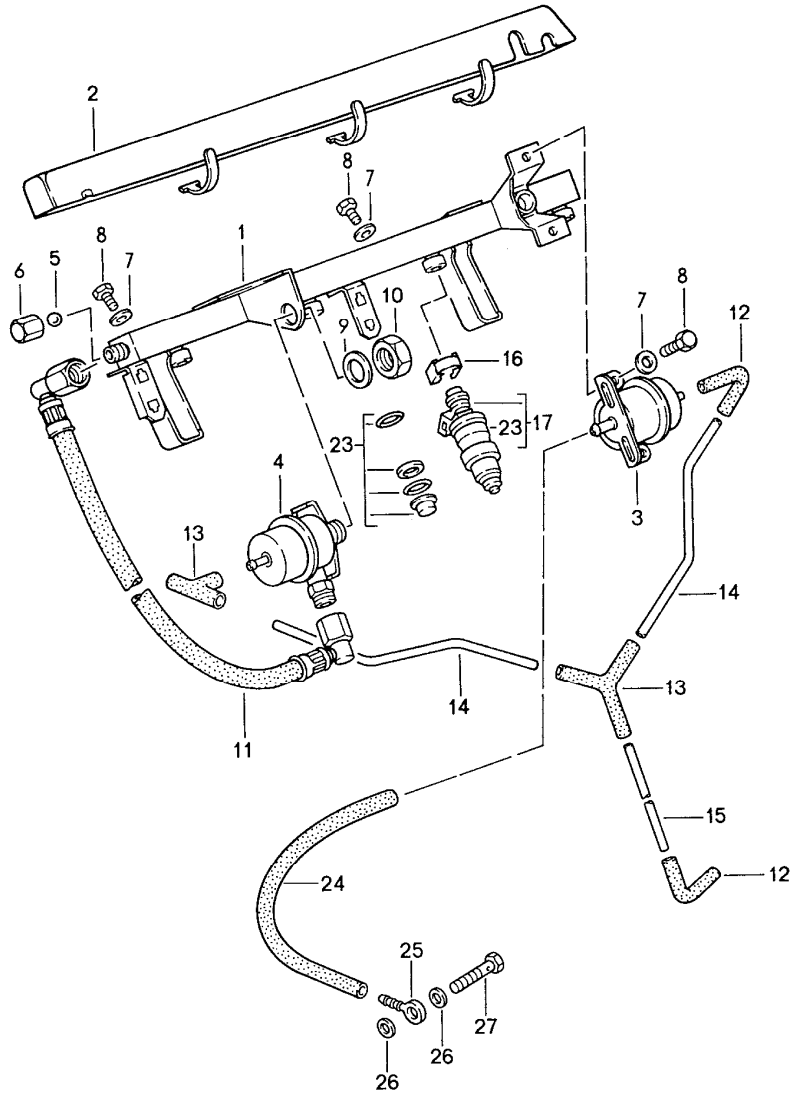
Pos	Part Number	Description	Remark	Qty	Model
		1-jetronic 3			M44.11/12
1	944 110 060 00	intake manifold		1	
2	944 110 165 01	bracket		1	
3	900 075 085 02	hexagon-head bolt M 8 X 20		1	
4	900 025 007 02	washer 8,4		9	
5	944 110 163 02	gasket		4	
6	900 067 214 02	pan-head screw M 8 X 35		8	
7	944 110 161 05	support		1	
8	900 075 057 02	hexagon-head bolt M 6 X 16		1	
9	N 011 666 7	washer B 6,4		1	

Model	Year	MG	SG	Illustration	Restrictions	UPD	22:29	23.01.2010	PORSCHE	PET	PORSCHE
9442	1991	1	07	107-15		248					

Pos	Part Number	Description	Remark	Qty	Model
		l-jetronic 1			M44.52
1	928 110 201 01	sealing frame		1	
2	> 951 606 121 01	mass air flow meter		1	
3	999 512 226 02	hose clamp		1	
4	951 110 198 02	air box		1	
5	999 512 342 02	hose clamp S 60 / 9 ZY		1	
6	951 110 098 02	flap connection		1	
7	951 606 113 00	throttle-valve switch		1	
8	999 701 331 40	round seal		1	
9	N 011 524 7	washer		8	
10	N 014 734 1	pan-head screw M 6 X 22		4	
11	900 075 343 02	hexagon-head bolt M 6 X 45		4	
13	951 110 098 90	return spring		1	
14	944 606 935 01	stopper		1	
15	951 110 919 00	throttle screw		1	



Model	Year	MG	SG	Illustration	Restrictions	UPD	22:29	23.01.2010	PORSCHE	PET	PORSCHE
9442	1991	1	07	107-20		248					

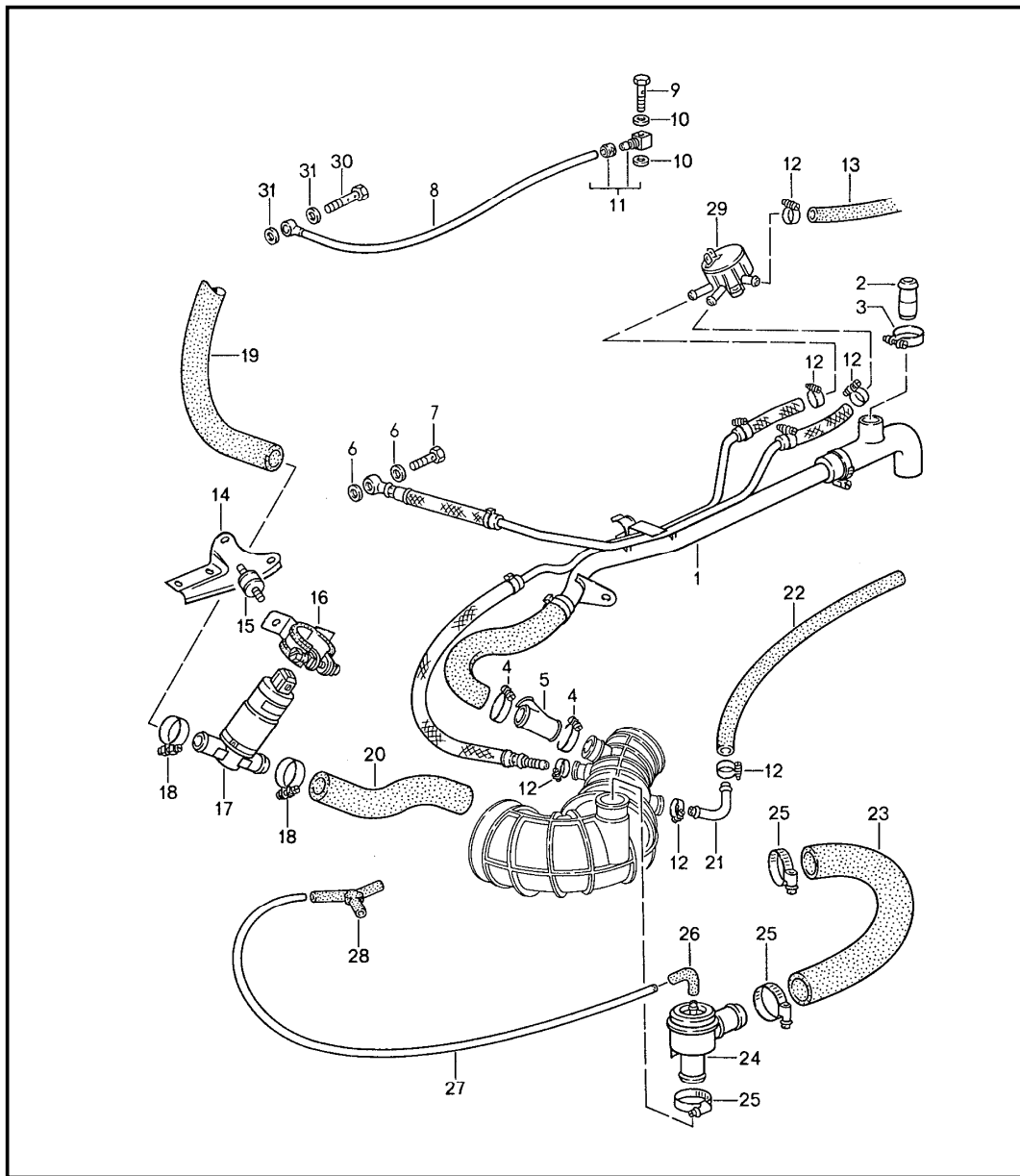


Pos	Part Number	Description	Remark	Qty	Model
		1-jetronic			M44.52
		2			
1	944 110 080 20	fuel collection pipe		1	
2	944 607 081 03	cover		1	
3	944 110 198 03	pressure regulator M >> 47K 02563		1	
3	944 110 198 05	pressure regulator M 47K 02564 >>		1	
4	944 110 201 03	diaphragm damper		1	
5	900 108 022 00	ball		1	
6	A 928 110 475 01	cap nut		1	
6	928 110 475 03	cap nut		1	
7	N 011 524 7	washer		4	
8	999 072 005 09	hexagon-head bolt M 6 X 12		4	
9	N 012 238 5	spring washer		1	
10	900 034 013 02	hexagon nut M 16 X 1,5		1	
11	944 110 413 02	fuel line		1	
12	928 574 717 02	moulded hose		X	
13	928 573 727 03	y-piece		X	
-	N 020 139 11	pipe 4 X 1		*	
14	-	180 MM		2	
15	-	380 MM		1	
16	930 110 388 00	retaining clip		4	
17	951 606 110 00	injector valve SGT 23 - 35 / 9W2		4	
23	944 110 901 00	gasket set for injector valve		4	
24	951 110 323 00	hose		1	
25	999 230 113 02	nipple		1	

Model	Year	MG	SG	Illustration	Restrictions	UPD	22:29	23.01.2010	PORSCHE	PET	PORSCHE
9442	1991	1	07	107-20		248					

Pos	Part Number	Description	Remark	Qty	Model	Pos	Part Number	Description	Remark	Qty	Model
26	900 123 050 30	sealing ring		2							
27	911 110 899 00	banjo bolt		1							

Model	Year	MG	SG	Illustration	Restrictions	UPD	22:29	23.01.2010	PORSCHE	PET	PORSCHE
9442	1991	1	07	107-27		248					

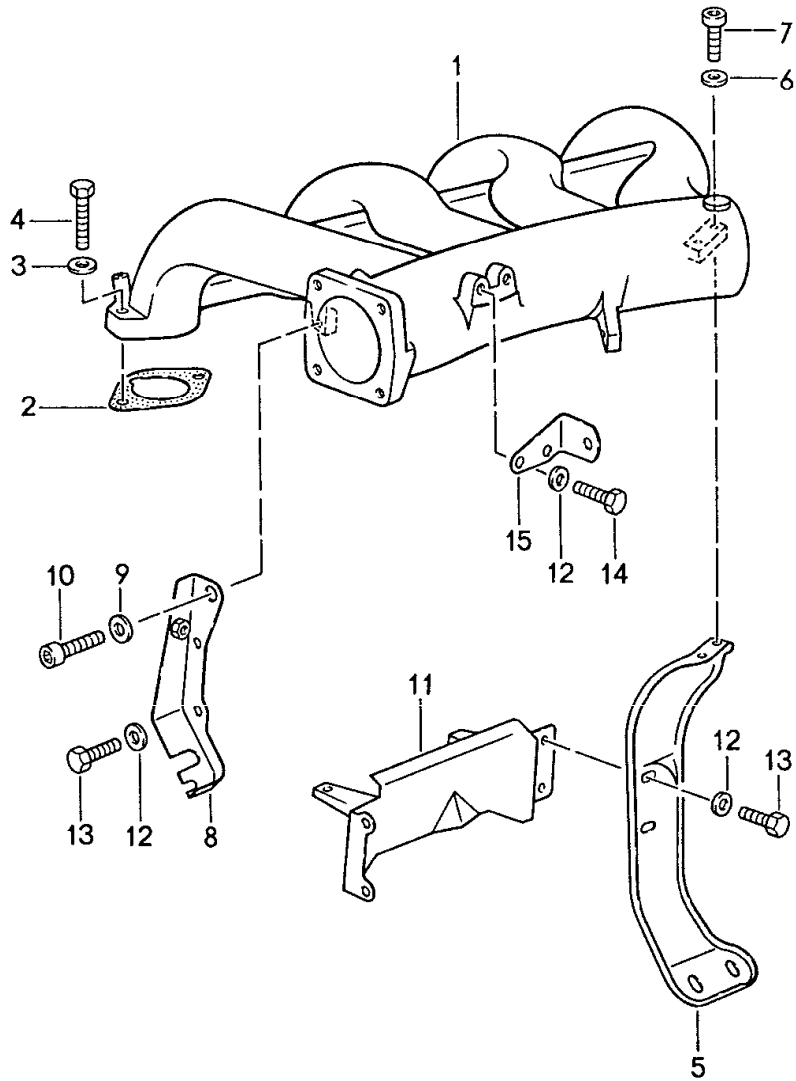


Pos	Part Number	Description	Remark	Qty	Model
		1-jetronic 3			M44.52
1	951 110 061 04	control line		1	
2	944 107 324 00	valve		1	
3	999 512 457 00	clamp		1	
4	999 512 346 02	hose clamp		2	
5	951 110 225 01	pipe		1	
6	900 123 043 30	sealing ring		2	
7	N 021 071 2	banjo bolt		1	
8	944 618 810 00	pressure line		1	
9	959 618 115 00	banjo bolt		1	
10 A	959 618 116 00	sealing ring		2	
10	959 618 116 01	sealing ring		2	
11	959 618 117 00	ring piece		1	
12	999 512 301 02	hose clamp		6	
13	951 123 331 02	hose cycle valve wastegate		1	
14	951 110 597 01	retaining bracket		1	
15	928 110 191 10	bonded rubber mounting		2	
15	999 703 264 00	bonded rubber mounting		2	
16	999 512 395 02	clamp		1	
17	930 606 161 00	idle-speed adjuster		1	
18	999 512 421 02	hose clamp		2	
19	951 110 221 00	hose		1	
20	951 110 217 01	hose		1	
21	951 110 190 00	connecting piece		1	
22	999 181 152 50	hose 600 MM		* 1	
23	951 110 511 00	hose		1	
24	993 110 337 50	shut-off valve		1	

Model	Year	MG	SG	Illustration	Restrictions	UPD	22:29	23.01.2010	PORSCHE	PET	PORSCHE
9442	1991	1	07	107-27		248					

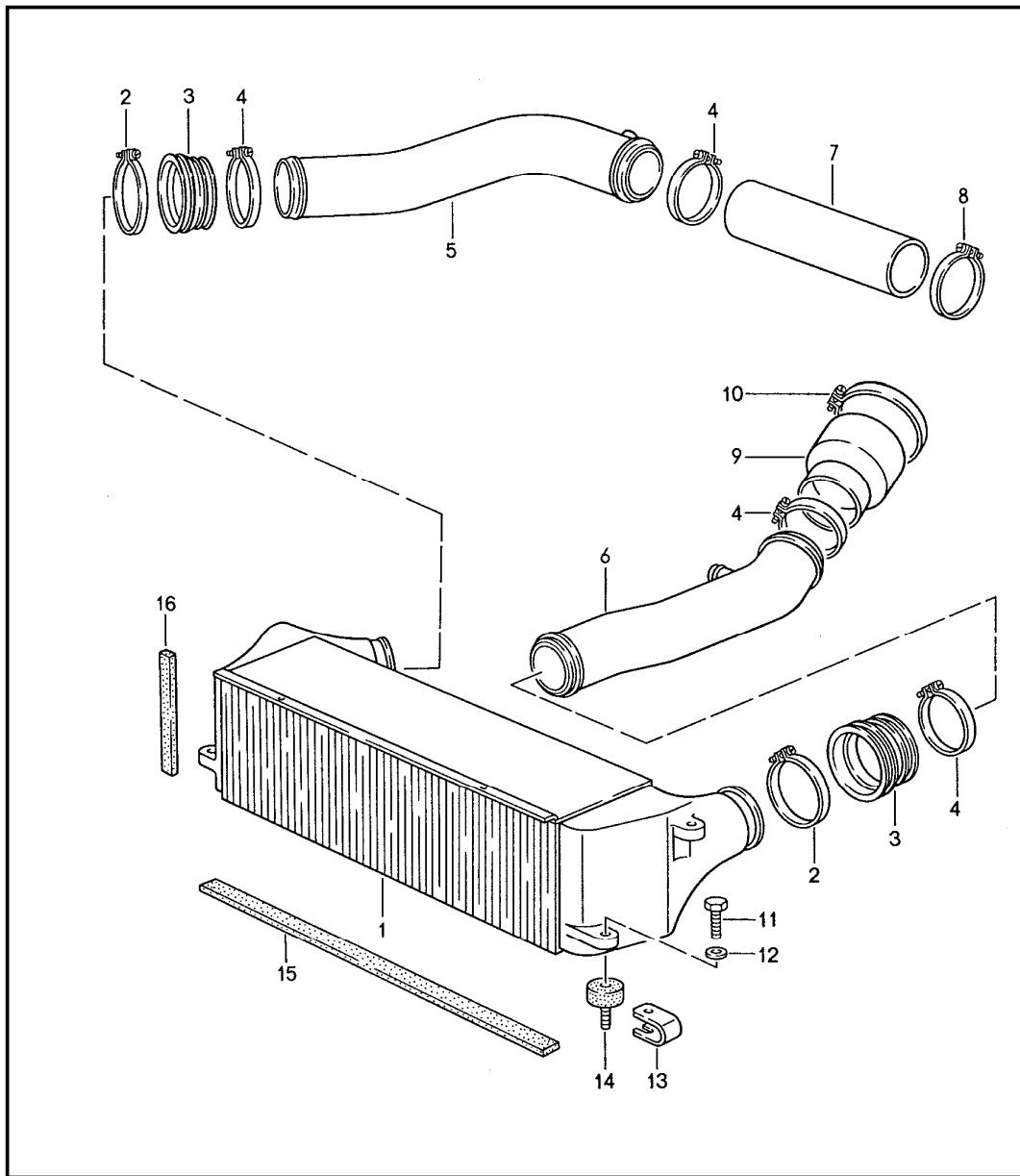
Pos	Part Number	Description	Remark	Qty	Model	Pos	Part Number	Description	Remark	Qty	Model
25	999 512 356 02	hose clamp		3							
26	928 574 717 02	moulded hose		1							
--	N 020 139 11	pipe 4 X 1		*							
27	-	550 MM		1							
28	928 573 727 02	distributing piece		1							
(28)	928 573 729 02	distributing piece		1							
29	951 606 117 00	cycle valve		1							
30	N 900 887 01	banjo bolt		1							
31	900 123 115 30	sealing ring		3							

Model	Year	MG	SG	Illustration	Restrictions	UPD	22:30	23.01.2010	PORSCHE	PET	PORSCHE
9442	1991	1	07	107-30		248					



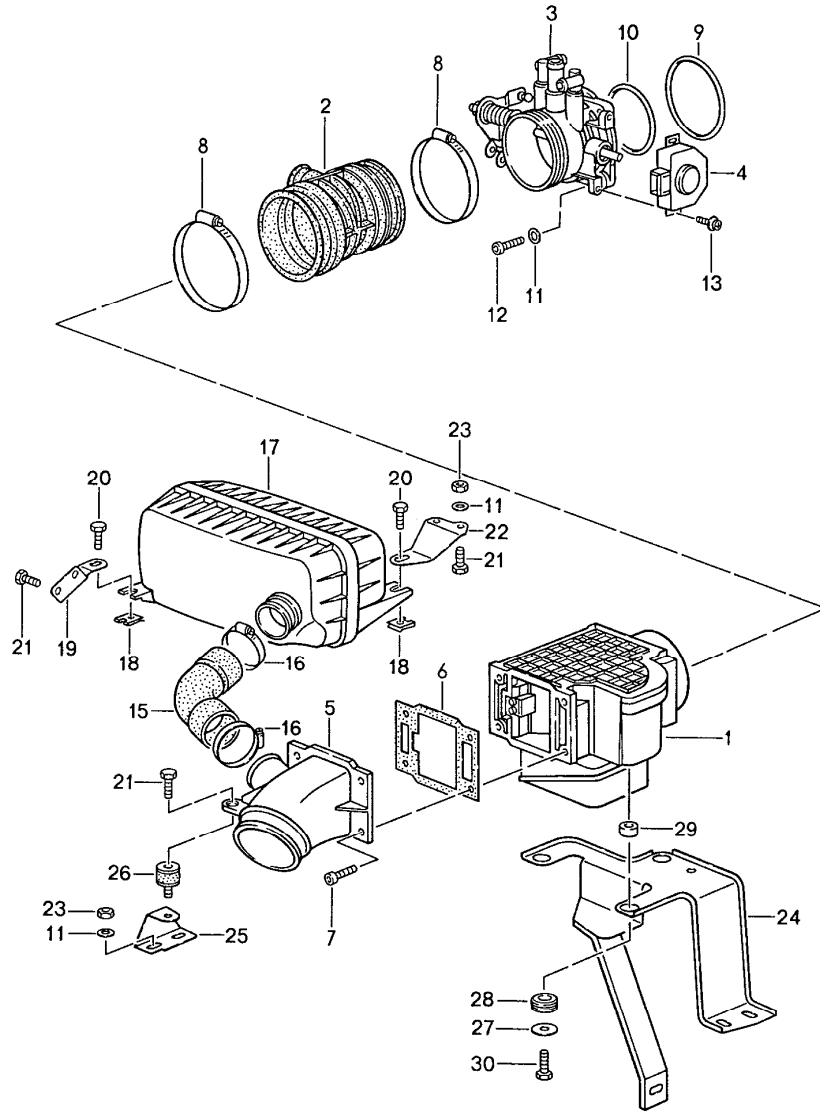
Pos	Part Number	Description	Remark	Qty	Model
		l-jetronic 4			M44.52
1	951 110 052 03	intake manifold		1	
2	944 110 163 05	gasket		4	
2	944 110 163 05	gasket	(S)	4	
3	900 025 007 02	washer		8	
4	900 067 214 02	pan-head screw M 8 X 35		8	
5	951 110 155 01	bracket		1	
6	900 031 011 02	washer		2	
7	900 067 089 02	pan-head screw M 6 X 22		2	
8	951 110 153 03	bracket		1	
(8)	951 110 154 03	bracket		1	M573
9	900 025 007 02	washer		1	
10	900 075 085 02	hexagon-head bolt M 8 X 22		1	
11	951 110 315 01	heat shield		1	
12	N 011 524 7	washer		6	
13	999 072 005 09	hexagon-head bolt M 6 X 12		4	
14	900 075 057 02	hexagon-head bolt M 6 X 15		2	
15	951 110 162 04	support		1	

Model	Year	MG	SG	Illustration	Restrictions	UPD	22:33	23.01.2010	PORSCHE	PET	PORSCHE
9442	1991	1	07	107-35		248					



Pos	Part Number	Description	Remark	Qty	Model
		charge air cooler			M44.52
1	951 110 037 00	charge air cooler		1	
2	999 512 270 02	hose clamp A 9 X 75		2	
3	951 110 371 01	hose		2	
4	999 512 040 02	hose clamp S 63 / 9		4	
5	951 110 310 03	pipe		1	
6	951 110 311 04	pipe		1	
7	951 110 370 02	hose		1	
8	999 512 324 02	hose clamp S 59 / 9		1	
9	951 110 372 01	hose		1	
10	999 512 006 02	hose clamp S 78 / 9		1	
11	900 075 016 02	hexagon-head bolt M 6 X 22		4	
12	N 011 666 7	washer A 6,4		4	
13	931 110 212 00	retaining bar		4	
14	999 703 315 00	bonded rubber buffer		4	
15	999 911 278 40	sealing strap		1	
16	000 043 205 06	sealing strap		2	

Model	Year	MG	SG	Illustration	Restrictions	UPD	22:33	23.01.2010	PORSCHE	PET	PORSCHE
9442	1991	1	07	107-40		248					

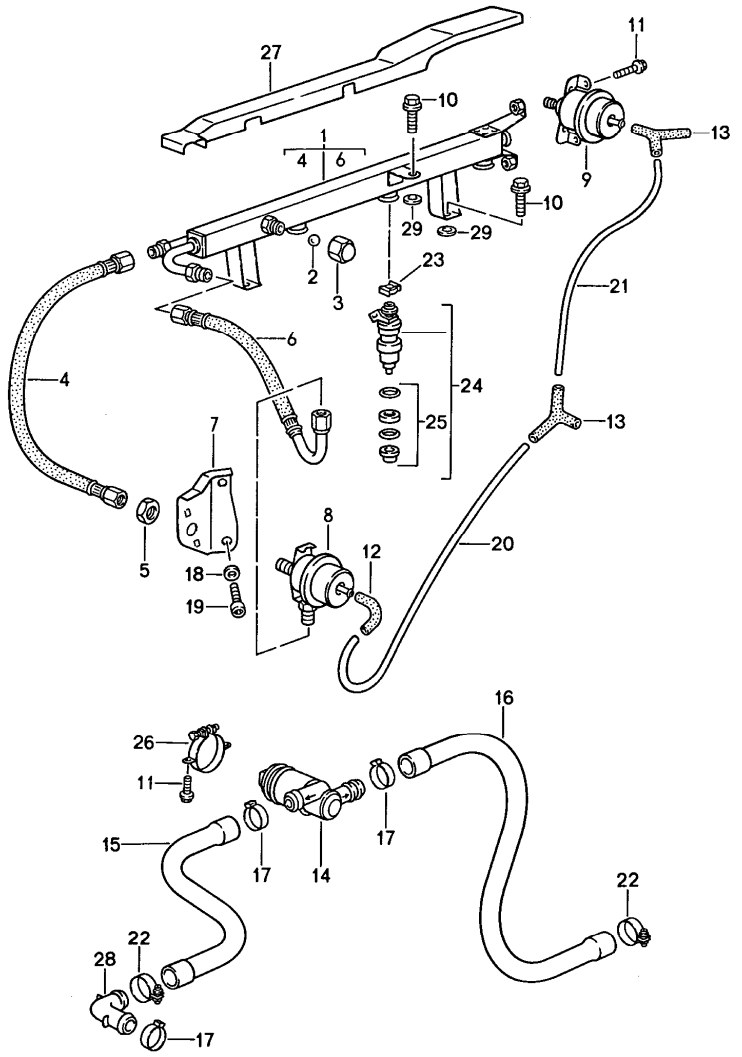


Pos	Part Number	Description	Remark	Qty	Model
		1-jetronic 1			M44.41
1	> 944 606 124 00	mass air flow meter		1	
2	944 110 308 01	air box		1	
3	A 944 110 025 02	throttle body		1	
3	944 110 025 02	throttle body		1	
4	944 606 113 01	throttle-valve switch		1	
5	944 110 303 02	connection piece		1	
5	944 110 303 01	connection piece	(CH)	1	
6	928 110 201 01	sealing frame		1	
7	900 075 221 02	pan-head screw M 6 X 16 Z1		4	
8	999 512 351 02	hose clamp 70 - 90 /9		2	
9	999 707 036 40	round seal 82 X 2,5		1	
10	999 701 331 40	round seal 65 X 3		1	
11	N 011 524 7	washer A 6,4		6	
12	900 067 089 02	pan-head screw M 6 X 25		4	
13	900 146 120 02	screw		2	
15	944 110 304 00	hose	(CH)	1	
16	999 512 499 00	hose clamp 32 - 50/9	(CH)	2	
17	944 110 302 01	damper	(CH)	1	
18	999 507 246 02	speed nut		2	
19	944 110 316 00	support		1	
20	N 100 515 01	hexagon-head bolt M 6 X 15 Z1		2	
21	900 075 357 02	combination screw M 6 X 12 Z1		6	
22	944 110 306 00	support		1	

Model	Year	MG	SG	Illustration	Restrictions	UPD	22:33	23.01.2010	PORSCHE	PET	PORSCHE
9442	1991	1	07	107-40		248					

Pos	Part Number	Description	Remark	Qty	Model	Pos	Part Number	Description	Remark	Qty	Model
23	900 076 010 02	hexagon nut M 6		3							
24	944 606 024 00	bracket		1							
25	944 606 034 01	bracket		1							
26	999 703 315 00	bonded rubber buffer		1							
27	N 011 612 3	washer R 7		3							
28	056 129 669 B	grommet		3							
29	052 109 135	spacer sleeve		3							
30	900 075 014 02	hexagon-head bolt M 6 X 18		3							

Model	Year	MG	SG	Illustration	Restrictions	UPD	22:34	23.01.2010	PORSCHE	PET	PORSCHE
9442	1991	1	07	107-45		248					

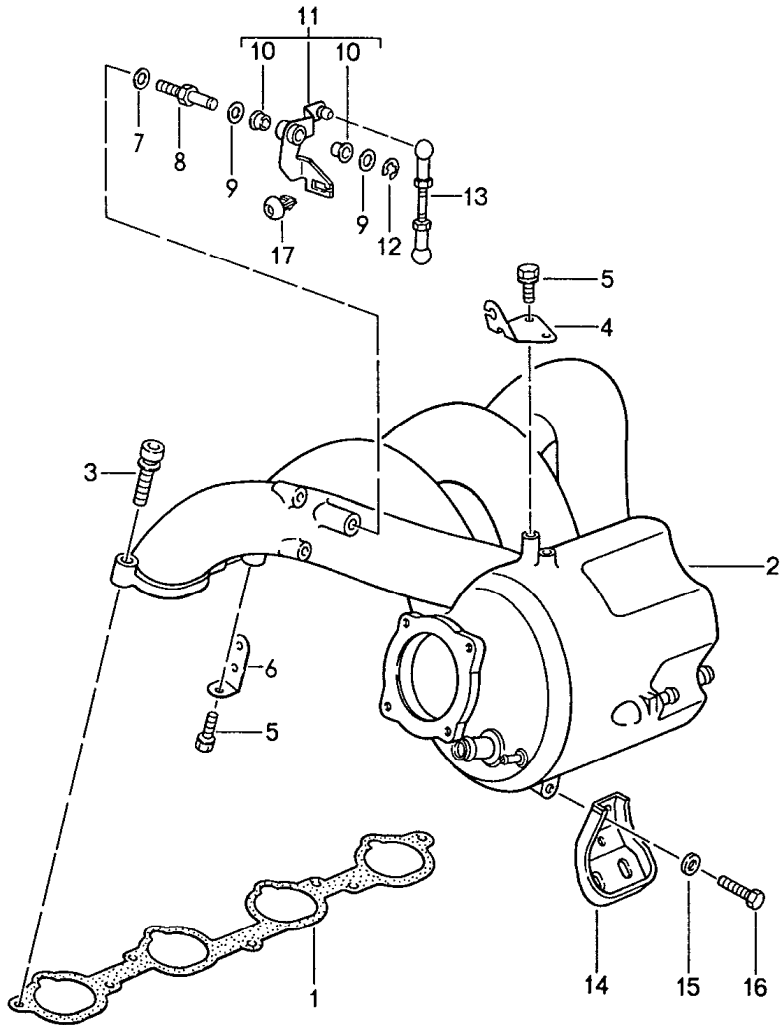


Pos	Part Number	Description	Remark	Qty	Model
		1-jetronic			M44.41
2	900 108 022 00	ball		1	
3	928 110 475 01	cap nut		1	
3	928 110 475 03	cap nut		1	
4	944 110 384 03	fuel line		1	
5	900 034 013 02	hexagon nut BM 16 X 1,5		1	
6	944 110 384 04	fuel line		1	
7	944 110 381 03	support		1	
8	944 110 201 04	diaphragm damper		1	
9	944 110 198 06	pressure regulator		1	
10	900 075 355 02	combination screw		3	
11	900 075 357 02	combination screw M 6 X 16		2	
12	928 574 717 03	moulded hose		2	
13	928 573 727 03	y-piece		2	
14	964 606 160 00	idle-speed adjuster		1	
15	944 110 235 02	moulded hose		1	
16	944 110 214 04	moulded hose		1	
17	999 512 455 00	hose clamp		3	
18	N 011 524 7	washer		2	
19	900 067 009 02	pan-head screw		2	
-	N 020 139 11	pipe 4 X 1		*	
20	-	230 MM		1	
21	-	500 MM		1	
22	999 512 252 02	hose clamp SGL 23 - 35/9		2	
23	930 110 388 00	retaining clip		4	

Model	Year	MG	SG	Illustration	Restrictions	UPD	22:34	23.01.2010	PORSCHE	PET	PORSCHE
9442	1991	1	07	107-45		248					

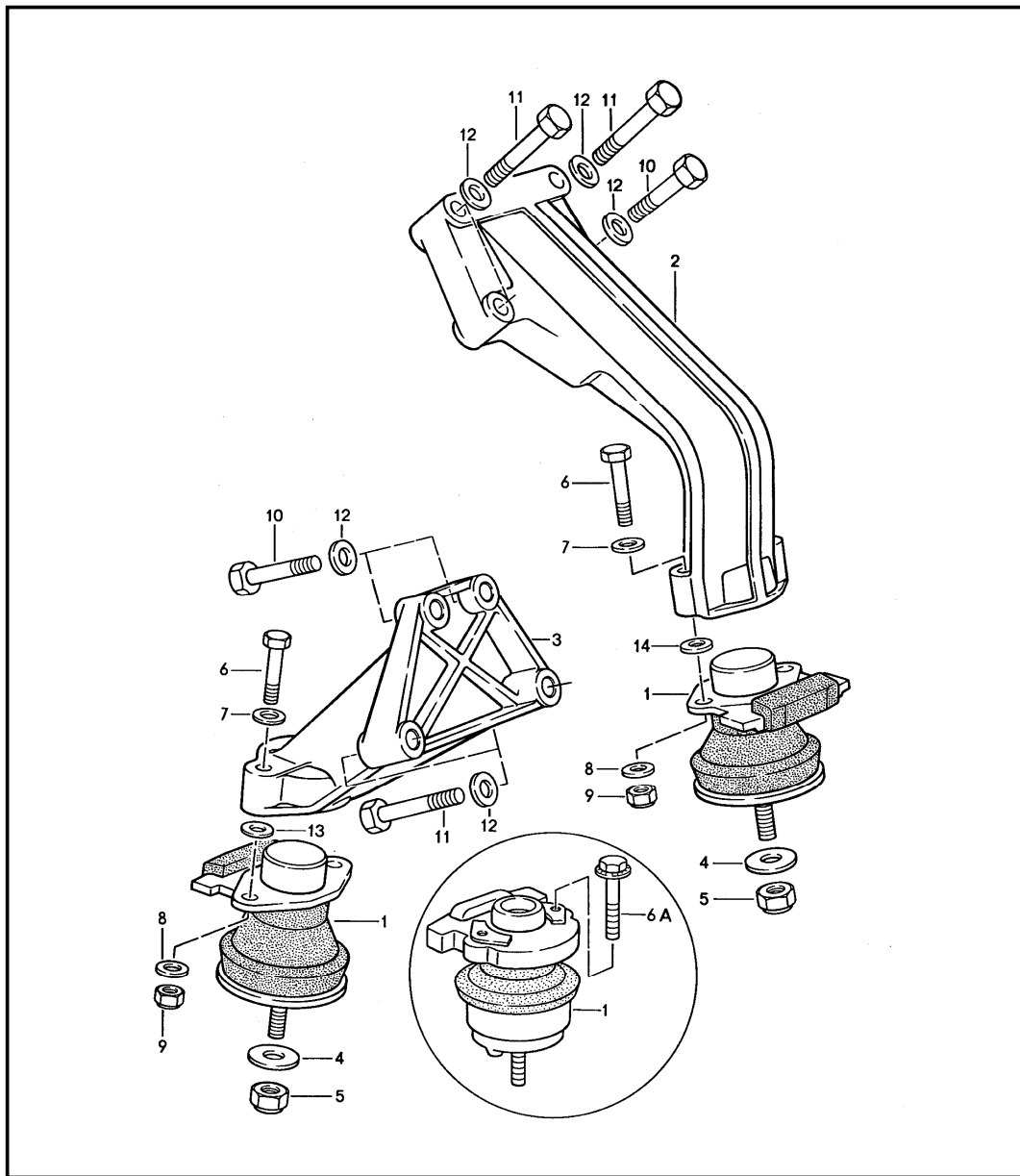
Pos	Part Number	Description	Remark	Qty	Model	Pos	Part Number	Description	Remark	Qty	Model
24	944 606 112 01	injector valve	-90	4							
24	944 606 120 00	injector valve	91-	4							
25	944 110 901 00	gasket set for injector valve		4							
26	944 110 147 00	clamp		1							
27	944 607 010 01	cover		1							
28	944 110 212 01	connecting piece		1							
29	999 025 220 30	spacer	-90	1							

Model	Year	MG	SG	Illustration	Restrictions	UPD	22:34	23.01.2010	PORSCHE	PET	PORSCHE
9442	1991	1	07	107-50		248					



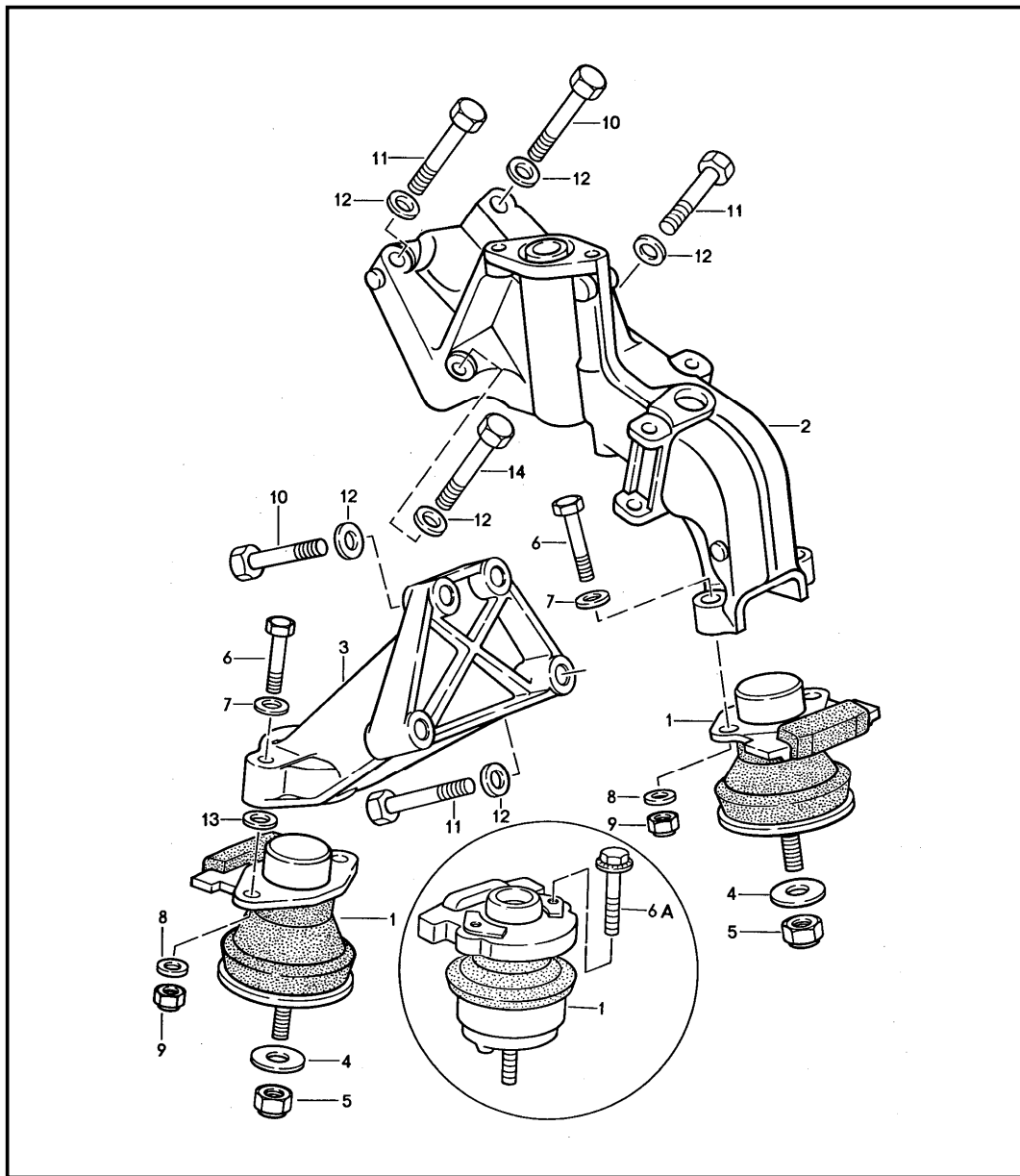
Pos	Part Number	Description	Remark	Qty	Model
		1-jetronic 3			M44.41
1	944 110 305 02	gasket		1	
2	944 110 035 00	intake manifold	-90	1	
2	944 110 035 01	intake manifold	91-	1	
3	999 067 035 02	pan-head screw M 8 X 35		7	
4	944 110 224 02	support		1	
5	900 075 357 02	combination screw M 6 X 12		3	
		retaining bracket		1	
7	900 025 007 02	washer		1	
8	944 110 232 00	bearing pin		1	
9	930 110 572 00	washer		2	
10	999 924 069 00	bearing sleeve		2	
11	944 110 204 02	reverse lever		1	
12	N 012 436 2	lock washer		1	
13	944 110 234 00	pull rod		1	
14	944 110 164 04	bracket		1	
15	900 223 001 02	washer		3	
16	900 075 079 02	hexagon-head bolt		3	
17	964 423 435 00	clip		1	

Model	Year	MG	SG	Illustration	Restrictions	UPD	22:34	23.01.2010	PORSCHE	PET	PORSCHE
9442	1991	1	09	109-00		248					



Pos	Part Number	Description	Remark	Qty	Model
		engine suspension			M44.11/12/41
		see technical information GRP.1 NR. 4/90			
1	944 375 042 04	hydraulic mount		2	M44.11/12
1	951 375 042 04	hydraulic mount		2	M44.41 COUPE
1	951 375 042 04	hydraulic mount		2	M44.41 CABRIO
2	944 375 123 03	engine carrier	/L	1	M44.11/12
2	944 375 123 06	engine carrier	/L	1	M44.41
3	944 375 124 02	engine carrier	/R	1	
4	477 407 425	washer		2	
5	N 022 149 2	lock nut VM 10		2	
6	N 010 351 6	hexagon-head bolt M 8 X 52		4	
6A	900 378 024 02	hexagon-head bolt M 8 X 38		4	
(6A)	900 378 034 02	hexagon-head bolt M 8 X 42		4	
7	900 223 001 02	washer 8,4		4	
8	900 025 007 02	washer A 8,4		4	
9	900 910 022 09	lock nut VM 8		4	
10	N 010 445 3	hexagon-head bolt M 10 X 45		3	
11	900 074 063 02	hexagon-head bolt M 10 X 55		5	
12	900 025 008 09	washer A 10,5		8	
13	900 223 001 02	washer		2	COUPE
14	900 223 001 02	washer		2	M44.41 COUPE

Model	Year	MG	SG	Illustration	Restrictions	UPD	22:34	23.01.2010	PORSCHE	PET	PORSCHE
9442	1991	1	09	109-05		248					



Pos	Part Number	Description	Remark	Qty	Model
		engine suspension			M44.52
		see technical information GRP.1 NR.4/90			
1	951 375 042 04	hydraulic mount		2	
2	951 101 023 00	engine carrier	/L	1	
3	944 375 124 02	engine carrier	/R	1	
4	477 407 425	washer		2	
5	N 022 149 2	lock nut		2	
6	N 010 351 6	hexagon-head bolt M 8 X 52		4	
6A	900 378 024 02	hexagon-head bolt M 8 X 38		4	
(6A)	900 378 034 02	hexagon-head bolt M 8 X 42		4	
7	900 223 001 02	washer		4	
8	900 025 007 02	washer		4	
9	900 910 022 09	lock nut		4	
10	N 010 445 3	hexagon-head bolt M 10 X 45		4	
11	900 074 063 02	hexagon-head bolt M 10 X 55		2	
12	900 025 008 09	washer		8	
13	900 223 001 02	washer		2	
14	900 067 222 02	pan-head screw M 10 X 55		1	

Model	Year	MG	SG	Illustration	Restrictions	UPD	22:35	23.01.2010
9442	1991	1	98	198-00R		248		

Pos	Part Number	Description	Remark	Qty	Model
		repair kits maintenance set gasket set			
>>	>>944 100 901 03	gasket set for crankcase comprising:		1	
-	999 701 614 40	round seal		2	
-	999 113 282 40	shaft sealing ring		1	
-	999 113 281 40	shaft sealing ring		1	
-	999 701 652 40	o-ring		2	
-	944 101 205 02	oil sump gasket		1	
-	N 043 815 3	sealing ring		2	
-	999 113 264 40	radial sealing ring		1	
-	944 105 321 00	gasket		2	
-	944 106 132 04	gasket		1	
-	999 113 331 40	shaft sealing ring		1	
-	999 707 283 40	round seal		1	
-	944 107 136 03	sealing ring		1	
-	900 123 106 30	sealing ring		1	
-	944 107 153 02	rubber ring		1	
-	999 707 043 40	o-ring		2	
-	944 107 147 03	gasket		1	
-	999 701 661 40	round seal		2	
-	900 123 101 30	sealing ring		1	
-	900 123 118 30	sealing ring		1	
-	951 107 241 02	sealing ring		1	
-	900 123 007 30	sealing ring		1	
>>	>>944 101 901 00	set of crankshaft bearings comprising:		1	
-	928 101 117 08	main bearing bush i		1	
-	928 101 115 15	main bearing shell lower		3	
-	928 101 115 01	main bearing shell		3	

Model	Year	MG	SG	Illustration	Restrictions	UPD	22:35	23.01.2010
9442	1991	1	98	198-00R		248		

Pos	Part Number	Description	Remark	Qty	Model
-	944 101 139 00	thrust bearing		2	
	002	yellow			
>>	>>928 101 901 52	set of crankshaft bearings 1 set undersize 0.25 mm comprising:		1	
-	928 101 117 58	main bearing bush i		1	
-	928 101 115 50	main bearing shell upper		3	
-	928 101 115 51	main bearing shell lower		3	
-	928 101 133 53	thrust bearing		2	
>>	>>928 101 901 62	set of crankshaft bearings 1 set undersize 0.50 mm comprising:		1	
-	928 101 117 68	main bearing bush i		1	
-	928 101 115 60	main bearing shell upper		3	
-	928 101 115 61	main bearing shell lower		3	
-	928 101 133 63	thrust bearing		2	
>>	>>944 100 901 05	gasket set for cylinder head comprising:		1	M44.11/12
-	944 104 394 04	cylinder head gasket		1	
-	964 104 111 06	valve stem seal		8	
-	944 111 196 01	gasket		4	
-	944 105 199 03	gasket		1	
-	944 110 163 02	gasket		4	
-	928 106 197 04	gasket		1	
-	944 104 311 01	gasket		1	
-	999 701 602 40	o-ring		1	
-	999 113 349 40	shaft sealing ring		1	
-	928 105 189 02	gasket		1	
-	944 105 321 00	gasket		1	

Model	Year	MG	SG	Illustration	Restrictions	UPD	22:35	23.01.2010
9442	1991	1	98	198-00R		248		

Pos	Part Number	Description	Remark	Qty	Model
-	900 123 140 30	sealing ring		6	
-	999 701 468 40	round seal		1	
-	944 111 135 01	gasket		2	
>>	>>951 100 901 00	gasket set for cylinder head comprising:		1	M44.52
-	951 104 374 02	cylinder head gasket		1	
-	951 104 195 01	valve stem seal		8	
-	944 111 196 00	gasket		4	
-	928 105 199 12	gasket		1	
-	944 110 163 05	gasket		4	
-	928 106 197 04	gasket		1	
-	944 104 311 01	gasket		1	
-	951 104 311 03	gasket		1	
-	928 105 184 00	sealing ring		1	
-	999 701 602 40	o-ring		1	
-	999 113 349 40	shaft sealing ring		1	
-	928 105 189 02	gasket		1	
-	944 105 321 00	gasket		1	
-	900 123 140 30	sealing ring		6	
-	999 701 331 40	round seal		1	
-	944 111 205 04	sealing ring		2	
>>	>>944 100 901 06	gasket set for cylinder head comprising:		1	M44.41
-	944 104 394 04	cylinder head gasket		1	
-	928 104 601 07	valve stem seal		16	
-	944 104 365 02	gasket		1	
-	928 106 167 01	gasket		1	
-	928 104 447 09	gasket		1	
-	999 113 282 40	shaft sealing ring		1	
-	900 123 050 30	sealing ring		4	

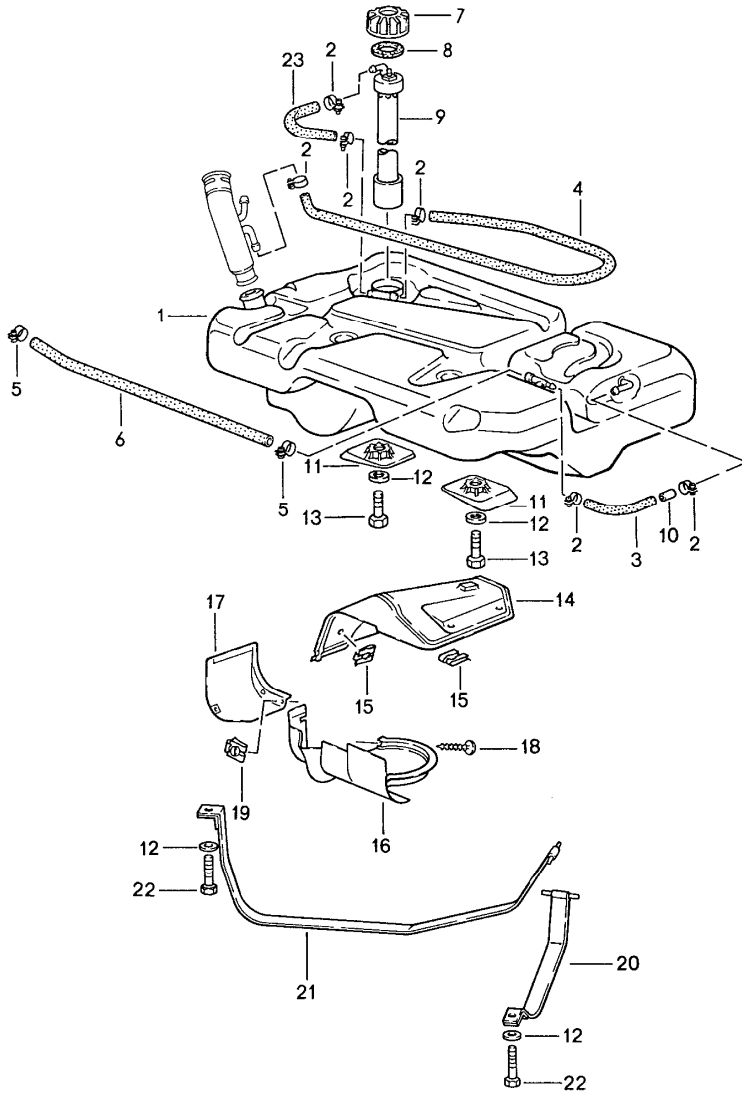
Model	Year	MG	SG	Illustration	Restrictions	UPD	22:35	23.01.2010
9442	1991	1	98	198-00R		248		

Pos	Part Number	Description	Remark	Qty	Model
-	900 174 056 40	o-ring		2	
-	928 104 115 02	thrust ring		13	
-	944 110 305 02	gasket		1	
-	999 701 331 40	round seal		1	
-	999 707 036 40	round seal		1	
-	944 111 205 00	sealing ring		4	
-	944 111 135 01	gasket		2	
>>	>>944 103 902 24	set of piston rings 104,00 MM		4	M44.11/12
>>	>>944 103 902 25	set of piston rings 104,50 MM		4	M44.11/12
>>	>>944 103 902 60	set of piston rings 104,00 MM		4	M44.41
>>	>>944 103 902 61	set of piston rings 104,50 MM		4	M44.41
>>	>>951 103 901 02	set of piston rings 100,00 MM		4	M44.52
>>	>>951 103 901 03	set of piston rings 100,50 MM		4	M44.52
>>	>>951 100 930 01	maintenance parts for periodic maintenance comprising:		1	M44.52
-	944 107 201 03	oil filter		1	
-	951 110 121 01	air cleaner cartridge		1	
-	900 123 118 30	sealing ring		1	
-	999 170 156 90	spark plug		4	
>>	>>944 100 930 03	maintenance parts for periodic maintenance comprising:		1	M44.11/12
-	944 107 201 03	oil filter		1	
-	944 110 186 02	air cleaner cartridge		1	
-	900 123 118 30	sealing ring		1	
-	999 170 156 90	spark plug		4	

Model	Year	MG	SG	Illustration	Restrictions	UPD	22:35	23.01.2010
9442	1991	1	98	198-00R		248		

Pos	Part Number	Description	Remark	Qty	Model
>>	>>944 100 930 04	maintenance parts for periodic maintenance comprising:		1	M44.41
-	944 107 201 08	oil filter		1	
-	944 110 166 00	air cleaner cartridge		1	
-	900 123 118 30	sealing ring		1	
-	999 170 179 90	spark plug		4	
>>	>>944 110 901 00	gasket set for injector valve		4	
>>	>>000 043 202 61	subsequent installation FUER AU	(D)	1	M44.41

Model	Year	MG	SG	Illustration	Restrictions	UPD	22:35	23.01.2010	PORSCHE	PET	PORSCHE
9442	1991	2	01	201-00		248					

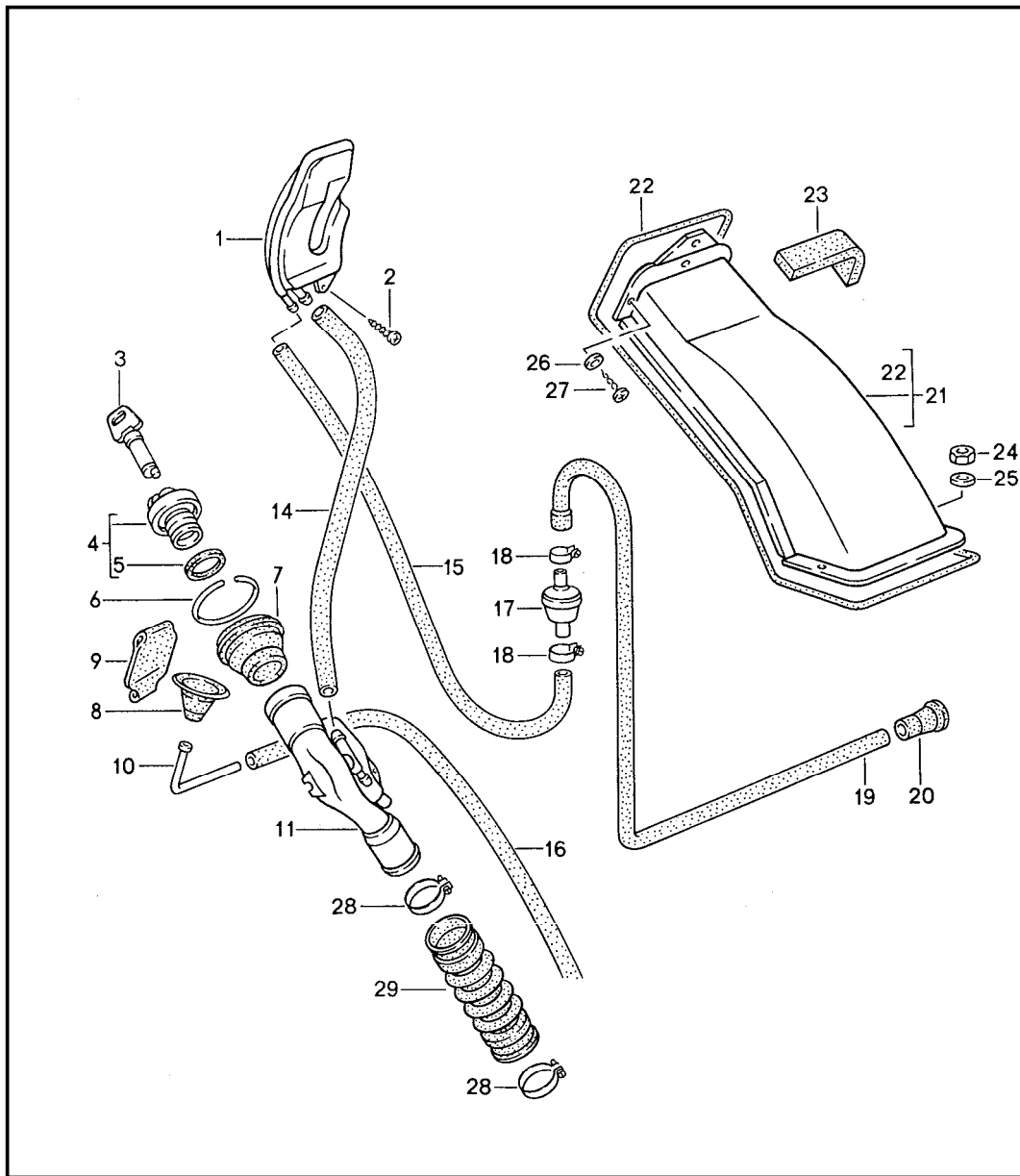


Pos	Part Number	Description	Remark	Qty	Model
		fuel tank			
1	951 201 021 03	fuel tank		1	
2	N 023 570 2	hose clamp		6	
-	999 181 716 50	hose 9,5 X 3		*	
3	-	220 MM		1	
4	-	1900 MM		1	COUPE
4	941 201 713 11	hose		1	CABRIO
5	999 512 482 00	hose clamp SM 9C21-W3		2	
6	951 201 123 03	hose		1	COUPE
6	941 201 711 11	hose		1	CABRIO
7	951 201 375 00	union nut		1	
8	944 201 327 00	sealing ring		1	
9	944 641 037 01	tank gauge		1	
10	911 201 263 02	restrictor		1	
11	951 201 173 02	fastening plate		2	
12	N 900 741 01	washer		2	
13	900 075 033 02	hexagon-head bolt M 8 X 40		2	
14	944 201 435 00	heat protection plate		1	
15	N 012 653 3	lock washer		4	
16	944 201 331 00	cover		1	
17	951 201 025 00	lid		1	
18	900 143 124 07	tapping screw		2	
19	N 015 482 1	speed nut		2	
20	951 201 315 00	restraining strap	/L	-89	1
20	951 201 315 02	restraining strap	/L	90-	1
21	951 201 312 01	restraining strap	/R	-89	1
21	951 201 312 02	restraining strap	/R	90-	1

Model	Year	MG	SG	Illustration	Restrictions	UPD	22:35	23.01.2010	PORSCHE	PET	PORSCHE
9442	1991	2	01	201-00		248					

Pos	Part Number	Description	Remark	Qty	Model	Pos	Part Number	Description	Remark	Qty	Model
22	900 075 033 02	hexagon-head bolt M 8 X 40		2 2							
23	951 201 227 01	hose		1							
24	N 023 570 2	hose clamp A 9 X 15 ZY		1							

Model	Year	MG	SG	Illustration	Restrictions	UPD	22:35	23.01.2010	PORSCHE	PET	PORSCHE
9442	1991	2	01	201-03		248					

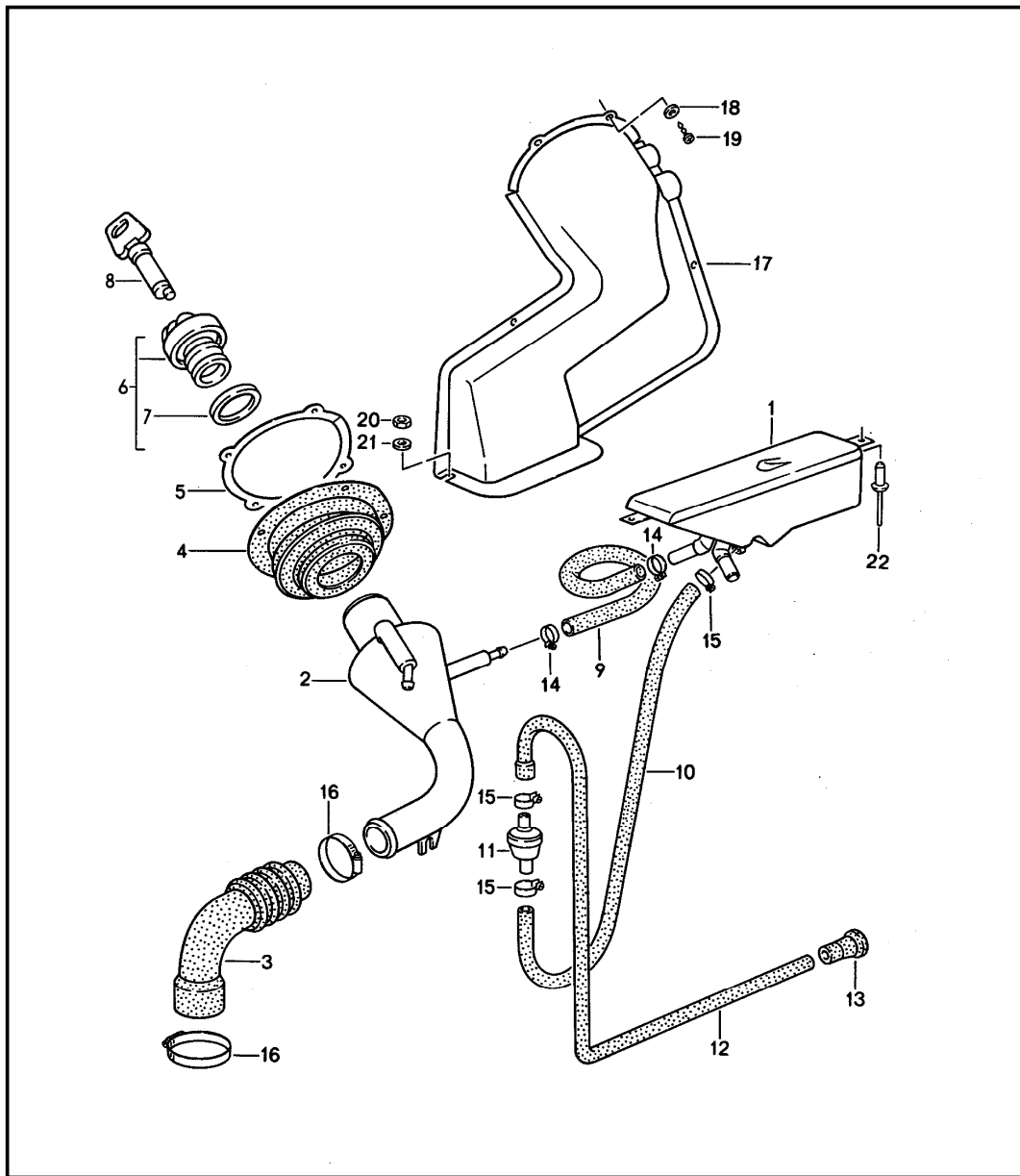


Pos	Part Number	Description	Remark	Qty	Model
		filler neck			COUPE
1	944 201 041 03	expansion tank		1	
2	N 043 864 1	screw BM 3 X 6		1	
3	477 201 594	lock cylinder with 1 key w/o stipulated lock number		1	
3	477 201 594 A	lock cylinder with 1 key state lock number		1	
4	944 201 061 01	fuel tank cap		1	
5	944 201 553 00	gasket		1	
6	900 906 045 03	circlip		1	
7	931 201 281 02	sleeve		1	
8	944 201 461 00	grommet		1	
9	928 201 057 02	protective flap		1	
10	477 201 283 A	connection piece		1	
11	944 201 043 04	filler neck		1	M150
11	944 201 043 03	filler neck	(J)	1	
11	944 201 043 03	filler neck		1	
14	999 181 354 40	hose		1	
15	951 201 449 01	hose		1	
16	477 201 393 A	hose		1	
17	928 201 083 02	shut-off valve		1	
18	N 023 570 2	hose clamp		2	
19	944 201 159 01	breather hose		1	
20	321 201 890 A	end piece		1	
21	944 201 047 03	cover		1	
-	000 043 202 08	packing cord		*	
22	-	\$ 4 MM		1	
-	000 043 205 05	sound absorber		*	

Model	Year	MG	SG	Illustration	Restrictions	UPD	22:35	23.01.2010	PORSCHE	PET	PORSCHE
9442	1991	2	01	201-03		248					

Pos	Part Number	Description	Remark	Qty	Model	Pos	Part Number	Description	Remark	Qty	Model
23	-	100 MM		X							
24	N 011 005 14	hexagon nut M 5		2							
25	900 025 003 02	washer A 5,3		2							
26	900 151 028 02	washer 4,3		3							
27	N 013 957 5	tapping screw B 3,5 X 9,5		3							
28	113 201 281 B	hose clamp		2							
29	944 201 319 00	hose		1							
-	431 971 848 A	clip		2							

Model	Year	MG	SG	Illustration	Restrictions	UPD	22:35	23.01.2010	PORSCHE	PET	PORSCHE
9442	1991	2	01	201-04		248					

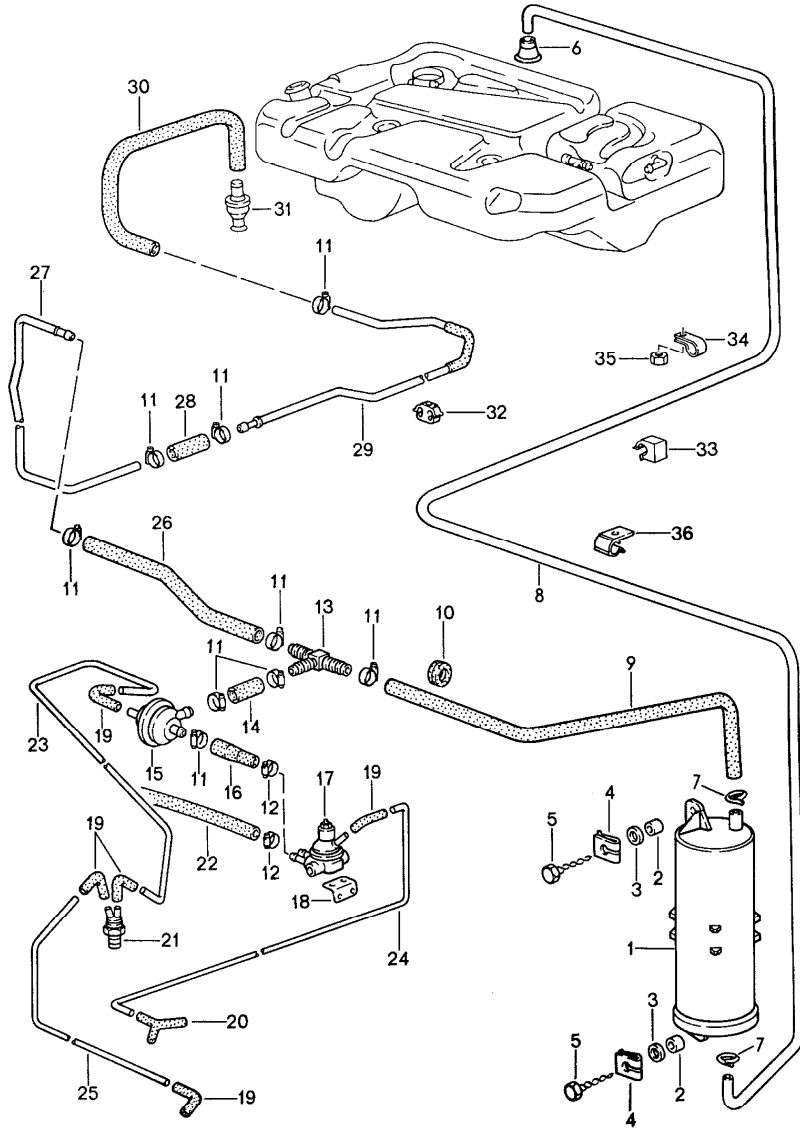


Pos	Part Number	Description	Remark	Qty	Model
		filler neck			CABRIO
1	941 201 165 11	expansion tank		1	
2	941 201 351 10	filler neck		1	M150
2	941 201 043 13	filler neck		1	M150
2	941 201 351 11	filler neck		1	
3	941 201 353 10	bellows		1	
4	941 201 349 10	sealing rubber		1	
5	941 201 393 10	support		1	
6	944 201 061 01	fuel tank cap		1	
7	944 201 553 00	gasket		1	
8	477 201 594	lock cylinder with key w/o stipulated lock number		1	
8	477 201 594 A	lock cylinder with 1 key state lock number		1	
9	941 201 717 10	hose		1	
10	941 201 715 11	hose		1	
11	928 201 083 02	shut-off valve		1	
12	944 201 159 01	breather hose it is necessary to rework		1	
13	321 201 890 A	end piece		1	
14	999 512 482 00	hose clamp 9 X 21		2	
15	N 023 569 2	hose clamp AR 9 X 16		3	
16	113 201 281 B	hose clamp		2	
17	941 201 149 10	cover		1	
18	900 151 028 02	washer 4,3		2	
19	N 013 957 5	tapping screw B 3,5 X 9,5		2	

Model	Year	MG	SG	Illustration	Restrictions	UPD	22:35	23.01.2010	PORSCHE	PET	PORSCHE
9442	1991	2	01	201-04		248					

Pos	Part Number	Description	Remark	Qty	Model	Pos	Part Number	Description	Remark	Qty	Model
20	N 011 005 14	hexagon nut M 5		2							
21	N 011 665 3	washer B 51		2							
22	941 201 273 10	rivet		2							

Model	Year	MG	SG	Illustration	Restrictions	UPD	22:35	23.01.2010	PORSCHE	PET	PORSCHE
9442	1991	2	01	201-05		248					

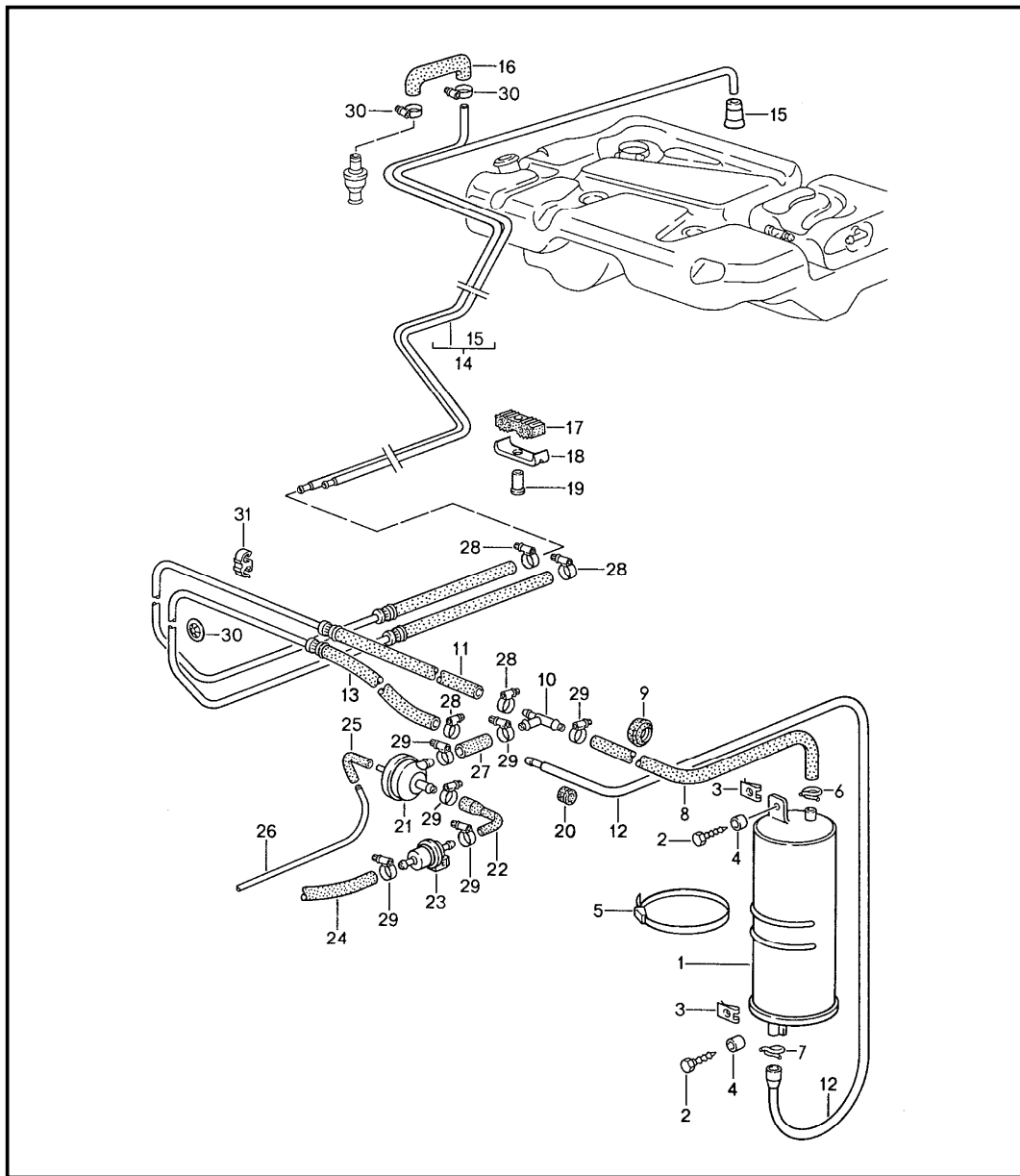


Pos	Part Number	Description	Remark	Qty	Model
		carbon canister			COUPE
1	928 201 014 06	carbon canister		1	
2	477 201 279	sleeve		2	
3	N 011 666 7	washer		2	
4	N 015 449 1	speed nut		2	
5	N 090 172 1	combination screw B 6,3 X 19		2	
6	321 201 890 A	end piece 6,5 X 450		1	
7	N 023 569 2	hose clamp		2	
8	944 201 737 00	vent line		1	
9	999 181 353 40	hose		1	
10	021 119 569 A	rubber sleeve		1	
11	999 512 554 00	hose clamp 12 - 22		9	
12	999 512 160 02	hose clamp S 13/9		2	
13	477 201 767 B	t-piece		1	
14	999 181 352 40	hose		1	
15	928 110 429 08	vacuum valve		1	
16	944 110 182 02	hose		1	944/TURBO
16	944 110 182 04	hose		1	944S2
17	944 110 429 00	control valve		1	944/TURBO
17	944 605 240 01	bleeder valve		1	944S2
18	944 110 366 00	retaining bracket		1	
19	928 574 717 02	moulded hose		4	
20	928 573 727 02	distributing piece		1	
21	058 131 851 A	thermo valve		1	
-	999 181 152 50	hose 7,5 X 13,5		*	
22	-	730 MM		1	944

Model	Year	MG	SG	Illustration	Restrictions	UPD	22:35	23.01.2010	PORSCHE	PET	PORSCHE
9442	1991	2	01	201-05		248					

Pos	Part Number	Description	Remark	Qty	Model	Pos	Part Number	Description	Remark	Qty	Model
22	-	600 MM		1	TURBO						
(22)	944 110 180 00	moulded hose		1	944S2						
-	N 020 139 1	hose 4 X 1		*							
23	-	850 MM		1							
24	-	580 MM		1							
25	-	480 MM		1							
26	944 201 773 00	hose		1							
27	944 201 153 00	breather pipe		1							
28	944 201 775 00	hose		1							
29	477 201 743 E	pipe		1							
30	944 201 159 01	breather hose		1							
31	928 201 083 02	shut-off valve		1							
32	999 591 715 40	cable holder mounting parts		6							
33	999 507 054 40	cable holder		X							
34	999 511 200 40	clip		X							
35	999 049 008 40	plastic nut		X							
36	431 971 848 A	clip		X							

Model	Year	MG	SG	Illustration	Restrictions	UPD	22:36	23.01.2010	PORSCHE	PET	PORSCHE
9442	1991	2	01	201-07		248					

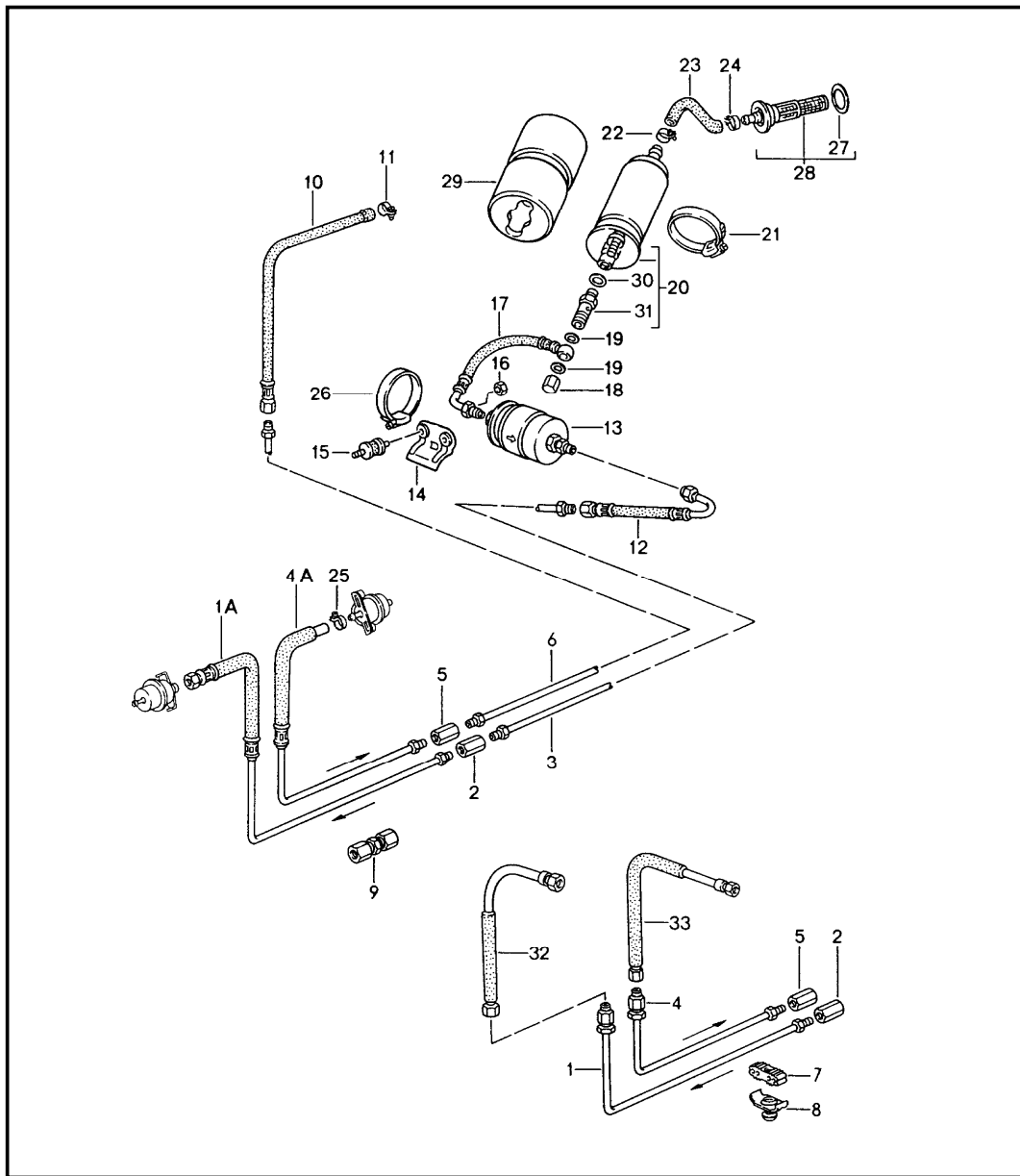


Pos	Part Number	Description	Remark	Qty	Model
		carbon canister			CABRIO
1	928 201 014 06	carbon canister		1	
2	N 090 172 1	combination screw B 6,3 X 19		2	
3	N 015 449 1	speed nut		2	
4	477 201 279	sleeve		2	
5	N 020 906 3	tie-wrap		1	
6	N 023 569 2	hose clamp		1	
7	999 512 304 02	hose clamp		1	
-	N 020 362 1	hose		*	
8	-	480 MM		1	
9	021 119 569 A	rubber sleeve		1	
10	477 201 767 B	t-piece		1	
11	941 201 153 10	vent line		1	
12	941 201 193 10	line		1	
13	941 201 163 10	line	/LL	1	
13	942 201 163 10	line	/RL	1	
14	941 201 173 10	line		1	
15	321 201 890 A	end piece		1	
16	944 201 449 00	hose		1	
17	941 356 533 10	rubber mounting		7	
18 A	941 356 555 11	support		7	
18	941 356 555 11	support		7	
19	999 511 199 40	clamp		7	
20	999 702 119 50	rubber sleeve		1	
21	928 110 429 08	vacuum valve		1	
22	944 110 182 04	hose		1	
23	944 605 240 01	bleeder valve		1	
24	944 110 180 00	moulded hose		1	

Model	Year	MG	SG	Illustration	Restrictions	UPD	22:36	23.01.2010	PORSCHE	PET	PORSCHE
9442	1991	2	01	201-07		248					

Pos	Part Number	Description	Remark	Qty	Model	Pos	Part Number	Description	Remark	Qty	Model
25	928 574 717 03	protective tube		1							
-	N 020 139 1	hose 4 X 1		*							
26	-	550 MM		1							
-	N 020 362 1	hose 12 X 2,5		*							
27	-	50 MM		1							
28	999 512 160 02	hose clamp		4							
29	999 512 554 00	hose clamp 12 - 22		6							
30	N 903 350 01	clamping washer		1							
31	999 591 740 40	cable holder		1							

Model	Year	MG	SG	Illustration	Restrictions	UPD	22:36	23.01.2010	PORSCHE	PET	PORSCHE
9442	1991	2	01	201-12		248					

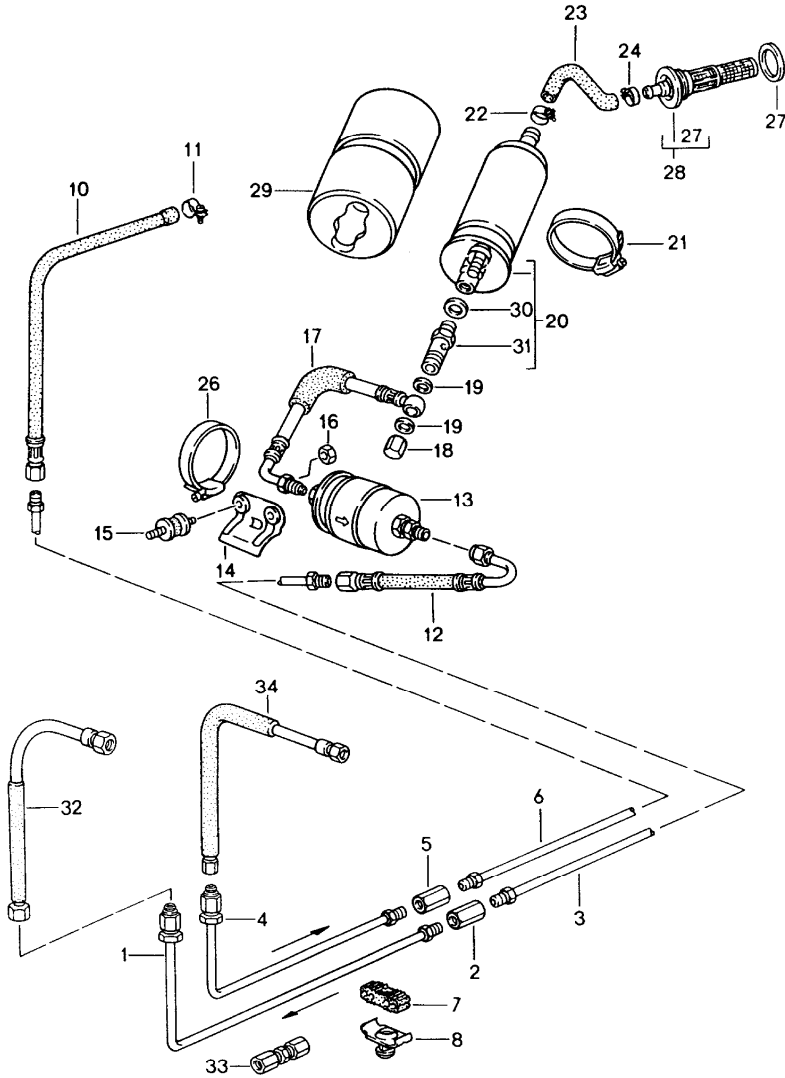


Pos	Part Number	Description	Remark	Qty	Model
		fuel system			M44.11/12/52
1A	951 356 919 03	fuel line F >>94KN4 04558 F >>95KN1 01326		1	M44.11/12 M44.51/52
1	944 356 969 10	fuel line F 94KN4 04559>> F 95KN1 01327>>		1	M44.11/12 M44.51/52
2	477 209 169	connecting piece		1	
3	951 356 967 02	fuel line		1	
4A	951 356 917 03	fuel return line F >>94KN4 04558 F >>95KN1 01326		1	M44.11/12 M44.51/52
4	944 356 937 10	fuel return line F 94KN4 04559>> F 95KN1 01327>>		1	M44.11/12 M44.51/52
5	477 209 161	connecting piece		1	
6	951 356 935 02	fuel return line		1	
7	999 591 975 40	rubber mounting		9	
8	999 511 199 40	clamp		9	
10	951 356 061 02	fuel hose		1	
11	N 023 569 2	hose clamp		1	
12	941 356 047 10	fuel hose		1	
12	951 356 047 03	fuel hose		1	M249
13	928 110 253 04	fuel filter		1	(AG) (SA)
13	928 110 253 06	fuel filter		1	
14	951 356 471 01	support		1	
14	951 356 471 01	support		1	M249
15	944 610 115 00	bonded rubber mounting		2	
16	900 076 010 02	hexagon nut		1	
17	951 356 041 07	fuel line		1	
17	951 356 041 04	fuel line		1	M249
18 A	928 110 475 01	cap nut		1	
18	928 110 475 03	cap nut		1	

Model	Year	MG	SG	Illustration	Restrictions	UPD	22:36	23.01.2010	PORSCHE	PET	PORSCHE
9442	1991	2	01	201-12		248					

Pos	Part Number	Description	Remark	Qty	Model	Pos	Part Number	Description	Remark	Qty	Model
19	N 013 812 2	sealing ring		2							
20	944 608 102 06	fuel pump		1	944						
20	944 608 102 04	fuel pump		1	TURBO						
21	999 512 397 00	hose clamp		1							
22	999 512 554 00	hose clamp		1							
23	951 356 557 00	fuel hose		1							
24	999 512 346 00	hose clamp		1							
25	N 023 577 2	hose clamp		1							
26	999 512 390 00	hose clamp		1							
27	928 201 187 02	sealing ring		1							
28	928 201 081 04	fuel filter		1							
29	944 356 091 00	housing		1							
30	N 013 812 3	sealing ring		1							
31	944 608 951 01	check valve		1							
32	951 356 029 02	fuel hose		1							
33	951 356 027 13	fuel hose repair kit		1							
34	000 043 200 28	connection piece		*							

Model	Year	MG	SG	Illustration	Restrictions	UPD	22:36	23.01.2010	PORSCHE	PET	PORSCHE
9442	1991	2	01	201-15		248					

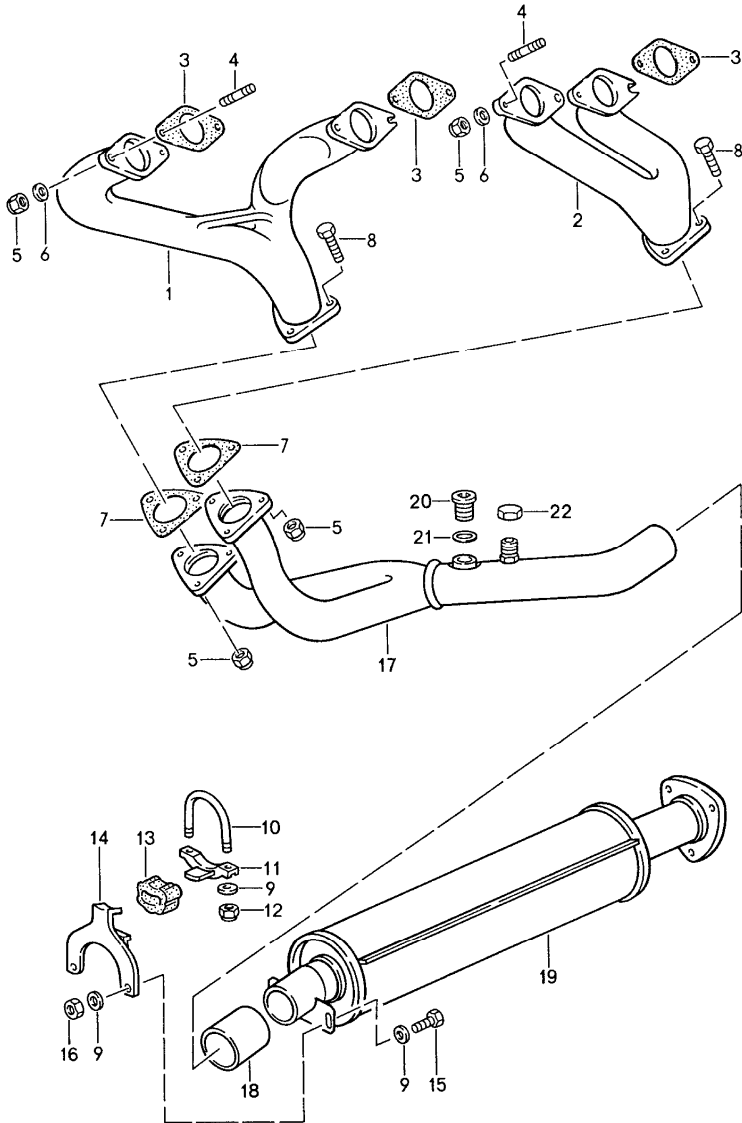


Pos	Part Number	Description	Remark	Qty	Model
		fuel system			M44.41
1	944 356 969 10	fuel line		1	COUPE
2	477 209 169	connecting piece		1	COUPE
3	951 356 967 02	fuel line		1	COUPE
-	941 356 069 10	fuel line complete		1	CABRIO
4	944 356 937 10	fuel return line		1	COUPE
5	477 209 161	connecting piece		1	COUPE
6	951 356 935 02	fuel return line		1	COUPE
-	941 356 037 10	fuel return line complete		1	CABRIO
7	999 591 975 40	rubber mounting		9	COUPE
7	941 356 533 10	rubber mounting		7	CABRIO
8	999 511 199 40	clamp		9	COUPE
8 A	941 356 555 11	support		7	CABRIO
8	941 356 555 11	support		7	CABRIO
10	951 356 061 02	fuel hose		1	
11	N 023 569 2	hose clamp		1	
12	941 356 047 10	fuel hose		1	
13	928 110 253 04	fuel filter		1	(AG) (SA)
13	928 110 253 06	fuel filter		1	
14	951 356 471 01	support		1	
15	944 610 115 00	bonded rubber mounting		2	
16	900 076 010 02	hexagon nut		1	
17	951 356 041 07	fuel line		1	
18 A	928 110 475 01	cap nut		1	
18	928 110 475 03	cap nut		1	
19	N 013 812 2	sealing ring		2	
20	944 608 102 06	fuel pump		1	
21	999 512 397 00	hose clamp		1	

Model	Year	MG	SG	Illustration	Restrictions	UPD	22:36	23.01.2010	PORSCHE	PET	PORSCHE
9442	1991	2	01	201-15		248					

Pos	Part Number	Description	Remark	Qty	Model	Pos	Part Number	Description	Remark	Qty	Model
22	999 512 554 00	hose clamp		1							
23	951 356 557 00	fuel hose		1							
24	999 512 346 00	hose clamp		1							
26	999 512 390 00	hose clamp		1							
27	928 201 187 02	sealing ring		1							
28	928 201 081 04	fuel filter		1							
29	944 356 091 00	housing		1							
30	N 013 812 3	sealing ring		1							
31	944 608 951 01	check valve		1							
32	944 356 029 12	fuel hose		1							
34	944 356 027 14	fuel hose		1							

Model	Year	MG	SG	Illustration	Restrictions	UPD	22:36	23.01.2010	PORSCHE	PET	PORSCHE
9442	1991	2	02	202-00		248					

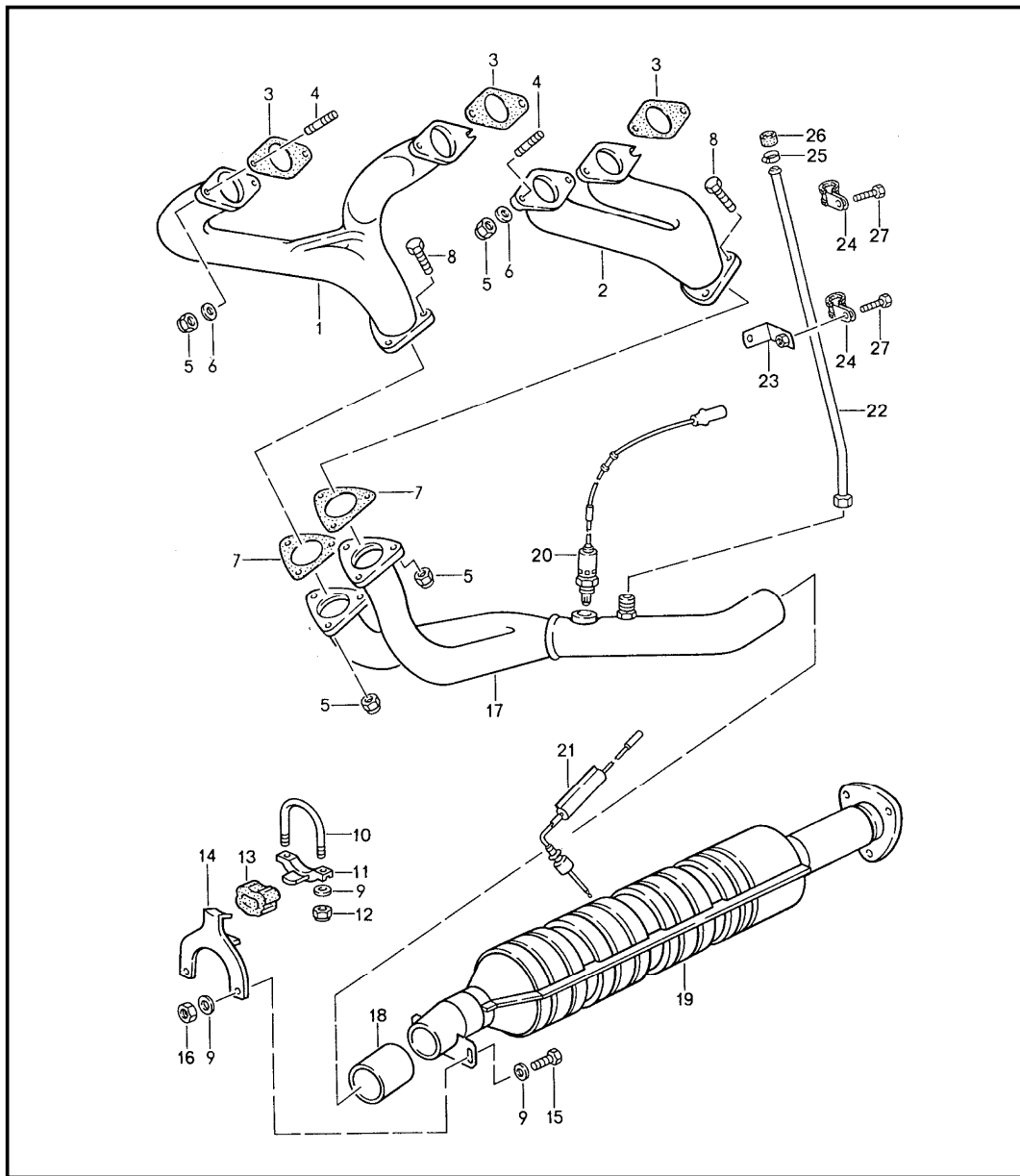


Pos	Part Number	Description	Remark	Qty	Model
		exhaust system front muffler			M44.11/12
1	944 111 127 05	exhaust manifold cylinders 1 and 4		1	
2	944 111 129 04	exhaust manifold cyl. 2 and 3		1	
3	944 111 196 00	gasket		4	WW
3	944 111 196 01	gasket		4	WW
4	999 062 044 02	stud M 8 X 30		8	
5	999 084 052 02	lock nut M 8		14	
6	928 111 181 00	washer		8	
7	944 111 135 01	gasket		2	
8	900 074 282 02	hexagon-head bolt M 8 X 37		6	
9	900 025 007 02	washer		6	
10	477 253 139	clip		1	
11	944 111 307 00	support		1	
12	900 910 003 02	lock nut VM 8		2	
13	944 111 142 01	rubber mounting		1	
14	931 111 061 02	hook		1	
15	N 010 240 16	hexagon-head bolt M 8 X 20		2	
16	900 076 025 02	hexagon nut M 8		2	
17	944 111 987 03	exhaust pipe		1	
18	944 111 981 00	sleeve		1	
19	944 111 985 03	front muffler		1	M44.11
19	944 111 985 01	front muffler		1	M44.12
20	900 219 015 00	screw plug		1	

Model	Year	MG	SG	Illustration	Restrictions	UPD	22:36	23.01.2010	PORSCHE	PET	PORSCHE
9442	1991	2	02	202-00		248					

Pos	Part Number	Description	Remark	Qty	Model	Pos	Part Number	Description	Remark	Qty	Model
21	900 123 009 20	sealing ring		1							
22	951 111 171 00	cap		1							

Model	Year	MG	SG	Illustration	Restrictions	UPD	22:36	23.01.2010	PORSCHE	PET	PORSCHE
9442	1991	2	02	202-05		248					

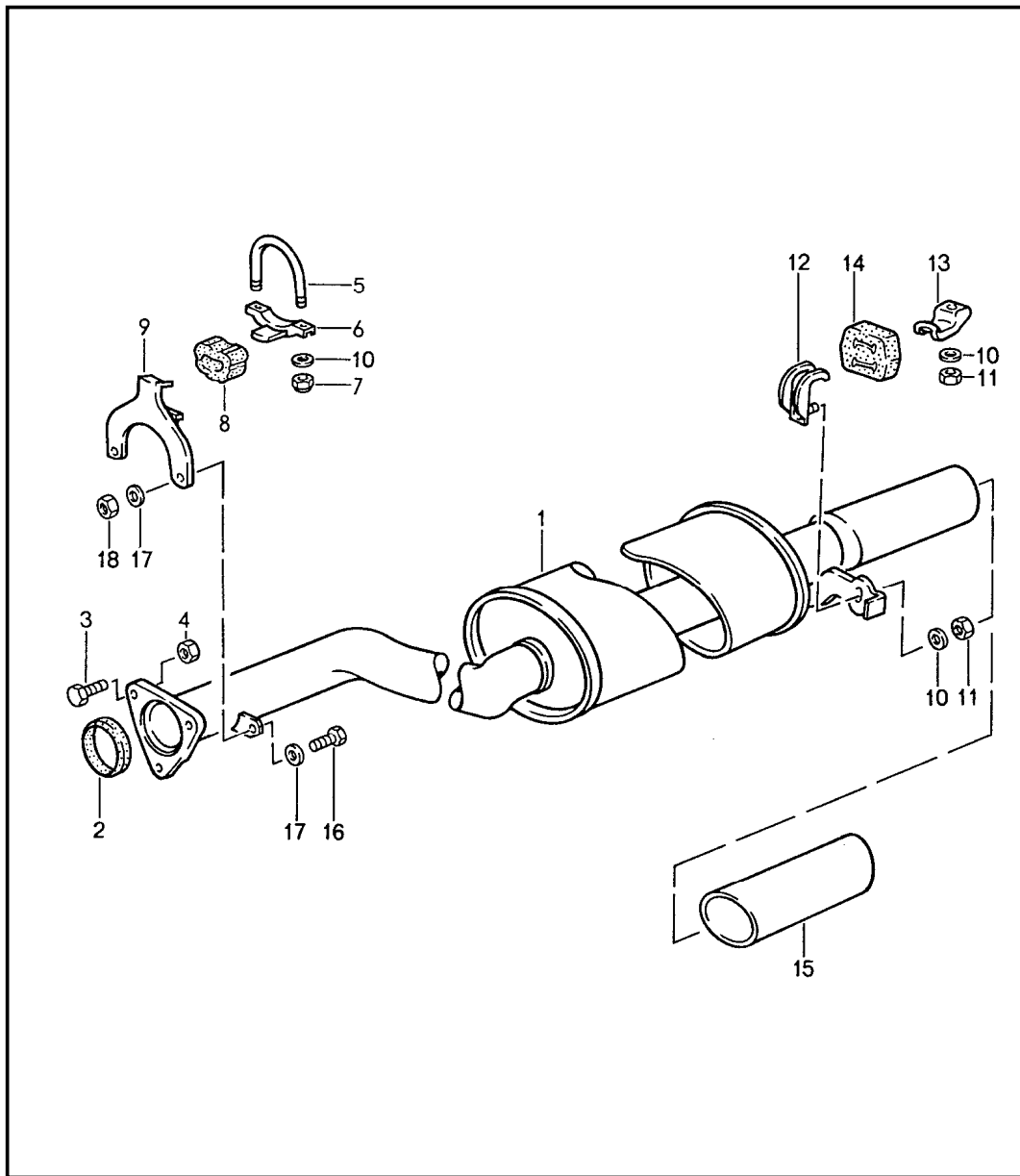


Pos	Part Number	Description	Remark	Qty	Model
		exhaust system catalytic converter			M44.11/12
1	944 111 127 05	exhaust manifold cylinders 1 and 4		1	
2	944 111 129 04	exhaust manifold cyl. 2 and 3		1	
3	944 111 196 01	gasket		4	WW
3	944 111 196 00	gasket		4	WW
4	999 062 044 02	stud M 8 X 30		8	
5	999 084 052 02	lock nut M 8		14	
6	928 111 181 00	washer		8	
7	944 111 135 01	gasket		2	
8	900 074 282 02	hexagon-head bolt M 8 X 37		6	
9	900 025 007 02	washer		6	
10	477 253 139	clip		1	
11	944 111 307 00	support		1	
12	900 910 003 02	lock nut VM 8		2	
13	944 111 142 01	rubber mounting		1	
14	931 111 061 02	hook		1	
15	N 010 240 16	hexagon-head bolt M 8 X 20		2	
16	900 076 025 02	hexagon nut M 8		2	
17	944 111 987 03	exhaust pipe		1	
18	944 111 981 00	sleeve		1	
19	944 111 989 05	catalytic converter		1	M44.11
19	944 111 989 03	catalytic converter		1	M44.12
19	944 111 991 06	catalytic converter	(J)	1	M44.11

Model	Year	MG	SG	Illustration	Restrictions	UPD	22:36	23.01.2010	PORSCHE	PET	PORSCHE
9442	1991	2	02	202-05		248					

Pos	Part Number	Description	Remark	Qty	Model	Pos	Part Number	Description	Remark	Qty	Model
19	944 111 991 03	catalytic converter	(J)	1	M44.12						
19	944 111 989 06	catalytic converter	(CH)	1	M44.11						
20	944 606 135 02	oxygen sensor		1							
21	951 606 019 00	temperature sensor	(J)	1							
22	944 111 175 05	exhaust emission tube		1							
23	944 111 177 02	support		1							
24	N 020 609 3	clip		1							
25	999 512 160 02	hose clamp		1							
26	034 133 335 D	cap		1							
27	999 072 005 09	hexagon-head bolt M 6 X 12		1							

Model	Year	MG	SG	Illustration	Restrictions	UPD	22:37	23.01.2010	PORSCHE	PET	PORSCHE
9442	1991	2	02	202-10		248					

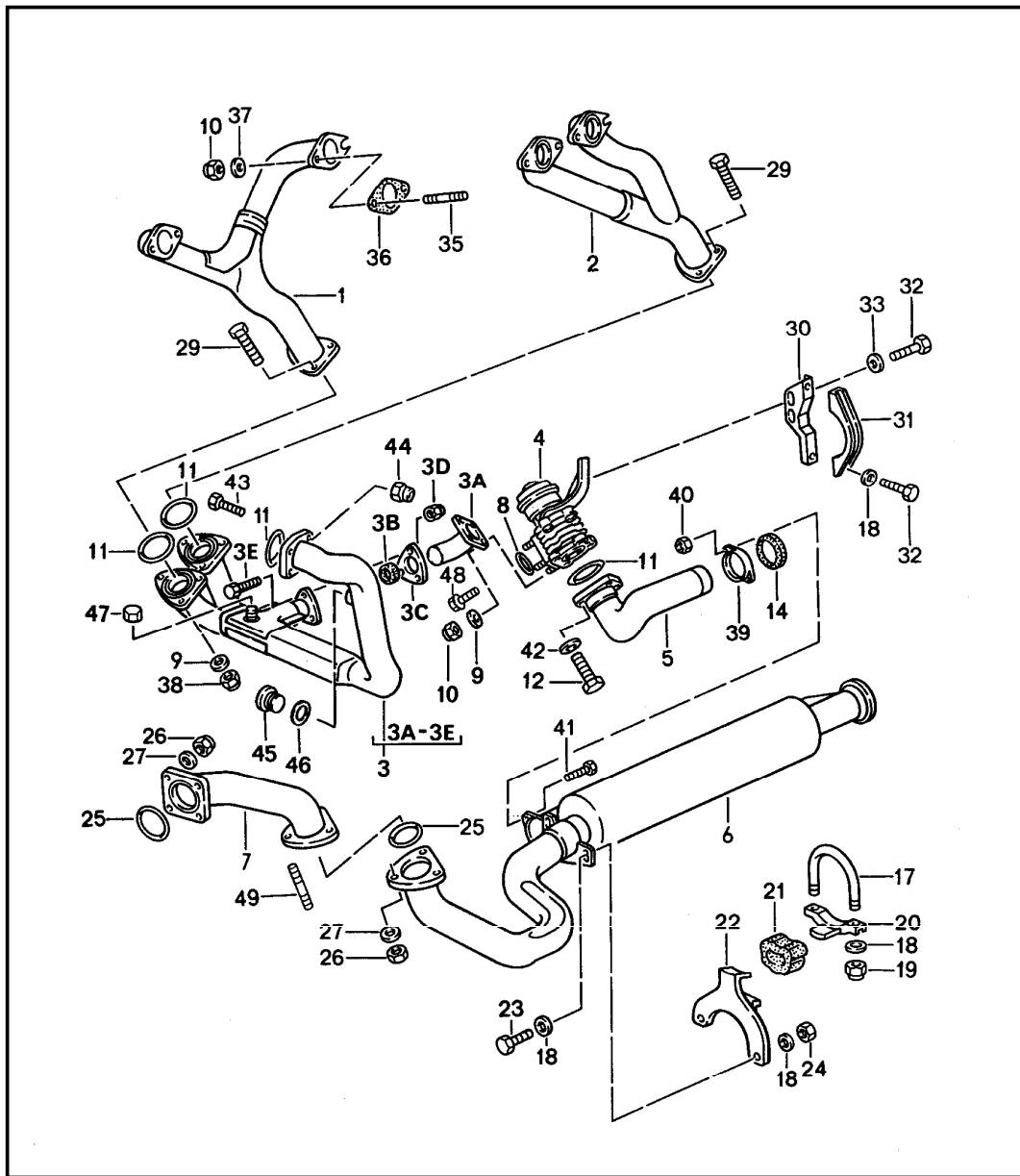


Pos	Part Number	Description	Remark	Qty	Model
		exhaust system rear muffler			M44.11/12
1	944 111 041 03	rear muffler		1	M44.11
1	944 111 083 01	rear muffler		1	M44.12
1	944 111 041 03	rear muffler	(CH)	1	M44.11
2	944 111 204 00	sealing ring		1	M44.11
2	944 111 203 00	sealing ring		1	M44.12
3	900 074 268 02	hexagon-head bolt M 8 X 40		3	
4	999 084 052 02	lock nut VM 8		3	
5	477 253 139	clip		1	
6	944 111 307 00	support		1	
7	900 910 003 02	lock nut VM 8		2	
8	944 111 142 01	rubber mounting		1	
9	944 111 211 00	hook		1	M44.11
9	931 111 061 02	hook		1	M44.12
9	944 111 211 00	hook	(CH)	1	M44.12
10	900 025 007 02	washer A 8,4		6	
11	900 076 025 02	hexagon nut		4	
12	944 111 064 01	hook		2	M44.11
12	931 111 264 01	hook		2	M44.12
13	931 111 121 01	hook		2	
14	928 111 259 02	rubber mounting		2	
15	477 253 191 F	ornamental exhaust pipe chrome		1	
15	477 253 191 D	ornamental exhaust pipe black		1	
16	900 075 085 02	hexagon-head bolt		2	M44.12

Model	Year	MG	SG	Illustration	Restrictions	UPD	22:37	23.01.2010	PORSCHE	PET	PORSCHE
9442	1991	2	02	202-10		248					

Pos	Part Number	Description	Remark	Qty	Model	Pos	Part Number	Description	Remark	Qty	Model
17	900 025 007 02	washer		2	M44.12						
18	900 076 025 02	hexagon nut		2	M44.12						

Model	Year	MG	SG	Illustration	Restrictions	UPD	22:37	23.01.2010	PORSCHE	PET	PORSCHE
9442	1991	2	02	202-15		248					

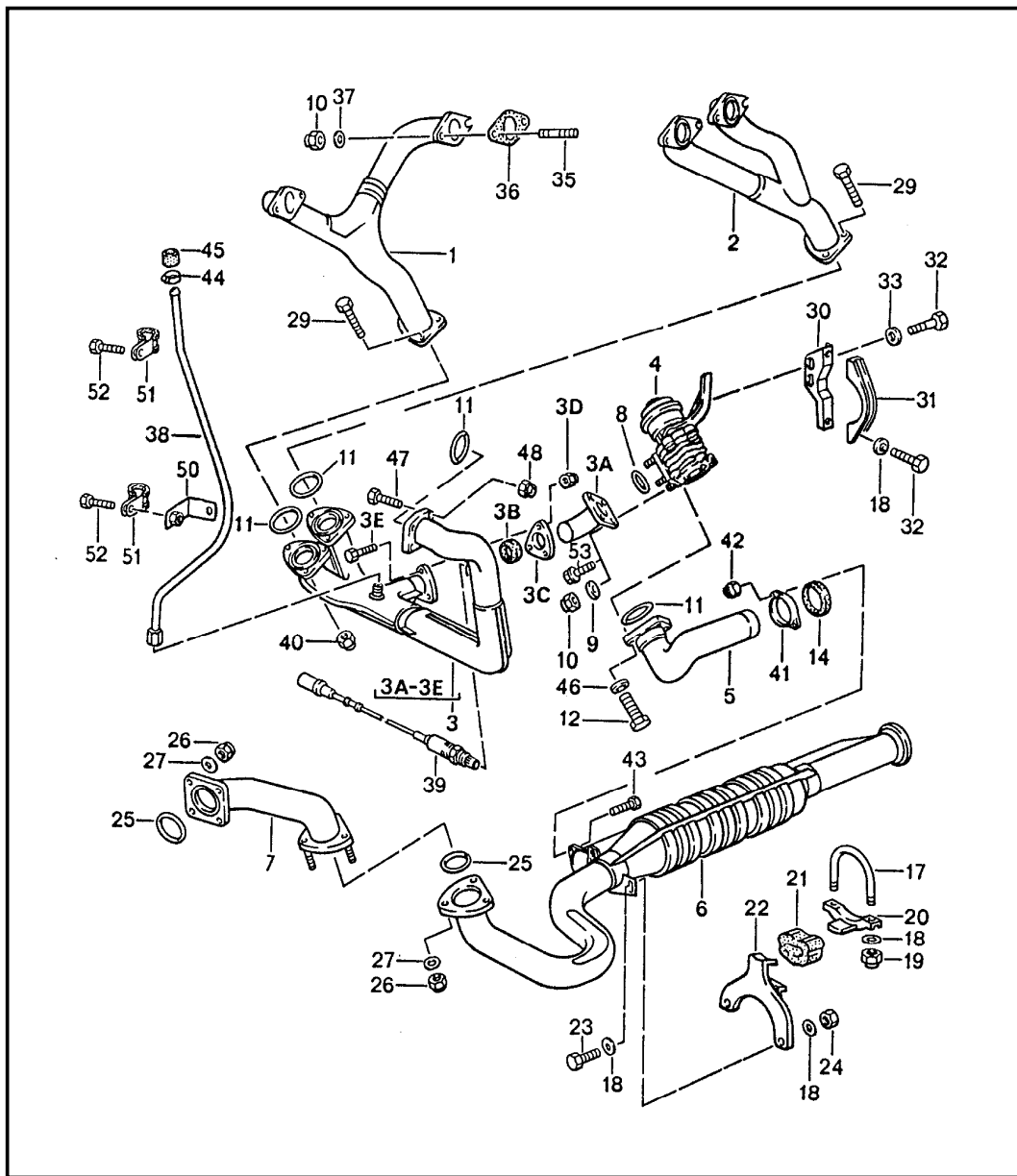


Pos	Part Number	Description	Remark	Qty	Model
		exhaust system front muffler			M44.52
1	951 111 127 07	exhaust manifold cylinders 1 and 4		1	
2	951 111 129 05	exhaust manifold cyl. 2 and 3		1	
3	951 111 096 16	exhaust pipe		1	
3A	951 123 027 01	exhaust pipe		1	
3B	930 123 134 04	gasket		1	
3C	951 123 260 01	flange		1	
3D	999 084 051 02	lock nut		3	
3E	900 074 267 02	hexagon-head bolt		3	
4	951 123 015 04	wastegate	-89	1	
4	951 123 015 04	wastegate	90-	1	
5	951 123 040 06	exhaust pipe		1	
5	951 123 040 08	exhaust pipe		1	CABRIO
6	951 111 093 04	front muffler		1	
7	951 111 097 02	exhaust pipe	-89	1	
7	951 111 098 01	exhaust pipe	90-	1	
8	993 111 195 00	sealing ring		1	
9	999 025 078 02	washer		14	
10	999 084 052 02	lock nut		14	
11	944 111 205 04	sealing ring		4	
12	900 075 079 02	hexagon-head bolt M 8 X 25		4	
14	951 123 134 02	gasket		1	
16	900 074 268 02	hexagon-head bolt		2	
17	477 253 139	clip		1	
18	900 025 007 02	washer		6	
19	900 910 003 02	lock nut		2	
		VM 8			

Model	Year	MG	SG	Illustration	Restrictions	UPD	22:37	23.01.2010	PORSCHE	PET	PORSCHE
9442	1991	2	02	202-15		248					

Pos	Part Number	Description	Remark	Qty	Model	Pos	Part Number	Description	Remark	Qty	Model
20	944 111 307 00	support		1		46	944 111 207 00	sealing ring		1	
21	944 111 142 01	rubber mounting		1		47	951 111 171 00	cap		1	
22	951 111 061 01	hook		1		48	900 075 420 02	hexagon-head bolt		4	
23	900 075 087 02	hexagon-head bolt		2		49	900 081 052 02	stud		3	
24	900 076 025 02	hexagon nut		2							
25	944 111 205 03	sealing ring		2							
26	999 084 047 02	lock nut		8							
27	900 025 008 09	washer		8							
28	900 074 284 02	hexagon-head bolt M 10 X 40		4							
29	900 074 283 02	hexagon-head bolt M 8 X 45		6							
30	951 123 155 02	support		1							
31	951 123 179 02	clip		1							
32	900 075 085 02	hexagon-head bolt		2							
33	900 223 001 02	washer		2							
34	900 075 085 02	hexagon-head bolt M 8 X 20		2							
35	999 062 044 02	stud		8							
36	944 111 196 00	gasket		4	WW						
36	944 111 196 01	gasket		4	WW						
38	999 084 052 02	lock nut M 8		6							
39	951 123 138 01	flange		1							
40	900 910 096 02	lock nut M 6		2							
41	900 074 234 02	hexagon-head bolt M 6 X 45		2							
42	N 012 009 1	lock ring		4							
43	N 010 020 2	hexagon-head bolt		4							
44	N 900 730 01	lock nut		3							
45	900 219 015 00	screw plug		1							

Model	Year	MG	SG	Illustration	Restrictions	UPD	22:37	23.01.2010	PORSCHE	PET	PORSCHE
9442	1991	2	02	202-20		248					

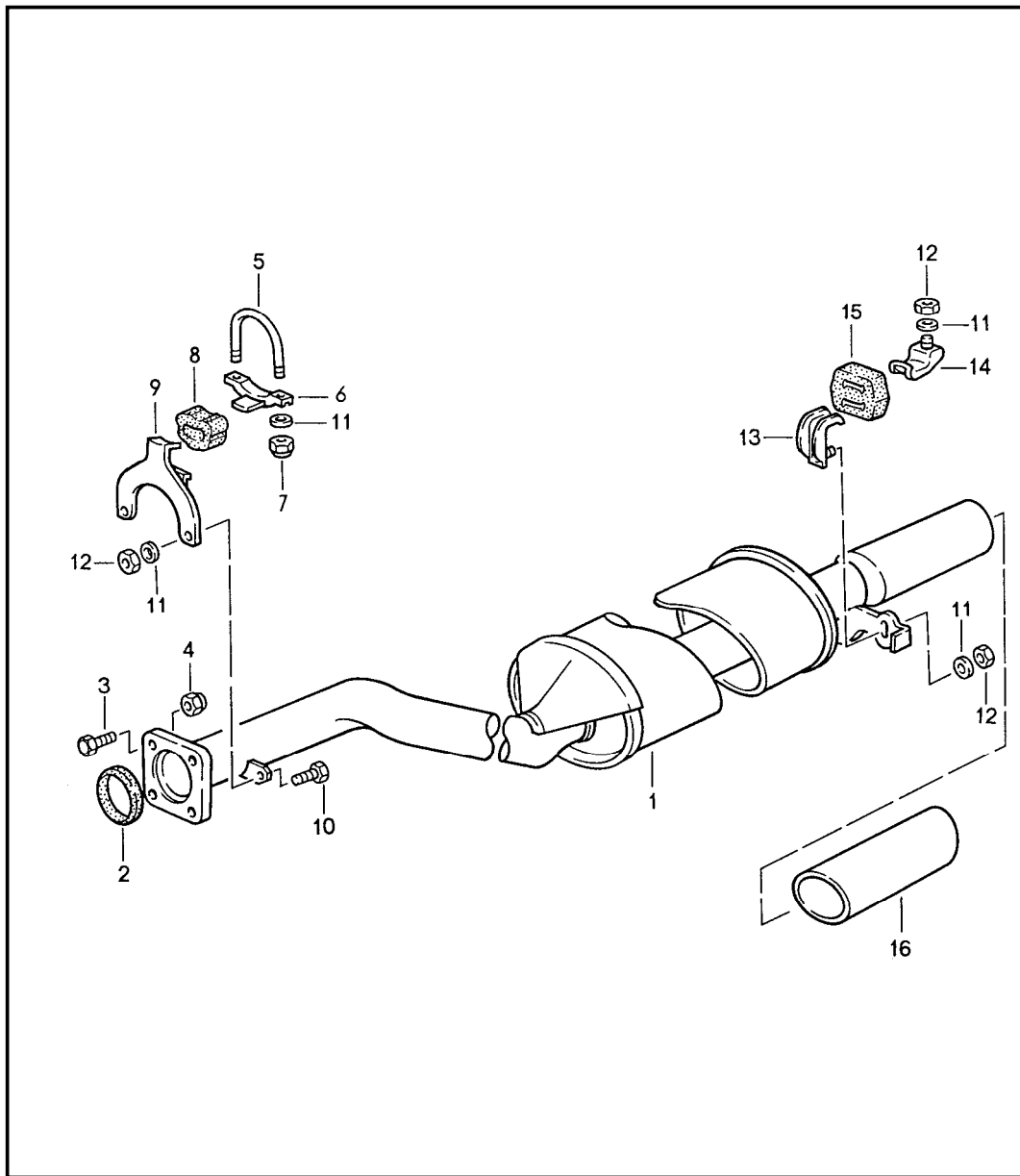


Pos	Part Number	Description	Remark	Qty	Model
		exhaust system catalytic converter			M44.52
1	951 111 127 07	exhaust manifold cylinders 1 and 4		1	
1	951 111 131 06	exhaust manifold cylinders 1 and 4	(J)	1	
2	951 111 129 05	exhaust manifold cyl. 2 and 3		1	
2	951 111 133 04	exhaust manifold cyl. 2 and 3	(J)	1	
3	951 111 096 16	exhaust pipe		1	
3	951 111 096 15	exhaust pipe	(J)	1	
3A	951 123 027 01	exhaust pipe		1	
3B	930 123 134 04	gasket		1	
3C	951 123 260 01	flange		1	
3D	999 084 051 02	lock nut		3	
3E	900 074 267 02	hexagon-head bolt		3	
4	951 123 015 04	wastegate	-89	1	
4	951 123 015 04	wastegate	90-	1	
5	951 123 040 06	exhaust pipe		1	
5	951 123 040 06	exhaust pipe		1	CABRIO
6	951 111 094 11	catalytic converter		1	
6	951 111 094 12	catalytic converter	(J)	1	
7	951 111 098 01	exhaust pipe		1	
8	993 111 195 00	sealing ring		1	
9	999 025 078 02	washer		X	
10	999 084 052 02	lock nut		10	
11	944 111 205 04	sealing ring		4	
12	900 075 079 02	hexagon-head bolt M 8 X 25		4	
14	951 123 134 02	gasket		1	
17	477 253 139	clip		1	

Model	Year	MG	SG	Illustration	Restrictions	UPD	22:37	23.01.2010	PORSCHE	PET	PORSCHE
9442	1991	2	02	202-20		248					

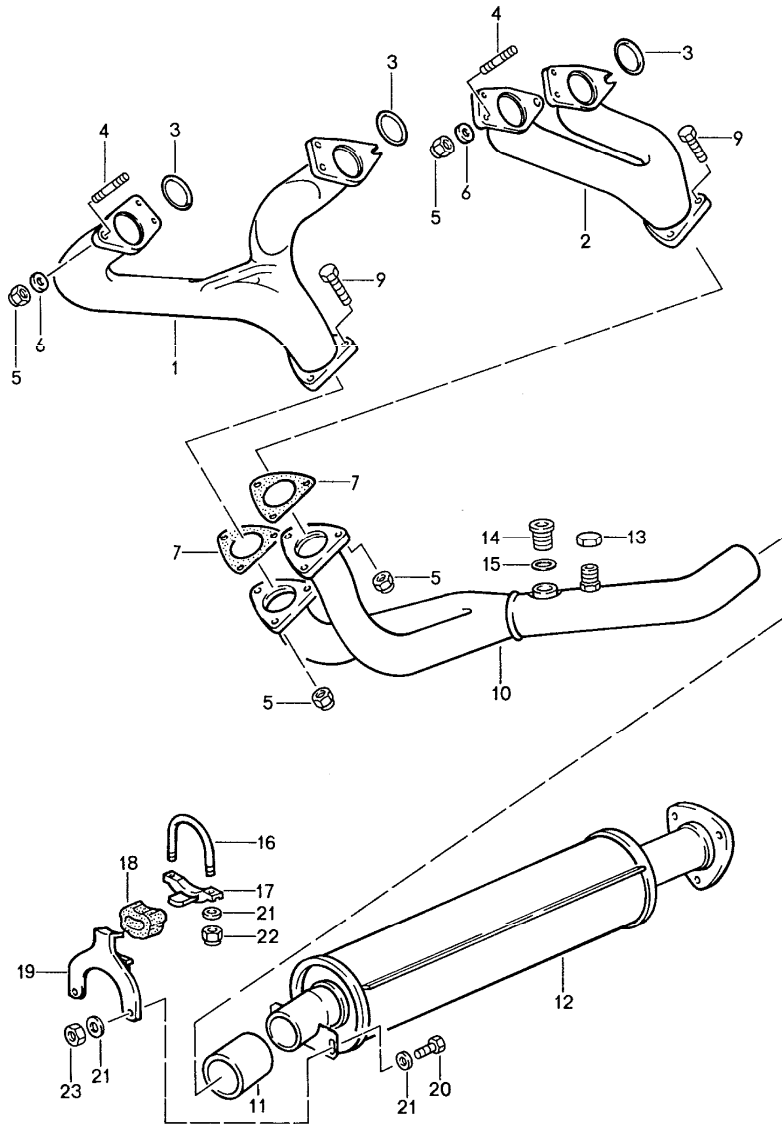
Pos	Part Number	Description	Remark	Qty	Model	Pos	Part Number	Description	Remark	Qty	Model
18	900 025 007 02	washer		6		43	900 074 234 02	hexagon-head bolt M 6 X 40		2	
19	900 910 003 02	lock nut VM 8		2		44	999 512 160 02	hose clamp		1	
20	944 111 307 00	support		1		45	034 133 335 D	cap		1	
21	944 111 142 01	rubber mounting		1		46	N 012 009 1	lock ring		1	
22	951 111 061 01	hook		1		47	N 010 020 2	hexagon-head bolt		4	
23	900 075 087 02	hexagon-head bolt M 8 X 15		2		48	N 900 730 01	lock nut		3	
24	900 076 025 02	hexagon nut		2		50	944 111 177 02	support		1	
25	944 111 205 03	sealing ring		2		51	N 020 609 3	clip		2	
26	999 084 047 02	lock nut		8		52	999 072 005 09	hexagon-head bolt M 6 X 12		2	
27	900 025 008 09	washer		8		53	900 075 420 02	hexagon-head bolt		4	
29	900 074 282 02	hexagon-head bolt		6							
30	951 123 155 02	support		1							
31	951 123 179 02	clip		1							
32	900 075 085 02	hexagon-head bolt M 8 X 20		2							
33	900 223 001 02	washer		2							
34	900 075 085 02	hexagon-head bolt M 8 X 20		2							
35	999 062 044 02	stud		8							
36	944 111 196 00	gasket		4	WW						
36	944 111 196 01	gasket		4	WW						
37	928 111 181 00	washer		4							
38	951 111 175 02	exhaust emission tube		1							
39	951 606 135 00	oxygen sensor		1							
40	999 084 052 02	lock nut		6							
41	951 123 138 01	flange		1							
42	900 910 096 02	lock nut M 6		2							

Model	Year	MG	SG	Illustration	Restrictions	UPD	22:37	23.01.2010	PORSCHE	PET	PORSCHE
9442	1991	2	02	202-25		248					



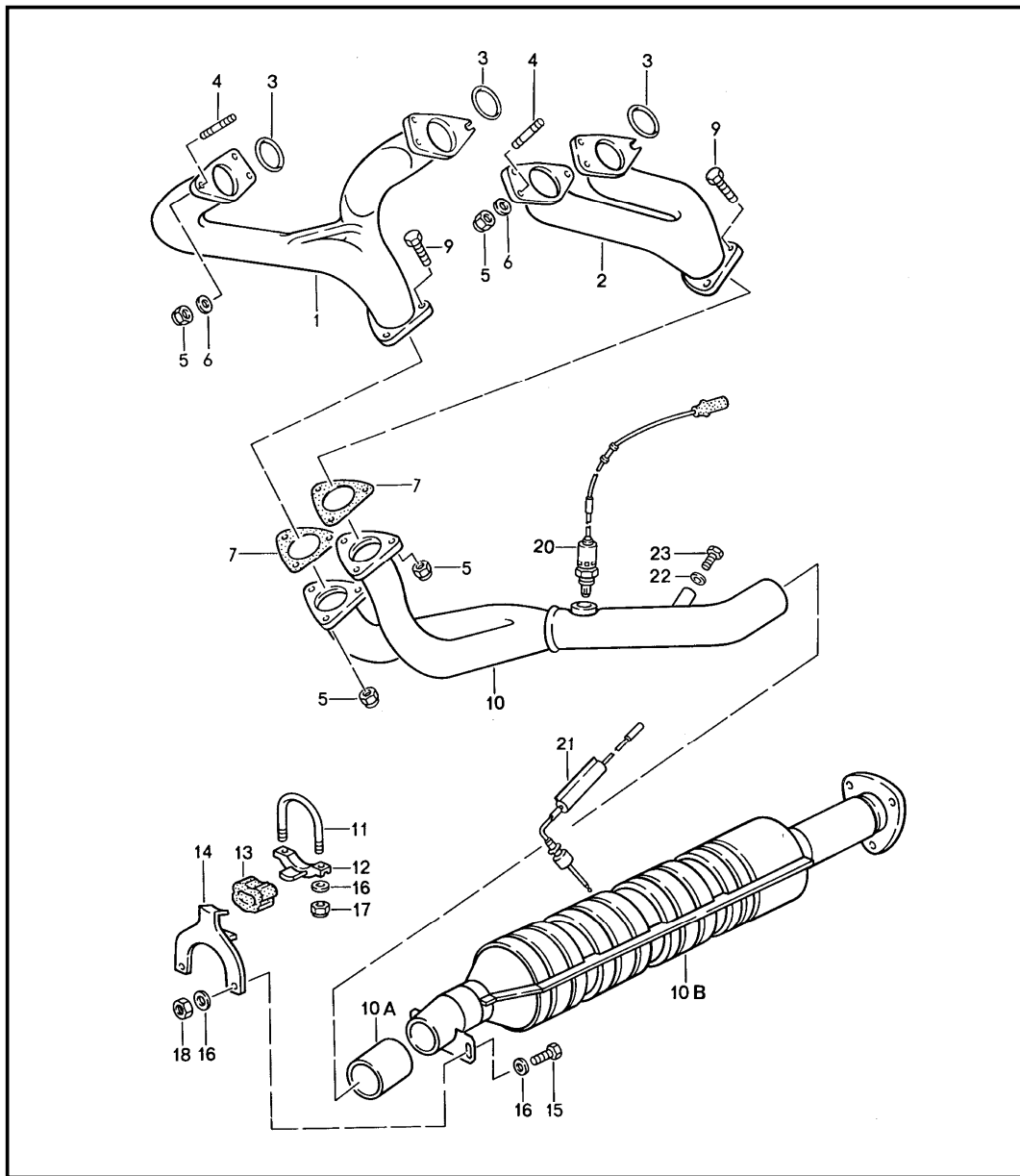
Pos	Part Number	Description	Remark	Qty	Model
		exhaust system rear muffler			M44.52
1	951 111 083 01	rear muffler	-89	1	
(1)	951 111 041 00	rear muffler	90-	1	
(1)	951 111 041 00	rear muffler	(CH) 87-	1	
2	928 111 244 03	sealing ring		1	
3	N 010 020 2	hexagon-head bolt M 10 X 38		4	
4	N 900 730 01	lock nut M 10		4	
5	477 253 139	clip		1	
6	944 111 307 00	support		1	
7	900 910 003 02	lock nut M 8		2	
		VM 8			
8	944 111 142 01	rubber mounting		1	
9	931 111 061 02	hook	-89	1	
(9)	951 111 111 02	hook	90-	1	
(9)	951 111 111 02	hook	(CH) 87-	1	
10	900 075 078 02	hexagon-head bolt M 8 X 15		2	
11	900 025 007 02	washer		8	
12	900 076 025 02	hexagon nut M 8		8	
13	931 111 264 01	hook	-89	2	
(13)	944 111 064 01	hook	90-	2	
(13)	944 111 064 01	hook	(CH) 87-	2	
14	931 111 121 01	hook		2	
15	928 111 259 02	rubber mounting		1	
16	477 253 191 F	ornamental exhaust pipe chrome		1	

Model	Year	MG	SG	Illustration	Restrictions	UPD	22:37	23.01.2010	PORSCHE	PET	PORSCHE
9442	1991	2	02	202-27		248					



Pos	Part Number	Description	Remark	Qty	Model
		exhaust system front muffler			M44.41
1	944 111 183 03	exhaust manifold cylinders 1 and 4		1	
2	944 111 184 02	exhaust manifold cyl. 2 and 3		1	
3	944 111 205 00	sealing ring		4	
4	999 062 139 02	stud		12	
5	999 084 052 02	lock nut M 8		18	
6	928 111 181 00	washer		12	
7	944 111 135 01	gasket A 8,4		2	
9	900 074 282 02	hexagon-head bolt		6	
10	944 111 987 07	exhaust pipe		1	
11	944 111 981 01	sleeve		1	
12	944 111 985 02	front muffler		1	
13	951 111 171 00	cap		1	
14	900 219 015 00	screw plug		1	
15	900 123 009 20	sealing ring		1	
16	477 253 139	clip		1	
17	944 111 307 00	support		1	
18	944 111 142 01	rubber mounting		1	
19	931 111 061 02	hook		1	
20	900 075 087 02	hexagon-head bolt M 8 X 15		2	
21	900 025 007 02	washer A 8,4		4	
22	900 910 003 02	lock nut VM 8		2	
23	900 076 025 02	hexagon nut M 8		2	

Model	Year	MG	SG	Illustration	Restrictions	UPD	22:38	23.01.2010	PORSCHE	PET	PORSCHE
9442	1991	2	02	202-28		248					

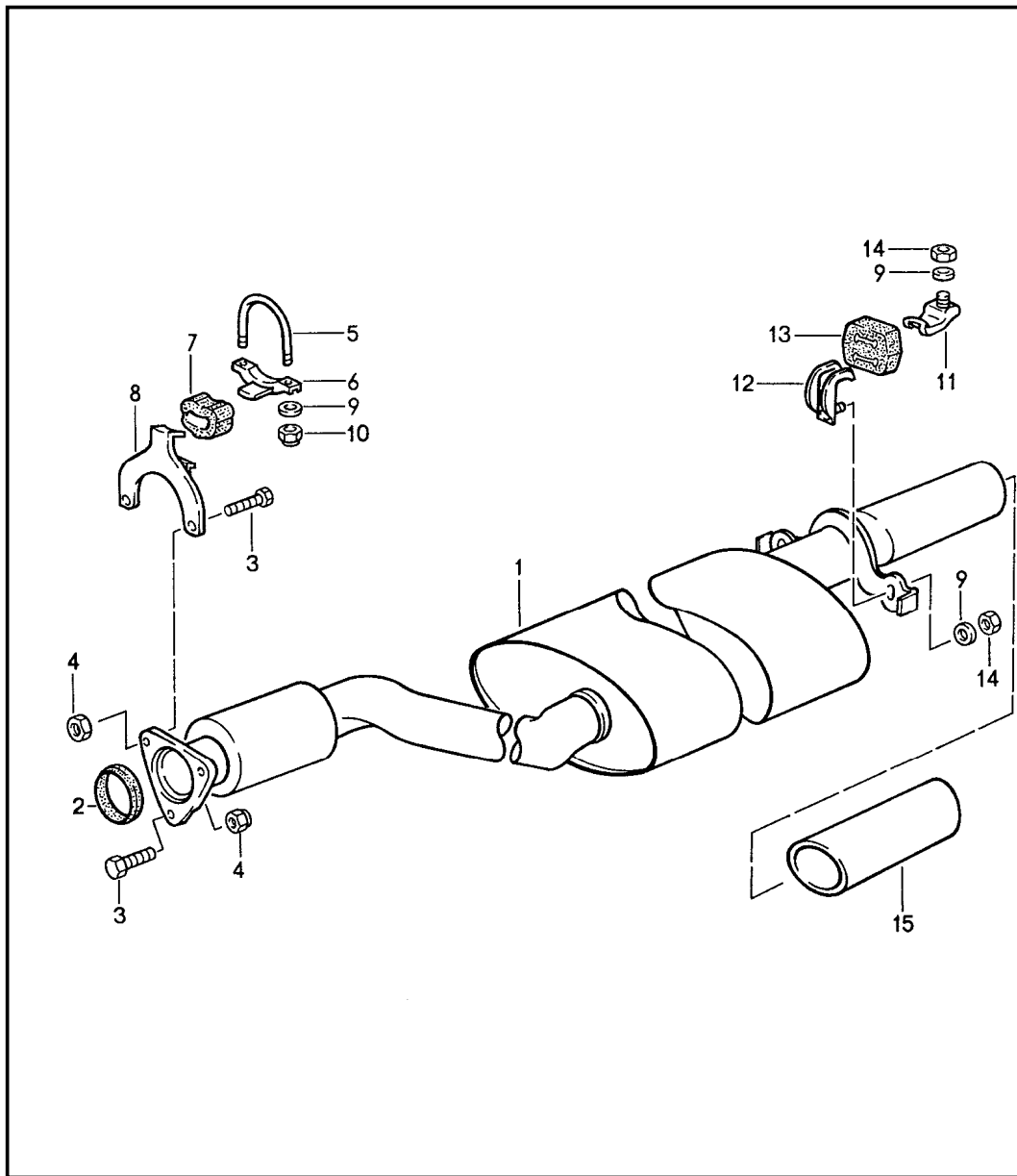


Pos	Part Number	Description	Remark	Qty	Model
		exhaust system catalytic converter			M44.41
1	944 111 183 03	exhaust manifold cylinders 1 and 4		1	
2	944 111 184 02	exhaust manifold cyl. 2 and 3		1	
3	944 111 205 00	sealing ring		4	
4	999 062 139 02	stud		12	
5	999 084 052 02	lock nut M 8		18	
6	928 111 181 00	washer		12	
7	944 111 135 01	gasket		2	
8	999 025 078 02	washer A 8,4		6	
9	900 074 282 02	hexagon-head bolt M 8 X 37		6	
10	944 111 987 07	exhaust pipe		1	
10A	944 111 981 01	sleeve		1	
10B	944 111 989 07	catalytic converter		1	
10B	944 111 991 07	catalytic converter	(J)	1	
11	477 253 139	clip		1	
12	944 111 307 00	support		1	
13	944 111 142 01	rubber mounting		1	
14	931 111 061 02	hook		1	
15	900 075 087 02	hexagon-head bolt M 8 X 15		2	
16	900 025 007 02	washer A 8,4		4	
17	900 910 003 02	lock nut VM 8		2	
18	900 076 025 02	hexagon nut M 8		2	
19	944 111 275 02	exhaust emission tube		1	

Model	Year	MG	SG	Illustration	Restrictions	UPD	22:38	23.01.2010	PORSCHE	PET	PORSCHE
9442	1991	2	02	202-28		248					

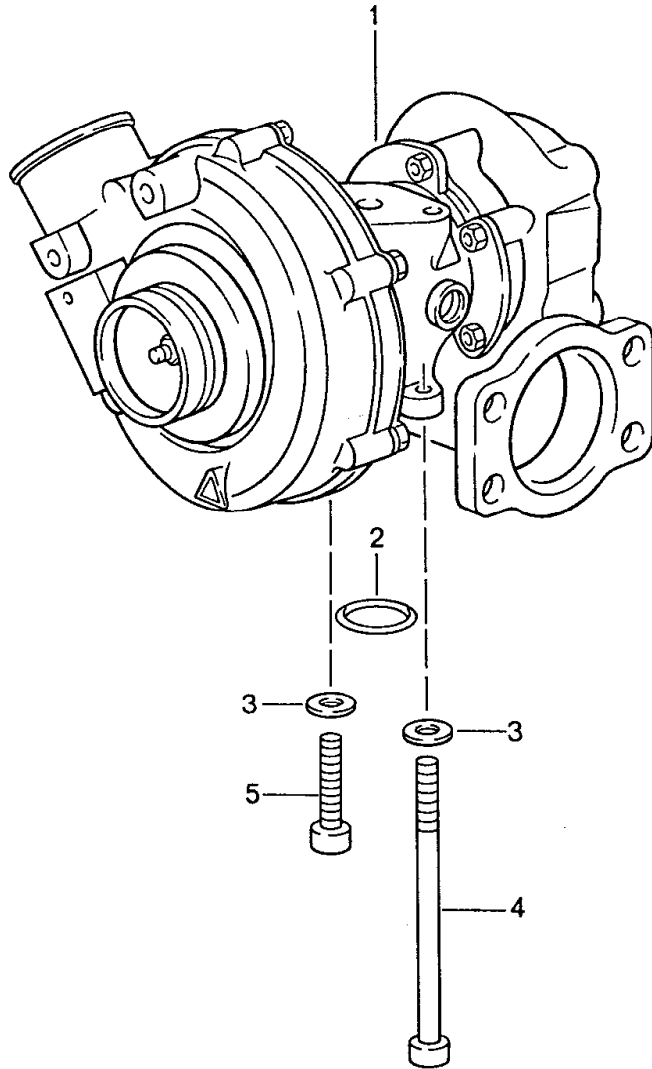
Pos	Part Number	Description	Remark	Qty	Model	Pos	Part Number	Description	Remark	Qty	Model
20	944 606 135 02	oxygen sensor									
21	951 606 019 00	temperature sensor	(J)								
22	N 043 813 3	sealing ring		1							
23	900 083 080 00	hexagon-head bolt		1							

Model	Year	MG	SG	Illustration	Restrictions	UPD	22:38	23.01.2010	PORSCHE	PET	PORSCHE
9442	1991	2	02	202-29		248					



Pos	Part Number	Description	Remark	Qty	Model
		exhaust system rear muffler			M44.41
1	944 111 041 03	rear muffler		1	
2	944 111 204 00	sealing ring		1	
3	900 074 268 02	hexagon-head bolt BM 8 X 40		3	
4	999 084 052 02	lock nut M 8		3	
5	477 253 139	clip		1	
6	944 111 307 00	support		1	
7	944 111 142 01	rubber mounting		1	COUPE
7	944 111 142 01	rubber mounting		1	CABRIO
8	944 111 211 00	hook		1	
9	900 025 007 02	washer A 8,4		6	
10	900 910 003 02	lock nut VM 8 VM 8		2	
11	931 111 121 01	hook		2	
12	944 111 064 01	hook		2	
13	928 111 259 02	rubber mounting		2	
14	900 076 025 02	hexagon nut M 8		4	
15	477 253 191 F	ornamental exhaust pipe		1	

Model	Year	MG	SG	Illustration	Restrictions	UPD	22:38	23.01.2010	PORSCHE	PET	PORSCHE
9442	1991	2	02	202-30		248					



Pos	Part Number	Description	Remark	Qty	Model
		turbocharger see q-information group 2 3/87			M44.52
1	> 951 123 131 03	turbocharger		1	
2	900 174 058 40	round seal		1	
3	900 025 007 02	washer		2	
4	N 044 721 1	pan-head screw M 8 X 125		1	
5	900 067 214 02	pan-head screw M 8 X 35		1	
-	900 081 052 02	stud M 10 X 25		4	

Model	Year	MG	SG	Illustration	Restrictions	UPD	22:38	23.01.2010
9442	1991	2	98	298-00R		248		

Pos	Part Number	Description	Remark	Qty	Model
>>	>>951 123 901 00	repair kits gasket set for turbocharger without mounting parts comprising:		1	M44.52
-	900 123 019 30	sealing ring		2	
-	999 707 043 40	o-ring		1	
-	900 174 058 40	round seal		1	
-	944 111 205 03	sealing ring		2	
-	944 111 205 04	sealing ring		1	
-	900 123 019 30	sealing ring		1	
>>	>>944 113 911 02	conversion set for subsequent installation catalytic converter comprising:		1	M44.12
-	000 043 059 00	installation instructions		1	
-	944 111 081 05	catalytic converter		1	
-	944 111 135 01	gasket		2	
-	944 111 203 00	sealing ring		1	
-	900 074 287 02	hexagon-head bolt		9	
-	900 025 007 02	washer		6	
-	N 022 008 4	lock nut		9	
-	944 606 135 02	oxygen sensor		1	
-	944 423 193 01	support		1	
-	N 020 680 1	clamp		1	
-	N 010 207 6	hexagon-head bolt		1	
-	N 012 225 2	spring washer		1	
-	N 011 005 14	hexagon nut		1	
-	951 504 869 00	heat shield		1	
-	999 591 485 02	speed nut		4	
-	N 090 239 1	combination screw		4	
-	944 111 175 02	exhaust emission tube		1	

Model	Year	MG	SG	Illustration	Restrictions	UPD	22:38	23.01.2010
9442	1991	2	98	298-00R		248		

Pos	Part Number	Description	Remark	Qty	Model
-	944 111 177 02	support		1	
-	944 111 179 00	support		1	
-	999 072 005 09	hexagon-head bolt		2	
-	N 011 524 7	washer		2	
-	900 076 010 02	hexagon nut		2	
-	034 133 335 D	cap		1	
-	999 512 160 02	hose clamp		1	
-	944 701 201 02	sticker		1	
-	944 201 901 00	sleeve		1	
>>	>>944 113 911 04	conversion set for subsequent installation catalytic converter comprising:		1	M44.11
-	000 043 060 00	installation instructions		1	
-	944 111 081 07	catalytic converter		1	
-	944 111 135 01	gasket		2	
-	900 074 282 02	hexagon-head bolt		6	
-	999 084 052 02	lock nut		9	
-	944 111 204 00	sealing ring		1	
-	900 074 268 02	hexagon-head bolt		3	
-	N 010 240 16	hexagon-head bolt		1	
-	900 076 025 02	hexagon nut		1	
-	N 011 525 13	washer		2	
-	944 111 175 03	exhaust emission tube		1	
-	944 111 177 02	support		1	
-	944 111 279 01	support		1	
-	999 072 005 09	hexagon-head bolt		2	
-	900 076 010 02	hexagon nut		2	
-	N 011 666 7	washer		4	
-	034 133 335 D	cap		1	
-	999 512 006 02	hose clamp		1	
-	944 606 135 02	oxygen sensor		1	

Model	Year	MG	SG	Illustration	Restrictions	UPD	22:38	23.01.2010
9442	1991	2	98	298-00R		248		

Pos	Part Number	Description	Remark	Qty	Model
-	944 612 621 00	clamping bow		1	
-	951 504 869 00	heat shield		1	
-	999 591 485 02	speed nut		2	
-	N 090 239 1	combination screw		2	
-	944 701 201 02	sticker		1	
-	911 701 241 00	sticker		1	
-	944 201 901 00	sleeve		1	
>>	>>951 113 911 00	conversion set for subsequent installation catalytic converter comprising:		1	M44.52
-	000 043 059 00	installation instructions		1	
-	951 111 094 11	catalytic converter		1	
-	951 123 139 00	support washer		1	
-	951 123 134 02	gasket		1	
-	951 123 135 00	clamp		2	
-	900 074 268 02	hexagon-head bolt		2	
-	999 084 052 02	lock nut		2	
-	944 111 205 03	sealing ring		1	
-	900 025 008 09	washer		4	
-	999 084 047 02	lock nut		4	
-	928 111 244 03	sealing ring		1	
-	N 010 020 2	hexagon-head bolt		3	
-	N 900 730 01	lock nut		3	
-	951 606 135 00	oxygen sensor		1	
-	951 111 175 00	exhaust emission tube		1	
-	944 111 177 02	support		1	
-	944 111 179 00	support		1	
-	999 072 005 09	hexagon-head bolt		2	
-	N 011 524 7	washer		2	
-	900 076 010 02	hexagon nut		2	
-	035 133 335 B	cap		1	

Model	Year	MG	SG	Illustration	Restrictions	UPD	22:38	23.01.2010
9442	1991	2	98	298-00R		248		

Pos	Part Number	Description	Remark	Qty	Model
-	999 512 160 02	hose clamp		1	
-	944 201 901 00	sleeve		1	
-	944 701 201 02	sticker		1	
-	944 101 033 00	heat shield		1	
>>	>>944 113 911 05	conversion set for subsequent installation catalytic converter comprising:		1	M44.41
-	944 111 081 09	catalytic converter		1	
-	944 111 204 00	sealing ring		1	
-	900 074 268 02	hexagon-head bolt		3	
-	999 084 052 02	lock nut		9	
-	944 111 135 01	gasket		2	
-	900 074 282 02	hexagon-head bolt		6	
-	900 076 025 02	hexagon nut		2	
-	900 075 087 02	hexagon-head bolt		2	
-	900 025 007 02	washer		4	
-	944 606 135 02	oxygen sensor		1	
-	951 504 869 00	heat shield		1	
-	999 591 485 02	speed nut		4	
-	N 090 239 1	combination screw		4	
-	944 201 901 00	sleeve		1	
-	928 006 117 03	sticker		1	
-	944 701 201 02	sticker		1	
-	000 043 140 00	installation instructions		1	
-	911 701 241 00	sticker		1	
-	944 612 621 00	clamping bow		1	
>>	>>944 111 901 00	set of fastening parts for front muffler for rear muffler comprising:		1	M44.12
-	944 111 135 01	gasket		2	

Model	Year	MG	SG	Illustration	Restrictions	UPD	22:38	23.01.2010
9442	1991	2	98	298-00R		248		

Pos	Part Number	Description	Remark	Qty	Model
-	900 074 287 02	hexagon-head bolt		9	
-	N 022 008 4	lock nut		9	
-	N 011 525 13	washer		8	
-	477 253 140 A	bearing		2	
-	N 010 240 16	hexagon-head bolt		2	
-	900 076 025 02	hexagon nut		2	
-	944 111 981 00	sleeve		1	
-	931 111 061 02	hook		1	
-	944 111 203 00	sealing ring		1	
-	928 111 259 02	rubber mounting		2	
-	930 113 153 00	cap		1	
>>	>>944 111 901 01	set of fastening parts for rear muffler comprising:		1	M44.12
-	944 111 203 00	sealing ring		1	
-	900 074 287 02	hexagon-head bolt		3	
-	N 022 008 4	lock nut		3	
-	944 111 142 01	rubber mounting		2	
-	N 010 240 16	hexagon-head bolt		2	
-	N 011 525 13	washer		4	
-	900 076 025 02	hexagon nut		4	
-	928 111 259 02	rubber mounting		2	
-	477 253 191 F	ornamental exhaust pipe		1	
-	931 111 061 02	hook		1	
-	931 111 264 01	hook		2	
>>	>>944 111 901 02	set of fastening parts for front muffler and rear muffler		1	M44.12
-	944 111 135 01	gasket		2	
-	900 074 287 02	hexagon-head bolt		9	
-	N 022 008 4	lock nut		9	

Model	Year	MG	SG	Illustration	Restrictions	UPD	22:38	23.01.2010
9442	1991	2	98	298-00R		248		

Pos	Part Number	Description	Remark	Qty	Model
-	N 011 525 13	washer		12	
-	N 010 240 16	hexagon-head bolt		4	
-	900 076 025 02	hexagon nut		6	
-	477 253 140 A	bearing		2	
-	928 111 259 02	rubber mounting		2	
-	477 253 191 F	ornamental exhaust pipe		1	
-	931 111 061 02	hook		2	
-	931 111 264 01	hook		2	
-	930 113 153 00	cap		1	
-	944 111 981 00	sleeve		1	
-	944 111 203 00	sealing ring		1	
>>	>>944 111 901 03	set of fastening parts for front muffler for catalytic converter comprising:		1	M44.11
-	944 111 135 01	gasket		2	
-	900 074 282 02	hexagon-head bolt		6	
-	900 074 268 02	hexagon-head bolt		3	
-	999 084 052 02	lock nut		9	
-	944 111 142 01	rubber mounting		2	
-	928 111 259 02	rubber mounting		2	
-	900 025 007 02	washer		2	
-	900 076 025 02	hexagon nut		2	
-	N 010 240 16	hexagon-head bolt		2	
>>	>>944 111 901 04	set of fastening parts for rear muffler comprising:		1	M44.11
-	900 074 268 02	hexagon-head bolt		3	
-	999 084 052 02	lock nut		3	
-	944 111 142 01	rubber mounting		2	
-	928 111 259 02	rubber mounting		2	

Model	Year	MG	SG	Illustration	Restrictions	UPD	22:38	23.01.2010
9442	1991	2	98	298-00R		248		

Pos	Part Number	Description	Remark	Qty	Model
-	900 025 007 02	washer		2	
-	900 076 025 02	hexagon nut		2	
-	477 253 191 F	ornamental exhaust pipe		1	
>>	>>944 111 901 05	set of fastening parts for front muffler and rear muffler comprising:		1	M44.11
-	944 111 135 01	gasket		2	
-	900 074 282 02	hexagon-head bolt		6	
-	900 074 268 02	hexagon-head bolt		3	
-	999 084 052 02	lock nut		9	
-	944 111 142 01	rubber mounting		2	
-	928 111 259 02	rubber mounting		2	
-	900 025 007 02	washer		4	
-	900 076 025 02	hexagon nut		4	
-	N 010 240 16	hexagon-head bolt		2	
-	477 253 191 F	ornamental exhaust pipe		1	
>>	>>951 111 901 00	set of fastening parts for front muffler for catalytic converter comprising:		1	M44.52
-	900 910 096 02	lock nut		2	
-	951 123 134 02	gasket		1	
-	900 074 234 02	hexagon-head bolt		2	
-	900 025 007 02	washer		4	
-	944 111 142 01	rubber mounting		2	
-	951 111 061 01	hook		1	
-	900 075 087 02	hexagon-head bolt		2	
-	900 076 025 02	hexagon nut		2	
-	944 111 205 03	sealing ring		1	
-	999 084 047 02	lock nut		3	

Model	Year	MG	SG	Illustration	Restrictions	UPD	22:38	23.01.2010
9442	1991	2	98	298-00R		248		

Pos	Part Number	Description	Remark	Qty	Model
-	900 025 008 09	washer		3	
-	928 111 244 03	sealing ring		1	
-	N 010 020 2	hexagon-head bolt		4	
-	N 900 730 01	lock nut		4	
-	928 111 259 02	rubber mounting		2	
>>	>>951 111 901 01	set of fastening parts for rear muffler comprising:		1	M44.52
-	928 111 244 03	sealing ring		1	
-	N 010 020 2	hexagon-head bolt		4	
-	N 900 730 01	lock nut		4	
-	944 111 142 01	rubber mounting		2	
-	900 075 087 02	hexagon-head bolt		2	
-	900 025 007 02	washer		4	
-	900 076 025 02	hexagon nut		4	
-	928 111 259 02	rubber mounting		2	
-	477 253 191 F	ornamental exhaust pipe		1	
-	931 111 061 02	hook		1	
-	931 111 264 01	hook		2	
>>	>>951 111 901 02	set of fastening parts for front muffler and rear muffler comprising:		1	M44.52
-	900 910 096 02	lock nut		2	
-	951 123 134 02	gasket		1	
-	900 074 234 02	hexagon-head bolt		2	
-	900 025 007 02	washer		8	
-	944 111 142 01	rubber mounting		2	
-	951 111 061 01	hook		1	
-	900 075 087 02	hexagon-head bolt		4	
-	900 076 025 02	hexagon nut		6	

PORSCHE

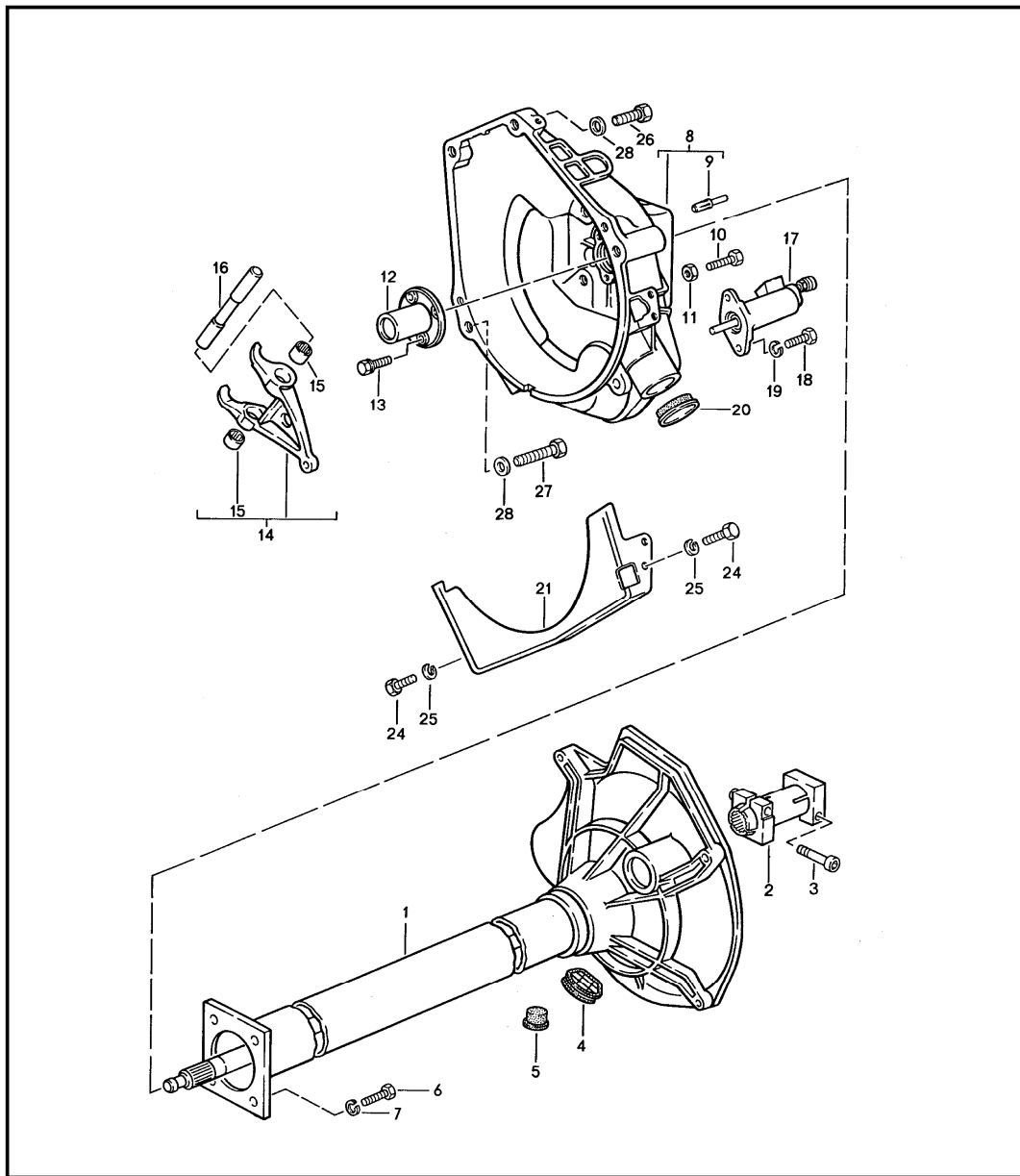
PET

PORSCHE

Model	Year	MG	SG	Illustration	Restrictions	UPD	22:38	23.01.2010
9442	1991	2	98	298-00R		248		

Pos	Part Number	Description	Remark	Qty	Model
-	944 111 205 03	sealing ring		1	
-	999 084 047 02	lock nut		3	
-	900 025 008 09	washer		3	
-	928 111 244 03	sealing ring		1	
-	N 010 020 2	hexagon-head bolt		4	
-	N 900 730 01	lock nut		4	
-	928 111 259 02	rubber mounting		2	
-	477 253 191 F	ornamental exhaust pipe		1	
-	931 111 061 02	hook		2	
-	931 111 264 01	hook		1	

Model	Year	MG	SG	Illustration	Restrictions	UPD	22:38	23.01.2010	PORSCHE	PET	PORSCHE
9442	1991	3	01	301-00		248					

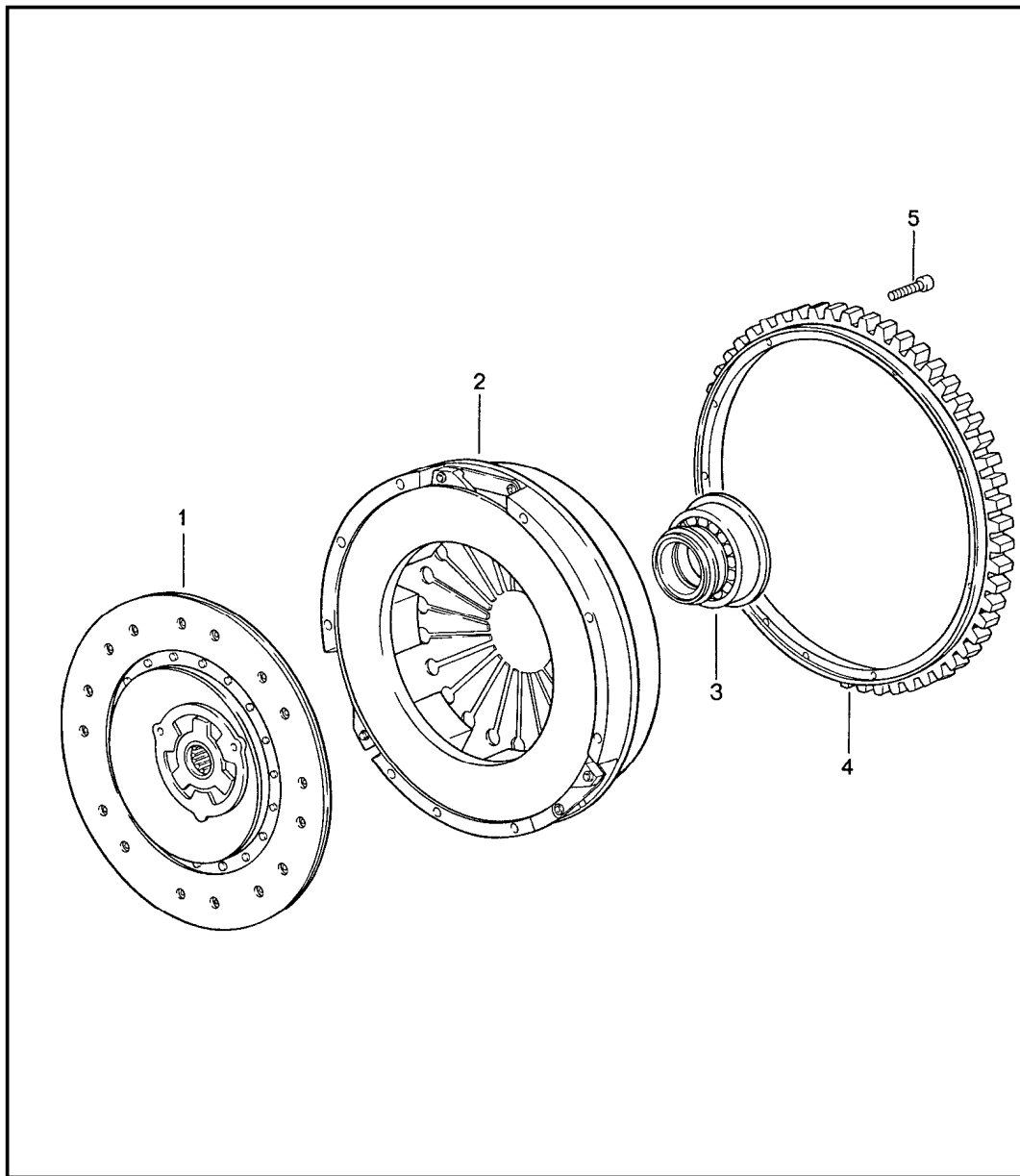


Pos	Part Number	Description	Remark	Qty	Model
1	> 944 421 012 02	central tube for manual transmission		1	944/TURBO
1	> 944 421 012 15	central tube ready for installation		1	944S2
2	W 922 421 051 02	clamping sleeve		1	
2	944 421 241 01	clamping sleeve		1	
3	931 421 240 00	clamping screw		4	
4	477 521 277 C	cap		1	
5	477 521 177	cap		1	
6	N 010 275 4	hexagon-head bolt M 10 X 35		4	
7	N 012 028 1	lock ring 10		4	
8	944 116 043 06	clutch housing		1	944/944S2
8	951 116 043 02	clutch housing		1	TURBO
9	N 012 690 1	grooved pin 10 X 32		3	
10	N 010 221 3	hexagon-head bolt M 6 X 35		1	
11	900 076 010 02	hexagon nut M 6		1	
12	016 141 181	guide sleeve		1	
13	N 090 194 2	hexagon-head bolt M 7 X 16		3	
14	931 116 085 00	clutch release lever		1	944/944S2
14	951 116 085 00	clutch release lever		1	TURBO
15	999 201 213 00	needle sleeve		2	
16	951 116 133 00	clutch control shaft		1	
17	944 116 237 00	clutch operating cylinder		1	
-	* 928 116 901 00	repair kit clutch operating cylinder		1	

Model	Year	MG	SG	Illustration	Restrictions	UPD	22:38	23.01.2010	PORSCHE	PET	PORSCHE
9442	1991	3	01	301-00		248					

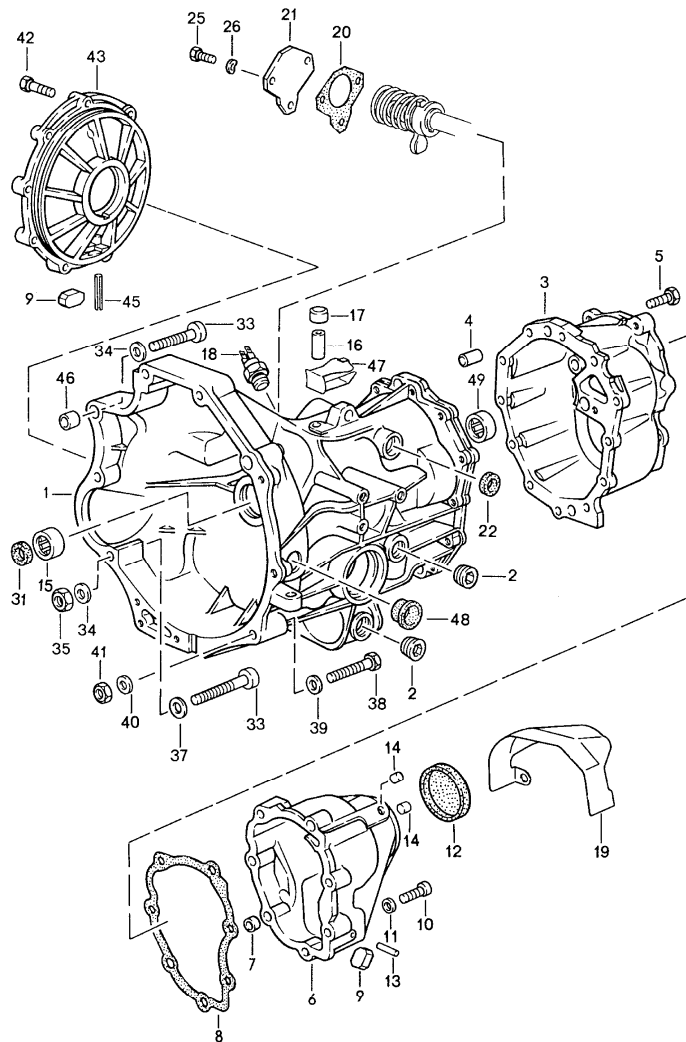
Pos	Part Number	Description	Remark	Qty	Model	Pos	Part Number	Description	Remark	Qty	Model
18	N 010 233 6	hexagon-head bolt M 8 X 28		2							
19	900 027 015 02	lock ring B 8		2							
20	931 116 177 00	cap		1							
21	944 116 093 01	protective plate		1							
24	900 075 040 02	hexagon-head bolt M 10 X 20		2							
25	N 012 028 1	lock ring A 10		2							
26	N 010 142 2	hexagon-head bolt M 12 X 50		2							
27	N 010 191 2	hexagon-head bolt M 12 X 95		2							
28	N 011 531 7	washer A 13		4							

Model	Year	MG	SG	Illustration	Restrictions	UPD	22:39	23.01.2010	PORSCHE	PET	PORSCHE
9442	1991	3	01	301-05		248					



Pos	Part Number	Description	Remark	Qty	Model
		clutch			
1	944 116 011 02	clutch plate without asbestos		1	M44.11/41
1	A 951 116 011 15	clutch plate without asbestos		1	M44.52
2	> 944 116 023 01	pressure plate		1	M44.11
2	> 951 116 023 01	pressure plate		1	M44.52
2	> 944 116 023 07	pressure plate	89	1	M44.41
2	944 116 023 07	pressure plate	90-	1	M44.41
3	931 116 082 04	clutch release bearing		1	M44.11/41
3	951 116 082 01	clutch release bearing		1	M44.52
4	944 116 239 03	starter ring		1	M44.11/41
4	951 116 239 00	starter ring		1	M44.52
5	900 067 020 02	pan-head screw M 8 X 50		9	M44.11/41
5	999 510 012 02	pan-head screw M 8 X 50		9	M44.52
-	951 116 911 00	repair kit for clutch		1	M44.52

Model	Year	MG	SG	Illustration	Restrictions	UPD	22:39	23.01.2010	PORSCHE	PET	PORSCHE
9442	1991	3	02	302-00		248					

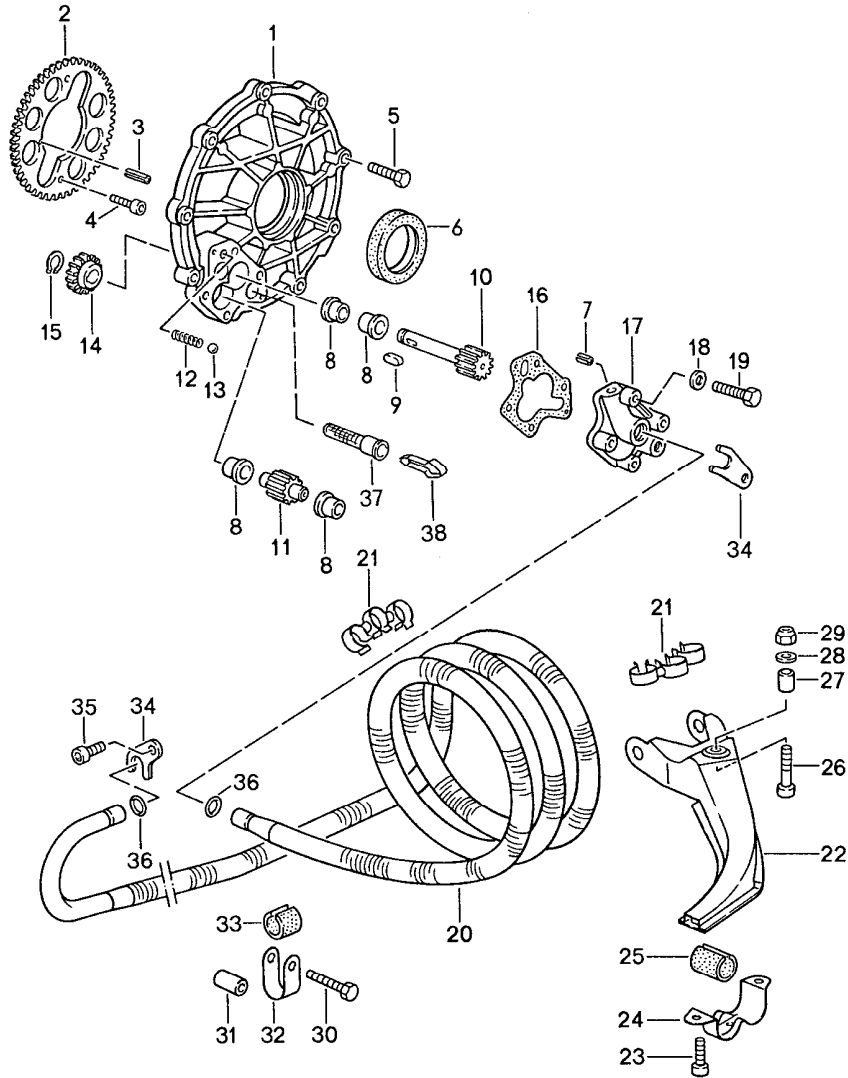


Pos	Part Number	Description	Remark	Qty	Model
		replacement transmission transmission case for manual transmission			
- >	016 300 049 S	replacement transmission		1	ASG
- >	016 300 049 T	replacement transmission with limited-slip differential		1	ASH
- >	016 300 049 P	replacement transmission		1	AOS
- >	016 300 049 Q	replacement transmission with limited-slip differential		1	AOT
-	016 300 050 D	replacement transmission	(CH)	1	ASV
-	016 300 050 E	replacement transmission with limited-slip differential	(CH)	1	ASW
- >	016 300 049 R	replacement transmission with limited-slip differential		1	AOR
-	944 385 025 00	capsule left	(CH)	1	
-	944 385 026 00	capsule right	(CH)	1	
-	999 591 852 02	clamp	(CH)	3	
1	016 301 103 BF	transmission case		1	ASG ASH
1	016 301 103 AH	transmission case		1	AOR AOS AOT ASV ASW
2	111 301 127 E	screw plug M 24 X 1,5		2	
3	016 301 211 M	end plate		1	ASG ASH
3	016 301 211 N	end plate		1	AOR AOS AOT ASV ASW
4	014 301 473	guide sleeve		2	
5	N 010 332 4	hexagon-head bolt M 8 X 32		12	

Model	Year	MG	SG	Illustration	Restrictions	UPD	22:39	23.01.2010	PORSCHE	PET	PORSCHE
9442	1991	3	02	302-00		248					

Pos	Part Number	Description	Remark	Qty	Model	Pos	Part Number	Description	Remark	Qty	Model
6	016 301 231 F	lid		1	ASG ASH AOS AOT ASV ASW 944/S/S2	32	N 090 194 2	hexagon-head bolt M 7 X 16		3	
6	016 301 231 AA	lid use also: 2X 019.301.115		1	AOR TURBO	33	900 067 268 02	pan-head screw M 12 X 80		3	
7	016 301 299	dowel sleeve		2		34	900 028 014 02	spring washer B 12		3	
8	* 016 301 235 C	gasket		1		35	N 011 020 8	hexagon nut M 12		1	
9	084 301 143 A	magnet		2		37	900 025 009 02	washer A 13		4	
10	N 014 715 1	pan-head screw M 8 X 45		7		38	900 074 064 02	hexagon-head bolt M 10 X 60		1	
11	900 025 007 02	washer 8,4		5		39	900 025 008 09	washer A 10,5		1	
12	088 301 467 B	lid		1	ASG ASH	40	N 012 230 6	spring washer B 10		1	
12	016 301 467	lid		1	AOR AOS AOT ASV ASW	41	N 011 010 13	hexagon nut M 10		1	
13	N 013 371 1	straight pin 6 M 6 X 24		1		42	N 090 191 1	hexagon-head bolt M 8 X 35		9	
14	019 301 115	stopper		2		43	088 409 131 C	transmission cover		1	ASG ASH
15	083 311 123	needle sleeve		1		43	016 409 131 B	transmission cover		1	AOR AOS AOT ASV ASW
16	014 301 473	guide sleeve	TPP	1		45	N 013 291 1	tensioning sleeve 4 X 28		1	
17	014 301 485	cap		1		46	019 301 153	dowel sleeve		2	
18	084 941 521	switch		1		47	016 301 349	cover plate		1	
19	477 599 181 A	protective plate		1		49	088 311 123	needle sleeve		1	ASG ASH
20	* 016 301 455 A	gasket		1		49	016 311 123 B	needle sleeve		1	AOR AOS AOT ASV ASW
21	016 301 453 B	lid		1							
22	* 928 303 120 01	shaft sealing ring		1							
25	900 075 057 02	hexagon-head bolt M 6 X 16		3							
26	N 012 226 5	spring washer B 6		3							
31	* 016 311 113 C	radial shaft seal		1							

Model	Year	MG	SG	Illustration	Restrictions	UPD	22:39	23.01.2010	PORSCHE	PET	PORSCHE
9442	1991	3	02	302-10		248					

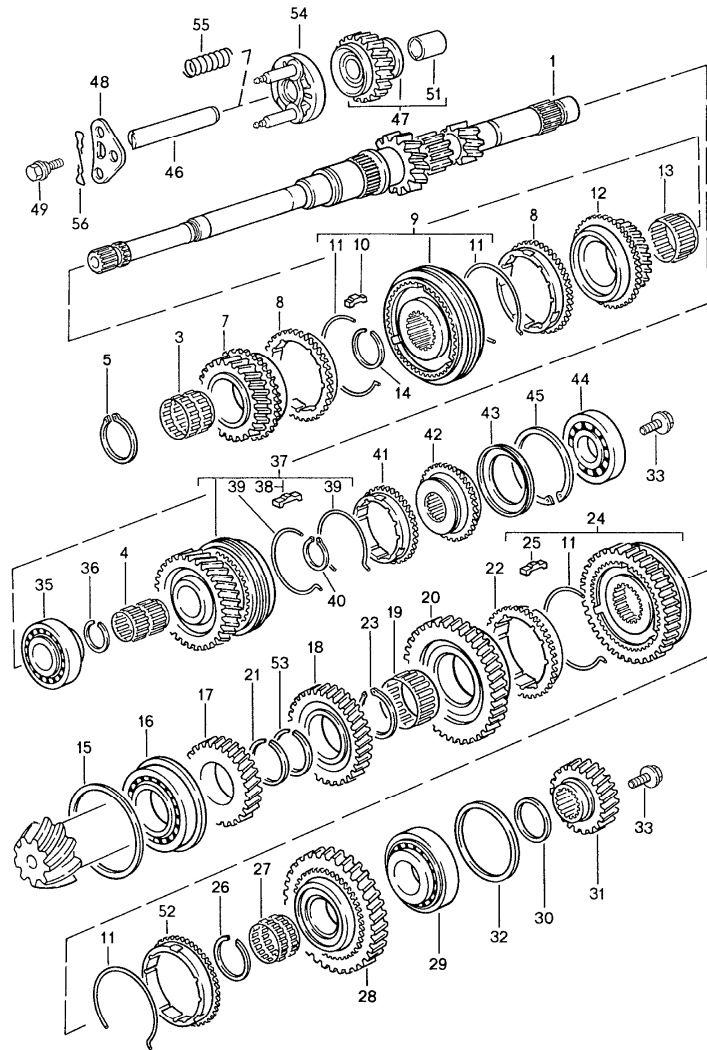


Pos	Part Number	Description	Remark	Qty	Model
		oil cooling			
1	016 409 131 B	transmission cover		1	
2	016 115 165 A	drive wheel		1	
2	016 115 165	drive wheel		1	M220
3	N 100 792 01	roll pin		1	
4	999 119 011 00	pan-head screw M 8 X 1 X 25		4	M220
5	N 090 191 1	hexagon-head bolt M 8 X 35		9	
6	016 409 399 B	radial shaft seal		1	
7	900 012 068 00	roll pin		2	
8	930 307 243 00	bearing sleeve		4	
9	900 117 069 00	woodruff key		1	
10	016 115 119	oil pump gear		1	
11	930 307 241 00	oil pump gear		1	
12	930 307 321 00	compression spring		1	
13	N 025 667 2	ball		1	
14	016 115 125	drive wheel		1	
15	900 041 005 01	circlip		1	
16	016 115 189	gasket 0,15 MM		X	
16	016 115 189 A	gasket 0,20 MM		X	
17	016 115 107 A	lid		1	
18	N 011 524 2	washer		4	
19	N 010 346 5	hexagon-head bolt M 6 X 30		4	
20	951 307 039 01	radiator coil			
21	951 307 379 00	clip		2	
22	951 307 089 02	support		1	
23	N 014 750 3	pan-head screw M 6 X 10		2	

Model	Year	MG	SG	Illustration	Restrictions	UPD	22:39	23.01.2010	PORSCHE	PET	PORSCHE
9442	1991	3	02	302-10		248					

Pos	Part Number	Description	Remark	Qty	Model	Pos	Part Number	Description	Remark	Qty	Model
24	951 307 385 03	clip		1							
25	951 307 383 01	hose		2							
26	900 067 214 02	pan-head screw M 8 X 35		1							
27	016 301 299	dowel sleeve		1							
28	900 025 007 02	washer 8,4		1							
29	900 910 003 02	lock nut VM 8 VM 8		1							
30	900 074 134 02	hexagon-head bolt M 8 X 45		1							
31	999 531 015 02	sleeve		1							
32	999 511 144 02	clip		1							
33	951 307 383 00	hose		1							
34	016 301 161	connecting piece		2							
35	N 014 715 3	pan-head screw		1							
36	N 028 203 3	sealing ring		2							
37	016 115 157	oil strainer		1							
38	016 115 191	clamp		1							

Model	Year	MG	SG	Illustration	Restrictions	UPD	22:39	23.01.2010	PORSCHE	PET	PORSCHE
9442	1991	3	03	303-00		248					



Pos	Part Number	Description	Remark	Qty	Model
		gears and shafts for manual transmission			ASG ASH
1	016 311 105 S	drive shaft		1	
3	016 311 115	needle-roller bearing 4th speed		1	
4	016 311 116 A	needle-roller bearing 5th gear		1	
5	016 311 344	circlip		1	
7	016 311 351 B	shifting gear 4th speed		1	
8	016 311 295	synchroniser ring 3rd/4th gear		2	
9	088 311 301 B	synchronising hub 3rd/4th gear with operating sleeve		1	
10	088 311 245	detent 3rd/4th gear		3	
11	088 311 311 D	spring		4	
12	005 311 285	shifting gear 3rd gear		1	
13	016 311 213 H	needle-roller bearing 3rd gear		1	
14	088 311 317	circlip 1,50		1	
14	088 311 317 B	circlip 1,56		X	
14	088 311 317 C	circlip 1,62		X	
15	088 311 391	shim 0,20		1	
15	088 311 391 A	shim 0,25		X	
15	088 311 391 B	shim 0,30		X	
15	088 311 391 C	shim 0,35		X	

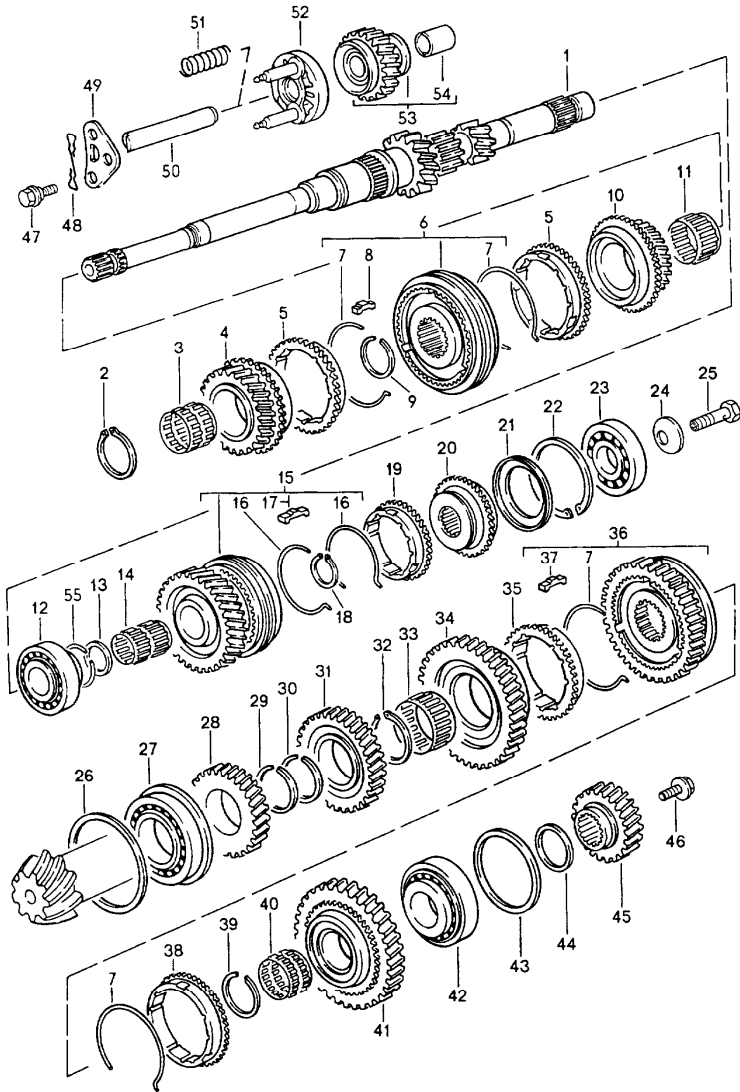
Model	Year	MG	SG	Illustration	Restrictions	UPD	22:39	23.01.2010	PORSCHE	PET	PORSCHE
9442	1991	3	03	303-00		248					

Pos	Part Number	Description	Remark	Qty	Model	Pos	Part Number	Description	Remark	Qty	Model
15	088 311 391 D	shim 0,40		X		23	016 311 287	circlip 1,65		1	
15	088 311 391 E	shim 0,65		X		23	016 311 287 A	circlip 1,70		X	
15	088 311 391 F	shim 0,90		X		23	016 311 287 B	circlip 1,75		X	
15	088 311 391 G	shim 1,15		X		24	016 311 239 E	synchronising hub 1st/2nd gear with operating sleeve		1	
16	016 311 220 E	taper roller bearing		1							
17	016 311 149 H	gear wheel 4th speed		1		25	088 311 313	detent 1st/2nd gear		3	
18	016 311 131 E	gear wheel 3rd gear		1		26	016 311 327	circlip 1,50		1	
19	016 311 229 A	needle-roller bearing 2nd gear		1		26	016 311 327 A	circlip 1,55		X	
20	016 311 271	shifting gear 2nd gear		1		26	016 311 327 B	circlip 1,60		X	
21	016 311 363 AA	circlip 2,24		1		27	016 311 207 A	needle-roller bearing 1st gear		1	
21	016 311 363 AB	circlip 2,26		X		28	016 311 257	shifting gear 1st gear		1	
21	016 311 363 AC	circlip 2,28		X		29	016 311 375 H	taper roller bearing		1	
21	016 311 363 AD	circlip 2,30		X		30	016 311 391	adjusting shim 1,10		1	
21	016 311 363 AE	circlip 2,32		X		30	016 311 391 A	adjusting shim 1,40		X	
21	016 311 363 AF	circlip 2,34		X		30	016 311 391 B	adjusting shim 1,70		X	
21	016 311 363 AG	circlip 2,36		X		30	016 311 391 C	adjusting shim 2,00		X	
21	016 311 363 AH	circlip 2,38		X		30	016 311 391 D	adjusting shim 2,30		X	
21	016 311 363 AJ	circlip 2,40		X		31	016 311 159 C	gear wheel 5th gear		1	
22	016 311 295	synchroniser ring 2nd gear		1		32	016 311 393 AP	shim 0,24		1	
						32	016 311 393 AQ	shim 0,27		X	

Model	Year	MG	SG	Illustration	Restrictions	UPD	22:39	23.01.2010	PORSCHE	PET	PORSCHE
9442	1991	3	03	303-00		248					

Pos	Part Number	Description	Remark	Qty	Model	Pos	Part Number	Description	Remark	Qty	Model
32	016 311 393 AR	shim 0,30		X		42	016 311 192 A	clutch hub 5th gear		1	
32	016 311 393 AS	shim 0,33		X		43	016 311 449	dust plate		1	
32	016 311 393 M	shim 0,36		X		44	016 311 445	four-point bearing		1	
32	016 311 393 N	shim 0,39		X		45	N 900 608 01	circlip A 68 X 2,83		1	
32	016 311 393 P	shim 0,42		X		45	N 900 608 02	circlip A 68 X 2,90		X	
32	016 311 393 Q	shim 0,45		X		46	016 311 519 B	reverse idler gear shaft		1	
32	016 311 393 R	shim 0,69		X		47	016 311 529 D	reverse idler gear		1	
32	016 311 393 S	shim 0,93		X		48	016 311 853 B	retainer plate		1	
32	016 311 393 T	shim 1,17		X		49	088 301 291 A	shouldered bolt M 8 X 16		1	
32	016 311 393 AA	shim 1,41		X		51	088 311 533	bush		1	
33	N 902 582 01	clamping screw		2		52	016 311 247	synchroniser ring 1st gear		1	
35	016 311 427	cylindrical-roller bearing		1		53	016 311 363 AJ	circlip 2,40		1	
36	N 900 606 01	circlip A 27 X 1,35		1		54	016 311 839 C	synchroniser ring		1	
36	N 900 606 02	circlip A 27 X 1,40		X		55	016 311 859 C	compression spring		1	
36	N 900 606 03	circlip A 27 X 1,45		X		56	016 311 861 C	spring		1	
37	016 311 353 B	shifting gear 5th gear		1							
38	016 311 246	detent 5th gear		3							
39	014 311 311 C	spring 5th gear		2							
40	N 900 607 01	circlip A 27 X 1,9		1							
41	014 311 295 E	synchroniser ring 5th gear		1							

Model	Year	MG	SG	Illustration	Restrictions	UPD	22:40	23.01.2010	PORSCHE	PET	PORSCHE
9442	1991	3	03	303-05		248					



Pos	Part Number	Description	Remark	Qty	Model
		gears and shafts for manual transmission			AOR AOS AOT ASV ASW
1	016 311 105 AL	drive shaft		1	
2	016 311 344	circlip		1	
3	016 311 115	needle-roller bearing 4th speed		1	
4	016 311 347 A	shifting gear 4th speed		1	
5	016 311 295	synchroniser ring 3rd/4th gear		2	
6	016 311 301 B	synchronising hub 3rd/4th gear with operating sleeve		1	
7	088 311 311 D	spring		4	
8	088 311 245	detent 3rd/4th gear		3	
9	088 311 317	circlip 1,50		1	
9	088 311 317 B	circlip 1,56		X	
9	088 311 317 C	circlip 1,62		X	
10	016 311 279	shifting gear 3rd gear		1	
11	016 311 213 H	needle-roller bearing 3rd gear		1	
11	016 311 213 H	needle-roller bearing		1	
12	016 311 427 C	cylindrical-roller bearing		1	
13	016 311 155 B	thrust washer		1	
14	016 311 116 A	needle-roller bearing 4th speed		1	
15	016 311 353 K	shifting gear 5th gear		1	AOR
15	016 311 353 AD	shifting gear 5th gear		1	AOS AOT ASV ASW

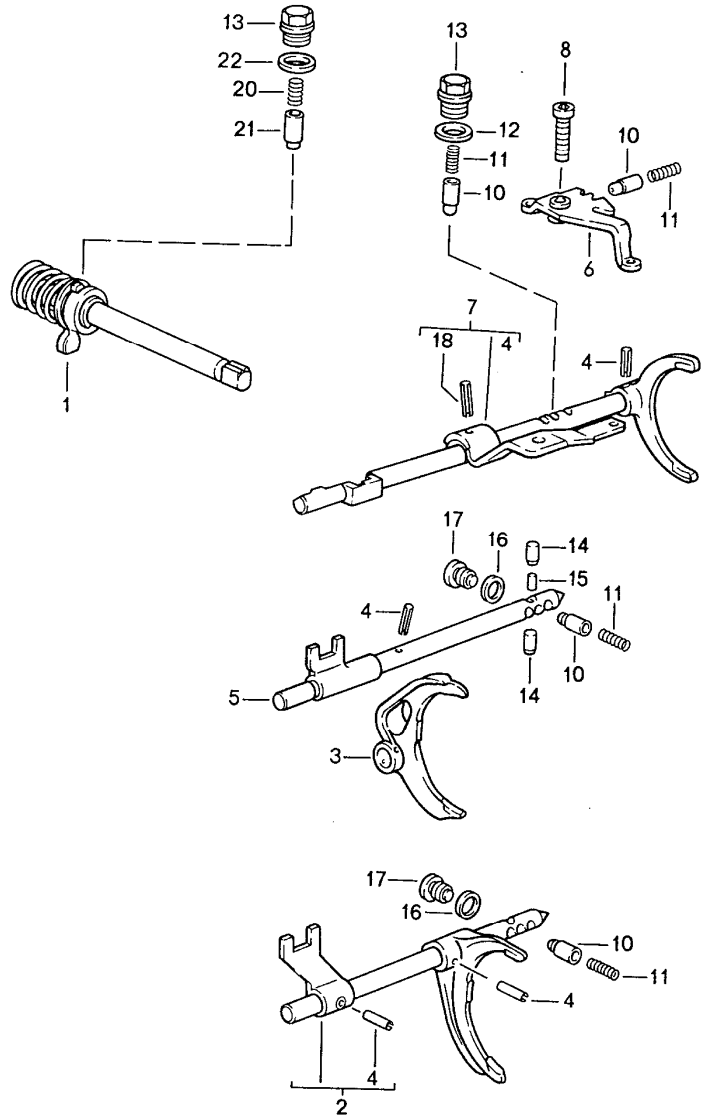
Model	Year	MG	SG	Illustration	Restrictions	UPD	22:40	23.01.2010	PORSCHE	PET	PORSCHE
9442	1991	3	03	303-05		248					

Pos	Part Number	Description	Remark	Qty	Model	Pos	Part Number	Description	Remark	Qty	Model
16	014 311 311 C	spring		2		29	016 311 363 AA	circlip 2,24		1	
17	016 311 246	detent 5th gear		3		29	016 311 363 AB	circlip 2,26		X	
18	N 900 607 01	circlip A 27 X 1,9		1		29	016 311 363 AC	circlip 2,28		X	
19	014 311 295 E	synchroniser ring 5th gear		1		29	016 311 363 AD	circlip 2,30		X	
20	016 311 192 A	clutch hub 5th gear		1		29	016 311 363 AE	circlip 2,32		X	
21	016 311 449	dust plate		1		29	016 311 363 AF	circlip 2,34		X	
22	N 900 608 01	circlip A 68 X 2,83		1		29	016 311 363 AG	circlip 2,36		X	
22	N 900 608 02	circlip A 68 X 2,90		X		29	016 311 363 AH	circlip 2,38		X	
23	016 311 445	four-point bearing		1		29	016 311 363 AJ	circlip 2,40		X	
24	016 311 324	cup spring		1		30	016 311 363 AJ	circlip 2,40		1	
25	020 311 308 C	screw		1		31	016 311 131 G	gear wheel 3.GANG		1	
26	016 311 391 E	shim 0,20		1		32	016 311 287	circlip 1,65		1	
26	016 311 391 F	shim 0,25		X		32	016 311 287 A	circlip 1,70		X	
26	016 311 391 G	shim 0,30		X		32	016 311 287 B	circlip 1,75		X	
26	016 311 391 H	shim 0,35		X		33	016 311 229 A	needle-roller bearing 2nd gear		1	
26	016 311 391 J	shim 0,40		X		34	016 311 265 B	shifting gear 2nd gear		1	
26	016 311 391 K	shim 0,65		X		35	016 311 295	synchroniser ring 2nd gear		1	
26	016 311 391 L	shim 0,90		X		36	016 311 239 E	synchronising hub 1st/2nd gear		1	
26	016 311 391 M	shim 1,15		X		37	088 311 313	detent 1st/2nd gear		3	
27	016 311 220 L	taper roller bearing		1							
28	016 311 149 K	gear wheel 4th speed									

Model	Year	MG	SG	Illustration	Restrictions	UPD	22:40	23.01.2010	PORSCHE	PET	PORSCHE
9442	1991	3	03	303-05		248					

Pos	Part Number	Description	Remark	Qty	Model	Pos	Part Number	Description	Remark	Qty	Model
38	016 311 247	synchroniser ring		1		44	016 311 391 A	adjusting shim 1,40		X	
39	016 311 327	circlip 1,50		1		44	016 311 391 B	adjusting shim 1,70		X	
39	016 311 327 A	circlip 1,55		X		44	016 311 391 C	adjusting shim 2,00		X	
39	016 311 327 B	circlip 1,60		X		44	016 311 391 D	adjusting shim 2,30		X	
40	016 311 207 A	needle-roller bearing 1st gear		1		45	016 311 159 T	gear wheel 5th gear		1	AOR
41	016 311 257 C	shifting gear 1st gear		1		45	016 311 159 AG	gear wheel 5th gear		1	AOS AOT ASV ASW
42	016 311 375 H	taper roller bearing		1							
43	016 311 393 AP	shim 0,24		X		46	N 902 582 01	clamping screw		1	
43	016 311 393 AQ	shim 0,27		X		47	088 301 291 A	shouldered bolt		1	
43	016 311 393 AR	shim 0,30		X		48	016 311 861 C	spring		1	
43	016 311 393 AS	shim 0,33		X		49	016 311 853 B	retainer plate		1	
43	016 311 393 M	shim 0,36		X		50	016 311 519 B	reverse idler gear shaft		1	
43	016 311 393 N	shim 0,39		X		51	016 311 859 C	compression spring		1	
43	016 311 393 P	shim 0,42		X		52	016 311 839 C	synchroniser ring		1	
43	016 311 393 Q	shim 0,45		X		53	016 311 529 D	reverse idler gear		1	
43	016 311 393 R	shim 0,69		X		54	088 311 533	bush		1	
43	016 311 393 S	shim 0,93		X		55	016 311 287 C	circlip		1	
43	016 311 393 T	shim 1,17		X							
43	016 311 393 AA	shim 1,41		X							
44	016 311 391	adjusting shim 1,10		X							

Model	Year	MG	SG	Illustration	Restrictions	UPD	22:40	23.01.2010	PORSCHE	PET	PORSCHE
9442	1991	3	04	304-00		248					

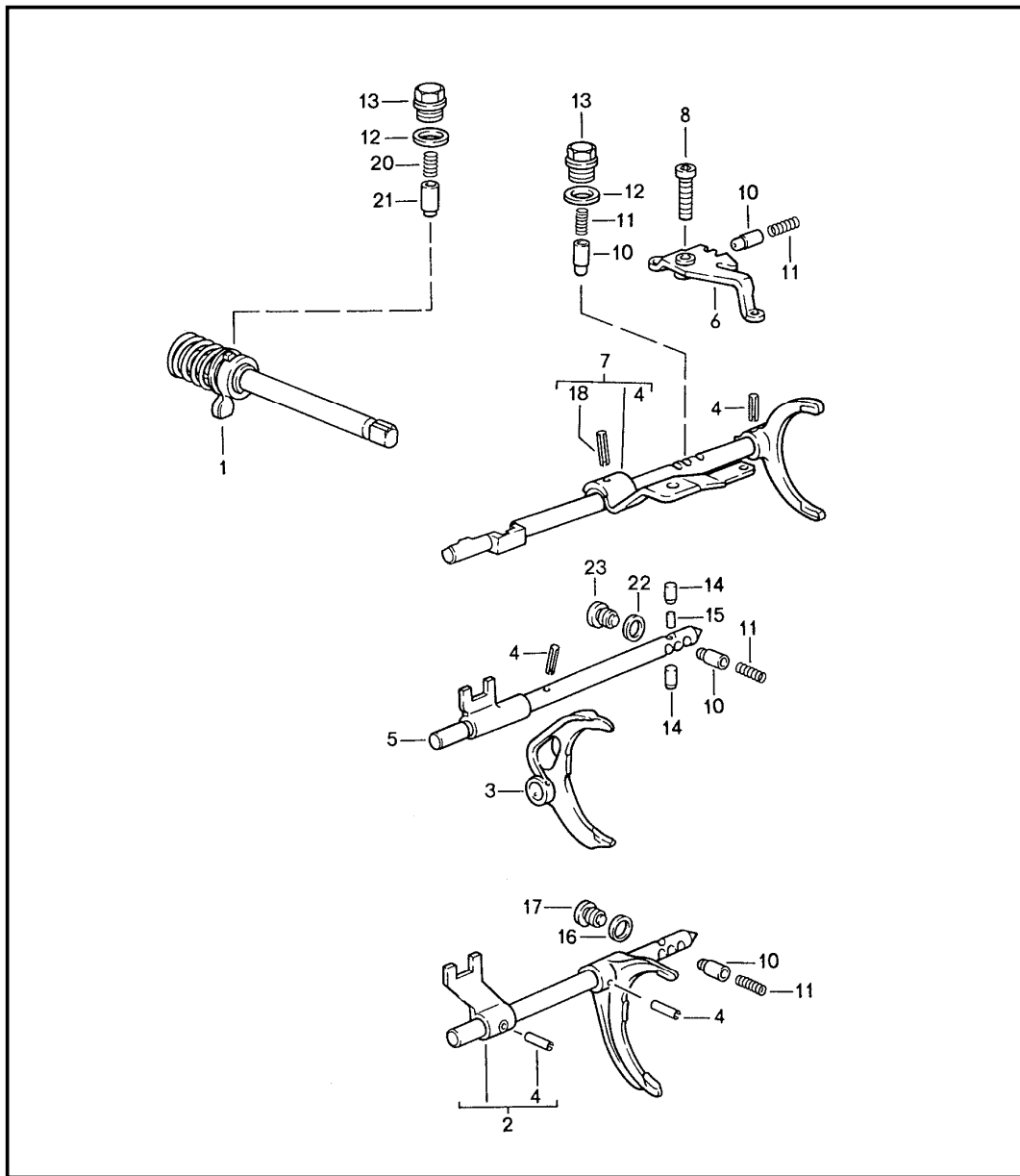


Pos	Part Number	Description	Remark	Qty	Model
		transmission control for manual transmission			ASG ASH
1	016 311 475 G	shift rod ready for installation		1	
2	016 311 549 A	shift fork 1st gear and 2nd gear		1	
3	016 311 561 A	shift fork 3rd gear and 4th speed		1	
4	N 900 073 01	tensioning sleeve 6 X 22		4	
5	016 311 567	gear shift rod 3rd gear and 4th speed		1	
6	016 311 573 B	reverse lever		1	
7	016 311 575 C	gear shift rod 5th gear and reverse gear		1	
8	084 311 589 B	pan-head screw M 10 X 32		1	
10	084 311 621 D	bush		4	
11	014 311 641 A	compression spring		4	
12	900 123 140 30	sealing ring A 18 X 22		1	
13	005 311 689	screw plug		1	
14	014 311 629	detent		2	
15	014 311 635	intermediate piece		1	
16	* 088 311 599	sealing ring		2	
17	088 311 721	stop screw		2	
18	N 013 336 1	tensioning sleeve 6 X 26		1	
20	016 311 735 A	compression spring		1	

Model	Year	MG	SG	Illustration	Restrictions	UPD	22:40	23.01.2010	PORSCHE	PET	PORSCHE
9442	1991	3	04	304-00		248					

Pos	Part Number	Description	Remark	Qty	Model	Pos	Part Number	Description	Remark	Qty	Model
21	016 311 717 C	bush		1							
22	* 005 311 599	sealing washer		1							

Model	Year	MG	SG	Illustration	Restrictions	UPD	22:40	23.01.2010	PORSCHE	PET	PORSCHE
9442	1991	3	04	304-05		248					

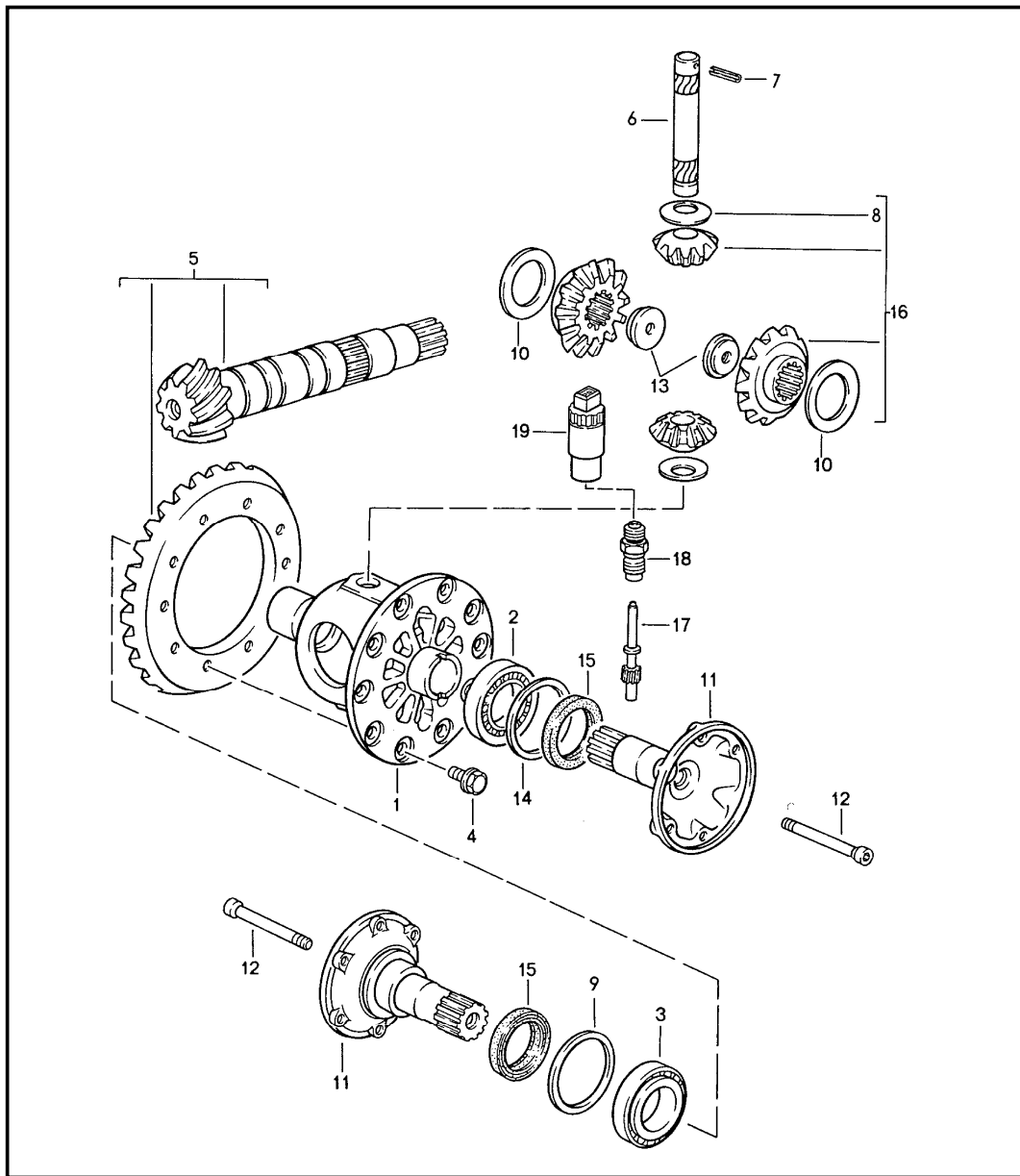


Pos	Part Number	Description	Remark	Qty	Model
		transmission control for manual transmission			AOR AOS AOT
1	016 311 475 G	shift rod ready for installation		1	
2	016 311 549 C	shift fork 1st gear and 2nd gear		1	
3	016 311 561 A	shift fork 3rd gear and 4th speed		1	
4	N 900 073 01	tensioning sleeve 6 X 22		4	
5	016 311 567 A	gear shift rod 3rd gear and 4th speed		1	
6	016 311 573 B	reverse lever		1	
7	016 311 575 D	gear shift rod 5th gear and reverse gear		1	
8	084 311 589 B	pan-head screw M 10 X 32		1	
10	084 311 621 D	bush		4	
11	014 311 641 A	compression spring		4	
12	005 311 599	sealing washer		2	
13	005 311 689	screw plug		2	
14	014 311 629	detent		2	
15	014 311 635	intermediate piece		1	
16	088 311 599	sealing ring		1	
17	088 311 721	stop screw		1	
18	N 013 336 1	tensioning sleeve 6 X 26		1	
20	016 311 735 A	compression spring		1	
21	016 311 717 C	bush		1	

Model	Year	MG	SG	Illustration	Restrictions	UPD	22:40	23.01.2010	PORSCHE	PET	PORSCHE
9442	1991	3	04	304-05		248					

Pos	Part Number	Description	Remark	Qty	Model	Pos	Part Number	Description	Remark	Qty	Model
22	084 311 719	sealing ring		1							
23	N 016 027 5	screw plug		1							

Model	Year	MG	SG	Illustration	Restrictions	UPD	22:40	23.01.2010	PORSCHE	PET	PORSCHE
9442	1991	3	05	305-00		248					

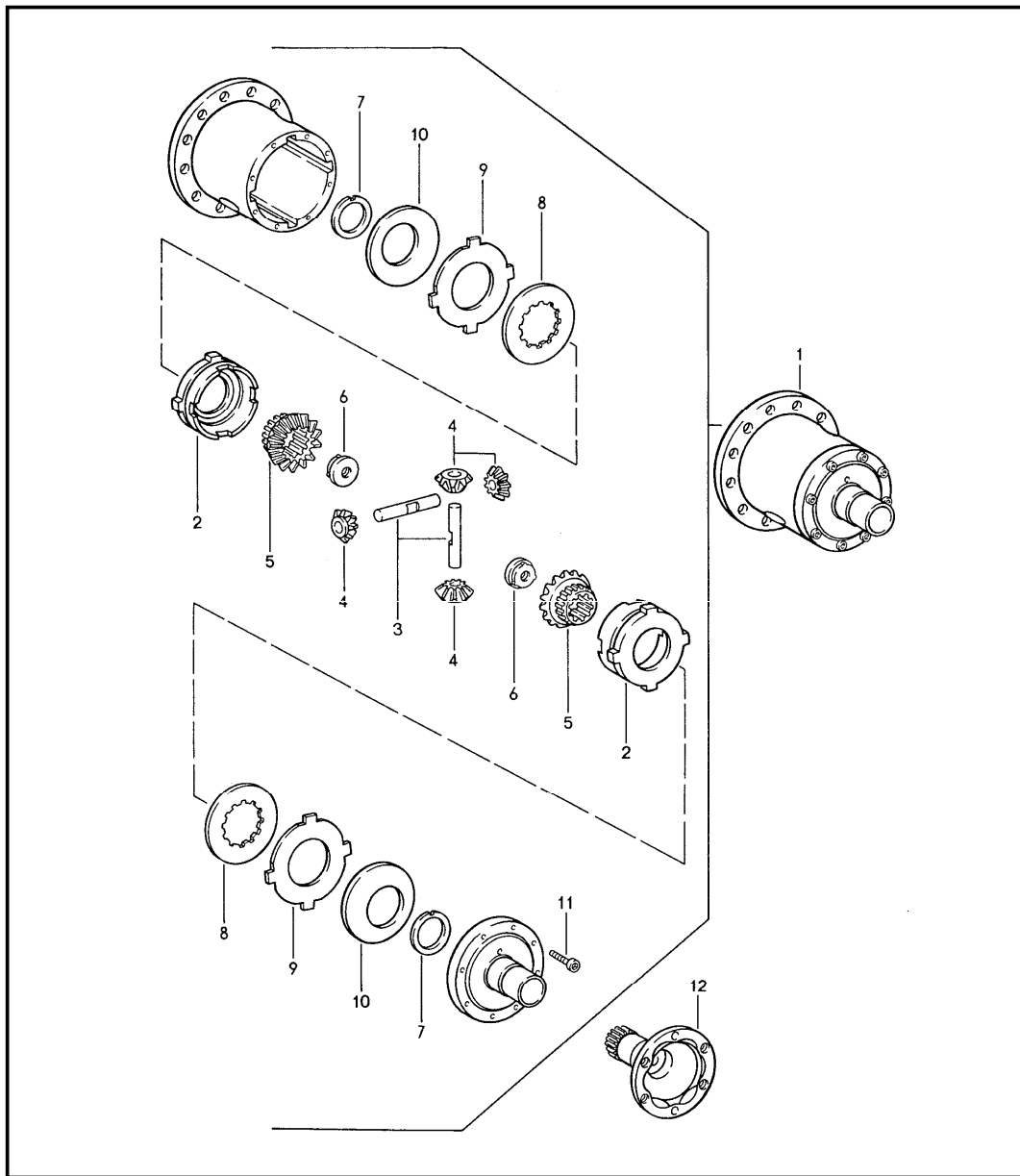


Pos	Part Number	Description	Remark	Qty	Model
		differential for manual transmission			
1	016 409 121 F	differential housing		1	
(1)	016 409 121 G	differential housing		1	AOR
2	016 409 123	taper roller bearing	/L	1	
3	113 517 185 C	taper roller bearing	/R	1	
4	088 409 135 A	hexagon-head bolt M 10 X 18		10	
5	016 409 143 BM	ring gear and pinion shaft 9 : 35		1	ASG ASH
5	016 409 143 AQ	ring gear and pinion shaft 8 : 27		1	AOR
5	016 409 143 BN	ring gear and pinion shaft 8 : 31		1	AOS AOT ASV ASW
6	016 409 177 B	bolt		1	
7	N 013 319 1	tensioning sleeve 5 X 36		1	
8	016 409 170	thrust washer		2	
9	113 517 201 A	shim 0,15	/R	1	
9	113 517 202 A	shim 0,20	/R	X	
9	113 517 203 A	shim 0,30	/R	X	
9	113 517 204 A	shim 0,40	/R	X	
9	113 517 205 A	shim 0,50	/R	X	
9	113 517 206 A	shim 0,60	/R	X	
9	02A 409 210 A	shim 0,70	/R	X	
9	02A 409 210 C	shim 0,80	/R	X	

Model	Year	MG	SG	Illustration	Restrictions	UPD	22:40	23.01.2010	PORSCHE	PET	PORSCHE
9442	1991	3	05	305-00		248					

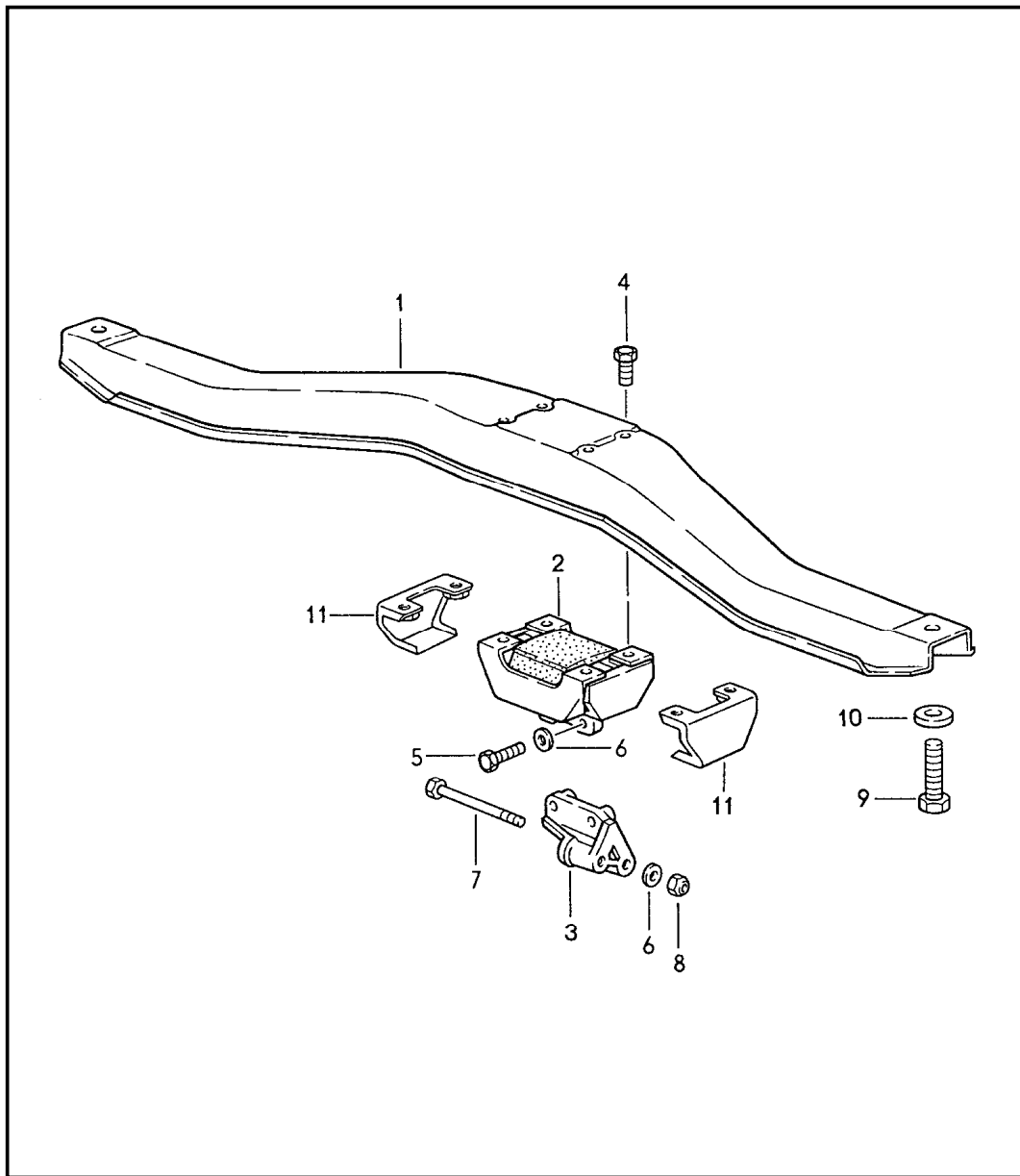
Pos	Part Number	Description	Remark	Qty	Model	Pos	Part Number	Description	Remark	Qty	Model
9	02A 409 210 E	shim 0,90	/R	X		18	014 409 193 A	bush		1	
9	02A 409 210 G	shim 1,00	/R	X		19	944 606 210 00	pulse sender		1	
9	113 517 211 A	shim 1,20	/R	X		-	016 409 187	speedometer pinion drive wheel		1	
10	* 011 519 215	thrust washer 0,50		2							
10	088 409 249	thrust washer 0,60		X							
10	088 409 249 A	thrust washer 0,70		X							
10	088 409 249 B	thrust washer 0,80		X							
11	088 409 355 C	flanged shaft		2	ASG ASH						
11	016 409 355 A	flanged shaft		2	AOR AOS						
12	088 409 359	screw		2							
13	016 409 161	nut		2							
14	018 409 381	shim 0,15	/L	1							
14	018 409 383	shim 0,20	/L	X							
14	018 409 385	shim 0,25	/L	X							
14	018 409 387	shim 0,50	/L	X							
14	018 409 389	shim 0,80	/L	X							
14	018 409 391	shim 1,00	/L	X							
14	018 409 393	shim 1,50	/L	X							
15	* 016 409 399 B	radial shaft seal		2							
16	951 333 951 01	differential pinions 1 set		1							
17	088 409 197	speedometer pinion		1							

Model	Year	MG	SG	Illustration	Restrictions	UPD	22:40	23.01.2010	PORSCHE	PET	PORSCHE
9442	1991	3	05	305-05		248					



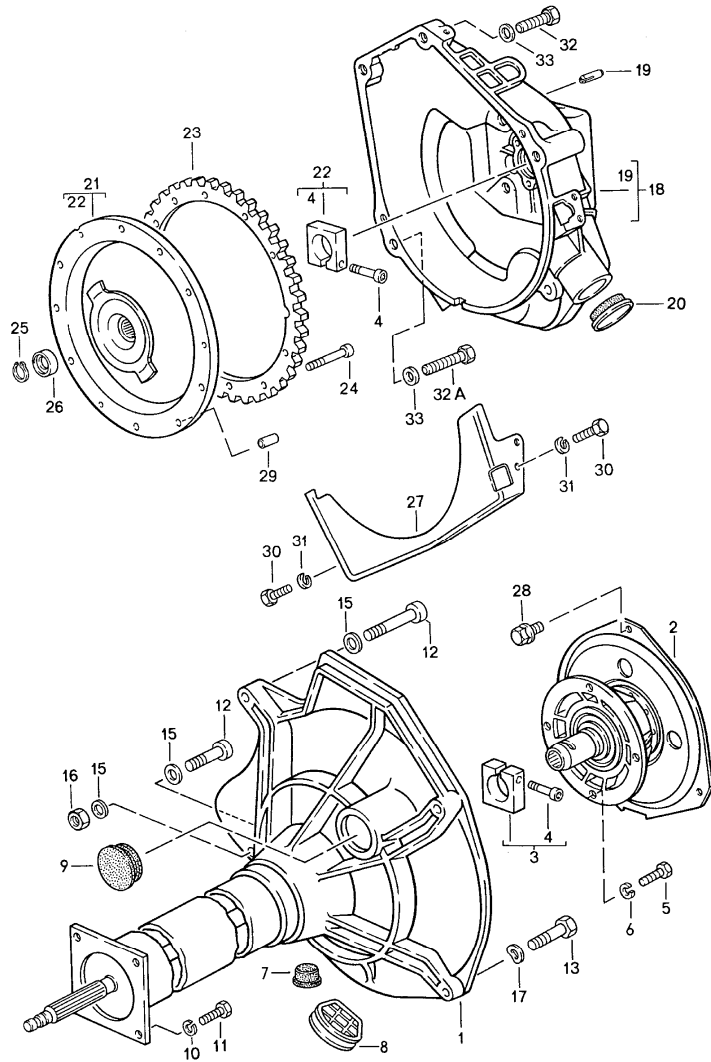
Pos	Part Number	Description	Remark	Qty	Model
		limited-slip differential for manual transmission			M220
1	951 332 053 05	limited-slip differential		1	
2	951 332 511 00	thrust ring		2	
3	951 332 541 00	differential shaft		2	
4	944 332 531 00	bevel pinion		4	
5	944 332 535 00	shaft bevel gear		2	
6	016 409 161	nut		2	
7	944 332 561 00	thrust washer		2	
8	951 332 551 00	inner disc		2	
9	917 332 552 10	disc with external splines 1,90		2	
9	917 332 552 11	disc with external splines 2,00		X	
9	917 332 552 12	disc with external splines 2,10		X	
10	928 332 555 00	cup spring 2,00		2	
11	999 119 011 00	pan-head screw M 8 X 1 X 25		2	
12	088 409 355 C	flanged shaft		2	ASG ASH
12	016 409 355 A	flanged shaft		2	AOR

Model	Year	MG	SG	Illustration	Restrictions	UPD	22:41	23.01.2010	PORSCHE	PET	PORSCHE
9442	1991	3	06	306-00		248					



Pos	Part Number	Description	Remark	Qty	Model
		transmission suspension for manual transmission			
1	944 375 024 03	transmission carrier		1	
2	944 375 045 04	transmission mounting		1	
3	944 375 287 04	support		1	
4	900 075 087 02	hexagon-head bolt M 8 X 16		4	
5	900 075 099 02	hexagon-head bolt M 8 X 30		2	
6	900 025 007 02	washer A 8,4		4	
7	N 010 391 4	hexagon-head bolt M 8 X 100		2	
8	900 910 022 09	lock nut M 8		2	
9	N 010 449 2	hexagon-head bolt M 10 X 50		2	
10	477 407 425	washer		2	
11	944 375 079 01	stop		2	

Model	Year	MG	SG	Illustration	Restrictions	UPD	22:41	23.01.2010	PORSCHE	PET	PORSCHE
9442	1991	3	07	307-00		248					

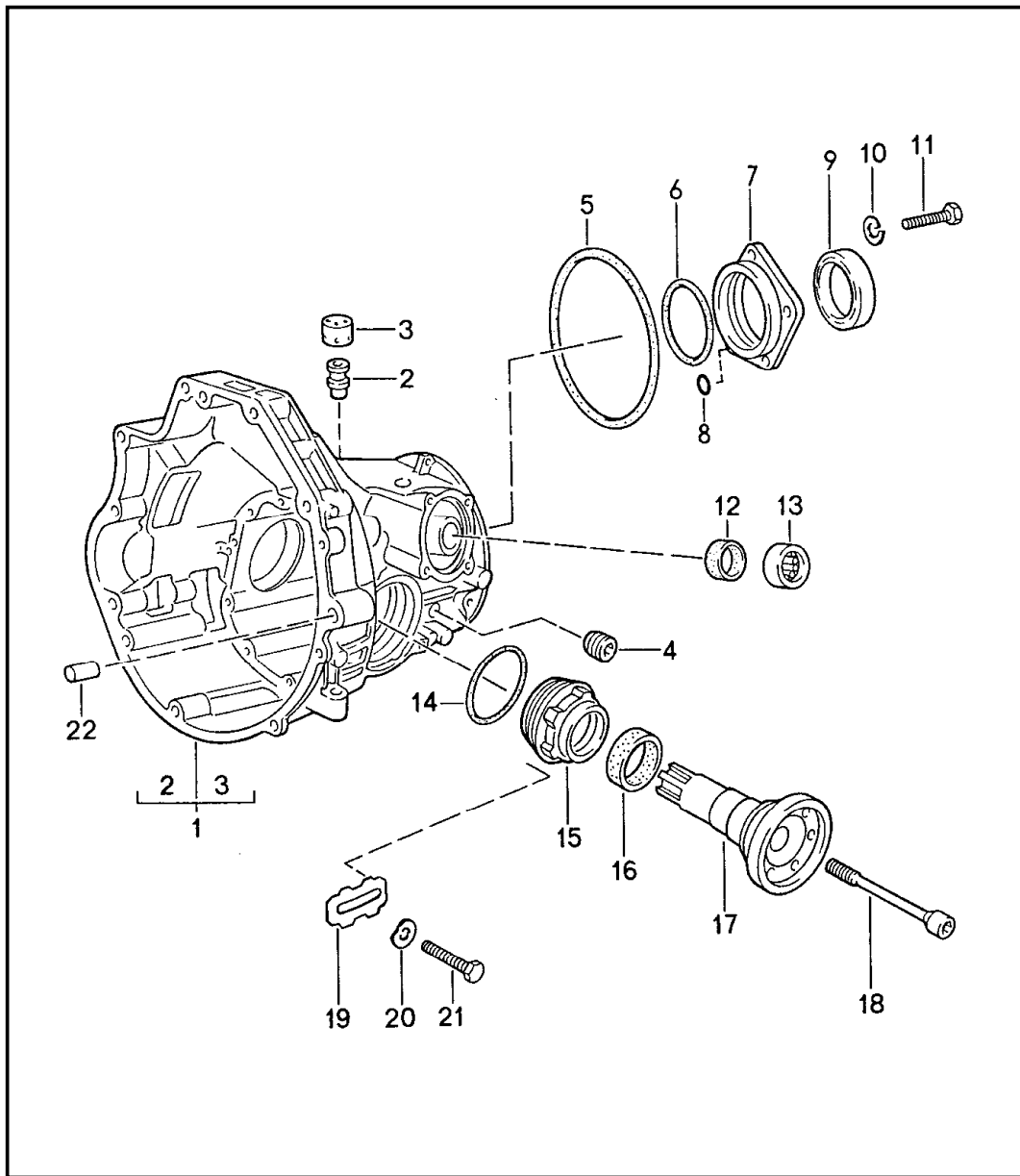


Pos	Part Number	Description	Remark	Qty	Model
		central tube for automatic transmission	-89		944
1	> 944 421 107 03	central tube		1	
2	944 421 110 00	converter mounting		1	
3	922 421 239 02	clamping piece		1	
4	931 421 240 00	clamping screw		2	
5	900 075 029 09	hexagon-head bolt M 8 X 25		4	
6	N 012 241 11	spring washer B 8		4	
7	477 521 177	cap		1	
8	477 521 277 C	cap		1	
9	477 521 277 A	cap		1	
10	900 027 016 02	lock ring B 10		4	
11	N 010 275 4	hexagon-head bolt M 10 X 35		4	
12	900 067 268 02	pan-head screw M 12 X 80		3	
13	N 040 240 2	hexagon-head bolt M 10 X 50		1	
14	900 028 014 02	spring washer B 12		3	
15	N 011 531 7	washer A 13		1	
16	N 011 020 8	hexagon nut M 12		1	
17	900 025 008 09	washer		1	
18	944 116 043 06	clutch housing		1	
19	N 012 690 1	grooved pin 10 X 32		3	
20	931 116 177 00	cap		2	
21	944 116 065 02	damper		1	
22	922 421 255 00	clamping piece		1	

Model	Year	MG	SG	Illustration	Restrictions	UPD	22:41	23.01.2010	PORSCHE	PET	PORSCHE
9442	1991	3	07	307-00		248					

Pos	Part Number	Description	Remark	Qty	Model	Pos	Part Number	Description	Remark	Qty	Model
23	944 116 239 02	starter ring		1							
24	N 014 717 2	pan-head screw M 8 X 40		9							
25	900 273 002 01	circlip 17 X 1		1							
26	944 116 631 00	spacer sleeve 1,00		1							
26	944 116 631 01	spacer sleeve 2,00		X							
26	944 116 631 02	spacer sleeve 3,00		X							
26	944 116 631 03	spacer sleeve 4,00		X							
26	944 116 631 04	spacer sleeve 5,00		X							
26	944 116 631 05	spacer sleeve 6,00		X							
26	944 116 631 06	spacer sleeve 7,00		X							
26	944 116 631 07	spacer sleeve 8,00		X							
27	944 116 093 01	protective plate		1							
28	003 323 699 A	hexagon-head bolt		3							
29	999 095 019 00	clamping pin S 10 X 20		2							
30	N 010 254 6	hexagon-head bolt M 10 X 25		2							
31	N 012 028 1	lock ring A 10		2							
32	N 010 142 2	hexagon-head bolt M 12 X 50		2							
32A	N 010 191 2	hexagon-head bolt M 12 X 95		2							
33	N 011 531 7	washer A 13		4							

Model	Year	MG	SG	Illustration	Restrictions	UPD	22:41	23.01.2010	PORSCHE	PET	PORSCHE
9442	1991	3	08	308-00		248					

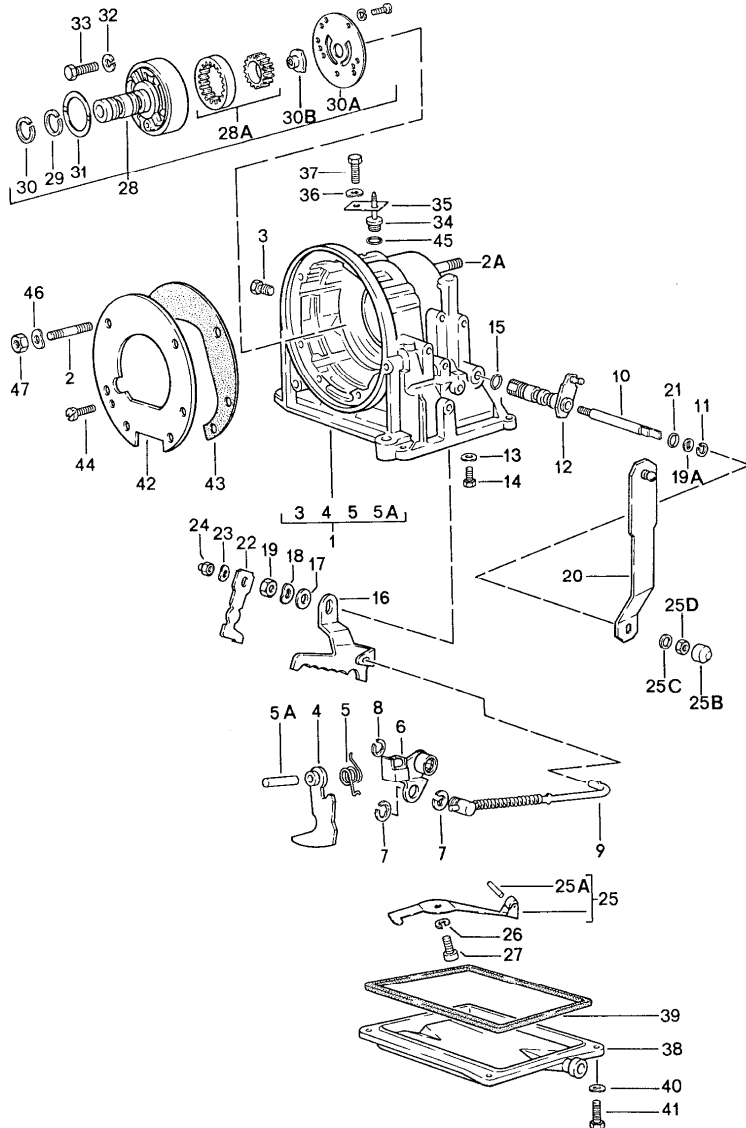


Pos	Part Number	Description	Remark	Qty	Model
		replacement transmission final-drive housing for automatic transmission	-89		944
- >	087 300 038 D	replacement transmission ready for installation		1	RCE
- >	087 300 038 E	replacement transmission ready for installation		1	RCF
1	087 409 051 P	final-drive housing		1	RCE
1	087 409 051 Q	final-drive housing		1	RCF
2	010 409 847	breather pipe		2	
3	087 409 841	cap		2	
4	111 301 127 E	screw plug M 24 X 1,5		1	
5	* 010 409 549 B	round seal		1	
6	* 087 409 549	round seal		1	
7	087 409 623 A	lid		1	
8	* 089 409 637 A	sealing ring		1	
9	* 087 409 529 B	radial shaft seal		2	
10	N 012 028 1	lock ring A 10		5	
11	900 075 111 08	hexagon-head bolt M 10 X 30		5	
12	087 409 133 C	radial shaft seal		1	
13	082 409 139	needle-roller bearing		1	
14	* 011 519 345	round seal		2	
15	087 409 173	adjusting ring		2	
16	* 016 409 399 B	radial shaft seal		1	
17	087 409 355	flanged shaft	/L	1	
17	087 409 356	flanged shaft	/R	1	
18	087 409 359	screw	/L	1	
18	087 409 360	screw	/R	1	
19	010 409 257	tab washer		2	

Model	Year	MG	SG	Illustration	Restrictions	UPD	22:41	23.01.2010	PORSCHE	PET	PORSCHE
9442	1991	3	08	308-00		248					

Pos	Part Number	Description	Remark	Qty	Model	Pos	Part Number	Description	Remark	Qty	Model
20	N 012 226 5	spring washer B 6		2							
21	N 010 215 13	hexagon-head bolt M 6 X 15		2							
22	019 301 153	dowel sleeve		2							

Model	Year	MG	SG	Illustration	Restrictions	UPD	22:41	23.01.2010	PORSCHE	PET	PORSCHE
9442	1991	3	09	309-00		248					

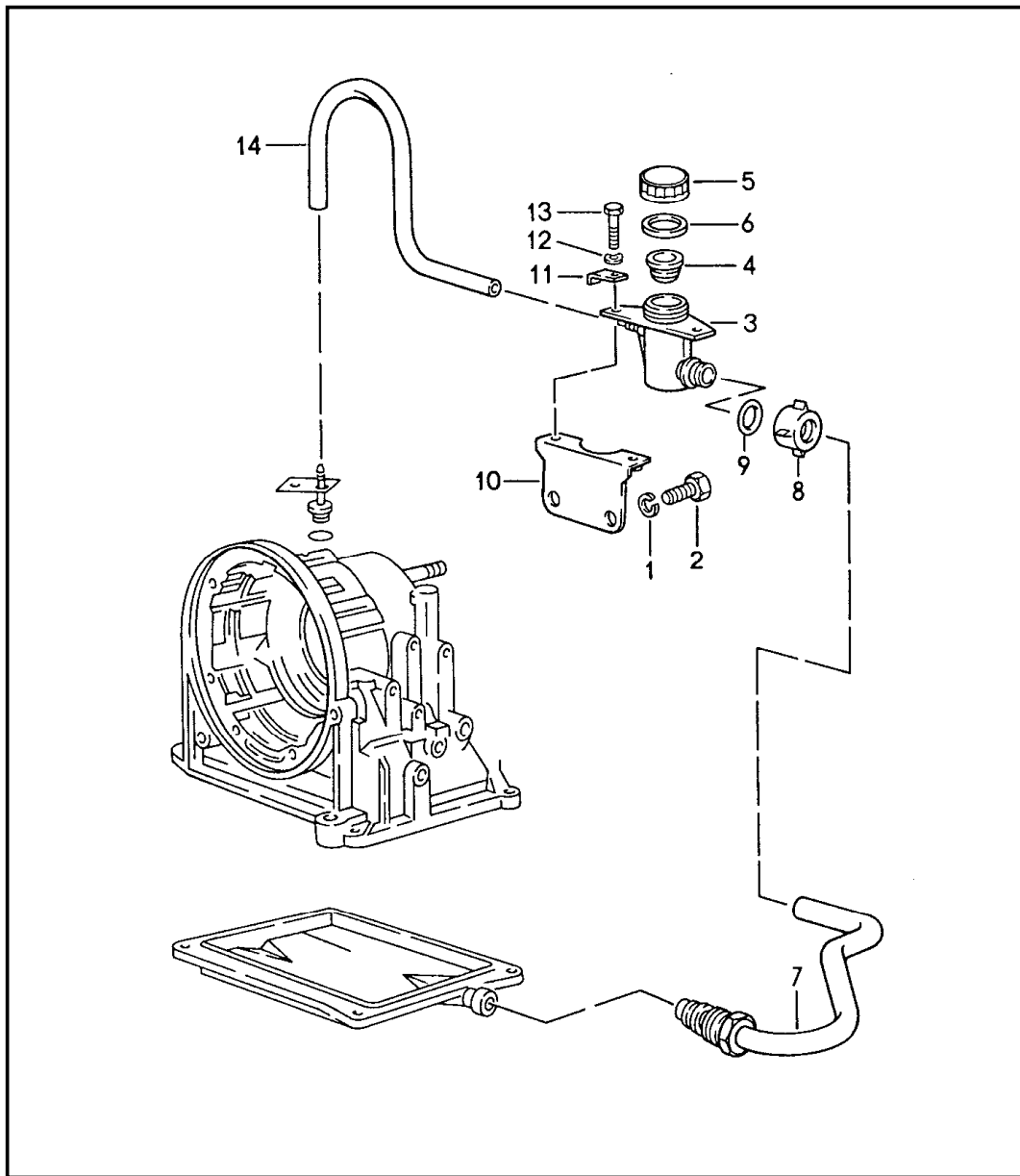


Pos	Part Number	Description	Remark	Qty	Model
		transmission case for automatic transmission	-89		944
1	010 321 101 G	transmission case		1	
2	N 900 044 02	stud AM 8A X 56		4	
2A	N 014 523 2	stud AM 10A X 38		2	
3	003 507 133 A	screw plug M 10 X 1		3	
4	010 321 117 B	lever for parking lock		1	
5	010 321 121 A	torsion spring		1	
5A	010 321 123	bolt		1	
6	010 321 135	engaging lever for parking lock		1	
7	010 321 140	lock washer		1	
8	N 012 438 1	lock washer		1	
9	010 321 153 C	operating rod		1	
10	010 321 209 C	shaft		1	
11	N 023 641 1	circlip A 10 X 1		1	
12	087 321 171 C	lever for cable control		1	
13	N 012 226 5	spring washer B 6		1	
14	N 010 224 1	hexagon-head bolt M 6 X 3,5		1	
15	* N 028 201 2	round seal 14 X 2,5		1	
16	010 321 193 B	locking segment		1	
17	211 611 179	washer A 16		1	
18	N 012 238 5	spring washer B 16		1	

Model	Year	MG	SG	Illustration	Restrictions	UPD	22:41	23.01.2010	PORSCHE	PET	PORSCHE
9442	1991	3	09	309-00		248					

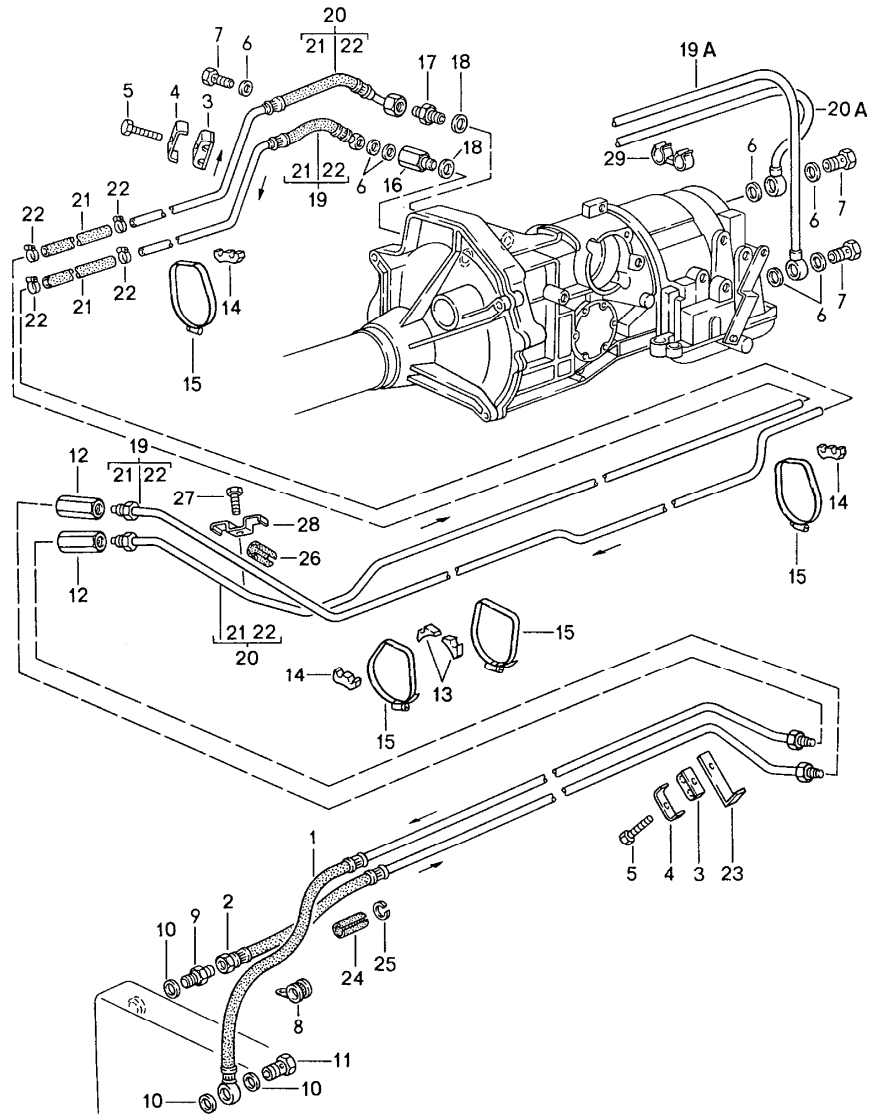
Pos	Part Number	Description	Remark	Qty	Model	Pos	Part Number	Description	Remark	Qty	Model
19	N 011 164 2	hexagon nut M 16 X 1,5		1		33	N 010 347 3	hexagon-head bolt M 6 X 35		5	
19A	010 321 180 B	support washer		1		34	477 321 303 A	lid		1	
20	087 321 201 D	lever for cable control		1		35	011 321 307	clip		1	
21	* 010 321 182	round seal		1		36	N 012 226 5	spring washer B 6		1	
22	010 321 215 E	lever for kickdown control		1		37	999 072 005 09	hexagon-head bolt M 6 X 12		1	
23	N 012 228 3	spring washer B 8		1		38	010 321 359 F	oil pan		1	
24	N 011 008 8	hexagon nut M 8		1		39	* 010 321 371 B	gasket		1	
25	010 321 221	leaf spring		1		40	N 012 038 1	lock ring A 8		4	
25A	N 013 325 1	tensioning sleeve 6 X 22		1		41	N 010 240 16	hexagon-head bolt M 8 X 20		4	
25B	010 321 227	protection cap		1		42	010 321 383 B	intermediate plate		1	
25C	010 321 229	spacer		1		43	* 010 321 385 B	gasket		2	
25D	N 011 137 1	hexagon nut M 10 X 1		1		44	900 014 004 02	pan-head screw AM 5 X 15		1	
26	900 027 015 02	lock ring B 8		1		45	* 003 321 419	round seal 24,5		1	
27	N 010 239 11	hexagon-head bolt M 8 X 18		1		46	N 012 228 3	spring washer B 8		4	
28	010 321 241 F	oil pump		1		47	N 011 008 8	hexagon nut M 8		4	
28A	003 321 263	gear set for oil pump		1							
29	003 321 261	piston ring		2							
30	010 321 261	piston ring		2							
30A	010 321 279	plate		1							
30B	003 321 273	driver		1							
31	010 323 161 A	thrust washer		1							
32	N 012 006 4	lock ring B 6		5							

Model	Year	MG	SG	Illustration	Restrictions	UPD	22:41	23.01.2010	PORSCHE	PET	PORSCHE
9442	1991	3	09	309-05		248					



Pos	Part Number	Description	Remark	Qty	Model
		oil inlet for automatic transmission	-89		944
1	N 012 028 1	lock ring B 10		2	
2	N 010 253 7	hexagon-head bolt M 10 X 22		2	
3	477 321 475	filling container		1	
4	477 321 479 A	strainer		1	
5	477 321 481	screw-on cap		1	
6	477 321 483 A	gasket		1	
7	477 321 405	filler tube		1	
8	477 321 485	union nut		1	
9	477 321 487	o-ring 18 X 3		2	
10	477 321 491	support		1	
11	477 321 494	packing plate		2	
12	N 012 226 5	spring washer B 6		2	
13	N 010 215 13	hexagon-head bolt M 6 X 15		2	
14	477 321 495	hose 340 MM		1	

Model	Year	MG	SG	Illustration	Restrictions	UPD	22:42	23.01.2010	PORSCHE	PET	PORSCHE
9442	1991	3	09	309-10		248					

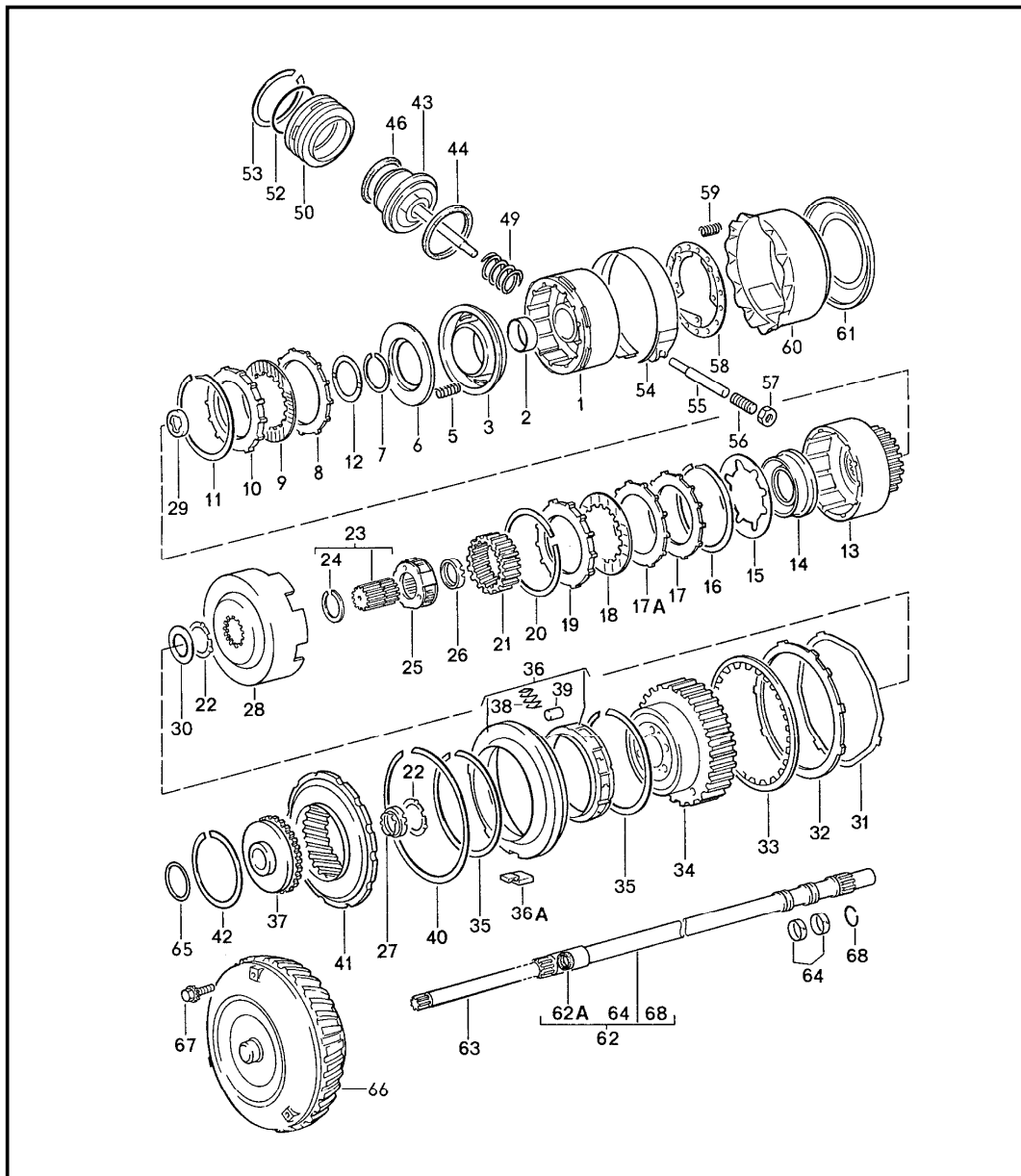


Pos	Part Number	Description	Remark	Qty	Model
		oil cooling for automatic transmission	-89		944
1	944 307 010 03	pressure line		1	
2	944 307 011 01	return line		1	
3	999 511 121 40	clip		3	
4	928 347 455 00	shim		3	
5	N 010 220 3	hexagon-head bolt M 6 X 30		3	
6	900 123 043 30	sealing ring A 12 X 15,5		3	
7	999 134 018 02	banjo bolt A 6		1	
8	999 511 118 02	pipe clamp B 15		1	
8	999 511 118 01	pipe clamp B 15		1	
9	N 900 450 01	connection piece ALL 10		1	
10	900 123 007 30	sealing ring A 14 X 18		3	
11	900 134 007 02	banjo bolt A 8		1	
12	477 209 169	connecting piece		2	
13	477 723 567	support		2	
14	944 307 190 00	support		3	
15	999 512 350 02	hose clamp LA 80 - 100		4	
16	087 409 057	union	(J)	1	
17	087 409 057 B	union	(J)	1	
18	010 409 563 A	sealing ring	(J)	2	
19	944 307 004 03	pressure line	(J)	1	
19A	944 307 004 05	pressure line		1	
20	944 307 005 02	return line	(J)	1	

Model	Year	MG	SG	Illustration	Restrictions	UPD	22:42	23.01.2010	PORSCHE	PET	PORSCHE
9442	1991	3	09	309-10		248					

Pos	Part Number	Description	Remark	Qty	Model	Pos	Part Number	Description	Remark	Qty	Model
20A	944 307 005 04	return line		1							
21	999 181 532 50	connecting hose		2							
22	999 512 554 00	hose clamp LB 12 - 22		4							
23	944 107 237 00	support		2							
24	922 307 121 00	hose piece		2							
25	900 906 024 00	circlip		2							
26	431 609 781	breather hose		2							
27	N 010 215 13	hexagon-head bolt M 6 X 15		1							
28	999 511 140 02	pipe clamp		1							
29	999 651 218 09	cable holder		2							

Model	Year	MG	SG	Illustration	Restrictions	UPD	10:17	01.02.2010	PORSCHE	PET	PORSCHE
9442	1991	3	10	310-00		248					



Pos	Part Number	Description	Remark	Qty	Model
		transmission control for automatic transmission	-89		944
1	087 323 109	clutch drum		1	
2	010 323 115	bearing sleeve		1	
3	010 323 121 B	piston		1	
5	010 323 129 A	compression spring		24	
6	010 323 131 A	concave washer		1	
7	003 323 135 A	circlip 55		1	
8	087 323 139	disc with external splines		4	
9	087 323 141 A	disc with external splines		4	
10	087 323 153	pressure plate		1	
11	087 323 157 B	circlip 2,03		1	
11	087 323 157	circlip 1,50		X	
11	087 323 157 A	circlip 1,70		X	
11	087 323 157 C	circlip 2,30		X	
11	087 323 157 D	circlip 2,50		X	
12	010 323 161 A	thrust washer		1	
13	087 323 209	clutch bell-housing		1	
14	010 323 217 A	piston		1	
15	010 323 229 D	cup spring forward clutch		1	
16	010 323 157	circlip 2,03		1	
17	010 323 237 A	pressure plate		1	
17A	010 323 139	disc with external splines forward clutch		4	
18	010 323 241 B	inner disc		5	

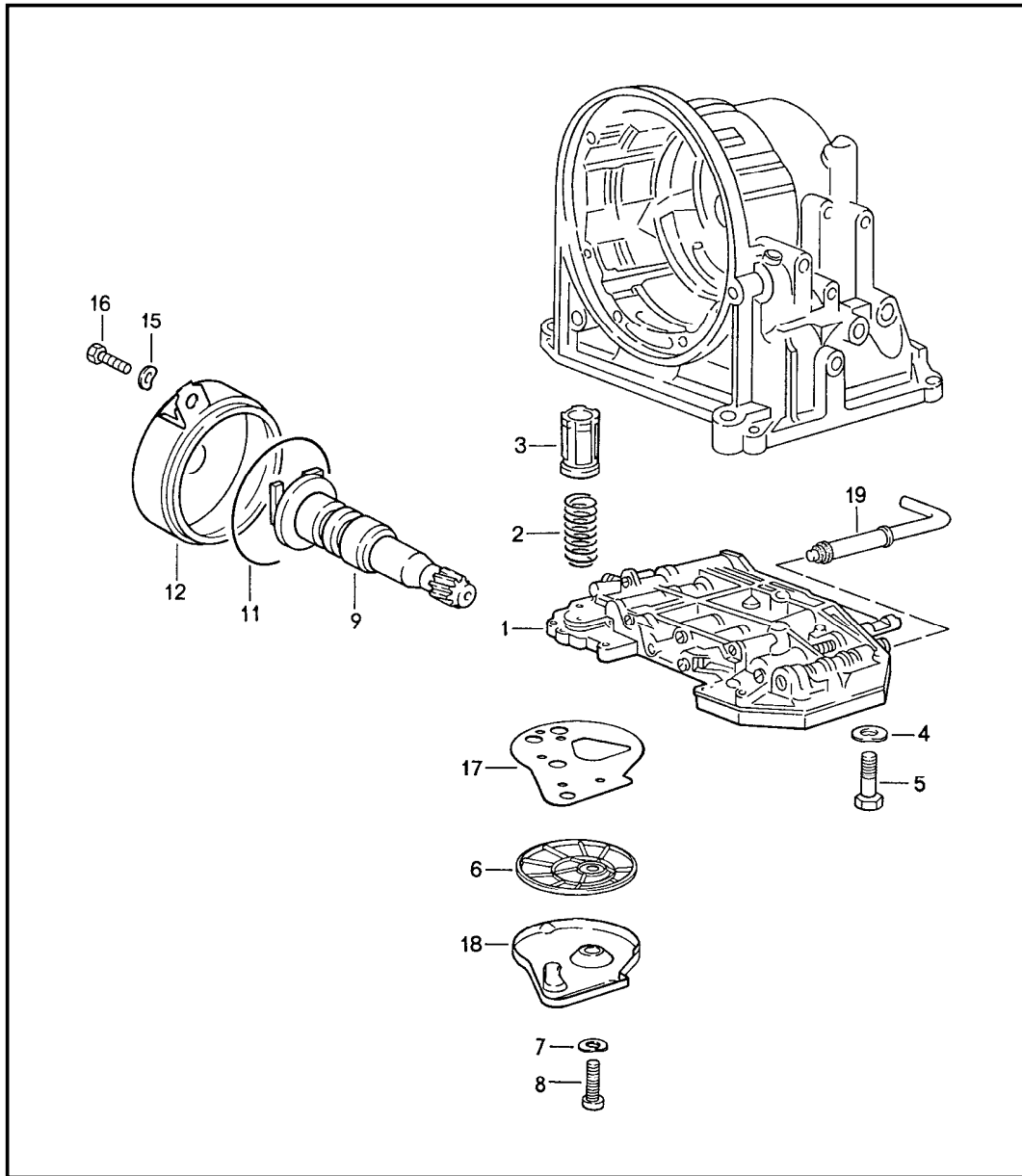
Model	Year	MG	SG	Illustration	Restrictions	UPD	10:17	01.02.2010	PORSCHE	PET	PORSCHE
9442	1991	3	10	310-00		248					

Pos	Part Number	Description	Remark	Qty	Model	Pos	Part Number	Description	Remark	Qty	Model
19	010 323 253 G	pressure plate 2,30		1		40	010 323 653 A	circlip		1	
19	010 323 253 H	pressure plate 2,70		X		41	090 323 363 B	ring gear		1	
19	010 323 253 J	pressure plate 3,10		X		42	010 323 369 A	circlip		1	
19	010 323 253 K	pressure plate 3,50		X		43	087 323 512 A	piston		1	
19	010 323 253 L	pressure plate 3,90		X		44	003 323 525 A	sealing ring		1	
20	010 323 159 B	lock ring		1		46	010 323 487 C	sealing ring		1	
21	010 323 273 C	ring gear		1		49	010 323 505 A	compression spring		1	
22	010 323 291 A	thrust washer		1		50	087 323 529	lid		1	
23	010 323 285 F	sun gear		1		52	010 323 533	round seal		3	
24	N 042 465 1	circlip		1		53	010 323 537 A	circlip		1	
25	010 323 303 F	planet-gear carrier		1		54	010 323 461 A	brake band		1	
26	010 323 340 D	needle-roller bearing		1		55	010 323 543 A	bolt		1	
27	010 323 339 D	needle-roller bearing		1		56	010 323 455 A	adjusting screw		1	
28	087 323 281	driving shell		1		57	N 011 162 9	hexagon nut M 12 X 1,5		1	
29	010 321 157 A	needle-roller bearing		1		58	010 323 497 C	supporting plate		1	
30	010 323 293 C	thrust washer		1		59	010 323 489 B	compression spring		20	
32	010 323 227 A	disc with external splines		4		60	010 323 493 G	pipe		1	
33	010 323 231 C	inner disc		4		61	010 323 477	piston		1	
34	010 323 805 F	planet-gear carrier		1		62	087 323 553 A	turbine shaft		1	
35	010 323 651	circlip		2		62A	087 323 559	gasket		1	
36	010 323 383 C	free wheel lock 1st gear		1		63	010 323 561 A	oil pump shaft		1	
36A	010 323 389 E	feather key		1		64	010 323 557 A	piston ring		2	
37	087 323 373	hub		1		65	010 323 345 C	adjusting shim 0,40		1	
38	010 323 643	compression spring		10		65	010 323 346 C	adjusting shim 1,20		X	
39	N 026 360 1	roller		10		66	003 323 571 J	converter		1	RCE
40	A 010 323 653 A	circlip		1		66	082 323 571	converter		1	RCF
						67	003 323 699 A	hexagon-head bolt		3	

Model	Year	MG	SG	Illustration	Restrictions	UPD	10:17	01.02.2010	PORSCHE	PET	PORSCHE
9442	1991	3	10	310-00		248					

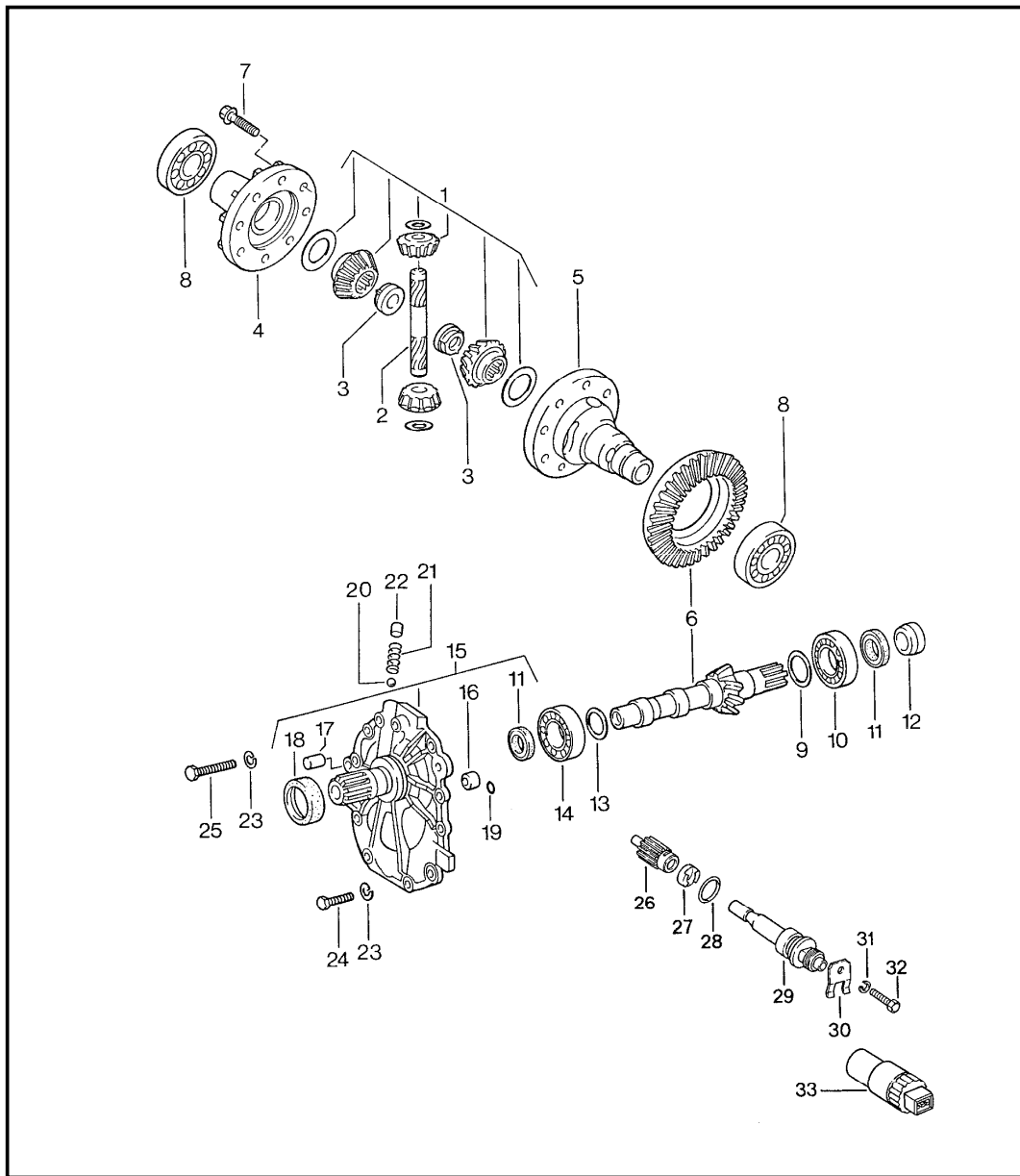
Pos	Part Number	Description	Remark	Qty	Model	Pos	Part Number	Description	Remark	Qty	Model
68	010 323 558	wire ring		1							

Model	Year	MG	SG	Illustration	Restrictions	UPD	22:42	23.01.2010	PORSCHE	PET	PORSCHE
9442	1991	3	10	310-05		248					



Pos	Part Number	Description	Remark	Qty	Model
		slide-valve gearbox oil strainer regulator for automatic transmission	-89	944	
1	087 325 037 C	slide-valve gearbox		1	RCE
1	087 325 037 J	slide-valve gearbox		1	RCF
2	003 325 417	compression spring		1	
3	003 325 405 F	piston		1	
4	N 012 226 5	spring washer B 6		11	
5	N 010 346 5	hexagon-head bolt M 6 X 30		11	
6	010 325 421 A	oil strainer B 5		1	
8	900 014 004 02	pan-head screw AM 5 X 15		2	
9	087 325 041 B	regulator		1	
11	* 011 519 345	round seal		1	
12	089 325 371 A	lid		1	
15	N 012 228 3	spring washer B 8		2	
16	N 010 240 16	hexagon-head bolt 8 X 20		2	
17	010 325 443	gasket		1	
18	010 325 429 A	lid		1	
19	010 325 277	manual valve		1	

Model	Year	MG	SG	Illustration	Restrictions	UPD	22:42	23.01.2010	PORSCHE	PET	PORSCHE
9442	1991	3	11	311-00		248					



Pos	Part Number	Description	Remark	Qty	Model
		differential for automatic transmission	-89		944
1	951 333 951 00	differential pinions 1 set		1	
2	087 409 177	bolt		1	
3	016 409 161	nut		2	
4	087 409 365	lid		1	
5	087 409 121	differential housing		1	
6	087 409 143 K	ring gear and pinion shaft 12:37		1	RCE
6	087 409 143 J	ring gear and pinion shaft 11:38		1	RCF
7	087 409 135 A	hexagon-head bolt M 10 X 1 X 24		10	
8	113 517 185 C	taper roller bearing		2	
9	087 409 641 D	adjusting shim 1,10		1	
9	087 409 641 E	adjusting shim 1,125		X	
9	087 409 641 F	adjusting shim 1,15		X	
9	087 409 641 G	adjusting shim 1,175		X	
9	087 409 641 H	adjusting shim 1,20		X	
9	087 409 641 J	adjusting shim 1,225		X	
9	087 409 641 K	adjusting shim 1,25		X	
9	087 409 641 L	adjusting shim 1,275		X	
9	087 409 641 M	adjusting shim 1,30		X	
9	087 409 641 N	adjusting shim 1,325		X	

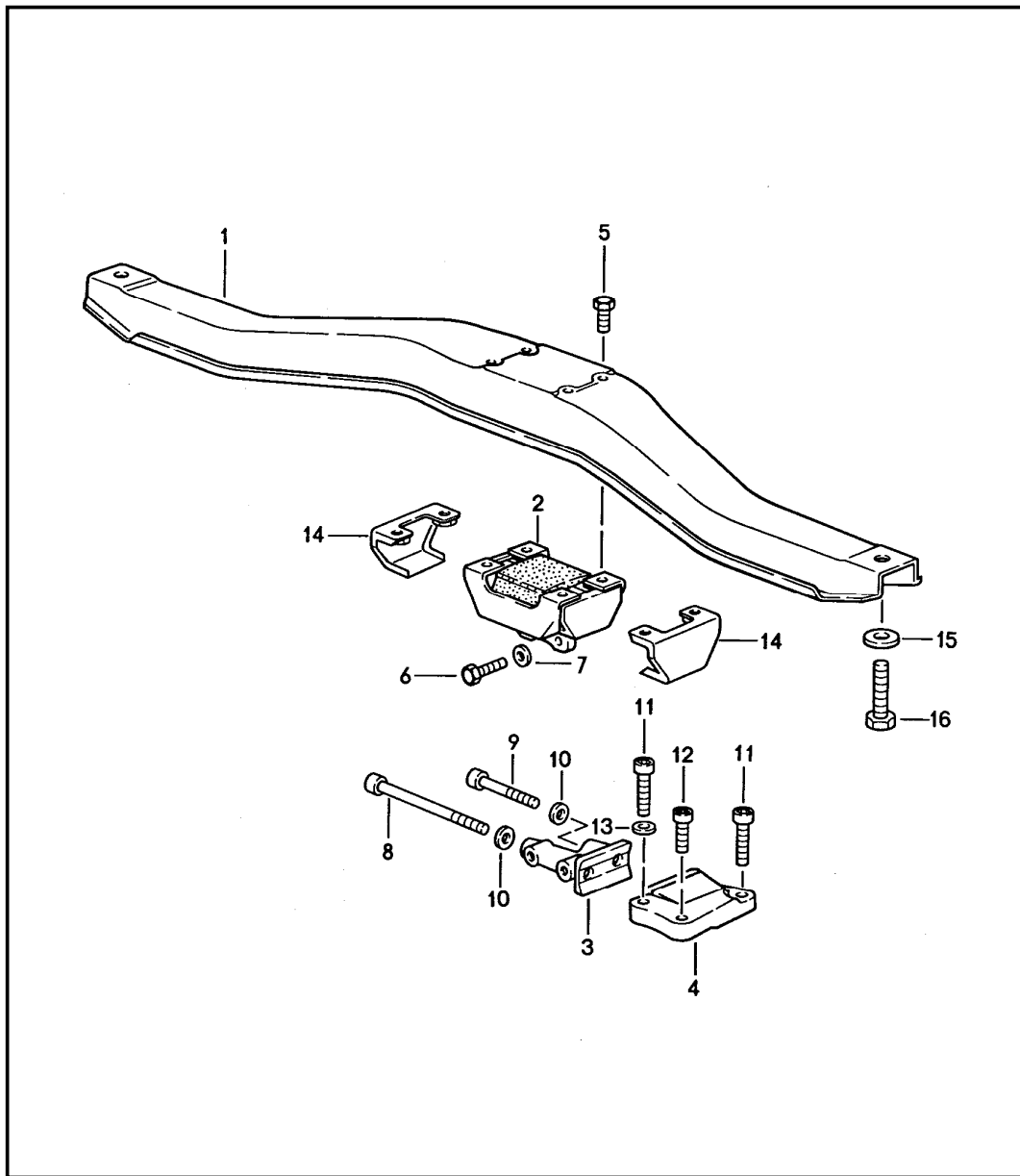
Model	Year	MG	SG	Illustration	Restrictions	UPD	22:42	23.01.2010	PORSCHE	PET	PORSCHE
9442	1991	3	11	311-00		248					

Pos	Part Number	Description	Remark	Qty	Model	Pos	Part Number	Description	Remark	Qty	Model
9	087 409 641 P	adjusting shim 1,35		X		9	087 409 641 AQ	adjusting shim 1,825		X	
9	087 409 641 Q	adjusting shim 1,375		X		9	087 409 641 AR	adjusting shim 1,85		X	
9	087 409 641 R	adjusting shim 1,40		X		9	087 409 641 AS	adjusting shim 1,875		X	
9	087 409 641 S	adjusting shim 1,425		X		9	087 409 641 AT	adjusting shim 1,90		X	
9	087 409 641 T	adjusting shim 1,45		X		10	087 409 551 C	taper roller bearing		1	
9	087 409 641 AA	adjusting shim 1,475		X		11	087 409 085 B	radial shaft seal		2	
9	087 409 641 AB	adjusting shim 1,50		X		12	087 409 639 A	bush		1	
9	087 409 641 AC	adjusting shim 1,525		X		13	082 519 141 AE	adjusting shim 1,10		1	
9	087 409 641 AD	adjusting shim 1,55		X		13	082 519 141 AF	adjusting shim 1,125		X	
9	087 409 641 AE	adjusting shim 1,575		X		13	082 519 141 AG	adjusting shim 1,15		X	
9	087 409 641 AF	adjusting shim 1,60		X		13	082 519 141 AH	adjusting shim 1,175		X	
9	087 409 641 AG	adjusting shim 1,625		X		13	082 519 141 AJ	adjusting shim 1,20		X	
9	087 409 641 AH	adjusting shim 1,65		X		13	082 519 141 AK	adjusting shim 1,225		X	
9	087 409 641 AJ	adjusting shim 1,675		X		13	082 519 141 AL	adjusting shim 1,25		X	
9	087 409 641 AK	adjusting shim 1,70		X		13	082 519 141 AM	adjusting shim 1,275		X	
9	087 409 641 AL	adjusting shim 1,725		X		13	082 519 141 AN	adjusting shim 1,30		X	
9	087 409 641 AM	adjusting shim 1,75		X		13	082 519 141 AP	adjusting shim 1,325		X	
9	087 409 641 AN	adjusting shim 1,775		X		13	082 519 141 AQ	adjusting shim 1,35		X	
9	087 409 641 AP	adjusting shim 1,80		X		13	082 519 141 AR	adjusting shim 1,375		X	
						13	082 519 141 AS	adjusting shim 1,40		X	

Model	Year	MG	SG	Illustration	Restrictions	UPD	22:42	23.01.2010	PORSCHE	PET	PORSCHE
9442	1991	3	11	311-00		248					

Pos	Part Number	Description	Remark	Qty	Model	Pos	Part Number	Description	Remark	Qty	Model
13	082 519 141 AT	adjusting shim 1,425		X		13	082 519 141 CA	adjusting shim 1,90		X	
13	082 519 141 BA	adjusting shim 1,45		X		14	003 519 251	taper roller bearing		1	
13	082 519 141 BB	adjusting shim 1,475		X		15	087 409 524 C	lid		1	
13	082 519 141 BC	adjusting shim 1,50		X		16	019 301 153	dowel sleeve		1	
13	082 519 141 BD	adjusting shim 1,525		X		17	N 022 301 1	straight pin A 10 X 20		1	
13	082 519 141 BE	adjusting shim 1,55		X		18	* 010 409 568	radial shaft seal		1	
13	082 519 141 BF	adjusting shim 1,575		X		19	089 409 637 A	sealing ring 6 X 2		2	
13	082 519 141 BG	adjusting shim 1,60		X		20	N 025 657 1	ball		1	
13	082 519 141 BH	adjusting shim 1,625		X		21	089 409 713	spring		1	
13	082 519 141 BJ	adjusting shim 1,65		X		22	087 409 095	lid		2	
13	082 519 141 BK	adjusting shim 1,675		X		23	900 027 015 02	lock ring A 8		11	
13	082 519 141 BL	adjusting shim 1,70		X		24	N 010 233 6	hexagon-head bolt M 8 X 28		9	
13	082 519 141 BL	adjusting shim 1,70		X		25	N 040 276 1	hexagon-head bolt M 8 X 52		2	
13	082 519 141 BM	adjusting shim 1,725		X		26	010 409 196	pinion		1	
13	082 519 141 BN	adjusting shim 1,75		X		27	010 409 189	safety clip		1	
13	082 519 141 BP	adjusting shim 1,775		X		28	003 321 419	round seal		1	
13	082 519 141 BQ	adjusting shim 1,80		X		29	010 409 193	pinion support		1	
13	082 519 141 BR	adjusting shim 1,825		X		30	010 409 195 A	support		1	
13	082 519 141 BS	adjusting shim 1,85		X		31	N 012 036 1	lock ring		1	
13	082 519 141 BT	adjusting shim 1,875		X		32	N 010 215 13	hexagon-head bolt M 6 X 15		1	
						33	944 606 210 01	pulse sender		1	
						-	087 409 187	drive pinion		1	
						-	087 409 189	bush		1	

Model	Year	MG	SG	Illustration	Restrictions	UPD	22:43	23.01.2010	PORSCHE	PET	PORSCHE
9442	1991	3	12	312-00		248					



Pos	Part Number	Description	Remark	Qty	Model
		transmission suspension for automatic transmission	-89		944
1	944 375 024 03	transmission carrier		1	
2	944 375 045 04	transmission mounting		1	
3	944 375 287 03	support		1	
4	944 375 285 02	suspender bracket		1	
5	900 075 087 02	hexagon-head bolt M 8 X 16		1	
6	900 075 099 02	hexagon-head bolt M 8 X 30		2	
7	900 025 007 02	washer A 8,4		4	
8	N 100 359 03	hexagon socket head bolt M 10 X 140		1	
9	N 014 752 3	hexagon socket head bolt M 10 X 70		1	
10	900 025 008 09	washer A 10,5		2	
11	N 014 733 1	hexagon socket head bolt M 10 X 50		2	
12	900 067 124 02	hexagon socket head bolt M 10 X 35		1	
13	900 031 005 02	washer		3	
14	944 375 079 01	stop		2	
15	477 407 425	washer		2	
16	N 010 449 2	hexagon-head bolt		2	

Model	Year	MG	SG	Illustration	Restrictions	UPD	22:43	23.01.2010
9442	1991	3	98	398-00R		248		

Pos	Part Number	Description	Remark	Qty	Model
		repair kits			
>>	>>477 300 912 B	gasket set for manual transmission comprising:		1	
-	928 303 120 01	shaft sealing ring		1	
-	016 409 399 B	radial shaft seal		2	
-	113 301 185 A	sealing ring		1	
-	016 301 235 C	gasket		1	
-	088 311 599	sealing ring		2	
-	016 311 113 C	radial shaft seal		1	
-	016 301 455 A	gasket		1	
-	005 311 599	sealing washer		1	
-	084 311 719	sealing ring		1	
>>	>>477 398 001	gasket set for automatic transmission comprising:	-89	1	944
-	010 321 182	round seal		1	
-	010 321 371 B	gasket		1	
-	010 321 385 B	gasket		1	
-	003 321 419	round seal		2	
-	010 323 117	sealing ring		1	
-	010 323 119	sealing ring		1	
-	010 323 487 C	sealing ring		1	
-	003 323 525 A	sealing ring		1	
-	010 323 533	round seal		3	
-	087 409 085 B	radial shaft seal		2	
-	087 409 133	radial shaft seal		1	
-	016 409 399 B	radial shaft seal		2	
-	087 409 529 B	radial shaft seal		2	
-	010 409 549 B	round seal		1	
-	087 409 549	round seal		1	

PORSCHE

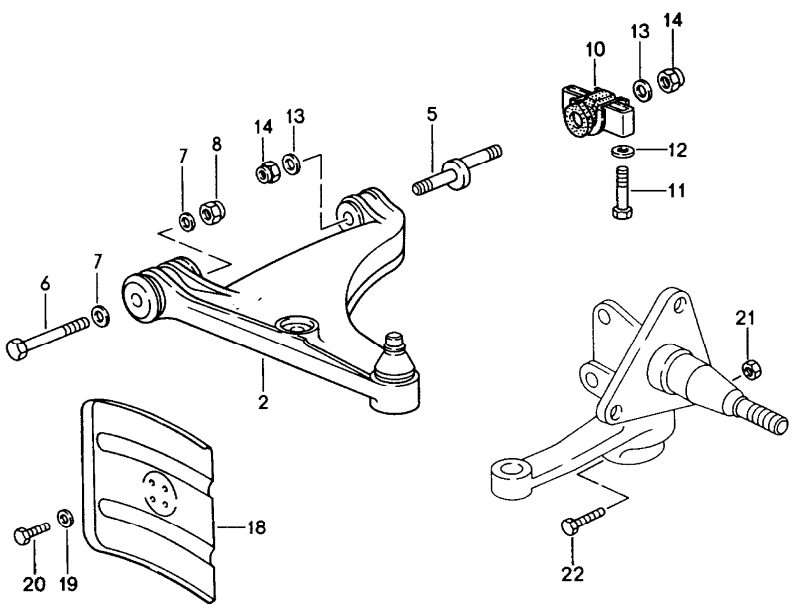
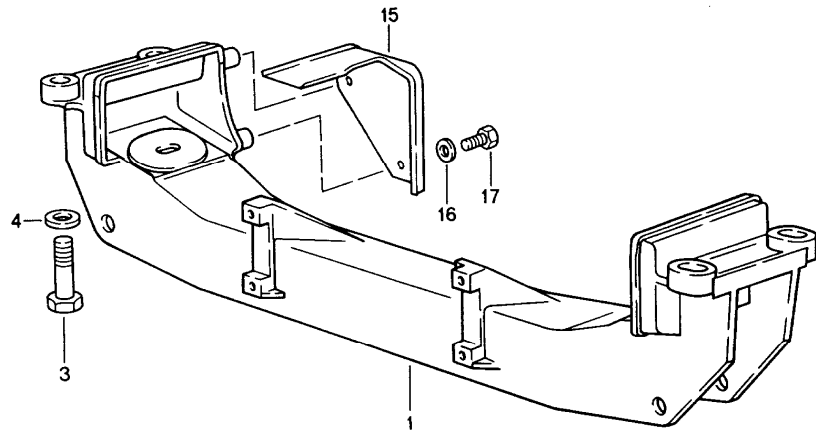
PET

PORSCHE

Model	Year	MG	SG	Illustration	Restrictions	UPD	22:43	23.01.2010
9442	1991	3	98	398-00R		248		

Pos	Part Number	Description	Remark	Qty	Model
-	010 409 568	radial shaft seal		1	
-	089 409 637 A	sealing ring		1	
-	011 519 345	round seal		3	
-	N 028 201 2	round seal		1	
>>	>>951 333 951 00	repair kit differential pinions use also: 088.409.249 A 088.409.249 B	-89	1	944

Model	Year	MG	SG	Illustration	Restrictions	UPD	22:43	23.01.2010	PORSCHE	PET	PORSCHE
9442	1991	4	01	401-00		248					

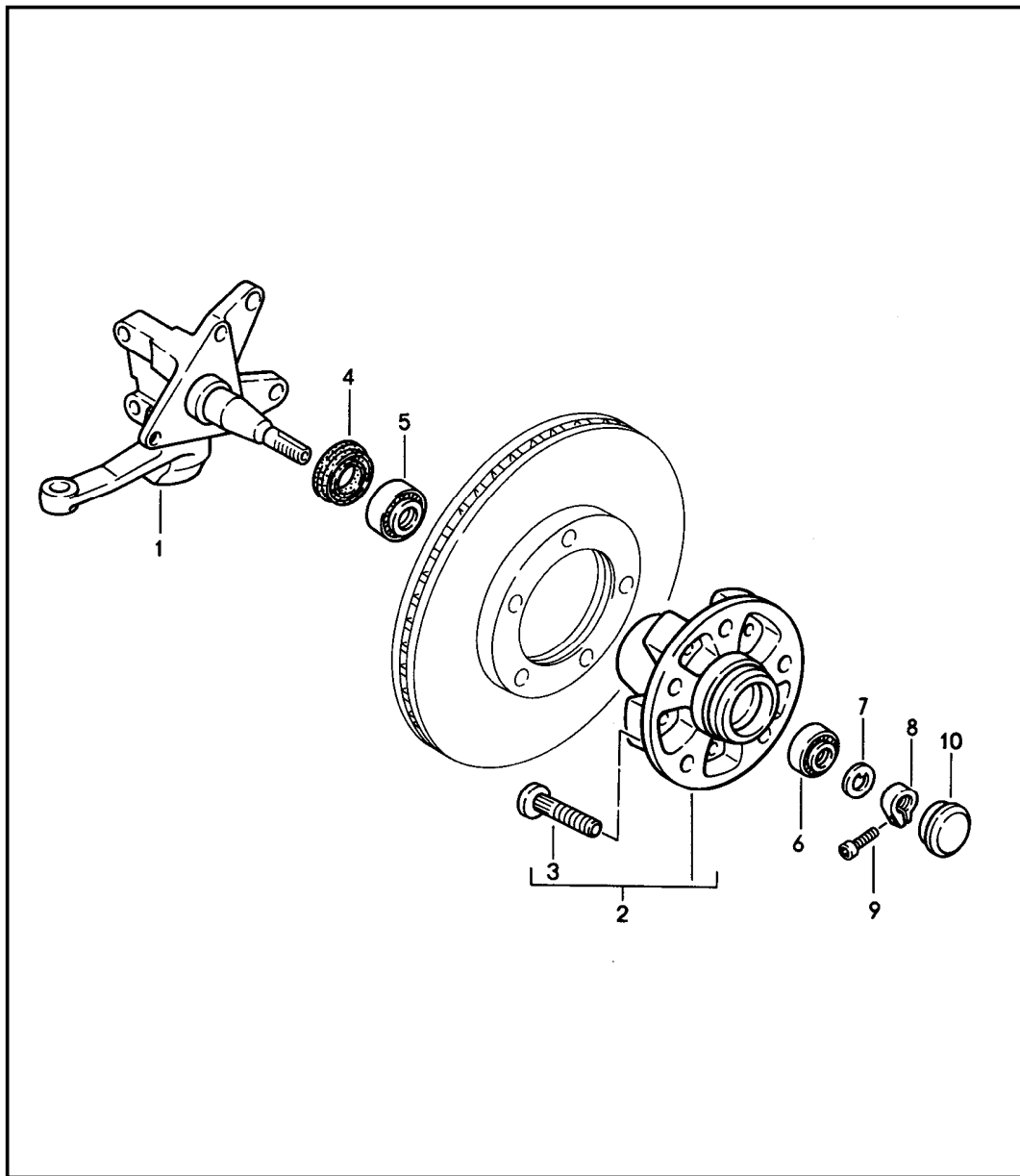


Pos	Part Number	Description	Remark	Qty	Model
1	A 944 341 103 07	wishbone cross member	/LL	1	
1	944 341 103 07	cross member	/LL	1	
(1)	A 945 341 103 04	cross member	/RL	1	
(1)	945 341 103 04	cross member	/RL	1	
2	A 944 341 027 02	wishbone	/L	1	
2	944 341 027 02	wishbone	/L	1	
(2)	A 944 341 028 02	wishbone	/R	1	
(2)	944 341 028 02	wishbone	/R	1	
2	A 944 341 927 31	wishbone	/L	1	M030
2	944 341 927 31	wishbone	/L	1	M030
2	944 341 927 31	wishbone	/L	1	M030
(2)	A 944 341 928 31	wishbone	/R	1	M030
(2)	944 341 928 31	wishbone	/R	1	M030
(2)	944 341 928 31	wishbone	/R	1	M030
3	N 010 183 1	hexagon-head bolt M 12 X 75		4	
4	A 999 025 074 02	washer 12,4 X 34 X 5		4	
4	999 025 074 01	washer 12,4 X 34 X 5		4	
5	951 341 431 02	eccentric bolt		2	
6	900 082 039 02	hexagon-head bolt M 12 X 1,5 X 100		2	
7	900 025 009 02	washer A 13		2	
8	N 021 131 1	lock nut M 12 X 1,5		2	
10	951 341 023 00	rubber mounting		2	
10	951 341 023 30	rubber mounting	-89	2	M030
11	N 040 321 1	hexagon-head bolt M 10 X 65		4	

Model	Year	MG	SG	Illustration	Restrictions	UPD	22:43	23.01.2010	PORSCHE	PET	PORSCHE
9442	1991	4	01	401-00		248					

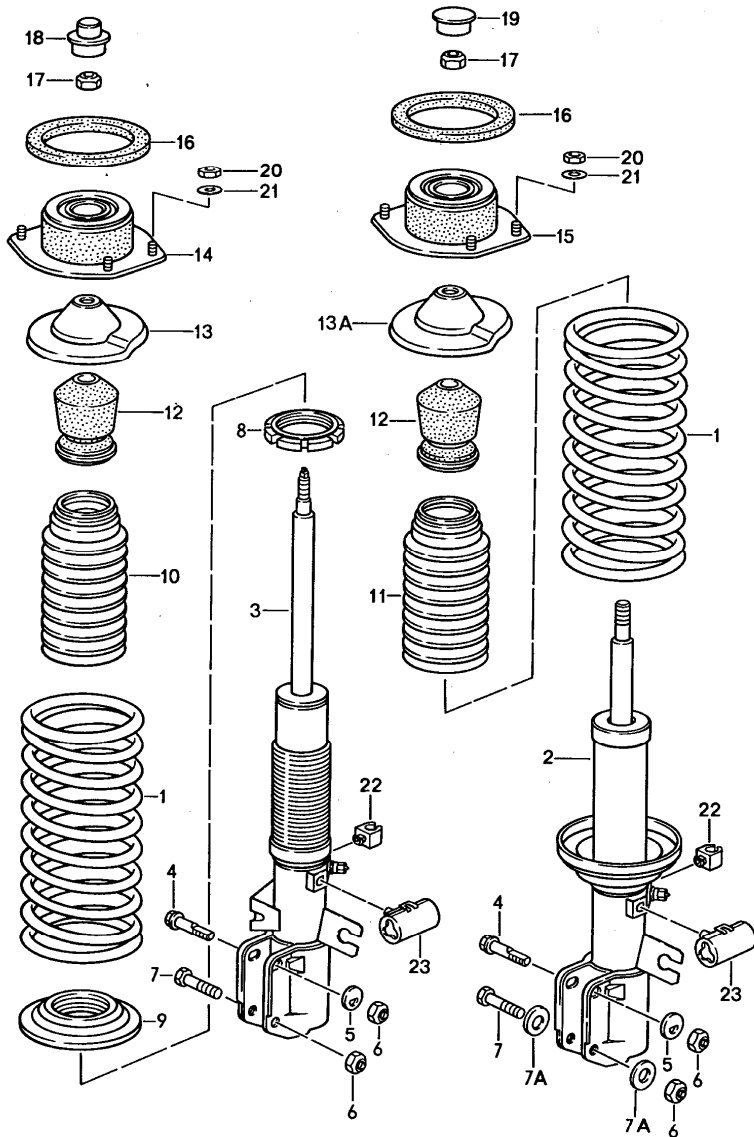
Pos	Part Number	Description	Remark	Qty	Model	Pos	Part Number	Description	Remark	Qty	Model
12	999 025 221 02	washer 10,5		4							
13	900 223 010 02	washer 13		4							
14	900 910 115 02	lock nut		4							
15	951 341 108 02	heat protection plate right	/LL	1							
(15)	952 341 108 02	heat protection plate right	/RL	1							
(15)	951 341 107 00	heat protection plate left		1							
16	N 011 524 7	washer A 6,4		2							
17	N 010 215 13	hexagon-head bolt M 6 X 15		2							
18	951 341 590 00	air baffle plate		2							
19	N 011 666 7	washer B 6,4		8							
20	999 072 005 09	hexagon-head bolt M 6 X 12		8							
21	N 021 130 2	lock nut VM 10		2							
22	N 010 445 6	hexagon-head bolt M 10 X 45 X 20		2							
-	952 347 713 00	heat protection plate lower	/RL	1							
-	952 347 711 01	heat protection plate upper	/RL	1							

Model	Year	MG	SG	Illustration	Restrictions	UPD	22:43	23.01.2010	PORSCHE	PET	PORSCHE
9442	1991	4	01	401-05		248					



Pos	Part Number	Description	Remark	Qty	Model
		steering knuckle			
1	944 341 655 06	steering knuckle	/L	-89	1 944
1	944 341 656 06	steering knuckle	/R	-89	1 944
1	A 951 341 655 06	steering knuckle	/L		1 944S2
1	951 341 655 06	steering knuckle	/L		1 944S2
1	A 951 341 656 06	steering knuckle	/R		1 944S2
1	951 341 656 06	steering knuckle	/R		1 944S2
1	A 951 341 655 34	steering knuckle	/L		1 M030
			/L		TURBO
			/L	91	944S2
					M757
1	951 341 655 34	steering knuckle	/L		1 M030
			/L		TURBO
			/L	91	944S2
					M757
1	951 341 656 34	steering knuckle	/R		1 M030
			/R		TURBO
			/R	91	944S2
					M757
2	A 951 341 065 06	front wheel hub		-89	2 944/944S2
2	951 341 065 06	front wheel hub			2 944/944S2
2	951 341 065 08	front wheel hub			2 M030
				91	TURBO
					944S2
					M757
3	928 341 671 02	wheel bolt			10
4	477 405 641	radial sealing ring			2
5	999 059 090 00	taper roller bearing			2
6	999 059 089 01	taper roller bearing			2
7	911 341 663 00	thrust washer			2
8	911 341 673 00	clamping nut			2
9	999 119 001 01	pan-head screw			2
10	477 405 692 C	cap			2

Model	Year	MG	SG	Illustration	Restrictions	UPD	22:44	23.01.2010	PORSCHE	PET	PORSCHE
9442	1991	4	02	402-00		248					



Pos	Part Number	Description	Remark	Qty	Model
		suspension shock absorber front			
		see technical information GR.4, NR.2/92			
1	951 343 531 01	coil spring 1 set identification	-89	1	944
	104	yellow F >>94KN4 00825			
1	951 343 531 00	coil spring 1 set identification	-89	1	944
	904	white F 94KN4 00826>>			
1	944 343 531 00	coil spring 1 set identification	-89	1	944 M030
	954	white blue			
1	944 343 531 02	coil spring 1 set identification		1	944S2
	904	violet			
1	944 343 531 03	coil spring 1 set identification	-89	1	944S2 M474
	904	turquoise			
1	944 343 531 01	coil spring 1 set identification	90- 90-	1	944S2 M030 TURBO TURBO M030
	104	white yellow			
1	944 343 531 04	coil spring 1 set identification	90-	1	944S2 M031 944S2 M757

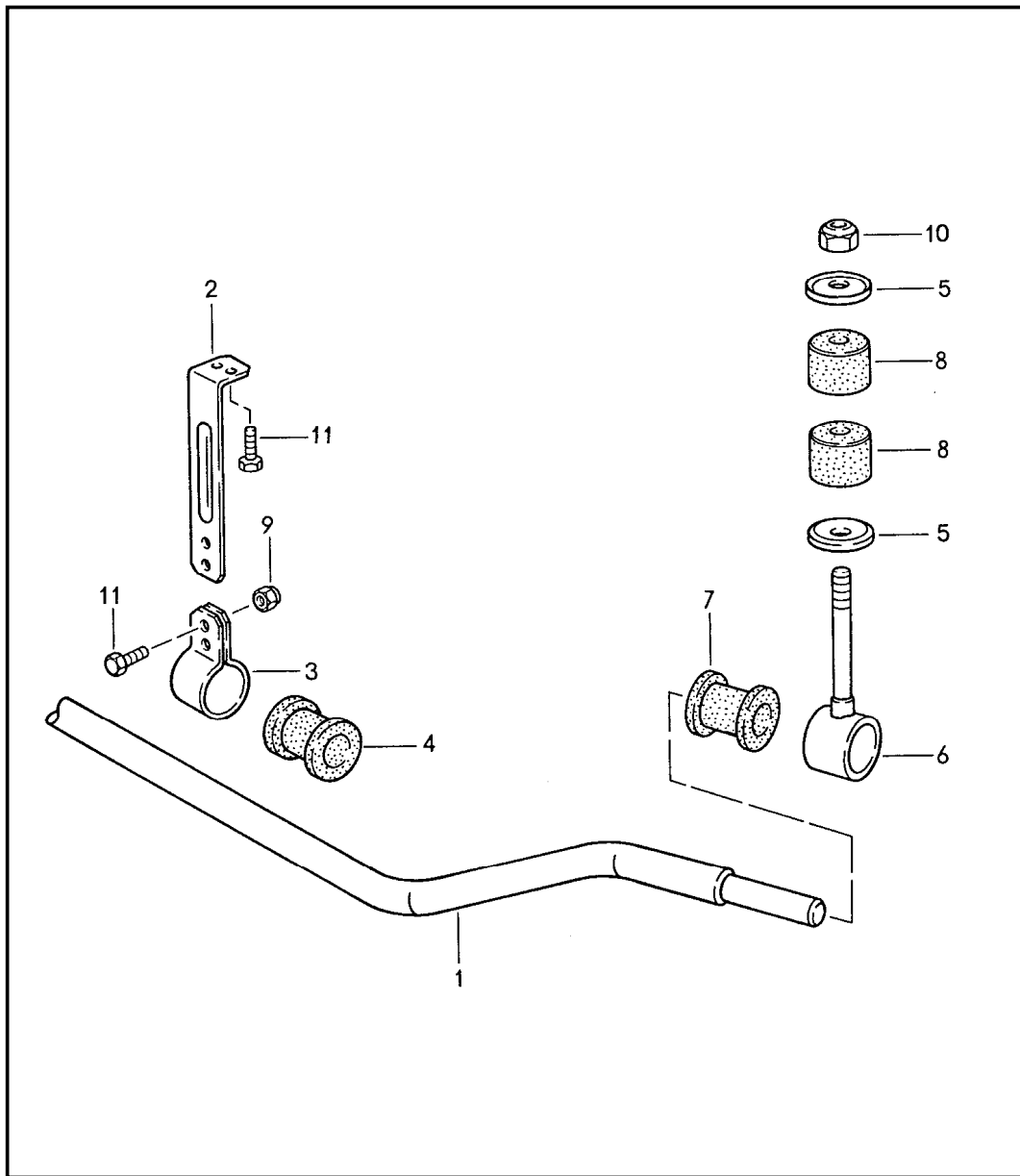
Model	Year	MG	SG	Illustration	Restrictions	UPD	22:44	23.01.2010	PORSCHE	PET	PORSCHE
9442	1991	4	02	402-00		248					

Pos	Part Number	Description	Remark	Qty	Model	Pos	Part Number	Description	Remark	Qty	Model
	904	beige				3	951 343 031 32	vibration damper	/L	-89	1 944
1	951 343 531 03	coil spring 1 set identification	90-	1	TURBO			- koni -	/L	90-	M030
	904	grey							/L	-89	M030
2	951 343 031 05	shock absorber - fichtel + sachs - F >>94KN4 00825	/L	-89	1 944	(3)	951 343 032 32	vibration damper	/R	-89	1 944
(2)	951 343 032 05	shock absorber - fichtel + sachs - F >>94KN4 00825	/R	-89	1 944			- koni -	/R	90-	M030
2	944 343 031 17	shock absorber - fichtel + sachs - F 94KN4 00826>>	/L	-89	1 944	4	171 407 265	eccentric screw			2
(2)	944 343 032 17	shock absorber - fichtel + sachs - F 94KN4 00826>>	/R	-89	1 944	5	944 343 175 00	eccentric washer			2
2	944 343 031 19	shock absorber - fichtel + sachs -	/L		1 944S2	6	N 022 141 4	lock nut M 12 X 1,5			4
(2)	944 343 032 19	shock absorber - fichtel + sachs -	/R		1 944S2	7	A 900 082 058 02	hexagon-head bolt M 12 X 1,5 X 50			2
2	951 343 031 12	shock absorber - fichtel + sachs -	/L	90-	1 944S2	7	900 082 058 02	hexagon-head bolt M 12 X 1,5 X 55 use also: POS. 7A			2
			/L	91	M031	7A	999 025 212 09	washer 12,4 X 24 X 3			4
			/L	91	TURBO	8	951 343 524 00	adjusting nut			2
(2)	951 343 032 12	shock absorber - fichtel + sachs -	/R	90-	1 944S2	9	951 343 525 32	concave washer			2
			/R	91	TURBO	10	951 343 529 30	boot			2
			/R	91	944S2	11	431 412 135	boot		-89	2
2	951 343 031 06	shock absorber - koni -	/L	-89	1 944	(11)	951 343 529 01	boot		90-	2
					M474	12	951 343 527 00	rubber stop			2
(2)	951 343 032 06	shock absorber - koni -	/R	-89	1 944	13	133 412 341	concave washer			2
					M474	13A	951 343 528 00	concave washer			2
2	951 343 031 11	shock absorber - koni -	/L	-89	1 944S2	14	951 343 018 30	suspension strut mounting		-89	2 M030
					M474	15	951 343 018 04	suspension strut mounting			2
(2)	951 343 032 11	shock absorber - koni -	/R	-89	1 944S2	-	944 343 903 01	insulation for suspension strut mounting			2
					M474						

Model	Year	MG	SG	Illustration	Restrictions	UPD	22:44	23.01.2010	PORSCHE	PET	PORSCHE
9442	1991	4	02	402-00		248					

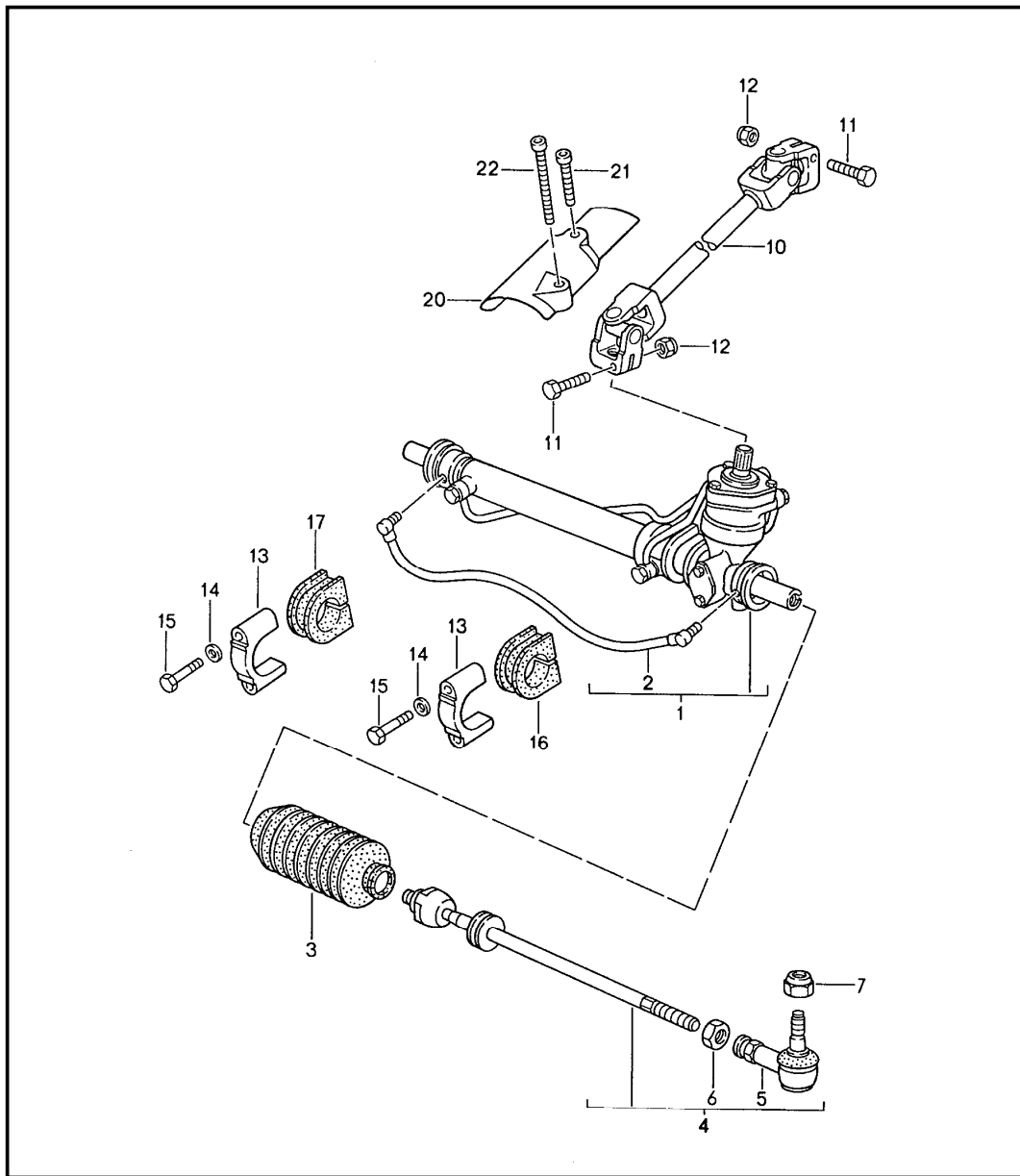
Pos	Part Number	Description	Remark	Qty	Model	Pos	Part Number	Description	Remark	Qty	Model
(16)	133 412 367	sealing ring		2							
17	N 022 150 1	lock nut M 14 X 1,5		2							
18	999 703 355 40	cap		2							
19	999 703 346 40	stopper		2							
20	N 011 008 8	hexagon nut M 8		8							
21	900 025 041 02	washer A 8,4		8							
22	928 612 409 00	clip		2							
23	928 612 531 00	push-on connector	/L	1	M593						
(23)	928 612 531 01	push-on connector	/R	1	M593						
(23)	944 612 557 00	support		2							

Model	Year	MG	SG	Illustration	Restrictions	UPD	22:44	23.01.2010	PORSCHE	PET	PORSCHE
9442	1991	4	02	402-05		248					



Pos	Part Number	Description	Remark	Qty	Model
		stabiliser			
1	944 343 707 01	stabiliser \$ 21,5 MM		1	
1	944 343 706 04	stabiliser \$ 25,5 MM		1	
1	944 343 706 05	stabiliser \$ 26,8 MM		1	
2	A 944 343 733 31	suspension		2	
2	944 343 733 31	suspension		2	
3	A 944 343 731 02	clip		2	
3	944 343 731 02	clip		2	
4	951 343 794 07	rubber bush \$ 21,5 MM		2	
4	951 343 794 02	rubber bush \$ 25,5 MM		2	
4	951 343 794 04	rubber bush \$ 26,8 MM		2	
5	477 411 043	concave washer		4	
6	951 343 075 00	bush		2	
7	951 343 793 00	rubber bush for stabiliser \$ 21,5 MM		2	
7	951 343 793 30	rubber bush for stabiliser \$ 25,5 MM ; \$ 26,8 MM		2	
8	951 343 795 01	rubber mounting		4	
9	900 910 022 09	lock nut VM 8		4	
10	N 021 130 2	lock nut VM 10		2	
11	900 075 079 02	hexagon-head bolt M 8 X 22		4	

Model	Year	MG	SG	Illustration	Restrictions	UPD	22:44	23.01.2010	PORSCHE	PET	PORSCHE
9442	1991	4	03	403-00		248					

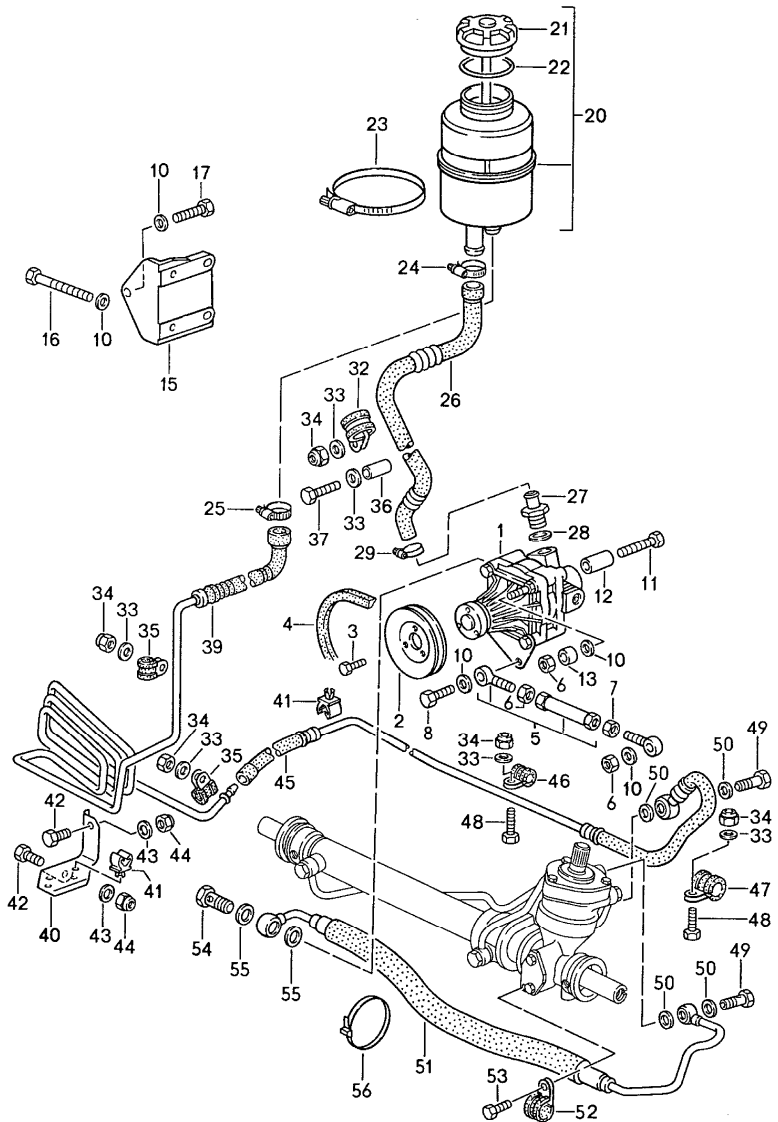


Pos	Part Number	Description	Remark	Qty	Model
		power steering steering gear tie rod			
1	> 944 347 011 24	steering gear	/LL	1	
(1)	> 945 347 011 22	steering gear	/RL	1	
2	944 347 311 00	compensating line		1	
3	171 419 831 C	boot		2	
4	944 347 033 23	tie rod		2	
5	944 347 333 04	ball joint		2	
6	900 034 024 07	hexagon nut M 14 X 1,5		2	
7	N 022 141 1	lock nut M 12 X 1,5		2	
10	944 347 027 02	drive shaft	/LL	1	
(10)	945 347 027 00	drive shaft	/RL	1	
11	N 010 335 7	hexagon-head bolt M 8 X 35		2	
12	900 910 022 09	lock nut M 8		2	
13	944 347 223 01	clip	/LL	2	
(13)	945 347 023 00	clip	/RL	2	
14	900 025 007 02	washer A 8,4		4	
15	U N 010 360 6	hexagon-head bolt M 8 X 60	/LL	4	
15	900 074 281 08	hexagon-head bolt M 8 X 60	/LL	4	
(15)	900 074 134 02	hexagon-head bolt M 8 X 45	/RL	4	
16	944 347 137 00	rubber insert	/L	1	
17	944 347 139 01	rubber insert	/R	1	
20	951 101 129 00	heat shield		1	TURBO
21	900 067 236 08	pan-head screw M 6 X 40		1	TURBO

Model	Year	MG	SG	Illustration	Restrictions	UPD	22:44	23.01.2010	PORSCHE	PET	PORSCHE
9442	1991	4	03	403-00		248					

Pos	Part Number	Description	Remark	Qty	Model	Pos	Part Number	Description	Remark	Qty	Model
22	900 067 237 08	pan-head screw M 6 X 70		1	TURBO						

Model	Year	MG	SG	Illustration	Restrictions	UPD	22:44	23.01.2010	PORSCHE	PET	PORSCHE
9442	1991	4	03	403-02		248					

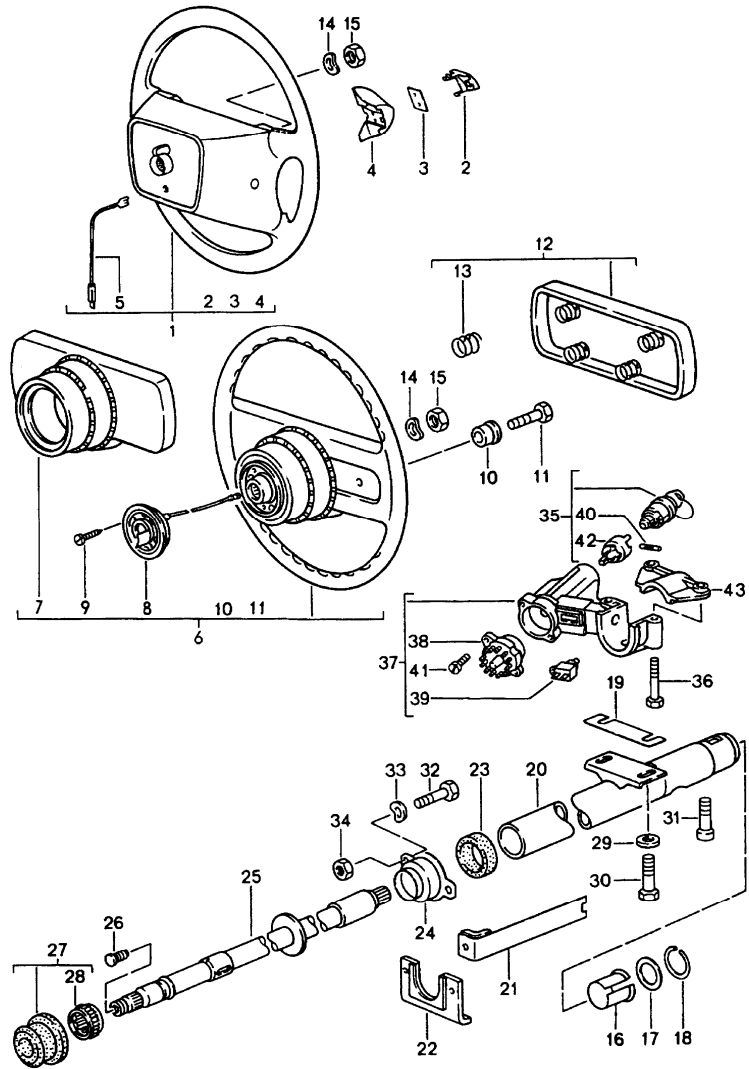


Pos	Part Number	Description	Remark	Qty	Model
		power steering vane type pump lines			
		see technical information GR4, NR.6/90			
1	A 944 347 432 08	vane type pump		1	
1	> 944 347 432 08	vane type pump		1	
2	944 347 437 03	pulley		1	
3	999 072 005 09	hexagon-head bolt M 6 X 12		3	
4	999 192 236 50	narrow v-belt 9,5 X 950		1	
5	944 347 053 02	strut		1	
6	900 076 025 02	hexagon nut M 8		3	
7	N 011 008 24	hexagon nut M 8 left		1	
8	900 075 029 09	hexagon-head bolt M 8 X 25		1	
10	900 025 007 02	washer A 8,4		8	
11	N 010 359 4	hexagon-head bolt M 8 X 38		1	
12	944 347 441 02	sleeve 26 MM		1	
13	944 347 442 00	dowel sleeve 13 MM		1	
15	944 101 147 01	bracket		1	
16	N 010 361 4	hexagon-head bolt M 8 X 65		4	
17	N 010 335 5	hexagon-head bolt M 8 X 35		1	
20	928 347 015 05	oil tank		1	
21	928 347 925 00	lid		1	
22	928 347 927 00	gasket		1	

Model	Year	MG	SG	Illustration	Restrictions	UPD	22:44	23.01.2010	PORSCHE	PET	PORSCHE
9442	1991	4	03	403-02		248					

Pos	Part Number	Description	Remark	Qty	Model	Pos	Part Number	Description	Remark	Qty	Model
23	999 512 350 02	hose clamp \$ 80-100 MM		1		46	999 511 153 02	clip 8 X 15		1	
24	999 512 346 02	hose clamp 16-25		1		47	N 020 626 2	clamp 16 X 15		1	
25	999 512 554 00	hose clamp 12-22		1		48	900 075 016 02	hexagon-head bolt M 6 X 22		2	
26	944 347 445 05	moulded hose		1		49	999 134 032 02	banjo bolt M 12 X 1,5	/LL	2	
27	999 230 357 02	connection piece		1		49	999 134 032 02	banjo bolt M 12 X 1,5	/RL	1	
28	N 100 184 01	sealing ring 16 X 20		1		49	N 021 053 2	banjo bolt M 10 X 1	/RL	1	
29	999 512 346 00	hose clamp 16 - 25		2		50	900 123 026 20	sealing ring 12 X 15,5	/LL	4	
33	N 011 524 7	washer A 6,4		4		50	900 123 026 20	sealing ring 12 X 15,5	/RL	2	
34	900 910 012 02	lock nut M 6		4		50	N 100 390 01	sealing ring 10 X 13,5	/RL	2	
35	999 511 116 02	clamp 10 X 15 10 X 15		2		51	944 347 447 02	pressure line	/LL	1	
36	944 105 101 00	spacer sleeve		1	TURBO	(51)	945 347 447 02	pressure line	/RL	1	
37	N 014 715 3	pan-head screw M 6 X 40		1	TURBO	52	999 511 066 02	clamp 18 X 15		1	
39	944 347 459 03	return line		1		53	999 072 005 09	hexagon-head bolt M 6 X 12		1	
40	944 347 465 02	support		1		54	900 134 007 02	banjo bolt A 8		1	
41	944 347 467 00	cable clip		6		55	900 123 042 20	sealing ring 14 X 18		2	
42	900 075 078 02	hexagon-head bolt M 8 X 15		2		56	999 513 010 40	tie-wrap 9 X 250		1	
43	900 025 007 02	washer A 8,4		2							
44	900 084 004 02	hexagon nut M 8		2							
44	900 084 004 03	hexagon nut M 8		2							
45	944 347 449 06	return line	/LL	1							
(45)	945 347 449 02	return line	/RL	1							

Model	Year	MG	SG	Illustration	Restrictions	UPD	22:44	23.01.2010	PORSCHE	PET	PORSCHE
9442	1991	4	03	403-05		248					



Pos	Part Number	Description	Remark	Qty	Model
1	944 347 804 51	steering wheel steering column steering lock sports steering wheel airbag		1	M562
	1AJ	black			
	7LD	burgundy	-90		
	2JZ	marine blue	-90		
	9WW	cobalt blue	91		
1	944 347 804 52	sports steering wheel airbag		1	M562
	2JZ	marine blue	-90		
	9WW	cobalt blue	91		
	6XL	classic grey	91		
	2	944 347 835 00	horn button	/L	1
01C		black			
9MM		burgundy	-90		
9JJ		marine blue	-90		
6ZF		cobalt blue	91		
2	944 347 836 00	horn button	/R	1	M562
	01C	black			
	9MM	burgundy	-90		
	9JJ	marine blue	-90		
	6ZF	cobalt blue	91		
3	944 347 884 00	contact spring		2	M562
	4	944 347 831 00	switch housing	/L	1
01C		satin black			
9MM		burgundy	-90		

Model	Year	MG	SG	Illustration	Restrictions	UPD	22:44	23.01.2010	PORSCHE	PET	PORSCHE
9442	1991	4	03	403-05		248					

Pos	Part Number	Description	Remark	Qty	Model	Pos	Part Number	Description	Remark	Qty	Model
	9JJ	marine blue		-90			5YB	marine blue		-90	
	6ZF	cobalt blue		91			F 94LN4 01308>>			-90	
	4XC	classic grey		91			F 95LN1 00555>>			-90	
							F 94LN4 03759>>			-90	
4	944 347 832 00	switch housing	/R	1	M562	6	944 347 084 09	sports steering wheel leather \$ 363		1	M431
	01C	satin black					9WW	cobalt blue		91	
	9MM	burgundy		-90			7WH	classic grey		91	
	9JJ	marine blue		-90		6	928 347 084 07	sports steering wheel leather \$ 363		1	M431
	6ZF	cobalt blue		91			1AJ	black			
	4XC	classic grey		91			2JZ	marine blue		-90	
5	944 612 355 00	wiper contact		1	M562		9WW	cobalt blue		91	
6	944 347 084 05	sports steering wheel leatherette \$ 380		-90	1		7WH	classic grey		91	
	1AJ	black				6	944 347 084 10	sports steering wheel leather with elevated hub \$ 363		1	M018
	7LD	burgundy					1AJ	black			
	9JJ	marine blue					7LD	burgundy		-90	
6	944 347 084 08	sports steering wheel leather \$ 380		-90	1		8KY	marine blue		-90	
	1AJ	black					9WW	cobalt blue		91	
	7LD	burgundy					7WH	classic grey		91	
	8KY	marine blue				6	928 347 084 08	sports steering wheel leather with elevated hub \$ 363		1	M018
6	944 347 084 09	sports steering wheel leather \$ 363		-90	1		1AJ	black			
	1AJ	black					2JZ	marine blue		-90	
	7LD	burgundy		-90			9WW	cobalt blue		91	
	8KY	marine blue		-90			7WH	classic grey		91	
	F	>>94LN4 01307		-90							
	F	>>95LN1 00554		-90							
	F	>>94LN4 03758		-90							
6	944 347 084 09	sports steering wheel leather \$ 363		-90	1	M431	7	928 347 857 02	lining for four-spoke steering wheel		1

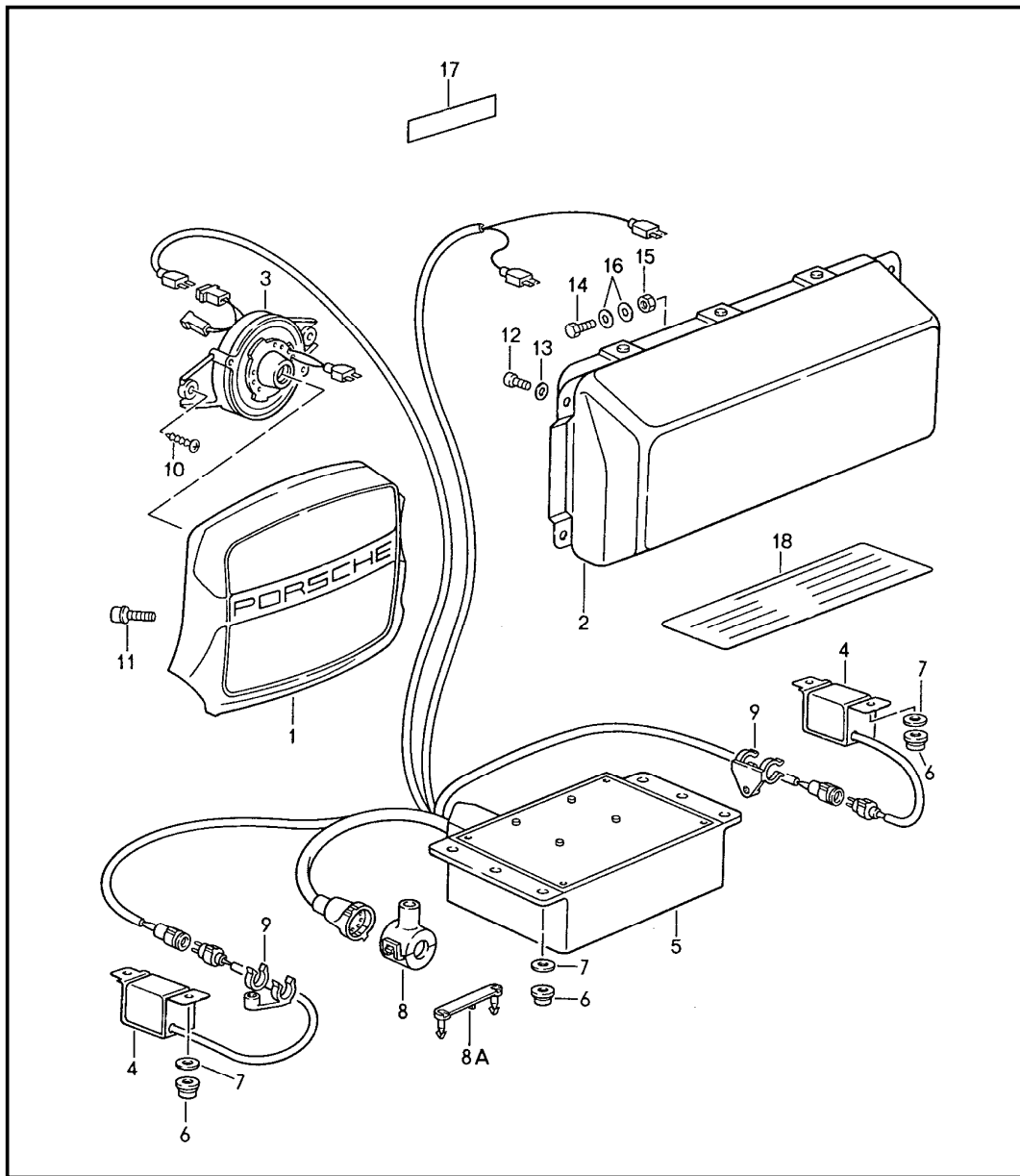
Model	Year	MG	SG	Illustration	Restrictions	UPD	22:44	23.01.2010	PORSCHE	PET	PORSCHE
9442	1991	4	03	403-05		248					

Pos	Part Number	Description	Remark	Qty	Model	Pos	Part Number	Description	Remark	Qty	Model
	1DB	black				19	944 347 473 00	shim		X	
	7LD	burgundy	-90			20	A 944 347 063 07	steering column tube		1	M562
	5KF	marine blue	-90			20	944 347 063 07	steering column tube		1	M562
	6ZH	cobalt blue	91			20	944 347 063 04	steering column tube		1	
	5XL	classic grey	91			23	999 707 008 40	o-ring		1	M562
8	928 347 099 00	slip ring		1		23	411 417 613	rubber mounting		1	
9	113 415 869	oval-head screw M 3,5 X 10		6		24	944 347 076 00	support ring		1	M562
10	321 419 779 A	insulating bush		4		24	411 417 605	support ring		1	
11	N 010 261 3	hexagon-head bolt M 4 X 15		4		25	944 347 067 02	steering column	/LL	1	
12	944 347 859 08	padded cap leatherette	-90	1		25	944 347 019 04	steering column	/LL /LL	1	TURBO 944 M657 944S2 M657
	1DB	black				25	A 944 347 019 10	steering column	/LL	1	M562
	7LD	burgundy				25	944 347 019 10	steering column	/LL	1	M562
	9JJ	marine blue				25	945 347 019 04	steering column	/RL	1	TURBO 944 M657 944S2 M657
12	944 347 859 05	padded cap leather		1					/RL		
	1AJ	black							/RL		
	7LD	burgundy	-90			25	945 347 067 02	steering column use also:	/RL	1	
	8KY	marine blue	-90			26	944 347 483 00	stopper		1	
	2JZ	marine blue	-90			27	477 419 059	needle sleeve		1	
	9WW	cobalt blue	91			28	113 415 511	needle-roller bearing		1	
	7WH	classic grey	91			29	900 025 041 02	washer A 8,4		2	
13	171 419 697	spring		4		30	999 074 022 02	shear bolt		2	
14	N 012 238 5	spring washer B 16		1		31	N 010 241 0	hexagon-head bolt M 8 X 22		1	
15	900 078 006 01	hexagon nut M 16 X 1,5		1		32	N 010 215 13	hexagon-head bolt M 6 X 15	/LL	2	
16	171 419 341	support ring		1		32	999 072 005 09	hexagon-head bolt M 6 X 12	/RL	2	
17	999 234 004 00	shim		1							
18	999 042 017 01	snap ring		1							

Model	Year	MG	SG	Illustration	Restrictions	UPD	22:44	23.01.2010	PORSCHE	PET	PORSCHE
9442	1991	4	03	403-05		248					

Pos	Part Number	Description	Remark	Qty	Model	Pos	Part Number	Description	Remark	Qty	Model
33	211 805 243	spring washer		2							
		steering lock									
35	944 538 075 00	lock cylinder w/o stipulated lock number		1							
(35)	944 538 075 01	lock cylinder with stipulated lock number		1							
36	944 347 343 01	shear bolt		2							
37	944 347 975 03	housing for steering lock		1							
38	964 613 012 00	ignition starter switch		1							
39	911 613 125 00	buzzer contact		1	(SA)						
40	944 347 363 00	lock		1							
41	N 014 122 8	oval-head screw M 4 X 8		2							
42	944 538 183 00	control cams		1							
43	944 347 351 02	retainer plate		1							

Model	Year	MG	SG	Illustration	Restrictions	UPD	22:45	23.01.2010	PORSCHE	PET	PORSCHE
9442	1991	4	03	403-06		248					

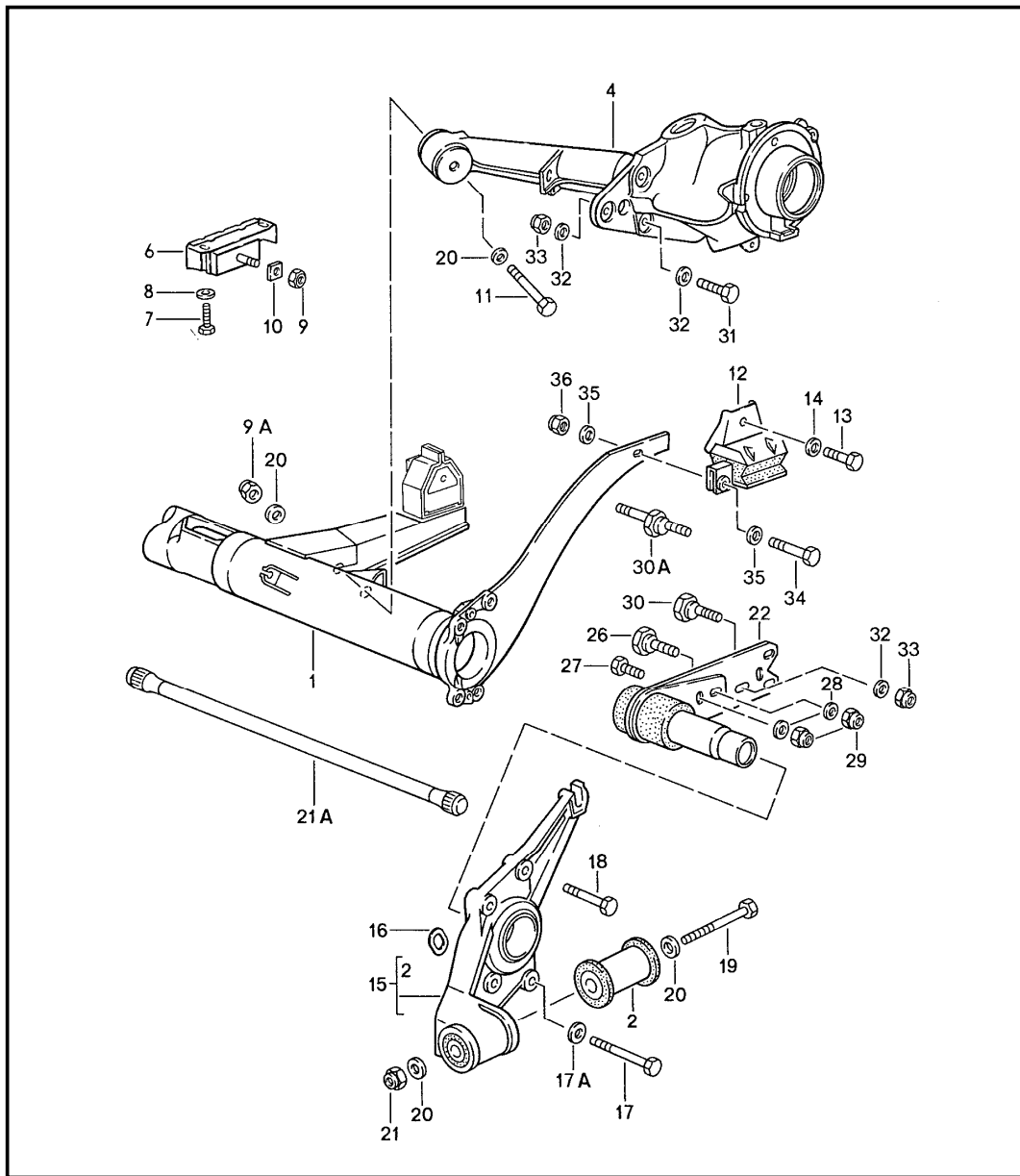


Pos	Part Number	Description	Remark	Qty	Model
		airbag for left-hand drive			M562
1	944 347 989 06	airbag unit driver's side set comprising: POS. 1 U. 11		1	
	1AJ	black			
	9WW	cobalt blue	91		
	7WH	classic grey	91		
2 A	944 803 071 02	airbag unit		1	
2	944 803 071 02	airbag unit passenger's side use also: POS.12		1	
				4	
3	928 652 211 00	support for contact		1	
4	928 613 220 02	front sensor	90-	2	
5	944 618 217 01	control unit		1	CABRIO
5	944 618 217 01	control unit		1	COUPE
6	944 618 401 00	nut M 6		4	
7	N 011 524 7	washer A 6,4		8	
8A	964 612 901 00	securing clip blue	90-	1	
9	321 971 898 B	support		2	
10	N 013 968 7	tapping screw B 4,8 X 13		2	
11	999 073 025 02	pan-head screw M 6 X 19	-89	2	
(11)	999 073 030 02	pan-head screw M 6 X 19	90-	2	
12	999 218 030 08	pan-head screw M 6 X 10		4	
13	N 011 524 7	washer A 6,4		4	

Model	Year	MG	SG	Illustration	Restrictions	UPD	22:45	23.01.2010	PORSCHE	PET	PORSCHE
9442	1991	4	03	403-06		248					

Pos	Part Number	Description	Remark	Qty	Model	Pos	Part Number	Description	Remark	Qty	Model
14	999 072 005 09	hexagon-head bolt M 6 X 12		1							
15	900 076 010 02	hexagon nut M 6		1							
16	N 011 666 7	washer B 6,4		2							

Model	Year	MG	SG	Illustration	Restrictions	UPD	22:45	23.01.2010	PORSCHE	PET	PORSCHE
9442	1991	5	01	501-00		248					

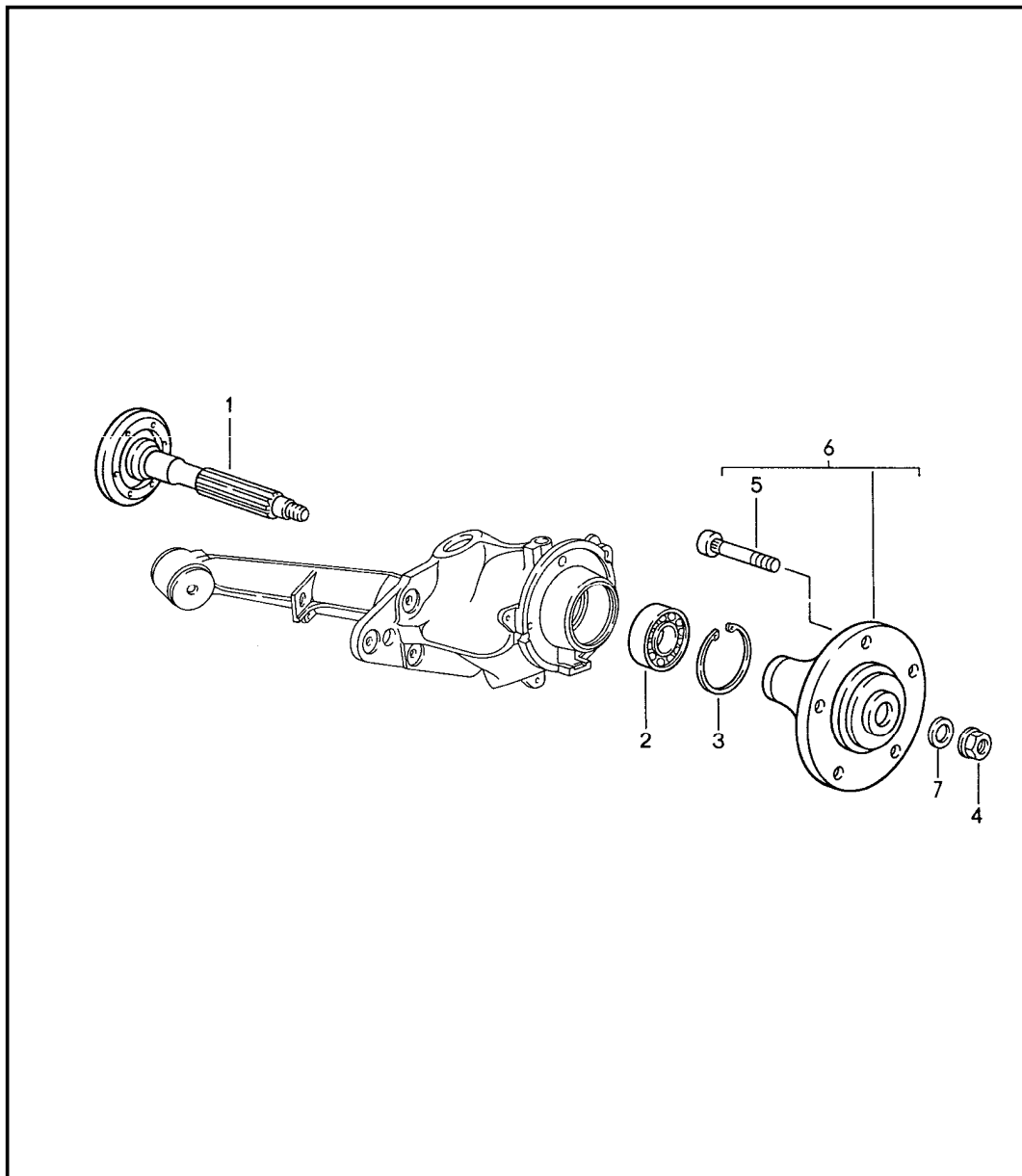


Pos	Part Number	Description	Remark	Qty	Model
1	944 331 045 02	rear axle carrier rear-axle trailing arm		1	
2	477 501 069 A	rubber bush		2	
4	951 331 021 01	rear-axle trailing arm	/L -89	1	
4	951 331 021 31	rear-axle trailing arm	/L -89	1	M030
4	951 331 021 32	rear-axle trailing arm	/L -89	1	M030/593
4	951 331 021 32	rear-axle trailing arm when required order also:	/L 90-	1	
-	964 331 199 02	retainer plate		2	
-	900 074 130 02	hexagon-head bolt M 8 X 40		4	
(4)	951 331 022 01	rear-axle trailing arm	/R -89	1	
(4)	951 331 022 31	rear-axle trailing arm	/R -89	1	M030
(4)	951 331 022 32	rear-axle trailing arm	/R -89	1	M030/593
(4)	951 331 022 32	rear-axle trailing arm use also:	/R 90-	1	
-	964 331 199 02	retainer plate		2	
-	900 074 130 02	hexagon-head bolt M 8 X 40		4	
6	477 501 089	mounting	-89	2	944/944S2
6	951 333 088 30	mounting	-89	2	M030
6	951 333 088 30	mounting	90-	2	
7	N 040 272 2	hexagon-head bolt M 10 X 35		4	
8	N 011 527 12	washer A 10,5		4	
9	N 900 876 01	lock nut VM 10		2	
9A	N 021 131 1	lock nut M 12 X 1,5		2	
10	477 501 697	washer		2	
11	N 010 190 4	hexagon-head bolt M 12 X 90		2	

Model	Year	MG	SG	Illustration	Restrictions	UPD	22:45	23.01.2010	PORSCHE	PET	PORSCHE
9442	1991	5	01	501-00		248					

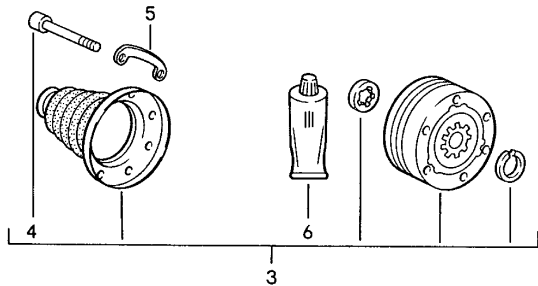
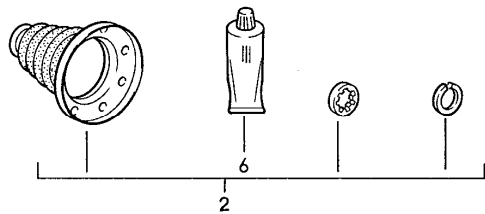
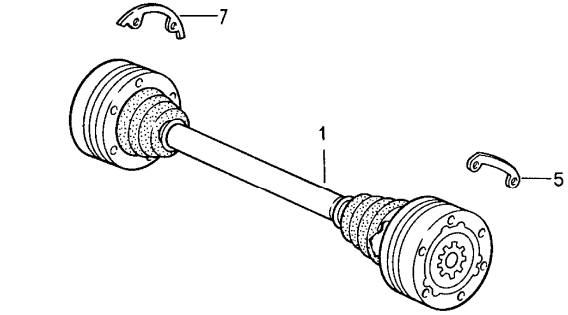
Pos	Part Number	Description	Remark	Qty	Model	Pos	Part Number	Description	Remark	Qty	Model
12	944 331 075 00	supporting mount	/L	1		21A	944 333 115 01	torsion bar \$ 24 MM	/L	1	944S2
12	951 333 083 30	supporting mount	/L	89	TURBO	21A	944 333 116 01	torsion bar \$ 24 MM	/R	1	944S2
12	944 331 075 00	supporting mount	/L	90-	TURBO	(21A)	951 333 103 30	torsion bar \$ 25,5 MM	/L	1	TURBO 944/944S2 M030/031
(12)	944 331 076 00	supporting mount	/R	1		(21A)	951 333 104 30	torsion bar \$ 25,5 MM	/R	1	TURBO 944/944S2 M030/031
(12)	951 333 084 30	supporting mount	/R	89	TURBO						
(12)	944 331 076 00	supporting mount	/R	90-	TURBO						
13	N 010 253 7	hexagon-head bolt M 10 X 22		2		22	951 333 021 00	rear axle strut		2	
14	N 012 230 6	spring washer B 10		8		26	911 333 303 00	eccentric screw		2	
15	A 944 331 059 00	bearing flange	/L	1		27	911 333 305 00	hexagon-head bolt		2	
15	944 331 059 00	bearing flange	/L	1		28	999 025 135 02	washer		4	
(15)	A 944 331 060 00	bearing flange	/R	1		29	900 910 092 02	lock nut VM 16 X 1,5		4	
(15)	944 331 060 00	bearing flange	/R	1		30	477 511 519	camber eccentric		2	
16	951 331 667 00	washer		2		30A	477 511 515	camber eccentric only together with stabiliser		2	
17	N 010 465 5	hexagon-head bolt M 10 X 65		2		31	N 040 108 2	hexagon-head bolt M 12 X 1,5 X 40		4	
17	900 074 248 03	hexagon-head bolt M 10 X 65		2		32	N 011 531 7	washer A 13		8	
17A	N 012 230 6	spring washer B 10		8		33	N 022 141 4	lock nut VM 12 X 1,5		4	
18	N 010 455 3	screw M 10 X 55		6		34	N 010 233 6	hexagon-head bolt M 8 X 28		2	
19	900 082 059 02	hexagon-head bolt M 12 X 1,5 X 115		2		35	900 025 007 02	washer A 8,4		4	
20	803 199 347	washer		8		36	900 910 022 09	lock nut VM 8		2	
21	N 022 141 4	lock nut VM 12 X 1,5 see technical information GR.4 NR.8/89		2							
21A	944 333 115 00	torsion bar \$ 23,5 MM	/L	1	944						
21A	944 333 116 00	torsion bar \$ 23,5 MM	/R	1	944						

Model	Year	MG	SG	Illustration	Restrictions	UPD	22:45	23.01.2010	PORSCHE	PET	PORSCHE
9442	1991	5	01	501-05		248					



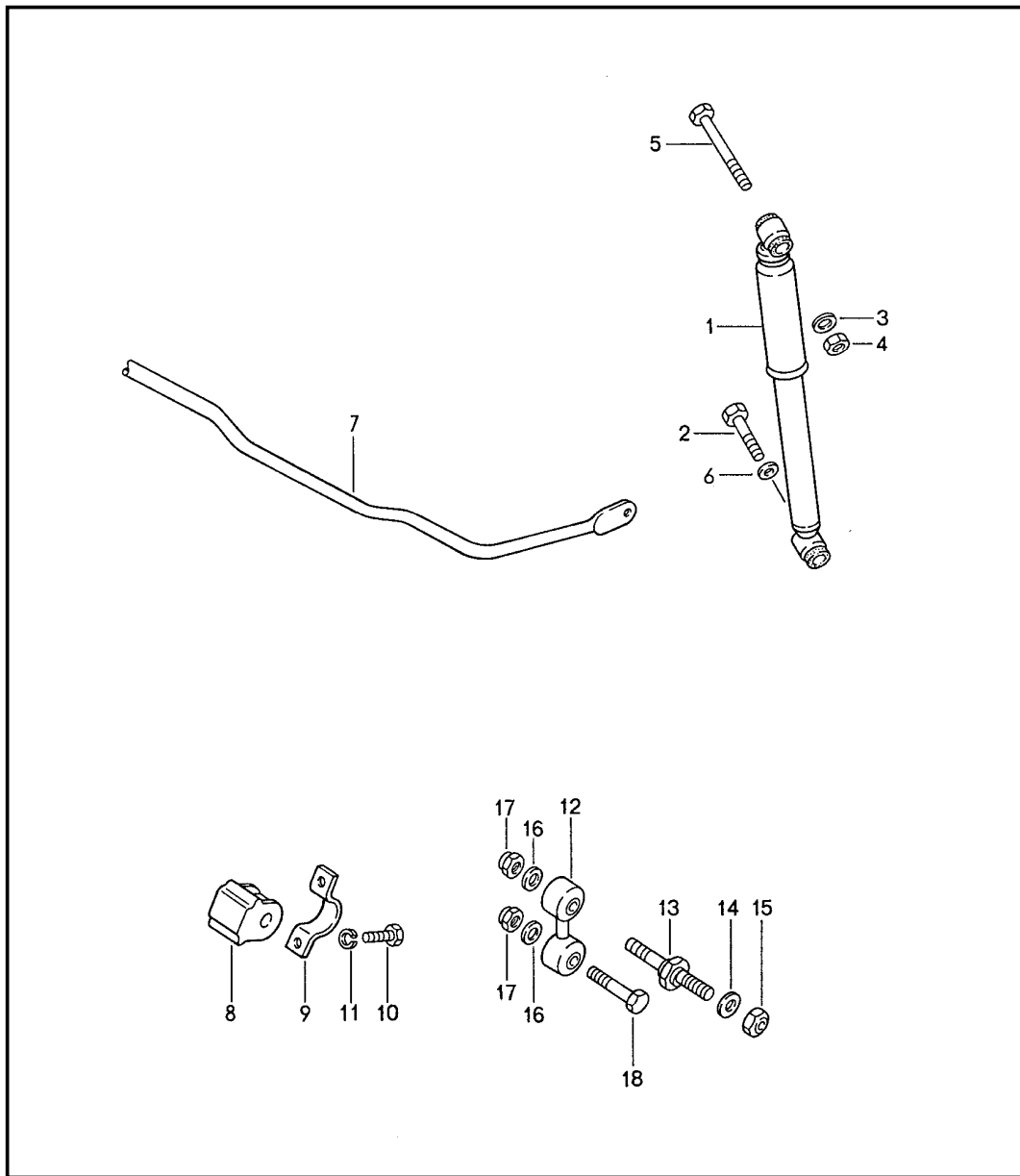
Pos	Part Number	Description	Remark	Qty	Model
		rear wheel shaft			
1	951 332 235 35	rear wheel shaft		2	
2	999 053 020 01	angular-contact bearing		2	
3	N 012 350 1	circlip		2	
4	900 910 093 02	lock nut M 22 X 1,5		2	
5	904 341 671 00	wheel bolt		10	
6 A	944 331 067 01	wheel hub		2	
6	944 331 067 01	wheel hub		2	
7	928 331 591 02	washer		2	

Model	Year	MG	SG	Illustration	Restrictions	UPD	22:45	23.01.2010	PORSCHE	PET	PORSCHE
9442	1991	5	01	501-10		248					



Pos	Part Number	Description	Remark	Qty	Model
		drive shaft			
1	944 332 038 01	drive shaft		2	944
1	951 332 038 02	drive shaft		2	944S2/TURBO M030/031
1	944 332 038 09	drive shaft	/L	1	M249
1	944 332 038 10	drive shaft	/R	1	M249
2	944 331 903 00	repair kit dust bellows		4	944
(2)	951 332 903 00	repair kit dust bellows		4	944S2/TURBO M030/031
3	944 331 901 00	repair kit constant-velocity joint		4	944
(3)	951 332 901 00	repair kit constant-velocity joint		4	944S2/TURBO M030/031
4	893 407 237	pan-head screw		24	
5	944 332 191 00	plate		6	
6	000 043 110 01	grease 1 100-gramme tube		X	
7	951 332 233 01	plate		6	

Model	Year	MG	SG	Illustration	Restrictions	UPD	22:45	23.01.2010	PORSCHE	PET	PORSCHE
9442	1991	5	02	502-00		248					



Pos	Part Number	Description	Remark	Qty	Model
		vibration damper stabiliser see technical information GR.4 NR. 8/89			
1	951 333 032 06	vibration damper - fichtel + sachs - F >>94KN4 00825	-89	2	944
1	951 333 032 05	vibration damper - fichtel + sachs - F 94KN4 00826>>	-89	2	944
1	951 333 032 01	vibration damper - koni -	-89	2	944 M474
1	951 333 032 04	vibration damper - koni -	-89	2	944 M030
1	951 333 032 07	vibration damper - fichtel + sachs -		2	944S2
1	951 333 032 08	vibration damper - koni -	-89	2	944S2 M474
1	951 333 032 04	vibration damper - koni -		2	944S2 M030
1	951 333 032 09	vibration damper - fichtel + sachs -	90-	2	944S2 M031
1	951 333 032 04	vibration damper - koni -	-89	2	TURBO
1	951 333 032 09	vibration damper - fichtel + sachs -	90-	2	TURBO
1	951 333 032 04	vibration damper - koni -	90-	2	TURBO M030
2	900 082 054 02	hexagon-head bolt M 14 X 1,5 X 85		2	
3	043 101 129	washer B 12		2	
4	N 022 141 1	lock nut M 12 X 1,5		2	

Model	Year	MG	SG	Illustration	Restrictions	UPD	22:45	23.01.2010	PORSCHE	PET	PORSCHE
9442	1991	5	02	502-00		248					

Pos	Part Number	Description	Remark	Qty	Model	Pos	Part Number	Description	Remark	Qty	Model
5	900 082 044 02	hexagon-head bolt M 12 X 1,5 X 125		2							
6	999 025 062 02	washer stabiliser		2							
7	477 511 411	stabiliser \$ 16 MM		1							
7	477 511 413	stabiliser \$ 18 MM		1							
8	477 411 313 A	stabiliser mounting \$ 16 MM		2							
8	477 411 313 B	stabiliser mounting \$ 18 MM		2							
9	113 411 333	retaining bow		2							
10	900 075 085 02	hexagon-head bolt M 8 X 20		4							
11	900 027 015 02	lock ring B 8		4							
12	477 511 051 A	stabiliser mounting		2							
13	477 511 515	camber eccentric		2							
14	N 011 531 7	washer A 13		2							
15	N 022 141 4	lock nut M 12 X 1,5		2							
16	N 011 527 12	washer A 10,5		4							
17	N 022 149 2	lock nut M 10		4							
18	N 010 452 4	hexagon-head bolt M 10 X 52		2							

Model	Year	MG	SG	Illustration	Restrictions	UPD	22:46	23.01.2010
9442	1991	5	98	598-00R		248		

Pos	Part Number	Description	Remark	Qty	Model
		repair kits			
>>	>>944 331 903 00	repair kit dust bellows comprising: dust bellows with bellow support spring		4	944
-	113 517 279	circlip		1	
-	000 043 110 01	grease 1 100-gramme tube		1	
>>	>>951 332 903 00	repair kit dust bellows comprising: dust bellows bellow support		4	TURBO 944S2
-	911 332 257 00	clip		1	
-	928 332 257 01	clip		1	
-	900 041 013 01	circlip		1	
-	000 043 110 01	grease 1 100-gramme tube		1	
>>	>>944 331 901 00	repair kit constant-velocity joint comprising: constant-velocity joint dust bellows with bellow support spring		4	944
-	113 517 279	circlip		1	
-	000 043 110 01	grease 1 100-gramme tube		1	
-	893 407 237	pan-head screw		6	
>>	>>951 332 901 00	repair kit constant-velocity joint comprising: constant-velocity joint dust bellows bellow support		4	TURBO 944S2
-	911 332 257 00	clip		1	
-	928 332 257 01	clip		1	
-	900 041 013 01	circlip		1	

PORSCHE

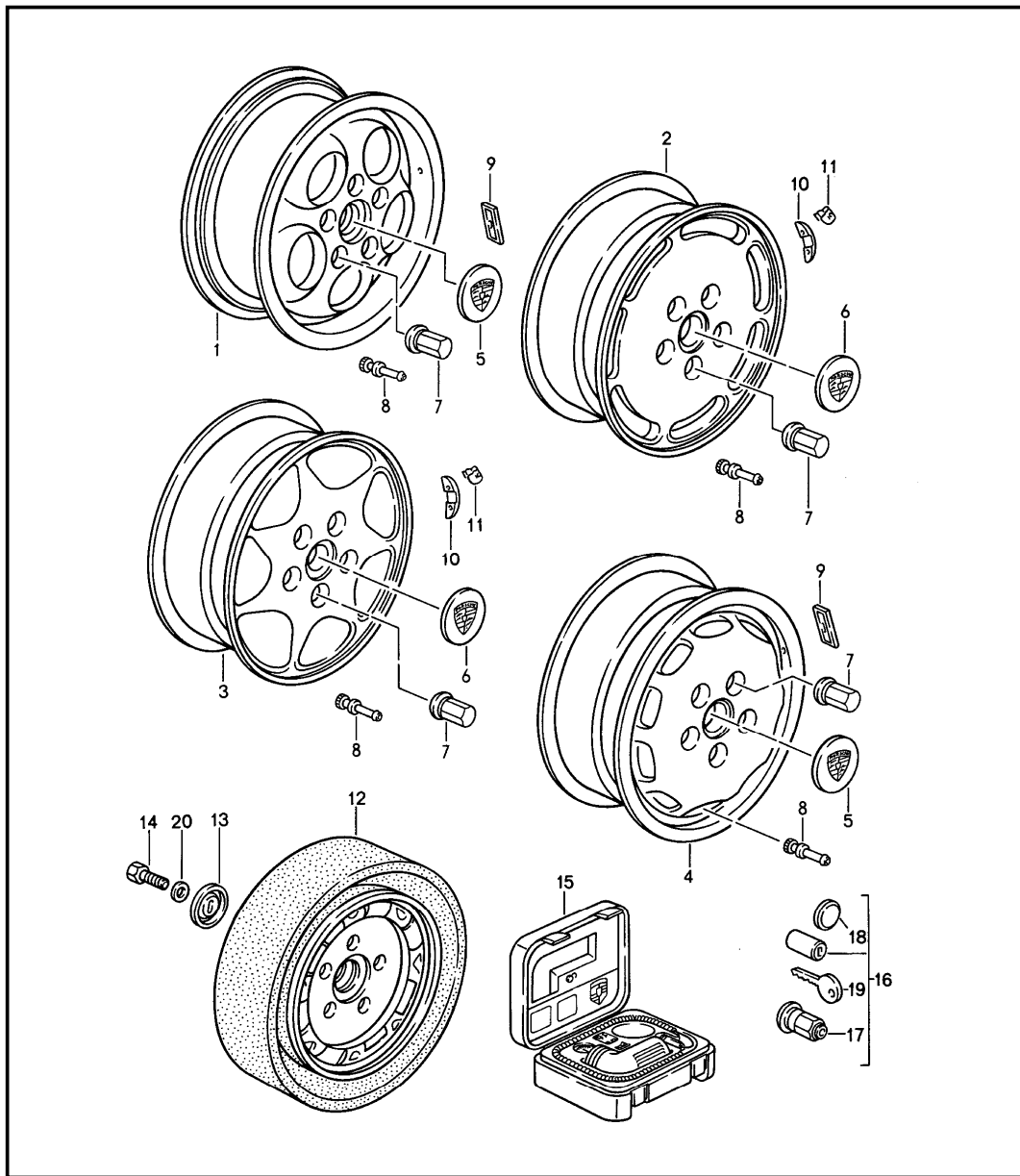
PET

PORSCHE

Model	Year	MG	SG	Illustration	Restrictions	UPD	22:46	23.01.2010
9442	1991	5	98	598-00R		248		

Pos	Part Number	Description	Remark	Qty	Model
-	000 043 110 01	grease 1 100-gramme tube		1	
-	893 407 237	pan-head screw		12	

Model	Year	MG	SG	Illustration	Restrictions	UPD	22:46	23.01.2010	PORSCHE	PET	PORSCHE
9442	1991	6	01	601-00		248					



Pos	Part Number	Description	Remark	Qty	Model
		disc wheel			
1	944 362 104 00	alloy wheel 7 J X 15 ET 52,3 silver		4	944
1	951 362 114 01	alloy wheel 7 J X 16 ET 52,3 silver	/V	2	944 M458
1	951 362 116 01	alloy wheel 8 J X 16 ET 52,3 silver	/H	2	944 M458
2	944 362 115 00	alloy wheel 7 J X 16 ET 52,3 silver	/V	2	944/944S2 M395
2	944 362 115 01	alloy wheel 7 J X 16 ET 52,3 platinum	/V	2	944/944S2 M395
2	928 362 117 00	alloy wheel 8 J X 16 ET 52,3 silver	/H	2	944/944S2 M395
2	928 362 117 01	alloy wheel 8 J X 16 ET 52,3 platinum	/H	2	944/944S2 M395
3	964 362 114 01	alloy wheel 7 J X 16 ET 55 silver	/V	2	944S2
3	964 362 116 01	alloy wheel 8 J X 16 ET 52,3 silver	/H	2	944S2
3	951 362 115 30	alloy wheel 7 J X 16 ET 65 silver	/V	89	2 TURBO

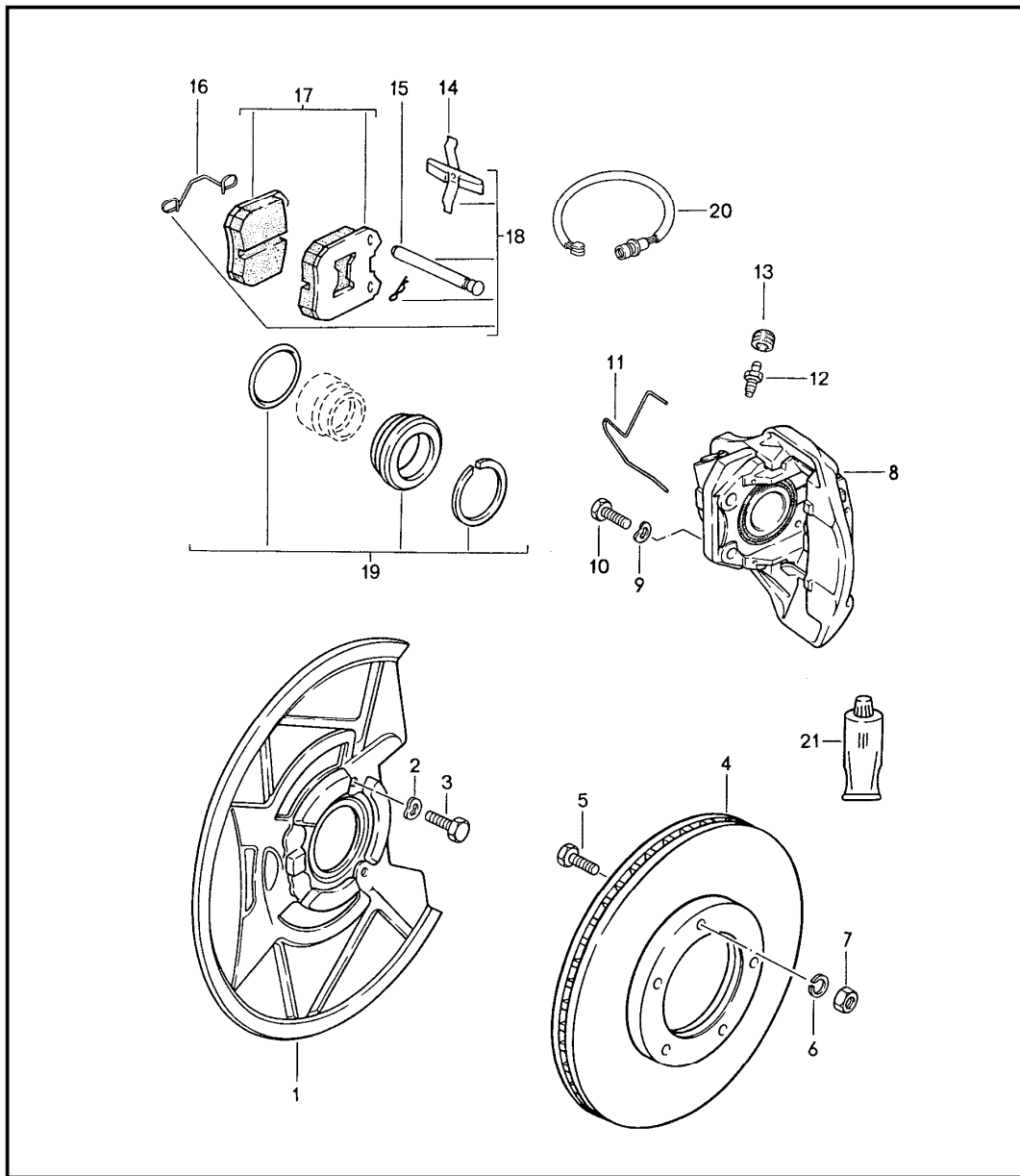
Model	Year	MG	SG	Illustration	Restrictions	UPD	22:46	23.01.2010	PORSCHE	PET	PORSCHE
9442	1991	6	01	601-00		248					

Pos	Part Number	Description	Remark	Qty	Model	Pos	Part Number	Description	Remark	Qty	Model
3	928 362 114 05	alloy wheel 7 1/2 J X 16 ET 65 silver	/V	90- 90-	2	TURBO 944S2 M030	9	901 361 412 50	balance stick-on weight 25 G	X	
3	928 362 119 30	alloy wheel 9 J X 16 ET 60 silver	/H	89	2	TURBO	9	901 361 412 00	balance stick-on weight 30 G	X	
3	928 362 118 02	alloy wheel 9 J X 16 ET 52,3 silver	/H	90- 90-	2	TURBO 944S2 M030	9	901 361 413 50	balance stick-on weight 35 G	X	
4	928 362 114 20	alloy wheel 7 J X 16 ET 65 silver	/V		2	TURBO	9	901 361 413 00	balance stick-on weight 40 G	X	
4	928 362 116 20	alloy wheel 8 J X 16 ET 52,3 silver	/H		2	TURBO	9	901 361 414 50	balance stick-on weight 45 G	X	
5	928 361 032 01	hub cap silver		-89	4		9	901 361 414 00	balance stick-on weight 50 G	X	
(5)	928 361 032 02	hub cap silver		90-	4		9	901 361 415 50	balance stick-on weight 55 G	X	
6	928 361 031 00	hub cap silver			4		9	901 361 415 00	balance stick-on weight 60 G	X	
6	477 601 051 D	hub cap platinum			4		9	901 361 416 50	balance stick-on weight 65 G	X	
7	999 182 003 36	wheel nut			20		9	901 361 416 00	balance stick-on weight 70 G	X	
8	900 265 001 50	rubber valve \$ 15,2			4		9	901 361 417 50	balance stick-on weight 75 G	X	
9	901 361 410 50	balance stick-on weight 5 G			X		9	901 361 417 00	balance stick-on weight 80 G	X	
9	901 361 410 00	balance stick-on weight 10 G			X		10	928 361 421 00	balance weight 5 G	X	
9	901 361 411 50	balance stick-on weight 15 G			X		10	928 361 410 00	balance weight 10 G	X	
9	901 361 411 00	balance stick-on weight 20 G			X		10	928 361 422 00	balance weight 15 G	X	
							10	928 361 411 00	balance weight 20 G	X	
							10	928 361 423 00	balance weight 25 G	X	
							10	928 361 412 00	balance weight 30 G	X	
							10	928 361 424 00	balance weight 35 G	X	

Model	Year	MG	SG	Illustration	Restrictions	UPD	22:46	23.01.2010	PORSCHE	PET	PORSCHE
9442	1991	6	01	601-00		248					

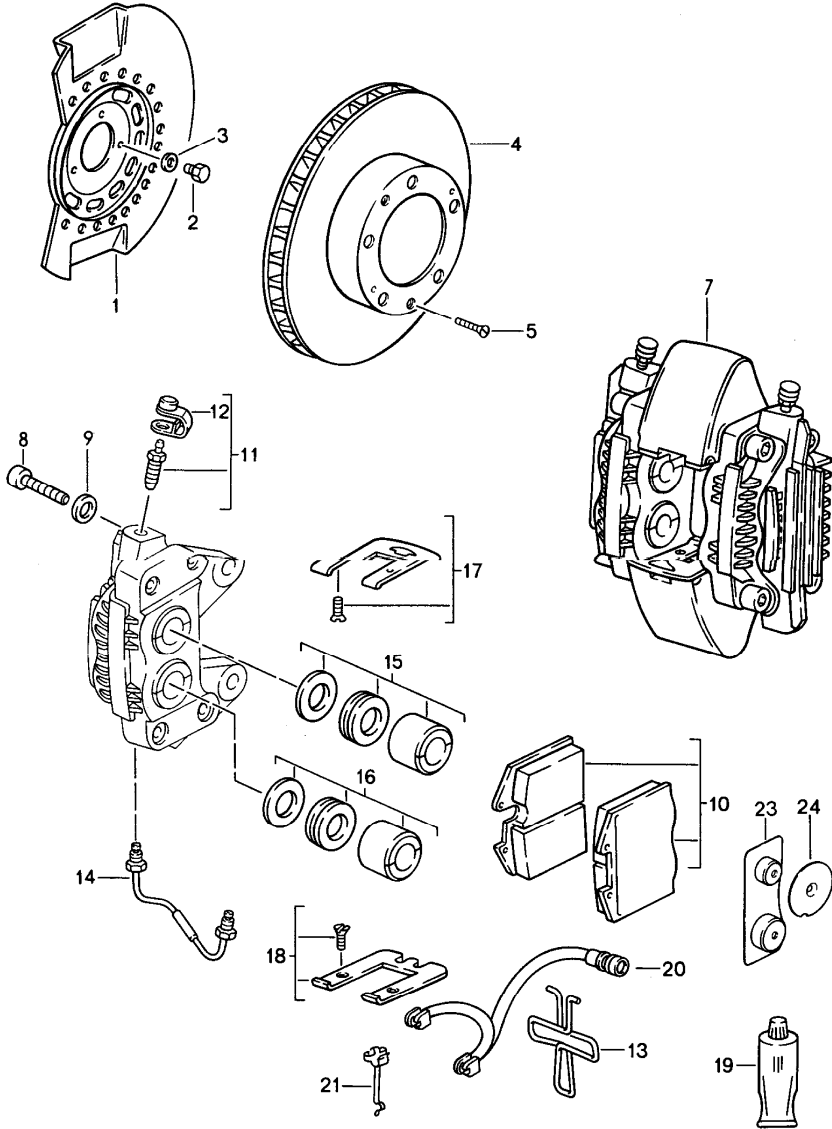
Pos	Part Number	Description	Remark	Qty	Model	Pos	Part Number	Description	Remark	Qty	Model
10	928 361 413 00	balance weight 40 G		X		20	900 025 008 09	washer A 10,5		1	
10	928 361 425 00	balance weight 45 G		X							
10	928 361 414 00	balance weight 50 G		X							
10	928 361 426 00	balance weight 55 G		X							
10	928 361 415 00	balance weight 60 G		X							
10	928 361 416 00	balance weight 70 G		X							
10	928 361 417 00	balance weight 80 G		X							
11	928 361 420 01	retaining clip		X							
12	944 362 030 01	emergency wheel steel wheel with collapsible tire		1	944						
(12)	928 362 030 02	emergency wheel alloy wheel with collapsible tire		1	944S2/TURBO						
13	477 813 157	fastening plate		1							
14	900 075 411 02	hexagon-head bolt M 10 X 65		1							
(14)	914 722 104 10	wing screw		1							
15	A 911 652 052 00	small electric compressor		1							
15	964 652 053 00	small electric compressor for emergency wheel		1							
16	928 361 047 03	wheel nut lockable 1 set		1							
17	928 361 306 03	wheel nut lockable without lock		4							
18	965 361 167 00	cap		4							
19	928 361 312 01	blank key for wheel nut lockable		X							

Model	Year	MG	SG	Illustration	Restrictions	UPD	22:46	23.01.2010	PORSCHE	PET	PORSCHE
9442	1991	6	02	602-00		248					



Pos	Part Number	Description	Remark	Qty	Model
		disc brake front axle	-89		944
1	944 351 085 00	cover plate		2	
2	N 012 234 5	spring washer B 7		6	
3	N 010 226 2	hexagon-head bolt M 7 X 10		6	
4	944 351 041 05	brake disc		2	
5	900 075 079 02	hexagon-head bolt M 8 X 22		10	
6	N 012 241 1	spring washer B 8		10	
7	900 076 025 02	hexagon nut M 8		10	
8	944 351 429 00	floating calliper	/L	1	
8	944 351 430 00	floating calliper	/R	1	
9	900 028 014 02	spring washer B 12		4	
10	N 040 108 1	hexagon-head bolt M 12 X 1,5 X 40		4	
11	431 615 169	guide spring		2	
12	944 351 957 00	ventilation valve		2	
13	944 351 959 00	dust boot		2	
14	* 928 351 935 00	expanding spring		2	
15	* 928 351 936 00	retaining pin		4	
16	* 928 351 955 00	safety seal		2	
17	944 351 951 02	brake pad repair set without asbestos		1	
18	944 351 952 01	mounting parts		1	
19	* 928 351 941 00	gasket set		1	
20	944 612 212 00	warning contact		2	
21	000 043 117 00	brake cylinder paste 1 50-g tube		X	

Model	Year	MG	SG	Illustration	Restrictions	UPD	22:46	23.01.2010	PORSCHE	PET	PORSCHE
9442	1991	6	02	602-01		248					



Pos	Part Number	Description	Remark	Qty	Model
		disc brake front axle			944S2/TURBO
		see technical information GR.4, NR.1/89 GR.4, NR.1/93			
1	951 351 085 03	cover plate	/L	1	
(1)	951 351 086 03	cover plate	/R	1	
2	N 010 226 2	hexagon-head bolt M 7 X 10		6	
3	N 012 234 5	spring washer		6	
4	A 951 351 041 02	brake disc		2	944S2
4	951 351 041 02	brake disc		2	944S2
(4)	928 351 043 60	brake disc	/L	1	TURBO 944S2 M030
(4)	928 351 044 60	brake disc	/R	1	TURBO 944S2 M030
5	N 033 167 1	countersunk-head screw M 6 X 12		4	
7	951 351 421 01	fixed calliper with scraper ring piston \$ 36/40 F >>94KN4 02629	/L	1	944S2
7	951 351 421 03	fixed calliper with protection cap piston \$ 36/40 F 94KN4 02630>>	/L	1	944S2
7	951 351 093 00	fixed calliper with scraper ring piston \$ 36/44	/L	1	TURBO
7	928 351 421 03	fixed calliper with protection cap piston \$ 36/44	/L	1	TURBO 944S2 M030

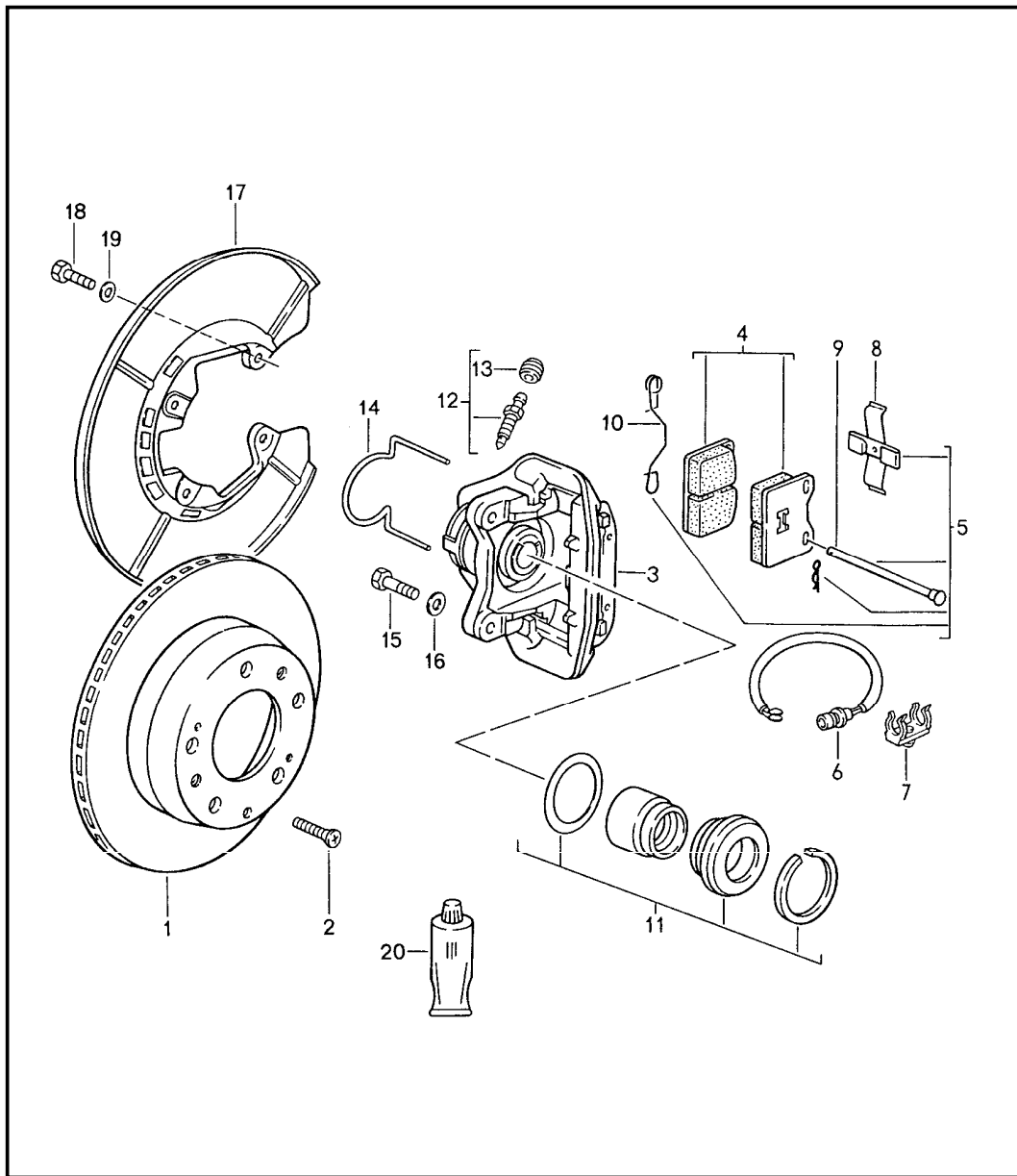
Model	Year	MG	SG	Illustration	Restrictions	UPD	22:46	23.01.2010	PORSCHE	PET	PORSCHE
9442	1991	6	02	602-01		248					

Pos	Part Number	Description	Remark	Qty	Model	Pos	Part Number	Description	Remark	Qty	Model
(7)	951 351 422 01	fixed calliper with scraper ring piston \$ 36/40 F >>94KN4 02629	/R	1	944S2	12	930 351 927 00	dust boot		4	
						13	951 352 950 00	expanding spring		2	944S2
						13	928 351 950 01	expanding spring	90-	2	TURBO 944S2 M030
(7)	951 351 422 03	fixed calliper with protection cap piston \$ 36/40 F 94KN4 02630>>	/R	1	944S2	14	951 351 971 00	connecting line		2	944S2
						14	928 351 971 00	connecting line	90-	2	TURBO 944S2 M030
(7)	951 351 094 00	fixed calliper with scraper ring piston \$ 36/44	/R	1	TURBO	15	951 351 919 02	gasket set with scraper ring \$ 40 F >>94KN4 02629		2	944S2
(7)	928 351 422 03	fixed calliper with protection cap piston \$ 36/44	/R	1	TURBO 944S2 M030	15	951 351 919 11	gasket set with protection cap \$ 40 F 94KN4 02630>>	90-	2	944S2
8	N 010 137 2	hexagon-head bolt M 12 X 1,5 X 35		4	944S2	15	928 351 919 01	gasket set with scraper ring \$ 44		2	TURBO
8	900 067 154 02	pan-head screw M 12 X 1,5 X 70		4	TURBO 944S2 M030	15	928 351 919 10	repair kit with protection cap \$ 44	90-	2	TURBO 944S2 M030
9	900 028 014 02	spring washer B 12		4	944S2	16	951 351 919 01	gasket set with scraper ring \$ 36 F >>94KN4 02629		2	944S2
9	N 011 564 2	washer B 13		4	TURBO 944S2 M030	16	951 351 919 10	repair kit with protection cap \$ 36 F 94KN4 02630>>	90-	2	944S2
10	A 951 351 939 08	brake pad repair set		1	944S2	16	951 351 919 01	gasket set with scraper ring \$ 36		2	TURBO
10	951 351 939 08	brake pad repair set without asbestos use also: POS.(24)		1	944S2	16	951 351 919 10	repair kit with protection cap \$ 36 F 94KN4 02630>>		2	944S2
10	A 993 351 939 01	brake pad repair set		1	TURBO	16	951 351 919 01	gasket set with scraper ring \$ 36		2	TURBO
10	993 351 939 01	brake pad repair set without asbestos use also: POS.(23)		1	TURBO 944S2 M030						
11	930 351 919 00	ventilation valve		4							

Model	Year	MG	SG	Illustration	Restrictions	UPD	22:46	23.01.2010	PORSCHE	PET	PORSCHE
9442	1991	6	02	602-01		248					

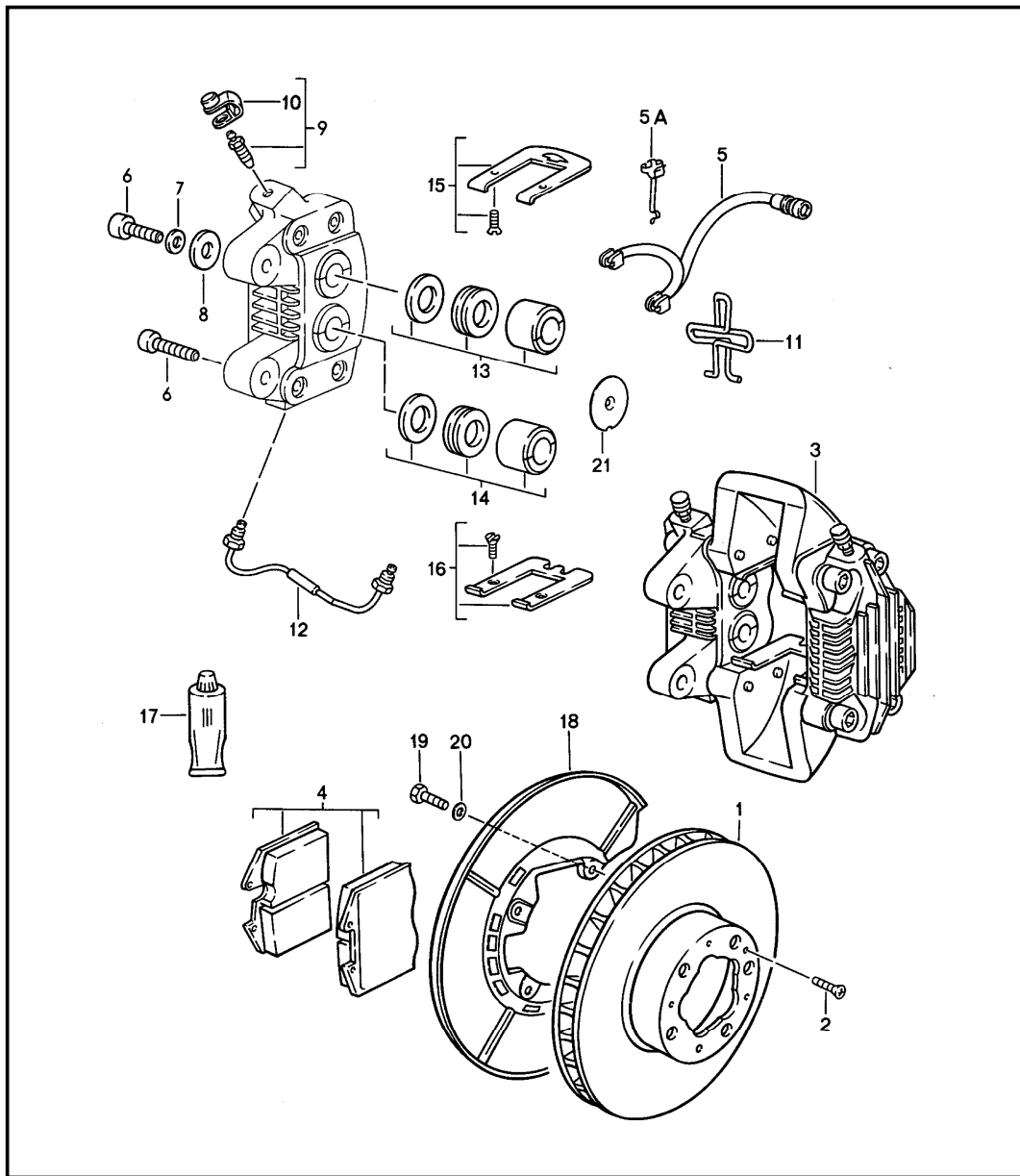
Pos	Part Number	Description	Remark	Qty	Model	Pos	Part Number	Description	Remark	Qty	Model
16	951 351 919 10	repair kit with protection cap \$ 36	90-	2	TURBO 944S2 M030	24	951 351 096 00	damping plate for piston with scraper ring \$ 40 F >>94KN4 02629		4	944S2
17	964 351 959 01	repair kit spring plate		2	944S2						
17	993 351 959 01	repair kit spring plate	90-	2	TURBO 944S2 M030	24	964 351 096 01	damping plate for piston with protection cap \$ 36 F 94KN4 02630>>		4	944S2
18	964 351 959 00	repair kit spring plate		2	944S2						
18	993 351 959 00	repair kit spring plate	90-	2	TURBO 944S2 M030	24	964 351 096 02	damping plate for piston with protection cap \$ 40 F 94KN4 02630>>		4	944S2
19	000 043 020 00	optimoly TA 1 100-gramme tube		X							
(19)	000 043 117 00	brake cylinder paste 1 50-g tube		X							
20	944 612 365 01	warning contact use also:		2							
21	928 612 361 00	cable holder		2							
22	951 341 705 00	cable holder		2							
23	951 351 089 04	vibration damper for fixed calliper with scraper ring \$ 25,2/33,8		4	TURBO						
23	951 351 089 03	vibration damper for fixed calliper with protection cap \$ 19,7/27,3	90-	4	TURBO 944S2 M030						
24	928 351 096 19	damping plate for piston with scraper ring \$ 36 F >>94KN4 02629		4	944S2						

Model	Year	MG	SG	Illustration	Restrictions	UPD	22:46	23.01.2010	PORSCHE	PET	PORSCHE
9442	1991	6	03	603-00		248					



Pos	Part Number	Description	Remark	Qty	Model
		disc brake rear axle	-89		944
1	944 352 041 03	brake disc		2	
2	N 033 167 1	countersunk-head screw M 6 X 12		2	
3	944 352 429 00	floating calliper without pad	/L	1	
3	944 352 430 00	floating calliper without pad	/R	1	
4	944 352 951 02	brake pad repair set without asbestos		1	
5	944 352 952 00	mounting parts for brake pad repair set		1	
6	944 612 212 01	warning contact		2	
7	999 651 203 40	cable holder		2	
8	* 928 352 935 00	expanding spring		2	
9	* 928 351 936 00	retaining pin		4	
10	* 944 352 963 00	safety seal		2	
11	* 928 352 941 00	gasket set		2	
12	901 352 977 10	bleeder valve		2	
13	901 351 927 10	dust boot		2	
14	944 352 954 00	guide spring	/R	1	
(14)	944 352 953 00	guide spring	/L	1	
15	900 082 077 02	hexagon-head bolt M 12 X 1,5 X 37		4	
16	900 028 014 02	spring washer		4	
17	964 352 801 00	protective plate		2	
18	999 072 005 09	hexagon-head bolt M 6 X 12		8	
19	N 012 226 5	spring washer B 8		8	
20	000 043 117 00	brake cylinder paste 1 50-g tube		X	

Model	Year	MG	SG	Illustration	Restrictions	UPD	22:47	23.01.2010	PORSCHE	PET	PORSCHE
9442	1991	6	03	603-01		248					

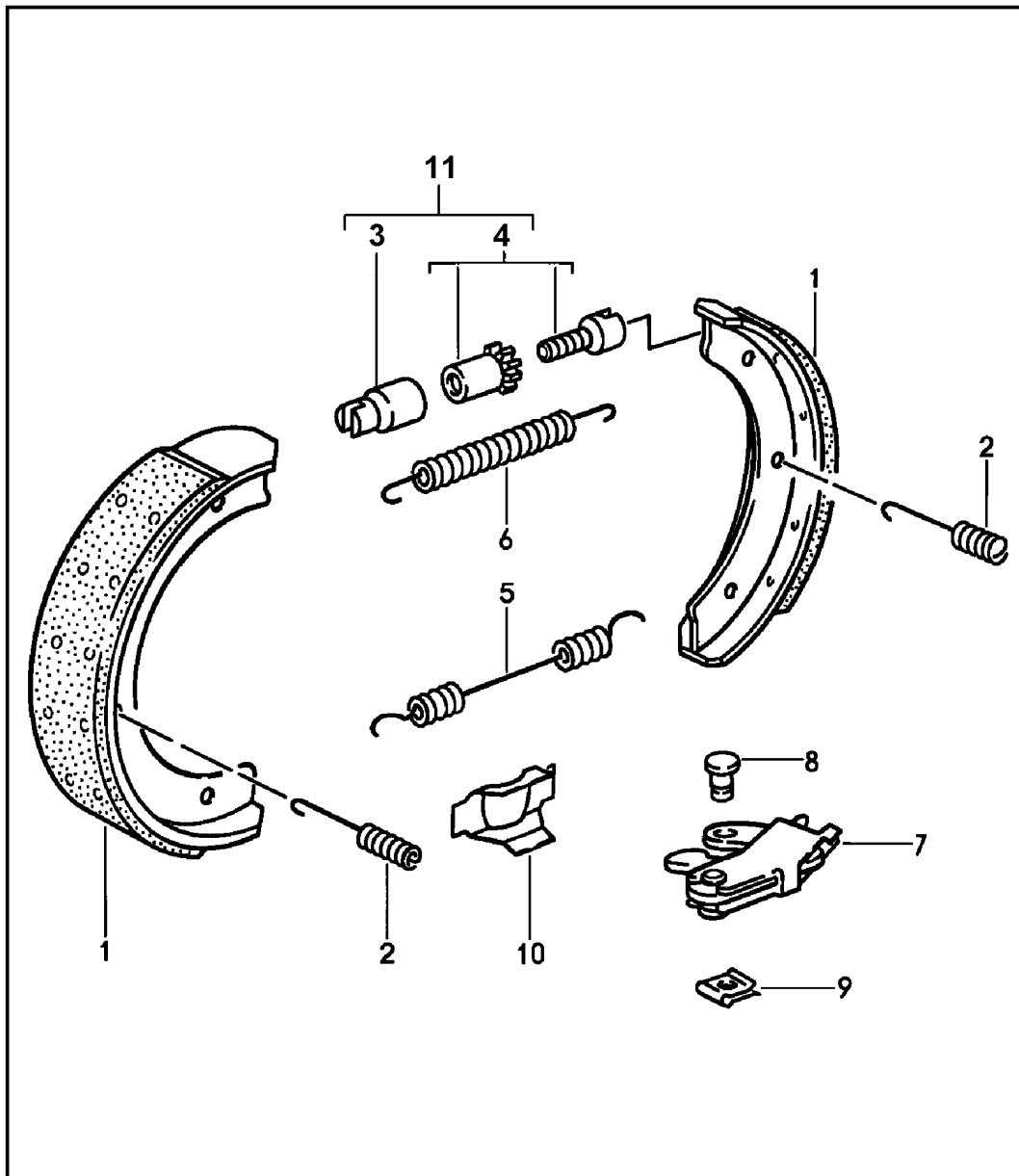


Pos	Part Number	Description	Remark	Qty	Model
		disc brake rear axle			944S2/TURBO
		see technical information GR.4, NR.1/89 GR.4, NR.1/93			
1	951 352 041 02	brake disc		2	
2	N 033 167 1	countersunk-head screw M 6 X 12		2	
3	951 352 421 00	fixed calliper with scraper ring piston § 28/30 F >>95KN1 00218	/L	1	TURBO
3	951 352 421 02	fixed calliper with protection cap piston § 28/30 F 95KN1 00219>>	/L	1	944S2/TURBO
(3)	951 352 422 00	fixed calliper with scraper ring piston § 28/30 F >>95KN1 00218	/R	1	TURBO
(3)	951 352 422 02	fixed calliper with protection cap piston § 28/30 F 95KN1 00219>>	/R	1	944S2/TURBO
4	A 951 351 939 08	brake pad repair set		1	944S2
4	951 351 939 08	brake pad repair set without asbestos use also: POS. (21)		1	944S2
4	965 352 939 04	brake pad repair set without asbestos use also: POS. (21)		1	TURBO 944S2 M030
5	944 612 365 01	warning contact use also:		2	
5A	928 612 361 00	cable holder		2	

Model	Year	MG	SG	Illustration	Restrictions	UPD	22:47	23.01.2010	PORSCHE	PET	PORSCHE
9442	1991	6	03	603-01		248					

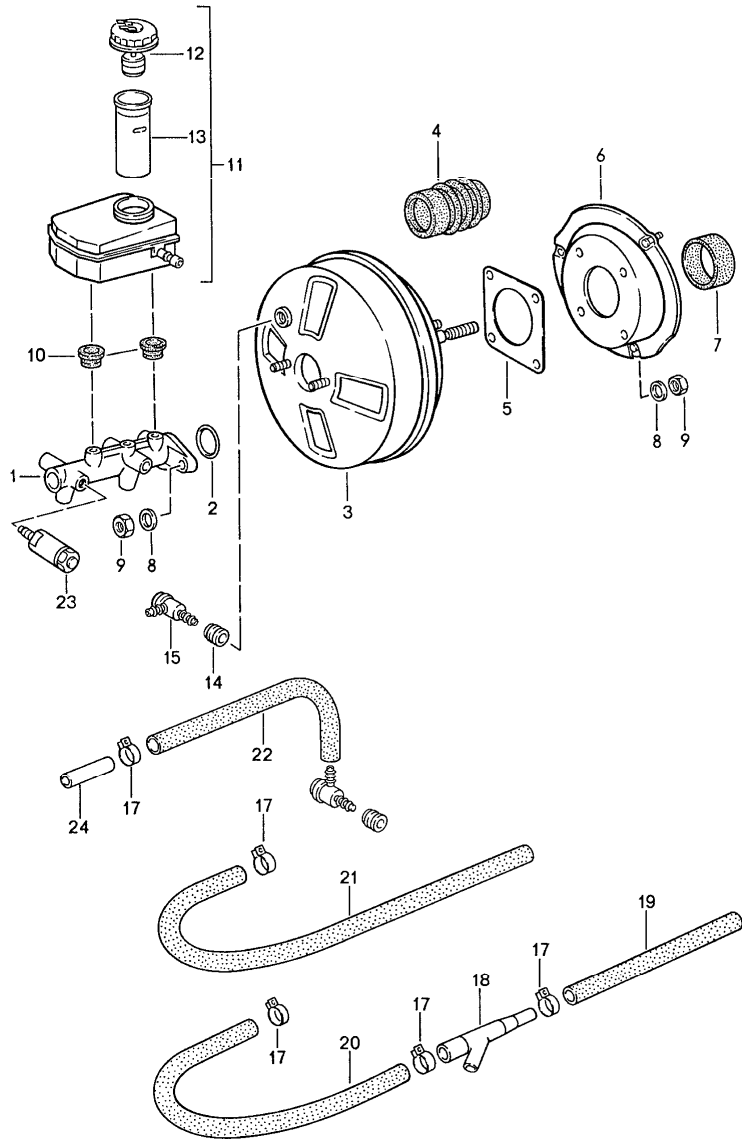
Pos	Part Number	Description	Remark	Qty	Model	Pos	Part Number	Description	Remark	Qty	Model
6	N 040 108 1	hexagon-head bolt M 12 X 1,5 X 40		4		17	000 043 020 00	optimoly TA 1 100-gramme tube		X	
7	900 028 014 02	spring washer B 12		4		(17)	000 043 117 00	brake cylinder paste		X	
8	999 025 131 01	spacer		4				1 50-g tube			
9	930 351 919 00	ventilation valve		4		18	A 964 352 801 00	protective plate		2	
10	930 351 927 00	dust boot		4		(18)	964 352 801 00	protective plate		2	
11	951 352 950 00	expanding spring		2		19	999 072 005 09	hexagon-head bolt M 6 X 12		8	
12	951 352 971 00	connecting line		2		20	N 012 226 5	spring washer		8	
13	951 352 919 11	gasket set with protection cap \$ 30		2	944S2	21	928 352 096 10	damping plate for piston with scraper ring \$ 30 F >>95KN1 00218		4	TURBO
13	951 352 919 00	gasket set with scraper ring \$ 30 F >>95KN1 00218		2	TURBO						
13	951 352 919 11	gasket set with protection cap \$ 30 F 95KN1 00219>>		2	TURBO	21	928 352 096 11	damping plate for piston with scraper ring \$ 28 F >>95KN1 00218		4	TURBO
14	951 352 919 10	gasket set with protection cap \$ 28		2	944S2	21	964 352 096 00	damping plate for piston with protection cap \$ 30 F 95KN1 00219>>		4	TURBO 944S2
14	951 352 919 01	repair kit with scraper ring \$ 28 F >>95KN1 00218		2	TURBO						
14	951 352 919 10	gasket set with protection cap \$ 28 F 95KN1 00219>>		2	TURBO	21	964 352 096 01	damping plate for piston with protection cap \$ 28 F 95KN1 00219>>		4	TURBO 944S2
15	993 352 959 01	repair kit spring plate		2							
16	993 352 959 00	repair kit spring plate		2							

Model	Year	MG	SG	Illustration	Restrictions	UPD	22:47	23.01.2010	PORSCHE	PET	PORSCHE
9442	1991	6	03	603-04		248					



Pos	Part Number	Description	Remark	Qty	Model
		handbrake			
1	A 996 352 993 00	repair kit		1	
(1)	997 352 993 02	repair kit 1 set only together with compression spring 996.352.741.00 adjusting screw 993.352.071.00		1	
2	928 352 957 02	compression spring		4	
(2)	996 352 741 00	compression spring only together with repair kit 997.352.993.02		4	
3	911 352 944 00	support bush		2	
4	911 352 098 00	adjusting screw		2	
5	A 951 352 454 00	return spring		2	
5	996 352 723 00	return spring		2	
6	901 352 932 10	return spring		2	
7	951 352 090 00	expanding bow		2	
8	477 609 459	bolt		2	
9	N 900 588 01	lock		2	
10	951 352 807 00	supporting plate		2	
11	993 352 071 00	adjusting screw only together with repair kit 997.352.993.02		2	

Model	Year	MG	SG	Illustration	Restrictions	UPD	22:47	23.01.2010	PORSCHE	PET	PORSCHE
9442	1991	6	04	604-00		248					

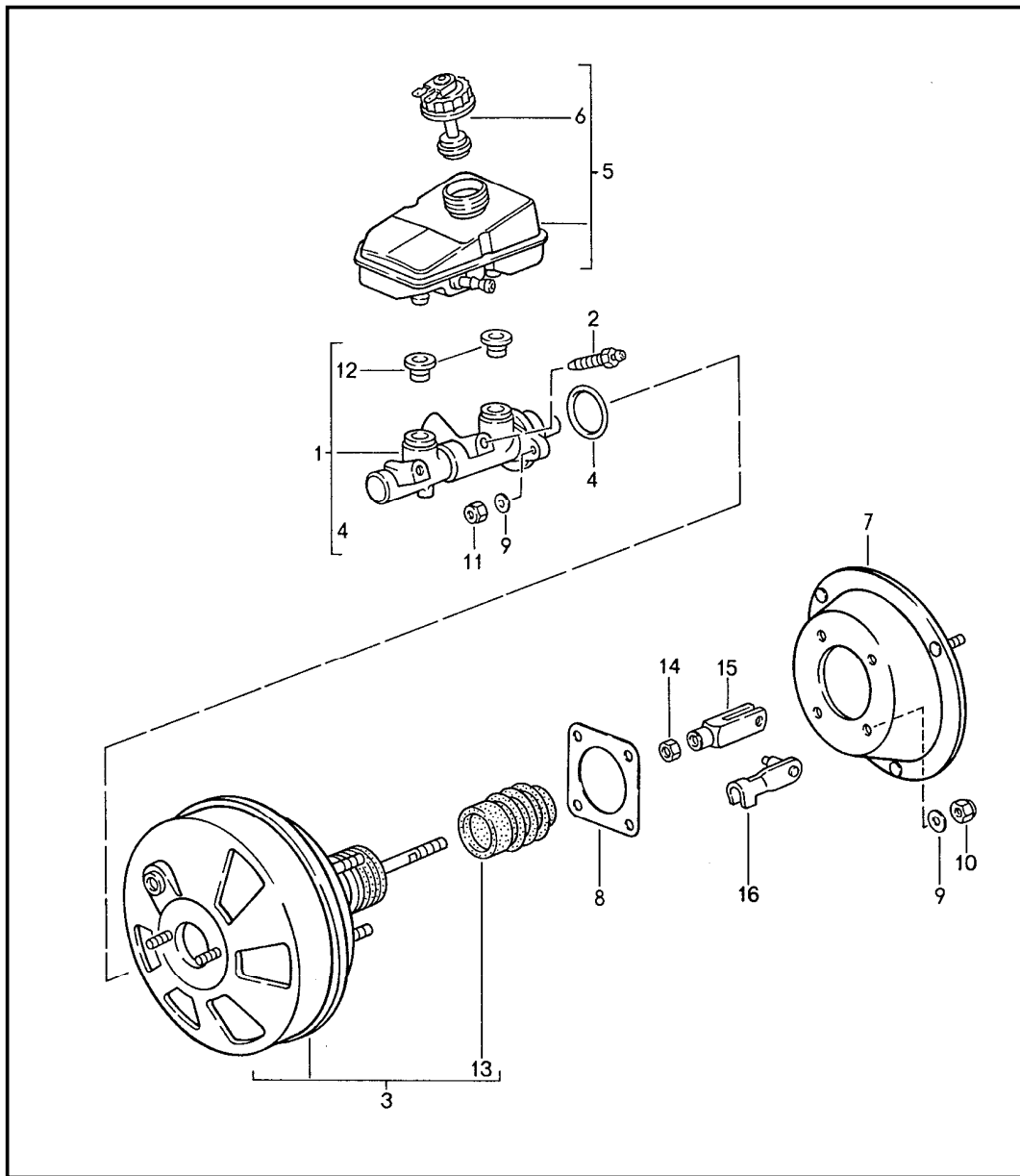


Pos	Part Number	Description	Remark	Qty	Model
		brake master cylinder brake booster expansion tank	-90		
1	944 355 011 10	brake master cylinder - girling -	/LL	1	944,944S2
1	951 355 011 01	brake master cylinder - ate -		1	944,944S2 TURBO
2	251 611 243	brake light switch see group 9/06/00			
2	251 611 243	sealing ring		1	
3	944 355 023 10	brake booster - girling -	/LL	1	944,944S2
3	944 355 023 11	brake booster - ate -		1	944,944S2 TURBO
4	944 355 323 00	bellows		1	
5	477 611 951	gasket		1	
6	951 355 021 01	intermediate piece		1	
7	477 611 969 D	gasket		1	
8	900 025 007 02	washer		9	
9	900 076 025 02	hexagon nut M 8		9	
10	911 355 922 00	sealing plug		2	
11	A 951 355 303 02	expansion tank		1	
11	951 355 303 02	expansion tank		1	
12	951 355 351 00	lid with float		1	
13	951 355 385 00	restrictor bush		1	
14	911 355 921 00	rubber seal		1	
15	477 611 933 A	check valve		1	
15	191 611 933 F	check valve		1	TURBO
17	999 512 346 00	hose clamp		3	
18	035 133 753 A	venturi tube		1	AUT.

Model	Year	MG	SG	Illustration	Restrictions	UPD	22:47	23.01.2010	PORSCHE	PET	PORSCHE
9442	1991	6	04	604-00		248					

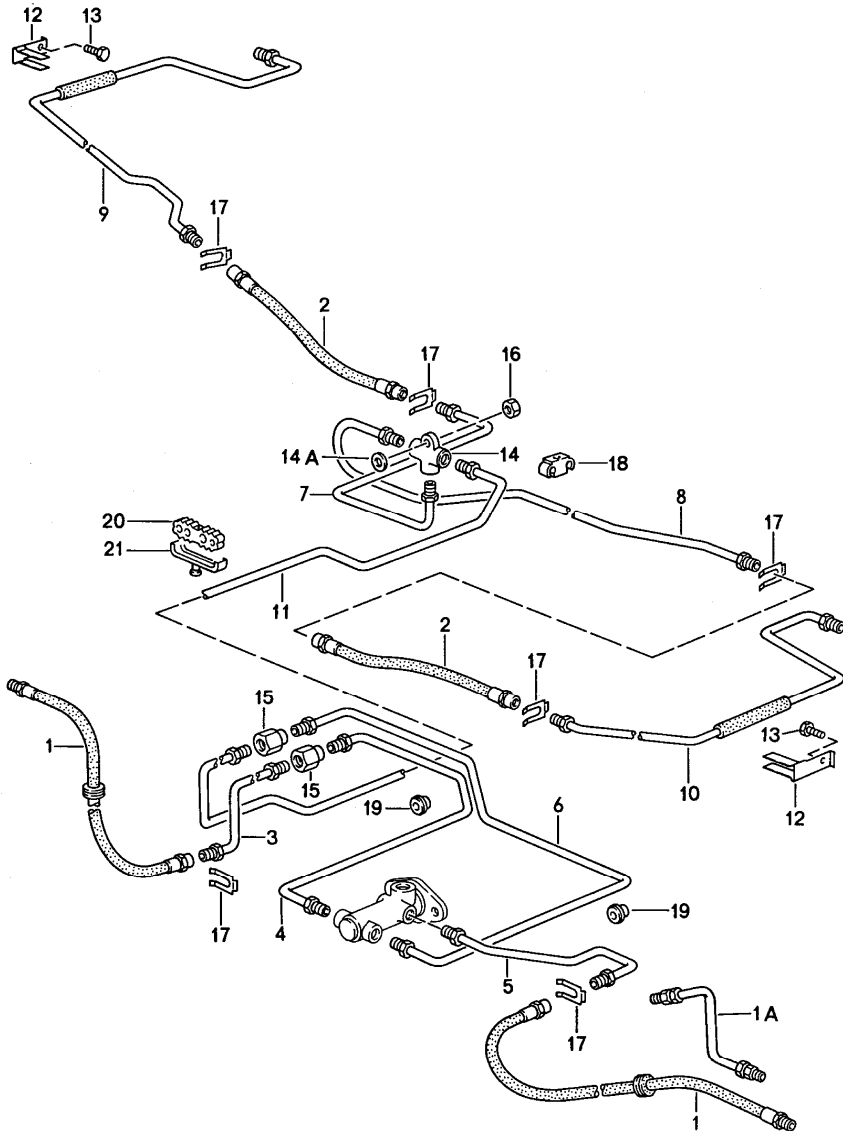
Pos	Part Number	Description	Remark	Qty	Model	Pos	Part Number	Description	Remark	Qty	Model
-	999 239 011 40	hose 12 X 19		*							
19	-	140 MM		1	AUT.						
20	944 110 219 01	moulded hose		1	AUT.						
21	944 110 219 00	moulded hose		1	944						
(21)	944 110 435 02	moulded hose		1	944S2						
(21) A	951 110 223 01	moulded hose		1	TURBO						
(21)	951 110 223 01	moulded hose		1	TURBO						
-	321 611 813	t-socket		1	TURBO						
-	N 024 125 2	hose clamp		2	TURBO						
22 A	951 110 223 01	moulded hose		1	TURBO						
23	928 355 305 02	brake pressure regulator		1	944						
23	951 355 305 01	brake pressure regulator		1	944S2/TURBO						
24	999 137 029 40	hose connection		1	TURBO						
-	951 355 023 02	heat shield		1	TURBO						
-	999 072 005 09	hexagon-head bolt M 6 X 12		3	TURBO						
-	900 076 010 02	hexagon nut M 6		3	TURBO						
-	N 011 547 1	washer A 6,5		6	TURBO						

Model	Year	MG	SG	Illustration	Restrictions	UPD	22:48	23.01.2010	PORSCHE	PET	PORSCHE
9442	1991	6	04	604-01		248					



Pos	Part Number	Description	Remark	Qty	Model
		brake master cylinder brake booster expansion tank anti-lock brake system			M593
1	951 355 011 01	brake master cylinder - ate - use also: POS.2		1	
2	930 351 919 00	ventilation valve		1	
3	944 355 023 11	brake booster - ate -		1	
4	251 611 243	sealing ring		1	
5 A	951 355 303 02	expansion tank		1	
5	951 355 303 02	expansion tank		1	
6	951 355 351 00	lid		1	
7	951 355 021 01	intermediate piece		1	
8	477 611 951	gasket		1	
9	900 025 007 02	washer A 8,4		9	
10	900 910 022 09	lock nut M 8		7	
11	999 084 425 02	lock nut M 8		2	
12	911 355 922 00	sealing plug		2	
13	944 355 323 00	bellows		1	
14	N 011 010 6	hexagon nut M 10		1	
15	999 166 061 30	clevis		1	
16	N 023 476 1	bolt		1	

Model	Year	MG	SG	Illustration	Restrictions	UPD	22:48	23.01.2010	PORSCHE	PET	PORSCHE
9442	1991	6	04	604-05		248					

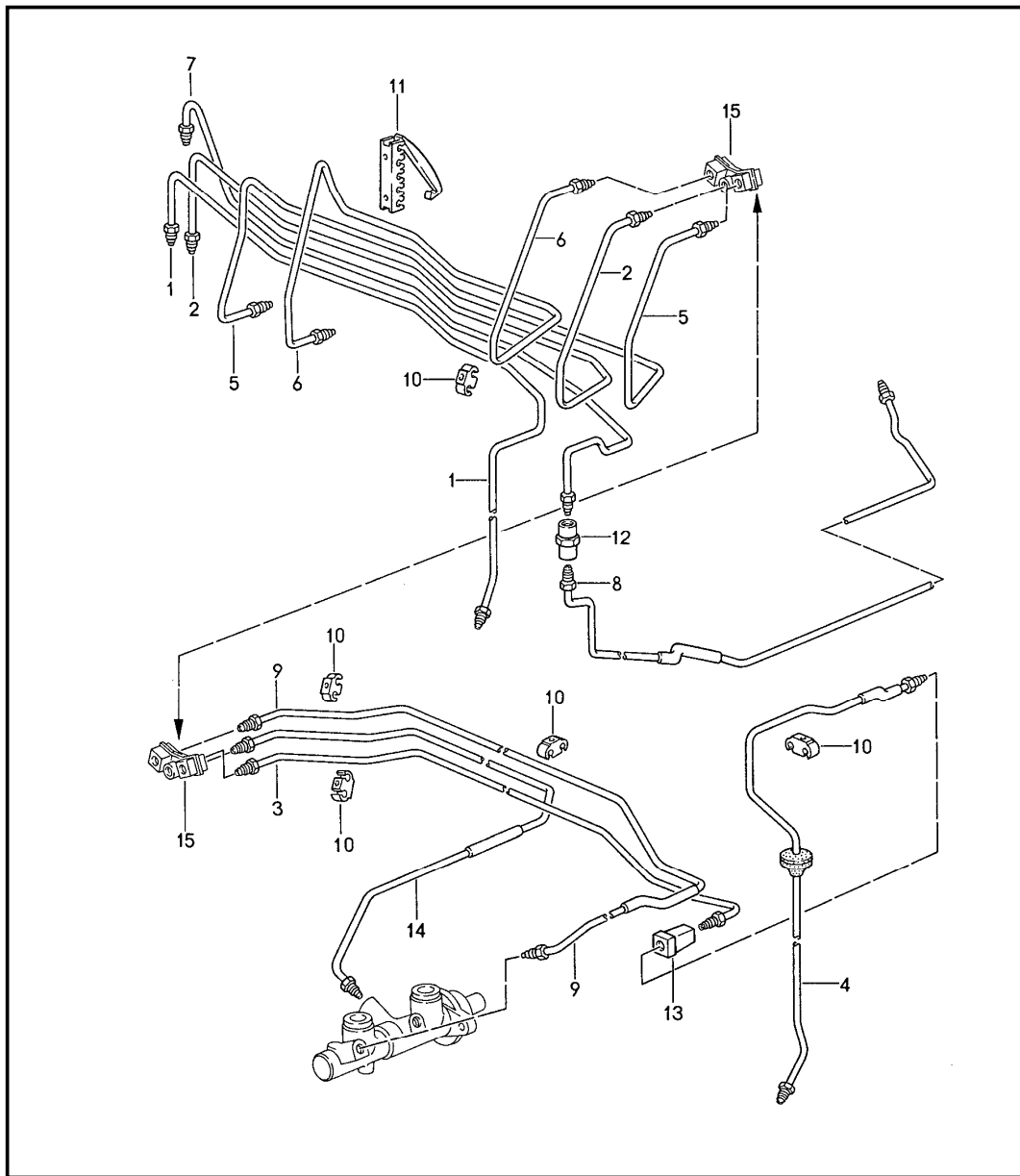


Pos	Part Number	Description	Remark	Qty	Model
		brake lines			
1	944 355 079 01	brake hose	/V	2	
1	951 355 079 31	brake hose	/V	2	TURBO 944S2 M030
1A	951 355 041 30	brake line	/L	1	TURBO 944S2 M030
(1A)	951 355 042 30	brake line	/R	1	TURBO 944S2 M030
2	944 355 081 01	brake hose	/H	2	
3	951 355 032 10	brake line	/R	1	COUPE
(3)	941 355 032 05	brake line	/R	89-	CABRIO
4	951 355 031 15	brake line	/R	1	
5	951 355 029 10	brake line	/L	1	COUPE
(5)	941 355 029 05	brake line	/L	89-	CABRIO
6	951 355 033 10	brake line		1	944S2/TURBO
6	944 355 034 10	brake line		1	944
7	951 355 062 03	brake line	/R	1	
8	951 355 061 02	brake line	/L	1	
9	951 355 036 02	brake line	/R	1	
10	951 355 035 02	brake line	/L	1	
11	951 355 037 02	brake line		1	COUPE
(11)	941 355 037 12	brake line		89-	CABRIO
12	477 611 783	support		2	
13	N 010 210 13	hexagon-head bolt		2	
14	914 355 667 00	distributor		1	
14A	N 015 404 1	washer		1	
(15)	944 355 083 02	intermediate piece		1	
16	N 011 116 5	hexagon nut		1	
17	113 611 715 A	brake hose bracket		8	

Model	Year	MG	SG	Illustration	Restrictions	UPD	22:48	23.01.2010	PORSCHE	PET	PORSCHE
9442	1991	6	04	604-05		248					

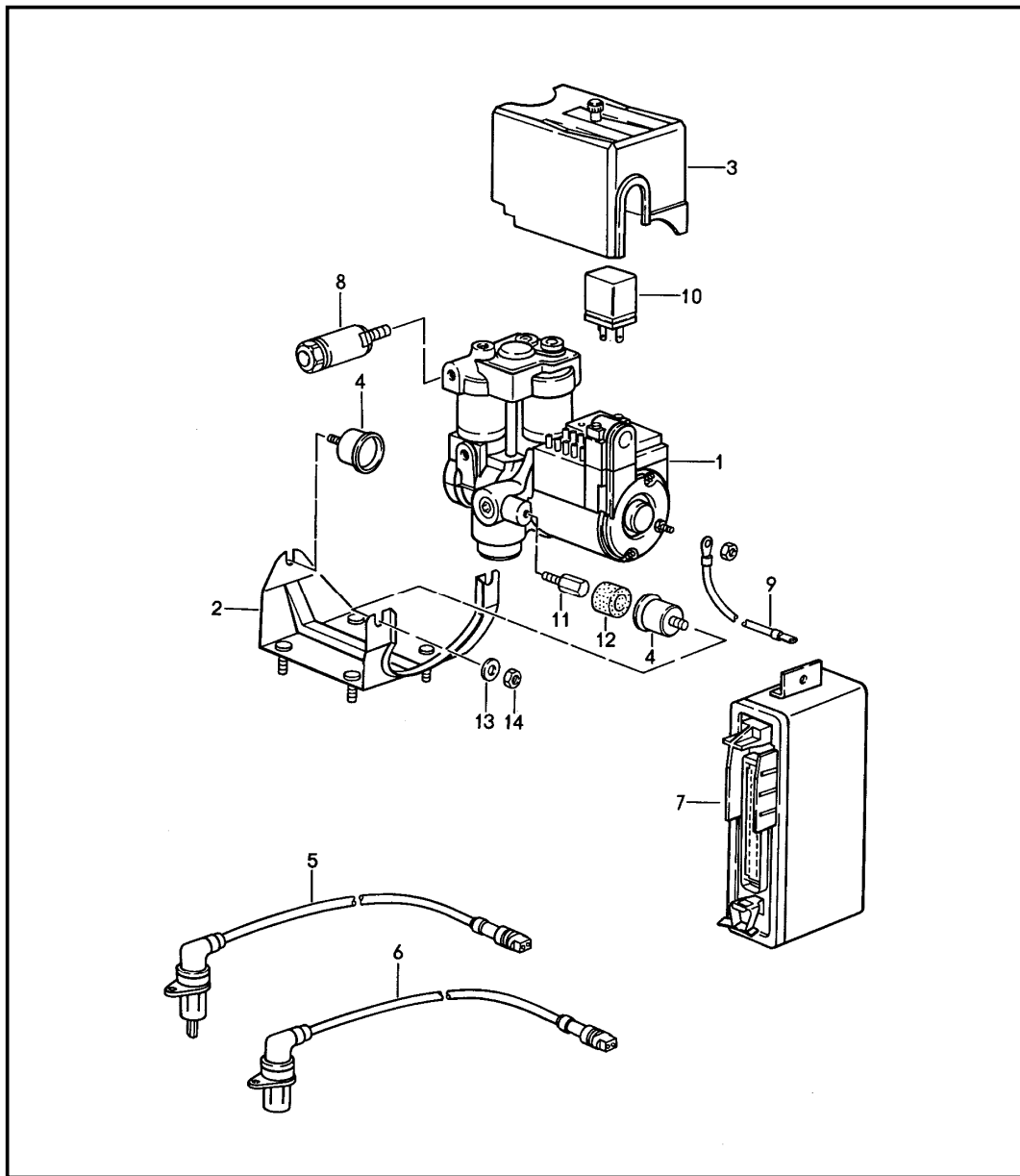
Pos	Part Number	Description	Remark	Qty	Model	Pos	Part Number	Description	Remark	Qty	Model
18	811 611 797	clip		12							
19	951 355 755 00	rubber sleeve		4							
20	999 591 975 40	rubber mounting		8							
21	999 511 199 40	clamp		8							

Model	Year	MG	SG	Illustration	Restrictions	UPD	22:48	23.01.2010	PORSCHE	PET	PORSCHE
9442	1991	6	05	605-00		248					



Pos	Part Number	Description	Remark	Qty	Model
		brake lines anti-lock brake system			M593
1	944 355 045 10	brake line	/R	1	COUPE
(1)	941 355 045 05	brake line	/R	1	CABRIO
2	944 355 047 15	brake line	/L	1	
3	944 355 049 00	brake line	/L	1	
4	944 355 051 01	brake line	/L	1	COUPE
(4)	941 355 051 05	brake line	/L	1	CABRIO
5	944 355 073 10	brake line	/V	1	
6	944 355 055 10	brake line	/H	1	
7	944 355 069 00	brake line	/H	1	944
7	944 355 061 00	brake line	/H	1	944S2/TURBO
8	951 355 059 01	brake line	/H	1	COUPE
(8)	941 355 059 12	brake line	/H	1	CABRIO
9	944 355 034 10	brake line		1	
10	811 611 797	clip		6	
11	928 355 637 01	support		1	
12	914 355 661 00	intermediate piece		1	
13	944 355 665 00	intermediate piece		1	
14	951 355 031 15	brake line		1	
15	944 355 083 03	intermediate piece		1	

Model	Year	MG	SG	Illustration	Restrictions	UPD	22:48	23.01.2010	PORSCHE	PET	PORSCHE
9442	1991	6	05	605-02		248					



Pos	Part Number	Description	Remark	Qty	Model
		hydraulic unit anti-lock brake system			M593
1	A 951 355 913 00	hydraulic unit		1	
1	951 355 913 00	hydraulic unit		1	
2	944 355 063 00	support		1	
3	928 355 960 01	cap		1	
4	944 355 631 00	bearing sleeve		3	
5	928 606 404 02	speed sensor	/V	2	
6	944 606 401 02	speed sensor	/H	2	
7	> 928 618 118 00	control unit		1	
8	951 355 305 01	brake pressure regulator		1	944S2/TURBO
8	928 355 305 02	brake pressure regulator		1	944
9	928 612 189 01	ground strap		1	
10	928 618 931 01	relay for valve		1	
10	928 618 930 01	relay for engine		1	
11	944 355 667 00	bolt M 6		3	
12	437 614 177	rubber buffer		3	
13	N 011 666 7	washer B 6,4		3	
14	N 011 062 3	cap nut M 6		3	

Model	Year	MG	SG	Illustration	Restrictions	UPD	22:48	23.01.2010
9442	1991	6	98	698-00R		248		

Pos	Part Number	Description	Remark	Qty	Model
		repair kits see technical information GR.4, NR.1/89 GR.4, NR.4/90 GR.4, NR.1/91			
>>	>>944 351 951 02	brake pad repair set without asbestos comprising: brake pad	/V -89	1	944
				4	
>>	>>944 351 952 01	mounting parts for brake pad repair set comprising:	/V -89	1	944
-	928 351 935 00	expanding spring		2	
-	928 351 936 00	retaining pin		4	
-	928 351 955 00	safety seal		2	
>>	>>928 351 941 00	gasket set for floating calliper comprising: gasket protection cap clamping washer	/V -89	2	944
				1	
				1	
				1	
>>	>>951 351 939 08	brake pad repair set	/V	1	944S2
>>	>>951 351 939 08	brake pad repair set without asbestos comprising: brake pad use also:	/V	1	944S2
				4	
-	951 351 096 00	damping plate for piston with scraper ring \$ 40 MM F >>94KN4 02629		4	
-	928 351 096 19	damping plate for piston with scraper ring \$ 36 MM F >>94KN4 02629		4	

Model	Year	MG	SG	Illustration	Restrictions	UPD	22:48	23.01.2010
9442	1991	6	98	698-00R		248		

Pos	Part Number	Description	Remark	Qty	Model
-	964 351 096 02	damping plate for piston with protection cap \$ 40 MM F 94KN4 02630>>		4	
-	964 351 096 01	damping plate for piston with protection cap \$ 36 MM F 94KN4 02630>>		4	
>>	>>951 351 919 02	gasket set for fixed calliper comprising: piston \$ 40 MM sealing ring scraper ring F >>94KN4 02629	/V	2	944S2
				1	
				1	
				1	
>>	>>951 351 919 11	gasket set for fixed calliper comprising: piston \$ 40 MM sealing ring protection cap F 94KN4 02630>>	/V	2	944S2
				1	
				1	
				1	
>>	>>951 351 919 01	gasket set for fixed calliper comprising: piston \$ 36 MM sealing ring scraper ring F >>94KN4 02629	/V	2	944S2
				1	
				1	
				1	
>>	>>951 351 919 10	repair kit for fixed calliper comprising: piston \$ 36 MM sealing ring protection cap F 94KN4 02630>>	/V	2	944S2
				1	
				1	
				1	
>>	>>964 351 959 01	repair kit comprising: spring plate countersunk-head screw	/V	2	944S2
				1	
				2	

Model	Year	MG	SG	Illustration	Restrictions	UPD	22:48	23.01.2010
9442	1991	6	98	698-00R		248		

Pos	Part Number	Description	Remark	Qty	Model
>>	>>964 351 959 00	repair kit comprising: spring plate countersunk-head screw	/V	2	944S2
				1	
				2	
>>	>>993 351 939 01	brake pad repair set	/V	1	TURBO
>>	>>993 351 939 01	brake pad repair set without asbestos	/V	1	TURBO 944S2 M030
		comprising: brake pad		4	
		use also:			
-	951 351 089 04	vibration damper for fixed calliper with scraper ring \$ 25,2/33,8		4	TURBO
-	951 351 089 03	vibration damper for fixed calliper with protection cap \$ 19,7/27,3		4	TURBO 944S2 M030
>>	>>928 351 919 01	gasket set for fixed calliper comprising: piston \$ 44 MM sealing ring scraper ring	/V	2	TURBO
				1	
				1	
				1	
>>	>>928 351 919 10	repair kit for fixed calliper comprising: piston \$ 44 MM sealing ring protection cap	/V	2	TURBO
				1	
				1	
				1	
>>	>>951 351 919 01	gasket set for fixed calliper comprising: piston \$ 36 MM sealing ring scraper ring	/V	2	TURBO
				1	
				1	
				1	

Model	Year	MG	SG	Illustration	Restrictions	UPD	22:48	23.01.2010
9442	1991	6	98	698-00R		248		

Pos	Part Number	Description	Remark	Qty	Model
>>	>>951 351 919 10	repair kit for fixed calliper comprising: piston \$ 36 MM sealing ring protection cap	/V	2	TURBO
				1	
				1	
				1	
>>	>>993 351 959 01	repair kit comprising: spring plate countersunk-head screw	/V	2	TURBO
				1	
				2	
>>	>>993 351 959 00	repair kit comprising: spring plate countersunk-head screw	/V	2	TURBO
				1	
				2	
>>	>>944 352 951 02	brake pad repair set without asbestos	/H -89	1	944
>>	>>944 352 952 00	mounting parts for brake pad repair set comprising: expanding spring retaining pin retaining spring safety seal	/H -89	1	944
				2	
				4	
				2	
				4	
>>	>>928 352 941 00	gasket set for floating calliper comprising: gasket protection cap clamping washer slide	/H -89	2	944
				1	
				1	
				1	
				2	
>>	>>951 351 939 08	brake pad repair set	/H	1	944S2
>>	>>951 351 939 08	brake pad repair set without asbestos comprising: brake pad use also:	/H	1	944S2
				4	
-	964 352 096 00	damping plate for piston \$ 30 MM		4	
-	964 352 096 01	damping plate for piston \$ 28 MM		4	

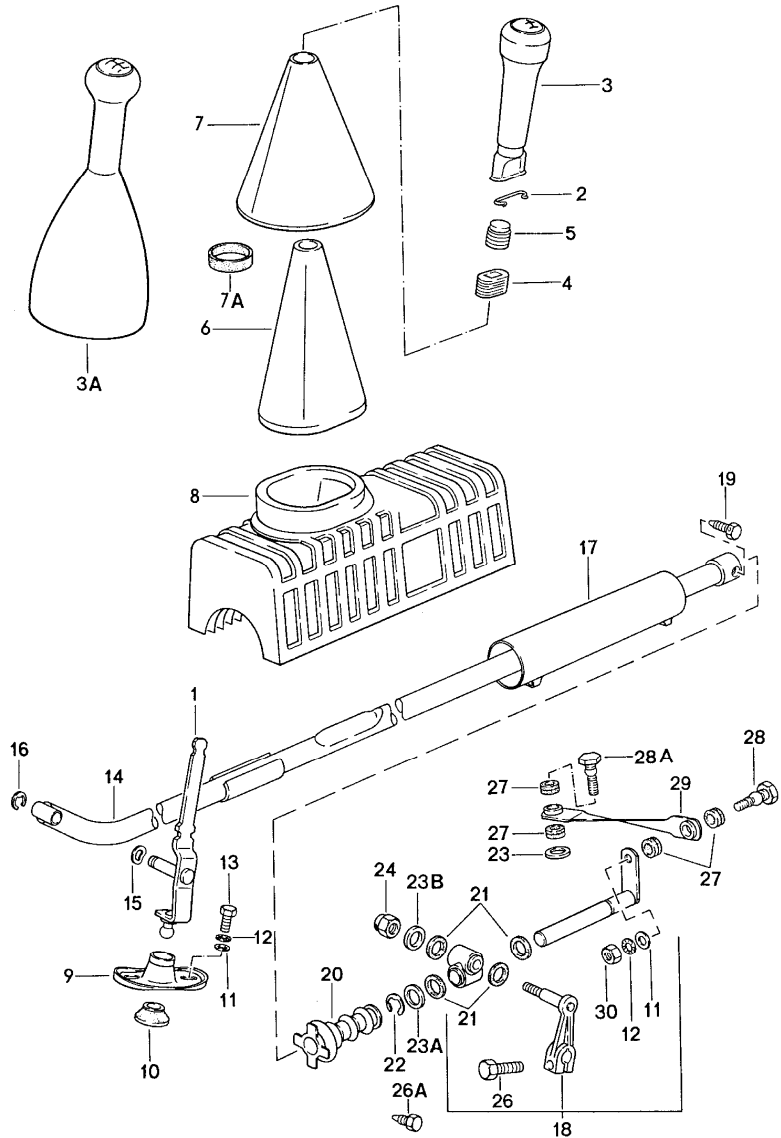
Model	Year	MG	SG	Illustration	Restrictions	UPD	22:48	23.01.2010
9442	1991	6	98	698-00R		248		

Pos	Part Number	Description	Remark	Qty	Model
>>	>>965 352 939 04	brake pad repair set without asbestos comprising: brake pad use also:	/H	1	TURBO 944S2 M030
-	928 352 096 10	damping plate for piston with scraper ring \$ 30 F >>95KN1 00218		4	TURBO
-	928 352 096 11	damping plate for piston with scraper ring \$ 28 F >>95KN1 00218		4	TURBO
-	964 352 096 00	damping plate for piston with protection cap \$ 30 F 95KN1 00219>>		4	TURBO 944S2
-	964 352 096 01	damping plate for piston with protection cap \$ 28 F 95KN1 00219>>		4	TURBO 944S2
>>	>>951 352 919 11	gasket set for fixed calliper comprising: piston \$ 30 MM sealing ring protection cap	/H	2	944S2
>>	>>951 352 919 00	gasket set for fixed calliper comprising: piston \$ 30 MM sealing ring scraper ring F >>95KN1 00218	/H	2	TURBO

Model	Year	MG	SG	Illustration	Restrictions	UPD	22:48	23.01.2010
9442	1991	6	98	698-00R		248		

Pos	Part Number	Description	Remark	Qty	Model
>>	>>951 352 919 11	gasket set for fixed calliper comprising: piston \$ 30 MM sealing ring protection cap F 95KN1 00219>>	/H	2	TURBO
>>	>>951 352 919 10	gasket set for fixed calliper comprising: piston \$ 28 MM sealing ring protection cap	/H	2	944S2
>>	>>951 352 919 01	repair kit for fixed calliper comprising: piston \$ 28 MM sealing ring scraper ring F >>95KN1 00218	/H	2	TURBO
>>	>>951 352 919 10	gasket set for fixed calliper comprising: piston \$ 28 MM sealing ring protection cap F 95KN1 00219>>	/H	2	TURBO
>>	>>993 352 959 01	repair kit comprising: spring plate countersunk-head screw	/H	2	944S2 TURBO
>>	>>993 352 959 00	repair kit comprising: spring plate countersunk-head screw	/H	2	944S2 TURBO

Model	Year	MG	SG	Illustration	Restrictions	UPD	22:49	23.01.2010	PORSCHE	PET	PORSCHE
9442	1991	7	01	701-00		248					

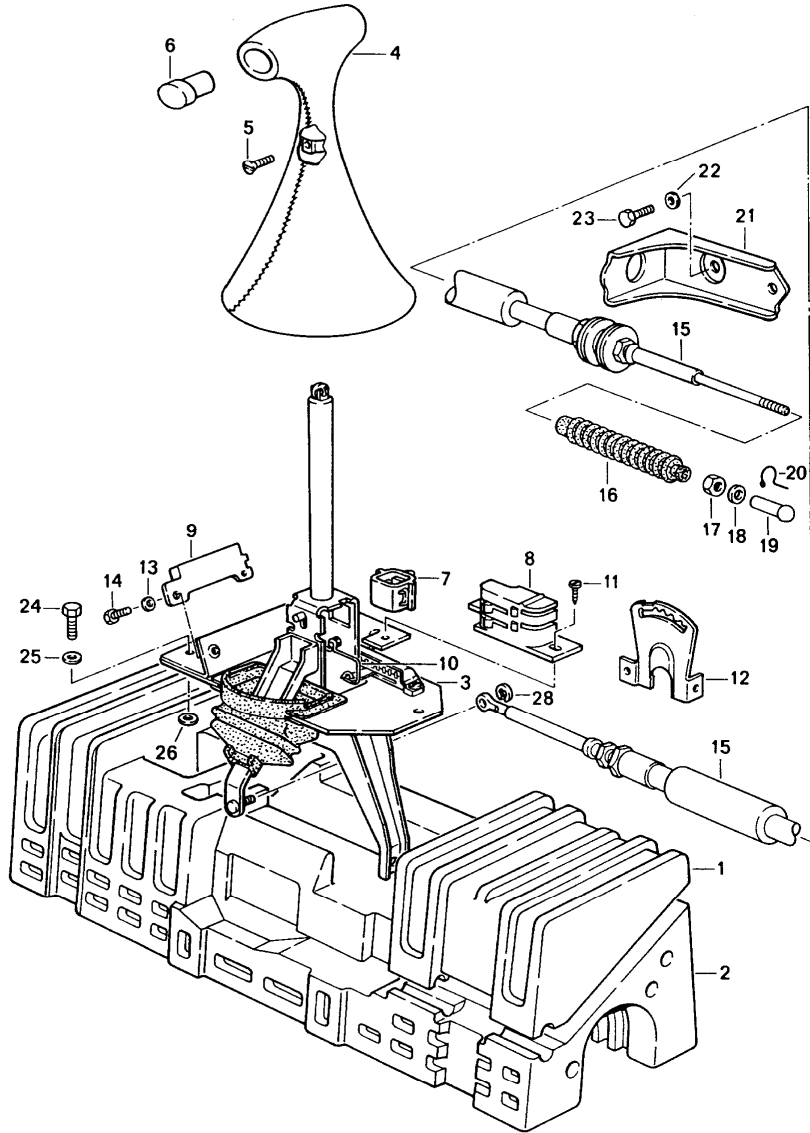


Pos	Part Number	Description	Remark	Qty	Model
		actuator for manual transmission see technical information GR.3 NR.3/92			
1	477 711 205 D	gearshift lever		1	
2	477 711 269	retainer spring		1	
3	477 711 289 A	gearshift knob leatherette	-90	1	
		01C black			
		9JJ marine blue			
		9MM burgundy			
3A	944 424 075 00	gearshift knob with boot leather		1	
		1AJ black			
		7LD burgundy	-90		
		2KR marine blue	-90		
		F04 cobalt blue	91-		
		5YW classic grey	91-		
4	477 711 219	vibration damper	-90	1	
(4)	931 424 111 00	vibration damper		1	M018/416 M431
5	477 711 217	vibration damper	-90	1	
(5)	931 424 110 00	vibration damper		1	M018/416 M431
6	477 711 270 B	inner sleeve		1	
		F >>94MS4 00095			
		F >>94MS4 30323			
(6)	944 424 139 01	bellows		1	
		F 94MS4 00096>>			
		F 94MS4 30324>>			
-	944 424 134 01	retaining frame		1	
		F 94MS4 00096>>			
		F 94MS4 30324>>			

Model	Year	MG	SG	Illustration	Restrictions	UPD	22:49	23.01.2010	PORSCHE	PET	PORSCHE
9442	1991	7	01	701-00		248					

Pos	Part Number	Description	Remark	Qty	Model	Pos	Part Number	Description	Remark	Qty	Model
-	N 014 740 2	pan-head screw M 6 X 16 F 94MS4 00096>> F 94MS4 30324>>		4		22	N 012 415 1	circlip 15 X 1		1	
-	900 031 011 02	washer A 6,4 F 94MS4 00096>> F 94MS4 30324>>		4		23	999 025 096 02	washer		2	
7	944 424 023 00	boot	-90	1		23A	477 711 139 A	washer		1	
	05T	black				23B	477 711 139	washer		1	
	3MX	burgundy				24	900 910 003 02	lock nut M 8		2	
	1KX	marine blue						VM 8			
7A	477 711 257	rubber ring	-90	1		25	N 012 241 11	spring washer B 8 X 15		2	
8	477 711 239	sound absorber F >>94MS4 00095 F >>94MS4 30323		1		26	443 711 189 A	hexagon-head bolt		1	
(8)	944 424 180 00	sound absorber F 94MS4 00096>> F 94MS4 30324>>		1		26A	443 711 189 A	hexagon-head bolt		1	
9	944 424 229 00	bearing bracket		1		27	477 711 155 A	sealing ring		4	
10	944 424 231 01	bearing shell		1		28	944 424 147 00	ball pin		1	
11	900 025 007 02	washer A 8,4		3		28A	477 711 147 A	ball pin		1	
12	N 012 108 2	serrated lock washer 8,4		3		29	944 424 141 00	joint rod		1	
13	N 010 237 6	hexagon-head bolt M 8 X 12		2							
14	944 424 019 00	gear shift rod		1							
15	900 028 005 02	spring washer A 10		1							
16	900 116 005 02	lock washer		1							
17	477 711 285	protective tube		1							
18	944 424 013 02	intermediate shift lever		1							
19	823 711 833	hexagon-head bolt		1							
20	477 711 159 B	bellows		1							
21	477 711 149	sealing ring		4							

Model	Year	MG	SG	Illustration	Restrictions	UPD	22:49	23.01.2010	PORSCHE	PET	PORSCHE
9442	1991	7	01	701-05		248					

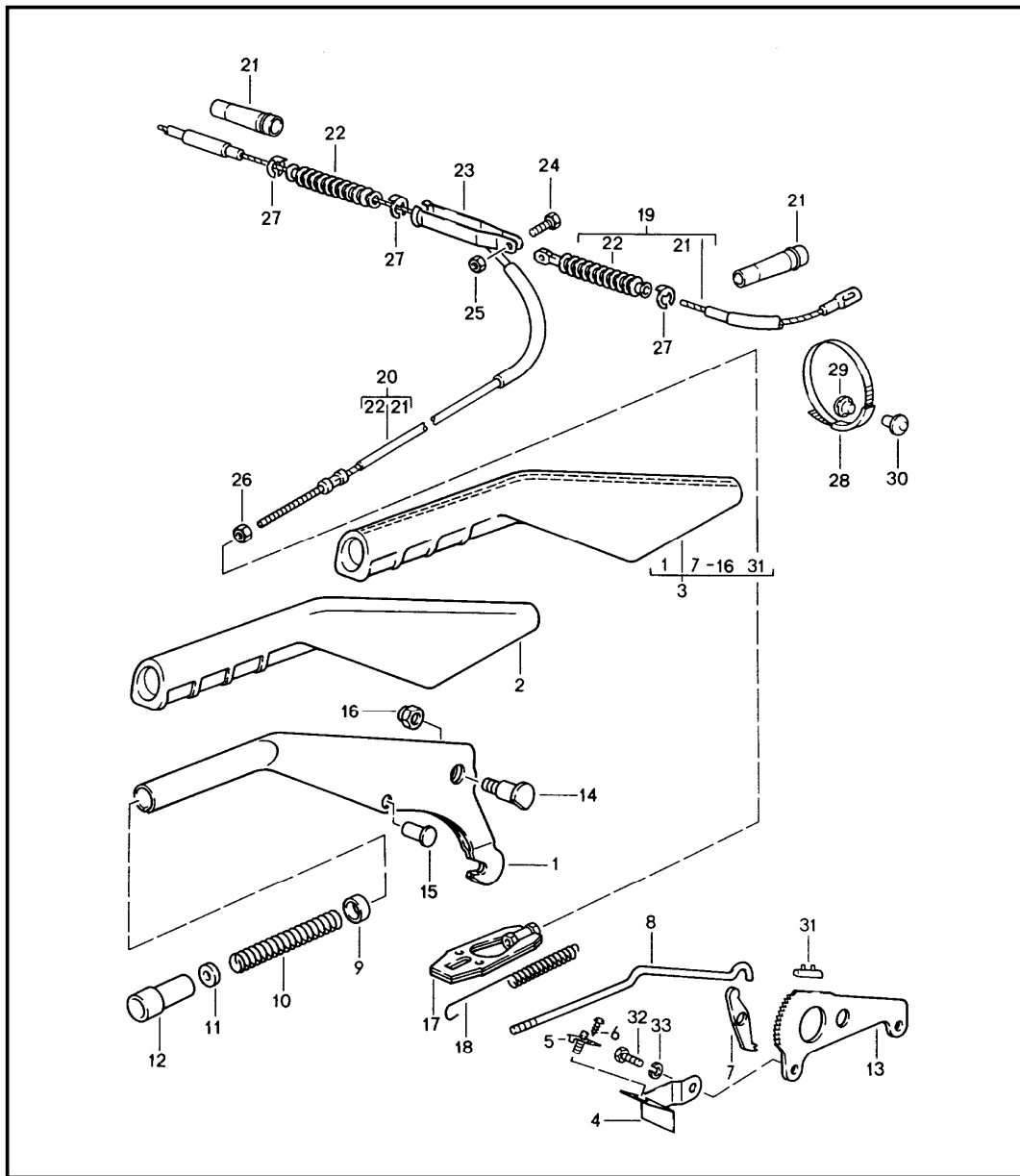


Pos	Part Number	Description	Remark	Qty	Model
		actuator for automatic transmission			
1	944 426 181 00	sound absorber upper part		1	
2	944 426 182 01	sound absorber lower part		1	
3	944 426 025 01	gearshift bracket		1	
4	928 426 075 00	selector knob	/LL	1	
		1AJ black			
		7LD burgundy			
		8KY marine blue			
(4)	927 426 075 00	selector knob	/RL	1	
		1AJ black			
		7LD burgundy			
		8KY marine blue			
5	N 014 121 6	oval-head screw M 4 X 6		2	
6	928 426 275 01	key		1	
7	171 927 145 A	contacts		1	
8	311 927 147 B	support for contact		1	
9	944 612 061 01	switch		1	
10	944 613 621 01	contact spring		1	
11	N 013 968 1	tapping screw B 4,8 X 13		2	
12	944 426 109 01	locking segment		1	
13	900 025 003 02	washer A 5,3		2	
14	900 075 001 03	hexagon-head bolt M 5 X 8		2	
15	944 426 033 03	cable		1	
16	477 609 715	sealing sleeve		1	

Model	Year	MG	SG	Illustration	Restrictions	UPD	22:49	23.01.2010	PORSCHE	PET	PORSCHE
9442	1991	7	01	701-05		248					

Pos	Part Number	Description	Remark	Qty	Model	Pos	Part Number	Description	Remark	Qty	Model
17	N 011 005 14	hexagon nut M 5		1							
18	N 011 665 3	washer B 5,3		1							
19	911 423 147 00	ball socket		1							
20	900 169 014 02	securing clip		1							
21	477 713 281 A	retaining bracket		1							
22	900 025 007 02	washer B 8		2							
23	900 075 085 02	hexagon-head bolt M 8 X 20		2							
24	N 010 217 9	hexagon-head bolt M 6 X 20		3							
25	N 011 524 7	washer B 6		3							
26	N 900 067 01	washer A 6,4 X 18 X 4		3							
28	N 012 325 1	lock washer		1							

Model	Year	MG	SG	Illustration	Restrictions	UPD	22:49	23.01.2010	PORSCHE	PET	PORSCHE
9442	1991	7	01	701-10		248					

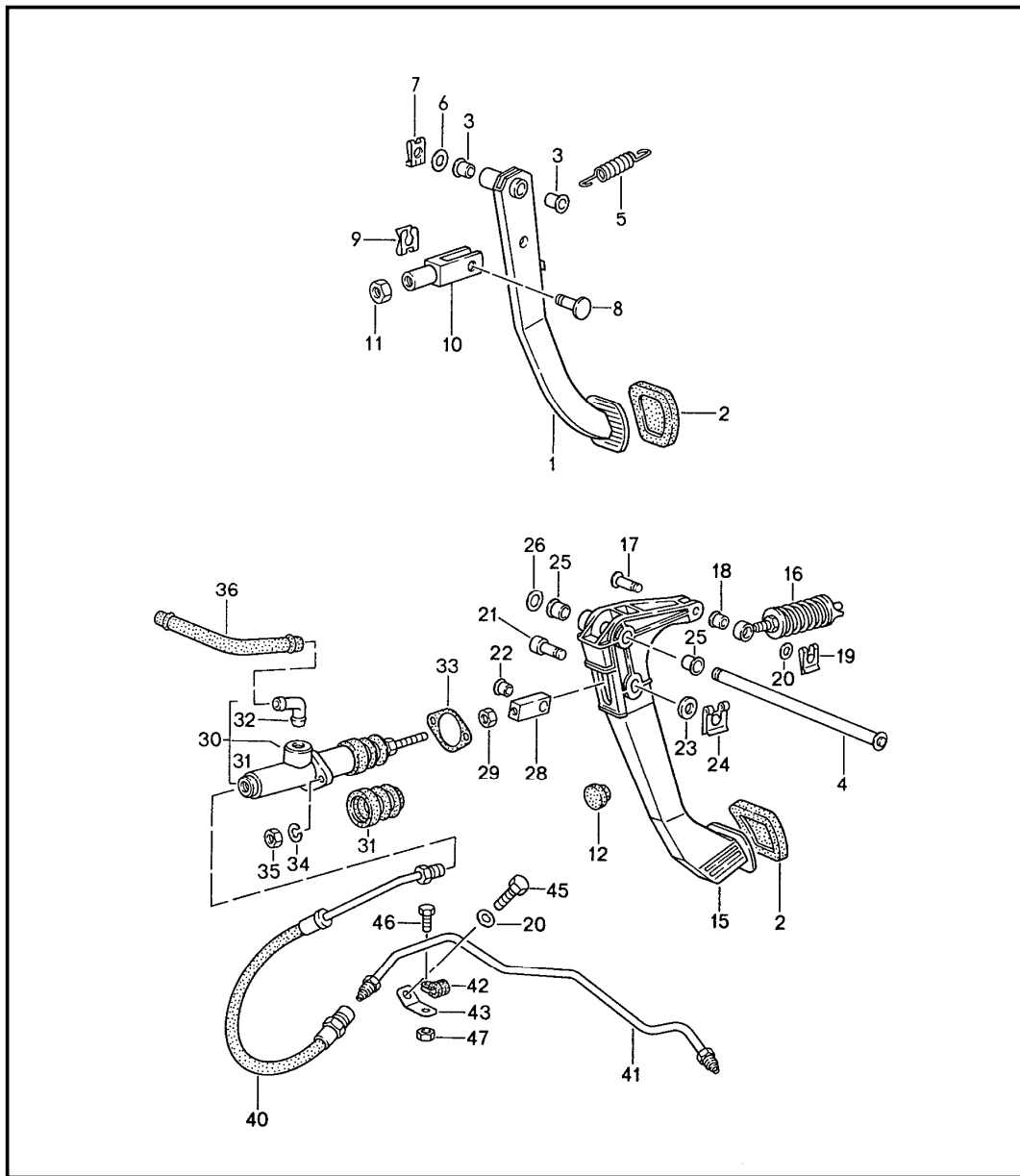


Pos	Part Number	Description	Remark	Qty	Model
1	928 424 253 14	parking-brake lever		1	
2	944 424 259 01	cover	-90	1	
	1AJ	black			
	7LD	burgundy			
	7VX	linen			
	2JZ	marine blue			
3	944 424 049 00	parking-brake lever leather		1	
	1AJ	black			
	2JZ	marine blue	-90		
	9WW	cobalt blue	91-		
	7WH	classic grey	91-		
4	944 424 535 00	support	/LL	1	
(4)	945 424 535 00	support	/RL	1	
5	968 613 601 00	contact switch		1	
6	N 013 957 5	tapping screw B 3,5 X 9,5		1	
7	928 424 508 00	pawl		1	
8	928 424 255 12	push rod		1	
9	914 424 258 00	guide sleeve		1	
10	901 424 543 00	compression spring		1	
11	901 424 593 01	rubber ring		1	
12	928 424 523 12	push button		1	
13	928 424 541 14	locking segment		1	
14	928 424 527 00	bearing pin		2	
15	900 120 040 02	rivet		1	
16	900 084 004 02	hexagon nut		1	
16	900 084 004 03	hexagon nut		1	
17	928 424 033 00	turnbuckle		1	

Model	Year	MG	SG	Illustration	Restrictions	UPD	22:49	23.01.2010	PORSCHE	PET	PORSCHE
9442	1991	7	01	701-10		248					

Pos	Part Number	Description	Remark	Qty	Model	Pos	Part Number	Description	Remark	Qty	Model
18	944 424 537 00	return spring		1							
19	951 424 071 02	parking-brake cable short		1							
20	951 424 072 02	parking-brake cable long		1							
21	477 609 723	guide tube		2							
22	477 609 715	sealing sleeve		2							
23	477 711 965	compensating bow		1							
24	N 010 217 9	hexagon-head bolt M 6 X 20		1							
25	900 910 012 02	lock nut M 6		1							
26	900 076 010 02	hexagon nut M 6		1							
27	N 012 328 1	lock 8		3							
28	477 711 979	retaining strap		2							
29	N 013 530 3	rivet		2							
30	N 013 510 1	compression rivet		2							
31	901 424 509 01	stop		1							
32	N 010 239 11	hexagon-head bolt M 8 X 18		1							
33	900 027 015 02	lock ring B 8		1							

Model	Year	MG	SG	Illustration	Restrictions	UPD	22:49	23.01.2010	PORSCHE	PET	PORSCHE
9442	1991	7	02	702-00		248					

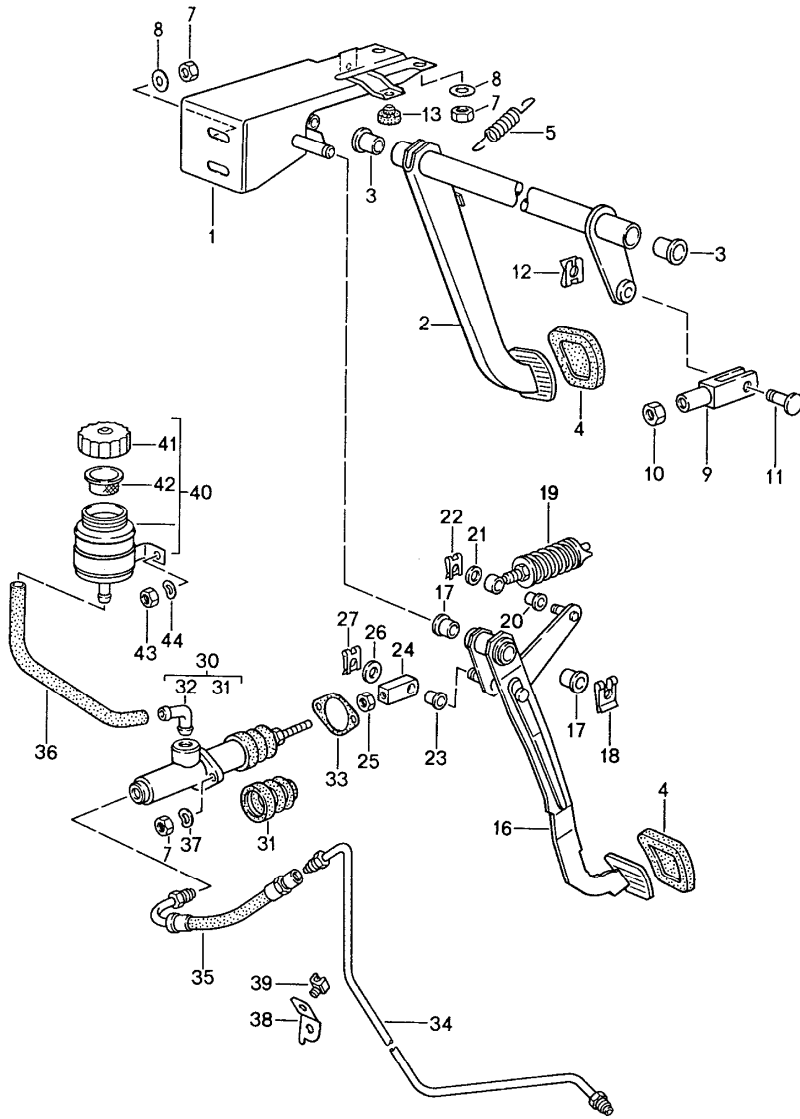


Pos	Part Number	Description	Remark	Qty	Model
		brake clutch pedals left-hand drive			
1	944 423 051 03	brake pedal		1	
(1)	944 423 051 04	brake pedal	-89	1	AUT.
2	321 721 173	pedal cap		2	
(2)	827 723 173	pedal cap	-89	1	AUT.
3	999 924 003 40	bush 12 X 13,6		2	
4	N 023 152 1	bolt	89	1	944
4	951 423 061 01	bolt	89	1	944S2/TURBO 944 M593
4	944 423 085 00	bolt	90-	1	
4	N 023 151 2	bolt	-89	1	AUT.
4	944 423 061 06	bolt	-89	1	AUT. M593
5	321 721 191	return spring		1	
6	311 955 255	washer		2	
7	999 166 077 02	safety clip		1	
8	999 088 010 02	bolt 10 X 28 X 23,5		1	
9	999 021 001 07	connector		1	
10	999 166 061 30	clevis		1	
11	N 011 010 6	hexagon nut M 10		1	
12	999 703 183 40	buffer		1	
15	944 423 937 01	clutch pedal	89	1	944
15	951 423 037 00	clutch pedal	89	1	944S2/TURBO
15	944 423 038 02	clutch pedal	90-	1	
16	477 721 353 A	clutch power spring	89	1	944
16	951 423 053 02	clutch power spring	89	1	944S2/TURBO

Model	Year	MG	SG	Illustration	Restrictions	UPD	22:49	23.01.2010	PORSCHE	PET	PORSCHE
9442	1991	7	02	702-00		248					

Pos	Part Number	Description	Remark	Qty	Model	Pos	Part Number	Description	Remark	Qty	Model
16	951 423 053 10	clutch power spring	90-	1	944S2/TURBO	36	-	270 MM		1	
17	999 088 019 02	bolt	90-	1		40	477 721 189 A	clutch hose		1	944/944S2
18	999 924 001 40	bush		1		(40)	951 423 189 01	clutch hose		1	TURBO
19	N 900 470 01	lock washer	89	1		41	944 423 091 00	clutch pipeline		1	944/944S2
19	999 166 075 02	safety clip	90-	1		(41)	951 423 091 11	clutch pipeline		1	TURBO
20	900 025 007 02	washer A 8,4		2		42	N 020 680 1	clamp		2	
21	944 423 387 00	bolt	90-	1		43	944 423 193 01	support		1	944/944S2
22	999 924 002 40	plain bearing		1		(43)	951 423 193 00	support		1	TURBO
23	N 011 524 7	washer A 6,4		1		45	N 010 239 11	hexagon-head bolt M 8 X 18		1	
24	999 166 034 02	sl-lock	89	1		46	N 010 205 6	hexagon-head bolt M 5 X 10		2	
24	999 166 076 02	safety clip	90-	1		47	N 011 005 14	hexagon nut M 5		2	
25	999 201 021 00	needle sleeve	89	2							
25	999 924 039 00	bush	90-	2							
26	311 955 255	washer		X							
28	928 423 517 00	clevis		1							
29	900 076 025 02	hexagon nut M 8	89	1							
29	N 011 118 11	hexagon nut M 8	90-	1							
30	477 721 171	clutch master cylinder	89	1							
30	944 423 149 00	clutch master cylinder	90-	1							
31	928 423 908 00	bellows		1							
32	477 721 177	angled pipe		1							
33	928 423 191 00	gasket		1							
34	900 027 015 02	lock ring B 8		2							
35	900 076 025 02	hexagon nut M 8		2							
-	999 181 021 50	hose 12,5 X 7,5		*							

Model	Year	MG	SG	Illustration	Restrictions	UPD	22:49	23.01.2010	PORSCHE	PET	PORSCHE
9442	1991	7	02	702-05		248					

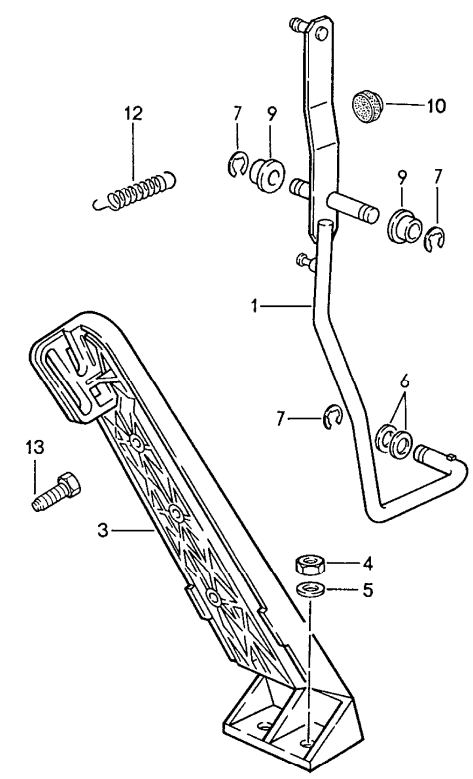
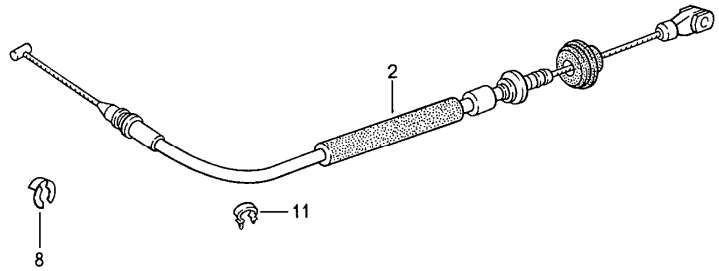


Pos	Part Number	Description	Remark	Qty	Model
		brake clutch pedals right-hand drive			
1	945 423 021 11	bracket		1	
2	945 423 051 01	brake pedal		1	
(2)	945 423 051 03	brake pedal	-89	1	AUT.
3	478 721 153	bearing sleeve		2	
4	321 721 173	pedal cap		2	
(4)	827 723 173	pedal cap	-89	1	AUT.
5	321 721 191	return spring		1	
7	900 076 025 02	hexagon nut M 8		5	
8	N 011 670 1	washer B 8,4		3	
9	999 166 061 30	clevis		1	
10	N 011 010 6	hexagon nut M 10		1	
11	999 088 010 02	bolt		1	
12	999 021 001 07	connector		1	
13	999 703 183 40	buffer		1	
16	945 423 037 01	clutch pedal		1	
17	443 721 153 A	bearing sleeve		2	
18	N 012 653 1	lock		1	
19	477 721 353 A	clutch power spring	89	1	944
19	951 423 053 02	clutch power spring	89	1	944S2/TURBO
19	944 423 053 01	clutch power spring	90-	1	944
19	951 423 053 10	clutch power spring	90-	1	944S2/TURBO
20	999 924 001 40	bush		1	
21	900 025 007 02	washer A 8,4		1	
22	999 166 075 02	safety clip		1	

Model	Year	MG	SG	Illustration	Restrictions	UPD	22:49	23.01.2010	PORSCHE	PET	PORSCHE
9442	1991	7	02	702-05		248					

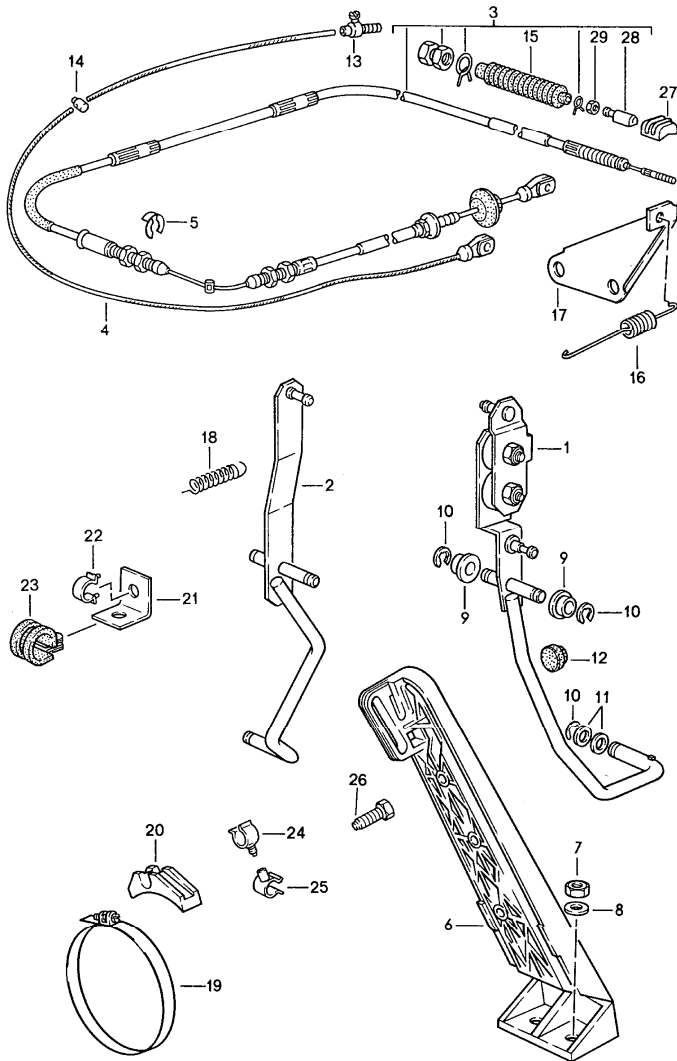
Pos	Part Number	Description	Remark	Qty	Model	Pos	Part Number	Description	Remark	Qty	Model
23	999 924 002 40	plain bearing		1							
24	478 721 179	intermediate piece		1							
25	N 011 118 14	hexagon nut M 8		1							
26	900 025 008 09	washer A 10,5		1							
27	999 166 034 02	sl-lock		1							
30	478 721 171	clutch master cylinder	89	1							
30	945 423 149 00	clutch master cylinder	90-	1							
31	928 423 908 00	bellows		1							
32	477 721 177	angled pipe		1							
33	928 423 191 00	gasket		1							
34	945 423 091 02	clutch tube		1	944/TURBO						
34	945 423 091 10	clutch tube		1	944S2						
35	478 721 189	clutch hose		1	944/TURBO						
35	945 423 089 11	clutch hose		1	944S2						
-	999 181 021 50	hose 7,5 X 12,5		*							
36	-	220 MM		1							
37	N 012 229 3	spring washer A 8		2							
38	945 423 193 00	support		1	944/TURBO						
39	999 591 578 40	clip		1							
40	944 423 210 00	expansion tank		1							
41	477 611 361	lid		1							
42	211 611 381 B	strainer		1							
43	900 076 010 02	hexagon nut M 6		2							
44	N 012 226 5	spring washer B 6		2							

Model	Year	MG	SG	Illustration	Restrictions	UPD	22:50	23.01.2010	PORSCHE	PET	PORSCHE
9442	1991	7	02	702-10		248					



Pos	Part Number	Description	Remark	Qty	Model
		accelerator pedal accelerator cable for manual transmission			
1	944 423 031 00	accelerator control	/LL	1	
(1)	945 423 031 01	accelerator control	/RL	1	
(1)	944 423 034 00	accelerator control	/LL	1	M454
(1)	945 423 034 00	accelerator control	/RL	1	M454
2	944 423 023 07	accelerator cable	/LL	1	944
2	944 423 023 15	accelerator cable	/LL -89	1	944S2
2	944 423 023 16	accelerator cable	/LL 90-	1	944S2
(2)	951 423 023 03	accelerator cable	/LL	1	TURBO
(2)	945 423 023 05	accelerator cable	/RL	1	944
(2)	945 423 023 15	accelerator cable	/RL -89	1	944S2
2	945 423 023 16	accelerator cable	/RL 90-	1	944S2
(2)	952 423 023 03	accelerator cable	/RL	1	TURBO
3	827 723 511 A	accelerator pedal		1	
4	900 076 010 02	hexagon nut M 6		2	
5	803 817 121	washer		2	
6	900 025 038 40	washer		2	
7	999 166 060 02	lock washer		3	
8	N 012 323 1	circlip		1	
9	477 721 543	bearing sleeve		2	
10	999 703 183 40	buffer		1	
11	477 971 851	cable clip	/RL	1	
12	944 423 831 00	spring		1	944/TURBO
12	944 423 833 00	spring		1	944S2
13	944 423 731 00	adjusting screw		1	

Model	Year	MG	SG	Illustration	Restrictions	UPD	22:50	23.01.2010	PORSCHE	PET	PORSCHE
9442	1991	7	02	702-15		248					

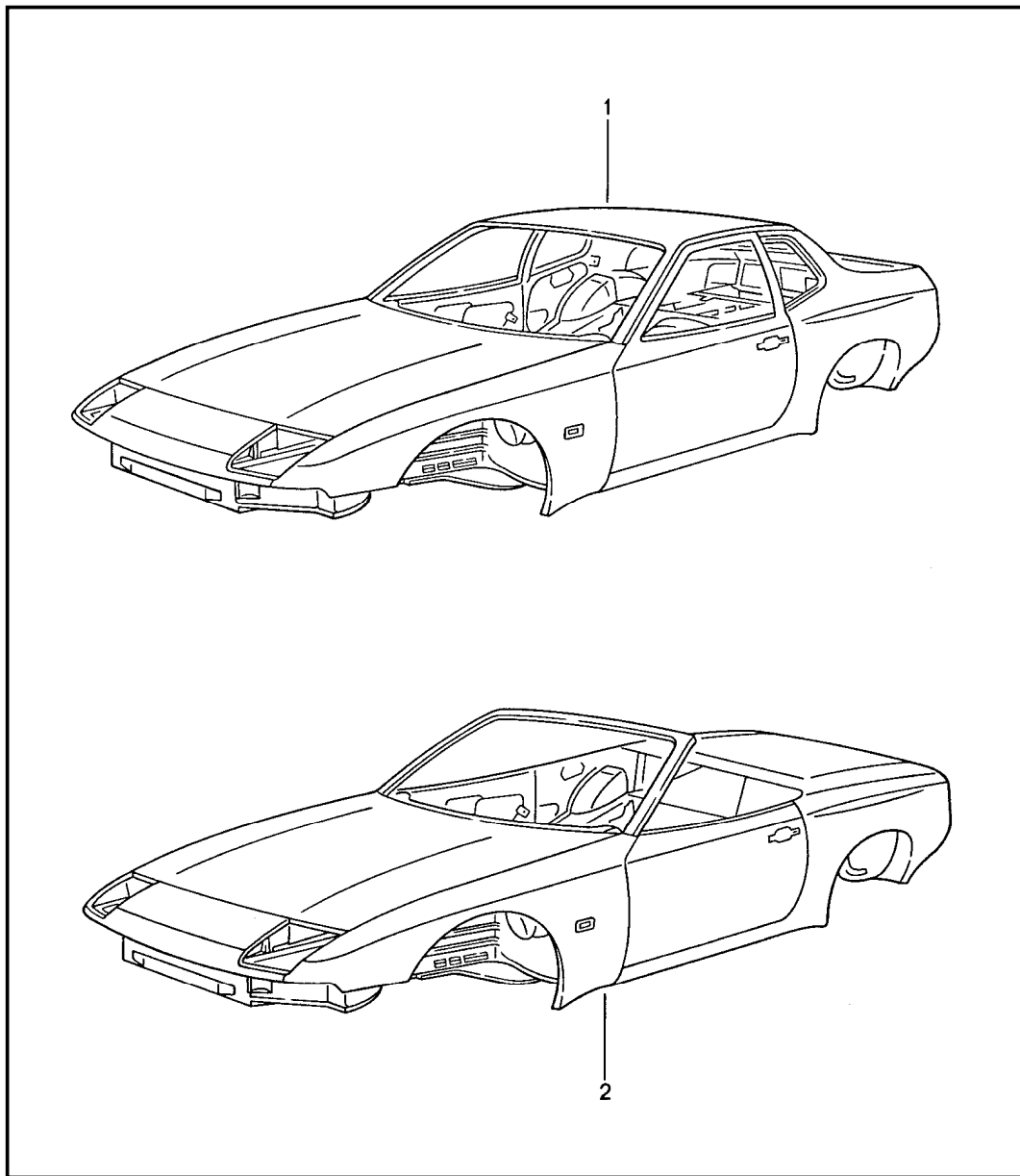


Pos	Part Number	Description	Remark	Qty	Model
		accelerator pedal accelerator cable for automatic transmission			
1	944 423 033 00	accelerator control	/LL	1	
2	945 423 031 01	accelerator control	/RL	1	
3	944 423 071 07	cable	/LL	1	
(3)	945 423 071 06	cable	/RL	1	
4	944 423 973 03	cable	/LL	1	
(4)	945 423 973 02	cable	/RL	1	
5	N 012 323 1	circlip		1	
6	827 723 511 A	accelerator pedal		1	
7	900 076 010 02	hexagon nut M 6		2	
8	803 817 121	washer		2	
9	477 721 543	bearing sleeve		2	
10	999 166 060 02	lock washer		3	
11	900 025 038 40	washer		2	
12	999 703 183 40	buffer		1	
13	477 723 601	nipple		1	
14	477 723 611	nipple		1	
15	311 713 269 A	sealing sleeve		1	
16	477 723 563 C	tension spring		1	
17	944 423 141 00	support		1	
18	944 423 833 00	spring		1	
19	999 512 350 02	hose clamp		1	
20	477 723 567	support		1	
21	477 971 881 A	retaining bracket		1	
22	477 971 851	cable clip		1	
23	999 511 116 02	clamp		X	
24	999 591 573 40	hose holder		3	

Model	Year	MG	SG	Illustration	Restrictions	UPD	22:50	23.01.2010	PORSCHE	PET	PORSCHE
9442	1991	7	02	702-15		248					

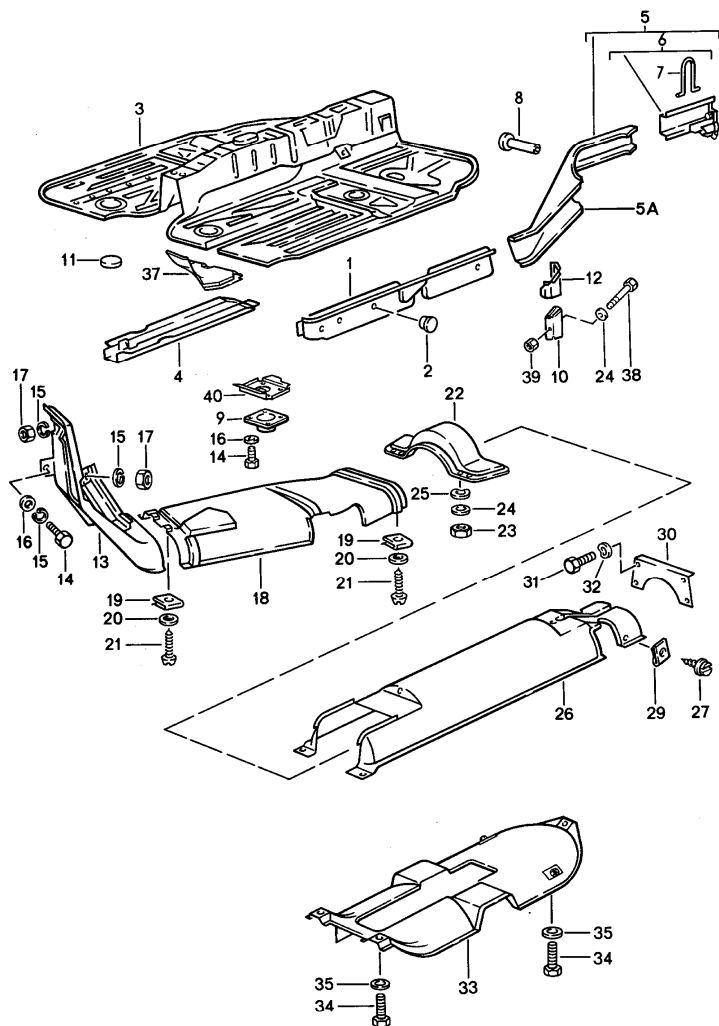
Pos	Part Number	Description	Remark	Qty	Model	Pos	Part Number	Description	Remark	Qty	Model
25	999 591 572 40	hose holder		3							
26	944 423 731 00	adjusting screw		1							
27	171 721 570 A	locking plate		1							
28	010 321 320	ball socket		1							
29	N 011 005 14	hexagon nut M 5		1							

Model	Year	MG	SG	Illustration	Restrictions	UPD	22:50	23.01.2010	PORSCHE	PET	PORSCHE
9442	1991	8	01	801-00		248					



Pos	Part Number	Description	Remark	Qty	Model
		body in white prime coated sealed sprayed with filler with underbody protection bodysshells can only only available from current model year available			
1	944 500 901 00	body in white	/LL	1	944S2
(1)	944 500 901 01	body in white	/LL	1	944S2 M650
(1)	945 500 901 00	body in white	/RL	1	944S2
(1)	945 500 901 01	body in white	/RL	1	944S2 M650
(1)	951 500 901 00	body in white	/LL	1	TURBO
(1)	951 500 901 01	body in white	/LL	1	TURBO M650
(1)	952 500 901 00	body in white	/RL	1	TURBO
(1)	952 500 901 01	body in white	/RL	1	TURBO M650
2	941 500 901 10	body in white	/LL	1	CABRIO
2	942 500 901 10	body in white	/RL	1	CABRIO

Model	Year	MG	SG	Illustration	Restrictions	UPD	22:50	23.01.2010	PORSCHE	PET	PORSCHE
9442	1991	8	01	801-05		248					

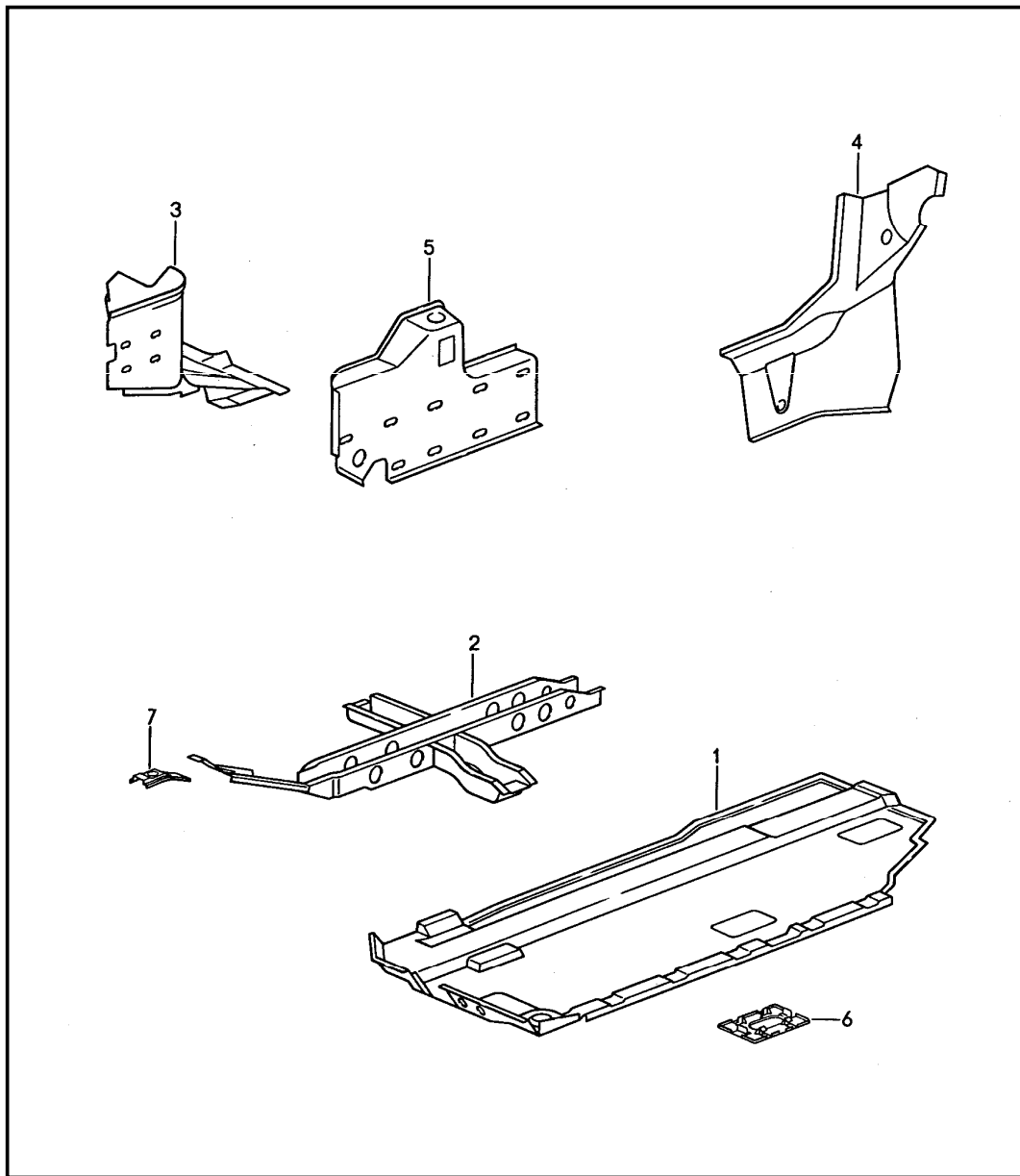


Pos	Part Number	Description	Remark	Qty	Model
1	944 501 119 01	side member heat shield		1	
(1)	944 501 120 01	side member centre	/L	1	
2	999 703 119 40	stopper	/R	2	
(2)	803 803 583	drain bush		2	
(2)	803 803 583 A	cap		10	
3	944 501 501 00	floor section centre		1	
4	477 803 283	side member		2	
5	951 501 105 00	side member use also: 477.803.145	/L	1	
(5A)	951 501 116 00	side member use also: 477.803.145	/R	1	
6	477 803 125 A	end piece	/L	1	
(6)	944 502 066 02	end piece	/R	1	
7	477 803 129	retaining bow		2	
8	477 803 145	bush		2	
9	951 501 265 00	jacking point centre		2	
10	951 501 083 00	jacking point	/L/H	1	
(10)	951 501 084 00	jacking point	/R/H	1	
11	411 803 595	lid 136 MM \$		2	
12	477 803 871 A	jacking point	/L/H	1	
(12)	477 803 872 A	jacking point	/R/H	1	
13	477 809 214 A	cover plate		1	
14	999 072 005 09	hexagon-head bolt M 6 X 12		X	
15	N 012 006 4	lock ring B 6		3	

Model	Year	MG	SG	Illustration	Restrictions	UPD	22:50	23.01.2010	PORSCHE	PET	PORSCHE
9442	1991	8	01	801-05		248					

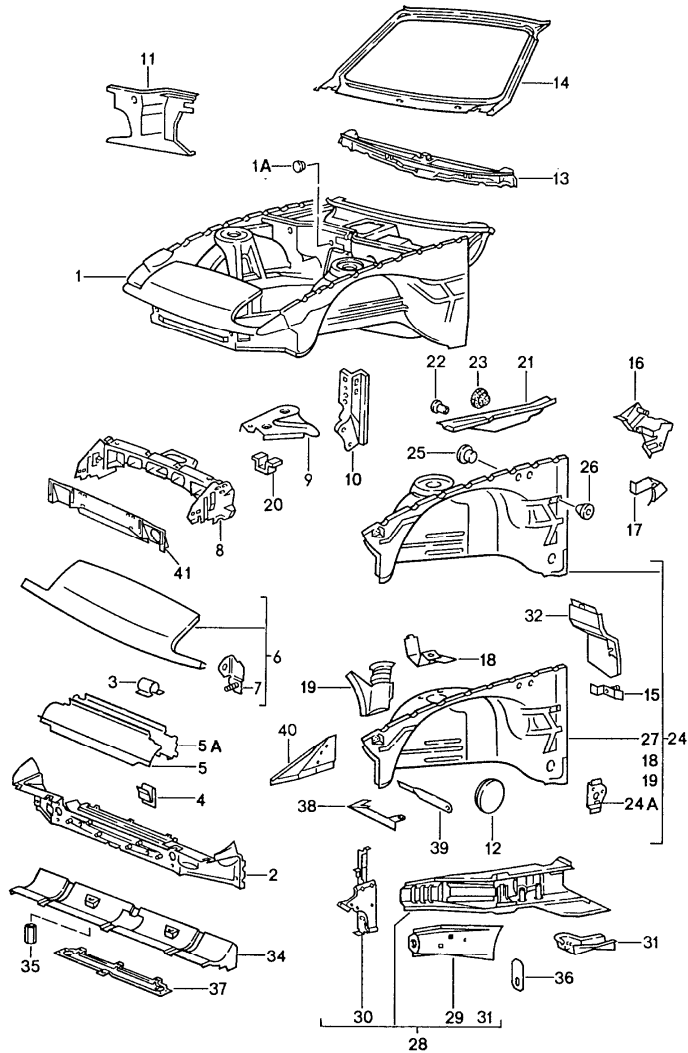
Pos	Part Number	Description	Remark	Qty	Model	Pos	Part Number	Description	Remark	Qty	Model
16	N 011 524 7	washer A 6,4		X		(37)	951 501 182 00	gusset plate	/R	1	
17	900 076 010 02	hexagon nut M 6		2		38	N 010 375 4	hexagon-head bolt M 8 X 75		2	
18	477 803 387 B	heat shield		1		39	900 910 003 02	lock nut M 8		2	
19	N 015 458 1	speed nut B 4,8 X 20		4				VM 8			
20	N 011 665 3	washer B 5,3		4		40	944 501 063 00	jacking point	/L	1	
21	N 013 968 7	tapping screw B 4,8 X 13		4		(40)	944 501 064 00	jacking point	/R	1	
22	477 803 253	transverse strut		1	COUPE						
(22)	941 501 255 10	transverse strut		1	CABRIO						
23	N 011 008 8	hexagon nut M 8		4							
24	900 025 007 02	washer A 8,4		4							
25	900 027 015 02	lock ring B 8		4							
26	951 504 869 00	heat shield		1							
27	N 090 239 1	combination screw B 4,8 X 13		2							
29	999 591 485 02	speed nut B 4,8 X 13		2							
30	477 803 291	transverse strut		2							
31	N 010 237 6	hexagon-head bolt M 8 X 12		8							
32	N 012 229 3	spring washer A 8		8							
(33)	951 503 139 00	heat shield	89	1	M249						
33	944 503 137 00	heat shield		1							
34	999 072 005 09	hexagon-head bolt M 6 X 12		4							
35	N 011 666 7	washer 6,4		4							
37	951 501 181 00	gusset plate	/L	1							

Model	Year	MG	SG	Illustration	Restrictions	UPD	22:50	23.01.2010	PORSCHE	PET	PORSCHE
9442	1991	8	01	801-07		248					



Pos	Part Number	Description	Remark	Qty	Model
		floor section reinforcement			CABRIO
1	941 501 961 10	floorpan	/L	1	
(1)	941 501 962 10	floorpan	/R	1	
2	941 502 909 10	reinforcement	/L	1	
(2)	941 502 910 10	reinforcement	/R	1	
(3)	941 501 107 10	reinforcement wheel housing	/V/L	1	
3	941 501 108 10	reinforcement wheel housing	/V/R	1	
(4)	941 502 253 10	reinforcement	/H/L	1	
4	941 502 254 10	reinforcement	/H/R	1	
(5)	941 502 345 10	reinforcement	/V/L	1	
5	941 502 346 10	reinforcement	/V/R	1	
6	941 501 595 10	cover		6	
7	941 501 457 10	reinforcement	/V/L	1	
(7)	941 501 458 10	reinforcement	/V/R	1	

Model	Year	MG	SG	Illustration	Restrictions	UPD	22:51	23.01.2010	PORSCHE	PET	PORSCHE
9442	1991	8	01	801-10		248					

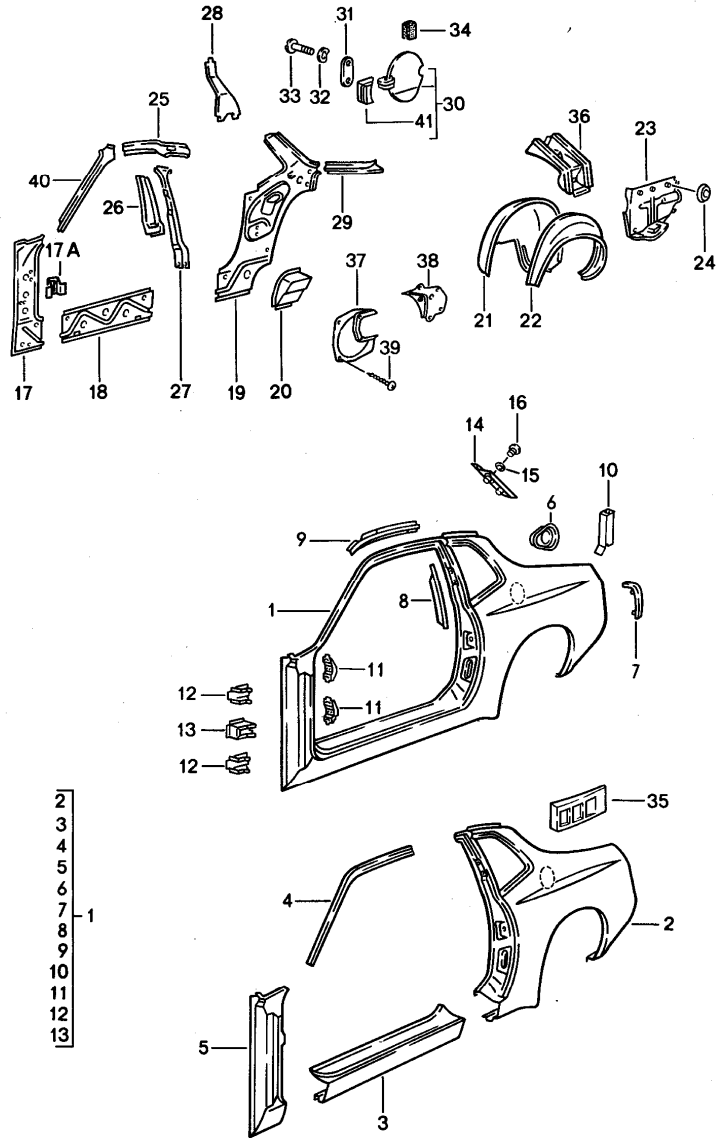


Pos	Part Number	Description	Remark	Qty	Model
		body front section			
1	951 501 011 39	body front section	/LL	1	COUPE
1	951 501 011 39	body front section	/LL	1	CABRIO
(1)	952 501 011 17	body front section	/RL	1	COUPE
(1)	952 501 011 19	body front section	/RL	1	CABRIO
1A	111 971 911 A	rubber sleeve		1	
(2)	944 502 051 04	end plate with cross member		1	
3	999 591 852 02	clamp		5	
4	477 819 212	clamp		4	
5	944 575 321 00	air duct	-89	1	944
5A	951 504 321 01	air duct		1	944S2, TURBO
6	944 503 033 02	end plate	-89	1	944
(6)	951 503 033 00	end plate		1	944S2, TURBO
(7)	951 503 069 00	bracket	/L	1	
(7)	951 503 070 00	bracket	/R	1	
8	951 501 025 03	lock carrier		1	
		GRV prime coated			
9	477 805 699 A	corner plate	/L	1	
10	477 805 057 A	reinforcement	/L	1	
(10)	477 805 058 A	reinforcement	/R	1	
11	951 502 201 00	firewall	/L	1	
(11)	951 502 202 01	firewall	/R	1	
12	944 504 217 00	lid		1	944S2
(12)	944 110 195 00	bellows		1	TURBO
13	944 502 079 03	cross member		1	
14	944 502 911 01	windscreen frame		1	
15	945 501 183 00	bracket	/RL	1	
16	945 501 346 00	bearing bracket	/RL	1	

Model	Year	MG	SG	Illustration	Restrictions	UPD	22:51	23.01.2010	PORSCHE	PET	PORSCHE
9442	1991	8	01	801-10		248					

Pos	Part Number	Description	Remark	Qty	Model	Pos	Part Number	Description	Remark	Qty	Model
17	945 501 551 00	stop	/RL	1		31	951 501 165 00	closing element	/L	1	
18	944 501 094 01	support ignition coil		1		(31)	951 501 166 00	closing element	/R	1	
19	944 501 292 00	support expansion tank		1		32	944 504 112 00	water protection		1	M593
20	477 805 693	support horn		1		34	944 575 121 02	cooling air duct	-89	1	944
21	944 502 119 03	side member upper	/LL/L	1		35	999 049 001 40	plastic nut		8	
(21)	945 502 119 02	side member upper	/RL/L	1		36	477 809 035	support water reservoir		1	
21	944 502 120 03	side member upper	/LL/R	1		37	951 501 251 00	bracket	-89	1	944
(21)	945 502 120 03	side member upper	/RL/R	1		(37)	951 501 251 00	bracket		1	944S2, TURBO
22	311 881 945 A	stopper	/R	2		38	944 503 525 02	support	/L	1	
23	803 803 583 A	lid		6			GRV	prime coated			
(24)	944 501 901 04	wheel housing order also: POSITION 15	/L	1		(38)	944 503 526 00	support	/R	1	
(24)	944 501 902 04	wheel housing	/RL	1			GRV	prime coated			
(24)	945 501 902 01	wheel housing	/LL/R	1		(39)	944 503 524 00	support	/R	1	
24A	944 502 071 00	mounting	/RL/R	1			GRV	prime coated			
25	999 703 103 40	stopper	/L	2		40	944 501 461 00	supporting plate	/L	1	
26	999 703 179 40	stopper		X		(40)	951 501 862 00	supporting plate	/R	1	
27	944 501 101 02	wheel housing	/L	1		41	944 575 008 00	air duct		1	944S2
(27)	944 501 102 02	wheel housing	/R	1		-	944 501 097 00	support for ignition switch unit		1	
28	951 501 017 00	side member	/L	1							
(28)	951 501 018 00	side member	/R	1							
29	944 501 081 00	filler plate	/L	1							
(29)	944 501 082 00	filler plate	/R	1							
30	951 501 045 00	separator	/L	1							
(30)	951 501 046 00	separator	/R	1							

Model	Year	MG	SG	Illustration	Restrictions	UPD	22:51	23.01.2010	PORSCHE	PET	PORSCHE
9442	1991	8	01	801-15		248					



Pos	Part Number	Description	Remark	Qty	Model
		side section			COUPE
1	A 944 503 061 04	side section it is necessary to rework	/L -90	1	TURBO
1	944 503 061 08	side section	/L	1	
(1)	944 503 062 04	side section it is necessary to rework	/R -90	1	TURBO
(1)	944 503 062 08	side section	/R 91-	1	
2	944 503 903 02	side section outer it is necessary to rework	/L -90	1	TURBO
2	944 503 903 02	side section outer	/L 91-	1	
(2)	944 503 904 02	side section outer it is necessary to rework	/R -90	1	TURBO
(2)	944 503 904 02	side section outer	/R 91-	1	
3	944 503 611 00	door sill	/L	1	
(3)	944 503 612 00	door sill	/R	1	
4	944 503 517 00	roof frame	/L	1	
(4)	944 503 518 00	roof frame	/R	1	
5	944 503 605 01	hinge pillar	/L	1	
(5)	944 503 606 01	hinge pillar	/R	1	
6	944 503 068 00	pot tank filler neck		1	
7	477 809 375 A	bracket for light	/L	1	
(7)	477 809 376 A	bracket for light	/R	1	
8	477 809 445	reinforcement	/L	1	
(8)	477 809 446	reinforcement	/R	1	
9	477 809 585	filler plate	/L	1	
(9)	477 809 586	filler plate	/R	1	
(10)	944 501 217 00	supporting plate lid boot floor lining		2	

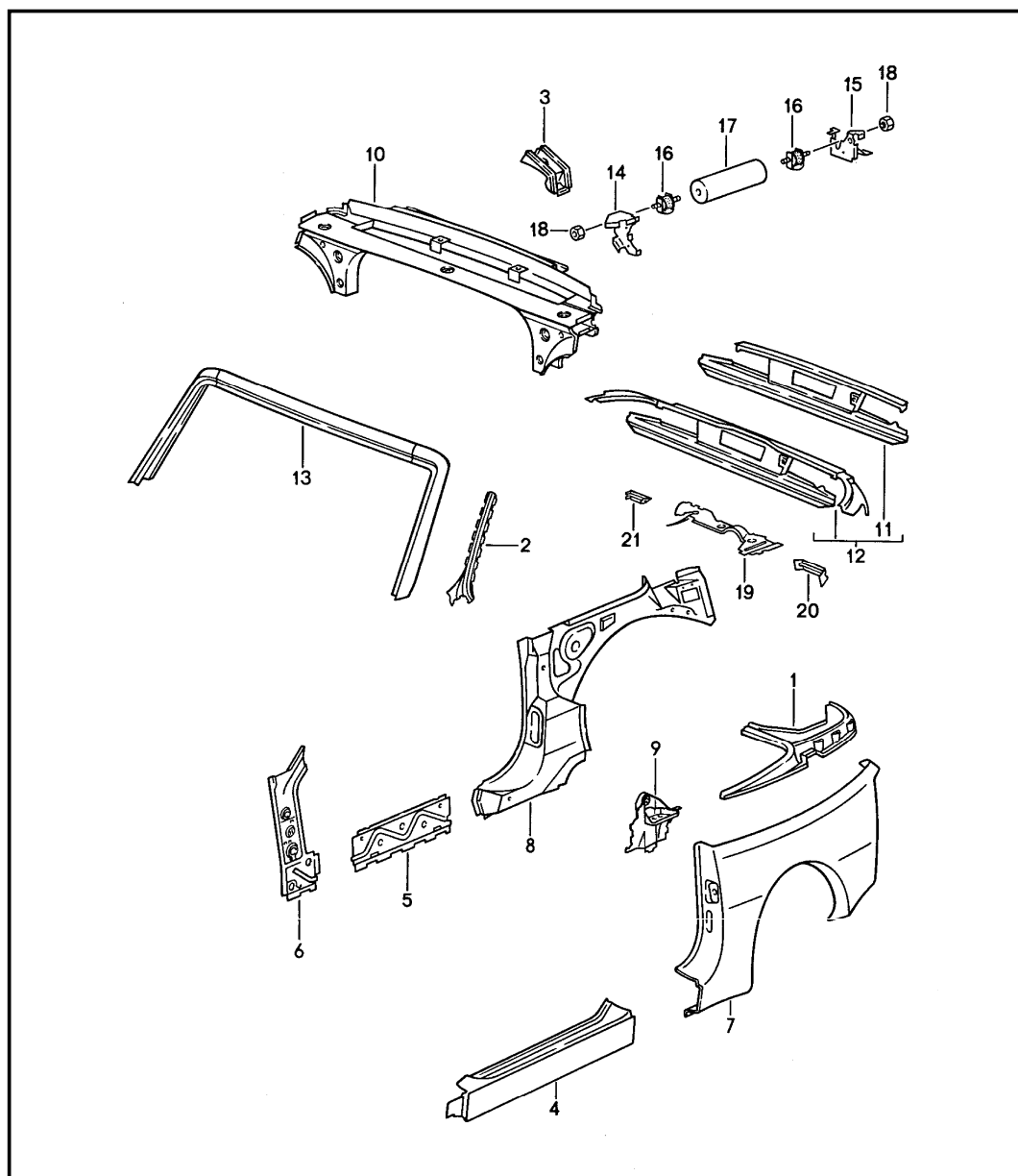
Model	Year	MG	SG	Illustration	Restrictions	UPD	22:51	23.01.2010	PORSCHE	PET	PORSCHE
9442	1991	8	01	801-15		248					

Pos	Part Number	Description	Remark	Qty	Model	Pos	Part Number	Description	Remark	Qty	Model
11	477 809 653	mounting plate		4		(19)	944 502 902 04	side section	/R	91-	1
12	477 809 655	hinge reinforcement		4				order also:			1
13	477 809 625	reinforcement		2				POS.(37)			3
14	944 503 097 00	reinforcement	/L	1				POS.39			4
(14)	944 503 098 00	reinforcement	/R	1		20	931 502 387 01	corner plate	/L		1
15	928 504 355 02	gasket		4		(20)	931 502 388 01	corner plate	/R		1
16	999 015 005 07	half-round screw		4		21	944 501 043 00	wheel housing	/L		1
17	477 809 393 A	hinge pillar	/L	1		(21)	944 501 044 01	wheel housing	/R		1
		use also:	/LL	1		22	931 502 411 01	wheel housing	/L		1
		POS.17A	/RL	1		(22)	931 502 412 01	it is necessary to rework	/R		TURBO
(17)	477 809 394 A	hinge pillar	/R	1				it is necessary to rework			TURBO
		use also:		1							
		POS.17A		1							
17A	944 502 373 00	mounting switch		1		23	944 502 025 00	side section	/L/H		1
		rear lid release				(23)	944 502 026 01	side section	/R		1
18	477 809 433	separator		2		24	803 803 583	drain bush			X
19	944 502 901 04	side section	/L	-90		(24)	021 119 569	rubber sleeve			X M650
		order also:		1		25	477 809 037	separator	/L		1
		POS.37		3		(25)	477 809 038	separator	/R		1
		POS.39		1		26	477 809 397	centre pillar	/L		1
		M490:		4		(26)	477 809 398	centre pillar	/R		1
		POS.38		1		27	944 502 049 00	reinforcement	/L		1
		POS.39		4		(27)	944 502 050 00	reinforcement	/R		1
19	944 502 901 04	side section	/L	91-		29	944 502 439 00	reinforcement	/L		1
		order also:		1		(29)	944 502 440 01	reinforcement	/R		1
		POS.37		3		30	944 504 095 00	flap			1
		POS.39		1				flap			1
		M490:		4				see group			COUPE
		POS.38		1				8/02/25			CABRIO
		POS.39		4		31	944 504 403 00	desk pad			X
(19)	944 502 902 04	side section	/R	-90		32	N 012 222 4	spring washer			2
		order also:		1				A 5			
		POS.(37)		3							
		POS.39		1							
		M490:		4							
		POS.(38)		1							
		POS.39		4							

Model	Year	MG	SG	Illustration	Restrictions	UPD	22:51	23.01.2010	PORSCHE	PET	PORSCHE
9442	1991	8	01	801-15		248					

Pos	Part Number	Description	Remark	Qty	Model	Pos	Part Number	Description	Remark	Qty	Model
33	900 146 106 07	oval-head screw M 5 X 12		2							
34	944 504 397 00	stop		1							
(35)	944 555 275 01	filler piece	/L	1							
(35)	944 555 276 00	filler piece	/R	1							
36	951 201 049 00	cover lower part filler neck		1							
37	944 504 621 00	adapter for loudspeaker	/L	1							
(37)	944 504 622 00	adapter for loudspeaker	/R	1							
38	944 504 611 01	adapter for loudspeaker	/L	1	M490						
(38)	944 504 612 01	adapter for loudspeaker	/R	1	M490						
39	N 090 114 1	tapping screw B 3,9 X 9,5		8							
40	944 502 041 00	side section inner	/L	1							
(40)	944 502 042 00	side section inner	/R	1							
41	944 504 391 00	hinge		1							

Model	Year	MG	SG	Illustration	Restrictions	UPD	22:51	23.01.2010	PORSCHE	PET	PORSCHE
9442	1991	8	01	801-17		248					

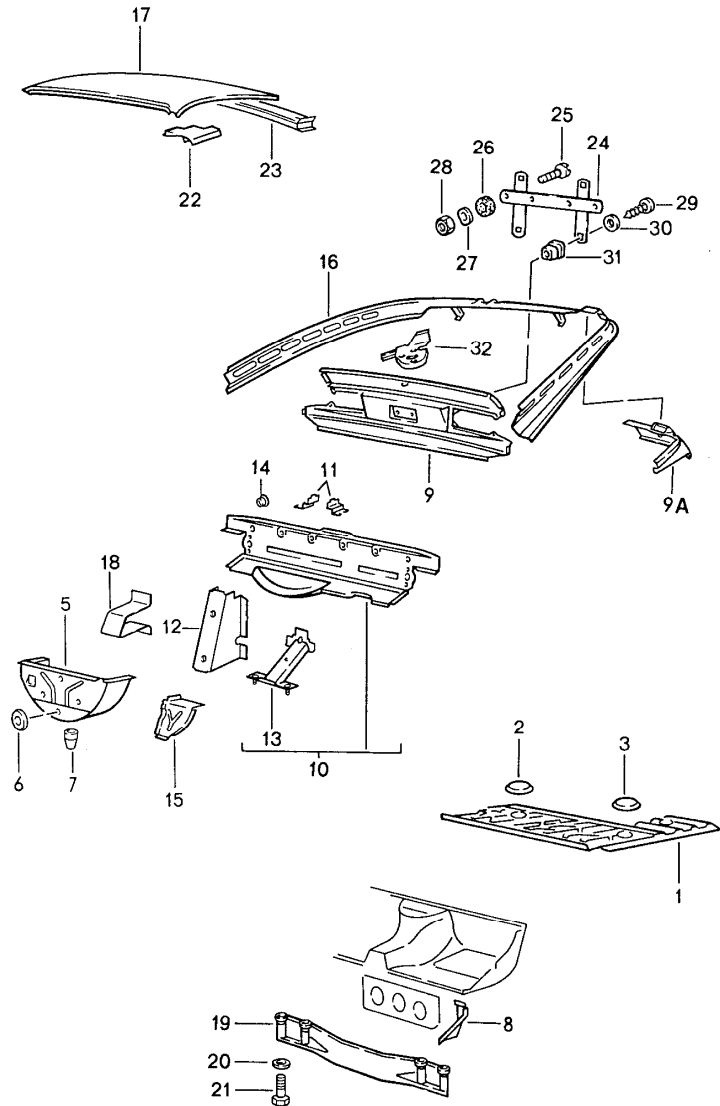


Pos	Part Number	Description	Remark	Qty	Model
		side section windscreen frame terminal piece			CABRIO
1	941 201 341 10	reinforcement side section	/L	1	
(1)	941 201 342 10	reinforcement side section	/R	1	
2	941 502 325 10	reinforcement windscreen frame	/L	1	
(2)	941 502 326 10	reinforcement windscreen frame	/R	1	
3	941 201 347 10	reinforcement tank filler neck lower part	/R	1	
4	941 503 311 10	door sill	/L	1	
(4)	941 503 312 10	door sill	/R	1	
5	941 502 433 10	separator	/L	1	
(5)	941 502 434 10	separator	/R	1	
6	941 502 395 10	hinge pillar	/L	1	
(6)	941 502 396 10	hinge pillar	/R	1	
7	941 503 901 10	side section	/L	1	
(7)	941 503 902 10	side section	/R	1	
8	941 501 901 10	side section	/L	1	
(8)	941 501 902 10	side section	/R	1	
9	941 502 907 10	convertible top support	/L	1	
(9)	941 502 908 10	convertible top support	/R	1	
10	941 502 901 10	cross member		1	
11	941 502 913 10	end plate		1	
12	941 502 903 10	terminal piece		1	
13	941 502 905 10	windscreen frame		1	
14	941 502 443 10	support	/V	1	
15	941 502 441 10	support	/H	1	
16	941 504 701 10	buffer		2	

Model	Year	MG	SG	Illustration	Restrictions	UPD	22:51	23.01.2010	PORSCHE	PET	PORSCHE
9442	1991	8	01	801-17		248					

Pos	Part Number	Description	Remark	Qty	Model	Pos	Part Number	Description	Remark	Qty	Model
17	941 504 105 11	vibration damper		1							
19	941 502 673 10	reinforcement plate		1							
20	941 502 621 10	reinforcement plate	/L	1							
21	941 502 622 10	reinforcement plate	/R	1							

Model	Year	MG	SG	Illustration	Restrictions	UPD	22:51	23.01.2010	PORSCHE	PET	PORSCHE
9442	1991	8	01	801-20		248					

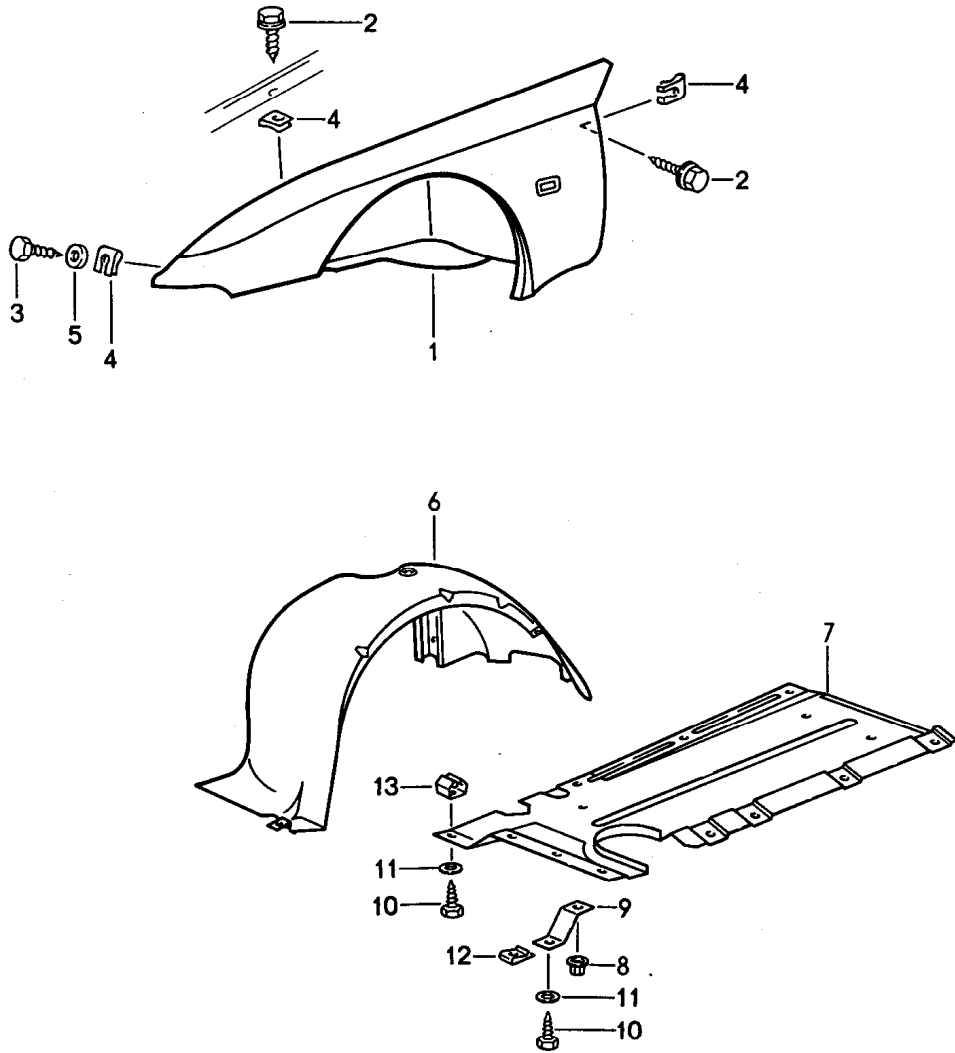


Pos	Part Number	Description	Remark	Qty	Model
		transmission carrier boot floor plate roof			
1	951 501 075 00	boot floor plate		1	
2	944 504 207 00	lid tank gauge		1	
3	411 803 595	lid 136 MM \$		1	
5	951 501 131 00	spare-wheel well	/V	-89	1
5	951 501 131 02	spare-wheel well	/V	90-	1
6	803 803 583	drain bush		3	
7	111 701 309	rubber sleeve		1	
8	477 813 145 B	corner panel	/L	1	
(8)	477 813 146 B	corner panel	/R	1	
9	944 503 037 01	end plate		1	
9A	944 502 345 01	reinforcement	/L	1	
(9A)	944 502 346 01	reinforcement	/R	1	
10	944 503 901 01	end plate		1	
11	477 813 169	fastening angle scissors type jack	/L	1	
(11)	477 813 170	fastening angle scissors type jack	/R	1	
12	944 503 165 01	support		1	
13	944 502 091 00	support rear muffler		1	
14	999 703 179 40	stopper		1	
14	999 703 179 40	stopper	/H	1	
(14)	999 703 180 40	stopper	/V	1	
15	477 813 309	corner panel	/L	1	
(15)	944 502 210 00	corner panel	/R	1	
16	944 502 035 02	lock carrier	/H	1	
17	944 503 912 02	roof		1	

Model	Year	MG	SG	Illustration	Restrictions	UPD	22:51	23.01.2010	PORSCHE	PET	PORSCHE
9442	1991	8	01	801-20		248					

Pos	Part Number	Description	Remark	Qty	Model	Pos	Part Number	Description	Remark	Qty	Model
17	944 503 912 03	roof		1	M650						
18	944 503 171 00	support for spare wheel		2							
19	477 813 285	transverse strut seat well		1							
20	900 074 181 02	screw M 10 X 95		4							
21	900 025 008 09	washer 10,5		4							
22	477 817 033	reinforcement	/V/L	1							
(22)	477 817 034	reinforcement	/V/R	1							
23	477 817 171 A	roof frame		1							
24	928 701 050 03	support	(CH) (J) (USA)	1							
25	N 014 143 1	oval-head screw AM 6 X 22		2							
(25)	N 100 457 01	countersunk-head screw M 5 X 25	(CH) (J) (USA)	2							
26	803 011 243	rubber washer		2							
(27)	N 011 665 3	washer A 5,3	(CH) (J) (USA)	2							
28	900 910 009 02	lock nut M 5	(CH) (J) (USA)	2							
29	900 143 134 00	tapping screw BZ 4,2 X 9,5	(CH) (J) (USA)	4							
30	N 011 522 8	washer 4,3	(CH) (J) (USA)	4							
31	999 591 498 40	special nut	(CH) (J) (USA)	4							
32	944 501 207 01	retaining bracket electric motor		1							

Model	Year	MG	SG	Illustration	Restrictions	UPD	22:52	23.01.2010	PORSCHE	PET	PORSCHE
9442	1991	8	01	801-25		248					

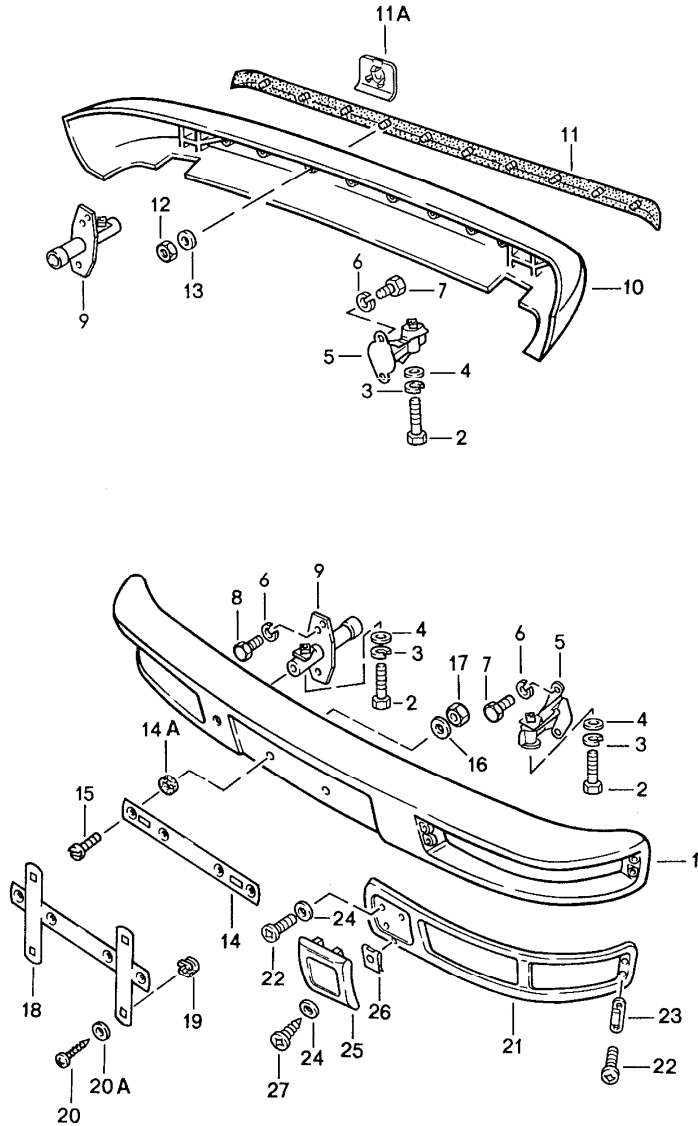


Pos	Part Number	Description	Remark	Qty	Model
		wing			
1	931 503 021 02	wing	/L	1	944
(1)	931 503 022 02	wing	/R	1	944
(1)	951 503 021 02	wing	/L	1	944S2, TURBO
(1)	951 503 022 02	wing	/R	1	944S2, TURBO
2	N 090 172 1	combination screw		22	
3	N 013 891 1	tapping screw 6,3 X 19		24	
4	999 507 003 02	speed nut B 6,3 X 17		24	
5	N 011 524 7	washer A 6,4		2	
6	944 504 381 03	wheel-housing liner	/L	1	944
(6)	944 504 382 03	wheel-housing liner	/R	1	944
(6)	944 504 381 08	wheel-housing liner	/L	1	944S2, TURBO
(6)	944 504 382 08	wheel-housing liner	/R	1	944S2, TURBO
7	944 504 311 00	lining	/L	1	944S2, TURBO
(7)	944 504 312 00	lining	/R	1	944S2, TURBO
8	999 049 008 40	plastic nut		12	
9	A 944 504 281 00	retaining bracket		4	
9	944 504 281 01	support		4	
10	N 013 891 1	tapping screw B6,3X19		X	
11	N 011 666 7	washer B6,4		X	
12	999 507 034 02	speed nut B6,3		X	
13	N 012 062 2	speed nut B6,3		X	
14	944 504 907 00	lid	/L	1	
(14)	944 504 908 00	lid	/R	1	
15	999 591 485 02	speed nut B 4,8		4	

Model	Year	MG	SG	Illustration	Restrictions	UPD	22:52	23.01.2010	PORSCHE	PET	PORSCHE
9442	1991	8	01	801-25		248					

Pos	Part Number	Description	Remark	Qty	Model	Pos	Part Number	Description	Remark	Qty	Model
16	900 143 159 07	combination screw B 4,8 X 19		4							
17	999 190 361 40	blind rivet A 5,0 X 12		2							

Model	Year	MG	SG	Illustration	Restrictions	UPD	22:52	23.01.2010	PORSCHE	PET	PORSCHE
9442	1991	8	02	802-00		248					

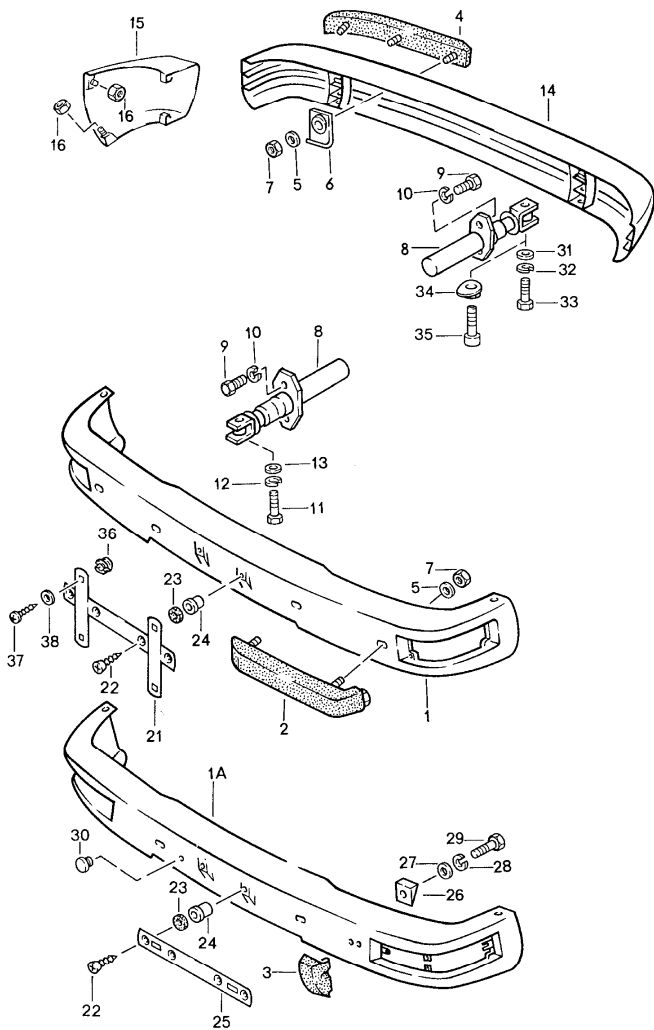


Pos	Part Number	Description	Remark	Qty	Model
		bumper without impact absorber			
1	931 505 087 00	bumper	/V	1	
(1)	931 505 087 01	bumper	/V	1	M288
2	900 074 064 02	hexagon-head bolt M 10 X 60		4	
3	900 027 016 02	lock ring B 10		4	
4	900 025 008 09	washer A 10,5		4	
5	477 807 131 A	bumper reinforcement		3	
6	900 027 015 02	lock ring A 8		8	
7	900 075 087 02	hexagon-head bolt M 8 X 20		6	
8	900 075 029 09	hexagon-head bolt M 8 X 25		2	
9	944 505 039 01	bumper reinforcement	/V/R	1	944
9	944 505 039 01	bumper reinforcement	/H/R	1	944S2, TURBO M472
10	931 505 387 00	bumper	/H	1	944
10 A	951 505 387 01	bumper	/H	1	944S2, TURBO M472
10	951 505 387 01	bumper	/H	1	944S2, TURBO M472
11	477 807 319	protective moulding	/H	1	944
(11)	951 505 069 00	protective moulding	/H	1	944S2, TURBO M472
11A	951 505 346 00	lid towing lug		1	944S2, TURBO M472
12	900 910 010 09	lock nut M 6		10	
13	N 011 524 7	washer A 6,4		10	
14	911 701 121 03	support		1	

Model	Year	MG	SG	Illustration	Restrictions	UPD	22:52	23.01.2010	PORSCHE	PET	PORSCHE
9442	1991	8	02	802-00		248					

Pos	Part Number	Description	Remark	Qty	Model	Pos	Part Number	Description	Remark	Qty	Model
14A	914 571 903 10	sealing ring		4							
15	N 100 457 01	countersunk-head screw M 5 X 25		2							
16	N 011 665 3	washer A 5,3		2							
17	900 910 009 02	lock nut M 5		2							
18	928 701 050 03	support	/V (J)	1							
19	999 591 498 40	special nut		X							
20	900 143 134 00	tapping screw BZ 4,2 X 9,5		X							
20A	N 011 522 8	washer 4,3		X							
		towing lug see group 0/01/00		1							
21	931 505 195 01	frame for light	/L	1							
(21)	931 505 196 01	frame for light	/R	1							
22	N 014 117 9	oval-head screw M 4 X 15		10							
23	931 505 199 00	clip		2							
24	900 025 002 02	washer A 4,3		6							
25	931 505 201 00	bumper horn	/L	1							
(25)	931 505 202 00	bumper horn	/R	1							
26	999 507 018 02	speed nut B 4,2		2							
27	900 143 047 07	tapping screw B 4,2 X 19		2							

Model	Year	MG	SG	Illustration	Restrictions	UPD	22:52	23.01.2010	PORSCHE	PET	PORSCHE
9442	1991	8	02	802-05		248					

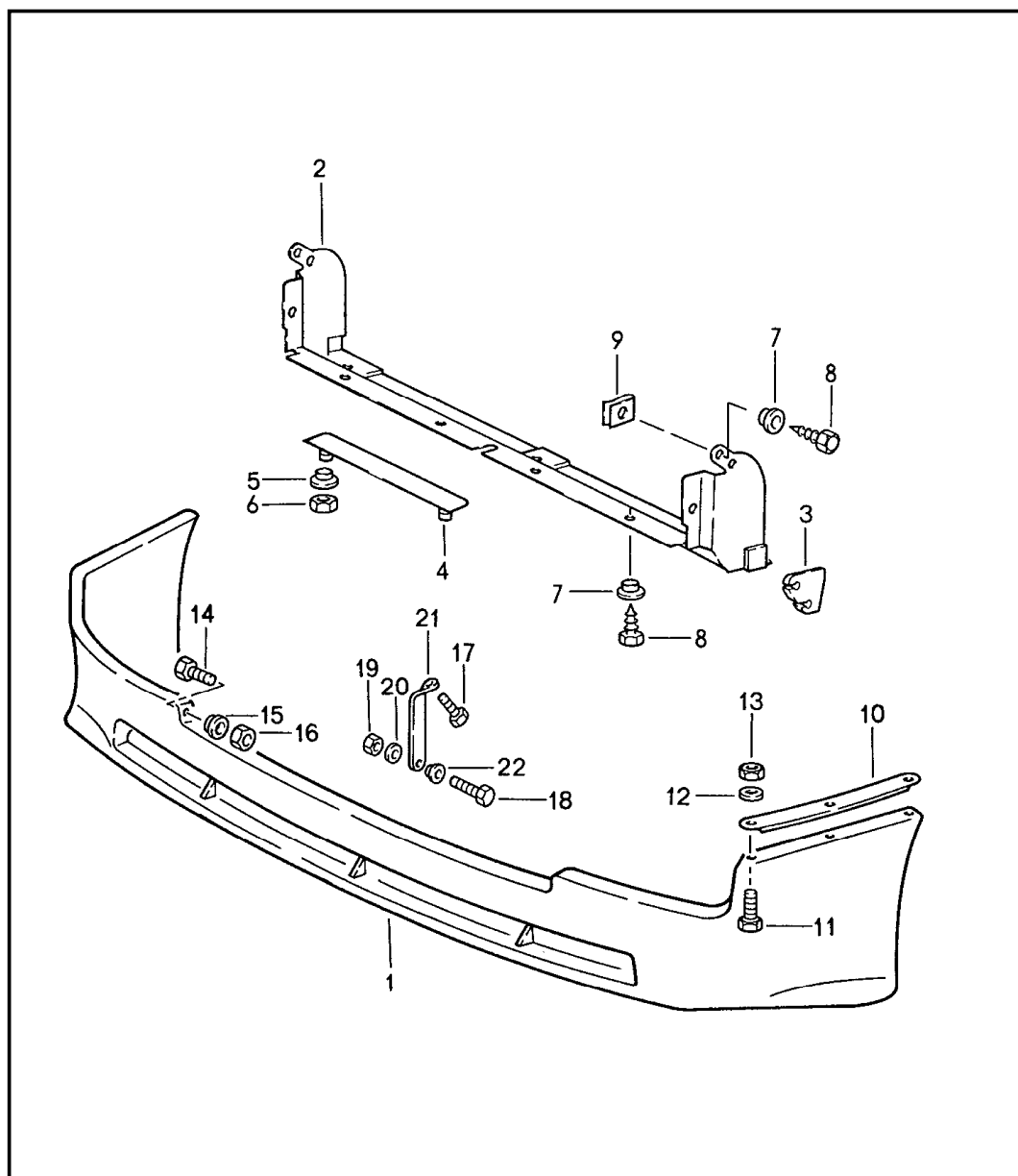


Pos	Part Number	Description	Remark	Qty	Model
		bumper with impact absorber			
1A	931 505 109 05	bumper	/V	1	M058
(1A)	931 505 109 06	bumper	/V	1	M058/288
3	477 807 353	bumper horn	/L	1	M058
(3)	477 807 354	bumper horn	/R	1	M058
(4)	944 505 061 00	rubber moulding	/L	1	
4	944 505 062 00	rubber moulding	/R	1	
5	N 011 612 3	washer R 7		6	M058
6	477 807 197	support	/H	6	
7	113 101 175	hexagon nut		6	M058
8	944 505 017 03	impact absorber		4	
9	N 010 240 16	hexagon-head bolt M 8 X 20		8	
10	900 027 015 02	lock ring A 8		8	
11	N 010 165 2	hexagon-head bolt M 12 X 65	/V	2	
12	N 012 042 4	lock ring B 12	/V	2	
13	N 011 531 7	washer A 13	/V	2	
14	944 505 301 00	bumper	/H		
(15)	931 505 059 00	cover prime coated	/L	1	
15	931 505 060 00	cover prime coated	/R	1	
16	900 910 007 02	lock nut M 5		4	
21	928 701 050 03	support		1	M036
22	N 043 983 1	tapping screw B 5,5 X 32		2	
23	944 505 351 00	spacer rubber		2	

Model	Year	MG	SG	Illustration	Restrictions	UPD	22:52	23.01.2010	PORSCHE	PET	PORSCHE
9442	1991	8	02	802-05		248					

Pos	Part Number	Description	Remark	Qty	Model	Pos	Part Number	Description	Remark	Qty	Model
24	N 902 508 01	special nut		2							
25	911 701 121 03	support		1	M058						
26	477 807 361	plate	/L	1	M058						
(26)	477 807 362	plate	/R	1	M058						
27	N 011 652 1	washer 7		2	M058						
28	N 012 006 4	lock ring B 6		2	M058						
29	N 010 339 3	hexagon-head bolt M 6 X 40		2	M058						
30	999 703 181 40	stopper towing lug see group 0/01/00		1	M058						
				1	M058						
32	N 012 042 4	lock ring B 12	/H	2							
34	944 505 243 00	eccentric washer	/H	2							
35	N 100 436 02	pan-head screw M 12 X 1,5 X 65	/H	2							
36	999 591 498 40	special nut		X							
37	900 143 134 00	tapping screw BZ 4,2 X 9,5		X							
38	N 011 522 8	washer 4,3									

Model	Year	MG	SG	Illustration	Restrictions	UPD	22:52	23.01.2010	PORSCHE	PET	PORSCHE
9442	1991	8	02	802-10		248					

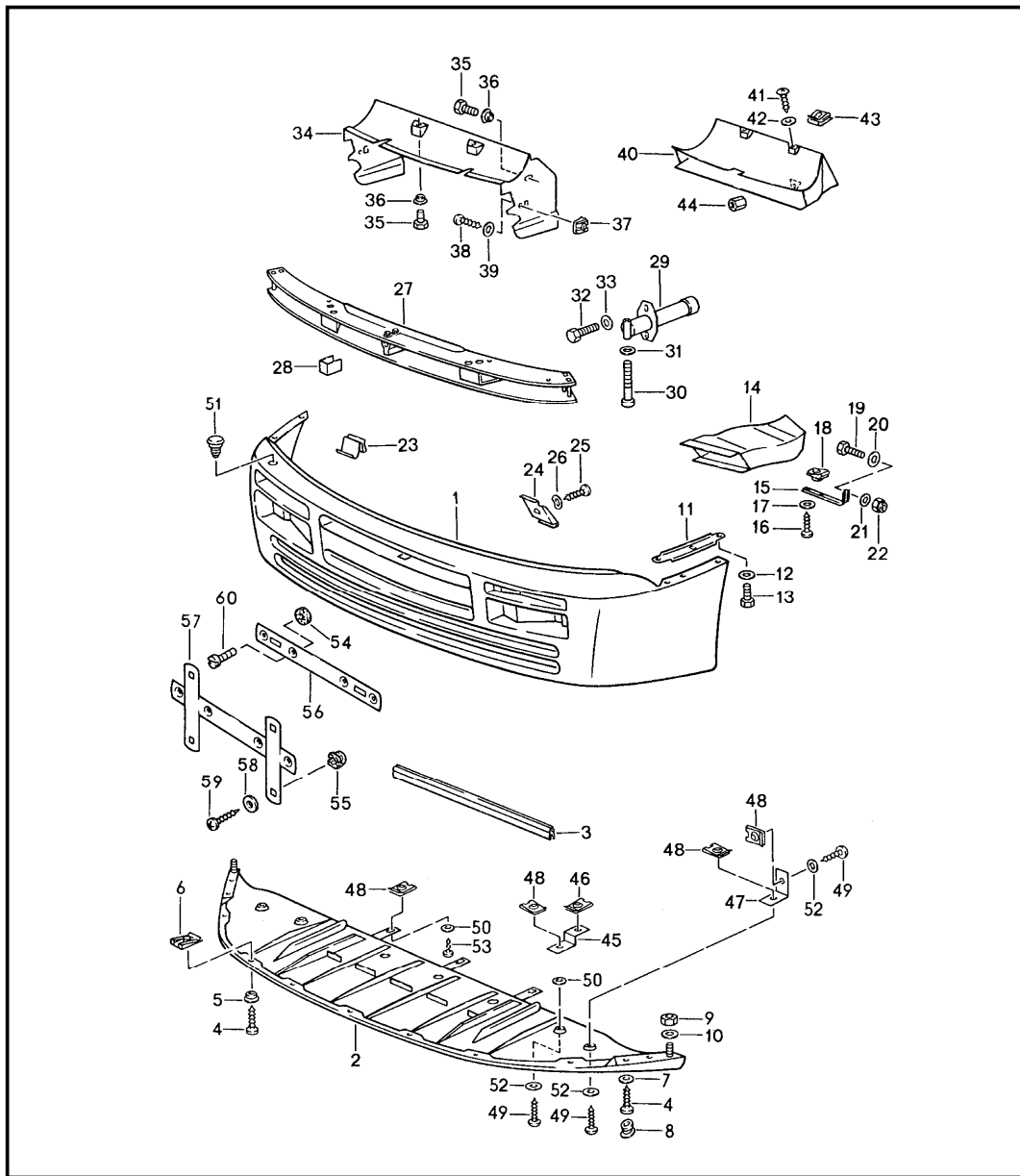


Pos	Part Number	Description	Remark	Qty	Model
		front spoiler	-89	1	944
1	931 505 371 03	front spoiler		1	
(1)	931 505 371 05	front spoiler for fog headlamp		1	
2	944 575 221 00	air duct		1	
(2)	944 575 221 01	air duct		1	M573
3	951 575 137 01	grommet		1	M573
4	944 505 055 00	attachment strip		2	
5	928 503 255 00	spacer		4	
6	900 910 010 09	lock nut M 6		4	
7	937 503 255 01	spacer		5	
8	N 010 215 13	hexagon-head bolt M 6 X 15		5	
9	999 507 246 02	speed nut M 6		2	
10	944 503 513 00	attachment strip		2	
11	N 010 215 13	hexagon-head bolt M6 X 15		6	
12	N 011 524 7	washer A 6,4		6	
13	900 910 010 09	lock nut M 6		6	
14	N 010 215 13	hexagon-head bolt M6 X 15		2	
15	937 503 255 00	spacer		2	
16	900 910 010 09	lock nut M 6		2	
17	999 072 005 09	hexagon-head bolt M 6 X 12		2	
18	N 010 215 13	hexagon-head bolt M 6 X 15		1	
19	900 910 010 09	lock nut M 6		1	

Model	Year	MG	SG	Illustration	Restrictions	UPD	22:52	23.01.2010	PORSCHE	PET	PORSCHE
9442	1991	8	02	802-10		248					

Pos	Part Number	Description	Remark	Qty	Model	Pos	Part Number	Description	Remark	Qty	Model
20	N 011 524 7	washer A 6,4		1							
21	944 505 179 00	retaining bracket		1							
22	944 503 255 00	spacer		1							

Model	Year	MG	SG	Illustration	Restrictions	UPD	22:52	23.01.2010	PORSCHE	PET	PORSCHE
9442	1991	8	02	802-15		248					

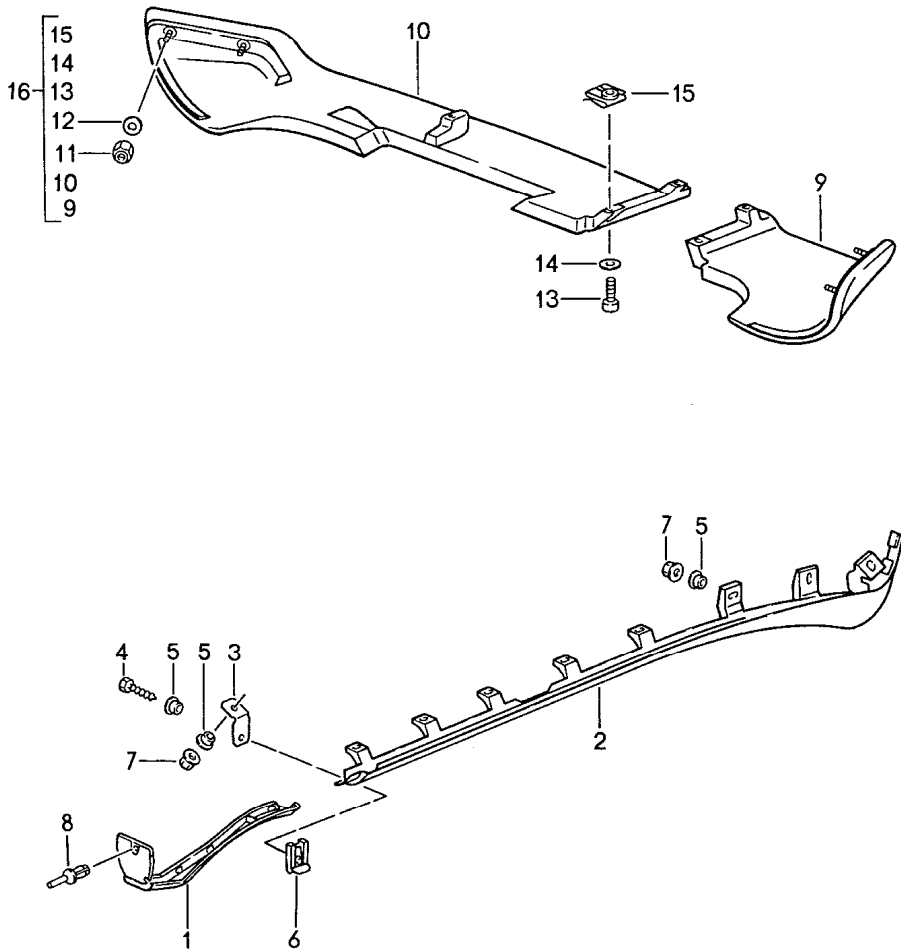


Pos	Part Number	Description	Remark	Qty	Model
1	951 505 071 00	front apron and bumper		1	944S2, TURBO
2	951 505 075 02	lining upper part		1	
3	944 505 523 00	lining lower part		1	
4	N 013 967 9	pipings		9	
5	N 013 967 9	tapping screw B 4,2		9	
6	951 505 157 00	spacer		7	
7	999 591 742 02	speed nut		9	
8	900 151 028 02	washer B 4,3		2	
9	951 505 347 00	stopper		2	
10	900 910 010 09	lock nut M 6		2	
11	N 011 666 7	washer B 6,4		2	
11	951 505 513 00	attachment strip	/L	1	
(11)	951 505 514 00	attachment strip	/R	1	
12	N 011 666 7	washer B 6,4		6	
13	N 010 215 13	hexagon-head bolt M 6 X 15		6	
14	951 575 361 00	air duct	/L	1	TURBO
(14)	951 575 362 00	air duct	/R	1	TURBO
15	951 575 371 00	fastening angle		2	TURBO
16	N 013 884 4	tapping screw BZ 4,8 X 13		4	TURBO
17	N 011 665 3	washer B 5,3		4	TURBO
18	N 015 458 1	speed nut 4,8 X 19		4	TURBO
19	N 010 215 13	hexagon-head bolt M 6 X 15		4	TURBO

Model	Year	MG	SG	Illustration	Restrictions	UPD	22:52	23.01.2010	PORSCHE	PET	PORSCHE
9442	1991	8	02	802-15		248					

Pos	Part Number	Description	Remark	Qty	Model	Pos	Part Number	Description	Remark	Qty	Model
20	N 011 666 7	washer B 6,4		4	TURBO	40	951 575 131 00	air duct		1	TURBO
21	N 011 524 7	washer A 6,4		4	TURBO	(40)	944 575 133 00	air duct		1	944S2
22	900 910 010 09	lock nut M 6		4	TURBO	41	900 143 007 02	tapping screw B 4,2 X 13		2	
23	951 505 373 00	spring		4		42	900 025 002 02	washer A 4,3		2	
24	951 505 353 00	cap		1		43	N 015 447 1	speed nut 4,2 X 10,3		2	
25	900 143 072 02	oval-head sheetmetal screw B 3,9 X 19		1		44	999 049 001 40	plastic nut		2	
26	N 011 663 1	washer B 3,7		1		45	951 505 359 00	fastening angle		2	
27	951 505 010 01	bumper		1		46	N 015 458 1	speed nut		2	
28	951 505 349 00	cap		1		47	951 505 355 00	bracket		3	
29	951 505 017 00	impact pipe		2		48	N 015 470 2	speed nut		6	
(29)	951 505 015 00	impact absorber		2	M036/058	49	N 013 968 7	tapping screw		6	
30	N 100 897 01	pan-head screw M 8 X 70		2		50	N 011 665 3	washer		6	
31	900 025 007 02	washer 8,4		2		51	951 628 301 00	cover		2	
32	900 075 029 09	hexagon-head bolt M 8 X 25		2		52	944 503 255 00	spacer		6	
33	900 025 007 02	washer A 8		2		53	N 013 975 4	tapping screw		3	
34	951 575 133 00	air duct		1		54	951 701 133 00	spacer		2	
(34)	951 575 133 01	air duct		1	M573	55	999 591 498 40	special nut		X	
35	999 217 013 00	hexagon-head bolt M 6		4		56	911 701 121 03	support		1	
36	937 503 255 01	spacer		4		57	928 701 050 03	support		1	
37	N 015 458 1	speed nut 4,8 X 19		2		58	N 011 522 8	washer 4,3		X	
38	N 013 884 4	tapping screw 4,8 X 13		2		59	900 143 134 00	tapping screw BZ 4,2 X 9,5		X	
39	N 011 665 3	washer B 5,3		2		60	900 144 020 02	tapping screw B 4,8 X 32		2	

Model	Year	MG	SG	Illustration	Restrictions	UPD	22:53	23.01.2010	PORSCHE	PET	PORSCHE
9442	1991	8	02	802-20		248					

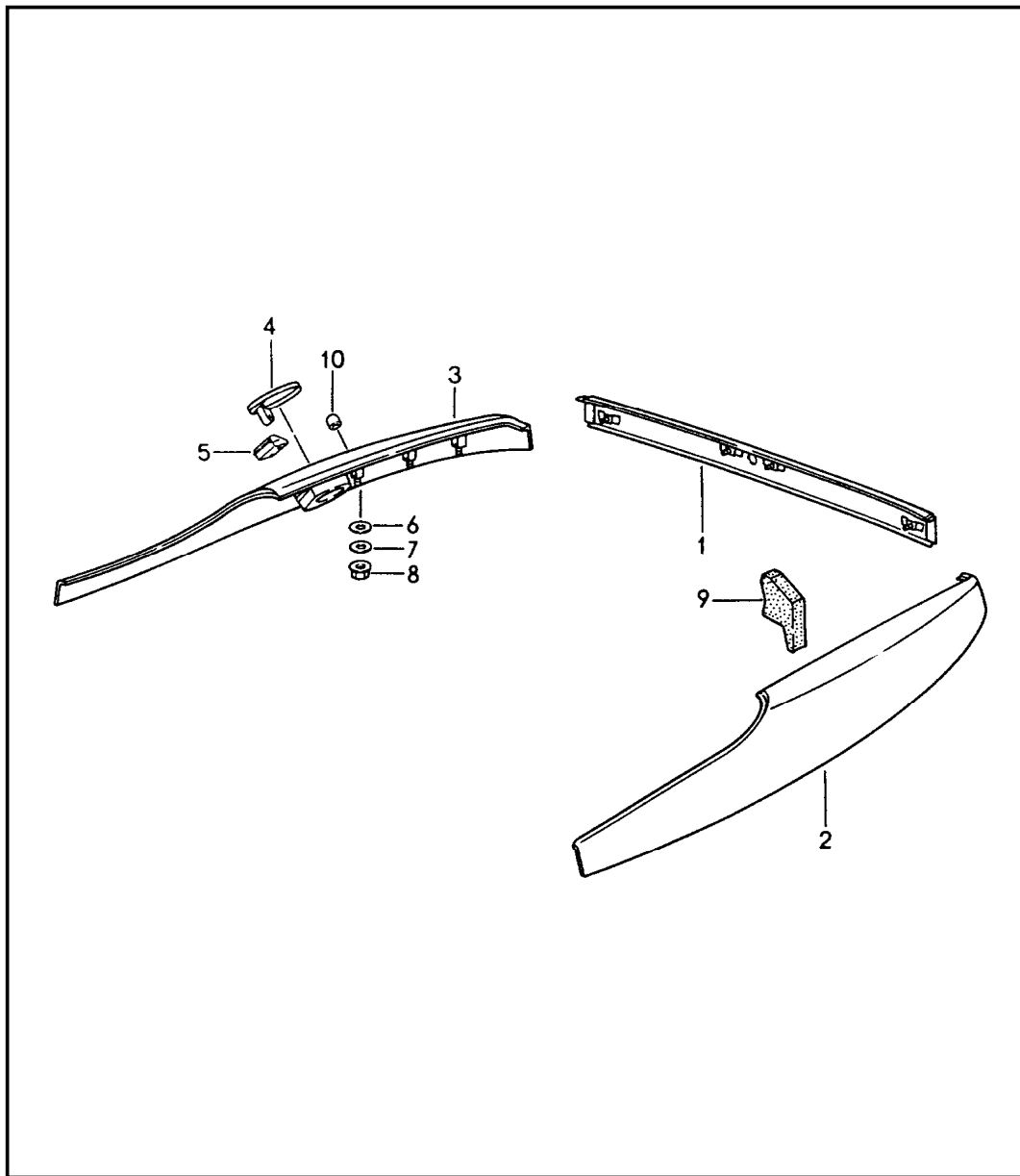


Pos	Part Number	Description	Remark	Qty	Model
		sill cover winged rear apron			944S2, TURBO 944S2, TURBO M472
1	951 559 193 00	sill cover	/V/L	1	
(1)	951 559 194 00	sill cover	/V/R	1	
2	951 559 195 00	sill cover	/H/L	1	COUPE
(2)	951 559 196 00	sill cover	/H/R	1	COUPE
(2)	941 559 207 10	sill cover	/H/L	1	CABRIO
	01C	satin black			
(2)	941 559 208 10	sill cover	/H/R	1	CABRIO
	01C	satin black			
3	951 559 385 00	fastening angle		2	COUPE
(3)	941 559 307 10	fastening angle		10	CABRIO
4	N 013 891 1	tapping screw B 6,3 X 19		8	
5	928 503 255 00	spacer		22	
6	999 591 327 02	speed nut B 6,3 X 25 X 16		6	
7	999 049 008 40	plastic nut		10	
8	999 190 361 40	rivet 5 X 12		2	
9	951 504 051 00	winged rear apron	/L	1	
10	951 504 052 00	winged rear apron	/R	1	
11	900 910 010 02	lock nut M 6		4	
12	N 011 666 7	washer B 6,4		4	
13	999 218 057 00	pan-head screw M 6 X 10		5	COUPE
13	999 218 057 00	pan-head screw M 6 X 16		5	CABRIO
14	N 011 557 6	washer 6,4		5	

Model	Year	MG	SG	Illustration	Restrictions	UPD	22:53	23.01.2010	PORSCHE	PET	PORSCHE
9442	1991	8	02	802-20		248					

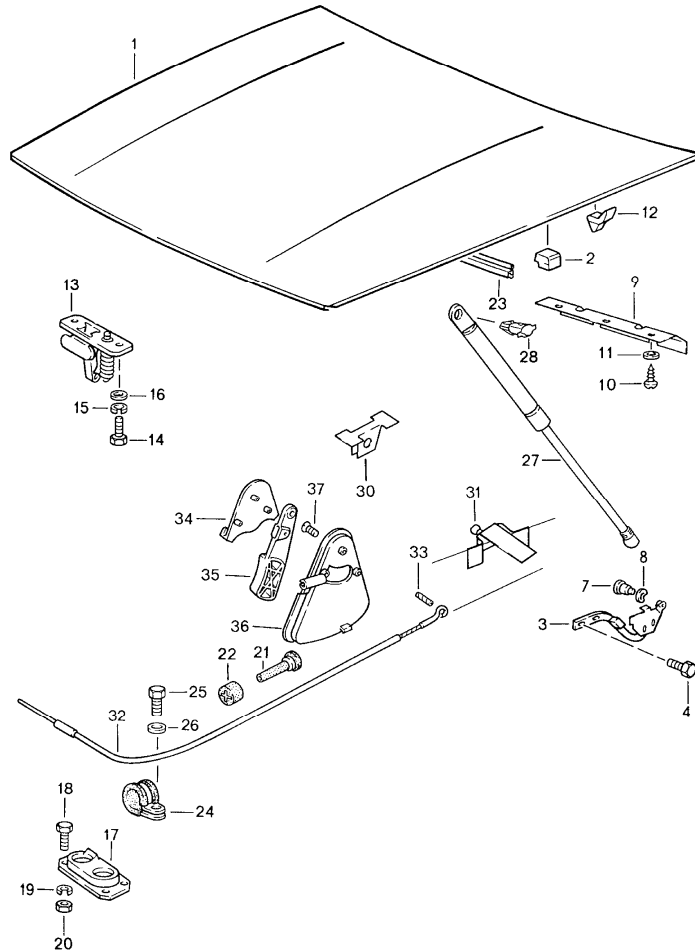
Pos	Part Number	Description	Remark	Qty	Model	Pos	Part Number	Description	Remark	Qty	Model
15	999 507 336 02	captive nut M 6		5							
16	951 504 951 00	winged rear apron set see group 8/98/00		1							

Model	Year	MG	SG	Illustration	Restrictions	UPD	22:53	23.01.2010	PORSCHE	PET	PORSCHE
9442	1991	8	02	802-25		248					



Pos	Part Number	Description	Remark	Qty	Model
		linings	/H		CABRIO
1	941 503 627 10	terminal piece	/H	1	
2	941 503 625 10	side section	/L	1	
3	941 503 626 10	side section	/R	1	
4	941 504 095 10	flap		1	
5	944 504 391 00	hinge		1	
6	941 504 875 10	rubber washer		14	
7	941 504 857 10	washer		14	
8	900 377 009 02	hexagon nut M5		14	
9	941 504 731 10	filler piece		4	
10	941 201 361 10	rubber buffer		2	

Model	Year	MG	SG	Illustration	Restrictions	UPD	22:53	23.01.2010	PORSCHE	PET	PORSCHE
9442	1991	8	03	803-00		248					

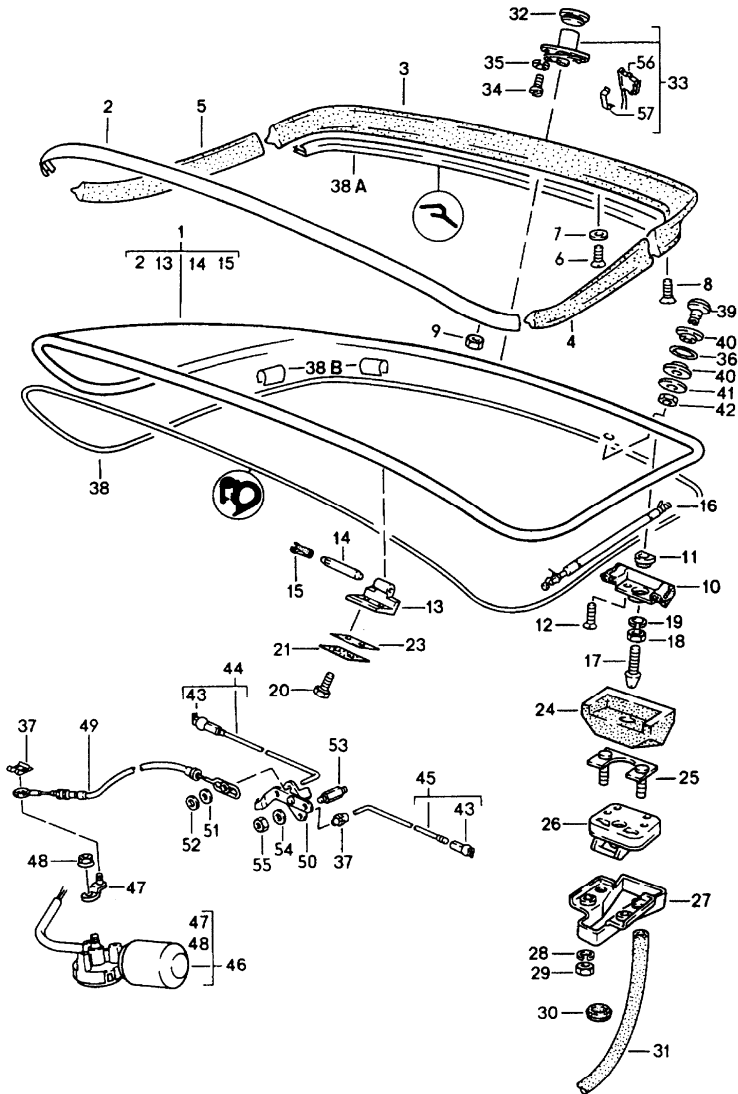


Pos	Part Number	Description	Remark	Qty	Model
		lid front actuator			
1	944 511 905 00	lid		1	
2	477 823 185	filler piece		2	
3	944 511 301 00	hinge	/L	1	
(3) A	944 511 302 00	hinge	/R	1	
(3)	944 511 302 00	lid hinge	/R	1	
4	N 014 331 2	hexagon-head bolt M 8 X 18		4	
7	944 511 307 00	bearing pin		2	
8	944 511 309 00	washer		2	
9	944 511 201 00	tab washer		1	M533
10	900 143 007 02	tapping screw BZ 4,2 X 13		3	M533
11	900 025 002 02	washer BZ 4,3		3	M533
12	937 511 237 00	guide piece		2	
13	944 511 029 00	lid lock upper part		1	
14	999 072 005 09	hexagon-head bolt M 6 X 12		2	
17	928 511 027 02	lid lock lower part		1	
18	900 075 116 02	hexagon-head bolt M 4 X 8		4	
19	N 012 004 2	lock ring B 4		4	
20	N 011 004 6	hexagon nut M 4		4	
21	477 823 591	grommet		1	
22	477 823 593	stopper		1	
23	928 511 141 04	gasket		1	
24	999 511 177 02	clamp		1	

Model	Year	MG	SG	Illustration	Restrictions	UPD	22:53	23.01.2010	PORSCHE	PET	PORSCHE
9442	1991	8	03	803-00		248					

Pos	Part Number	Description	Remark	Qty	Model	Pos	Part Number	Description	Remark	Qty	Model
25	999 072 005 09	hexagon-head bolt M 6 X 12		1							
26	N 011 524 7	washer		1							
27	944 511 351 01	gas-pressure spring		2							
28	999 094 011 09	bolt		2							
30	944 511 373 00	pneumatic spring mount		2							
31	944 501 371 00	pneumatic spring mount	/L	1							
(31)	944 501 372 00	pneumatic spring mount	/R	1							
32	944 511 037 00	bowden cable		1							
33	900 197 018 00	roll pin 4 X 12		1							
34	928 511 143 02	cover		1							
35	928 511 175 02	pull handle		1							
36	928 511 173 02	cup		1							
37	900 249 001 02	countersunk-head screw M 6 X 15 M 6 X 15		2							

Model	Year	MG	SG	Illustration	Restrictions	UPD	22:53	23.01.2010	PORSCHE	PET	PORSCHE
9442	1991	8	03	803-05		248					

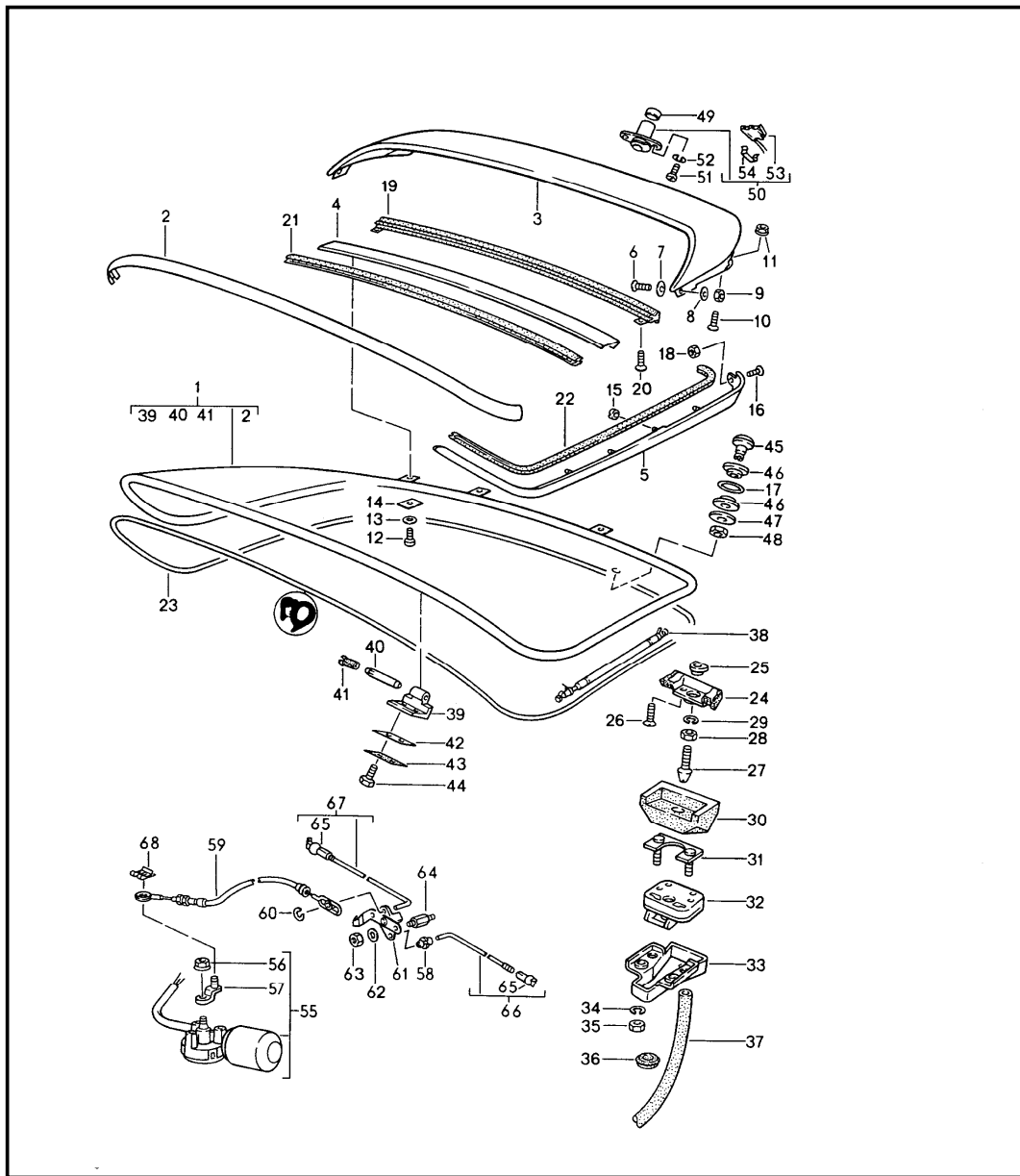


Pos	Part Number	Description	Remark	Qty	Model
		rear lid rear spoiler	-90		COUPE
		see technical information group 5, 1/90			
1	944 512 929 04	rear lid		1	
1	944 512 929 05	rear lid	(AUS) (S)	1	
2	477 853 313 A	trim frame		1	
3	937 512 555 00	rear spoiler		1	
4	937 512 557 00	rear spoiler	/L	1	
5	937 512 558 00	rear spoiler	/R	1	
6	N 033 183 1	countersunk-head screw M 5 X 20		7	
7	477 827 453 A	washer		7	
8	N 033 185 1	countersunk-head screw M 4 X 16		4	
9	N 021 255 1	slotted nut M 4		12	
10	944 512 033 01	housing	/L	1	
(10)	944 512 034 01	housing	/R	1	
11	477 827 035	rubber mounting		2	
12	999 219 011 07	countersunk-head screw M 6 X 16,		4	
13	477 827 305 B	hinge half		2	
14	944 512 311 00	hinge pin		2	
15	477 827 441	bush		2	
(16)	944 512 348 00	gas-pressure spring	/R	1	
16	944 512 349 00	gas-pressure spring	/L	1	
17	944 538 547 00	lock pin		2	
18	N 011 008 8	hexagon nut M 8		2	
19	900 027 015 02	lock ring B 8		2	

Model	Year	MG	SG	Illustration	Restrictions	UPD	22:53	23.01.2010	PORSCHE	PET	PORSCHE
9442	1991	8	03	803-05		248					

Pos	Part Number	Description	Remark	Qty	Model	Pos	Part Number	Description	Remark	Qty	Model
20	999 218 045 07	pan-head screw M 8 X 16 micro-self-locking		4		38A	944 512 463 00	additional gasket		1	
						39	477 845 333	screw plug		1	
21	928 512 417 03	plate		2		40	477 955 439	grommet		2	
23	944 512 413 00	gasket		2		41	477 845 331	washer		1	
24	944 512 365 01	gasket	/L	1		42	N 011 118 14	hexagon nut M 8		1	
(24)	944 512 366 01	gasket	/R	1		(43)	999 168 025 00	ball socket		1	
25	951 512 447 00	reinforcement plate		2		44	944 512 092 01	pull rod	/R	1	
26	944 538 055 01	rear lid lock	/L	-89	1	45	944 512 091 00	pull rod	/L	1	
26	944 538 955 00	rear lid lock	/L	90	1	46	944 624 024 02	electric motor see technical information GR.5,NR.1/93		1	
(26)	944 538 056 01	rear lid lock	/R	-89	1	47	944 624 814 00	lever		1	
(26)	944 538 956 00	rear lid lock	/R	90	1	48	999 084 045 02	lock nut		1	
27	477 827 541	water drip pan		2		49	944 512 097 03	bowden cable		1	
28	N 012 006 4	lock ring B 6		4		50	944 512 095 00	lever		1	
29	900 076 010 02	hexagon nut M 6		4		52	N 012 054 2	clamping washer		1	
30	111 971 911 A	rubber sleeve		2		53	944 512 201 00	stud		2	
31	477 827 547	hose 400 MM		2		54	N 011 524 7	washer B 6		2	
32	477 827 529 A	sealing ring		1		55	900 076 010 02	hexagon nut M 6		2	
(33)	944 538 911 01	lock cylinder w/o stipulated lock number with 2 secondary keys		1		56	944 624 030 00	microswitch		1	
(33)	944 538 073 00	lock cylinder with stipulated lock number state lock number		1		57	999 591 910 00	clamp		1	
34	N 014 139 5	oval-head screw M 6 X 12		2							
35	N 012 007 2	lock ring A 6		2							
36	999 707 301 40	o-ring		1							
(37)	999 166 054 02	sl-lock		1							
38	944 512 043 00	seal for rear lid		1							

Model	Year	MG	SG	Illustration	Restrictions	UPD	22:53	23.01.2010	PORSCHE	PET	PORSCHE
9442	1991	8	03	803-07		248					



Pos	Part Number	Description	Remark	Qty	Model
1	951 512 929 00	rear lid rear spoiler	90- 91-	1	TURBO 944S2
1	951 512 929 01	rear lid	(AUS) (S)	1	
2	477 853 313 A	trim frame		1	
3	951 512 101 00	rear spoiler		1	
		03C rally black			
4	951 512 103 00	rear spoiler		1	
		03C rally black			
5	951 512 405 00	rear spoiler	/L	1	
		03C rally black			
(5)	951 512 406 00	rear spoiler	/R	1	
		03C rally black			
6	N 033 184 1	countersunk-head screw M 5 X 22		2	
7	803 955 637	rubber washer		4	
8	900 151 027 07	washer B 5,3 X 15		2	
9	900 034 033 07	nut M 5		2	
10	900 269 054 07	countersunk-head screw M 5 X 25		2	
11	900 380 001 02	nut M 5		2	
12	N 102 158 01	pan-head screw M 5 X 8		4	
13	900 025 053 07	washer A 5,3 X 10		4	
14	951 512 733 01	compensating plate		X	
15	N 021 255 1	slotted nut M 4		14	
16	900 269 017 02	countersunk-head screw M 5 X 12		2	
17	999 707 301 40	o-ring		1	

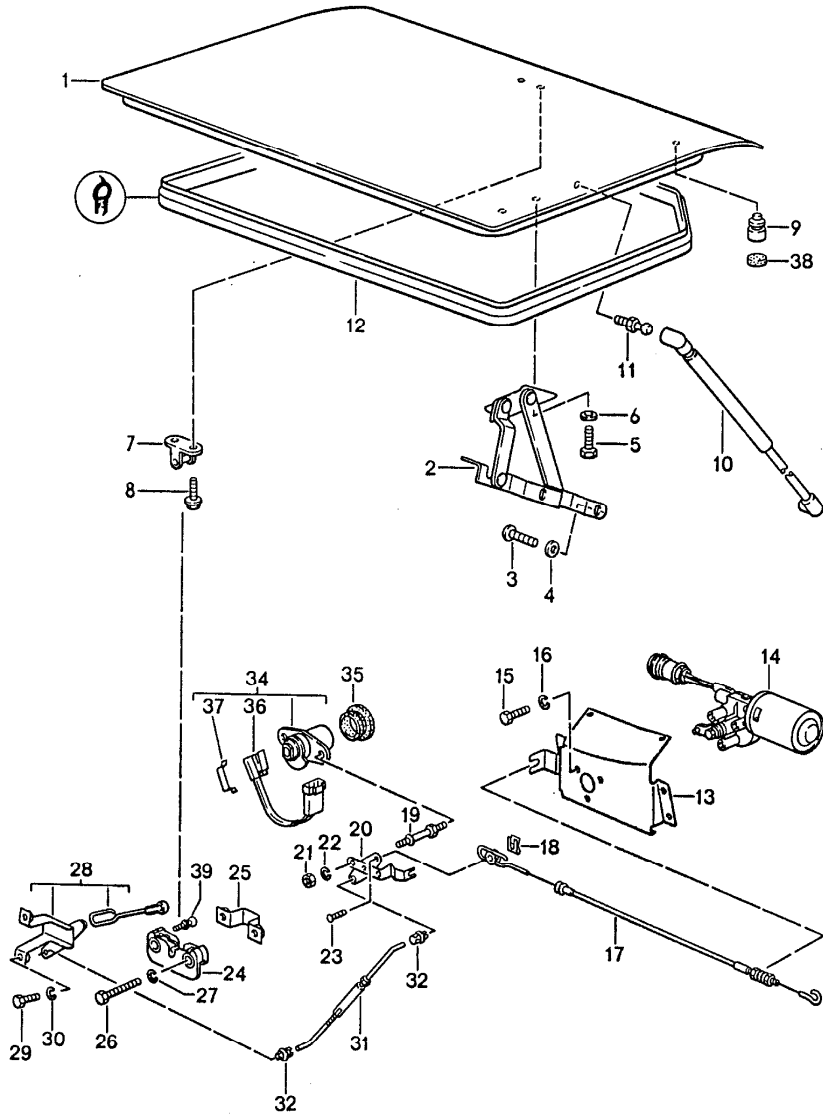
Model	Year	MG	SG	Illustration	Restrictions	UPD	22:53	23.01.2010	PORSCHE	PET	PORSCHE
9442	1991	8	03	803-07		248					

Pos	Part Number	Description	Remark	Qty	Model	Pos	Part Number	Description	Remark	Qty	Model
18	900 380 001 02	lock nut M 5		2		37	477 827 547	hose 400 MM		2	
19	951 512 465 02	additional gasket		1		38	944 512 349 00	gas-pressure spring	/L	1	
20	900 250 024 07	screw DM 4 X 16		2		(38)	944 512 348 00	gas-pressure spring	/R	1	
21	951 512 603 00	gasket		1		39	477 827 305 B	hinge half		2	
22	951 512 605 01	gasket	/L	1		40	944 512 311 00	hinge pin		2	
	01C	black				41	477 827 441	bush		2	
(22)	951 512 606 01	gasket	/R	1		42	944 512 413 00	gasket		2	
	01C	black				43	928 512 417 03	plate		2	
23	944 512 043 00	seal for rear lid		1		44	999 218 045 07	pan-head screw M 8 X 16 micro-self-locking		4	
24	944 512 033 03	housing	/L	1		45	477 845 333	screw plug		1	
(24)	944 512 034 03	housing	/R	1		46	477 955 439	grommet		2	
25	477 827 035	rubber mounting		2		47	477 845 331	washer		1	
26	999 219 011 07	countersunk-head screw M 6 X 16		4		48	N 011 118 14	hexagon nut M 8		1	
27	944 538 547 00	lock pin		2		49	477 827 529 A	sealing ring		1	
28	N 011 008 8	hexagon nut M 8		2		50	944 538 911 02	lock cylinder w/o stipulated lock number with 2 secondary keys		1	
29	900 027 015 02	lock ring B 8		2		50	944 538 073 01	lock cylinder with stipulated lock number state lock number		1	
30	944 512 365 01	gasket	/L	1		51	N 014 139 5	oval-head screw M 6 X 12		2	
(30)	944 512 366 01	gasket	/R	1		52	N 012 007 2	lock ring A 6		2	
31	951 512 447 00	reinforcement plate		2		53	944 624 030 00	microswitch		1	
32	944 538 955 00	rear lid lock	/L	1		54	999 591 910 00	clamp		1	
(32)	944 538 956 00	rear lid lock	/R	1		55	944 624 024 02	electric motor see technical information GR.5,NR.1/93		1	
33	477 827 541	water drip pan		2		56	999 084 045 02	lock nut		1	
34	N 012 006 4	lock ring B 6		4		57	944 624 814 00	lever		1	
35	900 076 010 02	hexagon nut M 6		4							
36	111 971 911 A	rubber sleeve		2							

Model	Year	MG	SG	Illustration	Restrictions	UPD	22:53	23.01.2010	PORSCHE	PET	PORSCHE
9442	1991	8	03	803-07		248					

Pos	Part Number	Description	Remark	Qty	Model	Pos	Part Number	Description	Remark	Qty	Model
58	993 531 563 00	linkage clip		1							
59	944 512 097 03	bowden cable		1							
60	N 012 433 1	lock washer		1							
61	944 512 095 00	lever		1							
62	N 011 524 7	washer B 6		2							
63	900 076 010 02	hexagon nut M 6		2							
64	944 512 201 00	stud		2							
65	999 168 025 00	ball socket		1							
66	944 512 091 00	pull rod	/L	1							
67	944 512 092 01	pull rod	/R	1							
68	999 166 054 02	sl-lock		1							

Model	Year	MG	SG	Illustration	Restrictions	UPD	22:54	23.01.2010	PORSCHE	PET	PORSCHE
9442	1991	8	03	803-10		248					

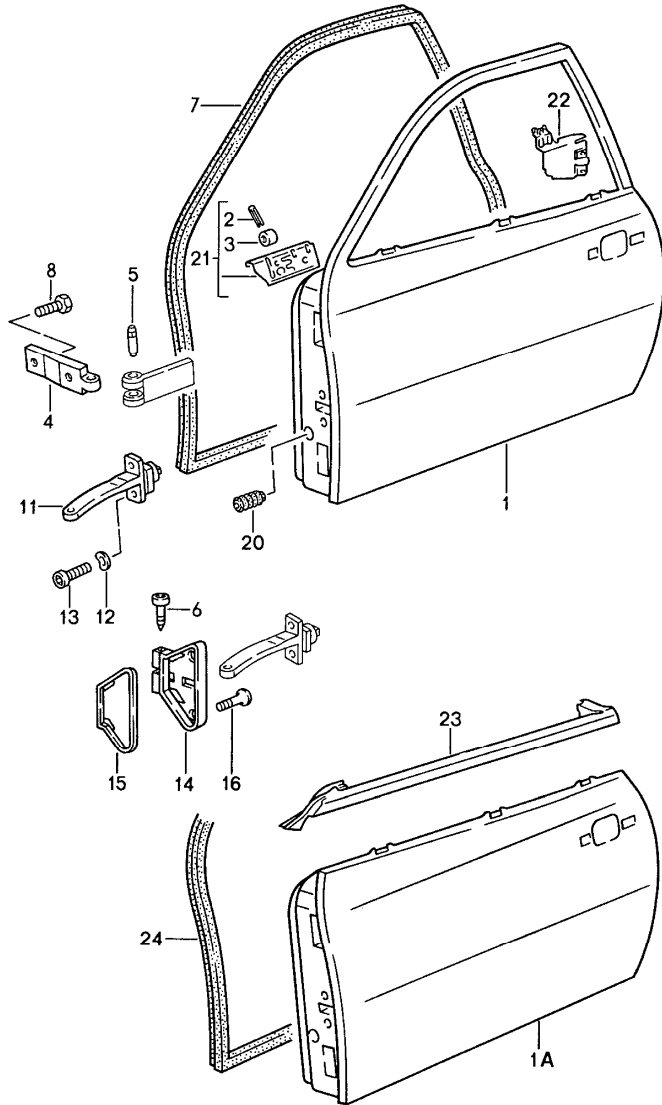


Pos	Part Number	Description	Remark	Qty	Model
		rear lid			CABRIO
1	941 512 107 10	lid		1	
2	941 512 131 10	lid hinge	/L	1	
(2)	941 512 132 10	lid hinge	/R	1	
3	900 075 366 02	combination screw M 8 X 16		4	
4	900 151 008 02	washer		4	
5	900 075 366 02	combination screw M 8 X 16		4	
6	900 151 008 02	washer		4	
7	941 512 103 10	lock upper part		1	
8	N 902 180 01	combination screw M 8 X 16		2	
9	999 703 140 40	rubber buffer		2	
10	941 512 348 10	gas-pressure spring		2	
11	941 512 341 10	ball pin		4	
12	941 504 351 10	seal for rear lid		1	
13	941 502 629 10	mounting plate electric motor		1	
14	944 624 024 01	electric motor		1	
15	999 217 004 02	screw M 6 X 12		2	
17	944 512 097 03	bowden cable		1	
18	999 166 054 02	sl-lock		1	
19	944 512 201 00	stud		2	
20	944 512 095 00	lever		1	
21	900 076 010 02	hexagon nut M 6		2	
22	N 011 524 7	washer A 6,4		2	
23	999 088 022 02	bolt		1	
24	911 511 052 01	lock lower part lower part		1	

Model	Year	MG	SG	Illustration	Restrictions	UPD	22:54	23.01.2010	PORSCHE	PET	PORSCHE
9442	1991	8	03	803-10		248					

Pos	Part Number	Description	Remark	Qty	Model	Pos	Part Number	Description	Remark	Qty	Model
25	941 502 635 10	support lid lock		1							
26	N 010 220 3	hexagon-head bolt M 6 X 30		2							
27	N 011 524 7	washer A 6,4		2							
28	941 504 611 10	lever		1							
29	900 075 355 02	combination screw M 6 X 16		2							
31	941 504 615 10	connecting rod		1							
32	993 531 563 00	linkage clip		2							
(34)	941 538 911 10	lock cylinder w/o stipulated lock number with 2 secondary keys		1							
34	941 538 073 10	lock cylinder with stipulated lock number state lock number		1							
35	477 827 529 A	sealing ring		1							
36	944 624 030 00	microswitch		1							
37	999 591 910 00	clamp		1							
38	999 703 402 40	rubber buffer		3							
39	941 512 552 10	ball pin		1							

Model	Year	MG	SG	Illustration	Restrictions	UPD	22:54	23.01.2010	PORSCHE	PET	PORSCHE
9442	1991	8	04	804-00		248					

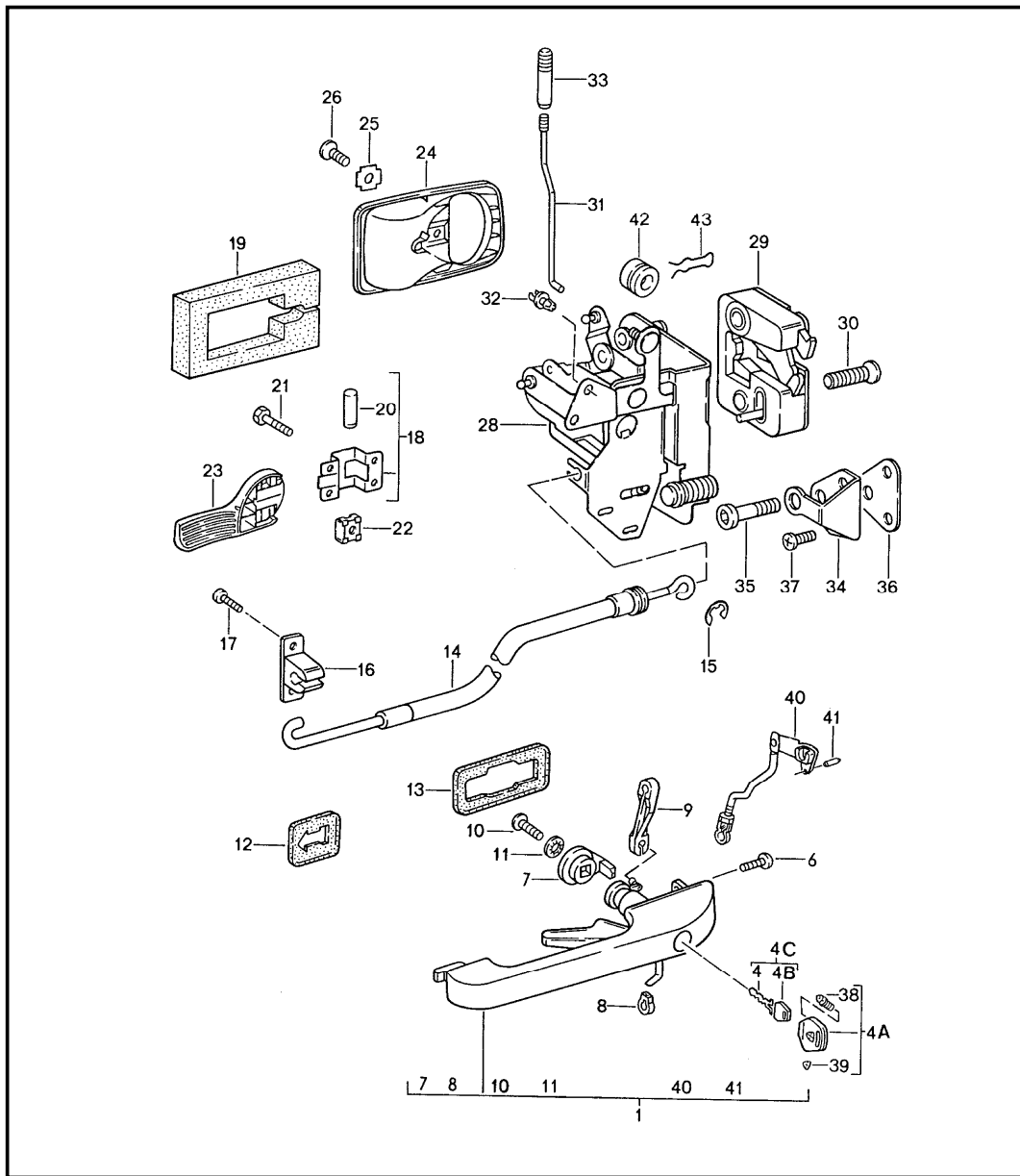


Pos	Part Number	Description	Remark	Qty	Model
		door			
1	944 531 005 02	door in white	/L	1	COUPE
(1)	945 531 006 02	door in white	/R	1	COUPE
1A	941 531 901 10	door	/LL/L	1	CABRIO
(1A)	941 531 902 10	door	/LL/R	1	CABRIO
(1A)	942 531 901 10	door	/RL/L	1	CABRIO
(1A)	942 531 902 10	door	/RL/R	1	CABRIO
2	N 013 295 1	tensioning sleeve		2	
3	928 531 235 03	threaded piece		2	
4	171 831 403	hinge half		4	
5	321 831 421	hinge pin		4	
6	928 537 419 03	pan-head screw		2	
7	944 537 091 00	door seal	/L	1	
(7)	944 537 092 00	door seal	/R	1	
8	N 902 180 01	combination screw M 8 X 14		8	
11	944 537 609 00	door support		2	
12	N 011 524 7	washer B 6		4	
13	900 067 008 02	pan-head screw M 6 X 12		4	
14	928 537 417 02	bearing bracket	/L	1	
(14)	928 537 418 02	bearing bracket	/R	1	
15	928 537 425 02	desk pad	/L	1	
(15)	928 537 426 02	desk pad	/R	1	
16	928 537 459 02	oval-head screw M 6 X 20		4	
20	477 971 910	bellows		2	
21	944 531 239 00	reinforcement door mirror	/L	1	
(21)	944 531 240 00	reinforcement door mirror	/R	1	

Model	Year	MG	SG	Illustration	Restrictions	UPD	22:54	23.01.2010	PORSCHE	PET	PORSCHE
9442	1991	8	04	804-00		248					

Pos	Part Number	Description	Remark	Qty	Model	Pos	Part Number	Description	Remark	Qty	Model
22	944 531 135 00	cover plate	/L	1							
(22)	944 531 136 00	cover plate	/R	1							
23	941 537 093 10	sealing strip outer	/L	1	CABRIO						
(23)	941 537 094 10	sealing strip outer	/R	1	CABRIO						
(23)	941 537 572 10	sealing for door slot inner	/L	1	CABRIO						
(23)	941 537 572 10	sealing for door slot inner	/R	1	CABRIO						
24	941 537 091 10	door seal	/L	1	CABRIO						
(24)	941 537 092 10	door seal	/R	1	CABRIO						

Model	Year	MG	SG	Illustration	Restrictions	UPD	22:54	23.01.2010	PORSCHE	PET	PORSCHE
9442	1991	8	04	804-05		248					



Pos	Part Number	Description	Remark	Qty	Model
(1)	A 944 538 905 06	outer door handle door lock		1	
(1)	A 944 538 905 06	outer door handle w/o stipulated lock number when required order also: microswitch 911.613.133.00	/L	1	
(1)	944 538 905 06	outer door handle w/o stipulated lock number when required order also: microswitch 911.613.133.00	/L	1	
(1)	944 538 905 07	outer door handle with stipulated lock number when required order also: microswitch 911.613.133.00	/L	1	
(1)	A 944 538 906 06	outer door handle w/o stipulated lock number when required order also: microswitch 911.613.133.00	/R	1	
(1)	944 538 906 06	outer door handle w/o stipulated lock number when required order also: microswitch 911.613.133.00	/R	1	
(1)	944 538 906 07	outer door handle with stipulated lock number when required order also: microswitch 911.613.133.00	/R	1	
-	-	grease for lock cylinder see group 0/05/00			
4	944 538 331 00	blank key		2	
4A	944 538 041 00	key lamp		1	
4B	944 538 431 00	key cap		1	
4C	944 538 933 00	key with stipulated lock number state lock number Information available		1	
6	803 837 951	self-lock. fillister screw		2	

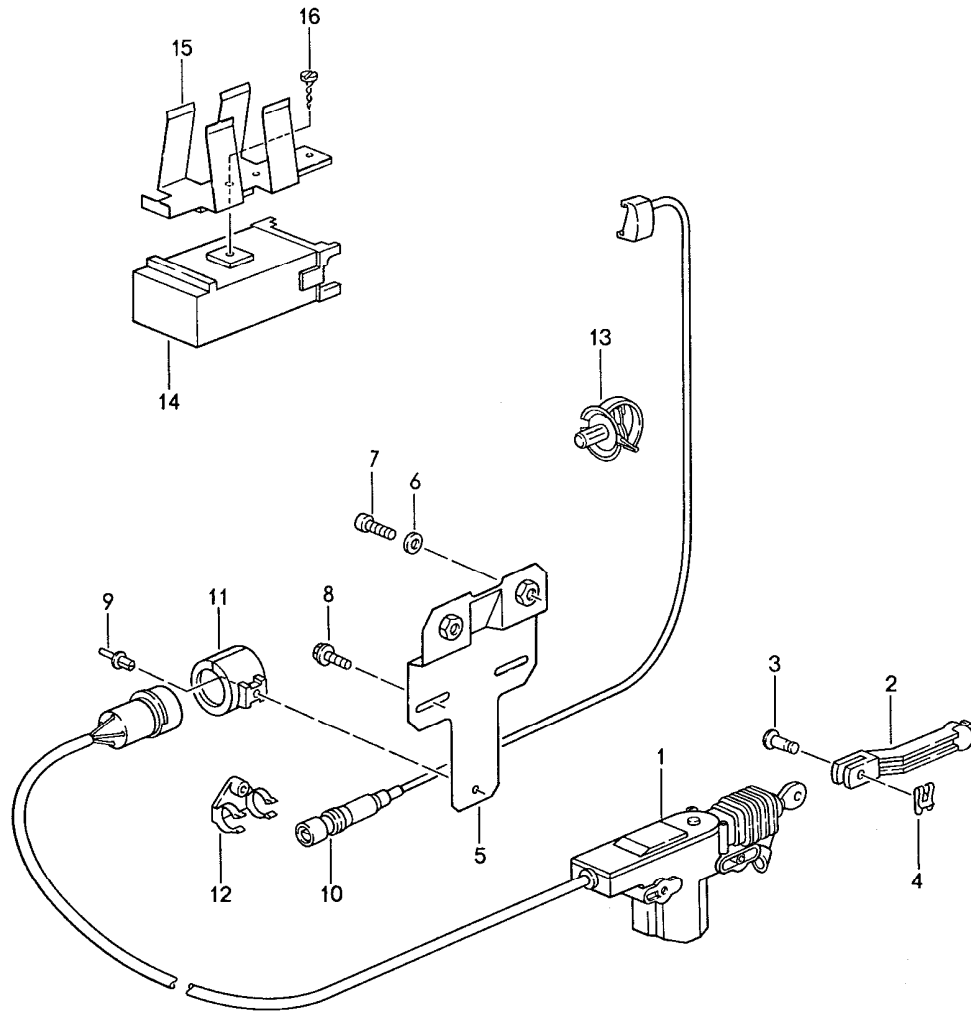
Model	Year	MG	SG	Illustration	Restrictions	UPD	22:54	23.01.2010	PORSCHE	PET	PORSCHE
9442	1991	8	04	804-05		248					

Pos	Part Number	Description	Remark	Qty	Model	Pos	Part Number	Description	Remark	Qty	Model
7	477 837 497	driver		2			6ZF	cobalt blue	91-		
8	999 168 004 40	ball socket		2			4XC	classic grey	91-		
9	477 837 505 A	connecting piece	/L	1		(23)	944 537 226 00	handle inner door release	/R	1	
(9)	477 837 506 A	connecting piece	/R	1			3DL	black			
10	N 033 165 1	countersunk-head screw AM 4 X 8		2			7XJ	linen	-90		
11	N 012 116 1	serrated lock washer V 4,3		2			9JJ	marine blue	-90		
12	867 837 209	desk pad	/V	2			4LL	burgundy	-90		
13	171 837 211 A	desk pad	/H	2			6ZF	cobalt blue	91-		
14	477 837 017 A	bowden cable		2			4XC	classic grey	91-		
15	999 166 054 02	sl-lock 3,2		2		24	944 537 229 00	rosette		2	
16	477 837 115 A	support		2			3DL	black			
17	999 217 029 02	hexagon-head bolt M 6 X 10 self-locking M 6 X 10, SELBSTSICHERND		4			7XJ	linen	-90		
18	944 537 029 00	inner door release	/L	1			9JJ	marine blue	-90		
(18)	944 537 030 00	inner door release	/R	1			4LL	burgundy	-90		
19	477 831 304 A	seal		2			6ZF	cobalt blue	91-		
20	N 013 666 1	rivet B 4 X 32		2		26	N 014 216 1	countersunk-head screw AM 5 X 10		2	
21	999 217 029 02	hexagon-head bolt M 6 X 10, SELBSTSICHERND		8		28	928 537 053 09	door lock inner part	/LL/L	1	
22	477 837 521	captive nut		8		(28)	928 537 054 10	door lock inner part	/LL/R	1	
23	944 537 225 00	handle inner door release	/L	1		(28)	927 537 053 10	door lock inner part	/RL/L	1	
	3DL	black				(28)	927 537 054 09	door lock inner part	/RL/R	1	
	7XJ	linen	-90			29	928 537 153 03	door lock outer part	/L	1	
	9JJ	marine blue	-90			(29)	928 537 154 03	door lock outer part	/R	1	
	4LL	burgundy	-90			30	928 537 721 02	oval-head screw M 8 X 35		4	

Model	Year	MG	SG	Illustration	Restrictions	UPD	22:54	23.01.2010	PORSCHE	PET	PORSCHE
9442	1991	8	04	804-05		248					

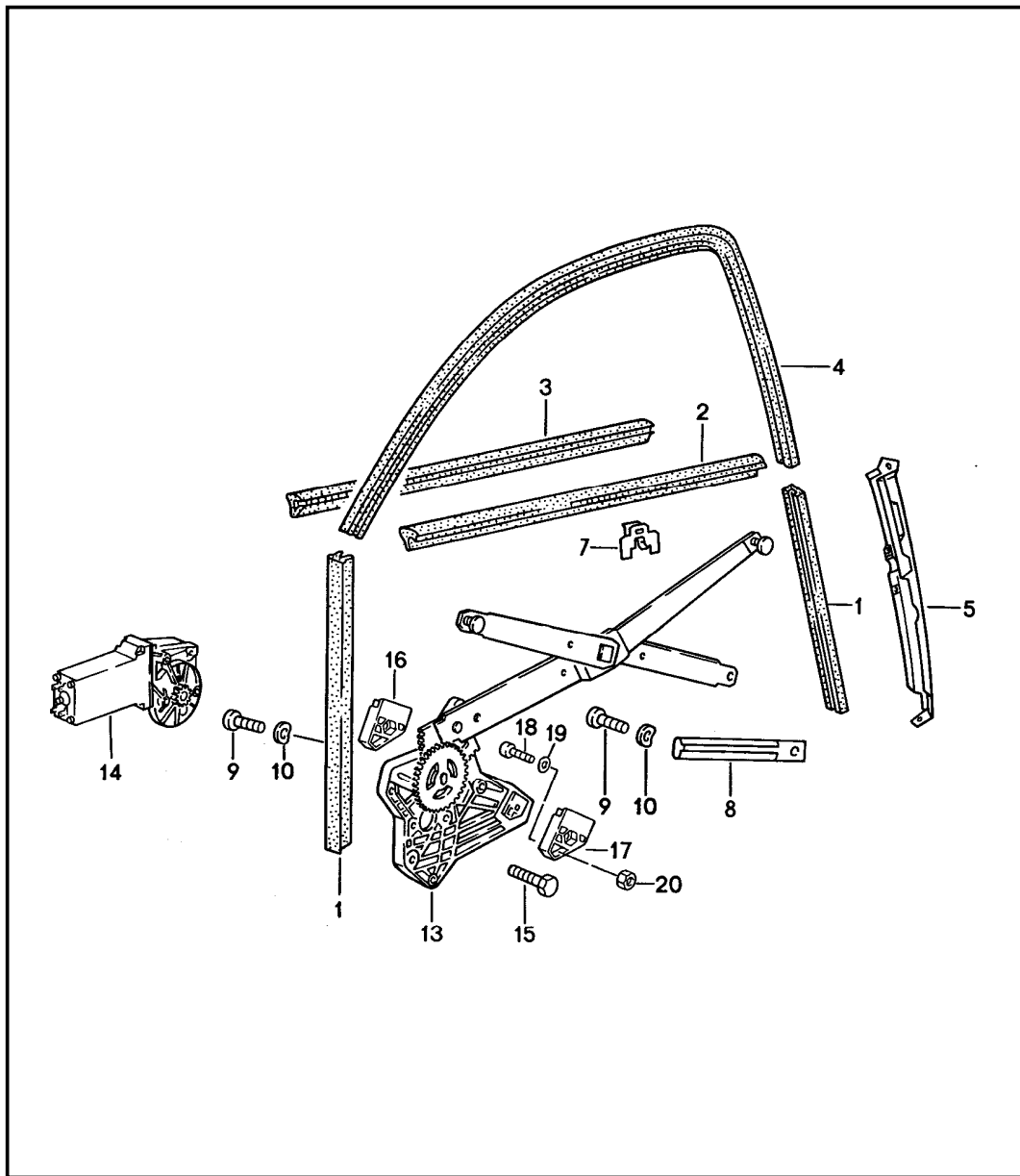
Pos	Part Number	Description	Remark	Qty	Model	Pos	Part Number	Description	Remark	Qty	Model
31	477 837 183 A	locking rod		2							
(31)	477 837 183 B	locking rod		2	M525/533						
32	477 837 187	clip		2							
33	944 555 359 01	knob	-90	2							
	01C	black									
33	944 637 138 00	knob	-90	2	M525/533						
33	944 637 138 00	knob	-91	2	TURBO						
33	944 637 238 00	knob	91-	2							
	01C	black									
34	928 537 133 02	door lock striker	-90	2							
34	928 537 133 04	door lock striker	91-	2							
35	928 537 131 03	lock pin	-90	2							
35	928 537 131 03	lock pin	91-	2							
36	928 537 135 04	desk pad		2							
37	900 249 022 02	countersunk-head screw M 8 X 16		4							
38	928 537 630 02	bulb E 5,5		1							
39	944 538 443 00	crest		1							
40	944 537 261 02	reverse lever	/L	1							
(40)	944 537 262 02	reverse lever	/R	1							
41	N 023 323 2	roll pin		2							
42	928 537 613 02	weight		2							
43	928 537 615 02	spring clamp		2							

Model	Year	MG	SG	Illustration	Restrictions	UPD	22:54	23.01.2010	PORSCHE	PET	PORSCHE
9442	1991	8	04	804-06		248					



Pos	Part Number	Description	Remark	Qty	Model
		central locking system			
1	A 944 624 211 00	transmission element		2	
1	928 624 211 00	transmission element		2	
2	944 537 511 00	operating rod		2	
3	N 100 438 01	bolt		2	
4	N 012 644 1	lock		2	
5	944 537 151 00	mounting plate		2	
6	N 011 524 7	washer A 6,4		4	
7	N 014 765 2	pan-head screw M 6 X 10		4	
8	999 919 035 02	hexagon-head bolt		4	
9	N 038 504 1	expansion rivet 15 X 7,5		2	
10	964 613 134 00	microswitch		2	
11	944 612 450 01	support		2	
12	321 971 898 B	support		2	
13	944 612 555 00	cable holder		14	
14	911 618 113 01	control unit	-90	1	
14	911 618 113 01	control unit	-91	1	TURBO
(14)	---	alarm control unit see group 9/09/00	91-	1	
15	944 618 163 00	support	-90	1	
16	999 919 032 02	oval-head screw	-90	1	

Model	Year	MG	SG	Illustration	Restrictions	UPD	22:54	23.01.2010	PORSCHE	PET	PORSCHE
9442	1991	8	04	804-10		248					

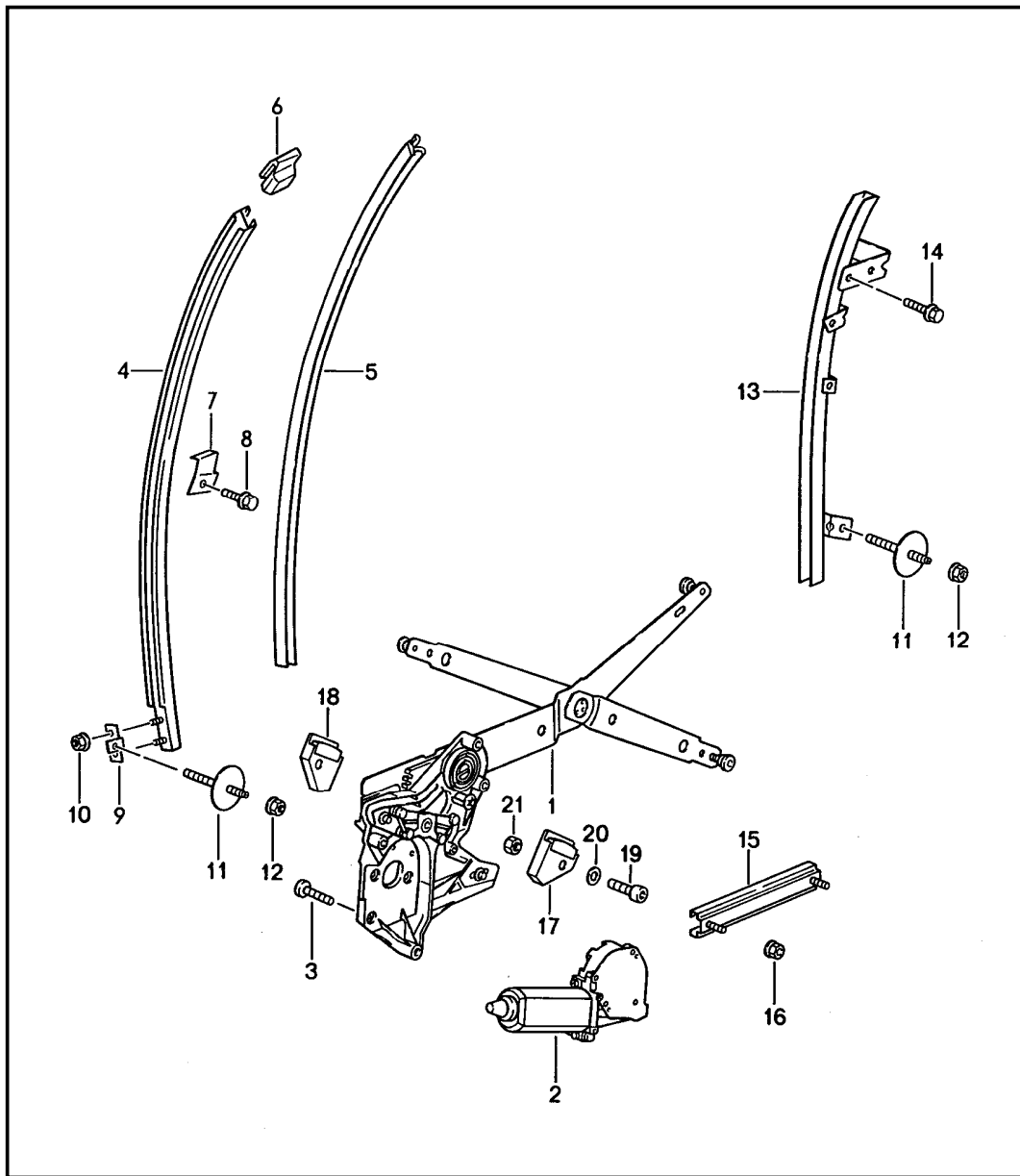


Pos	Part Number	Description	Remark	Qty	Model
		power windows window guide			COUPE
1	477 837 385	window guide		4	
2	477 837 469 A	sealing strip outer	/L	1	
(2)	477 837 470 A	sealing strip outer	/R	1	
3	477 837 471 A	seal inner		2	
4	944 537 079 00	window guide	/L	1	
(4)	944 537 080 00	window guide	/R	1	
5	944 531 103 00	window guide rail	/L	1	
(5)	944 531 104 00	window guide rail	/R	1	
7	171 837 485	clamp		10	
8	944 537 589 00	guide rail		2	
9	999 217 029 02	hexagon-head bolt M 6 X 10 self-locking		12	
		M 6 X 10, SELBSTSICHERND			
10	N 011 652 1	washer A 7 X 12		12	
13	944 537 941 01	cross-arm	/L	1	
(13)	944 537 942 01	cross-arm	/R	1	
14	477 959 123 A	engine and transmission	/L	1	
(14)	477 959 124 A	engine and transmission	/R	1	
15	N 014 228 4	countersunk-head screw AM 6 X 12		6	
16	944 537 972 00	stop upper	/L	1	
16	944 537 972 00	stop lower	/R	1	
17	944 537 971 00	stop lower	/L	1	
17	944 537 971 00	stop upper	/R	1	

Model	Year	MG	SG	Illustration	Restrictions	UPD	22:54	23.01.2010	PORSCHE	PET	PORSCHE
9442	1991	8	04	804-10		248					

Pos	Part Number	Description	Remark	Qty	Model	Pos	Part Number	Description	Remark	Qty	Model
18	N 014 707 2	pan-head screw M8X15		4							
19	900 336 004 02	lock washer		4							
20	N 011 118 8	nut M8		4							
		electrical components power windows see group 9/02/27,9/03/00									

Model	Year	MG	SG	Illustration	Restrictions	UPD	22:55	23.01.2010	PORSCHE	PET	PORSCHE
9442	1991	8	04	804-15		248					

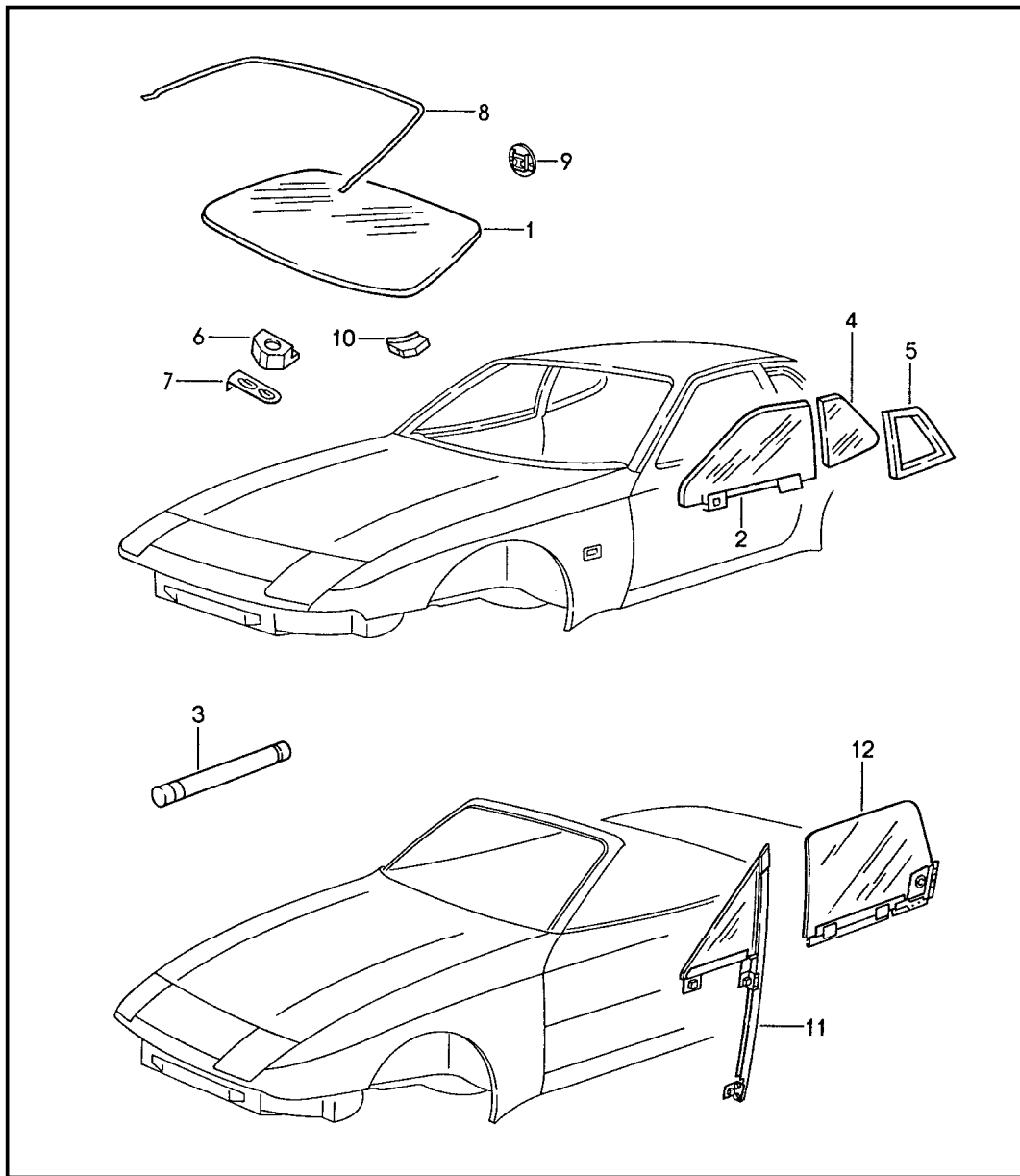


Pos	Part Number	Description	Remark	Qty	Model
		power windows window guide			CABRIO
(1)	941 537 901 10	cross-arm	/L	1	
1	941 537 902 10	cross-arm	/R	1	
(2)	477 959 123 A	engine and transmission	/L	1	
2	477 959 124 A	engine and transmission	/R	1	
3	N 014 228 4	countersunk-head screw AM 6 X 12		6	
(4)	941 531 505 10	window guide rail	/V/L	1	
4	941 531 506 10	window guide rail	/V/R	1	
5	941 531 530 10	window guide		2	
(6)	941 531 527 10	terminal piece	/L	1	
6	941 531 528 10	terminal piece	/R	1	
(7)	941 531 521 10	support	/L	1	
7	941 531 522 10	support	/R	1	
8	900 075 355 02	combination screw M6X16		2	
(9)	941 531 525 10	support	/L	1	
9	941 531 524 10	support	/R	1	
10	941 531 637 10	hexagon nut M6		4	
11	941 504 723 12	threaded bolt		4	
12	941 531 637 10	hexagon nut M6		4	
(13)	941 531 511 10	window guide rail	/H/L	1	
13	941 531 512 10	window guide rail	/H/R	1	
14	900 075 355 02	combination screw M6X16		2	
15	941 537 499 10	guide rail		2	
16	941 531 637 10	hexagon nut M6		4	
17	944 537 972 00	stop upper	/L	1	

Model	Year	MG	SG	Illustration	Restrictions	UPD	22:55	23.01.2010	PORSCHE	PET	PORSCHE
9442	1991	8	04	804-15		248					

Pos	Part Number	Description	Remark	Qty	Model	Pos	Part Number	Description	Remark	Qty	Model
17	944 537 972 00	stop lower	/R	1							
18	944 537 971 00	stop lower	/L	1							
18	944 537 971 00	stop upper	/R	1							
19	N 014 707 2	pan-head screw M8X15		4							
20	900 336 004 02	lock washer		4							
21	N 011 118 8	nut M8		4							

Model	Year	MG	SG	Illustration	Restrictions	UPD	22:55	23.01.2010	PORSCHE	PET	PORSCHE
9442	1991	8	05	805-00		248					

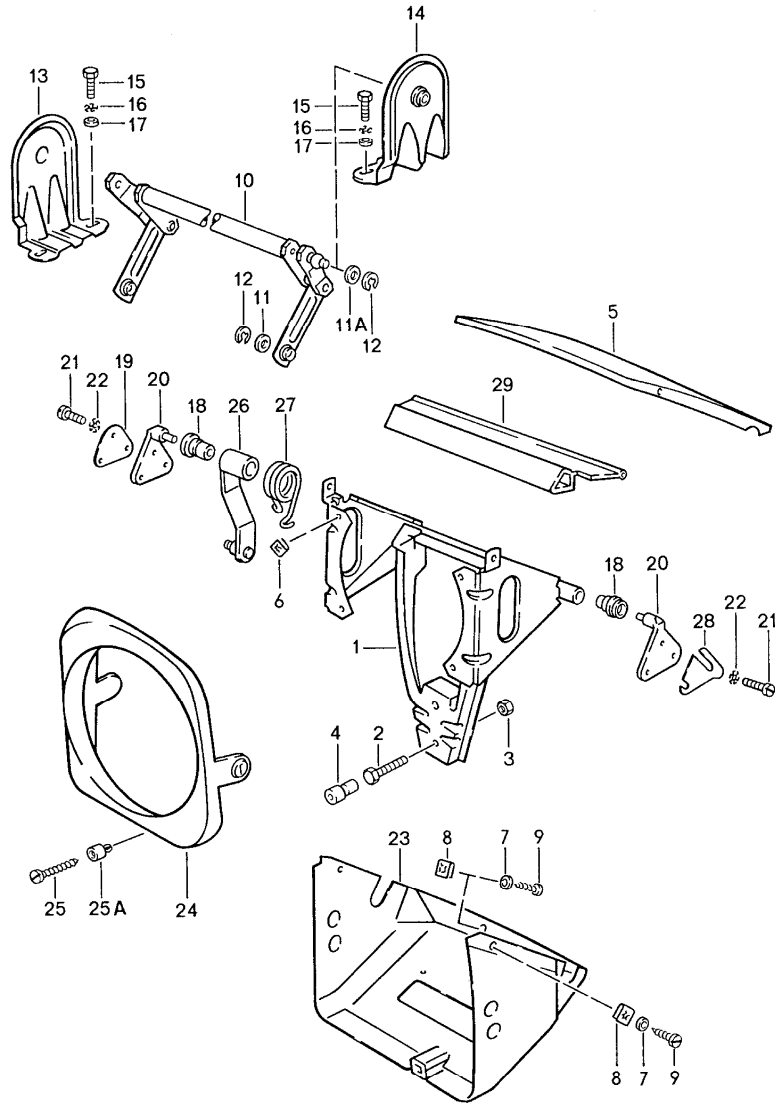


Pos	Part Number	Description	Remark	Qty	Model
1	944 541 011 13	windscreen clear with antenna		1	COUPE M462
(1)	944 541 011 12	windscreen tinted with antenna		1	COUPE M462
(1)	944 541 011 14	windscreen green top tint with antenna		1	COUPE M462
(1)	941 541 011 10	windscreen tinted with antenna		1	CABRIO M462
(1)	941 541 011 11	windscreen clear with antenna		1	CABRIO M462
2	944 542 023 01	door window glass tinted	/L	1	COUPE
(2)	944 542 024 01	door window glass tinted	/R	1	COUPE
3	000 043 300 94	adhesive set windscreen		1	
(3)	000 043 204 82	windscreen adhesive for cover strip		X	
4	477 845 311 A	side window tinted	/L	1	
(4)	477 845 312 A	side window tinted	/R	1	
5	944 557 321 00	rubber seal	/L	1	
(5)	944 557 322 00	rubber seal	/R	1	
6	944 559 031 02	spacer		2	
7	944 559 337 00	fastening part		2	

Model	Year	MG	SG	Illustration	Restrictions	UPD	22:55	23.01.2010	PORSCHE	PET	PORSCHE
9442	1991	8	05	805-00		248					

Pos	Part Number	Description	Remark	Qty	Model	Pos	Part Number	Description	Remark	Qty	Model
8	944 559 535 03	cover strip it is necessary to rework adhesive plate interior mirror see group 8/09/05		1	CABRIO						
				1							
10	944 559 341 00	stopper	/L	1							
(10)	944 559 342 00	stopper	/R	1							
11	941 542 901 10	side window tinted	/L	1	CABRIO						
(11)	941 542 902 10	side window tinted	/R	1	CABRIO						
12	941 542 903 10	door window glass tinted	/L	1	CABRIO						
(12)	941 542 904 10	door window glass tinted	/R	1	CABRIO						

Model	Year	MG	SG	Illustration	Restrictions	UPD	22:55	23.01.2010	PORSCHE	PET	PORSCHE
9442	1991	8	06	806-00		248					



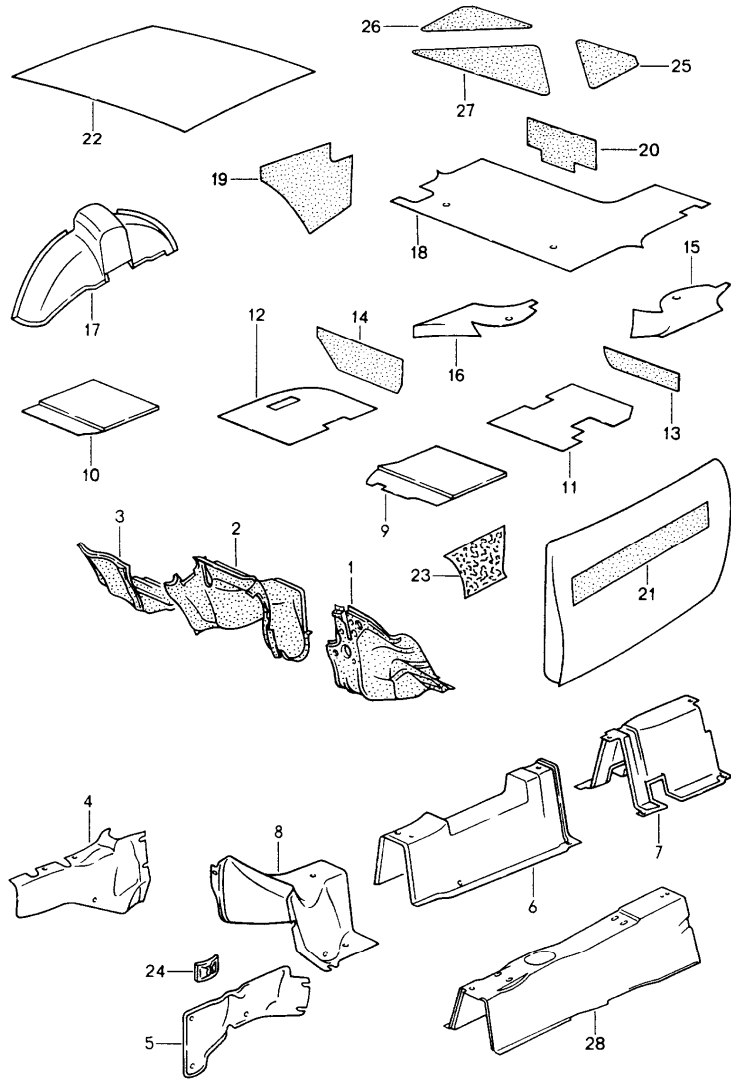
Pos	Part Number	Description	Remark	Qty	Model
		pop-up headlight			
1	944 750 605 00	swivel frame	/L	1	
(1)	944 750 606 00	swivel frame	/R	1	
2	N 010 221 3	hexagon-head bolt M 6 X 35		2	
3	900 076 010 02	hexagon nut M 6		2	
4	914 504 319 00	grommet		2	
5	477 805 611	housing cover	/L	1	944
(5)	951 503 611 00	housing cover	/L	1	944S2, TURBO
(5)	477 805 612	housing cover	/R	1	944
(5)	951 503 612 00	housing cover	/R	1	944S2, TURBO
7	900 151 028 02	washer 4,1		4	
8	N 015 438 1	speed nut B 3,5 X 16,5		10	
9	N 014 086 4	tapping screw B 3,5 X 9,13		10	
10	477 805 615	control shaft		1	
11	900 025 007 02	washer		2	
11A	477 805 695	washer		1	
12	N 012 436 2	lock washer 6		3	
13	477 805 617	bearing bracket		1	
14	477 805 622	bearing bracket		1	
15	N 010 215 13	hexagon-head bolt M 6 X 15		4	
16	N 012 105 3	serrated lock washer A 6,4		4	
17	N 011 524 7	washer A 6,4		4	
18	477 805 623	bush		4	
19	914 750 169 10	plate		4	944

Model	Year	MG	SG	Illustration	Restrictions	UPD	22:55	23.01.2010	PORSCHE	PET	PORSCHE
9442	1991	8	06	806-00		248					

Pos	Part Number	Description	Remark	Qty	Model	Pos	Part Number	Description	Remark	Qty	Model
(19)	951 750 169 00	plate		2	944S2, TURBO						
20	914 750 271 10	bearing bracket		4	944						
(20)	951 750 271 00	bearing bracket		2	944S2, TURBO						
21	999 072 005 09	hexagon-head bolt M 6 X 12		12							
22	N 012 105 3	serrated lock washer A 6,4		12							
23	944 750 631 00	housing	/L	1							
(23)	944 750 632 00	housing	/R	1							
24	477 805 633	retaining ring	/L	1	944						
(24)	951 503 633 00	retaining ring	/L	1	944S2, TURBO						
(24)	477 805 634	retaining ring	/R	1	944						
(24)	951 503 634 00	retaining ring	/R	1	944S2, TURBO						
25	N 043 979 2	tapping screw BZ 4,2 X 45		2							
25A	477 857 173	clip		2							
26	477 805 651	lever		2							
27	477 805 661	spring	/L	1							
(27)	477 805 662	spring	/R	1							
28	477 805 663	desk pad		X							
29	477 853 363	cover strip	/L	1							
(29)	477 853 364	cover strip	/R	1							

Model	Year	MG	SG	Illustration	Restrictions	UPD	22:55	23.01.2010	PORSCHE	PET	PORSCHE
9442	1991	8	07	807-00		248					

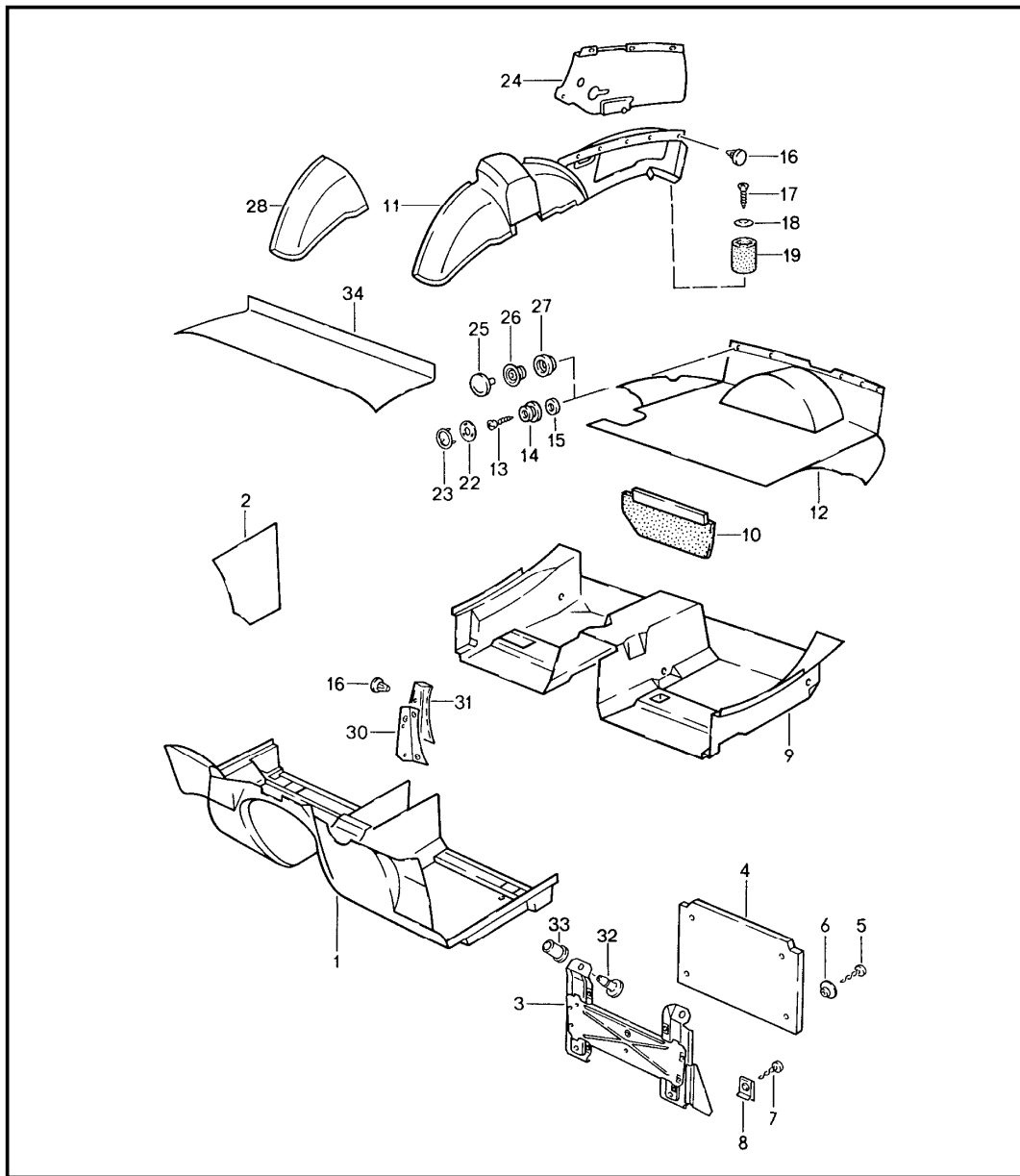
Pos	Part Number	Description	Remark	Qty	Model
		sound absorber			
1	944 556 865 02	sound absorber	/LL/L	1	
(1)	945 556 865 01	sound absorber firewall	/RL/L	1	
2	944 556 855 02	sound absorber	/LL	1	
(2)	945 556 855 01	sound absorber firewall centre	/RL	1	
3	A 944 556 866 00	insulation	/LL/R	1	
3	944 556 866 03	insulation	/LL/R	1	
(3)	945 556 866 03	sound absorber firewall	/RL/R	1	
4	944 556 074 00	heat protection	/R	1	
5	951 556 075 00	heat protection	/L	1	TURBO
6	951 556 071 01	heat protection		1	
7	951 556 621 00	heat protection		1	
8	944 556 077 00	heat protection	/LL	1	
(8)	945 556 077 00	heat protection	/RL	1	
9	944 556 775 01	sound absorber	/LL/L	1	
(9)	945 556 775 01	sound absorber	/RL/L	1	
10	944 556 776 01	sound absorber	/LL/R	1	
(10)	945 556 776 01	sound absorber	/RL/R	1	
11	944 556 157 00	sound absorber	/L	1	
12	944 556 158 00	sound absorber	/R	1	
13	944 556 085 00	sound absorber	/L	1	
(13)	944 556 086 00	sound absorber	/R	1	
(14)	944 556 085 00	sound absorber	/L	1	
14	944 556 086 00	sound absorber	/R	1	
15	944 556 777 01	sound absorber	/L	1	
16	944 556 778 01	sound absorber	/R	1	
(17)	944 556 885 00	sound absorber	/L	1	



Model	Year	MG	SG	Illustration	Restrictions	UPD	22:55	23.01.2010	PORSCHE	PET	PORSCHE
9442	1991	8	07	807-00		248					

Pos	Part Number	Description	Remark	Qty	Model	Pos	Part Number	Description	Remark	Qty	Model
17	944 556 886 00	sound absorber	/R	1							
18	944 556 081 00	sound absorber boot floor plate		1							
(19)	477 863 865	insulation	/L	1							
19	477 863 866	sound absorber	/R	1							
20	477 863 867	insulation spare-wheel well		1 1							
21	993 556 521 00	insulation door		2							
22	A 944 556 609 00	sound absorber		1							
22	944 556 609 00	sound absorber roof		1							
23	A 944 556 853 02	insulation	/LL/L	1							
23	944 556 853 02	insulation	/LL/L	1							
(23)	A 945 556 853 02	insulation	/RL/L	1							
(23)	945 556 853 02	insulation	/RL/L	1							
(23)	A 944 556 854 03	insulation	/LL/R	1							
(23)	944 556 854 03	insulation	/LL/R	1							
(23)	944 556 854 04	insulation	/LL/R	1	M593						
(23)	A 945 556 854 04	insulation	/RL/R	1							
(23)	945 556 854 04	insulation	/RL/R	1							
(23)	945 556 854 05	insulation	/RL/R	1	M593						
24	N 900 661 01	clamping washer		X							
25	A 941 556 315 11	sound absorber	/L	1	CABRIO						
25	941 556 315 11	sound absorber	/L	1	CABRIO						
26	A 941 556 316 11	sound absorber	/R	1	CABRIO						
26	941 556 316 11	sound absorber	/R	1	CABRIO						
27	A 941 556 317 11	sound absorber		1	CABRIO						
27	941 556 317 11	sound absorber centre		1	CABRIO						
28	944 556 871 00	sound absorber tunnel		1							

Model	Year	MG	SG	Illustration	Restrictions	UPD	22:55	23.01.2010	PORSCHE	PET	PORSCHE
9442	1991	8	07	807-05		248					



Pos	Part Number	Description	Remark	Qty	Model
1	944 555 055 01	linings floor mat	/LL	1	COUPE
	1DR	black			
	8WC	linen	-90		
	4KF	marine blue	-90		
	4JR	burgundy	-90		
	G47	cobalt blue	91-		
	D06	classic grey	91-		
(1)	941 555 055 10	floor mat	/LL	1	CABRIO
	1DR	black			
	8WC	linen	-90		
	4KF	marine blue	-90		
	4JR	burgundy	-90		
	G47	cobalt blue	91-		
	D06	classic grey	91-		
(1)	945 555 055 01	floor mat	/RL	1	COUPE
	1DR	black			
	8WC	linen	-90		
	4KF	marine blue	-90		
	4JR	burgundy	-90		
	G47	cobalt blue	91-		
	D06	classic grey	91-		
(1)	942 555 055 10	floor mat	/RL	1	CABRIO
	1DR	black			
	8WC	linen	-90		
	4KF	marine blue	-90		
	4JR	burgundy	-90		
	G47	cobalt blue	91-		
	D06	classic grey	91-		

Model	Year	MG	SG	Illustration	Restrictions	UPD	22:55	23.01.2010	PORSCHE	PET	PORSCHE
9442	1991	8	07	807-05		248					

Pos	Part Number	Description	Remark	Qty	Model	Pos	Part Number	Description	Remark	Qty	Model
(2)	944 555 081 00	lining	/LL/L	1	COUPE		8WC	linen	-90		
	1DR	black					4KF	marine blue	-90		
	8WC	linen	-90				4JR	burgundy	-90		
	4KF	marine blue	-90				G47	cobalt blue	91-		
	4JR	burgundy	-90				D06	classic grey	91-		
	G47	cobalt blue	91-			(2)	945 555 082 00	lining	/RL/R	-90	1 COUPE
	D06	classic grey	91-				1DR	black			
(2)	944 555 082 00	lining	/LL/R	-90	1 COUPE		8WC	linen	-90		
	1DR	black					4KF	marine blue	-90		
	8WC	linen	-90				4JR	burgundy	-90		
	4KF	marine blue	-90			(2)	945 555 082 03	lining	/RL/R		1 COUPE M593
	4JR	burgundy	-90				1DR	black			
2	944 555 082 02	lining	/LL/R	1	COUPE M593		8WC	linen	-90		
	1DR	black					4KF	marine blue	-90		
	8WC	linen	-90				4JR	burgundy	-90		
	4KF	marine blue	-90				G47	cobalt blue	91-		
	4JR	burgundy	-90				D06	classic grey	91-		
	G47	cobalt blue	91-			(2)	945 555 081 00	lining	/RL/L		1 COUPE
	D06	classic grey	91-				1DR	black			
(2)	941 555 543 10	lining	/LL/L	1	CABRIO		8WC	linen	-90		
	1DR	black					4KF	marine blue	-90		
	8WC	linen	-90				4JR	burgundy	-90		
	4KF	marine blue	-90				G47	cobalt blue	91-		
	4JR	burgundy	-90				D06	classic grey	91-		
	G47	cobalt blue	91-			(2)	942 555 543 10	lining	/RL/L		1 CABRIO
	D06	classic grey	91-				1DR	black			
(2)	941 555 544 10	lining	/LL/R	1	CABRIO		8WC	linen	-90		
	1DR	black					4KF	marine blue	-90		

Model	Year	MG	SG	Illustration	Restrictions	UPD	22:55	23.01.2010	PORSCHE	PET	PORSCHE
9442	1991	8	07	807-05		248					

Pos	Part Number	Description	Remark	Qty	Model	Pos	Part Number	Description	Remark	Qty	Model
	4JR	burgundy		-90			1DR	black			
	G47	cobalt blue		91-			8WC	linen	-90		
	D06	classic grey		91-			4KF	marine blue	-90		
(2)	942 555 544 10	lining	/RL/R	1	CABRIO		4JR	burgundy	-90		
	1DR	black					G47	cobalt blue	91-		
	8WC	linen		-90			D06	classic grey	91-		
	4KF	marine blue		-90		(9)	945 555 071 00	floor mat	/RL	1	COUPE
	4JR	burgundy		-90			1DR	black			
	G47	cobalt blue		91-			8WC	linen	-90		
	D06	classic grey		91-			4KF	marine blue	-90		
3	944 551 049 01	bracket	/LL	1			4JR	burgundy	-90		
(3)	945 551 049 01	bracket	/RL	1	944		G47	cobalt blue	91-		
(3)	945 551 049 02	bracket	/RL	1	944S2/TURBO		D06	classic grey	91-		
4	944 551 149 02	foot support	/LL	1		(9)	942 555 071 10	floor mat	/RL	1	CABRIO
(4)	945 551 149 02	foot support	/RL	1			1DR	black			
5	N 013 971 3	tapping screw B 4,8 X 22		4			8WC	linen	-90		
6	901 423 368 00	washer		4			4KF	marine blue	-90		
7	N 013 968 7	tapping screw B 4,8 X 13		2			4JR	burgundy	-90		
8	999 591 348 02	speed nut B 4,8		2			G47	cobalt blue	91-		
9	944 555 071 00	floor mat	/LL	1	COUPE	(10)	477 863 571 A	lining	/L	1	
	1DR	black					1DR	black			
	8WC	linen		-90			8WC	linen	-90		
	4KF	marine blue		-90			4KF	marine blue	-90		
	4JR	burgundy		-90			4JR	burgundy	-90		
	G47	cobalt blue		91-			G47	cobalt blue	91-		
	D06	classic grey		91-			D06	classic grey	91-		
(9)	941 555 071 10	floor mat	/LL	1	CABRIO	10	477 863 572 A	lining	/R	1	
							1DR	black			

Model	Year	MG	SG	Illustration	Restrictions	UPD	22:55	23.01.2010	PORSCHE	PET	PORSCHE
9442	1991	8	07	807-05		248					

Pos	Part Number	Description	Remark	Qty	Model	Pos	Part Number	Description	Remark	Qty	Model
		8WC linen	-90					8WC linen	-90		
		4KF marine blue	-90					4KF marine blue	-90		
		4JR burgundy	-90					4JR burgundy	-90		
		G47 cobalt blue	91-					G47 cobalt blue	91-		
		D06 classic grey	91-					D06 classic grey	91-		
11	944 555 083 02	side trim panel	/L	1	COUPE	(11)	941 555 083 10	side trim panel	/L	1	CABRIO
		1DR black						1DR black			
		8WC linen	-90					8WC linen	-90		
		4KF marine blue	-90					4KF marine blue	-90		
		4JR burgundy	-90					4JR burgundy	-90		
		G47 cobalt blue	91-					G47 cobalt blue	91-		
		D06 classic grey	91-					D06 classic grey	91-		
(11)	944 555 084 01	side trim panel	/R	1	COUPE	(11)	941 555 084 10	side trim panel	/R	1	CABRIO
		1DR black						1DR black			
		8WC linen	-90					8WC linen	-90		
		4KF marine blue	-90					4KF marine blue	-90		
		4JR burgundy	-90					4JR burgundy	-90		
		G47 cobalt blue	91-					G47 cobalt blue	91-		
		D06 classic grey	91-					D06 classic grey	91-		
11	944 555 083 03	side trim panel	/L	1	COUPE M335	12	945 555 063 03	boot floor lining		89	COUPE
		1DR black						1DR black			
		8WC linen	-90					8WC linen	-90		
		4KF marine blue	-90					4KF marine blue	-90		
		4JR burgundy	-90					4JR burgundy	-90		
		G47 cobalt blue	91-					G47 cobalt blue	91-		
		D06 classic grey	91-					D06 classic grey	91-		
(11)	944 555 084 02	side trim panel	/R	1	COUPE M335	(12)	945 555 063 05	boot floor lining	(AUS)	89	COUPE
		1DR black						1DR black			
		8WC linen	-90					8WC linen	-90		
		4KF marine blue	-90					4KF marine blue	-90		
		4JR burgundy	-90					4JR burgundy	-90		

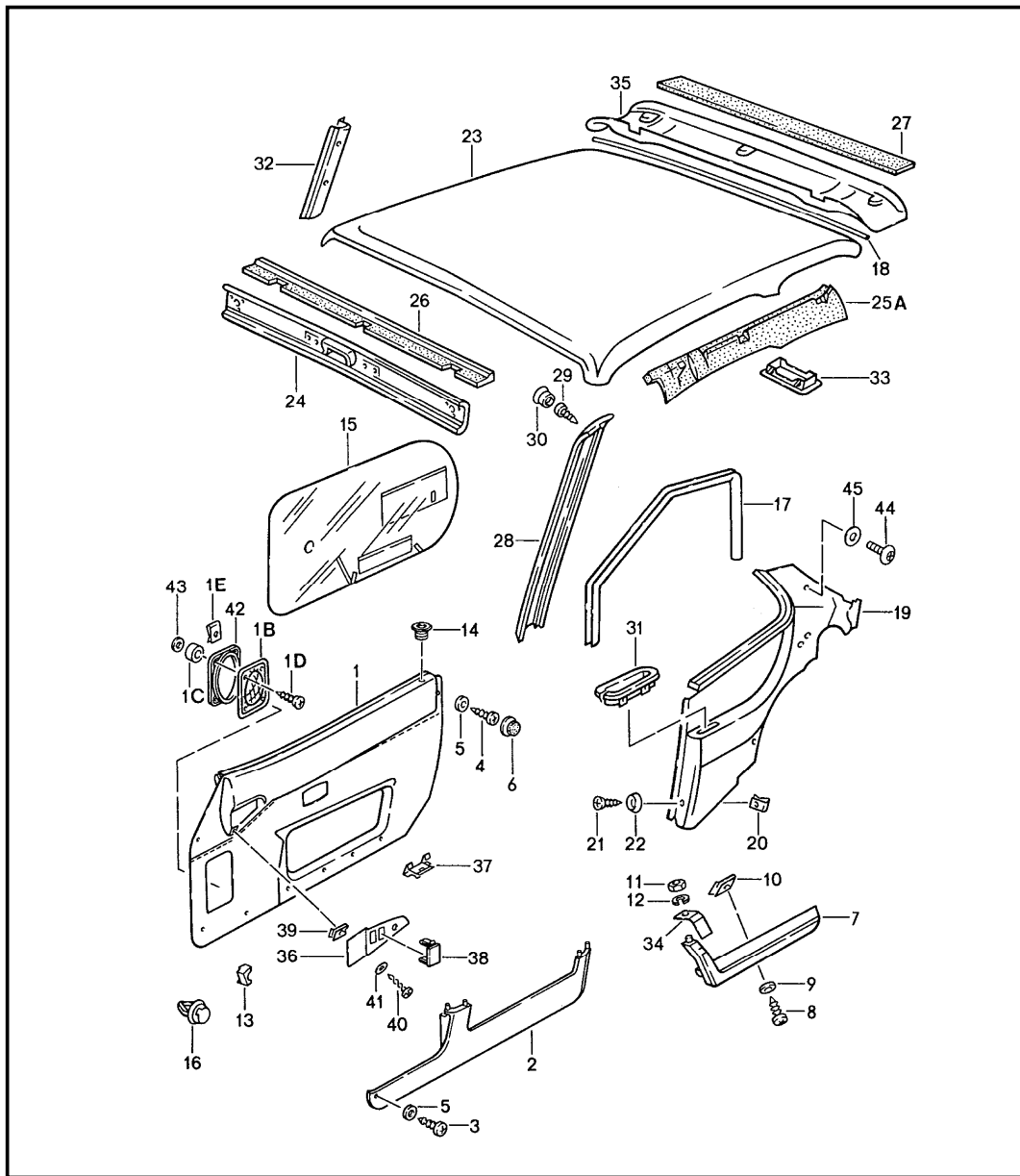
Model	Year	MG	SG	Illustration	Restrictions	UPD	22:55	23.01.2010	PORSCHE	PET	PORSCHE
9442	1991	8	07	807-05		248					

Pos	Part Number	Description	Remark	Qty	Model	Pos	Part Number	Description	Remark	Qty	Model
12	944 555 063 11	boot floor lining	90-	1	COUPE	22	968 555 901 00	set of fastening parts		6	
	1DR	black				23	968 555 901 00	set of fastening parts		6	
	8WC	linen	90			24	944 555 389 00	cover	/LL	1	M650
	4KF	marine blue	90			(24)	945 555 389 00	cover	/RL	1	M650
	4JR	burgundy	90			25	999 591 885 13	push button cap		6	
	G47	cobalt blue	91-				041	black			
	D06	classic grey	91-				4BF	grey	-90		
(12)	941 555 063 10	boot floor lining		1	CABRIO		3MC	burgundy	-90		
	1DR	black					5KT	marine blue	-90		
	8WC	linen	-90				G42	cobalt blue	91-		
	4KF	marine blue	-90				C01	classic grey	91-		
	4JR	burgundy	-90			26	999 591 834 17	snap fastener lower part		6	
	G47	cobalt blue	91-			27	999 591 836 17	push button lower part		6	
	D06	classic grey	91-			(28)	941 555 325 10	lining	/H/L	1	CABRIO
13	N 013 957 5	tapping screw B 3,5 X 9,5		6			1DR	black			
14	968 555 901 00	set of fastening parts		6			8WC	linen	-90		
15	N 011 665 3	washer 5,3		6			4KF	marine blue	-90		
16	477 863 747	clip		X			4JR	burgundy	-90		
	01C	black					G47	cobalt blue	91-		
	90V	brown	-90				D06	classic grey	91-		
	4BF	grey	-90			28	941 555 326 10	lining	/H/R	1	CABRIO
	9MM	burgundy	-90				1DR	black			
	6ZF	cobalt blue	91-				8WC	linen	-90		
	4XC	classic grey	91-				4KF	marine blue	-90		
17	900 143 064 07	tapping screw B 3,5 X 25		2			4JR	burgundy	-90		
18	N 011 521 3	washer A 3,7 X 8		2			G47	cobalt blue	91-		
19	999 703 176 40	round buffer		2			D06	classic grey	91-		
						30	478 863 765	foot support	/RL/R	1	

Model	Year	MG	SG	Illustration	Restrictions	UPD	22:55	23.01.2010	PORSCHE	PET	PORSCHE
9442	1991	8	07	807-05		248					

Pos	Part Number	Description	Remark	Qty	Model	Pos	Part Number	Description	Remark	Qty	Model
(30)	478 863 763 A	foot support	/RL/R	1	M249						
31	478 863 767	carpet	/RL/R	1							
	1DR	black									
	8WC	linen		-90							
	4KF	marine blue		-90							
	4JR	burgundy		-90							
	G47	cobalt blue		91-							
	D06	classic grey		91-							
(31)	478 863 767 A	carpet	/RL/R	-89	1 M249						
	1DR	black									
	8WC	linen		-90							
	4KF	marine blue		-90							
	4JR	burgundy		-90							
32	999 591 837 40	push button		2							
33	944 551 437 00	sleeve		2							
34	941 555 119 10	luggage compartment trim		1	CABRIO						
	1DR	black									
	8WC	linen		-90							
	4KF	marine blue		-90							
	4JR	burgundy		-90							
	G47	cobalt blue		91-							
	D06	classic grey		91-							

Model	Year	MG	SG	Illustration	Restrictions	UPD	22:56	23.01.2010	PORSCHE	PET	PORSCHE
9442	1991	8	07	807-10		248					



Pos	Part Number	Description	Remark	Qty	Model
(1)	944 555 017 01	door trim panel rooflining leatherette	/L	1	M651
		NU1 black			
		US4 black/linen	-90		
		US2 marine blue	-90		
		XU1 marine blue/linen	-90		
		NU4 burgundy	-90		
		ARZ cobalt blue	91-		
		APZ classic grey	91-		
1	944 555 018 01	door trim panel leatherette	/R	1	M651
		NU1 black			
		US4 black/linen	-90		
		US2 marine blue	-90		
		XU1 marine blue/linen	-90		
		NU4 burgundy	-90		
		ARZ cobalt blue	91-		
		APZ classic grey	91-		
(1)	944 555 017 03	door trim panel leatherette	/L	1	M490/651
		NU1 black			
		US4 black/linen	-90		
		US2 marine blue	-90		
		XU1 marine blue/linen	-90		
		NU4 burgundy	-90		
		ARZ cobalt blue	91-		
		APZ classic grey	91-		
(1)	944 555 018 03	door trim panel leatherette	/R	1	M490/651

Model	Year	MG	SG	Illustration	Restrictions	UPD	22:56	23.01.2010	PORSCHE	PET	PORSCHE
9442	1991	8	07	807-10		248					

Pos	Part Number	Description	Remark	Qty	Model	Pos	Part Number	Description	Remark	Qty	Model
		NU1 black					SM9 blue		-90		
		US4 black/linen	-90				SN1 marine blue/linen		-90		
		US2 marine blue	-90				NU8 burgundy		-90		
		XU1 marine blue/linen	-90				ARJ cobalt blue		91-		
		NU4 burgundy	-90				APJ classic grey		91-		
		ARZ cobalt blue	91-			(1)	944 555 018 03 door trim panel leatherette/porsche lettering cloth	/R		1	M490/651
		APZ classic grey	91-				NU5 black				
(1)	944 555 017 01	door trim panel leatherette/porsche lettering cloth	/L	1	M651		SQ2 black/linen		-90		
		NU5 black					SM9 blue		-90		
		SQ2 black/linen	-90				SN1 marine blue/linen		-90		
		SM9 blue	-90				NU8 burgundy		-90		
		SN1 marine blue/linen	-90				ARJ cobalt blue		91-		
		NU8 burgundy	-90				APJ classic grey		91-		
		ARJ cobalt blue	91-			(1)	944 555 017 01 door trim panel leatherette/multicolour	/L		1	M651
		APJ classic grey	91-				SQ8 black				
1	944 555 018 01	door trim panel leatherette/porsche lettering cloth	/R	1	M651		SQ3 black/linen		-90		
		NU5 black					SQ7 marine blue		-90		
		SQ2 black/linen	-90				SQ5 marine blue/linen		-90		
		SM9 blue	-90				SQ9 burgundy		-90		
		SN1 marine blue/linen	-90				AQX cobalt blue		91-		
		NU8 burgundy	-90				AQY classic grey		91-		
		ARJ cobalt blue	91-			1	944 555 018 01 door trim panel leatherette/multicolour	/R		1	M651
		APJ classic grey	91-				SQ8 black				
(1)	944 555 017 03	door trim panel leatherette/porsche lettering cloth	/L	1	M490/651		SQ3 black/linen		-90		
		NU5 black					SQ7 marine blue		-90		
		SQ2 black/linen	-90				SQ5 marine blue/linen		-90		

Model	Year	MG	SG	Illustration	Restrictions	UPD	22:56	23.01.2010	PORSCHE	PET	PORSCHE
9442	1991	8	07	807-10		248					

Pos	Part Number	Description	Remark	Qty	Model	Pos	Part Number	Description	Remark	Qty	Model
(1)	944 555 017 03	door trim panel leatherette/multicolour	/L	1	M490/651	1	944 555 018 01	door trim panel leatherette/pin stripe velour	/R	1	M651
		SQ9 burgundy		-90							
		AQX cobalt blue		91-							
		AQY classic grey		91-			NW4	black-white		-90	
		SQ8 black					SQ1	black/linen		-90	
		SQ3 black/linen		-90			SQ6	marine blue-white		-90	
		SQ7 marine blue		-90			NW7	burgundy-white		-90	
		SQ5 marine blue/linen		-90		(1)	944 555 017 03	door trim panel leatherette/pin stripe velour	/L	1	M490/651
		SQ9 burgundy		-90							
		AQX cobalt blue		91-							
		AQY classic grey		91-							
(1)	944 555 018 03	door trim panel leatherette/multicolour	/R	1	M490/651						
		SQ8 black									
		SQ3 black/linen		-90		(1)	944 555 018 03	door trim panel leatherette/pin stripe velour	/R	1	M490/651
		SQ7 marine blue		-90							
		SQ5 marine blue/linen		-90							
		SQ9 burgundy		-90							
		AQX cobalt blue		91-							
		AQY classic grey		91-							
(1)	944 555 017 01	door trim panel leatherette/pin stripe velour	/L	1	M651	1	944 555 017 50	door trim panel leather	/L	1	M981
		NW4 black-white		-90							
		SQ1 black/linen		-90			QD4	black			
		SQ6 marine blue-white		-90			SP3	black/linen		-90	
		NW7 burgundy-white		-90			SP5	marine blue		-90	
		SQ4 marine blue/linen		-90			SP4	marine blue/linen		-90	
							QD6	burgundy		-90	
							ARQ	cobalt blue		91-	

Model	Year	MG	SG	Illustration	Restrictions	UPD	22:56	23.01.2010	PORSCHE	PET	PORSCHE
9442	1991	8	07	807-10		248					

Pos	Part Number	Description	Remark	Qty	Model	Pos	Part Number	Description	Remark	Qty	Model
(1)	944 555 018 50	APQ classic grey door trim panel leather	/R	1	M981	(1B)	944 555 149 00	9MM burgundy loudspeaker grille		2	M651
		QD4 black					01C	satin black			
		SP3 black/linen	-90			1C	477 035 375	bush		8	
		SP5 marine blue	-90			1D	N 014 091 4	tapping screw B 3,9 X 16		8	
		SP4 marine blue/linen	-90			1D	900 143 178 07	oval-head sheetmetal screw		8	M651
		QD6 burgundy	-90			1E	N 100 472 01	speed nut		8	
		ARQ cobalt blue	91-			(1E)	999 507 071 00	speed nut		2	
(1)	944 555 017 51	APQ classic grey door trim panel leather	/L	1	M490/981	(2)	944 555 273 00	shelf	/L	1	
		QD4 black					1DR	black			
		SP3 black/linen	-90				8WC	linen	-90		
		SP5 marine blue	-90				4KF	marine blue	-90		
		SP4 marine blue/linen	-90				4JR	burgundy	-90		
		QD6 burgundy	-90				G47	cobalt blue	91-		
		ARQ cobalt blue	91-				D06	classic grey	91-		
(1)	944 555 018 51	APQ classic grey door trim panel leather	/R	1	M490/981	2	944 555 274 00	shelf	/R	1	
		QD4 black					1DR	black			
		SP3 black/linen	-90				8WC	linen	-90		
		SP5 marine blue	-90				4KF	marine blue	-90		
		SP4 marine blue/linen	-90				4JR	burgundy	-90		
		QD6 burgundy	-90				G47	cobalt blue	91-		
		ARQ cobalt blue	91-				D06	classic grey	91-		
		APQ classic grey	91-			(2)	944 555 043 00	shelf	/L	1	M490
							1DR	black			
							8WC	linen	-90		
							4KF	marine blue	-90		
							4JR	burgundy	-90		
1B	477 867 081	cover loudspeaker		2			G47	cobalt blue	91-		
		01C black									

Model	Year	MG	SG	Illustration	Restrictions	UPD	22:56	23.01.2010	PORSCHE	PET	PORSCHE
9442	1991	8	07	807-10		248					

Pos	Part Number	Description	Remark	Qty	Model	Pos	Part Number	Description	Remark	Qty	Model
		D06 classic grey						1KA marine blue			
(2)	944 555 044 00	shelf	/R	1	M490		3MA burgundy				
		1DR black					G30 cobalt blue				
		8WC linen					B22 classic grey				
		4KF marine blue				(7)	944 555 075 50	armrest leather	/L	1	M981
		4JR burgundy					1AJ black				
		G47 cobalt blue					7VX linen				
		D06 classic grey					7JX marine blue				
3	N 013 962 2	tapping screw B 3,9 X 16		6			7LD burgundy				
4	311 867 167	tapping screw 4,2		4			9YL cobalt blue				
5	900 151 028 02	washer 4,3		10			6XL classic grey				
6	311 867 169	cap		4		(7)	944 555 076 50	armrest leather	/R	1	M981
		01C black					1AJ black				
		9JJ marine blue					7VX linen				
		9MM burgundy					7JX marine blue				
		6ZF cobalt blue					7LD burgundy				
		4XC classic grey					9YL cobalt blue				
(7)	477 867 171	armrest	/L	1			6XL classic grey				
		041 black				8	900 143 046 02	tapping screw B 4,8 X 16		6	
		3WA linen				9	N 012 222 4	spring washer A 5		6	
		1KA marine blue				10	999 591 722 02	speed nut B 4,8 X 19,8		6	
		3MA burgundy				11	900 910 010 09	lock nut M 6		2	
		G30 cobalt blue				12	N 011 524 7	washer 6		2	
		B22 classic grey				7	477 867 172	armrest	/R	1	
						(13)	944 555 449 00	mounting	/L	1	
						13	944 555 450 00	mounting	/R	1	

Model	Year	MG	SG	Illustration	Restrictions	UPD	22:56	23.01.2010	PORSCHE	PET	PORSCHE
9442	1991	8	07	807-10		248					

Pos	Part Number	Description	Remark	Qty	Model	Pos	Part Number	Description	Remark	Qty	Model
14	928 555 569 02	guide bush		2		(19)	944 555 021 13	side trim panel	/L 91-	1	M490
(15)	A 944 555 177 05	seal	/L	1			05T	black			
(15)	944 555 177 05	sealing film	/L	1			G01	cobalt blue			
15	A 944 555 178 05	seal	/R	1			B05	classic grey			
15	944 555 178 05	sealing film	/R	1		(19)	944 555 022 11	side trim panel	/R 91-	1	
16	823 867 299	clip		27			05T	black			
(17)	944 555 031 01	door seal	/L	1			G01	cobalt blue			
(17)	944 555 032 01	door seal	/R	1			B05	classic grey			
18	477 867 543	roof strut		3		(19)	944 555 022 13	side trim panel	/R 91-	1	M490
(19)	944 555 021 07	side trim panel	/L -90	1			05T	black			
		05T black					G01	cobalt blue			
		3KY marine blue					B05	classic grey			
		5LX burgundy				20	N 015 438 1	speed nut B 3,5 X 16,5		2	
(19)	944 555 021 09	side trim panel	/L -90	1	M490	21	N 014 087 5	rais. counters. h. tap. s. B 3,5 X 16		4	
		05T black				22	N 011 578 1	cone washer 3,7		4	
		3KY marine blue				23	477 867 503	rooflining		1	
		5LX burgundy					05T	black			
19	944 555 022 07	side trim panel	/R -90	1			1KX	marine blue	-90		
		05T black					8LC	burgundy	-90		
		3KY marine blue					2YR	cobalt blue	91-		
		5LX burgundy					4WH	classic grey	91-		
(19)	944 555 022 09	side trim panel	/R -90	1	M490	(23)	944 555 519 00	rooflining		1	M650
		05T black					05T	black			
		3KY marine blue					3KY	marine blue	-90		
		5LX burgundy					5LX	burgundy	-90		
19	944 555 021 11	side trim panel	/L 91-	1			3YW	cobalt blue	91-		
		05T black					4YW	classic grey	91-		
		G01 cobalt blue									
		B05 classic grey									

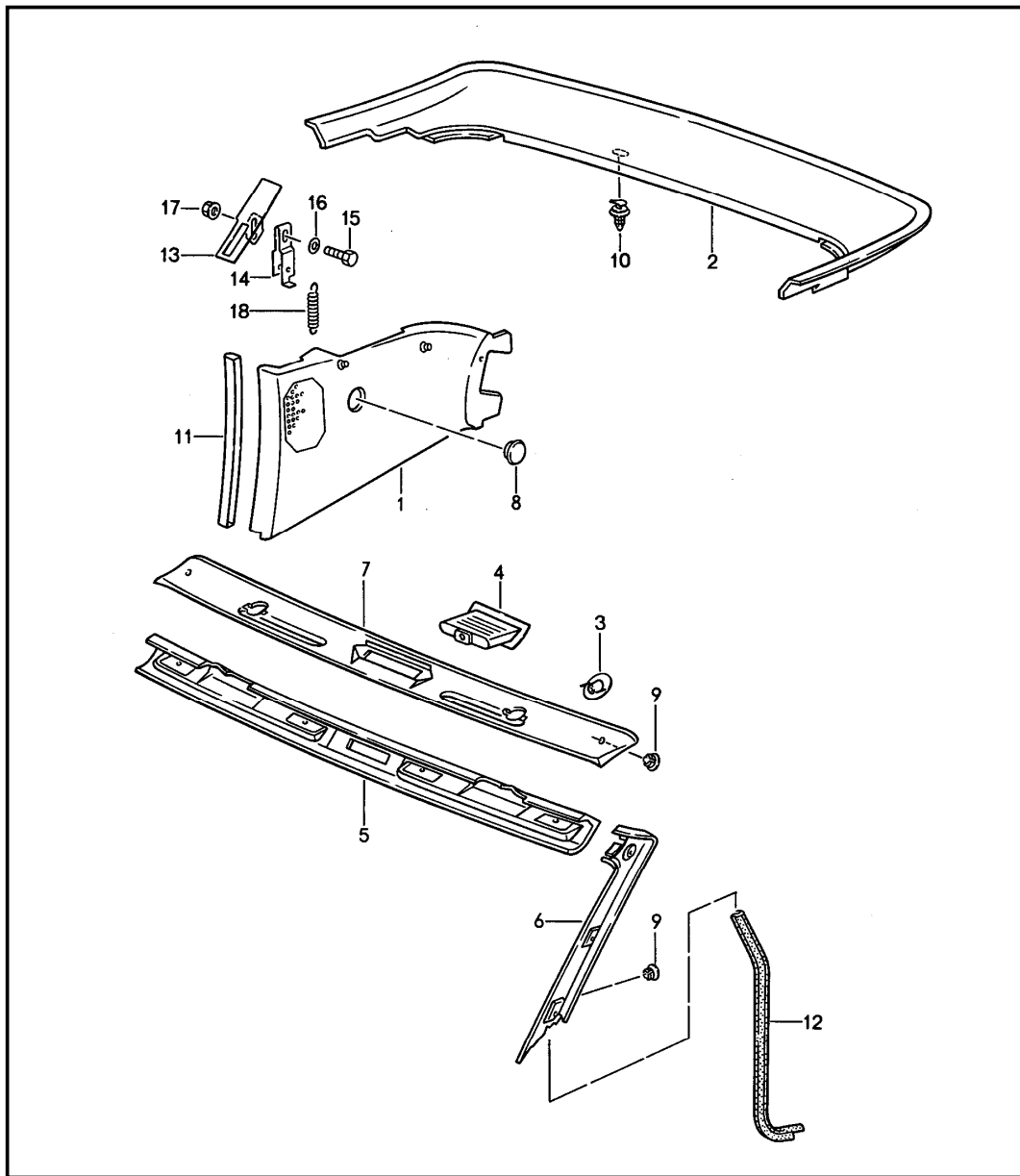
Model	Year	MG	SG	Illustration	Restrictions	UPD	22:56	23.01.2010	PORSCHE	PET	PORSCHE
9442	1991	8	07	807-10		248					

Pos	Part Number	Description	Remark	Qty	Model	Pos	Part Number	Description	Remark	Qty	Model
24	944 555 037 00	lining roof frame	/V	1			6ZF	cobalt blue	91-		
	05T	black					4XC	classic grey	91-		
	1KX	marine blue	-90			31	477 867 653	rosette		2	
	7MW	burgundy	-90			32	477 867 655	lining	/L	1	
	7YG	cobalt blue	91-				05T	black			
	9WH	classic grey	91-				3KY	marine blue	-90		
25A	944 555 115 00	roof frame padding	/L	1			5LX	burgundy	-90		
(25A)	944 555 116 00	roof frame padding	/R	1			3YW	cobalt blue	91-		
26	944 564 531 01	roof frame padding	/V	1	M650		4YW	classic grey	91-		
27	944 555 533 00	roof frame padding	/H	1	M650	(32)	477 867 656	lining	/R	1	
28	944 555 053 00	lining windscreen frame	/L	1			05T	black			
	05T	black					3KY	marine blue	-90		
	1KX	marine blue	-90				5LX	burgundy	-90		
	7MW	burgundy	-90				3YW	cobalt blue	91-		
	7YG	cobalt blue	91-				4YW	classic grey	91-		
	9WH	classic grey	91-			33	477 867 923 A	cap		2	
(28)	944 555 054 00	lining windscreen frame	/R	1			01C	black			
	05T	black					9JJ	marine blue	-90		
	1KX	marine blue	-90				9MM	burgundy	-90		
	7MW	burgundy	-90				6ZF	cobalt blue	91-		
	7YG	cobalt blue	91-				4XC	classic grey	91-		
	9WH	classic grey	91-			(34)	477 867 153	fastening hook	/L	1	
29	N 013 962 2	tapping screw B 3,9 X 16		6		34	477 867 154	fastening hook	/R	1	
30	914 552 233 10	filler piece		6		35	944 555 041 01	lining	/H	1	M650
	01C	black					05T	black			
	9JJ	marine blue	-90				3KY	marine blue	-90		
	9MM	burgundy	-90				5LX	burgundy	-90		
							G23	cobalt blue	91-		
							B17	classic grey	91-		

Model	Year	MG	SG	Illustration	Restrictions	UPD	22:56	23.01.2010	PORSCHE	PET	PORSCHE
9442	1991	8	07	807-10		248					

Pos	Part Number	Description	Remark	Qty	Model	Pos	Part Number	Description	Remark	Qty	Model
(36)	944 555 271 00	cover	/LL/L	1							
36	944 555 272 01	cover	/LL/R	1							
(36)	945 555 271 01	cover	/RL/L	1							
(36)	945 555 272 00	cover	/RL/R	1							
37	944 555 437 00	clamp		2							
38	951 613 255 00	cover		X							
	1DB	black									
39	N 100 509 02	speed nut		4							
40	N 013 959 3	tapping screw B 3,5 X 16		4							
		B 3,5 X 16									
41	N 011 554 6	washer 3,7		4							
42	944 555 159 00	frame		2	M651						
43	900 025 002 02	washer		8	M651						
44	211 857 785 A	stopper		2							
	01C	black									
45	111 857 795	cover disc		2							

Model	Year	MG	SG	Illustration	Restrictions	UPD	22:56	23.01.2010	PORSCHE	PET	PORSCHE
9442	1991	8	07	807-15		248					

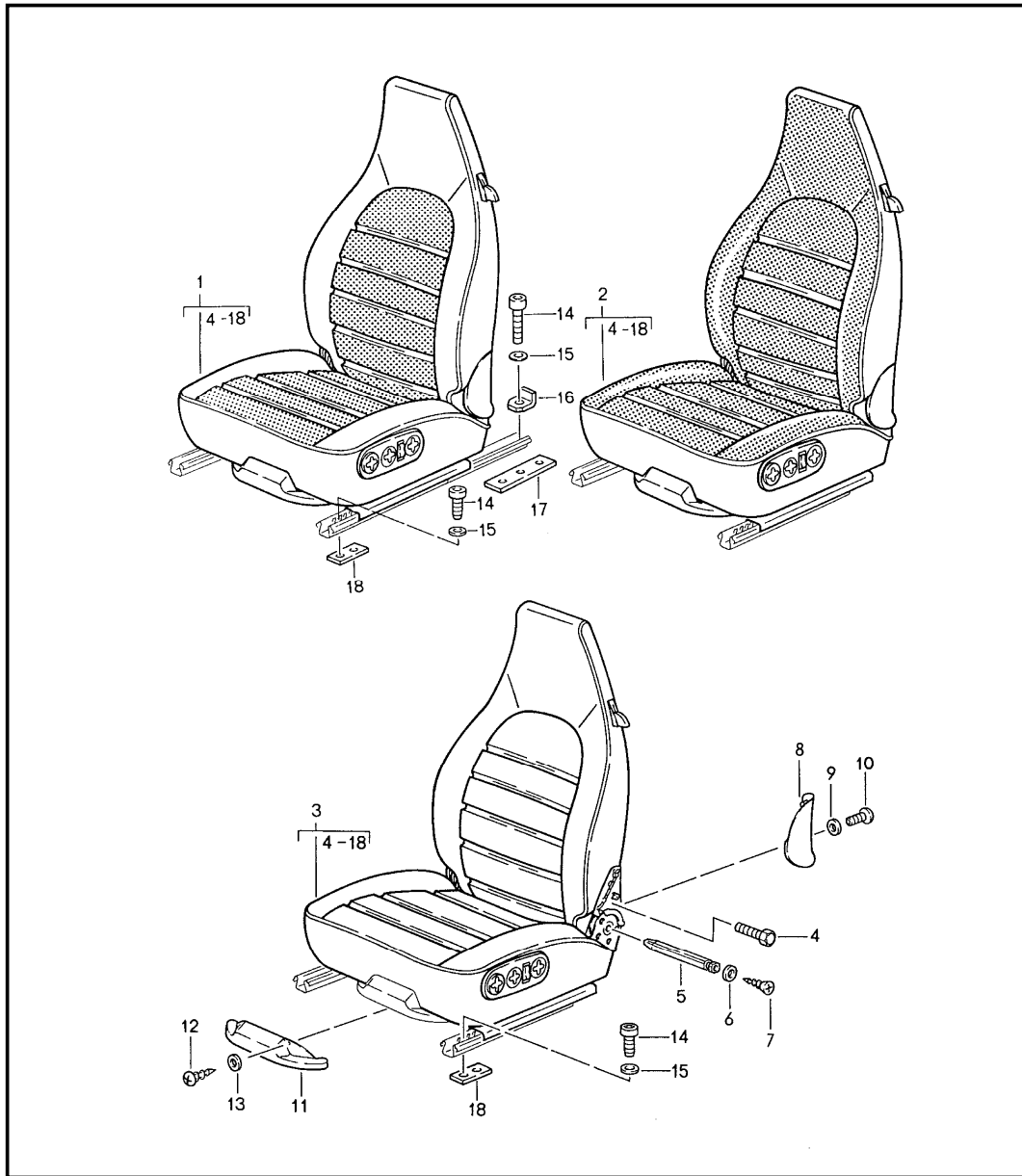


Pos	Part Number	Description	Remark	Qty	Model
		linings			CABRIO
(1)	941 555 021 10	side trim panel	/L	1	
	05T	black			
	3KY	marine blue	-90		
	5LX	burgundy	-90		
	G12	cobalt blue	91-		
	B10	classic grey	91-		
1	941 555 022 10	side trim panel	/R	1	
	05T	black			
	3KY	marine blue	-90		
	5LX	burgundy	-90		
	G12	cobalt blue	91-		
	B10	classic grey	91-		
2	941 555 232 10	lining		1	
	A15	anthracite			
3	941 555 335 10	rosette		2	
	01C	satin black			
4	941 555 339 10	finger plate		1	
	01C	satin black			
5	941 555 037 10	lining windscreen frame		1	
	05T	black			
	3KY	marine blue	-90		
	5LX	burgundy	-90		
	G12	cobalt blue	91-		
	B10	classic grey	91-		
6	941 555 053 10	lining windscreen frame	/L	1	
	05T	black			
	3KY	marine blue	-90		

Model	Year	MG	SG	Illustration	Restrictions	UPD	22:56	23.01.2010	PORSCHE	PET	PORSCHE
9442	1991	8	07	807-15		248					

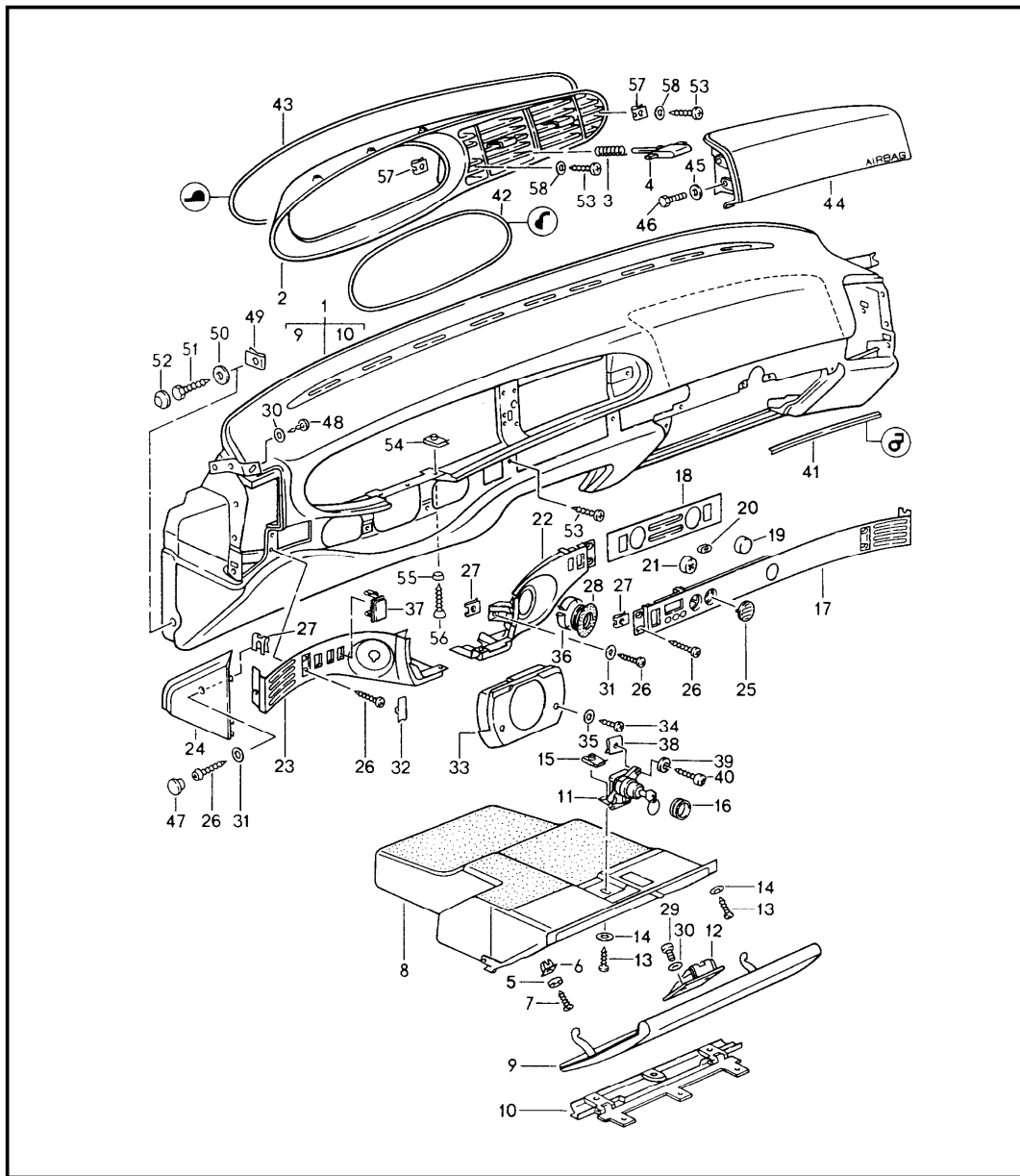
Pos	Part Number	Description	Remark	Qty	Model	Pos	Part Number	Description	Remark	Qty	Model	
(6)	5LX	burgundy		-90		11	941 555 593 10	pipng		2		
	G12	cobalt blue		91-		12	941 555 743 11	gasket	/L	1		
	B10	classic grey		91-		(12)	941 555 744 11	gasket hinge pillar	/R	1		
	941 555 054 10	lining windscreen frame	/R		1	(13)	941 555 131 10	cover	/L	1		
	05T	black					A15	anthracite				
	3KY	marine blue		-90		13	941 555 132 10	cover	/R	1		
	5LX	burgundy		-90			A15	anthracite				
	G12	cobalt blue		91-		(14)	941 555 355 10	joint fork	/L	1		
7	B10	classic grey		91-		14	941 555 356 10	joint fork	/R	1		
	941 555 337 10	lining			1	15	941 504 806 10	hexagon-head bolt M 6 X 16		2		
	05T	black										
	3KY	marine blue		-90		16	N 011 524 7	washer A 6,4		2		
	5LX	burgundy		-90		17	900 910 010 09	lock nut M 6		2		
	G12	cobalt blue		91-								
	B10	classic grey		91-		18	941 555 525 10	spring		2		
	8	911 555 523 66	cap			2						
70B		black										
9JJ		marine blue		-90								
9MM		burgundy		-90								
6ZF		cobalt blue		91-								
4XC		classic grey		91-								
9		941 504 710 10	filler piece			8						
		01C	black									
	9JJ	marine blue		-90								
	9MM	burgundy		-90								
	6ZF	cobalt blue		91-								
	4XC	classic grey		91-								
	10	941 504 715 10	fastening plug			8						

Model	Year	MG	SG	Illustration	Restrictions	UPD	22:56	23.01.2010	PORSCHE	PET	PORSCHE
9442	1991	8	08	808-00		248					



Pos	Part Number	Description	Remark	Qty	Model
		seat complete			
		group 8/08/00 - 8/08/70			
		see group 8/04/00 - 8/04/56 catalogue STZ.18			

Model	Year	MG	SG	Illustration	Restrictions	UPD	22:56	23.01.2010	PORSCHE	PET	PORSCHE
9442	1991	8	09	809-00		248					



Pos	Part Number	Description	Remark	Qty	Model
1	944 552 085 00	dashboard trim	/LL	1	
	NW8	black			
	US3	black/linen	-90		
	US1	marine blue	-90		
	XP9	marine blue/linen	-90		
	UR3	burgundy	-90		
	ARN	cobalt blue	91-		
	APN	classic grey	91-		
(1)	944 552 085 21	dashboard trim	/LL	1	M562
	NW8	black			
	US3	black/linen	-90		
	US1	marine blue	-90		
	XP9	marine blue/linen	-90		
	UR3	burgundy	-90		
(1)	944 552 085 22	dashboard trim	/LL	1	M562
	NW8	black			
	ARN	cobalt blue	91-		
	APN	classic grey	91-		
(1)	945 552 085 00	dashboard trim	/RL	1	
	NW8	black			
	US3	black/linen	-90		
	US1	marine blue	-90		
	XP9	marine blue/linen	-90		
	UR3	burgundy	-90		
	ARN	cobalt blue	91-		
	APN	classic grey	91-		
1	944 552 085 50	dashboard trim leather	/LL	1	

Model	Year	MG	SG	Illustration	Restrictions	UPD	22:56	23.01.2010	PORSCHE	PET	PORSCHE
9442	1991	8	09	809-00		248					

Pos	Part Number	Description	Remark	Qty	Model	Pos	Part Number	Description	Remark	Qty	Model	
	QE6	black				(2)	944 552 023 01	dashboard trim	/LL	1	M562	
	SP1	black/linen	-90				1DB	black				
	SR1	marine blue	-90			(2)	945 552 023 00	dashboard trim	/RL	1		
	SP2	marine blue/linen	-90				1DB	black				
	US7	burgundy	-90			3	944 572 421 00	spring		1		
	ARP	cobalt blue	91-			4	944 572 419 00	knob		1		
	APP	classic grey	91-			5	944 552 259 00	plug		2		
(1)	944 552 085 52	dashboard trim leather	/LL	-90	1	M562	6	999 591 679 40	special nut	2		
	QE6	black				7	N 902 662 01	combination tapping screw B 3,5 X 16		2		
	SP1	black/linen	-90			8	944 552 049 00	glove compartment	/LL	1		
	SR1	marine blue	-90			(8)	944 552 049 01	glove compartment	/LL	1	M573	
	SP2	marine blue/linen	-90			(8)	945 552 049 00	glove compartment	/RL	1		
	US7	burgundy	-90			(8)	944 552 049 20	glove compartment		1	M562	
(1)	944 552 085 53	dashboard trim leather	/LL	91-	1	M562	(8)	944 552 049 21	glove compartment	1	M562/573	
	QE6	black				9	944 552 123 00	glove compartment cover	/LL	1		
	ARP	cobalt blue	91-				05T	black				
	APP	classic grey	91-				2VY	linen	-90			
(1)	945 552 085 50	dashboard trim leather	/RL		1		3KY	marine blue	-90			
	QE6	black					5LX	burgundy	-90			
	SP1	black/linen	-90				G12	cobalt blue	91-			
	SR1	marine blue	-90				B10	classic grey	91-			
	SP2	marine blue/linen	-90			(9)	944 552 123 20	glove compartment cover	/LL	-89	1	M562
	US7	burgundy	-90				05T	black				
	ARP	cobalt blue	91-				2VY	linen	-90			
	APP	classic grey	91-				3KY	marine blue	-90			
2	944 552 023 00	dashboard trim	/LL		1		5LX	burgundy	-90			
	1DB	black				(9)	944 552 123 21	glove compartment cover	/LL	90-	1	M562
							05T	black				

Model	Year	MG	SG	Illustration	Restrictions	UPD	22:56	23.01.2010	PORSCHE	PET	PORSCHE
9442	1991	8	09	809-00		248					

Pos	Part Number	Description	Remark	Qty	Model	Pos	Part Number	Description	Remark	Qty	Model
	2VY	linen		-90			7JX	marine blue		-90	
	3KY	marine blue		-90			7LD	burgundy		-90	
	5LX	burgundy		-90			9YL	cobalt blue		91-	
	G12	cobalt blue		91-			6XL	classic grey		91-	
	B10	classic grey		91-		(9)	945 552 123 50	glove compartment cover leather	/RL	1	M981
(9)	945 552 123 00	glove compartment cover	/RL	1			1AJ	black			
	05T	black					7VX	linen		-90	
	2VY	linen		-90			7JX	marine blue		-90	
	3KY	marine blue		-90			7LD	burgundy		-90	
	5LX	burgundy		-90			9YL	cobalt blue		91-	
	G12	cobalt blue		91-			6XL	classic grey		91-	
	B10	classic grey		91-		10	928 552 055 03	hinge		1	
9	944 552 123 50	glove compartment cover leather	/LL	1	M981	(11)	944 538 951 02	twist lock for glove compartment w/o stipulated lock number		1	
	1AJ	black									
	7VX	linen		-90		(11)	944 538 951 03	twist lock for glove compartment with stipulated lock number		1	
	7JX	marine blue		-90							
	7LD	burgundy		-90		(12)	944 538 061 21	closing element twist lock		1	
	9YL	cobalt blue		91-		13	N 013 958 14	tapping screw 3,5 X 13		1	
	6XL	classic grey		91-		14	N 011 663 4	washer B 3,7		1	
(9)	944 552 123 51	glove compartment cover leather	/LL	1	M562/981	15	999 591 349 02	speed nut B 3,5		1	
	1AJ	black				16	944 538 529 00	sealing ring glove compartment lock		1	
	7VX	linen		-90							
	7JX	marine blue		-90		(16)	944 552 585 00	retaining ring		1	
	7LD	burgundy		-90		17	944 552 436 00	strip for switches	/LL/R	1	
(9)	944 552 123 52	glove compartment cover leather	/LL	1	M562/981						
	1AJ	black									
	7VX	linen		-90							

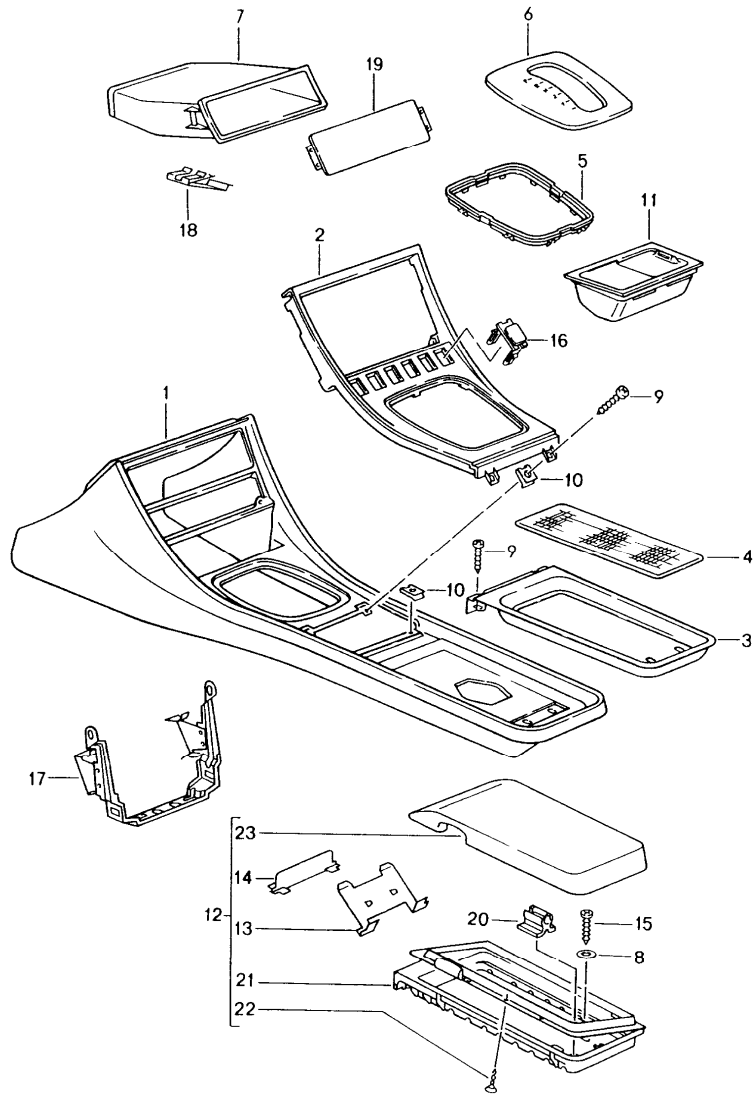
Model	Year	MG	SG	Illustration	Restrictions	UPD	22:56	23.01.2010	PORSCHE	PET	PORSCHE
9442	1991	8	09	809-00		248					

Pos	Part Number	Description	Remark	Qty	Model	Pos	Part Number	Description	Remark	Qty	Model
(17)	945 552 435 00	strip for switches cover see group 8/13/30 knob blower switch see group 8/13/30 knob slide see group 8/13/30 knob thermostat see group 8/13/30	/RL/R	1		32	944 552 449 00	cover	/L	1	
				1		(32)	944 552 450 00	cover strip for switches	/R	1	
				1		33	944 552 073 00	lining		1	
				1			1DB	black			
				1		(33)	944 552 073 01	lining		1	M454
				1			1DB	black			
				1		(33)	944 552 273 20	lining		1	M562
				1			1DB	black			
22	944 552 431 00	strip for switches	/LL	1		(33)	944 552 373 20	boot		1	M562
(22)	945 552 431 00	strip for switches centre	/RL	1			01C	black			
23	944 552 429 00	strip for switches	/LL/L	1		34	999 073 047 02	tapping screw B 3,5 X 9,5		2	
(23)	945 552 429 00	strip for switches	/RL/L	1		35	N 011 554 6	washer 3,7		2	
24	944 552 083 00	trim cover	/L	1		36	944 552 452 00	clip		1	
		1DB black				37	944 613 257 00	cover	/LL	1	
(24)	944 552 084 00	trim cover	/R	1		(37)	945 613 257 00	cover	/RL	1	
		1DB black				(37)	944 613 256 00	cover		1	CABRIO
25	944 552 451 00	rosette interior sensor		1		38	999 591 763 02	speed nut B 4,8 push-button lock		3	
26	N 013 959 3	tapping screw 3,5 X 16		4		(38)	999 591 777 02	speed nut B 4,8 twist lock		3	M562
26	900 143 016 01	tapping screw B 3,5 X 16		4		39	N 011 556 2	washer 5,3		3	
27	N 015 438 1	speed nut B 4,8 X 16		2		40	N 013 975 4	tapping screw B 4,8 X 19 push-button lock		3	
28	944 552 447 00	cover ignition starter lock		1		(40)	900 143 046 02	tapping screw B 4,8 X 16 twist lock		3	M562
29	N 014 128 13	oval-head screw M 5 X 8		2		41	944 552 035 00	gasket		1	
30	N 011 665 10	washer B 5,3		2							
31	N 011 554 6	washer B 3,7 DIN 433		1							

Model	Year	MG	SG	Illustration	Restrictions	UPD	22:56	23.01.2010	PORSCHE	PET	PORSCHE
9442	1991	8	09	809-00		248					

Pos	Part Number	Description	Remark	Qty	Model	Pos	Part Number	Description	Remark	Qty	Model
42	999 911 342 40	pipng dashboard trim inner		1		55	N 100 401 02	cone washer B 4,2		2	
43	999 911 320 40	pipng dashboard trim outer		1		56	900 145 070 07	tapping screw 3,5 X 19		2	
44	944 552 385 00	lid		1	M562	57	N 015 438 1	speed nut 3,5		3	
	05T	black				58	N 011 554 6	washer 3,7		3	
	1KX	marine blue	-90								
	7MW	burgundy	-90								
	7YG	cobalt blue	91-								
	9WH	classic grey	91-								
45	N 011 666 7	washer B 6,4		4	M562						
46	999 217 020 02	hexagon-head bolt M 6 X 10 micro-self-locking		4	M562						
47	944 552 767 00	cap		2							
	01C	black									
48	N 013 968 7	tapping screw B 4,2 X 13		2							
49	N 015 449 1	speed nut B 6,3		2							
50	999 025 167 07	washer B 7,4		2							
51	900 187 123 07	tapping screw B 6,3 X 22		2							
52	928 555 383 02	cap		2							
	70B	black									
53	N 013 959 3	tapping screw 3,5 X 16		10							
18	900 143 016 01	tapping screw B 3,5 X 16		10							
54	999 591 733 07	speed nut 3,5		2							

Model	Year	MG	SG	Illustration	Restrictions	UPD	22:57	23.01.2010	PORSCHE	PET	PORSCHE
9442	1991	8	09	809-01		248					



Pos	Part Number	Description	Remark	Qty	Model
1	944 552 051 00	cassette box centre console		1	
	05T	black			
	2VY	linen	-90		
	3KY	marine blue	-90		
	5LX	burgundy	-90		
	G12	cobalt blue	91-		
	B10	classic grey	91-		
(1)	944 552 051 50	centre console leather		1	M981
	1AJ	black			
	7VX	linen	-90		
	7JX	marine blue	-90		
	7LD	burgundy	-90		
	9YL	cobalt blue	91-		
	6XL	classic grey	91-		
2	944 552 117 00	trim cover		1	
(2)	944 552 117 01	covering frame	/LL	1	M249
(2)	945 552 117 01	covering frame	/RL	1	M249
3	944 552 155 00	tray centre console		1	
4	944 552 161 00	insert		1	
5	944 552 257 00	frame		1	
7	944 552 157 00	shelf		1	
	1DB	black			
8	900 151 028 07	washer B 4,3		2	
9	N 013 958 14	tapping screw 3,5 X 13		6	
10	999 591 349 02	speed nut		4	

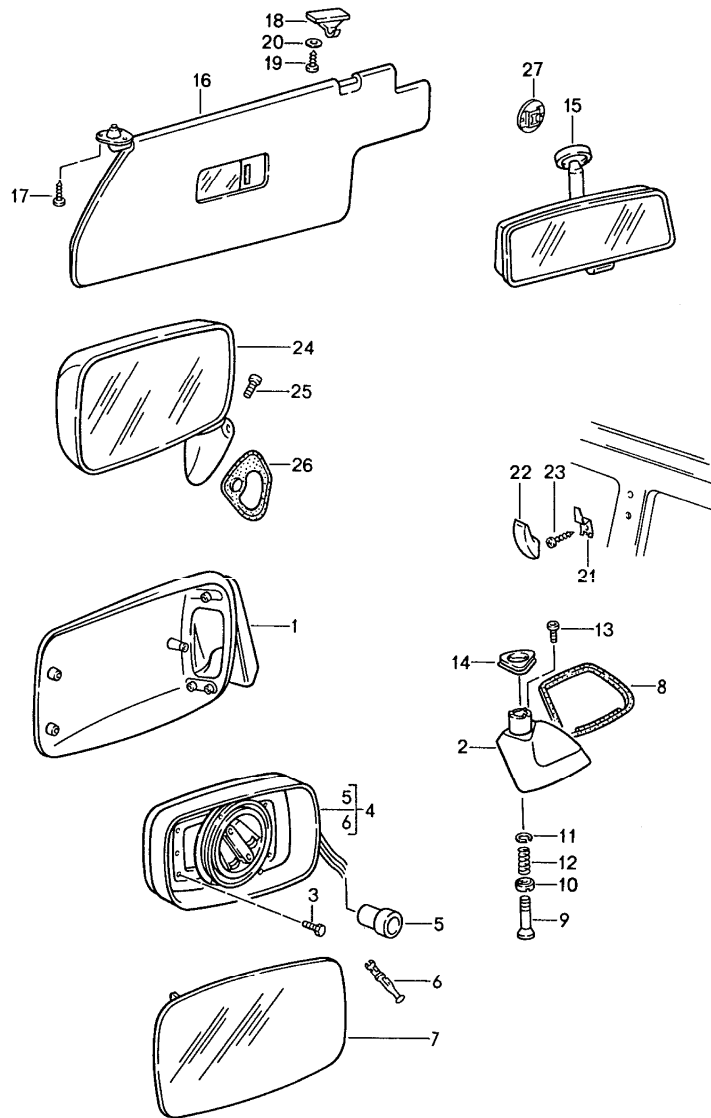
Model	Year	MG	SG	Illustration	Restrictions	UPD	22:57	23.01.2010	PORSCHE	PET	PORSCHE
9442	1991	8	09	809-01		248					

Pos	Part Number	Description	Remark	Qty	Model	Pos	Part Number	Description	Remark	Qty	Model
11	944 552 171 00	ashtray		1			7LD	burgundy		-90	
12	A 944 552 063 00	cassette box	/LL	-90	1	12	A 944 552 063 51	cassette box leather	/LL	1	
	05T	black					9YL	cobalt blue		91-	
	2VY	linen					6XL	classic grey		91-	
	3KY	marine blue				(12)	A 945 552 063 51	cassette box leather	/RL	1	
	5LX	burgundy					9YL	cobalt blue		91-	
(12)	A 945 552 063 00	cassette box	/RL	-90	1		6XL	classic grey		91-	
	05T	black				13	928 555 731 02	cassette rack		8	
	2VY	linen					01C	satin black			
	3KY	marine blue				13	928 555 731 02	cassette rack		91-	CABRIO
	5LX	burgundy					01C	satin black			
12	A 944 552 063 01	cassette box	/LL	91-	1	14	928 555 741 02	partition panel		1	
	05T	black				15	N 902 663 01	oval-head sheetmetal screw 4,2 X 25		2	
	G12	cobalt blue				16	944 613 256 00	cover fader		1	
	B10	classic grey				(16)	944 613 259 01	cover switch		5	
(12)	A 945 552 063 01	cassette box	/RL	91-	1	17	944 552 067 02	support		1	
	05T	black				18	944 552 557 00	spring clamp		2	
	G12	cobalt blue				19	A 944 552 061 00	cover		1	
	B10	classic grey				19	A 944 552 261 01	cover		1	
12	A 944 552 063 50	cassette box leather	/LL		1		1DB	black			
	1AJ	black				19	944 552 261 02	cover		1	
	7VX	linen		-90			1DB	black			
	7JX	marine blue		-90		20	999 507 367 40	support		2	CABRIO
	7LD	burgundy		-90		21	944 552 553 01	frame cassette box	/LL	1	
(12)	A 945 552 063 50	cassette box leather	/RL		1		01C	black			
	1AJ	black									
	7VX	linen		-90							
	7JX	marine blue		-90							

Model	Year	MG	SG	Illustration	Restrictions	UPD	22:57	23.01.2010	PORSCHE	PET	PORSCHE
9442	1991	8	09	809-01		248					

Pos	Part Number	Description	Remark	Qty	Model	Pos	Part Number	Description	Remark	Qty	Model
(21)	945 552 553 01	frame cassette box	/RL	1			1AJ	black	-90		
	01C	black					8YR	black	91-		
22	900 144 017 07	tapping screw 2,9 X 13		8			7VX	linen	-90		
23	944 552 165 00	lid leatherette	/LL	1			7JX	marine blue	-90		
	05T	black					7LD	burgundy	-90		
	2WJ	classic grey		91			9YL	cobalt blue	91		
	9ZH	cobalt blue		91			6XL	classic grey	91		
	2VY	linen		-90							
	1KX	marine blue									
	5LX	burgundy		-90							
(23)	945 552 165 00	lid leatherette	/RL	1							
	05T	black									
	2WJ	classic grey		91							
	9ZH	cobalt blue		91							
	2VY	linen		-90							
	1KX	marine blue									
	5LX	burgundy		-90							
23	944 552 165 50	lid leather	/LL	1							
	1AJ	black		-90							
	8YR	black		91-							
	7VX	linen		-90							
	7JX	marine blue		-90							
	7LD	burgundy		-90							
	9YL	cobalt blue		91							
	6XL	classic grey		91							
(23)	945 552 165 50	lid leather	/RL	1							

Model	Year	MG	SG	Illustration	Restrictions	UPD	22:57	23.01.2010	PORSCHE	PET	PORSCHE
9442	1991	8	09	809-05		248					



Pos	Part Number	Description	Remark	Qty	Model
		sun visor door mirror interior mirror			
1	911 731 043 03	mirror housing	/L	1	
(1)	911 731 044 03	mirror housing	/R	1	
2	944 731 141 00	mirror base	/LL/L	1	
(2)	944 731 142 00	mirror base	/LL/R	1	
(2)	945 731 142 00	mirror base	/RL/R	1	
2	945 731 141 00	mirror base	/RL/L	1	
3	999 143 003 02	hexagon-head bolt M 5 X 10		3	
4	944 731 027 01	covering frame		1	
5	803 971 980	pin connector socket		1	
6	N 017 564 1	round connector		6	
7	944 731 035 02	mirror glass plane		1	
(7)	944 731 035 03	mirror glass convex		1	
(7)	944 731 035 04	mirror glass plane	(S)	1	
(7)	944 731 035 05	mirror glass convex	(S)	1	
(7)	477 857 611 B	mirror glass plane		1	M637
(7)	477 857 611 D	mirror glass convex	/LL/R	1	M637
8	944 731 505 01	desk pad	/L	1	
(8)	945 731 506 01	desk pad	/R	1	
9	911 731 257 02	guide tube		1	
10	911 731 345 02	centring washer lower		1	
11	911 731 347 00	centring washer upper		1	
12	911 731 029 01	compression spring		1	

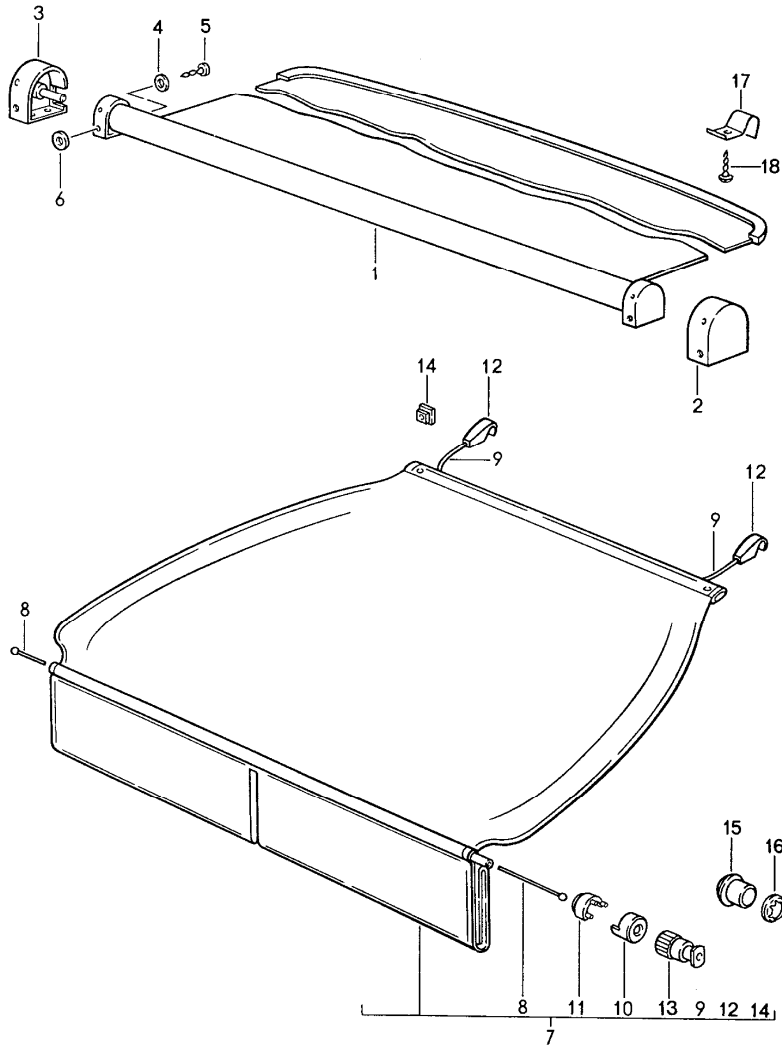
Model	Year	MG	SG	Illustration	Restrictions	UPD	22:57	23.01.2010	PORSCHE	PET	PORSCHE
9442	1991	8	09	809-05		248					

Pos	Part Number	Description	Remark	Qty	Model	Pos	Part Number	Description	Remark	Qty	Model
13	999 067 026 07	pan-head screw M 5 X 40 X 25		1			XF4	burgundy		-90	
14	944 731 143 00	seal		1			7YU	cobalt blue		91-	
15	477 857 511 A	interior mirror		1			6WJ	classic grey		91-	
	01C	satin black				(16)	941 731 032 10	sun visor	/R	1	CABRIO
16	944 731 031 01	sun visor	/L	1	COUPE		05T	black			
	05T	black					3KA	marine blue		-90	
	XF4	burgundy					XF4	burgundy		-90	
	7YU	cobalt blue					7YU	cobalt blue		91-	
	6WJ	classic grey					6WJ	classic grey		91-	
(16)	944 731 031 02	sun visor	/L (AUS) (S)	1	COUPE	17	N 014 096 3	tapping screw B 4,2 X 22		6	
	05T	black				18	944 731 439 00	support		2	COUPE
	XF4	burgundy				(18)	964 731 319 40	bearing bracket	/L	2	CABRIO
	7YU	cobalt blue				(18)	964 731 320 40	bearing sun visor	/R	2	CABRIO
	6WJ	classic grey				19	900 143 047 07	tapping screw B 4,2 X 19		4	
(16)	944 731 032 01	sun visor	/R	1	COUPE	20	900 151 028 02	washer B 4,3		4	
	05T	black				21	901 552 872 20	coat hook		2	
	XF4	burgundy				22	901 552 871 40	cover		2	
	7YU	cobalt blue				23	900 250 007 02	tapping screw AM 5 X 12		2	
	6WJ	classic grey				24	477 857 521 D	door mirror plane	/LL/L	1	M637
(16)	944 731 032 02	sun visor	/R (AUS) (S)	1	COUPE	(24)	477 857 522 D	door mirror plane	/LL/R	1	M637
	05T	black				(24)	477 857 522 H	door mirror convex	/LL/R	1	M637
	XF4	burgundy				(24)	478 857 522 D	door mirror plane	/RL/R	1	M637
	7YU	cobalt blue				25	999 067 026 07	pan-head screw		1	M637
	6WJ	classic grey				26	477 857 579	desk pad	/L	1	M637
(16)	941 731 031 10	sun visor	/L	1	CABRIO						
	05T	black									
	3KA	marine blue									

Model	Year	MG	SG	Illustration	Restrictions	UPD	22:57	23.01.2010	PORSCHE	PET	PORSCHE
9442	1991	8	09	809-05		248					

Pos	Part Number	Description	Remark	Qty	Model	Pos	Part Number	Description	Remark	Qty	Model
(26)	478 857 579	desk pad	/R	1	M637						
27	477 845 043	adhesive plate adhesive set see group 0/05/00		1							

Model	Year	MG	SG	Illustration	Restrictions	UPD	22:57	23.01.2010	PORSCHE	PET	PORSCHE
9442	1991	8	09	809-10		248					

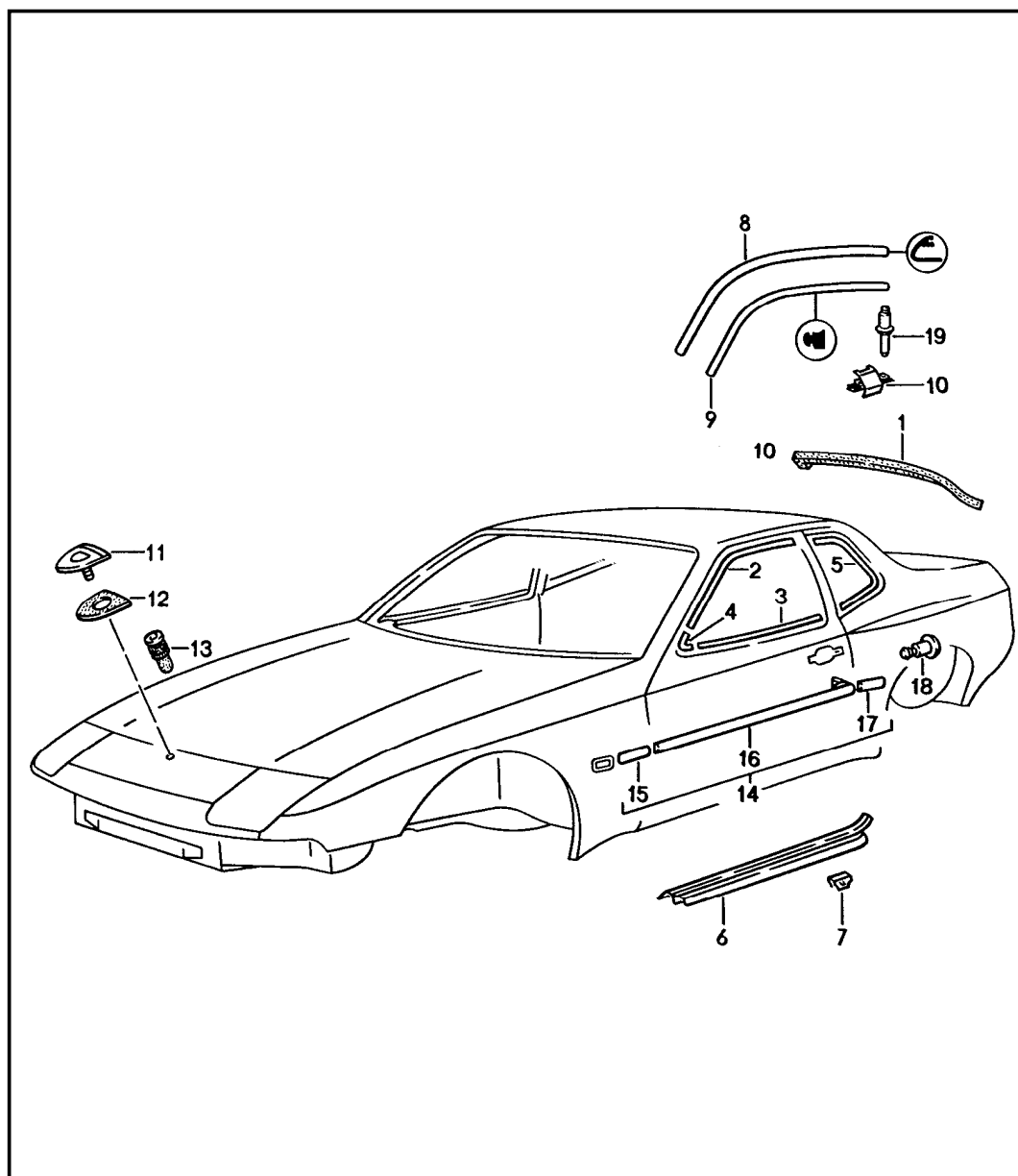


Pos	Part Number	Description	Remark	Qty	Model
1	477 863 511 A	luggage compartment cover		1	
	05T	black			
	9JJ	marine blue			
	5LX	burgundy			
2	477 863 517 A	lid luggage compartment cover square wrench breadth of rim 17,5 MM	/L	-90	1
	05T	black			
	9JJ	marine blue			
	9MM	burgundy			
3	477 863 518 A	lid luggage compartment cover pin breadth of rim 17,5 MM	/R	-90	1
	05T	black			
	9JJ	marine blue			
	9MM	burgundy			
(2)	477 863 517 B	lid luggage compartment cover hole breadth of rim 16 MM	/L	-90	1
	05T	black			
(3)	477 863 518 B	lid luggage compartment cover square wrench breadth of rim 16 MM	/R	-90	1
	05T	black			
4	900 025 003 02	washer A 5,3		-90	2
5	N 013 971 3	tapping screw 4,8 X 22		-90	2
6	999 704 139 40	spacer		-90	2

Model	Year	MG	SG	Illustration	Restrictions	UPD	22:57	23.01.2010	PORSCHE	PET	PORSCHE
9442	1991	8	09	809-10		248					

Pos	Part Number	Description	Remark	Qty	Model	Pos	Part Number	Description	Remark	Qty	Model
7	944 555 027 00	luggage compartment cover		1	M685						
	70G	black									
	5KG	marine blue	-90								
	2LB	burgundy	-90								
	7ZF	cobalt blue	91-								
	5WG	classic grey	91-								
-	999 701 639 40	round rubber cord		*							
		1265 MM		1							
		875 MM		2							
10	928 555 795 02	end piece of pipe		2							
11	928 555 785 02	clamp for fabric		2							
12	944 555 775 00	hook		2							
13	928 555 775 02	belt end piece		2							
14	928 555 791 02	rosette		2							
15	928 555 777 02	end piece of rope		2							
16	999 591 484 02	clamping washer		2							
17	477 863 521 B	hook		2							
18	N 013 932 4	tapping screw		2							

Model	Year	MG	SG	Illustration	Restrictions	UPD	22:57	23.01.2010	PORSCHE	PET	PORSCHE
9442	1991	8	10	810-00		248					

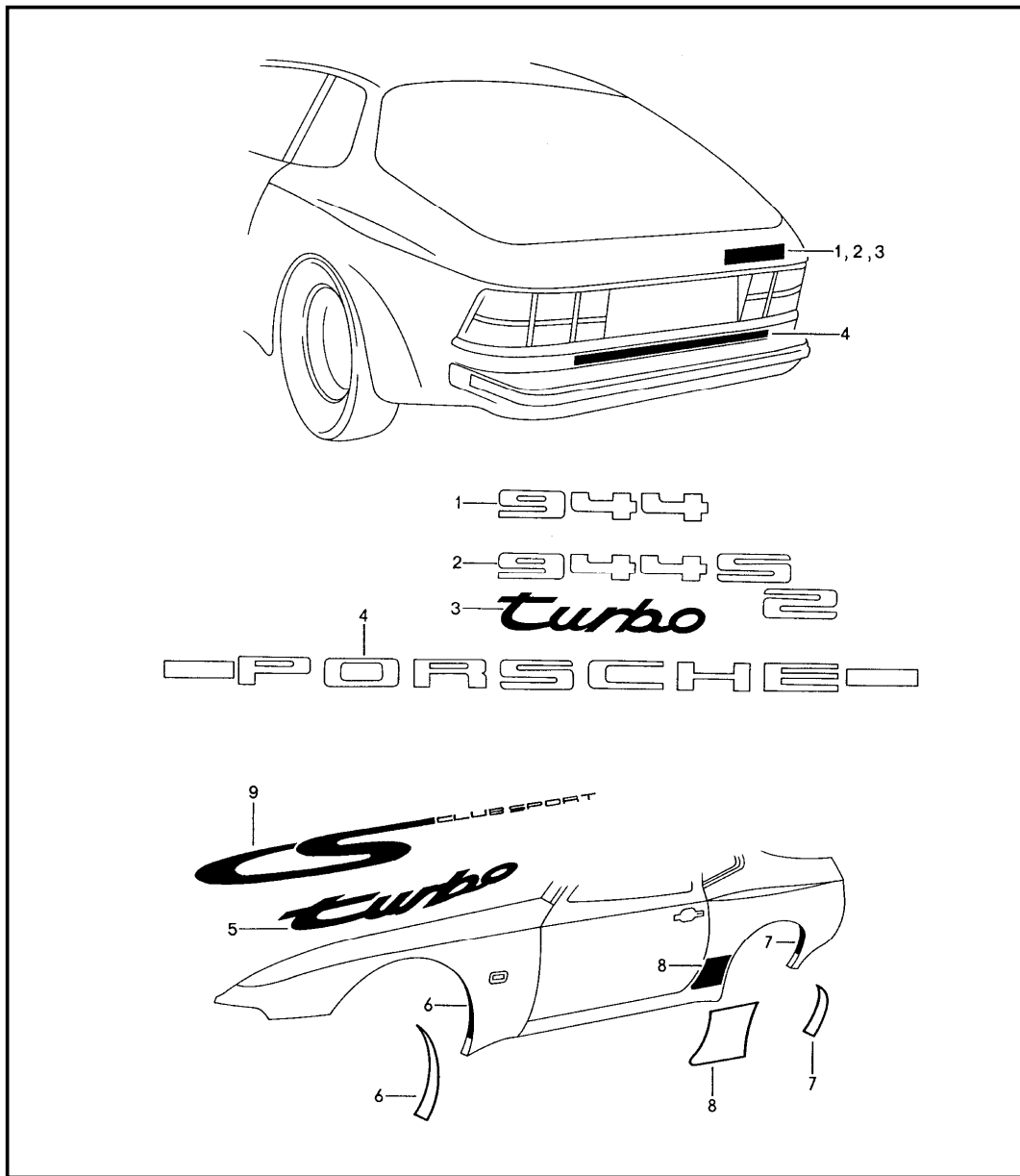


Pos	Part Number	Description	Remark	Qty	Model
		moulding			
1	477 853 313 A	trim frame	/H	1	
2	477 853 373 B	moulding	/L	1	
(2)	477 853 374 B	moulding	/R	1	
3	477 853 371 B	moulding	/L	1	
(3)	477 853 372 B	moulding	/R	1	
4	477 853 375 A	moulding		2	
5	477 853 365 A	trim frame	/L	1	
(5)	477 853 366 A	trim frame	/R	1	
6	944 551 121 00	scuff plate	/L	1	
(6)	944 551 122 00	scuff plate	/R	1	
7	477 853 655	clamp		10	
8	944 559 705 00	roof edge strip	/L	1	
(8)	944 559 706 00	roof edge strip	/R	1	
9	944 559 707 00	sealing rubber		2	
10	999 591 732 02	clamp		12	
11	A 901 559 210 20	lid emblem		1	
11	993 559 211 00	lid emblem		1	
12	901 559 215 20	desk pad		1	
13	999 702 175 50	grommet		2	
14	931 559 901 00	set of moldings use also: adhesive AMV 176.000.05		1	M418
15	931 559 137 00	side guard wing	/V	2	
(15)	944 559 137 00	side guard wing		2	944S2
16	931 559 133 00	side guard	/L	1	
(16)	931 559 134 00	side guard door	/R	1	
17	931 559 141 00	side guard	/L	1	

Model	Year	MG	SG	Illustration	Restrictions	UPD	22:57	23.01.2010	PORSCHE	PET	PORSCHE
9442	1991	8	10	810-00		248					

Pos	Part Number	Description	Remark	Qty	Model	Pos	Part Number	Description	Remark	Qty	Model
(17)	931 559 142 00	side guard side section	/R	1							
-	931 559 175 00	adhesive tape side guard wing		2							
-	944 559 177 00	adhesive tape side guard wing		2	944S2						
-	931 559 165 00	adhesive tape side guard door		2							
-	931 559 182 00	adhesive tape side guard side section		2							
-	AMV 176 000 05	adhesive sealing compound		1							
18	999 190 326 40	rivet		2							
19	431 805 121 A	bolt		X							

Model	Year	MG	SG	Illustration	Restrictions	UPD	22:57	23.01.2010	PORSCHE	PET	PORSCHE
9442	1991	8	10	810-05		248					

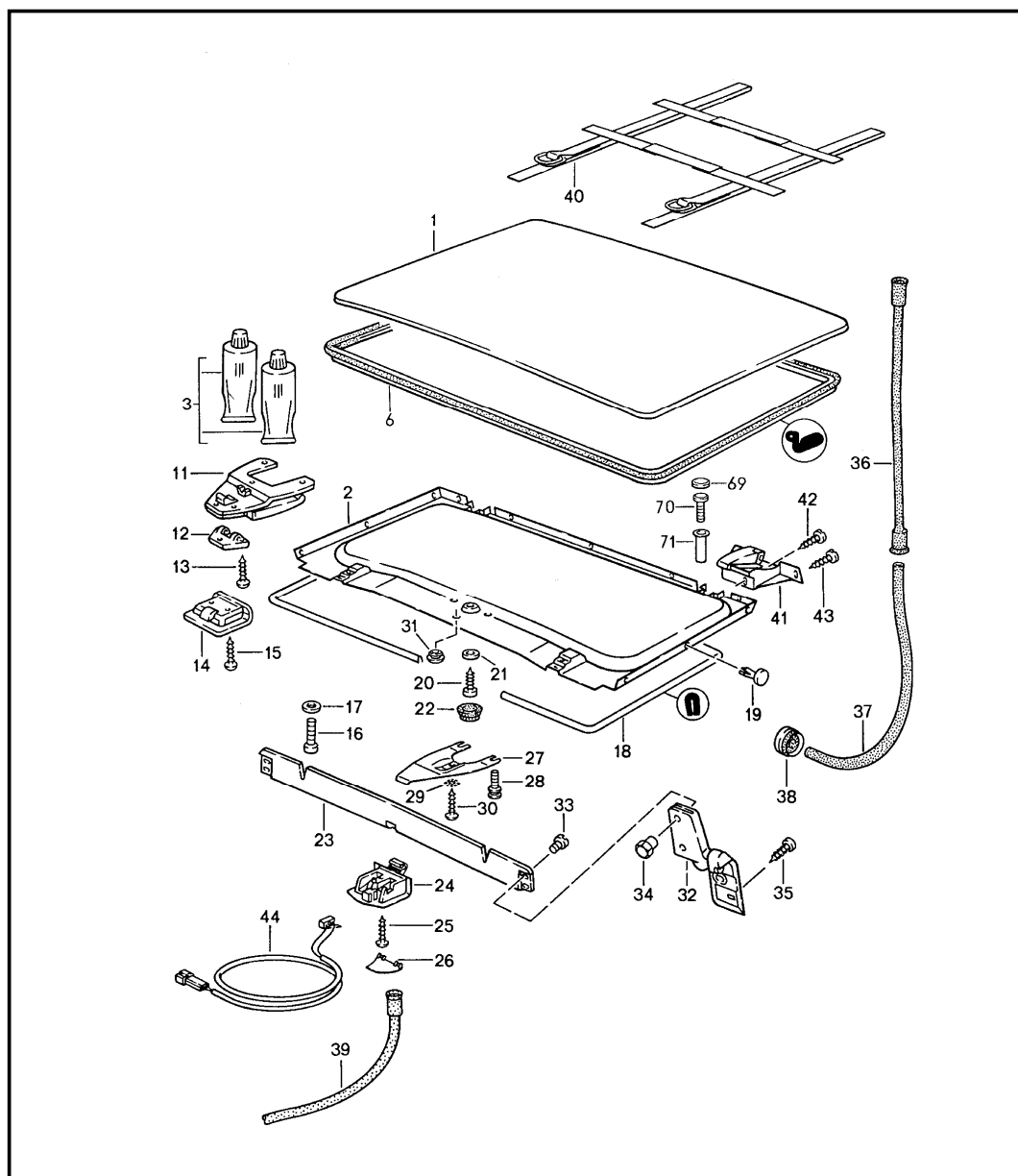


Pos	Part Number	Description	Remark	Qty	Model
		insignias stone guard film			
1	944 559 193 00	logo black	-89	1	
1	944 559 193 01	logo silver	-89	1	
(2)	944 559 220 00	logo black		1	944S2
(2)	944 559 220 01	logo silver		1	944S2
3	951 559 093 00	logo black		1	TURBO
3	951 559 093 01	logo silver		1	TURBO
4	477 853 635 B	logo black	/H	1	
4	477 853 635 C	logo silver	/H	1	
5	951 559 221 00	logo black		1	TURBO M501
5	951 559 221 01	logo silver		1	TURBO M501
6	944 559 321 00	stone guard film 3YK clear	/L	1	
6	944 559 322 00	stone guard film 3YK clear	/R	1	
6	944 559 321 01	stone guard film 6YA alpine white	/L	1	
		1ZZ zermatt silver metallic	-89		
		9ZK crystal silver metallic	90-		
		Z07 polar silver metallic	91-		
6	944 559 322 01	stone guard film 6YA alpine white	/R	1	

Model	Year	MG	SG	Illustration	Restrictions	UPD	22:57	23.01.2010	PORSCHE	PET	PORSCHE
9442	1991	8	10	810-05		248					

Pos	Part Number	Description	Remark	Qty	Model	Pos	Part Number	Description	Remark	Qty	Model
	1ZZ	zermatt silver metallic	-89				9ZK	crystal silver metallic	90-		
	9ZK	crystal silver metallic	90-				Z07	polar silver metallic	91-		
	Z07	polar silver metallic	91-			9	944 559 223 00	logo black		1	M637
7	944 559 323 00	stone guard film	/L	1		9	944 559 223 01	logo silver		1	M637
	3YK	clear									
7	944 559 324 00	stone guard film	/R	1							
	3YK	clear									
7	944 559 323 01	stone guard film	/L	1							
	6YA	alpine white									
	1ZZ	zermatt silver metallic	-89								
	9ZK	crystal silver metallic	90-								
	Z07	polar silver metallic	91-								
7	944 559 324 01	stone guard film	/R	1							
	6YA	alpine white									
	1ZZ	zermatt silver metallic	-89								
	9ZK	crystal silver metallic	90-								
	Z07	polar silver metallic	91-								
8	944 559 325 00	stone guard film	/L	1							
	3YK	clear									
8	944 559 326 00	stone guard film	/R	1							
	3YK	clear									
8	944 559 325 01	stone guard film	/L	1							
	6YA	alpine white									
	1ZZ	zermatt silver metallic	-89								
	9ZK	crystal silver metallic	90-								
	Z07	polar silver metallic	91-								
8	944 559 326 01	stone guard film	/R	1							
	6YA	alpine white									
	1ZZ	zermatt silver metallic	-89								

Model	Year	MG	SG	Illustration	Restrictions	UPD	22:58	23.01.2010	PORSCHE	PET	PORSCHE
9442	1991	8	11	811-00		248					

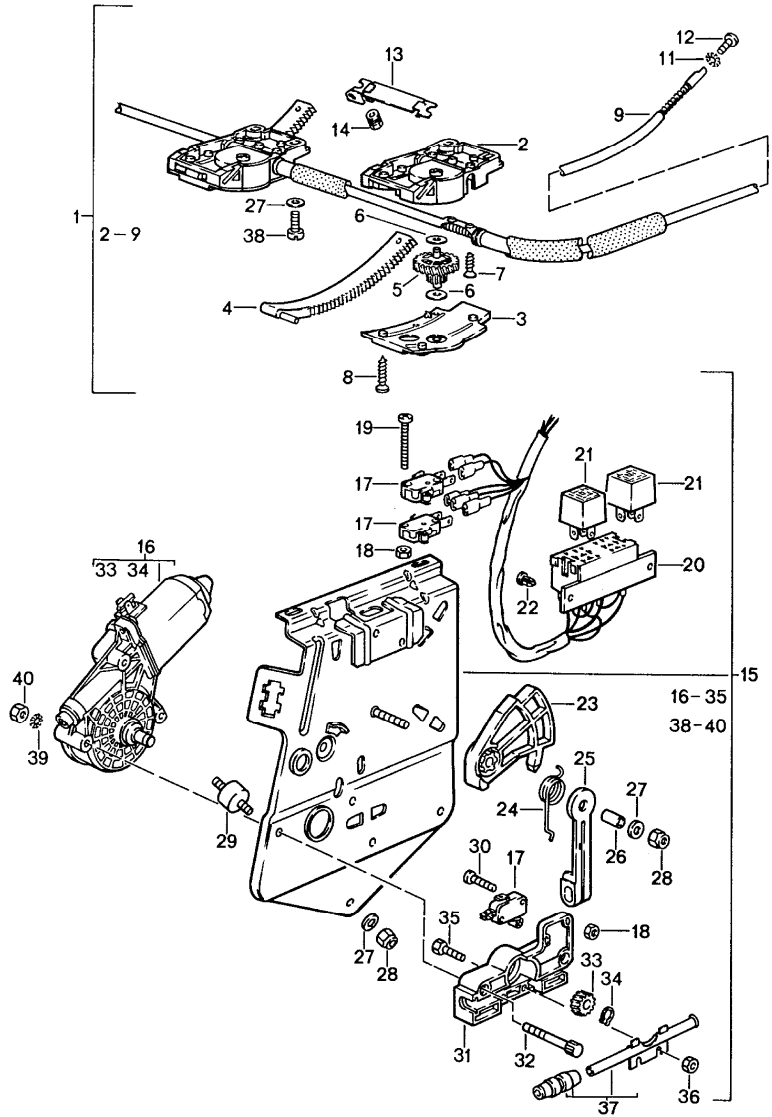


Pos	Part Number	Description	Remark	Qty	Model
		lifting roof			M650
1	A 944 564 917 01	roof		1	
1	944 564 917 01	roof		1	
2	944 564 047 02	lining		1	
		05T black			
		3KY marine blue	-90		
		5LX burgundy	-90		
		G23 cobalt blue	91-		
		B17 classic grey	91-		
3	000 043 204 86	adhesive set comprising: adhesive 150 ML hardener 150 ML		X	
6	944 564 114 04	gasket		1	
11	477 871 217	roof catch	/V	2	
12	477 871 219	bearing bracket		2	
13	N 033 174 1	countersunk-head screw M 3 X 6		6	
14	477 871 665 A	centring wedge	/V	2	
15	N 013 964 4	tapping screw B 4,2 X 16		5	
16	900 270 064 07	countersunk-head screw M 5 X 16		2	
17	999 704 606 17	cone washer		6	
18	944 564 623 00	edge protection		1	
19	477 871 053	clip		11	
20	311 867 167	tapping screw		1	
21	900 151 028 02	washer		1	
22	311 867 169	cap		1	
		01C black			
		9JJ marine blue	-90		

Model	Year	MG	SG	Illustration	Restrictions	UPD	22:58	23.01.2010	PORSCHE	PET	PORSCHE
9442	1991	8	11	811-00		248					

Pos	Part Number	Description	Remark	Qty	Model	Pos	Part Number	Description	Remark	Qty	Model
	9MM	burgundy	-90			39	321 877 233 C	water drain hose	/V	2	
	6ZF	cobalt blue	91-			40	944 721 811 00	belt		1	
	4XC	classic grey	91-			41	944 564 161 00	gate guide	/L/H	1	
23	944 564 093 00	air deflector		1		(41)	944 564 162 00	gate guide	/R/H	1	
24	944 564 683 00	bearing		1		42	N 014 133 8	oval-head screw M 5 X 12		2	
25	N 013 964 4	tapping screw 4,2 X 16		5		43	N 014 264 4	oval-head screw AM 5 X 10		4	
26	944 564 685 00	flap		1		44	944 613 033 00	microswitch		1	
27	944 564 223 00	fastening part		1		69	999 703 347 40	cap		4	
28	944 564 224 00	adjusting screw		2		70	999 119 016 40	adjusting screw M 4 X 10		4	
29	N 012 222 4	spring washer A 5		5		71	999 500 033 17	blind rivet nut M 4		4	
30	N 014 133 8	oval-head screw M 5 X 12		1							
31	944 564 233 00	cap		3							
	01C	black									
	9JJ	marine blue	-90								
	9MM	burgundy	-90								
	6ZF	cobalt blue	91-								
	4XC	classic grey	91-								
32	477 871 635 A	hinge	/L	1							
(32)	477 871 636 A	hinge	/R	1							
33	477 837 959	self-lock. fillister screw		4							
34	477 871 701 A	cap nut		4							
35	900 143 031 02	oval-head sheetmetal screw B 4,2 X 9,5		4							
36	944 564 235 00	water drain hose	/L/H	1							
(36)	944 564 064 00	water drain hose	/R/H	1							
37	944 564 237 00	water drain tube	/L/H	1							
(37)	944 564 238 00	water drain tube	/R/H	1							
38	021 119 569	rubber sleeve		X							

Model	Year	MG	SG	Illustration	Restrictions	UPD	22:58	23.01.2010	PORSCHE	PET	PORSCHE
9442	1991	8	11	811-05		248					

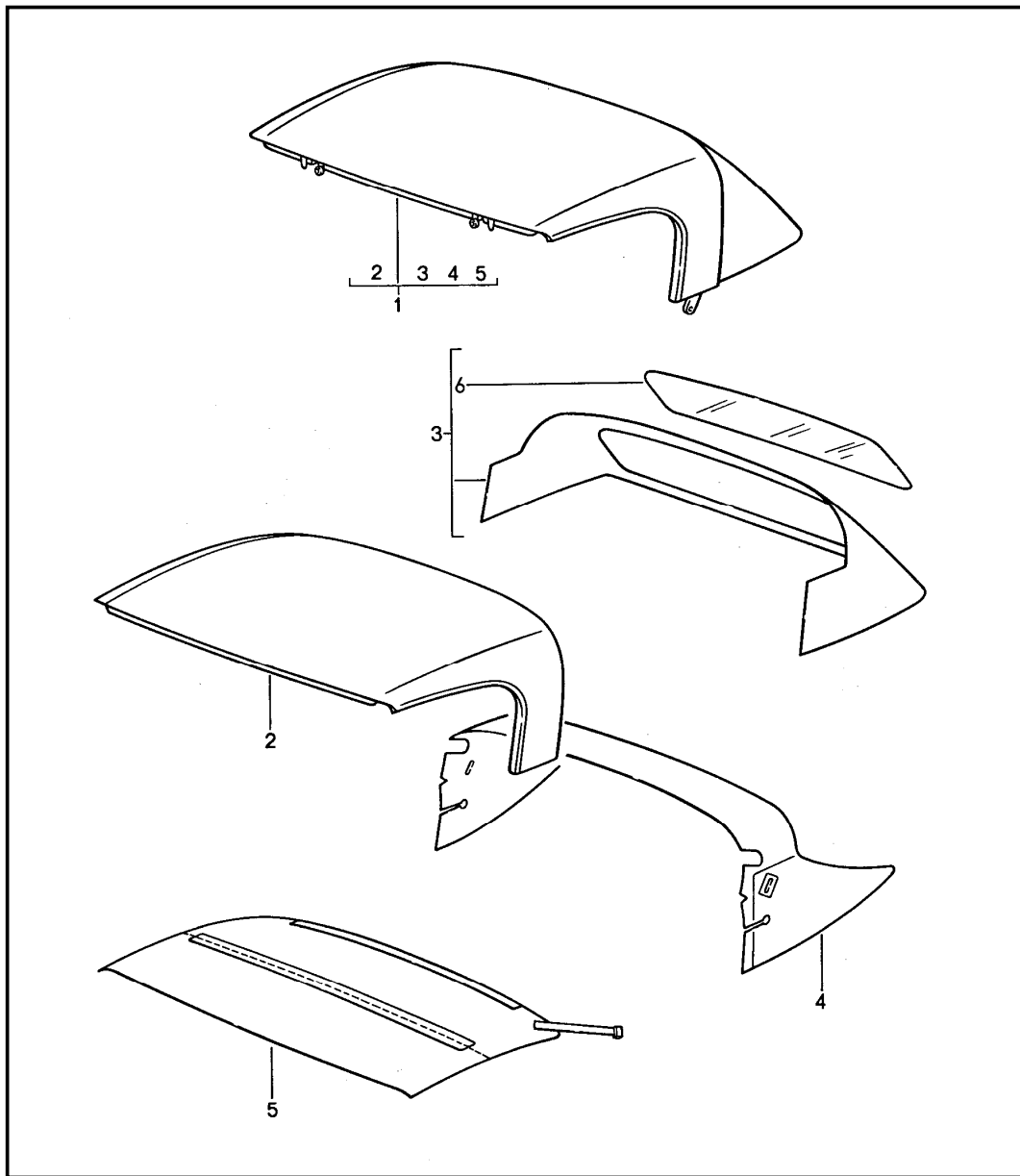


Pos	Part Number	Description	Remark	Qty	Model
		lifting roof driving mechanism			M650
1	944 564 041 01	assembly kit		1	
2	944 564 507 01	guide		2	
3	944 564 509 01	plate		2	
4	944 564 501 01	segment	/L	1	
(4)	944 564 502 01	segment	/R	1	
5	944 564 430 01	gear wheel		2	
6	944 564 459 01	shim		4	
7	999 919 051 02	countersunk-head screw M 4 X 8		4	
8	999 919 052 02	countersunk-head screw M 4 X 18		10	
9	944 564 043 02	shaft		1	
11	999 523 116 01	lock washer		3	
12	N 014 121 6	oval-head screw M 4 X 6		1	
13	944 564 461 00	support	/L	1	
(13)	944 564 462 00	support	/R	1	
14	999 076 036 02	adjusting nut M 4		4	
15	944 624 055 01	electric drive		1	
16	944 624 011 01	electric motor		1	
17	944 613 128 01	microswitch		3	
18	N 011 002 2	hexagon nut		4	
19	900 146 072 02	oval-head screw M 3 X 25		2	
20	944 612 011 01	wiring harness		1	
21	431 951 253 D	relay		2	
22	999 591 854 40	expansion rivet		2	
23	944 564 535 00	lever		1	
24	944 564 539 00	spring		1	

Model	Year	MG	SG	Illustration	Restrictions	UPD	22:58	23.01.2010	PORSCHE	PET	PORSCHE
9442	1991	8	11	811-05		248					

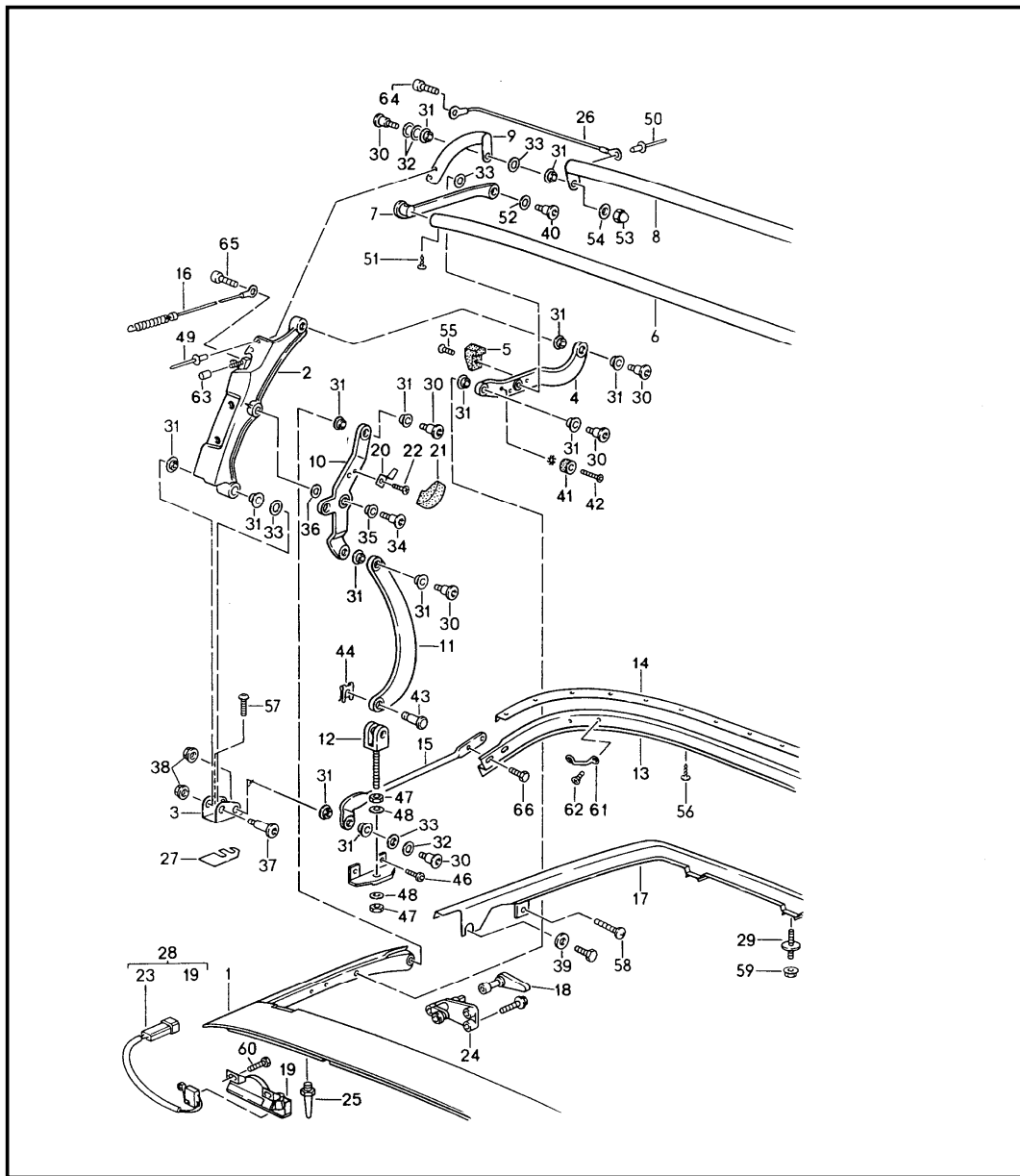
Pos	Part Number	Description	Remark	Qty	Model	Pos	Part Number	Description	Remark	Qty	Model
25	944 564 537 00	lever		1							
26	944 564 541 00	sleeve		1							
27	N 011 524 7	washer 6,4		6							
28	900 910 012 02	lock nut M 6		2							
29	999 703 349 00	rubber mounting		1							
30	N 044 134 2	oval-head screw M 3 X 20		2							
31	944 564 515 01	housing		1							
32	944 564 543 00	screw		2							
33	944 564 437 01	pinion		1							
34	900 116 003 02	circlip		1							
35	900 075 100 02	hexagon-head bolt M 4 X 12		2							
36	N 011 004 6	hexagon nut M 4		2							
37	944 564 048 00	pipe		1							
38	900 067 011 02	pan-head screw		4							
39	999 523 117 01	lock washer		3							
40	900 076 010 02	hexagon nut M 6		3							

Model	Year	MG	SG	Illustration	Restrictions	UPD	22:58	23.01.2010	PORSCHE	PET	PORSCHE
9442	1991	8	11	811-10		248					



Pos	Part Number	Description	Remark	Qty	Model
1	941 561 901 10	convertible top convertible top covering convertible top ready for installation		1	CABRIO
	2XW	black			
	7JW	dark blue	-90		
	9LW	burgundy	-90		
	3ZL	cobalt blue	91-		
2	941 561 051 10	convertible top covering	/V	1	
	2XW	black			
	7JW	dark blue	-90		
	9LW	burgundy	-90		
	3ZL	cobalt blue	91-		
3	941 561 053 10	convertible top covering with rear window	/H	1	
	2XW	black			
	7JW	dark blue	-90		
	9LW	burgundy	-90		
	3ZL	cobalt blue	91-		
4	941 561 150 10	roofliner	/H	1	
	A20	black			
5	941 561 149 10	roofliner	/V	1	
	A20	black			
6	941 561 359 10	rear window it is necessary to rework		1	

Model	Year	MG	SG	Illustration	Restrictions	UPD	22:58	23.01.2010	PORSCHE	PET	PORSCHE
9442	1991	8	11	811-20		248					



Pos	Part Number	Description	Remark	Qty	Model
		convertible top frame			CABRIO
1	941 561 125 10	roof frame		1	
(2) A	941 561 501 10	connecting piece	/L	1	
(2)	941 561 201 10	main folding top bow	/L	1	
2 A	941 561 502 10	connecting piece	/R	1	
2	941 561 202 10	main folding top bow	/R	1	
(3)	941 561 507 10	convertible top support	/L	1	
3	941 561 508 10	convertible top support	/R	1	
(4)	941 561 563 10	lever	/L	1	
	03C	rally black			
4	941 561 564 10	lever	/R	1	
	03C	rally black			
5	941 561 565 10	buffer		2	
6	941 561 561 10	intermed. folding top bow	/V	1	
(7)	941 561 569 10	lever	/L	1	
	03C	rally black			
7	941 561 570 10	lever	/R	1	
	03C	rally black			
8	941 561 503 10	main folding top bow		1	
(9)	941 561 505 10	extension	/L	1	
9	941 561 506 10	extension	/R	1	
(10)	941 561 555 10	lever	/L	1	
	03C	rally black			
10	941 561 556 10	lever	/R	1	
	03C	rally black			
(11)	941 561 557 10	lever	/L	1	
	03C	rally black			
11	941 561 558 10	lever	/R	1	
	03C	rally black			

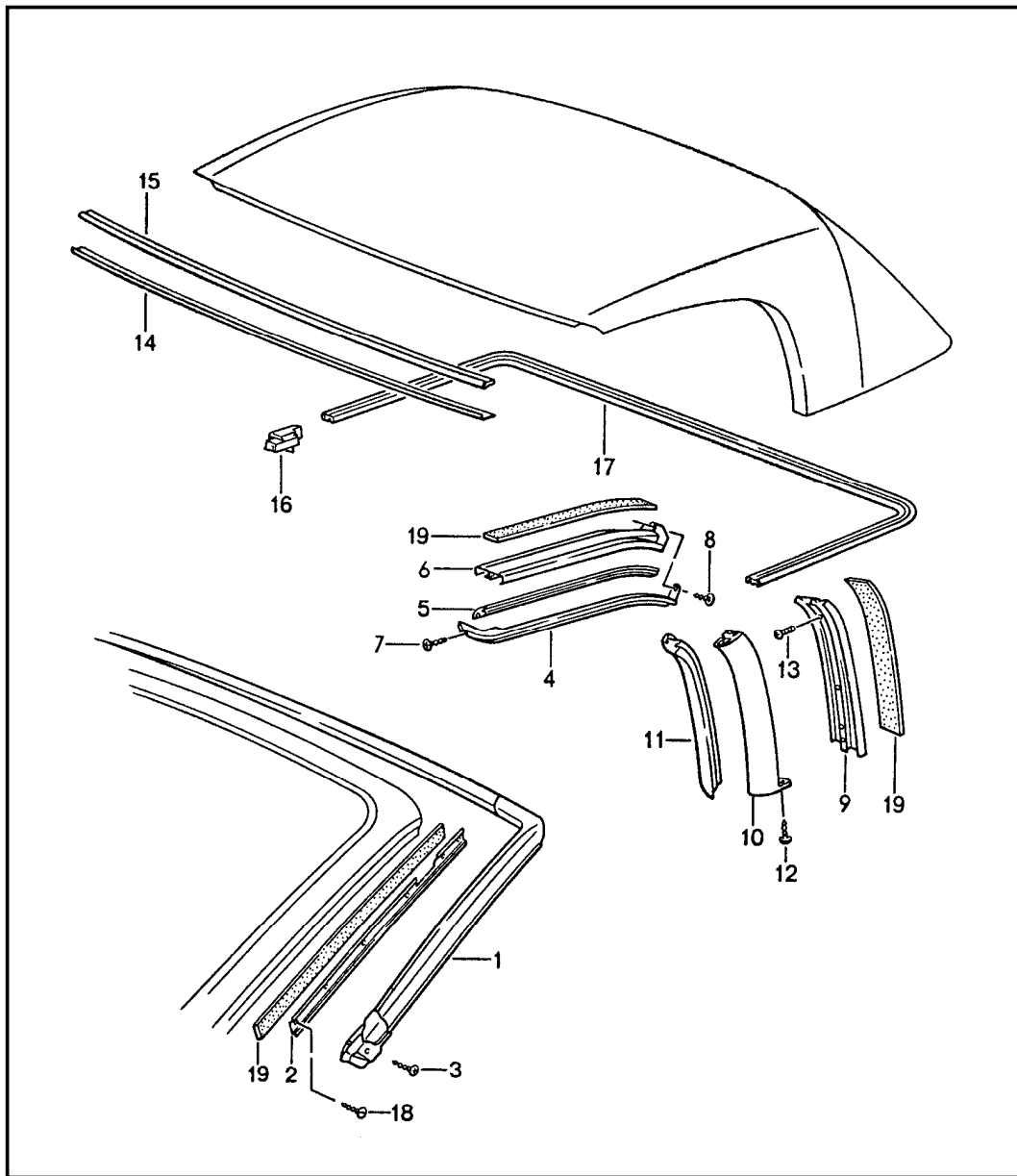
Model	Year	MG	SG	Illustration	Restrictions	UPD	22:58	23.01.2010	PORSCHE	PET	PORSCHE
9442	1991	8	11	811-20		248					

Pos	Part Number	Description	Remark	Qty	Model	Pos	Part Number	Description	Remark	Qty	Model
12	941 561 559 10	joint fork		2		34	941 504 826 10	screw M 10 X 21,5 micro-self-locking		2	
13	941 561 509 10	intermed. folding top bow	/H	1							
14	941 561 515 10	connecting rail		1		35	999 924 028 00	bearing sleeve		2	
(15)	941 561 531 10	connecting piece	/L	1		36	911 561 430 00	washer		2	
15	941 561 532 10	connecting piece	/R	1		37	941 504 829 10	screw M 8 X 42 micro-self-locking		2	
16	941 561 535 10	tension rope		2							
17	941 561 471 10	clamp		1		38	900 377 003 02	hexagon nut		4	
18	911 565 075 62	lever		2		39	941 504 865 10	washer		2	
	70B	black				40	941 504 818 10	screw M 8 X 16,8		2	
(19)	941 561 963 10	gate guide	/L	1		41	911 561 402 00	eccentric washer		2	
19	941 561 964 10	gate guide	/R	1		42	N 033 185 1	countersunk-head screw		2	
20	901 552 872 20	coat hook		2		43	911 561 761 65	bolt		2	
21	901 552 871 40	cover		2		44	999 166 034 02	sl-lock		2	
22	900 250 007 02	tapping screw AM 5 X 12		2		45	911 561 431 65	bearing bracket		2	
23	941 613 103 10	microswitch		2		46	941 504 801 10	screw M 8 X 20		4	
(24)	941 565 031 10	catch	/L	1		47	N 011 010 13	hexagon nut M 10		4	
24	941 565 032 10	catch	/R	1							
25	941 565 214 10	locating peg		2		48	900 025 008 09	washer A 10,5		4	
26	941 561 537 10	tension rope		2		49	999 190 405 00	blind rivet 4,8 X 13,9		4	
27	941 561 527 10	spacer plate		2							
(28)	941 561 963 10	gate guide	/L	1		50	N 901 499 01	blind rivet 4 X 7,4		2	
28	941 561 964 10	gate guide	/R	1		51	941 504 839 10	screw 4,2 X 16		2	
29	941 504 717 10	threaded bolt		4		52	941 504 835 10	washer		2	
30	941 504 817 10	screw M 8 X 22,5 micro-self-locking		12		53	900 096 003 07	cap nut M 8		2	
31	941 504 815 10	bearing sleeve		24		54	900 025 048 07	washer A 8		2	
32	941 504 838 10	lock washer		6		55	941 504 825 10	screw M 4 X 8		2	
33	941 561 574 10	spacer sleeve		8							

Model	Year	MG	SG	Illustration	Restrictions	UPD	22:58	23.01.2010	PORSCHE	PET	PORSCHE
9442	1991	8	11	811-20		248					

Pos	Part Number	Description	Remark	Qty	Model	Pos	Part Number	Description	Remark	Qty	Model
56	941 504 837 10	screw		X							
57	941 504 801 10	screw M 8 X 20		4							
58	941 504 844 10	screw 4,8 X 16		2							
59	941 504 843 10	nut M 6		4							
60	941 504 849 10	screw M 6 X 10		4							
61	941 561 585 10	retaining bar		2							
62	N 013 997 2	tapping screw B 4,2 X 13		4							
63	941 504 713 10	rubber stop		2							
64	941 504 873 10	screw M 4 X 11		2							
65	999 217 078 07	hexagon-head bolt M 4 X 6		2							
66	941 504 841 10	hexagon socket head bolt M 5 X 12		4							

Model	Year	MG	SG	Illustration	Restrictions	UPD	22:58	23.01.2010	PORSCHE	PET	PORSCHE
9442	1991	8	11	811-25		248					

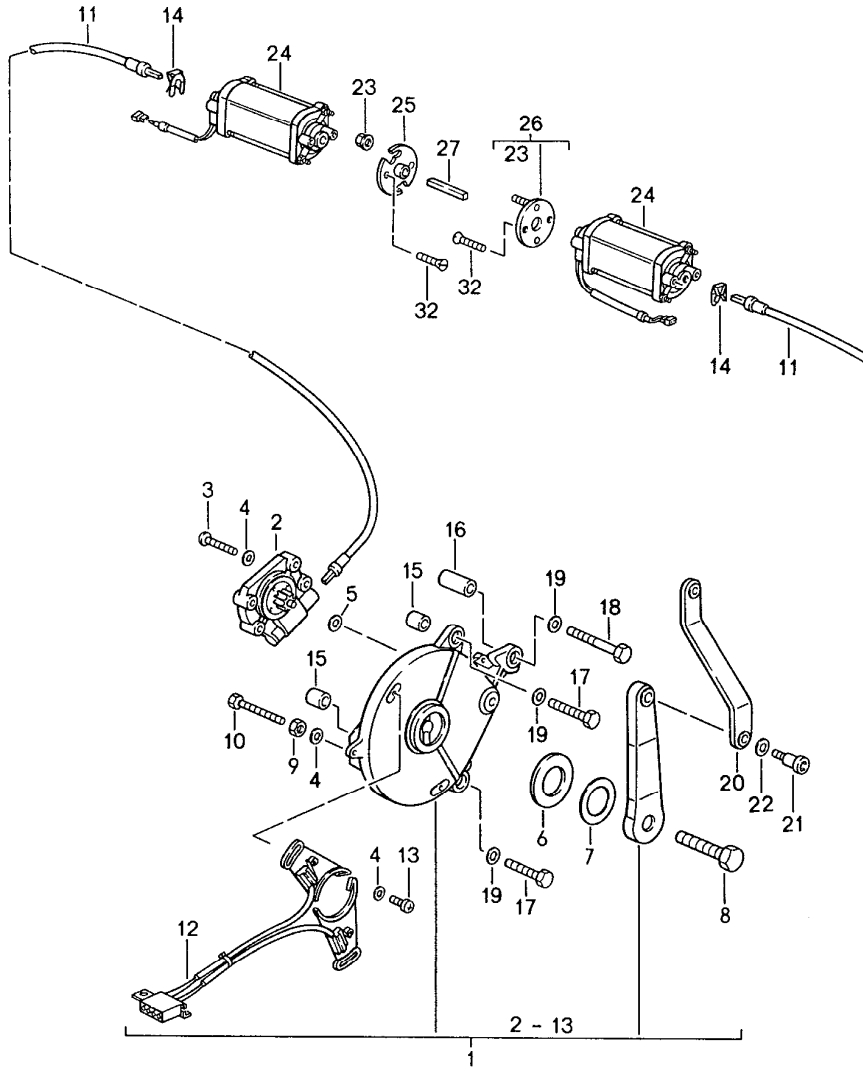


Pos	Part Number	Description	Remark	Qty	Model
		seal			CABRIO
1	941 555 546 10	gasket windscreen frame		1	
2	941 555 541 10	rail	/L	1	
(2)	941 555 542 10	rail	/R	1	
3	941 504 708 10	fastening plug		2	
4	941 561 387 10	roof frame seal outer coated	/L	1	
4	941 561 387 11	roof frame seal outer uncoated	/L	1	
(4)	941 561 388 10	roof frame seal outer coated	/R	1	
(4)	941 561 388 11	roof frame seal outer uncoated	/R	1	
5	941 561 385 10	roof frame seal inner	/L	1	
(5)	941 561 386 10	roof frame seal inner	/R	1	
6	941 561 389 10	rail	/L	1	
(6)	941 561 390 10	rail	/R	1	
7	900 143 113 07	tapping screw B 4,2 X 13,0		2	
8	941 504 708 10	fastening plug		4	
9	941 561 551 11	rail	/L	1	
(9)	941 561 552 11	rail	/R	1	
10	941 561 517 10	gasket outer coated	/L	1	
10	941 561 517 11	gasket outer uncoated	/L	1	
(10)	941 561 518 10	gasket outer coated	/R	1	

Model	Year	MG	SG	Illustration	Restrictions	UPD	22:58	23.01.2010	PORSCHE	PET	PORSCHE
9442	1991	8	11	811-25		248					

Pos	Part Number	Description	Remark	Qty	Model	Pos	Part Number	Description	Remark	Qty	Model
(10)	941 561 518 11	gasket outer uncoated	/R	1							
11	941 561 519 10	gasket inner	/L	1							
(11)	941 561 520 10	gasket inner	/R	1							
12	941 504 708 10	fastening plug		4							
13	900 143 084 07	oval-head sheetmetal screw B 3,5 X 16,0		9							
14	941 561 417 10	rail		1							
15	941 561 419 10	roof frame seal	/V	1							
16	941 803 301 10	cover	/L	1							
(16)	941 803 302 10	cover	/R	1							
17	941 504 361 10	gasket	/H	1							
18	N 013 957 5	tapping screw B 3,5 X 9,5		1	I						
19	941 504 709 10	sealing strap roller 15,3 M		X							

Model	Year	MG	SG	Illustration	Restrictions	UPD	22:59	23.01.2010	PORSCHE	PET	PORSCHE
9442	1991	8	11	811-30		248					

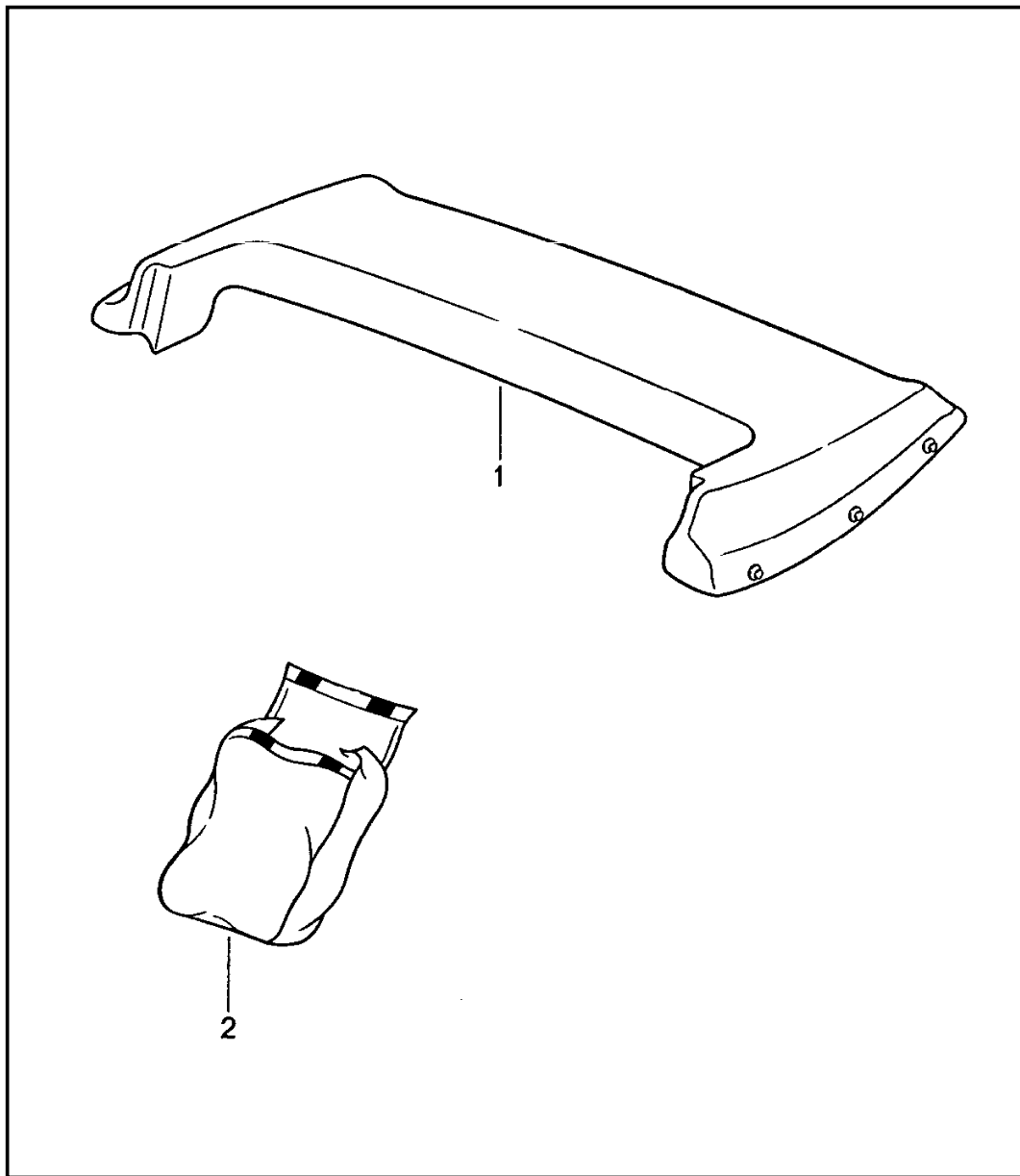


Pos	Part Number	Description	Remark	Qty	Model
		convertible top control electric			CABRIO
(1)	911 561 045 68	transmission	/L	1	
1	911 561 046 68	transmission	/R	1	
(2)	911 561 103 65	planetary transmission	/L	1	
2	911 561 104 65	planetary transmission	/R	1	
3	900 146 025 02	screw M 4 X 18		2	
4	900 025 002 02	washer A 4,3		6	
5	900 234 003 02	shim 8 X 14 X 1,0		2	
6	999 025 254 10	washer 30 X 50 X 1,5		2	
7	900 234 143 02	shim 30 X 42 X 0,1		X	
8	900 378 288 01	hexagon-head bolt M 12 X 30 micro-self-locking		2	
9	N 011 004 6	hexagon nut M 4		2	
10	N 040 257 1	hexagon-head bolt M 4 X 22		2	
(11)	911 561 107 66	shaft	/L	1	
11	911 561 108 66	shaft	/R	1	
12	911 613 037 00	microswitch with plate		1	
13	N 014 122 8	oval-head screw M 4 X 8		2	
14	911 561 643 65	spring clamp		2	
15	941 561 831 10	bush		4	
16	941 561 833 10	bush		2	
17	N 010 347 5	hexagon-head bolt M 6 X 35		4	

Model	Year	MG	SG	Illustration	Restrictions	UPD	22:59	23.01.2010	PORSCHE	PET	PORSCHE
9442	1991	8	11	811-30		248					

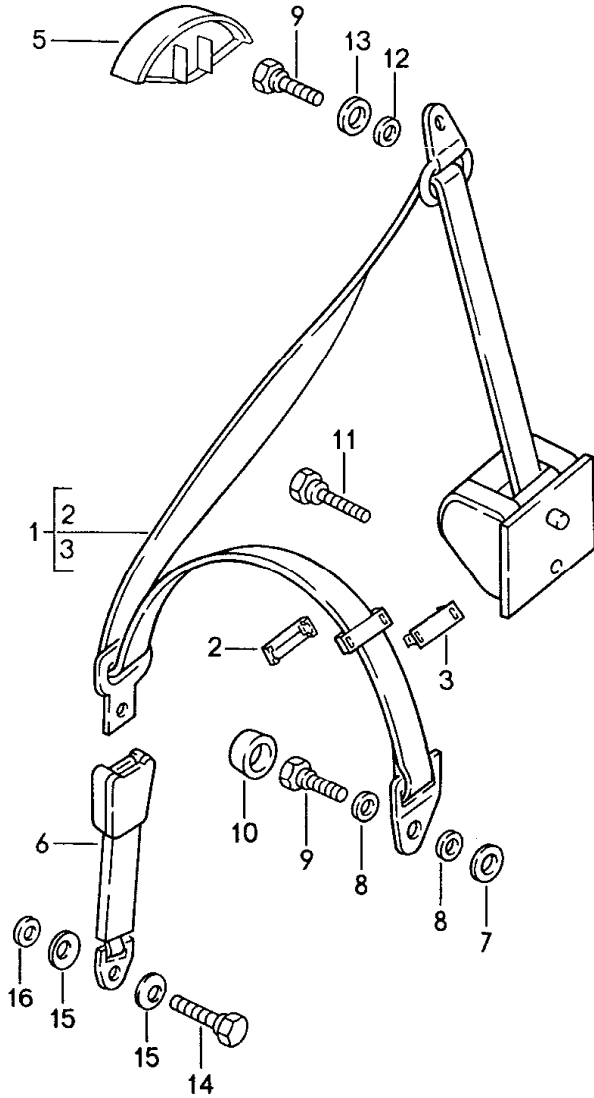
Pos	Part Number	Description	Remark	Qty	Model	Pos	Part Number	Description	Remark	Qty	Model
18	N 040 303 1	hexagon-head bolt M 6 X 50		2							
19	N 015 404 1	washer A 6,4		6							
20	941 561 681 10	push rod		2							
21	911 561 418 00	screw M 8 X 20		2							
22	941 504 815 10	bearing sleeve		4							
23	999 084 078 02	hexagon nut M 5		2							
24	911 624 117 00	electric motor		2							
25	911 624 269 01	washer		1							
26	911 624 171 01	washer		1							
27	911 624 273 00	connecting piece		1							
32	999 919 045 02	locking screw M 5 X 16		4							

Model	Year	MG	SG	Illustration	Restrictions	UPD	22:59	23.01.2010	PORSCHE	PET	PORSCHE
9442	1991	8	11	811-35		248					



Pos	Part Number	Description	Remark	Qty	Model
		convertible top cover			CABRIO
1	941 561 023 10	convertible top cover		1	
	2XW	black			
	7JW	dark blue	-90		
	9LW	burgundy	-90		
	3ZL	cobalt blue	91-		
	5XF	classic grey	91-		
2	941 561 087 10	bag convertible top cover		1	
	700	black			

Model	Year	MG	SG	Illustration	Restrictions	UPD	22:59	23.01.2010	PORSCHE	PET	PORSCHE
9442	1991	8	12	812-00		248					

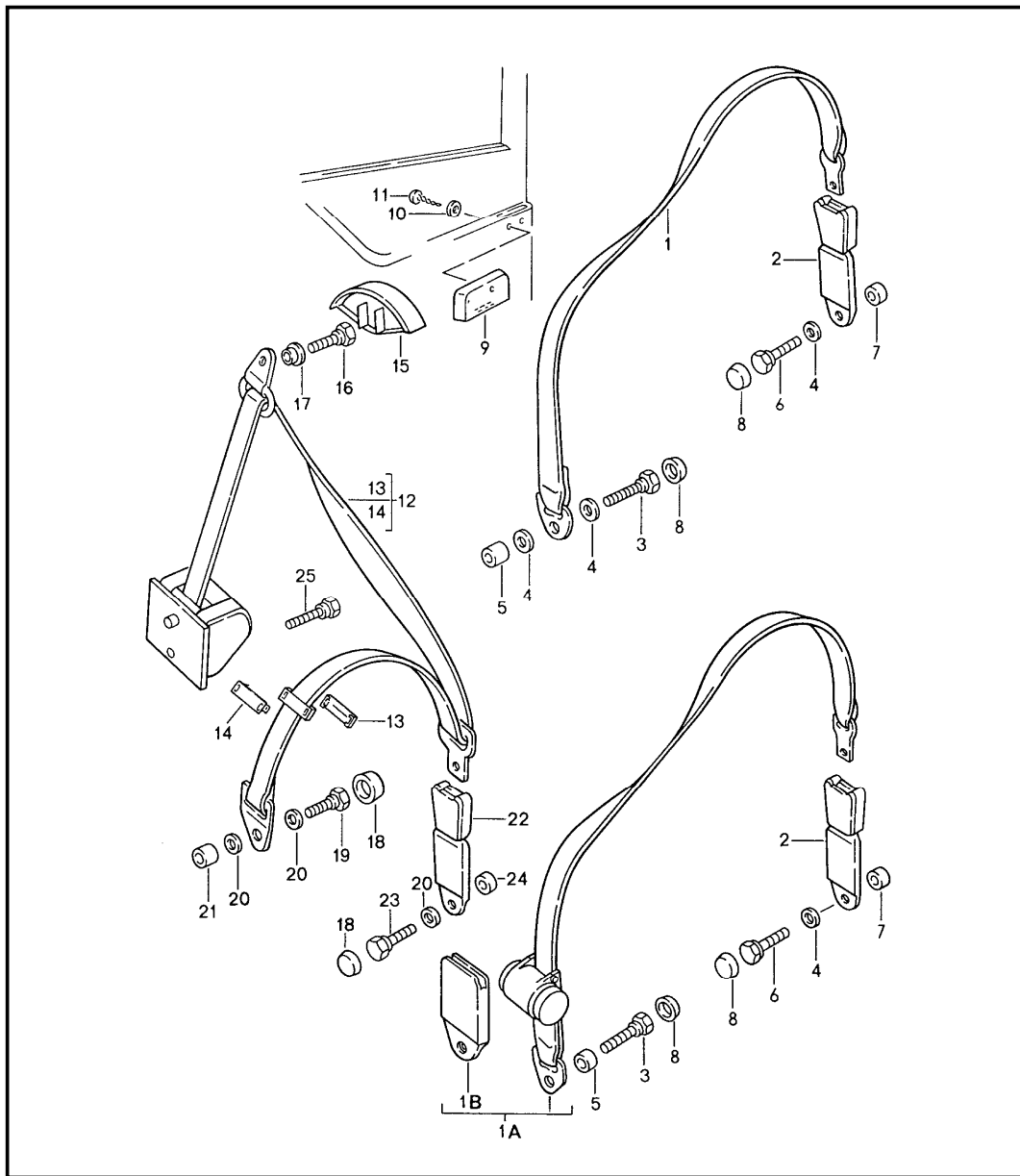


Pos	Part Number	Description	Remark	Qty	Model
1	944 803 125 00	seat belt front		1	COUPE
1	941 803 125 10	seat belt	/L	1	CABRIO
	70B	satin black			
(1)	944 803 126 00	seat belt	/R	1	COUPE
(1)	941 803 126 10	seat belt	/R	1	CABRIO
	70B	satin black			
2	928 803 151 02	clip upper part		2	
3	928 803 153 02	clip lower part		2	
5	944 803 141 00	cover		2	
	70B	black			
(5)	941 555 311 10	cover	/L	1	CABRIO
	70B	satin black			
(5)	941 555 312 10	cover	/R	1	CABRIO
	70B	satin black			
4	928 803 183 13	seat-belt buckle		1	
	F	>>94KN4 01291			944
	F	>>95KN1 00776			TURBO
	70B	satin black driver's side			
(4)	928 803 183 12	seat-belt buckle		1	
	F	>>94KN4 01291			944
	F	>>95KN1 00776			TURBO
	70B	satin black passenger's side			
4	928 803 183 11	seat-belt buckle driver's side		1	M383/387
	F	>>94KN4 01291			944
	F	>>95KN1 00776			TURBO
	70B	black			

Model	Year	MG	SG	Illustration	Restrictions	UPD	22:59	23.01.2010	PORSCHE	PET	PORSCHE
9442	1991	8	12	812-00		248					

Pos	Part Number	Description	Remark	Qty	Model	Pos	Part Number	Description	Remark	Qty	Model
(4)	928 803 183 10	seat-belt buckle passenger's side F >>94KN4 01291 F >>95KN1 00776		1	M383/387	14	959 803 701 00	hexagon-head bolt F 94KN4 01292>> F 95KN1 00777>>		2	944 TURBO
	70B	black				15	911 803 533 00	cup spring F >>94KN4 01291 F >>95KN1 00776		4	944 TURBO
4	964 803 183 01	seat-belt buckle driver's side F 94KN4 01292>> F 95KN1 00777>>		1	944 TURBO	15	999 028 014 02	spring washer F 94KN4 01292>> F 95KN1 00777>>		2	944 TURBO
	70B	black				16	911 803 531 00	paper washer F >>94KN4 01291 F >>95KN1 00776		2	944 TURBO
(4)	964 803 183 00	seat-belt buckle passenger's side F 94KN4 01292>> F 95KN1 00777>>		1	944 TURBO	16	N 011 655 2	washer F 94KN4 01292>> F 95KN1 00777>>		2	944 TURBO
	70B	black									
4	964 803 183 05	seat-belt buckle driver's side F 94KN4 01292>> F 95KN1 00777>>		1	M383/387						
	70B	black			944 TURBO						
(4)	964 803 183 04	seat-belt buckle passenger's side F 94KN4 01292>> F 95KN1 00777>>		1	M383/387						
	70B	black			944 TURBO						
7	111 857 707 A	spacer		2							
(7)	999 924 063 02	spacer sleeve		2	/563 M562						
8	911 803 533 00	cup spring		2							
9	111 857 793 E	fastening screw		2							
10	811 857 845	screw-on cap		2							
11	111 857 799 A	fastening screw		2							
12	928 803 212 02	spacer		2							
13	928 803 157 02	washer		2							
14	914 803 468 10	screw F >>94KN4 01291 F >>95KN1 00776		2	944 TURBO						

Model	Year	MG	SG	Illustration	Restrictions	UPD	22:59	23.01.2010	PORSCHE	PET	PORSCHE
9442	1991	8	12	812-05		248					

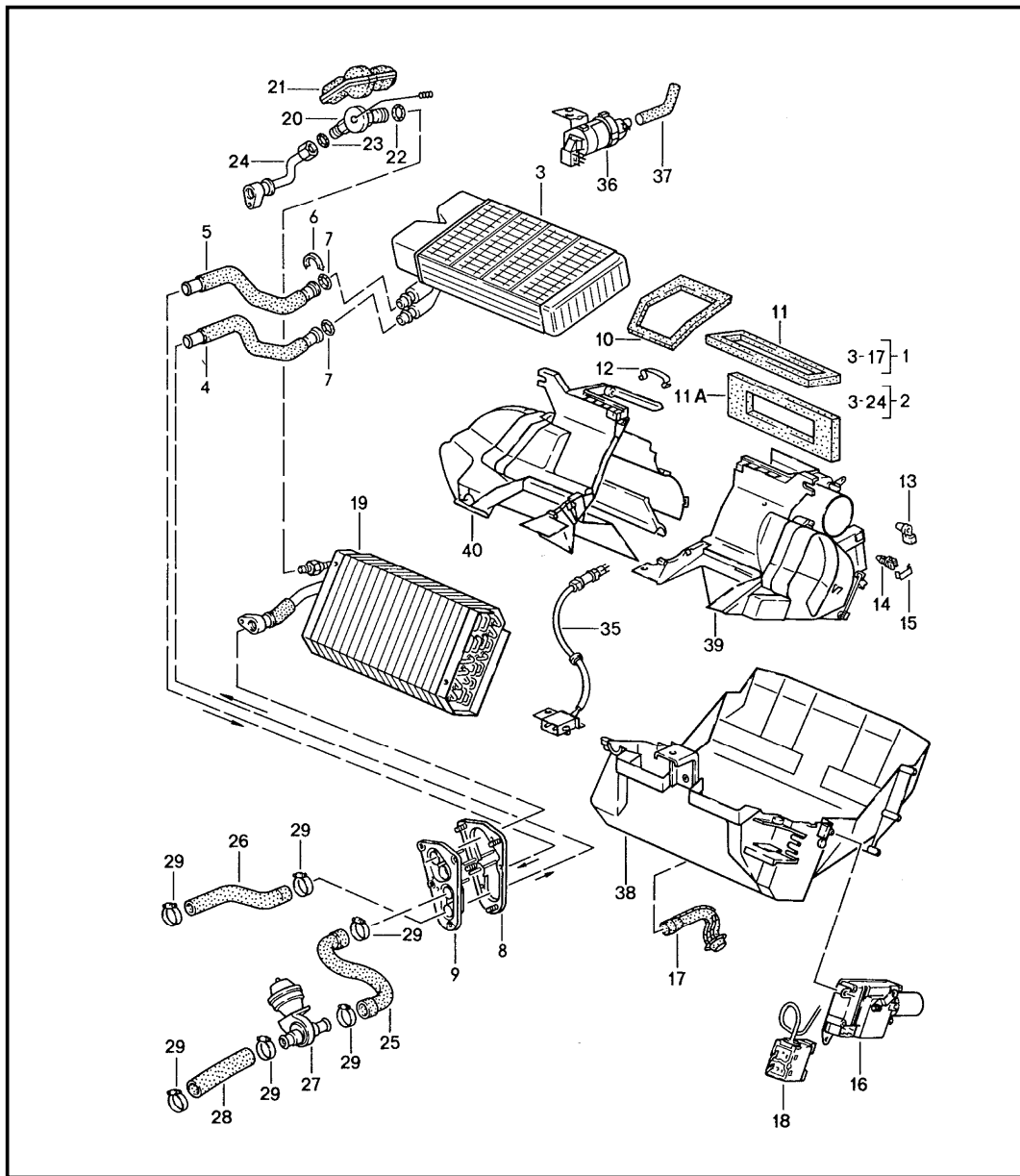


Pos	Part Number	Description	Remark	Qty	Model
1	477 857 795	seat belt rear		2	M186
		lap belt			
1A	477 857 787 C	belt manually		2	M185/215
1B	477 857 750 B	seat belt automatic		2	M185
2	477 857 739 A	cap		2	
3	477 857 739 A	seat-belt buckle		2	
3	111 857 793 E	fastening screw		4	
4	211 857 771	washer		6	
5	928 803 259 02	spacer sleeve		2	
6	477 857 853	screw		2	
7	999 209 033 02	spacer sleeve		2	
8	811 857 845	screw-on cap		4	
9	477 857 375 A	support for seatbelt		2	
		01C black			
		9JJ marine blue	-90		
		9MM burgundy	-90		
		6ZF cobalt blue	91-		
		4XC classic grey	91-		
10	N 011 665 3	washer B 5,3 X 15		4	
11	900 146 003 02	oval-head screw M 5 X 11		4	
		three-point seat belt automatic			M335
(12)	945 803 021 02	seat belt	/L	1	
		70B satin black			
12	945 803 022 02	seat belt	/R	1	
		70B satin black			

Model	Year	MG	SG	Illustration	Restrictions	UPD	22:59	23.01.2010	PORSCHE	PET	PORSCHE
9442	1991	8	12	812-05		248					

Pos	Part Number	Description	Remark	Qty	Model	Pos	Part Number	Description	Remark	Qty	Model
13	928 803 151 02	clip upper part		2							
14	928 803 153 02	clip lower part		2							
15	944 803 141 00	cover		2							
	70B	black									
16	111 857 793 E	fastening screw		2							
17	945 803 311 00	spacer ring		2							
18	811 857 845	screw-on cap		4							
19	803 019 811 B	screw		2							
20	211 857 771	washer		6							
21	928 803 259 02	spacer sleeve		2							
22	477 857 739 A	seat-belt buckle		2							
23	477 857 853	screw		2							
24	999 209 033 02	spacer sleeve		2							
25	911 803 150 00	screw		2							

Model	Year	MG	SG	Illustration	Restrictions	UPD	22:59	23.01.2010	PORSCHE	PET	PORSCHE
9442	1991	8	13	813-00		248					

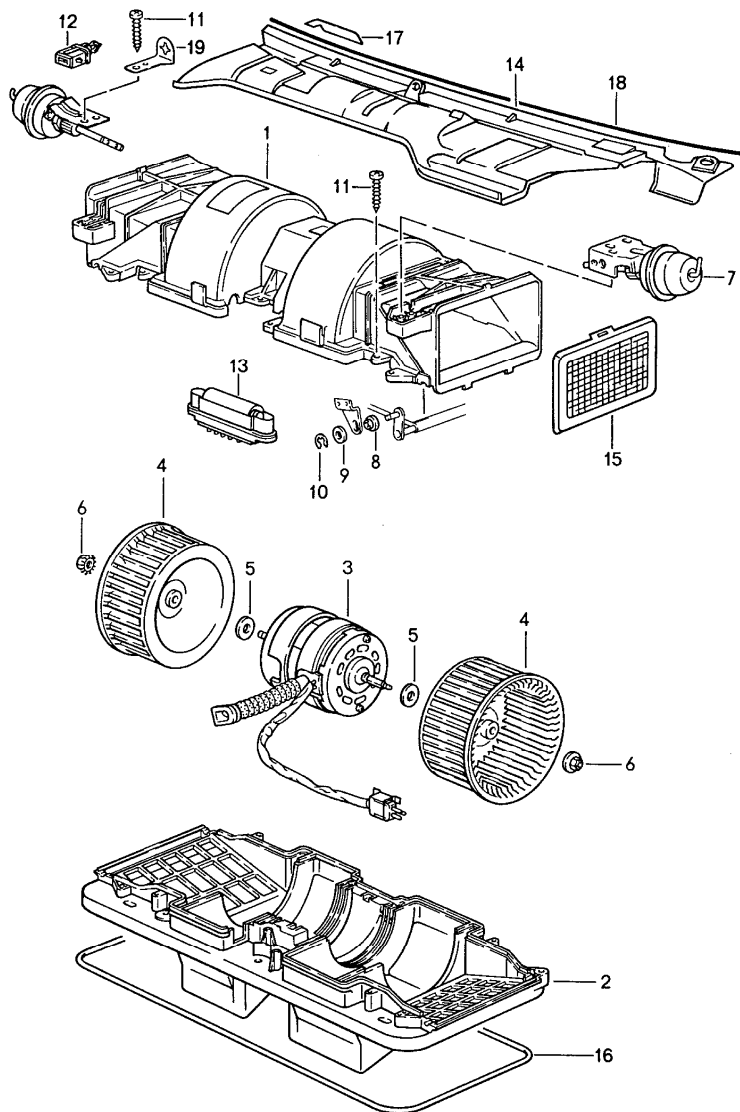


Pos	Part Number	Description	Remark	Qty	Model
1	A 944 572 020 03	heater air conditioner heater interior sensor		1	
1	944 572 020 03	heater interior sensor		1	
2	A 944 573 020 02	heater interior sensor		1	M573
2	944 573 020 04	heater interior sensor		1	M573
3	944 572 130 00	heat exchanger interior sensor		1	
4	944 572 184 00	water tube return line interior sensor		1	
5	944 572 185 00	water tube supply interior sensor		1	
6	944 572 287 00	clip interior sensor		2	
7	944 572 188 00	o-ring interior sensor		2	
8	944 572 262 00	mounting plate interior sensor		1	
(9)	944 572 264 00	gasket interior sensor		1	
9	944 573 264 00	gasket interior sensor		1	M573
10	944 572 201 00	gasket interior sensor	/L	1	
(10)	944 572 202 00	gasket interior sensor	/R	1	
11	944 572 162 01	gasket interior sensor		1	
11A	944 572 162 02	gasket interior sensor		1	
12	944 572 215 00	spring clamp interior sensor		9	

Model	Year	MG	SG	Illustration	Restrictions	UPD	22:59	23.01.2010	PORSCHE	PET	PORSCHE
9442	1991	8	13	813-00		248					

Pos	Part Number	Description	Remark	Qty	Model	Pos	Part Number	Description	Remark	Qty	Model
13	944 572 313 00	bearing connecting rod		3		28	944 572 385 01	heater hose interior sensor		1	
14	944 572 314 00	bearing connecting rod		3		29	999 512 346 00	hose clamp SGT 16-25 interior sensor		X	
15	944 572 217 00	spring clamp connecting rod		3		35	944 653 121 00	temperature sensor interior sensor		1	
16	944 624 119 00	electric motor 60 degrees interior sensor		2		36	944 624 013 00	interior sensor interior sensor		1	
(16)	944 624 120 00	electric motor 98 degrees interior sensor		1		37	944 572 529 00	hose interior sensor			
17	944 572 221 00	water drain hose interior sensor		1		38	944 572 135 01	housing lower part		1	
18	944 659 221 00	temperature sensor interior sensor		1	M573	39	944 572 121 01	housing	/L	1	
19	944 573 211 01	evaporator interior sensor		1	M573	40	944 572 122 01	housing	/R	1	
20	944 573 201 00	expansion valve interior sensor		1	M573						
21	477 820 447 B	insulator interior sensor		1	M573						
22	944 573 215 00	o-ring interior sensor		1	M573						
23	999 707 251 40	o-ring interior sensor		1	M573						
24	944 573 213 00	refrigerant line interior sensor		1	M573						
25	944 572 587 01	water hose supply interior sensor		1	944, TURBO						
(25)	944 572 587 02	water hose supply interior sensor		1	944S2						
26	944 572 589 00	water hose return line interior sensor		1							
27	928 574 573 03	disc valve interior sensor		1							

Model	Year	MG	SG	Illustration	Restrictions	UPD	23:00	23.01.2010	PORSCHE	PET	PORSCHE
9442	1991	8	13	813-05		248					

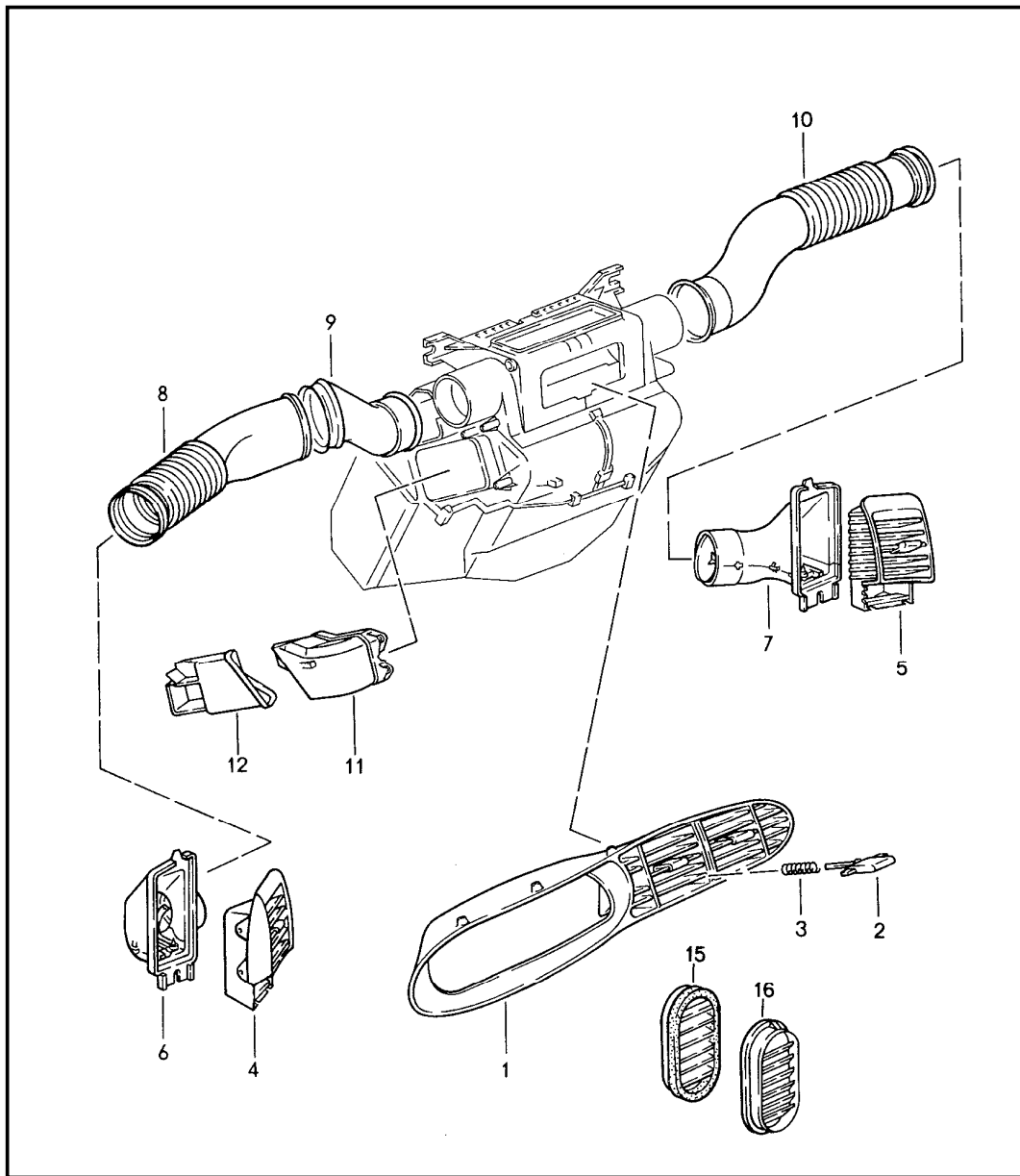


Pos	Part Number	Description	Remark	Qty	Model
1	944 572 105 00	blower		89	1
		housing upper part		90-	1
1	944 572 105 01	housing upper part		90-	1
2	944 572 103 01	housing lower part		89	1
2	944 572 103 01	housing lower part		90-	1
3	944 624 117 00	electric motor		1	
(3)	944 624 117 00	electric motor		1	M573
4	944 572 211 00	fan	/L	1	
(4)	944 572 212 00	fan	/R	1	
5	944 572 470 00	washer		2	
6	477 820 471 A	nut M 5		2	
7	944 572 119 00	vacuum unit	/L	1	
(7)	944 572 120 00	vacuum unit	/R	1	
8	944 572 183 00	bearing		2	
9	944 572 225 00	washer		2	
10	944 572 222 00	circlip		2	
11	944 572 464 00	tapping screw B 5 X 12		16	
12	944 653 123 00	outer sensor F >>94KN4 04397 F >>94KN4 30571 F >>95KN1 01326		1	944, 944S2 CABRIO TURBO
12	964 659 120 00	outer sensor F 94KN4 04398>> F 94KN4 30572>> F 95KN1 01327>>		1	944, 944S2 CABRIO TURBO
13	944 616 101 00	ballast resistor		89	1
(13)	944 616 105 00	ballast resistor		90-	1
14	944 572 063 04	cover	/LL	1	
(14)	945 572 063 04	cover	/RL	1	

Model	Year	MG	SG	Illustration	Restrictions	UPD	23:00	23.01.2010	PORSCHE	PET	PORSCHE
9442	1991	8	13	813-05		248					

Pos	Part Number	Description	Remark	Qty	Model	Pos	Part Number	Description	Remark	Qty	Model
15	944 572 104 00	air cleaner		2							
16	477 898 011 A	sealing cord		1							
17	944 504 513 00	filler piece		2							
18	000 043 204 87	adhesive tape roller 5 M		1							
19	944 572 213 01	support F 94KN4 04398>> F 94KN4 30572>> F 95KN1 01327>>		1	944, 944S2 CABRIO TURBO						
-	944 572 905 00	retrofit kit particle filter use also:	90- -89 -89	1							
-	944 572 464 00	tapping screw		2							
-	944 616 105 00	ballast resistor		1							
-	944 616 106 00	cover		1							
-	944 572 593 00	gasket		1							

Model	Year	MG	SG	Illustration	Restrictions	UPD	23:00	23.01.2010	PORSCHE	PET	PORSCHE
9442	1991	8	13	813-10		248					

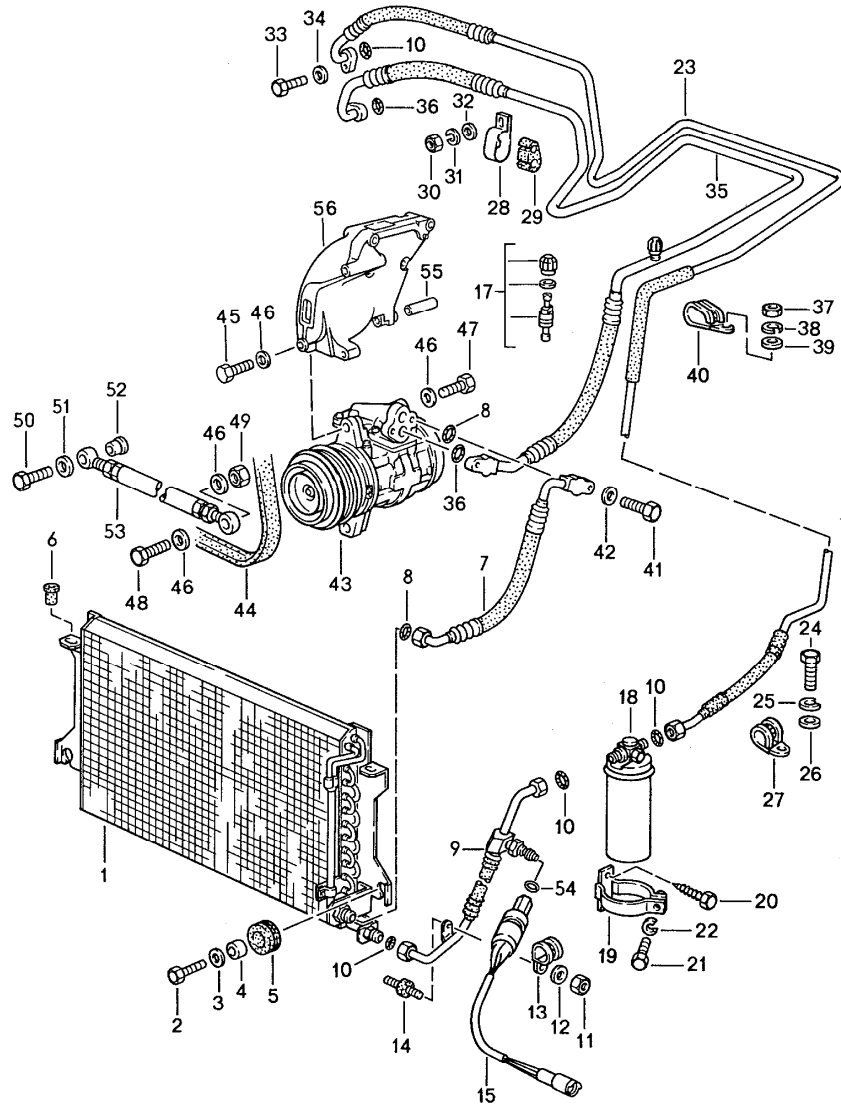


Pos	Part Number	Description	Remark	Qty	Model
1	944 552 023 00	air duct			
		dashboard trim	/LL	1	
		1DB black			
(1)	944 552 023 01	dashboard trim	/LL	1	M562
		1DB black			
(1)	945 552 023 00	dashboard trim	/RL	1	
		1DB black			
2	944 572 419 00	knob		1	
3	944 572 421 00	spring		1	
4	944 572 251 00	side vent	/L	1	
		QE7 black			
		UR5 marine blue	-90		
		QE9 burgundy	-90		
		ARY cobalt blue	91-		
		APY classic grey	91-		
5	944 572 252 00	side vent	/R	1	
		QE7 black			
		UR5 marine blue	-90		
		QE9 burgundy	-90		
		ARY cobalt blue	91-		
		APY classic grey	91-		
6	944 572 241 00	air duct	/L	1	
7	944 572 242 00	air duct	/R	1	
8	944 572 425 00	air duct	/LL	1	
(8)	941 572 425 10	air duct	/LL	1	CABRIO M562
(8)	945 572 425 00	air duct	/RL	1	
9	944 572 427 00	air duct	/LL	1	
(9)	941 572 427 11	air duct	/LL	1	CABRIO M562

Model	Year	MG	SG	Illustration	Restrictions	UPD	23:00	23.01.2010	PORSCHE	PET	PORSCHE
9442	1991	8	13	813-10		248					

Pos	Part Number	Description	Remark	Qty	Model	Pos	Part Number	Description	Remark	Qty	Model
(9)	945 572 427 00	air duct	/RL	1							
10	944 572 426 00	air duct		1							
11	944 572 125 00	footwell outlet vent	/L	1							
(11)	944 572 126 00	footwell outlet vent	/R	1							
12	944 572 415 00	footwell outlet vent	/LL/L	1							
(12)	945 572 415 00	footwell outlet vent	/RL/L	1							
(12)	944 572 416 00	footwell outlet vent	/LL/R	1							
(12)	945 572 416 00	footwell outlet vent	/RL/R	1							
15	477 819 179 A	cover	/L	1	COUPE						
(15)	477 819 180 A	cover	/R	1	COUPE						
(15)	477 819 177 A	cover		2	CABRIO						
16	477 819 175	cover		2							

Model	Year	MG	SG	Illustration	Restrictions	UPD	23:00	23.01.2010	PORSCHE	PET	PORSCHE
9442	1991	8	13	813-15		248					

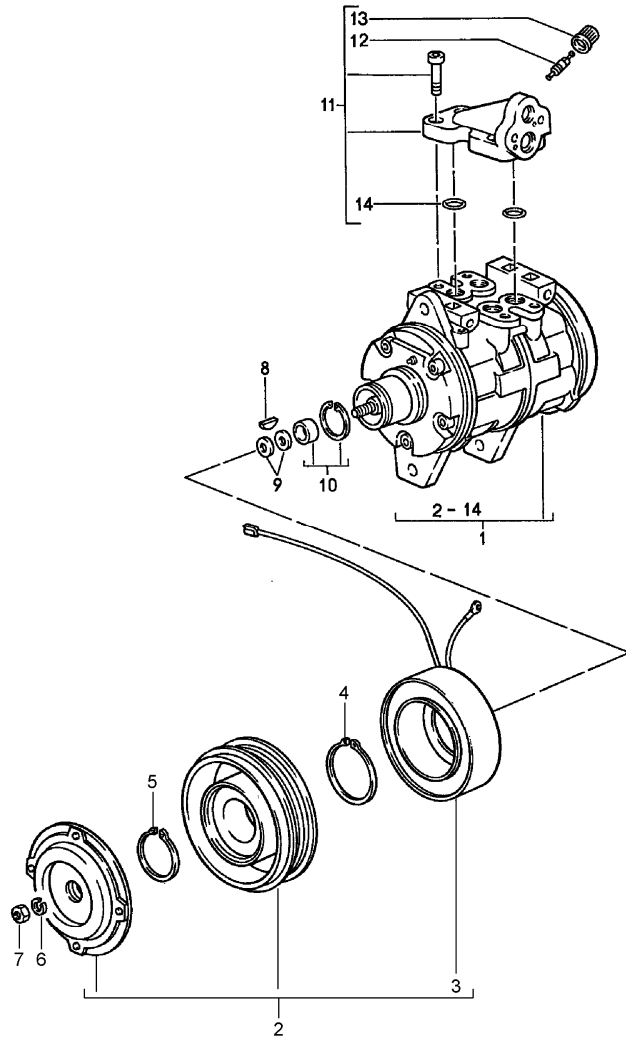


Pos	Part Number	Description	Remark	Qty	Model
		refrigerant circuit			M573
1	944 573 011 05	condenser		1	
2	N 010 217 9	hexagon-head bolt M 6 X 20		2	
3	N 011 612 3	washer R 6,6		2	
4	052 109 135	spacer sleeve		2	
5	056 129 669 B	grommet		2	
6	944 573 457 00	rubber sleeve		2	
7 A	944 573 197 08	refrigerant line		1	
7	944 573 097 11	refrigerant line		1	
8	999 707 250 40	o-ring		2	
9	944 573 095 10	refrigerant line		1	
10	999 707 247 40	o-ring		4	
11	900 076 010 02	hexagon nut M 6		1	
12	900 025 008 09	washer A 6,4		1	
13	N 020 647 1	clamp RSGU 23/15		1	
14	928 110 191 00	bonded rubber buffer		1	
15	964 613 137 00	pressure switch		1	
17	928 573 096 03	valve		1	
18	944 573 943 00	desiccator		1	
19	944 573 081 00	support		1	
20	N 013 884 5	tapping screw B 4,8 X 13		2	
21	N 010 264 4	hexagon-head bolt M 5 X 20		1	
22	N 012 005 3	lock ring B 5		1	
23	944 573 093 05	refrigerant line		1	

Model	Year	MG	SG	Illustration	Restrictions	UPD	23:00	23.01.2010	PORSCHE	PET	PORSCHE
9442	1991	8	13	813-15		248					

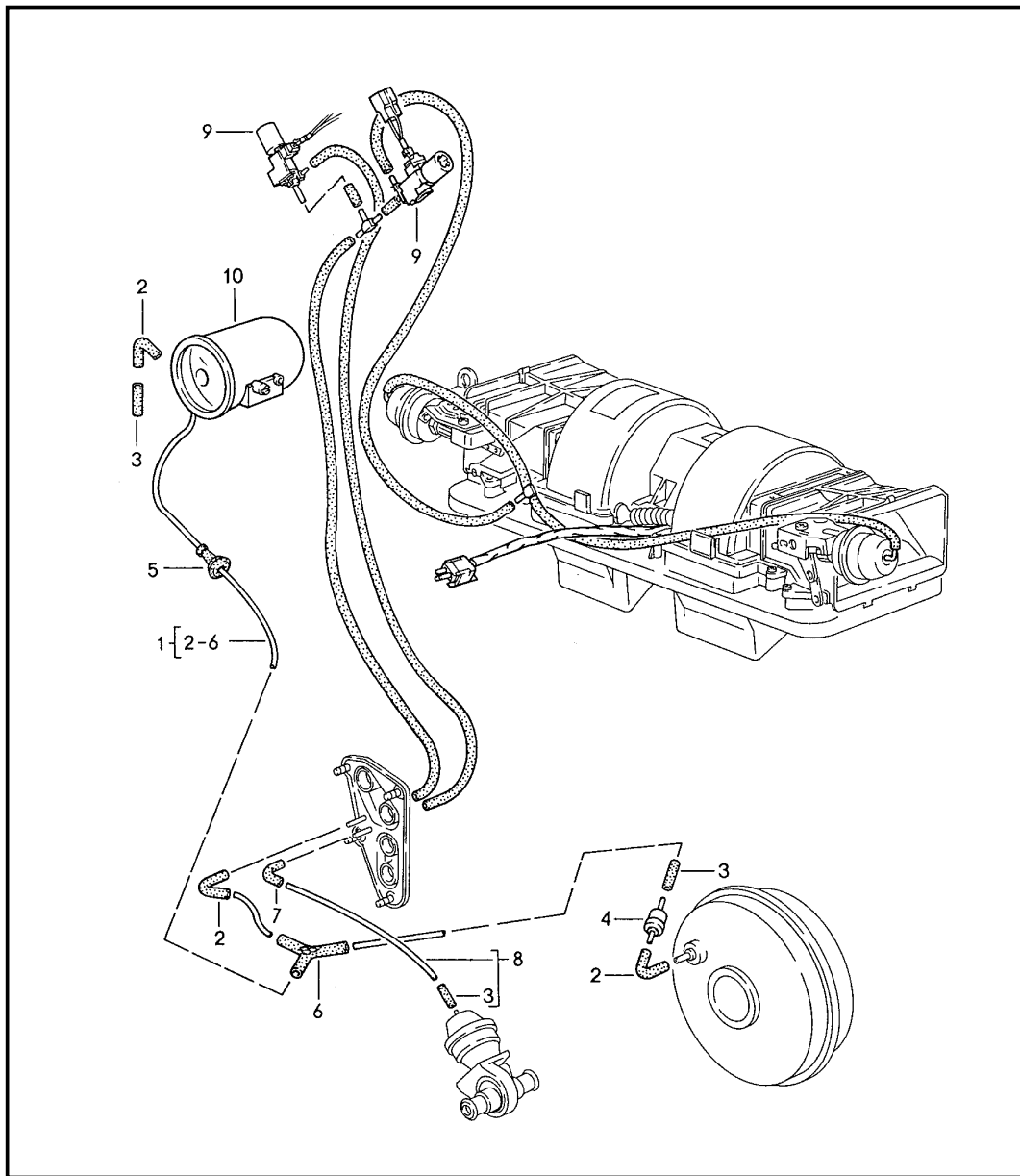
Pos	Part Number	Description	Remark	Qty	Model	Pos	Part Number	Description	Remark	Qty	Model
24	N 010 215 13	hexagon-head bolt M 6 X 15		1		43	944 126 008 00	compressor		1	
25	N 012 006 4	lock ring B 6		1		44	999 192 285 50	poly-rib belt K 6 - 1000 LW		1	
26	N 011 524 7	washer A 6,4		1		45	900 082 088 02	hexagon-head bolt M 10 X 1,25 X 50		1	
27	999 511 116 02	clamp B 15 X 10 GI B 15 X 10 GI		1		46	900 025 008 09	washer A 10,5		4	
28	944 573 453 00	support		1		47	900 074 139 02	hexagon-head bolt M 8 X 55		1	
29	944 573 455 00	spacer rubber		1		48	N 040 125 1	hexagon-head bolt M 10 X 1,25 X 30		1	
30	900 076 010 02	hexagon nut M 6		1		49	N 021 194 1	lock nut M 10		1	
31	N 012 006 4	lock ring B 6		1		50	N 010 359 4	hexagon-head bolt M 8 X 38		1	
32	N 011 524 7	washer A 6,4		1		51	900 025 007 02	washer A 8,4		1	
33	900 075 016 02	hexagon-head bolt M 6 X 22		2		52	944 126 127 01	bush		1	
34	N 011 524 7	washer A 6,4		2		53	944 126 021 03	strut		1	
35	944 573 091 05	refrigerant line		1	944,944S2	54	999 707 261 40	o-ring		1	
(35)	951 573 091 02	refrigerant line		1	TURBO	55	944 126 135 00	sleeve		1	
36	999 707 251 40	o-ring		2		56	944 126 123 06	bracket		1	
37	900 076 010 02	hexagon nut M 6		1							
38	N 012 006 4	lock ring B 6		1							
39	N 011 524 7	washer A 6,4		1							
40	N 902 512 01	pipe clamp RSGW 1,5 X 15/15		1							
41	N 040 222 1	hexagon-head bolt M 8 X 32		1							
42	900 025 007 02	washer A 8,4		1							

Model	Year	MG	SG	Illustration	Restrictions	UPD	23:00	23.01.2010	PORSCHE	PET	PORSCHE
9442	1991	8	13	813-20		248					



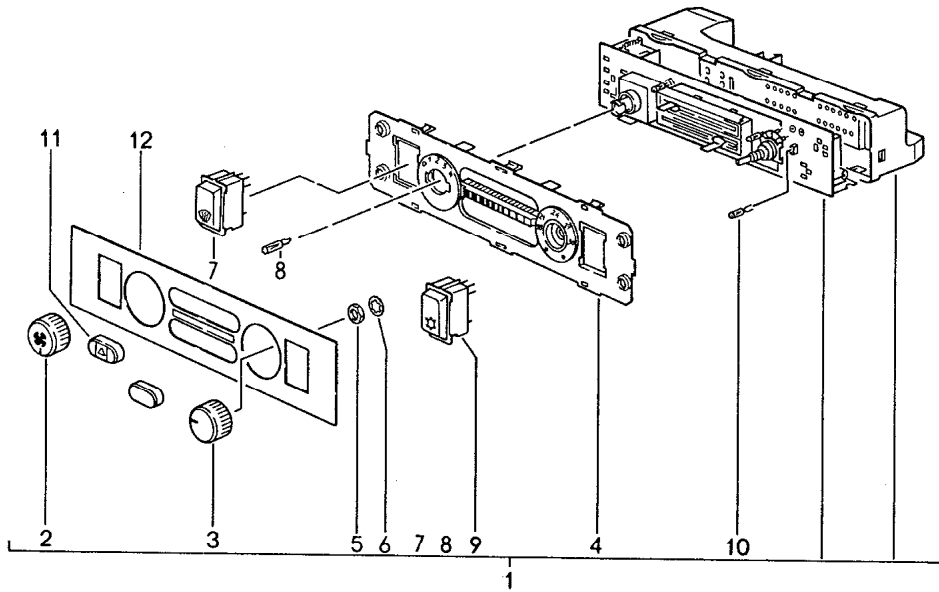
Pos	Part Number	Description	Remark	Qty	Model
		compressor			M573
1	944 126 008 00	compressor		1	
2	944 126 923 01	clutch		1	
3	944 126 925 01	solenoid coil		1	
4	477 298 841	circlip \$ 37 MM		1	
5	477 298 843	circlip \$ 45,8 MM		1	
6	900 027 015 02	lock ring B 8		1	
7	N 011 008 8	hexagon nut M 8		1	
8	944 126 905 00	spring		1	
9	477 298 829	spacer 0,1 MM		X	
(9)	477 298 829 A	spacer 0,2 MM		X	
(9)	477 298 829 B	spacer 0,5 MM		X	
(9)	477 298 829 C	spacer 0,8 MM		X	
(9)	477 298 829 B	spacer 1,0 MM		X	
10	930 126 921 00	set of shaft seals		1	
11	944 126 940 00	valve		1	
12	928 573 908 03	valve insert		1	
13	928 573 909 02	cap		1	
14	A 944 126 935 01	o-ring		X	
14	944 126 935 01	o-ring		X	

Model	Year	MG	SG	Illustration	Restrictions	UPD	23:00	23.01.2010	PORSCHE	PET	PORSCHE
9442	1991	8	13	813-25		248					



Pos	Part Number	Description	Remark	Qty	Model
		vacuum control			
1	944 572 710 00	vacuum line	/LL	1	
(1)	945 572 710 00	vacuum line	/RL	1	
2	928 574 717 02	moulded hose	/LL	3	
3	928 574 747 03	connecting piece	/RL	3	
4	928 537 361 02	valve		1	
5	477 819 849	grommet		1	
6	928 573 727 02	distributing piece		1	
7	928 574 717 02	moulded hose		1	
8	944 572 709 00	vacuum line		1	
9	944 659 215 01	recirculating air valve		1	
(9)	944 659 215 02	heater valve		1	
10	945 573 808 00	vacuum reservoir		1	

Model	Year	MG	SG	Illustration	Restrictions	UPD	23:01	23.01.2010	PORSCHE	PET	PORSCHE
9442	1991	8	13	813-30		248					



Pos	Part Number	Description	Remark	Qty	Model
		control switch			
1	944 653 021 03	control switch		1	
	01C	black			
(1)	944 653 021 04	control switch		1	M573
	01C	black			
2	944 653 207 00	knob blower switch		1	
3	944 653 208 00	knob temperature control		1	
4	944 653 912 00	cover clear		1	
5	999 034 021 30	hexagon nut M 7 X 0,75		1	
6	900 028 045 02	spring washer A 8		1	
7	944 653 923 00	tip switch		1	M424
(7)	944 653 921 00	tip switch		1	M573
8	900 631 134 90	bulb 1,2W		1	
9	944 653 924 00	tip switch		1	M424
(9)	944 653 922 00	tip switch		1	M573
10	999 631 031 90	bulb		3	
11	944 653 205 00	knob		2	
12	944 653 203 00	cover		1	
	1DB	black			

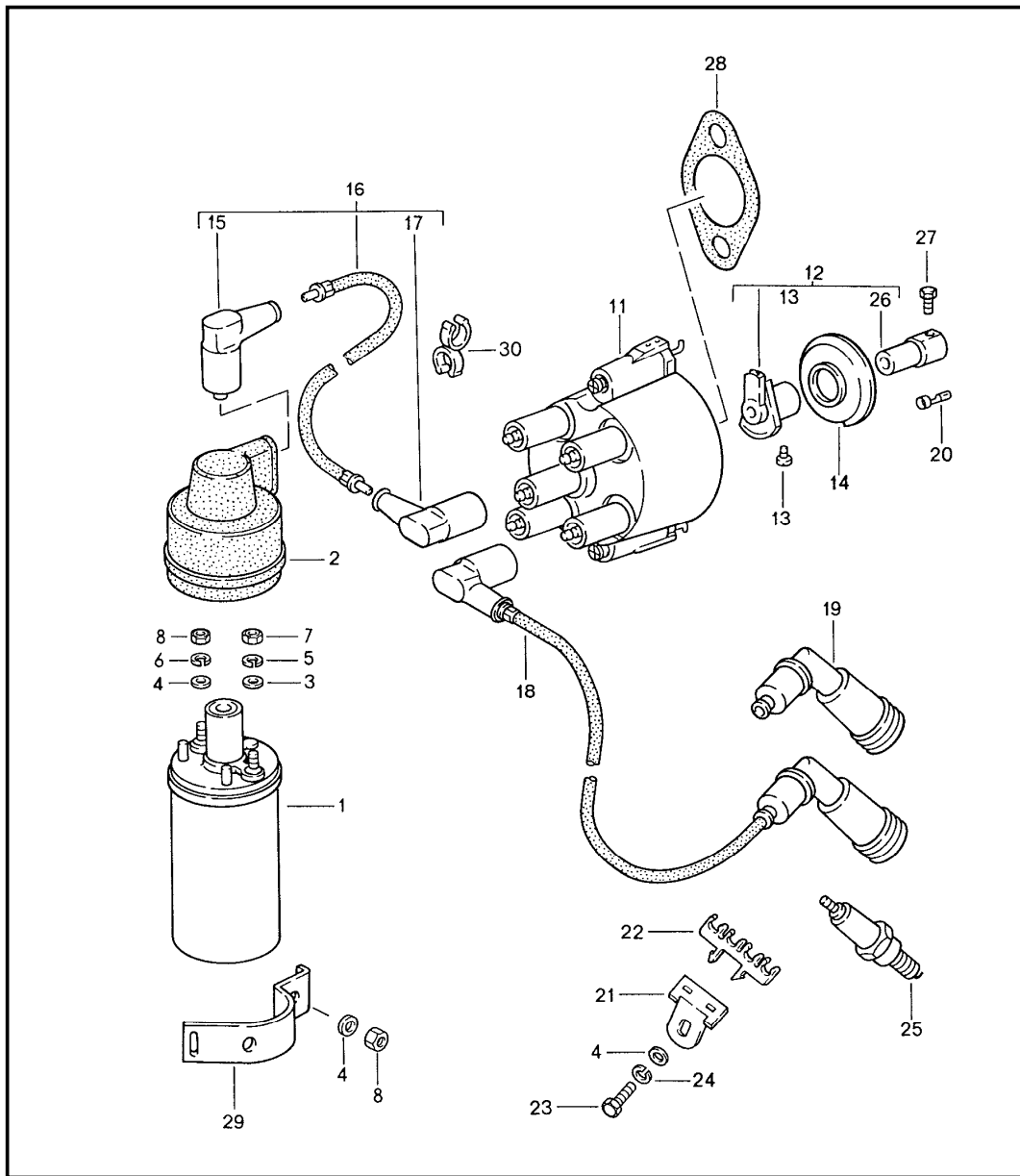
Model	Year	MG	SG	Illustration	Restrictions	UPD	23:01	23.01.2010
9442	1991	8	98	898-00R		248		

Pos	Part Number	Description	Remark	Qty	Model
		repair kits			
>>	>>944 538 001 30	set of locks F >>94KN4 00723 F >>95KN1 00493		1	COUPE 944,944S2 TURBO
>>	>>944 538 001 30	set of locks F 94KN4 00724>> F 95KN1 00494>>		1	COUPE 944,944S2 TURBO
>>	>>944 538 001 44	set of locks	-90	1	COUPE
>>	>>944 538 001 44	set of locks	91-	1	COUPE
>>	>>941 538 001 15	set of locks	-90	1	CABRIO
>>	>>941 538 001 15	set of locks		1	CABRIO
		set of locks comprising: door handle /L door handle /R lock cylinder ignition starter lock lock cylinder rear lid lock lock cylinder fuel tank cap glove compartment lock rear lid lock /L rear lid lock /R secondary key key ring key tag		1 1 1 1 1 2 1 1 1 1 1 1 3 1 1	COUPE COUPE
>>	>>000 043 300 94	adhesive set windscreen windscreen		1	
>>	>>951 504 951 00	winged rear apron set comprising:		1	944 M472
-	951 504 051 00	winged rear apron	/L	1	
-	951 504 052 00	winged rear apron	/R	1	
-	900 910 010 02	lock nut M 6		4	
-	N 011 666 7	washer		4	
-	999 218 057 00	pan-head screw M 6 X 16		5	
-	N 011 557 6	washer		5	

Model	Year	MG	SG	Illustration	Restrictions	UPD	23:01	23.01.2010
9442	1991	8	98	898-00R		248		

Pos	Part Number	Description	Remark	Qty	Model
-	999 507 336 02	captive nut M 6		5	
>>	>>944 501 941 00	repair kit blind rivet comprising: blind rivet blind rivet blind rivet assembly sleeve		1 10 5 5 1	
>>	>>931 559 901 00	set of moldings comprising:		1	M418
-	931 559 137 00	side guard wing	/V	2	
-	931 559 133 00	side guard door	/L	1	
-	931 559 134 00	side guard door	/R	1	
-	931 559 141 00	side guard side section	/L	1	
-	931 559 142 00	side guard side section use also: adhesive AMV 176.000.05	/R	1 1	

Model	Year	MG	SG	Illustration	Restrictions	UPD	23:01	23.01.2010	PORSCHE	PET	PORSCHE
9442	1991	9	01	901-00		248					

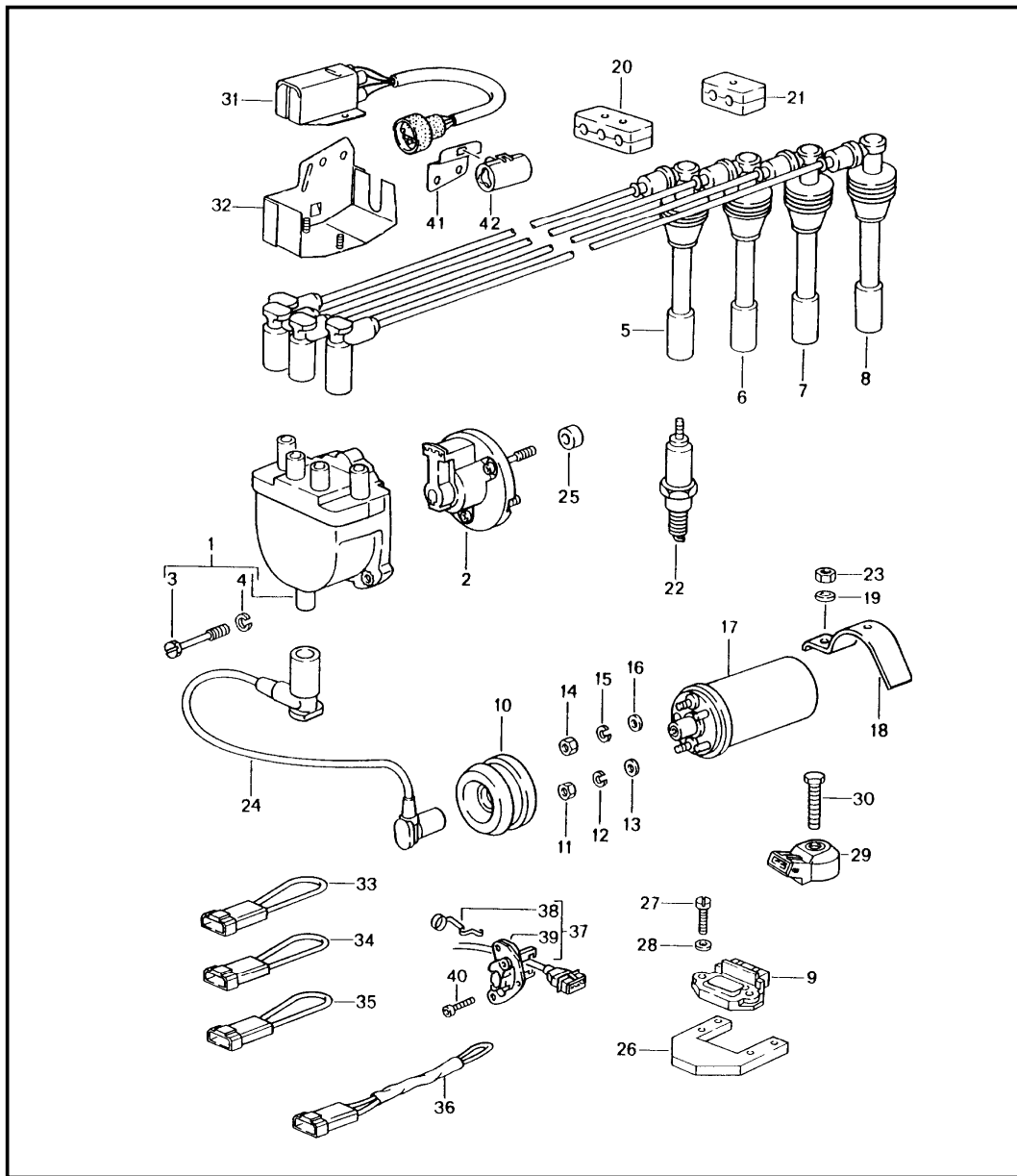


Pos	Part Number	Description	Remark	Qty	Model
		engine electrics 1			M44.11/12/52
1	944 602 115 00	ignition coil 12 V		1	
2	944 602 801 00	protection cap		1	
3	900 025 003 02	washer A 5,3		1	
4	N 011 524 7	washer A 6,4		3	
5	N 012 005 3	lock ring B 5		1	
6	N 012 006 4	lock ring B 6		1	
7	N 011 005 14	hexagon nut M 5		1	
8	900 076 010 02	hexagon nut M 6		2	
9	900 025 007 02	washer A 8,4		2	
10	N 014 706 7	pan-head screw		2	
11	944 602 251 00	distributor cap		1	
12	944 602 901 01	rotor comprising: POS. 12, 13, 26		1	
13	-	pan-head screw		1	
14	944 602 803 00	dust cover		1	
15	944 609 131 00	ignition coil plug		1	
16	944 609 017 01	ignition lead		1	
17	944 609 133 00	distributor plug		5	
18	944 609 015 15	ignition lead cylinder 1		1	
(18)	944 609 015 16	ignition lead cylinder 2		1	
(18)	944 609 015 17	ignition lead cylinder 3		1	
(18)	944 609 015 18	ignition lead cylinder 4		1	

Model	Year	MG	SG	Illustration	Restrictions	UPD	23:01	23.01.2010	PORSCHE	PET	PORSCHE
9442	1991	9	01	901-00		248					

Pos	Part Number	Description	Remark	Qty	Model	Pos	Part Number	Description	Remark	Qty	Model
19	928 609 105 03	ignition cable connector		4							
20	911 609 310 00	cable screw		X							
21	944 609 217 00	support		1							
22	052 905 471 A	support		4							
23	999 072 005 09	hexagon-head bolt M 6 X 12		1							
24	N 012 226 5	spring washer		1							
25	999 170 156 90	spark plug WR 7 DC - bosch -		4							
26	-	connecting piece		1							
27	999 217 008 02	hexagon-head bolt M 5 X 10		1							
28	944 602 257 00	sealing sleeve		1							
29	944 602 294 01	clamping bow		1							
30	944 609 227 00	support		1							
-	944 609 219 00	support for ignition lead		1	M44.52						

Model	Year	MG	SG	Illustration	Restrictions	UPD	23:01	23.01.2010	PORSCHE	PET	PORSCHE
9442	1991	9	01	901-01		248					

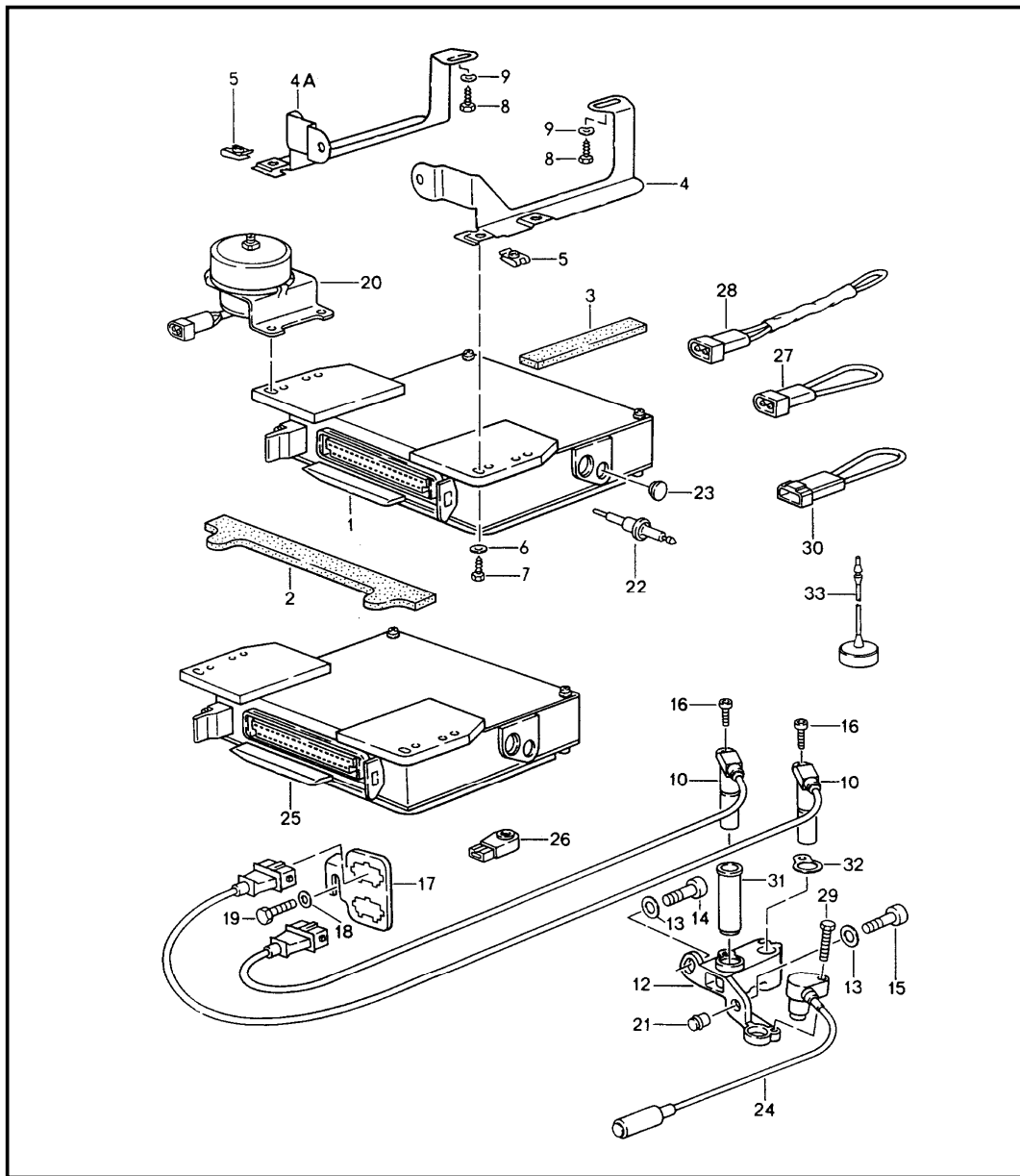


Pos	Part Number	Description	Remark	Qty	Model
		engine electrics 1			M44.41
1	928 602 211 01	distributor cap		1	
2	A 944 602 213 00	rotor		1	
2	944 602 213 01	rotor		1	
3	928 602 223 00	screw		3	
4	N 012 005 3	lock ring B 5		3	
5	944 602 060 05	ignition lead cylinder 1		1	
6	944 602 060 06	ignition lead cylinder 2		1	
7	944 602 060 07	ignition lead cylinder 3		1	
8	944 602 060 08	ignition lead cylinder 4		1	
9	928 602 706 01	ignition switch unit		1	
10	944 602 801 00	protection cap		1	
11	900 076 010 02	hexagon nut M 6		1	
12	N 012 006 4	lock ring B 6		1	
13	N 011 524 7	washer A 6.4		1	
14	N 011 005 14	hexagon nut M 5		1	
15	N 012 005 3	lock ring B 5		1	
16	900 025 003 02	washer A 5.3		1	
17	944 602 115 00	ignition coil		1	
18	944 602 294 01	clamping bow		1	
19	N 011 524 7	washer A 6,4		1	
20	928 602 323 00	support		1	
21	928 602 322 00	cable holder		1	

Model	Year	MG	SG	Illustration	Restrictions	UPD	23:01	23.01.2010	PORSCHE	PET	PORSCHE
9442	1991	9	01	901-01		248					

Pos	Part Number	Description	Remark	Qty	Model	Pos	Part Number	Description	Remark	Qty	Model
22	999 170 179 90	spark plug WR 5 DC - bosch -		4							
23	900 076 010 02	hexagon nut M 6		1							
24	944 602 060 09	ignition lead		1							
25 A	944 105 137 01	spacer sleeve		3							
25	944 105 137 02	spacer sleeve		3							
26	035 905 357 A	heat dissipator		1							
27	N 014 125 1	oval-head screw M 4 X 18		2							
28	900 025 003 02	washer A 5,3		2							
29	944 606 145 00	knock sensor		2							
30	N 010 233 6	hexagon-head bolt		1							
31	944 616 523 00	ballast resistor for injector valve	-90	1							
32	944 606 141 02	support		1							
34	928 607 421 00	coding plug	(J)	1							
35	928 607 422 00	coding plug		1	M150						
36	944 612 522 00	coding plug	(S)	1							
(36)	944 612 525 00	coding plug		1							
37	944 606 170 02	hall sender		1							
38	928 606 282 00	tensioning spring		1							
39	928 606 180 01	cap		1							
40	900 067 255 02	pan-head screw M 5 X 12		2							
41	944 612 352 01	support	/R	1							
(41)	944 612 351 02	support	/L	1							
42	928 612 531 00	push-on connector		1							

Model	Year	MG	SG	Illustration	Restrictions	UPD	23:01	23.01.2010	PORSCHE	PET	PORSCHE
9442	1991	9	01	901-05		248					

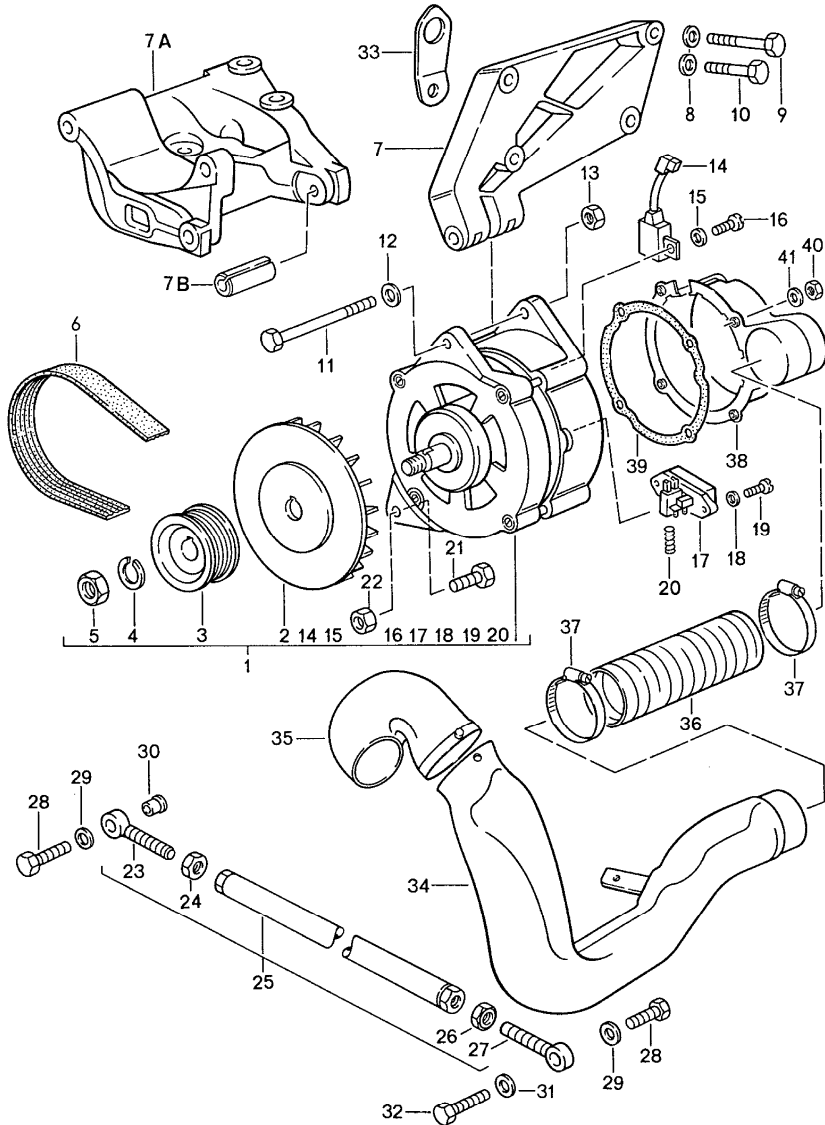


Pos	Part Number	Description	Remark	Qty	Model
		engine electrics 2			
1	A 944 618 121 06	control unit		1	M44.11/12
1	> 944 618 121 FX	control unit - dme -		1	M44.11/12
1	> 944 618 124 02	control unit - dme -	-90	1	M44.41
1	> 944 618 124 05	control unit	91-	1	M44.41
1	944 618 124 EX	control unit - dme -	91-	1	M44.41
1	> 951 618 121 10	control unit - dme -		1	M44.52
1	951 618 121 KX	control unit - dme -		1	M44.52
-	944 612 417 01	cap for plug socket	89 -91	1	944 TURBO
2	944 618 119 00	plastic foam strip		1	
3	944 618 120 00	plastic foam strip		1	
4	944 618 141 00	bracket	/L	1	
4A	944 618 142 00	bracket	/R	1	
5	N 901 561 01	speed nut		4	
6	900 025 003 02	washer A 5,3		4	
7	900 187 004 02	hexagon-head tapping screw B 4,8 X 18		4	
8	N 013 884 5	tapping screw B 4,8 X 13	/LL	2	
9	N 012 225 2	spring washer B 5	/LL	2	
10	944 606 115 00	pulse sender		2	
(12)	944 101 031 03	support		1	
12	944 101 321 07	support		1	
13	900 025 007 02	washer A 8,4		2	

Model	Year	MG	SG	Illustration	Restrictions	UPD	23:01	23.01.2010	PORSCHE	PET	PORSCHE
9442	1991	9	01	901-05		248					

Pos	Part Number	Description	Remark	Qty	Model	Pos	Part Number	Description	Remark	Qty	Model
14	N 014 726 3	pan-head screw M 8 X 30		1							
15	N 014 725 2	pan-head screw M 8 X 25		1							
16	999 217 026 02	locking screw M 6 X 24									
17	944 612 151 00	support		1							
18	N 011 524 7	washer A 6,4		1							
19	N 010 215 13	hexagon-head bolt M 6 X 15		1							
20	944 606 051 00	altitude capsule	(J)	1							
21	900 197 047 08	tensioning sleeve		1							
22	944 618 940 00	adjusting key		1							
23	911 606 411 01	stopper		1							
24	911 606 108 00	timing mark sender		1							
25	> 951 618 113 09	control unit antiknock regulation		1	M44.52						
25	951 618 113 JX	control unit antiknock regulation		1	M44.52						
26	944 606 145 00	knock sensor		1	M44.52						
27	944 612 525 00	coding plug	-89	1							
28	944 612 421 00	adapter plug		1							
29	999 217 048 02	hexagon-head bolt M 8 X 25		1							
30	911 612 422 00	adapter plug		1	M150						
31	944 101 320 00	sleeve		1							
32	944 101 335 00	washer 0,3		X							
32	951 101 325 00	washer 2,0		X							
33	928 612 273 00	cap for plug socket		1							

Model	Year	MG	SG	Illustration	Restrictions	UPD	23:02	23.01.2010	PORSCHE	PET	PORSCHE
9442	1991	9	02	902-00		248					

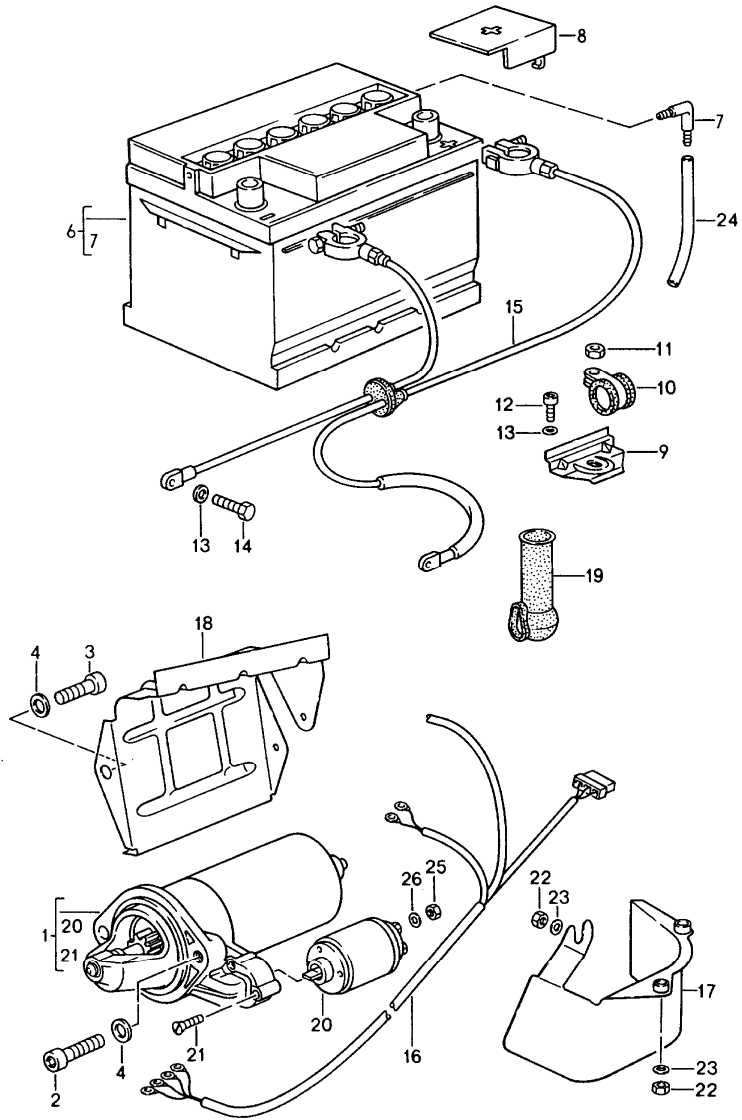


Pos	Part Number	Description	Remark	Qty	Model
		generator with mounting parts			
1	A 944 603 019 01	generator		1	
1	> 928 603 011 05	generator		1	
2	928 603 443 02	fan		1	
3	944 603 021 01	pulley		1	
4	928 603 611 00	retainer		1	
5	900 034 013 02	hexagon nut M 16 X 1,5		1	
6	999 192 290 50	poly-rib belt K 6 X 720		1	
(6)	A 999 192 283 50	poly-rib belt K 6 X 998		1	M573
(6)	999 192 299 50	poly-rib belt K 6 X 1000		1	M573
7	944 603 134 02	bracket		1	
7A	A 944 126 123 06	bracket		1	M573
7A	944 126 123 06	bracket		1	M573
7B	944 126 135 00	sleeve		1	M573
8	N 011 527 12	washer A 10,5		4	
9	N 010 470 7	hexagon-head bolt M 10 X 70		4	
(9)	N 010 470 7	hexagon-head bolt M 10 X 70		3	M44.52
10	N 010 480 3	hexagon-head bolt M 10 X 80		1	M44.52
11	900 074 197 02	hexagon-head bolt M 10 X 130		1	
12	900 025 008 09	washer A 10,5		1	
13	900 910 031 09	lock nut VF M 10		1	
14	944 603 143 00	condenser		1	

Model	Year	MG	SG	Illustration	Restrictions	UPD	23:02	23.01.2010	PORSCHE	PET	PORSCHE
9442	1991	9	02	902-00		248					

Pos	Part Number	Description	Remark	Qty	Model	Pos	Part Number	Description	Remark	Qty	Model
15	N 012 226 5	spring washer A 6		1		36	944 603 153 00	connecting hose 60 X 200		1	
16	N 010 710 8	pan-head screw AM 6 X 10		1		(36)	944 603 153 01	connecting hose 60 X 450		1	M573
(17)	928 603 142 00	regulator		1		-	900 910 010 09	lock nut M 6		1	
18	N 012 004 2	lock ring B 4		2		-	N 011 524 7	washer A 6,4		1	
19	N 014 125 1	oval-head screw AM 4 X 18		2		37	999 512 349 02	hose clamp		2	
20	059 903 519	compression spring		1		38	951 603 115 02	ventilation cowl		1	
21	N 010 340 6	hexagon-head bolt M 8 X 40		1	M573	(38)	951 603 113 03	ventilation cowl		1	M573
22	900 910 022 09	lock nut VM 8		1	M573	39	928 603 135 03	sealing ring		1	
23	900 037 018 02	eye screw		1		40	N 011 005 14	hexagon nut M 5		4	
24	900 076 033 02	hexagon nut M 10		1		41	N 012 225 3	spring washer B 5		4	
25	944 126 021 03	strut		1		-	999 511 116 02	clamp		1	
26	N 011 010 6	hexagon nut M 10		1		-	999 651 168 40	cable holder		1	
27	900 037 017 02	eye screw		1							
28	N 010 445 2	hexagon-head bolt M 10 X 45		1							
29	900 025 008 09	washer		2							
30	944 126 127 01	bush		1							
31	900 025 008 09	washer A 10,5		1	M573						
32	N 040 125 1	hexagon-head bolt M 10 X 1,25 X 30		1	M573						
33	944 101 411 02	bracket for transportation		1							
(33)	944 101 411 04	bracket for transportation M 42K 01037 >>		1	M44.41						
34	944 603 441 00	air duct long		1							
35	944 603 442 00	air duct short		1							

Model	Year	MG	SG	Illustration	Restrictions	UPD	23:02	23.01.2010	PORSCHE	PET	PORSCHE
9442	1991	9	02	902-10		248					

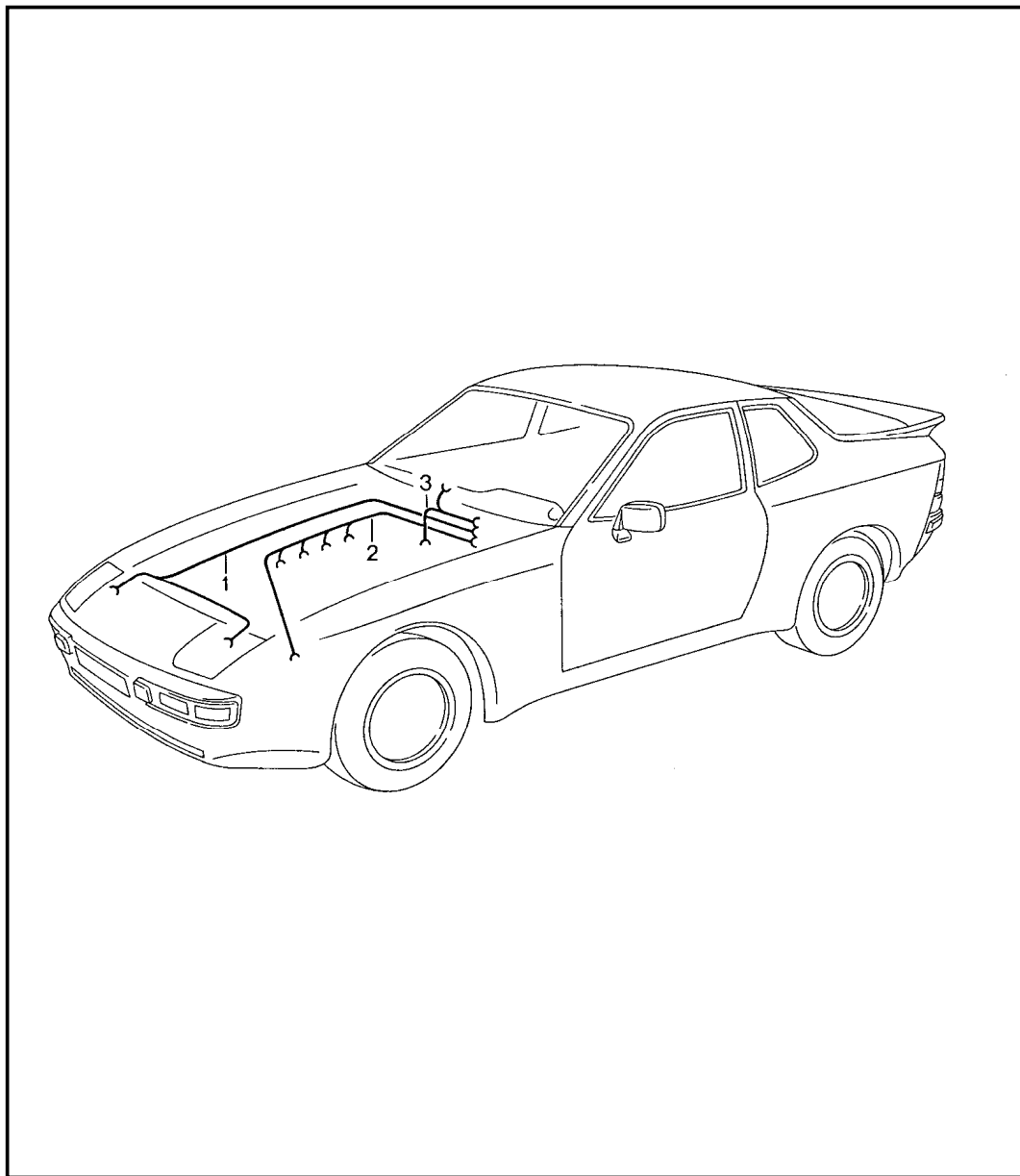


Pos	Part Number	Description	Remark	Qty	Model
		battery starter wiring harnesses			
1	> 951 604 101 00	starter 1,4 KW		1	
1	951 604 102 00	starter 1,7 KW		1	M198
2	N 010 491 1	hexagon-head bolt M 12 X 50		1	
3	N 040 253 1	hexagon-head bolt M 12 X 35		1	
4	900 028 014 02	spring washer B 12		2	
(4)	900 025 009 02	washer A 13		1	TURBO
(4)	N 011 564 2	washer 13		1	TURBO
6	999 611 053 20	battery 50 AH		1	
6	944 611 105 00	battery 63 AH	/LL	1	M197
6	999 611 065 20	battery 64 AH	/LL	1	M198
6	999 611 070 20	battery 75 AH	/RL	1	M197/198
7	893 915 507	angled pipe		1	
8	477 915 429 A	pole covering	/LL	1	
8	477 915 429	pole covering	/RL	1	
9	914 611 233 10	tension terminal	/LL	1	
(9)	945 611 021 00	bracket	/RL	1	
10	999 511 077 02	clamp	/LL	1	
11	477 915 489	hexagon nut M 8	/LL	1	
12	900 067 057 02	pan-head screw M 8 X 20	/RL	1	
13	900 025 007 02	washer A 8,4		2	

Model	Year	MG	SG	Illustration	Restrictions	UPD	23:02	23.01.2010	PORSCHE	PET	PORSCHE
9442	1991	9	02	902-10		248					

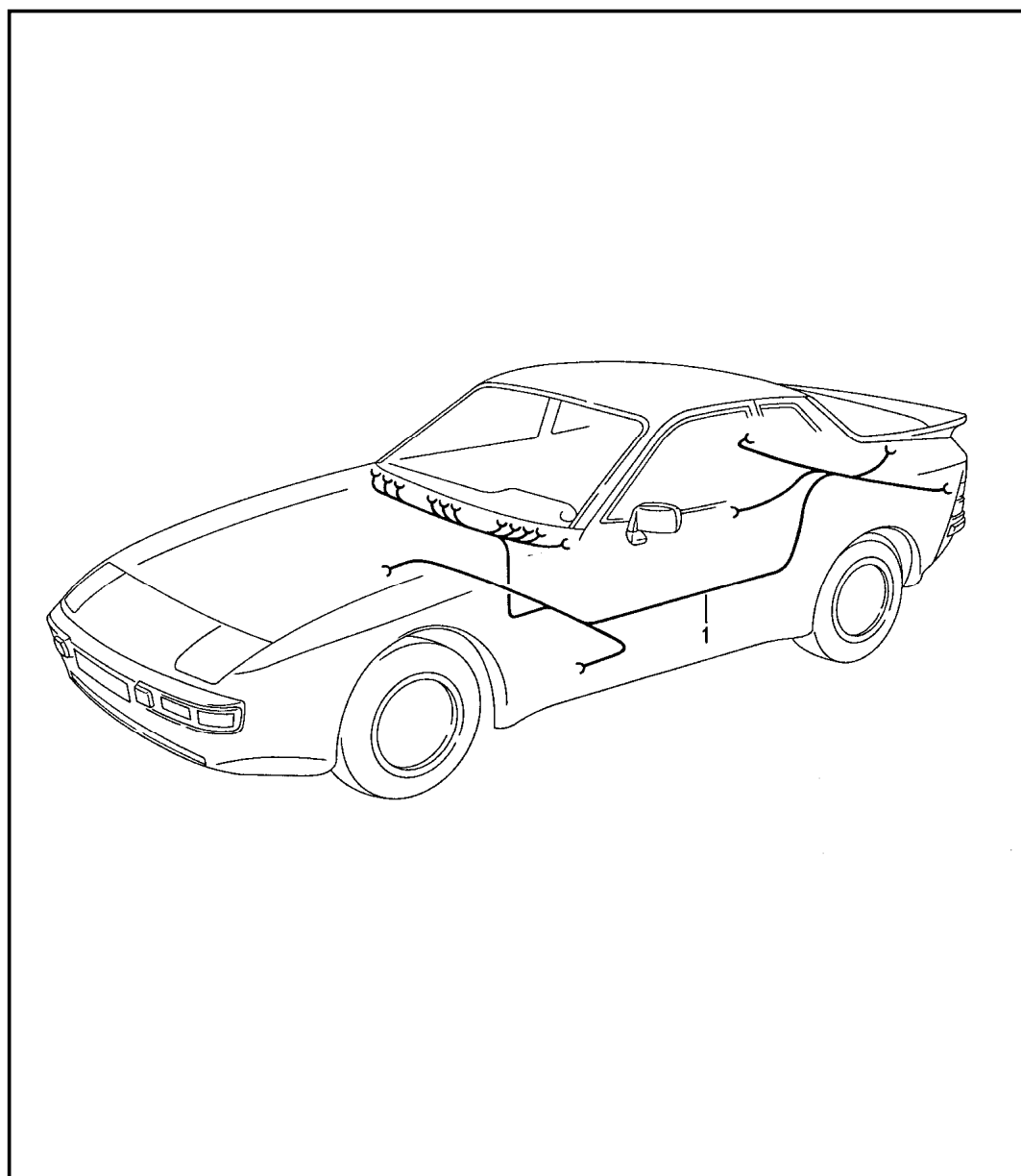
Pos	Part Number	Description	Remark	Qty	Model	Pos	Part Number	Description	Remark	Qty	Model
14	N 010 241 0	hexagon-head bolt M 8 X 16		1		24	-	250 MM		1	
15	944 612 027 00	wiring harness battery starter	/LL	1		25	N 011 005 14	hexagon nut M 5		1	
(15)	945 612 027 04	wiring harness battery starter	/RL	1		(25)	900 076 010 02	hexagon nut M 6		1	M198
(15)	945 611 041 00	ground strap battery	/RL	1		26	900 025 003 02	washer A 5.3		1	
16	944 607 029 00	wiring harness starter generator		1	944/TURBO	(26)	N 011 524 7	washer A 6.4		1	M198
16	944 607 029 02	wiring harness starter generator		1	944S2						
16	944 607 029 01	wiring harness starter generator		1	944/TURBO M573						
16	944 607 029 03	wiring harness starter generator		1	944S2 M573						
(16)	945 612 013 00	line starter hydraulic unit	/RL	1	M593						
17	951 604 043 00	heat shield	/L	1	TURBO						
18	951 604 454 01	heat shield	/R	1	TURBO						
19	999 659 006 50	protection cap		1							
20	951 604 902 00	solenoid engaging switch		1							
20	951 604 904 00	solenoid engaging switch		1	M198						
21	951 604 901 00	countersunk-head screw		3							
21	964 604 901 00	fastening screw		3	M198						
22	900 076 010 02	hexagon nut M 6		3	TURBO						
23	N 011 524 7	washer A 6,4		3	TURBO						
-	477 915 505	hose		*							

Model	Year	MG	SG	Illustration	Restrictions	UPD	23:02	23.01.2010	PORSCHE	PET	PORSCHE
9442	1991	9	02	902-20		248					



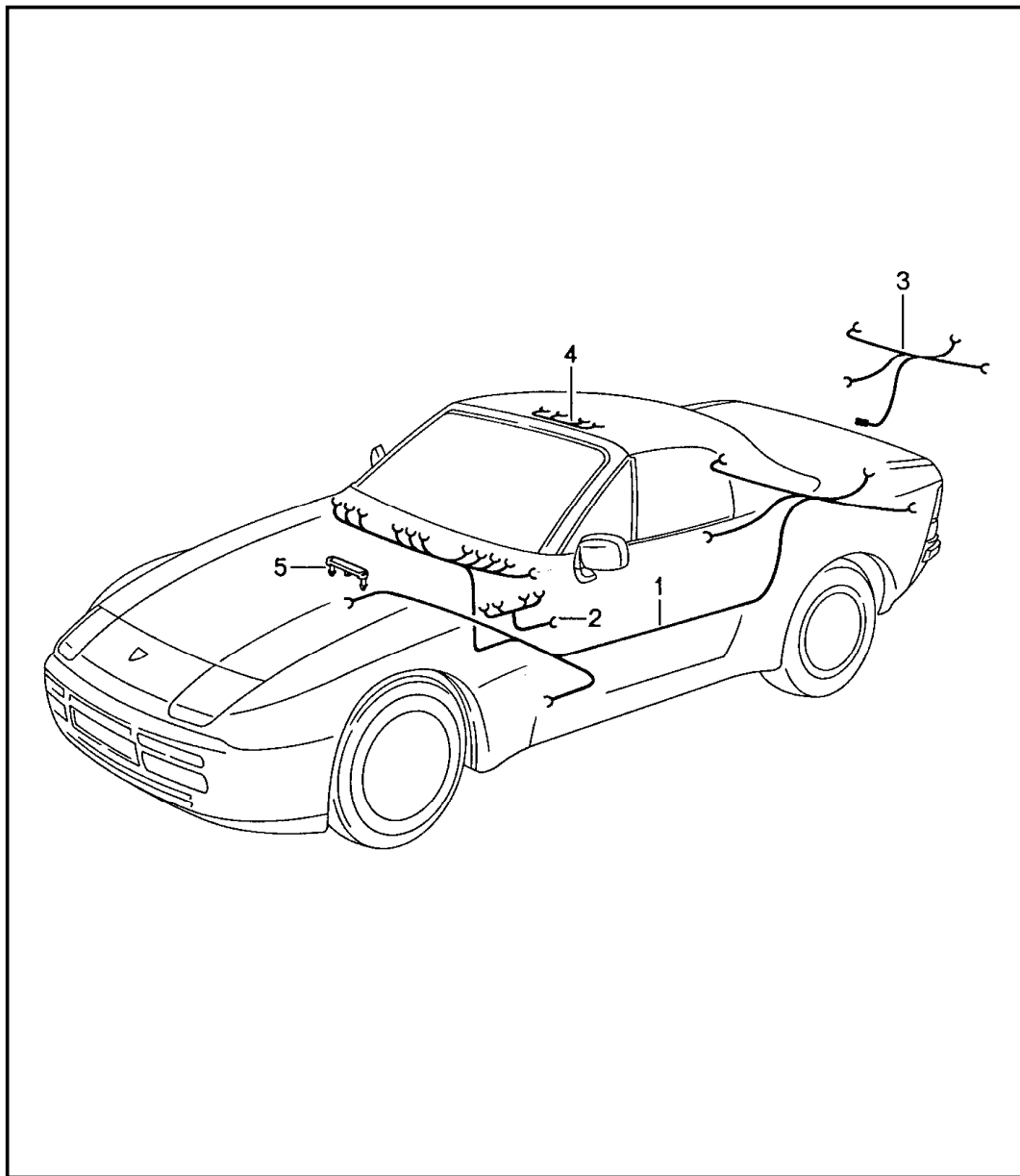
Pos	Part Number	Description	Remark	Qty	Model
		wiring harnesses engine heating air conditioner			
1	944 612 008 02	wiring harness engine compartment	/LL	1	944
1	944 612 008 03	wiring harness engine compartment	/LL	1	944 M573
1	945 612 008 01	wiring harness engine compartment	/RL	1	944
1	945 612 008 02	wiring harness engine compartment	/RL	1	944 M573
1	944 612 008 00	wiring harness engine compartment	/LL	1	944S2
1	945 612 008 00	wiring harness engine compartment	/RL	1	944S2
1	951 612 008 00	wiring harness engine compartment	/LL	1	TURBO
1	952 612 008 00	wiring harness engine compartment	/RL	1	TURBO
2	944 607 021 06	wiring harness - dme -		89	1 944
2	944 607 040 06	wiring harness - dme -		89	1 944S2
2	944 607 040 08	wiring harness - dme -		90	1 944S2
2	944 607 040 09	wiring harness - dme -		91-	1 944S2
2	951 607 021 06	wiring harness - dme -		89	1 TURBO
2	951 607 021 08	wiring harness - dme -		90-	1 TURBO
3	944 612 633 00	wiring harness air conditioner heater		1	
-	477 971 235	ground strap engine body		1	

Model	Year	MG	SG	Illustration	Restrictions	UPD	23:02	23.01.2010	PORSCHE	PET	PORSCHE
9442	1991	9	02	902-25		248					



Pos	Part Number	Description	Remark	Qty	Model
		wiring harnesses passenger compartment see technical information GR.1 NR.5/89			COUPE
1	951 612 006 28	wiring harness passenger compartment	/LL	89	1
1	944 612 006 28	wiring harness passenger compartment	/LL	89	1 AUT.
1	944 612 006 32	wiring harness passenger compartment	/LL /LL	-90 -91	1 944 TURBO
1	944 612 006 44	wiring harness passenger compartment	/LL	91	1
1	951 612 006 29	wiring harness passenger compartment		89	1 (SA)
1	944 612 006 29	wiring harness passenger compartment		89	1 (SA) AUT.
1	944 612 006 33	wiring harness passenger compartment		-90 -91	1 944 (SA) TURBO (SA)
1	944 612 006 45	wiring harness passenger compartment		91	1 (SA)
1	952 612 006 20	wiring harness passenger compartment	/RL	89	1
1	945 612 006 21	wiring harness passenger compartment	/RL	89	1 AUT.
1	945 612 006 23	wiring harness passenger compartment	/RL /RL	90 91	1 TURBO
1	945 612 006 29	wiring harness passenger compartment	/RL	91	1
-	928 612 220 00	bridge adapter for cars without airbag		91-	1

Model	Year	MG	SG	Illustration	Restrictions	UPD	23:02	23.01.2010	PORSCHE	PET	PORSCHE
9442	1991	9	02	902-26		248					

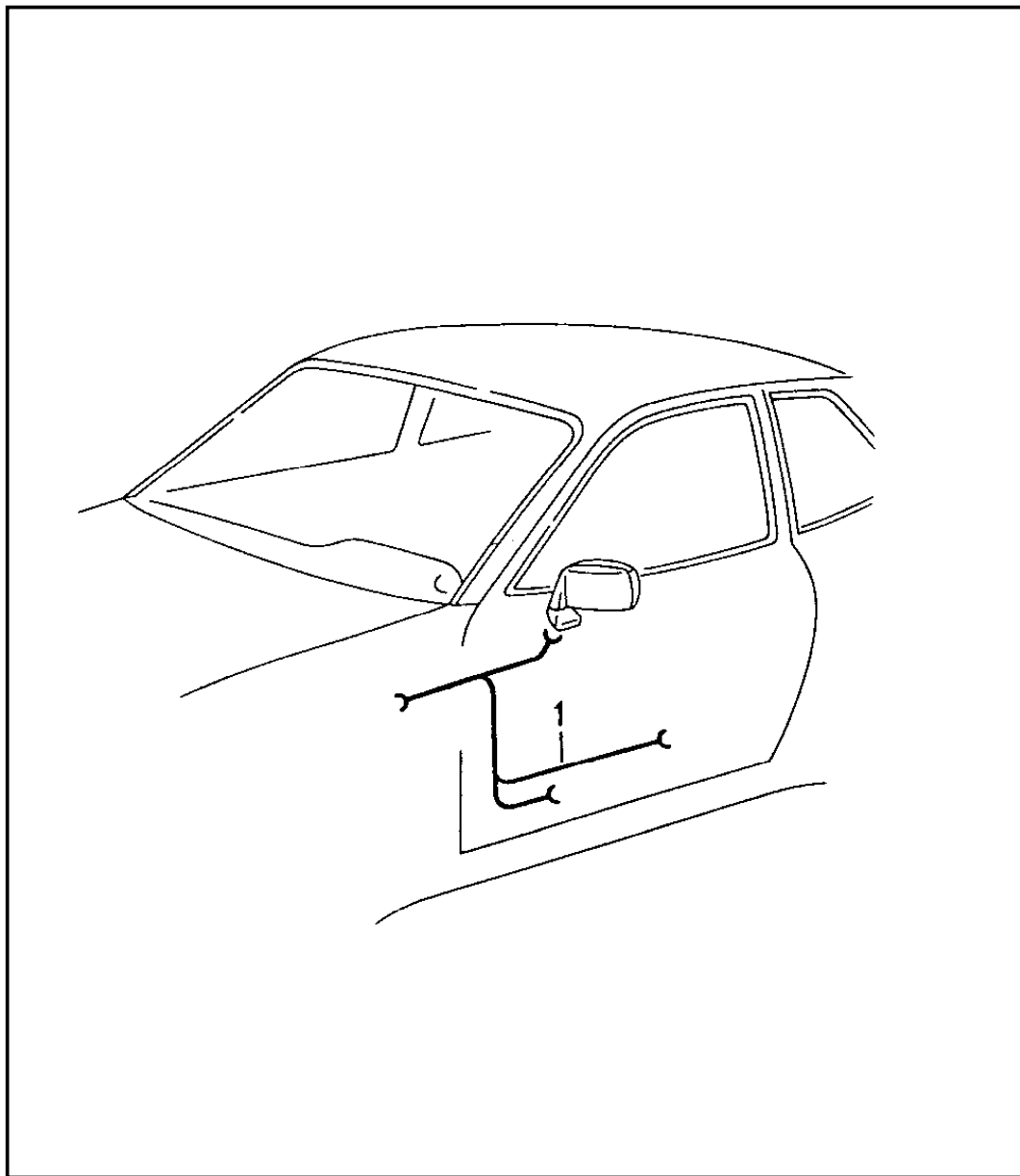


Pos	Part Number	Description	Remark	Qty	Model
		wiring harnesses passenger compartment			CABRIO
		see technical information GR.1 NR.5/89			
1	941 612 006 10	wiring harness passenger compartment	/LL	89	1
1	941 612 006 11	wiring harness passenger compartment		89	1 (SA)
1	942 612 006 11	wiring harness passenger compartment	/RL	89	1
1 A	951 612 006 54	wiring harness passenger compartment	/LL	90	1 944S2
1	951 612 006 54	wiring harness passenger compartment	/LL /LL	90 91	1 944S2 TURBO
1	941 612 006 20	wiring harness passenger compartment	/LL	91	1
1	951 612 006 55	wiring harness passenger compartment		90 91	1 944S2 (SA) TURBO (SA)
1	941 612 006 21	wiring harness passenger compartment		91	1 (SA)
1	942 612 006 12	wiring harness passenger compartment	/RL /RL	90 91	1 944S2 TURBO
1	942 612 006 14	wiring harness passenger compartment	/RL	91	1
2	944 612 024 00	wiring harness for window lowering	/LL	89	1 M655
(2)	945 612 024 00	wiring harness for window lowering	/RL	89	1 M655
3	941 612 911 10	wiring harness for convertible top electric			1
4	941 612 911 00	wiring harness for microswitch			1
5	964 612 203 03	securing clip black			1

Model	Year	MG	SG	Illustration	Restrictions	UPD	23:02	23.01.2010	PORSCHE	PET	PORSCHE
9442	1991	9	02	902-26		248					

Pos	Part Number	Description	Remark	Qty	Model	Pos	Part Number	Description	Remark	Qty	Model
-	928 612 220 00	bridge adapter for cars without airbag	91	1							

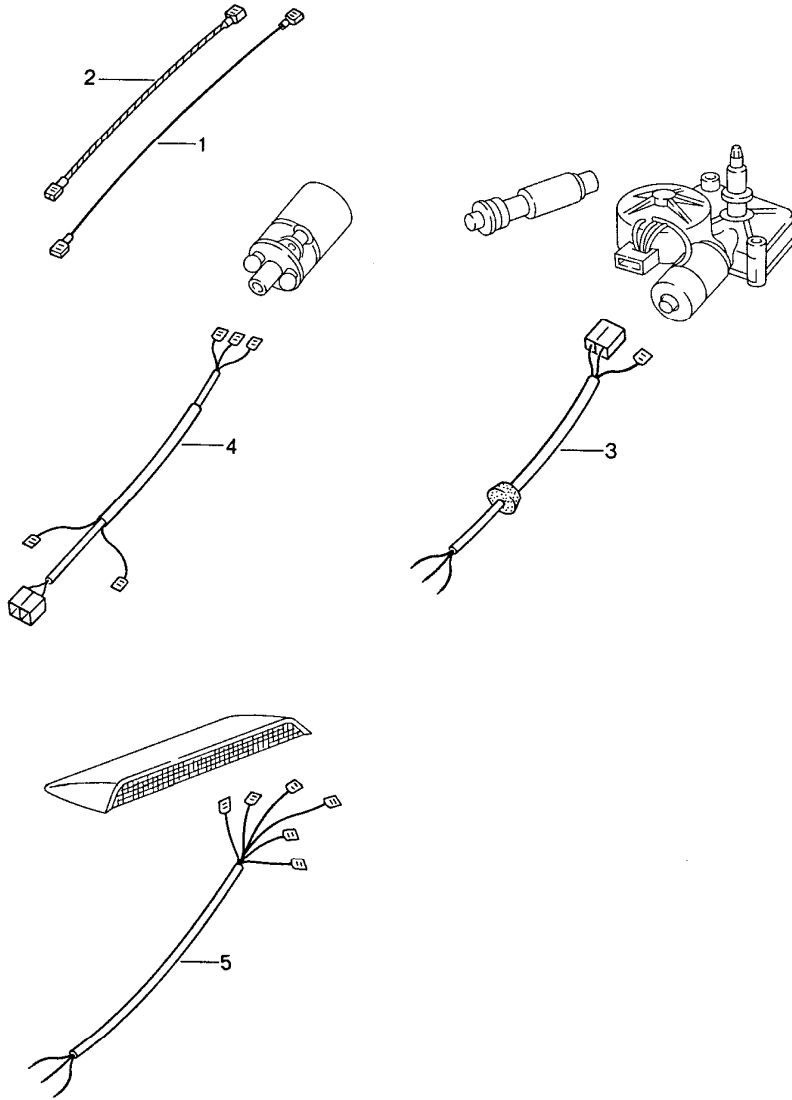
Model	Year	MG	SG	Illustration	Restrictions	UPD	23:03	23.01.2010	PORSCHE	PET	PORSCHE
9442	1991	9	02	902-27		248					



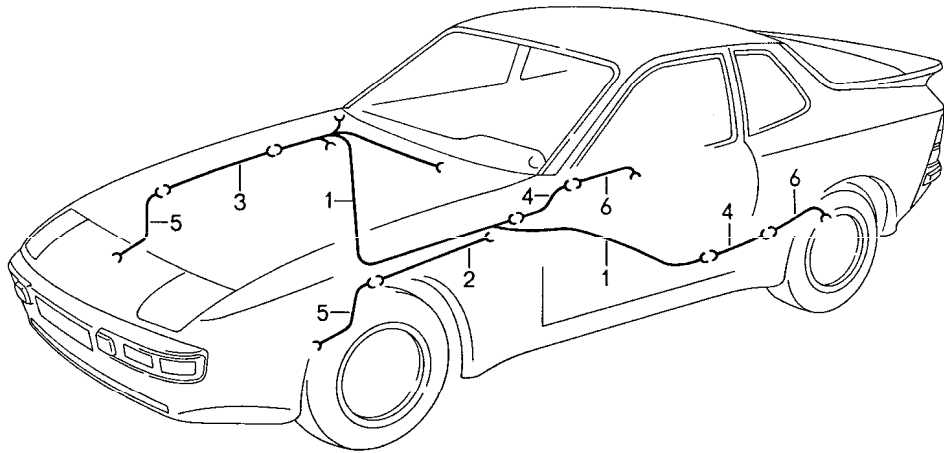
Pos	Part Number	Description	Remark	Qty	Model
		wiring harnesses doors			COUPE/CABRIO
1	944 612 033 05	wiring harness driver's door	-90 -91	1	944 TURBO
1	944 612 033 06	wiring harness driver's door	91	1	944
1	944 612 033 05	wiring harness driver's door	89	1	CABRIO
1	944 612 025 00	wiring harness driver's door for cars with window lowering	89	1	CABRIO
1	941 612 033 10	wiring harness driver's door	90 91	1	CABRIO TURBO CABRIO
1	941 612 033 11	wiring harness driver's door	91	1	CABRIO
(1)	944 612 034 05	wiring harness passenger's door	-90 -91	1	944 TURBO
(1)	944 612 034 06	wiring harness passenger's door	91	1	944

Model	Year	MG	SG	Illustration	Restrictions	UPD	23:03	23.01.2010	PORSCHE	PET	PORSCHE
9442	1991	9	02	902-30		248					

Pos	Part Number	Description	Remark	Qty	Model
1	477 971 257 B	wiring harnesses rear end line gas-pressure spring rear window		2	COUPE CABRIO
2	477 971 263 B	ground strap gas-pressure spring		2	
3	477 971 345 A	wiring harness rear window wiper		1	
(3)	944 612 065 01	wiring harness rear window wiper and additional brake light		1	
4	944 612 051 00	wiring harness fuel pump		1	
5	941 612 013 10	wiring harness luggage compartment lamp and additional brake light		1	CABRIO
(5)	941 612 013 11	wiring harness luggage compartment lamp		1	CABRIO

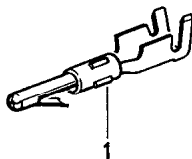
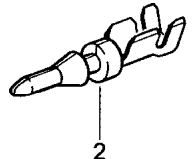
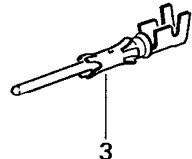
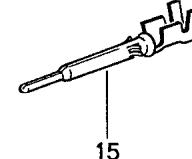
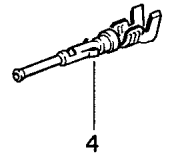
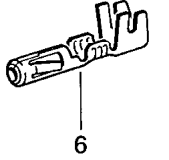
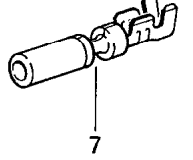
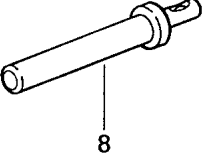
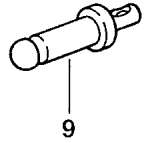
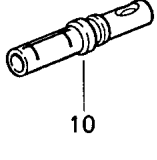
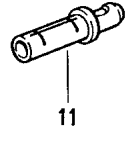
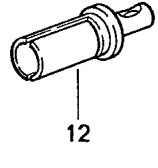
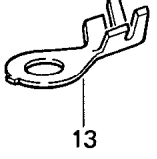
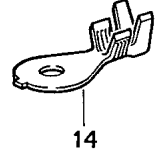


Model	Year	MG	SG	Illustration	Restrictions	UPD	23:03	23.01.2010	PORSCHE	PET	PORSCHE
9442	1991	9	02	902-31		248					



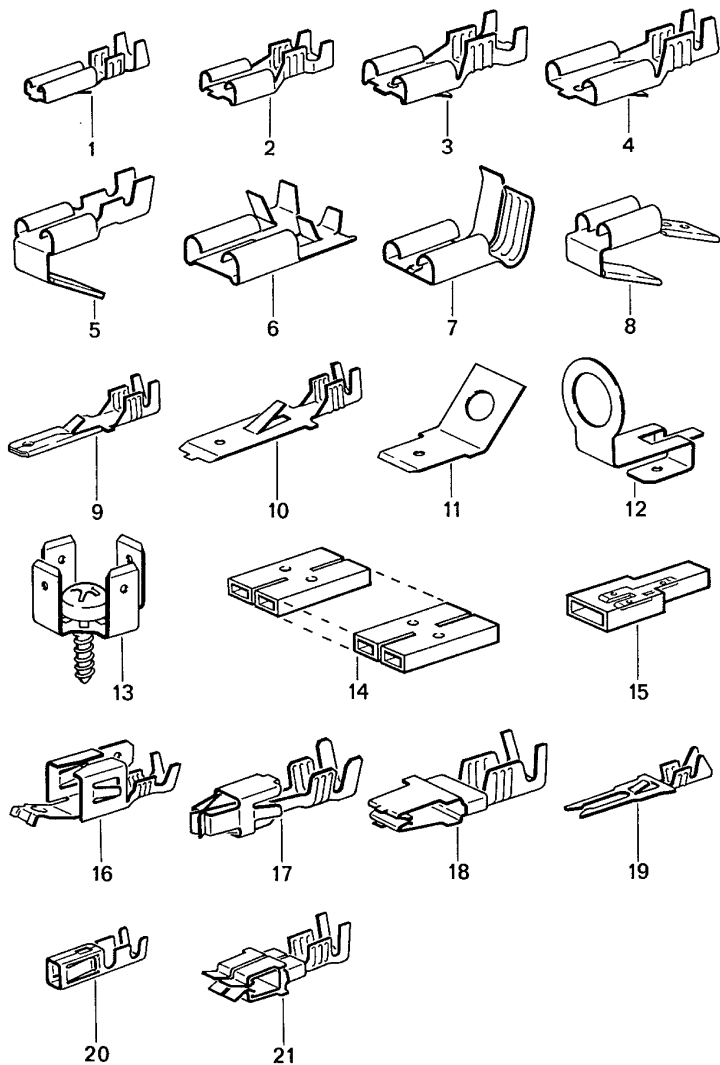
Pos	Part Number	Description	Remark	Qty	Model
		wiring harness anti-lock brake system brake pad wear indicator			
1	944 612 067 00	wiring harness anti-lock brake system	/LL	1	
1	945 612 067 00	wiring harness anti-lock brake system	/RL	1	
2	944 612 107 00	additional cable for brake pad wear indicator		1	
2	944 612 111 00	additional cable for anti-lock brake system and brake pad wear indicator		1	M593
3	944 612 108 00	additional cable for brake pad wear indicator		1	
3	944 612 110 00	additional cable for ABS UND brake pad wear indicator		1	M593
4	944 612 109 00	additional cable for brake pad wear indicator		2	
4	944 612 112 00	additional cable for ABS UND brake pad wear indicator		2	M593
5	928 606 404 02	speed sensor		2	
6	944 606 401 02	speed sensor		2	

Model	Year	MG	SG	Illustration	Restrictions	UPD	23:03	23.01.2010	PORSCHE	PET	PORSCHE
9442	1991	9	02	902-50		248					

				Pos	Part Number	Description	Remark	Qty	Model
				1	N 017 586 2	round connector contact pin cable shoe		X	
				2	944 612 428 00	round connector \$ 0,5 - 1,0 CUSN		X	
				3	N 017 564 1	round connector \$ 0,5 - 1,0 CUSN		X	
				4	N 017 562 4	cylindrical socket \$ 0,5 - 1,0 CUSN		X	
				6	N 017 599 4	cylindrical socket \$ 2,5 - 6,0 CUSN		X	
				7	944 612 427 00	contact bush \$ 0,75 - 1,5 CUSN		X	
				8	999 652 369 12	pin \$ 0,5 - 2,0 CUAG		X	
				9	911 612 907 00	contact pin \$ 0,5 - 2,0 CUAG		X	
				10	944 612 548 00	contact bush \$ 0,5 - 2,0 CUAG		X	
				11	999 652 351 22	contact bush \$ 0,5 - 2,0 CUBE		X	
				12	999 652 371 12	bush \$ 0,5 - 2,0 CUAG		X	
				13	N 017 505 4	cable shoe \$ 5,0 - 1,0		X	
				(13)	N 017 515 4	cable shoe \$ 5,0 - 2,5		X	
				(13)	N 017 516 2	cable shoe \$ 6,0 - 2,5		X	
				(13)	N 017 518 2	cable shoe \$ 8,0 - 2,5 CUSN		X	
				(13)	999 652 246 10	cable shoe \$ 8,0 - 2,5 CUSN		X	
				(13)	999 652 235 10	cable shoe \$ 10 - 2,5		X	
				14	999 652 208 10	cable shoe \$ 6,0 - 2,5		X	

Model	Year	MG	SG	Illustration	Restrictions	UPD	23:03	23.01.2010	PORSCHE	PET	PORSCHE
9442	1991	9	02	902-52		248					

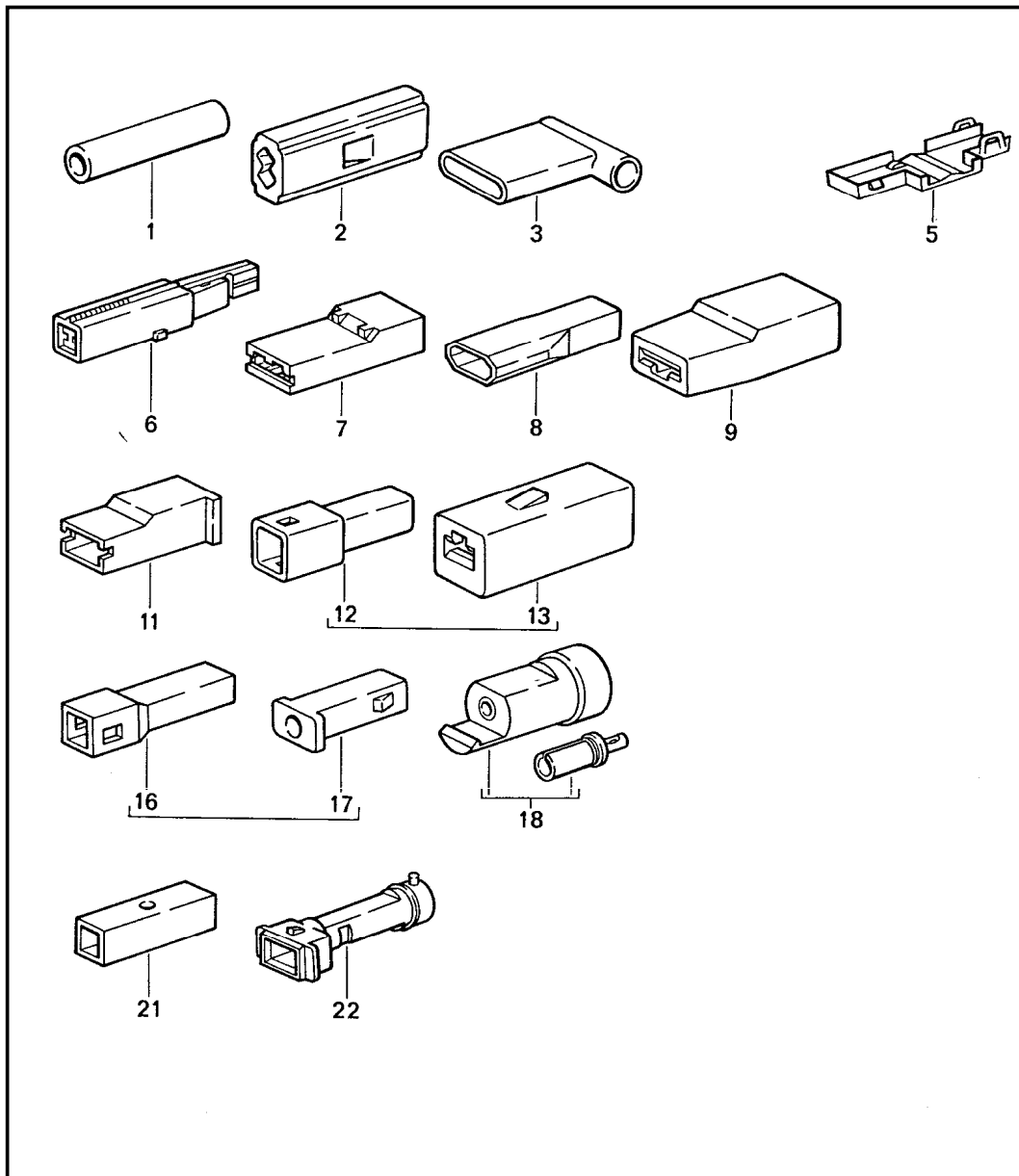
Pos	Part Number	Description	Remark	Qty	Model
1	111 971 958	flat plug push-on connector		X	
(1)	N 017 243 1	flat receptacle without clip		X	
2	111 971 959	flat receptacle with clip		X	
2	N 017 491 8	flat receptacle with clip		X	
2	N 017 494 3	flat receptacle with clip		X	
(2)	999 652 106 02	flat receptacle without clip		X	
3	N 017 453 1	flat receptacle without clip		X	
3	N 017 245 1	flat receptacle without clip		X	
5	N 017 242 1	flat receptacle with push-on connector		X	
6	N 017 498 2	flat receptacle		X	
7	999 652 116 02	flat receptacle		X	
8	999 652 122 10	multiple plug connector		X	



Model	Year	MG	SG	Illustration	Restrictions	UPD	23:03	23.01.2010	PORSCHE	PET	PORSCHE
9442	1991	9	02	902-52		248					

Pos	Part Number	Description	Remark	Qty	Model	Pos	Part Number	Description	Remark	Qty	Model
9	N 017 457 2	flat plug with clip 2,8 X 1		X		21	999 652 456 22	contact spring \$ 0,75 - 1,5		X	
10	111 971 985	flat plug with clip 6,3 X 1		X							
10	111 971 986	flat plug with clip 6,3 X 2,5		X							
11	999 652 125 10	flat plug 6,3/\$ 2,8		X							
11	999 652 315 02	flat plug 6,3/\$ 5,3 CUSN		X							
(11)	999 652 315 02	flat plug 6,3/\$ 5,3		X							
12	911 603 911 00	connector 6,3		X							
13	171 971 519 A	ground connector 6,3		X							
14	999 652 142 40	push-on connector 6,3		X							
(14)	999 652 142 40	push-on connector 6,3 5-FACH 6,3 1-FACH		X							
15	999 652 151 40	push-on connector 6,3		X							
16	999 652 275 10	contact 6,3		X							
17	N 903 353 03	contact spring \$ 2,5 - 3,5		X							
18	999 652 451 22	coding element 6,3/\$ 0,5 - 1,0		X							
19	999 652 380 12	contact spring \$ 0,4 - 0,75		X							
20	999 652 269 12	contact spring		X							

Model	Year	MG	SG	Illustration	Restrictions	UPD	23:04	23.01.2010	PORSCHE	PET	PORSCHE
9442	1991	9	02	902-54		248					



Pos	Part Number	Description	Remark	Qty	Model
1	999 652 149 40	insulated cable connection connector housing single pole		X	
2	111 971 921	insulated cable connection \$ 1,5		X	
3	999 652 160 40	protection cap 6,3		X	
5	211 971 921	protection cap 6,3		X	
6	059 905 371	protection cap 6,3		X	
7	111 971 921 B	diode connector 6,3		X	
8	999 652 119 40	connector housing 6,3		X	
9	825 971 990	connector housing 6,3		X	
11	431 971 995	terminal sleeve housing 6,3		X	
12	823 971 976	terminal sleeve housing 6,3		X	
13	823 971 990	connector housing 2,8		X	
16	171 971 998	terminal sleeve housing 2,8		X	
17	171 971 999	connector housing 1,6		X	
18	999 653 002 90	terminal sleeve housing 1,6		X	
-	999 652 371 12	connector housing with bush		X	
21	111 971 977	plug with guide 6,3		X	
22	813 972 643 A	flat connector socket		X	

Model	Year	MG	SG	Illustration	Restrictions	UPD	23:04	23.01.2010	PORSCHE	PET	PORSCHE
9442	1991	9	02	902-56		248					

Pos	Part Number	Description	Remark	Qty	Model
1	999 652 370 40	connector housing 2-pole		X	
-	999 652 371 12	bush		X	
2	999 652 372 40	clip		X	
3	999 652 368 40	connector housing for		X	
-	999 652 369 12	pin		X	
4	911 612 887 00	connector housing for		X	
-	999 652 351 22	contact bush		X	
5	928 612 557 00	connector housing for		X	
-	944 612 548 00	contact bush		X	
6	999 652 381 00	connector housing with contact bush		X	
7	911 645 112 00	adapter plug with contact bush		X	
8	944 612 547 00	connector housing for		X	
-	944 612 548 00	contact bush		X	
9	911 612 118 00	connector housing with contact bush		X	
10	999 652 167 40	terminal sleeve housing 6,3		X	
11	999 652 192 47	connector housing 6,3		X	
12	810 971 989	connector housing 6,3		X	
13	171 906 231	connector housing 6,3		X	
14	171 971 934	connector housing 6,3		X	

Model	Year	MG	SG	Illustration	Restrictions	UPD	23:04	23.01.2010	PORSCHE	PET	PORSCHE
9442	1991	9	02	902-56		248					

Pos	Part Number	Description	Remark	Qty	Model	Pos	Part Number	Description	Remark	Qty	Model
15	815 971 989	connector housing 6,3		X							
16	022 906 231 A	connector housing grey for		X							
-	N 903 353 03	contact spring		X							
16	928 612 825 00	connector housing beige		X							
18	810 971 993	terminal sleeve housing		X							
19	171 971 998 A	terminal sleeve housing 1,6		X							
20	171 971 999 A	connector housing 1,6		X							
21	171 971 999 A	terminal sleeve housing 1,6		X							
22	944 612 439 00	connector housing for cigarette lighter		X							

Model	Year	MG	SG	Illustration	Restrictions	UPD	23:04	23.01.2010	PORSCHE	PET	PORSCHE
9442	1991	9	02	902-58		248					

Pos	Part Number	Description	Remark	Qty	Model
1	165 941 165	connector housing 3-pole		X	
2	113 945 525	connector housing 3,5		X	
3	944 612 436 00	terminal sleeve housing 6,3		X	
-	944 612 428 00	connector for round connector		X	
4	944 612 435 00	connector housing for		X	
-	944 612 427 00	contact bush		X	
5	171 971 998 B	connector housing 1,6		X	
6	171 971 999 B	terminal sleeve housing 1,6		X	
7	113 919 113	connector housing 1,6		X	
8	821 971 970	connector housing 6,3		X	
9	821 971 975	terminal sleeve housing 6,3		X	
10	111 941 341	terminal sleeve housing 6,3		X	
11	914 612 327 10	connector housing 6,3		X	
12	311 906 231 B	connector housing		X	
13	022 906 233 B	connector housing		X	

Model	Year	MG	SG	Illustration	Restrictions	UPD	23:04	23.01.2010	PORSCHE	PET	PORSCHE
9442	1991	9	02	902-60		248					

Pos	Part Number	Description	Remark	Qty	Model
1	901 612 891 01	connector housing 4-pole		X	
-	999 652 371 12	bush		X	
2	901 612 891 00	connector housing with		X	
-	999 652 371 12	bush		X	
3	944 612 217 00	connector housing with		X	
-	999 652 351 22	contact bush		X	
4	171 971 999 C	connector housing 1,6		X	
5	171 971 998 C	terminal sleeve housing 1,6		X	
6	914 612 325 00	plug socket 1,6		X	
7	928 612 131 00	connector housing		X	
8	901 612 334 00	plug socket		X	
9	928 631 108 00	connector housing 6,3		X	
10	803 905 897	connector housing 6,3		X	

Model	Year	MG	SG	Illustration	Restrictions	UPD	23:05	23.01.2010	PORSCHE	PET	PORSCHE
9442	1991	9	02	902-62		248					

Pos	Part Number	Description	Remark	Qty	Model
		connector housing 5-pole 6-pole 7-pole			
1	113 971 835	terminal sleeve housing 2,8		X	
2	901 612 333 00	plug socket for standard type relay		X	
3	928 612 411 00	clutch with contact bush		X	
4	803 971 835 A	terminal sleeve housing for relay		X	
5	928 612 335 25	coding element		X	
6	928 612 332 00	module housing		X	
-	999 652 451 22	coding element		X	
7	928 612 331 00	initial housing		X	
8	928 612 542 00	clutch housing		X	
9	944 612 539 00	clutch 6-pole		X	
13	171 971 999 E	connector housing 1,6		X	
14	171 971 998 E	connector housing 1,6		X	
15	803 971 831	terminal sleeve housing 6,3		X	
16	911 612 868 01	clutch with contact bush		X	
(16)	911 612 868 01	clutch with contact bush		X	
17	911 612 867 02	connector with contact pin		X	

Model	Year	MG	SG	Illustration	Restrictions	UPD	23:05	23.01.2010	PORSCHE	PET	PORSCHE
9442	1991	9	02	902-62		248					

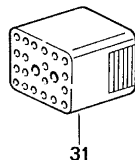
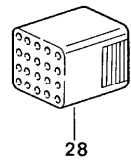
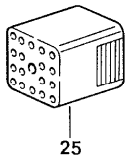
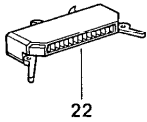
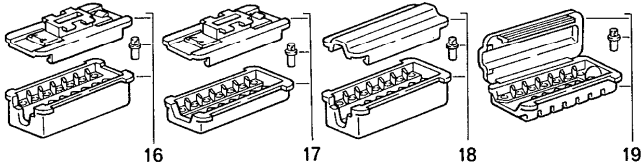
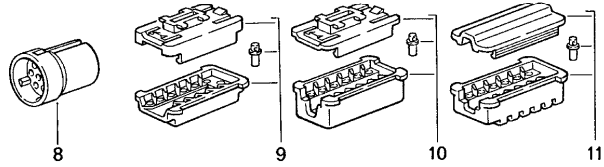
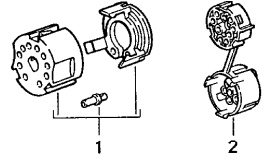
Pos	Part Number	Description	Remark	Qty	Model	Pos	Part Number	Description	Remark	Qty	Model
18	928 612 469 00	clutch for contact pin		X							
19	944 612 537 00	clutch		X							
20	901 612 330 00	multiple plug connection		X							
21	901 612 061 00	clutch 7-pole		X							
27	911 612 332 00	plug socket		X							
28	911 612 331 00	connector		X							
29	803 971 980	pin connector socket		X							
30	803 971 979	plug socket		X							
31	071 906 233	terminal sleeve housing		X							
32	111 953 631	terminal sleeve housing		X							

Model	Year	MG	SG	Illustration	Restrictions	UPD	23:05	23.01.2010	PORSCHE	PET	PORSCHE
9442	1991	9	02	902-64		248					

Pos	Part Number	Description	Remark	Qty	Model
		connector housing 8-pole 9-pole			
1	944 612 117 00	connector housing with		X	
-	999 652 371 12	bush		8	
2	928 612 117 01	connector housing with		X	
-	999 652 371 12	bush		8	
3	999 652 395 40	connector housing		X	
4	999 652 396 40	clip		X	
5	944 612 554 00	connector housing for		X	
-	944 612 548 00	contact bush			
6	944 612 553 00	connector housing		X	
7	803 971 971	connector housing 6,3		X	
8	113 971 998 B	connector housing		X	
9	321 971 999 A	terminal sleeve housing		X	
10	911 612 120 00	connector housing 6,3		X	
		9-pole			
16	135 937 501 A	terminal sleeve housing		X	
17	849 941 593	connector housing		X	

Model	Year	MG	SG	Illustration	Restrictions	UPD	23:05	23.01.2010	PORSCHE	PET	PORSCHE
9442	1991	9	02	902-66		248					

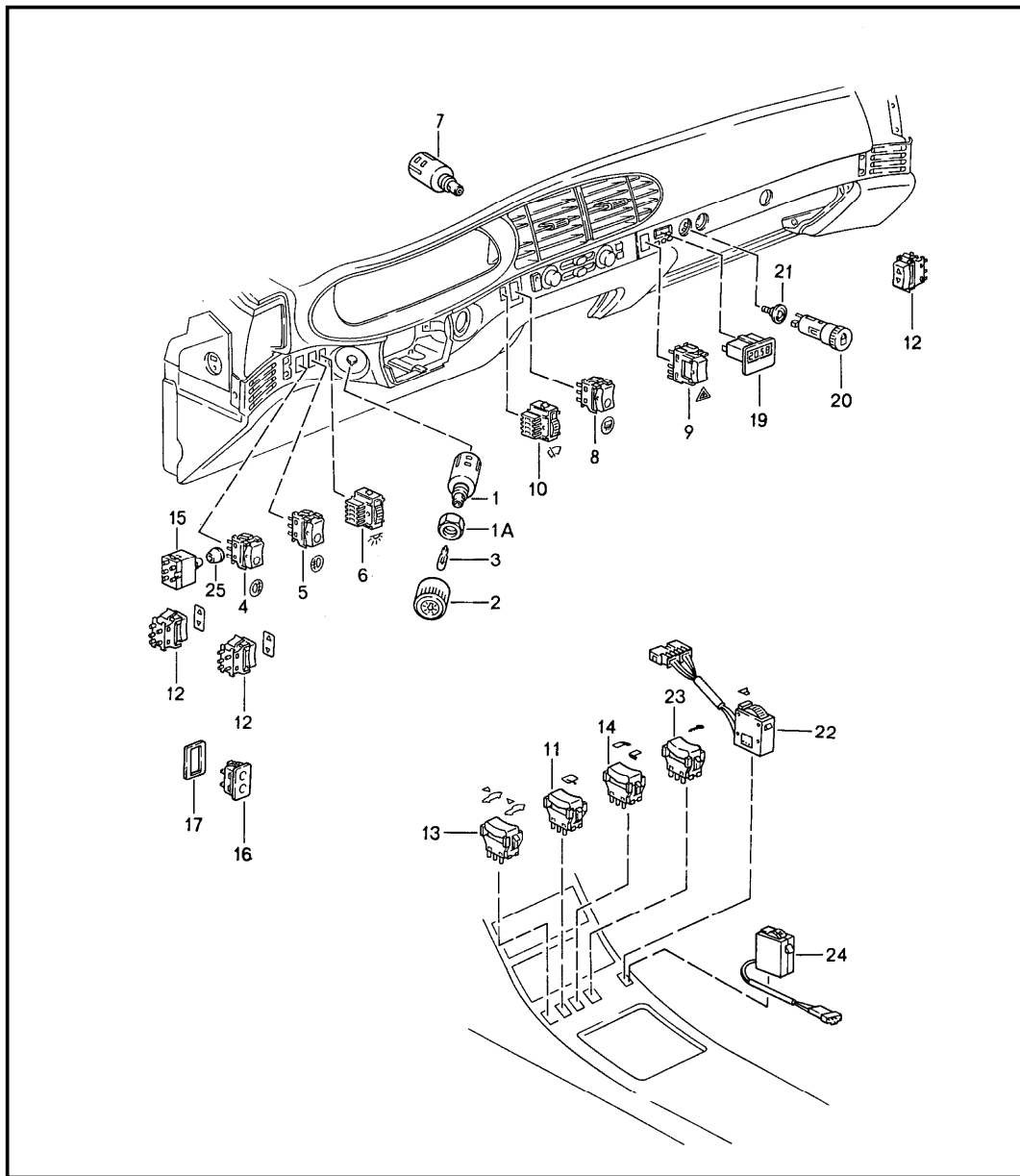
Pos	Part Number	Description	Remark	Qty	Model
		connector housing 10-pole until 22-pole			
1	911 612 889 00	connector housing with contact bush		X 10	
(2)	944 613 531 01	connector housing for		X	
-	944 612 548 00	contact bush		X	
8	861 972 524	connector housing		X	
9	911 612 122 02	connector housing with contact bush		X 12	
10	928 612 423 00	connector housing		X	
11	911 612 884 00	connector housing		X	
11	911 612 121 01	connector housing		X	
16	911 612 115 02	connector housing		X	
17	911 612 113 05	connector housing		X	
18	911 612 115 03	connector housing		X	
19	944 612 215 00	connector housing with contact bush		X 14	
22	944 612 311 00	connector housing for		X	
-	999 652 380 12	contact spring		X	
25	171 971 971 C	connector housing beige		X	
25	171 971 971 E	connector housing white		X	



Model	Year	MG	SG	Illustration	Restrictions	UPD	23:05	23.01.2010	PORSCHE	PET	PORSCHE
9442	1991	9	02	902-66		248					

Pos	Part Number	Description	Remark	Qty	Model	Pos	Part Number	Description	Remark	Qty	Model
		20-pole									
28	171 971 971	connector housing yellow		X							
28	171 971 971 D	connector housing red		X							
		22-pole									
31	171 971 971 A	connector housing black		X							
31	171 971 971 B	connector housing blue		X							

Model	Year	MG	SG	Illustration	Restrictions	UPD	23:05	23.01.2010	PORSCHE	PET	PORSCHE
9442	1991	9	03	903-00		248					

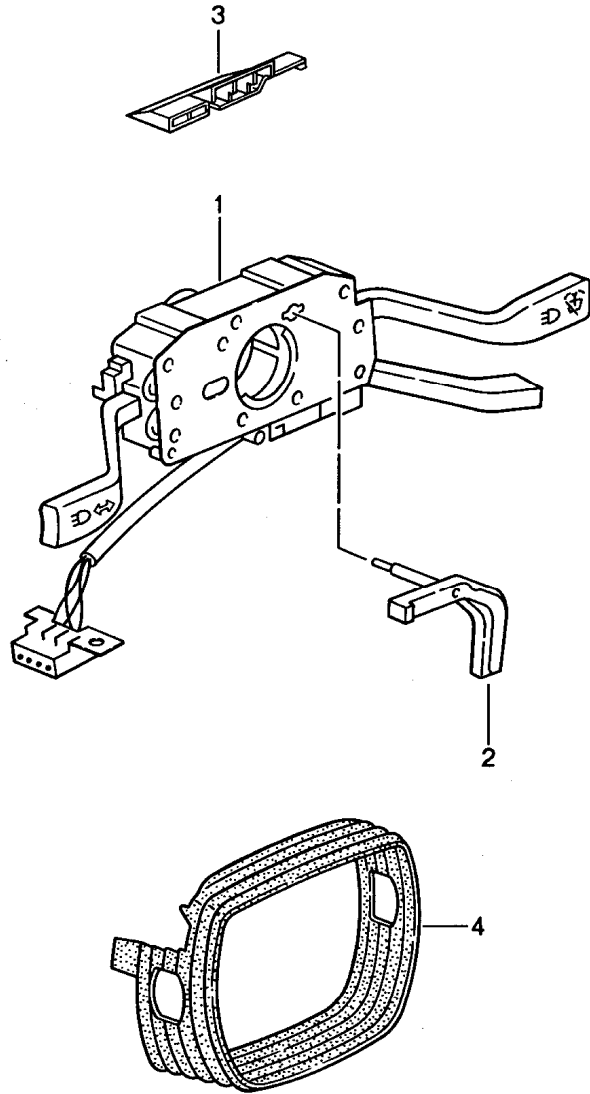


Pos	Part Number	Description	Remark	Qty	Model
1	993 613 531 00	switch clock		1	
1A	900 034 013 02	hexagon nut		1	
2	944 613 533 01	knob		1	
3	999 631 130 90	bulb 0,30 W		1	
4	944 613 121 01	switch for fog headlamp		1	
5	944 613 120 04	switch for rear fog light		1	
6	944 613 131 00	potentiometer		1	
7	944 641 321 00	tip switch trip meter		1	
8	944 613 117 00	rocker switch for rear window heating		1	
9	944 613 235 00	hazard warning light sw.		1	
		01C satin black			
10	944 613 115 00	potentiometer windscreen wiper system		1	
11	951 613 113 00	rocker switch		1	
		01C satin black for rear window wiper			
12	951 613 133 00	tip switch for power window		3	
13	944 613 123 00	tip switch		1	
		01C satin black lifting roof			
13	944 613 123 00	tip switch		1	CABRIO
		01C satin black for convertible top electric			

Model	Year	MG	SG	Illustration	Restrictions	UPD	23:05	23.01.2010	PORSCHE	PET	PORSCHE
9442	1991	9	03	903-00		248					

Pos	Part Number	Description	Remark	Qty	Model	Pos	Part Number	Description	Remark	Qty	Model
14	944 613 220 00	rocker switch mirror changeover switch		1							
15	928 613 241 00	switch door mirror		1							
16	944 613 129 01	tip switch		1							
	01C	satin black for rear lid release									
17	477 867 185 B	mounting piece for switch		1							
-	477 867 189	spring clamp for mounting piece		2							
19	944 641 913 00	clock		1							
	01C	satin black									
-	944 641 900 00	glass-base bulb		1							
20	944 652 307 00	cigarette lighter		1							
21	644 652 112 00	glower		1							
-	999 632 014 00	bulb socket for cigarette lighter		1							
-	N 012 469 1	circlip for cigarette lighter		1							
22	944 645 054 00	fader		1							
23	951 613 147 00	switch		1							
	01C	satin black door latch									
24	944 631 230 00	switch for headlight levelling system		1							
25	944 613 265 00	knob for switch door mirror		1							

Model	Year	MG	SG	Illustration	Restrictions	UPD	23:05	23.01.2010	PORSCHE	PET	PORSCHE
9442	1991	9	03	903-02		248					

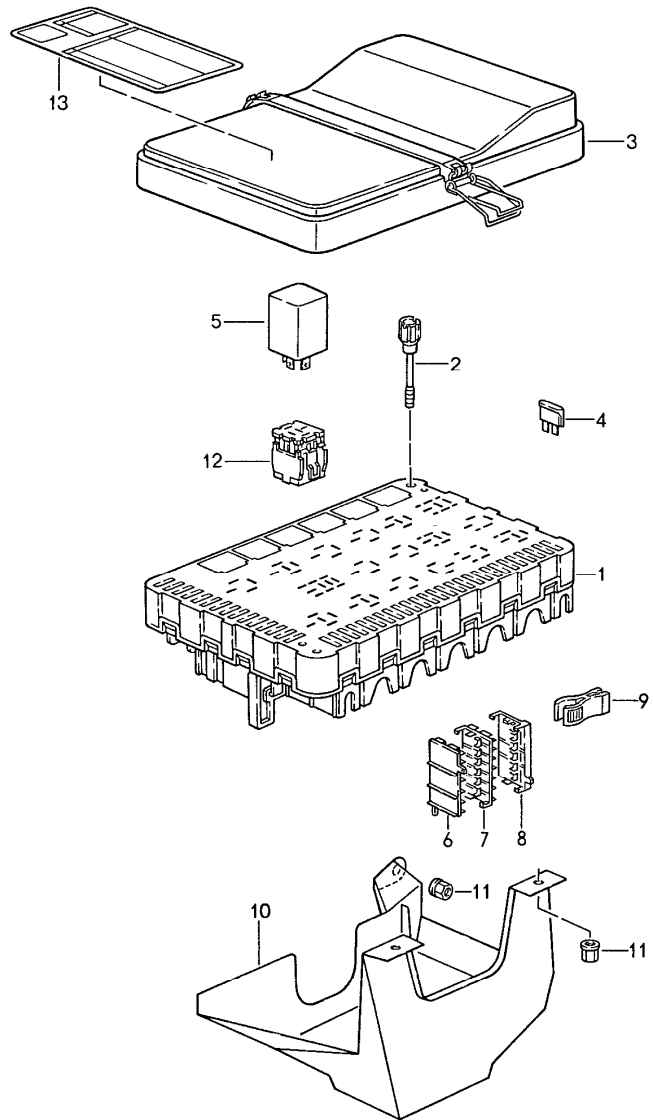


Pos	Part Number	Description	Remark	Qty	Model
1	928 613 316 00	steering column switch		1	
	01C	black for cars without headlight washer system			
1	928 613 312 00	steering column switch		1	M454/488
	01C	black for cars without headlight washer system			
1	928 613 314 00	steering column switch		1	M126/454
	01C	black for cars without headlight washer system			
1	928 613 313 00	steering column switch		1	M130/454
	01C	black for cars without headlight washer system			
1	928 613 308 00	steering column switch		1	
	01C	black for cars with headlight washer system			
1	928 613 304 00	steering column switch		1	M454/488
	01C	black for cars with headlight washer system			
1	928 613 306 00	steering column switch		1	M126/454
	01C	black for cars with headlight washer system			
1	928 613 305 00	steering column switch		1	M130/454
	01C	black for cars with headlight washer system			
2	928 652 104 00	contact plate		1	
3	944 843 613 02	restricting wedge for steering column switch	91	1	M562
4	944 552 373 20	boot		1	M562

Model	Year	MG	SG	Illustration	Restrictions	UPD	23:05	23.01.2010	PORSCHE	PET	PORSCHE
9442	1991	9	03	903-02		248					

Pos	Part Number	Description	Remark	Qty	Model	Pos	Part Number	Description	Remark	Qty	Model
	01C	black for steering column switch									

Model	Year	MG	SG	Illustration	Restrictions	UPD	23:06	23.01.2010	PORSCHE	PET	PORSCHE
9442	1991	9	03	903-05		248					



Pos	Part Number	Description	Remark	Qty	Model
		central electrical system			
1	944 610 110 00	mounting plate		1	
2	944 610 611 00	screw		2	
3	944 610 017 02	lid		1	
3	944 610 017 02	lid		1	
		fuse			
4	999 607 005 00	fuse 7,5 A		X	
4	999 607 007 00	fuse 15 A		X	
4	999 607 009 00	fuse 25 A		X	
4	999 607 010 00	fuse 30 A		X	
5		relay			
G1	944 615 119 00	relay for blower		1	
G2	141 951 253 B	relay for KL 15		1	
G3	928 615 203 00	relay for rear window heating		1	
G4	111 953 227 D	flasher relay		1	
G4	928 615 131 00	flasher relay for cars with trailer coupling		1	
G5 A	993 615 227 00	relay for - dme - fuel pump		1	
G5	993 615 227 01	relay for - dme - fuel pump		1	
G6	944 610 183 03	adapter for cars with rear fog light	/LL	1	

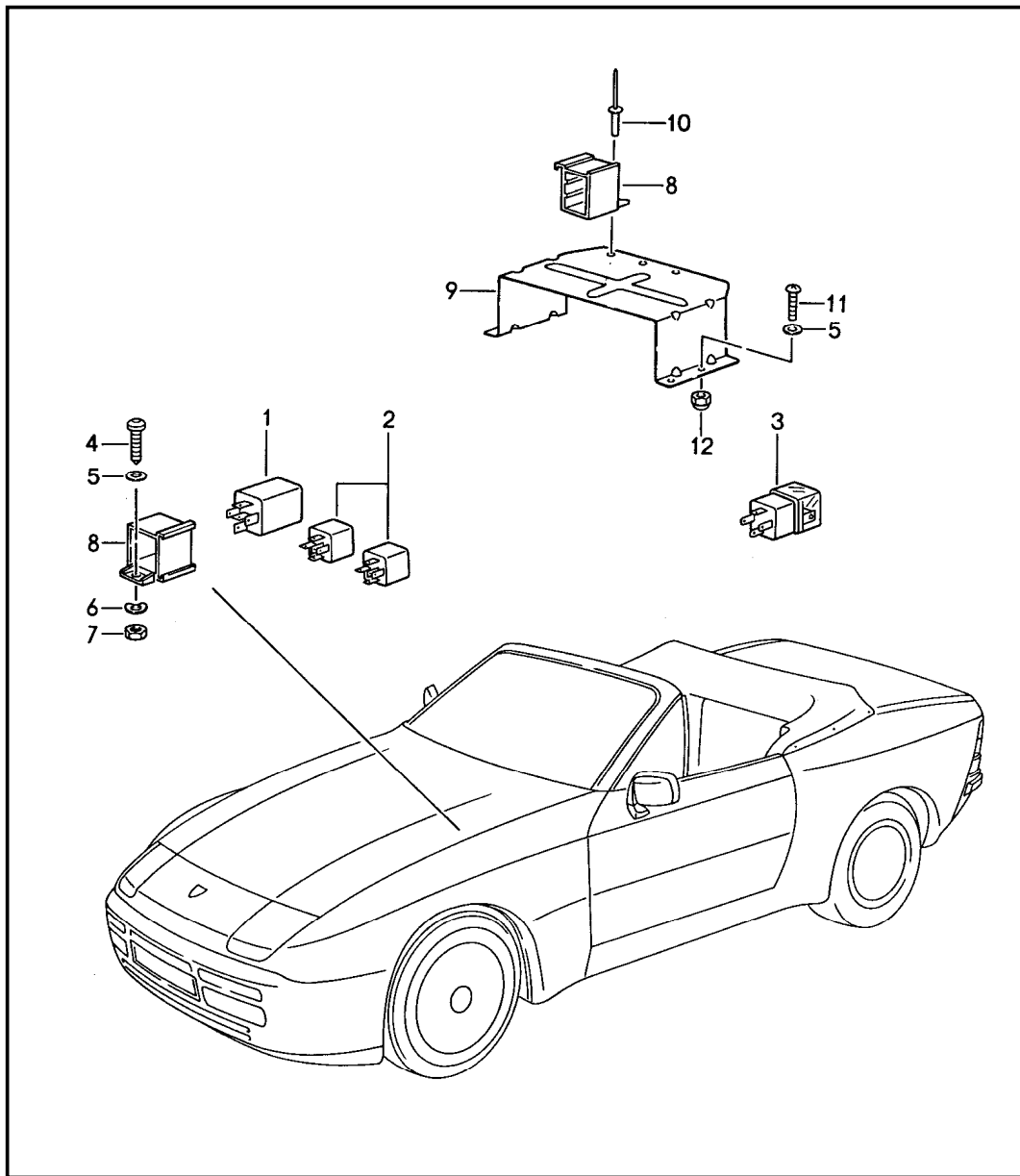
Model	Year	MG	SG	Illustration	Restrictions	UPD	23:06	23.01.2010	PORSCHE	PET	PORSCHE
9442	1991	9	03	903-05		248					

Pos	Part Number	Description	Remark	Qty	Model	Pos	Part Number	Description	Remark	Qty	Model
G6	944 610 183 02	adapter for cars with fog headlamp rear fog light	/LL	1		G7	944 615 112 02	relay for power window		1	
G6	944 610 183 01	adapter for cars with fog headlamp	/LL (N)	1		G7	944 615 116 00	relay for power window	(AUS)	1	
G6	944 610 183 05	adapter for cars with fog headlamp	(J)	1		G8	944 618 215 00	relay buzzer		1	(SA)
G6	944 610 183 09	adapter for cars with rear fog light	/RL	89	1	G9	993 615 101 00	switch unit		1	
G6	944 610 183 10	adapter for cars with fog headlamp rear fog light	/RL	89	1	G10	944 615 105 02	relay for 1 motor fan		1	944
G6	944 610 183 07	adapter for cars with rear fog light only together with control unit for reduced light	/RL (GB)	89	1	G10A	944 615 104 03	relay for 2 motor fan		1	944 M573 944 S2 TURBO
G6	944 610 183 09	adapter for cars with rear fog light	/RL (GB)	89	1	G10	944 615 104 04	relay for 2 motor fan		1	944 M573 944 S2 TURBO
G6	944 610 183 08	adapter for cars with fog headlamp rear fog light only together with control unit for reduced light	/RL (GB)	89	1	G11	141 951 253 B	relay for fog headlamp rear fog light		1	
G6	944 610 183 10	adapter for cars with fog headlamp rear fog light	/RL (GB)	89	1	G12	141 951 253 B	relay for additional headlamp		1	
G6	944 610 183 03	adapter for cars with rear fog light	/RL	90-	1	G13	141 951 253 B	relay for fanfare		1	
G6	944 610 183 02	adapter for cars with fog headlamp rear fog light	/RL	90-	1	G14	191 937 503	relay for KL.X		1	
						G15	928 618 111 00	relay for headlight washer system		1	
						G16	928 618 102 03	relay warning time relay	(USA) (CDN)	1	(SA)

Model	Year	MG	SG	Illustration	Restrictions	UPD	23:06	23.01.2010	PORSCHE	PET	PORSCHE
9442	1991	9	03	903-05		248					

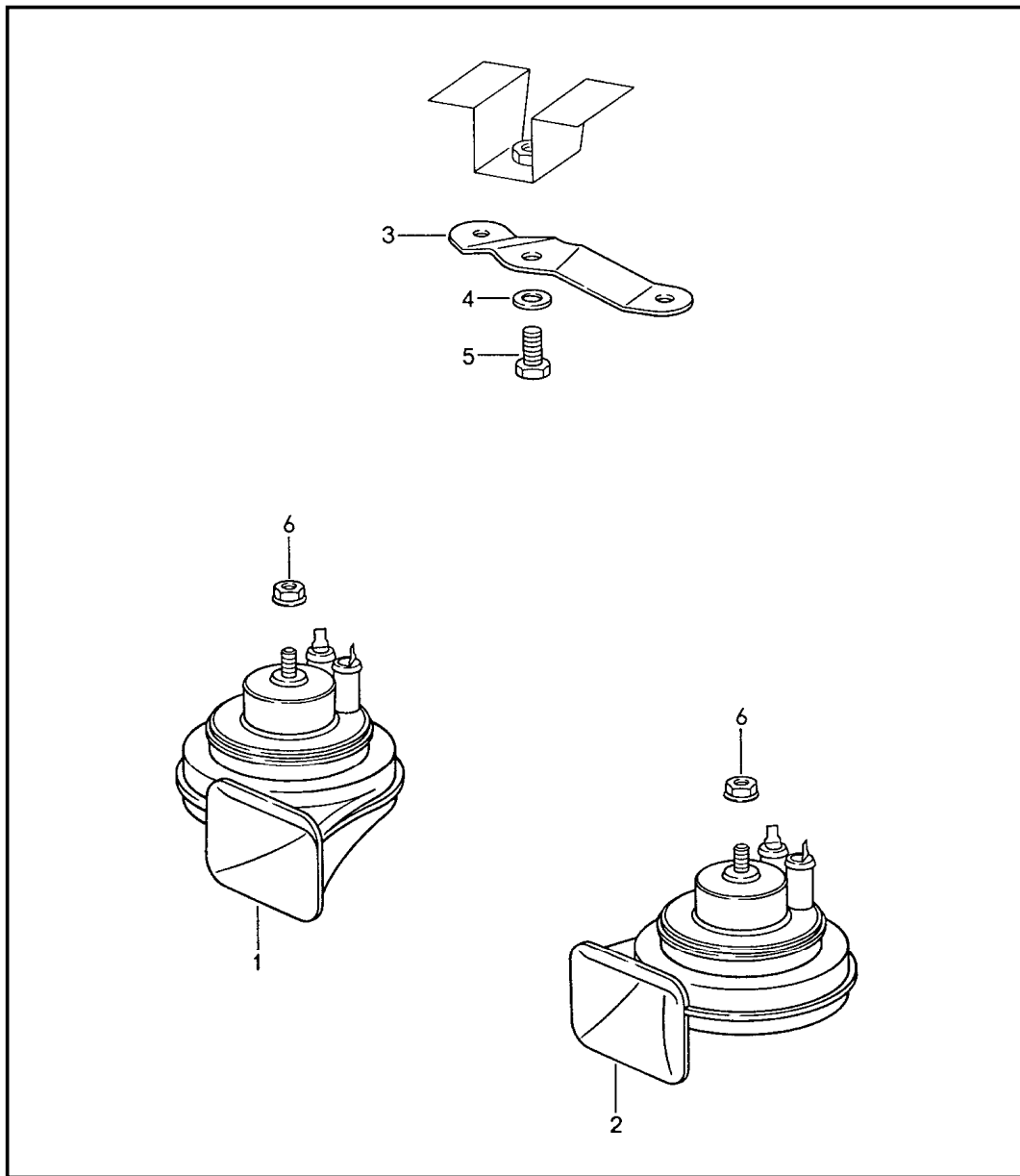
Pos	Part Number	Description	Remark	Qty	Model	Pos	Part Number	Description	Remark	Qty	Model
G16	911 617 119 00	switch unit for exhaust gas temperature monitoring	(J)	1		13	944 610 221 04	assignment sticker german	-90 91	1	TURBO
G17A	944 615 115 00	relay for air-conditioning switch		1		13	944 610 221 05	assignment sticker german	91	1	
G18	141 951 253 B	relay for fog lamp	(J)	1		13	944 610 231 04	assignment sticker english	-90 91	1	TURBO
G19	928 637 160 00	relay for alarm system		1	TURBO	13	944 610 231 05	assignment sticker english	91	1	
G19	928 615 175 00	plug bridge		1		13	A 944 610 241 04	assignment sticker french	89	1	
G20	928 615 124 01	relay for -ABS-		1		13	944 610 241 04	assignment sticker french	-90 91	1	TURBO
G21	944 615 117 02	relay for lifting roof		1		13	944 610 241 05	assignment sticker french	91	1	
G21	941 615 101 11	relay for convertible top electric		1		13	A 944 610 251 04	assignment sticker italian	89	1	
G22	951 618 149 00	relay for water pump turbocharger		1		13	944 610 251 04	assignment sticker italian	-90 91	1	TURBO
						13	944 610 251 05	assignment sticker italian	91	1	
6	928 612 331 00	initial housing black		X		13	A 944 610 261 04	assignment sticker spanish	89	1	
7	928 612 332 00	module housing		X		13	944 610 261 04	assignment sticker spanish	-90 91	1	TURBO
8	928 612 335 25	coding element		X		13	944 610 261 05	assignment sticker spanish	91	1	
9	443 941 802	tool		1		14	941 610 222 01	assignment sticker german	-90 91	1	CABRIO CABRIO TURBO
10	944 610 219 02	cover		1		14	941 610 222 02	assignment sticker english	-90 91	1	CABRIO CABRIO TURBO
11	999 591 839 40	hexagon nut		3		14	941 610 222 03	assignment sticker french	-90 91	1	CABRIO CABRIO TURBO
12	928 610 511 00	relay carrier		6		14	941 610 222 04	assignment sticker spanish	-90 91	1	CABRIO CABRIO TURBO
13	A 944 610 221 04	assignment sticker german		89		14	941 610 222 04	assignment sticker spanish	-90 91	1	CABRIO CABRIO TURBO
						14	941 610 222 05	assignment sticker italian	-90 91	1	CABRIO CABRIO TURBO

Model	Year	MG	SG	Illustration	Restrictions	UPD	23:06	23.01.2010	PORSCHE	PET	PORSCHE
9442	1991	9	03	903-06		248					



Pos	Part Number	Description	Remark	Qty	Model
		relay for convertible top control			CABRIO
1	944 615 122 00	slow-action relay		1	
2	944 615 119 00	relay for window lowering		2	
3	431 951 253 D	relay for convertible top control		2	
4	900 146 003 02	oval-head screw M5		2	
5	900 025 003 02	washer A 5,3		2	
6	N 012 035 1	lock ring		2	
7	N 011 005 14	hexagon nut		2	
8	928 615 511 00	relay holder		3	
9	944 618 551 00	clip for relay	91	1	
10	999 190 119 30	blind rivet A 4,0 X 6,8	91	3	
11	N 014 129 6	oval-head screw M 5 X 10		3	
12	N 011 125 2	cap nut M 5		3	

Model	Year	MG	SG	Illustration	Restrictions	UPD	23:06	23.01.2010	PORSCHE	PET	PORSCHE
9442	1991	9	03	903-10		248					

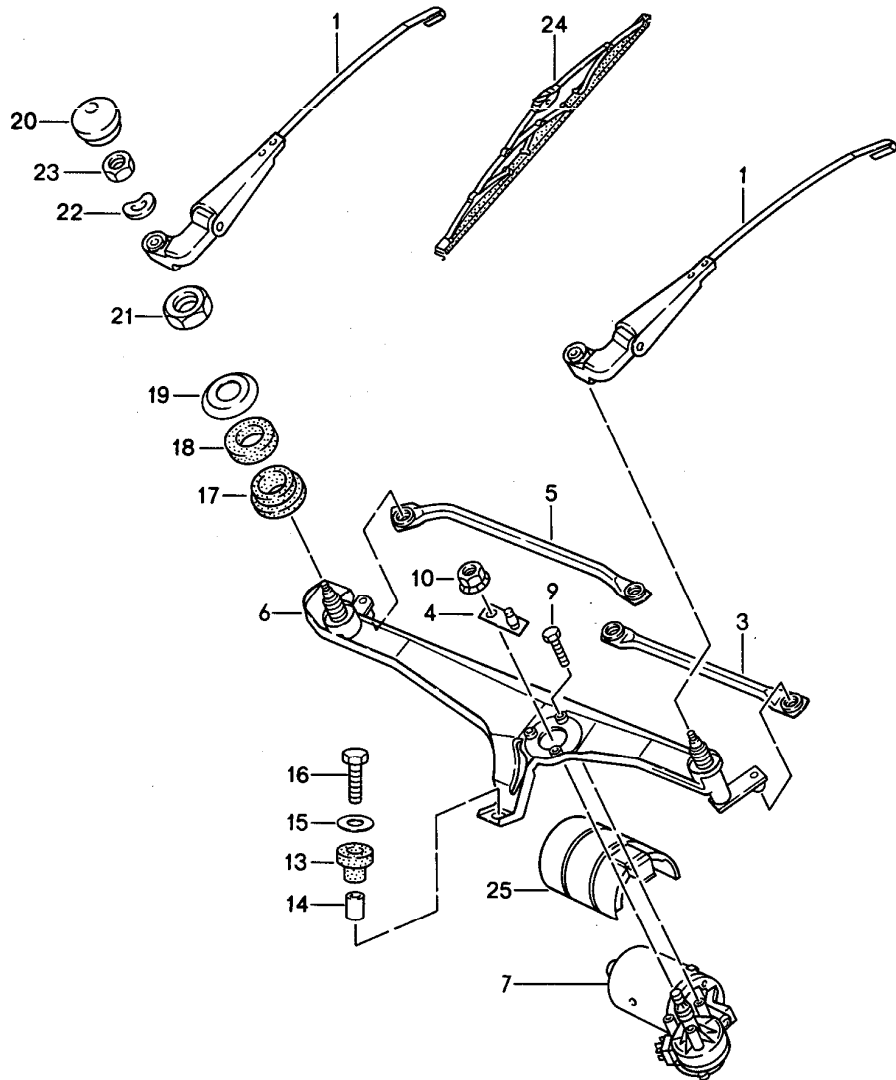


Pos	Part Number	Description	Remark	Qty	Model
1	A 928 635 222 00	horn fanfare low-pitched F >>94KN4 03115 F >>95KN1 01169		1	
1	928 635 222 00	fanfare low-pitched F >>94KN4 03115 F >>95KN1 01169		1	
1	944 635 205 00	fanfare low-pitched F 94KN4 03116>> F 95KN1 01170>>		1	
2	A 928 635 221 00	fanfare high-pitched F >>94KN4 03115 F >>95KN1 01169		1	
2	928 635 221 00	fanfare high-pitched F >>94KN4 03115 F >>95KN1 01169		1	
2	944 635 206 00	fanfare high-pitched F 94KN4 03116>> F 95KN1 01170>>		1	
3	944 635 411 00	support F >>94KN4 03115 F >>95KN1 01169		1	
3	944 635 204 00	support F 94KN4 03116>> F 95KN1 01170>>		1	
4	N 012 228 3	spring washer B 8		1	
5	900 075 078 02	hexagon-head bolt M 8 X 15		1	
6	N 011 118 11	hexagon nut M 8 F >>94KN4 03115 F >>95KN1 01169		2	
-	N 012 119 2	serrated lock washer A 8,4 F >>94KN4 03115 F >>95KN1 01169		2	

Model	Year	MG	SG	Illustration	Restrictions	UPD	23:06	23.01.2010	PORSCHE	PET	PORSCHE
9442	1991	9	03	903-10		248					

Pos	Part Number	Description	Remark	Qty	Model	Pos	Part Number	Description	Remark	Qty	Model
6	999 084 087 02	lock nut M 6 F 94KN4 03116>> F 95KN1 01170>>		2							

Model	Year	MG	SG	Illustration	Restrictions	UPD	23:06	23.01.2010	PORSCHE	PET	PORSCHE
9442	1991	9	04	904-00		248					

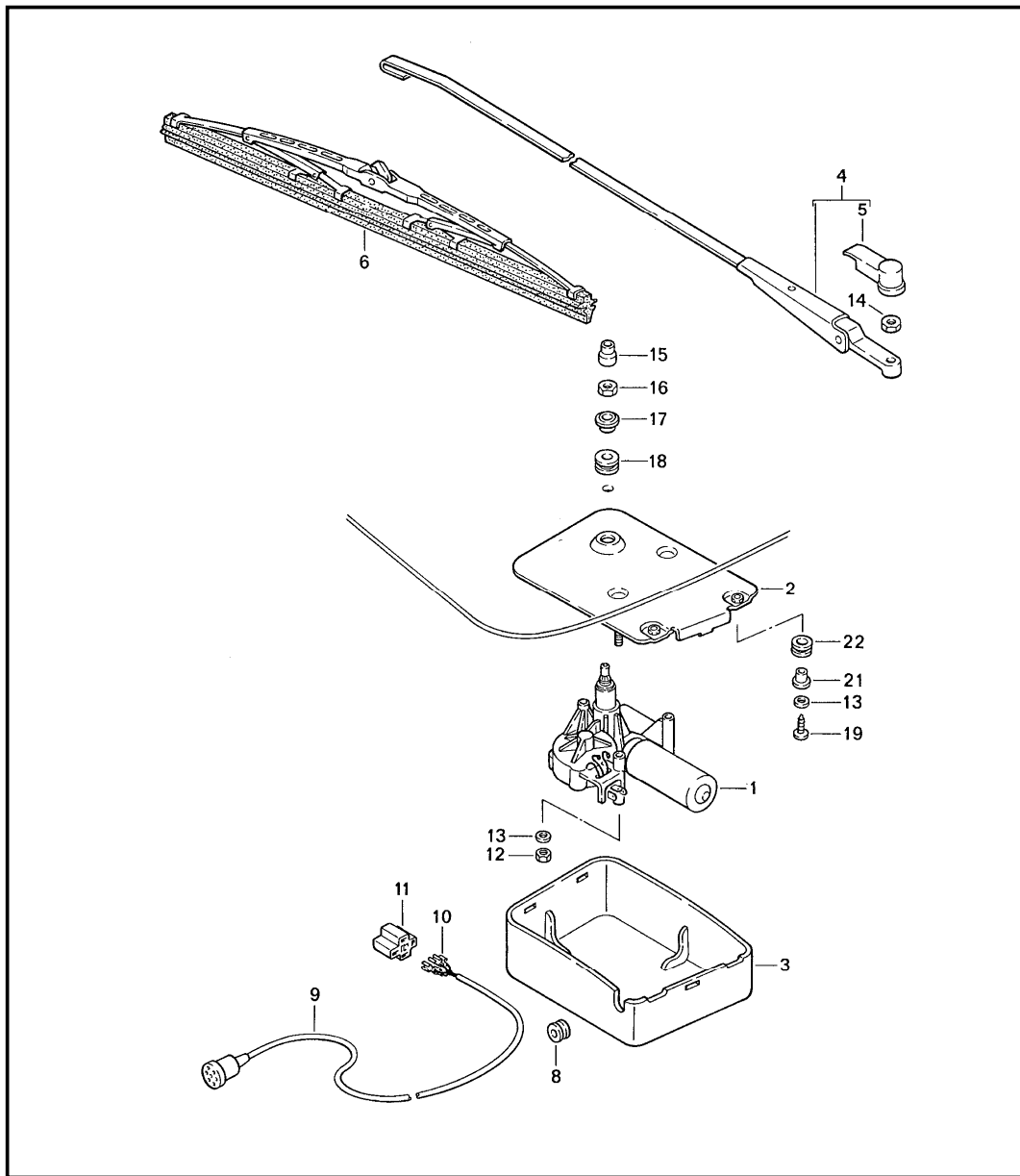


Pos	Part Number	Description	Remark	Qty	Model
		windscreen wiper system			
1	944 628 028 02	wiper arm	/LL	2	
1	945 628 028 02	wiper arm	/RL	2	
3	944 628 033 00	connecting rod short	/LL	1	
(3)	945 628 034 00	connecting rod short	/RL	1	
4	944 628 330 00	crank		1	
5	944 628 034 00	connecting rod long	/LL	1	
(5)	945 628 033 00	connecting rod long	/RL	1	
6	944 628 961 00	frame	/LL	1	
(6)	945 628 961 00	frame	/RL	1	
7	944 628 303 01	wiper motor		1	
9	900 278 003 02	screw M 6 X 20		3	
10	N 012 229 3	spring washer M 6		1	
13	944 628 126 00	grommet		1	
14	944 628 127 00	bush		1	
15	N 902 707 01	washer B 6,4		1	
16	900 075 341 02	combination screw M 6 X 20		1	
17	944 628 129 00	rubber bush		2	
18	944 628 128 01	rubber bush		2	
19	944 628 125 01	flange washer		2	
(20)	944 628 305 00	cap		2	
21	999 034 013 02	hexagon nut M 18 X 1,5		2	
22	803 955 437	washer		2	
23	N 011 151 3	hexagon nut M 8		2	

Model	Year	MG	SG	Illustration	Restrictions	UPD	23:06	23.01.2010	PORSCHE	PET	PORSCHE
9442	1991	9	04	904-00		248					

Pos	Part Number	Description	Remark	Qty	Model	Pos	Part Number	Description	Remark	Qty	Model
24	928 628 901 01	wiper blade		2							
24	928 628 901 03	wiper blade		2							
25	A 944 628 101 00	cover		1							
25	944 628 101 02	cover		1							
	01C	satin black									

Model	Year	MG	SG	Illustration	Restrictions	UPD	23:06	23.01.2010	PORSCHE	PET	PORSCHE
9442	1991	9	04	904-05		248					

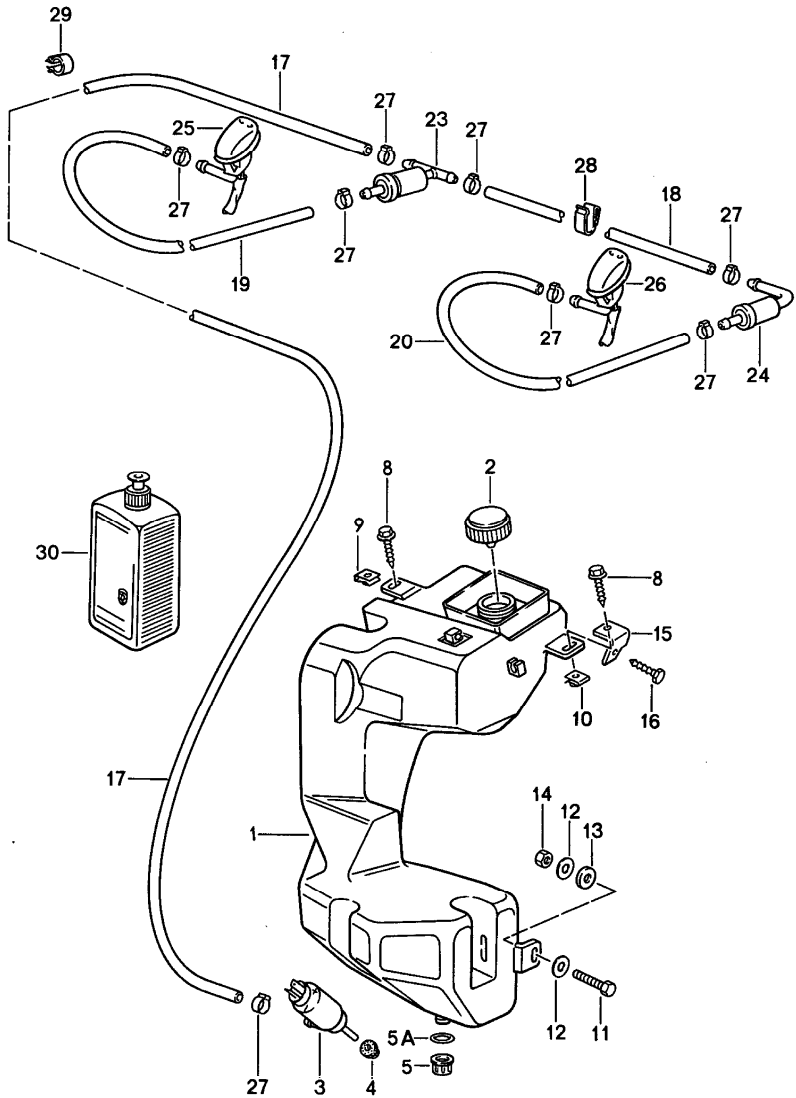


Pos	Part Number	Description	Remark	Qty	Model
		rear window wiper			M425
		see technical information GR.5, NR.1/90			
(1)	477 955 713 A	wiper motor		1	
		F >>94KN4 03598			
		F >>95KN1 01260			
1	944 628 030 00	wiper motor		1	
		F 94KN4 03599>>			
		F 95KN1 01261>>			
(2)	944 628 071 01	mounting plate		1	
		F >>94KN4 03598			
		F >>95KN1 01260			
2	944 628 0-1 02	mounting plate		1	
		03C black			
		F 94KN4 03599>>			
		F 95KN1 01261>>			
3	477 955 737 A	cap		1	
		01C satin black			
(4)	477 955 409 A	wiper arm		1	
		F >>94KN4 03598			
		F >>95KN1 01260			
4	944 628 032 00	wiper arm		1	
		F 94KN4 03599>>			
		F 95KN1 01261>>			
(5)	477 955 415	cap		1	
		F >>94KN4 03598			
		F >>95KN1 01260			
5	944 628 122 00	cap		1	
		F 94KN4 03599>>			
		F 95KN1 01261>>			
(6) A	928 628 218 01	wiper blade		1	
		F >>94KN4 03598			
		F >>95KN1 01260			
(6)	928 628 218 02	wiper blade		1	
		F >>94KN4 03598			
		F >>95KN1 01260			
6	944 628 132 00	windscreen wiper blade		1	
		F 94KN4 03599>>			
		F 95KN1 01261>>			

Model	Year	MG	SG	Illustration	Restrictions	UPD	23:06	23.01.2010	PORSCHE	PET	PORSCHE
9442	1991	9	04	904-05		248					

Pos	Part Number	Description	Remark	Qty	Model	Pos	Part Number	Description	Remark	Qty	Model
6	944 628 132 01	windscreen wiper blade F 94KN4 03599>> F 95KN1 01261>>		1		(18)	477 955 439	grommet F >>94KN4 03598 F >>95KN1 01260		2	
8	111 941 189	drain bush		1		18	533 955 758	grommet F 94KN4 03599>> F 95KN1 01261>>		1	
9	477 971 345 A	wiring harness for cars without additional brake light		1		(19)	N 014 140 5	oval-head screw M 6 X 15 F >>94KN4 03598 F >>95KN1 01260		2	
9	944 612 065 01	wiring harness for cars with additional brake light		1		19	N 014 133 8	oval-head screw M 5 X 12 F 94KN4 03599>> F 95KN1 01261>>		2	
10	N 017 490 6	flat connector 6,3 X 1		3		(21)	937 503 255 01	spacer F >>94KN4 03598 F >>95KN1 01260		2	
11	803 971 835 A	terminal sleeve housing		1		21	999 209 017 02	spacer sleeve F 94KN4 03599>> F 95KN1 01261>>		2	
12	900 076 010 02	hexagon nut M 6		2		(22)	111 953 547	grommet F >>94KN4 03598 F >>95KN1 01260		2	
13	N 011 524 7	washer A 6,4		4		22	999 702 180 40	rubber sleeve F 94KN4 03599>> F 95KN1 01261>>		2	
14	999 084 045 02	lock nut M 6 F >>94KN4 03598 F >>95KN1 01260		1							
14	N 011 151 3	hexagon nut M 8 F 94KN4 03599>> F 95KN1 01261>>		1							
15	211 955 275 A	cap F >>94KN4 03598 F >>95KN1 01260		1							
16	311 955 243 A	hexagon nut F >>94KN4 03598 F >>95KN1 01260		1							
16	477 955 149	hexagon nut F 94KN4 03599>> F 95KN1 01261>>		1							
(17)	477 955 435 A	washer F >>94KN4 03598 F >>95KN1 01260		1							
17	445 955 753	bush F 94KN4 03599>> F 95KN1 01261>>		1							

Model	Year	MG	SG	Illustration	Restrictions	UPD	23:07	23.01.2010	PORSCHE	PET	PORSCHE
9442	1991	9	04	904-10		248					

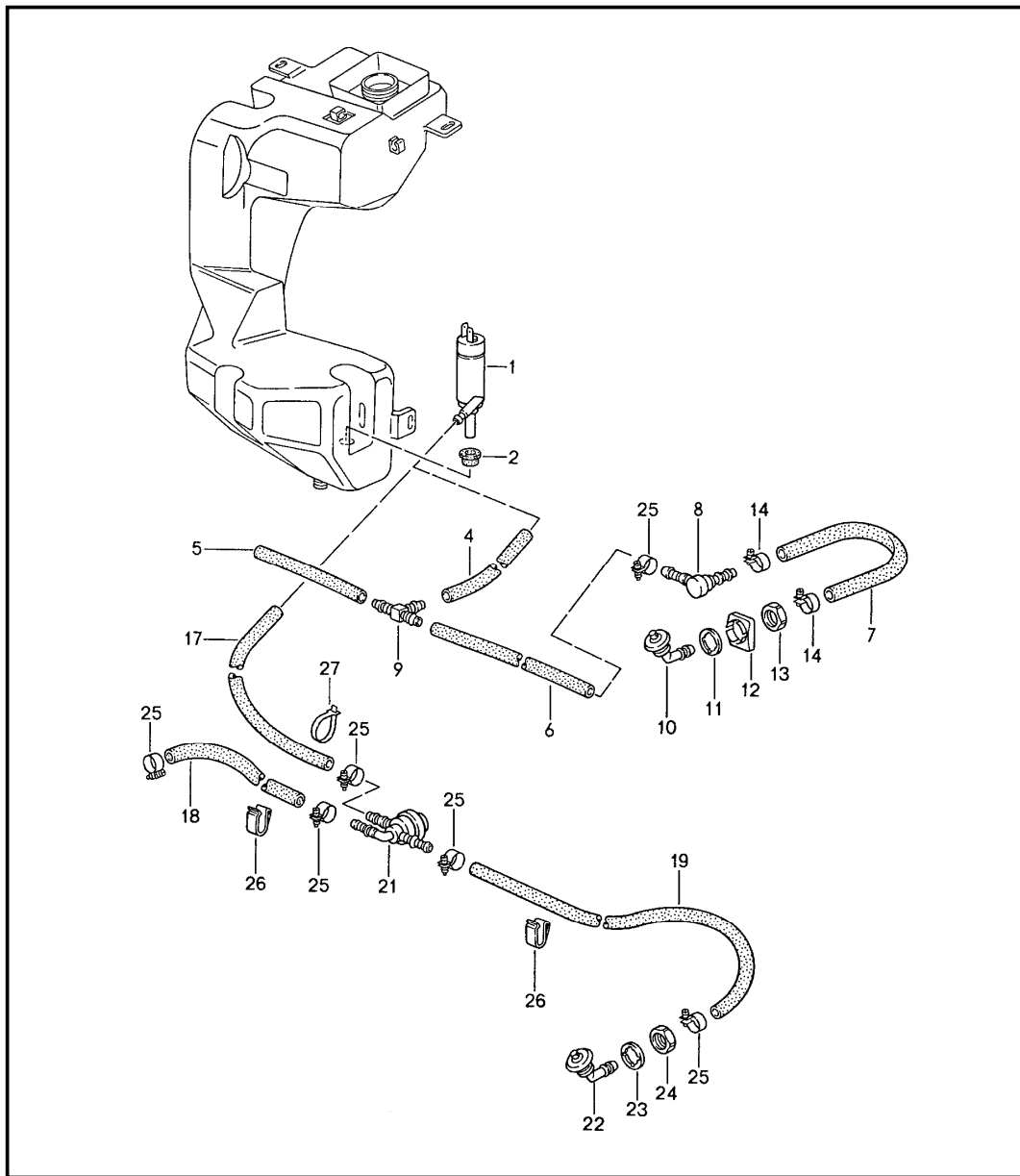


Pos	Part Number	Description	Remark	Qty	Model
		windscreen washer system			
1	944 628 061 00	water reservoir for cars with headlight washer system		1	
(1)	944 628 060 00	water reservoir for cars without headlight washer system		1	
2	911 628 077 01	lid		1	
3	928 628 172 01	pump		1	
4	431 955 465 B	gasket		1	
5	999 063 015 40	stopper		1	
5A	999 707 171 40	o-ring		1	
8	N 090 172 1	combination screw B 6,3 X 19		2	
9	999 507 034 02	speed nut B 6,3		1	
10	999 591 327 02	speed nut B 6,3		1	
11	900 075 017 02	hexagon-head bolt M 6 X 25		1	M288
12	N 011 666 7	washer B 6,4		2	M288
13	N 900 067 01	washer 6,4 X 18 X 4		1	M288
14	900 076 010 02	hexagon nut M 6		1	M288
15	944 628 066 00	support		1	
16	N 100 515 01	hexagon-head bolt M 6 X 15		1	
-	999 181 722 40	hose 4,6 X 1,8		*	
17	-	1830 MM		1	
(17)	-	2150 MM		1	M288
18	-	480 MM		1	
19	-	250 MM		1	

Model	Year	MG	SG	Illustration	Restrictions	UPD	23:07	23.01.2010	PORSCHE	PET	PORSCHE
9442	1991	9	04	904-10		248					

Pos	Part Number	Description	Remark	Qty	Model	Pos	Part Number	Description	Remark	Qty	Model
20	-	330 MM		1							
23	914 628 433 00	valve		1							
24	477 955 481	valve		1							
25	944 628 077 00	nozzle	/R	1							
	01C	black heatable									
26	928 628 077 00	nozzle	/L	1							
	70B	black heatable									
27	N 100 020 01	clamp 10/6		8							
28	944 628 181 00	retaining clip		6							
(28)	431 971 848 A	retaining clip		X							
29	477 971 851	cable clip		1							
30	999 901 017 41	window cleaner 250 ML summer		X							
30	999 901 033 40	window cleaner 1000 ML winter		X							

Model	Year	MG	SG	Illustration	Restrictions	UPD	23:07	23.01.2010	PORSCHE	PET	PORSCHE
9442	1991	9	04	904-15		248					

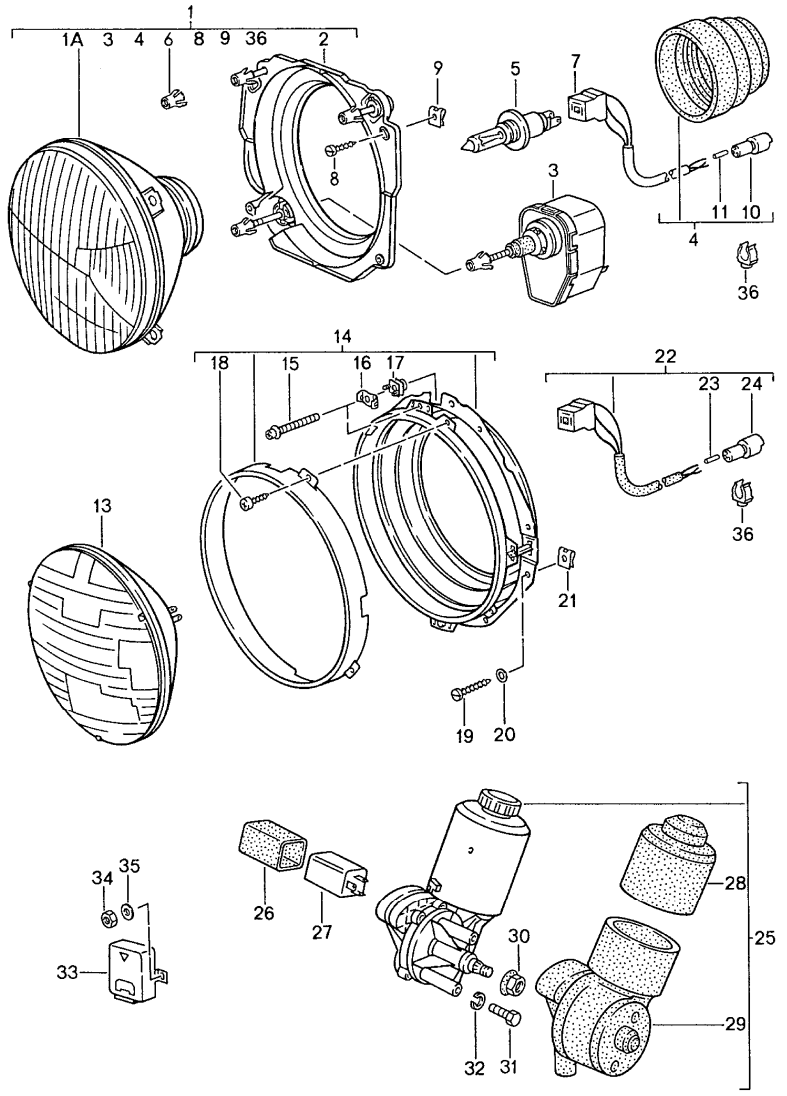


Pos	Part Number	Description	Remark	Qty	Model
		headlight washer system			M288
1	191 955 681	pump		1	
2	431 955 465 A	gasket		1	
-	N 020 126 1	pipe 12,5 X 1,25		*	
4	-	410 MM		1	
5	-	60 MM		1	
(5)	-	100 MM		1	M036/058
6	-	800 MM		1	
(6)	-	890 MM		1	M036/058
7	928 528 161 02	hose 9 X 1,5		2	
8	477 955 183	pressure control valve		2	
9	113 955 975 B	t-piece		1	
10	928 528 071 02	jet carrier		2	
		03C black			
(10)	477 955 177	jet carrier		2	M036/058
11	944 628 803 00	rubber washer		2	
12	944 628 801 00	torsion protection		2	
13	N 019 121 1	nut		2	
14	N 023 570 2	hose clamp 15/9		4	
-	999 181 806 40	hose 10 X 3		*	
17	-	700 MM		1	
18	-	480 MM		1	
19	-	550 MM		1	
21	281 955 187	valve		1	
22	911 628 071 01	jet carrier		2	
23	951 628 173 00	desk pad		2	
24	N 019 121 1	nut		2	

Model	Year	MG	SG	Illustration	Restrictions	UPD	23:07	23.01.2010	PORSCHE	PET	PORSCHE
9442	1991	9	04	904-15		248					

Pos	Part Number	Description	Remark	Qty	Model	Pos	Part Number	Description	Remark	Qty	Model
25	N 023 570 2	hose clamp 15/9		6							
26	999 651 159 02	cable clamp		6							
27	999 513 003 40	tie-wrap 6,5 X 150		1							

Model	Year	MG	SG	Illustration	Restrictions	UPD	23:07	23.01.2010	PORSCHE	PET	PORSCHE
9442	1991	9	05	905-00		248					

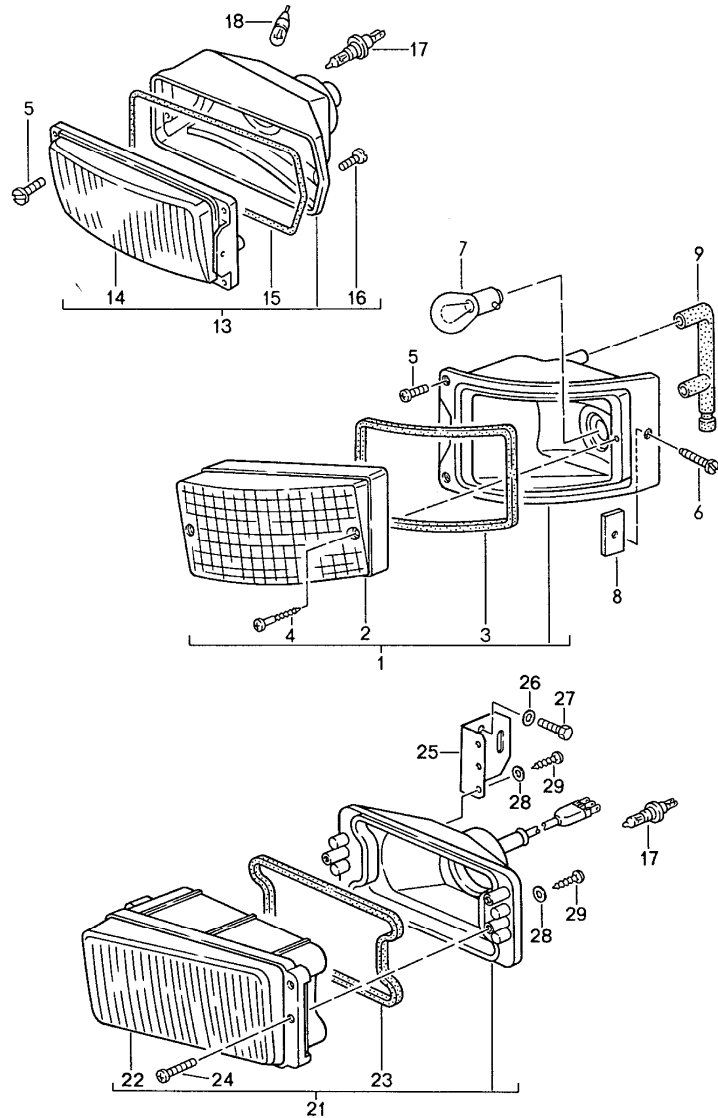


Pos	Part Number	Description	Remark	Qty	Model
		headlamp electric motor pop-up headlight			
1	944 631 911 05	headlamp installation set		2	
1	944 631 911 04	headlamp installation set		2	M605
1	944 631 911 09	headlamp installation set		2	M492
1	944 631 911 08	headlamp installation set		2	M492/605
1A	* 944 631 910 00	headlamp		2	
1A	* 944 631 911 00	headlamp		2	M492
2	* 944 631 907 00	retaining frame		2	
3	* 944 631 909 00	electric motor		2	M605
4	* 944 612 057 00	cap		2	
5	999 631 202 90	halogen bulb		2	
5	999 631 202 91	halogen bulb	(F)	2	
6	944 631 912 00	articulated piece		6	
7	111 941 341	terminal sleeve housing		2	
8	* 900 143 041 00	tapping screw B 3,9 X 19		6	
(8)	* N 013 964 4	tapping screw B 4,2 X 16		2	
9	* 999 507 252 02	nut B 3,9		6	
10	* 944 612 435 00	plug socket		2	
11	* 944 612 427 00	contact bush		2	
(11)	* 944 612 428 00	round connector		4	
25	477 941 379 B	electric motor		1	
26	477 971 923	protection cap		1	
27	A 111 943 383 C	relay		1	
28	477 941 387	protection cap		1	

Model	Year	MG	SG	Illustration	Restrictions	UPD	23:07	23.01.2010	PORSCHE	PET	PORSCHE
9442	1991	9	05	905-00		248					

Pos	Part Number	Description	Remark	Qty	Model	Pos	Part Number	Description	Remark	Qty	Model
29	477 941 386	protection cap		1							
30	999 084 045 02	lock nut M 6		1							
31	999 072 005 09	hexagon-head bolt M 6 X 12		3							
32	N 012 006 4	lock ring B 6		3							
33	911 618 231 00	control unit for reduced light	(GB)	89	1						
34	900 076 010 02	hexagon nut M 6	(GB)	89	1						
35	N 011 524 7	washer A 6,4	(GB)	89	1						
36	999 651 224 40	cable holder		2							

Model	Year	MG	SG	Illustration	Restrictions	UPD	23:07	23.01.2010	PORSCHE	PET	PORSCHE
9442	1991	9	05	905-05		248					

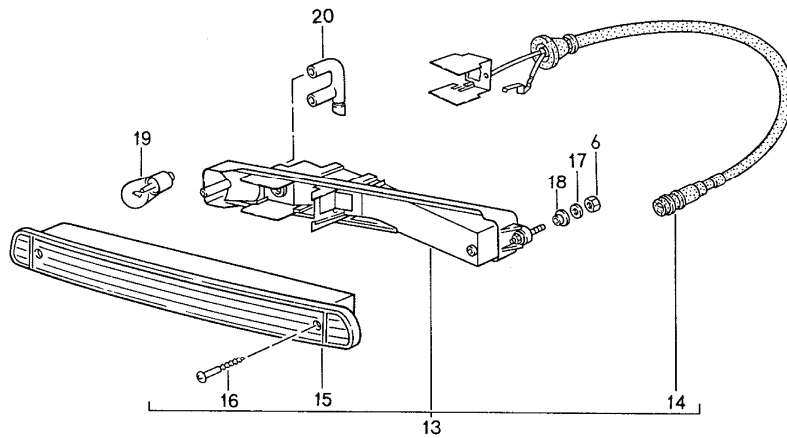
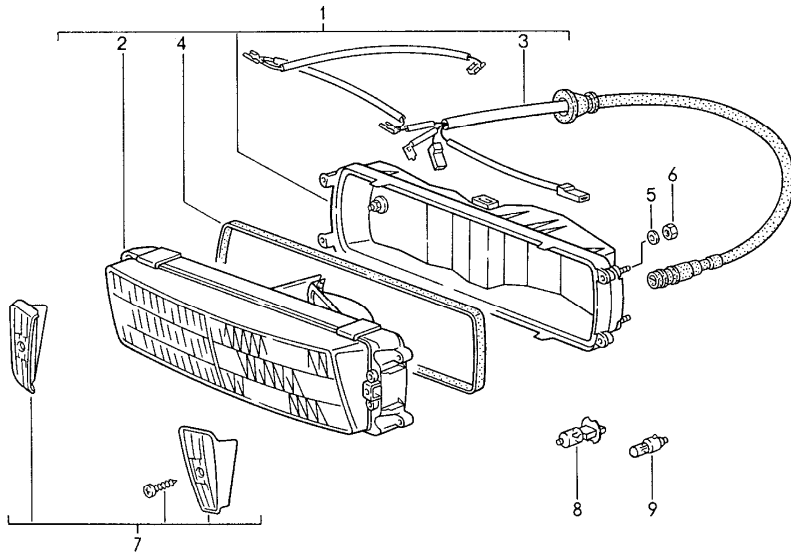


Pos	Part Number	Description	Remark	Qty	Model
		additional headlamp fog headlamp direction indicator light			944
1	477 953 043	direction indicator light	/L	1	
(1)	477 953 044	direction indicator light	/R	1	
2	477 953 161	lens	/L	1	
(2)	477 953 162	lens	/R	1	
3	477 953 165	gasket		2	
4	331 945 185	oval-head screw		4	
5	900 146 011 02	oval-head screw M 4 X 10		8	
6	N 014 119 1	oval-head screw M 4 X 20		2	
7	900 631 127 90	bulb 12 V - 21 W		2	
8	931 505 181 00	threaded plate M 4		2	
9	944 631 213 00	moulded hose		2	
13	944 631 407 00	additional headlamp white	/L	1	
(13)	944 631 408 00	additional headlamp white	/R	1	
13	944 631 409 00	additional headlamp yellow	/L (F)	1	
(13)	944 631 410 00	additional headlamp yellow	/R (F)	1	
14	944 631 407 00	additional headlamp white	/L	1	
(14)	944 631 408 00	additional headlamp white	/R	1	
14	944 631 409 00	additional headlamp yellow	/L (F)	1	
(14)	944 631 410 00	additional headlamp yellow	/R (F)	1	
15	944 631 421 00	gasket		2	
16	N 014 122 8	oval-head screw		6	

Model	Year	MG	SG	Illustration	Restrictions	UPD	23:07	23.01.2010	PORSCHE	PET	PORSCHE
9442	1991	9	05	905-05		248					

Pos	Part Number	Description	Remark	Qty	Model	Pos	Part Number	Description	Remark	Qty	Model
		M 4 X 8									
17	900 631 126 90	halogen bulb 12 V - 55 W		4							
18	900 631 103 90	bulb 12 V - 4 W		2							
21	944 631 201 01	fog headlamp white	/L	1							
(21)	944 631 202 01	fog headlamp white	/R	1							
21	944 631 203 01	fog headlamp yellow	/L (F)	1							
(21)	944 631 204 01	fog headlamp yellow	/R (F)	1							
22	944 631 901 00	headlamp unit white	/L	1							
(22)	944 631 902 00	headlamp unit white	/R	1							
22	944 631 903 00	headlamp unit yellow	/L (F)	1							
(22)	944 631 904 00	headlamp unit yellow	/R (F)	1							
23	437 941 715	gasket		2							
24	N 010 707 2	oval-head screw		4							
25	944 501 375 00	support		2							
26	N 011 524 7	washer A 6,4		4							
27	999 072 005 09	hexagon-head bolt M 6 X 12		4							
28	900 025 003 02	washer A 5,3		8							
29	N 013 971 3	tapping screw B 4,8 X 22		8							

Model	Year	MG	SG	Illustration	Restrictions	UPD	23:07	23.01.2010	PORSCHE	PET	PORSCHE
9442	1991	9	05	905-10		248					

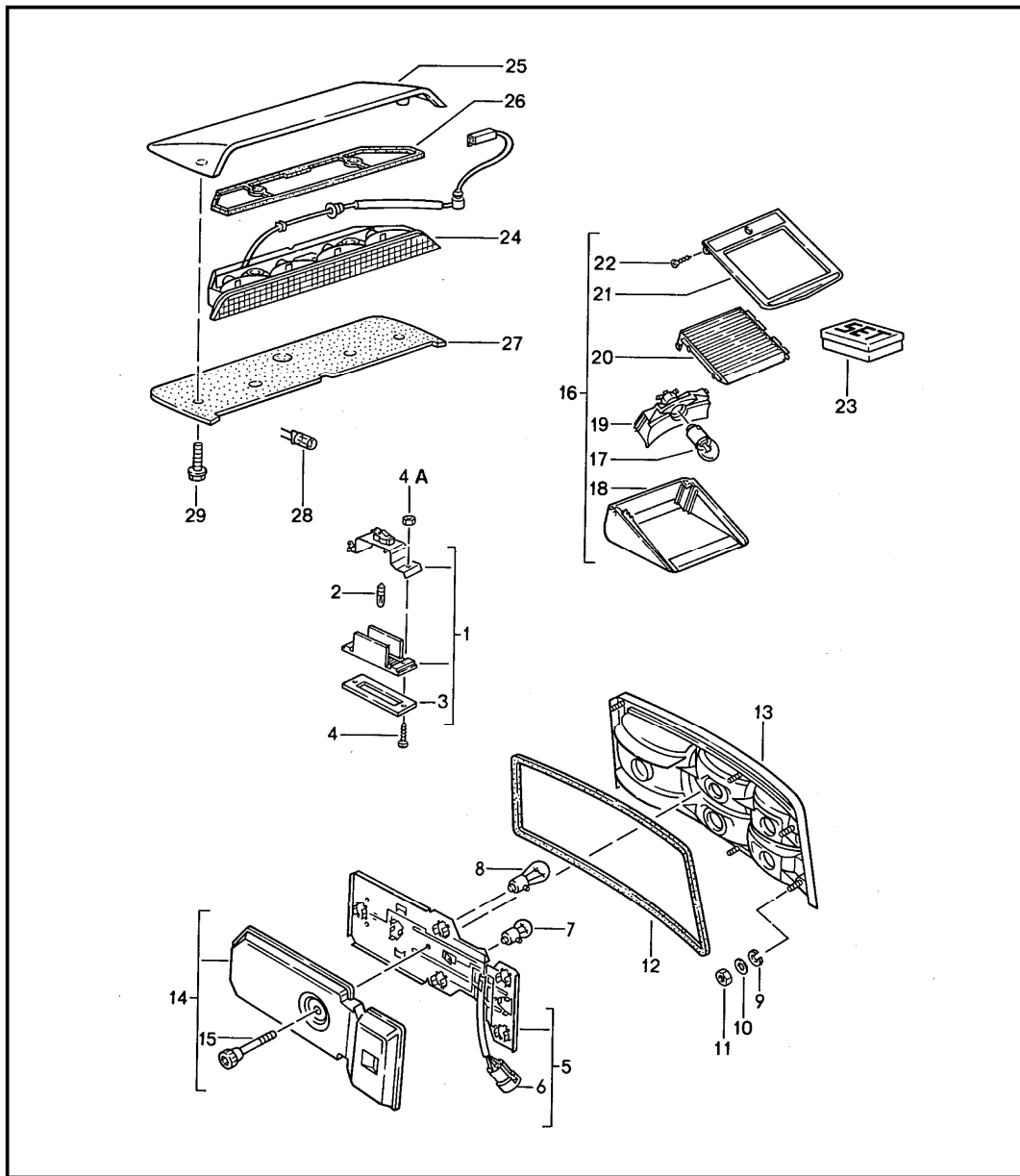


Pos	Part Number	Description	Remark	Qty	Model
		additional headlamp direction indicator light			944S2/TURBO
1	951 631 211 00	combined lights white	/L	1	
(1)	951 631 212 00	combined lights white	/R	1	
1	951 631 213 00	combined lights yellow	/L (F)	1	
(1)	951 631 214 00	combined lights yellow	/R (F)	1	
2	951 631 221 00	headlamp unit white	/L	1	
(2)	951 631 222 00	headlamp unit white	/R	1	
2	951 631 221 01	headlamp unit yellow	/L (F)	1	
(2)	951 631 222 01	headlamp unit yellow	/R (F)	1	
3	951 612 061 00	wiring harness		2	
4	951 631 167 00	gasket		2	
5	N 011 665 3	washer B 5,3		6	
6	N 011 005 14	hexagon nut M 5		10	
7	951 631 931 00	trim cover set white	/L	1	
(7)	951 631 932 00	trim cover set white	/R	1	
7	951 631 933 00	trim cover set yellow	/L (F)	1	
(7)	951 631 934 00	trim cover set yellow	/R (F)	1	
8	900 631 126 90	halogen bulb H 3		4	

Model	Year	MG	SG	Illustration	Restrictions	UPD	23:07	23.01.2010	PORSCHE	PET	PORSCHE
9442	1991	9	05	905-10		248					

Pos	Part Number	Description	Remark	Qty	Model	Pos	Part Number	Description	Remark	Qty	Model
9	900 631 103 90	bulb 12 V - 4 W		2							
13	951 631 411 00	direction indicator light	/L	1							
(13)	951 631 412 00	direction indicator light	/R	1							
14	951 612 062 00	wiring harness		2							
15	951 631 161 00	lens	/L	1							
(15)	951 631 162 00	lens	/R	1							
16	411 953 169	oval-head sheetmetal screw		4							
17	N 011 692 3	washer 5,1 X 15		4							
18	944 503 255 00	spacer		4							
19	900 631 127 90	bulb 12 V - 21 W		2							
20	951 631 313 00	moulded hose		2							

Model	Year	MG	SG	Illustration	Restrictions	UPD	23:08	23.01.2010	PORSCHE	PET	PORSCHE
9442	1991	9	05	905-15		248					

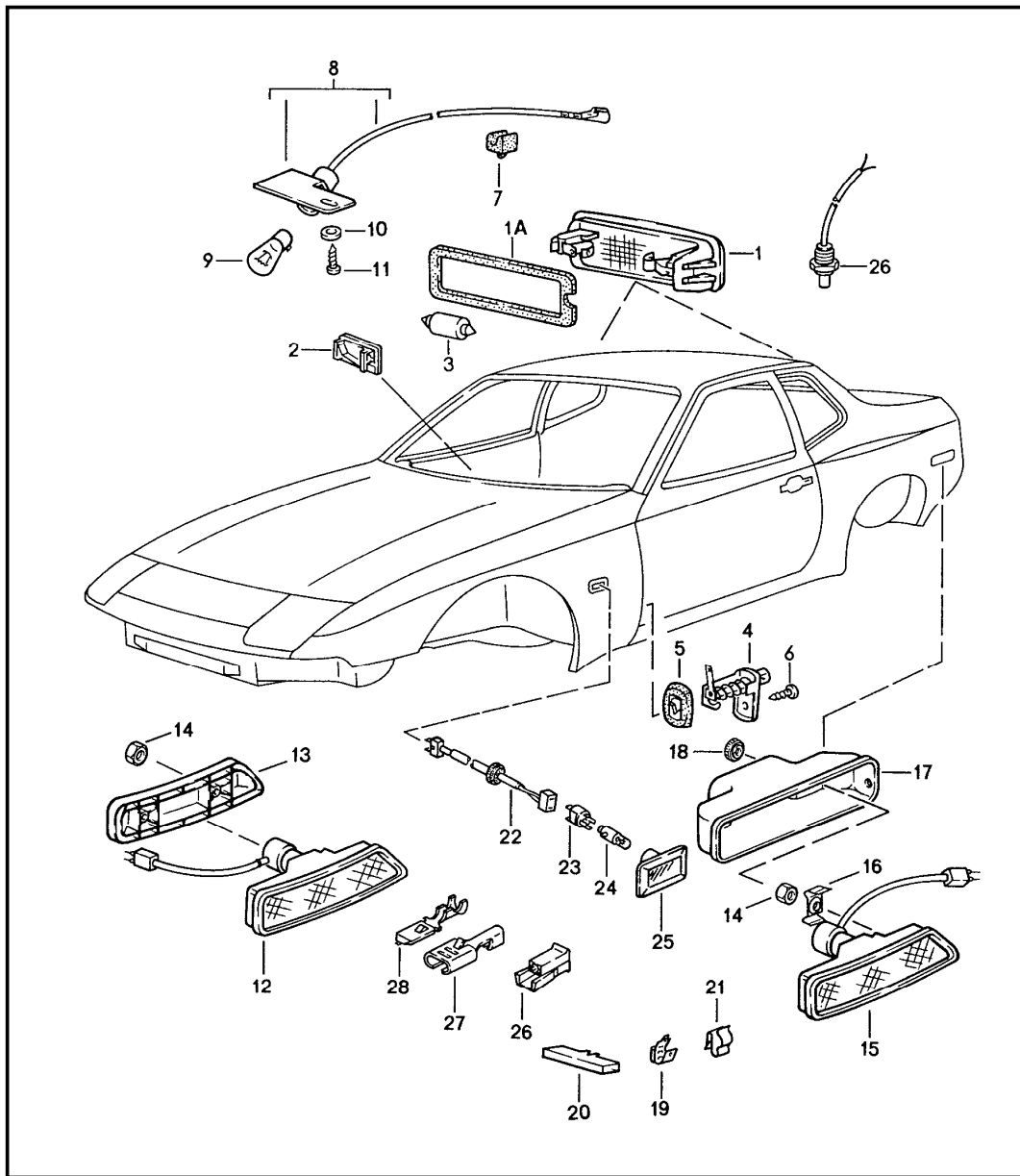


Pos	Part Number	Description	Remark	Qty	Model
		license plate light rear light additional brake light			COUPE CABRIO
1	477 943 021 A	license plate light		2	
2	900 631 103 90	bulb HL 12 V, 4 W		2	
3	477 943 131	gasket		2	
4	900 146 041 07	oval-head screw M 3 X 15		4	
4A	N 041 184 1	lock nut		4	
5	477 945 113	bulb holder	/L	1	
(5)	477 945 114	bulb holder	/R	1	
6	803 971 980	pin connector socket 7-pole		2	
7	900 631 104 90	bulb G 12V 5W		2	
8	900 631 127 90	bulb RL 12V, 21W		7	
9	N 012 005 3	lock ring B 5		12	
10	N 012 222 4	spring washer B 5		12	
11	N 011 005 14	hexagon nut M 5		12	
12	000 043 172 00	sealing cord 9 MM \$ roller 10 M		*	
12	-	1070 MM		2	
13	477 945 205	housing with lens	/L	1	
(13)	477 945 206	housing with lens	/R	1	

Model	Year	MG	SG	Illustration	Restrictions	UPD	23:08	23.01.2010	PORSCHE	PET	PORSCHE
9442	1991	9	05	905-15		248					

Pos	Part Number	Description	Remark	Qty	Model	Pos	Part Number	Description	Remark	Qty	Model
(13)	477 945 215	housing with lens for cars with rear fog light	/L	1							
(13)	477 945 216	housing with lens for cars with rear fog light	/R	1							
14	477 945 285	cap with knurled screw		2							
15	A 477 945 285	cap		2							
16	928 631 070 00	additional brake light		1	COUPE						
17	900 631 127 90	bulb 12V 21W		1							
18	928 631 460 00	housing for light		1							
19	928 631 471 00	reflector		1							
20	928 631 472 00	lens		1							
21	928 631 061 00	frame for light		1							
22	900 145 099 07	rais. counters. h. tap. s. B 2,9 X 13		2							
24	941 631 261 10	lamp insert for additional brake light		1	CABRIO						
25	941 631 911 00	housing		1							
26	941 631 911 30	gasket		1							
27	941 631 911 10	gasket		1							
28	941 631 911 20	bulb		1							
29	999 217 127 02	combination screw M 6 X 20		2							

Model	Year	MG	SG	Illustration	Restrictions	UPD	23:08	23.01.2010	PORSCHE	PET	PORSCHE
9442	1991	9	05	905-20		248					

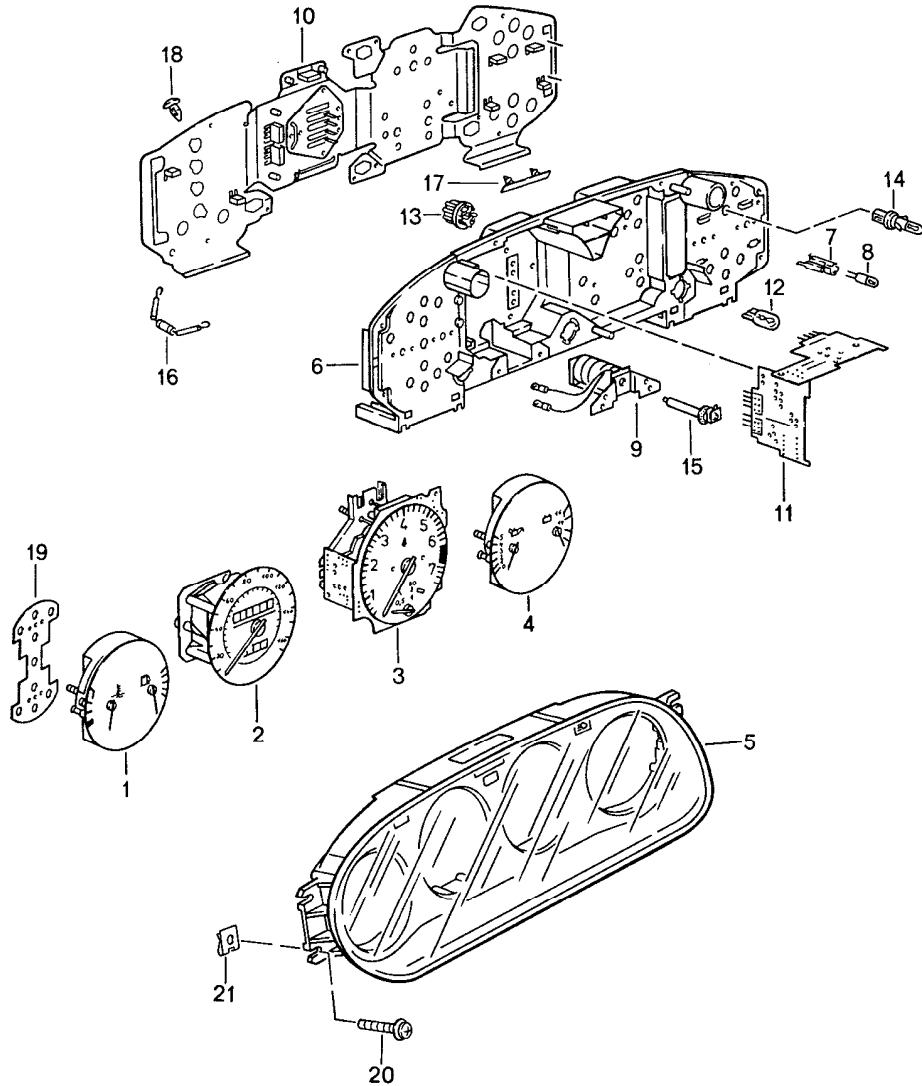


Pos	Part Number	Description	Remark	Qty	Model
1	823 947 105 B	interior light direction indicator light		2	
1A	941 632 101 10	gasket for luggage compartment lamp		1	CABRIO
2	944 632 113 00	glove compartment light	-90	1	
(2)	944 632 114 00	glove compartment light	91-	1	
3	900 631 106 90	linolite lamp 12V - 10W		2	
(3)	999 631 018 90	bulb 12V - 3W		1	
4	968 613 601 00	contact switch		2	
5	944 613 114 00	gasket		2	
6	N 013 957 5	tapping screw BZ 3,5 X 9,5		2	
7	477 947 633	clip		3	
8	944 628 051 00	engine compartment lamp		1	
9	900 631 115 90	bulb 12V - 10W		1	
10	900 151 028 02	washer 4,3		1	
11	900 143 031 02	oval-head sheetmetal screw B 4,2 X 9,5		1	
19	111 971 511	line distributor		2	
20	111 971 977	plug with guide single pole		2	
22	477 971 193	wiring harness direction indicator light		2	
23	161 949 111	bulb holder		2	
24	999 631 032 90	bulb 12V - 5W		2	
25	4A0 949 101	direction indicator light		2	

Model	Year	MG	SG	Illustration	Restrictions	UPD	23:08	23.01.2010	PORSCHE	PET	PORSCHE
9442	1991	9	05	905-20		248					

Pos	Part Number	Description	Remark	Qty	Model	Pos	Part Number	Description	Remark	Qty	Model
26	941 613 101 10	switch for luggage compartment lamp		1	CABRIO						

Model	Year	MG	SG	Illustration	Restrictions	UPD	23:08	23.01.2010	PORSCHE	PET	PORSCHE
9442	1991	9	06	906-00		248					



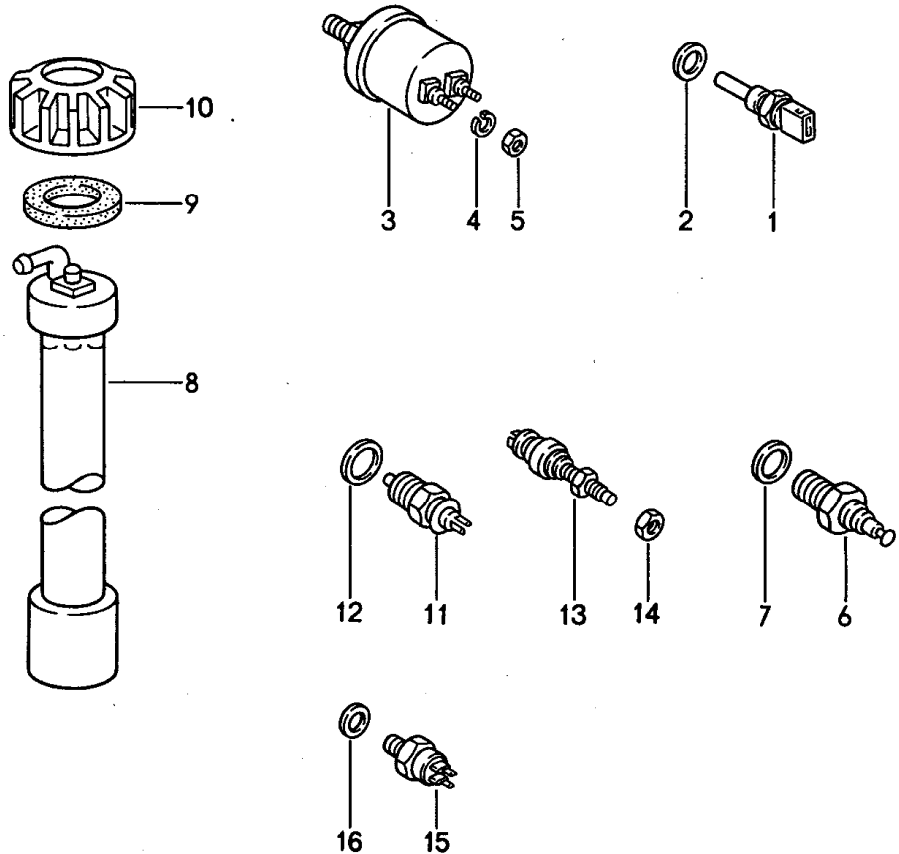
Pos	Part Number	Description	Remark	Qty	Model
1	944 641 953 03	instrument cluster instrument cluster left - temperat. - fuel gauge - german		1	
1	944 641 953 05	instrument cluster left - temperat. - fuel gauge - french		1	
1	944 641 953 04	instrument cluster left - temperat. - fuel gauge - english		1	
2	944 641 951 10	speedometer 270 KM/H		1	944/944S2
2	944 641 951 11	speedometer 170 MPH + 270 KM/H	(GB)	1	944/944S2
2	944 641 951 12	speedometer 270 KM/H with speed warning device		1	944/944S2 (SA)
2	944 641 951 18	speedometer 270 KM/H		1	944 AUT.
2	944 641 951 19	speedometer 170 MPH + 270 KM/H	(GB)	1	944 AUT.
2	944 641 951 20	speedometer 270 KM/H with speed warning device		1	944 AUT. (SA)
2	944 641 951 13	speedometer 300 KM/H		1	TURBO
2	944 641 951 14	speedometer 180 MPH + 300 KM/H	(GB)	1	TURBO
2	944 641 951 16	speedometer 300 KM/H with speed warning device		1	TURBO (SA)
3	944 641 952 08	tachometer		1	944/944S2
3	944 641 952 12	tachometer		1	944 AUT.
3	944 641 952 01	tachometer		1	TURBO

Model	Year	MG	SG	Illustration	Restrictions	UPD	23:08	23.01.2010	PORSCHE	PET	PORSCHE
9442	1991	9	06	906-00		248					

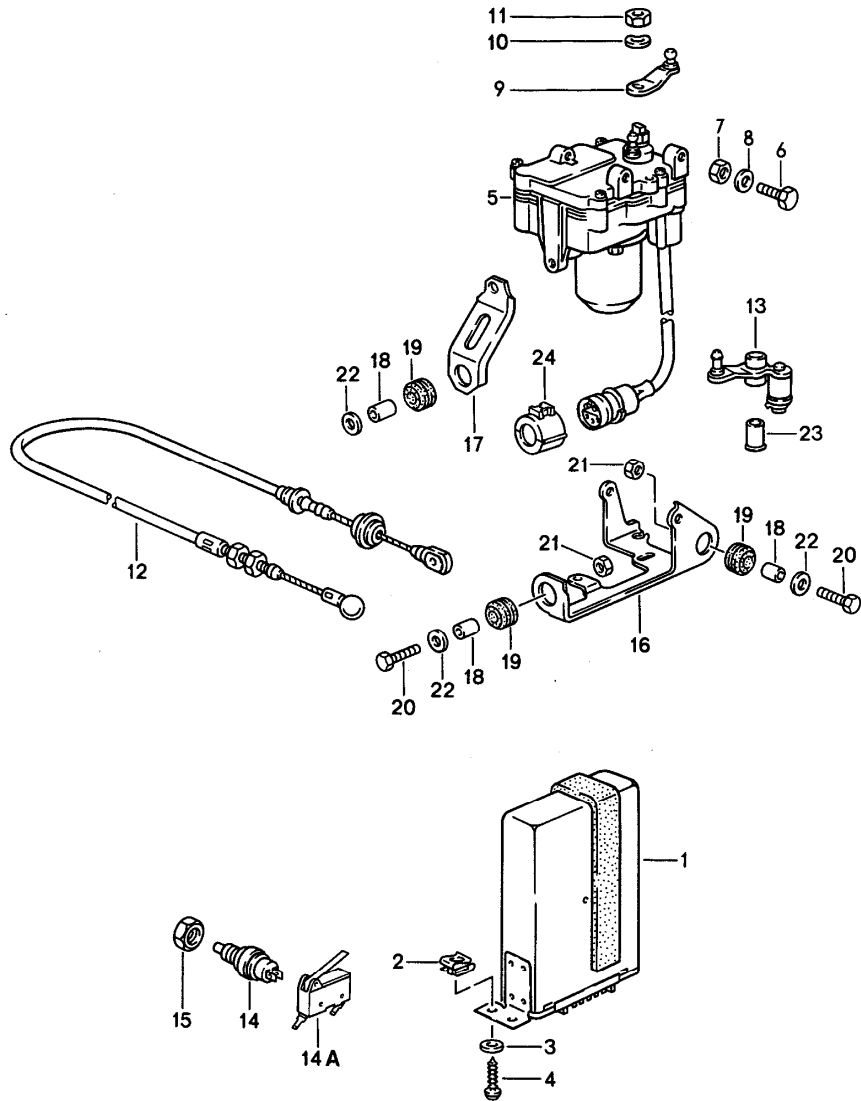
Pos	Part Number	Description	Remark	Qty	Model	Pos	Part Number	Description	Remark	Qty	Model
4	944 641 954 03	instrument cluster right - volt - oil - german		1							
4	944 641 954 05	instrument cluster right - volt - oil - french		1							
4	944 641 954 04	instrument cluster right - volt - oil - english		1							
5	944 641 941 01	covering frame		1							
6	928 641 968 01	mounting plate		1							
7	928 641 982 00	bulb socket		6							
8	928 641 983 00	bulb		6							
9	928 641 921 00	solenoid coil		1							
10	944 641 961 01	printed circuit board		1							
11	944 641 959 02	printed circuit board		1							
12	900 631 019 90	glass-base bulb 12 V - 3 W		4							
13	928 641 927 00	bulb socket		4							
(13)	964 641 920 00	glass-base bulb indicator light airbag		1							
14	999 631 301 90	bulb		4							
15	928 641 960 00	zero adjustment shaft		1							
16	928 641 981 01	resistor		1							
17	928 641 985 00	clip		3							
18	928 641 984 00	clip		4							
19	928 641 986 00	gasket		1							
20	900 143 151 02	combination tapping screw B 4,2 X 16		4							
21	N 015 429 2	speed nut B 4,2		4							

Model	Year	MG	SG	Illustration	Restrictions	UPD	23:08	23.01.2010	PORSCHE	PET	PORSCHE
9442	1991	9	06	906-05		248					

Pos	Part Number	Description	Remark	Qty	Model
		switch and sender			
1	944 606 125 00	temperature sensor		1	
2	900 123 101 30	sealing ring 12 X 18		1	
3	928 606 203 01	pressure transmitter		1	
4	N 012 224 3	spring washer A 4		2	
5	N 011 004 6	hexagon nut M 4		2	
6	928 606 201 03	temperature sensor for cooling water		1	
7	900 123 007 30	sealing ring A 14 X 18		1	
8	944 641 037 01	tank gauge		1	
9	944 201 327 00	sealing ring		1	
10	951 201 375 00	union nut		1	
11	084 941 521	switch back-up light		1	
12	900 123 106 30	sealing ring		1	
13	477 945 515	brake light switch		1	
14	481 945 529	nut		1	
15	944 606 137 00	temperature switch for intake manifold		1	M44.41
16	900 123 008 30	sealing ring		1	M44.41



Model	Year	MG	SG	Illustration	Restrictions	UPD	23:08	23.01.2010	PORSCHE	PET	PORSCHE
9442	1991	9	07	907-00		248					

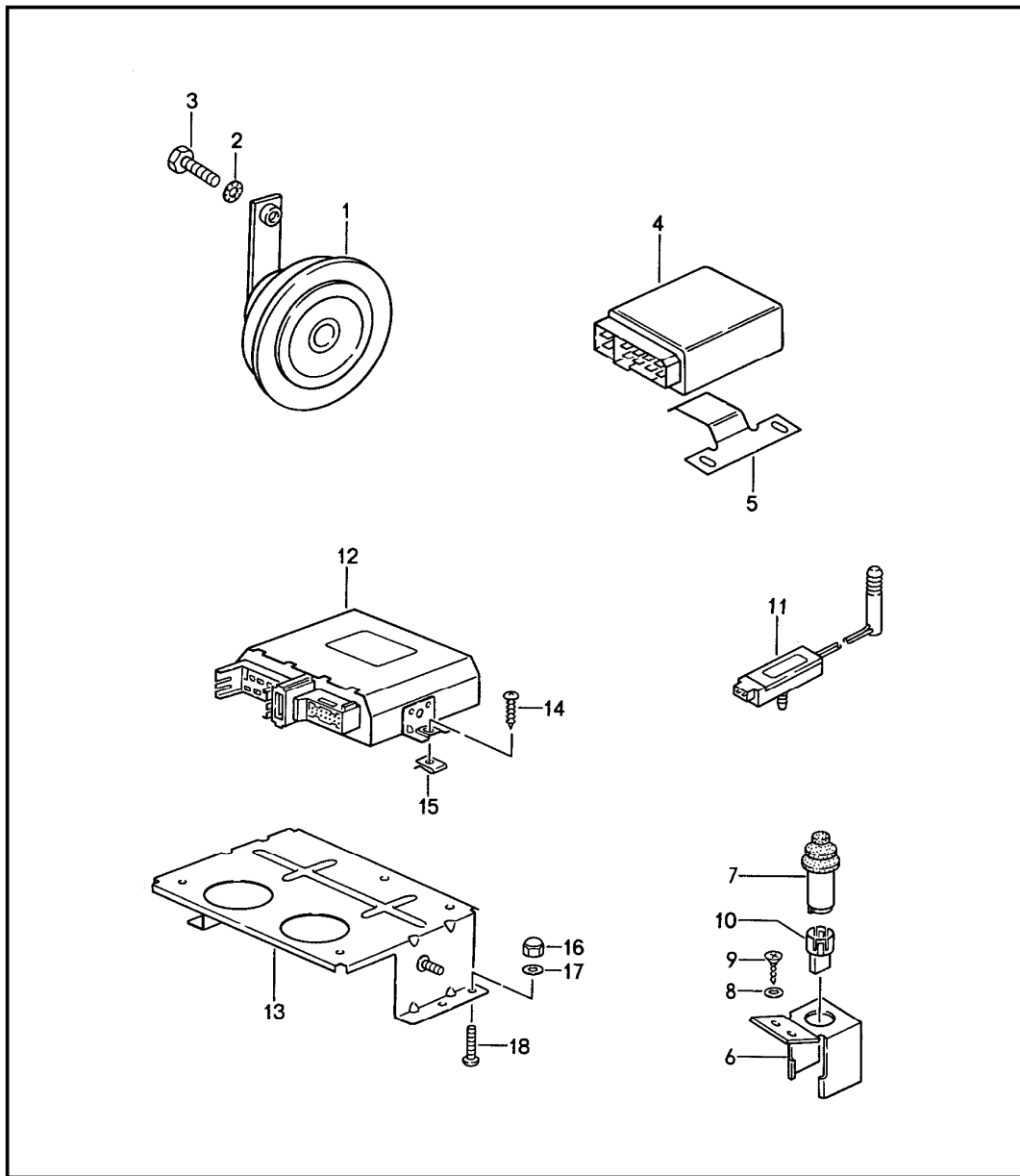


Pos	Part Number	Description	Remark	Qty	Model
		cruise control			M454
1	944 617 132 00	control unit		1	
2	N 015 422 2	speed nut B 4,2 X 17		2	
3	N 012 225 3	spring washer B 5		2	
4	N 013 964 4	tapping screw B 4,2 X 16		2	
5	944 617 121 00	drive link		1	
6	999 072 005 09	hexagon-head bolt M 6 X 12		2	
7	900 076 010 02	hexagon nut M 6		2	
8	N 011 524 7	washer A 6,4		2	
9	944 423 047 00	lever for drive link		1	
10	N 012 229 3	spring washer A 8		1	
11	N 011 018 4	hexagon nut M 8 X 1		1	
12	944 423 025 02	cable	/LL	1	
(12)	945 423 025 01	cable	/RL	1	
13	944 423 055 00	reverse lever	/LL	1	
13	945 423 055 00	reverse lever	/RL	1	
14	944 613 413 00	switch for clutch pedal	/LL	1	
14A	928 613 413 01	microswitch for clutch pedal	/RL	1	
15	481 945 529	nut M 12 X 1		1	
16	944 423 215 02	support		1	
17	944 423 115 02	strut		1	

Model	Year	MG	SG	Illustration	Restrictions	UPD	23:08	23.01.2010	PORSCHE	PET	PORSCHE
9442	1991	9	07	907-00		248					

Pos	Part Number	Description	Remark	Qty	Model	Pos	Part Number	Description	Remark	Qty	Model
18	999 531 014 02	bush		3							
19	999 702 133 40	rubber mounting		3							
20	900 075 017 02	hexagon-head bolt M 6 X 25		2							
21	900 076 010 02	hexagon nut M 6		2							
22	N 011 666 7	washer B 6,1		4							
23	999 924 001 40	bush		2							
24	944 612 450 00	support		1							
-	999 651 207 40	cable holder		2							
-	171 721 570 A	locking plate for cable		1							

Model	Year	MG	SG	Illustration	Restrictions	UPD	23:09	23.01.2010	PORSCHE	PET	PORSCHE
9442	1991	9	09	909-00		248					

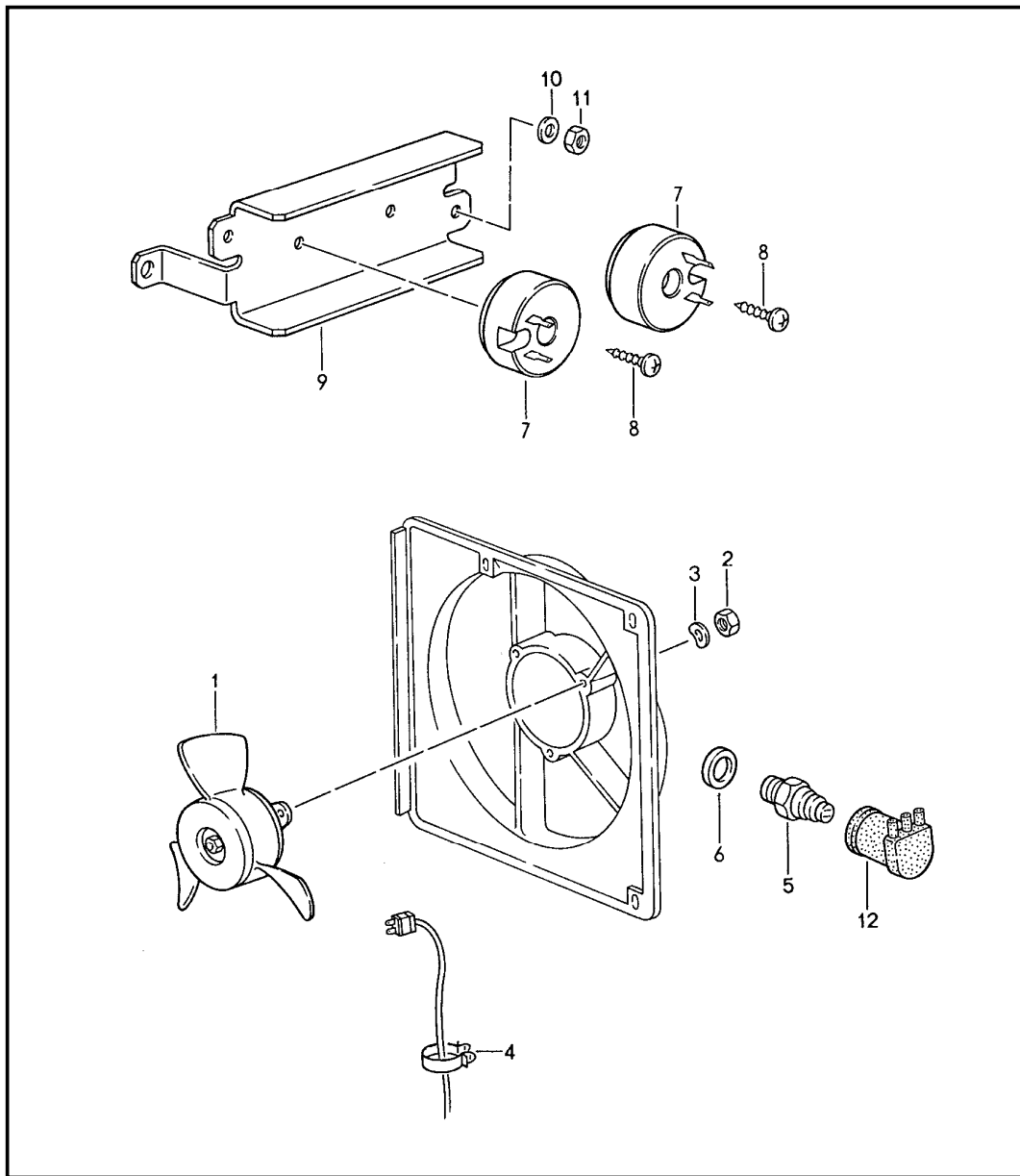


Pos	Part Number	Description	Remark	Qty	Model
		alarm system			
1	944 637 103 01	horn		1	
2	999 523 102 02	lock washer J 8,4		1	
3	900 075 087 02	hexagon-head bolt M 8 X 16		1	
4	> 928 637 104 03	alarm control unit	-90	1	944 TURBO
4	928 637 104 04	alarm control unit	(CH) (CH) -90 -91	1	944 TURBO
-	928 612 433 01	terminal sleeve housing 8-pole blue	-90	1	
-	815 971 989	connector housing 2-pole	-90	1	
5	944 637 051 00	support	-90 -91	1	944 TURBO
5	944 637 051 01	support	-90	1	944S2
6	477 805 713	support		1	
7	928 613 173 00	contact switch		1	
8	N 011 521 3	washer A 3,7		2	
9	N 013 957 5	tapping screw 3,5 X 9,5		2	
10	477 971 837	connector housing for contact switch		1	
11	944 637 138 00	knob door latch with lamp insert	-90 -91	2	944 TURBO
11	944 637 238 00	knob	91	2	
		01C black door latch with lamp insert			
12	A 928 618 260 01	alarm control unit alarm system central locking system	91	1	

Model	Year	MG	SG	Illustration	Restrictions	UPD	23:09	23.01.2010	PORSCHE	PET	PORSCHE
9442	1991	9	09	909-00		248					

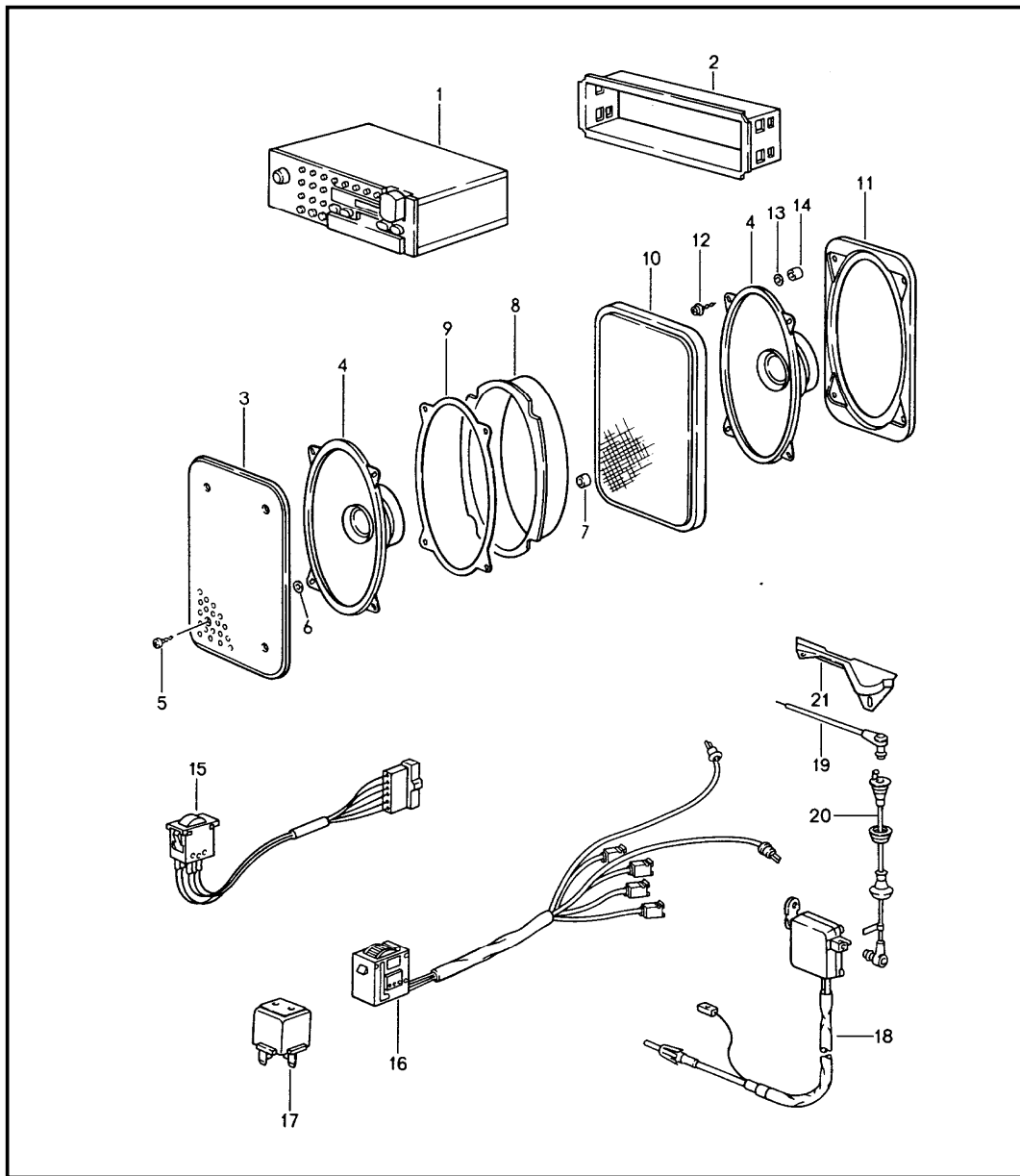
Pos	Part Number	Description	Remark	Qty	Model	Pos	Part Number	Description	Remark	Qty	Model
12	928 618 260 03	alarm control unit alarm system central locking system		91	1						
13	945 618 152 00	clip for alarm control unit	/RL	91	1						
14	N 013 965 9	oval-head sheetmetal screw 4,2 X 9,5	/RL	91	2						
15	999 591 723 02	speed nut B 4,2	/RL	91	2						
16	N 011 125 2	cap nut M 5		91	3						
17	900 025 003 02	washer A 5,3		91	3						
18	N 014 129 6	oval-head screw M 5 X 10		91	3						
-	928 612 925 00	wiring harness adapter for additional function use also:			1						
-	928 612 547 00	connector housing			1						
-	171 971 998 C	connector housing			1						
-	944 612 637 01	protective tube			1						

Model	Year	MG	SG	Illustration	Restrictions	UPD	23:09	23.01.2010	PORSCHE	PET	PORSCHE
9442	1991	9	10	910-00		248					



Pos	Part Number	Description	Remark	Qty	Model
1	944 624 021 03	electric fan		1	944
1	944 624 021 03	electric fan		2	944 M573 944 S2 TURBO
2	900 910 012 02	lock nut M 6		3	
3	N 011 666 7	washer A 6,4		3	
4	999 651 168 40	cable holder		1	
5	944 606 481 00	temperature switch		1	944
(5)	951 606 481 00	switch		1	944 M573 944 S2 TURBO
6	N 043 808 1	sealing ring A 22 X 29		1	
7	944 616 521 00	series resistor 52,5 W/0,9 OHM		1	944
7	944 616 521 00	series resistor 52,5 W/0,9 OHM		2	944 M573 TURBO
7	944 616 522 00	series resistor 70 W/0,6 OHM		2	944S2
8	900 250 016 02	tapping screw AM 5 X 16		1	
9	944 616 511 01	heat dissipator	/LL	1	
(9)	944 616 511 00	heat dissipator	/RL	1	
10	N 012 226 5	spring washer A 6		2	
11	900 076 010 02	hexagon nut M 6		2	
12	477 971 934	protection cap		1	

Model	Year	MG	SG	Illustration	Restrictions	UPD	23:09	23.01.2010	PORSCHE	PET	PORSCHE
9442	1991	9	11	911-00		248					

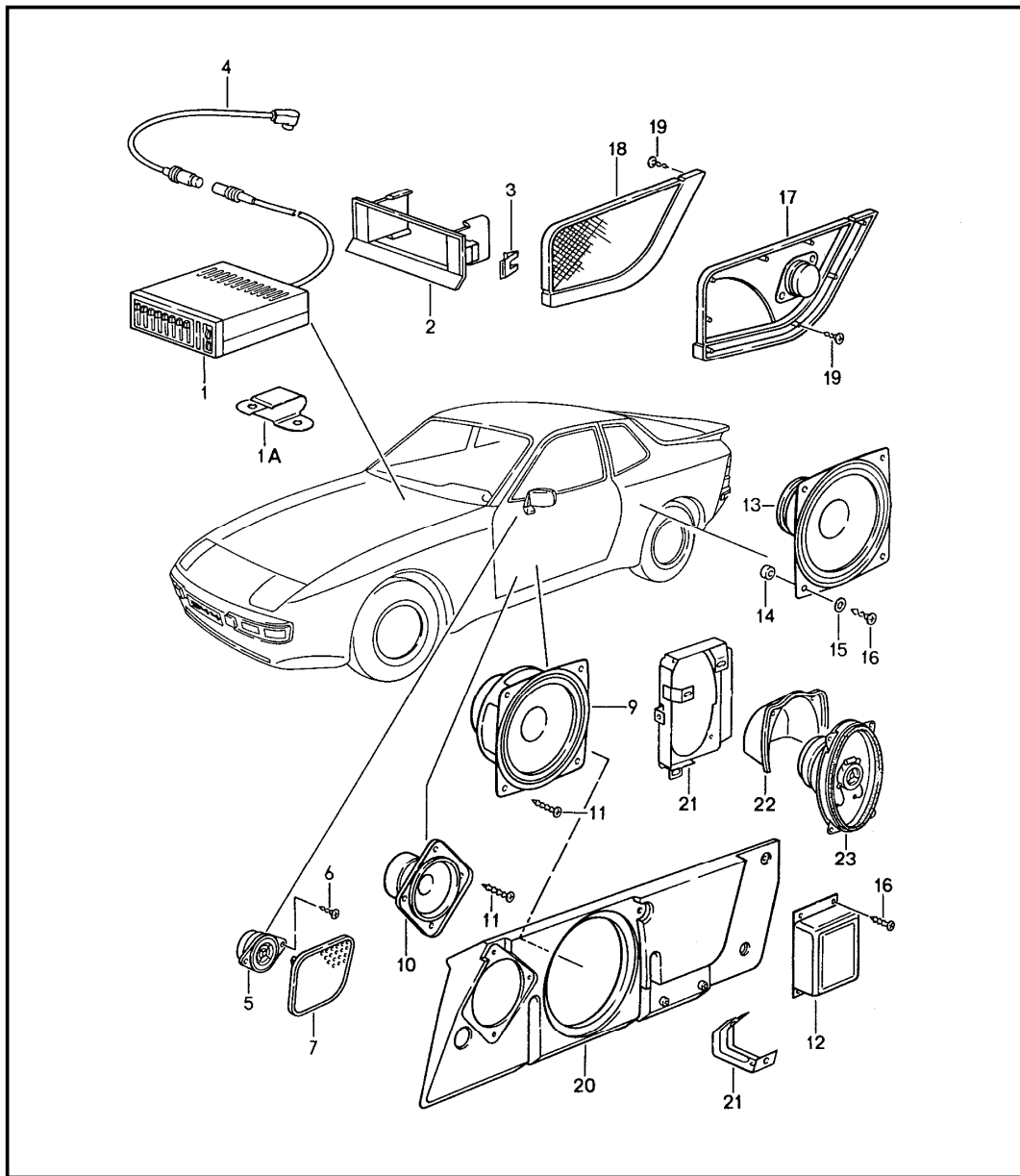


Pos	Part Number	Description	Remark	Qty	Model
(1) >	911 645 158 00	radio BOSTON SQM 23 w/o motorist radio information	-89	1	
(1) >	911 645 159 01	radio BREMEN SQR 46	-90	1	
(1) >	964 645 101 00	radio SYMPHONIE	91	1	
(1) >	911 645 139 02	radio TORONTO SQR 46	-90	1	
(1) >	911 645 168 00	radio LUDWIGSBURG SQM 26	-89	1	
(1) >	911 645 071 01	radio BERLIN IQR 88	-90	1	
(1) >	928 645 018 00	installation set cd player CD-10		1	
2	911 645 173 02	retaining frame	-90	1	
2	911 645 173 03	retaining frame		1	M525/533
(2)	944 645 031 00	support for receiving part BERLIN IQR 88	-90	1	
-	944 645 081 00	pipe clamp for support	-90	1	
3	477 867 081	loudspeaker grille	/V	2	
		01C black			
		9MM burgundy			
4	944 645 451 00	loudspeaker front		2	
4	944 645 461 01	loudspeaker rear		2	
4	944 645 463 00	loudspeaker rear	90-	2	CABRIO
5	N 014 091 4	tapping screw 3,9 X 16	/V	8	

Model	Year	MG	SG	Illustration	Restrictions	UPD	23:09	23.01.2010	PORSCHE	PET	PORSCHE
9442	1991	9	11	911-00		248					

Pos	Part Number	Description	Remark	Qty	Model	Pos	Part Number	Description	Remark	Qty	Model
5	N 013 962 2	tapping screw 3,9 X 16	/H	8							
6	900 151 028 02	washer	/H	8							
7	477 867 373	bush	/V	8							
7	477 035 375	bush	/H	8							
(7)	944 645 480 00	spacer sleeve	/H	8	CABRIO						
8	944 645 015 00	water protection	/V	2							
9	477 035 999	gasket	/H	2							
10	944 555 149 00	loudspeaker grille		2	M651						
	01C	satin black									
11	944 555 159 00	frame		2	M651						
12	900 143 178 07	oval-head sheetmetal screw 3,9 X 22		8	M651						
13	900 025 002 02	washer		8	M651						
14	477 035 375	bush		8	M651						
16	944 645 054 00	fader		1							
17	944 615 103 00	switch unit for radio lifting roof		1							
18	944 645 173 01	antenna booster		1	COUPE						
18	928 645 173 02	antenna booster		1	CABRIO						
19	944 645 185 01	connecting cable for antenna booster		1							
20	941 645 183 00	extension cable for antenna booster		1							
21	944 645 413 00	cover		1							

Model	Year	MG	SG	Illustration	Restrictions	UPD	23:09	23.01.2010	PORSCHE	PET	PORSCHE
9442	1991	9	11	911-05		248					



Pos	Part Number	Description	Remark	Qty	Model
		SOUNDSYSTEM			
1	> 944 645 417 01	equaliser BEA 80		1	
(1)	> 944 645 417 02	equaliser BEA 108		1	
(-)	944 645 517 00	connecting cable for radio equaliser BEA 108		1	
1A	944 645 065 00	retaining bar for equaliser		1	
2	944 645 501 00	cover for BEA 80		1	
(2)	944 645 501 01	cover for BEA 108		1	
3	944 645 557 00	spring clamp		2	
4	944 645 171 00	connecting cable		1	
5	944 645 427 00	tweeter		2	
6	N 013 958 7	tapping screw		4	
7	944 645 431 00	cover	/L	1	
	01C	black			
	9MM	burgundy	-90		
	9JJ	marine blue	-90		
	6ZF	cobalt blue	91-		
	4XC	classic grey	91-		
(7)	944 645 432 00	cover	/R	1	
	01C	black			
	9MM	burgundy	-90		
	9JJ	marine blue	-90		
	6ZF	cobalt blue	91-		
	4XC	classic grey	91-		

Model	Year	MG	SG	Illustration	Restrictions	UPD	23:09	23.01.2010	PORSCHE	PET	PORSCHE
9442	1991	9	11	911-05		248					

Pos	Part Number	Description	Remark	Qty	Model	Pos	Part Number	Description	Remark	Qty	Model
9	944 645 429 00	woofer		2		21	944 531 243 00	retaining bracket for retaining frame		4	
10	944 645 419 00	mid-range loudspeaker		2							
11	900 143 031 02	oval-head sheetmetal screw B 4,2 X 9,5		10		21	941 555 573 10	mounting for loudspeaker	/L	1	CABRIO
12	944 645 437 00	diplexer		2		(21)	941 555 574 10	mounting for loudspeaker	/L	1	CABRIO
13	944 645 425 00	woofer		2							
14	477 035 375	bush		8							
(14)	944 645 480 00	spacer sleeve	90-	8	CABRIO	22	941 555 575 10	covering for loudspeaker		2	CABRIO
15	900 025 002 02	washer A 4,3		8		23	944 645 464 00	loudspeaker		2	CABRIO
16	N 013 953 2	tapping screw B 2,9 X 9,5		16							
17	944 645 045 00	loudspeaker	/L	1							
	01C	black									
	9MM	burgundy	-90								
	9JJ	marine blue	-90								
	6ZF	cobalt blue	91-								
	4XC	classic grey	91-								
18	944 645 046 00	loudspeaker	/R	1							
	01C	black									
	9MM	burgundy	-90								
	9JJ	marine blue	-90								
	6ZF	cobalt blue	91-								
	4XC	classic grey	91-								
19	999 919 032 02	oval-head screw 3,5 X 10		16							
20	A 944 555 943 00	retaining frame	/L	1							
20	944 555 943 00	retaining frame	/L	1							
(20)	A 944 555 944 00	retaining frame	/R	1							
(20)	944 555 944 00	retaining frame	/R	1							

Model	Year	MG	SG	Illustration	Restrictions	UPD	23:10	23.01.2010
9442	1991	9	98	998-00R		248		

Pos	Part Number	Description	Remark	Qty	Model
		installation set repair kits			
>>	>>944 631 911 05	headlamp installation set comprising:		2	
-	944 631 910 00	headlamp		1	
-	944 631 907 00	retaining frame		1	
-	944 612 057 00	cap		1	
-	999 507 252 02	nut B 3,9		3	
-	N 013 964 4	tapping screw B 4,2 X 16		1	
-	900 143 041 00	tapping screw B 3,9 X 19		3	
-	900 025 002 02	washer A 4,3		3	
-	477 941 543	spacer sleeve		3	
-	999 651 224 40	cable holder		1	
-	944 612 436 00	connector		1	
-	944 612 427 00	contact bush		2	
-	944 612 428 00	round connector		1	
>>	>>944 631 911 04	headlamp installation set comprising:		2	M605
-	944 631 910 00	headlamp		1	
-	944 631 907 00	retaining frame		1	
-	944 612 057 00	cap		1	
-	999 507 252 02	nut B 3,9		3	
-	N 013 964 4	tapping screw B 4,2 X 16		1	
-	900 143 041 00	tapping screw B 3,9 X 19		3	
-	900 025 002 02	washer A 4,3		3	
-	477 941 543	spacer sleeve		3	
-	999 651 224 40	cable holder		1	

Model	Year	MG	SG	Illustration	Restrictions	UPD	23:10	23.01.2010
9442	1991	9	98	998-00R		248		

Pos	Part Number	Description	Remark	Qty	Model
-	944 631 909 00	electric motor		1	
>>	>>944 631 911 09	headlamp installation set comprising:		2	M492
-	944 631 911 00	headlamp		1	
-	944 631 907 00	retaining frame		1	
-	944 612 057 00	cap		1	
-	999 507 252 02	nut B 3,9		3	
-	N 013 964 4	tapping screw B 4,2 X 16		1	
-	900 143 041 00	tapping screw B 3,9 X 19		3	
-	900 025 002 02	washer A 4,3		3	
-	477 941 543	spacer sleeve		3	
-	999 651 224 40	cable holder		1	
-	944 612 436 00	connector		1	
-	944 612 427 00	contact bush		2	
-	944 612 428 00	round connector		1	
>>	>>944 631 911 08	headlamp installation set comprising:		2	M492/605
-	944 631 911 00	headlamp		1	
-	944 631 907 00	retaining frame		1	
-	944 612 057 00	cap		1	
-	999 507 252 02	nut B 3,9		3	
-	N 013 964 4	tapping screw B 4,2 X 16		1	
-	900 143 041 00	tapping screw B 3,9 X 19		3	
-	900 025 002 02	washer A 4,3		3	
-	477 941 543	spacer sleeve		3	
-	999 651 224 40	cable holder		1	

PORSCHE

PET

PORSCHE

Model	Year	MG	SG	Illustration	Restrictions	UPD	23:10	23.01.2010
9442	1991	9	98	998-00R		248		

Pos	Part Number	Description	Remark	Qty	Model
-	944 631 909 00	electric motor		1	

M000 ! SUMMARY OF OPTIONAL EXTRAS "M!"
M018 SPORTS STEERING WHEEL
M018 WITH ELEVATED HUB 30MM
M020 SPEEDOMETER WITH TWO SCALES MPH-KM/H
M024 VERSION FOR GREECE
M027 VERSION FOR CALIFORNIA
M030 SPORT-TYPE RUNNING GEAR "KONI" WITH
M030 VERTICAL ADJUSTMENT
M031 SPORTSTYPE OF SPRINGS, ABSORBERS AND STABILIZERS
M031 FICHTEL + SACHS WITHOUT VERTICAL ADJUSTMENT
M034 VERSION FOR ITALY
M036 IMPACT ABSORBERS
M036 FRONT AND REAR
M058 IMPACT ABSORBERS FRONT AND REAR
M061 VERSION FOR GREAT BRITAIN
M062 VERSION FOR SWEDEN
M063 VERSION LUXEMBURG
M070 TARPULIN
M111 VERSION FOR AUSTRIA
M113 VERSION FOR CANADA
M114 VERSION FOR TAIWAN
M119 VERSION FOR SPAIN
M124 VERSION FOR FRANCE
M126 CONTROL AND INDICATIONS IN FRENCH LETTERING
M127 CONTROL AND INDICATIONS IN SCHWEDISCH
M130 CONTROL AND INDICATIONS IN ENGLISH LETTERING
M139 SEAT HEATING SYSTEM, LEFT SEAT
M150 OPERATES WITH LEADED GAS
M157 THREE-BED CATALYST, OXYGEN SENSOR AND DIGITAL
M157 ELECTRICAL ENGINE EQUIPMENT
M158 RADIO BLAUPUNKT RENO SQR 46
M160 RADIO BLAUPUNKT CHARLESTON SQR 26
M164 TIRES 215/60 VR 15 INSTEAD OF 195/65 VR 15
M185 SAFETY BELTS 2-POINT,
M185 REAR AUTOMATIC
M186 SAFETY BELTS 2-POINT, REAR
M186 MANUAL
M193 VERSION FOR JAPAN
M195 PREPARED FOR CELLULAR-TELEPHONE SYSTEM
M197 STRONGER BATTERY
M198 STARTER 1,7 KW
M215 VERSION FOR SAUDI ARABIA
M220 LOCKING DIFFERENTIAL 40 %
M225 VERSION FOR BELGIUM, ENGINE MARKED: -B-
M249 AUTOMATIC TRANSMISSION
M261 OUTSIDE MIRROR - PLAIN - PASSENGER'S SIDE,
M261 ELECTRICALLY ADJUSTABLE AND HEATABLE
M262 REAR VIEW MIRROR - PLAIN -PASSENGER'S SIDE, MANUAL
M277 VERSION FOR SWITZERLAND
M288 HEADLAMP WASHER
M299 CATALYST TOGETHER WITH

M299 AUTOMATIC TRANSMISSION
M325 VERSION FOR SOUTH AFRICA/NEW ZEALAND
M326 RADIO BLAUPUNKT BERLIN IQR 88
M326 WITH ARI
M328 RADIO BLAUPUNKT BREMEN SQR 46
M328 WITH ARI
M329 RADIO BLAUPUNKT TORONTO SQR 48
M330 RADIO BLAUPUNKT TORONTO SQR 46
M335 AUTOMATICAL SAFETY BELT, 3-POINT,
M335 REAR
M340 SEAT HEATING SYSTEM, RIGHT SEAT
M341 CENTRAL LOCKING SYSTEM
M347 FORGED WHEELS PLATINUM-ANODIZED
M347 RIM 7 X 16
M347 TIRE 225/50 VR 16
M379 SERIES SEAT, LEFT,
M379 ELECTRICAL VERTICAL ADJUSTMENT
M380 SERIES SEAT, RIGHT,
M380 ELECTRICAL VERTICAL ADJUSTMENT
M381 SERIES SEAT LEFT,
M381 MANUELLY ADJUSTABLE
M382 SERIES SEAT RIGHT,
M382 MANUALLY ADJUSTABLE
M383 SPORT SEAT LEFT, ELECTRICAL
M383 VERTICALLY ADJUSTABLE
M387 SPORT SEAT RIGHT, ELECTRICAL
M387 VERTICALLY ADJUSTABLE
M393 CLUB-SPORT - WHEEL 16 INCHES
M394 ALUMINIUM ALLOY WHEEL (CAST WHEELS),
M394 TELEPHONE-STYLING, 8J / 9J X 16
M395 LIGHT-METAL RIMS,
M395 FORGED, 16 IN.
M400 CAST WHEEL, CLUB-SPORT 7,5/9J X 16
M400 (CAST ALUMINIUM)
M404 STABILIZER, FRONT AND REAR
M412 EXTERIOR ENGINE OIL COOLER
M414 EXTERIOR TRANSMISSION OIL COOLER
M416 4-SPOKES STEERING WHEEL (LEATHER), DIAMETER 380 MM
M418 SIDE PROTECTION MOLDINGS
M423 BOX FOR CASSETTES AND COINS
M424 AUTOMATIC HEATING CONTROL
M425 REAR WINDOW WIPER
M429 FOG-HEADLAMP, WHITE
M430 FOG HEAD-LAMP YELLOW
M431 4-SPOKES STEERING WHEEL (LEATHER), DIAMETER 363 MM
M437 COMFORT SEAT LEFT,
M437 ELECTRICALLY ADJUSTABLE
M438 COMFORT SEAT RIGHT,
M438 ELECTRICALLY ADJUSTABLE
M441 PREPARED FOR RADIO
M447 EMERGENCY WHEEL OUT OF STEEL

M449 EMERGENCY WHEEL, FORGED
M454 AUTOMATIC SPEED CONTROL
M455 ANTI-THEFT DEVICE FOR WHEELS
M458 ALUMINIUM ALLOY WHEELS
M458 (CAST WHEELS) TELEPHONE-STYLING
M458 FRONT 7J X 16 WITH TIRES 205/50 VR 16
M458 REAR 8J X 16 WITH TIRES 225/50 VR 16
M462 WINDSHIELD "SEKURIFLEX"
M463 WINDSHIELD CLEAR
M466 2ND REAR FOG LAMP
M467 OUTSIDE MIRROR FOR DRIVER'S SIDE, CONVEX,
M467 ELECTRICALLY HEATABLE AND ADJUSTABLE
M472 WINGED REAR EMBELLISHER
M474 SHOCK ABSORBER (SPORTING) FRONT AND REAR
M479 VERSION FOR AUSTRALIA
M484 VERSION FOR USA
M488 INSCRIPTIONS IN GERMAN LANGUAGE
M490 SOUND SYSTEM
M492 FOR LEFT-HAND TRAFFIC
M494 ADDITIONAL AMPLIFIER
M496 PREPARED FOR PHILIPS TELEPHONE "C"-NETWORK
M498 WITHOUT VEHICLE-TYPE-LETTERING ON REAR END
M499 VERSION FOR GERMANY
M501 INSIGNIA "TURBO" ON FENDER
M513 BACK-SUPPORT (LORDOSE) RIGHT SEAT
M525 ANTI-THEFT DEVICE WITH CONTINUOUS SOUND
M526 DOOR PANELS (CLOTH)
M528 OUTER REAR VIEW MIRROR FOR PASSENGER'S SIDE
M528 - CONVEX - ELECTRICALLY HEATABLE AND ADJUSTABLE
M529 OUTER REAR VIEW MIRROR FOR PASSENGER'S SIDE
M529 - CONVEX - MANUAL
M533 ANTI-THEFT DEVICE
M553 VERSION FOR USA, CANADA
M562 AIRBAGDRIVER'S SIDE AND FRONT PASSENGER'S SIDE
M564 WITHOUT AIRBAG
M566 FOG-HEADLAMPS, WHITE
M567 WINDSHIELD TINTED, UPPER PART
M567 DARKER COLOURED
M573 AIR CONDITIONER
M576 WITHOUT REAR FOG LAMP
M586 BACK-SUPPORT (LORDOSE) LEFT SEAT
M593 ANTIBLOCK SYSTEM (BOSCH)
M602 ARAISED STOP LAMP
M605 HEADLIGHT VERTICAL AIM CONTROL
M612 PREPARED FOR PHILIPS TELEPHONE "C2"-NETWORK
M637 CLUB-SPORT "CS"
M639 VERSION "GT"
M650 DETACHABLE ROOF, ELECTRICAL
M651 ELECTRIC WINDOW OPENER
M655 FOLDING TOP CONTROL, ELECTRICAL
M657 POWER ASSISTED STEERING

M684	REAR SEATS, NOT DEVIDED
M685	REAR SEATS, DEVIDED
M686	RADIO BLAUPUNKT LUDWIGSBURG SQM 26 ARI
M688	RADIO BLAUPUNKT BOSTON SQM 23
M690	CD-PLAYER "CD-10"
M690	RADIO + ARI
M691	CD-PLAYER "CD-2" WITH RADIO
M719	SPECIAL RECONSTRUCTION
M757	SPECIAL MODEL 944 S2 COUPE
M900	TOURIST'S
M900	CARS
M930	SEAT COVERS REAR, LEATHER
M931	SEAT COVERS REAR, LEATHERETTE
M932	SEAT COVERS, REAR
M932	CLOTH/LEATHERETTE/LEATHERETTE
M934	SEAT COVERS REAR,
M934	CLOTH/CLOTH/LEATHERETTE
M935	SEAT COVERS REAR, DRAPED LEATHER
M945	SEAT COVERS FRONT
M945	CLOTH/LEATHERETTE/LEATHERETTE
M946	SEAT COVERS FRONT,
M946	LEATHER/LEATHER/LEATHERETTE
M947	SEAT COVERS
M947	FRONT: CLOTH/LEATHER/LEATHERETTE
M947	REAR: CLOTH/LEATHERETTE/LEATHERETTE
M980	SEAT COVER - DRAPED LEATHER
M981	LEATHER EQUIPMENT WITHOUT SEAT COVERS
M983	SEAT COVERS FRONT, LEATHER
M990	SEAT COVERS FRONT,
M990	CLOTH/CLOTH/LEATHERETTE

Model	Year	MG	SG	Illustration	VIN No.	Update		
9442	91					230	16:11	12.08.2008

EQUIPMENT BY COUNTRY REGULATIONS

=====

- (A) AUSTRIA
- (AG) ARABIAN GULF STATES
- (AUS) AUSTRALIA
- (B) BELGIUM
- (CDN) CANADA
- (CH) SWITZERLAND
- (D) FEDERAL REPUBLIC OF GERMANY
- (DK) DENMARK
- (E) SPAIN
- (F) FRANCE
- (GB) GREAT BRITAIN
- (GR) GREECE
- (HK) HONGKONG
- (I) ITALY
- (J) JAPAN

Model	Year	MG	SG	Illustration	VIN No.	Update	16:11	12.08.2008
9442	91					230		

(L) LUXEMBURG

(N) NORWAY

(NL) NETHERLANDS

(NZ) NEW ZEALAND

(P) PORTUGAL

(RC) TAIWAN

(S) SWEDEN

(SA) SAUDI ARABIA

(SF) FINLAND

(USA) UNITED STATES OF AMERICA

(ZA) SOUTH AFRICA

Model	Year	MG	SG	Illustration	VIN No.	Update	16:10	12.08.2008
9442	91					230		

IN COLUMN - A -

IDENTIFICATION LETTER FOR PERIOD OF INSTALLATION
 THAT IS REPEATED SEVERAL TIMES IN THE CATALOG GROUP.

EXPLANATION PLEASE FIND IN TEXT COLUMN OF THE CATALOG GROUP

IN COLUMN - QU - = NO. OF PIECES

- 1 NUMBER PER APPLICATION
- X NUMBER AS NEEDED
- * AVAILABLE ONLY IN RUNNING LENGTHS 1 = 1 METRE

IN COLUMN - MODEL/SYMBOL -

- M650 OPTIONAL EQUIPMENT - SEE M-NO. LIST
- 90 LIMITATION OF MODEL YEAR FOR INSTANCE: VALID UP TO
 END OF MODEL YEAR 1990
- /LL LHD
- /RL RHD
- +
- /V FRONT I

Model	Year	MG	SG	Illustration	VIN No.	Update	16:10	12.08.2008
9442	91					230		

I

/H REAR I

I----> APPLIES TO

/L LEFT I DIRECTION OF TRAVEL

I

/R RIGHT I

-----+

AUT. AUTOMATIC

WW THE PART CAN BE USED INSTEAD OF THE
PRECEDING ONE

Model	Year	MG	SG	Illustration	VIN No.	Update	16:10	12.08.2008
9442	91					230		

LEGENDS AND NOTICES

=====

IN COLUMN -S- STATUS

- N NEW ADDITION

- P PART ALREADY IN PROGRAMME, BUT NEW
AT THIS APPLICATION

- W DELETED AT THIS APPLICATION, BUT CONTINUED
TO BE CARRIED

- A STOCK TO BE USED UP

- U DELETED WITHOUT REPLACEMENT

- * PART ALSO OR ONLY AVAILABLE
IN REPAIR KIT

- > ALSO AVAILABLE IN EXCHANGE

IN COLUMN - ILL. -

- 1 IDENTIFICATION NO. IN ILLUSTRATION

- (1) PART ONLY SIMILAR AS ILLUSTRATED

- PART IS NOT ILLUSTRATED

Model	Year	MG	SG	Illustration	VIN No.	Update	16:10	12.08.2008
9442	91					230		

FIG.-NUMBERS FOR WHICH THERE IS SHOWN NO TEXT ARE
NOT VALID FOR THIS EDITION OF CATALOGUE

IN COLUMN -PART NUMBER/CODE-

000 000 000 00 PART NUMBER EQUALS ORDERING NO., IF A CODE IS
SHOWN, IT WILL HAVE TO BE PART OF ORDERING
NUMBER

01C COLOUR CODE

IN COLUMN -TEXT

INSTALLATION WITH ENGINE OR CHASSIS
NUMBER-RANGE

EXAMPLE:

M 42L 00389>> FROM ENGINE NO.

F >>94LN4 00889 UP TO CHASSIS NO.

Model	Year	MG	SG	Illustration	VIN No.	Update	16:10	12.08.2008
9442	91					230		

VEHICLE TYPE	TRANSM.			TRANSMISSION NO.	TECHNICAL DATA
	TYPE	MY			
944	016 J	89	ASG.. . . .>ASG.. . . .	5-SPEED	
944 M220	016 J	89	ASH.. . . .>ASH.. . . .	5-SPEED	
944 M249	087 M	89	RCE.. . . .>RCE.. . . .	3-SPEED	
944 M249 (USA) (CDN)	087 N	89	RCF.. . . .>RCF.. . . .	3-SPEED	
944 S2	083 F	89	AOS.. . . .>AOS.. . . .	5-SPEED	
944 S2 M220	083 F	89	AOT.. . . .>AOT.. . . .	5-SPEED	
944 TURBO	016 R	89	AOR.. . . .>AOR.. . . .	5-SPEED	
944 S2	083 J	90	AOS.. . . .>AOS.. . . .	5-SPEED	
944 S2 M220	083 F	90	AOT.. . . .>AOT.. . . .	5-SPEED	
944 S2 (CH)	083 F	90	ASV.. . . .>ASV.. . . .	5-SPEED	
944 S2 M220 (CH)	083 F	90	ASW.. . . .>ASW.. . . .	5-SPEED	
944 TURBO	016 R	90	AOR.. . . .>AOR.. . . .	5-SPEED	
944 S2	083 J	91	AOS.. . . .>AOS.. . . .	5-SPEED	
944 S2 M220	083 F	91	AOT.. . . .>AOT.. . . .	5-SPEED	
944 S2 (CH)	083 F	91	ASV.. . . .>ASV.. . . .	5-SPEED	
944 S2 M220 (CH)	083 F	91	ASW.. . . .>ASW.. . . .	5-SPEED	
944 TURBO	016 R	91	AOR.. . . .>AOR.. . . .	5-SPEED	

Model	Year	MG	SG	Illustration	VIN No.	Update		
9442	91					230	16:10	12.08.2008

EXPLANATION OF THE TRANSMISSION-NUMBERS USED IN THE CATALOGUE

=====

DIGIT:		1	2	3	4	5	6	7	8
EXAMPLE:		A	O	T	1	9	1	1	9
		=====		===		===		=	
				!		!		!	!
				!		!		!	!
IDENTIFICATION LETTER-----+						!		!	!
						!		!	!
MANUFACTURING DAY-----+								!	!
								!	!
MANUFACTURING MONTH-----+									!
									!
MANUFACTURING YEAR-----+									

Model	Year	MG	SG	Illustration	VIN No.	Update	16:10	12.08.2008
9442	91					230		

ENGINE

VEHICLE TYPE	TYPE	MY	ENGINE NO.	TECHNICAL DATA
944	M44.11	89 K	46K 00001>60000	4CYL/2,7L/121KW
944 M249	M44.12	89 K	46K 60001>70000	4CYL/2,7L/121KW
944 S2	M44.41	89 K	42K 00001>50000	4CYL/3L/155KW
944 TURBO	M44.52	89 K	47K 00001>10000	4CYL/2,5L/184KW
944 S2	M44.41	90 L	42L 00001>50000	4CYL/3L/155KW
944 TURBO	M44.52	90 L	47L 00001>10000	4CYL/2,5L/184KW
944 S2	M44.41	91 M	42M 00001>50000	4CYL/3L/155KW
944 TURBO	M44.52	91 M	47M 00001>01000	4CYL/2,5L/184KW

Model	Year	MG	SG	Illustration	VIN No.	Update		
9442	91					230	16:10	12.08.2008

EXPLANATION OF THE MOTOR-NUMBERS USED IN THE CATALOGUE

=====

DIGIT:		1	2	3		4	5	6	7	8
EXAMPLE:		4	2	L		0	0	1	3	6
		=	=	=		=====				
		!	!	!		!				
ENGINE TYPE (4 = 4-CYL.-ENGINE)	-----+ !	!				!				
		!	!			!				
ENGINE VERSION	-----+ !	!				!				
		!				!				
MODEL YEAR	-----+ !					!				
						!				
SERIAL NUMBER	-----+ !					!				

Model	Year	MG	SG	Illustration	VIN No.	Update	16:10	12.08.2008
9442	91					230		

VEHICLE TYPE	MY	VEHICLE IDENT.NR.	ENGINE TYPE
944 COUPE	89 K	94KN4 00001>30000	M44.11/12, 121 KW
944 S2 COUPE	89 K	94KN4 00001>30000	M44.41, 155 KW
944 S2 CABRIO	89 K	94KN4 30001>50000	M44.41, 155 KW
944 TURBO COUPE	89 K	95KN1 00001>50000	M44.52, 184 KW
944 COUPE (USA) (CDN)	89 K	94KN4 50001>80000	M44.11/12, 121 KW
944 S2 COUPE (USA) (CDN)	89 K	94KN4 50001>80000	M44.41, 155 KW
944 S2 CABRIO (USA) (CDN)	89 K	94KN4 80001>99999	M44.41, 155 KW
944 TURBO COUPE (USA) (CDN)	89 K	95KN1 50001>99999	M44.52, 184 KW
944 S2 COUPE	90 L	94LN4 00001>30000	M44.41, 155 KW
944 S2 CABRIO	90 L	94LN4 30001>50000	M44.41, 155 KW
944 TURBO COUPE	90 L	95LN1 00001>30000	M44.52, 184 KW
944 S2 COUPE (USA) (CDN)	90 L	94LN4 50001>80000	M44.41, 155 KW
944 S2 CABRIO (USA) (CDN)	90 L	94LN4 80001>99999	M44.41, 155 KW
944 TURBO COUPE (CDN)	90 L	95LN1 50001>79999	M44.52, 184 KW
NECKARSULM			

944 S2 COUPE	91 M	94MN4 00001>10000	M44.41, 155 KW
944 S2 CABRIO	91 M	94MN4 30001>40000	M44.41, 155 KW
944 TURBO COUPE	91 M	95MN1 00001>30000	M44.52, 184 KW
944 TURBO CABRIO	91 M	95MN1 30001>40000	M44.52, 184 KW
944 S2 COUPE (USA) (CDN)	91 M	94MN4 10001>20000	M44.41, 155 KW
944 S2 CABRIO (USA) (CDN)	91 M	94MN4 40001>50000	M44.41, 155 KW
STUTTGART			

944 S2 COUPE	91 M	94MS4 00001>10000	M44.41, 155 KW
944 S2 CABRIO	91 M	94MS4 30001>40000	M44.41, 155 KW

Model	Year	MG	SG	Illustration	VIN No.	Update		
9442	91					230	16:09	12.08.2008

THIS PARTS CATALOGUE CONTAINS ALL ORDER INFORMATION OF
TYPE 944 FROM MODEL YEAR 1989 TO MODEL YEAR 1991

IT IS AVAILABLE IN TWO EDITIONS IN THE FOLLOWING LANGUAGES:

EDITION

USA, CANADA - *

EDITION

ALL OTHER COUNTRIES - GERMAN

* - ENGLISH

- FRENCH

- ITALIAN

- SPANISH

UPDATING IS BEING PERFORMED BY CHANGING OF UPDATE.

THE EDITION CAN BE RECOGNIZED BY THE CURRENT NO.
YEAR IN THE BOTTOM LINE OF SUBJECT UPDATE.

THE PREVIOUS UPDATE SHOULD NO LONGER BE USED.

ALL ILLUSTRATIONS ARE SUBJECT TO CHANGE WITHOUT OBLIGATION.