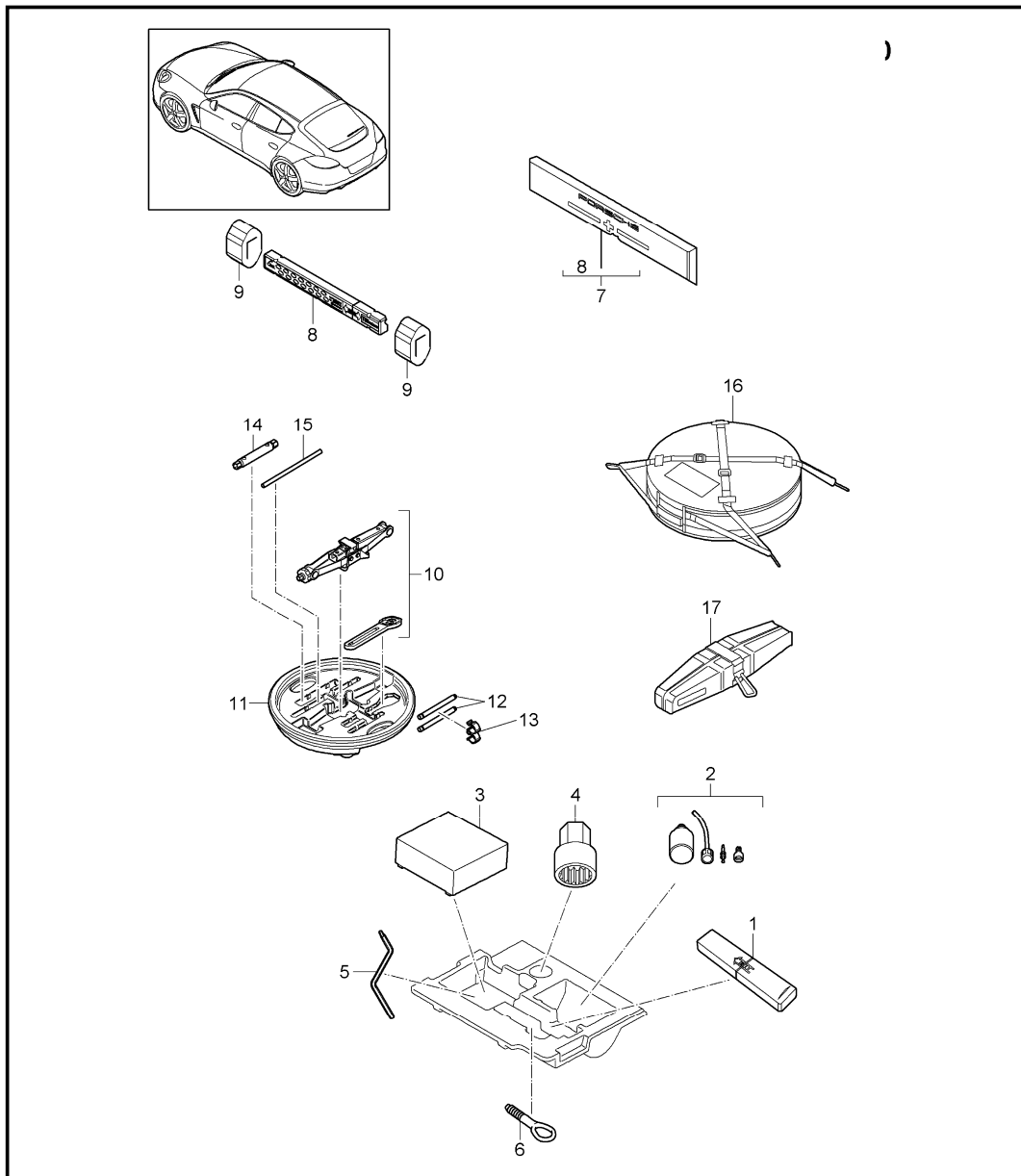


Model	Year	MG	SG	Illustration	Restrictions	UPD	10:23	05.03.2010	PORSCHE	PET	PORSCHE
970	2010	0	01	001-00		249					

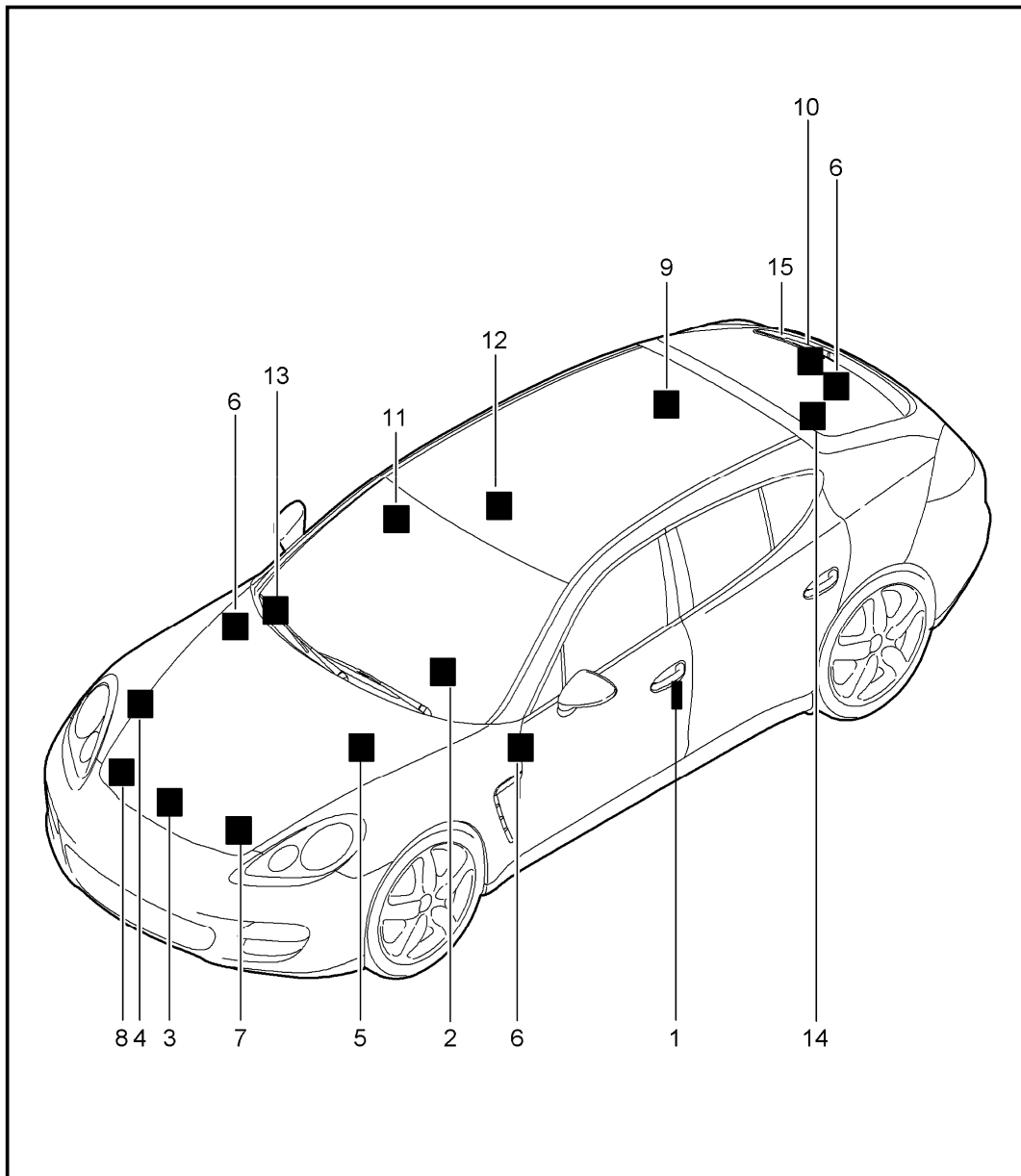


Pos	Part Number	Description	Remark	Qty	Model
1	970 721 115 00	tool jack		1	
-	477 012 229	tool kit with contents comprising:		1	
-	477 012 231	double-end spanner 10 X 13		1	
-	111 012 287	screwdriver		1	
-	111 012 287	handle for screwdriver		1	
-	955 721 135 01	socket wrench release headlamp		1	
		see illustrations 6-01-00			
		see illustrations 6-01-00			
5	970 564 810 00	anti-theft protection wheel bolt see illustrations 6-01-00		1	
6	970 721 551 01	emergency operation sunroof		1	
7	970 722 041 01	towing lug		1	
8	970 722 123 00	first-aid kit included warning triangle		1	I024/499
9	970 722 123 00	warning triangle included cover		1	
10	970 551 601 00	support warning triangle		2	
11	970 721 711 00	scissors type jack		1	I447/479
12	970 721 121 00	foam part scissors type jack		1	
	999 571 074 30	threaded bolt for assembly wheels		1	I447

Model	Year	MG	SG	Illustration	Restrictions	UPD	10:23	05.03.2010	PORSCHE	PET	PORSCHE
970	2010	0	01	001-00		249					

Pos	Part Number	Description	Remark	Qty	Model	Pos	Part Number	Description	Remark	Qty	Model
(12)	999 571 074 30	threaded bolt		2	I447/450						
14	477 012 221 A	rim wrench		1	I447						
15	999 571 070 30	operating rod for rim wrench		1	I447						
16	970 722 061 03	bag emergency wheel included belt		1	I447						
-	996 361 521 00	boot wheel		1							
17	970 551 801 00	bag scissors type jack	(AUS)	1	I479						

Model	Year	MG	SG	Illustration	Restrictions	UPD	18:05	03.03.2010	PORSCHE	PET	PORSCHE
970	2010	0	01	001-05		248					

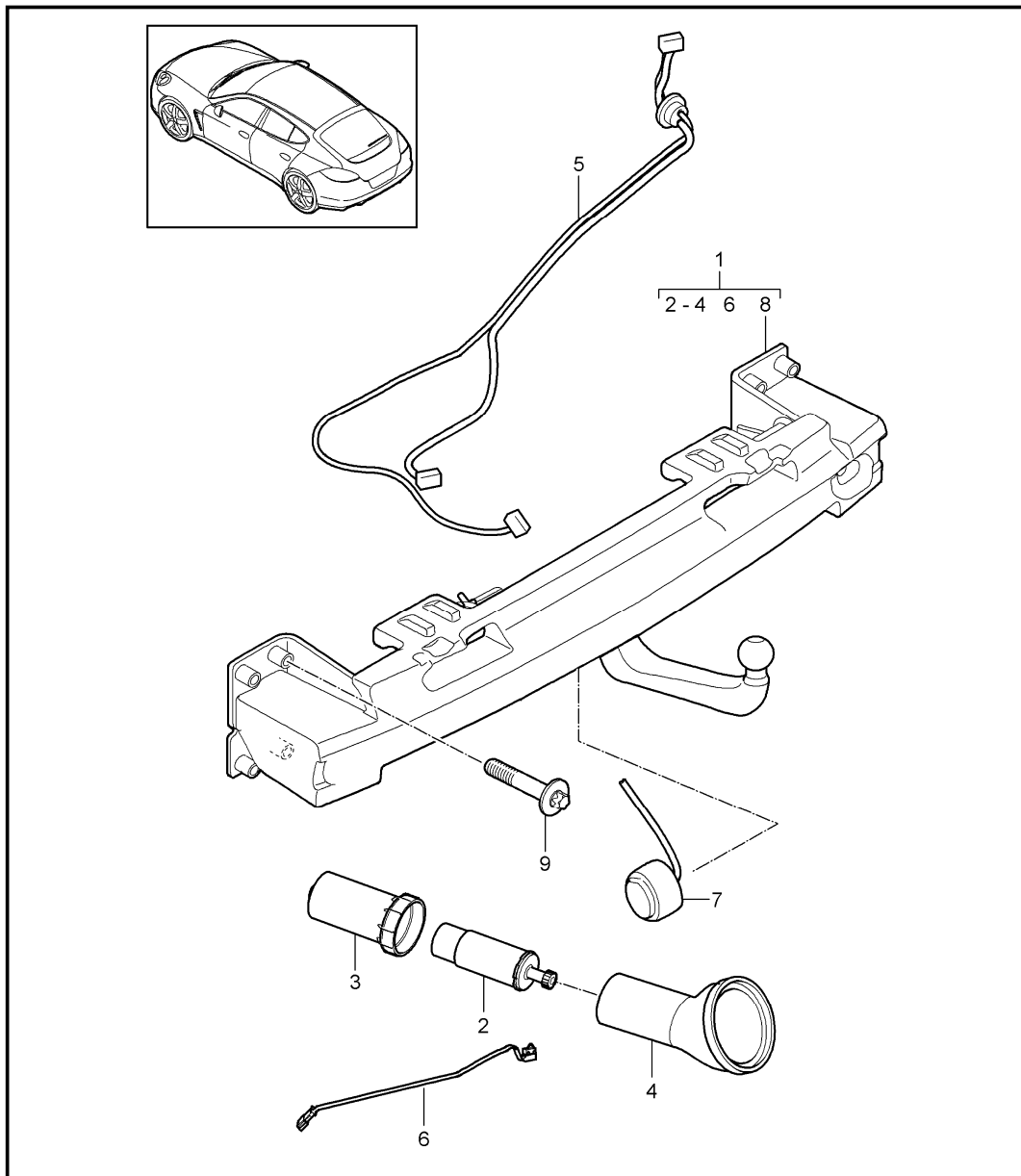


Pos	Part Number	Description	Remark	Qty	Model
		stickers			
		stickers			
		tyre pressure			
1	970 701 286 15	sticker		1	M48.20/40 I230/231/463
		tyre pressure			
(1)	970 701 286 16	sticker		1	M48.70 I231/463
		tyre pressure			
(1)	970 701 286 18	sticker		1	M48.70 I235/463
		tyre pressure			
(1)	970 701 286 19	sticker		1	M48.70 I235/463
		tyre pressure			
(1)	970 701 286 25	sticker		1	M48.20/40 I232/463
		tyre pressure			
(1)	970 701 286 26	sticker		1	M48.70 I232/463
		tyre pressure			
(1)	970 701 286 30	sticker		1	M48.20/40 I230/231/462
		tyre pressure			
(1)	970 701 286 31	sticker		1	M48.70 I231/462
		tyre pressure			
(1)	970 701 286 33	sticker		1	M48.20/40 I235/462
		tyre pressure			
(1)	970 701 286 34	sticker		1	M48.70 I235/462
		tyre pressure			
(1)	970 701 286 40	sticker		1	M48.20/40 I232/462
		tyre pressure			
(1)	970 701 286 41	sticker		1	M48.70 I232/462
		tyre pressure			
		stickers			
		engine specifications			

Model	Year	MG	SG	Illustration	Restrictions	UPD	18:05	03.03.2010	PORSCHE	PET	PORSCHE
970	2010	0	01	001-05		248					

Pos	Part Number	Description	Remark	Qty	Model	Pos	Part Number	Description	Remark	Qty	Model
3	7PP 010 696 A	sticker exhaust gas	(THA)	1	I068	11	997 701 531 00	sticker airbag	(J)	1	I193
(3)	970 006 102 00	sticker assembly v-belt		1		12	997 701 531 00	sticker airbag	(J)	1	I193
4	955 006 675 00	sticker motor fan	(J)	1	I193	13	955 701 435 00	warning sign airbag		1	
5	970 701 141 00	sticker air conditioner	(CN) (S) (USA)	1		(13)	955 701 435 30	warning sign airbag	(AUS)	1	I479
(5)	970 701 521 01	sticker air conditioner	(J)	1	I193	(13)	955 701 435 20	warning sign airbag	(AG) (SA)	1	I215
(5)	955 701 675 00	sticker expansion tank	(J)	1	I193	(13)	955 701 435 10	warning sign airbag	(CN)	1	I075
(5)	955 701 675 05	sticker brake fluid	(J)	1	I193	(13)	970 701 523 00	sticker Recycling	(J)	1	I193
(5)	7PP 010 709 L	sticker brake fluid	(SA)	1	I215	14	955 701 673 00	sticker battery	(J)	1	I193
(5)	7PP 010 709 M	sticker brake fluid	(CN)	1	I075	15	7PP 010 707 K	sticker emergency wheel		1	I447
7	7PP 010 714 R	warning sign Start/Stop		1							
8	997 006 544 00	sticker engine oil - MOBILLOEL -		1							
9	970 006 117 00	sticker type of fuel 98 ROZ unleaded		1							
(9)	970 006 117 02	sticker type of fuel 96 ROZ	(AUS)	1	I479						
9	955 701 676 10	sticker fuel filler flap	(J)	1	I193						
9	955 701 676 15	sticker type of fuel stickers airbag	(J)	1	I193						
10	955 701 675 15	sticker import japan	(J)	1	I193						

Model	Year	MG	SG	Illustration	Restrictions	UPD	18:05	03.03.2010	PORSCHE	PET	PORSCHE
970	2010	0	02	002-00		248					



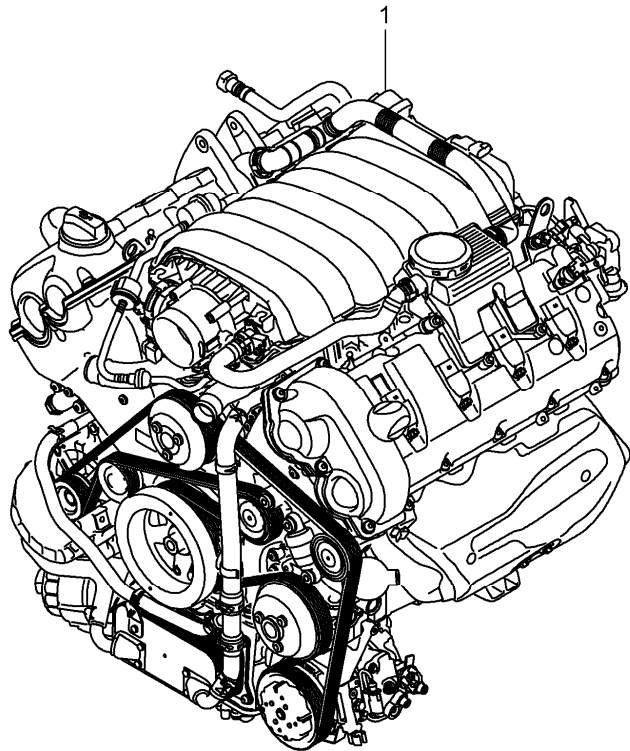
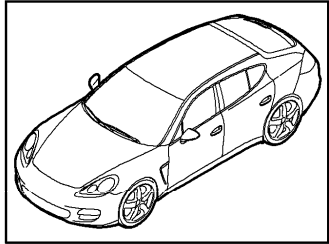
Pos	Part Number	Description	Remark	Qty	Model
1	970 722 931 00	trailer coupling		1	I206/475
(1)	970 722 931 01	trailer coupling without wiring harness		1	I206/350/351
-	970 722 911 00	assembly kit trailer coupling comprising: pan-head screw pan-head screw bearing plate screw tie-wrap screw torx screw torx screw countersunk-head screw mounting plate tie-wrap		X	I206
2	970 624 121 00	electric motor trailer coupling		1	
-	970 722 951 00	assembly kit housing comprising: gasket sealing ring pan-head screw		X	
5	970 612 810 00	wiring harness trailer coupling		1	I206
8	970 722 311 00	cross member trailer coupling		1	
9	999 073 492 01	Outer hexagon round screw M 10 X 65		8	I206

Model	Year	MG	SG	Illustration	Restrictions	UPD	18:05	03.03.2010	PORSCHE	PET	PORSCHE
970	2010	0	04	004-00		248					

Bildtafel folgt

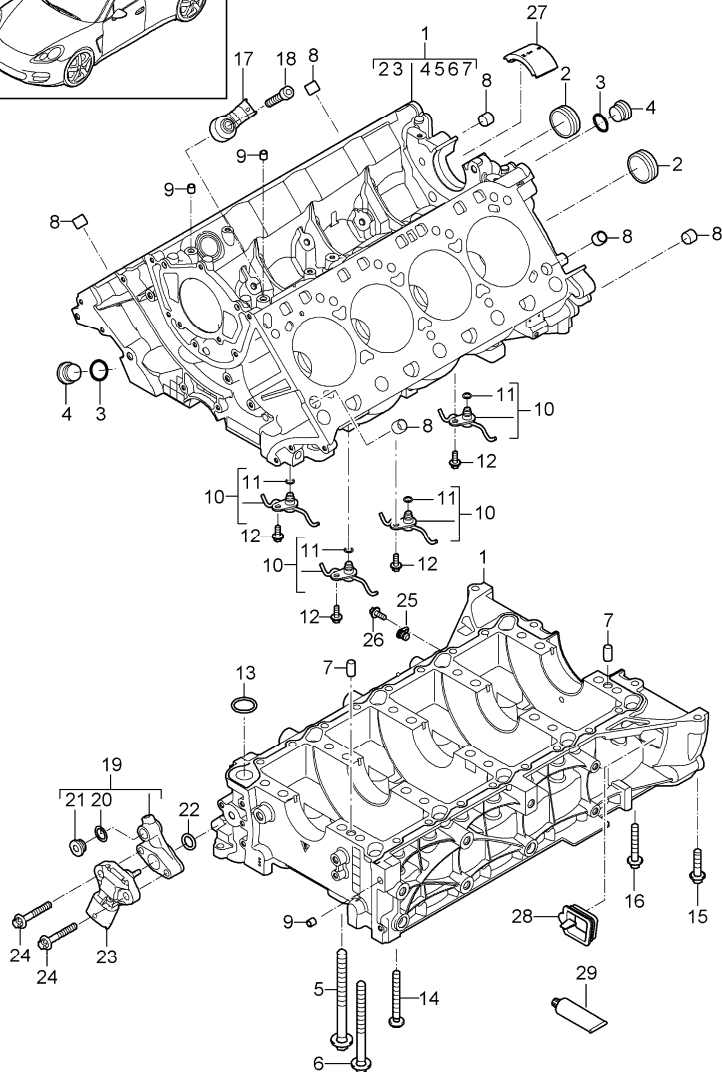
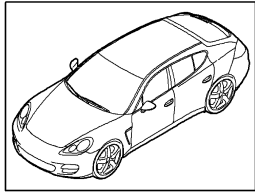
Pos	Part Number	Description	Remark	Qty	Model
		paint touch-up applicator lacquers			
-	911 095 932 20	paint touch-up applicator		X	
	041	black			A 1
	B9A	carrara white			B 4
-	911 095 933 20	paint touch-up applicator set comprising: paint touch-up applicator primer paint touch-up applicator clear lacquer		X	
	C9Z	basalt black metallic			Z 4
	M9Z	Carbon Grey Metallic			1 A
	M7T	Platinum Silver Metallic			1 H
	M5X	Dark Blue Metallic			N 4
	Z6H	Jet Green Metallic			J 6
	M8X	Topaz Brown Metallic			J 3
	M8Y	Mahogany Metallic			Y 8
	M5S	Yachting Blue Metallic			R 9
	M3X	ruby red metallic			A 6
	A6W	crystal green metallic			3 P
	M4Z	amethyst metallic			N 6
	M7Z	gt silver metallic			U 2
	M5R	Aqua Blue Metallic			D 2
	M8Z	Cognac Metallic			W 6

Model	Year	MG	SG	Illustration	Restrictions	UPD	18:06	03.03.2010	PORSCHE	PET	PORSCHE
970	2010	1	01	101-00		248					



Pos	Part Number	Description	Remark	Qty	Model
		replacement engine without drive plate pdk without flywheel manual transmission without compressor			M48.20/40/70
1 >	948 100 920 00	replacement engine not ready for installation		1	M48.20
(1)	948 100 920 X	replacement engine not ready for installation		1	M48.20
(1) >	948 100 920 01	replacement engine not ready for installation		1	M48.20 I642
(1)	948 100 920 AX	replacement engine not ready for installation		1	M48.20 I642
(1) >	948 100 940 01	replacement engine not ready for installation		1	M48.40
(1)	948 100 940 AX	replacement engine not ready for installation		1	M48.40
(1) >	948 100 970 01	replacement engine not ready for installation		1	M48.70
(1)	948 100 970 AX	replacement engine not ready for installation		1	M48.70

Model	Year	MG	SG	Illustration	Restrictions	UPD	18:06	03.03.2010	PORSCHE	PET	PORSCHE
970	2010	1	01	101-30		248					

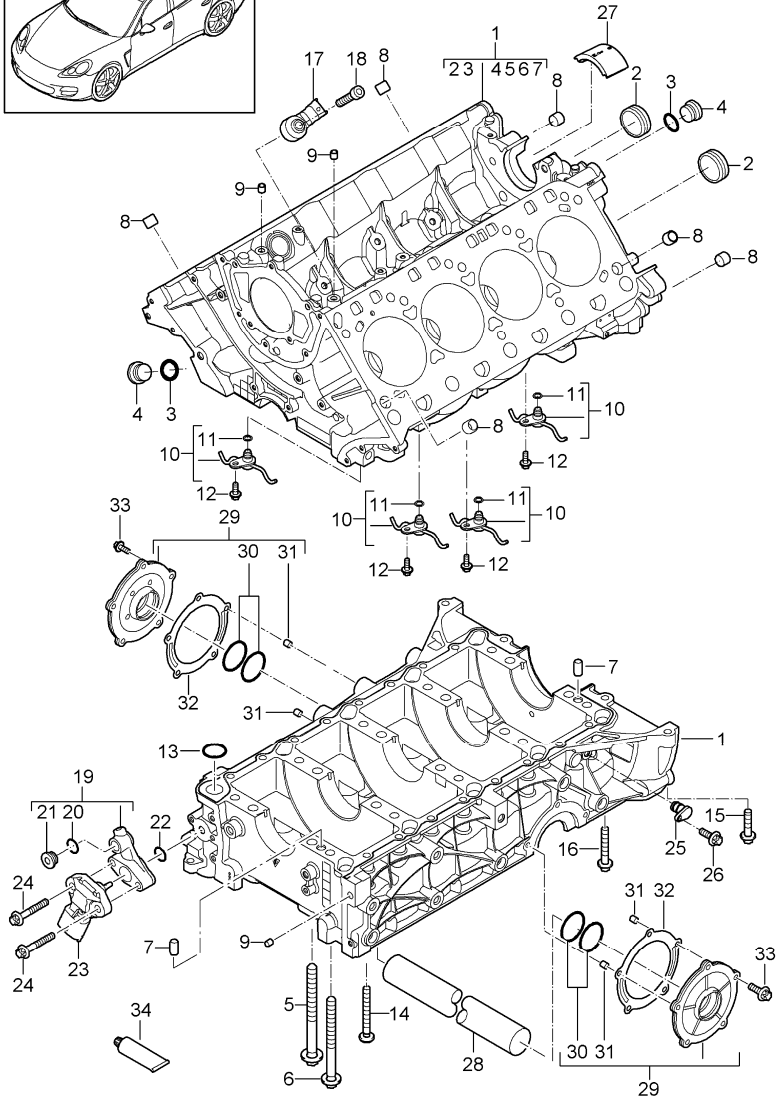
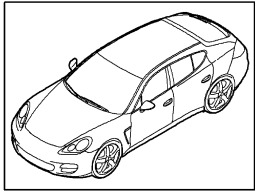


Pos	Part Number	Description	Remark	Qty	Model
		crankcase single parts			M48.20
1	948 101 001 20	crankcase without piston use also: piston 014.301.153.B 996.106.103.50 948.101.017.11 900.385.009.01 999.707.481.40		1	
2	948 101 216 00	lid		2	
3	900 123 118 30	sealing ring A 22 X 27		2	
4	999 063 024 30	screw plug M 22 X 1,5		2	
5	948 101 190 01	screw M 11 X 1,5 X 130		10	
6	948 101 191 01	screw M 10 X 1,5 X 117		10	
7	999 012 051 00	straight pin BM 10 X 18		2	
8	014 301 153 B	dowel sleeve 13 X 16 X 13,5		6	
9	996 106 103 50	dowel sleeve 8,2 X 7		3	
10	948 101 017 11	spray nozzle		4	
11	999 707 509 40	o-ring 8,55 X 2		4	
12	900 385 009 01	torx screw BM 6 X 16		4	
13	999 707 481 40	o-ring 24 X 3		1	
14	999 073 915 30	oval-head screw M 8 X 70		16	
15	900 385 042 01	torx screw BM 8 X 35		2	
16	900 385 071 01	torx screw BM 8 X 50		2	

Model	Year	MG	SG	Illustration	Restrictions	UPD	18:06	03.03.2010	PORSCHE	PET	PORSCHE
970	2010	1	01	101-30		248					

Pos	Part Number	Description	Remark	Qty	Model	Pos	Part Number	Description	Remark	Qty	Model
17	997 606 121 00	knock sensor		4							
18	900 067 102 02	pan-head screw M 8 X 35		4							
19	948 107 314 20	adapter		1							
20	900 123 144 30	sealing ring A 10 X 13,5		1							
21	900 219 023 01	screw plug M 10 X 1		1							
22	999 707 575 40	o-ring 20 X 3		1							
23	948 606 213 00	oil pressure sender		1							
24	900 385 045 01	torx screw BM 6 X 40		2							
25	948 107 260 00	lid		1							
26	900 385 041 01	torx screw BM 6 X 12		1							
27	7P5 103 113	lid		1							
28	955 301 729 10	stopper		1							
29	999 915 573 43	sealing compound 1 tube 75 ml for crankcase lower part		X							

Model	Year	MG	SG	Illustration	Restrictions	UPD	18:06	03.03.2010	PORSCHE	PET	PORSCHE
970	2010	1	01	101-35		248					

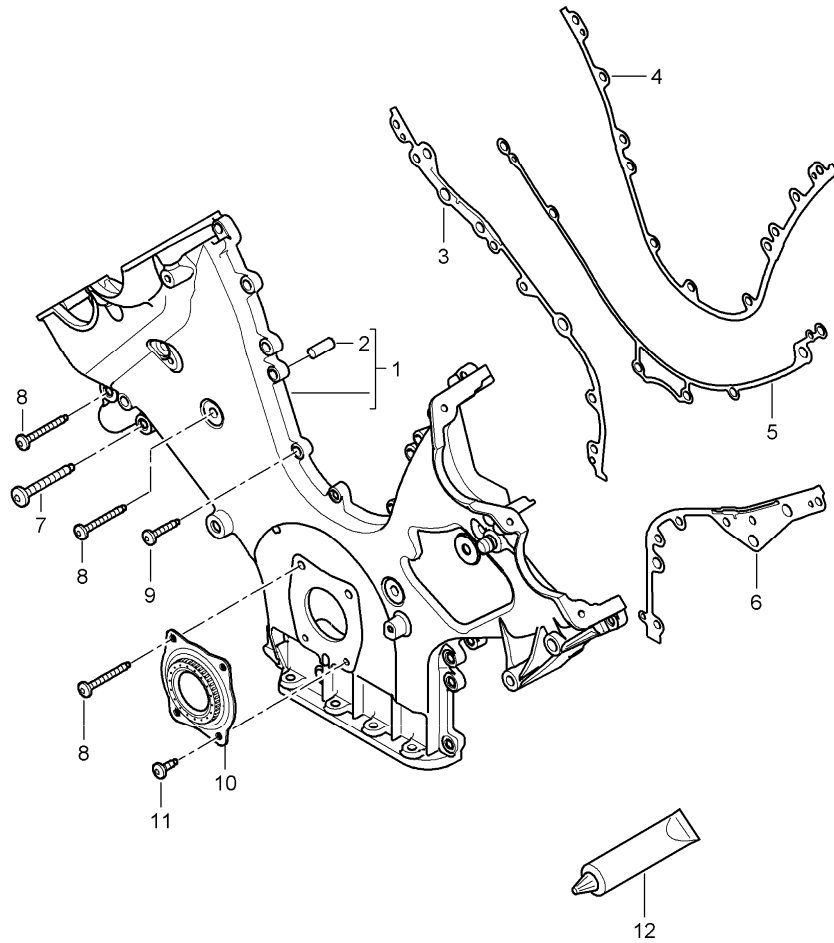
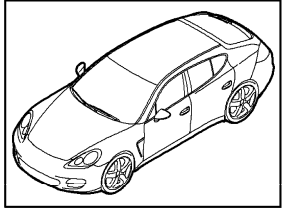


Pos	Part Number	Description	Remark	Qty	Model
		crankcase single parts			M48.40/70
1	948 101 001 40	crankcase without piston use also: piston 014.301.153.B 996.106.103.50 948.101.017.11 900.385.009.01 999.707.481.40		1	
2	948 101 216 00	lid		2	
3	900 123 118 30	sealing ring A 22 X 27		2	
4	999 063 024 30	screw plug M 22 X 1,5		2	
5	948 101 190 01	screw M 11 X 1,5 X 130		8	
(5)	948 101 190 40	screw M 11 X 1,5 X 113,5		2	
6	948 101 191 01	screw M 10 X 1,5 X 117		8	
(6)	948 101 191 41	screw M 10 X 1,5 X 107,5		2	
7	999 012 051 00	straight pin BM 10 X 18		2	
8	014 301 153 B	dowel sleeve 13 X 16 X 13,5		6	
9	996 106 103 50	dowel sleeve 8,2 X 7		3	
10	948 101 017 11	spray nozzle		4	
11	999 707 509 40	o-ring 8,55 X 2		4	
12	900 385 009 01	torx screw BM 6 X 16		4	
13	999 707 481 40	o-ring 24 X 3		1	
14	999 073 915 30	oval-head screw M 8 X 70		16	

Model	Year	MG	SG	Illustration	Restrictions	UPD	18:06	03.03.2010	PORSCHE	PET	PORSCHE
970	2010	1	01	101-35		248					

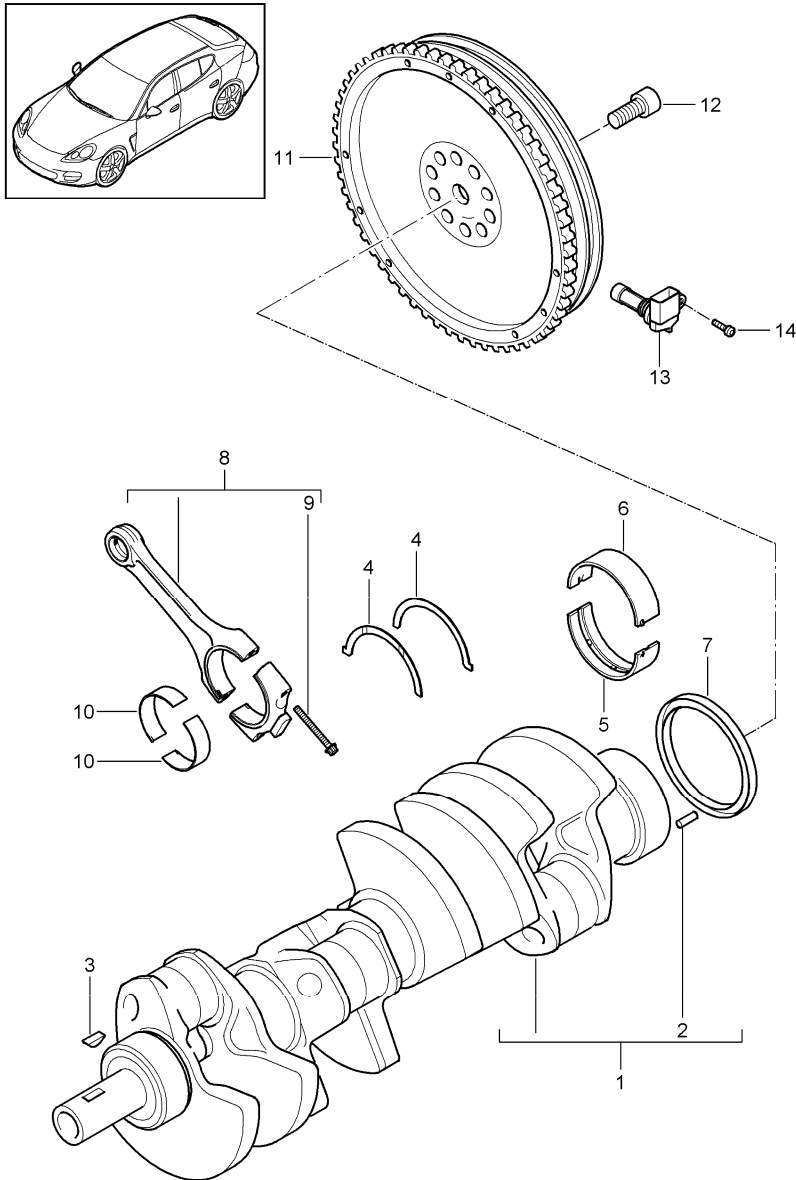
Pos	Part Number	Description	Remark	Qty	Model	Pos	Part Number	Description	Remark	Qty	Model
15	900 385 042 01	torx screw BM 8 X 35		2							
16	900 385 071 01	torx screw BM 8 X 50		2							
17	997 606 121 00	knock sensor		4							
18	900 067 102 02	pan-head screw M 8 X 35		4							
19	948 107 314 20	adapter		1							
20	900 123 144 30	sealing ring A 10 X 13,5		1							
21	900 219 023 01	screw plug M 10 X 1		1							
22	999 707 575 40	o-ring 20 X 3		1							
23	948 606 213 00	oil pressure sender		1							
24	900 385 045 01	torx screw BM 6 X 40		2							
25	948 107 260 00	lid		1	M48.40						
26	900 385 041 01	torx screw BM 6 X 12		1	M48.40						
27	7P5 103 113	lid		1							
28	948 101 180 00	cross tube		1							
29	948 101 070 01	joint flange		2							
30	999 707 641 40	o-ring 30 X 3		4							
31	996 106 103 50	dowel sleeve 8,2 X 7		4							
32	948 101 223 40	gasket		2							
33	900 385 019 01	torx screw BM 6 X 20		10							
34	999 915 573 43	sealing compound 1 tube 75 ml for crankcase lower part		X							

Model	Year	MG	SG	Illustration	Restrictions	UPD	18:06	03.03.2010	PORSCHE	PET	PORSCHE
970	2010	1	01	101-60		248					



Pos	Part Number	Description	Remark	Qty	Model
		control box cover joint flange			M48.20/40/70
1	948 101 022 20	control box cover		1	
2	900 012 204 30	straight pin 6 X 16		8	
3	948 101 130 20	gasket		1	
4	948 101 125 20	gasket		1	
5	948 101 127 20	gasket		1	
6	948 101 129 20	gasket		1	
7	999 073 913 30	oval-head screw M 8 X 55		2	
8	999 073 914 30	oval-head screw M 6 X 55		7	
9	999 073 905 30	oval-head screw M 6 X 30		23	
10	948 101 910 20	joint flange with assembly sleeve		1	
11	999 073 903 30	oval-head screw M 6 X 20		2	
12	000 043 204 35	sealing compound 1 tube 50 ml. for control box cover		X	

Model	Year	MG	SG	Illustration	Restrictions	UPD	18:06	03.03.2010	PORSCHE	PET	PORSCHE
970	2010	1	02	102-00		248					

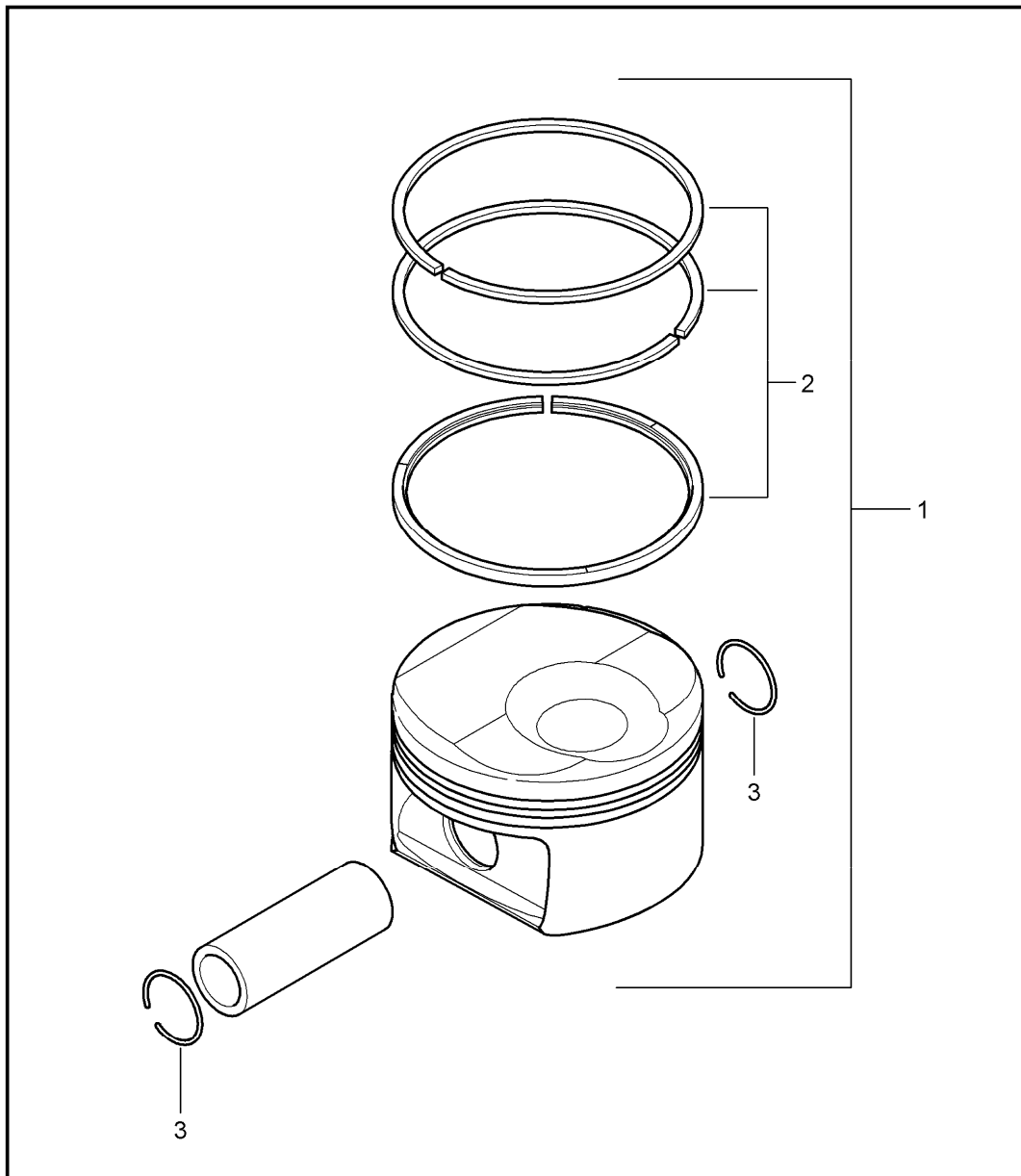


Pos	Part Number	Description	Remark	Qty	Model
		crankshaft connecting rod			M48.20/40/70
1	948 102 011 21	crankshaft		1	M48.20/40
(1)	948 102 011 71	crankshaft		1	M48.70
2	900 302 049 00	straight pin 6 X 20		1	
3	N 012 713 1	woodruff key 5,0 X 6,5		1	
4	948 101 215 10	thrust washer		2	
5	948 101 241 04	main bearing shell lower identification red		5	
(5)	948 101 241 05	main bearing shell lower identification yellow		5	
(5)	948 101 241 06	main bearing shell lower identification blue		5	
(5)	948 101 241 07	main bearing shell lower identification green		5	
6	948 101 242 04	main bearing shell upper identification red		5	
(6)	948 101 242 05	main bearing shell upper identification yellow		5	
(6)	948 101 242 06	main bearing shell upper identification blue		5	
(6)	948 101 242 07	main bearing shell upper identification green		5	
7	997 101 212 01	shaft sealing ring		1	

Model	Year	MG	SG	Illustration	Restrictions	UPD	18:06	03.03.2010	PORSCHE	PET	PORSCHE
970	2010	1	02	102-00		248					

Pos	Part Number	Description	Remark	Qty	Model	Pos	Part Number	Description	Remark	Qty	Model
8	948 103 019 21	connecting rod complete		8	M48.20/40						
(8)	948 103 010 14	connecting rod complete		8	M48.70						
9	997 103 115 01	connecting rod bolt		16							
10	948 103 230 23	connecting-rod bearing identification red		16	M48.20/40						
(10)	948 103 230 24	connecting-rod bearing identification yellow		16	M48.20/40						
(10)	948 103 230 25	connecting-rod bearing identification blue		16	M48.20/40						
(10)	948 103 210 10	connecting-rod bearing identification rot		16	M48.70						
(10)	948 103 210 11	connecting-rod bearing identification yellow		16	M48.70						
(10)	948 103 210 12	connecting-rod bearing identification blue		16	M48.70						
11	970 114 012 21	double-mass flywheel		1	M48.20 I480						
(11)	970 114 020 21	double-mass flywheel		1	M48.20/40 I250						
(11)	970 114 020 51	double-mass flywheel		1	M48.70 I250						
12	N 906 651 01	pan-head screw M 10 X 1 X 29		10							
13	7PP 905 381	inductive transmitter		1							
14	900 387 264 01	pan-head screw M 6 X 16		1							

Model	Year	MG	SG	Illustration	Restrictions	UPD	18:07	03.03.2010	PORSCHE	PET	PORSCHE
970	2010	1	02	102-30		248					

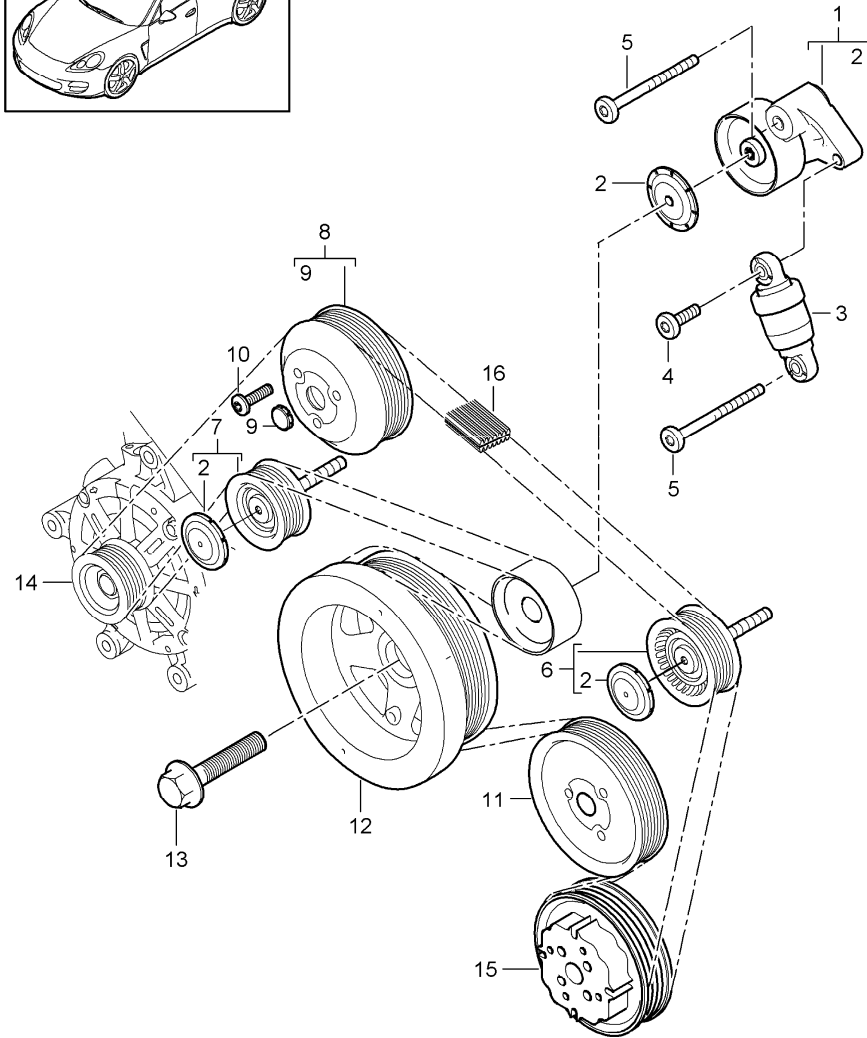
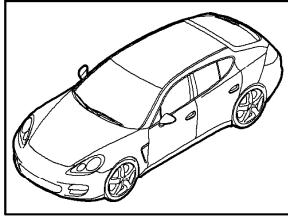


Pos	Part Number	Description	Remark	Qty	Model
		piston piston rings			M48.20/40/70
1	948 103 048 21	piston tolerance range X number plate - 556,5 G cylinders 1 - 4		4	M48.20/40
(1)	948 103 048 22	piston tolerance range X number plate + 562,5 G cylinders 1 - 4		4	M48.20/40
(1)	948 103 047 21	piston tolerance range X number plate - 556,5 G cylinders 5 - 8		4	M48.20/40
(1)	948 103 047 22	piston tolerance range X number plate + 562,5 G cylinders 5 - 8		4	M48.20/40
(1)	948 103 046 64	piston tolerance range X number plate - 563,5 G cylinders 1 - 4		4	M48.70
(1)	948 103 046 65	piston tolerance range X number plate + 569,5 G cylinders 1 - 4		4	M48.70

Model	Year	MG	SG	Illustration	Restrictions	UPD	18:07	03.03.2010	PORSCHE	PET	PORSCHE
970	2010	1	02	102-30		248					

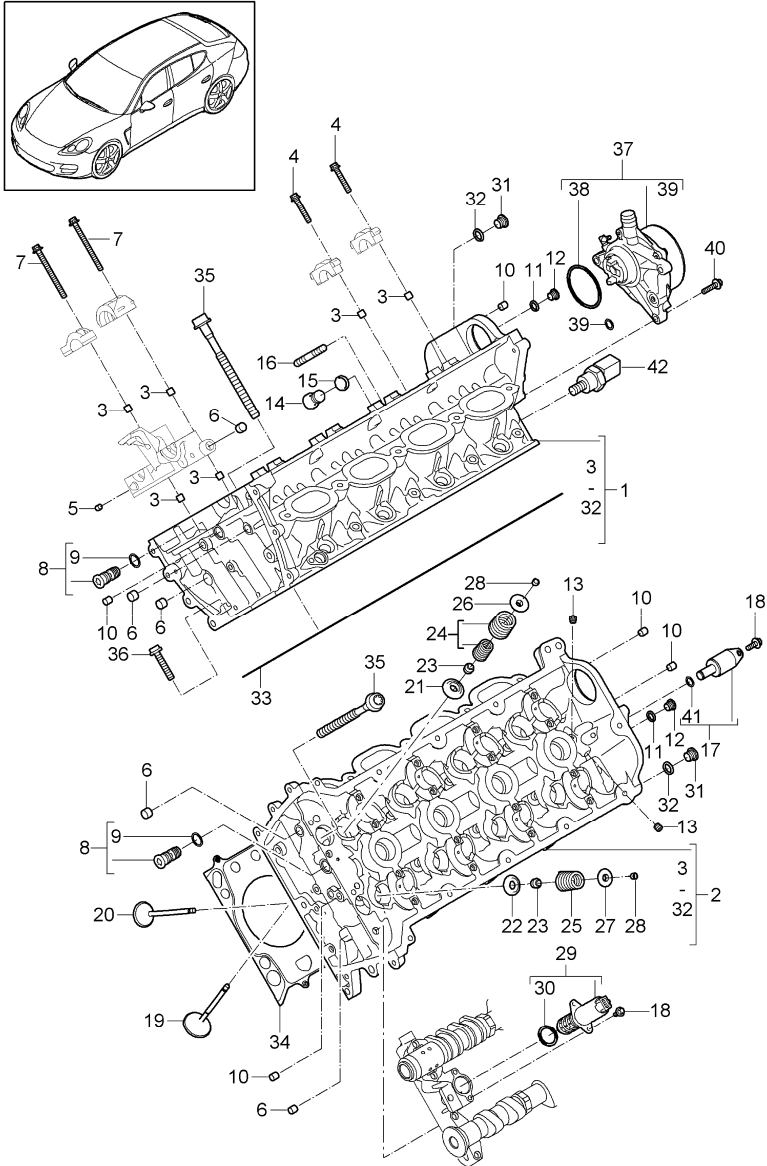
Pos	Part Number	Description	Remark	Qty	Model	Pos	Part Number	Description	Remark	Qty	Model
(1)	948 103 045 64	piston tolerance range X number plate - 563,5 G cylinders 5 - 8		4	M48.70						
(1)	948 103 045 65	piston tolerance range X number plate + 569,5 G cylinders 5 - 8		4	M48.70						
2	948 103 931 15	set of piston rings		8							
3	948 103 341 00	circlip		16							

Model	Year	MG	SG	Illustration	Restrictions	UPD	18:07	03.03.2010	PORSCHE	PET	PORSCHE
970	2010	1	02	102-60		248					



Pos	Part Number	Description	Remark	Qty	Model
		belt tensioner belt drive			M48.20/40/70
1	948 102 403 22	lever with tensioning roller		1	
2	948 102 839 00	protection cap		3	
3	948 102 261 21	tensioner hydraulic		1	
4	999 073 246 09	torx screw M 8 X 33		1	
5	999 073 329 09	torx screw M 8 X 96		2	
6	7PP 145 276	deflection roller with fastening screw and protection cap		1	
7	948 102 118 20	deflection roller with fastening screw and protection cap		1	
8	948 106 091 00	pulley water pump		1	
9	948 106 419 00	lid		1	
10	999 073 104 01	torx screw M 8 X 16		3	
11		pulley power-steering pump tandem pump		1	
12	948 102 241 61	vibration damper crankshaft		1	
13	948 102 202 10	hexagon-head bolt M 18 X 1,5 X 72,1		1	
14		pulley generator		1	
15		compressor air conditioner		1	
16	955 102 251 00	v-belt 7 DPK 2880		1	

Model	Year	MG	SG	Illustration	Restrictions	UPD	18:07	03.03.2010	PORSCHE	PET	PORSCHE
970	2010	1	03	103-00		248					

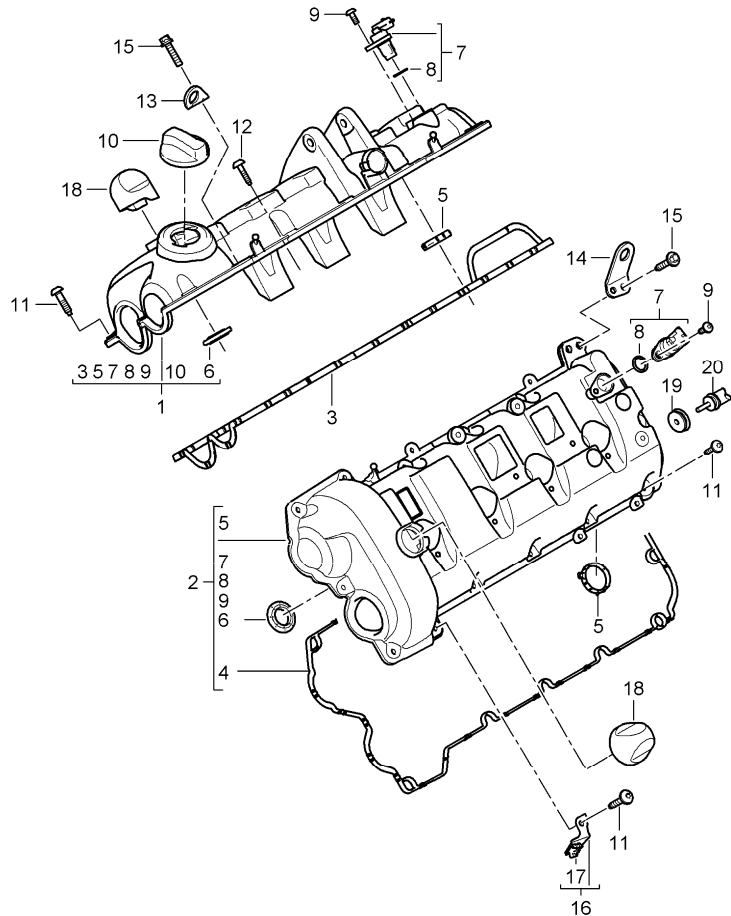
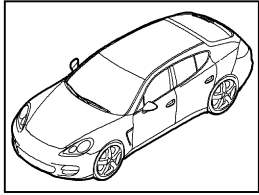


Pos	Part Number	Description	Remark	Qty	Model
		cylinder head vacuum pump			M48.20/40/70
1	948 104 015 20	cylinder head with spark plug cylinders 1 - 4		1	M48.20/40
(1)	948 104 015 70	cylinder head with spark plug cylinders 1 - 4		1	M48.70
2	948 104 016 20	cylinder head with spark plug cylinders 5 - 8		1	M48.20/40
(2)	948 104 016 70	cylinder head with spark plug cylinders 5 - 8		1	M48.70
3	944 104 361 00	dowel sleeve		44	
4	999 073 363 01	torx screw M 6 X 35		32	
5	999 501 023 30	stopper 6,7		2	
6	999 501 024 30	stopper 11,2		6	
7	900 385 027 01	torx screw BM 6 X 70		8	
8	948 104 250 01	restrictor		2	
9	999 707 577 40	o-ring 10,0 X 2,5		2	
10	999 501 028 30	stopper 8,7		5	
11	900 123 144 30	sealing ring A 10 X 13,5		2	
12	900 219 023 01	screw plug M 10 X 1		2	
13	900 063 010 00	screw plug M 8 X 1		4	
14	900 219 024 01	screw plug M 14 X 1,5		2	M48.20/40

Model	Year	MG	SG	Illustration	Restrictions	UPD	18:07	03.03.2010	PORSCHE	PET	PORSCHE
970	2010	1	03	103-00		248					

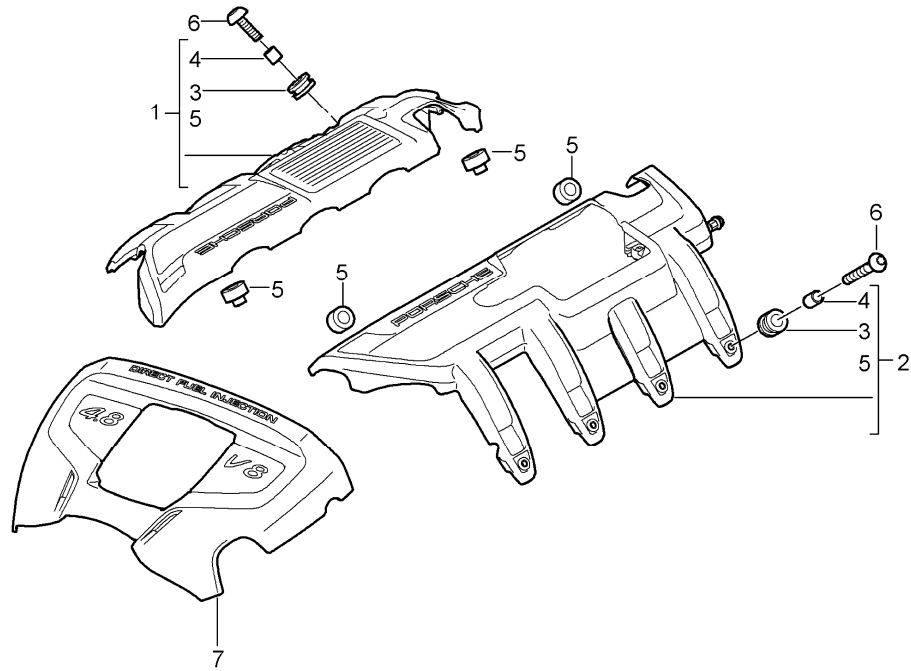
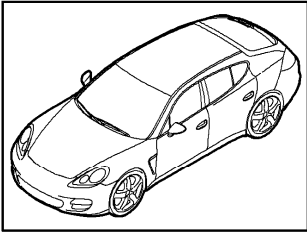
Pos	Part Number	Description	Remark	Qty	Model	Pos	Part Number	Description	Remark	Qty	Model
15	900 123 007 30	sealing ring A 14 X 18		2	M48.20/40	29	948 105 304 05	actuator camshaft		2	
16	999 060 002 01	threaded bolt MFS 8 X 33		24	M48.20/40	30	999 707 446 40	o-ring 18 X 2,5		2	
(16)	999 060 001 01	threaded bolt MFS 8 X 42		24	M48.70	31	900 219 006 01	screw plug M 12 X 1,5		2	
17	948 105 308 02	actuator valve		2		32	900 123 005 30	sealing ring A 12 X 16		2	
18	900 385 112 01	torx screw BM 5 X 12		8		33	948 104 173 04	cylinder head gasket cylinders 1 - 4		1	
19	948 105 321 02	intake valve		16		34	948 104 174 04	cylinder head gasket cylinders 5 - 8		1	
20	948 105 322 02	exhaust valve		16	M48.20/40	35	948 104 181 10	pan-head screw M 11 X 1,5 X 140		20	
(20)	948 105 322 52	exhaust valve		16	M48.70	36	999 219 044 01	pan-head screw M 8 X 40		1	
21	948 105 151 01	concave washer lower intake		16		37	948 110 050 05	vacuum pump		1	
22	948 105 153 01	concave washer lower exhaust		16	M48.20/40	38	999 707 581 41	o-ring 54 X 3		1	
(22)	948 105 153 51	concave washer lower exhaust		16	M48.70	39	999 707 582 41	o-ring 13 X 3		1	
23	996 105 115 52	valve stem seal		32		40	900 385 072 01	torx screw M 6 X 25		3	
24	948 105 094 00	set of valve springs intake		16		41	999 701 582 40	o-ring 11,5 X 1,8		2	
25	948 105 420 01	valve spring exhaust		16	M48.20/40	42	948 606 420 00	temperature sensor water cooling		1	
(25)	948 105 095 50	set of valve springs exhaust		16	M48.70						
26	948 105 150 01	concave washer upper intake		16							
27	996 105 121 54	concave washer upper exhaust		16	M48.20/40						
(27)	948 105 152 51	concave washer upper exhaust		16	M48.70						
28	996 105 123 52	valve collet		64							

Model	Year	MG	SG	Illustration	Restrictions	UPD	18:07	03.03.2010	PORSCHE	PET	PORSCHE
970	2010	1	03	103-15		248					



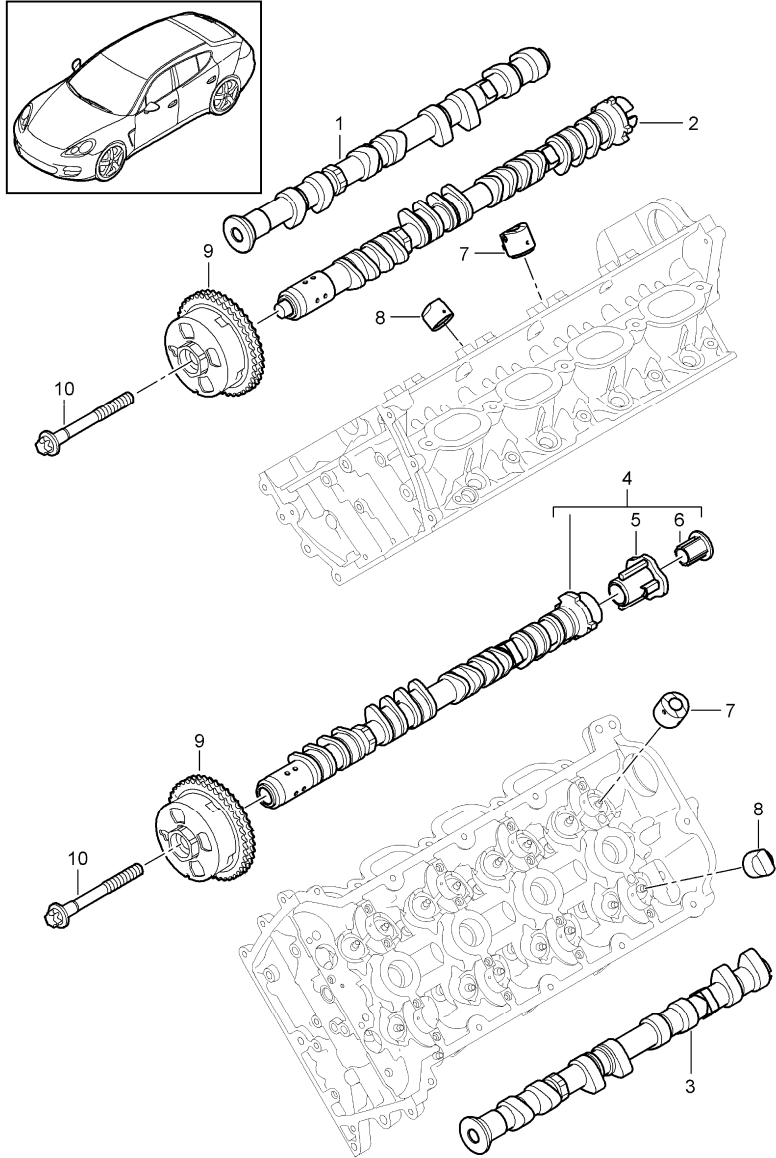
Pos	Part Number	Description	Remark	Qty	Model
		valve cover			M48.20/40/70
1	948 105 135 20	valve cover cylinders 1 - 4		1	
2	948 105 136 20	valve cover cylinders 5 - 8		1	
3	948 105 935 01	gasket cylinders 1 - 4		1	
4	948 105 936 01	gasket cylinders 5 - 8		1	
5	948 105 937 02	gasket inner		8	
6	948 105 938 00	gasket actuator camshaft		2	
7	948 606 106 00	hall sender		2	
8	999 707 404 40	o-ring 17,05 X 1,78		2	
9	999 073 903 30	oval-head screw M 6 X 20		2	
10	955 104 485 00	lid		1	
11	999 073 905 30	oval-head screw M 6 X 30		23	
12	999 073 908 30	oval-head screw M 8 X 35		3	
13	948 104 305 20	shackle for transportation		1	
14	948 104 306 20	shackle for transportation		1	
15	900 385 042 01	torx screw M 8 X 35		4	
16	948 606 163 02	support		1	
17	999 651 394 40	cable holder		1	
18	948 607 241 00	cap		2	
19	993 110 530 01	grommet temperature sensor		1	
20	997 606 213 00	temperature sensor engine compartment		1	

Model	Year	MG	SG	Illustration	Restrictions	UPD	18:07	03.03.2010	PORSCHE	PET	PORSCHE
970	2010	1	03	103-30		248					



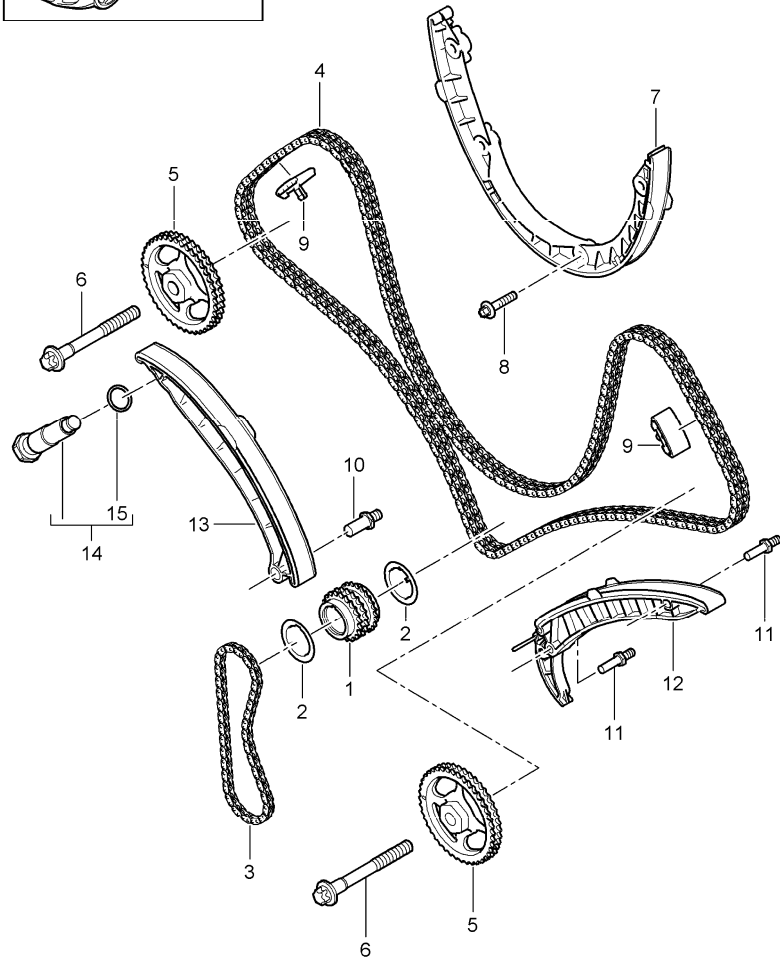
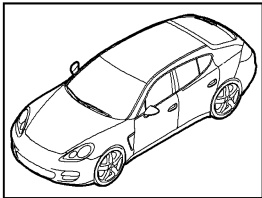
Pos	Part Number	Description	Remark	Qty	Model
1	7PP 103 908	engine cover cover ignition coil cylinders 1 - 4		1	M48.20/40/70
2	7PP 103 907	cover ignition coil cylinders 5 - 8		1	
3	955 110 638 00	grommet		8	
4	7L5 103 825 A	sleeve		8	
5	07C 103 226 A	ball socket		4	
6	WHT 003 425	torx screw M 5 X 16		8	
7	7PP 130 114	engine cover		1	

Model	Year	MG	SG	Illustration	Restrictions	UPD	18:37	03.03.2010	PORSCHE	PET	PORSCHE
970	2010	1	03	103-45		248					



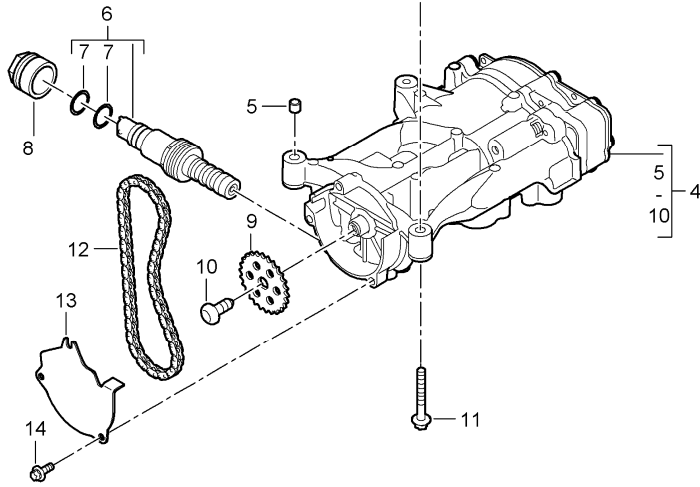
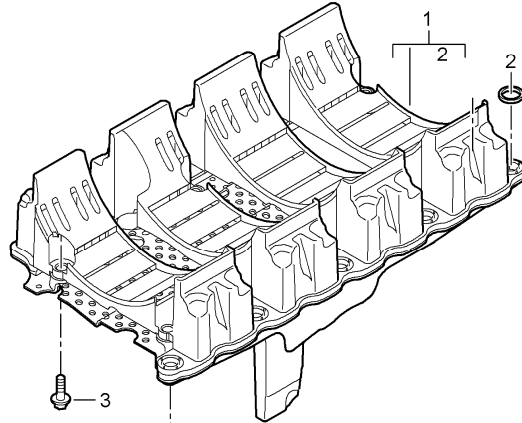
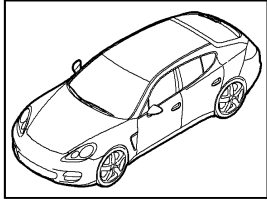
Pos	Part Number	Description	Remark	Qty	Model
		camshaft			M48.20/40/70
1	948 105 242 20	camshaft exhaust cylinders 1 - 4		1	
2	948 105 241 20	camshaft intake cylinders 1 - 4		1	M48.20/40
(2)	948 105 241 70	camshaft intake cylinders 1 - 4		1	M48.70
3	948 105 244 20	camshaft exhaust cylinders 5 - 8		1	
4	948 105 243 20	camshaft intake cylinders 5 - 8		1	M48.20/40
(4)	948 105 243 70	camshaft intake cylinders 5 - 8		1	M48.70
5	948 105 113 01	clutch high-pressure pump		1	
6	948 105 114 00	stopper clutch high-pressure pump		1	
7	9A1 105 070 03	hydraulic valve tappet		16	
8	9A1 105 071 00	hydraulic valve tappet		16	
9	948 105 051 21	camshaft adjuster		2	
10	948 105 254 00	Outer hexagon round screw M 12 X 1,5 X 110		2	

Model	Year	MG	SG	Illustration	Restrictions	UPD	18:37	03.03.2010	PORSCHE	PET	PORSCHE
970	2010	1	03	103-60		248					



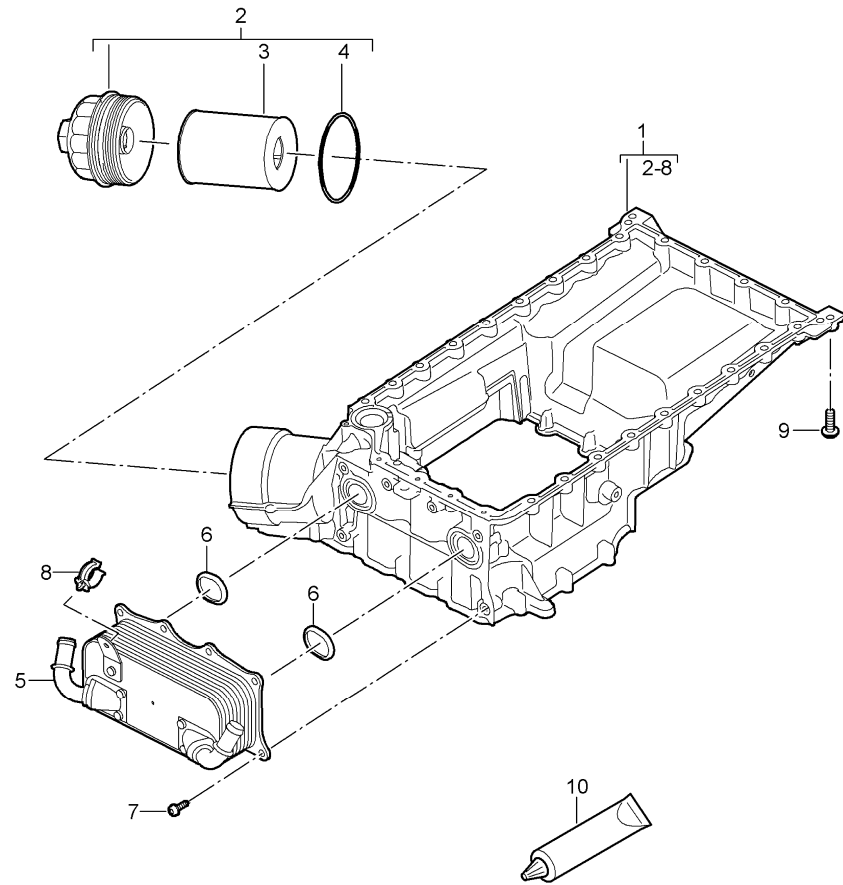
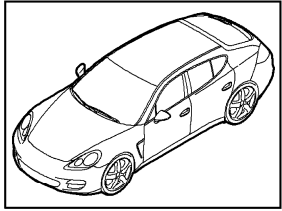
Pos	Part Number	Description	Remark	Qty	Model
		valve control			M48.20/40/70
1	948 102 231 11	sprocket crankshaft		1	
2	948 102 230 00	washer		2	
3		chain oil pump see illustrations 1/04/00		1	
4	948 105 169 10	chain		1	
5	948 105 181 11	sprocket camshaft exhaust		2	
6	948 105 254 00	Outer hexagon round screw M 12 X 1,5 X 110		2	
7	948 105 023 12	guide rail		1	
8	900 385 042 01	torx screw BM 8 X 35		4	
9	948 105 166 12	guide rail		2	
10	999 015 022 01	threaded bolt M 10 X 25		1	
11	999 015 021 01	threaded bolt M 8 X 25		2	
12	948 105 068 11	guide rail camshaft crankshaft		1	
13	948 105 065 10	tensioner blade		1	
14	948 105 180 11	chain adjuster		1	
15	900 123 118 30	sealing ring A 22 X 27		1	

Model	Year	MG	SG	Illustration	Restrictions	UPD	18:38	03.03.2010	PORSCHE	PET	PORSCHE
970	2010	1	04	104-00		248					



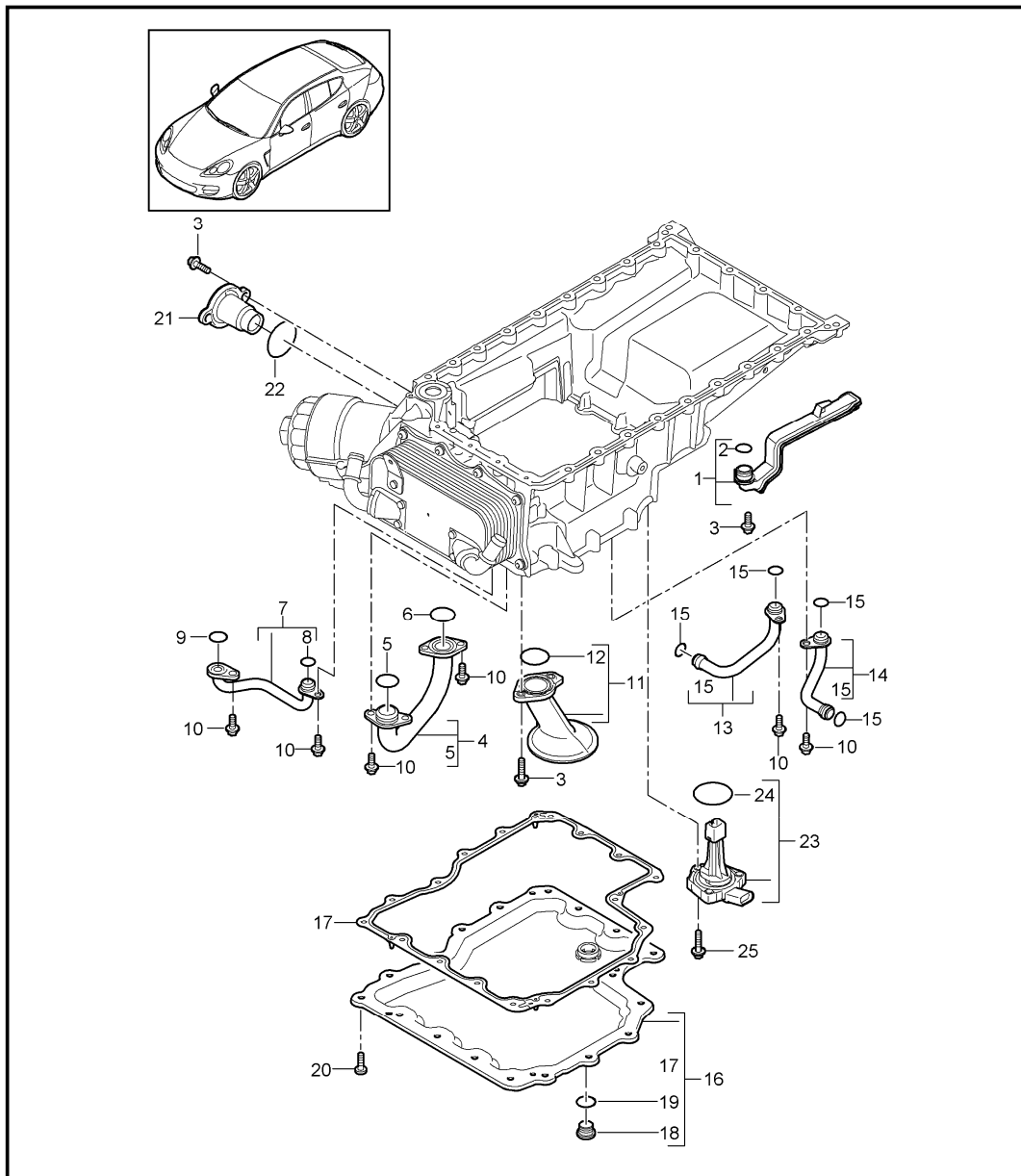
Pos	Part Number	Description	Remark	Qty	Model
		Oil return circuit oil pump			M48.20/40/70
1	948 107 085 21	Oil return circuit		1	M48.20
(1)	948 107 085 41	Oil return circuit		1	M48.40/70
2	948 107 286 20	gasket Oil return circuit		9	
3	900 385 019 01	torx screw BM 6 X 20		6	
4	948 107 013 20	oil pump		1	M48.20/40
(4)	948 107 013 70	oil pump		1	M48.70
5	996 106 103 50	dowel sleeve 8,2 X 7		2	
6	948 107 113 20	solenoid valve		1	
7	999 707 567 40	o-ring 17 X 3		2	
8	999 261 024 01	union nut M 36 X 1,0		1	
9	948 107 114 01	sprocket		1	
10	999 073 380 01	torx screw M 8 X 22		1	
11	900 385 125 01	torx screw BM 6 X 45		3	
12	948 107 252 11	chain		1	
13	948 107 254 01	cover		1	
14	900 385 009 01	torx screw BM 6 X 16		3	

Model	Year	MG	SG	Illustration	Restrictions	UPD	18:38	03.03.2010	PORSCHE	PET	PORSCHE
970	2010	1	04	104-30		248					



Pos	Part Number	Description	Remark	Qty	Model
		Oil-conducting housing oil filter heat exchanger			M48.20/40/70
1	948 107 061 23	Oil-conducting housing		1	M48.20
(1)	948 107 061 43	Oil-conducting housing		1	M48.40
(1)	948 107 061 73	Oil-conducting housing		1	M48.70
2	948 107 022 00	oil filter		1	
3	948 107 222 00	filter element use also: sealing ring 948.107.322.00		1	
4	948 107 322 00	sealing ring		1	
5	948 107 281 21	heat exchanger		1	
6	948 107 175 20	gasket		2	
7	999 073 344 01	round head screw M 6 X 20		6	
(8)	N 106 491 01	line bracket B 17,5		1	M48.20/40
8	999 507 793 40	hose holder 23		1	M48.70
9	999 073 905 30	oval-head screw M 6 X 30		29	
10	999 915 573 43	sealing compound 1 tube 75 ml		X	

Model	Year	MG	SG	Illustration	Restrictions	UPD	18:38	03.03.2010	PORSCHE	PET	PORSCHE
970	2010	1	04	104-60		248					

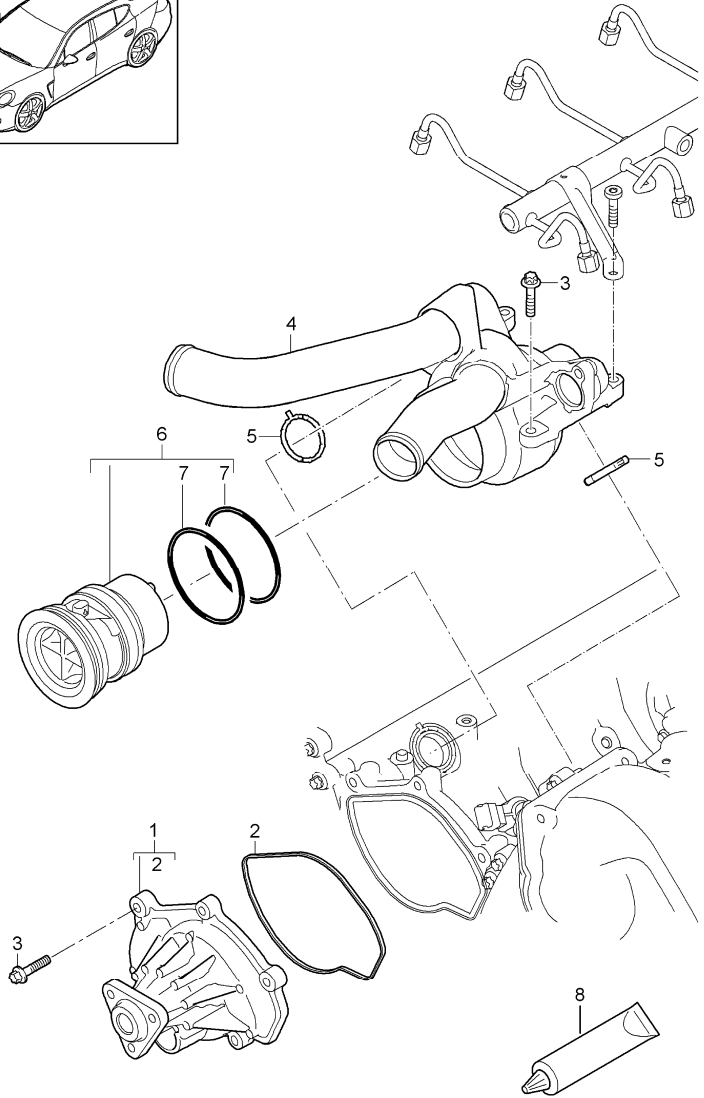
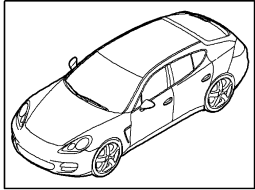


Pos	Part Number	Description	Remark	Qty	Model
		suction tube oil pan			M48.20/40/70
1	948 107 028 20	suction tube		1	
2	999 707 496 40	o-ring 23 X 3		1	
3	900 385 019 01	torx screw M 6 X 20		5	
4	948 107 031 20	oil tube		1	
5	999 707 585 40	o-ring 22 X 3		1	
6	999 707 547 40	o-ring 28 X 3		1	
7	948 107 033 20	oil pipe		1	
8	999 707 568 40	o-ring 12 X 3		1	
9	999 707 567 40	o-ring 17 X 3		1	
10	900 385 009 01	torx screw M 6 X 16		6	M48.20/40
(10)	900 385 009 01	torx screw M 6 X 16		8	M48.70
11	948 107 030 20	suction tube		1	
12	999 707 530 40	o-ring 34,52 X 3,53		1	
13	948 107 037 70	oil pipe turbocharger cylinders 1 - 4		1	M48.70
14	948 107 038 70	oil pipe turbocharger cylinders 5 - 8		1	M48.70
15	999 707 603 40	o-ring 10 X 3		4	M48.70
16	948 107 015 22	oil pan		1	
(16)	948 107 015 23	oil pan		1	
17	948 107 275 21	gasket		1	
18	900 219 020 31	screw plug M 18 X 1,5		1	

Model	Year	MG	SG	Illustration	Restrictions	UPD	18:38	03.03.2010	PORSCHE	PET	PORSCHE
970	2010	1	04	104-60		248					

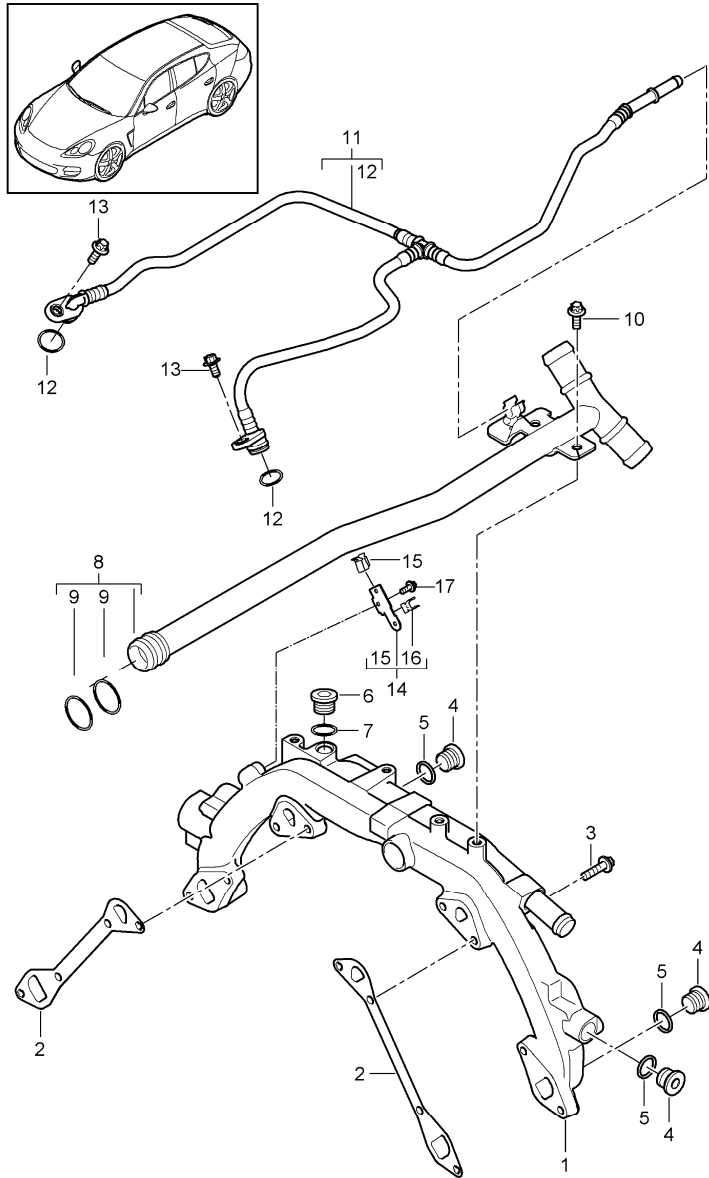
Pos	Part Number	Description	Remark	Qty	Model	Pos	Part Number	Description	Remark	Qty	Model
19	900 123 106 30	sealing ring A 18 X 24		1							
20	999 073 344 01	round head screw M 6 X 20		18							
21	948 107 313 20	flange		1							
22	999 707 570 40	o-ring 44,0 X 3,0		1							
23	948 606 160 01	oil-level sender		1							
24	038 103 196 B	gasket		1							
25	900 385 072 01	torx screw BM 6 X 25		3							

Model	Year	MG	SG	Illustration	Restrictions	UPD	18:38	03.03.2010	PORSCHE	PET	PORSCHE
970	2010	1	05	105-00		248					



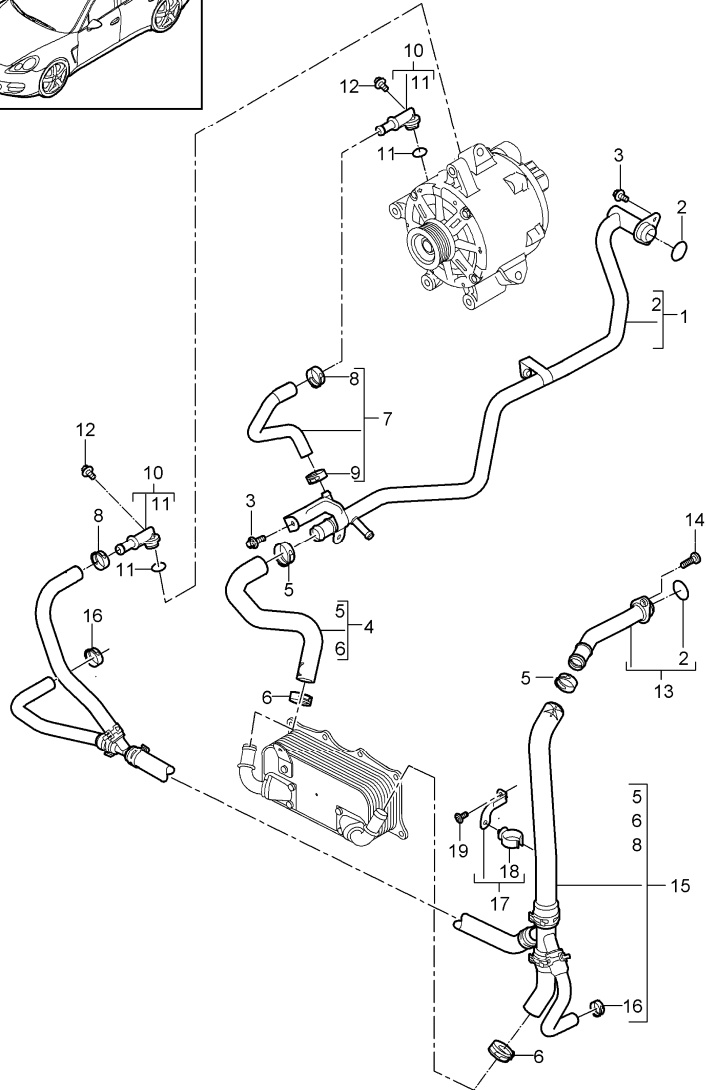
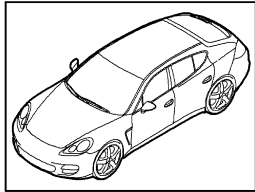
Pos	Part Number	Description	Remark	Qty	Model
		water pump thermostat housing			M48.20/40/70
1	948 106 033 01	water pump		1	
2	948 106 533 00	gasket		1	
3	900 385 072 01	torx screw BM 6 X 25		8	
4	948 106 080 00	thermostat housing		1	
5	948 106 124 01	gasket		2	
6	948 106 034 00	thermostat insert		1	
7	999 707 649 40	o-ring 62,86 X 5,33		2	
8	000 043 205 93	grease 1 100-gramme tube to use for o-ring thermostat insert		X	

Model	Year	MG	SG	Illustration	Restrictions	UPD	18:38	03.03.2010	PORSCHE	PET	PORSCHE
970	2010	1	05	105-15		248					



Pos	Part Number	Description	Remark	Qty	Model
		water cooling 1			M48.20/40/70
1	948 106 061 04	distributor tube		1	
2	948 106 154 01	gasket		2	
3	900 385 072 01	torx screw BM 6 X 25		8	
4	900 219 004 01	screw plug M 16 X 1,5		3	M48.20/40
(4)	900 219 004 01	screw plug M 16 X 1,5		2	M48.70
5	900 123 131 30	sealing ring A 16 X 20		3	M48.20/40
(5)	900 123 131 30	sealing ring A 16 X 20		2	M48.70
6	900 219 002 03	screw plug M 14 X 1,5		1	
7	900 123 007 30	sealing ring A 14 X 18		1	
8	948 106 069 21	cooling water tube heating		1	
9	999 707 477 40	o-ring 19 X 3		2	
10	900 385 041 01	torx screw BM 6 X 12		2	
11	948 106 026 22	vent line		1	
12	999 707 586 40	o-ring 11 X 2,5		2	
13	900 385 009 01	torx screw BM 6 X 16		2	
14	948 607 271 01	support wiring harness		1	M48.20/40
15	999 651 394 40	cable holder 6,0		1	M48.20/40
16	999 651 392 07	cable holder 9,5 - 10,5		1	M48.20/40
17	900 385 041 01	torx screw BM 6 X 12		1	M48.20/40

Model	Year	MG	SG	Illustration	Restrictions	UPD	18:39	03.03.2010	PORSCHE	PET	PORSCHE
970	2010	1	05	105-30		248					

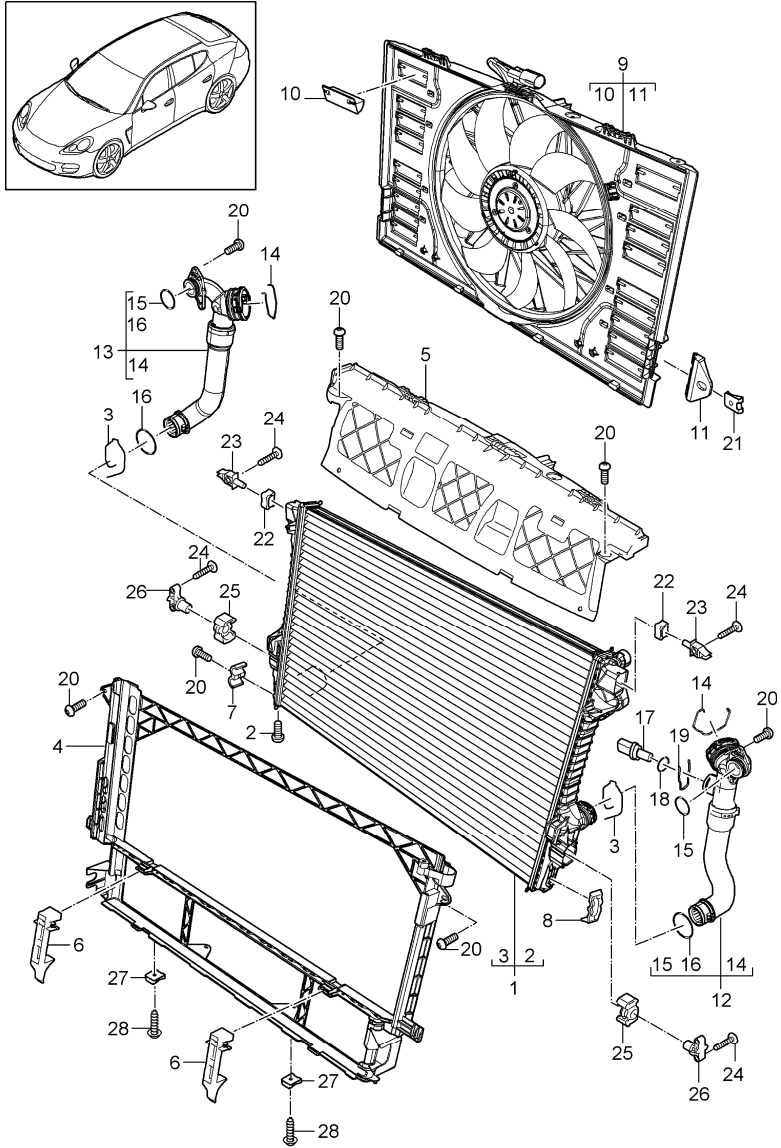


Pos	Part Number	Description	Remark	Qty	Model
		water cooling 2			M48.20/40/70
1	948 106 022 75	cooling water tube		1	M48.70
(1)	948 106 022 24	cooling water tube		1	M48.20/40
2	999 701 825 40	o-ring 19,6 X 3,53		2	
3	900 385 041 01	torx screw BM 6 X 12		2	
4	948 106 457 20	water hose		1	
5	999 512 658 09	hose clamp 27 X 12		2	
6	999 512 656 09	hose clamp 25 X 12		2	
7	948 106 355 05	water hose		1	
8	999 512 652 09	hose clamp 19 X 12		2	
9	999 512 686 09	hose clamp 17 X 12		1	
10	948 106 462 00	connection piece generator		2	
11	999 707 514 40	o-ring 12,37 X 2,62		2	
12	900 385 009 01	torx screw BM 6 X 16		2	
13	948 106 421 04	cooling water tube return line		1	
14	999 073 344 01	round head screw M 6 X 20		1	
15	948 106 051 73	water hose complete return line M >> A 02421		1	M48.70
(15)	948 106 051 74	water hose complete return line M A 02422 >>		1	M48.70
(15)	948 106 051 21	water hose complete return line		1	M48.20/40

Model	Year	MG	SG	Illustration	Restrictions	UPD	18:39	03.03.2010	PORSCHE	PET	PORSCHE
970	2010	1	05	105-30		248					

Pos	Part Number	Description	Remark	Qty	Model	Pos	Part Number	Description	Remark	Qty	Model
16	999 512 686 09	hose clamp B 17 X 12		2	M48.70						
17	7PP 121 232	support		1							
18	999 511 244 40	cable holder		1							
19	999 073 902 30	oval-head screw M 6 X 16		1							

Model	Year	MG	SG	Illustration	Restrictions	UPD	18:39	03.03.2010	PORSCHE	PET	PORSCHE
970	2010	1	05	105-45		248					

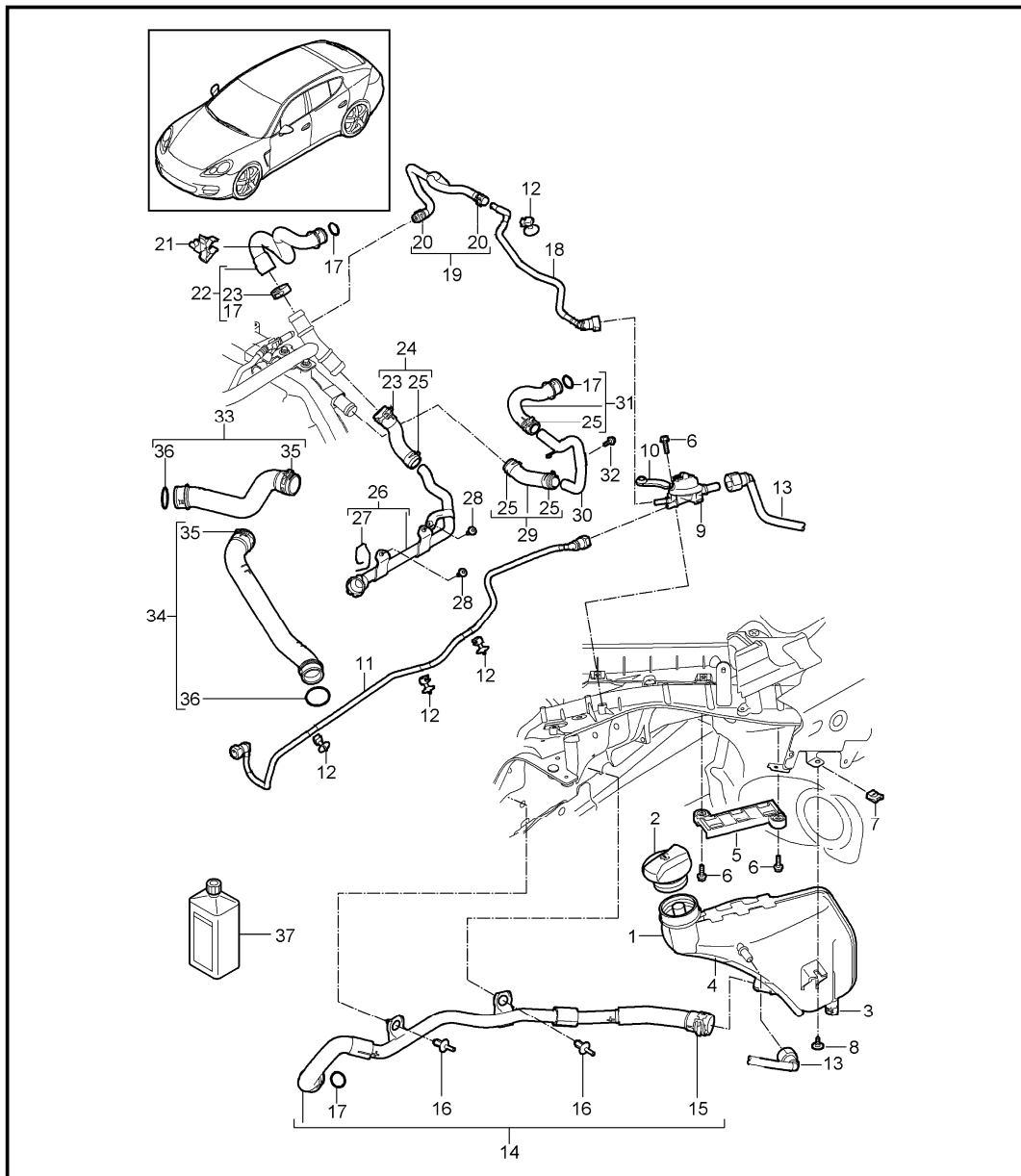


Pos	Part Number	Description	Remark	Qty	Model
1	970 106 131 02	water cooling 3 radiator		1	M48.20/40/70
2	970 106 215 00	drain plug		1	
3	997 106 802 00	spring		2	
4	970 106 141 02	retaining frame		1	
5	970 106 241 01	air duct		1	
6	970 106 271 02	support oil cooler power steering		2	
7	970 106 371 00	support transmission oil cooler		1	I250
8	970 106 471 00	support oil cooler power steering		1	
9	970 106 061 03	cooling air duct with fan		1	M48.20/40
(9)	970 106 061 52	cooling air duct with fan		1	M48.70
10	970 106 361 00	flap cooling air duct		18	
11	970 106 363 00	support cooling air duct		2	
12	970 106 231 01	distributor tube return line	/L	1	
13	970 106 232 01	distributor tube supply	/R	1	
14	997 106 802 02	spring		2	
15	970 106 801 00	o-ring 26,57 X 3,53		2	
16	996 106 801 05	o-ring 26,35 X 3,53		2	
17	997 606 410 00	temperature sensor		1	
18	999 707 508 40	o-ring 19,6 X 3,65		1	

Model	Year	MG	SG	Illustration	Restrictions	UPD	18:39	03.03.2010	PORSCHE	PET	PORSCHE
970	2010	1	05	105-45		248					

Pos	Part Number	Description	Remark	Qty	Model	Pos	Part Number	Description	Remark	Qty	Model
19	999 021 011 01	retainer spring		1							
20	970 106 331 00	screw M 6 X 20		8	I480						
(20)	970 106 331 00	screw M 6 X 20		9	I250						
21	999 166 083 09	tab washer SLB 14		2							
22	970 106 651 02	rubber mounting upper		2							
23	970 106 661 03	support upper		2							
24	999 919 259 01	oval-head screw M 6 X 30		6							
25	7P0 121 275	rubber mounting lower		2							
26	970 106 660 03	support lower		2							
27	N 900 942 01	speed nut ST 4,8		2	I351						
28	N 909 514 01	tapping screw ST 4,8		2	I351						

Model	Year	MG	SG	Illustration	Restrictions	UPD	18:39	03.03.2010	PORSCHE	PET	PORSCHE
970	2010	1	05	105-60		248					

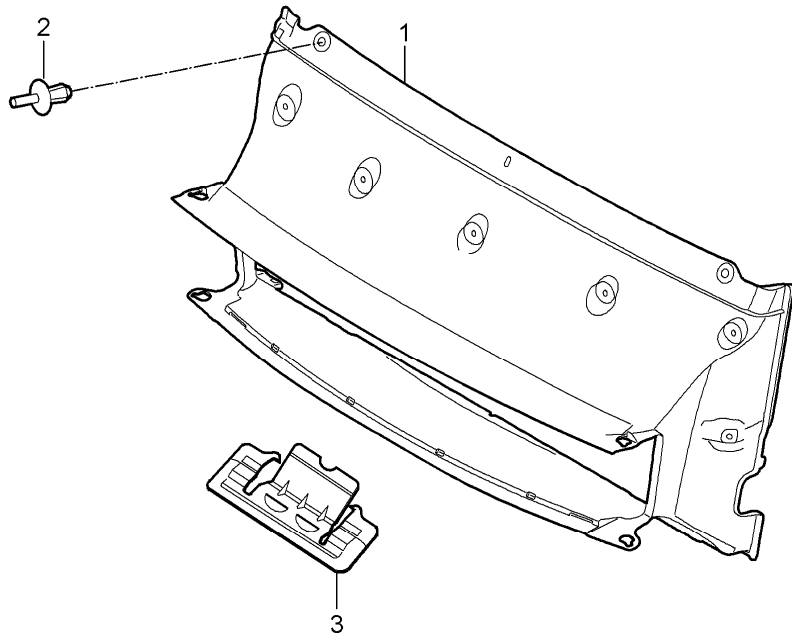
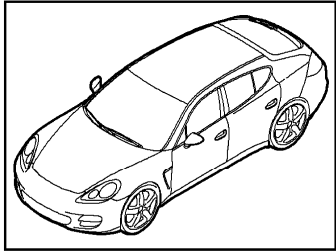


Pos	Part Number	Description	Remark	Qty	Model
		water cooling 4 water reservoir			M48.20/40/70
1	970 106 151 03	water reservoir		1	
2	955 106 447 20	lid		1	
3	970 606 503 00	sensor		1	
4	970 106 297 01	overflow hose		1	
5	970 106 405 01	support		1	
6	900 378 188 09	hexagon-head bolt M 6 X 20		3	
7	999 507 795 09	speed nut ST 4,8		1	
8	999 073 227 09	tapping screw ST 4,8 X 19		1	
9	7P5 121 671	bleeder valve		1	
10	970 106 449 00	support bleeder valve		1	
11	970 106 310 01	vent line		1	
12	999 507 126 40	hose holder 7,8		4	
13	970 106 312 01	vent line		1	
14	970 106 044 00	cooling water tube		1	
15	999 512 659 09	hose clamp B 28 X 12		1	
16	999 507 497 40	expansion rivet 8 X 14		2	
17	996 106 801 01	o-ring 21,35 X 3		3	
18	970 106 311 02	vent line		1	
19	970 106 422 02	breather hose		1	
20	999 512 651 09	hose clamp B 15 X 12		2	
21	970 106 213 00	support		1	
22	970 106 421 01	heater hose return line		1	

Model	Year	MG	SG	Illustration	Restrictions	UPD	18:39	03.03.2010	PORSCHE	PET	PORSCHE
970	2010	1	05	105-60		248					

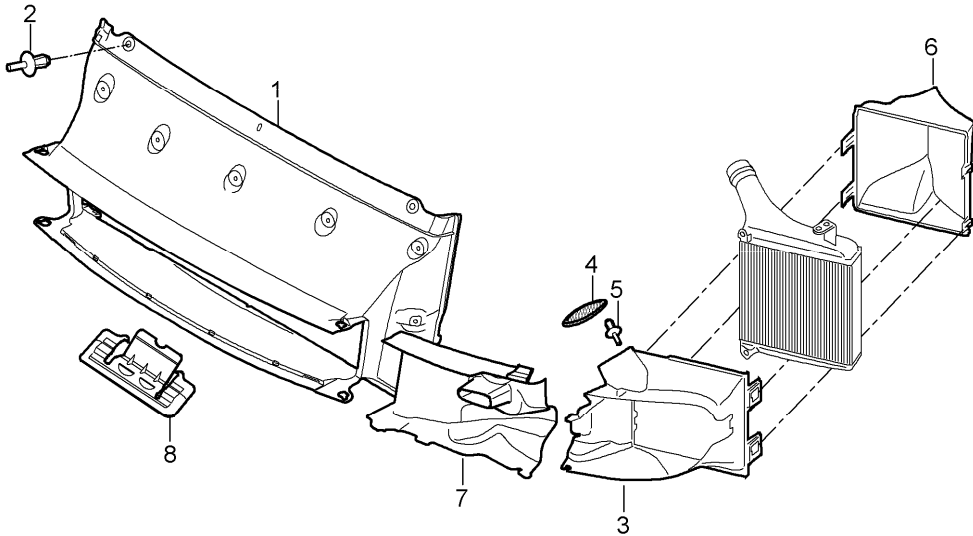
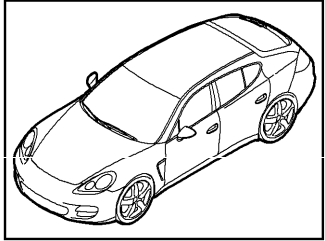
Pos	Part Number	Description	Remark	Qty	Model	Pos	Part Number	Description	Remark	Qty	Model
23	999 512 660 09	hose clamp B 29 X 12		2							
24	970 106 450 02	water hose		1							
25	999 512 656 09	hose clamp B 25 X 12		4							
26	970 106 445 02	cooling water tube		1							
27	997 106 802 04	spring clip		1							
28	999 073 902 30	oval-head screw M 6 X 16		2							
29	970 106 420 01	heater hose supply		1							
30	970 106 411 01	heating tube supply		1							
31	970 106 425 00	heater hose supply		1							
32	900 378 036 01	hexagon-head bolt M 6 X 16		1							
33	970 106 402 02	water hose supply		1							
34	970 106 401 02	water hose return line		1							
35	999 512 667 09	hose clamp B 44 X 12		2							
36	996 106 801 07	o-ring 39,3 X 3,53		2							
37	000 043 301 03	antifreeze 1 LITER container		X							
(37)	000 043 301 04	antifreeze 20 LITER container		X							
(37)	000 043 204 39	cleaning agent 20 LITER container		X							

Model	Year	MG	SG	Illustration	Restrictions	UPD	18:39	03.03.2010	PORSCHE	PET	PORSCHE
970	2010	1	05	105-75		248					



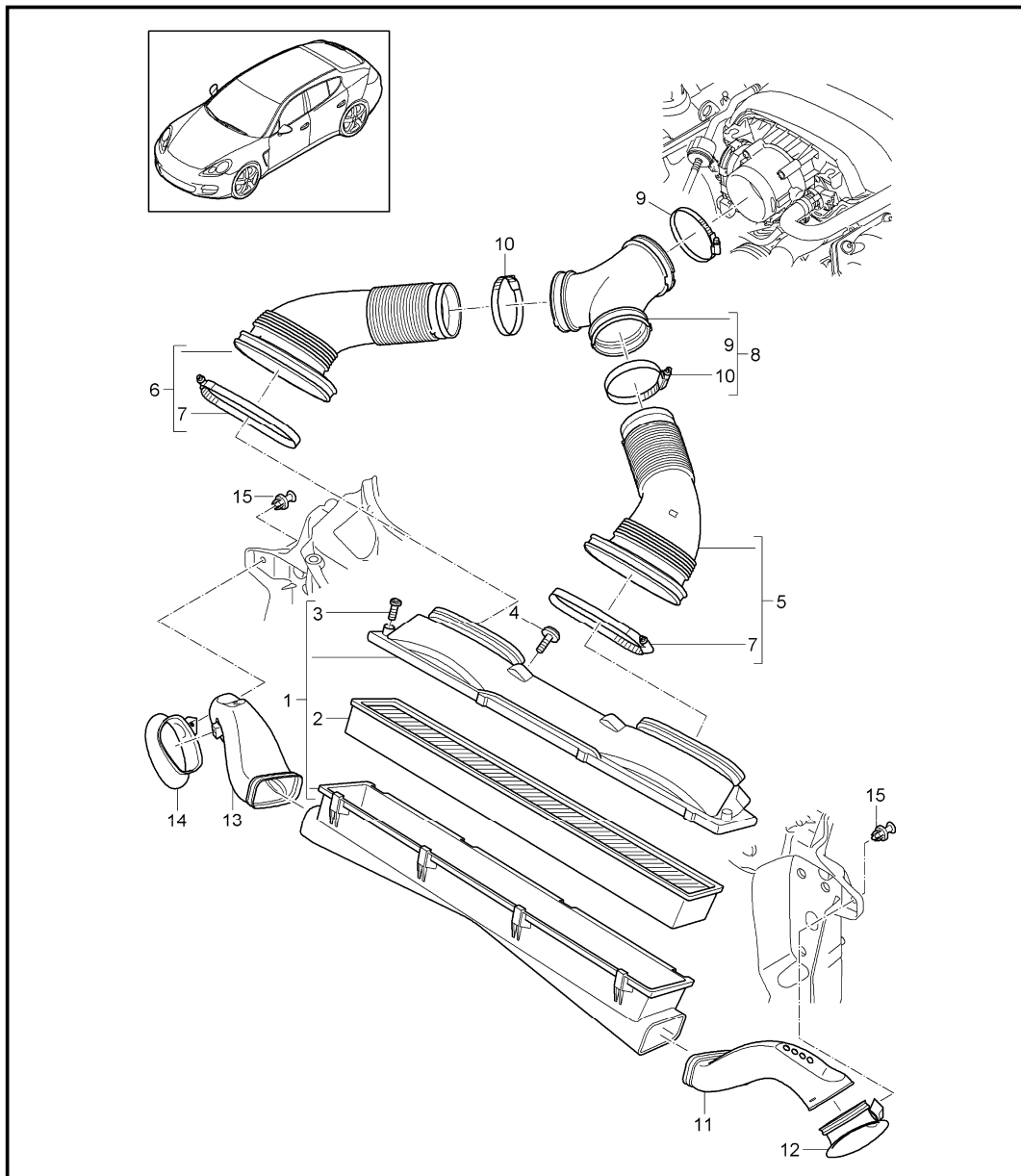
Pos	Part Number	Description	Remark	Qty	Model
		cooling air duct			M48.20/40
1	970 575 323 10	air duct centre		1	-I456
(1)	970 575 323 12	air duct centre		1	I456
2	999 507 497 40	expansion rivet 8 X 14		2	
3	970 575 571 00	lid air duct		1	I456

Model	Year	MG	SG	Illustration	Restrictions	UPD	18:39	03.03.2010	PORSCHE	PET	PORSCHE
970	2010	1	05	105-80		248					



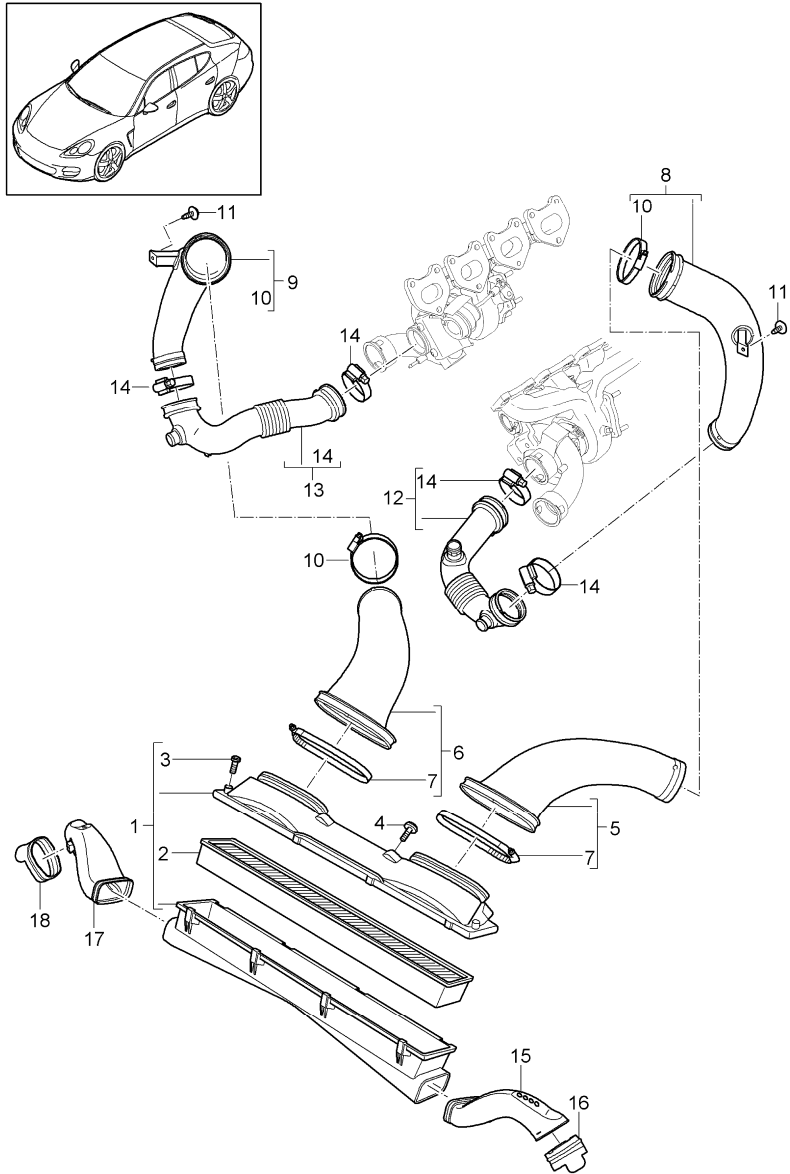
Pos	Part Number	Description	Remark	Qty	Model
		cooling air duct			M48.70
1	970 575 323 11	air duct centre		1	-I456
(1)	970 575 323 13	air duct centre		1	I456
2	999 507 497 40	expansion rivet 8 X 14		2	
3	970 575 321 00	air duct	/L	1	
(3)	970 575 322 00	air duct	/R	1	
4	970 110 241 70	grille air duct	/L	1	
(4)	970 110 242 70	grille air duct	/R	1	
5	N 905 369 01	expansion rivet 5 X 11		6	
6	970 575 641 00	air duct	/L	1	
(6)	970 575 642 00	air duct	/R	1	
7	970 575 341 01	air duct lateral	/L	1	
(7)	970 575 342 02	air duct lateral	/R	1	
8	970 575 571 00	lid air duct		1	I456

Model	Year	MG	SG	Illustration	Restrictions	UPD	18:39	03.03.2010	PORSCHE	PET	PORSCHE
970	2010	1	06	106-00		248					



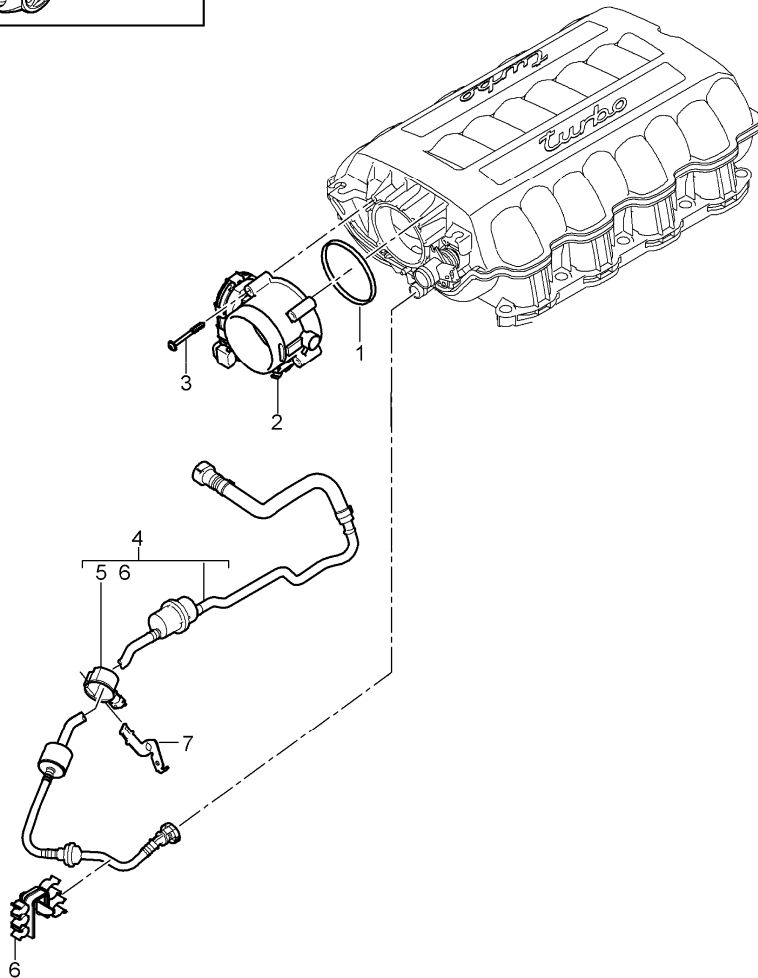
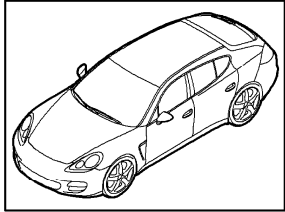
Pos	Part Number	Description	Remark	Qty	Model
		air cleaner system			M48.20/40
1	970 110 021 02	air cleaner		1	
2	970 110 220 01	air cleaner cartridge		1	
3	999 919 273 01	oval-head screw 5 X 30		8	
4	999 073 981 30	oval-head screw M 6 X 14		4	
5	970 110 113 02	intake manifold	/L	1	
6	970 110 114 02	intake manifold	/R	1	
7	999 512 727 01	hose clamp 130 - 150 X 12		2	
8	970 110 140 02	distributor tube		1	
9	999 512 515 00	hose clamp 80 - 100 X 9		1	
10	999 512 721 01	hose clamp 70 - 90 X 12		2	
11	970 110 271 01	air duct	/L	1	
12	970 110 251 02	funnel	/L	1	
13	970 110 272 01	air duct	/R	1	
14	970 110 252 02	funnel	/R	1	
15	999 591 517 40	expansion rivet 9,9 X 11,5		2	

Model	Year	MG	SG	Illustration	Restrictions	UPD	18:40	03.03.2010	PORSCHE	PET	PORSCHE
970	2010	1	06	106-10		248					



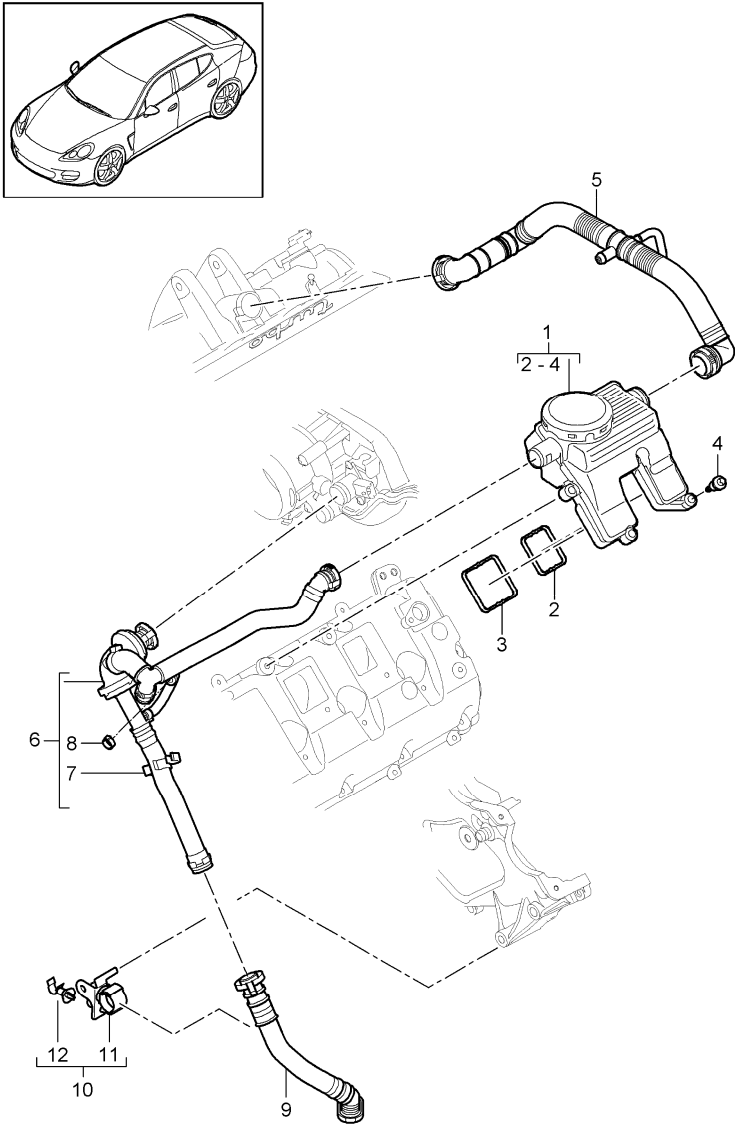
Pos	Part Number	Description	Remark	Qty	Model
		air cleaner system			M48.70
1	970 110 021 02	air cleaner		1	
2	970 110 220 01	air cleaner cartridge		1	
3	999 919 273 01	oval-head screw 5 X 30		8	
4	999 073 981 30	oval-head screw M 6 X 14		4	
5	970 110 113 72	intake manifold	/L	1	
6	970 110 114 72	intake manifold	/R	1	
7	999 512 727 01	hose clamp 130 - 150 X 12		2	
8	970 110 153 73	intake manifold	/L	1	
9	970 110 154 73	intake manifold	/R	1	
10	999 512 721 01	hose clamp 70 - 90 X 12		2	
11	900 075 510 01	combination screw M 6 X 20		2	
12	970 110 155 70	intake pipe	/L	1	
13	970 110 156 70	intake pipe	/R	1	
14	999 512 690 01	hose clamp 50 - 70 X 12		4	
15	970 110 271 01	air duct	/L	1	
16	970 110 251 71	rubber sleeve	/L	1	
17	970 110 272 01	air duct	/R	1	
18	970 110 252 71	rubber sleeve	/R	1	

Model	Year	MG	SG	Illustration	Restrictions	UPD	18:40	03.03.2010	PORSCHE	PET	PORSCHE
970	2010	1	07	107-00		248					



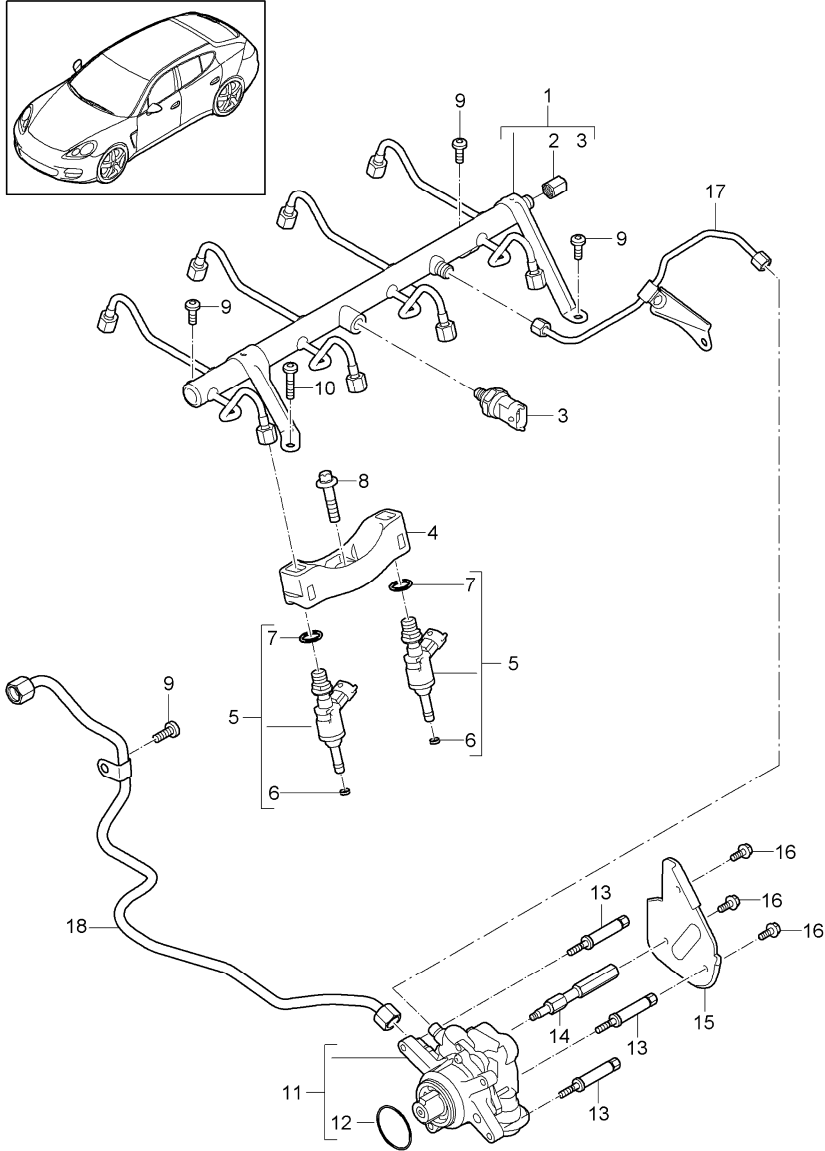
Pos	Part Number	Description	Remark	Qty	Model
		throttle body tank ventilation			M48.20/40/70
1	948 110 144 02	gasket		1	
2	997 605 116 01	throttle body		1	M48.20/40
2	948 605 115 03	throttle body		1	M48.70
3	999 919 005 01	oval-head screw 6 X 50		4	
4	948 110 020 73	vent line tank ventilation		1	M48.70
(4)	948 110 020 23	vent line tank ventilation		1	M48.20/40
5	948 110 221 00	support ring		1	
6	948 110 030 50	line bracket tank ventilation		1	M48.70
-	999 513 075 40	tie-wrap 1,5 - 50 mount vent line tank ventilation cable guide		1	
7	948 110 027 20	support vent line mount control box cover		1	

Model	Year	MG	SG	Illustration	Restrictions	UPD	18:40	03.03.2010	PORSCHE	PET	PORSCHE
970	2010	1	07	107-15		248					



Pos	Part Number	Description	Remark	Qty	Model
		crankcase bleeding			M48.20/40/70
1	948 107 135 20	air/oil separator		1	
2	948 107 437 20	gasket		1	
3	948 107 438 20	gasket		1	
4	948 107 443 01	fastening part M 6 X 33		4	
5	948 107 245 71	vent line		1	M48.70
(5)	948 107 245 20	vent line		1	M48.20/40
6	948 107 229 73	check valve		1	M48.70
(6)	948 107 247 20	vent line		1	M48.20/40
7	999 507 800 40	hose holder 6,5 X 24,5		2	M48.70
8	999 512 688 00	hose clamp 10,5 X 11,5		1	M48.70
9	970 110 157 72	vent line crankcase		1	M48.70
10	948 107 029 70	support vent line		1	M48.70
11	999 507 370 40	hose holder 23 - A		1	M48.70
12	999 507 611 40	hose holder 6,0 - 6,5		1	M48.70

Model	Year	MG	SG	Illustration	Restrictions	UPD	18:40	03.03.2010	PORSCHE	PET	PORSCHE
970	2010	1	07	107-30		248					

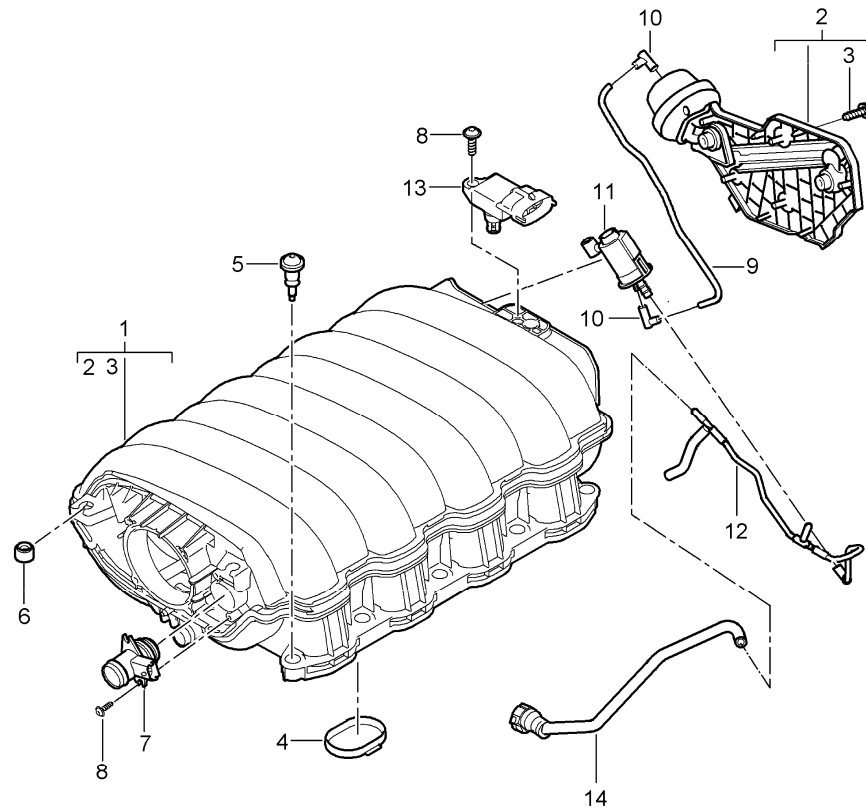
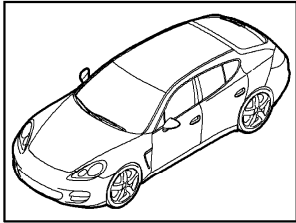


Pos	Part Number	Description	Remark	Qty	Model
		fuel collection pipe high-pressure injector high-pressure pump			M48.20/40/70
1	948 110 115 06	fuel collection pipe		1	M48.20/40
(1)	948 110 115 56	fuel collection pipe		1	M48.70
2	948 110 225 00	stopper		1	
3	948 606 230 01	pressure sensor		1	
4	948 110 515 01	support		4	
5	> 948 110 128 20	high-pressure injector identification blue Information available		8	M48.20/40
(5)	948 110 128 X	high-pressure injector identification blue Information available		8	M48.20/40
(5)	> 948 110 128 30	high-pressure injector identification blue Information available		8	M48.20/40
(5)	948 110 128 AX	high-pressure injector identification blue Information available		8	M48.20/40
(5)	> 948 110 128 70	high-pressure injector identification yellow Information available		8	M48.70
(5)	948 110 128 BX	high-pressure injector identification yellow Information available		8	M48.70
(5)	> 948 110 128 80	high-pressure injector identification yellow Information available		8	M48.70
(5)	948 110 128 CX	high-pressure injector identification yellow Information available		8	M48.70
6	999 704 020 90	sealing ring 6,3 X 2,8		8	

Model	Year	MG	SG	Illustration	Restrictions	UPD	18:40	03.03.2010	PORSCHE	PET	PORSCHE
970	2010	1	07	107-30		248					

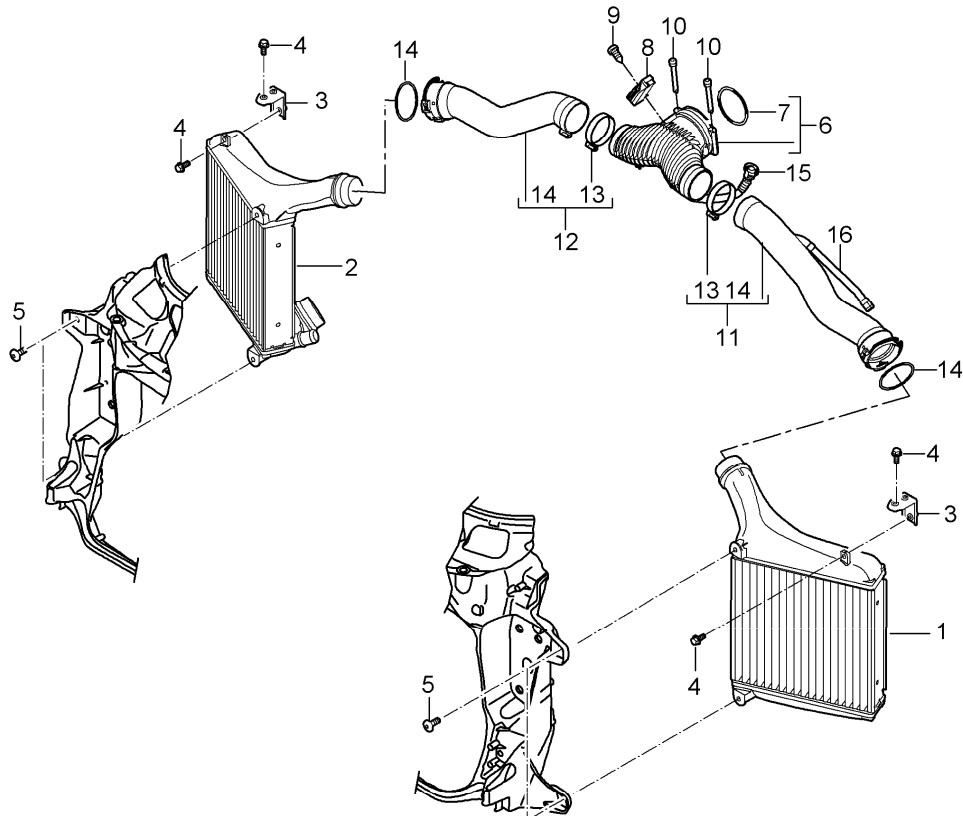
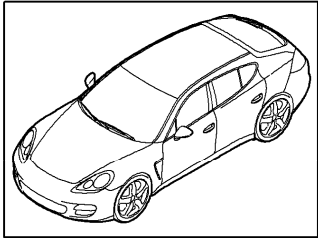
Pos	Part Number	Description	Remark	Qty	Model	Pos	Part Number	Description	Remark	Qty	Model
7	999 707 606 40	o-ring 12 X 3		8		18	948 110 235 23	fuel line		1	M48.20/40
8	900 385 116 01	torx screw BM 8 X 30		4		(18)	948 110 235 73	fuel line		1	M48.70
9	999 073 103 02	round head screw M 6 X 16		4							
10	999 073 102 02	round head screw M 6 X 25		1							
11	> 948 110 315 20	high-pressure pump M >> A 02171 M >> A 02586		1	M48.20/40 M48.20 M48.40						
(11)	948 110 316 AX	high-pressure pump M >> A 02171 M >> A 02586		1	M48.20/40 M48.20 M48.40						
(11)	> 948 110 315 22	high-pressure pump M A 02172 >> M A 02587 >>		1	M48.20/40 M48.20 M48.40						
(11)	948 110 316 CX	high-pressure pump M A 02172 >> M A 02587 >>		1	M48.20/40 M48.20 M48.40						
(11)	> 948 110 315 70	high-pressure pump		1	M48.70						
(11)	948 110 316 BX	high-pressure pump		1	M48.70						
12	948 110 615 00	o-ring 45,7 X 2,62		1							
13	948 110 417 02	screw socket M 6		3							
14	948 110 419 02	screw socket M 8		1							
15	955 110 415 00	protective plate		1	M48.20/40						
(15)	955 110 415 50	protective plate		1	M48.70						
16	N 106 533 02	hexagon-head bolt M 6 X 20		3							
17	948 110 125 01	fuel line M >> A 02971 M >> A 03931		1	M48.20/40 M48.20 M48.40						
(17)	948 110 125 10	fuel line M A 02972 >> M A 03932 >>		1	M48.20/40 M48.20 M48.40						
(17)	948 110 125 51	fuel line		1	M48.70						

Model	Year	MG	SG	Illustration	Restrictions	UPD	18:40	03.03.2010	PORSCHE	PET	PORSCHE
970	2010	1	07	107-45		248					



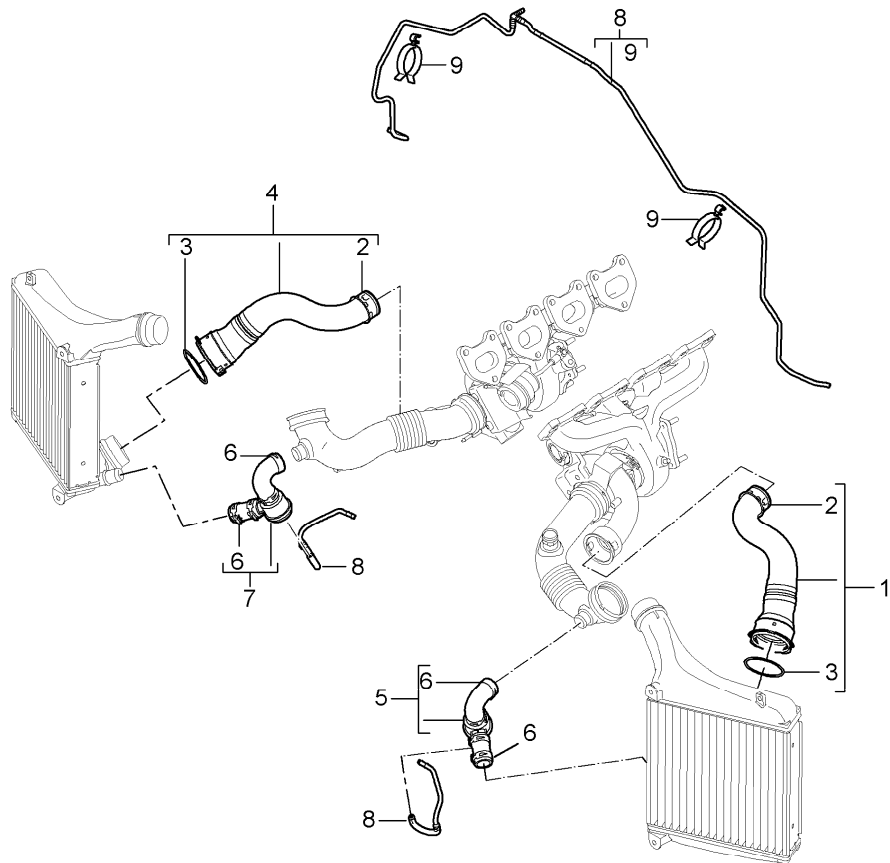
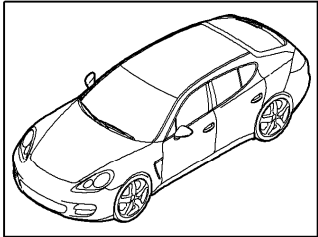
Pos	Part Number	Description	Remark	Qty	Model
		intake distributor			M48.20/40/70
1	948 110 016 40	intake distributor		1	M48.20/40
(1)	948 110 016 70	intake distributor		1	M48.70
2	948 110 116 20	repair kit actuator		1	M48.20/40
3	999 919 006 01	oval-head screw 5 X 16		5	M48.20/40
4	948 110 146 01	gasket		8	
5	948 110 142 01	fastening part		10	
6	955 110 236 00	ball socket		2	
7	948 605 139 00	t-socket heated		1	
8	999 919 006 01	oval-head screw 5 X 16		3	
9	948 110 136 00	pipe		1	M48.20/40
10	948 110 126 00	connecting piece		2	M48.20/40
11	996 605 123 01	change-over valve		1	M48.20/40
12	948 110 358 00	vacuum line		1	M48.20/40
13	948 606 180 00	pressure sensor		1	
(14)	970 110 350 02	vacuum line		1	I176

Model	Year	MG	SG	Illustration	Restrictions	UPD	18:41	03.03.2010	PORSCHE	PET	PORSCHE
970	2010	1	07	107-60		248					



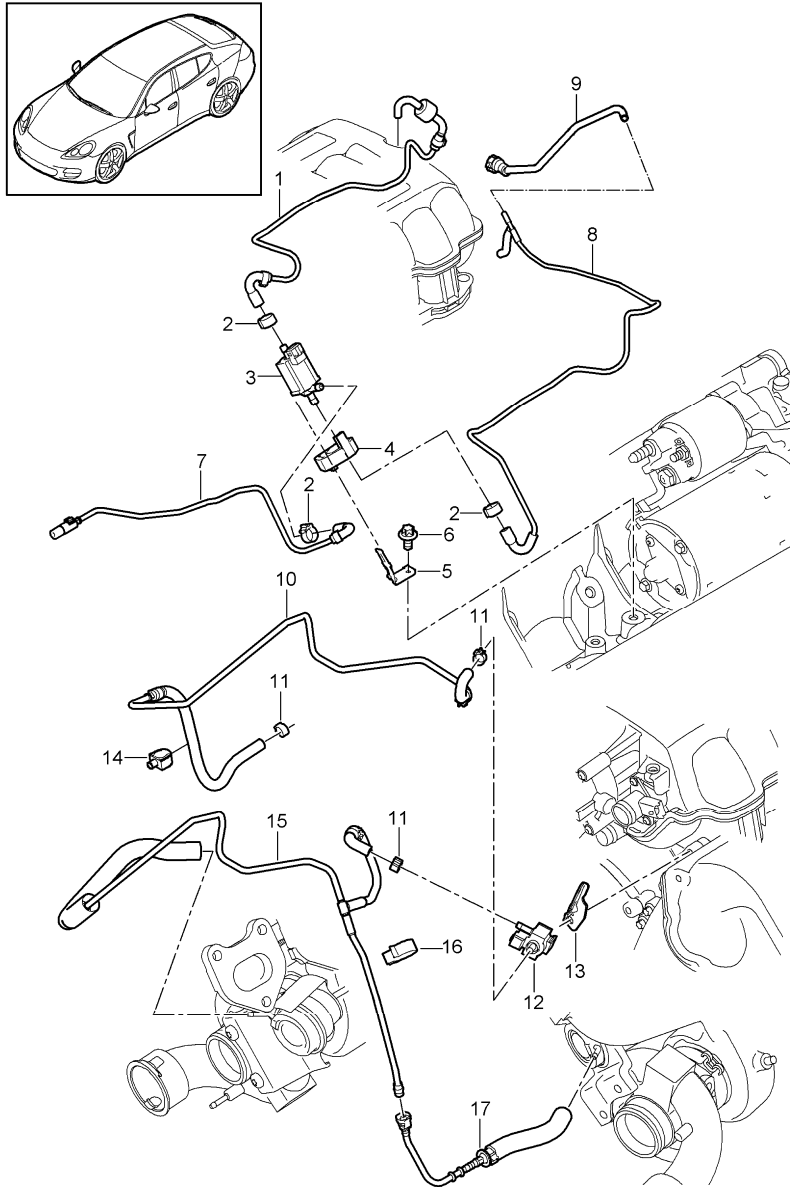
Pos	Part Number	Description	Remark	Qty	Model
		charge air cooler pressure pipe			M48.70
1	970 110 209 02	charge air cooler	/L	1	
2	970 110 210 02	charge air cooler	/R	1	
3	970 110 409 00	support		2	
4	900 378 035 01	hexagon-head bolt M 6 X 16		6	
5	999 073 981 30	oval-head screw M 6 X 14		4	
6	970 110 140 71	y-piece throttle body		1	
7	N 910 171 01	round seal 87 X 4		1	
8	996 606 180 00	sensor boost pressure		1	
9	999 919 239 01	oval-head screw 3,5 X 12		1	
10	955 110 670 00	bolt locking device		2	
11	970 110 173 71	pressure pipe	/L	1	
12	970 110 174 73	pressure pipe	/R	1	
13	N 105 188 01	hose clamp 40 - 60 X 12		2	
14	970 110 803 00	sealing ring 54,9 X 9		2	
16		vent hose see illustrations 2 / 02 / 90 Pos.22		1	

Model	Year	MG	SG	Illustration	Restrictions	UPD	18:41	03.03.2010	PORSCHE	PET	PORSCHE
970	2010	1	07	107-70		248					



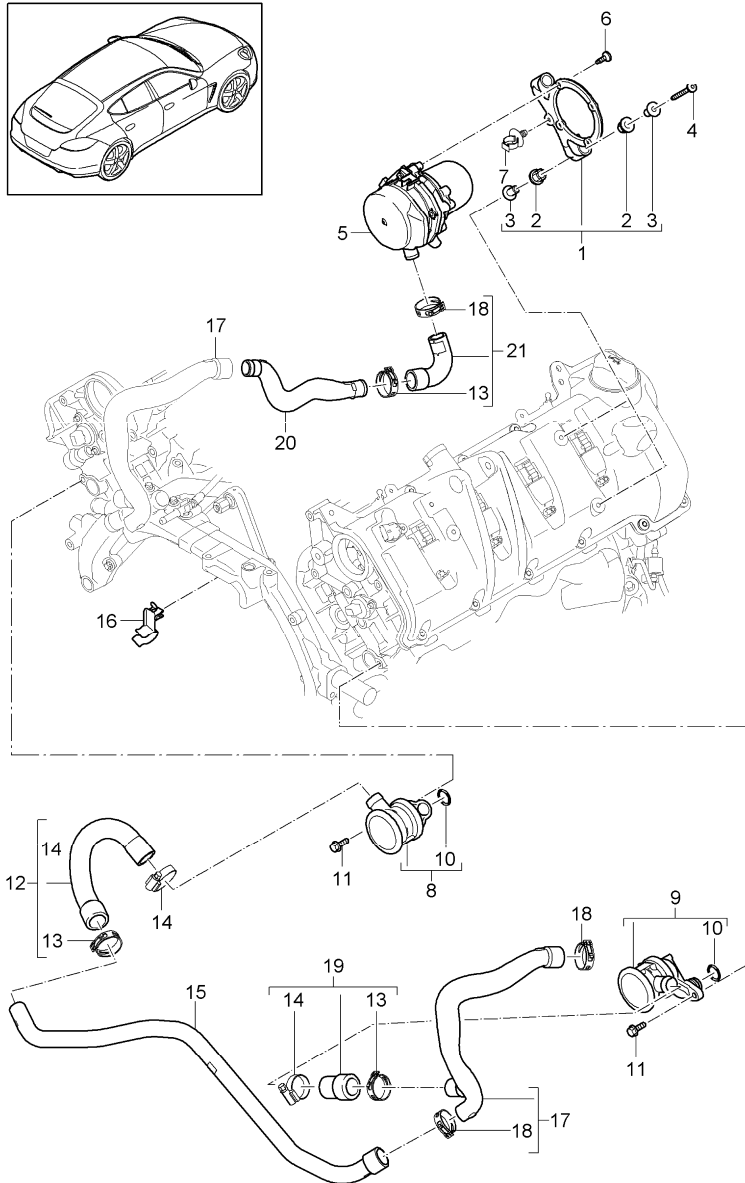
Pos	Part Number	Description	Remark	Qty	Model
		supercharging 1 pressure pipe			M48.70
1	970 110 163 72	pressure hose	/L	1	
2	970 110 801 00	sealing ring 43,95 X 3,5		2	
3	970 110 803 01	sealing ring 60 X 10		2	
4	970 110 164 72	pressure hose	/R	1	
5	970 110 143 72	control line	/L	1	
6	999 512 671 09	hose clamp B 34 X 12		4	
7	970 110 144 72	control line	/R	1	
8	970 110 145 72	control line		1	
9	999 507 171 40	line bracket 6,0 / 39,0		2	

Model	Year	MG	SG	Illustration	Restrictions	UPD	18:41	03.03.2010	PORSCHE	PET	PORSCHE
970	2010	1	07	107-80		248					



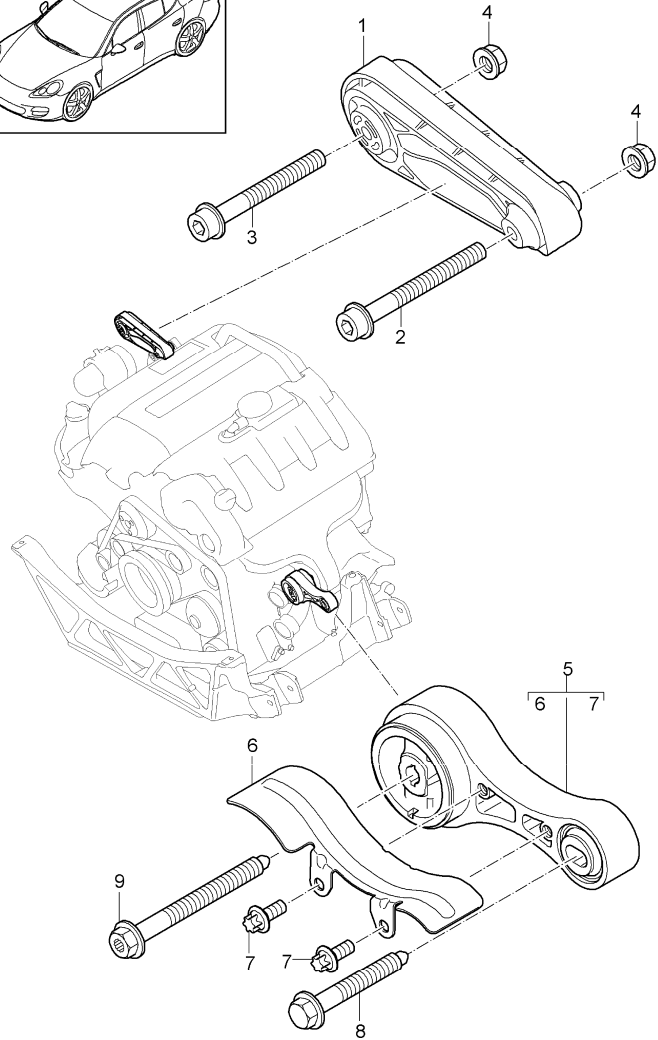
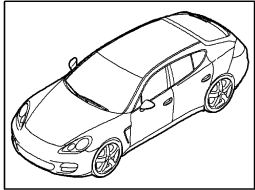
Pos	Part Number	Description	Remark	Qty	Model
		supercharging 2 control line pressure line			M48.70
1	948 110 324 53	pressure line		1	
2	999 512 689 00	hose clamp 12,5 - 14,0		3	
3	996 605 165 00	change-over valve		1	
4	948 605 167 01	rubber holder for change-over valve		1	
5	948 110 360 51	support		1	
6	900 385 041 01	torx screw BM 6 X 12		1	
7	948 110 394 52	control line		1	
8	948 110 358 70	vacuum line		1	
9	970 110 350 02	vacuum line		1	
10	948 110 240 71	pressure line		1	
11	999 512 688 00	hose clamp 10,5 - 11,5		3	
12	996 605 155 00	cycle valve		1	
13	948 110 370 71	support		1	
14	999 507 813 40	cable holder 11,5 - 12,7		1	
15	948 110 666 71	control line		1	
16	999 507 169 40	hose holder 6 ,0 / 38,0		1	
17	948 110 668 71	control line		1	

Model	Year	MG	SG	Illustration	Restrictions	UPD	18:41	03.03.2010	PORSCHE	PET	PORSCHE
970	2010	1	08	108-00		248					



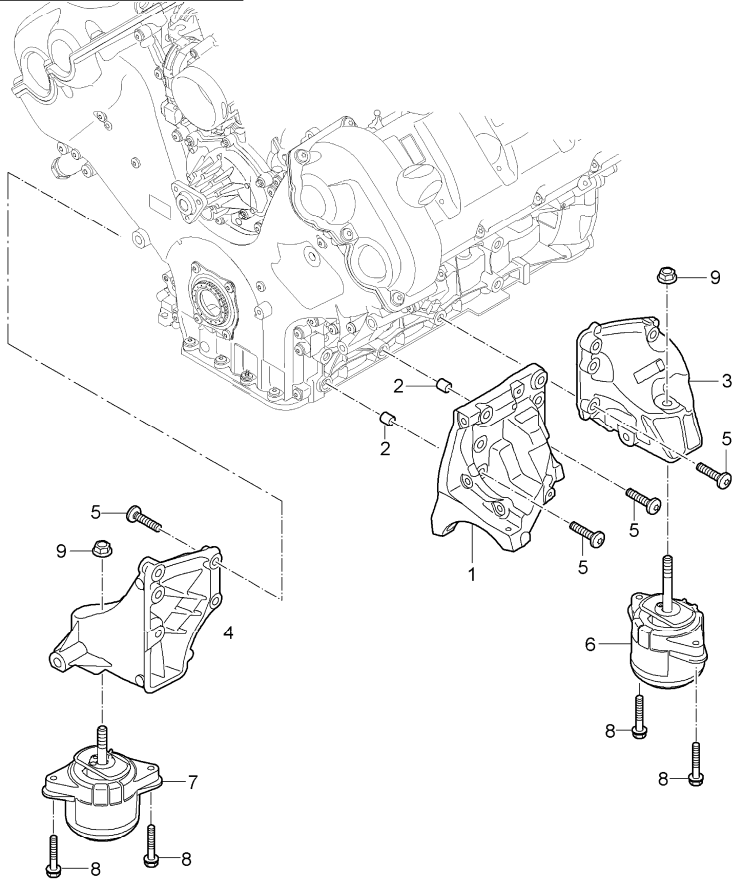
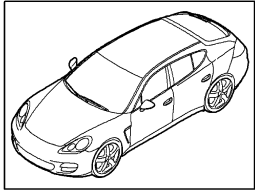
Pos	Part Number	Description	Remark	Qty	Model
		air injection			M48.20/40/70 I165
		secondary pump			
1	970 113 101 21	bracket		1	
2	970 113 231 00	rubber bush		4	
3	970 113 241 00	sleeve		4	
4	999 073 914 30	oval-head screw M 6 X 55		2	
5	7PP 959 253	secondary pump		1	
-	999 507 085 40	clip connector housing		1	
6	999 073 903 30	oval-head screw M 6 X 20		4	
7	N 906 814 01	hose holder 7,5 - A		1	
8	7PP 131 109 A	valve	/L	1	
9	7PP 131 109	valve	/R	1	
10	999 701 502 41	o-ring 15 X 3		2	
11	N 106 533 02	hexagon-head bolt M 6 X 20		2	
12	970 113 221 00	air hose		1	
13	999 512 607 09	hose clamp A 30 X 12		3	
14	999 512 552 01	hose clamp A 20 - 32 X 9		2	
15	970 113 208 02	pipeline		1	
16	970 113 209 00	support		1	
17	970 113 206 02	pipeline		1	
18	999 512 603 09	hose clamp A 26 X 12		3	
19	970 113 222 00	air hose		1	
20	970 113 204 01	pipeline		1	
21	970 113 212 01	pressure hose		1	

Model	Year	MG	SG	Illustration	Restrictions	UPD	18:41	03.03.2010	PORSCHE	PET	PORSCHE
970	2010	1	09	109-00		248					



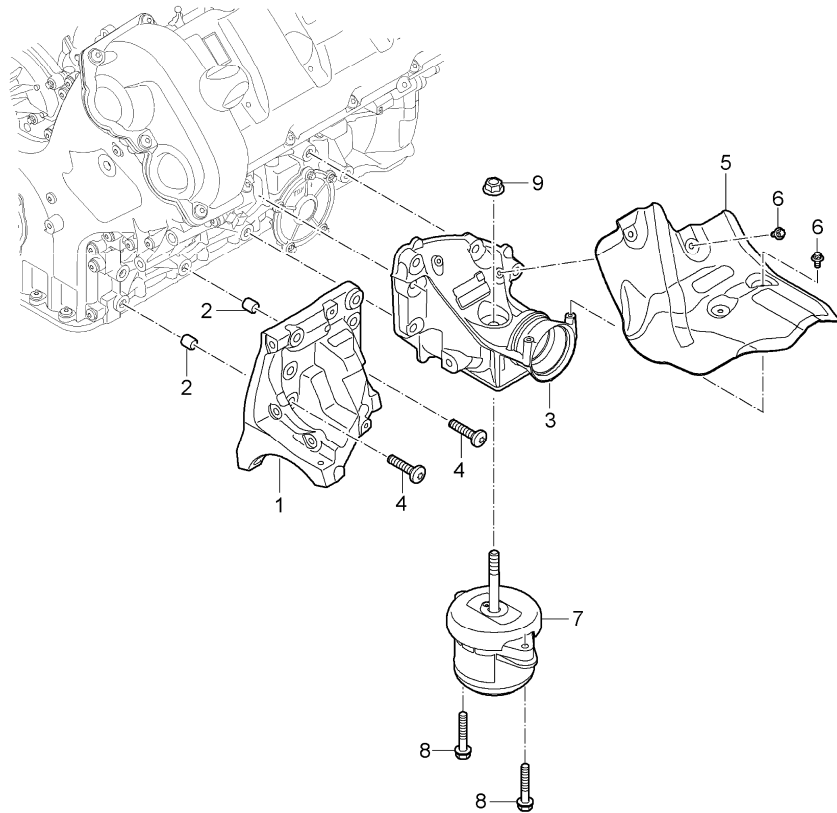
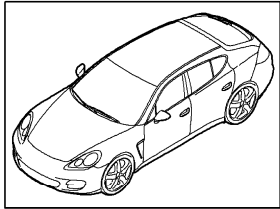
Pos	Part Number	Description	Remark	Qty	Model
		engine suspension engine carrier			M48.20/40/70
1	7PP 199 331	bracket upper		1	
2	999 067 801 30	pan-head screw M 10 X 90		1	
3	999 067 802 30	pan-head screw M 10 X 80		1	
4	999 084 130 30	hexagon nut M 10		2	
5	970 375 041 20	bracket lower		1	M48.20
(5)	970 375 041 40	bracket lower		1	M48.40/70
6	970 375 248 00	heat protection		1	M48.20
7	900 385 041 01	torx screw BM 6 X 12		2	M48.20
8	N 909 978 02	combination screw M 10 X 65		1	
9	N 107 192 01	hexagon-head bolt M 10 X 95		1	

Model	Year	MG	SG	Illustration	Restrictions	UPD	18:41	03.03.2010	PORSCHE	PET	PORSCHE
970	2010	1	09	109-20		248					



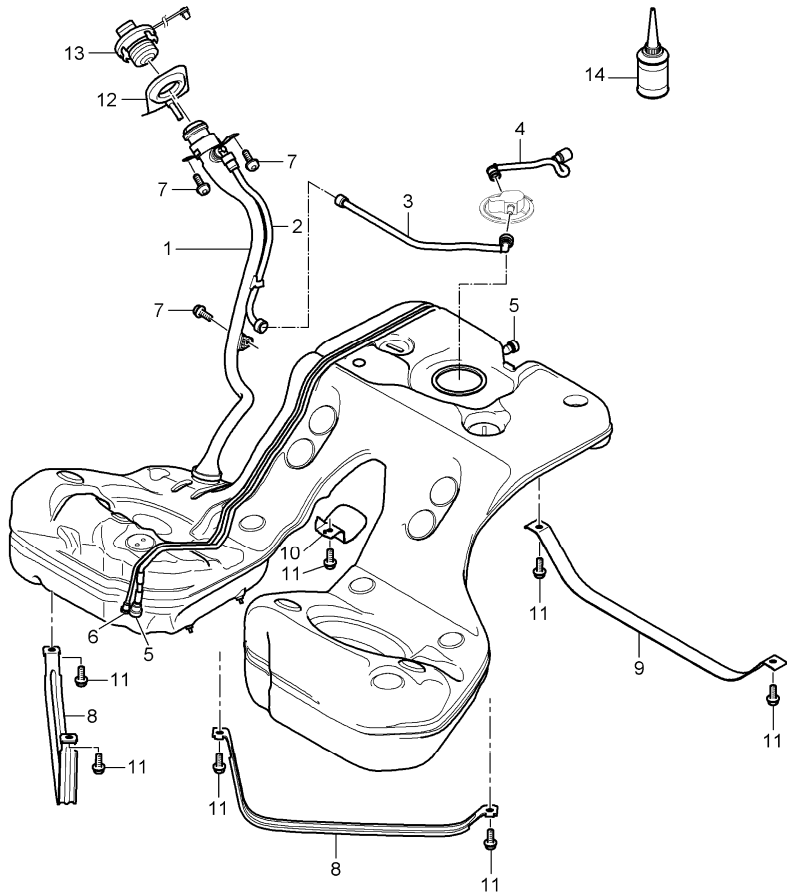
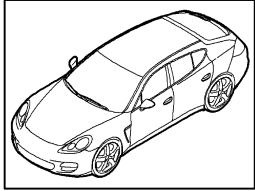
Pos	Part Number	Description	Remark	Qty	Model
		engine suspension engine bracket engine mounting			M48.20
1	948 102 225 21	engine bracket		1	
2	999 095 066 00	dowel sleeve 14 X 15		2	
3	948 115 212 22	engine carrier cylinders 5 - 8		1	
4	948 115 211 22	engine carrier cylinders 1 - 4		1	
5	999 073 460 01	round head screw M 10 X 45		16	
6	948 375 057 03	engine mounting	/L	1	
7	948 375 058 03	engine mounting	/R	1	
8	900 378 310 01	hexagon-head bolt M 10 X 80		4	
9	999 084 445 01	lock nut M 12 X 1,5		2	

Model	Year	MG	SG	Illustration	Restrictions	UPD	18:42	03.03.2010	PORSCHE	PET	PORSCHE
970	2010	1	09	109-30		248					



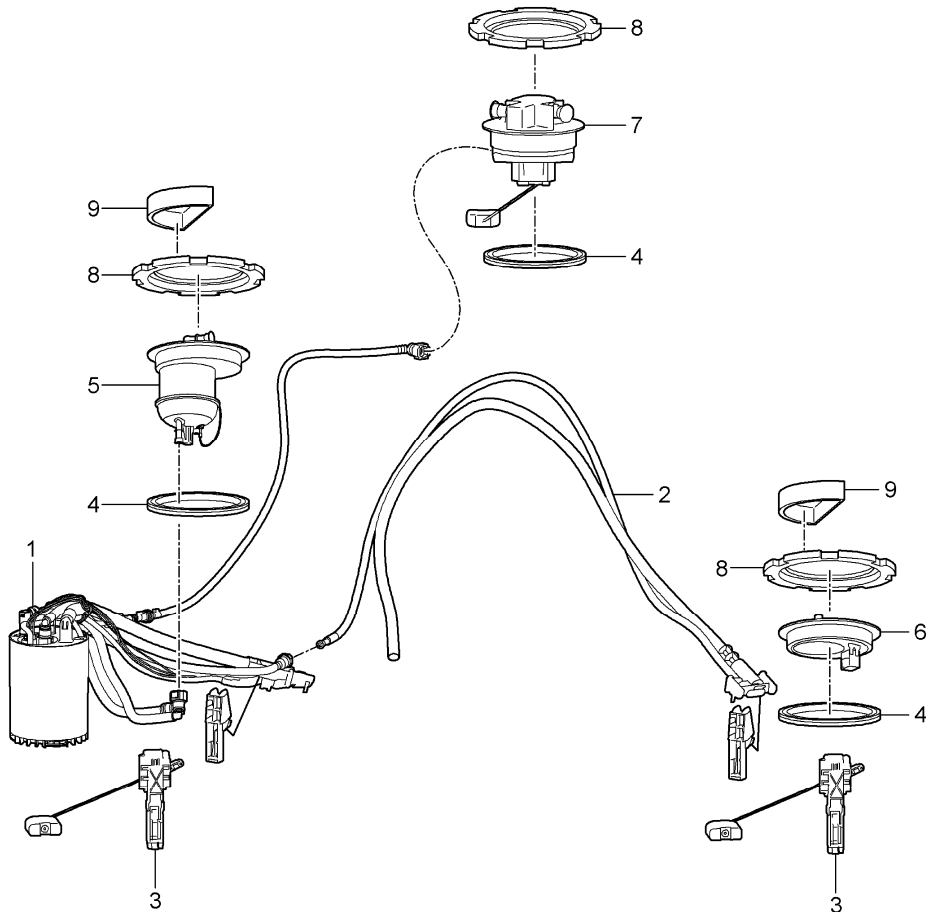
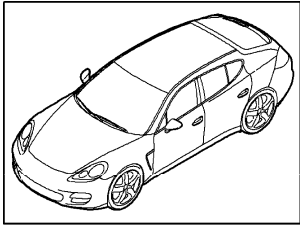
Pos	Part Number	Description	Remark	Qty	Model
		engine suspension engine bracket engine mounting			M48.40/70
1	948 102 225 21	engine bracket		1	
2	999 095 066 00	dowel sleeve 14 X 15		2	
3		engine carrier cylinders 5 - 8 see illustrations 3/05/00 Pos.6		1	
4	999 073 460 01	round head screw M 10 X 45		6	
5	948 115 218 71	heat protection		1	M48.70
6	900 385 279 01	Outer hexagon round screw BM 6 X 12		4	M48.70
7	948 375 059 03	engine mounting	/L	1	
(7)	948 375 060 03	engine mounting	/R	1	
8	900 378 310 01	hexagon-head bolt M 10 X 80		4	
9	999 084 445 01	lock nut M 12 X 1,5		2	

Model	Year	MG	SG	Illustration	Restrictions	UPD	18:42	03.03.2010	PORSCHE	PET	PORSCHE
970	2010	2	01	201-00		248					



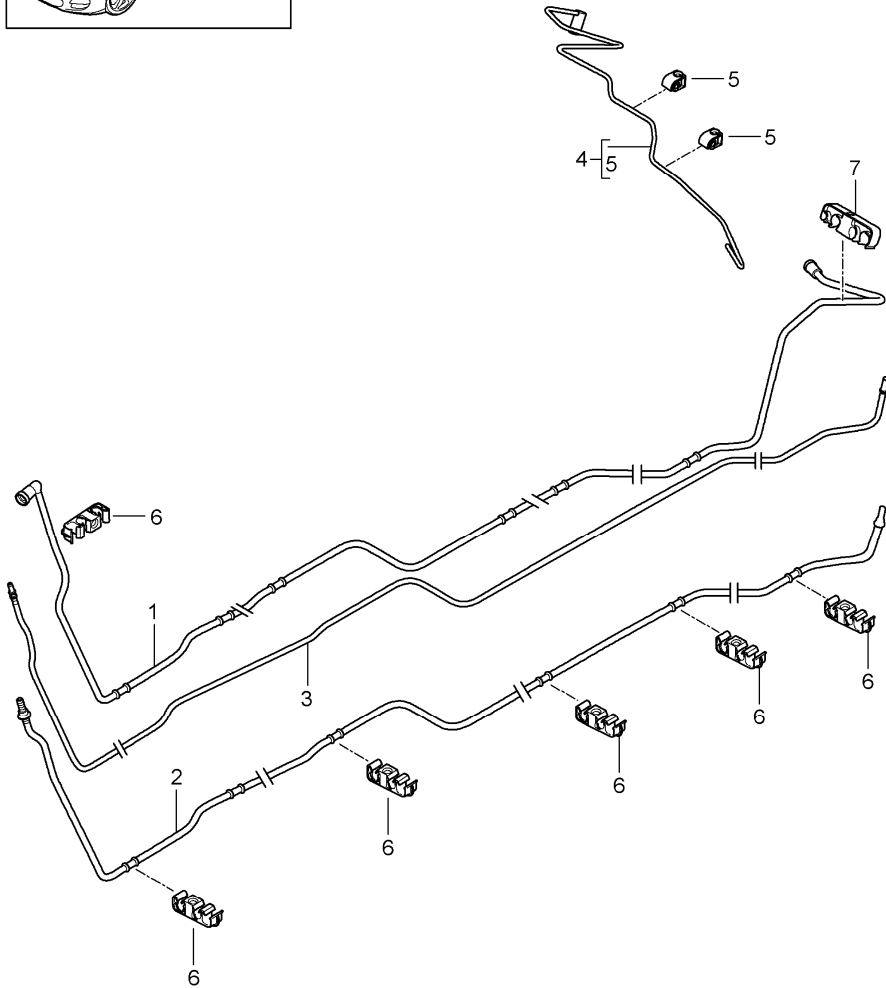
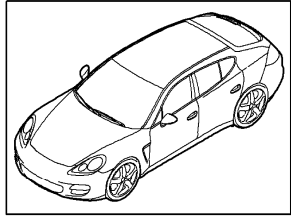
Pos	Part Number	Description	Remark	Qty	Model
		fuel tank with accessories			
1	970 201 021 00	fuel tank		1	-I664/I080
(1)	970 201 021 03	fuel tank		1	-I664/I081
2	970 201 511 00	vent line		1	-I664
3	970 201 343 00	vent line		1	
4	970 201 341 00	vent line		1	-I664
5	970 201 255 00	purge-air line		1	
(6)	970 201 365 00	vacuum line		1	M48.70
(6)	970 201 365 00	vacuum line		1	I176
7	999 073 348 09	oval-head screw M 6 X 20		3	
8	970 201 105 00	restraining strap		2	
9	970 201 109 00	restraining strap		1	
10	970 201 517 01	support		1	
11	N 019 530 7	hexagon-head bolt M 8 X 25		7	
12	970 201 243 01	sleeve with hose		1	
13	970 201 241 04	lid with retaining strap		1	
14	000 043 206 89	Additive fuel 100 ML container	CHINA	X	

Model	Year	MG	SG	Illustration	Restrictions	UPD	18:42	03.03.2010	PORSCHE	PET	PORSCHE
970	2010	2	01	201-10		248					



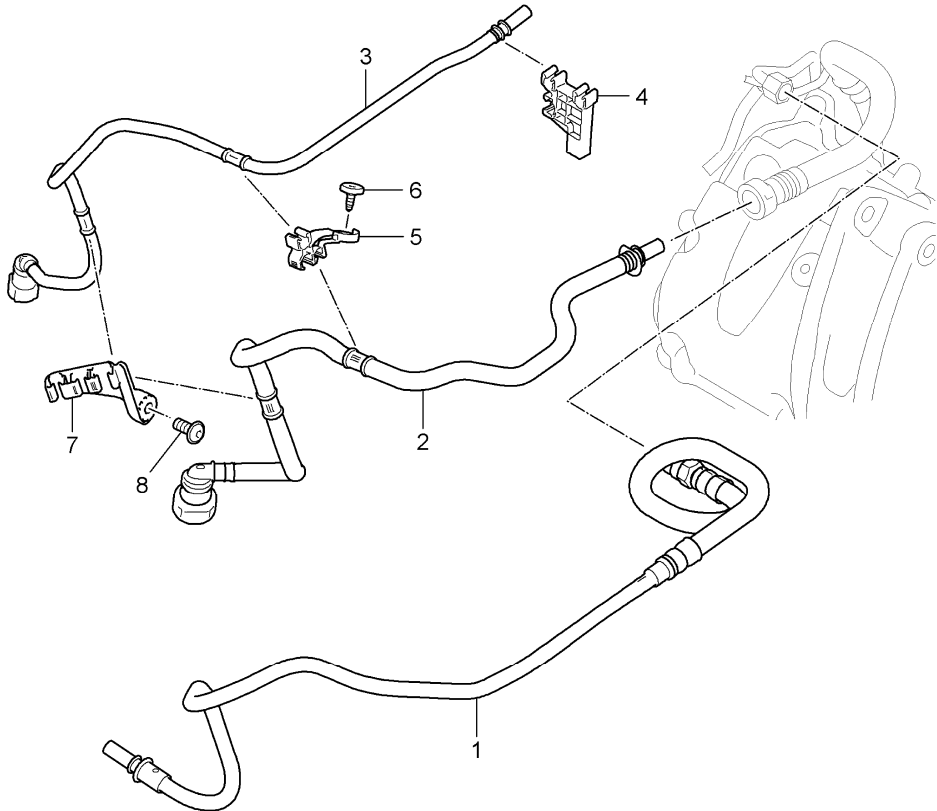
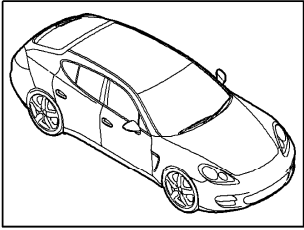
Pos	Part Number	Description	Remark	Qty	Model
		fuel tank fuel pump venturi tube			
1	970 620 132 00	fuel pump with venturi tube		1	
2	970 620 113 00	venturi tube	/L	1	
3	970 620 831 00	tank gauge		2	
4	955 201 133 01	sealing ring		3	
5	970 201 424 00	flange with fuel filter	/R	1	
6	970 201 425 00	flange	/L	1	
7	970 201 421 00	flange		1	M48.20/40 I080
		tank ventilation			
(7)	970 201 421 02	flange tank ventilation		1	I081
8	955 201 623 01	union nut		3	
9	970 201 813 00	spacer		2	

Model	Year	MG	SG	Illustration	Restrictions	UPD	18:42	03.03.2010	PORSCHE	PET	PORSCHE
970	2010	2	01	201-20		248					



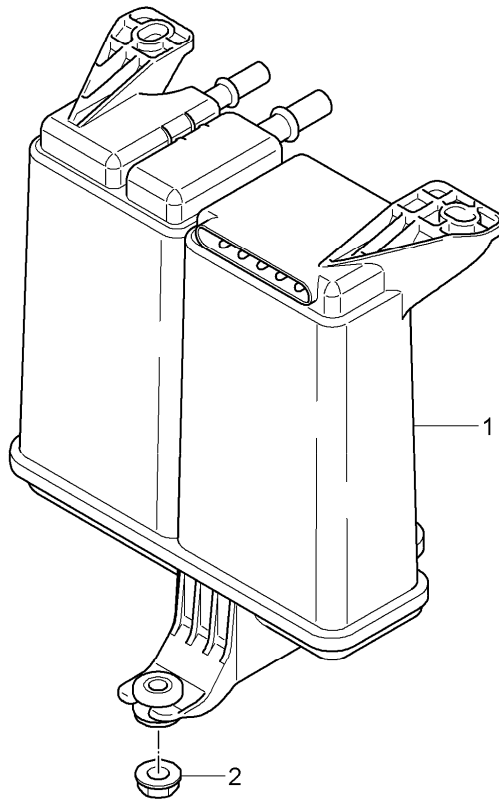
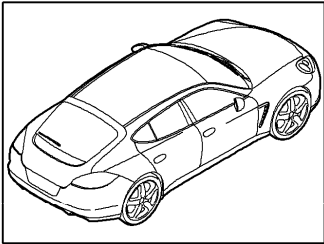
Pos	Part Number	Description	Remark	Qty	Model
		fuel system fuel line underbody			
1	970 201 261 00	fuel line		1	
2	970 201 351 00	purge-air line		1	
(3)	970 201 361 00	vacuum line		1	M48.70
(3)	970 201 361 00	vacuum line		1	I176
6	999 651 405 40	line bracket 10 / 8 / 12		8	
7	999 507 990 40	line bracket 12 / 8 / 10 / 5		1	

Model	Year	MG	SG	Illustration	Restrictions	UPD	18:42	03.03.2010	PORSCHE	PET	PORSCHE
970	2010	2	01	201-30		248					



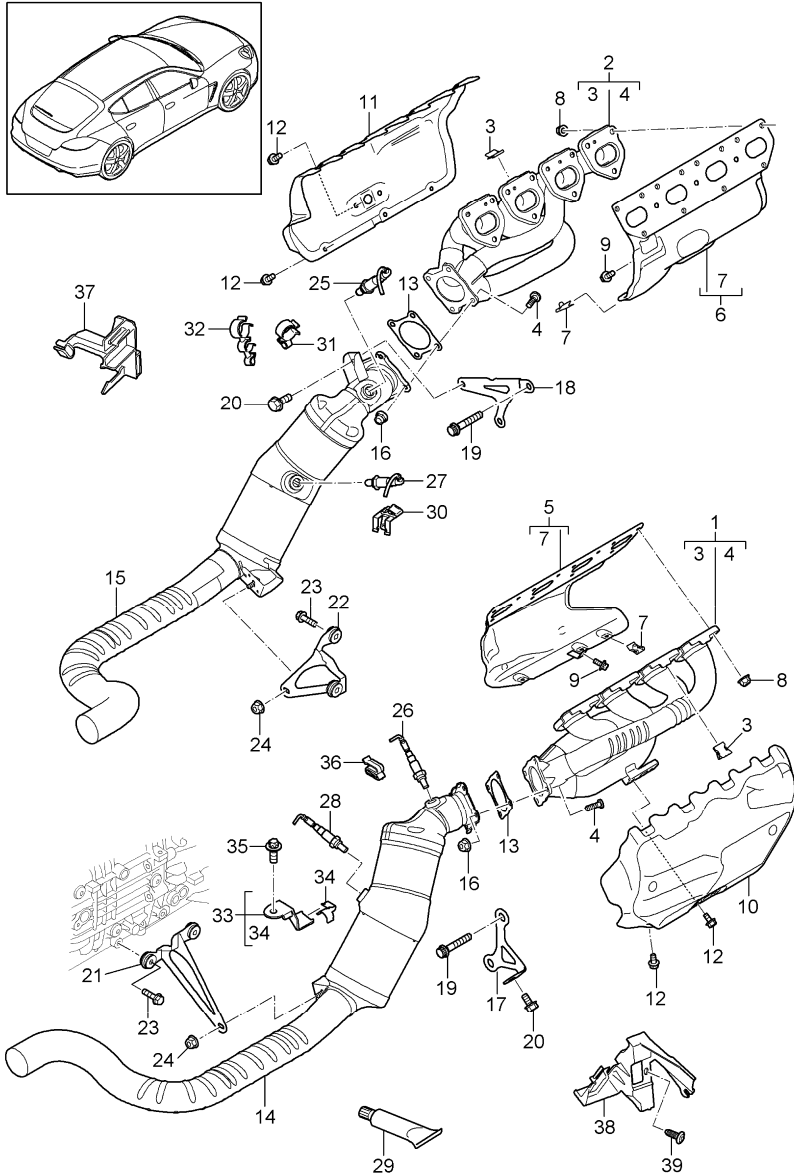
Pos	Part Number	Description	Remark	Qty	Model
		fuel system fuel line engine compartment			
1	970 110 330 04	fuel line		1	
2	970 110 345 02	purge-air line		1	
(3)	970 110 355 01	vacuum line		1	M48.70
(3)	970 110 355 01	vacuum line		1	I176
4	970 110 382 01	support upper		1	
5	970 110 381 01	support centre		1	
6	999 073 484 01	round head screw M 6 X 15		1	
7	970 110 380 01	support lower		1	
8	N 907 884 02	fit bolt M 6 X 16		1	

Model	Year	MG	SG	Illustration	Restrictions	UPD	18:43	03.03.2010	PORSCHE	PET	PORSCHE
970	2010	2	01	201-40		248					



Pos	Part Number	Description	Remark	Qty	Model
		carbon canister			
1	970 201 221 00	carbon canister		1	
2	900 377 010 02	hexagon nut M 6		3	

Model	Year	MG	SG	Illustration	Restrictions	UPD	18:43	03.03.2010	PORSCHE	PET	PORSCHE
970	2010	2	02	202-00		248					



Pos	Part Number	Description	Remark	Qty	Model
		exhaust system exhaust manifold catalytic converter oxygen sensor			M48.20/40
1	948 111 130 21	exhaust manifold cylinders 1 - 4		1	
2	948 111 129 21	exhaust manifold cylinders 5 - 8		1	
3	948 111 213 00	clamp		8	
4	948 111 217 20	knurled screw M 8 X 25		8	
5	948 111 042 01	heat shield exhaust manifold cylinders 1 - 4		1	
6	948 111 041 01	heat shield exhaust manifold cylinders 5 - 8		1	
7	999 507 246 01	speed nut M 6		6	
8	999 084 642 02	hexagon nut M 8		24	
9	U 900 385 041 02	Outer hexagon round screw BM 6 X 12		2	
(9)	900 385 041 01	torx screw BM 6 X 12		2	
10	970 111 038 03	heat shield exhaust manifold cylinders 1 - 4		1	
11	970 111 037 03	heat shield exhaust manifold cylinders 5 - 8		1	
12	900 378 036 01	hexagon-head bolt M 6 X 12		10	
13	970 111 115 00	gasket		2	
14	970 113 350 03	exhaust pipe with catalytic converter cylinders 1 - 4		1	

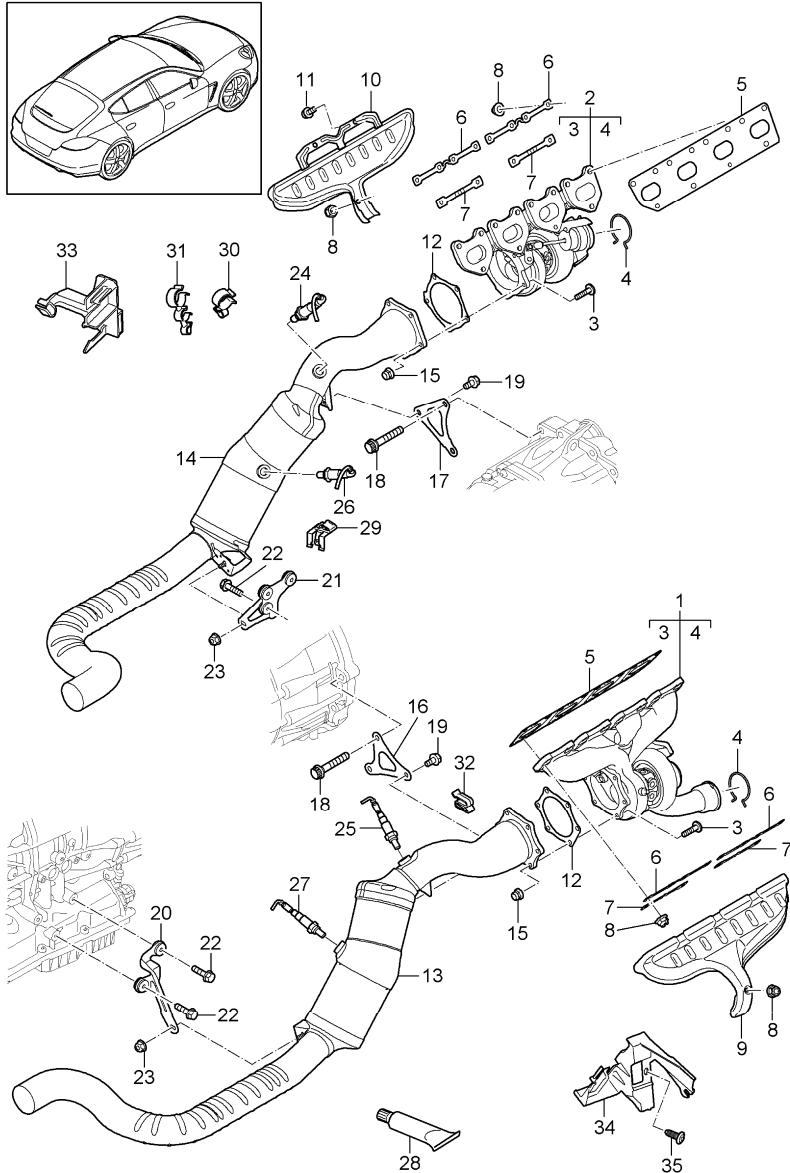
Model	Year	MG	SG	Illustration	Restrictions	UPD	18:43	03.03.2010	PORSCHE	PET	PORSCHE
970	2010	2	02	202-00		248					

Pos	Part Number	Description	Remark	Qty	Model	Pos	Part Number	Description	Remark	Qty	Model
15	970 113 349 03	exhaust pipe with catalytic converter cylinders 5 - 8		1		(23)	900 378 033 01	hexagon-head bolt AM 8 X 30		5	M48.20/40 I250
16	N 908 946 02	hexagon nut M 8		8		24	N 104 355 06	hexagon nut M 8		2	
17	970 111 048 01	support upper cylinders 1 - 4		1	M48.20	25	970 606 123 01	oxygen sensor in front of catalytic converter cylinders 5 - 8	/L	1	
(17)	970 111 050 05	support upper cylinders 1 - 4		1	M48.40	26	970 606 124 01	oxygen sensor in front of catalytic converter cylinders 1 - 4	/R	1	
18	970 111 047 01	support upper cylinders 5 - 8		1	M48.20 I480	27	970 606 173 01	oxygen sensor after catalytic converter cylinders 5 - 8	/L	1	
(18)	970 111 049 06	support upper cylinders 5 - 8		1	M48.20/40 I250	28	970 606 174 02	oxygen sensor after catalytic converter cylinders 1 - 4	/R	1	I480
19		fastening screw see illustrations 3 / 06 / 00 Pos.2		X		(28)	970 606 172 01	oxygen sensor after catalytic converter cylinders 1 - 4	/R	1	I250
20	900 378 074 01	hexagon-head bolt M 8 X 16		2		29	000 043 207 07	grease for oxygen sensor		1	
21	970 111 046 02	support lower cylinders 1 - 4		1	M48.20 I480	30	970 606 281 00	support line oxygen sensor after catalytic converter cylinders 5 - 8		1	I250
(21)	970 111 046 07	support lower cylinders 1 - 4		1	M48.20/40 I250	31	999 507 174 40	line bracket 18,0 / 4,5 line oxygen sensor after catalytic converter cylinders 5 - 8		1	
22	970 111 045 02	support lower cylinders 5 - 8		1	M48.20 I480	32	999 507 173 40	line bracket 18,0 / 11,0 / 4,5 lines oxygen sensor		1	
(22)	970 111 045 07	support lower cylinders 5 - 8		1	M48.20/40 I250						
23	900 378 033 01	hexagon-head bolt AM 8 X 30		4	M48.20 I480						

Model	Year	MG	SG	Illustration	Restrictions	UPD	18:43	03.03.2010	PORSCHE	PET	PORSCHE
970	2010	2	02	202-00		248					

Pos	Part Number	Description	Remark	Qty	Model	Pos	Part Number	Description	Remark	Qty	Model
33	970 606 274 01	support line oxygen sensor after catalytic converter cylinders 1 - 4		1	I480						
34	999 651 392 07	cable holder 9,5 - 10,5		1	I480						
35	900 385 041 01	torx screw BM 6 X 12		1	I480						
36	999 651 399 40	line bracket 5,0 lines oxygen sensor		1							
37	970 606 159 02	support engine compartment connection point connector oxygen sensor	/L	1							
38	970 606 160 02	support engine compartment connection point connector oxygen sensor	/R	1							
39	999 073 231 09	tapping screw ST 4,8 X 16		1							

Model	Year	MG	SG	Illustration	Restrictions	UPD	18:43	03.03.2010	PORSCHE	PET	PORSCHE
970	2010	2	02	202-10		248					

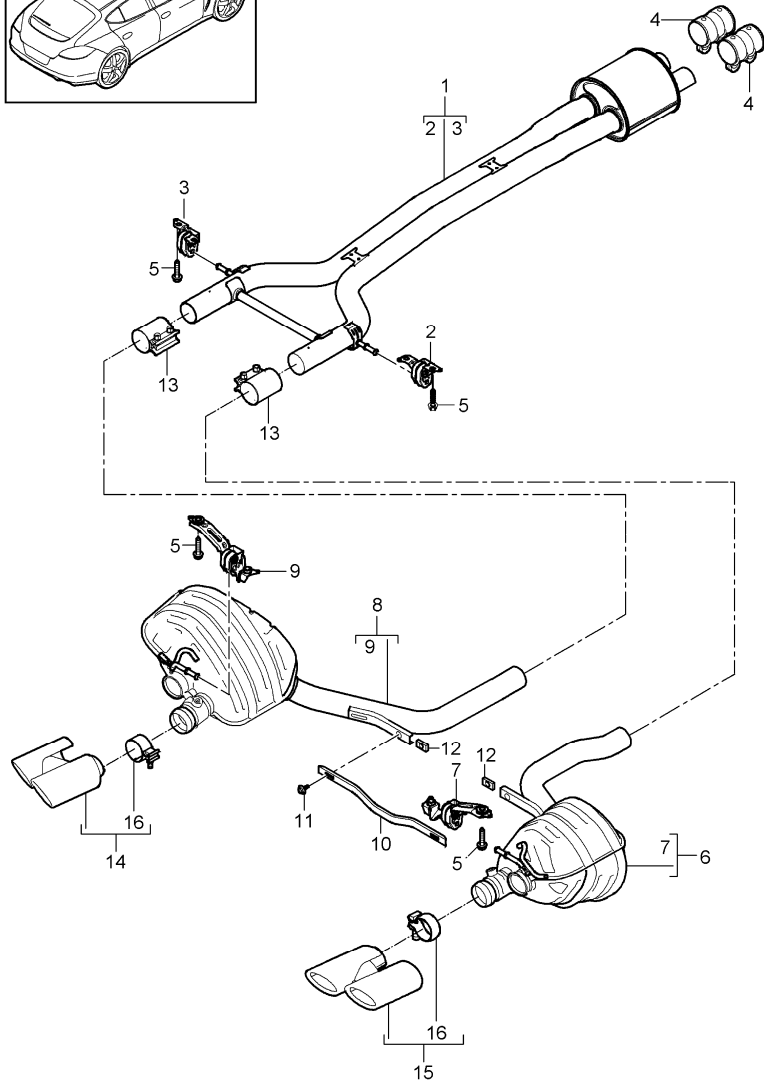
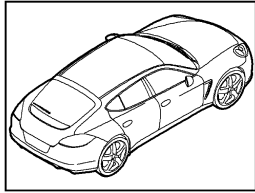


Pos	Part Number	Description	Remark	Qty	Model
		exhaust system turbocharger catalytic converter oxygen sensor			M48.70
1	948 123 025 70	turbocharger cylinders 1 - 4		1	
2	948 123 026 70	turbocharger cylinders 5 - 8		1	
3	948 123 323 50	stud M 8 X 1,25		11	
4	948 123 324 50	retainer spring		2	
5	948 111 181 70	gasket exhaust manifold		2	
6	948 111 401 70	tab washer upper		4	
7	948 111 402 70	tab washer lower		4	
8	999 084 642 02	hexagon nut M 8		26	
9	948 111 337 70	heat shield cylinders 1 - 4		1	
10	948 111 338 70	heat shield cylinders 5 - 8		1	
11	900 385 044 01	torx screw BM 8 X 16		2	
12	970 111 115 70	gasket	/L	1	
(12)	970 111 115 71	gasket	/R	1	
13	970 113 350 73	exhaust pipe with catalytic converter cylinders 1 - 4		1	
14	970 113 349 73	exhaust pipe with catalytic converter cylinders 5 - 8		1	
15	N 908 946 02	hexagon nut M 8		11	
16	970 111 048 05	support upper cylinders 1 - 4		1	

Model	Year	MG	SG	Illustration	Restrictions	UPD	18:43	03.03.2010	PORSCHE	PET	PORSCHE
970	2010	2	02	202-10		248					

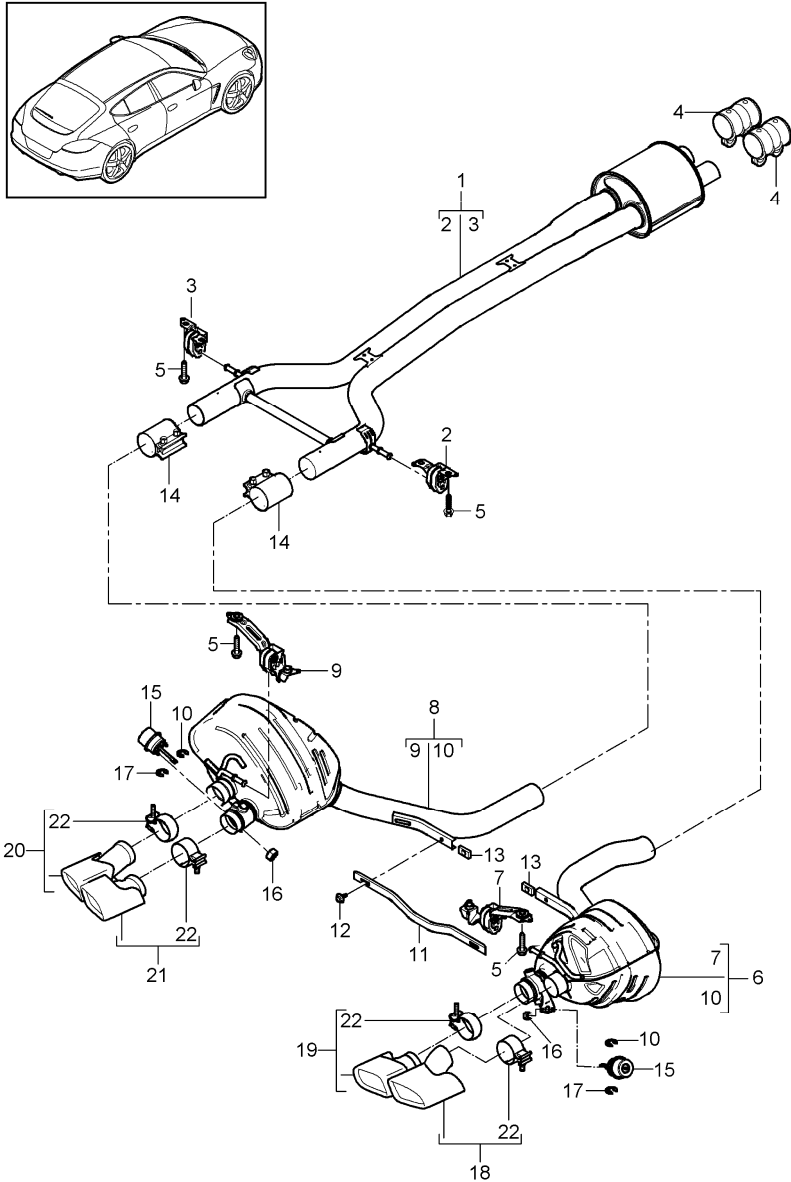
Pos	Part Number	Description	Remark	Qty	Model	Pos	Part Number	Description	Remark	Qty	Model
17	970 111 047 05	support upper cylinders 5 - 8		1		30	999 507 174 40	line bracket 18,0 / 4,5 line oxygen sensor		1	
18		fastening screw see illustrations 3 / 06 / 00 Pos.2		X				after catalytic converter cylinders 5 - 8			
19	900 378 074 01	hexagon-head bolt M 8 X 16		2		31	999 507 173 40	line bracket 18,0 / 11,0 / 4,5 lines oxygen sensor		1	
20	970 111 046 07	support lower cylinders 1 - 4		1		32	999 651 399 40	line bracket 5,0 lines oxygen sensor		1	
21	970 111 045 07	support lower cylinders 5 - 8		1		33	970 606 159 02	support engine compartment connection point connector oxygen sensor	/L	1	
22	900 378 033 01	hexagon-head bolt AM 8 X 30		5		34	970 606 160 02	support engine compartment connection point connector oxygen sensor	/R	1	
23	N 104 355 06	hexagon nut M 8		2							
24	970 606 123 01	oxygen sensor in front of catalytic converter	/L	1							
25	970 606 124 01	oxygen sensor in front of catalytic converter	/R	1		35	999 073 231 09	tapping screw ST 4,8 X 16		1	
26	970 606 173 01	oxygen sensor after catalytic converter	/L	1							
27	970 606 172 01	oxygen sensor after catalytic converter	/R	1							
28	000 043 207 07	grease for oxygen sensor		1							
29	970 606 281 00	support line oxygen sensor after catalytic converter cylinders 5 - 8		1							

Model	Year	MG	SG	Illustration	Restrictions	UPD	18:43	03.03.2010	PORSCHE	PET	PORSCHE
970	2010	2	02	202-40		248					



Pos	Part Number	Description	Remark	Qty	Model
		exhaust system front muffler rear muffler			M48.20/40
1	970 111 913 02	front muffler		1	
2	970 111 152 01	support with rubber	/R	1	
3	970 111 153 01	support with rubber	/L	1	
4	955 111 220 12	clamping sleeve		2	
5	N 105 703 02	hexagon-head bolt M 8 X 40		8	
7	970 111 150 00	support with rubber	/R	1	
9	970 111 151 00	support with rubber	/L	1	
10	970 111 221 01	transverse strut		1	
11	N 908 797 02	hexagon-head bolt M 8 X 25		2	
12		square nut M 8 part number in preparation		2	
13		clamping sleeve part number in preparation		2	
14		tail pipe part number in preparation	/L	1	
15		tail pipe part number in preparation	/R	1	
16		clip part number in preparation		2	

Model	Year	MG	SG	Illustration	Restrictions	UPD	18:43	03.03.2010	PORSCHE	PET	PORSCHE
970	2010	2	02	202-50		248					

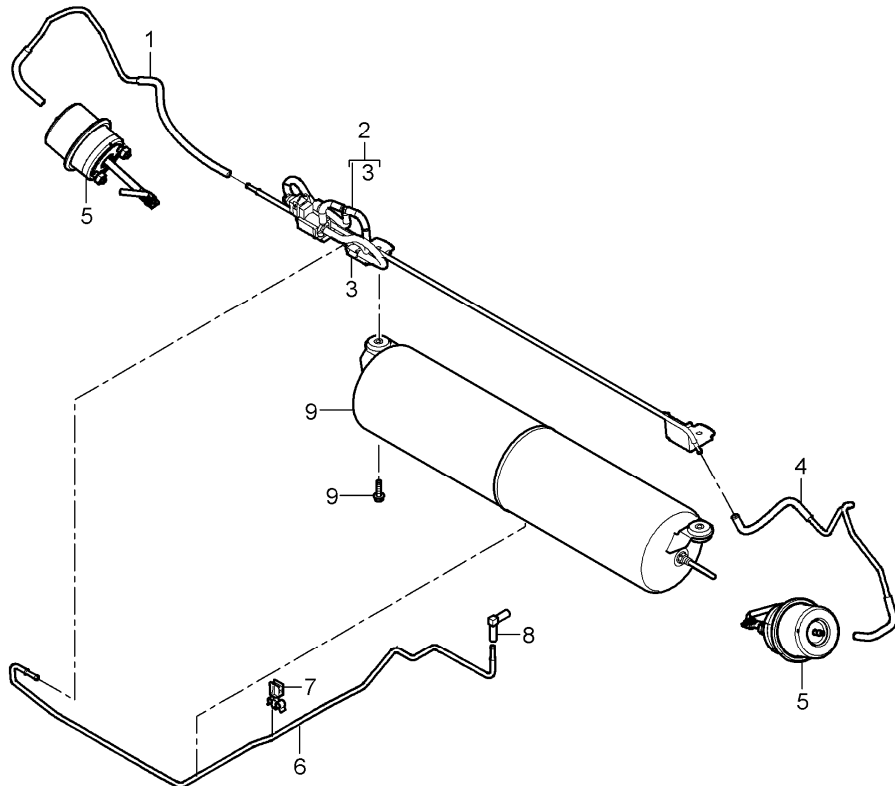
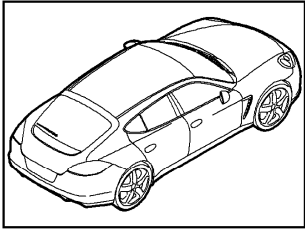


Pos	Part Number	Description	Remark	Qty	Model
		exhaust system front muffler rear muffler			M48.70
1	970 111 913 73	front muffler		1	
2	970 111 152 01	support with rubber	/R	1	
3	970 111 153 01	support with rubber	/L	1	
4	955 111 220 21	clamping sleeve		2	
5	N 105 703 02	hexagon-head bolt M 8 X 40		8	
7	970 111 150 00	support with rubber	/R	1	
9	970 111 151 00	support with rubber	/L	1	
10	970 111 541 00	lock washer 4,0		2	
11	970 111 221 01	transverse strut		1	
12	N 908 797 02	hexagon-head bolt M 8 X 25		2	
13		square nut M 8 part number in preparation		2	
14		clamping sleeve part number in preparation		2	
15	970 111 509 00	vacuum unit		2	
16	970 111 547 00	lock nut M 6		4	
17	970 111 541 00	lock washer 4,0		2	

Model	Year	MG	SG	Illustration	Restrictions	UPD	18:43	03.03.2010	PORSCHE	PET	PORSCHE
970	2010	2	02	202-50		248					

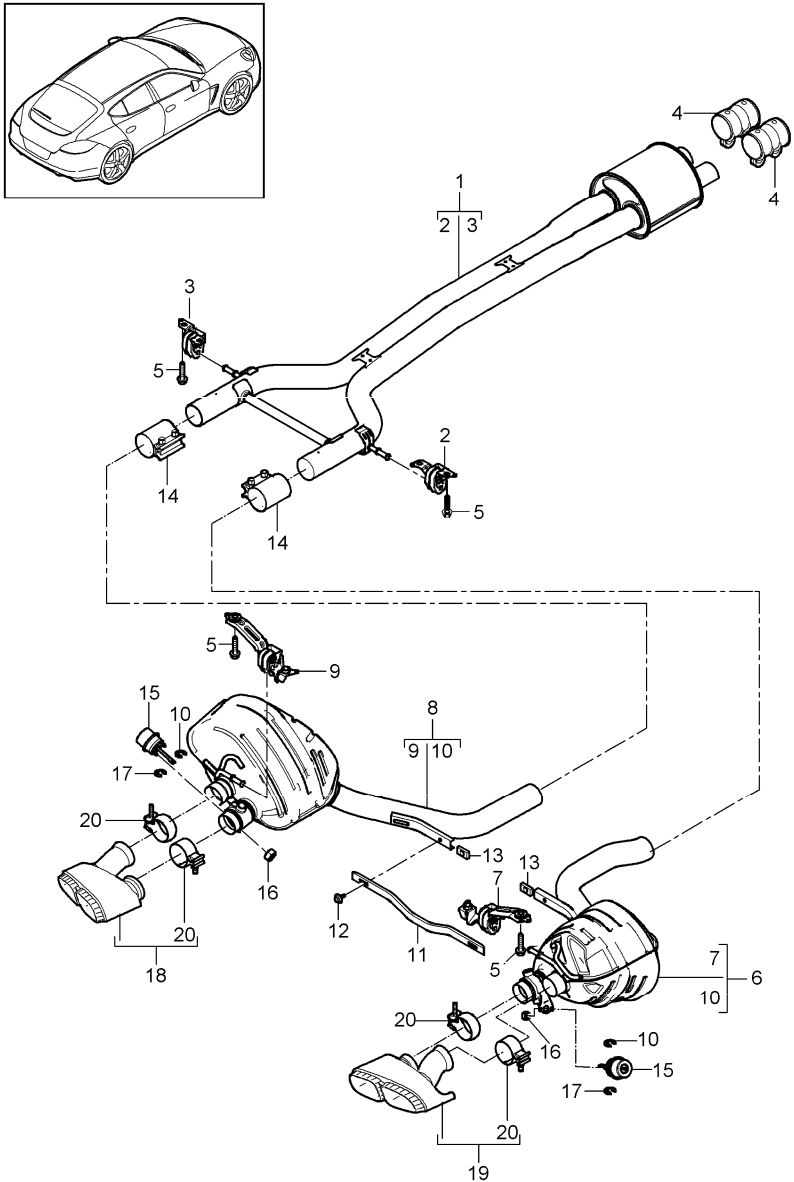
Pos	Part Number	Description	Remark	Qty	Model	Pos	Part Number	Description	Remark	Qty	Model
18		tail pipe part number in preparation	/R	1							
19		tail pipe part number in preparation	/R	1							
20		tail pipe part number in preparation	/L	1							
21		tail pipe part number in preparation	/L	1							
22		clip part number in preparation		4							

Model	Year	MG	SG	Illustration	Restrictions	UPD	18:43	03.03.2010	PORSCHE	PET	PORSCHE
970	2010	2	02	202-55		248					



Pos	Part Number	Description	Remark	Qty	Model
		exhaust system control line			M48.70
1	970 111 316 51	control line	/L	1	
2	970 111 312 51	change-over valve with control line		1	
3	955 511 645 00	clip		1	
4	970 111 317 51	control line	/R	1	
5		vacuum unit see illustrations 2 / 02 / 50 Pos.15		2	
6	970 111 313 52	control line centre		1	
7	999 507 176 40	line bracket 6,0		1	
8	970 111 318 50	angled pipe		1	
9		see illustrations 6 / 06 / 00			

Model	Year	MG	SG	Illustration	Restrictions	UPD	18:44	03.03.2010	PORSCHE	PET	PORSCHE
970	2010	2	02	202-60		248					

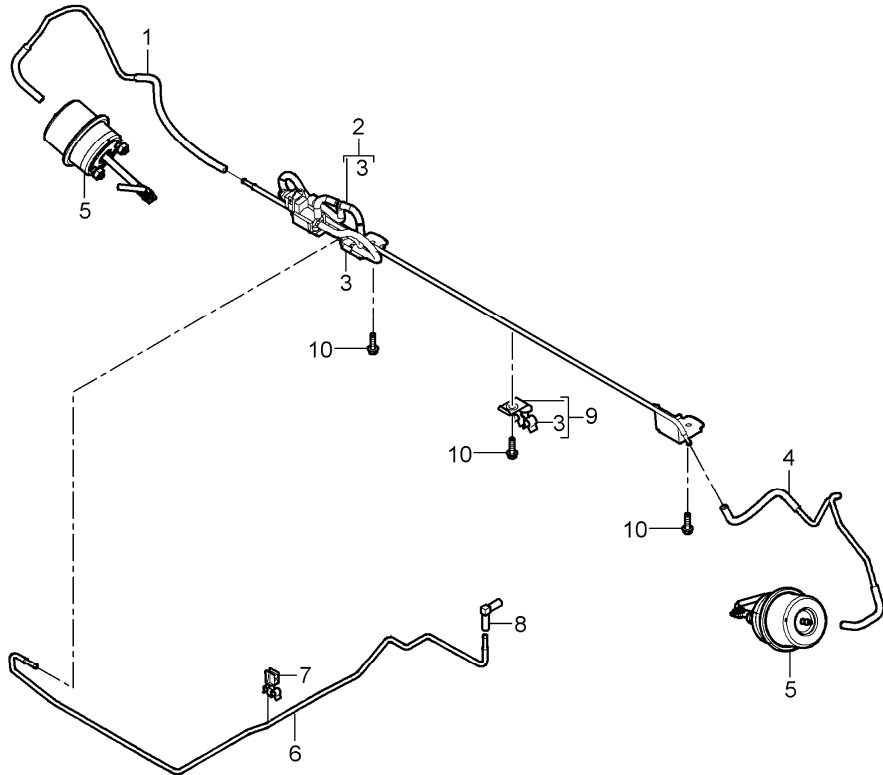
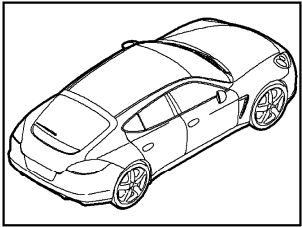


Pos	Part Number	Description	Remark	Qty	Model
		exhaust system sport version front muffler rear muffler			I176
1	970 111 913 53	front muffler		1	M48.20/40
(1)	970 111 913 92	front muffler		1	M48.70
2	970 111 152 01	support with rubber	/R	1	
3	970 111 153 01	support with rubber	/L	1	
4	955 111 220 12	clamping sleeve		2	M48.20/40
(4)	955 111 220 21	clamping sleeve		2	M48.70
5	N 105 703 02	hexagon-head bolt M 8 X 40		8	
6	970 111 912 53	rear muffler	/R	1	M48.20/40
(6)	970 111 912 92	rear muffler	/R	1	M48.70
7	970 111 150 00	support with rubber	/R	1	
8	970 111 911 53	rear muffler	/L	1	M48.20/40
(8)	970 111 911 92	rear muffler	/L	1	M48.70
9	970 111 151 00	support with rubber	/L	1	
10	970 111 541 00	lock washer 4,0		2	
11	970 111 221 01	transverse strut		1	
12	N 908 797 02	hexagon-head bolt M 8 X 25		2	
13		square nut M 8 part number in preparation		2	

Model	Year	MG	SG	Illustration	Restrictions	UPD	18:44	03.03.2010	PORSCHE	PET	PORSCHE
970	2010	2	02	202-60		248					

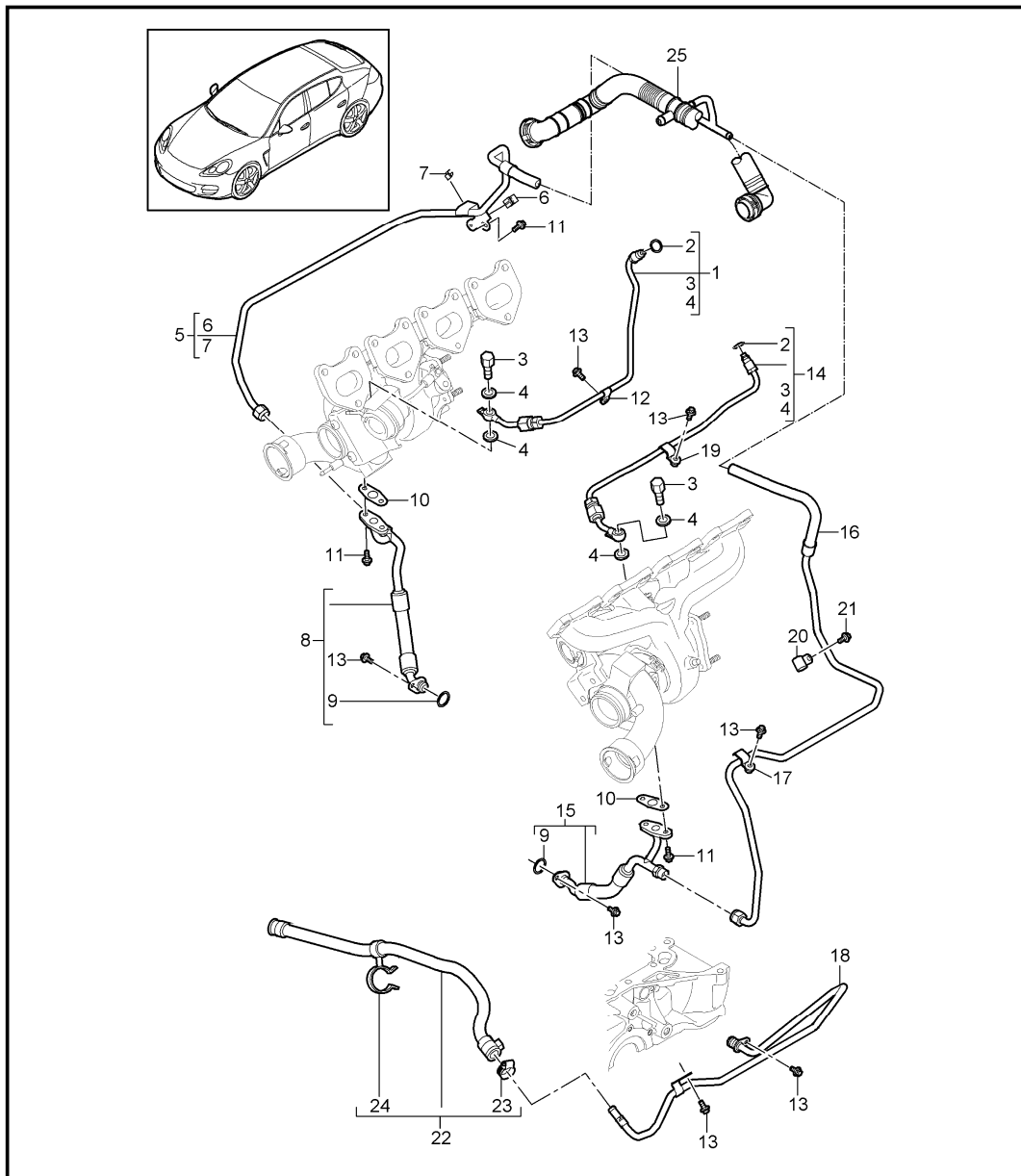
Pos	Part Number	Description	Remark	Qty	Model	Pos	Part Number	Description	Remark	Qty	Model
14		clamping sleeve part number in preparation		2							
15	970 111 509 00	vacuum unit		2							
16	970 111 547 00	lock nut M 6		4							
17	970 111 541 00	lock washer 4,0		2							
18	970 111 681 50	tail pipe with clip	/L	1							
19	970 111 682 50	tail pipe with clip	/R	1							
20		clip part number in preparation		4							

Model	Year	MG	SG	Illustration	Restrictions	UPD	18:44	03.03.2010	PORSCHE	PET	PORSCHE
970	2010	2	02	202-65		248					



Pos	Part Number	Description	Remark	Qty	Model
		exhaust system sport version control line			I176
1	970 111 316 51	control line	/L	1	
2	970 111 312 51	change-over valve with control line		1	
3	955 511 645 00	clip		1	
(3)	955 511 645 00	clip		2	I475
4	970 111 317 51	control line	/R	1	
5		vacuum unit see illustrations 2 / 02 / 60 Pos.15		2	
6	970 111 313 52	control line centre		1	
7	999 507 176 40	line bracket 6,0		1	
8	970 111 318 50	angled pipe		1	
9	970 111 315 50	retaining bar		1	I475
(9)		support pressure accumulator see illustrations 6 / 06 / 00		1	I350/351
10	N 107 214 01	oval-head screw 6 X 16		3	I475
(10)		oval-head screw 6 X 35 see illustrations 6 / 06 / 00		3	I350/351

Model	Year	MG	SG	Illustration	Restrictions	UPD	18:44	03.03.2010	PORSCHE	PET	PORSCHE
970	2010	2	02	202-90		248					

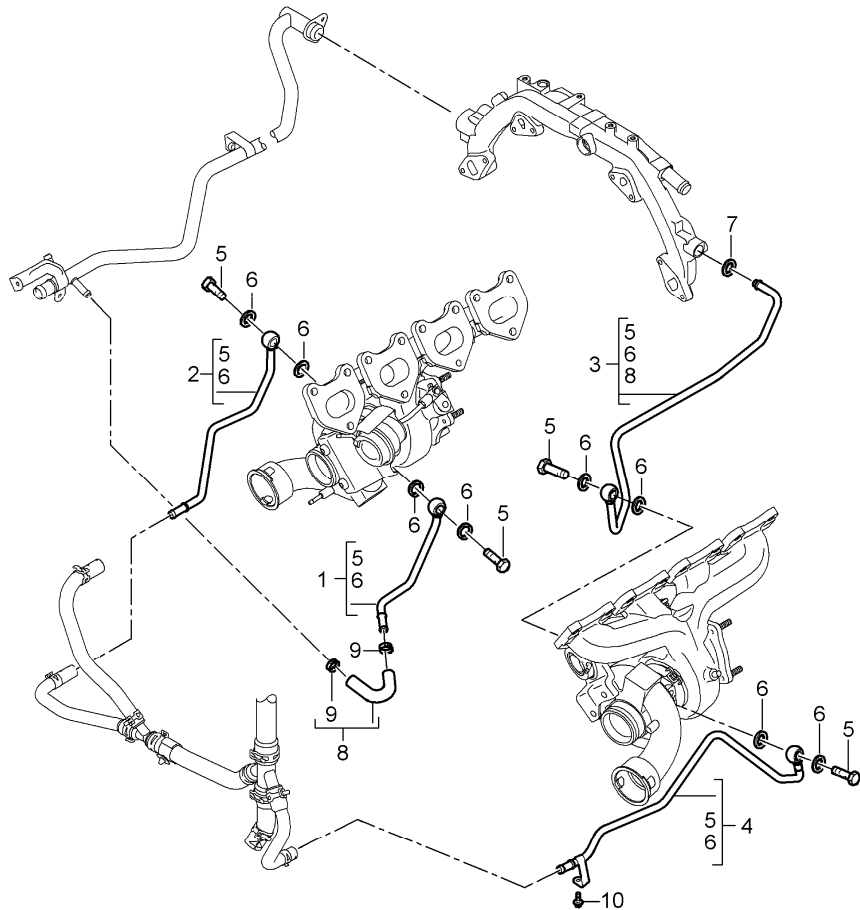
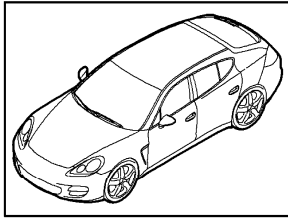


Pos	Part Number	Description	Remark	Qty	Model
		oil pipe for turbocharger			M48.70
1	948 107 086 70	pressure line cylinders 1 - 4		1	
2	999 707 763 40	o-ring 5,8 X 1,7		2	
3	999 134 022 01	banjo bolt M 12 X 1,5		2	
4	900 123 005 30	sealing ring A 12 X 16		4	
5	948 107 090 73	vent line cylinders 1 - 4		1	
6	999 651 394 40	cable holder 6,0		1	
7	999 651 392 07	cable holder 9,5 - 10,5		1	
8	948 107 088 70	oil pipe cylinders 1 - 4		1	
9	999 707 568 40	o-ring 12 X 3		2	
10	948 107 123 50	gasket		2	
11	900 385 009 01	torx screw BM 6 X 16		5	
12	999 511 741 00	clamp 8 X 15		1	
13	900 385 041 01	torx screw BM 6 X 12		7	
14	948 107 087 70	pressure line cylinders 5 - 8		1	
15	948 107 089 71	oil pipe cylinders 5 - 8		1	
16	948 107 091 72	vent line cylinders 5 - 8		1	
17	999 511 265 01	clamp 10 - 10 X 15		1	
18	948 107 260 75	ventilation pipe		1	

Model	Year	MG	SG	Illustration	Restrictions	UPD	18:44	03.03.2010	PORSCHE	PET	PORSCHE
970	2010	2	02	202-90		248					

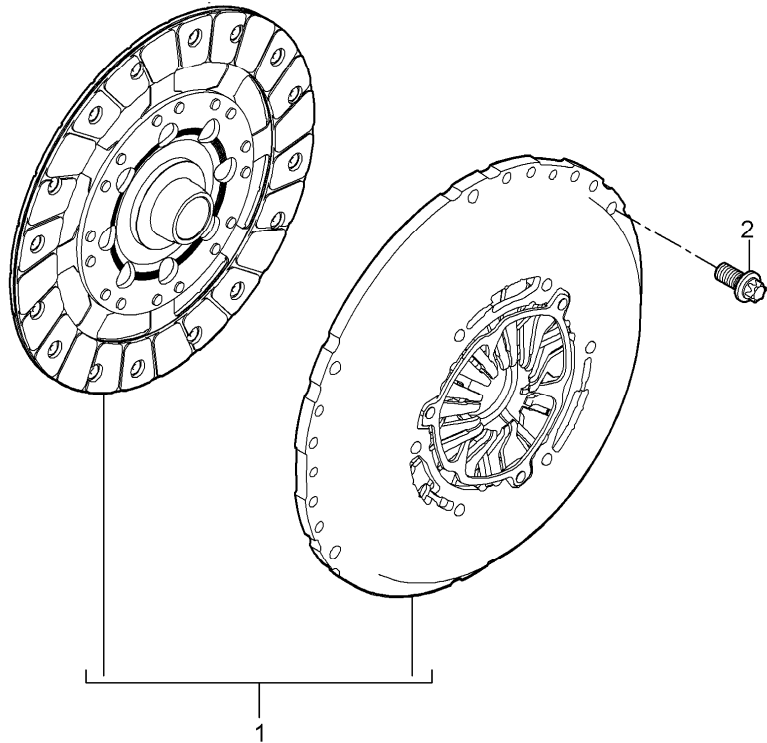
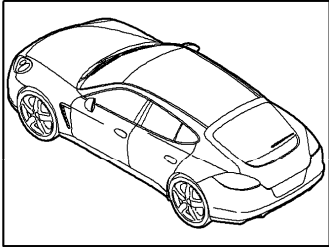
Pos	Part Number	Description	Remark	Qty	Model	Pos	Part Number	Description	Remark	Qty	Model
19	999 511 265 01	clamp 10 - 10 X 15		1							
20	999 511 116 03	clamp 10 X 15		1							
21	900 378 036 01	hexagon-head bolt M 6 X 12		1							
22	970 110 259 71	vent hose		1							
23	999 512 489 00	hose clamp 15,7 - 18,5		1							
24	999 507 175 40	line bracket 11,5 / 20,0		1							
25		vent line see group 1/07/15 Pos.5		1							

Model	Year	MG	SG	Illustration	Restrictions	UPD	18:44	03.03.2010	PORSCHE	PET	PORSCHE
970	2010	2	02	202-95		248					



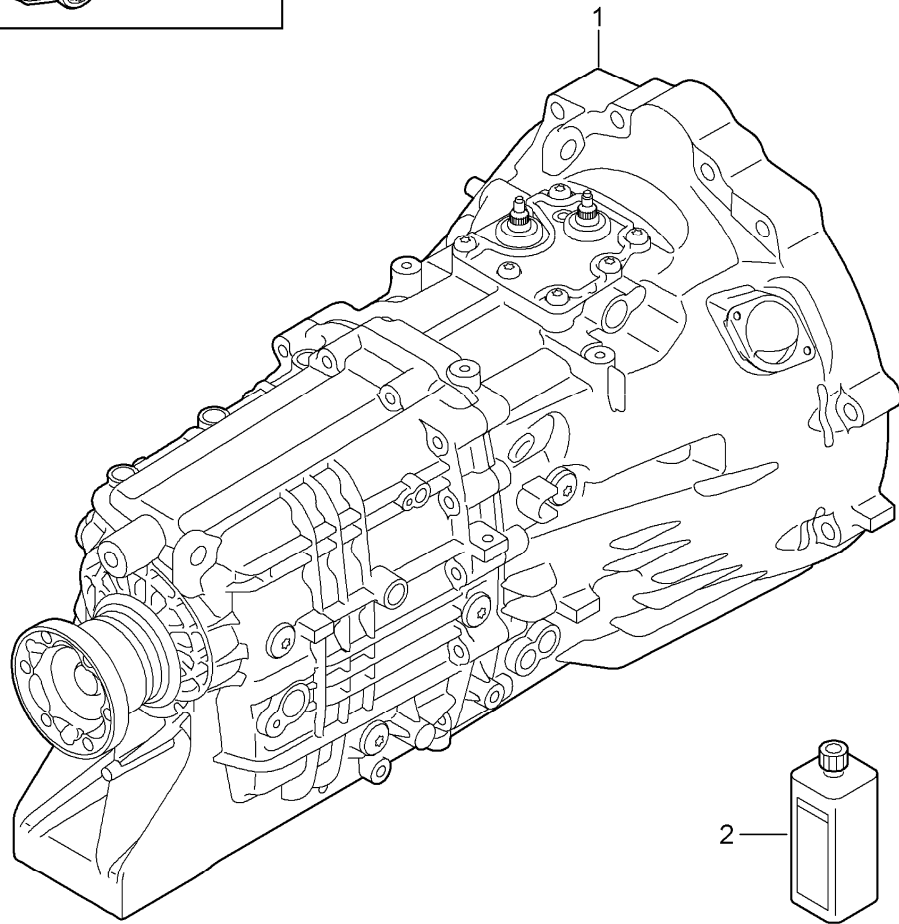
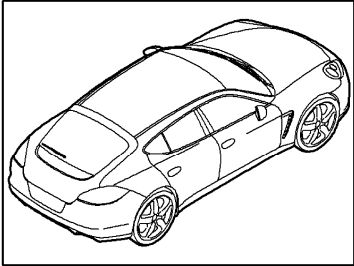
Pos	Part Number	Description	Remark	Qty	Model
		cooling water tube for turbocharger			M48.70
1	948 106 027 75	cooling water tube supply cylinders 1 - 4		1	
2	948 106 235 73	cooling water tube return line cylinders 1 - 4		1	
3	948 106 237 73	cooling water tube supply cylinders 5 - 8		1	
4	948 106 239 77	cooling water tube return line cylinders 5 - 8		1	
5	999 134 047 01	banjo bolt M 12 X 1,25 X 24		4	
6	900 123 005 30	sealing ring A 12 X 16		8	
7	999 707 503 40	sealing ring 7,8 X 1,7		1	
8	948 106 383 50	water hose		1	
9	999 512 686 09	hose clamp B 17 X 12		2	
10	900 385 009 01	torx screw BM 6 X 16		1	

Model	Year	MG	SG	Illustration	Restrictions	UPD	18:44	03.03.2010	PORSCHE	PET	PORSCHE
970	2010	3	01	301-00		248					



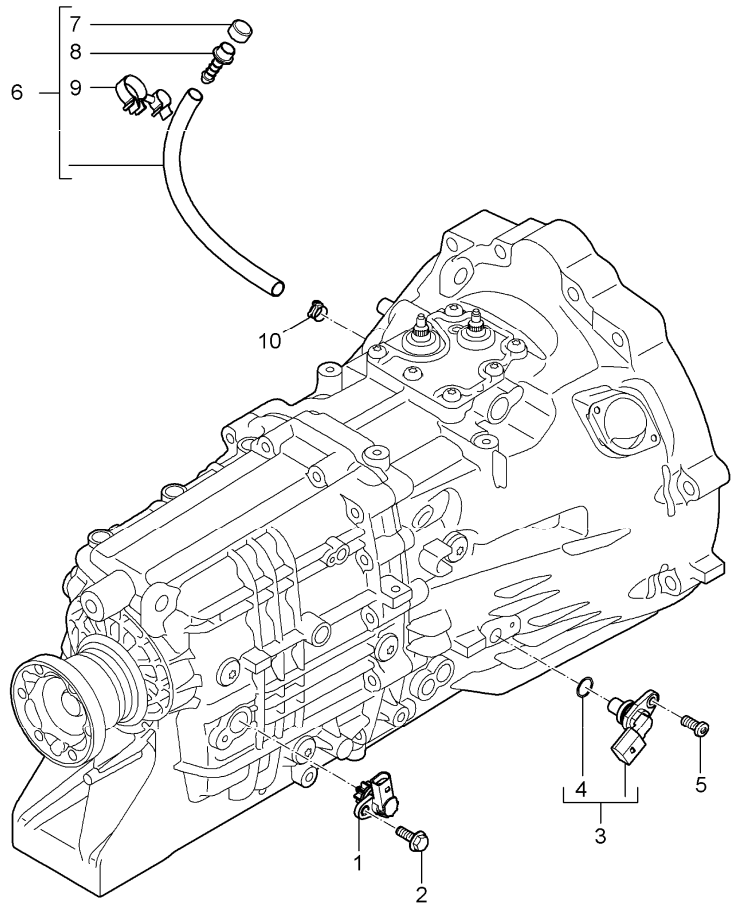
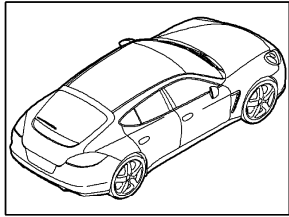
Pos	Part Number	Description	Remark	Qty	Model
		clutch			G70.00
1	970 116 912 00	repair kit clutch comprising: drive plate pressure plate		1	
2	999 073 458 01	screw BM 8 X 16		6	

Model	Year	MG	SG	Illustration	Restrictions	UPD	18:45	03.03.2010	PORSCHE	PET	PORSCHE
970	2010	3	02	302-00		248					



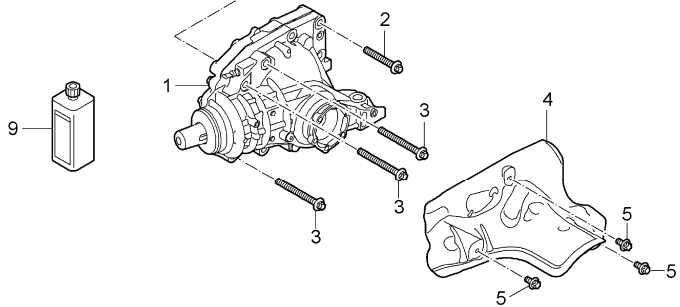
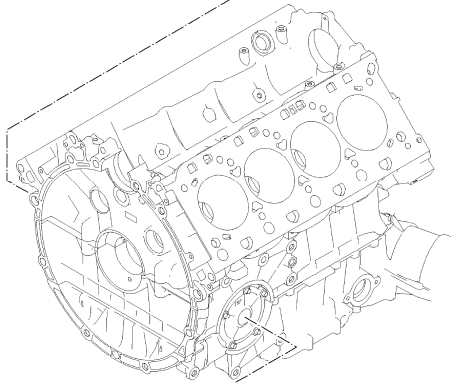
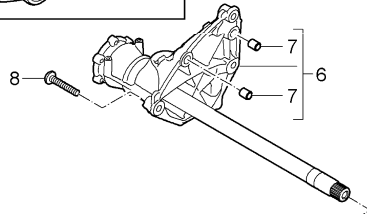
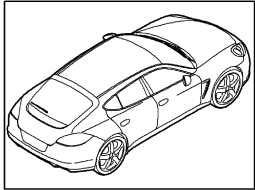
Pos	Part Number	Description	Remark	Qty	Model
		replacement transmission manual transmission ready for installation			G70.00
1	> 970 300 010 01	replacement transmission		1	
(1)	970 300 010 AX	replacement transmission		1	
2	000 043 300 38	transmission oil container 1 LITER		X	

Model	Year	MG	SG	Illustration	Restrictions	UPD	18:45	03.03.2010	PORSCHE	PET	PORSCHE
970	2010	3	02	302-10		248					



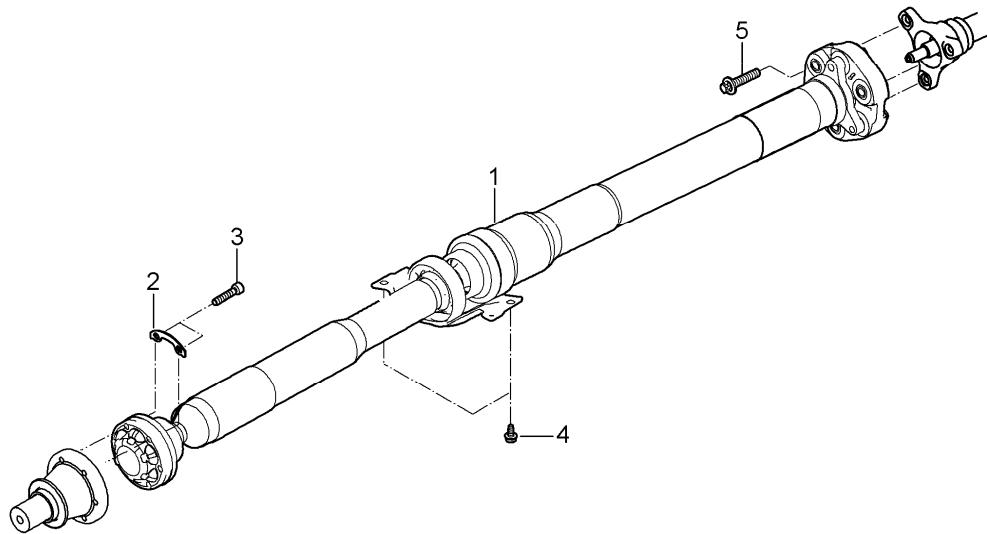
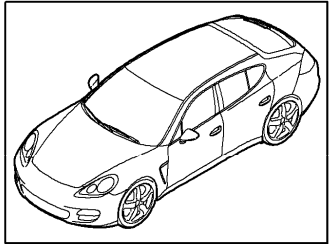
Pos	Part Number	Description	Remark	Qty	Model
		replacement transmission manual transmission single parts			G70.00
1	955 606 420 00	back-up light switch		1	
2	N 901 678 05	hexagon-head bolt M 7 X 1,25 X 19		1	
3	955 606 601 05	pulse sender		1	
4	955 606 701 00	o-ring 18,1 X 1,6		1	
5	N 104 514 05	round head screw M 6 X 16		1	
6	955 301 047 00	bleeder 1360 MM it is necessary to rework 230 MM		1	
7	014 301 485	cap		1	
8	955 301 090 00	connection piece		1	
9	N 103 283 01	support A01-13 X C05-25		1	
10	N 906 867 01	hose clamp B 14 X 12		1	

Model	Year	MG	SG	Illustration	Restrictions	UPD	18:45	03.03.2010	PORSCHE	PET	PORSCHE
970	2010	3	05	305-00		248					



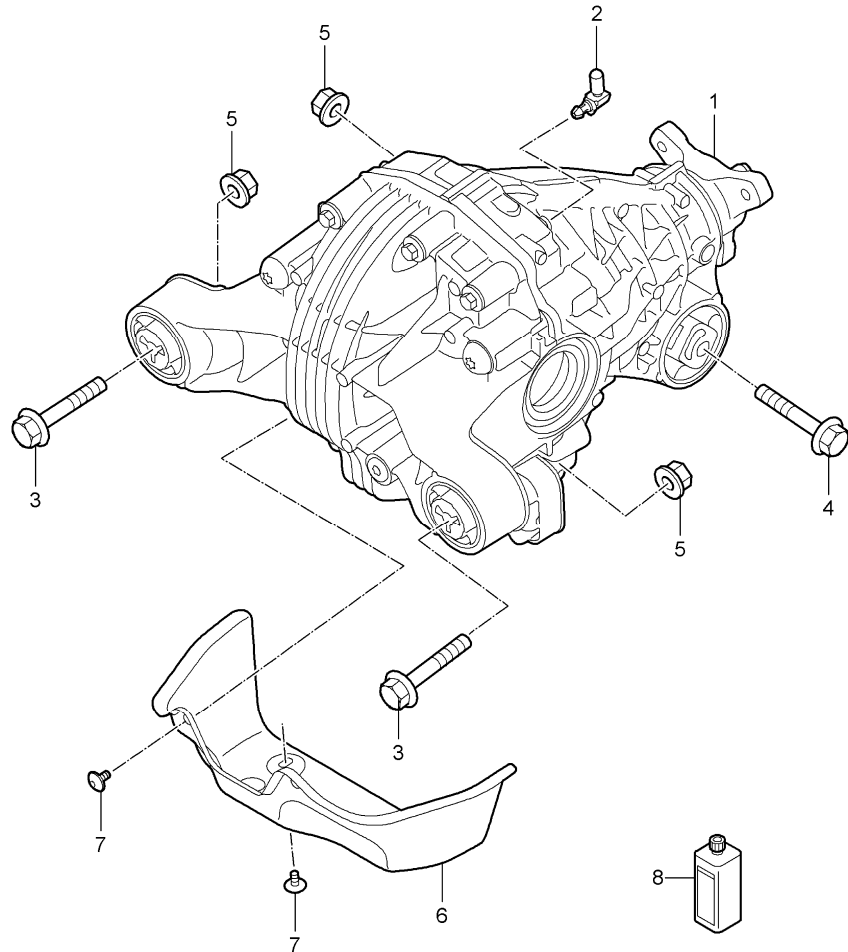
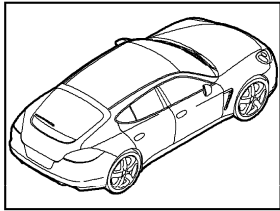
Pos	Part Number	Description	Remark	Qty	Model
		front-axle final drive engine carrier ready for installation			M48.40/70
1	> 970 349 011 21	front-axle final drive		1	M48.40
(1)	970 349 011 AX	front-axle final drive		1	M48.40
(1)	> 970 349 011 51	front-axle final drive		1	M48.70
(1)	970 349 011 1X	front-axle final drive		1	M48.70
2	900 385 119 01	Outer hexagon round screw BM 10 X 70		5	
3	999 385 140 01	Outer hexagon round screw BM 10 X 95		3	
4	970 349 451 01	heat protection		1	M48.70
5	900 385 279 01	Outer hexagon round screw BM 6 X 12		3	M48.70
6	970 349 021 03	engine carrier complete		1	
7	999 095 066 00	dowel sleeve 14M 6 X 15		2	
8	999 073 460 01	round head screw M 10 X 45		5	
9	000 043 301 18	transmission oil front-axle final drive 1 LITER container		X	

Model	Year	MG	SG	Illustration	Restrictions	UPD	18:45	03.03.2010	PORSCHE	PET	PORSCHE
970	2010	3	05	305-20		248					



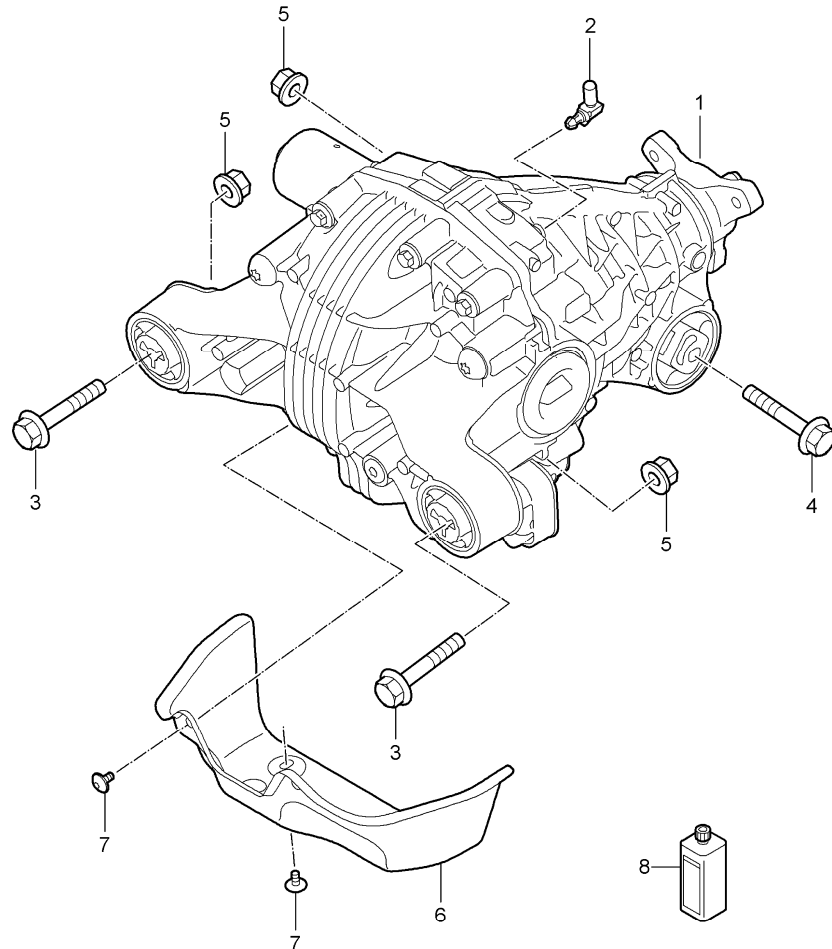
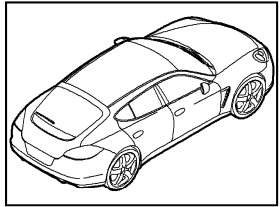
Pos	Part Number	Description	Remark	Qty	Model
		cardan shaft			
1	970 421 010 02	cardan shaft		1	M48.20 I480
(1)	970 421 011 02	cardan shaft		1	M48.20 I250
(1)	970 421 011 32	cardan shaft		1	M48.40
(1)	970 421 011 52	cardan shaft		1	M48.70
2	955 349 191 21	plate		3	M48.20/40
(2)	970 421 347 01	plate		3	M48.70
3	N 909 417 03	pan-head screw M 10 X 45		6	
4	900 378 176 01	hexagon-head bolt M 8 X 20		2	
5	900 385 282 03	Outer hexagon round screw BM 12 X 1,5 X 55		3	

Model	Year	MG	SG	Illustration	Restrictions	UPD	18:45	03.03.2010	PORSCHE	PET	PORSCHE
970	2010	3	05	305-30		248					



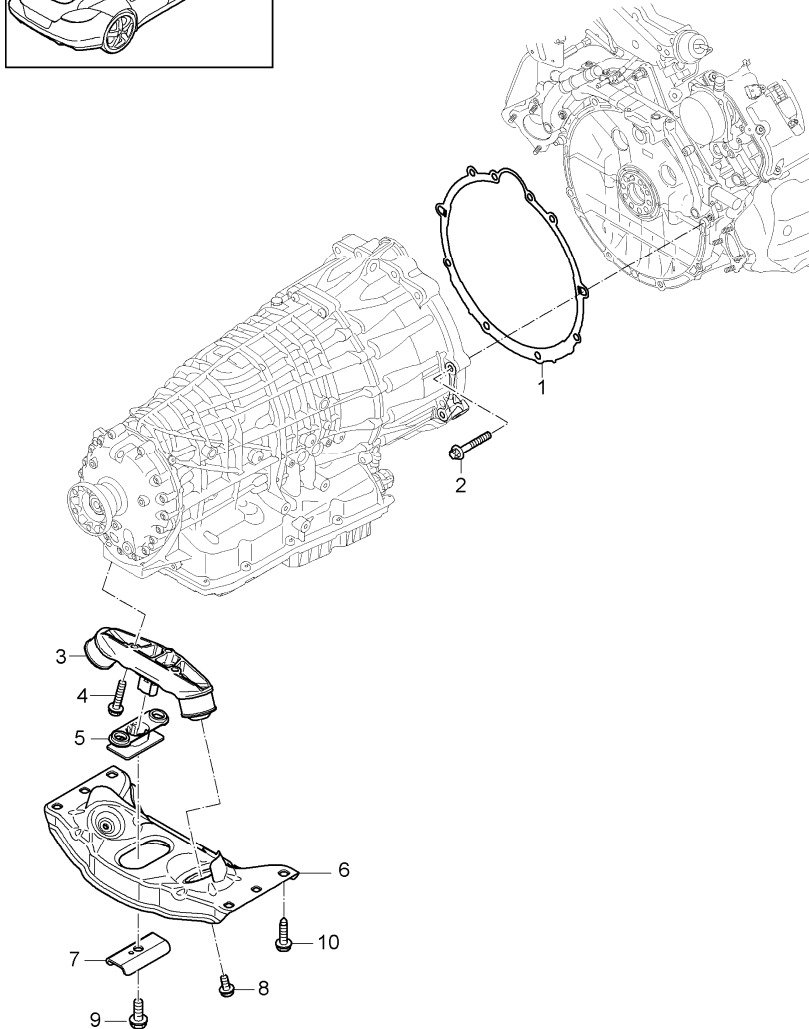
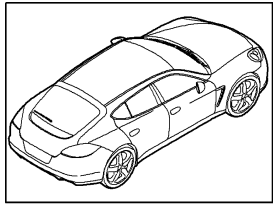
Pos	Part Number	Description	Remark	Qty	Model
		rear axle differential			I219
1 >	970 350 010 06	rear axle differential		1	M48.20 I480
(1)	970 350 010 FX	rear axle differential		1	M48.20 I480
(1) >	970 350 011 06	rear axle differential		1	M48.20 I250
(1)	970 350 011 FX	rear axle differential		1	M48.20 I250
(1) >	970 350 011 11	rear axle differential		1	M48.40
(1)	970 350 011 LX	rear axle differential		1	M48.40
(1) >	970 350 011 51	rear axle differential		1	M48.70
(1)	970 350 011 1X	rear axle differential		1	M48.70
2	0BM 301 047	bleeder valve		1	
3	999 072 854 01	hexagon-head bolt M 12 X 1,5 X 100		2	
4	999 072 852 01	hexagon-head bolt M 12 X 1,5 X 90		1	
5	999 084 445 01	lock nut M 12 X 1,5		3	
6	970 350 830 01	air baffle plate		1	M48.20/70
7	999 073 357 01	oval-head screw M 6 X 12		4	M48.20/70
8	000 043 205 30	transmission oil 75 W 90 1 LITER container		X	

Model	Year	MG	SG	Illustration	Restrictions	UPD	18:46	03.03.2010	PORSCHE	PET	PORSCHE
970	2010	3	05	305-40		248					



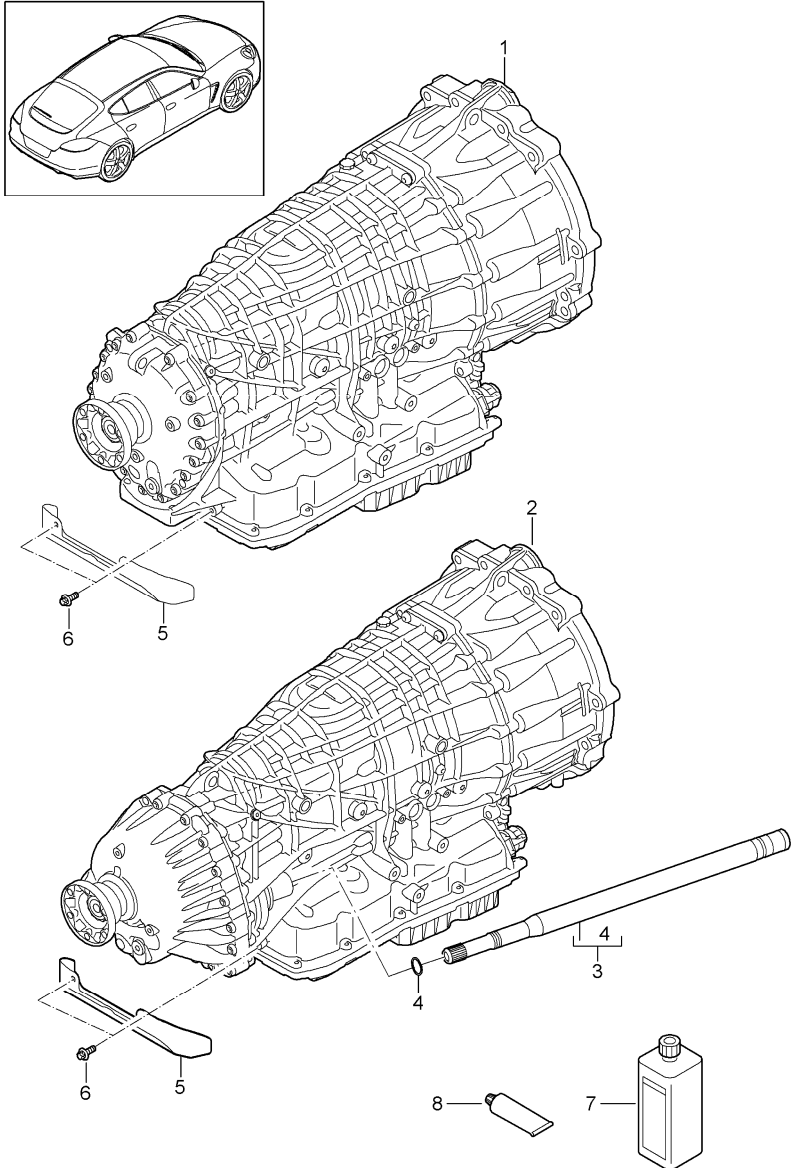
Pos	Part Number	Description	Remark	Qty	Model
		rear axle differential			I220
1 >	970 350 020 06	rear axle differential		1	M48.20 I480
(1)	970 350 020 FX	rear axle differential		1	M48.20 I480
(1) >	970 350 021 06	rear axle differential		1	M48.20 I250
(1)	970 350 021 FX	rear axle differential		1	M48.20 I250
(1) >	970 350 021 06	rear axle differential		1	M48.40
(1)	970 350 021 FX	rear axle differential		1	M48.40
(1) >	970 350 021 51	rear axle differential		1	M48.70
(1)	970 350 021 1X	rear axle differential		1	M48.70
-	970 624 350 00	electric motor limited-slip differential use also: o-ring 955.332.649.00		1	
-	955 332 649 00	o-ring 25 X 2		1	
-	970 350 456 00	support cable plug		1	
-	955 332 147 00	pan-head screw M 6 X 30		4	
2	0BM 301 047	bleeder valve		1	
3	999 072 854 01	hexagon-head bolt M 12 X 1,5 X 100		2	
4	999 072 852 01	hexagon-head bolt M 12 X 1,5 X 90		1	
5	999 084 445 01	lock nut M 12 X 1,5		3	
6	970 350 830 01	air baffle plate		1	M48.20/70
7	999 073 357 01	oval-head screw M 6 X 12		4	M48.20/70
8	000 043 300 37	transmission oil 75 W 90 1 LITER container		X	

Model	Year	MG	SG	Illustration	Restrictions	UPD	18:46	03.03.2010	PORSCHE	PET	PORSCHE
970	2010	3	06	306-00		248					



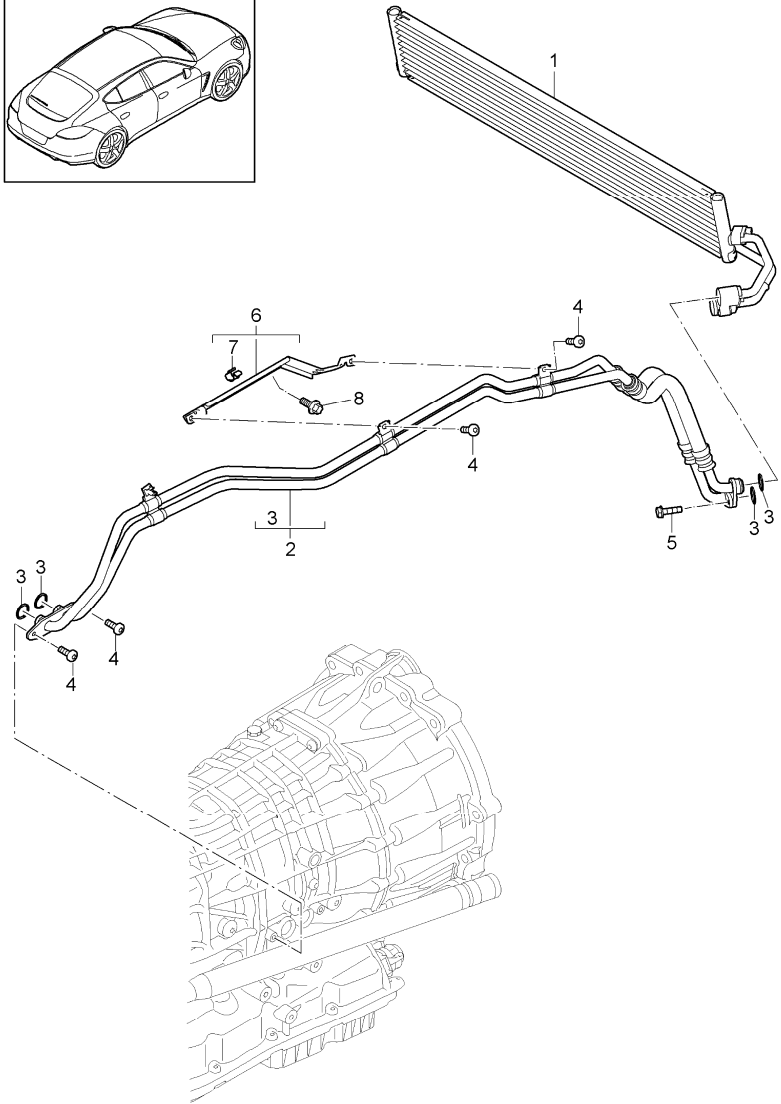
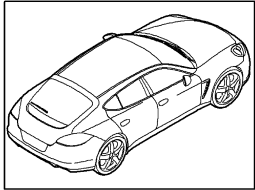
Pos	Part Number	Description	Remark	Qty	Model
		threaded joint			C70.05 C70.35 C70.50 G70.00
		engine and transmission transmission suspension			
1	7PP 399 307	spacer plate		1	I338
2	WHT 003 210	12 point socket M 12 X 1,5 X 70		10	
3	970 375 117 03	bracket		1	
4	900 378 076 01	hexagon-head bolt AM 10 X 50		3	
5	970 375 137 02	rubber stop		1	
6	970 375 033 02	transmission carrier		1	
7	970 375 135 01	stop		1	
8	900 378 017 01	hexagon-head bolt M 8 X 20		2	
9	900 378 320 01	hexagon-head bolt M 12 X 1,5 X 35		1	
10	900 378 309 01	combination screw AM 10 X 30		6	

Model	Year	MG	SG	Illustration	Restrictions	UPD	18:46	03.03.2010	PORSCHE	PET	PORSCHE
970	2010	3	20	320-00		248					



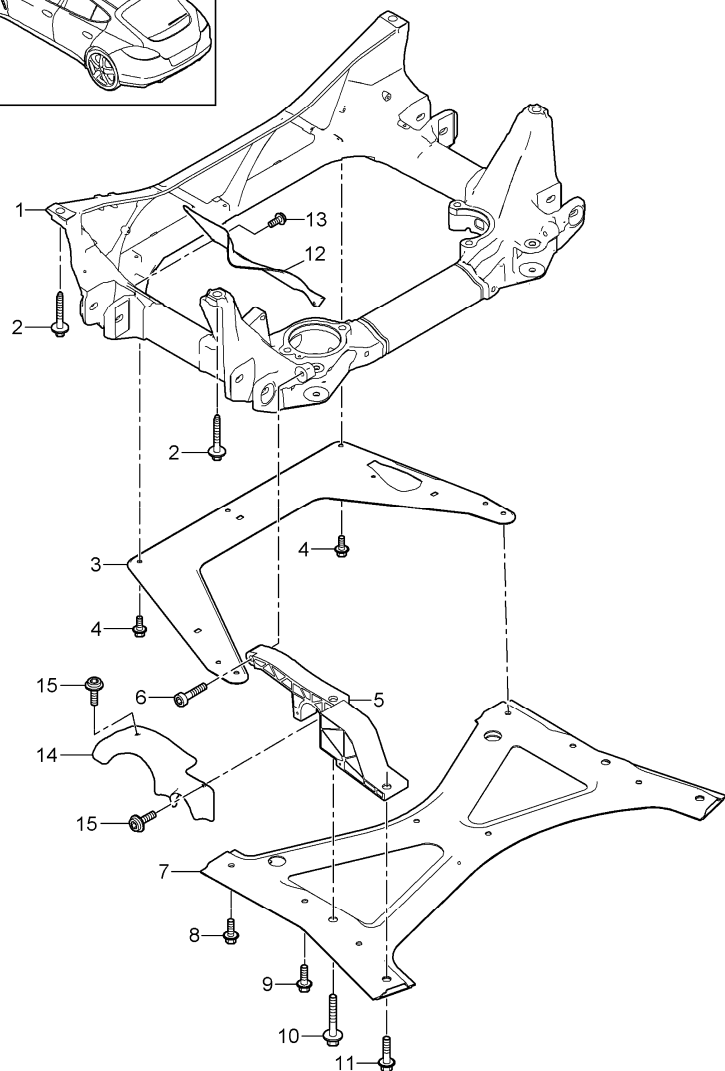
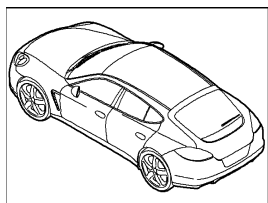
Pos	Part Number	Description	Remark	Qty	Model
		replacement transmission - pdk -			C70.05/35/50
1	> 970 300 011 06	replacement transmission		1	C70.05
(1)	970 300 011 EX	replacement transmission		1	C70.05
2	> 970 300 011 36	replacement transmission		1	C70.35
(2)	970 300 011 FX	replacement transmission		1	C70.35
(2)	> 970 300 011 52	replacement transmission		1	C70.50
(2)	970 300 011 GX	replacement transmission		1	C70.50
3	970 349 041 00	connecting shaft		1	C70.35/50
4	999 701 640 40	o-ring 23 X 2		1	C70.35/50
5	970 449 411 00	heat shield		1	
6	900 385 001 01	torx screw BM 8 X 20		2	
-	970 618 310 00	heat shield push-on connector		1	
-	900 385 041 01	torx screw BM 6 X 12		3	
7	000 043 207 29	transmission oil pentosin FFL 3 1 LTR. container		X	
(7)	000 043 207 30	transmission oil pentosin FFL 3 20 LTR. container		X	
8	000 043 024 00	extreme-pressure grease 1 tube 80 GR.		X	
(8)	000 043 301 22	mounting paste Metering pistol 10 GR.		X	

Model	Year	MG	SG	Illustration	Restrictions	UPD	18:46	03.03.2010	PORSCHE	PET	PORSCHE
970	2010	3	60	360-00		248					



Pos	Part Number	Description	Remark	Qty	Model
		- pdk - transmission transmission oil cooler oil pipe			C70.05/35/50
1	970 307 015 02	transmission oil cooler		1	
2	970 307 082 01	oil pipe complete		1	
3	999 707 647 40	o-ring 15 X 3,6		4	
4	999 073 103 01	round head screw M 6 X 16		4	
5	N 908 424 02	combination screw M 6 X 22		1	
6	970 106 416 00	support		1	C70.05/35
(6)	948 107 420 71	support		1	C70.50
7	948 111 213 00	clamp		3	C70.50
8	900 385 044 01	torx screw BM 8 X 16		2	

Model	Year	MG	SG	Illustration	Restrictions	UPD	18:46	03.03.2010	PORSCHE	PET	PORSCHE
970	2010	4	01	401-00		248					

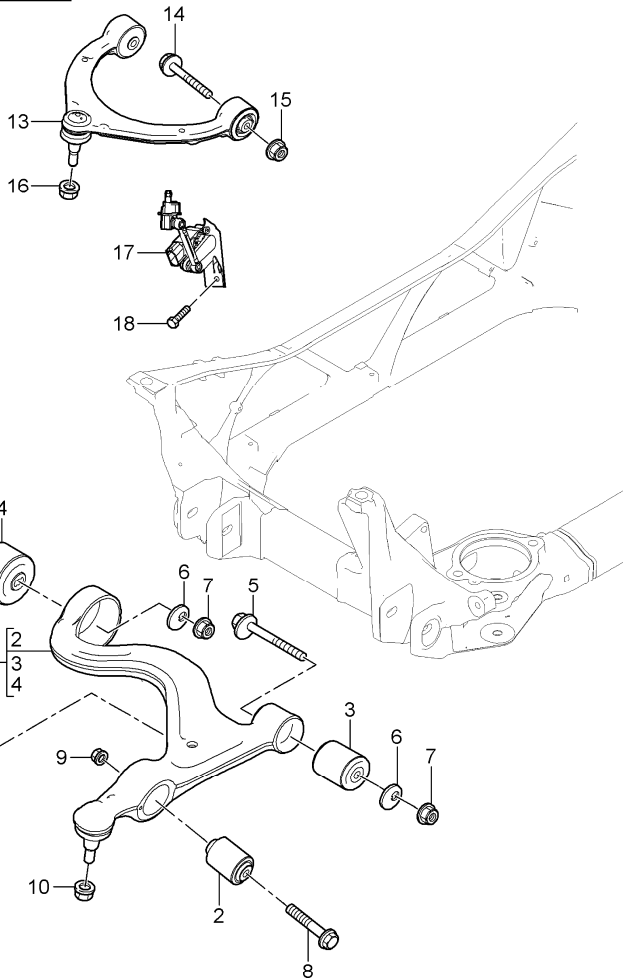
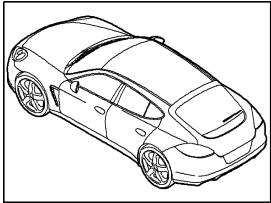


Pos	Part Number	Description	Remark	Qty	Model
		auxiliary support cross member heat shield			
1	970 341 101 07	auxiliary support front axle		1	
2	999 072 871 01	hexagon-head bolt M 12 X 1,5 X 75		4	
3	970 341 111 05	reinforcement plate auxiliary support		1	
4	999 072 801 01	hexagon-head bolt M 8 X 20		7	
5	970 341 113 07	support cross member	/L	1	
(5)	970 341 114 07	support cross member	/R	1	
6	999 073 475 01	pan-head screw M 10 X 55		2	
7	970 341 261 05	cross member		1	
8	999 072 831 01	hexagon-head bolt M 10 X 30		2	
9	999 072 840 01	hexagon-head bolt M 10 X 35		4	
10	999 072 873 01	hexagon-head bolt M 12 X 1,5 X 130		2	
11	999 072 859 01	hexagon-head bolt M 12 X 1,5 X 58		2	
12	970 341 435 00	heat shield auxiliary support	/L	1	
(12)	970 341 436 00	heat shield auxiliary support	/R	1	
13	999 073 268 09	oval-head screw M 5 X 12		6	
14	970 341 431 00	heat shield stabiliser mounting	/L	1	I098
(14)	970 341 432 00	heat shield stabiliser mounting	/R	1	I098
(14)	970 341 434 00	heat shield stabiliser mounting	/R	1	I099

Model	Year	MG	SG	Illustration	Restrictions	UPD	18:46	03.03.2010	PORSCHE	PET	PORSCHE
970	2010	4	01	401-00		248					

Pos	Part Number	Description	Remark	Qty	Model	Pos	Part Number	Description	Remark	Qty	Model
15	999 073 268 09	oval-head screw M 5 X 12		6							

Model	Year	MG	SG	Illustration	Restrictions	UPD	18:46	03.03.2010	PORSCHE	PET	PORSCHE
970	2010	4	01	401-05		248					

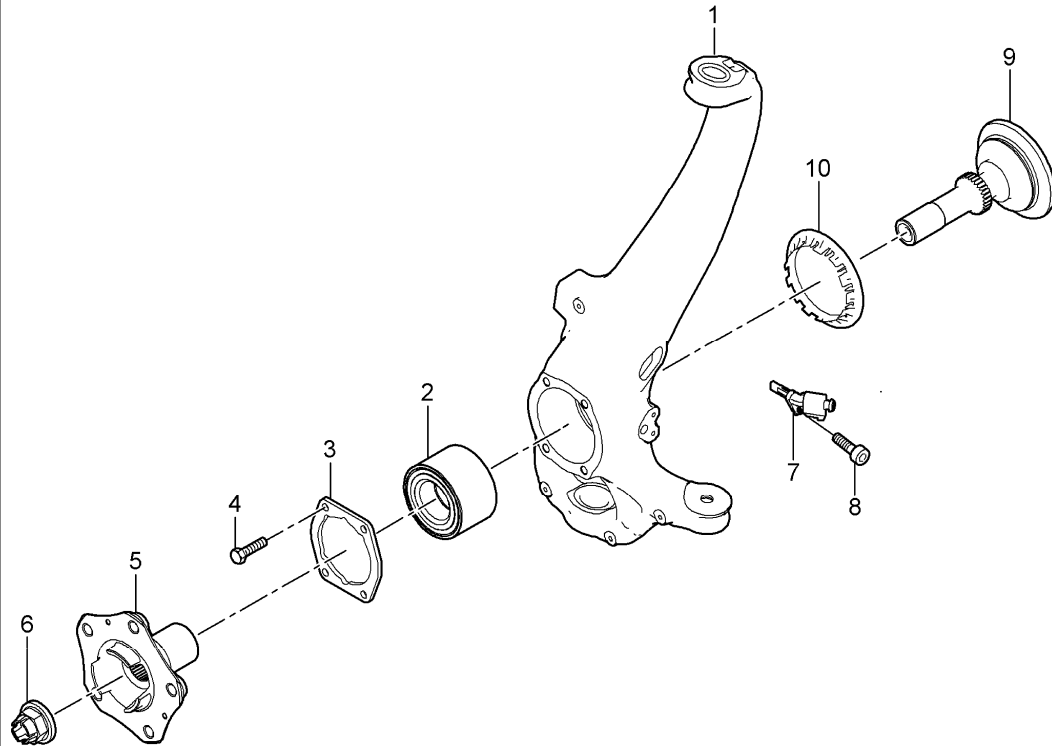
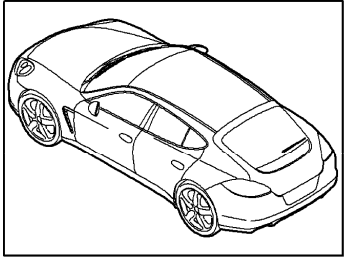


Pos	Part Number	Description	Remark	Qty	Model
		wishbone headlight levelling system level adjustment			
1	970 341 053 04	wishbone lower	/L	1	
(1)	970 341 054 04	wishbone lower	/R	1	
5	970 341 217 00	eccentric screw M 12 X 1,5 X 97		4	
6	996 331 219 00	eccentric washer		4	
7	999 084 445 01	lock nut M 12 X 1,5		4	
8	999 074 150 01	12 point socket M 12 X 1,5 X 95		2	
9	999 084 445 01	lock nut M 12 X 1,5		2	
10	999 084 652 01	combined nut M 14 X 1,5		2	
11	970 341 481 00	spoiler wishbone	/L	1	M48.70
(11)	970 341 482 00	spoiler wishbone	/R	1	M48.70
(11)	970 341 483 00	spoiler wishbone	/L	1	M48.70 I450
(11)	970 341 484 00	spoiler wishbone	/R	1	M48.70 I450
12	900 385 025 01	torx screw M 6 X 40		2	
13	970 341 051 03	wishbone upper		2	
14	N 102 902 06	hexagon-head bolt M 10 X 70		4	
15	N 102 861 10	hexagon nut M 10		4	
16	999 084 449 09	hexagon nut M 12 X 1,5		2	

Model	Year	MG	SG	Illustration	Restrictions	UPD	18:46	03.03.2010	PORSCHE	PET	PORSCHE
970	2010	4	01	401-05		248					

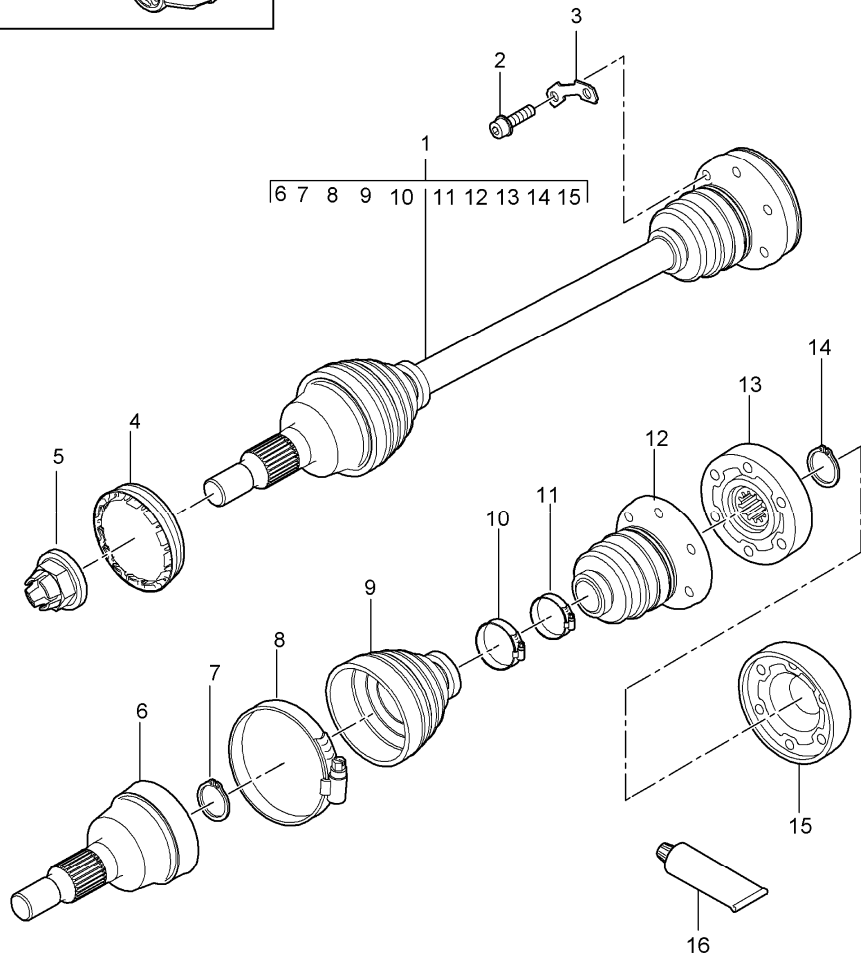
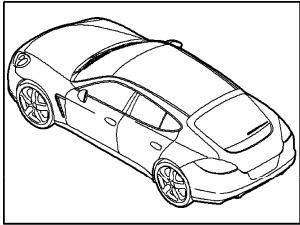
Pos	Part Number	Description	Remark	Qty	Model	Pos	Part Number	Description	Remark	Qty	Model
17	970 343 021 03	self-levelling sensor with linkage	/L	1							
(17)	970 343 022 03	self-levelling sensor with linkage	/R	1							
18	999 217 116 01	hexagon-head bolt M 6 X 16		2							

Model	Year	MG	SG	Illustration	Restrictions	UPD	18:47	03.03.2010	PORSCHE	PET	PORSCHE
970	2010	4	01	401-10		248					



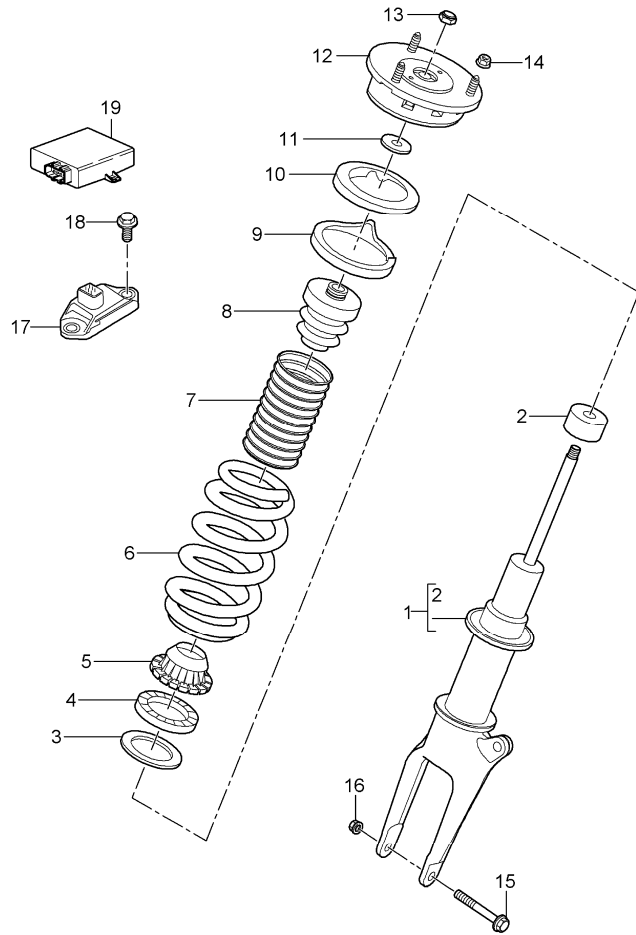
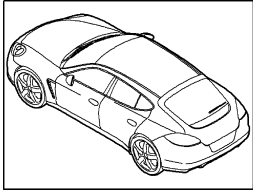
Pos	Part Number	Description	Remark	Qty	Model
		wheel carrier wheel hub			
1	970 341 157 04	wheel carrier	/L	1	
(1)	970 341 158 04	wheel carrier	/R	1	
2	999 053 057 01	angular-contact bearing		2	
3	970 331 661 00	mounting plate angular-contact bearing		2	
4	999 217 042 04	hexagon-head bolt M 8 X 35		8	
5	970 331 605 02	wheel hub		2	
6	999 084 650 01	lock nut M 22 X 1,5		2	
7	970 606 407 01	speed sensor		2	
8	N 014 740 11	pan-head screw M 6 X 16		2	
9	970 341 231 00	tension bolt radlager		2	I338
10	970 341 235 01	protective ring tension bolt		2	I338

Model	Year	MG	SG	Illustration	Restrictions	UPD	18:47	03.03.2010	PORSCHE	PET	PORSCHE
970	2010	4	01	401-20		248					



Pos	Part Number	Description	Remark	Qty	Model
		drive shaft			I339
1	970 349 038 02	drive shaft		2	
2	900 067 424 01	pan-head screw M 8 X 53		12	
3	1K0 407 357 B	plate		6	
4	970 349 271 01	protective ring drive shaft		2	
5	999 084 650 01	lock nut M 22 X 1,5		2	
6	970 349 029 00	joint outer		2	
7	999 152 164 01	circlip joint outer		2	
8	970 349 257 00	hose clip bellows outer		2	
9	970 349 291 00	bellows outer		2	
10	N 908 637 01	hose clip bellows outer		2	
11	N 904 425 01	hose clip bellows inner		2	
12	970 349 259 00	bellows inner		2	
13	970 349 031 00	joint inner		2	
14	999 041 049 01	circlip joint inner		2	
15	970 349 267 00	lid joint inner		2	
16	000 043 110 02	grease 1 100-gramme tube		X	

Model	Year	MG	SG	Illustration	Restrictions	UPD	18:47	03.03.2010	PORSCHE	PET	PORSCHE
970	2010	4	02	402-00		248					

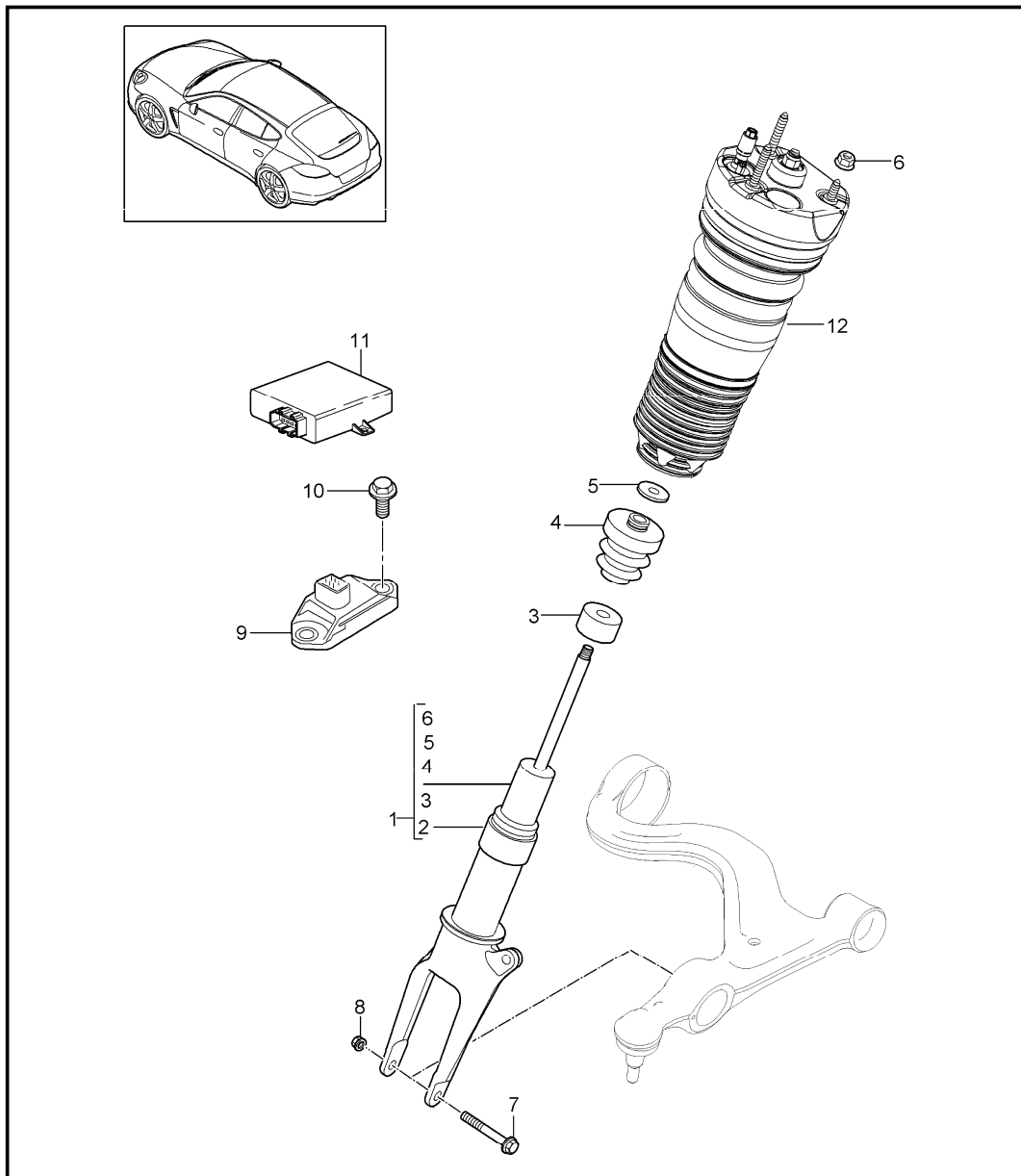


Pos	Part Number	Description	Remark	Qty	Model
		suspension shock absorber strut			I475
1	970 343 045 04	shock absorber		2	
2	970 343 941 00	cap shock absorber		2	
3	970 343 515 01	shim lower blue		2	
(3)	970 343 515 02	shim lower black		2	
4	970 343 513 04	shim lower black		2	
(4)	970 343 513 05	shim lower blue		2	
(4)	970 343 513 06	shim lower beige		2	
5	970 343 511 01	concave washer lower		2	
6	970 343 531 14	coil spring 1 set		1	I70B/70C
	504	identification grey			
(6)	970 343 531 15	coil spring 1 set		1	I70E
	504	identification brown			
(6)	970 343 531 15	coil spring 1 set		1	I70D
	504	identification brown			
(6)	970 343 531 15	coil spring 1 set		1	I70C
	504	identification brown			
(6)	970 343 531 16	coil spring 1 set		1	I70F/70G

Model	Year	MG	SG	Illustration	Restrictions	UPD	18:47	03.03.2010	PORSCHE	PET	PORSCHE
970	2010	4	02	402-00		248					

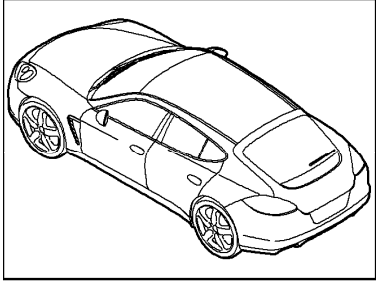
Pos	Part Number	Description	Remark	Qty	Model	Pos	Part Number	Description	Remark	Qty	Model
		504 identification red									
(6)	970 343 531 16	coil spring 1 set		1	I70E						
		504 identification red									
7	970 343 341 00	bellows		2							
8	970 343 301 03	additional spring		2							
9	955 333 504 00	concave washer upper		2							
10	955 333 524 00	base upper		2							
11	970 343 520 00	spacer supporting mount		2							
12	970 343 017 04	supporting mount spring strut	/L	1							
(12)	970 343 018 04	supporting mount spring strut	/R	1							
13	999 084 128 01	hexagon nut M 14 X 1,5		2							
14	N 102 861 10	hexagon nut M 10 X 1,5		6							
15	999 074 150 01	12 point socket M 12 X 1,5 X 95		2							
16	999 084 445 01	lock nut M 12 X 1,5		2							
17	970 606 111 00	acceleration sensor body		3							
18	900 378 035 01	hexagon-head bolt M 6 X 16		4							
19	970 618 105 04	control unit		1	I475						

Model	Year	MG	SG	Illustration	Restrictions	UPD	18:47	03.03.2010	PORSCHE	PET	PORSCHE
970	2010	4	02	402-05		248					

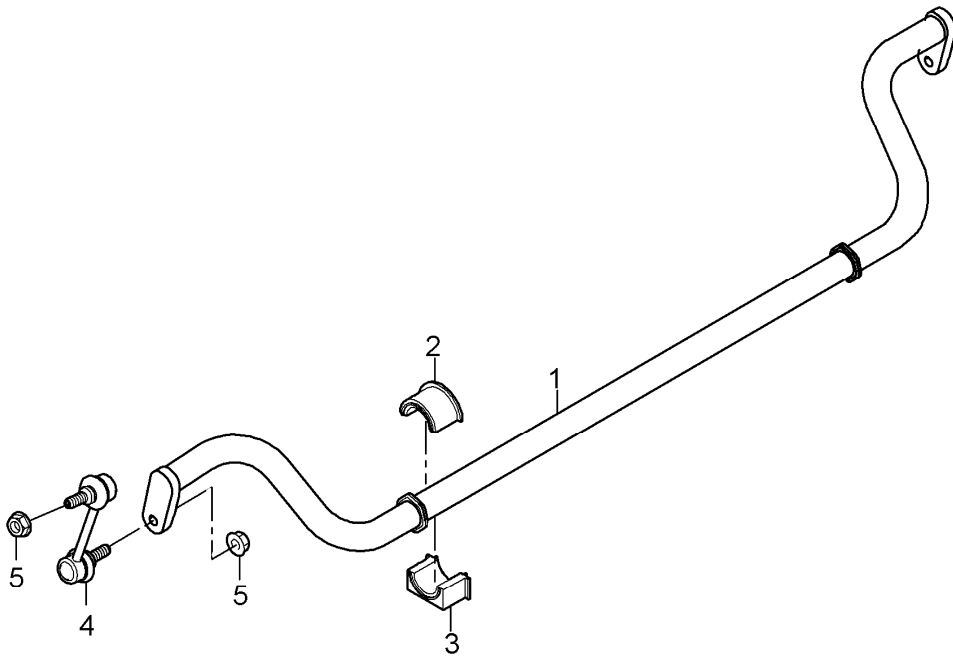


Pos	Part Number	Description	Remark	Qty	Model
		suspension spring strut air spring			I350/351
1	970 343 051 08	spring strut complete	/L	1	
(1)	970 343 052 08	spring strut complete	/R	1	
2	970 343 061 04	shock absorber		2	
3	970 343 941 00	cap shock absorber		2	
4	970 343 301 03	additional spring		2	
5	970 343 520 00	spacer		2	
6	900 380 008 01	hexagon nut M 10		6	
7	999 074 150 01	12 point socket M 12 X 1,5 X 95		2	
8	999 084 445 01	lock nut M 12 X 1,5		2	
9	970 606 111 00	acceleration sensor body		3	
10	900 378 035 01	hexagon-head bolt M 6 X 16		4	
11	970 618 155 06	control unit		1	I350/351
12	970 343 051 07	air spring left		1	I350/351
(12)	970 343 052 07	air spring right		1	I350/351

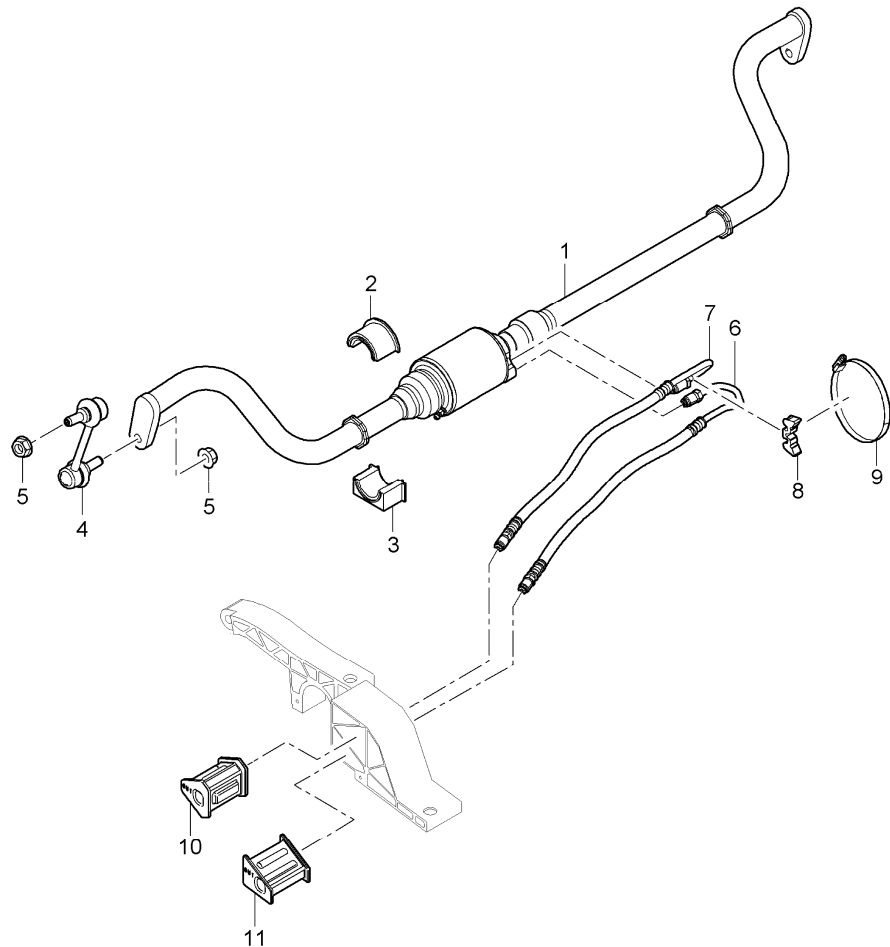
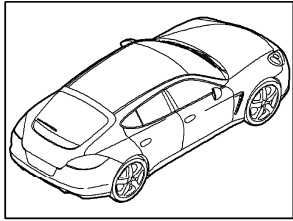
Model	Year	MG	SG	Illustration	Restrictions	UPD	18:47	03.03.2010	PORSCHE	PET	PORSCHE
970	2010	4	02	402-10		248					



Pos	Part Number	Description	Remark	Qty	Model
		stabiliser			
1	970 343 701 02	stabiliser		1	M48.20/40 I350/475
(1)	970 343 701 01	stabiliser		1	M48.70 I350
2	970 343 792 05	stabiliser mounting upper		2	M48.20/40 I350/475
(2)	970 343 792 06	stabiliser mounting upper		2	M48.70 I350
3	970 343 793 05	stabiliser mounting lower		2	M48.20/40 I350/475
(3)	970 343 793 06	stabiliser mounting lower		2	M48.70 I350
4	970 343 069 01	stabiliser mounting		2	I350/475
5	999 084 449 09	hexagon nut M 12 X 1,5		4	

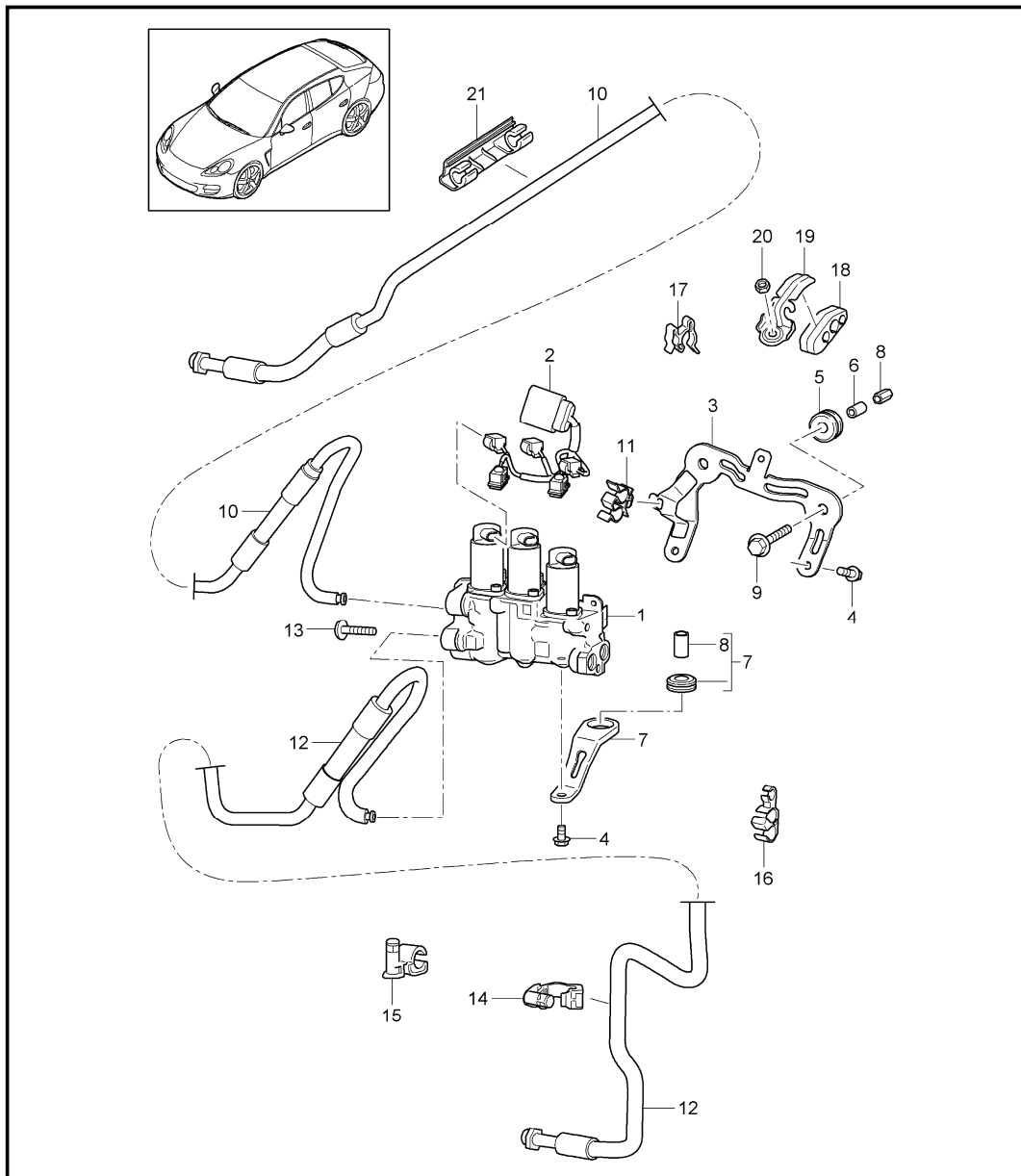


Model	Year	MG	SG	Illustration	Restrictions	UPD	18:48	03.03.2010	PORSCHE	PET	PORSCHE
970	2010	4	02	402-15		248					



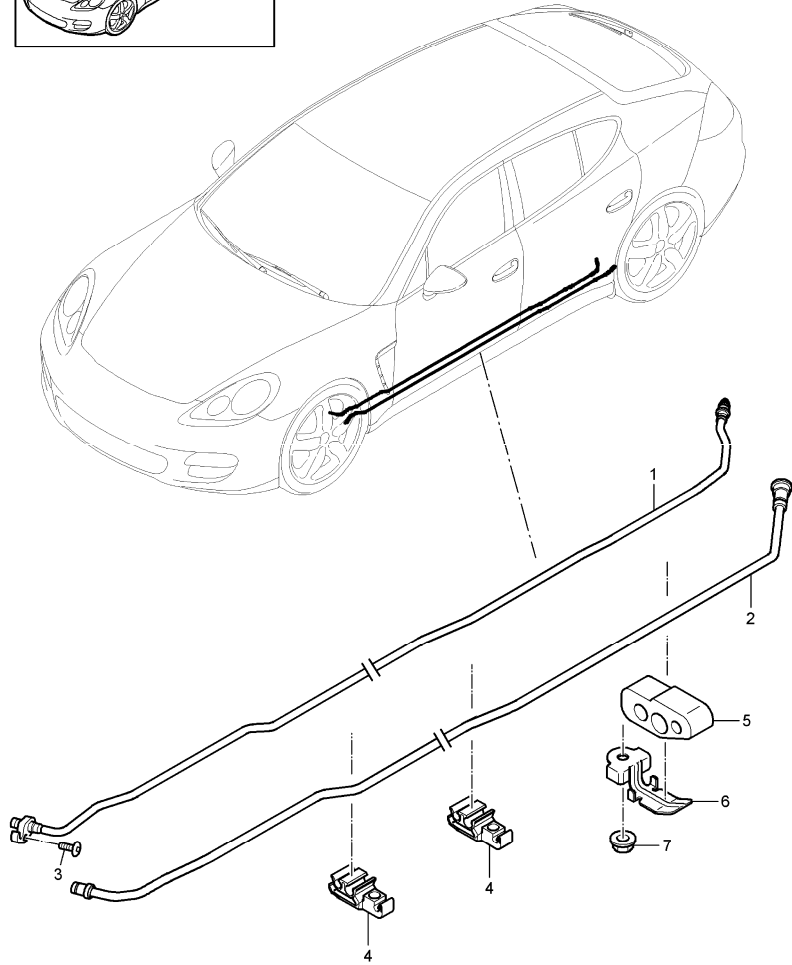
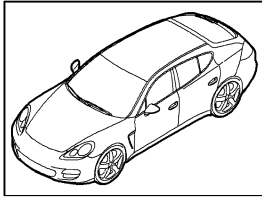
Pos	Part Number	Description	Remark	Qty	Model
		stabiliser			I351
1	970 359 701 04	stabiliser		1	
2	970 343 792 07	stabiliser mounting upper		2	
3	970 343 793 07	stabiliser mounting lower		2	
4	970 343 069 21	stabiliser mounting		2	
5	999 084 449 09	hexagon nut M 12 X 1,5		4	
6	970 359 241 03	pressure hose		1	
7	970 359 243 03	pressure hose		1	
8	970 359 379 00	support pressure hose		1	
9	999 512 629 00	hose clamp 90 - 110/9		1	
10	970 359 637 01	rubber sleeve upper		1	
11	970 359 639 01	rubber sleeve lower		1	

Model	Year	MG	SG	Illustration	Restrictions	UPD	18:48	03.03.2010	PORSCHE	PET	PORSCHE
970	2010	4	02	402-20		248					



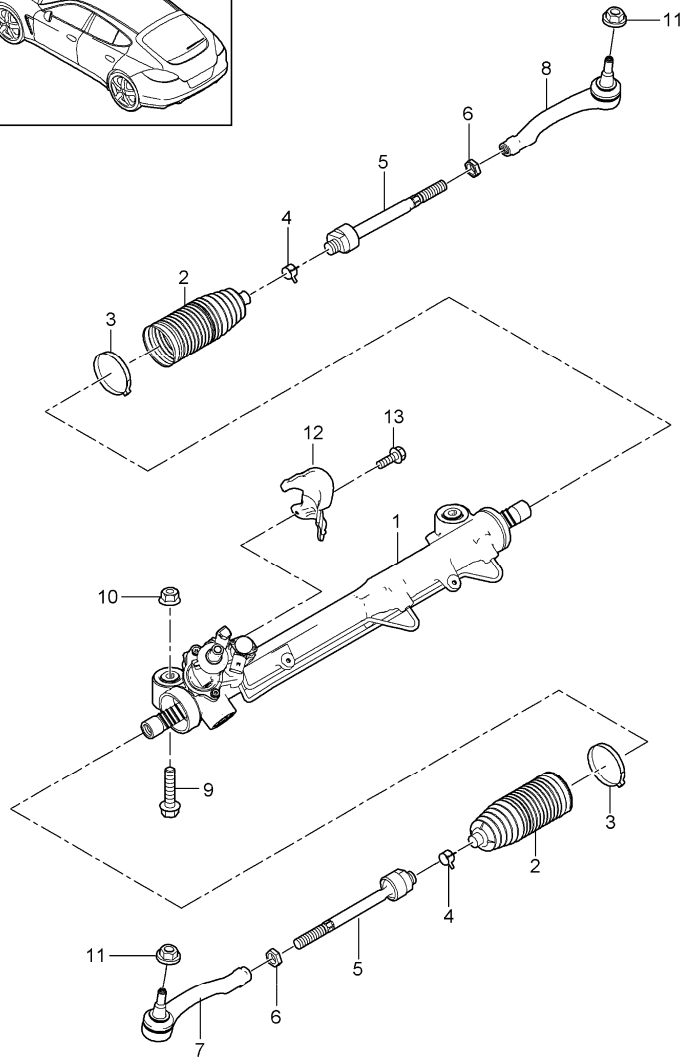
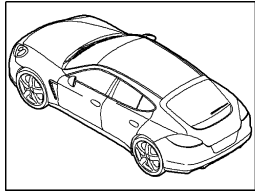
Pos	Part Number	Description	Remark	Qty	Model
		stabiliser Valve block distributor pressure line			I351
1	970 359 075 04	Valve block		1	
2	970 612 898 00	wiring harness Valve block		1	
3	970 359 321 01	support upper		1	
4	900 378 036 01	hexagon-head bolt M 6 X 12		3	
5	964 356 635 00	rubber mounting		2	
-	999 703 883 50	rubber mounting		1	
6	955 343 633 00	bearing sleeve		3	
7	970 359 123 02	support lower		1	
8	999 500 066 01	blind rivet nut M 6		3	
9	900 075 482 01	hexagon-head bolt M 6 x 30		3	
10	970 359 235 04	pressure line		1	
11	999 651 347 40	support		1	
12	970 359 225 03	return line		1	
13	999 073 407 01	screw M 8 X 25		1	
14	999 507 156 40	support		3	
15	999 507 827 40	cable holder		4	
16	970 359 371 02	clip		5	
17	999 507 868 40	cable holder 8,0 / 12,0		1	
18	970 359 375 00	rubber sleeve		1	
19	970 359 327 00	support		1	
20	999 049 031 01	hexagon nut T 5		1	
21	970 359 363 00	support		1	

Model	Year	MG	SG	Illustration	Restrictions	UPD	18:48	03.03.2010	PORSCHE	PET	PORSCHE
970	2010	4	02	402-25		248					



Pos	Part Number	Description	Remark	Qty	Model
		stabiliser pressure line return line underbody			I351
1	970 359 221 04	pressure line		1	
2	970 359 223 04	return line		1	
3	999 073 407 01	screw M 8 X 25		1	
4	970 359 371 02	clip		5	
5	970 359 375 00	rubber sleeve		1	
6	970 359 327 00	support		1	
7	999 049 031 01	hexagon nut T 5		1	

Model	Year	MG	SG	Illustration	Restrictions	UPD	18:48	03.03.2010	PORSCHE	PET	PORSCHE
970	2010	4	03	403-00		248					

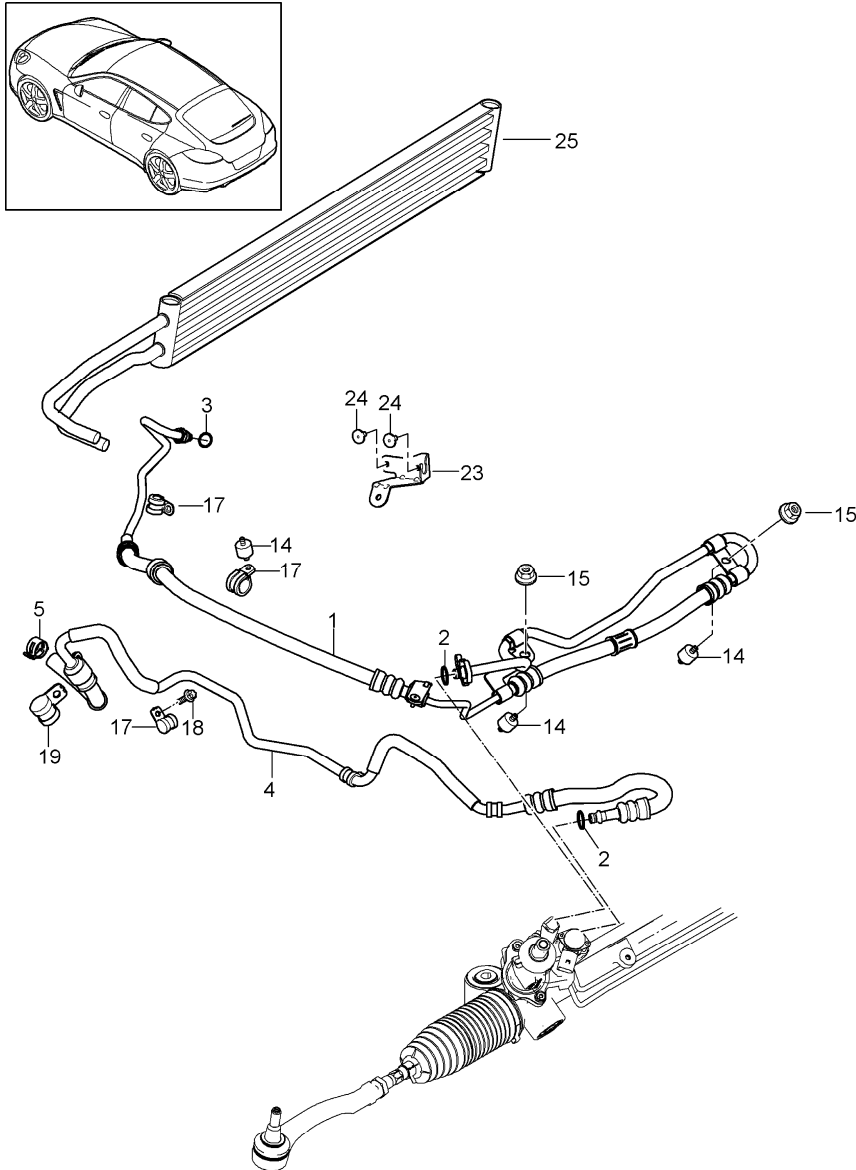


Pos	Part Number	Description	Remark	Qty	Model
		power steering steering gear steering parts			
1	970 347 011 02	steering gear power steering	/LL	1	I657
1	970 347 011 BX	steering gear power steering	/LL	1	I657
(1)	970 347 011 12	steering gear servotronic	/LL	1	I658
(1)	970 347 011 LX	steering gear servotronic	/LL	1	I658
(1)	970 347 012 02	steering gear power steering	/RL	1	I657
(1)	970 347 012 BX	steering gear power steering	/RL	1	I657
(1)	970 347 012 12	steering gear servotronic	/RL	1	I658
(1)	970 347 012 LX	steering gear servotronic	/RL	1	I658
2	970 347 191 00	bellows		2	
3	999 512 115 01	hose clamp 66,3 - 69,5		2	
4	999 512 728 01	clip A 18 x 12		2	
5	970 347 133 00	joint		2	
6	900 034 039 01	hexagon flat nut M 14 X 1,5		2	
7	970 347 131 01	ball joint	/L	1	
8	970 347 132 01	ball joint	/R	1	
9	999 072 852 01	hexagon-head bolt M 12 X 1,5 X 90		2	
10	999 084 445 01	lock nut M 12 X 1,5		2	
11	999 084 449 09	hexagon nut M 12 X 1,5		2	
12	970 347 331 02	heat shield heat protection	/LL	1	

Model	Year	MG	SG	Illustration	Restrictions	UPD	18:48	03.03.2010	PORSCHE	PET	PORSCHE
970	2010	4	03	403-00		248					

Pos	Part Number	Description	Remark	Qty	Model	Pos	Part Number	Description	Remark	Qty	Model
(12)	970 347 232 00	heat shield heat protection	/RL	1							
13	900 378 036 01	hexagon-head bolt M 6 X 12		2							

Model	Year	MG	SG	Illustration	Restrictions	UPD	18:48	03.03.2010	PORSCHE	PET	PORSCHE
970	2010	4	03	403-10		248					

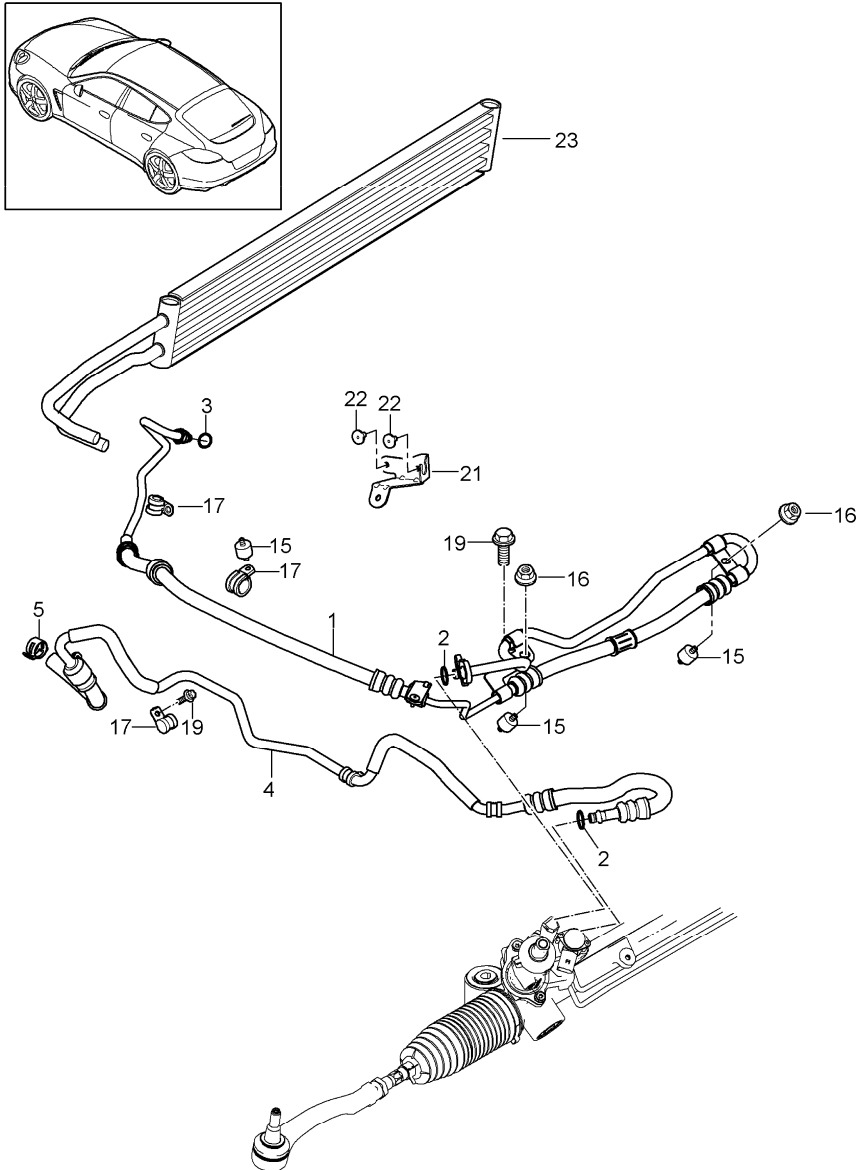


Pos	Part Number	Description	Remark	Qty	Model
		power steering lines oil cooler			M48.20/40/70
1	970 347 245 05	pressure line steering gear power-steering pump	/LL	1	
(1)	970 347 246 04	pressure line steering gear power-steering pump	/RL	1	
(1)	970 347 246 05	pressure line steering gear power-steering pump	/RL	1	
		in preparation			
		part number in preparation			
4	970 347 237 07	return line steering gear oil cooler	/LL	1	
(4)	970 347 238 05	return line steering gear oil cooler	/RL	1	
5	999 512 652 09	hose clamp 19 X 12		1	
6	970 347 233 02	intake pipe oil tank power-steering pump		1	
7	999 512 658 09	hose clamp 27 X 12		1	
8	999 512 656 09	hose clamp 25 X 12		2	
9	970 347 241 02	return line oil tank oil cooler		1	
10	999 512 654 09	hose clamp 21 X 12		1	
11	900 075 497 02	hexagon-head bolt M 5 X 10		1	
12	999 511 116 03	clamp 10 X 15		2	

Model	Year	MG	SG	Illustration	Restrictions	UPD	18:48	03.03.2010	PORSCHE	PET	PORSCHE
970	2010	4	03	403-10		248					

Pos	Part Number	Description	Remark	Qty	Model	Pos	Part Number	Description	Remark	Qty	Model
13	999 511 258 01	clamp 18 X 15		1							
14	955 343 638 10	bonded rubber buffer		3							
15	900 377 010 01	hexagon nut M 6		3							
17	999 511 114 01	hose clamp 12 X 15	/LL	3							
(17)	999 511 114 01	hose clamp 12 X 15	/RL	5							
18	900 378 036 01	hexagon-head bolt M 6 X 12		3							
19	999 511 080 02	clamp 22 X 15		2							
20	999 511 153 02	clip 8 X 15	/RL	1							
21	999 511 258 01	clamp 18 X 15	/RL	2							
22	900 075 497 01	combination screw M 5 X 10		1							
23	970 347 263 03	support		1							
24	999 190 414 01	blind rivet		2							
25	970 347 239 02	oil cooler		1							

Model	Year	MG	SG	Illustration	Restrictions	UPD	18:48	03.03.2010	PORSCHE	PET	PORSCHE
970	2010	4	03	403-15		248					

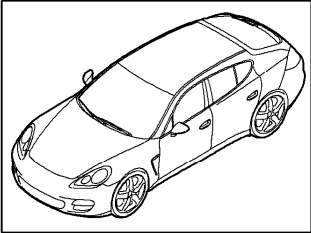


Pos	Part Number	Description	Remark	Qty	Model
		power steering lines oil cooler			M48.20/40/70 I351
1	970 347 245 55	pressure line steering gear power-steering pump	/LL	1	
(1)	970 347 246 55	pressure line steering gear power-steering pump in preparation	/RL	1	
		part number in preparation			
4	970 347 237 07	return line steering gear oil cooler	/LL	1	
(4)	970 347 238 05	return line steering gear oil cooler	/RL	1	
5	999 512 652 09	hose clamp 19 X 12		2	
6	970 359 231 20	intake pipe oil tank tandem pump		1	M48.20/40
(6)	970 359 231 31	intake pipe oil tank tandem pump		1	M48.70
7	970 359 351 01	retaining bracket intake pipe tandem pump		1	M48.70
8	999 512 656 09	hose clamp 25 X 12		2	
9	999 512 658 09	hose clamp 27 X 12		1	
10	970 347 241 02	return line oil tank oil cooler		1	
11	999 512 654 09	hose clamp 21 X 12		1	

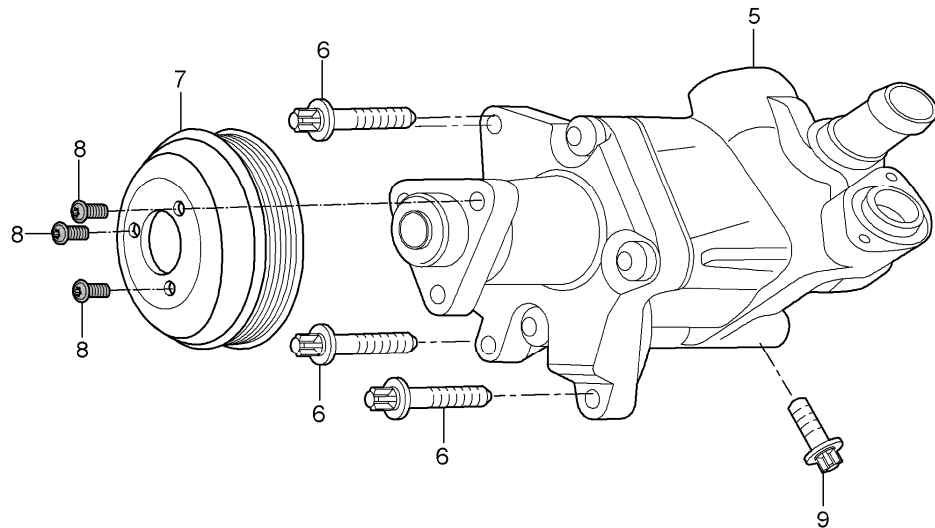
Model	Year	MG	SG	Illustration	Restrictions	UPD	18:48	03.03.2010	PORSCHE	PET	PORSCHE
970	2010	4	03	403-15		248					

Pos	Part Number	Description	Remark	Qty	Model	Pos	Part Number	Description	Remark	Qty	Model
12	900 075 497 01	combination screw M 5 X 10		1							
13	999 511 116 03	clamp 10 X 15		1							
14	999 511 258 01	clamp 18 X 15		1							
15	955 343 638 10	bonded rubber buffer		3							
16	900 377 010 01	hexagon nut M 6		1							
17	900 067 063 03	pan-head screw		1							
18	999 511 114 01	hose clamp 12 X 15	/LL	3							
(18)	999 511 114 01	hose clamp 12 X 15	/RL	5							
19	900 378 036 01	hexagon-head bolt M 6 X 12		3							
20	999 511 080 02	clamp 22 X 15		2							
21	970 347 263 03	support		1							
22	999 190 414 01	blind rivet		2							
23	970 347 239 02	oil cooler		1							

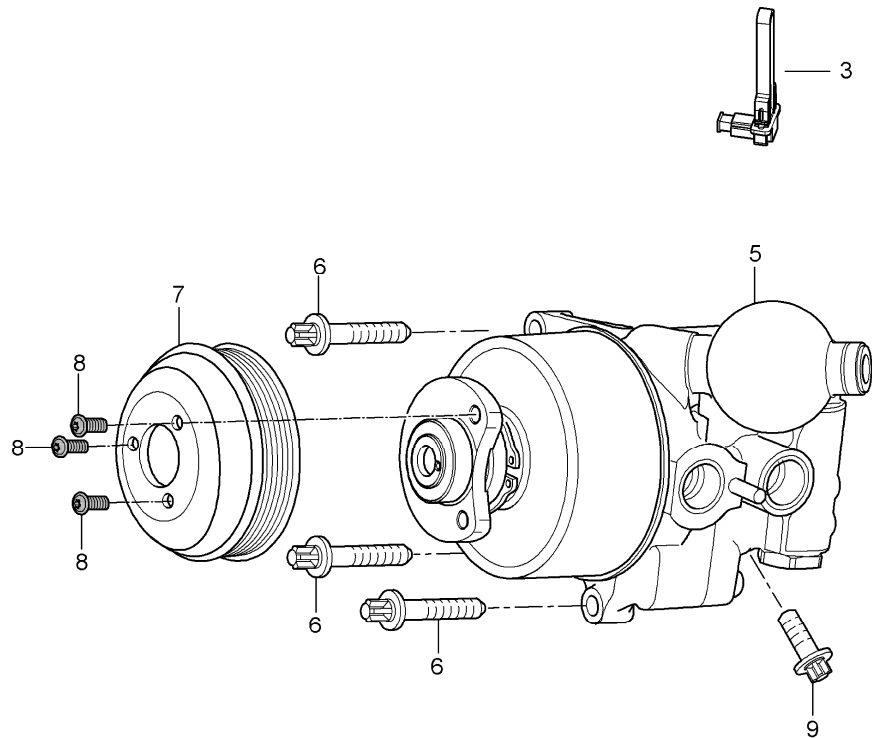
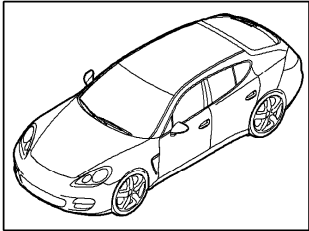
Model	Year	MG	SG	Illustration	Restrictions	UPD	18:49	03.03.2010	PORSCHE	PET	PORSCHE
970	2010	4	03	403-40		248					



Pos	Part Number	Description	Remark	Qty	Model
		power steering power-steering pump oil tank			M48.20/40/70
1	955 314 015 00	oil tank power steering		1	
2	955 314 145 00	threaded cover oil tank		1	
3	970 347 351 04	support oil tank		1	
4	900 378 036 01	hexagon-head bolt M 6 X 12		4	
5	970 347 049 04	power-steering pump		1	
6	900 385 096 01	torx screw M 8 X 30		3	
7	900 385 001 01	torx screw M 8 X 20		1	
-	000 043 206 56	pentosin		1	

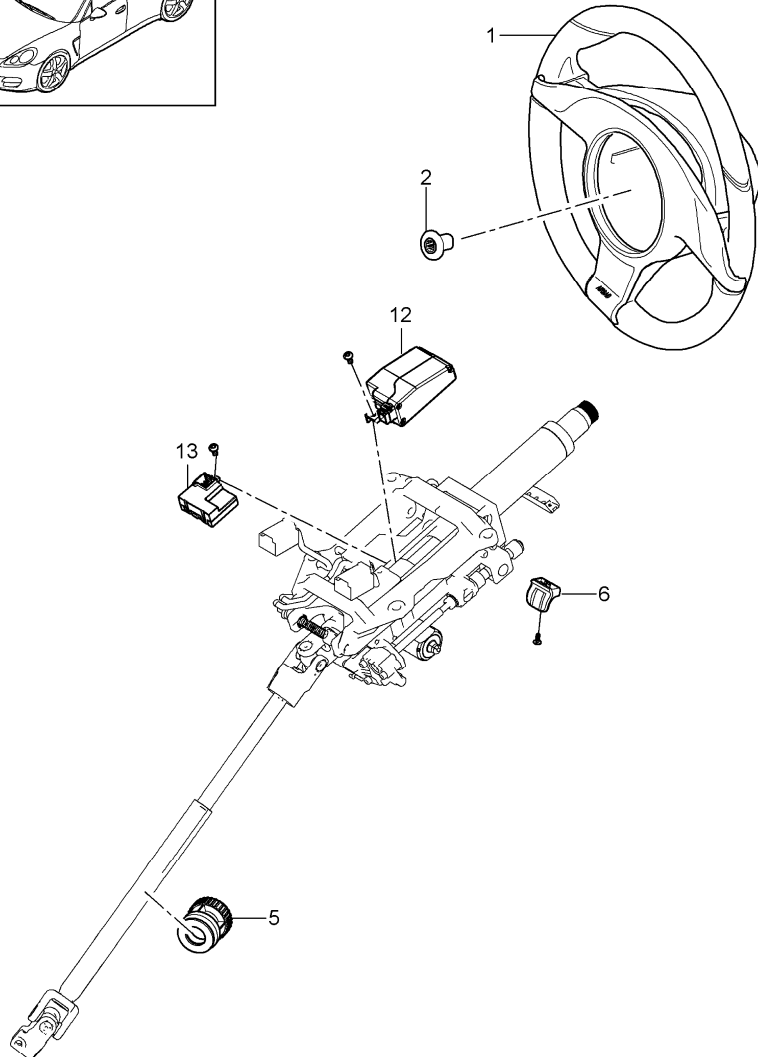
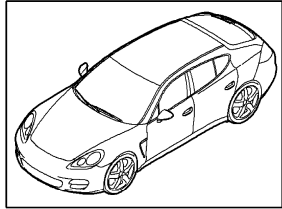


Model	Year	MG	SG	Illustration	Restrictions	UPD	18:49	03.03.2010	PORSCHE	PET	PORSCHE
970	2010	4	03	403-45		248					



Pos	Part Number	Description	Remark	Qty	Model
		power steering tandem pump oil tank			M48.20/40/70 I351
1	970 359 071 00	oil tank power steering		1	
2	970 359 173 01	threaded cover oil tank		1	
3	970 606 217 00	sensor oil level		1	
4	900 378 036 01	hexagon-head bolt M 6 X 12		2	
5	970 359 051 01	tandem pump		1	
6	900 385 042 01	torx screw M 8 X 35		3	
7	955 147 219 20	pulley		1	
8	999 073 104 01	torx screw		3	
9	900 385 001 01	torx screw		1	
10	970 359 237 02	pressure hose		1	
11	N 014 740 11	pan-head screw		1	
12	970 359 329 01	support intake pipe		1	
13	999 511 013 00	clip		1	
13	999 511 013 00	clip		1	
13	999 511 013 00	clip		1	
14	N 022 148 12	lock nut		1	
-	000 043 206 56	pentosin		1	

Model	Year	MG	SG	Illustration	Restrictions	UPD	18:49	03.03.2010	PORSCHE	PET	PORSCHE
970	2010	4	03	403-50		248					



Pos	Part Number	Description	Remark	Qty	Model
		steering wheels steering column steering shaft			
1	7PP 419 091 R	steering wheel		1	-I345/I480/ I841
	A34	black			
	8T3	Platinum Grey			
	9J9	Luxor Beige			
	7M9	Yachting Blue			
	6H6	Espresso			
	7T1	Cognac			
(1)	7PP 419 091 S	steering wheel		1	I345/480/841
	A34	black			
	8T3	Platinum Grey			
	9J9	Luxor Beige			
	7M9	Yachting Blue			
	6H6	Espresso			
	7T1	Cognac			
(1)	7PP 419 091 H	steering wheel		1	I480/844
	A34	black			
	8T3	Platinum Grey			
	9J9	Luxor Beige			
	7M9	Yachting Blue			
	6H6	Espresso			
	7T1	Cognac			
(1)	7PP 419 091 AA	steering wheel		1	I345/480/844
	A34	black			
	8T3	Platinum Grey			
	9J9	Luxor Beige			
	7M9	Yachting Blue			

Model	Year	MG	SG	Illustration	Restrictions	UPD	18:49	03.03.2010	PORSCHE	PET	PORSCHE
970	2010	4	03	403-50		248					

Pos	Part Number	Description	Remark	Qty	Model	Pos	Part Number	Description	Remark	Qty	Model
	6H6	Espresso					7T1	Cognac			
	7T1	Cognac				(1)	970 347 980 00	steering wheel		1	IXZZ/345/480
(1)	7PP 419 091 K	steering wheel		1	I345/480/842		A34	black			
	A34	black					8T3	Platinum Grey			
	8T3	Platinum Grey					9J9	Luxor Beige			
	9J9	Luxor Beige					7M9	Yachting Blue			
	7M9	Yachting Blue					6H6	Espresso			
	6H6	Espresso					7T1	Cognac			
	7T1	Cognac				(1)	7PP 419 091 M	steering wheel		1	I250/841
(1)	7PP 419 091 L	steering wheel		1	I345/480/845		A34	black			
	A34	black					8T3	Platinum Grey			
	8T3	Platinum Grey					9J9	Luxor Beige			
	9J9	Luxor Beige					7M9	Yachting Blue			
	7M9	Yachting Blue					6H6	Espresso			
	6H6	Espresso					7T1	Cognac			
	7T1	Cognac				(1)	7PP 419 091 N	steering wheel		1	I250/345/841
(1)	970 347 803 55	steering wheel		1	I345/480/849		A34	black			
	A34	black					8T3	Platinum Grey			
	8T3	Platinum Grey					9J9	Luxor Beige			
	9J9	Luxor Beige					7M9	Yachting Blue			
	7M9	Yachting Blue					6H6	Espresso			
	6H6	Espresso					7T1	Cognac			
	7T1	Cognac				(1)	7PP 419 091 P	steering wheel		1	I250/844
(1)	7PP 419 091 AQ	steering wheel		1	I345/480/848		A34	black			
	A34	black					8T3	Platinum Grey			
	8T3	Platinum Grey					9J9	Luxor Beige			
	9J9	Luxor Beige					7M9	Yachting Blue			
	7M9	Yachting Blue					6H6	Espresso			
	6H6	Espresso					7T1	Cognac			

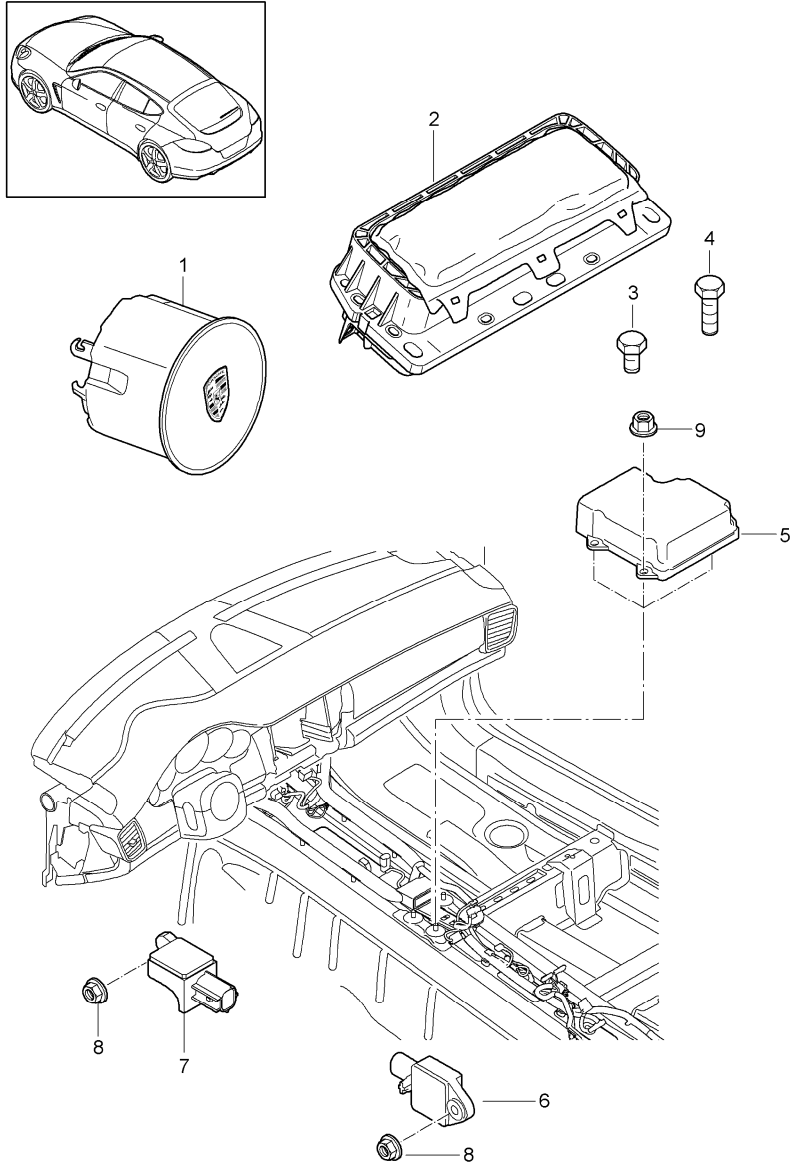
Model	Year	MG	SG	Illustration	Restrictions	UPD	18:49	03.03.2010	PORSCHE	PET	PORSCHE
970	2010	4	03	403-50		248					

Pos	Part Number	Description	Remark	Qty	Model	Pos	Part Number	Description	Remark	Qty	Model
(1)	7PP 419 091 Q	steering wheel		1	I250/345/844		A34	black			
	A34	black					8T3	Platinum Grey			
	8T3	Platinum Grey					9J9	Luxor Beige			
	9J9	Luxor Beige					7M9	Yachting Blue			
	7M9	Yachting Blue					6H6	Espresso			
	6H6	Espresso					7T1	Cognac			
	7T1	Cognac				(1)	970 347 981 00	steering wheel		1	-I639/-I640/ IXZZ/250/345
(1)	7PP 419 091 AT	steering wheel		1	I250/345/842		A34	black			
	A34	black					8T3	Platinum Grey			
	8T3	Platinum Grey					9J9	Luxor Beige			
	9J9	Luxor Beige					7M9	Yachting Blue			
	7M9	Yachting Blue					6H6	Espresso			
	6H6	Espresso					7T1	Cognac			
	7T1	Cognac				2	N 910 207 01	screw M 18 X 1,5 X 26		1	
(1)	7PP 419 091 BA	steering wheel		1	I250/345/845	3	970 347 007 07	steering column mechanical vehicle identification no. indicate	/LL	1	I655
	A34	black									
	8T3	Platinum Grey									
	9J9	Luxor Beige									
	7M9	Yachting Blue				(3)	970 347 008 07	steering column mechanical vehicle identification no. indicate	/RL	1	I655
	6H6	Espresso									
	7T1	Cognac									
(1)	7PP 419 091 AP	steering wheel		1	I250/345/848	(3)	970 347 007 15	steering column electric vehicle identification no. indicate	/LL	1	I656
	A34	black									
	8T3	Platinum Grey									
	9J9	Luxor Beige									
	7M9	Yachting Blue									
	6H6	Espresso									
	7T1	Cognac									
(1)	970 347 803 20	steering wheel		1	I250/345/849	(3)	970 347 008 15	steering column electric vehicle identification no. indicate	/RL	1	I656
						4	900 378 220 01	hexagon-head bolt M 8 X 30		4	
						5	970 347 337 00	joint flange		1	
						6	970 347 175 00	handle		1	I655

Model	Year	MG	SG	Illustration	Restrictions	UPD	18:49	03.03.2010	PORSCHE	PET	PORSCHE
970	2010	4	03	403-50		248					

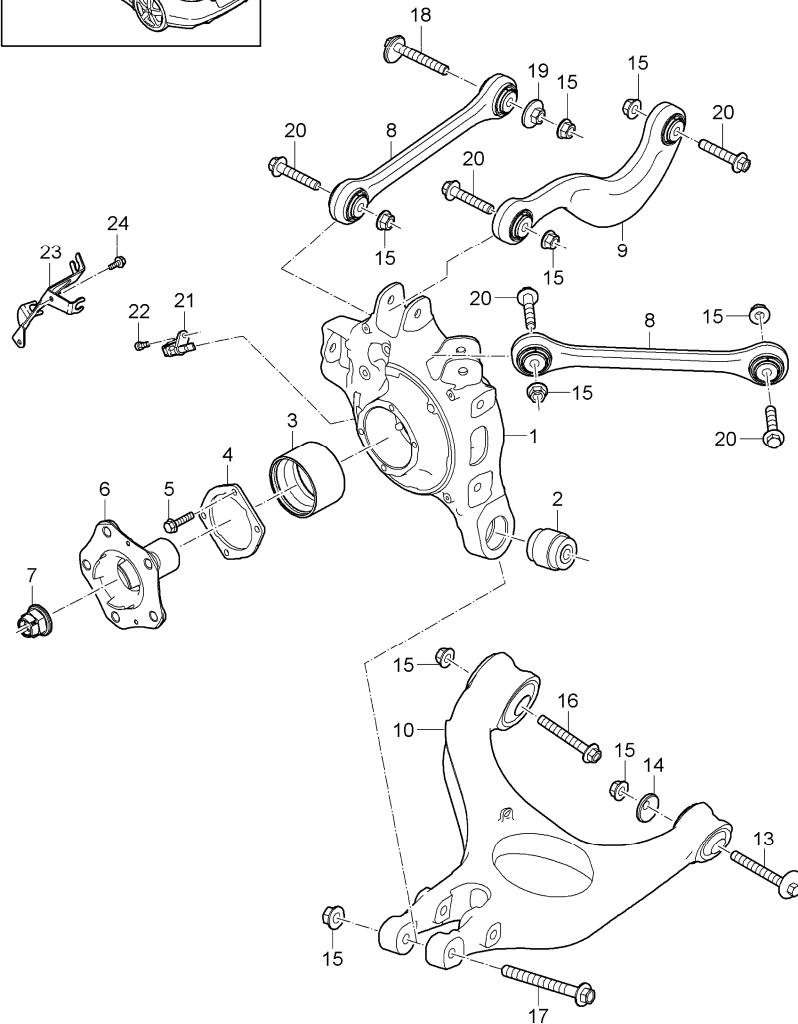
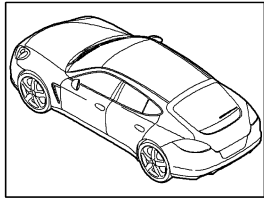
Pos	Part Number	Description	Remark	Qty	Model	Pos	Part Number	Description	Remark	Qty	Model
	1E0	black									
7	N 104 066 02	oval-head screw M 5 X 8		1							
8	970 347 331 02	heat shield	/LL	1							
(8)	970 347 232 00	heat shield	/RL	1							
9	900 378 036 01	hexagon-head bolt M 6 X 12		2							
10	970 347 037 01	sealing sleeve	/LL	1							
(10)	970 347 038 01	sealing sleeve	/RL	1							
11	8E0 035 413	screw M5 X10		1	I655						
11	8E0 035 413	screw M5 X10		2	I656						
12	7PP 905 852 B	control unit steering column		1							
13	4H0 907 705 F	control unit steering column electrically adjustable		1	I656						
14	7PP 951 527	switch heating steering wheel		1							
	A05	black mat			I345						
15	WHT 004 955	torx screw steering column steering gear		1							

Model	Year	MG	SG	Illustration	Restrictions	UPD	18:49	03.03.2010	PORSCHE	PET	PORSCHE
970	2010	4	03	403-60		248					



Pos	Part Number	Description	Remark	Qty	Model
1	970 803 089 02	airbag airbag unit plastic material		1	
	5Q0	black			
	4U0	Platinum Grey			
	6W0	Luxor Beige			
(1)	970 803 089 03	airbag unit leather		1	I991
	A34	black			
	8T3	Platinum Grey			
	9J9	Luxor Beige			
	7M9	Yachting Blue			
	6H6	Espresso			
	7T1	Cognac			
2	970 803 071 07	airbag unit passenger's side	/LL	1	
(2)	970 803 071 06	airbag unit passenger's side	/RL	1	
3	N 908 204 01	hexagon-head bolt M 6 X 16		2	
4	N 911 087 01	hexagon-head bolt M 6 X 25		6	
5	970 618 201 05	control unit airbag		1	
(5)	970 618 201 06	control unit airbag		1	
6	970 618 223 00	acceleration sensor airbag front		2	
7	970 618 221 02	acceleration sensor side airbag		4	
8	999 084 629 01	hexagon nut M 6		6	
8	999 516 032 01	hexagon nut M 6 X 13		3	

Model	Year	MG	SG	Illustration	Restrictions	UPD	18:49	03.03.2010	PORSCHE	PET	PORSCHE
970	2010	5	01	501-00		248					

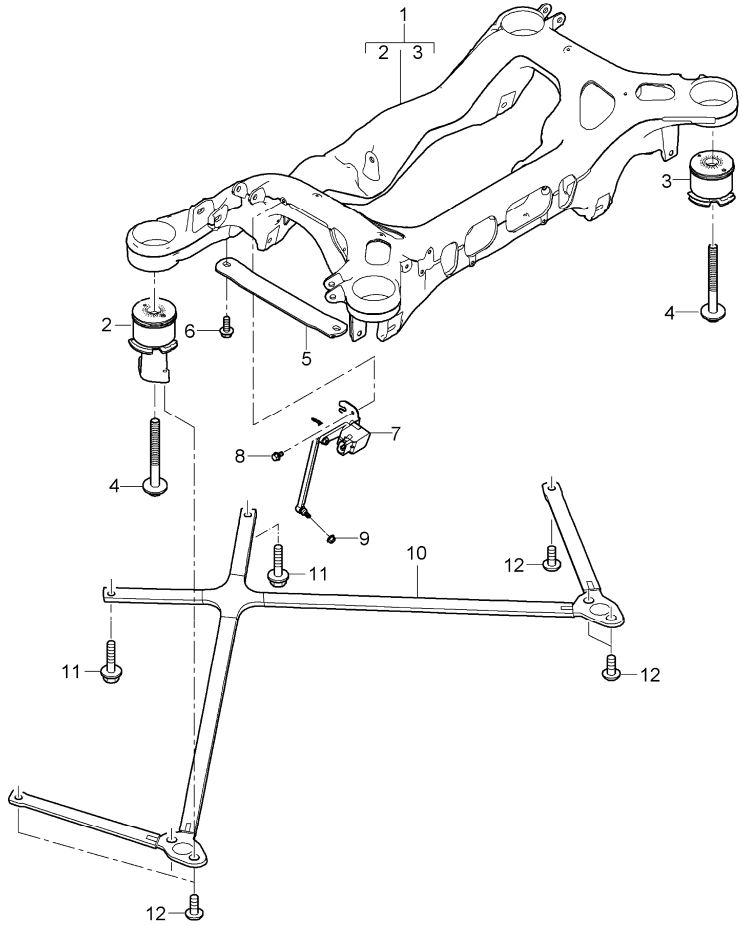
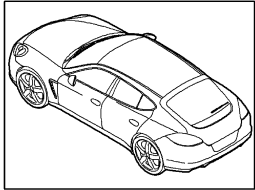


Pos	Part Number	Description	Remark	Qty	Model
		rear axle wheel carrier wishbone track rod wheel hub stone guard			
1	970 331 611 02	wheel carrier	/L	1	
(1)	970 331 612 02	wheel carrier	/R	1	
2	970 331 244 00	rubber mounting wheel carrier		2	
3	999 053 057 01	angular-contact bearing 47 X 85 X 52		2	
4	970 331 661 00	mounting plate angular-contact bearing		2	
5	999 217 042 04	hexagon-head bolt M 8 X 35		8	
6	970 331 605 02	wheel hub		2	
7	999 084 650 01	lock nut M 22 X 1,5		2	
8	970 331 043 00	wishbone upper outer		4	
9	970 331 047 00	wishbone upper centre		2	
10	970 331 041 02	wishbone lower	/L	1	
(10)	970 331 042 02	wishbone lower	/R	1	
13	970 341 217 00	eccentric screw M 12 X 1,5 X 97 wishbone lower		2	
14	996 331 219 00	eccentric washer wishbone lower		2	
15	999 084 445 01	lock nut M 12 X 1,5		18	

Model	Year	MG	SG	Illustration	Restrictions	UPD	18:49	03.03.2010	PORSCHE	PET	PORSCHE
970	2010	5	01	501-00		248					

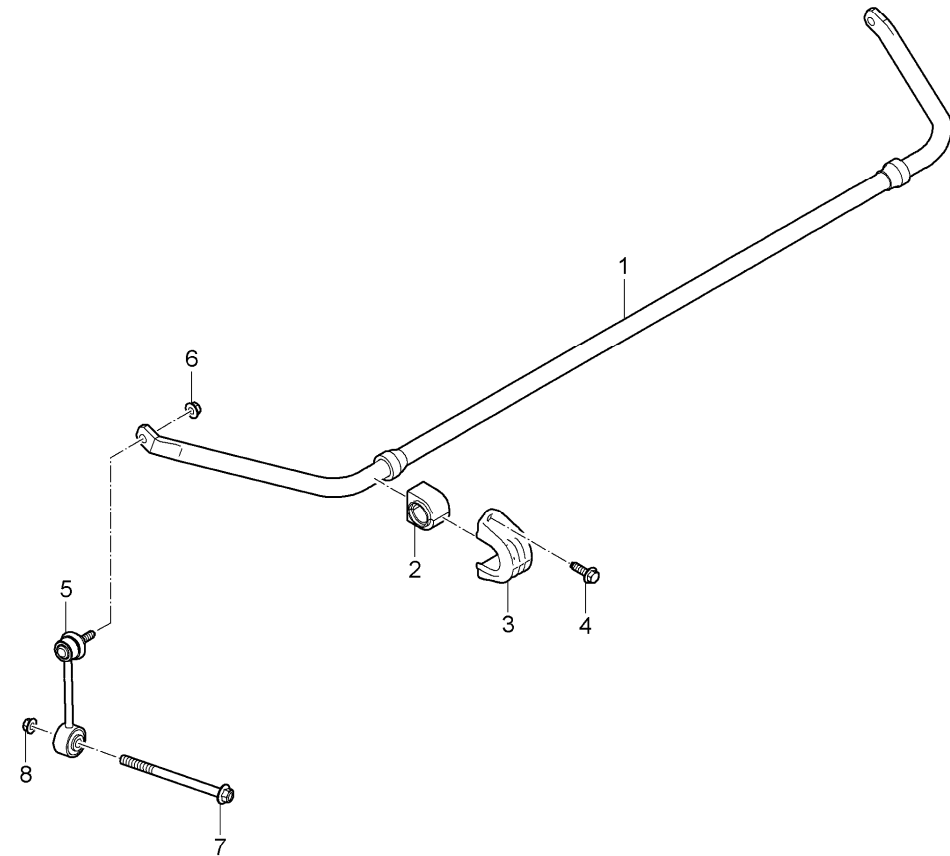
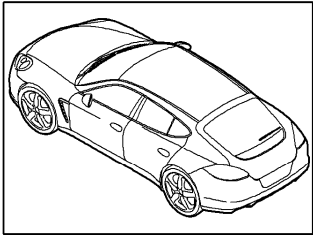
Pos	Part Number	Description	Remark	Qty	Model	Pos	Part Number	Description	Remark	Qty	Model
16	999 072 854 01	hexagon-head bolt M 12 X 1,5 X 100 wishbone lower		2							
17	999 072 857 01	hexagon-head bolt M 12 X 1,5 X 115 wishbone wheel carrier lower		2							
18	997 331 217 02	eccentric screw M 12 X 1,5 X 83 wishbone upper		2							
19	970 331 219 00	eccentric washer		2							
20	999 072 851 01	hexagon-head bolt M 12 X 1,5 X 70 wishbone upper		10							
21	970 606 407 01	speed sensor		2							
22	N 014 740 11	pan-head screw M 6 X 16		2							
23	970 610 111 00	support wiring harness self-levelling sensor	/L	1							
(23)	970 610 112 00	support wiring harness self-levelling sensor	/R	1							
24	999 217 116 01	hexagon-head bolt M 6 X 16		1							

Model	Year	MG	SG	Illustration	Restrictions	UPD	18:50	03.03.2010	PORSCHE	PET	PORSCHE
970	2010	5	01	501-10		248					



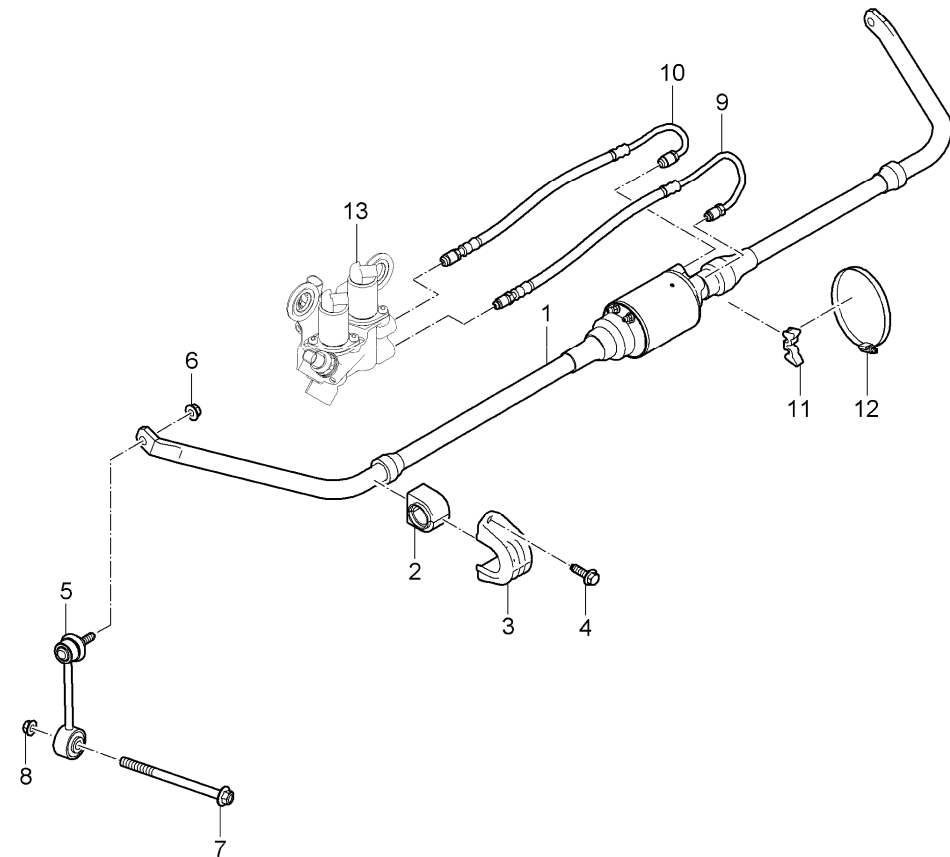
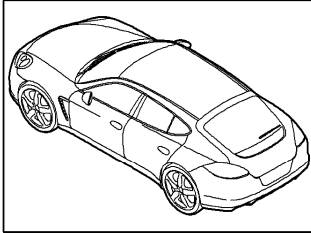
Pos	Part Number	Description	Remark	Qty	Model
		rear axle suspension subframe distance sensor			
1	970 331 051 05	suspension subframe		1	
2	970 331 257 02	rubber mounting suspension subframe		2	
3	970 331 259 02	rubber mounting suspension subframe		2	
4	999 072 872 01	combination screw M 12 X 1,5 X 115		4	
5	970 331 181 02	strut		2	
6	999 072 802 01	hexagon-head bolt M 8 X 28		4	
7	970 333 021 03	distance sensor	/L	1	
(7)	970 333 022 03	distance sensor	/R	1	
8	999 217 116 01	hexagon-head bolt M 6 X 16		2	
9	900 380 015 01	hexagon nut M 6		2	
10	970 504 281 01	strut rear end		1	
11	999 217 169 01	combination screw		8	
12	999 919 263 01	oval-head screw		6	

Model	Year	MG	SG	Illustration	Restrictions	UPD	18:50	03.03.2010	PORSCHE	PET	PORSCHE
970	2010	5	01	501-20		248					



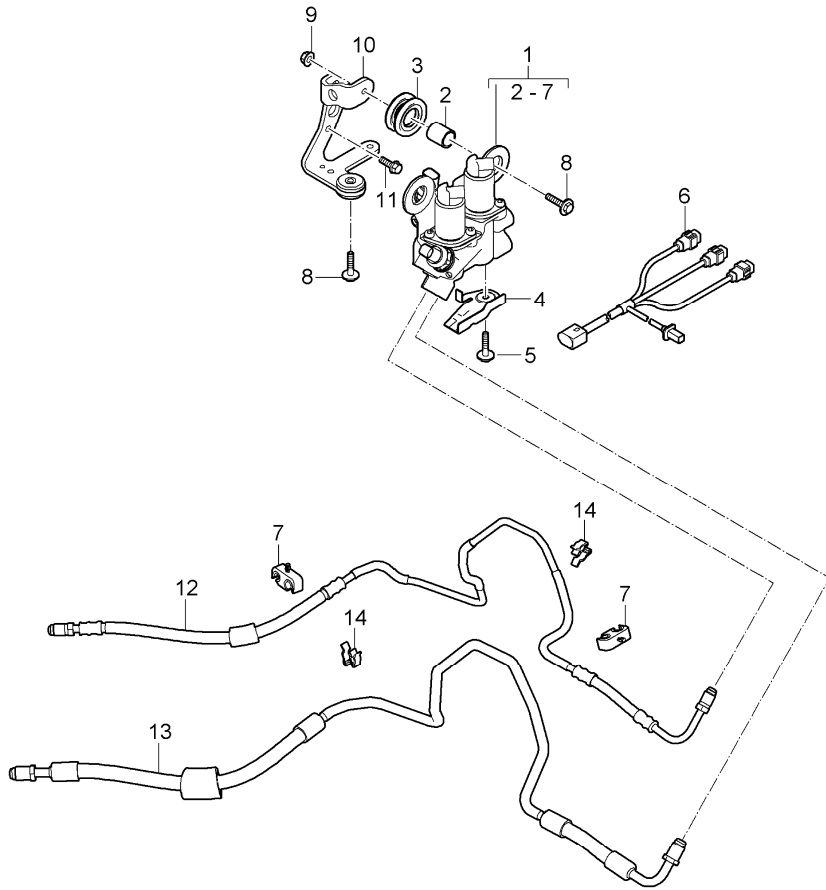
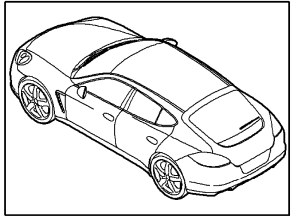
Pos	Part Number	Description	Remark	Qty	Model
		stabiliser			
1	970 333 701 02	stabiliser		1	M48.20 I338/350/475
(1)	970 333 701 03	stabiliser		1	M48.40 I339/475
(1)	970 333 701 04	stabiliser		1	M48.70 I350
2	970 333 792 06	stabiliser mounting		2	M48.20 I338/350/475
(2)	970 333 792 07	stabiliser mounting		2	M48.40 I339/475 M48.70 I350
3	970 333 777 00	clamp stabiliser mounting		2	
4	N 106 978 01	hexagon-head bolt M 10 X 30		4	
5	970 333 069 03	stabiliser mounting		2	
6	999 084 131 01	hexagon nut M 10		2	I475
(6)	999 084 643 01	hexagon nut M 10		2	I350/351
7	999 072 858 01	hexagon-head bolt M 12 X 1,5 X 155		2	
8	999 084 445 01	lock nut M 12 X 1,5		2	

Model	Year	MG	SG	Illustration	Restrictions	UPD	18:50	03.03.2010	PORSCHE	PET	PORSCHE
970	2010	5	01	501-25		248					



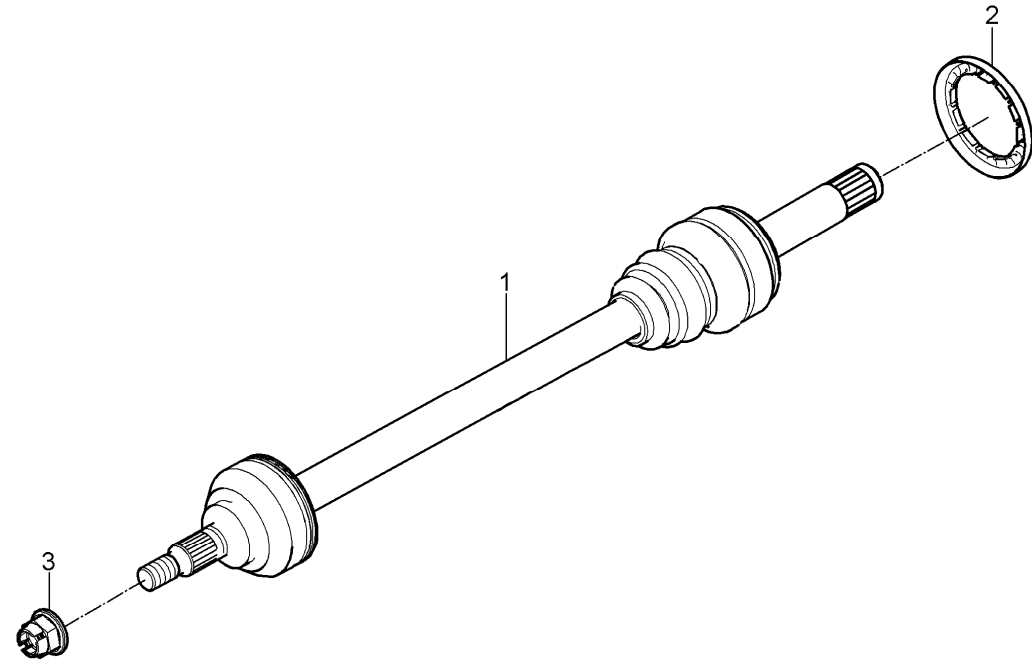
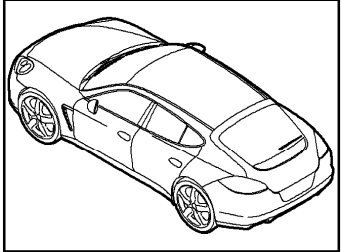
Pos	Part Number	Description	Remark	Qty	Model
		stabiliser hose line			I351
1	970 359 703 04	stabiliser		1	
2	970 333 792 08	stabiliser mounting		2	
3	970 333 777 00	clamp		2	
4	N 106 978 01	hexagon-head bolt M 10 X 30		4	
5	970 333 069 03	stabiliser mounting		2	
6	999 084 643 01	hexagon nut M 10		2	
7	999 072 858 01	hexagon-head bolt M 12 X 1,5 X 155		2	
8	999 084 445 01	lock nut M 12 X 1,5		2	
9	970 359 245 01	pressure hose		1	
10	970 359 247 01	pressure hose		1	
11	970 359 379 00	support pressure hose		1	
12	999 512 629 00	hose clamp 90 - 110/9		1	
13		Valve block see illustrations 5/01/30		1	

Model	Year	MG	SG	Illustration	Restrictions	UPD	18:50	03.03.2010	PORSCHE	PET	PORSCHE
970	2010	5	01	501-30		248					



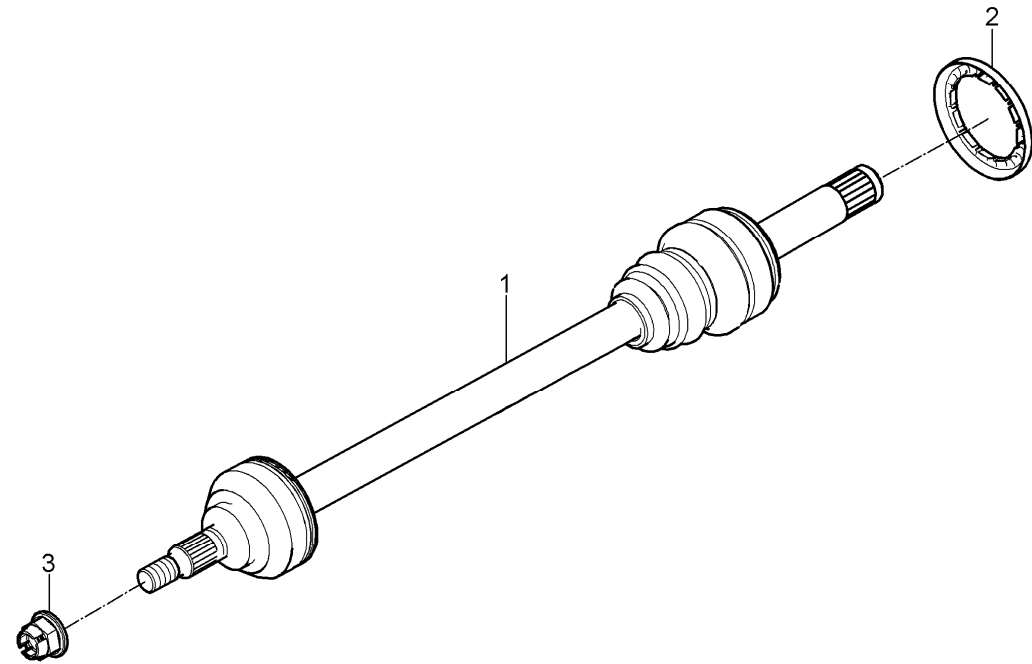
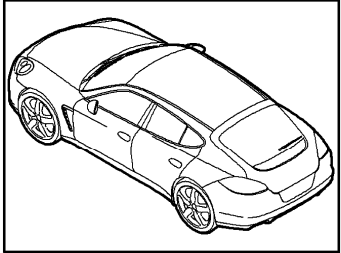
Pos	Part Number	Description	Remark	Qty	Model
		stabiliser Valve block pressure line return line			I351
1	970 359 077 04	Valve block		1	
2	955 343 633 00	bearing sleeve		2	
3	999 703 883 50	rubber mounting		2	
4	970 359 357 00	heat shield		1	
5	900 378 036 01	hexagon-head bolt M 6 X 12		1	
6	970 612 899 00	wiring harness		1	
7	970 359 373 00	support		4	
8	900 075 482 01	hexagon-head bolt M 6 X 30		3	
9	900 380 015 01	hexagon nut M 6		1	
10	970 359 125 02	support Valve block		1	
11	900 378 030 01	hexagon-head bolt M 6 X 20		2	
12	970 359 257 03	pressure line Valve block		1	
13	970 359 251 03	return line Valve block		1	
14	999 507 868 40	cable holder		2	
16	970 359 361 00	support pressure line		1	
17	970 359 363 00	support pressure line		1	
18	970 359 365 00	support centre		1	
19	970 359 367 00	support outer		1	

Model	Year	MG	SG	Illustration	Restrictions	UPD	18:50	03.03.2010	PORSCHE	PET	PORSCHE
970	2010	5	01	501-40		248					



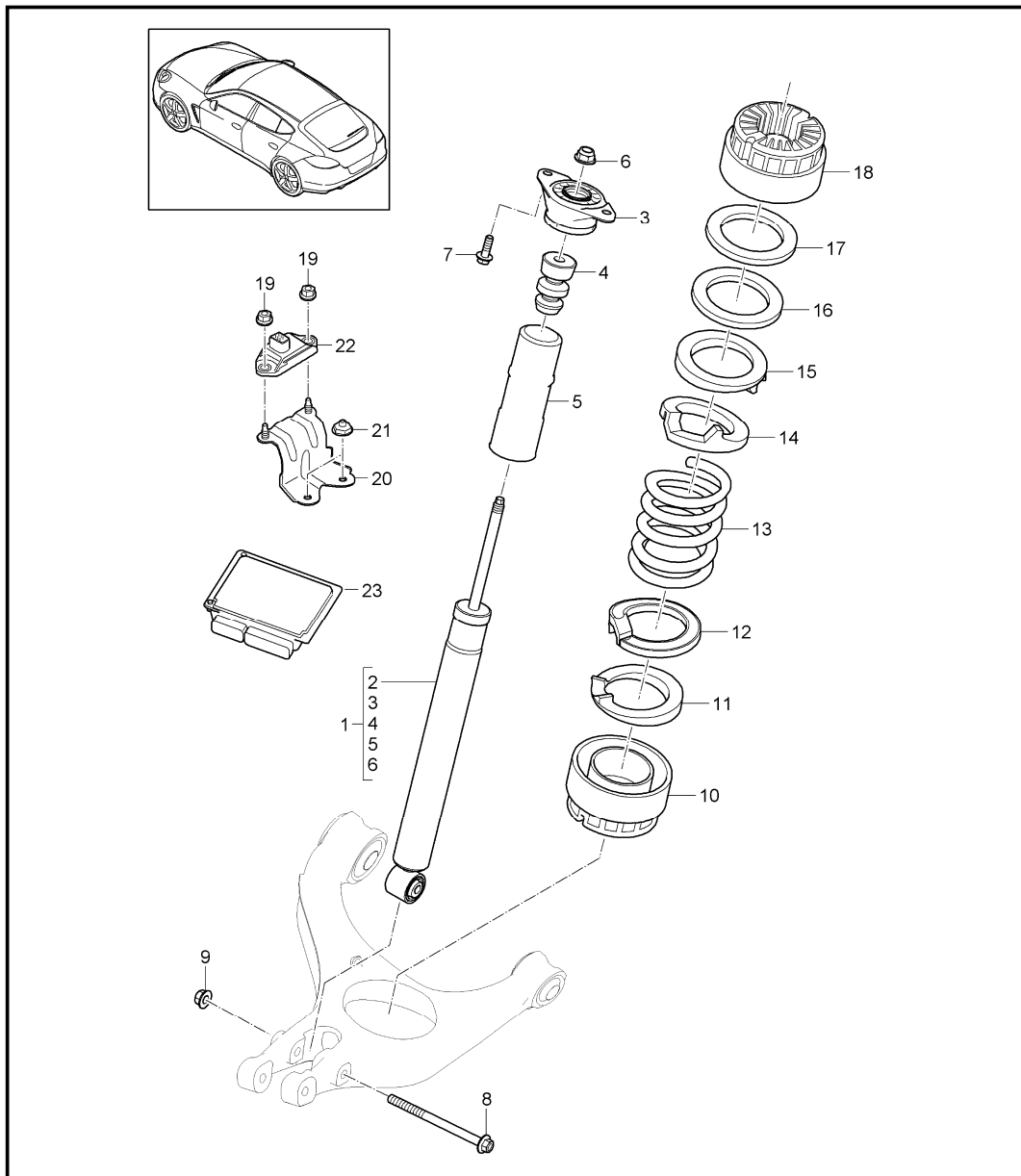
Pos	Part Number	Description	Remark	Qty	Model
		drive shaft			I219
1	970 332 024 00	drive shaft		2	M48.20/40
(1)	970 332 024 10	drive shaft		2	M48.70
2	7PP 501 811	protective ring		2	M48.20/40/70 -I220
		drive shaft inner			
2	7PP 501 811	protective ring	/R	1	M48.20/40/70 I220
		drive shaft inner			
2	7PP 501 811 A	protective ring	/L	1	M48.20/40/70 I220
		drive shaft inner			
3	999 084 650 01	lock nut M 22 X 1,5		2	M48.20/40/70
		shaft			M48.20/40

Model	Year	MG	SG	Illustration	Restrictions	UPD	18:51	03.03.2010	PORSCHE	PET	PORSCHE
970	2010	5	01	501-45		248					



Pos	Part Number	Description	Remark	Qty	Model
		drive shaft			I220
1	970 332 024 11	drive shaft	/L	1	
(1)	970 332 024 12	drive shaft	/R	1	
2	7PP 501 811 A	protective ring drive shaft inner	/L	1	
(2)	7PP 501 811	protective ring drive shaft inner	/R	1	
3	999 084 650 01	lock nut M 22 X 1,5		2	

Model	Year	MG	SG	Illustration	Restrictions	UPD	18:51	03.03.2010	PORSCHE	PET	PORSCHE
970	2010	5	02	502-00		248					

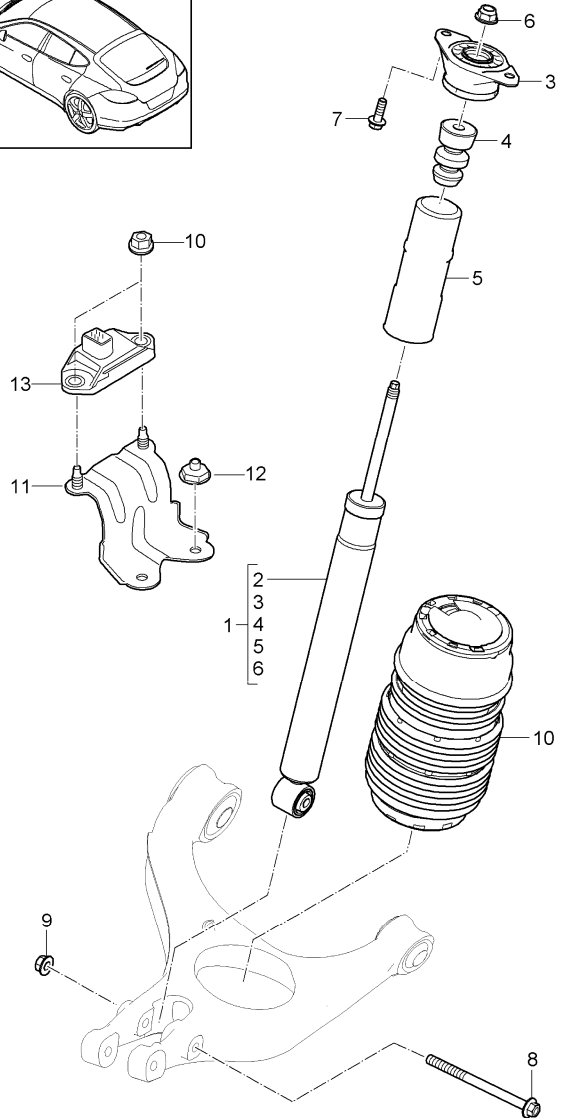
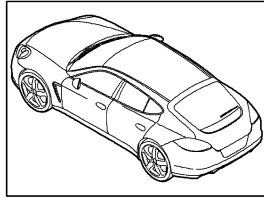


Pos	Part Number	Description	Remark	Qty	Model
		suspension cross member shock absorber strut			I475
1	970 333 045 07	shock absorber complete		2	
2	970 333 145 04	shock absorber		2	
3	970 333 015 05	supporting mount		2	
4	970 333 105 06	additional spring		2	
5	970 333 107 01	protective tube		2	
6	999 084 128 01	hexagon nut M 14 X 1,5		2	
7	999 072 831 01	hexagon-head bolt M 10 X 30		4	
8	999 072 858 01	hexagon-head bolt M 12 X 1,5 X 155		2	
9	999 084 445 01	lock nut M 12 X 1,5		2	
10	970 333 521 00	spacer lower		2	
11	970 333 503 01	base lower		2	
12	970 333 523 00	concave washer lower		2	
13	970 333 531 12	coil spring set		1	I71A/71B/71C
		504 identification Squirrel Grey			
(13)	970 333 531 13	coil spring set		1	I71D/71E
		504 identification Nut Brown			
(13)	970 333 531 14	coil spring set		1	I71F/71G
		504 identification Fire Red			
14	970 333 523 00	concave washer upper		2	

Model	Year	MG	SG	Illustration	Restrictions	UPD	18:51	03.03.2010	PORSCHE	PET	PORSCHE
970	2010	5	02	502-00		248					

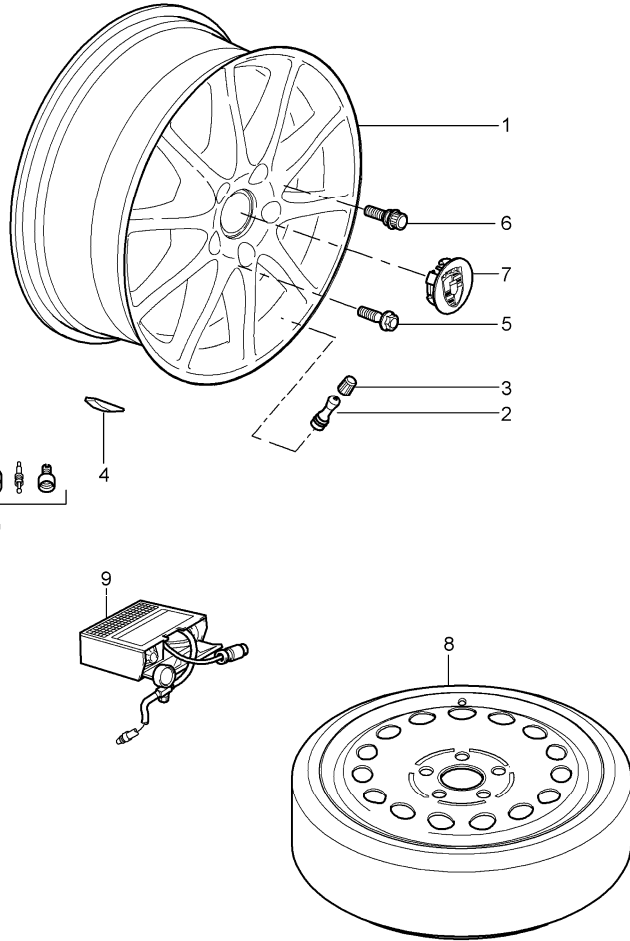
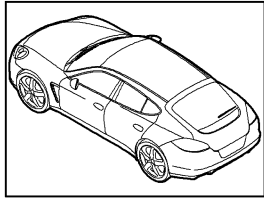
Pos	Part Number	Description	Remark	Qty	Model	Pos	Part Number	Description	Remark	Qty	Model
15	970 333 503 01	base upper		2							
16	970 333 517 00	compensating plate blue		4							
(16)	970 333 517 01	compensating plate black		4							
17	970 333 519 00	spring washer		2							
18	970 333 513 03	spacer upper		2							
19	900 377 010 01	hexagon nut M 6		2							
20	970 606 214 01	support acceleration sensor		1							
21	999 049 025 09	collar nut T 5		2							
22	970 606 111 00	acceleration sensor		1							
23	970 618 105 04	control unit		1							

Model	Year	MG	SG	Illustration	Restrictions	UPD	18:51	03.03.2010	PORSCHE	PET	PORSCHE
970	2010	5	02	502-10		248					



Pos	Part Number	Description	Remark	Qty	Model
		suspension cross member spring strut			I350/351
1	970 333 061 06	shock absorber complete		2	
2	970 333 161 04	shock absorber		2	
3	970 333 015 05	supporting mount		2	
4	970 333 105 05	additional spring		2	
5	970 333 107 01	protective tube		2	
6	999 084 128 01	hexagon nut M 14 X 1,5		2	
7	999 072 831 01	hexagon-head bolt M 10 X 30		4	
8	999 072 858 01	hexagon-head bolt M 12 X 1,5 X 155		2	
9	999 084 445 01	lock nut M 12 X 1,5		2	
10	970 333 533 12	air spring		2	I71Z
10	900 377 010 01	hexagon nut M 6		2	
11	970 606 214 01	support acceleration sensor		1	
12	999 049 025 09	collar nut T 5		2	
13	970 606 111 00	acceleration sensor		3	

Model	Year	MG	SG	Illustration	Restrictions	UPD	18:51	03.03.2010	PORSCHE	PET	PORSCHE
970	2010	6	01	601-00		248					

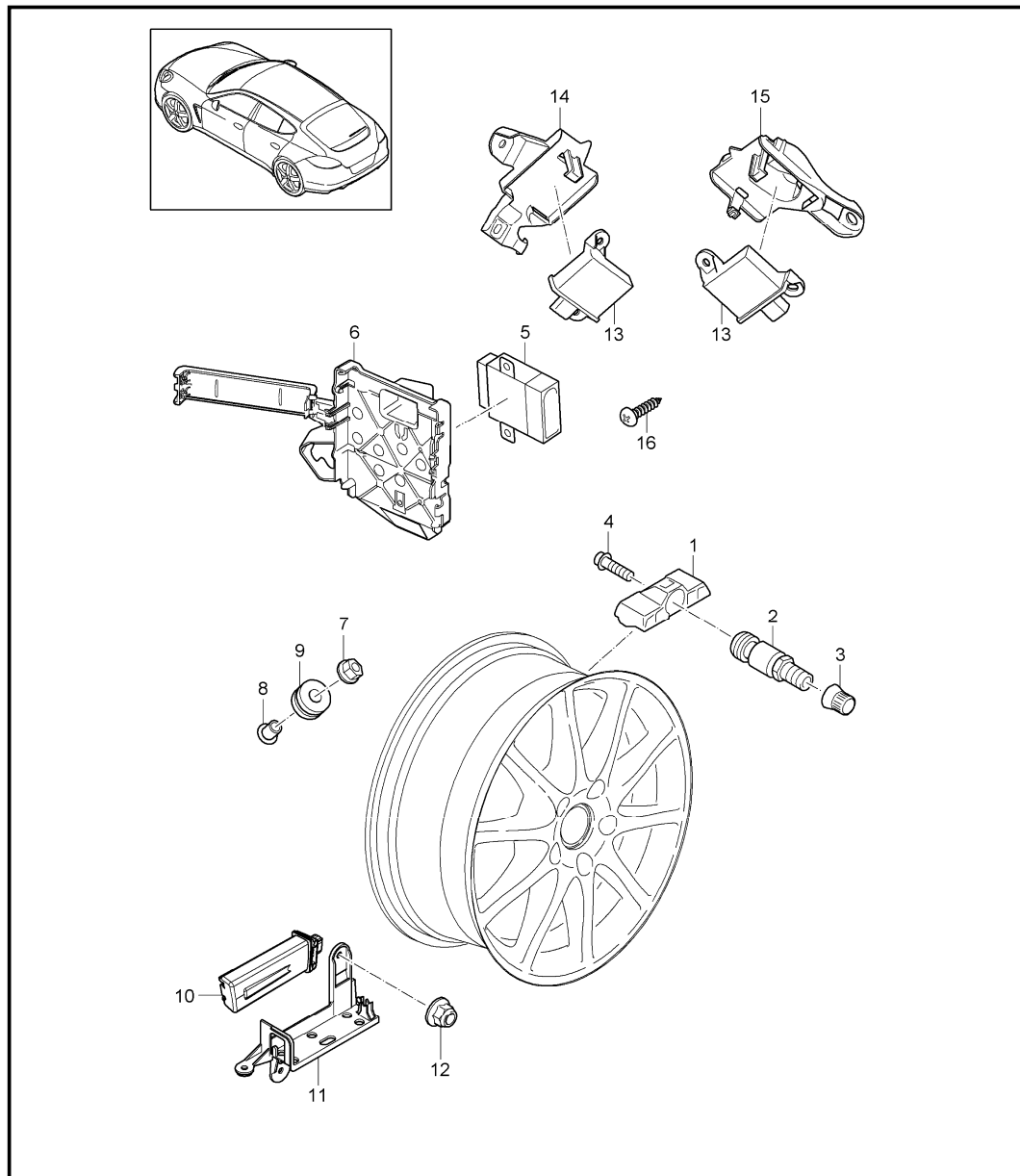


Pos	Part Number	Description	Remark	Qty	Model
		wheels			
1	970 362 136 01	disc wheel 8 J X 18 ET 59	/V	1	I413
(1)	970 362 158 00	disc wheel 9 J X 19 ET 60	/V	1	I415
(1)	970 362 158 01	disc wheel 9 J X 19 ET 60	/V	1	I416
(1)	970 362 178 05	disc wheel 9,5 J X 20 ET 65	/V	1	I417
(1)	970 362 178 06	disc wheel 9,5 J X 20 ET 65	/V	1	I418
(1)	970 362 138 01	disc wheel 9 J X 18 ET 53	/H	1	I413
(1)	970 362 160 00	disc wheel 10 J X 19 ET 61	/H	1	I415
(1)	970 362 160 01	disc wheel 10 J X 19 ET 61	/H	1	I416
(1)	970 362 192 00	disc wheel 11 J X 20 ET 68	/H	1	I417
(1)	970 362 192 01	disc wheel 11 J X 20 ET 68	/H	1	I418
(1)	970 362 190 05	disc wheel 10,5 J X 20 ET 65	/H	1	I417
3	955 361 163 00	cap		4	
4	997 361 405 00	balance stick-on weight 5 G.		X	
(4)	997 361 410 00	balance stick-on weight 10 G.		X	
(4)	997 361 415 00	balance stick-on weight 15 G.		X	

Model	Year	MG	SG	Illustration	Restrictions	UPD	18:51	03.03.2010	PORSCHE	PET	PORSCHE
970	2010	6	01	601-00		248					

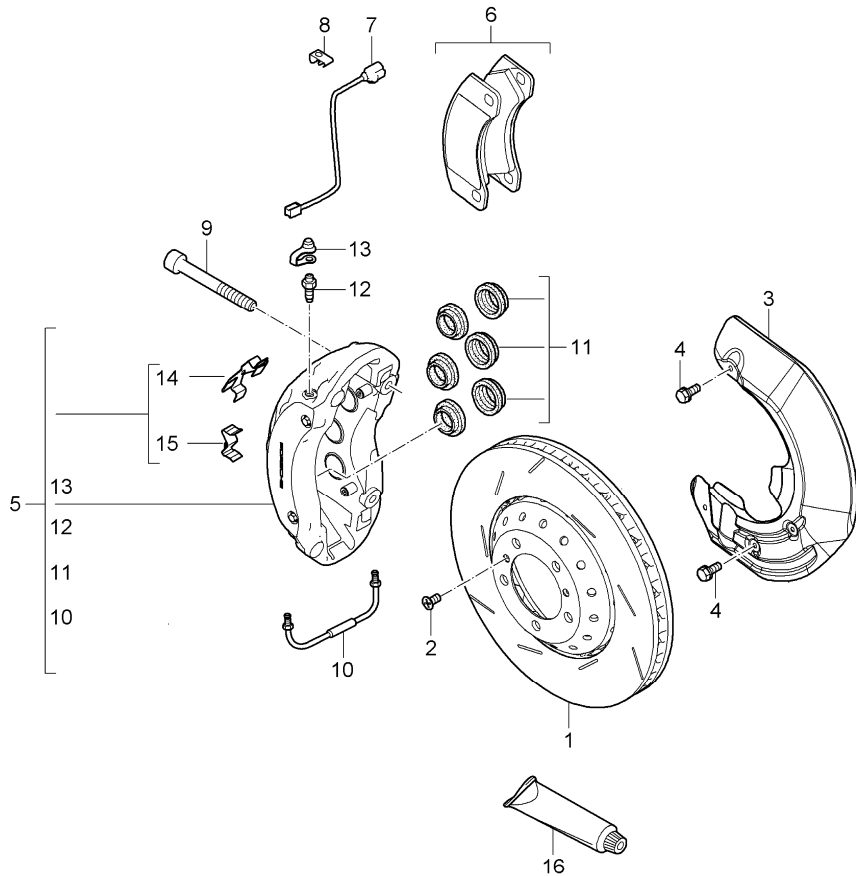
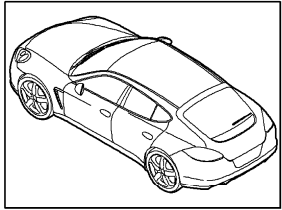
Pos	Part Number	Description	Remark	Qty	Model	Pos	Part Number	Description	Remark	Qty	Model
(4)	997 361 420 00	balance stick-on weight 20 G.		X		(7)	955 361 303 20	hub cap round concave crest coloured		4	I446
(4)	997 361 425 00	balance stick-on weight 25 G.		X							
(4)	997 361 430 00	balance stick-on weight 30 G.		X			9A1	silver			
(4)	997 361 435 00	balance stick-on weight 35 G.		X		(7)	7PP 601 149	hub cap round concave silver crest black silver		4	I418
(4)	997 361 440 00	balance stick-on weight 40 G.		X							
(4)	997 361 445 00	balance stick-on weight 45 G.		X		(7)	7PP 601 149 A	hub cap round concave silver crest coloured silver		4	I418/446
(4)	997 361 450 00	balance stick-on weight 50 G.		X							
(4)	997 361 455 00	balance stick-on weight 55 G.		X							
(4)	997 361 460 00	balance stick-on weight 60 G.		X		8	970 362 050 00	emergency wheel 4 J X 19 ET 7		1	M48.20/40 I447
5	997 361 203 01	wheel bolt		16							
6	970 361 057 00	anti-theft protection set wheel bolt anti-theft protection comprising: wheel bolts adapter note coding	GB	1	I444	8	970 362 050 00	emergency wheel 4 J X 19 ET 7		1	M48.70 -I450/I447
(6)	997 361 057 02	anti-theft protection set wheel bolt comprising: wheel bolts adapter note coding		1		(8)	970 362 070 00	emergency wheel 9,5 J X 20 ET 65		1	M48.70 I447/450
7	955 361 303 00	hub cap round concave crest black 9A1 silver		4		9	997 652 055 00	compressor for emergency wheel		1	
						10	955 722 631 00	compressed air bottle		1	

Model	Year	MG	SG	Illustration	Restrictions	UPD	18:51	03.03.2010	PORSCHE	PET	PORSCHE
970	2010	6	01	601-10		248					



Pos	Part Number	Description	Remark	Qty	Model
1	997 606 021 20	tyre pressure monitoring sensor		4	I482/483
(1)	997 606 023 21	tyre pressure monitoring sensor use also: 955.361.053.00		4	I482
2	955 361 053 00	valve tyre pressure monitoring		4	I483
3	N 908 729 01	cap valve		4	
4	4D0 601 365	fastening screw		4	
5	970 618 103 04	control unit		1	
6	970 618 203 00	support control unit		1	
7	999 084 629 01	hexagon nut M 6		3	
8	999 209 093 01	spacer sleeve 7,0 X 1,0 X 12		3	
9	999 703 479 40	bonded rubber mounting 9 X 14 X 1,5		3	
10	955 606 101 00	antenna		1	I482
(10)	955 606 103 00	antenna		1	I483
11	970 606 141 01	support antenna		1	
12	999 076 081 40	plastic nut T 5 / 16 X 11,2		6	
13	7PP 907 283	transmitter		4	
14	970 606 153 00	support	/L	1	
15	970 606 154 00	support	/R	1	
16	999 073 314 09	tapping screw 4,8 X 16		4	

Model	Year	MG	SG	Illustration	Restrictions	UPD	18:51	03.03.2010	PORSCHE	PET	PORSCHE
970	2010	6	02	602-00		248					

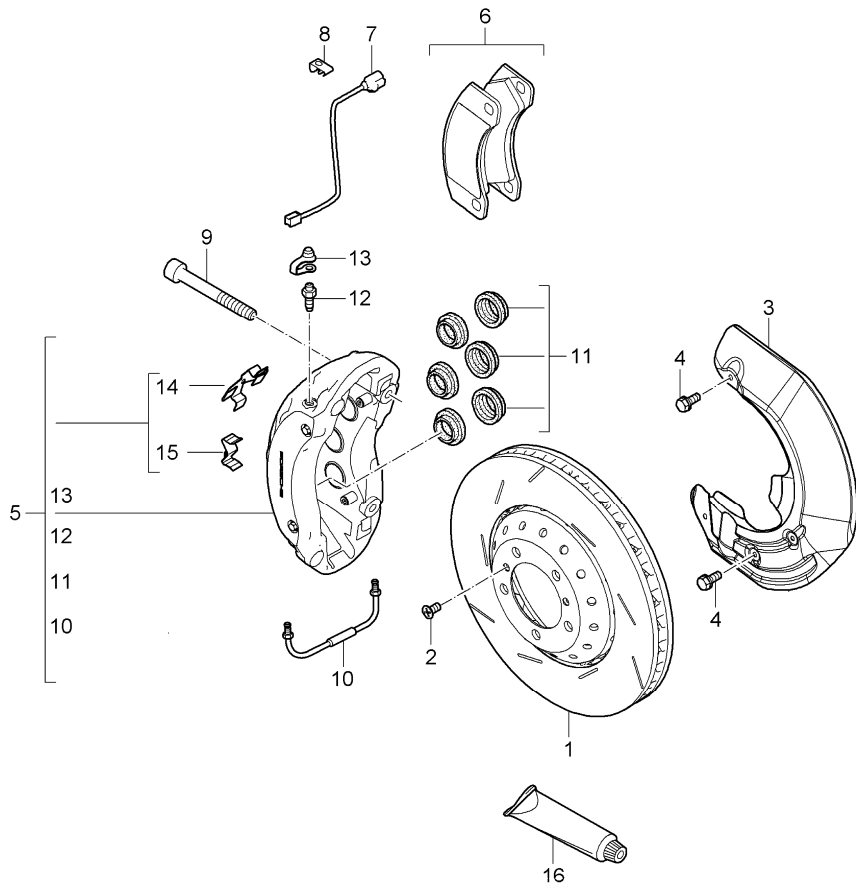
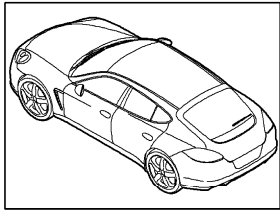


Pos	Part Number	Description	Remark	Qty	Model
		disc brake front axle			M48.20/40
1	970 351 403 00	brake disc	/L	1	
(1)	970 351 404 00	brake disc	/R	1	
(1)	970 351 405 31	brake disc	/L	1	I450
(1)	970 351 406 31	brake disc	/R	1	I450
2	900 269 047 01	countersunk-head screw M 6 X 12		4	
3	970 351 801 00	cover plate	/L	1	
(3)	970 351 802 00	cover plate	/R	1	
(3)	970 351 805 31	cover plate	/L	1	I450
(3)	970 351 806 31	cover plate	/R	1	I450
4	999 217 116 01	hexagon-head bolt M 6 X 16		8	
5	7PP 615 123 H	fixed calliper without pad	/L	1	
(5)	7PP 615 124 H	fixed calliper without pad	/R	1	
(5)	7PP 615 123 K	fixed calliper without pad	/L	1	I450
(5)	7PP 615 124 K	fixed calliper without pad	/R	1	I450
6	955 351 939 63	brake pad repair set comprising: brake pad use also: mounting parts		1 4	
(6)	970 351 948 02	brake pad repair set comprising: brake pad use also: mounting parts		1 4	I450
7	970 609 143 00	warning contact		2	
8	944 612 627 00	line bracket warning contact		2	
9	999 073 453 01	pan-head screw M 14 X 1,5 X 115		4	

Model	Year	MG	SG	Illustration	Restrictions	UPD	18:51	03.03.2010	PORSCHE	PET	PORSCHE
970	2010	6	02	602-00		248					

Pos	Part Number	Description	Remark	Qty	Model	Pos	Part Number	Description	Remark	Qty	Model
(9)	999 073 461 01	pan-head screw M 14 X 1,5 X 135		4	I450						
10	970 351 961 00	connecting line	/L	1							
(10)	970 351 962 00	connecting line	/R	1							
(10)	970 351 961 10	connecting line	/L	1	I450						
(10)	970 351 962 10	connecting line	/R	1	I450						
11	955 351 915 20	repair kit protection caps 36 mm for fixed calliper		2	95535191520						
12	8A0 615 273	ventilation valve		4							
13	211 611 483	dust boot		4							
14	970 351 959 00	spring		4							
15	955 351 933 00	support cable guide brake pad wear indicator		2							
16	000 043 117 00	brake cylinder paste 1 50-g tube		X							
16	000 043 020 00	optimoly 1 100-gramme tube		X							

Model	Year	MG	SG	Illustration	Restrictions	UPD	18:52	03.03.2010	PORSCHE	PET	PORSCHE
970	2010	6	02	602-05		248					

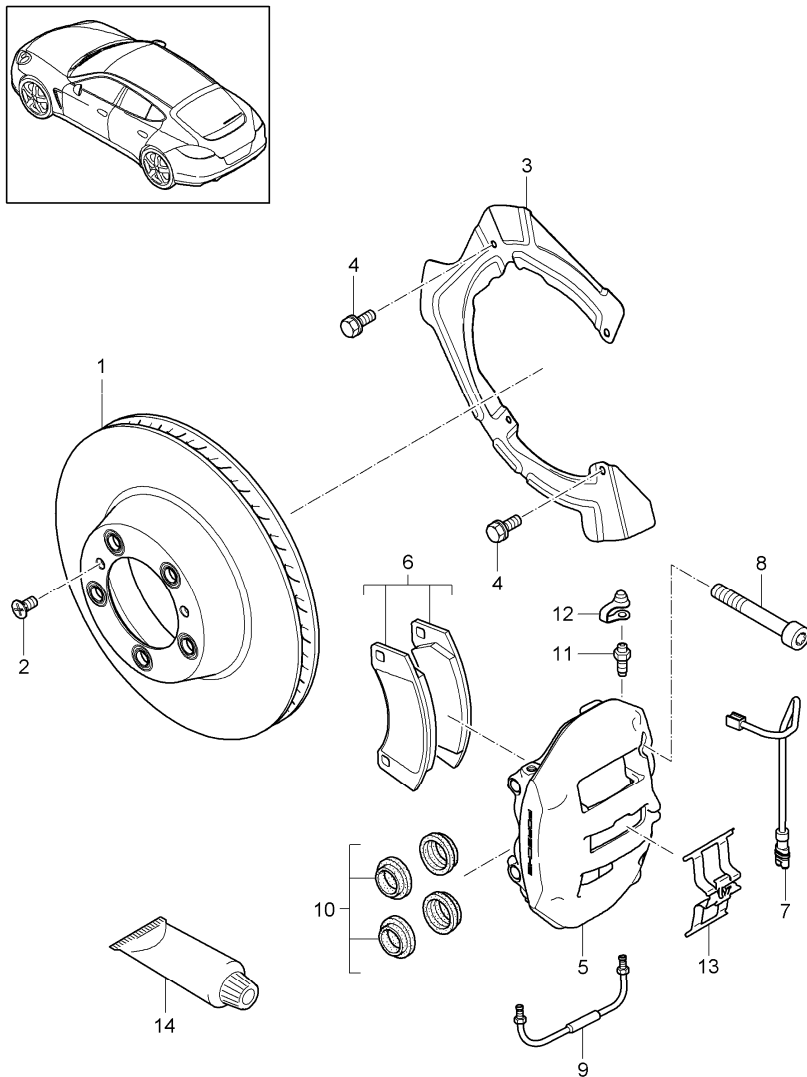


Pos	Part Number	Description	Remark	Qty	Model
		disc brake front axle			M48.70
1	970 351 405 00	brake disc	/L	1	
(1)	970 351 406 00	brake disc	/R	1	
(1)	970 351 407 31	brake disc	/L	1	I450
(1)	970 351 408 31	brake disc	/R	1	I450
2	900 269 047 01	countersunk-head screw M 6 X 12		4	
3	970 351 801 00	cover plate	/L	1	
(3)	970 351 802 00	cover plate	/R	1	
(3)	970 351 805 31	cover plate	/L	1	I450
(3)	970 351 806 31	cover plate	/R	1	I450
4	999 217 116 01	hexagon-head bolt M 6 X 16		8	
5	7PP 615 123 J	fixed calliper without pad	/L	1	
(5)	7PP 615 124 J	fixed calliper without pad	/R	1	
(5)	7PP 615 123 L	fixed calliper without pad	/L	1	I450
(5)	7PP 615 124 L	fixed calliper without pad	/R	1	I450
6	955 351 939 63	brake pad repair set comprising: brake pad use also: mounting parts		1 4	
(6)	970 351 948 02	brake pad repair set comprising: brake pad use also: mounting parts		1 4	I450
7	970 609 143 00	warning contact		2	
8	944 612 627 00	line bracket warning contact		2	
9	999 073 461 01	pan-head screw M 14 X 1,5 X 135		4	

Model	Year	MG	SG	Illustration	Restrictions	UPD	18:52	03.03.2010	PORSCHE	PET	PORSCHE
970	2010	6	02	602-05		248					

Pos	Part Number	Description	Remark	Qty	Model	Pos	Part Number	Description	Remark	Qty	Model
10	970 351 961 10	connecting line	/L	1							
(10)	970 351 962 10	connecting line	/R	1							
11	955 351 915 20	repair kit protection caps 36 mm for fixed calliper		2							
12	8A0 615 273	ventilation valve		4							
13	211 611 483	dust boot		4							
14	970 351 959 00	spring		4							
15	955 351 933 00	support cable guide brake pad wear indicator		2							
16	000 043 117 00	brake cylinder paste 1 50-g tube		X							
16	000 043 020 00	optimoly 1 100-gramme tube		X							

Model	Year	MG	SG	Illustration	Restrictions	UPD	18:52	03.03.2010	PORSCHE	PET	PORSCHE
970	2010	6	03	603-00		248					

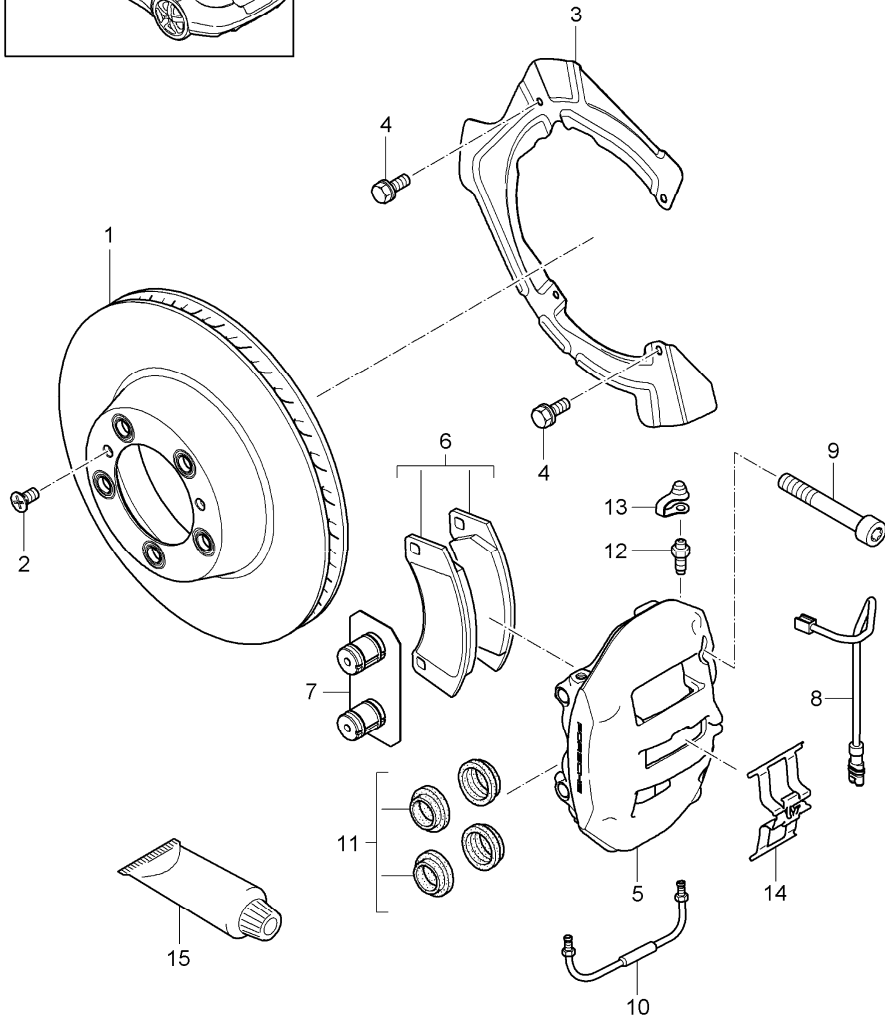
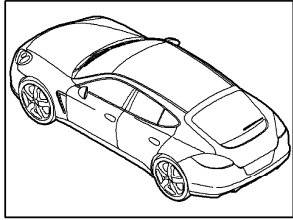


Pos	Part Number	Description	Remark	Qty	Model
		disc brake rear axle			M48.20/40
1	970 352 403 00	brake disc	/L	1	
(1)	970 352 404 00	brake disc	/R	1	
(1)	997 352 031 01	brake disc	/L	1	I450
(1)	997 352 032 01	brake disc	/R	1	I450
2	900 269 047 01	countersunk-head screw M 6 X 12		4	
3	970 352 801 00	cover plate	/L	1	
(3)	970 352 802 00	cover plate	/R	1	
(3)	970 352 805 33	cover plate	/L	1	I450
(3)	970 352 806 33	cover plate	/R	1	I450
4	999 217 116 01	hexagon-head bolt M 6 X 16		8	
5	970 352 423 23	fixed calliper	/L	1	
(5)	970 352 424 23	fixed calliper	/R	1	
(5)	970 352 425 33	fixed calliper	/L	1	I450
(5)	970 352 426 33	fixed calliper	/R	1	I450
6	970 352 949 04	brake pad repair set comprising: brake pad use also: mounting parts		1 4	
(6)	970 352 947 03	brake pad repair set comprising: brake pad use also: mounting parts		1 4	I450
7	970 609 145 00	warning contact		2	
8	999 067 053 09	pan-head screw M 12 X 1,5 X 85		4	
(8)	999 067 040 01	pan-head screw M 12 X 1,5 X 95		4	I450
9	970 352 961 00	connecting line		2	

Model	Year	MG	SG	Illustration	Restrictions	UPD	18:52	03.03.2010	PORSCHE	PET	PORSCHE
970	2010	6	03	603-00		248					

Pos	Part Number	Description	Remark	Qty	Model	Pos	Part Number	Description	Remark	Qty	Model
10	996 351 915 00	repair kit protection caps 32 mm for fixed calliper		2							
11	8A0 615 273	ventilation valve		4							
12	211 611 483	dust boot		4							
13	970 352 959 00	spring		2							
14	000 043 117 00	brake cylinder paste 1 50-g tube		X							
14	000 043 020 00	optimoly 1 100-gramme tube		X							

Model	Year	MG	SG	Illustration	Restrictions	UPD	18:52	03.03.2010	PORSCHE	PET	PORSCHE
970	2010	6	03	603-05		248					

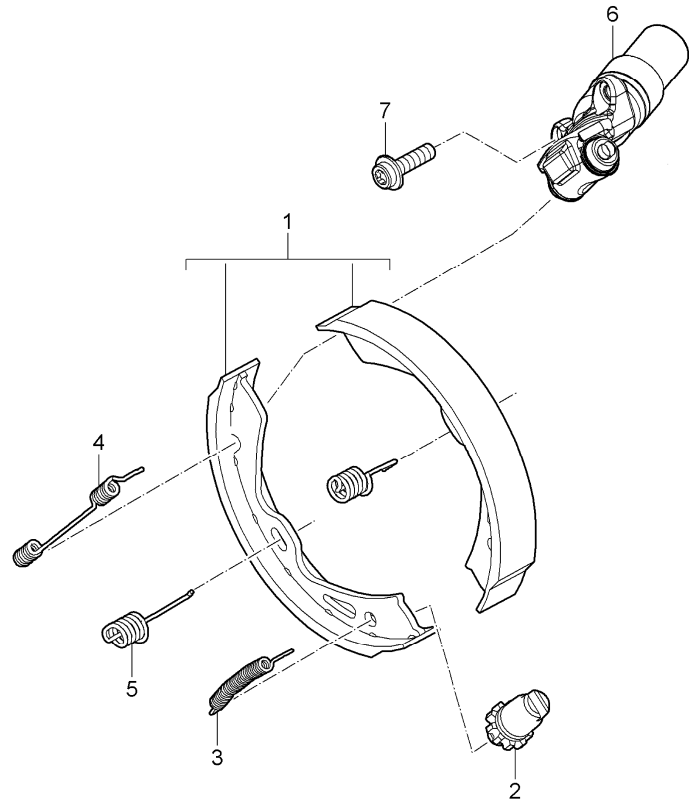
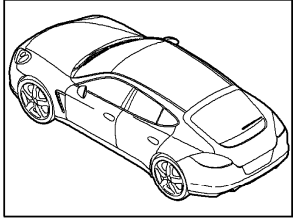


Pos	Part Number	Description	Remark	Qty	Model
		disc brake rear axle			M48.70
1	970 352 405 00	brake disc	/L	1	
(1)	970 352 406 00	brake disc	/R	1	
(1)	997 352 031 01	brake disc	/L	1	I450
(1)	997 352 032 01	brake disc	/R	1	I450
2	900 269 047 01	countersunk-head screw M 6 X 12		4	
3	970 352 801 00	cover plate	/L	1	
(3)	970 352 802 00	cover plate	/R	1	
(3)	970 352 805 33	cover plate	/L	1	I450
(3)	970 352 806 33	cover plate	/R	1	I450
4	999 217 116 01	hexagon-head bolt M 6 X 16		8	
5	970 352 425 03	fixed calliper	/L	1	
(5)	970 352 426 03	fixed calliper	/R	1	
(5)	970 352 425 32	fixed calliper	/L	1	I450
(5)	970 352 426 32	fixed calliper	/R	1	I450
6	970 352 949 04	brake pad repair set comprising: brake pad use also: mounting parts		1	
				4	
(6)	970 352 947 03	brake pad repair set comprising: brake pad use also: mounting parts		1	I450
				4	
7	970 352 086 00	damping plate		4	
8	970 609 145 00	warning contact		2	
9	999 067 040 01	pan-head screw M 12 X 1,5 X 95		4	
10	970 352 961 00	connecting line		2	

Model	Year	MG	SG	Illustration	Restrictions	UPD	18:52	03.03.2010	PORSCHE	PET	PORSCHE
970	2010	6	03	603-05		248					

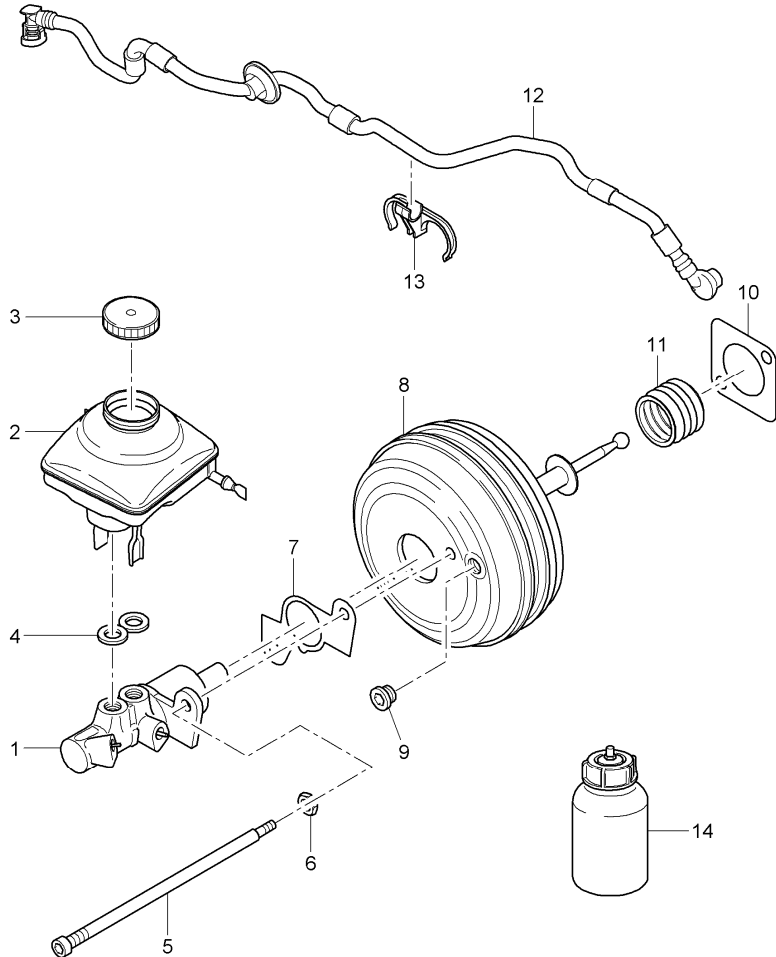
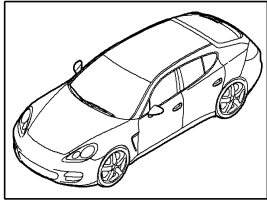
Pos	Part Number	Description	Remark	Qty	Model	Pos	Part Number	Description	Remark	Qty	Model
11	996 351 915 00	repair kit protection caps 32 mm for fixed calliper		2							
12	930 351 919 00	ventilation valve		4							
13	930 351 927 00	dust boot		4							
14	970 352 959 00	spring		2							
15	000 043 117 00	brake cylinder paste 1 50-g tube		X							
15	000 043 020 00	optimoly 1 100-gramme tube		X							

Model	Year	MG	SG	Illustration	Restrictions	UPD	18:52	03.03.2010	PORSCHE	PET	PORSCHE
970	2010	6	03	603-30		248					



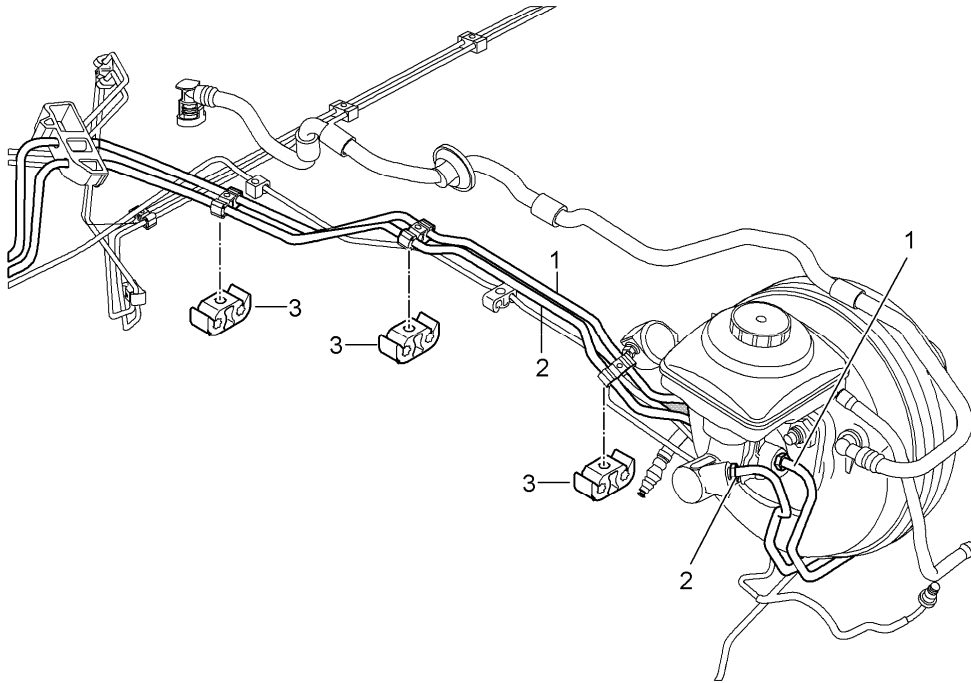
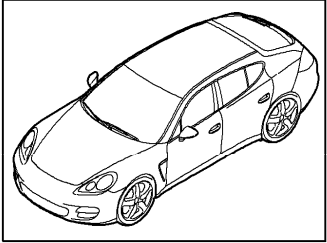
Pos	Part Number	Description	Remark	Qty	Model
		Parking brake			
1	970 352 993 00	brake shoe repair kit comprising: 4 X brake shoe use also: mounting parts		1	
2	993 352 071 00	adjusting screw		2	
3	970 352 721 00	tension spring		2	
4	970 352 723 00	tension spring		2	
5	970 352 741 00	compression spring		4	
6	970 352 091 01	electric motor	/L	1	
(6)	970 352 092 01	electric motor	/R	1	
(6)	970 352 091 02	electric motor F 97AL0 41135>> F 97AL0 80551>> see technical information 46624 46854	/L	1	
(6)	970 352 092 02	electric motor F 97AL0 41135>> F 97AL0 80551>> see technical information 46624 46854	/R	1	
7	999 073 452 01	screw M 8 X 38		4	

Model	Year	MG	SG	Illustration	Restrictions	UPD	18:52	03.03.2010	PORSCHE	PET	PORSCHE
970	2010	6	04	604-00		248					



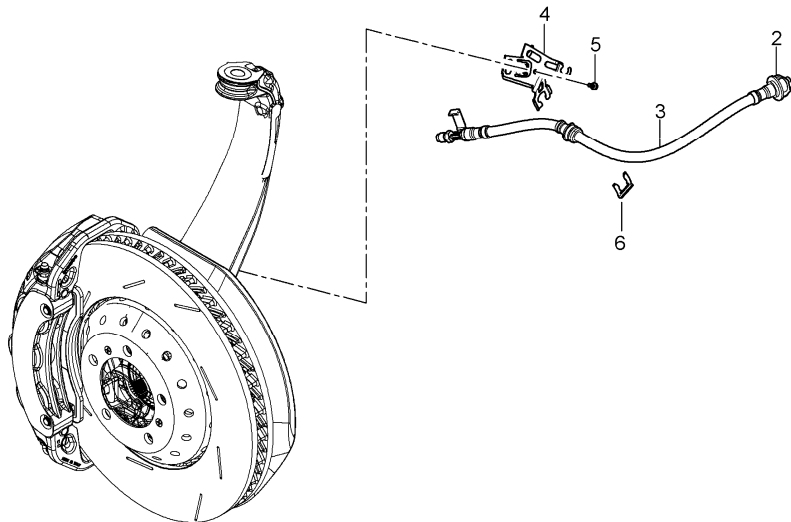
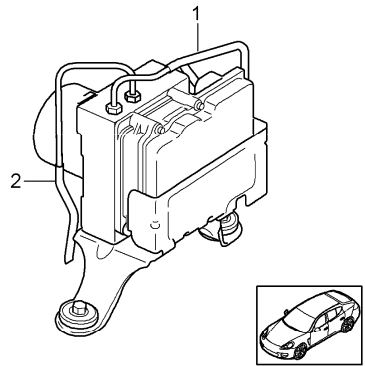
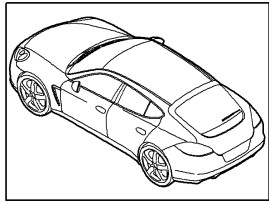
Pos	Part Number	Description	Remark	Qty	Model
		brake master cylinder brake booster vacuum line			
1	970 355 910 00	brake master cylinder		1	
2	970 355 013 00	expansion tank		1	
3	970 355 119 00	catch		1	
4	970 355 922 00	gasket		2	
5	970 355 927 00	screw M 8 X 191		2	
6	970 355 925 00	nut M 16		2	
7	993 355 212 00	gasket		1	
8	970 355 125 02	brake booster		1	
9	999 702 182 40	rubber bush		1	
10	996 355 901 01	gasket		1	
11	970 355 969 00	bellows		1	
12	970 355 577 04	vacuum line	/LL	1	
(12)	970 355 577 42	vacuum line	/LL	1	I642
(12)	970 355 578 02	vacuum line	/RL	1	
(12)	970 355 578 42	vacuum line	/RL	1	I642
13	970 355 510 01	support	/LL	1	
14	000 043 203 66	brake fluid Super Dot 4 1 Ltr. Gebinde		1	

Model	Year	MG	SG	Illustration	Restrictions	UPD	18:53	03.03.2010	PORSCHE	PET	PORSCHE
970	2010	6	04	604-05		248					



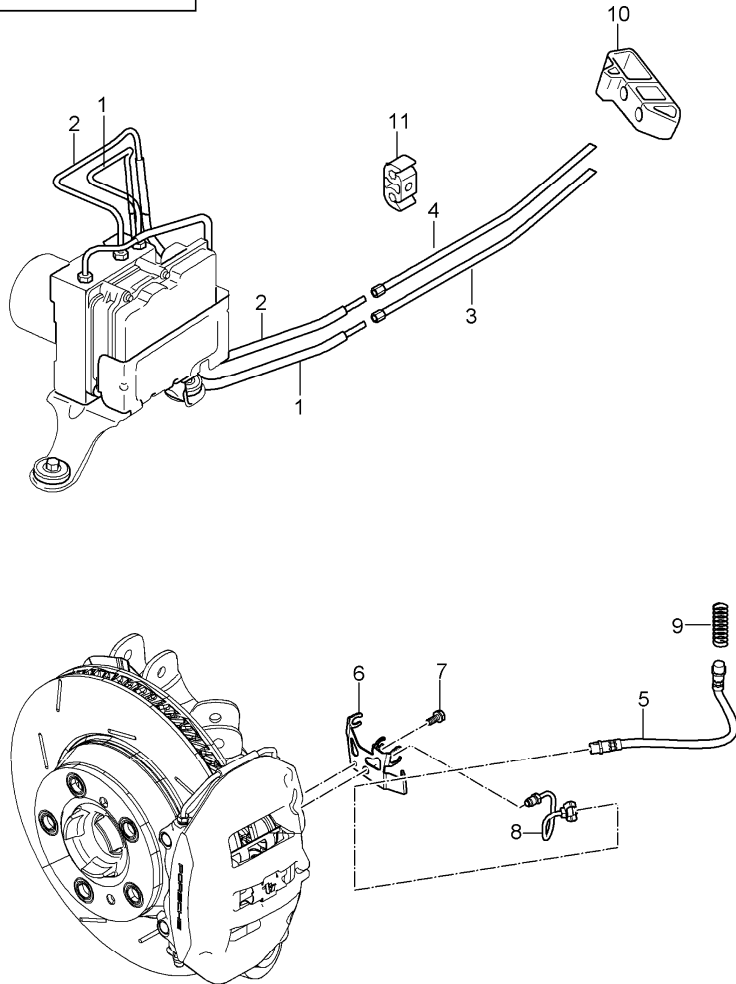
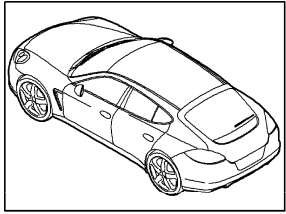
Pos	Part Number	Description	Remark	Qty	Model
		brake lines body front section			
1	970 355 311 07	brake line brake master cylinder hydraulic unit	/LL	1	
(1)	970 355 312 05	brake line brake master cylinder hydraulic unit	/RL	1	
2	970 355 313 07	brake line brake master cylinder hydraulic unit	/LL	1	
(2)	970 355 314 05	brake line brake master cylinder hydraulic unit	/RL	1	
3	8K0 611 797 B	support	/LL	4	
(3)	8K0 611 797 B	support	/RL	2	
4	970 355 501 00	support left		1	
(4)	970 355 502 00	support right		1	

Model	Year	MG	SG	Illustration	Restrictions	UPD	18:53	03.03.2010	PORSCHE	PET	PORSCHE
970	2010	6	04	604-10		248					



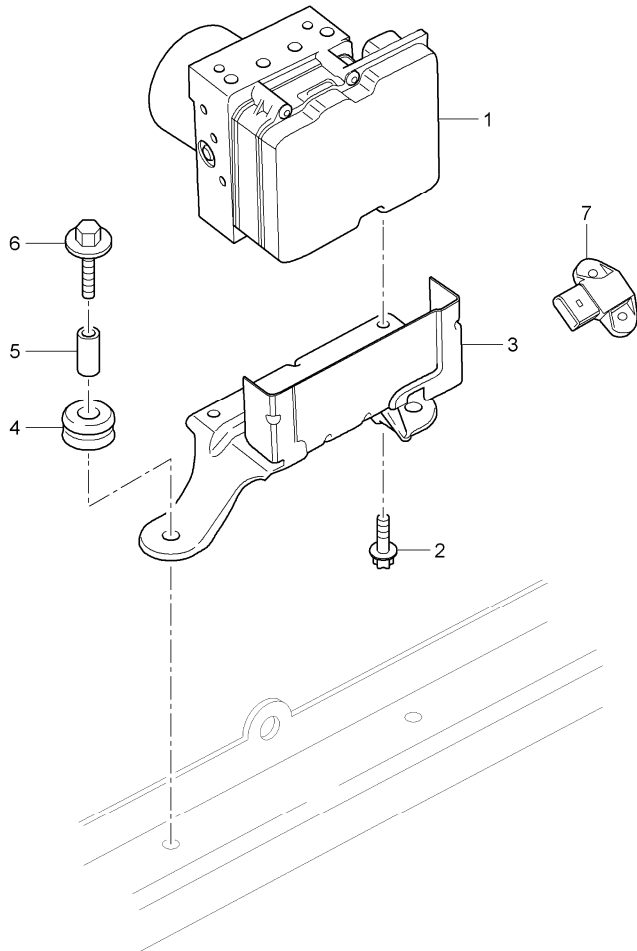
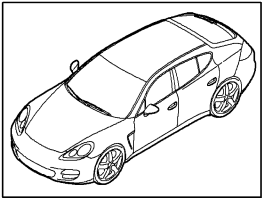
Pos	Part Number	Description	Remark	Qty	Model
		brake lines front axle			
1	970 355 175 05	brake line hydraulic unit brake hose	/L	1	
1	970 355 177 04	brake line hydraulic unit brake hose	/R	1	
2	993 355 321 00	retainer spring for brake hose		2	
3	970 355 139 00	brake hose		2	
(3)	970 355 139 30	brake hose		2	M48.70 I450
4	970 355 503 00	support brake hose	/L	1	
(4)	970 355 504 00	support brake hose	/R	1	
5	999 217 116 01	hexagon-head bolt M 6 X 16		2	
6	191 611 715	hose holder		2	
7	999 651 409 40	cable holder		8	

Model	Year	MG	SG	Illustration	Restrictions	UPD	18:53	03.03.2010	PORSCHE	PET	PORSCHE
970	2010	6	04	604-15		248					



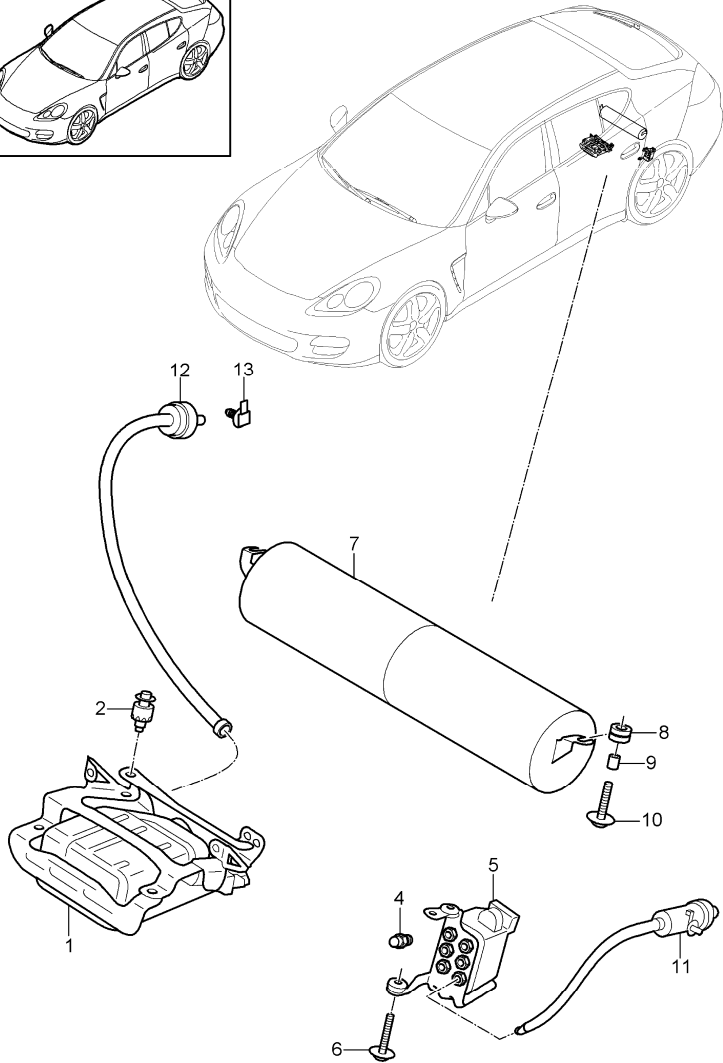
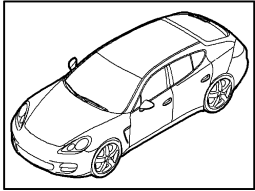
Pos	Part Number	Description	Remark	Qty	Model
		brake line underbody rear axle			
1	970 355 179 05	brake line hydraulic unit underbody		1	
2	970 355 181 05	brake line hydraulic unit underbody		1	
3	970 355 189 05	brake line underbody rear axle	/L	1	
4	970 355 191 05	brake line underbody rear axle	/R	1	
5	970 355 137 00	brake hose		2	
6	970 355 505 01	support brake hose	/L	1	
(6)	970 355 506 01	support brake hose	/R	1	
7	999 217 116 01	hexagon-head bolt M 6 X 16		2	
8	970 355 585 02	brake line fixed calliper	/L	1	
(8)	970 355 586 02	brake line fixed calliper	/R	1	
9	997 355 331 01	retainer spring brake hose		2	
10	970 355 540 01	grommet		1	
11	8K0 611 797 D	line bracket		14	I250
(11)	8K0 611 797 D	line bracket		15	I480

Model	Year	MG	SG	Illustration	Restrictions	UPD	18:53	03.03.2010	PORSCHE	PET	PORSCHE
970	2010	6	05	605-00		248					



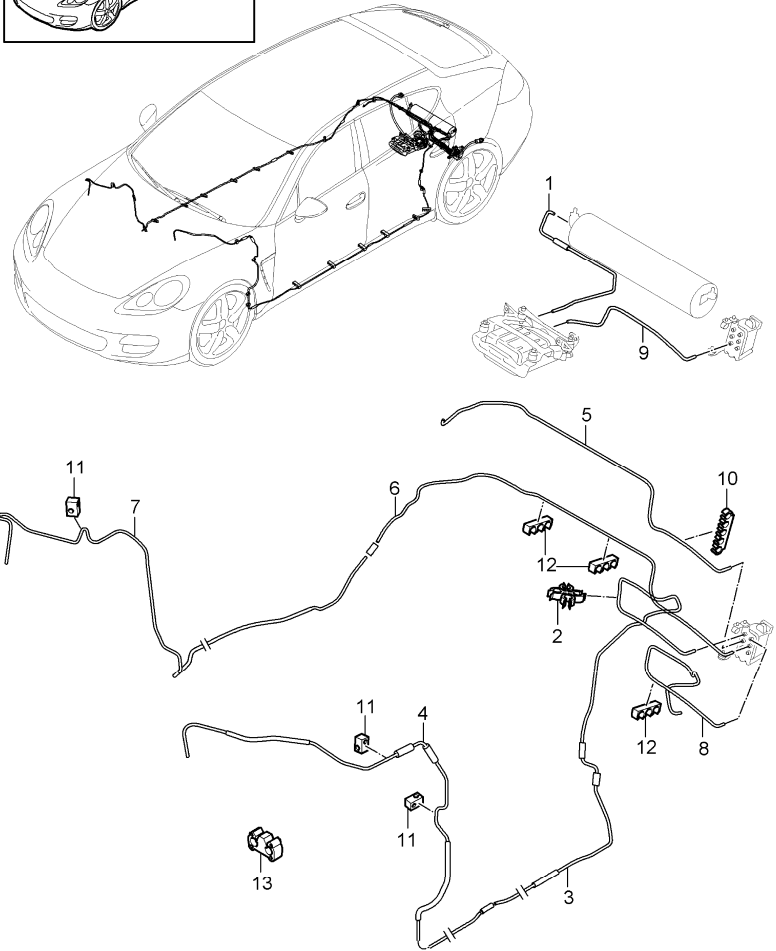
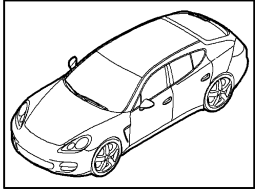
Pos	Part Number	Description	Remark	Qty	Model
		hydraulic unit anti-lock brake system control			
1	970 355 955 05	hydraulic unit		1	
2	900 385 060 01	screw M 6 X 10		3	
3	970 355 033 02	support hydraulic unit		1	
4	999 703 883 50	rubber mounting 10 X 22 X 5,0		3	
5	955 343 633 00	bearing sleeve		3	
6	900 378 318 01	combination screw M 6 X 30		3	
7	997 606 145 05	sensor		1	

Model	Year	MG	SG	Illustration	Restrictions	UPD	8:16	04.03.2010	PORSCHE	PET	PORSCHE
970	2010	6	06	606-00		248					



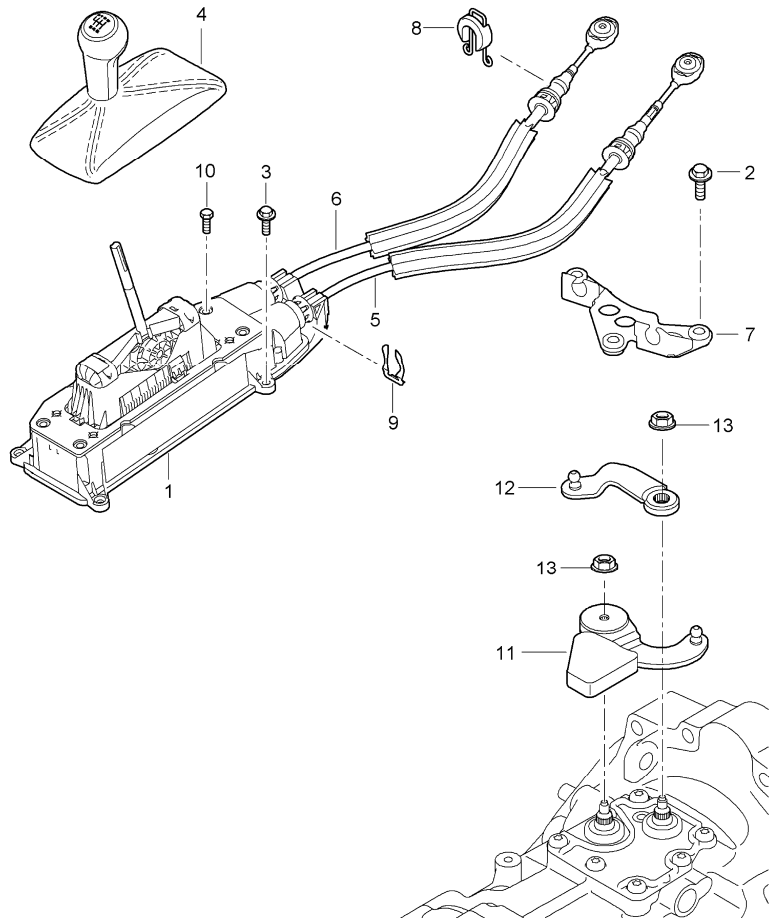
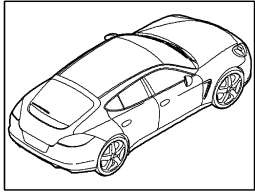
Pos	Part Number	Description	Remark	Qty	Model
		level adjustment compressor pressure accumulator acceleration sensor			I350/351
1	970 358 151 07	compressor complete		1	
2	970 358 902 00	set of fastening parts compressor		1	
-	900 385 009 01	torx screw M 6 X 16		4	
4	955 358 541 00	push-on connector		4	
5	970 358 153 02	control mechanism complete		1	
6	999 919 256 01	combination screw 5 X 35		3	
7	970 358 155 03	pressure accumulator		1	
8	964 356 635 00	rubber mounting		3	
9	955 343 633 00	bearing sleeve		3	
-	955 358 540 00	push-on connector		1	
-	999 507 799 40	cable holder 6,0		1	
10	999 919 269 01	combination screw 6 X 30		3	
11	970 358 273 03	pressure line		1	
-	999 591 623 40	fixing clip		1	
12	970 358 271 03	intake pipe		1	
13	955 358 521 00	fixing clip		1	

Model	Year	MG	SG	Illustration	Restrictions	UPD	8:16	04.03.2010	PORSCHE	PET	PORSCHE
970	2010	6	06	606-10		248					



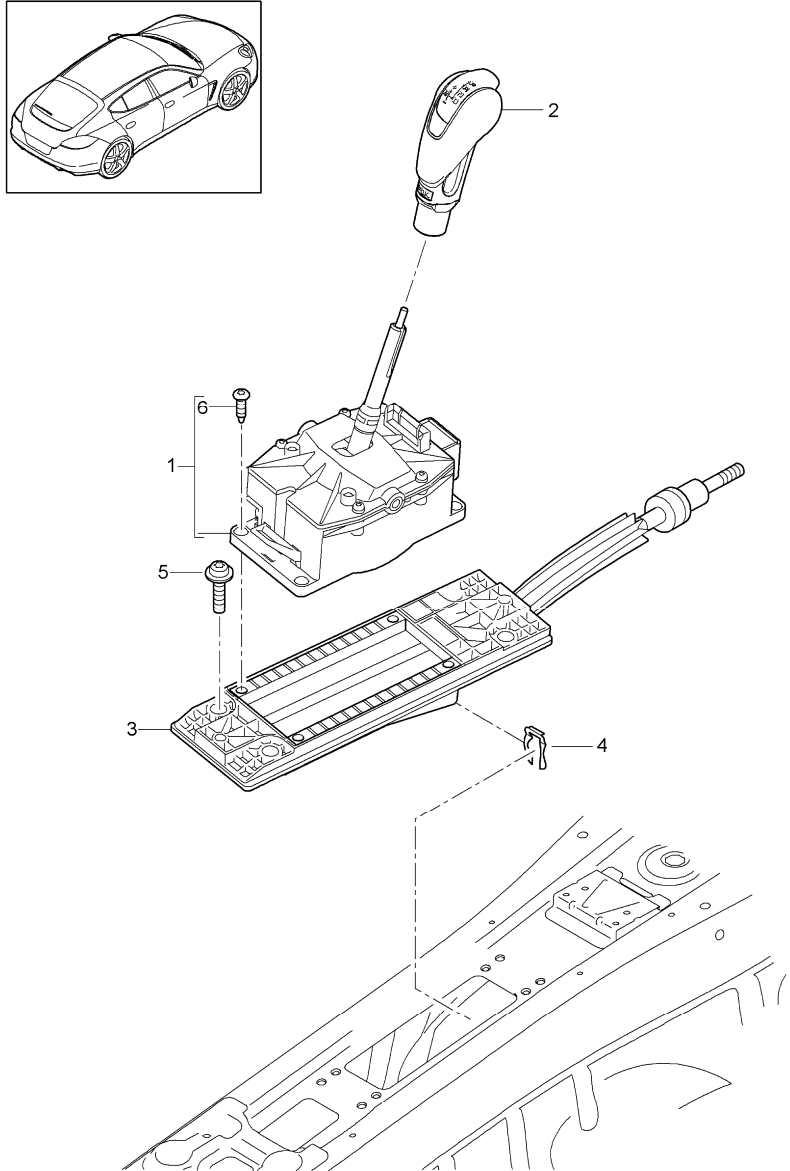
Pos	Part Number	Description	Remark	Qty	Model
		level adjustment lines			I350/351
1	970 358 113 03	line		1	
2	999 507 421 40	support 4,75 - 6,00		1	
3	970 358 175 05	air tube		1	
4	970 358 176 01	air tube		1	
5	970 358 181 04	air tube		1	
6	970 358 177 04	air tube		1	
7	970 358 178 02	air tube		1	
8	970 358 179 04	air tube		1	
9	970 358 111 03	line		1	
10	999 507 268 40	cable holder 5,0 - 6,0		1	
11	999 651 409 40	cable holder 4,75 - 6,00		13	I350
(11)	999 651 409 40	cable holder 4,75 - 6,00		8	I351
12	8K0 611 797 E	line bracket		16	
13	8K0 611 797 D	line bracket		1	

Model	Year	MG	SG	Illustration	Restrictions	UPD	8:16	04.03.2010	PORSCHE	PET	PORSCHE
970	2010	7	01	701-00		248					



Pos	Part Number	Description	Remark	Qty	Model
		transmission control manual transmission			I480
1	970 424 110 00	gearshift bracket		1	
2	N 101 069 05	combination screw M 8 X 32		3	
3	900 378 173 01	hexagon-head bolt M 6 X 20		4	
4	970 424 075 01	gearshift knob complete		1	
		DLL black galvano silver			
		DLM Platinum Grey galvano silver			
		DLN Luxor Beige galvano silver			
		DLO Yachting Blue galvano silver			
		DLR Espresso galvano silver			
		DLS Cognac galvano silver			
5	970 424 145 01	shift cable		1	
6	970 424 146 00	shift cable		1	
7	7PP 711 789	support		1	
8	1J0 711 280 C	lock		2	
9	999 166 091 01	lock 18,5		2	
10	900 385 058 01	screw M 6 X 20		4	
11	7PP 711 051	gearshift lever front		1	
12	7PP 711 202	reverse lever		1	
13	N 907 611 03	nut M 8		2	

Model	Year	MG	SG	Illustration	Restrictions	UPD	8:16	04.03.2010	PORSCHE	PET	PORSCHE
970	2010	7	01	701-05		248					

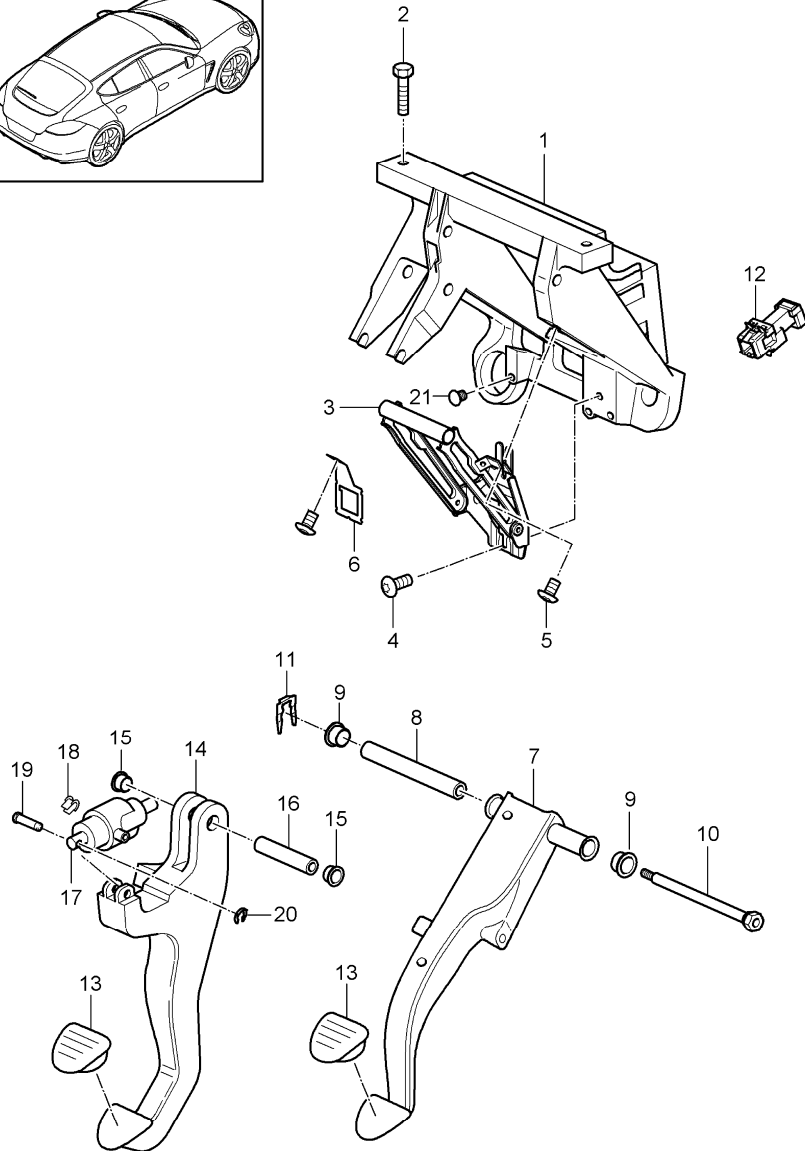
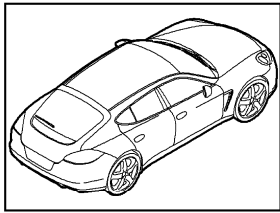


Pos	Part Number	Description	Remark	Qty	Model
		selector lever - pdk - transmission			I250
1	970 426 960 00	support assembly kit		1	
2	9G1 426 069 00	selector lever		1	
	DNM	black embossed galvano silver			
	DNN	Platinum Grey embossed galvano silver			
	DNO	Luxor Beige embossed galvano silver			
	DLC	black galvano silver			
	DLD	Platinum Grey galvano silver			
	DLE	Luxor Beige galvano silver			
	DLF	Yachting Blue galvano silver			
	DLJ	Espresso galvano silver			
	DLK	Cognac galvano silver			
(2)	9G1 426 980 00	selector lever		1	IXYA
	DLC	black galvano silver			
	7A0	Platinum Grey			
	9H6	Luxor Beige			
	6U7	Yachting Blue			
	8C0	Espresso			
	9EF	Cognac			
3	970 426 970 00	cable assembly kit		1	

Model	Year	MG	SG	Illustration	Restrictions	UPD	8:16	04.03.2010	PORSCHE	PET	PORSCHE
970	2010	7	01	701-05		248					

Pos	Part Number	Description	Remark	Qty	Model	Pos	Part Number	Description	Remark	Qty	Model
4	999 166 091 01	lock 18,5		1							
5	999 073 467 01	combination screw M 6 X 30		4							
6	999 919 272 01	lens-head screw M 5 X 20		4							

Model	Year	MG	SG	Illustration	Restrictions	UPD	8:16	04.03.2010	PORSCHE	PET	PORSCHE
970	2010	7	02	702-00		248					

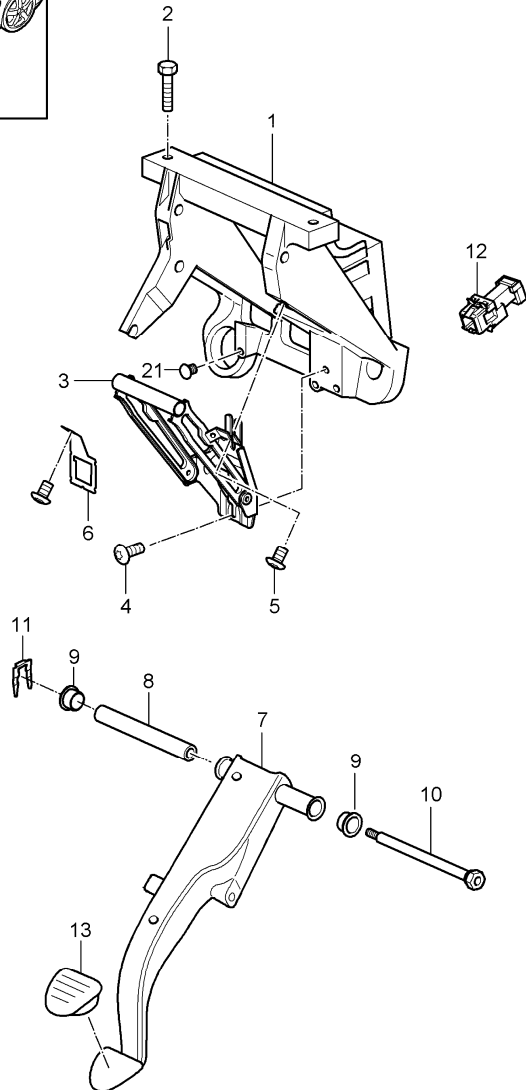
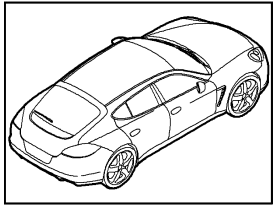


Pos	Part Number	Description	Remark	Qty	Model
		pedals manual transmission			I480
1	970 423 065 00	bearing bracket		1	
2	900 378 108 01	hexagon-head bolt M 8 X 35		2	
3	970 423 251 00	bracket		1	
4	999 919 164 09	oval-head screw 5,0 X 12,0		1	
5	999 919 159 09	oval-head screw 4,0 Xv 12,0		2	
6	970 423 531 00	support sensor brake pedal		1	
7	970 423 091 00	brake pedal	/LL	1	I098
(7)	970 423 092 00	brake pedal	/RL	1	I099
8	970 423 587 00	bearing sleeve		2	
9	1J0 721 165	mounting		1	
10	970 423 283 00	bearing pin brake pedal		1	
11	999 166 092 01	kl-lock KL 16		2	
12	970 606 451 00	sensor brake pedal		1	
13	997 423 910 00	pedal cap		2	
14	970 423 069 00	clutch pedal	/LL	1	I098
(14)	970 423 070 00	clutch pedal	/RL	1	I099
15	970 423 587 00	bearing sleeve		2	
16	970 423 581 00	bearing pin clutch pedal		1	
17	955 423 081 20	clutch power spring		1	
18	955 423 581 00	bearing shell		2	
19	996 423 315 06	bolt		1	
20	999 166 022 01	kl-lock KL 8		1	

Model	Year	MG	SG	Illustration	Restrictions	UPD	8:16	04.03.2010	PORSCHE	PET	PORSCHE
970	2010	7	02	702-00		248					

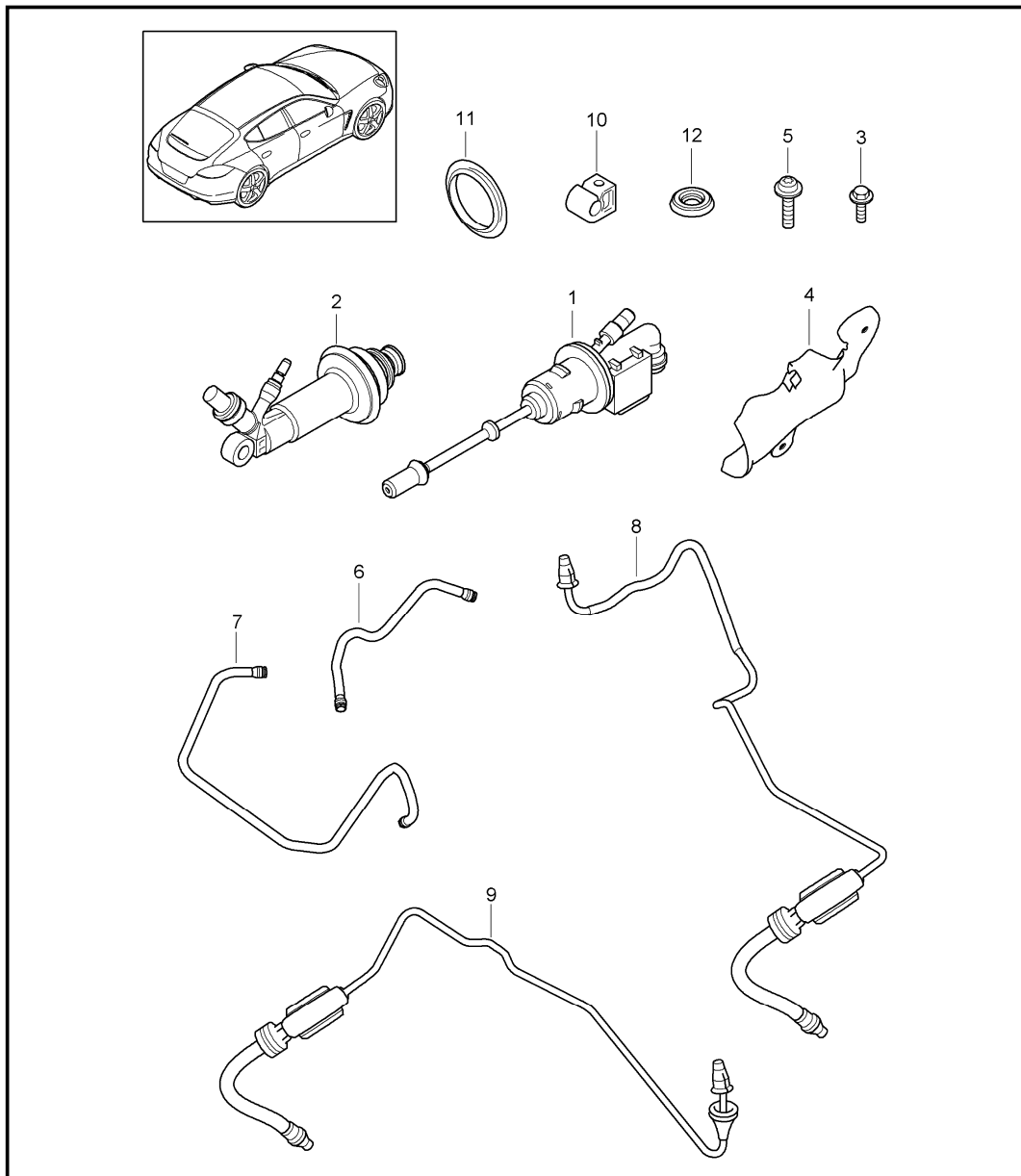
Pos	Part Number	Description	Remark	Qty	Model	Pos	Part Number	Description	Remark	Qty	Model
21	955 423 720 00	rubber stop		1							

Model	Year	MG	SG	Illustration	Restrictions	UPD	8:17	04.03.2010	PORSCHE	PET	PORSCHE
970	2010	7	02	702-05		248					



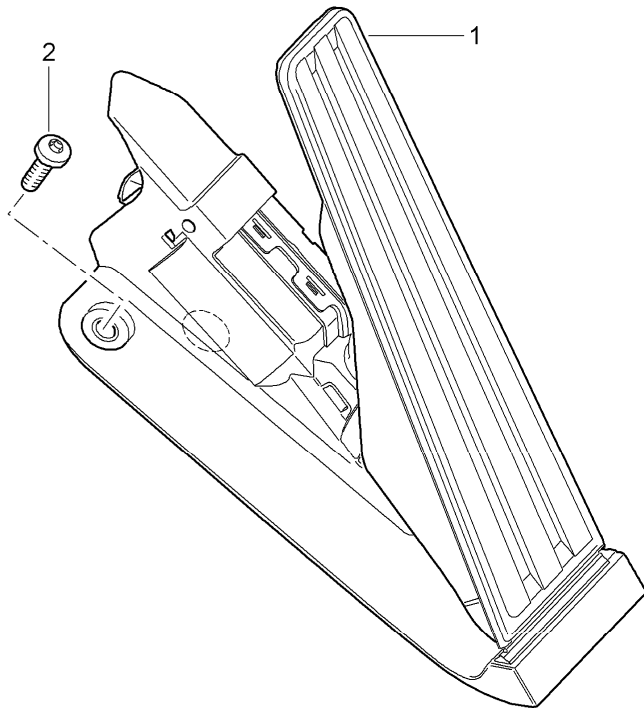
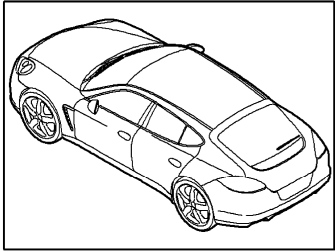
Pos	Part Number	Description	Remark	Qty	Model
		pedals - pdk - transmission			I250
1	970 423 065 01	bearing bracket		1	
2	900 378 108 01	hexagon-head bolt M 8 X 35		2	
3	970 423 251 00	bracket		1	
4	999 919 164 09	oval-head screw 5,0 X 12,0		1	
5	999 919 159 09	oval-head screw 4,0 X 12,0		2	
6	970 423 531 00	support sensor brake pedal		1	
7	970 423 091 01	brake pedal	/LL	1	I098
(7)	970 423 092 01	brake pedal	/RL	1	I099
8	970 423 587 00	bearing sleeve		2	
9	1J0 721 165	mounting		1	
10	997 423 912 00	pedal cap		1	
11	970 423 283 00	bearing pin brake pedal		1	
12	999 166 092 01	kl-lock KL 16		1	
13	970 606 451 00	sensor brake pedal		1	

Model	Year	MG	SG	Illustration	Restrictions	UPD	8:17	04.03.2010	PORSCHE	PET	PORSCHE
970	2010	7	02	702-10		248					



Pos	Part Number	Description	Remark	Qty	Model
		clutch actuation clutch master cylinder clutch pipeline			
1	7PP 721 401	clutch master cylinder		1	I480
2	955 116 237 01	clutch operating cylinder		1	I480
3	N 101 560 09	hexagon-head bolt M 8 X 25		1	I480
4	970 423 455 02	heat protection clutch operating cylinder		1	I480
5	900 385 041 01	torx screw M 6 X 12		3	I480
6	970 423 137 01	line	/LL	1	I098/480
7	970 423 138 00	line	/RL	1	I099/480
8	970 423 107 04	clutch pipeline	/LL	1	I098/480
9	970 423 108 02	clutch pipeline	/RL	1	I099/480
10	999 651 409 40	cable holder 4,75 - 6,00		1	I480
11	970 423 191 00	lid		1	I250
12	803 803 583 A	lid		1	I250

Model	Year	MG	SG	Illustration	Restrictions	UPD	8:17	04.03.2010	PORSCHE	PET	PORSCHE
970	2010	7	02	702-15		248					

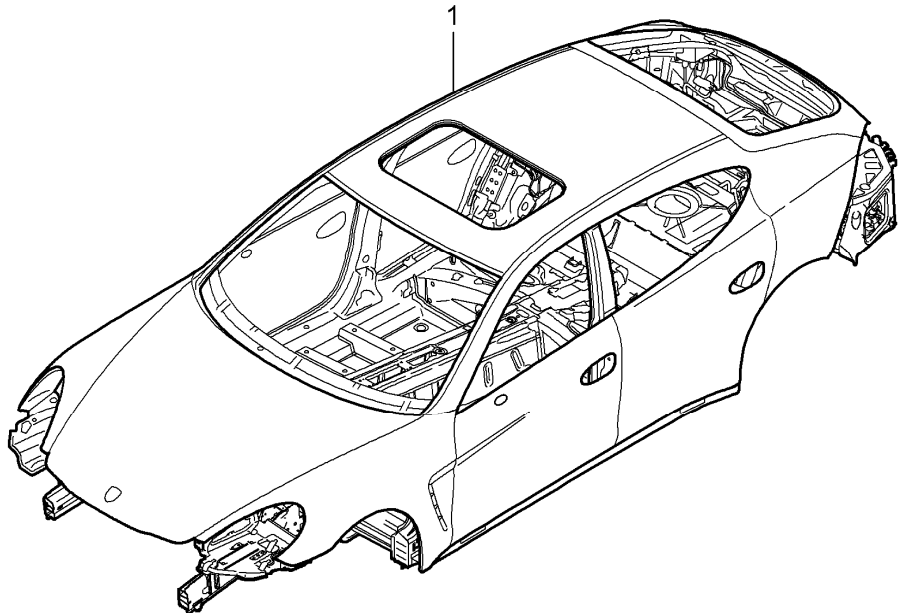


Pos	Part Number	Description	Remark	Qty	Model
		pedals accelerator control			
1	970 423 019 00	accelerator control		1	I480
(1)	970 423 021 00	accelerator control		1	I250
2	999 073 344 02	lens-head screw M 6 X 20		1	

Model	Year	MG	SG	Illustration	Restrictions	UPD	8:17	04.03.2010	PORSCHE	PET	PORSCHE
970	2010	8	01	801-00		248					

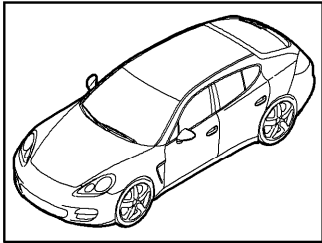
B — WPOZZZ **97 z ALOXXXXX**
 C — **970 120**
 Mxxxx-xxx GXXXX
 G — **L6BD R9**
 D — C00 267 268 425 437
 E — 438 446 454 537 610
 635 640 650 666 670
 F — 00641 20772

A

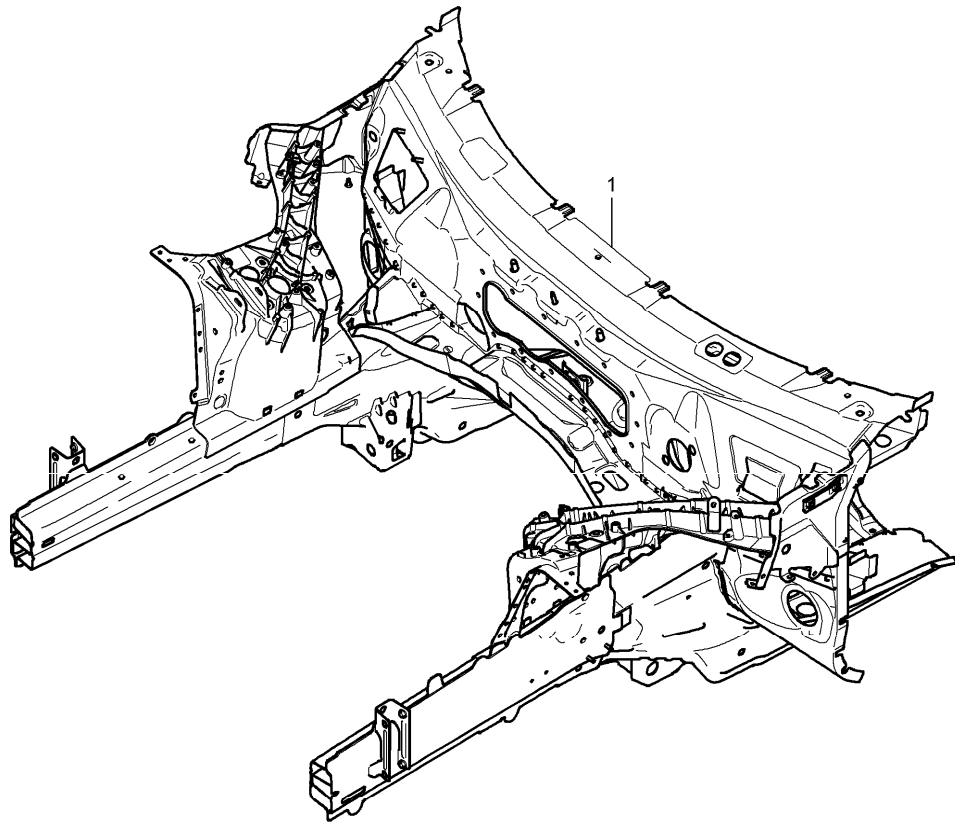


Pos	Part Number	Description	Remark	Qty	Model
		body in white prime coated sealed with underbody protection with doors/lids/wings			
		bodyshells can only only available from current model year available			
		the data required for your order can be found on the vehicle data carrier in on-board folder please indicate this data in your order			
A	-	vehicle data carrier			
B	-	vehicle identification no.			
C	-	order type			
D	-	country equipment			
E	-	optional extras			
F	-	additional applications			
G	-	indicate colour			
1	970 500 900 00	body in white		1	
	GRV	prime coated			

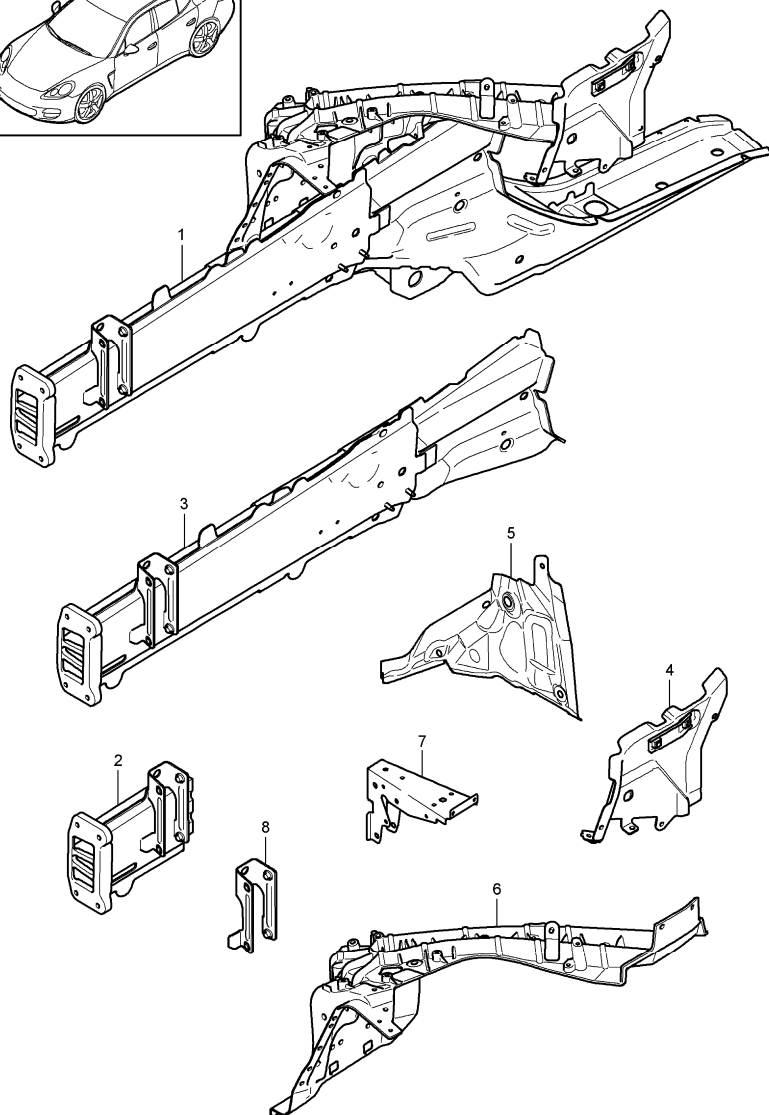
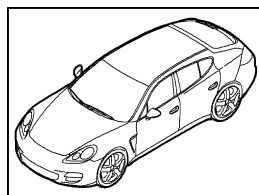
Model	Year	MG	SG	Illustration	Restrictions	UPD	8:17	04.03.2010	PORSCHE	PET	PORSCHE
970	2010	8	01	801-05		248					



Pos	Part Number	Description	Remark	Qty	Model
		body front section			
1	970 501 911 00	body front section	/LL	1	
	GRV	prime coated			
1	970 501 912 00	body front section	/RL	1	
	GRV	prime coated			



Model	Year	MG	SG	Illustration	Restrictions	UPD	8:17	04.03.2010	PORSCHE	PET	PORSCHE
970	2010	8	01	801-10		248					

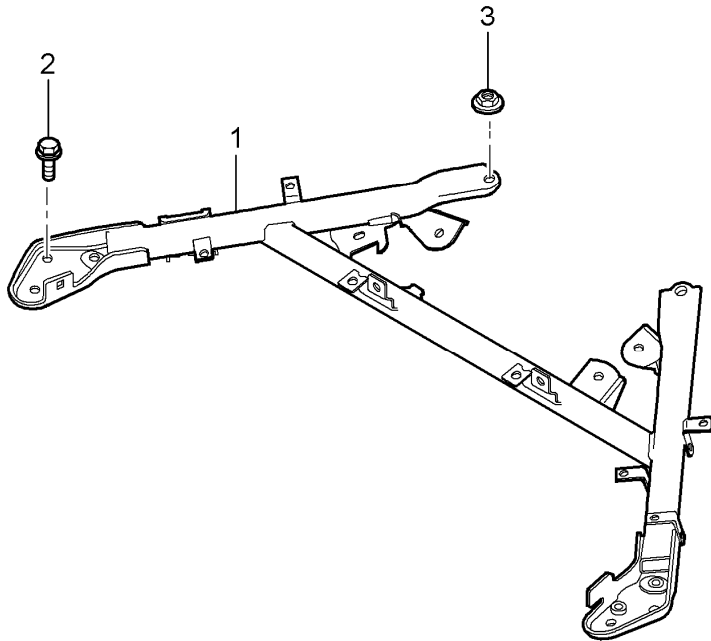
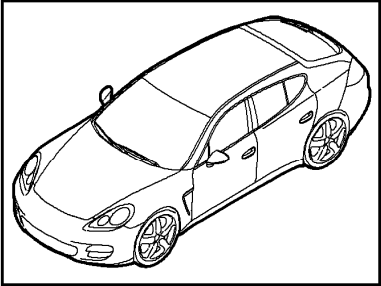


Pos	Part Number	Description	Remark	Qty	Model
		body front section single parts			
1	970 501 905 00	side member	/L	1	
	GRV	prime coated			
(1)	970 501 906 00	side member	/R	1	
	GRV	prime coated			
2	970 501 903 00	side member	/L	1	
	GRV	prime coated sub-part			
(2)	970 501 904 00	side member	/R	1	
	GRV	prime coated sub-part			
3	970 501 913 00	side member	/L	1	
	GRV	prime coated sub-part			
(3)	970 501 914 00	side member	/R	1	
	GRV	prime coated sub-part			
4	970 501 143 02	side member	/L	1	
	GRV	prime coated upper			
(4)	970 501 144 02	side member	/R	1	
	GRV	prime coated upper			
5	970 501 935 00	wheel housing	/L	1	
	GRV	prime coated			
(5)	970 501 936 00	wheel housing	/R	1	
	GRV	prime coated			
6	970 501 927 00	mounting	/L	1	
	GRV	prime coated spring strut			
(6)	970 501 928 00	mounting	/R	1	

Model	Year	MG	SG	Illustration	Restrictions	UPD	8:17	04.03.2010	PORSCHE	PET	PORSCHE
970	2010	8	01	801-10		248					

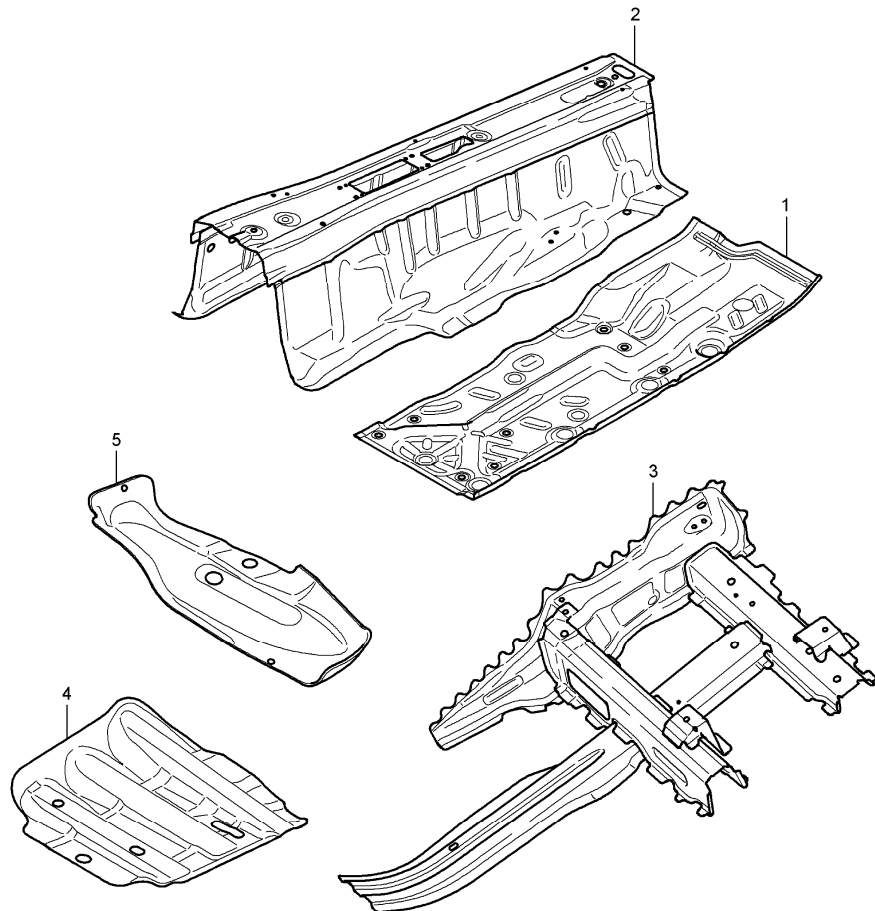
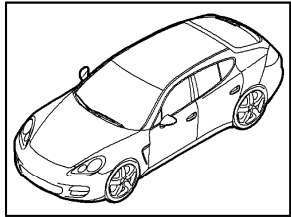
Pos	Part Number	Description	Remark	Qty	Model	Pos	Part Number	Description	Remark	Qty	Model
		GRV prime coated spring strut									
7	970 504 355 02	bracket	/L	1							
		GRV prime coated headlamp casing									
(7)	970 504 356 02	bracket	/R	1							
		GRV prime coated headlamp casing									
8	970 501 541 01	mounting		2							
		GRV prime coated wing									

Model	Year	MG	SG	Illustration	Restrictions	UPD	8:18	04.03.2010	PORSCHE	PET	PORSCHE
970	2010	8	01	801-15		248					



Pos	Part Number	Description	Remark	Qty	Model
		dome strut			
1	970 504 233 04	dome strut	/LL	1	
(1)	970 504 233 06	dome strut	/RL	1	
2	N 904 400 03	combination screw M8x35		4	
3	900 377 011 01	hexagon nut M10		2	

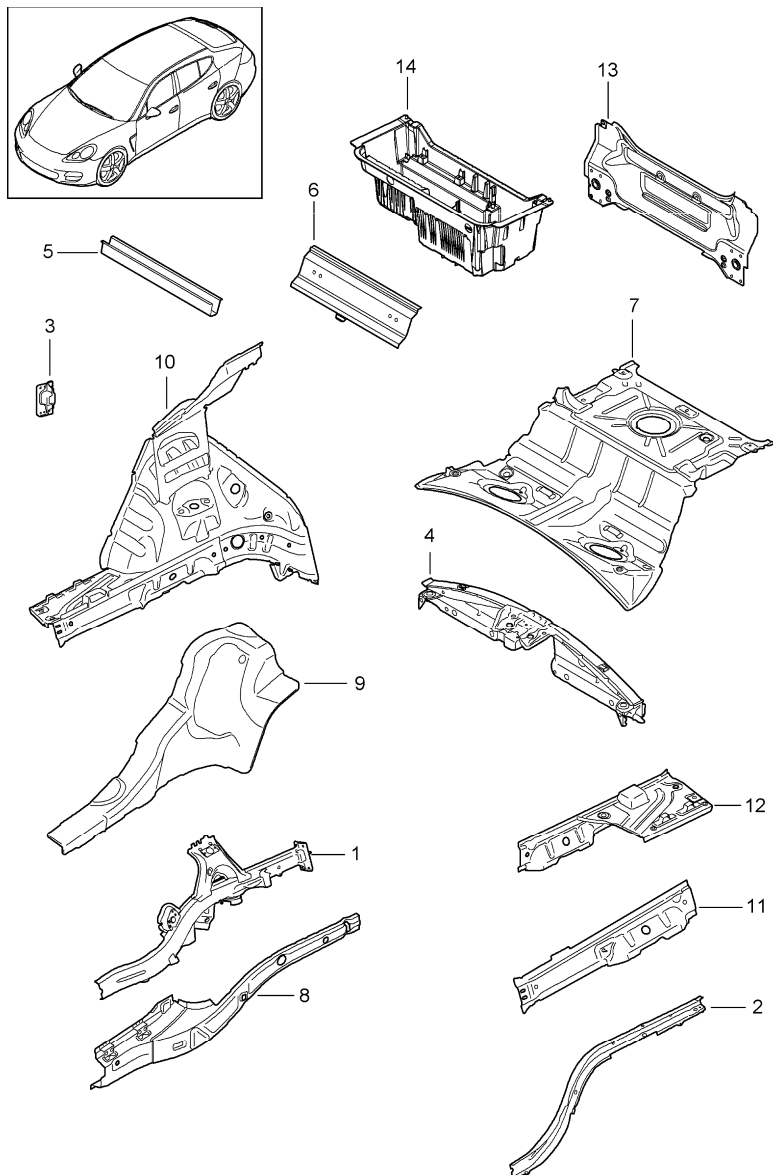
Model	Year	MG	SG	Illustration	Restrictions	UPD	8:18	04.03.2010	PORSCHE	PET	PORSCHE
970	2010	8	01	801-20		248					



Pos	Part Number	Description	Remark	Qty	Model
		floor			
1	970 501 951 00	floor	/L	1	
	GRV	prime coated			
(1)	970 501 952 00	floor	/R	1	
	GRV	prime coated			
2	970 501 909 00	tunnel		1	
	GRV	prime coated			
3	970 501 953 00	seat support	/L	1	
	GRV	prime coated front			
(2)	970 501 954 00	seat support	/R	1	
	GRV	prime coated front			
4	970 501 633 00	reinforcement	/L	1	
	GRV	prime coated front			
(4)	970 501 634 00	reinforcement	/R	1	
	GRV	prime coated front			
5	970 501 663 00	reinforcement	/L	1	
	GRV	prime coated rear			
(5)	970 501 664 00	reinforcement	/R	1	
	GRV	prime coated rear			

Model	Year	MG	SG	Illustration	Restrictions	UPD	8:18	04.03.2010	PORSCHE	PET	PORSCHE
970	2010	8	01	801-35		248					

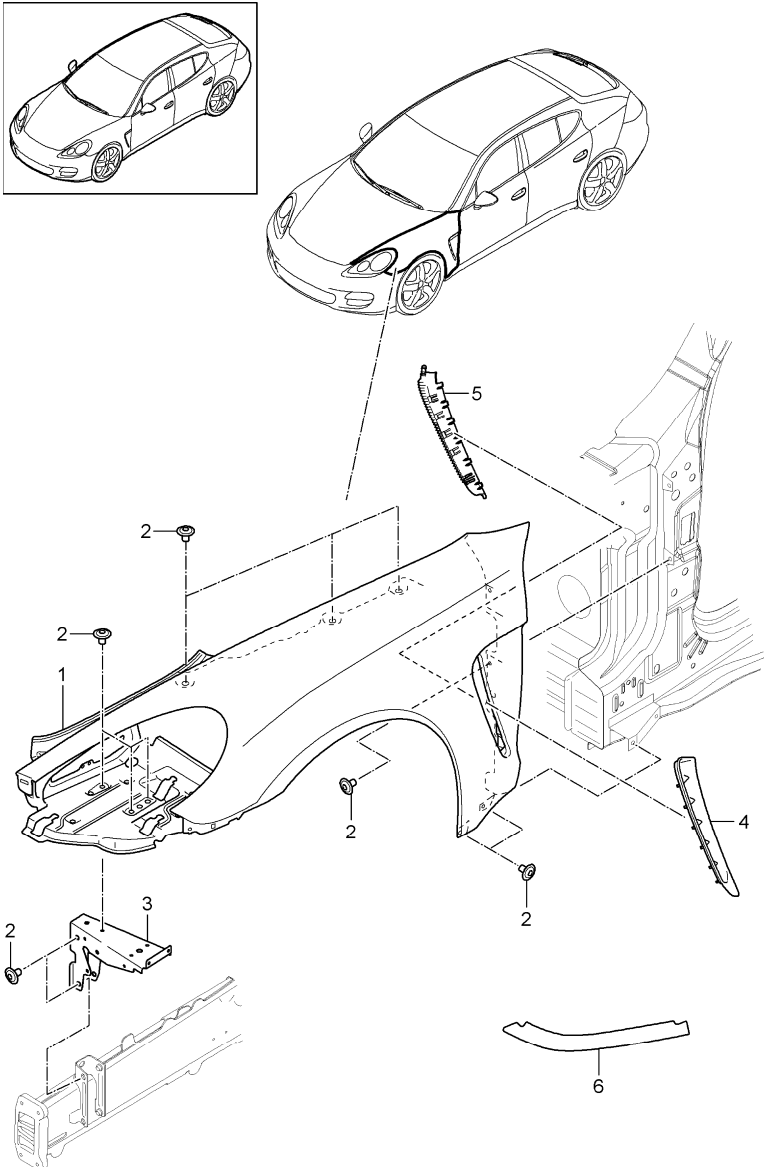
Pos	Part Number	Description	Remark	Qty	Model
1	970 501 177 03	rear end side member GRV prime coated	/L	1	
(1)	970 501 178 03	side member GRV prime coated	/R	1	
2	970 501 907 00	side member GRV prime coated sub-part	/L	1	
(2)	970 501 908 00	side member GRV prime coated sub-part	/R	1	
3	970 501 277 00	mounting GRV prime coated	/L	1	
(3)	970 501 278 00	mounting GRV prime coated	/R	1	
4	970 501 331 02	heel plate GRV prime coated		1	
5	970 501 575 00	cross member GRV prime coated rear axle		1	
6	970 501 555 00	cross member GRV prime coated seat well		1	
7	970 501 449 02	seat well GRV prime coated		1	
8	970 501 423 00	reinforcement GRV prime coated inner	/L	1	
(8)	970 501 424 00	reinforcement GRV prime coated inner	/R	1	
9	970 501 743 01	support	/L	1	



Model	Year	MG	SG	Illustration	Restrictions	UPD	8:18	04.03.2010	PORSCHE	PET	PORSCHE
970	2010	8	01	801-35		248					

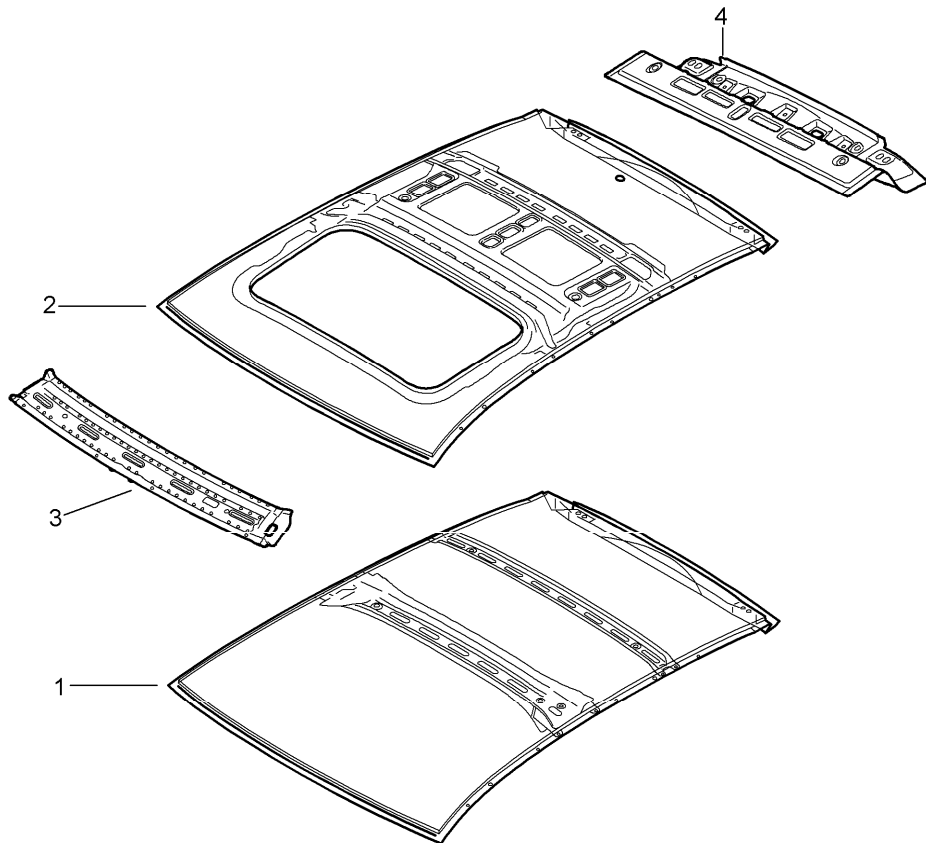
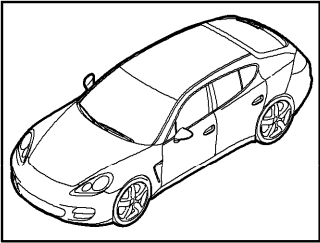
Pos	Part Number	Description	Remark	Qty	Model	Pos	Part Number	Description	Remark	Qty	Model
(9)	970 501 744 01	GRV prime coated bracket support	/R	1							
10	970 501 183 02	GRV prime coated bracket wheel housing	/L	1							
(10)	970 501 184 01	GRV prime coated inner wheel housing	/R	1							
11	970 501 495 01	GRV prime coated inner bracket	/L	1							
(11)	970 501 496 01	GRV prime coated outer bracket	/R	1							
12	970 501 915 00	GRV prime coated floor section	/L	1							
(12)	970 501 916 00	GRV prime coated floor section	/R	1							
13	970 501 373 00	GRV prime coated terminal piece		1							
14	970 504 079 00	GRV prime coated luggage compartment liner plastic material		1							

Model	Year	MG	SG	Illustration	Restrictions	UPD	8:18	04.03.2010	PORSCHE	PET	PORSCHE
970	2010	8	01	801-40		248					



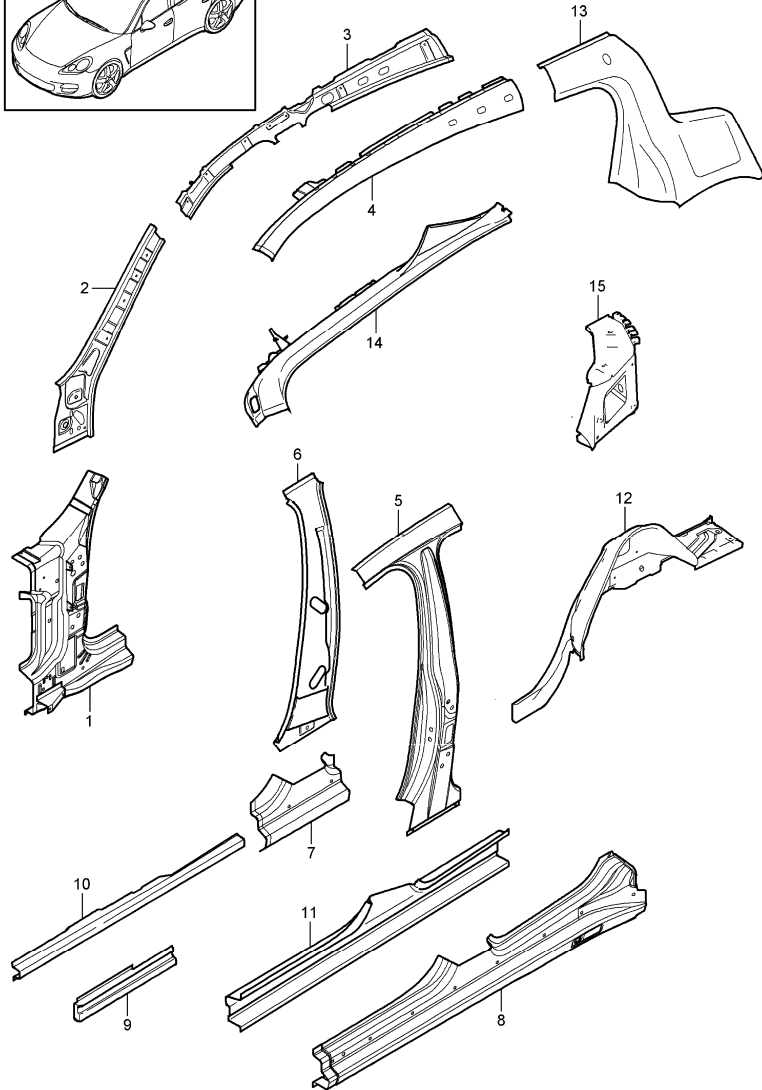
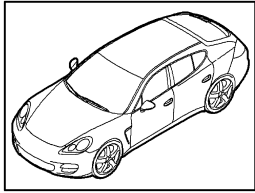
Pos	Part Number	Description	Remark	Qty	Model
1	970 503 031 01	wing	/L	1	
	GRV	prime coated			
(1)	970 503 032 01	wing	/R	1	
	GRV	prime coated			
2	900 075 510 01	combination screw M6 X 20		28	
3	970 504 355 02	bracket	/L	1	
	GRV	prime coated			
(3)	970 504 356 02	bracket	/R	1	
	GRV	prime coated			
4	970 504 633 00	cover	/L	1	S
	1E0	black			
(4)	970 504 634 00	cover	/R	1	S
	1E0	black			
(4)	970 504 633 01	cover	/L	1	Turbo
	V09	Alushine			
(4)	970 504 634 01	cover	/R	1	Turbo
	V09	Alushine			
5	970 504 353 00	closing element	/L	1	
	1E0	black			
(5)	970 504 354 00	closing element	/R	1	
	1E0	black			
6	970 504 531 00	protective film	/L	1	
(6)	970 504 532 00	protective film	/R	1	

Model	Year	MG	SG	Illustration	Restrictions	UPD	8:18	04.03.2010	PORSCHE	PET	PORSCHE
970	2010	8	01	801-45		248					



Pos	Part Number	Description	Remark	Qty	Model
1	970 503 087 00	roof cowl		1	I652
	GRV	prime coated			
2	970 503 087 01	roof		1	I650
	GRV	prime coated			
(2)	970 503 087 04	roof		1	I650/686
	GRV	prime coated			
3	970 502 329 00	cowl		1	
	GRV	prime coated			
4	970 502 339 00	roof frame		1	
	GRV	prime coated			
--	999 500 165 01	blind rivet nut for roof transport system		4	
--	N 902 876 01	blind rivet for roof frame		8	

Model	Year	MG	SG	Illustration	Restrictions	UPD	8:19	04.03.2010	PORSCHE	PET	PORSCHE
970	2010	8	01	801-50		248					

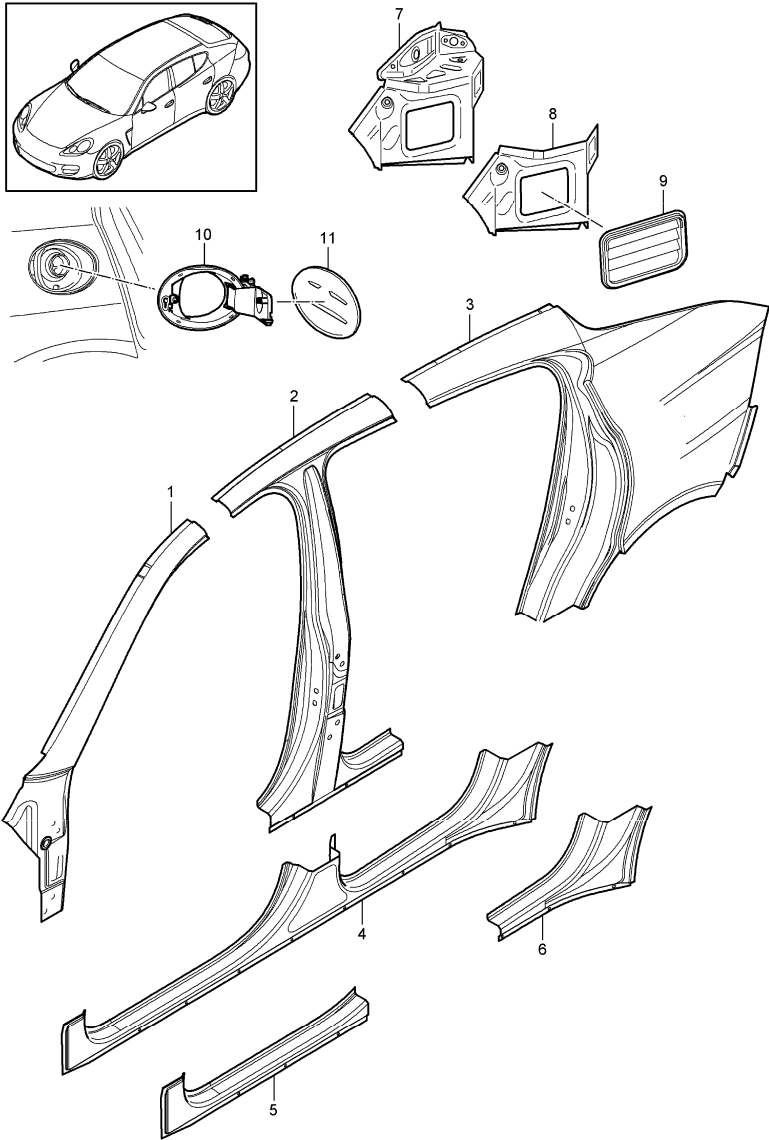


Pos	Part Number	Description	Remark	Qty	Model
		side section inner			
1	970 502 135 03	hinge pillar	/L	1	
	GRV	prime coated			
(1)	970 502 136 03	hinge pillar	/R	1	
	GRV	prime coated			
2	970 502 437 02	a-pillar	/L	1	
	GRV	prime coated			
(2)	970 502 438 02	a-pillar	/R	1	
	GRV	prime coated			
3	970 502 353 00	roof frame	/L	1	
	GRV	prime coated			
(3)	970 502 354 00	roof frame	/R	1	
	GRV	prime coated			
4	970 502 869 00	reinforcement	/L	1	
	GRV	prime coated			
(4)	970 502 870 00	reinforcement	/R	1	
	GRV	prime coated			
5	970 502 245 01	b-pillar	/L	1	
	GRV	prime coated			
(5)	970 502 246 01	b-pillar	/R	1	
	GRV	prime coated			
6	970 502 495 02	b-pillar	/L	1	
	GRV	prime coated inner			
(6)	970 502 496 02	b-pillar	/R	1	
	GRV	prime coated inner			
7	970 501 337 02	hinge pillar	/L	1	
	GRV	prime coated inner			

Model	Year	MG	SG	Illustration	Restrictions	UPD	8:19	04.03.2010	PORSCHE	PET	PORSCHE
970	2010	8	01	801-50		248					

Pos	Part Number	Description	Remark	Qty	Model	Pos	Part Number	Description	Remark	Qty	Model
(7)	970 501 338 02	hinge pillar	/R	1		(14)	970 502 366 00	sealing channel	/R	1	
	GRV	prime coated inner					GRV	prime coated			
8	970 502 163 00	door sill	/L	1		15	970 502 961 00	frame	/L	1	
	GRV	prime coated					GRV	prime coated			
(8)	970 502 164 00	door sill	/R	1		(15)	970 502 962 01	frame	/R	1	
	GRV	prime coated					GRV	prime coated			
9	970 502 685 01	reinforcement	/L	1							
	GRV	prime coated									
(9)	970 502 686 01	reinforcement	/R	1							
	GRV	prime coated									
10	970 502 683 01	reinforcement	/L	1							
	GRV	prime coated									
(10)	970 502 684 01	reinforcement	/R	1							
	GRV	prime coated									
11	970 501 457 01	side member	/L	1							
	GRV	prime coated									
(11)	970 501 458 01	side member	/R	1							
	GRV	prime coated									
12	970 502 415 01	wheel housing	/L	1							
	GRV	prime coated									
(12)	970 502 416 01	wheel housing	/R	1							
	GRV	prime coated									
13	970 502 747 00	c-pillar	/L	1							
	GRV	prime coated									
(13)	970 502 748 00	c-pillar	/R	1							
	GRV	prime coated									
14	970 502 365 00	sealing channel	/L	1							
	GRV	prime coated									

Model	Year	MG	SG	Illustration	Restrictions	UPD	8:19	04.03.2010	PORSCHE	PET	PORSCHE
970	2010	8	01	801-55		248					

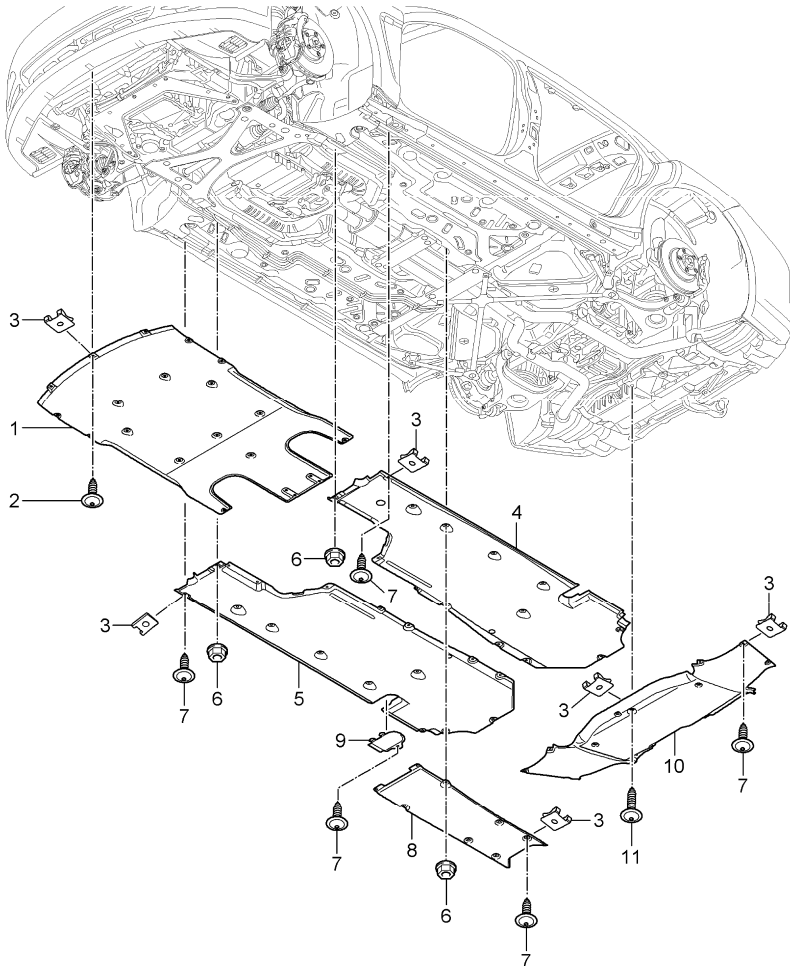
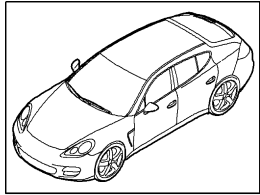


Pos	Part Number	Description	Remark	Qty	Model
		side section outer			
1	970 503 961 00	a-pillar	/L	1	
	GRV	prime coated			
(1)	970 503 962 00	a-pillar	/R	1	
	GRV	prime coated			
2	970 503 963 00	b-pillar	/L	1	
	GRV	prime coated			
(2)	970 503 964 00	b-pillar	/R	1	
	GRV	prime coated			
3	970 503 965 00	c-pillar	/L	1	
	GRV	prime coated			
(3)	970 503 966 00	c-pillar	/R	1	
	GRV	prime coated			
4	970 503 967 00	door sill	/L	1	
	GRV	prime coated			
(4)	970 503 968 00	door sill	/R	1	
	GRV	prime coated			
5	970 503 969 00	door sill	/L/V	1	
	GRV	prime coated			
(5)	970 503 970 00	door sill	/R/V	1	
	GRV	prime coated			
6	970 503 971 00	door sill	/L/H	1	
	GRV	prime coated			
(6)	970 503 972 00	door sill	/R/H	1	
	GRV	prime coated			
7	970 502 961 00	frame	/L	1	
	GRV	prime coated			
(7)	970 502 962 01	frame	/R	1	

Model	Year	MG	SG	Illustration	Restrictions	UPD	8:19	04.03.2010	PORSCHE	PET	PORSCHE
970	2010	8	01	801-55		248					

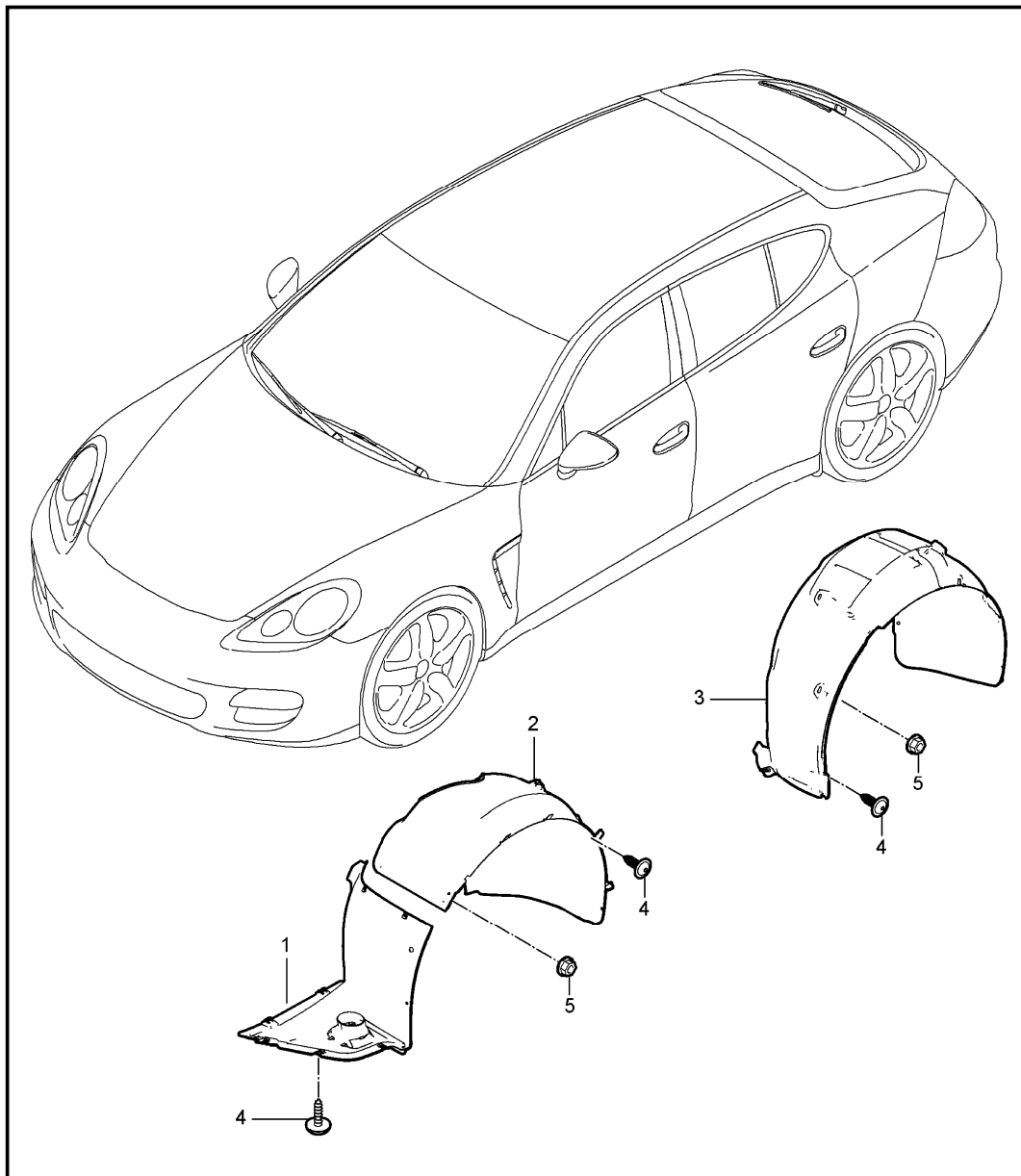
Pos	Part Number	Description	Remark	Qty	Model	Pos	Part Number	Description	Remark	Qty	Model
		GRV prime coated									
8	970 502 351 00	corner panel	/L	1							
		GRV prime coated									
(8)	970 502 352 00	corner panel	/R	1							
		GRV prime coated									
9	7PP 819 181	frame bleeding		2							
10	970 504 194 03	cup fuel filler flap		1							
11	970 504 794 00	fuel filler flap		1							
		G2X prime coated									
-	970 201 862 00	emergency operation fuel filler flap		1							

Model	Year	MG	SG	Illustration	Restrictions	UPD	8:19	04.03.2010	PORSCHE	PET	PORSCHE
970	2010	8	01	801-70		248					



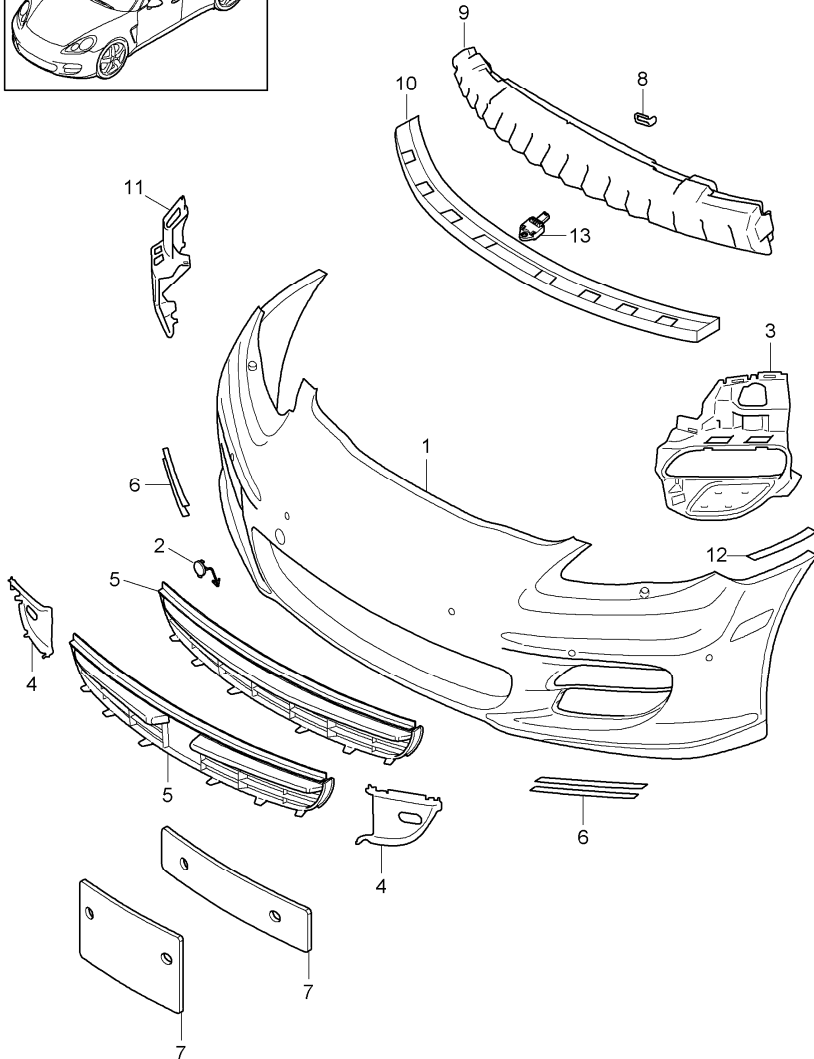
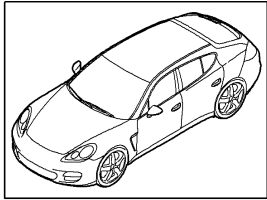
Pos	Part Number	Description	Remark	Qty	Model
		lining underbody			
1	970 504 117 00	lining front		1	I250
(1)	970 504 117 01	lining front		1	I480
2	999 073 491 01	tapping screw St 4,8x18		19	
3	999 507 795 09	speed nut St 4,8		X	
4	970 504 121 04	lining	/L	1	
(4)	970 504 121 05	lining	/L	1	I850
5	970 504 122 02	lining	/R	1	
6	999 049 007 40	plastic nut T5		X	
7	999 073 231 09	tapping screw St4,8x16		X	
8	970 504 335 01	lining tunnel		1	
9	970 504 525 00	lid	/L	1	
(9)	970 504 526 00	lid	/R	1	
10	970 504 115 03	lining rear		1	
(10)	970 504 115 04	lining rear		1	I206
11	N 910 343 01	oval-head screw M 6,0x20,0		3	
-	970 504 623 01	reinforcement tunnel		1	

Model	Year	MG	SG	Illustration	Restrictions	UPD	8:19	04.03.2010	PORSCHE	PET	PORSCHE
970	2010	8	01	801-75		248					



Pos	Part Number	Description	Remark	Qty	Model
		lining wheel housing			
1	970 504 123 08	wheel-housing liner front	/L/V	1	S
(1)	970 504 124 08	wheel-housing liner front	/R/V	1	S
(1)	970 504 123 06	wheel-housing liner front	/L/V	1	Turbo
(1)	970 504 124 06	wheel-housing liner front	/R/V	1	Turbo
(1)	970 504 123 07	wheel-housing liner front	/L/V	1	Turbo I450
(1)	970 504 124 07	wheel-housing liner front	/R/V	1	Turbo I450
2	970 504 125 01	wheel-housing liner front	/L/H	1	
(2)	970 504 126 01	wheel-housing liner front	/R/H	1	
3	970 504 133 01	wheel-housing liner rear	/L	1	
(3)	970 504 134 01	wheel-housing liner rear	/R	1	
4	999 073 231 09	tapping screw ST 4,8X16-C		X	
5	999 049 007 40	plastic nut T5		X	

Model	Year	MG	SG	Illustration	Restrictions	UPD	8:19	04.03.2010	PORSCHE	PET	PORSCHE
970	2010	8	02	802-00		248					

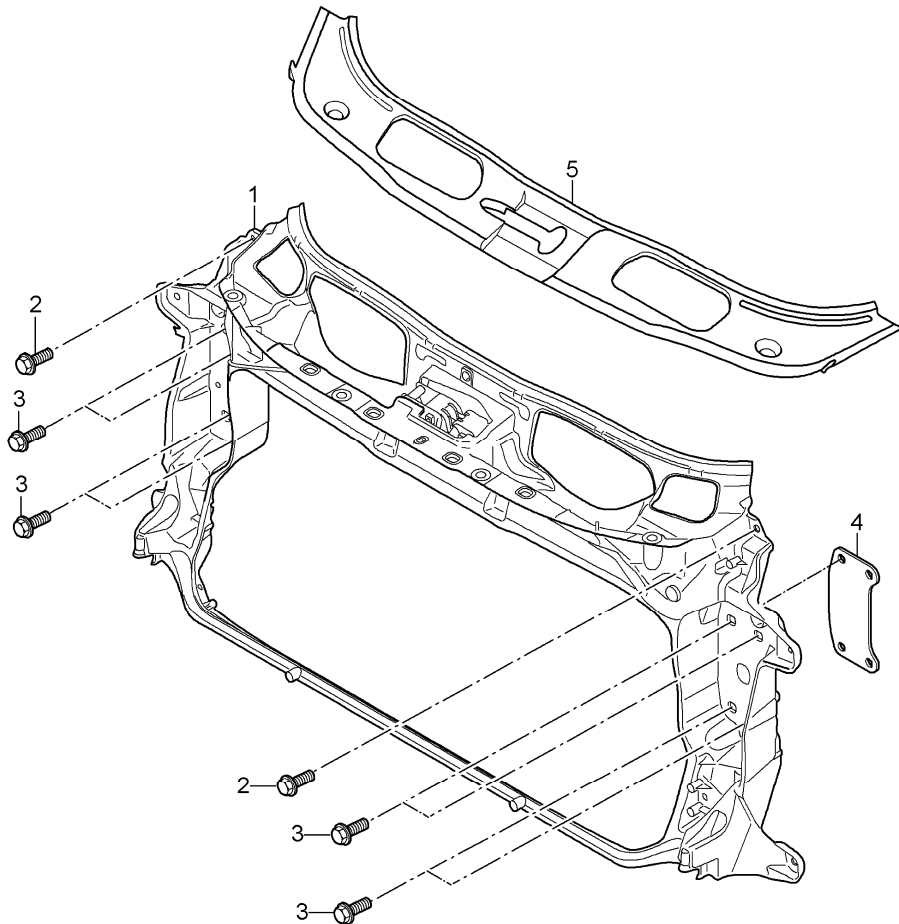
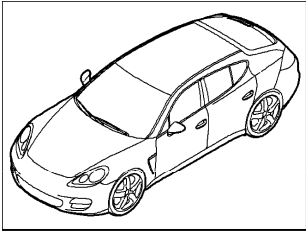


Pos	Part Number	Description	Remark	Qty	Model
		bumper front			
(1)	970 505 911 01	lining		1	S I288
(1)	970 505 911 03	lining		1	S I288/636/638
(1)	970 505 911 08	lining		1	Turbo I288/636/638
2	970 505 703 00	cover towing lug		1	
		G2L prime coated			
-	999 073 448 01	screw for lining		4	
-	996 641 142 00	temperature sensor for ambient temperature gauge		1	
-	3C0 919 275 S	sensor ParkAssist		6	
		G2L prime coated			
-	7PP 919 133	gasket sensor ParkAssist		1	
3	970 505 563 00	retaining frame	/L	1	S
		1E0 black			
(3)	970 505 564 00	retaining frame	/R	1	S
		1E0 black			
(3)	970 505 563 01	retaining frame	/L	1	Turbo
		1E0 black			
(3)	970 505 564 01	retaining frame	/R	1	Turbo
		1E0 black			
4	970 505 543 02	cover retaining frame	/L	1	S
		1E0 black			
4	970 505 544 02	cover retaining frame	/R	1	

Model	Year	MG	SG	Illustration	Restrictions	UPD	8:19	04.03.2010	PORSCHE	PET	PORSCHE
970	2010	8	02	802-00		248					

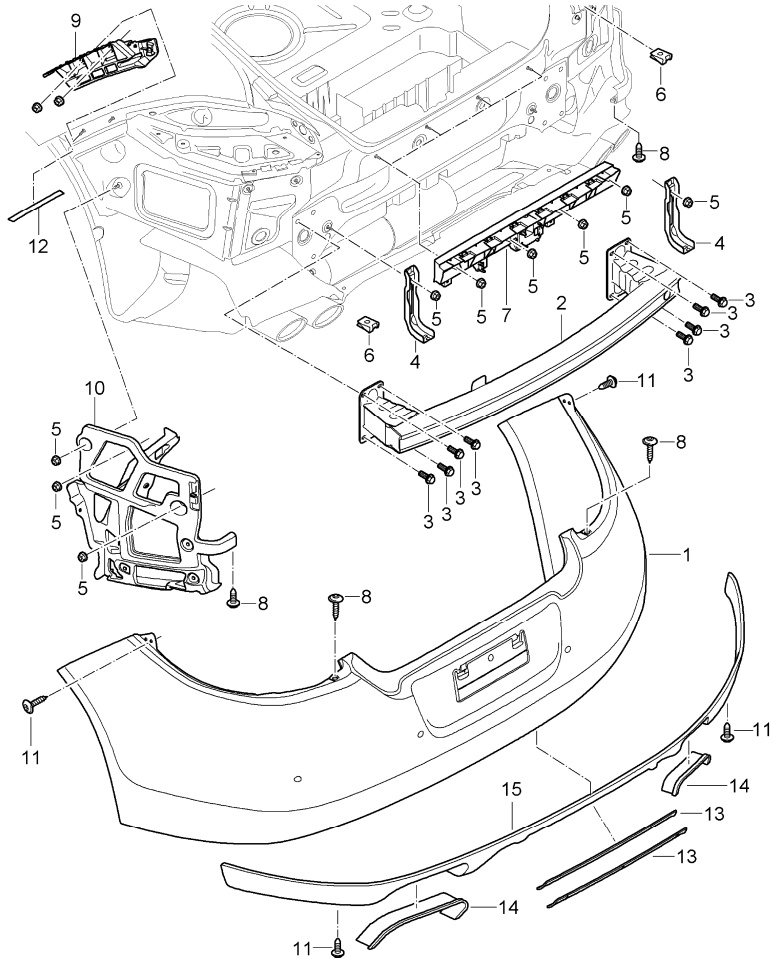
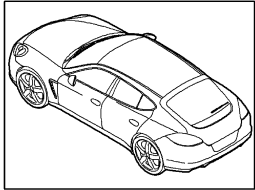
Pos	Part Number	Description	Remark	Qty	Model	Pos	Part Number	Description	Remark	Qty	Model
(7)	970 701 075 01	bracket number plate 1E0 black		1	Turbo I209						
-	999 919 243 01	screw mount number plate		2							
8	970 505 719 00	fixing device for front apron		2							
9	970 505 041 04	bumper reinforcement including foam part		1							
-	999 073 465 01	screw for mount bumper reinforcement		8							
10	970 505 451 00	support front apron with reinforcement including foam part		1	I071/193						
(11)	970 505 553 00	support front apron for cars without reinforcement	/L	1							
11	970 505 554 00	support front apron for cars without reinforcement	/R	1							
(12)	970 505 536 00	retaining strip lateral	/R	1							
12	970 505 535 00	retaining strip lateral	/L	1							
13	970 618 225 00	sensor holders bonnet		1	I071/193						

Model	Year	MG	SG	Illustration	Restrictions	UPD	8:19	04.03.2010	PORSCHE	PET	PORSCHE
970	2010	8	02	802-02		248					



Pos	Part Number	Description	Remark	Qty	Model
1	970 504 481 00	bracket radiator assembly frame radiator		1	
2	999 073 980 30	screw 6 x 22		2	
3	999 073 465 01	screw 10 x 40		8	
4	970 504 977 00	compensating plate between side member and assembly frame		X	
5	970 504 811 00	cover lock carrier front		1	
	1E0	black			

Model	Year	MG	SG	Illustration	Restrictions	UPD	8:20	04.03.2010	PORSCHE	PET	PORSCHE
970	2010	8	02	802-05		248					

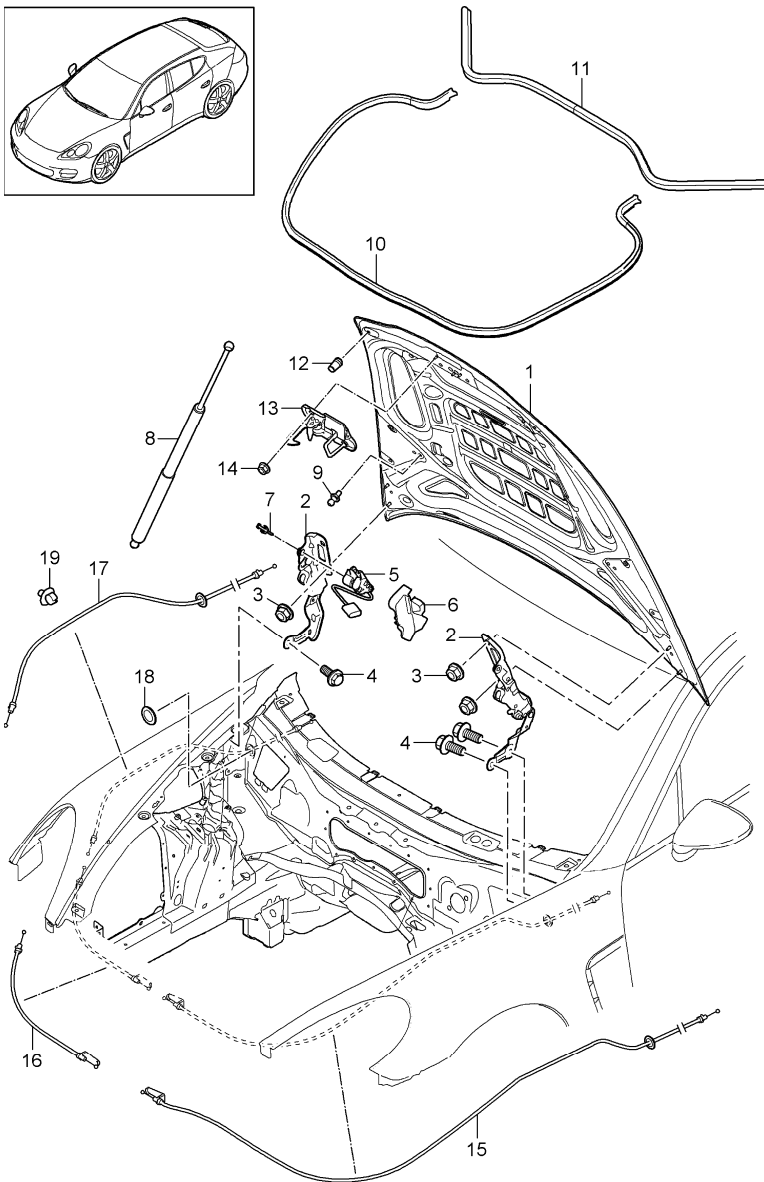
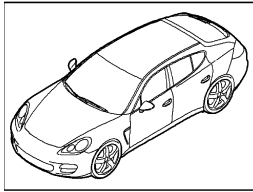


Pos	Part Number	Description	Remark	Qty	Model
1	970 505 951 00	bumper rear		1	
-	3C0 919 275 S	lining prime coated		4	
-	G2L	sensor ParkAssist			
-	7PP 919 133	gasket sensor ParkAssist		1	
2	970 505 241 00	bumper reinforcement rear		1	
3	999 072 019 01	fastening screw bumper reinforcement		8	
4	970 505 841 00	support for lining		2	
5	999 076 078 01	hexagon nut		X	
6	999 507 795 09	speed nut		X	
7	970 505 641 00	retaining strip centre		1	
8	999 073 231 09	tapping screw heat protection		X	
9	970 505 635 00	attachment strip	/L	1	
(9)	970 505 636 00	attachment strip	/R	1	
10	970 505 631 01	support	/L	1	
(10)	970 505 632 01	support	/R	1	
11	999 073 227 09	tapping screw		4	
12	970 504 631 00	protective film		2	
13	970 505 811 00	cover lower		1	S I338
(13)	1E0	black			
(13)	970 505 811 01	cover lower		1	S I339

Model	Year	MG	SG	Illustration	Restrictions	UPD	8:20	04.03.2010	PORSCHE	PET	PORSCHE
970	2010	8	02	802-05		248					

Pos	Part Number	Description	Remark	Qty	Model	Pos	Part Number	Description	Remark	Qty	Model
	1E0	black									
(13)	970 505 811 02	cover		1	Turbo I339						
		lower									
	9B1	titanium									
14	970 505 351 00	ornamental exhaust pipe	/L	1							
	1E0	black									
(14)	970 505 352 00	ornamental exhaust pipe	/R	1							
	1E0	black									
15	970 505 611 00	lining		1							
		lower									
	1E0	black									

Model	Year	MG	SG	Illustration	Restrictions	UPD	8:20	04.03.2010	PORSCHE	PET	PORSCHE
970	2010	8	03	803-00		248					

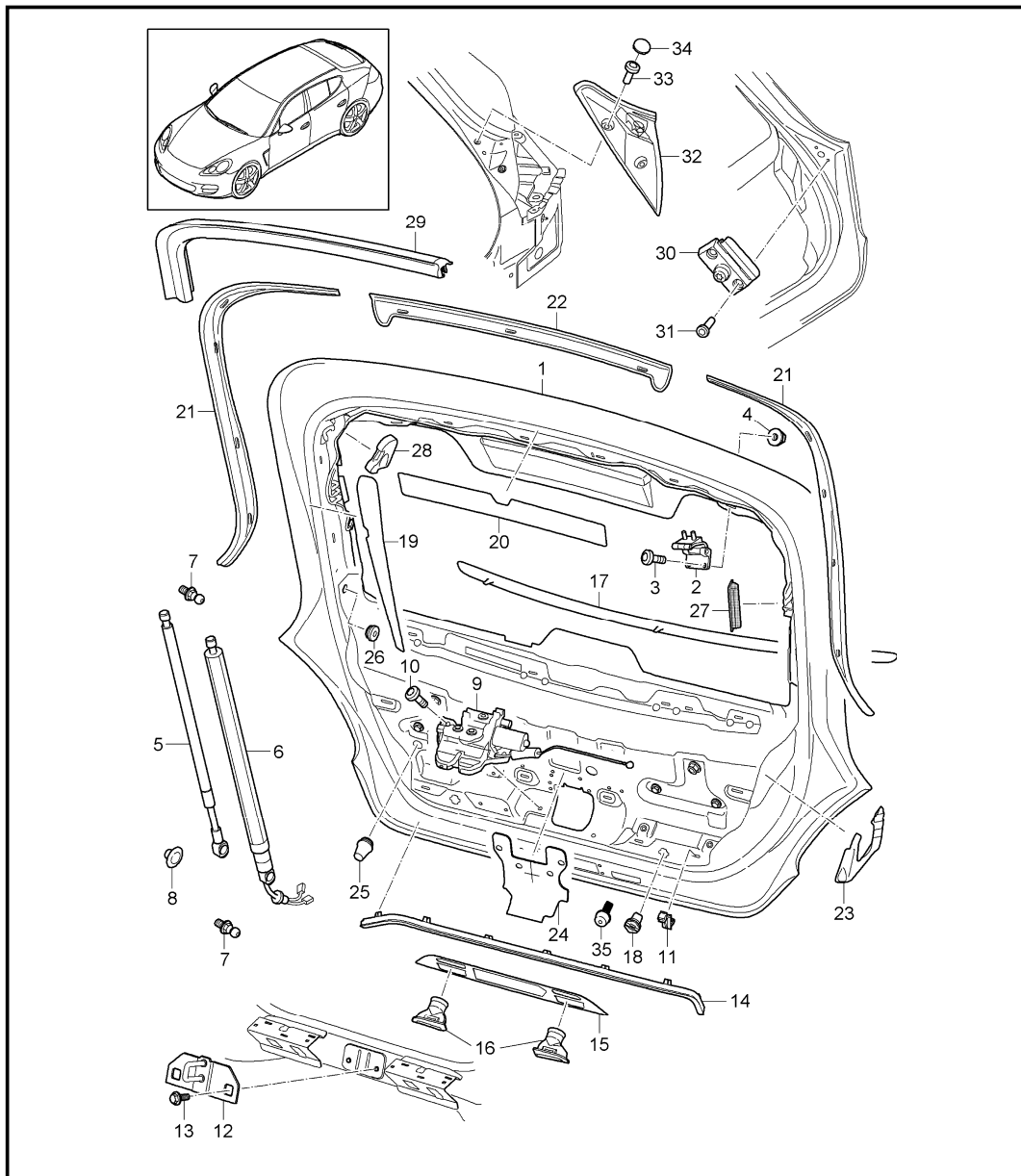


Pos	Part Number	Description	Remark	Qty	Model
1	970 511 011 00	lid front		1	
	GRV	prime coated			
2	970 511 151 02	hinge	/L	1	
(2)	970 511 152 02	hinge	/R	1	
3	N 905 115 05	hexagon nut M 8		4	
4	900 075 511 01	combination screw M 8		4	
5	970 511 351 02	actuator	/L	1	
(5)	970 511 352 02	actuator	/R	1	
6	970 511 651 00	cover	/L	1	
	1E0	black			
6	970 511 652 00	cover	/R	1	
	1E0	black			
7	970 511 751 00	clip		4	
8	970 511 571 00	gas-pressure spring	/L	1	
(8)	970 511 572 00	gas-pressure spring	/R	1	
9	895 827 439 D	ball pin		2	
10	970 511 611 01	gasket engine compartment		1	
11	970 511 612 00	gasket plenum panel		1	
12	999 703 140 41	rubber buffer		2	
13	1T0 823 480 A	lock upper part		1	
14	N 908 877 02	hexagon nut M 6		3	
15	970 511 219 02	lid-release cable	/LL	1	
16	970 511 218 01	lid-release cable	/RL	1	
17	970 511 220 01	lid-release cable	/RL	1	
18	955 504 187 00	stopper		X	

Model	Year	MG	SG	Illustration	Restrictions	UPD	8:20	04.03.2010	PORSCHE	PET	PORSCHE
970	2010	8	03	803-00		248					

Pos	Part Number	Description	Remark	Qty	Model	Pos	Part Number	Description	Remark	Qty	Model
19	N 105 079 01	cable holder		X							

Model	Year	MG	SG	Illustration	Restrictions	UPD	8:20	04.03.2010	PORSCHE	PET	PORSCHE
970	2010	8	03	803-05		248					

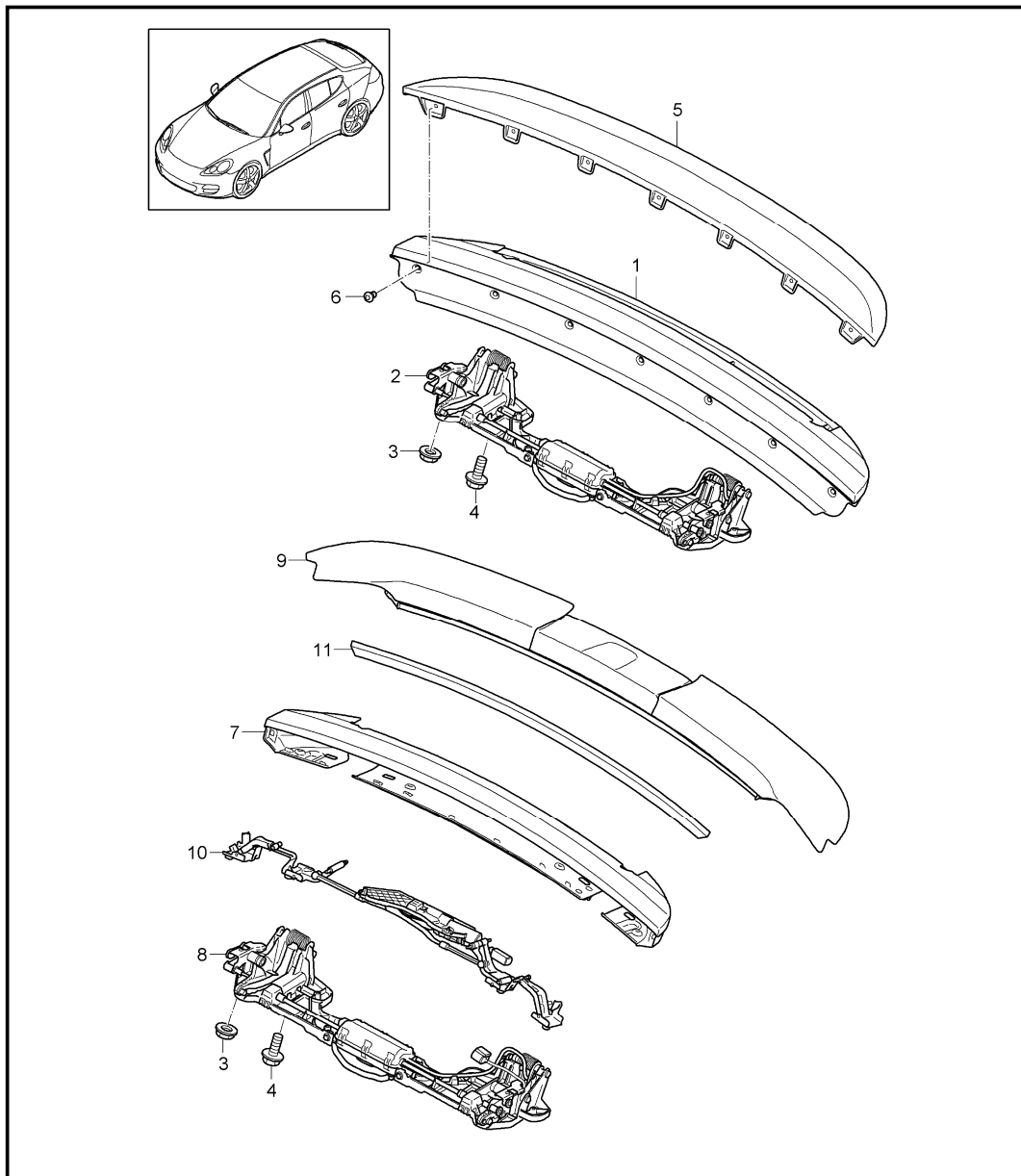


Pos	Part Number	Description	Remark	Qty	Model
1	970 512 011 04	lid rear		1	I426
	GRV	prime coated			
(1)	970 512 011 05	lid		1	I425
	GRV	prime coated			
2	970 512 151 02	hinge		2	
3	999 073 094 01	screw M8X20		4	
4	999 076 061 01	nut M8		4	
5	970 512 571 00	gas-pressure spring		2	
6	970 512 573 04	gas-pressure spring		2	S I867
(6)	970 512 573 05	gas-pressure spring		2	Turbo I867
7	970 512 511 01	ball pin		2	
8	999 703 020 40	lid		2	
9	970 512 053 02	lock		1	
10	999 073 094 01	screw M8X20		2	
11	999 651 172 41	cable holder		2	
12	970 512 051 01	Catch bar		1	
13	999 075 081 01	combination screw M8X20		2	
14	970 512 621 01	water drain strip		1	
15	970 512 627 00	decorative film		1	
16	970 512 623 02	water drain sleeve	/L	1	
(16)	970 512 624 02	water drain sleeve	/R	1	
17		moulding see group 8/10/10		1	
18	970 512 787 00	mounting		2	

Model	Year	MG	SG	Illustration	Restrictions	UPD	8:20	04.03.2010	PORSCHE	PET	PORSCHE
970	2010	8	03	803-05		248					

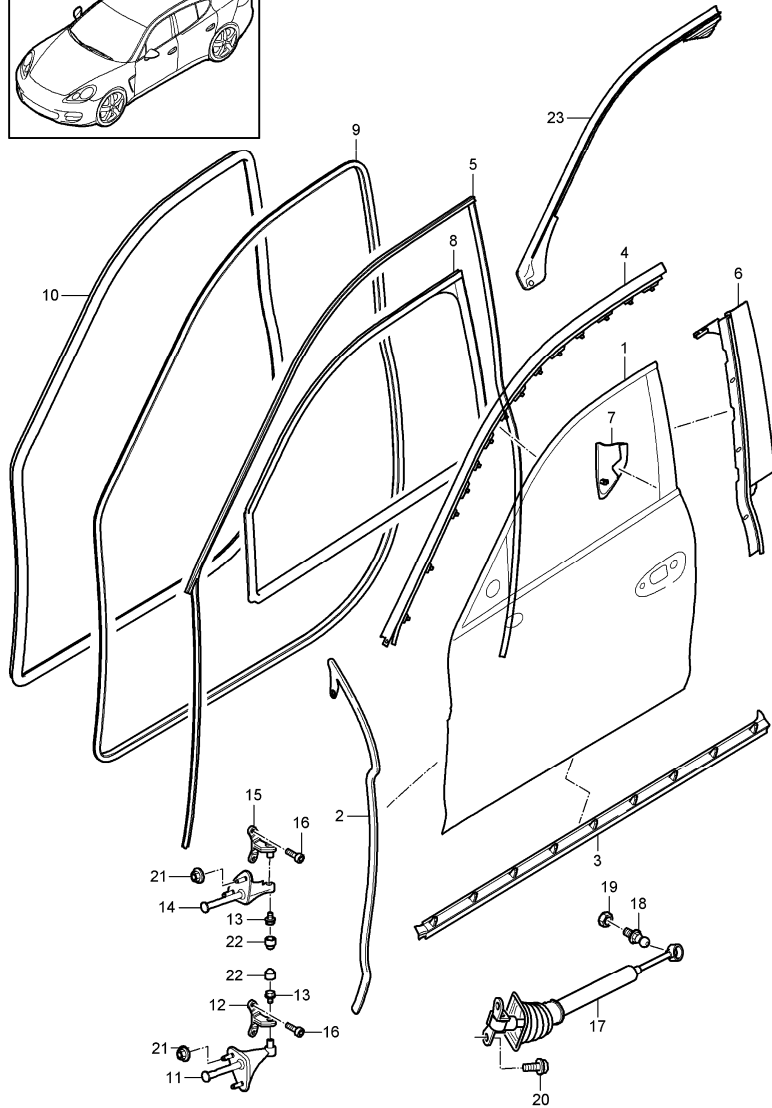
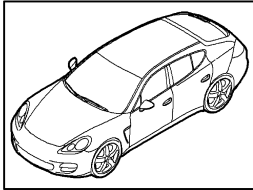
Pos	Part Number	Description	Remark	Qty	Model	Pos	Part Number	Description	Remark	Qty	Model
21	970 512 841 01	additional gasket	/L	1							
(21)	970 512 842 01	additional gasket	/R	1							
22	970 512 843 01	additional gasket centre		1							
23	970 512 845 01	insulation	/L	1							
(23)	970 512 846 01	insulation	/R	1							
24	970 512 847 01	insulation centre		1							
25	970 512 851 00	insulation		2							
26	970 512 853 00	insulation		2							
27	970 512 855 00	insulation		1	I440						
28	970 512 857 00	insulation	/L	1							
(28)	970 512 858 00	insulation	/R	1							
29	970 512 611 01	gasket		1							
30	970 512 871 02	actuator		2							
31	999 073 344 02	screw M6X20		4							
32	970 512 881 04	support	/L	1							
(32)	970 512 882 04	support	/R	1							
33	999 073 103 01	screw M6X16		6							
34	970 512 891 00	cap		4							
35	970 512 789 00	locking segment		2							

Model	Year	MG	SG	Illustration	Restrictions	UPD	8:20	04.03.2010	PORSCHE	PET	PORSCHE
970	2010	8	03	803-07		248					



Pos	Part Number	Description	Remark	Qty	Model
1	970 512 201 00	rear spoiler		1	S
2	970 512 109 00	driving mechanism		1	S
3	999 084 127 01	hexagon nut M6		2	
4	900 075 466 01	combination screw M6X16		6	
5	970 512 241 00	upper part		1	S
		041 black			
6	999 073 218 01	tapping screw St4,2X16C		7	S
7	970 512 201 01	rear spoiler		1	Turbo
		041 black			
8	970 512 109 01	driving mechanism		1	Turbo
9	970 512 209 00	upper part		1	Turbo
		041 black including driving mechanism			
11	970 512 223 01	gasket		1	Turbo

Model	Year	MG	SG	Illustration	Restrictions	UPD	8:20	04.03.2010	PORSCHE	PET	PORSCHE
970	2010	8	04	804-00		248					

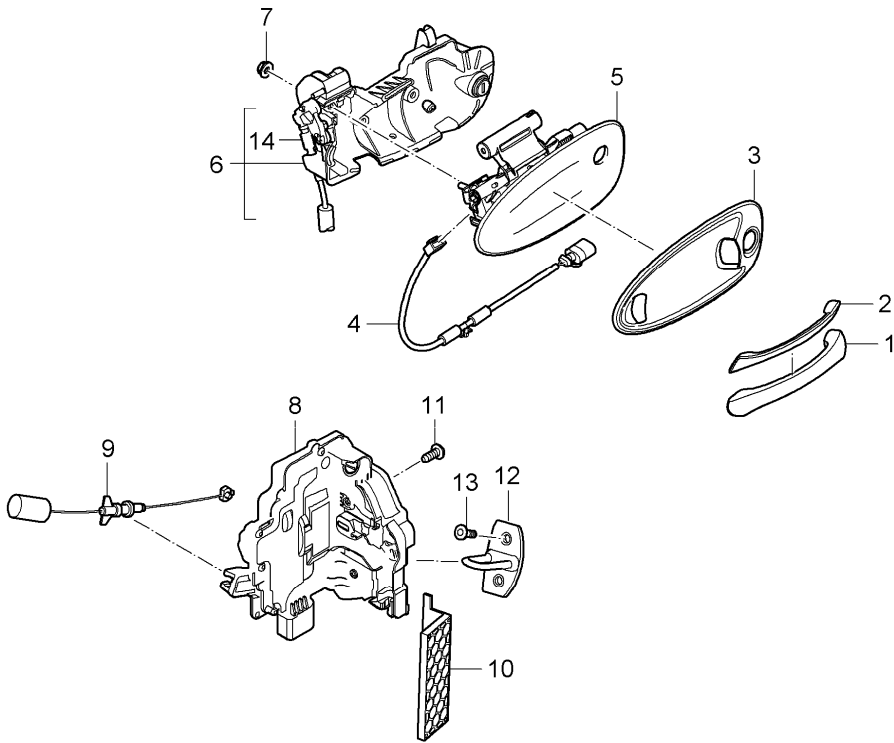
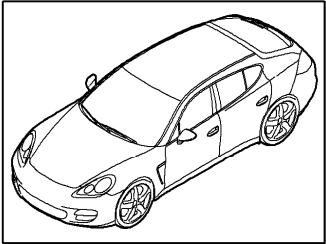


Pos	Part Number	Description	Remark	Qty	Model
		door in white front gaskets			
1	970 531 011 00	door	/L	1	
	GRV	prime coated			
(1)	970 531 012 00	door	/R	1	
	GRV	prime coated			
2	970 537 531 00	additional gasket a-pillar	/L	1	
(2)	970 537 532 00	additional gasket a-pillar	/R	1	
3	970 537 533 00	additional gasket lower	/L	1	
(3)	970 537 534 00	additional gasket lower	/R	1	
4	970 537 481 03	moulding	/L	1	
	A78	black mat			
	V09	aluminium look			
(4)	970 537 482 03	moulding	/R	1	
	A78	black mat			
	V09	aluminium look			
5	970 537 575 00	gasket moulding	/L	1	
(5)	970 537 576 00	gasket moulding	/R	1	
6	970 537 381 02	cover b-pillar	/L	1	
(6)	970 537 382 02	cover b-pillar	/R	1	
7	970 537 535 00	cover b-pillar inner	/L	1	
(7)	970 537 536 00	cover b-pillar inner	/R	1	

Model	Year	MG	SG	Illustration	Restrictions	UPD	8:20	04.03.2010	PORSCHE	PET	PORSCHE
970	2010	8	04	804-00		248					

Pos	Part Number	Description	Remark	Qty	Model	Pos	Part Number	Description	Remark	Qty	Model
8	970 537 295 00	gasket window guide	/L	1		20	999 073 493 01	screw M8X32		4	
(8)	970 537 296 00	gasket window guide	/R	1		21	999 084 447 01	hexagon nut M8		8	
9	970 537 275 00	gasket door	/L	1		22	999 703 387 40	cap		4	
(9)	970 537 276 00	gasket door	/R	1		23	970 537 555 01	gasket moulding	/L	1	
10	970 537 265 01	gasket inner	/L	1		(23)	970 537 556 01	gasket moulding	/R	1	
(10)	970 537 266 01	gasket inner	/R	1							
11	970 531 629 01	hinge lower	/L	1							
(11)	970 531 630 01	hinge lower	/R	1							
12	970 531 719 01	hinge lower	/L	1							
(12)	970 531 720 01	hinge lower	/R	1							
13	999 072 060 01	hexagon-head bolt M8X12		4							
14	970 531 631 01	hinge upper	/L	1							
(14)	970 531 632 01	hinge upper	/R	1							
15	970 531 731 00	hinge upper	/L	1							
(15)	970 531 732 00	hinge upper	/R	1							
16	999 073 364 02	pan-head screw M8X25		8							
17	970 537 151 00	door arrester	/L	1							
(17)	970 537 152 00	door arrester	/R	1							
18	999 167 054 01	ball pin		2							
19	900 380 008 01	hexagon nut M10		2							

Model	Year	MG	SG	Illustration	Restrictions	UPD	8:21	04.03.2010	PORSCHE	PET	PORSCHE
970	2010	8	04	804-05		248					

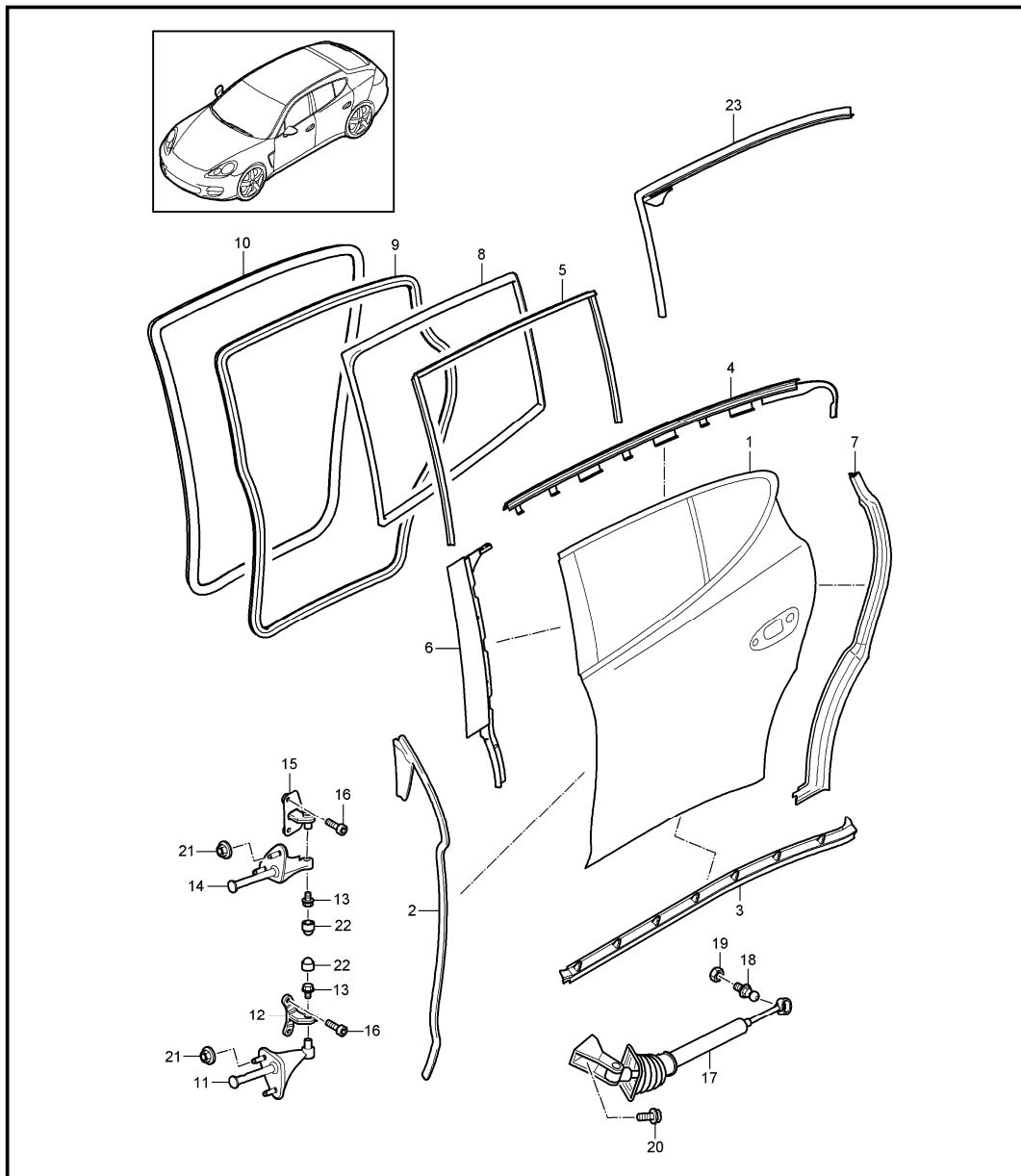


Pos	Part Number	Description	Remark	Qty	Model
		door handle door lock front and rear			
1	970 537 613 00	door handle G2X prime coated	/L	1	
(1)	970 537 614 00	door handle G2X prime coated	/R	1	
(1)	970 537 961 00	door handle with sensor G2X prime coated	/L	1	I625
(1)	970 537 962 00	door handle with sensor G2X prime coated	/R	1	I625
2	970 537 723 00	strip V09 aluminium look	/L	1	I625
(2)	970 537 724 00	strip V09 aluminium look	/R	1	I625
3	997 537 645 00	handle liner G2X prime coated of	/LL/L	1	I625
(3)	997 537 646 00	handle liner G2X prime coated front	/RL/R	1	I625
(3)	997 537 645 01	handle liner G2X prime coated front	/RL/L	1	
(3)	997 537 646 01	handle liner G2X prime coated front	/LL/R	1	
3	997 537 645 00	handle liner G2X prime coated rear	/L	1	I625

Model	Year	MG	SG	Illustration	Restrictions	UPD	8:21	04.03.2010	PORSCHE	PET	PORSCHE
970	2010	8	04	804-05		248					

Pos	Part Number	Description	Remark	Qty	Model	Pos	Part Number	Description	Remark	Qty	Model
(3)	997 537 646 00	handle liner	/R	1	I625	11	WHT 003 688	combination screw M8X16		8	
	G2X	prime coated rear				12	8E0 837 033	Catch bar		4	
(3)	997 537 645 01	handle liner	/L	1		13	N 910 174 01	countersunk-head screw M8X22		8	
	G2X	prime coated rear				14	970 537 419 00	bowden cable outer door handle		4	
(3)	997 537 646 01	handle liner	/R	1							
	G2X	prime coated rear									
4	970 613 127 00	microswitch		1	I625						
5	970 537 445 00	assembly kit accessories	/L	1							
(5)	970 537 446 00	assembly kit accessories	/R	1							
6	970 537 063 01	support	/RL/L	1							
(6)	970 537 064 01	support	/LL/R	1							
7	999 084 629 01	hexagon nut M6		12							
8	8J1 837 015 A	door lock front	/LL/L	1							
(8)	8J2 837 015 A	door lock front	/RL/L	1							
(8)	8J1 837 016 A	door lock front	/LL/R	1							
(8)	8J2 837 016 A	door lock front	/RL/R	1							
8	8K0 839 015	door lock rear	/L	1							
(8)	8K0 839 016	door lock rear	/R	1							
9	970 537 319 00	bowden cable front		1							
(9)	970 536 319 00	bowden cable rear		1							
10	970 537 519 01	cover	/L	1							
(10)	970 537 520 01	cover	/R	1							

Model	Year	MG	SG	Illustration	Restrictions	UPD	8:21	04.03.2010	PORSCHE	PET	PORSCHE
970	2010	8	04	804-10		248					

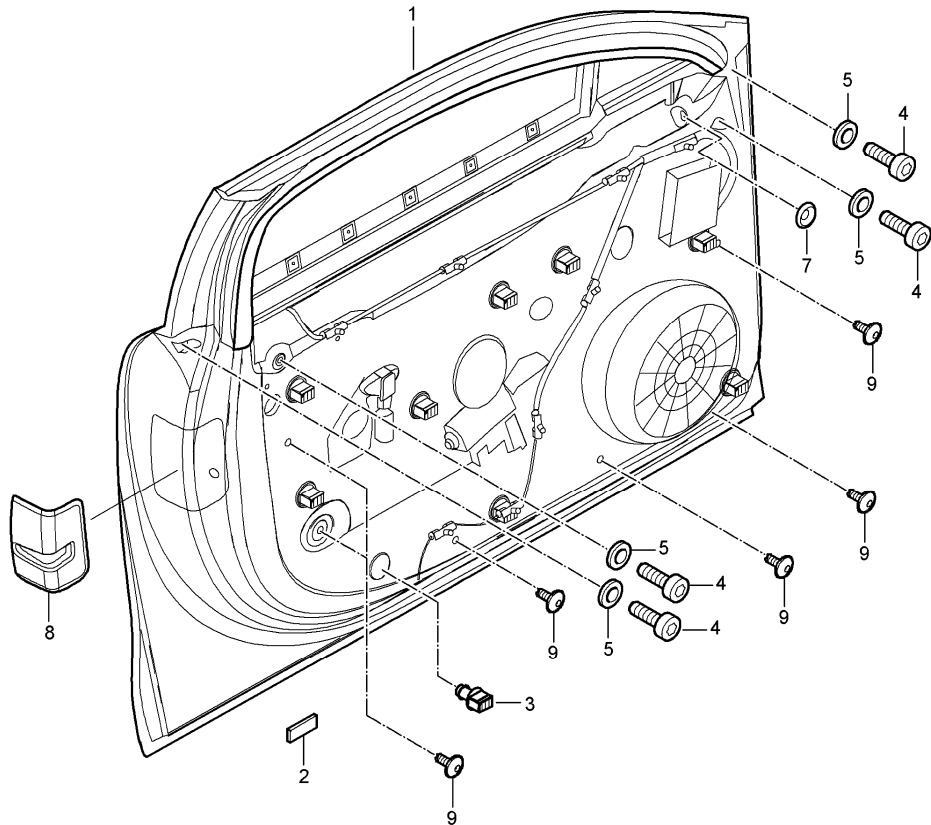
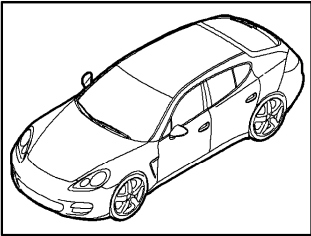


Pos	Part Number	Description	Remark	Qty	Model
1	970 532 011 00	door in white rear gaskets		1	
		GRV prime coated	/L		
(1)	970 532 012 00	door	/R	1	
		GRV prime coated			
2	970 536 531 00	additional gasket a-pillar	/L	1	
(2)	970 536 532 00	additional gasket a-pillar	/R	1	
3	970 536 533 00	additional gasket lower	/L	1	
(3)	970 536 534 00	additional gasket lower	/R	1	
4	970 536 481 03	moulding	/L	1	
		V09 aluminium look			
(4)	970 536 482 03	moulding	/R	1	
		V09 aluminium look			
5	970 536 575 00	gasket moulding	/L	1	
(5)	970 536 576 00	gasket moulding	/R	1	
6	970 536 381 01	cover b-pillar	/L	1	
(6)	970 536 382 01	cover b-pillar	/R	1	
7	970 536 535 01	additional gasket c-pillar inner	/L	1	
(7)	970 536 536 01	additional gasket c-pillar inner	/R	1	
-	N 999 591 534 40	fixing clip for additional gasket c-pillar		X	

Model	Year	MG	SG	Illustration	Restrictions	UPD	8:21	04.03.2010	PORSCHE	PET	PORSCHE
970	2010	8	04	804-10		248					

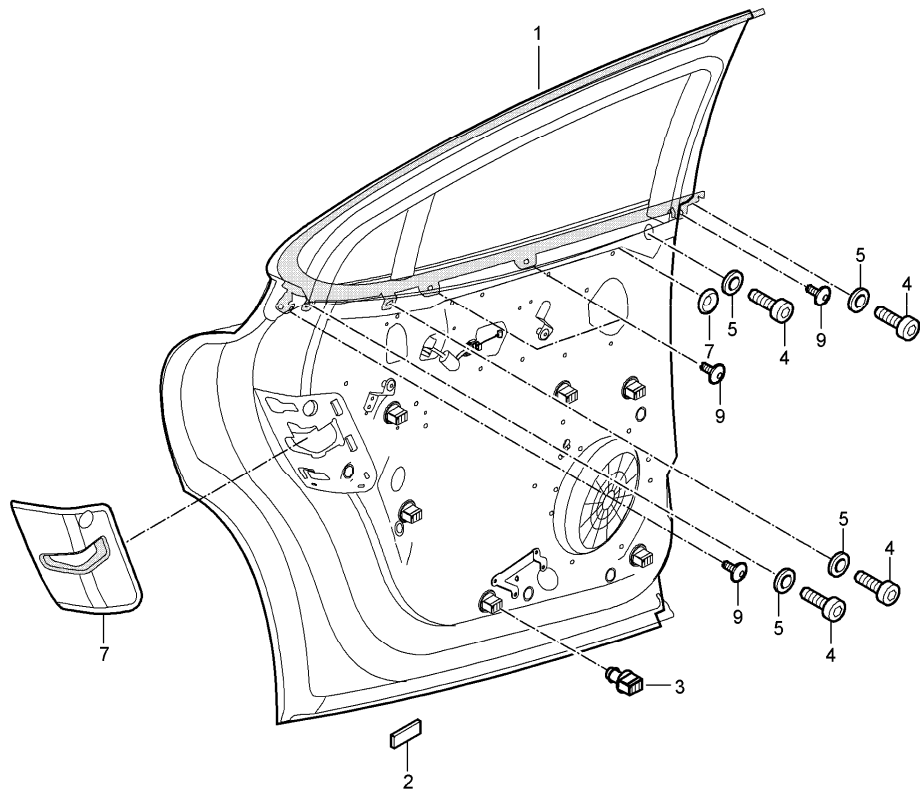
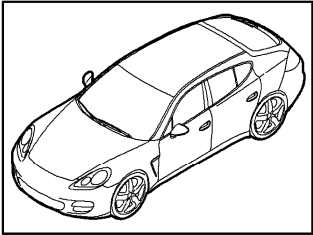
Pos	Part Number	Description	Remark	Qty	Model	Pos	Part Number	Description	Remark	Qty	Model
8	970 536 295 00	gasket window guide	/L	1		20	999 073 493 01	screw M8X32		4	
(8)	970 536 296 00	gasket window guide	/R	1		21	999 084 447 01	hexagon nut M8		8	
9	970 536 275 00	gasket door	/L	1		22	999 703 387 40	cap		4	
(9)	970 536 276 00	gasket door	/R	1		23	970 536 555 01	gasket moulding	/L	1	
10	970 536 265 01	gasket inner	/L	1		(23)	970 536 556 01	gasket moulding	/R	1	
(10)	970 536 266 01	gasket inner	/R	1							
11	970 531 619 00	hinge lower	/L	1							
(11)	970 531 620 00	hinge lower	/R	1							
12	970 531 719 01	hinge lower	/L	1							
(12)	970 531 720 01	hinge lower	/R	1							
13	999 072 060 01	hexagon-head bolt M8X12		4							
14	970 531 621 00	hinge upper	/L	1							
(14)	970 531 622 00	hinge upper	/R	1							
15	970 531 731 00	hinge upper	/L	1							
(15)	970 531 732 00	hinge upper	/R	1							
16	999 073 364 02	pan-head screw M8X25		8							
17	970 536 151 00	door arrester	/L	1							
(17)	970 536 152 00	door arrester	/R	1							
18	999 167 054 01	ball pin		2							
19	900 380 008 01	hexagon nut M10		2							

Model	Year	MG	SG	Illustration	Restrictions	UPD	8:21	04.03.2010	PORSCHE	PET	PORSCHE
970	2010	8	04	804-30		248					



Pos	Part Number	Description	Remark	Qty	Model
		power windows unit carrier front			
1	970 537 221 01	unit carrier	/L	1	
(1)	970 537 222 01	unit carrier	/R	1	
2	970 537 591 00	rubber mounting		6	
3	970 537 557 00	support door trim panel		14	
4	999 073 950 30	combination screw M8X33-PA		8	
6	999 073 260 09	oval-head screw M6X16-PA		12	
7	999 703 462 40	lid 10x6,5		2	
8	970 537 581 00	cover	/L	1	
		1E0 black			
(8)	970 537 582 00	cover	/R	1	
		1E0 black			
- N	970 624 101 00	electric motor power windows	/L	1	
- N	970 624 102 00	electric motor power windows	/R	1	

Model	Year	MG	SG	Illustration	Restrictions	UPD	8:21	04.03.2010	PORSCHE	PET	PORSCHE
970	2010	8	04	804-40		248					

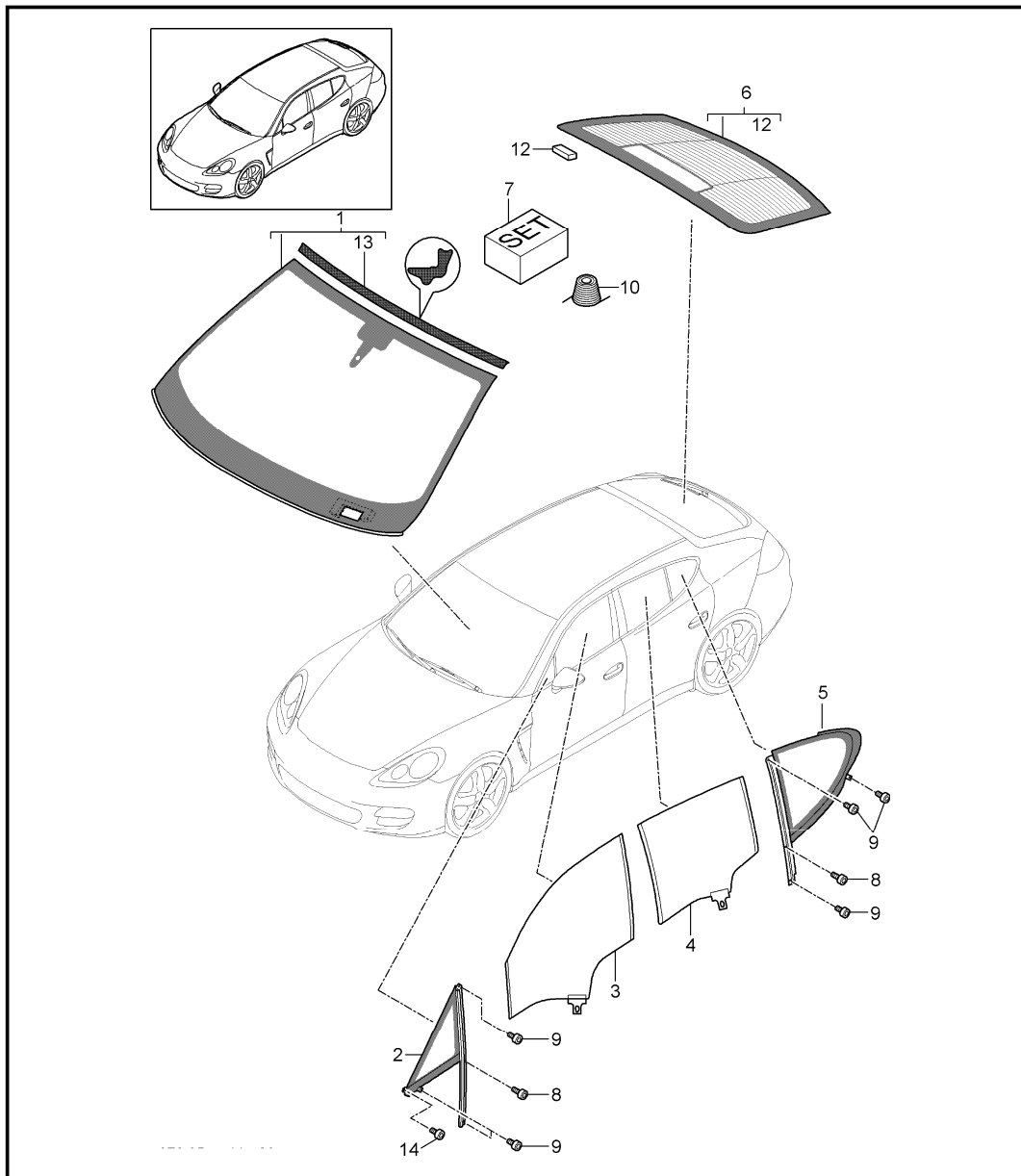


Pos	Part Number	Description	Remark	Qty	Model
		power windows unit carrier rear			
1	970 536 221 01	unit carrier	/L	1	
(1)	970 536 222 01	unit carrier	/R	1	
2	970 537 591 00	rubber mounting		6	
3	970 537 557 00	support door trim panel		14	
4	999 073 950 30	combination screw M8X33-PA		8	
6	999 073 260 09	oval-head screw M6X16-PA		12	
7	999 703 462 40	lid 10x6,5		2	
8	970 536 581 00	cover	/L	1	
	1E0	black			
(8)	970 536 582 00	cover	/R	1	
	1E0	black			

Model	Year	MG	SG	Illustration	Restrictions	UPD	8:21	04.03.2010
970	2010	8	04	804-50		248		

Pos	Part Number	Description	Remark	Qty	Model
		shade door rear			
1	970 536 411 00	shade door window glass	/L	1	
(1)	970 536 412 00	shade door window glass	/R	1	
2	970 536 375 00	driving mechanism door window glass	/L	1	
(2)	970 536 376 00	driving mechanism door window glass	/R	1	
3	970 536 321 00	shade side window glass	/L	1	
(3)	970 536 322 00	shade side window glass	/R	1	
4	970 536 697 00	retaining bracket shade		2	
5	970 536 695 00	damping piece		4	
6	970 536 475 00	push rod side window glass		2	
7	970 536 705 00	retaining bracket driving mechanism	/L	1	
(7)	970 536 706 00	retaining bracket driving mechanism	/R	1	
8	999 500 167 00	damping piece shade		2	
8	999 500 167 00	damping piece shade		2	
9	999 073 345 09	oval-head screw M5x18		2	
10	999 919 118 09	oval-head screw M4x12		2	
11	999 190 496 30	blind rivet 4,8x6,5		26	

Model	Year	MG	SG	Illustration	Restrictions	UPD	8:22	04.03.2010	PORSCHE	PET	PORSCHE
970	2010	8	05	805-00		248					



Pos	Part Number	Description	Remark	Qty	Model
		window glazing			
1	A 970 541 111 06	windscreen		1	I567/863/866
1	970 541 111 09	windscreen		1	I567/863/866
1	A 970 541 111 07	windscreen		1	-I193/I567/ I864/865
1	970 541 111 10	windscreen		1	-I193/I567/ I864/865
1	970 541 111 11	windscreen	(J)	1	I193/567/864 I865
2	970 542 311 02	side window left	/L/V	1	I863/866
2	970 542 311 04	side window left	/L/V	1	I864/865
(2)	970 542 312 02	side window right	/R/V	1	I863/866
(2)	970 542 312 04	side window right	/R/V	1	I864/865
3	970 542 511 00	door window glass left	/L	1	I863/866
3	970 542 511 02	door window glass left	/L	1	I864/865
(3)	970 542 512 00	door window glass right	/R	1	I863/866
(3)	970 542 512 02	door window glass right	/R	1	I864/865
4	970 544 511 00	door window glass left	/L	1	I863
4	970 544 511 03	door window glass left	/L	1	I866
4	970 544 511 04	door window glass left	/L	1	I865
4	970 544 511 05	door window glass left	/L	1	I864
(4)	970 544 512 00	door window glass right	/R	1	I863
(4)	970 544 512 03	door window glass right	/R	1	I866

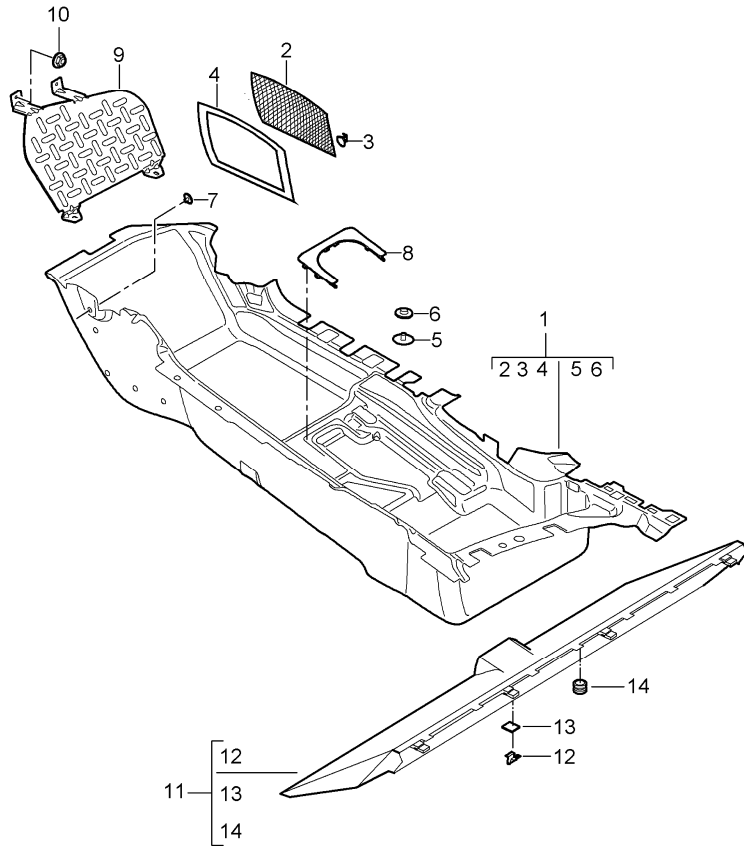
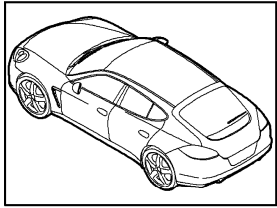
Model	Year	MG	SG	Illustration	Restrictions	UPD	8:22	04.03.2010	PORSCHE	PET	PORSCHE
970	2010	8	05	805-00		248					

Pos	Part Number	Description	Remark	Qty	Model	Pos	Part Number	Description	Remark	Qty	Model
(4)	970 544 512 04	door window glass right	/R	1	I865	(5)	970 544 312 12	side window right including adapter shade	/R/H	1	I861/863
(4)	970 544 512 05	door window glass right	/R	1	I864						
5	970 544 311 08	side window left	/L/H	1	I863	(5)	970 544 312 13	side window right including adapter shade	/R/H	1	I861/865
5	970 544 311 09	side window left	/L/H	1	I865						
5	970 544 311 10	side window left	/L/H	1	I864	(5)	970 544 312 14	side window right including adapter shade	/R/H	1	I861/864
5	970 544 311 11	side window left	/L/H	1	I866						
5	970 544 311 12	side window left including adapter shade	/L/H	1	I861/863	(5)	970 544 312 15	side window right including adapter shade	/R/H	1	I861/866
5	970 544 311 13	side window left including adapter shade	/L/H	1	I861/865	6	970 545 111 36	rear window		1	I426/696/863
						(6)	970 545 111 37	rear window		1	I426/665/675 I863
5	970 544 311 14	side window left including adapter shade	/L/H	1	I861/864	(6)	970 545 111 22	rear window		1	I425/696/863
						(6)	970 545 111 23	rear window		1	I425/665/675 I863
5	970 544 311 15	side window left including adapter shade	/L/H	1	I861/866	(6)	970 545 111 38	rear window		1	I426/696/865
						(6)	970 545 111 39	rear window		1	I426/665/675 I865
(5)	970 544 312 08	side window right	/R/H	1	I863	(6)	970 545 111 34	rear window		1	I425/696/865
(5)	970 544 312 09	side window right	/R/H	1	I865	(6)	970 545 111 35	rear window		1	I425/665/675 I865
(5)	970 544 312 10	side window right	/R/H	1	I864	(6)	970 545 111 42	rear window		1	I426/696/864 I866
(5)	970 544 312 11	side window right	/R/H	1	I866	(6)	970 545 111 43	rear window		1	I426/665/675 I864/866
						(6)	970 545 111 44	rear window		1	I425/696/864 I866
						(6)	970 545 111 45	rear window		1	I425/665/675 I864/866

Model	Year	MG	SG	Illustration	Restrictions	UPD	8:22	04.03.2010	PORSCHE	PET	PORSCHE
970	2010	8	05	805-00		248					

Pos	Part Number	Description	Remark	Qty	Model	Pos	Part Number	Description	Remark	Qty	Model
7	000 043 301 14	adhesive set HENKEL TEROSON		1							
-	000 043 205 37	mixing tube supplement set		X							
8	999 073 524 01	fastening screw M5x17		X							
9	999 073 523 01	fastening screw M5x12		X							
10	000 043 300 96	wire		1							
12	999 703 130 40	buffer rear window		8							
13	970 541 263 00	gasket windscreen upper		1							
14	999 073 525 01	fastening screw moulding M4x12		1							

Model	Year	MG	SG	Illustration	Restrictions	UPD	8:22	04.03.2010	PORSCHE	PET	PORSCHE
970	2010	8	07	807-00		248					



Pos	Part Number	Description	Remark	Qty	Model
(1)	970 551 011 02	carpet	/LL/L	1	I098
	6B0	black			
	8E0	Platinum Grey			
	7K0	Luxor Beige			
	6D0	Yachting Blue			
	DNT	Black/Platinum Grey			
	DNV	Luxor Beige/Cream			
	DNW	Yachting Blue/Cream			
	9D0	Espresso			
	9E0	Cognac			
	DNY	Cognac/Cedar			
1	970 551 012 02	carpet	/LL/R	1	I098
	6B0	black			
	8E0	Platinum Grey			
	7K0	Luxor Beige			
	6D0	Yachting Blue			
	DNT	Black/Platinum Grey			
	DNV	Luxor Beige/Cream			
	DNW	Yachting Blue/Cream			
	9D0	Espresso			
	9E0	Cognac			
	DNY	Cognac/Cedar			
(1)	970 551 011 03	carpet	/RL/L	1	I099
	6B0	black			
	8E0	Platinum Grey			
	7K0	Luxor Beige			
	6D0	Yachting Blue			
	DNT	Black/Platinum Grey			

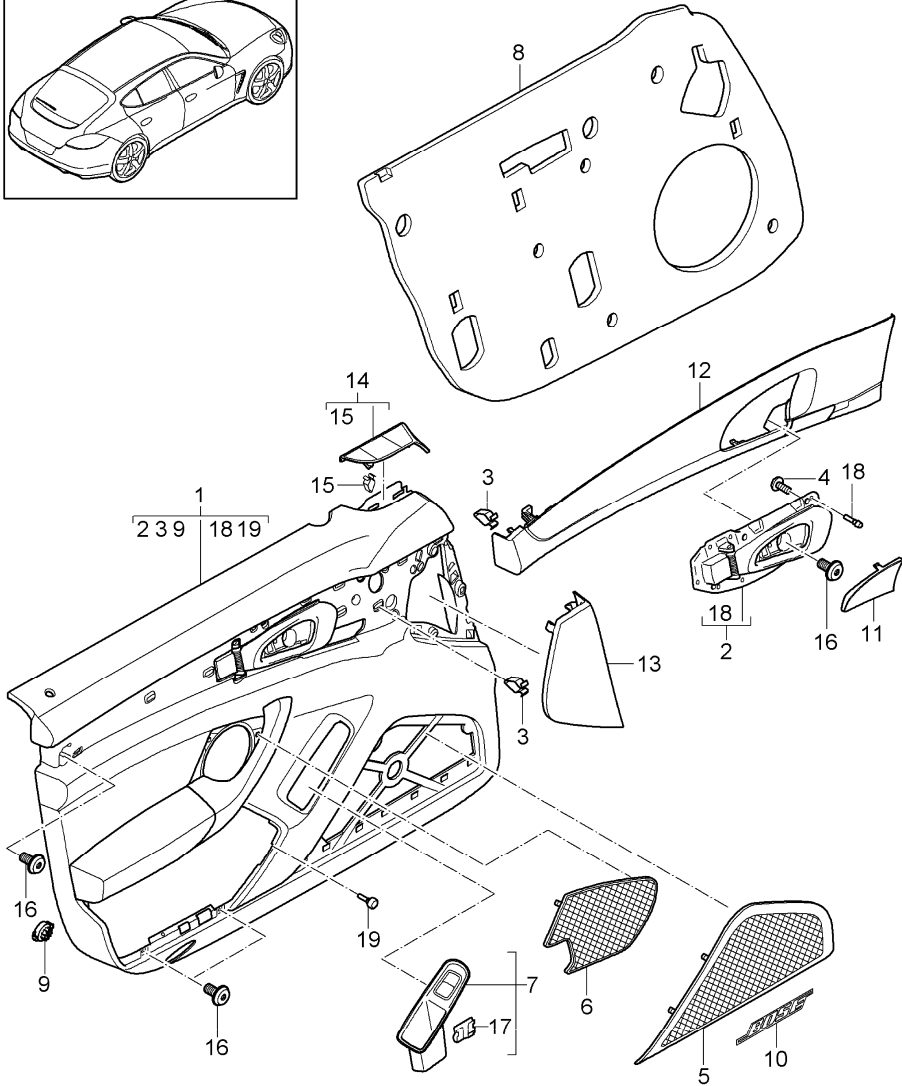
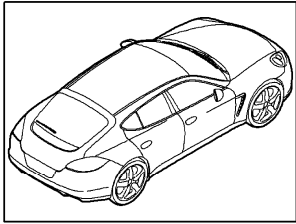
Model	Year	MG	SG	Illustration	Restrictions	UPD	8:22	04.03.2010	PORSCHE	PET	PORSCHE
970	2010	8	07	807-00		248					

Pos	Part Number	Description	Remark	Qty	Model	Pos	Part Number	Description	Remark	Qty	Model
		DNV Luxor Beige/Cream					4H0	Luxor Beige			
		DNW Yachting Blue/Cream					2F0	Yachting Blue			
		9D0 Espresso					5J0	Cream			
		9E0 Cognac					7N0	Espresso			
		DNY Cognac/Cedar					8P0	Cognac			
(1)	970 551 012 03	carpet	/RL/R	1	I099		9Q0	Cedar			
		6B0 black				(4)	970 551 715 00	frame luggage net	/RL	1	I099
		8E0 Platinum Grey				4	970 551 716 00	frame luggage net	/LL	1	I098
		7K0 Luxor Beige									
		6D0 Yachting Blue				5	955 551 227 02	support carpet		8	
		DNT Black/Platinum Grey									
		DNV Luxor Beige/Cream				6	8E0 864 229	cap carpet		8	
		DNW Yachting Blue/Cream									
		9D0 Espresso					1E0	black			
		9E0 Cognac					6L0	Platinum Grey			
		DNY Cognac/Cedar					4H0	Luxor Beige			
2	970 551 706 00	luggage net		1			2F0	Yachting Blue			
		DK4 black					7N0	Espresso			
		DJ6 Platinum Grey				7	999 049 030 40	plastic nut 30 X 5,0 for mount carpet		2	
		DM5 Luxor Beige					8P0	Cognac			
		DQ9 Yachting Blue									
		DN7 Cream				8	970 551 710 00	lid relay carrier		1	
		DP8 Espresso					1E0	black			
		DS1 Cognac					6L0	Platinum Grey			
		DU3 Cedar					4H0	Luxor Beige			
3	970 551 725 00	fastening hook for luggage net		6			2F0	Yachting Blue			
		1E0 black					5J0	Cream			
		6L0 Platinum Grey					7N0	Espresso			

Model	Year	MG	SG	Illustration	Restrictions	UPD	8:22	04.03.2010	PORSCHE	PET	PORSCHE
970	2010	8	07	807-00		248					

Pos	Part Number	Description	Remark	Qty	Model	Pos	Part Number	Description	Remark	Qty	Model
	8P0	Cognac									
	9Q0	Cedar									
9	970 551 704 01	floor plate footwell passenger's side	/LL	1	I098						
(9)	970 551 703 01	floor plate footwell passenger's side		1	I099						
10	999 049 007 40	plastic nut 22 X 10,5 mount floor plate		4							
11	970 551 033 04	lining seat well carpet		1	I830/831/832 I833/834/835						
	6B0	black									
	8E0	Platinum Grey									
	7K0	Luxor Beige									
	6D0	Yachting Blue									
	9D0	Espresso									
	9E0	Cognac									
(11)	970 551 033 06	lining seat well carpet		1	I836						
	6B0	black									
	8E0	Platinum Grey									
	7K0	Luxor Beige									
	6D0	Yachting Blue									
	9D0	Espresso									
	9E0	Cognac									
12	999 507 839 01	clamp 3,5		4							
13	999 209 084 40	spacer 20 X 25 X 0,5		4							
14	997 555 857 00	grommet		3							

Model	Year	MG	SG	Illustration	Restrictions	UPD	8:22	04.03.2010	PORSCHE	PET	PORSCHE
970	2010	8	07	807-05		248					



Pos	Part Number	Description	Remark	Qty	Model
		door trim panel front			
1	970 555 911 00	door trim panel leatherette	/L	1	
	7P8	black			
	9PK	Platinum Grey			
	8ED	Luxor Beige			
(1)	970 555 912 00	door trim panel leatherette	/R	1	
	7P8	black			
	9PK	Platinum Grey			
	8ED	Luxor Beige			
(1)	970 555 911 01	door trim panel leather	/L	1	I981
	A11	black			
	9B0	Platinum Grey			
	7J0	Luxor Beige			
	6A0	Yachting Blue			
	DMF	Black/Platinum Grey			
	DMG	Luxor Beige/Cream			
	DMH	Yachting Blue/Cream			
	6J0	Espresso			
	7F0	Cognac			
	DMK	Cognac/Cedar			
(1)	970 555 912 01	door trim panel leather	/R	1	I981
	A11	black			
	9B0	Platinum Grey			
	7J0	Luxor Beige			
	6A0	Yachting Blue			
	DMF	Black/Platinum Grey			

Model	Year	MG	SG	Illustration	Restrictions	UPD	8:22	04.03.2010	PORSCHE	PET	PORSCHE
970	2010	8	07	807-05		248					

Pos	Part Number	Description	Remark	Qty	Model	Pos	Part Number	Description	Remark	Qty	Model
	DMG	Luxor Beige/Cream					9Q0	Cedar			
	DMH	Yachting Blue/Cream				(5)	970 555 551 01	loudspeaker grille low-pitched	/L	1	I682
	6J0	Espresso					1E0	black			
	7F0	Cognac					6L0	Platinum Grey			
	DMK	Cognac/Cedar					4H0	Luxor Beige			
2	970 555 521 00	door opener complete	/L	1			2F0	Yachting Blue			
	V08	galvano silver					5J0	Cream			
(2)	970 555 522 00	door opener complete	/R	1			7N0	Espresso			
	V08	galvano silver					8P0	Cognac			
3	955 552 107 00	fixing clip		X			9Q0	Cedar			
5	970 555 551 00	loudspeaker grille low-pitched	/L	1	I441/490/680	(5)	970 555 552 01	loudspeaker grille low-pitched	/R	1	I682
	1E0	black					1E0	black			
	6L0	Platinum Grey					6L0	Platinum Grey			
	4H0	Luxor Beige					4H0	Luxor Beige			
	2F0	Yachting Blue					2F0	Yachting Blue			
	5J0	Cream					5J0	Cream			
	7N0	Espresso					7N0	Espresso			
	8P0	Cognac					8P0	Cognac			
	9Q0	Cedar					9Q0	Cedar			
(5)	970 555 552 00	loudspeaker grille low-pitched	/R	1	I441/490/680	6	970 555 553 00	loudspeaker grille MID-RANGE speaker	/L	1	I441/490/680 I682
	1E0	black					1E0	black			
	6L0	Platinum Grey					6L0	Platinum Grey			
	4H0	Luxor Beige					4H0	Luxor Beige			
	2F0	Yachting Blue					2F0	Yachting Blue			
	5J0	Cream					5J0	Cream			
	7N0	Espresso					7N0	Espresso			
	8P0	Cognac					8P0	Cognac			

Model	Year	MG	SG	Illustration	Restrictions	UPD	8:22	04.03.2010	PORSCHE	PET	PORSCHE
970	2010	8	07	807-05		248					

Pos	Part Number	Description	Remark	Qty	Model	Pos	Part Number	Description	Remark	Qty	Model
(6)	970 555 554 00	Cedar loudspeaker grille MID-RANGE speaker	/R	1	I441/490/680 I682	(12)	970 555 382 00	cover door front	/R	1	I817
	1E0	black				(12)	970 555 381 01	cover door front	/L	1	I821
	6L0	Platinum Grey					A61	Piano Black, high-gloss			
	4H0	Luxor Beige				(12)	970 555 381 01	cover door front	/L	1	I821
	2F0	Yachting Blue					BG1	Walnut, high-gloss			
	5J0	Cream				(12)	970 555 382 01	cover door front	/R	1	I821
	7N0	Espresso					BG1	Walnut, high-gloss			
	8P0	Cognac				(12)	970 555 381 02	cover door front	/L	1	I822
7	970 555 724 00	Cedar support frame switch		1	I098		S64	Teneo high-gloss			
	A05	black mat				(12)	970 555 382 02	cover door front	/R	1	I822
(7)	970 555 723 00	support frame switch		1	I099		S64	Teneo high-gloss			
	A05	black mat				(12)	970 555 381 03	cover door front	/L	1	I823
8	970 555 571 00	damping mat door trim panel		1			CK6	Swedish Birch			
9	970 555 949 00	damper shelf door trim panel		1		(12)	970 555 382 03	cover door front	/R	1	I823
10	7PP 945 699	logo bose		1	I680		CK6	Swedish Birch			
11	970 555 523 01	trim cover door opener	/L	1		(12)	970 555 381 04	cover door front	/L	1	I824
	1E0	black					BT2	Olive Ash matt open-pored			
(11)	970 555 524 00	trim cover door opener	/R	1		(12)	970 555 382 04	cover door front	/R	1	I824
	1E0	black					BT2	Olive Ash matt open-pored			
12	970 555 381 00	cover door front	/L	1	I817	(12)	970 555 381 05	cover door front	/L	1	I818
	A61	Piano Black, high-gloss									

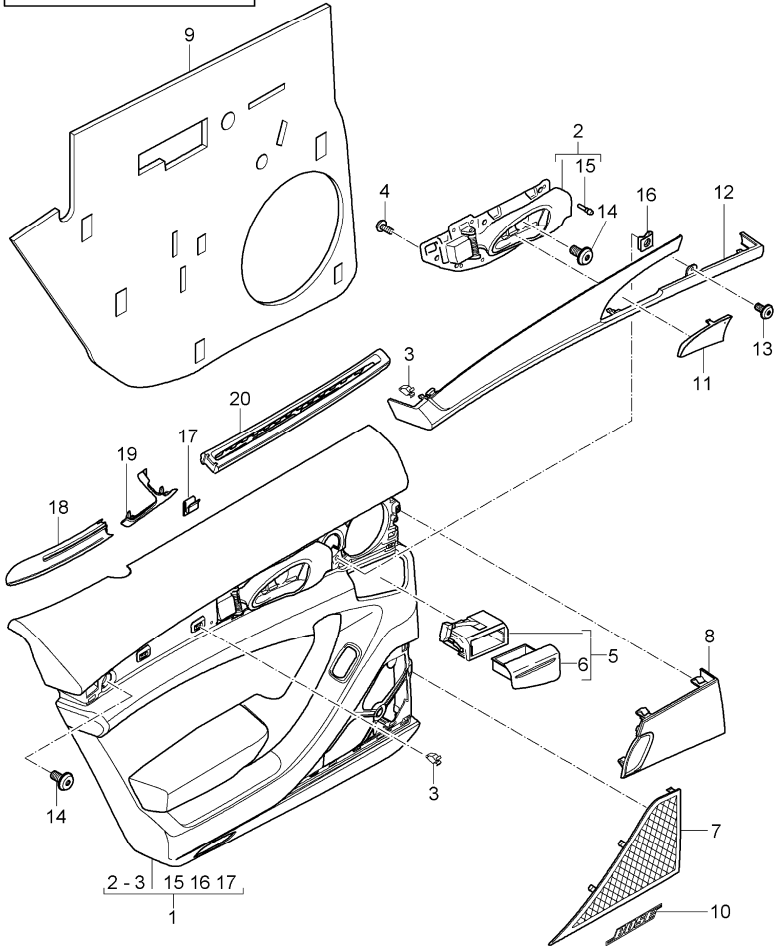
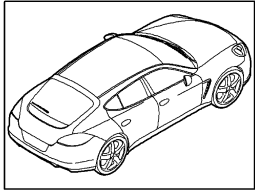
Model	Year	MG	SG	Illustration	Restrictions	UPD	8:22	04.03.2010	PORSCHE	PET	PORSCHE
970	2010	8	07	807-05		248					

Pos	Part Number	Description	Remark	Qty	Model	Pos	Part Number	Description	Remark	Qty	Model
	U03	Aluminium, brushed				(12)	970 555 971 03	cover door front	/LL/L	1	I537/823
(12)	970 555 382 05	cover door front	/R	1	I818		CK6	Swedish Birch			
	U03	Aluminium, brushed				(12)	970 555 972 03	cover door front	/RL/R	1	I538/823
(12)	970 555 381 06	cover door front	/L	1	I819		CK6	Swedish Birch			
	BX3	Carbon, fine high-gloss				(12)	970 555 971 04	cover door front	/LL/L	1	I537/824
(12)	970 555 382 06	cover door front	/R	1	I819		BT2	Olive Ash matt open-pored			
	BX3	Carbon, fine high-gloss				(12)	970 555 972 04	cover door front	/RL/R	1	I538/824
(12)	970 555 971 00	cover door front	/LL/L	1	I537/817		BT2	Olive Ash matt open-pored			
	A61	Piano Black, high-gloss				(12)	970 555 971 05	cover door front	/LL/L	1	I537/818
(12)	970 555 972 00	cover door front	/RL/R	1	I538/817		U03	Aluminium, brushed			
	A61	Piano Black, high-gloss				(12)	970 555 972 05	cover door front	/RL/R	1	I538/818
(12)	970 555 971 01	cover door front	/LL/L	1	I537/821		U03	Aluminium, brushed			
	BG1	Walnut, high-gloss				(12)	970 555 971 06	cover door front	/LL/L	1	I537/819
(12)	970 555 972 01	cover door front	/RL/R	1	I538/821		BX3	Carbon, fine high-gloss			
	BG1	Walnut, high-gloss				(12)	970 555 972 06	cover door front	/RL/R	1	I538/819
(12)	970 555 971 02	cover door front	/LL/L	1	I537/822		BX3	Carbon, fine high-gloss			
	S64	Teneo high-gloss				(12)	970 555 981 00	cover door front	/L	1	IXZY
(12)	970 555 972 02	cover door front	/RL/R	1	I538/822		GX1	Mahogany Yachting			
	S64	Teneo high-gloss				(12)	970 555 982 00	cover door front	/R	1	IXZY

Model	Year	MG	SG	Illustration	Restrictions	UPD	8:22	04.03.2010	PORSCHE	PET	PORSCHE
970	2010	8	07	807-05		248					

Pos	Part Number	Description	Remark	Qty	Model	Pos	Part Number	Description	Remark	Qty	Model
(12)	970 555 981 01	GX1 Mahogany Yachting cover door front	/LL/L	1	IXZY/537		6W0	Luxor Beige			
(12)	970 555 982 01	GX1 Mahogany Yachting cover door front	/RL/R	1	IXZY/538	(14)	970 555 742 00	cover door glass frame	/R	1	
13	970 555 721 00	GX1 Mahogany Yachting lid	/L	1			8Y0	Yachting Blue			
(13)	970 555 722 00	GX1 Mahogany Yachting lid	/R	1			3T0	Espresso			
		1E0 black					2S0	Cognac			
		6L0 Platinum Grey					5Q0	black			
		4H0 Luxor Beige					4U0	Platinum Grey			
		2F0 Yachting Blue					6W0	Luxor Beige			
		5J0 Cream				15	999 507 130 01	u-clamp		2	
		7N0 Espresso				16	999 073 130 01	oval-head screw M 6 X 16 mount door trim panel		4	
		8P0 Cognac				17	999 591 693 01	u-clamp 1,2 - 2,2 for mount support frame switch		4	
		9Q0 Cedar				18	999 703 271 40	buffer door opener 4,5 X 8 X 20,5		2	
14	970 555 741 00	GX1 Mahogany Yachting cover door glass frame	/L	1		19	999 703 272 40	buffer shelf 5,0 X 8 X 13		X	
		5Q0 black									
		4U0 Platinum Grey									

Model	Year	MG	SG	Illustration	Restrictions	UPD	8:22	04.03.2010	PORSCHE	PET	PORSCHE
970	2010	8	07	807-10		248					



Pos	Part Number	Description	Remark	Qty	Model
		door trim panel rear			
1	970 555 913 00	door trim panel leatherette	/L	1	
	7P8	black			
	9PK	Platinum Grey			
	8ED	Luxor Beige			
(1)	970 555 914 00	door trim panel leatherette	/R	1	
	7P8	black			
	9PK	Platinum Grey			
	8ED	Luxor Beige			
(1)	970 555 913 01	door trim panel leatherette	/L	1	I861
	7P8	black			
	9PK	Platinum Grey			
	8ED	Luxor Beige			
(1)	970 555 914 01	door trim panel leatherette	/R	1	I861
	7P8	black			
	9PK	Platinum Grey			
	8ED	Luxor Beige			
(1)	970 555 913 02	door trim panel leather	/L	1	I981
	A11	black			
	9B0	Platinum Grey			
	7J0	Luxor Beige			
	6A0	Yachting Blue			
	DMF	Black/Platinum Grey			
	DMG	Luxor Beige/Cream			
	DMH	Yachting Blue/Cream			
	6J0	Espresso			

Model	Year	MG	SG	Illustration	Restrictions	UPD	8:22	04.03.2010	PORSCHE	PET	PORSCHE
970	2010	8	07	807-10		248					

Pos	Part Number	Description	Remark	Qty	Model	Pos	Part Number	Description	Remark	Qty	Model
(1)	7F0	Cognac					7J0	Luxor Beige			
	DMK	Cognac/Cedar					6A0	Yachting Blue			
	970 555 914 02	door trim panel leather	/R	1	I981		DMF	Black/Platinum Grey			
	A11	black					DMG	Luxor Beige/Cream			
	9B0	Platinum Grey					DMH	Yachting Blue/Cream			
	7J0	Luxor Beige					6J0	Espresso			
	6A0	Yachting Blue					7F0	Cognac			
	DMF	Black/Platinum Grey					DMK	Cognac/Cedar			
	DMG	Luxor Beige/Cream				2	970 555 521 00	door opener complete	/L	1	
	DMH	Yachting Blue/Cream					V08	galvano silver			
(1)	6J0	Espresso				(2)	970 555 522 00	door opener complete	/R	1	
	7F0	Cognac					V08	galvano silver			
	DMK	Cognac/Cedar				3	955 552 107 00	fixing clip		X	
	970 555 913 03	door trim panel leather	/L	1	I861/981	5	970 555 461 00	ashtray complete	/L	1	
	A11	black					7P8	black			
	9B0	Platinum Grey					9PK	Platinum Grey			
	7J0	Luxor Beige					8ED	Luxor Beige			
	6A0	Yachting Blue				(5)	970 555 462 00	ashtray complete	/R	1	
	DMF	Black/Platinum Grey					7P8	black			
	DMG	Luxor Beige/Cream					9PK	Platinum Grey			
(1)	DMH	Yachting Blue/Cream				(5)	970 555 461 01	ashtray complete	/L	1	I981
	6J0	Espresso					A11	black			
	7F0	Cognac					9B0	Platinum Grey			
	DMK	Cognac/Cedar	/R	1	I861/981		7J0	Luxor Beige			
	970 555 914 03	door trim panel leather					6A0	Yachting Blue			
	A11	black									
	9B0	Platinum Grey									

Model	Year	MG	SG	Illustration	Restrictions	UPD	8:22	04.03.2010	PORSCHE	PET	PORSCHE
970	2010	8	07	807-10		248					

Pos	Part Number	Description	Remark	Qty	Model	Pos	Part Number	Description	Remark	Qty	Model
	8D0	Cream					9B0	Platinum Grey			
	6J0	Espresso					7J0	Luxor Beige			
	7F0	Cognac					6A0	Yachting Blue			
	8B0	Cedar					8D0	Cream			
(5)	970 555 462 01	ashtray complete	/R	1	I981		6J0	Espresso			
	A11	black					7F0	Cognac			
	9B0	Platinum Grey				(6)	970 555 952 01	ashtray		1	/R I981
	7J0	Luxor Beige						pot with cover			
	6A0	Yachting Blue					A11	black			
	8D0	Cream					9B0	Platinum Grey			
	6J0	Espresso					7J0	Luxor Beige			
	7F0	Cognac					6A0	Yachting Blue			
	8B0	Cedar					8D0	Cream			
6	970 555 951 00	ashtray pot with cover		1	/L		6J0	Espresso			
	7P8	black					7F0	Cognac			
	9PK	Platinum Grey					8B0	Cedar			
	8ED	Luxor Beige				7	970 555 651 00	loudspeaker grille low-pitched	/L	1	I441/490/680
(6)	970 555 952 00	ashtray pot with cover		1	/R		1E0	black			
	7P8	black					6L0	Platinum Grey			
	9PK	Platinum Grey					4H0	Luxor Beige			
	8ED	Luxor Beige					2F0	Yachting Blue			
(6)	970 555 951 01	ashtray pot with cover		1	/L I981		5J0	Cream			
	A11	black				(7)	970 555 652 00	loudspeaker grille low-pitched	/R	1	I441/490/680
								7N0	Espresso		
								8P0	Cognac		
								9Q0	Cedar		

Model	Year	MG	SG	Illustration	Restrictions	UPD	8:22	04.03.2010	PORSCHE	PET	PORSCHE
970	2010	8	07	807-10		248					

Pos	Part Number	Description	Remark	Qty	Model	Pos	Part Number	Description	Remark	Qty	Model
	1E0	black					6L0	Platinum Grey			
	6L0	Platinum Grey					4H0	Luxor Beige			
	4H0	Luxor Beige					2F0	Yachting Blue			
	2F0	Yachting Blue					5J0	Cream			
	5J0	Cream					7N0	Espresso			
	7N0	Espresso					8P0	Cognac			
	8P0	Cognac				(8)	970 555 654 00	loudspeaker grille	/R	1	
	9Q0	Cedar					1E0	black			
(7)	970 555 651 01	loudspeaker grille low-pitched	/L	1	I682		6L0	Platinum Grey			
	1E0	black					4H0	Luxor Beige			
	6L0	Platinum Grey					2F0	Yachting Blue			
	4H0	Luxor Beige					5J0	Cream			
	2F0	Yachting Blue					7N0	Espresso			
	5J0	Cream				9	970 555 671 00	damping mat door trim panel		1	
	7N0	Espresso				10	7PP 945 699	logo bose		1	I680
	8P0	Cognac				11	970 555 523 01	trim cover door opener	/L	1	
	9Q0	Cedar					1E0	black			
(7)	970 555 652 01	loudspeaker grille low-pitched	/R	1	I682	(11)	970 555 524 00	trim cover door opener	/R	1	
	1E0	black					1E0	black			
	6L0	Platinum Grey				12	970 555 383 00	cover door rear	/L	1	I817
	4H0	Luxor Beige					A61	Piano Black, high-gloss			
	2F0	Yachting Blue				(12)	970 555 384 00	cover door rear	/R	1	I817
	5J0	Cream					A61	Piano Black, high-gloss			
	7N0	Espresso									
	8P0	Cognac									
	9Q0	Cedar									
8	970 555 653 00	loudspeaker grille	/L	1							
	1E0	black									

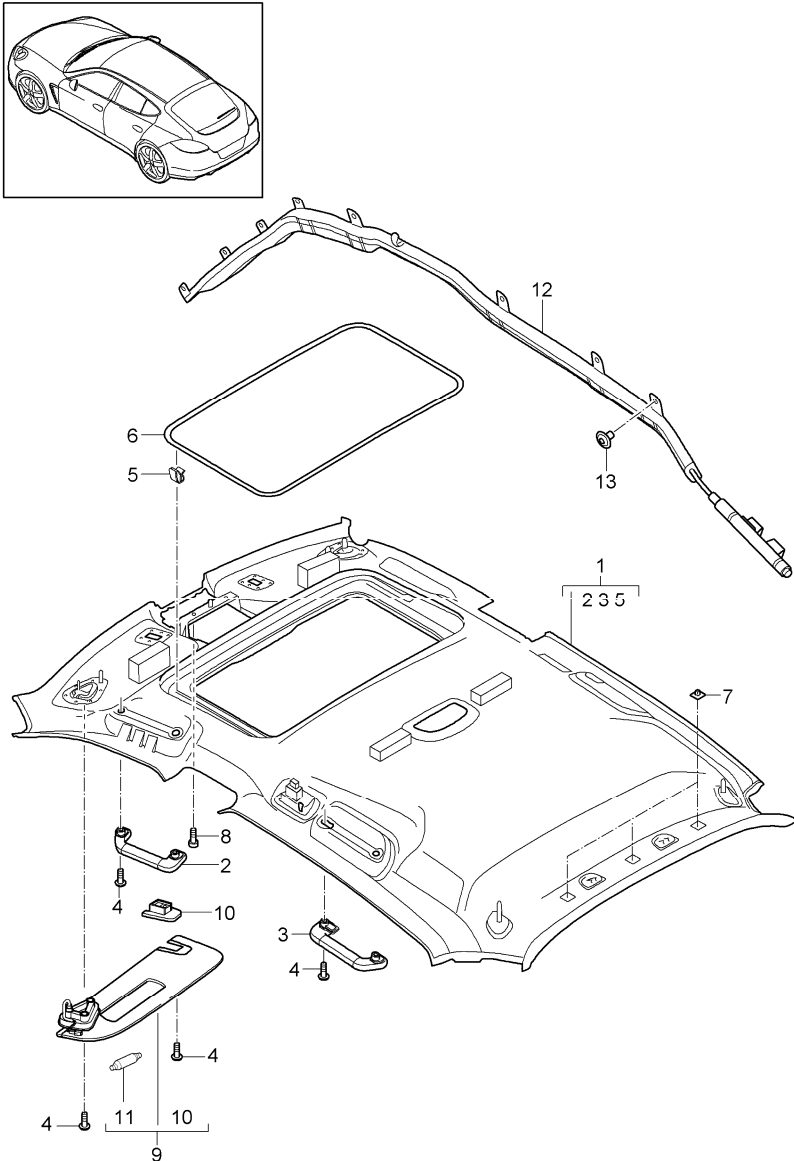
Model	Year	MG	SG	Illustration	Restrictions	UPD	8:22	04.03.2010	PORSCHE	PET	PORSCHE
970	2010	8	07	807-10		248					

Pos	Part Number	Description	Remark	Qty	Model	Pos	Part Number	Description	Remark	Qty	Model	
(12)	970 555 383 01	cover door rear	/L	1	I821		U03	Aluminium, brushed				
	BG1	Walnut, high-gloss				(12)	970 555 383 06	cover door rear	/L	1	I819	
(12)	970 555 384 01	cover door rear	/R	1	I821		BX3	Carbon, fine high-gloss				
	BG1	Walnut, high-gloss				(12)	970 555 384 06	cover door rear	/R	1	I819	
(12)	970 555 383 02	cover door rear	/L	1	I822		BX3	Carbon, fine high-gloss				
	S64	Teneo high-gloss				(12)	970 555 983 00	cover door rear	/L	1	IXZY	
(12)	970 555 384 02	cover door rear	/R	1	I822		GX1	Mahogany Yachting				
	S64	Teneo high-gloss				(12)	970 555 984 00	cover door rear	/R	1	IXZY	
(12)	970 555 383 03	cover door rear	/L	1	I823		GX1	Mahogany Yachting				
	CK6	Swedish Birch				13	999 919 121 09	oval-head screw 5 X 16		1		
(12)	970 555 384 03	cover door rear	/R	1	I823		14	999 073 130 01	oval-head screw M 6 X 16 mount door trim panel		2	
	CK6	Swedish Birch				15	999 703 271 40	buffer door opener 4,5 X 8 X 18		2		
(12)	970 555 383 04	cover door rear	/L	1	I824		16	999 591 692 01	speed nut 5,0 for mount cover door rear		2	
	BT2	Olive Ash matt open-pored				17	999 591 322 02	u-clamp 1,2 X 2,0 for mount cover shade		4	I861	
(12)	970 555 384 04	cover door rear	/R	1	I824							
	BT2	Olive Ash matt open-pored				(12)	970 555 383 05	cover door rear	/L	1	I818	
(12)	970 555 383 05	cover door rear	/L	1	I818		U03	Aluminium, brushed				
	U03	Aluminium, brushed				(12)	970 555 384 05	cover door rear	/R	1	I818	
(12)	970 555 384 05	cover door rear	/R	1	I818		18	970 555 639 01	cover shade side window	/L	1	I861

Model	Year	MG	SG	Illustration	Restrictions	UPD	8:22	04.03.2010	PORSCHE	PET	PORSCHE
970	2010	8	07	807-10		248					

Pos	Part Number	Description	Remark	Qty	Model	Pos	Part Number	Description	Remark	Qty	Model
	1E0	black									
(18)	970 555 640 01	cover shade side window	/R	1	I861						
	1E0	black									
19	970 555 637 01	cover shade window guide	/L	1	I861						
	1E0	black									
(19)	970 555 638 01	cover shade window guide	/R	1	I861						
	1E0	black									
20	970 555 635 01	cover shade door window glass	/L	1	I861						
	1E0	black									
(20)	970 555 636 01	cover shade door window glass	/R	1	I861						
	1E0	black									

Model	Year	MG	SG	Illustration	Restrictions	UPD	8:22	04.03.2010	PORSCHE	PET	PORSCHE
970	2010	8	07	807-15		248					



Pos	Part Number	Description	Remark	Qty	Model
(1)	970 555 197 24	rooflining accessories rooflining cloth without wiring harness when required order also: see catalogue 9/02/20 Pos. 4 9F1 Platinum Grey 7F3 Luxor Beige 8F3 Cream 5F6 Cedar		1	I592/652
(1)	970 555 197 26	rooflining cloth without wiring harness when required order also: see catalogue 9/02/20 Pos. 4 9F1 Platinum Grey 7F3 Luxor Beige 8F3 Cream 5F6 Cedar		1	I592/630/652
(1)	970 555 197 25	rooflining alcantara without wiring harness when required order also: see catalogue 9/02/20 Pos. 4 2W0 black 8U3 Platinum Grey 9U1 Luxor Beige 8U9 Cream 8T5 Cedar		1	I594/652

Model	Year	MG	SG	Illustration	Restrictions	UPD	8:22	04.03.2010	PORSCHE	PET	PORSCHE
970	2010	8	07	807-15		248					

Pos	Part Number	Description	Remark	Qty	Model	Pos	Part Number	Description	Remark	Qty	Model
(1)	970 555 197 27	rooflining alcantara without wiring harness when required order also: see catalogue 9/02/20 Pos. 4		1	I594/630/652	1	970 555 197 29	rooflining alcantara without wiring harness when required order also: see catalogue 9/02/20 Pos. 4		1	I594/650
	2W0	black					2W0	black			
	8U3	Platinum Grey					8U3	Platinum Grey			
	9U1	Luxor Beige					9U1	Luxor Beige			
	8U9	Cream					8U9	Cream			
	8T5	Cedar					8T5	Cedar			
1	970 555 197 28	rooflining cloth without wiring harness when required order also: see catalogue 9/02/20 Pos. 4		1	I592/650	1	970 555 197 31	rooflining alcantara without wiring harness when required order also: see catalogue 9/02/20 Pos. 4		1	I594/630/650
	9F1	Platinum Grey					2W0	black			
	7F3	Luxor Beige					8U3	Platinum Grey			
	8F3	Cream					9U1	Luxor Beige			
	5F6	Cedar					8U9	Cream			
1	970 555 197 30	rooflining cloth without wiring harness when required order also: see catalogue 9/02/20 Pos. 4		1	I592/630/650	2	970 555 607 00	grab handle front	/L	1	I592
	9F1	Platinum Grey					6L0	Platinum Grey			
	7F3	Luxor Beige					4H0	Luxor Beige			
	8F3	Cream					5J0	Cream			
	5F6	Cedar					9Q0	Cedar			
						2	970 555 607 00	grab handle front	/L	1	I594
							1E0	black			
							6L0	Platinum Grey			
							4H0	Luxor Beige			

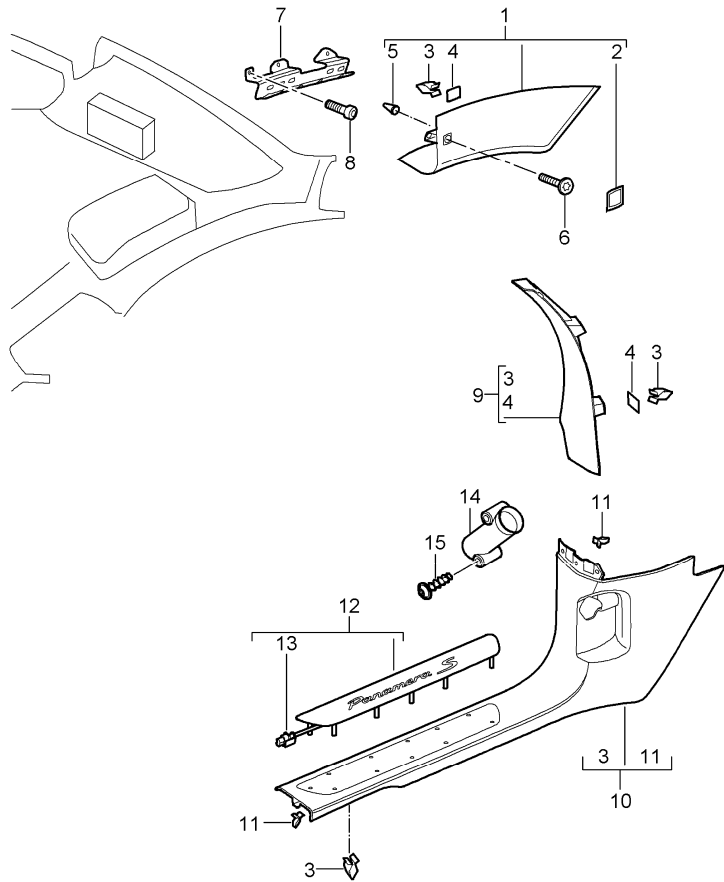
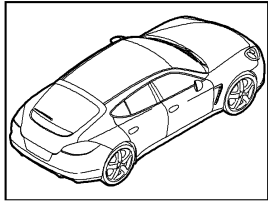
Model	Year	MG	SG	Illustration	Restrictions	UPD	8:22	04.03.2010	PORSCHE	PET	PORSCHE
970	2010	8	07	807-15		248					

Pos	Part Number	Description	Remark	Qty	Model	Pos	Part Number	Description	Remark	Qty	Model
	5J0	Cream					4H0	Luxor Beige			
	9Q0	Cedar					5J0	Cream			
(2)	970 555 608 00	grab handle front	/R	1	I592		9Q0	Cedar			
	6L0	Platinum Grey				(3)	970 555 610 00	grab handle rear	/R	1	I594
	4H0	Luxor Beige					1E0	black			
	5J0	Cream					6L0	Platinum Grey			
(2)	970 555 608 00	grab handle front	/R	1	I594		4H0	Luxor Beige			
	9Q0	Cedar					5J0	Cream			
	1E0	black					9Q0	Cedar			
	6L0	Platinum Grey				4	N 105 963 02	screw M 5 X 25		X	
	4H0	Luxor Beige				5	6X0 867 549	clip 9 X 7 X 3,7 mount clamping strip		15	I650
	5J0	Cream									
	9Q0	Cedar				6	5M0 867 525	frame clamping strip		1	I650
3	970 555 609 00	grab handle rear	/L	1	I592	7	7PP 867 300	velcro fastener 25,4 X 25,4		3	
	6L0	Platinum Grey				8	999 073 250 09	oval-head screw M 5 X 15		2	
	4H0	Luxor Beige				9	970 731 031 10	sun visor	/L	1	I592
	5J0	Cream					BA3	Platinum Grey			
	9Q0	Cedar					AZ2	Luxor Beige			
3	970 555 609 00	grab handle rear	/L	1	I594		BC4	Cream			
	1E0	black					AW3	Cedar			
	6L0	Platinum Grey				(9)	970 731 032 10	sun visor	/R	1	I592
	4H0	Luxor Beige					BA3	Platinum Grey			
	5J0	Cream					AZ2	Luxor Beige			
	9Q0	Cedar					BC4	Cream			
(3)	970 555 610 00	grab handle rear	/R	1	I592		AW3	Cedar			
	6L0	Platinum Grey				(9)	970 731 031 11	sun visor	/L	1	I594

Model	Year	MG	SG	Illustration	Restrictions	UPD	8:22	04.03.2010	PORSCHE	PET	PORSCHE
970	2010	8	07	807-15		248					

Pos	Part Number	Description	Remark	Qty	Model	Pos	Part Number	Description	Remark	Qty	Model
	2W0	black				13	N 908 074 07	oval-head screw M 5 X 18 for mount head airbag		X	
	8U3	Platinum Grey									
	9U1	Luxor Beige									
	8U9	Cream									
	8T5	Cedar									
(9)	970 731 032 11	sun visor	/R	1	I594						
	2W0	black									
	8U3	Platinum Grey									
	9U1	Luxor Beige									
	8U9	Cream									
	8T5	Cedar									
10	970 731 341 01	support sun visor		1	I592						
	6L0	Platinum Grey									
	4H0	Luxor Beige									
	5J0	Cream									
	9Q0	Cedar									
10	970 731 341 01	support sun visor		1	I594						
	1E0	black									
	6L0	Platinum Grey									
	4H0	Luxor Beige									
	5J0	Cream									
	9Q0	Cedar									
11	900 631 026 90	bulb 12V , 2W for illumination sun visor		4							
(12)	970 803 091 01	head airbag	/L	1							
(12)	970 803 092 01	head airbag	/R	1							

Model	Year	MG	SG	Illustration	Restrictions	UPD	8:22	04.03.2010	PORSCHE	PET	PORSCHE
970	2010	8	07	807-20		248					



Pos	Part Number	Description	Remark	Qty	Model
1	970 555 179 00	a-pillar scuff plate front lining		1	/L I592
		a-pillar upper cloth			
		9F1 Platinum Grey			
		7F3 Luxor Beige			
		8F4 Cream			
		5F6 Cedar			
(1)	970 555 180 00	lining		1	/R I592
		a-pillar upper cloth			
		9F1 Platinum Grey			
		7F3 Luxor Beige			
		8F4 Cream			
		5F6 Cedar			
(1)	970 555 179 01	lining		1	/L I594
		a-pillar upper alcantara			
		2W0 black			
		8U3 Platinum Grey			
		9U1 Luxor Beige			
		8U9 Cream			
		8T5 Cedar			
(1)	970 555 180 01	lining		1	/R I594
		a-pillar upper alcantara			
		2W0 black			
		8U3 Platinum Grey			

Model	Year	MG	SG	Illustration	Restrictions	UPD	8:22	04.03.2010	PORSCHE	PET	PORSCHE
970	2010	8	07	807-20		248					

Pos	Part Number	Description	Remark	Qty	Model	Pos	Part Number	Description	Remark	Qty	Model
	9U1	Luxor Beige					8P0	Cognac			
	8U9	Cream					9Q0	Cedar			
	8T5	Cedar				(9)	970 555 182 00	lining a-pillar centre		1	/R
2	7L5 853 437	sticker airbag		2	I592		1E0	black			
	6L0	Platinum Grey					6L0	Platinum Grey			
	4H0	Luxor Beige					4H0	Luxor Beige			
	5J0	Cream					2F0	Yachting Blue			
	9Q0	Cedar					5J0	Cream			
2	7L5 853 437	sticker airbag		2	I594		7N0	Espresso			
	1E0	black					8P0	Cognac			
	6L0	Platinum Grey					9Q0	Cedar			
	4H0	Luxor Beige				10	970 555 517 00	lining scuff plate front	LL/L	1	I098
	5J0	Cream					1E0	black			
	9Q0	Cedar					6L0	Platinum Grey			
3	999 507 839 01	clamp 3,5		X			4H0	Luxor Beige			
4	999 209 084 40	spacer 20 X 25 X 0,5		X			2F0	Yachting Blue			
5	997 555 857 00	grommet		1			5J0	Cream			
6	N 106 768 01	schraube M 5 X 25		2			7N0	Espresso			
9	970 555 181 00	lining a-pillar centre		1	/L		8P0	Cognac			
	1E0	black				(10)	970 555 518 00	lining scuff plate front	LL/R	1	I098
	6L0	Platinum Grey					1E0	black			
	4H0	Luxor Beige					6L0	Platinum Grey			
	2F0	Yachting Blue					4H0	Luxor Beige			
	5J0	Cream					2F0	Yachting Blue			
	7N0	Espresso					5J0	Cream			

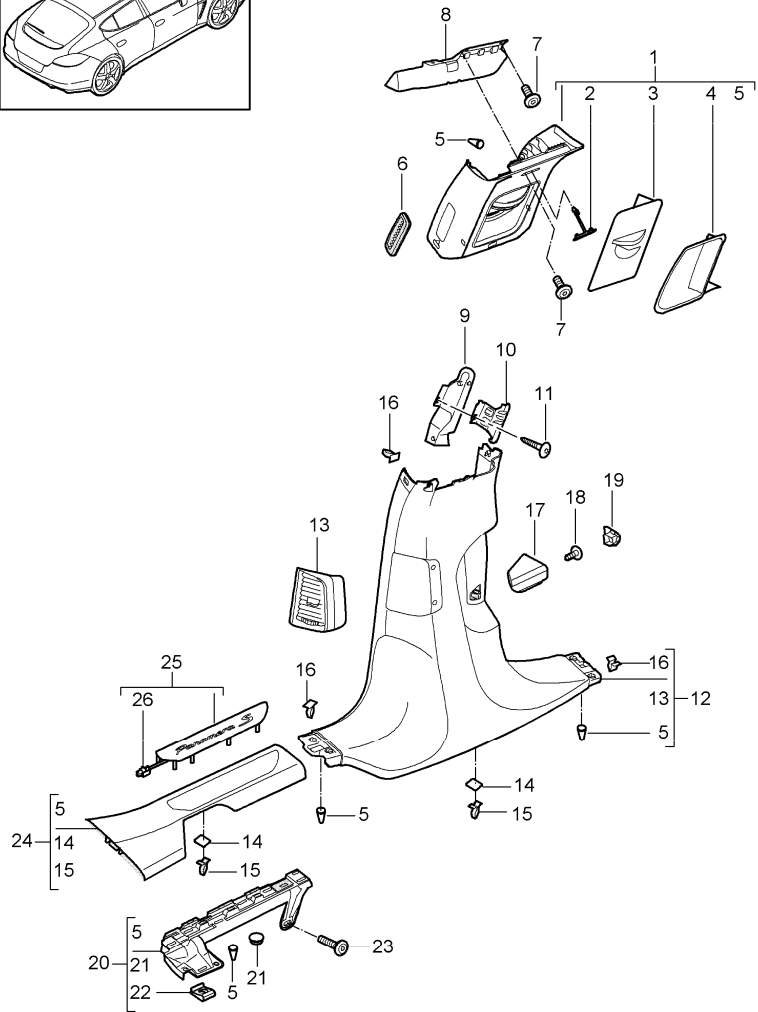
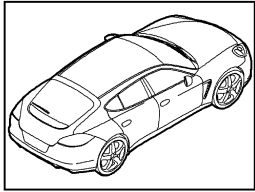
Model	Year	MG	SG	Illustration	Restrictions	UPD	8:22	04.03.2010	PORSCHE	PET	PORSCHE
970	2010	8	07	807-20		248					

Pos	Part Number	Description	Remark	Qty	Model	Pos	Part Number	Description	Remark	Qty	Model
	7N0	Espresso				(12)	970 555 753 02	insert		2	TURBO I339/598
	8P0	Cognac						Aluminium, brushed			
	9Q0	Cedar				12	970 555 989 00	insert		2	PANAMERA S IXXC/338
(10)	970 555 517 01	lining scuff plate front	/RL/L	1	I099			aluminium with illumination			
	1E0	black				(12)	970 555 989 01	insert		2	PANAMERA 4S IXXC/339
	6L0	Platinum Grey						aluminium with illumination			
	4H0	Luxor Beige									
	2F0	Yachting Blue				(12)	970 555 989 02	insert		2	TURBO IXXC/339
	5J0	Cream						aluminium with illumination			
	7N0	Espresso									
	8P0	Cognac				(12)	970 555 989 05	insert		2	PANAMERA S IX69/338
	9Q0	Cedar						carbon			
(10)	970 555 518 01	lining scuff plate front	RL/R	1	I099	(12)	970 555 989 06	insert		2	PANAMERA 4S IX69/339
	1E0	black				(12)	970 555 989 07	insert		2	TURBO IX69/339
	6L0	Platinum Grey						carbon			
	4H0	Luxor Beige				(12)	970 555 989 10	insert		2	PANAMERA S IXXD/338
	2F0	Yachting Blue						carbon with illumination			
	5J0	Cream									
	7N0	Espresso				(12)	970 555 989 10	insert		2	PANAMERA S IXXD/338
	8P0	Cognac						carbon with illumination			
	9Q0	Cedar									
11	999 507 584 02	clamp 8,0 X 10,0 /2,0		X		(12)	970 555 989 11	insert		2	PANAMERA 4S IXXD/339
(12)	970 555 753 00	insert Aluminium, brushed		2	PANAMERA S I338/598			carbon with illumination			
(12)	970 555 753 01	insert Aluminium, brushed		2	PANAMERA 4S I339/598	(12)	970 555 989 12	insert		2	Turbo IXXD/339
								carbon with illumination			

Model	Year	MG	SG	Illustration	Restrictions	UPD	8:22	04.03.2010	PORSCHE	PET	PORSCHE
970	2010	8	07	807-20		248					

Pos	Part Number	Description	Remark	Qty	Model	Pos	Part Number	Description	Remark	Qty	Model
13	999 652 913 40	pin connector socket 2-pole		2	IXXC/XXD						
14	964 551 751 00	support warning light	/RL	1	I099/193						
(14)	997 551 852 00	support warning light	/LL	1	I098/193						
15	WHT 004 083	oval-head screw 40 X 36,5		2	I193						

Model	Year	MG	SG	Illustration	Restrictions	UPD	8:23	04.03.2010	PORSCHE	PET	PORSCHE
970	2010	8	07	807-25		248					



Pos	Part Number	Description	Remark	Qty	Model
1	970 555 193 04	lining b-pillar scuff plate rear	/L	1	I592
	9F1	Platinum Grey			
	7F3	Luxor Beige			
	8F4	Cream			
	5F6	Cedar			
(1)	970 555 194 04	lining b-pillar upper cloth	/R	1	I592
	9F1	Platinum Grey			
	7F3	Luxor Beige			
	8F4	Cream			
	5F6	Cedar			
(1)	970 555 193 05	lining b-pillar upper alcantara	/L	1	I594
	2W0	black			
	8U3	Platinum Grey			
	9U1	Luxor Beige			
	8U9	Cream			
	8T5	Cedar			
(1)	970 555 194 05	lining b-pillar upper alcantara	/R	1	I594
	2W0	black			
	8U3	Platinum Grey			
	9U1	Luxor Beige			

Model	Year	MG	SG	Illustration	Restrictions	UPD	8:23	04.03.2010	PORSCHE	PET	PORSCHE
970	2010	8	07	807-25		248					

Pos	Part Number	Description	Remark	Qty	Model	Pos	Part Number	Description	Remark	Qty	Model
	8U9	Cream				(3)	970 555 428 00	slide lining	/R	1	I592
	8T5	Cedar						b-pillar upper			
2	7L5 853 437	sticker airbag		2	I592		6L0	Platinum Grey			
	6L0	Platinum Grey					4H0	Luxor Beige			
	4H0	Luxor Beige					5J0	Cream			
	5J0	Cream					9Q0	Cedar			
	9Q0	Cedar				(3)	970 555 428 00	slide lining	/R	1	I594
2	7L5 853 437	sticker airbag		2	I594			b-pillar upper			
	1E0	black					1E0	black			
	6L0	Platinum Grey					6L0	Platinum Grey			
	4H0	Luxor Beige					4H0	Luxor Beige			
	5J0	Cream					5J0	Cream			
	9Q0	Cedar					9Q0	Cedar			
3	970 555 427 00	slide lining b-pillar upper	/L	1	I592	4	970 555 703 00	rosette b-pillar	/L	1	I592
	6L0	Platinum Grey					6L0	Platinum Grey			
	4H0	Luxor Beige					4H0	Luxor Beige			
	5J0	Cream					5J0	Cream			
	9Q0	Cedar					9Q0	Cedar			
3	970 555 427 00	slide lining b-pillar upper	/L	1	I594	4	970 555 703 00	rosette b-pillar	/L	1	I594
	1E0	black					1E0	black			
	6L0	Platinum Grey					6L0	Platinum Grey			
	4H0	Luxor Beige					4H0	Luxor Beige			
	5J0	Cream					5J0	Cream			
	9Q0	Cedar					9Q0	Cedar			
	5J0	Cream				(4)	970 555 704 00	rosette b-pillar	/R	1	I592
	9Q0	Cedar					6L0	Platinum Grey			

Model	Year	MG	SG	Illustration	Restrictions	UPD	8:23	04.03.2010	PORSCHE	PET	PORSCHE
970	2010	8	07	807-25		248					

Pos	Part Number	Description	Remark	Qty	Model	Pos	Part Number	Description	Remark	Qty	Model
	4H0	Luxor Beige					1R0	Cedar			
	5J0	Cream				(6)	970 555 726 00	defroster trim b-pillar upper	/R	1	I594
	9Q0	Cedar					5Q0	black			
(4)	970 555 704 00	rosette b-pillar	/R	1	I594		4U0	Platinum Grey			
	1E0	black					6W0	Luxor Beige			
	6L0	Platinum Grey					5V0	Cream			
	4H0	Luxor Beige					1R0	Cedar			
	5J0	Cream				7	999 073 459 01	oval-head screw M 5 X 16		X	
	9Q0	Cedar				8	970 555 645 02	slide airbag	/L	1	
5	997 555 857 00	grommet		X		(8)	970 555 646 02	slide airbag	/R	1	
6	970 555 725 00	defroster trim b-pillar upper	/L	1	I592	9	970 555 715 00	air duct defroster b-pillar upper	/L	1	
	4U0	Platinum Grey				(9)	970 555 716 00	air duct defroster b-pillar upper	/R	1	
	6W0	Luxor Beige				12	970 555 183 00	lining b-pillar lower	/L	1	
	5V0	Cream					1E0	black			
	1R0	Cedar					6L0	Platinum Grey			
6	970 555 725 00	defroster trim b-pillar upper	/L	1	I594		4H0	Luxor Beige			
	5Q0	black					2F0	Yachting Blue			
	4U0	Platinum Grey					5J0	Cream			
	6W0	Luxor Beige					7N0	Espresso			
	5V0	Cream					8P0	Cognac			
(6)	970 555 726 00	defroster trim b-pillar upper	/R	1	I592		9Q0	Cedar			
	4U0	Platinum Grey									
	6W0	Luxor Beige									
	5V0	Cream									

Model	Year	MG	SG	Illustration	Restrictions	UPD	8:23	04.03.2010	PORSCHE	PET	PORSCHE
970	2010	8	07	807-25		248					

Pos	Part Number	Description	Remark	Qty	Model	Pos	Part Number	Description	Remark	Qty	Model
(12)	970 555 184 00	lining b-pillar lower	/R	1			9B0	Platinum Grey			
	1E0	black					7J0	Luxor Beige			
	6L0	Platinum Grey					6A0	Yachting Blue			
	4H0	Luxor Beige					8D0	Cream			
	2F0	Yachting Blue					6J0	Espresso			
	5J0	Cream					7F0	Cognac			
	7N0	Espresso					8B0	Cedar			
	8P0	Cognac				(17)	970 555 496 01	cover armrest leather/ embossed	/R	1	
	9Q0	Cedar					21U	black			
13	970 555 351 00	air vent b-pillar lower	/L	1			7EG	Platinum Grey			
	DAP	galvano silver					32X	Luxor Beige			
(13)	970 555 352 00	air vent b-pillar lower	/R	1		(17)	970 555 496 01	cover armrest b-pillar leather	/R	1	
	DAP	galvano silver					A11	black			
14	999 209 084 40	spacer 20 X 25 X 0,5		X			9B0	Platinum Grey			
15	999 507 839 01	clamp 3,5		X			7J0	Luxor Beige			
16	999 507 584 02	clamp 8,0 X 10,0 /2,0		X			6A0	Yachting Blue			
17	970 555 495 01	cover armrest leather/ embossed	/L	1			8D0	Cream			
	21U	schwarz					6J0	Espresso			
	7EG	Platinum Grey				18	999 073 369 09	oval-head screw M 5 X 18		2	
	32X	Luxor Beige				19	970 555 895 01	cover armrest b-pillar	/L	1	
17	970 555 495 01	cover armrest leather	/L	1			1E0	black			
	A11	schwarz					6L0	Platinum Grey			

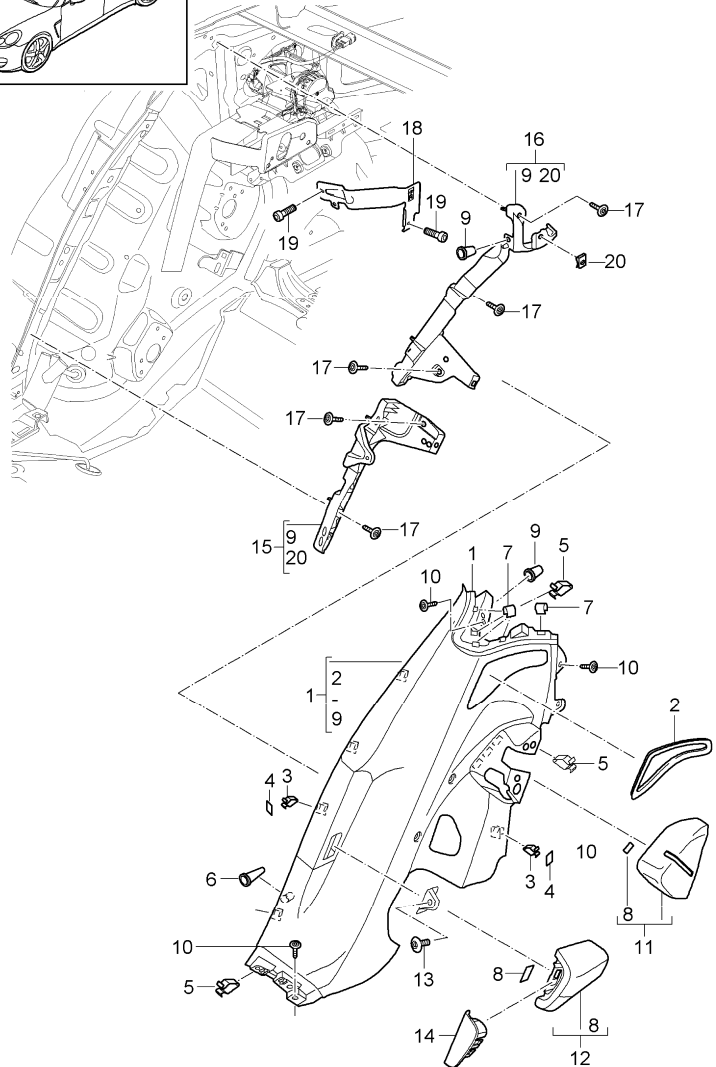
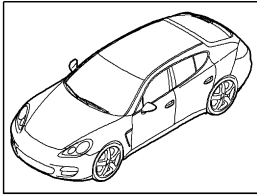
Model	Year	MG	SG	Illustration	Restrictions	UPD	8:23	04.03.2010	PORSCHE	PET	PORSCHE
970	2010	8	07	807-25		248					

Pos	Part Number	Description	Remark	Qty	Model	Pos	Part Number	Description	Remark	Qty	Model
	4H0	Luxor Beige					4H0	Luxor Beige			
	2F0	Yachting Blue					2F0	Yachting Blue			
	5J0	Cream					5J0	Cream			
	7N0	Espresso					7N0	Espresso			
	8P0	Cognac					8P0	Cognac			
	9Q0	Cedar					9Q0	Cedar			
(19)	970 555 896 01	cover armrest b-pillar	/R	1		(24)	970 555 520 00	lining scuff plate rear	/R	1	
	1E0	black					1E0	black			
	6L0	Platinum Grey					6L0	Platinum Grey			
	4H0	Luxor Beige					4H0	Luxor Beige			
	2F0	Yachting Blue					2F0	Yachting Blue			
	5J0	Cream					5J0	Cream			
	7N0	Espresso					7N0	Espresso			
	8P0	Cognac					8P0	Cognac			
	9Q0	Cedar					9Q0	Cedar			
20	970 555 691 00	support scuff plate	/L	1		(25)	970 555 763 00	insert Aluminium, brushed		2	I598
(20)	970 555 692 00	support scuff plate	/R	1		25	970 555 991 00	insert aluminium with illumination		2	PANAMERA S IXXC/338
21	999 209 095 01	spacer sleeve 9 X 0,7 X 3,7		X							
22	999 507 971 01	speed nut ST 4,2		1		(25)	970 555 991 01	insert aluminium with illumination		2	PANAMERA 4S IXXC/339
23	999 073 250 09	oval-head screw M 5 X 15 mount support scuff plate		8		(25)	970 555 991 02	insert aluminium with illumination		2	TURBO IXXC/339
24	970 555 519 00	lining scuff plate rear	/L	1		(25)	970 555 991 05	insert aluminium with illumination carbon		2	PANAMERA S IX69/338
	1E0	black									
	6L0	Platinum Grey									

Model	Year	MG	SG	Illustration	Restrictions	UPD	8:23	04.03.2010	PORSCHE	PET	PORSCHE
970	2010	8	07	807-25		248					

Pos	Part Number	Description	Remark	Qty	Model	Pos	Part Number	Description	Remark	Qty	Model
(25)	970 555 991 06	insert carbon		2	PANAMERA 4S IX69/339						
(25)	970 555 991 07	insert carbon		2	TURBO IX69/339						
(25)	970 555 991 10	insert carbon with illumination		2	PANAMERA S IXXD/338						
(25)	970 555 991 11	insert carbon with illumination		2	PANAMERA 4S IXXD/339						
(25)	970 555 991 12	insert carbon with illumination		2	TURBO IXXD/339						
26	999 652 913 40	pin connector socket 2-pole		2	IXXD						

Model	Year	MG	SG	Illustration	Restrictions	UPD	8:23	04.03.2010	PORSCHE	PET	PORSCHE
970	2010	8	07	807-30		248					



Pos	Part Number	Description	Remark	Qty	Model
		lining wheel housing			
1	970 555 195 00	lining wheel housing	/L	1	
		7P8 black			
		9PK Platinum Grey			
		8ED Luxor Beige			
(1)	970 555 196 00	lining wheel housing	/R	1	
		7P8 black			
		9PK Platinum Grey			
		8ED Luxor Beige			
(1)	970 555 195 01	lining wheel housing leather	/L	1	I981
		A11 black			
		9B0 Platinum Grey			
		7J0 Luxor Beige			
		6A0 Yachting Blue			
		DNZ Black/Platinum Grey			
		DPA Luxor Beige/Cream			
		DPB Yachting Blue/Cream			
		6J0 Espresso			
		7F0 Cognac			
		DPD Cognac/Cedar			
(1)	970 555 196 01	lining wheel housing leather	/R	1	I981
		A11 black			
		9B0 Platinum Grey			
		7J0 Luxor Beige			
		6A0 Yachting Blue			

Model	Year	MG	SG	Illustration	Restrictions	UPD	8:23	04.03.2010	PORSCHE	PET	PORSCHE
970	2010	8	07	807-30		248					

Pos	Part Number	Description	Remark	Qty	Model	Pos	Part Number	Description	Remark	Qty	Model
	DNZ	Black/Platinum Grey				6	996 555 857 00	grommet		1	
	DPA	Luxor Beige/Cream				7	999 911 443 40	tread 0,8 X 2,5		X	
	DPB	Yachting Blue/Cream				8	999 703 547 40	buffer 20 X 8 X 0,5		X	
	6J0	Espresso				9	997 555 857 00	grommet		X	
	7F0	Cognac				10	999 073 372 01	tapping screw ST 4,2 X 16 for mount lining wheel housing		6	
2	970 555 705 00	rosette	/L	1							
	1E0	black				11	970 555 711 00	cover Catch bar	/L	1	
	6L0	Platinum Grey					1E0	black			
	4H0	Luxor Beige					6L0	Platinum Grey			
	2F0	Yachting Blue					4H0	Luxor Beige			
	5J0	Espresso					2F0	Yachting Blue			
	7N0	Espresso					5J0	Cream			
	8P0	Cognac					7N0	Espresso			
	9Q0	Cedar					8P0	Cognac			
(2)	970 555 706 00	rosette	/R	1			9Q0	Cedar			
	1E0	black				(11)	970 555 712 00	cover Catch bar	/R	1	
	6L0	Platinum Grey					1E0	black			
	4H0	Luxor Beige					6L0	Platinum Grey			
	2F0	Yachting Blue					4H0	Luxor Beige			
	5J0	Espresso					2F0	Yachting Blue			
	7N0	Espresso					5J0	Cream			
	8P0	Cognac					7N0	Espresso			
	9Q0	Cedar					8P0	Cognac			
3	999 507 839 01	clamp 3,5		5			9Q0	Cedar			
4	999 209 084 40	spacer 20 X 25 X 0,5		5							
5	999 507 584 02	clamp 8,0 X 10,0 / 2,0		6							

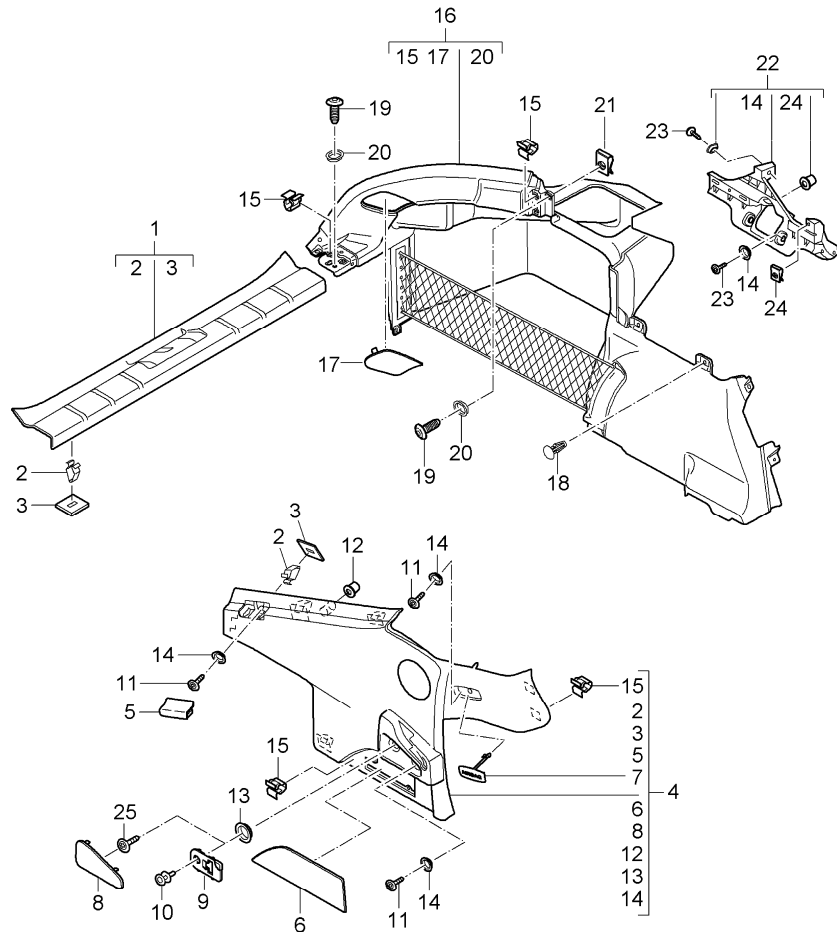
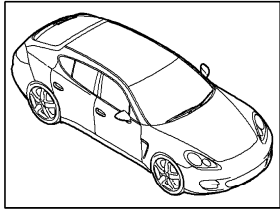
Model	Year	MG	SG	Illustration	Restrictions	UPD	8:23	04.03.2010	PORSCHE	PET	PORSCHE
970	2010	8	07	807-30		248					

Pos	Part Number	Description	Remark	Qty	Model	Pos	Part Number	Description	Remark	Qty	Model
12	970 555 497 01	cover armrest wheel housing leather/ embossed	/L	1			8D0	Cream			
	21U	black					6J0	Espresso			
	7EG	Platinum Grey					7F0	Cognac			
	32G	Luxor Beige					8B0	Cedar			
12	970 555 497 01	cover armrest wheel housing leather	/L	1		13	999 073 369 09	oval-head screw M 5 X 18 for mount cover armrest		1	
	A11	black				14	970 555 897 01	cover armrest wheel housing	/L	1	
	9B0	Platinum Grey					1E0	black			
	7J0	Luxor Beige					6L0	Platinum Grey			
	6A0	Yachting Blue					4H0	Luxor Beige			
	8D0	Cream					2F0	Yachting Blue			
	6J0	Espresso					5J0	Cream			
	7F0	Cognac					7N0	Espresso			
	8B0	Cedar					8P0	Cognac			
(12)	970 555 498 01	cover armrest wheel housing leather embossed	/R	1		(14)	970 555 898 01	cover armrest wheel housing	/R	1	
	21U	black					1E0	black			
	7EG	Platinum Grey					6L0	Platinum Grey			
	32G	Luxor Beige					4H0	Luxor Beige			
(12)	970 555 498 01	cover armrest wheel housing leather	/R	1			2F0	Yachting Blue			
	A11	black					5J0	Cream			
	9B0	Platinum Grey					7N0	Espresso			
	7J0	Luxor Beige					8P0	Cognac			
	6A0	Yachting Blue					9Q0	Cedar			

Model	Year	MG	SG	Illustration	Restrictions	UPD	8:23	04.03.2010	PORSCHE	PET	PORSCHE
970	2010	8	07	807-30		248					

Pos	Part Number	Description	Remark	Qty	Model	Pos	Part Number	Description	Remark	Qty	Model
15	970 555 693 02	support wheel housing front	/L	1							
(15)	970 555 694 02	support wheel housing front	/R	1							
16	970 555 697 01	support wheel housing rear	/L	1							
(16)	970 555 698 01	support wheel housing rear	/R	1							
17	999 073 250 09	oval-head screw M 5 X 15 for mount support wheel housing		X							
18	970 555 647 00	deformation element wheel housing	/L	1							
(18)	970 555 648 00	deformation element wheel housing	/R	1							
19	999 073 459 01	oval-head screw M 5 X 16 for mount deformation element wheel housing		2							
20	999 507 971 01	speed nut ST 4,2		X							

Model	Year	MG	SG	Illustration	Restrictions	UPD	8:23	04.03.2010	PORSCHE	PET	PORSCHE
970	2010	8	07	807-35		248					



Pos	Part Number	Description	Remark	Qty	Model
1	970 551 253 01	linings luggage compartment lateral cover lock carrier		1	
	6M7	stainless steel			
2	999 507 839 01	clamp		X	
3	999 209 084 40	spacer		X	
4	970 555 187 12	side trim panel	/L	1	-I862/-I981/ I869
		rear left including bracket tray hat			
	DLT	black			
	DLU	Platinum Grey			
	DLV	Luxor Beige			
(4)	970 555 188 12	side trim panel	/R	1	-I862/-I981/ I869
		rear right including bracket tray hat			
	DLT	black			
	DLU	Platinum Grey			
	DLV	Luxor Beige			
(4)	970 555 187 13	side trim panel	/L	1	-I862/I869/ I981
		rear left including bracket tray hat leather			
	DLW	black			
	DLX	Platinum Grey			

Model	Year	MG	SG	Illustration	Restrictions	UPD	8:23	04.03.2010	PORSCHE	PET	PORSCHE
970	2010	8	07	807-35		248					

Pos	Part Number	Description	Remark	Qty	Model	Pos	Part Number	Description	Remark	Qty	Model
		DLY Luxor Beige				(4)	970 555 187 01	side trim panel	/L	1	I868/981
		DLZ Yachting Blue						rear			
		DLW black						left			
		DLX Platinum Grey						leather			
		DLY Luxor Beige					DLW black				
		DLZ Yachting Blue					DLX Platinum Grey				
(4)	970 555 188 13	side trim panel	/R	1	-I862/I869/ I981		DLY Luxor Beige				
		rear					DLZ Yachting Blue				
		right					DMB Cream				
		including					DMC Espresso				
		bracket					DMD Cognac				
		tray					DME Cedar				
		hat									
		leather									
		DLW black				(4)	970 555 188 01	side trim panel	/R	1	I868/981
		DLX Platinum Grey						rear			
		DLY Luxor Beige						right			
		DLZ Yachting Blue						leather			
		DMB Cream					DLW black				
		DMC Espresso					DLX Platinum Grey				
		DMD Cognac					DLY Luxor Beige				
		DME Cedar					DLZ Yachting Blue				
(4)	970 555 187 00	side trim panel	/L	1	-I981/I868		DMB Cream				
		rear					DMC Espresso				
		left					DMD Cognac				
		DLT black					DME Cedar				
		DLU Platinum Grey				(4)	970 555 187 09	side trim panel	/L	1	-I981/I862/ I869
		DLV Luxor Beige						rear			
								left			
(4)	970 555 188 00	side trim panel	/R	1	-I981/I868		DLT black				
		rear					DLU Platinum Grey				
		right					DLV Luxor Beige				
		DLT black									
		DLU Platinum Grey				(4)	970 555 188 09	side trim panel	/R	1	-I981/I862/ I869
		DLV Luxor Beige						rear			
								right			

Model	Year	MG	SG	Illustration	Restrictions	UPD	8:23	04.03.2010	PORSCHE	PET	PORSCHE
970	2010	8	07	807-35		248					

Pos	Part Number	Description	Remark	Qty	Model	Pos	Part Number	Description	Remark	Qty	Model										
(4)	970 555 187 10	DLT black	/L	1	I862/869/981	6	2F0 Yachting Blue	/L	1												
		DLU Platinum Grey					5J0 Cream														
		DLV Luxor Beige					7N0 Espresso														
		side trim panel rear					8P0 Cognac														
		left leather					9Q0 Cedar														
		DLW black					970 555 583 00 cover side trim panel lower left														
		DLX Platinum Grey					1E0 black														
		DLY Luxor Beige					6L0 Platinum Grey														
		DLZ Yachting Blue					4H0 Luxor Beige														
		DMB Cream					2F0 Yachting Blue														
		DMC Espresso					5J0 Cream														
		DMD Cognac					7N0 Espresso														
DME Cedar	8P0 Cognac																				
(4)	970 555 188 10	side trim panel rear right leather	/R	1	I862/869/981	(6)	970 555 584 00 cover side trim panel lower right	/R	1												
		DLW black					1E0 black														
		DLX Platinum Grey					6L0 Platinum Grey														
		DLY Luxor Beige					4H0 Luxor Beige														
		DLZ Yachting Blue					2F0 Yachting Blue														
		DMB Cream					5J0 Cream														
		DMC Espresso					7N0 Espresso														
		DMD Cognac					8P0 Cognac														
		DME Cedar					9Q0 Cedar														
		5					970 555 731 00					base tray hat	/L/R	2	I869	7	7L5 853 437 lid airbag side trim panel			2	
												1E0 black					1E0 black				
												6L0 Platinum Grey									
4H0 Luxor Beige																					

Model	Year	MG	SG	Illustration	Restrictions	UPD	8:23	04.03.2010	PORSCHE	PET	PORSCHE
970	2010	8	07	807-35		248					

Pos	Part Number	Description	Remark	Qty	Model	Pos	Part Number	Description	Remark	Qty	Model
		6L0 Platinum Grey						6L0 Platinum Grey			
		4H0 Luxor Beige						4H0 Luxor Beige			
		2F0 Yachting Blue						2F0 Yachting Blue			
		5J0 Cream						5J0 Cream			
		7N0 Espresso						7N0 Espresso			
		8P0 Cognac						8P0 Cognac			
		9Q0 Cedar						9Q0 Cedar			
8	970 555 443 00	lid left	/L	1	-I862/I869	(9)	970 555 343 00	cover mounting left	/L	1	-I862/I868
		1E0 black						1E0 black			
		6L0 Platinum Grey						6L0 Platinum Grey			
		4H0 Luxor Beige						4H0 Luxor Beige			
		2F0 Yachting Blue						2F0 Yachting Blue			
		5J0 Cream						5J0 Cream			
		7N0 Espresso						7N0 Espresso			
		8P0 Cognac						8P0 Cognac			
		9Q0 Cedar						9Q0 Cedar			
(8)	970 555 444 00	lid right	/R	1	-I862/I869	(9)	970 555 344 00	cover mounting right	/R	1	I862/868/869
		1E0 black						1E0 black			
		6L0 Platinum Grey						6L0 Platinum Grey			
		4H0 Luxor Beige						4H0 Luxor Beige			
		2F0 Yachting Blue						2F0 Yachting Blue			
		5J0 Cream						5J0 Cream			
		7N0 Espresso						7N0 Espresso			
		8P0 Cognac						8P0 Cognac			
		9Q0 Cedar						9Q0 Cedar			
9	970 555 343 01	cover mounting left	/L	1	I862/868						
		1E0 black				10	970 555 643 01	screw bolt locking device		2	I862/868

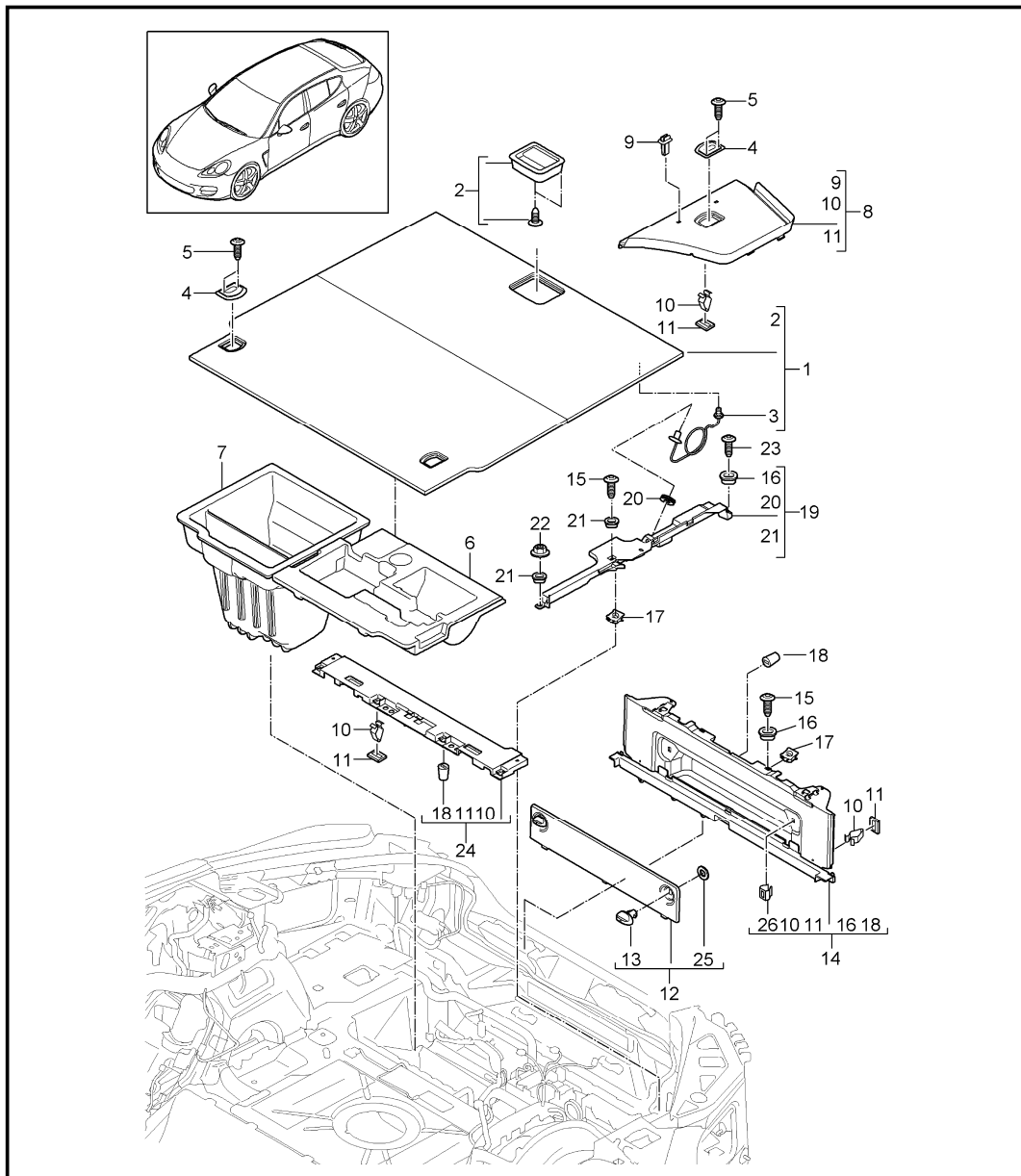
Model	Year	MG	SG	Illustration	Restrictions	UPD	8:23	04.03.2010	PORSCHE	PET	PORSCHE
970	2010	8	07	807-35		248					

Pos	Part Number	Description	Remark	Qty	Model	Pos	Part Number	Description	Remark	Qty	Model
11	999 073 369 09	oval-head screw M5x18		X			DAX	Yachting Blue/Cream			
12	996 555 857 00	grommet centring journal		1			DAZ	Espresso			
13	999 209 107 01	spacer sleeve 17,5x0,7x3,7		1			DLA	Cognac			
14	999 209 094 01	spacer sleeve 9x0,7x5,2		X		16	970 551 052 05	side trim panel with luggage net right	/R	1	I206
15	999 507 584 02	clamp 8x10/2		X			DLB	Cognac/Cedar			
16	970 551 051 02	side trim panel with luggage net left	/L	1			DAX	black			
		DAX					DAR	Platinum Grey			
		DAS					DAS	Luxor Beige			
		DAT					DAT	Yachting Blue			
		DAV					DAV	Black/Platinum Grey			
		DAW					DAW	Luxor Beige/Cream			
		DAX					DAX	Yachting Blue/Cream			
		DAZ					DAZ	Espresso			
		DLA					DLA	Cognac			
		DLB					DLB	Cognac/Cedar			
(16)	970 551 052 04	side trim panel with luggage net right	/R	1	-I206	18	999 591 511 40	expansion rivet		4	
		DAX				19	999 073 372 01	screw 4,2x16		2	
		DAR				20	999 209 083 02	spacer sleeve 4,5x0,7x5		2	
		DAS				21	999 591 135 01	captive nut		1	
		DAT				22	970 555 477 00	support c-pillar lower including sleeve grommets speed nut	/L	1	
		DAV								3	
		DAW								2	
										1	

Model	Year	MG	SG	Illustration	Restrictions	UPD	8:23	04.03.2010	PORSCHE	PET	PORSCHE
970	2010	8	07	807-35		248					

Pos	Part Number	Description	Remark	Qty	Model	Pos	Part Number	Description	Remark	Qty	Model
(22)	970 555 478 00	support c-pillar lower including sleeve grommets speed nut	/R	1							
				3							
				2							
				1							
23	999 073 250 09	oval-head screw M5x15		3							
24	999 507 971 01	speed nut		1							
25	900 386 101 01	combination screw M10x28		1	-I862/I869						

Model	Year	MG	SG	Illustration	Restrictions	UPD	8:23	04.03.2010	PORSCHE	PET	PORSCHE
970	2010	8	07	807-40		248					



Pos	Part Number	Description	Remark	Qty	Model
1	970 551 053 02	linings luggage compartment lower		1	
	6B0	black			
	8E0	Platinum Grey			
	7K0	Luxor Beige			
	6D0	Yachting Blue			
	9D0	Espresso			
	9E0	Cognac			
2	970 551 201 00	finger plate complete including screw		1	
	1E0	black		4	
	6L0	Platinum Grey			
	4H0	Luxor Beige			
	2F0	Yachting Blue			
	7N0	Espresso			
	8P0	Cognac			
3	970 551 713 00	retaining strap		1	
4	970 551 203 00	eye luggage compartment		4	
	V08	galvano silver			
5	999 073 389 02	countersunk-head screw eye luggage compartment M6x20		8	
6	970 551 414 00	foam part tool		1	
7	970 551 412 01	foam part shelf		1	I441/490
8	970 551 055 00	floor section luggage compartment lateral left	/L	1	

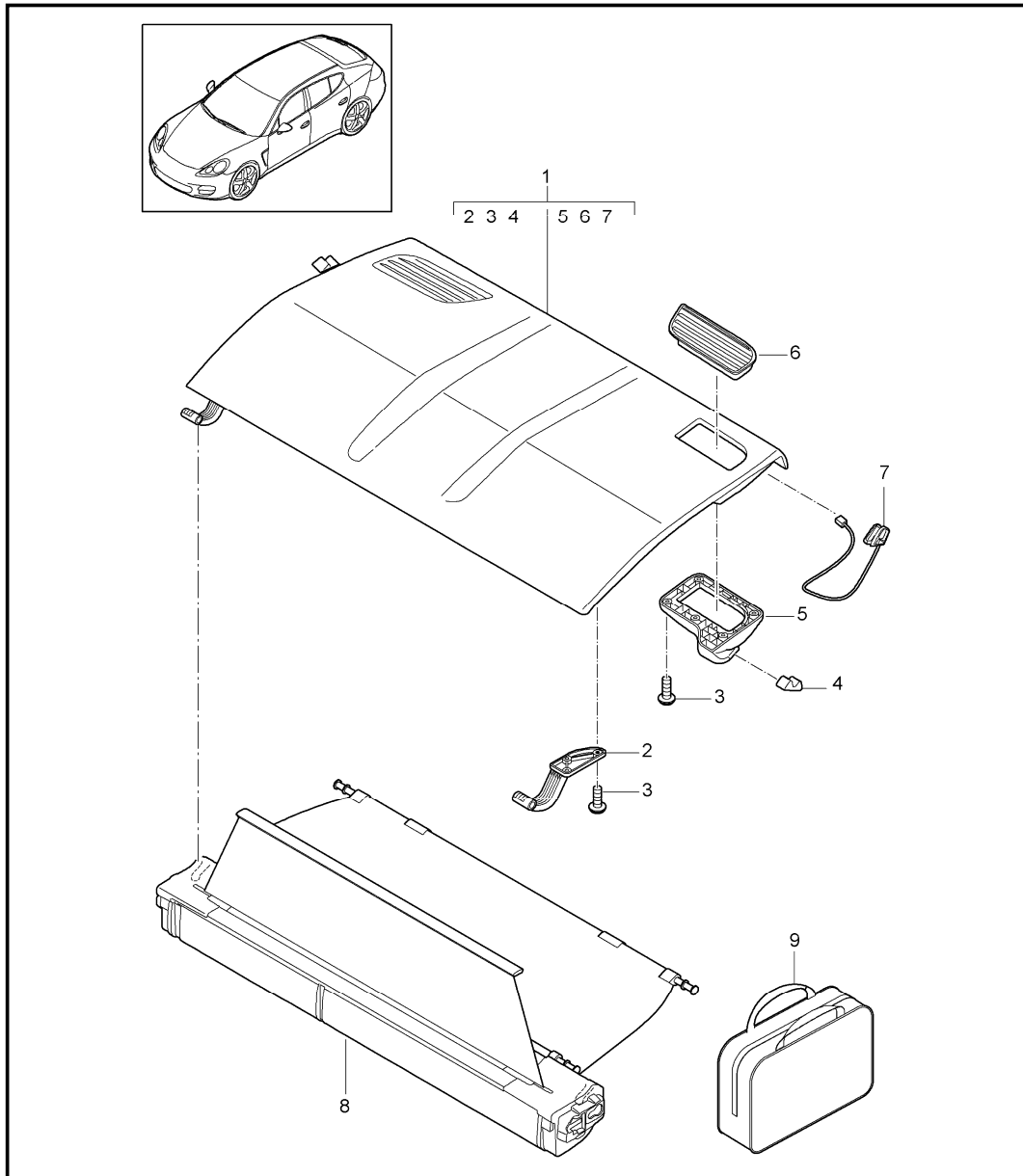
Model	Year	MG	SG	Illustration	Restrictions	UPD	8:23	04.03.2010	PORSCHE	PET	PORSCHE
970	2010	8	07	807-40		248					

Pos	Part Number	Description	Remark	Qty	Model	Pos	Part Number	Description	Remark	Qty	Model
	6B0	black				14	970 551 251 04	covering for lock rear lower		1	
	8E0	Platinum Grey					6B0	black			
	7K0	Luxor Beige					8E0	Platinum Grey			
	6D0	Yachting Blue					7K0	Luxor Beige			
	9D0	Espresso					6D0	Yachting Blue			
	9E0	Cognac					9D0	Espresso			
(8)	970 551 056 00	floor section luggage compartment lateral right	/R	1			9E0	Cognac			
	6B0	black				15	999 073 372 01	tapping screw 4,2x16		2	
	8E0	Platinum Grey				16	999 209 083 02	spacer sleeve 4,5x0,7x5		2	
	7K0	Luxor Beige				17	999 591 135 01	captive nut		6	
	6D0	Yachting Blue				18	997 555 857 00	grommet		4	
	9D0	Espresso				19	970 551 417 00	retaining strip luggage compartment lateral with grommet for retaining strap	/L	1	
9	970 551 755 00	hook net		4			1E0	black			
	1E0	black									
10	999 507 839 01	clamp		X			1E0	black			
11	999 209 084 40	spacer		X		(19)	970 551 418 00	retaining strip luggage compartment lateral	/R	1	
12	970 551 651 00	lid covering for lock warning triangle		1			1E0	black			
	6B0	black				20	999 507 178 40	ball socket for retaining strap		1	
	8E0	Platinum Grey									
	7K0	Luxor Beige				21	999 209 087 02	spacer sleeve 6,2x0,7x2		4	
	6D0	Yachting Blue				22	900 377 018 09	hexagon nut M6		2	
	9D0	Espresso									
	9E0	Cognac				23	999 073 372 01	tapping screw 4,2x16		2	
13	999 590 056 40	closing element		2							

Model	Year	MG	SG	Illustration	Restrictions	UPD	8:23	04.03.2010	PORSCHE	PET	PORSCHE
970	2010	8	07	807-40		248					

Pos	Part Number	Description	Remark	Qty	Model	Pos	Part Number	Description	Remark	Qty	Model
24	970 551 415 02	retaining strip luggage compartment rear		1							
	1E0	black									
25	999 230 579 40	lock		2							
26	999 590 083 01	cams		2							

Model	Year	MG	SG	Illustration	Restrictions	UPD	8:23	04.03.2010	PORSCHE	PET	PORSCHE
970	2010	8	07	807-45		248					



Pos	Part Number	Description	Remark	Qty	Model
1	970 555 151 05	cover tray hat shade ski bag tray		1	I830/831/832 I833/834/835 I836/862/869
		hat			
	DK4	black			
	DJ6	Platinum Grey			
	DM5	Luxor Beige			
	DQ9	Yachting Blue			
	DP8	Espresso			
	DS1	Cognac			
(1)	970 555 151 04	tray		1	-I862/I830/ I831/832/833 I869
		hat			
	DK4	black			
	DJ6	Platinum Grey			
	DM5	Luxor Beige			
	DQ9	Yachting Blue			
	DP8	Espresso			
	DS1	Cognac			
2	970 555 585 01	hinge left	/L	1	I862/869
	1E0	black			
(2)	970 555 585 00	hinge left	/L	1	-I862/I869
	1E0	black			
(2)	970 555 586 01	hinge right	/R	1	I862/869
	1E0	black			
(2)	970 555 586 00	hinge right	/R	1	-I862/I869

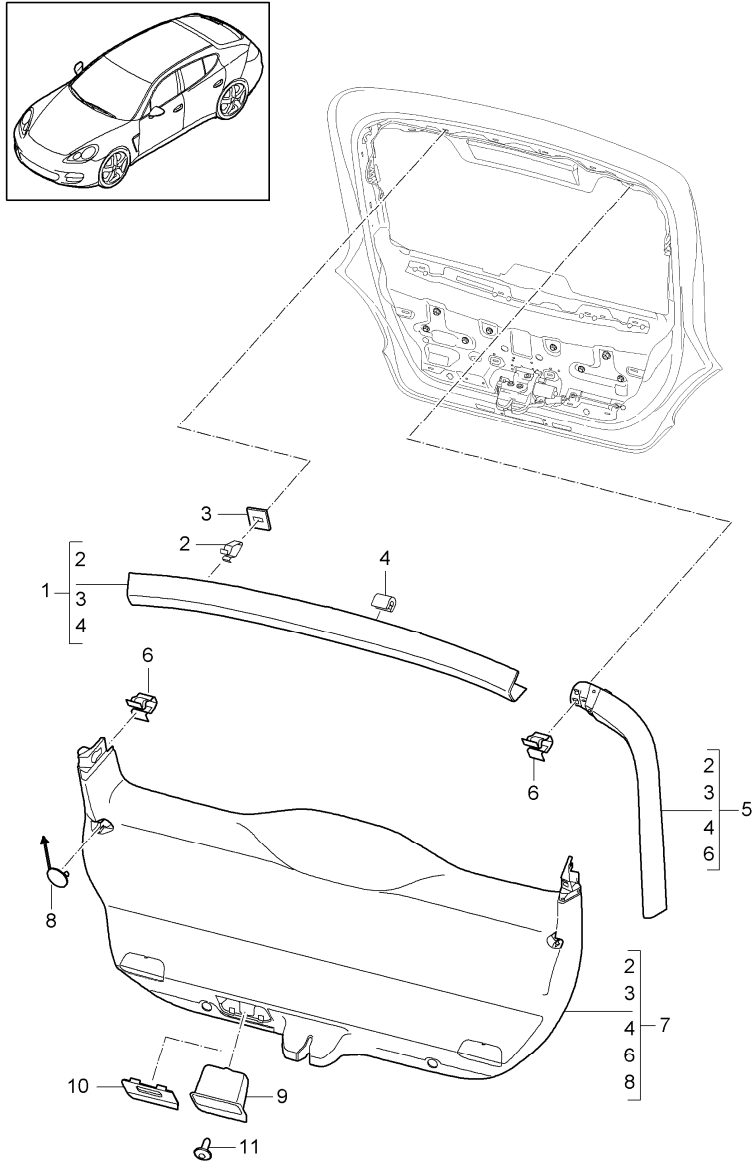
Model	Year	MG	SG	Illustration	Restrictions	UPD	8:23	04.03.2010	PORSCHE	PET	PORSCHE
970	2010	8	07	807-45		248					

Pos	Part Number	Description	Remark	Qty	Model	Pos	Part Number	Description	Remark	Qty	Model
	1E0	black				8	970 555 171 04	luggage compartment cover		1	I830/831/832 I833/834/835 I862/868
3	999 919 274 01	lens-head screw		16							
4	970 555 783 00	buffer left	/L	1	I869			with shade electric			
(4)	970 555 784 00	buffer right	/R	1	I869		DMP	black			
5	970 555 581 00	base left	/L	1	I869		DMQ	Platinum Grey			
	1E0	black					DMR	Luxor Beige			
(5)	970 555 582 00	base right	/R	1	I869		DMS	Yachting Blue			
	1E0	black					DMV	Espresso			
6	970 555 661 00	grille left	/L	1	I869	(8)	970 555 177 02	shade		1	I830/831/832 I833/834/835 I862/869
	1E0	black						electric			
	6L0	Platinum Grey					1E0	black			
	4H0	Luxor Beige					6L0	Platinum Grey			
	2F0	Yachting Blue					4H0	Luxor Beige			
	7N0	Espresso					2F0	Yachting Blue			
	8P0	Cognac					7N0	Espresso			
(6)	970 555 662 00	grille right	/R	1	I869	(8)	970 555 177 03	shade electric		1	I836/862/869
	1E0	black						electric			
	6L0	Platinum Grey					1E0	black			
	4H0	Luxor Beige					6L0	Platinum Grey			
	2F0	Yachting Blue					4H0	Luxor Beige			
	7N0	Espresso					2F0	Yachting Blue			
	8P0	Cognac					7N0	Espresso			
7	970 555 673 01	Cord left	/L	1	I869	(8)	970 555 171 00	luggage compartment cover		1	I830/831/832 I833/868
(7)	970 555 674 01	Cord right	/R	1	I869						
							DMP	black			
							DMQ	Platinum Grey			

Model	Year	MG	SG	Illustration	Restrictions	UPD	8:23	04.03.2010	PORSCHE	PET	PORSCHE
970	2010	8	07	807-45		248					

Pos	Part Number	Description	Remark	Qty	Model	Pos	Part Number	Description	Remark	Qty	Model
		DMR Luxor Beige									
		DMS Yachting Blue									
		DMV Espresso									
		DMW Cognac									
9	970 551 701 00	ski bag including bag		1	I213						

Model	Year	MG	SG	Illustration	Restrictions	UPD	8:24	04.03.2010	PORSCHE	PET	PORSCHE
970	2010	8	07	807-50		248					



Pos	Part Number	Description	Remark	Qty	Model
1	970 555 243 01	linings rear lid		1	
		lining upper			
		1E0 black			
		6L0 Platinum Grey			
		4H0 Luxor Beige			
		2F0 Yachting Blue			
		5J0 Cream			
		7N0 Espresso			
		8P0 Cognac			
		9Q0 Cedar			
2	999 507 839 01	clamp		X	
3	999 209 084 40	spacer		X	
4	999 911 443 40	profile		X	
5	970 555 245 01	lining left	/L	1	
		1E0 black			
		6L0 Platinum Grey			
		4H0 Luxor Beige			
		2F0 Yachting Blue			
		5J0 Cream			
		7N0 Espresso			
		8P0 Cognac			
		9Q0 Cedar			
		(5)	970 555 246 01		
		1E0 black			
		6L0 Platinum Grey			
		4H0 Luxor Beige			
		2F0 Yachting Blue			

Model	Year	MG	SG	Illustration	Restrictions	UPD	8:24	04.03.2010	PORSCHE	PET	PORSCHE
970	2010	8	07	807-50		248					

Pos	Part Number	Description	Remark	Qty	Model	Pos	Part Number	Description	Remark	Qty	Model
	5J0	Cream					5J0	Cream			
	7N0	Espresso					7N0	Espresso			
	8P0	Cognac					8P0	Cognac			
	9Q0	Cedar					9Q0	Cedar			
6	999 507 584 02	clamp		X		9	970 555 341 00	finger plate including cap		1	-I867
7	970 555 241 08	lining lower		1	I426		1E0	black			
	1E0	black					6L0	Platinum Grey			
	6L0	Platinum Grey					4H0	Luxor Beige			
	4H0	Luxor Beige					2F0	Yachting Blue			
	2F0	Yachting Blue					5J0	Cream			
	5J0	Cream					7N0	Espresso			
	7N0	Espresso					8P0	Cognac			
	8P0	Cognac					9Q0	Cedar			
	9Q0	Cedar				10	970 555 441 00	cover		1	I867
7	970 555 241 09	lining lower		1	I425		1E0	black			
	1E0	black					6L0	Platinum Grey			
	6L0	Platinum Grey					4H0	Luxor Beige			
	4H0	Luxor Beige					2F0	Yachting Blue			
	2F0	Yachting Blue					5J0	Cream			
	5J0	Cream					7N0	Espresso			
	7N0	Espresso					8P0	Cognac			
	8P0	Cognac					9Q0	Cedar			
	9Q0	Cedar				11	999 073 195 01	lens-head screw M6X20		7	
8	970 555 641 00	cap	/L/R	2							
	1E0	black									
	6L0	Platinum Grey									
	4H0	Luxor Beige									
	2F0	Yachting Blue									

Model	Year	MG	SG	Illustration	Restrictions	UPD	8:24	04.03.2010
970	2010	8	07	807-70		248		

Pos	Part Number	Description	Remark	Qty	Model
		sound absorber engine compartment body front section			
1	970 556 515 00	insulation wheel housing front	/L	1	
(1)	970 556 516 00	insulation wheel housing front	/R	1	
2	970 556 101 00	insulation bonnet		1	
3	970 556 701 00	sound absorber bonnet	/L	1	
(3)	970 556 702 00	sound absorber bonnet	/R	1	
4	970 556 201 01	sound absorber plenum panel engine compartment		1	

Model	Year	MG	SG	Illustration	Restrictions	UPD	8:24	04.03.2010
970	2010	8	07	807-72		248		

Pos	Part Number	Description	Remark	Qty	Model
		sound absorber passenger compartment body front section			
1	970 556 556 01	sound absorber b-pillar	/R	1	
(1)	970 556 555 01	sound absorber b-pillar	/L	1	
2	970 556 561 00	sound absorber gearshift bracket		1	I480
3	970 556 533 00	sound absorber centre console front		1	I250
4	970 556 509 00	sound absorber roof with sunroof		1	I650
(4)	970 556 509 00	sound absorber roof without sunroof		2	I652
5	970 556 505 01	insulation tunnel	/L	1	
(5)	970 556 506 01	insulation tunnel	/R	1	
6	970 556 203 03	lining tunnel manual transmission		1	
7	970 552 555 00	sound absorber dashboard driver's side		1	
(7)	970 552 556 00	sound absorber dashboard passenger's side		1	

PORSCHE

PET

PORSCHE

Model	Year	MG	SG	Illustration	Restrictions	UPD	8:24	04.03.2010
970	2010	8	07	807-74		248		

Pos	Part Number	Description	Remark	Qty	Model
1	970 556 535 00	sound absorber passenger compartment rear		1	
2	970 556 547 00	sound absorber c-pillar	/L/R	2	
3	970 556 511 01	insulation seat well	/L/R	1	
4	970 556 507 00	insulation seat well	/L/R	2	

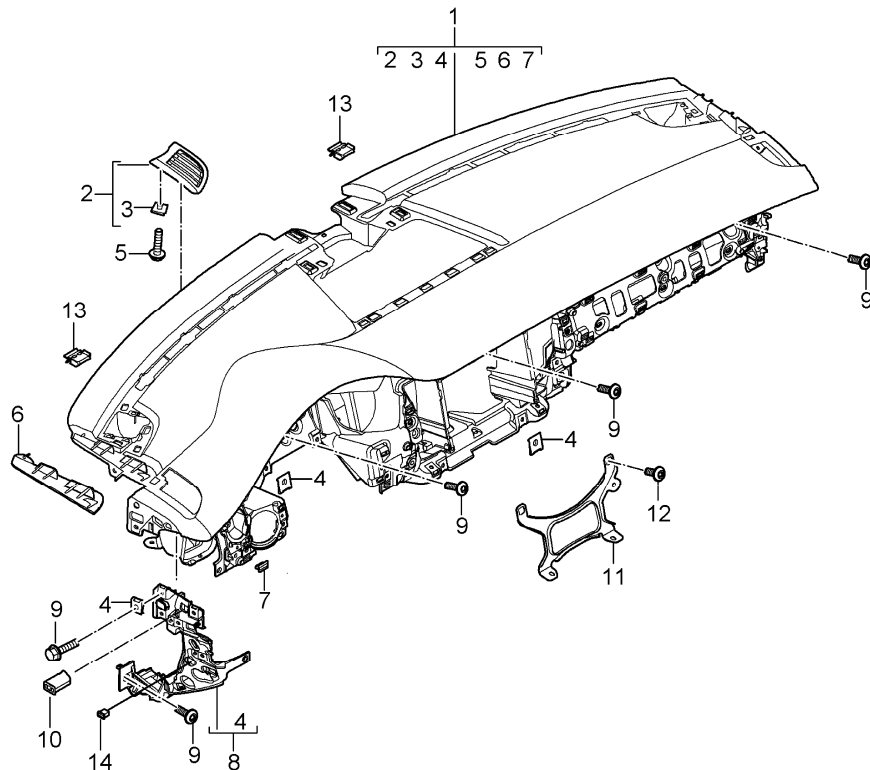
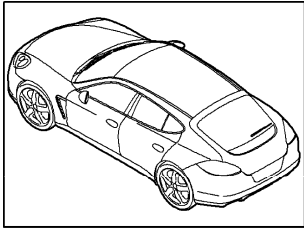
Model	Year	MG	SG	Illustration	Restrictions	UPD	8:24	04.03.2010
970	2010	8	07	807-76		248		

Pos	Part Number	Description	Remark	Qty	Model
1	970 556 537 00	sound absorber lining luggage compartment rear end		1	
2	970 556 540 00	sound absorber covering for lock luggage compartment	/R	1	
(2)	970 556 539 00	sound absorber floor section luggage compartment	/L	1	
3	970 556 521 00	insulation corner panel luggage compartment	/L/R	2	
4	970 556 525 00	insulation side section rear	/L/R	2	
5	970 556 518 00	insulation wheel housing rear	/R	1	
(5)	970 556 517 00	insulation wheel housing rear	/L	1	
6	970 556 558 00	sound absorber wheel housing rear	/R	1	
(6)	970 556 557 00	sound absorber wheel housing rear	/L	1	
7	970 556 543 00	insulation lock carrier rear		1	
8	970 556 549 00	insulation boot floor plate rear	/L	1	
(8)	970 556 550 00	insulation boot floor plate rear	/R	1	
9	970 556 545 00	insulation rear wall rear	/L/R	2	

Model	Year	MG	SG	Illustration	Restrictions	UPD	8:24	04.03.2010
970	2010	8	07	807-76		248		

Pos	Part Number	Description	Remark	Qty	Model
10	970 556 551 00	insulation wheel housing rear outer	/L	2	
(10)	970 556 552 00	insulation wheel housing rear outer	/R	2	
11	970 556 553 00	insulation wheel housing rear outer	/L/R	2	
12	970 556 531 00	insulation wheel housing rear front	/L/R	2	
13	970 556 513 00	insulation side section rear	/L/R	2	
14	970 556 529 01	insulation wheel housing rear outer	/L	1	
(14)	970 556 530 00	insulation wheel housing rear outer	/R	1	
15	970 556 527 00	insulation boot floor plate rear outer	/L	1	
(15)	970 556 528 01	insulation boot floor plate rear outer	/R	1	

Model	Year	MG	SG	Illustration	Restrictions	UPD	8:24	04.03.2010	PORSCHE	PET	PORSCHE
970	2010	8	09	809-00		248					

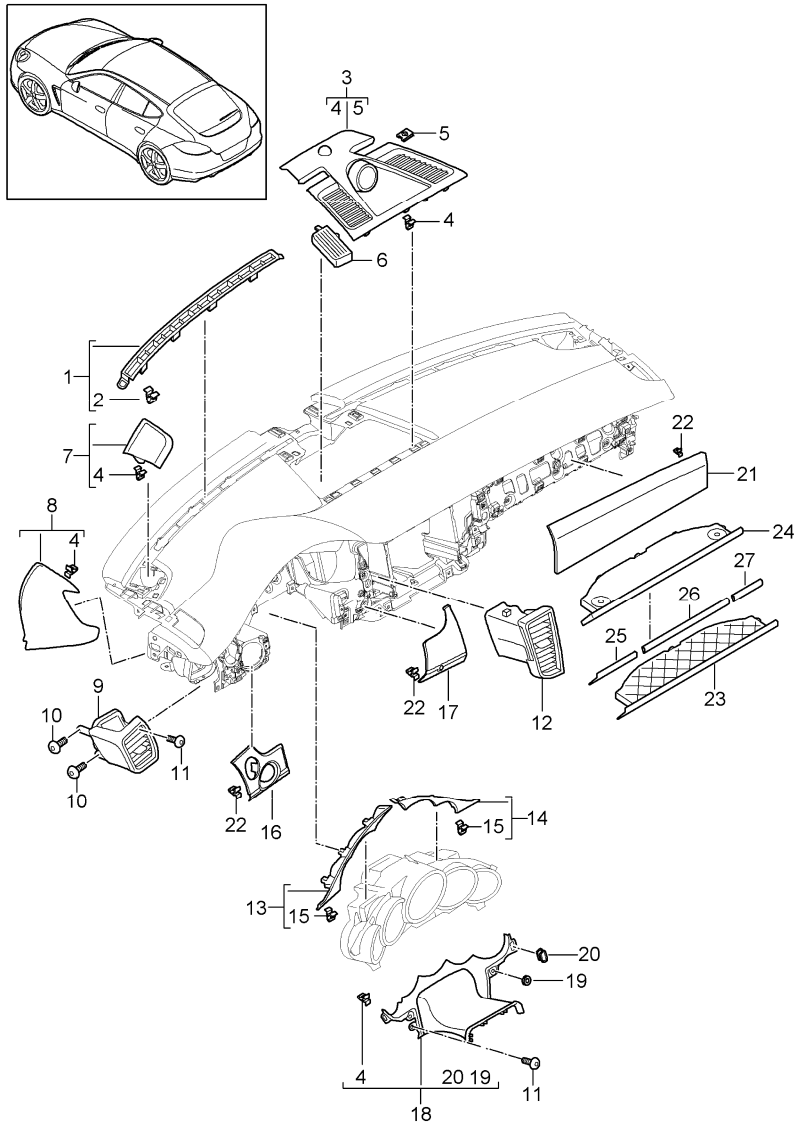


Pos	Part Number	Description	Remark	Qty	Model
1	970 552 101 07	dashboard upper part with mounting parts		1	I098
	7P8	black	/LL		
	9PK	Platinum Grey			
	8ED	Luxor Beige			
(1)	970 552 102 07	dashboard upper part leatherette	/RL	1	I099
	7P8	black			
	9PK	Platinum Grey			
	8ED	Luxor Beige			
(1)	970 552 101 08	dashboard upper part leather	/LL	1	I098/981
	A11	black			
	9B0	Platinum Grey			
	7J0	Luxor Beige			
	6A0	Yachting Blue			
	DPE	Black/Platinum Grey			
	DPF	Luxor Beige/Cream			
	DPG	Yachting Blue/Cream			
	6J0	Espresso			
	7F0	Cognac			
	DPJ	Cognac/Cedar			
(1)	970 552 102 08	dashboard upper part leather	/RL	1	I099/981
	A11	black			
	9B0	Platinum Grey			

Model	Year	MG	SG	Illustration	Restrictions	UPD	8:24	04.03.2010	PORSCHE	PET	PORSCHE
970	2010	8	09	809-00		248					

Pos	Part Number	Description	Remark	Qty	Model	Pos	Part Number	Description	Remark	Qty	Model
	7J0	Luxor Beige				(6)	970 552 582 00	insert a-pillar	/R	1	
	6A0	Yachting Blue				7	955 552 107 00	fixing clip		x	
	DPE	Black/Platinum Grey				8	970 552 391 00	insert dashboard bracket	/L	1	
	DPF	Luxor Beige/Cream				(8)	970 552 392 00	insert dashboard bracket	/R	1	
	DPG	Yachting Blue/Cream				9	999 073 498 01	oval-head screw M 5 X 20		X	
	6J0	Espresso									
	7F0	Cognac									
	DPJ	Cognac/Cedar									
2	970 552 455 00	cover defroster	/L	1		10	970 552 891 00	fixing device insert dashboard	/L	1	
	5Q0	black				(10)	970 552 892 00	fixing device insert dashboard	/R	1	
	4U0	Platinum Grey									
	6W0	Luxor Beige				11	970 552 361 00	support dashboard centre		1	
	8Y0	Yachting Blue									
	3T0	Espresso				12	999 073 295 A2	oval-head screw M 5 X 12 mount support dashboard		4	
	2S0	Cognac									
(2)	970 552 456 00	cover defroster	/R	1							
	5Q0	black				13	970 552 683 00	support dashboard		4	
	4U0	Platinum Grey									
	6W0	Luxor Beige				14	970 552 893 00	grommet		X	
	8Y0	Yachting Blue									
	3T0	Espresso									
	2S0	Cognac									
3	999 507 556 03	speed nut M 5		X							
4	999 507 556 01	speed nut M 5		x							
5	999 073 512 01	oval-head screw M 5 X 16		x							
6	970 552 581 00	insert a-pillar	/L	1							

Model	Year	MG	SG	Illustration	Restrictions	UPD	8:25	04.03.2010	PORSCHE	PET	PORSCHE
970	2010	8	09	809-05		248					



Pos	Part Number	Description	Remark	Qty	Model
1	970 552 375 00	accessories dashboard upper part			
	5Q0	black	/L	1	
	4U0	Platinum Grey			
	6W0	Luxor Beige			
	8Y0	Yachting Blue			
	3T0	Espresso			
	2S0	Cognac			
(1)	970 552 376 00	defroster trim	/R	1	
	5Q0	black			
	4U0	Platinum Grey			
	6W0	Luxor Beige			
	8Y0	Yachting Blue			
	3T0	Espresso			
	2S0	Cognac			
2	999 591 547 01	u-clamp 1,6		8	
(3)	970 552 151 00	cover centre		1	
	5Q0	black			
	4U0	Platinum Grey			
	6W0	Luxor Beige			
	8Y0	Yachting Blue			
	3T0	Espresso			
	2S0	Cognac			
3	970 552 151 01	cover centre		1	I639/640
	5Q0	black			
	4U0	Platinum Grey			

Model	Year	MG	SG	Illustration	Restrictions	UPD	8:25	04.03.2010	PORSCHE	PET	PORSCHE
970	2010	8	09	809-05		248					

Pos	Part Number	Description	Remark	Qty	Model	Pos	Part Number	Description	Remark	Qty	Model
	6W0	Luxor Beige					6W0	Luxor Beige			
	8Y0	Yachting Blue					8Y0	Yachting Blue			
	3T0	Espresso					3T0	Espresso			
	2S0	Cognac					2S0	Cognac			
4	999 507 130 01	u-clamp 1,2 - 1,7		X		(7)	970 552 554 01	loudspeaker grille high-pitched	/R	1	I682
5	999 507 556 01	speed nut M 5		2	I639/640		5Q0	black			
6	970 552 175 00	centre nozzle upper	/L	1			4U0	Platinum Grey			
(6)	970 552 176 00	centre nozzle upper	/R	1			6W0	Luxor Beige			
7	970 552 553 00	loudspeaker grille high-pitched	/L	1	I441/490/680		8Y0	Yachting Blue			
	5Q0	black				8	970 552 405 00	closing element dashboard	/L	1	
	4U0	Platinum Grey					5Q0	black			
	6W0	Luxor Beige					4U0	Platinum Grey			
	8Y0	Yachting Blue					6W0	Luxor Beige			
	3T0	Espresso					8Y0	Yachting Blue			
	2S0	Cognac					3T0	Espresso			
(7)	970 552 554 00	loudspeaker grille high-pitched	/R	1	I441/490/680		2S0	Cognac			
	5Q0	black					1R0	Cedar			
	4U0	Platinum Grey				(8)	970 552 406 00	closing element dashboard	/R	1	
	6W0	Luxor Beige					5Q0	black			
	8Y0	Yachting Blue					4U0	Platinum Grey			
	3T0	Espresso					6W0	Luxor Beige			
	2S0	Cognac					8Y0	Yachting Blue			
(7)	970 552 553 01	loudspeaker grille high-pitched	/L	1	I682		3T0	Espresso			
	5Q0	black					2S0	Cognac			
	4U0	Platinum Grey					1R0	Cedar			

Model	Year	MG	SG	Illustration	Restrictions	UPD	8:25	04.03.2010	PORSCHE	PET	PORSCHE
970	2010	8	09	809-05		248					

Pos	Part Number	Description	Remark	Qty	Model	Pos	Part Number	Description	Remark	Qty	Model
9	970 552 131 01	side vent	/L	1			8Y0	Yachting Blue			
	DAP	galvano silver					3T0	Espresso			
(9)	970 552 132 01	side vent	/R	1			2S0	Cognac			
	DAP	galvano silver				14	970 552 527 00	cover instrument cluster	/LL/R	1	I098
10	999 073 499 01	oval-head screw M5 X 14		2			5Q0	black			
11	999 919 260 01	oval-head screw M4 X 16		X			4U0	Platinum Grey			
12	970 552 141 01	centre nozzle lower	/LL/L	1	I098		6W0	Luxor Beige			
	DAP	galvano silver					8Y0	Yachting Blue			
(12)	970 552 142 01	centre nozzle lower	/LL/R	1	I098		3T0	Espresso			
	DAP	galvano silver				(14)	970 552 528 00	cover instrument cluster	/RL/R	1	I099
(12)	970 552 141 02	centre nozzle lower	/RL/L	1	I099		5Q0	black			
	DAP	galvano silver					4U0	Platinum Grey			
(12)	970 552 142 02	centre nozzle lower	/RL/R	1	I099		6W0	Luxor Beige			
	DAP	galvano silver					8Y0	Yachting Blue			
13	970 552 525 00	cover instrument cluster	/LL/L	1	I098		3T0	Espresso			
	5Q0	black					2S0	Cognac			
	4U0	Platinum Grey				15	999 507 130 01	u-clamp 1,2 X 1,7		X	
	6W0	Luxor Beige				16	970 552 381 00	moulding driver's side outer	/LL	1	I098/817
	8Y0	Yachting Blue					A61	Piano Black, high-gloss			
	3T0	Espresso				(16)	970 552 382 00	moulding driver's side outer	/RL	1	I099/817
	2S0	Cognac					A61	Piano Black, high-gloss			
(13)	970 552 526 00	cover instrument cluster	/RL/L	1	I099	(16)	970 552 381 01	moulding driver's side outer	/LL	1	I098/821
	5Q0	black					BG1	Walnut, high-gloss			
	4U0	Platinum Grey									
	6W0	Luxor Beige									

Model	Year	MG	SG	Illustration	Restrictions	UPD	8:25	04.03.2010	PORSCHE	PET	PORSCHE
970	2010	8	09	809-05		248					

Pos	Part Number	Description	Remark	Qty	Model	Pos	Part Number	Description	Remark	Qty	Model
(16)	970 552 382 01	moulding driver's side outer BG1 Walnut, high-gloss	/RL	1	I099/821		BX3	Carbon, fine high-gloss			
(16)	970 552 381 02	moulding driver's side outer S64 Teneo high-gloss	/LL	1	I098/822	(16)	970 552 382 06	moulding driver's side outer BG1 Walnut, high-gloss	/RL	1	I099/819
(16)	970 552 382 02	moulding driver's side outer S64 Teneo high-gloss	/RL	1	I099/822	(16)	970 552 981 00	moulding driver's side outer GX1 Mahogany Yachting	/LL	1	IXZY/098
(16)	970 552 381 03	moulding driver's side outer CK6 Swedish Birch	/LL	1	I098/823	(16)	970 552 982 00	moulding driver's side outer GX1 Mahogany Yachting	/RL	1	IXZY/099
(16)	970 552 382 03	moulding driver's side outer CK6 Swedish Birch	/RL	1	I099/823	17	970 552 383 00	moulding driver's side inner A61 Piano Black, high-gloss	/LL	1	I098/817
(16)	970 552 381 04	moulding driver's side outer BT2 Olive Ash matt open-pored	/LL	1	I098/824	(17)	970 552 384 00	moulding driver's side inner A61 Piano Black, high-gloss	/RL	1	I099/817
(16)	970 552 382 04	moulding driver's side outer BT2 Olive Ash matt open-pored	/RL	1	I099/824	(17)	970 552 383 01	moulding driver's side inner BG1 Walnut, high-gloss	/LL	1	I098/821
(16)	970 552 381 05	moulding driver's side outer U03 Aluminium, brushed	/LL	1	I098/818	(17)	970 552 384 01	moulding driver's side inner BG1 Walnut, high-gloss	/RL	1	I099/821
(16)	970 552 382 05	moulding driver's side outer U03 Aluminium, brushed	/RL	1	I099/818	(17)	970 552 383 02	moulding driver's side inner S64 Teneo high-gloss	/LL	1	I098/822
(16)	970 552 381 06	moulding driver's side outer U03 Aluminium, brushed	/LL	1	I098/819	(17)	970 552 384 02	moulding driver's side inner S64 Teneo high-gloss	/RL	1	I099/822

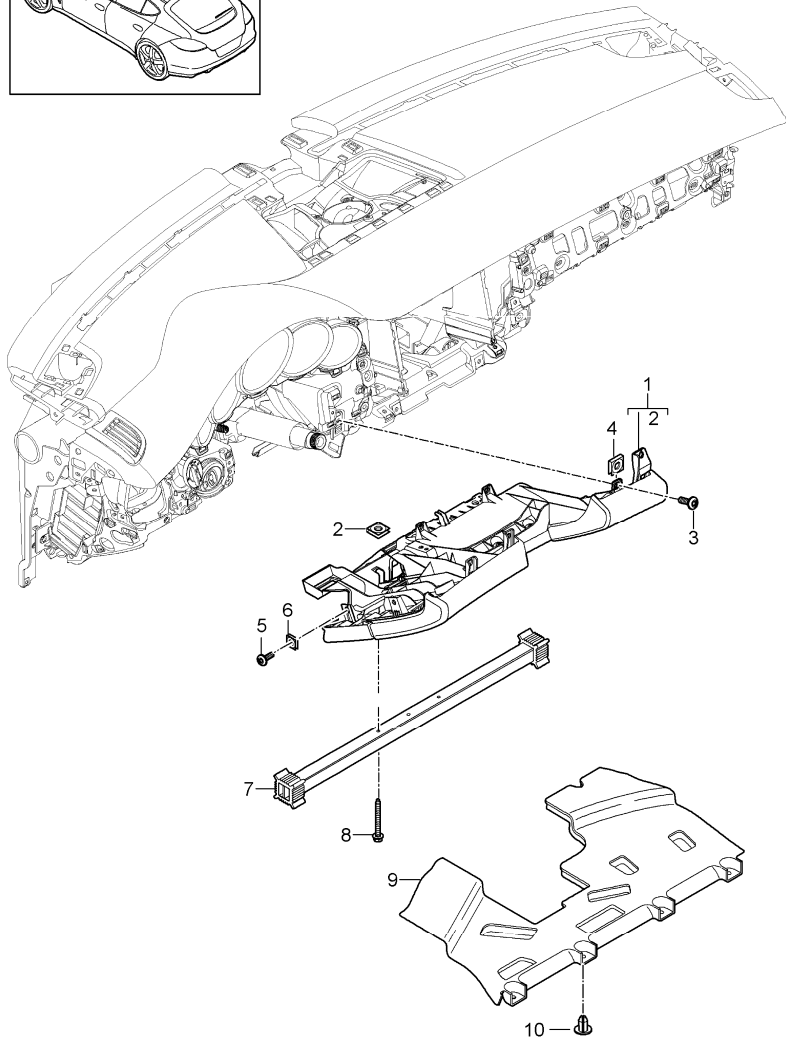
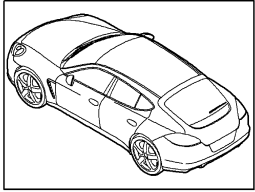
Model	Year	MG	SG	Illustration	Restrictions	UPD	8:25	04.03.2010	PORSCHE	PET	PORSCHE
970	2010	8	09	809-05		248					

Pos	Part Number	Description	Remark	Qty	Model	Pos	Part Number	Description	Remark	Qty	Model
(17)	970 552 383 03	moulding driver's side inner	/LL	1	I098/823		GX1	Mahogany Yachting			
	CK6	Swedish Birch				18	970 552 271 00	cover instrument cluster	/LL	1	I098
(17)	970 552 384 03	moulding driver's side inner	/RL	1	I099/823		5Q0	black			
	CK6	Swedish Birch					4U0	Platinum Grey			
(17)	970 552 383 04	moulding driver's side inner	/LL	1	I098/824		6W0	Luxor Beige			
	BT2	Olive Ash matt open-pored					8Y0	Yachting Blue			
(17)	970 552 384 04	moulding driver's side inner	/RL	1	I099/824	18	970 552 272 00	cover instrument cluster	/RL	1	I099
	BT2	Olive Ash matt open-pored					5Q0	black			
(17)	970 552 383 05	moulding driver's side inner	/LL	1	I098/818		4U0	Platinum Grey			
	U03	Aluminium, brushed					6W0	Luxor Beige			
(17)	970 552 384 05	moulding driver's side inner	/RL	1	I099/818		8Y0	Yachting Blue			
	U03	Aluminium, brushed					3T0	Espresso			
(17)	970 552 383 06	moulding driver's side inner	/LL	1	I098/819	19	999 703 551 40	grommet 8,7 X 16,5		2	
	BX3	Carbon, fine high-gloss				20	970 552 893 00	grommet		2	
(17)	970 552 384 06	moulding driver's side inner	/RL	1	I099/819	21	970 552 386 00	moulding passenger's side	/LL	1	I098/817
	BX3	Carbon, fine high-gloss					A61	Piano Black, high-gloss			
(17)	970 552 983 00	moulding driver's side inner	/LL	1	IXZY/098	(21)	970 552 385 00	moulding passenger's side	/RL	1	I099/817
	GX1	Mahogany Yachting					A61	Piano Black, high-gloss			
(17)	970 552 984 00	moulding driver's side inner	/RL	1	IXZY/099	(21)	970 552 386 01	moulding passenger's side	/LL	1	I098/821
							BG1	Walnut, high-gloss			
						(21)	970 552 385 01	moulding passenger's side	/RL	1	I099/821
							BG1	Walnut, high-gloss			

Model	Year	MG	SG	Illustration	Restrictions	UPD	8:25	04.03.2010	PORSCHE	PET	PORSCHE
970	2010	8	09	809-05		248					

Pos	Part Number	Description	Remark	Qty	Model	Pos	Part Number	Description	Remark	Qty	Model
(21)	970 552 386 02	moulding passenger's side	/LL	1	I098/822		GX1	Mahogany Yachting			
	S64	Teneo high-gloss				22	955 552 107 00	fixing clip		X	
(21)	970 552 385 02	moulding passenger's side	/RL	1	I099/822	23	970 552 374 00	cover passenger's side		1	-I585/I098
	S64	Teneo high-gloss					V08	galvano silver			
(21)	970 552 386 03	moulding passenger's side	/LL	1	I098/823	24	970 552 394 00	support beverages		1	I098/585
	CK6	Swedish Birch				(24)	970 552 393 00	support beverages		1	I099/585
(21)	970 552 385 03	moulding passenger's side	/RL	1	I099/823	25	970 552 596 00	cover	/LL/L	1	I098/585
	CK6	Swedish Birch					V08	galvano silver			
(21)	970 552 386 04	moulding passenger's side	/LL	1	I098/824	(25)	970 552 595 00	cover	/RL/L	1	I099/585
	BT2	Olive Ash matt open-pored					V08	galvano silver			
(21)	970 552 385 04	moulding passenger's side	/RL	1	I099/824	26	970 552 598 00	cover centre	/LL	1	I098/585
	BT2	Olive Ash matt open-pored					V08	galvano silver			
(21)	970 552 386 05	moulding passenger's side	/LL	1	I098/818	(26)	970 552 597 00	cover centre	/RL	1	I099/585
	U03	Aluminium, brushed					V08	galvano silver			
(21)	970 552 385 05	moulding passenger's side	/RL	1	I099/818	27	970 552 594 00	cover	/LL/R	1	I098/585
	U03	Aluminium, brushed					V08	galvano silver			
(21)	970 552 386 06	moulding passenger's side	/LL	1	I098/819	(27)	970 552 593 00	cover	/RL/R	1	I099/585
	BX3	Carbon, fine high-gloss					V08	galvano silver			
(21)	970 552 385 06	moulding passenger's side	/RL	1	I099/819						
	BX3	Carbon, fine high-gloss									
(21)	970 552 986 00	moulding passenger's side	/LL	1	IXZY/098						
	GX1	Mahogany Yachting									
(21)	970 552 985 00	moulding passenger's side	/RL	1	IXZY/099						

Model	Year	MG	SG	Illustration	Restrictions	UPD	12:44	04.03.2010	PORSCHE	PET	PORSCHE
970	2010	8	09	809-10		248					

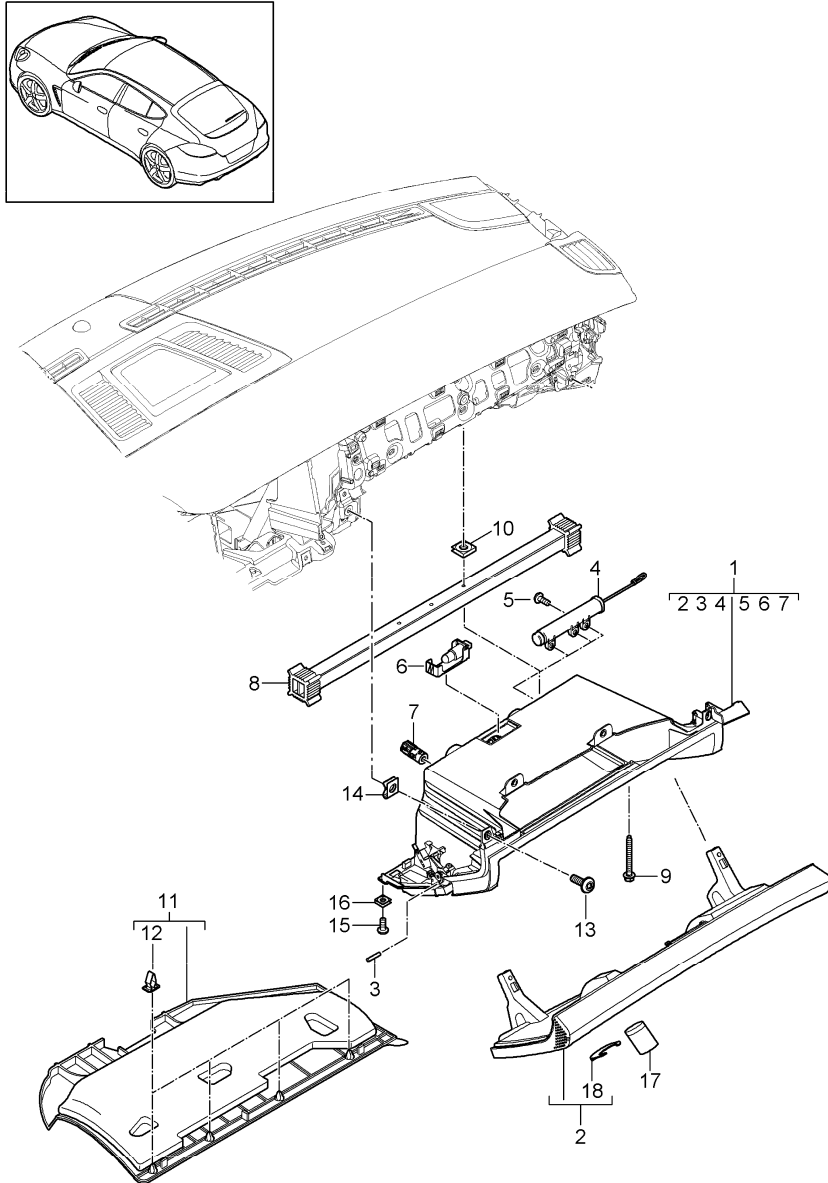


Pos	Part Number	Description	Remark	Qty	Model
		dashboard trim lower driver's side			
1	970 552 201 03	dashboard lower part	/LL	1	I098
	7P8	black			
	9PK	Platinum Grey			
	8ED	Luxor Beige			
(1)	970 552 202 03	dashboard lower part	/RL	1	I099
	7P8	black			
	9PK	Platinum Grey			
	8ED	Luxor Beige			
(1)	970 552 201 04	dashboard lower part leather	/LL	1	I098/981
	A11	black			
	9B0	Platinum Grey			
	7J0	Luxor Beige			
	6A0	Yachting Blue			
	8D0	Cream			
	6J0	Espresso			
	7F0	Cognac			
	8B0	Cedar			
(1)	970 552 202 04	dashboard lower part leather	/RL	1	I099/981
	A11	black			
	9B0	Platinum Grey			
	7J0	Luxor Beige			
	6A0	Yachting Blue			
	8D0	Cream			
	6J0	Espresso			

Model	Year	MG	SG	Illustration	Restrictions	UPD	12:44	04.03.2010	PORSCHE	PET	PORSCHE
970	2010	8	09	809-10		248					

Pos	Part Number	Description	Remark	Qty	Model	Pos	Part Number	Description	Remark	Qty	Model
	7F0	Cognac									
	8B0	Cedar									
3	999 073 498 01	oval-head screw M 5 X 20		X							
4	999 507 556 01	speed nut M 5		X							
5	999 073 499 01	oval-head screw M 5 X 14		1							
6	999 507 067 03	speed nut M 5		1							
7	970 552 291 00	support		1							
8	900 378 321 01	hexagon-head bolt M6 X 60		3							
9	970 552 411 00	lining footwell driver's side		1	I098						
(9)	970 552 412 00	lining footwell driver's side		1	I099						
10	999 507 616 40	expander nut		4							

Model	Year	MG	SG	Illustration	Restrictions	UPD	12:44	04.03.2010	PORSCHE	PET	PORSCHE
970	2010	8	09	809-15		248					



Pos	Part Number	Description	Remark	Qty	Model
		dashboard trim lower passenger's side			
1	970 552 204 08	glove compartment complete	/LL	1	I098
	7P8	black			
	9PK	Platinum Grey			
	8ED	Luxor Beige			
(1)	970 552 203 08	glove compartment complete	/RL	1	I099
	7P8	black			
	9PK	Platinum Grey			
	8ED	Luxor Beige			
(1)	970 552 204 10	glove compartment complete	/LL	1	I098/899
	7P8	black			
	9PK	Platinum Grey			
	8ED	Luxor Beige			
(1)	970 552 203 10	glove compartment complete	/RL	1	I099/899
	7P8	black			
	9PK	Platinum Grey			
	8ED	Luxor Beige			
(1)	970 552 204 09	glove compartment complete leather	/LL	1	I098/981
	A11	black			
	9B0	Platinum Grey			
	7J0	Luxor Beige			
	6A0	Yachting Blue			
	8D0	Cream			
	6J0	Espresso			
	7F0	Cognac			

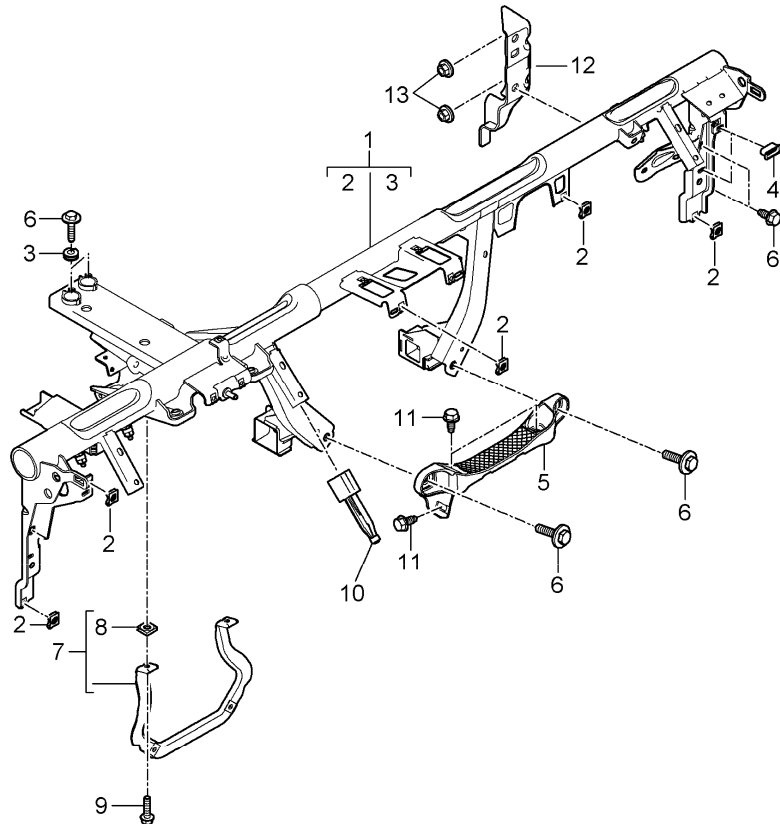
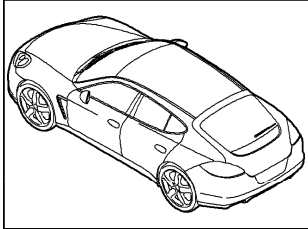
Model	Year	MG	SG	Illustration	Restrictions	UPD	12:44	04.03.2010	PORSCHE	PET	PORSCHE
970	2010	8	09	809-15		248					

Pos	Part Number	Description	Remark	Qty	Model	Pos	Part Number	Description	Remark	Qty	Model
(1)	970 552 203 09	8B0 Cedar glove compartment complete leather	/RL	1	I099/981	2	970 552 252 05	7F0 Cognac 8B0 Cedar glove compartment cover	/LL	1	I098
	A11	black					7P8	black			
	9B0	Platinum Grey					9PK	Platinum Grey			
	7J0	Luxor Beige					8ED	Luxor Beige			
	6A0	Yachting Blue				(2)	970 552 251 05	glove compartment cover	/RL	1	I099
	8D0	Cream					7P8	black			
	6J0	Espresso					9PK	Platinum Grey			
	7F0	Cognac					8ED	Luxor Beige			
(1)	970 552 204 11	8B0 Cedar glove compartment complete leather	/LL	1	I098/899/981	(2)	970 552 252 06	glove compartment cover leather	/LL	1	I098/981
	A11	black					A11	black			
	9B0	Platinum Grey					9B0	Platinum Grey			
	7J0	Luxor Beige					7J0	Luxor Beige			
	6A0	Yachting Blue					6A0	Yachting Blue			
	8D0	Cream					8D0	Cream			
	6J0	Espresso					6J0	Espresso			
	7F0	Cognac					7F0	Cognac			
	8B0	Cedar					8B0	Cedar			
(1)	970 552 203 11	8B0 Cedar glove compartment complete leather	/RL	1	I099/899/981	(2)	970 552 251 06	glove compartment cover leather	/RL	1	I099/981
	A11	black					A11	black			
	9B0	Platinum Grey					9B0	Platinum Grey			
	7J0	Luxor Beige					7J0	Luxor Beige			
	6A0	Yachting Blue					6A0	Yachting Blue			
	8D0	Cream					8D0	Cream			
	6J0	Espresso					6J0	Espresso			
	7F0	Cognac					7F0	Cognac			
	8B0	Cedar					8B0	Cedar			

Model	Year	MG	SG	Illustration	Restrictions	UPD	12:44	04.03.2010	PORSCHE	PET	PORSCHE
970	2010	8	09	809-15		248					

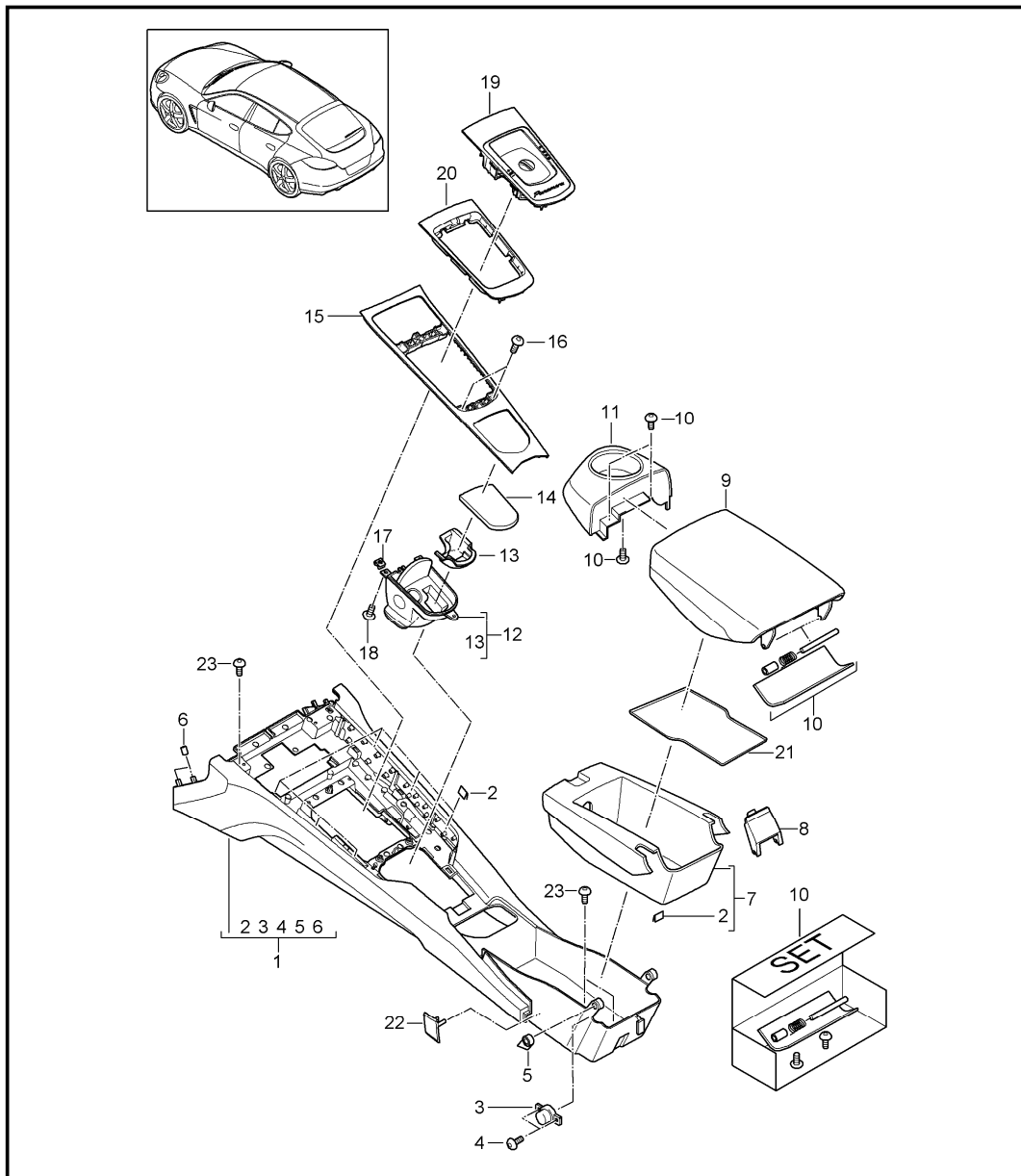
Pos	Part Number	Description	Remark	Qty	Model	Pos	Part Number	Description	Remark	Qty	Model
3	970 552 649 00	hinge bolt glove compartment		2							
4	970 552 484 00	damper glove compartment		1							
(6)	999 631 032 90	bulb 5 W		1							
8	970 552 291 00	support		1							
9	900 378 321 01	hexagon-head bolt M 6 X 60		3							
11	970 552 414 00	lining footwell passenger's side	/LL	1	I098						
(11)	970 552 413 00	lining footwell passenger's side	/RL	1	I099						
13	999 073 498 01	oval-head screw M 5 X 20 mount glove compartment		X							
14	999 507 556 01	speed nut M 5 mount glove compartment		X							
15	999 073 499 01	oval-head screw M 5 X 14 mount glove compartment footwell outlet vent		X							
16	999 507 067 03	speed nut M 5 mount glove compartment footwell outlet vent		X							
17	996 552 915 01	lock cylinder glove compartment vehicle identification no. indicate		1							
18	970 552 751 00	clamp for mount lock cylinder glove compartment		1							

Model	Year	MG	SG	Illustration	Restrictions	UPD	12:44	04.03.2010	PORSCHE	PET	PORSCHE
970	2010	8	09	809-20		248					



Pos	Part Number	Description	Remark	Qty	Model
		retaining frame dashboard			
1	970 552 063 00	retaining frame	/LL	1	I098
(1)	970 552 063 03	retaining frame	/RL	1	I099
2	999 507 702 01	speed nut M5		X	
3	955 531 346 01	compensating socket		2	
4	970 552 893 00	grommet retaining frame		6	
5	970 552 715 00	support tunnel	/LL	1	I098
(5)	970 552 715 01	support tunnel	/RL	1	I099
6	900 075 479 01	combination screw M 8 X 40		X	
7	970 552 481 00	retaining bracket dashboard lower part driver's side		1	
8	999 507 067 03	speed nut M5		2	
9	999 073 498 01	oval-head screw M5 X 20		2	
11	900 385 001 01	torx screw BM8 X 20		3	
12	970 552 407 01	support dashboard a-pillar	/L	1	
(12)	970 552 408 01	support dashboard a-pillar	/R	1	
13	999 076 065 02	collar nut M8		4	
14	999 075 065 09	hexagon-head bolt M8 X 35		2	

Model	Year	MG	SG	Illustration	Restrictions	UPD	12:44	04.03.2010	PORSCHE	PET	PORSCHE
970	2010	8	09	809-25		248					



Pos	Part Number	Description	Remark	Qty	Model
1	970 553 311 00	centre console front leatherette		1	
	7P8	black			
	9PK	Platinum Grey			
	8ED	Luxor Beige			
(1)	970 553 311 01	centre console front leather		1	I981
	A11	black			
	9B0	Platinum Grey			
	7J0	Luxor Beige			
	6A0	Yachting Blue			
	8D0	Cream			
	6J0	Espresso			
	7F0	Cognac			
	8B0	Cedar			
2	955 552 107 00	fixing clip		X	
7	970 553 335 00	shelf centre console front		1	
8	970 553 775 00	adapter illumination		1	
9	970 553 325 00	lid centre console front leather/embossed		1	
	21U	black			
	7EG	Platinum Grey			
	32G	Luxor Beige			

Model	Year	MG	SG	Illustration	Restrictions	UPD	12:44	04.03.2010	PORSCHE	PET	PORSCHE
970	2010	8	09	809-25		248					

Pos	Part Number	Description	Remark	Qty	Model	Pos	Part Number	Description	Remark	Qty	Model
9	970 553 325 00	lid centre console front leather		1		11	970 553 381 01	support beverages leather/ embossed		1	I099
	A11	black					21U	black			
	9B0	Platinum Grey					7EG	Platinum Grey			
	7J0	Luxor Beige					32G	Luxor Beige			
	6A0	Yachting Blue				(11)	970 553 381 01	support beverages leather		1	I099
	8D0	Cream					A11	black			
	6J0	Espresso					9B0	Platinum Grey			
	7F0	Cognac					7J0	Luxor Beige			
	8B0	Cedar					6A0	Yachting Blue			
10	970 553 923 00	mounting parts hinge		1			8D0	Cream			
11	970 553 381 00	support beverages leather/ embossed		1	I098		6J0	Espresso			
	21U	black					7F0	Cognac			
	7EG	Platinum Grey					8B0	Cedar			
	32G	Luxor Beige				12	970 553 351 00	ashtray		1	
11	970 553 381 00	support beverages leather		1	I098	14	970 553 373 00	lid ashtray		1	I817
	A11	black					A61	Piano Black, high-gloss			
	9B0	Platinum Grey				(14)	970 553 373 01	lid ashtray		1	I821
	7J0	Luxor Beige					BG1	Walnut, high-gloss			
	6A0	Yachting Blue				(14)	970 553 373 02	lid ashtray		1	I822
	8D0	Cream					S64	Teneo high-gloss			
	6J0	Espresso				(14)	970 553 373 03	lid ashtray		1	I823
	7F0	Cognac					CK6	Swedish Birch			
	8B0	Cedar				(14)	970 553 373 04	lid ashtray		1	I824
							BT2	Olive Ash matt open-pored			

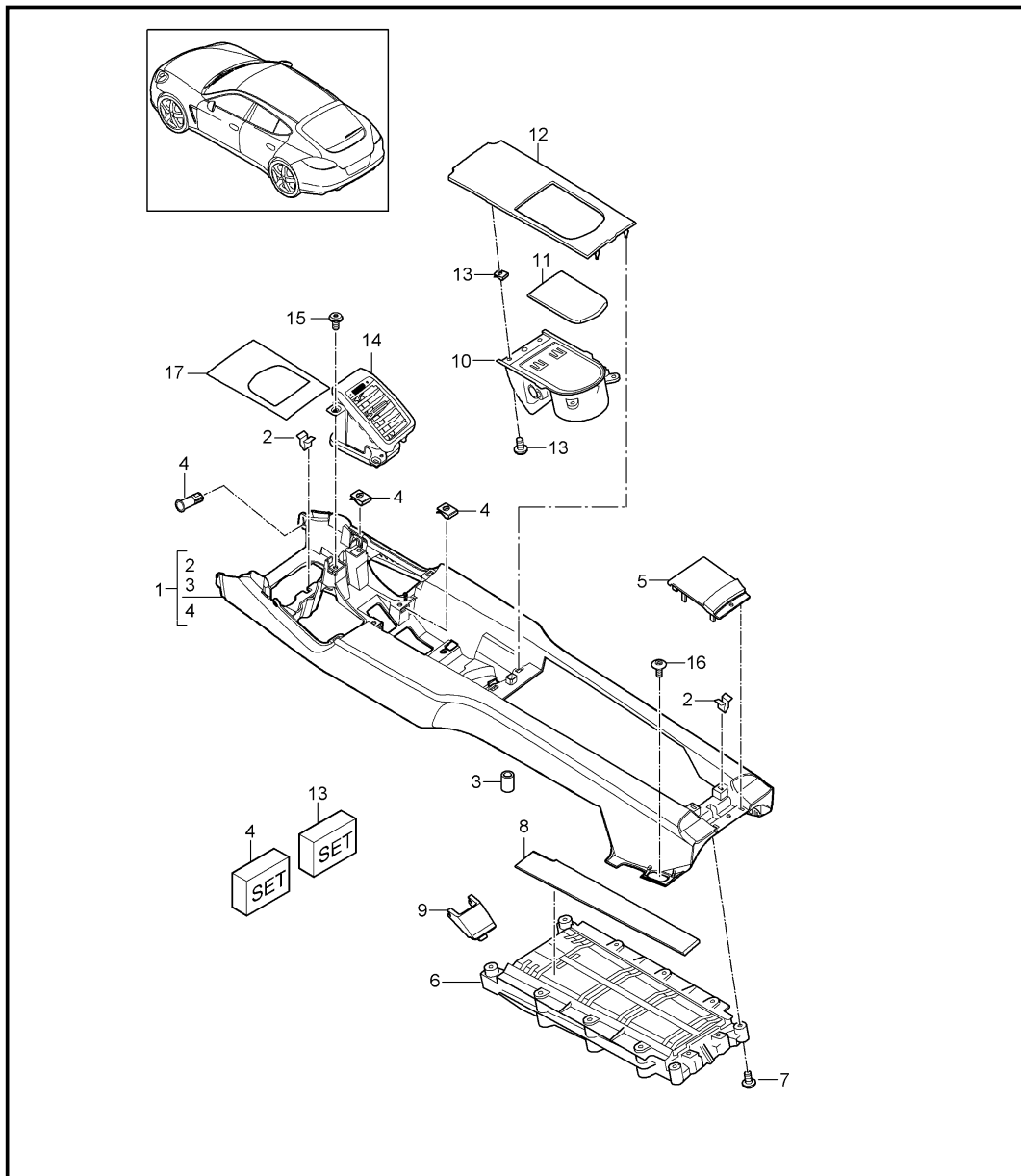
Model	Year	MG	SG	Illustration	Restrictions	UPD	12:44	04.03.2010	PORSCHE	PET	PORSCHE
970	2010	8	09	809-25		248					

Pos	Part Number	Description	Remark	Qty	Model	Pos	Part Number	Description	Remark	Qty	Model
(14)	970 553 373 05	lid ashtray U03 Aluminium, brushed		1	I818	(15)	970 553 991 00	cover centre console front GX1 Mahogany Yachting		1	IXZY
(14)	970 553 373 06	lid ashtray BX3 Carbon, fine high-gloss		1	I819	16	999 919 260 01	oval-head screw 4 X 16 for mount cover		X	
(14)	970 553 992 00	lid ashtray GX1 Mahogany Yachting		1	IXZY	19	970 553 161 00	cover DMN galvano silver		1	I250
15	970 553 371 00	cover centre console front A61 Piano Black, high-gloss		1	I817	20	970 553 755 00	trim frame D20 silver-grey		1	I480
(15)	970 553 371 01	cover centre console front BG1 Walnut, high-gloss		1	I821	21	970 553 745 00	insert shelf centre console front		1	-I669
(15)	970 553 371 02	cover centre console front S64 Teneo high-gloss		1	I822	21	970 553 745 02	insert shelf centre console front		1	I669
(15)	970 553 371 03	cover centre console front CK6 Swedish Birch		1	I823	22	970 553 733 00	trim cover centre console front 5Q0 black 4U0 Platinum Grey 6W0 Luxor Beige 8Y0 Yachting Blue 5V0 Cream 3T0 Espresso 2S0 Cognac 1R0 Cedar		1	/L
(15)	970 553 371 04	cover centre console front BT2 Olive Ash matt open-pored		1	I824	(22)	970 553 734 00	trim cover centre console front 5Q0 black 4U0 Platinum Grey		1	/R
(15)	970 553 371 05	cover centre console front U03 Aluminium, brushed		1	I818						
(15)	970 553 371 06	cover centre console front BX3 Carbon, fine high-gloss		1	I819						

Model	Year	MG	SG	Illustration	Restrictions	UPD	12:44	04.03.2010	PORSCHE	PET	PORSCHE
970	2010	8	09	809-25		248					

Pos	Part Number	Description	Remark	Qty	Model	Pos	Part Number	Description	Remark	Qty	Model
	6W0	Luxor Beige									
	8Y0	Yachting Blue									
	5V0	Cream									
	3T0	Espresso									
	2S0	Cognac									
	1R0	Cedar									
23	999 073 269 09	oval-head screw M 5 X 16 for mount centre console		X							
(23)	999 073 142 09	tapping screw 4,2 X 16 for mount centre console		X							

Model	Year	MG	SG	Illustration	Restrictions	UPD	12:45	04.03.2010	PORSCHE	PET	PORSCHE
970	2010	8	09	809-30		248					



Pos	Part Number	Description	Remark	Qty	Model
		centre console rear			-I838
1	970 553 411 00	centre console rear leatherette		1	I573
	7P8	black			
	9PK	Platinum Grey			
	8ED	Luxor Beige			
1	970 553 411 01	centre console rear leather		1	I573/981
	A11	black			
	9B0	Platinum Grey			
	7J0	Luxor Beige			
	6A0	Yachting Blue			
	8D0	Cream			
	6J0	Espresso			
	7F0	Cognac			
	8B0	Cedar			
(1)	970 553 413 00	centre console rear leatherette		1	I576
	7P8	black			
	9PK	Platinum Grey			
	8ED	Luxor Beige			
(1)	970 553 413 01	centre console rear leatherette		1	I576/981
	A11	black			
	9B0	Platinum Grey			
	7J0	Luxor Beige			
	6A0	Yachting Blue			
	8D0	Cream			

Model	Year	MG	SG	Illustration	Restrictions	UPD	12:45	04.03.2010	PORSCHE	PET	PORSCHE
970	2010	8	09	809-30		248					

Pos	Part Number	Description	Remark	Qty	Model	Pos	Part Number	Description	Remark	Qty	Model
	6J0	Espresso				8	970 553 455 00	cover shelf	/L	1	I817
	7F0	Cognac					A61	Piano Black, high-gloss			
	8B0	Cedar				(8)	970 553 456 00	cover shelf	/R	1	I817
2	955 552 107 00	fixing clip		X			A61	Piano Black, high-gloss			
3	999 504 644 01	bush M 4,2 X 1,41		10		8	970 553 455 01	cover shelf	/L	1	I821
(4)	970 553 941 00	mounting parts centre console rear		1			BG1	Walnut, high-gloss			
5	970 553 457 00	cover		1	I817	(8)	970 553 456 01	cover shelf	/R	1	I821
	A61	Piano Black, high-gloss					BG1	Walnut, high-gloss			
(5)	970 553 457 01	cover		1	I821	8	970 553 455 02	cover shelf	/L	1	I822
	BG1	Walnut, high-gloss					S64	Teneo high-gloss			
(5)	970 553 457 02	cover		1	I822	(8)	970 553 456 02	cover shelf	/R	1	I822
	S64	Teneo high-gloss					S64	Teneo high-gloss			
(5)	970 553 457 03	cover		1	I823	8	970 553 455 03	cover shelf	/L	1	I823
	CK6	Swedish Birch					CK6	Swedish Birch			
(5)	970 553 457 04	cover		1	I824	(8)	970 553 456 03	cover shelf	/R	1	I823
	BT2	Olive Ash matt open-pored					CK6	Swedish Birch			
(5)	970 553 457 05	cover		1	I818	8	970 553 455 04	cover shelf	/L	1	I824
	U03	Aluminium, brushed					BT2	Olive Ash matt open-pored			
(5)	970 553 457 06	cover		1	I819	(8)	970 553 456 04	cover shelf	/R	1	I824
	BX3	Carbon, fine high-gloss					BT2	Olive Ash matt open-pored			
(5)	970 553 997 00	cover		1	IXZY	8	970 553 455 05	cover shelf	/L	1	I818
	GX1	Mahogany Yachting					U03	Aluminium, brushed			
6	970 553 435 00	shelf centre console rear		1		(8)	970 553 456 05	cover shelf	/R	1	I818
7	970 553 911 00	mounting parts tapping screw 4,2 X 13 for mount shelf		1							

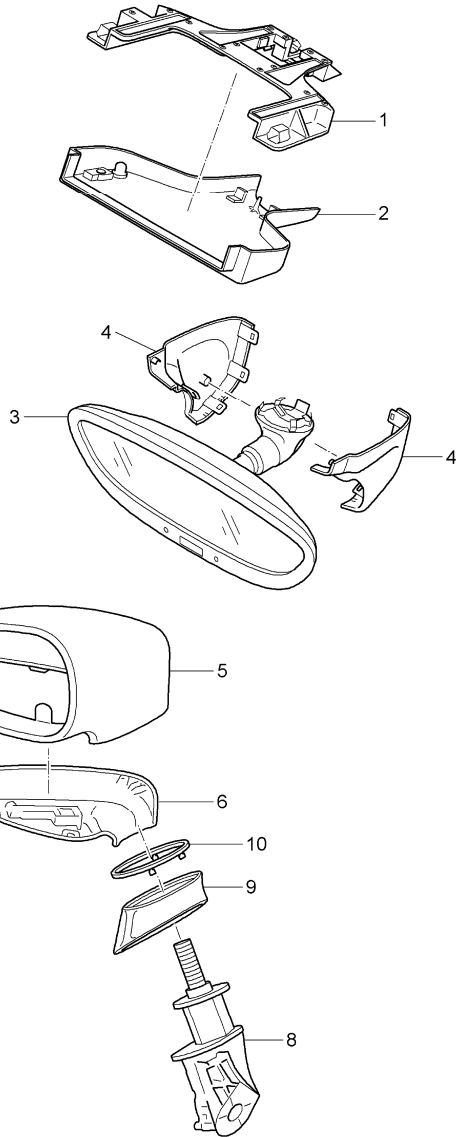
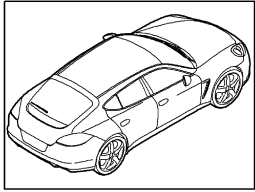
Model	Year	MG	SG	Illustration	Restrictions	UPD	12:45	04.03.2010	PORSCHE	PET	PORSCHE
970	2010	8	09	809-30		248					

Pos	Part Number	Description	Remark	Qty	Model	Pos	Part Number	Description	Remark	Qty	Model
	U03	Aluminium, brushed				(11)	970 553 453 05	cover support beverages		1	I818
8	970 553 455 06	cover shelf	/L	1	I819		U03	Aluminium, brushed			
(8)	BX3	Carbon, fine high-gloss				(11)	970 553 453 06	cover support beverages		1	I819
	970 553 456 06	cover shelf	/R	1	I819		BX3	Carbon, fine high-gloss			
8	970 553 995 00	cover shelf	/L	1	IXZY	(11)	970 553 994 00	cover support beverages		1	IXZY
(8)	GX1	Mahogany Yachting					GX1	Mahogany Yachting			
	970 553 996 00	cover shelf	/R	1	IXZY	12	970 553 451 00	cover centre console		1	I817
9	970 553 775 00	adapter illumination		1			A61	Piano Black, high-gloss			
10	970 553 481 00	support beverages		1		(12)	970 553 451 01	cover centre console		1	I821
11	970 553 453 00	cover support beverages		1	I817	(12)	BG1	Walnut, high-gloss			
(11)	A61	Piano Black, high-gloss					970 553 451 02	cover centre console		1	I822
	970 553 453 01	cover support beverages		1	I821	(12)	S64	Teneo high-gloss			
(11)	BG1	Walnut, high-gloss					970 553 451 03	cover centre console		1	I823
	970 553 453 02	cover support beverages		1	I822	(12)	CK6	Swedish Birch			
(11)	S64	Teneo high-gloss					970 553 451 04	cover centre console		1	I824
	970 553 453 03	cover support beverages		1	I823	(12)	BT2	Olive Ash matt open-pored			
(11)	CK6	Swedish Birch					970 553 451 05	cover centre console		1	I818
	970 553 453 04	cover support beverages		1	I824	(12)	U03	Aluminium, brushed			
(11)	BT2	Olive Ash matt open-pored					970 553 451 06	cover centre console		1	I819
						(12)	BX3	Carbon, fine high-gloss			
							970 553 993 00	cover centre console		1	IXZY
						(12)	GX1	Mahogany Yachting			

Model	Year	MG	SG	Illustration	Restrictions	UPD	12:45	04.03.2010	PORSCHE	PET	PORSCHE
970	2010	8	09	809-30		248					

Pos	Part Number	Description	Remark	Qty	Model	Pos	Part Number	Description	Remark	Qty	Model
13	970 553 957 00	mounting parts for support beverages		1			D20	silver-grey			
14	970 553 171 01	air vent	/L	1		(17)	970 653 557 02	cover control part		1	I576/645
	DAP	galvano silver					D20	silver-grey			
(14)	970 553 172 01	air vent	/R	1							
	DAP	galvano silver									
15	999 073 142 09	tapping screw 4,2 X 16 mount air vent		X							
16	999 073 269 09	oval-head screw mount centre console		X							
17	970 653 551 02	cover control part		1	I573						
	D20	silver-grey									
(17)	970 653 553 02	cover control part		1	I573/862						
	D20	silver-grey									
(17)	970 653 553 02	cover control part		1	I576						
	D20	silver-grey									
(17)	970 653 555 02	cover control part		1	I343/573/644 I862						
	D20	silver-grey									
(17)	970 653 555 02	cover control part		1	I343/573/644						
	D20	silver-grey									
(17)	970 653 557 02	cover control part		1	I343/542/573 I644/862						
	D20	silver-grey									
(17)	970 653 557 02	cover control part		1	I343/542/573 I644						

Model	Year	MG	SG	Illustration	Restrictions	UPD	12:45	04.03.2010	PORSCHE	PET	PORSCHE
970	2010	8	09	809-50		248					



Pos	Part Number	Description	Remark	Qty	Model
1	7PP 858 327	rear-view mirror door mirror accessories plate for mirror base interior mirror		1	
2	7PP 863 081	cover 1E0 for plate mirror base interior mirror		1	
(3)	7PP 857 511 B	interior mirror 1E0 satin black dimmable automatic		1	I276
4	7PP 858 547	cap 1E0 satin black rear-view mirror left	/L	1	
4	7PP 858 548	cap 1E0 satin black rear-view mirror right	/R	1	
-		rain sensor rear-view mirror see group 9/04/00		1	
5	970 731 619 00	mirror housing rear-view mirror outer left G2L prime coated	LL/L	1	I098/260/261
(5)	970 731 620 00	mirror housing rear-view mirror outer right G2L prime coated	LL/R	1	I098/260/261
(5)	970 731 619 01	mirror housing rear-view mirror outer left	RL/L	1	I099/260/261

Model	Year	MG	SG	Illustration	Restrictions	UPD	12:45	04.03.2010	PORSCHE	PET	PORSCHE
970	2010	8	09	809-50		248					

Pos	Part Number	Description	Remark	Qty	Model	Pos	Part Number	Description	Remark	Qty	Model
(5)	970 731 620 01	G2L prime coated mirror housing rear-view mirror outer right	RL/R	1	I099/260/261	9	970 731 819 00	cover mirror base left		1	I099/260/261
		G2L prime coated				(9)	970 731 820 00	cover mirror base right		1	I099/260/261
6	970 731 719 00	G2L prime coated cover lower	LL/L	1	I098/260			G2L prime coated			
(6)	970 731 720 00	G2L prime coated cover lower	LL/R	1	I098/258/260	8	970 731 219 00	mirror base left		1	I258/259/260 I261
(6)	970 731 719 01	G2L prime coated cover lower	RL/L	1	I099/258/260	(8)	970 731 220 00	mirror base right		1	I258/259/260 I261
(6)	970 731 720 01	G2L prime coated cover lower	RL/R	1	I099/258/260	-		combined lights see group 09 03 04		1	
(6)	970 731 719 02	G2L prime coated cover lower for light	LL/L	1	I098/259/261	10	970 731 823 00	gasket lower left		1	I258/259/260 I261
(6)	970 731 720 02	G2L prime coated cover lower for light	LL/R	1	I098/259/261	(10)	970 731 824 00	gasket lower right		1	I258/259/260 I261
(6)	970 731 719 03	G2L prime coated cover lower for light	RL/L	1	I259/260/261	(10)	970 731 821 00	gasket mirror base upper left		1	I258/259/260 I261
(6)	970 731 720 03	G2L prime coated cover lower for light		1	I099/259/261	(10)	970 731 822 00	gasket mirror base upper right		1	I258/259/260 I261
		G2L prime coated				11	997 624 047 00	driving mechanism door mirror without memory		1	
		G2L prime coated				(11)	997 624 048 00	driving mechanism door mirror with memory		1	I537/538

Model	Year	MG	SG	Illustration	Restrictions	UPD	12:45	04.03.2010	PORSCHE	PET	PORSCHE
970	2010	8	09	809-50		248					

Pos	Part Number	Description	Remark	Qty	Model	Pos	Part Number	Description	Remark	Qty	Model
(12)	970 731 035 00	mirror glass plane	LL/L	1	I098/260/261 I263						
(12)	970 731 035 01	mirror glass aspherical	LL/L	1	I098/260/261 I265						
(12)	970 731 036 00	mirror glass aspherical	RL/L	1	I099/260/261 I264						
(12)	970 731 038 00	mirror glass convex	LL/R	1	I098/260/261 I284						
(12)	970 731 037 00	mirror glass convex	RL/L	1	I099/260/261 I264						
(12)	970 731 038 01	mirror glass convex	LL/R	1	I074/098/260 I261/284/553						
(12)	970 731 038 02	mirror glass convex	LL/R	1	I098/215/260 I261/284						

Model	Year	MG	SG	Illustration	Restrictions	UPD	12:45	04.03.2010	PORSCHE	PET	PORSCHE
970	2010	8	10	810-00		248					

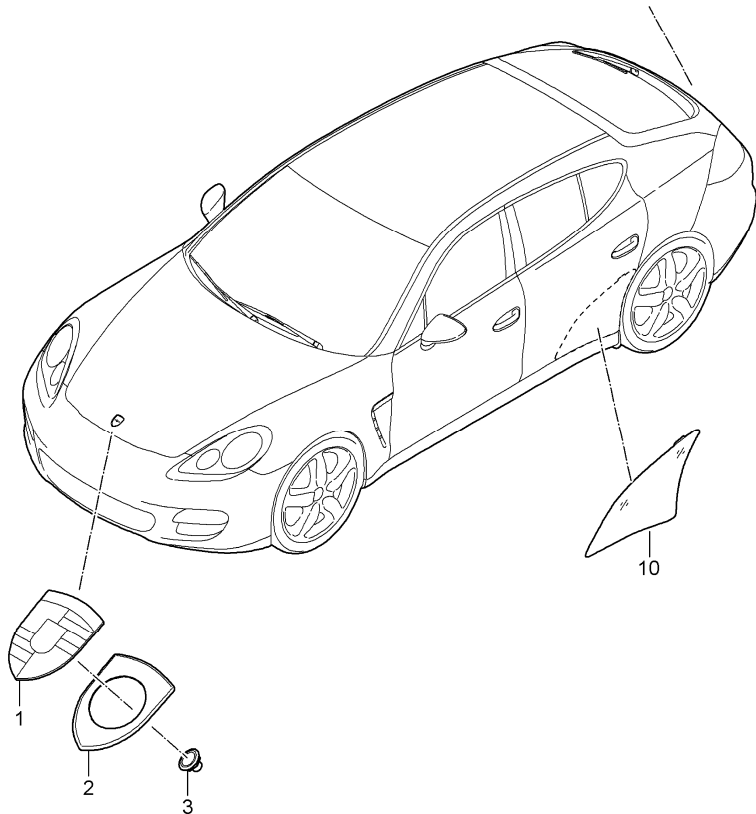
4—PORSCHE

5—Panamera

6—Panamera S

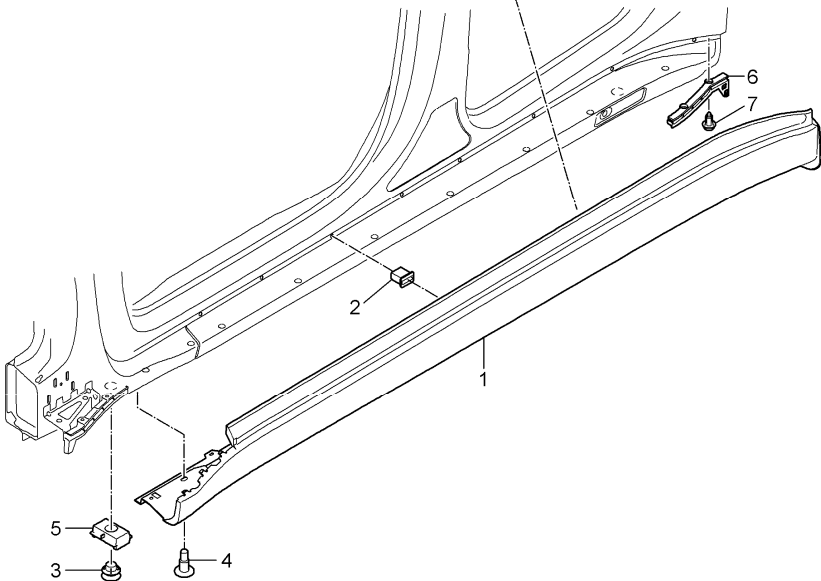
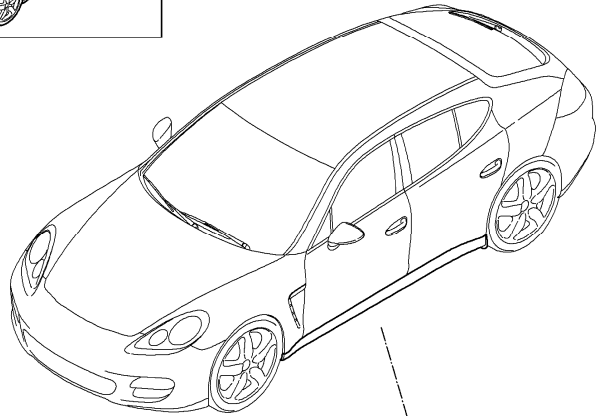
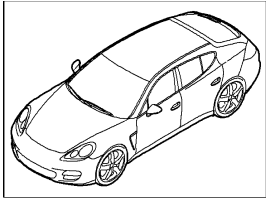
8—Panamera 4S

7—Panamera Turbo



Pos	Part Number	Description	Remark	Qty	Model
		insignias stone guard film			
1	997 559 211 00	lid emblem bonnet Information available		1	
2	7L5 853 611 B	desk pad for lid emblem		1	
3	999 591 423 03	tapping nut for lid emblem		2	
4	970 559 235 00	logo porsche chrome		1	
5	970 559 237 06	logo Panamera chrome		1	
6	970 559 243 02	logo *S* chrome		1	
7	970 559 237 05	logo turbo chrome		1	
8	970 559 241 03	logo *4* chrome		1	
9	970 532 825 02	stone guard film doors rear left	/L	1	
(9)	970 532 826 02	stone guard film doors rear right	/R	1	

Model	Year	MG	SG	Illustration	Restrictions	UPD	12:45	04.03.2010	PORSCHE	PET	PORSCHE
970	2010	8	10	810-05		248					

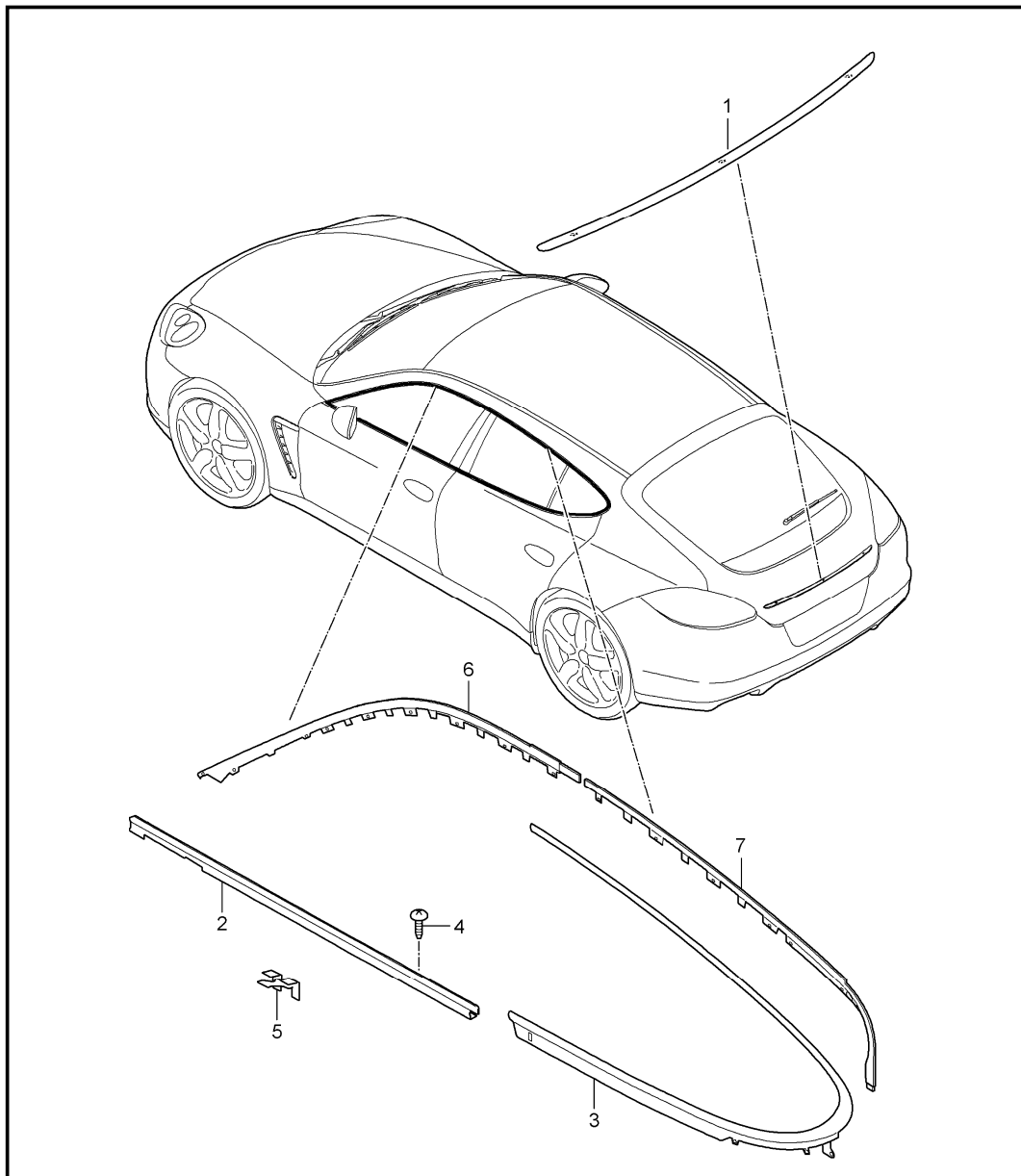


Pos	Part Number	Description	Remark	Qty	Model
1	970 559 201 03	sill cover	/L	1	I597
	G2L	prime coated with accessories			
(1)	970 559 202 03	sill cover	/R	1	I597
	G2L	prime coated mit accessories			
(1)	970 559 201 02	sill cover	/L	1	
	G2L	prime coated with accessories			
(1)	970 559 202 02	sill cover	/R	1	
	G2L	prime coated with accessories			
-	970 559 601 00	rubber lip sill cover in wheel housing rear	/L	1	
	1E0	black			
-	970 559 602 00	rubber lip sill cover in wheel housing rear	/R	1	
	1E0	black			
2	999 507 995 40	insert part for sill cover		18	
3	999 507 132 40	spacer for sill cover lower		18	
4	999 507 133 40	clinch pin for sill cover lower		18	
5	970 504 585 00	jacking point		4	

Model	Year	MG	SG	Illustration	Restrictions	UPD	12:45	04.03.2010	PORSCHE	PET	PORSCHE
970	2010	8	10	810-05		248					

Pos	Part Number	Description	Remark	Qty	Model	Pos	Part Number	Description	Remark	Qty	Model
6	970 504 801 00	retaining strip for sill cover	/L	1							
(6)	970 504 802 00	retaining strip for sill cover	/R	1							
7	999 591 941 40	speed nut ST 4,8		4							

Model	Year	MG	SG	Illustration	Restrictions	UPD	12:45	04.03.2010	PORSCHE	PET	PORSCHE
970	2010	8	10	810-10		248					

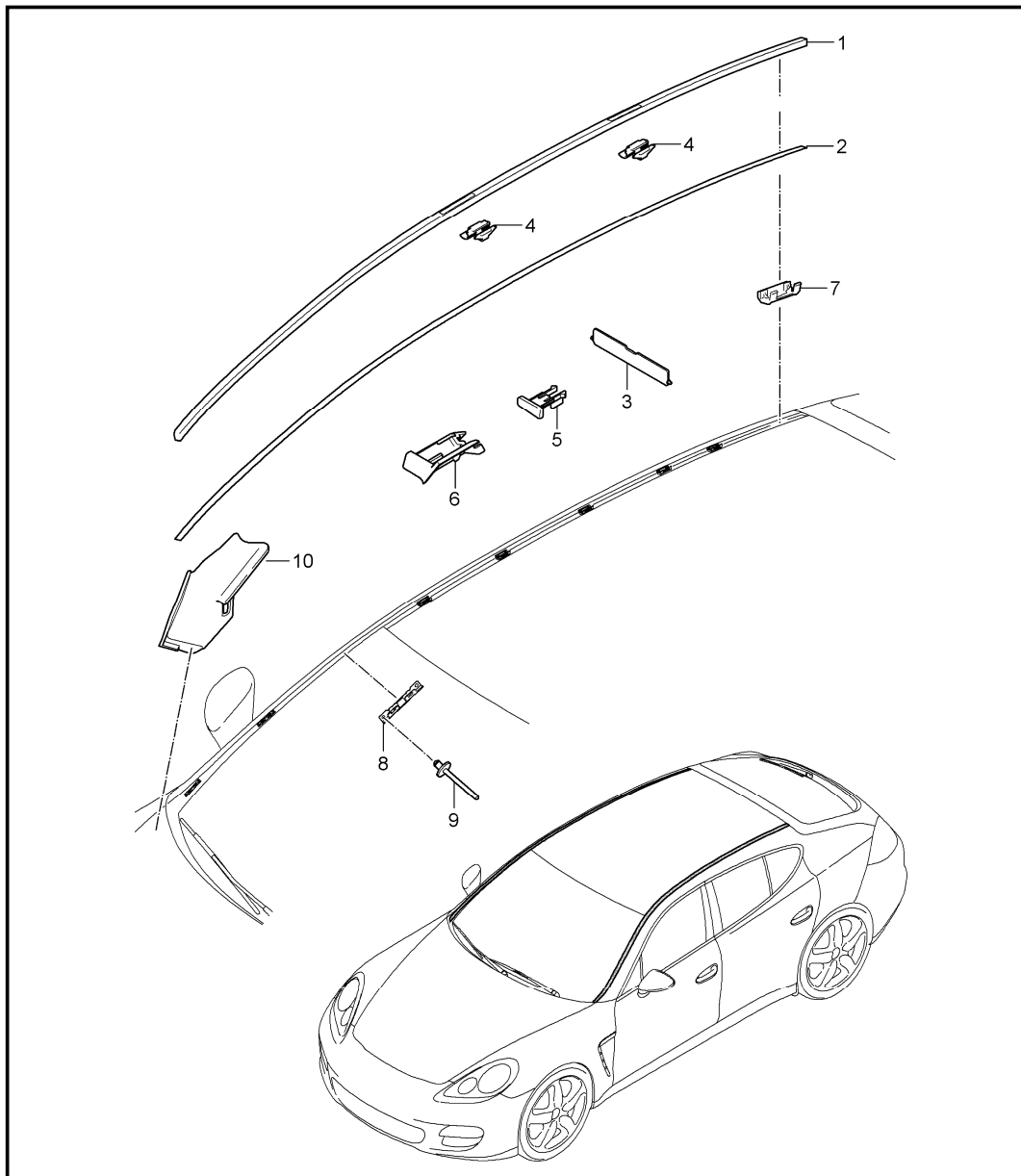


Pos	Part Number	Description	Remark	Qty	Model
		decorative fittings			
1	970 512 370 03	moulding rear lid centre chrome		1	
2	970 537 155 00	moulding door channel including gasket left front	/L	1	
	V09	aluminium			
(2)	970 537 156 00	moulding door channel right front	/R	1	
	V09	aluminium			
3	970 536 155 00	moulding door channel including gasket left rear	/L	1	
	V09	aluminium			
(3)	970 536 156 00	moulding door channel including gasket right rear	/R	1	
	V09	aluminium			
3	999 073 455 01	screw for moulding door channel		6	
5	999 507 887 01	clip for moulding outer		8	
6	970 537 481 00	moulding roof frame vorne left	/R	1	
	V09	aluminium			

Model	Year	MG	SG	Illustration	Restrictions	UPD	12:45	04.03.2010	PORSCHE	PET	PORSCHE
970	2010	8	10	810-10		248					

Pos	Part Number	Description	Remark	Qty	Model	Pos	Part Number	Description	Remark	Qty	Model
(6)	970 537 482 00	moulding roof frame vorne right V09 aluminium	/R	1							
7	970 536 481 06	moulding roof frame rear left V09 aluminium	/R	1							
(7)	970 536 482 06	moulding roof frame rear left V09 aluminium	/R	1							
-	999 073 524 01	screw centre		1							
-	999 073 523 01	screw		3							
-	999 190 177 31	blind rivet for moulding		9							

Model	Year	MG	SG	Illustration	Restrictions	UPD	12:46	04.03.2010	PORSCHE	PET	PORSCHE
970	2010	8	10	810-15		248					

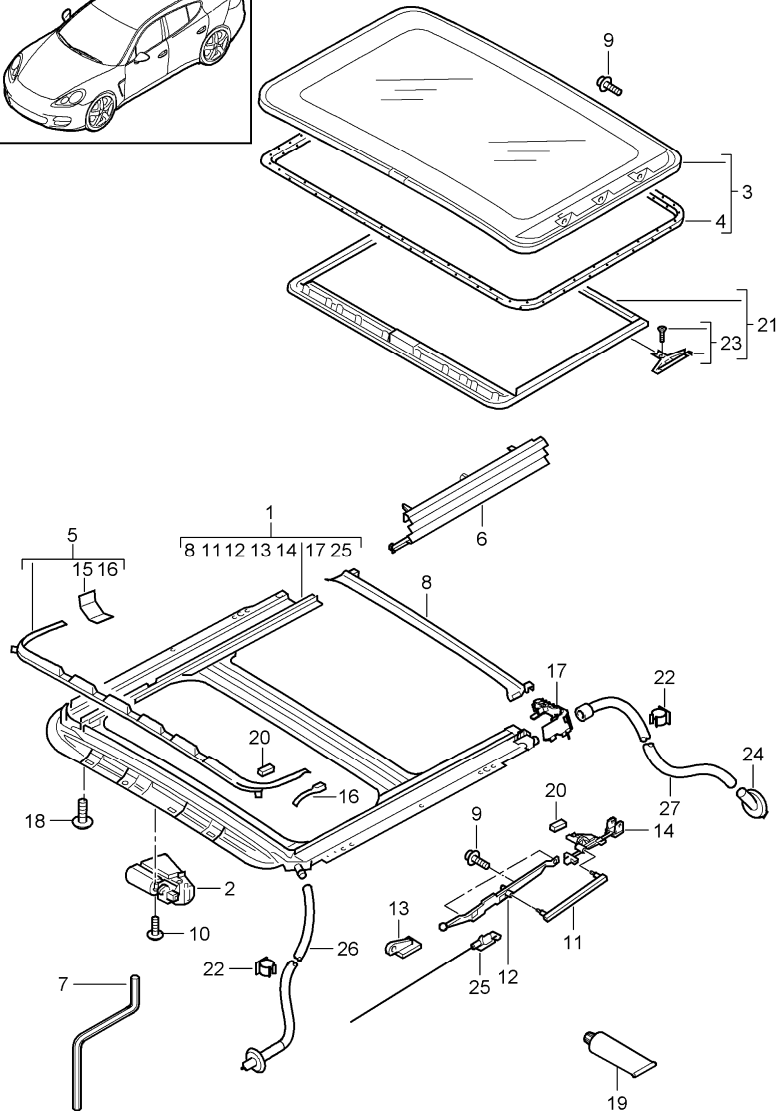
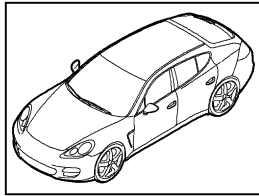


Pos	Part Number	Description	Remark	Qty	Model
		roof edge strip			
1	970 559 401 00	roof edge strip	/L	1	
	GRV	prime coated			
(1)	970 559 402 00	roof edge strip	/R	1	
	GRV	prime coated			
(2)	970 559 405 00	gasket roof edge strip		2	
3	970 559 614 00	flap rear right		1	
	GRV	prime coated			
(3)	970 559 613 00	flap rear left		1	
	GRV	prime coated			
(3)	970 559 612 00	flap front right		1	
	GRV	prime coated			
(3)	970 559 611 00	flap front left		1	
	GRV	prime coated			
4	970 559 729 00	bracket flap		8	
5	970 559 836 00	cover rear right		1	
	G2L	prime coated			
(5)	970 559 835 00	cover rear left		1	
	G2L	prime coated			
6	970 559 736 00	cover vorne right		1	

Model	Year	MG	SG	Illustration	Restrictions	UPD	12:46	04.03.2010	PORSCHE	PET	PORSCHE
970	2010	8	10	810-15		248					

Pos	Part Number	Description	Remark	Qty	Model	Pos	Part Number	Description	Remark	Qty	Model
(6)	970 559 735 00	cover vorne left		1							
7	970 559 711 01	support roof edge strip		12							
8	3D5 853 707 B	retaining clip support roof edge strip		6							
9	N 907 878 02	rivet for retaining clip		12							
10	970 559 745 00	cover lateral left		1							
(10)	970 559 746 00	cover lateral right		1							

Model	Year	MG	SG	Illustration	Restrictions	UPD	12:46	04.03.2010	PORSCHE	PET	PORSCHE
970	2010	8	11	811-00		248					

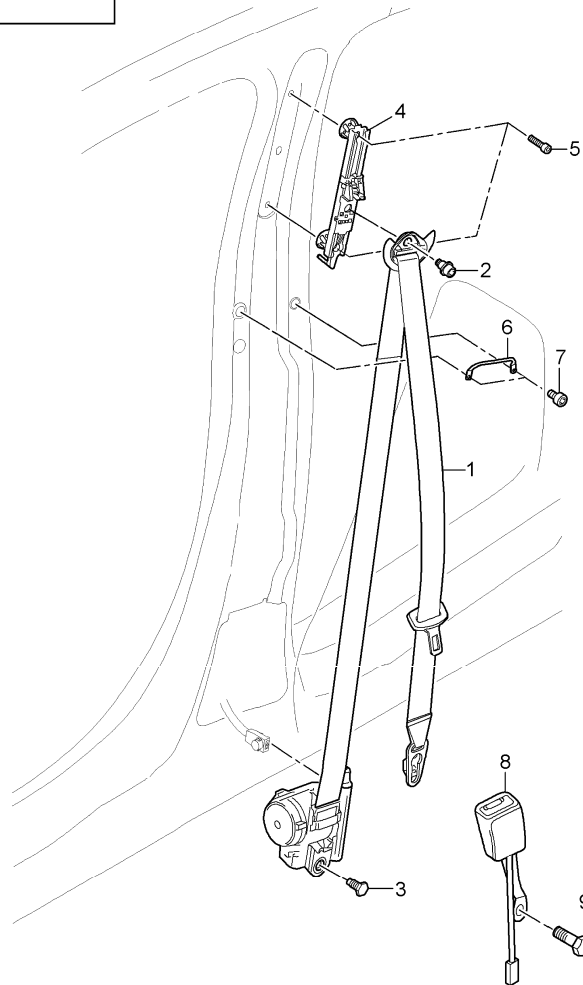
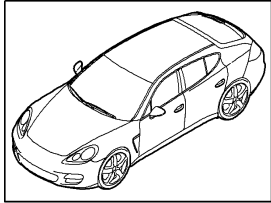


Pos	Part Number	Description	Remark	Qty	Model
		sunroof			I650
1	970 564 081 00	frame complete		1	
2	970 624 211 04	driving mechanism		1	
3	970 564 211 00	glass roof including gasket		1	
4	970 564 215 00	gasket		1	
5	970 564 161 00	air deflector complete		1	
6	955 564 005 00	bellows	/L	1	
(6)	955 564 006 00	bellows	/R	1	
7		tool emergency operation see illustrations 0/01/00		1	
8	970 564 721 00	water drain strip complete		1	
9	955 564 009 10	fastening screw glass roof M5		6	
10	955 564 010 00	fastening screw driving mechanism		1	
11	955 564 011 00	connection piece		2	
12	955 564 012 10	gate guide	/R	1	
(12)	955 564 013 10	gate guide	/L	1	
13	955 564 014 00	guide front	/R	1	
(13)	955 564 015 00	guide front	/L	1	
14	955 564 016 00	locking segment rear	/R	1	
(14)	955 564 017 00	locking segment rear	/L	1	
15	955 564 018 00	parts kit bearing for air deflector		1 2	

Model	Year	MG	SG	Illustration	Restrictions	UPD	12:46	04.03.2010	PORSCHE	PET	PORSCHE
970	2010	8	11	811-00		248					

Pos	Part Number	Description	Remark	Qty	Model	Pos	Part Number	Description	Remark	Qty	Model
16	955 564 019 00	leaf spring		2		26	970 564 301 02	water drain hose front		2	
17	970 564 621 00	cover corner piece	/L	1		27	970 564 303 01	water drain hose rear		2	
(17)	970 564 622 00	cover corner piece	/R	1							
18	999 073 279 02	oval-head screw mount frame		10							
19	000 043 207 56	grease 50 ml Poly lub GLY 151		1							
20	955 564 023 01	damper set		1							
21	970 564 341 00	roofliner frame cloth		1	I592						
	9F1	Platinum Grey									
	7F3	Luxor Beige									
	8F4	Cream									
	5F6	Cedar									
(21)	970 564 341 01	roofliner frame alcantara		1	I594						
	2W0	black									
	8U3	Platinum Grey									
	9U1	Luxor Beige									
	8U9	Cream									
	8T5	Cedar									
22	970 564 701 00	support water drain hose		14							
23	970 564 911 00	slide set comprising: sliding piece screw		1							
				4							
				4							
24	955 564 035 00	water drain sleeve		2							
25	955 564 029 00	guide with cable		2							

Model	Year	MG	SG	Illustration	Restrictions	UPD	12:46	04.03.2010	PORSCHE	PET	PORSCHE
970	2010	8	12	812-00		248					

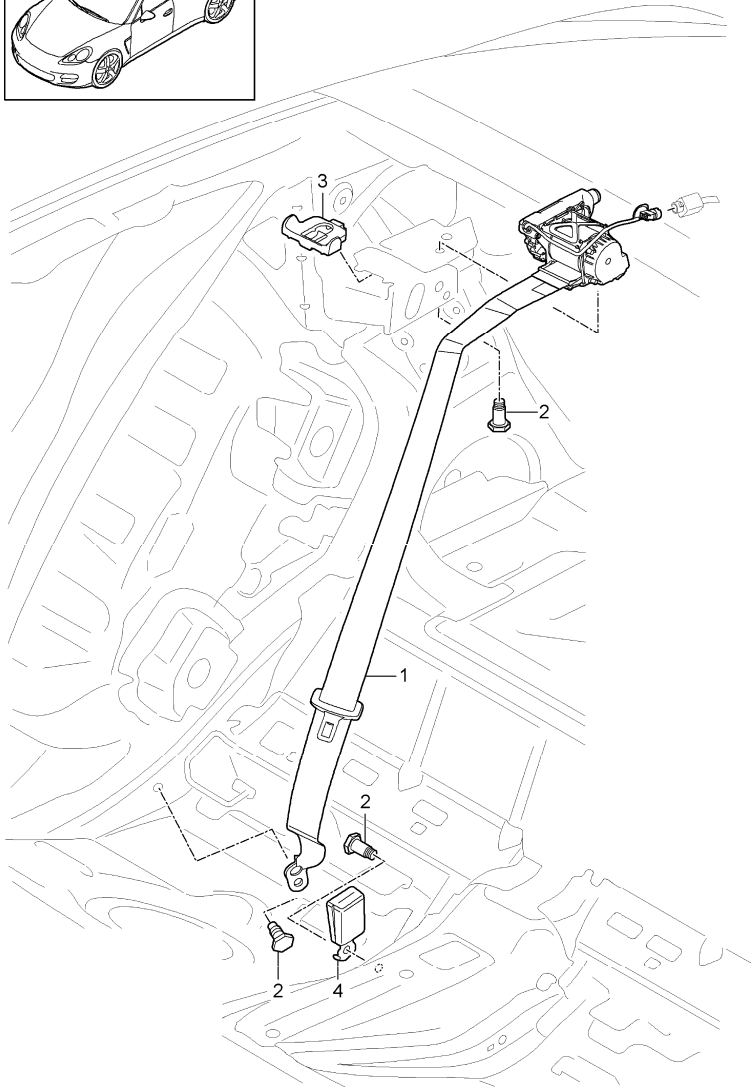
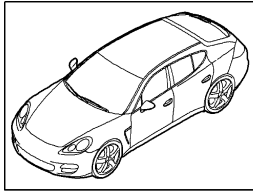


Pos	Part Number	Description	Remark	Qty	Model
1	970 803 034 00	seat belt front	/R	1	
	A23	black			I556
	62S	Luxor Beige			I556
	2L0	Yachting Blue			I556
	1P0	Cognac			I556
	U01	silver			IXSH
	N13	guards red			IXSX
(1)	970 803 033 00	seat belt with seat-belt tensioner	/L	1	
	A23	black			I556
	62S	Luxor Beige			I556
	2L0	Yachting Blue			I556
	1P0	Cognac			I556
	U01	silver			IXSH
	N13	guards red			IXSX
2	970 803 831 00	pan-head screw with spacer sleeve		1	
3	999 075 070 09	hexagon-head bolt		1	
4	970 803 231 00	height adjustment seat belt		2	
5	N 014 717 6	pan-head screw M8x40		2	
6	970 803 825 00	clip		2	
7	900 067 051 03	pan-head screw M5x10		2	
8	970 803 184 04	seat-belt buckle black right	/R	1	

Model	Year	MG	SG	Illustration	Restrictions	UPD	12:46	04.03.2010	PORSCHE	PET	PORSCHE
970	2010	8	12	812-00		248					

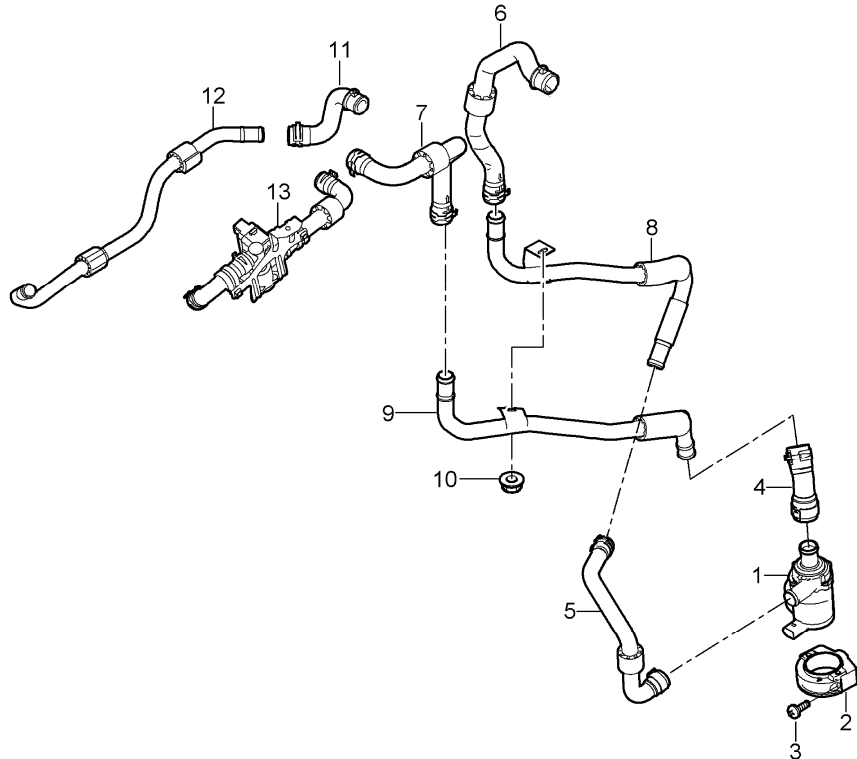
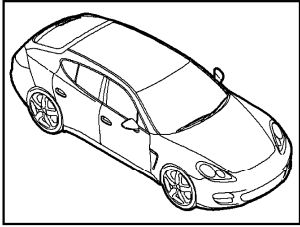
Pos	Part Number	Description	Remark	Qty	Model	Pos	Part Number	Description	Remark	Qty	Model
(8)	970 803 183 01	seat-belt buckle black left	/L	1							
9	999 218 101 02	hexagon-head bolt		1							

Model	Year	MG	SG	Illustration	Restrictions	UPD	12:46	04.03.2010	PORSCHE	PET	PORSCHE
970	2010	8	12	812-05		248					



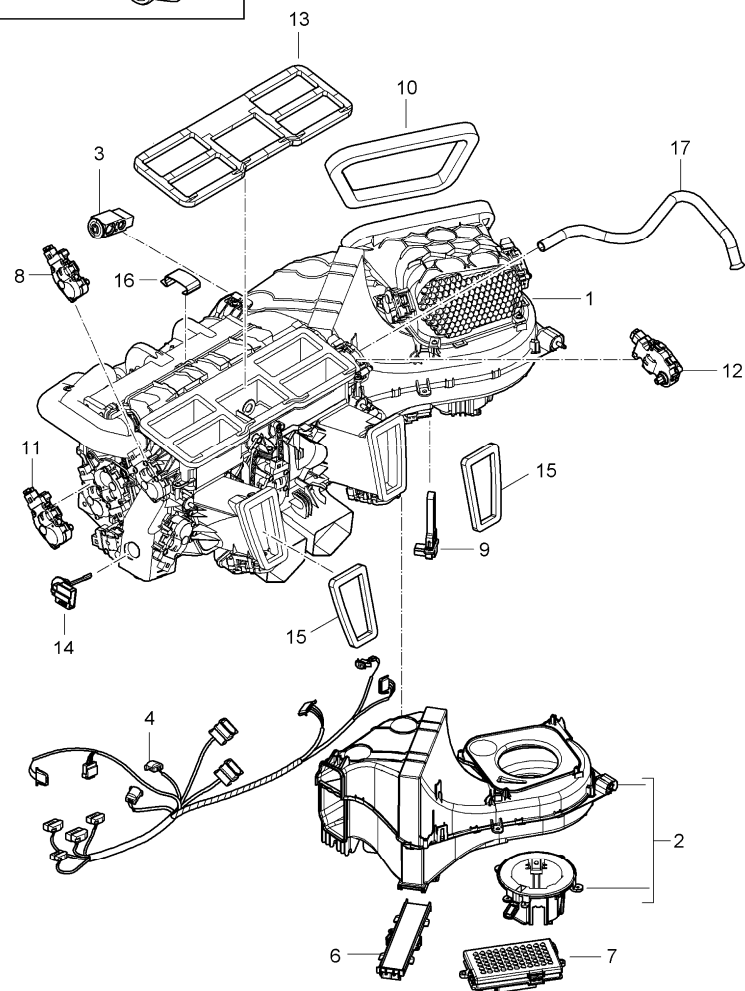
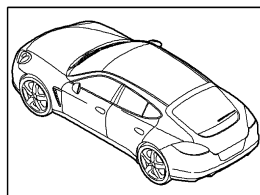
Pos	Part Number	Description	Remark	Qty	Model
1	970 803 035 00	seat belt rear with seat-belt tensioner		2	
	A23	black			I556
	62S	Luxor Beige			I556
	2L0	Yachting Blue			I556
	1P0	Cognac			I556
	U01	silver			IXSH
	N13	guards red			IXSX
2	999 075 070 09	hexagon-head bolt		6	
3	970 803 837 00	guide		2	
4	970 803 186 00	seat-belt buckle black right	/R	1	
(4)	970 803 185 00	seat-belt buckle black left	/L	1	

Model	Year	MG	SG	Illustration	Restrictions	UPD	12:46	04.03.2010	PORSCHE	PET	PORSCHE
970	2010	8	13	813-00		248					



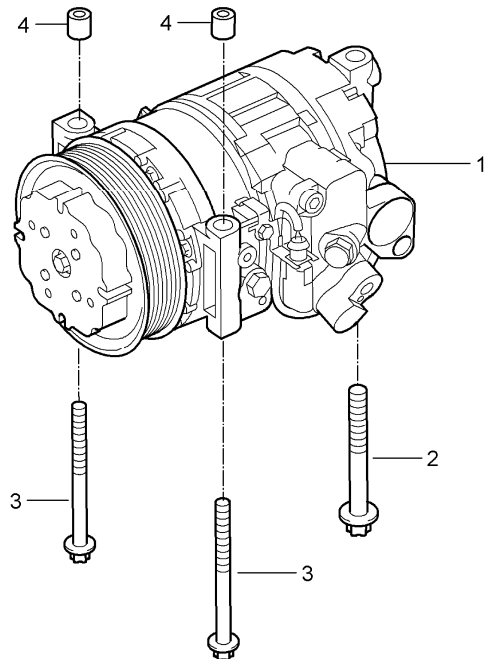
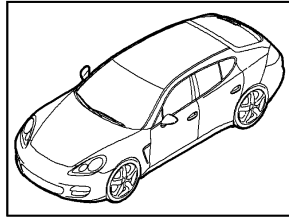
Pos	Part Number	Description	Remark	Qty	Model
		hot air line supply return line			
1	955 106 561 00	water pump		1	
2	970 572 551 00	clip		1	
3	999 073 344 01	round head screw M6x20		1	
4	970 572 581 00	heater hose supply		1	
5	970 572 583 00	heater hose supply		1	
6	970 572 584 00	heater hose supply		1	
7	970 572 585 00	heater hose supply		1	
8	970 572 572 01	heater pipeline supply		1	
9	970 572 573 01	heater pipeline supply		1	
10	999 076 080 40	plastic nut T5/18x11		1	
11	970 572 586 00	heater hose return line		1	
12	970 572 571 00	heater pipeline return line		1	
13	970 572 225 00	valve		1	

Model	Year	MG	SG	Illustration	Restrictions	UPD	12:46	04.03.2010	PORSCHE	PET	PORSCHE
970	2010	8	13	813-10		248					



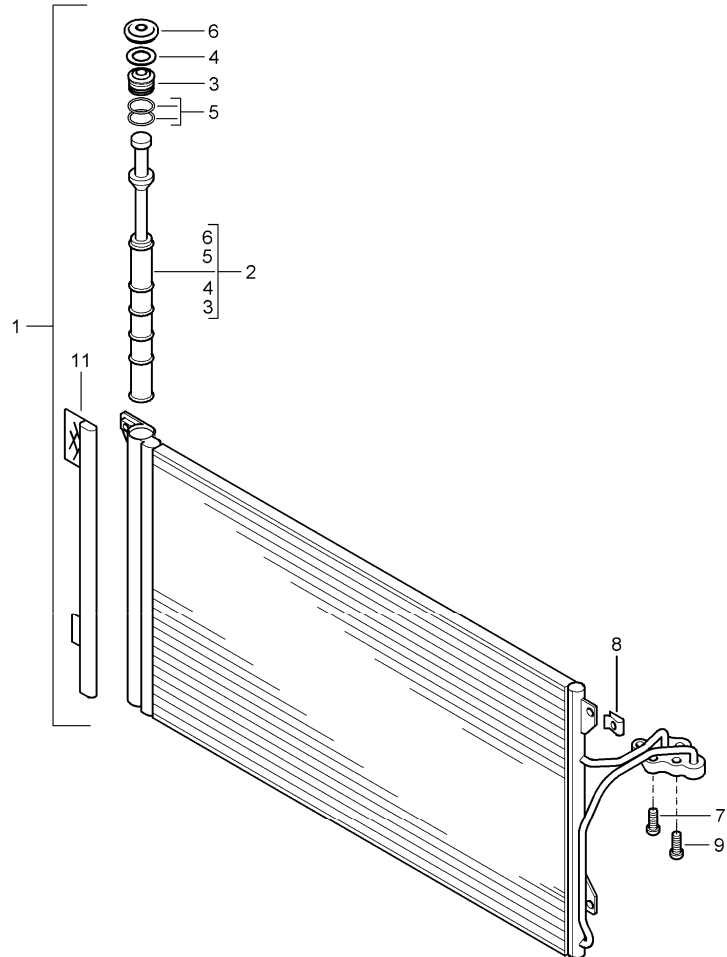
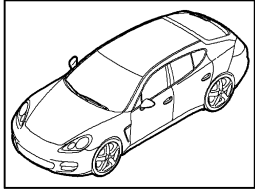
Pos	Part Number	Description	Remark	Qty	Model
		air conditioner			
1	970 573 914 00	distributor housing	/LL	1	
(1)	970 573 915 00	distributor housing	/RL	1	
1	970 573 914 01	distributor housing	/LL	1	
(1)	970 573 915 01	distributor housing	/RL	1	
2	970 573 912 00	fan housing		1	
2	970 573 922 00	fan housing		1	
3	970 573 621 00	expansion valve		1	
4	970 612 855 00	wiring harness		1	
6	970 573 623 00	particle filter		1	
7	970 624 423 01	regulator		1	
8	970 624 425 00	electric motor		1	
9	970 653 257 00	sensor		1	
10	970 573 850 00	gasket		1	
10	970 573 849 00	gasket		1	
11	970 573 841 00	electric motor	/L	1	
12	970 573 842 00	electric motor	/R	1	
13	970 573 853 00	gasket		1	
14	970 653 253 00	sensor		1	
14	970 653 253 00	sensor		1	
15	970 573 855 00	gasket		1	
15	970 573 856 00	gasket		1	
16	970 573 857 00	spring clamp		X	
17	970 573 833 00	air hose	/LL	1	
17	970 573 833 01	air hose	/RL	1	

Model	Year	MG	SG	Illustration	Restrictions	UPD	12:47	04.03.2010	PORSCHE	PET	PORSCHE
970	2010	8	13	813-15		248					



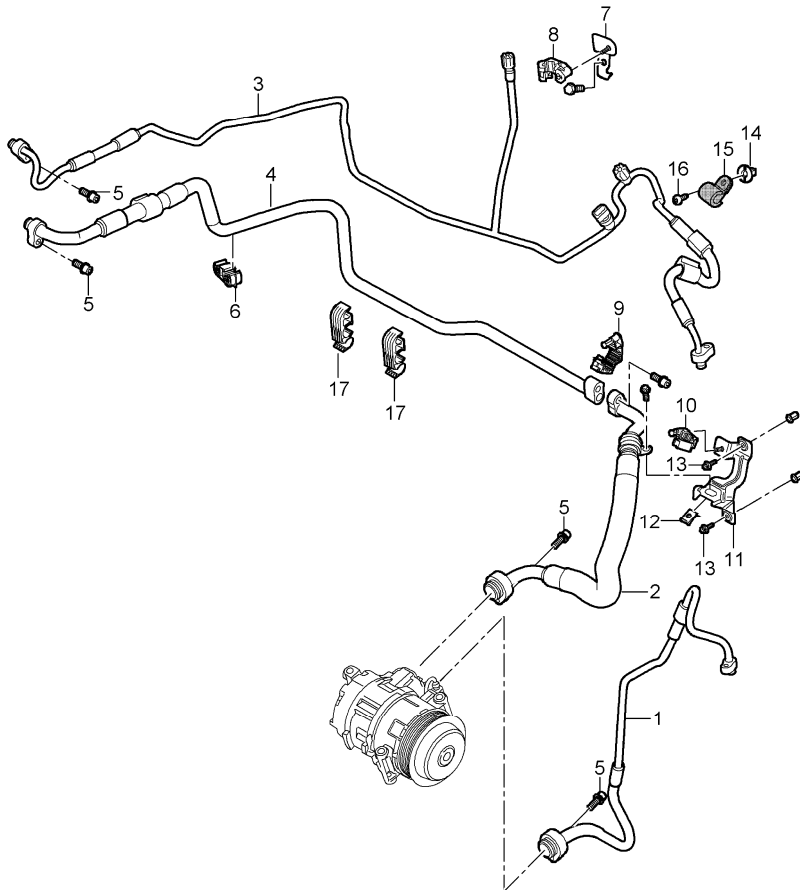
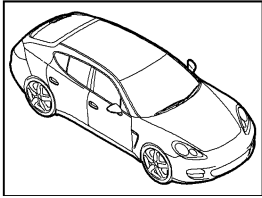
Pos	Part Number	Description	Remark	Qty	Model
		compressor			
1	948 126 011 03	compressor		1	
2	N 106 727 01	hexagon-head bolt M10X100		1	
3	N 907 075 02	combination screw M8X100		2	
4	7L5 145 416	dowel sleeve		2	

Model	Year	MG	SG	Illustration	Restrictions	UPD	12:47	04.03.2010	PORSCHE	PET	PORSCHE
970	2010	8	13	813-20		248					



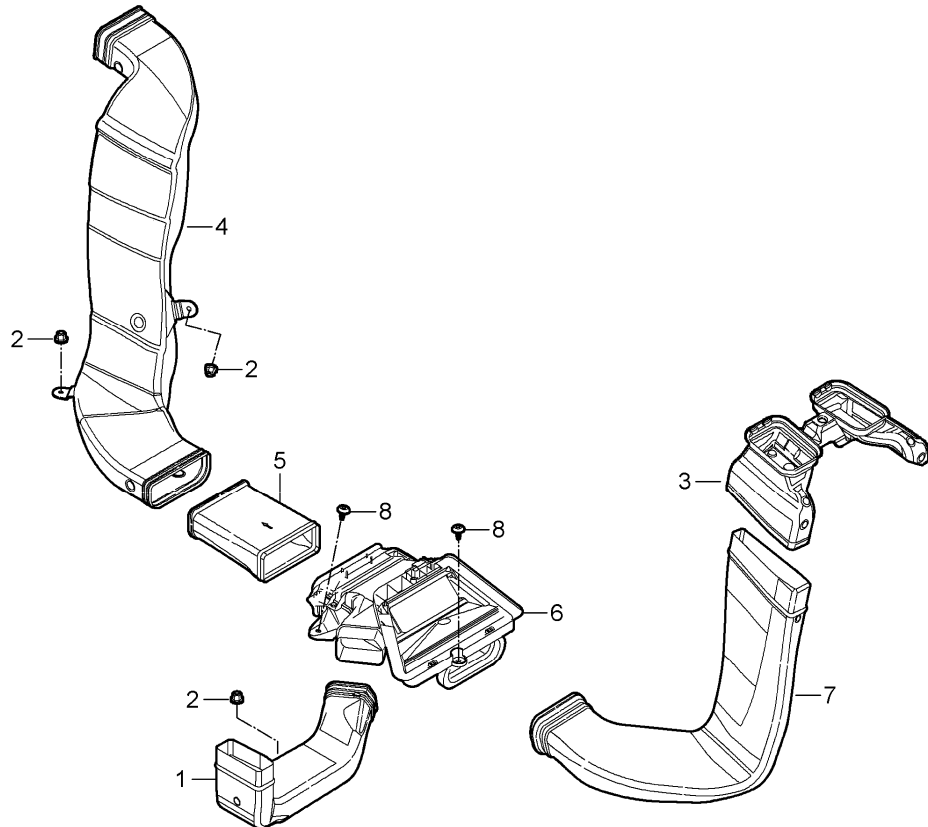
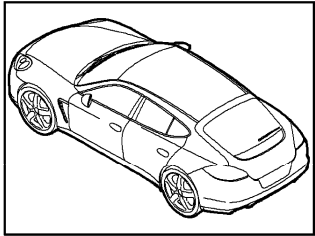
Pos	Part Number	Description	Remark	Qty	Model
1	970 573 111 00	condenser condenser		1	

Model	Year	MG	SG	Illustration	Restrictions	UPD	12:47	04.03.2010	PORSCHE	PET	PORSCHE
970	2010	8	13	813-25		248					



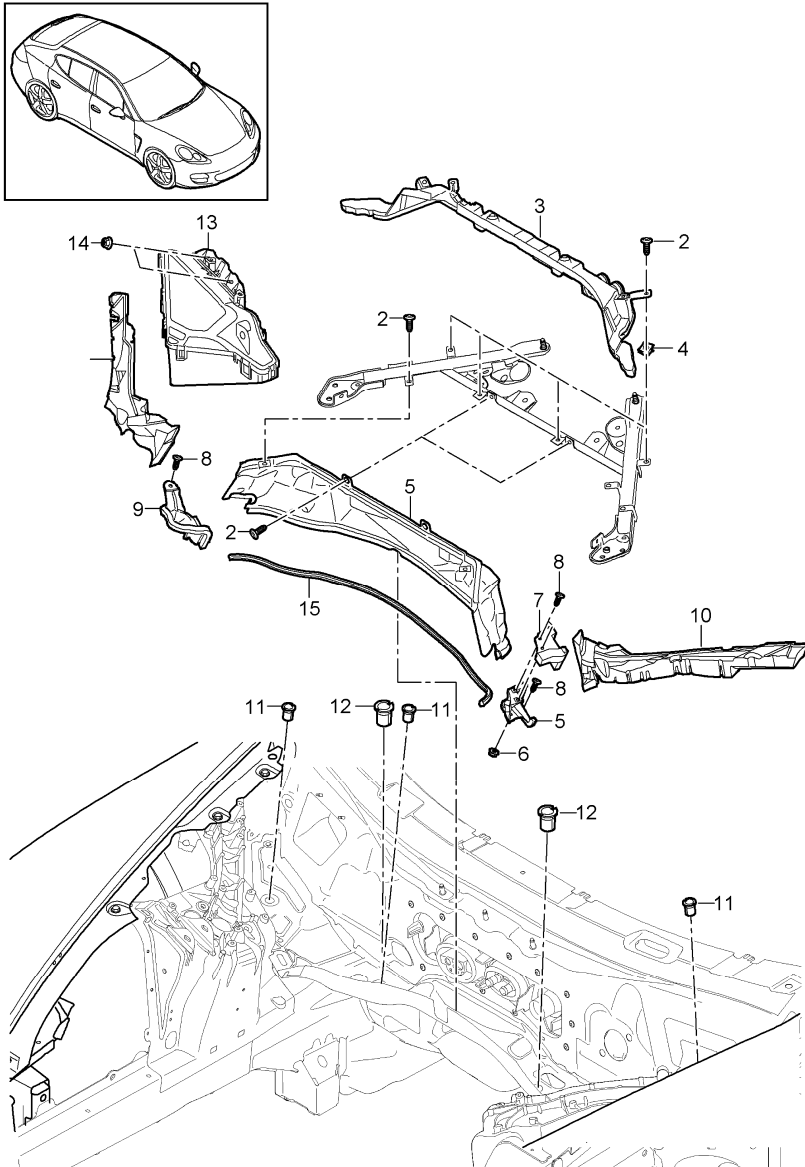
Pos	Part Number	Description	Remark	Qty	Model
		refrigerant circuit			
1	970 573 097 00	pressure line		1	
2	970 573 099 00	intake pipe		1	
3	970 573 105 02	pressure line		1	
4	970 573 093 00	intake pipe		1	
5	N 104 144 02	pan-head screw M 8 X 28		2	
6	8E0 260 759 AD	support		1	
7	970 573 603 00	support		1	
8	999 507 827 40	cable holder		1	
9	999 507 152 40	cable holder		1	
10	999 507 144 40	cable holder		1	
11	970 573 609 00	support		1	
12	999 507 766 02	speed nut		1	
13	900 385 019 02	screw M6x20		2	
14	171 809 966	expander nut		1	
15	999 511 251 01	clip		1	
16	999 073 169 01	tapping screw		1	
17	970 573 601 00	support		2	

Model	Year	MG	SG	Illustration	Restrictions	UPD	12:47	04.03.2010	PORSCHE	PET	PORSCHE
970	2010	8	13	813-30		248					



Pos	Part Number	Description	Remark	Qty	Model
1	970 572 431 00	air distributor air duct b-pillar	/L	1	
(1)	970 572 432 00	air duct b-pillar	/R	1	
2	999 076 081 40	plastic nut		X	
3	970 572 453 00	air duct centre console		1	
4	970 572 421 00	air duct rear	/L	1	
(4)	970 572 422 00	air duct rear	/R	1	
5	970 572 425 00	air duct rear		2	
6	970 572 211 00	air distributor rear	/L	1	
(6)	970 572 212 00	air distributor rear	/R	1	
7	970 572 451 00	air duct centre console	/L	1	
(7)	970 572 452 00	air duct centre console	/R	1	
8	999 073 260 09	oval-head screw		4	

Model	Year	MG	SG	Illustration	Restrictions	UPD	12:47	04.03.2010	PORSCHE	PET	PORSCHE
970	2010	8	13	813-35		248					

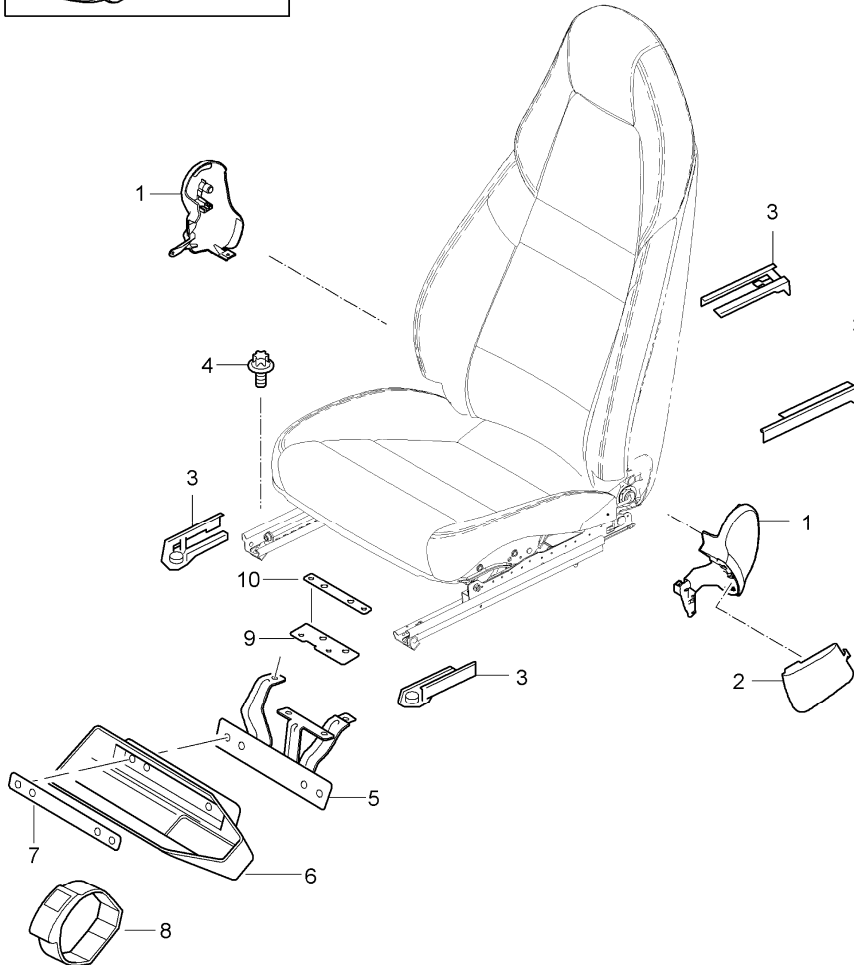
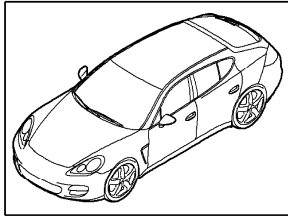


Pos	Part Number	Description	Remark	Qty	Model
		plenum panel			
1	970 572 413 00	plenum panel	/L	1	
(1)	970 572 414 01	plenum panel	/R	1	
2	999 073 260 09	oval-head screw M6x16		X	
3	970 572 415 01	plenum panel centre		1	
4	999 507 766 02	speed nut		6	
5	970 572 403 00	closing element	/L	1	
(5)	970 572 532 00	closing element	/R	1	
6	900 380 015 01	hexagon nut M6		X	
7	970 572 531 00	closing element plenum panel	/L	1	
(7)	970 572 532 00	closing element plenum panel	/R	1	
8	999 073 339 09	tapping screw 4,2x13		1	
9	999 073 260 09	oval-head screw M6x16		1	
10	970 572 527 00	foam part	/L	1	
(10)	970 572 528 00	foam part	/R	1	
11	970 572 853 01	grommet		3	
12	970 572 851 01	grommet		2	
13	970 572 071 00	suction housing	/L	1	
(13)	970 572 072 01	suction housing	/R	1	
14	999 084 629 01	hexagon nut M6		4	
15	970 572 831 00	gasket plenum panel		1	
16	970 555 063 02	cowl panel covering		1	I098
		1E0 black			
(16)	970 555 063 01	cowl panel covering		1	I099

Model	Year	MG	SG	Illustration	Restrictions	UPD	12:47	04.03.2010	PORSCHE	PET	PORSCHE
970	2010	8	13	813-35		248					

Pos	Part Number	Description	Remark	Qty	Model	Pos	Part Number	Description	Remark	Qty	Model
	1E0	black									
17	970 555 264 00	lid		1							
	1E0	black									
18	999 590 001 40	washer		X							
19	999 590 002 40	locking bolt		X							

Model	Year	MG	SG	Illustration	Restrictions	UPD	12:48	04.03.2010	PORSCHE	PET	PORSCHE
970	2010	8	17	817-00		248					



Pos	Part Number	Description	Remark	Qty	Model
		front seat complete not available comfort seat			
1	970 521 317 00	trim cover mounting component inner	/L	1	I367/379/390
	5Q0	black			
	4U0	Platinum Grey			
	6W0	Luxor Beige			
	8Y0	Yachting Blue			
	5V0	Cream			
	3T0	Espresso			
	2S0	Cognac			
	1R0	Cedar			
(1)	970 521 318 00	trim cover mounting component inner	/R	1	I368/380/391
	5Q0	black			
	4U0	Platinum Grey			
	6W0	Luxor Beige			
	8Y0	Yachting Blue			
	5V0	Cream			
	3T0	Espresso			
	2S0	Cognac			
	1R0	Cedar			
(1)	970 521 315 00	trim cover mounting component outer	/L	1	I367/379/390
	5Q0	black			
	4U0	Platinum Grey			
	6W0	Luxor Beige			
	8Y0	Yachting Blue			

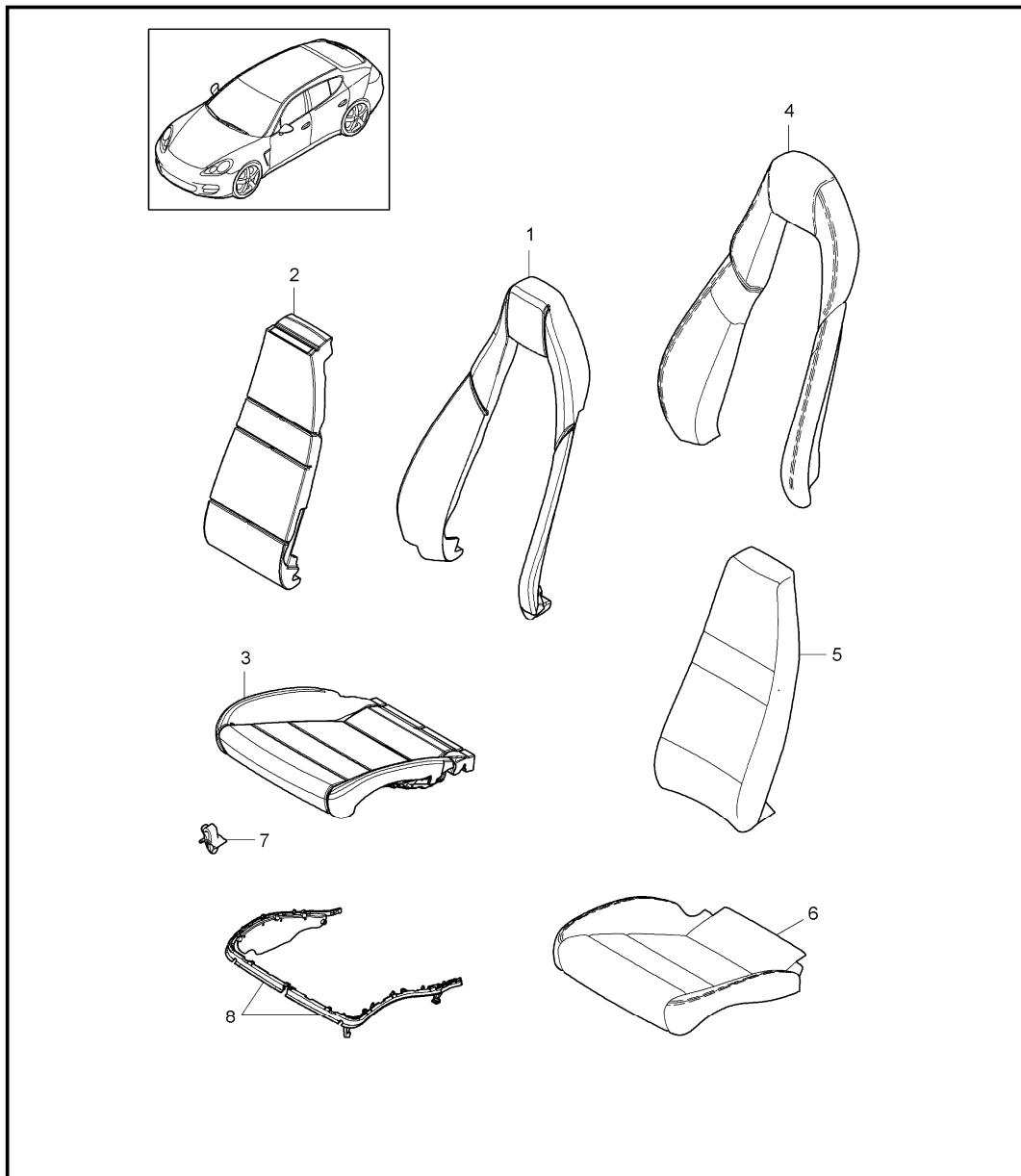
Model	Year	MG	SG	Illustration	Restrictions	UPD	12:48	04.03.2010	PORSCHE	PET	PORSCHE
970	2010	8	17	817-00		248					

Pos	Part Number	Description	Remark	Qty	Model	Pos	Part Number	Description	Remark	Qty	Model
(1)	970 521 316 00	5V0 Cream 3T0 Espresso 2S0 Cognac 1R0 Cedar trim cover mounting component outer	/R	1	I368/380/391	3	970 521 359 00	8Y0 Yachting Blue 5V0 Cream 3T0 Espresso 2S0 Cognac 1R0 Cedar rail seat rail front	/L	1	I367/368/379 I380/390/391
		5Q0 black						1E0 black			
		4U0 Platinum Grey						6L0 Platinum Grey			
		6W0 Luxor Beige						4H0 Luxor Beige			
		8Y0 Yachting Blue						2F0 Yachting Blue			
		5V0 Cream						5J0 Cream			
		3T0 Espresso						7N0 Espresso			
		2S0 Cognac						8P0 Cognac			
		1R0 Cedar						9Q0 Cedar			
	2	970 521 323 00	trim cover mounting component support for seatbelt	/L	1		I367/379/390	(3)	970 521 360 00	rail seat rail front	/R
		5Q0 black					1E0 black				
		4U0 Platinum Grey					6L0 Platinum Grey				
		6W0 Luxor Beige					4H0 Luxor Beige				
		8Y0 Yachting Blue					2F0 Yachting Blue				
		5V0 Cream					5J0 Cream				
		3T0 Espresso					7N0 Espresso				
		2S0 Cognac					8P0 Cognac				
		1R0 Cedar					9Q0 Cedar				
(2)		970 521 324 00	trim cover mounting component support for seatbelt	/R	1	I368/380/391	(3)		970 521 361 00	rail seat rail rear	/L
		5Q0 black						1E0 black			
		4U0 Platinum Grey									
		6W0 Luxor Beige									

Model	Year	MG	SG	Illustration	Restrictions	UPD	12:48	04.03.2010	PORSCHE	PET	PORSCHE
970	2010	8	17	817-00		248					

Pos	Part Number	Description	Remark	Qty	Model	Pos	Part Number	Description	Remark	Qty	Model
	6L0	Platinum Grey					1E0	black			
	4H0	Luxor Beige					6L0	Platinum Grey			
	2F0	Yachting Blue					4H0	Luxor Beige			
	5J0	Cream					2F0	Yachting Blue			
	7N0	Espresso					5J0	Cream			
	8P0	Cognac					7N0	Espresso			
	9Q0	Cedar					8P0	Cognac			
(3)	970 521 362 00	rail seat rail rear	/R	1	I368/380/391		9Q0	Cedar			
	1E0	black				4	999 141 047 01	screw mount seat rail		4	
	6L0	Platinum Grey				5	997 521 251 00	support fire extinguisher		1	I509
	4H0	Luxor Beige				6	7PP 882 650	cup fire extinguisher		1	I509
	2F0	Yachting Blue				7	7PP 882 649	insert cup fire extinguisher		1	I509
	5J0	Cream				8	7PP 882 645	restraining strap cup fire extinguisher		1	I509
	7N0	Espresso				9	997 521 841 00	reinforcement front fire extinguisher		1	I509
	8P0	Cognac				10	997 521 843 00	reinforcement rear fire extinguisher		1	I509
	9Q0	Cedar				11	970 521 601 00	cable clip		1	I367/368/379 I380/390/391 I560
(3)	970 521 363 00	rail seat rail rear	/L	1	I368/380/391			seat rail front seat			
	1E0	black				12	970 521 614 00	cable holder wiring harness front seat		1	I368/380/391
	6L0	Platinum Grey									
	4H0	Luxor Beige									
	2F0	Yachting Blue									
	5J0	Cream									
	7N0	Espresso									
	8P0	Cognac									
	9Q0	Cedar									
(3)	970 521 364 00	rail seat rail rear	/R	1	I367/379/390						

Model	Year	MG	SG	Illustration	Restrictions	UPD	12:48	04.03.2010	PORSCHE	PET	PORSCHE
970	2010	8	17	817-02		248					



Pos	Part Number	Description	Remark	Qty	Model
1	970 521 535 00	foam part cover standard seat comfort seat		1	I367/368/379 I380
2	970 521 581 00	foam part backrest outer part		1	I367/368/379 I380
(2)	970 521 581 02	foam part backrest centre	/L/R	1	I367/368/379 I380/541/542
3	970 521 571 00	foam part seat cushion		1	I367/368
(3)	970 521 571 03	foam part seat cushion		1	I379/380
(3)	970 521 571 04	foam part seat cushion		1	I379/380/541 I542
(4)	970 521 141 06	backrest cover outer part DAA black DAB Platinum Grey DAC Luxor Beige		1	I367/368/379 I380/541/542 I542/946/998
(4)	970 521 141 07	backrest cover outer part DAF black DAG Platinum Grey DAH Luxor Beige DAJ Yachting Blue DAL Cream		1	I367/368/379 I380/541/542 I542/946/998

Model	Year	MG	SG	Illustration	Restrictions	UPD	12:48	04.03.2010	PORSCHE	PET	PORSCHE
970	2010	8	17	817-02		248					

Pos	Part Number	Description	Remark	Qty	Model	Pos	Part Number	Description	Remark	Qty	Model
(4)	970 521 141 08	backrest cover outer part DAM Espresso DAN Cognac DAO Cedar		1	I367/368/379 I380/541/542 I983/998	(5)	970 521 151 06	backrest cover centre part DAA black DAB Platinum Grey DAC Luxor Beige		1	I342/343/367 I368/379/380 I946
(4)	970 521 141 09	backrest cover outer part DAA black DAB Platinum Grey DAC Luxor Beige		1	I342/343/367 I368/379/380 I946/947	(5)	970 521 151 08	backrest cover centre part DAM Espresso DAN Cognac DAO Cedar		1	I342/343/367 I368/379/380 I983/998
(4)	970 521 141 11	backrest cover outer part DAF black DAG Platinum Grey DAH Luxor Beige DAJ Yachting Blue DAL Cream		1	I342/343/367 I368/379/380 I982/983	(5)	970 521 151 10	backrest cover centre part DAA black DAB Platinum Grey DAC Luxor Beige		1	I342/343/367 I368/379/380 I947
(4)	970 521 141 13	backrest cover outer part DAM Espresso DAN Cognac DAO Cedar		1	I342/367/368 I379/380/982 I983/998	(5)	970 521 151 11	backrest cover centre part DAM Espresso DAN Cognac DAO Cedar		1	I342/343/367 I368/379/380 I982/998
(5)	970 521 151 02	backrest cover centre part DAM Espresso DAN Cognac		1	I367/368/368 I379/380/983 I998	(5)	970 521 151 12	backrest cover centre part DAA black DAB Platinum Grey DAC Luxor Beige		1	I367/368/379 I380/541/542 I946

Model	Year	MG	SG	Illustration	Restrictions	UPD	12:48	04.03.2010	PORSCHE	PET	PORSCHE
970	2010	8	17	817-02		248					

Pos	Part Number	Description	Remark	Qty	Model	Pos	Part Number	Description	Remark	Qty	Model
(5)	970 521 151 13	backrest cover		1	I367/368/379 I380/541/542 I983/998		DAB	Platinum Grey			
		centre part					DAC	Luxor Beige			
	DAM	Espresso				(6)	970 521 161 11	cover for cushion		1	I342/343/367 I983
	DAN	Cognac					DAF	black			
	DAO	Cedar					DAG	Platinum Grey			
(5)	970 521 151 17	backrest cover		1	I342/343/367 I368/379/380 I983		DAH	Luxor Beige			
		centre part					DAJ	Yachting Blue			
	DAF	black					DAL	Cream			
	DAG	Platinum Grey				(6)	970 521 161 13	cover for cushion		1	I342/343/367 I983/998
	DAH	Luxor Beige					DAM	Espresso			
(5)	970 521 151 19	backrest cover		1	I342/343/367 I368/379/380 I982		DAN	Cognac			
		centre part					DAO	Cedar			
	DAF	black				(6)	970 521 161 15	cover for cushion		1	I342/343/367 I982
	DAG	Platinum Grey					DAF	black			
	DAH	Luxor Beige					DAG	Platinum Grey			
	DAJ	Yachting Blue					DAH	Luxor Beige			
	DAL	Cream					DAJ	Yachting Blue			
(5)	970 521 151 20	backrest cover		1	I367/368/379 I380/541/542 I983		DAL	Cream			
		centre part				(6)	970 521 161 16	cover for cushion		1	I342/343/367 I982/998
	DAF	black					DAM	Espresso			
	DAG	Platinum Grey					DAN	Cognac			
	DAH	Luxor Beige					DAO	Cedar			
	DAJ	Yachting Blue				(6)	970 521 161 17	cover for cushion		1	I342/343/367 I947
	DAL	Cream					DAA	black			
(6)	970 521 161 09	cover for cushion		1	I342/343/367 I946		DAB	Platinum Grey			
	DAA	black					DAC	Luxor Beige			

Model	Year	MG	SG	Illustration	Restrictions	UPD	12:48	04.03.2010	PORSCHE	PET	PORSCHE
970	2010	8	17	817-02		248					

Pos	Part Number	Description	Remark	Qty	Model	Pos	Part Number	Description	Remark	Qty	Model
(6)	970 521 161 18	cover for cushion		1	I367/541/542 I946		DAN	Cognac			
	DAA	black					DAO	Cedar			
	DAB	Platinum Grey				(6)	970 521 161 30	cover for cushion		1	I342/343/379 I982
	DAC	Luxor Beige					DAF	black			
(6)	970 521 161 19	cover for cushion		1	I367/541/542 I983		DAG	Platinum Grey			
	DAF	black					DAH	Luxor Beige			
	DAG	Platinum Grey					DAJ	Yachting Blue			
	DAH	Luxor Beige					DAL	Cream			
	DAJ	Yachting Blue				(6)	970 521 161 31	cover for cushion		1	I342/343/379 I982/998
	DAL	Cream					DAM	Espresso			
(6)	970 521 161 20	cover for cushion		1	I367/541/542 I983/998		DAN	Cognac			
	DAM	Espresso					DAO	Cedar			
	DAN	Cognac				(6)	970 521 161 32	cover for cushion		1	I342/343/379 I947
	DAO	Cedar					DAA	black			
(6)	970 521 161 27	cover for cushion		1	I342/343/379 I946		DAB	Platinum Grey			
	DAA	black					DAC	Luxor Beige			
	DAB	Platinum Grey				(6)	970 521 161 33	cover for cushion		1	I379/541/542 I946
	DAC	Luxor Beige					DAA	black			
(6)	970 521 161 28	cover for cushion		1	I342/343/379 I983		DAB	Platinum Grey			
	DAF	black					DAC	Luxor Beige			
	DAG	Platinum Grey				(6)	970 521 161 34	cover for cushion		1	I379/541/542 I983
	DAH	Luxor Beige					DAF	black			
	DAJ	Yachting Blue					DAG	Platinum Grey			
	DAL	Cream					DAH	Luxor Beige			
(6)	970 521 161 29	cover for cushion		1	I342/343/379 I983/998		DAJ	Yachting Blue			
	DAM	Espresso					DAL	Cream			

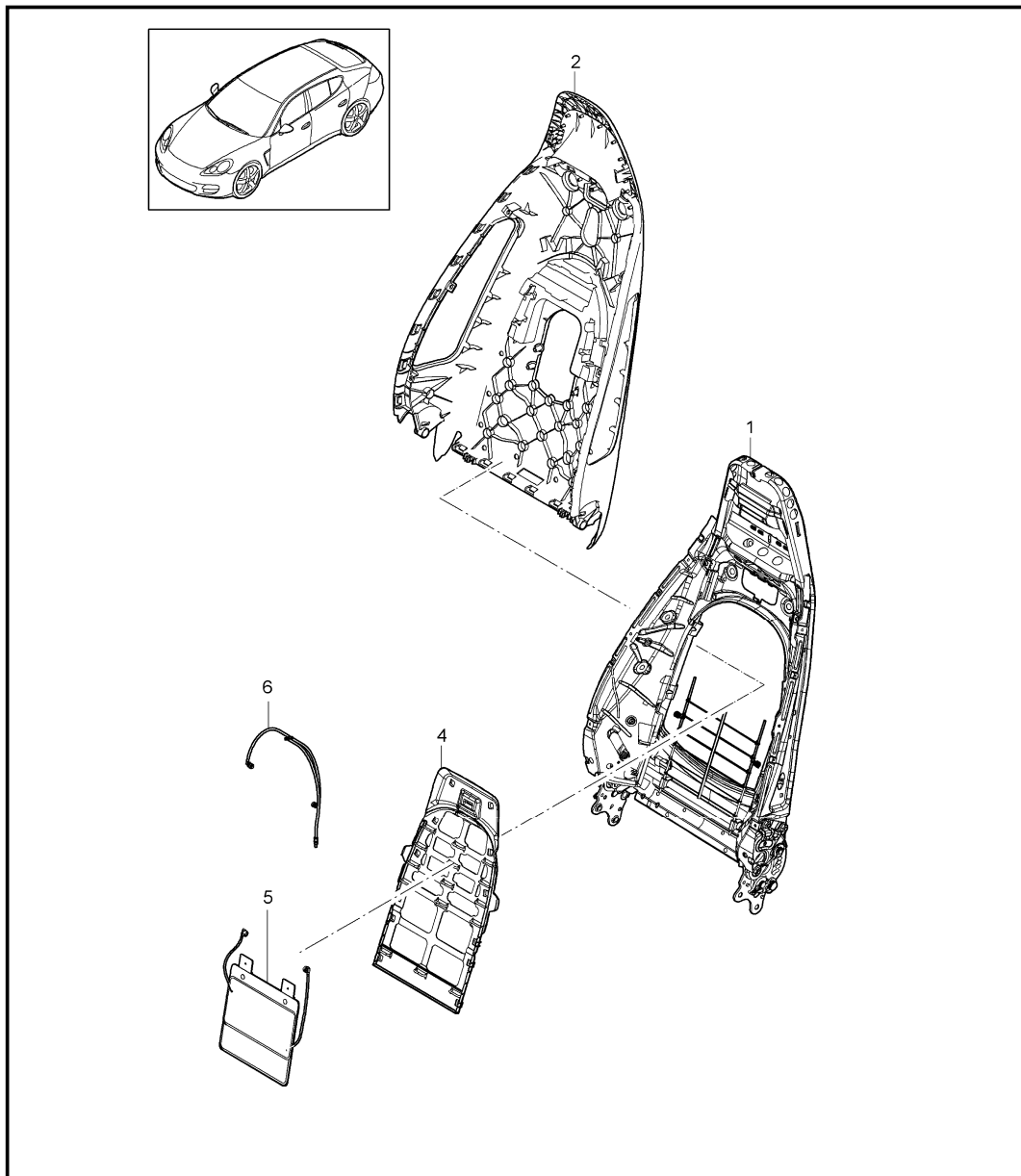
Model	Year	MG	SG	Illustration	Restrictions	UPD	12:48	04.03.2010	PORSCHE	PET	PORSCHE
970	2010	8	17	817-02		248					

Pos	Part Number	Description	Remark	Qty	Model	Pos	Part Number	Description	Remark	Qty	Model
(6)	970 521 161 35	cover for cushion		1	I379/541/542 I983/998		DAN	Cognac			
	DAM	Espresso					DAO	Cedar			
	DAN	Cognac				(6)	970 521 162 17	cover for cushion		1	I342/343/368 I947
	DAO	Cedar					DAA	black			
(6)	970 521 162 09	cover for cushion		1	I342/343/368 I946		DAB	Platinum Grey			
	DAA	black					DAC	Luxor Beige			
	DAB	Platinum Grey				(6)	970 521 162 18	cover for cushion		1	I368/541/542 I946
	DAC	Luxor Beige					DAA	black			
(6)	970 521 162 11	cover for cushion		1	I342/343/368 I983		DAB	Platinum Grey			
	DAF	black					DAC	Luxor Beige			
	DAG	Platinum Grey				(6)	970 521 162 19	cover for cushion		1	I368/541/542 I983
	DAH	Luxor Beige					DAF	black			
	DAJ	Yachting Blue					DAG	Platinum Grey			
	DAL	Cream					DAH	Luxor Beige			
(6)	970 521 162 13	cover for cushion		1	I342/343/368 I983/998		DAJ	Yachting Blue			
	DAM	Espresso					DAL	Cream			
	DAN	Cognac				(6)	970 521 162 20	cover for cushion		1	I368/541/542 I983/998
	DAO	Cedar					DAM	Espresso			
(6)	970 521 162 15	cover for cushion		1	I342/343/368 I982		DAN	Cognac			
	DAF	black					DAO	Cedar			
	DAG	Platinum Grey				(6)	970 521 162 27	cover for cushion		1	I342/343/380 I946
	DAH	Luxor Beige					DAA	black			
	DAJ	Yachting Blue					DAB	Platinum Grey			
	DAL	Cream					DAC	Luxor Beige			
(6)	970 521 162 16	cover for cushion		1	I342/343/368 I982/998	(6)	970 521 162 28	cover for cushion		1	I342/343/380 I983
	DAM	Espresso					DAF	black			

Model	Year	MG	SG	Illustration	Restrictions	UPD	12:48	04.03.2010	PORSCHE	PET	PORSCHE
970	2010	8	17	817-02		248					

Pos	Part Number	Description	Remark	Qty	Model	Pos	Part Number	Description	Remark	Qty	Model
(6)	DAG	Platinum Grey		1	I342/343/380 I983/998	(6)	970 521 162 34	cover for cushion		1	I380/541/542 I983
	DAH	Luxor Beige					DAF	black			
	DAJ	Yachting Blue					DAG	Platinum Grey			
	DAL	Cream					DAH	Luxor Beige			
		cover for cushion					DAJ	Yachting Blue			
(6)	DAM	Espresso		1	I342/343/380 I982	(6)	970 521 162 35	cover for cushion		1	I380/541/542 I983/998
	DAN	Cognac					DAM	Espresso			
	DAO	Cedar					DAN	Cognac			
		cover for cushion					DAO	Cedar			
(6)	DAF	black		1	I342/343/380 I982/998	(7)	997 521 837 00	clip padding seat cushion		3	
	DAG	Platinum Grey									
	DAH	Luxor Beige									
	DAJ	Yachting Blue									
	DAL	Cream									
(6)		cover for cushion		1	I342/343/380 I947	(8)	997 521 548 00	frame cushion seat cushion inner	/R	1	
	DAM	Espresso									
	DAN	Cognac									
	DAO	Cedar									
(6)		cover for cushion		1	I342/343/380 I947	(8)	997 521 547 00	frame cushion seat cushion inner	/L	1	I367/379/390
	DAM	Espresso									
	DAN	Cognac									
	DAO	Cedar									
(6)	DAA	black		1	I380/541/542 I946	(8)	970 521 545 00	frame cushion seat cushion outer	/L	1	I368/380/391
	DAB	Platinum Grey									
	DAC	Luxor Beige									
		cover for cushion									
(6)		cover for cushion		1	I380/541/542 I946	(8)	970 521 546 00	frame cushion seat cushion outer	/R	1	I368/380/391
	DAA	black									
	DAB	Platinum Grey									
	DAC	Luxor Beige									

Model	Year	MG	SG	Illustration	Restrictions	UPD	13:06	04.03.2010	PORSCHE	PET	PORSCHE
970	2010	8	17	817-04		248					



Pos	Part Number	Description	Remark	Qty	Model
1	970 521 329 00	backrest shell backrest frame comfort seat standard seat		1	I367/368
(1)	970 521 329 01	backrest frame with memory		1	I367/368/379 I380/390/391 I537/538
2	970 521 303 00	backrest shell	/L	1	I367/379/982 I983
	8YR	black			
	7A0	Platinum Grey			
	9H6	Luxor Beige			
	6U7	Yachting Blue			
	6G0	Cream			
	8C0	Espresso			
	9EF	Cognac			
	7MP	Cedar			
(2)	970 521 304 00	backrest shell	/R	1	I368/380/982 I983
	8YR	black			
	7A0	Platinum Grey			
	9H6	Luxor Beige			
	6U7	Yachting Blue			
	6G0	Cream			
	8C0	Espresso			
	9EF	Cognac			
	7MP	Cedar			
(2)	970 521 303 01	backrest shell	/L	1	I367/379/946 I947
	1D0	black			

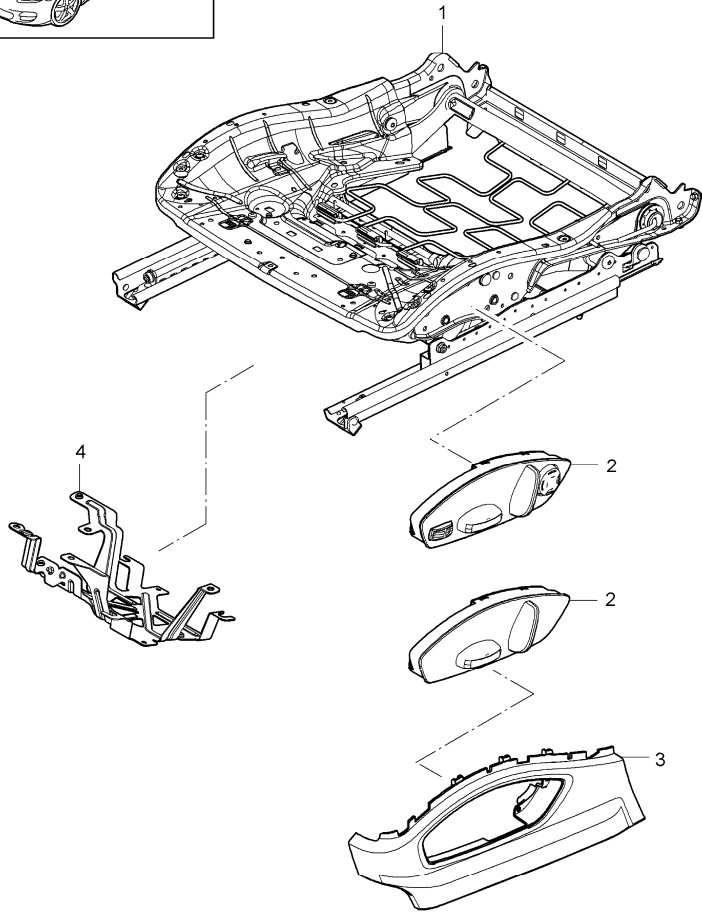
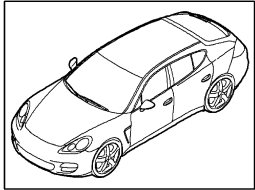
Model	Year	MG	SG	Illustration	Restrictions	UPD	13:06	04.03.2010	PORSCHE	PET	PORSCHE
970	2010	8	17	817-04		248					

Pos	Part Number	Description	Remark	Qty	Model	Pos	Part Number	Description	Remark	Qty	Model
	3F0	Platinum Grey					3F0	Platinum Grey			
	2E0	Luxor Beige					2E0	Luxor Beige			
(2)	970 521 304 01	backrest shell	/R	1	I368/380/946 I947	(2)	970 521 304 03	backrest shell	/R	1	I368/379/630 I946/947
	1D0	black					1D0	black			
	3F0	Platinum Grey					3F0	Platinum Grey			
	2E0	Luxor Beige					2E0	Luxor Beige			
(2)	970 521 303 02	backrest shell	/L	1	I367/379/630 I982/983	(2)	970 521 303 04	backrest shell	/L	1	IXEP/367/379 I982/983
	8YR	black					8YR	black			
	7A0	Platinum Grey					7A0	Platinum Grey			
	9H6	Luxor Beige					9H6	Luxor Beige			
	6U7	Yachting Blue					6U7	Yachting Blue			
	6G0	Cream					6G0	Cream			
	8C0	Espresso					8C0	Espresso			
	9EF	Cognac					9EF	Cognac			
	7MP	Cedar					7MP	Cedar			
(2)	970 521 304 02	backrest shell	/R	1	I368/380/630 I982/983	(2)	970 521 304 04	backrest shell	/R	1	IXEP/368/380 I982/983
	8YR	black					8YR	black			
	7A0	Platinum Grey					7A0	Platinum Grey			
	9H6	Luxor Beige					9H6	Luxor Beige			
	6U7	Yachting Blue					6U7	Yachting Blue			
	7A0	Platinum Grey					6G0	Cream			
	6G0	Cream					8C0	Espresso			
	8C0	Espresso					9EF	Cognac			
	9EF	Cognac					7MP	Cedar			
	7MP	Cedar				(2)	970 521 303 05	backrest shell	/L	1	IXEP/367/946 I947
(2)	970 521 303 03	backrest shell	/L	1	I367/379/630 I946/947/982		1D0	black			
	1D0	black					3F0	Platinum Grey			

Model	Year	MG	SG	Illustration	Restrictions	UPD	13:06	04.03.2010	PORSCHE	PET	PORSCHE
970	2010	8	17	817-04		248					

Pos	Part Number	Description	Remark	Qty	Model	Pos	Part Number	Description	Remark	Qty	Model
	2E0	Luxor Beige					3F0	Platinum Grey			
(2)	970 521 304 05	backrest shell	/R	1	IXEP/368/380 I946/947		2E0	Luxor Beige			
	1D0	black				(2)	970 521 304 07	backrest shell	/R	1	IXEP/368/380 I630/946/947
	3F0	Platinum Grey					1D0	black			
	2E0	Luxor Beige					3F0	Platinum Grey			
(2)	970 521 303 06	backrest shell	/L	1	IXEP/367/379 I630/982/983		2E0	Luxor Beige			
	8YR	black				4	970 521 551 00	cushion carrier		1	I367/368/379 I380/390/391
	7A0	Platinum Grey						backrest			
	9H6	Luxor Beige				5	970 521 709 00	airbag		1	I379/380/390 I391
	6U7	Yachting Blue						lumbar support			
	7A0	Platinum Grey				6	970 521 809 00	air tube		1	I379/380
	6G0	Cream						lumbar support			
	8C0	Espresso									
	9EF	Cognac									
	7MP	Cedar									
(2)	970 521 304 06	backrest shell	/R	1	IXEP/368/380 I630/982/983						
	8YR	black									
	7A0	Platinum Grey									
	9H6	Luxor Beige									
	6U7	Yachting Blue									
	7A0	Platinum Grey									
	6G0	Cream									
	8C0	Espresso									
	9EF	Cognac									
	7MP	Cedar									
(2)	970 521 303 07	backrest shell	/L	1	IXEP/367/379 I630/946/947						
	1D0	black									

Model	Year	MG	SG	Illustration	Restrictions	UPD	13:07	04.03.2010	PORSCHE	PET	PORSCHE
970	2010	8	17	817-06		248					

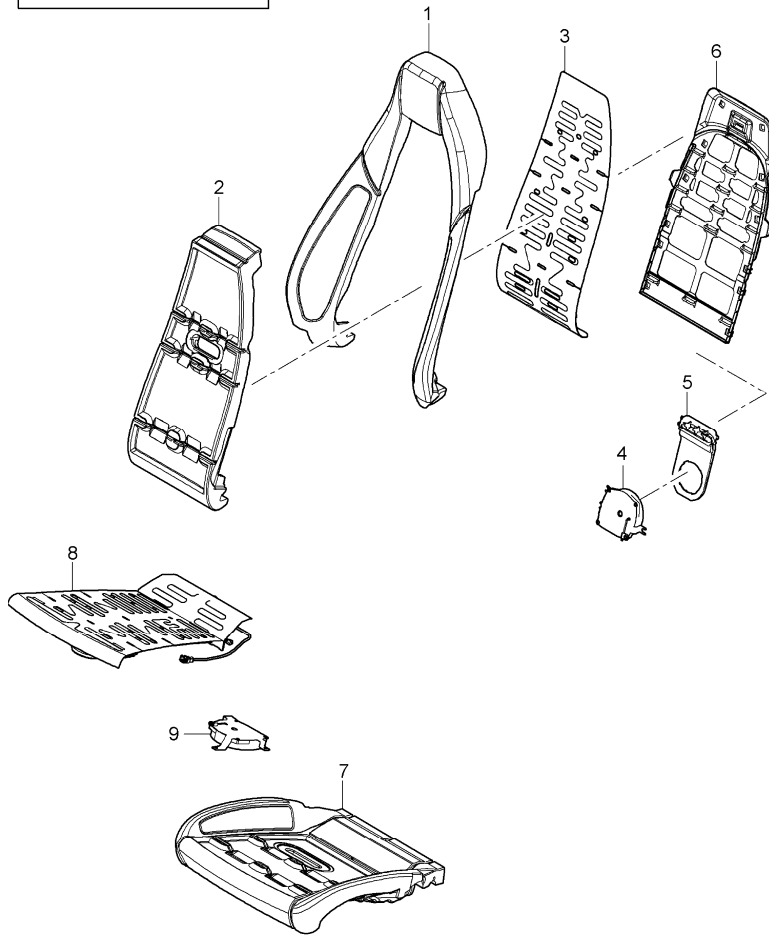
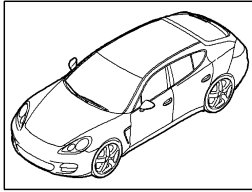


Pos	Part Number	Description	Remark	Qty	Model
		seat adjuster comfort seat standard seat			
1	970 521 201 02	seat adjuster without memory	/L	1	I367
(1)	970 521 202 02	seat adjuster without memory	/R	1	I368
(1)	970 521 201 03	seat adjuster with memory	/L	1	I367/379/390 I537
(1)	970 521 202 03	seat adjuster with memory	/R	1	I368/380/391 I538
2	7PP 959 747 K	switch insert module seat adjuster DMN galvano silver	/L	1	I379
(2)	7PP 959 748 K	switch insert module seat adjuster DMN galvano silver	/R	1	I380
(2)	7PP 959 747 J	switch insert module seat adjuster DMN galvano silver	/L	1	I367/537
(2)	7PP 959 748 J	switch insert module seat adjuster DMN galvano silver	/R	1	I368/538
(2)	7PP 959 748 H	switch insert module seat adjuster DMN galvano silver	/R	1	I368
(2)	7PP 959 747 H	switch insert module seat adjuster DMN galvano silver	/L	1	I367

Model	Year	MG	SG	Illustration	Restrictions	UPD	13:07	04.03.2010	PORSCHE	PET	PORSCHE
970	2010	8	17	817-06		248					

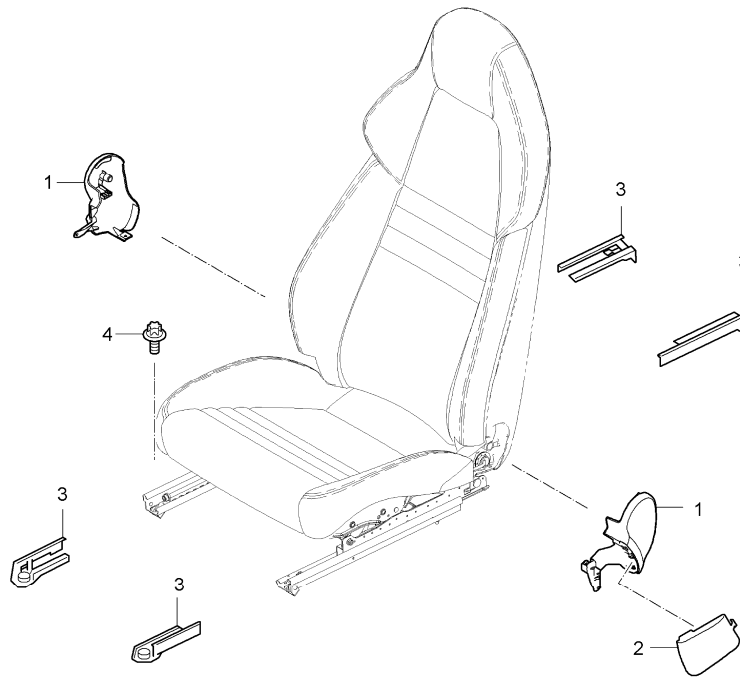
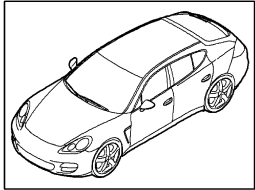
Pos	Part Number	Description	Remark	Qty	Model	Pos	Part Number	Description	Remark	Qty	Model
3	970 521 325 00	trim for switch module seat adjuster	/L	1	I367/379/390						
	5Q0	black									
	4U0	Platinum Grey									
	6W0	Luxor Beige									
	8Y0	Yachting Blue									
	5V0	Cream									
	3T0	Espresso									
	2S0	Cognac									
	1R0	Cedar									
(3)	970 521 326 00	trim for switch module seat adjuster	/R	1	I368/380/391						
	5Q0	black									
	4U0	Platinum Grey									
	6W0	Luxor Beige									
	8Y0	Yachting Blue									
	5V0	Cream									
	3T0	Espresso									
	2S0	Cognac									
	1R0	Cedar									
4	970 521 643 00	support control unit comfort seat		1	I367/368/379 I380/390/391						
5	997 521 961 01	set of fastening parts retaining bow child car seat		1	I098/099/899						
6	997 521 061 01	retaining bow child car seat		1	I098/099/899						

Model	Year	MG	SG	Illustration	Restrictions	UPD	13:07	04.03.2010	PORSCHE	PET	PORSCHE
970	2010	8	17	817-07		248					



Pos	Part Number	Description	Remark	Qty	Model
		seat and backrest surface vented cooling air control standard seat comfort seat			
1	970 521 535 02	foam part	/L/R	1	I367/368/379 I380/541/542
2	970 521 581 02	backrest outer part	/L/R	1	I367/368/379 I380/541/542
3	970 521 731 00	foam part backrest centre part	/L/R	1	I367/368/379 I380/541/542
4	970 624 333 00	airbag	/L/R	1	I367/368/379 I380/541/542
		backrest			
4	970 624 333 00	electric motor vented backrest	/L/R	1	I541/542
(4)	970 624 343 00	electric motor vented backrest	/L	1	I542
5	997 521 733 00	air duct	/L/R	1	I367/368/379 I380/541/542
		vented backrest			
6	970 521 551 01	cushion carrier	/L/R	1	I367/368/379 I380/541/542
		vented backrest			
7	970 521 571 02	foam part		1	I367/368/541 I542
		seat cushion vented			
8	970 521 721 00	airbag	/L/R	1	I367/368/541 I542
		seat cushion vented			
(8)	970 521 721 01	airbag	/L/R	1	I379/380/541 I542
		seat cushion vented			
9	997 624 335 00	electric motor seat cushion vented	/L/R	1	I541/542

Model	Year	MG	SG	Illustration	Restrictions	UPD	13:07	04.03.2010	PORSCHE	PET	PORSCHE
970	2010	8	17	817-10		248					



Pos	Part Number	Description	Remark	Qty	Model
1	970 521 317 00	front seat sports seat complete not available			
		trim cover mounting component inner	/L	1	I390
	5Q0	black			
	4U0	Platinum Grey			
	6W0	Luxor Beige			
	8Y0	Yachting Blue			
	5V0	Cream			
	3T0	Espresso			
	2S0	Cognac			
	1R0	Cedar			
(1)	970 521 318 00	trim cover mounting component inner	/R	1	I391
	5Q0	black			
	4U0	Platinum Grey			
	6W0	Luxor Beige			
	8Y0	Yachting Blue			
	5V0	Cream			
	3T0	Espresso			
	2S0	Cognac			
	1R0	Cedar			
(1)	970 521 315 00	trim cover mounting component outer	/L	1	I390
	5Q0	black			
	4U0	Platinum Grey			
	6W0	Luxor Beige			
	8Y0	Yachting Blue			

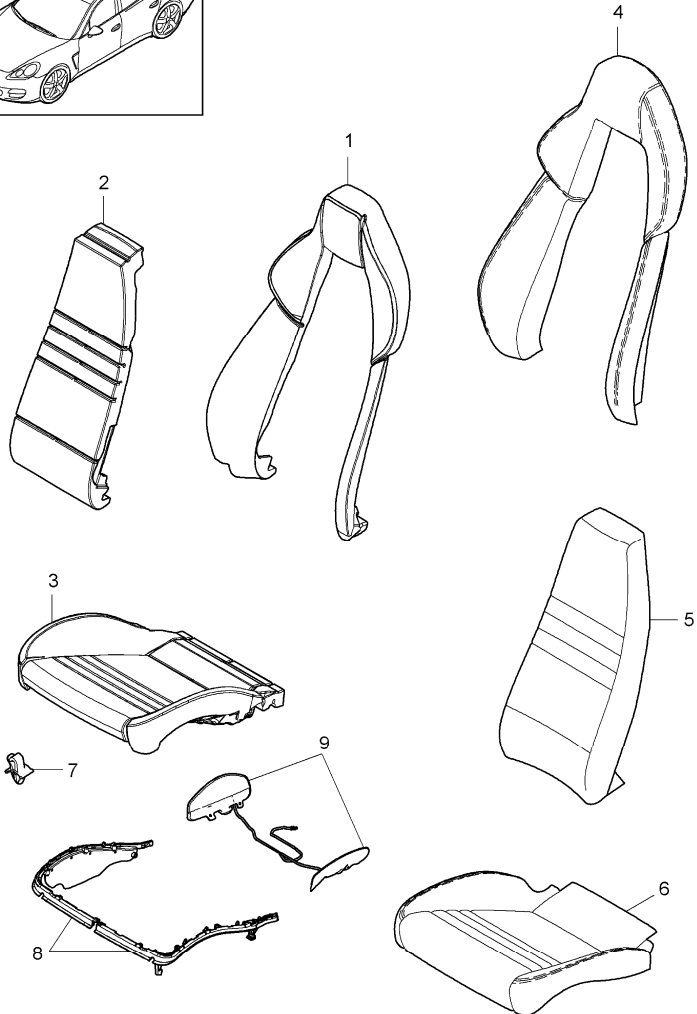
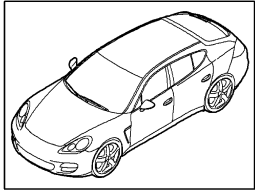
Model	Year	MG	SG	Illustration	Restrictions	UPD	13:07	04.03.2010	PORSCHE	PET	PORSCHE
970	2010	8	17	817-10		248					

Pos	Part Number	Description	Remark	Qty	Model	Pos	Part Number	Description	Remark	Qty	Model
	5V0	Cream					8Y0	Yachting Blue			
	3T0	Espresso					5V0	Cream			
	2S0	Cognac					3T0	Espresso			
	1R0	Cedar					2S0	Cognac			
(1)	970 521 316 00	trim cover mounting component outer	/R	1	I391	3	970 521 359 00	rail seat rail front	/L	1	I390/391
	5Q0	black					1E0	black			
	4U0	Platinum Grey					6L0	Platinum Grey			
	6W0	Luxor Beige					4H0	Luxor Beige			
	8Y0	Yachting Blue					2F0	Yachting Blue			
	5V0	Cream					5J0	Cream			
	3T0	Espresso					7N0	Espresso			
	2S0	Cognac					8P0	Cognac			
	1R0	Cedar					9Q0	Cedar			
2	970 521 323 00	trim cover mounting component support for seatbelt	/L	1	I390	(3)	970 521 360 00	rail seat rail front	/R	1	I390/391
	5Q0	black					1E0	black			
	4U0	Platinum Grey					6L0	Platinum Grey			
	6W0	Luxor Beige					4H0	Luxor Beige			
	8Y0	Yachting Blue					2F0	Yachting Blue			
	5V0	Cream					5J0	Cream			
	3T0	Espresso					7N0	Espresso			
	2S0	Cognac					8P0	Cognac			
	1R0	Cedar					9Q0	Cedar			
(2)	970 521 324 00	trim cover mounting component support for seatbelt	/R	1	I391	(3)	970 521 361 00	rail seat rail rear	/L	1	I390
	5Q0	black					1E0	black			
	4U0	Platinum Grey					6L0	Platinum Grey			
	6W0	Luxor Beige									

Model	Year	MG	SG	Illustration	Restrictions	UPD	13:07	04.03.2010	PORSCHE	PET	PORSCHE
970	2010	8	17	817-10		248					

Pos	Part Number	Description	Remark	Qty	Model	Pos	Part Number	Description	Remark	Qty	Model
	4H0	Luxor Beige					6L0	Platinum Grey			
	2F0	Yachting Blue					4H0	Luxor Beige			
	5J0	Cream					2F0	Yachting Blue			
	7N0	Espresso					5J0	Cream			
	8P0	Cognac					7N0	Espresso			
	9Q0	Cedar					8P0	Cognac			
(3)	970 521 362 00	rail seat rail rear	/R	1	I391		9Q0	Cedar			
	1E0	black				4	999 141 047 01	screw mount seat rail		4	I390/391
	6L0	Platinum Grey				5	970 521 614 00	cable holder wiring harness front seat		1	I391
	4H0	Luxor Beige									
	2F0	Yachting Blue									
	5J0	Cream									
	7N0	Espresso									
	8P0	Cognac									
	9Q0	Cedar									
(3)	970 521 363 00	rail seat rail rear	/L	1	I391						
	1E0	black									
	6L0	Platinum Grey									
	4H0	Luxor Beige									
	2F0	Yachting Blue									
	5J0	Cream									
	7N0	Espresso									
	8P0	Cognac									
	9Q0	Cedar									
(3)	970 521 364 00	rail seat rail rear	/R	1	I390						
	1E0	black									

Model	Year	MG	SG	Illustration	Restrictions	UPD	13:07	04.03.2010	PORSCHE	PET	PORSCHE
970	2010	8	17	817-12		248					



Pos	Part Number	Description	Remark	Qty	Model
1	970 521 535 01	foam part cover sports seat		1	I390/391
2	970 521 581 01	foam part backrest centre		1	I390/391
3	970 521 571 01	foam part seat cushion without advanced airbag		1	I390/391
(4)	970 521 141 10	backrest cover outer part DAA black DAB Platinum Grey DAC Luxor Beige		1	I342/343/390 I391/946
(4)	970 521 141 12	backrest cover outer part DAF black DAG Platinum Grey DAH Luxor Beige DAJ Yachting Blue DAL Cream		1	I342/343/390 I391/983
(4)	970 521 141 14	backrest cover outer part DAM Espresso DAN Cognac DAO Cedar		1	I342/343/390 I391/983/998
(5)	970 521 151 07	backrest cover centre part DAA black		1	I342/343/390 I391/946

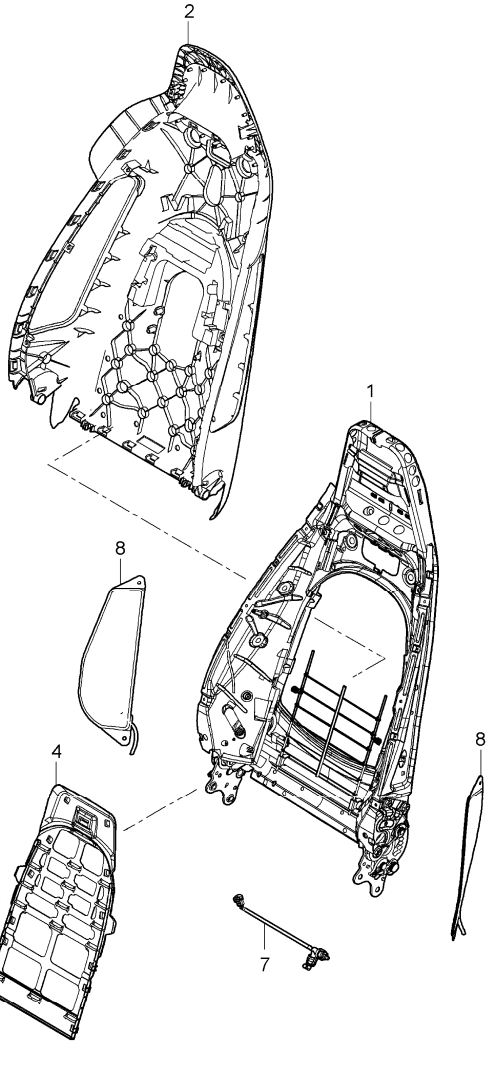
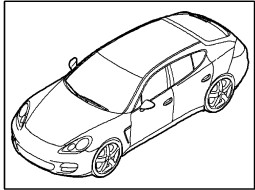
Model	Year	MG	SG	Illustration	Restrictions	UPD	13:07	04.03.2010	PORSCHE	PET	PORSCHE
970	2010	8	17	817-12		248					

Pos	Part Number	Description	Remark	Qty	Model	Pos	Part Number	Description	Remark	Qty	Model	
(5)	DAB	Platinum Grey		1	I342/343/390 I391/983/998	(6)	DAN	Cognac		1	I342/343/391 I946	
	DAC	Luxor Beige					DAO	Cedar				
	970 521 151 09	backrest cover					970 521 162 10	cover				
		centre part						cover for cushion				
	DAM	Espresso					DAA	black				
(5)	DAN	Cognac		1	I342/343/390 I391/983	(6)	DAB	Platinum Grey		1	I342/343/391 I983	
	970 521 151 18	backrest cover					DAC	Luxor Beige				
		centre part					970 521 162 12	cover				
								cover for cushion				
	DAF	black					DAF	black				
(6)	DAG	Platinum Grey		1	I342/343/390 I946	(6)	DAG	Platinum Grey		1	I342/343/391 I983/998	
	DAC	Luxor Beige					DAH	Luxor Beige				
	970 521 161 10	cover					DAJ	Yachting Blue				
		cover for cushion					DAL	Cream				
	DAA	black					970 521 162 14	cover				
(6)	DAB	Platinum Grey		1	I342/343/390 I983	7	DAO	Cedar		1	I390/391	
	DAC	Luxor Beige					997 521 837 00	clip padding seat cushion				
	970 521 161 12	cover					8	997 521 548 00	frame cushion seat cushion inner			/R
		cover for cushion										
	DAF	black					(8)	997 521 547 00	frame cushion seat cushion inner			/L
(6)	DAG	Platinum Grey		1	I342/343/390 I983/998	(8)	970 521 546 00	frame cushion seat cushion outer	/R	1	I391	
	970 521 161 14	cover										
		cover for cushion										
	DAM	Espresso										

Model	Year	MG	SG	Illustration	Restrictions	UPD	13:07	04.03.2010	PORSCHE	PET	PORSCHE
970	2010	8	17	817-12		248					

Pos	Part Number	Description	Remark	Qty	Model	Pos	Part Number	Description	Remark	Qty	Model
(8)	970 521 545 00	frame cushion seat cushion outer	/R	1	I390						
9	970 521 713 00	airbag seat cushion lumbar	/R	1	I390/391						

Model	Year	MG	SG	Illustration	Restrictions	UPD	13:07	04.03.2010	PORSCHE	PET	PORSCHE
970	2010	8	17	817-14		248					



Pos	Part Number	Description	Remark	Qty	Model
1	970 521 329 01	backrest shell backrest frame sports seat		1	I390/391/537 I538
2	970 521 303 08	backrest frame with memory		1	I390/391/537 I538
2	970 521 303 08	backrest shell	/L	1	I390/983
	8YR	black			
	7A0	Platinum Grey			
	9H6	Luxor Beige			
	6U7	Yachting Blue			
	6G0	Cream			
	8C0	Espresso			
	9EF	Cognac			
	7MP	Cedar			
(2)	970 521 304 08	backrest shell	/R	1	I391/983
	8YR	black			
	7A0	Platinum Grey			
	9H6	Luxor Beige			
	6U7	Yachting Blue			
	6G0	Cream			
	8C0	Espresso			
	9EF	Cognac			
	7MP	Cedar			
(2)	970 521 303 09	backrest shell	/L	1	I390/946
	1D0	black			
	3F0	Platinum Grey			
	2E0	Luxor Beige			
(2)	970 521 304 09	backrest shell	/R	1	I391/946
	1D0	black			

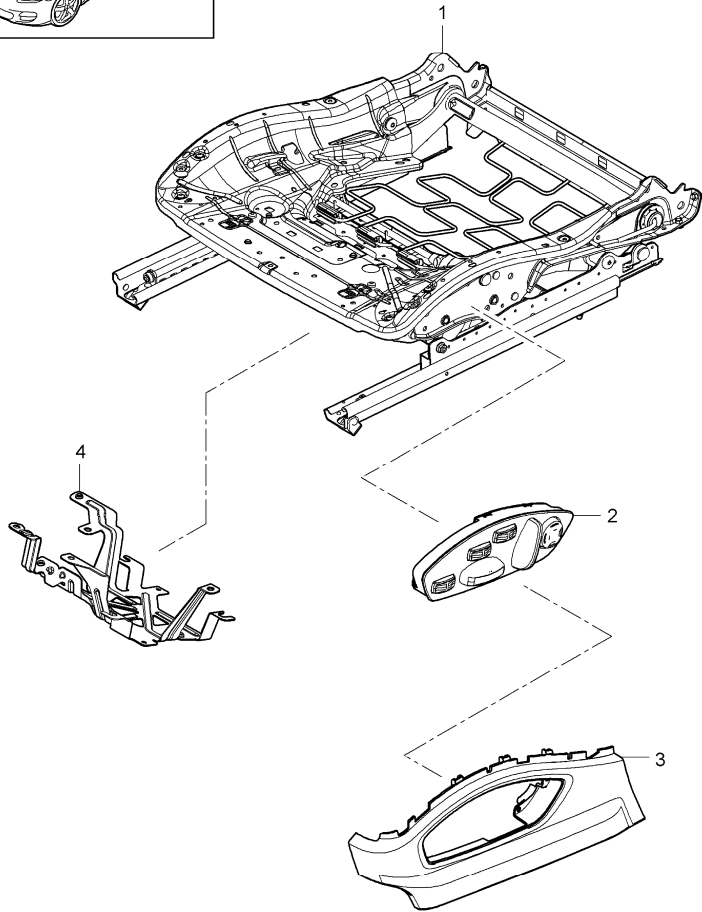
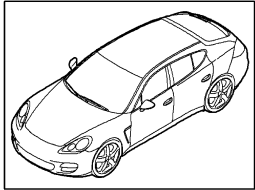
Model	Year	MG	SG	Illustration	Restrictions	UPD	13:07	04.03.2010	PORSCHE	PET	PORSCHE
970	2010	8	17	817-14		248					

Pos	Part Number	Description	Remark	Qty	Model	Pos	Part Number	Description	Remark	Qty	Model
		3F0 Platinum Grey						8YR black			
		2E0 Luxor Beige						7A0 Platinum Grey			
(2)	970 521 303 10	backrest shell	/L	1	I390/630/983			9H6 Luxor Beige			
		8YR black						6U7 Yachting Blue			
		7A0 Platinum Grey						7A0 Platinum Grey			
		9H6 Luxor Beige						6G0 Cream			
		6U7 Yachting Blue						8C0 Espresso			
		6G0 Cream						9EF Cognac			
		8C0 Espresso						7MP Cedar			
		9EF Cognac				(2)	970 521 304 12	backrest shell	/R	1	IXEP/391/983
		7MP Cedar						8YR black			
(2)	970 521 304 10	backrest shell	/R	1	I391/630/983			7A0 Platinum Grey			
		8YR black						9H6 Luxor Beige			
		7A0 Platinum Grey						6U7 Yachting Blue			
		9H6 Luxor Beige						7A0 Platinum Grey			
		6U7 Yachting Blue						6G0 Cream			
		6G0 Cream						8C0 Espresso			
		8C0 Espresso						9EF Cognac			
		9EF Cognac						7MP Cedar			
		7MP Cedar				(2)	970 521 303 13	backrest shell	/L	1	IXEP/390/946
(2)	970 521 303 11	backrest shell	/L	1	I390/630/946			1D0 black			
		1D0 black						3F0 Platinum Grey			
		3F0 Platinum Grey						2E0 Luxor Beige			
		2E0 Luxor Beige				(2)	970 521 304 13	backrest shell	/R	1	IXEP/391/946
(2)	970 521 304 11	backrest shell	/R	1	I391/630/946			1D0 black			
		1D0 black						3F0 Platinum Grey			
		3F0 Platinum Grey						2E0 Luxor Beige			
		2E0 Luxor Beige				(2)	970 521 303 14	backrest shell	/L	1	IXEP/390/630 I983
(2)	970 521 303 12	backrest shell	/L	1	IXEP/390/983						

Model	Year	MG	SG	Illustration	Restrictions	UPD	13:07	04.03.2010	PORSCHE	PET	PORSCHE
970	2010	8	17	817-14		248					

Pos	Part Number	Description	Remark	Qty	Model	Pos	Part Number	Description	Remark	Qty	Model
	8YR	black					1D0	black			
	7A0	Platinum Grey					3F0	Platinum Grey			
	9H6	Luxor Beige					2E0	Luxor Beige			
	6U7	Yachting Blue				(3)	970 521 313 01	bag backrest shell	/L/R	1	I390/391/983
	6G0	Cream					8YR	black			
	8C0	Espresso					7A0	Platinum Grey			
	9EF	Cognac					9H6	Luxor Beige			
	7MP	Cedar					6U7	Yachting Blue			
(2)	970 521 304 14	backrest shell	/R	1	IXEP/391/630 I983		6G0	Cream			
	8YR	black					8C0	Espresso			
	7A0	Platinum Grey					9EF	Cognac			
	9H6	Luxor Beige					7M9	Cedar			
	6U7	Yachting Blue				4	970 521 551 00	cushion carrier backrest	/L/R	1	I390/391
	6G0	Cream				5	970 521 709 00	airbag lumbar support	/L/R	1	I390/391
	8C0	Espresso				6	970 521 809 01	air tube lumbar support	/L/R	1	I390/391
	9EF	Cognac				7	970 521 811 00	air tube lumbar support backrest	/L/R	1	I390/391
	7MP	Cedar				8	970 521 711 00	airbag lumbar support backrest	/L	1	I390/391
(2)	970 521 303 15	backrest shell	/L	1	IXEP/390/630 I946	(8)	970 521 712 00	airbag lumbar support backrest	/R	1	I390/391
	1D0	black									
	3F0	Platinum Grey									
	2E0	Luxor Beige									
(2)	970 521 304 15	backrest shell	/R	1	IXEP/391/630 I946						
	1D0	black									
	3F0	Platinum Grey									
	2E0	Luxor Beige									
3	970 521 313 00	bag backrest shell	L/R	1	I390/391/946 I947						

Model	Year	MG	SG	Illustration	Restrictions	UPD	13:08	04.03.2010	PORSCHE	PET	PORSCHE
970	2010	8	17	817-16		248					

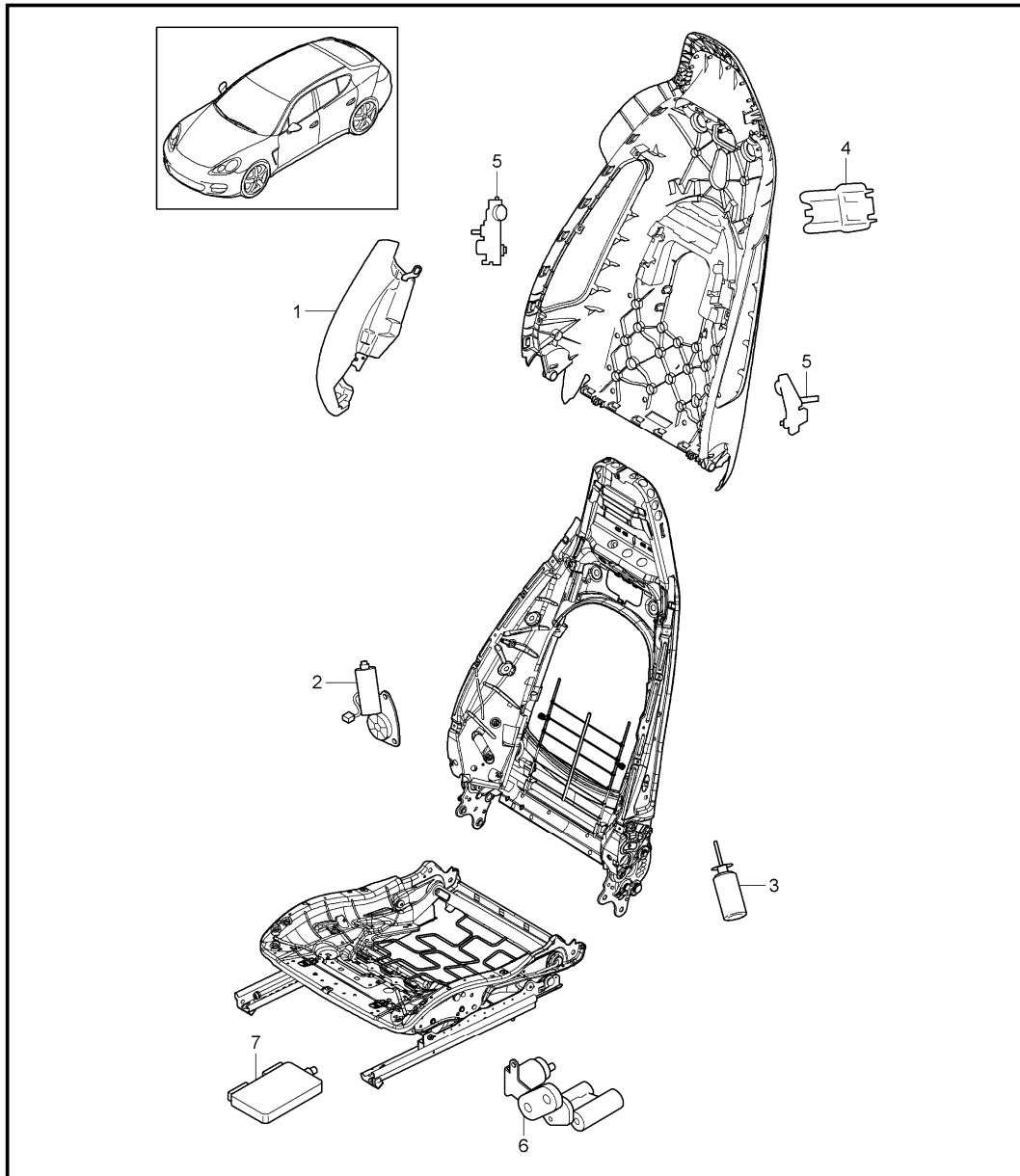


Pos	Part Number	Description	Remark	Qty	Model
1	970 521 201 03	seat adjuster sports seat	/L	1	I390
(1)	970 521 202 03	seat adjuster sports seat	/R	1	I391
2	7PP 959 747 L	switch insert module seat adjuster	/L	1	I390
	DMN	galvano silver			
(2)	7PP 959 748 L	switch insert module seat adjuster	/R	1	I391
	DMN	galvano silver			
3	970 521 325 00	trim for switch module seat adjuster	/L	1	I390
	5Q0	black			
	4U0	Platinum Grey			
	6W0	Luxor Beige			
	8Y0	Yachting Blue			
	5V0	Cream			
	3T0	Espresso			
	2S0	Cognac			
	1R0	Cedar			
(3)	970 521 326 00	trim for switch module seat adjuster	/R	1	I391
	5Q0	black			
	4U0	Platinum Grey			
	6W0	Luxor Beige			
	8Y0	Yachting Blue			
	5V0	Cream			
	3T0	Espresso			

Model	Year	MG	SG	Illustration	Restrictions	UPD	13:08	04.03.2010	PORSCHE	PET	PORSCHE
970	2010	8	17	817-16		248					

Pos	Part Number	Description	Remark	Qty	Model	Pos	Part Number	Description	Remark	Qty	Model
	2S0	Cognac									
	1R0	Cedar									
4	970 521 643 00	support control unit	/L/R	1	I390/391						

Model	Year	MG	SG	Illustration	Restrictions	UPD	13:08	04.03.2010	PORSCHE	PET	PORSCHE
970	2010	8	17	817-18		248					

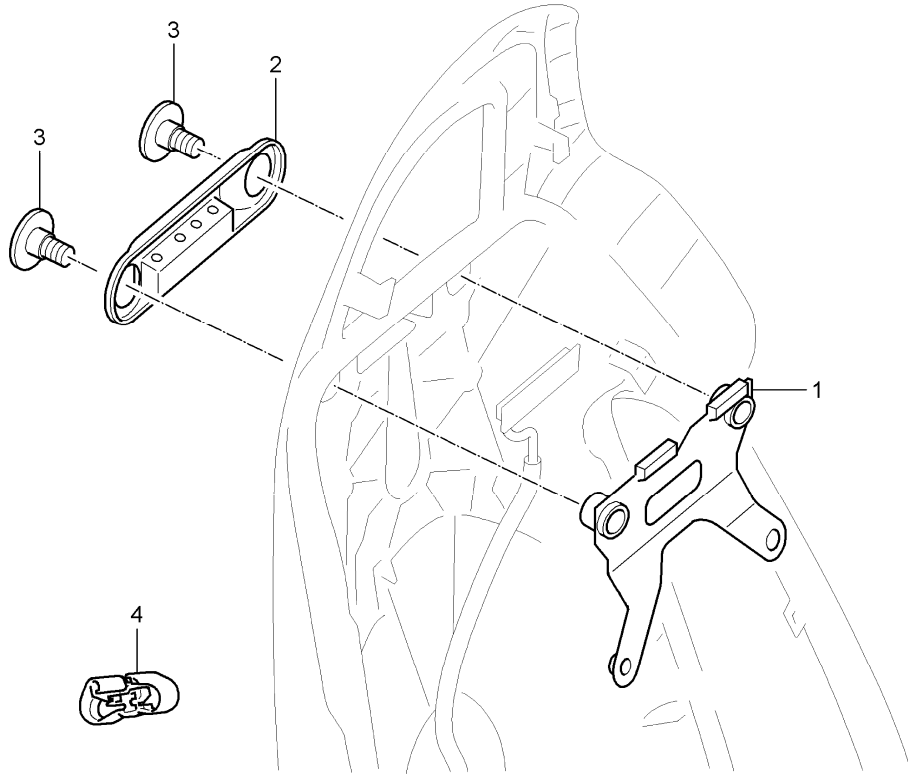
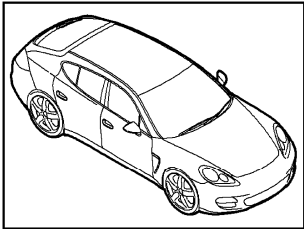


Pos	Part Number	Description	Remark	Qty	Model
1	970 803 081 01	electrical components front seat			
		side airbag front seat	/L	1	I367/379/390
	5Q0	black			
	4U0	Platinum Grey			
	6W0	Luxor Beige			
	8Y0	Yachting Blue			
	5V0	Cream			
	3T0	Espresso			
	2S0	Cognac			
	1R0	Cedar			
(1)	970 803 082 01	side airbag front seat	/R	1	I368/380/391
	5Q0	black			
	4U0	Platinum Grey			
	6W0	Luxor Beige			
	8Y0	Yachting Blue			
	5V0	Cream			
	3T0	Espresso			
	2S0	Cognac			
	1R0	Cedar			
3	970 620 725 00	compressor		1	I379/380/390 I391
		lumbar support backrest			
4	970 617 726 00	valve		1	I379/380/390 I391
		lumbar support backrest memory			
4	970 617 726 00	valve		1	I379/380/390 I391
		lumbar support backrest memory			

Model	Year	MG	SG	Illustration	Restrictions	UPD	13:08	04.03.2010	PORSCHE	PET	PORSCHE
970	2010	8	17	817-18		248					

Pos	Part Number	Description	Remark	Qty	Model	Pos	Part Number	Description	Remark	Qty	Model
5	970 617 727 00	valve for Seat width adjustment		1	I390/391						
(6)	997 624 323 00	electric motor seat adjuster tilt angle without memory		1	I367/368						
(6)	997 624 333 00	electric motor seat adjuster backrest vented		1	I541/542						
7	970 618 537 05	control unit seating position control memory		1	I367/368/379 I380/390/391 I537/538						

Model	Year	MG	SG	Illustration	Restrictions	UPD	13:09	04.03.2010	PORSCHE	PET	PORSCHE
970	2010	8	17	817-20		248					



Pos	Part Number	Description	Remark	Qty	Model
1	970 521 621 00	screen Rear Seat Entertainment mounting parts support		1	IXEP/367/368 I379/380/390 I391
2	970 521 321 00	Rear Seat Entertainment screen cover		1	IXEP/367/368 I379/380/390 I391
3	970 521 821 00	Rear Seat Entertainment 5Q0 black 4U0 Platinum Grey 6W0 Luxor Beige 8Y0 Yachting Blue 5V0 Cream 3T0 Espresso 2S0 Cognac 1R0 Cedar guide sleeve		2	IXEP/367/368 I379/380/390 I391
4	970 521 616 00	Rear Seat Entertainment cable holder		1	IXEP/368/380 I391

Model	Year	MG	SG	Illustration	Restrictions	UPD	13:09	04.03.2010
970	2010	8	17	817-22		248		

Pos	Part Number	Description	Remark	Qty	Model
		wiring harnesses front seat standard seat comfort seat sports seat airbag lumbar vented			
1	970 622 605 00	wiring harness front seat standard seat left seat heating		1	I342/343/367
(1)	970 622 607 00	wiring harness front seat standard seat left seat heating interior light		1	I342/343/367 I630
(1)	970 622 613 00	wiring harness front seat standard seat left seat heating advanced airbag		1	I342/343/367 I560
(1)	970 622 615 00	wiring harness front seat standard seat left seat heating advanced airbag interior lights		1	I342/343/367 I560/630
(1)	970 622 604 00	wiring harness front seat standard seat right seat heating		1	I342/343/368
(1)	970 622 608 00	wiring harness front seat standard seat right seat heating advanced airbag		1	I342/343/368 I560
(1)	970 622 625 00	wiring harness front seat memory left seat heating		1	I342/343/537

Model	Year	MG	SG	Illustration	Restrictions	UPD	13:09	04.03.2010
970	2010	8	17	817-22		248		

Pos	Part Number	Description	Remark	Qty	Model
(1)	970 622 627 00	wiring harness front seat memory left seat heating interior light		1	I342/343/537 I630
(1)	970 622 633 00	wiring harness front seat memory left seat heating advanced airbag		1	I342/343/537 I560
(1)	970 622 635 00	wiring harness front seat memory left seat heating advanced airbag interior light		1	I342/343/537 I560/630
(1)	970 622 624 00	wiring harness front seat memory right seat heating		1	I342/343/538
(1)	970 622 645 00	wiring harness front seat sport comfort seat left seat heating		1	I098/342/343 I379/390
(1)	970 622 647 00	wiring harness front seat sport comfort seat left seat heating interior light memory		1	I098/342/343 I379/390/537 I630
(1)	970 622 653 00	wiring harness front seat sport comfort seat left seat heating memory		1	I342/343/379 I390/537/560

Model	Year	MG	SG	Illustration	Restrictions	UPD	13:09	04.03.2010
970	2010	8	17	817-22		248		

Pos	Part Number	Description	Remark	Qty	Model
(1)	970 622 655 00	wiring harness front seat sport comfort seat left seat heating memory advanced airbag interior light		1	I342/343/379 I390/537/560 I630
(1)	970 622 661 00	wiring harness front seat sport comfort seat left seat heating		1	I099/342/343 I379/390
(1)	970 622 663 00	wiring harness front seat sport comfort seat left seat heating interior light		1	I099/342/343 I379/390/630
(1)	970 622 644 00	wiring harness front seat sport comfort seat right seat heating		1	I098/342/343 I380/391/538
(1)	970 622 648 00	wiring harness front seat sport comfort seat right seat heating advanced airbag memory		1	I098/342/343 I380/391/538 I560
(1)	970 622 652 00	wiring harness front seat sport comfort seat right seat heating memory		1	I099/342/343 I380/391/538
2	970 622 671 00	wiring harness standard seat airbag		1	I367

Model	Year	MG	SG	Illustration	Restrictions	UPD	13:09	04.03.2010
970	2010	8	17	817-22		248		

Pos	Part Number	Description	Remark	Qty	Model
(2)	970 622 673 00	wiring harness comfort seat sports seat airbag memory		1	I379/390/537
(2)	970 622 672 00	wiring harness standard seat airbag		1	I368
(2)	970 622 674 00	wiring harness comfort seat sports seat memory airbag		1	I380/391/538
3	970 622 677 00	wiring harness ventilation component standard seat comfort seat		1	I367/379/541 I542
(3)	970 622 678 00	wiring harness ventilation component standard seat comfort seat		1	I368/379/380 I541/542
4	970 622 681 00	wiring harness interior light footwell comfort seat standard seat sports seat		1	I367/379/390 I630
(4)	970 622 682 00	wiring harness interior light footwell comfort seat standard seat sports seat		1	I368/380/391 I630
5	970 622 685 00	wiring harness lumbar support adjustment sports seat		1	I390/391
(5)	970 622 687 00	wiring harness lumbar support adjustment comfort seat		1	I379/380
6	970 622 689 00	wiring harness Rear Seat Entertainment standard seat comfort seat sports seat		1	IXEP/367/379 I390

PORSCHE

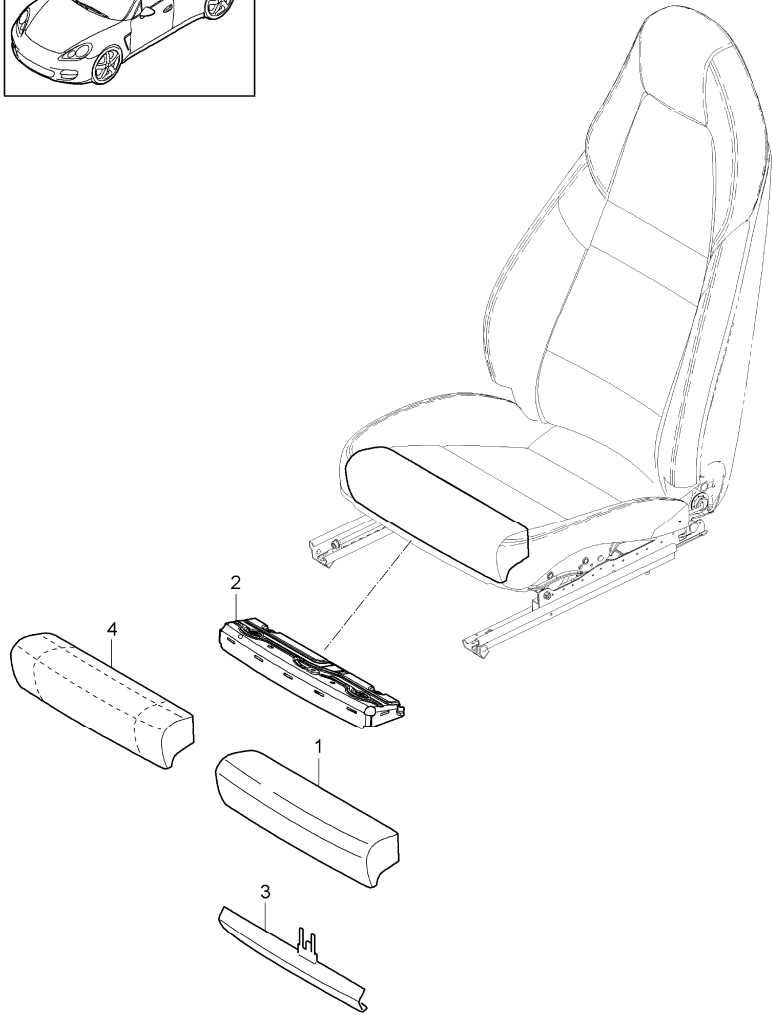
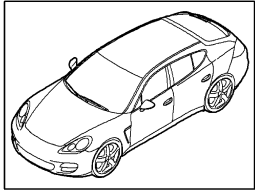
PET

PORSCHE

Model	Year	MG	SG	Illustration	Restrictions	UPD	13:09	04.03.2010
970	2010	8	17	817-22		248		

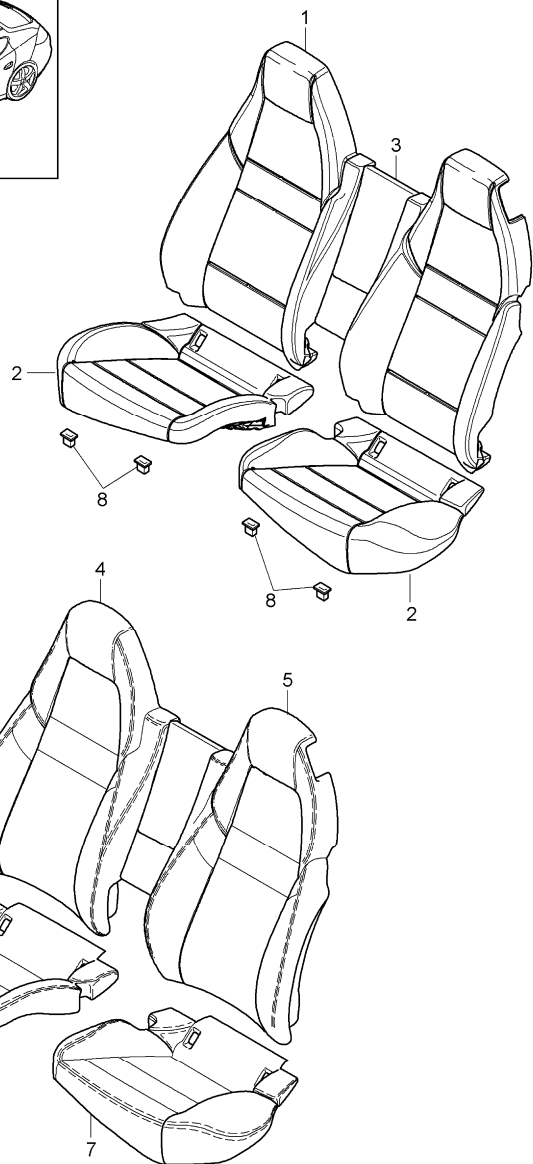
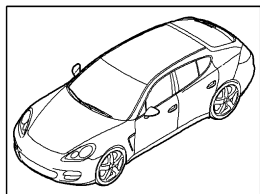
Pos	Part Number	Description	Remark	Qty	Model
(6)	970 622 690 00	wiring harness Rear Seat Entertainment standard seat comfort seat sports seat		1	IXEP/368/380 I391

Model	Year	MG	SG	Illustration	Restrictions	UPD	13:09	04.03.2010	PORSCHE	PET	PORSCHE
970	2010	8	17	817-24		248					



Pos	Part Number	Description	Remark	Qty	Model
1	970 521 749 00	seat cushion front vertical adjustment cover accessories cushion carrier electric drive		1	I379/380/390 I391
2	970 521 549 00	front vertical adjustment seat cushion complete cushion carrier		1	I379/380/390 I391
3	970 521 349 00	electric drive seat cushion front cover		1	I379/380/390 I391
		5Q0 black			
		4U0 Platinum Grey			
		6W0 Luxor Beige			
		8Y0 Yachting Blue			
		5V0 Cream			
		3T0 Espresso			
		2S0 Cognac			
4	970 521 539 00	foam part electric drive seat cushion front		1	I379/380/390 I391
(4)	970 521 539 01	foam part electric drive seat cushion front		1	I379/380/541 I542

Model	Year	MG	SG	Illustration	Restrictions	UPD	13:09	04.03.2010	PORSCHE	PET	PORSCHE
970	2010	8	17	817-40		248					



Pos	Part Number	Description	Remark	Qty	Model
		cover foam part standard seat comfort seat rear			
(1)	970 522 532 06	foam part backrest standard seat comfort seat	/R	1	I830
(1)	970 522 532 08	foam part backrest premium comfort seat	/R	1	I542/830
(1)	970 522 531 11	foam part backrest standard seat comfort seat	/L	1	I830
(1)	970 522 531 12	foam part backrest standard seat comfort seat	/L	1	I542/830
(2)	970 522 571 06	foam part seat cushion standard seat comfort seat	/L	1	I830
(2)	970 522 572 06	foam part seat cushion standard seat comfort seat	/R	1	I830
(2)	970 522 571 07	foam part seat cushion standard seat comfort seat premium	/L	1	I542/830
(2)	970 522 572 07	foam part seat cushion standard seat comfort seat premium	/R	1	I542/830
3	970 522 561 00	foam part backrest centre part standard seat comfort seat		1	I830
4	970 522 142 00	cover backrest	/R	1	I830/938

Model	Year	MG	SG	Illustration	Restrictions	UPD	13:09	04.03.2010	PORSCHE	PET	PORSCHE
970	2010	8	17	817-40		248					

Pos	Part Number	Description	Remark	Qty	Model	Pos	Part Number	Description	Remark	Qty	Model
5	DAA	black	/L	1	I830/938	(5)	DAL	Cream	/L	1	I830/943
	DAB	Platinum Grey					970 522 141 03	cover backrest			
	DAC	Luxor Beige					970 522 141 00	cover backrest			
(5)	DAA	black	/L	1	I830/940	(4)	DAL	Cream	/R	1	I830/943
	DAB	Platinum Grey					970 522 141 01	cover backrest			
	DAC	Luxor Beige					970 522 141 01	cover backrest			
(4)	DAA	black	/R	1	I830/940	(5)	DAM	Espresso	/L	1	I830/943/998
	DAB	Platinum Grey					970 522 141 02	cover backrest			
	DAC	Luxor Beige					970 522 141 02	cover backrest			
(4)	DAA	black	/L	1	I830/941	(4)	DAO	Cedar	/R	1	I830/943/998
	DAB	Platinum Grey					970 522 142 01	cover backrest			
	DAC	Luxor Beige					970 522 142 01	cover backrest			
(4)	DAA	black	/R	1	I830/941	(5)	DAM	Espresso	/L	1	I830/941/998
	DAB	Platinum Grey					970 522 141 02	cover backrest			
	DAC	Luxor Beige					970 522 141 02	cover backrest			
(4)	DAA	black	/R	1	I830/941/998	(4)	DAO	Cedar	/R	1	I830/941/998
	DAB	Platinum Grey					970 522 142 02	cover backrest			
	DAC	Luxor Beige					970 522 142 02	cover backrest			
(4)	DAA	black	/R	1	I830/941/998	(4)	DAM	Espresso	/R	1	I830/941/998
	DAB	Platinum Grey					970 522 142 02	cover backrest			
	DAC	Luxor Beige					970 522 142 02	cover backrest			
(4)	DAA	black	/R	1	I830/941/998	(4)	DAO	Cedar	/R	1	I830/941/998
	DAB	Platinum Grey					970 522 142 02	cover backrest			
	DAC	Luxor Beige					970 522 142 02	cover backrest			
(4)	DAA	black	/R	1	I830/941/998	(4)	DAM	Espresso	/R	1	I830/941/998
	DAB	Platinum Grey					970 522 142 02	cover backrest			
	DAC	Luxor Beige					970 522 142 02	cover backrest			
(4)	DAA	black	/R	1	I830/941/998	(4)	DAO	Cedar	/R	1	I830/941/998
	DAB	Platinum Grey					970 522 142 02	cover backrest			
	DAC	Luxor Beige					970 522 142 02	cover backrest			
(4)	DAA	black	/R	1	I830/941/998	(4)	DAM	Espresso	/R	1	I830/941/998
	DAB	Platinum Grey					970 522 142 02	cover backrest			
	DAC	Luxor Beige					970 522 142 02	cover backrest			
(4)	DAA	black	/R	1	I830/941/998	(4)	DAO	Cedar	/R	1	I830/941/998
	DAB	Platinum Grey					970 522 142 02	cover backrest			
	DAC	Luxor Beige					970 522 142 02	cover backrest			

Model	Year	MG	SG	Illustration	Restrictions	UPD	13:09	04.03.2010	PORSCHE	PET	PORSCHE
970	2010	8	17	817-40		248					

Pos	Part Number	Description	Remark	Qty	Model	Pos	Part Number	Description	Remark	Qty	Model
(5)	DAM	Espresso				(5)	DAF	black			
	DAN	Cognac					DAG	Platinum Grey			
	DAO	Cedar					DAH	Luxor Beige			
	970 522 141 09	cover backrest	/L	1	I343/830/938		DAJ	Yachting Blue			
	DAA	black					DAL	Cream			
(4)	DAB	Platinum Grey				(4)	970 522 141 12	cover backrest	/L	1	I343/830/943
	DAC	Luxor Beige					DAF	black			
	970 522 142 09	cover backrest	/R	1	I343/830/938		DAG	Platinum Grey			
	DAA	black					DAH	Luxor Beige			
	DAB	Platinum Grey					DAJ	Yachting Blue			
(5)	DAC	Luxor Beige				(4)	DAL	Cream			
	970 522 141 10	cover backrest	/L	1	I343/830/940		970 522 142 12	cover backrest	/R	1	I343/830/943
	DAA	black					DAF	black			
	DAB	Platinum Grey					DAG	Platinum Grey			
	DAC	Luxor Beige					DAH	Luxor Beige			
(4)	970 522 142 10	cover backrest	/R	1	I343/830/940	(5)	DAJ	Yachting Blue			
	DAA	black					DAL	Cream			
	DAB	Platinum Grey					970 522 141 13	cover backrest	/L	1	I343/830/943 I998
	DAC	Luxor Beige					DAM	Espresso			
	970 522 141 11	cover backrest	/L	1	I343/830/941		DAN	Cognac			
(5)	DAF	black				(4)	DAO	Cedar			
	DAG	Platinum Grey					970 522 142 13	cover backrest	/R	1	I343/830/943 I998
	DAH	Luxor Beige					DAM	Espresso			
	DAJ	Yachting Blue					DAN	Cognac			
	DAL	Cream					DAO	Cedar			
(4)	970 522 142 11	cover backrest	/R	1	I343/830/941						

Model	Year	MG	SG	Illustration	Restrictions	UPD	13:09	04.03.2010	PORSCHE	PET	PORSCHE
970	2010	8	17	817-40		248					

Pos	Part Number	Description	Remark	Qty	Model	Pos	Part Number	Description	Remark	Qty	Model
(5)	970 522 141 14	cover backrest DAM Espresso DAN Cognac DAO Cedar	/L	1	I343/830/941 I998		DAH Luxor Beige DAJ Yachting Blue DAL Cream				
(4)	970 522 142 14	cover backrest DAM Espresso DAN Cognac DAO Cedar	/R	1	I343/830/941 I998	(5)	970 522 141 20	cover backrest DAM Espresso DAN Cognac DAO Cedar	/L	1	I542/830/943 I998
(5)	970 522 141 18	cover backrest DAA black DAB Platinum Grey DAC Luxor Beige	/L	1	I542/830/938	(4)	970 522 142 20	cover backrest DAM Espresso DAN Cognac DAO Cedar	/R	1	I542/830/943 I998
(4)	970 522 142 18	cover backrest DAA black DAB Platinum Grey DAC Luxor Beige	/R	1	I542/830/938	(4)	970 522 142 21	cover backrest DAA black DAB Platinum Grey DAC Luxor Beige	/R	1	I541/830/938
(5)	970 522 141 19	cover backrest DAF black DAG Platinum Grey DAH Luxor Beige DAJ Yachting Blue DAL Cream	/L	1	I542/830/943	(5)	970 522 141 21	cover backrest DAA black DAB Platinum Grey DAC Luxor Beige	/L	1	I832/938
(4)	970 522 142 19	cover backrest DAF black DAG Platinum Grey	/R	1	I542/830/943	(4)	970 522 142 22	cover backrest DAA black DAB Platinum Grey DAC Luxor Beige	/R	1	I541/830/943
						(4)	970 522 142 23	cover backrest	/R	1	I541/830/943 I998

Model	Year	MG	SG	Illustration	Restrictions	UPD	13:09	04.03.2010	PORSCHE	PET	PORSCHE
970	2010	8	17	817-40		248					

Pos	Part Number	Description	Remark	Qty	Model	Pos	Part Number	Description	Remark	Qty	Model
	DAF	black					DAG	Platinum Grey			
	DAG	Platinum Grey					DAH	Luxor Beige			
	DAH	Luxor Beige					DAJ	Yachting Blue			
	DAJ	Yachting Blue					DAL	Cream			
	DAL	Cream				(5)	970 522 141 59	cover	/L	1	I541/830/943 I998
(4)	970 522 142 24	cover	/R	1	I343/541/830 I938			backrest			
		backrest					DAM	Espresso			
	DAF	black					DAN	Cognac			
	DAG	Platinum Grey				(5)	970 522 141 60	cover	/L	1	I343/541/830 I938
	DAH	Luxor Beige						backrest			
	DAJ	Yachting Blue					DAA	black			
	DAL	Cream					DAB	Platinum Grey			
(4)	970 522 142 25	cover	/R	1	I343/541/830 I943			backrest			
		backrest				(5)	970 522 141 61	cover	/L	1	I343/541/830 I943
	DAM	Espresso						backrest			
	DAN	Cognac					DAF	black			
	DAO	Cedar					DAG	Platinum Grey			
(4)	970 522 142 26	cover	/R	1	I343/541/830 I943/998			backrest			
		backrest					DAH	Luxor Beige			
	DAM	Espresso					DAJ	Yachting Blue			
	DAN	Cognac					DAL	Cream			
	DAO	Cedar				7	970 522 161 54	cover	/L	1	I830/938
(5)	970 522 141 57	cover	/L	1	I541/830/938			seat cushion			
		backrest					DAA	black			
	DAA	Espresso					DAB	Platinum Grey			
	DAB	Platinum Grey					DAC	Luxor Beige			
	DAC	Luxor Beige				6	970 522 162 54	cover	/R	1	I830/938
(5)	970 522 141 58	cover	/L	1	I541/830/943			seat cushion			
		backrest					DAA	black			
	DAF	black					DAB	Platinum Grey			

Model	Year	MG	SG	Illustration	Restrictions	UPD	13:09	04.03.2010	PORSCHE	PET	PORSCHE
970	2010	8	17	817-40		248					

Pos	Part Number	Description	Remark	Qty	Model	Pos	Part Number	Description	Remark	Qty	Model
(7)	970 522 161 55	DAC Luxor Beige cover seat cushion	/L	1	I830/940	(6)	970 522 162 57	DAL Cream cover seat cushion	/R	1	I830/943
		DAA black						DAF black			
		DAB Platinum Grey						DAG Platinum Grey			
(6)	970 522 162 55	DAC Luxor Beige cover seat cushion	/R	1	I830/940			DAH Luxor Beige			
		DAA black						DAJ Yachting Blue			
		DAB Platinum Grey				(7)	970 522 161 58	DAL Cream cover seat cushion	/L	1	I830/943/998
		DAC Luxor Beige						DAM Espresso			
(7)	970 522 161 56	DAC Luxor Beige cover seat cushion	/L	1	I830/941			DAN Cognac			
		DAF black						DAO Cedar			
		DAG Platinum Grey				(6)	970 522 162 58	cover seat cushion	/R	1	I830/943/998
		DAH Luxor Beige						DAM Espresso			
		DAJ Yachting Blue						DAN Cognac			
		DAL Cream						DAO Cedar			
(6)	970 522 162 56	cover seat cushion	/R	1	I830/941	(7)	970 522 161 59	cover seat cushion	/L	1	I830/941/998
		DAF black						DAM Espresso			
		DAG Platinum Grey						DAN Cognac			
		DAH Luxor Beige						DAO Cedar			
		DAJ Yachting Blue				(6)	970 522 162 59	cover seat cushion	/R	1	I830/941/998
		DAL Cream						DAM Espresso			
(7)	970 522 161 57	cover seat cushion	/L	1	I830/943			DAN Cognac			
		DAF black						DAO Cedar			
		DAG Platinum Grey				(7)	970 522 161 63	cover seat cushion	/L	1	I343/830/938
		DAH Luxor Beige						DAA black			
		DAJ Yachting Blue						DAB Platinum Grey			

Model	Year	MG	SG	Illustration	Restrictions	UPD	13:09	04.03.2010	PORSCHE	PET	PORSCHE
970	2010	8	17	817-40		248					

Pos	Part Number	Description	Remark	Qty	Model	Pos	Part Number	Description	Remark	Qty	Model
(6)	970 522 162 63	DAC Luxor Beige cover seat cushion	/R	1	I343/830/938		DAF black DAG Platinum Grey DAH Luxor Beige DAJ Yachting Blue DAL Cream				
(7)	970 522 161 64	DAA black DAB Platinum Grey DAC Luxor Beige cover seat cushion	/L	1	I343/830/940	(6)	970 522 162 66 cover seat cushion DAF black DAG Platinum Grey DAH Luxor Beige DAJ Yachting Blue DAL Cream	/R		1	I343/830/943
(6)	970 522 162 64	DAA black DAB Platinum Grey DAC Luxor Beige cover seat cushion	/R	1	I343/830/940	(7)	970 522 161 67 cover seat cushion DAM Espresso DAN Cognac DAO Cedar	/L		1	I343/830/943 I998
(7)	970 522 161 65	DAA black DAB Platinum Grey DAC Luxor Beige cover seat cushion	/L	1	I343/830/941	(6)	970 522 162 67 cover seat cushion DAM Espresso DAN Cognac DAO Cedar	/R		1	I343/830/943 I998
(6)	970 522 162 65	DAF black DAG Platinum Grey DAH Luxor Beige DAJ Yachting Blue DAL Cream cover seat cushion	/R	1	I343/830/941	(7)	970 522 161 68 cover seat cushion DAM Espresso DAN Cognac DAO Cedar	/L		1	I343/830/941 I998
(7)	970 522 161 66	DAA black DAB Platinum Grey DAC Luxor Beige DAJ Yachting Blue DAL Cream cover seat cushion	/L	1	I343/830/943	(6)	970 522 162 68 cover seat cushion	/R		1	I343/830/941 I998

Model	Year	MG	SG	Illustration	Restrictions	UPD	13:09	04.03.2010	PORSCHE	PET	PORSCHE
970	2010	8	17	817-40		248					

Pos	Part Number	Description	Remark	Qty	Model	Pos	Part Number	Description	Remark	Qty	Model
	DAM	Espresso					DAO	Cedar			
	DAN	Cognac				(7)	970 522 161 96	cover seat cushion	/L	1	I541/830/938
(7)	970 522 161 72	cover seat cushion	/L	1	I542/830/938		DAA	black			
	DAB	Platinum Grey				(6)	970 522 162 96	cover seat cushion	/R	1	I541/830/938
	DAC	Luxor Beige					DAA	black			
(6)	970 522 162 72	cover seat cushion	/R	1	I542/830/938		DAB	Platinum Grey			
	DAA	black					DAC	Luxor Beige			
	DAB	Platinum Grey				(7)	970 522 161 97	cover seat cushion	/L	1	I541/830/943
	DAC	Luxor Beige					DAF	black			
(7)	970 522 161 73	cover seat cushion	/L	1	I542/830/943		DAG	Platinum Grey			
	DAF	black					DAH	Luxor Beige			
	DAG	Platinum Grey					DAJ	Yachting Blue			
	DAH	Luxor Beige					DAL	Cream			
	DAJ	Yachting Blue				(6)	970 522 162 97	cover seat cushion	/R	1	I541/830/943
	DAL	Cream					DAF	black			
(6)	970 522 162 73	cover seat cushion	/R	1	I542/830/943		DAG	Platinum Grey			
	DAF	black					DAH	Luxor Beige			
	DAG	Platinum Grey					DAJ	Yachting Blue			
	DAH	Luxor Beige					DAL	Cream			
	DAJ	Yachting Blue				(7)	970 522 161 98	cover seat cushion	/L	1	I541/830/943 I998
	DAL	Cream					DAM	Espresso			
(6)	970 522 162 74	cover seat cushion	/R	1	I542/830/943 I998		DAN	Cognac			
	DAM	Espresso					DAO	Cedar			
	DAN	Cognac									

Model	Year	MG	SG	Illustration	Restrictions	UPD	13:09	04.03.2010	PORSCHE	PET	PORSCHE
970	2010	8	17	817-40		248					

Pos	Part Number	Description	Remark	Qty	Model	Pos	Part Number	Description	Remark	Qty	Model
(6)	970 522 162 98	cover seat cushion DAM Espresso DAN Cognac DAO Cedar	/R	1	I541/830/943 I998		DAH Luxor Beige DAJ Yachting Blue DAL Cream				
(7)	970 522 161 99	cover seat cushion DAA black DAB Platinum Grey DAC Luxor Beige	/L	1	I343/541/830 I938	(6)	970 522 162 A0 DAF black DAG Platinum Grey DAH Luxor Beige DAJ Yachting Blue DAL Cream	/R		1	I343/541/830 I943
(6)	970 522 162 99	cover seat cushion DAA black DAB Platinum Grey DAC Luxor Beige	/R	1	I343/541/830 I938	8	970 522 861 00	clip seat cushion	/R	4	I830
(7)	970 522 161 A1	cover seat cushion DAM Espresso DAN Cognac DAO Cedar	/L	1	I343/541/830 I943/998						
(6)	970 522 162 A1	cover seat cushion DAM Espresso DAN Cognac DAO Cedar	/R	1	I343/541/830 I943/998						
(7)	970 522 161 A0	cover seat cushion DAF black DAG Platinum Grey	/L	1	I343/541/830 I943						

Model	Year	MG	SG	Illustration	Restrictions	UPD	13:09	04.03.2010
970	2010	8	17	817-41		248		

Pos	Part Number	Description	Remark	Qty	Model
		cover foam part premium comfort seat			
(1)	970 522 532 06	foam part backrest	/R	1	I832
(1)	970 522 532 07	foam part backrest	/R	1	I834
(1)	970 522 532 08	foam part backrest	/R	1	I542/832
(1)	970 522 532 11	foam part backrest	/R	1	I542/834
(1)	970 522 531 13	foam part backrest	/L	1	I832
(1)	970 522 531 14	foam part backrest	/L	1	I834
(1)	970 522 531 15	foam part backrest	/L	1	I542/832
(1)	970 522 531 21	foam part backrest	/L	1	I542/834
2	970 522 571 02	foam part seat cushion	/L	1	I834
(2)	970 522 571 03	foam part seat cushion	/L	1	I542/834
(2)	970 522 571 06	foam part seat cushion	/L	1	I832
(2)	970 522 572 06	foam part seat cushion	/R	1	I832
(2)	970 522 571 07	foam part seat cushion	/L	1	I832
(2)	970 522 572 07	foam part seat cushion	/R	1	I542/832
3	970 522 551 00	foam part backrest centre part		1	I832/834
4	970 522 142 00	cover backrest	/R	1	I832/834/938
	DAA	black			
	DAB	Platinum Grey			
	DAC	Luxor Beige			

Model	Year	MG	SG	Illustration	Restrictions	UPD	13:09	04.03.2010
970	2010	8	17	817-41		248		

Pos	Part Number	Description	Remark	Qty	Model
(4)	970 522 142 01	cover backrest	/R	1	I832/834/940
	DAA	black			
	DAB	Platinum Grey			
	DAC	Luxor Beige			
(4)	970 522 142 02	cover backrest	/R	1	I832/834/941
	DAF	black			
	DAG	Platinum Grey			
	DAH	Luxor Beige			
	DAJ	Yachting Blue			
	DAL	Cream			
(4)	970 522 142 03	cover backrest	/R	1	I832/834/943
	DAF	black			
	DAG	Platinum Grey			
	DAH	Luxor Beige			
	DAJ	Yachting Blue			
	DAL	Cream			
(4)	970 522 142 04	cover backrest	/R	1	I832/834/943 I998
	DAM	Espresso			
	DAN	Cognac			
	DAO	Cedar			
(4)	970 522 142 05	cover backrest	/R	1	I832/834/941 I998
	DAM	Espresso			
	DAN	Cognac			
	DAO	Cedar			
(4)	970 522 142 09	cover backrest	/R	1	I343/832/834 I938
	DAA	black			

Model	Year	MG	SG	Illustration	Restrictions	UPD	13:09	04.03.2010
970	2010	8	17	817-41		248		

Pos	Part Number	Description	Remark	Qty	Model
(4)	DAB	Platinum Grey	/R	1	I343/832/834 I941
	DAC	Luxor Beige			
	970 522 142 11	cover			
		backrest			
	DAF	black			
	DAG	Platinum Grey			
	DAH	Luxor Beige			
(4)	DAJ	Yachting Blue	/R	1	I343/832/834 I940
	DAL	Cream			
	970 522 142 10	cover			
		backrest			
	DAA	black			
	DAB	Platinum Grey			
	DAC	Luxor Beige			
(4)	970 522 142 12	cover	/R	1	I343/832/834 I943
		backrest			
	DAF	black			
	DAG	Platinum Grey			
	DAH	Luxor Beige			
	DAJ	Yachting Blue			
	DAL	Cream			
(4)	970 522 142 13	cover	/R	1	I343/832/834 I943
		backrest			
	DAM	Espresso			
	DAN	Cognac			
	DAO	Cedar			
	970 522 142 14	cover			
		backrest			
(4)	DAM	Espresso	/R	1	I343/832/834 I941/998
	DAN	Cognac			

Model	Year	MG	SG	Illustration	Restrictions	UPD	13:09	04.03.2010
970	2010	8	17	817-41		248		

Pos	Part Number	Description	Remark	Qty	Model
(4)	970 522 142 18	DAO Cedar cover backrest DAA black DAB Platinum Grey DAC Luxor Beige	/R	1	I542/832/834 I938
(4)	970 522 142 19	cover backrest DAF black DAG Platinum Grey DAH Luxor Beige DAJ Yachting Blue DAL Cream	/R	1	I542/832/834 I943
5	970 522 141 21	cover backrest DAA black DAB Platinum Grey DAC Luxor Beige	/L	1	I832/834/938
(4)	970 522 142 21	cover backrest DAA black DAB Platinum Grey DAC Luxor Beige	/R	1	I541/832/834 I938
(5)	970 522 141 22	cover backrest DAA black DAB Platinum Grey DAC Luxor Beige	/L	1	I832/834/940
(4)	970 522 142 22	cover backrest DAA black	/R	1	I541/832/834 I943

Model	Year	MG	SG	Illustration	Restrictions	UPD	13:09	04.03.2010
970	2010	8	17	817-41		248		

Pos	Part Number	Description	Remark	Qty	Model
(5)	DAB	Platinum Grey			
	DAC	Luxor Beige			
	970 522 141 23	cover backrest	/L	1	I832/834/941
	DAF	black			
	DAG	Platinum Grey			
	DAH	Luxor Beige			
	DAJ	Yachting Blue			
(4)	DAL	Cream			
	970 522 142 23	cover backrest	/R	1	I541/832/834 I943/998
	DAF	black			
	DAG	Platinum Grey			
	DAH	Luxor Beige			
	DAJ	Yachting Blue			
	DAL	Cream			
(5)	970 522 141 24	cover backrest	/L	1	I832/834/943
	DAF	black			
	DAG	Platinum Grey			
	DAH	Luxor Beige			
	DAJ	Yachting Blue			
	DAL	Cream			
	(4)	970 522 142 24	cover backrest	/R	1
DAF		black			
DAG		Platinum Grey			
DAH		Luxor Beige			
DAJ		Yachting Blue			
DAL		Cream			
DAL		Cream			

Model	Year	MG	SG	Illustration	Restrictions	UPD	13:09	04.03.2010
970	2010	8	17	817-41		248		

Pos	Part Number	Description	Remark	Qty	Model
(5)	970 522 141 25	cover backrest DAM Espresso DAN Cognac DAO Cedar	/L	1	I832/834/943 I998
(4)	970 522 142 25	cover backrest DAM Espresso DAN Cognac DAO Cedar	/R	1	I343/541/832 I834/943
(5)	970 522 141 26	cover backrest DAM Espresso DAN Cognac DAO Cedar	/L	1	I832/834/941 I998
(4)	970 522 142 26	cover backrest DAM Espresso DAN Cognac DAO Cedar	/R	1	I343/541/832 I834/943/998
(5)	970 522 141 30	cover backrest DAA Espresso DAB Platinum Grey DAC Luxor Beige	/L	1	I343/832/834 I938
(5)	970 522 141 31	cover backrest DAA Espresso DAB Platinum Grey DAC Luxor Beige	/L	1	I343/832/834 I940

Model	Year	MG	SG	Illustration	Restrictions	UPD	13:09	04.03.2010
970	2010	8	17	817-41		248		

Pos	Part Number	Description	Remark	Qty	Model
(5)	970 522 141 32	cover backrest DAF black DAG Platinum Grey DAH Luxor Beige DAJ Yachting Blue DAL Cream	/L	1	I343/832/834 I941
(5)	970 522 141 33	cover backrest DAF black DAG Platinum Grey DAH Luxor Beige DAJ Yachting Blue DAL Cream	/L	1	I343/832/834 I943
(5)	970 522 141 34	cover backrest DAM Espresso DAN Cognac DAO Cedar	/L	1	I343/832/834 I943/998
(5)	970 522 141 35	cover backrest DAM Espresso DAN Cognac DAO Cedar	/L	1	I343/832/834 I941/998
(5)	970 522 141 39	cover backrest DAA black DAB Platinum Grey DAC Luxor Beige	/L	1	I542/832/834 I938

Model	Year	MG	SG	Illustration	Restrictions	UPD	13:09	04.03.2010
970	2010	8	17	817-41		248		

Pos	Part Number	Description	Remark	Qty	Model
(5)	970 522 141 40	cover backrest DAF black DAG Platinum Grey DAH Luxor Beige DAJ Yachting Blue DAL Cream	/L	1	I542/832/834 I943
(5)	970 522 141 41	cover backrest DAM Espresso DAN Cognac DAO Cedar	/L	1	I542/832/834 I943/998
(5)	970 522 141 63	cover backrest DAA black DAB Platinum Grey DAC Luxor Beige	/L	1	I541/832/834 I938
(5)	970 522 141 64	cover backrest DAF black DAG Platinum Grey DAH Luxor Beige DAJ Yachting Blue DAL Cream	/L	1	I541/832/834 I943
(5)	970 522 141 65	cover backrest DAM Espresso DAN Cognac DAO Cedar	/L	1	I541/832/834 I943/998

Model	Year	MG	SG	Illustration	Restrictions	UPD	13:09	04.03.2010
970	2010	8	17	817-41		248		

Pos	Part Number	Description	Remark	Qty	Model
(5)	970 522 141 66	cover backrest DAA black DAB Platinum Grey DAC Luxor Beige	/L	1	I343/541/832 I834/938
(5)	970 522 141 67	cover backrest DAF black DAG Platinum Grey DAH Luxor Beige DAJ Yachting Blue DAL Cream	/L	1	I343/541/832 I834/943
(5)	970 522 141 68	cover backrest DAM Espresso DAN Cognac DAO Cedar	/L	1	I343/541/832 I834/943/998
7	970 522 161 54	cover seat cushion DAA black DAB Platinum Grey DAC Luxor Beige	/L	1	I832/938
6	970 522 162 54	cover seat cushion DAA black DAB Platinum Grey DAC Luxor Beige	/R	1	I832/938
(7)	970 522 161 55	cover seat cushion DAA black DAB Platinum Grey DAC Luxor Beige	/L	1	I832/940

Model	Year	MG	SG	Illustration	Restrictions	UPD	13:09	04.03.2010
970	2010	8	17	817-41		248		

Pos	Part Number	Description	Remark	Qty	Model
(6)	970 522 162 55	cover seat cushion	/R	1	I832/940
	DAA	black			
	DAB	Platinum Grey			
	DAC	Luxor Beige			
(7)	970 522 161 56	cover seat cushion	/L	1	I832/941
	DAF	black			
	DAG	Platinum Grey			
	DAH	Luxor Beige			
	DAJ	Yachting Blue			
	DAL	Cream			
(6)	970 522 162 56	cover seat cushion	/R	1	I832/941
	DAF	black			
	DAG	Platinum Grey			
	DAH	Luxor Beige			
	DAJ	Yachting Blue			
	DAL	Cream			
(7)	970 522 161 57	cover seat cushion	/L	1	I832/943
	DAF	black			
	DAG	Platinum Grey			
	DAH	Luxor Beige			
	DAJ	Yachting Blue			
	DAL	Cream			
(6)	970 522 162 57	cover seat cushion	/R	1	I832/943
	DAF	black			
	DAG	Platinum Grey			
	DAH	Luxor Beige			
	DAJ	Yachting Blue			
	DAL	Cream			

Model	Year	MG	SG	Illustration	Restrictions	UPD	13:09	04.03.2010
970	2010	8	17	817-41		248		

Pos	Part Number	Description	Remark	Qty	Model
(7)	970 522 161 58	cover seat cushion	/L	1	I832/943/998
	DAM	Espresso			
	DAN	Cognac			
	DA0	Cedar			
(6)	970 522 162 58	cover seat cushion	/R	1	I832/943/998
	DAM	Espresso			
	DAN	Cognac			
	DA0	Cedar			
(7)	970 522 161 59	cover seat cushion	/L	1	I832/941/998
	DAM	Espresso			
	DAN	Cognac			
	DA0	Cedar			
(6)	970 522 162 59	cover seat cushion	/R	1	I832/941/998
	DAM	Espresso			
	DAN	Cognac			
	DA0	Cedar			
(7)	970 522 161 63	cover seat cushion	/L	1	I343/832/938
	DAA	black			
	DAB	Platinum Grey			
	DAC	Luxor Beige			
(6)	970 522 162 63	cover seat cushion	/R	1	I343/832/938
	DAA	black			
	DAB	Platinum Grey			
	DAC	Luxor Beige			
(7)	970 522 161 64	cover seat cushion	/L	1	I343/832/940
	DAA	black			
	DAB	Platinum Grey			

Model	Year	MG	SG	Illustration	Restrictions	UPD	13:09	04.03.2010
970	2010	8	17	817-41		248		

Pos	Part Number	Description	Remark	Qty	Model
(6)	970 522 162 64	DAC Luxor Beige cover seat cushion	/R	1	I343/832/940
		DAA black			
		DAB Platinum Grey			
(7)	970 522 161 65	DAC Luxor Beige cover seat cushion	/L	1	I343/832/941
		DAF black			
		DAG Platinum Grey			
		DAH Luxor Beige			
		DAJ Yachting Blue			
		DAL Cream			
(6)	970 522 162 65	DAC Luxor Beige cover seat cushion	/R	1	I343/832/941
		DAF black			
		DAG Platinum Grey			
		DAH Luxor Beige			
		DAJ Yachting Blue			
		DAL Cream			
(7)	970 522 161 66	DAC Luxor Beige cover seat cushion	/L	1	I343/832/943
		DAF black			
		DAG Platinum Grey			
		DAH Luxor Beige			
		DAJ Yachting Blue			
		DAL Cream			
(6)	970 522 162 66	DAC Luxor Beige cover seat cushion	/R	1	I343/832/943
		DAF black			
		DAG Platinum Grey			
		DAH Luxor Beige			
		DAJ Yachting Blue			

Model	Year	MG	SG	Illustration	Restrictions	UPD	13:09	04.03.2010
970	2010	8	17	817-41		248		

Pos	Part Number	Description	Remark	Qty	Model
(7)	DAL 970 522 161 67	Cream cover seat cushion	/L	1	I343/832/943 I998
	DAM	Espresso			
	DAN	Cognac			
	DA0	Cedar			
(6)	970 522 162 67	cover seat cushion	/R	1	I343/832/943 I998
	DAM	Espresso			
	DAN	Cognac			
	DA0	Cedar			
(7)	970 522 161 68	cover seat cushion	/L	1	I343/832/941 I998
	DAM	Espresso			
	DAN	Cognac			
	DA0	Cedar			
(6)	970 522 162 68	cover seat cushion	/R	1	I343/832/941 I998
	DAM	Espresso			
	DAN	Cognac			
	DA0	Cedar			
(7)	970 522 161 72	cover seat cushion	/L	1	I542/832/938
	DAA	black			
	DAB	Platinum Grey			
	DAC	Luxor Beige			
(6)	970 522 162 72	cover seat cushion	/R	1	I542/832/938
	DAA	black			
	DAB	Platinum Grey			
	DAC	Luxor Beige			

Model	Year	MG	SG	Illustration	Restrictions	UPD	13:09	04.03.2010
970	2010	8	17	817-41		248		

Pos	Part Number	Description	Remark	Qty	Model
(7)	970 522 161 73	cover seat cushion	/L	1	I542/832/943
	DAF	black			
	DAG	Platinum Grey			
	DAH	Luxor Beige			
	DAJ	Yachting Blue			
	DAL	Cream			
(6)	970 522 162 73	cover seat cushion	/R	1	I542/832/943
	DAF	black			
	DAG	Platinum Grey			
	DAH	Luxor Beige			
	DAJ	Yachting Blue			
	DAL	Cream			
(7)	970 522 161 74	cover seat cushion	/L	1	I542/832/943 I998
	DAM	Espresso			
	DAN	Cognac			
	DAO	Cedar			
(6)	970 522 162 74	cover seat cushion	/R	1	I542/832/943 I998
	DAM	Espresso			
	DAN	Cognac			
	DAO	Cedar			
(7)	970 522 161 75	cover seat cushion	/L	1	I834/938
	DAA	black			
	DAB	Platinum Grey			
	DAC	Luxor Beige			
(6)	970 522 162 75	cover seat cushion	/R	1	I834/938
	DAA	black			

PORSCHE

PET

PORSCHE

Model	Year	MG	SG	Illustration	Restrictions	UPD	13:09	04.03.2010
970	2010	8	17	817-41		248		

Pos	Part Number	Description	Remark	Qty	Model
(7)	DAB	Platinum Grey			
	DAC	Luxor Beige			
	970 522 161 76	cover seat cushion	/L	1	I834/940
(6)	DAA	black			
	DAB	Platinum Grey			
	DAC	Luxor Beige			
(6)	970 522 162 76	cover seat cushion	/R	1	I834/940
	DAA	black			
	DAB	Platinum Grey			
(7)	DAC	Luxor Beige			
	970 522 161 77	cover seat cushion	/L	1	I834/941
	DAF	black			
(6)	DAG	Platinum Grey			
	DAH	Luxor Beige			
	DAJ	Yachting Blue			
(6)	DAL	Cream			
	970 522 162 77	cover seat cushion	/R	1	I834/941
	DAF	black			
(7)	DAG	Platinum Grey			
	DAH	Luxor Beige			
	DAJ	Yachting Blue			
(7)	DAL	Cream			
	970 522 161 78	cover seat cushion	/L	1	I834/943
	DAF	black			
(7)	DAG	Platinum Grey			
	DAH	Luxor Beige			
	DAJ	Yachting Blue			
(7)	DAL	Cream			

Model	Year	MG	SG	Illustration	Restrictions	UPD	13:09	04.03.2010
970	2010	8	17	817-41		248		

Pos	Part Number	Description	Remark	Qty	Model
(6)	970 522 162 78	cover seat cushion	/R	1	I834/943
	DAF	black			
	DAG	Platinum Grey			
	DAH	Luxor Beige			
	DAJ	Yachting Blue			
	DAL	Cream			
(7)	970 522 161 79	cover seat cushion	/L	1	I834/943/998
	DAM	Espresso			
	DAN	Cognac			
	DAO	Cedar			
(6)	970 522 162 79	cover seat cushion	/R	1	I834/943/998
	DAM	Espresso			
	DAN	Cognac			
	DAO	Cedar			
(7)	970 522 161 80	cover seat cushion	/L	1	I834/941/998
	DAM	Espresso			
	DAN	Cognac			
	DAO	Cedar			
(6)	970 522 162 80	cover seat cushion	/R	1	I834/941/998
	DAM	Espresso			
	DAN	Cognac			
	DAO	Cedar			
(7)	970 522 161 84	cover seat cushion	/L	1	I343/834/938
	DAA	black			
	DAB	Platinum Grey			
	DAC	Luxor Beige			
(6)	970 522 162 84	cover seat cushion	/R	1	I343/834/938

Model	Year	MG	SG	Illustration	Restrictions	UPD	13:09	04.03.2010
970	2010	8	17	817-41		248		

Pos	Part Number	Description	Remark	Qty	Model
(7)	DAA	black			
	DAB	Platinum Grey			
	DAC	Luxor Beige			
(7)	970 522 161 85	cover seat cushion	/L	1	I343/834/940
(6)	DAA	black			
	DAB	Platinum Grey			
	DAC	Luxor Beige			
(6)	970 522 162 85	cover seat cushion	/R	1	I343/834/940
(7)	DAA	black			
	DAB	Platinum Grey			
	DAC	Luxor Beige			
(7)	970 522 161 86	cover seat cushion	/L	1	I343/834/941
(6)	DAF	black			
	DAG	Platinum Grey			
	DAH	Luxor Beige			
	DAJ	Yachting Blue			
	DAL	Cream			
(6)	970 522 162 86	cover seat cushion	/R	1	I343/834/941
(7)	DAF	black			
	DAG	Platinum Grey			
	DAH	Luxor Beige			
	DAJ	Yachting Blue			
	DAL	Cream			
(7)	970 522 161 87	cover seat cushion	/L	1	I343/834/943
(7)	DAF	black			
	DAG	Platinum Grey			
	DAH	Luxor Beige			
	DAJ	Yachting Blue			

Model	Year	MG	SG	Illustration	Restrictions	UPD	13:09	04.03.2010
970	2010	8	17	817-41		248		

Pos	Part Number	Description	Remark	Qty	Model
(6)	DAL 970 522 162 87	Cream cover seat cushion	/R	1	I343/834/943
	DAF	black			
	DAG	Platinum Grey			
	DAH	Luxor Beige			
	DAJ	Yachting Blue			
(7)	DAL 970 522 161 88	Cream cover seat cushion	/L	1	I343/834/943 I998
	DAM	Espresso			
	DAN	Cognac			
	DAO	Cedar			
(6)	DAL 970 522 162 88	Cream cover seat cushion	/R	1	I343/834/943 I998
	DAM	Espresso			
	DAN	Cognac			
	DAO	Cedar			
(7)	DAL 970 522 161 89	Cream cover seat cushion	/L	1	I343/834/941 I998
	DAM	Espresso			
	DAN	Cognac			
	DAO	Cedar			
(6)	DAL 970 522 162 89	Cream cover seat cushion	/R	1	I343/834/941 I998
	DAM	Espresso			
	DAN	Cognac			
	DAO	Cedar			
(7)	DAL 970 522 161 93	Cream cover seat cushion	/L	1	I542/834/938
	DAA	black			

Model	Year	MG	SG	Illustration	Restrictions	UPD	13:09	04.03.2010
970	2010	8	17	817-41		248		

Pos	Part Number	Description	Remark	Qty	Model
(6)	DAB	Platinum Grey			
	DAC	Luxor Beige			
	970 522 162 93	cover seat cushion	/R	1	I542/834/938
(7)	DAA	black			
	DAB	Platinum Grey			
	DAC	Luxor Beige			
(6)	970 522 161 94	cover seat cushion	/L	1	I542/834/943
	DAF	black			
	DAG	Platinum Grey			
(6)	970 522 162 94	cover seat cushion	/R	1	I542/834/943
	DAH	Luxor Beige			
	DAJ	Yachting Blue			
(7)	970 522 161 95	cover seat cushion	/L	1	I542/834/943 I998
	DAL	Cream			
	DAM	Espresso			
(6)	970 522 162 95	cover seat cushion	/R	1	I542/834/943 I998
	DAN	Cognac			
	DAO	Cedar			
(6)	970 522 162 95	cover seat cushion	/R	1	I542/834/943 I998
	DAM	Espresso			
	DAN	Cognac			
(6)	970 522 162 95	cover seat cushion	/R	1	I542/834/943 I998
	DAM	Espresso			
	DAN	Cognac			
(6)	970 522 162 95	cover seat cushion	/R	1	I542/834/943 I998
	DAM	Espresso			
	DAN	Cognac			
(6)	970 522 162 95	cover seat cushion	/R	1	I542/834/943 I998
	DAM	Espresso			
	DAN	Cognac			
(6)	970 522 162 95	cover seat cushion	/R	1	I542/834/943 I998
	DAM	Espresso			
	DAN	Cognac			
(6)	970 522 162 95	cover seat cushion	/R	1	I542/834/943 I998
	DAM	Espresso			
	DAN	Cognac			
(6)	970 522 162 95	cover seat cushion	/R	1	I542/834/943 I998
	DAM	Espresso			
	DAN	Cognac			
(6)	970 522 162 95	cover seat cushion	/R	1	I542/834/943 I998
	DAM	Espresso			
	DAN	Cognac			

Model	Year	MG	SG	Illustration	Restrictions	UPD	13:09	04.03.2010
970	2010	8	17	817-41		248		

Pos	Part Number	Description	Remark	Qty	Model
(7)	970 522 161 96	cover seat cushion DAA black DAB Platinum Grey DAC Luxor Beige	/L	1	I541/832/938 I943
(6)	970 522 162 96	cover seat cushion DAA black DAB Platinum Grey DAC Luxor Beige	/R	1	I541/832/938 I943
(7)	970 522 161 97	cover seat cushion DAF black DAG Platinum Grey DAH Luxor Beige DAJ Yachting Blue DAL Cream	/L	1	I541/832/943
(6)	970 522 162 97	cover seat cushion DAF black DAG Platinum Grey DAH Luxor Beige DAJ Yachting Blue DAL Cream	/R	1	I541/832/943
(7)	970 522 161 98	cover seat cushion DAM Espresso DAN Cognac DAO Cedar	/L	1	I541/832/943 I998
(6)	970 522 162 98	cover seat cushion	/R	1	I541/832/943 I998

Model	Year	MG	SG	Illustration	Restrictions	UPD	13:09	04.03.2010
970	2010	8	17	817-41		248		

Pos	Part Number	Description	Remark	Qty	Model
(7)	DAM	Espresso	/L	1	I343/541/832 I938
	DAN	Cognac			
	DAO	Cedar			
	970 522 161 99	cover seat cushion			
(6)	DAA	black	/R	1	I343/541/832 I938
	DAB	Platinum Grey			
	DAC	Luxor Beige			
	970 522 162 99	cover seat cushion			
(7)	DAA	black	/L	1	I343/541/832 I943/998
	DAB	Platinum Grey			
	DAC	Luxor Beige			
	970 522 161 A1	cover seat cushion			
(6)	DAM	Espresso	/R	1	I343/541/832 I943/998
	DAN	Cognac			
	DAO	Cedar			
	970 522 162 A1	cover seat cushion			
(7)	DAM	Espresso	/L	1	I343/541/832 I943
	DAN	Cognac			
	DAO	Cedar			
	970 522 161 A0	cover seat cushion			
	DAF	black			
	DAG	Platinum Grey			
	DAH	Luxor Beige			
	DAJ	Yachting Blue			
	DAL	Cream			

Model	Year	MG	SG	Illustration	Restrictions	UPD	13:09	04.03.2010
970	2010	8	17	817-41		248		

Pos	Part Number	Description	Remark	Qty	Model
(6)	970 522 162 A0	cover seat cushion DAF black DAG Platinum Grey DAH Luxor Beige DAJ Yachting Blue DAL Cream	/R	1	I343/541/832 I943
(7)	970 522 161 A2	cover seat cushion DAA black DAB Platinum Grey DAC Luxor Beige	/L	1	I541/834/938
(6)	970 522 162 A2	cover seat cushion DAA black DAB Platinum Grey DAC Luxor Beige	/R	1	I541/834/938
(7)	970 522 161 A3	cover seat cushion DAF black DAG Platinum Grey DAH Luxor Beige DAJ Yachting Blue DAL Cream	/L	1	I541/834/943
(6)	970 522 162 A3	cover seat cushion DAF black DAG Platinum Grey DAH Luxor Beige DAJ Yachting Blue DAL Cream	/R	1	I541/834/943

Model	Year	MG	SG	Illustration	Restrictions	UPD	13:09	04.03.2010
970	2010	8	17	817-41		248		

Pos	Part Number	Description	Remark	Qty	Model
(7)	970 522 161 A4	cover seat cushion DAM Espresso DAN Cognac DAO Cedar	/L	1	I541/834/943 I998
(6)	970 522 162 A4	cover seat cushion DAM Espresso DAN Cognac DAO Cedar	/R	1	I541/834/943 I998
(7)	970 522 161 A5	cover seat cushion DAA black DAB Platinum Grey DAC Luxor Beige	/L	1	I343/541/834 I938
(6)	970 522 162 A5	cover seat cushion DAA black DAB Platinum Grey DAC Luxor Beige	/R	1	I343/541/834 I938
(7)	970 522 161 A6	cover seat cushion DAF black DAG Platinum Grey DAH Luxor Beige DAJ Yachting Blue DAL Cream	/L	1	I343/541/834 I943
(6)	970 522 162 A6	cover seat cushion DAF black	/R	1	I343/541/834 I943

Model	Year	MG	SG	Illustration	Restrictions	UPD	13:09	04.03.2010
970	2010	8	17	817-41		248		

Pos	Part Number	Description	Remark	Qty	Model
(7)	DAG	Platinum Grey	/L	1	I343/541/834 I943/998
	DAH	Luxor Beige			
	DAJ	Yachting Blue			
	DAL	Cream			
	970 522 161 A7	cover seat cushion			
(6)	DAM	Espresso	/R	1	I343/541/834 I943/998
	DAN	Cognac			
	DAO	Cedar			
	970 522 162 A7	cover seat cushion			
	DAM	Espresso			
8	DAN	Cognac		1	I832/834/938 I940
	DAO	Cedar			
	970 522 171 00	cover backrest centre part			
	DAA	black			
	DAB	Platinum Grey			
(8)	DAC	Luxor Beige		1	I832/834/941 I943
	970 522 171 01	cover backrest centre part			
	DAF	black			
	DAG	Platinum Grey			
	DAH	Luxor Beige			
(8)	DAJ	Yachting Blue		1	I832/834/941 I943/998
	DAL	Cream			
	970 522 171 02	cover backrest centre part			
	DAM	Espresso			

PORSCHE

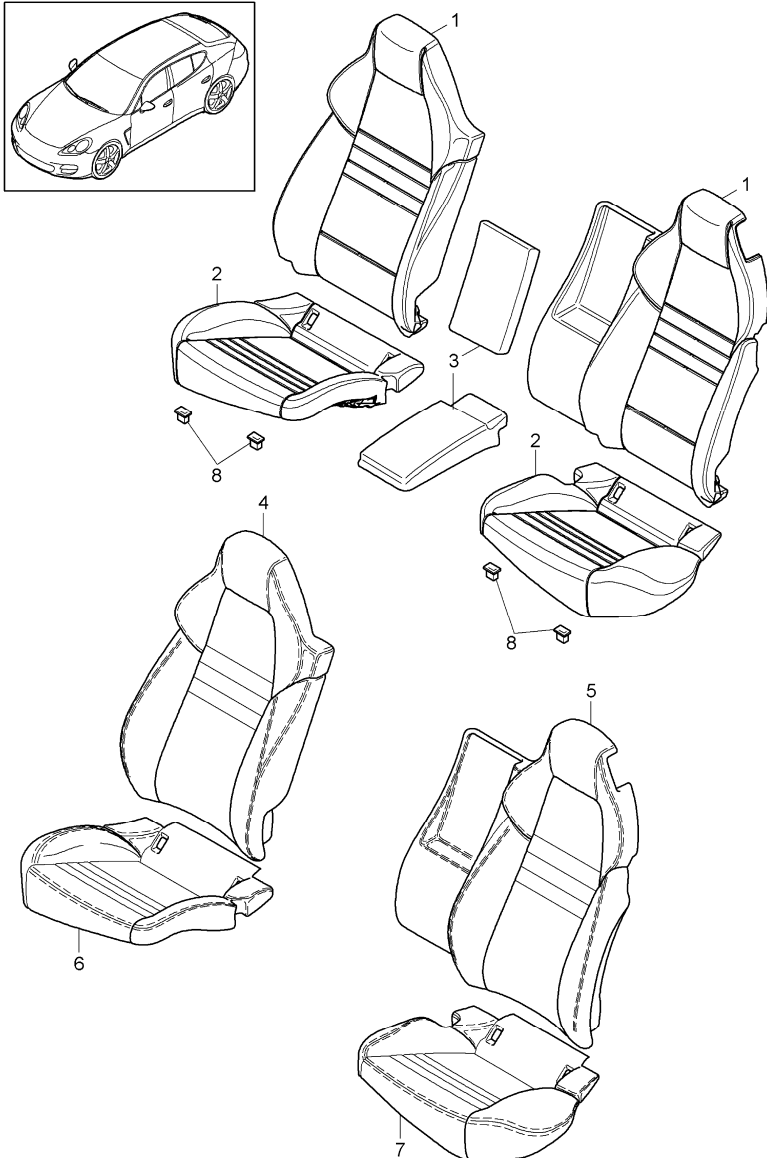
PET

PORSCHE

Model	Year	MG	SG	Illustration	Restrictions	UPD	13:09	04.03.2010
970	2010	8	17	817-41		248		

Pos	Part Number	Description	Remark	Qty	Model
	DAN	Cognac			
	DAO	Cedar			
9	970 522 861 00	clip seat cushion		4	I832
10	970 522 731 00	frame switch module seat cushion	/L	1	I834
(10)	970 522 732 00	frame switch module seat cushion	/R	1	I834
11	970 613 721 01	switch module seat cushion	/L	1	I834
	DMN	galvano silver			
(11)	970 613 722 01	switch module seat cushion	/R	1	I834
	DMN	galvano silver			
12	970 522 451 00	cushion carrier ski bag		1	I832/834

Model	Year	MG	SG	Illustration	Restrictions	UPD	13:09	04.03.2010	PORSCHE	PET	PORSCHE
970	2010	8	17	817-42		248					



Pos	Part Number	Description	Remark	Qty	Model
1	970 522 532 09	cover foam part sports seat standard seat			
		foam part backrest sports seat	/R	1	I831
(1)	970 522 531 16	foam part backrest sports seat standard seat	/L	1	I831
(2)	970 522 571 08	foam part seat cushion sports seat	/L	1	I831
(2)	970 522 572 08	foam part seat cushion sports seat	/R	1	I831
3	970 522 561 00	foam part backrest centre part sports seat		1	I831
5	970 522 141 06	cover backrest	/L	1	I831/938
		DAA black			
		DAB Platinum Grey			
		DAC Luxor Beige			
4	970 522 142 06	cover backrest	/R	1	I831/938
		DAA black			
		DAB Platinum Grey			
		DAC Luxor Beige			
(5)	970 522 141 07	cover backrest	/L	1	I831/943
		DAF black			
		DAG Platinum Grey			
		DAH Luxor Beige			
		DAJ Yachting Blue			
		DAL Cream			

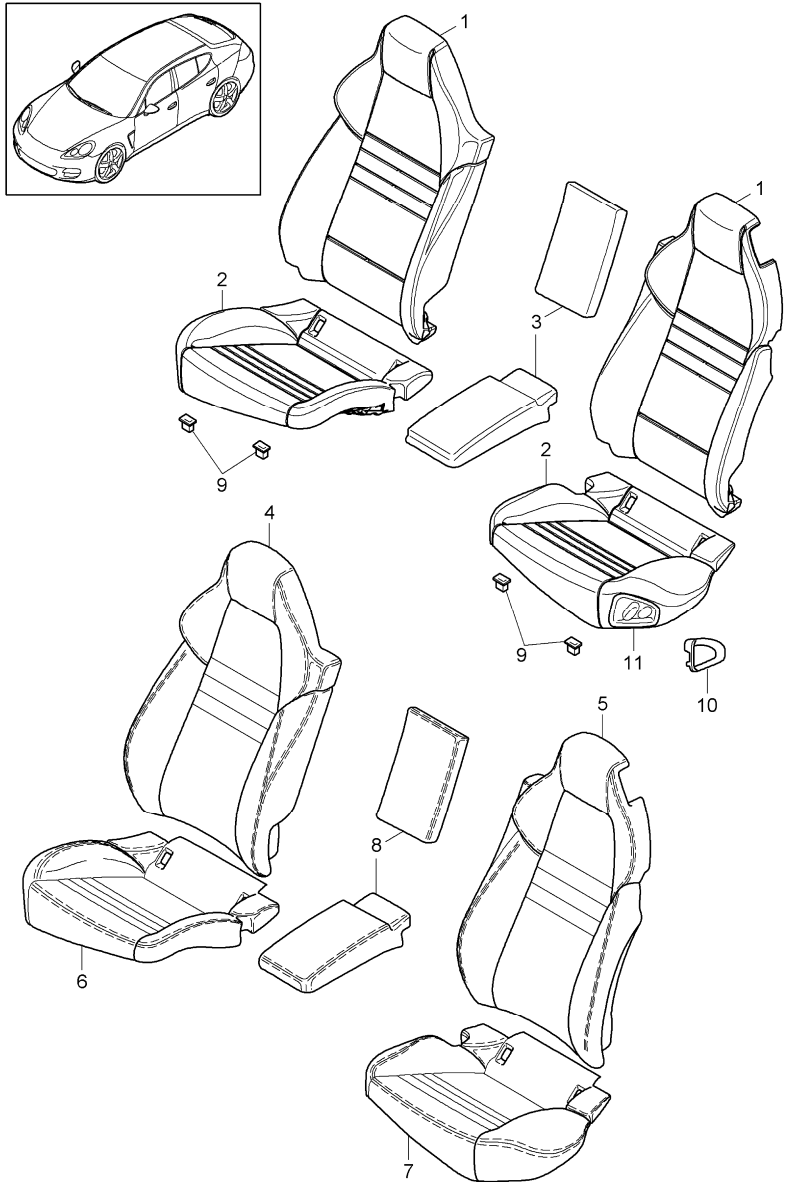
Model	Year	MG	SG	Illustration	Restrictions	UPD	13:09	04.03.2010	PORSCHE	PET	PORSCHE
970	2010	8	17	817-42		248					

Pos	Part Number	Description	Remark	Qty	Model	Pos	Part Number	Description	Remark	Qty	Model
(4)	970 522 142 07	cover backrest	/R	1	I831/943		DAJ	Yachting Blue			
	DAF	black					DAL	Cream			
	DAG	Platinum Grey				(4)	970 522 142 16	cover backrest	/R	1	I343/831/943
	DAH	Luxor Beige					DAF	black			
	DAJ	Yachting Blue					DAG	Platinum Grey			
	DAL	Cream					DAH	Luxor Beige			
(5)	970 522 141 08	cover backrest	/L	1	I831/943/998		DAJ	Yachting Blue			
	DAM	Espresso					DAL	Cream			
	DAN	Cognac				(5)	970 522 141 17	cover backrest	/L	1	I343/831/943 I998
	DAO	Cedar					DAM	Espresso			
(4)	970 522 142 08	cover backrest	/R	1	I831/943		DAN	Cognac			
	DAM	Espresso					DAO	Cedar			
	DAN	Cognac				(4)	970 522 142 17	cover backrest	/R	1	I343/831/943 I998
	DAO	Cedar					DAM	Espresso			
(5)	970 522 141 15	cover backrest	/L	1	I343/831/938		DAN	Cognac			
	DAA	black					DAO	Cedar			
	DAB	Platinum Grey				7	970 522 161 60	cover seat cushion	/L	1	I831/938
	DAC	Luxor Beige					DAA	black			
(4)	970 522 142 15	cover backrest	/R	1	I343/831/938		DAB	Platinum Grey			
	DAA	black					DAC	Luxor Beige			
	DAB	Platinum Grey				6	970 522 162 60	cover seat cushion	/R	1	I831/938
	DAC	Luxor Beige					DAA	black			
(5)	970 522 141 16	cover backrest	/L	1	I343/831/943		DAB	Platinum Grey			
	DAF	black					DAC	Luxor Beige			
	DAG	Platinum Grey				(7)	970 522 161 61	cover seat cushion	/L	1	I831/943
	DAH	Luxor Beige									

Model	Year	MG	SG	Illustration	Restrictions	UPD	13:09	04.03.2010	PORSCHE	PET	PORSCHE
970	2010	8	17	817-42		248					

Pos	Part Number	Description	Remark	Qty	Model	Pos	Part Number	Description	Remark	Qty	Model
	DAF	black					DAC	Luxor Beige			
	DAG	Platinum Grey				(7)	970 522 161 70	cover seat cushion	/L	1	I343/831/943
	DAH	Luxor Beige					DAF	black			
	DAJ	Yachting Blue					DAG	Platinum Grey			
	DAL	Cream					DAH	Luxor Beige			
(6)	970 522 162 61	cover seat cushion	/R	1	I831/943		DAJ	Yachting Blue			
	DAF	black					DAL	Cream			
	DAG	Platinum Grey				(6)	970 522 162 70	cover seat cushion	/R	1	I343/831/943
	DAH	Luxor Beige					DAF	black			
	DAJ	Yachting Blue					DAG	Platinum Grey			
	DAL	Cream					DAH	Luxor Beige			
(7)	970 522 161 62	cover seat cushion	/L	1	I831/943/998		DAJ	Yachting Blue			
	DAM	Espresso					DAL	Cream			
	DAN	Cognac				(6)	970 522 161 71	cover seat cushion	/L	1	I343/831/943 I998
	DA0	Cedar					DAM	Espresso			
(6)	970 522 162 62	cover seat cushion	/R	1	I831/943/998		DAN	Cognac			
	DAM	Espresso					DA0	Cedar			
	DAN	Cognac				(7)	970 522 162 71	cover seat cushion	/R	1	I343/831/943 I998
	DA0	Cedar					DAM	Espresso			
(7)	970 522 161 69	cover seat cushion	/L	1	I343/831/938		DAN	Cognac			
	DAA	black					DA0	Cedar			
	DAB	Platinum Grey									
	DAC	Luxor Beige				8	970 522 861 00	clip seat cushion		4	I831
(6)	970 522 162 69	cover seat cushion	/R	1	I343/831/938						
	DAA	black									
	DAB	Platinum Grey									

Model	Year	MG	SG	Illustration	Restrictions	UPD	13:10	04.03.2010	PORSCHE	PET	PORSCHE
970	2010	8	17	817-48		248					



Pos	Part Number	Description	Remark	Qty	Model
		cover foam part premium sports seat			
1	970 522 532 09	foam part backrest	/R	1	I833
(1)	970 522 532 10	foam part backrest	/R	1	I835
(1)	970 522 531 17	foam part backrest	/L	1	I833
(1)	970 522 531 18	foam part backrest	/L	1	I835
2	970 522 571 05	foam part seat cushion	/L	1	I835
(2)	970 522 572 05	foam part seat cushion	/R	1	I835
(2)	970 522 572 08	foam part seat cushion	/R	1	I833
3	970 522 551 00	foam part backrest centre part		1	I833/835
4	970 522 142 06	cover backrest	/R	1	I833/835/938
		DAA black			
		DAB Platinum Grey			
		DAC Luxor Beige			
(4)	970 522 142 08	cover backrest	/R	1	I833/835/943
		DAM Espresso			
		DAN Cognac			
		DAO Cedar			
(4)	970 522 142 15	cover backrest	/R	1	I343/833/835 I938
		DAA black			
		DAB Platinum Grey			
		DAC Luxor Beige			

Model	Year	MG	SG	Illustration	Restrictions	UPD	13:10	04.03.2010	PORSCHE	PET	PORSCHE
970	2010	8	17	817-48		248					

Pos	Part Number	Description	Remark	Qty	Model	Pos	Part Number	Description	Remark	Qty	Model
(4)	970 522 142 16	cover backrest DAF black DAG Platinum Grey DAH Luxor Beige DAJ Yachting Blue DAL Cream	/R	1	I343/833/835 I943	(5)	970 522 141 36	cover backrest DAA black DAB Platinum Grey DAC Luxor Beige	/L	1	I343/833/835 I938
(4)	970 522 142 17	cover backrest DAM black DAN Platinum Grey DAO Luxor Beige	/R	1	I343/833/835 I943/998	(5)	970 522 141 37	cover backrest DAF black DAG Platinum Grey DAH Luxor Beige DAJ Yachting Blue DAL Cream	/L	1	I343/833/835 I943
5	970 522 141 27	cover backrest DAA black DAB Platinum Grey DAC Luxor Beige	/L	1	I833/835/938	(5)	970 522 141 38	cover backrest DAM Espresso DAN Cognac DAO Cedar	/L	1	I343/833/835 I943/998
(5)	970 522 141 28	cover backrest DAF black DAG Platinum Grey DAH Luxor Beige DAJ Yachting Blue DAL Cream	/L	1	I833/835/943	7	970 522 161 60	cover seat cushion DAA black DAB Platinum Grey DAC Luxor Beige	/L	1	I833/938
(5)	970 522 141 29	cover backrest DAM Espresso DAN Cognac DAO Cedar	/L	1	I833/835/943 I998	6	970 522 162 60	cover seat cushion DAA black DAB Platinum Grey DAC Luxor Beige	/R	1	I833/938
						(7)	970 522 161 61	cover seat cushion DAF black	/L	1	I833/943

Model	Year	MG	SG	Illustration	Restrictions	UPD	13:10	04.03.2010	PORSCHE	PET	PORSCHE
970	2010	8	17	817-48		248					

Pos	Part Number	Description	Remark	Qty	Model	Pos	Part Number	Description	Remark	Qty	Model
	DAG	Platinum Grey				(7)	970 522 161 70	cover seat cushion	/L	1	I343/833/943
	DAH	Luxor Beige					DAF	black			
	DAJ	Yachting Blue					DAG	Platinum Grey			
	DAL	Cream					DAH	Luxor Beige			
(6)	970 522 162 61	cover seat cushion	/R	1	I833/943		DAJ	Yachting Blue			
	DAF	black					DAL	Cream			
	DAG	Platinum Grey				(6)	970 522 162 70	cover seat cushion	/R	1	I343/833/943
	DAH	Luxor Beige					DAF	black			
	DAJ	Yachting Blue					DAG	Platinum Grey			
	DAL	Cream					DAH	Luxor Beige			
(7)	970 522 161 62	cover seat cushion	/L	1	I833/943/998		DAJ	Yachting Blue			
	DAM	Espresso					DAL	Cream			
	DAN	Cognac				(7)	970 522 161 71	cover seat cushion	/L	1	I343/833/943 I998
	DA0	Cedar					DAM	Espresso			
(6)	970 522 162 62	cover seat cushion	/R	1	I833/943/998		DAN	Cognac			
	DAM	Espresso					DA0	Cedar			
	DAN	Cognac				(6)	970 522 162 71	cover seat cushion	/R	1	I343/833/943 I998
	DA0	Cedar					DAM	Espresso			
(7)	970 522 161 69	cover seat cushion	/L	1	I343/833/938		DAN	Cognac			
	DAA	black					DA0	Cedar			
	DAB	Platinum Grey				(7)	970 522 161 81	cover seat cushion	/L	1	I835/938
	DAC	Luxor Beige					DAA	black			
(6)	970 522 162 69	cover seat cushion	/R	1	I343/833/938		DAB	Platinum Grey			
	DAA	black					DAC	Luxor Beige			
	DAB	Platinum Grey				(6)	970 522 162 81	cover seat cushion	/R	1	I835/938
	DAC	Luxor Beige									

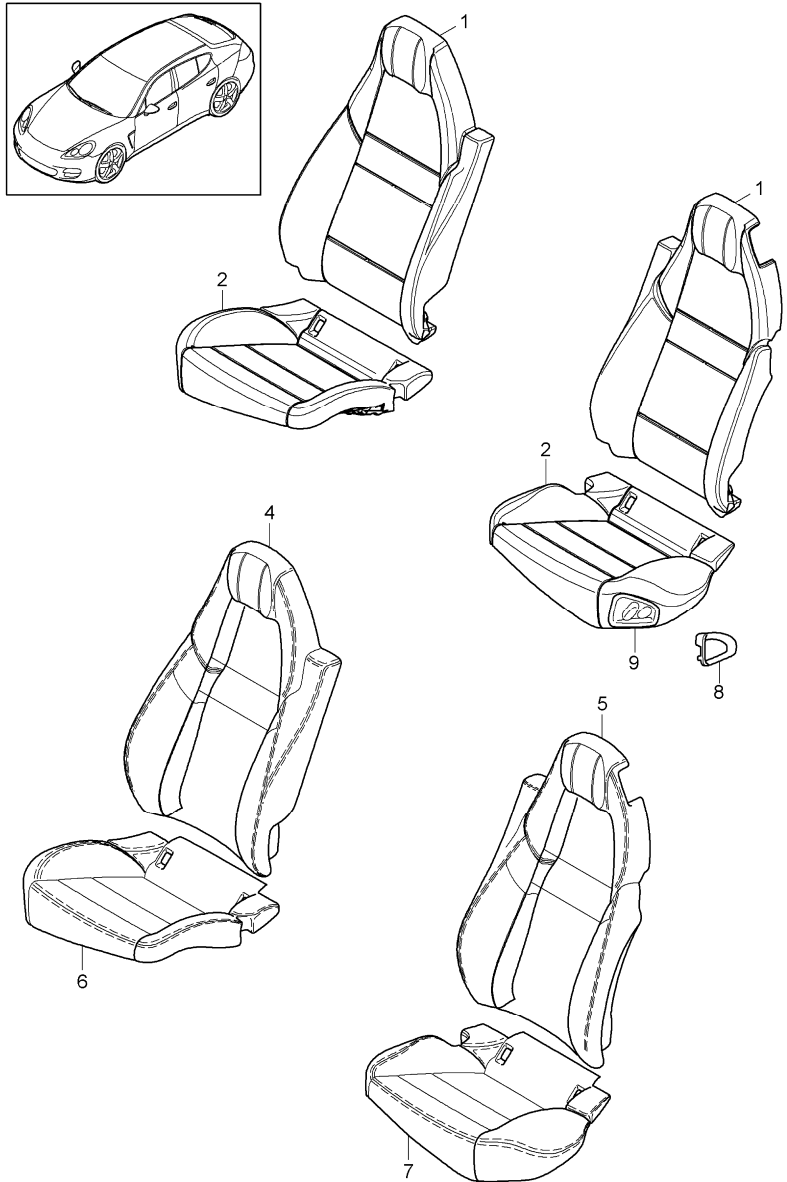
Model	Year	MG	SG	Illustration	Restrictions	UPD	13:10	04.03.2010	PORSCHE	PET	PORSCHE
970	2010	8	17	817-48		248					

Pos	Part Number	Description	Remark	Qty	Model	Pos	Part Number	Description	Remark	Qty	Model
	DAA	black					DAC	Luxor Beige			
	DAB	Platinum Grey				(6)	970 522 162 90	cover seat cushion	/R	1	I343/835/938
(7)	970 522 161 82	cover seat cushion	/L	1	I835/943		DAA	black			
	DAC	Luxor Beige					DAB	Platinum Grey			
	DAF	black					DAC	Luxor Beige			
	DAG	Platinum Grey				(7)	970 522 161 91	cover seat cushion	/L	1	I343/835/943
	DAH	Luxor Beige					DAF	black			
	DAJ	Yachting Blue					DAG	Platinum Grey			
	DAL	Cream					DAH	Luxor Beige			
(6)	970 522 162 82	cover seat cushion	/R	1	I835/943		DAJ	Yachting Blue			
	DAF	black					DAL	Cream			
	DAG	Platinum Grey				(6)	970 522 162 91	cover seat cushion	/R	1	I343/835/943
	DAH	Luxor Beige					DAF	black			
	DAJ	Yachting Blue					DAG	Platinum Grey			
	DAL	Cream					DAH	Luxor Beige			
(7)	970 522 161 83	cover seat cushion	/L	1	I835/943/998		DAJ	Yachting Blue			
	DAM	Espresso					DAL	Cream			
	DAN	Cognac				(7)	970 522 161 92	cover seat cushion	/L	1	I343/835/943 I998
	DAO	Cedar					DAM	Espresso			
(6)	970 522 162 83	cover seat cushion	/R	1	I835/943/998		DAN	Cognac			
	DAM	Espresso					DAO	Cedar			
	DAN	Cognac				(6)	970 522 162 92	cover seat cushion	/R	1	I343/835/943 I998
	DAO	Cedar					DAM	Espresso			
(7)	970 522 161 90	cover seat cushion	/L	1	I343/835/938		DAN	Cognac			
	DAA	black					DAO	Cedar			
	DAB	Platinum Grey									

Model	Year	MG	SG	Illustration	Restrictions	UPD	13:10	04.03.2010	PORSCHE	PET	PORSCHE
970	2010	8	17	817-48		248					

Pos	Part Number	Description	Remark	Qty	Model	Pos	Part Number	Description	Remark	Qty	Model
8	970 522 171 00	cover backrest centre part DAA black DAB Platinum Grey DAC Luxor Beige		1	I833/835/938 I940	12	DMN 970 522 451 00	galvano silver cushion carrier ski bag		1	I835
(8)	970 522 171 01	cover backrest centre part DAF black DAG Platinum Grey DAH Luxor Beige DAJ Yachting Blue DAL Cream		1	I833/835/941 I943						
(8)	970 522 171 02	cover backrest centre part DAM Espresso DAN Cognac DAO Cedar		1	I833/835/941 I943/998						
9	970 522 861 00	clip seat cushion		4	I833						
10	970 522 731 00	frame switch seat cushion	/L	1	I835						
(10)	970 522 732 00	frame switch seat cushion	/R	1	I835						
11	970 613 721 01	switch module seat cushion DMN galvano silver	/L	1	I835						
(11)	970 613 722 01	switch module seat cushion	/R	1	I835						

Model	Year	MG	SG	Illustration	Restrictions	UPD	13:10	04.03.2010	PORSCHE	PET	PORSCHE
970	2010	8	17	817-53		248					



Pos	Part Number	Description	Remark	Qty	Model
		cover foam part premium Business			
1	970 522 532 07	foam part backrest	/R	1	I836
(1)	970 522 532 11	foam part backrest	/R	1	I542/836
(1)	970 522 531 19	foam part backrest	/L	1	I836
(1)	970 522 531 22	foam part backrest	/L	1	I542/836
2	970 522 571 02	foam part seat cushion	/L	1	I836
(2)	970 522 572 02	foam part seat cushion	/R	1	I836
(2)	970 522 571 03	foam part seat cushion	/L	1	I836
(2)	970 522 572 03	foam part seat cushion	/R	1	I542/836
4	970 522 142 01	cover backrest	/R	1	I836/940
		DAA black			
		DAB Platinum Grey			
		DAC Luxor Beige			
(4)	970 522 142 00	cover backrest	/R	1	I836/938
		DAA black			
		DAB Platinum Grey			
		DAC Luxor Beige			
(4)	970 522 142 02	cover backrest	/R	1	I836/941
		DAF black			
		DAG Platinum Grey			
		DAH Luxor Beige			
		DAJ Yachting Blue			

Model	Year	MG	SG	Illustration	Restrictions	UPD	13:10	04.03.2010	PORSCHE	PET	PORSCHE
970	2010	8	17	817-53		248					

Pos	Part Number	Description	Remark	Qty	Model	Pos	Part Number	Description	Remark	Qty	Model
(4)	970 522 142 03	DAL Cream cover backrest	/R	1	I836/943	(4)	970 522 142 12	DAH Luxor Beige DAJ Yachting Blue DAL Cream cover backrest	/R	1	I343/836/943
(4)	970 522 142 04	DAF black DAG Platinum Grey DAH Luxor Beige DAJ Yachting Blue DAL Cream cover backrest	/R	1	I836/943/998	(4)	970 522 142 13	DAF black DAG Platinum Grey DAH Luxor Beige DAJ Yachting Blue DAL Cream cover backrest	/R	1	I343/836/943
(4)	970 522 142 05	DAM Espresso DAN Cognac DAO Cedar cover backrest	/R	1	I836/941/998	(4)	970 522 142 14	DAM Espresso DAN Cognac DAO Cedar cover backrest	/R	1	I343/836/941 I998
(4)	970 522 142 09	DAM Espresso DAN Cognac DAO Cedar cover backrest	/R	1	I836/938/943	(4)	970 522 142 19	DAM Espresso DAN Cognac DAO Cedar cover backrest	/R	1	I542/836/943
(4)	970 522 142 10	DAA black DAB Platinum Grey DAC Luxor Beige cover backrest	/R	1	I836/940/943	(4)	970 522 142 20	DAF black DAG Platinum Grey DAH Luxor Beige DAJ Yachting Blue DAL Cream cover backrest	/R	1	I542/836/943 I998
(4)	970 522 142 11	DAA black DAB Platinum Grey DAC Luxor Beige cover backrest	/R	1	I343/836/941			DAM Espresso			

Model	Year	MG	SG	Illustration	Restrictions	UPD	13:10	04.03.2010	PORSCHE	PET	PORSCHE
970	2010	8	17	817-53		248					

Pos	Part Number	Description	Remark	Qty	Model	Pos	Part Number	Description	Remark	Qty	Model
	DAN	Cognac					DAO	Cedar			
	DAO	Cedar				5	970 522 141 42	cover backrest	/L	1	I836/938
(4)	970 522 142 21	cover backrest	/R	1	I541/836/938		DAA	black			
	DAA	black					DAB	Platinum Grey			
	DAB	Platinum Grey					DAC	Luxor Beige			
	DAC	Luxor Beige				(5)	970 522 141 43	cover backrest	/L	1	I836/940
(4)	970 522 142 22	cover backrest	/R	1	I541/836/943		DAA	black			
	DAA	black					DAB	Platinum Grey			
	DAB	Platinum Grey					DAC	Luxor Beige			
	DAC	Luxor Beige				(5)	970 522 141 44	cover backrest	/L	1	I836/941
(4)	970 522 142 23	cover backrest	/R	1	I541/836/943 I998		DAF	black			
	DAF	black					DAG	Platinum Grey			
	DAG	Platinum Grey					DAH	Luxor Beige			
	DAH	Luxor Beige					DAL	Cream			
	DAJ	Yachting Blue					DAJ	Yachting Blue			
	DAL	Cream				(5)	970 522 141 45	cover backrest	/L	1	I836/943
(4)	970 522 142 24	cover backrest	/R	1	I343/541/836 I938		DAF	black			
	DAF	black					DAG	Platinum Grey			
	DAG	Platinum Grey					DAH	Luxor Beige			
	DAH	Luxor Beige					DAJ	Yachting Blue			
	DAJ	Yachting Blue					DAL	Cream			
	DAL	Cream				(5)	970 522 141 46	cover backrest	/L	1	I836/943/998
(4)	970 522 142 26	cover backrest	/R	1	I343/541/836 I943/998		DAM	Espresso			
	DAM	Espresso					DAN	Cognac			
	DAN	Cognac					DAO	Cedar			
						(5)	970 522 141 47	cover backrest	/L	1	I836/941/998

Model	Year	MG	SG	Illustration	Restrictions	UPD	13:10	04.03.2010	PORSCHE	PET	PORSCHE
970	2010	8	17	817-53		248					

Pos	Part Number	Description	Remark	Qty	Model	Pos	Part Number	Description	Remark	Qty	Model
	DAM	Espresso					DAO	Cedar			
	DAN	Cognac				(5)	970 522 141 53	cover	/L	1	I343/836/941 I998
	DAO	Cedar						backrest			
(5)	970 522 141 48	cover backrest	/L	1	I343/836/938		DAM	Espresso			
	DAA	Espresso					DAN	Cognac			
	DAB	Platinum Grey					DAO	Cedar			
	DAC	Luxor Beige				(5)	970 522 141 78	cover backrest	/L	1	I542/836/938
(5)	970 522 141 49	cover backrest	/L	1	I343/836/940		DAA	black			
	DAA	black					DAB	Platinum Grey			
	DAB	Platinum Grey					DAC	Luxor Beige			
	DAC	Luxor Beige				(5)	970 522 141 80	cover backrest	/L	1	I542/836/943 I998
(5)	970 522 141 50	cover backrest	/L	1	I343/836/941		DAM	Espresso			
	DAF	black					DAN	Cognac			
	DAG	Platinum Grey					DAO	Cedar			
	DAH	Luxor Beige				(5)	970 522 141 69	cover backrest	/L	1	I541/836/938
	DAJ	Yachting Blue					DAA	black			
	DAL	Cream					DAB	Platinum Grey			
(5)	970 522 141 51	cover backrest	/L	1	I343/836/943		DAC	Luxor Beige			
	DAF	black				(5)	970 522 141 70	cover backrest	/L	1	I541/836/943
	DAG	Platinum Grey					DAF	black			
	DAH	Luxor Beige					DAG	Platinum Grey			
	DAJ	Yachting Blue					DAH	Luxor Beige			
	DAL	Cream					DAJ	Yachting Blue			
(5)	970 522 141 52	cover backrest	/L	1	I343/836/943 I998		DAL	Cream			
	DAM	Espresso				(5)	970 522 141 71	cover backrest	/L	1	I541/836/943 I998
	DAN	Cognac									

Model	Year	MG	SG	Illustration	Restrictions	UPD	13:10	04.03.2010	PORSCHE	PET	PORSCHE
970	2010	8	17	817-53		248					

Pos	Part Number	Description	Remark	Qty	Model	Pos	Part Number	Description	Remark	Qty	Model
(5)	970 522 141 72	DAM Espresso	/L	1	I343/541/836 I938	(7)	970 522 161 76	cover	/L	1	I836/940
		DAN Cognac						seat cushion			
		DAO Cedar						DAA black			
		cover						DAB Platinum Grey			
		backrest						DAC Luxor Beige			
		DAA black						(6) 970 522 162 76			
DAB Platinum Grey	seat cushion										
DAC Luxor Beige	DAA black										
(5)	970 522 141 73	DAM Espresso	/L	1	I343/541/836 I943	(7)	970 522 161 77	cover	/L	1	I836/941
		DAN Cognac						seat cushion			
		DAO Cedar						DAF black			
		cover						DAG Platinum Grey			
		backrest						DAH Luxor Beige			
		DAF black						DAJ Yachting Blue			
DAG Platinum Grey	DAL Cream										
DAH Luxor Beige	(5) 970 522 141 74	cover	/L	1	I343/541/836 I943/998	(6)	970 522 162 77	cover	/R	1	I836/941
DAJ Yachting Blue	seat cushion										
DAL Cream	DAF black										
cover	DAG Platinum Grey										
backrest	DAH Luxor Beige										
DAM Espresso	DAJ Yachting Blue										
DAN Cognac	DAL Cream										
DAO Cedar	(5) 970 522 161 75	cover	/L	1	I836/938	(7)	970 522 161 78	cover	/L	1	I836/943
DAN Cognac	seat cushion										
DAO Cedar	DAA black										
cover	DAB Platinum Grey										
seat cushion	DAC Luxor Beige										
DAA black	(6) 970 522 162 75	cover	/R	1	I836/938			(7)			
DAB Platinum Grey	seat cushion										
DAC Luxor Beige	DAA black										
cover	DAG Platinum Grey										
seat cushion	DAH Luxor Beige										
DAA black	DAJ Yachting Blue										
DAB Platinum Grey	DAL Cream										
DAC Luxor Beige											

Model	Year	MG	SG	Illustration	Restrictions	UPD	13:10	04.03.2010	PORSCHE	PET	PORSCHE
970	2010	8	17	817-53		248					

Pos	Part Number	Description	Remark	Qty	Model	Pos	Part Number	Description	Remark	Qty	Model
(6)	970 522 162 78	cover seat cushion	/R	1	I836/943	(6)	970 522 162 85	cover seat cushion	/R	1	I343/836/940
	DAF	black					DAA	black			
	DAG	Platinum Grey					DAB	Platinum Grey			
	DAH	Luxor Beige					DAC	Luxor Beige			
	DAJ	Yachting Blue				(7)	970 522 161 84	cover seat cushion	/L	1	I343/836/938
	DAL	Cream					DAA	black			
(7)	970 522 161 79	cover seat cushion	/L	1	I836/943/998		DAB	Platinum Grey			
	DAM	Espresso					DAC	Luxor Beige			
	DAN	Cognac				(6)	970 522 162 84	cover seat cushion	/R	1	I343/836/938
	DAO	Cedar					DAA	black			
(6)	970 522 162 79	cover seat cushion	/R	1	I836/943/998		DAB	Platinum Grey			
	DAM	Espresso					DAC	Luxor Beige			
	DAN	Cognac				(7)	970 522 161 86	cover seat cushion	/L	1	I343/836/941
	DAO	Cedar					DAF	black			
(7)	970 522 161 80	cover seat cushion	/L	1	I836/941/998		DAG	Platinum Grey			
	DAM	Espresso					DAH	Luxor Beige			
	DAN	Cognac					DAJ	Yachting Blue			
	DAO	Cedar					DAL	Cream			
(6)	970 522 162 80	cover seat cushion	/R	1	I836/941/998	(6)	970 522 162 86	cover seat cushion	/R	1	I343/836/941
	DAM	Espresso					DAF	black			
	DAN	Cognac					DAG	Platinum Grey			
	DAO	Cedar					DAH	Luxor Beige			
(7)	970 522 161 85	cover seat cushion	/L	1	I343/836/940		DAJ	Yachting Blue			
	DAA	black					DAL	Cream			
	DAB	Platinum Grey				(7)	970 522 161 87	cover seat cushion	/L	1	I343/836/943
	DAC	Luxor Beige					DAF	black			

Model	Year	MG	SG	Illustration	Restrictions	UPD	13:10	04.03.2010	PORSCHE	PET	PORSCHE
970	2010	8	17	817-53		248					

Pos	Part Number	Description	Remark	Qty	Model	Pos	Part Number	Description	Remark	Qty	Model
	DAG	Platinum Grey					DAN	Platinum Grey			
	DAH	Luxor Beige					DAO	Luxor Beige			
	DAJ	Yachting Blue				(7)	970 522 161 93	cover seat cushion	/L	1	I542/836/938
	DAL	Cream					DAA	black			
(6)	970 522 162 87	cover seat cushion	/R	1	I343/836/943		DAB	Platinum Grey			
	DAF	black					DAC	Luxor Beige			
	DAG	Platinum Grey				(6)	970 522 162 93	cover seat cushion	/R	1	I542/836/938
	DAH	Luxor Beige					DAA	black			
	DAJ	Yachting Blue					DAB	Platinum Grey			
	DAL	Cream					DAC	Luxor Beige			
(7)	970 522 161 88	cover seat cushion	/L	1	I343/836/943 I998	(7)	970 522 161 94	cover seat cushion	/L	1	I542/836/943
	DAM	black					DAF	black			
	DAN	Platinum Grey					DAG	Platinum Grey			
	DAO	Luxor Beige					DAH	Luxor Beige			
(6)	970 522 162 88	cover seat cushion	/R	1	I343/836/943 I998		DAJ	Yachting Blue			
	DAM	black					DAL	Cream			
	DAN	Platinum Grey				(6)	970 522 162 94	cover seat cushion	/R	1	I542/836/943
	DAO	Luxor Beige					DAF	black			
(7)	970 522 161 89	cover seat cushion	/L	1	I343/836/941 I998		DAG	Platinum Grey			
	DAM	black					DAH	Luxor Beige			
	DAN	Platinum Grey					DAJ	Yachting Blue			
	DAO	Luxor Beige					DAL	Cream			
(6)	970 522 162 89	cover seat cushion	/R	1	I343/836/941 I998	(7)	970 522 161 95	cover seat cushion	/L	1	I542/836/943 I998
	DAM	black					DAM	Espresso			
							DAN	Cognac			
							DAO	Cedar			

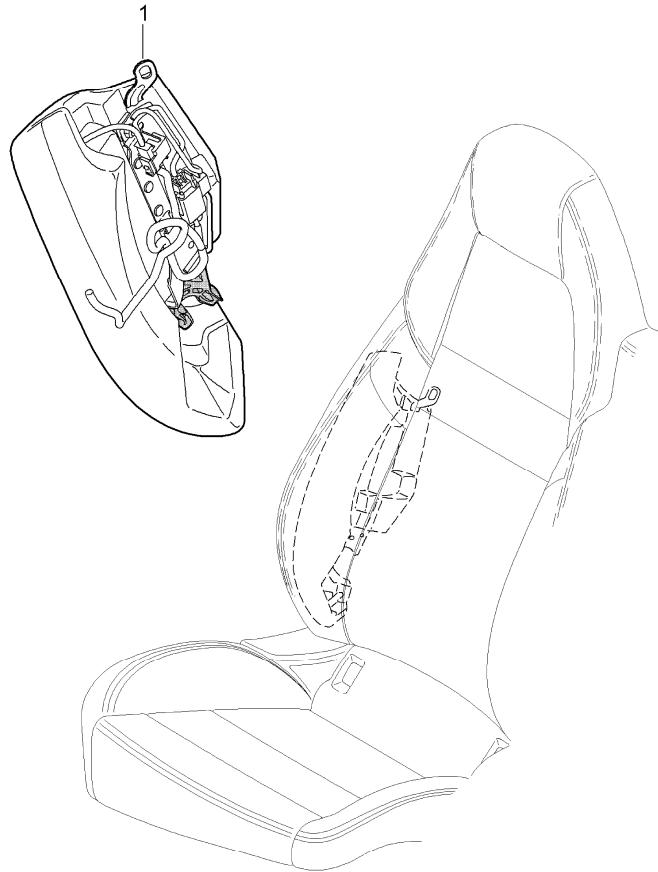
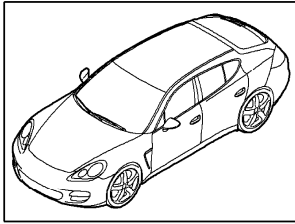
Model	Year	MG	SG	Illustration	Restrictions	UPD	13:10	04.03.2010	PORSCHE	PET	PORSCHE
970	2010	8	17	817-53		248					

Pos	Part Number	Description	Remark	Qty	Model	Pos	Part Number	Description	Remark	Qty	Model
(6)	970 522 162 95	cover seat cushion DAM Espresso DAN Cognac DAO Cedar	/R	1	I542/836/943 I998		DAM Espresso DAN Cognac DAO Cedar				
(7)	970 522 161 A2	cover seat cushion DAA black DAB Platinum Grey DAC Luxor Beige	/L	1	I541/836/938	(6)	970 522 162 A4	cover seat cushion DAM Espresso DAN Cognac DAO Cedar	/R	1	I541/836/943 I998
(6)	970 522 162 A2	cover seat cushion DAA black DAB Platinum Grey DAC Luxor Beige	/R	1	I541/836/938	(7)	970 522 161 A5	cover seat cushion DAA black DAB Platinum Grey DAC luxor	/L	1	I343/541/836 I938
(7)	970 522 161 A3	cover seat cushion DAF black DAG Platinum Grey DAH Luxor Beige DAJ Yachting Blue DAL Cream	/L	1	I541/836/943	(6)	970 522 162 A5	cover seat cushion DAA black DAB Platinum Grey DAC Luxor Beige	/R	1	I343/541/836 I938
(6)	970 522 162 A3	cover seat cushion DAF black DAG Platinum Grey DAH Luxor Beige DAJ Yachting Blue DAL Cream	/R	1	I541/836/943	(7)	970 522 161 A6	cover seat cushion DAF black DAG Platinum Grey DAH Luxor Beige DAJ Yachting Blue DAL Cream	/L	1	I343/541/836 I943
(7)	970 522 161 A4	cover seat cushion	/L	1	I541/836/943 I998	(6)	970 522 162 A6	cover seat cushion DAF black DAG Platinum Grey	/R	1	I343/541/836 I943

Model	Year	MG	SG	Illustration	Restrictions	UPD	13:10	04.03.2010	PORSCHE	PET	PORSCHE
970	2010	8	17	817-53		248					

Pos	Part Number	Description	Remark	Qty	Model	Pos	Part Number	Description	Remark	Qty	Model
		DAH Luxor Beige									
		DAJ Yachting Blue									
		DAL Cream									
(7)	970 522 161 A7	cover	/L	1	I343/541/836 I943/998						
		seat cushion									
		DAM Espresso									
		DAN Cognac									
		DAO Cedar									
(6)	970 522 162 A7	cover	/R	1	I343/541/836 I943/998						
		seat cushion									
		DAM Espresso									
		DAN Cognac									
		DAO Cedar									
8	970 522 731 00	frame	/L	1	I836						
		switch									
		seat cushion									
(8)	970 522 732 00	frame	/R	1	I836						
		switch									
		seat cushion									
9	970 613 721 01	switch	/L	1	I836						
		module									
		seat cushion									
		DMN galvano silver									
(9)	970 613 722 01	switch	/R	1	I836						
		module									
		seat cushion									
		DMN galvano silver									

Model	Year	MG	SG	Illustration	Restrictions	UPD	13:10	04.03.2010	PORSCHE	PET	PORSCHE
970	2010	8	17	817-55		248					



Pos	Part Number	Description	Remark	Qty	Model
		side section module cover rear			
1	970 522 061 30	side section module rear	/L	1	I830/832/834 I836
(1)	970 522 062 30	side section module rear	/R	1	I830/832/834 I836
(1)	970 522 061 31	side section module rear	/L	1	I565/830/832 I834/836
(1)	970 522 062 31	side section module rear	/R	1	I565/830/832 I834/836
(1)	970 522 061 32	side section module rear	/L	1	I542/830/832 I834/836
(1)	970 522 062 32	side section module rear	/R	1	I542/830/832 I834/836
(1)	970 522 061 33	side section module rear	/L	1	I542/565/830 I832/834/836
(1)	970 522 062 33	side section module rear	/R	1	I542/565/830 I832/834/836
(1)	970 522 061 34	side section module rear	/L	1	I831/833/835
(1)	970 522 062 34	side section module rear	/R	1	I831/833/835
(1)	970 522 061 35	side section module rear	/L	1	I565/831/833 I835

Model	Year	MG	SG	Illustration	Restrictions	UPD	13:10	04.03.2010	PORSCHE	PET	PORSCHE
970	2010	8	17	817-55		248					

Pos	Part Number	Description	Remark	Qty	Model	Pos	Part Number	Description	Remark	Qty	Model
(1)	970 522 062 35	side section module rear	/R	1	I565/831/833 I835		DAG	Platinum Grey			
2	970 522 151 00	cover side section rear	/L	1	I830/832/834 I836/938/940		DAH	Luxor Beige			
	DAA	black				(2)	970 522 152 02	cover side section rear	/R	1	I830/832/834 I836/941/943
	DAB	Platinum Grey					DAF	black			
	DAC	Luxor Beige					DAG	Platinum Grey			
(2)	970 522 152 00	cover side section rear	/R	1	I830/832/834 I836/938/940		DAH	Luxor Beige			
	DAA	black					DAJ	Yachting Blue			
	DAB	Platinum Grey				(2)	970 522 151 03	cover side section rear	/L	1	I565/830/832 I834/836/941 I943
	DAC	Luxor Beige					DAF	black			
(2)	970 522 151 01	cover side section rear	/L	1	I565/830/832 I834/836/938 I940		DAG	Platinum Grey			
	DAA	black					DAH	Luxor Beige			
	DAB	Platinum Grey					DAJ	Yachting Blue			
	DAC	Luxor Beige					DAL	Cream			
(2)	970 522 152 01	cover side section rear	/R	1	I565/830/832 I834/836/938 I940	(2)	970 522 152 03	cover side section rear	/R	1	I565/830/832 I834/836/941 I943
	DAA	black					DAF	black			
	DAB	Platinum Grey					DAG	Platinum Grey			
	DAC	Luxor Beige					DAH	Luxor Beige			
(2)	970 522 151 02	cover side section rear	/L	1	I830/832/834 I836/941/943		DAJ	Yachting Blue			
	DAF	black					DAL	Cream			

Model	Year	MG	SG	Illustration	Restrictions	UPD	13:10	04.03.2010	PORSCHE	PET	PORSCHE
970	2010	8	17	817-55		248					

Pos	Part Number	Description	Remark	Qty	Model	Pos	Part Number	Description	Remark	Qty	Model
(2)	970 522 151 04	cover side section rear DAM Espresso DAN Cognac DAO Cedar	/L	1	I830/832/834 I836/941/943 I998	(2)	970 522 152 06	cover side section rear DAA black DAB Platinum Grey DAC Luxor Beige	/R	1	I831/833/835 I938
(2)	970 522 152 04	cover side section rear DAM Espresso DAN Cognac DAO Cedar	/R	1	I830/832/834 I836/941/943 I998	(2)	970 522 151 07	cover side section rear DAA black DAB Platinum Grey DAC Luxor Beige	/L	1	I565/831/833 I835/938
(2)	970 522 151 05	cover side section rear DAM Espresso DAN Cognac DAO Cedar	/L	1	I565/830/832 I834/836/941 I943/998	(2)	970 522 152 07	cover side section rear DAA black DAB Platinum Grey DAC Luxor Beige	/R	1	I565/831/833 I835/938
(2)	970 522 152 05	cover side section rear DAM Espresso DAN Cognac DAO Cedar	/R	1	I565/830/832 I834/836/941 I943/998	(2)	970 522 151 08	cover side section rear DAF black DAG Platinum Grey DAH Luxor Beige DAJ Yachting Blue DAL Cream	/L	1	I831/833/835 I943
(2)	970 522 151 06	cover side section rear DAA black DAB Platinum Grey	/L	1	I831/833/835 I938	(2)	970 522 152 08	cover side section rear DAF black	/R	1	I831/833/835 I943

Model	Year	MG	SG	Illustration	Restrictions	UPD	13:10	04.03.2010	PORSCHE	PET	PORSCHE
970	2010	8	17	817-55		248					

Pos	Part Number	Description	Remark	Qty	Model	Pos	Part Number	Description	Remark	Qty	Model
		DAG Platinum Grey					DAO Cedar				
		DAH Luxor Beige				(2)	970 522 151 11 cover	/L		1	I565/831/833 I835/943/998
		DAJ Yachting Blue					side section rear				
		DAL Cream					DAM Espresso				
(2)	970 522 151 09	cover	/L	1	I565/831/833 I835/943		DAN Cognac				
		side section rear					DAO Cedar				
		DAF black				(2)	970 522 152 11 cover	/R		1	I565/831/833 I835/943/998
		DAG Platinum Grey					side section rear				
		DAH Luxor Beige					DAM Espresso				
		DAJ Yachting Blue					DAN Cognac				
		DAL Cream					DAO Cedar				
(2)	970 522 152 09	cover	/R	1	I565/831/833 I835/943	(2)	970 522 151 12 cover	/L		1	I542/830/832 I834/836/938
		side section rear					side section rear				
		DAF black					DAA black				
		DAG Platinum Grey					DAB Platinum Grey				
		DAH Luxor Beige					DAC Luxor Beige				
		DAJ Yachting Blue									
		DAL Cream				(2)	970 522 152 12 cover	/R		1	I542/830/832 I834/836/938
(2)	970 522 151 10	cover	/L	1	I831/833/835 I943/998		side section rear				
		side section rear					DAA black				
		DAM Espresso					DAB Platinum Grey				
		DAN Cognac					DAC Luxor Beige				
		DAO Cedar				(2)	970 522 151 13 cover	/L		1	I542/565/830 I832/834/836 I938
(2)	970 522 152 10	cover	/R	1	I831/833/835 I943/998		side section rear				
		side section rear					DAA black				
		DAM Espresso					DAB Platinum Grey				
		DAN Cognac					DAC Luxor Beige				

Model	Year	MG	SG	Illustration	Restrictions	UPD	13:10	04.03.2010	PORSCHE	PET	PORSCHE
970	2010	8	17	817-55		248					

Pos	Part Number	Description	Remark	Qty	Model	Pos	Part Number	Description	Remark	Qty	Model
(2)	970 522 152 13	cover side section rear DAA black DAB Platinum Grey DAC Luxor Beige	/R	1	I542/565/830 I832/834/836 I938	(2)	970 522 152 15	cover side section rear DAF black DAG Platinum Grey DAH Luxor Beige DAJ Yachting Blue	/R	1	I542/565/830 I832/834/836 I943
(2)	970 522 151 14	cover side section rear DAF black DAG Platinum Grey DAH Luxor Beige DAJ Yachting Blue DAL Cream	/L	1	I542/830/832 I834/836/943	(2)	970 522 151 16	cover side section rear DAM Espresso DAN Cognac DAO Cedar	/L	1	I542/830/832 I834/836/943 I998
(2)	970 522 152 14	cover side section rear DAF black DAG Platinum Grey DAH Luxor Beige DAJ Yachting Blue DAL Cream	/R	1	I542/830/832 I834/836/943	(2)	970 522 152 16	cover side section rear DAM Espresso DAN Cognac DAO Cedar	/R	1	I542/830/832 I834/836/943 I998
(2)	970 522 151 15	cover side section rear DAF black DAG Platinum Grey DAH Luxor Beige DAJ Yachting Blue DAL Cream	/L	1	I542/565/830 I832/834/836 I943	(2)	970 522 151 17	cover side section rear DAM Espresso DAN Cognac DAO Cedar	/L	1	I542/565/830 I832/834/836 I943/998
						(2)	970 522 152 17	cover side section rear	/R	1	I542/565/830 I832/834/836 I943/998

Model	Year	MG	SG	Illustration	Restrictions	UPD	13:10	04.03.2010	PORSCHE	PET	PORSCHE
970	2010	8	17	817-55		248					

Pos	Part Number	Description	Remark	Qty	Model	Pos	Part Number	Description	Remark	Qty	Model
	DAM	Espresso				(2)	970 522 151 20	cover	/L	1	I343/830/832 I834/836/941 I943
	DAN	Cognac						side section rear			
	DAO	Cedar						black			
(2)	970 522 151 18	cover	/L	1	I343/830/832 I834/836/938 I940		DAF	black			
		side section rear					DAG	Platinum Grey			
	DAA	black					DAH	Luxor Beige			
	DAB	Platinum Grey					DAJ	Yachting Blue			
	DAC	Luxor Beige					DAL	Cream			
(2)	970 522 152 18	cover	/R	1	I343/830/832 I834/836/938 I940	(2)	970 522 152 20	cover	/R	1	I343/830/832 I834/836/941 I943
		side section rear						side section rear			
	DAA	black					DAF	black			
	DAB	Platinum Grey					DAG	Platinum Grey			
	DAC	Luxor Beige					DAH	Luxor Beige			
		cover	/L	1	I343/565/830 I832/834/836 I938/940		DAJ	Yachting Blue			
		side section rear				(2)	970 522 151 21	cover	/L	1	I343/565/830 I832/834/836 I941/943
	DAA	black						side section rear			
	DAB	Platinum Grey					DAF	black			
	DAC	Luxor Beige					DAG	Platinum Grey			
(2)	970 522 152 19	cover	/R	1	I343/565/830 I832/834/836 I938/940		DAH	Luxor Beige			
		side section rear					DAJ	Yachting Blue			
	DAA	black				(2)	970 522 152 21	cover	/R	1	I343/565/830 I832/834/836 I941/943
	DAB	Platinum Grey						side section rear			
	DAC	Luxor Beige					DAF	black			
		cover					DAG	Platinum Grey			

Model	Year	MG	SG	Illustration	Restrictions	UPD	13:10	04.03.2010	PORSCHE	PET	PORSCHE
970	2010	8	17	817-55		248					

Pos	Part Number	Description	Remark	Qty	Model	Pos	Part Number	Description	Remark	Qty	Model
(2)	970 522 151 22	DAH Luxor Beige	/L	1	I343/830/832 I834/836/941 I943/998	(2)	970 522 151 24	cover	/L	1	I343/831/833 I835/938
		DAJ Yachting Blue						side section rear			
		DAL Cream						DAA black			
		cover						DAB Platinum Grey			
(2)	970 522 152 22	side section rear	/R	1	I343/830/832 I834/836/941 I943/998	(2)	970 522 152 24	cover	/R	1	I343/831/833 I835/938
		DAM Espresso						side section rear			
		DAN Cognac						DAA black			
		cover						DAB Platinum Grey			
(2)	970 522 151 23	Cedar	/L	1	I343/830/832 I834/836/941 I943/998	(2)	970 522 151 25	Luxor Beige	/L	1	I343/565/831 I833/835/938
		cover						cover			
		side section rear						side section rear			
		DAM Espresso						DAA black			
(2)	970 522 151 23	DAN Cognac	/L	1	I343/565/830 I832/834/836 I941/943/998	(2)	970 522 152 25	DAB Platinum Grey	/R	1	I343/565/831 I833/835/938
		cover						cover			
		side section rear						side section rear			
		DAM Espresso						DAA black			
(2)	970 522 152 23	DAN Cognac	/R	1	I343/565/830 I832/834/836 I941/943/998	(2)	970 522 152 25	DAB Platinum Grey	/R	1	I343/565/831 I833/835/938
		cover						cover			
		side section rear						side section rear			
		DAM Espresso						DAA black			
(2)	970 522 152 23	DAO Cedar	/R	1	I343/565/830 I832/834/836 I941/943/998	(2)	970 522 151 26	DAC Luxor Beige	/L	1	I343/831/833 I835/943
		cover						cover			
		side section rear						side section rear			
		DAM Espresso						DAA black			
(2)	970 522 152 23	DAN Cognac	/R	1	I343/565/830 I832/834/836 I941/943/998	(2)	970 522 151 26	DAB Platinum Grey	/L	1	I343/831/833 I835/943
		cover						cover			
		side section rear						side section rear			
		DAM Espresso						DAA black			
(2)	970 522 152 23	DAO Cedar	/R	1	I343/565/830 I832/834/836 I941/943/998	(2)	970 522 151 26	DAG Platinum Grey	/L	1	I343/831/833 I835/943
		cover						cover			
		side section rear						side section rear			
		DAM Espresso						DAA black			
(2)	970 522 152 23	DAN Cognac	/R	1	I343/565/830 I832/834/836 I941/943/998	(2)	970 522 151 26	DAH Luxor Beige	/L	1	I343/831/833 I835/943
		cover						cover			
		side section rear						side section rear			
		DAM Espresso						DAA black			
(2)	970 522 152 23	DAO Cedar	/R	1	I343/565/830 I832/834/836 I941/943/998	(2)	970 522 151 26	DAJ Yachting Blue	/L	1	I343/831/833 I835/943
		cover						cover			
		side section rear						side section rear			
		DAM Espresso						DAA black			

Model	Year	MG	SG	Illustration	Restrictions	UPD	13:10	04.03.2010	PORSCHE	PET	PORSCHE
970	2010	8	17	817-55		248					

Pos	Part Number	Description	Remark	Qty	Model	Pos	Part Number	Description	Remark	Qty	Model
(2)	970 522 152 26	DAL Cream cover side section rear DAF black DAG Platinum Grey DAH Luxor Beige DAJ Yachting Blue DAL Cream	/R	1	I343/831/833 I835/943	(2)	970 522 152 28	cover side section rear DAM Espresso DAN Cognac DAO Cedar	/R	1	I343/831/833 I835/943/998
(2)	970 522 151 27	cover side section rear DAF black DAG Platinum Grey DAH Luxor Beige DAJ Yachting Blue DAL Cream	/L	1	I343/565/831 I833/835/943	(2)	970 522 151 29	cover side section rear DAM Espresso DAN Cognac DAO Cedar	/L	1	I343/565/831 I833/835/943 I998
(2)	970 522 152 27	cover side section rear DAF black DAG Platinum Grey DAH Luxor Beige DAJ Yachting Blue DAL Cream	/R	1	I343/565/831 I833/835/943	(2)	970 522 152 29	cover side section rear DAM Espresso DAN Cognac DAO Cedar	/R	1	I343/565/831 I833/835/943 I998
(2)	970 522 151 28	cover side section rear DAM Espresso DAN Cognac DAO Cedar	/L	1	I343/831/833 I835/943/998	(2)	970 522 151 30	cover side section rear DAA black DAB Platinum Grey DAC Luxor Beige	/L	1	I541/830/832 I834/836/938
(2)	970 522 152 30	cover side section rear DAA black DAB Platinum Grey DAC Luxor Beige	/R	1	I541/830/832 I834/836/938	(2)	970 522 152 30	cover side section rear DAA black DAB Platinum Grey DAC Luxor Beige	/R	1	I541/830/832 I834/836/938

Model	Year	MG	SG	Illustration	Restrictions	UPD	13:10	04.03.2010	PORSCHE	PET	PORSCHE
970	2010	8	17	817-55		248					

Pos	Part Number	Description	Remark	Qty	Model	Pos	Part Number	Description	Remark	Qty	Model
(2)	970 522 151 31	cover side section rear DAA black DAB Platinum Grey DAC Luxor Beige	/L	1	I541/565/830 I832/834/836 I938	(2)	970 522 151 33	cover side section rear DAF black DAG Platinum Grey DAH Luxor Beige DAJ Yachting Blue DAL Cream	/L	1	I541/565/830 I832/834/836 I943
(2)	970 522 152 31	cover side section rear DAA black DAB Platinum Grey DAC Luxor Beige	/R	1	I541/565/830 I832/834/836 I938	(2)	970 522 152 33	cover side section rear DAF black DAG Platinum Grey DAH Luxor Beige DAJ Yachting Blue DAL Cream	/R	1	I541/565/830 I832/834/836 I943
(2)	970 522 151 32	cover side section rear DAF black DAG Platinum Grey DAH Luxor Beige DAJ Yachting Blue DAL Cream	/L	1	I541/830/832 I834/836/943	(2)	970 522 151 34	cover side section rear DAM Espresso DAN Cognac DAO Cedar	/L	1	I541/830/832 I834/836/943 I998
(2)	970 522 152 32	cover side section rear DAF black DAG Platinum Grey DAH Luxor Beige DAJ Yachting Blue DAL Cream	/R	1	I541/830/832 I834/836/943	(2)	970 522 152 34	cover side section rear DAM Espresso DAN Cognac DAO Cedar	/R	1	I541/830/832 I834/836/943 I998

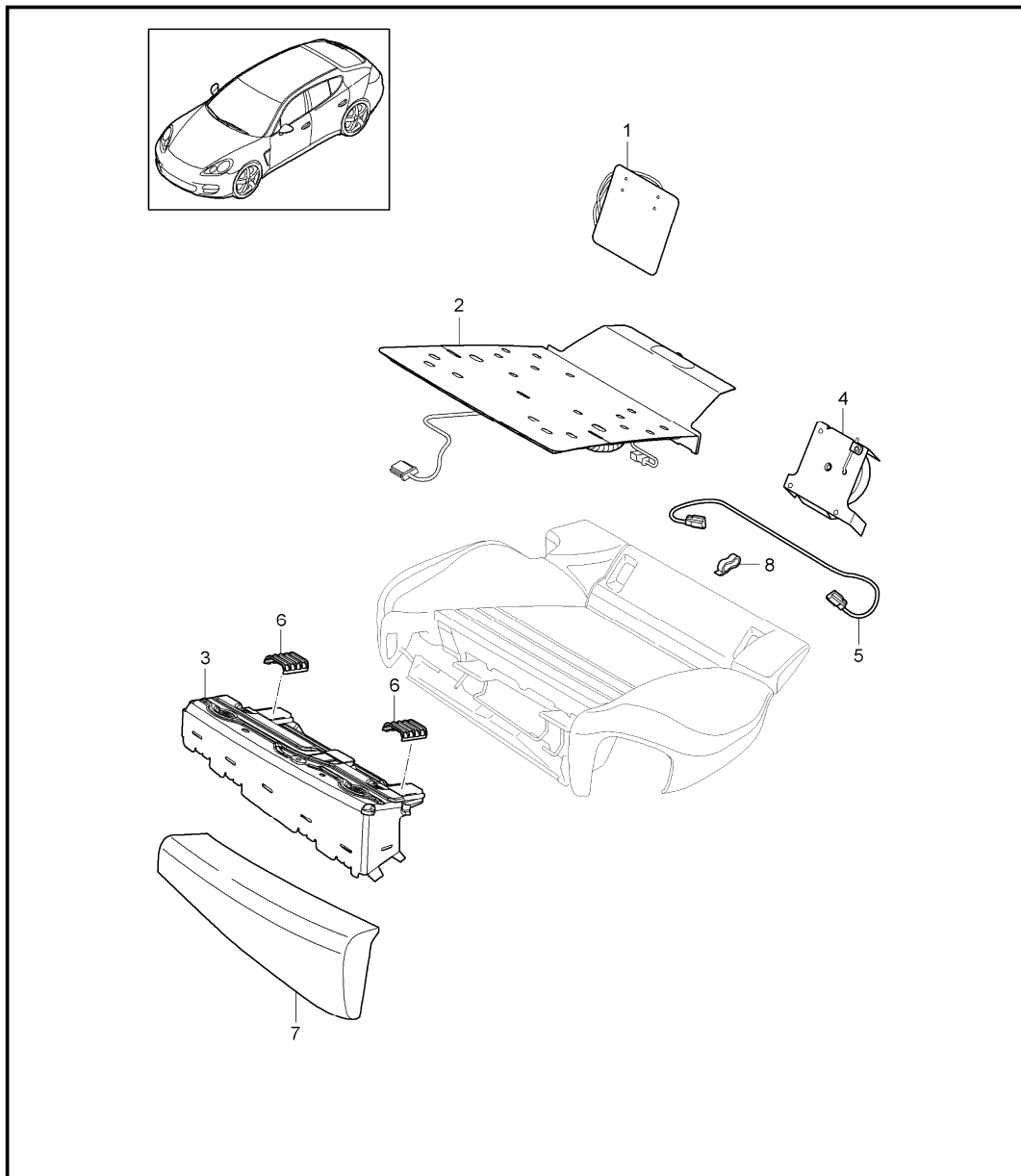
Model	Year	MG	SG	Illustration	Restrictions	UPD	13:10	04.03.2010	PORSCHE	PET	PORSCHE
970	2010	8	17	817-55		248					

Pos	Part Number	Description	Remark	Qty	Model	Pos	Part Number	Description	Remark	Qty	Model
(2)	970 522 151 35	cover side section rear DAM Espresso DAN Cognac DAO Cedar	/L	1	I541/565/830 I832/834/836 I943/998	(2)	970 522 152 37	cover side section rear DAA black DAB Platinum Grey DAC Luxor Beige	/R	1	I343/541/565 I830/832/834 I836/938
(2)	970 522 152 35	cover side section rear DAM Espresso DAN Cognac DAO Cedar	/R	1	I541/565/830 I832/834/836 I943/998	(2)	970 522 151 38	cover side section rear DAF black DAG Platinum Grey DAH Luxor Beige DAJ Yachting Blue DAL Cream	/L	1	I/343/541/ I830/832/834 I836/943
(2)	970 522 151 36	cover side section rear DAA black DAB Platinum Grey DAC Luxor Beige	/L	1	I343/541/830 I832/834/836 I938	(2)	970 522 152 38	cover side section rear DAF black DAG Platinum Grey DAH Luxor Beige DAJ Yachting Blue DAL Cream	/R	1	I/343/541/ I830/832/834 I836/943
(2)	970 522 152 36	cover side section rear DAA black DAB Platinum Grey DAC Luxor Beige	/R	1	I343/541/830 I832/834/836 I938	(2)	970 522 151 39	cover side section rear DAF black DAG Platinum Grey DAH Luxor Beige	/L	1	I343/541/565 I830/832/834 I836/943
(2)	970 522 151 37	cover side section rear DAA black DAB Platinum Grey	/L	1	I343/541/565 I830/832/834 I836/938						

Model	Year	MG	SG	Illustration	Restrictions	UPD	13:10	04.03.2010	PORSCHE	PET	PORSCHE
970	2010	8	17	817-55		248					

Pos	Part Number	Description	Remark	Qty	Model	Pos	Part Number	Description	Remark	Qty	Model
		DAJ Yachting Blue				(2)	970 522 152 41	cover	/R	1	I343/541/565 I830/832/834 I836/943
		DAL Cream						side section rear			
(2)	970 522 152 39	cover	/R	1	I343/541/565 I830/832/834 I836/943			DAM Espresso			
		side section rear						DAN Cognac			
		DAF black						DAO Cedar			
		DAG Platinum Grey									
		DAH Luxor Beige									
		DAJ Yachting Blue									
		DAL Cream									
(2)	970 522 151 40	cover	/L	1	I343/541/830 I832/834/836 I943/998						
		side section rear									
		DAM Espresso									
		DAN Cognac									
		DAO Cedar									
(2)	970 522 152 40	cover	/R	1	I343/541/830 I832/834/836 I943/998						
		side section rear									
		DAM Espresso									
		DAN Cognac									
		DAO Cedar									
(2)	970 522 151 41	cover	/L	1	I343/541/565 I830/832/834 I836/943/998						
		side section rear									
		DAM Espresso									
		DAN Cognac									
		DAO Cedar									

Model	Year	MG	SG	Illustration	Restrictions	UPD	13:10	04.03.2010	PORSCHE	PET	PORSCHE
970	2010	8	17	817-57		248					

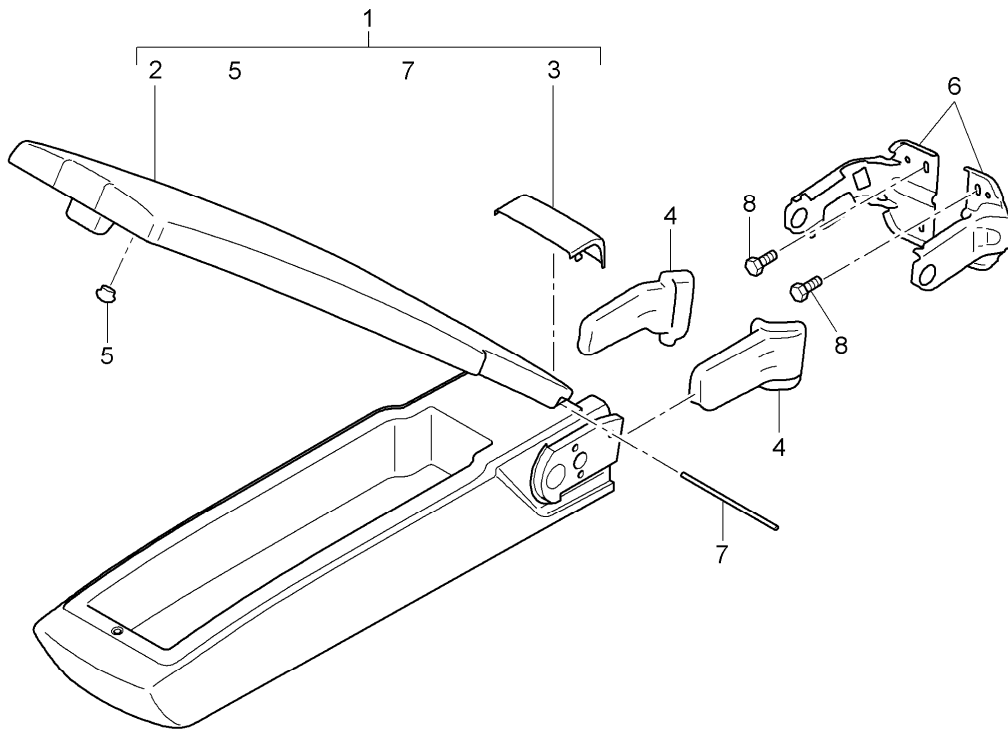
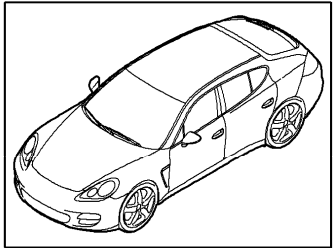


Pos	Part Number	Description	Remark	Qty	Model
		lumbar support adjustment back seat backrest accessories control mechanism electric drive seat cushion			
1	970 522 709 01	airbag lumbar support backrest		1	I834/835/836
(1)	970 522 710 01	airbag lumbar support backrest		1	I834/835/836
(1)	970 522 635 00	airbag		1	I542/830/832 I834/836
2	970 522 671 02	lumbar support backrest airbag lumbar support seat cushion		1	I542/830/832
-	970 617 725 00	valve lumbar support		1	I834/835/836
(2)	970 522 671 03	airbag lumbar support seat cushion		1	I542/834/836
3	970 522 749 00	electric drive seat cushion		1	I834/835/836
(3)	970 522 750 00	electric drive seat cushion		1	I834/835/836
4	970 624 341 00	electric motor ventilation component seat cushion		1	I542
5	970 612 675 00	wiring harness electric motor ventilation component seat cushion		1	I834/835/836
6	970 521 347 00	cover guide rail rear		2	I834/835/836
7	970 522 539 00	foam part electric drive seat cushion	/L	1	I834/835/836
(7)	970 522 539 01	foam part electric drive seat cushion	/L	1	I542/834/836

Model	Year	MG	SG	Illustration	Restrictions	UPD	13:10	04.03.2010	PORSCHE	PET	PORSCHE
970	2010	8	17	817-57		248					

Pos	Part Number	Description	Remark	Qty	Model	Pos	Part Number	Description	Remark	Qty	Model
(7)	970 522 540 00	foam part electric drive seat cushion	/R	1	I834/835/836						
(7)	970 522 540 01	foam part electric drive seat cushion	/R	1	I542/834/836						
8	970 521 857 00	clip cushion seat cushion vented		6	I542/830/832 I834/836						
9	970 620 727 00	compressor lumbar support		1	I834/835/836						

Model	Year	MG	SG	Illustration	Restrictions	UPD	13:10	04.03.2010	PORSCHE	PET	PORSCHE
970	2010	8	17	817-60		248					



Pos	Part Number	Description	Remark	Qty	Model
1	970 522 601 00	armrest centre back seat backrest		1	I830/831/832 I833/834/835 I938/940
		1D0 black			
		3F0 Platinum Grey			
		2E0 Luxor Beige			
(1)	970 522 601 01	armrest centre back seat backrest complete		1	I830/831/832 I833/834/835 I941/943
		8YR black			
		7A0 Platinum Grey			
		9H6 Luxor Beige			
		6U7 Yachting Blue			
		6G0 Cream			
(1)	970 522 601 02	armrest centre back seat backrest complete		1	I830/831/832 I833/834/835 I941/943/998
		8C0 Espresso			
		9EF Cognac			
		7MP Cedar			
2	970 522 611 00	lid armrest back seat backrest		1	I830/831/832 I833/834/835 I938/940
		21U black			
		7EG Platinum Grey			

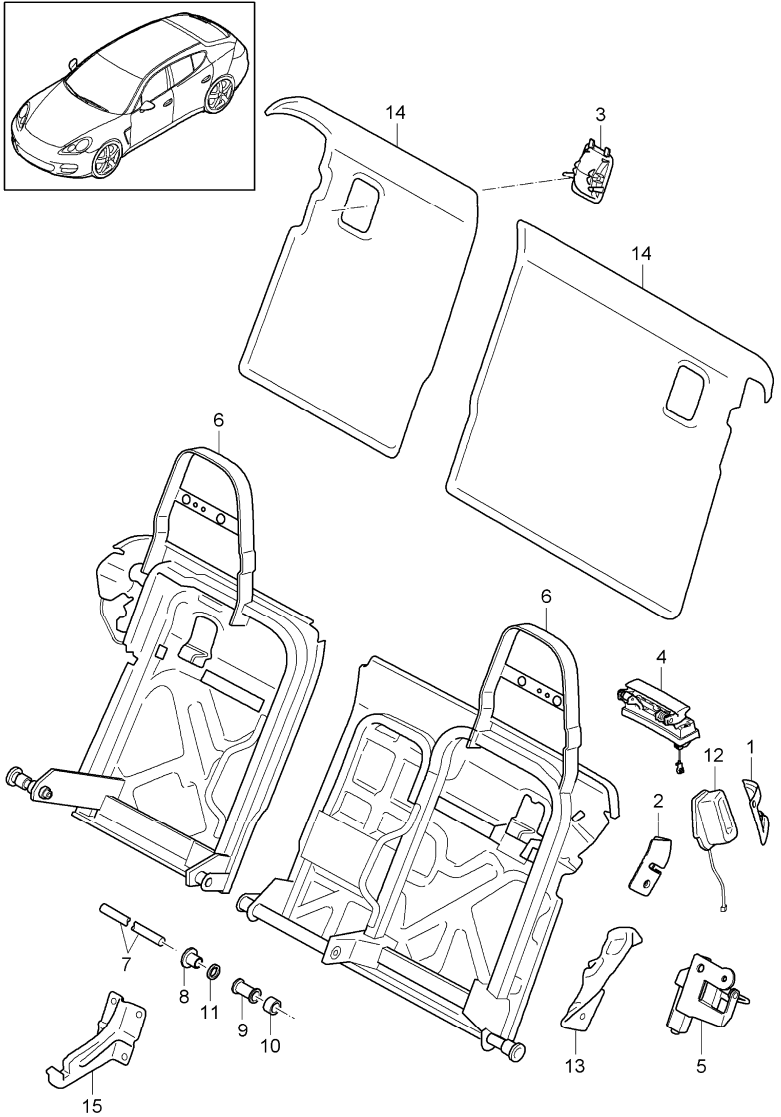
Model	Year	MG	SG	Illustration	Restrictions	UPD	13:10	04.03.2010	PORSCHE	PET	PORSCHE
970	2010	8	17	817-60		248					

Pos	Part Number	Description	Remark	Qty	Model	Pos	Part Number	Description	Remark	Qty	Model
	32X	Luxor Beige					1E0	black			
(2)	970 522 611 01	lid		1	I830/831/832 I833/834/835 I941/943		6L0	Platinum Grey			
		armrest					4H0	Luxor Beige			
		back seat backrest					2F0	Yachting Blue			
	8YR	black					5J0	Cream			
	7A0	Platinum Grey					7N0	Espresso			
	9H6	Luxor Beige					8P0	Cognac			
	6U7	Yachting Blue					9Q0	Cedar			
	6G0	Cream				(4)	970 522 342 00	cover	/R	1	I830/831/832 I833/834/835
(2)	970 522 611 02	lid		1	I830/831/832 I833/834/835 I941/943/998			support			
		armrest						armrest			
		back seat backrest						back seat backrest			
	8C0	Espresso					1E0	black			
	9EF	Cognac					6L0	Platinum Grey			
	7MP	Cedar					4H0	Luxor Beige			
3	970 522 621 00	cover		1	I830/831/832 I833/834/835		2F0	Yachting Blue			
		armrest					5J0	Cream			
		back seat backrest					7N0	Espresso			
	1E0	black					8P0	Cognac			
	6L0	Platinum Grey					9Q0	Cedar			
	4H0	Luxor Beige				5	999 703 491 50	buffer		2	I830/831/832 I833/834/835
	2F0	Yachting Blue						lid			
	5J0	Cream						armrest			
	7N0	Espresso						back seat backrest			
	8P0	Cognac				6	970 522 651 00	support	/L	1	I830/831/832 I833/834/835
	9Q0	Cedar						bracket			
								armrest			
								back seat backrest			
4	970 522 341 00	cover	/L	1	I830/831/832 I833/834/835	(6)	970 522 652 00	support	/R	1	I830/831/832 I833/834/835
		support						bracket			
		armrest						armrest			
		back seat backrest						back seat backrest			

Model	Year	MG	SG	Illustration	Restrictions	UPD	13:10	04.03.2010	PORSCHE	PET	PORSCHE
970	2010	8	17	817-60		248					

Pos	Part Number	Description	Remark	Qty	Model	Pos	Part Number	Description	Remark	Qty	Model
7	970 522 641 00	pin		1	I830/831/832 I833/834/835						
8		lid armrest back seat backrest screw support armrest back seat backrest part number in preparation		4							

Model	Year	MG	SG	Illustration	Restrictions	UPD	13:11	04.03.2010	PORSCHE	PET	PORSCHE
970	2010	8	17	817-62		248					



Pos	Part Number	Description	Remark	Qty	Model
1	970 522 331 00	back seat backrest cover accessories cover	/L	1	I830/831/832 I833/834/835 I836
		release backrest			
	5Q0	black			
	4U0	Platinum Grey			
	6W0	Luxor Beige			
	8Y0	Yachting Blue			
	5V0	Cream			
	3T0	Espresso			
	2S0	Cognac			
	1R0	Cedar			
(1)	970 522 332 00	cover	/R	1	I830/831/832 I833/834/835 I836
		release backrest			
	5Q0	black			
	4U0	Platinum Grey			
	6W0	Luxor Beige			
	8Y0	Yachting Blue			
	5V0	Cream			
	3T0	Espresso			
	2S0	Cognac			
	1R0	Cedar			
2	970 522 339 00	cover		1	I832/833/834 I835
		ski bag backrest			
	1E0	black			
	6L0	Platinum Grey			

Model	Year	MG	SG	Illustration	Restrictions	UPD	13:11	04.03.2010	PORSCHE	PET	PORSCHE
970	2010	8	17	817-62		248					

Pos	Part Number	Description	Remark	Qty	Model	Pos	Part Number	Description	Remark	Qty	Model
	4H0	Luxor Beige				(5)	970 624 362 00	electric motor backrest frame adjustment	/R	1	I834/835/836
	2F0	Yachting Blue									
	7N0	Espresso				6	970 522 201 00	backrest frame complete backrest	/L	1	I830/831
	8P0	Cognac									
3	970 522 315 00	cover		1	I830/831/832 I833/834/835	(6)	970 522 202 00	backrest frame complete backrest	/R	1	
		carpet backrest									
	1E0	black				7	970 522 845 00	bearing pin		1	I832/833/834 I835
	6L0	Platinum Grey						loadspace system backrest			
	4H0	Luxor Beige				8	970 522 853 00	sleeve		1	I830/831/832 I833/834/835 I836
	2F0	Yachting Blue						bearing loadspace system backrest			
	7N0	Espresso									
	8P0	Cognac				9	970 522 855 00	sleeve		1	I832/833/834 I835
4	970 522 725 00	release		1	I830/831/832 I833/834/835			bearing loadspace system backrest			
		complete backrest ski bag									
	1E0	black				10	970 522 865 00	rubber ring		1	I832/833/834 I835
	6L0	Platinum Grey						bearing loadspace system backrest			
	4H0	Luxor Beige				11	970 522 893 00	washer bearing loadspace system backrest		1	
	2F0	Yachting Blue									
	7N0	Espresso									
	8P0	Cognac				12	970 522 711 00	release		1	I830/831/832 I833/834/835 I836
5	970 522 415 01	electric motor	/L	1	I/834/835/ I836			back seat backrest complete			
		seat adjuster									
(5)	970 522 416 01	electric motor	/R	1	I/834/835/ I836		V08	galvano silver			
		seat adjuster				(12)	970 522 712 00	release		1	I830/831/832 I833/834/835 I836
(5)	970 624 361 00	electric motor	/L	1	I834/835/836			back seat backrest complete			
		backrest frame adjustment					V08	galvano silver			

Model	Year	MG	SG	Illustration	Restrictions	UPD	13:11	04.03.2010	PORSCHE	PET	PORSCHE
970	2010	8	17	817-62		248					

Pos	Part Number	Description	Remark	Qty	Model	Pos	Part Number	Description	Remark	Qty	Model
13	970 522 311 00	cover release lock		1			9D0	Espresso			
	1E0	black					9E0	Cognac			
	6L0	Platinum Grey				(14)	970 522 401 01	carpet cover		1	I832/833/834 I835/836
	4H0	Luxor Beige						back seat backrest			
	2F0	Yachting Blue					6B0	black			
	7N0	Espresso					8E0	Platinum Grey			
	8P0	Cognac					7K0	Luxor Beige			
(13)	970 522 312 00	cover release lock		1			6D0	Yachting Blue			
	1E0	black					9D0	Espresso			
	6L0	Platinum Grey				15	970 522 215 00	bearing		1	I830/831/832 I833/834/835 I836
	4H0	Luxor Beige						back seat backrest centre			
	2F0	Yachting Blue				16	970 522 337 00	cover		1	I832/833/834 I835
	7N0	Espresso						release ski bag			
	8P0	Cognac					5Q0	black			
14	970 522 401 00	carpet cover back seat backrest		1	I830/831		4U0	Platinum Grey			
	6B0	black					6W0	Luxor Beige			
	8E0	Platinum Grey					8Y0	Yachting Blue			
	7K0	Luxor Beige					5V0	Cream			
	6D0	Yachting Blue					3T0	Espresso			
	9D0	Espresso					2S0	Cognac			
	9E0	Cognac					1R0	Cedar			
(14)	970 522 402 00	carpet cover back seat backrest		1		17	970 522 471 01	foam part	/L/R	1	I830/831/832 I833/834/835 I836
	6B0	black						head rest back seat backrest			
	8E0	Platinum Grey									
	7K0	Luxor Beige									
	6D0	Yachting Blue									

PORSCHE

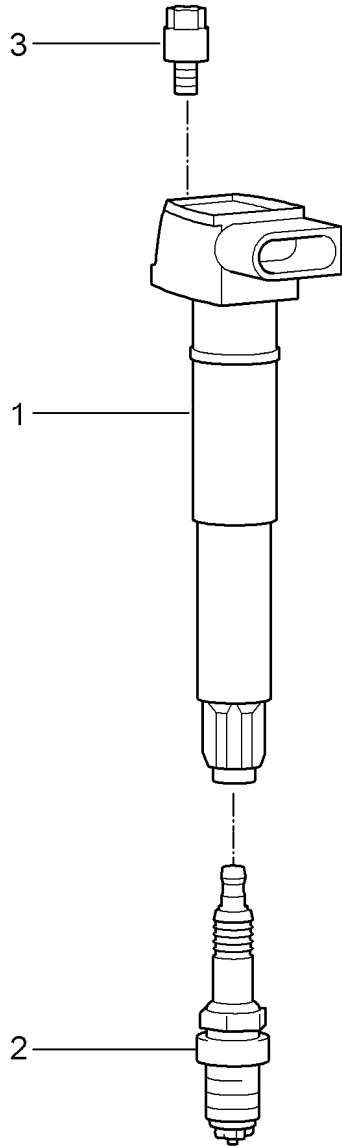
PET

PORSCHE

Model	Year	MG	SG	Illustration	Restrictions	UPD	11:27	05.03.2010
970	2010	8	98	898-00R		249		

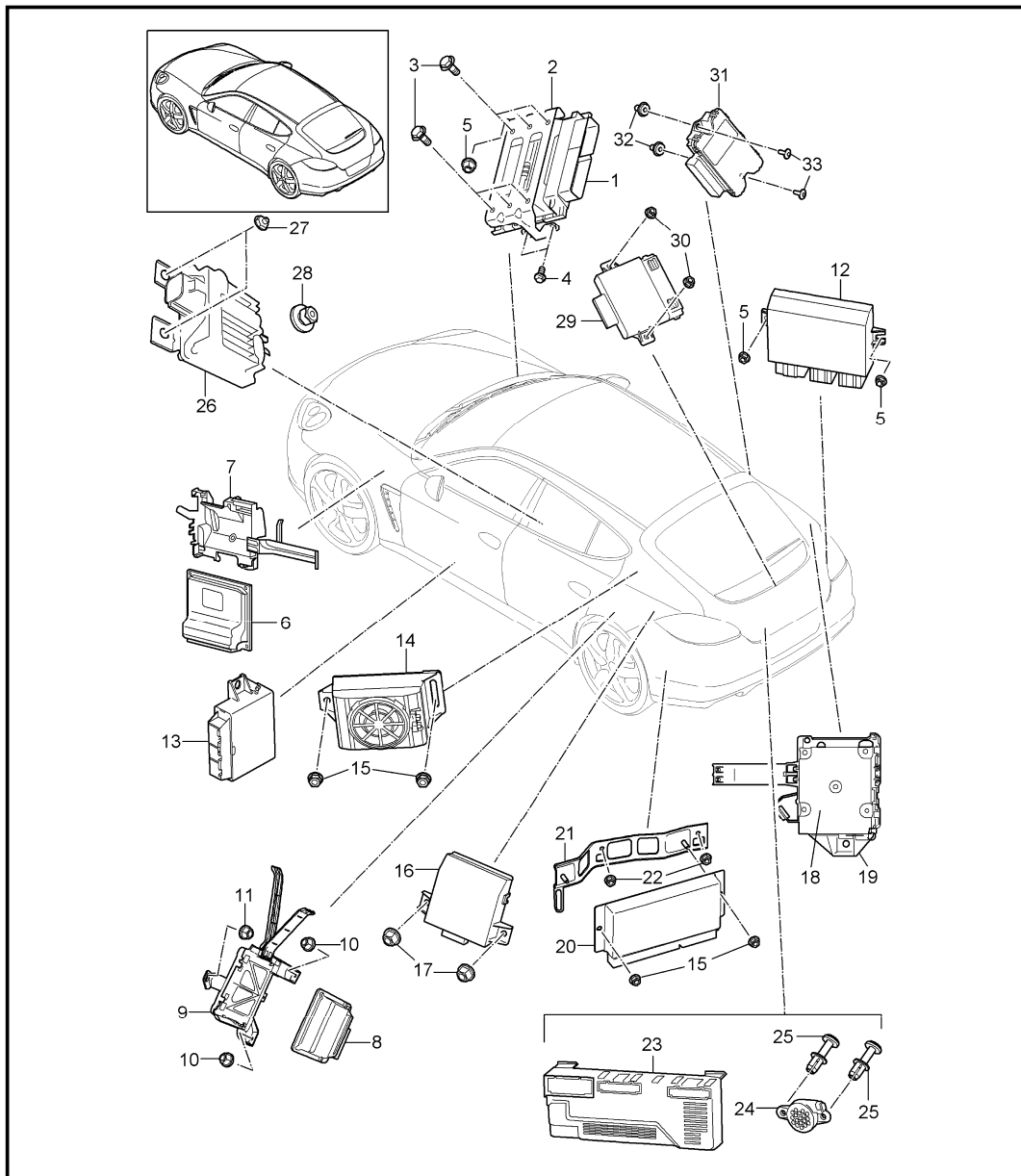
Pos	Part Number	Description	Remark	Qty	Model
		set of locks			
>>	>>970 538 901 00	set of locks	/LL	1	I524
>>	>>970 538 901 01	set of locks	/RL	1	I524
>>	>>970 538 901 03	set of locks	/RL	1	I525
>>	>>970 538 901 04	set of locks	/LL	1	I193
>>	>>970 538 901 05	set of locks	/RL	1	I193

Model	Year	MG	SG	Illustration	Restrictions	UPD	13:11	04.03.2010	PORSCHE	PET	PORSCHE
970	2010	9	01	901-00		248					



Pos	Part Number	Description	Remark	Qty	Model
		ignition system			
1	948 602 104 04	ignition coil		X 8	M48.20/40/70
2	999 170 130 90	spark plug FGR 5NQE		8	M48.20/40
(2)	999 170 228 90	spark plug FR6 NPP		8	M48.70
3	948 105 146 00	screw		8	M48.20/40/70

Model	Year	MG	SG	Illustration	Restrictions	UPD	13:11	04.03.2010	PORSCHE	PET	PORSCHE
970	2010	9	01	901-03		248					

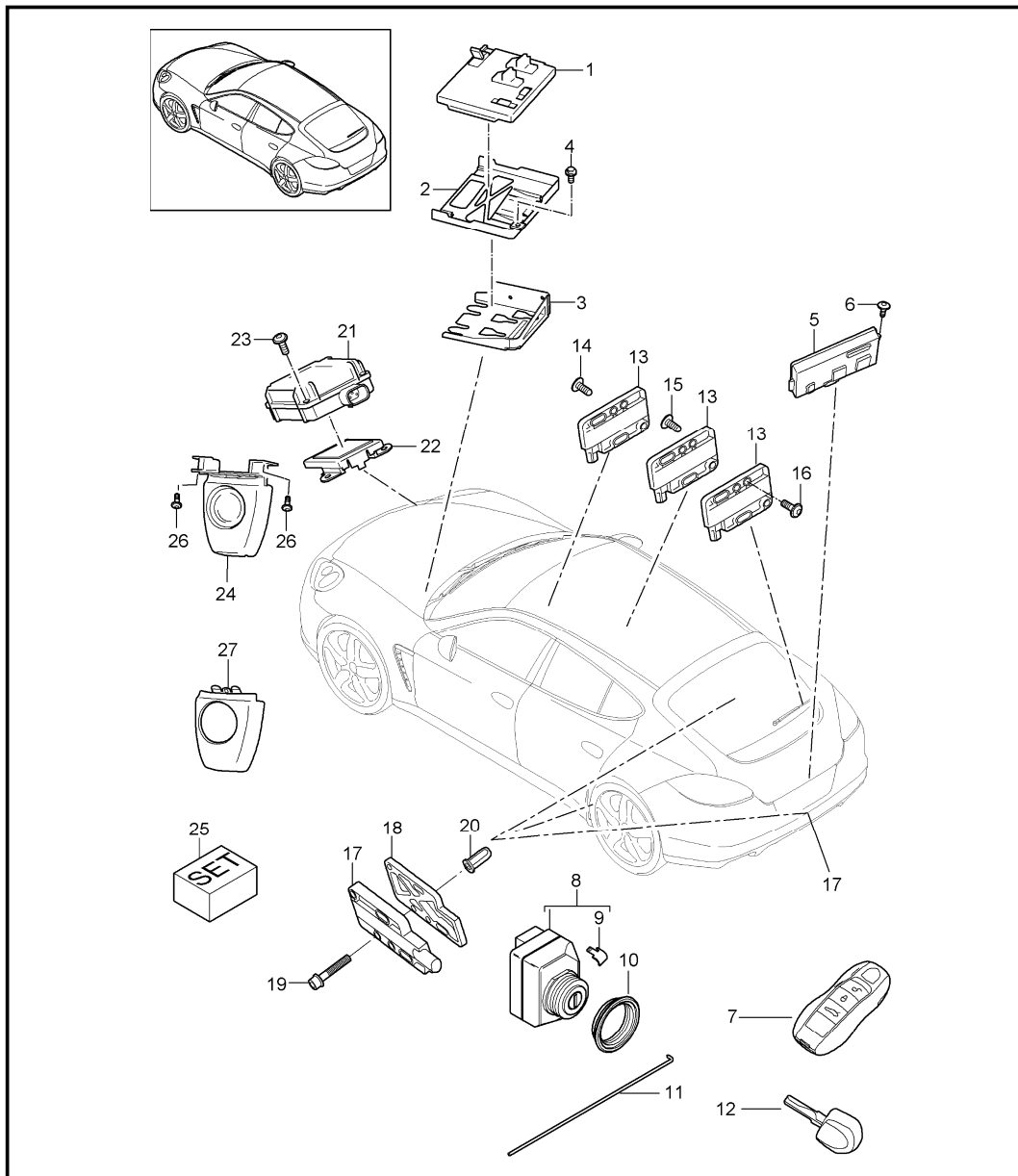


Pos	Part Number	Description	Remark	Qty	Model
		control units engine and transmission lock control trailer coupling ParkAssist gateway -PDCC- rear lid fuel pump Start/Stop Electric parking brake			
1	970 618 601 02	control unit - dme -		1	
2	970 618 129 01	support		1	
3	999 141 044 09	oval-head screw M 6 X 16		6	
4	900 378 252 01	hexagon-head bolt M 6 X 16		2	
5	999 084 629 01	hexagon nut M 6		1	
6	U 970 618 270 05	control unit pdk		1	I250
6	970 618 270 06	control unit pdk		1	I250
-	999 507 172 01	u-clamp		2	
7	970 618 263 01	support		1	I250
8	970 618 171 03	control unit lock control transverse		1	I220/338
(8)	970 618 181 03	control unit lock control transverse		1	I220/339
9	970 618 205 01	support with PASM		1	
10	999 084 629 01	hexagon nut M 6		4	
11	999 084 633 01	hexagon nut M 6		1	
12	7P0 907 383 D	control unit trailer coupling		1	I206

Model	Year	MG	SG	Illustration	Restrictions	UPD	13:11	04.03.2010	PORSCHE	PET	PORSCHE
970	2010	9	01	901-03		248					

Pos	Part Number	Description	Remark	Qty	Model	Pos	Part Number	Description	Remark	Qty	Model
13	970 618 183 04	control unit ParkAssist		1	I636/638	26	970 618 151 02	control unit fuel pump		1	
(13)	970 618 185 02	control unit ParkAssist		1	I635/637	27	999 049 025 09	collar nut T5		2	
14	7PP 035 709 A	loudspeaker ParkAssist rear		1	I636/638	28	970 618 377 00	mounting piece		1	
15	900 377 018 09	hexagon nut M 6		5		29	7PP 959 663	Voltage converter Start/Stop		1	I642
		loudspeaker ParkAssist front is a component of instrument cluster				30	900 380 015 01	hexagon nut M 6		2	
16	970 618 115 05	control unit gateway		1		31	A 970 618 109 08	control unit Electric parking brake see technical information 46624 46854		1	
17	999 076 081 40	plastic nut T 5		5		31	970 618 109 08	control unit Electric parking brake see technical information 46624 46854		1	
18	970 618 733 02	control unit reversing camera		1	I637/638	32	970 618 209 00	expander nut		2	
19	970 618 203 00	support control unit reversing camera and tyre pressure monitoring		1		33	999 073 418 01	tapping screw 4,8 X 19		2	
20	970 618 107 03	control unit - PDCC -		1	I351						
21	970 618 207 00	support		1	I351						
22	999 084 633 01	hexagon nut M 6		2							
23	4H0 959 107 G	control unit rear lid included clip		1	I867						
24	8E0 919 279	loudspeaker		1	I867						
25	999 507 706 40	expander nut		2	I867						
		control unit door see illustrations 9-02-15									

Model	Year	MG	SG	Illustration	Restrictions	UPD	13:11	04.03.2010	PORSCHE	PET	PORSCHE
970	2010	9	01	901-04		248					



Pos	Part Number	Description	Remark	Qty	Model
1	7PP 907 064 BA	control units Electronics body front section rear end ignition starter switch garage door opener antenna Distance sensor		1	I525
(1)	7PP 907 064 AT	control unit Electronics body front section		1	I524
2	7PP 907 348 A	support		1	
3	970 618 533 01	support		1	
4	N 908 204 01	hexagon-head bolt M 6 X 16		2	
5	7PP 907 279 J	control unit Electronics rear end		1	
6	999 919 099 01	oval-head screw 5,0 X 20		1	
7	970 637 947 03	Handheld transmitter key cover vehicle identification no. indicate		1	I525
(7)	970 637 948 03	Handheld transmitter key cover vehicle identification no. indicate		1	I193/525
(7)	970 637 946 02	Handheld transmitter key cover vehicle identification no. indicate		1	I524
-	999 611 108 00	battery Handheld transmitter		1	
8	7PP 905 865 B	control unit ignition starter switch		1	-I625
(8)	7PP 905 865 C	control unit ignition starter switch	-10	1	I625
(8)	7PP 905 865 B	control unit ignition starter switch	11-	1	I625

Model	Year	MG	SG	Illustration	Restrictions	UPD	13:11	04.03.2010	PORSCHE	PET	PORSCHE
970	2010	9	01	901-04		248					

Pos	Part Number	Description	Remark	Qty	Model	Pos	Part Number	Description	Remark	Qty	Model
9	970 618 959 00	cover release Handheld transmitter		1		26	999 919 257 01	oval-head screw 6,0 X 20,0		2	I456
10	7PP 911 094	nut		1		27	970 605 186 00	trim cover		1	I456
11	970 618 761 00	emergency operation release ignition starter switch		1			1E0	black alarm siren control unit tilt sensor see group 9/03/00			
12	7PP 919 157	control part		1	I625						
13	7PP 962 132 A	antenna inner		3	I625						
14	999 073 139 01	oval-head screw M 5 X 25		2							
15	999 919 264 01	oval-head screw 3,0 X 8,0		2							
16	999 073 372 01	tapping screw 4,2 X 16		1							
17	7PP 962 132	antenna outer		3	I625						
18	970 637 331 01	support antenna		2	I625						
19	999 073 321 09	oval-head screw M 6 X 25		4							
20	999 500 123 02	blind rivet nut M 6		4							
21	997 618 225 03	control unit garage door opener		1	I608						
(21)	997 618 227 02	control unit garage door opener		1	I607						
22	970 618 257 00	support		1							
23	999 919 134 09	oval-head screw 6,0 X 16,0		3							
24	970 605 085 04	control unit Distance sensor		1	I456						
25	970 605 901 00	repair kit comprising: clip adjusting screw screw clip		1 3 2 1 3	I456						

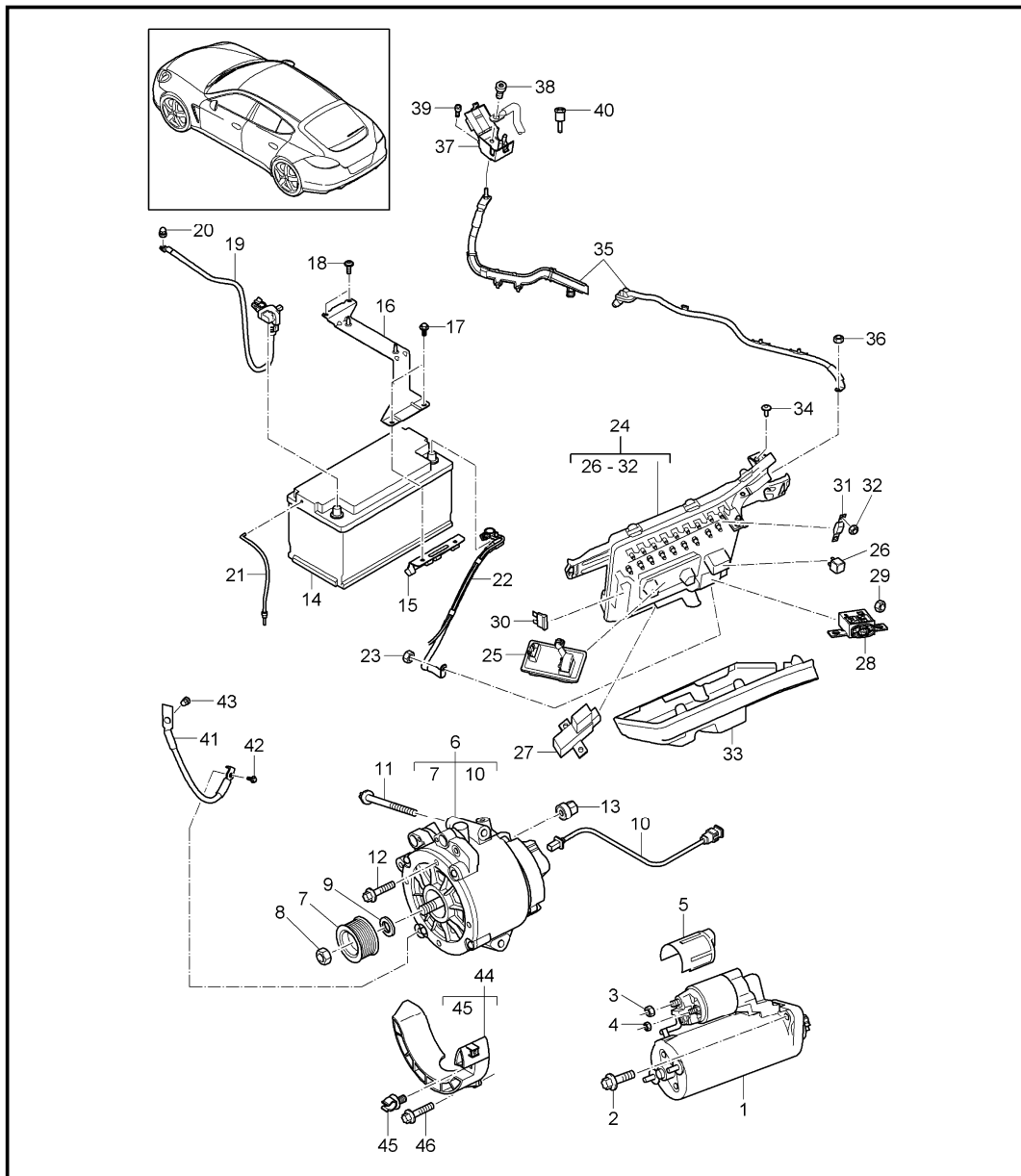
Model	Year	MG	SG	Illustration	Restrictions	UPD	13:11	04.03.2010	PORSCHE	PET	PORSCHE
970	2010	9	02	902-00		248					

Pos	Part Number	Description	Remark	Qty	Model
1	970 610 441 00	central electrical system fusebox housing central electrical system plenum panel		1	
2	970 610 443 00	lid central electrical system included gasket and screw set		1	
3	970 610 445 00	relay carrier 1 central electrical system		1	
4	970 610 343 00	relay carrier 2 central electrical system seat		1	
S1/3	999 657 014 90	relay water pump		1	
S3/3	8D0 951 253	relay		1	
S4/3	955 615 027 00	relay		1	
S5/3	955 615 027 00	relay		1	
S5/4	999 657 015 90	relay		1	
6	970 610 349 00	fusebox luggage compartment		1	
7	999 919 121 09	oval-head screw fusebox luggage compartment		2	
S1/6	999 657 015 90	relay		1	
S2/6	955 615 005 00	relay		1	
S3/6	955 615 008 00	relay		1	
9	999 650 241 90	housing lock double		1	
10	999 650 349 40	lid		1	
11	999 650 681 22	bridge double		1	

Model	Year	MG	SG	Illustration	Restrictions	UPD	13:11	04.03.2010	PORSCHE	PET	PORSCHE
970	2010	9	02	902-00		248					

Pos	Part Number	Description	Remark	Qty	Model	Pos	Part Number	Description	Remark	Qty	Model
13	999 607 105 00	lock 60 A use also: position 14		1		(17)	999 607 085 00	fuse 15 A		X	
(13)	999 607 107 00	lock 80 A use also: position 14		1	S, 4S	(17)	N 017 131 13	fuse 20 A		X	
(13)	999 607 109 00	lock 150 A use also: position 14		1	Turbo	(17)	999 607 087 00	fuse 25 A		X	
						(17)	999 607 088 00	fuse 30 A		X	
						18	999 607 073 00	fuse E40 A		X	
						(18)	999 607 077 00	fuse E60 A		X	
14	900 084 122 02	hexagon nut M 5		6							
15	955 610 211 10	fusebox included lid	/L	1							
-	970 610 361 00	sticker assignment sticker fusebox	/L	1							
-	970 610 365 00	tool for fuse		2							
(15)	955 610 212 00	fusebox included lid	/R	1							
-	970 610 362 00	sticker assignment sticker fusebox	/R	1							
16	999 073 498 01	oval-head screw M 5 X 20 mount Sicherungstr.,ger dashboard		4							
17	999 607 082 00	fuse 5 A		X							
(17)	999 607 083 00	fuse 7,5 A		X							
(17)	999 607 084 00	fuse 10 A		X							

Model	Year	MG	SG	Illustration	Restrictions	UPD	13:11	04.03.2010	PORSCHE	PET	PORSCHE
970	2010	9	02	902-05		248					



Pos	Part Number	Description	Remark	Qty	Model
		starter generator battery power distributor			
1	> 948 604 208 00	starter		1	-I642
1	948 604 208 X	starter		1	-I642
1	> 948 604 210 01	starter		1	I642
1	948 604 210 X	starter		1	I642
2	900 385 011 01	torx screw BM 10 X 45		2	
3	900 377 003 01	hexagon nut M 8		1	
4	900 377 010 02	hexagon nut M 6		1	
5	948 604 119 00	heat protection Magnetschalter		1	
6	U 948 603 023 01	generator		1	M48.20/40
6	U 948 603 023 X	generator		1	M48.20/40
6	> 948 603 023 02	generator		1	M48.20/40
6	948 603 023 BX	generator		1	M48.20/40
(6)	U 948 603 027 01	generator		1	M48.70
(6)	U 948 603 027 X	generator		1	M48.70
(6)	> 948 603 027 02	generator		1	M48.70
(6)	948 603 027 BX	generator		1	M48.70
-	970 111 040 20	heat shield generator		1	M48.20/40
-	900 378 036 01	hexagon-head bolt M 6 X 12 mount heat shield		3	
7	948 603 125 00	pulley		1	
8	948 603 127 00	hexagon nut M 16 X 1,5		1	
9	948 603 129 00	spacer		1	

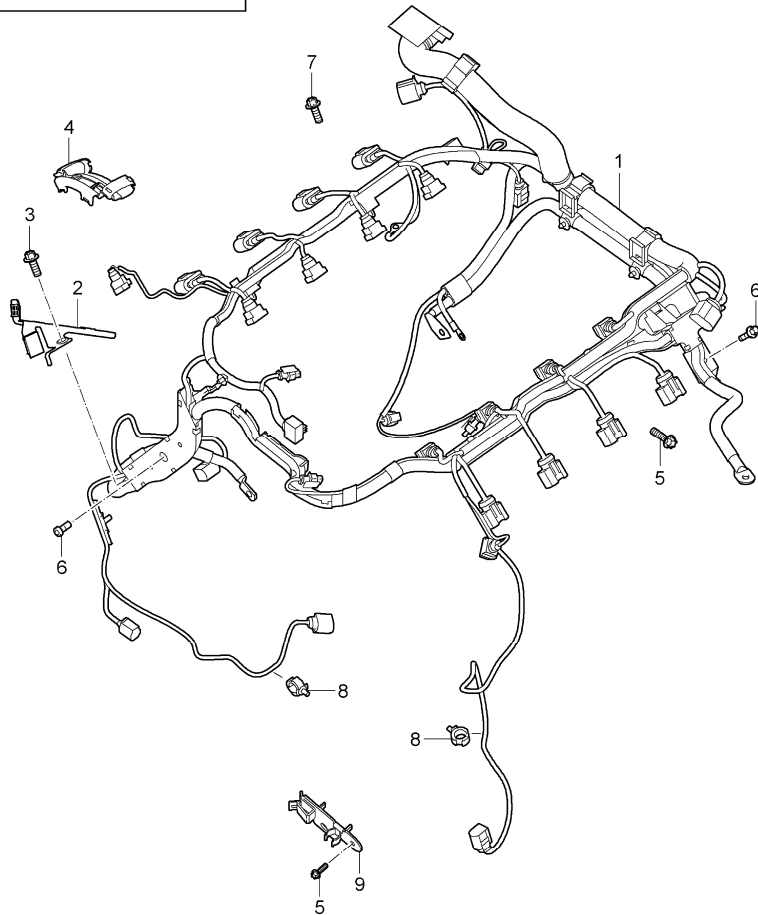
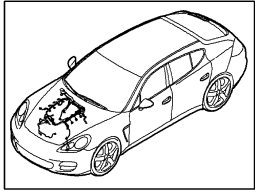
Model	Year	MG	SG	Illustration	Restrictions	UPD	13:11	04.03.2010	PORSCHE	PET	PORSCHE
970	2010	9	02	902-05		248					

Pos	Part Number	Description	Remark	Qty	Model	Pos	Part Number	Description	Remark	Qty	Model
10	948 603 070 00	wiring harness generator		1		26	8D0 951 253	relay use also: Pos. 29		1	
11	900 385 014 01	torx screw BM 8 X 95		2		27	999 657 020 90	relay use also: Pos. 29		2	
12	900 385 042 01	torx screw BM 8 X 35		1		28	999 607 096 90	switch pyrotechnical use also: Pos. 29		1	
13	999 070 016 00	cap nut M 8		1		29	900 084 123 02	hexagon nut M 8		5	
14	7PP 915 105	battery 95 Ah		1		30	999 607 082 00	fuse 5 A use also: Pos. 32		1	
15	970 611 025 00	rail battery		1		31	999 607 099 00	lock 40 A / M 5 use also: Pos. 32		1	
16	970 611 026 00	retaining bar battery		1		(31)	999 607 092 00	lock 60 A / M 5 use also: Pos. 32		2	
17	900 385 156 01	Outer hexagon round screw BM 8 X 20		2		(31)	999 607 095 00	lock 80 A / M 5 use also: Pos. 32		2	
18	999 073 189 01	round head screw M 6 X 12		2		(31)	999 607 093 00	lock 100 A / M 5 use also: Pos. 32		4	
19	970 611 043 03	ground cable battery body sensor		1		32	900 084 122 02	hexagon nut M 5		18	
20	999 070 015 02	cap nut ground cable		1		33	970 610 305 00	lid power distributor		1	
21	970 611 023 01	breather hose		1		34	999 919 121 09	oval-head screw 5,0 X 16,0		1	
22	970 611 013 00	wiring harness battery power distributor		1		-	970 610 123 00	separator for mounting luggage compartment liner		1	
23	900 084 123 02	hexagon nut M 8 power distributor		1		-	999 919 121 09	oval-head screw 5,0 X 16		2	
24	970 610 303 00	power distributor lower part included relay and fuse		1							
25	970 618 075 00	control unit power distributor		1							

Model	Year	MG	SG	Illustration	Restrictions	UPD	13:11	04.03.2010	PORSCHE	PET	PORSCHE
970	2010	9	02	902-05		248					

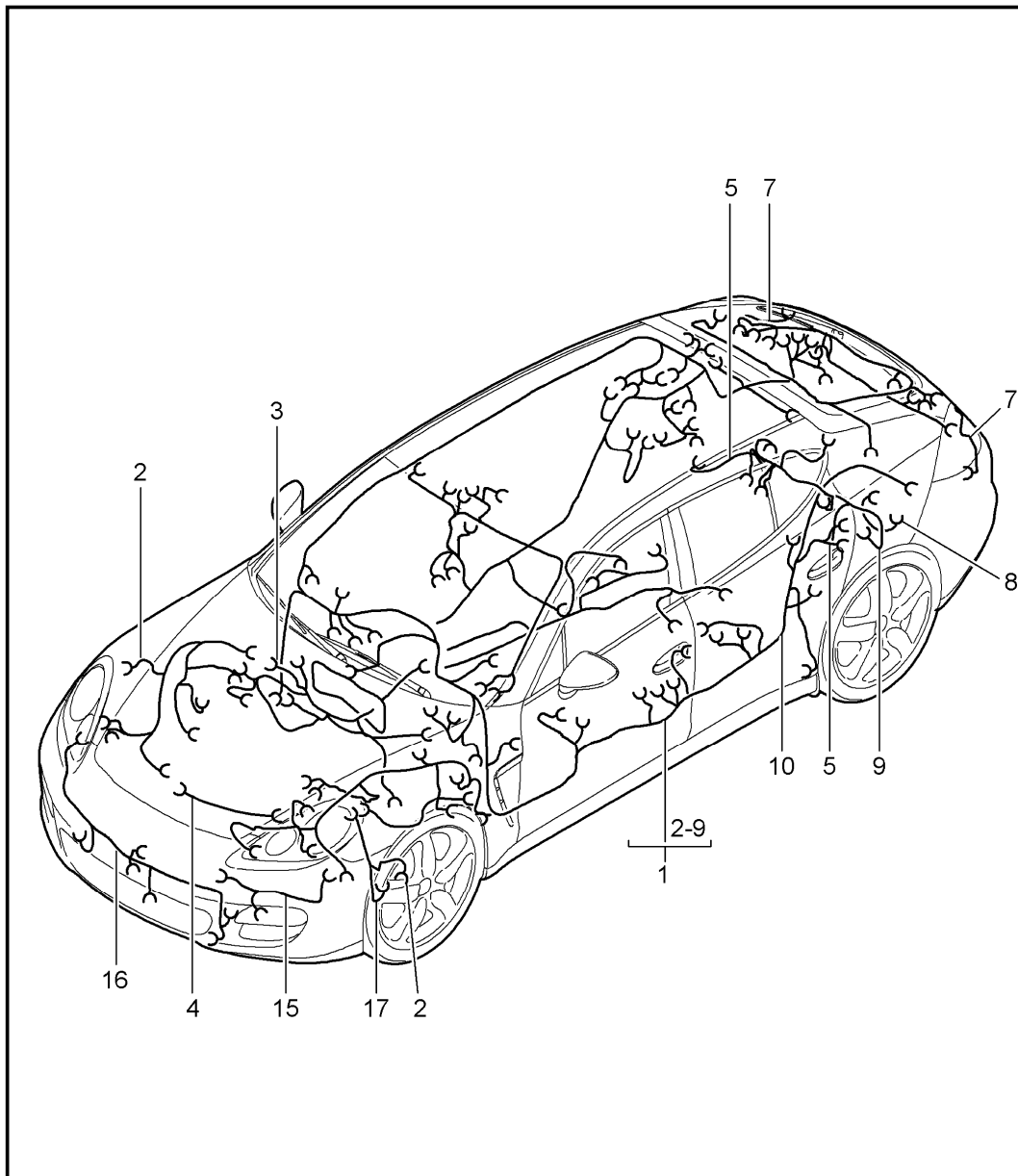
Pos	Part Number	Description	Remark	Qty	Model	Pos	Part Number	Description	Remark	Qty	Model
35	970 611 015 03	wiring harness power distributor connection point engine compartment		1							
36	900 377 003 03	hexagon nut M 8		1							
37	955 611 202 10	connection point cable engine compartment		1							
38	999 044 501 01	Sondermutter M 8		1							
39	900 387 006 01	pan-head screw M 6 X 20		1							
40	999 141 301 01	screw terminal clamp emergency starting M 8		1							
41	970 611 021 01	ground cable generator body		1							
42	900 378 180 01	hexagon-head bolt M 8 X 25		1							
43	999 070 015 02	cap nut		1							
44	948 115 024 20	bracket generator		1							
45	999 507 930 40	hose holder 23,0		1							
46	999 073 908 30	oval-head screw M8 X 35		2							

Model	Year	MG	SG	Illustration	Restrictions	UPD	13:12	04.03.2010	PORSCHE	PET	PORSCHE
970	2010	9	02	902-08		248					



Pos	Part Number	Description	Remark	Qty	Model
1	948 607 005 02	wiring harnesses engine		1	M48.20/40
(1)	948 607 005 72	wiring harness engine		1	M48.70
2	948 607 145 00	heat protection cable generator		1	M48.20/40
(2)	948 607 147 02	heat protection cable generator		1	M48.70
3	999 073 103 01	round head screw M6 X 16		1	
4	970 606 271 02	support wiring harness engine brake booster		1	I099
5	900 385 041 01	torx screw BM 6 X 12 mount ground cable valve cover cable holder		X 4 1	
6	999 073 902 30	oval-head screw M6 X 16 mount cable guide control box cylinder head		X 1 2	
7	900 385 009 01	torx screw BM 6 X 16 mount cable guide cylinder head Sammelrohr		X 4 2	
8	999 507 075 40	cable holder		2	
9	948 607 271 01	support		1	

Model	Year	MG	SG	Illustration	Restrictions	UPD	13:12	04.03.2010	PORSCHE	PET	PORSCHE
970	2010	9	02	902-10		248					



Pos	Part Number	Description	Remark	Qty	Model
		wiring harness passenger compartment bumper FRONT luggage compartment anti-lock brake system brake pad wear indicator front axle			
1	970 612 901 00	wiring harness passenger compartment vehicle identification no. indicate		1	
2	970 612 913 00	wiring harness sub-part front it is necessary to rework	/L	1	
(2)	970 612 914 00	wiring harness sub-part front it is necessary to rework	/R	1	
3	970 612 919 00	wiring harness sub-part engine compartment it is necessary to rework		1	I098
3	970 612 919 50	wiring harness sub-part engine compartment it is necessary to rework		1	I099
4	970 612 915 00	wiring harness sub-part fan it is necessary to rework		1	S, 4S
(4)	970 612 915 10	wiring harness sub-part fan it is necessary to rework		1	Turbo
5	970 612 916 00	wiring harness sub-part underbody it is necessary to rework		1	
6	970 612 918 00	wiring harness sub-part underbody PASM it is necessary to rework		1	

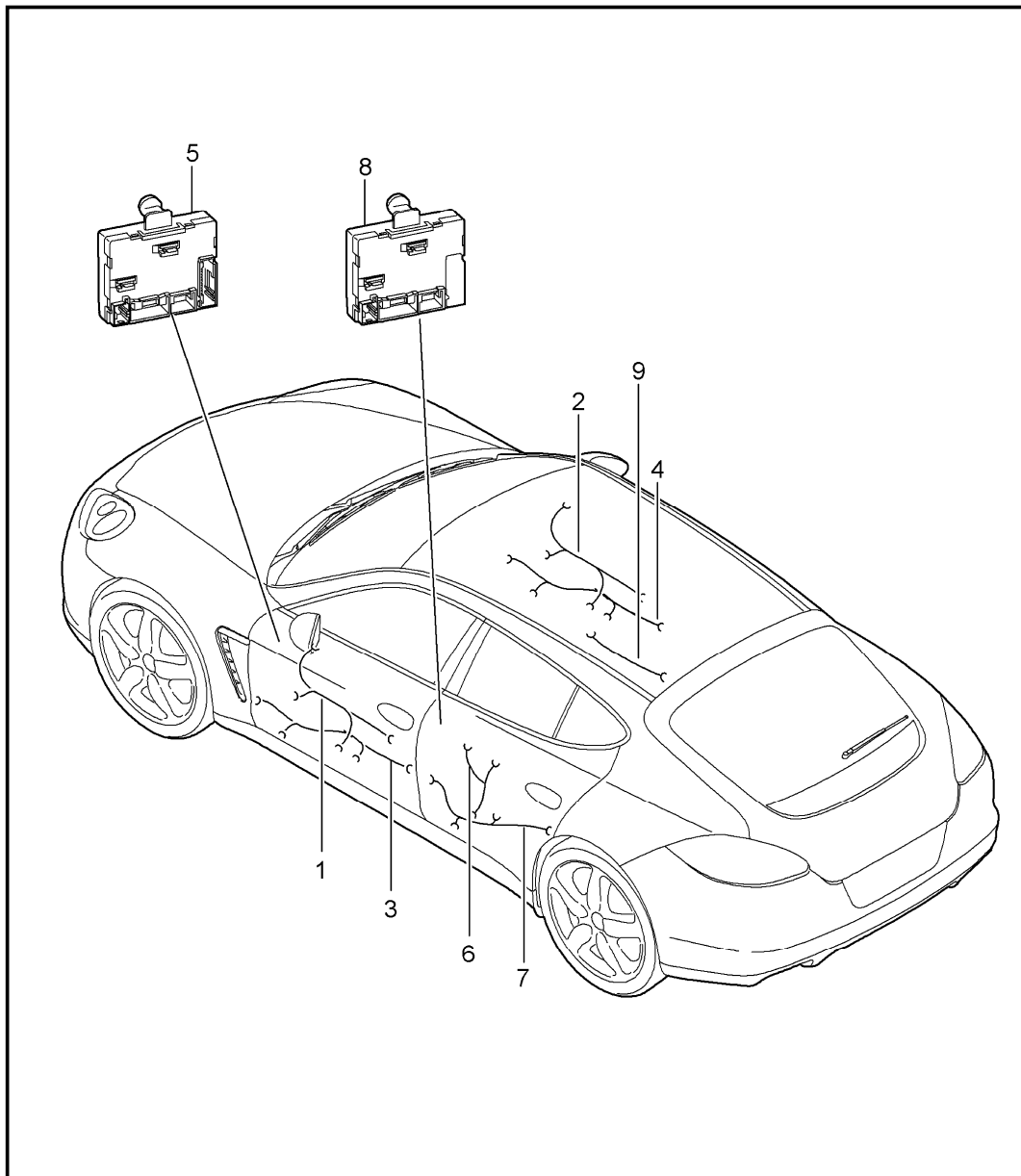
Model	Year	MG	SG	Illustration	Restrictions	UPD	13:12	04.03.2010	PORSCHE	PET	PORSCHE
970	2010	9	02	902-10		248					

Pos	Part Number	Description	Remark	Qty	Model	Pos	Part Number	Description	Remark	Qty	Model
7	970 612 923 00	wiring harness sub-part rear it is necessary to rework	/L /R	2		15	970 612 503 01	wiring harness		2	S, 4S I605
8	970 612 925 00	wiring harness sub-part wheel housing tyre pressure monitoring it is necessary to rework	/L	1		(15)	970 612 505 01	wiring harness		2	S, 4S I605/636/638
(8)	970 612 920 00	wiring harness sub-part wheel housing tyre pressure monitoring it is necessary to rework	/R	1		(15)	970 622 501 00	wiring harness		2	Turbo I605/636/638
9	970 612 921 00	wiring harness sub-part wheel housing tank gauge fuel it is necessary to rework	/L	1		16	970 612 556 01	wiring harness		1	-I456/I608
(9)	970 612 922 00	wiring harness sub-part wheel housing it is necessary to rework	/R	1		(16)	970 612 557 01	wiring harness		1	I456/608
10	970 610 201 02	cable guide wheel housing included speed nut	/L	1		17	970 612 733 00	wiring harness front axle		2	
(10)	970 610 202 00	cable guide wheel housing included speed nut	/R	1		-	970 612 704 01	wiring harness lock control transverse rear axle		1	I220
11	999 073 357 01	oval-head screw		6		-	970 612 899 00	wiring harness PDCC rear axle		1	I351
12	999 076 081 40	plastic nut t5 / 16 X 11,2 cable guide rear seat		X		-	970 612 540 00	wiring harness bonnet included hose for windscreen washer system		1	
13	999 703 433 40	stopper wheel housing rear		2		-	970 612 896 00	wiring harness ground strap connection piece fuel tank		1	
14	996 610 120 01	support plug socket diagnostic connector		1							

Model	Year	MG	SG	Illustration	Restrictions	UPD	13:12	04.03.2010	PORSCHE	PET	PORSCHE
970	2010	9	02	902-10		248					

Pos	Part Number	Description	Remark	Qty	Model	Pos	Part Number	Description	Remark	Qty	Model
		tie-wrap for repair work									
-	N 906 661 01	tie-wrap 4,6 X 200		X							
-	N 904 449 01	tie-wrap 5 X 230		X							
-	955 612 931 00	cable clip 193 X 4 - 45		X							
-	955 612 932 00	cable holder flat		X							
-	955 612 933 00	cable holder high		X							

Model	Year	MG	SG	Illustration	Restrictions	UPD	13:12	04.03.2010	PORSCHE	PET	PORSCHE
970	2010	9	02	902-15		248					

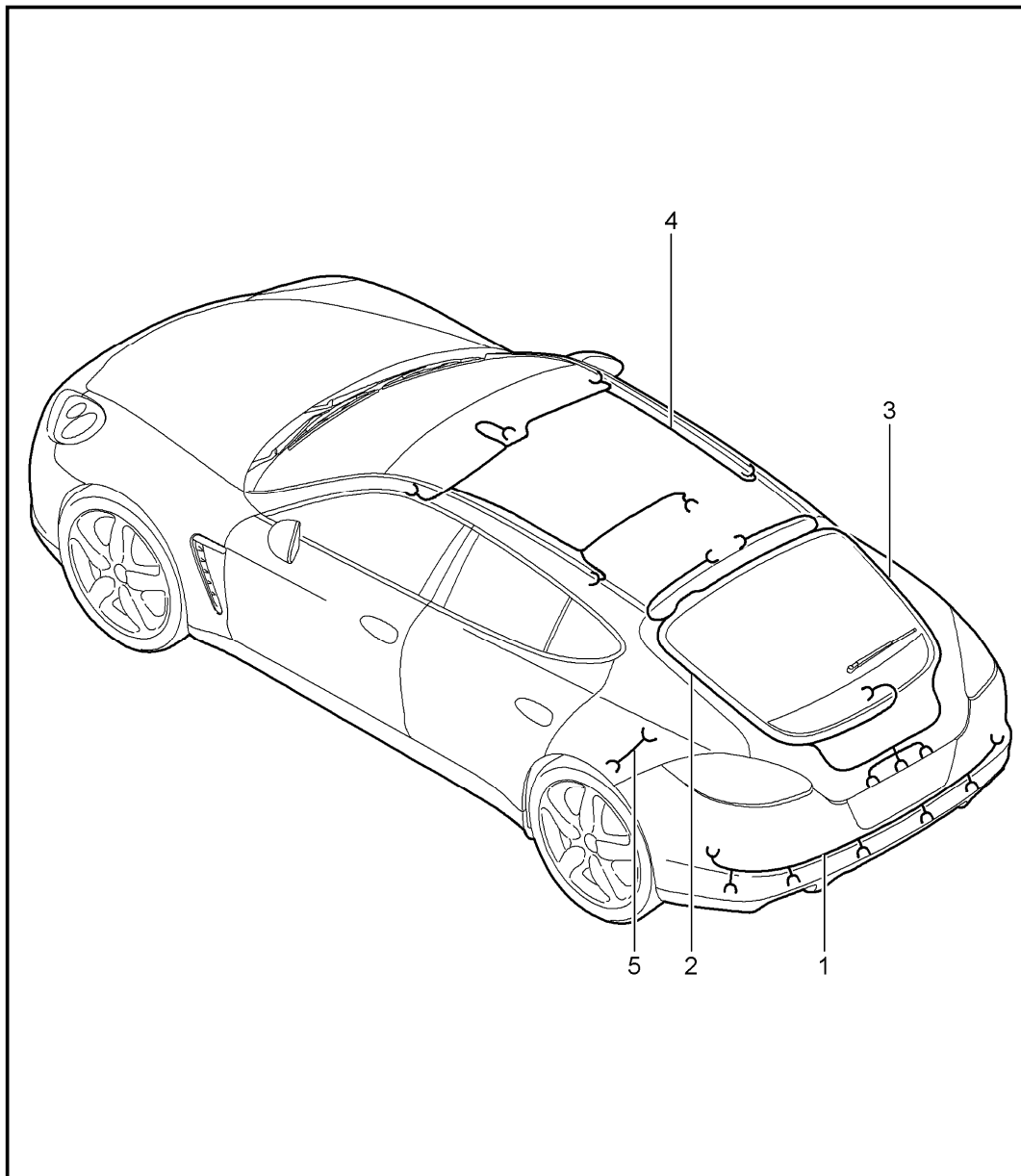


Pos	Part Number	Description	Remark	Qty	Model
		wiring harnesses doors centre console control units door			
		doors front			
1	970 622 751 50	wiring harness door panel driver's side		1	I441
(1)	970 622 753 50	wiring harness door panel driver's side		1	I490
(1)	970 622 755 50	wiring harness door panel driver's side		1	I680
(1)	970 622 757 50	wiring harness door panel driver's side		1	I682
2	970 622 752 50	wiring harness door panel passenger's side		1	I441
(2)	970 622 754 50	wiring harness door panel passenger's side		1	I490
(2)	970 622 756 50	wiring harness door panel passenger's side		1	I680
(2)	970 622 758 50	wiring harness door panel passenger's side		1	I682
3	970 622 705 00	wiring harness assembly frame driver's side		1	I441
(3)	970 622 706 00	wiring harness assembly frame driver's side		1	I490
(3)	970 622 707 00	wiring harness assembly frame driver's side		1	I680
(3)	970 622 708 00	wiring harness assembly frame driver's side		1	I682

Model	Year	MG	SG	Illustration	Restrictions	UPD	13:12	04.03.2010	PORSCHE	PET	PORSCHE
970	2010	9	02	902-15		248					

Pos	Part Number	Description	Remark	Qty	Model	Pos	Part Number	Description	Remark	Qty	Model
4	970 622 713 00	wiring harness assembly frame passenger's side		1	I441	(8)	7PP 959 795 J	control unit door rear end		2	I861
(4)	970 622 714 00	wiring harness assembly frame passenger's side		1	I490	-	970 610 119 00	support connection point door b-pillar		X	
(4)	970 622 715 00	wiring harness assembly frame passenger's side		1	I680	9	970 612 579 00	wiring harness centre console rear		2	
(4)	970 622 716 00	wiring harness assembly frame passenger's side		1	I682	(9)	970 612 583 00	wiring harness centre console rear		1	-I630
-	955 612 640 00	support connection point door a-pillar		2		-	970 612 586 00	wiring harness centre console rear		1	I626
5	7PP 959 793 D	control unit door front driver's side		1				tie-wrap for repair work see group GR. 9/02/10			
(5)	7PP 959 792 D	control unit door front passenger's side doors rear		1							
6	970 622 730 00	wiring harness door panel rear		2	-I630						
(6)	970 622 731 00	wiring harness door panel rear		2	I630						
7	970 622 747 01	wiring harness assembly frame rear		2	I441/490						
(7)	970 622 749 01	wiring harness assembly frame rear		2	I680						
(7)	970 622 750 01	wiring harness assembly frame rear		2	I682						
8	7PP 959 795 H	control unit door rear end		2	-I861						

Model	Year	MG	SG	Illustration	Restrictions	UPD	13:12	04.03.2010	PORSCHE	PET	PORSCHE
970	2010	9	02	902-20		248					

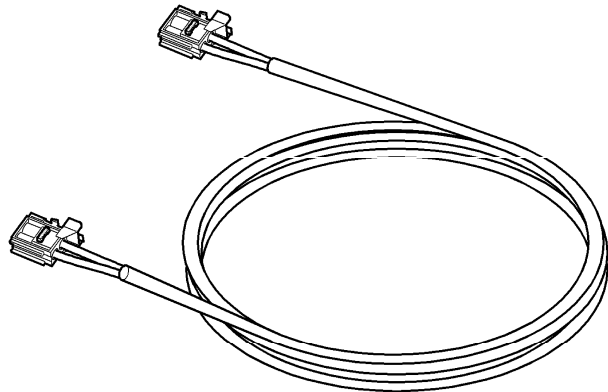
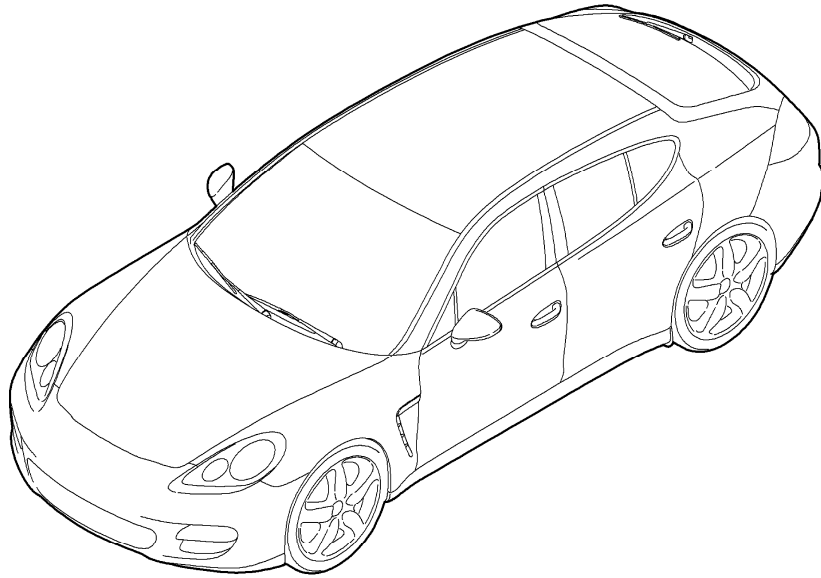


Pos	Part Number	Description	Remark	Qty	Model
		wiring harnesses rear end rooflining rear lid anti-lock brake system brake pad wear indicator rear axle			
1	970 612 801 00	wiring harness		1	I635/636/637 I638
		bumper rear			
2	970 612 911 00	wiring harness rear lid left		1	-I675/-I676
(2)	970 612 911 10	wiring harness rear lid left		1	I676
(2)	970 612 911 20	wiring harness rear lid left	(J)	1	I675
3	970 612 725 00	wiring harness rear lid right		1	I524/696
3	970 612 712 50	wiring harness rear lid right		1	I525/696
(3)	970 612 732 00	wiring harness rear lid right		1	I524/665
(3)	970 612 731 50	wiring harness rear lid right		1	I525/665/675
4	970 612 705 00	wiring harness roofliner		1	-I630
(4)	970 612 706 00	wiring harness roofliner		1	I630
		wiring harnesses anti-lock brake system brake pad wear indicator rear axle			
5	970 612 739 00	wiring harness rear axle	/L	1	
(5)	970 612 738 00	wiring harness rear axle	/R	1	I029

Model	Year	MG	SG	Illustration	Restrictions	UPD	13:12	04.03.2010	PORSCHE	PET	PORSCHE
970	2010	9	02	902-20		248					

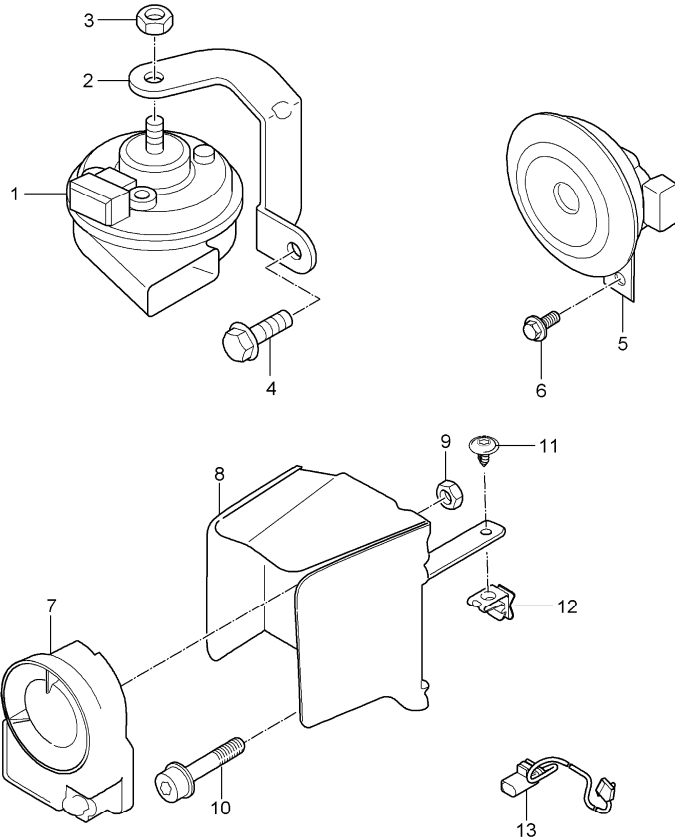
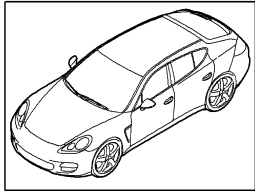
Pos	Part Number	Description	Remark	Qty	Model	Pos	Part Number	Description	Remark	Qty	Model
(5)	970 612 740 00	wiring harness rear axle	/R	1	I350/351/475						
-	970 610 111 00	support wiring harness	/L	1							
-	970 610 112 00	support wiring harness	/R	1							
-	999 217 116 01	hexagon-head bolt M 6 X 16		2							
-	970 610 113 00	support connection point stabiliser	/L	1							
-	970 610 114 00	support connection point stabiliser	/R	1							
		tie-wrap for repair work see group 9/02/10									

Model	Year	MG	SG	Illustration	Restrictions	UPD	13:12	04.03.2010	PORSCHE	PET	PORSCHE
970	2010	9	02	902-50		248					



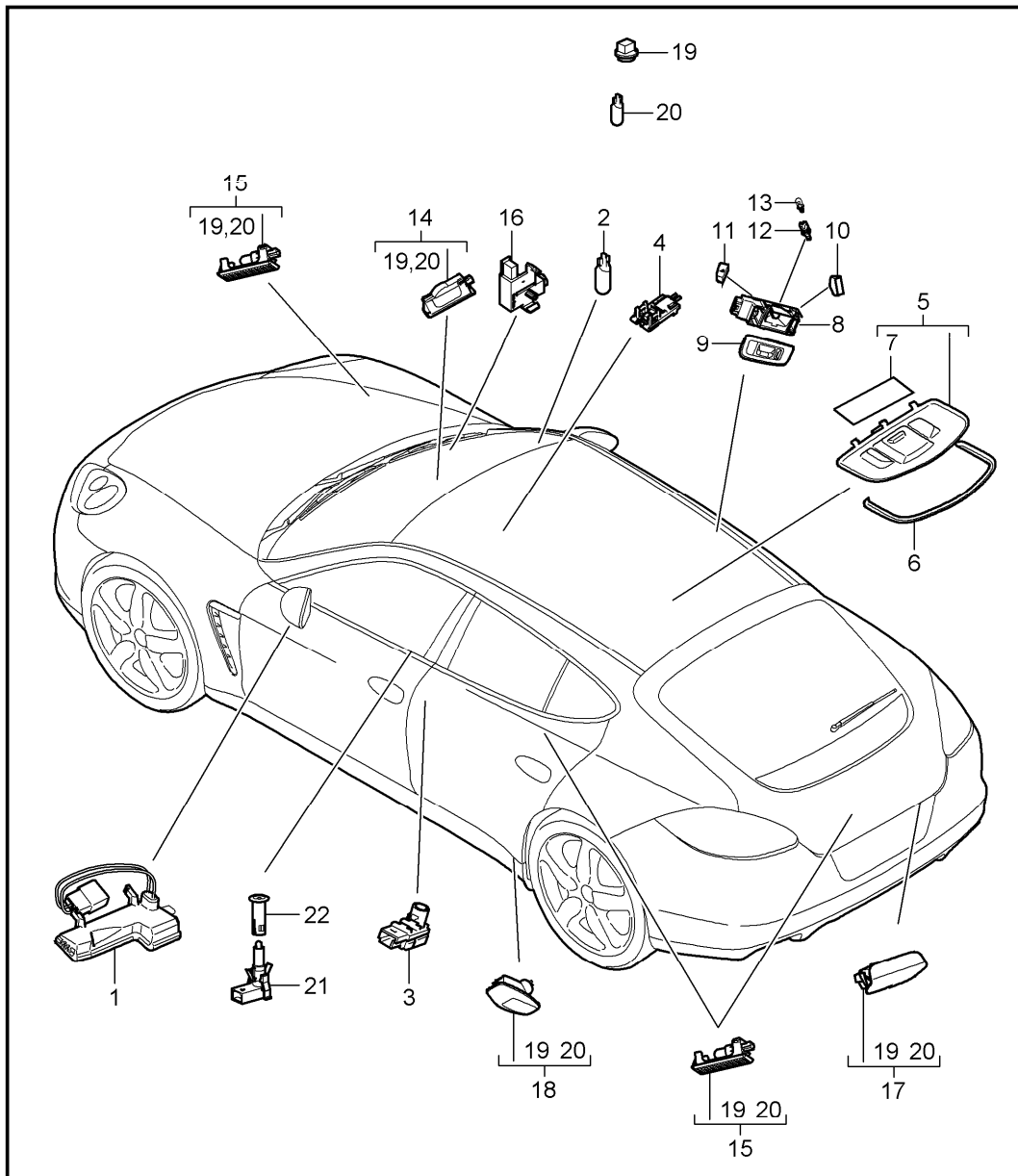
Pos	Part Number	Description	Remark	Qty	Model
-	970 622 701 50	optical waveguide pcm radio		1	-I676/I680/ I682
-	970 622 702 00	optical waveguide pcm tv	/LL	1	I098/665/676 I680/682
-	970 622 702 50	optical waveguide pcm tv	/RL	1	I099/665/676 I680/682
-	970 622 703 50	optical waveguide pcm tv		1	I490/665/676

Model	Year	MG	SG	Illustration	Restrictions	UPD	13:13	04.03.2010	PORSCHE	PET	PORSCHE
970	2010	9	03	903-00		248					



Pos	Part Number	Description	Remark	Qty	Model
		fanfare horn alarm siren			
1	970 635 125 00	fanfare low-pitched	/L	1	
(1)	970 635 126 00	fanfare high-pitched	/R	1	
2	970 635 115 00	support fanfare low-pitched	/L	1	
(2)	970 635 116 00	support fanfare high-pitched	/R	1	
3	N 022 148 12	lock nut M 6		2	
4	999 919 257 01	oval-head screw 6,0 X 20,0		1	
5	970 637 117 00	horn alarm system		1	
6	999 218 113 01	pan-head screw M 6 X 23		1	
7	1K8 951 605	alarm siren		1	I536
8	970 637 419 02	support		1	I536
9	N 902 955 02	hexagon nut M 8		1	I536
10	999 218 113 01	pan-head screw M 6		1	I536
11	999 073 231 09	tapping screw ST 4,8 X 16		1	I536
12	999 591 809 01	speed nut ST 4,8		1	I536
13	1K0 953 236 D	contact switch anti-theft protection front		1	

Model	Year	MG	SG	Illustration	Restrictions	UPD	13:13	04.03.2010	PORSCHE	PET	PORSCHE
970	2010	9	03	903-04		248					

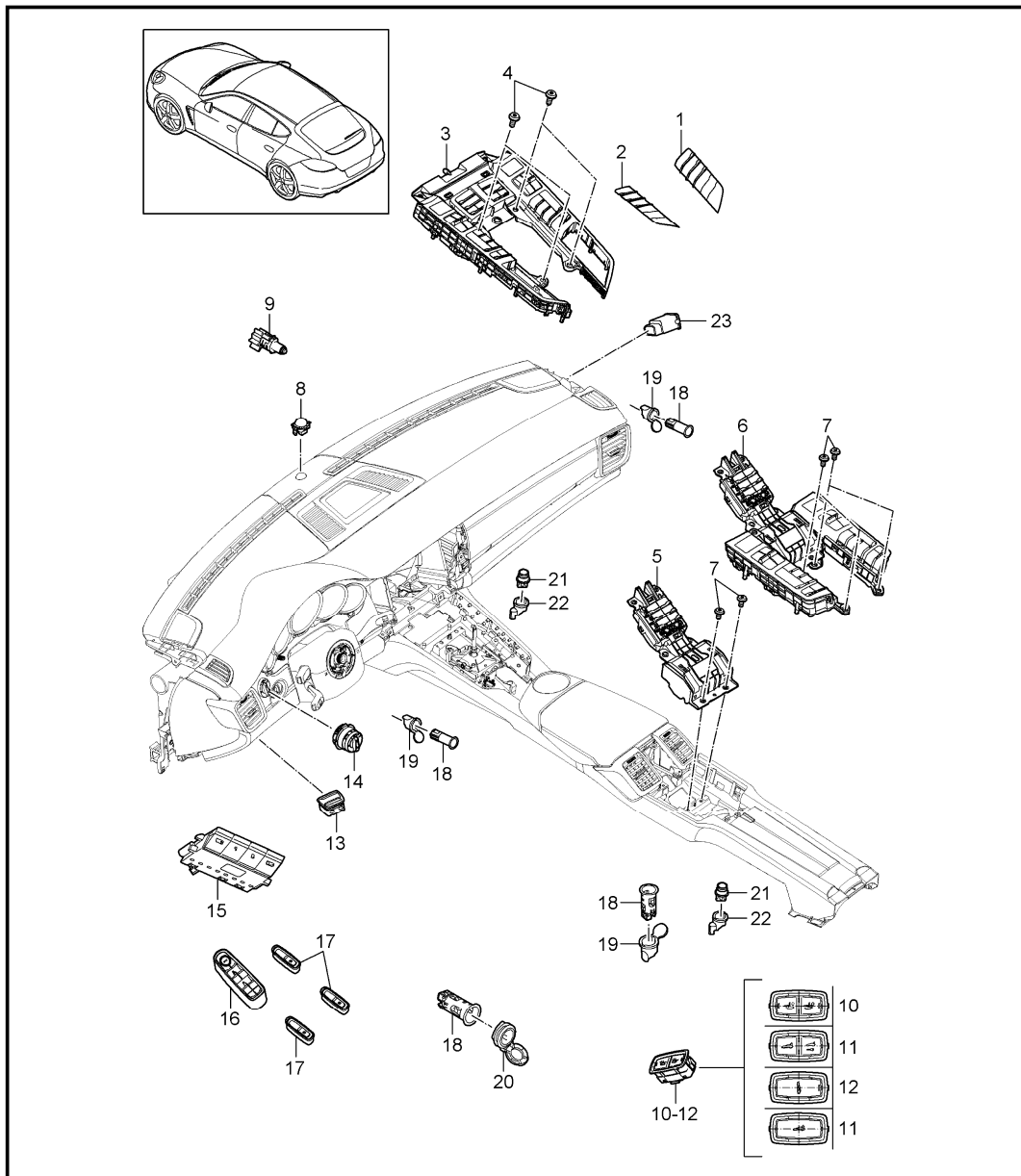


Pos	Part Number	Description	Remark	Qty	Model
		interior lights luggage compartment lamp door guard light footwell light light door mirror			
1	970 631 611 02	light door mirror	/L	1	I098/261
(1)	970 631 612 02	light door mirror	/R	1	I098/261
(1)	970 631 613 02	light door mirror	/L	1	I099/261
(1)	970 631 614 02	light door mirror	/R	1	I099/261
2	900 631 026 90	bulb 12 V, 2 W for illumination sun visor		4	
3	7PP 947 101	light ignition starter switch centre console centre console rear		X 1 1 1	
4	970 632 193 01	LED module centre console doors		X 4 8	
5	970 632 169 00	Leseleuchten rear light without cover		1	I630
6	970 632 155 00	cover		1	I630
	4U0	Platinum Grey			
	5Q0	black			
	6W0	Luxor Beige			
	5V0	Cream			
	1R0	Cedar			

Model	Year	MG	SG	Illustration	Restrictions	UPD	13:13	04.03.2010	PORSCHE	PET	PORSCHE
970	2010	9	03	903-04		248					

Pos	Part Number	Description	Remark	Qty	Model	Pos	Part Number	Description	Remark	Qty	Model
7	970 632 085 00	set LED module for ashtray rear	/L	1		(11)	970 613 174 01	switch reading light	/R	1	
(7)	970 632 086 00	set LED module for ashtray rear	/R	1		12	N 017 753 5	bulb 12 V, 5 W		2	
8	7PP 947 119 B	housing reading light	/L	1	-I630	13	7PP 919 244	bulb socket		2	
(8)	7PP 947 407 A	housing reading light LED module	/L	1	I630	14	970 632 024 00	light included bulb footwell front		2	
(8)	7PP 947 120	housing reading light	/R	1	-I630	15	970 632 020 00	light included bulb footwell rear glove compartment engine compartment		X	
(8)	7PP 947 408 C	housing reading light LED module	/R	1	I630	(15)	970 632 024 00	light included bulb luggage compartment		2	I630
9	970 632 141 02	cover	/L	1		16	955 613 601 00	contact switch glove compartment		1	
	4U0	Platinum Grey				17	970 632 135 00	door guard light rear lid		2	
	A05	black				18	970 632 132 00	door guard light		4	
	6W0	Luxor Beige				19	970 632 187 00	bulb socket		12	
	5V0	Cream				20	999 631 032 90	bulb 12 V, 5 W		12	
	1R0	Cedar				21	7PP 919 238	indicator light immobiliser		2	
(9)	970 632 142 02	cover	/R	1		22	970 616 117 00	sleeve		2	
	4U0	Platinum Grey					1E0	black			
	A05	black					2F0	Yachting Blue			
	6W0	Luxor Beige					4H0	Luxor Beige			
	5V0	Cream					6L0	Platinum Grey			
	1R0	Cedar					7N0	Espresso			
10	7PP 947 133	reflector cover reading light		2			8P0	Cognac			
11	970 613 173 01	switch reading light	/L	1							

Model	Year	MG	SG	Illustration	Restrictions	UPD	13:13	04.03.2010	PORSCHE	PET	PORSCHE
970	2010	9	03	903-05		248					



Pos	Part Number	Description	Remark	Qty	Model
		combined switch control part air conditioner			
		combined switch centre console	/R		
1	970 613 426 02	keypad		1	-I176/-I642/ -I862
		DML Matt Black/hi-gloss chrome			
(1)	970 613 430 02	keypad		1	-I176/-I642/ I862
		DML Matt Black/hi-gloss chrome			
(1)	970 613 432 02	keypad		1	-I642/-I862/ I176
		DML Matt Black/hi-gloss chrome			
(1)	970 613 438 02	keypad		1	-I642/I176/ I862
		DML Matt Black/hi-gloss chrome			
(1)	970 613 470 02	keypad		1	-I176/-I862/ I642
		DML Matt Black/hi-gloss chrome			
(1)	970 613 474 02	keypad		1	-I862/I176/ I642
		DML Matt Black/hi-gloss chrome			
(1)	970 613 476 02	keypad		1	-I176/I642/ I862
		DML Matt Black/hi-gloss chrome			
(1)	970 613 482 02	keypad		1	I176/642/862
		DML Matt Black/hi-gloss chrome			
		combined switch centre console	/L		
2	970 613 431 02	keypad		1	-I640/I475
		DML Matt Black/hi-gloss chrome			
(2)	970 613 433 02	keypad		1	I475/640
		DML Matt Black/hi-gloss chrome			

Model	Year	MG	SG	Illustration	Restrictions	UPD	13:13	04.03.2010	PORSCHE	PET	PORSCHE
970	2010	9	03	903-05		248					

Pos	Part Number	Description	Remark	Qty	Model	Pos	Part Number	Description	Remark	Qty	Model
(2)	970 613 435 02	keypad DML Matt Black/hi-gloss chrome		1	-I640/I350/ I351	(5)	970 653 407 02	control part air conditioner DML Matt Black/hi-gloss chrome		1	I343/573/644 I862
(2)	970 613 437 02	keypad DML Matt Black/hi-gloss chrome		1	I350/351/640	(5)	970 653 409 02	control part air conditioner DML Matt Black/hi-gloss chrome		1	-I862/I343/ I542/573/644
3	970 653 203 04	control part air conditioner DMO black/silver grey		1	I342/343/573	(5)	970 653 411 02	control part air conditioner DML Matt Black/hi-gloss chrome		1	I343/542/573 I644/862
(3)	970 653 205 04	control part air conditioner DMO black/silver grey		1	I342/343/541 I542/573	6	970 653 501 02	control part air conditioner 4 Zone DML Matt Black/hi-gloss chrome		1	-I343/-I542/ -I645/-I862/ I576/644
(3)	970 653 303 04	control part air conditioner DMO black/silver grey		1	I342/343/576	(6)	970 653 503 02	control part air conditioner DML Matt Black/hi-gloss chrome		1	-I542/-I645/ -I862/I343/ I576/644
(3)	970 653 305 04	control part air conditioner DMO black/silver grey		1	I342/343/541 I542/576	(6)	970 653 505 02	control part air conditioner DML Matt Black/hi-gloss chrome		1	-I645/-I862/ I343/542/576 I644
4	999 919 260 01	oval-head screw 4,0 X 16,0 air conditioner rear		2	I573/576	(6)	970 653 507 02	control part air conditioner DML Matt Black/hi-gloss chrome		1	-I343/-I542/ -I645/I576/ I644/862
5	970 653 401 02	control part air conditioner DML Matt Black/hi-gloss chrome		1	I573	(6)	970 653 509 02	control part air conditioner DML Matt Black/hi-gloss chrome		1	-I542/-I645/ I343/576/644 I862
(5)	970 653 403 02	control part air conditioner DML Matt Black/hi-gloss chrome		1	I573/862	(5)	970 653 405 02	control part air conditioner DML Matt Black/hi-gloss chrome		1	-I862/I343/ I573/644
(5)	970 653 405 02	control part air conditioner DML Matt Black/hi-gloss chrome		1	-I862/I343/ I573/644						

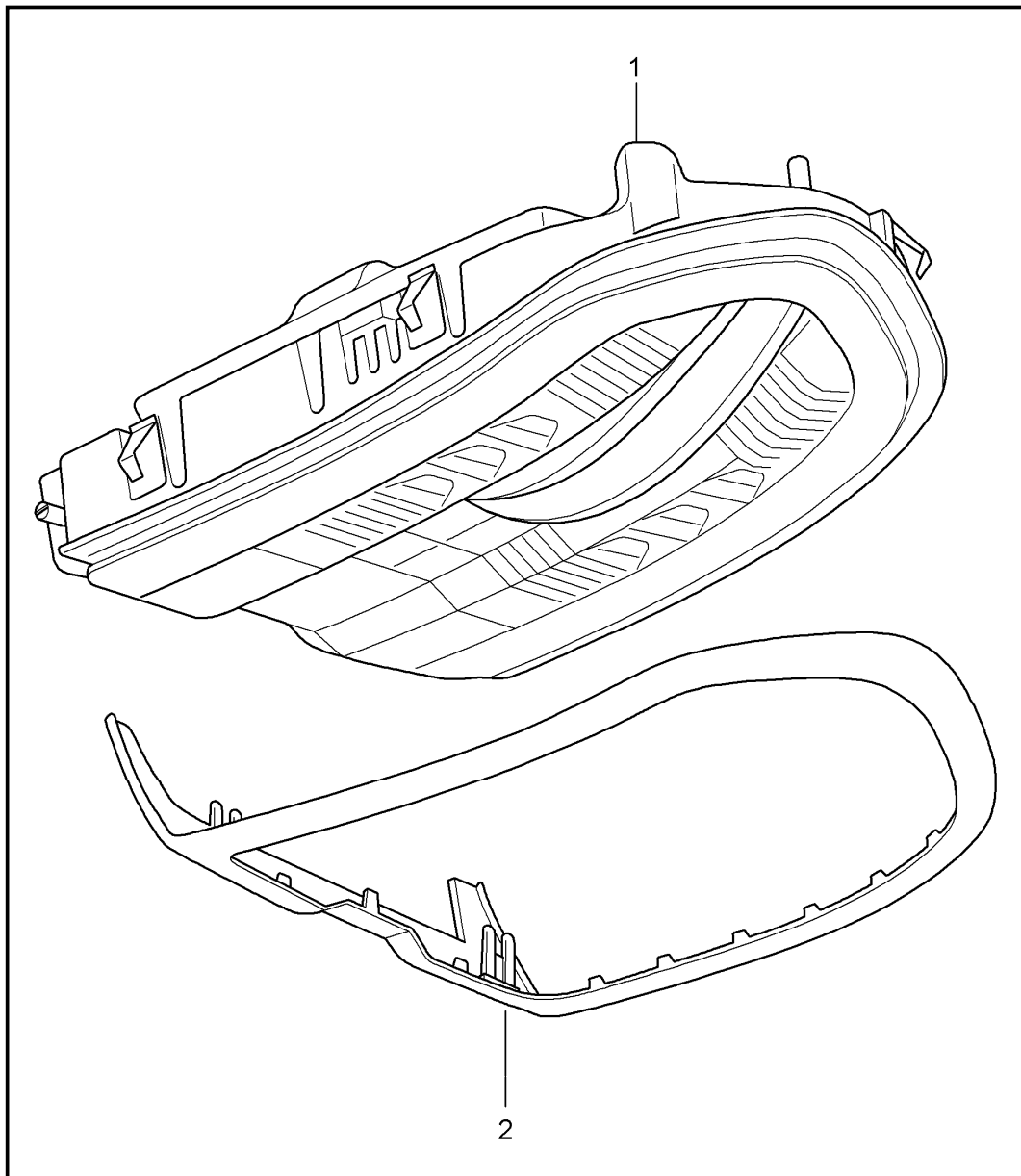
Model	Year	MG	SG	Illustration	Restrictions	UPD	13:13	04.03.2010	PORSCHE	PET	PORSCHE
970	2010	9	03	903-05		248					

Pos	Part Number	Description	Remark	Qty	Model	Pos	Part Number	Description	Remark	Qty	Model
(6)	970 653 511 02	control part air conditioner DML Matt Black/hi-gloss chrome		1	-I645/I343/ I542/576/644 I862	10	7PP 959 511 B	switch trailer coupling		1	I206
(6)	970 653 513 02	control part air conditioner DML Matt Black/hi-gloss chrome		1	-I343/-I542/ -I862/I576/ I644/645	11	7PP 959 832 D	switch rear lid		1	-I625/I867
(6)	970 653 515 02	control part air conditioner DML Matt Black/hi-gloss chrome		1	-I542/-I862/ I343/576/644 I645	(11)	7PP 959 832 E	switch rear lid		1	I625/867
(6)	970 653 517 02	control part air conditioner DML Matt Black/hi-gloss chrome		1	-I862/I343/ I542/576/644 I645	13	970 613 251 02	switch Electric parking brake		1	
(6)	970 653 519 02	control part air conditioner DML Matt Black/hi-gloss chrome		1	-I434/-I542/ I576/644/645 I862		5Q0	black			
(6)	970 653 521 02	control part air conditioner DML Matt Black/hi-gloss chrome		1	-I542/I343/ I576/644/645 I862		4U0	Platinum Grey			
(6)	970 653 523 02	control part air conditioner DML Matt Black/hi-gloss chrome		1	I343/542/576 I644/645/862		6W0	Luxor Beige			
7	999 073 226 09	tapping screw ST 4,2 X 16		X 2 4	I573 I576		8Y0	Yachting Blue			
8	7PP 907 539 A	sensor air conditioner		1	I573 I576		5V0	Cream			
9	7PP 907 527 A	temperature sensor		1	I573/576		3T0	Espresso			
							2S0	Cognac			
							1R0	Cedar			
						14	970 613 533 03	light switch		1	
							DML	Matt Black/hi-gloss chrome			
						15	970 613 103 02	switch memory	/L	1	I537
							DML	Matt Black/hi-gloss chrome			
						(15)	970 613 104 02	switch memory	/R	1	I538
							DML	Matt Black/hi-gloss chrome			
						-	999 919 159 09	oval-head screw for switch memory		4	

Model	Year	MG	SG	Illustration	Restrictions	UPD	13:13	04.03.2010	PORSCHE	PET	PORSCHE
970	2010	9	03	903-05		248					

Pos	Part Number	Description	Remark	Qty	Model	Pos	Part Number	Description	Remark	Qty	Model
16	7PP 959 858 H	switch power windows door mirror luggage compartment driver's side		1							
	DML	Matt Black/hi-gloss chrome									
17	7PP 959 855 B	switch power windows		3							
	DML	Matt Black/hi-gloss chrome									
18	970 652 105 00	plug socket luggage compartment centre console		X 1 2							
(18)	955 652 107 00	plug socket glove compartment		X 1							
19	997 652 104 00	clamping ring plug socket centre console glove compartment		X 2 1							
20	997 652 103 00	clamping ring plug socket luggage compartment		1							
21	970 652 101 00	Cigarette lighter		2							
	A05	black mat									
22	7PP 919 341	tensioning sleeve headlight unit		2							
-	970 553 345 00	cover centre console front included plug socket		1							
23	955 613 165 02	switch airbag		1							
	9B9	satin black									

Model	Year	MG	SG	Illustration	Restrictions	UPD	13:13	04.03.2010	PORSCHE	PET	PORSCHE
970	2010	9	03	903-06		248					

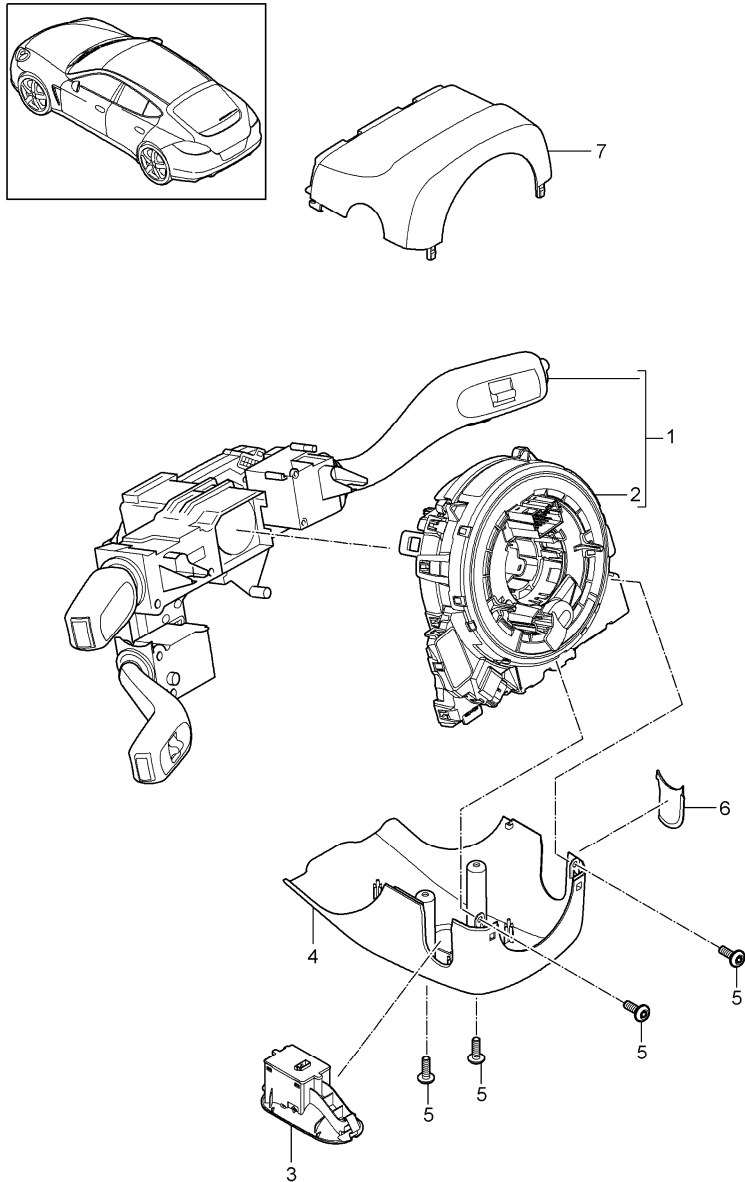


Pos	Part Number	Description	Remark	Qty	Model
1	970 613 910 00	bracket roof		1	
(1)	970 613 911 00	bracket roof		1	I650
(1)	970 613 912 00	bracket roof		1	I636/638
(1)	970 613 913 00	bracket roof		1	I607/608
(1)	970 613 914 00	bracket roof		1	I636/638/650
(1)	970 613 915 00	bracket roof		1	I607/608/636 I638
(1)	970 613 916 00	bracket roof		1	I607/608/650
(1)	970 613 917 00	bracket roof		1	I607/608/636 I638/650
(1)	970 613 918 00	bracket roof		1	I193
(1)	970 613 919 00	bracket roof		1	I193/650
(1)	970 613 920 00	bracket roof		1	I193/636/638
(1)	970 613 921 00	bracket roof		1	I193/607/608
(1)	970 613 922 00	bracket roof		1	I193/636/638 I650
(1)	970 613 923 00	bracket roof		1	I193/607/608 I636/638
(1)	970 613 924 00	bracket roof		1	I193/607/608 I650
(1)	970 613 925 00	bracket roof		1	I193/607/608 I636/638/650

Model	Year	MG	SG	Illustration	Restrictions	UPD	13:13	04.03.2010	PORSCHE	PET	PORSCHE
970	2010	9	03	903-06		248					

Pos	Part Number	Description	Remark	Qty	Model	Pos	Part Number	Description	Remark	Qty	Model
(1)	970 613 926 00	bracket roof		1	I630	(1)	970 613 941 00	bracket		1	I193/607/608 I630/636/638 I650
(1)	970 613 927 00	bracket roof		1	I630/650			roof			
(1)	970 613 928 00	bracket roof		1	I630/636/638	2	7PP 919 317	cover bracket roof		1	I592/594
(1)	970 613 929 00	bracket roof		1	I607/608/630			6W0 Luxor Beige			
(1)	970 613 930 00	bracket roof		1	I630/636/638 I650			5V0 Cream			
(1)	970 613 931 00	bracket roof		1	I607/608/630 I636/638			4U0 Platinum Grey			
(1)	970 613 932 00	bracket roof		1	I607/608/630 I650	-	999 631 032 90	bulb W5W		X	
(1)	970 613 933 00	bracket roof		1	I607/608/630 I636/638/650			5Q0 black			
(1)	970 613 934 00	bracket roof		1	I193/630			1R0 Cedar			
(1)	970 613 935 00	bracket roof		1	I193/630/650						
(1)	970 613 936 00	bracket roof		1	I193/630/636 I638						
(1)	970 613 937 00	bracket roof		1	I193/607/608 I630						
(1)	970 613 938 00	bracket roof		1	I193/630/636 I638/650						
(1)	970 613 939 00	bracket roof		1	I193/607/608 I630/636/638						
(1)	970 613 940 00	bracket roof		1	I193/607/608 I630/650						

Model	Year	MG	SG	Illustration	Restrictions	UPD	13:13	04.03.2010	PORSCHE	PET	PORSCHE
970	2010	9	03	903-10		248					



Pos	Part Number	Description	Remark	Qty	Model
		steering column switch			
1	970 613 043 01	steering column switch		1	I288/426/454 I841
	1E0	black			
(1)	970 613 045 01	steering column switch		1	I288/426/454 I842/844/845 I848/849
	1E0	black			
(1)	970 613 047 01	steering column switch		1	I288/426/456 I841
	1E0	black			
(1)	970 613 049 01	steering column switch		1	I288/426/456 I842/844/845 I848/849
	1E0	black			
(1)	970 613 051 01	steering column switch		1	I288/426/454 I671/841
	1E0	black			
(1)	970 613 053 01	steering column switch		1	I288/426/454 I671/842/844 I845/848/849
	1E0	black			
(1)	970 613 055 01	steering column switch		1	I288/426/456 I671/841
	1E0	black			
(1)	970 613 057 01	steering column switch		1	I288/426/456 I671/842/844 I845/848/849
	1E0	black			
(1)	970 613 059 01	steering column switch		1	I288/425/454 I841
	1E0	black			
(1)	970 613 061 01	steering column switch		1	I288/425/454 I842/844/845 I848/849
	1E0	black			

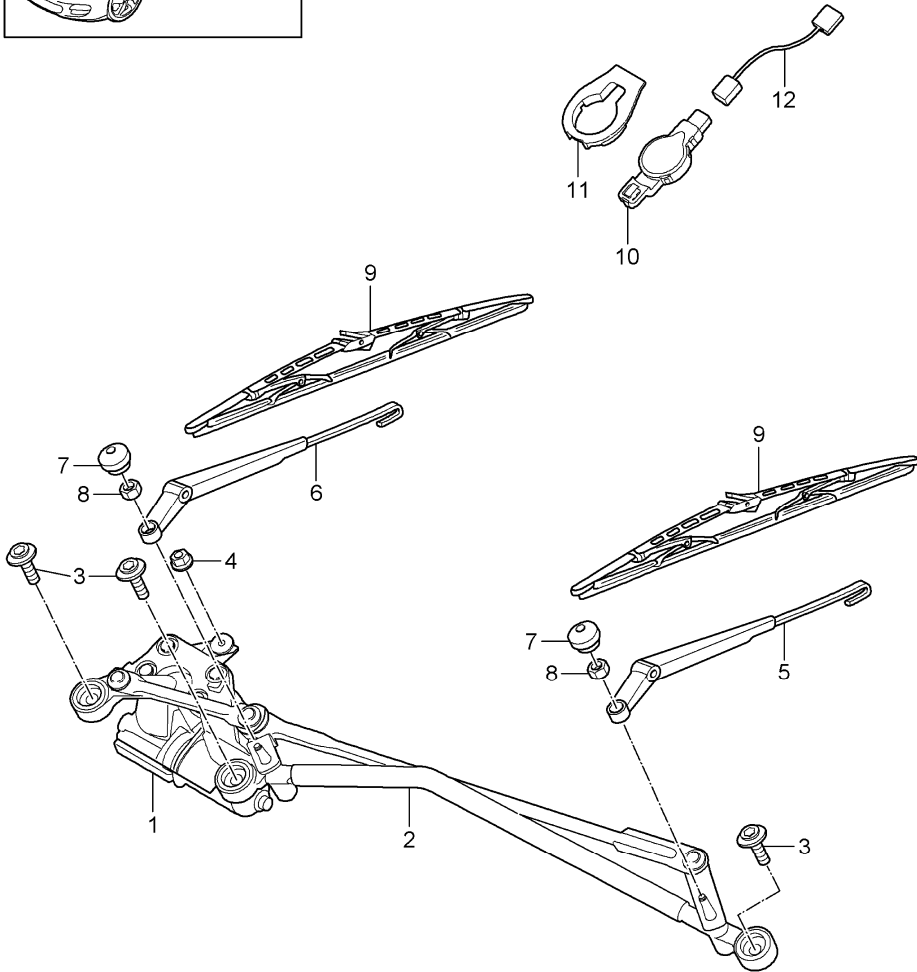
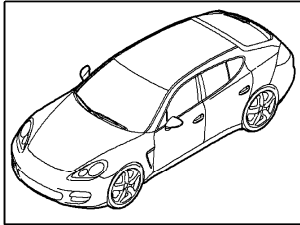
Model	Year	MG	SG	Illustration	Restrictions	UPD	13:13	04.03.2010	PORSCHE	PET	PORSCHE
970	2010	9	03	903-10		248					

Pos	Part Number	Description	Remark	Qty	Model	Pos	Part Number	Description	Remark	Qty	Model
(1)	970 613 063 01	steering column switch		1	I288/425/456 I841	3	7PP 953 519 B	switch adjustment steering column		1	I656
	1E0	black					A05	black mat			
(1)	970 613 065 01	steering column switch		1	I288/425/456 I842/844/845 I848/849	4	970 552 475 00	switch housing lower		1	I655
	1E0	black					5Q0	black			
(1)	970 613 067 01	steering column switch		1	I288/425/454 I671/841		4U0	Platinum Grey			
	1E0	black					6W0	Luxor Beige			
(1)	970 613 069 01	steering column switch		1	I288/425/454 I671/842/844 I845/848/849		8Y0	Yachting Blue			
	1E0	black					3T0	Espresso			
(1)	970 613 071 01	steering column switch		1	I288/425/456 I671/841	(4)	970 552 475 01	switch housing lower		1	I656
	1E0	black					5Q0	black			
(1)	970 613 073 01	steering column switch		1	I288/425/456 I671/842/844 I845/848/849		4U0	Platinum Grey			
	1E0	black					6W0	Luxor Beige			
2	7PP 953 568 H	control unit		1	I842/844/845 I848/849		8Y0	Yachting Blue			
		steering column switch included spring					3T0	Espresso			
(2)	7PP 953 568 J	control unit		1	I345/842/844 I845/848/849	5	999 073 226 09	tapping screw ST 4,2 X 16		4	
		steering column switch included spring				6	970 552 675 00	cover		1	I842/844/845 I848/849
(2)	7PP 953 568 K	control unit		1	I841		2S0	Cognac			
		steering column switch included spring					3T0	Espresso			
(2)	7PP 953 568 L	control unit		1	I345/841		4U0	Platinum Grey			
		steering column switch included spring					5Q0	black			
							6W0	Luxor Beige			
							8Y0	Yachting Blue			
						7	970 552 473 00	switch housing upper		1	

Model	Year	MG	SG	Illustration	Restrictions	UPD	13:13	04.03.2010	PORSCHE	PET	PORSCHE
970	2010	9	03	903-10		248					

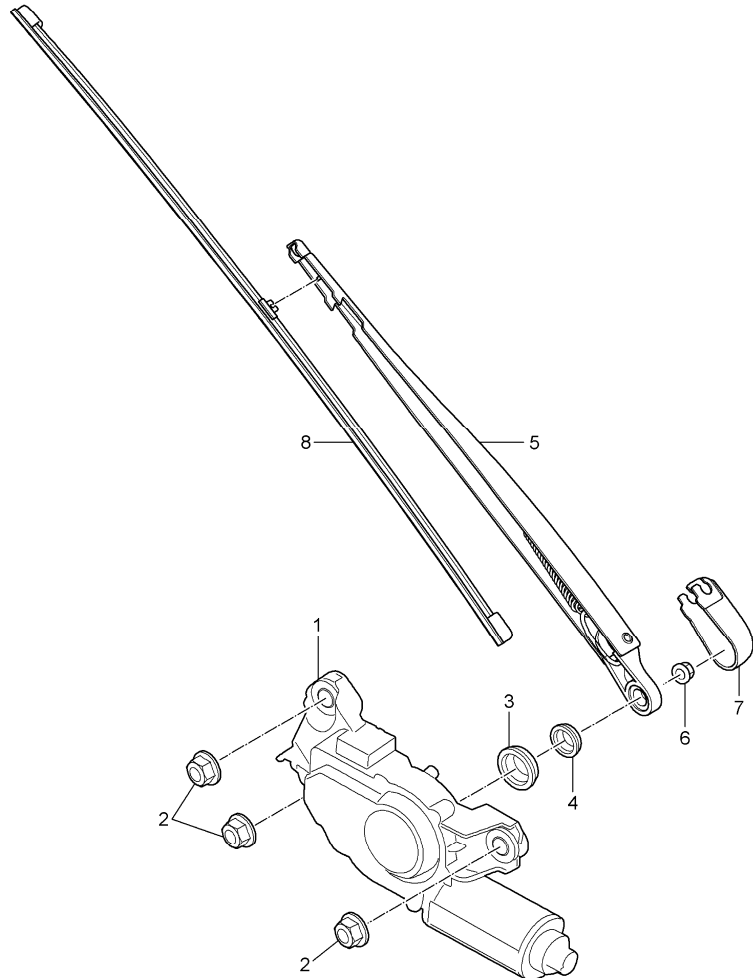
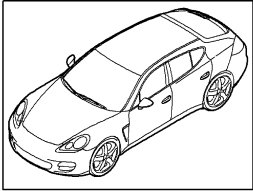
Pos	Part Number	Description	Remark	Qty	Model	Pos	Part Number	Description	Remark	Qty	Model
	5Q0	black									
	4U0	Platinum Grey									
	6W0	Luxor Beige									
	8Y0	Yachting Blue									
	3T0	Espresso									
	2S0	Cognac									

Model	Year	MG	SG	Illustration	Restrictions	UPD	13:13	04.03.2010	PORSCHE	PET	PORSCHE
970	2010	9	04	904-00		248					



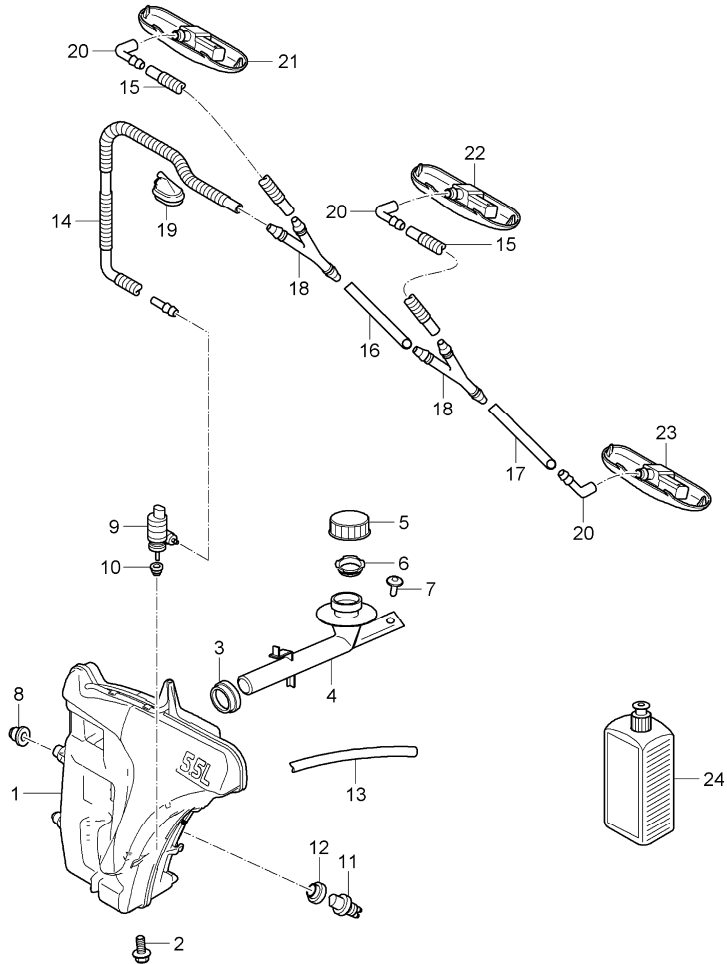
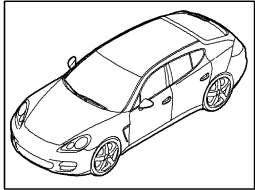
Pos	Part Number	Description	Remark	Qty	Model
		windscreen wiper system rain sensor			
1	W 970 624 105 01	wiper motor included mounting parts	/LL	1	I098
(1)	970 624 106 01	wiper motor	/RL	1	I099
2	970 628 235 01	crank drive	/LL	1	I098
(2)	970 628 236 00	crank drive	/RL	1	I099
3	N 105 355 02	pan-head screw M 6 X 30		4	
4	999 076 078 01	hexagon nut M 6		1	
5	970 628 027 01	wiper arm driver's side	/LL	1	I098
(5)	970 628 030 00	wiper arm passenger's side	/RL	1	I099
6	970 628 029 00	wiper arm passenger's side	/LL	1	I098
(6)	970 628 028 01	wiper arm driver's side	/RL	1	I099
7	970 628 305 00	cap		2	
8	N 102 613 05	hexagon nut M 10		2	
9	970 628 901 00	wiper blade set driver's side passenger's side		1	
10	7P0 955 559 B	rain sensor		1	I268
11		adhesive plate is a component of windscreen		1	I268
-	000 043 207 65	adhesive film rain sensor		1	I268
12	970 612 708 00	wiring harness rain sensor		1	I268

Model	Year	MG	SG	Illustration	Restrictions	UPD	13:14	04.03.2010	PORSCHE	PET	PORSCHE
970	2010	9	04	904-05		248					



Pos	Part Number	Description	Remark	Qty	Model
		rear window wiper			I425
1	970 628 080 00	wiper motor		1	
2	999 076 078 01	hexagon nut M 6		3	
3	970 512 625 01	grommet		1	
4	970 628 273 00	grommet		1	
5	970 628 169 00	wiper arm		1	
6	900 377 003 03	hexagon nut M 8		1	
7	970 628 122 00	cap		1	
8	970 628 189 00	wiper blade		1	

Model	Year	MG	SG	Illustration	Restrictions	UPD	15:47	04.03.2010	PORSCHE	PET	PORSCHE
970	2010	9	04	904-10		249					

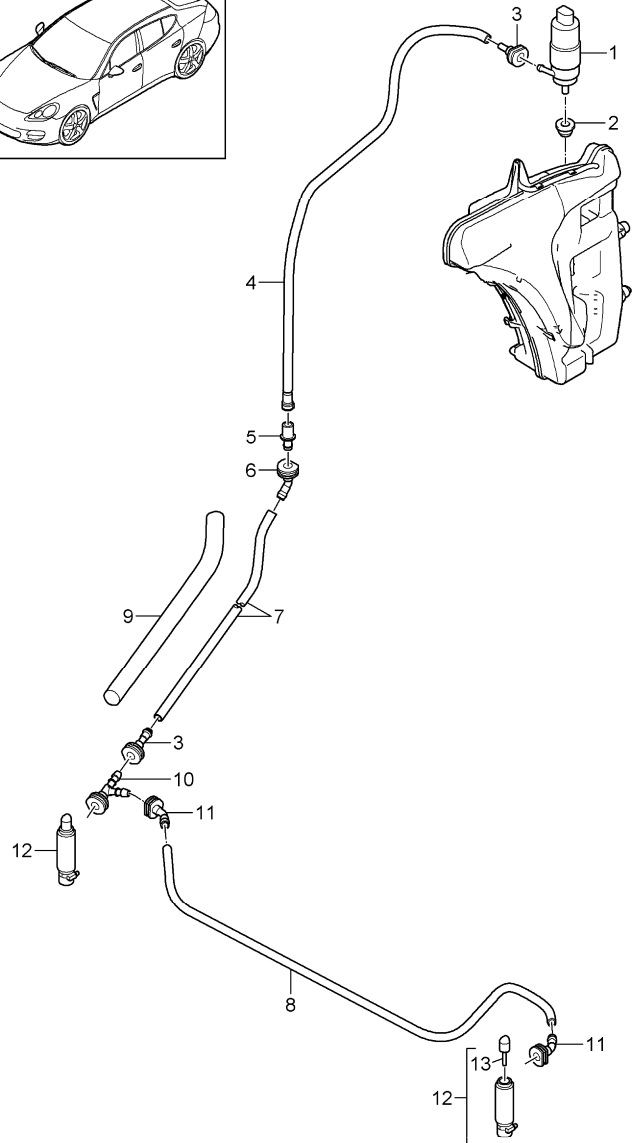
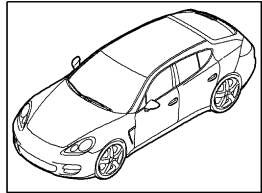


Pos	Part Number	Description	Remark	Qty	Model
		windscreen washer system			
1	970 528 701 00	water reservoir		1	I288
2	900 378 017 01	hexagon-head bolt M 8 X 20		1	
3	996 528 711 00	gasket		1	
4	970 528 605 00	filler neck		1	
5	996 528 607 00	lid		1	
6	997 528 621 00	strainer		1	
7	999 073 484 01	round head screw M 6 X 15		1	
8	999 702 221 40	grommet		2	
9	997 628 182 00	pump		1	
10	431 955 465 B	gasket		1	
11	955 628 105 00	tank gauge switch		1	
12	999 702 010 40	gasket		1	
13	999 181 048 40	hose 248 MM		1	
-		hose complete with wiring harness see illustrations 9-02-10			
-	999 181 815 40	hose 5,0 X 2,5		X	
-	999 181 048 40	hose 4,0 X 2,0		X	
18	999 137 005 40	t-piece		2	
19	600 955 998	grommet		1	
21	970 628 073 00	nozzle left		1	
22	970 628 075 00	nozzle centre		1	
23	970 628 077 00	nozzle right		1	

Model	Year	MG	SG	Illustration	Restrictions	UPD	15:47	04.03.2010	PORSCHE	PET	PORSCHE
970	2010	9	04	904-10		249					

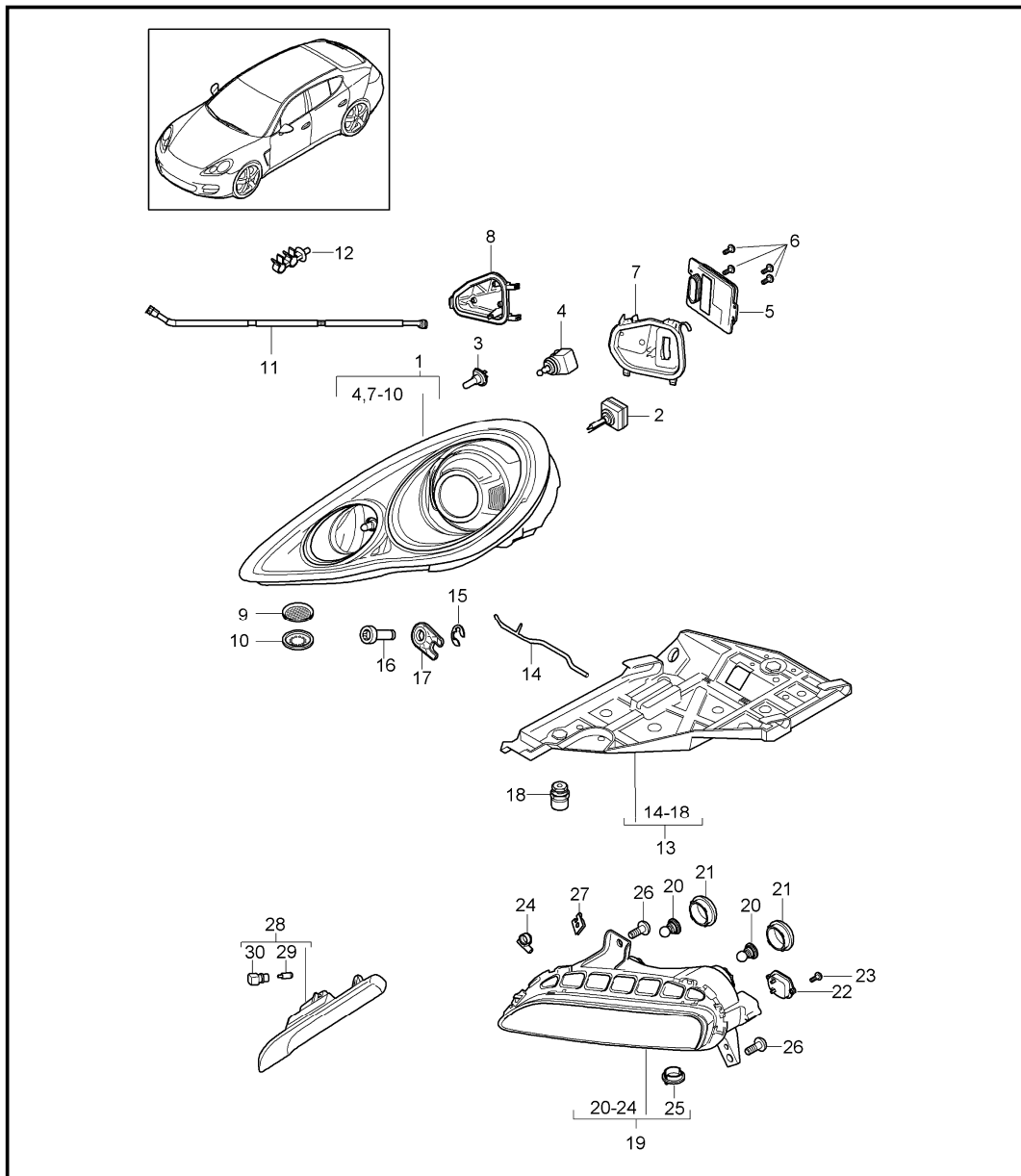
Pos	Part Number	Description	Remark	Qty	Model	Pos	Part Number	Description	Remark	Qty	Model
24	999 901 017 42	window cleaner 250 ML summer		X							
(24)	999 901 033 40	window cleaner 1000 ML winter		X							

Model	Year	MG	SG	Illustration	Restrictions	UPD	15:47	04.03.2010	PORSCHE	PET	PORSCHE
970	2010	9	04	904-20		249					



Pos	Part Number	Description	Remark	Qty	Model
		headlight washer system			I288
1	970 624 502 00	pump		1	
2	999 702 009 40	gasket		1	
3	997 628 204 00	clutch		2	
-	000 043 204 79	hose 8 X 3		1	
5	997 628 208 00	hose connection		1	
6	1J0 955 665 E	angled pipe		1	
-	999 181 760 40	hose 10 X 3		1	
		use also: Pos 9			Turbo
9	970 628 381 00	protective tube 290 MM		1	Turbo
10	997 628 207 00	t-piece		1	
11	997 628 205 00	clutch clutch		2 1	Turbo
(11)	1J0 955 665 E	angled pipe		1	Turbo
12	970 628 133 00	nozzle chrome included nozzle head		2	
13	997 628 263 00	nozzle head chrome		2	

Model	Year	MG	SG	Illustration	Restrictions	UPD	15:47	04.03.2010	PORSCHE	PET	PORSCHE
970	2010	9	05	905-01		249					

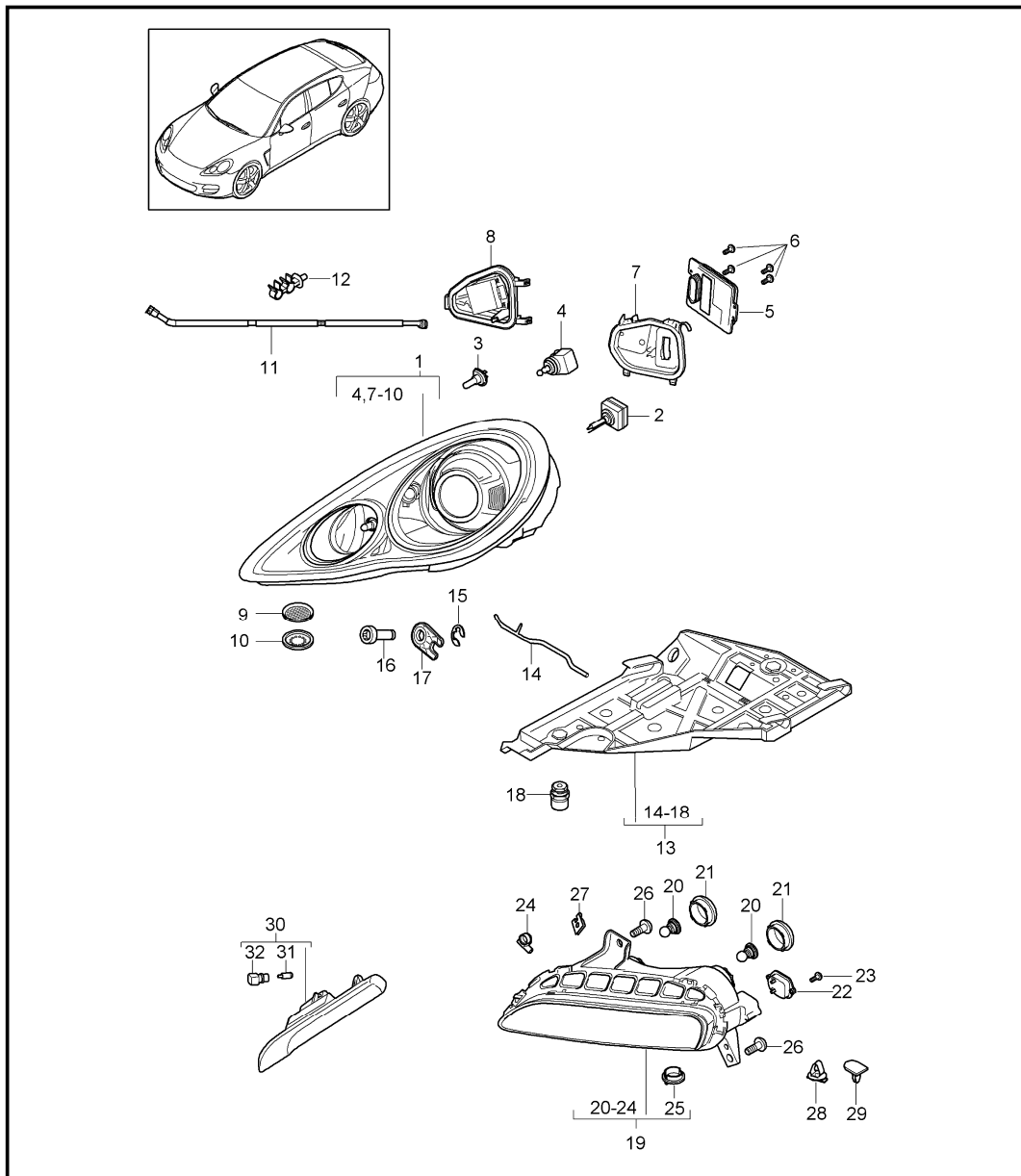


Pos	Part Number	Description	Remark	Qty	Model
		headlamp direction indicator light fog headlamp			I601
		headlamp without control unit and bulb			
1	970 631 157 02	headlamp	/L	1	I601
(1)	970 631 157 04	headlamp	/L (CN)	1	I601
(1)	970 631 158 02	headlamp	/R	1	I601
(1)	970 631 158 04	headlamp	/R (CN)	1	I601
(1)	970 631 157 12	headlamp	/L	1	I492/601
(1)	970 631 158 12	headlamp	/R	1	I492/601
2	N 105 661 01	bulb DIS		2	
-	955 631 199 00	retaining ring bulb DIS		2	
3	999 631 133 91	halogen bulb H 7		4	
4	970 631 141 00	adjusting motor headlight levelling system		2	
5	970 618 143 01	control unit		2	
6	970 631 199 00	screw		6	
7	970 631 105 00	protective cap	/L	1	
(7)	970 631 106 00	protective cap	/R	1	
8	970 631 103 00	cap lateral high beam	/L	1	
(8)	970 631 104 00	cap lateral high beam	/R	1	
9	955 631 254 00	filter element		2	
10	955 631 255 00	ventilation component		2	

Model	Year	MG	SG	Illustration	Restrictions	UPD	15:47	04.03.2010	PORSCHE	PET	PORSCHE
970	2010	9	05	905-01		249					

Pos	Part Number	Description	Remark	Qty	Model	Pos	Part Number	Description	Remark	Qty	Model
11	970 631 129 02	breather hose included support position 12	/L	1		29	999 631 138 90	bulb 5 W yellow		2	
(11)	970 631 130 02	breather hose included support position 12	/R	1		30	970 631 133 00	bulb socket		2	
12	999 507 168 40	hose holder	/L	1							
(12)	999 507 167 40	hose holder	/R	1							
13	970 631 073 01	mounting	/L	1							
(13)	970 631 074 01	mounting	/R	1							
15	900 116 004 09	lock washer		2							
		additional headlamp									
19	970 631 081 02	additional headlamp	/L	1	I605						
(19)	970 631 082 02	additional headlamp	/R	1	I605						
20	999 631 253 91	bulb direction indicator light		4							
21	997 631 271 00	cap direction indicator light		4							
22	997 631 241 00	LED module position light		2							
23	997 631 297 00	screw		8							
24	997 631 247 00	breather adapter		2							
-	970 631 291 00	diaphragm		2							
25	997 631 267 01	ventilation component		2							
26	999 073 227 09	tapping screw 4,8 X 19		6							
27	999 507 795 09	speed nut 4,8 direction indicator light		6							
28	970 631 033 01	direction indicator light	/L	1							
(28)	970 631 034 01	direction indicator light	/R	1							

Model	Year	MG	SG	Illustration	Restrictions	UPD	15:47	04.03.2010	PORSCHE	PET	PORSCHE
970	2010	9	05	905-02		249					

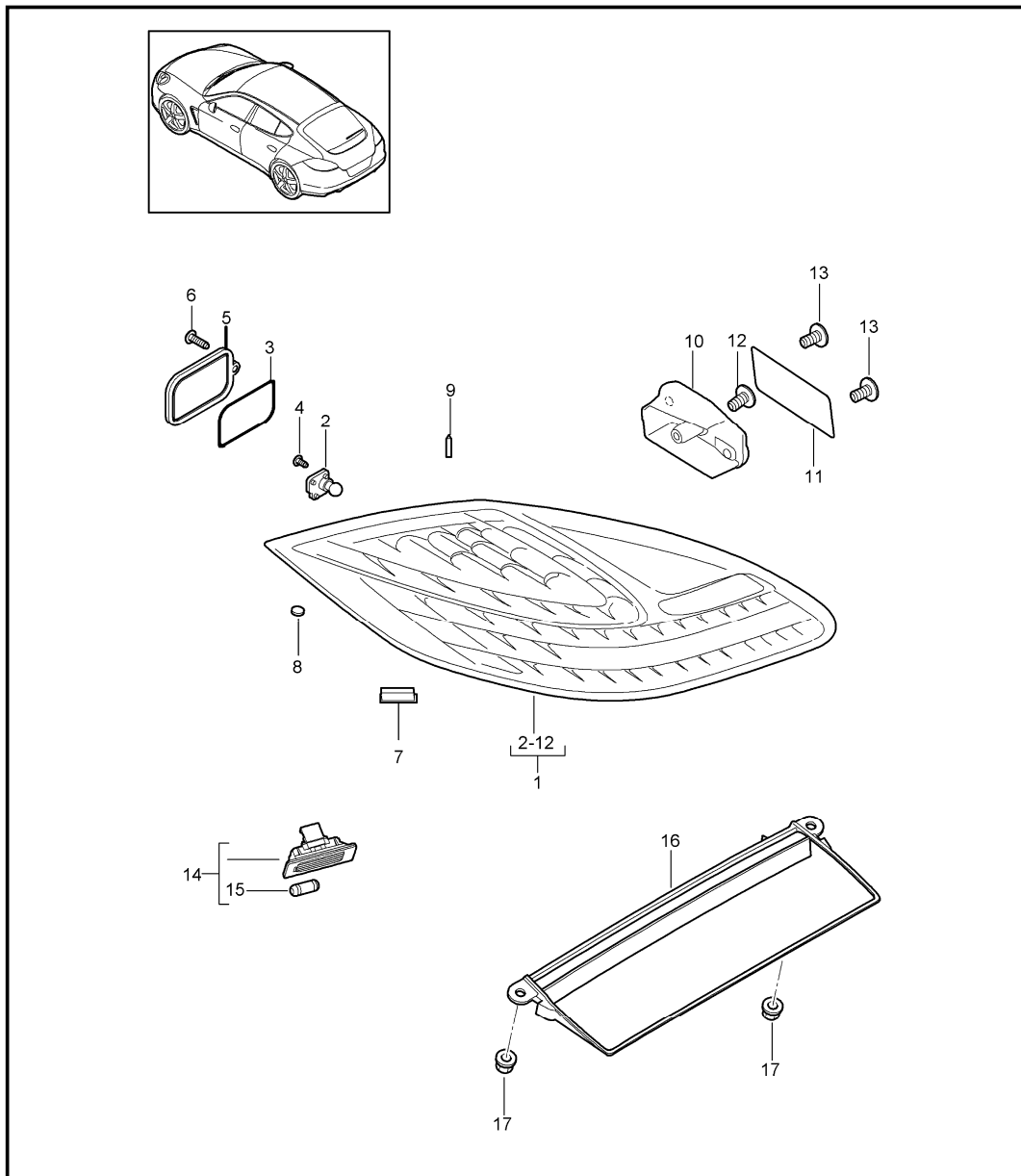


Pos	Part Number	Description	Remark	Qty	Model
		headlamp direction indicator light fog headlamp			I603/604
		headlamp without control unit and bulb Xenon			
1	970 631 169 02	headlamp	/L	1	I603
1	970 631 169 04	headlamp	/L (CN)	1	I603
(1)	970 631 170 02	headlamp	/R	1	I603
(1)	970 631 170 04	headlamp	/R (CN)	1	I603
(1)	970 631 171 02	headlamp	/L	1	Turbo I604
(1)	970 631 171 04	headlamp	/L (CN)	1	Turbo I604
(1)	970 631 172 02	headlamp	/R	1	Turbo I604
(1)	970 631 172 04	headlamp	/R (CN)	1	Turbo I604
2	N 105 661 01	bulb D1S		2	
-	955 631 199 00	retaining ring bulb D1S		2	
3	999 631 133 91	halogen bulb H 7		4	
4	970 631 141 00	adjusting motor headlight levelling system		2	
5	970 618 143 01	control unit		2	
6	970 631 199 00	screw		6	
7	970 631 105 00	protective cap	/L	1	
(7)	970 631 106 00	protective cap	/R	1	
8	970 631 103 00	cap lateral high beam	/L	1	S, 4S

Model	Year	MG	SG	Illustration	Restrictions	UPD	15:47	04.03.2010	PORSCHE	PET	PORSCHE
970	2010	9	05	905-02		249					

Pos	Part Number	Description	Remark	Qty	Model	Pos	Part Number	Description	Remark	Qty	Model
(8)	970 631 104 00	cap lateral high beam	/R	1	S, 4S	21	997 631 271 00	cap direction indicator light		4	
(8)	970 631 107 00	cap lateral high beam included control unit	/L	1	Turbo	22	997 631 241 00	LED module position light		2	Turbo
(8)	970 631 108 00	cap lateral high beam included control unit	/R	1	Turbo	(22)	970 631 243 00	LED module position light		2	S, 4S
9	955 631 254 00	filter element		2		23	997 631 297 00	screw		8	
10	955 631 255 00	ventilation component		2		24	997 631 247 00	breather adapter		2	
11	970 631 129 02	breather hose included support position 12	/L	1		-	970 631 291 00	diaphragm		2	S, 4S
(11)	970 631 130 02	breather hose included support position 12	/R	1		25	997 631 267 01	ventilation component		2	
12	999 507 168 40	hose holder	/L	1		26	999 073 227 09	tapping screw 4,8 X 19		6	
(12)	999 507 167 40	hose holder	/R	1		27	999 507 795 09	speed nut 4,8		6	Turbo
13	970 631 073 01	mounting	/L	1		28	999 507 143 01	clamp		2	Turbo
(13)	970 631 074 01	mounting	/R	1		29	970 631 213 00	stopper additional headlamp		2	Turbo
15	900 116 004 09	lock washer		2				direction indicator light			
19	970 631 081 02	additional headlamp	/L	1	S, 4S I605	30	970 631 033 01	direction indicator light	/L	1	
(19)	970 631 082 02	additional headlamp	/R	1	S, 4S I605	(30)	970 631 034 01	direction indicator light	/R	1	
(19)	970 631 083 01	additional headlamp	/L	1	Turbo	31	999 631 138 90	bulb 5 W yellow		2	
(19)	970 631 084 01	additional headlamp	/R	1	Turbo	32	970 631 133 00	bulb socket		2	
20	999 631 253 91	bulb direction indicator light		4							
				2	Turbo						

Model	Year	MG	SG	Illustration	Restrictions	UPD	15:47	04.03.2010	PORSCHE	PET	PORSCHE
970	2010	9	05	905-05		249					

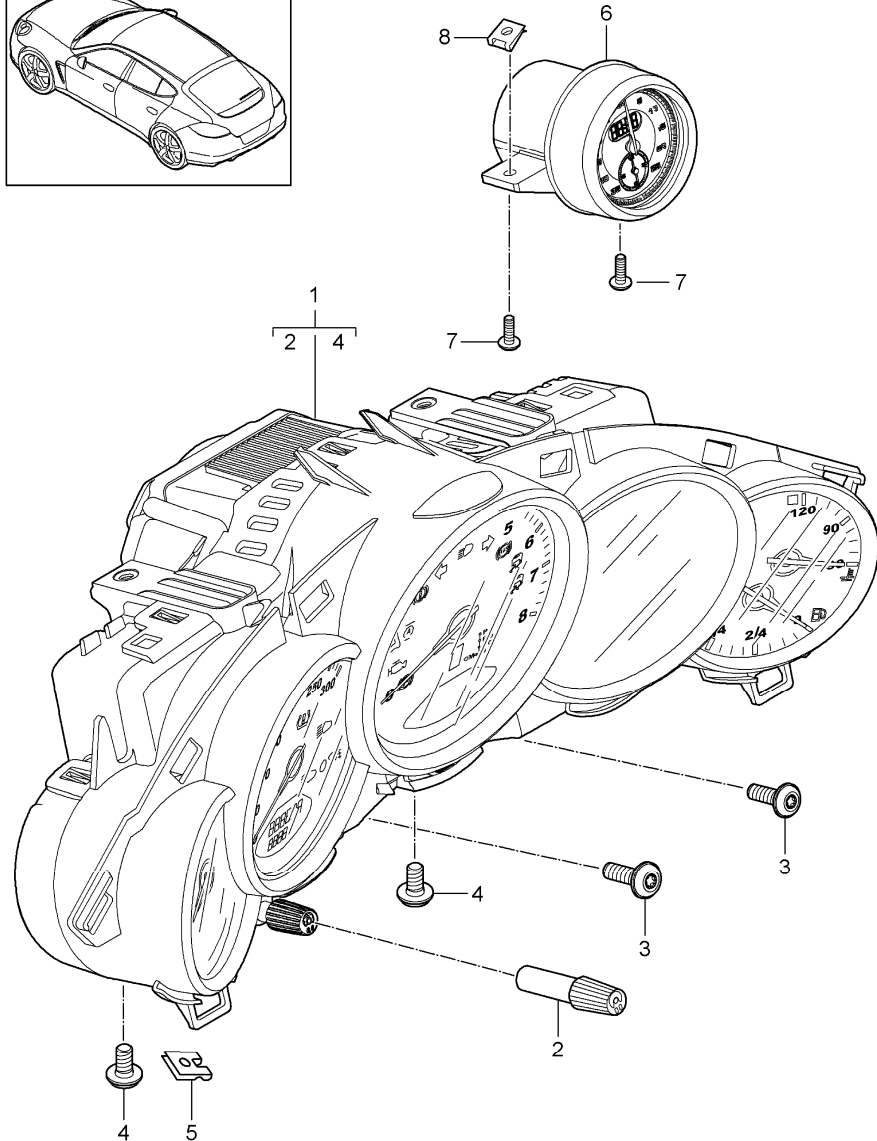
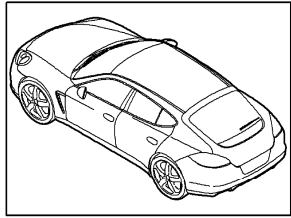


Pos	Part Number	Description	Remark	Qty	Model
		rear light license plate light additional brake light			
1	970 631 411 02	rear light	/L	1	I465
(1)	970 631 412 02	rear light	/R	1	I465
1	970 631 413 02	rear light	/L	1	I466
(1)	970 631 414 02	rear light	/R	1	I466
2	999 631 250 91	bulb back-up light use also:		2	
3	970 631 497 00	gasket cover		2	
4	997 631 598 00	screw mount back-up light		4	
5	970 631 481 00	cover rear light		2	
6	997 631 497 00	screw		2	
7	970 631 585 00	buffer		2	
8	997 631 441 00	ventilation component		2	
9	970 631 595 00	buffer small		2	
10	970 631 447 01	support rear light	/L	1	
(10)	970 631 448 01	support rear light	/R	1	
11	970 631 493 00	gasket support		2	
12	999 073 238 01	oval-head screw		2	
13	999 073 295 A2	oval-head screw M 5 X 12		4	
14	7PP 943 021	license plate light		2	
15	900 631 025 90	bulb 12V 5W		2	
16	970 631 050 02	additional brake light		1	

Model	Year	MG	SG	Illustration	Restrictions	UPD	15:47	04.03.2010	PORSCHE	PET	PORSCHE
970	2010	9	05	905-05		249					

Pos	Part Number	Description	Remark	Qty	Model	Pos	Part Number	Description	Remark	Qty	Model
17	900 377 010 01	hexagon nut M 6		2							

Model	Year	MG	SG	Illustration	Restrictions	UPD	15:48	04.03.2010	PORSCHE	PET	PORSCHE
970	2010	9	06	906-00		249					

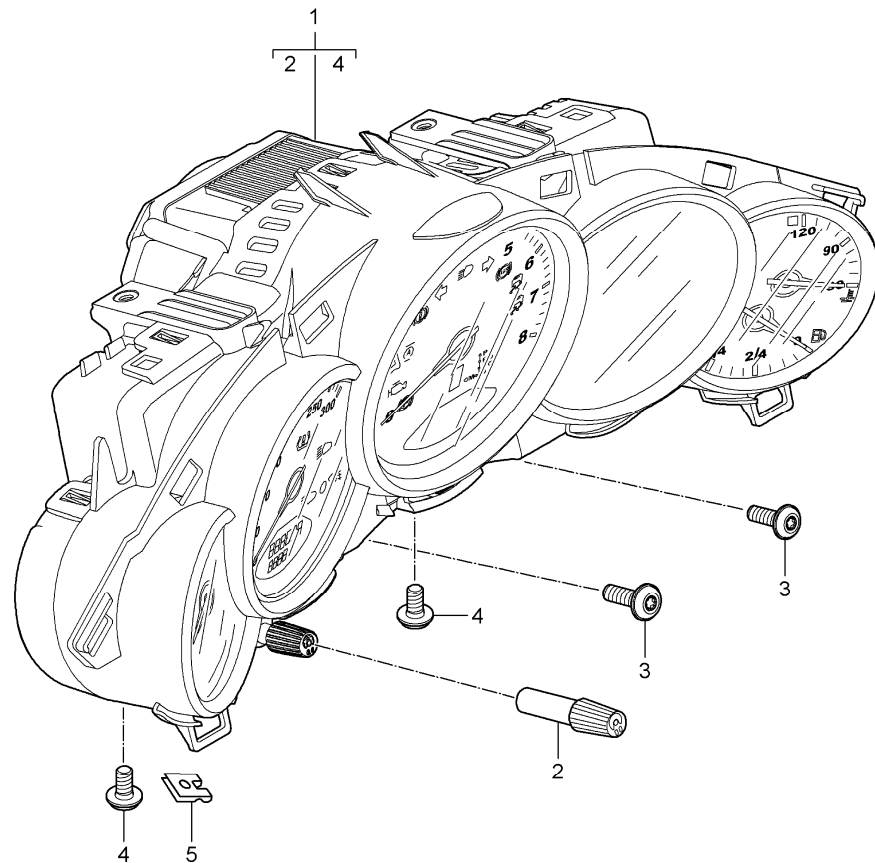
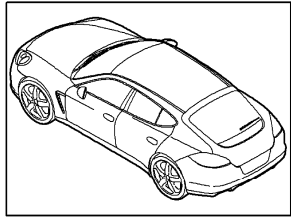


Pos	Part Number	Description	Remark	Qty	Model
1	970 641 113 04	instruments stopwatch		1	I023/480/696
	A05	black mat			
(1)	970 641 113 04	instrument cluster manual transmission complete	(CN)	1	I023/075/480 I665
	A05	black mat			
(1)	970 641 113 04	instrument cluster manual transmission complete	(J)	1	I023/480/675
	A05	black mat			
(1)	970 641 114 04	instrument cluster pdk complete		1	I023/250/696
	A05	black mat			
(1)	970 641 114 04	instrument cluster pdk complete	(CN)	1	I023/075/250 I665
	A05	black mat			
(1)	970 641 114 04	instrument cluster pdk complete	(J)	1	I023/250/675
	A05	black mat			
(1)	970 641 117 04	instrument cluster manual transmission complete	(GB)	1	I023/061/480 I696
	A05	black mat			
(1)	970 641 118 04	instrument cluster pdk complete	(GB)	1	I023/061/250 I696
	A05	black mat			

Model	Year	MG	SG	Illustration	Restrictions	UPD	15:48	04.03.2010	PORSCHE	PET	PORSCHE
970	2010	9	06	906-00		249					

Pos	Part Number	Description	Remark	Qty	Model	Pos	Part Number	Description	Remark	Qty	Model
(1)	970 641 153 04	instrument cluster manual transmission complete		1	I023/480/665	2	7PP 919 069	knob actuator		1	
	A05	black mat				3	999 073 498 01	oval-head screw M 5 X 20		2	
(1)	970 641 154 04	instrument cluster pdk complete		1	I023/250/665	4	900 385 152 01	Outer hexagon round screw M 5 X 22		2	
	A05	black mat				5	999 507 556 01	speed nut M 5		4	
(1)	970 641 157 04	instrument cluster manual transmission complete	(GB)	1	I023/061/480 I665	6	970 641 301 02	stopwatch		1	I025/639/640
	A05	black mat					DAP	Matt Black/Galvano Silver			
(1)	970 641 158 04	instrument cluster pdk complete	(GB)	1	I023/061/250 I665	7	999 073 499 01	oval-head screw M 5 X 14 - TC		2	I639/640
	A05	black mat				8	999 507 556 01	speed nut M 5		2	I639/640
1	970 641 124 04	instrument cluster pdk complete		1	Turbo I021/250/665						
	A05	black mat									
(1)	970 641 128 04	instrument cluster pdk complete	(GB)	1	Turbo I021/061/250 I665						
	A05	black mat									
(1)	970 641 174 04	instrument cluster pdk complete	(CN)	1	Turbo I021/075/250 I665						
	A05	black mat									
(1)	970 641 174 04	instrument cluster pdk complete	(J)	1	Turbo I021/250/675						
	A05	black mat									

Model	Year	MG	SG	Illustration	Restrictions	UPD	15:48	04.03.2010	PORSCHE	PET	PORSCHE
970	2010	9	06	906-02		249					



Pos	Part Number	Description	Remark	Qty	Model
		instruments exclusive programme			IXFG/XFJ/XFL
1	970 641 980 03	instrument cluster complete dial lacquered		1	I480/696
	84A	guards red			IXFG
	B9A	carrara white			IXFJ
	6W0	Luxor Beige			IXFL
(1)	970 641 980 03	instrument cluster complete dial lacquered	(CN)	1	I075/480/665
	84A	guards red			IXFG
	B9A	carrara white			IXFJ
	6W0	Luxor Beige			IXFL
(1)	970 641 980 03	instrument cluster complete dial lacquered	(J)	1	I480/675
	84A	guards red			IXFG
	B9A	carrara white			IXFJ
	6W0	Luxor Beige			IXFL
(1)	970 641 980 04	instrument cluster pdk complete dial lacquered		1	I250/696
	84A	guards red			IXFG
	B9A	carrara white			IXFJ
	6W0	Luxor Beige			IXFL
(1)	970 641 980 04	instrument cluster pdk complete dial lacquered	(CN)	1	I075/250/665
	84A	guards red			IXFG
	B9A	carrara white			IXFJ

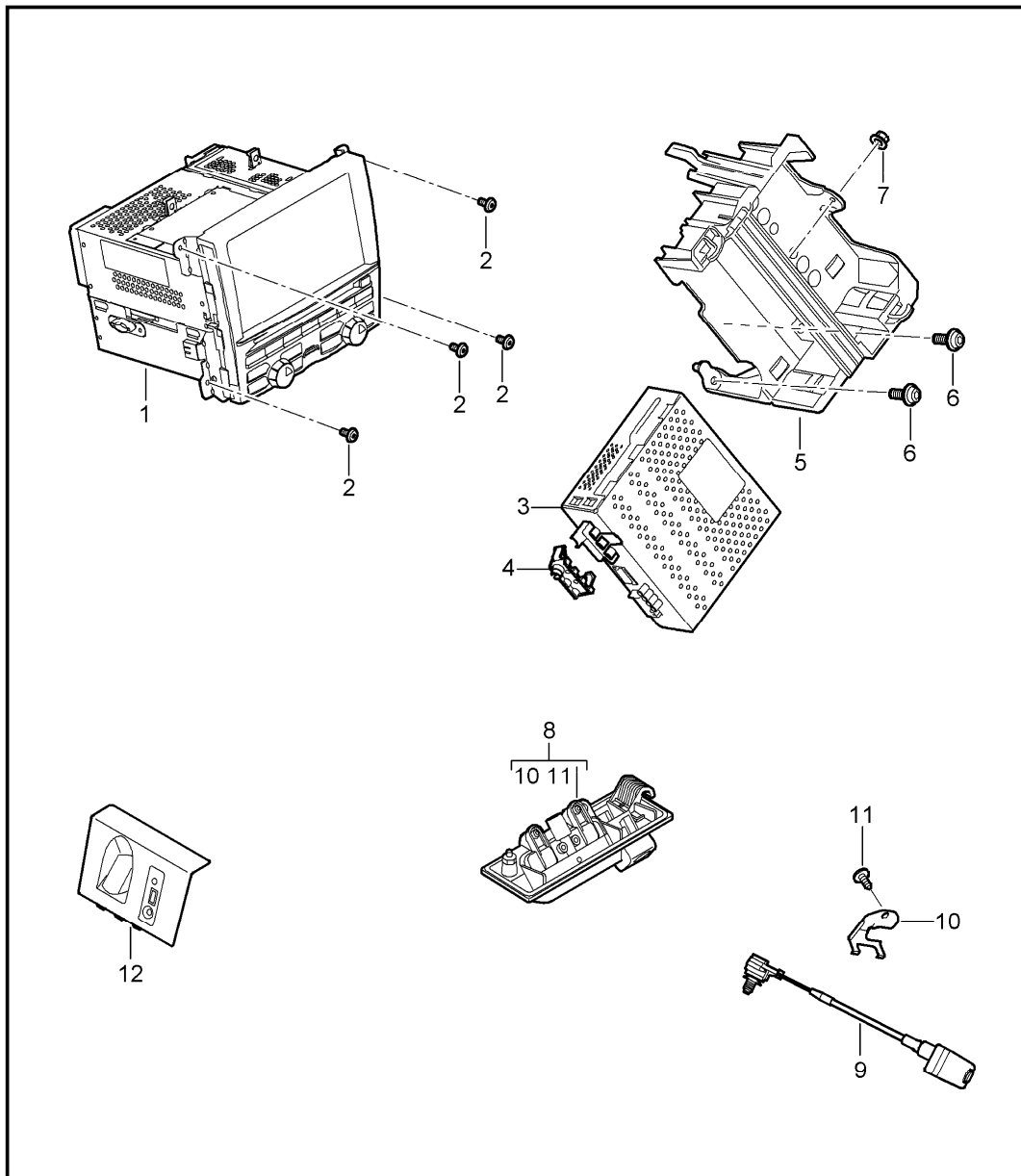
Model	Year	MG	SG	Illustration	Restrictions	UPD	15:48	04.03.2010	PORSCHE	PET	PORSCHE
970	2010	9	06	906-02		249					

Pos	Part Number	Description	Remark	Qty	Model	Pos	Part Number	Description	Remark	Qty	Model
	6W0	Luxor Beige			IXFL		6W0	Luxor Beige			IXFL
(1)	970 641 980 04	instrument cluster pdk complete dial lacquered	(J)	1	I250/675	(1)	970 641 982 07	instrument cluster complete dial lacquered	(GB)	1	I061/480/665
	84A	guards red			IXFG		84A	guards red			IXFG
	B9A	carrara white			IXFJ		B9A	carrara white			IXFJ
	6W0	Luxor Beige			IXFL		6W0	Luxor Beige			IXFL
(1)	970 641 980 07	instrument cluster complete dial lacquered	(GB)	1	I061/480/696	(1)	970 641 982 08	instrument cluster pdk complete dial lacquered	(GB)	1	I061/250/665
	84A	guards red			IXFG		84A	guards red			IXFG
	B9A	carrara white			IXFJ		B9A	carrara white			IXFJ
	6W0	Luxor Beige			IXFL		6W0	Luxor Beige			IXFL
(1)	970 641 980 08	instrument cluster pdk complete dial lacquered	(GB)	1	I061/250/696	(1)	970 641 984 04	instrument cluster pdk complete dial lacquered		1	Turbo I250/665
	84A	guards red			IXFG		84A	guards red			IXFG
	B9A	carrara white			IXFJ		B9A	carrara white			IXFJ
	6W0	Luxor Beige			IXFL		6W0	Luxor Beige			IXFL
(1)	970 641 982 03	instrument cluster complete dial lacquered		1	I480/665	(1)	970 641 984 08	instrument cluster pdk complete dial lacquered	(GB)	1	Turbo I061/250/665
	84A	guards red			IXFG		84A	guards red			IXFG
	B9A	carrara white			IXFJ		B9A	carrara white			IXFJ
	6W0	Luxor Beige			IXFL		6W0	Luxor Beige			IXFL
(1)	970 641 982 04	instrument cluster pdk complete dial lacquered		1	I250/665	(1)	970 641 984 05	instrument cluster pdk complete dial lacquered	(CN)	1	Turbo I075/250/665
	84A	guards red			IXFG		84A	guards red			IXFG
	B9A	carrara white			IXFJ		B9A	carrara white			IXFJ

Model	Year	MG	SG	Illustration	Restrictions	UPD	15:48	04.03.2010	PORSCHE	PET	PORSCHE
970	2010	9	06	906-02		249					

Pos	Part Number	Description	Remark	Qty	Model	Pos	Part Number	Description	Remark	Qty	Model
	84A	guards red			IXFG						
	B9A	carrara white			IXFJ						
	6W0	Luxor Beige			IXFL						
(1)	970 641 984 05	instrument cluster pdk complete dial lacquered	(J)	1	Turbo I250/675						
	84A	guards red			IXFG						
	B9A	carrara white			IXFJ						
	6W0	Luxor Beige			IXFL						
2	7PP 919 069	knob actuator trip meter and clock		1							
3	999 073 498 01	oval-head screw M 5 X 20		2							
4	900 385 152 01	Outer hexagon round screw M 5 X 22		2							
5	999 507 556 01	speed nut M 5		4							

Model	Year	MG	SG	Illustration	Restrictions	UPD	15:48	04.03.2010	PORSCHE	PET	PORSCHE
970	2010	9	11	911-00		249					



Pos	Part Number	Description	Remark	Qty	Model
1	970 642 970 X	radio navigation system receiving part tv reversing camera Multimedia interface control part only in exchange control part		1	-I686/-I693/ I665/672
	DML	Matt Black/hi-gloss chrome we take back: 970.642.970.00.DML			
	F	>>97AL0 40413	(IND)		
	F	>>97AL0 60086	(IND)		
	F	>>97AL0 80489	(IND)		
	F	>>97AL0 90071	(IND)		
1	970 642 970 AX	control part		1	-I686/-I693/ I665/672
	DML	Matt Black/hi-gloss chrome we take back: 970.642.970.01.DML			
	F	97AL0 40414 >>	(IND)		
	F	97AL0 60087 >>	(IND)		
	F	97AL0 80490 >>	(IND)		
	F	97AL0 90072 >>	(IND)		
1	970 642 972 X	control part		1	-I686/I665/ I672/693
	DML	Matt Black/hi-gloss chrome we take back: 970.642.972.00.DML			
	F	>>97AL0 40413	(IND)		
	F	>>97AL0 60086	(IND)		
	F	>>97AL0 80489	(IND)		
	F	>>97AL0 90071	(IND)		
1	970 642 972 AX	control part		1	-I686/I665/ I672/693
	DML	Matt Black/hi-gloss chrome we take back: 970.642.972.01.DML			
	F	97AL0 40414 >>	(IND)		
	F	97AL0 60087 >>	(IND)		
	F	97AL0 80490 >>	(IND)		
	F	97AL0 90072 >>	(IND)		
1	970 642 974 X	control part		1	-I693/I075/ I665/672

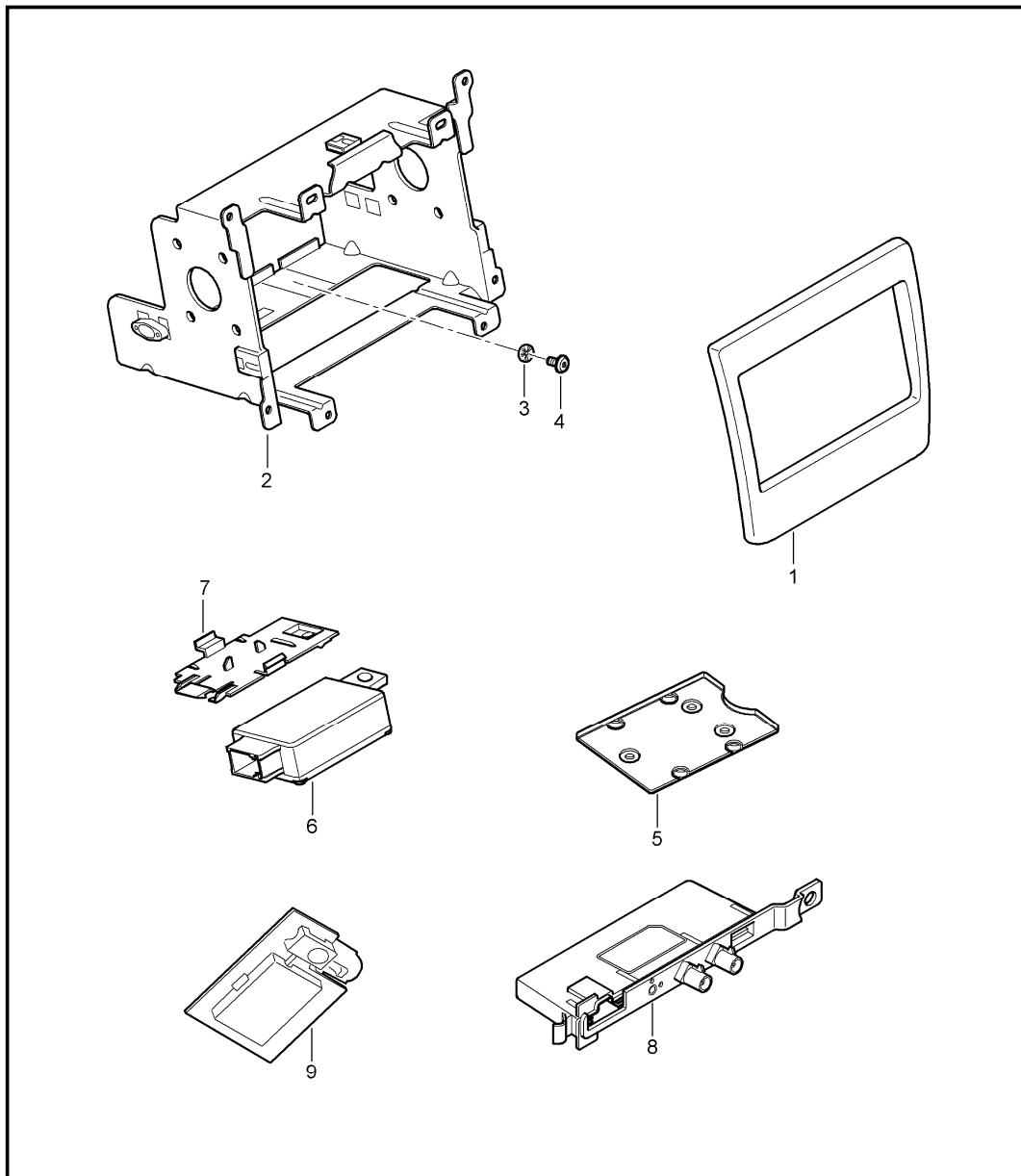
Model	Year	MG	SG	Illustration	Restrictions	UPD	15:48	04.03.2010	PORSCHE	PET	PORSCHE
970	2010	9	11	911-00		249					

Pos	Part Number	Description	Remark	Qty	Model	Pos	Part Number	Description	Remark	Qty	Model
1	970 642 975 X	DML Matt Black/hi-gloss chrome we take back: 970.642.974.00.DML control part		1	I075/665/672 I693	-	970 642 930 01	rotary knob for control part use for 970.642.97x.01.DML F 97AL0 40414 >> F 97AL0 60087 >> F 97AL0 80490 >> F 97AL0 90072 >>	/R	1	I665
-	970 642 929 00	DML Matt Black/hi-gloss chrome we take back: 970.642.975.00.DML telephone see group 9/11/10 rotary knob for control part use for 970.642.97x.00.DML F >>97AL0 40413 F >>97AL0 60086 F >>97AL0 80489 F >>97AL0 90071	/L	1	I665	1	970 645 130 04	radio CDR 31 DML Matt Black/hi-gloss chrome		1	I696
-	970 642 929 01	rotary knob for control part use for 970.642.97x.01.DML F 97AL0 40414 >> F 97AL0 60087 >> F 97AL0 80490 >> F 97AL0 90072 >>	/L	1	I665	(1)	970 645 130 DX	radio CDR 31 DML Matt Black/hi-gloss chrome we take back: 970.645.130.04.DML		1	I696
-	970 642 930 00	rotary knob for control part use for 970.642.97x.00.DML F >>97AL0 40413 F >>97AL0 60086 F >>97AL0 80489 F >>97AL0 90071	/R	1	I665	(1)	970 645 132 04	radio CDR 31 DML Matt Black/hi-gloss chrome		1	I692/696
						(1)	970 645 132 DX	radio CDR 31 DML Matt Black/hi-gloss chrome we take back: 970.645.132.04.DML		1	I692/696
						(1)	970 645 134 04	radio CDR 31 DML Matt Black/hi-gloss chrome		1	I619/696
						(1)	970 645 134 DX	radio CDR 31 DML Matt Black/hi-gloss chrome we take back: 970.645.134.04.DML		1	I619/696
						(1)	970 645 136 04	radio CDR 31 DML Matt Black/hi-gloss chrome		1	I619/692/696
						(1)	970 645 136 DX	radio CDR 31 DML Matt Black/hi-gloss chrome		1	I619/692/696

Model	Year	MG	SG	Illustration	Restrictions	UPD	15:48	04.03.2010	PORSCHE	PET	PORSCHE
970	2010	9	11	911-00		249					

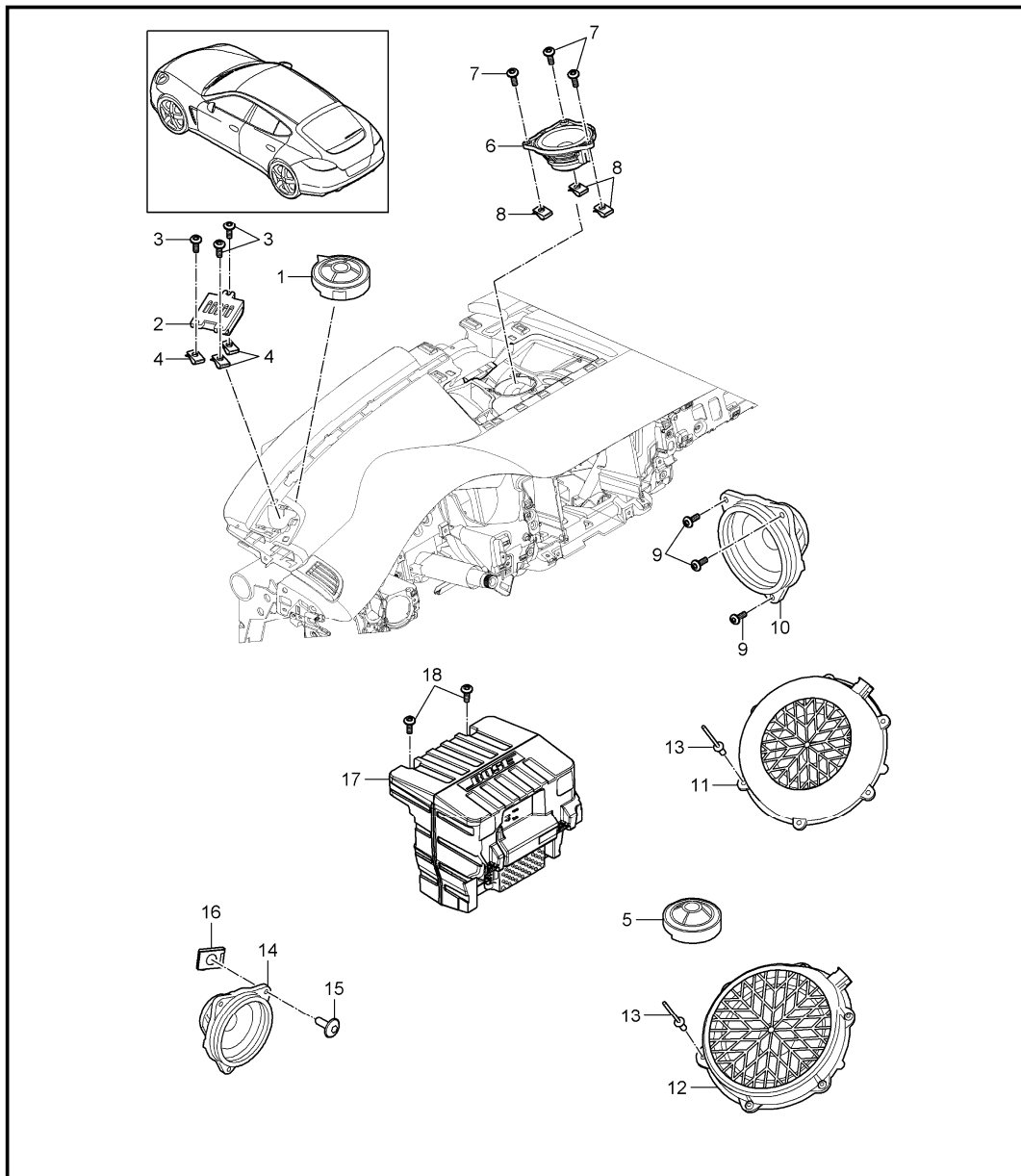
Pos	Part Number	Description	Remark	Qty	Model	Pos	Part Number	Description	Remark	Qty	Model
	DML	Matt Black/hi-gloss chrome we take back: 970.645.136.04.DML				11	999 919 050 09	oval-head screw 4,0 X 12		1	
2	999 919 247 01	oval-head screw 5,0 X 12		4		12	970 553 345 02	adapter Multimedia interface		1	I665/870
-	970 642 271 50	dvd navigation system		1	I610	(12) N		cover see illustrations 9-03-05		1	-I870
-	970 642 275 50	dvd navigation system		1	I611	(12)	970 553 345 01	adapter Multimedia interface		1	I696/870
-	970 642 277 50	dvd navigation system		1	I612	-	970 612 060 50	wiring harness Multimedia interface		1	I665/870
-	970 642 279 50	dvd navigation system		1	I613	-	997 612 471 02	Connecting line iPOD AUX		1	I665/870
-	970 642 281 50	dvd navigation system		1	I614						
-	970 642 283 50	dvd navigation system		1	I616						
-	970 642 285 50	dvd navigation system		1	I617						
-	997 642 148 02	cd-rom logbook		1	I641						
3	7PP 919 148	receiving part tv		1	I676						
4	955 642 295 10	coding plug reversing camera		1	I637/638/676						
5	970 642 331 01	support		1	I676						
6	900 378 252 01	hexagon-head bolt M 6 X 16		2	I676						
7	N 100 151 01	plastic nut T 5		1	I676						
8	970 613 425 01	reversing camera module included tip switch rear lid		1	I637/638						
	1E0	black									
9	970 642 733 00	reversing camera		1	I637/638						
10	970 642 525 00	retaining bracket reversing camera		1	I637/638						

Model	Year	MG	SG	Illustration	Restrictions	UPD	15:48	04.03.2010	PORSCHE	PET	PORSCHE
970	2010	9	11	911-01		249					



Pos	Part Number	Description	Remark	Qty	Model
		preparation navigation system japan			I675
1	970 642 323 00	front frame		1	I675
	A05	black mat			
2	970 642 327 00	support		1	I675
3	999 591 243 01	clamping washer 4,0		4	I675
4	999 919 247 01	oval-head screw 5,0 X 12		4	I675
5	970 642 329 00	support Card reader		1	I675
6	7PP 971 324	adapter can		1	I675
7	970 642 325 00	support adapter can		1	I675
-	970 612 080 00	connecting line microphone		1	I675
-	970 612 079 00	connecting line antenna radio		1	I675
		bose see illustrations 9-11-10			
8	970 647 112 01	antenna booster TV japan		1	I675
9	7PP 035 504	antenna GPS		1	I675
-	970 612 081 00	connecting line antenna GPS		1	I675
-	970 612 082 00	connecting line reversing camera		1	I675

Model	Year	MG	SG	Illustration	Restrictions	UPD	15:48	04.03.2010	PORSCHE	PET	PORSCHE
970	2010	9	11	911-05		249					

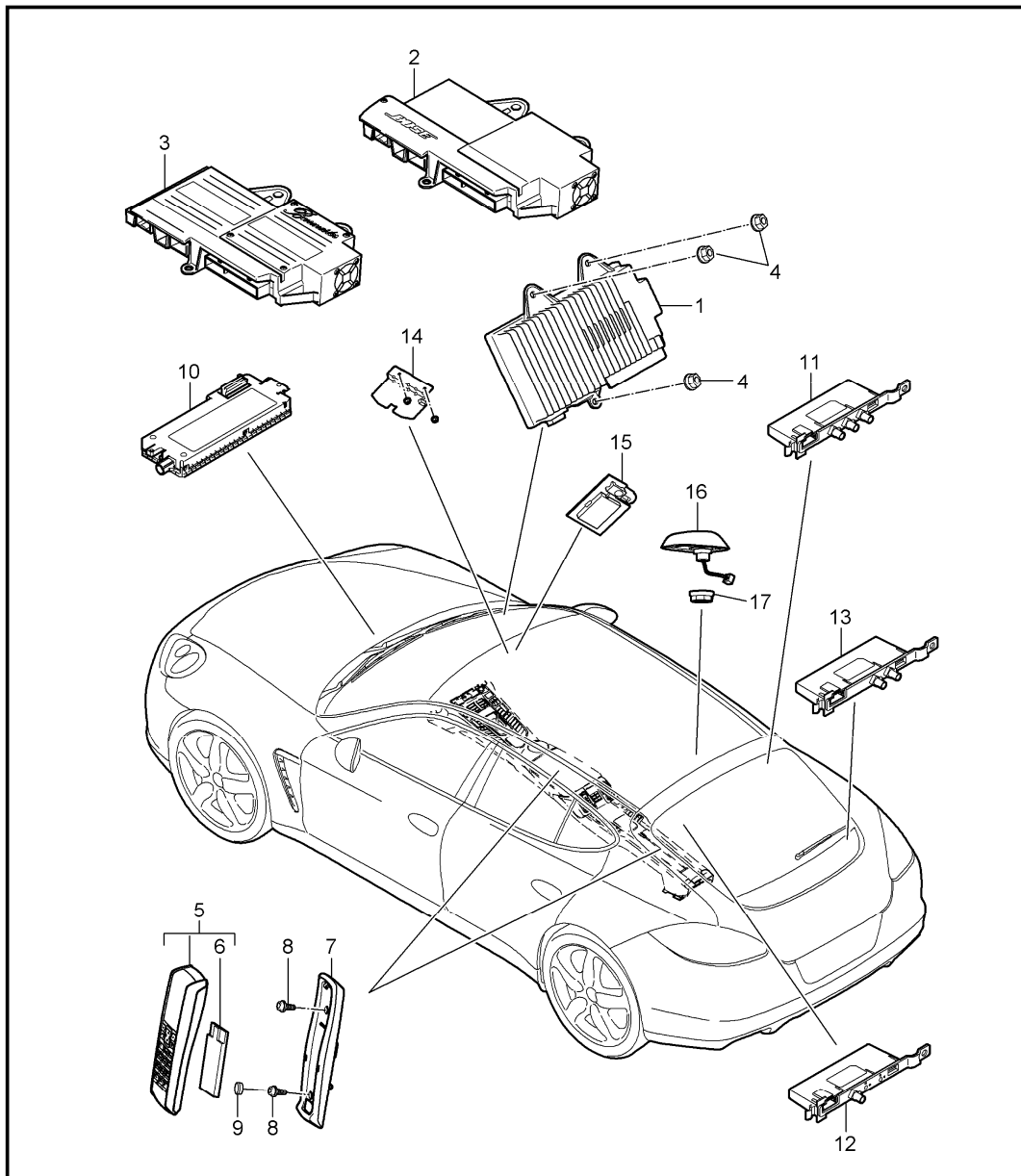


Pos	Part Number	Description	Remark	Qty	Model
1	7PP 035 411	loudspeaker tweeter dashboard door rear		X 2 2	I441/490
(1)	7PP 035 411 D	tweeter dashboard door rear bose		X 2 2	I680
2	7PP 035 411 E	tweeter dashboard Burmester		2	I682
3	999 073 499 01	oval-head screw M 5 X 14 dashboard		6	I682
4	999 507 556 01	speed nut M 5 dashboard		6	I682
5	7PP 035 412 A	tweeter door rear Burmester		2	I682
6	7PP 035 828 C	loudspeaker dashboard centre		1	I490
(6)	7PP 035 828 D	loudspeaker dashboard centre		1	I680
(6)	7PP 035 828 E	loudspeaker dashboard centre		1	I682
7	999 073 499 01	oval-head screw M 5 X 14		3	
8	999 507 556 01	speed nut M 5		3	
9	7PP 035 415 D	mid-range loudspeaker door front		2	I441
(9)	7PP 035 415 E	mid-range loudspeaker door front		2	I490

Model	Year	MG	SG	Illustration	Restrictions	UPD	15:48	04.03.2010	PORSCHE	PET	PORSCHE
970	2010	9	11	911-05		249					

Pos	Part Number	Description	Remark	Qty	Model	Pos	Part Number	Description	Remark	Qty	Model
(9)	7PP 035 415 F	mid-range loudspeaker door front bose		2	I680	(14)	7PP 035 416 C	loudspeaker c-pillar Burmester		2	I682
(9)	7PP 035 415 G	mid-range loudspeaker door front rear Burmester		X	I682	15	999 073 339 09	tapping screw 4,2 X 13		6	I680/682
10	N 104 420 03	oval-head screw 5,0 X 16,0		6		16	999 507 138 01	speed nut		6	
(10)	N 104 420 03	oval-head screw 5,0 X 16,0		12	I682	17	970 645 565 03	subwoofer bose		1	I680
11	970 645 551 01	woofer door front		2	I441	(17)	970 645 567 03	subwoofer Burmester		1	I682
(11)	7PP 035 454 D	woofer door front		2	I490	18	999 073 348 09	oval-head screw M 6 X 20		4	I680/682
(11)	7PP 035 454 E	woofer door front bose		2	I680						
(11)	7PP 035 454 F	woofer door front Burmester		2	I682						
12	970 645 651 01	woofer door rear		2	I441/490						
(12)	7PP 035 710 B	woofer door rear bose		2	I680						
(12)	7PP 035 453 A	woofer door rear Burmester		2	I682						
13	N 907 657 01	blind rivet 4,8 X 15		24							
14	7PP 035 416 B	loudspeaker c-pillar bose		2	I680						

Model	Year	MG	SG	Illustration	Restrictions	UPD	11:34	05.03.2010	PORSCHE	PET	PORSCHE
970	2010	9	11	911-10		249					



Pos	Part Number	Description	Remark	Qty	Model
1	970 645 443 01	telephone booster antenna booster lines antenna video booster audio booster		1	V8S I490
2	7PP 035 223 E	booster bose		1	I680
(2)	7PP 035 223 J	booster bose	(J)	1	I675/680
3	7PP 035 223 L	booster Burmester		1	I682
4	900 377 018 09	hexagon nut M 6		3	
5	7PP 035 725	telephone receiver telephone		1	I669
6	997 646 216 00	battery		1	I669
7	997 646 214 00	mounting receiver		1	I669
	A05	black mat			
8	999 919 230 00	countersunk-head screw 3,0 X 10,0		2	I669
9	997 646 311 00	stopper		2	I669
		telephone centre console rear comprising:			I626
5	7PP 035 725	receiver telephone		1	
7	997 646 214 00	mounting receiver		1	I669
	A05	black mat			
8	999 919 230 00	countersunk-head screw 3,0 X 10,0		2	

Model	Year	MG	SG	Illustration	Restrictions	UPD	11:34	05.03.2010	PORSCHE	PET	PORSCHE
970	2010	9	11	911-10		249					

Pos	Part Number	Description	Remark	Qty	Model	Pos	Part Number	Description	Remark	Qty	Model
9	997 646 311 00	stopper		2		-	970 612 054 50	mobile phone preparation		1	I618/619
10	997 646 218 01	control unit telephone antenna		1	I666			after antenna telephone			
11	970 647 106 01	antenna booster	/R	1	I524/696	-	970 612 051 00	pcm after antenna navigation		1	I672
11	970 647 116 00	antenna booster	/R	1	I525/696						
-	N 4E0 035 610 E	use also: connector housing siehe SY 1709	(CDN) (MEX) (PAP)	1		-	970 612 048 50	pcm after antenna FM		1	I665/666/672
11	U 970 647 106 01	antenna booster	/R	1	I675	-	970 612 058 50	radio after antenna FM		1	I696
11	970 647 116 00	antenna booster	/R	1	I675						
(11)	970 647 108 01	antenna booster	/R	1	I440/524/665	-	970 612 037 00	pcm after antenna tv		1	I676
(11)	970 647 118 00	antenna booster	/R	1	I440/525/665						
-	N 4E0 035 610 E	use also: connector housing see SY 1709	(CDN) (MEX) (PAP)	1		-	970 612 010 00	pcm after antenna VTS		1	I677
12	970 647 105 01	antenna booster	/L	1	-I676/I440/ I665	-	970 612 046 01	pcm after antenna central locking system		1	
(12)	970 647 107 01	antenna booster	/L	1	I440/665/676						
(12)	970 647 112 01	antenna booster	/L (J)	1	I675	-	N	connecting line japan see illustrations 911-05	(J)	1	I675
13	970 647 110 01	antenna booster tv		1	I665/676						
14	970 647 125 01	antenna telephone		1	I619/666	-	N	wiring harness rear lid see illustrations 9-02-20		1	
15	7PP 035 504	antenna GPS		1	I672/675						
		connecting line antenna				-		connecting line video			
-	970 612 052 00	pcm after antenna telephone		1	I618/619 I666/669	-	970 612 066 00	receiving part tv after connection point roof		1	I676

Model	Year	MG	SG	Illustration	Restrictions	UPD	11:34	05.03.2010	PORSCHE	PET	PORSCHE
970	2010	9	11	911-10		249					

Pos	Part Number	Description	Remark	Qty	Model	Pos	Part Number	Description	Remark	Qty	Model
-	970 612 035 00	control unit reversing camera after connection point rear lid		1	I637/638						
-	970 612 032 50	control unit reversing camera after receiving part tv		1	I637/638/676						
-	970 612 031 00	control unit reversing camera after connection point roof		1	-I676/I637/ I638						
-	970 612 030 50	connection point roof after pcm		1	-I675/I637/ I638/676						

970_MXI KAT35. TXT

KAT.	M-X-I -NR	BENENNUNG-Deutsch BENENNUNG-Englisch
		+-----+ ! I-Nummern-Uebersicht ! +-----+ +-----+ ! Summary of optional extras "I"! +-----+
35	I XAF	Aerokit Turbo Turbo aerokit
35	I XAJ	Schwellerblenden lackiert Painted sill covers
35	I XCA	Nutleiste (3-teilig) Sportsilber Dashboard trim strip (3-part) sports seats
35	I XCB	Instrumentenabdeckung Unterteil Sportsilber Instrument surround sports seats
35	I XCC	Seitendüsen Sportsilber Side air vents sports seats
35	I XCD	Mitteldüsenträger Sportsilber Center air vent bracket sports seats
35	I XCE	Mittelkonsole hinten Sportsilber Rear center console sports seats
35	I XCG	Sportsitzrückenlehne Alu-Optik Sports seat backrest in Aluminium Look finish
35	I XCH	Seiten-/Mitteldüsenlamellen Sportsilber Side/centre air vent slats, sports seats
35	I XCK	Mittelkonsole hinten Galvanosilber Rear center console in Galvano Silver
35	I XCL	Instrumentenabdeckung Unterteil Galvanosilber Instrument surround in Galvano Silver
35	I XCN	Seitendüsen in Alu-Optik (997) Side air vents in Aluminium Look finish (997)
35	I XCY	Mitteldüse Alu-Optik Center air vent in Aluminium Look finish
35	I XCZ	Schalwegverkürzung Short shifter
35	I XDS	Zündschloss Rosette in Leder Ignition lock surround in leather
35	I XDV	Abschlussblende Schalttafel in Leder Dashboard end-trim in leather
35	I XDZ	Blende Schalthebel in Leder Selector lever cover in leather
35	I XD9	Felgenstern in Wagenfarbe lackiert Wheel painted in body colour
35	I XEA	Passivhörer in Leder Passive handset in leather
35	I XEP	Vorrüstung "Rear Seat Entertainment" Preparation for "Rear Seat Entertainment"
35	I XES	Vorrüstung beleuchtet Einstiegsleiste Preparation, illuminated door entry guard
35	I XET	Vorbereitung Kühlfach im Fond *
35	I XE8	Schaltnopf Alu/Wurzelholz Dunkel/Leder Gear lever knob aluminium/dark burr maple/leather
35	I XE9	Handbremshebel Alu/Wurzelholz Dunkel/Leder Handbrake lever aluminium/dark burr maple/leather
35	I XFD	Instrumenten-Zifferblatt lackiert in sandbeige Instrument dials in Sand Beige
35	I XFE	Instrumenten-Zifferblatt lackiert in terrakotta Instrument dials in Terracotta
35	I XFF	Instrumenten-Zifferblatt lackiert in braun/natur Instrument dials in Brown/Natural
35	I XFG	Instrumenten-Zifferblatt lackiert in indischrot Instrument dials in Guards Red
35	I XFH	Instrumenten-Zifferblatt lackiert in speedgelb

970_MXI KAT35. TXT

35 IXFJ Instrument dials in Speed Yellow
 Instrumenten-Zifferblatt lackiert in carreraweiß
 35 IXFL Instrument dials in Carrera White
 Instrumenten-Zifferblatt lackiert in Luxor beige
 35 IXGB Instrument dials painted in Luxor Beige
 Zierblende Schalttafel, Carbon
 35 IXGC Decorative dashboard trim, carbon
 Schalthebel Carbon/Alcantara
 35 IXGE Dashboard carbon/Alcantara
 Einsatz Griffmulde, Carbon
 35 IXJL Handle recess insert, carbon
 Luftseitendüse Makassar
 35 IXJM Makassar Ebony side air vent
 Luftseitendüse Platane
 35 IXJN Sycamore side air vent
 Mitteldüse Makassar
 35 IXJP Makassar Ebony center air vent
 Mitteldüse Platane
 35 IXJR Sycamore center air vent
 Defrosterblende Makassar
 35 IXJS Makassar Ebony windscreen defroster panel
 Defrosterblende Platane
 35 IXJT Sycamore windscreen defroster panel
 Mittelkonsole hinten Makassar
 35 IXJU Makassar Ebony rear center console
 Mittelkonsole hinten Platane
 35 IXJ4 Sycamore rear center console
 Rosette für Zündschloss lederbezogen
 35 IXKB Leather cover for ignition lock surround
 Luftseitendüse Wurzelholz/Ahorn hell
 35 IXKC Side air vent in light burr maple
 Luftseitendüse Wurzelholz/Ahorn dunkel
 35 IXKD Side air vent in dark burr maple
 Luftseitendüse carbon
 35 IXKG Side air vent in Carbon
 Defrosterblende Wurzelholz/Ahorn hell, Leder
 35 IXKH "Defroster trim in light burr maple; leather"
 Defrosterblende Wurzelholz/Ahorn dunkel, Leder
 35 IXKJ "Defroster trim in dark burr maple; leather"
 Defrosterblende Carbon/Leder
 35 IXKL Defroster trim in Carbon/leather
 Lautsprecherabdeckungen in Leder
 35 IXKM Leather speaker covers
 Lautsprecherabdeckungen Wurzelholz/Ahorn hell
 35 IXKN Speaker covers in light burr maple
 Lautsprecherabdeckungen Wurzelholz/Ahorn dunkel
 35 IXKP Speaker covers in dark burr maple
 Lautsprecherabdeckungen in Carbon
 35 IXKR Carbon speaker covers
 Mitteldüsenträger Wurzelholz/Ahorn hell
 35 IXKS Center air vent bracket in light burr maple
 Mitteldüsenträger Wurzelholz/Ahorn dunkel
 35 IXLF Center air vent bracket in dark burr maple
 Sportabgasanlage
 35 IXLG Sports exhaust system
 Deckel Ablagefach Mittelkonsole in Alcantara
 35 IXLR Centre console storage bin lid in Alcantara
 Sportendrohre Panamera
 35 IXMA Panamera sports tailpipes
 Himmel mit Leder bezogen
 35 IXME Rooflining in leather
 Mittelkonsole hinten lackiert
 35 IXMF Rear section of centre console painted
 Mittelkonsole vorn inklusive 2 Ablagen, Leder
 35 IXMJ Front centre console including 2 storage bins, leather
 Mittelkonsole hinten Carbon
 35 IXML Rear section of centre console in Carbon
 Mittelkonsole hinten Wurzelholz Ahorn hell

970_MXI KAT35. TXT

35 I XMP Rear centre console in light burr maple
 Sonnenblende Leder, 2 Make-up-Spiegel beleuchtet
 35 I XMR Leather sun visor, 2 illuminated vanity mirrors
 Sonnenblende Leder, 2 Make-Up-Spiegel beleuchtet Leder
 35 I XMZ Sun visor in leather, 2 illuminated vanity mirrors
 Mittelkonsole hinten Leder
 35 I XNB Rear section of centre console in leather
 Mittelkonsole hinten Wurzelholz Ahorn dunkel
 35 I XNG Rear center console in dark burr maple
 Instrumentenabdeckung Unterteil Leder
 35 I XNN Instrument surround in leather
 Mitteldüsenträger in Leder
 35 I XNR Center air vent bracket in leather
 Mitteldüsenträger Carbon
 35 I XNS Carbon center air vent bracket
 Lenkstock-Verkleidung 4-teilig Leder
 35 I XNU Leather steering column trim, 4-part
 Zierleiste (Nut) in Leder
 35 I XNV Leather trim strip (dashboard)
 Zierleiste (Nut) Wurzelholz/Ahorn hell
 35 I XNW Trim strip (dashboard) in light burr maple
 Zierleiste (Nut) Wurzelholz/Ahorn dunkel
 35 I XNX Trim strip (dashboard) in dark burr maple
 Zierleiste (Nut) in Carbon
 35 I XN3 Carbon trim strip (dashboard)
 Luftseitentdüse Armaturenbrett Leder
 35 I XPA Dashboard side air vent in leather
 35 I XPB 3-Speichen Sportlenkrad, Leder Interieurfarbe
 3-Spoke sports steering wheel in leather interior co
 35 I XPB 3-Speichen Sportlenkrad, Wurzelholz/Ahorn hell, Leder
 3-Spoke sports steering wheel, light burr maple, leather
 35 I XPC 3-Speichen Sportlenkrad, Wurzelholz/Ahorn dunkel, Leder
 3-Spoke sports steering wheel, dark burr maple, leather
 35 I XPD 3-Speichen Sportlenkrad, Carbon/Leder
 3-Spoke sports steering wheel, Carbon/leather
 35 I XPG 3-Speichen Sportlenkrad, Sportsilber
 3-Spoke sports steering wheel, sports seats
 35 I XPT Deckel Ablagefach Mittelkonsole mit Wappen
 Centre console storage bin lid with crest
 35 I XPU Multifunktions-Lenkrad Galvanosilber, neue Generation
 Multi-function steering wheel Galvano Silver, new generation
 35 I XPV Multifunktions-Lenkrad Galvanosilber
 Multifunction steering wheel, Galvano Silver
 35 I XPW Instrumentenabdeckung Unterteil Wurzelholz/Ahorn Hell
 Instrument surround in light burr maple
 35 I XPX Instrumentenabdeckung Unterteil Wurzelholz/Ahorn Dunkel
 Instrument surround in dark burr maple
 35 I XPY Instrumentenabdeckung Unterteil Carbon
 Carbon instrument surround
 35 I XRB Sport-Classic-2 Rad 18"
 18-inch Sport Classic II wheel
 35 I XRC Sport-Techno Rad 18"
 18-inch SportTechno wheel
 35 I XRL Sport-Design-Rad 18"
 18-inch SportDesign wheel
 35 I XRN Distanzscheiben 17 mm, hinten
 17-mm spacers, rear
 35 I XRP Distanzscheiben 5 mm, vorn/hinten
 5-mm spacers, front/rear
 35 I XRR Carrera Sport Rad 19"
 19-in. Carrera Sport wheel
 35 I XRW Panamera Sport Rad 20"
 Panamera Sport wheel, 20"
 35 I XSA Sportsitzrückenlehne lackiert
 Painted sports seat backrest
 35 I XSB Sportsitzrückenlehne in Leder
 Leather sports seat backrest
 35 I XSC Porsche Wappen geprägt in Kopfstütze

970_MXI KAT35. TXT

35	I XSD	Porsche Crest embossed in headrest Sitzbedienelemente in Leder
35	I XSE	Front seat controls in leather
35	I XSF	Schalensitz links Bucket seat, left
35	I XSH	Schalensitz rechts Bucket seat, right
35	I XSM	Sicherheitsgurte in Silber Silver seat belts
35	I XSN	Rennsport-Sicherheitskäfig Racing safety cage
35	I XSR	Entfall hintere Sitzanlage Omission of rear seats
35	I XSS	Schalensitz rechts, Rückseite Carbon Carbon back for bucket seat, right
35	I XST	Schalensitz links, Rückseite Carbon Carbon back for bucket seat, left
35	I XSU	Sicherheitsgurte in Sandbeige Seat belts in Sand Beige
35	I XSW	Abgepolsterter Sitz Upholstered seat
35	I XSW	Sicherheitsgurte in Maritimblau Seat belts in Maritime Blue
35	I XSX	Sicherheitsgurte in Indischrot Seat belts in Guards Red
35	I XSY	Sicherheitsgurte in Speedgelb Seat belts in Speed Yellow
35	I XTG	Schwellerabdeckung innen Leder Inner door sills in leather
35	I XTJ	Türtafelteile Wurzelholz/Ahorn hell Door panel parts in light burr maple
35	I XTK	Türtafelteile Wurzelholz/Ahorn dunkel Door panel parts in dark burr maple
35	I XTL	Türtafelteile Carbon Door panel parts in Carbon
35	I XTR	Türtafelteile Alu-Optik Door panel parts in Aluminium Look finish
35	I XTT	Türtafelteile Makassar Makassar Ebony door panel parts
35	I XTU	Türtafelteile Platane Sycamore door panel parts
35	I XTV	Türtafelteile Leder Leather door panel parts
35	I XTW	Türtafelteile Galvanosilber Door panel parts in Galvano Silver
35	I XUB	Abdeckung Scheinwerferreinigungsanlage lackiert Cover on headlight cleaning system, painted
35	I XUV	Deckel Ablagefach Mittelkonsole mit Schriftzug Centre console storage bin lid with logo
35	I XVM	Mitteldüse in Leder Leather center air vent
35	I XVP	Zierleiste inklusive Abdeckung Cupholder in Leder Trim strip including cupholder cover in leather
35	I XVR	Seiten-/Mitteldüsen in Leder Side/centre air vent in leather
35	I XV1	Defrosterblende Lederbezogen Defroster trim in leather
35	I XWR	Rahmen PDK-Kulisse in Alu-Optik PDK gate frame in Aluminium Look
35	I XWS	Rahmen PDK-Kulisse lackiert PDK gate frame painted
35	I XWT	Rahmen PDK-Kulisse schwarz lackiert PDK gate frame painted Black
35	I XWU	Rahmen PDK-Kulisse in Leder PDK gate frame in leather
35	I XXB	Einsteigsleisten Edelstahl, beleuchtet Door entry guards, stainless steel, illuminated
35	I XXC	Einsteigsleisten Alu, beleuchtet

970_MXI KAT35. TXT

35	I XXD	Door entry guards, aluminium, illuminated Einstiegsleisten Carbon, Beleuchtet
35	I XXF	Door entry guards, carbon, illuminated Rote Heckleuchten
35	I XXZ	Red tail lights Fussstütze
35	I XX1	Footrest Fussmatten, Schriftzug, Leder eingefasst
35	I XX2	Floor mats, logo, leather border Fussraumbelichtung
35	I XYA	Illuminated footwell PDK-Wählhebel (EXC)
35	I XZB	PDK selector lever (EXC) Mitteldüse in Carbon
35	I XZD	Carbon centre air vent Abdeckung Innenleuchte in Leder
35	I XZY	Interior light surround in leather Dekoreinlagen in Yachting-Mahagoni
35	I XZZ	Decorative inlays in Mahogany Yachting Multi-funktions-Lenkrad, Yachting Mahagoni
35	I X45	Multi-function steering wheel, Mahogany Yachting Instrumenten-Zifferblatt lackiert in Interieurfarbe
35	I X47	Instrument dial in interior color Schaltknopf Carbon/Alu/Leder
35	I X54	Gear lever knob in Carbon/leather Edelstahlendrohre
35	I X69	Stainless steel tail pipes Einstiegsblenden Carbon, Schriftzug
35	I X70	Door entry guards in Carbon with logo Einstiegsblenden Edelstahl, Schriftzug
35	I X71	Door entry guards in stainless steel with logo Instrumenten-Zifferblatt Lackiert/Alufarbe
35	I X72	Instrument dial painted/aluminium look finish Schaltknopf Alu/Wurzelholz Hell/Leder
35	I X73	Gear lever knob aluminium/light burr maple/leather Sportfahrwerk Turbo
35	I X74	Turbo sports suspension Sportfahrwerk (exclusiv)
35	I X75	Sports suspension (exclusive) Sperrdifferential (exclusiv)
35	I X76	Differential lock (exclusive) Schwellerverkleidungen links/rechts
35	I X97	Inner door sill guard, left/right Schaltknopf Alu/Leder
35	I X99	Gear lever knob in aluminium/leather Naturleder
35	I OY1	Natural leather Standard-Klimazone
35	I OY2	Standard climatic zone Tropische-Klimazone
35	I OY3	Tropical climatic zone Kalte-Klimazone
35	I O21	Cold climatic zone Zifferblätter Kombiinstrument in schwarz/silber
35	I O22	Instrument cluster dials in Black/Silver Zifferblätter Kombiinstrument in schwarz
35	I O23	Black-coloured instrument dials, instrument cluster Zifferblätter Kombiinstrument in silber
35	I O24	Silver-coloured instrument dials, instrument cluster Griechenland-Ausführung
35	I O25	Version for Greece Zifferblätter Stoppuhr in schwarz
35	I O26	Black-coloured instrument dials, stopwatch Zifferblätter Stoppuhr in silber
35	I O29	Silver-coloured instrument dials, stopwatch Serienfahrwerk
35	I O30	Standard chassis Sportfahrwerk

35	I 032	Sport-type chassis Langstreckenfahrwerk
35	I 034	Touring suspension Italien - Ausführung
35	I 058	Version for Italy Pralldämpfer vorn und hinten
35	I 061	Impact absorbers, front and rear Grossbritannien-Ausführung
35	I 062	Version for Great Britain Schweden-Ausführung
35	I 063	Version for Sweden Luxemburg-Ausführung
35	I 064	Version Luxemburg Niederlande-Ausführung
35	I 065	Version for Netherlands Dänemark-Ausführung
35	I 066	Version for Denmark Norwegen-Ausführung
35	I 067	Version for Norway Finnland-Ausführung
35	I 068	Version for Finland PAP Rechtslenker-Ausführung
35	I 069	PAP right-hand drive version Sonstige-Länderausführung
35	I 071	Other country version EU-Länderausführung
35	I 072	EU country version Mexiko-Ausführung
35	I 073	Version for Mexico Russland-Ausführung
35	I 074	Version for Russia PAP Linkslenker-Ausführung
35	I 075	PAP left-hand drive version China-Ausführung
35	I 080	China version Kraftstofftank 80 Liter
35	I 081	Fuel tank, 80-litre Kraftstofftank 100 Liter
35	I 098	Fuel tank, 100-litre Linkslenker-Ausführung
35	I 099	Left-hand drive version Rechtslenker-Ausführung
35	I 1A5	Right-hand drive version Motorvariante mit reduzierter Verdichtung
35	I 111	*
35	I 113	Österreich-Ausführung Version for Austria
35	I 114	Kanada - Ausführung Version for Canada
35	I 119	Taiwan - Ausführung Version for Taiwan
35	I 124	Spanien - Ausführung Version for Spain
35	I 126	Frankreich - Ausführung Version for France
35	I 127	Beschreibung französisch Control and indications in French lettering
35	I 130	Beschreibung schwedisch Control and indications in Swedish lettering
35	I 145	Beschreibung englisch Control and indications in English lettering
35	I 150	Verdichtungsvariante *
35	I 162	Betrieb mit verbleitem Kraftstoff Operation with leaded gas
35	I 165	Abgaskonzept LEV-2 Emissions concept LEV-2
		Abgaskonzept EU 5

35 I 170 Emissions concept EU 5
 Akustikpaket RDW
 35 I 171 Acoustic package RoW
 Akustikpaket USA
 35 I 172 Acoustic package USA
 Akustikpaket PAP, Chi na, Korea
 35 I 176 Acoustic package PAP, Chi na, Korea
 Sportabgasanlage
 Sports exhaust system
 35 I 182 Heissland
 Hot country
 35 I 193 Japan-Ausführung
 Version for Japan
 35 I 194 Batterie 60 Ah
 Battery, 60 Ah
 35 I 195 Batterie 70 Ah
 Battery, 70 Ah
 35 I 196 Batterie 80 Ah
 Battery, 80 Ah
 35 I 197 Stärkere Batterie
 Stronger battery
 35 I 198 Stärkerer Anlasser (1,7 kW)
 Enhanced starter motor (1.7 kW)
 35 I 199 Batterietrennschalter
 Battery disconnect switch
 35 I 200 Batterie 95 Ah
 95 Ah battery
 35 I 206 Anhaenger-Zugvorrichtung elektrisch ausklappbar
 Electrically extendable trailer hitch
 35 I 209 Kennzeichenhalter Ausführung 1
 Licence plate holder version 1
 35 I 210 Kennzeichenhalter Ausführung 2
 Licence plate holder version 2
 35 I 211 Kennzeichenhalter Ausführung 3
 Licence plate holder version 3
 35 I 213 Skisack
 Ski bag
 35 I 215 Saudi-Arabien - Ausführung
 Version for Saudi Arabia
 35 I 218 Kennzeichenhalter Ausführung 4
 Licence plate holder version 4
 35 I 219 Ausgleichtgetriebe
 Differential
 35 I 220 Sperrdifferential 40 %
 Locking differential 40 %
 35 I 225 Belgien-Ausführung
 Version for Belgium
 35 I 230 Reifen ZR 18" (245/50, 275/45)
 Tyres ZR 18" (245/50, 275/45)
 35 I 231 Reifen ZR 19" (255/45, 285/40)
 Tyres ZR 19" (255/45, 285/40)
 35 I 232 Reifen ZR 20" (255/40, 295/35)
 Tyres ZR 20" (255/40, 295/35)
 35 I 235 Reifen All Season ZR 19" (255/45, 285/40)
 All Season tyres, ZR 19" (255/45, 285/40)
 35 I 250 PDK-Getriebe (Doppelkupplung)
 PDK transmission (dual clutch)
 35 I 258 Aussenspiegel elektrisch anklappbar
 Electrically retractable exterior mirrors
 35 I 259 Aussenspiegel elektrisch anklappbar mit Memory
 Electrically retractable ext. mirrors with memory
 35 I 260 Aussenspiegel elektrisch anklappbar
 mit automatischer Abblendung
 Electrically retractable exterior mirrors
 with automatic dimming
 35 I 261 Aussenspiegel elektrisch anklappbar
 mit automatischer Abblendung und Memory
 Electrically retractable exterior mirrors

970_MXIKAT35.TXT

- 35 I 263 with automatic dimming and memory
Aussenspiegelglas links plan
Left exterior mirror glass, flat
- 35 I 264 Aussenspiegelglas links konvex
Left exterior mirror glass, convex
- 35 I 265 Aussenspiegelglas links asphärisch
Left exterior mirror glass, aspherical
- 35 I 266 Automatisch abblendbarer Aussenspiegel
Automatic anti-dazzle door mirror
- 35 I 267 Automatisch abblendbarer Innen und Aussenspiegel
Automatically dimmable interior and door mirrors
- 35 I 268 Regensensor
Rain sensor
- 35 I 270 Aussenspiegel für Fahrerseite -plan-,
elektrisch verstell- und beheizbar
Door mirrors -flat - driver's side,
electrically adjustable and heatable
- 35 I 271 Aussenspiegel für Fahreseite -asphärisch-,
elektrisch verstell- und beheizbar
Door mirrors -aspherical - driver's side,
electrically adjustable and heatable
- 35 I 273 Aussenspiegel, elektrisch verstell- und beheizbar
Door mirrors, electrically adjustable and heatable
- 35 I 274 Make-Up Spiegel beleuchtet
Vanity mirror, illuminated
- 35 I 275 Innenspiegel manuell abblendbar
Manual anti-dazzle interior mirror
- 35 I 276 Innenspiegel automatisch abblendend
Automatic anti-dazzle interior mirror
- 35 I 277 Schweiz-Ausführung
Version for Switzerland
- 35 I 284 Aussenspiegelglas rechts konvex
Right exterior mirror glass, convex
- 35 I 285 Aussenspiegelglas rechts asphärisch
Right exterior mirror glass, aspherical
- 35 I 288 Scheinwerfer-Reinigungsanlage
Headlamp washer
- 35 I 301 Getriebeübersetzung lang
Transmission ratio long
- 35 I 325 Südafrika/Neuseeland-Ausführung
Version for South Africa/New Zealand
- 35 I 335 3-Punkt-Automatik-Gurte, hinten
Automatic seat belt, 3-point, rear
- 35 I 338 Heck-Antrieb
Rear-wheel drive
- 35 I 339 Allrad-Antrieb
All-wheel drive
- 35 I 342 Sitzheizung, links u. rechts
Seat heating system, left/right seat
- 35 I 343 Regelbare Sitzheizung, vorne und hinten
Adjustable heated seats, front and rear
- 35 I 345 Lenkradheizung
Heated steering wheel
- 35 I 350 Luftfederung
Air suspension
- 35 I 351 Luftfederung mit PDCC
Air suspension with PDCC
- 35 I 367 Basissitz links, 8-Wege
Standard seat, left, 8-way
- 35 I 368 Basissitz rechts, 8-Wege
Standard seat, right, 8-way
- 35 I 369 Basissitz links
Standard seat, left
- 35 I 370 Basissitz rechts
Standard seat, right
- 35 I 375 Sportsitz, Lehenschale, links
Sports seat, backrest shell, left
- 35 I 376 Sportsitz, Lehenschale, rechts

970_MXI KAT35. TXT

		Sports seat, backrest shell, right
35	I 377	Sportsitz, Lehnenschale, links, elektrisch verstellbar
35	I 378	Sports seat, backrest shell, left, electrically adjustable
35	I 379	Sportsitz, Lehnenschale, rechts, elektrisch verstellbar
35	I 379	Sports seat, backrest shell, right, electrically adjustable
35	I 380	Komfortsitz links, 14-Wege
35	I 380	Power seat, left, 14-way
35	I 380	Komfortsitz rechts, 14-Wege
35	I 388	Power seat, right, 14-way
35	I 388	Sportschalensitz links
35	I 389	Sports bucket seat, left
35	I 389	Sportschalensitz rechts
35	I 390	Sports bucket seat, right
35	I 390	Sportsitz links, 18-Wege
35	I 391	Sports seat, left, 18-way
35	I 391	Sportsitz rechts, 18-Wege
35	I 391	Sports seat, right, 18-way
35	I 4F2	PORSCHE ENTRY & DRIVE
35	I 4F6	PORSCHE ENTRY + DRIVE
35	I 4F6	PORSCHE ENTRY & DRIVE (USA/CAN)
35	I 4K0	PORSCHE ENTRY + DRIVE (USA/CAN)
35	I 4K0	Zentralverriegelung mit Funkfernbedienung und Innenbetätigung
		Central-locking system with key remote and interior operation
35	I 4K3	Zentralverriegelung mit Funkfernbedienung, Innenbetätigung und Safesicherung
		Central-locking system with key remote, interior operation and "Safe" mode
35	I 402	Carrera 3 Rad 18"
35	I 403	Carrera 3 wheel 18-inch
35	I 403	Carrera S Rad 19"
35	I 404	Carrera S wheel 19-inch
35	I 404	Turbo-1 Rad 19"
35	I 405	19" Turbo-1 wheel
35	I 405	Carrera Classic Rad 19"
35	I 406	Carrera Classic wheel 19-inch
35	I 406	Carrera GT Rad 19"/20"
35	I 407	Carrera GT wheel 19-inch/20-inch
35	I 407	Sport-Design Rad 19"
35	I 410	SportDesign wheel 19-inch
35	I 410	Turbo-2 Rad 18"
35	I 411	18-inch Turbo-2 wheel
35	I 411	Carrera-Rad 18"
35	I 413	18-inch Carrera wheel
35	I 413	Panamera S Rad 18"
35	I 414	Panamera S wheel, 18"
35	I 414	Carrera Facelift Rad 18"
35	I 415	Carrera S Facelift 18" wheel
35	I 415	Panamera Turbo Rad 19"
35	I 416	Panamera Turbo wheel, 19"
35	I 416	Panamera Design Rad 19"
35	I 417	Panamera Design wheel, 19"
35	I 417	RS Spyder Design Rad 20"
35	I 418	RS Spyder Design wheel, 20"
35	I 418	911 Turbo-2 Rad 20"
35	I 419	911 Turbo 2 wheel, 20"
35	I 419	Carrera S II Rad 19"
35	I 421	Carrera S Facelift 19" wheel
35	I 421	Turbo-2 Rad 19"
35	I 424	Turbo 2 wheel, 19"
35	I 424	CD-Ablage
35	I 425	Cd compartment
35	I 425	Heckscheibenwischer
35	I 426	Rear window wiper
35	I 426	Ohne Heckscheibenwischer
35	I 431	Without rear window wiper
35	I 431	Multi funktionslenkrad, Touch & Feel

970_MXIKAT35.TXT

35	I 432	Multi-function steering wheel, touch + feel Lenkrad mit Tiptronic-Bedi enung
35	I 435	Steering wheel with Tiptronic control Sportlenkrad
35	I 436	Sports steering wheel 3-Spei chen-Ai rbaglenkrad
35	I 437	3-spoke ai rbag steering wheel Komfortsi tz links, elektri sch verstell bar
35	I 438	Comfort seat, left, electric ally adjustabl e Komfortsi tz rechts, elektri sch verstell bar
35	I 440	Comfort seat, right, electric ally adjustabl e Antennen-Di versi ty
35	I 441	Antenna di versi ty Radi ovorberei tung
35	I 444	Radio preparati on Diebstahl si cherung, Radschrauben "THATCHAM"
35	I 446	Anti -theft lock, wheel bolts "THATCHAM" Radzierdeckel konkav mi t farbig em Wappen
35	I 447	Concave wheel centers wi th full -colour Porsche Crest Notrad
35	I 448	Emergency wheel Bremsbel ag; Sportausfö hrung
35	I 450	Brake pad; sport versi on Keramik-Bremse (PCCB)
35	I 451	Ceramic brake (PCCB) Multi funkti onslenkrad, makassar, Touch & Feel
35	I 452	Multi -functi on steering wheel, Makassar Ebony, touch + feel Multi funkti onslenkrad, platane, Touch & Feel
35	I 453	Multi -functi on steering wheel, Sycamore, touch + feel Multi funkti onslenkrad, carbon, Touch & Feel
35	I 454	Multi -functi on steering wheel, Carbon, touch + feel Automati sche Geschwi ndi gkei tsregel ierung
35	I 456	Automatic speed control Automati sche Di stanzregel ung (ACC)
35	I 459	Automatic di stance control (ACC) 3-Spei chen-Ai rbaglenkrad, Touch & Feel
35	I 460	3-spoke ai rbag steering wheel, touch + feel Sportlenkrad, Touch & Feel
35	I 461	Sports steering wheel, touch + feel Stabantenne
35	I 462	External antenna Komfortluftdruck 270 Km/h
35	I 463	Comfort ai r pressure, 270 km/h Komfortluftdruck 100 MPH
35	I 465	Comfort ai r pressure, 100 mph Nebelschl ussleuchte links
35	I 466	Rear fog li ght, left Nebelschl ussleuchte rechts
35	I 475	Rear fog li ght, right Elektri sche Dämpferregel ung "PASM"
35	I 476	"PASM" electronic damper control Porsche Stabi lity Management (PSM)
35	I 479	Porsche Stabi lity Management (PSM) Australi en - Ausfö hrung
35	I 480	Version for Australi a 6-Gang Schal tgetri ebe
35	I 482	6-speed manual transmi ssi on Rei fendruckkontroll e, RDK 433 Mhz
35	I 483	Ti re Pressure Moni tori ng TPM, 433 MHz Rei fendruckkontroll e, RDK 315 Mhz
35	I 484	315-MHz TPM, Ti re Pressure Moni tori ng USA - Ausfö hrung
35	I 488	Version for USA Beschriftung deutsch
35	I 490	Inscripti ons i n German l anguage Kl angpaket "ASK"
35	I 492	Sound system "ASK" Schei nwerfer für Li nksverkehr

970_MXI KAT35. TXT

- 35 1498 Headlights for left-hand traffic
Entfall der Modellbezeichnung am Heck
- 35 1499 Deletion of model designation on rear end
Ausführung für die Bundesrepublik Deutschland
Version for Germany
- 35 1501 Car-Cover
Car cover
- 35 1509 Feuerlöscher
Fire extinguisher
- 35 1513 Lordosenstütze rechter Sitz
Lumbar support, right seat
- 35 1521 Neigungsgeber
Tilt sensor
- 35 1524 Wegfahrsicherung, Zentralverriegelung, 433 MHz
Immobilizer, central locking, 433 MHz
- 35 1525 Wegfahrsicherung, Zentralverriegelung, 315 MHz
Immobilizer, central locking, 315 MHz
- 35 1532 Entfall Fernbedienung Alarmanlage
Alarm system remote control omitted
- 35 1533 Entfall Funkbetätigung Verdeck
Radio convertible-top operation omitted
- 35 1534 Diebstahlsicherungsanlage 433 Mhz
Theft security system, 433 MHz
- 35 1535 Diebstahlsicherungsanlage 315 Mhz
Theft security system, 315 MHz
- 35 1536 -07 Alarmsirene und Neigungsgeber 08- Alarmsirene
-07 Alarm siren and tilt sensor 08- Alarm siren
- 35 1537 Sitzpositions-Steuerung für Komfortsitz, links
Seating position control for comfort seat, left
- 35 1538 Sitzpositions-Steuerung für Komfortsitz, rechts
Seating position control for comfort seat, right
- 35 1539 Mechanische Sitzhöhenverstellung links
Mechanical seat-height adjustment, left
- 35 1540 Mechanische Sitzhöhenverstellung rechts
Mechanical seat-height adjustment, right
- 35 1541 Aktive Sitzbelüftung
Active seat ventilation
- 35 1542 Aktive Sitzbelüftung, vorn und hinten
Active seat ventilation, front and rear
- 35 1544 Diebstahlsicherung ohne Infrarot-Überwachung 433 MHz
Anti-theft protection without infrared monitoring, 433 MHz
- 35 1545 Diebstahlsicherung ohne Infrarot-Überwachung 315 MHz
Anti-theft protection without infrared monitoring, 315 MHz
- 35 1549 Dachtransportsystem
Roof Transport System
- 35 1553 USA-Canada-Ausführung
Version for USA, Canada
- 35 1555 Sicherheitsgurte in Schwarz
Black seat belts
- 35 1556 Sicherheitsgurte in Grundfarben
Seat belts in basic colours
- 35 1560 Advanced Airbag
Advanced airbag
- 35 1562 Airbag Fahrer- und Beifahrerseite
Airbag, driver's side and front passenger's side
- 35 1563 Seitenairbag
Side airbag
- 35 1565 Thoraxairbag in Sitzlehne hinten
Thorax airbag in rear seat backrest
- 35 1566 Nebelscheinwerfer weiss
Front fog lights, white
- 35 1567 Frontscheibe im oberen Bereich stark eingefärbt
Windscreen tinted, upper part darker coloured
- 35 1568 Windschutzscheibe ohne Bandfilter
Windscreen without shade band
- 35 1571 Aktivkohlefilter
Activated charcoal filter
- 35 1572 Klimaanlage manuell

35	1573	Manual air-conditioning system Klima-Anlage
35	1574	Air conditioner Ohne Klimaanlage
35	1575	Without air conditioner Kofferraumkühlung
35	1576	Luggage compartment cooling system 4-Zonen Klimaanlage
35	1581	4-zone air conditioning system Mittelkonsole vorn
35	1585	Centre console, front Getränkehalter
35	1586	Cupholder Lordosenstütze linker Sitz
35	1592	Lumbar support, left seat Himmel Standard, Stoff
35	1594	Standard roof lining, fabric Himmel Alcantara
35	1597	Alcantara roof lining Ausstiegsleisten in Alu gebürstet
35	1598	Door sill trims, brushed aluminium Einstiegsleisten in Alu gebürstet
35	1600	Door entry guards, brushed aluminium Bixenon
35	1601	Bi-Xenon Xenon-Licht
35	1602	Xenon lighting system Hochgesetzte Bremsleuchte
35	1603	Raised stop lamp Xenon plus dynamisches Kurvenlicht
35	1604	Xenon plus dynamic cornering light Bixenon Top und dynamisches Kurvenlicht
35	1605	Bi-Xenon top and dynamic cornering light LED-Tagfahrlicht
35	1606	LED daytime driving lights Tagfahrlicht
35	1607	Daytime driving lights Garagentoröffner "Homelink" 315Mhz
35	1608	Garage door opener "Homelink", 315 MHz Garagentoroeffner "Homelink" 433Mhz
35	1610	Garage door opener "Homelink" 433 MHz DVD Navigation "Paket Europa"
35	1611	DVD navigation, "Europe package" DVD Navigation Südafrika
35	1612	DVD navigation South Africa DVD Navigation mittlerer Osten
35	1613	DVD navigation middle east DVD Navigation Australien
35	1614	DVD navigation australia DVD Navigation Asien-Pazifik
35	1615	DVD navigation asia-pacific DVD Navigation, Nordamerika
35	1616	DVD navigation system, North America DVD, Navigation Russland
35	1617	DVD, Navigation Russia DVD Navigation Südamerika
35	1618	DVD navigation South America Telefonvorbereitung
35	1619	Preparation for telephone installation Handyvorbereitung (BLUETOOTH) ohne Konsole
35	1621	Mobile phone preparation (BLUETOOTH) without console 12 Volt Steckdose, Beifahrerseite, Fussraum
35	1625	12-V socket, passenger's side, footwell Porsche "entry and drive""KESSY"
35	1626	"KESSY" Porsche Entry and Drive Ladeschale im Fond
35	1630	Charging tray in rear Innenlichtpaket

		Interior light package
35	I 635	Einparkhilfe Parking assistant
35	I 636	Einparkhilfe vorn und hinten ParkAssist, front and rear
35	I 637	Einparkhilfe hinten und Rückfahrkamera Rear ParkAssist and reversing camera
35	I 638	Einparkhilfe vorn, hinten und Rückfahrkamera ParkAssist, front, rear and reversing camera
35	I 639	Sport-Chrono-Paket Sport Chrono package
35	I 640	Sport-Chrono-Paket plus Sport Chrono package plus
35	I 641	elektronisches Fahrtenbuch electronic logbook
35	I 642	Start/Stop Funktion Start/Stop function
35	I 644	Zentralverriegelungstaste im Fond Central locking button in rear
35	I 645	Cheftaste im Fond (SitzEinstellung) Master control button in rear (seat adjustment)
35	I 650	Elektrisches Schiebedach Electrical sliding roof
35	I 651	Elektrischer Fensterheber Electric window opener
35	I 652	Ohne Schiebe-Hubdach Without sliding/tilting roof
35	I 655	Lenksäule mechanisch längs- und höhenverstellbar Steering column with mech. reach/height adjustment
35	I 656	Lenksäule elektrisch längs- und höhenverstellbar mit Memory Steering column with electric reach/height adjustment and memory
35	I 657	Servolenkung Power assisted steering
35	I 658	Servotronic Servotronic
35	I 659	Bordcomputer On-board computer
35	I 660	OBD 2 OBD 2
35	I 661	Verschärftes Abgaskonzept Stricter emission-control concept
35	I 663	Kraftstoffpumpensteuerung Fuel pump activation
35	I 664	ORVR ORVR
35	I 665	-2008 PCM 2, 2009- PCM 3 Grundmodul inklusive Radio -2008 PCM 2, 2009- PCM 3 basic module incl. radio
35	I 666	-2008 PCM 2, 2009- PCM 3 Telefon (GSM) -2008 PCM 2, 2009- PCM 3 telephone (GSM)
35	I 669	PCM 3 - Telefon Bedientaster (BLUETOOTH) PCM 3 - Telephone handset (BLUETOOTH)
35	I 671	Sprachbediensystem Voice control system
35	I 672	-2008 PCM 2, 2009- PCM 3 Navigation Offroad -2008 PCM 2, 2009- PCM 3 Offroad navigation
35	I 673	Vorbereitung Navigation China Navigation system preparation, China
35	I 674	Vorrüstung "Vehicle Tracking System" "Vehicle Tracking System" preparation
35	I 675	Ohne Radio Vorbereitung (Japan-Navi) Without radio preparation (Japan navigation system)
35	I 676	TV-Tuner TV tuner
35	I 677	"Drivercard" Antenne "Driver card" antenna
35	I 678	Anbindung Alarmanlage Alarm system connection
35	I 679	Wiederstartveränderung

Restart inhibitor
 35 I 680 Soundpaket BOSE
 BOSE sound package
 35 I 682 Top Premium Soundsystem
 Top Premium sound system
 35 I 685 Geteilte Rücksitzanlage
 Rear seats, split
 35 I 686 SAT-Radioempfang XM (SDARS)
 SAT radio reception XM (SDARS)
 35 I 689 CD-Wechsler Vorbereitung
 Preparation for CD autochanger
 35 I 690 CD-Radio "Porsche Online Pro"
 CD radio "Porsche Online Pro"
 35 I 692 CD-Wechsler "Porsche"
 CD autochanger "Porsche"
 35 I 693 CD-/DVD-Wechsler integriert
 Integrated CD/DVD autochanger
 35 I 694 CD-Radio "PORSCHE CDR 24"
 CD radio "PORSCHE CDR 24"
 35 I 695 CD-RADIO, PORSCHE CDR 30
 CD RADIO, PORSCHE CDR 30
 35 I 696 CD-RADIO, PORSCHE CDR 31
 CD RADIO, PORSCHE CDR 31
 35 I 697 CD-Radio "Porsche CDR 23"
 CD radio "Porsche CDR-23"
 35 I 70B Gewichtsklasse 2 Vorderachse (951-965 Kg)
 Weight group 2, front axle (951-965 kg)
 35 I 70C Gewichtsklasse 3 Vorderachse (966-980 kg)
 Weight group 3, front axle (966-980 kg)
 35 I 70D Gewichtsklasse 4 Vorderachse (981-995 Kg)
 Weight group 4, front axle (981-995 kg)
 35 I 70E Gewichtsklasse 5 Vorderachse (996-1025 Kg)
 Weight group 5, front axle (996-1025 kg)
 35 I 70F Gewichtsklasse 6 Vorderachse (1026-1055 Kg)
 Weight group 6, front axle (1026-1055 kg)
 35 I 70G Gewichtsklasse 7 Vorderachse (1056-1070 Kg)
 Weight group 7, front axle (1056-1070 kg)
 35 I 71A Gewichtsklasse 1 Hinterachse (-880 Kg)
 Weight group 1, rear axle (-880 kg)
 35 I 71B Gewichtsklasse 2 Hinterachse (881-905 Kg)
 Weight group 2, rear axle (881-905 kg)
 35 I 71C Gewichtsklasse 3 Hinterachse (906-930 Kg)
 Weight group 3, rear axle (906-930 kg)
 35 I 71D Gewichtsklasse 4 Hinterachse (931-960 Kg)
 Weight group 4, rear axle (931-960 kg)
 35 I 71E Gewichtsklasse 5 Hinterachse (961-990 Kg)
 Weight group 5, rear axle (961-990 kg)
 35 I 71F Gewichtsklasse 6 Hinterachse (991-1020 Kg)
 Weight group 6, rear axle (991-1020 kg)
 35 I 71G Gewichtsklasse 7 Hinterachse (1021-1050 Kg)
 Weight group 7, rear axle (1021-1050 kg)
 35 I 71Z Ohne festlegung der Gewichtsklasse Hinterachse
 Without weight group specification Rear axle
 35 I 796 Ganzlederausstattung Naturlleder
 Full leather trim natural leather
 35 I 798 Ganzlederausstattung Sonderleder
 Full leather trim special leather
 35 I 799 Ganzlederausstattung nach Wahl
 Full leather trim by choice
 35 I 801 Holzpaket Makassar, dunkel seidenmatt
 Makassar Ebony wood package, dark (matt satin finish)
 35 I 802 Holzpaket Platane, hell seidenmatt
 Sycamore package, light (matt satin finish)
 35 I 803 Carbonpaket
 Carbon package
 35 I 805 Li festyle-Paket
 Li festyle package
 35 I 806 Alu-Paket schwarz (Blackline)

35	1810	Aluminium package, Black (Blackline) Fussmatten Floor mats
35	1817	Dekorierungen Klaviertackoptik Decorative inlays in Piano Black
35	1818	Dekorierungen Aluminium Aluminium decorative inlays
35	1819	Dekorierungen Carbon Carbon decorative inlays
35	1821	Dekorierungen Nussbaumwurzelholz Decorative inlays in Dark Walnut
35	1822	Dekorierungen Tineo Tineo decorative inlays
35	1823	Dekorierungen Birke Anthrazit Decorative inlays in Anthracite Birch
35	1824	Dekorierungen Olivensche Decorative inlays in Olive
35	1830	Hintersitze Basis (40/60) Komfort Basic rear seats (40/60), Comfort
35	1831	Hintersitze Basis (40/60) Sport Basic rear seats (40/60), Sport
35	1832	Hintersitze Premium (40/20/40) Komfort Premium rear seats (40/20/40), Comfort
35	1833	Hintersitze Premium (40/20/40) Sport Premium rear seats (40/20/40), Sport
35	1834	Hintersitze Premium (40/20/40) Komfort elektrisch Premium rear seats (40/20/40), Comfort electric
35	1835	Hintersitze Premium (40/20/40) Sport elektrisch Premium rear seats (40/20/40), Sport electric
35	1836	Hintersitze Premium (40/40) Business Premium rear seats (40/40), Business
35	1838	Businesspaket Business package
35	1841	Basislenkrad Glattleder Basic steering wheel Smooth Leather
35	1842	Multifunktionslenkrad Multi-function steering wheel, Nussbaumwurzelholz Dark Walnut
35	1844	Multifunktionslenkrad Glattleder Multi-function steering wheel Smooth Leather
35	1845	Multifunktionslenkrad Carbon Multi-function steering wheel Carbon
35	1847	Multifunktionslenkrad Makassar Multi-function steering wheel Makassar
35	1848	Multifunktionslenkrad Birke anthrazit Multi-function steering wheel, Anthracite Birch
35	1849	Multifunktionslenkrad Tineo Multi-function steering wheel, Tineo
35	1850	Stand/Zusatzheizung ohne Fernbedienung Auxiliary/additional heater w/o remote control
35	1851	Stand/Zusatzheizung mit Fernbedienung Auxiliary/additional heater with remote control
35	1861	Elektrisches Rollläden Fondseitscheiben Electric roll-up blind, rear side windows
35	1862	Elektrisches Rollläden Heckscheibe Electric roll-up blind on rear window
35	1863	Wärmeschutzglas getönt Tinted heat-insulating glass
35	1864	Wärmedämmglas "Privacy" "Privacy" heat-insulating glass
35	1865	Wärmedämmglas "Klar" "Clear" heat-insulating glass
35	1866	Wärmeschutzglas "Privacy" "Privacy" heat-insulating glass
35	1867	Servoschliefen Heckklappe Powerlift for rear lid
35	1868	Rolle für Laderaumabdeckung

970_MXIKAT35.TXT

35	1869	Roll-up blind for luggage compartment cover Hutablage (feste Gepäckabdeckung)
35	1870	Rear shelf (fixed luggage cover) Universale Multimedia-Schnittstelle
35	1899	Universal multimedia interface Isofix Kindersitzsicherung auf der Beifahrerseite
35	1912	Isofix child-seat restraint on front passenger side ohne Typschild
35	1936	without ID plate Sitzbezüge hinten, Leder
35	1937	Seat covers, rear, leather Sitzbezüge hinten, Kunstleder
35	1938	Seat covers, rear, leatherette Sitzbezüge hinten, Leder/Leder/Kunstleder Teilgeprägt
35	1939	Seat covers rear, leather/leather/leatherette Partially embossed Sitzbezüge hinten, Raffleder
35	1940	Seat covers, rear, draped leather Sitzbezüge hinten, Raffleder/Leder/Kunstleder Raffleder geprägt
35	1941	Seat covers rear, ruff.leather/leather/leatherette Soft ruffled leather, embossed Sitzbezüge hinten, Raffleder/Leder/Leder
35	1943	Raffleder glatt Soft Seat covers rear, ruffled leather/leather/leather ruffled leather, smooth finish Sitzbezüge hinten, Leder/Leder/Leder
35	1946	Ganzleder glatt Seat covers rear, leather/leather/leather Full-leather, smooth finish Sitzbezüge vorne, Leder/Leder/Kunstleder
35	1947	Seat covers, front, leather/leather/leatherette Sitzbezüge vorn, Raffleder/Leder/Kunstleder Raffleder geprägt
35	1950	Seat covers fr., ruff.leather/leather/leatherette soft ruffled leather, embossed Sitzbezüge vorne, Alcantara/Kunstleder/Kunstleder
35	1951	Alcantara seat covers, front Sitzbezüge vorne, Alcantara/Leder/Leder
35	1970	Seat covers front, Alcantara/leather/leather Innenaustattung zwei farbig Two-tone interior
35	1971	Naturleder mit "TORO"-Prägung "TORO" embossed leather
35	1981	Leder-Ausstattung, ohne Sitzbezug Leather equipment, without seat covers
35	1982	Sitzbezüge vorne, Raffleder/Leder/Leder Seat covers, front, draped leather/leather/leather
35	1983	Sitzbezüge vorne, Leder Seat covers, front, leather
35	1985	Sitzbezüge, Leder/Leder/Kunstleder, 2 Seat covers, leather/leather/leatherette, 2
35	1990	Sitzbezüge vorne, Stoff/Stoff/Kunstleder Seat covers, front, cloth/cloth/leatherette
35	1991	Airbagmodul in Leder Steering wheel airbag module in leather
35	1998	Leder, Natur Leather, natural
35	1999	Innenraumüberwachung Sensor für Lederfarbe nach Wahl Passenger compartment monitoring sensor for leather colour of choice

Model	Year	MG	SG	Illustration	VIN No.	Update		
970	10					249	11:39	05.03.2010

PET CONTAINS THE ORDERING DETAILS FOR ALL MODELS SHOWN IN THE MODEL OVERVIEW.

THE UPDATE SERVICE IS PERFORMED AUTOMATICALLY VIA INTERNET UPDATE.

THE VERSION IS SHOWN IN THE HEADER AS "UPDATE 123/12"

SEATS AND RELATED ITEMS FOR MODELS INTRODUCED BEFORE 1997 ARE SHOWN IN THE STZ CATALOGUE.

SEATS AND RELATED ITEMS FOR MODELS INTRODUCED AFTER 1997 ARE SHOWN IN THE CORRESPONDING VEHICLE CATALOGUES.

ALL ILLUSTRATIONS ARE NON-BINDING.

SUBJECT TO CHANGE.

Model	Year	MG	SG	Illustration	VIN No.	Update	11:41	05.03.2010
970	10					249		

EQUIPMENT BY COUNTRY REGULATIONS

=====

- (A) AUSTRIA
- (AG) ARABIAN GULF STATES
- (AUS) AUSTRALIA
- (B) BELGIUM
- (BR) BRAZIL
- (CDN) CANADA
- (CH) SWITZERLAND
- (CN) PEOPLE'S REPUBLIC OF CHINA
- (D) FEDERAL REPUBLIC OF GERMANY
- (DK) DENMARK
- (E) SPAIN
- (F) FRANCE
- (GB) GREAT BRITAIN
- (GR) GREECE
- (HK) HONGKONG

Model	Year	MG	SG	Illustration	VIN No.	Update		
970	10					249	11:41	05.03.2010

(I) ITALY

(J) JAPAN

(L) LUXEMBURG

(N) NORWAY

(NL) NETHERLANDS

(NZ) NEW ZEALAND

(P) PORTUGAL

(ROK) KOREA

(RC) TAIWAN

(THA) THAILAND

(S) SWEDEN

(SA) SAUDI ARABIA

(SF) FINLAND

(USA) UNITED STATES OF AMERICA

(ZA) SOUTH AFRICA

Model 970	Year 10	MG	SG	Illustration	VIN No.	Update 249	11:41	05.03.2010
--------------	------------	----	----	--------------	---------	---------------	-------	------------

IN COLUMN - A -

IDENTIFICATION LETTER FOR PERIOD OF INSTALLATION
THAT IS REPEATED SEVERAL TIMES IN THE CATALOG GROUP.

EXPLANATION PLEASE FIND IN TEXT COLUMN OF THE CATALOG GROUP

IN COLUMN - QU - = NO. OF PIECES

1 NUMBER PER APPLICATION

X NUMBER AS NEEDED

* AVAILABLE ONLY IN RUNNING LENGTHS 1 = 1 METRE

IN COLUMN - MODEL/SYMBOL -

M650 OPTIONAL EQUIPMENT - SEE M-NO. LIST

-98 LIMITATION OF MODEL YEAR FOR INSTANCE: VALID UP TO
END OF MODEL YEAR 1997

/LL LHD

/RL RHD

-----+

/V FRONT I

Model	Year	MG	SG	Illustration	VIN No.	Update		
970	10					249	11:41	05.03.2010

I
 /H REAR I
 I----> APPLIES TO
 /L LEFT I DIRECTION OF TRAVEL
 I
 /R RIGHT I
 -----+

 WW THE PART CAN BE USED INSTEAD OF THE
 PRECEDING ONE.

Model	Year	MG	SG	Illustration	VIN No.	Update		
970	10					249	11:41	05.03.2010

LEGENDS AND NOTICES

=====

IN COLUMN -S- STATUS

- N NEW ADDITION
- P PART ALREADY IN PROGRAMME, BUT NEW AT THIS APPLICATION
- W DELETED AT THIS APPLICATION, BUT CONTINUED TO BE CARRIED
- K THIS PART MUST BE RE-ORDERED IF IT IS UNAVAILABLE WHEN THE ORDER IS FIRST PLACED. ORDER BACKLOGS ARE NOT PROCESSED.
- A STOCK TO BE USED UP
- U DELETED WITHOUT REPLACEMENT
- * PART ALSO OR ONLY AVAILABLE IN REPAIR KIT
- > ALSO AVAILABLE IN EXCHANGE

IN COLUMN - ILL. -

- 1 IDENTIFICATION NO. IN ILLUSTRATION
- (1) PART ONLY SIMILAR AS ILLUSTRATED

Model	Year	MG	SG	Illustration	VIN No.	Update		
970	10					249	11:41	05.03.2010

- PART IS NOT ILLUSTRATED

FIG.-NUMBERS FOR WHICH THERE IS SHOWN NO TEXT ARE
NOT VALID FOR THIS EDITION OF CATALOGUE

IN COLUMN -PART NUMBER/CODE-

000 000 000 00 PART NUMBER EQUALS ORDERING NO., IF A CODE IS
SHOWN, IT WILL HAVE TO BE PART OF ORDERING
NUMBER

01C COLOUR CODE

IN COLUMN -TEXT

INSTALLATION WITH ENGINE OR CHASSIS
NUMBER-RANGE

EXAMPLE:

M 66W 00389>> FROM ENGINE NO.

F >>99WS6 00889 UP TO CHASSIS NO.

Model	Year	MG	SG	Illustration	VIN No.	Update		
970	10					249	11:40	05.03.2010

VEHICLE TYPE	TRANSM.	TYPE	MY	TRANSMISSION NO.	TECHNICAL DATA
PANAMERA S I338	G70.00	10	A	G7000 1 002001>999999	6-GANG
PANAMERA S PDK I338	C70.05	10	A	C7005 1 002001>999999	7-GANG
PANAMERA S PDK I339	C70.35	10	A	C7035 1 002001>999999	7-GANG
PANAMERA TURBO PDK I339	C70.50	10	A	C7050 1 002001>999999	7-GANG

Model	Year	MG	SG	Illustration	VIN No.	Update		
970	10					249	11:40	05.03.2010

				ENGINE				
VEHICLE TYPE	TYPE	MY	ENGINE NO.	TECHNICAL DATA				
PANAMERA S I338	M48.20	10	A __A 00501>99999	8ZYL/4,8L /294 KW				
PANAMERA S I339	M48.40	10	A __A 00501>99999	8ZYL/4,8L /294 KW				
PANAMERA TURBO I339	M48.70	10	A __A 00501>99999	8ZYL/4,8L /386 KW				

Model	Year	MG	SG	Illustration	VIN No.	Update		
970	10					249	11:40	05.03.2010

EXPLANATION OF THE MOTOR-NUMBERS USED IN THE CATALOGUE

=====

```

DIGIT:                1 2 3   4 5 6 7 8

EXAMPLE:              6 9 5   0 0 1 3 6
                    = = =   =====
                    ! ! !       !

ENGINE TYPE (6 = 6-CYL.-ENGINE)-----+ ! !       !
FROM MY-09 POWER KIT (S) OTHERWISE ( _ )-----+ ! !       !
                    ! !       !

ENGINE VERSION-----+ !       !
FROM MY-09 CONUNTRY VERSION (T=Taiwan) OTHERWISE( _ )+ !       !
                    !       !

MODEL YEAR-----+           !
                    !

SERIAL NUMBER-----+
    
```

Model	Year	MG	SG	Illustration	VIN No.	Update		
970	10					249	11:39	05.03.2010

VEHICLE TYPE	MY	VIN	ENGINE TYPE
PANAMERA S	10 A	97AL0 40061>59999	M48.20/40 294 KW
PANAMERA S (CN,MEX,BR,KOR)	10 A	97AL0 60061>79999	M48.20/40 294 KW
PANAMERA S (USA,CDN)	10 A	A7AL0 60061>79999	M48.20/40 294 KW
PANAMERA Turbo	10 A	97AL0 80061>89999	M48.70 386 KW
PANAMERA Turbo (CN,MEX,BR,KOR)	10 A	97AL0 90061>99999	M48.70 386 KW
PANAMERA Turbo (USA,CDN)	10 A	A7AL0 90061>99999	M48.70 386 KW

Model 970	Year 10	MG	SG	Illustration	VIN No.	Update 249	11:39	05.03.2010
--------------	------------	----	----	--------------	---------	---------------	-------	------------

EXPLANATION OF THE ABRIDGED VERSION OF THE VEHICLE IDENT. NUMBERS (VIN)

=====

USED IN THE CATALOGUE

=====

DIGIT: 1 2 3 4 5 6 7 8 9 10 11 12 13 14 15 16 17

EXAMPLE: W P 0 Z Z Z 9 9 Z 5 S 7 0 0 1 2 5

```

                                     === = = = =====
                                     !   !   !   !   !
VEHICLE TYPE 1ST+2ND DIGIT-----+   !   !   !   !
                                     !   !   !   !
MODEL YEAR-----+   !   !   !
                                     !   !   !
MANUFACTURING LOCATION-----+   !   !
                                     !   !
VEHICLE TYPE 3RD DIGIT-----+   !
                                     !
SERIAL NUMBER-----+
    
```