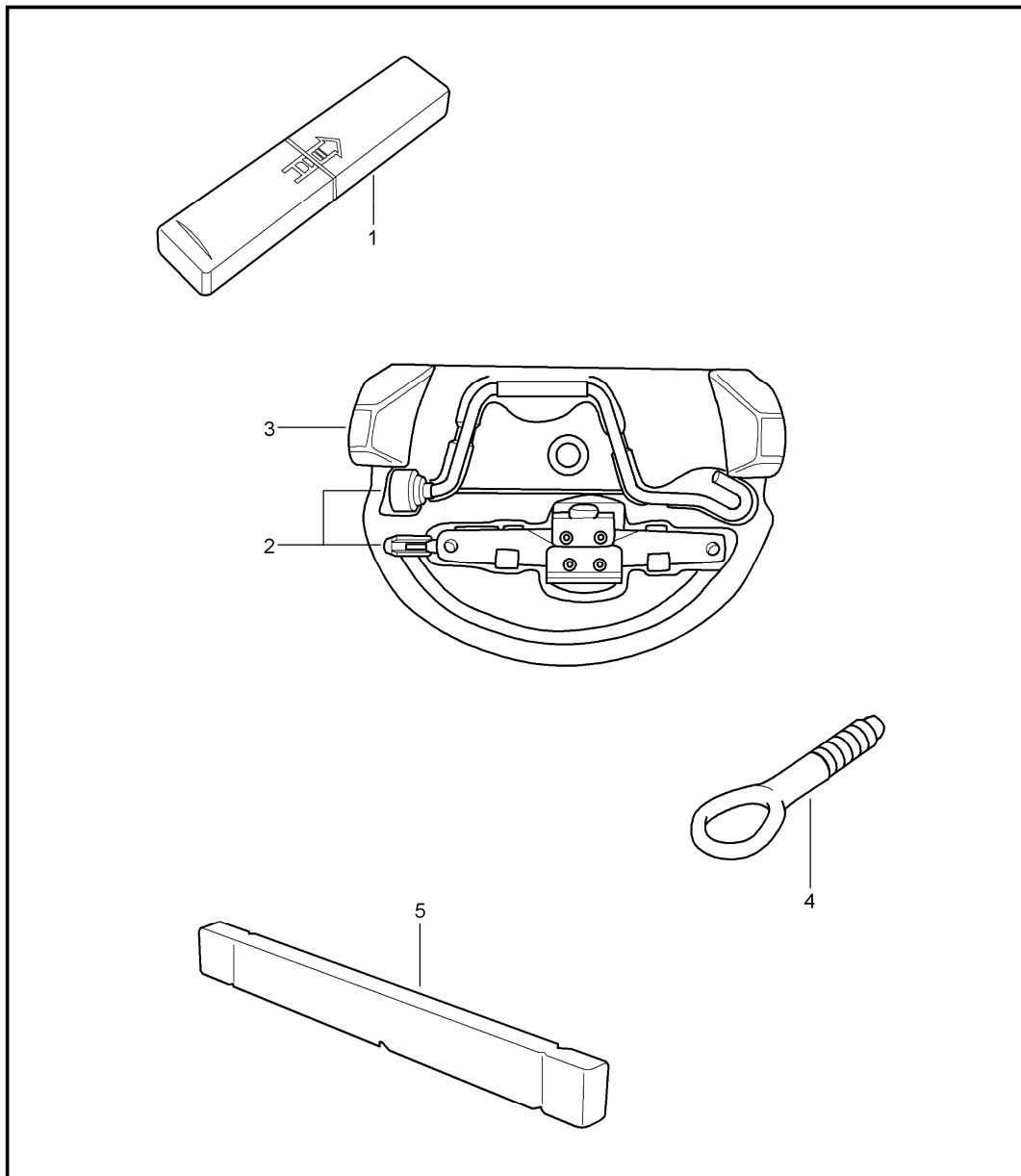
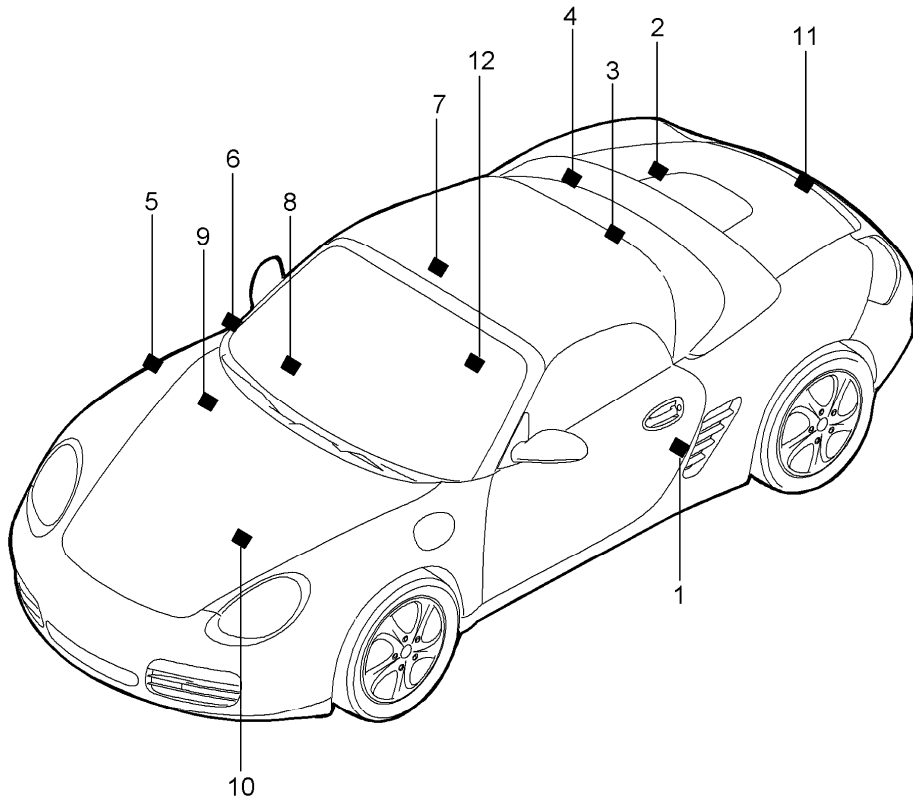


|       |      |    |    |              |              |     |       |            |         |     |         |
|-------|------|----|----|--------------|--------------|-----|-------|------------|---------|-----|---------|
| Model | Year | MG | SG | Illustration | Restrictions | UPD | 13:54 | 01.03.2010 | PORSCHE | PET | PORSCHE |
| 987-2 | 2010 | 0  | 01 | 001-00       |              | 248 |       |            |         |     |         |



| Pos | Part Number    | Description                        | Remark | Qty | Model |
|-----|----------------|------------------------------------|--------|-----|-------|
| 1   | 997 721 115 00 | tool jack                          |        | 1   |       |
| -   | 477 012 229    | tool kit with contents comprising: |        | 1   |       |
| -   | 477 012 231    | double-end spanner 10 X 13         |        | 1   |       |
| -   | 477 012 231    | screwdriver                        |        | 1   |       |
| -   | 111 012 287    | handle for screwdriver             |        | 1   |       |
| -   | 999 571 077 02 | socket wrench - 5 - for headlamp   |        | 1   |       |
| 2   | 996 721 211 00 | scissors type jack                 |        | 1   | I447  |
| 3   | 996 722 101 00 | foam part                          |        | 1   | I447  |
| -   | 999 571 074 30 | threaded bolt for assembly wheels  |        | 1   | I447  |
| -   | 477 012 221 A  | rim wrench                         |        | 1   | I447  |
| -   | 999 571 070 30 | operating rod for rim wrench       |        | 1   | I447  |
| -   | 997 722 801 00 | mounting for tool                  |        | 1   | I447  |
| -   | 996 361 521 00 | boot                               |        | 1   | I447  |
| -   | 997 722 061 01 | cover emergency wheel              |        | 1   | I447  |
| -   | 987 722 103 00 | mounting emergency wheel           |        | 1   | I447  |
| 4   | 997 721 551 00 | towing lug                         |        | 1   |       |
| 5   | 000 722 722 06 | warning triangle                   |        | 1   |       |
| -   | 993 722 041 00 | first-aid kit                      |        | 1   |       |

|       |      |    |    |              |              |     |       |            |         |     |         |
|-------|------|----|----|--------------|--------------|-----|-------|------------|---------|-----|---------|
| Model | Year | MG | SG | Illustration | Restrictions | UPD | 13:54 | 01.03.2010 | PORSCHE | PET | PORSCHE |
| 987-2 | 2010 | 0  | 01 | 001-05       |              | 248 |       |            |         |     |         |

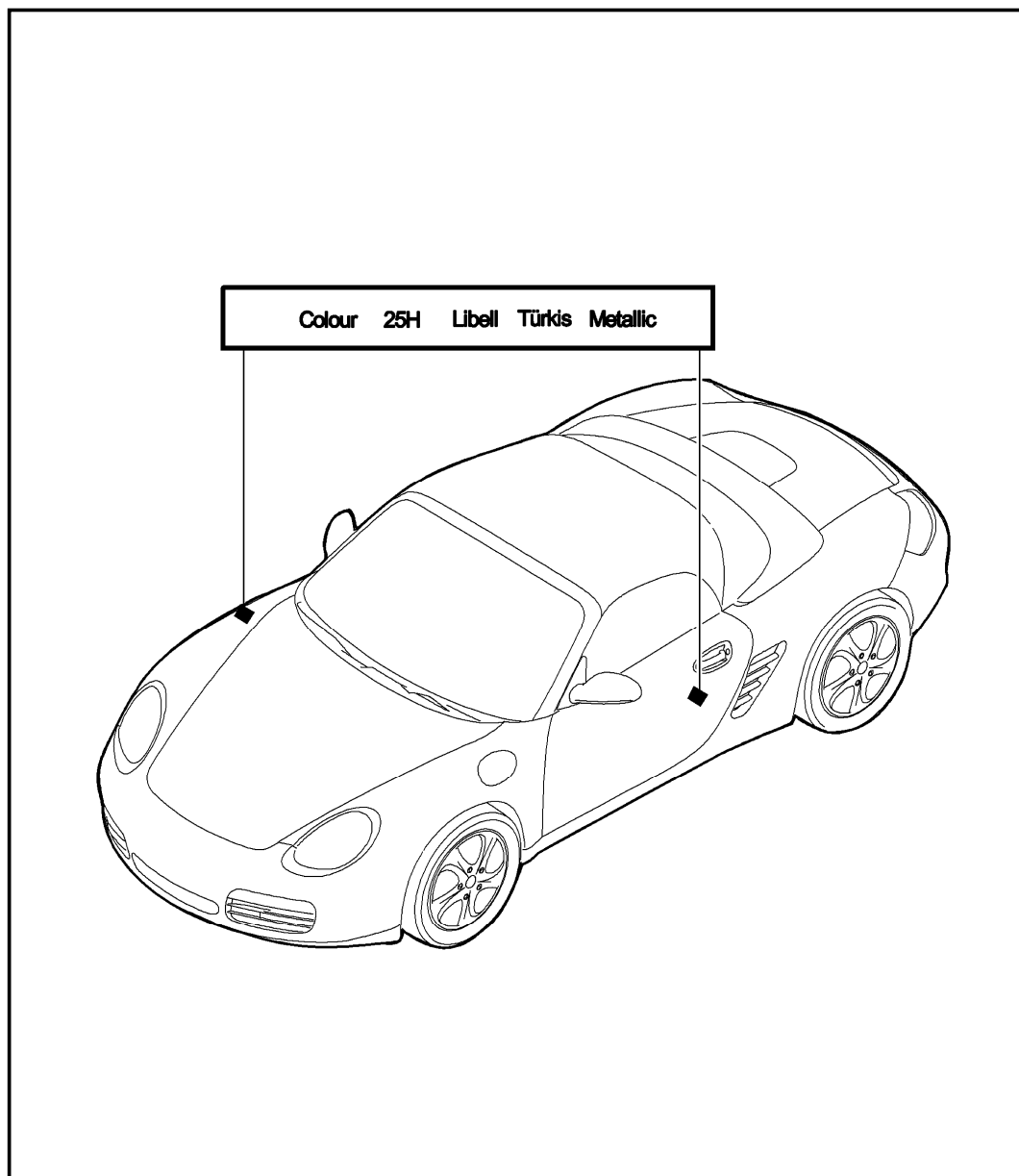


| Pos | Part Number    | Description                     | Remark | Qty | Model  |
|-----|----------------|---------------------------------|--------|-----|--------|
|     |                | stickers                        |        |     |        |
|     |                | stickers                        |        | 1   | I447   |
|     |                | emergency wheel                 |        |     |        |
| 2   | 997 361 701 00 | sticker arabic                  |        | 1   | I215   |
| 2   | 928 701 150 00 | sticker "MAX 80 KM/H"           |        | 1   |        |
| 2   | 987 701 403 01 | sticker release convertible top |        | 1   | SPYDER |
|     |                | stickers engine specifications  |        |     |        |
| 3   | 987 701 403 00 | sticker convertible top control |        | 1   | SPYDER |
| 3   | 997 006 108 00 | sticker                         |        | 1   | I068   |
| 4   | 955 701 675 00 | sticker expansion tank          |        | 1   | I193   |
| 4   | 997 006 544 00 | sticker engine oil - MOBIL 1 -  |        | 1   |        |
| 4   | 997 701 535 00 | sticker engine-oil level        |        | 1   | I193   |
|     |                | stickers type of fuel           |        |     |        |
| 5   | 996 006 117 00 | sticker 98 ROZ                  |        | 1   |        |
| 5   | 996 006 117 02 | sticker 96 ROZ                  | (AUS)  | 1   |        |
| 5   | 996 006 117 01 | sticker 98 ROZ                  |        | 1   | I150   |
| 5   | 996 006 117 03 | sticker 93 RON/MON/2            |        | 1   | I193   |
| 5   | 955 701 676 15 | sticker fuel                    |        | 1   | I193   |
| 5   | 955 701 676 10 | sticker fuel filler flap        |        | 1   | I193   |
|     |                | stickers airbag                 |        |     |        |

|       |      |    |    |              |              |     |       |            |         |     |         |
|-------|------|----|----|--------------|--------------|-----|-------|------------|---------|-----|---------|
| Model | Year | MG | SG | Illustration | Restrictions | UPD | 13:54 | 01.03.2010 | PORSCHE | PET | PORSCHE |
| 987-2 | 2010 | 0  | 01 | 001-05       |              | 248 |       |            |         |     |         |

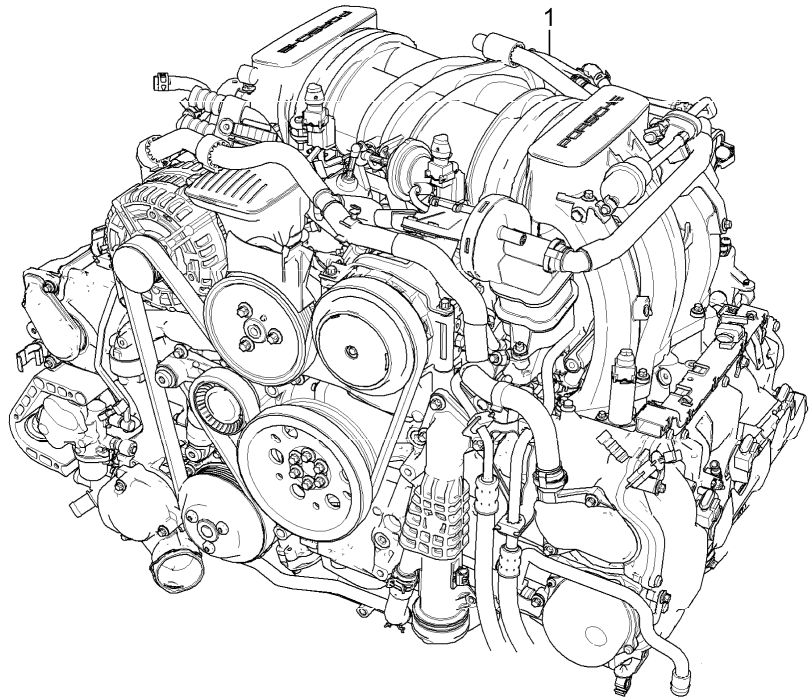
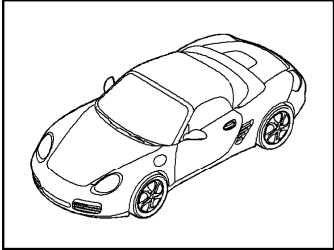
| Pos | Part Number    | Description                                | Remark | Qty | Model  | Pos | Part Number    | Description   | Remark | Qty | Model |
|-----|----------------|--|--------|-----|--------|-----|----------------|---|--------|-----|-------|
| 6   | 3B0 010 219 B  | sticker<br>child car seat                  |        | 1   |        | 10  | 997 701 527 00 | sticker<br>headlamp   |        | 1   | I193  |
| 6   | 8D0 010 141 Q  | sticker<br>child car seat                  | (AUS)  | 1   |        | 10  | 955 701 675 05 | sticker<br>brake fluid                                      |        | 1   | I193  |
| 6   | 987 701 430 00 | sticker<br>child car seat<br>german        |        | 1   |        | 11  | 955 701 675 15 | sticker<br>import<br>japan                                  |        | 1   | I193  |
| 6   | 987 701 430 01 | sticker<br>child car seat<br>english       |        | 1   |        | 12  | 997 701 531 00 | sticker<br>airbag   |        | 1   | I193  |
| 6   | 987 701 430 02 | sticker<br>child car seat<br>french        |        | 1   |        | 12  | 955 701 676 00 | sticker<br>warning light<br>engine                          |        | 1   | I193  |
| 6   | 987 701 430 03 | sticker<br>child car seat<br>italian       |        | 1   |        |     |                | stickers<br>convertible top control<br>see group<br>8/07/09 |        |     |       |
| 6   | 987 701 430 04 | sticker<br>child car seat<br>swedish       |        | 1   |        |     |                |   |        |     |       |
| 6   | 987 701 430 05 | sticker<br>child car seat<br>spanish       |        | 1   |        |     |                |   |        |     |       |
| 6   | 987 701 430 06 | sticker<br>child car seat<br>arabic        |        | 1   |        |     |                |   |        |     |       |
| 6   | 987 701 430 07 | sticker<br>child car seat<br>chinese       |        | 1   |        |     |                |   |        |     |       |
| 6   | 955 701 675 10 | sticker<br>Recycling                       |        | 1   | I193   |     |                |   |        |     |       |
| 7   | 987 701 403 02 | sticker<br>warning note<br>convertible top |        | 1   | SPYDER |     |                |   |        |     |       |
| 9   | 986 701 141 01 | sticker<br>air conditioner                 |        | 1   |        |     |                |   |        |     |       |
| 9   | 987 701 521 00 | sticker<br>air conditioner                 |        | 1   | I193   |     |                |   |        |     |       |
| 9   | 955 701 673 00 | sticker<br>battery                         |        | 1   | I193   |     |                |   |        |     |       |
| 9   | 997 701 170 00 | sticker<br>first-aid kit                   |        | 1   |        |     |                |   |        |     |       |

|       |      |    |    |              |              |     |       |            |         |     |         |
|-------|------|----|----|--------------|--------------|-----|-------|------------|---------|-----|---------|
| Model | Year | MG | SG | Illustration | Restrictions | UPD | 13:54 | 01.03.2010 | PORSCHE | PET | PORSCHE |
| 987-2 | 2010 | 0  | 04 | 004-00       |              | 248 |       |            |         |     |         |



| Pos | Part Number    | Description  | Remark | Qty | Model |
|-----|----------------|--|--------|-----|-------|
| -   | 911 095 932 20 | paint touch-up applicator lacquers   |        | X   |       |
|     | 041            | black  |        |     | A 1   |
|     | 80K            | guards red   |        |     | G 1   |
|     | B9A            | carrara white  |        |     | B 4   |
|     | 12G            | speed yellow   |        |     | X 4   |
|     | 51A            | creamy white   |        |     | T 2   |
| -   | 911 095 933 20 | paint touch-up applicator set comprising:<br>paint touch-up applicator primer<br>paint touch-up applicator clear lacquer |        | X   |       |
|     | 92T            | arctic silver metallic   |        |     | X 1   |
|     | C9Z            | basalt black metallic  |        |     | Z 4   |
|     | M7X            | atlas grey metallic  |        |     | E 7   |
|     | 37W            | midnight blue metallic   |        |     | E 9   |
|     | M7Z            | gt silver metallic   |        |     | U 2   |
|     | M7W            | Meteor Grey Metallic   |        |     | 9 Q   |
|     | 8A7            | ruby red metallic  | -09    |     | L 2   |
|     | M3X            | ruby red metallic  | 10-    |     | A 6   |
|     | M8W            | Macadamia Metallic   |        |     | 9 S   |
|     | 2B5            | Malachite Green Metallic   |        |     | H 1   |
|     | M2Z            | Nordic Gold Metallic   |        |     | 8 W   |
|     | 32B            | Sailing Blue Metallic  |        |     | E 5   |
|     | M5R            | Aqua Blue Metallic   |        |     | D 2   |
|     | 22G            | porsche Racing Green Metallic  |        |     | J 1   |
|     | M5X            | Dark Blue Metallic   |        |     | N 4   |

|       |      |    |    |              |              |     |       |            |         |     |         |
|-------|------|----|----|--------------|--------------|-----|-------|------------|---------|-----|---------|
| Model | Year | MG | SG | Illustration | Restrictions | UPD | 13:54 | 01.03.2010 | PORSCHE | PET | PORSCHE |
| 987-2 | 2010 | 1  | 01 | 101-00       |              | 248 |       |            |         |     |         |

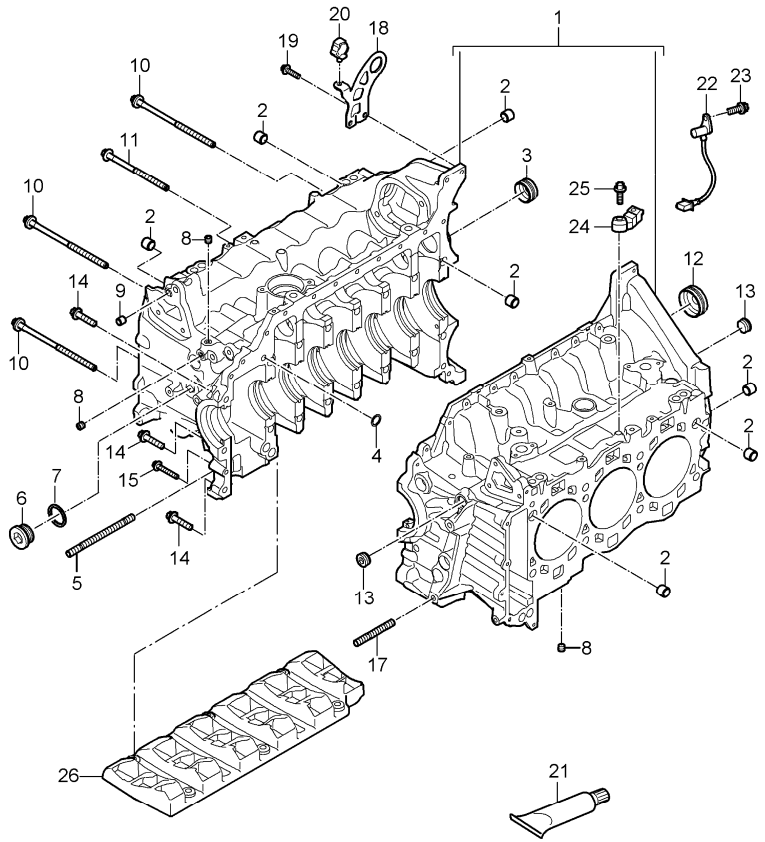
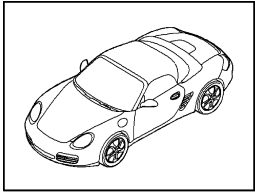


| Pos | Part Number      | Description  | Remark | Qty | Model          |
|-----|------------------|--|--------|-----|----------------|
|     |                  | replacement engine<br>without<br>drive plate<br>pdk<br>transmission<br>without<br>flywheel<br>manual transmission<br>with<br>compressor<br>air conditioner |        |     |                |
| 1   | > 9A1 100 920 00 | replacement engine<br>see technical information<br>group 1<br>Nr.24/09   | -09    | 1   | MA1.20<br>I480 |
| 1   | 9A1 100 920 X    | replacement engine<br>see technical information<br>group 1<br>Nr.24/09   | -09    | 1   | MA1.20<br>I480 |
| 1   | > 9A1 100 920 02 | replacement engine   | 10-    | 1   | MA1.20<br>I480 |
| 1   | 9A1 100 920 BX   | replacement engine   | 10-    | 1   | MA1.20<br>I480 |
| (1) | > 9A1 100 920 01 | replacement engine<br>see technical information<br>group 1<br>Nr.24/09   | -09    | 1   | MA1.20<br>I250 |
| (1) | 9A1 100 920 AX   | replacement engine<br>see technical information<br>group 1<br>Nr.24/09   | -09    | 1   | MA1.20<br>I250 |
| (1) | > 9A1 100 920 03 | replacement engine   | 10-    | 1   | MA1.20<br>I250 |
| (1) | 9A1 100 920 CX   | replacement engine   | 10-    | 1   | MA1.20<br>I250 |
| (1) | > 9A1 100 921 00 | replacement engine<br>see technical information<br>group 1<br>Nr.24/09   | -09    | 1   | MA1.21<br>I480 |

|       |      |    |    |              |              |     |       |            |         |     |         |
|-------|------|----|----|--------------|--------------|-----|-------|------------|---------|-----|---------|
| Model | Year | MG | SG | Illustration | Restrictions | UPD | 13:54 | 01.03.2010 | PORSCHE | PET | PORSCHE |
| 987-2 | 2010 | 1  | 01 | 101-00       |              | 248 |       |            |         |     |         |

| Pos   | Part Number    | Description  | Remark | Qty | Model          | Pos | Part Number | Description | Remark | Qty | Model |
|-------|----------------|--|--------|-----|----------------|-----|-------------|-------------|--------|-----|-------|
| (1)   | 9A1 100 921 X  | replacement engine<br>see technical information<br>group 1<br>Nr.24/09 | -09    | 1   | MA1.21<br>I480 |     |             |             |        |     |       |
| (1) > | 9A1 100 921 02 | replacement engine   | 10-    | 1   | MA1.21<br>I480 |     |             |             |        |     |       |
| (1)   | 9A1 100 921 BX | replacement engine   | 10-    | 1   | MA1.21<br>I480 |     |             |             |        |     |       |
| (1) > | 9A1 100 921 01 | replacement engine<br>see technical information<br>group 1<br>Nr.24/09 | -09    | 1   | MA1.21<br>I250 |     |             |             |        |     |       |
| (1)   | 9A1 100 921 AX | replacement engine<br>see technical information<br>group 1<br>Nr.24/09 | -09    | 1   | MA1.21<br>I250 |     |             |             |        |     |       |
| (1) > | 9A1 100 921 03 | replacement engine   | 10-    | 1   | MA1.21<br>I250 |     |             |             |        |     |       |
| (1)   | 9A1 100 921 CX | replacement engine   | 10-    | 1   | MA1.21<br>I250 |     |             |             |        |     |       |

|       |      |    |    |              |              |     |       |            |         |     |         |
|-------|------|----|----|--------------|--------------|-----|-------|------------|---------|-----|---------|
| Model | Year | MG | SG | Illustration | Restrictions | UPD | 13:55 | 01.03.2010 | PORSCHE | PET | PORSCHE |
| 987-2 | 2010 | 1  | 01 | 101-05       |              | 248 |       |            |         |     |         |



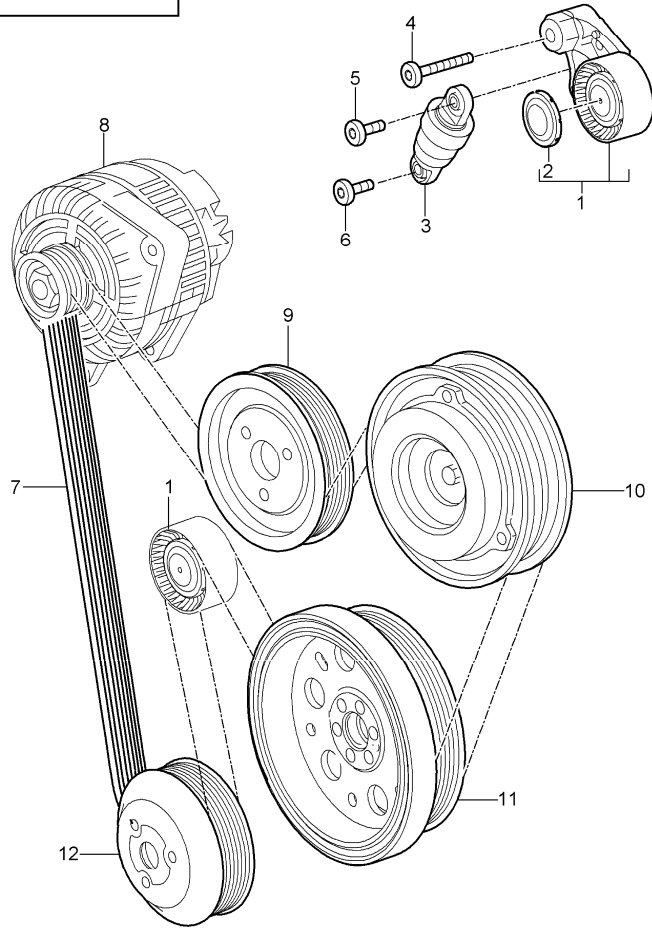
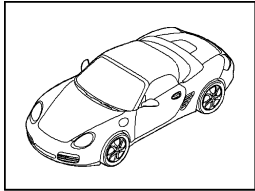
| Pos | Part Number    | Description                                  | Remark | Qty | Model            |
|-----|----------------|--|--------|-----|------------------|
|     |                | crankcase                                    |        |     | MA1.20<br>MA1.21 |
| 1   | 9A1 101 934 00 | crankcase                                    |        | 1   | MA1.21           |
| 1   | 9A1 101 929 00 | crankcase                                    |        | 1   | MA1.20           |
| 2   | 014 301 153 B  | dowel sleeve                                 |        | 6   |                  |
| 3   | 9A1 101 215 01 | lid  |        | 1   |                  |
| 4   | 999 707 568 40 | o-ring<br>12,0 X 3,0                         |        | 1   |                  |
| 5   | 900 060 109 01 | stud<br>M10 X 120                            |        | 1   |                  |
| 6   | 900 219 025 30 | screw plug<br>M30 X 1,5                      |        | 1   |                  |
| 7   | 900 123 015 30 | sealing ring<br>A30 X 36                     |        | 1   |                  |
| 8   | 999 063 033 01 | screw plug<br>M10 X 1,0 X 8,0                |        | 4   |                  |
| 9   | 999 095 063 01 | dowel sleeve<br>M6 X 10                      |        | 1   |                  |
| 10  | 9A1 101 250 00 | Outer hexagon round screw<br>M10 X 1,5 X 195 |        | 14  |                  |
| 11  | 900 385 281 01 | torx screw<br>M8 X 120                       |        | 1   |                  |
| 12  | 9A1 101 216 01 | lid  |        | 1   |                  |
| 13  | 999 063 034 01 | screw plug<br>M20 X 1,5 X 10                 |        | 2   |                  |
| 14  | 900 385 042 01 | torx screw<br>8 X 35                         |        | 3   |                  |
| 15  | 900 385 045 01 | torx screw<br>M6 X 40                        |        | 3   |                  |
| 17  | 999 218 118 01 | stud<br>M10 x 60                             |        | 1   |                  |
| 18  | 9A1 101 213 00 | shackle for transportation                   |        | 1   |                  |
| 19  | 900 385 072 01 | torx screw<br>M6 X 25                        |        | 14  |                  |
| 20  | 999 507 075 40 | cable holder                                 |        | 1   |                  |

|       |      |    |    |              |              |     |       |            |         |     |         |
|-------|------|----|----|--------------|--------------|-----|-------|------------|---------|-----|---------|
| Model | Year | MG | SG | Illustration | Restrictions | UPD | 13:55 | 01.03.2010 | PORSCHE | PET | PORSCHE |
| 987-2 | 2010 | 1  | 01 | 101-05       |              | 248 |       |            |         |     |         |

| Pos | Part Number    | Description                           | Remark | Qty | Model | Pos | Part Number | Description | Remark | Qty | Model |
|-----|----------------|---------------------------------------|--------|-----|-------|-----|-------------|-------------|--------|-----|-------|
| 21  | 000 043 207 31 | sealing compound<br>80 ML             |        | X   |       |     |             |             |        |     |       |
| 22  | 9A1 606 112 01 | pulse sender                          |        | 1   |       |     |             |             |        |     |       |
| 23  | 900 387 264 01 | pan-head screw<br>M6 X 16             |        | 2   |       |     |             |             |        |     |       |
| 23  | N 105 464 03   | pan-head screw<br>M6 X 16             |        | 2   |       |     |             |             |        |     |       |
| 24  | 997 606 121 00 | knock sensor                          |        | 2   |       |     |             |             |        |     |       |
| 25  | 900 385 042 01 | torx screw<br>M8 X 35                 |        | 3   |       |     |             |             |        |     |       |
| 26  | ... ..         | oil separator<br>see group<br>1/04/02 |        | 1   |       |     |             |             |        |     |       |

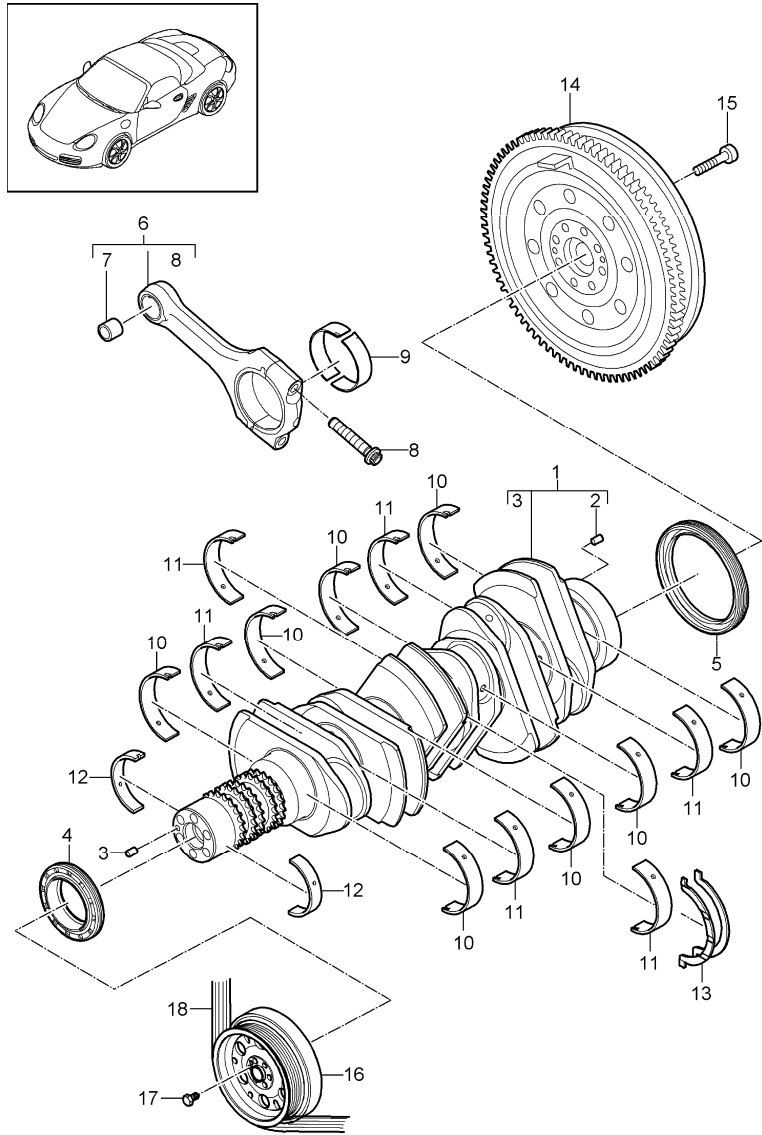


|       |      |    |    |              |              |     |       |            |         |     |         |
|-------|------|----|----|--------------|--------------|-----|-------|------------|---------|-----|---------|
| Model | Year | MG | SG | Illustration | Restrictions | UPD | 13:55 | 01.03.2010 | PORSCHE | PET | PORSCHE |
| 987-2 | 2010 | 1  | 01 | 101-10       |              | 248 |       |            |         |     |         |



| Pos | Part Number    | Description   | Remark | Qty | Model            |
|-----|----------------|---|--------|-----|------------------|
|     |                | belt tensioner<br>v-belt                              |        |     | MA1.20<br>MA1.21 |
| 1   | 9A1 102 211 00 | lever<br>tensioning roller                            |        | 1   |                  |
| 2   | 948 102 839 00 | protection cap  |        | 1   |                  |
| 3   | 948 102 261 00 | tensioner<br>hydraulic                                |        | 1   |                  |
| 4   | 999 073 246 09 | torx screw<br>M8 X 33-10,9                            |        | 1   |                  |
| 5   | 999 073 411 01 | torx screw<br>M8 X 60                                 |        | 1   |                  |
| 6   | 999 073 412 01 | torx screw<br>M8 X 26                                 |        | 1   |                  |
| 7   | 9A1 102 216 01 | v-belt  |        | 1   |                  |
| 8   | ... ..         | generator<br>see group<br>9/02/05                     |        | 1   |                  |
| 9   | ... ..         | pulley<br>power-steering pump<br>see group<br>4/03/03 |        | 1   |                  |
| 10  | ... ..         | pulley<br>compressor<br>see group<br>8/13/15          |        | 1   |                  |
| 11  | ... ..         | pulley<br>crankshaft<br>see group<br>1/02/00          |        | 1   |                  |
| 12  | ... ..         | pulley<br>water pump<br>see group<br>1/05/00          |        | 1   |                  |

|       |      |    |    |              |              |     |       |            |         |     |         |
|-------|------|----|----|--------------|--------------|-----|-------|------------|---------|-----|---------|
| Model | Year | MG | SG | Illustration | Restrictions | UPD | 13:55 | 01.03.2010 | PORSCHE | PET | PORSCHE |
| 987-2 | 2010 | 1  | 02 | 102-00       |              | 248 |       |            |         |     |         |

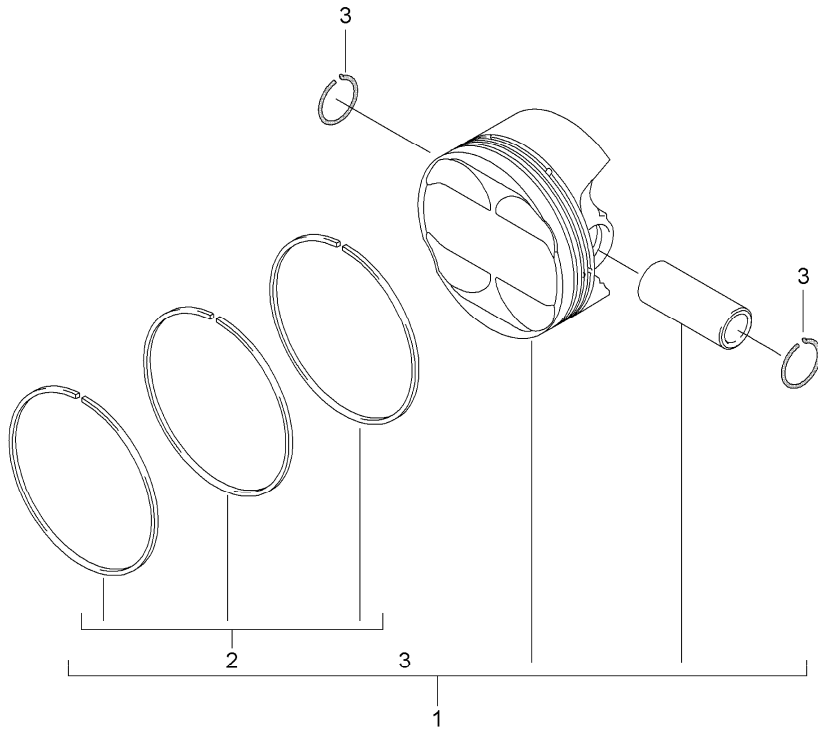
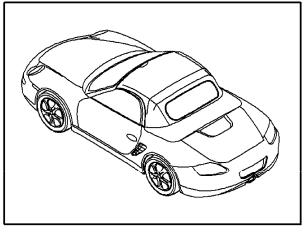


| Pos  | Part Number    | Description  | Remark | Qty | Model            |
|------|----------------|--|--------|-----|------------------|
|      |                | crankshaft   |        |     | MA1.20<br>MA1.21 |
| 1    | 9A1 102 077 04 | crankshaft   |        | 1   |                  |
| 2    | 900 095 031 00 | tensioning sleeve<br>6,0 X 16                                |        | 1   |                  |
| 3    | 900 302 016 00 | straight pin<br>A 6,0 X 16                                   |        | 1   |                  |
| 4    | 9A1 101 222 02 | shaft sealing ring<br>52,6 X 16,2                            |        | 1   |                  |
| 5    | 997 101 212 01 | shaft sealing ring<br>85 x 105 x 11                          |        | 1   |                  |
| 6    | 9A1 103 914 02 | connecting rod<br>set<br>comprising:<br>6<br>connecting rods |        | 1   |                  |
| 7    | 9A1 103 122 02 | connecting rod bush<br>D = 22                                |        | 6   |                  |
| 8    | 9A1 103 115 02 | connecting rod bolt<br>M 10 X 1,25 X 51                      |        | 12  |                  |
| 9    | 9A1 103 053 00 | connecting-rod bearing<br>identification<br>red              |        | 12  |                  |
| (9)  | 9A1 103 053 01 | connecting-rod bearing<br>identification<br>yellow           |        | 12  |                  |
| (9)  | 9A1 103 053 02 | connecting-rod bearing<br>identification<br>blue             |        | 12  |                  |
| 10   | 9A1 101 064 00 | crankshaft bearing<br>identification<br>red                  |        | 8   |                  |
| (10) | 9A1 101 064 01 | crankshaft bearing<br>identification<br>yellow               |        | 8   |                  |
| (10) | 9A1 101 064 02 | crankshaft bearing<br>identification<br>blue                 |        | 8   |                  |

|       |      |    |    |              |              |     |       |            |         |     |         |
|-------|------|----|----|--------------|--------------|-----|-------|------------|---------|-----|---------|
| Model | Year | MG | SG | Illustration | Restrictions | UPD | 13:55 | 01.03.2010 | PORSCHE | PET | PORSCHE |
| 987-2 | 2010 | 1  | 02 | 102-00       |              | 248 |       |            |         |     |         |

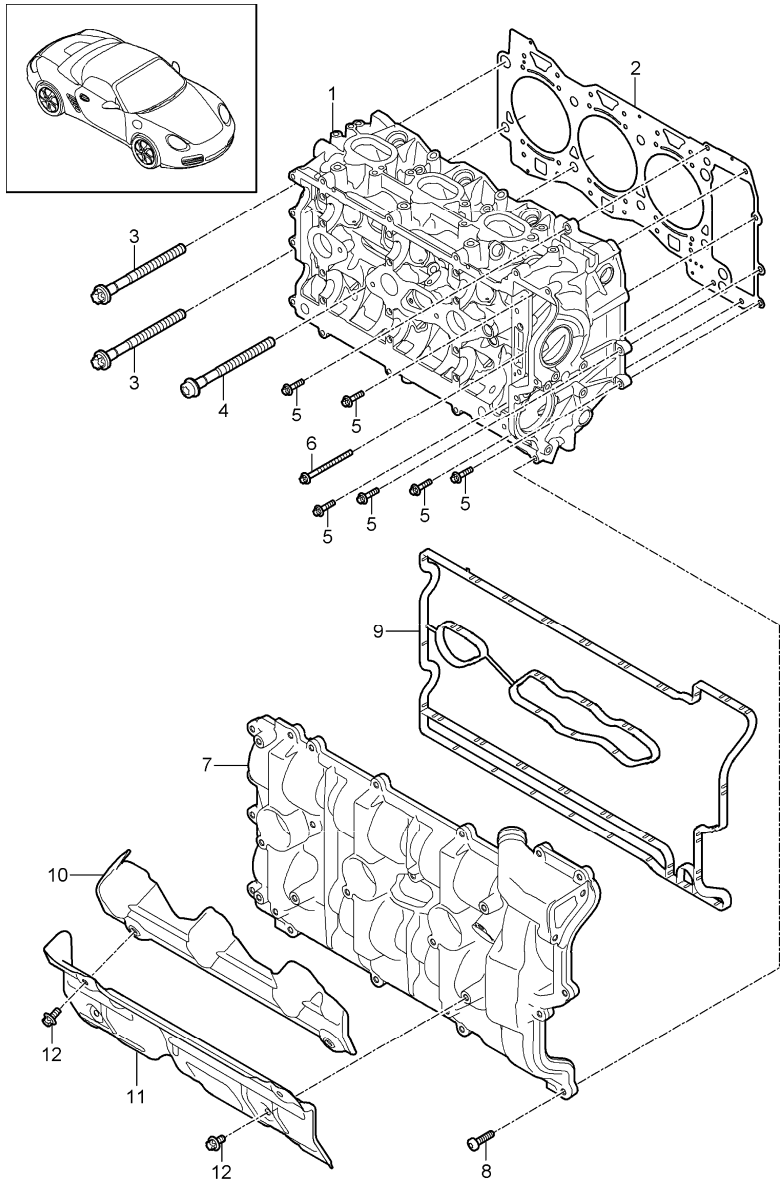
| Pos  | Part Number    | Description   | Remark | Qty | Model          | Pos | Part Number | Description | Remark | Qty | Model |
|------|----------------|---|--------|-----|----------------|-----|-------------|-------------|--------|-----|-------|
| 11   | 9A1 101 063 00 | crankshaft bearing<br>with<br>*<br>identification<br>red    |        | 6   |                |     |             |             |        |     |       |
| (11) | 9A1 101 063 01 | crankshaft bearing<br>with<br>*<br>identification<br>yellow |        | 6   |                |     |             |             |        |     |       |
| (11) | 9A1 101 063 02 | crankshaft bearing<br>with<br>*<br>identification<br>blue   |        | 6   |                |     |             |             |        |     |       |
| 12   | 9A1 101 052 00 | supporting mount<br>identification<br>red                   |        | 2   |                |     |             |             |        |     |       |
| (12) | 9A1 101 052 01 | supporting mount<br>identification<br>yellow                |        | 2   |                |     |             |             |        |     |       |
| (12) | 9A1 101 052 02 | supporting mount<br>identification<br>blue                  |        | 2   |                |     |             |             |        |     |       |
| 13   | 996 101 132 00 | thrust washer<br>D = 63                                     |        | 2   |                |     |             |             |        |     |       |
| 14   | 9G2 114 012 00 | double-mass flywheel  |        | 1   | MA1.20<br>I480 |     |             |             |        |     |       |
| 14   | 9G2 114 012 20 | double-mass flywheel  |        | 1   | MA1.21<br>I480 |     |             |             |        |     |       |
| 14   | 9G2 114 020 00 | double-mass flywheel  |        | 1   | I250           |     |             |             |        |     |       |
| 15   | N 906 651 01   | pan-head screw<br>M 10 X 1 X 29                             |        | 10  |                |     |             |             |        |     |       |
| 16   | 9A1 102 146 02 | pulley<br>with<br>vibration damper                          |        | 1   |                |     |             |             |        |     |       |
| 17   | 900 385 127 01 | Outer hexagon round screw<br>M 8 X 25                       |        | 6   |                |     |             |             |        |     |       |
| 18   |                | v-belt<br>see group<br>1/01/10                              |        | 1   |                |     |             |             |        |     |       |

|       |      |    |    |              |              |     |       |            |         |     |         |
|-------|------|----|----|--------------|--------------|-----|-------|------------|---------|-----|---------|
| Model | Year | MG | SG | Illustration | Restrictions | UPD | 13:55 | 01.03.2010 | PORSCHE | PET | PORSCHE |
| 987-2 | 2010 | 1  | 02 | 102-05       |              | 248 |       |            |         |     |         |



| Pos | Part Number    | Description                    | Remark | Qty | Model            |
|-----|----------------|--------------------------------|--------|-----|------------------|
|     |                | piston                         |        |     | MA1.20<br>MA1.21 |
| 1   | 9A1 103 029 03 | piston<br>tolerance range<br>X |        | 6   | MA1.20           |
| (1) | 9A1 103 034 03 | piston<br>tolerance range<br>X |        | 6   | MA1.21           |
| 2   | 9A1 103 050 02 | set of piston rings            |        | 6   | MA1.20           |
| (2) | 9A1 103 065 02 | set of piston rings            |        | 6   | MA1.21           |
| 3   | 9A1 103 141 01 | circlip                        |        | 12  |                  |

|       |      |    |    |              |              |     |       |            |         |     |         |
|-------|------|----|----|--------------|--------------|-----|-------|------------|---------|-----|---------|
| Model | Year | MG | SG | Illustration | Restrictions | UPD | 13:55 | 01.03.2010 | PORSCHE | PET | PORSCHE |
| 987-2 | 2010 | 1  | 03 | 103-00       |              | 248 |       |            |         |     |         |

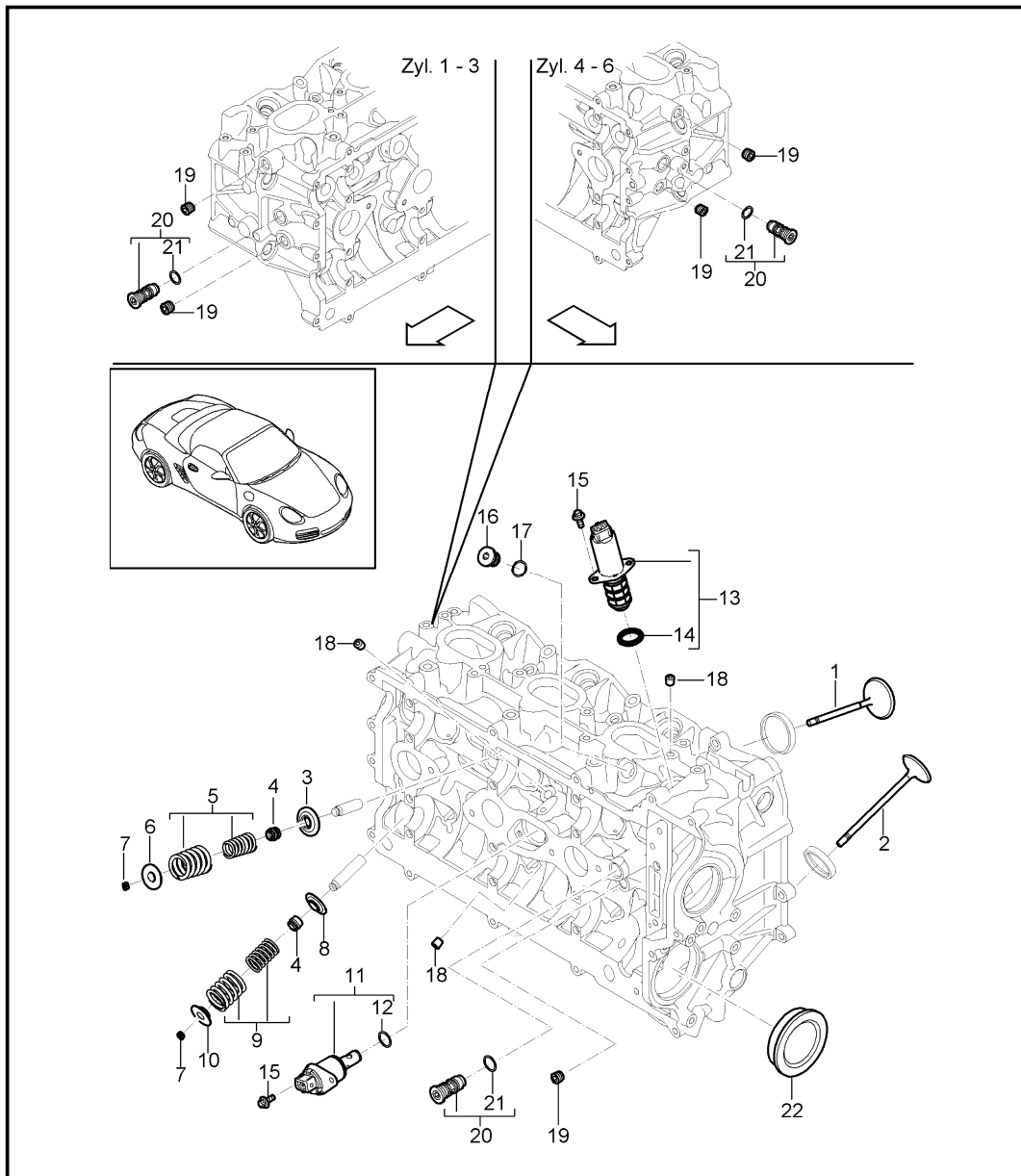


| Pos | Part Number    | Description  | Remark | Qty | Model  |
|-----|----------------|--|--------|-----|--------|
| 1   | 9A1 104 905 00 | cylinder head<br>with<br>valves<br>cylinder head gasket<br>valve cover |        | 1   | MA1.20 |
| (1) | 9A1 104 906 00 | cylinder head<br>cyl. 1 - 3<br>with valves                             |        | 1   | MA1.20 |
| (1) | 9A1 104 907 00 | cylinder head<br>cyl. 4 - 6<br>with valves                             |        | 1   | MA1.21 |
| (1) | 9A1 104 908 00 | cylinder head<br>cyl. 1 - 3<br>with valves                             |        | 1   | MA1.21 |
| -   |                | valves<br>see group<br>1/03/05   |        |     |        |
| 2   | 9A1 104 143 03 | cylinder head gasket<br>cyl. 1 - 3                                     | -09    | 1   | MA1.21 |
| 2   | 9A1 104 143 04 | cylinder head gasket<br>cyl. 1 - 3                                     | 10-    | 1   | MA1.21 |
| (2) | 9A1 104 145 04 | cylinder head gasket<br>cyl. 1 - 3                                     |        | 1   | MA1.20 |
| (2) | 9A1 104 142 03 | cylinder head gasket<br>cyl. 4 - 6                                     | -09    | 1   | MA1.21 |
| (2) | 9A1 104 142 04 | cylinder head gasket<br>cyl. 4 - 6                                     | 10-    | 1   | MA1.21 |
| (2) | 9A1 104 144 04 | cylinder head gasket<br>cyl. 4 - 6                                     |        | 1   | MA1.20 |
| 3   | 9A1 104 191 00 | torx screw<br>M12 X 1,5 X 140  |        | 4   |        |
| 4   | 9A1 104 191 02 | torx screw<br>M12 X 1,5 X 140  |        | 12  |        |
| 5   | 900 385 072 01 | torx screw<br>M6 X 25  |        | 11  |        |
| 6   | 900 385 108 02 | torx screw<br>M6 X 80  |        | 2   |        |

|       |      |    |    |              |              |     |       |            |         |     |         |
|-------|------|----|----|--------------|--------------|-----|-------|------------|---------|-----|---------|
| Model | Year | MG | SG | Illustration | Restrictions | UPD | 13:55 | 01.03.2010 | PORSCHE | PET | PORSCHE |
| 987-2 | 2010 | 1  | 03 | 103-00       |              | 248 |       |            |         |     |         |

| Pos | Part Number    | Description   | Remark | Qty | Model            | Pos  | Part Number    | Description                                 | Remark | Qty | Model |
|-----|----------------|---|--------|-----|------------------|------|----------------|---|--------|-----|-------|
| 7   | 9A1 105 231 05 | valve cover<br>cyl. 1 - 3<br>only together with<br>9A1.105.731.02<br>M >> 9 05158<br>M >> 9 04346 |        | 1   | MA1.20<br>MA1.21 | 10   | 9A1 104 307 03 | heat protection<br>upper part<br>cyl. 1 - 3 |        | 1   |       |
| 7   | 9A1 105 231 04 | valve cover<br>cyl. 1 - 3<br>together with<br>9A1.105.731.03<br>M 9 05159 >><br>M 9 04347 >>      |        | 1   | MA1.20<br>MA1.21 | (10) | 9A1 104 308 04 | heat protection<br>upper part<br>cyl. 4 - 6 |        | 1   |       |
| (7) | 9A1 105 232 05 | valve cover<br>cyl. 4 - 6<br>only together with<br>9A1.105.732.02<br>M >> 9 05158<br>M >> 9 04346 |        | 1   | MA1.20<br>MA1.21 | 11   | 9A1 104 309 03 | heat protection<br>lower part<br>cyl. 1 - 3 |        | 1   |       |
| (7) | 9A1 105 232 04 | valve cover<br>cyl. 4 - 6<br>only together with<br>9A1.105.732.03<br>M 9 05159 >><br>M 9 04347 >> |        | 1   | MA1.20<br>MA1.21 | (11) | 9A1 104 310 03 | heat protection<br>lower part<br>cyl. 4 - 6 |        | 1   |       |
| 8   | 9A1 107 313 00 | torx screw<br>M6 X 25   |        | 40  |                  | 12   | 900 385 041 01 | torx screw<br>M6 X 12                       |        | 12  |       |
| 9   | 9A1 105 731 03 | gasket<br>valve cover<br>cyl. 1 - 3<br>M 9 05159 >><br>M 9 04347 >>                               |        | 1   | MA1.20<br>MA1.21 | 13   | 999 707 404 40 | o-ring<br>17,05 X 1,78                      |        | 2   |       |
| (9) | 9A1 105 731 02 | gasket<br>valve cover<br>cyl. 1 - 3<br>M >> 9 05158<br>M >> 9 04346                               |        | 1   | MA1.20<br>MA1.21 | 14   | 997 606 106 03 | hall sender                                 |        | 2   |       |
| (9) | 9A1 105 732 03 | gasket<br>valve cover<br>cyl. 4 - 6<br>M 9 05159 >><br>M 9 04347 >>                               |        | 1   | MA1.20<br>MA1.21 | 15   | 900 387 264 01 | pan-head screw<br>M 6 X 16                  |        | 2   |       |
| (9) | 9A1 105 732 02 | gasket<br>valve cover<br>cyl. 4 - 6<br>M >> 9 05158<br>M >> 9 04346                               |        | 1   | MA1.20<br>MA1.21 |      |                |   |        |     |       |

|       |      |    |    |              |              |     |       |            |         |     |         |
|-------|------|----|----|--------------|--------------|-----|-------|------------|---------|-----|---------|
| Model | Year | MG | SG | Illustration | Restrictions | UPD | 13:56 | 01.03.2010 | PORSCHE | PET | PORSCHE |
| 987-2 | 2010 | 1  | 03 | 103-05       |              | 248 |       |            |         |     |         |



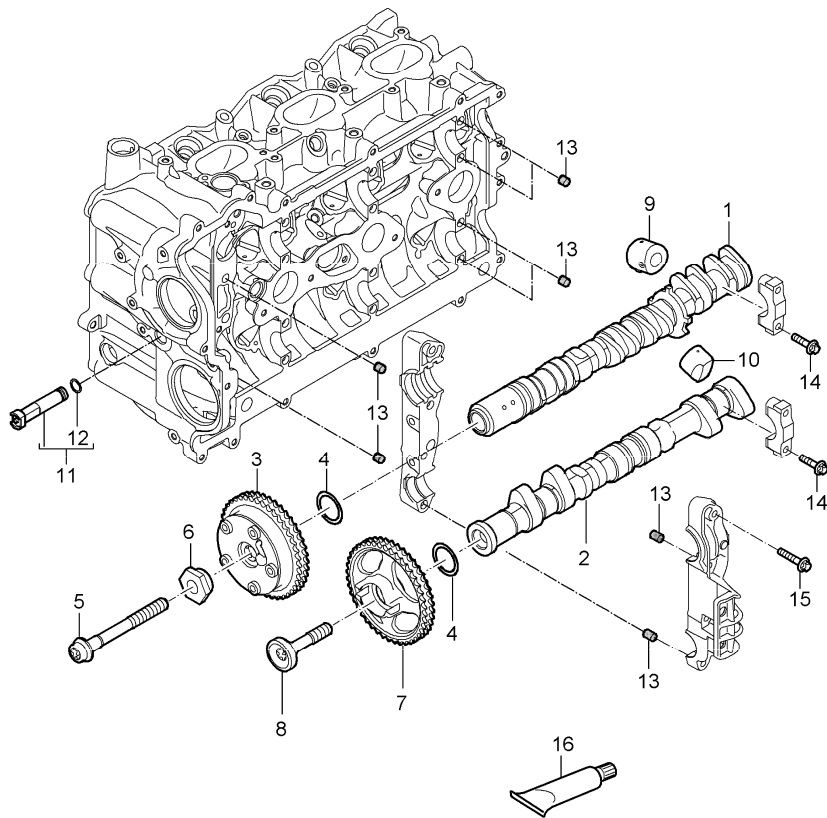
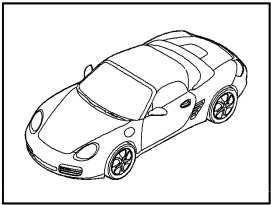
| Pos | Part Number    | Description                            | Remark | Qty | Model            |
|-----|----------------|--|--------|-----|------------------|
|     |                | cylinder head<br>accessories<br>valves |        |     | MA1.20<br>MA1.21 |
| 1   | 9A1 105 312 02 | intake valve                           |        | 12  | MA1.21           |
| (1) | 9A1 105 314 02 | intake valve                           |        | 12  | MA1.20           |
| 2   | 9A1 105 322 02 | exhaust valve                          |        | 12  | MA1.21           |
| 2   | 9A1 105 324 02 | exhaust valve                          |        | 12  | MA1.20           |
| 3   | 9A1 105 151 00 | concave washer<br>intake<br>lower      |        | 12  | MA1.21           |
| 3   | 948 105 151 01 | concave washer<br>intake<br>lower      |        | 12  | MA1.20           |
| 4   | 996 105 115 52 | valve stem seal                        |        | 24  |                  |
| 5   | 9A1 105 110 01 | set of valve springs<br>intake         |        | 12  | MA1.21           |
| 5   | 948 105 094 00 | set of valve springs<br>intake         |        | 12  | MA1.20           |
| 6   | 9A1 105 150 00 | concave washer<br>intake<br>upper      |        | 12  | MA1.21           |
| 6   | 948 105 150 01 | concave washer<br>intake<br>upper      |        | 12  | MA1.20           |
| 7   | 996 105 123 52 | valve collet                           |        | 48  |                  |
| 8   | 948 105 153 51 | concave washer<br>exhaust<br>lower     |        | 12  | MA1.21           |
| (8) | 948 105 153 01 | concave washer<br>exhaust<br>lower     |        | 12  | MA1.20           |
| 9   | 9A1 105 115 01 | set of valve springs<br>set<br>exhaust |        | 12  | MA1.21           |
| (9) | 9A1 105 180 01 | valve spring<br>exhaust                |        | 12  | MA1.20           |
| 10  | 948 105 152 51 | concave washer<br>exhaust<br>upper     |        | 12  | MA1.21           |

|       |      |    |    |              |              |     |       |            |         |     |         |
|-------|------|----|----|--------------|--------------|-----|-------|------------|---------|-----|---------|
| Model | Year | MG | SG | Illustration | Restrictions | UPD | 13:56 | 01.03.2010 | PORSCHE | PET | PORSCHE |
| 987-2 | 2010 | 1  | 03 | 103-05       |              | 248 |       |            |         |     |         |

| Pos  | Part Number    | Description                        | Remark | Qty | Model  | Pos | Part Number | Description | Remark | Qty | Model |
|------|----------------|------------------------------------|--------|-----|--------|-----|-------------|-------------|--------|-----|-------|
| (10) | 996 105 121 54 | concave washer<br>exhaust<br>upper |        | 12  | MA1.20 |     |             |             |        |     |       |
| 11   | 9A1 105 308 02 | actuator                           |        | 1   |        |     |             |             |        |     |       |
| 12   | 900 331 057 40 | o-ring<br>11,2 X 2,65              |        | 2   |        |     |             |             |        |     |       |
| 13   | 9A1 105 304 01 | actuator<br>valve                  |        | 2   |        |     |             |             |        |     |       |
| 14   | 999 707 446 40 | o-ring<br>18 X 2,5                 |        | 2   |        |     |             |             |        |     |       |
| 15   | 900 385 112 01 | torx screw<br>M5 X 12              |        | 8   |        |     |             |             |        |     |       |
| 16   | 900 219 002 03 | screw plug                         |        | 1   |        |     |             |             |        |     |       |
| 17   | 900 123 104 30 | sealing ring<br>14 X 18            |        | 2   |        |     |             |             |        |     |       |
| 18   | 900 063 010 01 | screw plug<br>M8 X 1,0             |        | 3   |        |     |             |             |        |     |       |
| 19   | 900 063 014 01 | screw plug<br>M12 X 1,5            |        | 4   |        |     |             |             |        |     |       |
| 20   | 9A1 104 250 00 | restrictor                         |        | 4   |        |     |             |             |        |     |       |
| 21   | 999 707 577 40 | o-ring<br>10 x 2,5N                |        | 4   |        |     |             |             |        |     |       |
| 22   | 9A1 104 403 00 | lid                                |        | 1   | MA1.20 |     |             |             |        |     |       |



|       |      |    |    |              |              |     |       |            |         |     |         |
|-------|------|----|----|--------------|--------------|-----|-------|------------|---------|-----|---------|
| Model | Year | MG | SG | Illustration | Restrictions | UPD | 13:56 | 01.03.2010 | PORSCHE | PET | PORSCHE |
| 987-2 | 2010 | 1  | 03 | 103-10       |              | 248 |       |            |         |     |         |

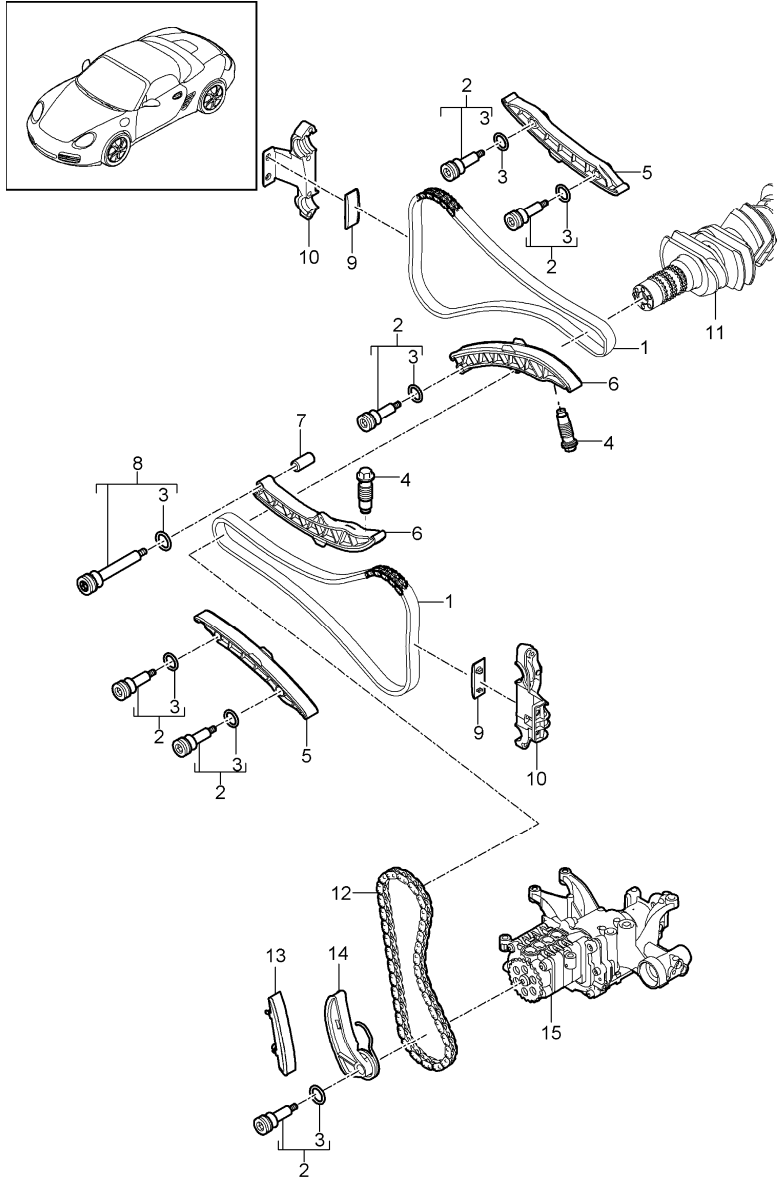


| Pos | Part Number      | Description   | Remark | Qty | Model            |
|-----|------------------|---|--------|-----|------------------|
|     |                  | camshaft<br>hydraulic valve tappet<br>camshaft adjuster |        |     | MA1.20<br>MA1.21 |
| (1) | 9A1 105 025 03   | camshaft<br>intake<br>cyl. 1 - 3                        |        | 1   | MA1.20           |
| (1) | 9A1 105 026 03   | camshaft<br>intake<br>cyl. 4 - 6                        |        | 1   | MA1.20           |
| 1   | 9A1 105 027 03   | camshaft<br>intake<br>cyl. 1 - 3                        |        | 1   | MA1.21           |
| 1   | 9A1 105 028 03   | camshaft<br>intake<br>cyl. 4 - 6                        |        | 1   | MA1.21           |
| (2) | 9A1 105 227 03   | camshaft<br>exhaust<br>cyl. 1 - 3                       |        | 1   | MA1.20           |
| (2) | 9A1 105 228 03   | camshaft<br>exhaust<br>cyl. 4 - 6                       |        | 1   | MA1.20           |
| 2   | 9A1 105 223 03   | camshaft<br>exhaust<br>cyl. 1 - 3                       |        | 1   | MA1.21           |
| 2   | 9A1 105 224 03   | camshaft<br>exhaust<br>cyl. 4 - 6                       |        | 1   | MA1.21           |
| 3   | 9A1 105 052 01   | camshaft adjuster                                       |        | 1   |                  |
| 4   | 9A1 105 403 02   | washer<br>camshaft adjuster                             |        | 1   |                  |
| 5   | 9A1 105 254 01   | torx screw<br>M12 X 50                                  |        | 1   |                  |
| 6   | U 948 105 218 01 | sleeve<br>camshaft adjuster                             |        | 1   |                  |
| 6   | 9A1 105 245 00   | sleeve<br>camshaft adjuster                             |        | 1   |                  |
| (7) | 9A1 105 147 02   | sprocket<br>camshaft<br>exhaust<br>cyl. 1 - 3           |        | 1   |                  |

|       |      |    |    |              |              |     |       |            |         |     |         |
|-------|------|----|----|--------------|--------------|-----|-------|------------|---------|-----|---------|
| Model | Year | MG | SG | Illustration | Restrictions | UPD | 13:56 | 01.03.2010 | PORSCHE | PET | PORSCHE |
| 987-2 | 2010 | 1  | 03 | 103-10       |              | 248 |       |            |         |     |         |

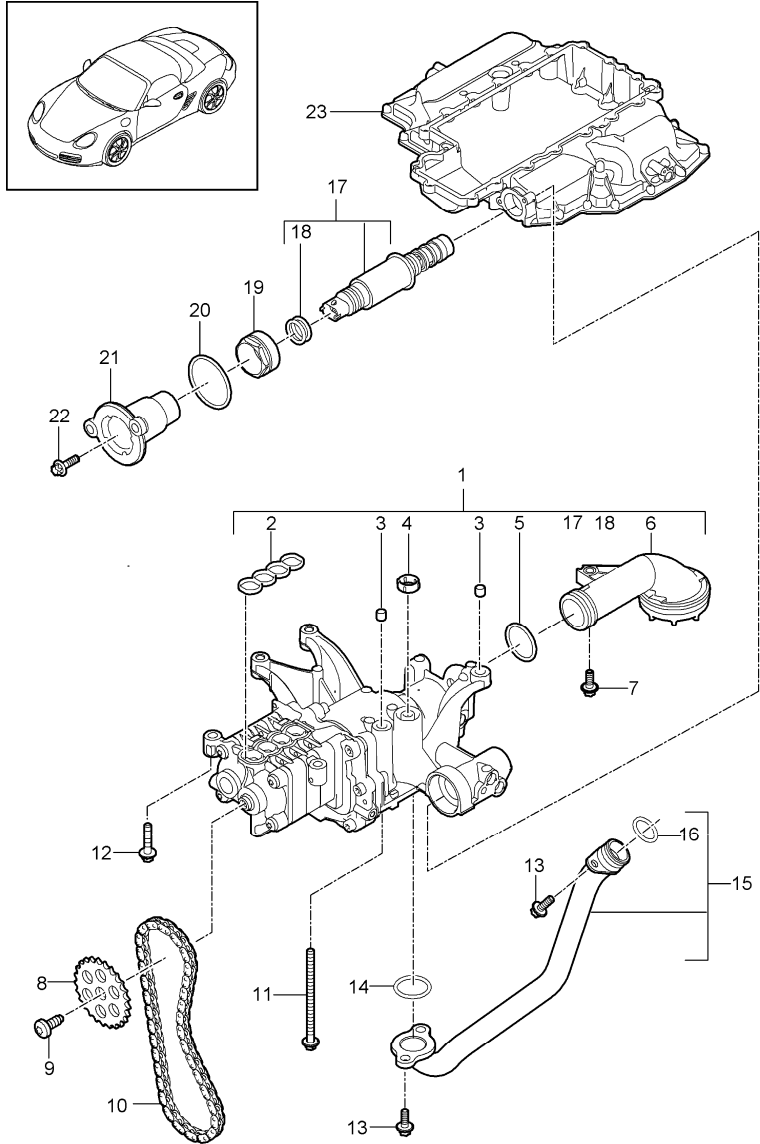
| Pos | Part Number    | Description  | Remark | Qty | Model | Pos | Part Number | Description | Remark | Qty | Model |
|-----|----------------|--|--------|-----|-------|-----|-------------|-------------|--------|-----|-------|
| 7   | 9A1 105 148 02 | sprocket<br>camshaft<br>exhaust<br>cyl. 4 - 6                  |        | 1   |       |     |             |             |        |     |       |
| 8   | 9A1 105 255 00 | torx screw   |        | 2   |       |     |             |             |        |     |       |
| 9   | 9A1 105 070 03 | hydraulic valve tappet<br>intake                               |        | 12  |       |     |             |             |        |     |       |
| 10  | 9A1 105 071 00 | hydraulic valve tappet<br>exhaust                              |        | 12  |       |     |             |             |        |     |       |
| 11  | 9A1 104 402 02 | oil tube<br>cyl. 4 - 6   |        | 1   |       |     |             |             |        |     |       |
| 12  | 999 707 576 40 | o-ring<br>7,0 X 2,5  |        | 1   |       |     |             |             |        |     |       |
| 13  | 999 095 075 01 | dowel sleeve<br>8 x 7  |        | 32  |       |     |             |             |        |     |       |
| 14  | 999 073 450 02 | Outer hexagon round screw<br>BM 6 X 37                         |        | 24  |       |     |             |             |        |     |       |
| 15  | 900 385 111 01 | torx screw<br>BM 6 X 55  |        | 8   |       |     |             |             |        |     |       |
| 16  | 000 043 024 00 | extreme-pressure grease<br>1 tube<br>80 Gr.<br>for<br>camshaft |        | 1   |       |     |             |             |        |     |       |

|       |      |    |    |              |              |     |       |            |         |     |         |
|-------|------|----|----|--------------|--------------|-----|-------|------------|---------|-----|---------|
| Model | Year | MG | SG | Illustration | Restrictions | UPD | 13:56 | 01.03.2010 | PORSCHE | PET | PORSCHE |
| 987-2 | 2010 | 1  | 03 | 103-15       |              | 248 |       |            |         |     |         |



| Pos | Part Number    | Description                            | Remark | Qty | Model            |
|-----|----------------|--|--------|-----|------------------|
|     |                | valve control                          |        |     | MA1.20<br>MA1.21 |
| 1   | 9A1 105 142 02 | timing chain<br>camshaft<br>crankshaft |        | 2   |                  |
| 2   | 9A1 105 162 01 | screw<br>tensioner blade               |        | 6   |                  |
| 3   | 999 707 346 40 | o-ring<br>15,0 X 3,0                   |        | X   |                  |
| 4   | 9A1 105 157 02 | chain adjuster                         |        | 2   |                  |
| 5   | 9A1 105 153 02 | guide rail                             |        | 2   |                  |
| 6   | 9A1 105 155 02 | tensioner blade                        |        | 2   |                  |
| 7   | 9A1 105 165 01 | spacer sleeve                          |        | 2   |                  |
| 8   | 9A1 105 163 01 | screw                                  |        | 1   |                  |
| 9   | 9A1 105 101 02 | guide rail                             |        | 2   |                  |
| 10  | ...            | housing<br>see group<br>1/03/00        |        | 2   |                  |
| 11  | ...            | crankshaft<br>see group<br>1/02/00     |        | 1   |                  |
| 12  | 9A1 105 233 02 | timing chain<br>oil pump<br>crankshaft |        | 1   |                  |
| 13  | 9A1 105 237 02 | guide rail                             |        | 1   |                  |
| 14  | 9A1 105 235 02 | tensioner blade                        |        | 1   |                  |
| 15  | ...            | oil pump<br>see group<br>1/04/00       |        | 1   |                  |

|       |      |    |    |              |              |     |       |            |         |     |         |
|-------|------|----|----|--------------|--------------|-----|-------|------------|---------|-----|---------|
| Model | Year | MG | SG | Illustration | Restrictions | UPD | 13:56 | 01.03.2010 | PORSCHE | PET | PORSCHE |
| 987-2 | 2010 | 1  | 04 | 104-00       |              | 248 |       |            |         |     |         |

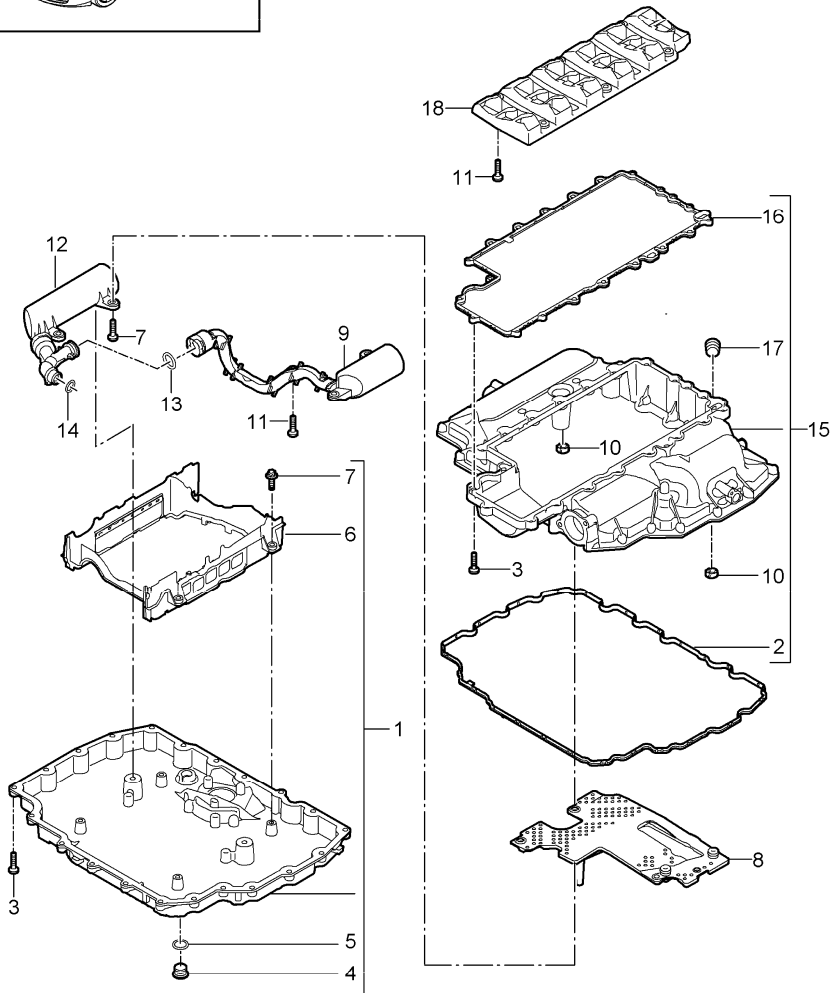
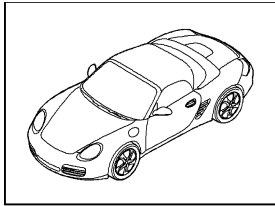


| Pos | Part Number    | Description                               | Remark | Qty | Model            |
|-----|----------------|---|--------|-----|------------------|
|     |                | oil pump                                  |        |     | MA1.20<br>MA1.21 |
| 1   | 9A1 107 050 03 | oil pump                                  |        | 1   |                  |
| 1   | 9A1 107 050 04 | oil pump                                  |        | 1   |                  |
| 2   | 9A1 107 370 00 | gasket                                    |        | 1   |                  |
| 3   | 996 106 103 50 | dowel sleeve<br>8,2 X 7,0                 |        | 2   |                  |
| 4   | 9A1 107 327 00 | sealing ring                              |        | 1   |                  |
| 5   | 999 707 375 40 | o-ring<br>30,00 X 3,00                    |        | 1   |                  |
| 6   | 9A1 107 075 02 | suction tube                              |        | 1   |                  |
| 7   | 999 073 102 01 | round head screw<br>M6 X 25               |        | 1   |                  |
| 8   | 9A1 105 225 02 | sprocket<br>oil pump                      |        | 1   |                  |
| 9   | 999 073 380 01 | torx screw<br>M8 X 22                     |        | 1   |                  |
| 10  | ... ..         | chain<br>oil pump<br>see group<br>1/03/15 |        | 1   |                  |
| 11  | 900 385 126 01 | torx screw<br>M6 X 95                     |        | 1   |                  |
| 12  | 900 385 048 01 | torx screw<br>M6 X 30                     |        | 5   |                  |
| 13  | 900 385 009 01 | torx screw<br>M6 X 25                     |        | 1   |                  |
| 14  | 999 707 409 40 | o-ring<br>26,00 X 3,00                    |        | 1   |                  |
| 15  | 9A1 107 250 01 | oil tube<br>oil pump<br>crankcase         |        | 1   |                  |
| 16  | 999 707 575 40 | o-ring<br>20,00 X 3,00                    |        | 1   |                  |
| 17  | 948 107 113 01 | solenoid valve                            |        | 1   |                  |
| 18  | 999 707 567 40 | o-ring<br>17,00 X 3,00                    |        | 2   |                  |

|       |      |    |    |              |              |     |       |            |         |     |         |
|-------|------|----|----|--------------|--------------|-----|-------|------------|---------|-----|---------|
| Model | Year | MG | SG | Illustration | Restrictions | UPD | 13:56 | 01.03.2010 | PORSCHE | PET | PORSCHE |
| 987-2 | 2010 | 1  | 04 | 104-00       |              | 248 |       |            |         |     |         |

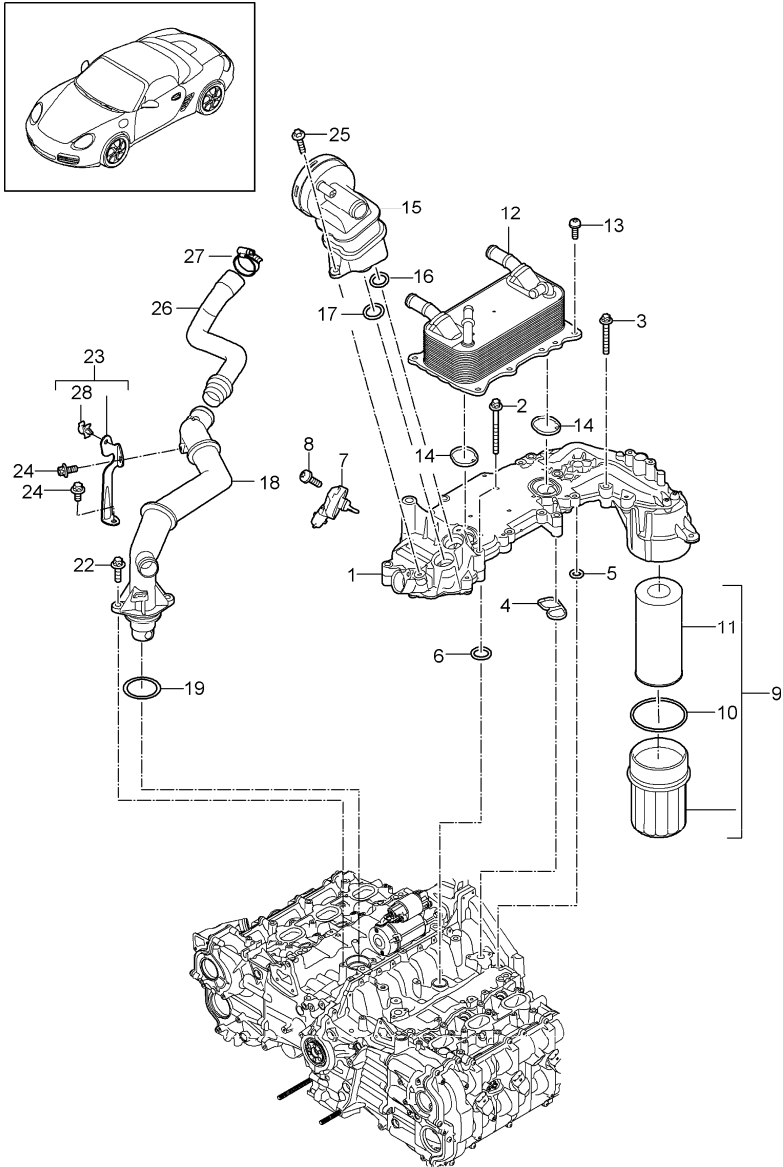
| Pos | Part Number    | Description                                   | Remark | Qty | Model | Pos | Part Number | Description | Remark | Qty | Model |
|-----|----------------|---|--------|-----|-------|-----|-------------|-------------|--------|-----|-------|
| 19  | 999 261 024 01 | union nut<br>M36 x 1,0 x 12                   |        | 1   |       |     |             |             |        |     |       |
| 20  | 999 707 570 40 | o-ring<br>44,00 x 3,00                        |        | 1   |       |     |             |             |        |     |       |
| 21  | 9A1 107 330 01 | joint flange<br>control valve                 |        | 1   |       |     |             |             |        |     |       |
| 22  | 900 385 019 01 | torx screw<br>M6 X 20                         |        | 2   |       |     |             |             |        |     |       |
| 23  | ... ..         | oil pan<br>upper part<br>see group<br>1/04/02 |        | 1   |       |     |             |             |        |     |       |

|       |      |    |    |              |              |     |       |            |         |     |         |
|-------|------|----|----|--------------|--------------|-----|-------|------------|---------|-----|---------|
| Model | Year | MG | SG | Illustration | Restrictions | UPD | 13:56 | 01.03.2010 | PORSCHE | PET | PORSCHE |
| 987-2 | 2010 | 1  | 04 | 104-02       |              | 248 |       |            |         |     |         |



| Pos | Part Number    | Description               | Remark | Qty | Model |
|-----|----------------|---------------------------|--------|-----|-------|
|     |                | oil pan                   |        |     |       |
| 1   | 9A1 107 032 00 | oil pan<br>lower part     |        | 1   |       |
| 2   | 9A1 107 325 02 | gasket<br>oil pan         |        | 1   |       |
| 3   | 9A1 107 313 00 | torx screw<br>M 6 X 25    |        | 21  |       |
| 4   | 900 219 020 31 | screw plug<br>M 18 X 1,5  |        | 1   |       |
| 5   | 900 123 106 30 | sealing ring<br>A 18 X 24 |        | 1   |       |
| 6   | 9A1 107 243 01 | bulkhead                  |        | 1   |       |
| 7   | 900 385 019 01 | torx screw<br>M6 x 20     |        | X   |       |
| 8   | 9A1 107 420 01 | oil separator             |        | 1   |       |
| 9   | 9A1 107 383 01 | oil separator             |        | 1   |       |
| 10  | 9A1 107 327 00 | sealing ring              |        | 2   |       |
| 11  | 900 385 019 01 | torx screw<br>M6 x 20     |        | 6   |       |
| 12  | 9A1 107 380 01 | oil separator             |        | 1   |       |
| 13  | 948 107 439 10 | o-ring<br>20,0 X 3,8      |        | 2   |       |
| 14  | 999 707 637 40 | o-ring<br>15,0 X 3,0      |        | 1   |       |
| 15  | 9A1 107 031 01 | oil pan<br>upper part     |        | 1   |       |
| 16  | 9A1 107 315 03 | gasket                    |        | 1   |       |
| 17  | 900 063 010 01 | screw plug<br>M8 X 1,0    |        | 1   |       |
| 18  | 9A1 101 010 00 | oil separator             |        | 1   |       |
| 19  | 948 606 150 00 | oil-level sender          |        | 1   |       |
| 20  | 948 606 240 00 | gasket                    |        | 1   |       |
| 21  | 900 385 072 01 | torx screw<br>BM 6 X 25   |        | 3   |       |

|       |      |    |    |              |              |     |       |            |         |     |         |
|-------|------|----|----|--------------|--------------|-----|-------|------------|---------|-----|---------|
| Model | Year | MG | SG | Illustration | Restrictions | UPD | 13:56 | 01.03.2010 | PORSCHE | PET | PORSCHE |
| 987-2 | 2010 | 1  | 04 | 104-05       |              | 248 |       |            |         |     |         |



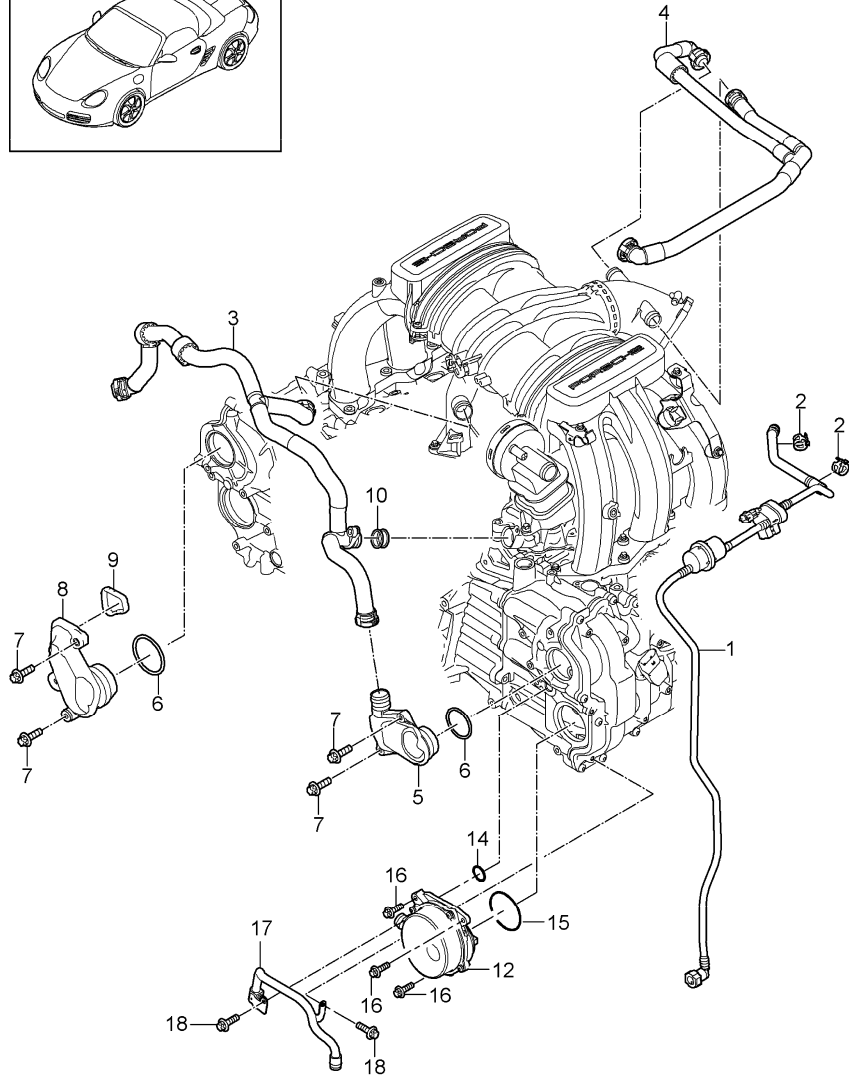
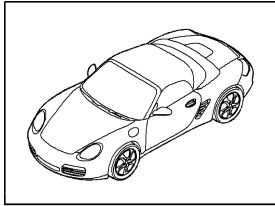
| Pos   | Part Number    | Description   | Remark | Qty | Model            |
|-------|----------------|---|--------|-----|------------------|
|       |                | engine lubrication                                  |        |     | MA1.20<br>MA1.21 |
| (1) U | 9A1 107 046 01 | Oil-conducting housing                              |        | 1   |                  |
| 1     | 9A1 107 020 01 | Oil-conducting housing                              |        | 1   |                  |
| 2     | 900 385 276 01 | torx screw<br>M6 X 60                               |        | 1   |                  |
| 3     | 900 385 125 01 | torx screw<br>M6 X 45                               |        | 8   |                  |
| 4     | 9A1 107 475 00 | sealing ring<br>Oil-conducting housing<br>crankcase |        | 1   |                  |
| 5     | 999 707 594 40 | o-ring<br>11,0 X 4,0                                |        | 1   |                  |
| 6     | 999 707 595 40 | o-ring<br>20,0 X 4,0                                |        | 1   |                  |
| 7     | 997 606 203 01 | oil pressure sender<br>5 bar                        | -09    | 1   |                  |
| (7)   | 948 606 213 00 | oil pressure sender<br>10 bar                       | 10-    | 1   |                  |
| 8     | 900 385 019 01 | torx screw<br>M6 X 25                               |        | 2   |                  |
| 9     | 9A1 107 024 00 | oil filter set                                      |        | 1   |                  |
| 10    | 996 107 313 51 | sealing ring<br>71,0 X 3,5                          |        | 1   |                  |
| 11    | 9A1 107 224 00 | filter element<br>oil filter                        |        | 1   |                  |
| 12    | 9A1 107 451 00 | heat exchanger                                      |        | 1   |                  |
| 13    | 999 073 416 01 | torx screw<br>M6 X 20                               |        | 6   |                  |
| 14    | 948 107 175 00 | gasket  |        | 2   |                  |
| 15    | 9A1 107 042 00 | oil separator                                       |        | 1   |                  |
| 16    | 999 707 634 40 | o-ring<br>18,5 X 4,0                                |        | 1   |                  |
| 17    | 999 707 635 40 | o-ring<br>21,0 X 4,0                                |        | 1   |                  |
| 18    | 9A1 107 116 02 | filler tube<br>engine oil                           |        | 1   |                  |

|       |      |    |    |              |              |     |       |            |         |     |         |
|-------|------|----|----|--------------|--------------|-----|-------|------------|---------|-----|---------|
| Model | Year | MG | SG | Illustration | Restrictions | UPD | 13:56 | 01.03.2010 | PORSCHE | PET | PORSCHE |
| 987-2 | 2010 | 1  | 04 | 104-05       |              | 248 |       |            |         |     |         |

| Pos  | Part Number    | Description            | Remark | Qty | Model  | Pos | Part Number | Description | Remark | Qty | Model |
|------|----------------|------------------------|--------|-----|--------|-----|-------------|-------------|--------|-----|-------|
| 19   | 999 707 348 40 | o-ring<br>42,0 X 4,0   |        | 1   |        |     |             |             |        |     |       |
| 20   | 987 107 035 01 | lid                    |        | 1   |        |     |             |             |        |     |       |
| 21   | 987 107 336 00 | gasket<br>lid          |        | 1   |        |     |             |             |        |     |       |
| 22   | 900 385 019 01 | torx screw<br>M6 X 20  |        | 5   |        |     |             |             |        |     |       |
| 23   | 9A1 107 216 02 | support<br>filler tube |        | 1   | MA1.20 |     |             |             |        |     |       |
| (23) | 9A1 107 316 02 | support<br>filler tube |        | 1   | MA1.21 |     |             |             |        |     |       |
| 24   | 900 385 041 01 | torx screw<br>M6 X 12  |        | 2   |        |     |             |             |        |     |       |
| 25   | 900 385 072 01 | torx screw<br>M6 X 25  |        | 2   |        |     |             |             |        |     |       |
| 26   | 987 107 264 30 | oil hose               |        | 1   |        |     |             |             |        |     |       |
| 27   | 999 512 695 09 | hose clamp<br>38 x 12  |        | 2   |        |     |             |             |        |     |       |
| 28   | 999 507 675 40 | cable holder           |        | 1   |        |     |             |             |        |     |       |



|       |      |    |    |              |              |     |       |            |         |     |         |
|-------|------|----|----|--------------|--------------|-----|-------|------------|---------|-----|---------|
| Model | Year | MG | SG | Illustration | Restrictions | UPD | 13:57 | 01.03.2010 | PORSCHE | PET | PORSCHE |
| 987-2 | 2010 | 1  | 04 | 104-10       |              | 248 |       |            |         |     |         |

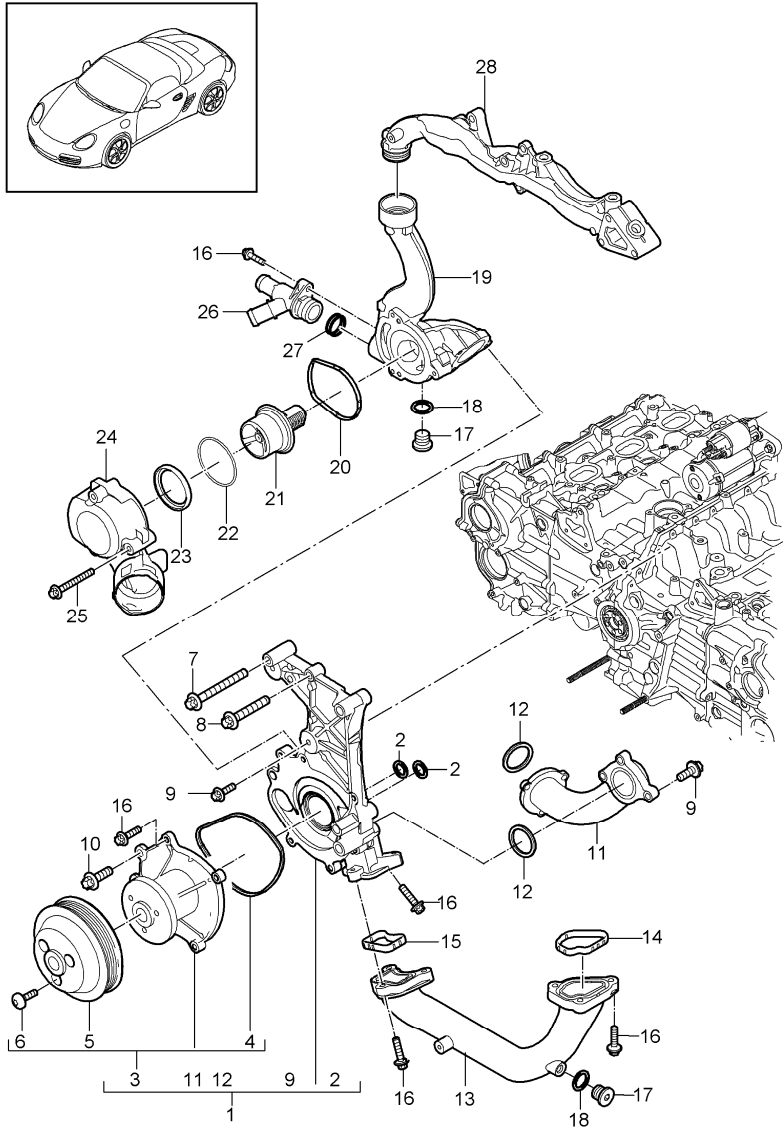


| Pos | Part Number    | Description  | Remark | Qty | Model |
|-----|----------------|--|--------|-----|-------|
|     |                | crankcase<br>bleeding<br>tank ventilation<br>vacuum pump |        |     |       |
| 1   | 9A1 110 093 02 | vent line<br>complete                                    |        | 1   |       |
| 2   | 999 512 651 09 | hose clamp<br>15 x 12                                    |        | 2   |       |
| 3   | 9A1 107 515 01 | vent line<br>crankcase                                   |        | 1   |       |
| 4   | 9A1 107 520 01 | vent line<br>distributor tube                            |        | 1   |       |
| 5   | 9A1 105 238 00 | lid<br>crankcase<br>bleeding<br>cyl. 4 - 6               |        | 1   |       |
| 6   | 999 707 636 40 | o-ring<br>44,0 X 3,5N                                    |        | 2   |       |
| 7   | 900 385 019 01 | torx screw<br>BM6 x 20                                   |        | 6   |       |
| 8   | 9A1 105 239 02 | lid<br>crankcase<br>bleeding<br>cyl. 1 - 3               |        | 1   |       |
| 9   | 9A1 105 339 00 | gasket<br>for<br>lid<br>crankcase                        |        | 1   |       |
| 10  | 999 707 316 41 | o-ring<br>21,89 x 2,62                                   |        | 2   |       |
| 11  | 900 385 072 01 | torx screw<br>BM 6 x 25                                  |        | 1   |       |
| 12  |                | see illustrations<br>1/07/10                             |        |     |       |
| 13  | 9A1 110 090 02 | vacuum pump  |        | 1   |       |
| 14  | 999 701 504 40 | o-ring<br>10 x 2,5                                       |        | 1   |       |
| 15  | 999 701 505 40 | o-ring<br>54 x 2,5                                       |        | 1   |       |
| 16  | 900 385 019 01 | torx screw<br>M6 x 20                                    |        | 3   |       |

|       |      |    |    |              |              |     |       |            |         |     |         |
|-------|------|----|----|--------------|--------------|-----|-------|------------|---------|-----|---------|
| Model | Year | MG | SG | Illustration | Restrictions | UPD | 13:57 | 01.03.2010 | PORSCHE | PET | PORSCHE |
| 987-2 | 2010 | 1  | 04 | 104-10       |              | 248 |       |            |         |     |         |

| Pos | Part Number    | Description                            | Remark | Qty | Model | Pos | Part Number | Description | Remark | Qty | Model |
|-----|----------------|--|--------|-----|-------|-----|-------------|-------------|--------|-----|-------|
| 17  | 9A1 110 065 01 | vacuum line                            |        | 1   |       |     |             |             |        |     |       |
| 18  | 900 385 041 01 | torx screw<br>M6 x 20                  |        | 2   |       |     |             |             |        |     |       |
| 19  | 999 701 789 40 | o-ring<br>12 x 2                       |        | 2   |       |     |             |             |        |     |       |
| 20  |                | support<br>see illustrations<br>202-00 |        |     |       |     |             |             |        |     |       |

|       |      |    |    |              |              |     |       |            |         |     |         |
|-------|------|----|----|--------------|--------------|-----|-------|------------|---------|-----|---------|
| Model | Year | MG | SG | Illustration | Restrictions | UPD | 13:57 | 01.03.2010 | PORSCHE | PET | PORSCHE |
| 987-2 | 2010 | 1  | 05 | 105-00       |              | 248 |       |            |         |     |         |

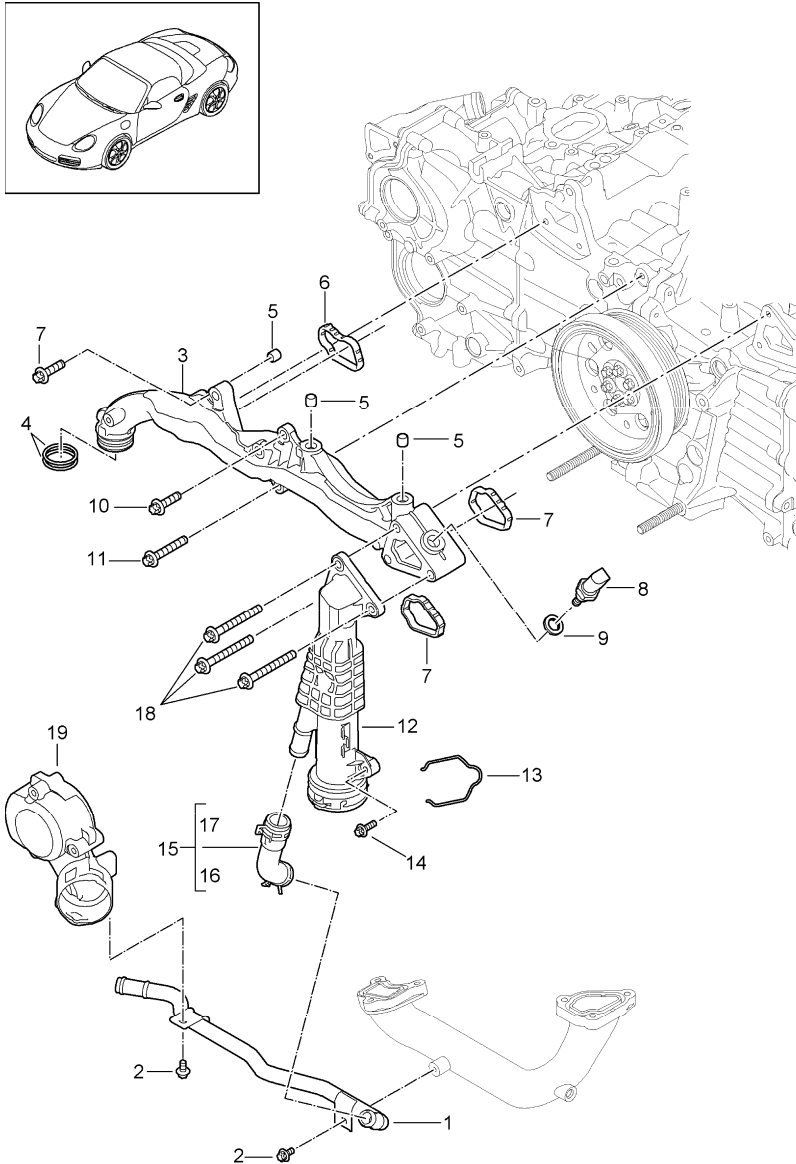


| Pos | Part Number    | Description                   | Remark | Qty | Model            |
|-----|----------------|-------------------------------|--------|-----|------------------|
| 1   | 9A1 106 038 04 | water pump thermostat housing |        | 1   | MA1.20<br>MA1.21 |
| 2   | 999 707 604 40 | o-ring 34,0 X 3,0             |        | 2   |                  |
| 3   | 9A1 106 048 00 | water pump complete           |        | 1   |                  |
| 4   | 9A1 106 217 00 | gasket water pump             |        | 1   |                  |
| 5   | 9A1 106 248 00 | pulley                        |        | 1   |                  |
| 6   | 999 073 104 01 | torx screw M8 X 16            |        | 3   |                  |
| 7   | 900 385 115 01 | torx screw M8 X 70            |        | 3   |                  |
| 8   | 900 385 071 01 | torx screw M8 X 50            |        | 3   |                  |
| 9   | 900 385 019 01 | torx screw M6 X 20            |        | 4   |                  |
| 10  | 900 385 098 01 | torx screw M8 X 25            |        | 1   |                  |
| 11  | 9A1 106 238 00 | water tube                    |        | 1   |                  |
| 12  | 9A1 106 215 00 | gasket                        |        | 2   |                  |
| 13  | 9A1 106 125 31 | water tube                    |        | 1   |                  |
| 14  | 9A1 106 326 00 | gasket water tube             |        | 1   |                  |
| 15  | 9A1 106 325 00 | gasket                        |        | 1   |                  |
| 16  | 900 385 072 01 | torx screw M6 X 25            |        | 11  |                  |
| 17  | 900 219 018 30 | screw plug M14 X 1,5          |        | 1   |                  |
| 18  | 900 123 104 30 | sealing ring 14 X 18          |        | 1   |                  |
| 19  | 9A1 106 150 01 | housing thermostat            |        | 1   |                  |
| 20  | 9A1 106 305 00 | gasket thermostat             |        | 1   |                  |

|       |      |    |    |              |              |     |       |            |         |     |         |
|-------|------|----|----|--------------|--------------|-----|-------|------------|---------|-----|---------|
| Model | Year | MG | SG | Illustration | Restrictions | UPD | 13:57 | 01.03.2010 | PORSCHE | PET | PORSCHE |
| 987-2 | 2010 | 1  | 05 | 105-00       |              | 248 |       |            |         |     |         |

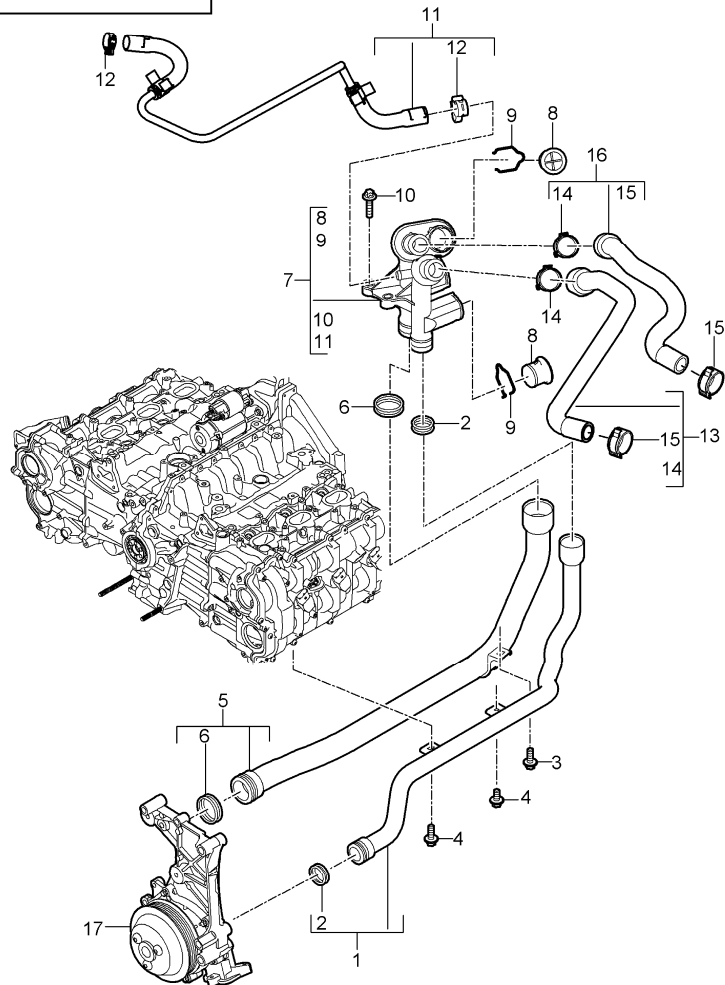
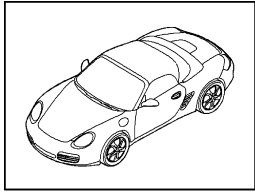
| Pos | Part Number    | Description                          | Remark | Qty | Model | Pos | Part Number | Description | Remark | Qty | Model |
|-----|----------------|--------------------------------------|--------|-----|-------|-----|-------------|-------------|--------|-----|-------|
| 21  | 9A1 106 225 01 | thermostat insert                    |        | 1   |       |     |             |             |        |     |       |
| 22  | 999 707 625 40 | o-ring<br>59,0 X 5,2                 |        | 1   |       |     |             |             |        |     |       |
| 23  | 9A1 106 558 00 | sealing ring                         |        | 1   |       |     |             |             |        |     |       |
| 24  | 9A1 106 121 00 | water guide housing                  |        | 1   |       |     |             |             |        |     |       |
| 25  | 900 385 070 01 | torx screw<br>M6 X 50                |        | 3   |       |     |             |             |        |     |       |
| 26  | 9A1 106 560 00 | cooling water tube<br>y-piece        |        | 1   |       |     |             |             |        |     |       |
| 27  | 999 707 517 40 | o-ring<br>22 X 3                     |        | 2   |       |     |             |             |        |     |       |
| 28  |                | unit carrier<br>see group<br>1/05/05 |        | 1   |       |     |             |             |        |     |       |

|       |      |    |    |              |              |     |       |            |         |     |         |
|-------|------|----|----|--------------|--------------|-----|-------|------------|---------|-----|---------|
| Model | Year | MG | SG | Illustration | Restrictions | UPD | 13:57 | 01.03.2010 | PORSCHE | PET | PORSCHE |
| 987-2 | 2010 | 1  | 05 | 105-03       |              | 248 |       |            |         |     |         |



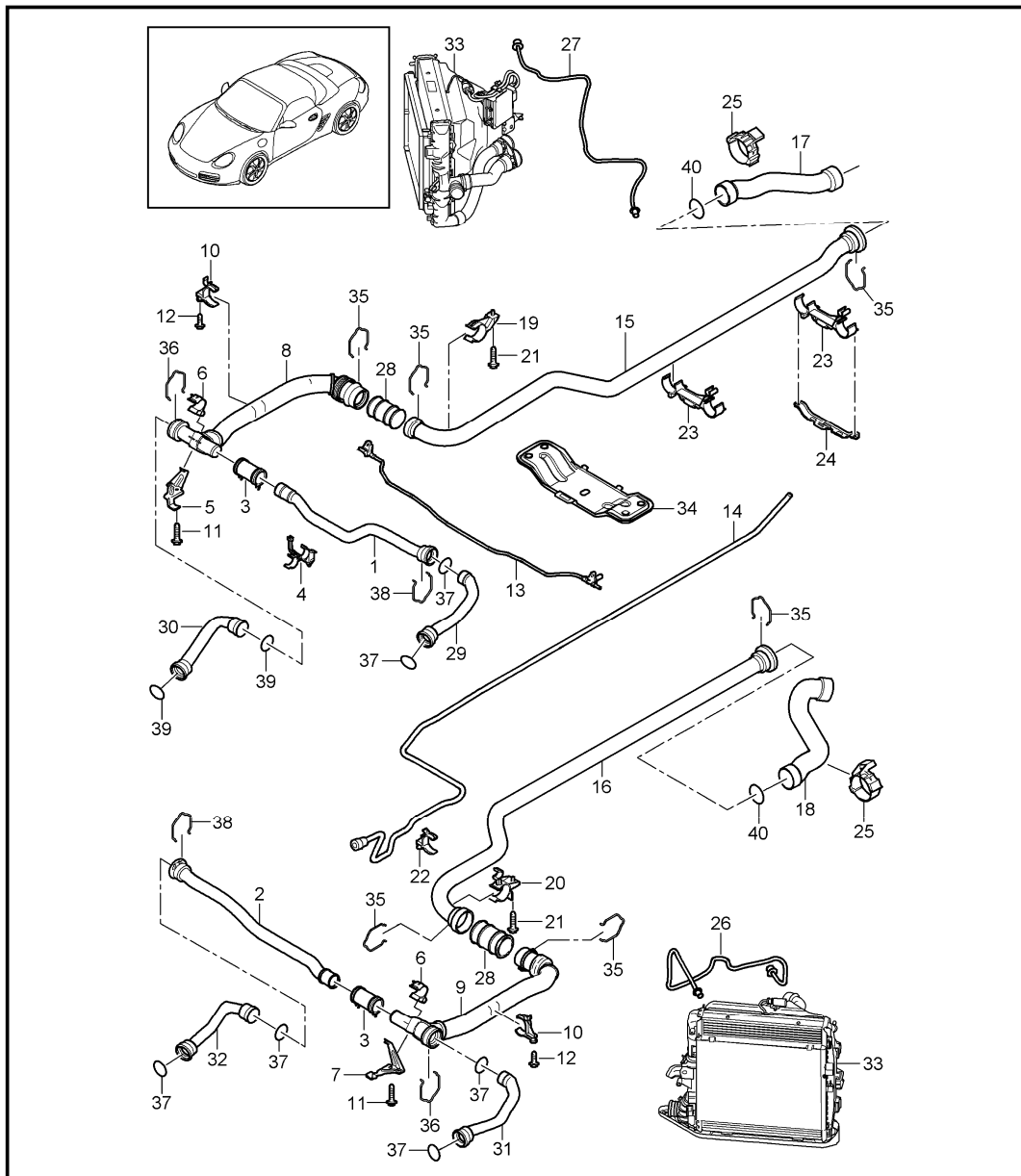
| Pos | Part Number    | Description                                   | Remark | Qty | Model            |
|-----|----------------|---|--------|-----|------------------|
| 1   | 9A1 106 810 31 | unit carrier<br>water tube                    |        | 1   | MA1.20<br>MA1.21 |
| 2   | 900 385 041 01 | torx screw<br>M6 X 12                         |        | 2   |                  |
| 3   | 9A1 102 112 02 | unit carrier                                  |        | 1   |                  |
| 4   | 999 707 589 40 | o-ring<br>31,0 X 3,0                          |        | 2   |                  |
| 5   | 999 095 063 03 | dowel sleeve<br>11 M6 X 10                    |        | 3   |                  |
| 6   | 9A1 102 312 00 | gasket<br>cyl. 1 - 3                          |        | 1   |                  |
| 7   | 9A1 102 322 00 | gasket<br>cyl. 4 - 6                          |        | 2   |                  |
| 8   | 997 606 420 01 | temperature sensor                            |        | 1   |                  |
| 9   | 900 123 111 20 | sealing ring<br>copper                        |        | 1   |                  |
| 10  | 900 385 042 01 | torx screw<br>M8 X 35                         |        | 3   |                  |
| 11  | 900 385 071 01 | torx screw<br>M8 X 50                         |        | 2   |                  |
| 12  | 9A1 106 132 01 | connection piece                              |        | 1   |                  |
| 13  | 997 106 802 03 | spring  |        | 1   |                  |
| 14  | 900 385 072 01 | torx screw<br>M6 X 25                         |        | 1   |                  |
| 15  | 9A1 106 660 30 | water hose<br>supply                          |        | 1   |                  |
| 16  | 999 512 601 09 | hose clamp<br>23 X 12                         |        | 1   |                  |
| 17  | 999 512 603 09 | hose clamp<br>26 X 12                         |        | 1   |                  |
| 18  | 900 385 115 01 | torx screw<br>M8 x 70                         |        | 3   |                  |
| 19  |                | housing<br>thermostat<br>see group<br>1/05/00 |        | 1   |                  |

|       |      |    |    |              |              |     |       |            |         |     |         |
|-------|------|----|----|--------------|--------------|-----|-------|------------|---------|-----|---------|
| Model | Year | MG | SG | Illustration | Restrictions | UPD | 13:57 | 01.03.2010 | PORSCHE | PET | PORSCHE |
| 987-2 | 2010 | 1  | 05 | 105-05       |              | 248 |       |            |         |     |         |



| Pos | Part Number    | Description                  | Remark | Qty | Model            |
|-----|----------------|------------------------------|--------|-----|------------------|
| 1   | 9A1 106 620 01 | connection water tube        |        | 1   | MA1.20<br>MA1.21 |
| 2   | 999 707 517 40 | water tube intake            |        | 4   |                  |
| 3   | 900 385 009 01 | o-ring 22 X 3                |        | 2   |                  |
| 4   | 900 385 041 01 | torx screw M6 X 16           |        | 2   |                  |
| 5   | 9A1 106 625 01 | torx screw M6 X 12           |        | 1   |                  |
| 6   | 999 707 589 40 | water tube return line       |        | 4   |                  |
| 7   | 9A1 106 010 00 | o-ring 31 X 3                |        | 1   |                  |
| 8   | 9A1 106 546 00 | connection                   |        | 3   |                  |
| 9   | 997 106 802 04 | stopper                      |        | 3   |                  |
| 10  | 900 385 072 01 | spring clip                  |        | 2   |                  |
| 11  | 9A1 106 549 31 | torx screw M6 X 25           |        | 1   |                  |
| 12  | 999 512 699 01 | vent line                    |        | 2   |                  |
| 13  | 9A1 106 610 01 | hose clamp 18 X 12 with clip |        | 1   |                  |
| 14  | 999 512 608 09 | water hose intake            |        | 2   |                  |
| 15  | 999 512 589 09 | hose clamp 32 X 12           |        | 2   |                  |
| 16  | 999 512 589 09 | hose clamp 25 X 12           |        | 1   |                  |
| 17  | 9A1 106 615 00 | water hose return line       |        | 1   |                  |
|     |                | water pump see group 1/05/00 |        | 1   |                  |

|       |      |    |    |              |              |     |       |            |         |     |         |
|-------|------|----|----|--------------|--------------|-----|-------|------------|---------|-----|---------|
| Model | Year | MG | SG | Illustration | Restrictions | UPD | 13:57 | 01.03.2010 | PORSCHE | PET | PORSCHE |
| 987-2 | 2010 | 1  | 05 | 105-10       |              | 248 |       |            |         |     |         |



| Pos  | Part Number    | Description                    | Remark | Qty | Model            |
|------|----------------|--------------------------------|--------|-----|------------------|
|      |                | water cooling 2                |        |     | MA1.20<br>MA1.21 |
| 1    | 997 106 711 01 | water tube supply              |        | 1   |                  |
| 2    | 997 106 720 01 | water tube return line         |        | 1   |                  |
| 3    | 997 106 723 07 | water hose                     |        | 2   |                  |
| 4    | 997 106 525 01 | support cross tube centre      |        | 1   |                  |
| 5    | 997 106 574 02 | support distributor tube right |        | 1   |                  |
| 6    | 997 106 526 01 | support cross tube upper       |        | 2   |                  |
| 7    | 997 106 573 02 | support distributor tube left  |        | 1   |                  |
| 8    | 997 106 752 04 | distributor tube supply        |        | 1   |                  |
| 9    | 997 106 751 04 | distributor tube return line   |        | 1   |                  |
| 10   | 997 106 413 01 | support distributor tube       |        | 2   |                  |
| (10) | 997 106 413 01 | support distributor tube       | /R     | 1   | I601             |
| (10) | 997 106 414 00 | support distributor tube       | /L     | 1   | I601             |
| 11   | 900 378 013 01 | hexagon-head bolt M 6 X 25     |        | 2   |                  |
| 12   | 900 378 036 01 | hexagon-head bolt M 6 X 12     |        | 2   |                  |
| 13   | 997 106 767 02 | vent line transverse           |        | 1   |                  |
| 14   | 987 106 227 01 | vent line tunnel               |        | 1   |                  |

|       |      |    |    |              |              |     |       |            |         |     |         |
|-------|------|----|----|--------------|--------------|-----|-------|------------|---------|-----|---------|
| Model | Year | MG | SG | Illustration | Restrictions | UPD | 13:57 | 01.03.2010 | PORSCHE | PET | PORSCHE |
| 987-2 | 2010 | 1  | 05 | 105-10       |              | 248 |       |            |         |     |         |

| Pos  | Part Number    | Description                         | Remark | Qty | Model          | Pos | Part Number    | Description                  | Remark | Qty | Model |
|------|----------------|-------------------------------------|--------|-----|----------------|-----|----------------|------------------------------|--------|-----|-------|
| 15   | 987 106 651 03 | water tube<br>supply<br>tunnel      |        | 1   | MA1.20<br>I250 | 25  | 987 106 425 01 | support<br>heel plate        |        | 1   |       |
| (15) | 987 106 651 03 | water tube<br>supply<br>tunnel      |        | 1   | MA1.21         | 26  | 997 106 765 02 | line                         | /L     | 1   |       |
| (15) | 987 106 851 02 | water tube<br>supply<br>tunnel      |        | 1   | MA1.20<br>I480 | 27  | 997 106 766 02 | line                         | /R     | 1   |       |
| 16   | 987 106 652 03 | water tube<br>return line<br>tunnel |        | 1   | MA1.20<br>I250 | 28  | 997 106 551 03 | sleeve                       |        | 2   |       |
| (16) | 987 106 652 03 | water tube<br>return line<br>tunnel |        | 1   | MA1.21         | 29  | 997 106 623 03 | water hose<br>supply         | /L     | 1   |       |
| (16) | 987 106 852 02 | water tube<br>return line<br>tunnel |        | 1   | MA1.20<br>I480 | 30  | 997 106 627 03 | water hose<br>supply         | /R     | 1   |       |
| 17   | 987 106 501 31 | water hose<br>supply<br>engine      |        | 1   |                | 31  | 997 106 728 03 | water hose<br>return line    | /L     | 1   |       |
| 18   | 987 106 502 31 | water hose<br>return line<br>engine |        | 1   |                | 32  | 997 106 624 03 | water hose<br>return line    | /R     | 1   |       |
| 19   | 997 106 520 02 | support<br>firewall<br>right        |        | 1   |                | 33  |                | see illustrations<br>1/05/15 |        | X   |       |
| 20   | 997 106 521 01 | support<br>firewall<br>left         |        | 1   |                | 34  |                | see illustrations<br>8/01/70 |        | X   |       |
| 21   | 900 378 035 01 | hexagon-head bolt<br>M 6 X 16       |        | 2   |                | 35  | 997 106 802 03 | spring                       |        | X   |       |
| 22   | 997 106 512 03 | connection piece<br>vent line       |        | 1   |                | 36  | 997 106 802 02 | spring                       |        | X   |       |
| 23   | 997 106 540 02 | support<br>tunnel                   |        | 2   |                | 37  | 996 106 801 02 | o-ring<br>36,3 X 3,53        |        | X   |       |
| 24   | 997 106 515 02 | bridge<br>tunnel                    |        | 1   |                | 38  | 997 106 802 01 | spring                       |        | X   |       |
|      |                |                                     |        |     |                | 39  | 996 106 801 07 | o-ring<br>39,3 X 3,53        |        | X   |       |
|      |                |                                     |        |     |                | 40  | 996 106 801 03 | o-ring<br>46,7 X 3,53        |        | X   |       |



|       |      |    |    |              |              |     |       |            |
|-------|------|----|----|--------------|--------------|-----|-------|------------|
| Model | Year | MG | SG | Illustration | Restrictions | UPD | 13:58 | 01.03.2010 |
| 987-2 | 2010 | 1  | 05 | 105-15       |              | 248 |       |            |

| Pos  | Part Number    | Description                                       | Remark | Qty | Model            |
|------|----------------|---|--------|-----|------------------|
|      |                | water cooling 3                                   |        |     | MA1.20<br>MA1.21 |
| 1    | 997 106 131 02 | radiator  | /L     | 1   |                  |
| (1)  | 997 106 132 02 | radiator  | /R     | 1   |                  |
| 2    | 997 624 127 02 | fan   | /L     | 2   |                  |
| (2)  | 997 624 128 02 | fan   | /R     | 2   |                  |
| 3    | 997 624 131 02 | air box   | /L     | 2   |                  |
| (3)  | 997 624 132 02 | air box   | /R     | 2   |                  |
| 4    | 900 377 001 02 | hexagon nut<br>M 6                                |        | 6   |                  |
| 5    | 900 146 116 09 | screw<br>M 5 X 16                                 |        | 6   |                  |
| 6    | 997 573 711 00 | sealing frame                                     |        | 1   |                  |
| 7    | 999 919 125 09 | hexagon-head bolt<br>plastic material<br>M 5 X 16 |        | 6   |                  |
| 8    | 997 106 155 01 | bracket   | /L     | 1   |                  |
| (8)  | 997 106 156 01 | bracket   | /R     | 1   |                  |
| 9    | 997 106 621 05 | water hose<br>supply                              | /L     | 1   |                  |
| (9)  | 997 106 622 04 | water hose<br>supply                              | /R     | 1   |                  |
| 10   | 997 106 625 04 | water hose<br>return line                         | /L     | 1   |                  |
| 10   | 997 106 626 05 | water hose<br>return line                         | /R     | 1   |                  |
| 11   | 997 106 255 02 | connecting piece                                  |        | 2   |                  |
| 12   | 997 106 802 01 | spring<br>SCB 33                                  |        | 1   |                  |
| 13   | 997 106 802 02 | spring<br>SCB 36                                  |        | 1   |                  |
| 14   | 987 575 321 03 | air duct  | /L     | 1   |                  |
| (14) | 987 575 322 03 | air duct  | /R     | 1   |                  |
| 15   | 999 919 134 09 | oval-head screw<br>M 6 X 16                       |        | 6   |                  |
| 16   | 900 385 009 01 | torx screw<br>M 6 X 16                            |        | 6   |                  |

PORSCHE

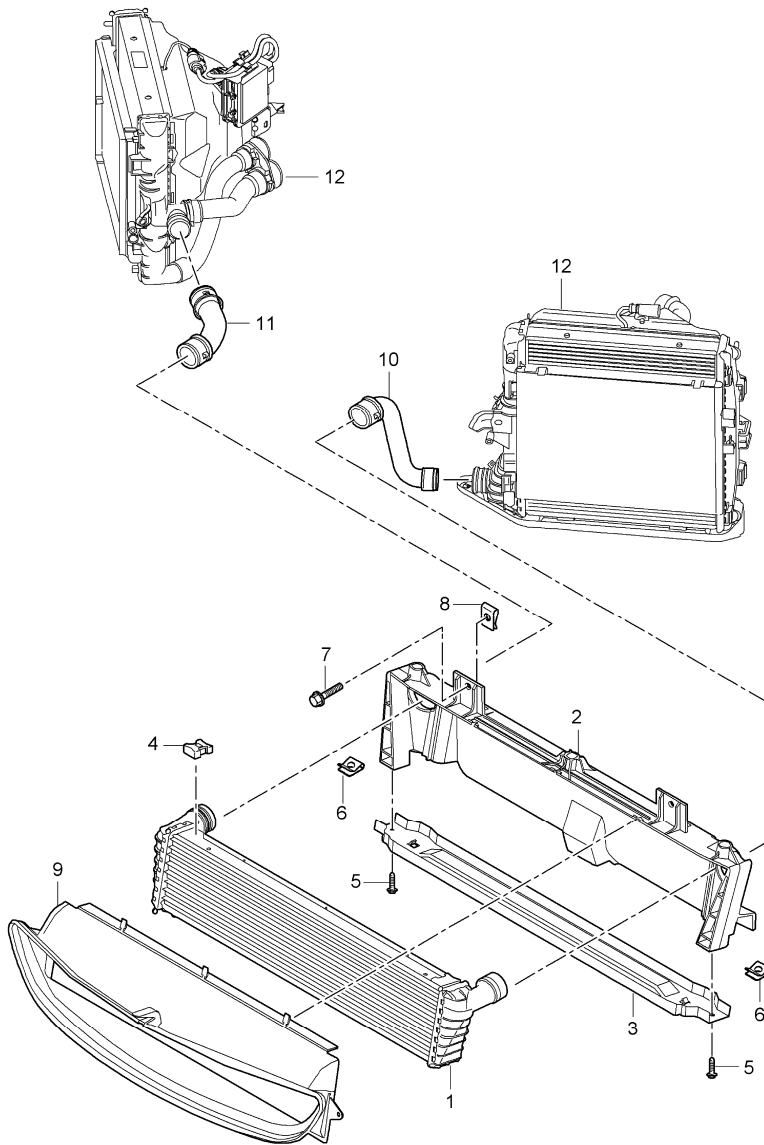
PET

PORSCHE

|       |      |    |    |              |              |     |       |            |
|-------|------|----|----|--------------|--------------|-----|-------|------------|
| Model | Year | MG | SG | Illustration | Restrictions | UPD | 13:58 | 01.03.2010 |
| 987-2 | 2010 | 1  | 05 | 105-15       |              | 248 |       |            |

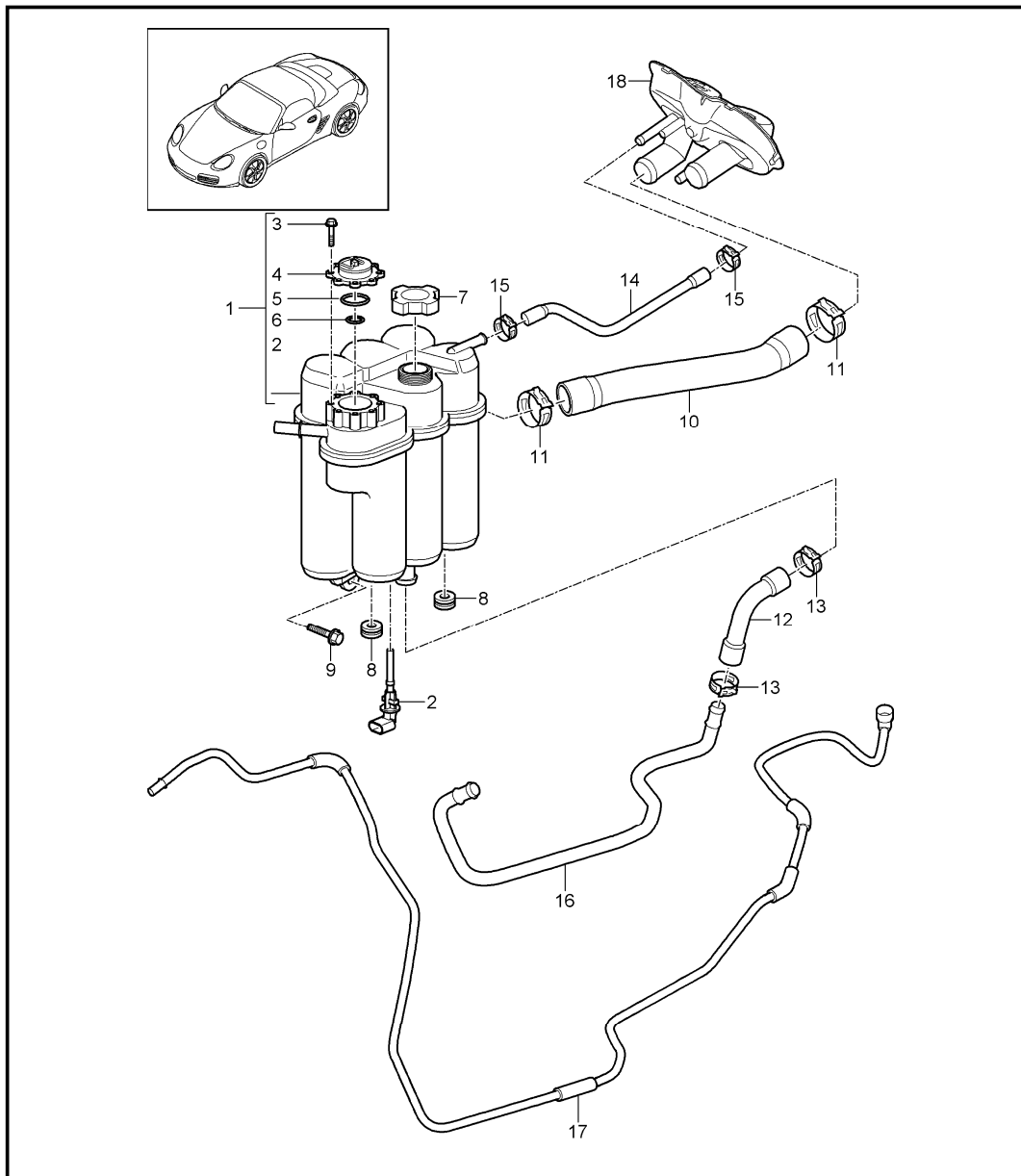
| Pos  | Part Number    | Description   | Remark | Qty | Model |
|------|----------------|---|--------|-----|-------|
| 17   | 999 703 494 40 | rubber mounting<br>15 X 19,5  |        | 4   |       |
| 18   | 999 025 255 02 | washer  |        | 4   |       |
| 19   | 999 166 083 09 | tab washer<br>B 25  |        | 4   |       |
| 20   | 997 575 341 00 | air duct  | /L     | 1   |       |
| (20) | 997 575 342 00 | air duct  | /R     | 1   |       |
| 21   | 997 106 232 01 | support<br>outer  |        | 2   |       |
| 22   | 997 106 455 00 | support<br>left   |        | 1   |       |
| 23   | 999 591 350 02 | speed nut<br>ST 4,8   |        | 6   |       |
| 24   | 997 106 231 02 | support<br>inner  |        | 2   |       |
| 25   | 997 106 802 00 | spring<br>SCB26   |        | 2   |       |
| 26   | 997 512 742 01 | clamp   |        | 2   |       |
| 27   | 997 106 902 00 | clamp   |        | 2   |       |
| 28   | 999 919 125 09 | hexagon-head bolt<br>6,0 X 16                                       |        | 1   |       |
| 29   | ---            | condenser<br>see illustrations<br>8/13/25                           |        | *   |       |
| 30   | 997 106 456 00 | support<br>right  |        | 1   |       |
| 31   | 900 377 010 01 | hexagon nut<br>M 6  |        | 2   |       |
| 32   | ---            | control unit<br>cooling air control<br>see illustrations<br>9/01/03 |        | 1   |       |
| 33   | 997 106 546 02 | stopper   |        | 2   | I480  |
| 34   | 999 591 329 01 | speed nut<br>ST 4,8   |        | 3   |       |

|       |      |    |    |              |              |     |       |            |         |     |         |
|-------|------|----|----|--------------|--------------|-----|-------|------------|---------|-----|---------|
| Model | Year | MG | SG | Illustration | Restrictions | UPD | 13:58 | 01.03.2010 | PORSCHE | PET | PORSCHE |
| 987-2 | 2010 | 1  | 05 | 105-17       |              | 248 |       |            |         |     |         |



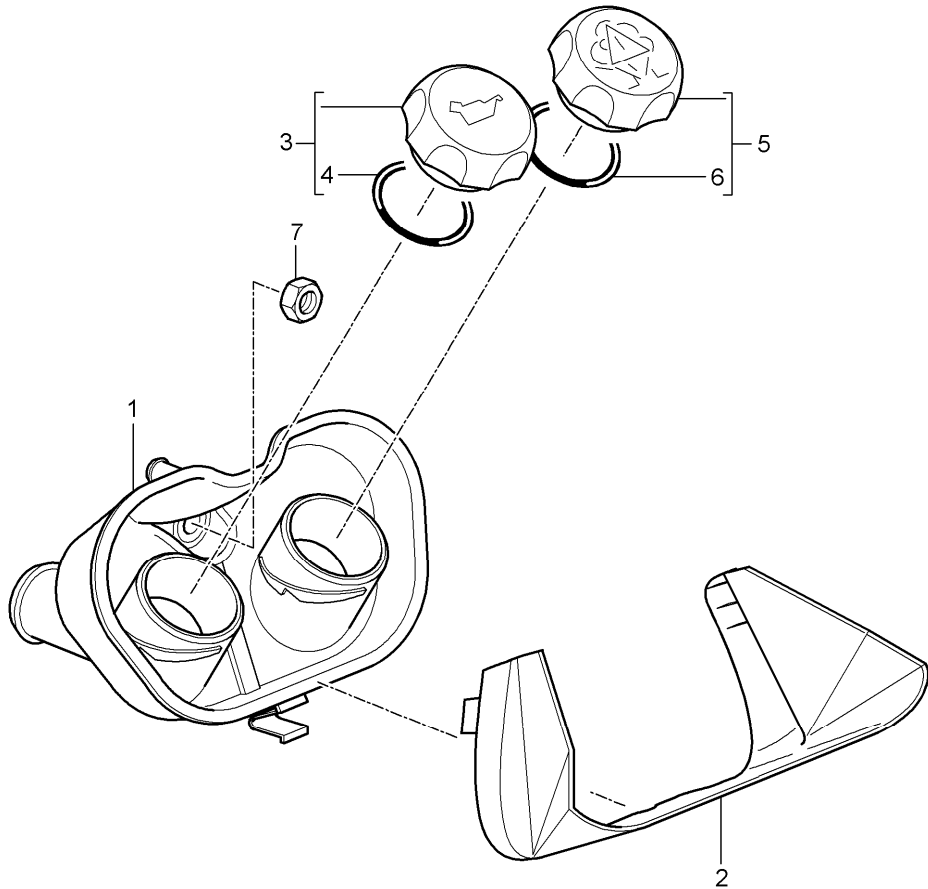
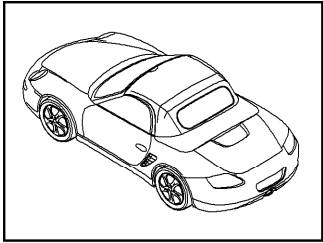
| Pos | Part Number    | Description                    | Remark | Qty | Model  |
|-----|----------------|--------------------------------|--------|-----|--|
|     |                | radiator<br>centre             |        |     | MA1.21<br>I250<br>MA1.20<br>I183<br>MA1.21<br>I183/480 |
| 1   | 997 106 037 02 | radiator                       |        | 1   |  |
| 2   | 997 504 487 00 | retaining frame<br>upper       |        | 1   |  |
| 3   | 997 504 485 00 | retaining frame<br>lower       |        | 1   |  |
| 4   | 997 106 437 01 | rubber mounting                |        | 4   |  |
| 5   | 900 378 035 01 | hexagon-head bolt<br>M 6 X 16  |        | 2   |  |
| 6   | 999 591 882 02 | speed nut<br>M 6               |        | 2   |  |
| 7   | 900 378 074 09 | hexagon-head bolt<br>M 8 X 16  |        | 4   |  |
| 8   | 999 591 869 02 | speed nut<br>M 8               |        | 4   |  |
| 9   | 987 575 323 02 | air duct<br>radiator<br>centre |        | 1   |  |
| 10  | 997 106 639 04 | water hose<br>return line      |        | 1   |  |
| 11  | 997 106 638 04 | water hose<br>supply           |        | 1   |  |
| 12  | ... ..         | see illustrations<br>1/05/15   |        | X   |  |

|       |      |    |    |              |              |     |       |            |         |     |         |
|-------|------|----|----|--------------|--------------|-----|-------|------------|---------|-----|---------|
| Model | Year | MG | SG | Illustration | Restrictions | UPD | 13:58 | 01.03.2010 | PORSCHE | PET | PORSCHE |
| 987-2 | 2010 | 1  | 05 | 105-20       |              | 248 |       |            |         |     |         |



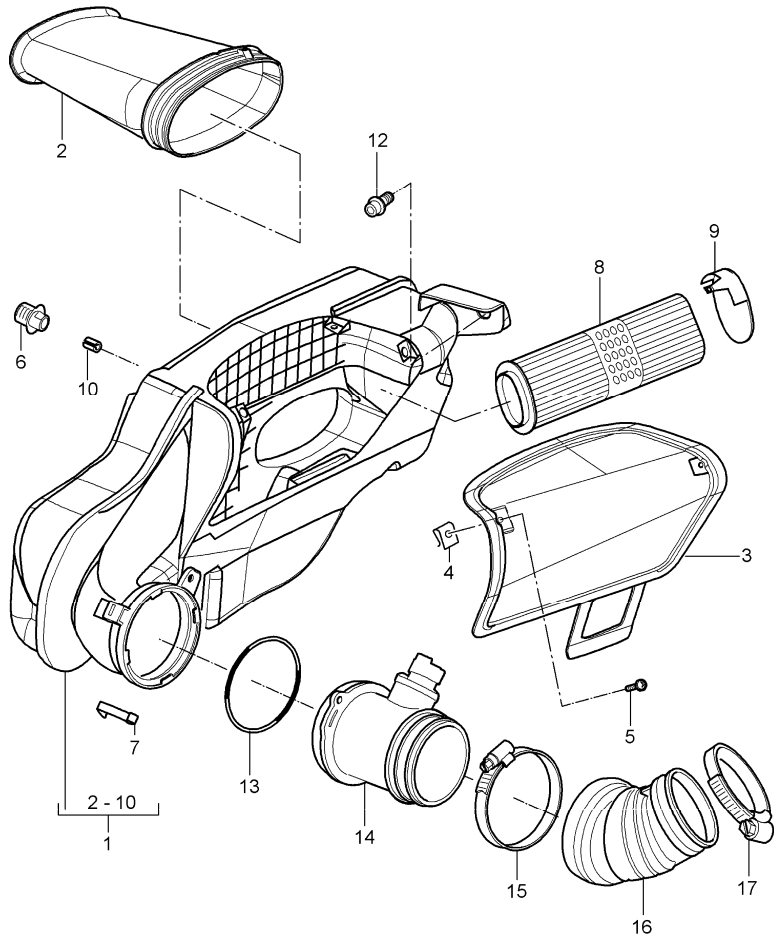
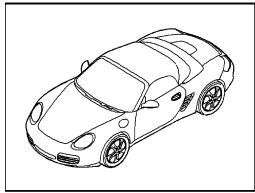
| Pos | Part Number    | Description                   | Remark | Qty | Model            |
|-----|----------------|-------------------------------|--------|-----|------------------|
|     |                | water cooling 4               |        |     | MA1.20<br>MA1.21 |
| 1   | 987 106 047 03 | expansion tank                |        | 1   |                  |
| 2   | 987 641 503 00 | switch                        |        | 1   |                  |
| 3   | 999 919 058 02 | hexagon-head bolt<br>M 5 X 40 |        | 8   |                  |
| 4   | 996 106 347 02 | bleeder valve                 |        | 1   |                  |
| 5   | 999 707 370 40 | o-ring<br>47,00 X 4,0         |        | 1   |                  |
| 6   | 999 707 371 40 | o-ring<br>17,00 X 4,0         |        | 1   |                  |
| 7   | 996 106 447 04 | lid                           |        | 1   |                  |
| 8   | 999 702 183 40 | grommet                       |        | 2   |                  |
| 9   | 900 378 074 09 | hexagon-head bolt<br>M 8 X 16 |        | 1   |                  |
| 10  | 987 106 270 02 | water hose                    |        | 1   |                  |
| 11  | 999 512 672 09 | hose clamp<br>40 X 12         |        | 2   |                  |
| 12  | 987 106 267 02 | hose                          |        | 1   |                  |
| 13  | 999 512 657 09 | hose clamp<br>26 X 12         |        | 2   |                  |
| 14  | 987 106 287 01 | vent line                     |        | 1   |                  |
| 15  | 999 512 684 09 | clamp<br>18 X 12              |        | 2   |                  |
| 17  | 987 106 685 31 | vent line                     |        | 1   |                  |
| 18  |                | see illustrations<br>1/05/22  |        |     |                  |

|       |      |    |    |              |              |     |       |            |         |     |         |
|-------|------|----|----|--------------|--------------|-----|-------|------------|---------|-----|---------|
| Model | Year | MG | SG | Illustration | Restrictions | UPD | 13:58 | 01.03.2010 | PORSCHE | PET | PORSCHE |
| 987-2 | 2010 | 1  | 05 | 105-22       |              | 248 |       |            |         |     |         |



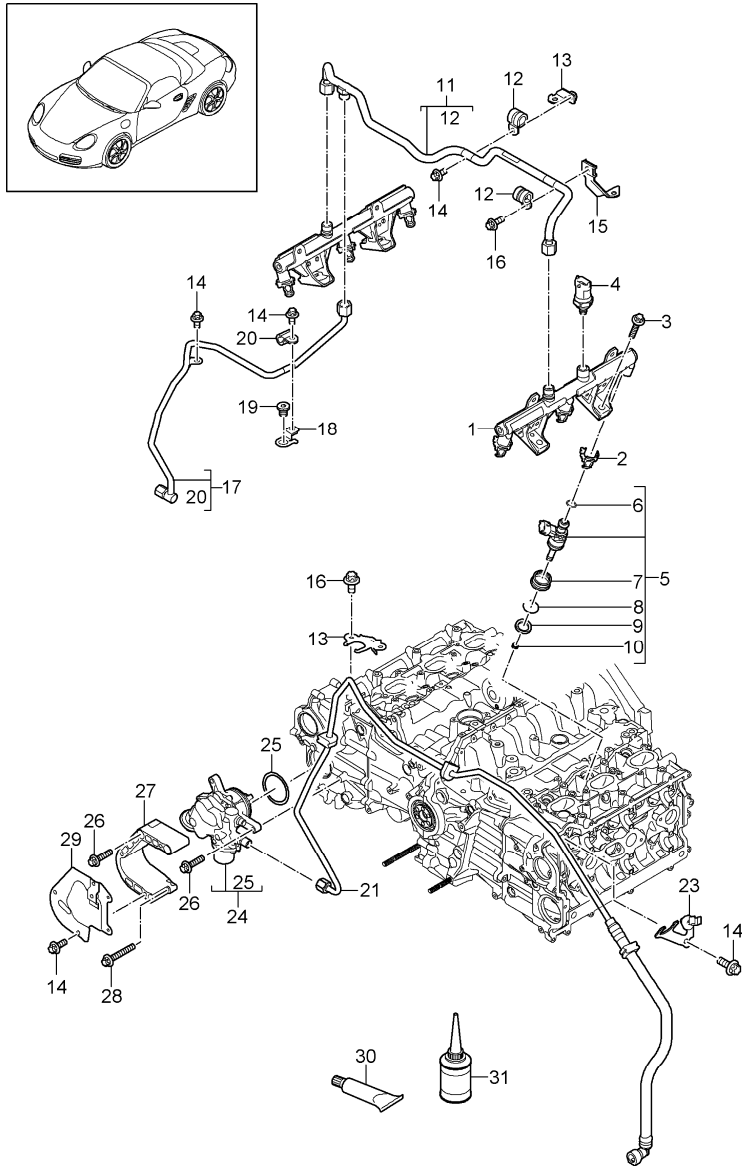
| Pos | Part Number    | Description                      | Remark | Qty | Model            |
|-----|----------------|----------------------------------|--------|-----|------------------|
|     |                | water cooling 4<br>Serviceschale |        |     | MA1.20<br>MA1.21 |
| 1   | 987 106 150 02 | cup                              |        | 1   |                  |
| 2   | 987 106 180 00 | cover                            |        | 1   |                  |
| 3   | 987 107 035 01 | lid<br>engine oil                |        | 1   |                  |
| 4   | 987 107 336 00 | gasket                           |        | 1   |                  |
| 5   | 987 106 044 00 | lid<br>coolant                   |        | 1   |                  |
| 6   | 987 106 170 00 | gasket                           |        | 1   |                  |
| 7   | 999 076 071 02 | hexagon nut<br>M 6               |        | 1   |                  |

|       |      |    |    |              |              |     |       |            |         |     |         |
|-------|------|----|----|--------------|--------------|-----|-------|------------|---------|-----|---------|
| Model | Year | MG | SG | Illustration | Restrictions | UPD | 13:58 | 01.03.2010 | PORSCHE | PET | PORSCHE |
| 987-2 | 2010 | 1  | 06 | 106-00       |              | 248 |       |            |         |     |         |



| Pos | Part Number    | Description                   | Remark | Qty | Model            |
|-----|----------------|-------------------------------|--------|-----|------------------|
|     |                | air cleaner                   |        |     | MA1.20<br>MA1.21 |
| 1   | 987 110 021 30 | air cleaner complete          |        | 1   |                  |
| 2   | 987 110 122 00 | intake manifold               |        | 1   |                  |
| 3   | 987 110 131 00 | housing cover                 |        | 1   |                  |
| 4   | 999 507 442 09 | speed nut                     |        | 2   |                  |
| 5   | 999 073 379 01 | tapping screw                 |        | 3   |                  |
| 6   | 987 110 141 00 | grommet                       |        | 1   |                  |
| 7   | 993 110 116 01 | clamp                         |        | 1   |                  |
| 8   | 987 110 133 00 | air cleaner cartridge         |        | 1   |                  |
| 9   | 987 110 134 00 | mounting plate                |        | 1   |                  |
| 10  | 900 095 099 09 | roll pin<br>12 X 14           |        | 3   |                  |
| 11  | 999 919 050 09 | oval-head screw<br>4 X 12     |        | 1   |                  |
| 12  | 900 075 333 01 | hexagon-head bolt<br>M 6 X 25 |        | 1   |                  |
| 13  | 999 707 052 41 | o-ring<br>91 X 6              |        | 1   |                  |
| 14  | 987 606 165 01 | mass air flow meter           |        | 1   |                  |
| 15  | 999 512 542 00 | hose clamp<br>80 - 100        |        | 2   |                  |
| 16  | 987 110 270 30 | air box                       |        | 1   |                  |
| 17  | 999 512 629 00 | hose clamp<br>90 - 110        |        | 2   |                  |

|       |      |    |    |              |              |     |       |            |         |     |         |
|-------|------|----|----|--------------|--------------|-----|-------|------------|---------|-----|---------|
| Model | Year | MG | SG | Illustration | Restrictions | UPD | 13:58 | 01.03.2010 | PORSCHE | PET | PORSCHE |
| 987-2 | 2010 | 1  | 07 | 107-05       |              | 248 |       |            |         |     |         |



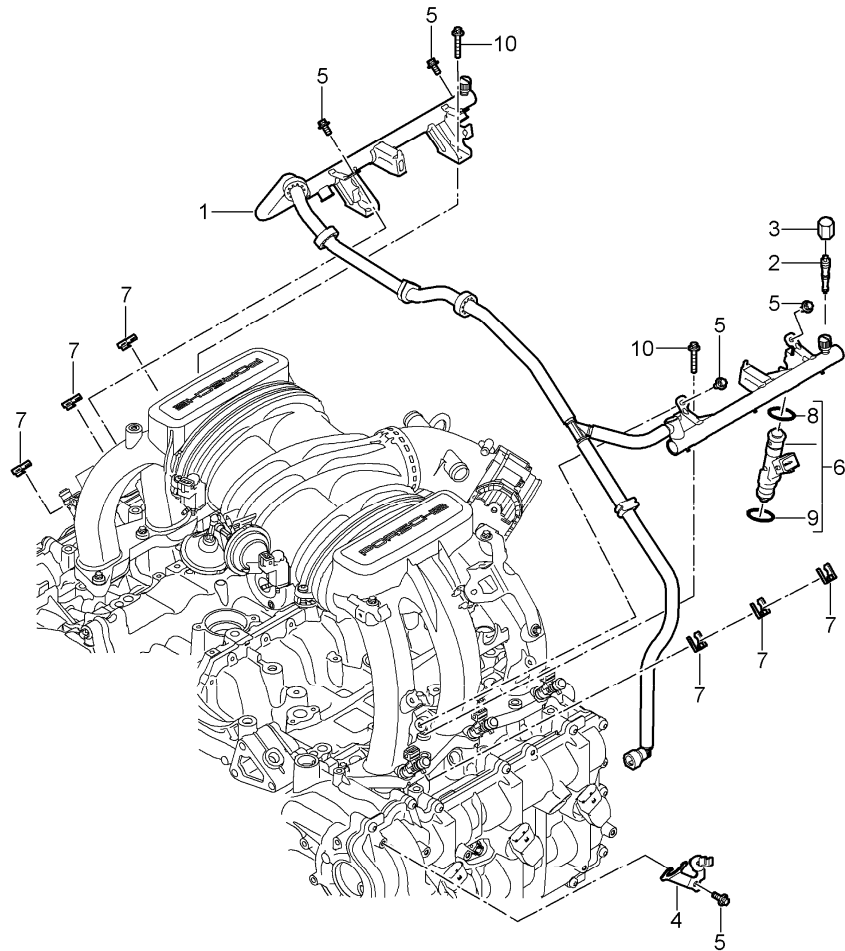
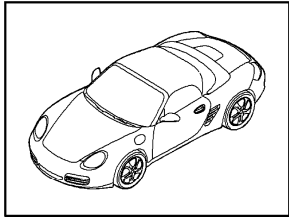
| Pos | Part Number    | Description   | Remark | Qty | Model  |
|-----|----------------|---|--------|-----|--------|
|     |                | fuel collection pipe<br>high-pressure pump                      |        |     | MA1.21 |
| (1) | 9A1 110 859 02 | fuel collection pipe<br>cyl. 1 - 3                              |        | 1   |        |
| 1   | 9A1 110 860 02 | fuel collection pipe<br>cyl. 4 - 6                              |        | 1   |        |
| 2   | 9A1 110 866 01 | fixing device<br>fuel collection pipe<br>high-pressure injector |        | 6   |        |
| 3   | 900 385 048 01 | torx screw<br>M6 X 30   |        | 8   |        |
| 4   | 948 606 230 01 | pressure sensor<br>M10 X 1                                      |        | 2   |        |
| 5   | 9A1 110 128 10 | high-pressure injector  |        | 6   | MA1.21 |
| 6   | 999 701 112 40 | o-ring<br>7,52 X 3,51   |        | 6   |        |
| 7   | 9A1 110 524 02 | bellows<br>high-pressure injector                               |        | 6   |        |
| 8   | 900 906 011 02 | circlip<br>A 14   |        | 6   |        |
| 9   | 9A1 110 520 01 | spacer ring   |        | 6   |        |
| 10  | 999 704 020 90 | sealing ring<br>6,3 X 2,8                                       |        | 6   |        |
| 11  | 9A1 110 092 01 | pressure line<br>fuel collection pipe                           |        | 1   |        |
| 12  | 999 511 114 01 | hose clamp<br>D1 12 X 15  |        | 2   |        |
| 13  | 9A1 110 945 00 | support<br>pressure line  |        | 1   |        |
| 14  | 900 385 041 01 | torx screw<br>M6 X 12   |        | X   |        |
| 15  | 9A1 110 947 01 | support<br>pressure line  |        | 1   |        |
| 16  | 900 385 009 01 | torx screw<br>M6 X 16   |        | 1   |        |
| 17  | 9A1 110 095 01 | pressure line<br>high-pressure pump<br>t-piece                  |        | 1   |        |

|       |      |    |    |              |              |     |       |            |         |     |         |
|-------|------|----|----|--------------|--------------|-----|-------|------------|---------|-----|---------|
| Model | Year | MG | SG | Illustration | Restrictions | UPD | 13:58 | 01.03.2010 | PORSCHE | PET | PORSCHE |
| 987-2 | 2010 | 1  | 07 | 107-05       |              | 248 |       |            |         |     |         |

| Pos | Part Number    | Description                           | Remark | Qty | Model | Pos | Part Number | Description | Remark | Qty | Model |
|-----|----------------|---------------------------------------|--------|-----|-------|-----|-------------|-------------|--------|-----|-------|
| 18  | 9A1 110 940 00 | support pressure line                 |        | 1   |       |     |             |             |        |     |       |
| 19  | 900 219 006 01 | screw plug<br>M12 X 1,5               |        | 1   |       |     |             |             |        |     |       |
| 20  | 999 511 153 01 | hose clamp<br>D1 8 X 15               |        | 1   |       |     |             |             |        |     |       |
| 21  | 9A1 110 905 22 | fuel line                             |        | 1   |       |     |             |             |        |     |       |
| 22  | 9A1 110 323 00 | support fuel line                     |        | 1   |       |     |             |             |        |     |       |
| 23  | 9A1 110 324 00 | support fuel line                     |        | 1   |       |     |             |             |        |     |       |
| 24  | 9A1 110 315 02 | high-pressure pump                    | -09    | 1   |       |     |             |             |        |     |       |
| 24  | 9A1 110 315 03 | high-pressure pump                    | 10-    | 1   |       |     |             |             |        |     |       |
| 25  | 999 707 643 40 | o-ring<br>55,25 x 2,62                |        | 1   |       |     |             |             |        |     |       |
| 26  | 900 385 072 01 | torx screw<br>M6 X 25                 |        | 2   |       |     |             |             |        |     |       |
| 27  | 9A1 110 880 00 | cover<br>high-pressure pump           |        | 1   |       |     |             |             |        |     |       |
| 28  | 900 385 045 01 | torx screw<br>M6 X 40                 |        | 1   |       |     |             |             |        |     |       |
| 29  | 9A1 110 881 00 | heat protection<br>high-pressure pump |        | 1   |       |     |             |             |        |     |       |
| 30  | 000 043 207 35 | grease<br>30 ml                       |        | 1   |       |     |             |             |        |     |       |
| 31  | 000 043 207 36 | lubricants<br>50 ml                   |        | 1   |       |     |             |             |        |     |       |

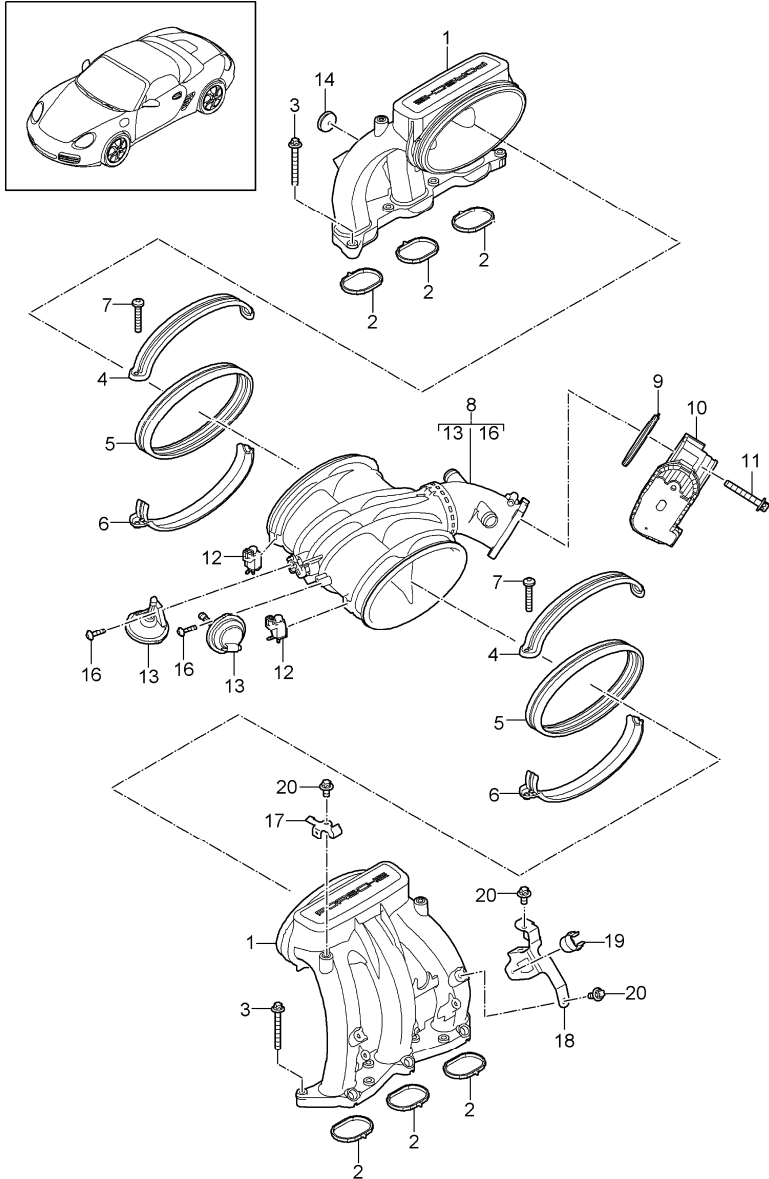


|       |      |    |    |              |              |     |       |            |         |     |         |
|-------|------|----|----|--------------|--------------|-----|-------|------------|---------|-----|---------|
| Model | Year | MG | SG | Illustration | Restrictions | UPD | 13:59 | 01.03.2010 | PORSCHE | PET | PORSCHE |
| 987-2 | 2010 | 1  | 07 | 107-07       |              | 248 |       |            |         |     |         |



| Pos | Part Number    | Description   | Remark | Qty | Model  |
|-----|----------------|---|--------|-----|--------|
|     |                | fuel collection pipe                                  |        |     | MA1.20 |
| 1   | 9A1 110 005 20 | fuel collection pipe                                  |        | 1   | MA1.20 |
| 4   | 9A1 110 324 00 | support   |        | 1   |        |
| 5   | 900 385 041 01 | torx screw<br>M 6 X 12                                |        | 5   |        |
| 6   | 9A1 605 124 00 | injector valve  |        | 6   | MA1.20 |
| 7   | 996 110 113 53 | safety clip   |        | 6   | MA1.20 |
| 8   | 999 707 574 40 | o-ring<br>7,52 X 3,51                                 |        | 6   |        |
| 9   | 999 707 573 40 | o-ring<br>8,3 X 3,05                                  |        | 6   |        |
| 10  |                | torx screw<br>M 6 X 35<br>see illustrations<br>107-05 |        | X   |        |

|       |      |    |    |              |              |     |       |            |         |     |         |
|-------|------|----|----|--------------|--------------|-----|-------|------------|---------|-----|---------|
| Model | Year | MG | SG | Illustration | Restrictions | UPD | 13:59 | 01.03.2010 | PORSCHE | PET | PORSCHE |
| 987-2 | 2010 | 1  | 07 | 107-10       |              | 248 |       |            |         |     |         |

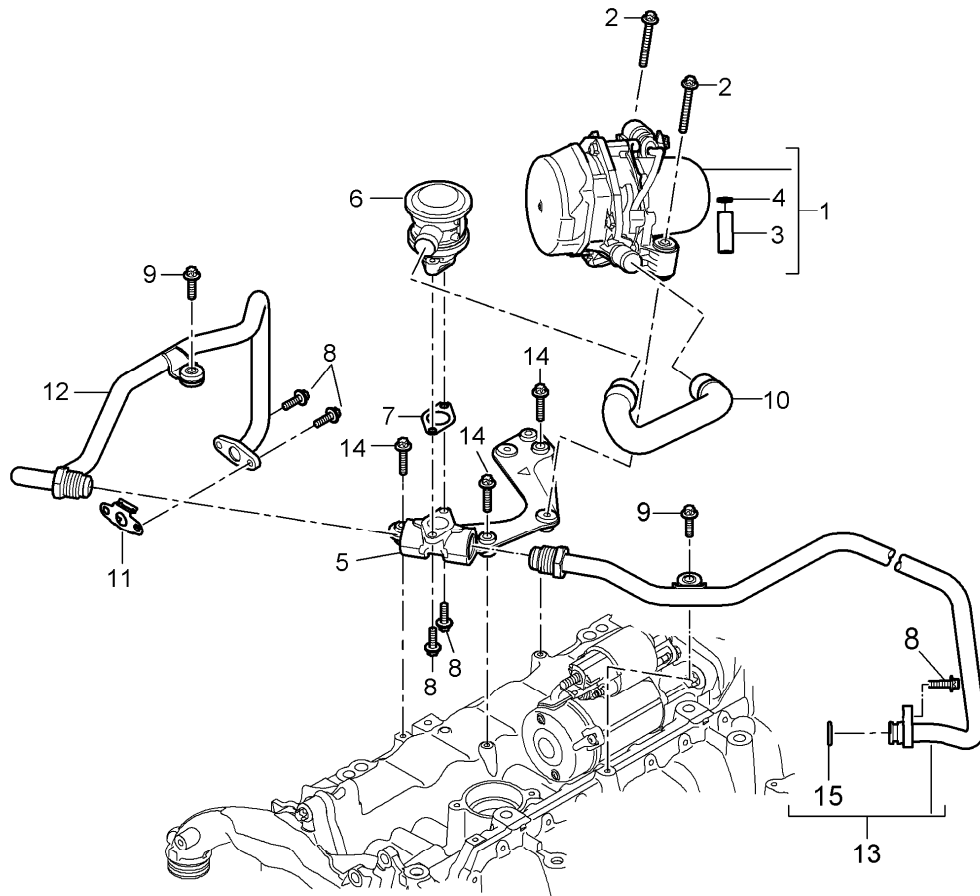
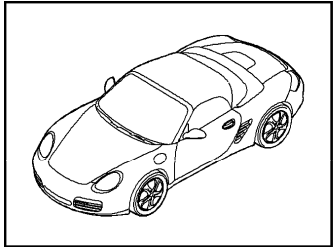


| Pos  | Part Number    | Description                          | Remark | Qty | Model            |
|------|----------------|--------------------------------------|--------|-----|------------------|
|      |                | intake distributor<br>throttle body  |        |     | MA1.20<br>MA1.21 |
| 1    | 9A1 110 115 02 | intake distributor                   |        | 2   | MA1.21           |
| (1)  | 9A1 110 115 22 | intake distributor                   |        | 2   | MA1.20           |
| 2    | 9A1 110 215 01 | gasket                               |        | 6   | MA1.21           |
| (2)  | 9A1 110 215 21 | gasket                               |        | 6   | MA1.20           |
| 3    | 900 385 270 01 | Outer hexagon round screw<br>M6 X 35 |        | 14  |                  |
| 4    | 9A1 110 212 01 | clip<br>upper part                   |        | 2   |                  |
| 5    | 9A1 110 210 01 | rubber sleeve                        |        | 2   |                  |
| 6    | 9A1 110 213 01 | clip<br>lower part                   |        | 2   |                  |
| 7    | 999 073 352 02 | round head screw<br>M6 X 35          |        | 2   |                  |
| 8    | 9A1 110 020 22 | distributor tube<br>complete         |        | 1   |                  |
| 9    | 997 110 319 00 | gasket<br>distributor tube           |        | 1   |                  |
| 10   | 997 605 115 01 | throttle body                        |        | 1   |                  |
| 11   | 900 385 070 01 | torx screw<br>M6 X 50                |        | 2   |                  |
| 12   | 996 605 123 01 | change-over valve                    |        | 2   | I250/480         |
| 13   | 993 110 462 02 | vacuum unit                          |        | 2   |                  |
| 14   | 993 110 530 01 | grommet                              |        | 1   |                  |
| 15   | 999 507 153 01 | cable clamp<br>5,2                   |        | 4   |                  |
| 16   | 999 919 265 01 | lens-head screw<br>5 x 18            |        | 4   |                  |
| 17   | 9A1 110 246 03 | support<br>tank ventilation          |        | 1   |                  |
| 18   | 9A1 110 283 01 | support<br>tank ventilation          |        | 1   | MA1.20           |
| (18) | 9A1 110 293 01 | support<br>tank ventilation          |        | 1   | MA1.21           |

|       |      |    |    |              |              |     |       |            |         |     |         |
|-------|------|----|----|--------------|--------------|-----|-------|------------|---------|-----|---------|
| Model | Year | MG | SG | Illustration | Restrictions | UPD | 13:59 | 01.03.2010 | PORSCHE | PET | PORSCHE |
| 987-2 | 2010 | 1  | 07 | 107-10       |              | 248 |       |            |         |     |         |

| Pos | Part Number    | Description              | Remark | Qty | Model | Pos | Part Number | Description | Remark | Qty | Model |
|-----|----------------|--------------------------|--------|-----|-------|-----|-------------|-------------|--------|-----|-------|
| 19  | 999 507 455 41 | clip<br>tank ventilation |        | 1   |       |     |             |             |        |     |       |
| 20  | 900 385 041 01 | screw<br>M6 x 12         |        | 3   |       |     |             |             |        |     |       |

|       |      |    |    |              |              |     |       |            |         |     |         |
|-------|------|----|----|--------------|--------------|-----|-------|------------|---------|-----|---------|
| Model | Year | MG | SG | Illustration | Restrictions | UPD | 13:59 | 01.03.2010 | PORSCHE | PET | PORSCHE |
| 987-2 | 2010 | 1  | 08 | 108-05       |              | 248 |       |            |         |     |         |

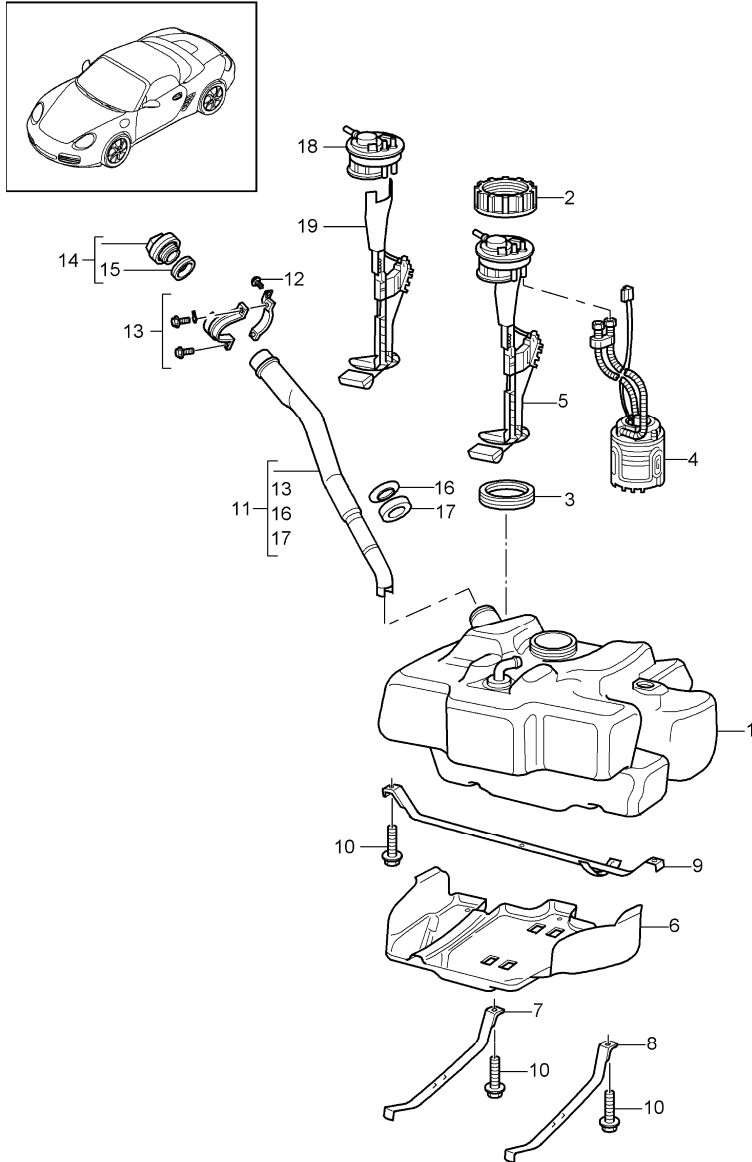


| Pos | Part Number    | Description                   | Remark | Qty    | Model  |
|-----|----------------|-------------------------------|--------|--------|--------|
|     |                | air injection                 |        |        | MA1.20 |
| 1   | 9A1 605 104 00 | secondary pump                |        | 1      |        |
| 2   | 900 385 070 01 | torx screw<br>M 6 X 50        |        | 2      |        |
| 3   | 999 703 869 40 | rubber mounting<br>8,90X16,5  |        | 3      |        |
| 4   | 999 209 077 01 | spacer sleeve<br>6,5 X 1      |        | 3      |        |
| 5   | 9A1 113 137 01 | bracket<br>secondary pump     |        | 1      |        |
| 6   | 948 113 203 51 | valve                         |        | 1      |        |
| 7   | 993 113 258 51 | gasket<br>bracket             |        | 1      |        |
| 8   | 900 385 019 01 | torx screw<br>M 6 X 20        |        | 5      |        |
| 9   | 900 385 072 01 | torx screw<br>M 6 X 25        |        | 2      |        |
| 10  | 9A1 113 339 00 | hose                          |        | 1      |        |
| 11  | 9A1 113 258 00 | gasket<br>Connecting line     |        | 1      |        |
| 12  | 9A1 113 017 01 | connecting line<br>cyl. 1 - 3 |        | 1<br>1 |        |
| 13  | 9A1 113 018 01 | connecting line<br>cyl. 4 - 6 |        | 1<br>1 |        |
| 13  | 9A1 113 018 02 | connecting line<br>cyl. 4 - 6 |        | 1<br>1 |        |
| 14  | 900 385 048 01 | torx screw<br>M6 x 30         |        | 3      |        |
| 15  | 999 707 346 40 | o-ring<br>15 x 3              |        | 1      |        |

|       |      |    |    |              |              |     |       |            |
|-------|------|----|----|--------------|--------------|-----|-------|------------|
| Model | Year | MG | SG | Illustration | Restrictions | UPD | 13:59 | 01.03.2010 |
| 987-2 | 2010 | 1  | 09 | 109-00       |              | 248 |       |            |

| Pos | Part Number    | Description                            | Remark | Qty | Model            |
|-----|----------------|--|--------|-----|------------------|
|     |                | engine suspension                      |        |     | MA1.20<br>MA1.21 |
| 1   | 9A1 375 045 21 | engine carrier                         |        | 1   |                  |
| 2   | 9A1 375 023 22 | engine bracket                         |        | 1   |                  |
| 3   | 9A1 375 257 01 | stop                                   |        | 2   |                  |
| 4   | 9A1 375 261 00 | vibration damper                       |        | 1   |                  |
| 5   | 900 385 098 01 | torx screw<br>BM 8 X 25                |        | 1   |                  |
| 6   | 900 378 316 01 | hexagon-head bolt<br>AM 12 X 1,5 X 113 |        | 2   |                  |
| 7   | 999 084 445 01 | lock nut<br>M 12                       |        | 1   |                  |
| 8   | 999 061 106 01 | stud<br>M 10 X 84                      |        | 4   |                  |
| 9   | 999 076 053 01 | hexagon nut<br>M 10                    |        | 4   |                  |

|       |      |    |    |              |              |     |       |            |         |     |         |
|-------|------|----|----|--------------|--------------|-----|-------|------------|---------|-----|---------|
| Model | Year | MG | SG | Illustration | Restrictions | UPD | 13:59 | 01.03.2010 | PORSCHE | PET | PORSCHE |
| 987-2 | 2010 | 2  | 01 | 201-00       |              | 248 |       |            |         |     |         |

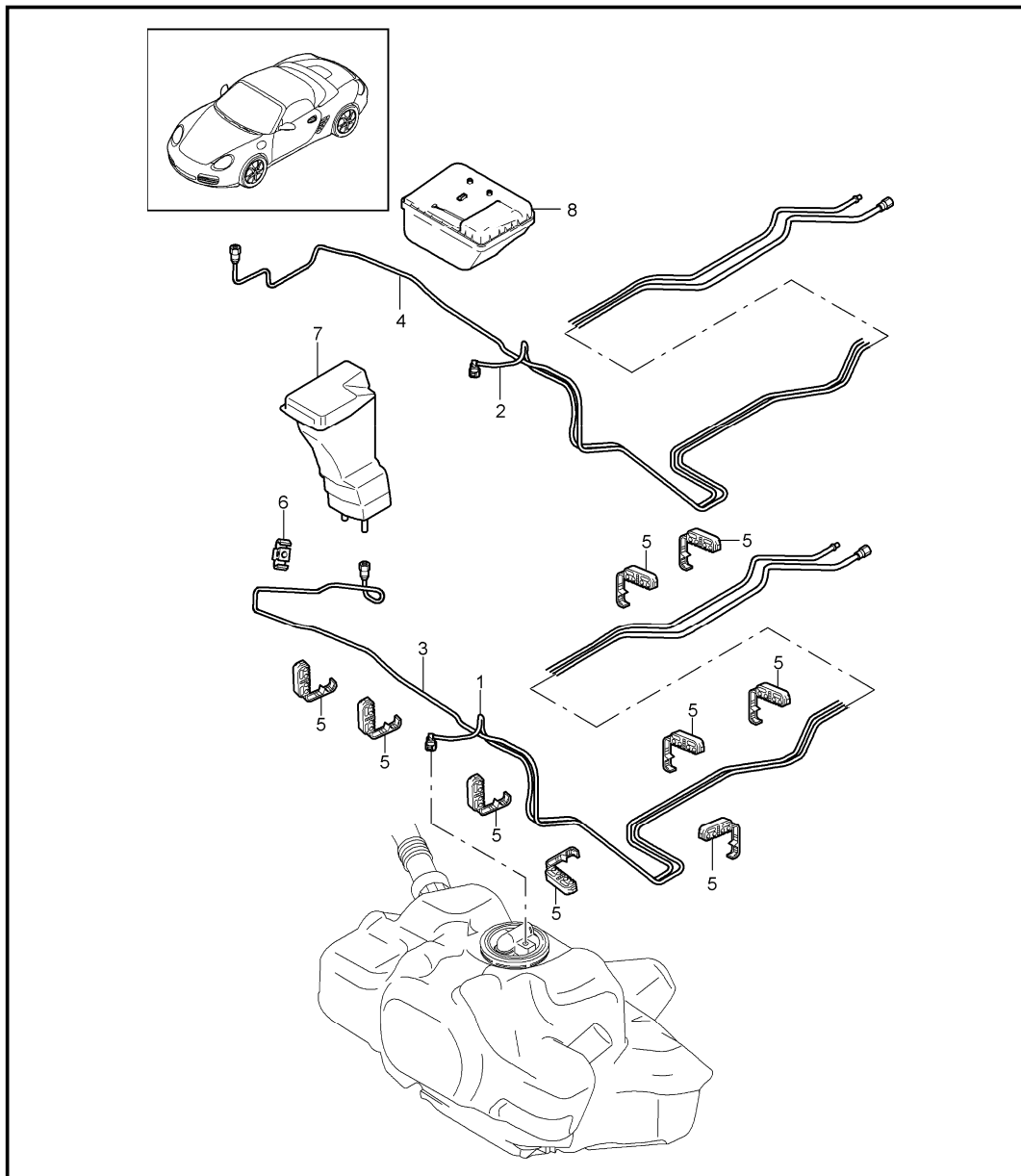


| Pos  | Part Number    | Description                          | Remark | Qty | Model    |
|------|----------------|--------------------------------------|--------|-----|----------|
|      |                | fuel tank                            |        |     |          |
| 1    | 997 201 021 05 | fuel tank                            | /LL    | 1   |          |
| (1)  | 997 201 022 06 | fuel tank                            | /RL    | 1   |          |
| 2    | 997 201 623 00 | union nut                            |        | 1   |          |
| 3    | 1J0 919 133 A  | sealing ring                         |        | 1   |          |
| 4    | 987 620 132 00 | fuel pump                            |        | 1   | MA1.20   |
| 4    | 997 620 142 01 | fuel pump                            |        | 1   | MA1.21   |
| 5    | 997 620 842 00 | tank gauge with flange               |        | 1   |          |
| 6    | 997 201 331 02 | protective plate                     | /LL    | 1   |          |
| (6)  | 997 201 331 03 | protective plate                     | /RL    | 1   |          |
| 7    | 997 201 106 01 | restraining strap right              |        | 1   |          |
| (8)  | 997 201 105 01 | restraining strap left               |        | 1   |          |
| 9    | 996 201 107 02 | restraining strap                    | /LL    | 1   |          |
| (9)  | 996 201 108 00 | restraining strap                    | /RL    | 1   |          |
| 10   | 900 075 479 01 | combination screw M 8 X 40           |        | 4   |          |
| 11   | 997 201 043 06 | filler neck use also: 997.201.951.02 |        | 1   |          |
| (11) | 997 201 043 07 | filler neck                          |        | 1   | I150/193 |
| 12   | 999 073 348 09 | oval-head screw M 6 X 12             |        | 1   |          |
| 13   | 997 201 951 02 | support complete                     |        | 1   |          |
| 14   | 996 201 241 03 | fuel tank cap with clip              |        | 1   |          |
| -    | 999 507 499 40 | expansion rivet                      |        | 1   |          |
| 15   | 191 201 557    | gasket                               |        | 1   |          |
| 16   | 996 201 755 00 | support washer                       |        | 1   |          |

|       |      |    |    |              |              |     |       |            |         |     |         |
|-------|------|----|----|--------------|--------------|-----|-------|------------|---------|-----|---------|
| Model | Year | MG | SG | Illustration | Restrictions | UPD | 13:59 | 01.03.2010 | PORSCHE | PET | PORSCHE |
| 987-2 | 2010 | 2  | 01 | 201-00       |              | 248 |       |            |         |     |         |

| Pos | Part Number    | Description                          | Remark | Qty | Model | Pos | Part Number | Description | Remark | Qty | Model |
|-----|----------------|--------------------------------------|--------|-----|-------|-----|-------------|-------------|--------|-----|-------|
| 17  | 996 201 753 00 | gasket                               |        | 1   |       |     |             |             |        |     |       |
| --  | 000 043 206 89 | Additive<br>fuel<br>100 ml Beh, lter | CHINA  | 1   |       |     |             |             |        |     |       |

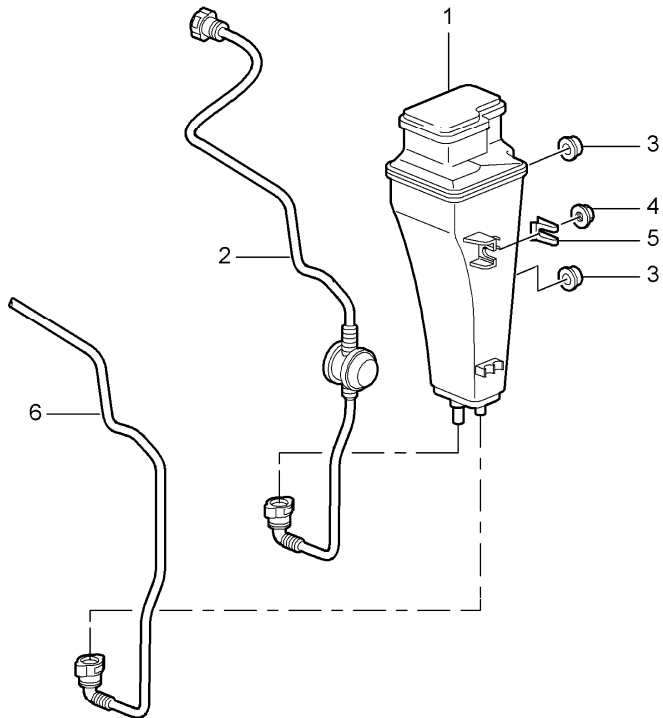
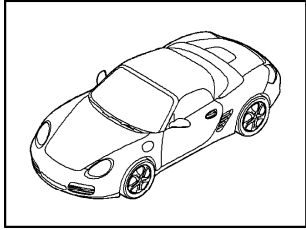
|       |      |    |    |              |              |     |       |            |         |     |         |
|-------|------|----|----|--------------|--------------|-----|-------|------------|---------|-----|---------|
| Model | Year | MG | SG | Illustration | Restrictions | UPD | 14:00 | 01.03.2010 | PORSCHE | PET | PORSCHE |
| 987-2 | 2010 | 2  | 01 | 201-05       |              | 248 |       |            |         |     |         |



| Pos | Part Number    | Description  | Remark | Qty | Model |
|-----|----------------|--|--------|-----|-------|
|     |                | fuel system  |        |     |       |
| 1   | 987 201 261 01 | fuel line<br>fuel pump<br>for<br>engine            |        | 1   |       |
| 3   | 987 201 353 01 | purge-air line<br>carbon canister<br>for<br>engine |        | 1   |       |
| 5   | 999 507 521 40 | cable holder<br>8,0/8/10                           |        | 9   |       |
| 6   | 999 507 727 40 | cable holder<br>8,0/10,0                           |        | 1   |       |
| 7   | ---            | carbon canister<br>see illustrations<br>201-20     |        | 1   |       |

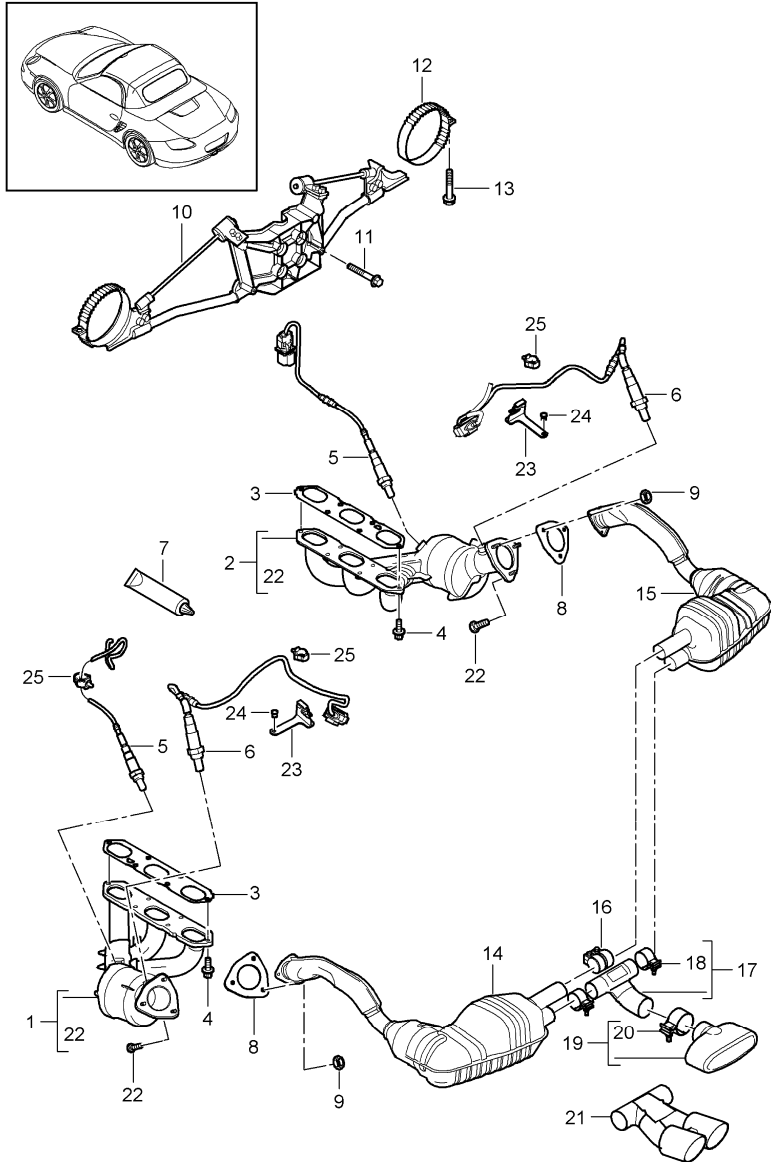


|       |      |    |    |              |              |     |       |            |         |     |         |
|-------|------|----|----|--------------|--------------|-----|-------|------------|---------|-----|---------|
| Model | Year | MG | SG | Illustration | Restrictions | UPD | 14:00 | 01.03.2010 | PORSCHE | PET | PORSCHE |
| 987-2 | 2010 | 2  | 01 | 201-20       |              | 248 |       |            |         |     |         |



| Pos | Part Number    | Description                                      | Remark | Qty | Model |
|-----|----------------|--|--------|-----|-------|
| 1   | 997 201 221 01 | carbon canister<br>carbon canister<br>complete   |        | 1   |       |
| 2   | 997 201 251 00 | vent line<br>fuel tank<br>for<br>carbon canister |        | 1   |       |
| 3   | 999 702 221 40 | grommet  |        | 2   |       |
| 4   | 999 084 629 09 | hexagon nut<br>M 6                               |        | 1   |       |
| 5   | 999 507 543 02 | clamp<br>2,00 - 3,00                             |        | 1   |       |
| 6   | ---            | purge-air line<br>see illustrations<br>201-05    |        | 1   |       |

|       |      |    |    |              |              |     |       |            |         |     |         |
|-------|------|----|----|--------------|--------------|-----|-------|------------|---------|-----|---------|
| Model | Year | MG | SG | Illustration | Restrictions | UPD | 14:00 | 01.03.2010 | PORSCHE | PET | PORSCHE |
| 987-2 | 2010 | 2  | 02 | 202-00       |              | 248 |       |            |         |     |         |

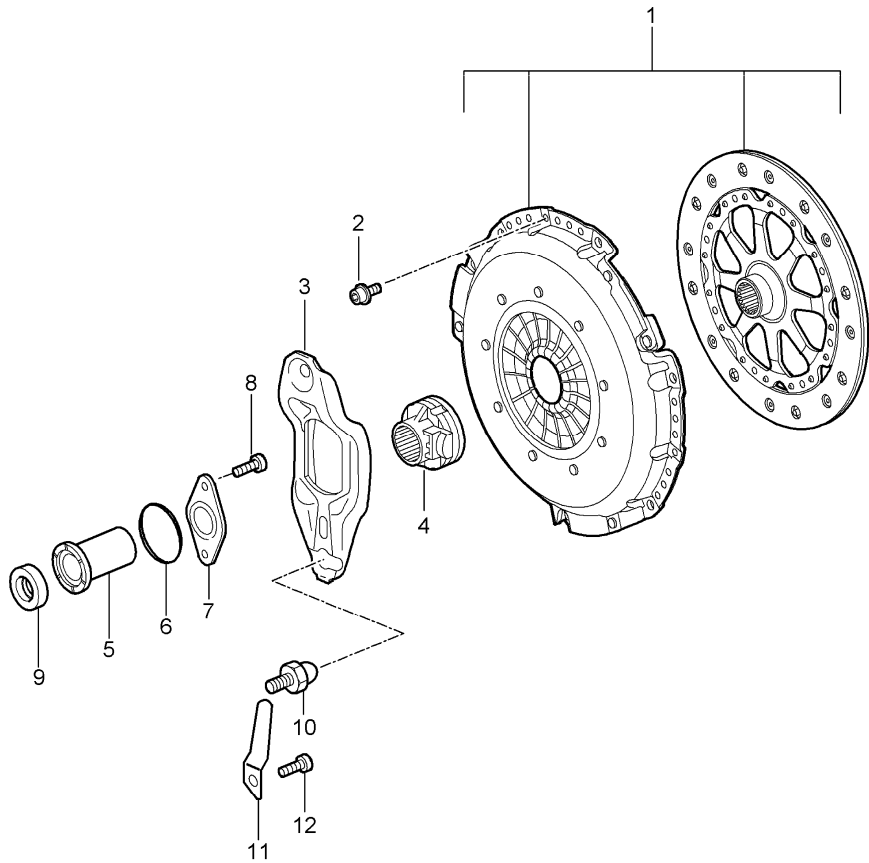
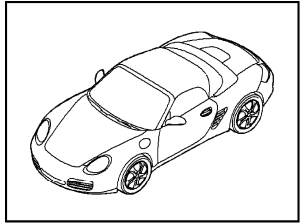


| Pos  | Part Number    | Description   | Remark | Qty | Model                    |
|------|----------------|---|--------|-----|--------------------------|
|      |                | exhaust system                                      |        |     |                          |
| 1    | 987 113 101 33 | exhaust manifold<br>cyl. 4 - 6                      |        | 1   |                          |
| 2    | 987 113 102 33 | exhaust manifold<br>cyl. 1 - 3                      |        | 1   |                          |
| 3    | 997 111 107 30 | gasket<br>exhaust manifold                          |        | 2   |                          |
| 4    | 999 073 471 01 | torx screw<br>M 8 X 21                              |        | 18  |                          |
| 5    | 9A1 606 123 01 | oxygen sensor<br>in front of<br>catalytic converter |        | 2   |                          |
| 6    | 9A1 606 124 00 | oxygen sensor<br>after<br>catalytic converter       |        | 2   |                          |
| 7    | 000 043 207 07 | grease<br>for oxygen sensor                         |        | 1   |                          |
| 8    | 997 111 113 00 | gasket  |        | 2   |                          |
| 9    | 900 910 003 03 | hexagon nut<br>M 8                                  |        | 6   |                          |
| 10   | 987 111 044 30 | support<br>exhaust system                           |        | 1   | MA1.20<br>MA1.21<br>I250 |
| (10) | 987 111 045 30 | support<br>exhaust system                           |        | 1   | MA1.20<br>MA1.21<br>I480 |
| 11   | 900 385 011 01 | torx screw<br>M 10 X 45                             |        | 4   | I250                     |
| (11) | 900 385 096 01 | torx screw<br>M 8 X 60                              |        | 4   | I480                     |
| 12   | 987 111 210 01 | clamp   |        | 2   |                          |
| 13   | 900 378 108 01 | hexagon-head bolt                                   |        | 2   |                          |
| 14   | 987 113 117 31 | main exhaust muffler<br>left<br>cyl. 4 - 6          |        | 1   | I170/171                 |
| (14) | 987 113 131 31 | main exhaust muffler<br>left<br>cyl. 4 - 6          |        | 1   | I172                     |

|       |      |    |    |              |              |     |       |            |         |     |         |
|-------|------|----|----|--------------|--------------|-----|-------|------------|---------|-----|---------|
| Model | Year | MG | SG | Illustration | Restrictions | UPD | 14:00 | 01.03.2010 | PORSCHE | PET | PORSCHE |
| 987-2 | 2010 | 2  | 02 | 202-00       |              | 248 |       |            |         |     |         |

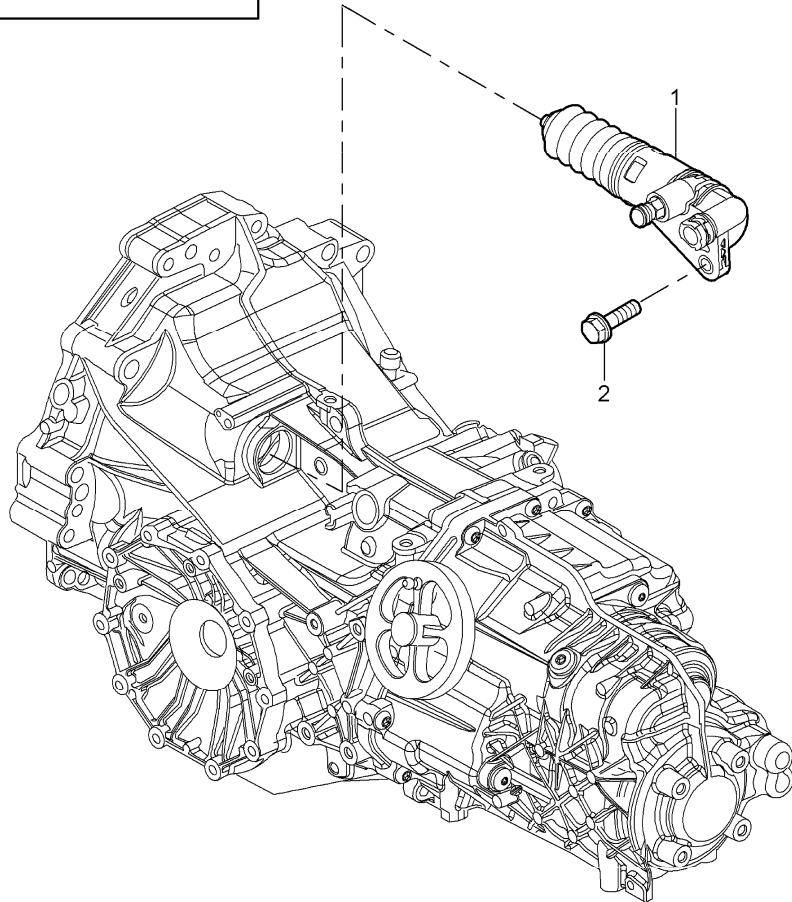
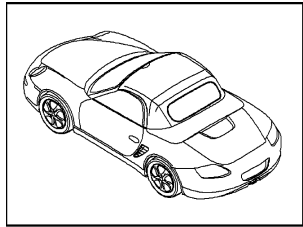
| Pos  | Part Number    | Description                                    | Remark | Qty | Model    | Pos | Part Number    | Description   | Remark | Qty | Model |
|------|----------------|--|--------|-----|----------|-----|----------------|---|--------|-----|-------|
| (14) | 987 113 511 30 | main exhaust muffler<br>left<br>cyl. 4 - 6     |        | 1   | IXLF     | 27  | 999 651 329 40 | cable holder<br>8,0 - 12,0  |        | 1   |       |
| 15   | 987 113 118 31 | main exhaust muffler<br>right<br>cyl. 1 - 3    |        | 1   | I170/171 | --  | 987 113 208 30 | heat protection<br>catalytic converter<br>right<br>see technical manual<br>exhaust system |        | 1   |       |
| (15) | 987 113 132 31 | main exhaust muffler<br>right<br>cyl. 1 - 3    |        | 1   | I172     | --  | 997 113 209 30 | heat protection<br>catalytic converter<br>left<br>see technical manual<br>exhaust system  |        | 1   |       |
| (15) | 987 113 512 30 | main exhaust muffler<br>right<br>cyl. 1 - 3    |        | 1   | IXLF     |     |                |   |        |     |       |
| 16   | 987 111 220 00 | clamping sleeve                                |        | 1   |          |     |                |   |        |     |       |
| 17   | 987 111 353 30 | exhaust pipe                                   |        | 1   | MA1.20   |     |                |   |        |     |       |
| 18   | 000 043 300 54 | clip<br>for<br>exhaust pipe<br>set<br>complete |        | 2   |          |     |                |   |        |     |       |
| 19   | 987 111 257 30 | tail pipe<br>complete                          |        | 1   | MA1.20   |     |                |   |        |     |       |
| 20   | 000 043 300 53 | clip<br>for<br>cover<br>set<br>complete        |        | 1   | MA1.20   |     |                |   |        |     |       |
| 21   | 987 111 258 31 | tail pipe<br>complete                          |        | 1   | MA1.21   |     |                |   |        |     |       |
| (21) | 987 111 981 30 | tail pipe<br>complete                          |        | 1   | IXLS     |     |                |   |        |     |       |
| 22   | 900 075 365 02 | screw<br>M 8 X 30                              |        | X   |          |     |                |   |        |     |       |
| 23   | 987 606 105 01 | support<br>connector<br>oxygen sensor          |        | 2   |          |     |                |   |        |     |       |
| 24   | 999 591 712 40 | expansion rivet<br>6,0 X 12,0                  |        | 4   |          |     |                |   |        |     |       |
| 25   | 999 507 075 40 | cable holder<br>3,0 - 12,0                     |        | 3   |          |     |                |   |        |     |       |
| 26   | 9A1 606 153 01 | support  |        | 1   |          |     |                |   |        |     |       |

|       |      |    |    |              |              |     |       |            |         |     |         |
|-------|------|----|----|--------------|--------------|-----|-------|------------|---------|-----|---------|
| Model | Year | MG | SG | Illustration | Restrictions | UPD | 14:00 | 01.03.2010 | PORSCHE | PET | PORSCHE |
| 987-2 | 2010 | 3  | 01 | 301-00       |              | 248 |       |            |         |     |         |



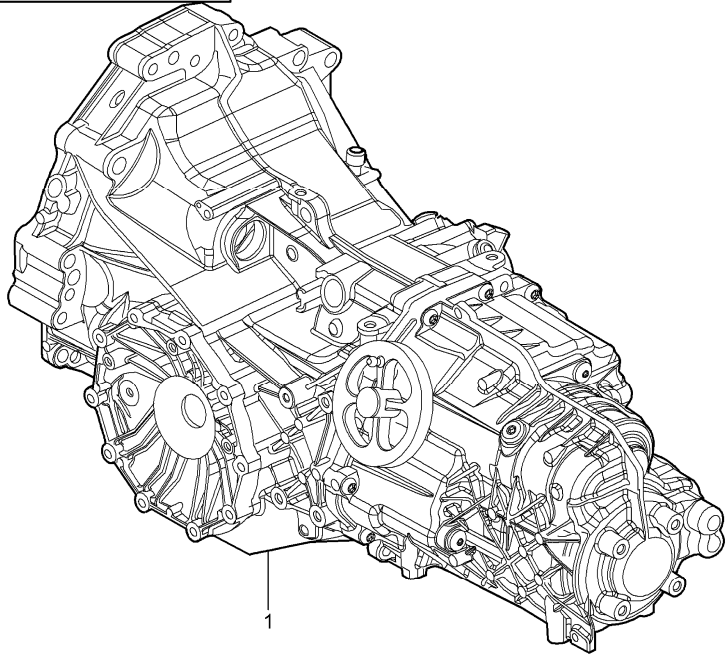
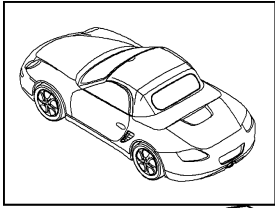
| Pos   | Part Number    | Description                   | Remark | Qty | Model     |
|-------|----------------|-------------------------------|--------|-----|-----------|
|       |                | clutch                        |        |     | G87.10/40 |
| 1     | 987 116 913 23 | clutch set                    |        | 1   | G87.10    |
| (1) A | 987 116 913 34 | clutch set                    |        | 1   | G87.40    |
| (1)   | 987 116 913 33 | clutch set                    |        | 1   | G87.40    |
| 2     | 999 073 458 01 | screw<br>M 8 X 16             |        | 6   |           |
| 3     | 0A2 141 719    | clutch release lever          |        | 1   |           |
| 4     | 012 141 165 E  | clutch release bearing        |        | 1   | G87.10    |
| (4)   | 997 116 080 02 | clutch release bearing        |        | 1   | G87.40    |
| 5     | 0A2 141 181    | guide sleeve                  |        | 1   |           |
| 6     | 0A2 311 091 A  | o-ring                        |        | 1   |           |
| 7     | 0A2 141 179    | retaining bracket             |        | 1   |           |
| 8     | 999 073 320 02 | hexagon-head bolt<br>M 8 X 20 |        | 2   |           |
| 9     | 016 311 113 C  | radial shaft seal             |        | 1   |           |
| 10    | 01E 141 751 A  | intermediate piece            |        | 1   |           |
| 11    | 01E 141 721 A  | leaf spring                   |        | 1   |           |
| 12    | 999 073 319 02 | round head screw<br>M 8 X 22  |        | 1   |           |

|       |      |    |    |              |              |     |       |            |         |     |         |
|-------|------|----|----|--------------|--------------|-----|-------|------------|---------|-----|---------|
| Model | Year | MG | SG | Illustration | Restrictions | UPD | 14:00 | 01.03.2010 | PORSCHE | PET | PORSCHE |
| 987-2 | 2010 | 3  | 01 | 301-05       |              | 248 |       |            |         |     |         |



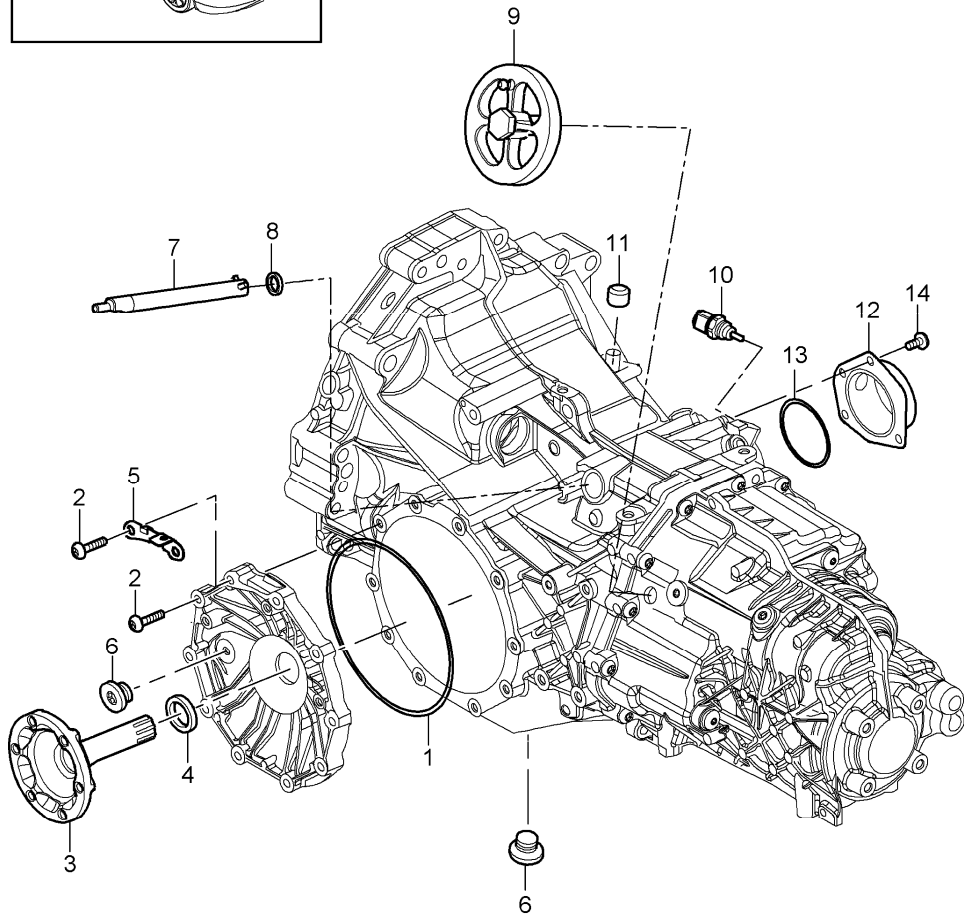
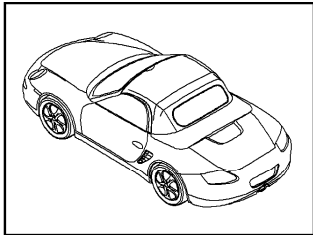
| Pos | Part Number    | Description            | Remark | Qty | Model             |
|-----|----------------|------------------------|--------|-----|-------------------|
|     |                | clutch release         |        |     | G87.10/40<br>I480 |
| 1   | 9G2 116 237 00 | slave cylinder         |        | 1   |                   |
| 2   | 900 385 098 01 | torx screw<br>M 8 X 25 |        | 1   |                   |

|       |      |    |    |              |              |     |       |            |         |     |         |
|-------|------|----|----|--------------|--------------|-----|-------|------------|---------|-----|---------|
| Model | Year | MG | SG | Illustration | Restrictions | UPD | 14:01 | 01.03.2010 | PORSCHE | PET | PORSCHE |
| 987-2 | 2010 | 3  | 02 | 302-00       |              | 248 |       |            |         |     |         |



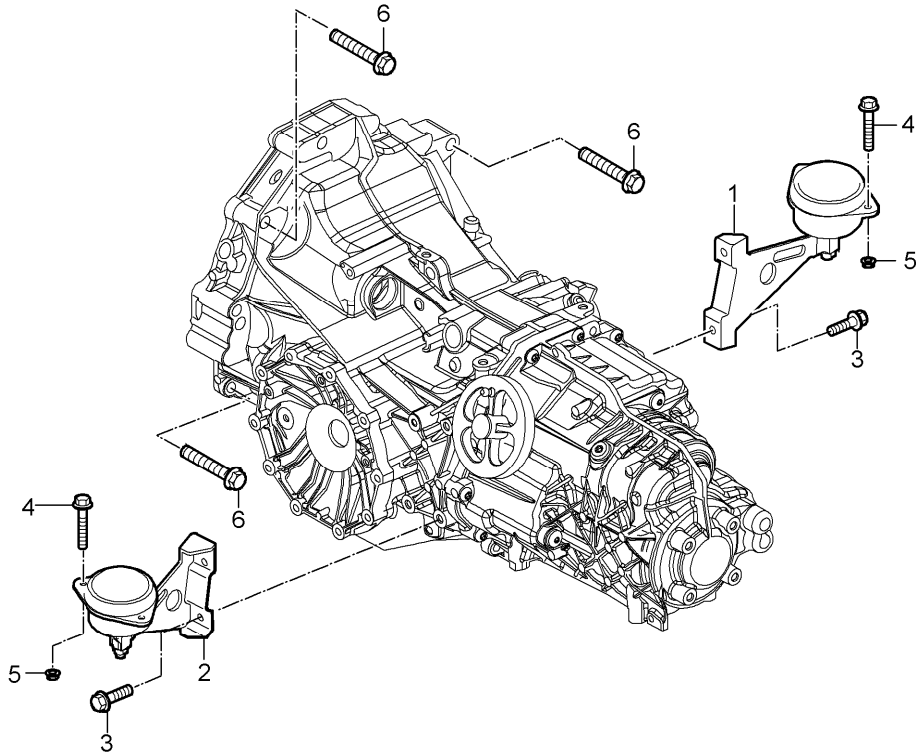
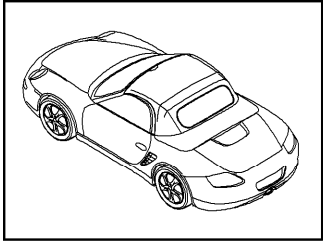
| Pos | Part Number      | Description  | Remark | Qty | Model             |
|-----|------------------|--|--------|-----|-------------------|
|     |                  | replacement transmission<br>ready for installation |        |     | G87.10/40<br>I480 |
| 1   | > 987 300 010 10 | manual transmission                                |        | 1   | G87.10<br>I219    |
| (1) | 987 300 010 KX   | manual transmission                                |        | 1   | G87.10<br>I219    |
| 1   | > 987 300 020 10 | manual transmission                                |        | 1   | G87.10<br>I220    |
| (1) | 987 300 020 KX   | manual transmission                                |        | 1   | G87.10<br>I220    |
| (1) | > 987 300 010 40 | manual transmission                                |        | 1   | G87.40<br>I219    |
| (1) | 987 300 010 PX   | manual transmission                                |        | 1   | G87.40<br>I219    |
| (1) | > 987 300 020 40 | manual transmission                                |        | 1   | G87.40<br>I220    |
| (1) | 987 300 020 PX   | manual transmission                                |        | 1   | G87.40<br>I220    |
| 2   | 000 043 304 71   | transmission oil<br>HYPOID<br>container<br>20 LTR. |        | X   |                   |

|       |      |    |    |              |              |     |       |            |         |     |         |
|-------|------|----|----|--------------|--------------|-----|-------|------------|---------|-----|---------|
| Model | Year | MG | SG | Illustration | Restrictions | UPD | 14:01 | 01.03.2010 | PORSCHE | PET | PORSCHE |
| 987-2 | 2010 | 3  | 02 | 302-05       |              | 248 |       |            |         |     |         |



| Pos | Part Number    | Description                  | Remark | Qty | Model             |
|-----|----------------|------------------------------|--------|-----|-------------------|
|     |                | replacement transmission     |        |     | G87.10/40<br>I480 |
|     |                | single parts                 |        |     |                   |
| 1   | N 905 144 01   | o-ring<br>171,00 X 3,50      |        | 1   | G87.10            |
| (1) | 999 701 497 40 | o-ring<br>194,55 X 3,50      |        | 1   | G87.40            |
| 2   | 999 073 368 01 | torx screw<br>M 8 X 42       |        | 10  |                   |
| 3   | 987 332 209 10 | joint flange                 |        | 2   | G87.10            |
| (3) | 987 332 209 40 | joint flange                 |        | 2   | G87.40            |
| 4   | 016 409 399 B  | radial shaft seal            |        | 2   |                   |
| 5   | 987 116 214 10 | support                      |        | 1   |                   |
| 6   | N 910 597 01   | screw plug<br>M 22 X 1,5     |        | 2   |                   |
| 7   | 987 303 021 00 | shift rod                    |        | 1   |                   |
| 8   | 012 301 457 B  | shaft sealing ring           |        | 1   |                   |
| 9   | 987 303 051 10 | flywheel                     |        | 1   |                   |
| 10  | 01E 941 521 B  | switch<br>back-up light      |        | 1   |                   |
| 11  | 014 301 485    | cap<br>bleeder               |        | 1   |                   |
| 12  | 0A2 941 453 A  | lid<br>shift rod             |        | 1   |                   |
| 13  | 010 409 580    | round seal                   |        | 1   |                   |
| 14  | 999 073 319 02 | round head screw<br>M 8 X 22 |        | 4   |                   |

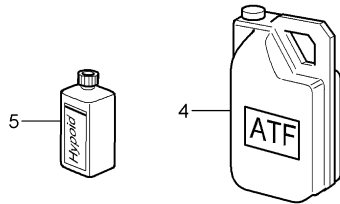
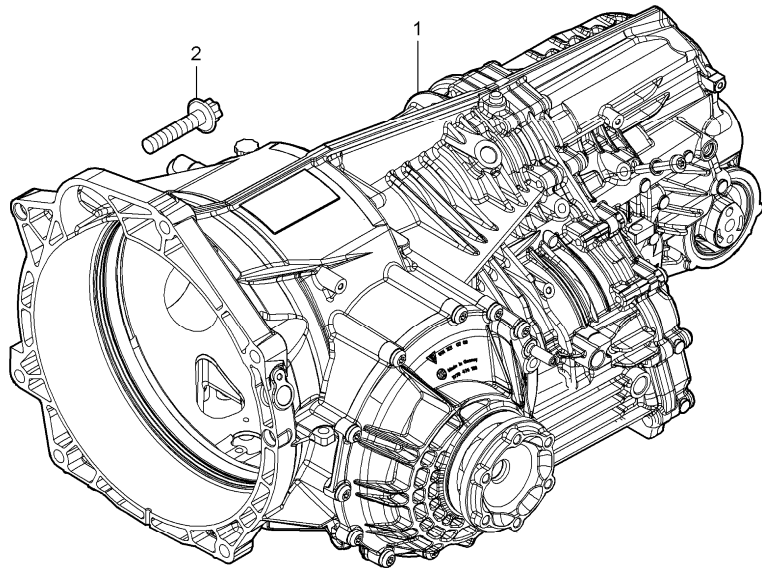
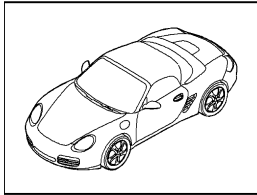
|       |      |    |    |              |              |     |       |            |         |     |         |
|-------|------|----|----|--------------|--------------|-----|-------|------------|---------|-----|---------|
| Model | Year | MG | SG | Illustration | Restrictions | UPD | 14:01 | 01.03.2010 | PORSCHE | PET | PORSCHE |
| 987-2 | 2010 | 3  | 06 | 306-00       |              | 248 |       |            |         |     |         |



| Pos | Part Number    | Description   | Remark | Qty | Model                    |
|-----|----------------|---|--------|-----|--------------------------|
|     |                | manual transmission                                 |        |     | MA1.20<br>MA1.21<br>I480 |
|     |                | transmission suspension<br>threaded joint<br>engine |        |     |                          |
| 1   | 9A1 375 042 20 | transmission bracket                                | /R     | 1   |                          |
| 2   | 9A1 375 041 20 | transmission bracket                                | /L     | 1   |                          |
| 3   | 999 072 001 02 | hexagon-head bolt<br>M 10 X 35                      |        | 4   |                          |
| 4   | 900 378 159 01 | hexagon-head bolt<br>M 8 X 60                       |        | 4   |                          |
| 5   | 999 084 447 01 | hexagon nut<br>M 8                                  |        | 4   |                          |
| 6   | 999 385 009 01 | Outer hexagon round screw<br>M 12 X 1,5 X 55        |        | 6   |                          |

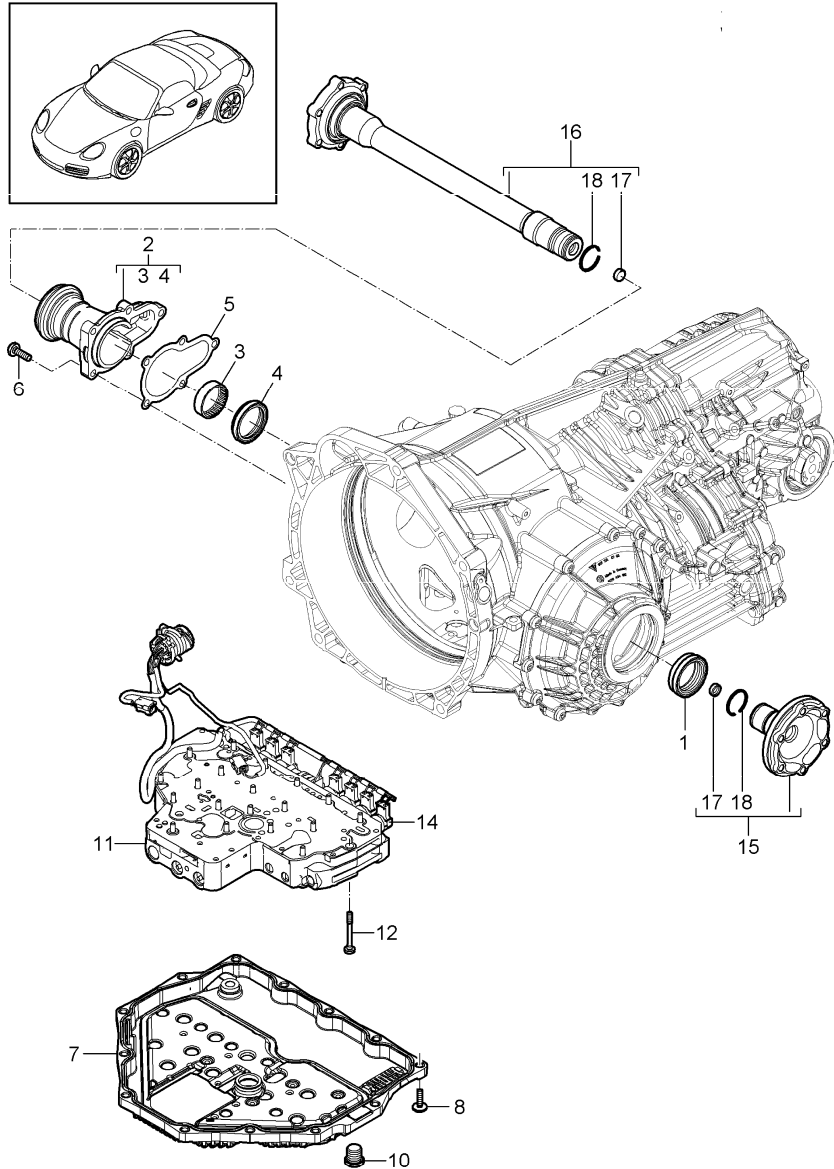


|       |      |    |    |              |              |     |       |            |         |     |         |
|-------|------|----|----|--------------|--------------|-----|-------|------------|---------|-----|---------|
| Model | Year | MG | SG | Illustration | Restrictions | UPD | 14:01 | 01.03.2010 | PORSCHE | PET | PORSCHE |
| 987-2 | 2010 | 3  | 20 | 320-00       |              | 248 |       |            |         |     |         |



| Pos | Part Number    | Description  | Remark | Qty | Model            |
|-----|----------------|--|--------|-----|------------------|
|     |                | - pdk -<br>transmission<br>replacement transmission        |        |     | CG2.00<br>CG2.20 |
| 1   | 9G2 300 011 00 | transmission   |        | 1   | CG2.00<br>I219   |
| 1   | 9G2 300 011 X  | transmission   |        | 1   | CG2.00<br>I219   |
| (1) | 9G2 300 011 20 | transmission   |        | 1   | CG2.20<br>I219   |
| (1) | 9G2 300 011 2X | transmission   |        | 1   | CG2.20<br>I219   |
| (1) | 9G2 300 021 00 | transmission   |        | 1   | CG2.00<br>I220   |
| (1) | 9G2 300 021 X  | transmission   |        | 1   | CG2.00<br>I220   |
| (1) | 9G2 300 021 20 | transmission   |        | 1   | CG2.20<br>I220   |
| (1) | 9G2 300 021 2X | transmission   |        | 1   | CG2.20<br>I220   |
| 2   | 999 385 009 01 | screw<br>M12 x 1,5 x 55                                    |        | 5   |                  |
| 4   | 000 043 207 30 | transmission oil<br>Pentosin FFL 3<br>20 LTR.<br>container |        | X   |                  |
| (4) | 000 043 207 29 | transmission oil<br>Pentosin FFL 3<br>1 LTR.<br>container  |        | X   |                  |
| 5   | 999 917 546 00 | transmission oil<br>75 W 90<br>1 LTR.<br>container         |        | X   |                  |

|       |      |    |    |              |              |     |       |            |         |     |         |
|-------|------|----|----|--------------|--------------|-----|-------|------------|---------|-----|---------|
| Model | Year | MG | SG | Illustration | Restrictions | UPD | 14:01 | 01.03.2010 | PORSCHE | PET | PORSCHE |
| 987-2 | 2010 | 3  | 20 | 320-05       |              | 248 |       |            |         |     |         |

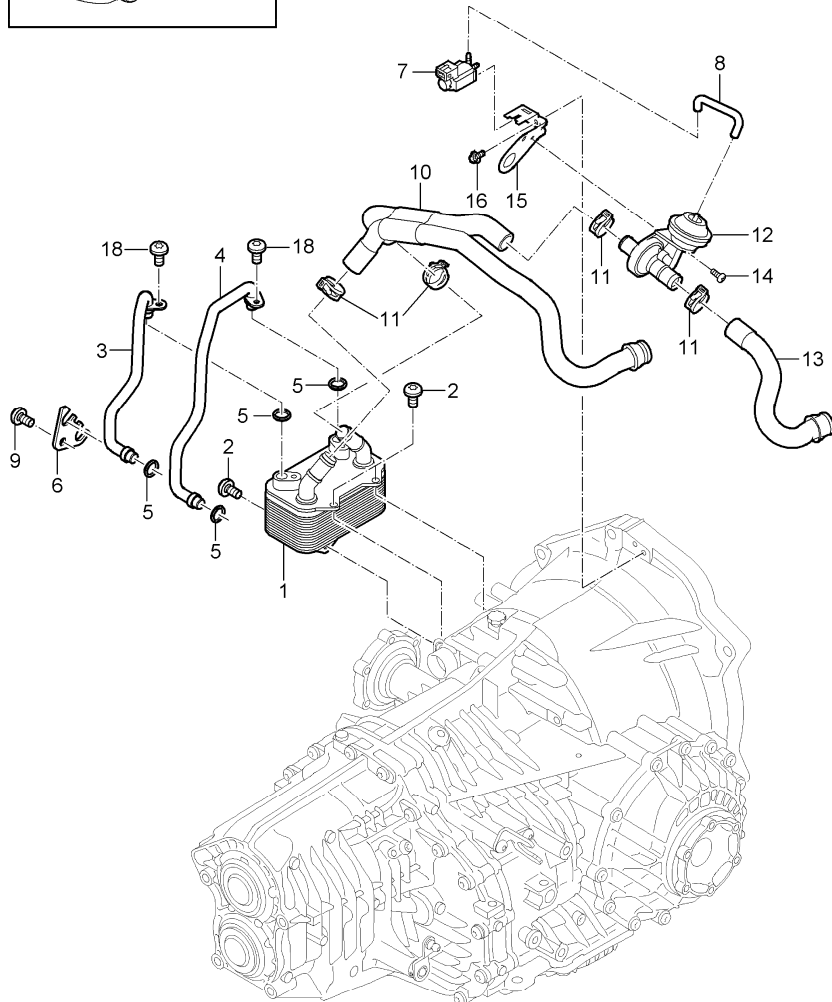
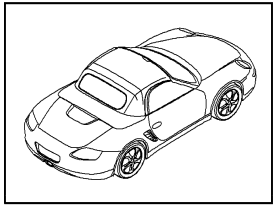


| Pos  | Part Number      | Description                                       | Remark | Qty | Model  |
|------|------------------|---|--------|-----|--------|
|      |                  | - pdk -<br>transmission<br>single parts           |        |     |        |
| 1    | 9G1 332 806 00   | shaft sealing ring<br>40 X 52 / 55 X 40           |        | 1   |        |
| 2    | U 9G1 321 159 00 | Housing neck<br>transmission                      |        | 1   |        |
| 2    | 9G1 321 959 00   | Housing neck<br>complete                          |        | 1   |        |
| 5    | 9G1 321 259 00   | gasket<br>flange                                  |        | 1   |        |
| 6    | 9G1 332 801 00   | torx screw<br>M 8 X 25                            |        | 5   |        |
| 7    | 9G1 321 025 00   | oil pan<br>complete                               |        | 1   |        |
| 8    | 9G1 321 801 00   | torx screw<br>M 6 X 25                            |        | 13  |        |
| 9    | 9G1 321 805 00   | screw plug<br>included<br>sealing ring            |        | 1   |        |
| 10   | 9G1 321 825 00   | screw plug<br>oil pan<br>included<br>sealing ring |        | 1   |        |
| 11   | 9G1 317 015 00   | control unit<br>hydraulic<br>pdk                  |        | 1   |        |
| 12   | 9G1 317 801 00   | screw<br>M 6 X 55                                 |        | 20  |        |
| 13   | 9G1 317 697 00   | connector housing<br>pressure regulator           |        | 2   |        |
| 14   | 9G1 317 698 00   | connector housing<br>solenoid valve               |        | 6   |        |
| 14   | 9G1 317 698 00   | connector housing<br>solenoid valve               |        | 6   |        |
| 15   | 9G2 332 028 00   | joint flange<br>short                             |        | 1   | CG2.00 |
| (15) | 9G2 332 028 20   | joint flange<br>short                             |        | 1   | CG2.20 |

|       |      |    |    |              |              |     |       |            |         |     |         |
|-------|------|----|----|--------------|--------------|-----|-------|------------|---------|-----|---------|
| Model | Year | MG | SG | Illustration | Restrictions | UPD | 14:01 | 01.03.2010 | PORSCHE | PET | PORSCHE |
| 987-2 | 2010 | 3  | 20 | 320-05       |              | 248 |       |            |         |     |         |

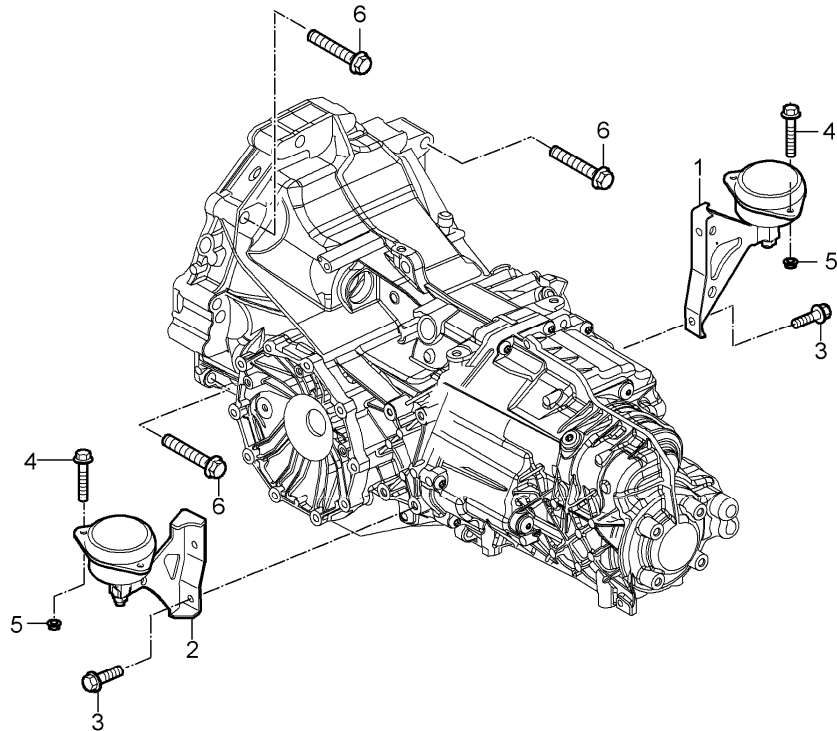
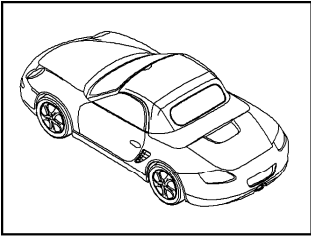
| Pos  | Part Number    | Description                       | Remark | Qty | Model  | Pos | Part Number | Description | Remark | Qty | Model |
|------|----------------|-----------------------------------|--------|-----|--------|-----|-------------|-------------|--------|-----|-------|
| 16   | 9G2 332 029 00 | joint flange<br>long              |        | 1   | CG2.00 |     |             |             |        |     |       |
| (16) | 9G2 332 029 20 | joint flange<br>long              |        | 1   | CG2.20 |     |             |             |        |     |       |
| 17   | 9G1 332 821 00 | lid                               |        | 2   |        |     |             |             |        |     |       |
| 18   | 9G1 332 820 00 | circlip<br>D 36 x 2,6             |        | 2   |        |     |             |             |        |     |       |
| 19   | 9G1 116 807 00 | shaft sealing ring<br>40 x 57 x 6 |        | 1   |        |     |             |             |        |     |       |

|       |      |    |    |              |              |     |       |            |         |     |         |
|-------|------|----|----|--------------|--------------|-----|-------|------------|---------|-----|---------|
| Model | Year | MG | SG | Illustration | Restrictions | UPD | 14:01 | 01.03.2010 | PORSCHE | PET | PORSCHE |
| 987-2 | 2010 | 3  | 60 | 360-00       |              | 248 |       |            |         |     |         |



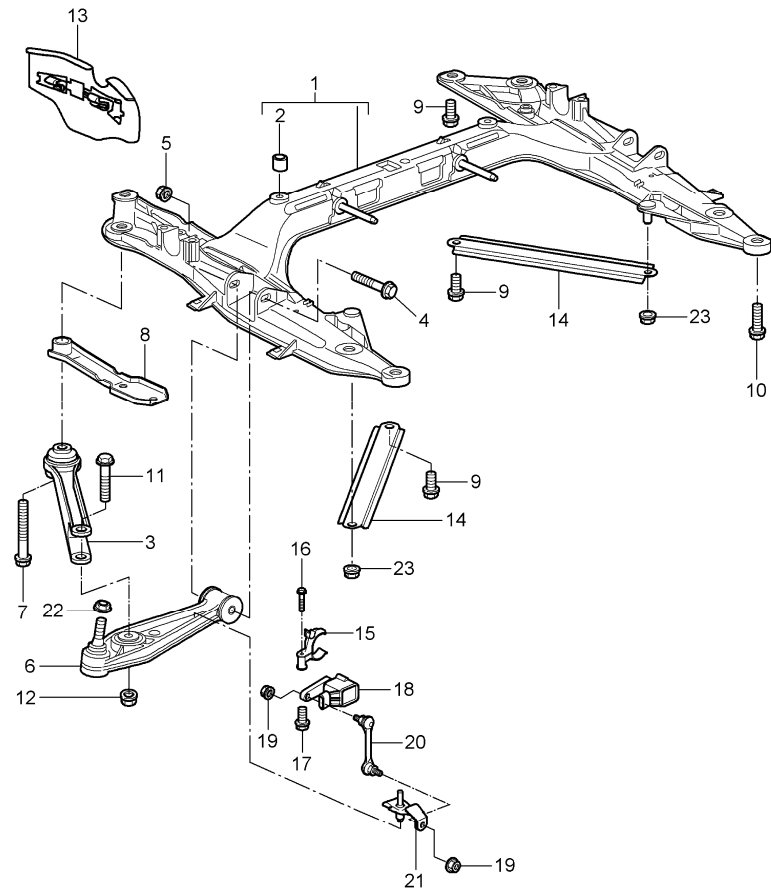
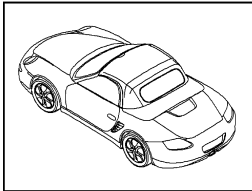
| Pos | Part Number    | Description   | Remark | Qty | Model |
|-----|----------------|---|--------|-----|-------|
|     |                | - pdk -<br>transmission<br>heat exchanger<br>oil tube<br>water tube |        |     |       |
| 1   | 9G2 307 017 00 | heat exchanger  |        | 1   |       |
| 2   | 9G1 307 813 00 | Flachkopfschraube<br>M 6 x 12                                       |        | 3   |       |
| 3   | 9G2 307 087 00 | oil pipe<br>heat exchanger<br>supply                                |        | 2   |       |
| 4   | 9G2 307 085 00 | oil pipe<br>heat exchanger<br>return line                           |        | 1   |       |
| 5   | 9G1 307 891 00 | sealing ring<br>oil pipe<br>heat exchanger                          |        | 4   |       |
| 6   | 9G2 307 255 00 | retaining bracket<br>oil pipe<br>transmission                       |        | 1   |       |
| 7   | 996 605 123 01 | change-over valve   |        | 1   |       |
| 8   | 9G1 307 673 00 | vacuum hose   |        | 1   |       |
| 9   | 9G1 307 802 00 | torx screw<br>M 8 X 15  |        | 1   |       |
| 10  | 9G2 307 076 00 | hose line   |        | 1   |       |
| 11  | 999 512 656 09 | hose clamp<br>B 25 X 12   |        | 4   |       |
| 12  | 928 574 573 03 | disc valve  |        | 1   |       |
| 13  | 9G2 307 075 00 | moulded hose  |        | 1   |       |
| 14  | 900 146 011 01 | round head screw<br>M 4 X 10  |        | 1   |       |
| 15  | 9G2 307 401 00 | support<br>disc valve   |        | 1   |       |
| 16  | 900 385 041 01 | torx screw<br>M 6 X 12  |        | 1   |       |

|       |      |    |    |              |              |     |       |            |         |     |         |
|-------|------|----|----|--------------|--------------|-----|-------|------------|---------|-----|---------|
| Model | Year | MG | SG | Illustration | Restrictions | UPD | 14:02 | 01.03.2010 | PORSCHE | PET | PORSCHE |
| 987-2 | 2010 | 3  | 70 | 370-00       |              | 248 |       |            |         |     |         |



| Pos | Part Number    | Description  | Remark | Qty | Model                    |
|-----|----------------|--|--------|-----|--------------------------|
|     |                | - pdk -  |        |     | MA1.20<br>MA1.21<br>I250 |
|     |                | transmission<br>transmission suspension<br>threaded joint<br>for<br>engine |        |     |                          |
| 1   | 9A1 375 094 50 | transmission bracket<br>right  |        | 1   |                          |
| 2   | 9A1 375 093 50 | transmission bracket<br>left   |        | 1   |                          |
| 3   | 999 072 001 02 | hexagon-head bolt<br>M 10 X 35   |        | 4   |                          |
| 4   | 900 378 159 01 | hexagon-head bolt<br>M 8 X 60  |        | 4   |                          |
| 5   | 999 084 447 01 | hexagon nut<br>M 8   |        | 4   |                          |
| 6   | 999 385 009 01 | Outer hexagon round screw<br>M 12 X 1,5 X 55                               |        | 5   |                          |

|       |      |    |    |              |              |     |       |            |         |     |         |
|-------|------|----|----|--------------|--------------|-----|-------|------------|---------|-----|---------|
| Model | Year | MG | SG | Illustration | Restrictions | UPD | 14:02 | 01.03.2010 | PORSCHE | PET | PORSCHE |
| 987-2 | 2010 | 4  | 01 | 401-00       |              | 248 |       |            |         |     |         |

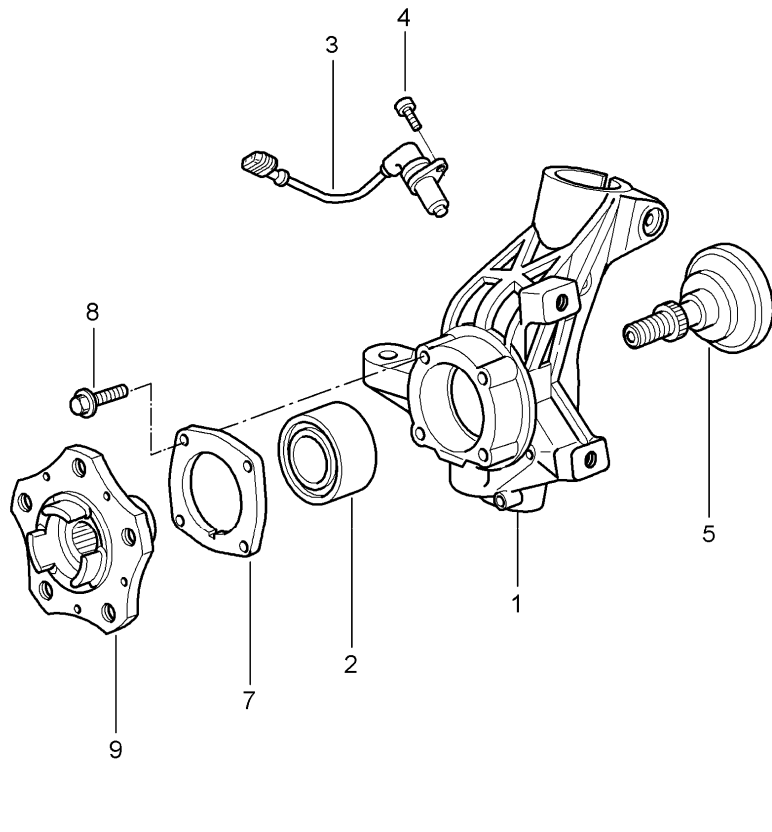
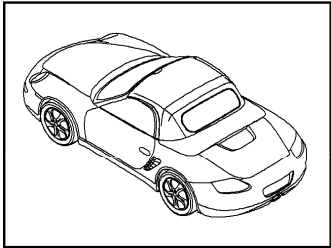


| Pos | Part Number    | Description                                    | Remark | Qty | Model |
|-----|----------------|--|--------|-----|-------|
|     |                | cross member<br>wishbone                       |        |     |       |
| 1   | 997 341 081 06 | cross member                                   |        | 1   |       |
| 2   | 900 197 070 00 | roll pin<br>13 X 14                            |        | 1   |       |
| 3   | 997 341 043 00 | control arm                                    |        | 2   |       |
| 4   | 900 378 165 01 | hexagon-head bolt<br>M 12 X 1,5 X 95           |        | 2   |       |
| 5   | 999 084 445 01 | lock nut<br>M 12 X 1,5                         |        | 2   |       |
| 6   | 997 341 053 03 | wishbone                                       |        | 2   |       |
| 7   | 999 072 050 01 | hexagon-head bolt<br>M 14 X 1,5 X 120          |        | 2   |       |
| 8   | 997 341 145 05 | plate  |        | 2   |       |
| 9   | 999 072 047 01 | hexagon-head bolt<br>M 12 x 1,5 x 30           |        | 6   |       |
| 10  | 900 378 192 01 | hexagon-head bolt<br>M 14 x 1,5 x 50           |        | 4   |       |
| 11  | 900 378 279 01 | hexagon-head bolt<br>M 14 X 1,5 X 95           |        | 2   |       |
| 12  | 900 380 012 01 | hexagon nut<br>M 14 X 1,5                      |        | 2   |       |
| 13  | 996 341 483 05 | spoiler  | /L     | 1   |       |
| 13  | 996 341 484 05 | spoiler  | /R     | 1   |       |
| 14  | 997 504 433 00 | strut  |        | 2   |       |
| 15  |                | support<br>see illustrations<br>1/05/10 Pos.10 |        | 1   | I603  |
| 16  | 900 146 003 03 | oval-head screw<br>M 5 x 10                    |        | 2   | I603  |
| 17  | 900 378 036 01 | hexagon-head bolt<br>M 6 x 12                  |        | 1   | I603  |
| 18  | 997 631 121 00 | sensor   |        | 1   | I603  |
| 19  | 900 380 015 01 | hexagon nut<br>M 6                             |        | 2   | I603  |
| 20  | 997 341 375 01 | strut  |        | 1   | I603  |

|       |      |    |    |              |              |     |       |            |         |     |         |
|-------|------|----|----|--------------|--------------|-----|-------|------------|---------|-----|---------|
| Model | Year | MG | SG | Illustration | Restrictions | UPD | 14:02 | 01.03.2010 | PORSCHE | PET | PORSCHE |
| 987-2 | 2010 | 4  | 01 | 401-00       |              | 248 |       |            |         |     |         |

| Pos | Part Number    | Description               | Remark | Qty | Model | Pos | Part Number | Description | Remark | Qty | Model |
|-----|----------------|---------------------------|--------|-----|-------|-----|-------------|-------------|--------|-----|-------|
| 21  | 996 341 371 03 | support                   |        | 1   | I603  |     |             |             |        |     |       |
| 22  | 999 084 449 09 | hexagon nut<br>M 12 X 1,5 |        | 2   |       |     |             |             |        |     |       |
| 23  | 999 084 445 01 | lock nut<br>M 12 X 1.5    |        | 2   |       |     |             |             |        |     |       |

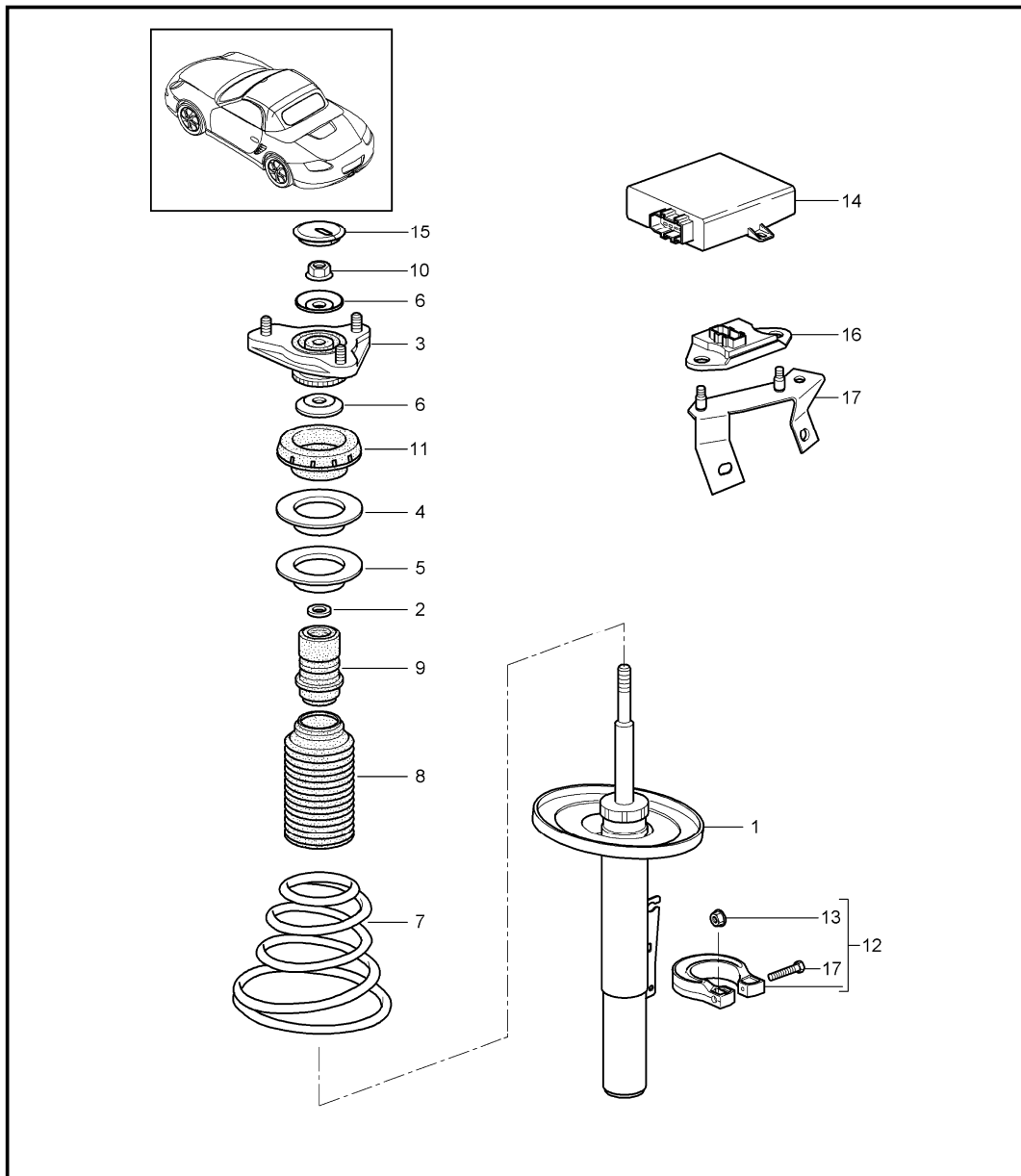
|       |      |    |    |              |              |     |       |            |         |     |         |
|-------|------|----|----|--------------|--------------|-----|-------|------------|---------|-----|---------|
| Model | Year | MG | SG | Illustration | Restrictions | UPD | 14:02 | 01.03.2010 | PORSCHE | PET | PORSCHE |
| 987-2 | 2010 | 4  | 01 | 401-05       |              | 248 |       |            |         |     |         |



| Pos | Part Number    | Description                   | Remark | Qty | Model |
|-----|----------------|-------------------------------|--------|-----|-------|
|     |                | wheel carrier<br>wheel hub    |        |     |       |
| 1   | 997 341 157 05 | wheel carrier                 | /L     | 1   |       |
| (1) | 997 341 157 25 | wheel carrier                 | /L     | 1   | I450  |
| (1) | 997 341 158 05 | wheel carrier                 | /R     | 1   |       |
| (1) | 997 341 158 25 | wheel carrier                 | /R     | 1   | I450  |
| 2   | 999 053 054 05 | angular-contact bearing       |        | 2   |       |
| 3   | 997 606 407 01 | speed sensor                  |        | 2   |       |
| -   | 999 507 464 40 | support                       |        | 2   |       |
| 4   | 900 067 117 04 | pan-head screw<br>M 6 x 16    |        | 2   |       |
| 5   | 997 341 131 00 | tension bolt                  |        | 2   |       |
| 6   | 999 084 634 02 | hexagon nut<br>M 22 X 1,5     |        | 2   |       |
| 7   | 986 331 661 20 | lid                           |        | 2   |       |
| 8   | 999 217 042 09 | hexagon-head bolt<br>M 8 X 35 |        | 8   |       |
| 9   | 997 341 605 01 | wheel hub                     |        | 2   |       |
| -   | 997 361 605 90 | spacer ring<br>5 MM           |        | 2   | IXRP  |



|       |      |    |    |              |              |     |       |            |         |     |         |
|-------|------|----|----|--------------|--------------|-----|-------|------------|---------|-----|---------|
| Model | Year | MG | SG | Illustration | Restrictions | UPD | 14:02 | 01.03.2010 | PORSCHE | PET | PORSCHE |
| 987-2 | 2010 | 4  | 02 | 402-00       |              | 248 |       |            |         |     |         |

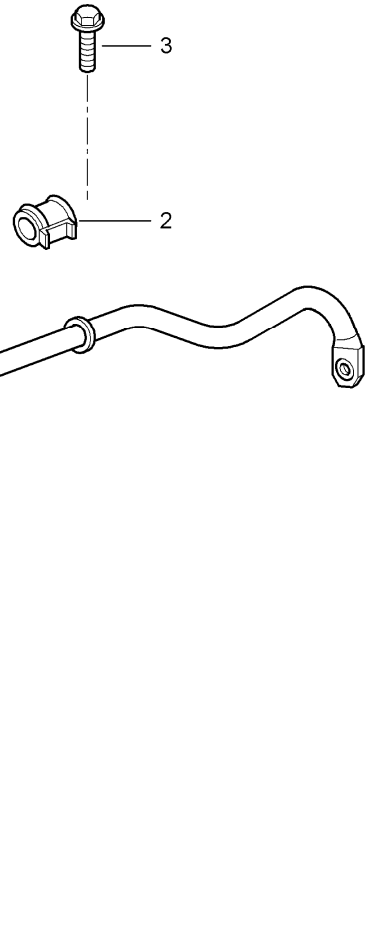
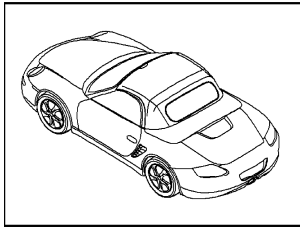


| Pos | Part Number    | Description                      | Remark | Qty | Model  |
|-----|----------------|----------------------------------|--------|-----|--------|
|     |                | suspension shock absorber strut  |        |     |        |
| 1   | 987 343 042 00 | shock absorber                   |        | 2   | I029   |
| (1) | 987 343 045 21 | shock absorber                   |        | 2   | I475   |
| (1) | 987 343 042 08 | shock absorber                   |        | 2   | Spyder |
| 2   | 996 343 513 00 | washer                           |        | 2   |        |
| 3   | 997 343 018 01 | supporting mount                 |        | 2   |        |
| -   | 999 084 447 01 | hexagon nut M 8                  |        | 6   |        |
| 4   | 996 343 517 01 | support ring                     |        | 2   |        |
| 5   | 996 343 511 00 | compensating plate 3,0 MM        |        | X   |        |
| (5) | 996 343 511 01 | compensating plate 6,5 MM        |        | X   |        |
| 6   | 997 343 107 01 | stop plate                       |        | 4   |        |
| (6) | 997 343 107 00 | stop plate lower                 |        | 2   | I475   |
| (6) | 997 343 107 01 | stop plate upper                 |        | 2   |        |
| 7   | 987 343 531 10 | coil spring 1 set                |        | 1   | I029   |
|     | 504            | identification green green white |        |     |        |
| (7) | 987 343 531 11 | coil spring 1 set                |        | 1   | I475   |
|     | 504            | identification blue blue white   |        |     |        |
| (7) | 987 343 531 40 | coil spring 1 set                |        | 1   | Spyder |
|     | 504            | identification violet blue       |        |     |        |
| 8   | 996 343 505 00 | bellows                          |        | 2   |        |

|       |      |    |    |              |              |     |       |            |         |     |         |
|-------|------|----|----|--------------|--------------|-----|-------|------------|---------|-----|---------|
| Model | Year | MG | SG | Illustration | Restrictions | UPD | 14:02 | 01.03.2010 | PORSCHE | PET | PORSCHE |
| 987-2 | 2010 | 4  | 02 | 402-00       |              | 248 |       |            |         |     |         |

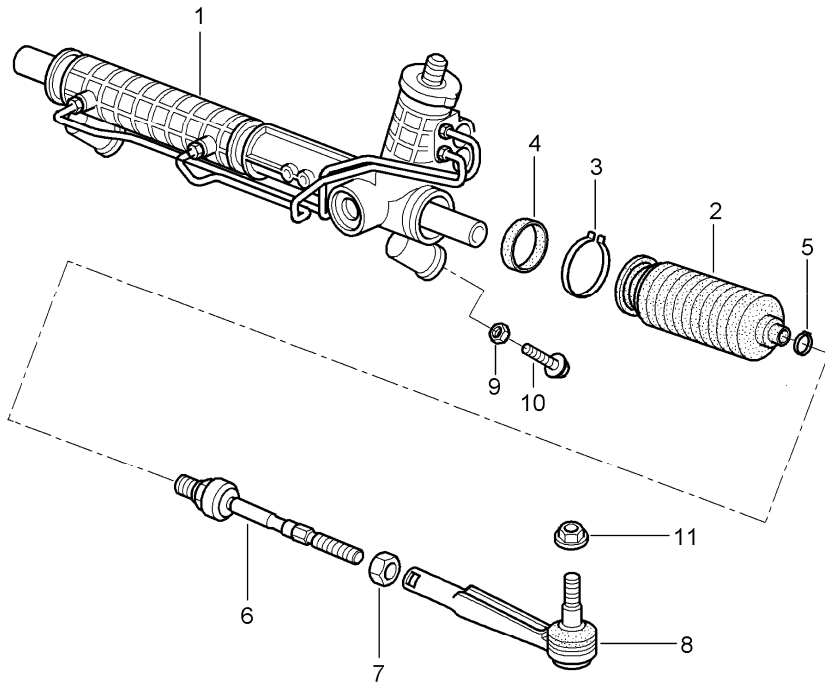
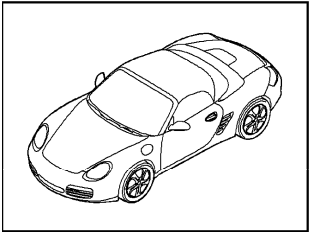
| Pos | Part Number    | Description  | Remark | Qty | Model     | Pos | Part Number    | Description                   | Remark | Qty | Model |
|-----|----------------|--|--------|-----|-----------|-----|----------------|-------------------------------|--------|-----|-------|
| 9   | 996 343 301 02 | additional spring  |        | 2   |           | 17  | 900 378 111 01 | hexagon-head bolt<br>M 6 x 60 |        | 2   |       |
| (9) | 987 343 301 00 | additional spring  |        | 2   | Spyder    | 16  | 997 606 111 01 | acceleration sensor<br>body   |        | 1   |       |
| 10  | 900 380 012 01 | hexagon nut<br>M 14 X 1,5                                |        | 2   |           | 17  | 997 606 212 01 | support<br>body               |        | 1   |       |
| 11  | 996 343 515 05 | deep-groove ball bearing<br>with housing                 |        | 2   |           |     |                |                               |        |     |       |
| 12  | 997 343 569 00 | clip   |        | 2   | Boxster   |     |                |                               |        |     |       |
| 12  | 997 343 569 00 | clip<br>brake<br>grey cast iron                          |        | 2   | Boxster-S |     |                |                               |        |     |       |
| 12  | 997 343 569 00 | clip<br>brake<br>grey cast iron                          |        | 2   | Spyder    |     |                |                               |        |     |       |
| 13  | 900 377 010 01 | hexagon nut<br>M 6<br>brake<br>grey cast iron            |        | 2   | Boxster   |     |                |                               |        |     |       |
| 13  | 900 377 010 01 | hexagon nut<br>M 6<br>brake<br>grey cast iron            |        | 2   | Boxster-S |     |                |                               |        |     |       |
| 13  | 900 377 010 01 | hexagon nut<br>M 6<br>brake<br>grey cast iron            |        | 2   | Spyder    |     |                |                               |        |     |       |
| -   | 900 378 111 01 | hexagon-head bolt<br>M 6 x 60<br>brake<br>grey cast iron |        | 2   | Boxster   |     |                |                               |        |     |       |
| -   | 900 378 111 01 | hexagon-head bolt<br>M 6 x 60<br>brake<br>grey cast iron |        | 2   | Boxster-S |     |                |                               |        |     |       |
| -   | 900 378 111 01 | hexagon-head bolt<br>M 6 x 60<br>brake<br>grey cast iron |        | 2   | Spyder    |     |                |                               |        |     |       |
| 14  | 987 618 450 01 | control unit   |        | 1   | I475      |     |                |                               |        |     |       |
| 15  | 999 703 457 40 | lid  |        | 2   |           |     |                |                               |        |     |       |
| 16  | 997 606 111 01 | acceleration sensor<br>body                              |        | 1   |           |     |                |                               |        |     |       |

|       |      |    |    |              |              |     |       |            |         |     |         |
|-------|------|----|----|--------------|--------------|-----|-------|------------|---------|-----|---------|
| Model | Year | MG | SG | Illustration | Restrictions | UPD | 14:02 | 01.03.2010 | PORSCHE | PET | PORSCHE |
| 987-2 | 2010 | 4  | 02 | 402-05       |              | 248 |       |            |         |     |         |



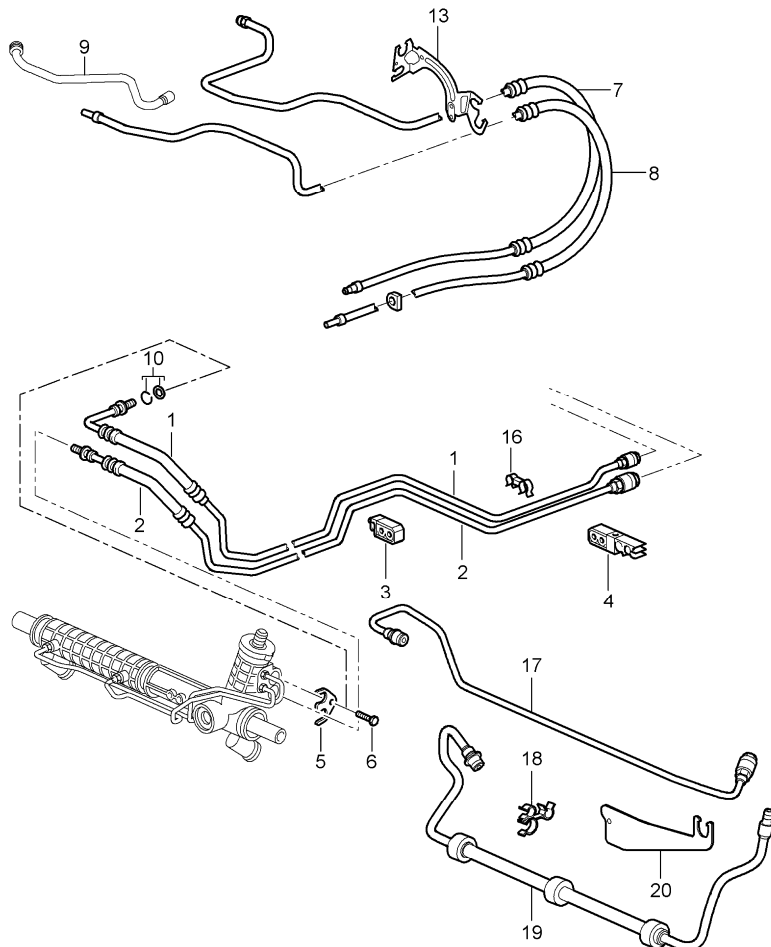
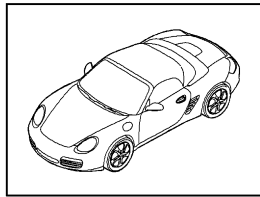
| Pos | Part Number    | Description                    | Remark | Qty | Model  |
|-----|----------------|--------------------------------|--------|-----|--------|
|     |                | stabiliser                     |        |     |        |
| (1) | 997 343 701 07 | stabiliser                     |        | 1   | I029   |
| (1) | 997 343 701 08 | stabiliser                     |        | 1   | I475   |
| (1) | 997 343 701 08 | stabiliser                     |        | 1   | Spyder |
| (2) | 996 343 792 17 | stabiliser mounting            |        | 2   |        |
| 3   | 900 378 098 01 | hexagon-head bolt<br>M 10 X 60 |        | 4   |        |
| -   | 900 380 008 01 | hexagon nut<br>M 10            |        | 4   |        |
| (4) | 997 343 069 03 | stabiliser mounting            | /L     | 1   |        |
| (4) | 997 343 070 03 | stabiliser mounting            | /R     | 1   |        |
| 5   | 999 084 445 01 | lock nut<br>M 12 X 1,5         |        | 2   |        |
| 6   | 999 084 123 09 | hexagon nut<br>M 10            |        | 2   |        |

|       |      |    |    |              |              |     |       |            |         |     |         |
|-------|------|----|----|--------------|--------------|-----|-------|------------|---------|-----|---------|
| Model | Year | MG | SG | Illustration | Restrictions | UPD | 14:03 | 01.03.2010 | PORSCHE | PET | PORSCHE |
| 987-2 | 2010 | 4  | 03 | 403-00       |              | 248 |       |            |         |     |         |



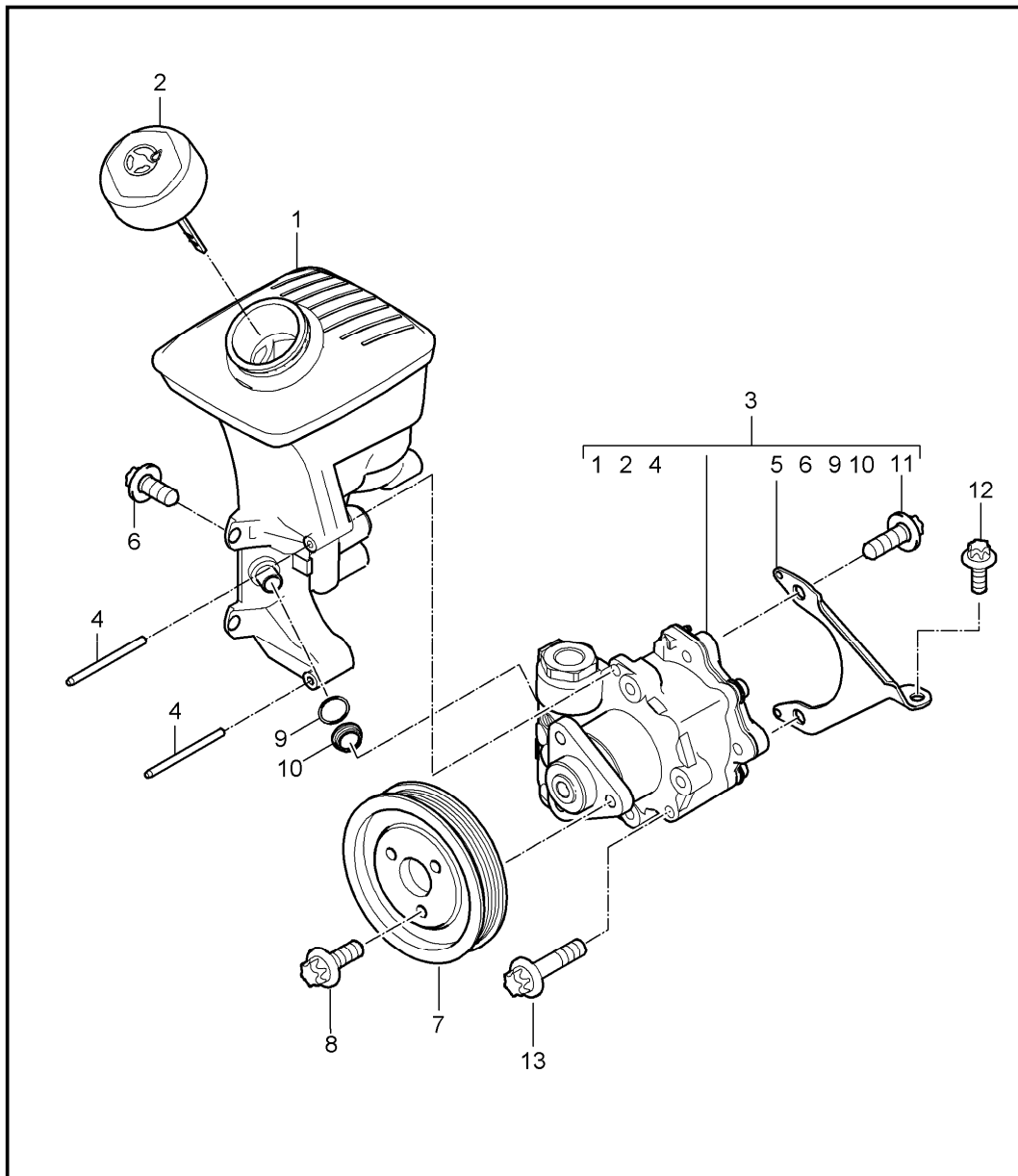
| Pos | Part Number    | Description                                       | Remark | Qty | Model |
|-----|----------------|---|--------|-----|-------|
|     |                | power steering<br>steering gear<br>steering parts |        |     |       |
| 1   | 987 347 011 00 | steering gear<br>power steering                   |        | 1   | I098  |
| (1) | 987 347 012 00 | steering gear<br>power steering                   |        | 1   | I099  |
| 2   | 997 347 191 00 | bellows<br>for<br>steering gear                   |        | 2   |       |
| 3   | 996 347 293 05 | clamping ring<br>for<br>steering gear             |        | 2   |       |
| 4   | 997 347 373 00 | sealing ring<br>for<br>steering gear              |        | 2   |       |
| 5   | 999 512 693 09 | clamping ring                                     |        | 2   |       |
| 6   | 997 347 322 01 | joint   |        | 2   |       |
| 7   | 999 034 037 09 | hexagon nut<br>M 14 X 1,5                         |        | 2   |       |
| 8   | 996 347 131 04 | track rod   |        | 2   |       |
| 9   | -              | see illustrations<br>4/01/00<br>POS.2             |        |     |       |
| 10  | 900 378 100 01 | hexagon-head bolt<br>AM 10 X 45                   |        | 2   |       |
| 11  | 999 084 449 09 | hexagon nut<br>M 12 X 1,5                         |        | 2   |       |

|       |      |    |    |              |              |     |       |            |         |     |         |
|-------|------|----|----|--------------|--------------|-----|-------|------------|---------|-----|---------|
| Model | Year | MG | SG | Illustration | Restrictions | UPD | 14:03 | 01.03.2010 | PORSCHE | PET | PORSCHE |
| 987-2 | 2010 | 4  | 03 | 403-01       |              | 248 |       |            |         |     |         |



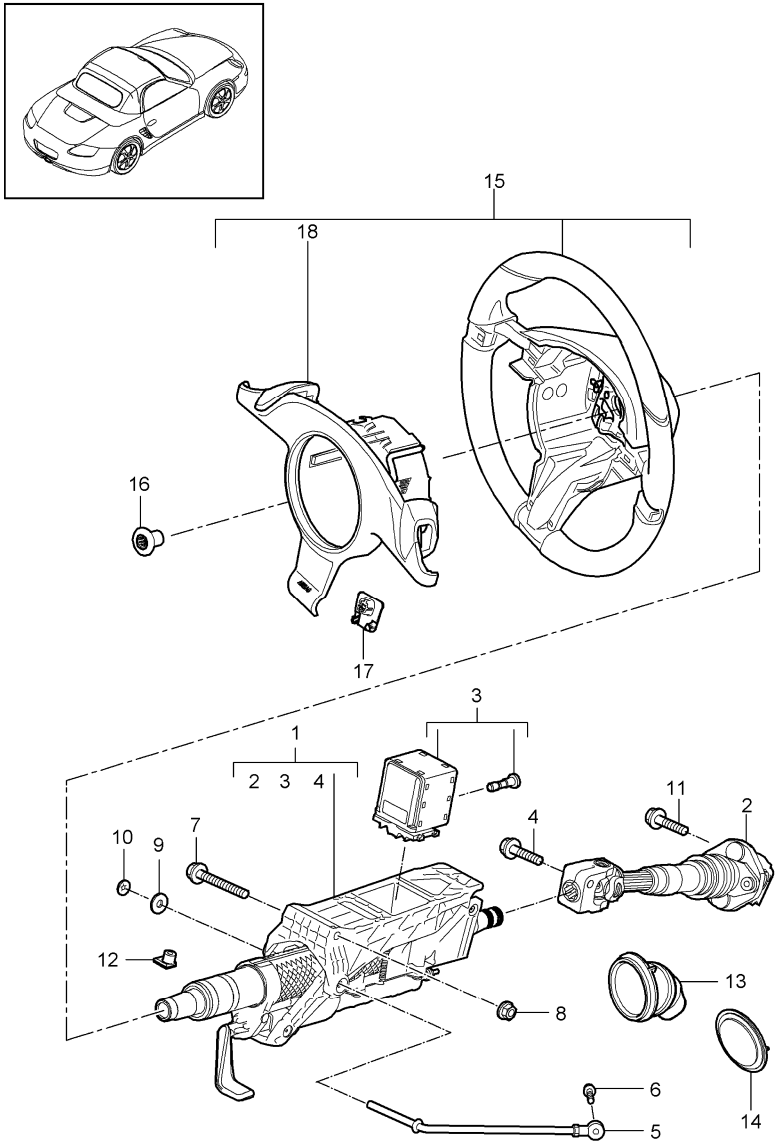
| Pos | Part Number    | Description  | Remark | Qty | Model |
|-----|----------------|--|--------|-----|-------|
|     |                | power steering lines                                 |        |     |       |
| 1   | 997 347 451 11 | pressure line  |        | 1   | I098  |
| (1) | 997 347 452 12 | pressure line  |        | 1   | I099  |
| 2   | 987 347 449 11 | return line  |        | 1   | I098  |
| (2) | 987 347 650 11 | return line  |        | 1   | I099  |
| 3   | 996 347 543 00 | cable holder   |        | 3   |       |
| 4   | 996 355 543 00 | support  |        | 1   |       |
| 5   | 996 347 769 01 | tension shackle                                      |        | 1   |       |
| 6   | 900 067 063 03 | pan-head screw<br>M 10 X 20                          |        | 1   |       |
| 7   | 9A1 347 443 12 | pressure line  | -09    | 1   |       |
| 7   | 9A1 347 443 13 | pressure line  | 10-    | 1   |       |
| 8   | 9A1 347 439 14 | return line  | -09    | 1   |       |
| 8   | 9A1 347 439 15 | return line  | 10-    | 1   |       |
| 9   | 9A1 347 437 14 | return line<br>power-steering pump<br>heat exchanger |        | 1   |       |
| 10  | 997 347 945 00 | repair kit<br>pentosin                               |        | x   |       |
| 13  | 9A1 347 649 11 | support  |        | 1   |       |
| 16  | 999 507 091 40 | cable holder   |        | 3   |       |
| 17  | 997 347 564 11 | pressure line  |        | 1   | I099  |
| 18  | 999 507 963 40 | support  |        | 1   | I099  |
| 19  | 997 347 462 12 | return line  |        | 1   | I099  |
| 20  | 997 347 560 00 | support  |        | 1   | I099  |

|       |      |    |    |              |              |     |       |            |         |     |         |
|-------|------|----|----|--------------|--------------|-----|-------|------------|---------|-----|---------|
| Model | Year | MG | SG | Illustration | Restrictions | UPD | 14:03 | 01.03.2010 | PORSCHE | PET | PORSCHE |
| 987-2 | 2010 | 4  | 03 | 403-03       |              | 248 |       |            |         |     |         |



| Pos | Part Number    | Description  | Remark | Qty | Model |
|-----|----------------|--|--------|-----|-------|
|     |                | power steering<br>power-steering pump<br>container |        |     |       |
| 1   | 9A1 314 220 14 | oil tank   |        | 1   |       |
| 2   | 9A1 314 223 01 | lid  |        | 1   |       |
| 3   | 9A1 314 020 13 | power-steering pump                                |        | 1   |       |
| 4   | 996 314 320 03 | straight pin                                       |        | 2   |       |
| 5   | 9A1 314 430 02 | bracket  |        | 1   |       |
| 6   | 900 385 044 01 | torx screw<br>BM 8 X 16                            |        | 2   |       |
| 7   | 9A1 147 123 00 | pulley   |        | 1   |       |
| -   | 9A1 147 205 01 | cover<br>for<br>pulley                             |        | 1   |       |
| 8   | 900 385 099 01 | torx screw<br>BM 8 X 12                            |        | 3   |       |
| 9   | 999 707 204 40 | sealing ring<br>12,5 X 2,0                         |        | 1   |       |
| 10  | 996 314 427 00 | guide  |        | 1   |       |
| 11  | 900 385 042 01 | torx screw<br>BM 8 X 35                            |        | 2   |       |
| 12  | 900 385 009 01 | torx screw<br>M 6 X 16                             |        | 1   |       |
| -   | 000 043 203 33 | pentosin<br>1000 ML                                |        | X   |       |
| 13  | 900 385 042 01 | torx screw<br>BM 8 X 35                            |        | 2   |       |

|       |      |    |    |              |              |     |       |            |         |     |         |
|-------|------|----|----|--------------|--------------|-----|-------|------------|---------|-----|---------|
| Model | Year | MG | SG | Illustration | Restrictions | UPD | 14:03 | 01.03.2010 | PORSCHE | PET | PORSCHE |
| 987-2 | 2010 | 4  | 03 | 403-04       |              | 248 |       |            |         |     |         |



| Pos | Part Number      | Description                                      | Remark | Qty | Model |
|-----|------------------|--|--------|-----|-------|
|     |                  | steering outer tube                              |        |     | I250  |
|     |                  | steering shaft                                   |        |     | I250  |
|     |                  | steering wheels                                  |        |     | I250  |
| 1   | 997 347 007 10   | steering column<br>complete                      |        | 1   |       |
| 2   | 997 347 023 04   | intermed. steering shaft                         |        | 1   |       |
| 3   | 997 618 158 04   | control unit<br>steering column<br>with<br>screw |        | 1   |       |
| 4   | A 999 217 042 03 | hexagon-head bolt<br>M 8 X 35                    |        | 1   |       |
| 4   | 999 217 042 04   | hexagon-head bolt<br>M 8 X 35                    |        | 1   |       |
| 5   | 997 347 243 00   | support  |        | 1   |       |
| 6   | 900 378 173 01   | hexagon-head bolt<br>M 6 x 20                    |        | 1   |       |
| 7   | 900 378 095 01   | hexagon-head bolt<br>M 10 X 100                  |        | 1   |       |
| 8   | 900 380 008 01   | hexagon nut<br>M 10                              |        | 1   |       |
| 9   | 900 151 006 03   | washer   |        | 1   |       |
| 10  | 999 507 217 07   | clamping washer                                  |        | 1   |       |
| 11  | A 999 217 042 03 | hexagon-head bolt<br>M 8 X 35                    |        | 1   |       |
| 11  | 999 217 042 04   | hexagon-head bolt<br>M 8 X 35                    |        | 1   |       |
| 12  | 999 920 019 40   | plug-in nut<br>3,5 X 2,5 X 9                     |        | 1   |       |
| 13  | 986 347 037 01   | bellows  |        | 1   |       |
| 14  | 996 347 339 02   | rubber seal<br>bulkhead                          |        | 1   |       |
| 15  | 997 347 803 30   | steering wheel<br>paddle                         |        | 1   | I840  |
|     | A34              | black  |        |     |       |
|     | B24              | stone grey                                       |        |     |       |

|       |      |    |    |              |              |     |       |            |         |     |         |
|-------|------|----|----|--------------|--------------|-----|-------|------------|---------|-----|---------|
| Model | Year | MG | SG | Illustration | Restrictions | UPD | 14:03 | 01.03.2010 | PORSCHE | PET | PORSCHE |
| 987-2 | 2010 | 4  | 03 | 403-04       |              | 248 |       |            |         |     |         |

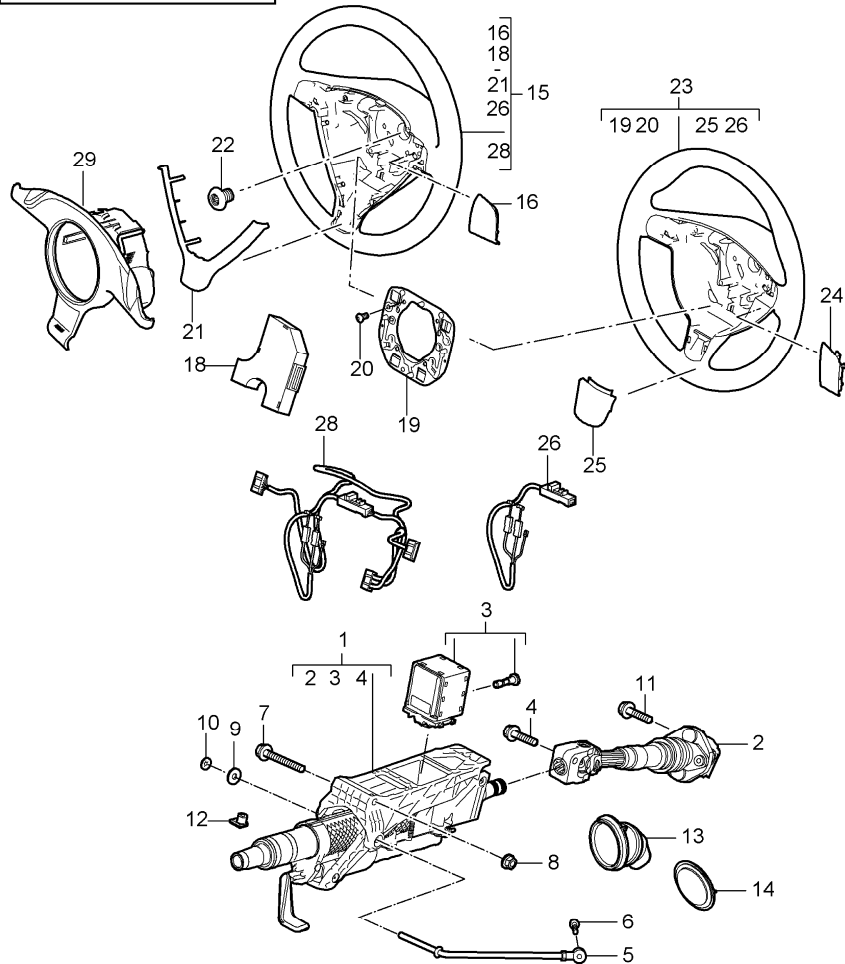
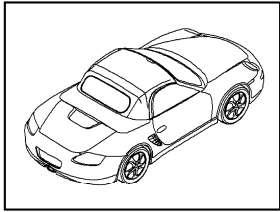
| Pos  | Part Number    | Description                  | Remark | Qty | Model                | Pos  | Part Number    | Description                                 | Remark | Qty | Model       |
|------|----------------|------------------------------|--------|-----|----------------------|------|----------------|---|--------|-----|-------------|
|      | T24            | sand beige                   |        |     |                      | 15   | 997 347 803 32 | steering wheel                              |        | 1   | Spyder I841 |
|      | E24            | sea blue                     |        |     |                      |      |                | plain leather                               |        |     |             |
|      | M24            | terracotta                   |        |     |                      |      | A34            | black                                       |        |     |             |
|      | R24            | cocoa                        |        |     |                      |      | T24            | sand beige                                  |        |     |             |
|      | D14            | dark grey/natural            |        |     |                      |      | R24            | cocoa                                       |        |     |             |
|      | T34            | brown/natural                |        |     |                      |      | N14            | carrera red                                 |        |     |             |
|      | N14            | carrera red                  |        |     |                      | (15) | 997 347 803 25 | steering wheel                              |        | 1   | I345/841    |
| (15) | 997 347 803 31 | steering wheel Paddle        |        | 1   | I639/840<br>I639/640 |      |                | plain leather                               |        |     |             |
|      | A34            | black                        |        |     |                      |      | A34            | black                                       |        |     |             |
|      | B24            | stone grey                   |        |     |                      |      | B24            | stone grey                                  |        |     |             |
|      | T24            | sand beige                   |        |     |                      |      | T24            | sand beige                                  |        |     |             |
|      | E24            | sea blue                     |        |     |                      |      | E24            | sea blue                                    |        |     |             |
|      | M24            | terracotta                   |        |     |                      |      | M24            | terracotta                                  |        |     |             |
|      | R24            | cocoa                        |        |     |                      |      | R24            | cocoa                                       |        |     |             |
|      | D14            | dark grey/natural            |        |     |                      |      | D14            | dark grey/natural                           |        |     |             |
|      | T34            | brown/natural                |        |     |                      |      | T34            | brown/natural                               |        |     |             |
|      | N14            | carrera red                  |        |     |                      |      | N14            | carrera red                                 |        |     |             |
| 15   | 997 347 803 20 | steering wheel plain leather |        | 1   | I841                 | (15) | 997 347 803 21 | steering wheel plain leather multi-function |        | 1   | I844        |
|      | A34            | black                        |        |     |                      |      | A34            | black                                       |        |     |             |
|      | B24            | stone grey                   |        |     |                      |      | B24            | stone grey                                  |        |     |             |
|      | T24            | sand beige                   |        |     |                      |      | T24            | sand beige                                  |        |     |             |
|      | E24            | sea blue                     |        |     |                      |      | E24            | sea blue                                    |        |     |             |
|      | M24            | terracotta                   |        |     |                      |      | M24            | terracotta                                  |        |     |             |
|      | R24            | cocoa                        |        |     |                      |      | R24            | cocoa                                       |        |     |             |
|      | D14            | dark grey/natural            |        |     |                      |      | D14            | dark grey/natural                           |        |     |             |
|      | T34            | brown/natural                |        |     |                      |      | T34            | brown/natural                               |        |     |             |
|      | N14            | carrera red                  |        |     |                      |      | N14            | carrera red                                 |        |     |             |



|       |      |    |    |              |              |     |       |            |         |     |         |
|-------|------|----|----|--------------|--------------|-----|-------|------------|---------|-----|---------|
| Model | Year | MG | SG | Illustration | Restrictions | UPD | 14:03 | 01.03.2010 | PORSCHE | PET | PORSCHE |
| 987-2 | 2010 | 4  | 03 | 403-04       |              | 248 |       |            |         |     |         |

| Pos  | Part Number    | Description                                       | Remark | Qty | Model    | Pos  | Part Number    | Description   | Remark | Qty | Model    |
|------|----------------|---|--------|-----|----------|------|----------------|---|--------|-----|----------|
| (15) | 997 347 803 24 | steering wheel<br>plain leather<br>multi-function |        | 1   | I345/844 |      | R24            | cocoa   |        |     |          |
|      | A34            | black   |        |     |          |      | D14            | dark grey/natural   |        |     |          |
|      | B24            | stone grey  |        |     |          |      | T34            | brown/natural   |        |     |          |
|      | T24            | sand beige  |        |     |          |      | N14            | carrera red   |        |     |          |
|      | E24            | sea blue  |        |     |          | (15) | 997 347 980 05 | steering wheel<br>multi-function<br>aluminium look  |        | 1   | IXPU/345 |
|      | M24            | terracotta  |        |     |          |      | A34            | black   |        |     |          |
|      | R24            | cocoa   |        |     |          |      | B24            | stone grey  |        |     |          |
|      | D14            | dark grey/natural                                 |        |     |          |      | T24            | sand beige  |        |     |          |
|      | T34            | brown/natural                                     |        |     |          |      | E24            | sea blue  |        |     |          |
|      | N14            | carrera red                                       |        |     |          |      | M24            | terracotta  |        |     |          |
| (15) | 997 347 803 22 | steering wheel<br>multi-function<br>carbon        |        | 1   | I345/845 |      | R24            | cocoa   |        |     |          |
|      | A34            | black   |        |     |          |      | D14            | dark grey/natural   |        |     |          |
|      | B24            | stone grey  |        |     |          |      | T34            | brown/natural   |        |     |          |
|      | T24            | sand beige  |        |     |          |      | N14            | carrera red   |        |     |          |
|      | E24            | sea blue  |        |     |          | 16   | N 910 207 01   | screw<br>M 18 X 1,5 X 26  |        | 1   |          |
|      | M24            | terracotta  |        |     |          | 17   | 997 613 425 00 | tip switch  |        | 1   | I345     |
|      | R24            | cocoa   |        |     |          |      | A05            | black   |        |     |          |
|      | D14            | dark grey/natural                                 |        |     |          | 18   | 997 613 461 00 | module  |        | 1   | I841     |
|      | T34            | brown/natural                                     |        |     |          |      | FUP            | volcano grey/galvanosilver  |        |     |          |
|      | N14            | carrera red                                       |        |     |          | -    | 000 043 207 50 | mixing tube   |        | X   | I250     |
| (15) | 997 347 803 23 | steering wheel<br>multi-function<br>macassar      |        | 1   | I345/847 | -    | 000 043 207 48 | adhesive set<br>steering wheel<br>see technical manual<br>suspension<br>group<br>48 12 55 |        | 1   | I250     |
|      | A34            | black   |        |     |          |      |                |   |        |     |          |
|      | B24            | stone grey  |        |     |          |      |                |   |        |     |          |
|      | T24            | sand beige  |        |     |          |      |                |   |        |     |          |
|      | E24            | sea blue  |        |     |          |      |                |   |        |     |          |
|      | M24            | terracotta  |        |     |          |      |                |   |        |     |          |

|       |      |    |    |              |              |     |       |            |         |     |         |
|-------|------|----|----|--------------|--------------|-----|-------|------------|---------|-----|---------|
| Model | Year | MG | SG | Illustration | Restrictions | UPD | 14:03 | 01.03.2010 | PORSCHE | PET | PORSCHE |
| 987-2 | 2010 | 4  | 03 | 403-05       |              | 248 |       |            |         |     |         |



| Pos | Part Number      | Description  | Remark | Qty | Model                |
|-----|------------------|--|--------|-----|----------------------|
|     |                  | steering outer tube<br>steering shaft<br>steering wheels |        |     | I480<br>I480<br>I480 |
| (1) | 997 347 007 10   | steering column<br>complete<br>steering shaft            |        | 1   |                      |
| 2   | 997 347 023 04   | intermed. steering shaft                                 |        | 1   |                      |
| 3   | 997 618 158 04   | control unit<br>steering column<br>with<br>screw         |        | 1   |                      |
| 4   | A 999 217 042 03 | hexagon-head bolt<br>M 8 X 35                            |        | 1   |                      |
| 4   | 999 217 042 04   | hexagon-head bolt<br>M 8 X 35                            |        | 1   |                      |
| 5   | 997 347 243 00   | support  |        | 1   |                      |
| 6   | 900 378 173 01   | hexagon-head bolt<br>M 6 x 20                            |        | 1   |                      |
| 7   | 900 378 095 01   | hexagon-head bolt<br>M 10 X 100                          |        | 1   |                      |
| 8   | 900 380 008 01   | hexagon nut<br>M 10                                      |        | 1   |                      |
| 9   | 900 151 006 03   | washer   |        | 1   |                      |
| 10  | 999 507 217 07   | clamping washer  |        | 1   |                      |
| 11  | A 999 217 042 03 | hexagon-head bolt<br>M 8 X 35                            |        | 1   |                      |
| 11  | 999 217 042 04   | hexagon-head bolt<br>M 8 X 35                            |        | 1   |                      |
| 12  | 999 920 019 40   | plug-in nut<br>3,5 X 2,5 X 9                             |        | 1   |                      |
| 13  | 986 347 037 01   | bellows  |        | 1   |                      |
| 14  | 996 347 339 02   | rubber seal<br>bulkhead                                  |        | 1   |                      |
| 15  | 997 347 804 14   | steering wheel<br>plain leather                          | -09    | 1   | I459                 |
|     | A34              | black  |        |     |                      |
|     | B24              | stone grey   |        |     |                      |

|       |      |    |    |              |              |     |       |            |         |     |         |
|-------|------|----|----|--------------|--------------|-----|-------|------------|---------|-----|---------|
| Model | Year | MG | SG | Illustration | Restrictions | UPD | 14:03 | 01.03.2010 | PORSCHE | PET | PORSCHE |
| 987-2 | 2010 | 4  | 03 | 403-05       |              | 248 |       |            |         |     |         |

| Pos  | Part Number    | Description  | Remark | Qty | Model | Pos  | Part Number    | Description  | Remark | Qty | Model |
|------|----------------|--|--------|-----|-------|------|----------------|--|--------|-----|-------|
|      | T24            | sand beige   |        |     |       |      | FSQ            | carrera red  |        |     |       |
|      | E24            | sea blue   |        |     |       | (15) | 997 347 804 24 | steering wheel<br>multi-function<br>wood<br>carbon | -09    | 1   | I453  |
|      | M24            | terracotta   |        |     |       |      | FOK            | black  |        |     |       |
|      | R24            | cocoa  |        |     |       |      | FOL            | stone grey   |        |     |       |
|      | D14            | dark grey/natural                                    |        |     |       |      | FOM            | sand beige   |        |     |       |
|      | T34            | brown/natural  |        |     |       |      | FOO            | sea blue   |        |     |       |
|      | N14            | carrera red  |        |     |       |      | FOP            | terracotta   |        |     |       |
| (15) | 997 347 804 15 | steering wheel<br>multi-function<br>plain leather    | -09    | 1   | I431  |      | FOQ            | cocoa  |        |     |       |
|      | A34            | black  |        |     |       |      | FOR            | dark grey/natural                                  |        |     |       |
|      | B24            | stone grey   |        |     |       |      | FOS            | brown/natural                                      |        |     |       |
|      | T24            | sand beige   |        |     |       |      | FSQ            | carrera red  |        |     |       |
|      | E24            | sea blue   |        |     |       | (15) | 997 347 981 00 | steering wheel<br>multi-function<br>aluminium look | -09    | 1   | IXPV  |
|      | M24            | terracotta   |        |     |       |      | A34            | black  |        |     |       |
|      | R24            | cocoa  |        |     |       |      | B24            | stone grey   |        |     |       |
|      | D14            | dark grey/natural                                    |        |     |       |      | T24            | sand beige   |        |     |       |
|      | T34            | brown/natural  |        |     |       |      | E24            | sea blue   |        |     |       |
|      | N14            | carrera red  |        |     |       |      | M24            | terracotta   |        |     |       |
| (15) | 997 347 804 22 | steering wheel<br>multi-function<br>wood<br>macassar | -09    | 1   | I451  |      | R24            | cocoa  |        |     |       |
|      | FOK            | black  |        |     |       |      | D14            | dark grey/natural                                  |        |     |       |
|      | FOL            | stone grey   |        |     |       |      | T34            | brown/natural                                      |        |     |       |
|      | FOM            | sand beige   |        |     |       |      | N14            | carrera red  |        |     |       |
|      | FOO            | sea blue   |        |     |       | (15) | 997 347 803 51 | steering wheel<br>leather                          | 10-    | 1   | I841  |
|      | FOP            | terracotta   |        |     |       |      | A34            | black  |        |     |       |
|      | FOQ            | cocoa  |        |     |       |      | B24            | stone grey   |        |     |       |
|      | FOR            | dark grey/natural                                    |        |     |       |      | T24            | sand beige   |        |     |       |
|      | FOS            | brown/natural  |        |     |       |      | E24            | sea blue   |        |     |       |

|       |      |    |    |              |              |     |       |            |         |     |         |
|-------|------|----|----|--------------|--------------|-----|-------|------------|---------|-----|---------|
| Model | Year | MG | SG | Illustration | Restrictions | UPD | 14:03 | 01.03.2010 | PORSCHE | PET | PORSCHE |
| 987-2 | 2010 | 4  | 03 | 403-05       |              | 248 |       |            |         |     |         |

| Pos  | Part Number    | Description            | Remark | Qty | Model    | Pos  | Part Number    | Description            | Remark | Qty | Model    |
|------|----------------|------------------------|--------|-----|----------|------|----------------|------------------------|--------|-----|----------|
|      | R24            | cocoa                  |        |     |          |      | B24            | stone grey             |        |     |          |
|      | M24            | terracotta             |        |     |          |      | T24            | sand beige             |        |     |          |
|      | D14            | dark grey              |        |     |          |      | E24            | sea blue               |        |     |          |
|      | T34            | brown/natural          |        |     |          |      | R24            | cocoa                  |        |     |          |
|      | N14            | carrera red            |        |     |          |      | M24            | terracotta             |        |     |          |
| (15) | 997 347 803 57 | steering wheel leather | 10-    | 1   | I345/841 |      | D14            | dark grey              |        |     |          |
|      | A34            | black                  |        |     |          |      | T34            | brown/natural          |        |     |          |
|      | B24            | stone grey             |        |     |          | (15) | 997 347 803 53 | steering wheel leather | 10-    | 1   | I345/845 |
|      | T24            | sand beige             |        |     |          |      | A34            | black                  |        |     |          |
|      | E24            | sea blue               |        |     |          |      | B24            | stone grey             |        |     |          |
|      | R24            | cocoa                  |        |     |          |      | T24            | sand beige             |        |     |          |
|      | M24            | terracotta             |        |     |          |      | E24            | sea blue               |        |     |          |
|      | D14            | dark grey              |        |     |          |      | R24            | cocoa                  |        |     |          |
|      | T34            | brown/natural          |        |     |          |      | M24            | terracotta             |        |     |          |
|      | N14            | carrera red            |        |     |          |      | D14            | dark grey              |        |     |          |
| (15) | 997 347 803 52 | steering wheel leather | 10-    | 1   | I844     |      | T34            | brown/natural          |        |     |          |
|      | A34            | black                  |        |     |          |      | N14            | carrera red            |        |     |          |
|      | B24            | stone grey             |        |     |          | (15) | 997 347 803 55 | steering wheel leather | 10-    | 1   | I345/847 |
|      | T24            | sand beige             |        |     |          |      | A34            | black                  |        |     |          |
|      | E24            | sea blue               |        |     |          |      | B24            | stone grey             |        |     |          |
|      | R24            | cocoa                  |        |     |          |      | T24            | sand beige             |        |     |          |
|      | M24            | terracotta             |        |     |          |      | E24            | sea blue               |        |     |          |
|      | D14            | dark grey              |        |     |          |      | R24            | cocoa                  |        |     |          |
|      | T34            | brown/natural          |        |     |          |      | M24            | terracotta             |        |     |          |
|      | N14            | carrera red            |        |     |          |      | D14            | dark grey              |        |     |          |
| (15) | 997 347 803 58 | steering wheel leather | 10-    | 1   | I345/844 |      | T34            | brown/natural          |        |     |          |
|      | A34            | black                  |        |     |          |      | N14            | carrera red            |        |     |          |

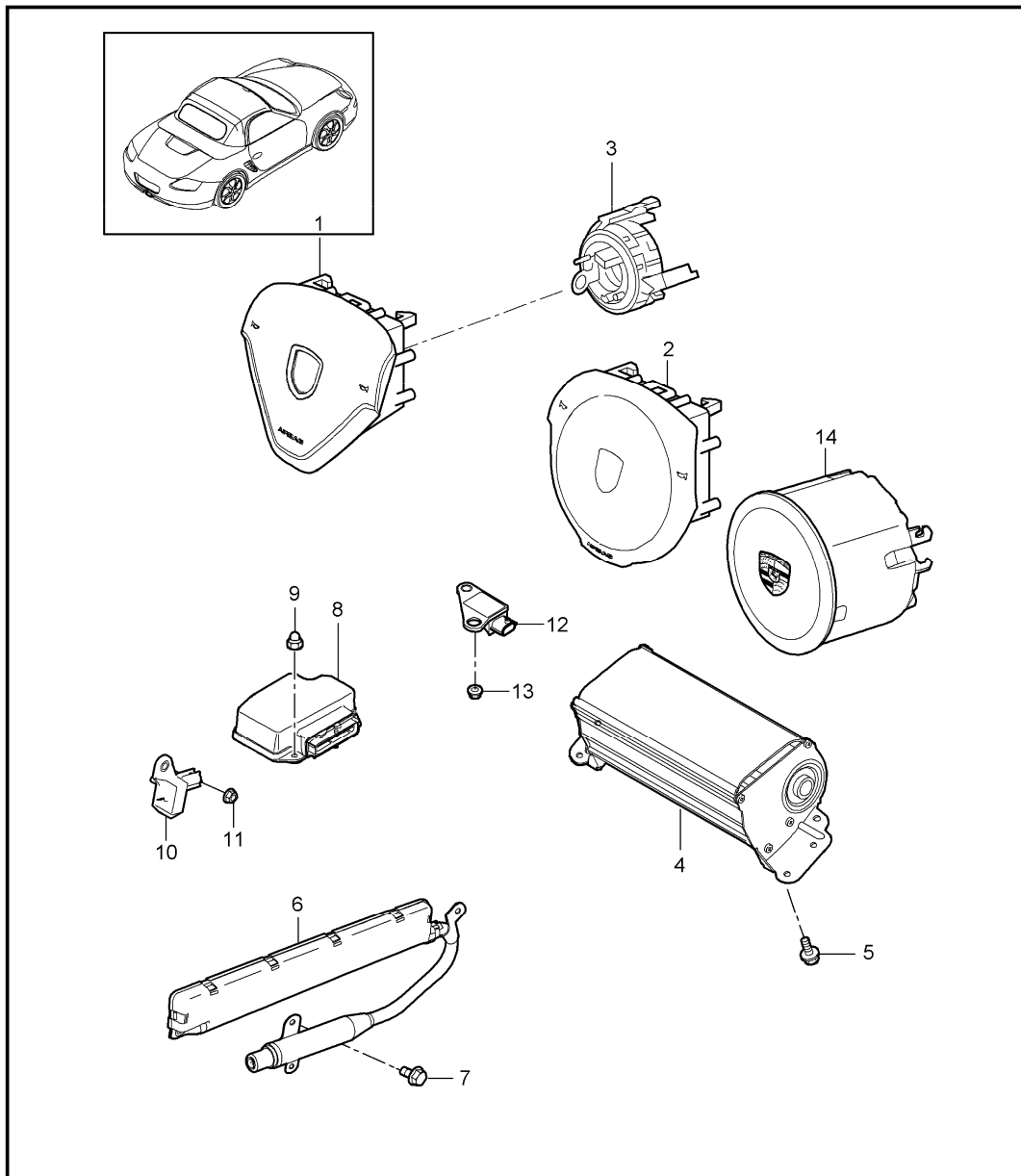
|       |      |    |    |              |              |     |       |            |         |     |         |
|-------|------|----|----|--------------|--------------|-----|-------|------------|---------|-----|---------|
| Model | Year | MG | SG | Illustration | Restrictions | UPD | 14:03 | 01.03.2010 | PORSCHE | PET | PORSCHE |
| 987-2 | 2010 | 4  | 03 | 403-05       |              | 248 |       |            |         |     |         |

| Pos  | Part Number    | Description   | Remark | Qty | Model          | Pos  | Part Number    | Description   | Remark | Qty | Model              |
|------|----------------|---|--------|-----|----------------|------|----------------|---|--------|-----|--------------------|
| (15) | 997 347 980 08 | steering wheel<br>leather                                 | 10-    | 1   | IXPU/345       | (16) | 997 613 434 03 | switching module<br>multi-function<br>manual transmission | /R     | -09 | 1                  |
|      | A34            | black   |        |     |                |      | V04            | galvano silver  |        |     |                    |
|      | B24            | stone grey  |        |     |                | 17   | 999 073 318 09 | half-round screw<br>M 4 X 10                              |        | -09 | 2                  |
|      | T24            | sand beige  |        |     |                | 18   | 997 613 445 03 | electronic unit<br>multi-function                         |        | -09 | 1 I431/451<br>I453 |
|      | E24            | sea blue  |        |     |                | 19   | 997 347 880 00 | retaining frame   |        | -09 | 1                  |
|      | R24            | cocoa   |        |     |                | 20   | 999 141 022 09 | round head screw<br>M 5 X 12,5                            |        | -09 | 4                  |
|      | M24            | terracotta  |        |     |                | 21   | 997 347 821 00 | cover   |        | -09 | 1                  |
|      | D14            | dark grey   |        |     |                |      | D07            | volcano grey  |        |     |                    |
|      | T34            | brown/natural   |        |     |                | 22   | N 910 207 01   | screw<br>M 18 X 1,5 X 26                                  |        |     | 1                  |
|      | N14            | carrera red   |        |     |                | 23   | 997 347 804 42 | sports steering wheel<br>plain leather                    |        | -09 | 1 I460             |
| (15) | 997 347 803 51 | steering wheel<br>leather                                 |        | 1   | Spyder<br>I841 |      | A34            | black   |        |     |                    |
|      | A34            | black   |        |     |                |      | B24            | stone grey  |        |     |                    |
|      | T24            | sand beige  |        |     |                |      | T24            | sand beige  |        |     |                    |
|      | R24            | cocoa   |        |     |                |      | E24            | sea blue  |        |     |                    |
|      | N14            | carrera red   |        |     |                |      | M24            | terracotta  |        |     |                    |
| 16   | 997 347 837 00 | cover   | /L     | -09 | 1              |      | R24            | cocoa   |        |     |                    |
|      | V04            | galvano silver  |        |     |                |      | D14            | dark grey/natural   |        |     |                    |
| (16) | 997 347 838 00 | cover   | /R     | -09 | 1              |      | T34            | brown/natural   |        |     |                    |
|      | V04            | galvano silver  |        |     |                |      | N14            | carrera red   |        |     |                    |
| (16) | 997 347 837 40 | cover   | /L     | -09 | 1 I460         | 24   | 997 347 837 40 | cover   | /L     | -09 | 1                  |
|      | V04            | galvano silver  |        |     |                |      | V04            | galvano silver  |        |     |                    |
| (16) | 997 347 838 40 | cover   | /R     | -09 | 1 I460         | (24) | 997 347 838 40 | cover   | /R     | -09 | 1                  |
|      | V04            | galvano silver  |        |     |                |      | V04            | galvano silver  |        |     |                    |
| (16) | 997 613 433 03 | switching module<br>multi-function<br>manual transmission | /L     | -09 | 1              | 25   | 997 347 821 40 | cover   |        | -09 | 1                  |
|      | V04            | galvano silver  |        |     |                |      | V04            | galvano silver  |        |     |                    |

|       |      |    |    |              |              |     |       |            |         |     |         |
|-------|------|----|----|--------------|--------------|-----|-------|------------|---------|-----|---------|
| Model | Year | MG | SG | Illustration | Restrictions | UPD | 14:03 | 01.03.2010 | PORSCHE | PET | PORSCHE |
| 987-2 | 2010 | 4  | 03 | 403-05       |              | 248 |       |            |         |     |         |

| Pos | Part Number    | Description   | Remark | Qty | Model | Pos | Part Number | Description | Remark | Qty | Model |
|-----|----------------|---|--------|-----|-------|-----|-------------|-------------|--------|-----|-------|
| 26  | 997 612 672 00 | wiring harness  | -09    | 1   |       |     |             |             |        |     |       |
| 28  | 997 612 673 00 | wiring harness  | -09    | 1   | I431  |     |             |             |        |     |       |
|     |                |   |        | 1   | I451  |     |             |             |        |     |       |
|     |                |   |        | 1   | I453  |     |             |             |        |     |       |
| 29  | 997 613 463 01 | model   | 10-    | 1   | I480  |     |             |             |        |     |       |
|     | FUR            | volcano grey/black mat  |        |     |       |     |             |             |        |     |       |
| -   | 000 043 207 50 | mixing tube   | 10-    | X   |       |     |             |             |        |     |       |
| -   | 000 043 207 48 | adhesive set<br>steering wheel<br>see technical manual<br>suspension<br>group<br>48 12 55 | 10-    | 1   |       |     |             |             |        |     |       |

|       |      |    |    |              |              |     |       |            |         |     |         |
|-------|------|----|----|--------------|--------------|-----|-------|------------|---------|-----|---------|
| Model | Year | MG | SG | Illustration | Restrictions | UPD | 14:03 | 01.03.2010 | PORSCHE | PET | PORSCHE |
| 987-2 | 2010 | 4  | 03 | 403-06       |              | 248 |       |            |         |     |         |



| Pos | Part Number    | Description                               | Remark | Qty | Model                |
|-----|----------------|---|--------|-----|----------------------|
| 1   | 997 803 089 13 | airbag<br>airbag unit<br>plastic material |        | 1   | I431/451<br>I453/459 |
|     | A32            | black                                     |        |     |                      |
|     | B22            | stone grey                                |        |     |                      |
|     | T22            | sand beige                                |        |     |                      |
|     | E22            | sea blue                                  |        |     |                      |
| (1) | 997 803 089 14 | airbag unit<br>leather                    |        | 1   | I431/991<br>I459/991 |
|     | A34            | black                                     |        |     |                      |
|     | B24            | stone grey                                |        |     |                      |
|     | T24            | sand beige                                |        |     |                      |
|     | E24            | sea blue                                  |        |     |                      |
|     | M24            | terracotta                                |        |     |                      |
|     | R24            | cocoa                                     |        |     |                      |
|     | D14            | dark grey/natural                         |        |     |                      |
|     | T34            | brown/natural                             |        |     |                      |
|     | N14            | carrera red                               |        |     |                      |
| (1) | 997 803 089 15 | airbag unit                               |        | 1   | IXPV/991             |
|     |                |   |        | 1   | I451/991             |
|     |                |   |        | 1   | I453/991             |
|     | A34            | black                                     |        |     |                      |
|     | B24            | stone grey                                |        |     |                      |
|     | T24            | sand beige                                |        |     |                      |
|     | E24            | sea blue                                  |        |     |                      |
|     | M24            | terracotta                                |        |     |                      |
|     | R24            | cocoa                                     |        |     |                      |
|     | D14            | dark grey/natural                         |        |     |                      |
|     | T34            | brown/natural                             |        |     |                      |
|     | N14            | carrera red                               |        |     |                      |

|       |      |    |    |              |              |     |       |            |         |     |         |
|-------|------|----|----|--------------|--------------|-----|-------|------------|---------|-----|---------|
| Model | Year | MG | SG | Illustration | Restrictions | UPD | 14:03 | 01.03.2010 | PORSCHE | PET | PORSCHE |
| 987-2 | 2010 | 4  | 03 | 403-06       |              | 248 |       |            |         |     |         |

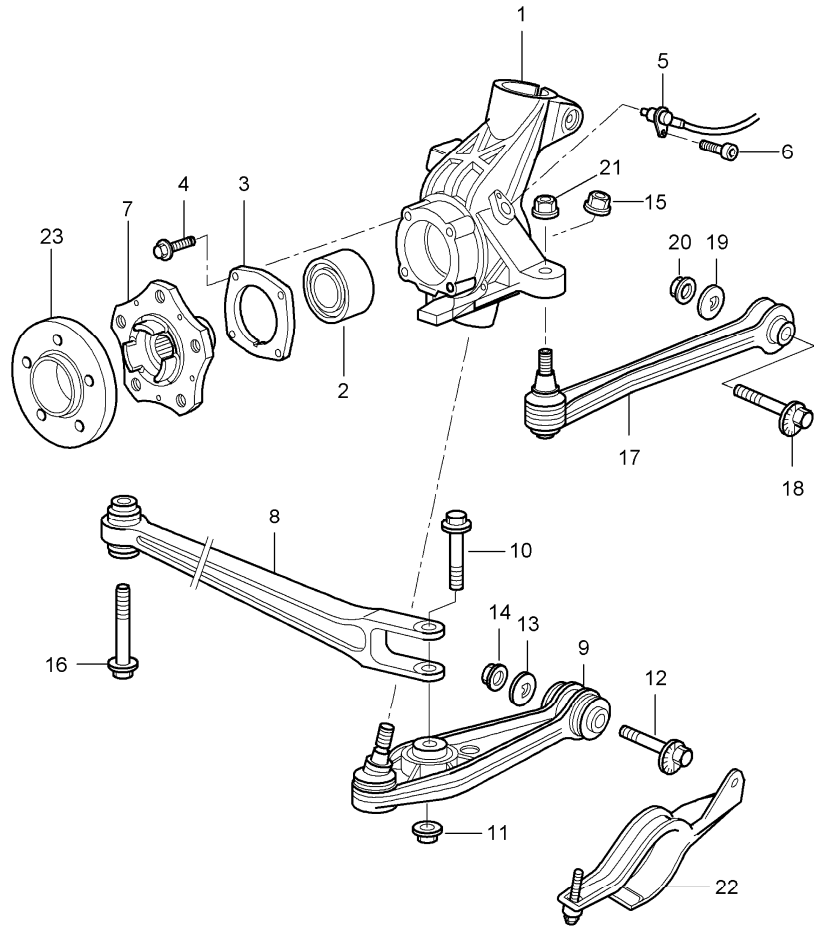
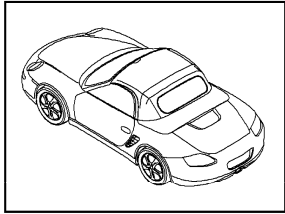
| Pos | Part Number    | Description  | Remark | Qty | Model    | Pos  | Part Number    | Description                             | Remark | Qty | Model |
|-----|----------------|--|--------|-----|----------|------|----------------|---|--------|-----|-------|
| (1) | 997 803 089 16 | airbag unit<br>sports steering wheel<br>plastic material |        | 1   | I460     | 3    | 955 652 211 11 | spring<br>with<br>steering-angle sensor |        | 1   |       |
|     | A32            | black  |        |     |          | (3)  | 955 652 211 21 | spring<br>with<br>steering-angle sensor |        | 1   | I345  |
|     | B22            | stone grey   |        |     |          | 4    | 997 803 071 08 | airbag unit<br>passenger's side         |        | 1   |       |
|     | T22            | sand beige   |        |     |          | 5    | 900 378 222 01 | hexagon-head bolt<br>M 6 X 16           |        | 4   |       |
|     | E22            | sea blue   |        |     |          | 6    | 997 803 091 03 | side airbag<br>for<br>head airbag       | /L     | 1   |       |
| (2) | 997 803 089 17 | airbag unit<br>sports steering wheel<br>leather          |        | 1   | I460/991 | (6)  | 997 803 092 03 | side airbag<br>for<br>head airbag       | /R     | 1   |       |
|     | A34            | black  |        |     |          | 7    | 900 378 035 01 | hexagon-head bolt<br>M 6 X 16           |        | 6   |       |
|     | B24            | stone grey   |        |     |          | 8    | 997 618 217 08 | control unit                            |        | 1   |       |
|     | T24            | sand beige   |        |     |          | 9    | 999 070 015 02 | cap nut<br>M 6                          |        | 3   |       |
|     | E24            | sea blue   |        |     |          | 10   | 997 618 221 01 | sensor<br>side airbag                   |        | 2   |       |
|     | M24            | terracotta   |        |     |          | 11   | 999 084 638 01 | hexagon nut<br>M 6                      |        | 8   |       |
|     | R24            | cocoa  |        |     |          | 12   | 997 618 223 02 | acceleration sensor<br>airbag<br>front  |        | 2   |       |
|     | D14            | dark grey/natural  |        |     |          | 13   | 999 084 638 01 | hexagon nut<br>M 6                      |        | 2   |       |
|     | T34            | brown/natural  |        |     |          | (14) | 997 803 089 11 | airbag unit                             |        | 1   |       |
|     | N14            | carrera red  |        |     |          |      | A03            | black                                   |        |     |       |
| (2) | 997 803 089 18 | airbag unit<br>sports steering wheel<br>leather          |        | 1   | IXPA/991 |      | 5V7            | stone grey                              |        |     |       |
|     | A34            | black  |        |     |          |      | 5Z1            | sand beige                              |        |     |       |
|     | B24            | stone grey   |        |     |          |      | 8W7            | sea blue                                |        |     |       |
|     | T24            | sand beige   |        |     |          | (14) | 997 803 089 12 | airbag unit<br>leather                  |        | 1   | I991  |
|     | E24            | sea blue   |        |     |          |      | A34            | black                                   |        |     |       |
|     | M24            | terracotta   |        |     |          |      |                |   |        |     |       |
|     | R24            | cocoa  |        |     |          |      |                |   |        |     |       |
|     | D14            | dark grey/natural  |        |     |          |      |                |   |        |     |       |
|     | T34            | brown/natural  |        |     |          |      |                |   |        |     |       |
|     | N14            | carrera red  |        |     |          |      |                |   |        |     |       |



|       |      |    |    |              |              |     |       |            |         |     |         |
|-------|------|----|----|--------------|--------------|-----|-------|------------|---------|-----|---------|
| Model | Year | MG | SG | Illustration | Restrictions | UPD | 14:03 | 01.03.2010 | PORSCHE | PET | PORSCHE |
| 987-2 | 2010 | 4  | 03 | 403-06       |              | 248 |       |            |         |     |         |

| Pos | Part Number | Description       | Remark | Qty | Model | Pos | Part Number | Description | Remark | Qty | Model |
|-----|-------------|-------------------|--------|-----|-------|-----|-------------|-------------|--------|-----|-------|
|     | B24         | stone grey        |        |     |       |     |             |             |        |     |       |
|     | T24         | sand beige        |        |     |       |     |             |             |        |     |       |
|     | E24         | sea blue          |        |     |       |     |             |             |        |     |       |
|     | M24         | terracotta        |        |     |       |     |             |             |        |     |       |
|     | R24         | cocoa             |        |     |       |     |             |             |        |     |       |
|     | D14         | dark grey/natural |        |     |       |     |             |             |        |     |       |
|     | T34         | brown/natural     |        |     |       |     |             |             |        |     |       |
|     | N14         | carrera red       |        |     |       |     |             |             |        |     |       |

|       |      |    |    |              |              |     |       |            |         |     |         |
|-------|------|----|----|--------------|--------------|-----|-------|------------|---------|-----|---------|
| Model | Year | MG | SG | Illustration | Restrictions | UPD | 14:04 | 01.03.2010 | PORSCHE | PET | PORSCHE |
| 987-2 | 2010 | 5  | 01 | 501-00       |              | 248 |       |            |         |     |         |

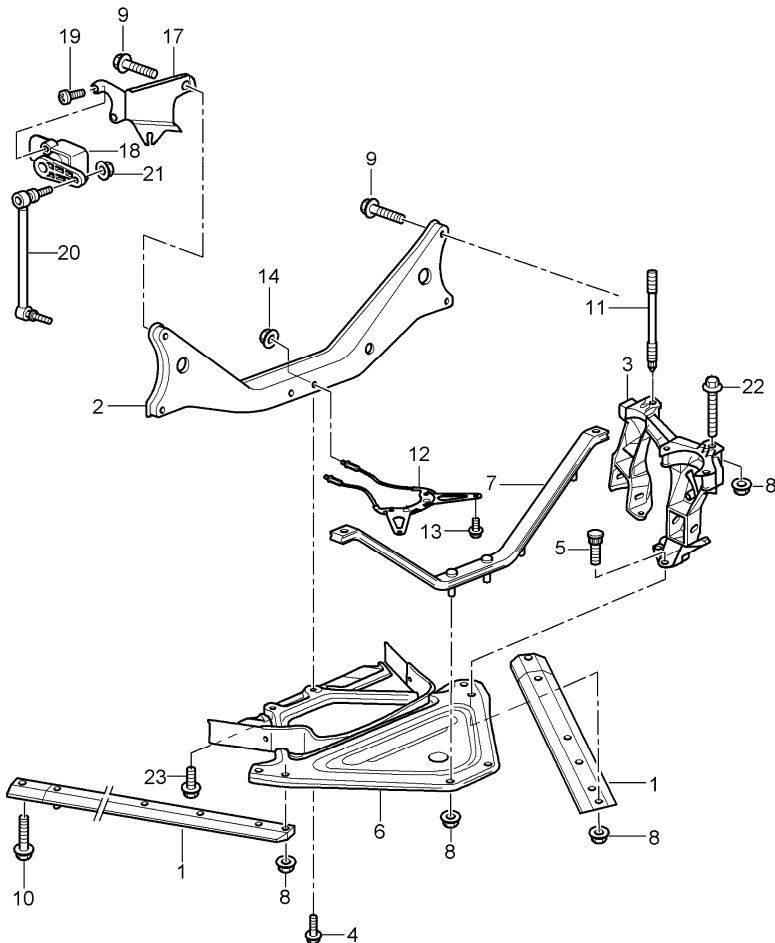
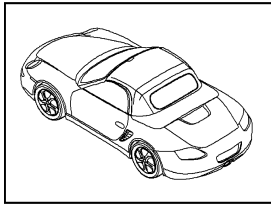


| Pos  | Part Number      | Description  | Remark | Qty | Model |
|------|------------------|--|--------|-----|-------|
|      |                  | rear axle<br>wheel carrier<br>control arm<br>wheel hub |        |     |       |
| (1)  | 987 331 157 06   | wheel carrier  |        | 1   |       |
| (1)  | 987 331 158 06   | wheel carrier  |        | 1   |       |
| 2    | 999 053 054 05   | angular-contact bearing                                |        | 2   |       |
| (3)  | 986 331 661 20   | lid  |        | 2   |       |
| 4    | A 999 217 042 03 | hexagon-head bolt<br>M 8 X 35                          |        | 8   |       |
| 4    | 999 217 042 04   | hexagon-head bolt<br>M 8 X 35                          |        | 8   |       |
| (5)  | 997 606 407 01   | speed sensor   |        | 2   |       |
| (6)  | 900 067 117 04   | pan-head screw<br>M 6 x 16                             |        | 2   |       |
| 7    | 997 341 605 01   | wheel hub  |        | 2   |       |
| 8    | 987 331 043 02   | control arm  |        | 2   |       |
| (9)  | 997 331 053 01   | wishbone   |        | 2   |       |
| (10) | 900 378 135 01   | hexagon-head bolt<br>M 14 x 1,5 x 75                   |        | 2   |       |
| 11   | 900 380 012 01   | hexagon nut<br>M 14 X 1,5                              |        | 2   |       |
| (12) | 996 331 217 03   | eccentric screw<br>M 12 X 100                          |        | 2   |       |
| 13   | 996 331 219 00   | eccentric washer                                       |        | 2   |       |
| 14   | 999 084 445 01   | lock nut<br>M 12 X 1,5                                 |        | 4   |       |
| 15   | 999 084 449 09   | hexagon nut<br>M 12 X 1,5                              |        | 2   |       |
| (16) | 900 378 209 01   | hexagon-head bolt<br>M 14 x 7,5 x 90                   |        | 2   |       |
| -    | 986 331 023 00   | nut lock   |        | 2   |       |
| (17) | 997 331 045 04   | track rod  |        | 2   |       |
| 18   | 996 331 217 02   | eccentric screw<br>M 12 X 83                           |        | 2   |       |

|       |      |    |    |              |              |     |       |            |         |     |         |
|-------|------|----|----|--------------|--------------|-----|-------|------------|---------|-----|---------|
| Model | Year | MG | SG | Illustration | Restrictions | UPD | 14:04 | 01.03.2010 | PORSCHE | PET | PORSCHE |
| 987-2 | 2010 | 5  | 01 | 501-00       |              | 248 |       |            |         |     |         |

| Pos | Part Number    | Description               | Remark | Qty | Model | Pos | Part Number | Description | Remark | Qty | Model |
|-----|----------------|---------------------------|--------|-----|-------|-----|-------------|-------------|--------|-----|-------|
| 19  | 996 331 219 00 | eccentric washer          |        | 2   |       |     |             |             |        |     |       |
| 20  | 999 084 445 01 | lock nut<br>M 12 X 1,5    |        | 2   |       |     |             |             |        |     |       |
| 21  | 999 084 449 09 | hexagon nut<br>M 12 X 1,5 |        | 2   |       |     |             |             |        |     |       |
| 22  | 987 331 371 02 | support                   | /L     | 2   | I603  |     |             |             |        |     |       |
| 23  | 997 361 605 90 | spacer ring<br>5 mm       |        | 2   | IXRP  |     |             |             |        |     |       |

|       |      |    |    |              |              |     |       |            |         |     |         |
|-------|------|----|----|--------------|--------------|-----|-------|------------|---------|-----|---------|
| Model | Year | MG | SG | Illustration | Restrictions | UPD | 14:04 | 01.03.2010 | PORSCHE | PET | PORSCHE |
| 987-2 | 2010 | 5  | 01 | 501-01       |              | 248 |       |            |         |     |         |

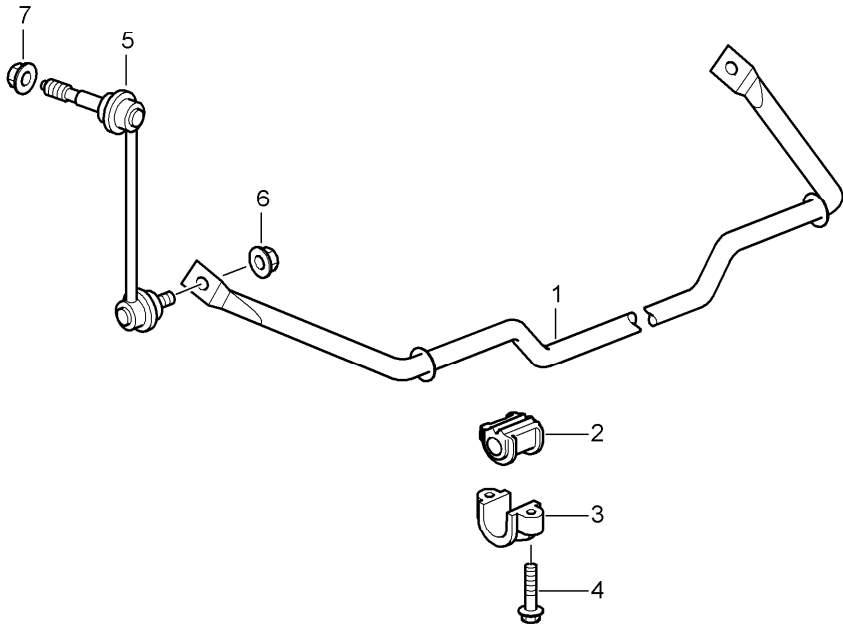
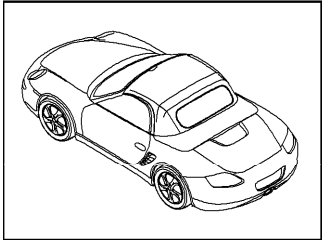


| Pos | Part Number    | Description   | Remark | Qty | Model |
|-----|----------------|---|--------|-----|-------|
|     |                | rear axle<br>side section<br>bracket  |        |     |       |
| 1   | 987 331 031 20 | strut   | /L     | 1   |       |
| (1) | 987 331 032 20 | strut   | /R     | 1   |       |
| 2   | 986 331 071 10 | cross member  |        | 1   |       |
| -   | 999 072 024 01 | hexagon-head bolt<br>M 10 X 25<br>threaded joint<br>cross member<br>bracket |        | 2   |       |
| 3   | 987 331 051 24 | side section  | /L     | 1   |       |
| (3) | 987 331 052 24 | side section  | /R     | 1   |       |
| 4   | 999 072 024 01 | hexagon-head bolt<br>M 10 X 25  |        | 2   |       |
| 5   | 999 080 031 01 | fastening screw   |        | 8   |       |
| 6   | 987 331 161 20 | bracket   |        | 1   | I480  |
| (6) | 987 331 161 50 | bracket   |        | 1   | I250  |
| -   | 986 331 361 03 | spoiler   |        | 2   |       |
| -   | 999 507 774 40 | push button<br>A 3,9  |        | 2   |       |
| -   | 999 507 775 40 | push button<br>B 3,9  |        | 2   |       |
| 7   | 986 331 093 03 | strut   |        | 1   |       |
| -   | 999 072 032 01 | hexagon-head bolt<br>M 10 x 75<br>POS.7<br>threaded joint<br>body           |        | 1   |       |
| 8   | 999 076 053 01 | hexagon nut<br>M 10   |        | 14  |       |
| 9   | 999 072 058 01 | hexagon-head bolt<br>M 10 X 45  |        | 4   |       |
| 10  | 999 073 443 01 | combination screw   |        | 2   |       |
| 11  | 999 061 108 01 | stud<br>M 10 X 113  |        | 4   |       |
| 12  | 987 331 181 20 | restraining cable   |        | 1   |       |

|       |      |    |    |              |              |     |       |            |         |     |         |
|-------|------|----|----|--------------|--------------|-----|-------|------------|---------|-----|---------|
| Model | Year | MG | SG | Illustration | Restrictions | UPD | 14:04 | 01.03.2010 | PORSCHE | PET | PORSCHE |
| 987-2 | 2010 | 5  | 01 | 501-01       |              | 248 |       |            |         |     |         |

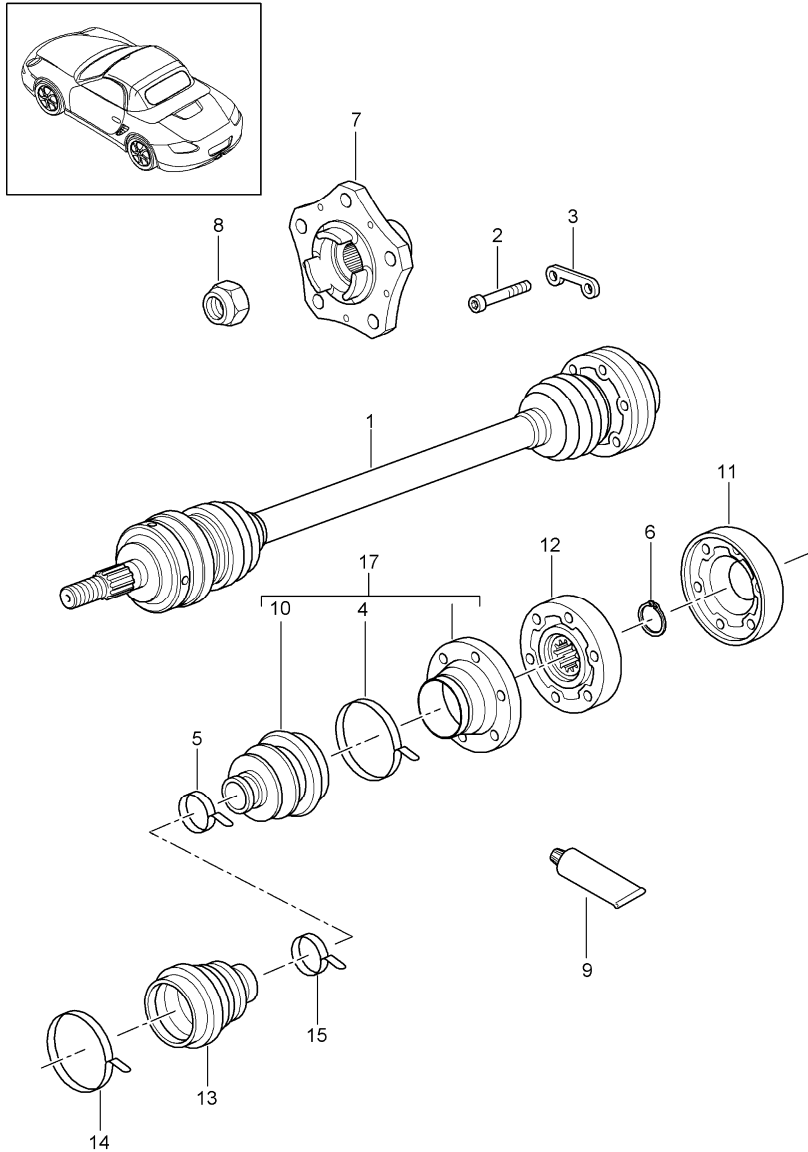
| Pos | Part Number    | Description                           | Remark | Qty | Model | Pos | Part Number | Description | Remark | Qty | Model |
|-----|----------------|---------------------------------------|--------|-----|-------|-----|-------------|-------------|--------|-----|-------|
| 13  | 900 385 050 02 | Outer hexagon round screw<br>M 6 x 16 |        | 4   |       |     |             |             |        |     |       |
| 14  | 999 084 457 01 | hexagon nut<br>M 8                    |        | 2   |       |     |             |             |        |     |       |
| 17  | 987 331 611 01 | support                               |        | 1   | I603  |     |             |             |        |     |       |
| 18  | 997 631 121 00 | sensor                                |        | 1   | I603  |     |             |             |        |     |       |
| 19  | N 014 129 12   | oval-head screw<br>M 5 X 10           |        | 2   | I603  |     |             |             |        |     |       |
| 20  | 987 331 375 00 | strut                                 |        | 1   | I603  |     |             |             |        |     |       |
| 21  | 900 380 015 01 | hexagon nut<br>VM 6                   |        | 2   | I603  |     |             |             |        |     |       |
| 22  | 999 217 165 01 | hexagon-head bolt<br>M 10 x 80        |        | 2   |       |     |             |             |        |     |       |
| 23  | 999 072 024 01 | hexagon-head bolt<br>M 10 x 25        |        | 2   |       |     |             |             |        |     |       |

|       |      |    |    |              |              |     |       |            |         |     |         |
|-------|------|----|----|--------------|--------------|-----|-------|------------|---------|-----|---------|
| Model | Year | MG | SG | Illustration | Restrictions | UPD | 14:04 | 01.03.2010 | PORSCHE | PET | PORSCHE |
| 987-2 | 2010 | 5  | 01 | 501-03       |              | 248 |       |            |         |     |         |



| Pos | Part Number    | Description                 | Remark | Qty | Model              |
|-----|----------------|-----------------------------|--------|-----|--------------------|
|     |                | stabiliser                  |        |     |                    |
| 1   | 987 333 701 03 | stabiliser                  |        | 1   | BOXSTER I250       |
| (1) | 987 333 701 04 | stabiliser                  |        | 1   | BOXSTER I220/250   |
|     |                |                             |        | 1   | BOXSTER I480       |
| (1) | 987 333 701 05 | stabiliser                  |        | 1   | BOXSTER I220/480   |
|     |                |                             |        | 1   | BOXSTER I475       |
|     |                |                             |        | 1   | BOXSTER S I220/250 |
|     |                |                             |        | 1   | BOXSTER S I475     |
| (1) | 987 333 701 07 | stabiliser                  |        | 1   | BOXSTER S I220/480 |
| 2   | 996 333 792 24 | stabiliser mounting         |        | 2   | BOXSTER I250       |
| 2   | 996 333 792 25 | stabiliser mounting         |        | 2   | BOXSTER I220/480   |
|     |                |                             |        | 2   | BOXSTER I475       |
|     |                |                             |        | 2   | BOXSTER S I220/250 |
|     |                |                             |        | 2   | BOXSTER S I475     |
| 2   | 996 333 792 26 | stabiliser mounting         |        | 2   | BOXSTER S I220/480 |
| (2) | 996 333 792 28 | stabiliser mounting         |        | 2   | BOXSTER I220/250   |
|     |                |                             |        | 2   | BOXSTER I480       |
| 3   | 996 333 777 01 | bearing clamp               |        | 2   |                    |
| 4   | 900 378 055 01 | hexagon-head bolt AM 8 X 40 |        | 4   |                    |
| 5   | 997 343 069 03 | stabiliser mounting         | /L     | 1   |                    |
| (5) | 997 343 070 03 | stabiliser mounting         | /R     | 1   |                    |
| 6   | 999 084 445 01 | lock nut M 12               |        | 2   |                    |
| 7   | 999 084 123 09 | hexagon nut M 10            |        | 2   |                    |

|       |      |    |    |              |              |     |       |            |         |     |         |
|-------|------|----|----|--------------|--------------|-----|-------|------------|---------|-----|---------|
| Model | Year | MG | SG | Illustration | Restrictions | UPD | 18:39 | 01.03.2010 | PORSCHE | PET | PORSCHE |
| 987-2 | 2010 | 5  | 01 | 501-05       |              | 248 |       |            |         |     |         |



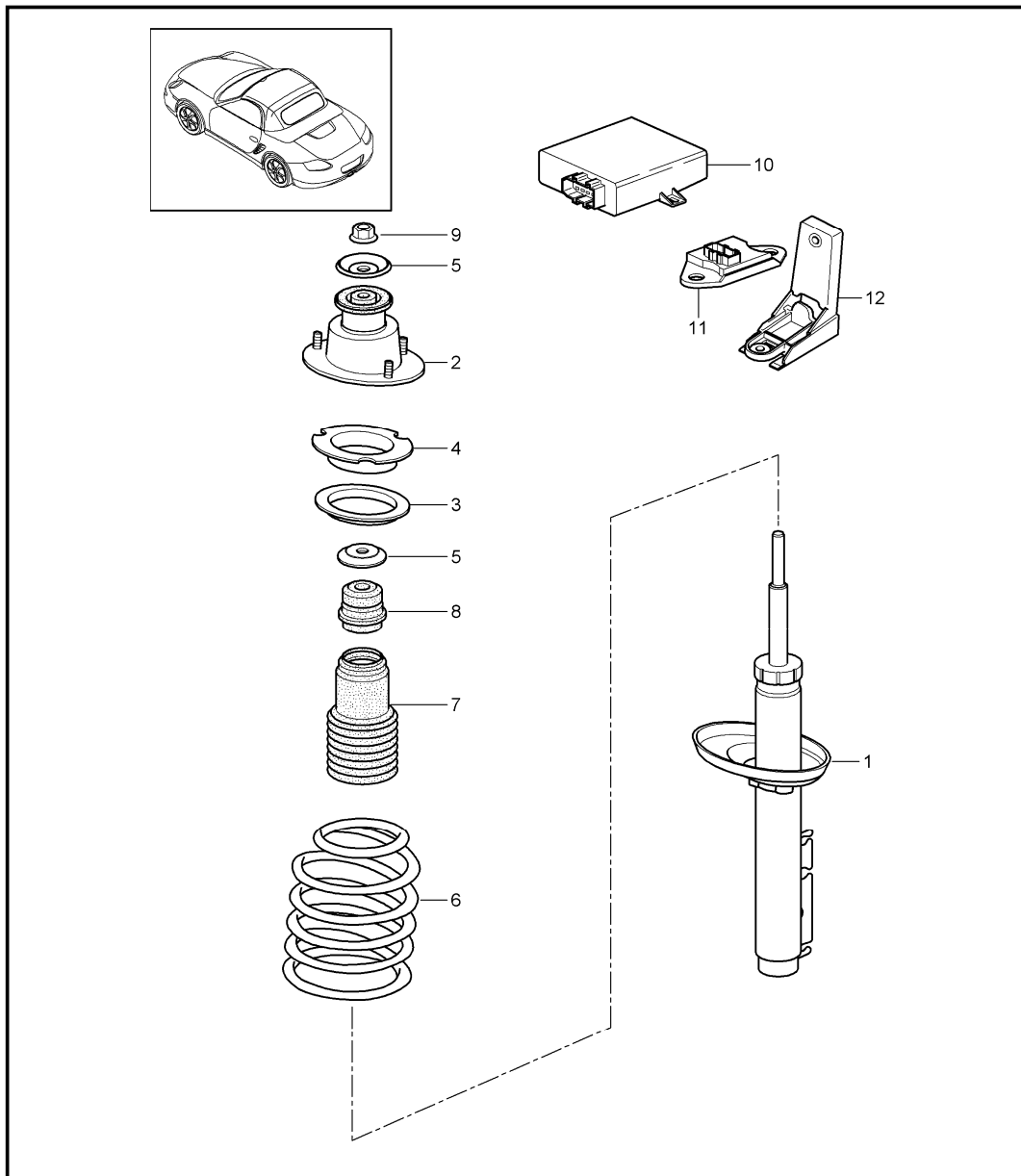
| Pos  | Part Number    | Description                           | Remark | Qty | Model          |
|------|----------------|---------------------------------------|--------|-----|----------------|
| 1    | 987 332 024 31 | drive shaft                           | /L     | 1   | BOXSTER I480   |
| (1)  | 987 332 024 30 | drive shaft                           | /R     | 1   | BOXSTER I480   |
| (1)  | 987 332 024 27 | drive shaft                           | /L     | 1   | BOXSTER S I480 |
| (1)  | 987 332 024 26 | drive shaft                           | /R     | 1   | BOXSTER S I480 |
| (1)  | 987 332 024 50 | drive shaft                           |        | 2   | BOXSTER I250   |
| (1)  | 987 332 024 60 | drive shaft                           |        | 2   | BOXSTER S I250 |
| (2)  | 999 510 047 01 | pan-head screw<br>M 10 X 46,5         |        | 12  |                |
| 3    | 986 332 191 00 | plate                                 |        | 6   | BOXSTER        |
| (3)  | 996 332 191 00 | plate                                 |        | 6   | BOXSTER S      |
| 4    | 996 332 957 00 | clip<br>73 MM                         |        | 2   |                |
| 5    | 996 332 257 00 | clip<br>34 MM                         |        | 2   |                |
| 6    | 900 041 014 00 | circlip                               |        | 2   |                |
| 7    | 997 341 605 01 | wheel hub                             |        | 2   |                |
| 8    | 999 084 641 01 | lock nut                              |        | 2   |                |
| 9    | 000 043 110 01 | grease<br>1 100-gramme tube           |        | X   |                |
| (9)  | 000 043 205 36 | sealing compound<br>1 100-gramme tube |        | X   |                |
| 10   | 996 332 293 00 | dust bellows                          |        | 2   |                |
| 11   | 987 332 267 00 | lid                                   |        | 2   | BOXSTER        |
| (11) | 997 332 267 00 | lid                                   |        | 2   | BOXSTER S      |
| 12   | 986 332 030 00 | joint                                 |        | 2   | BOXSTER        |
| (12) | 996 332 030 00 | joint                                 |        | 2   | BOXSTER S      |
| 13   | 996 332 293 00 | dust bellows                          |        | 2   |                |

|       |      |    |    |              |              |     |       |            |         |     |         |
|-------|------|----|----|--------------|--------------|-----|-------|------------|---------|-----|---------|
| Model | Year | MG | SG | Illustration | Restrictions | UPD | 18:39 | 01.03.2010 | PORSCHE | PET | PORSCHE |
| 987-2 | 2010 | 5  | 01 | 501-05       |              | 248 |       |            |         |     |         |

| Pos  | Part Number    | Description          | Remark | Qty | Model     | Pos | Part Number | Description | Remark | Qty | Model |
|------|----------------|----------------------|--------|-----|-----------|-----|-------------|-------------|--------|-----|-------|
| 14   | 996 332 957 00 | clip                 |        | 2   |           |     |             |             |        |     |       |
| 15   | 996 332 257 00 | clip                 |        | 2   |           |     |             |             |        |     |       |
| 17   | 987 332 955 00 | bellows with support |        | 2   | BOXSTER   |     |             |             |        |     |       |
| (17) | 997 332 955 00 | bellows with support |        | 2   | BOXSTER S |     |             |             |        |     |       |



|       |      |    |    |              |              |     |       |            |         |     |         |
|-------|------|----|----|--------------|--------------|-----|-------|------------|---------|-----|---------|
| Model | Year | MG | SG | Illustration | Restrictions | UPD | 18:42 | 01.03.2010 | PORSCHE | PET | PORSCHE |
| 987-2 | 2010 | 5  | 02 | 502-00       |              | 248 |       |            |         |     |         |

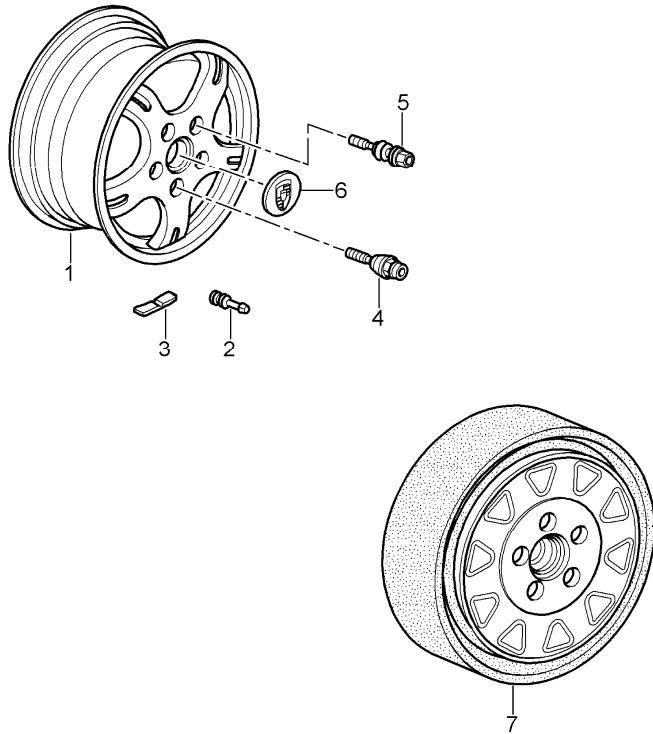
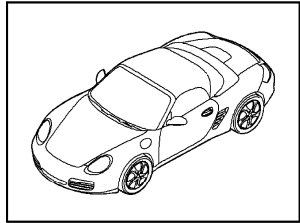


| Pos | Part Number    | Description  | Remark | Qty | Model                 |
|-----|----------------|--|--------|-----|-----------------------|
| 1   | 987 333 051 16 | shock absorber<br>coil spring                                      |        | 2   | I029                  |
| (1) | 987 333 053 26 | vibration damper<br>- bilstein -                                   |        | 2   | I475                  |
| 1   | 987 333 051 18 | shock absorber<br>- bilstein -                                     |        | 2   | Spyder                |
| 2   | 987 333 059 00 | supporting mount   |        | 2   |                       |
| -   | 999 703 543 40 | lid<br>supporting mount  |        | 2   |                       |
| 3   | 987 333 504 00 | spring hanger  |        | 2   |                       |
| 4   | 987 333 509 00 | centring ring  |        | 2   |                       |
| 5   | 997 343 107 01 | stop plate   |        | 4   | I029                  |
| (5) | 997 343 107 00 | stop plate<br>upper  |        | 2   | I475                  |
| (5) | 997 343 107 01 | stop plate<br>lower  |        | 2   | I475                  |
| (6) | 987 333 531 72 | coil spring  |        | 1   | BOXSTER<br>I029/480   |
|     |                | 1 set  |        |     |                       |
|     |                | 504 identification<br>rapeseed yellow<br>rapeseed yellow<br>violet |        |     |                       |
| (6) | 987 333 531 73 | coil spring  |        | 1   | BOXSTER<br>I029/250   |
|     |                | 1 set  |        |     |                       |
|     |                | 504 identification<br>rapeseed yellow<br>rapeseed yellow<br>green  |        |     |                       |
| (6) | 987 333 531 56 | coil spring  |        | 1   | BOXSTER S<br>I029/480 |
|     |                | 1 set  |        |     |                       |
|     |                | 504 identification<br>rapeseed yellow<br>red                       |        |     |                       |

|       |      |    |    |              |              |     |       |            |         |     |         |
|-------|------|----|----|--------------|--------------|-----|-------|------------|---------|-----|---------|
| Model | Year | MG | SG | Illustration | Restrictions | UPD | 18:42 | 01.03.2010 | PORSCHE | PET | PORSCHE |
| 987-2 | 2010 | 5  | 02 | 502-00       |              | 248 |       |            |         |     |         |

| Pos | Part Number    | Description                              | Remark | Qty | Model                 | Pos | Part Number    | Description                           | Remark | Qty | Model |
|-----|----------------|--|--------|-----|-----------------------|-----|----------------|---------------------------------------|--------|-----|-------|
| (6) | 987 333 531 59 | coil spring                              |        | 1   | BOXSTER S<br>I029/250 | 10  | 987 618 450 01 | control unit                          |        | 1   | I475  |
|     |                | 1 set                                    |        |     |                       | -   | 997 618 205 00 | support<br>for<br>control unit        |        | 1   | I475  |
|     | 504            | identification<br>blue<br>white          |        |     |                       | 11  | 997 606 111 01 | acceleration sensor<br>body           |        | 1   | I475  |
| (6) | 987 333 531 77 | coil spring                              |        | 1   | Boxster<br>I475/480   | 12  | 987 606 235 00 | support<br>for<br>acceleration sensor |        | 1   | I475  |
|     |                | 1 set                                    |        | 1   | Boxster-S<br>I475/480 |     |                |                                       |        |     |       |
|     | 504            | identification<br>pink<br>pink<br>green  |        |     |                       |     |                |                                       |        |     |       |
| (6) | 987 333 531 68 | coil spring                              |        | 1   | Boxster<br>I250/475   |     |                |                                       |        |     |       |
|     |                | 1 set                                    |        | 1   | Boxster-S<br>I475/480 |     |                |                                       |        |     |       |
|     | 504            | identification<br>pink<br>pink<br>violet |        |     |                       |     |                |                                       |        |     |       |
| (6) | 987 333 531 80 | coil spring                              |        | 1   | Spyder<br>I480        |     |                |                                       |        |     |       |
|     |                | 1 set                                    |        |     |                       |     |                |                                       |        |     |       |
|     | 504            | identification<br>*<br>*<br>white        |        |     |                       |     |                |                                       |        |     |       |
| (6) | 987 333 531 81 | coil spring                              |        | 1   | Spyder<br>I250        |     |                |                                       |        |     |       |
|     |                | 1 set                                    |        |     |                       |     |                |                                       |        |     |       |
|     | 504            | identification<br>*<br>*<br>green        |        |     |                       |     |                |                                       |        |     |       |
| 7   | 986 333 505 01 | bellows                                  |        | 1   |                       |     |                |                                       |        |     |       |
| 8   | 987 333 301 01 | additional spring                        |        | 1   | I029                  |     |                |                                       |        |     |       |
| (8) | 987 333 301 00 | additional spring                        |        | 1   | I475                  |     |                |                                       |        |     |       |
| 9   | 900 380 012 01 | hexagon nut<br>M 14 X 1,5                |        | 2   | I029                  |     |                |                                       |        |     |       |
| (9) | 999 084 645 01 | hexagon nut<br>M 14 X 1,5                |        | 2   | I475                  |     |                |                                       |        |     |       |

|       |      |    |    |              |              |     |       |            |         |     |         |
|-------|------|----|----|--------------|--------------|-----|-------|------------|---------|-----|---------|
| Model | Year | MG | SG | Illustration | Restrictions | UPD | 18:42 | 01.03.2010 | PORSCHE | PET | PORSCHE |
| 987-2 | 2010 | 6  | 01 | 601-00       |              | 248 |       |            |         |     |         |



| Pos | Part Number    | Description   | Remark | Qty | Model          |
|-----|----------------|---|--------|-----|----------------|
|     |                | wheels  |        |     |                |
| (1) | 997 362 156 02 | disc wheel<br>8 J x 19<br>Et 57                                       | /V     | 2   | I404           |
| (1) | 997 362 156 03 | disc wheel<br>8 J X 19<br>ET 57                                       | /V     | 2   | I405           |
| (1) | 997 362 156 04 | disc wheel<br>8 J X 19<br>ET 57                                       | /V     | 2   | I407           |
| 1   | 987 362 137 01 | disc wheel<br>8 J X 18<br>ET 57                                       | /V     | 2   | I409           |
| (1) | 987 362 137 00 | disc wheel<br>8 J X 18<br>ET 57                                       | /V     | 2   | I408           |
| (1) | 997 362 157 01 | disc wheel<br>8 J X 19<br>ET 57                                       | /V     | 2   | I419           |
| (1) | 987 362 125 00 | disc wheel<br>7 J X 17<br>ET 55                                       | /V     | 2   | I394           |
| (1) | 987 362 125 01 | disc wheel<br>7 J X 17<br>ET 55                                       | /V     | 2   | I399           |
| (1) | 997 362 156 55 | disc wheel<br>8.5 J x 19<br>Et 55                                     | /V     | 2   | IXRR           |
| (1) | 997 362 157 02 | disc wheel<br>8 J x 19<br>ET 57                                       | /V     | 10- | I421           |
| (1) | 997 362 157 01 | disc wheel<br>8 J X 19<br>ET 57<br>paint<br>it is necessary to rework | /V     | 2   | SPYDER<br>I419 |
| (1) | 997 362 157 02 | disc wheel<br>8 J x 19<br>ET 57<br>paint<br>it is necessary to rework | /V     | 2   | SPYDER<br>I421 |

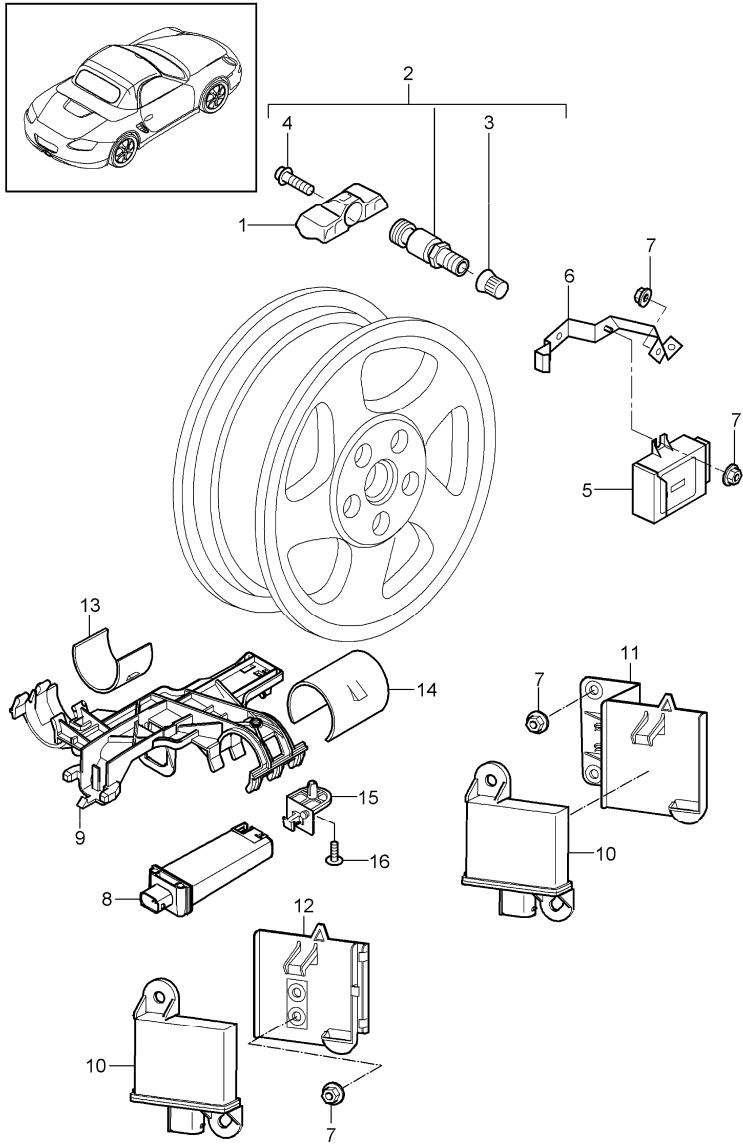
|       |      |    |    |              |              |     |       |            |         |     |         |
|-------|------|----|----|--------------|--------------|-----|-------|------------|---------|-----|---------|
| Model | Year | MG | SG | Illustration | Restrictions | UPD | 18:42 | 01.03.2010 | PORSCHE | PET | PORSCHE |
| 987-2 | 2010 | 6  | 01 | 601-00       |              | 248 |       |            |         |     |         |

| Pos | Part Number    | Description   | Remark | Qty | Model          | Pos | Part Number    | Description   | Remark | Qty | Model          |
|-----|----------------|---|--------|-----|----------------|-----|----------------|---|--------|-----|----------------|
| (1) | 987 362 157 05 | disc wheel<br>8,5 J x 19<br>ET 55<br>paint<br>it is necessary to rework | /V     | 2   | SPYDER<br>I445 | (1) | 997 362 159 06 | disc wheel<br>9,5 J X 19<br>ET 46<br>paint<br>it is necessary to rework | /H     | 2   | SPYDER<br>I421 |
| (1) | 997 362 158 08 | disc wheel<br>9,5 J X 19<br>ET 46                                       | /H     | 2   | I404           | (1) | 987 362 161 00 | disc wheel<br>10 J X 19<br>ET 42<br>paint<br>it is necessary to rework  | /H     | 2   | SPYDER<br>I445 |
| (1) | 997 362 158 06 | disc wheel<br>9,5 J X 19<br>ET 46                                       | /H     | 2   | I405           |     |                |   |        |     |                |
| (1) | 997 362 158 07 | disc wheel<br>9,5 J X 19<br>ET 46                                       | /H     | 2   | I407           | 2   | 900 265 001 50 | rubber valve<br>rubber  |        | 4   |                |
| (1) | 987 362 139 01 | disc wheel<br>9 J X 18<br>ET 53   | /H     | 2   | I409           | 3   | 997 361 405 00 | balance stick-on weight<br>5 G.   |        | X   |                |
| (1) | 987 362 139 00 | disc wheel<br>9 J X 18<br>ET 43   | /H     | 2   | I408           | (3) | 997 361 410 00 | balance stick-on weight<br>10 G.  |        | X   |                |
| (1) | 987 362 127 05 | disc wheel<br>8,5 J X 17<br>ET40  | /H     | 2   | I394           | (3) | 997 361 415 00 | balance stick-on weight<br>15 G.  |        | X   |                |
| (1) | 987 362 127 06 | disc wheel<br>8,5 J X 17<br>Et 40                                       | /H     | 2   | I399           | (3) | 997 361 420 00 | balance stick-on weight<br>20 G.  |        | X   |                |
| (1) | 997 362 159 05 | disc wheel<br>9,5 J X 19<br>ET 46                                       | /H     | 2   | I419           | (3) | 997 361 425 00 | balance stick-on weight<br>25 G.  |        | X   |                |
| (1) | 997 362 159 06 | disc wheel<br>9,5 J X 19<br>ET 46                                       | /H     | 10- | I421           | (3) | 997 361 430 00 | balance stick-on weight<br>30 G.  |        | X   |                |
| (1) | 997 362 160 50 | disc wheel<br>10 J X 19<br>ET 42  | /H     | 2   | IXRR           | (3) | 997 361 435 00 | balance stick-on weight<br>35 G.  |        | X   |                |
| (1) | 997 362 159 05 | disc wheel<br>9,5 J X 19<br>ET 46<br>paint<br>it is necessary to rework | /H     | 2   | SPYDER<br>I419 | (3) | 997 361 440 00 | balance stick-on weight<br>40 G.  |        | X   |                |
|     |                |   |        |     |                | (3) | 997 361 445 00 | balance stick-on weight<br>45 G.  |        | X   |                |
|     |                |   |        |     |                | (3) | 997 361 450 00 | balance stick-on weight<br>50 G.  |        | X   |                |
|     |                |   |        |     |                | (3) | 997 361 455 00 | balance stick-on weight<br>55 G.  |        | X   |                |
|     |                |   |        |     |                | (3) | 997 361 460 00 | balance stick-on weight<br>60 G.  |        | X   |                |
|     |                |   |        |     |                | (3) | 997 361 465 00 | balance stick-on weight<br>65 G.  |        | X   |                |

|       |      |    |    |              |              |     |       |            |         |     |         |
|-------|------|----|----|--------------|--------------|-----|-------|------------|---------|-----|---------|
| Model | Year | MG | SG | Illustration | Restrictions | UPD | 18:42 | 01.03.2010 | PORSCHE | PET | PORSCHE |
| 987-2 | 2010 | 6  | 01 | 601-00       |              | 248 |       |            |         |     |         |

| Pos | Part Number    | Description                            | Remark | Qty | Model    | Pos | Part Number    | Description                          | Remark | Qty | Model |
|-----|----------------|--|--------|-----|----------|-----|----------------|--------------------------------------|--------|-----|-------|
| (3) | 997 361 470 00 | balance stick-on weight<br>70 G.       |        | X   |          | -   | 996 361 521 00 | boot<br>for<br>emergency wheel       |        | 1   | I447  |
| (3) | 997 361 475 00 | balance stick-on weight<br>75 G.       |        | X   |          | -   | 999 914 001 40 | plastic gloves                       |        | 1   | I447  |
| (3) | 997 361 480 00 | balance stick-on weight<br>80 G.       |        | X   |          | -   | 997 652 055 00 | compressor<br>for<br>emergency wheel |        | 1   |       |
| (3) | 997 361 485 00 | balance stick-on weight<br>85 G.       |        | X   |          |     |                |                                      |        |     |       |
| (3) | 997 361 490 00 | balance stick-on weight<br>90 G.       |        | X   |          |     |                |                                      |        |     |       |
| (4) | 997 361 057 02 | set<br>anti-theft protection<br>1 set  |        | 1   |          |     |                |                                      |        |     |       |
| (4) | 997 361 980 10 | set<br>anti-theft protection<br>1 set  |        | 1   | IXRP     |     |                |                                      |        |     |       |
| (4) | 997 361 057 01 | set<br>anti-theft protection<br>1 set  | (GB)   | 1   | I444     |     |                |                                      |        |     |       |
| (4) | 997 361 980 09 | set<br>anti-theft protection<br>1 set  | (GB)   | 1   | IXRP/444 |     |                |                                      |        |     |       |
| 5   | 997 361 203 01 | wheel bolt                             |        | X   |          |     |                |                                      |        |     |       |
| (5) | 997 361 980 07 | wheel bolt                             |        | X   | IXRP     |     |                |                                      |        |     |       |
| 6   | 955 361 303 00 | hub cap                                |        | 4   |          |     |                |                                      |        |     |       |
|     | 9A1            | silver                                 |        |     |          |     |                |                                      |        |     |       |
| (6) | 955 361 303 05 | hub cap                                |        | 4   | I446     |     |                |                                      |        |     |       |
|     | 9A1            | silver                                 |        |     |          |     |                |                                      |        |     |       |
| (6) | 997 361 303 01 | hub cap<br>crest<br>coloured<br>silver |        | 4   | IXRR     |     |                |                                      |        |     |       |
| (6) | 997 361 305 00 | hub cap                                |        | 4   | I404     |     |                |                                      |        |     |       |
| -   | 955 722 631 00 | compressed air bottle                  |        | 1   |          |     |                |                                      |        |     |       |
| 7   | 996 362 020 04 | emergency wheel                        |        | 1   | I447     |     |                |                                      |        |     |       |
| -   | 996 361 411 00 | belt<br>for<br>emergency wheel         |        | 1   | I447     |     |                |                                      |        |     |       |

|       |      |    |    |              |              |     |       |            |         |     |         |
|-------|------|----|----|--------------|--------------|-----|-------|------------|---------|-----|---------|
| Model | Year | MG | SG | Illustration | Restrictions | UPD | 18:42 | 01.03.2010 | PORSCHE | PET | PORSCHE |
| 987-2 | 2010 | 6  | 01 | 601-05       |              | 248 |       |            |         |     |         |

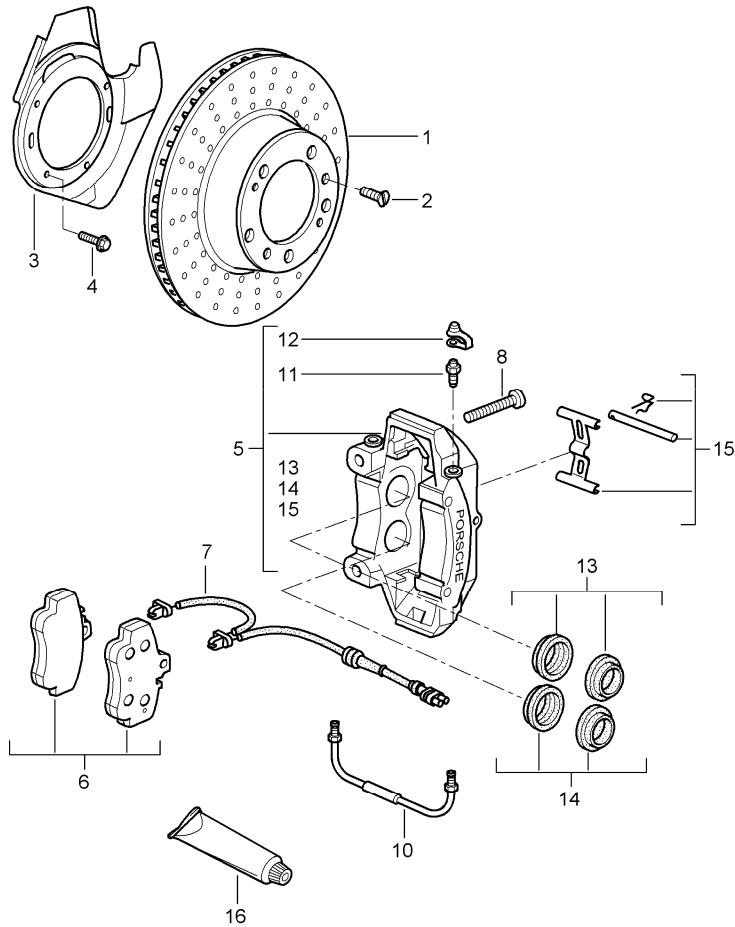
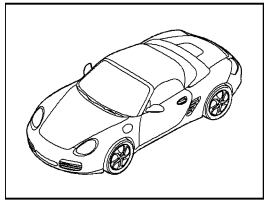


| Pos  | Part Number    | Description   | Remark | Qty | Model    |
|------|----------------|---|--------|-----|----------|
|      |                | tyre pressure monitoring  |        |     | I482/483 |
| 1    | 997 606 021 20 | sensor<br>tyre pressure monitoring<br>use also:<br>955.361.053.00 |        | 4   | I482     |
| (1)  | 997 606 023 20 | sensor<br>tyre pressure monitoring<br>use also:<br>955.361.053.00 |        | 4   | I483     |
| (1)  | 997 606 023 21 | sensor<br>tyre pressure monitoring<br>use also:<br>955.361.053.00 | (J)    | 4   | I483     |
| 2    | 955 361 053 00 | valve<br>aluminium  |        | 4   |          |
| 3    | N 908 729 01   | cap   |        | 4   |          |
| 4    | 4D0 601 365    | fastening screw   |        | 4   |          |
| 5    | 997 618 103 23 | control unit  | -09    | 1   |          |
| 5    | 997 618 191 02 | control unit  | 10-    | 1   |          |
| 6    | 997 618 203 02 | support<br>control unit   |        | 1   |          |
| 7    | 999 076 081 40 | plastic nut<br>T5 16 X 11, 2                                      |        | 8   |          |
| 8    | 955 606 101 00 | antenna<br>433 MHZ  |        | 1   | I482     |
| (8)  | 955 606 103 00 | antenna<br>315 MHZ  |        | 1   | I483     |
| 9    | 997 606 259 00 | support<br>antenna  |        | 1   |          |
| 10   | 955 618 113 00 | transmitter   | -09    | 4   |          |
| (10) | 7PP 907 283    | transmitter   | 10-    | 4   |          |
| 11   | 997 606 242 00 | support<br>front  | /R     | 1   |          |
| (11) | 997 606 241 00 | support<br>front  | /L     | 1   |          |
| 12   | 987 606 231 00 | support<br>rear   |        | 2   |          |

|       |      |    |    |              |              |     |       |            |         |     |         |
|-------|------|----|----|--------------|--------------|-----|-------|------------|---------|-----|---------|
| Model | Year | MG | SG | Illustration | Restrictions | UPD | 18:42 | 01.03.2010 | PORSCHE | PET | PORSCHE |
| 987-2 | 2010 | 6  | 01 | 601-05       |              | 248 |       |            |         |     |         |

| Pos | Part Number    | Description     | Remark | Qty | Model   | Pos | Part Number | Description | Remark | Qty | Model |
|-----|----------------|-----------------|--------|-----|---------|-----|-------------|-------------|--------|-----|-------|
| 13  | 987 606 313 00 | adapter short   |        | X   | BOXSTER |     |             |             |        |     |       |
| 14  | 987 606 315 00 | adapter long    |        | X   | BOXSTER |     |             |             |        |     |       |
| 15  | 955 606 225 00 | clip            |        | 1   |         |     |             |             |        |     |       |
| 16  | 955 606 226 00 | fastening screw |        | 1   |         |     |             |             |        |     |       |

|       |      |    |    |              |              |     |       |            |         |     |         |
|-------|------|----|----|--------------|--------------|-----|-------|------------|---------|-----|---------|
| Model | Year | MG | SG | Illustration | Restrictions | UPD | 18:43 | 01.03.2010 | PORSCHE | PET | PORSCHE |
| 987-2 | 2010 | 6  | 02 | 602-00       |              | 248 |       |            |         |     |         |



| Pos | Part Number    | Description   | Remark   | Qty | Model                               |
|-----|----------------|---|----------|-----|-------------------------------------|
|     |                | disc brake front axle                                       |          |     |                                     |
|     |                | brake disc only in pairs replace technical manual attention |          |     | I450                                |
| 1   | 996 351 405 01 | brake disc  | /L       | 1   |                                     |
| (1) | 997 351 031 00 | brake disc  | /L       | 1   | I450                                |
| (1) | 996 351 406 01 | brake disc  | /R       | 1   |                                     |
| (1) | 997 351 032 00 | brake disc  | /R       | 1   | I450                                |
| 2   | 900 269 047 01 | countersunk-head screw M 6 X 12                             |          | 4   |                                     |
| 3   | 997 351 801 02 | cover plate   | /L       | 1   |                                     |
| (3) | 997 351 802 02 | cover plate   | /R       | 1   |                                     |
| (3) | 997 351 805 05 | cover plate   | /L       | 1   | I450                                |
| (3) | 997 351 806 05 | cover plate   | /R       | 1   | I450                                |
| 4   | 999 217 116 01 | hexagon-head bolt M 6 x 16                                  |          | X   |                                     |
| 5   | 997 351 421 00 | fixed calliper without pad                                  | /L       | 1   | BOXSTER                             |
| (5) | 996 351 425 11 | fixed calliper without pad                                  | /L<br>/L | 1   | BOXSTER S<br>SPYDER                 |
| (5) | 996 351 431 31 | fixed calliper without pad                                  | /L<br>/L | 1   | BOXSTER S<br>I450<br>SPYDER<br>I450 |
| (5) | 997 351 422 00 | fixed calliper without pad                                  | /R       | 1   | BOXSTER                             |
| (5) | 996 351 426 11 | fixed calliper without pad                                  | /R<br>/R | 1   | BOXSTER S<br>SPYDER                 |
| (5) | 996 351 432 31 | fixed calliper without pad                                  | /R<br>/R | 1   | BOXSTER S<br>I450<br>SPYDER<br>I450 |
| (6) | 997 351 939 05 | brake pad repair set  |          | 1   | BOXSTER                             |



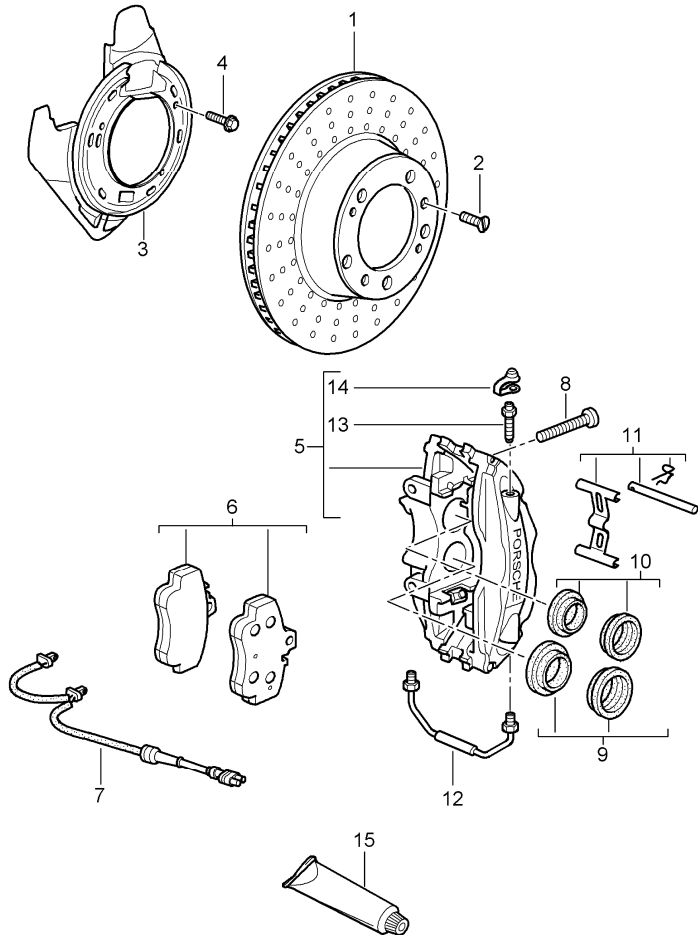
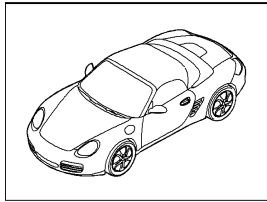
|       |      |    |    |              |              |     |       |            |         |     |         |
|-------|------|----|----|--------------|--------------|-----|-------|------------|---------|-----|---------|
| Model | Year | MG | SG | Illustration | Restrictions | UPD | 18:43 | 01.03.2010 | PORSCHE | PET | PORSCHE |
| 987-2 | 2010 | 6  | 02 | 602-00       |              | 248 |       |            |         |     |         |

| Pos | Part Number    | Description   | Remark         | Qty | Model             | Pos  | Part Number    | Description                               | Remark         | Qty                        | Model                               |
|-----|----------------|---|----------------|-----|-------------------|------|----------------|---|----------------|----------------------------|-------------------------------------|
| (6) | 997 351 939 06 | brake pad repair set<br>use also:<br>mounting parts | -09            | 1   | BOXSTER S         | 10   | 996 352 962 00 | connecting line                           | /L<br>/L<br>/L | 1<br>1<br>1                | BOXSTER<br>BOXSTER S<br>SPYDER      |
| (6) | 997 351 939 06 | brake pad repair set<br>use also:<br>mounting parts |                | 1   | SPYDER            | (10) | 996 352 961 00 | connecting line                           | /R<br>/R<br>/R | 1<br>1<br>1                | BOXSTER<br>BOXSTER S<br>SPYDER      |
| (6) | 997 351 939 05 | brake pad repair set<br>use also:<br>mounting parts | 10-            | 1   | BOXSTER S         | (10) | 996 351 961 30 | connecting line                           |                | 2<br>2                     | BOXSTER S<br>I450<br>SPYDER<br>I450 |
| (6) | 997 351 948 01 | brake pad repair set                                |                | 1   | BOXSTER S<br>I450 | 11   | 930 351 919 00 | ventilation valve                         |                | 2                          |                                     |
|     |                | use also:<br>mounting parts                         |                | 1   | SPYDER<br>I450    | 12   | 930 351 927 00 | dust boot                                 |                | 2                          |                                     |
| -   | 996 351 088 02 | damping plate                                       |                | 4   | BOXSTER           | 13   | 951 351 917 01 | repair kit<br>protection caps             |                | 2<br>2<br>2                | BOXSTER<br>BOXSTER S<br>SPYDER      |
|     |                | grey cast iron<br>brake                             |                | 4   | BOXSTER S         | 14   | 951 351 917 00 | repair kit<br>protection caps             |                | 2<br>2<br>2                | BOXSTER<br>BOXSTER S<br>SPYDER      |
|     |                |   |                | 4   | SPYDER            |      |                | 40 MM \$                                  |                |                            |                                     |
| (7) | 997 612 756 00 | warning contact                                     | /L<br>/L<br>/L | 1   | BOXSTER           |      |                | 36 MM \$                                  |                |                            |                                     |
|     |                |   |                | 1   | BOXSTER S         | 13   | 996 351 915 01 | repair kit                                |                | 2                          | BOXSTER S                           |
|     |                |   |                | 1   | SPYDER            |      |                | protection caps                           |                | 2                          | I450<br>SPYDER<br>I450              |
| (7) | 997 612 759 00 | warning contact                                     | /R<br>/R<br>/R | 1   | BOXSTER           |      |                | 38 MM \$                                  |                |                            |                                     |
|     |                |   |                | 1   | BOXSTER S         | 14   | 996 351 915 00 | repair kit                                |                | 2                          | BOXSTER S                           |
|     |                |   |                | 1   | SPYDER            |      |                | protection caps                           |                | 2                          | I450<br>SPYDER<br>I450              |
| (7) | 997 612 675 01 | warning contact                                     | /L<br>/L       | 1   | BOXSTER S<br>I450 |      |                | 32 MM \$                                  |                |                            |                                     |
|     |                |   |                | 1   | SPYDER<br>I450    | 15   | 955 352 960 00 | repair kit<br>mounting parts              |                | 1<br>1<br>1<br>2<br>2<br>2 | BOXSTER<br>BOXSTER S<br>SPYDER      |
| (7) | 997 612 679 00 | warning contact                                     | /R<br>/R       | 1   | BOXSTER S<br>I450 |      |                | bolt<br>expanding spring<br>securing clip |                |                            |                                     |
|     |                |   |                | 1   | SPYDER<br>I450    | (15) | 996 351 959 30 | repair kit                                |                | 1                          | BOXSTER S                           |
| (8) | 999 073 402 01 | pan-head screw                                      |                | 4   | BOXSTER           |      |                | mounting parts                            |                | 1                          | I450<br>SPYDER<br>I450              |
|     |                | M 12 X 1,5 X 72                                     |                | 4   | BOXSTER S         |      |                | bolt<br>expanding spring<br>screw         |                | 2<br>2<br>2                |                                     |
|     |                |   |                | 4   | SPYDER            |      |                |   |                |                            |                                     |
| (8) | 999 067 053 09 | pan-head screw                                      |                | 4   | BOXSTER S<br>I450 |      |                |   |                |                            |                                     |
|     |                | M 12 X 1,5 X 85                                     |                | 4   | SPYDER<br>I450    |      |                |   |                |                            |                                     |
| -   | 944 612 627 00 | line bracket<br>for<br>warning contact              |                | 2   |                   | 16   | 000 043 117 00 | brake cylinder paste<br>50 G              |                | X                          |                                     |

|       |      |    |    |              |              |     |       |            |         |     |         |
|-------|------|----|----|--------------|--------------|-----|-------|------------|---------|-----|---------|
| Model | Year | MG | SG | Illustration | Restrictions | UPD | 18:43 | 01.03.2010 | PORSCHE | PET | PORSCHE |
| 987-2 | 2010 | 6  | 02 | 602-00       |              | 248 |       |            |         |     |         |

| Pos  | Part Number    | Description       | Remark | Qty | Model | Pos | Part Number | Description | Remark | Qty | Model |
|------|----------------|-------------------|--------|-----|-------|-----|-------------|-------------|--------|-----|-------|
| (16) | 000 043 020 00 | optimoly<br>100 G |        | X   |       |     |             |             |        |     |       |

|       |      |    |    |              |              |     |       |            |         |     |         |
|-------|------|----|----|--------------|--------------|-----|-------|------------|---------|-----|---------|
| Model | Year | MG | SG | Illustration | Restrictions | UPD | 18:43 | 01.03.2010 | PORSCHE | PET | PORSCHE |
| 987-2 | 2010 | 6  | 03 | 603-00       |              | 248 |       |            |         |     |         |

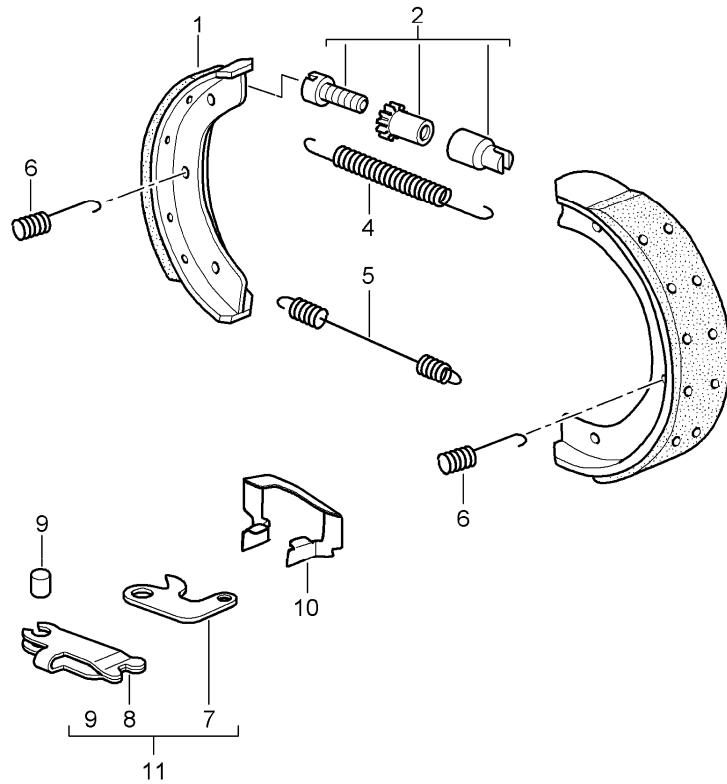
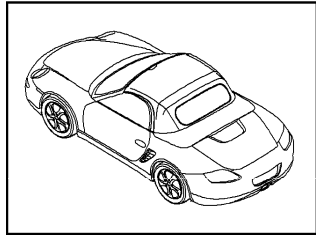


| Pos | Part Number    | Description   | Remark   | Qty    | Model                               |
|-----|----------------|---|----------|--------|-------------------------------------|
|     |                | disc brake rear axle  |          |        |                                     |
|     |                | brake disc only in pairs replace technical manual attention |          |        | I450                                |
| 1   | 987 352 401 01 | brake disc  |          | 2      | BOXSTER                             |
| (1) | 987 352 403 01 | brake disc  |          | 2      | BOXSTER S<br>SPYDER                 |
| (1) | 987 352 031 02 | brake disc  | /L       | 1      | BOXSTER S<br>I450                   |
|     |                |   | /L       | 1      | SPYDER<br>I450                      |
| (1) | 987 352 032 02 | brake disc  | /R       | 1      | BOXSTER S<br>I450                   |
|     |                |   | /R       | 1      | SPYDER<br>I450                      |
| 2   | 900 269 047 01 | countersunk-head screw M 6 X 12                             |          | 4      |                                     |
| (2) | 900 269 106 01 | countersunk-head screw M 6 x 16                             |          | 4      | IXRP                                |
| 3   | 987 352 801 00 | protective plate  |          | 2      |                                     |
| (4) | 999 217 116 01 | hexagon-head bolt M 6 x 16                                  |          | X      |                                     |
| 5   | 986 352 423 01 | fixed calliper without pad                                  | /L       | 1      | BOXSTER                             |
| (5) | 996 352 421 13 | fixed calliper without pad                                  | /L<br>/L | 1<br>1 | BOXSTER S<br>SPYDER                 |
| (5) | 996 352 423 31 | fixed calliper without pad                                  | /L<br>/L | 1<br>1 | BOXSTER S<br>I450<br>SPYDER<br>I450 |
| (5) | 986 352 424 01 | fixed calliper without pad                                  | /R       | 1      | BOXSTER                             |
| (5) | 996 352 422 13 | fixed calliper without pad                                  | /R<br>/R | 1<br>1 | BOXSTER S<br>SPYDER                 |

|       |      |    |    |              |              |     |       |            |         |     |         |
|-------|------|----|----|--------------|--------------|-----|-------|------------|---------|-----|---------|
| Model | Year | MG | SG | Illustration | Restrictions | UPD | 18:43 | 01.03.2010 | PORSCHE | PET | PORSCHE |
| 987-2 | 2010 | 6  | 03 | 603-00       |              | 248 |       |            |         |     |         |

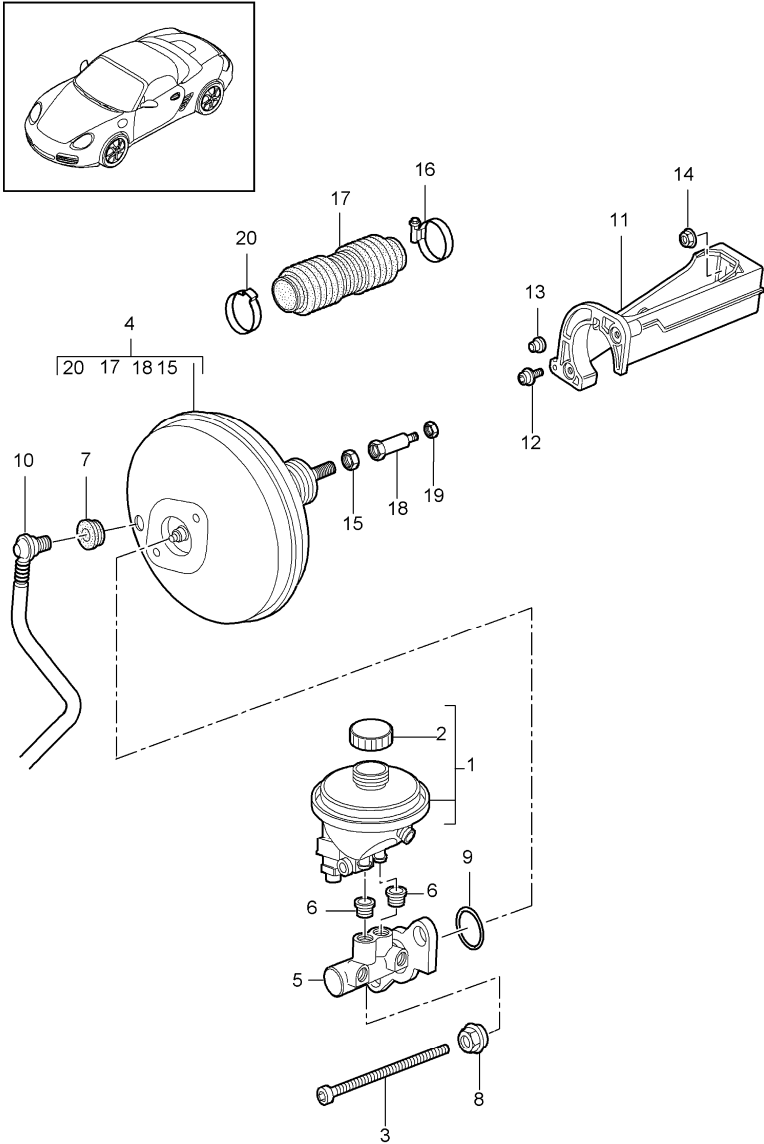
| Pos | Part Number    | Description                         | Remark | Qty | Model          | Pos  | Part Number    | Description               | Remark | Qty | Model          |
|-----|----------------|-------------------------------------|--------|-----|----------------|------|----------------|---------------------------|--------|-----|----------------|
| (5) | 996 352 424 31 | fixed calliper                      | /R     | 1   | BOXSTER S I450 | 11   | 996 352 959 01 | repair kit                |        | 1   | BOXSTER        |
|     |                | without pad                         | /R     | 1   | SPYDER I450    |      |                | mounting parts            |        | 1   | BOXSTER S      |
| (6) | 987 352 939 01 | brake pad repair set                |        | 1   | BOXSTER        |      |                | bolt                      |        | 1   | SPYDER         |
| (6) | 987 352 939 01 | brake pad repair set                | -09    | 1   | BOXSTER S      | (11) | 996 351 959 01 | repair kit                |        | 1   | BOXSTER S I450 |
| (6) | 986 352 939 10 | brake pad repair set                | 10-    | 1   | BOXSTER S      |      |                | mounting parts            |        | 1   | SPYDER I450    |
| (6) | 987 352 939 01 | brake pad repair set                |        | 1   | SPYDER         |      |                | bolt                      |        | 2   |                |
| (6) | 997 352 948 00 | brake pad repair set                |        | 1   | BOXSTER S I450 |      |                | expanding spring          |        | 2   |                |
|     |                | use also:                           |        | 1   | SPYDER I450    | -    | 996 352 086 00 | securing clip             |        | 2   |                |
|     |                | mounting parts                      |        | 1   | SPYDER I450    | -    | 996 352 086 00 | damping plate 30 MM \$    | -09    | X   | BOXSTER S      |
| 7   | 987 612 676 01 | warning contact                     |        | 2   | BOXSTER        | -    | 996 352 086 00 | damping plate 30 MM \$    | 10-    | X   | BOXSTER S      |
| (7) | 987 612 676 01 | warning contact                     | -09    | 2   | BOXSTER S      | -    | 964 352 096 01 | damping plate 28 MM \$    | -09    | X   | BOXSTER S      |
| (7) | 986 612 365 00 | warning contact                     | 10-    | 2   | BOXSTER S      | -    | 996 352 086 02 | damping plate 28 MM \$    | 10-    | X   | BOXSTER S      |
| (7) | 987 612 676 01 | warning contact                     |        | 2   | SPYDER         | 12   | 996 352 961 00 | connecting line           | /L     | 1   | BOXSTER        |
| (7) | 987 612 676 01 | warning contact                     |        | 2   | BOXSTER S I450 |      |                |                           | /L     | 1   | BOXSTER S      |
| (8) | 999 073 402 01 | pan-head screw                      |        | 4   | BOXSTER        | (12) | 996 352 962 00 | connecting line           | /R     | 1   | BOXSTER        |
|     |                | M 12 X 1,5 X 72                     |        | 4   | BOXSTER S      |      |                |                           | /R     | 1   | BOXSTER S      |
|     |                |                                     |        | 4   | SPYDER         | (12) | 996 351 961 30 | connecting line           | /R     | 1   | SPYDER         |
| (8) | 999 067 053 09 | pan-head screw                      |        | 4   | BOXSTER S I450 |      |                |                           | /R     | 1   | SPYDER         |
|     |                | M 12 X 1,5 X 85                     |        | 4   | SPYDER I450    |      |                |                           |        | 2   | BOXSTER S I450 |
| -   | 944 612 627 00 | line bracket for warning contact    |        | 2   |                | 13   | 930 351 919 00 | ventilation valve         |        | 4   |                |
| 9   | 951 352 917 01 | repair kit protection caps 30 MM \$ |        | 2   |                | 14   | 930 351 927 00 | dust boot                 |        | 4   |                |
| 10  | 951 352 917 00 | repair kit protection caps 28 MM \$ |        | 2   |                | 15   | 000 043 117 00 | brake cylinder paste 50 G |        | X   |                |
|     |                |                                     |        |     |                | (15) | 000 043 020 00 | optimoly 100 G            |        | X   |                |

|       |      |    |    |              |              |     |       |            |         |     |         |
|-------|------|----|----|--------------|--------------|-----|-------|------------|---------|-----|---------|
| Model | Year | MG | SG | Illustration | Restrictions | UPD | 18:43 | 01.03.2010 | PORSCHE | PET | PORSCHE |
| 987-2 | 2010 | 6  | 03 | 603-05       |              | 248 |       |            |         |     |         |



| Pos | Part Number    | Description         | Remark | Qty | Model |
|-----|----------------|---------------------|--------|-----|-------|
|     |                | handbrake           |        |     |       |
| 1   | 997 352 993 02 | repair kit<br>1 set |        | 1   |       |
| 2   | 993 352 071 00 | adjusting screw     |        | 2   |       |
| 4   | 997 352 721 01 | tension spring      |        | 2   |       |
| 5   | 997 352 723 02 | tension spring      |        | 2   |       |
| 6   | 997 352 741 02 | compression spring  |        | 4   |       |
| 7   | 986 352 731 01 | actuating lever     |        | 2   |       |
| 8   | 986 352 733 02 | clip                |        | 2   |       |
| 9   | 986 352 735 00 | articulated bolt    |        | 2   |       |
| 10  | 997 352 807 01 | supporting plate    |        | 2   |       |
| 11  | 986 352 073 02 | expanding bow       |        | 2   |       |

|       |      |    |    |              |              |     |       |            |         |     |         |
|-------|------|----|----|--------------|--------------|-----|-------|------------|---------|-----|---------|
| Model | Year | MG | SG | Illustration | Restrictions | UPD | 18:43 | 01.03.2010 | PORSCHE | PET | PORSCHE |
| 987-2 | 2010 | 6  | 04 | 604-00       |              | 248 |       |            |         |     |         |

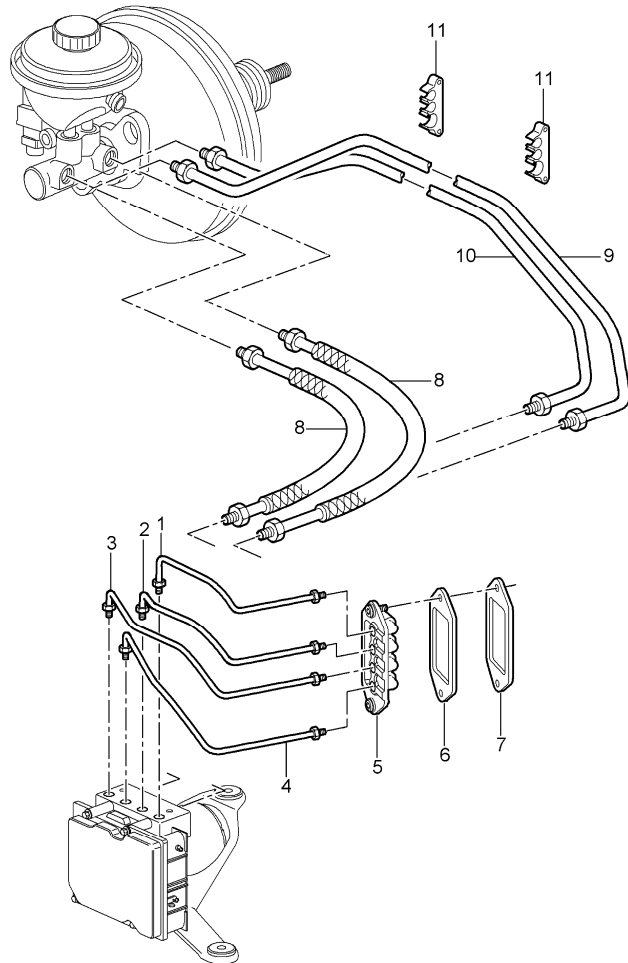
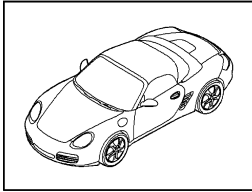


| Pos  | Part Number    | Description                             | Remark | Qty | Model             |
|------|----------------|---|--------|-----|-------------------|
| -    | 000 043 203 66 | brake master cylinder<br>brake booster  |        | X   |                   |
| 1    | 997 355 013 01 | expansion tank                          |        | 1   | I480              |
| (1)  | 997 355 013 21 | expansion tank                          |        | 1   | I250              |
| 2    | 996 355 119 01 | catch                                   |        | 1   |                   |
| -    | 997 355 125 00 | support for contact<br>for<br>container |        | 1   |                   |
| 3    | 999 073 124 01 | pan-head screw<br>M 8 X 154 X 80        |        | 2   |                   |
| 4    | 987 355 923 00 | brake booster                           |        | 1   |                   |
| 4    | 987 355 923 00 | brake booster                           |        | 1   | Spyder            |
| (4)  | 996 355 923 00 | brake booster                           |        | 1   | BOXSTER S<br>I450 |
| 5    | 997 355 910 00 | brake master cylinder                   |        | 1   |                   |
| 5    | 997 355 910 00 | brake master cylinder                   |        | 1   | Spyder            |
| (5)  | 997 355 910 10 | brake master cylinder                   |        | 1   | BOXSTER S<br>I450 |
| 6    | 993 355 922 00 | grommet                                 |        | 2   |                   |
| 7    | 999 702 182 40 | rubber bush                             |        | 1   |                   |
| 8    | 997 355 925 00 | hexagon nut                             |        | 2   |                   |
| 9    | 993 355 212 00 | gasket                                  |        | 1   |                   |
| 10   | 997 355 577 00 | vacuum line                             |        | 1   | I098              |
| (10) | 997 355 578 00 | vacuum line                             |        | 1   | I099              |
| 11   | 997 423 251 00 | intermediate piece                      |        | 1   |                   |
| 12   | 999 073 189 01 | round head screw<br>M 6 X 12            |        | 2   |                   |
| 13   | 999 703 448 50 | stopper                                 | /R     | 1   |                   |
| 14   | 999 084 630 09 | hexagon nut<br>M 8                      |        | 2   |                   |

|       |      |    |    |              |              |     |       |            |         |     |         |
|-------|------|----|----|--------------|--------------|-----|-------|------------|---------|-----|---------|
| Model | Year | MG | SG | Illustration | Restrictions | UPD | 18:43 | 01.03.2010 | PORSCHE | PET | PORSCHE |
| 987-2 | 2010 | 6  | 04 | 604-00       |              | 248 |       |            |         |     |         |

| Pos | Part Number    | Description                         | Remark | Qty | Model | Pos | Part Number | Description | Remark | Qty | Model |
|-----|----------------|-------------------------------------|--------|-----|-------|-----|-------------|-------------|--------|-----|-------|
| 15  | 900 183 015 01 | hexagon nut<br>M 12 X 1,5           |        | 1   |       |     |             |             |        |     |       |
| -   | 996 355 901 01 | gasket<br>brake booster<br>bulkhead |        | 1   |       |     |             |             |        |     |       |
| 16  | 999 512 478 00 | hose clamp                          |        | 1   |       |     |             |             |        |     |       |
| 17  | 996 423 269 05 | bellows                             |        | 1   |       |     |             |             |        |     |       |
| 18  | 996 355 927 01 | connecting piece                    |        | 1   |       |     |             |             |        |     |       |
| 19  | 900 380 015 01 | hexagon nut<br>M 6                  |        | 1   |       |     |             |             |        |     |       |
| 20  | 999 512 672 00 | clamp                               |        | 1   |       |     |             |             |        |     |       |

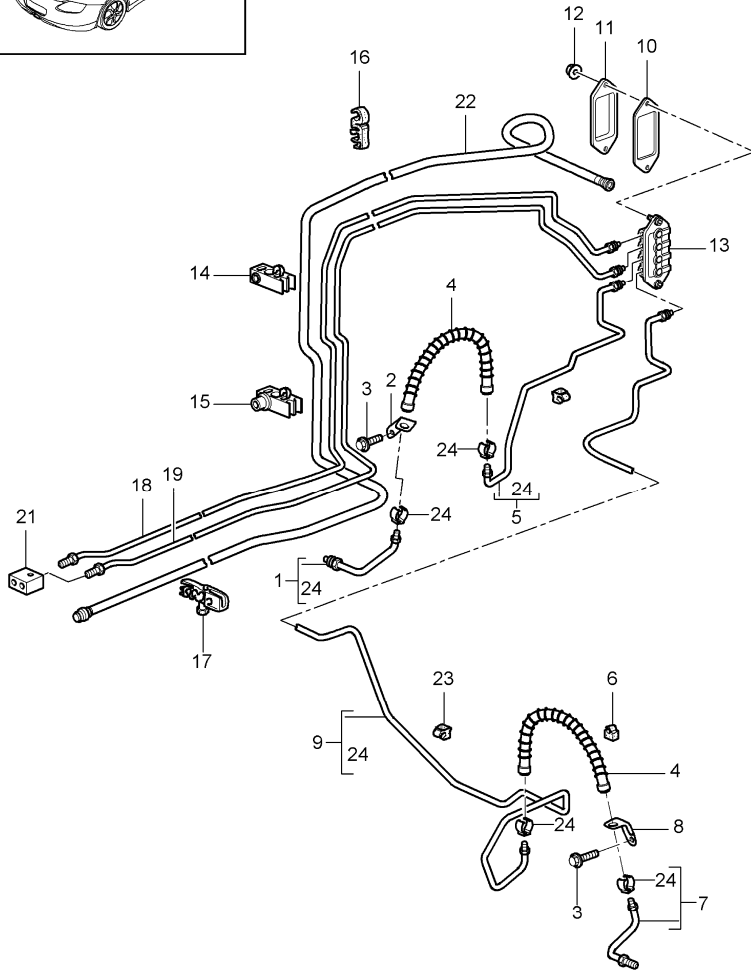
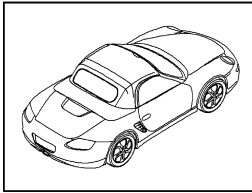
|       |      |    |    |              |              |     |       |            |         |     |         |
|-------|------|----|----|--------------|--------------|-----|-------|------------|---------|-----|---------|
| Model | Year | MG | SG | Illustration | Restrictions | UPD | 18:43 | 01.03.2010 | PORSCHE | PET | PORSCHE |
| 987-2 | 2010 | 6  | 04 | 604-05       |              | 248 |       |            |         |     |         |



| Pos | Part Number    | Description                       | Remark | Qty | Model |
|-----|----------------|-----------------------------------|--------|-----|-------|
|     |                | brake lines<br>body front section |        |     |       |
| 1   | 997 355 315 10 | brake line                        |        | 1   |       |
| 2   | 997 355 316 10 | brake line                        |        | 1   |       |
| 3   | 997 355 327 10 | brake line                        |        | 1   |       |
| 4   | 997 355 326 10 | brake line                        |        | 1   |       |
| 5   | 997 355 650 00 | intermediate piece                |        | 1   |       |
| 6   | 997 355 752 00 | gasket                            |        | 1   |       |
| 7   | 997 355 753 00 | reinforcement                     |        | 1   |       |
| 8   | 997 355 311 10 | pressure line                     |        | 2   | I098  |
| 9   | 997 355 312 10 | pressure line                     |        | 1   | I099  |
| 10  | 997 355 314 10 | pressure line                     |        | 1   | I099  |
| 11  | 999 507 632 40 | cable holder                      |        | 2   |       |



|       |      |    |    |              |              |     |       |            |         |     |         |
|-------|------|----|----|--------------|--------------|-----|-------|------------|---------|-----|---------|
| Model | Year | MG | SG | Illustration | Restrictions | UPD | 18:44 | 01.03.2010 | PORSCHE | PET | PORSCHE |
| 987-2 | 2010 | 6  | 04 | 604-10       |              | 248 |       |            |         |     |         |

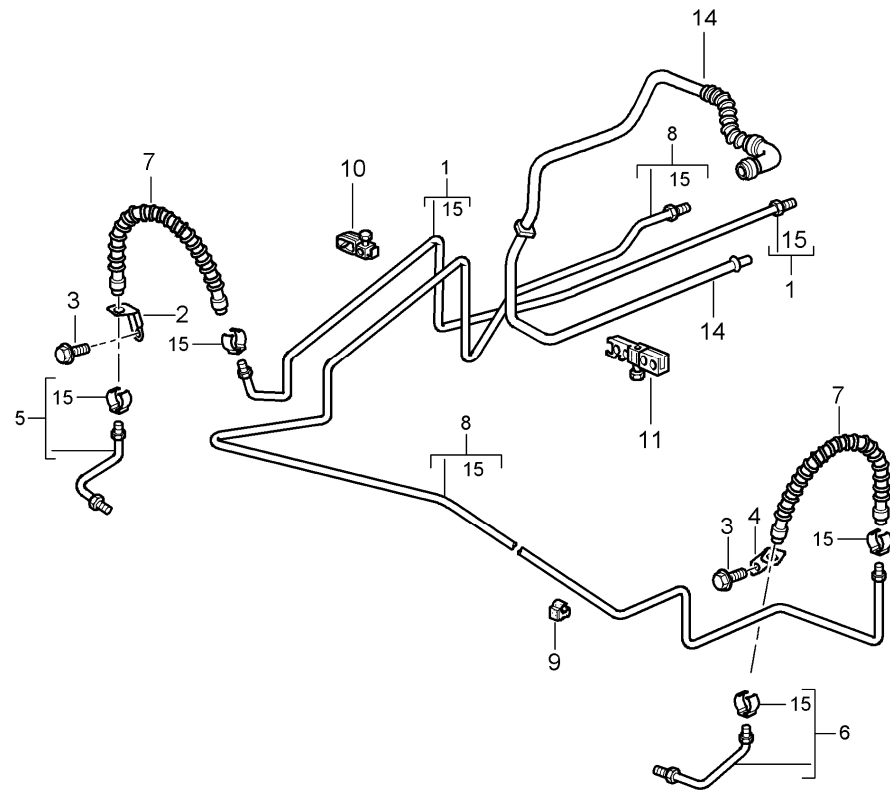
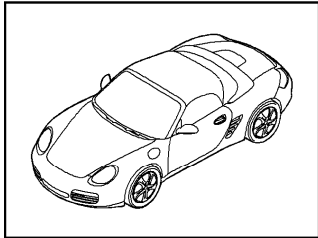


| Pos | Part Number    | Description  | Remark | Qty | Model          |
|-----|----------------|--|--------|-----|----------------|
|     |                | brake lines<br>brake lines<br>underbody<br>vacuum line |        |     |                |
| 1   | 996 355 581 07 | brake line   | /L     | 1   |                |
| (1) | 996 355 581 9B | brake line   | /L     | 1   | BOXSTER S I450 |
| 2   | 996 355 501 06 | brake hose bracket                                     | /L     | 1   |                |
| 3   | 900 067 117 04 | pan-head screw<br>M 6 x 16                             |        | 2   |                |
| 4   | 996 355 139 01 | brake hose   |        | 2   |                |
| 5   | 997 355 175 10 | brake line   | /L     | 1   |                |
| 6   | 999 591 930 40 | support  |        | X   |                |
| 7   | 996 355 584 07 | brake line   | /R     | 1   |                |
| (7) | 996 355 584 9B | brake line   | /R     | 1   | BOXSTER S I450 |
| 8   | 996 355 502 06 | brake hose bracket                                     | /R     | 1   |                |
| 9   | 997 355 176 10 | brake line   | /R     | 1   |                |
| 10  | 997 355 753 00 | reinforcement  |        | 1   |                |
| 11  | 997 355 752 00 | gasket   |        | 1   |                |
| 12  | 900 380 015 01 | hexagon nut<br>M 6                                     |        | 3   |                |
| 13  | 997 355 650 00 | intermediate piece                                     |        | 1   |                |
| 14  | 996 355 545 00 | support  |        | 3   |                |
| 15  | 996 355 549 00 | support  |        | 1   |                |
| 16  | 996 355 547 01 | support  |        | 2   |                |
| 17  | 996 355 543 00 | support  |        | 1   |                |
| 18  | 997 355 177 10 | brake line   |        | 1   |                |
| 19  | 997 355 179 10 | brake line   |        | 1   |                |
| 21  | 996 355 760 31 | connecting piece                                       |        | 1   |                |
| 22  | 997 355 571 01 | vacuum line  |        | 1   |                |
| -   | 999 702 289 40 | grommet<br>wheel housing                               |        | 1   |                |

|       |      |    |    |              |              |     |       |            |         |     |         |
|-------|------|----|----|--------------|--------------|-----|-------|------------|---------|-----|---------|
| Model | Year | MG | SG | Illustration | Restrictions | UPD | 18:44 | 01.03.2010 | PORSCHE | PET | PORSCHE |
| 987-2 | 2010 | 6  | 04 | 604-10       |              | 248 |       |            |         |     |         |

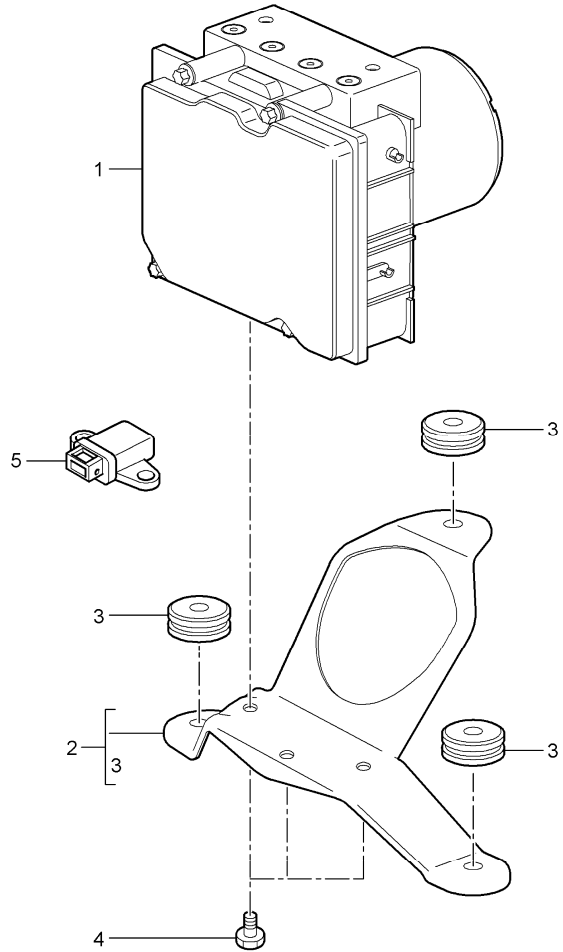
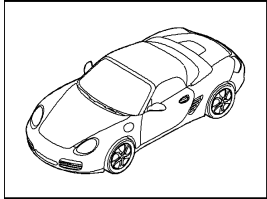
| Pos | Part Number    | Description                          | Remark | Qty | Model | Pos | Part Number | Description | Remark | Qty | Model |
|-----|----------------|--------------------------------------|--------|-----|-------|-----|-------------|-------------|--------|-----|-------|
| 23  | 999 651 331 40 | cable holder                         |        | 5   |       |     |             |             |        |     |       |
| 24  | 997 355 331 00 | retainer spring<br>for<br>brake hose |        | X   |       |     |             |             |        |     |       |

|       |      |    |    |              |              |     |       |            |         |     |         |
|-------|------|----|----|--------------|--------------|-----|-------|------------|---------|-----|---------|
| Model | Year | MG | SG | Illustration | Restrictions | UPD | 18:44 | 01.03.2010 | PORSCHE | PET | PORSCHE |
| 987-2 | 2010 | 6  | 04 | 604-15       |              | 248 |       |            |         |     |         |



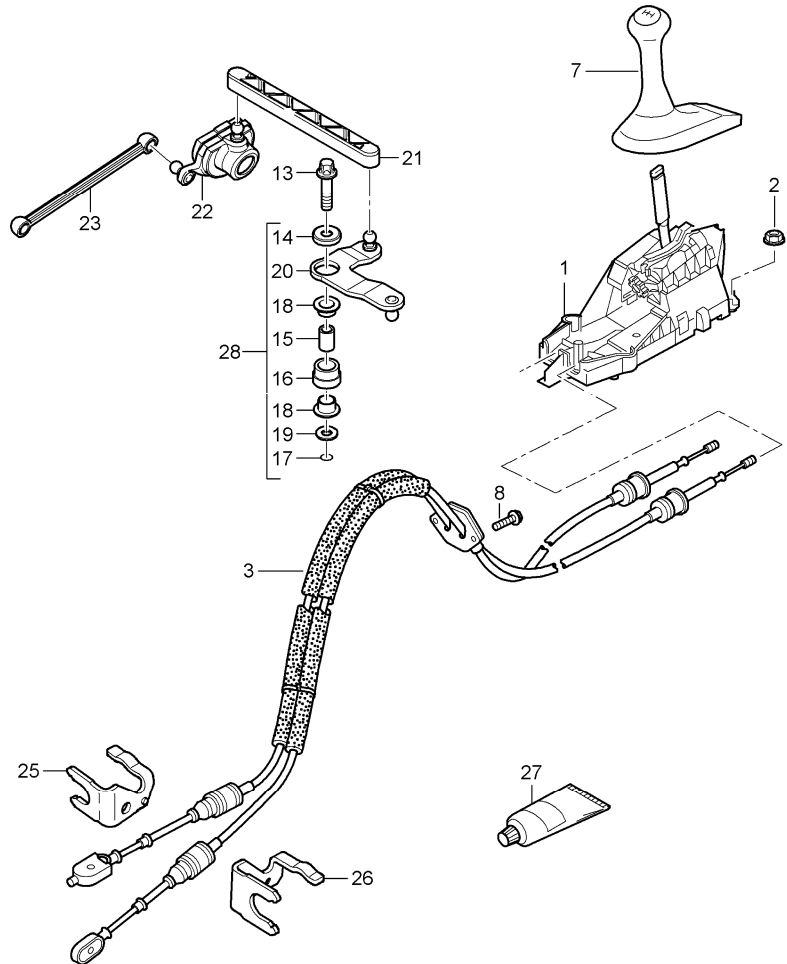
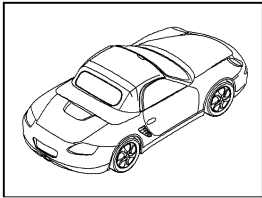
| Pos | Part Number    | Description   | Remark | Qty | Model             |
|-----|----------------|---|--------|-----|-------------------|
|     |                | brake line<br>underbody<br>rear axle<br>vacuum line |        |     |                   |
| 1   | 987 355 189 10 | brake line  | /L     | 1   |                   |
| 2   | 987 355 501 01 | support   | /L     | 1   |                   |
| 3   | 900 075 355 01 | hexagon-head bolt<br>M 6 X 16                       |        | 4   |                   |
| 4   | 987 355 502 01 | support   | /R     | 1   |                   |
| 5   | 987 355 581 01 | brake line  | /L     | 1   |                   |
| (5) | 987 355 583 01 | brake line  | /L     | 1   | BOXSTER S<br>I450 |
| 6   | 987 355 582 01 | brake line  | /R     | 1   |                   |
| (6) | 987 355 584 01 | brake line  | /R     | 1   | BOXSTER S<br>I450 |
| -   | 996 501 815 02 | support<br>brake hose                               |        | 2   |                   |
| 7   | 987 355 637 00 | brake hose  |        | 2   |                   |
| 8   | 987 355 190 10 | brake line  | /R     | 1   |                   |
| 9   | 999 651 331 40 | cable holder  |        | 3   |                   |
| 10  | 964 423 811 00 | support   |        | 2   |                   |
| 11  | 996 355 543 00 | support   |        | 1   |                   |
| 14  | 987 355 575 11 | vacuum line   | -09    | 1   |                   |
| 14  | 987 355 575 12 | vacuum line   | 10-    | 1   |                   |
| 15  | 997 355 331 00 | retainer spring<br>for<br>brake hose                |        | X   |                   |

|       |      |    |    |              |              |     |       |            |         |     |         |
|-------|------|----|----|--------------|--------------|-----|-------|------------|---------|-----|---------|
| Model | Year | MG | SG | Illustration | Restrictions | UPD | 18:44 | 01.03.2010 | PORSCHE | PET | PORSCHE |
| 987-2 | 2010 | 6  | 05 | 605-00       |              | 248 |       |            |         |     |         |



| Pos | Part Number    | Description   | Remark | Qty | Model |
|-----|----------------|---|--------|-----|-------|
|     |                | hydraulic unit<br>anti-lock brake system<br>control |        |     |       |
| 1   | 987 355 955 11 | hydraulic unit                                      | -09    | 1   |       |
| 1   | 987 355 955 12 | hydraulic unit                                      | 10-    | 1   |       |
| 2   | 997 355 033 00 | support<br>with<br>rubber mounting                  |        | 1   |       |
| 3   | 964 356 635 00 | rubber mounting                                     |        | 3   |       |
| -   | 999 045 004 40 | hexagon nut<br>plastic material                     |        | 3   |       |
| 4   | 900 385 060 01 | screw<br>EM 6 x 10                                  |        | 3   |       |
| 5   | 997 606 145 05 | sensor  |        | 1   |       |

|       |      |    |    |              |              |     |       |            |         |     |         |
|-------|------|----|----|--------------|--------------|-----|-------|------------|---------|-----|---------|
| Model | Year | MG | SG | Illustration | Restrictions | UPD | 18:44 | 01.03.2010 | PORSCHE | PET | PORSCHE |
| 987-2 | 2010 | 7  | 01 | 701-00       |              | 248 |       |            |         |     |         |



| Pos | Part Number    | Description  | Remark | Qty | Model |
|-----|----------------|--|--------|-----|-------|
|     |                | transmission control<br>manual transmission                  |        |     |       |
| 1   | 997 424 010 00 | gearshift bracket  |        | 1   |       |
| (1) | 997 424 983 00 | gearshift bracket  |        | 1   | IXCZ  |
| 2   | 999 084 629 01 | hexagon nut<br>M 6SB   |        | 4   |       |
| 3   | 987 424 042 11 | cable  |        | 1   |       |
| 7   | 997 424 075 01 | gearshift knob<br>leather<br>shift pattern<br>aluminium look |        | 1   |       |
|     |                | FOT black/black  |        |     |       |
|     |                | FOU stone grey/stone grey                                    |        |     |       |
|     |                | FOV sand beige/sand beige                                    |        |     |       |
|     |                | FOW sea blue/sea blue  |        |     |       |
|     |                | FPW terracotta/terracotta                                    |        |     |       |
|     |                | FPX cocoa/cocoa  |        |     |       |
|     |                | FQE black/stone grey   |        |     |       |
|     |                | FOY dark grey/dark grey                                      |        |     |       |
|     |                | FOZ brown nat./brown nat.                                    |        |     |       |
|     |                | FSR carrera red  |        |     |       |
| (7) | 997 424 075 03 | gearshift knob<br>carbon<br>shift pattern<br>aluminium look  |        | 1   | I803  |
|     |                | FPP black  |        |     |       |
|     |                | FPQ stone grey   |        |     |       |
|     |                | FPR sand beige   |        |     |       |
|     |                | FPS sea blue   |        |     |       |
|     |                | FQC terracotta   |        |     |       |
|     |                | FQD cocoa  |        |     |       |
|     |                | FPU dark grey/natural  |        |     |       |
|     |                | FPV brown/natural  |        |     |       |

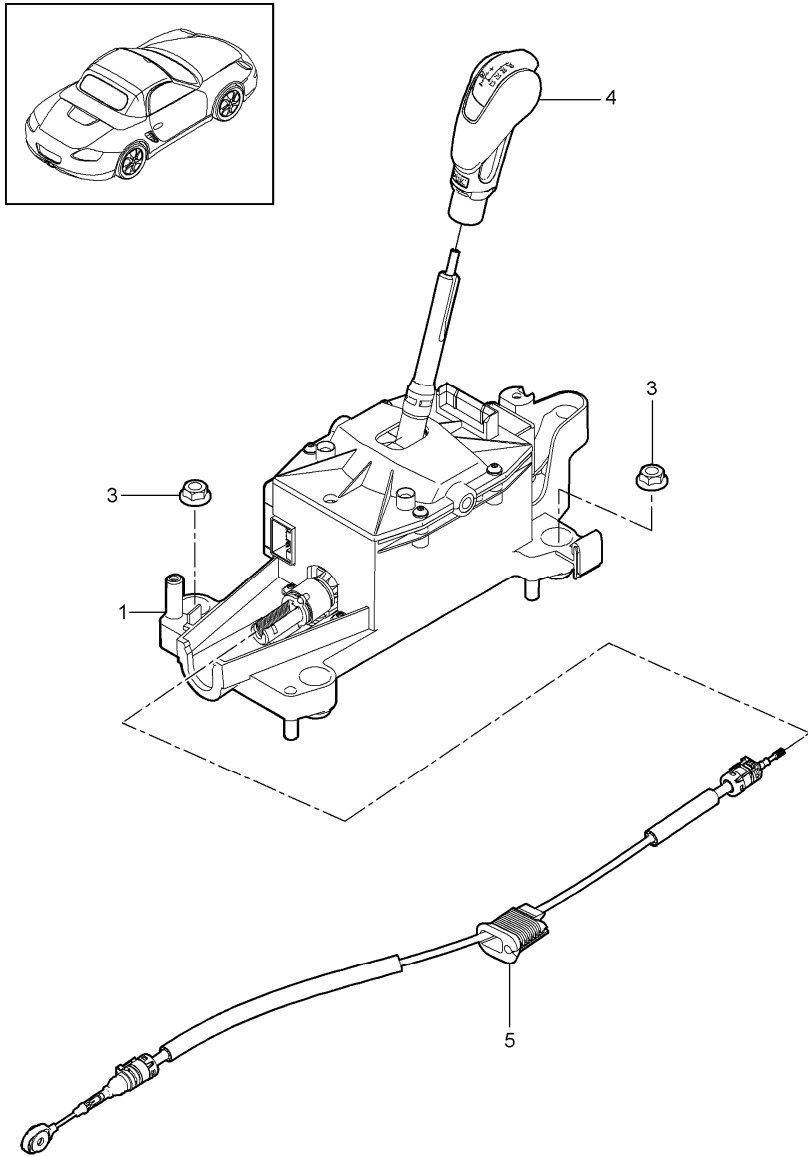
|       |      |    |    |              |              |     |       |            |         |     |         |
|-------|------|----|----|--------------|--------------|-----|-------|------------|---------|-----|---------|
| Model | Year | MG | SG | Illustration | Restrictions | UPD | 18:44 | 01.03.2010 | PORSCHE | PET | PORSCHE |
| 987-2 | 2010 | 7  | 01 | 701-00       |              | 248 |       |            |         |     |         |

| Pos | Part Number    | Description  | Remark | Qty | Model  | Pos | Part Number    | Description  | Remark | Qty | Model |
|-----|----------------|--|--------|-----|--------|-----|----------------|--|--------|-----|-------|
| (7) | 997 424 075 04 | FSS carrera red<br>gearshift knob<br>macassar<br>shift pattern<br>aluminium look |        | 1   | I801   | (7) | 997 424 990 00 | gearshift knob<br>aluminium                                  |        | 1   | IXFN  |
|     |                | FPA black  |        |     |        |     | 8YR            | black  |        |     |       |
|     |                | FPB stone grey   |        |     |        |     | 5X5            | stone grey   |        |     |       |
|     |                | FPC sand beige   |        |     |        |     | 8G1            | sand beige   |        |     |       |
|     |                | FPD sea blue   |        |     |        |     | 3S8            | sea blue   |        |     |       |
|     |                | FPY terracotta   |        |     |        |     | 9N2            | terracotta   |        |     |       |
|     |                | FPZ cocoa  |        |     |        |     | 9Q3            | cocoa  |        |     |       |
|     |                | FPF dark grey/natural  |        |     |        |     | D11            | dark grey/natural  |        |     |       |
|     |                | FPG brown/natural  |        |     |        |     | T11            | brown/natural  |        |     |       |
|     |                | FST carrera red  |        |     |        |     | N11            | carrera red  |        |     |       |
| 7   | 987 424 075 07 | gearshift knob<br>leather  |        | 1   | Spyder | 8   | 999 084 629 01 | hexagon nut<br>M 6   |        | 2   |       |
|     |                | FOT black/black  |        |     |        | 10  | 996 424 145 01 | fastening part<br>for<br>cable<br>adjustable                 |        | 1   |       |
|     |                | FOV sand beige/sand beige  |        |     |        | -   | 996 424 445 00 | clip<br>for<br>fastening part                                |        | 1   |       |
|     |                | FPX cocoa/cocoa  |        |     |        | 11  | 996 424 147 00 | fastening part<br>for<br>cable<br>adjustable<br>for<br>cable |        | 1   |       |
|     |                | FSR carrera red  |        |     |        | 13  | 900 385 006 01 | Outer hexagon round screw<br>BM 8 X 35                       |        | 1   |       |
| (7) | 997 424 981 00 | gearshift knob<br>aluminium<br>leather   |        | 1   | IX97   | 14  |                | cap  |        | 1   |       |
|     |                | 8YR black  |        |     |        | 15  |                | spacer sleeve  |        | 1   |       |
|     |                | 5X5 stone grey   |        |     |        | 16  |                | bearing sleeve   |        | 1   |       |
|     |                | 8G1 sand beige   |        |     |        | 17  |                | o-ring<br>6,0 X 1,5  |        | 1   |       |
|     |                | 3S8 sea blue   |        |     |        | 18  |                | bush   |        | 2   |       |
|     |                | 9N2 terracotta   |        |     |        | 19  |                | washer   |        | 2   |       |
|     |                | 9Q3 cocoa  |        |     |        | 20  |                | reverse lever  |        | 1   |       |
|     |                | D11 dark grey/natural  |        |     |        |     |                |  |        |     |       |
|     |                | T11 brown/natural  |        |     |        |     |                |  |        |     |       |
|     |                | N11 carrera red  |        |     |        |     |                |  |        |     |       |

|       |      |    |    |              |              |     |       |            |         |     |         |
|-------|------|----|----|--------------|--------------|-----|-------|------------|---------|-----|---------|
| Model | Year | MG | SG | Illustration | Restrictions | UPD | 18:44 | 01.03.2010 | PORSCHE | PET | PORSCHE |
| 987-2 | 2010 | 7  | 01 | 701-00       |              | 248 |       |            |         |     |         |

| Pos | Part Number    | Description                 | Remark | Qty | Model | Pos | Part Number | Description | Remark | Qty | Model |
|-----|----------------|-----------------------------|--------|-----|-------|-----|-------------|-------------|--------|-----|-------|
| 21  | 987 424 131 10 | joint rod                   |        | 1   |       |     |             |             |        |     |       |
| 22  | 987 424 023 00 | lever                       |        | 1   |       |     |             |             |        |     |       |
| 23  | 987 424 035 10 | connecting rod              |        | 1   |       |     |             |             |        |     |       |
| 25  | 987 424 065 00 | support<br>left             |        | 1   |       |     |             |             |        |     |       |
| 26  | 987 424 066 00 | support<br>right            |        | 1   |       |     |             |             |        |     |       |
| 27  | 000 043 205 93 | grease<br>1 100-gramme tube |        | X   |       |     |             |             |        |     |       |
| 28  | 987 424 037 00 | reverse lever               |        | 1   |       |     |             |             |        |     |       |

|       |      |    |    |              |              |     |       |            |         |     |         |
|-------|------|----|----|--------------|--------------|-----|-------|------------|---------|-----|---------|
| Model | Year | MG | SG | Illustration | Restrictions | UPD | 18:44 | 01.03.2010 | PORSCHE | PET | PORSCHE |
| 987-2 | 2010 | 7  | 01 | 701-01       |              | 248 |       |            |         |     |         |



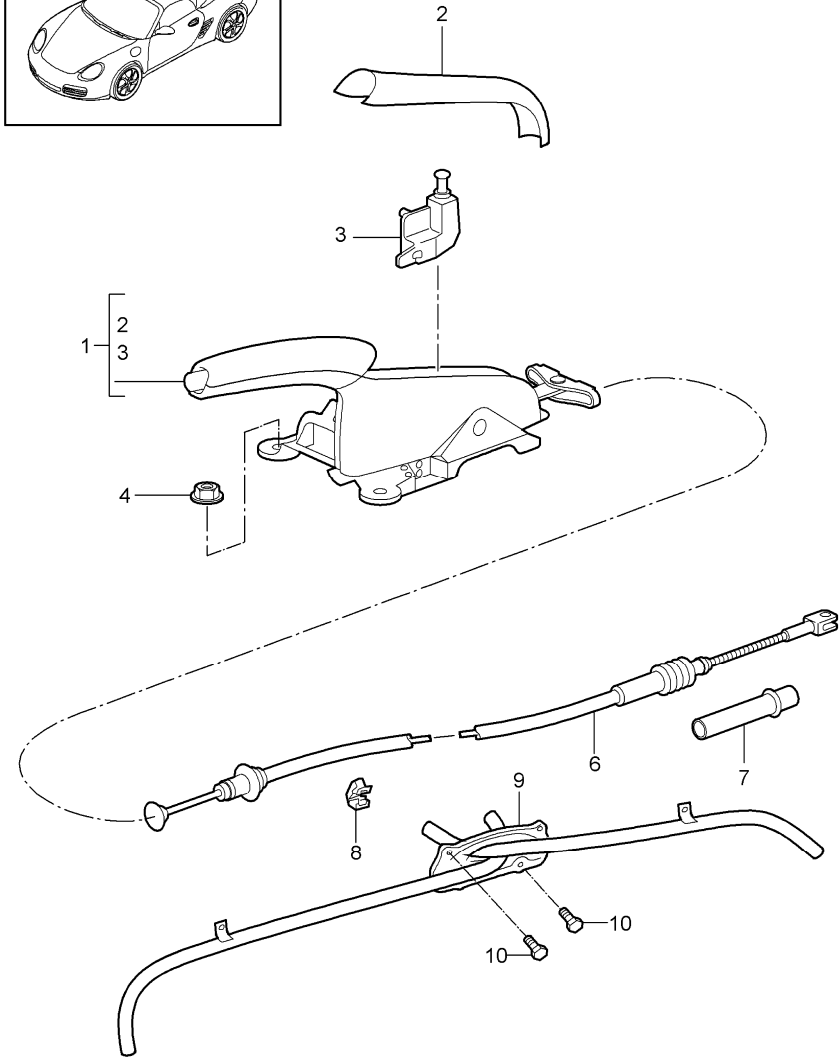
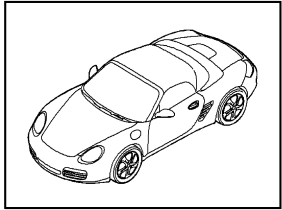
| Pos | Part Number    | Description  | Remark | Qty | Model |
|-----|----------------|--|--------|-----|-------|
|     |                | selector lever<br>pdk                                |        |     | I250  |
| 1   | 9G1 426 011 03 | support<br>with<br>housing                           | -09    | 1   |       |
| 1   | 9G1 426 011 05 | support<br>with<br>housing                           | 10-    | 1   |       |
| 3   | 999 084 629 01 | hexagon nut<br>M 6                                   |        | 4   |       |
| 4   | 9G1 426 069 00 | selector knob<br>leather<br>volcano grey             |        | 1   |       |
|     |                | FTE black  |        |     |       |
|     |                | FTF stone grey                                       |        |     |       |
|     |                | FTG sand beige                                       |        |     |       |
|     |                | FTH sea blue   |        |     |       |
|     |                | FTJ terracotta                                       |        |     |       |
|     |                | FTK cocoa  |        |     |       |
|     |                | FTL dark grey/natural                                |        |     |       |
|     |                | FTM brown/natural                                    |        |     |       |
|     |                | FTN carrera red                                      |        |     |       |
| 4   | 9G1 426 069 04 | selector knob<br>leather<br>macassar<br>volcano grey | -09    | 1   | I801  |
|     |                | FTO black  |        |     |       |
|     |                | FTP stone grey                                       |        |     |       |
|     |                | FTQ sand beige                                       |        |     |       |
|     |                | FTR sea blue   |        |     |       |
|     |                | FTS terracotta                                       |        |     |       |
|     |                | FTT cocoa  |        |     |       |
|     |                | FTU dark grey/natural                                |        |     |       |
|     |                | FTV brown/natural                                    |        |     |       |



|       |      |    |    |              |              |     |       |            |         |     |         |
|-------|------|----|----|--------------|--------------|-----|-------|------------|---------|-----|---------|
| Model | Year | MG | SG | Illustration | Restrictions | UPD | 18:44 | 01.03.2010 | PORSCHE | PET | PORSCHE |
| 987-2 | 2010 | 7  | 01 | 701-01       |              | 248 |       |            |         |     |         |

| Pos | Part Number    | Description  | Remark | Qty | Model | Pos | Part Number                    | Description  | Remark | Qty | Model  |
|-----|----------------|--|--------|-----|-------|-----|--------------------------------|--|--------|-----|--------|
|     |                | FTW carrera red                                    |        |     |       |     | FUA sea blue                   |  |        |     |        |
| (4) | 9G1 426 069 14 | selector knob<br>macassar<br>volcano grey          | 10-    | 1   | I801  |     | FUB terracotta                 |  |        |     |        |
|     |                | FTO black  |        |     |       |     | FUC cocoa                      |  |        |     |        |
|     |                | FTP stone grey                                     |        |     |       |     | FUD dark grey/natural          |  |        |     |        |
|     |                | FTQ sand beige                                     |        |     |       |     | FUE brown/natural              |  |        |     |        |
|     |                | FTR sea blue                                       |        |     |       | 4   | 9G2 426 069 10                 | selector knob<br>leather                           |        | 1   | Spyder |
|     |                | FTS terracotta                                     |        |     |       |     | FUF carrera red                |  |        |     |        |
|     |                | FTT cocoa  |        |     |       |     | FTE Black/Galvano Silver       |  |        |     |        |
|     |                | FTU dark grey/natural                              |        |     |       |     | FTG Sand Beige/Galvano Silver  |  |        |     |        |
|     |                | FTV brown/natural                                  |        |     |       |     | FTK Cocoa/Galvano Silver       |  |        |     |        |
| 4   | 9G1 426 069 03 | selector knob<br>leather<br>carbon<br>volcano grey | -09    | 1   | I803  | 4   | 9G1 426 980 00                 | selector knob<br>leather<br>carbon<br>volcano grey |        | 1   | IXYA   |
|     |                | FTW carrera red                                    |        |     |       |     | FTN Carrera Red/Galvano Silver |  |        |     |        |
|     |                | FTX black  |        |     |       |     | FTE black                      |  |        |     |        |
|     |                | FTY stone grey                                     |        |     |       |     | 5X5 stone grey                 |  |        |     |        |
|     |                | FTZ sand beige                                     |        |     |       |     | 8G1 sand beige                 |  |        |     |        |
|     |                | FUA sea blue                                       |        |     |       |     | 3S8 sea blue                   |  |        |     |        |
|     |                | FUB terracotta                                     |        |     |       |     | 9N2 terracotta                 |  |        |     |        |
|     |                | FUC cocoa  |        |     |       |     | 9Q3 cocoa                      |  |        |     |        |
|     |                | FUD dark grey/natural                              |        |     |       |     | D11 dark grey/natural          |  |        |     |        |
|     |                | FUE brown/natural                                  |        |     |       |     | T11 brown/natural              |  |        |     |        |
|     |                | FUF carrera red                                    |        |     |       |     | N11 carrera red                |  |        |     |        |
| (4) | 9G1 426 069 13 | selector knob<br>leather<br>carbon<br>volcano grey | 10-    | 1   | I803  | 5   | 9G2 426 033 00                 | cable  |        | 1   |        |
|     |                | FTX black  |        |     |       |     |                                |  |        |     |        |
|     |                | FTY stone grey                                     |        |     |       |     |                                |  |        |     |        |
|     |                | FTZ sand beige                                     |        |     |       |     |                                |  |        |     |        |

|       |      |    |    |              |              |     |       |            |         |     |         |
|-------|------|----|----|--------------|--------------|-----|-------|------------|---------|-----|---------|
| Model | Year | MG | SG | Illustration | Restrictions | UPD | 18:44 | 01.03.2010 | PORSCHE | PET | PORSCHE |
| 987-2 | 2010 | 7  | 01 | 701-05       |              | 248 |       |            |         |     |         |



| Pos | Part Number    | Description                           | Remark | Qty | Model  |
|-----|----------------|---------------------------------------|--------|-----|--------|
| (1) | 997 424 031 62 | handbrake actuator                    | -      | 1   |        |
|     |                | parking-brake lever complete leather  |        |     |        |
|     |                | 8YR black                             |        |     |        |
|     |                | 5X5 stone grey                        |        |     |        |
|     |                | 8G1 sand beige                        |        |     |        |
|     |                | 3S8 sea blue                          |        |     |        |
|     |                | 9N2 terracotta                        |        |     |        |
|     |                | 9Q3 cocoa                             |        |     |        |
|     |                | FQF black/stone grey                  |        |     |        |
|     |                | D11 dark grey/natural                 |        |     |        |
|     |                | T11 brown/natural                     |        |     |        |
|     |                | N11 carrera red                       |        |     |        |
| (1) | 997 424 031 62 | parking-brake lever complete leather  | -      | 1   | Spyder |
|     |                | 8YR black                             |        |     |        |
|     |                | 8G1 sand beige                        |        |     |        |
|     |                | 9Q3 cocoa                             |        |     |        |
|     |                | N11 carrera red                       |        |     |        |
| (1) | 997 424 031 63 | parking-brake lever complete macassar | -      | 1   | I801   |
|     |                | 8YR black                             |        |     |        |
|     |                | 5X5 stone grey                        |        |     |        |
|     |                | 8G1 sand beige                        |        |     |        |
|     |                | 3S8 sea blue                          |        |     |        |
|     |                | 9N2 terracotta                        |        |     |        |
|     |                | 9Q3 cocoa                             |        |     |        |
|     |                | D11 dark grey/natural                 |        |     |        |

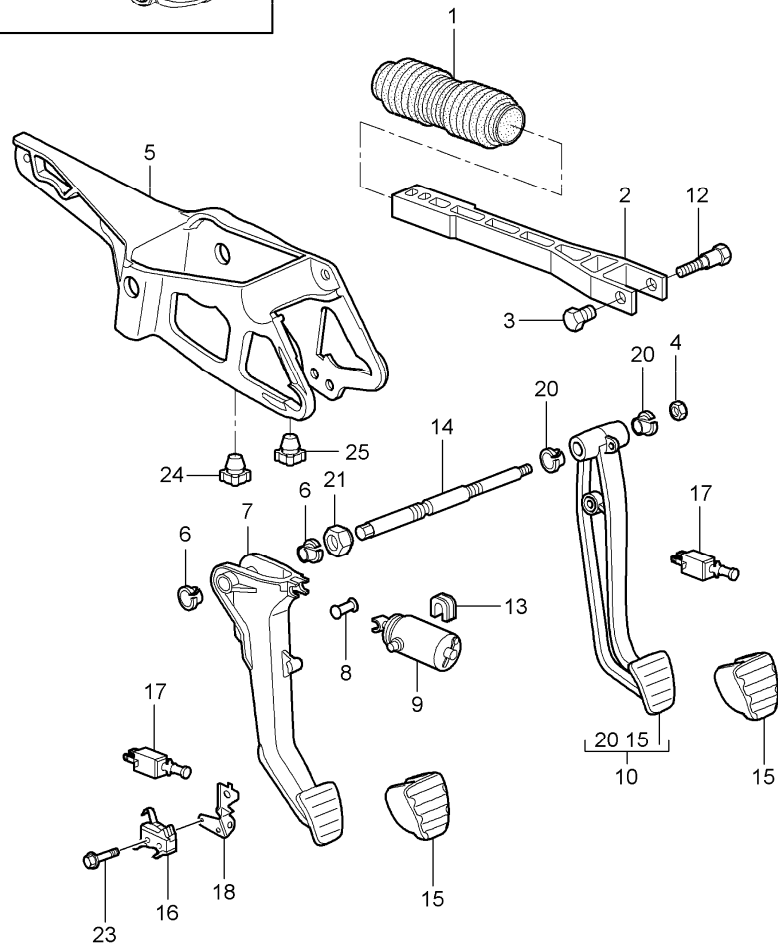
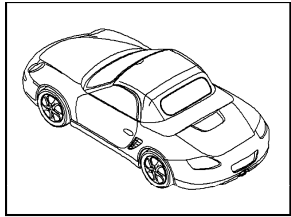
|       |      |    |    |              |              |     |       |            |         |     |         |
|-------|------|----|----|--------------|--------------|-----|-------|------------|---------|-----|---------|
| Model | Year | MG | SG | Illustration | Restrictions | UPD | 18:44 | 01.03.2010 | PORSCHE | PET | PORSCHE |
| 987-2 | 2010 | 7  | 01 | 701-05       |              | 248 |       |            |         |     |         |

| Pos | Part Number    | Description                         | Remark | Qty | Model    | Pos | Part Number                                 | Description | Remark | Qty | Model           |
|-----|----------------|-------------------------------------|--------|-----|----------|-----|---|-------------|--------|-----|-----------------|
|     |                | T11 brown/natural                   |        |     |          |     | 9N2 terracotta                              |             |        |     |                 |
|     |                | N11 carrera red                     |        |     |          |     | 9Q3 cocoa                                   |             |        |     |                 |
| (1) | 997 424 031 65 | parking-brake lever complete carbon |        | 1   | I803     |     | D11 dark grey/natural                       |             |        |     |                 |
|     |                | 8YR black                           |        |     |          |     | T11 brown/natural                           |             |        |     |                 |
|     |                | 5X5 stone grey                      |        |     |          | (1) | 997 424 991 01 parking-brake lever complete |             |        | 1   | Spyder IXFP/098 |
|     |                | 8G1 sand beige                      |        |     |          |     | 8YR black                                   |             |        |     |                 |
|     |                | 3S8 sea blue                        |        |     |          |     | 8G1 sand beige                              |             |        |     |                 |
|     |                | 9N2 terracotta                      |        |     |          |     | 9Q3 cocoa                                   |             |        |     |                 |
|     |                | 9Q3 cocoa                           |        |     |          |     | N11 carrera red                             |             |        |     |                 |
|     |                | D11 dark grey/natural               |        |     |          | (1) | 997 424 980 01 parking-brake lever complete |             |        | 1   | IX98/099        |
|     |                | T11 brown/natural                   |        |     |          |     | 8YR black                                   |             |        |     |                 |
| (1) | 997 424 980 00 | parking-brake lever complete        |        | 1   | IX98/098 |     | 5X5 stone grey                              |             |        |     |                 |
|     |                | 8YR black                           |        |     |          |     | 8G1 sand beige                              |             |        |     |                 |
|     |                | 5X5 stone grey                      |        |     |          |     | 3S8 sea blue                                |             |        |     |                 |
|     |                | 8G1 sand beige                      |        |     |          |     | 9N2 terracotta                              |             |        |     |                 |
|     |                | 3S8 sea blue                        |        |     |          |     | 9Q3 cocoa                                   |             |        |     |                 |
|     |                | 9N2 terracotta                      |        |     |          |     | D11 dark grey/natural                       |             |        |     |                 |
|     |                | 9Q3 cocoa                           |        |     |          |     | T11 brown/natural                           |             |        |     |                 |
|     |                | D11 dark grey/natural               |        |     |          |     | N11 carrera red                             |             |        |     |                 |
|     |                | T11 brown/natural                   |        |     |          | (1) | 997 424 991 00 parking-brake lever complete |             |        | 1   | IXFP/099        |
|     |                | N11 carrera red                     |        |     |          |     | 8YR black                                   |             |        |     |                 |
| (1) | 997 424 991 01 | parking-brake lever complete        |        | 1   | IXFP/098 |     | 5X5 stone grey                              |             |        |     |                 |
|     |                | 8YR black                           |        |     |          |     | 8G1 sand beige                              |             |        |     |                 |
|     |                | 5X5 stone grey                      |        |     |          |     | 3S8 sea blue                                |             |        |     |                 |
|     |                | 8G1 sand beige                      |        |     |          |     | 9N2 terracotta                              |             |        |     |                 |
|     |                | 3S8 sea blue                        |        |     |          |     | 9Q3 cocoa                                   |             |        |     |                 |

|       |      |    |    |              |              |     |       |            |         |     |         |
|-------|------|----|----|--------------|--------------|-----|-------|------------|---------|-----|---------|
| Model | Year | MG | SG | Illustration | Restrictions | UPD | 18:44 | 01.03.2010 | PORSCHE | PET | PORSCHE |
| 987-2 | 2010 | 7  | 01 | 701-05       |              | 248 |       |            |         |     |         |

| Pos | Part Number    | Description                     | Remark | Qty | Model              | Pos | Part Number    | Description                 | Remark | Qty | Model |
|-----|----------------|---------------------------------|--------|-----|--------------------|-----|----------------|-----------------------------|--------|-----|-------|
|     |                | D11 dark grey/natural           |        |     |                    | -   | 999 076 081 40 | plastic nut<br>T5 16 X 11,2 |        | 2   |       |
|     |                | T11 brown/natural               |        |     |                    |     |                |                             |        |     |       |
|     |                | N11 carrera red                 |        |     |                    |     |                |                             |        |     |       |
| (1) | 997 424 991 00 | parking-brake lever<br>complete |        | 1   | Spyder<br>IXFP/099 |     |                |                             |        |     |       |
|     |                | 8YR black                       |        |     |                    |     |                |                             |        |     |       |
|     |                | 8G1 sand beige                  |        |     |                    |     |                |                             |        |     |       |
|     |                | 9Q3 cocoa                       |        |     |                    |     |                |                             |        |     |       |
|     |                | N11 carrera red                 |        |     |                    |     |                |                             |        |     |       |
| 2   | 997 424 155 00 | cover<br>leather                |        | 1   |                    |     |                |                             |        |     |       |
|     |                | 8YR black                       |        |     |                    |     |                |                             |        |     |       |
|     |                | 5X5 stone grey                  |        |     |                    |     |                |                             |        |     |       |
|     |                | 8G1 sand beige                  |        |     |                    |     |                |                             |        |     |       |
|     |                | 3S8 sea blue                    |        |     |                    |     |                |                             |        |     |       |
|     |                | 9N2 terracotta                  |        |     |                    |     |                |                             |        |     |       |
|     |                | 9Q3 cocoa                       |        |     |                    |     |                |                             |        |     |       |
|     |                | D11 dark grey/natural           |        |     |                    |     |                |                             |        |     |       |
|     |                | T11 brown/natural               |        |     |                    |     |                |                             |        |     |       |
|     |                | N11 carrera red                 |        |     |                    |     |                |                             |        |     |       |
| 3   | 996 613 112 01 | switch                          |        | 1   |                    |     |                |                             |        |     |       |
| 4   | 999 084 630 01 | hexagon nut<br>M 8              |        | 4   |                    |     |                |                             |        |     |       |
| 6   | 987 424 141 07 | parking-brake cable             | /L     | 1   |                    |     |                |                             |        |     |       |
| (6) | 987 424 141 08 | parking-brake cable             | /R     | 1   |                    |     |                |                             |        |     |       |
| 7   | 986 424 721 07 | guide tube                      |        | 2   |                    |     |                |                             |        |     |       |
| 8   | 999 507 827 40 | cable holder                    |        | 2   |                    |     |                |                             |        |     |       |
| 9   | 987 424 310 00 | housing                         |        | 1   |                    |     |                |                             |        |     |       |
| 10  | 900 378 163 01 | hexagon-head bolt<br>M 6 X 16   |        | 4   |                    |     |                |                             |        |     |       |

|       |      |    |    |              |              |     |       |            |         |     |         |
|-------|------|----|----|--------------|--------------|-----|-------|------------|---------|-----|---------|
| Model | Year | MG | SG | Illustration | Restrictions | UPD | 18:45 | 01.03.2010 | PORSCHE | PET | PORSCHE |
| 987-2 | 2010 | 7  | 02 | 702-00       |              | 248 |       |            |         |     |         |

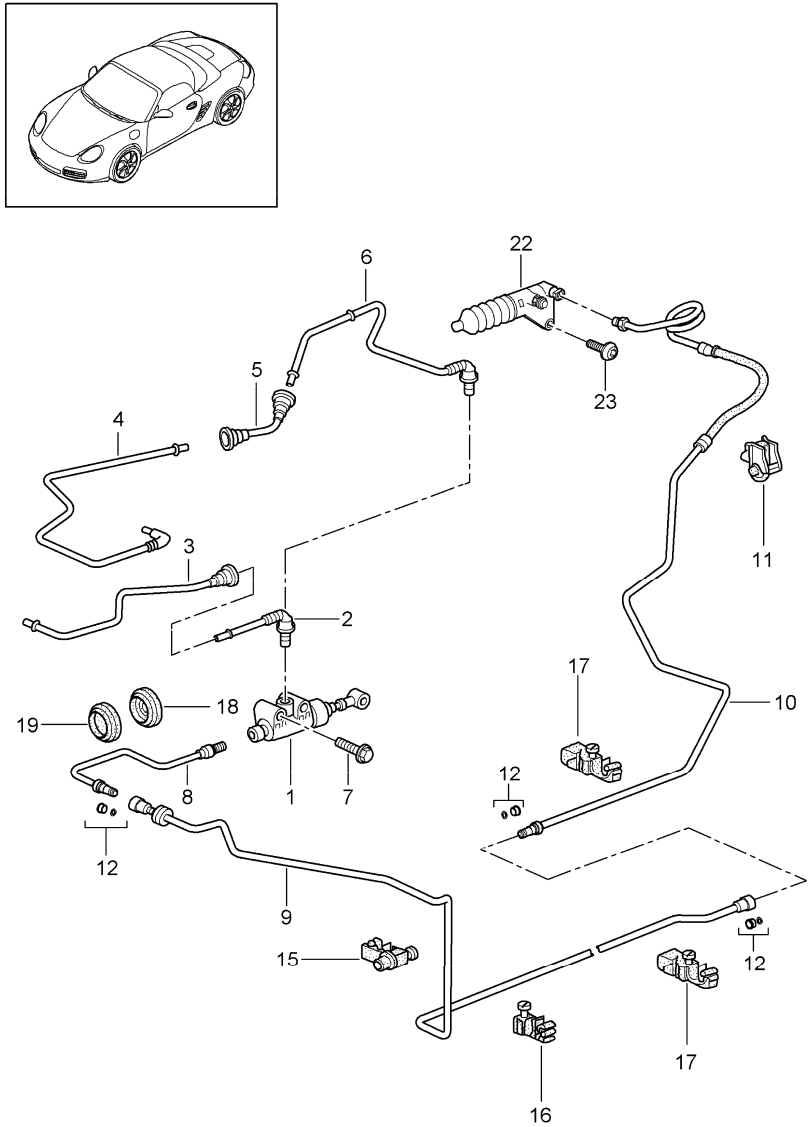


| Pos  | Part Number    | Description                             | Remark | Qty | Model     |
|------|----------------|---|--------|-----|-----------|
| -    | 000 043 206 17 | pedals<br>grease<br>l tube              |        | X   |           |
| 1    | ...            | bellows<br>see illustrations<br>6/04/00 |        | 1   |           |
| 2    | 996 423 165 05 | push rod                                |        | 1   |           |
| 3    | 996 423 307 00 | sleeve                                  |        | 1   |           |
| 4    | 999 084 457 01 | hexagon nut<br>M 8                      |        | 3   |           |
| 5    | 997 423 571 02 | bracket<br>for<br>clutch power spring   |        | 1   | I480      |
| 6    | 997 423 399 01 | bush                                    |        | 2   | I480      |
| 7    | 997 423 139 01 | clutch pedal                            |        | 1   | I480      |
| 8    | 996 423 315 06 | bolt                                    |        | 1   | I480      |
| -    | 999 166 022 01 | kl-lock<br>for<br>bolt                  |        | 1   | I480      |
| 9    | 987 423 081 04 | clutch power spring                     |        | 1   | BOXSTER   |
| (9)  | 987 423 081 05 | clutch power spring                     |        | 1   | BOXSTER S |
| (9)  | 987 423 081 05 | clutch power spring                     |        | 1   | Spyder    |
| 10   | 997 423 091 04 | brake pedal                             |        | 1   | I098/480  |
| (10) | 997 423 092 04 | brake pedal                             |        | 1   | I099/480  |
| (10) | 997 423 093 04 | brake pedal                             |        | 1   | I098/250  |
| 10   | 997 423 094 04 | brake pedal                             |        | 1   | I099/250  |
| 12   | 996 423 308 00 | bolt                                    |        | 1   |           |
| 13   | 997 423 581 00 | bearing shell                           |        | 1   |           |
| 14   | 997 423 281 00 | axle                                    |        | 1   | I098/480  |
| (14) | 997 423 284 00 | axle                                    |        | 1   | I099/480  |
| (14) | 996 423 283 05 | axle                                    |        | 1   | I098/250  |
| (14) | 996 423 286 05 | axle                                    |        | 1   | I099/250  |

|       |      |    |    |              |              |     |       |            |         |     |         |
|-------|------|----|----|--------------|--------------|-----|-------|------------|---------|-----|---------|
| Model | Year | MG | SG | Illustration | Restrictions | UPD | 18:45 | 01.03.2010 | PORSCHE | PET | PORSCHE |
| 987-2 | 2010 | 7  | 02 | 702-00       |              | 248 |       |            |         |     |         |

| Pos  | Part Number    | Description                   | Remark | Qty | Model | Pos | Part Number | Description | Remark | Qty | Model |
|------|----------------|-------------------------------|--------|-----|-------|-----|-------------|-------------|--------|-----|-------|
| -    | 996 423 277 00 | bearing sleeve<br>brake pedal |        | 1   | I099  |     |             |             |        |     |       |
| 15   | 997 423 910 00 | pedal cap                     |        | 2   | I480  |     |             |             |        |     |       |
| (15) | 997 423 912 00 | pedal cap                     |        | 1   | I250  |     |             |             |        |     |       |
| 16   | 997 613 109 01 | switch<br>brake pedal         |        | 1   | I480  |     |             |             |        |     |       |
| 17   | 996 613 113 02 | switch<br>brake pedal         |        | 2   |       |     |             |             |        |     |       |
| (17) | 996 613 114 01 | switch<br>clutch pedal        |        | 1   |       |     |             |             |        |     |       |
| 18   | 997 423 541 00 | support                       |        | 1   |       |     |             |             |        |     |       |
| 20   | 997 423 401 00 | bush                          |        | 2   | I098  |     |             |             |        |     |       |
| (20) | 997 423 402 00 | bush                          |        | 2   | I099  |     |             |             |        |     |       |
| 21   | 997 423 275 01 | screw plug                    |        | 1   |       |     |             |             |        |     |       |
| 22   | 900 378 273 01 | hexagon-head bolt<br>M 6 x 18 |        | 1   |       |     |             |             |        |     |       |
| 23   | 999 073 480 01 | combination screw<br>M 3 X 20 |        | 1   |       |     |             |             |        |     |       |
| 24   | 997 423 695 00 | rubber stop                   |        | 1   |       |     |             |             |        |     |       |
| 25   | 997 423 697 00 | rubber stop                   |        | 1   |       |     |             |             |        |     |       |

|       |      |    |    |              |              |     |       |            |         |     |         |
|-------|------|----|----|--------------|--------------|-----|-------|------------|---------|-----|---------|
| Model | Year | MG | SG | Illustration | Restrictions | UPD | 18:45 | 01.03.2010 | PORSCHE | PET | PORSCHE |
| 987-2 | 2010 | 7  | 02 | 702-08       |              | 248 |       |            |         |     |         |



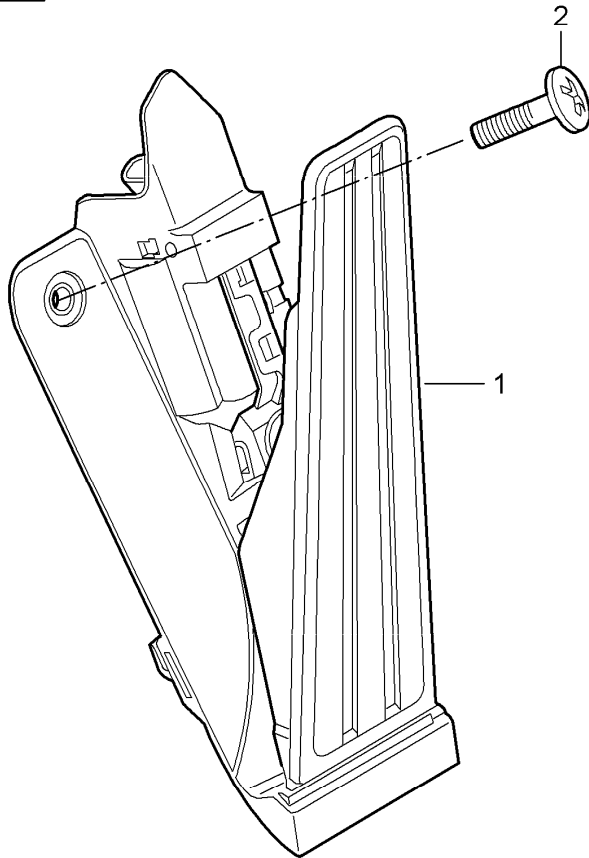
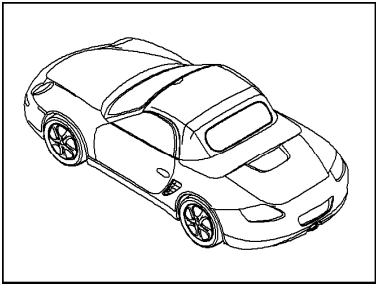
| Pos | Part Number    | Description   | Remark | Qty         | Model |
|-----|----------------|---|--------|-------------|-------|
|     |                | clutch actuation<br>clutch master cylinder<br>clutch pipeline |        |             | I480  |
| 1   | 997 423 171 01 | clutch master cylinder  |        | 1           |       |
| -   | 996 423 614 00 | circlip<br>pressure line                                      |        | 1           |       |
| -   | 996 423 315 06 | bolt  |        | 1           |       |
| -   | 999 166 022 01 | kl-lock<br>for<br>bolt  |        | 1           |       |
| 2   | 997 423 147 00 | feed line   |        | 1           | I098  |
| 3   | 997 423 137 00 | feed line   |        | 1           | I098  |
| 4   | 996 423 138 04 | line  |        | 1           | I099  |
| 5   | 996 423 140 02 | line  |        | 1           | I099  |
| 6   | 996 423 142 02 | feed line   |        | 1           | I099  |
| 7   | 900 378 217 09 | hexagon-head bolt<br>M 6 X 40                                 |        | 2           |       |
| 8   | 997 423 107 12 | clutch pipeline   |        | 1           | I098  |
| (8) | 997 423 108 12 | clutch pipeline   |        | 1           | I099  |
| 9   | 997 423 109 11 | clutch pipeline   |        | 1           |       |
| -   | 999 702 120 50 | rubber sleeve<br>for<br>clutch pipeline                       |        | 1           |       |
| 10  | 987 423 113 12 | clutch pipeline   | -09    | 1           |       |
| 10  | 987 423 113 13 | clutch pipeline   | 10-    | 1           |       |
| 11  | 999 507 495 40 | support   |        | 1           |       |
| 12  | 997 423 913 00 | repair kit<br>comprising:<br>o-ring<br>sealing rubber         |        | X<br>1<br>1 |       |
| 15  | 996 355 549 00 | support   |        | 1           |       |
| 16  | 996 355 545 00 | support   |        | 2           |       |
| 17  | 996 355 543 00 | support   |        | 4           |       |
| 18  | 999 702 216 42 | grommet   |        | 1           | I480  |

|       |      |    |    |              |              |     |       |            |         |     |         |
|-------|------|----|----|--------------|--------------|-----|-------|------------|---------|-----|---------|
| Model | Year | MG | SG | Illustration | Restrictions | UPD | 18:45 | 01.03.2010 | PORSCHE | PET | PORSCHE |
| 987-2 | 2010 | 7  | 02 | 702-08       |              | 248 |       |            |         |     |         |

| Pos | Part Number    | Description             | Remark | Qty | Model | Pos | Part Number | Description | Remark | Qty | Model |
|-----|----------------|-------------------------|--------|-----|-------|-----|-------------|-------------|--------|-----|-------|
| 19  | 999 702 217 41 | grommet                 |        | 1   | I250  |     |             |             |        |     |       |
| 21  | 999 507 586 40 | cable holder            |        | 1   |       |     |             |             |        |     |       |
| 22  | 9G2 116 237 00 | slave cylinder          |        | 1   |       |     |             |             |        |     |       |
| 23  | 900 385 098 01 | torx screw<br>BM 8 X 25 |        | 2   |       |     |             |             |        |     |       |

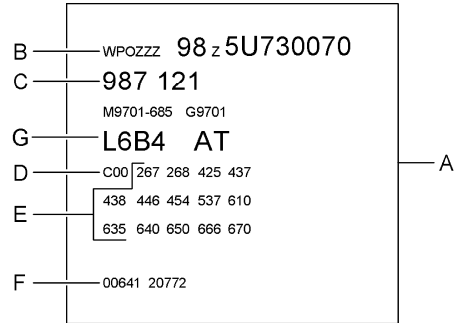


|       |      |    |    |              |              |     |       |            |         |     |         |
|-------|------|----|----|--------------|--------------|-----|-------|------------|---------|-----|---------|
| Model | Year | MG | SG | Illustration | Restrictions | UPD | 18:45 | 01.03.2010 | PORSCHE | PET | PORSCHE |
| 987-2 | 2010 | 7  | 02 | 702-10       |              | 248 |       |            |         |     |         |



| Pos | Part Number    | Description                   | Remark | Qty | Model |
|-----|----------------|-------------------------------|--------|-----|-------|
|     |                | pedals<br>accelerator control |        |     |       |
| 1   | 997 423 019 02 | accelerator control           |        | 1   | I480  |
| (1) | 997 423 021 02 | accelerator control           |        | 1   | I250  |
| 2   | 900 146 161 09 | round head screw<br>M 6 X 20  |        | 1   |       |

|       |      |    |    |              |              |     |       |            |         |     |         |
|-------|------|----|----|--------------|--------------|-----|-------|------------|---------|-----|---------|
| Model | Year | MG | SG | Illustration | Restrictions | UPD | 18:45 | 01.03.2010 | PORSCHE | PET | PORSCHE |
| 987-2 | 2010 | 8  | 01 | 801-00       |              | 248 |       |            |         |     |         |

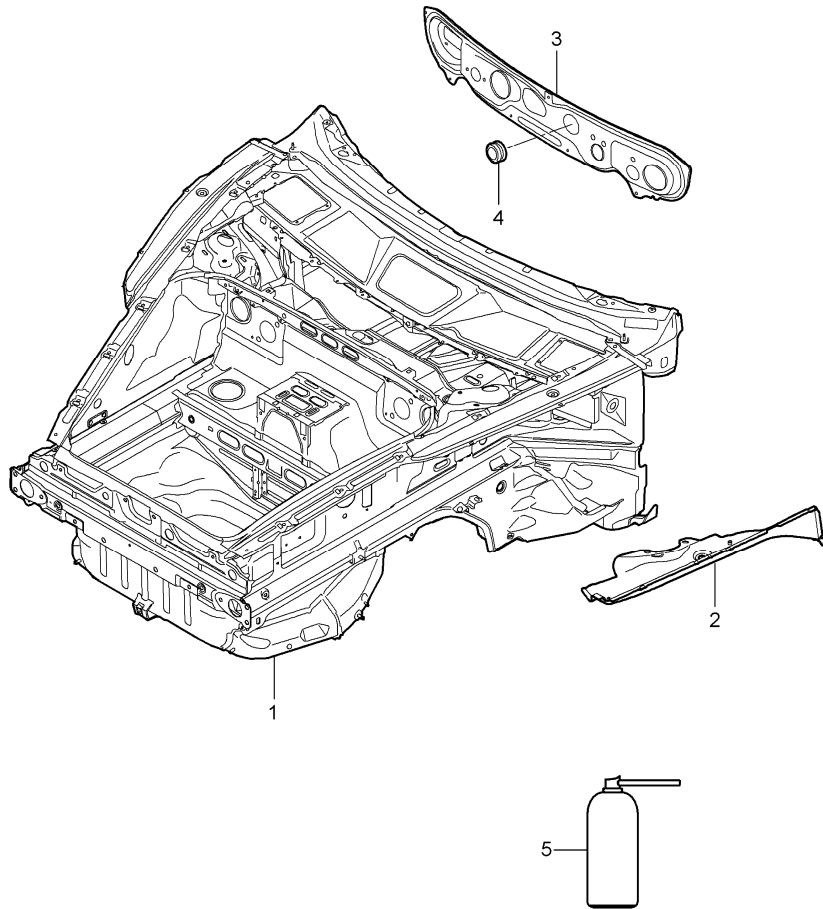
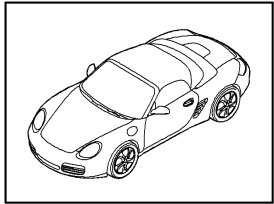


| Pos | Part Number           | Description   | Remark | Qty | Model |
|-----|-----------------------|---|--------|-----|-------|
|     |                       | body in white<br>prime coated<br>sealed<br>with<br>underbody protection<br>with<br>doors/lids/wings   |        |     |       |
|     |                       | bodyshells can only<br>only available from current<br>model year available  |        |     |       |
|     |                       | the data required<br>for your order<br>can be found on the<br>vehicle data carrier<br>in<br>on-board folder<br>please indicate this data<br>in your order |        |     |       |
| A   | -                     | vehicle data carrier  |        |     |       |
| B   | -                     | vehicle identification no.  |        |     |       |
| C   | -                     | order type  |        |     |       |
| D   | -                     | country equipment   |        |     |       |
| E   | -                     | optional extras   |        |     |       |
| F   | -                     | additional applications   |        |     |       |
| G   | -                     | indicate colour   |        |     |       |
| 1   | 987 500 900 00<br>GRV | body in white<br>prime coated   |        | 1   |       |

|       |      |    |    |              |              |     |       |            |
|-------|------|----|----|--------------|--------------|-----|-------|------------|
| Model | Year | MG | SG | Illustration | Restrictions | UPD | 18:45 | 01.03.2010 |
| 987-2 | 2010 | 8  | 01 | 801-02       |              | 248 |       |            |

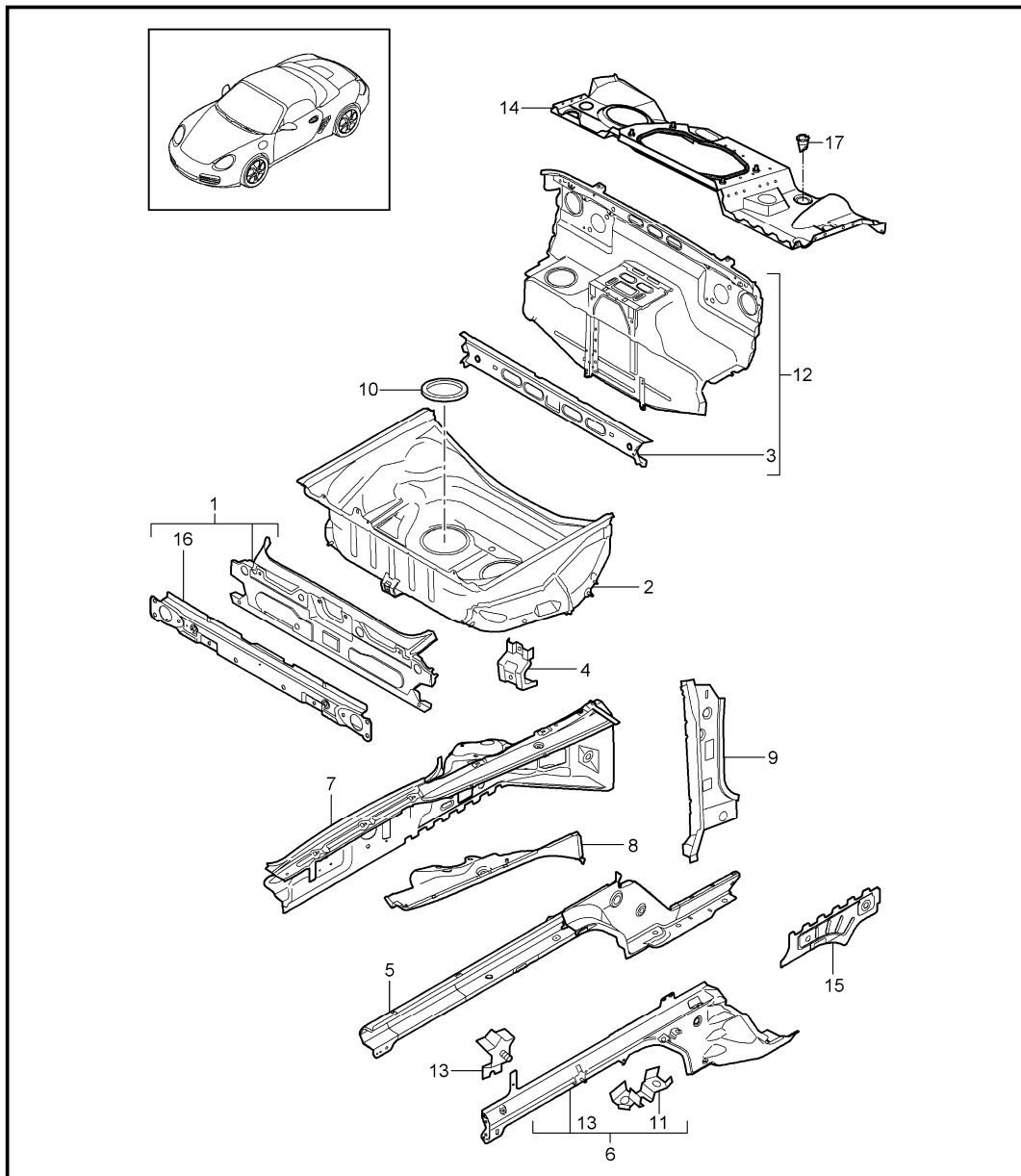
| Pos | Part Number    | Description                             | Remark | Qty | Model |
|-----|----------------|---|--------|-----|-------|
|     |                | stopper<br>plane<br>see workshop manual |        |     |       |
| 1   | 999 703 462 40 | lid<br>10 x 6,5                         |        | X   |       |
| 2   | 999 703 421 40 | grommet<br>15 mm                        |        | X   |       |
| 4   | 803 803 583 A  | lid<br>20 x 30                          |        | X   |       |
| 5   | 999 703 420 40 | stopper<br>20,3 x 30 x 11               |        | X   |       |
| 6   | 803 803 583    | rubber sleeve<br>30 x 40                |        | X   |       |
| 7   | 999 703 433 40 | stopper<br>30 x 42                      |        | X   |       |
| 8   | 999 703 435 40 | lid<br>15 x 26                          |        | X   |       |

|       |      |    |    |              |              |     |       |            |         |     |         |
|-------|------|----|----|--------------|--------------|-----|-------|------------|---------|-----|---------|
| Model | Year | MG | SG | Illustration | Restrictions | UPD | 18:46 | 01.03.2010 | PORSCHE | PET | PORSCHE |
| 987-2 | 2010 | 8  | 01 | 801-05       |              | 248 |       |            |         |     |         |



| Pos | Part Number    | Description  | Remark | Qty | Model |
|-----|----------------|--|--------|-----|-------|
| 1   | 987 501 911 00 | body front section   |        | 1   |       |
|     | GRV            | prime coated<br>use also:<br>sealing compound<br>Pos. 5<br>processing instructions<br>see technical manual |        |     |       |
| 2   | 997 501 945 00 | bottom half  | /L     | 1   |       |
|     | GRV            | prime coated   |        |     |       |
| (2) | 997 501 946 01 | bottom half  | /R     | 1   |       |
|     | GRV            | prime coated   |        |     |       |
| 3   | 997 504 121 00 | lid  | /LL    | 1   | I098  |
| (3) | 997 504 121 01 | lid  | /RL    | 1   | I099  |
|     |                | use also:  |        |     |       |
| --- | 000 043 300 94 | adhesive set   |        | 1   |       |
| 4   | 999 702 255 41 | lid<br>62,5 X 72,6   |        | 1   |       |
| 5   | 999 915 337 40 | sealing compound   |        | 1   |       |

|       |      |    |    |              |              |     |       |            |         |     |         |
|-------|------|----|----|--------------|--------------|-----|-------|------------|---------|-----|---------|
| Model | Year | MG | SG | Illustration | Restrictions | UPD | 18:46 | 01.03.2010 | PORSCHE | PET | PORSCHE |
| 987-2 | 2010 | 8  | 01 | 801-10       |              | 248 |       |            |         |     |         |

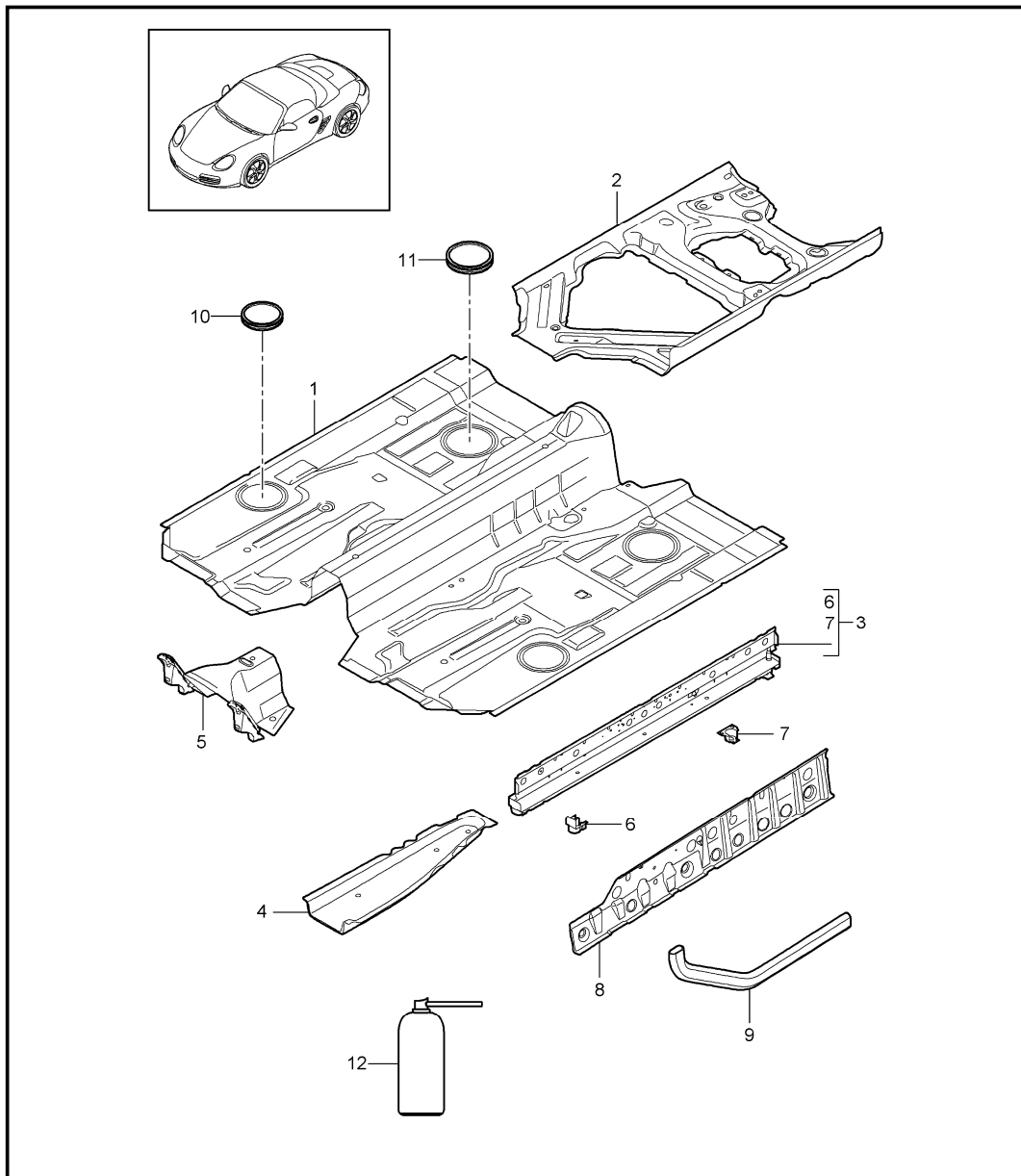


| Pos | Part Number    | Description                        | Remark | Qty | Model |
|-----|----------------|------------------------------------|--------|-----|-------|
|     |                | body front section<br>single parts |        |     |       |
| 1   | 997 501 931 00 | terminal piece                     |        | 1   |       |
|     | GRV            | prime coated                       |        |     |       |
| 2   | 987 501 979 00 | spare-wheel well                   |        | 1   |       |
|     | GRV            | prime coated                       |        |     |       |
| 3   | 997 501 649 00 | cross member<br>bulkhead           |        | 1   |       |
|     | GRV            | prime coated                       |        |     |       |
| 4   | 996 501 621 00 | support                            |        | 3   |       |
|     | GRV            | prime coated                       |        |     |       |
| 5   | 997 501 305 01 | side member                        | /L     | 1   |       |
|     | GRV            | prime coated                       |        |     |       |
| (5) | 997 501 306 01 | side member                        | /R     | 1   |       |
|     | GRV            | prime coated                       |        |     |       |
| 6   | 997 501 915 00 | side member                        | /L     | 1   |       |
|     | GRV            | prime coated                       |        |     |       |
| (6) | 997 501 916 00 | side member                        | /R     | 1   |       |
|     | GRV            | prime coated                       |        |     |       |
| 7   | 997 501 935 00 | wheel housing                      | /L     | 1   |       |
|     | GRV            | prime coated                       |        |     |       |
| (7) | 997 501 936 01 | wheel housing                      | /R     | 1   |       |
|     | GRV            | prime coated                       |        |     |       |
| 8   | 997 501 945 00 | bottom half                        | /L     | 1   |       |
|     | GRV            | prime coated                       |        |     |       |
| (8) | 997 501 946 01 | bottom half                        | /R     | 1   |       |
|     | GRV            | prime coated                       |        |     |       |
| 9   | 997 501 937 00 | hinge pillar                       | /L     | 1   |       |
|     | GRV            | prime coated                       |        |     |       |
| 9   | 997 501 938 00 | hinge pillar                       | /R     | 1   |       |

|       |      |    |    |              |              |     |       |            |         |     |         |
|-------|------|----|----|--------------|--------------|-----|-------|------------|---------|-----|---------|
| Model | Year | MG | SG | Illustration | Restrictions | UPD | 18:46 | 01.03.2010 | PORSCHE | PET | PORSCHE |
| 987-2 | 2010 | 8  | 01 | 801-10       |              | 248 |       |            |         |     |         |

| Pos  | Part Number    | Description                  | Remark | Qty | Model | Pos | Part Number | Description | Remark | Qty | Model |
|------|----------------|------------------------------|--------|-----|-------|-----|-------------|-------------|--------|-----|-------|
|      |                | GRV prime coated             |        |     |       |     |             |             |        |     |       |
| 10   | 996 504 201 01 | lid<br>\$ 145 MM             |        | 2   |       |     |             |             |        |     |       |
| 11   | 996 501 815 02 | support<br>brake line        |        | 2   |       |     |             |             |        |     |       |
|      |                | GRV prime coated             |        |     |       |     |             |             |        |     |       |
| 12   | 997 502 921 00 | bulkhead                     |        | 1   |       |     |             |             |        |     |       |
|      |                | GRV prime coated             |        |     |       |     |             |             |        |     |       |
| 13   | 996 501 341 00 | support<br>radiator<br>upper |        | 2   |       |     |             |             |        |     |       |
|      |                | GRV prime coated             |        |     |       |     |             |             |        |     |       |
| 14   | 997 502 017 01 | cross panel                  |        | 1   |       |     |             |             |        |     |       |
|      |                | GRV prime coated             |        |     |       |     |             |             |        |     |       |
| 15   | 997 501 665 01 | separator                    | /L     | 1   |       |     |             |             |        |     |       |
|      |                | GRV prime coated             |        |     |       |     |             |             |        |     |       |
| (15) | 997 501 666 01 | separator                    | /R     | 1   |       |     |             |             |        |     |       |
|      |                | GRV prime coated             |        |     |       |     |             |             |        |     |       |
| 16   | 997 501 901 00 | cross member                 |        | 1   |       |     |             |             |        |     |       |
|      |                | GRV prime coated             |        |     |       |     |             |             |        |     |       |
| 17   | 999 703 476 40 | grommet<br>29,8 X 1,0        |        | 4   |       |     |             |             |        |     |       |

|       |      |    |    |              |              |     |       |            |         |     |         |
|-------|------|----|----|--------------|--------------|-----|-------|------------|---------|-----|---------|
| Model | Year | MG | SG | Illustration | Restrictions | UPD | 18:46 | 01.03.2010 | PORSCHE | PET | PORSCHE |
| 987-2 | 2010 | 8  | 01 | 801-20       |              | 248 |       |            |         |     |         |



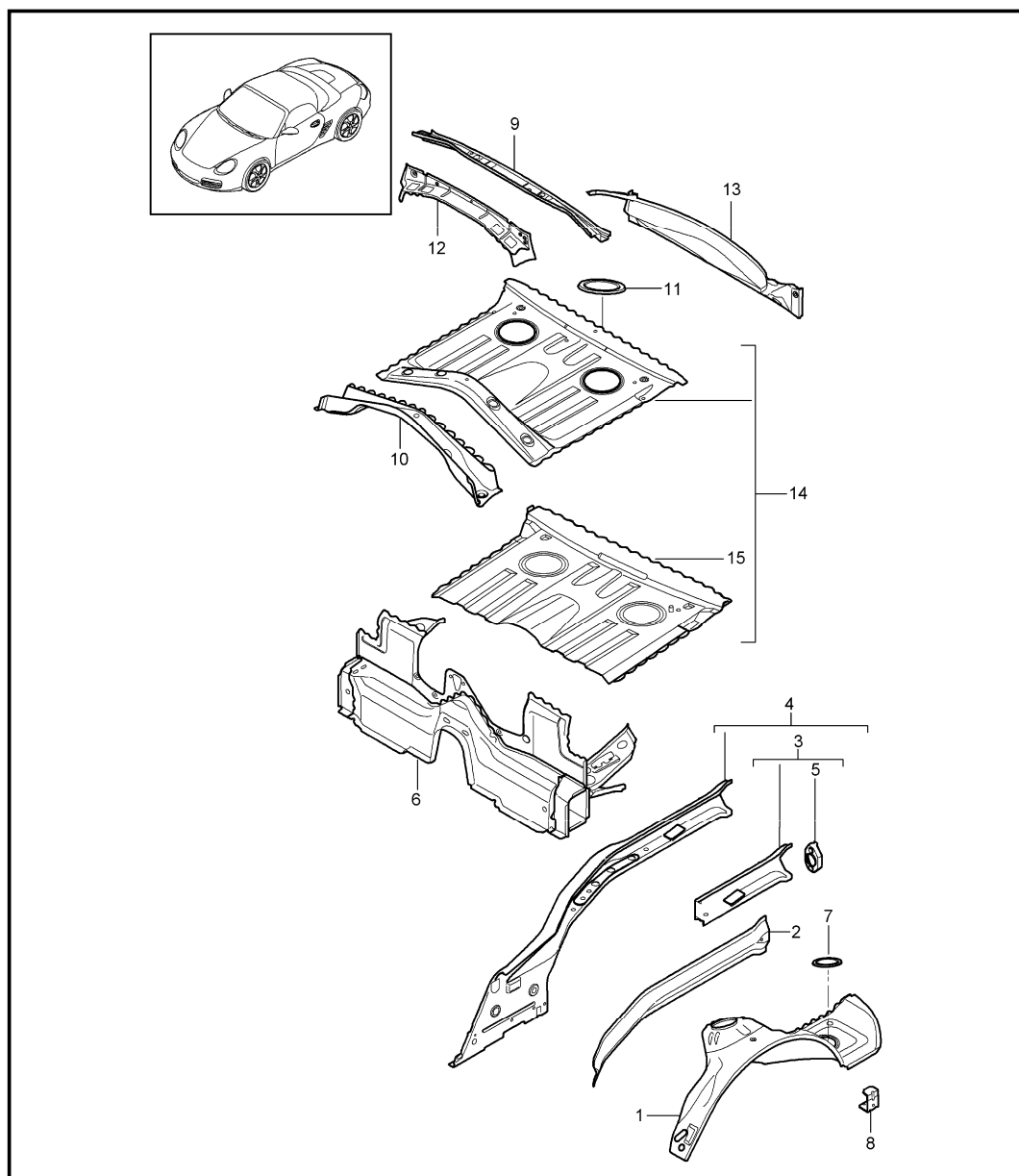
| Pos | Part Number    | Description       | Remark | Qty | Model |
|-----|----------------|-------------------|--------|-----|-------|
| 1   | 987 501 551 00 | floor<br>centre   |        | 1   |       |
|     | GRV            | prime coated      |        |     |       |
| 2   | 997 501 953 01 | seat support      | /L     | 1   |       |
|     | GRV            | prime coated      |        |     |       |
| (2) | 997 501 954 02 | seat support      | /R     | 1   |       |
|     | GRV            | prime coated      |        |     |       |
| 3   | 987 501 957 01 | side member       | /L     | 1   |       |
|     | GRV            | prime coated      |        |     |       |
| (3) | 987 501 958 01 | side member       | /R     | 1   |       |
|     | GRV            | prime coated      |        |     |       |
| 4   | 997 501 525 00 | side member       | /L     | 1   |       |
|     | GRV            | prime coated      |        |     |       |
| (4) | 997 501 526 00 | side member       | /R     | 1   |       |
|     | GRV            | prime coated      |        |     |       |
| 5   | 996 501 751 00 | extension         |        | 1   |       |
|     | GRV            | prime coated      |        |     |       |
| 6   | 996 501 785 00 | jacking point     | /L/V   | 1   |       |
|     | GRV            | prime coated      |        |     |       |
| (6) | 996 501 786 00 | jacking point     | /R/V   | 1   |       |
|     | GRV            | prime coated      |        |     |       |
| 7   | 997 501 481 00 | jacking point     | /L/H   | 1   |       |
|     | GRV            | prime coated      |        |     |       |
| (7) | 997 501 482 00 | jacking point     | /R/H   | 1   |       |
|     | GRV            | prime coated      |        |     |       |
| 8   | 997 501 329 00 | retaining bracket | /L     | 1   |       |
|     | GRV            | prime coated      |        |     |       |
| (8) | 997 501 330 00 | retaining bracket | /R     | 1   |       |

|       |      |    |    |              |              |     |       |            |         |     |         |
|-------|------|----|----|--------------|--------------|-----|-------|------------|---------|-----|---------|
| Model | Year | MG | SG | Illustration | Restrictions | UPD | 18:46 | 01.03.2010 | PORSCHE | PET | PORSCHE |
| 987-2 | 2010 | 8  | 01 | 801-20       |              | 248 |       |            |         |     |         |

| Pos | Part Number    | Description   | Remark | Qty | Model | Pos | Part Number | Description | Remark | Qty | Model |
|-----|----------------|---|--------|-----|-------|-----|-------------|-------------|--------|-----|-------|
| 9   | 997 501 439 00 | GRV prime coated<br>support tube  |        | 2   |       |     |             |             |        |     |       |
|     |                | GRV prime coated<br>use also:<br>sealing compound<br>Pos. 12<br>processing instructions<br>see technical manual<br>51 49 55 |        |     |       |     |             |             |        |     |       |
| 10  | 996 504 205 01 | lid<br>\$ 125 MM  |        | 2   |       |     |             |             |        |     |       |
| 11  | 996 504 201 01 | lid<br>\$ 145 MM  |        | 2   |       |     |             |             |        |     |       |
| 12  | 999 915 337 40 | sealing compound  |        | 1   |       |     |             |             |        |     |       |



|       |      |    |    |              |              |     |       |            |         |     |         |
|-------|------|----|----|--------------|--------------|-----|-------|------------|---------|-----|---------|
| Model | Year | MG | SG | Illustration | Restrictions | UPD | 18:46 | 01.03.2010 | PORSCHE | PET | PORSCHE |
| 987-2 | 2010 | 8  | 01 | 801-35       |              | 248 |       |            |         |     |         |

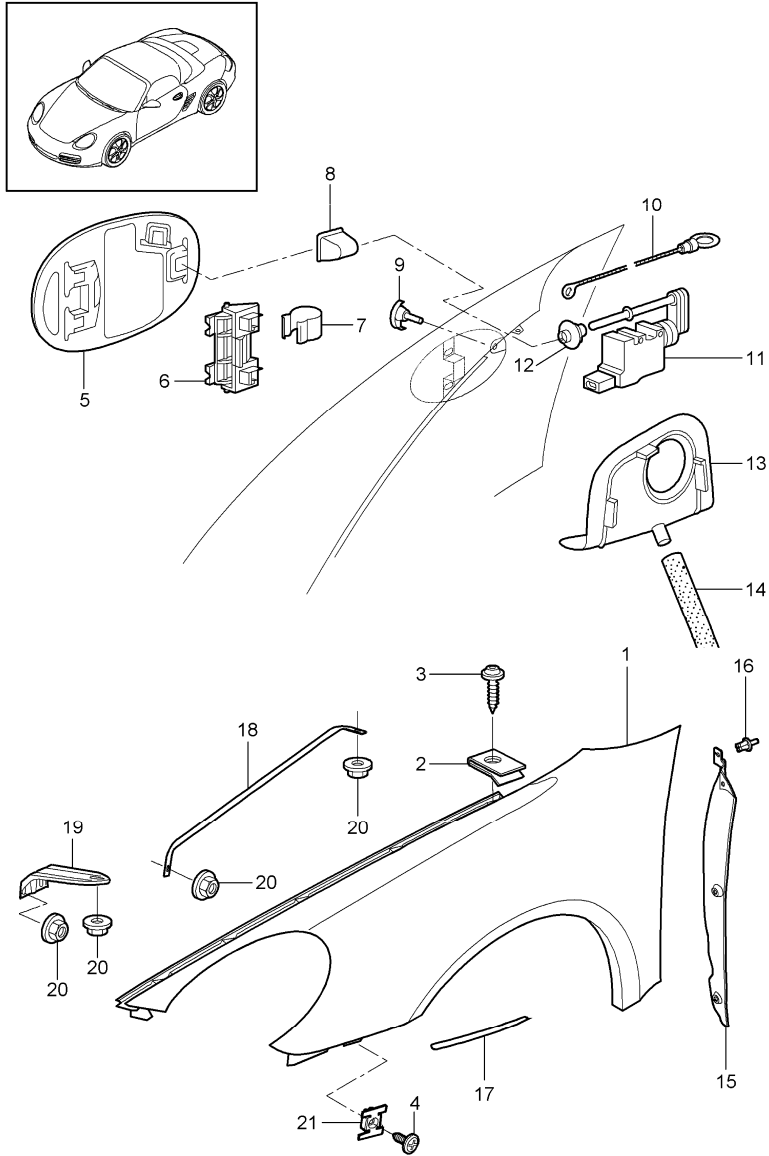


| Pos | Part Number    | Description   | Remark | Qty | Model |
|-----|----------------|---|--------|-----|-------|
| -   | 000 043 206 29 | rear end<br>single parts<br>adhesive set<br>body<br>comprising: |        | X   |       |
| -   | 000 043 206 30 | adhesive  |        | 1   |       |
| -   | 000 043 206 31 | tool  |        | 1   |       |
| -   | 000 043 206 32 | mixing tube   |        | 1   |       |
| -   | 000 043 206 33 | activator   |        | 1   |       |
| 1   | 987 501 983 00 | wheel housing   | /L     | 1   |       |
|     | GRV            | prime coated  |        |     |       |
| (1) | 987 501 984 01 | wheel housing   | /R     | 1   |       |
|     | GRV            | prime coated  |        |     |       |
| 2   | 986 501 995 01 | side member   | /L     | 2   |       |
|     | GRV            | prime coated<br>outer   |        |     |       |
| (2) | 986 501 996 01 | side member   | /R     | 2   |       |
|     | GRV            | prime coated<br>outer   |        |     |       |
| 3   | 986 501 977 00 | side member   | /L     | 1   |       |
|     | GRV            | prime coated<br>inner<br>sub-part<br>see workshop manual        |        |     |       |
| (3) | 987 501 978 00 | side member   | /R     | 1   |       |
|     | GRV            | prime coated<br>inner<br>sub-part<br>see workshop manual        |        |     |       |
| 4   | 987 501 177 00 | side member   | /L     | 1   |       |
|     | GRV            | prime coated<br>inner   |        |     |       |
| (4) | 987 501 178 01 | side member   | /R     | 1   |       |
|     | GRV            | prime coated<br>inner   |        |     |       |

|       |      |    |    |              |              |     |       |            |         |     |         |
|-------|------|----|----|--------------|--------------|-----|-------|------------|---------|-----|---------|
| Model | Year | MG | SG | Illustration | Restrictions | UPD | 18:46 | 01.03.2010 | PORSCHE | PET | PORSCHE |
| 987-2 | 2010 | 8  | 01 | 801-35       |              | 248 |       |            |         |     |         |

| Pos | Part Number    | Description                  | Remark | Qty | Model | Pos | Part Number | Description | Remark | Qty | Model |
|-----|----------------|------------------------------|--------|-----|-------|-----|-------------|-------------|--------|-----|-------|
| 5   | 996 501 377 01 | mounting                     |        | 2   |       |     |             |             |        |     |       |
|     | GRV            | prime coated                 |        |     |       |     |             |             |        |     |       |
| 6   | 987 501 191 00 | bulkhead                     |        | 1   |       |     |             |             |        |     |       |
|     | GRV            | prime coated                 |        |     |       |     |             |             |        |     |       |
| 7   | 996 504 209 01 | lid<br>100 MM                |        | 2   |       |     |             |             |        |     |       |
| 8   | 986 501 613 00 | support                      |        | 1   |       |     |             |             |        |     |       |
|     | GRV            | prime coated                 |        |     |       |     |             |             |        |     |       |
| 9   | 987 502 685 00 | bracket                      |        | 1   |       |     |             |             |        |     |       |
|     | GRV            | prime coated<br>side section |        |     |       |     |             |             |        |     |       |
| 10  | 986 501 575 00 | cross member                 |        | 1   |       |     |             |             |        |     |       |
|     | GRV            | prime coated<br>rear axle    |        |     |       |     |             |             |        |     |       |
| 11  | 996 504 201 01 | lid<br>145 MM                |        | 2   |       |     |             |             |        |     |       |
| 12  | 986 502 673 01 | cross member                 |        | 1   |       |     |             |             |        |     |       |
|     | GRV            | prime coated                 |        |     |       |     |             |             |        |     |       |
| 13  | 987 501 243 00 | terminal piece               |        | 1   |       |     |             |             |        |     |       |
|     | GRV            | prime coated                 |        |     |       |     |             |             |        |     |       |
| 14  | 986 501 471 00 | floor section                |        | 1   |       |     |             |             |        |     |       |
|     | GRV            | prime coated                 |        |     |       |     |             |             |        |     |       |
| 15  | 986 501 971 00 | boot floor plate             |        | 1   |       |     |             |             |        |     |       |
|     | GRV            | prime coated                 |        |     |       |     |             |             |        |     |       |

|       |      |    |    |              |              |     |       |            |         |     |         |
|-------|------|----|----|--------------|--------------|-----|-------|------------|---------|-----|---------|
| Model | Year | MG | SG | Illustration | Restrictions | UPD | 18:46 | 01.03.2010 | PORSCHE | PET | PORSCHE |
| 987-2 | 2010 | 8  | 01 | 801-40       |              | 248 |       |            |         |     |         |

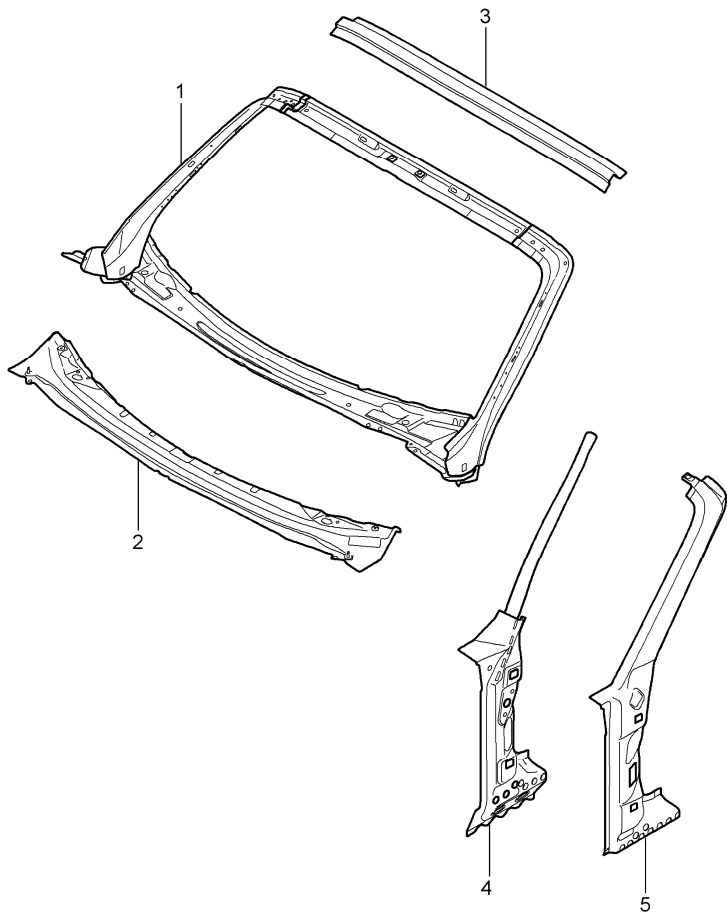
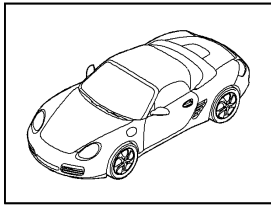


| Pos  | Part Number      | Description                      | Remark | Qty | Model |
|------|------------------|----------------------------------|--------|-----|-------|
| 1    | 987 503 031 02   | wing                             | /L     | 1   |       |
|      | GRV              | prime coated                     |        |     |       |
| 1    | 987 503 032 06   | wing                             | /R     | 1   |       |
|      | GRV              | prime coated                     |        |     |       |
| (1)  | 987 503 032 07   | wing                             | /R     | 1   | I461  |
|      | GRV              | prime coated                     |        |     |       |
| 2    | 999 507 003 02   | speed nut<br>ST 6,3              |        | 18  |       |
| 3    | 999 073 128 02   | tapping screw<br>ST 6,3 X 14     |        | 10  |       |
| 4    | A 900 187 111 02 | combination screw<br>ST 6,3 X 12 |        | 8   |       |
| 4    | 900 187 111 01   | combination screw<br>ST 6,3 X 12 |        | 8   |       |
| 5    | 987 504 134 01   | fuel filler flap                 |        | 1   |       |
|      | GRV              | prime coated                     |        |     |       |
| 6    | 997 201 063 00   | hinge                            |        | 1   |       |
| 7    | 997 504 711 00   | spring                           |        | 1   |       |
| 8    | 996 201 423 00   | cap                              |        | 1   |       |
| 9    | 997 504 888 01   | rubber stop                      |        | 1   |       |
| 10   | 996 201 493 00   | emergency operation              |        | 1   |       |
| 11   | 997 624 113 00   | actuator                         |        | 1   |       |
| 12   | 996 624 505 02   | guide rose                       |        | 1   |       |
| 13   | 997 201 667 00   | sleeve                           |        | 1   |       |
| 14   | 996 201 153 00   | hose                             |        | 1   |       |
| 15   | 997 504 641 02   | cover                            | /L     | 1   |       |
|      | 01C              | black                            |        |     |       |
| (15) | 997 504 642 02   | cover                            | /R     | 1   |       |
|      | 01C              | black                            |        |     |       |

|       |      |    |    |              |              |     |       |            |         |     |         |
|-------|------|----|----|--------------|--------------|-----|-------|------------|---------|-----|---------|
| Model | Year | MG | SG | Illustration | Restrictions | UPD | 18:46 | 01.03.2010 | PORSCHE | PET | PORSCHE |
| 987-2 | 2010 | 8  | 01 | 801-40       |              | 248 |       |            |         |     |         |

| Pos  | Part Number    | Description                     | Remark | Qty | Model | Pos | Part Number | Description | Remark | Qty | Model |
|------|----------------|---------------------------------|--------|-----|-------|-----|-------------|-------------|--------|-----|-------|
| 16   | 999 591 712 40 | expansion rivet<br>A 6,0 X 12,0 |        | 6   |       |     |             |             |        |     |       |
| 17   | 987 504 531 00 | protective film                 | /L     | 1   |       |     |             |             |        |     |       |
| (17) | 987 504 532 00 | protective film                 | /R     | 1   |       |     |             |             |        |     |       |
| 18   | 997 504 441 00 | strut                           |        | 2   |       |     |             |             |        |     |       |
|      | GRV            | prime coated                    |        |     |       |     |             |             |        |     |       |
| 19   | 997 504 555 00 | support                         |        | 2   |       |     |             |             |        |     |       |
|      | GRV            | prime coated                    |        |     |       |     |             |             |        |     |       |
| 20   | 999 076 066 09 | hexagon nut<br>M 6              |        | 10  |       |     |             |             |        |     |       |
| 21   | 999 507 590 02 | captive nut<br>ST 4,8           |        | 6   |       |     |             |             |        |     |       |
| -    | 000 043 204 85 | cavity preservation<br>400 ML   |        | X   |       |     |             |             |        |     |       |

|       |      |    |    |              |              |     |       |            |         |     |         |
|-------|------|----|----|--------------|--------------|-----|-------|------------|---------|-----|---------|
| Model | Year | MG | SG | Illustration | Restrictions | UPD | 18:47 | 01.03.2010 | PORSCHE | PET | PORSCHE |
| 987-2 | 2010 | 8  | 01 | 801-45       |              | 248 |       |            |         |     |         |

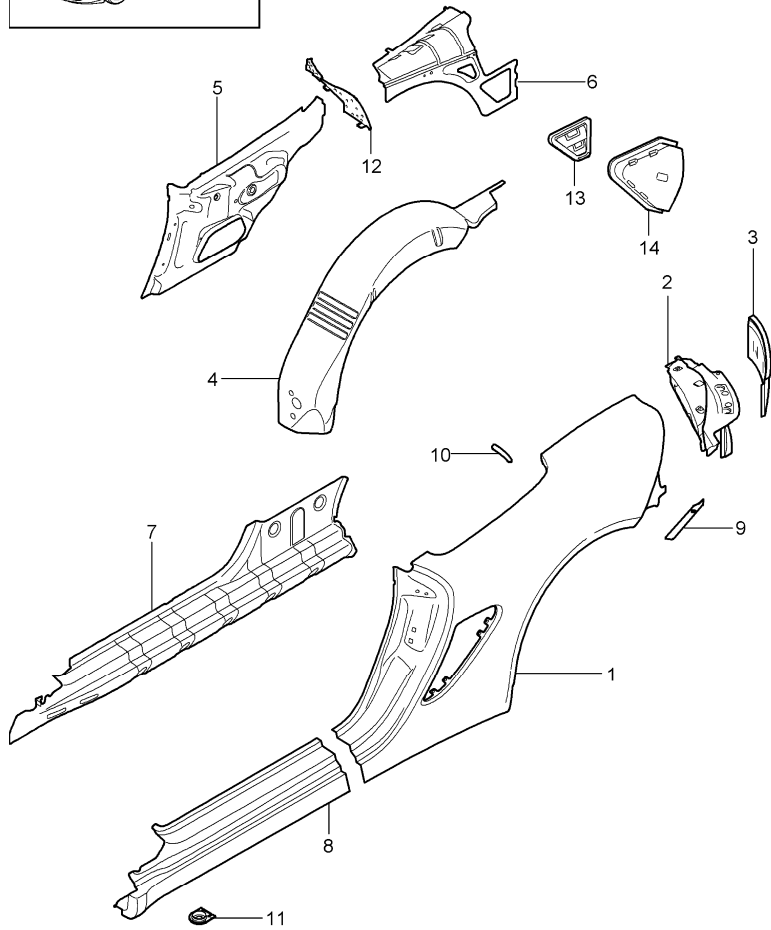
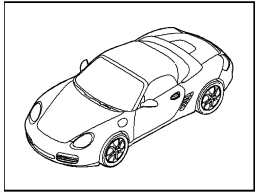


| Pos | Part Number    | Description                   | Remark | Qty | Model |
|-----|----------------|-------------------------------|--------|-----|-------|
|     |                | cowl                          |        |     |       |
| 1   | 987 502 137 00 | cowl                          |        | 1   |       |
|     | GRV            | prime coated inner            |        |     |       |
| 2   | 997 502 527 00 | cowl                          |        | 1   |       |
|     | GRV            | prime coated outer            |        |     |       |
| 3   | 987 502 529 00 | cowl                          |        | 1   |       |
|     | GRV            | prime coated outer            |        |     |       |
| 4   | 987 502 135 01 | reinforcement                 | /L     | 1   |       |
|     | GRV            | prime coated use also:        |        |     |       |
| (4) | 987 502 136 01 | reinforcement                 | /R     | 1   |       |
|     | GRV            | prime coated use also:        |        |     |       |
| -   | 000 043 206 29 | adhesive set body comprising: |        | X   |       |
| -   | 000 043 206 30 | adhesive                      |        | 1   |       |
| -   | 000 043 206 31 | tool                          |        | 1   |       |
| -   | 000 043 206 32 | tool                          |        | 1   |       |
| -   | 000 043 206 33 | activator                     |        | 1   |       |
| 5   | 987 502 335 00 | hinge pillar                  | /L     | 1   |       |
|     | GRV            | prime coated use also:        |        |     |       |
| (5) | 987 502 336 00 | hinge pillar                  | /R     | 1   |       |
|     | GRV            | prime coated use also:        |        |     |       |
| -   | 000 043 206 29 | adhesive set body comprising: |        | X   |       |
| -   | 000 043 206 30 | adhesive                      |        | 1   |       |
| -   | 000 043 206 31 | tool                          |        | 1   |       |

|       |      |    |    |              |              |     |       |            |         |     |         |
|-------|------|----|----|--------------|--------------|-----|-------|------------|---------|-----|---------|
| Model | Year | MG | SG | Illustration | Restrictions | UPD | 18:47 | 01.03.2010 | PORSCHE | PET | PORSCHE |
| 987-2 | 2010 | 8  | 01 | 801-45       |              | 248 |       |            |         |     |         |

| Pos | Part Number    | Description | Remark | Qty | Model | Pos | Part Number | Description | Remark | Qty | Model |
|-----|----------------|-------------|--------|-----|-------|-----|-------------|-------------|--------|-----|-------|
| -   | 000 043 206 32 | tool        |        | 1   |       |     |             |             |        |     |       |
| -   | 000 043 206 33 | activator   |        | 1   |       |     |             |             |        |     |       |

|       |      |    |    |              |              |     |       |            |         |     |         |
|-------|------|----|----|--------------|--------------|-----|-------|------------|---------|-----|---------|
| Model | Year | MG | SG | Illustration | Restrictions | UPD | 18:47 | 01.03.2010 | PORSCHE | PET | PORSCHE |
| 987-2 | 2010 | 8  | 01 | 801-50       |              | 248 |       |            |         |     |         |



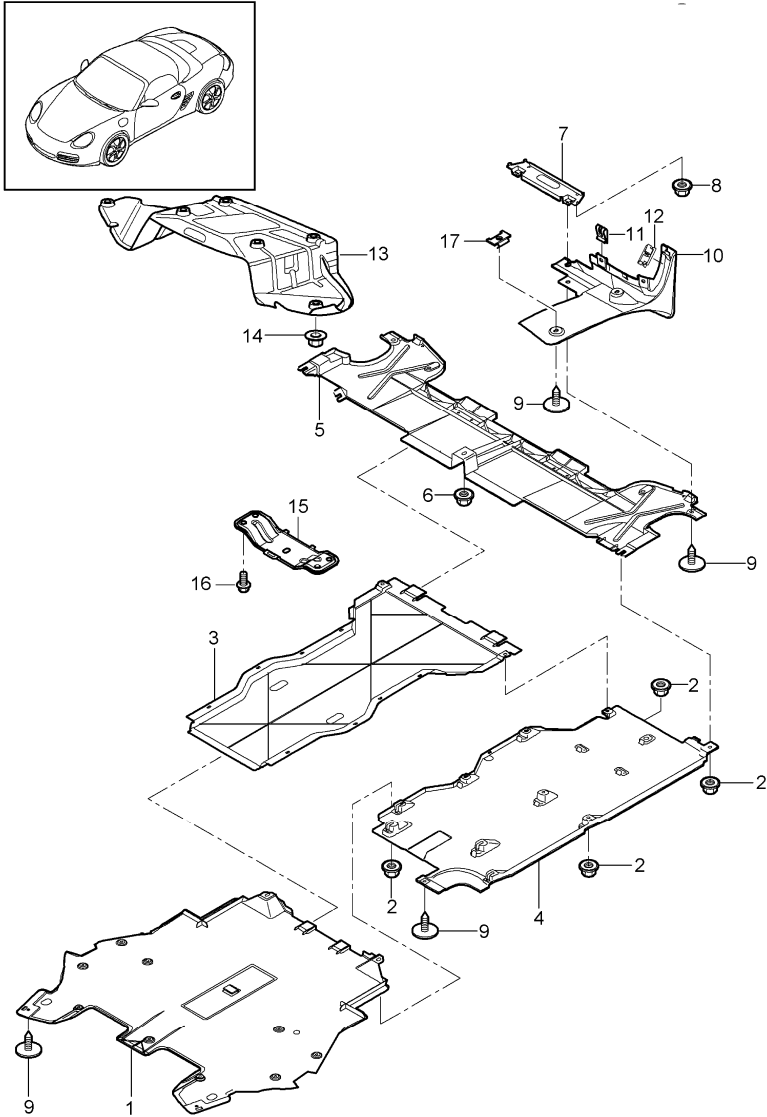
| Pos | Part Number    | Description   | Remark | Qty | Model |
|-----|----------------|---|--------|-----|-------|
| 1   | 987 503 961 04 | side section  |        | 1   |       |
|     | GRV            | prime coated  | /L     |     |       |
| (1) | 987 503 962 04 | side section  |        | 1   |       |
|     | GRV            | prime coated  | /R     |     |       |
|     |                | use also:   |        |     |       |
| -   | 999 915 650 40 | adhesive<br>teromix 6700                            |        | X   |       |
| -   | 000 043 300 48 | tool<br>see technical manual<br>group 5<br>53 55 55 |        | X   |       |
| 2   | 987 502 161 03 | frame for light                                     |        | 1   |       |
|     | GRV            | prime coated  | /L     |     |       |
| (2) | 987 502 162 03 | frame for light                                     |        | 1   |       |
|     | GRV            | prime coated  | /R     |     |       |
| 3   | 987 501 651 00 | corner panel  |        | 1   |       |
|     | GRV            | prime coated  | /L     |     |       |
| (3) | 987 501 652 00 | corner panel  |        | 1   |       |
|     | GRV            | prime coated  | /R     |     |       |
| 4   | 987 502 515 00 | wheel housing                                       |        | 1   |       |
|     | GRV            | prime coated  | /L     |     |       |
| (4) | 987 502 516 00 | wheel housing                                       |        | 1   |       |
|     | GRV            | prime coated  | /R     |     |       |
| 5   | 987 502 083 00 | side section  |        | 1   |       |
|     | GRV            | prime coated  | /L     |     |       |
| (5) | 987 502 084 00 | side section  |        | 1   |       |
|     | GRV            | prime coated  | /R     |     |       |
| 6   | 986 502 085 00 | side section  |        | 1   |       |
|     | GRV            | prime coated  | /L     |     |       |
| (6) | 986 502 106 00 | side section  |        | 1   |       |
|     |                |   | /R     |     |       |

|       |      |    |    |              |              |     |       |            |         |     |         |
|-------|------|----|----|--------------|--------------|-----|-------|------------|---------|-----|---------|
| Model | Year | MG | SG | Illustration | Restrictions | UPD | 18:47 | 01.03.2010 | PORSCHE | PET | PORSCHE |
| 987-2 | 2010 | 8  | 01 | 801-50       |              | 248 |       |            |         |     |         |

| Pos  | Part Number    | Description                                | Remark | Qty | Model | Pos | Part Number | Description | Remark | Qty | Model |
|------|----------------|--|--------|-----|-------|-----|-------------|-------------|--------|-----|-------|
|      |                | GRV prime coated                           |        |     |       |     |             |             |        |     |       |
| 7    | 986 502 163 02 | reinforcement door sill                    | /L     | 1   |       |     |             |             |        |     |       |
|      |                | GRV prime coated use also:                 |        |     |       |     |             |             |        |     |       |
| (7)  | 986 502 164 01 | reinforcement door sill                    | /R     | 1   |       |     |             |             |        |     |       |
|      |                | GRV prime coated use also:                 |        |     |       |     |             |             |        |     |       |
| -    | 000 043 206 29 | adhesive set body comprising:              |        | X   |       |     |             |             |        |     |       |
| -    | 000 043 206 30 | adhesive                                   |        | 1   |       |     |             |             |        |     |       |
| -    | 000 043 206 31 | tool                                       |        | 1   |       |     |             |             |        |     |       |
| -    | 000 043 206 32 | tool                                       |        | 1   |       |     |             |             |        |     |       |
| -    | 000 043 206 33 | activator                                  |        | 1   |       |     |             |             |        |     |       |
| 8    | 987 503 963 02 | door sill                                  | /L     | 1   |       |     |             |             |        |     |       |
|      |                | GRV prime coated                           |        |     |       |     |             |             |        |     |       |
| (8)  | 987 503 964 02 | door sill                                  | /R     | 1   |       |     |             |             |        |     |       |
|      |                | GRV prime coated                           |        |     |       |     |             |             |        |     |       |
| 9    | 987 504 631 00 | protective film                            | /L     | 2   |       |     |             |             |        |     |       |
| 10   | 996 537 237 00 | protective film                            |        | 2   |       |     |             |             |        |     |       |
| 11   | 999 703 475 40 | water drain sleeve door sill               |        | 2   |       |     |             |             |        |     |       |
| 12   | 987 504 901 00 | seal see technical manual group 5 53 55 55 |        | 2   |       |     |             |             |        |     |       |
| 13   | 986 572 043 02 | bleeding                                   | /L     | 1   |       |     |             |             |        |     |       |
| (13) | 986 572 044 00 | bleeding                                   | /R     | 1   |       |     |             |             |        |     |       |
| 14   | 986 572 643 01 | air-guide cowl bleeding                    | /L     | 1   |       |     |             |             |        |     |       |
| (14) | 986 572 644 01 | air-guide cowl bleeding                    | /R     | 1   |       |     |             |             |        |     |       |



|       |      |    |    |              |              |     |       |            |         |     |         |
|-------|------|----|----|--------------|--------------|-----|-------|------------|---------|-----|---------|
| Model | Year | MG | SG | Illustration | Restrictions | UPD | 18:47 | 01.03.2010 | PORSCHE | PET | PORSCHE |
| 987-2 | 2010 | 8  | 01 | 801-70       |              | 248 |       |            |         |     |         |

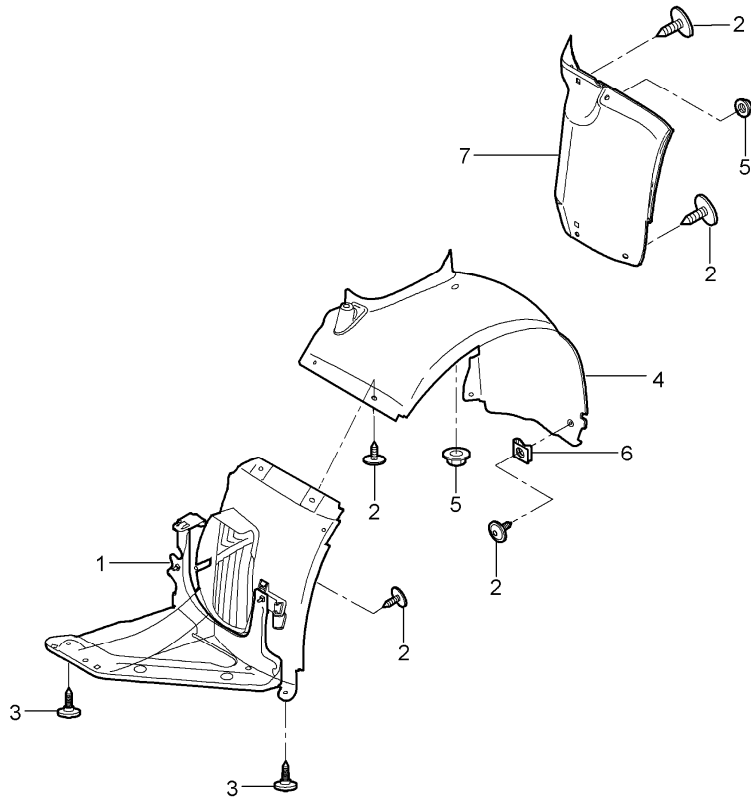
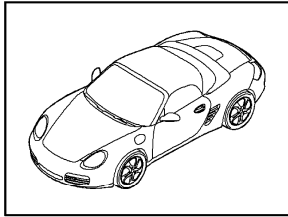


| Pos  | Part Number    | Description                  | Remark | Qty    | Model |
|------|----------------|------------------------------|--------|--------|-------|
|      |                | linings<br>underbody         |        |        |       |
| 1    | 997 504 527 02 | cover<br>front               |        | 1      |       |
| 2    | 999 049 028 40 | plastic nut<br>T 5/22 X 10   |        | 33     |       |
| 3    | 997 504 043 00 | cover<br>centre              |        | 1      |       |
| 4    | 997 504 343 03 | cover                        | /L     | 1      |       |
| (4)  | 997 504 344 03 | cover<br>centre              | /R     | 1      |       |
| 5    | 987 504 129 00 | cover<br>rear                |        | 1      |       |
| 6    | 999 076 068 09 | hexagon nut<br>M 6           |        | 1      |       |
| 7    | 987 504 571 00 | support<br>cover<br>rear     |        | 2      |       |
| 8    | 999 084 212 02 | hexagon nut<br>M 6           |        | 2      |       |
| 9    | 999 073 231 09 | tapping screw<br>ST 4,8 X 16 |        | X      |       |
| 10   | 987 504 793 00 | cover                        | /L     | 1      |       |
|      | 01C            | satin black                  |        |        |       |
| (10) | 987 504 794 00 | cover                        | /R     | 1      |       |
|      | 01C            | satin black                  |        |        |       |
| 11   | 999 507 795 09 | speed nut<br>ST 4,8          |        | 2      |       |
| 12   | 987 504 635 00 | clamp                        | /L     | 1      |       |
| (12) | 987 504 636 00 | clamp<br>cover               | /R     | 1<br>1 |       |
| 13   | 987 504 405 00 | heat protection              |        | 1      |       |
| 14   | 999 049 025 09 | hexagon nut<br>T 5           |        | 7      |       |
| 15   | 997 504 823 01 | transverse strut<br>tunnel   |        | 1      |       |

|       |      |    |    |              |              |     |       |            |         |     |         |
|-------|------|----|----|--------------|--------------|-----|-------|------------|---------|-----|---------|
| Model | Year | MG | SG | Illustration | Restrictions | UPD | 18:47 | 01.03.2010 | PORSCHE | PET | PORSCHE |
| 987-2 | 2010 | 8  | 01 | 801-70       |              | 248 |       |            |         |     |         |

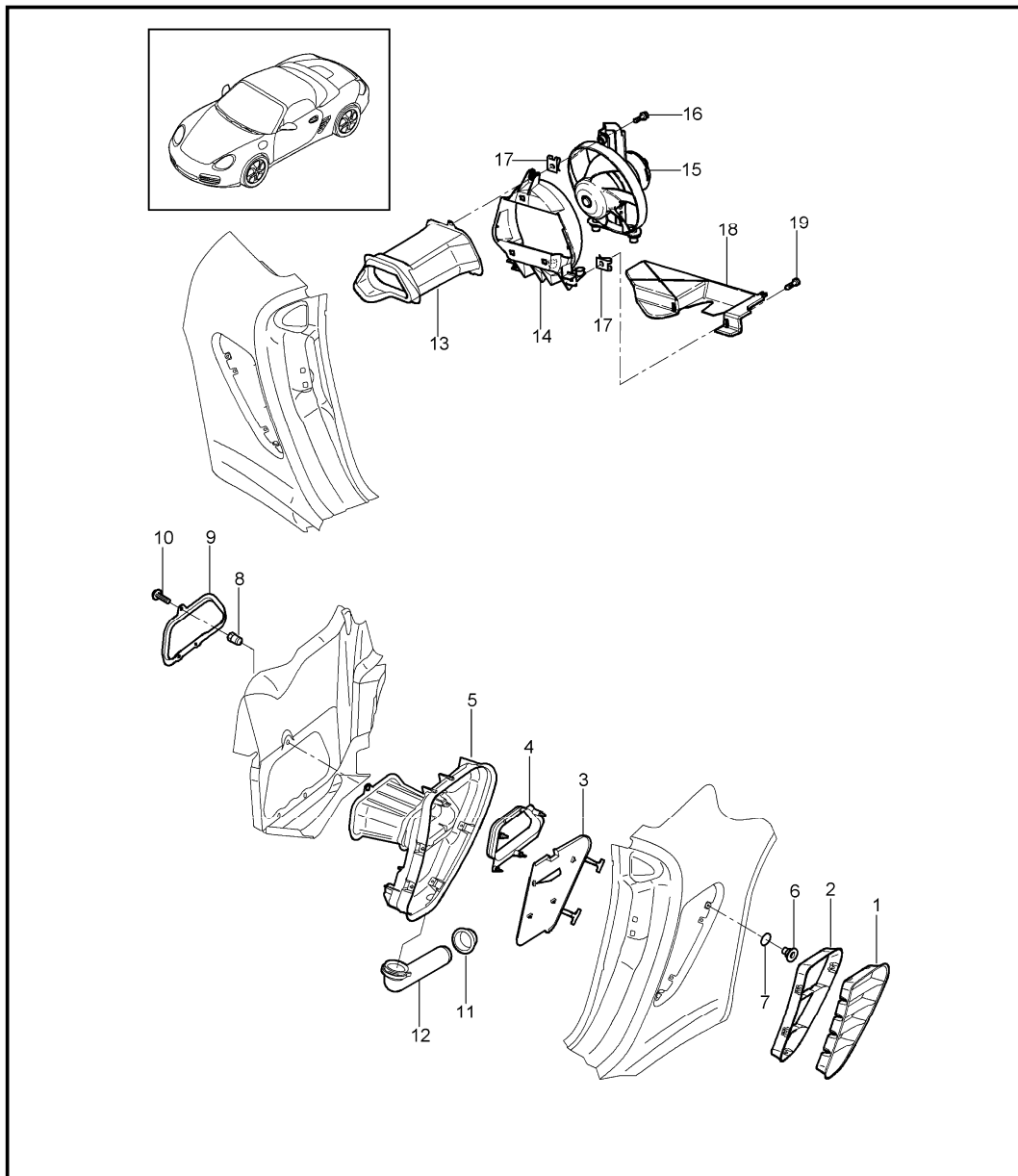
| Pos | Part Number    | Description                    | Remark | Qty | Model | Pos | Part Number | Description | Remark | Qty | Model |
|-----|----------------|--------------------------------|--------|-----|-------|-----|-------------|-------------|--------|-----|-------|
| 16  | 900 075 475 09 | combination screw<br>M 10 x 25 |        | 4   |       |     |             |             |        |     |       |
| 17  | 999 507 849 01 | captive nut<br>st 4,8          |        | 4   |       |     |             |             |        |     |       |

|       |      |    |    |              |              |     |       |            |         |     |         |
|-------|------|----|----|--------------|--------------|-----|-------|------------|---------|-----|---------|
| Model | Year | MG | SG | Illustration | Restrictions | UPD | 18:47 | 01.03.2010 | PORSCHE | PET | PORSCHE |
| 987-2 | 2010 | 8  | 01 | 801-75       |              | 248 |       |            |         |     |         |



| Pos | Part Number    | Description                     | Remark | Qty | Model        |
|-----|----------------|---------------------------------|--------|-----|--------------|
|     |                | linings<br>for<br>wheel housing |        |     |              |
| (1) | 987 504 123 08 | wheel-housing liner             | /L/V   | 1   | I181/182/480 |
| (1) | 987 504 124 08 | wheel-housing liner             | /R/V   | 1   | I181/182/480 |
| (1) | 987 504 123 09 | wheel-housing liner             | /L/V   | 1   | I250         |
| (1) | 987 504 124 09 | wheel-housing liner             | /R/V   | 1   | I250         |
| (1) | 987 504 123 09 | wheel-housing liner             | /L/V   | 1   | I183/480     |
| (1) | 987 504 124 09 | wheel-housing liner             | /R/V   | 1   | I183/480     |
| 2   | 999 073 231 09 | tapping screw<br>ST 4,8 X 16    |        | 20  |              |
| 3   | 999 073 227 09 | tapping screw<br>ST 4,8 X 19    |        | 4   |              |
| 4   | 987 504 203 00 | wheel-housing liner             | /V/H   | 1   |              |
| (4) | 987 504 204 00 | wheel-housing liner             | /V/H   | 1   |              |
| 5   | 999 049 028 40 | plastic nut<br>T5               |        | 10  |              |
| 6   | 999 507 795 09 | speed nut                       |        | 2   |              |
| 7   | 987 504 573 01 | wheel-housing liner             | /H/V   | 1   |              |
| (7) | 987 504 574 01 | wheel-housing liner             | /H/V   | 1   |              |
| 8   | 987 504 673 01 | heat protection                 | /L     | 1   |              |
| (8) | 987 504 674 01 | heat protection<br>brake hose   | /R     | 1   |              |
| 9   | 999 507 795 09 | speed nut                       |        | 2   |              |

|       |      |    |    |              |              |     |       |            |         |     |         |
|-------|------|----|----|--------------|--------------|-----|-------|------------|---------|-----|---------|
| Model | Year | MG | SG | Illustration | Restrictions | UPD | 18:47 | 01.03.2010 | PORSCHE | PET | PORSCHE |
| 987-2 | 2010 | 8  | 01 | 801-80       |              | 248 |       |            |         |     |         |

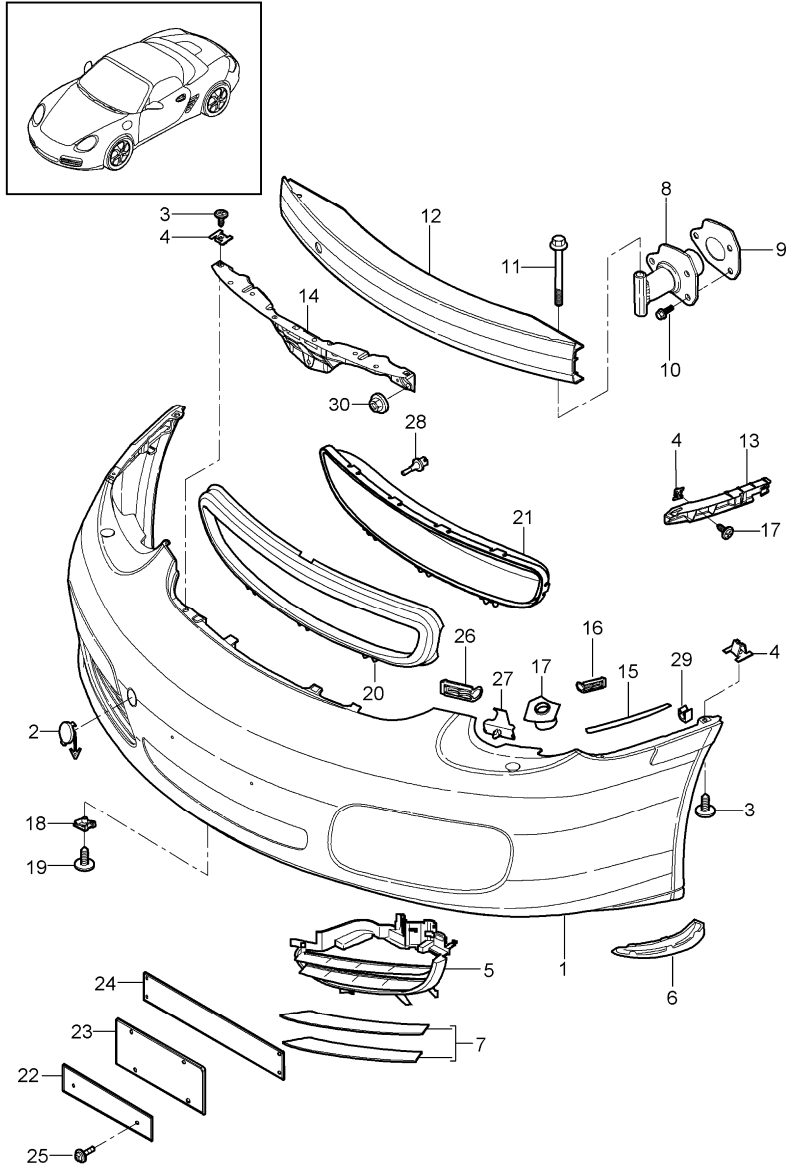


| Pos | Part Number    | Description                    | Remark | Qty | Model |
|-----|----------------|--------------------------------|--------|-----|-------|
| 1   | 987 504 561 01 | ventilation engine compartment |        |     |       |
|     |                | ventilation grille             | /L     | 1   |       |
|     | 9B1            | titanium metallic              |        |     |       |
| (1) | 987 504 562 01 | ventilation grille             | /R     | 1   |       |
|     |                | ventilation grille             |        |     |       |
|     | 9B1            | titanium metallic              |        |     |       |
| 2   | 987 504 749 01 | frame                          | /L     | 1   |       |
|     |                | frame                          |        |     |       |
|     | 01C            | satin black                    |        |     |       |
| (2) | 987 504 750 01 | frame                          | /R     | 1   |       |
|     |                | frame                          |        |     |       |
|     | 01C            | satin black                    |        |     |       |
| 3   | 987 575 647 01 | impact absorber plate          | /L     | 1   |       |
| 4   | 987 575 757 00 | reinforcement air duct         | /L     | 1   |       |
| 5   | 987 575 657 00 | air duct inner                 | /L     | 1   |       |
| 6   | 999 507 585 40 | fixing clip                    |        | 8   |       |
| 7   | 999 701 489 40 | sealing ring                   | /L     | 4   |       |
| 8   | 999 500 069 02 | blind rivet nut                |        | 6   |       |
| 9   | 987 575 759 00 | support frame air duct         |        | 1   |       |
| 10  | 900 075 413 09 | combination screw M 6 X 16     |        | 3   |       |
| 11  | 999 702 288 40 | grommet 32,5 X 20              | /L     | 1   |       |
| 12  | 987 504 431 00 | water drain tube               | /L     | 1   |       |
| 13  | 987 575 360 01 | air duct                       | /R     | 1   |       |
| 14  | 986 575 356 00 | airscoop                       | /R     | 1   |       |
| 15  | 987 624 050 01 | blower                         | /R     | 1   |       |
| 16  | 900 075 333 02 | hexagon-head bolt M 6 X 25     |        | 3   |       |
| 17  | 999 507 550 02 | speed nut M 6                  |        | 3   |       |
| 18  | 986 575 756 02 | air duct                       | /R     | 1   |       |

|       |      |    |    |              |              |     |       |            |         |     |         |
|-------|------|----|----|--------------|--------------|-----|-------|------------|---------|-----|---------|
| Model | Year | MG | SG | Illustration | Restrictions | UPD | 18:47 | 01.03.2010 | PORSCHE | PET | PORSCHE |
| 987-2 | 2010 | 8  | 01 | 801-80       |              | 248 |       |            |         |     |         |

| Pos | Part Number    | Description                   | Remark | Qty | Model | Pos | Part Number | Description | Remark | Qty | Model |
|-----|----------------|-------------------------------|--------|-----|-------|-----|-------------|-------------|--------|-----|-------|
| 19  | 900 378 036 09 | hexagon-head bolt<br>M 6 X 12 |        | 1   |       |     |             |             |        |     |       |

|       |      |    |    |              |              |     |       |            |         |     |         |
|-------|------|----|----|--------------|--------------|-----|-------|------------|---------|-----|---------|
| Model | Year | MG | SG | Illustration | Restrictions | UPD | 18:48 | 01.03.2010 | PORSCHE | PET | PORSCHE |
| 987-2 | 2010 | 8  | 02 | 802-00       |              | 248 |       |            |         |     |         |



| Pos | Part Number    | Description      | Remark | Qty | Model                         |
|-----|----------------|------------------|--------|-----|-------------------------------|
|     |                | bumper front     |        |     |                               |
| (1) | 987 505 311 31 | lining           |        | 1   | Boxster I250/288<br>Boxster S |
| (1) | 987 505 311 30 | lining           |        | 1   | Boxster I250<br>Boxster S     |
| (1) | 987 505 311 29 | lining           |        | 1   | Boxster I288<br>Boxster S     |
| (1) | 987 505 311 28 | lining           |        | 1   | Boxster I182                  |
| (1) | 987 505 311 28 | lining           |        | 1   | Boxster S I480                |
| 2   | 987 505 703 04 | cap              |        | 1   |                               |
|     |                | G2L prime coated |        |     |                               |
| 3   | 999 073 227 09 | tapping screw    |        | 10  |                               |
| 4   | 999 507 849 01 | speed nut        |        | X   |                               |
| 5   | 987 505 553 04 | grille frame     | /L     | 1   |                               |
|     |                | G2L prime coated |        |     |                               |
| (5) | 987 505 554 04 | grille frame     | /R     | 1   |                               |
|     |                | G2L prime coated |        |     |                               |
| 6   | 987 505 525 01 | cover            | /L     | 1   |                               |
|     |                | G2L grundiert    |        |     |                               |
| (6) | 987 505 525 01 | cover            | /L     | 1   |                               |
|     |                | 01C satin black  |        |     |                               |
| (6) | 987 505 526 01 | cover            | /R     | 1   |                               |
|     |                | G2L prime coated |        |     |                               |
| (6) | 987 505 526 01 | cover            | /R     | 1   |                               |
|     |                | 01C satin black  |        |     |                               |
| (6) | 987 505 526 02 | cover            | /R     | 1   | Spyder                        |
|     |                | 01C satin black  |        |     |                               |

|       |      |    |    |              |              |     |       |            |         |     |         |
|-------|------|----|----|--------------|--------------|-----|-------|------------|---------|-----|---------|
| Model | Year | MG | SG | Illustration | Restrictions | UPD | 18:48 | 01.03.2010 | PORSCHE | PET | PORSCHE |
| 987-2 | 2010 | 8  | 02 | 802-00       |              | 248 |       |            |         |     |         |

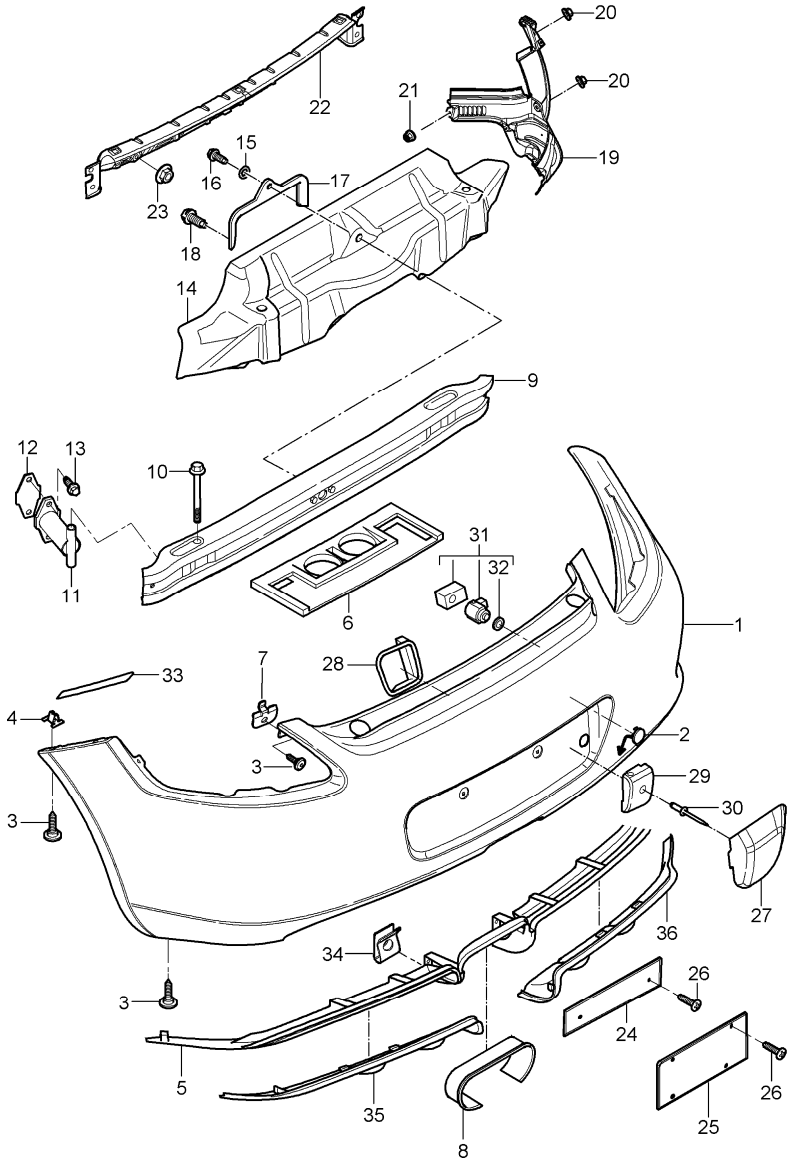
| Pos  | Part Number    | Description                     | Remark | Qty         | Model | Pos  | Part Number    | Description  | Remark | Qty | Model     |
|------|----------------|---------------------------------|--------|-------------|-------|------|----------------|--|--------|-----|-----------|
| 7    | 987 505 560 02 | disc<br>upper<br>prime coated   | /R     | 1<br>1<br>1 |       | (15) | 987 504 532 00 | protective film  | /R     | 1   |           |
| 7    | 987 505 558 02 | disc<br>lower<br>prime coated   | /R     | 1<br>1<br>1 |       | 16   | 987 505 747 01 | corner panel   | /L     | 1   |           |
| 7    | 987 505 559 02 | disc<br>upper<br>prime coated   | /L     | 1<br>1<br>1 |       | (16) | 987 505 748 01 | corner panel   | /R     | 1   |           |
| 7    | 987 505 557 02 | disc<br>lower<br>prime coated   | /L     | 1<br>1<br>1 |       | 17   | 987 505 561 02 | retainer plate<br>headlight washer system<br>left<br>use also:<br>set<br>adhesive  | /L     | 1   |           |
| (7)  | 987 505 560 00 | disc<br>upper                   | /R     | 1<br>1      | S     | -    | 000 043 300 47 | set<br>adhesive<br>including<br>mixing tube<br>5-fold                              |        | 1   |           |
|      | 01C            | satin black                     |        |             |       | (17) | 987 505 562 02 | retainer plate<br>headlight washer system<br>right<br>use also:<br>set<br>adhesive | /R     | 1   |           |
| (7)  | 987 505 558 00 | disc<br>lower                   | /R     | 1<br>1      | S     | -    | 000 043 300 47 | set<br>adhesive<br>including<br>mixing tube<br>5-fold                              |        | 1   |           |
|      | 01C            | satin black                     |        |             |       | 18   | 999 591 699 01 | speed nut<br>ST 4,8  |        | 1   |           |
| (7)  | 987 505 559 00 | disc<br>upper                   | /L     | 1<br>1      | S     | 19   | 999 073 418 01 | tapping screw<br>ST4,8 X 19-C  |        | 4   |           |
|      | 01C            | satin black                     |        |             |       | 20   | 987 505 555 02 | retaining frame  |        | 1   | I249      |
| (7)  | 987 505 557 00 | disc<br>lower                   | /L     | 1<br>1      | S     |      | 01C            | satin black  |        |     | BOXSTER S |
|      | 01C            | satin black                     |        |             |       | (21) | 987 505 751 02 | cover<br>air inlet<br>centre   |        | 1   |           |
| 8    | 997 505 319 00 | impact absorber                 |        | 2           |       |      | G2L            | satin black  |        |     |           |
| 9    | 997 505 751 02 | seal<br>impact absorber         |        | 2           |       | 22   | 987 701 105 02 | support<br>number plate  |        | 1   | I211      |
| 10   | 900 378 267 09 | hexagon-head bolt<br>M8X30      |        | 6           |       |      | 01C            | black  |        |     |           |
| 11   | 900 378 088 09 | hexagon-head bolt<br>m 12 x 100 |        | 2           |       |      |                |  |        |     |           |
| 12   | 997 505 141 02 | bumper reinforcement            |        | 1           |       |      |                |  |        |     |           |
| 13   | 987 505 535 01 | retaining strip                 | /L     | 1           |       |      |                |  |        |     |           |
| (13) | 987 505 536 01 | retaining strip                 | /R     | 1           |       |      |                |  |        |     |           |
| 14   | 997 505 531 00 | retaining strip<br>centre       |        | 1           |       |      |                |  |        |     |           |
| 15   | 987 504 531 00 | protective film                 | /L     | 1           |       |      |                |  |        |     |           |

|       |      |    |    |              |              |     |       |            |         |     |         |
|-------|------|----|----|--------------|--------------|-----|-------|------------|---------|-----|---------|
| Model | Year | MG | SG | Illustration | Restrictions | UPD | 18:48 | 01.03.2010 | PORSCHE | PET | PORSCHE |
| 987-2 | 2010 | 8  | 02 | 802-00       |              | 248 |       |            |         |     |         |

| Pos  | Part Number    | Description  | Remark | Qty | Model    | Pos | Part Number    | Description                                      | Remark | Qty | Model |
|------|----------------|--|--------|-----|----------|-----|----------------|--|--------|-----|-------|
| 22   | 987 701 051 06 | assembly kit<br>support<br>number plate<br>comprising:<br>retaining frame<br>and<br>set of fastening parts |        | 1   | IXAL/211 | 27  | 987 505 743 00 | guide plate<br>use also:<br>rivet<br>guide plate |        | 2   |       |
|      |                |  |        |     |          | --  | 999 190 104 30 | rivet<br>guide plate                             |        | 4   |       |
| 22   | 987 701 051 11 | assembly kit<br>support<br>number plate<br>comprising:<br>retaining frame<br>and<br>set of fastening parts |        | 1   | IXAL/218 | 28  | 996 641 142 00 | temperature sensor                               |        | 1   |       |
|      |                |  |        |     |          | 29  | 999 591 307 01 | support<br>hose<br>headlight washer system       |        | 2   |       |
| 24   | 987 701 109 02 | support<br>number plate  |        | 1   | I210     | 30  | 999 076 078 09 | hexagon nut<br>M6                                |        | 6   |       |
|      | 01C            | black  |        |     |          |     |                |  |        |     |       |
| 24   | 987 701 051 08 | assembly kit<br>support<br>number plate<br>comprising:<br>retaining frame<br>and<br>set of fastening parts |        | 1   | IXAL/210 |     |                |  |        |     |       |
| 24   | 997 701 103 00 | set<br>support<br>front<br>comprising:<br>nut<br>and<br>rubber buffer                                      |        | 1   | IXAL/209 |     |                |  |        |     |       |
| 24   | 987 701 051 10 | assembly kit<br>support<br>front<br>comprising:<br>spacer<br>desk pad<br>screw<br>nut                      |        | 1   | IXAL/209 |     |                |  |        |     |       |
| 25   | 999 919 228 A2 | screw<br>5,0X28,0  |        | X   |          |     |                |  |        |     |       |
| (25) | 999 919 227 A2 | screw<br>5,0X13,0  |        | X   |          |     |                |  |        |     |       |
| 26   | 987 505 719 00 | fixing device  |        | 2   |          |     |                |  |        |     |       |



|       |      |    |    |              |              |     |       |            |         |     |         |
|-------|------|----|----|--------------|--------------|-----|-------|------------|---------|-----|---------|
| Model | Year | MG | SG | Illustration | Restrictions | UPD | 18:48 | 01.03.2010 | PORSCHE | PET | PORSCHE |
| 987-2 | 2010 | 8  | 02 | 802-05       |              | 248 |       |            |         |     |         |

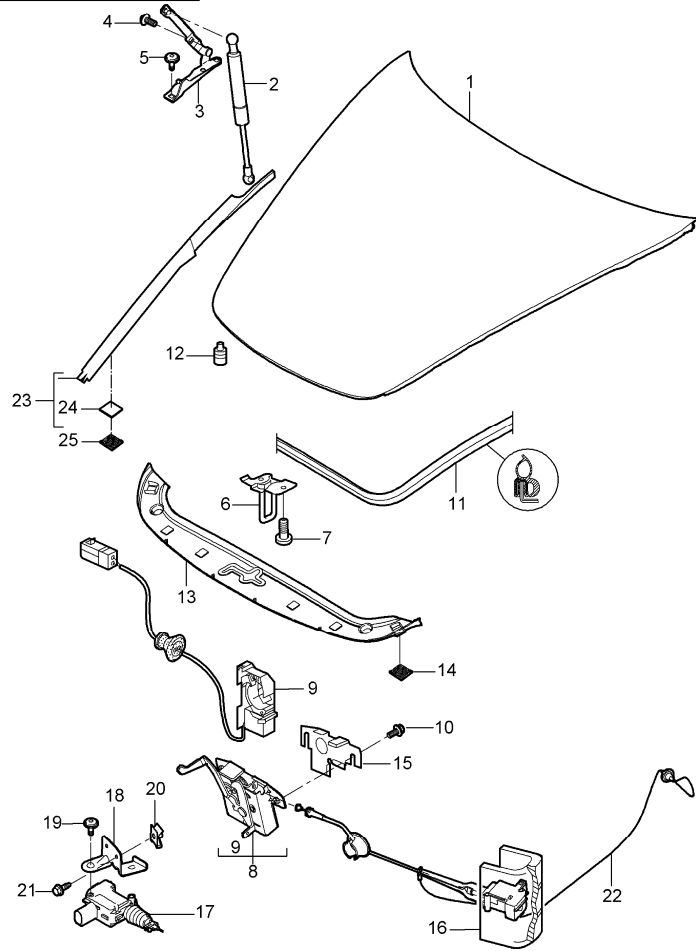
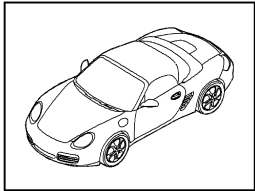


| Pos | Part Number    | Description                                  | Remark | Qty | Model |
|-----|----------------|--|--------|-----|-------|
| 1   | 987 505 291 04 | bumper rear                                  |        | 1   | I635  |
| (1) | 987 505 411 24 | lining                                       |        | 1   |       |
| 2   | 997 505 803 03 | cover prime coated                           |        | 1   |       |
| 3   | 999 073 227 09 | tapping screw ST 4,8 X 19                    |        | 15  |       |
| -   | 987 504 981 03 | spoiler prime coated                         |        | 1   | IXAL  |
| 4   | 999 507 590 02 | captive nut ST 4,8                           |        | 7   |       |
| 5   | 987 505 853 03 | retaining frame                              |        | 1   |       |
| 6   | 987 505 835 00 | G2L satin black support                      |        | 1   |       |
| 7   | 987 505 815 00 | retainer plate                               |        | 2   |       |
| 8   | 987 505 811 02 | Abschirmblende                               |        | 1   |       |
| 9   | 987 505 241 00 | G2L prime coated bumper reinforcement bumper |        | 1   |       |
| 10  | 900 378 088 01 | hexagon-head bolt M 12 X 1,5 X 100           |        | 2   |       |
| 11  | 996 505 019 01 | impact pipe                                  |        | 2   |       |
| 12  | 996 505 775 00 | desk pad impact absorber                     |        | 2   |       |
| 13  | 900 378 267 01 | combination screw M 8 X 30                   |        | 4   |       |
| 14  | 987 505 475 03 | heat protection centre                       |        | 1   |       |
| 15  | 999 025 243 02 | washer 5,0X1,0                               |        | 1   |       |
| 16  | 900 278 025 02 | hexagon-head bolt M5X12                      |        | 1   |       |
| 17  | 987 505 639 02 | rear support                                 |        | 2   |       |

|       |      |    |    |              |              |     |       |            |         |     |         |
|-------|------|----|----|--------------|--------------|-----|-------|------------|---------|-----|---------|
| Model | Year | MG | SG | Illustration | Restrictions | UPD | 18:48 | 01.03.2010 | PORSCHE | PET | PORSCHE |
| 987-2 | 2010 | 8  | 02 | 802-05       |              | 248 |       |            |         |     |         |

| Pos  | Part Number    | Description   | Remark | Qty | Model    | Pos  | Part Number    | Description                                | Remark | Qty | Model |
|------|----------------|---|--------|-----|----------|------|----------------|--|--------|-----|-------|
| 18   | 999 075 056 09 | combination screw<br>M 6 X 22   |        | 2   |          | (26) | 999 919 227 A2 | screw<br>support<br>number plate<br>5 X 13 |        | 8   | I218  |
| (19) | 987 505 631 03 | wheel-housing liner<br>with<br>heat protection<br>lateral                             | /L     | 1   |          | 30   | 999 190 312 30 | buttonhead rivet<br>buffer<br>A4,8 X 24,8  |        | 2   | I553  |
| 19   | 987 505 632 03 | wheel-housing liner<br>with<br>heat protection<br>lateral                             | /R     | 1   |          | 31   | 997 606 191 01 | sensor<br>ParkAssist                       |        | 4   | I635  |
| 20   | 999 076 078 01 | hexagon nut<br>M 6  |        | 6   |          | 32   | 7L6 919 659    | round seal<br>sensor                       |        | 4   | I635  |
| 21   | 999 049 007 40 | plastic nut<br>T5/22 X 10   |        | 4   |          | 33   | 987 504 631 01 | protective film                            |        | 2   |       |
| 22   | 987 505 841 00 | attachment strip  |        | 1   |          | 34   | 999 507 795 09 | speed nut<br>rear support<br>ST 4,8        |        | 2   |       |
| 23   | 999 076 078 01 | hexagon nut<br>M 6  |        | 5   |          | 35   | 987 505 875 00 | cover                                      | /L     | 1   |       |
| 24   | 987 701 105 03 | support<br>number plate   |        | 1   | I211     |      | 01C            | black<br>left                              |        |     |       |
|      | 01C            | black   |        |     |          | 36   | 987 505 876 00 | cover                                      | /R     | 1   |       |
| (24) | 987 701 109 03 | support<br>number plate   |        | 1   | I210     |      | 01C            | black<br>right                             |        |     |       |
|      | 01C            | black   |        |     |          |      |                |  |        |     |       |
| -    | 997 701 103 00 | set<br>support<br>rear<br>comprising:<br>nut<br>and<br>rubber buffer                  |        | 1   | IXAL/209 |      |                |  |        |     |       |
| -    | 997 701 051 13 | assembly kit<br>support<br>rear<br>comprising:<br>nut<br>screw<br>washer<br>lock ring |        | 1   | IXAL/209 |      |                |  |        |     |       |
| 26   | 999 919 227 A2 | screw<br>support  |        | 4   | I210/211 |      |                |  |        |     |       |

|       |      |    |    |              |              |     |       |            |         |     |         |
|-------|------|----|----|--------------|--------------|-----|-------|------------|---------|-----|---------|
| Model | Year | MG | SG | Illustration | Restrictions | UPD | 18:48 | 01.03.2010 | PORSCHE | PET | PORSCHE |
| 987-2 | 2010 | 8  | 03 | 803-00       |              | 248 |       |            |         |     |         |

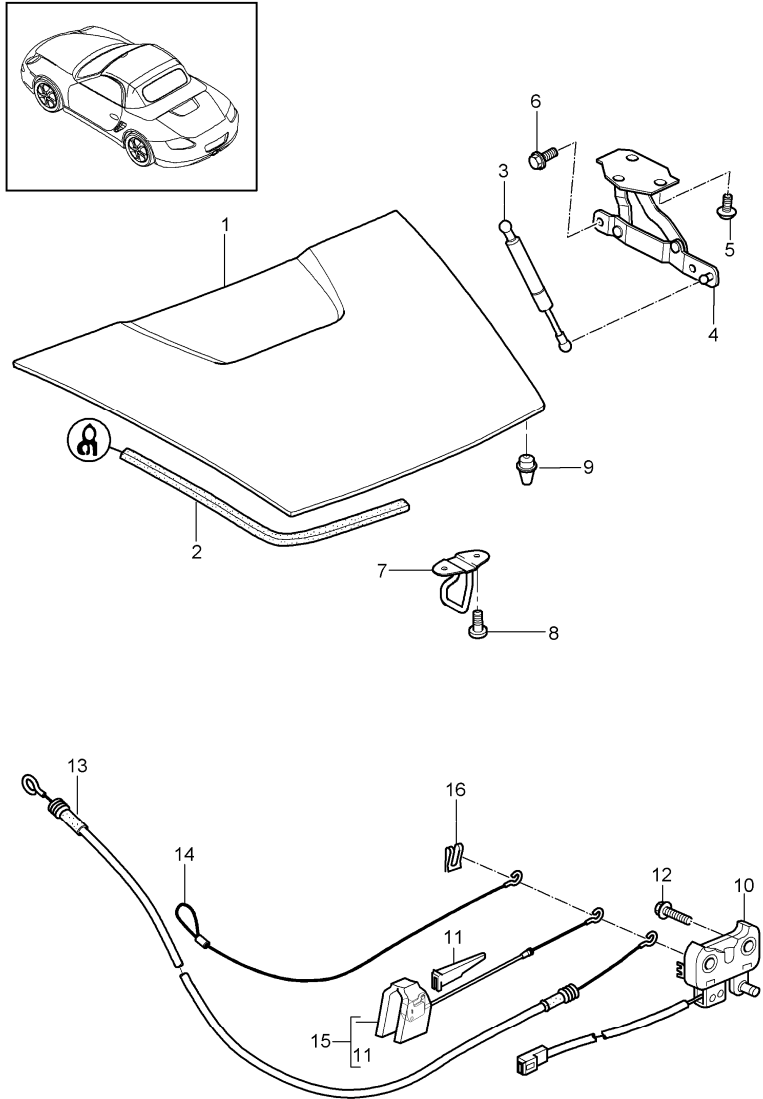


| Pos  | Part Number    | Description                         | Remark | Qty | Model |
|------|----------------|-------------------------------------|--------|-----|-------|
| 1    | 997 511 011 00 | lid front                           |        | 1   |       |
|      | GRV            | prime coated                        |        |     |       |
| 2    | 997 511 551 01 | gas-pressure spring                 |        | 2   |       |
| (3)  | 997 511 151 01 | hinge                               | /L     | 1   |       |
| 3    | 997 511 152 01 | hinge                               | /R     | 1   |       |
| 4    | 999 073 357 09 | oval-head screw<br>M 6 X 12         |        | 4   |       |
| 5    | 999 073 348 09 | oval-head screw<br>M 6 X 20         |        | 4   |       |
| 6    | 997 511 051 00 | lock upper part                     |        | 1   |       |
| 7    | 999 073 350 04 | round head screw<br>M 6 X 16        |        | 2   |       |
| 8    | 997 511 053 00 | lock lower part                     |        | 1   |       |
| 9    | 997 613 206 00 | microswitch                         |        | 1   |       |
| 10   | 900 075 466 01 | combination screw<br>M 6 X 16       |        | 2   |       |
| 11   | 997 511 611 00 | gasket                              |        | 1   |       |
| 12   | 999 703 140 41 | buffer                              |        | 2   |       |
| 13   | 997 504 811 04 | trim cover                          |        | 1   |       |
|      | FMT            | black                               |        |     |       |
| 14   | 999 902 049 40 | velcro fastener                     |        | 4   |       |
| 15   | 996 511 653 00 | cover                               |        | 1   |       |
| 16   | 997 511 117 00 | actuator                            |        | 1   |       |
| (23) | 997 572 465 02 | cover                               | /L     | 1   |       |
|      | 02A            | black                               |        |     |       |
| 23   | 997 572 466 02 | cover wing                          | /R     | 1   |       |
|      | 02A            | black                               |        |     |       |
| 24   | 999 902 052 40 | velcro fastener<br>cover<br>20 X 20 |        | 4   |       |

|       |      |    |    |              |              |     |       |            |         |     |         |
|-------|------|----|----|--------------|--------------|-----|-------|------------|---------|-----|---------|
| Model | Year | MG | SG | Illustration | Restrictions | UPD | 18:48 | 01.03.2010 | PORSCHE | PET | PORSCHE |
| 987-2 | 2010 | 8  | 03 | 803-00       |              | 248 |       |            |         |     |         |

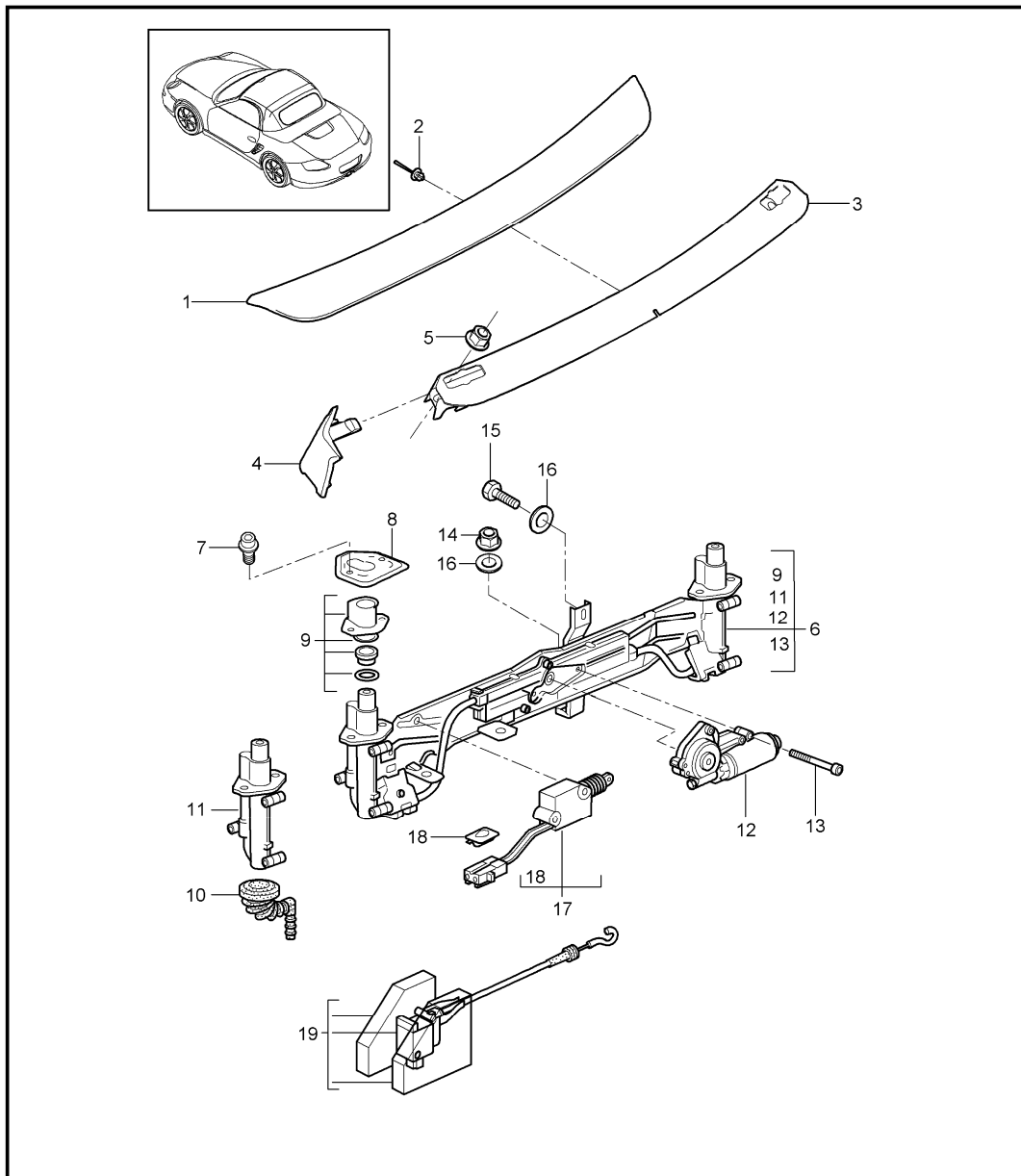
| Pos | Part Number    | Description                        | Remark | Qty | Model | Pos | Part Number | Description | Remark | Qty | Model |
|-----|----------------|------------------------------------|--------|-----|-------|-----|-------------|-------------|--------|-----|-------|
| 25  | 999 902 051 40 | velcro fastener<br>wing<br>20 X 20 |        | 4   |       |     |             |             |        |     |       |

|       |      |    |    |              |              |     |       |            |         |     |         |
|-------|------|----|----|--------------|--------------|-----|-------|------------|---------|-----|---------|
| Model | Year | MG | SG | Illustration | Restrictions | UPD | 18:48 | 01.03.2010 | PORSCHE | PET | PORSCHE |
| 987-2 | 2010 | 8  | 03 | 803-05       |              | 248 |       |            |         |     |         |



| Pos | Part Number        | Description                   | Remark | Qty | Model |
|-----|--------------------|-------------------------------|--------|-----|-------|
| 1   | 987 512 011 00     | lid rear                      |        | 1   |       |
| -   | GRV 000 043 204 38 | prime coated use also:        |        |     |       |
| 2   | 987 512 911 00     | sealing material              |        | 1   |       |
| 3   | 987 512 551 05     | gasket lid                    |        | 1   |       |
| 3   | 987 512 551 05     | gas-pressure spring           |        | 1   |       |
| (4) | 987 512 151 02     | hinge                         | /L     | 1   |       |
| 4   | 987 512 152 02     | hinge                         | /R     | 1   |       |
| 5   | 900 075 469 02     | combination screw M 6 X 22    |        | 4   |       |
| 6   | 900 378 155 09     | hexagon-head bolt M 6 X 16    |        | 4   |       |
| 7   | 987 512 051 00     | lock upper part               |        | 1   |       |
| 8   | 999 073 350 04     | round head screw M 6 X 16     |        | 2   |       |
| 9   | 987 512 987 00     | buffer                        |        | 2   |       |
| 10  | 987 512 053 01     | lock lower part               |        | 1   |       |
| 11  | 997 511 753 01     | guide                         |        | 1   |       |
| 12  | 900 075 504 01     | combination screw M 6 X 45    |        | 2   |       |
| 13  | 987 512 217 00     | guide                         |        | 1   |       |
| 14  | 987 512 521 00     | lid cable emergency operation |        | 1   |       |
| 15  | 987 512 117 01     | actuator lid                  |        | 1   |       |
| 16  | 999 166 054 02     | sl-lock                       |        | 1   |       |

|       |      |    |    |              |              |     |       |            |         |     |         |
|-------|------|----|----|--------------|--------------|-----|-------|------------|---------|-----|---------|
| Model | Year | MG | SG | Illustration | Restrictions | UPD | 18:48 | 01.03.2010 | PORSCHE | PET | PORSCHE |
| 987-2 | 2010 | 8  | 03 | 803-07       |              | 248 |       |            |         |     |         |

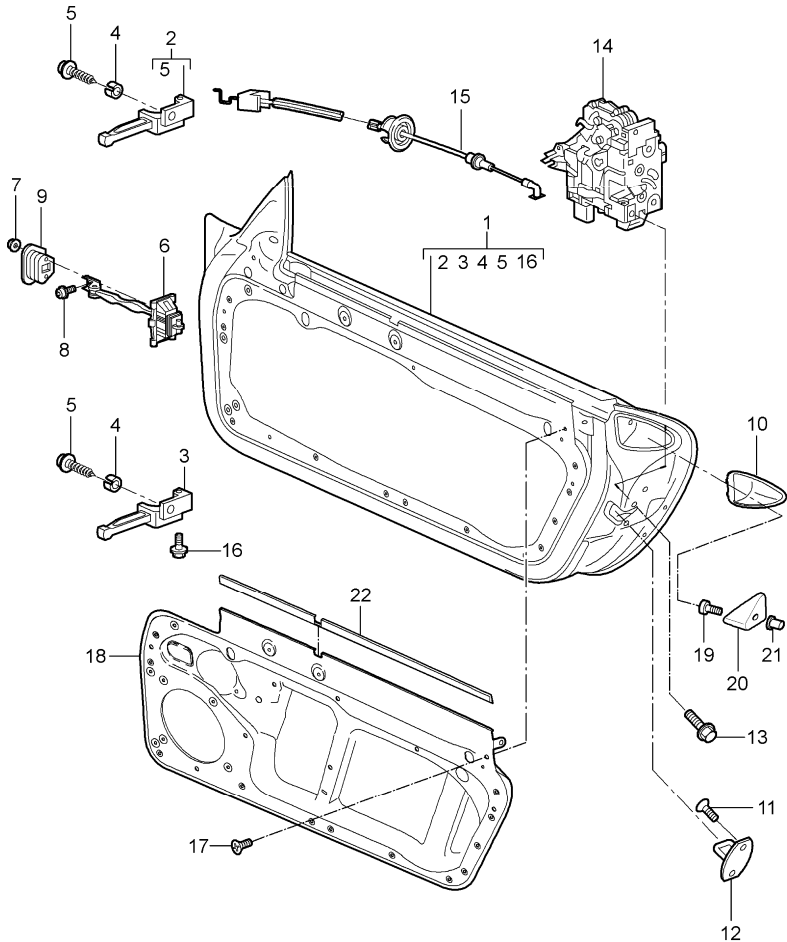
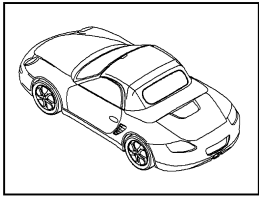


| Pos | Part Number    | Description   | Remark | Qty | Model |
|-----|----------------|---|--------|-----|-------|
| 1   | 987 504 609 00 | rear spoiler<br>upper part                          |        | 1   |       |
|     | G2X            | prime coated  |        |     |       |
| 2   | 999 507 499 40 | expansion rivet<br>5,0 X 11,5                       |        | 3   |       |
| 3   | 987 504 613 01 | bracket<br>upper part                               |        | 1   |       |
| 4   | 987 504 615 00 | cover<br>bracket                                    | /L     | 1   |       |
| (4) | 987 504 616 00 | cover<br>bracket                                    | /R     | 1   |       |
| 5   | 900 377 003 02 | hexagon nut<br>bracket<br>M8                        |        | 2   |       |
| 6   | 987 504 109 00 | driving mechanism<br>complete                       |        | 1   |       |
| 7   | 999 218 016 02 | combination screw<br>M 6 X 16<br>micro-self-locking |        | 4   |       |
| 8   | 986 504 251 00 | mounting plate                                      |        | 2   |       |
| 9   | 987 504 413 00 | gasket set<br>hinge                                 |        | 2   |       |
| 10  | 987 504 415 00 | water drain hose                                    |        | 1   |       |
| 11  | 987 504 411 00 | hinge   |        | 2   |       |
| 12  | 996 624 151 00 | electric motor                                      |        | 1   |       |
| 13  | 900 074 364 02 | hexagon-head bolt<br>M 5 X 55<br>micro-self-locking |        | 1   |       |
| 14  | 999 084 629 09 | hexagon nut<br>M 6                                  |        | 3   |       |
| 15  | 900 075 485 09 | combination screw<br>M 6 X 16                       |        | 1   |       |
| 16  | 900 035 001 09 | washer  |        | 4   |       |
| 17  | 996 624 117 01 | actuator<br>lid<br>rear                             |        | 1   |       |
| 18  | 999 507 434 40 | clip  |        | 1   |       |

|       |      |    |    |              |              |     |       |            |         |     |         |
|-------|------|----|----|--------------|--------------|-----|-------|------------|---------|-----|---------|
| Model | Year | MG | SG | Illustration | Restrictions | UPD | 18:48 | 01.03.2010 | PORSCHE | PET | PORSCHE |
| 987-2 | 2010 | 8  | 03 | 803-07       |              | 248 |       |            |         |     |         |

| Pos | Part Number    | Description | Remark | Qty | Model | Pos | Part Number | Description | Remark | Qty | Model |
|-----|----------------|-------------|--------|-----|-------|-----|-------------|-------------|--------|-----|-------|
| 19  | 987 512 117 01 | actuator    |        | 1   |       |     |             |             |        |     |       |

|       |      |    |    |              |              |     |       |            |         |     |         |
|-------|------|----|----|--------------|--------------|-----|-------|------------|---------|-----|---------|
| Model | Year | MG | SG | Illustration | Restrictions | UPD | 18:49 | 01.03.2010 | PORSCHE | PET | PORSCHE |
| 987-2 | 2010 | 8  | 04 | 804-00       |              | 248 |       |            |         |     |         |



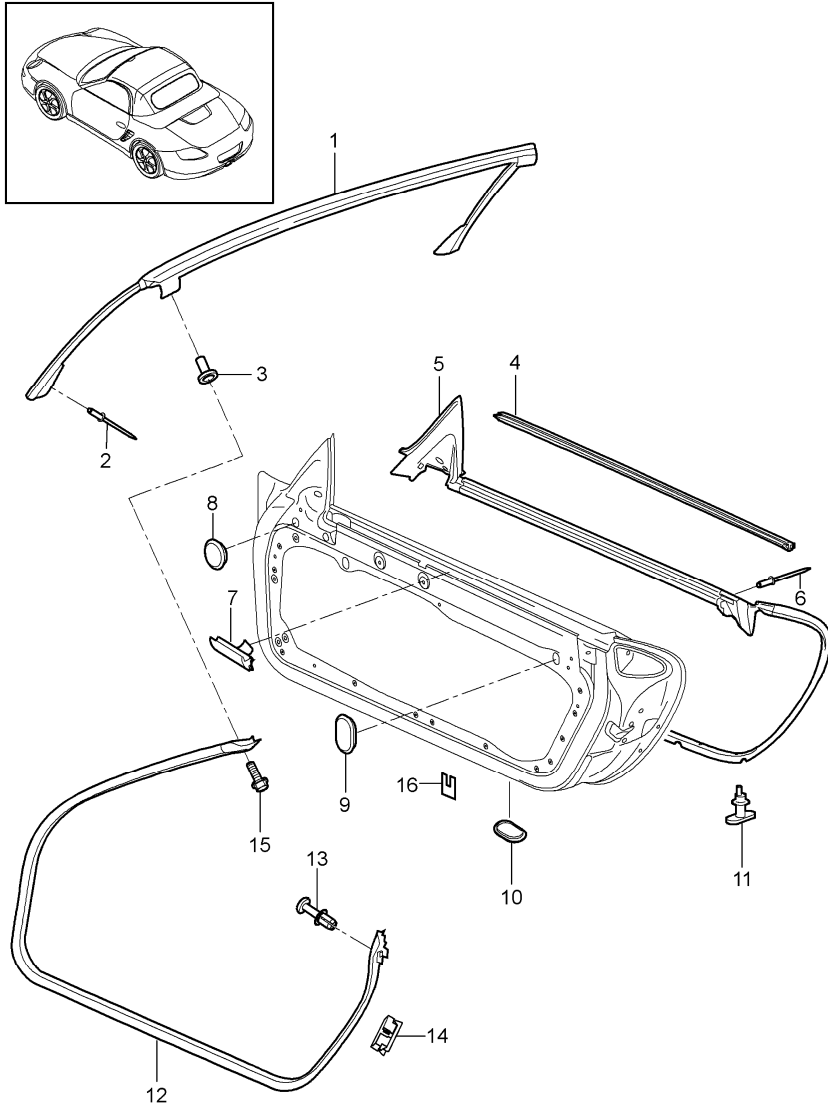
| Pos  | Part Number    | Description                                      | Remark | Qty | Model |
|------|----------------|--|--------|-----|-------|
|      |                | door in white<br>installation parts<br>door lock |        |     |       |
| (1)  | 997 531 011 04 | door in white                                    | /L     | 1   |       |
|      | GRV            | prime coated<br>use also:                        |        |     |       |
| 1    | 997 531 012 04 | door in white                                    | /R     | 1   |       |
|      | GRV            | prime coated<br>use also:                        |        |     |       |
| -    | 000 043 204 38 | sealing material                                 |        | 1   |       |
| (2)  | 997 531 321 00 | hinge  | /L     | 1   |       |
| 2    | 997 531 322 00 | hinge  | /R     | 1   |       |
| (3)  | 997 531 319 00 | hinge  | /L     | 1   |       |
| 3    | 997 531 320 00 | hinge  | /R     | 1   |       |
| 4    | 996 531 831 00 | sleeve   |        | 4   |       |
| 5    | 900 378 180 01 | hexagon-head bolt<br>M 8 X 25                    |        | 2   |       |
| 6    | 997 537 151 01 | door arrester                                    |        | 2   |       |
| 7    | 999 084 212 02 | nut<br>M 6                                       |        | 4   |       |
| 8    | 999 073 138 09 | screw<br>M 8 X 25                                |        | 2   |       |
| 9    | 996 537 751 00 | seal   |        | 2   |       |
| (10) | 997 537 331 00 | support  |        | 1   |       |
|      | 01C            | satin black                                      |        |     |       |
| 10   | 997 537 332 00 | support  |        | 1   |       |
|      | 01C            | satin black                                      |        |     |       |
| 11   | N 910 174 01   | countersunk-head screw<br>M 8 X 22               |        | 4   |       |
| 12   | 3B0 837 033 P  | closing element                                  |        | 2   |       |
| 13   | WHT 000 439    | combination screw<br>M 8 X 20                    |        | 2   |       |
| (14) | 3D1 837 015    | door lock  | /LL/L  | 1   |       |



|       |      |    |    |              |              |     |       |            |         |     |         |
|-------|------|----|----|--------------|--------------|-----|-------|------------|---------|-----|---------|
| Model | Year | MG | SG | Illustration | Restrictions | UPD | 18:49 | 01.03.2010 | PORSCHE | PET | PORSCHE |
| 987-2 | 2010 | 8  | 04 | 804-00       |              | 248 |       |            |         |     |         |

| Pos  | Part Number    | Description  | Remark | Qty | Model | Pos | Part Number | Description | Remark | Qty | Model |
|------|----------------|--|--------|-----|-------|-----|-------------|-------------|--------|-----|-------|
| 14   | 3D1 837 016    | door lock  | /LL/R  | 1   |       |     |             |             |        |     |       |
| (14) | 3D2 837 015    | door lock  | /RL/L  | 1   |       |     |             |             |        |     |       |
| (14) | 3D2 837 016    | door lock  | /RL/R  | 1   |       |     |             |             |        |     |       |
| 15   | 997 537 319 02 | bowden cable   |        | 2   |       |     |             |             |        |     |       |
| 16   | 999 072 043 09 | hexagon-head bolt<br>M 6 X 12<br>micro-self-locking  |        | 4   |       |     |             |             |        |     |       |
| 17   | 999 073 333 09 | oval-head screw<br>M6 X 16                           |        | 9   |       |     |             |             |        |     |       |
| 18   | 987 537 201 01 | inner panel  | /L     | 1   |       |     |             |             |        |     |       |
| 18   | 987 537 202 01 | inner panel  | /R     | 1   |       |     |             |             |        |     |       |
| 19   | 900 119 072 00 | pan-head screw<br>M8 X 16                            |        | 2   |       |     |             |             |        |     |       |
| (20) | 997 537 333 00 | support  | /L     | 1   |       |     |             |             |        |     |       |
|      | G2X            | prime coated   |        |     |       |     |             |             |        |     |       |
| 20   | 997 537 334 00 | support<br>side section                              | /R     | 1   |       |     |             |             |        |     |       |
|      | G2X            | prime coated   |        |     |       |     |             |             |        |     |       |
| 21   | 999 500 121 02 | blind rivet nut<br>M8 / 0,8 - 3                      |        | 2   |       |     |             |             |        |     |       |
| 22   | 999 551 172 40 | lining strap<br>25 x 1,3 x 730<br>for<br>inner panel |        | 2   |       |     |             |             |        |     |       |

|       |      |    |    |              |              |     |       |            |         |     |         |
|-------|------|----|----|--------------|--------------|-----|-------|------------|---------|-----|---------|
| Model | Year | MG | SG | Illustration | Restrictions | UPD | 18:49 | 01.03.2010 | PORSCHE | PET | PORSCHE |
| 987-2 | 2010 | 8  | 04 | 804-10       |              | 248 |       |            |         |     |         |

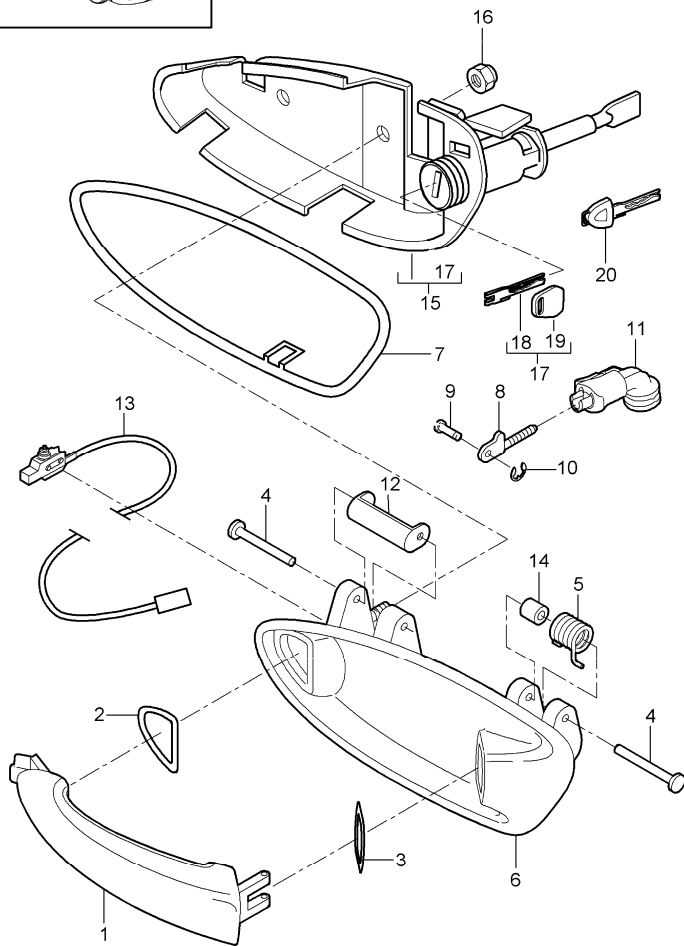
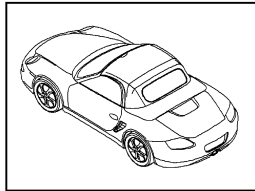


| Pos  | Part Number    | Description                   | Remark | Qty | Model |
|------|----------------|-------------------------------|--------|-----|-------|
|      |                | door seal                     |        |     |       |
|      |                | gasket                        |        |     |       |
|      |                | windscreen frame              |        |     |       |
| 1    | 987 537 077 02 | gasket<br>windscreen frame    |        | 1   |       |
| 2    | 999 190 445 37 | rivet<br>A 4,0 X 7,9          |        | X   |       |
| 3    | 999 500 098 02 | blind rivet nut<br>M 5/0,5-3  |        | 2   |       |
| (4)  | 997 537 085 02 | gasket<br>outer               | /L     | 1   |       |
| 4    | 997 537 086 02 | gasket<br>outer               | /R     | 1   |       |
| (5)  | 997 537 531 07 | gasket<br>inner               | /L     | 1   |       |
| 5    | 997 537 532 07 | gasket<br>inner               | /R     | 1   |       |
| 7    | 997 537 495 00 | rubber buffer                 |        | 1   |       |
| 8    | 803 803 583 A  | rubber sleeve<br>20,0 X 30,0  |        | 2   |       |
| 9    | 999 703 541 40 | lid<br>20,0 X 28,0            |        | 4   |       |
| 10   | 999 703 542 40 | lid<br>23,8 X 38,7            |        | 8   |       |
| 11   | 999 591 513 40 | clip<br>gasket<br>5,8 x 0,9   |        | 36  |       |
| (12) | 987 537 075 03 | gasket<br>door                | /L     | 1   |       |
| 12   | 987 537 076 03 | gasket<br>door                | /R     | 1   |       |
| 13   | 999 507 706 40 | expander nut<br>4,2           |        | 2   |       |
| 14   | 999 507 710 01 | u-clamp<br>1,50 - 2,50        |        | 2   |       |
| 15   | 900 075 362 02 | combination screw<br>M 5 X 16 |        | 2   |       |

|       |      |    |    |              |              |     |       |            |         |     |         |
|-------|------|----|----|--------------|--------------|-----|-------|------------|---------|-----|---------|
| Model | Year | MG | SG | Illustration | Restrictions | UPD | 18:49 | 01.03.2010 | PORSCHE | PET | PORSCHE |
| 987-2 | 2010 | 8  | 04 | 804-10       |              | 248 |       |            |         |     |         |

| Pos | Part Number    | Description     | Remark | Qty | Model | Pos | Part Number | Description | Remark | Qty | Model |
|-----|----------------|-----------------|--------|-----|-------|-----|-------------|-------------|--------|-----|-------|
| 16  | 996 537 337 00 | protective film |        | 4   |       |     |             |             |        |     |       |

|       |      |    |    |              |              |     |       |            |         |     |         |
|-------|------|----|----|--------------|--------------|-----|-------|------------|---------|-----|---------|
| Model | Year | MG | SG | Illustration | Restrictions | UPD | 18:49 | 01.03.2010 | PORSCHE | PET | PORSCHE |
| 987-2 | 2010 | 8  | 04 | 804-20       |              | 248 |       |            |         |     |         |

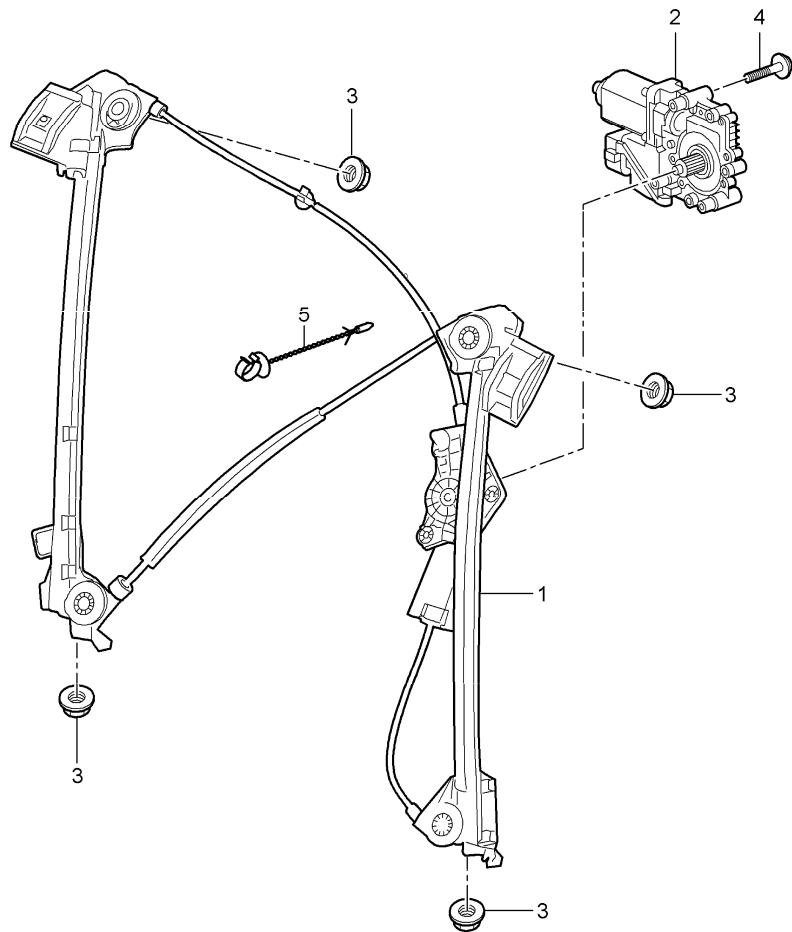
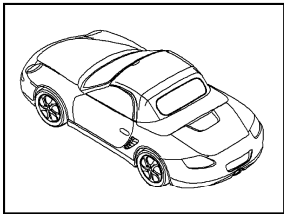


| Pos  | Part Number    | Description                  | Remark | Qty | Model |
|------|----------------|------------------------------|--------|-----|-------|
|      |                | door handle                  |        |     |       |
| 1    | 997 537 613 00 | handle                       | /L     | 1   |       |
|      | G2X            | prime coated                 |        |     |       |
| (1)  | 997 537 614 00 | handle                       | /R     | 1   |       |
|      | G2X            | prime coated                 |        |     |       |
| 2    | 997 537 623 00 | buffer                       |        | 2   |       |
| 3    | 997 537 625 00 | buffer                       |        | 2   |       |
| 4    | 997 537 621 00 | axle                         |        | 2   |       |
| 5    | 997 537 611 00 | return spring                | /L     | 1   |       |
| (5)  | 997 537 612 00 | return spring                | /R     | 1   |       |
| 6    | 997 537 645 00 | handle liner                 | /LL/L  | 1   |       |
|      | G2X            | prime coated                 |        |     |       |
| (6)  | 997 537 646 00 | handle liner                 | /RL/R  | 1   |       |
|      | G2X            | prime coated                 |        |     |       |
| (6)  | 997 537 645 01 | handle liner                 | /RL/L  | 1   |       |
|      | G2X            | prime coated                 |        |     |       |
| (6)  | 997 537 646 01 | handle liner                 | /LL/R  | 1   |       |
|      | G2X            | prime coated                 |        |     |       |
| 7    | 997 537 637 00 | desk pad                     | /L     | 1   |       |
| (7)  | 997 537 638 00 | desk pad                     | /R     | 1   |       |
| 8    | 997 537 627 00 | control shaft                |        | 2   |       |
| 9    | 997 537 629 00 | bolt                         |        | 2   |       |
| 10   | 996 537 641 00 | lock washer                  |        | 2   |       |
| 11   | 997 537 445 03 | connecting piece             |        | 2   |       |
| 12   | 997 537 653 00 | eccentric                    | /L     | 1   |       |
| (12) | 997 537 654 00 | eccentric                    | /R     | 1   |       |
| 13   | 997 613 125 01 | microswitch<br>power windows |        | 2   |       |
| 14   | 997 537 633 00 | bush                         |        | 2   |       |

|       |      |    |    |              |              |     |       |            |         |     |         |
|-------|------|----|----|--------------|--------------|-----|-------|------------|---------|-----|---------|
| Model | Year | MG | SG | Illustration | Restrictions | UPD | 18:49 | 01.03.2010 | PORSCHE | PET | PORSCHE |
| 987-2 | 2010 | 8  | 04 | 804-20       |              | 248 |       |            |         |     |         |

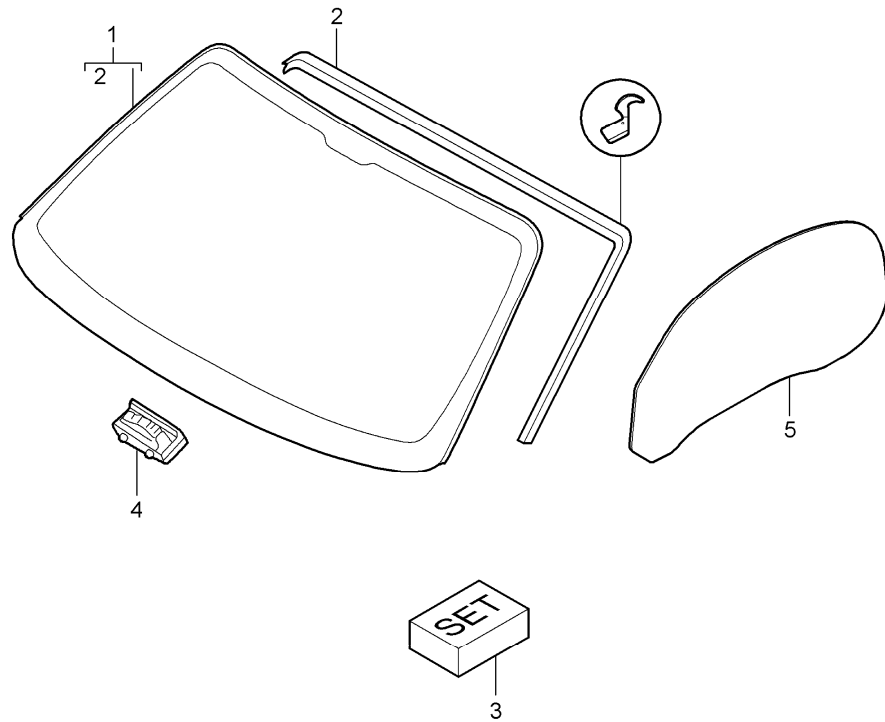
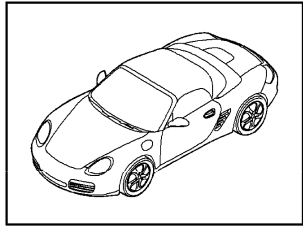
| Pos  | Part Number    | Description   | Remark | Qty | Model | Pos | Part Number | Description | Remark | Qty | Model |
|------|----------------|---|--------|-----|-------|-----|-------------|-------------|--------|-----|-------|
| 15   | 997 538 963 00 | support<br>with lock cylinder<br>with stipulated lock number        | /LL/L  | 1   |       |     |             |             |        |     |       |
| (15) | 997 538 964 00 | support<br>with lock cylinder<br>with stipulated lock number        | /RL/R  | 1   |       |     |             |             |        |     |       |
| (15) | 997 538 963 01 | support<br>with lock cylinder<br>w/o stipulated lock number         | /LL/L  | 1   |       |     |             |             |        |     |       |
| (15) | 997 538 964 01 | support<br>with lock cylinder<br>w/o stipulated lock number         | /RL/R  | 1   |       |     |             |             |        |     |       |
| (15) | 997 537 463 01 | support<br>without lock cylinder                                    | /RL/L  | 1   |       |     |             |             |        |     |       |
| (15) | 997 537 464 01 | support<br>without lock cylinder                                    | /LL/R  | 1   |       |     |             |             |        |     |       |
| 16   | 900 380 015 09 | hexagon nut<br>M6   |        | 4   |       |     |             |             |        |     |       |
| 17   | 997 538 931 00 | replacement key<br>with stipulated lock number<br>state lock number |        | X   |       |     |             |             |        |     |       |
| 18   | 997 538 531 00 | blank key   |        | X   |       |     |             |             |        |     |       |
| 19   | 944 538 431 00 | key cap   |        | X   |       |     |             |             |        |     |       |

|       |      |    |    |              |              |     |       |            |         |     |         |
|-------|------|----|----|--------------|--------------|-----|-------|------------|---------|-----|---------|
| Model | Year | MG | SG | Illustration | Restrictions | UPD | 18:49 | 01.03.2010 | PORSCHE | PET | PORSCHE |
| 987-2 | 2010 | 8  | 04 | 804-30       |              | 248 |       |            |         |     |         |



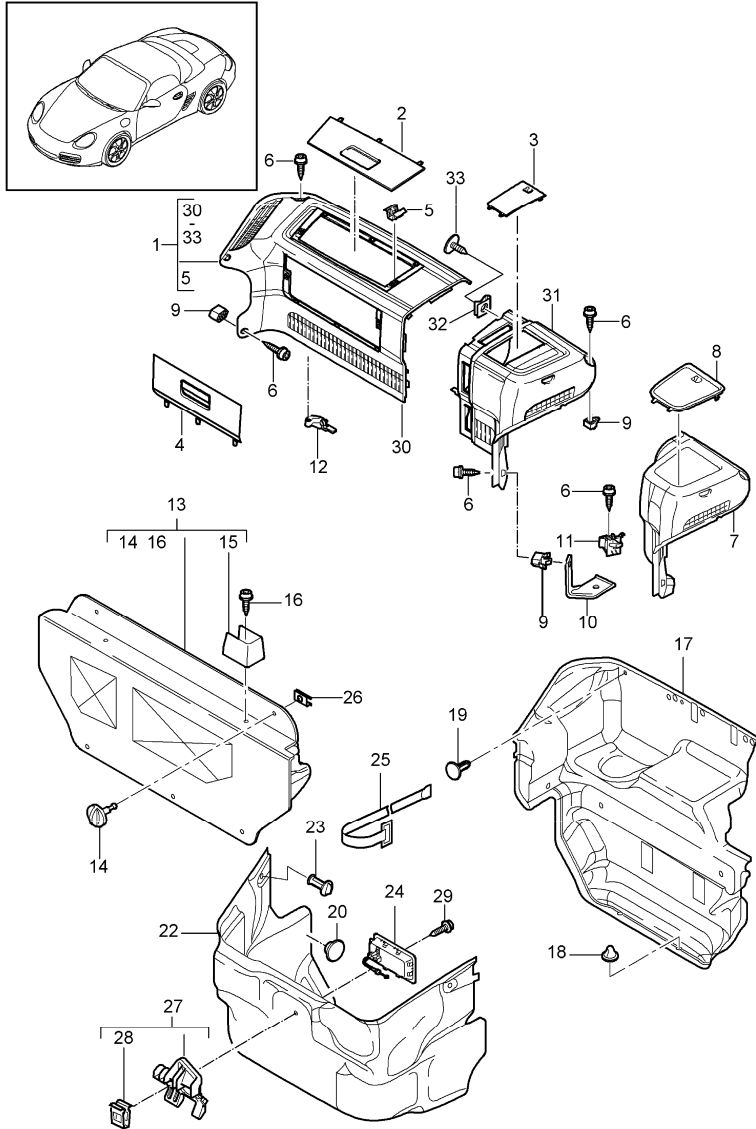
| Pos | Part Number    | Description                           | Remark | Qty | Model |
|-----|----------------|---------------------------------------|--------|-----|-------|
|     |                | power windows                         |        |     |       |
| 1   | 987 542 075 01 | power windows                         | /L     | 1   |       |
| (1) | 987 542 076 01 | power windows                         | /R     | 1   |       |
| 2   | 997 624 181 02 | electric motor                        | /LL/L  | 1   |       |
| (2) | 997 624 182 02 | electric motor                        | /LL/R  | 1   |       |
| (2) | 997 624 181 02 | electric motor                        | /RL/R  | 1   |       |
| (2) | 997 624 182 02 | electric motor                        | /RL/L  | 1   |       |
| 3   | 900 380 015 09 | hexagon nut<br>M 6                    |        | 4   |       |
| 4   | 999 919 209 09 | oval-head screw<br>M5X22              |        | 6   |       |
| 5   | 987 542 941 00 | clip<br>bowden cable<br>power windows |        | 1   |       |

|       |      |    |    |              |              |     |       |            |         |     |         |
|-------|------|----|----|--------------|--------------|-----|-------|------------|---------|-----|---------|
| Model | Year | MG | SG | Illustration | Restrictions | UPD | 18:49 | 01.03.2010 | PORSCHE | PET | PORSCHE |
| 987-2 | 2010 | 8  | 05 | 805-00       |              | 248 |       |            |         |     |         |



| Pos | Part Number    | Description                 | Remark | Qty | Model             |
|-----|----------------|-----------------------------|--------|-----|-------------------|
|     |                | window glazing              |        |     |                   |
| 1   | 987 541 911 08 | windscreen tinted           |        | 1   | I568              |
| (1) | 987 541 911 09 | windscreen tinted           |        | 1   | I567              |
| (1) | 987 541 911 10 | windscreen tinted           |        | 1   | I267/268/568      |
| (1) | 987 541 911 11 | windscreen tinted           |        | 1   | I267/268/567      |
| (1) | 987 541 911 12 | windscreen tinted           |        | 1   | I440/568          |
| (1) | 987 541 911 13 | windscreen tinted           |        | 1   | I440/567          |
| (1) | 987 541 911 14 | windscreen tinted           |        | 1   | I267/268/440 I568 |
| (1) | 987 541 911 15 | windscreen tinted           |        | 1   | I267/268/440 I567 |
| 2   | 997 541 901 09 | gasket                      |        | 1   |                   |
| 3   | 000 043 301 14 | adhesive set HENKEL TEROSON |        | 1   |                   |
| 4   | 999 507 576 41 | support                     |        | 2   |                   |
| 5   | 987 542 511 02 | door window glass           | /L     | 1   |                   |
| (5) | 987 542 511 04 | door window glass left      | /L     | 1   | Spyder            |
| (5) | 987 542 512 02 | door window glass           | /R     | 1   |                   |
| (5) | 987 542 512 04 | door window glass right     | /R     | 1   | Spyder            |

|       |      |    |    |              |              |     |       |            |         |     |         |
|-------|------|----|----|--------------|--------------|-----|-------|------------|---------|-----|---------|
| Model | Year | MG | SG | Illustration | Restrictions | UPD | 18:49 | 01.03.2010 | PORSCHE | PET | PORSCHE |
| 987-2 | 2010 | 8  | 07 | 807-00       |              | 248 |       |            |         |     |         |



| Pos | Part Number    | Description                  | Remark | Qty | Model    |
|-----|----------------|------------------------------|--------|-----|----------|
| (1) | 997 551 133 00 | luggage compartment front    |        |     |          |
|     |                | lining                       | /LL    | 1   | I098/674 |
|     |                | luggage compartment complete |        |     |          |
|     | 02A            | black                        |        |     |          |
| (1) | 997 551 133 00 | lining                       | /LL    | 1   | I098/676 |
|     |                | luggage compartment complete |        |     |          |
|     | 02A            | black                        |        |     |          |
| (1) | 997 551 133 00 | lining                       |        | 1   | I673     |
|     |                | luggage compartment complete |        |     |          |
|     | 02A            | black                        |        |     |          |
| (1) | 997 551 133 01 | lining                       | /RL    | 1   | I099     |
|     |                | luggage compartment complete |        |     |          |
|     | 02A            | black                        |        |     |          |
| 2   | 997 551 306 00 | lid upper                    | /LL    | 1   | I098/674 |
|     | 02A            | black                        |        |     |          |
| 2   | 997 551 306 00 | lid upper                    | /LL    | 1   | I098/676 |
|     | 02A            | black                        |        |     |          |
| 2   | 997 551 306 00 | lid upper                    |        | 1   | I673     |
|     | 02A            | black                        |        |     |          |
| (2) | 997 551 305 00 | lid upper                    | /RL    | 1   | I099     |
|     | 02A            | black                        |        |     |          |
| 3   | 997 551 301 00 | lid brake booster            | /LL    | 1   | I098/674 |
|     | 02A            | black                        |        |     |          |
| 3   | 997 551 301 00 | lid brake booster            | /LL    | 1   | I098/676 |
|     | 02A            | black                        |        |     |          |



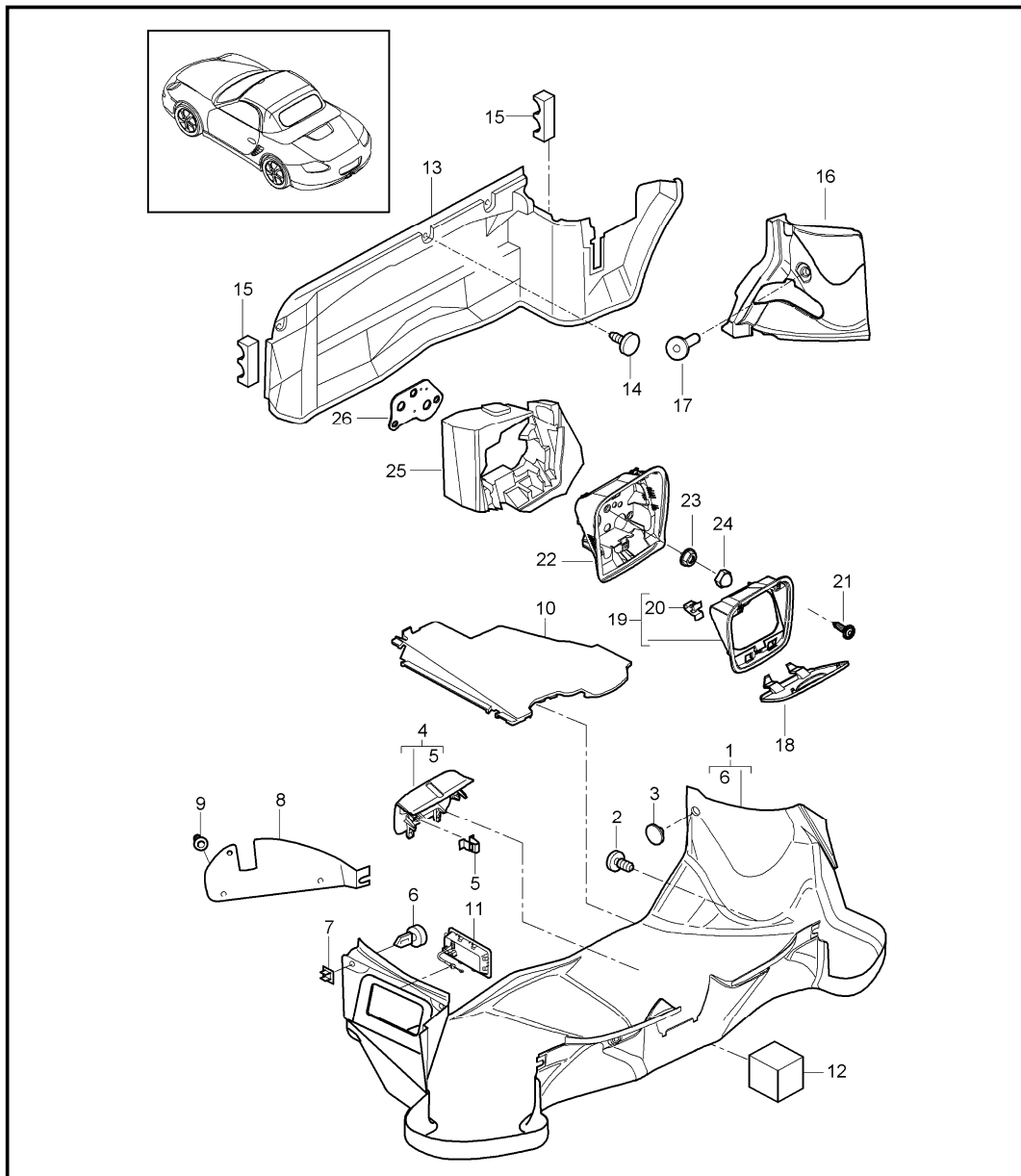
|       |      |    |    |              |              |     |       |            |         |     |         |
|-------|------|----|----|--------------|--------------|-----|-------|------------|---------|-----|---------|
| Model | Year | MG | SG | Illustration | Restrictions | UPD | 18:49 | 01.03.2010 | PORSCHE | PET | PORSCHE |
| 987-2 | 2010 | 8  | 07 | 807-00       |              | 248 |       |            |         |     |         |

| Pos | Part Number    | Description                              | Remark | Qty | Model    | Pos  | Part Number    | Description                               | Remark | Qty | Model    |
|-----|----------------|--|--------|-----|----------|------|----------------|---|--------|-----|----------|
| 3   | 997 551 301 00 | lid<br>brake booster                     |        | 1   | I673     | 12   | 997 551 772 02 | support<br>lining                         |        | 1   |          |
|     | 02A            | black                                    |        |     |          | 13   | 997 551 123 02 | lining<br>tool<br>carpet                  |        | 1   |          |
| (3) | 997 551 302 00 | lid<br>brake booster                     | /RL    | 1   | I099     |      | A31            | black                                     |        |     |          |
|     | 02A            | black                                    |        |     |          | (13) | 997 551 123 03 | lining<br>tool<br>carpet                  |        | 1   | I193     |
| 4   | 997 551 308 01 | lid<br>lower                             | /LL    | 1   | I098/674 |      | A31            | black                                     |        |     |          |
|     | 02A            | black                                    |        |     |          | 14   | 997 551 803 00 | catch<br>lining<br>tool                   |        | 2   |          |
| 4   | 997 551 308 01 | lid<br>lower                             | /LL    | 1   | I098/676 | 15   | 997 551 801 00 | support<br>warning triangle               | /L     | 1   |          |
|     | 02A            | black                                    |        |     |          |      | 02A            | black                                     |        |     |          |
| 4   | 997 551 308 01 | lid<br>lower                             | /RL    | 1   | I673     | (15) | 997 551 802 00 | support<br>warning triangle               | /R     | 1   |          |
|     | 02A            | black                                    |        |     |          |      | 02A            | black                                     |        |     |          |
| (4) | 997 551 307 00 | lid<br>lower                             | /RL    | 1   | I099     | 16   | 999 073 362 09 | tapping screw<br>4,8 X 22                 |        | 2   |          |
|     | 02A            | black                                    |        |     |          | (17) | 997 551 051 25 | lining<br>luggage compartment<br>bulkhead | /LL    | 1   | I098     |
| 5   | 999 507 735 02 | clamp<br>9 X 22/2,5                      |        | 4   |          |      | A31            | black                                     |        |     |          |
| 6   | 900 187 501 01 | tapping screw<br>ST 3,5 X 16             |        | X   |          | (17) | 997 551 051 26 | lining<br>luggage compartment<br>bulkhead | /LL    | 1   | I098/674 |
| 7   | 997 551 231 00 | lining<br>brake booster                  | /LL    | 1   | I098     |      | A31            | black                                     |        |     |          |
|     | 02A            | black                                    |        |     |          | (17) | 997 551 051 26 | lining<br>luggage compartment<br>bulkhead | /LL    | 1   | I098/674 |
| 8   | 997 551 311 00 | lid<br>brake booster                     | /LL    | 1   | I098     |      | A31            | black                                     |        |     |          |
|     | 02A            | black                                    |        |     |          | (17) | 997 551 051 26 | lining<br>luggage compartment<br>bulkhead | /LL    | 1   | I098/676 |
| 9   | 999 507 734 40 | support<br>ST 3,5                        |        | X   |          |      | A31            | black                                     |        |     |          |
| 10  | 997 551 771 02 | support<br>lining<br>luggage compartment |        | 1   |          | (17) | 997 551 051 26 | lining<br>luggage compartment<br>bulkhead |        | 1   | I673     |
| 11  | 999 507 512 40 | support<br>ST 3,5                        |        | X   |          |      | A31            | black                                     |        |     |          |

|       |      |    |    |              |              |     |       |            |         |     |         |
|-------|------|----|----|--------------|--------------|-----|-------|------------|---------|-----|---------|
| Model | Year | MG | SG | Illustration | Restrictions | UPD | 18:49 | 01.03.2010 | PORSCHE | PET | PORSCHE |
| 987-2 | 2010 | 8  | 07 | 807-00       |              | 248 |       |            |         |     |         |

| Pos  | Part Number    | Description                               | Remark | Qty | Model    | Pos  | Part Number    | Description                               | Remark | Qty | Model    |
|------|----------------|---|--------|-----|----------|------|----------------|---|--------|-----|----------|
| (17) | 997 551 051 28 | lining<br>luggage compartment<br>bulkhead | /RL    | 1   | I099     | 31   | 997 551 633 00 | lining<br>brake booster                   | /LL    | 1   | I098/676 |
|      | A31            | black                                     |        |     |          |      | FMU            | black/black                               |        |     |          |
| 18   | 999 049 004 40 | plastic nut<br>T5 / 32 X 20               |        | 2   |          | 31   | 997 551 633 00 | lining<br>brake booster                   |        | 1   | I673     |
| 19   | 999 703 432 40 | stopper<br>8,2 X 18                       |        | 2   |          |      | FMU            | black/black                               |        |     |          |
| 20   | 999 703 455 41 | lid<br>12,2 X 25                          |        | X   |          | (31) | 997 551 632 00 | lining<br>brake booster                   |        | 1   | I099     |
|      |                |   |        |     |          |      | FMU            | black/black                               |        |     |          |
| (22) | 987 551 045 04 | lining<br>luggage compartment liner       |        | 1   |          | 32   | 999 507 795 09 | speed nut<br>4,8                          |        | 3   |          |
|      | A31            | black                                     |        |     |          | 33   | 999 073 231 09 | tapping screw<br>st 4,8 X 16              |        | 3   |          |
| 23   | 999 049 006 40 | plastic nut<br>T5 /30 X 7,5               |        | 2   |          | 34   | 999 025 236 40 | washer<br>lock<br>catch<br>position<br>14 |        | 2   |          |
| 25   | 997 551 741 00 | retaining strap<br>first-aid kit          |        | 1   | I024     |      |                |   |        |     |          |
| (25) | 997 551 741 00 | retaining strap<br>first-aid kit          |        | 1   | I499     |      |                |   |        |     |          |
| 26   | 999 590 055 01 | fastening clamp<br>10,7 X 11,5            |        | 2   |          |      |                |   |        |     |          |
| 30   | 997 551 634 00 | lining<br>luggage compartment             | /LL    | 1   | I098/674 |      |                |   |        |     |          |
|      | FMU            | black/black                               |        |     |          |      |                |   |        |     |          |
| 30   | 997 551 634 00 | lining<br>luggage compartment             | /LL    | 1   | I098/676 |      |                |   |        |     |          |
|      | FMU            | black/black                               |        |     |          |      |                |   |        |     |          |
| 30   | 997 551 634 00 | lining<br>luggage compartment             |        | 1   | I673     |      |                |   |        |     |          |
|      | FMU            | black/black                               |        |     |          |      |                |   |        |     |          |
| (30) | 997 551 635 00 | lining<br>luggage compartment             | /RL    | 1   | I099     |      |                |   |        |     |          |
|      | FMU            | black/black                               |        |     |          |      |                |   |        |     |          |
| 31   | 997 551 633 00 | lining<br>brake booster                   | /LL    | 1   | I098/674 |      |                |   |        |     |          |
|      | FMU            | black/black                               |        |     |          |      |                |   |        |     |          |

|       |      |    |    |              |              |     |       |            |         |     |         |
|-------|------|----|----|--------------|--------------|-----|-------|------------|---------|-----|---------|
| Model | Year | MG | SG | Illustration | Restrictions | UPD | 18:50 | 01.03.2010 | PORSCHE | PET | PORSCHE |
| 987-2 | 2010 | 8  | 07 | 807-01       |              | 248 |       |            |         |     |         |

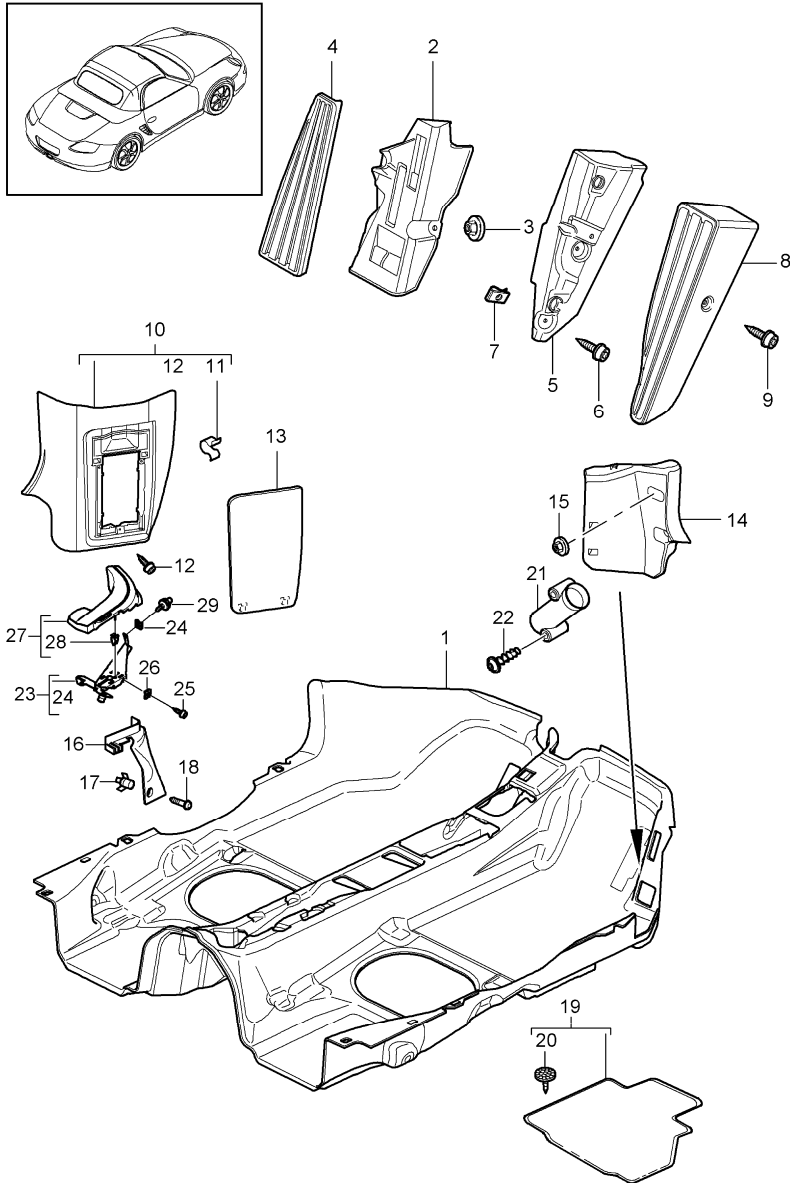


| Pos  | Part Number    | Description                         | Remark | Qty | Model |
|------|----------------|-------------------------------------|--------|-----|-------|
| (1)  | 987 551 053 03 | luggage compartment rear            |        | 1   |       |
|      |                | lining luggage compartment          |        |     |       |
|      | A31            | black                               |        |     |       |
| 2    | 999 703 432 40 | stopper 8,0                         |        | 4   |       |
| 3    | 999 703 455 41 | lid 12,2 X 25                       |        | 1   |       |
| 4    | 987 551 251 03 | lining lid lock                     |        | 1   |       |
|      | 02A            | black                               |        |     |       |
| 5    | 999 507 681 01 | clamp 2,5/3,0                       |        | 2   |       |
| 6    | 999 507 529 40 | catch 18,0                          |        | 2   |       |
| 7    | 999 590 046 40 | disc cam 10,0 X 11,5                |        | 2   |       |
| 8    | 987 551 651 02 | cover rear light                    | /L     | 1   |       |
|      | A31            | black                               |        |     |       |
| (8)  | 987 551 652 02 | cover rear light                    | /R     | 1   |       |
|      | A31            | black                               |        |     |       |
| 9    | 999 049 005 40 | plastic nut                         |        | 6   |       |
| 10   | 986 551 763 01 | reinforcement                       | /L     | 1   |       |
| (10) | 987 551 764 00 | reinforcement                       | /R     | 1   |       |
| 12   | 987 551 603 00 | foam part luggage compartment liner |        | 3   |       |
| 13   | 987 551 047 02 | lining luggage compartment          |        | 1   |       |
|      | A31            | black                               |        |     |       |
| 14   | 999 703 432 40 | stopper 8,0                         |        | 3   |       |
| 15   | 987 551 403 00 | foam part luggage compartment       |        | 1   |       |

|       |      |    |    |              |              |     |       |            |         |     |         |
|-------|------|----|----|--------------|--------------|-----|-------|------------|---------|-----|---------|
| Model | Year | MG | SG | Illustration | Restrictions | UPD | 18:50 | 01.03.2010 | PORSCHE | PET | PORSCHE |
| 987-2 | 2010 | 8  | 07 | 807-01       |              | 248 |       |            |         |     |         |

| Pos | Part Number    | Description                            | Remark | Qty | Model | Pos | Part Number | Description | Remark | Qty | Model |
|-----|----------------|--|--------|-----|-------|-----|-------------|-------------|--------|-----|-------|
| 16  | 987 551 702 00 | foam part<br>luggage compartment liner |        | 1   |       |     |             |             |        |     |       |
| 17  | 999 049 027 40 | plastic nut<br>T5/30 X 1,8             |        | X   |       |     |             |             |        |     |       |
| 18  | 987 551 372 01 | lid<br>service<br>cup                  |        | 1   |       |     |             |             |        |     |       |
|     | 01C            | satin black                            |        |     |       |     |             |             |        |     |       |
| 19  | 987 551 074 01 | covering frame<br>service<br>cup       |        | 1   |       |     |             |             |        |     |       |
|     | 01C            | satin black                            |        |     |       |     |             |             |        |     |       |
| 20  | 999 507 552 01 | spring clamp<br>9,0 X 13/4,0           |        | 2   |       |     |             |             |        |     |       |
| 21  | 999 073 226 09 | tapping screw<br>ST 4,2 X 16C          |        | X   |       |     |             |             |        |     |       |
| 22  | 987 551 078 01 | assembly frame<br>service<br>cup       |        | 1   |       |     |             |             |        |     |       |
| 23  | 999 076 078 01 | hexagon nut<br>M 6                     |        | 3   |       |     |             |             |        |     |       |
| 24  | 999 703 231 41 | protection cap                         |        | 1   |       |     |             |             |        |     |       |
| 25  | 987 556 502 00 | sound absorber<br>service<br>cup       |        | 1   |       |     |             |             |        |     |       |
| 26  | 987 555 477 00 | sealing frame<br>service<br>cup        |        | 1   |       |     |             |             |        |     |       |

|       |      |    |    |              |              |     |       |            |         |     |         |
|-------|------|----|----|--------------|--------------|-----|-------|------------|---------|-----|---------|
| Model | Year | MG | SG | Illustration | Restrictions | UPD | 18:50 | 01.03.2010 | PORSCHE | PET | PORSCHE |
| 987-2 | 2010 | 8  | 07 | 807-02       |              | 248 |       |            |         |     |         |



| Pos | Part Number    | Description  | Remark | Qty | Model |
|-----|----------------|--|--------|-----|-------|
| 1   | 987 551 011 08 | interior equipment<br>carpet<br>linings<br>carpet<br>carpet<br>FLW black<br>FLX stone grey<br>FLY sand beige<br>FLZ sea blue<br>FMB terracotta<br>FMC cocoa<br>FMD dark grey/natural<br>FME brown/natural<br>FSV carrera red | /LL    | 1   | I098  |
| (1) | 987 551 011 09 | carpet<br>carpet<br>FLW black<br>FLX stone grey<br>FLY sand beige<br>FLZ sea blue<br>FMB terracotta<br>FMC cocoa<br>FMD dark grey/natural<br>FME brown/natural<br>FSV carrera red  | /RL    | 1   | I099  |
| -   | 997 551 813 01 | protective film<br>carpet  | /LL    | 1   | I098  |
| -   | 997 551 815 01 | protective film<br>carpet  | /RL    | 1   | I099  |
| 2   | 997 551 211 01 | foot support   | /LL    | 1   |       |
| 3   | 999 076 081 40 | plastic nut<br>T5/16 X 11,2  |        | 2   |       |

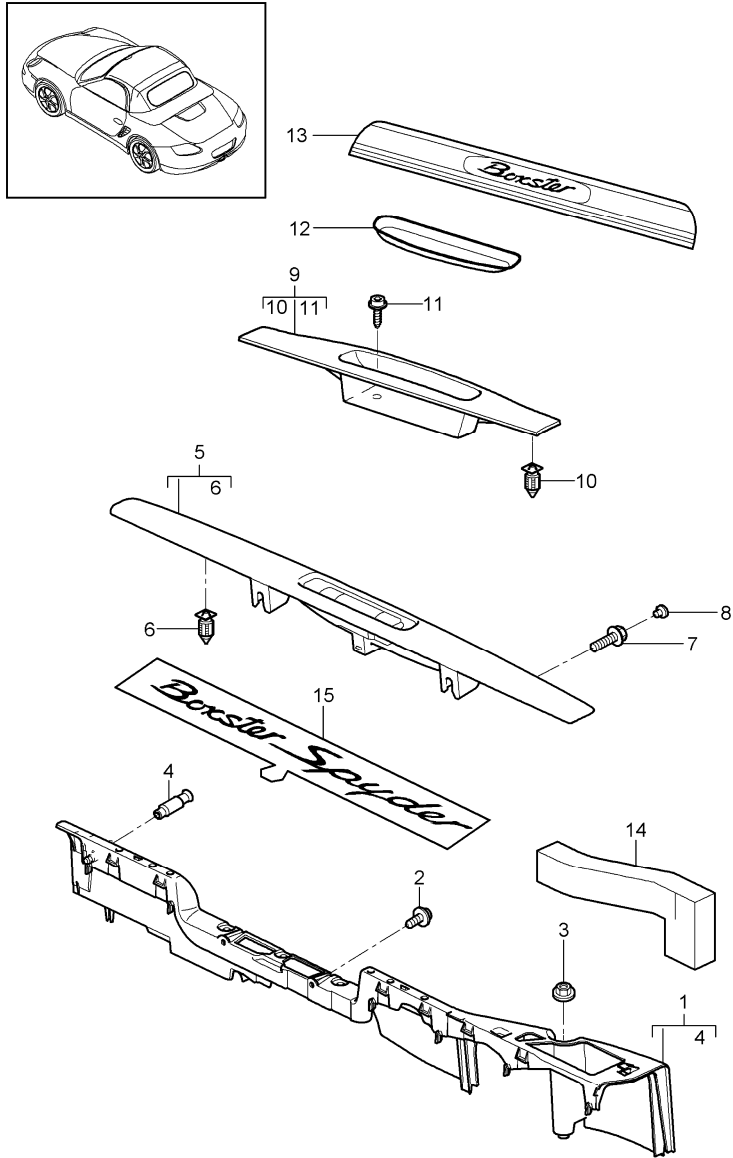
|       |      |    |    |              |              |     |       |            |         |     |         |
|-------|------|----|----|--------------|--------------|-----|-------|------------|---------|-----|---------|
| Model | Year | MG | SG | Illustration | Restrictions | UPD | 18:50 | 01.03.2010 | PORSCHE | PET | PORSCHE |
| 987-2 | 2010 | 8  | 07 | 807-02       |              | 248 |       |            |         |     |         |

| Pos | Part Number    | Description  | Remark | Qty | Model    | Pos  | Part Number    | Description   | Remark | Qty | Model |
|-----|----------------|--|--------|-----|----------|------|----------------|---|--------|-----|-------|
| 4   | 997 551 611 00 | cover<br>foot support  | /LL    | 1   | I098     | (10) | 997 551 102 00 | lining<br>fusebox<br>carpet                               | /RL    | 1   | I099  |
|     | 01C            | satin black  |        |     |          |      | A10            | black   |        |     |       |
| (4) | 997 551 986 00 | cover<br>foot support  | /LL    | 1   | IXXZ/098 |      | B10            | stone grey  |        |     |       |
| 5   | 997 551 212 00 | foot support   | /RL    | 1   | I099     |      | T10            | sand beige  |        |     |       |
| 6   | 999 073 060 02 | tapping screw<br>ST 4,8 X 13<br>for<br>mount<br>foot support         | /RL    | 2   | I099     |      | E10            | sea blue  |        |     |       |
|     |                |  |        |     |          |      | M10            | terracotta  |        |     |       |
|     |                |  |        |     |          |      | R10            | cocoa   |        |     |       |
| 7   | 999 591 485 01 | speed nut<br>ST 4,8<br>for<br>mount<br>foot support                  | /RL    | 2   | I099     |      | D11            | dark grey/natural   |        |     |       |
|     |                |  |        |     |          |      | T11            | brown/natural   |        |     |       |
|     |                |  |        |     |          |      | N10            | carrera red   |        |     |       |
| 8   | 997 551 612 00 | cover<br>foot support  | /RL    | 1   | I099     | 11   | 999 507 552 01 | spring clamp<br>9,0 X 13/4,0                              |        | 2   |       |
|     | 01C            | satin black  |        |     |          | 12   | 999 919 161 09 | oval-head screw<br>5,0 X 18<br>for<br>mount<br>fusebox    |        | 3   |       |
| 9   | 999 919 188 09 | oval-head screw<br>5,0 X 30<br>for<br>mount<br>cover<br>foot support | /RL    | 1   | I099     | 13   | 997 551 621 00 | lid<br>lining<br>fusebox                                  | /LL    | 1   | I098  |
| 10  | 997 551 101 00 | lining<br>fusebox<br>carpet  | /LL    | 1   | I098     |      | 01C            | satin black   |        |     |       |
|     | A10            | black  |        |     |          | (13) | 997 551 622 00 | lid<br>lining<br>fusebox                                  | /RL    | 1   | I099  |
|     | B10            | stone grey   |        |     |          |      | 01C            | satin black   |        |     |       |
|     | T10            | sand beige   |        |     |          | (14) | 997 551 712 02 | support<br>carpet   | /LL    | 1   | I098  |
|     | E10            | sea blue   |        |     |          | (14) | 997 551 711 02 | support<br>carpet   | /RL    | 1   | I099  |
|     | M10            | terracotta   |        |     |          | 15   | 999 076 081 40 | plastic nut<br>T5/16 X 11,2<br>mount<br>support<br>carpet |        | 2   |       |
|     | R10            | cocoa  |        |     |          | (16) | 987 551 215 02 | lining<br>seat belt                                       | /L     | 1   |       |
|     | D11            | dark grey/natural  |        |     |          |      |                |   |        |     |       |
|     | T11            | brown/natural  |        |     |          |      |                |   |        |     |       |
|     | N10            | carrera red  |        |     |          |      |                |   |        |     |       |

|       |      |    |    |              |              |     |       |            |         |     |         |
|-------|------|----|----|--------------|--------------|-----|-------|------------|---------|-----|---------|
| Model | Year | MG | SG | Illustration | Restrictions | UPD | 18:50 | 01.03.2010 | PORSCHE | PET | PORSCHE |
| 987-2 | 2010 | 8  | 07 | 807-02       |              | 248 |       |            |         |     |         |

| Pos  | Part Number    | Description                          | Remark | Qty | Model | Pos  | Part Number    | Description                   | Remark | Qty | Model    |
|------|----------------|--------------------------------------|--------|-----|-------|------|----------------|-------------------------------|--------|-----|----------|
|      | FQG            | black/black                          |        |     |       | 21   | 964 551 751 00 | support warning light         | /RL    | 1   | I099/193 |
|      | FQH            | stone grey/stone grey                |        |     |       | (21) | 997 551 852 00 | support warning light         | /LL    | 1   | I098/193 |
|      | FQJ            | sand beige/sand beige                |        |     |       | 22   | 999 919 254 01 | oval-head screw<br>4,0 x 36,5 |        | 2   | I193     |
|      | FQK            | sea blue/sea blue                    |        |     |       | 23   | 987 504 847 00 | support b-pillar              | /L     | 10- | 1 SPYDER |
|      | FQM            | terracotta/terracotta                |        |     |       | (23) | 987 504 848 00 | support b-pillar              | /R     | 10- | 1 SPYDER |
|      | FQN            | cocoa/cocoa                          |        |     |       | 24   | N 105 110 01   | speed nut<br>ST 4,2           |        | 10- | 2 SPYDER |
|      | FQQ            | black/stone grey                     |        |     |       | 25   | 999 073 062 02 | tapping screw<br>ST 4,8 X 19  |        | 10- | 4 SPYDER |
|      | FQO            | dark grey natural/black              |        |     |       |      |                | mount support b-pillar        |        |     |          |
|      | FQP            | brown nat./brown nat.                |        |     |       | 26   | 999 591 329 01 | speed nut<br>4,8              |        | 10- | 4 SPYDER |
|      | FSY            | carrera red                          |        |     |       |      |                | mount support b-pillar        |        |     |          |
| (16) | 987 551 216 02 | lining seat belt                     | /R     | 1   |       | 27   | 987 555 747 01 | cover b-pillar                | /L     | 10- | 1 SPYDER |
|      | FQG            | black/black                          |        |     |       |      | A03            | black                         |        |     |          |
|      | FQH            | stone grey/stone grey                |        |     |       |      | 5Z1            | sand beige                    |        |     |          |
|      | FQJ            | sand beige/sand beige                |        |     |       |      | 8P9            | cocoa                         |        |     |          |
|      | FQK            | sea blue/sea blue                    |        |     |       |      | N23            | carrera red                   |        |     |          |
|      | FQM            | terracotta/terracotta                |        |     |       | (27) | 987 555 748 01 | cover b-pillar                | /R     | 10- | 1 SPYDER |
|      | FQN            | cocoa/cocoa                          |        |     |       |      | A03            | black                         |        |     |          |
|      | FQQ            | black/stone grey                     |        |     |       |      | 5Z1            | sand beige                    |        |     |          |
|      | FQO            | dark grey natural/black              |        |     |       |      | 8P9            | cocoa                         |        |     |          |
|      | FQP            | brown nat./brown nat.                |        |     |       |      | N23            | carrera red                   |        |     |          |
|      | FSY            | carrera red                          |        |     |       | 28   | 999 507 889 01 | u-clamp<br>2,0 - 4,7          |        | 10- | 4 SPYDER |
| 17   | 999 507 438 40 | support<br>3,5                       |        | 2   |       | 29   | 999 591 631 01 | tapping screw<br>ST 4,2 X 10  |        | 10- | 2 SPYDER |
| 18   | 999 073 049 02 | tapping screw<br>3,5 X 16            |        | 2   |       |      |                |                               |        |     |          |
|      |                | set<br>see group<br>TEG/8/07/07      |        |     |       |      |                |                               |        |     |          |
| 20   | 999 902 054 40 | fastening plate<br>for<br>floor mats |        | 4   |       |      |                |                               |        |     |          |

|       |      |    |    |              |              |     |       |            |         |     |         |
|-------|------|----|----|--------------|--------------|-----|-------|------------|---------|-----|---------|
| Model | Year | MG | SG | Illustration | Restrictions | UPD | 18:50 | 01.03.2010 | PORSCHE | PET | PORSCHE |
| 987-2 | 2010 | 8  | 07 | 807-03       |              | 248 |       |            |         |     |         |



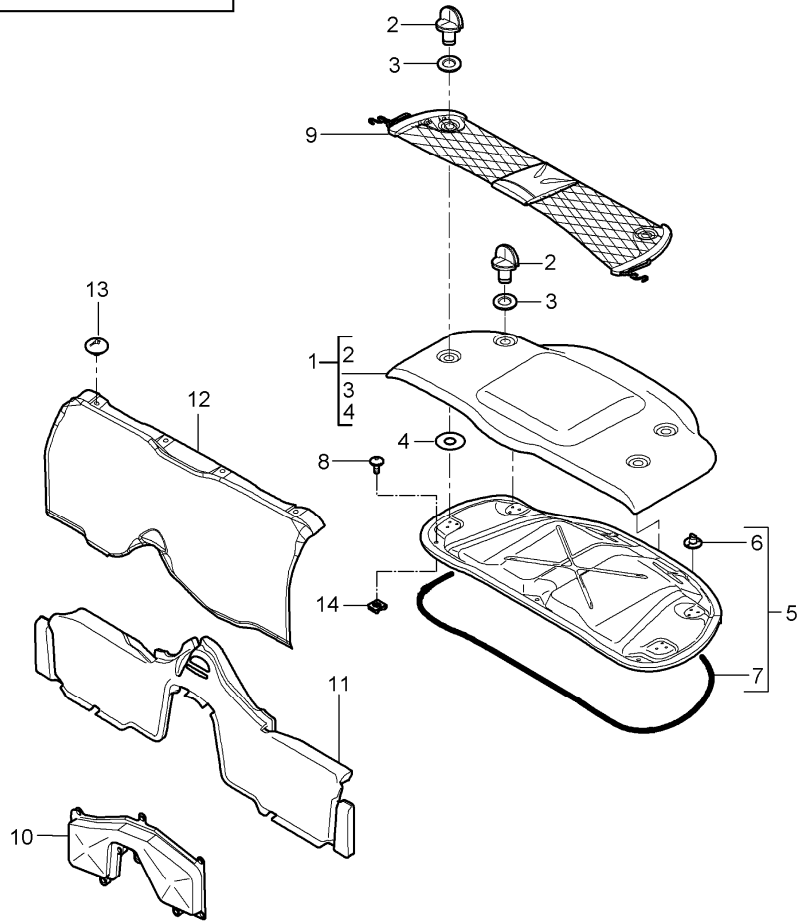
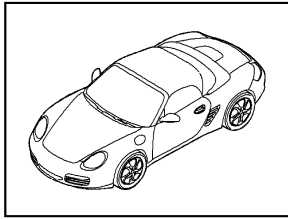
| Pos | Part Number    | Description  | Remark | Qty | Model |
|-----|----------------|--|--------|-----|-------|
| 1   | 987 551 619 01 | lining<br>door sill  |        |     |       |
|     |                | support<br>door sill   | /L     | 1   |       |
| (1) | 987 551 620 01 | support<br>door sill   | /R     | 1   |       |
| 2   | 900 143 082 01 | tapping screw<br>ST 6,3 X 13<br>for<br>mount<br>support<br>door sill |        | 4   |       |
| 3   | 999 076 081 40 | plastic nut<br>T5 16 X 11,2<br>for<br>mount<br>support<br>door sill  |        | 2   |       |
| 4   | 996 551 873 00 | locating peg<br>for<br>mount<br>support<br>door sill                 |        | 2   |       |
| 5   | 997 551 019 04 | lining<br>door sill<br>driver's side                                 | /LL    | 1   | I098  |
|     | A03            | black  |        |     |       |
| (5) | 997 551 019 05 | lining<br>door sill<br>driver's side                                 | /RL    | 1   | I099  |
|     | A03            | black  |        |     |       |
| 6   | 999 507 484 40 | expander nut<br>9 X 22   |        | 6   |       |
| 7   | 999 067 046 01 | combination screw<br>M 6 X 20  |        | 2   |       |
| 8   | 999 703 443 40 | stopper<br>8,0 X 11  |        | 2   |       |
|     | 01C            | satin black  |        |     |       |
| 9   | 997 551 120 01 | lining<br>door sill<br>passenger's side                              |        | 1   |       |
|     | A03            | black  |        |     |       |



|       |      |    |    |              |              |     |       |            |         |     |         |
|-------|------|----|----|--------------|--------------|-----|-------|------------|---------|-----|---------|
| Model | Year | MG | SG | Illustration | Restrictions | UPD | 18:50 | 01.03.2010 | PORSCHE | PET | PORSCHE |
| 987-2 | 2010 | 8  | 07 | 807-03       |              | 248 |       |            |         |     |         |

| Pos  | Part Number    | Description  | Remark | Qty | Model     | Pos | Part Number | Description | Remark | Qty | Model |
|------|----------------|--|--------|-----|-----------|-----|-------------|-------------|--------|-----|-------|
| 10   | 999 507 484 40 | expander nut<br>9 X 22   |        | 6   |           |     |             |             |        |     |       |
| 11   | 999 919 164 09 | oval-head screw<br>5,0 X 12  |        | 1   |           |     |             |             |        |     |       |
| 12   | 996 551 513 00 | mat  |        | 1   |           |     |             |             |        |     |       |
| (13) | 987 551 303 04 | scuff plate<br>lacquered   |        | 2   | BOXSTER   |     |             |             |        |     |       |
|      | A03            | black  |        |     |           |     |             |             |        |     |       |
| 13   | 987 551 303 05 | scuff plate<br>lacquered   |        | 2   | BOXSTER S |     |             |             |        |     |       |
|      | A03            | black  |        |     |           |     |             |             |        |     |       |
| 13   | 987 551 980 18 | scuff plate  | -09    | 2   | BOXSTER S |     |             |             |        |     |       |
|      |                | set  |        |     | IX70/757  |     |             |             |        |     |       |
|      |                | scuff plate<br>exclusive<br>see catalogue<br>tequipment<br>8/07/07 |        |     |           |     |             |             |        |     |       |
| 14   | 987 556 605 00 | sound absorber<br>support  |        | 2   |           |     |             |             |        |     |       |
| 15   | 987 551 703 00 | logo<br>door sill  | 10-    | 2   | SPYDER    |     |             |             |        |     |       |
|      | 9R7            | silver   |        |     |           |     |             |             |        |     |       |
|      | 041            | black  |        |     |           |     |             |             |        |     |       |

|       |      |    |    |              |              |     |       |            |         |     |         |
|-------|------|----|----|--------------|--------------|-----|-------|------------|---------|-----|---------|
| Model | Year | MG | SG | Illustration | Restrictions | UPD | 18:50 | 01.03.2010 | PORSCHE | PET | PORSCHE |
| 987-2 | 2010 | 8  | 07 | 807-05       |              | 248 |       |            |         |     |         |

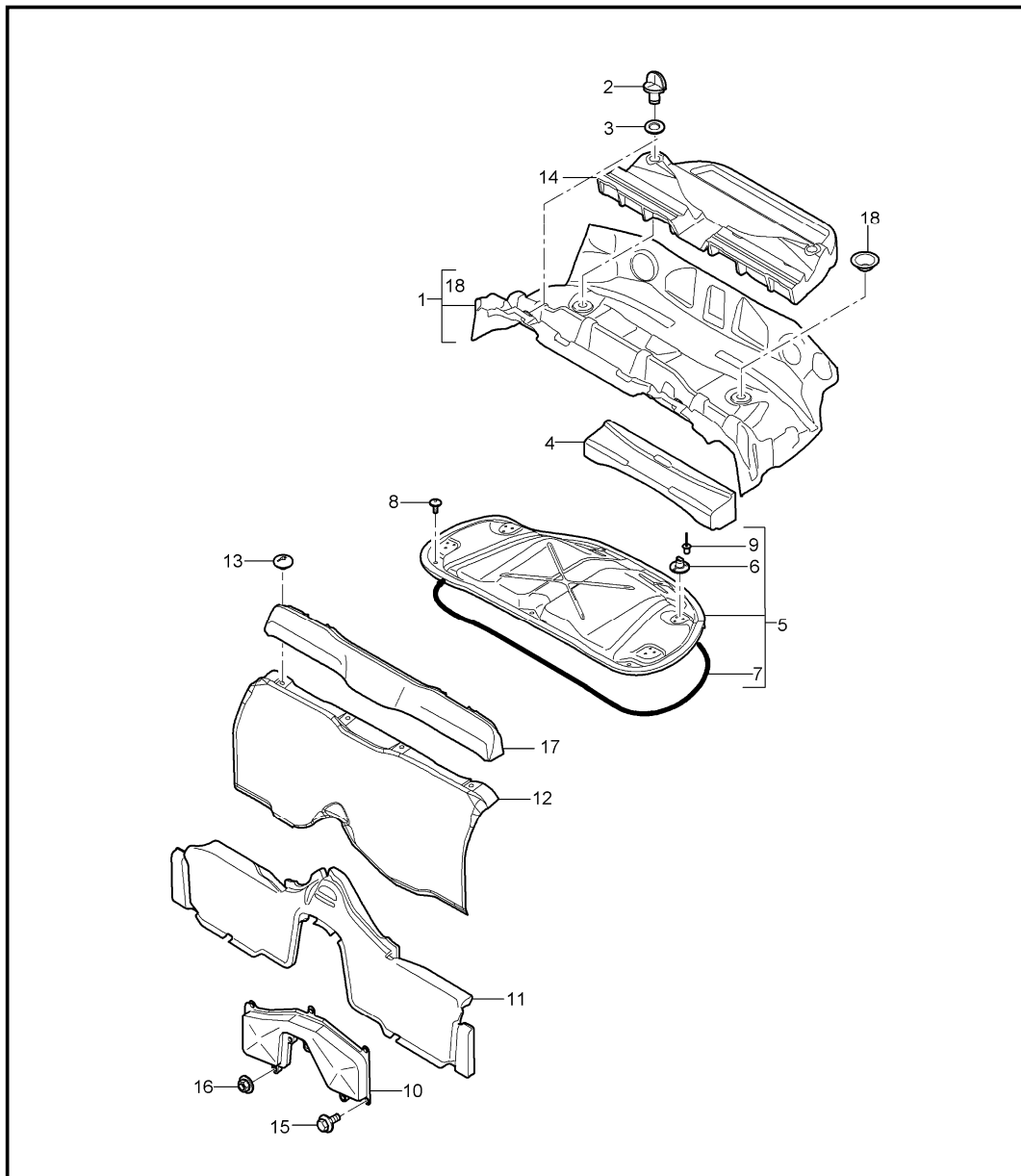


| Pos | Part Number    | Description                           | Remark | Qty | Model                |
|-----|----------------|---------------------------------------|--------|-----|----------------------|
|     |                | linings<br>engine compartment         |        |     | BOXSTER<br>BOXSTER S |
| 1   | 987 551 039 03 | lining<br>carpet                      |        | 1   |                      |
|     | FMV            | black                                 |        |     |                      |
|     | FMW            | stone grey                            |        |     |                      |
|     | FMX            | sand beige                            |        |     |                      |
|     | FMY            | sea blue                              |        |     |                      |
|     | FNA            | terracotta                            |        |     |                      |
|     | FNB            | cocoa                                 |        |     |                      |
|     | FNC            | dark grey/natural                     |        |     |                      |
|     | FND            | brown/natural                         |        |     |                      |
|     | FSX            | carrera red                           |        |     |                      |
| 2   | 986 551 339 00 | catch                                 |        | 4   |                      |
|     | 01C            | satin black                           |        |     |                      |
| 3   | 986 551 543 00 | thrust washer<br>40 X 3 X 24          |        | 4   |                      |
|     | 01C            | satin black                           |        |     |                      |
| 4   | 986 551 545 00 | lock washer<br>55 X 1 X 21            |        | 4   |                      |
| 5   | 987 513 211 02 | engine compartment cover              |        | 1   |                      |
| 6   | 986 551 547 00 | mounting                              |        | 4   |                      |
| --  | 999 190 174 30 | blind rivet<br>mount<br>mounting      |        | X   |                      |
| 7   | 987 513 611 00 | gasket<br>engine cover                |        | 1   |                      |
| 8   | 999 073 130 02 | oval-head screw<br>M 6 X 16           |        | 5   |                      |
| 9   | 987 551 633 00 | luggage net                           |        | 1   |                      |
| 10  | 987 504 181 00 | lid<br>bulkhead<br>engine compartment |        | 1   |                      |

|       |      |    |    |              |              |     |       |            |         |     |         |
|-------|------|----|----|--------------|--------------|-----|-------|------------|---------|-----|---------|
| Model | Year | MG | SG | Illustration | Restrictions | UPD | 18:50 | 01.03.2010 | PORSCHE | PET | PORSCHE |
| 987-2 | 2010 | 8  | 07 | 807-05       |              | 248 |       |            |         |     |         |

| Pos | Part Number      | Description                      | Remark | Qty | Model | Pos | Part Number | Description | Remark | Qty | Model |
|-----|------------------|----------------------------------|--------|-----|-------|-----|-------------|-------------|--------|-----|-------|
| -   | 999 084 629 01   | hexagon nut<br>M6                |        | 2   |       |     |             |             |        |     |       |
| -   | 900 378 169 01   | hexagon-head bolt<br>M6x12       |        | 4   |       |     |             |             |        |     |       |
| 11  | 987 551 033 01   | lining<br>cross member<br>carpet |        | 1   |       |     |             |             |        |     |       |
|     | A10              | black                            |        |     |       |     |             |             |        |     |       |
|     | B10              | stone grey                       |        |     |       |     |             |             |        |     |       |
|     | T10              | sand beige                       |        |     |       |     |             |             |        |     |       |
|     | E10              | sea blue                         |        |     |       |     |             |             |        |     |       |
|     | M10              | terracotta                       |        |     |       |     |             |             |        |     |       |
|     | R10              | cocoa                            |        |     |       |     |             |             |        |     |       |
|     | D11              | dark grey/natural                |        |     |       |     |             |             |        |     |       |
|     | T11              | brown/natural                    |        |     |       |     |             |             |        |     |       |
|     | N10              | carrera red                      |        |     |       |     |             |             |        |     |       |
| 12  | 987 551 035 03   | lining<br>rear wall<br>carpet    |        | 1   |       |     |             |             |        |     |       |
|     | A10              | black                            |        |     |       |     |             |             |        |     |       |
|     | B10              | stone grey                       |        |     |       |     |             |             |        |     |       |
|     | T10              | sand beige                       |        |     |       |     |             |             |        |     |       |
|     | E10              | sea blue                         |        |     |       |     |             |             |        |     |       |
|     | M10              | terracotta                       |        |     |       |     |             |             |        |     |       |
|     | R10              | cocoa                            |        |     |       |     |             |             |        |     |       |
|     | D11              | dark grey/natural                |        |     |       |     |             |             |        |     |       |
|     | T11              | brown/natural                    |        |     |       |     |             |             |        |     |       |
|     | N10              | carrera red                      |        |     |       |     |             |             |        |     |       |
| 13  | 999 049 020 40   | plastic nut<br>T5/30 X 5,1       |        | 4   |       |     |             |             |        |     |       |
| 14  | U 999 591 869 02 | speed nut<br>M 8                 |        | 5   |       |     |             |             |        |     |       |

|       |      |    |    |              |              |     |       |            |         |     |         |
|-------|------|----|----|--------------|--------------|-----|-------|------------|---------|-----|---------|
| Model | Year | MG | SG | Illustration | Restrictions | UPD | 18:50 | 01.03.2010 | PORSCHE | PET | PORSCHE |
| 987-2 | 2010 | 8  | 07 | 807-06       |              | 248 |       |            |         |     |         |

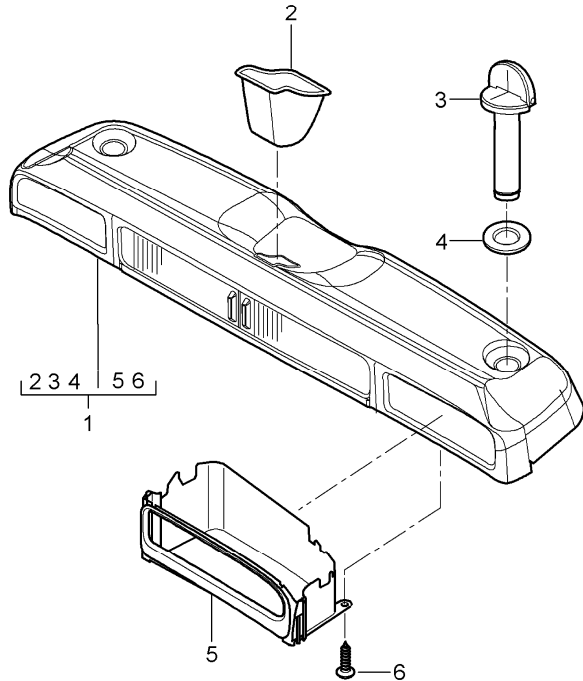
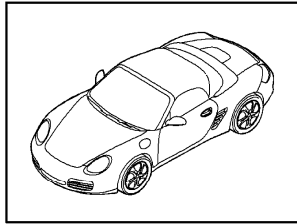


| Pos | Part Number    | Description  | Remark | Qty | Model  |
|-----|----------------|--|--------|-----|--------|
|     |                | linings<br>engine compartment<br>tray<br>convertible top |        |     | Spyder |
| 1   | 987 551 539 00 | lining<br>engine compartment cover                       |        | 1   |        |
|     | A31            | black  |        |     |        |
| 2   | 986 551 339 00 | catch  |        | 4   |        |
|     | 01C            | satin black  |        |     |        |
| 3   | 986 551 543 00 | thrust washer<br>40 X 3 X 24                             |        | 4   |        |
|     | 01C            | satin black  |        |     |        |
| 4   | 987 551 639 00 | support<br>engine compartment cover                      |        | 1   |        |
| 5   | 987 513 211 02 | engine compartment cover                                 |        | 1   |        |
| 6   | 986 551 547 00 | mounting   |        | 4   |        |
| 7   | 987 513 611 00 | gasket<br>engine cover                                   |        | 1   |        |
| 8   | 999 073 404 01 | oval-head screw<br>M 6 X 14                              |        | 5   |        |
| 9   | 999 190 174 30 | blind rivet<br>mount<br>mounting                         |        | X   |        |
| 10  | 987 504 181 00 | lid<br>bulkhead<br>engine compartment                    |        | 1   |        |
| 11  | 987 551 033 01 | lining<br>cross member<br>carpet                         |        | 1   |        |
|     | A10            | black  |        |     |        |
|     | T10            | sand beige   |        |     |        |
|     | R10            | cocoa  |        |     |        |
|     | N10            | carrera red  |        |     |        |
| 12  | 987 551 035 03 | lining<br>rear wall<br>carpet                            |        | 1   |        |
|     | A10            | black  |        |     |        |

|       |      |    |    |              |              |     |       |            |         |     |         |
|-------|------|----|----|--------------|--------------|-----|-------|------------|---------|-----|---------|
| Model | Year | MG | SG | Illustration | Restrictions | UPD | 18:50 | 01.03.2010 | PORSCHE | PET | PORSCHE |
| 987-2 | 2010 | 8  | 07 | 807-06       |              | 248 |       |            |         |     |         |

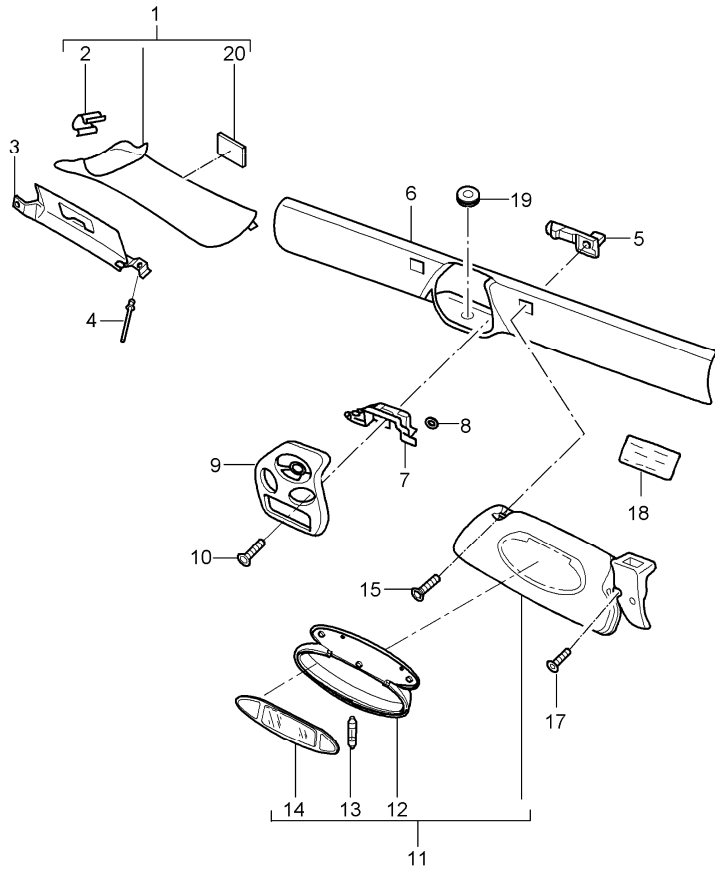
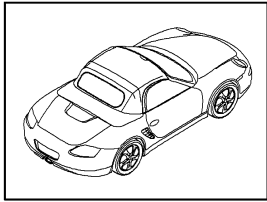
| Pos | Part Number    | Description                  | Remark | Qty | Model | Pos | Part Number | Description | Remark | Qty | Model |
|-----|----------------|------------------------------|--------|-----|-------|-----|-------------|-------------|--------|-----|-------|
|     | T10            | sand beige                   |        |     |       |     |             |             |        |     |       |
|     | R10            | cocoa                        |        |     |       |     |             |             |        |     |       |
|     | N10            | carrera red                  |        |     |       |     |             |             |        |     |       |
| 13  | 999 049 027 40 | plastic nut<br>T5/30x1,8     |        | 4   |       |     |             |             |        |     |       |
| 14  | 987 567 423 00 | tray<br>convertible top      |        | 1   |       |     |             |             |        |     |       |
| 15  | 900 378 169 01 | hexagon-head bolt<br>M6x12   |        | 4   |       |     |             |             |        |     |       |
| 16  | 999 084 629 01 | hexagon nut<br>M6            |        | 2   |       |     |             |             |        |     |       |
| 17  | 987 551 435 00 | lining<br>rear wall<br>upper |        | 1   |       |     |             |             |        |     |       |
|     | A10            | black                        |        |     |       |     |             |             |        |     |       |
| 18  | 987 567 867 00 | cup                          |        | 2   |       |     |             |             |        |     |       |

|       |      |    |    |              |              |     |       |            |         |     |         |
|-------|------|----|----|--------------|--------------|-----|-------|------------|---------|-----|---------|
| Model | Year | MG | SG | Illustration | Restrictions | UPD | 18:51 | 01.03.2010 | PORSCHE | PET | PORSCHE |
| 987-2 | 2010 | 8  | 07 | 807-07       |              | 248 |       |            |         |     |         |



| Pos | Part Number    | Description                  | Remark | Qty | Model                        |
|-----|----------------|------------------------------|--------|-----|------------------------------|
|     |                | storage box                  |        |     | I584<br>BOXSTER<br>BOXSTER S |
| 1   | 987 551 223 01 | storage box                  |        | 1   | I584                         |
|     |                | FNF black                    |        |     |                              |
|     |                | FNG stone grey               |        |     |                              |
|     |                | FNH sand beige               |        |     |                              |
|     |                | FNJ sea blue                 |        |     |                              |
|     |                | FNL terracotta               |        |     |                              |
|     |                | FNM cocoa                    |        |     |                              |
|     |                | FNN dark grey/natural        |        |     |                              |
|     |                | FNO brown/natural            |        |     |                              |
|     |                | FSZ carrera red              |        |     |                              |
| 2   | 987 551 427 00 | rosette                      |        | 1   | I584                         |
|     |                | 01C satin black              |        |     |                              |
| 3   | 986 551 429 00 | catch                        |        | 2   | I584                         |
|     |                | 01C satin black              |        |     |                              |
| 4   | 986 551 543 00 | thrust washer<br>40 X 3 X 24 |        | 2   | I584                         |
|     |                | 01C satin black              |        |     |                              |
| 5   | 986 551 435 00 | tray<br>appendix             | /L     | 1   | I584                         |
|     |                | 01C satin black              |        |     |                              |
| (5) | 986 551 436 00 | tray<br>appendix             | /R     | 1   | I584                         |
|     |                | 01C satin black              |        |     |                              |
| 6   | 999 919 164 09 | oval-head screw<br>5 X 12    |        | 7   | I584                         |

|       |      |    |    |              |              |     |       |            |         |     |         |
|-------|------|----|----|--------------|--------------|-----|-------|------------|---------|-----|---------|
| Model | Year | MG | SG | Illustration | Restrictions | UPD | 18:51 | 01.03.2010 | PORSCHE | PET | PORSCHE |
| 987-2 | 2010 | 8  | 07 | 807-09       |              | 248 |       |            |         |     |         |



| Pos  | Part Number    | Description                                      | Remark | Qty | Model |
|------|----------------|--|--------|-----|-------|
|      |                | windscreen frame<br>sun visors                   |        |     |       |
| (1)  | 987 555 181 03 | lining<br>a-pillar                               | /L     | 1   |       |
|      | A03            | black  |        |     |       |
| (1)  | 987 555 182 03 | lining<br>a-pillar                               | /R     | 1   |       |
|      | A03            | black  |        |     |       |
| (2)  | 999 507 047 09 | clamp<br>3,6                                     |        | 2   |       |
| 4    | 999 190 190 01 | blind rivet<br>4,0 X 8,5                         |        | X   |       |
| 5    | 986 731 541 01 | plate<br>support<br>sun visor                    |        | 2   |       |
| 6    | 986 555 059 01 | lining<br>windscreen frame                       |        | 1   |       |
|      | A03            | black  |        |     |       |
| (6)  | 986 555 059 03 | lining<br>windscreen frame                       |        | 1   | I267  |
|      | A03            | black  |        |     |       |
| 7    | 986 613 799 00 | microswitch<br>locking device<br>convertible top |        | 1   |       |
| 8    | 999 507 534 02 | clamping washer<br>2,5                           |        | 2   |       |
| 9    | 986 561 235 03 | mounting<br>locking device<br>convertible top    |        | 1   |       |
|      | A09            | rally black                                      |        |     |       |
| 10   | 999 073 166 09 | countersunk-head screw<br>M 6 X 25               |        | 2   |       |
| (11) | 987 731 031 10 | sun visor  | /L     | 1   |       |
|      | A12            | black  |        |     |       |
| 11   | 987 731 032 10 | sun visor  | /R     | 1   |       |
|      | A12            | black  |        |     |       |

|       |      |    |    |              |              |     |       |            |         |     |         |
|-------|------|----|----|--------------|--------------|-----|-------|------------|---------|-----|---------|
| Model | Year | MG | SG | Illustration | Restrictions | UPD | 18:51 | 01.03.2010 | PORSCHE | PET | PORSCHE |
| 987-2 | 2010 | 8  | 07 | 807-09       |              | 248 |       |            |         |     |         |

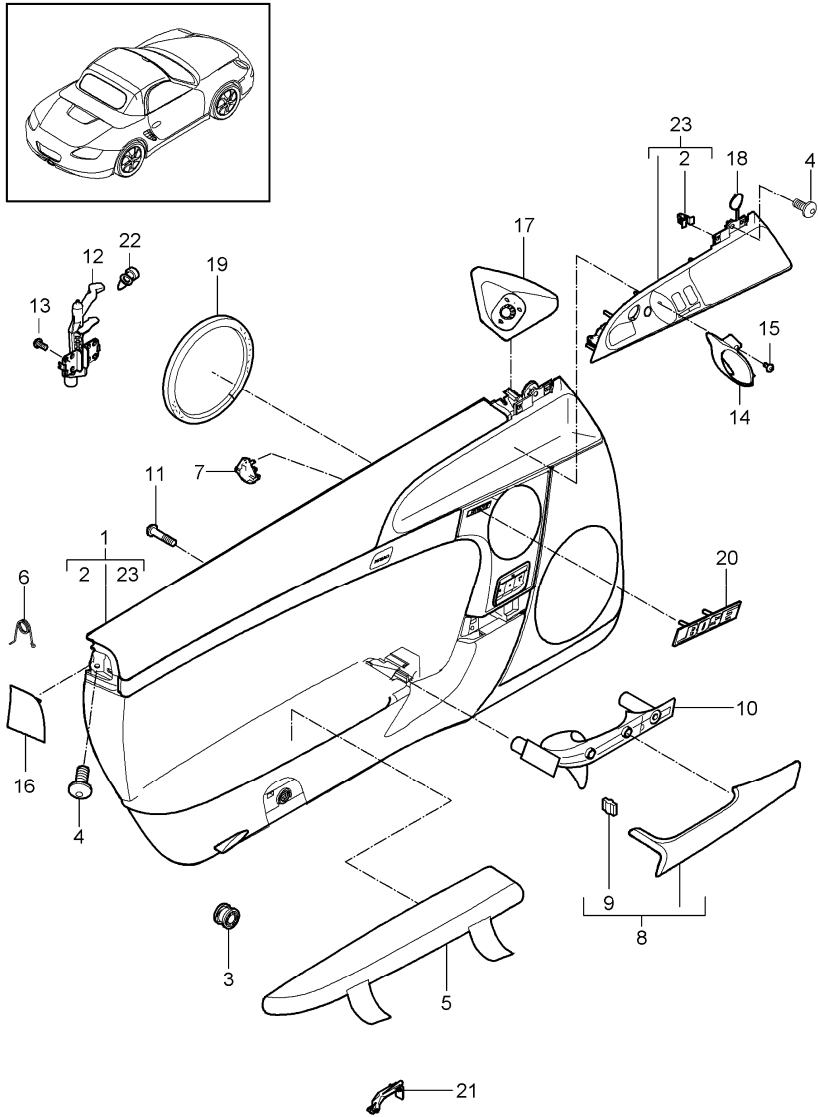
| Pos  | Part Number    | Description          | Remark | Qty | Model    | Pos  | Part Number    | Description  | Remark | Qty | Model    |
|------|----------------|----------------------|--------|-----|----------|------|----------------|--|--------|-----|----------|
| (11) | 987 731 981 09 | sun visor<br>leather | /LL/L  | 1   | IXMR/098 |      | D12            | dark grey/natural  |        |     |          |
|      | A11            | black                |        |     |          |      | T12            | brown/natural  |        |     |          |
|      | 5X6            | stone grey           |        |     |          |      | N12            | carrera red  |        |     |          |
|      | 8G2            | sand beige           |        |     |          | (11) | 987 731 982 10 | sun visor<br>leather                                     | /RL/R  | 1   | IXMR/099 |
|      | 3S9            | sea blue             |        |     |          |      | A11            | black  |        |     |          |
|      | 9S5            | terracotta           |        |     |          |      | 5X6            | stone grey   |        |     |          |
|      | 9V6            | cocoa                |        |     |          |      | 8G2            | sand beige   |        |     |          |
|      | D12            | dark grey/natural    |        |     |          |      | 3S9            | sea blue   |        |     |          |
|      | T12            | brown/natural        |        |     |          |      | 9S5            | terracotta   |        |     |          |
|      | N12            | carrera red          |        |     |          |      | 9V6            | cocoa  |        |     |          |
| (11) | 987 731 982 09 | sun visor<br>leather | /LL/R  | 1   | IXMR/098 |      | D12            | dark grey/natural  |        |     |          |
|      | A11            | black                |        |     |          |      | T12            | brown/natural  |        |     |          |
|      | 5X6            | stone grey           |        |     |          |      | N12            | carrera red  |        |     |          |
|      | 8G2            | sand beige           |        |     |          | 12   | 996 731 903 00 | mirror housing<br>with<br>illumination                   |        | 1   |          |
|      | 3S9            | sea blue             |        |     |          |      | 01C            | satin black  |        |     |          |
|      | 9S5            | terracotta           |        |     |          | 13   | 999 631 147 90 | bulb<br>3 W  |        | 2   |          |
|      | 9V6            | cocoa                |        |     |          |      |                |  |        |     |          |
|      | D12            | dark grey/natural    |        |     |          | 14   | 996 731 531 01 | mirror glass<br>with<br>frame                            |        | 2   |          |
|      | T12            | brown/natural        |        |     |          |      | 01C            | satin black  |        |     |          |
|      | N12            | carrera red          |        |     |          | 15   | 999 919 120 09 | oval-head screw<br>4,0 X 18                              |        | 2   |          |
| (11) | 987 731 981 10 | sun visor<br>leather | /RL/L  | 1   | IXMR/099 |      |                |  |        |     |          |
|      | A11            | black                |        |     |          | 17   | 999 073 166 09 | countersunk-head screw<br>M 6 X 25                       |        | 4   |          |
|      | 5X6            | stone grey           |        |     |          |      |                |  |        |     |          |
|      | 8G2            | sand beige           |        |     |          | 18   | 987 701 401 06 | indication sticker<br>convertible top control<br>german  |        | 1   | I488     |
|      | 3S9            | sea blue             |        |     |          |      |                |  |        |     |          |
|      | 9S5            | terracotta           |        |     |          | 18   | 987 701 401 07 | indication sticker<br>convertible top control<br>english |        | 1   | I130     |
|      | 9V6            | cocoa                |        |     |          |      |                |  |        |     |          |



|       |      |    |    |              |              |     |       |            |         |     |         |
|-------|------|----|----|--------------|--------------|-----|-------|------------|---------|-----|---------|
| Model | Year | MG | SG | Illustration | Restrictions | UPD | 18:51 | 01.03.2010 | PORSCHE | PET | PORSCHE |
| 987-2 | 2010 | 8  | 07 | 807-09       |              | 248 |       |            |         |     |         |

| Pos | Part Number    | Description   | Remark | Qty | Model    | Pos | Part Number | Description | Remark | Qty | Model |
|-----|----------------|---|--------|-----|----------|-----|-------------|-------------|--------|-----|-------|
| 18  | 987 701 401 08 | indication sticker<br>convertible top control<br>french   |        | 1   | I113/126 |     |             |             |        |     |       |
| 18  | 987 701 401 09 | indication sticker<br>convertible top control<br>italian  |        | 1   | I034     |     |             |             |        |     |       |
| 18  | 987 701 401 10 | indication sticker<br>convertible top control<br>spanish  |        | 1   | I119     |     |             |             |        |     |       |
| 18  | 987 701 401 11 | indication sticker<br>convertible top control<br>japanese |        | 1   | I193     |     |             |             |        |     |       |
| 19  | 996 555 619 00 | grommet<br>wiring harness<br>rain sensor                  |        | 1   | I267     |     |             |             |        |     |       |
| 20  | 999 551 134 40 | adhesive tape<br>20 x 65                                  |        | 2   |          |     |             |             |        |     |       |

|       |      |    |    |              |              |     |       |            |         |     |         |
|-------|------|----|----|--------------|--------------|-----|-------|------------|---------|-----|---------|
| Model | Year | MG | SG | Illustration | Restrictions | UPD | 18:51 | 01.03.2010 | PORSCHE | PET | PORSCHE |
| 987-2 | 2010 | 8  | 07 | 807-10       |              | 248 |       |            |         |     |         |



| Pos | Part Number    | Description                         | Remark | Qty | Model                |
|-----|----------------|-------------------------------------|--------|-----|----------------------|
| 1   | 997 555 201 00 | door trim panel<br>accessories      | /LL/L  | 1   | BOXSTER<br>BOXSTER S |
|     |                | 9L4 black                           |        |     |                      |
|     |                | 9M5 stone grey                      |        |     |                      |
|     |                | 9C6 sand beige                      |        |     |                      |
|     |                | 9D7 sea blue                        |        |     |                      |
| (1) | 997 555 201 04 | door trim panel<br>slush technology | /LL/L  | 1   | I098/441             |
|     |                | 9L4 black                           |        |     |                      |
|     |                | 9M5 stone grey                      |        |     |                      |
|     |                | 9C6 sand beige                      |        |     |                      |
|     |                | 9D7 sea blue                        |        |     |                      |
| (1) | 997 555 201 06 | door trim panel<br>slush technology | /LL/L  | 1   | I441/537             |
|     |                | 9L4 black                           |        |     |                      |
|     |                | 9M5 stone grey                      |        |     |                      |
|     |                | 9C6 sand beige                      |        |     |                      |
|     |                | 9D7 sea blue                        |        |     |                      |
| (1) | 997 555 201 06 | door trim panel<br>slush technology | /LL/L  | 1   | I490/537             |
|     |                | 9L4 black                           |        |     |                      |
|     |                | 9M5 stone grey                      |        |     |                      |
|     |                | 9C6 sand beige                      |        |     |                      |
|     |                | 9D7 sea blue                        |        |     |                      |
| (1) | 997 555 201 08 | door trim panel<br>slush technology | /LL/L  | 1   | I098/680             |
|     |                | 9L4 black                           |        |     |                      |
|     |                | 9M5 stone grey                      |        |     |                      |
|     |                | 9C6 sand beige                      |        |     |                      |
|     |                | 9D7 sea blue                        |        |     |                      |

|       |      |    |    |              |              |     |       |            |         |     |         |
|-------|------|----|----|--------------|--------------|-----|-------|------------|---------|-----|---------|
| Model | Year | MG | SG | Illustration | Restrictions | UPD | 18:51 | 01.03.2010 | PORSCHE | PET | PORSCHE |
| 987-2 | 2010 | 8  | 07 | 807-10       |              | 248 |       |            |         |     |         |

| Pos | Part Number    | Description                         | Remark | Qty | Model    | Pos | Part Number    | Description                         | Remark | Qty | Model    |
|-----|----------------|-------------------------------------|--------|-----|----------|-----|----------------|-------------------------------------|--------|-----|----------|
| (1) | 997 555 201 10 | door trim panel<br>slush technology | /LL/L  | 1   | I537/680 |     | 9L4            | black                               |        |     |          |
|     | 9L4            | black                               |        |     |          |     | 9M5            | stone grey                          |        |     |          |
|     | 9M5            | stone grey                          |        |     |          |     | 9C6            | sand beige                          |        |     |          |
|     | 9C6            | sand beige                          |        |     |          |     | 9D7            | sea blue                            |        |     |          |
|     | 9D7            | sea blue                            |        |     |          | (1) | 997 555 202 04 | door trim panel<br>slush technology | /RL/R  | 1   | I099/490 |
| (1) | 997 555 202 24 | door trim panel<br>slush technology | /LL/R  | 1   | I098/441 |     | 9L4            | black                               |        |     |          |
|     | 9L4            | black                               |        |     |          |     | 9M5            | stone grey                          |        |     |          |
|     | 9M5            | stone grey                          |        |     |          |     | 9C6            | sand beige                          |        |     |          |
|     | 9C6            | sand beige                          |        |     |          |     | 9D7            | sea blue                            |        |     |          |
|     | 9D7            | sea blue                            |        |     |          | (1) | 997 555 202 06 | door trim panel<br>slush technology | /RL/R  | 1   | I441/538 |
| (1) | 997 555 202 26 | door trim panel<br>slush technology | /LL/R  | 1   | I098/490 |     | 9L4            | black                               |        |     |          |
|     | 9L4            | black                               |        |     |          |     | 9M5            | stone grey                          |        |     |          |
|     | 9M5            | stone grey                          |        |     |          |     | 9C6            | sand beige                          |        |     |          |
|     | 9C6            | sand beige                          |        |     |          |     | 9D7            | sea blue                            |        |     |          |
|     | 9D7            | sea blue                            |        |     |          | (1) | 997 555 202 06 | door trim panel<br>slush technology | /RL/R  | 1   | I490/538 |
| (1) | 997 555 202 26 | door trim panel<br>slush technology | /LL/R  | 1   | I441/537 |     | 9L4            | black                               |        |     |          |
|     | 9L4            | black                               |        |     |          |     | 9M5            | stone grey                          |        |     |          |
|     | 9M5            | stone grey                          |        |     |          |     | 9C6            | sand beige                          |        |     |          |
|     | 9C6            | sand beige                          |        |     |          |     | 9D7            | sea blue                            |        |     |          |
|     | 9D7            | sea blue                            |        |     |          | (1) | 997 555 202 08 | door trim panel<br>slush technology | /RL/R  | 1   | I099/680 |
| (1) | 997 555 202 28 | door trim panel<br>slush technology | /LL/R  | 1   | I098/680 |     | 9L4            | black                               |        |     |          |
|     | 9L4            | black                               |        |     |          |     | 9M5            | stone grey                          |        |     |          |
|     | 9M5            | stone grey                          |        |     |          |     | 9C6            | sand beige                          |        |     |          |
|     | 9C6            | sand beige                          |        |     |          |     | 9D7            | sea blue                            |        |     |          |
|     | 9D7            | sea blue                            |        |     |          | (1) | 997 555 202 10 | door trim panel<br>slush technology | /RL/R  | 1   | I539/680 |
| (1) | 997 555 202 00 | door trim panel<br>slush technology | /RL/R  | 1   | I099/441 |     | 9L4            | black                               |        |     |          |

|       |      |    |    |              |              |     |       |            |         |     |         |
|-------|------|----|----|--------------|--------------|-----|-------|------------|---------|-----|---------|
| Model | Year | MG | SG | Illustration | Restrictions | UPD | 18:51 | 01.03.2010 | PORSCHE | PET | PORSCHE |
| 987-2 | 2010 | 8  | 07 | 807-10       |              | 248 |       |            |         |     |         |

| Pos | Part Number    | Description                         | Remark | Qty | Model        | Pos | Part Number    | Description                | Remark | Qty | Model        |
|-----|----------------|-------------------------------------|--------|-----|--------------|-----|----------------|----------------------------|--------|-----|--------------|
|     | 9M5            | stone grey                          |        |     |              |     | FSC            | sand beige                 |        |     |              |
|     | 9C6            | sand beige                          |        |     |              |     | FSD            | sea blue                   |        |     |              |
|     | 9D7            | sea blue                            |        |     |              |     | FSF            | terracotta                 |        |     |              |
| (1) | 997 555 201 24 | door trim panel<br>slush technology | /RL/L  | 1   | I099/441     |     | FSG            | cocoa                      |        |     |              |
|     | 9L4            | black                               |        |     |              |     | FSH            | dark grey/natural          |        |     |              |
|     | 9M5            | stone grey                          |        |     |              |     | FSJ            | brown/natural              |        |     |              |
|     | 9C6            | sand beige                          |        |     |              |     | BCB            | black/stone grey           |        |     |              |
|     | 9D7            | sea blue                            |        |     |              |     | FSP            | carrera red                |        |     |              |
| (1) | 997 555 201 26 | door trim panel<br>slush technology | /RL/L  | 1   | I099/490     | (1) | 997 555 201 05 | door trim panel<br>leather | /LL/L  | 1   | I098/490/981 |
|     | 9L4            | black                               |        |     |              |     | FSA            | black                      |        |     |              |
|     | 9M5            | stone grey                          |        |     |              |     | FSB            | stone grey                 |        |     |              |
|     | 9C6            | sand beige                          |        |     |              |     | FSC            | sand beige                 |        |     |              |
|     | 9D7            | sea blue                            |        |     |              |     | FSD            | sea blue                   |        |     |              |
| (1) | 997 555 201 26 | door trim panel<br>slush technology | /RL/L  | 1   | I441/538     |     | FSF            | terracotta                 |        |     |              |
|     | 9L4            | black                               |        |     |              |     | FSG            | cocoa                      |        |     |              |
|     | 9M5            | stone grey                          |        |     |              |     | FSH            | dark grey/natural          |        |     |              |
|     | 9C6            | sand beige                          |        |     |              |     | FSJ            | brown/natural              |        |     |              |
|     | 9D7            | sea blue                            |        |     |              |     | BCB            | black/stone grey           |        |     |              |
| (1) | 997 555 201 28 | door trim panel<br>slush technology | /RL/L  | 1   | I099/680     | (1) | 997 555 201 07 | door trim panel<br>leather | /LL/L  | 1   | I441/537/981 |
|     | 9L4            | black                               |        |     |              |     | FSA            | black                      |        |     |              |
|     | 9M5            | stone grey                          |        |     |              |     | FSB            | stone grey                 |        |     |              |
|     | 9C6            | sand beige                          |        |     |              |     | FSC            | sand beige                 |        |     |              |
|     | 9D7            | sea blue                            |        |     |              |     | FSD            | sea blue                   |        |     |              |
| (1) | 997 555 201 05 | door trim panel<br>leather          | /LL/L  | 1   | I098/441/981 |     | FSF            | terracotta                 |        |     |              |
|     | FSA            | black                               |        |     |              |     | FSG            | cocoa                      |        |     |              |
|     | FSB            | stone grey                          |        |     |              |     | FSH            | dark grey/natural          |        |     |              |
|     |                |                                     |        |     |              |     | FSJ            | brown/natural              |        |     |              |

|       |      |    |    |              |              |     |       |            |         |     |         |
|-------|------|----|----|--------------|--------------|-----|-------|------------|---------|-----|---------|
| Model | Year | MG | SG | Illustration | Restrictions | UPD | 18:51 | 01.03.2010 | PORSCHE | PET | PORSCHE |
| 987-2 | 2010 | 8  | 07 | 807-10       |              | 248 |       |            |         |     |         |

| Pos | Part Number    | Description             | Remark | Qty | Model        | Pos | Part Number             | Description | Remark | Qty | Model |       |   |              |
|-----|----------------|-------------------------|--------|-----|--------------|-----|-------------------------|-------------|--------|-----|-------|-------|---|--------------|
| (1) | 997 555 201 07 | BCB black/stone grey    | /LL/L  | 1   | I490/537/981 | (1) | FSC sand beige          |             |        |     |       |       |   |              |
|     |                | FSP carrera red         |        |     |              |     | FSD sea blue            |             |        |     |       |       |   |              |
|     |                | door trim panel leather |        |     |              |     | FSF terracotta          |             |        |     |       |       |   |              |
|     |                | FSA black               |        |     |              |     | FSG cocoa               |             |        |     |       |       |   |              |
|     |                | FSB stone grey          |        |     |              |     | FSH dark grey/natural   |             |        |     |       |       |   |              |
|     |                | FSC sand beige          |        |     |              |     | FSJ brown/natural       |             |        |     |       |       |   |              |
|     |                | FSD sea blue            |        |     |              |     | BCB black/stone grey    |             |        |     |       |       |   |              |
|     |                | FSF terracotta          |        |     |              |     | FSP carrera red         |             |        |     |       |       |   |              |
|     |                | FSG cocoa               |        |     |              |     | door trim panel leather |             |        |     |       | /LL/R | 1 | I098/441/981 |
|     |                | FSH dark grey/natural   |        |     |              |     | FSA black               |             |        |     |       |       |   |              |
|     |                | FSJ brown/natural       |        |     |              |     | FSB stone grey          |             |        |     |       |       |   |              |
| (1) | 997 555 201 09 | BCB black/stone grey    | /LL/L  | 1   | I098/680/981 | (1) | FSC sand beige          |             |        |     |       |       |   |              |
|     |                | FSP carrera red         |        |     |              |     | FSD sea blue            |             |        |     |       |       |   |              |
|     |                | door trim panel leather |        |     |              |     | FSF terracotta          |             |        |     |       |       |   |              |
|     |                | FSA black               |        |     |              |     | FSG cocoa               |             |        |     |       |       |   |              |
|     |                | FSB stone grey          |        |     |              |     | FSH dark grey/natural   |             |        |     |       |       |   |              |
|     |                | FSC sand beige          |        |     |              |     | FSJ brown/natural       |             |        |     |       |       |   |              |
|     |                | FSD sea blue            |        |     |              |     | BCB black/stone grey    |             |        |     |       |       |   |              |
|     |                | FSF terracotta          |        |     |              |     | FSP carrera red         |             |        |     |       |       |   |              |
|     |                | FSG cocoa               |        |     |              |     | door trim panel leather |             |        |     |       | /LL/R | 1 | I098/490/981 |
|     |                | FSH dark grey/natural   |        |     |              |     | FSA black               |             |        |     |       |       |   |              |
|     |                | FSJ brown/natural       |        |     |              |     | FSB stone grey          |             |        |     |       |       |   |              |
| (1) | 997 555 201 11 | BCB black/stone grey    | /LL/L  | 1   | I537/680/981 | (1) | FSC sand beige          |             |        |     |       |       |   |              |
|     |                | FSP carrera red         |        |     |              |     | FSD sea blue            |             |        |     |       |       |   |              |
|     |                | door trim panel leather |        |     |              |     | FSF terracotta          |             |        |     |       |       |   |              |
|     |                | FSA black               |        |     |              |     | FSG cocoa               |             |        |     |       |       |   |              |
|     |                | FSB stone grey          |        |     |              |     | FSH dark grey/natural   |             |        |     |       |       |   |              |
|     |                |                         |        |     |              |     | FSJ brown/natural       |             |        |     |       |       |   |              |

|       |      |    |    |              |              |     |       |            |         |     |         |
|-------|------|----|----|--------------|--------------|-----|-------|------------|---------|-----|---------|
| Model | Year | MG | SG | Illustration | Restrictions | UPD | 18:51 | 01.03.2010 | PORSCHE | PET | PORSCHE |
| 987-2 | 2010 | 8  | 07 | 807-10       |              | 248 |       |            |         |     |         |

| Pos | Part Number    | Description | Remark                  | Qty   | Model | Pos          | Part Number        | Description             | Remark | Qty | Model |       |   |              |
|-----|----------------|-------------|-------------------------|-------|-------|--------------|--------------------|-------------------------|--------|-----|-------|-------|---|--------------|
| (1) | 997 555 202 29 | BCB         | black/stone grey        | /LL/R | 1     | I098/680/981 | FSC                | sand beige              |        |     |       |       |   |              |
|     |                | FSP         | carrera red             |       |       |              | FSD                | sea blue                |        |     |       |       |   |              |
|     |                |             | door trim panel leather |       |       |              | FSF                | terracotta              |        |     |       |       |   |              |
|     |                | FSA         | black                   |       |       |              | FSG                | cocoa                   |        |     |       |       |   |              |
|     |                | FSB         | stone grey              |       |       |              | FSH                | dark grey/natural       |        |     |       |       |   |              |
|     |                | FSC         | sand beige              |       |       |              | FSJ                | brown/natural           |        |     |       |       |   |              |
|     |                | FSD         | sea blue                |       |       |              | BCB                | black/stone grey        |        |     |       |       |   |              |
|     |                | FSF         | terracotta              |       |       |              | FSP                | carrera red             |        |     |       |       |   |              |
|     |                | FSG         | cocoa                   |       |       |              | (1) 997 555 202 07 | door trim panel leather |        |     |       | /R    | 1 | I441/538/981 |
|     |                | FSH         | dark grey/natural       |       |       |              | FSA                | black                   |        |     |       |       |   |              |
|     |                | FSJ         | brown/natural           |       |       |              | FSB                | stone grey              |        |     |       |       |   |              |
| (1) | 997 555 202 05 | BCB         | black/stone grey        | /RL/R | 1     | I099/441/981 | FSC                | sand beige              |        |     |       |       |   |              |
|     |                | FSP         | carrera red             |       |       |              | FSD                | sea blue                |        |     |       |       |   |              |
|     |                |             | door trim panel leather |       |       |              | FSF                | terracotta              |        |     |       |       |   |              |
|     |                | FSA         | black                   |       |       |              | FSG                | cocoa                   |        |     |       |       |   |              |
|     |                | FSB         | stone grey              |       |       |              | FSH                | dark grey/natural       |        |     |       |       |   |              |
|     |                | FSC         | sand beige              |       |       |              | FSJ                | brown/natural           |        |     |       |       |   |              |
|     |                | FSD         | sea blue                |       |       |              | BCB                | black/stone grey        |        |     |       |       |   |              |
|     |                | FSF         | terracotta              |       |       |              | FSP                | carrera red             |        |     |       |       |   |              |
|     |                | FSG         | cocoa                   |       |       |              | (1) 997 555 202 07 | door trim panel leather |        |     |       | /RL/R | 1 | I490/538/981 |
|     |                | FSH         | dark grey/natural       |       |       |              | FSA                | black                   |        |     |       |       |   |              |
|     |                | FSJ         | brown/natural           |       |       |              | FSB                | stone grey              |        |     |       |       |   |              |
| (1) | 997 555 202 05 | BCB         | black/stone grey        | /RL/R | 1     | I099/490/981 | FSC                | sand beige              |        |     |       |       |   |              |
|     |                | FSP         | carrera red             |       |       |              | FSD                | sea blue                |        |     |       |       |   |              |
|     |                |             | door trim panel leather |       |       |              | FSF                | terracotta              |        |     |       |       |   |              |
|     |                | FSA         | black                   |       |       |              | FSG                | cocoa                   |        |     |       |       |   |              |
|     |                | FSB         | stone grey              |       |       |              | FSH                | dark grey/natural       |        |     |       |       |   |              |
|     |                |             |                         |       |       |              | FSJ                | brown/natural           |        |     |       |       |   |              |

|       |      |    |    |              |              |     |       |            |         |     |         |
|-------|------|----|----|--------------|--------------|-----|-------|------------|---------|-----|---------|
| Model | Year | MG | SG | Illustration | Restrictions | UPD | 18:51 | 01.03.2010 | PORSCHE | PET | PORSCHE |
| 987-2 | 2010 | 8  | 07 | 807-10       |              | 248 |       |            |         |     |         |

| Pos | Part Number    | Description  | Remark   | Qty  | Model        | Pos | Part Number    | Description   | Remark         | Qty  | Model        |   |              |  |  |
|-----|----------------|--|--|--|--------------|-----|----------------|---|----------------|--|--------------|---|--------------|--|--|
| (1) | 997 555 202 09 | BCB black/stone grey<br>FSP carrera red<br>door trim panel leather | /RL/R  | 1  | I099/680/981 | (1) | 997 555 201 27 | FSC sand beige<br>FSD sea blue<br>FSF terracotta<br>FSG cocoa<br>FSH dark grey/natural<br>FSJ brown/natural<br>BCB black/stone grey<br>FSP carrera red<br>door trim panel leather | /RL/L          | 1  | I099/490/981 |   |              |  |  |
|     | (1)            | 997 555 202 11   | FSA black<br>FSB stone grey<br>FSC sand beige<br>FSD sea blue<br>FSF terracotta<br>FSG cocoa<br>FSH dark grey/natural<br>FSJ brown/natural<br>BCB black/stone grey<br>FSP carrera red<br>door trim panel leather | /RL/R  | 1            |     | I538/680/981   | (1)   | 997 555 201 29 | FSA black<br>FSB stone grey<br>FSC sand beige<br>FSD sea blue<br>FSF terracotta<br>FSG cocoa<br>FSH dark grey/natural<br>FSJ brown/natural<br>BCB black/stone grey<br>FSP carrera red<br>door trim panel leather | /RL/L        | 1   | I099/680/981 |  |  |
|     |                | (1)  | 997 555 201 27   | FSA black<br>FSB stone grey<br>door trim panel leather | /RL/L        |     | 1              |   | I099/441/981   | (1)  |              | FSD sea blue<br>FSF terracotta<br>FSG cocoa<br>FSH dark grey/natural<br>FSJ brown/natural |              |  |  |

|       |      |    |    |              |              |     |       |            |         |     |         |
|-------|------|----|----|--------------|--------------|-----|-------|------------|---------|-----|---------|
| Model | Year | MG | SG | Illustration | Restrictions | UPD | 18:51 | 01.03.2010 | PORSCHE | PET | PORSCHE |
| 987-2 | 2010 | 8  | 07 | 807-10       |              | 248 |       |            |         |     |         |

| Pos | Part Number    | Description  | Remark | Qty | Model           | Pos | Part Number    | Description             | Remark | Qty | Model           |
|-----|----------------|--|--------|-----|-----------------|-----|----------------|-------------------------|--------|-----|-----------------|
|     | BCB            | black/stone grey   |        |     |                 |     | FSP            | carrera red             |        |     |                 |
|     | FSP            | carrera red  |        |     |                 | (5) | 997 555 221 01 | lid<br>shelf<br>leather | /L     | 1   | BOXSTER S       |
| 2   | 999 507 533 02 | clamp<br>8,0 X 10/2,5  |        | 2   |                 |     | FSA            | black                   |        |     |                 |
| 3   | 955 555 243 00 | fixing clip  |        | 9   |                 |     | FSB            | stone grey              |        |     |                 |
| 4   | 999 073 322 02 | oval-head screw<br>6 X 20<br>for<br>mount<br>door trim panel |        | 5   |                 |     | FSC            | sand beige              |        |     |                 |
| 5   | 987 555 221 01 | lid  | /L     | 1   | BOXSTER         |     | FSD            | sea blue                |        |     |                 |
|     | 1MZ            | black  |        |     |                 |     | FSF            | terracotta              |        |     |                 |
|     | 1YP            | stone grey   |        |     |                 |     | FSG            | cocoa                   |        |     |                 |
|     | 1TK            | sand beige   |        |     |                 |     | FSH            | dark grey/natural       |        |     |                 |
|     | 1VM            | sea blue   |        |     |                 |     | FSJ            | brown/natural           |        |     |                 |
| (5) | 987 555 222 01 | lid<br>shelf   | /R     | 1   | BOXSTER         | (5) | 997 555 222 01 | lid<br>shelf<br>leather | /R     | 1   | BOXSTER<br>I981 |
|     | 1MZ            | black  |        |     |                 |     | FSA            | black                   |        |     |                 |
|     | 1YP            | stone grey   |        |     |                 |     | FSB            | stone grey              |        |     |                 |
|     | 1TK            | sand beige   |        |     |                 |     | FSC            | sand beige              |        |     |                 |
|     | 1VM            | sea blue   |        |     |                 |     | FSD            | sea blue                |        |     |                 |
| (5) | 997 555 221 01 | lid<br>shelf<br>leather                                      | /L     | 1   | BOXSRER<br>I981 |     | FSF            | terracotta              |        |     |                 |
|     | FSA            | black  |        |     |                 |     | FSG            | cocoa                   |        |     |                 |
|     | FSB            | stone grey   |        |     |                 |     | FSH            | dark grey/natural       |        |     |                 |
|     | FSC            | sand beige   |        |     |                 |     | FSJ            | brown/natural           |        |     |                 |
|     | FSD            | sea blue   |        |     |                 |     | FSP            | carrera red             |        |     |                 |
|     | FSF            | terracotta   |        |     |                 | (5) | 997 555 222 01 | lid<br>shelf<br>leather | /R     | 1   | BOXSTER S       |
|     | FSG            | cocoa  |        |     |                 |     | FSA            | black                   |        |     |                 |
|     | FSH            | dark grey/natural  |        |     |                 |     | FSB            | stone grey              |        |     |                 |
|     | FSJ            | brown/natural  |        |     |                 |     | FSC            | sand beige              |        |     |                 |



|       |      |    |    |              |              |     |       |            |         |     |         |
|-------|------|----|----|--------------|--------------|-----|-------|------------|---------|-----|---------|
| Model | Year | MG | SG | Illustration | Restrictions | UPD | 18:51 | 01.03.2010 | PORSCHE | PET | PORSCHE |
| 987-2 | 2010 | 8  | 07 | 807-10       |              | 248 |       |            |         |     |         |

| Pos | Part Number    | Description                           | Remark | Qty | Model | Pos | Part Number    | Description       | Remark | Qty | Model        |
|-----|----------------|---------------------------------------|--------|-----|-------|-----|----------------|-------------------|--------|-----|--------------|
|     | FSD            | sea blue                              |        |     |       | 8   | 987 555 271 01 | handle upper part | /L     | 1   | BOXSTER      |
|     | FSF            | terracotta                            |        |     |       |     | A11            | black             |        |     |              |
|     | FSG            | cocoa                                 |        |     |       |     | 5X6            | stone grey        |        |     |              |
|     | FSH            | dark grey/natural                     |        |     |       |     | 8G2            | sand beige        |        |     |              |
|     | FSJ            | brown/natural                         |        |     |       |     | 3S9            | sea blue          |        |     |              |
|     | FSP            | carrera red                           |        |     |       | (8) | 987 555 272 01 | handle upper part | /R     | 1   | BOXSTER      |
| (5) | 997 555 989 00 | lid shelf carbon                      | /L     | 1   | IXTL  |     | A11            | black             |        |     |              |
|     | A35            | black                                 |        |     |       |     | 5X6            | stone grey        |        |     |              |
| (5) | 997 555 990 00 | lid shelf carbon                      | /R     | 1   | IXTL  |     | 8G2            | sand beige        |        |     |              |
|     | A35            | black                                 |        |     |       |     | 3S9            | sea blue          |        |     |              |
| (5) | 997 555 989 02 | lid shelf                             | /L     | 1   | IXTT  | (8) | 987 555 271 02 | handle upper part | /L     | 1   | BOXSTER I981 |
|     | S61            | macassar                              |        |     |       |     | FSA            | black             |        |     |              |
| (5) | 997 555 990 02 | lid shelf                             | /R     | 1   | IXTT  |     | FSB            | stone grey        |        |     |              |
|     | S61            | macassar                              |        |     |       |     | FSC            | sand beige        |        |     |              |
| (5) | 997 555 989 03 | lid shelf                             | /L     | 1   | IXTW  |     | FSD            | sea blue          |        |     |              |
|     | V04            | galvano silver                        |        |     |       |     | FSF            | terracotta        |        |     |              |
| (5) | 997 555 990 03 | lid shelf                             | /R     | 1   | IXTW  |     | FSG            | cocoa             |        |     |              |
|     | V04            | galvano silver                        |        |     |       |     | FSH            | dark grey/natural |        |     |              |
| 6   | 997 555 833 00 | steering knuckle spring for lid shelf | /L     | 1   |       | (8) | 987 555 271 02 | handle upper part | /L     | 1   | BOXSTER S    |
|     |                |                                       |        |     |       |     | FSA            | black             |        |     |              |
| (6) | 997 555 834 00 | steering knuckle spring for lid shelf | /R     | 1   |       |     | FSB            | stone grey        |        |     |              |
|     |                |                                       |        |     |       |     | FSC            | sand beige        |        |     |              |
| 7   | 997 555 841 00 | damper shelf                          |        | 1   |       |     | FSD            | sea blue          |        |     |              |
|     |                |                                       |        |     |       |     | FSF            | terracotta        |        |     |              |

|       |      |    |    |              |              |     |       |            |         |     |         |
|-------|------|----|----|--------------|--------------|-----|-------|------------|---------|-----|---------|
| Model | Year | MG | SG | Illustration | Restrictions | UPD | 18:51 | 01.03.2010 | PORSCHE | PET | PORSCHE |
| 987-2 | 2010 | 8  | 07 | 807-10       |              | 248 |       |            |         |     |         |

| Pos | Part Number    | Description       | Remark | Qty | Model        | Pos | Part Number    | Description       | Remark | Qty | Model |
|-----|----------------|-------------------|--------|-----|--------------|-----|----------------|-------------------|--------|-----|-------|
|     | FSG            | cocoa             |        |     |              |     | 8G2            | sand beige        |        |     |       |
|     | FSH            | dark grey/natural |        |     |              |     | 3S9            | sea blue          |        |     |       |
|     | FSJ            | brown/natural     |        |     |              |     | 9S5            | terracotta        |        |     |       |
|     | FSP            | carrera red       |        |     |              |     | 9V6            | cocoa             |        |     |       |
| (8) | 987 555 272 02 | handle            | /R     | 1   | BOXSTER I981 |     | D12            | dark grey/natural |        |     |       |
|     |                | upper part        |        |     |              |     | T12            | brown/natural     |        |     |       |
|     | FSA            | black             |        |     |              |     | N12            | carrera red       |        |     |       |
|     | FSB            | stone grey        |        |     |              | (8) | 987 555 988 00 | handle            | /R     | 1   | IXTL  |
|     |                | upper part        |        |     |              |     |                | upper part        |        |     |       |
|     | FSC            | sand beige        |        |     |              |     | A11            | black             |        |     |       |
|     | FSD            | sea blue          |        |     |              |     | 5X6            | stone grey        |        |     |       |
|     | FSF            | terracotta        |        |     |              |     | 8G2            | sand beige        |        |     |       |
|     | FSG            | cocoa             |        |     |              |     | 3S9            | sea blue          |        |     |       |
|     | FSH            | dark grey/natural |        |     |              |     | 9S5            | terracotta        |        |     |       |
|     | FSJ            | brown/natural     |        |     |              |     | 9V6            | cocoa             |        |     |       |
|     | FSP            | carrera red       |        |     |              |     | D12            | dark grey/natural |        |     |       |
| (8) | 987 555 272 02 | handle            | /R     | 1   | BOXSTER S    |     | T12            | brown/natural     |        |     |       |
|     |                | upper part        |        |     |              |     | N12            | carrera red       |        |     |       |
|     | FSA            | black             |        |     |              | (8) | 987 555 987 02 | handle            | /L     | 1   | IXTT  |
|     | FSB            | stone grey        |        |     |              |     |                | upper part        |        |     |       |
|     | FSC            | sand beige        |        |     |              |     | A11            | black             |        |     |       |
|     | FSD            | sea blue          |        |     |              |     | 5X6            | stone grey        |        |     |       |
|     | FSF            | terracotta        |        |     |              |     | 8G2            | sand beige        |        |     |       |
|     | FSG            | cocoa             |        |     |              |     | 3S9            | sea blue          |        |     |       |
|     | FSH            | dark grey/natural |        |     |              |     | 9S5            | terracotta        |        |     |       |
|     | FSJ            | brown/natural     |        |     |              |     | 9V6            | cocoa             |        |     |       |
|     | FSP            | carrera red       |        |     |              |     | D12            | dark grey/natural |        |     |       |
| (8) | 987 555 987 00 | handle            | /L     | 1   | IXTL         |     | T12            | brown/natural     |        |     |       |
|     |                | upper part        |        |     |              |     | N12            | carrera red       |        |     |       |
|     | A11            | black             |        |     |              |     |                |                   |        |     |       |
|     | 5X6            | stone grey        |        |     |              |     |                |                   |        |     |       |

|       |      |    |    |              |              |     |       |            |         |     |         |
|-------|------|----|----|--------------|--------------|-----|-------|------------|---------|-----|---------|
| Model | Year | MG | SG | Illustration | Restrictions | UPD | 18:51 | 01.03.2010 | PORSCHE | PET | PORSCHE |
| 987-2 | 2010 | 8  | 07 | 807-10       |              | 248 |       |            |         |     |         |

| Pos | Part Number    | Description       | Remark | Qty | Model | Pos  | Part Number    | Description   | Remark | Qty | Model |
|-----|----------------|-------------------|--------|-----|-------|------|----------------|---|--------|-----|-------|
| (8) | 987 555 988 02 | handle upper part | /R     | 1   | IXTT  |      | D12            | dark grey/natural                                       |        |     |       |
|     | A11            | black             |        |     |       |      | T12            | brown/natural   |        |     |       |
|     | 5X6            | stone grey        |        |     |       |      | N12            | carrera red   |        |     |       |
|     | 8G2            | sand beige        |        |     |       | 9    | 999 591 380 01 | cable clamp   |        | 4   |       |
|     | 3S9            | sea blue          |        |     |       | 10   | 987 555 261 01 | handle lower part                                       | /L     | 1   |       |
|     | 9S5            | terracotta        |        |     |       |      | A11            | black   |        |     |       |
|     | 9V6            | cocoa             |        |     |       |      | 5X6            | stone grey  |        |     |       |
|     | D12            | dark grey/natural |        |     |       |      | 8G2            | sand beige  |        |     |       |
|     | T12            | brown/natural     |        |     |       |      | 3S9            | sea blue  |        |     |       |
|     | N12            | carrera red       |        |     |       |      | 9S5            | terracotta  |        |     |       |
| (8) | 987 555 987 03 | handle upper part | /L     | 1   | IXTW  |      | 9V6            | cocoa   |        |     |       |
|     | A11            | black             |        |     |       |      | D12            | dark grey/natural                                       |        |     |       |
|     | 5X6            | stone grey        |        |     |       |      | T12            | brown/natural   |        |     |       |
|     | 8G2            | sand beige        |        |     |       |      | N12            | carrera red   |        |     |       |
|     | 3S9            | sea blue          |        |     |       | (10) | 987 555 262 01 | handle lower part                                       | /R     | 1   |       |
|     | 9S5            | terracotta        |        |     |       |      | A11            | black   |        |     |       |
|     | 9V6            | cocoa             |        |     |       |      | 5X6            | stone grey  |        |     |       |
|     | D12            | dark grey/natural |        |     |       |      | 8G2            | sand beige  |        |     |       |
|     | T12            | brown/natural     |        |     |       |      | 3S9            | sea blue  |        |     |       |
|     | N12            | carrera red       |        |     |       |      | 9S5            | terracotta  |        |     |       |
| (8) | 987 555 988 03 | handle upper part | /R     | 1   | IXTW  |      | 9V6            | cocoa   |        |     |       |
|     | A11            | black             |        |     |       |      | D12            | dark grey/natural                                       |        |     |       |
|     | 5X6            | stone grey        |        |     |       |      | T12            | brown/natural   |        |     |       |
|     | 8G2            | sand beige        |        |     |       |      | N12            | carrera red   |        |     |       |
|     | 3S9            | sea blue          |        |     |       | 11   | 999 919 229 02 | oval-head screw<br>6,0 X 40,0<br>for<br>mount<br>handle |        | 2   |       |
|     | 9S5            | terracotta        |        |     |       |      |                |   |        |     |       |
|     | 9V6            | cocoa             |        |     |       |      |                |   |        |     |       |

|       |      |    |    |              |              |     |       |            |         |     |         |
|-------|------|----|----|--------------|--------------|-----|-------|------------|---------|-----|---------|
| Model | Year | MG | SG | Illustration | Restrictions | UPD | 18:51 | 01.03.2010 | PORSCHE | PET | PORSCHE |
| 987-2 | 2010 | 8  | 07 | 807-10       |              | 248 |       |            |         |     |         |

| Pos  | Part Number    | Description  | Remark | Qty | Model  | Pos  | Part Number    | Description  | Remark | Qty | Model |
|------|----------------|--|--------|-----|--|------|----------------|--|--------|-----|-------|
| 12   | 997 555 381 02 | axle bearing<br>valid up to:<br>F >>989S7 00101<br>F >>989U7 01097<br>F >>989S7 20099<br>F >>989U7 20928 | /L     | 1   | Boxster<br>Boxster<br>Boxster S<br>Boxster S |      | 5Z1            | sand beige   |        |     |       |
| 12   | 997 555 382 02 | axle bearing<br>valid up to:<br>F >>989S7 00101<br>F >>989U7 01097<br>F >>989S7 20099<br>F >>989U7 20928 | /R     | 1   | Boxster<br>Boxster<br>Boxster S<br>Boxster S |      | 8W7            | sea blue   |        |     |       |
| (12) | 997 555 381 03 | axle bearing<br>valid from:<br>F 989S7 00102>><br>F 989U7 01098>><br>F 989S7 20100>><br>F 989U7 20929>>  | /L     | 1   | Boxster<br>Boxster<br>Boxster S<br>Boxster S |      | 8X8            | terracotta   |        |     |       |
| (12) | 997 555 382 03 | axle bearing<br>valid from:<br>F 989S7 00102>><br>F 989U7 01098>><br>F 989S7 20100>><br>F 989U7 20929>>  | /R     | 1   | Boxster<br>Boxster<br>Boxster S<br>Boxster S | (16) | 8P9            | cocoa  |        |     |       |
| 13   | 999 919 164 09 | oval-head screw<br>5 X 12<br>for<br>mount<br>axle bearing  |        | 3   |  |      | T13            | brown/natural                                      |        |     |       |
| 14   | 997 555 461 01 | lever<br>door opener   | /L     | 1   |  |      | N23            | carrera red  |        |     |       |
| (14) | 997 555 462 01 | lever<br>door opener   | /R     | 1   |  | 17   | 997 555 685 02 | cover<br>door mirror<br>driver's side<br>lacquered | /LL/L  | 1   | I098  |
| 15   | 999 919 164 09 | oval-head screw<br>5 X 12<br>for<br>mount<br>lever<br>door opener  |        | 1   |  |      | A03            | black  |        |     |       |
| 16   | 997 555 683 00 | cap<br>airbag  | /L     | 1   |  |      | 5V7            | stone grey   |        |     |       |
|      | A03            | black  |        |     |  | (17) | 997 555 686 03 | cover<br>door mirror<br>driver's side<br>lacquered | /RL/R  | 1   | I099  |
|      | 5V7            | stone grey   |        |     |  |      |                |  |        |     |       |

|       |      |    |    |              |              |     |       |            |         |     |         |
|-------|------|----|----|--------------|--------------|-----|-------|------------|---------|-----|---------|
| Model | Year | MG | SG | Illustration | Restrictions | UPD | 18:51 | 01.03.2010 | PORSCHE | PET | PORSCHE |
| 987-2 | 2010 | 8  | 07 | 807-10       |              | 248 |       |            |         |     |         |

| Pos  | Part Number    | Description                                      | Remark | Qty | Model      | Pos  | Part Number    | Description   | Remark | Qty | Model      |
|------|----------------|--|--------|-----|------------|------|----------------|---|--------|-----|------------|
|      | A03            | black  |        |     |            | (17) | 997 555 686 02 | cover<br>door mirror<br>passenger's side<br>lacquered | /LL/R  | 1   | I098       |
|      | 5V7            | stone grey                                       |        |     |            |      | A03            | black   |        |     |            |
|      | 5Z1            | sand beige                                       |        |     |            |      | 5V7            | stone grey  |        |     |            |
|      | 8W7            | sea blue   |        |     |            |      | 5Z1            | sand beige  |        |     |            |
|      | 8X8            | terracotta                                       |        |     |            |      | 8W7            | sea blue  |        |     |            |
|      | 8P9            | cocoa  |        |     |            |      | 8X8            | terracotta  |        |     |            |
|      | T13            | brown/natural                                    |        |     |            |      | 8P9            | cocoa   |        |     |            |
|      | N23            | carrera red                                      |        |     |            |      | T13            | brown/natural   |        |     |            |
| (17) | 997 555 995 00 | cover<br>door mirror<br>driver's side<br>leather | /LL/L  | 10- | 1 IXDX/098 |      | N23            | carrera red   |        |     |            |
|      | A11            | black  |        |     |            | (17) | 997 555 685 03 | cover<br>door mirror<br>passenger's side<br>lacquered | /RL/L  | 1   | I099       |
|      | 5X6            | stone grey                                       |        |     |            |      | A03            | black   |        |     |            |
|      | 8G2            | sand beige                                       |        |     |            |      | 5V7            | stone grey  |        |     |            |
|      | 3S9            | sea blue   |        |     |            |      | 5Z1            | sand beige  |        |     |            |
|      | 9S5            | terracotta                                       |        |     |            |      | 8W7            | sea blue  |        |     |            |
|      | 9V6            | cocoa  |        |     |            |      | 8X8            | terracotta  |        |     |            |
|      | T12            | brown/natural                                    |        |     |            |      | 8P9            | cocoa   |        |     |            |
|      | N12            | carrera red                                      |        |     |            |      | T13            | brown/natural   |        |     |            |
| (17) | 997 555 996 01 | cover<br>door mirror<br>driver's side<br>leather | /RL/R  | 10- | 1 IXDX/099 |      | N23            | carrera red   |        |     |            |
|      | A11            | black  |        |     |            | (17) | 997 555 996 00 | cover<br>door mirror<br>passenger's side<br>leather   | /LL/R  | 10- | 1 IXDX/098 |
|      | 5X6            | stone grey                                       |        |     |            |      | A11            | black   |        |     |            |
|      | 8G2            | sand beige                                       |        |     |            |      | 5X6            | stone grey  |        |     |            |
|      | 3S9            | sea blue   |        |     |            |      | 8G2            | sand beige  |        |     |            |
|      | 9S5            | terracotta                                       |        |     |            |      | 3S9            | sea blue  |        |     |            |
|      | 9V6            | cocoa  |        |     |            |      | 9S5            | terracotta  |        |     |            |
|      | T12            | brown/natural                                    |        |     |            |      |                |   |        |     |            |
|      | N12            | carrera red                                      |        |     |            |      |                |   |        |     |            |

|       |      |    |    |              |              |     |       |            |         |     |         |
|-------|------|----|----|--------------|--------------|-----|-------|------------|---------|-----|---------|
| Model | Year | MG | SG | Illustration | Restrictions | UPD | 18:51 | 01.03.2010 | PORSCHE | PET | PORSCHE |
| 987-2 | 2010 | 8  | 07 | 807-10       |              | 248 |       |            |         |     |         |

| Pos  | Part Number    | Description   | Remark | Qty | Model      | Pos  | Part Number    | Description                         | Remark | Qty | Model |
|------|----------------|---|--------|-----|------------|------|----------------|-------------------------------------|--------|-----|-------|
|      | 9V6            | cocoa   |        |     |            | 22   | 999 702 281 41 | grommet<br>axle bearing             |        | 1   |       |
|      | D12            | dark grey/natural                                   |        |     |            | (23) | 997 555 351 03 | insert<br>handle liner<br>lacquered | /LL/L  | 1   | I098  |
|      | T12            | brown/natural                                       |        |     |            |      | A03            | black                               |        |     |       |
|      | N12            | carrera red   |        |     |            |      | 5V7            | stone grey                          |        |     |       |
| (17) | 997 555 995 01 | cover<br>door mirror<br>passenger's side<br>leather | /RL/L  | 10- | 1 IXDX/099 |      | 5Z1            | sand beige                          |        |     |       |
|      | A11            | black   |        |     |            |      | 8W7            | sea blue                            |        |     |       |
|      | 5X6            | stone grey  |        |     |            |      | 8X8            | terracotta                          |        |     |       |
|      | 8G2            | sand beige  |        |     |            |      | 8P9            | cocoa                               |        |     |       |
|      | 3S9            | sea blue  |        |     |            |      | T13            | brown/natural                       |        |     |       |
|      | 9S5            | terracotta  |        |     |            |      | N23            | carrera red                         |        |     |       |
|      | 9V6            | cocoa   |        |     |            | (23) | 997 555 352 03 | insert<br>handle liner<br>lacquered | /RL/R  | 1   | I099  |
|      | D12            | dark grey/natural                                   |        |     |            |      | A03            | black                               |        |     |       |
|      | T12            | brown/natural                                       |        |     |            |      | 5V7            | stone grey                          |        |     |       |
|      | N12            | carrera red   |        |     |            |      | 5Z1            | sand beige                          |        |     |       |
| 18   | 997 555 577 00 | cap<br>handle liner                                 |        | 1   |            |      | 8W7            | sea blue                            |        |     |       |
|      | A03            | black   |        |     |            |      | 8X8            | terracotta                          |        |     |       |
|      | 5V7            | stone grey  |        |     |            |      | 8P9            | cocoa                               |        |     |       |
|      | 8W7            | sea blue  |        |     |            |      | T13            | brown/natural                       |        |     |       |
|      | 8X8            | terracotta  |        |     |            |      | N23            | carrera red                         |        |     |       |
|      | 8P9            | cocoa   |        |     |            | (23) | 997 555 352 04 | insert<br>handle liner<br>lacquered | /LL/R  | 1   | I098  |
|      | T13            | brown/natural                                       |        |     |            |      | A03            | black                               |        |     |       |
|      | N23            | carrera red   |        |     |            |      | 5V7            | stone grey                          |        |     |       |
| 19   | 997 555 895 00 | plastic foam strip<br>for<br>woofer                 |        | 1   |            |      | 5Z1            | sand beige                          |        |     |       |
| 20   | 997 645 511 00 | logo  |        | 2   | I680       |      | 8W7            | sea blue                            |        |     |       |
| 21   | 997 555 597 00 | spacer<br>lid hinge                                 |        | 2   |            |      | 8X8            | terracotta                          |        |     |       |

|       |      |    |    |              |              |     |       |            |         |     |         |
|-------|------|----|----|--------------|--------------|-----|-------|------------|---------|-----|---------|
| Model | Year | MG | SG | Illustration | Restrictions | UPD | 18:51 | 01.03.2010 | PORSCHE | PET | PORSCHE |
| 987-2 | 2010 | 8  | 07 | 807-10       |              | 248 |       |            |         |     |         |

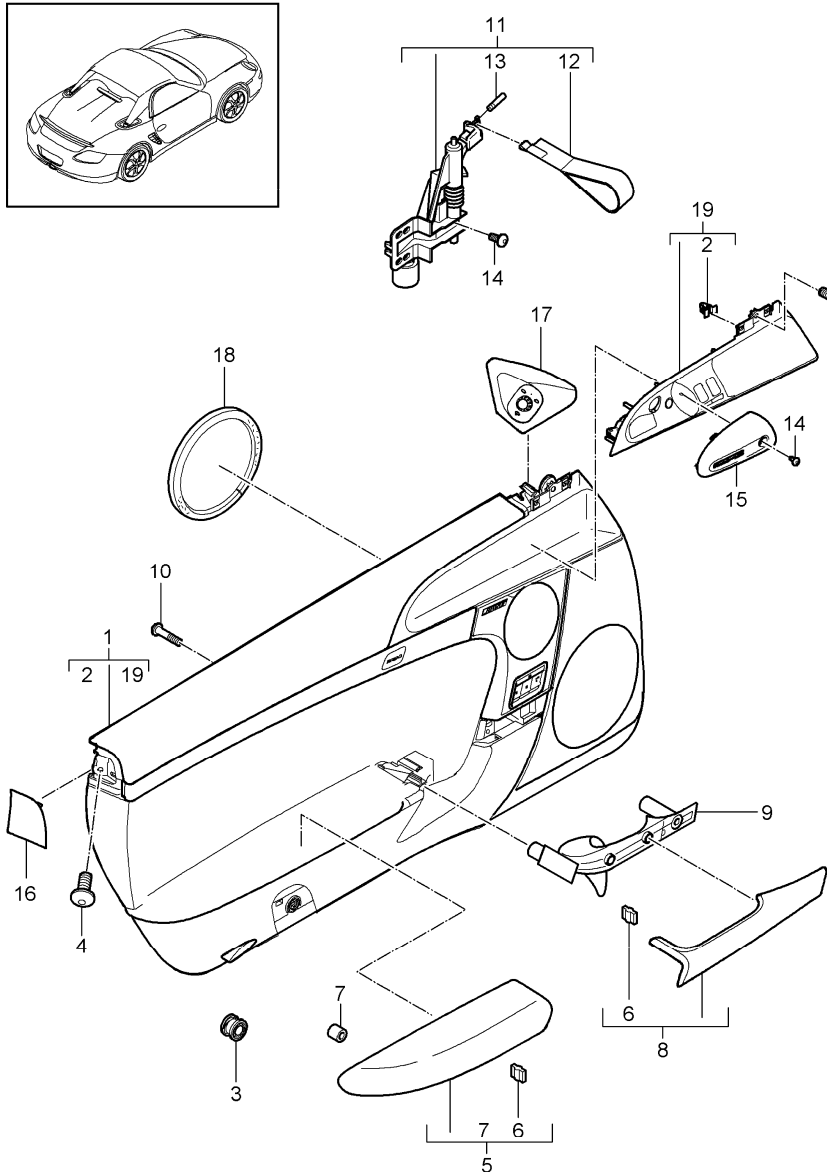
| Pos  | Part Number           | Description  | Remark | Qty | Model    | Pos  | Part Number           | Description   | Remark | Qty | Model    |
|------|-----------------------|--|--------|-----|----------|------|-----------------------|---|--------|-----|----------|
| (23) | 997 555 351 04        | 8P9 cocoa<br>T13 brown/natural<br>N23 carrera red<br>insert handle liner lacquered | /RL/L  | 1   | I099     | (23) | 997 555 986 00        | 3S9 sea blue<br>9S5 terracotta<br>9V6 cocoa<br>D12 dark grey/natural<br>T12 brown/natural<br>N12 carrera red<br>insert handle liner leather | /LL/R  | 1   | IXTV/098 |
|      | A03 black             |  |        |     |          |      | A11 black             |   |        |     |          |
|      | 5V7 stone grey        |  |        |     |          |      | 5X6 stone grey        |   |        |     |          |
|      | 5Z1 sand beige        |  |        |     |          |      | 8G2 sand beige        |   |        |     |          |
|      | 8W7 sea blue          |  |        |     |          |      | 3S9 sea blue          |   |        |     |          |
|      | 8X8 terracotta        |  |        |     |          |      | 9S5 terracotta        |   |        |     |          |
|      | 8P9 cocoa             |  |        |     |          |      | 9V6 cocoa             |   |        |     |          |
|      | T13 brown/natural     |  |        |     |          |      | D12 dark grey/natural |   |        |     |          |
|      | N23 carrera red       |  |        |     |          |      | T12 brown/natural     |   |        |     |          |
|      |                       |  |        |     |          |      | N12 carrera red       |   |        |     |          |
| 23   | 997 555 985 00        | insert handle liner leather  | /LL/L  | 1   | IXTV/098 | (23) | 997 555 985 02        | insert handle liner leather   | /RL/L  | 1   | IXTV/099 |
|      | A11 black             |  |        |     |          |      | A11 black             |   |        |     |          |
|      | 5X6 stone grey        |  |        |     |          |      | 5X6 stone grey        |   |        |     |          |
|      | 8G2 sand beige        |  |        |     |          |      | 8G2 sand beige        |   |        |     |          |
|      | 3S9 sea blue          |  |        |     |          |      | 3S9 sea blue          |   |        |     |          |
|      | 9S5 terracotta        |  |        |     |          |      | 9S5 terracotta        |   |        |     |          |
|      | 9V6 cocoa             |  |        |     |          |      | 9V6 cocoa             |   |        |     |          |
|      | D12 dark grey/natural |  |        |     |          |      | D12 dark grey/natural |   |        |     |          |
|      | T12 brown/natural     |  |        |     |          |      | T12 brown/natural     |   |        |     |          |
|      | N12 carrera red       |  |        |     |          |      | N12 carrera red       |   |        |     |          |
| (23) | 997 555 986 01        | insert handle liner leather  | /RL/R  | 1   | IXTV/099 |      |                       |   |        |     |          |
|      | A11 black             |  |        |     |          |      |                       |   |        |     |          |
|      | 5X6 stone grey        |  |        |     |          |      |                       |   |        |     |          |
|      | 8G2 sand beige        |  |        |     |          |      |                       |   |        |     |          |

|       |      |    |    |              |              |     |       |            |         |     |         |
|-------|------|----|----|--------------|--------------|-----|-------|------------|---------|-----|---------|
| Model | Year | MG | SG | Illustration | Restrictions | UPD | 18:51 | 01.03.2010 | PORSCHE | PET | PORSCHE |
| 987-2 | 2010 | 8  | 07 | 807-10       |              | 248 |       |            |         |     |         |

| Pos  | Part Number    | Description                      | Remark | Qty | Model    | Pos  | Part Number    | Description            | Remark | Qty | Model    |
|------|----------------|----------------------------------|--------|-----|----------|------|----------------|------------------------|--------|-----|----------|
| 23   | 997 555 985 03 | insert<br>handle liner<br>carbon | /LL/L  | 1   | IXTL/098 |      | V04            | galvano silver         |        |     |          |
|      | A35            | black                            |        |     |          | (23) | 997 555 985 14 | insert<br>handle liner | /RL/L  | 1   | IXTW/099 |
| (23) | 997 555 986 04 | insert<br>handle liner<br>carbon | /RL/R  | 1   | IXTL/099 |      | V04            | galvano silver         |        |     |          |
|      | A35            | black                            |        |     |          |      |                |                        |        |     |          |
| (23) | 997 555 986 03 | insert<br>handle liner<br>carbon | /LL/R  | 1   | IXTL/098 |      |                |                        |        |     |          |
|      | A35            | black                            |        |     |          |      |                |                        |        |     |          |
| (23) | 997 555 985 05 | insert<br>handle liner<br>carbon | /RL/L  | 1   | IXTL/099 |      |                |                        |        |     |          |
|      | A35            | black                            |        |     |          |      |                |                        |        |     |          |
| 23   | 997 555 985 09 | insert<br>handle liner           | /LL/L  | 1   | IXTT/098 |      |                |                        |        |     |          |
|      | S61            | macassar                         |        |     |          |      |                |                        |        |     |          |
| (23) | 997 555 986 10 | insert<br>handle liner           | /RL/R  | 1   | IXTT/099 |      |                |                        |        |     |          |
|      | S61            | macassar                         |        |     |          |      |                |                        |        |     |          |
| (23) | 997 555 986 09 | insert<br>handle liner           | /LL/R  | 1   | IXTT/098 |      |                |                        |        |     |          |
|      | S61            | macassar                         |        |     |          |      |                |                        |        |     |          |
| (23) | 997 555 985 11 | insert<br>handle liner           | /RL/L  | 1   | IXTT/099 |      |                |                        |        |     |          |
|      | S61            | macassar                         |        |     |          |      |                |                        |        |     |          |
| 23   | 997 555 985 12 | insert<br>handle liner           | /LL/L  | 1   | IXTW/098 |      |                |                        |        |     |          |
|      | V04            | galvano silver                   |        |     |          |      |                |                        |        |     |          |
| (23) | 997 555 986 13 | insert<br>handle liner           | /RL/R  | 1   | IXTW/099 |      |                |                        |        |     |          |
|      | V04            | galvano silver                   |        |     |          |      |                |                        |        |     |          |
| (23) | 997 555 986 12 | insert<br>handle liner           | /LL/R  | 1   | IXTW/098 |      |                |                        |        |     |          |



|       |      |    |    |              |              |     |       |            |         |     |         |
|-------|------|----|----|--------------|--------------|-----|-------|------------|---------|-----|---------|
| Model | Year | MG | SG | Illustration | Restrictions | UPD | 18:51 | 01.03.2010 | PORSCHE | PET | PORSCHE |
| 987-2 | 2010 | 8  | 07 | 807-11       |              | 248 |       |            |         |     |         |



| Pos | Part Number    | Description                      | Remark | Qty | Model    |
|-----|----------------|----------------------------------|--------|-----|----------|
|     |                | door trim panel accessories      |        | 10- | SPYDER   |
| 1   | 987 555 201 30 | door trim panel slush technology | /LL/L  | 1   | I098     |
|     | 9L4            | black                            |        |     |          |
| 1   | 987 555 201 31 | door trim panel slush technology | /LL/L  | 1   | I098/490 |
|     | 9L4            | black                            |        |     |          |
| (1) | 987 555 202 33 | door trim panel slush technology | /LL/R  | 1   | I098     |
|     | 9L4            | black                            |        |     |          |
| (1) | 987 555 202 34 | door trim panel slush technology | /LL/R  | 1   | I098/490 |
|     | 9L4            | black                            |        |     |          |
| (1) | 987 555 202 30 | door trim panel slush technology | /RL/R  | 1   | I099     |
|     | 9L4            | black                            |        |     |          |
| (1) | 987 555 202 31 | door trim panel slush technology | /RL/R  | 1   | I099/490 |
|     | 9L4            | black                            |        |     |          |
| (1) | 987 555 201 33 | door trim panel slush technology | /RL/L  | 1   | I099     |
|     | 9L4            | black                            |        |     |          |
| (1) | 987 555 201 34 | door trim panel slush technology | /RL/L  | 1   | I099/490 |
|     | 9L4            | black                            |        |     |          |
| (1) | 987 555 201 32 | door trim panel leather          | /LL/L  | 1   | I098/981 |
|     | FSA            | black                            |        |     |          |
|     | FSC            | sand beige                       |        |     |          |
|     | FSG            | cocoa                            |        |     |          |
|     | FSP            | carrera red                      |        |     |          |
| (1) | 987 555 202 35 | door trim panel leather          | /LL/R  | 1   | I098/981 |

|       |      |    |    |              |              |     |       |            |         |     |         |
|-------|------|----|----|--------------|--------------|-----|-------|------------|---------|-----|---------|
| Model | Year | MG | SG | Illustration | Restrictions | UPD | 18:51 | 01.03.2010 | PORSCHE | PET | PORSCHE |
| 987-2 | 2010 | 8  | 07 | 807-11       |              | 248 |       |            |         |     |         |

| Pos | Part Number    | Description  | Remark | Qty | Model    | Pos | Part Number    | Description                | Remark | Qty | Model |
|-----|----------------|--|--------|-----|----------|-----|----------------|----------------------------|--------|-----|-------|
|     | FSA            | black  |        |     |          |     | FSC            | sand beige                 |        |     |       |
|     | FSC            | sand beige   |        |     |          |     | FSG            | cocoa                      |        |     |       |
|     | FSG            | cocoa  |        |     |          |     | FSP            | carrera red                |        |     |       |
|     | FSP            | carrera red  |        |     |          | (5) | 997 555 403 00 | armrest<br>door trim panel | /L     | 1   | IXFZ  |
| (1) | 987 555 202 32 | door trim panel<br>leather                                   | /RL/R  | 1   | I099/981 |     | FSD            | black                      |        |     |       |
|     | FSA            | black  |        |     |          | (5) | 997 555 404 00 | armrest<br>door trim panel | /R     | 1   | IXFZ  |
|     | FSC            | sand beige   |        |     |          |     | FSD            | black                      |        |     |       |
|     | FSG            | cocoa  |        |     |          | 6   | 999 591 380 01 | cable clamp                |        | X   |       |
|     | FSP            | carrera red  |        |     |          | 7   | 997 555 857 00 | grommet                    |        | 2   |       |
| (1) | 987 555 201 35 | door trim panel<br>leather                                   | /RL/L  | 1   | I099/981 | 8   | 987 555 271 02 | handle<br>upper part       | /L     | 1   |       |
|     | FSA            | black  |        |     |          |     | FSA            | black                      |        |     |       |
|     | FSC            | sand beige   |        |     |          |     | FSC            | sand beige                 |        |     |       |
|     | FSG            | cocoa  |        |     |          |     | FSG            | cocoa                      |        |     |       |
|     | FSP            | carrera red  |        |     |          |     | FSP            | carrera red                |        |     |       |
| 2   | 999 507 533 02 | clamp<br>8,0 X 10/2,5  |        | 2   |          | (8) | 987 555 272 02 | handle<br>upper part       | /R     | 1   |       |
| 3   | 955 555 243 00 | fixing clip  |        | 9   |          |     | FSA            | black                      |        |     |       |
| 4   | 999 073 322 02 | oval-head screw<br>6 X 20<br>for<br>mount<br>door trim panel |        | 5   |          |     | FSC            | sand beige                 |        |     |       |
|     | FSG            | cocoa  |        |     |          |     | FSG            | cocoa                      |        |     |       |
|     | FSP            | carrera red  |        |     |          |     | FSP            | carrera red                |        |     |       |
| 5   | 987 555 233 02 | armrest<br>door trim panel                                   | /L     | 1   |          | (8) | 997 555 271 90 | handle<br>upper part       | /L     | 1   | IXFZ  |
|     | FSA            | black  |        |     |          |     | FSD            | black                      |        |     |       |
|     | FSC            | sand beige   |        |     |          | (8) | 997 555 272 90 | handle<br>upper part       | /R     | 1   | IXFZ  |
|     | FSG            | cocoa  |        |     |          |     | FSD            | black                      |        |     |       |
|     | FSP            | carrera red  |        |     |          | 9   | 987 555 261 01 | handle<br>lower part       | /L     | 1   |       |
| (5) | 987 555 234 02 | armrest<br>door trim panel                                   | /R     | 1   |          |     | A11            | black                      |        |     |       |
|     | FSA            | black  |        |     |          |     |                |                            |        |     |       |

|       |      |    |    |              |              |     |       |            |         |     |         |
|-------|------|----|----|--------------|--------------|-----|-------|------------|---------|-----|---------|
| Model | Year | MG | SG | Illustration | Restrictions | UPD | 18:51 | 01.03.2010 | PORSCHE | PET | PORSCHE |
| 987-2 | 2010 | 8  | 07 | 807-11       |              | 248 |       |            |         |     |         |

| Pos  | Part Number    | Description   | Remark | Qty | Model | Pos  | Part Number    | Description                         | Remark | Qty | Model |
|------|----------------|---|--------|-----|-------|------|----------------|-------------------------------------|--------|-----|-------|
|      | 8G2            | sand beige  |        |     |       |      | N13            | guards red                          |        |     |       |
|      | 9V6            | cocoa   |        |     |       | (11) | 987 555 382 00 | axle bearing                        | /R     | 1   | I555  |
|      | N12            | carrera red   |        |     |       |      | A23            | black                               |        |     |       |
| (9)  | 987 555 262 01 | handle<br>lower part                                    | /R     | 1   |       | (11) | 987 555 382 00 | axle bearing                        | /R     | 1   | I556  |
|      | A11            | black   |        |     |       |      | N13            | guards red                          |        |     |       |
|      | 8G2            | sand beige  |        |     |       |      | A23            | black                               |        |     |       |
|      | 9V6            | cocoa   |        |     |       | 12   | 987 555 563 00 | door opener                         |        | 2   | IXSH  |
|      | N12            | carrera red   |        |     |       |      | U01            | silver                              |        |     |       |
| (9)  | 997 555 261 90 | handle<br>lower part                                    | /L     | 1   | IXFZ  | 12   | 987 555 563 00 | door opener                         |        | 2   | IXSX  |
|      | A25            | black   |        |     |       |      | N13            | guards red                          |        |     |       |
| (9)  | 997 555 262 90 | handle<br>lower part                                    | /R     | 1   | IXFZ  | 12   | 987 555 563 00 | door opener                         |        | 2   | I555  |
|      | A25            | black   |        |     |       |      | A23            | black                               |        |     |       |
| 10   | 999 919 229 02 | oval-head screw<br>6,0 X 40,0<br>for<br>mount<br>handle |        | 2   |       | 12   | 987 555 563 00 | door opener                         |        | 2   | I556  |
|      |                |   |        |     |       |      | N13            | guards red                          |        |     |       |
| 11   | 987 555 381 00 | axle bearing  | /L     | 1   | IXSH  | 13   | 987 555 879 00 | axle<br>for<br>mount<br>door opener |        | 2   |       |
|      | U01            | silver  |        |     |       |      | A23            | black                               |        |     |       |
| 11   | 987 555 381 00 | axle bearing  | /L     | 1   | IXSX  | 14   | 999 919 164 09 | oval-head screw<br>5 X 12           |        | X   |       |
|      | N13            | guards red  |        |     |       |      |                |                                     |        |     |       |
| 11   | 987 555 381 00 | axle bearing  | /L     | 1   | I555  | 15   | 987 555 463 00 | cover<br>door opener                | /L     | 1   |       |
|      | A23            | black   |        |     |       |      | A03            | black                               |        |     |       |
| 11   | 987 555 381 00 | axle bearing  | /L     | 1   | I556  |      | 5Z1            | sand beige                          |        |     |       |
|      | N13            | guards red  |        |     |       |      | 8P9            | cocoa                               |        |     |       |
|      | A23            | black   |        |     |       |      | N23            | carrera red                         |        |     |       |
| (11) | 987 555 382 00 | axle bearing  | /R     | 1   | IXSH  | (15) | 987 555 464 00 | cover<br>door opener                | /R     | 1   |       |
|      | U01            | silver  |        |     |       |      | A03            | black                               |        |     |       |
| (11) | 987 555 382 00 | axle bearing  | /R     | 1   | IXSX  |      | 5Z1            | sand beige                          |        |     |       |
|      |                |   |        |     |       |      | 8P9            | cocoa                               |        |     |       |

|       |      |    |    |              |              |     |       |            |         |     |         |
|-------|------|----|----|--------------|--------------|-----|-------|------------|---------|-----|---------|
| Model | Year | MG | SG | Illustration | Restrictions | UPD | 18:51 | 01.03.2010 | PORSCHE | PET | PORSCHE |
| 987-2 | 2010 | 8  | 07 | 807-11       |              | 248 |       |            |         |     |         |

| Pos  | Part Number    | Description  | Remark | Qty | Model    | Pos  | Part Number    | Description   | Remark | Qty | Model    |
|------|----------------|--|--------|-----|----------|------|----------------|---|--------|-----|----------|
| 16   | N23            | carrera red  |        |     |          |      | 8G2            | sand beige  |        |     |          |
|      | 997 555 683 00 | cap<br>airbag                                      | /L     | 1   |          |      | 9V6            | cocoa   |        |     |          |
|      | A03            | black  |        |     |          |      | N12            | carrera red   |        |     |          |
|      | 5Z1            | sand beige   |        |     |          | (17) | 997 555 996 01 | cover<br>door mirror<br>driver's side<br>leather      | /RL/R  | 1   | IXDX/099 |
|      | 8P9            | cocoa  |        |     |          |      | A11            | black   |        |     |          |
| (16) | N23            | carrera red  |        |     |          |      | 8G2            | sand beige  |        |     |          |
|      | 997 555 684 00 | cap<br>airbag                                      | /R     | 1   |          |      | 9V6            | cocoa   |        |     |          |
|      | A03            | black  |        |     |          |      | N12            | carrera red   |        |     |          |
|      | 5Z1            | sand beige   |        |     |          | (17) | 997 555 686 02 | cover<br>door mirror<br>passenger's side<br>lacquered | /LL/R  | 1   | I098     |
|      | 8P9            | cocoa  |        |     |          |      | A03            | black   |        |     |          |
| 17   | N23            | carrera red  |        |     |          |      | 5Z1            | sand beige  |        |     |          |
|      | 997 555 685 02 | cover<br>door mirror<br>driver's side<br>lacquered | /LL/L  | 1   | I098     |      | 8P9            | cocoa   |        |     |          |
|      | A03            | black  |        |     |          |      | N23            | carrera red   |        |     |          |
|      | 5Z1            | sand beige   |        |     |          | (17) | 997 555 685 03 | cover<br>door mirror<br>passenger's side<br>lacquered | /RL/L  | 1   | I099     |
|      | 8P9            | cocoa  |        |     |          |      | A03            | black   |        |     |          |
| (17) | N23            | carrera red  |        |     |          |      | 5Z1            | sand beige  |        |     |          |
|      | 997 555 686 03 | cover<br>door mirror<br>driver's side<br>lacquered | /RL/R  | 1   | I099     |      | 8P9            | cocoa   |        |     |          |
|      | A03            | black  |        |     |          |      | N23            | carrera red   |        |     |          |
|      | 5Z1            | sand beige   |        |     |          | (17) | 997 555 996 00 | cover<br>door mirror<br>passenger's side<br>leather   | /LL/R  | 1   | IXDX/098 |
|      | 8P9            | cocoa  |        |     |          |      | A11            | black   |        |     |          |
| (17) | N23            | carrera red  |        |     |          |      | 8G2            | sand beige  |        |     |          |
|      | 997 555 995 00 | cover<br>door mirror<br>driver's side<br>leather   | /LL/L  | 1   | IXDX/098 |      | 9V6            | cocoa   |        |     |          |
|      | A11            | black  |        |     |          |      | N12            | carrera red   |        |     |          |

|       |      |    |    |              |              |     |       |            |         |     |         |
|-------|------|----|----|--------------|--------------|-----|-------|------------|---------|-----|---------|
| Model | Year | MG | SG | Illustration | Restrictions | UPD | 18:51 | 01.03.2010 | PORSCHE | PET | PORSCHE |
| 987-2 | 2010 | 8  | 07 | 807-11       |              | 248 |       |            |         |     |         |

| Pos  | Part Number    | Description   | Remark | Qty | Model    | Pos | Part Number | Description | Remark | Qty | Model |
|------|----------------|---|--------|-----|----------|-----|-------------|-------------|--------|-----|-------|
| (17) | 997 555 995 01 | cover<br>door mirror<br>passenger's side<br>leather | /RL/L  | 1   | IXDX/099 |     | A03         | black       |        |     |       |
|      | A11            | black   |        |     |          |     | 5Z1         | sand beige  |        |     |       |
|      | 8G2            | sand beige  |        |     |          |     | 8P9         | cocoa       |        |     |       |
|      | 9V6            | cocoa   |        |     |          |     | N23         | carrera red |        |     |       |
|      | N12            | carrera red   |        |     |          |     |             |             |        |     |       |
| 18   | 997 555 895 00 | plastic foam strip<br>for<br>woofer                 |        | 1   |          |     |             |             |        |     |       |
| (19) | 987 555 351 01 | insert<br>handle liner<br>lacquered                 | /LL/L  | 1   | I098     |     |             |             |        |     |       |
|      | A03            | black   |        |     |          |     |             |             |        |     |       |
|      | 5Z1            | sand beige  |        |     |          |     |             |             |        |     |       |
|      | 8P9            | cocoa   |        |     |          |     |             |             |        |     |       |
|      | N23            | carrera red   |        |     |          |     |             |             |        |     |       |
| (19) | 987 555 352 01 | insert<br>handle liner<br>lacquered                 | /RL/R  | 1   | I099     |     |             |             |        |     |       |
|      | A03            | black   |        |     |          |     |             |             |        |     |       |
|      | 5Z1            | sand beige  |        |     |          |     |             |             |        |     |       |
|      | 8P9            | cocoa   |        |     |          |     |             |             |        |     |       |
|      | N23            | carrera red   |        |     |          |     |             |             |        |     |       |
| (19) | 987 555 352 02 | insert<br>handle liner<br>lacquered                 | /LL/R  | 1   | I098     |     |             |             |        |     |       |
|      | A03            | black   |        |     |          |     |             |             |        |     |       |
|      | 5Z1            | sand beige  |        |     |          |     |             |             |        |     |       |
|      | 8P9            | cocoa   |        |     |          |     |             |             |        |     |       |
|      | N23            | carrera red   |        |     |          |     |             |             |        |     |       |
| (19) | 987 555 351 02 | insert<br>handle liner<br>lacquered                 | /RL/L  | 1   | I099     |     |             |             |        |     |       |

|       |      |    |    |              |              |     |       |            |
|-------|------|----|----|--------------|--------------|-----|-------|------------|
| Model | Year | MG | SG | Illustration | Restrictions | UPD | 18:51 | 01.03.2010 |
| 987-2 | 2010 | 8  | 07 | 807-15       |              | 248 |       |            |

| Pos  | Part Number    | Description   | Remark | Qty | Model |
|------|----------------|---|--------|-----|-------|
|      |                | body<br>sound proofing 1                                |        |     |       |
| 1    | 997 556 605 00 | sound absorber<br>wheel housing<br>front                | /L     | 1   |       |
| (1)  | 997 556 606 00 | sound absorber<br>wheel housing<br>front                | /R     | 1   |       |
| 2    | 997 537 551 00 | insulation<br>door                                      |        | 2   |       |
| 3    | 997 556 723 00 | sound absorber<br>firewall                              | /LL    | 1   | I098  |
| (3)  | 997 556 724 00 | sound absorber<br>firewall                              | /RL    | 1   | I099  |
| 4    | 987 556 741 02 | sound absorber<br>engine compartment<br>rear wall       |        | 1   |       |
| 5    | 999 049 020 40 | plastic nut<br>T5 / 30 X 5,1                            |        | 1   |       |
| (6)  | 987 556 721 01 | sound absorber<br>engine compartment<br>lateral         | /L     | 1   |       |
| 6    | 987 556 722 01 | sound absorber<br>engine compartment<br>lateral         | /R     | 1   |       |
| 7    | 987 556 724 01 | sound absorber<br>engine compartment<br>lateral<br>rear | /R     | 1   |       |
| 8    | 987 556 683 00 | insulation<br>side section                              |        | 2   |       |
| 9    | 987 556 663 02 | sound absorber<br>convertible top compart.<br>outer     | /L     | 1   |       |
| (9)  | 987 556 664 02 | sound absorber<br>convertible top compart.<br>outer     | /R     | 1   |       |
| 10   | 987 556 623 03 | sound absorber<br>convertible top compart.<br>lateral   | /L     | 1   |       |
| (10) | 987 556 624 03 | sound absorber<br>convertible top compart.<br>lateral   | /R     | 1   |       |

PORSCHE

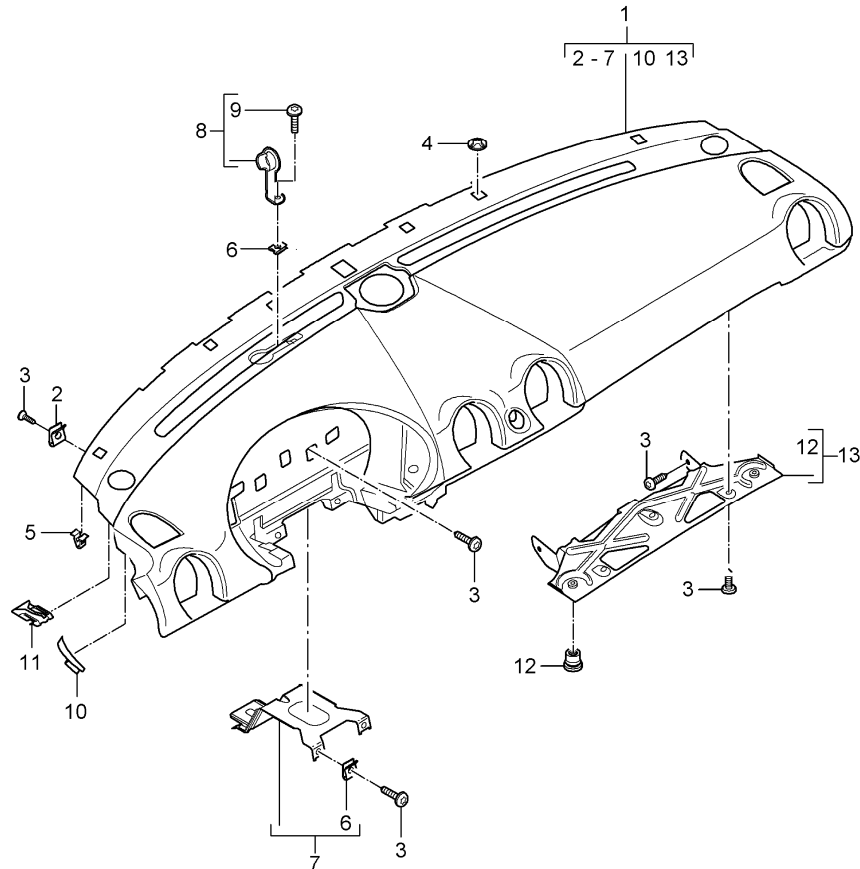
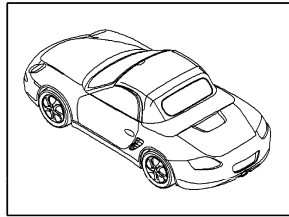
PET

PORSCHE

|       |      |    |    |              |              |     |       |            |
|-------|------|----|----|--------------|--------------|-----|-------|------------|
| Model | Year | MG | SG | Illustration | Restrictions | UPD | 18:51 | 01.03.2010 |
| 987-2 | 2010 | 8  | 07 | 807-15       |              | 248 |       |            |

| Pos  | Part Number    | Description                                      | Remark | Qty | Model |
|------|----------------|--|--------|-----|-------|
| 11   | 987 556 601 00 | insulation<br>engine cover                       |        | 1   |       |
| 12   | 987 556 603 01 | sound absorber<br>cover<br>seat belt             | /L     | 1   |       |
| (12) | 987 556 604 01 | sound absorber<br>cover<br>seat belt             | /R     | 1   |       |
| 13   | 987 556 671 01 | sound absorber<br>roll-over bar                  |        | 2   |       |
| 15   | 987 556 621 01 | sound absorber<br>convertible top compartm.      |        | 1   |       |
| 16   | 987 556 665 02 | sound absorber                                   |        | 1   |       |
| 17   | 997 537 553 00 | insulation<br>reinforcement<br>door              |        | 4   | I590  |
| 18   | 987 556 607 00 | sound absorber<br>cover<br>seat belt<br>upper    | /L     | 1   |       |
| (18) | 987 556 608 00 | sound absorber<br>cover<br>seat belt<br>upper    | /R     | 1   |       |
| 19   | 987 556 745 01 | insulation<br>bulkhead<br>inner                  |        | 1   |       |
| 20   | 987 556 743 00 | insulation<br>engine compartment<br>lid<br>inner |        | 1   |       |
| 21   | 987 556 653 00 | insulation<br>roll-over bar<br>lower             |        | 2   |       |

|       |      |    |    |              |              |     |       |            |         |     |         |
|-------|------|----|----|--------------|--------------|-----|-------|------------|---------|-----|---------|
| Model | Year | MG | SG | Illustration | Restrictions | UPD | 18:52 | 01.03.2010 | PORSCHE | PET | PORSCHE |
| 987-2 | 2010 | 8  | 09 | 809-00       |              | 248 |       |            |         |     |         |



| Pos | Part Number    | Description  | Remark | Qty | Model        |
|-----|----------------|--|--------|-----|--------------|
|     |                | dashboard trim<br>upper part<br>with<br>mounting parts |        |     |              |
|     |                | accessories<br>see group<br>8/09/01                    |        |     |              |
| 1   | 987 552 101 21 | dashboard<br>upper part<br>leatherette                 | /LL    | 1   | I098         |
|     | 9L4            | black  |        |     |              |
|     | 9M5            | stone grey   |        |     |              |
|     | 9C6            | sand beige   |        |     |              |
|     | 9D7            | sea blue   |        |     |              |
| (1) | 987 552 102 21 | dashboard<br>upper part<br>leatherette                 | /RL    | 1   | I099         |
|     | 9L4            | black  |        |     |              |
|     | 9M5            | stone grey   |        |     |              |
|     | 9C6            | sand beige   |        |     |              |
|     | 9D7            | sea blue   |        |     |              |
| 1   | 987 552 101 23 | dashboard<br>upper part<br>leatherette                 | /LL    | 1   | I098/639/640 |
|     | 9L4            | black  |        |     |              |
|     | 9M5            | stone grey   |        |     |              |
|     | 9C6            | sand beige   |        |     |              |
|     | 9D7            | sea blue   |        |     |              |
| (1) | 987 552 102 23 | dashboard<br>upper part<br>leatherette                 | /RL    | 1   | I099/639/640 |
|     | 9L4            | black  |        |     |              |
|     | 9M5            | stone grey   |        |     |              |
|     | 9C6            | sand beige   |        |     |              |
|     | 9D7            | sea blue   |        |     |              |



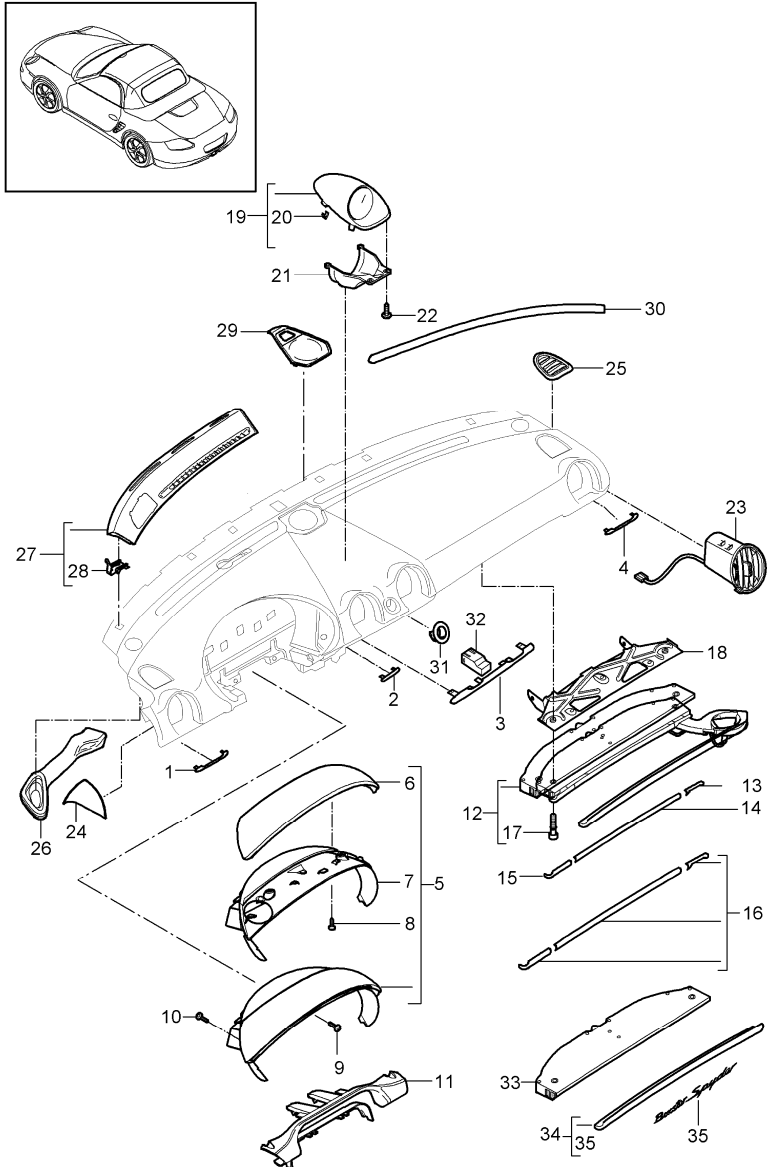
|       |      |    |    |              |              |     |       |            |         |     |         |
|-------|------|----|----|--------------|--------------|-----|-------|------------|---------|-----|---------|
| Model | Year | MG | SG | Illustration | Restrictions | UPD | 18:52 | 01.03.2010 | PORSCHE | PET | PORSCHE |
| 987-2 | 2010 | 8  | 09 | 809-00       |              | 248 |       |            |         |     |         |

| Pos | Part Number    | Description                        | Remark  | Qty | Model                | Pos | Part Number    | Description                           | Remark  | Qty | Model                |
|-----|----------------|------------------------------------|---------|-----|----------------------|-----|----------------|---------------------------------------|---------|-----|----------------------|
| 1   | 987 552 101 17 | dashboard<br>upper part<br>leather | /LL 09- | 1   | I098/981             |     | FSF            | terracotta                            |         |     |                      |
|     | FSA            | black                              |         |     |                      |     | FSG            | cocoa                                 |         |     |                      |
|     | FSB            | stone grey                         |         |     |                      |     | FSH            | dark grey/natural                     |         |     |                      |
|     | FSC            | sand beige                         |         |     |                      |     | FSJ            | brown/natural                         |         |     |                      |
|     | FSD            | sea blue                           |         |     |                      |     | FSP            | carrera red                           |         |     |                      |
|     | FSF            | terracotta                         |         |     |                      | 1   | 987 552 102 18 | dashboard                             | /RL 09- | 1   | I099/639/640<br>I981 |
|     | FSG            | cocoa                              |         |     |                      |     |                | upper part<br>leather                 |         |     |                      |
|     | FSH            | dark grey/natural                  |         |     |                      |     | FSA            | black                                 |         |     |                      |
|     | FSJ            | brown/natural                      |         |     |                      |     | FSB            | stone grey                            |         |     |                      |
|     | FSP            | carrera red                        |         |     |                      |     | FSC            | sand beige                            |         |     |                      |
| (1) | 987 552 102 17 | dashboard<br>upper part<br>leather | /RL 09- | 1   | I099/981             |     | FSD            | sea blue                              |         |     |                      |
|     | FSA            | black                              |         |     |                      |     | FSF            | terracotta                            |         |     |                      |
|     | FSB            | stone grey                         |         |     |                      |     | FSG            | cocoa                                 |         |     |                      |
|     | FSC            | sand beige                         |         |     |                      |     | FSH            | dark grey/natural                     |         |     |                      |
|     | FSD            | sea blue                           |         |     |                      |     | FSJ            | brown/natural                         |         |     |                      |
|     | FSF            | terracotta                         |         |     |                      |     | FSP            | carrera red                           |         |     |                      |
|     | FSG            | cocoa                              |         |     |                      | 2   | 999 507 971 01 | speed nut<br>ST 4,2                   |         | X   |                      |
|     | FSH            | dark grey/natural                  |         |     |                      | 3   | 999 073 155 09 | tapping screw<br>ST 4,2 X 13          |         | X   |                      |
|     | FSJ            | brown/natural                      |         |     |                      | 4   | 999 507 106 02 | clamping washer<br>8,0                |         | X   |                      |
|     | FSP            | carrera red                        |         |     |                      | 5   | 999 507 732 01 | clamp<br>8,0 X 12,0 /4,0              |         | X   |                      |
| 1   | 987 552 101 18 | dashboard<br>upper part<br>leather | /LL 09- | 1   | I098/639/640<br>I981 | 6   | 999 507 020 01 | speed nut<br>ST 4,2                   |         | X   |                      |
|     | FSA            | black                              |         |     |                      | 7   | 997 552 617 01 | support<br>dashboard<br>driver's side |         | 1   |                      |
|     | FSB            | stone grey                         |         |     |                      | 8   | 997 552 673 00 | lid<br>defroster trim                 |         | 2   |                      |
|     | FSC            | sand beige                         |         |     |                      | 9   | 999 073 226 09 | tapping screw<br>ST 4,2 X 16          |         | 2   |                      |
|     | FSD            | sea blue                           |         |     |                      |     |                |                                       |         |     |                      |

|       |      |    |    |              |              |     |       |            |         |     |         |
|-------|------|----|----|--------------|--------------|-----|-------|------------|---------|-----|---------|
| Model | Year | MG | SG | Illustration | Restrictions | UPD | 18:52 | 01.03.2010 | PORSCHE | PET | PORSCHE |
| 987-2 | 2010 | 8  | 09 | 809-00       |              | 248 |       |            |         |     |         |

| Pos  | Part Number    | Description                                      | Remark | Qty | Model | Pos | Part Number | Description | Remark | Qty | Model |
|------|----------------|--|--------|-----|-------|-----|-------------|-------------|--------|-----|-------|
| 10   | 997 552 481 00 | insert<br>a-pillar                               | /L     | 1   |       |     |             |             |        |     |       |
| (10) | 997 552 482 00 | insert<br>a-pillar                               | /R     | 1   |       |     |             |             |        |     |       |
| 11   | 8E0 857 117    | clamp  |        | 2   |       |     |             |             |        |     |       |
| 12   | 999 507 319 01 | captive nut<br>M5                                |        | 2   |       |     |             |             |        |     |       |
| 13   | 997 552 360 03 | retaining bracket<br>for<br>beverages<br>support | /LL    | 1   | I098  |     |             |             |        |     |       |
| (13) | 997 552 359 03 | retaining bracket<br>for<br>beverages<br>support | /RL    | 1   | I099  |     |             |             |        |     |       |

|       |      |    |    |              |              |     |       |            |         |     |         |
|-------|------|----|----|--------------|--------------|-----|-------|------------|---------|-----|---------|
| Model | Year | MG | SG | Illustration | Restrictions | UPD | 18:52 | 01.03.2010 | PORSCHE | PET | PORSCHE |
| 987-2 | 2010 | 8  | 09 | 809-01       |              | 248 |       |            |         |     |         |



| Pos | Part Number    | Description  | Remark | Qty | Model                         |
|-----|----------------|--|--------|-----|-------------------------------|
|     |                | dashboard trim upper part with accessories         |        |     |                               |
| 1   | 987 552 381 01 | moulding driver's side outer<br>D07 volcano grey   | /LL    | 1   | BOXSTER I098                  |
| (1) | 987 552 382 01 | moulding driver's side outer<br>D07 volcano grey   | /RL    | 1   | BOXSTER I099                  |
| (1) | 987 552 381 02 | moulding driver's side outer<br>V04 galvano silver | /LL    | 1   | BOXSTER S I098                |
| (1) | 987 552 382 02 | moulding driver's side outer<br>V04 galvano silver | /RL    | 1   | BOXSTER S I099                |
| (1) | 987 552 381 03 | moulding driver's side outer<br>S61 macassar       | /LL    | 1   | BOXSTER I098/801<br>BOXSTER S |
| (1) | 987 552 382 03 | moulding driver's side outer<br>S61 macassar       | /RL    | 1   | BOXSTER I099/801<br>BOXSTER S |
| (1) | 987 552 381 05 | moulding driver's side outer<br>A35 black          | /LL    | 1   | BOXSTER I098/803<br>BOXSTER S |

|       |      |    |    |              |              |     |       |            |         |     |         |
|-------|------|----|----|--------------|--------------|-----|-------|------------|---------|-----|---------|
| Model | Year | MG | SG | Illustration | Restrictions | UPD | 18:52 | 01.03.2010 | PORSCHE | PET | PORSCHE |
| 987-2 | 2010 | 8  | 09 | 809-01       |              | 248 |       |            |         |     |         |

| Pos | Part Number    | Description   | Remark | Qty | Model                              | Pos | Part Number    | Description  | Remark | Qty | Model                            |
|-----|----------------|---|--------|-----|------------------------------------|-----|----------------|--|--------|-----|----------------------------------|
| (1) | 987 552 382 05 | moulding<br>driver's side<br>outer<br>A35 black   | /RL    | 1   | BOXSTER<br>I099/803<br>BOXSTER S   | (1) | 987 552 986 01 | moulding<br>driver's side<br>outer<br>A11 black          | /RL    | 1   | BOXSTER<br>IXVP/099<br>BOXSTER S |
| (1) | 987 552 381 06 | moulding<br>driver's side<br>outer<br>G2X prime coated  | /LL    | 10- | 1 BOXSTER<br>IXDM/098<br>BOXSTER S |     | 5X6            | stone grey   |        |     |                                  |
| (1) | 987 552 381 06 | moulding<br>driver's side<br>outer<br>G2X prime coated  | /LL    | 10- | 1 SPYDER<br>I098/805               |     | 8G2            | sand beige   |        |     |                                  |
| (1) | 987 552 382 06 | moulding<br>driver's side<br>outer<br>G2X prime coated  | /RL    | 10- | 1 BOXSTER<br>IXDM/099<br>BOXSTER S |     | 3S9            | sea blue   |        |     |                                  |
| (1) | 987 552 382 06 | moulding<br>driver's side<br>outer<br>G2X prime coated  | /RL    | 10- | 1 SPYDER<br>I099/805               |     | 9S5            | terracotta   |        |     |                                  |
| (1) | 987 552 986 00 | moulding<br>driver's side<br>outer<br>A11 black<br>5X6 stone grey<br>8G2 sand beige<br>3S9 sea blue<br>9S5 terracotta<br>9V6 cocoa<br>D12 dark grey/natural<br>T12 brown/natural<br>N12 carrera red | /LL    | 1   | 1 BOXSTER<br>IXVP/098<br>BOXSTER S |     | 9V6            | cocoa  |        |     |                                  |
|     |                |   |        |     |                                    |     | D12            | dark grey/natural  |        |     |                                  |
|     |                |   |        |     |                                    |     | T12            | brown/natural  |        |     |                                  |
|     |                |   |        |     |                                    |     | N12            | carrera red  |        |     |                                  |
|     |                |   |        |     |                                    | 2   | 987 552 383 01 | moulding<br>driver's side<br>inner<br>D07 volcano grey   | /LL    | 1   | BOXSTER<br>I098                  |
|     |                |   |        |     |                                    | (2) | 987 552 384 01 | moulding<br>driver's side<br>inner<br>D07 volcano grey   | /RL    | 1   | BOXSTER<br>I099                  |
|     |                |   |        |     |                                    | (2) | 987 552 383 02 | moulding<br>driver's side<br>inner<br>V04 galvano silver | /LL    | 1   | BOXSTER S<br>I098                |
|     |                |   |        |     |                                    | (2) | 987 552 384 02 | moulding<br>driver's side<br>inner<br>V04 galvano silver | /RL    | 1   | BOXSTER S<br>I099                |
|     |                |   |        |     |                                    | (2) | 987 552 383 03 | moulding<br>driver's side<br>inner<br>S61 macassar       | /LL    | 1   | BOXSTER<br>I098/801<br>BOXSTER S |

|       |      |    |    |              |              |     |       |            |         |     |         |
|-------|------|----|----|--------------|--------------|-----|-------|------------|---------|-----|---------|
| Model | Year | MG | SG | Illustration | Restrictions | UPD | 18:52 | 01.03.2010 | PORSCHE | PET | PORSCHE |
| 987-2 | 2010 | 8  | 09 | 809-01       |              | 248 |       |            |         |     |         |

| Pos | Part Number    | Description                        | Remark | Qty | Model                              | Pos | Part Number    | Description                        | Remark | Qty | Model                            |
|-----|----------------|------------------------------------|--------|-----|------------------------------------|-----|----------------|------------------------------------|--------|-----|----------------------------------|
| (2) | 987 552 384 03 | moulding<br>driver's side<br>inner | /RL    | 1   | BOXSTER<br>I099/801<br>BOXSTER S   |     | 8G2            | sand beige                         |        |     |                                  |
|     | S61            | macassar                           |        |     |                                    |     | 3S9            | sea blue                           |        |     |                                  |
|     |                |                                    |        |     |                                    |     | 9S5            | terracotta                         |        |     |                                  |
|     |                |                                    |        |     |                                    |     | 9V6            | cocoa                              |        |     |                                  |
| (2) | 987 552 383 05 | moulding<br>driver's side<br>inner | /LL    | 1   | BOXSTER<br>I098/803<br>BOXSTER S   |     | D12            | dark grey/natural                  |        |     |                                  |
|     | A35            | black                              |        |     |                                    |     | T12            | brown/natural                      |        |     |                                  |
|     |                |                                    |        |     |                                    |     | N12            | carrera red                        |        |     |                                  |
| (2) | 987 552 384 05 | moulding<br>driver's side<br>inner | /RL    | 1   | BOXSTER<br>I099/803<br>BOXSTER S   | (2) | 987 552 987 01 | moulding<br>driver's side<br>inner | /RL    | 1   | BOXSTER<br>IXVP/099<br>BOXSTER S |
|     | A35            | black                              |        |     |                                    |     | A11            | black                              |        |     |                                  |
| (2) | 987 552 383 06 | moulding<br>driver's side<br>inner | /LL    | 10- | 1 BOXSTER<br>IXDM/098<br>BOXSTER S |     | 5X6            | stone grey                         |        |     |                                  |
|     | G2X            | prime coated                       |        |     |                                    |     | 8G2            | sand beige                         |        |     |                                  |
|     |                |                                    |        |     |                                    |     | 3S9            | sea blue                           |        |     |                                  |
| (2) | 987 552 383 06 | moulding<br>driver's side<br>inner | /LL    | 10- | 1 SPYDER<br>I098/805               |     | 9S5            | terracotta                         |        |     |                                  |
|     | G2X            | prime coated                       |        |     |                                    |     | 9V6            | cocoa                              |        |     |                                  |
|     |                |                                    |        |     |                                    |     | D12            | dark grey/natural                  |        |     |                                  |
| (2) | 987 552 384 06 | moulding<br>driver's side<br>inner | /RL    | 10- | 1 BOXSTER<br>IXDM/099<br>BOXSTER S |     | T12            | brown/natural                      |        |     |                                  |
|     | G2X            | prime coated                       |        |     |                                    |     | N12            | carrera red                        |        |     |                                  |
|     |                |                                    |        |     |                                    | 3   | 987 552 585 01 | moulding<br>dashboard<br>centre    |        | 1   | BOXSTER                          |
|     |                |                                    |        |     |                                    |     | D07            | volcano grey                       |        |     |                                  |
| (2) | 987 552 384 06 | moulding<br>driver's side<br>inner | /RL    | 10- | 1 SPYDER<br>I099/805               | (3) | 987 552 585 02 | moulding<br>dashboard<br>centre    |        | 1   | BOXSTER S                        |
|     | G2X            | prime coated                       |        |     |                                    |     | V04            | galvano silver                     |        |     |                                  |
|     |                |                                    |        |     |                                    | (3) | 987 552 585 03 | moulding<br>dashboard<br>centre    |        | 1   | BOXSTER<br>I801<br>BOXSTER S     |
| (2) | 987 552 987 00 | moulding<br>driver's side<br>inner | /LL    | 1   | BOXSTER<br>IXVP/098<br>BOXSTER S   |     | S61            | macassar                           |        |     |                                  |
|     | A11            | black                              |        |     |                                    |     |                |                                    |        |     |                                  |
|     | 5X6            | stone grey                         |        |     |                                    |     |                |                                    |        |     |                                  |

|       |      |    |    |              |              |     |       |            |         |     |         |
|-------|------|----|----|--------------|--------------|-----|-------|------------|---------|-----|---------|
| Model | Year | MG | SG | Illustration | Restrictions | UPD | 18:52 | 01.03.2010 | PORSCHE | PET | PORSCHE |
| 987-2 | 2010 | 8  | 09 | 809-01       |              | 248 |       |            |         |     |         |

| Pos | Part Number    | Description  | Remark | Qty | Model                        | Pos | Part Number    | Description  | Remark | Qty | Model                            |                                  |
|-----|----------------|--|--------|-----|------------------------------|-----|----------------|--|--------|-----|----------------------------------|----------------------------------|
| (3) | 987 552 585 05 | moulding<br>dashboard<br>centre<br>A35 black   |        | 1   | BOXSTER<br>I803<br>BOXSTER S | (4) | 987 552 388 02 | moulding<br>passenger's side<br>V04 galvano silver | /LL    | 1   | BOXSTER S<br>I098                |                                  |
| (3) | 987 552 585 06 | moulding<br>dashboard<br>centre<br>G2X prime coated  | 10-    | 1   | BOXSTER<br>IXDM<br>BOXSTER S | (4) | 987 552 387 02 | moulding<br>passenger's side<br>V04 galvano silver | /RL    | 1   | BOXSTER S<br>I099                |                                  |
| (3) | 987 552 585 06 | moulding<br>dashboard<br>centre<br>G2X prime coated  | 10-    | 1   | SPYDER<br>I805               | (4) | 987 552 388 03 | moulding<br>passenger's side<br>S61 macassar       | /LL    | 1   | BOXSTER<br>I098/801<br>BOXSTER S |                                  |
| (3) | 987 552 981 00 | moulding<br>dashboard<br>centre<br>A11 black<br>5X6 stone grey<br>8G2 sand beige<br>3S9 sea blue<br>9S5 terracotta<br>9V6 cocoa<br>D12 dark grey/natural<br>T12 brown/natural<br>N12 carrera red |        | 1   | BOXSTER<br>IXVP<br>BOXSTER S | (4) | 987 552 387 03 | moulding<br>passenger's side<br>S61 macassar       | /RL    | 1   | BOXSTER<br>I099/801<br>BOXSTER S |                                  |
| 4   | 987 552 388 01 | moulding<br>passenger's side<br>D07 volcano grey   | /LL    | 1   | BOXSTER<br>I098              | (4) | 987 552 388 05 | moulding<br>passenger's side<br>A35 black          | /LL    | 1   | BOXSTER<br>I098/803<br>BOXSTER S |                                  |
| (4) | 987 552 387 01 | moulding<br>passenger's side<br>D07 volcano grey   | /RL    | 1   | BOXSTER<br>I099              | (4) | 987 552 387 05 | moulding<br>passenger's side<br>A35 black          | /RL    | 1   | BOXSTER<br>I099/803<br>BOXSTER S |                                  |
|     |                |  |        |     |                              | (4) | 987 552 388 06 | moulding<br>passenger's side<br>G2X prime coated   | /LL    | 10- | 1                                | BOXSTER<br>IXDM/098<br>BOXSTER S |
|     |                |  |        |     |                              | (4) | 987 552 388 06 | moulding<br>passenger's side<br>G2X prime coated   | /LL    | 10- | 1                                | SPYDER<br>I098/805               |
|     |                |  |        |     |                              | (4) | 987 552 387 06 | moulding<br>passenger's side<br>G2X prime coated   | /RL    | 10- | 1                                | BOXSTER<br>IXDM/099<br>BOXSTER S |
|     |                |  |        |     |                              | (4) | 987 552 387 06 | moulding<br>passenger's side                       | /RL    | 10- | 1                                | SPYDER<br>I099/805               |

|       |      |    |    |              |              |     |       |            |         |     |         |
|-------|------|----|----|--------------|--------------|-----|-------|------------|---------|-----|---------|
| Model | Year | MG | SG | Illustration | Restrictions | UPD | 18:52 | 01.03.2010 | PORSCHE | PET | PORSCHE |
| 987-2 | 2010 | 8  | 09 | 809-01       |              | 248 |       |            |         |     |         |

| Pos | Part Number    | Description                                      | Remark | Qty | Model                            | Pos | Part Number    | Description  | Remark | Qty | Model                            |
|-----|----------------|--|--------|-----|----------------------------------|-----|----------------|--|--------|-----|----------------------------------|
| (4) | 987 552 982 00 | G2X prime coated<br>moulding<br>passenger's side | /LL    | 1   | BOXSTER<br>IXVP/098<br>BOXSTER S | (5) | 987 552 022 00 | 9D7 sea blue<br>instrument box<br>complete<br>slush technology | /RL    | 1   | BOXSTER<br>I099<br>BOXSTER S     |
|     |                | A11 black  |        |     |                                  |     |                | 9L4 black  |        |     |                                  |
|     |                | 5X6 stone grey                                   |        |     |                                  |     |                | 9M5 stone grey   |        |     |                                  |
|     |                | 8G2 sand beige                                   |        |     |                                  |     |                | 9C6 sand beige   |        |     |                                  |
|     |                | 3S9 sea blue                                     |        |     |                                  |     |                | 9D7 sea blue   |        |     |                                  |
|     |                | 9S5 terracotta                                   |        |     |                                  | (5) | 987 552 021 01 | instrument box<br>complete                                     | /LL    | 1   | BOXSTER<br>I098/981<br>BOXSTER S |
|     |                | 9V6 cocoa  |        |     |                                  |     |                | FSA black/grey   |        |     |                                  |
|     |                | D12 dark grey/natural                            |        |     |                                  |     |                | FSB stone grey/stone grey                                      |        |     |                                  |
|     |                | T12 brown/natural                                |        |     |                                  |     |                | FSC sand beige/sand beige                                      |        |     |                                  |
|     |                | N12 carrera red                                  |        |     |                                  |     |                | FSD sea blue/grey  |        |     |                                  |
| (4) | 987 552 982 01 | moulding<br>passenger's side                     | /RL    | 1   | BOXSTER<br>IXVP/099<br>BOXSTER S |     |                | FSF terracotta/terracotta                                      |        |     |                                  |
|     |                | A11 black  |        |     |                                  |     |                | FSG cocoa/cocoa  |        |     |                                  |
|     |                | 5X6 stone grey                                   |        |     |                                  |     |                | FSH darkgrey natural/grey                                      |        |     |                                  |
|     |                | 8G2 sand beige                                   |        |     |                                  |     |                | FSJ brown nat./brown nat.                                      |        |     |                                  |
|     |                | 3S9 sea blue                                     |        |     |                                  |     |                | FSP carrera red  |        |     |                                  |
|     |                | 9S5 terracotta                                   |        |     |                                  | (5) | 987 552 022 01 | instrument box<br>complete                                     | /RL    | 1   | BOXSTER<br>I099/981<br>BOXSTER S |
|     |                | 9V6 cocoa  |        |     |                                  |     |                | FSA black/grey   |        |     |                                  |
|     |                | D12 dark grey/natural                            |        |     |                                  |     |                | FSB stone grey/stone grey                                      |        |     |                                  |
|     |                | T12 brown/natural                                |        |     |                                  |     |                | FSC sand beige/sand beige                                      |        |     |                                  |
|     |                | N12 carrera red                                  |        |     |                                  |     |                | FSD sea blue/grey  |        |     |                                  |
| 5   | 987 552 021 00 | instrument box<br>complete<br>slush technology   | /LL    | 1   | BOXSTER<br>I098<br>BOXSTER S     |     |                | FSF terracotta/terracotta                                      |        |     |                                  |
|     |                | 9L4 black  |        |     |                                  |     |                | FSG cocoa/cocoa  |        |     |                                  |
|     |                | 9M5 stone grey                                   |        |     |                                  |     |                | FSH darkgrey natural/grey                                      |        |     |                                  |
|     |                | 9C6 sand beige                                   |        |     |                                  |     |                | FSJ brown nat./brown nat.                                      |        |     |                                  |

|       |      |    |    |              |              |     |       |            |         |     |         |
|-------|------|----|----|--------------|--------------|-----|-------|------------|---------|-----|---------|
| Model | Year | MG | SG | Illustration | Restrictions | UPD | 18:52 | 01.03.2010 | PORSCHE | PET | PORSCHE |
| 987-2 | 2010 | 8  | 09 | 809-01       |              | 248 |       |            |         |     |         |

| Pos | Part Number    | Description                | Remark | Qty | Model                                | Pos | Part Number    | Description                | Remark                     | Qty | Model                            |                                      |
|-----|----------------|----------------------------|--------|-----|--------------------------------------|-----|----------------|----------------------------|----------------------------|-----|----------------------------------|--------------------------------------|
|     | FSP            | carrera red                |        |     |                                      |     | 3S9            | sea blue                   |                            |     |                                  |                                      |
| (5) | 987 552 990 00 | instrument box<br>complete | /LL    | 1   | BOXSTER<br>IXNG/098<br>BOXSTER S     |     | 9S5            | terracotta                 |                            |     |                                  |                                      |
|     | 9L4            | black                      |        |     |                                      |     | 9V6            | cocoa                      |                            |     |                                  |                                      |
|     | 9M5            | stone grey                 |        |     |                                      |     | D12            | dark grey/natural          |                            |     |                                  |                                      |
|     | 9C6            | sand beige                 |        |     |                                      |     | T12            | brown/natural              |                            |     |                                  |                                      |
|     | 9D7            | sea blue                   |        |     |                                      |     | N12            | carrera red                |                            |     |                                  |                                      |
| (5) | 987 552 990 01 | instrument box<br>complete | /RL    | 1   | BOXSTER<br>IXNG/099<br>BOXSTER S     | (5) | 987 552 990 04 | instrument box<br>complete | /LL                        | 1   | BOXSTER<br>IXCL/098<br>BOXSTER S |                                      |
|     | 9L4            | black                      |        |     |                                      |     | 9L4            | black                      |                            |     |                                  |                                      |
|     | 9M5            | stone grey                 |        |     |                                      |     | 9M5            | stone grey                 |                            |     |                                  |                                      |
|     | 9C6            | sand beige                 |        |     |                                      |     | 9C6            | sand beige                 |                            |     |                                  |                                      |
|     | 9D7            | sea blue                   |        |     |                                      |     | 9D7            | sea blue                   |                            |     |                                  |                                      |
| (5) | 987 552 990 02 | instrument box<br>complete | /LL    | 1   | BOXSTER<br>IXNG/098/981<br>BOXSTER S | (5) | 987 552 990 05 | instrument box<br>complete | /RL                        | 1   | BOXSTER<br>IXCL/099<br>BOXSTER S |                                      |
|     | A11            | black                      |        |     |                                      |     | 9L4            | black                      |                            |     |                                  |                                      |
|     | 5X6            | stone grey                 |        |     |                                      |     | 9M5            | stone grey                 |                            |     |                                  |                                      |
|     | 8G2            | sand beige                 |        |     |                                      |     | 9C6            | sand beige                 |                            |     |                                  |                                      |
|     | 3S9            | sea blue                   |        |     |                                      |     | 9D7            | sea blue                   |                            |     |                                  |                                      |
|     | 9S5            | terracotta                 |        |     |                                      |     | (5)            | 987 552 990 06             | instrument box<br>complete | /LL | 1                                | BOXSTER<br>IXCL/098/981<br>BOXSTER S |
|     | 9V6            | cocoa                      |        |     |                                      |     | A11            | black                      |                            |     |                                  |                                      |
|     | D12            | dark grey/natural          |        |     |                                      |     | 5X6            | stone grey                 |                            |     |                                  |                                      |
|     | T12            | brown/natural              |        |     |                                      |     | 8G2            | sand beige                 |                            |     |                                  |                                      |
|     | N12            | carrera red                |        |     |                                      |     | 3S9            | sea blue                   |                            |     |                                  |                                      |
| (5) | 987 552 990 03 | instrument box<br>complete | /RL    | 1   | BOXSTER<br>IXNG/099/981<br>BOXSTER S |     | 9S5            | terracotta                 |                            |     |                                  |                                      |
|     | A11            | black                      |        |     |                                      |     | 9V6            | cocoa                      |                            |     |                                  |                                      |
|     | 5X6            | stone grey                 |        |     |                                      |     | D12            | dark grey/natural          |                            |     |                                  |                                      |
|     | 8G2            | sand beige                 |        |     |                                      |     | T12            | brown/natural              |                            |     |                                  |                                      |
|     |                |                            |        |     |                                      |     | N12            | carrera red                |                            |     |                                  |                                      |



|       |      |    |    |              |              |     |       |            |         |     |         |
|-------|------|----|----|--------------|--------------|-----|-------|------------|---------|-----|---------|
| Model | Year | MG | SG | Illustration | Restrictions | UPD | 18:52 | 01.03.2010 | PORSCHE | PET | PORSCHE |
| 987-2 | 2010 | 8  | 09 | 809-01       |              | 248 |       |            |         |     |         |

| Pos | Part Number    | Description   | Remark | Qty | Model                                | Pos | Part Number    | Description  | Remark | Qty | Model                            |
|-----|----------------|---|--------|-----|--------------------------------------|-----|----------------|--|--------|-----|----------------------------------|
| (5) | 987 552 990 07 | instrument box<br>complete<br>A11 black<br>5X6 stone grey<br>8G2 sand beige<br>3S9 sea blue<br>9S5 terracotta<br>9V6 cocoa<br>D12 dark grey/natural<br>T12 brown/natural<br>N12 carrera red | /RL    | 1   | BOXSTER<br>IXCL/099/981<br>BOXSTER S | (6) | 987 552 121 03 | sea blue<br>instrument box<br>upper part<br>FSA black/grey<br>FSB stone grey/stone grey<br>FSC sand beige/sand beige<br>FSD sea blue/grey<br>FSF terracotta/terracotta<br>FSG cocoa/cocoa<br>FSH darkgrey natural/grey<br>FSJ brown nat./brown nat.<br>FSP carrera red | /LL    | 1   | BOXSTER<br>I098/981<br>BOXSTER S |
| (5) | 987 552 325 02 | instrument box<br>lacquered<br>A03 black  | /LL    | 10- | 1 SPYDER<br>I098                     | (6) | 987 552 122 03 | instrument box<br>upper part<br>FSA black/grey<br>FSB stone grey/stone grey<br>FSC sand beige/sand beige<br>FSD sea blue/grey<br>FSF terracotta/terracotta<br>FSG cocoa/cocoa<br>FSH darkgrey natural/grey<br>FSJ brown nat./brown nat.<br>FSP carrera red             | /RL    | 1   | BOXSTER<br>I099/981<br>BOXSTER S |
| (5) | 987 552 326 02 | instrument box<br>lacquered<br>A03 black  | /RL    | 10- | 1 SPYDER<br>I099                     |     |                |  |        |     |                                  |
| 6   | 987 552 121 02 | instrument box<br>upper part<br>slush technology<br>9L4 black<br>9M5 stone grey<br>9C6 sand beige<br>9D7 sea blue   | /LL    | 1   | BOXSTER<br>I098<br>BOXSTER S         | 7   | 987 552 227 01 | cover<br>instrument cluster<br>A03 black<br>5V7 stone grey<br>5Z1 sand beige<br>8W7 sea blue   | /LL    | 1   | BOXSTER<br>I098<br>BOXSTER S     |
| 6   | 987 552 122 02 | instrument box<br>upper part<br>slush technology<br>9L4 black<br>9M5 stone grey<br>9C6 sand beige   | /RL    | 1   | BOXSTER<br>I099<br>BOXSTER S         |     |                |  |        |     |                                  |

|       |      |    |    |              |              |     |       |            |         |     |         |
|-------|------|----|----|--------------|--------------|-----|-------|------------|---------|-----|---------|
| Model | Year | MG | SG | Illustration | Restrictions | UPD | 18:52 | 01.03.2010 | PORSCHE | PET | PORSCHE |
| 987-2 | 2010 | 8  | 09 | 809-01       |              | 248 |       |            |         |     |         |

| Pos | Part Number    | Description        | Remark | Qty | Model                                | Pos  | Part Number    | Description  | Remark | Qty | Model                                |
|-----|----------------|--------------------|--------|-----|--------------------------------------|------|----------------|--|--------|-----|--------------------------------------|
|     | 8X8            | terracotta         |        |     |                                      |      | 8G2            | sand beige   |        |     |                                      |
|     | 8P9            | cocoa              |        |     |                                      |      | 3S9            | sea blue   |        |     |                                      |
|     | T13            | brown/natural      |        |     |                                      |      | 9S5            | terracotta   |        |     |                                      |
|     | N23            | carrera red        |        |     |                                      |      | 9V6            | cocoa  |        |     |                                      |
| (7) | 987 552 228 01 | cover              | /RL    | 1   | BOXSTER<br>I099<br>BOXSTER S         |      | D12            | dark grey/natural  |        |     |                                      |
|     |                | instrument cluster |        |     |                                      |      | T12            | brown/natural  |        |     |                                      |
|     | A03            | black              |        |     |                                      |      | N12            | carrera red  |        |     |                                      |
|     | 5V7            | stone grey         |        |     |                                      | (7)  | 987 552 989 02 | cover  | /LL    | 1   | BOXSTER<br>IXCL/098/981<br>BOXSTER S |
|     | 5Z1            | sand beige         |        |     |                                      |      |                | instrument cluster   |        |     |                                      |
|     | 8W7            | sea blue           |        |     |                                      |      | V04            | galvano silver   |        |     |                                      |
|     | 8X8            | terracotta         |        |     |                                      | (7)  | 987 552 989 03 | cover  | /RL    | 1   | BOXSTER<br>IXCL/099/981<br>BOXSTER S |
|     | 8P9            | cocoa              |        |     |                                      |      |                | instrument cluster   |        |     |                                      |
|     | T13            | brown/natural      |        |     |                                      |      | V04            | galvano silver   |        |     |                                      |
|     | N23            | carrera red        |        |     |                                      | 8    | 999 073 340 09 | tapping screw<br>ST 3,5 X 11   |        | 2   | BOXSTER<br>BOXSTER S                 |
| (7) | 987 552 989 00 | cover              | /LL    | 1   | BOXSTER<br>IXNG/098/981<br>BOXSTER S | 9    | 999 073 155 09 | tapping screw<br>ST 4,2 X 13<br>mount<br>cover<br>instrument cluster |        | 2   | BOXSTER<br>BOXSTER S                 |
|     |                | instrument cluster |        |     |                                      |      |                |  |        |     |                                      |
|     | A11            | black              |        |     |                                      |      |                |  |        |     |                                      |
|     | 5X6            | stone grey         |        |     |                                      |      |                |  |        |     |                                      |
|     | 8G2            | sand beige         |        |     |                                      | 10   | 999 073 226 09 | tapping screw<br>ST 4,2 X 16<br>mount<br>cover<br>instrument cluster |        | 5   | BOXSTER<br>BOXSTER S                 |
|     | 3S9            | sea blue           |        |     |                                      |      |                |  |        |     |                                      |
|     | 9S5            | terracotta         |        |     |                                      |      |                |  |        |     |                                      |
|     | 9V6            | cocoa              |        |     |                                      | (10) | 999 073 226 09 | tapping screw<br>ST 4,2 X 16<br>mount<br>instrument box              |        | 7   | SPYDER                               |
|     | D12            | dark grey/natural  |        |     |                                      |      |                |  |        |     |                                      |
|     | T12            | brown/natural      |        |     |                                      | --   | 999 507 621 01 | speed nut<br>ST 4,2<br>mount<br>cover<br>instrument cluster          |        | 5   |                                      |
|     | N12            | carrera red        |        |     |                                      |      |                |  |        |     |                                      |
| (7) | 987 552 989 01 | cover              | /RL    | 1   | BOXSTER<br>IXNG/099/981<br>BOXSTER S | 11   | 987 552 271 01 | bridge   | /LL    | 1   | I098                                 |
|     |                | instrument cluster |        |     |                                      |      |                |  |        |     |                                      |
|     | A11            | black              |        |     |                                      |      | A03            | black  |        |     |                                      |
|     | 5X6            | stone grey         |        |     |                                      |      | 5V7            | stone grey   |        |     |                                      |

|       |      |    |    |              |              |     |       |            |         |     |         |
|-------|------|----|----|--------------|--------------|-----|-------|------------|---------|-----|---------|
| Model | Year | MG | SG | Illustration | Restrictions | UPD | 18:52 | 01.03.2010 | PORSCHE | PET | PORSCHE |
| 987-2 | 2010 | 8  | 09 | 809-01       |              | 248 |       |            |         |     |         |

| Pos  | Part Number    | Description       | Remark | Qty | Model    | Pos  | Part Number    | Description  | Remark | Qty | Model                      |
|------|----------------|-------------------|--------|-----|----------|------|----------------|--|--------|-----|----------------------------|
|      | 5Z1            | sand beige        |        |     |          |      | 3S9            | sea blue   |        |     |                            |
|      | 8W7            | sea blue          |        |     |          |      | 9S5            | terracotta   |        |     |                            |
|      | 8X8            | terracotta        |        |     |          |      | 9V6            | cocoa  |        |     |                            |
|      | 8P9            | cocoa             |        |     |          |      | D12            | dark grey/natural                                    |        |     |                            |
|      | T13            | brown/natural     |        |     |          |      | T12            | brown/natural  |        |     |                            |
|      | N23            | carrera red       |        |     |          |      | N12            | carrera red  |        |     |                            |
| (11) | 987 552 272 01 | bridge            | /RL    | 1   | I099     | 12   | 997 552 294 03 | support beverages                                    | /LL    | 1   | I098/585                   |
|      | A03            | black             |        |     |          | (12) | 997 552 293 04 | support beverages                                    | /RL    | 1   | I099/585                   |
|      | 5V7            | stone grey        |        |     |          | --   | 997 552 905 00 | repair kit flap torsion spring for beverages support |        | 1   | I585                       |
|      | 5Z1            | sand beige        |        |     |          | 13   | 997 552 394 01 | cover  | /LL/R  | 1   | BOXSTER I098               |
|      | 8W7            | sea blue          |        |     |          |      | D07            | volcano grey   |        |     |                            |
|      | 8X8            | terracotta        |        |     |          | (13) | 997 552 393 01 | cover  | /RL/R  | 1   | BOXSTER I099               |
|      | 8P9            | cocoa             |        |     |          |      | D07            | volcano grey   |        |     |                            |
| 11   | 987 552 978 00 | bridge            | /LL    | 1   | IXNS/098 | (13) | 997 552 394 02 | cover  | /LL/R  | 1   | BOXSTER S I098             |
|      | A11            | black             |        |     |          |      | V04            | galvano silver                                       |        |     |                            |
|      | 5X6            | stone grey        |        |     |          | (13) | 997 552 393 02 | cover  | /RL/R  | 1   | BOXSTER S I099             |
|      | 8G2            | sand beige        |        |     |          |      | V04            | galvano silver                                       |        |     |                            |
|      | 3S9            | sea blue          |        |     |          | (13) | 997 552 396 05 | cover  | /LL/R  | 1   | BOXSTER I098/803 BOXSTER S |
|      | 9S5            | terracotta        |        |     |          |      | A35            | black  |        |     |                            |
|      | 9V6            | cocoa             |        |     |          | (13) | 997 552 395 05 | cover  | /RL/R  | 1   | BOXSTER I099/803 BOXSTER S |
|      | D12            | dark grey/natural |        |     |          |      | A35            | black  |        |     |                            |
|      | T12            | brown/natural     |        |     |          |      |                |  |        |     |                            |
|      | N12            | carrera red       |        |     |          |      |                |  |        |     |                            |
| (11) | 987 552 978 01 | bridge            | /RL    | 1   | IXNS/099 | (13) |                |  |        |     |                            |
|      | A11            | black             |        |     |          |      |                |  |        |     |                            |
|      | 5X6            | stone grey        |        |     |          |      |                |  |        |     |                            |
|      | 8G2            | sand beige        |        |     |          |      |                |  |        |     |                            |

|       |      |    |    |              |              |     |       |            |         |     |         |
|-------|------|----|----|--------------|--------------|-----|-------|------------|---------|-----|---------|
| Model | Year | MG | SG | Illustration | Restrictions | UPD | 18:52 | 01.03.2010 | PORSCHE | PET | PORSCHE |
| 987-2 | 2010 | 8  | 09 | 809-01       |              | 248 |       |            |         |     |         |

| Pos  | Part Number    | Description       | Remark | Qty | Model | Pos                              | Part Number    | Description           | Remark | Qty | Model           |                                  |                                  |
|------|----------------|-------------------|--------|-----|-------|----------------------------------|----------------|-----------------------|--------|-----|-----------------|----------------------------------|----------------------------------|
| (13) | 987 552 394 00 | cover             | /LL/R  | 10- | 1     | BOXSTER<br>IXTM/098              |                | D12 dark grey/natural |        |     |                 |                                  |                                  |
|      | G2X            | prime coated      |        |     |       | BOXSER S                         |                | T12 brown/natural     |        |     |                 |                                  |                                  |
| (13) | 987 552 394 00 | cover             | /LL/R  | 10- | 1     | SPYDER<br>I098/585/805           | 14             | N12 carrera red       |        |     |                 |                                  |                                  |
|      | G2X            | prime coated      |        |     |       |                                  | 997 552 398 00 | cover                 | /LL    | 1   | BOXSTER<br>I098 |                                  |                                  |
|      |                |                   |        |     |       |                                  |                | centre                |        |     |                 |                                  |                                  |
| (13) | 987 552 393 00 | cover             | /RL/R  | 10- | 1     | BOXSTER<br>IXDM/099              |                | D07 volcano grey      |        |     |                 |                                  |                                  |
|      | G2X            | prime coated      |        |     |       | BOXSTER S                        | (14)           | 997 552 397 00        | cover  | /RL | 1               | BOXSTER<br>I099                  |                                  |
|      |                |                   |        |     |       |                                  |                | centre                |        |     |                 |                                  |                                  |
| (13) | 987 552 393 00 | cover             | /RL/R  | 10- | 1     | SPYDER<br>I099/585/805           |                | D07 volcano grey      |        |     |                 |                                  |                                  |
|      | G2X            | prime coated      |        |     |       |                                  | (14)           | 997 552 398 01        | cover  | /LL | 1               | BOXSTER S<br>I098                |                                  |
| (13) | 997 552 993 00 | cover             | /LL/R  |     | 1     | BOXSTER<br>IXVP/098<br>BOXSTER S |                | centre                |        |     |                 |                                  |                                  |
|      | A11            | black             |        |     |       |                                  |                | V04 galvano silver    |        |     |                 |                                  |                                  |
|      | 5X6            | stone grey        |        |     |       |                                  | (14)           | 997 552 397 01        | cover  | /RL | 1               | BOXSTER S<br>I099                |                                  |
|      | 8G2            | sand beige        |        |     |       |                                  |                | centre                |        |     |                 |                                  |                                  |
|      | 3S9            | sea blue          |        |     |       |                                  |                | V04 galvano silver    |        |     |                 |                                  |                                  |
|      | 9S5            | terracotta        |        |     |       |                                  | (14)           | 997 552 398 04        | cover  | /LL | 1               | BOXSTER<br>I098/803<br>BOXSTER S |                                  |
|      | 9V6            | cocoa             |        |     |       |                                  |                | centre                |        |     |                 |                                  |                                  |
|      | D12            | dark grey/natural |        |     |       |                                  |                | A35 black             |        |     |                 |                                  |                                  |
|      | T12            | brown/natural     |        |     |       |                                  | (14)           | 997 552 397 04        | cover  | /RL | 1               | BOXSTER<br>I099/803<br>BOXSTER S |                                  |
|      | N12            | carrera red       |        |     |       |                                  |                | centre                |        |     |                 |                                  |                                  |
|      |                |                   |        |     |       |                                  |                | A35 black             |        |     |                 |                                  |                                  |
| (13) | 997 552 993 01 | cover             | /RL/R  |     | 1     | BOXSTER<br>IXVP/099<br>BOXSTER S | (14)           | 987 552 392 00        | cover  | /LL | 10-             | 1                                | BOXSTER<br>IXDM/098<br>BOXSTER S |
|      | A11            | black             |        |     |       |                                  |                | centre                |        |     |                 |                                  |                                  |
|      | 5X6            | stone grey        |        |     |       |                                  |                | G2X prime coated      |        |     |                 |                                  |                                  |
|      | 8G2            | sand beige        |        |     |       |                                  | (14)           | 987 552 391 00        | cover  | /RL | 10-             | 1                                | BOXSTER<br>IXDM/099<br>BOXSTER S |
|      | 3S9            | sea blue          |        |     |       |                                  |                | centre                |        |     |                 |                                  |                                  |
|      | 9S5            | terracotta        |        |     |       |                                  |                | G2X prime coated      |        |     |                 |                                  |                                  |
|      | 9V6            | cocoa             |        |     |       |                                  | (14)           | 987 552 392 01        | cover  | /LL | 10-             | 1                                | SPYDER<br>I098/585/805           |
|      |                |                   |        |     |       |                                  |                | centre                |        |     |                 |                                  |                                  |

|       |      |    |    |              |              |     |       |            |         |     |         |
|-------|------|----|----|--------------|--------------|-----|-------|------------|---------|-----|---------|
| Model | Year | MG | SG | Illustration | Restrictions | UPD | 18:52 | 01.03.2010 | PORSCHE | PET | PORSCHE |
| 987-2 | 2010 | 8  | 09 | 809-01       |              | 248 |       |            |         |     |         |

| Pos  | Part Number    | Description            | Remark | Qty | Model                            | Pos  | Part Number    | Description       | Remark | Qty | Model                            |
|------|----------------|------------------------|--------|-----|----------------------------------|------|----------------|-------------------|--------|-----|----------------------------------|
|      | 041            | black                  |        |     |                                  |      | 8G2            | sand beige        |        |     |                                  |
|      | 84A            | guards red             |        |     |                                  |      | 3S9            | sea blue          |        |     |                                  |
|      | B9A            | carrara white          |        |     |                                  |      | 9S5            | terracotta        |        |     |                                  |
|      | 92U            | arctic silver metallic |        |     |                                  |      | 9V6            | cocoa             |        |     |                                  |
|      | C9Z            | basalt black metallic  |        |     |                                  |      | D12            | dark grey/natural |        |     |                                  |
|      | M5R            | Aqua Blue Metallic     |        |     |                                  |      | T12            | brown/natural     |        |     |                                  |
| (14) | 987 552 391 01 | cover                  | /RL    | 10- | 1 SPYDER<br>I099/585/805         |      | N12            | carrera red       |        |     |                                  |
|      |                | centre                 |        |     |                                  | 15   | 997 552 396 01 | cover             | /LL/L  | 1   | BOXSTER<br>I098                  |
|      | 041            | black                  |        |     |                                  |      | D07            | volcano grey      |        |     |                                  |
|      | 84A            | guards red             |        |     |                                  | (15) | 997 552 395 01 | cover             | /RL/L  | 1   | BOXSTER<br>I099                  |
|      | B9A            | carrara white          |        |     |                                  |      | D07            | volcano grey      |        |     |                                  |
|      | 92U            | arctic silver metallic |        |     |                                  | (15) | 997 552 396 02 | cover             | /LL/L  | 1   | BOXSTER S<br>I098                |
|      | C9Z            | basalt black metallic  |        |     |                                  |      | V04            | galvano silver    |        |     |                                  |
| (14) | 997 552 994 00 | cover                  | /LL    | 1   | BOXSTER<br>IXVP/098<br>BOXSTER S | (15) | 997 552 395 02 | cover             | /RL/L  | 1   | BOXSTER S<br>I099                |
|      |                | centre                 |        |     |                                  |      | V04            | galvano silver    |        |     |                                  |
|      | A11            | black                  |        |     |                                  | (15) | 997 552 394 05 | cover             | /LL/L  | 1   | BOXSTER<br>I098/803<br>BOXSTER S |
|      | 5X6            | stone grey             |        |     |                                  |      | A35            | black             |        |     |                                  |
|      | 8G2            | sand beige             |        |     |                                  | (15) | 997 552 393 05 | cover             | /RL/L  | 1   | BOXSTER<br>I099/803<br>BOXSTER S |
|      | 3S9            | sea blue               |        |     |                                  |      | A35            | black             |        |     |                                  |
|      | 9S5            | terracotta             |        |     |                                  | (15) | 987 552 396 00 | cover             | /LL/L  | 10- | 1 BOXSTER<br>IXDM/098            |
|      | 9V6            | cocoa                  |        |     |                                  |      | G2X            | prime coated      |        |     | BOXSTER S                        |
|      | D12            | dark grey/natural      |        |     |                                  | (15) | 987 552 396 00 | cover             | /LL/L  | 10- | 1 SPYDER<br>I098/585/805         |
|      | T12            | brown/natural          |        |     |                                  |      | G2X            | prime coated      |        |     |                                  |
|      | N12            | carrera red            |        |     |                                  | (15) | 987 552 396 00 | cover             | /LL/L  | 10- | 1                                |
| (14) | 997 552 994 01 | cover                  | /RL    | 1   | BOXSTER<br>IXVP/099<br>BOXSTER S |      | G2X            | prime coated      |        |     |                                  |
|      |                | centre                 |        |     |                                  | (15) | 987 552 396 00 | cover             | /LL/L  | 10- | 1                                |
|      | A11            | black                  |        |     |                                  |      | G2X            | prime coated      |        |     |                                  |
|      | 5X6            | stone grey             |        |     |                                  |      |                |                   |        |     |                                  |

|       |      |    |    |              |              |     |       |            |         |     |         |
|-------|------|----|----|--------------|--------------|-----|-------|------------|---------|-----|---------|
| Model | Year | MG | SG | Illustration | Restrictions | UPD | 18:52 | 01.03.2010 | PORSCHE | PET | PORSCHE |
| 987-2 | 2010 | 8  | 09 | 809-01       |              | 248 |       |            |         |     |         |

| Pos  | Part Number    | Description  | Remark | Qty | Model                              | Pos  | Part Number   | Description   | Remark | Qty | Model                            |
|------|----------------|--|--------|-----|------------------------------------|------|---|---|--------|-----|----------------------------------|
| (15) | 987 552 395 00 | cover<br>G2X prime coated  | /RL/L  | 10- | 1 BOXSTER<br>IXDM/099<br>BOXSTER S | 16   | 997 552 904 00  | set<br>cover<br>wood  | /LL    | 1   | BOXSTER<br>I098/801<br>BOXSTER S |
| (15) | 987 552 395 00 | cover<br>G2X prime coated  | /RL/L  | 10- | 1 SPYDER<br>I099/585/805           | (16) | S61 macassar<br>997 552 903 00  | set   | /RL    | 1   | BOXSTER<br>I099/801<br>BOXSTER S |
| (15) | 997 552 992 00 | cover<br>A11 black<br>5X6 stone grey<br>8G2 sand beige<br>3S9 sea blue<br>9S5 terracotta<br>9V6 cocoa<br>D12 dark grey/natural<br>T12 brown/natural<br>N12 carrera red | /LL/L  | 1   | BOXSTER<br>IXVP/098<br>BOXSTER S   | 17   | S61 macassar<br>900 067 416 01  | pan-head screw<br>M5 x 27<br>beverages<br>support<br>see group<br>8/09/00 |        | 2   |                                  |
| (15) | 997 552 992 01 | cover<br>A11 black<br>5X6 stone grey<br>8G2 sand beige<br>3S9 sea blue<br>9S5 terracotta<br>9V6 cocoa<br>D12 dark grey/natural<br>T12 brown/natural<br>N12 carrera red | /RL/L  | 1   | BOXSTER<br>IXVP/099<br>BOXSTER S   | 19   | 987 552 371 00<br>A03 black<br>5V7 stone grey<br>5Z1 sand beige<br>8W7 sea blue   | air box<br>upper part   |        | 1   | I639/640                         |
|      |                |  |        |     |                                    | (19) | 987 552 371 01<br>A11 black<br>5X6 stone grey<br>8G2 sand beige<br>3S9 sea blue<br>9S5 terracotta<br>9V6 cocoa<br>D12 dark grey/natural<br>T12 brown/natural<br>N12 carrera red | air box<br>upper part   |        | 1   | I639/640/981                     |
|      |                |  |        |     |                                    | 20   | 999 507 920 01  | u-clamp<br>1,7-2,1  |        | 4   | I639/640                         |

|       |      |    |    |              |              |     |       |            |         |     |         |
|-------|------|----|----|--------------|--------------|-----|-------|------------|---------|-----|---------|
| Model | Year | MG | SG | Illustration | Restrictions | UPD | 18:52 | 01.03.2010 | PORSCHE | PET | PORSCHE |
| 987-2 | 2010 | 8  | 09 | 809-01       |              | 248 |       |            |         |     |         |

| Pos  | Part Number    | Description                      | Remark | Qty | Model                        | Pos  | Part Number    | Description                      | Remark | Qty | Model |
|------|----------------|----------------------------------|--------|-----|------------------------------|------|----------------|----------------------------------|--------|-----|-------|
| 21   | 997 552 373 01 | support                          |        | 1   | I639/640                     |      | T13            | brown/natural                    |        |     |       |
| 22   | 999 919 167 09 | oval-head screw<br>3,0 X 10      |        | 4   |                              |      | N23            | carrera red                      |        |     |       |
| 23   | 987 552 131 04 | air vent                         | -09    | 4   | BOXSTER<br>BOXSTER S         | (24) | 987 552 538 01 | cover<br>dashboard<br>upper part | /R     | 1   |       |
|      | FRA            | Black/Galvano Silver             |        |     |                              |      | A03            | black                            |        |     |       |
| 23   | 987 552 131 06 | air vent                         | 10-    | 4   | BOXSTER<br>BOXSTER S         |      | 5V7            | stone grey                       |        |     |       |
|      | FRA            | Black/Galvano Silver             |        |     |                              |      | 5Z1            | sand beige                       |        |     |       |
| 23   | 987 552 131 07 | air vent                         | 10-    | 4   | SPYDER                       |      | 8W7            | sea blue                         |        |     |       |
|      | A03            | black                            |        |     |                              |      | 8X8            | terracotta                       |        |     |       |
| (23) | 987 552 980 00 | air vent                         |        | 4   | BOXSTER<br>IXVR<br>BOXSTER S |      | 8P9            | cocoa                            |        |     |       |
|      | A11            | black                            |        |     |                              |      | T13            | brown/natural                    |        |     |       |
|      | 5X6            | stone grey                       |        |     |                              | 25   | 987 552 455 01 | cover<br>defroster vent          | /L     | 1   |       |
|      | 8G2            | sand beige                       |        |     |                              |      | A03            | black                            |        |     |       |
|      | 3S9            | sea blue                         |        |     |                              |      | 5V7            | stone grey                       |        |     |       |
|      | 9S5            | terracotta                       |        |     |                              |      | 5Z1            | sand beige                       |        |     |       |
|      | 9V6            | cocoa                            |        |     |                              |      | 8W7            | sea blue                         |        |     |       |
|      | D12            | dark grey/natural                |        |     |                              |      | 8X8            | terracotta                       |        |     |       |
|      | T12            | brown/natural                    |        |     |                              |      | 8P9            | cocoa                            |        |     |       |
|      | N12            | carrera red                      |        |     |                              |      | T13            | brown/natural                    |        |     |       |
| 24   | 987 552 537 01 | cover<br>dashboard<br>upper part | /L     | 1   |                              | (25) | 987 552 456 01 | cover<br>defroster vent          | /R     | 1   |       |
|      | A03            | black                            |        |     |                              |      | N23            | carrera red                      |        |     |       |
|      | 5V7            | stone grey                       |        |     |                              |      | A03            | black                            |        |     |       |
|      | 5Z1            | sand beige                       |        |     |                              |      | 5V7            | stone grey                       |        |     |       |
|      | 8W7            | sea blue                         |        |     |                              |      | 5Z1            | sand beige                       |        |     |       |
|      | 8X8            | terracotta                       |        |     |                              |      | 8W7            | sea blue                         |        |     |       |
|      | 8P9            | cocoa                            |        |     |                              |      | 8X8            | terracotta                       |        |     |       |
|      |                |                                  |        |     |                              |      | 8P9            | cocoa                            |        |     |       |

|       |      |    |    |              |              |     |       |            |         |     |         |
|-------|------|----|----|--------------|--------------|-----|-------|------------|---------|-----|---------|
| Model | Year | MG | SG | Illustration | Restrictions | UPD | 18:52 | 01.03.2010 | PORSCHE | PET | PORSCHE |
| 987-2 | 2010 | 8  | 09 | 809-01       |              | 248 |       |            |         |     |         |

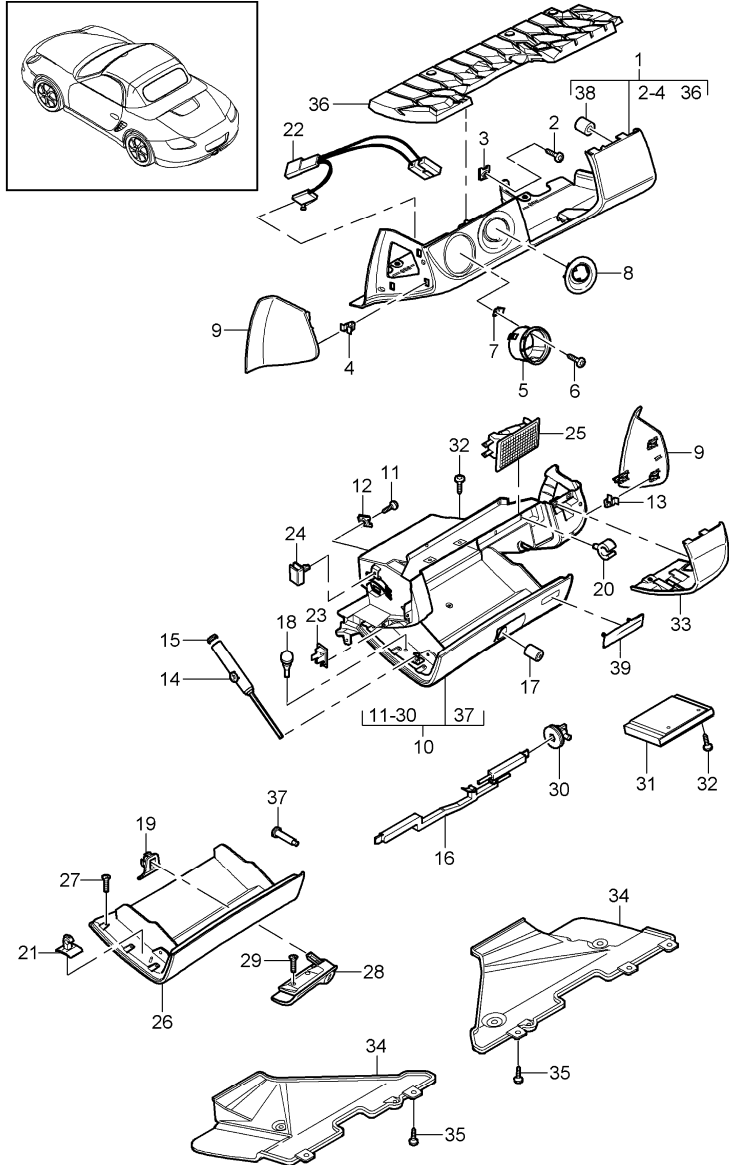
| Pos  | Part Number    | Description      | Remark | Qty | Model | Pos  | Part Number    | Description       | Remark | Qty | Model |
|------|----------------|------------------|--------|-----|-------|------|----------------|-------------------|--------|-----|-------|
|      | T13            | brown/natural    |        |     |       |      | 9V6            | cocoa             |        |     |       |
|      | N23            | carrera red      |        |     |       |      | D12            | dark grey/natural |        |     |       |
| 26   | 987 552 315 02 | air duct lateral | /L     | 1   |       |      | T12            | brown/natural     |        |     |       |
| (26) | 987 552 316 02 | air duct lateral | /R     | 1   |       | (27) | 997 552 984 00 | defroster trim    | /R     | 1   | IXV1  |
| 27   | 997 552 175 01 | defroster trim   | /L     | 1   |       |      | A11            | black             |        |     |       |
|      | A03            | black            |        |     |       |      | 5X6            | stone grey        |        |     |       |
|      | 5V7            | stone grey       |        |     |       |      | 8G2            | sand beige        |        |     |       |
|      | 5Z1            | sand beige       |        |     |       |      | 3S9            | sea blue          |        |     |       |
|      | 8W7            | sea blue         |        |     |       |      | 9S5            | terracotta        |        |     |       |
|      | 8X8            | terracotta       |        |     |       |      | 9V6            | cocoa             |        |     |       |
|      | 8P9            | cocoa            |        |     |       |      | D12            | dark grey/natural |        |     |       |
|      | T13            | brown/natural    |        |     |       |      | T12            | brown/natural     |        |     |       |
|      | N23            | carrera red      |        |     |       |      | N12            | carrera red       |        |     |       |
| (27) | 997 552 176 01 | defroster trim   | /R     | 1   |       | 28   | 999 591 307 01 | u-clamp           |        | 1   |       |
|      | A03            | black            |        |     |       | 29   | 997 552 351 01 | cover centre      |        | 1   |       |
|      | 5V7            | stone grey       |        |     |       |      | A03            | black             |        |     |       |
|      | 5Z1            | sand beige       |        |     |       |      | 5V7            | stone grey        |        |     |       |
|      | 8W7            | sea blue         |        |     |       |      | 5Z1            | sand beige        |        |     |       |
|      | 8X8            | terracotta       |        |     |       |      | 8W7            | sea blue          |        |     |       |
|      | 8P9            | cocoa            |        |     |       |      | 8X8            | terracotta        |        |     |       |
|      | T13            | brown/natural    |        |     |       |      | 8P9            | cocoa             |        |     |       |
|      | N23            | carrera red      |        |     |       |      | T13            | brown/natural     |        |     |       |
| (27) | 997 552 983 00 | defroster trim   | /L     | 1   | IXV1  |      | N23            | carrera red       |        |     |       |
|      | A11            | black            |        |     |       | (29) | 997 552 985 00 | cover centre      |        | 1   | IXV1  |
|      | 5X6            | stone grey       |        |     |       |      | A11            | black             |        |     |       |
|      | 8G2            | sand beige       |        |     |       |      | 5X6            | stone grey        |        |     |       |
|      | 3S9            | sea blue         |        |     |       |      | 8G2            | sand beige        |        |     |       |
|      | 9S5            | terracotta       |        |     |       |      |                |                   |        |     |       |



|       |      |    |    |              |              |     |       |            |         |     |         |
|-------|------|----|----|--------------|--------------|-----|-------|------------|---------|-----|---------|
| Model | Year | MG | SG | Illustration | Restrictions | UPD | 18:52 | 01.03.2010 | PORSCHE | PET | PORSCHE |
| 987-2 | 2010 | 8  | 09 | 809-01       |              | 248 |       |            |         |     |         |

| Pos  | Part Number    | Description                                  | Remark | Qty | Model                           | Pos  | Part Number    | Description            | Remark | Qty | Model                           |
|------|----------------|--|--------|-----|---------------------------------|------|----------------|------------------------|--------|-----|---------------------------------|
|      | 3S9            | sea blue                                     |        |     |                                 |      | C9Z            | basalt black metallic  |        |     |                                 |
|      | 9S5            | terracotta                                   |        |     |                                 |      | M5R            | Aqua Blue Metallic     |        |     |                                 |
|      | 9V6            | cocoa  |        |     |                                 | (34) | 987 552 473 00 | cover                  | /RL    | 10- | 1 SPYDER<br>-I585/I099/<br>I805 |
|      | D12            | dark grey/natural                            |        |     |                                 |      | 041            | black                  |        |     |                                 |
|      | T12            | brown/natural                                |        |     |                                 |      | 84A            | guards red             |        |     |                                 |
|      | N12            | carrera red                                  |        |     |                                 |      | B9A            | carrara white          |        |     |                                 |
| 30   | 997 552 645 00 | gasket<br>cowl                               |        | 1   |                                 |      | 92U            | arctic silver metallic |        |     |                                 |
| 31   | 987 552 397 02 | cover<br>hazard warning light sw.            |        | 1   |                                 |      | C9Z            | basalt black metallic  |        |     |                                 |
|      | A03            | black  |        |     |                                 |      | M5R            | Aqua Blue Metallic     |        |     |                                 |
|      | 5V7            | stone grey                                   |        |     |                                 | 35   | 987 552 773 00 | logo                   |        | 10- | 1 SPYDER<br>I805                |
|      | 5Z1            | sand beige                                   |        |     |                                 |      |                | moulding               |        |     |                                 |
|      | 8W7            | sea blue                                     |        |     |                                 |      | 9R7            | silver                 |        |     |                                 |
|      | 8X8            | terracotta                                   |        |     |                                 |      | 041            | black                  |        |     |                                 |
|      | 8P9            | cocoa  |        |     |                                 |      |                |                        |        |     |                                 |
|      | T13            | brown/natural                                |        |     |                                 |      |                |                        |        |     |                                 |
|      | N23            | carrera red                                  |        |     |                                 |      |                |                        |        |     |                                 |
| 32   | 987 552 595 00 | mounting<br>switch<br>central locking system |        | 1   |                                 |      |                |                        |        |     |                                 |
| 33   | 987 552 374 00 | support<br>cover                             | /LL    | 10- | 1 SPYDER<br>-I585/I098          |      |                |                        |        |     |                                 |
| (33) | 987 552 373 00 | support<br>cover                             | /RL    | 10- | 1 SPYDER<br>-I585/I099          |      |                |                        |        |     |                                 |
| 34   | 987 552 474 00 | cover  | /LL    | 10- | 1 SPYDER<br>-I585/I098/<br>I805 |      |                |                        |        |     |                                 |
|      | 041            | black  |        |     |                                 |      |                |                        |        |     |                                 |
|      | 84A            | guards red                                   |        |     |                                 |      |                |                        |        |     |                                 |
|      | B9A            | carrara white                                |        |     |                                 |      |                |                        |        |     |                                 |
|      | 92U            | arctic silver metallic                       |        |     |                                 |      |                |                        |        |     |                                 |

|       |      |    |    |              |              |     |       |            |         |     |         |
|-------|------|----|----|--------------|--------------|-----|-------|------------|---------|-----|---------|
| Model | Year | MG | SG | Illustration | Restrictions | UPD | 18:52 | 01.03.2010 | PORSCHE | PET | PORSCHE |
| 987-2 | 2010 | 8  | 09 | 809-03       |              | 248 |       |            |         |     |         |



| Pos | Part Number    | Description   | Remark | Qty | Model    |
|-----|----------------|---|--------|-----|----------|
| 1   | 997 552 201 02 | glove compartment lid and lining driver's side<br>lining leatherette<br>1MZ black<br>1YP stone grey<br>1TK sand beige<br>1VM sea blue   | /LL    | 1   | I098     |
| (1) | 997 552 202 02 | lining leatherette<br>1MZ black<br>1YP stone grey<br>1TK sand beige<br>1VM sea blue   | /RL    | 1   | I099     |
| (1) | 997 552 201 03 | lining leather<br>A11 black<br>5X6 stone grey<br>8G2 sand beige<br>3S9 sea blue<br>9S5 terracotta<br>9V6 cocoa<br>D12 dark grey/natural<br>T12 brown/natural<br>N12 carrera red | /LL    | 1   | I098/981 |
| (1) | 997 552 202 03 | lining leather<br>A11 black<br>5X6 stone grey<br>8G2 sand beige   | /RL    | 1   | I099/981 |

|       |      |    |    |              |              |     |       |            |         |     |         |
|-------|------|----|----|--------------|--------------|-----|-------|------------|---------|-----|---------|
| Model | Year | MG | SG | Illustration | Restrictions | UPD | 18:52 | 01.03.2010 | PORSCHE | PET | PORSCHE |
| 987-2 | 2010 | 8  | 09 | 809-03       |              | 248 |       |            |         |     |         |

| Pos | Part Number    | Description   | Remark | Qty | Model | Pos | Part Number    | Description                               | Remark | Qty | Model      |
|-----|----------------|---|--------|-----|-------|-----|----------------|---|--------|-----|------------|
|     | 3S9            | sea blue  |        |     |       |     | 5V7            | stone grey                                |        |     |            |
|     | 9S5            | terracotta  |        |     |       |     | 5Z1            | sand beige                                |        |     |            |
|     | 9V6            | cocoa   |        |     |       |     | 8W7            | sea blue                                  |        |     |            |
|     | D12            | dark grey/natural   |        |     |       |     | 8X8            | terracotta                                |        |     |            |
|     | T12            | brown/natural   |        |     |       |     | 8P9            | cocoa                                     |        |     |            |
|     | N12            | carrera red   |        |     |       |     | T13            | brown/natural                             |        |     |            |
| 2   | 999 073 155 09 | tapping screw<br>4,2 X 13                                 |        | 7   |       |     | N23            | carrera red                               |        |     |            |
| 3   | 999 507 971 01 | speed nut<br>4,2  |        | 7   |       | (8) | 997 552 426 01 | cover<br>ignition starter lock            | /RL    | 1   | I099       |
| 4   | 999 507 732 01 | clamp<br>8 X 12/ 4<br>for<br>mount<br>lining              |        | 7   |       |     | A03            | black                                     |        |     |            |
| 5   | 997 552 427 01 | cover<br>light switch                                     |        | 1   |       |     | 5V7            | stone grey                                |        |     |            |
|     | A03            | black   |        |     |       |     | 5Z1            | sand beige                                |        |     |            |
|     | 5V7            | stone grey  |        |     |       |     | 8W7            | sea blue                                  |        |     |            |
|     | 5Z1            | sand beige  |        |     |       |     | 8X8            | terracotta                                |        |     |            |
|     | 8W7            | sea blue  |        |     |       | (8) | 997 552 998 00 | cover<br>ignition starter lock<br>leather | /LL    | 10- | 1 IXDS/098 |
|     | 8X8            | terracotta  |        |     |       |     | 8P9            | cocoa                                     |        |     |            |
|     | 8P9            | cocoa   |        |     |       |     | T13            | brown/natural                             |        |     |            |
|     | T13            | brown/natural   |        |     |       |     | N23            | carrera red                               |        |     |            |
|     | N23            | carrera red   |        |     |       |     | 8G2            | sand beige                                |        |     |            |
| 6   | 999 073 155 09 | tapping screw<br>4,2 X 13                                 |        | 3   |       |     | 3S9            | sea blue                                  |        |     |            |
| 7   | 999 507 971 01 | speed nut<br>4,2<br>for<br>mount<br>cover<br>light switch |        | 3   |       |     | 9S5            | terracotta                                |        |     |            |
| 8   | 997 552 425 01 | cover<br>ignition starter lock                            | /LL    | 1   | I098  |     | 9V6            | cocoa                                     |        |     |            |
|     | A03            | black   |        |     |       |     | D12            | dark grey/natural                         |        |     |            |
|     |                |   |        |     |       |     | T12            | brown/natural                             |        |     |            |
|     |                |   |        |     |       |     | N12            | carrera red                               |        |     |            |

|       |      |    |    |              |              |     |       |            |         |     |         |
|-------|------|----|----|--------------|--------------|-----|-------|------------|---------|-----|---------|
| Model | Year | MG | SG | Illustration | Restrictions | UPD | 18:52 | 01.03.2010 | PORSCHE | PET | PORSCHE |
| 987-2 | 2010 | 8  | 09 | 809-03       |              | 248 |       |            |         |     |         |

| Pos | Part Number    | Description                               | Remark | Qty | Model      | Pos | Part Number    | Description                                  | Remark | Qty | Model  |
|-----|----------------|---|--------|-----|------------|-----|----------------|--|--------|-----|--------|
| (8) | 997 552 999 00 | cover<br>ignition starter lock<br>leather | /RL    | 10- | 1 IXDS/099 |     | N23            | carrera red                                  |        |     |        |
|     | A11            | black                                     |        |     |            | (9) | 997 552 996 01 | cover<br>leather                             | /L     | 10- | 1 IXDV |
|     | 5X6            | stone grey                                |        |     |            |     | A11            | black  |        |     |        |
|     | 8G2            | sand beige                                |        |     |            |     | 5X6            | stone grey                                   |        |     |        |
|     | 3S9            | sea blue                                  |        |     |            |     | 8G2            | sand beige                                   |        |     |        |
|     | 9S5            | terracotta                                |        |     |            |     | 3S9            | sea blue                                     |        |     |        |
|     | 9V6            | cocoa                                     |        |     |            |     | 9S5            | terracotta                                   |        |     |        |
|     | D12            | dark grey/natural                         |        |     |            |     | 9V6            | cocoa  |        |     |        |
|     | T12            | brown/natural                             |        |     |            |     | D12            | dark grey/natural                            |        |     |        |
|     | N12            | carrera red                               |        |     |            |     | T12            | brown/natural                                |        |     |        |
| 9   | 997 552 405 02 | cover                                     | /L     |     | 1          | (9) | 997 552 996 02 | cover<br>leather                             | /R     | 10- | 1 IXDV |
|     | A03            | black                                     |        |     |            |     | A11            | black  |        |     |        |
|     | 5V7            | stone grey                                |        |     |            |     | 5X6            | stone grey                                   |        |     |        |
|     | 5Z1            | sand beige                                |        |     |            |     | 8G2            | sand beige                                   |        |     |        |
|     | 8W7            | sea blue                                  |        |     |            |     | 3S9            | sea blue                                     |        |     |        |
|     | 8X8            | terracotta                                |        |     |            |     | 9S5            | terracotta                                   |        |     |        |
|     | 8P9            | cocoa                                     |        |     |            |     | 9V6            | cocoa  |        |     |        |
|     | T13            | brown/natural                             |        |     |            |     | D12            | dark grey/natural                            |        |     |        |
|     | N23            | carrera red                               |        |     |            |     | T12            | brown/natural                                |        |     |        |
| (9) | 997 552 406 02 | cover<br>lateral<br>driver's side         | /R     |     | 1          |     | N12            | carrera red                                  |        |     |        |
|     | A03            | black                                     |        |     |            | 10  | 997 552 204 06 | glove compartment<br>leatherette<br>complete | /LL    |     | 1 I098 |
|     | 5V7            | stone grey                                |        |     |            |     | 1MZ            | black  |        |     |        |
|     | 5Z1            | sand beige                                |        |     |            |     | 1YP            | stone grey                                   |        |     |        |
|     | 8W7            | sea blue                                  |        |     |            |     | 1TK            | sand beige                                   |        |     |        |
|     | 8X8            | terracotta                                |        |     |            |     | 1VM            | sea blue                                     |        |     |        |
|     | 8P9            | cocoa                                     |        |     |            |     |                |  |        |     |        |
|     | T13            | brown/natural                             |        |     |            |     |                |  |        |     |        |

|       |      |    |    |              |              |     |       |            |         |     |         |
|-------|------|----|----|--------------|--------------|-----|-------|------------|---------|-----|---------|
| Model | Year | MG | SG | Illustration | Restrictions | UPD | 18:52 | 01.03.2010 | PORSCHE | PET | PORSCHE |
| 987-2 | 2010 | 8  | 09 | 809-03       |              | 248 |       |            |         |     |         |

| Pos  | Part Number    | Description                                  | Remark | Qty | Model    | Pos  | Part Number    | Description  | Remark | Qty | Model |
|------|----------------|--|--------|-----|----------|------|----------------|--|--------|-----|-------|
| (10) | 997 552 203 06 | glove compartment<br>leatherette<br>complete | /RL    | 1   | I099     | 11   | 999 073 155 09 | tapping screw<br>4,2 X 13  |        | X   |       |
|      | 1MZ            | black  |        |     |          | 12   | 999 507 971 01 | speed nut<br>4,2   |        | X   |       |
|      | 1YP            | stone grey                                   |        |     |          | 13   | 999 507 732 01 | clamp<br>8 X 12 /4<br>for<br>mount<br>glove compartment                      |        | X   |       |
|      | 1TK            | sand beige                                   |        |     |          |      |                |  |        |     |       |
|      | 1VM            | sea blue                                     |        |     |          |      |                |  |        |     |       |
| 10   | 997 552 204 07 | glove compartment<br>leather<br>complete     | /LL    | 1   | I098/981 | 14   | 997 552 484 01 | damper<br>glove compartment  |        | 1   |       |
|      | A11            | black  |        |     |          | 15   | 997 552 612 00 | cover<br>damper  |        | 1   |       |
|      | 5X6            | stone grey                                   |        |     |          | 16   | 997 552 410 01 | release<br>glove compartment   | /LL    | 1   | I098  |
|      | 8G2            | sand beige                                   |        |     |          | (16) | 997 552 409 01 | release<br>glove compartment   | /RL    | 1   | I099  |
|      | 3S9            | sea blue                                     |        |     |          | 17   | 996 552 915 01 | lock cylinder<br>glove compartment<br>vehicle identification no.<br>indicate |        | 1   |       |
|      | 9S5            | terracotta                                   |        |     |          | 18   | 999 703 068 40 | buffer<br>3,7 x 10,3   |        | 2   |       |
|      | 9V6            | cocoa  |        |     |          | 19   | 997 552 509 02 | mounting<br>closing element  | /LL/L  | 1   | I098  |
|      | D12            | dark grey/natural                            |        |     |          | (19) | 997 552 510 02 | mounting<br>closing element  | /LL/R  | 1   | I098  |
|      | T12            | brown/natural                                |        |     |          | (19) | 997 552 509 03 | mounting<br>closing element  | /RL/L  | 1   | I099  |
|      | N12            | carrera red                                  |        |     |          | (19) | 997 552 510 03 | mounting<br>closing element  | /RL/R  | 1   | I099  |
| (10) | 997 552 203 07 | glove compartment<br>leather<br>complete     | /RL    | 1   | I099/981 | 20   | 996 552 813 00 | support<br>pin   |        | 2   |       |
|      | A11            | black  |        |     |          | 21   | 996 552 879 00 | adapter<br>for<br>damper   |        | 2   |       |
|      | 5X6            | stone grey                                   |        |     |          | 22   | 997 612 651 00 | wiring harness<br>glove compartment light                                    |        | 1   |       |
|      | 8G2            | sand beige                                   |        |     |          |      |                |  |        |     |       |
|      | 3S9            | sea blue                                     |        |     |          |      |                |  |        |     |       |
|      | 9S5            | terracotta                                   |        |     |          |      |                |  |        |     |       |
|      | 9V6            | cocoa  |        |     |          |      |                |  |        |     |       |
|      | D12            | dark grey/natural                            |        |     |          |      |                |  |        |     |       |
|      | T12            | brown/natural                                |        |     |          |      |                |  |        |     |       |
|      | N12            | carrera red                                  |        |     |          |      |                |  |        |     |       |

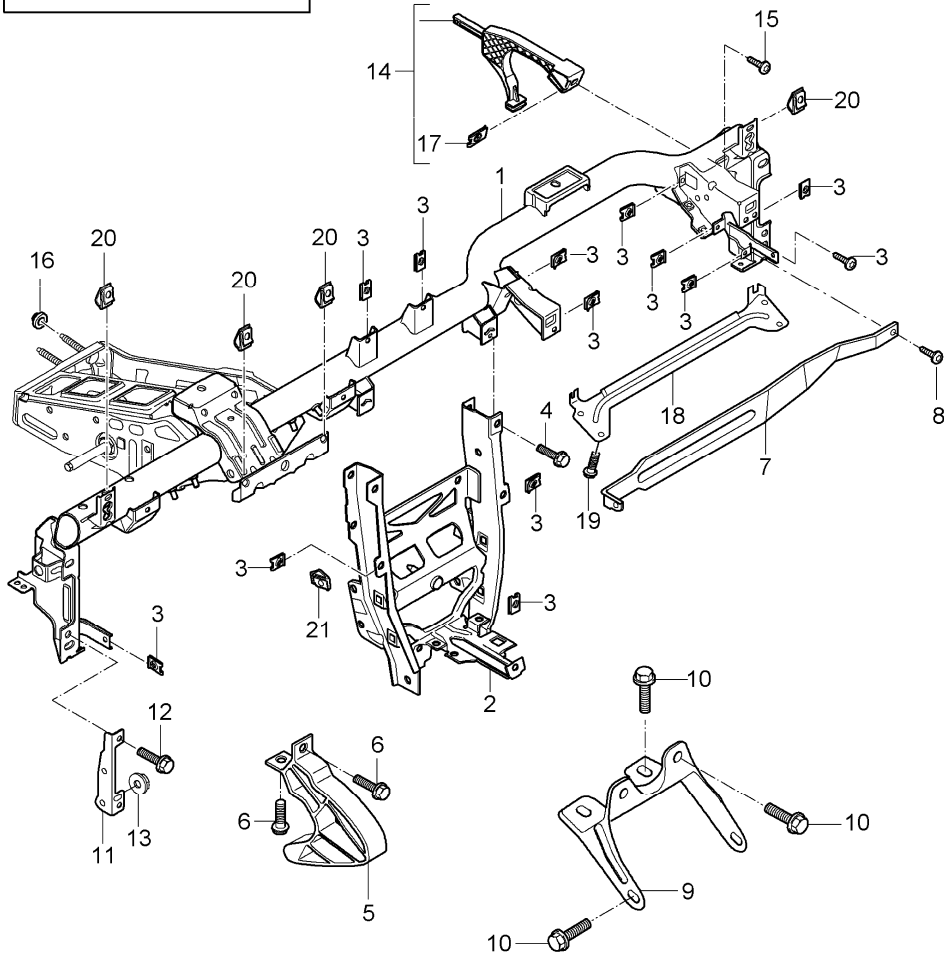
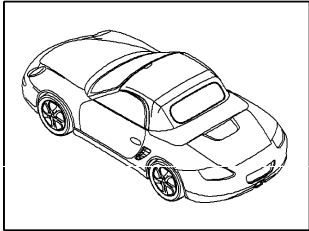
|       |      |    |    |              |              |     |       |            |         |     |         |
|-------|------|----|----|--------------|--------------|-----|-------|------------|---------|-----|---------|
| Model | Year | MG | SG | Illustration | Restrictions | UPD | 18:52 | 01.03.2010 | PORSCHE | PET | PORSCHE |
| 987-2 | 2010 | 8  | 09 | 809-03       |              | 248 |       |            |         |     |         |

| Pos  | Part Number    | Description  | Remark | Qty | Model    | Pos  | Part Number    | Description  | Remark | Qty | Model |
|------|----------------|--|--------|-----|----------|------|----------------|--|--------|-----|-------|
| 23   | 999 650 564 40 | clip<br>for<br>wiring harness<br>microswitch             |        | 1   |          |      | A11            | black  |        |     |       |
|      |                |  |        |     |          |      | 5X6            | stone grey   |        |     |       |
|      |                |  |        |     |          |      | 8G2            | sand beige   |        |     |       |
| 24   | 999 650 565 40 | clip<br>for<br>wiring harness<br>glove compartment light |        | 1   |          |      | 3S9            | sea blue   |        |     |       |
|      |                |  |        |     |          |      | 9S5            | terracotta   |        |     |       |
| 25   | 997 632 071 00 | glove compartment light                                  |        | 1   |          |      | 9V6            | cocoa  |        |     |       |
| 26   | 997 552 252 02 | glove compartment cover<br>leatherette                   | /LL    | 1   | I098     |      | D12            | dark grey/natural  |        |     |       |
|      | 1MZ            | black  |        |     |          |      | T12            | brown/natural  |        |     |       |
|      | 1YP            | stone grey   |        |     |          |      | N12            | carrera red  |        |     |       |
|      | 1TK            | sand beige   |        |     |          | 27   | 999 073 249 07 | tapping screw<br>3.5 X 12<br>for<br>mount<br>glove compartment cover |        | 11  |       |
|      | 1VM            | sea blue   |        |     |          |      |                |  |        |     |       |
| (26) | 997 552 251 02 | glove compartment cover<br>leatherette                   | /RL    | 1   | I099     | 28   | 997 552 362 01 | handle<br>complete   | /LL    | 1   | I098  |
|      | 1MZ            | black  |        |     |          |      | A03            | black  |        |     |       |
|      | 1YP            | stone grey   |        |     |          |      | 5V7            | stone grey   |        |     |       |
|      | 1TK            | sand beige   |        |     |          |      | 5Z1            | sand beige   |        |     |       |
|      | 1VM            | sea blue   |        |     |          |      | 8W7            | sea blue   |        |     |       |
| (26) | 997 552 252 03 | glove compartment cover<br>leather                       | /LL    | 1   | I098/981 |      | 8X8            | terracotta   |        |     |       |
|      | A11            | black  |        |     |          |      | 8P9            | cocoa  |        |     |       |
|      | 5X6            | stone grey   |        |     |          |      | T13            | brown/natural  |        |     |       |
|      | 8G2            | sand beige   |        |     |          |      | N23            | carrera red  |        |     |       |
|      | 3S9            | sea blue   |        |     |          | (28) | 997 552 361 01 | handle<br>complete   | /RL    | 1   | I099  |
|      | 9S5            | terracotta   |        |     |          |      | A03            | black  |        |     |       |
|      | 9V6            | cocoa  |        |     |          |      | 5V7            | stone grey   |        |     |       |
|      | D12            | dark grey/natural  |        |     |          |      | 5Z1            | sand beige   |        |     |       |
|      | T12            | brown/natural  |        |     |          |      | 8W7            | sea blue   |        |     |       |
|      | N12            | carrera red  |        |     |          |      | 8X8            | terracotta   |        |     |       |
| (26) | 997 552 251 03 | glove compartment cover<br>leather                       | /RL    | 1   | I099/981 |      | 8P9            | cocoa  |        |     |       |

|       |      |    |    |              |              |     |       |            |         |     |         |
|-------|------|----|----|--------------|--------------|-----|-------|------------|---------|-----|---------|
| Model | Year | MG | SG | Illustration | Restrictions | UPD | 18:52 | 01.03.2010 | PORSCHE | PET | PORSCHE |
| 987-2 | 2010 | 8  | 09 | 809-03       |              | 248 |       |            |         |     |         |

| Pos  | Part Number    | Description                                 | Remark | Qty | Model    | Pos  | Part Number    | Description                                 | Remark | Qty | Model    |
|------|----------------|---|--------|-----|----------|------|----------------|---|--------|-----|----------|
|      | T13            | brown/natural                               |        |     |          |      | 9V6            | cocoa                                       |        |     |          |
|      | N23            | carrera red                                 |        |     |          |      | D12            | dark grey/natural                           |        |     |          |
| 29   | 999 073 240 01 | screw<br>M 4 X 10<br>for<br>mount<br>handle |        | 2   |          |      | T12            | brown/natural                               |        |     |          |
|      |                |   |        |     |          | (33) | 997 552 255 03 | cover<br>passenger's side<br>leather        | /RL    | 1   | I099/981 |
| 30   | 997 552 448 00 | stop  |        | 1   |          |      | A11            | black                                       |        |     |          |
| 31   | 997 552 663 00 | box for cds                                 |        | 1   | I424     |      | 5X6            | stone grey                                  |        |     |          |
| (31) | 997 552 665 00 | cover<br>box for cds                        |        | 1   |          |      | 8G2            | sand beige                                  |        |     |          |
| 32   | 999 073 240 01 | screw<br>M 4 X 10                           |        | 2   |          |      | 3S9            | sea blue                                    |        |     |          |
| 33   | 997 552 256 02 | cover<br>passenger's side<br>leatherette    | /LL    | 1   | I098     |      | 9S5            | terracotta                                  |        |     |          |
|      | 1MZ            | black                                       |        |     |          |      | 9V6            | cocoa                                       |        |     |          |
|      | 1YP            | stone grey                                  |        |     |          |      | D12            | dark grey/natural                           |        |     |          |
|      | 1TK            | sand beige                                  |        |     |          |      | T12            | brown/natural                               |        |     |          |
|      | 1VM            | sea blue                                    |        |     |          |      | N12            | carrera red                                 |        |     |          |
| (33) | 997 552 255 02 | cover<br>passenger's side<br>leatherette    | /RL    | 1   | I099     | 34   | 997 552 414 01 | lining<br>footwell<br>passenger's side      | /LL    | 1   | I098     |
|      | 1MZ            | black                                       |        |     |          | (34) | 997 552 413 01 | lining<br>footwell<br>passenger's side      | /RL    | 1   | I099     |
|      | 1YP            | stone grey                                  |        |     |          | 35   | 1H0 819 943    | screw<br>for<br>mount<br>lining<br>footwell |        | X   |          |
|      | 1TK            | sand beige                                  |        |     |          |      |                |   |        |     |          |
|      | 1VM            | sea blue                                    |        |     |          |      |                |   |        |     |          |
| 33   | 997 552 256 03 | cover<br>passenger's side<br>leather        | /LL    | 1   | I098/981 | 36   | 997 552 451 01 | insert                                      | /LL    | 1   | I098     |
|      | A11            | black                                       |        |     |          | (36) | 997 552 452 01 | insert                                      | /RL    | 1   | I099     |
|      | 5X6            | stone grey                                  |        |     |          | 37   | 997 552 649 01 | hinge bolt<br>glove compartment             |        | 2   |          |
|      | 8G2            | sand beige                                  |        |     |          | 38   | 997 552 821 00 | grommet                                     |        | 3   |          |
|      | 3S9            | sea blue                                    |        |     |          |      |                |   |        |     |          |
|      | 9S5            | terracotta                                  |        |     |          |      |                |   |        |     |          |

|       |      |    |    |              |              |     |       |            |         |     |         |
|-------|------|----|----|--------------|--------------|-----|-------|------------|---------|-----|---------|
| Model | Year | MG | SG | Illustration | Restrictions | UPD | 18:52 | 01.03.2010 | PORSCHE | PET | PORSCHE |
| 987-2 | 2010 | 8  | 09 | 809-04       |              | 248 |       |            |         |     |         |



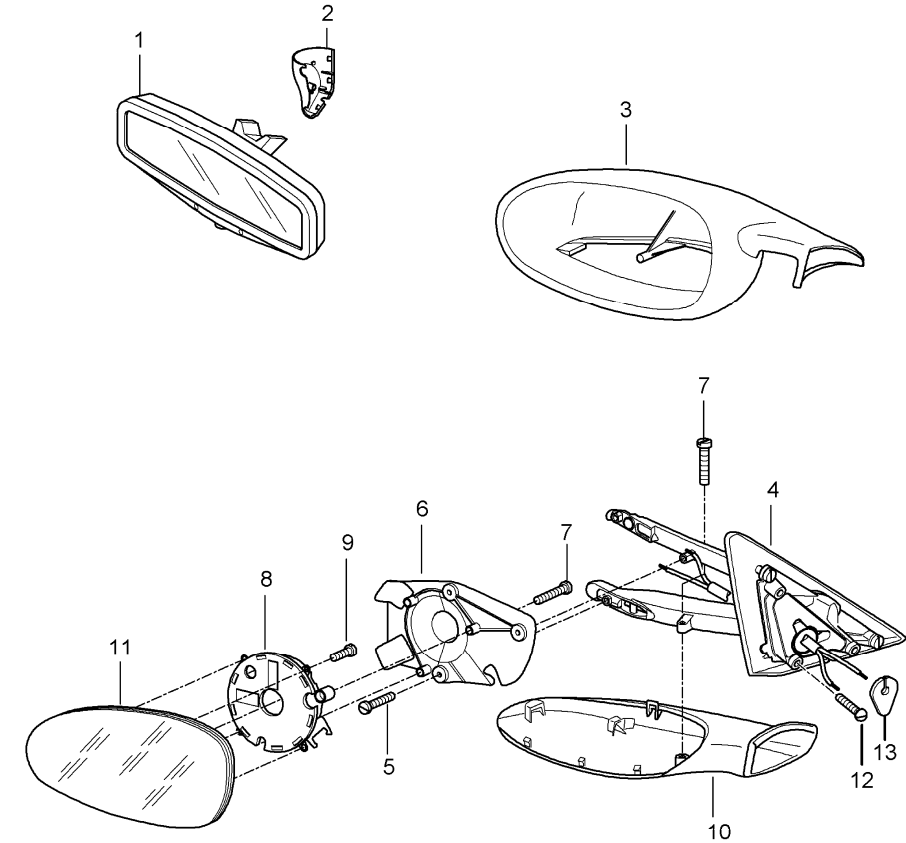
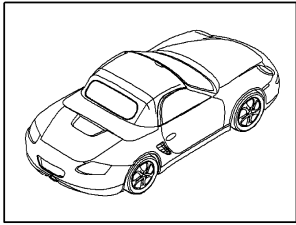
| Pos  | Part Number    | Description   | Remark | Qty | Model |
|------|----------------|---|--------|-----|-------|
| 1    | 997 552 063 08 | retaining frame dashboard                             |        |     |       |
| (1)  | 997 552 063 07 | retaining frame                                       | /LL    | 1   | I098  |
| 2    | 997 552 163 05 | support tunnel  | /RL    | 1   | I099  |
| (2)  | 997 552 163 06 | support tunnel  | /LL    | 1   | I098  |
| 3    | 999 507 020 01 | speed nut ST 4,2                                      |        | X   |       |
| 4    | 900 378 305 01 | hexagon-head bolt M 8 X 65 for mount support          |        | 2   |       |
| 9    | 997 552 515 01 | support tunnel  |        | 1   |       |
| 10   | 999 073 442 01 | screw M 6 X 25 for mount support tunnel               |        | X   |       |
| 11   | 997 552 407 01 | support a-pillar                                      | /L     | 1   |       |
| (11) | 997 552 408 01 | support a-pillar                                      | /R     | 1   |       |
| 12   | 900 378 176 01 | hexagon-head bolt M 8 X 20 for mount support a-pillar |        | 4   |       |
| 13   | 999 084 630 09 | hexagon nut M 8 for mount support a-pillar            |        | 4   |       |
| 14   | 997 552 401 00 | support heating                                       |        | 1   |       |



|       |      |    |    |              |              |     |       |            |         |     |         |
|-------|------|----|----|--------------|--------------|-----|-------|------------|---------|-----|---------|
| Model | Year | MG | SG | Illustration | Restrictions | UPD | 18:52 | 01.03.2010 | PORSCHE | PET | PORSCHE |
| 987-2 | 2010 | 8  | 09 | 809-04       |              | 248 |       |            |         |     |         |

| Pos | Part Number    | Description  | Remark | Qty | Model | Pos | Part Number | Description | Remark | Qty | Model |
|-----|----------------|--|--------|-----|-------|-----|-------------|-------------|--------|-----|-------|
| 15  | 999 073 155 09 | tapping screw<br>ST 4,2 X 13<br>for<br>mount<br>support<br>heating |        | 1   |       |     |             |             |        |     |       |
| 16  | 997 423 299 01 | nut<br>for<br>adjustment<br>retaining frame<br>firewall            |        | 2   |       |     |             |             |        |     |       |
| 17  | 999 507 971 01 | speed nut<br>ST 4,2<br>for<br>mount<br>support<br>heating          |        | 1   |       |     |             |             |        |     |       |
| 18  | 997 552 603 01 | reinforcement plate<br>support<br>airbag                           |        | 1   |       |     |             |             |        |     |       |
| 19  | 900 378 222 09 | hexagon-head bolt<br>M 6 X 16                                      |        | 4   |       |     |             |             |        |     |       |
| 20  | 999 591 850 01 | speed nut<br>ST 4,2  |        | X   |       |     |             |             |        |     |       |
| 21  | 999 591 951 03 | speed nut<br>ST 4,2  |        | X   |       |     |             |             |        |     |       |

|       |      |    |    |              |              |     |       |            |         |     |         |
|-------|------|----|----|--------------|--------------|-----|-------|------------|---------|-----|---------|
| Model | Year | MG | SG | Illustration | Restrictions | UPD | 18:52 | 01.03.2010 | PORSCHE | PET | PORSCHE |
| 987-2 | 2010 | 8  | 09 | 809-10       |              | 248 |       |            |         |     |         |



| Pos | Part Number    | Description             | Remark | Qty | Model    |
|-----|----------------|-------------------------|--------|-----|----------|
| 1   | 996 731 511 00 | interior mirror         |        | 1   |          |
|     | 01C            | satin black             |        |     |          |
| (1) | 987 731 511 00 | interior mirror         |        | 1   | I267     |
|     | 01C            | satin black             |        |     |          |
| 2   | 997 731 811 00 | cover interior mirror   | /L     | 1   | I267     |
|     | 01C            | satin black             |        |     |          |
| 2   | 997 731 812 00 | cover interior mirror   | /R     | 1   | I267     |
|     | 01C            | satin black             |        |     |          |
| 3   | 997 731 619 02 | housing                 | /L     | 1   |          |
|     | G2L            | prime coated            |        |     |          |
| (3) | 997 731 620 02 | housing                 | /R     | 1   |          |
|     | G2L            | prime coated            |        |     |          |
| 4   | 997 731 219 00 | mirror base door mirror | /LL/L  | 1   | I098     |
|     | G2L            | prime coated            |        |     |          |
| (4) | 997 731 220 00 | mirror base door mirror | /LL/R  | 1   | I098     |
|     | G2L            | prime coated            |        |     |          |
| (4) | 997 731 219 01 | mirror base door mirror | /LL/L  | 1   | I537     |
|     | G2L            | prime coated            |        |     |          |
| (4) | 997 731 220 01 | mirror base door mirror | /LL/R  | 1   | I537     |
|     | G2L            | prime coated            |        |     |          |
| (4) | 997 731 219 02 | mirror base door mirror | /LL/L  | 1   | I098/267 |
|     | G2L            | prime coated            |        |     |          |
| (4) | 997 731 220 02 | mirror base door mirror | /LL/R  | 1   | I098/267 |

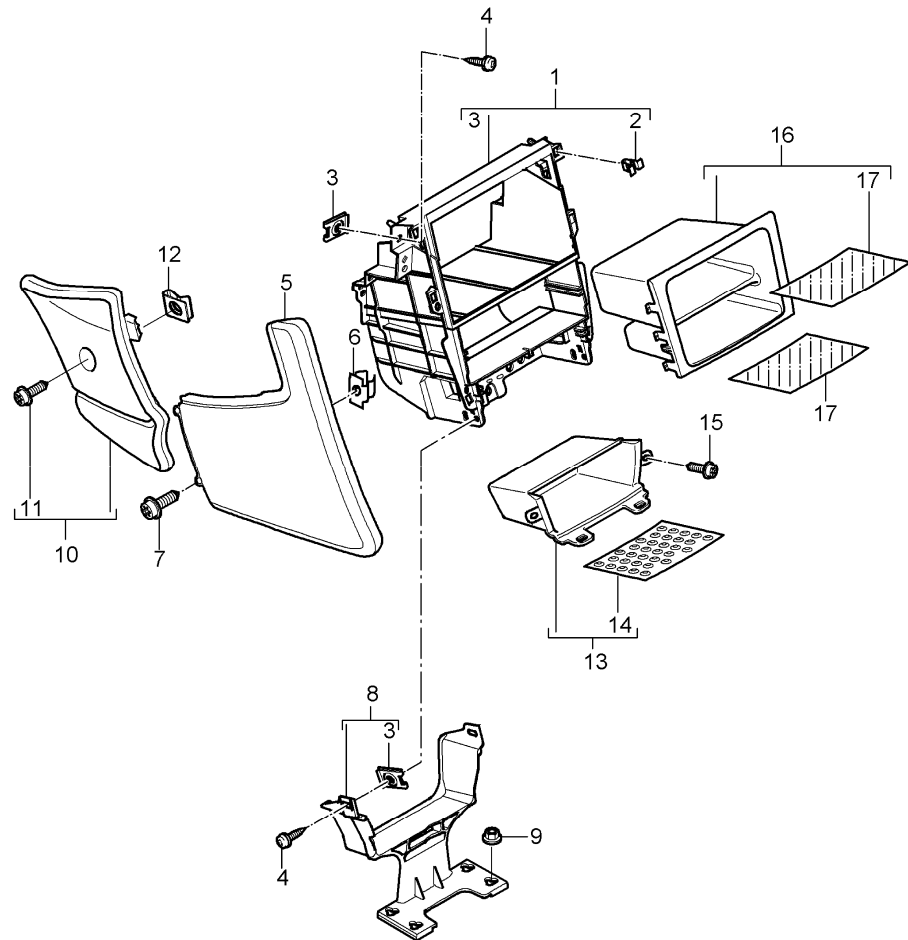
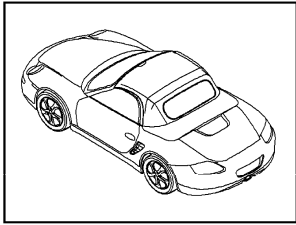
|       |      |    |    |              |              |     |       |            |         |     |         |
|-------|------|----|----|--------------|--------------|-----|-------|------------|---------|-----|---------|
| Model | Year | MG | SG | Illustration | Restrictions | UPD | 18:52 | 01.03.2010 | PORSCHE | PET | PORSCHE |
| 987-2 | 2010 | 8  | 09 | 809-10       |              | 248 |       |            |         |     |         |

| Pos | Part Number    | Description                                 | Remark | Qty | Model    | Pos  | Part Number                        | Description                  | Remark | Qty | Model        |
|-----|----------------|---|--------|-----|----------|------|------------------------------------|------------------------------|--------|-----|--------------|
| (4) | 997 731 219 03 | G2L prime coated<br>mirror base door mirror | /LL/L  | 1   | I267/537 | (6)  | 997 731 520 00                     | plate door mirror            | /R     | 1   |              |
| (4) | 997 731 220 03 | G2L prime coated<br>mirror base door mirror | /LL/R  | 1   | I267/537 | 7    | 999 141 043 02                     | oval-head screw 3,0 X 14     |        | 5   |              |
| (4) | 997 731 219 04 | G2L prime coated<br>mirror base door mirror | /RL/L  | 1   | I099     | 8    | 997 624 047 00                     | adjusting motor              |        | 2   |              |
| (4) | 997 731 220 04 | G2L prime coated<br>mirror base door mirror | /RL/R  | 1   | I099     | (8)  | 997 624 048 00                     | adjusting motor              |        | 2   | I537/538     |
| (4) | 997 731 219 05 | G2L prime coated<br>mirror base door mirror | /RL/L  | 1   | I099/538 | 9    | 999 141 043 02                     | oval-head screw M 3,0 X 14   |        | 3   |              |
| (4) | 997 731 220 05 | G2L prime coated<br>mirror base door mirror | /RL/R  | 1   | I099/538 | 10   | 997 731 719 02                     | cover lower                  | /L     | 1   |              |
| (4) | 997 731 219 06 | G2L prime coated<br>mirror base door mirror | /RL/L  | 1   | I099/267 | (10) | G2L prime coated<br>997 731 720 02 | cover lower                  | /R     | 1   |              |
| (4) | 997 731 220 06 | G2L prime coated<br>mirror base door mirror | /RL/R  | 1   | I099/267 | 11   | G2L prime coated<br>997 731 035 06 | mirror glass plane           | /LL/L  | 1   | I098/270     |
| (4) | 997 731 219 07 | G2L prime coated<br>mirror base door mirror | /L     | 1   | I267/538 | (11) | 997 731 035 07                     | mirror glass aspherical      | LL/L   | 1   | I098/271     |
| (4) | 997 731 220 07 | G2L prime coated<br>mirror base door mirror | /R     | 1   | I267/538 | (11) | 997 731 035 08                     | mirror glass plane dimmable  | /LL/L  | 1   | I098/267/270 |
| 5   | 999 919 024 09 | oval-head screw 3,0 X 12                    |        | 2   |          | (11) | 997 731 036 07                     | mirror glass aspherical      | /RL/R  | 1   | I099/271     |
| 6   | 997 731 519 00 | plate door mirror                           | /L     | 1   |          | (11) | 997 731 038 09                     | mirror glass convex dimmable | /LL/R  | 1   | I098         |
|     |                |   |        |     |          | (11) | 997 731 037 03                     | mirror glass convex          | /RL/L  | 1   | I099         |
|     |                |   |        |     |          | (11) | 997 731 035 09                     | mirror glass aspherical      | /LL/L  | 1   | I098/267/271 |
|     |                |   |        |     |          | (11) | 997 731 036 09                     | mirror glass aspherical      | /RL/R  | 1   | I099/267/271 |
|     |                |   |        |     |          | (11) | 997 731 038 12                     | mirror glass convex          | /LL/R  | 1   | I098/267     |
|     |                |   |        |     |          | (11) | 997 731 037 04                     | mirror glass convex          | /RL/L  | 1   | I099/267     |
|     |                |   |        |     |          | (11) | 997 731 038 10                     | mirror glass convex          | /LL/R  | 1   | I074/098     |

|       |      |    |    |              |              |     |       |            |         |     |         |
|-------|------|----|----|--------------|--------------|-----|-------|------------|---------|-----|---------|
| Model | Year | MG | SG | Illustration | Restrictions | UPD | 18:52 | 01.03.2010 | PORSCHE | PET | PORSCHE |
| 987-2 | 2010 | 8  | 09 | 809-10       |              | 248 |       |            |         |     |         |

| Pos  | Part Number    | Description                       | Remark | Qty | Model        | Pos | Part Number | Description | Remark | Qty | Model |
|------|----------------|-----------------------------------|--------|-----|--------------|-----|-------------|-------------|--------|-----|-------|
| (11) | 997 731 038 13 | mirror glass<br>convex            | /LL/R  | 1   | I074/267/553 |     |             |             |        |     |       |
| (11) | 997 731 038 11 | mirror glass<br>convex            | /LL/R  | 1   | I215         |     |             |             |        |     |       |
| (11) | 997 731 038 14 | mirror glass<br>convex            | /LL/R  | 1   | I215/267     |     |             |             |        |     |       |
| 12   | 999 073 345 09 | lens-head screw<br>M 5 X 18       |        | 3   |              |     |             |             |        |     |       |
| 13   | 997 537 733 00 | seal<br>cable plug<br>mirror base | 07-    | 1   |              |     |             |             |        |     |       |

|       |      |    |    |              |              |     |       |            |         |     |         |
|-------|------|----|----|--------------|--------------|-----|-------|------------|---------|-----|---------|
| Model | Year | MG | SG | Illustration | Restrictions | UPD | 18:52 | 01.03.2010 | PORSCHE | PET | PORSCHE |
| 987-2 | 2010 | 8  | 09 | 809-15       |              | 248 |       |            |         |     |         |



| Pos | Part Number    | Description                  | Remark | Qty | Model |
|-----|----------------|------------------------------|--------|-----|-------|
| 1   | 997 553 111 03 | centre console front         |        | 1   |       |
| 2   | 999 507 476 01 | bracket centre console front |        | 6   |       |
| 3   | 999 507 971 01 | clamp 8,0 X 10,0/2,5         |        | X   |       |
| 4   | 999 073 155 09 | speed nut ST 4,2             |        | X   |       |
| 5   | 997 553 117 05 | tapping screw ST 4,2 x 13    |        | 1   |       |
|     |                | cover lateral leatherette    | /L     |     |       |
|     |                | 9L4 black                    |        |     |       |
|     |                | 9M5 stone grey               |        |     |       |
|     |                | 9C6 sand beige               |        |     |       |
|     |                | 9D7 sea blue                 |        |     |       |
| (5) | 997 553 118 05 | cover lateral leatherette    | /R     | 1   |       |
|     |                | 9L4 black                    |        |     |       |
|     |                | 9M5 stone grey               |        |     |       |
|     |                | 9C6 sand beige               |        |     |       |
|     |                | 9D7 sea blue                 |        |     |       |
| 5   | 997 553 117 06 | cover lateral leather        | /L     | 1   | I981  |
|     |                | FSA black/grey               |        |     |       |
|     |                | FSB stone grey/stone grey    |        |     |       |
|     |                | FSC sand beige/sand beige    |        |     |       |
|     |                | FSD sea blue/grey            |        |     |       |
|     |                | FSF terracotta/terracotta    |        |     |       |
|     |                | FSG cocoa/cocoa              |        |     |       |
|     |                | FSH darkgrey natural/grey    |        |     |       |

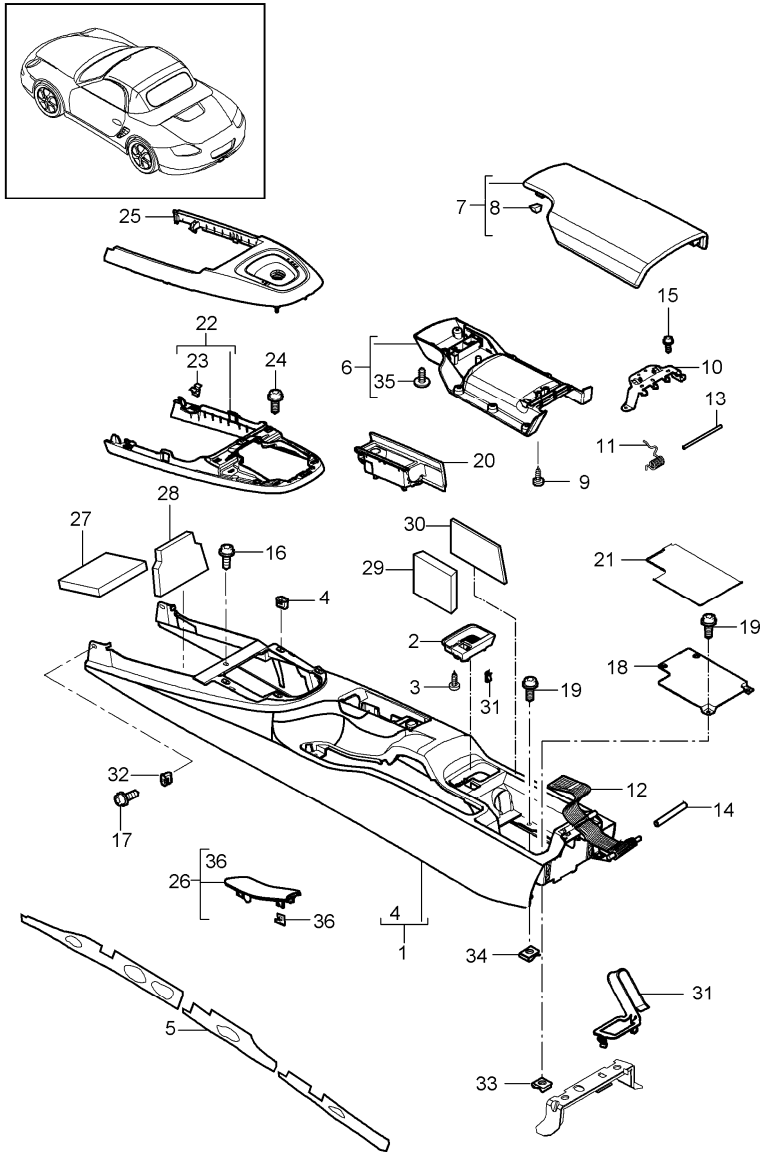
|       |      |    |    |              |              |     |       |            |         |     |         |
|-------|------|----|----|--------------|--------------|-----|-------|------------|---------|-----|---------|
| Model | Year | MG | SG | Illustration | Restrictions | UPD | 18:52 | 01.03.2010 | PORSCHE | PET | PORSCHE |
| 987-2 | 2010 | 8  | 09 | 809-15       |              | 248 |       |            |         |     |         |

| Pos            | Part Number    | Description                                | Remark   | Qty            | Model                             | Pos | Part Number    | Description                       | Remark                            | Qty               | Model         |          |  |  |
|----------------|----------------|--|--|----------------|-----------------------------------|-----|----------------|-----------------------------------|-----------------------------------|-------------------|---------------|----------|--|--|
| (5)            | FSJ            | brown nat./brown nat.                      |  |                |                                   |     | B10            | stone grey                        |                                   |                   |               |          |  |  |
|                | FSP            | carrera red                                |  |                |                                   |     | T10            | sand beige                        |                                   |                   |               |          |  |  |
|                | 997 553 118 06 | cover lateral leather                      | /R   | 1              | I981                              |     | E10            | sea blue                          |                                   |                   |               |          |  |  |
|                | FSA            | black/grey                                 |  |                |                                   |     | M10            | terracotta                        |                                   |                   |               |          |  |  |
|                | FSB            | stone grey/stone grey                      |  |                |                                   |     | R10            | cocoa                             |                                   |                   |               |          |  |  |
|                | FSC            | sand beige/sand beige                      |  |                |                                   |     | D11            | dark grey/natural                 |                                   |                   |               |          |  |  |
|                | FSD            | sea blue/grey                              |  |                |                                   |     | T11            | brown/natural                     |                                   |                   |               |          |  |  |
|                | FSF            | terracotta/terracotta                      |  |                |                                   | 10  | 997 553 132 02 | cover footwell outlet vent carpet | /R                                | 1                 | I098/099      |          |  |  |
|                | FSG            | cocoa/cocoa                                |  |                |                                   |     | A10            | black                             |                                   |                   |               |          |  |  |
|                | FSH            | darkgrey natural/grey                      |  |                |                                   |     | B10            | stone grey                        |                                   |                   |               |          |  |  |
|                | FSP            | carrera red                                |  |                |                                   |     | T10            | sand beige                        |                                   |                   |               |          |  |  |
|                | 6              |  | lateral with preparation for telephone see group 9/11/10 |                |                                   |     |                | E10                               | sea blue                          |                   |               |          |  |  |
| 999 591 508 01 |                | captive nut st 4,2 for mount cover lateral |  | 4              |                                   |     | M10            | terracotta                        |                                   |                   |               |          |  |  |
|                |                |  |  |                |                                   |     | R10            | cocoa                             |                                   |                   |               |          |  |  |
|                |                |  |  |                |                                   |     | D11            | dark grey/natural                 |                                   |                   |               |          |  |  |
|                |                |  |  |                |                                   |     | T11            | brown/natural                     |                                   |                   |               |          |  |  |
|                |                |  |  |                |                                   |     | N10            | carrera red                       |                                   |                   |               |          |  |  |
| 7              |                | 999 073 226 09                             | tapping screw ST 4,2 X 16 for mount cover lateral        |                | 4                                 |     | (10)           | 997 553 132 01                    | cover footwell outlet vent carpet | /LL/R             | 1             | I098/621 |  |  |
|                |                |  |  |                |                                   |     |                | A10                               | black                             |                   |               |          |  |  |
|                |                |  |  |                |                                   |     |                | B10                               | stone grey                        |                   |               |          |  |  |
|                |                | 8  | 997 553 361 01   | support centre |                                   | 1   |                |                                   | T10                               | sand beige        |               |          |  |  |
|                |                |  |  |                |                                   |     |                |                                   | E10                               | sea blue          |               |          |  |  |
|                |                |  | 9  | 999 084 629 01 | hexagon nut M6                    |     | 4              |                                   |                                   | M10               | terracotta    |          |  |  |
|                |                |  |  |                |                                   |     |                |                                   | R10                               | cocoa             |               |          |  |  |
|                |                |  |  |                |                                   |     |                |                                   | D11                               | dark grey/natural |               |          |  |  |
|                | 10             |  |  | 997 553 131 01 | cover footwell outlet vent carpet | /L  | 1              | I098/099                          |                                   | T11               | brown/natural |          |  |  |
|                |                |  |  | A10            | black                             |     |                |                                   |                                   |                   |               |          |  |  |

|       |      |    |    |              |              |     |       |            |         |     |         |
|-------|------|----|----|--------------|--------------|-----|-------|------------|---------|-----|---------|
| Model | Year | MG | SG | Illustration | Restrictions | UPD | 18:52 | 01.03.2010 | PORSCHE | PET | PORSCHE |
| 987-2 | 2010 | 8  | 09 | 809-15       |              | 248 |       |            |         |     |         |

| Pos  | Part Number    | Description  | Remark | Qty | Model          | Pos | Part Number | Description | Remark | Qty | Model |
|------|----------------|--|--------|-----|----------------|-----|-------------|-------------|--------|-----|-------|
| (10) | 997 553 131 02 | N10 carrera red<br>cover<br>footwell outlet vent<br>carpet | /RL/L  | 1   | I099/621       |     |             |             |        |     |       |
|      | A10            | black  |        |     |                |     |             |             |        |     |       |
|      | B10            | stone grey   |        |     |                |     |             |             |        |     |       |
|      | T10            | sand beige   |        |     |                |     |             |             |        |     |       |
|      | E10            | sea blue   |        |     |                |     |             |             |        |     |       |
|      | M10            | terracotta   |        |     |                |     |             |             |        |     |       |
|      | R10            | cocoa  |        |     |                |     |             |             |        |     |       |
|      | D11            | dark grey/natural  |        |     |                |     |             |             |        |     |       |
|      | T11            | brown/natural  |        |     |                |     |             |             |        |     |       |
|      | N10            | carrera red  |        |     |                |     |             |             |        |     |       |
| 11   | 999 073 223 07 | oval-head screw<br>M 6 X 25                                |        | 2   |                |     |             |             |        |     |       |
| 12   | 999 507 766 02 | speed nut<br>M 6   |        | 2   |                |     |             |             |        |     |       |
| 13   | 997 553 143 02 | shelf<br>centre console<br>front                           |        | 1   |                |     |             |             |        |     |       |
|      | A05            | black mat  |        |     |                |     |             |             |        |     |       |
| 14   | 997 553 543 01 | insert<br>shelf  |        | 1   |                |     |             |             |        |     |       |
| 15   | 999 919 164 09 | oval-head screw<br>5,0 X 12,0                              |        | 3   |                |     |             |             |        |     |       |
| 16   | 987 553 671 00 | shelf<br>centre  | 10-    | 1   | SPYDER<br>I609 |     |             |             |        |     |       |
|      | A05            | black mat  |        |     |                |     |             |             |        |     |       |
| 17   | 987 553 871 00 | insert<br>shelf<br>centre                                  | 10-    | 1   | SPYDER<br>I609 |     |             |             |        |     |       |

|       |      |    |    |              |              |     |       |            |         |     |         |
|-------|------|----|----|--------------|--------------|-----|-------|------------|---------|-----|---------|
| Model | Year | MG | SG | Illustration | Restrictions | UPD | 18:53 | 01.03.2010 | PORSCHE | PET | PORSCHE |
| 987-2 | 2010 | 8  | 09 | 809-20       |              | 248 |       |            |         |     |         |



| Pos | Part Number    | Description            | Remark | Qty | Model                        |
|-----|----------------|------------------------|--------|-----|------------------------------|
| (1) | 997 553 901 02 | centre console rear    |        | 1   | BOXSTER                      |
|     | A03            | black                  |        |     | BOXSTER S                    |
|     | 5V7            | stone grey             |        |     |                              |
|     | 5Z1            | sand beige             |        |     |                              |
|     | 8W7            | sea blue               |        |     |                              |
|     | 8X8            | terracotta             |        |     |                              |
|     | 8P9            | cocoa                  |        |     |                              |
|     | T13            | brown/natural          |        |     |                              |
|     | N23            | carrera red            |        |     |                              |
| (1) | 997 553 980 71 | centre console leather |        | 1   | BOXSTER<br>IXMZ<br>BOXSTER S |
|     | A11            | black                  |        |     |                              |
|     | 5X6            | stone grey             |        |     |                              |
|     | 8G2            | sand beige             |        |     |                              |
|     | 3S9            | sea blue               |        |     |                              |
|     | 9S5            | terracotta             |        |     |                              |
|     | 9V6            | cocoa                  |        |     |                              |
|     | D12            | dark grey/natural      |        |     |                              |
|     | T12            | brown/natural          |        |     |                              |
|     | N12            | carrera red            |        |     |                              |
| (1) | 997 553 980 54 | centre console carbon  |        | 1   | BOXSTER<br>IXMJ<br>BOXSTER S |
|     | A35            | black                  |        |     |                              |
| (1) | 997 553 980 58 | centre console         |        | 1   | BOXSTER<br>IXJT              |
|     | S61            | macassar               |        |     | BOXSTER S                    |
| (1) | 997 553 980 62 | centre console         |        | 1   | BOXSTER<br>IXCK              |



|       |      |    |    |              |              |     |       |            |         |     |         |
|-------|------|----|----|--------------|--------------|-----|-------|------------|---------|-----|---------|
| Model | Year | MG | SG | Illustration | Restrictions | UPD | 18:53 | 01.03.2010 | PORSCHE | PET | PORSCHE |
| 987-2 | 2010 | 8  | 09 | 809-20       |              | 248 |       |            |         |     |         |

| Pos | Part Number    | Description              | Remark | Qty | Model           | Pos | Part Number    | Description   | Remark | Qty | Model           |
|-----|----------------|--------------------------|--------|-----|-----------------|-----|----------------|---|--------|-----|-----------------|
|     | V04            | galvano silver           |        |     | BOXSTER S       |     | M2Z            | Nordic Gold Metallic  |        |     |                 |
| (1) | 997 553 980 64 | centre console           | 10-    | 1   | Spyder<br>IXME  | (1) | 997 553 997 01 | protective film<br>centre console<br>see technical manual<br>681749 |        | 2   |                 |
|     | 041            | black                    |        |     |                 |     |                |   |        |     |                 |
|     | 84A            | guards red               |        |     |                 | 2   | 997 553 575 02 | insert<br>locking device<br>centre console                          |        | 1   |                 |
|     | B9A            | carrara white            |        |     |                 |     |                |   |        |     |                 |
|     | 92U            | arctic silver metallic   |        |     |                 |     | 01C            | satin black   |        |     |                 |
|     | C9Z            | basalt black metallic    |        |     |                 | 3   | 999 919 159 09 | oval-head screw<br>4 X 12   |        | 1   |                 |
|     | M5R            | Aqua Blue Metallic       |        |     |                 | 4   | 999 591 210 40 | expander nut<br>4,2   |        | 4   |                 |
|     | 51A            | creamy white             |        |     |                 |     |                |   |        |     |                 |
| (1) | 997 553 980 66 | centre console           |        | 1   | BOXSTER<br>IXME | 5   | 997 553 843 00 | sound absorber  | /L     | 1   |                 |
|     | 041            | black                    |        |     | BOXSTER S       | (5) | 997 553 844 00 | sound absorber  | /R     | 1   |                 |
|     | 84A            | guards red               |        |     |                 | 6   | 997 553 433 01 | lid<br>inner  |        | 1   |                 |
|     | B9A            | carrara white            |        |     |                 |     | 01C            | satin black   |        |     |                 |
|     | 12H            | speed yellow             |        |     |                 | 7   | 987 553 231 00 | lid<br>outer  |        | 1   | BOXSTER         |
|     | 92U            | arctic silver metallic   |        |     |                 |     | 1MZ            | black   |        |     |                 |
|     | C9Z            | basalt black metallic    |        |     |                 |     | 1YP            | stone grey  |        |     |                 |
|     | M7X            | atlas grey metallic      |        |     |                 |     | 1TK            | sand beige  |        |     |                 |
|     | 39C            | midnight blue metallic   |        |     |                 |     | 1VM            | sea blue  |        |     |                 |
|     | M7W            | Meteor Grey Metallic     |        |     |                 | (7) | 997 553 231 01 | lid   |        | 1   | BOXSTER<br>I981 |
|     | M7Z            | gt silver metallic       |        |     |                 |     |                | outer<br>leather  |        |     |                 |
|     | M8W            | Macadamia Metallic       |        |     |                 |     | A11            | black   |        |     |                 |
|     | M3X            | ruby red metallic        |        |     |                 |     | 5X6            | stone grey  |        |     |                 |
|     | M5X            | Dark Blue Metallic       | 10-    |     |                 |     | 8G2            | sand beige  |        |     |                 |
|     | 2B5            | Malachite Green Metallic |        |     |                 |     | 3S9            | sea blue  |        |     |                 |
|     | 22G            | Racing Green Metallic    |        |     |                 |     | 9S5            | terracotta  |        |     |                 |
|     | M5R            | Aqua Blue Metallic       |        |     |                 |     | 9V6            | cocoa   |        |     |                 |
|     | 32B            | Sailing Blue Metallic    |        |     |                 |     | D12            | dark grey/natural   |        |     |                 |
|     | 51A            | creamy white             |        |     |                 |     |                |   |        |     |                 |

|       |      |    |    |              |              |     |       |            |         |     |         |
|-------|------|----|----|--------------|--------------|-----|-------|------------|---------|-----|---------|
| Model | Year | MG | SG | Illustration | Restrictions | UPD | 18:53 | 01.03.2010 | PORSCHE | PET | PORSCHE |
| 987-2 | 2010 | 8  | 09 | 809-20       |              | 248 |       |            |         |     |         |

| Pos | Part Number    | Description                               | Remark | Qty | Model                   | Pos | Part Number    | Description                               | Remark | Qty | Model                   |
|-----|----------------|---|--------|-----|-------------------------|-----|----------------|---|--------|-----|-------------------------|
|     |                | T12 brown/natural                         |        |     |                         |     |                | T12 brown/natural                         |        |     |                         |
|     |                | N12 carrera red                           |        |     |                         |     |                | N12 carrera red                           |        |     |                         |
| (7) | 997 553 231 01 | lid<br>outer<br>leather                   |        | 1   | BOXSTER S               | (7) | 987 553 991 01 | lid<br>outer<br>with<br>logo<br>boxster s | /RL    | 10- | 1 BOXSTER S<br>IXUV/099 |
|     |                | A11 black                                 |        |     |                         |     |                | A11 black                                 |        |     |                         |
|     |                | 5X6 stone grey                            |        |     |                         |     |                | 5X6 stone grey                            |        |     |                         |
|     |                | 8G2 sand beige                            |        |     |                         |     |                | 8G2 sand beige                            |        |     |                         |
|     |                | 3S9 sea blue                              |        |     |                         |     |                | 3S9 sea blue                              |        |     |                         |
|     |                | 9S5 terracotta                            |        |     |                         |     |                | 9S5 terracotta                            |        |     |                         |
|     |                | 9V6 cocoa                                 |        |     |                         |     |                | 9V6 cocoa                                 |        |     |                         |
|     |                | D12 dark grey/natural                     |        |     |                         |     |                | D12 dark grey/natural                     |        |     |                         |
|     |                | T12 brown/natural                         |        |     |                         |     |                | T12 brown/natural                         |        |     |                         |
|     |                | N12 carrera red                           |        |     |                         |     |                | N12 carrera red                           |        |     |                         |
| (7) | 997 553 231 01 | lid<br>outer                              | 10-    | 1   | SPYDER                  |     |                |   |        |     |                         |
|     |                | A11 black                                 |        |     |                         | (7) | 997 553 991 05 | lid<br>outer<br>with<br>porsche crest     |        | 10- | 1 IXPT                  |
|     |                | 8G2 sand beige                            |        |     |                         |     |                |   |        |     |                         |
|     |                | 9V6 cocoa                                 |        |     |                         |     |                |   |        |     |                         |
|     |                | N12 carrera red                           |        |     |                         |     |                |   |        |     |                         |
| (7) | 987 553 991 00 | lid<br>outer<br>with<br>logo<br>boxster s | /LL    | 10- | 1 BOXSTER S<br>IXUV/098 |     |                |   |        |     |                         |
|     |                | A11 black                                 |        |     |                         |     |                |   |        |     |                         |
|     |                | 5X6 stone grey                            |        |     |                         |     |                |   |        |     |                         |
|     |                | 8G2 sand beige                            |        |     |                         |     |                |   |        |     |                         |
|     |                | 3S9 sea blue                              |        |     |                         |     |                |   |        |     |                         |
|     |                | 9S5 terracotta                            |        |     |                         |     |                |   |        |     |                         |
|     |                | 9V6 cocoa                                 |        |     |                         |     |                |   |        |     |                         |
|     |                | D12 dark grey/natural                     |        |     |                         |     |                |   |        |     |                         |
|     |                | T12 brown/natural                         |        |     |                         |     |                |   |        |     |                         |
|     |                | N12 carrera red                           |        |     |                         |     |                |   |        |     |                         |
|     |                |   |        |     |                         | (7) | 997 553 991 20 | lid<br>outer<br>alcantara                 | /LL    | 10- | 1 IXLG/098              |
|     |                |   |        |     |                         |     |                |   |        |     |                         |
|     |                |   |        |     |                         |     |                | A25 black                                 |        |     |                         |

|       |      |    |    |              |              |     |       |            |         |     |         |
|-------|------|----|----|--------------|--------------|-----|-------|------------|---------|-----|---------|
| Model | Year | MG | SG | Illustration | Restrictions | UPD | 18:53 | 01.03.2010 | PORSCHE | PET | PORSCHE |
| 987-2 | 2010 | 8  | 09 | 809-20       |              | 248 |       |            |         |     |         |

| Pos | Part Number    | Description   | Remark  | Qty | Model                | Pos  | Part Number    | Description               | Remark | Qty | Model                        |
|-----|----------------|---|---------|-----|----------------------|------|----------------|---------------------------|--------|-----|------------------------------|
| (7) | 997 553 991 21 | lid<br>outer<br>alcantara                                   | /RL 10- | 1   | IXLG/099             |      | T13            | brown/natural             |        |     |                              |
|     | A25            | black   |         |     |                      |      | N23            | carrera red               |        |     |                              |
| 8   | 999 507 972 01 | speed nut<br>3,5  |         | 8   |                      | (20) | 997 553 982 06 | ashtray<br>leather        |        | 1   | BOXSTER<br>IXMZ<br>BOXSTER S |
| 9   | 999 073 153 01 | tapping screw<br>3,5 X 14                                   |         | 8   |                      |      | A11            | black                     |        |     |                              |
| 10  | 997 553 437 01 | hinge   |         | 1   |                      |      | 5X6            | stone grey                |        |     |                              |
| 11  | 997 553 439 00 | steering knuckle spring                                     |         | 1   |                      |      | 8G2            | sand beige                |        |     |                              |
| 12  | 997 553 441 00 | belt  |         | 1   |                      |      | 3S9            | sea blue                  |        |     |                              |
| 13  | 997 553 447 00 | axle  |         | 1   |                      |      | 9S5            | terracotta                |        |     |                              |
| 14  | 997 553 733 00 | retaining pin   |         | 1   |                      |      | 9V6            | cocoa                     |        |     |                              |
| 15  | 999 919 159 09 | oval-head screw<br>M4X12                                    |         | 2   |                      |      | D12            | dark grey/natural         |        |     |                              |
| 16  | 999 919 121 09 | oval-head screw<br>5 X 16<br>for<br>mount<br>centre console |         | 2   |                      | (20) | T12            | brown/natural             |        |     |                              |
|     |                |   |         |     |                      |      | N12            | carrera red               |        |     |                              |
| 17  | 999 073 155 09 | tapping screw<br>4,2 X 13<br>for<br>mount<br>centre console |         | 2   |                      | (20) | 997 553 982 01 | ashtray<br>carbon         |        | 1   | BOXSTER<br>IXMJ<br>BOXSTER S |
|     |                |   |         |     |                      |      | A35            | black                     |        |     |                              |
| 18  | 997 553 615 01 | floor<br>centre console                                     |         | 1   |                      | (20) | 997 553 982 03 | ashtray                   |        | 1   | BOXSTER<br>IXJT<br>BOXSTER S |
| 19  | 999 073 226 09 | tapping screw<br>4,2 X 16                                   |         | 2   |                      |      | S61            | macassar                  |        |     |                              |
| 20  | 997 553 902 00 | ashtray<br>lacquered  |         | 1   | BOXSTER<br>BOXSTER S | (20) | 997 553 982 04 | ashtray<br>aluminium look |        | 1   | BOXSTER<br>IXCK<br>BOXSTER S |
|     | A03            | black   |         |     |                      |      | V04            | galvano silver            |        |     |                              |
|     | 5V7            | stone grey  |         |     |                      |      | 997 553 982 05 | ashtray<br>lacquered      |        | 1   | IXME                         |
|     | 5Z1            | sand beige  |         |     |                      |      | 041            | black                     |        |     |                              |
|     | 8W7            | sea blue  |         |     |                      |      | 84A            | guards red                |        |     |                              |
|     | 8X8            | terracotta  |         |     |                      |      | B9A            | carrara white             |        |     |                              |
|     | 8P9            | cocoa   |         |     |                      |      | 12H            | speed yellow              |        |     |                              |
|     |                |   |         |     |                      |      | 92U            | arctic silver metallic    |        |     |                              |
|     |                |   |         |     |                      |      | C9Z            | basalt black metallic     |        |     |                              |

|       |      |    |    |              |              |     |       |            |         |     |         |
|-------|------|----|----|--------------|--------------|-----|-------|------------|---------|-----|---------|
| Model | Year | MG | SG | Illustration | Restrictions | UPD | 18:53 | 01.03.2010 | PORSCHE | PET | PORSCHE |
| 987-2 | 2010 | 8  | 09 | 809-20       |              | 248 |       |            |         |     |         |

| Pos  | Part Number    | Description              | Remark | Qty | Model             | Pos  | Part Number    | Description                  | Remark | Qty | Model                            |
|------|----------------|--------------------------|--------|-----|-------------------|------|----------------|------------------------------|--------|-----|----------------------------------|
|      | M7X            | atlas grey metallic      |        |     |                   | 24   | 999 073 155 09 | tapping screw<br>4,2 X 13    |        | 4   |                                  |
|      | 39C            | midnight blue metallic   |        |     |                   | 25   | 997 553 245 01 | cover<br>shift gate          |        | 1   | I250                             |
|      | M7W            | Meteor Grey Metallic     |        |     |                   |      | FUG            | Black/Galvano Silver         |        |     |                                  |
|      | M7Z            | gt silver metallic       |        |     |                   |      | FUH            | Stone Grey/Galvano Silver    |        |     |                                  |
|      | M8W            | Macadamia Metallic       |        |     |                   |      | FUJ            | Sand Beige/Galvano Silver    |        |     |                                  |
|      | M3X            | ruby red metallic        |        |     |                   |      | FUK            | Ocean Blue/Galvano Silver    |        |     |                                  |
|      | M5X            | Dark Blue Metallic       | 10-    |     |                   |      | FUL            | Terracotta/Galvano Silver    |        |     |                                  |
|      | 2B5            | Malachite Green Metallic |        |     |                   |      | FUM            | Cocoa/Galvano Silver         |        |     |                                  |
|      | 22G            | Racing Green Metallic    |        |     |                   |      | FUN            | Natural Brown/Galvano Silver |        |     |                                  |
|      | 32B            | Sailing Blue Metallic    |        |     |                   |      | FU0            | Carrera Red/Galvano Silver   |        |     |                                  |
|      | M5R            | Aqua Blue Metallic       |        |     |                   | (25) | 997 553 987 00 | cover                        |        | 1   | BOXSTER<br>IXWS/250<br>BOXSTER S |
|      | 51A            | creamy white             |        |     |                   |      |                | shift gate<br>lacquered      |        |     |                                  |
|      | M2Z            | Nordic Gold Metallic     |        |     |                   |      | 041            | black                        |        |     |                                  |
| 21   | 997 553 611 01 | insert                   |        | 1   |                   |      | 84A            | guards red                   |        |     |                                  |
| (21) | 997 553 613 00 | insert                   |        | 1   | I870              |      | B9A            | carrara white                |        |     |                                  |
| 22   | 997 553 261 05 | frame<br>lacquered       |        | 1   | BOXSTER           |      | 12H            | speed yellow                 |        |     |                                  |
|      | D07            | volcano grey             |        |     |                   |      | 92U            | arctic silver metallic       |        |     |                                  |
| (22) | 997 553 261 06 | frame<br>lacquered       |        | 1   | BOXSTER S         |      | C9Z            | basalt black metallic        |        |     |                                  |
|      | V04            | galvano silver           |        |     |                   |      | M7X            | atlas grey metallic          |        |     |                                  |
| (22) | 997 553 261 06 | frame<br>lacquered       | 10-    | 1   | SPYDER            |      | 39C            | midnight blue metallic       |        |     |                                  |
|      | V04            | galvano silver           |        |     |                   |      | M7W            | Meteor Grey Metallic         |        |     |                                  |
| (22) | 987 553 261 01 | frame                    | 10-    | 1   | BOXSTER S<br>IXDJ |      | M7Z            | gt silver metallic           |        |     |                                  |
|      | G2X            | prime coated             |        |     |                   |      | M8W            | Macadamia Metallic           |        |     |                                  |
| (22) | 987 553 261 01 | frame                    | 10-    | 1   | SPYDER<br>IXDJ    |      | M3X            | ruby red metallic            |        |     |                                  |
|      | G2X            | prime coated             |        |     |                   |      | M5X            | Dark Blue Metallic           | 10-    |     |                                  |
| 23   | 999 507 533 02 | clamp<br>8,0 X 10,0/2,5  |        | 7   |                   |      | 2B5            | Malachite Green Metallic     |        |     |                                  |
|      |                |                          |        |     |                   |      | 22G            | Racing Green Metallic        |        |     |                                  |

|       |      |    |    |              |              |     |       |            |         |     |         |
|-------|------|----|----|--------------|--------------|-----|-------|------------|---------|-----|---------|
| Model | Year | MG | SG | Illustration | Restrictions | UPD | 18:53 | 01.03.2010 | PORSCHE | PET | PORSCHE |
| 987-2 | 2010 | 8  | 09 | 809-20       |              | 248 |       |            |         |     |         |

| Pos  | Part Number    | Description                      | Remark | Qty | Model                            | Pos  | Part Number    | Description                               | Remark | Qty | Model                        |
|------|----------------|----------------------------------|--------|-----|----------------------------------|------|----------------|---|--------|-----|------------------------------|
|      | 32B            | Sailing Blue Metallic            | -09    |     |                                  |      | 8P9            | cocoa                                     |        |     |                              |
|      | M5R            | Aqua Blue Metallic               |        |     |                                  |      | T13            | brown/natural                             |        |     |                              |
|      | 51A            | creamy white                     |        |     |                                  |      | N23            | carrera red                               |        |     |                              |
|      | M2Z            | Nordic Gold Metallic             |        |     |                                  | (25) | 997 553 996 00 | cover<br>shift gate<br>leather            | 10-    | 1   | IXDZ/480                     |
| (25) | 997 553 987 00 | cover                            |        | 1   | BOXSTER<br>IXWT/250<br>BOXSTER S |      | A11            | black                                     |        |     |                              |
|      |                | shift gate<br>lacquered          |        |     |                                  |      | 5X6            | stone grey                                |        |     |                              |
|      | 041            | black                            |        |     |                                  |      | 8G2            | sand beige                                |        |     |                              |
| (25) | 997 553 987 01 | cover                            |        | 1   | BOXSTER<br>IXWR/250<br>BOXSTER S |      | 3S9            | sea blue                                  |        |     |                              |
|      |                | shift gate                       |        |     |                                  |      | 9S5            | terracotta                                |        |     |                              |
|      | V04            | galvano silver                   |        |     |                                  |      | 9V6            | cocoa                                     |        |     |                              |
| (25) | 997 553 987 02 | cover                            |        | 1   | BOXSTER<br>IXWU/250<br>BOXSTER S |      | D12            | dark grey/natural                         |        |     |                              |
|      |                | shift gate<br>leather            |        |     |                                  |      | T12            | brown/natural                             |        |     |                              |
|      | A11            | black                            |        |     |                                  |      | N12            | carrera red                               |        |     |                              |
|      | 5X6            | stone grey                       |        |     |                                  | 26   | 997 553 903 00 | cover<br>parking-brake lever<br>lacquered |        | 1   | BOXSTER<br>BOXSTER S         |
|      | 8G2            | sand beige                       |        |     |                                  |      | A03            | black                                     |        |     |                              |
|      | 3S9            | sea blue                         |        |     |                                  |      | 5V7            | stone grey                                |        |     |                              |
|      | 9S5            | terracotta                       |        |     |                                  |      | 5Z1            | sand beige                                |        |     |                              |
|      | 9V6            | cocoa                            |        |     |                                  |      | 8W7            | sea blue                                  |        |     |                              |
|      | D12            | dark grey/natural                |        |     |                                  |      | 8X8            | terracotta                                |        |     |                              |
|      | T12            | brown/natural                    |        |     |                                  |      | 8P9            | cocoa                                     |        |     |                              |
|      | N12            | carrera red                      |        |     |                                  |      | T13            | brown/natural                             |        |     |                              |
| (25) | 997 553 243 01 | cover<br>shift gate<br>lacquered |        | 1   | I480                             |      | N23            | carrera red                               |        |     |                              |
|      | A03            | black                            |        |     |                                  | (26) | 997 553 981 00 | cover                                     |        | 1   | BOXSTER<br>IXCK<br>BOXSTER S |
|      | 5V7            | stone grey                       |        |     |                                  |      |                | parking-brake lever                       |        |     |                              |
|      | 5Z1            | sand beige                       |        |     |                                  |      | A11            | black                                     |        |     |                              |
|      | 8W7            | sea blue                         |        |     |                                  |      | 5X6            | stone grey                                |        |     |                              |
|      | 8X8            | terracotta                       |        |     |                                  |      | 8G2            | sand beige                                |        |     |                              |

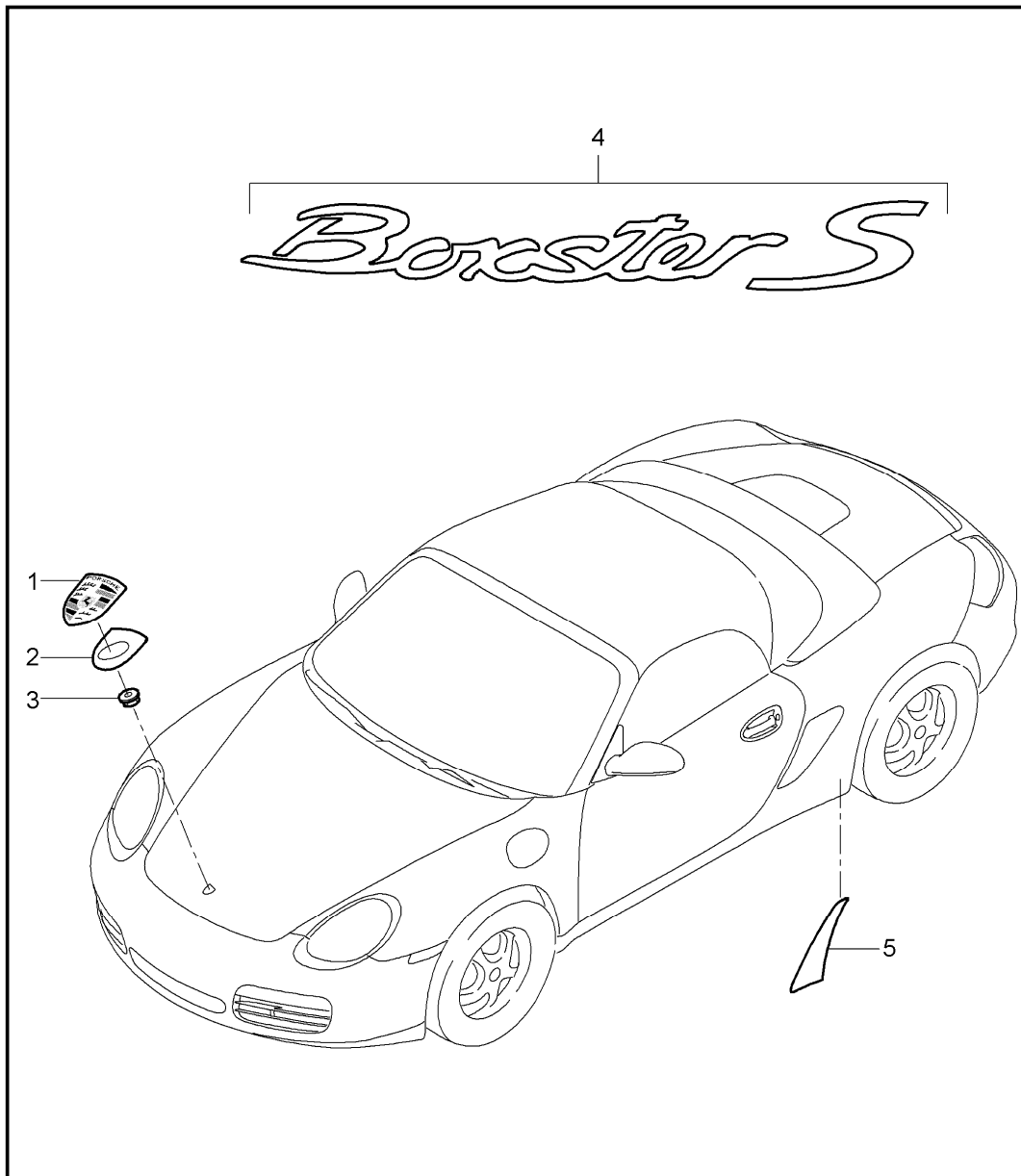
|       |      |    |    |              |              |     |       |            |         |     |         |
|-------|------|----|----|--------------|--------------|-----|-------|------------|---------|-----|---------|
| Model | Year | MG | SG | Illustration | Restrictions | UPD | 18:53 | 01.03.2010 | PORSCHE | PET | PORSCHE |
| 987-2 | 2010 | 8  | 09 | 809-20       |              | 248 |       |            |         |     |         |

| Pos  | Part Number    | Description         | Remark | Qty | Model                        | Pos  | Part Number    | Description                    | Remark | Qty | Model                        |
|------|----------------|---------------------|--------|-----|------------------------------|------|----------------|--------------------------------|--------|-----|------------------------------|
|      | 3S9            | sea blue            |        |     |                              | (26) | 997 553 981 00 | cover                          |        | 1   | BOXSTER<br>IXMJ<br>BOXSTER S |
|      | 9S5            | terracotta          |        |     |                              |      |                | parking-brake lever            |        |     |                              |
|      | 9V6            | cocoa               |        |     |                              |      | A11            | black                          |        |     |                              |
|      | D12            | dark grey/natural   |        |     |                              |      | 5X6            | stone grey                     |        |     |                              |
|      | T12            | brown/natural       |        |     |                              |      | 8G2            | sand beige                     |        |     |                              |
|      | N12            | carrera red         |        |     |                              |      | 3S9            | sea blue                       |        |     |                              |
| (26) | 997 553 981 00 | cover               |        | 1   | BOXSTER<br>IXJT<br>BOXSTER S |      | 9S5            | terracotta                     |        |     |                              |
|      |                | parking-brake lever |        |     |                              |      | 9V6            | cocoa                          |        |     |                              |
|      | A11            | black               |        |     |                              |      | D12            | dark grey/natural              |        |     |                              |
|      | 5X6            | stone grey          |        |     |                              |      | T12            | brown/natural                  |        |     |                              |
|      | 8G2            | sand beige          |        |     |                              |      | N12            | carrera red                    |        |     |                              |
|      | 3S9            | sea blue            |        |     |                              | (26) | 997 553 981 07 | cover                          |        | 1   | BOXSTER<br>IXMZ<br>BOXSTER S |
|      | 9S5            | terracotta          |        |     |                              |      |                | parking-brake lever            |        |     |                              |
|      | 9V6            | cocoa               |        |     |                              |      | A11            | black                          |        |     |                              |
|      | D12            | dark grey/natural   |        |     |                              |      | 5X6            | stone grey                     |        |     |                              |
|      | T12            | brown/natural       |        |     |                              |      | 8G2            | sand beige                     |        |     |                              |
|      | N12            | carrera red         |        |     |                              |      | 3S9            | sea blue                       |        |     |                              |
| (26) | 997 553 981 00 | cover               |        | 1   | IXME                         |      | 9S5            | terracotta                     |        |     |                              |
|      |                | parking-brake lever |        |     |                              |      | 9V6            | cocoa                          |        |     |                              |
|      | A11            | black               |        |     |                              |      | D12            | dark grey/natural              |        |     |                              |
|      | 5X6            | stone grey          |        |     |                              |      | T12            | brown/natural                  |        |     |                              |
|      | 8G2            | sand beige          |        |     |                              |      | N12            | carrera red                    |        |     |                              |
|      | 3S9            | sea blue            |        |     |                              | 27   | 997 553 871 00 | filler piece<br>centre console |        | 1   |                              |
|      | 9S5            | terracotta          |        |     |                              | 28   | 997 553 873 00 | filler piece<br>centre console |        | 1   |                              |
|      | 9V6            | cocoa               |        |     |                              | 29   | 997 553 875 00 | filler piece<br>centre console |        | 1   |                              |
|      | D12            | dark grey/natural   |        |     |                              | 30   | 997 553 877 00 | filler piece<br>centre console |        | 1   |                              |
|      | T12            | brown/natural       |        |     |                              |      |                |                                |        |     |                              |
|      | N12            | carrera red         |        |     |                              |      |                |                                |        |     |                              |

|       |      |    |    |              |              |     |       |            |         |     |         |
|-------|------|----|----|--------------|--------------|-----|-------|------------|---------|-----|---------|
| Model | Year | MG | SG | Illustration | Restrictions | UPD | 18:53 | 01.03.2010 | PORSCHE | PET | PORSCHE |
| 987-2 | 2010 | 8  | 09 | 809-20       |              | 248 |       |            |         |     |         |

| Pos | Part Number    | Description                   | Remark | Qty | Model | Pos | Part Number | Description | Remark | Qty | Model |
|-----|----------------|-------------------------------|--------|-----|-------|-----|-------------|-------------|--------|-----|-------|
| 31  | 987 553 269 00 | support<br>shift cable        |        | 1   |       |     |             |             |        |     |       |
| 32  | 999 591 215 40 | expander nut<br>4,2           |        | 2   |       |     |             |             |        |     |       |
| 33  | 999 507 028 01 | speed nut<br>4,2              |        | X   |       |     |             |             |        |     |       |
| 34  | 999 507 028 01 | speed nut<br>4,2              |        | X   |       |     |             |             |        |     |       |
| 35  | 997 553 732 00 | rubber buffer<br>lid<br>inner |        | 2   |       |     |             |             |        |     |       |
| 36  | 997 553 861 00 | clamp                         |        | 4   | IXMZ  |     |             |             |        |     |       |

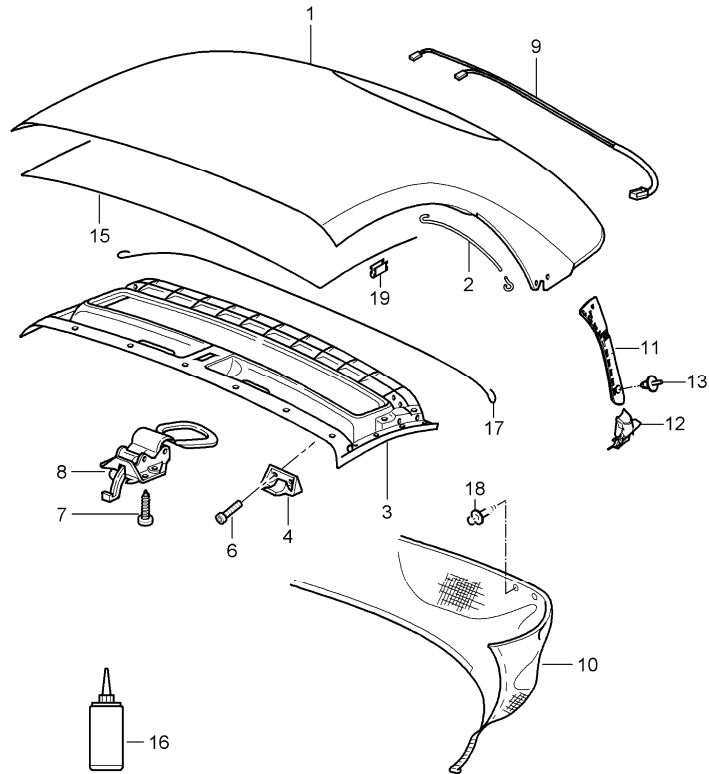
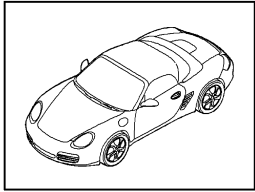
|       |      |    |    |              |              |     |       |            |         |     |         |
|-------|------|----|----|--------------|--------------|-----|-------|------------|---------|-----|---------|
| Model | Year | MG | SG | Illustration | Restrictions | UPD | 18:53 | 01.03.2010 | PORSCHE | PET | PORSCHE |
| 987-2 | 2010 | 8  | 10 | 810-00       |              | 248 |       |            |         |     |         |



| Pos | Part Number    | Description  | Remark | Qty | Model |
|-----|----------------|--|--------|-----|-------|
| 1   | 997 559 211 00 | insignias<br>stone guard film<br>lid emblem<br>Information available |        | 1   |       |
| 2   | 7L5 853 611 B  | desk pad   |        | 1   |       |
| 3   | 999 591 423 03 | tapping nut  |        | 2   |       |
| 4   | 987 559 037 00 | logo<br>lacquered<br>titanium metallic                               |        | 1   |       |
| (4) | 987 559 037 02 | logo<br>chrome<br>high gloss   |        | 1   |       |
| 5   | 987 504 825 01 | stone guard film<br>side section                                     | /L     | 1   |       |
| (5) | 987 504 826 01 | stone guard film<br>side section                                     | /R     | 1   |       |



|       |      |    |    |              |              |     |       |            |         |     |         |
|-------|------|----|----|--------------|--------------|-----|-------|------------|---------|-----|---------|
| Model | Year | MG | SG | Illustration | Restrictions | UPD | 18:53 | 01.03.2010 | PORSCHE | PET | PORSCHE |
| 987-2 | 2010 | 8  | 11 | 811-00       |              | 248 |       |            |         |     |         |

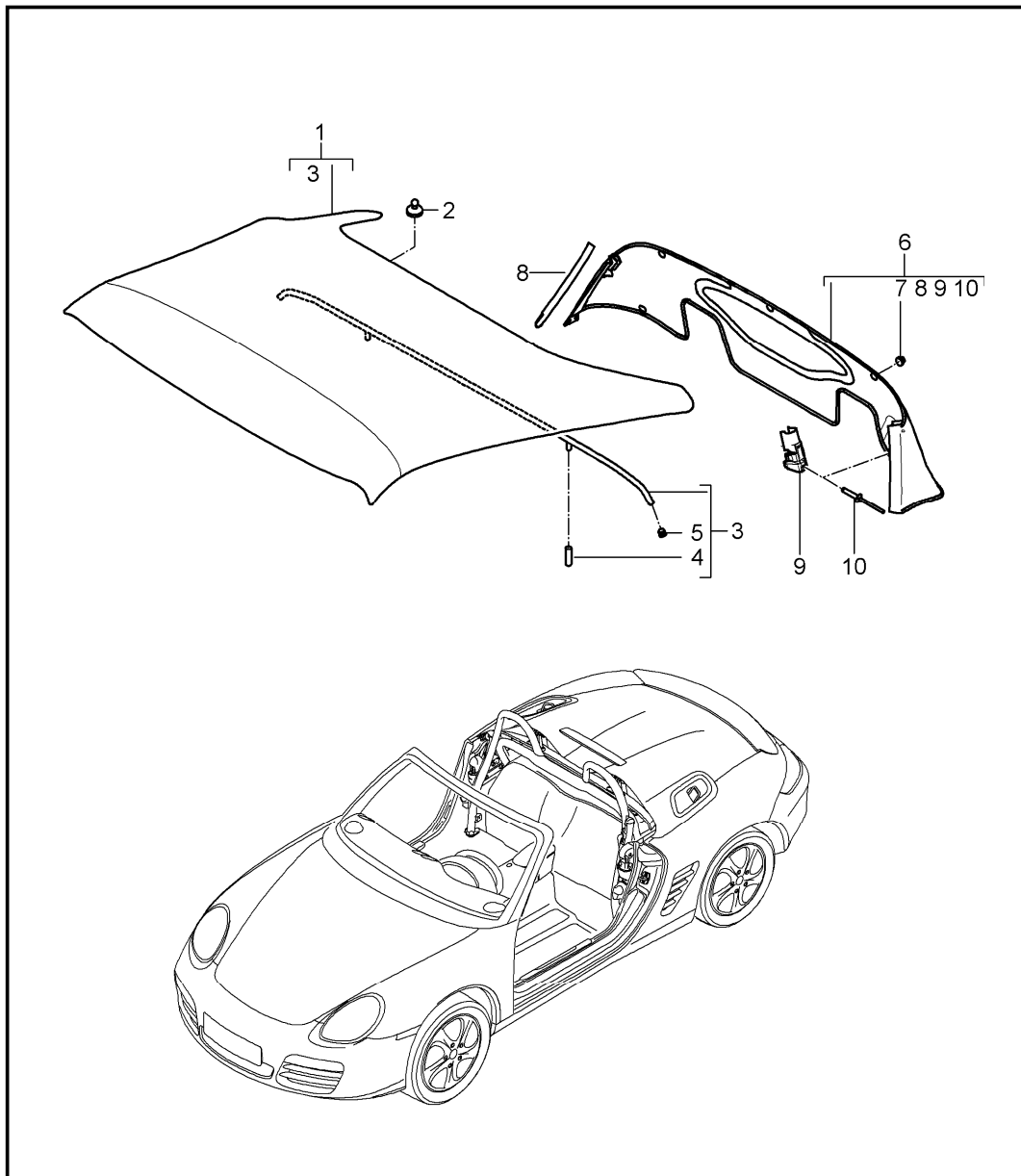


| Pos | Part Number    | Description   | Remark | Qty | Model |
|-----|----------------|---|--------|-----|-------|
| 1   | 987 561 903 02 | convertible top covering<br>roofliner<br><br>convertible top covering<br>with<br>assembly kit<br>use also:<br>assembly kit<br>cord<br>lateral<br>987.561.933.00<br>see workshop manual<br>group 6<br>61-2819<br>61-2855 |        | 1   |       |
|     |                | A10 black   |        |     |       |
|     |                | C17 grey  |        |     |       |
|     |                | G02 metropole blue  |        |     |       |
|     |                | R17 brown   |        |     |       |
|     |                | L02 red   |        |     |       |
| --  | 987 561 933 00 | assembly kit<br>cord<br>lateral   |        | 1   |       |
| 2   | 987 561 915 00 | tension rope  |        | 2   |       |
| 3   | 987 561 907 02 | roof frame  |        | 1   |       |
|     |                | A09 rally black   |        |     |       |
| 4   | 987 561 605 00 | centring journal  | /L     | 1   |       |
|     |                | 70C black   |        |     |       |
| (4) | 987 561 606 00 | centring journal  | /R     | 1   |       |
|     |                | 70C black   |        |     |       |
| 6   | 999 919 144 09 | oval-head screw   |        | 4   |       |
| 7   | 999 919 148 09 | oval-head screw   |        | 4   |       |
| 8   | 987 561 017 00 | catch   |        | 1   |       |
|     |                | A09 black   |        |     |       |
| 9   | 987 612 698 00 | wiring harness<br>rear window heating   |        | 1   |       |
| 10  | 987 561 085 01 | cloth   |        | 1   |       |

|       |      |    |    |              |              |     |       |            |         |     |         |
|-------|------|----|----|--------------|--------------|-----|-------|------------|---------|-----|---------|
| Model | Year | MG | SG | Illustration | Restrictions | UPD | 18:53 | 01.03.2010 | PORSCHE | PET | PORSCHE |
| 987-2 | 2010 | 8  | 11 | 811-00       |              | 248 |       |            |         |     |         |

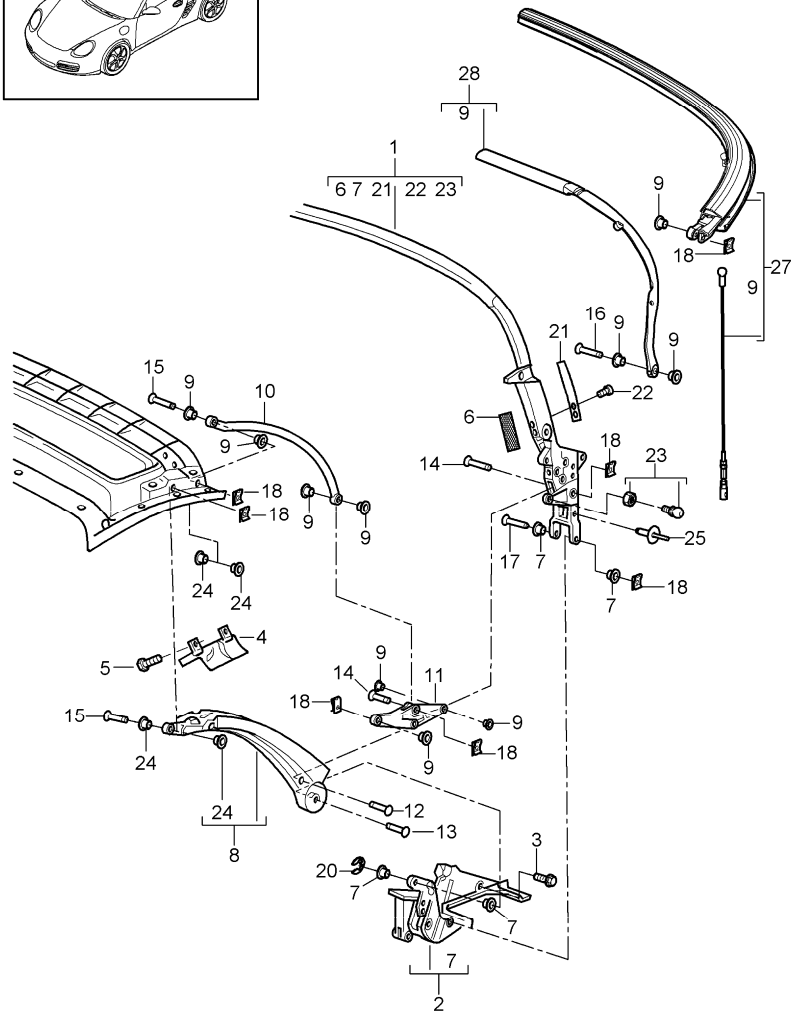
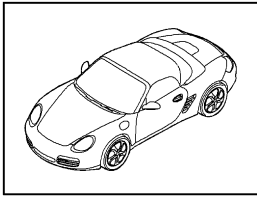
| Pos  | Part Number    | Description     | Remark | Qty | Model | Pos | Part Number | Description | Remark | Qty | Model |
|------|----------------|-----------------|--------|-----|-------|-----|-------------|-------------|--------|-----|-------|
|      | A21            | black           |        |     |       |     |             |             |        |     |       |
| 11   | 987 561 669 01 | slide           | /L     | 1   |       |     |             |             |        |     |       |
| (11) | 987 561 670 01 | slide           | /R     | 1   |       |     |             |             |        |     |       |
| 12   | 987 561 559 00 | clamping piece  | /L     | 1   |       |     |             |             |        |     |       |
| (12) | 987 561 560 00 | clamping piece  | /R     | 1   |       |     |             |             |        |     |       |
| 13   | 987 561 597 00 | clip            |        | 2   |       |     |             |             |        |     |       |
| 15   | 987 561 905 00 | roofliner       |        | 1   |       |     |             |             |        |     |       |
|      | A21            | black           |        |     |       |     |             |             |        |     |       |
| 16   | 999 917 557 00 | grease<br>30 ML |        | X   |       |     |             |             |        |     |       |
| 17   | 987 561 773 01 | tension rope    |        | 1   |       |     |             |             |        |     |       |
| 18   | 999 591 941 40 | expansion rivet |        | 6   |       |     |             |             |        |     |       |
| 19   | 999 591 352 01 | retaining clip  |        | 8   |       |     |             |             |        |     |       |

|       |      |    |    |              |              |     |       |            |         |     |         |
|-------|------|----|----|--------------|--------------|-----|-------|------------|---------|-----|---------|
| Model | Year | MG | SG | Illustration | Restrictions | UPD | 18:53 | 01.03.2010 | PORSCHE | PET | PORSCHE |
| 987-2 | 2010 | 8  | 11 | 811-03       |              | 248 |       |            |         |     |         |



| Pos | Part Number    | Description   | Remark | Qty | Model  |
|-----|----------------|---|--------|-----|--------|
|     |                | convertible top covering<br>Weather deflector<br>single parts | 10-    |     | SPYDER |
| 1   | 987 567 107 00 | convertible top covering<br>with<br>roof strut<br>centre      |        | 1   |        |
|     | A10            | black   |        |     |        |
| 2   | 999 591 632 01 | screw<br>cloth  |        | 3   |        |
| 3   | 987 567 237 00 | roof strut  |        | 1   |        |
| 4   | 987 567 723 00 | sleeve  |        | 2   |        |
| 5   | 987 567 721 00 | cap   |        | 2   |        |
| 6   | 987 567 119 00 | Weather deflector<br>complete                                 |        | 1   |        |
|     | A10            | black   |        |     |        |
| 7   | 999 591 630 01 | knob  |        | 5   |        |
| 8   | 987 567 725 00 | gasket<br>roof strut<br>left                                  | /L     | 1   |        |
| 8   | 987 567 726 00 | gasket<br>right   | /R     | 1   |        |
| (8) | 987 567 725 00 | gasket<br>left  | /L     | 1   |        |
| 9   | 987 567 863 00 | clip<br>roof strut  |        | 2   |        |
| 10  | 999 190 495 30 | blind rivet   |        | 4   |        |

|       |      |    |    |              |              |     |       |            |         |     |         |
|-------|------|----|----|--------------|--------------|-----|-------|------------|---------|-----|---------|
| Model | Year | MG | SG | Illustration | Restrictions | UPD | 18:53 | 01.03.2010 | PORSCHE | PET | PORSCHE |
| 987-2 | 2010 | 8  | 11 | 811-05       |              | 248 |       |            |         |     |         |

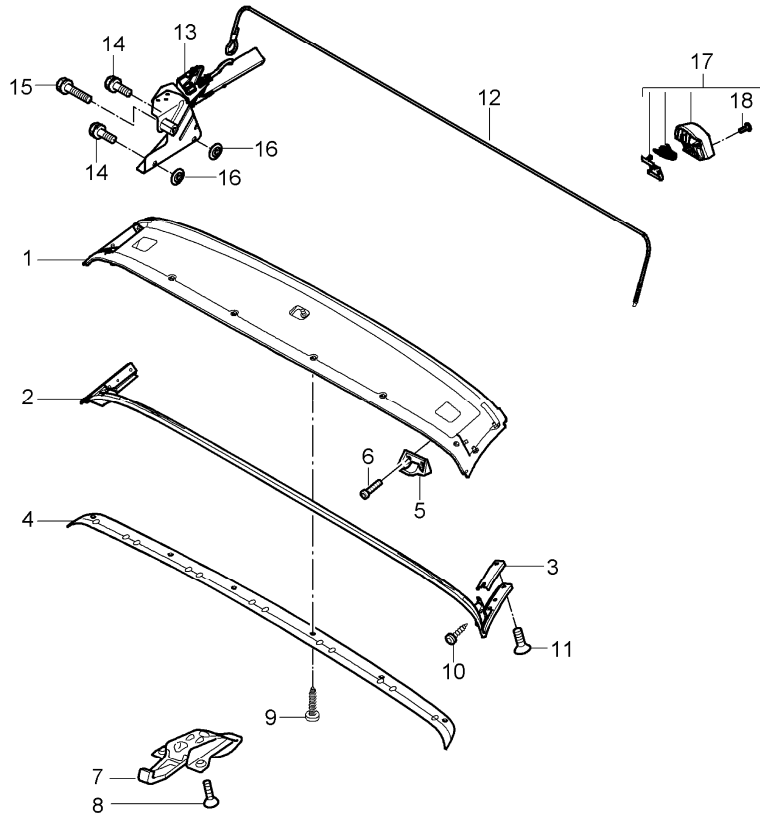
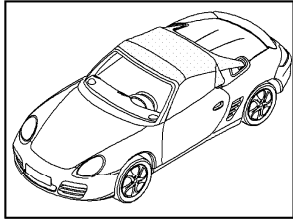


| Pos | Part Number    | Description  | Remark | Qty | Model |
|-----|----------------|--|--------|-----|-------|
|     |                | convertible top frame<br>single parts  |        |     |       |
| 1   | 987 561 037 00 | main folding top bow   |        | 1   |       |
| 2   | 987 561 443 01 | convertible top support  | /L     | 1   |       |
| (2) | 987 561 444 01 | convertible top support  | /R     | 1   |       |
| 3   | 900 378 033 09 | hexagon-head bolt  |        | 6   |       |
| 4   | 987 561 165 01 | flap<br>when required order also:<br>987.561.881.00<br>slide<br>a-pillar<br>999.919.152.09<br>fastening screw<br>slide | /L     | 1   |       |
|     | A09            | black  |        |     |       |
| (4) | 987 561 166 01 | flap<br>when required order also:<br>987.561.882.00<br>slide<br>a-pillar<br>999.919.152.09<br>fastening screw<br>slide | /R     | 1   |       |
|     | A09            | black  |        |     |       |
| 5   | 999 919 141 09 | oval-head screw  |        | 2   |       |
| 6   | 987 561 927 01 | felt strip<br>100x60x1<br>set<br>lateral<br>main folding top bow   |        | 1   |       |
| 7   | 999 924 117 40 | bush<br>8x10x10,5  |        | X   |       |
| 8   | 987 561 909 02 | b-pillar   | /L     | 1   |       |
|     | A09            | black  |        |     |       |
| (8) | 987 561 910 02 | b-pillar   | /R     | 1   |       |
|     | A09            | black  |        |     |       |
| 9   | 999 924 118 40 | bush<br>8x10x5,5   |        | X   |       |
| 10  | 987 561 039 00 | control arm  | /L     | 1   |       |

|       |      |    |    |              |              |     |       |            |         |     |         |
|-------|------|----|----|--------------|--------------|-----|-------|------------|---------|-----|---------|
| Model | Year | MG | SG | Illustration | Restrictions | UPD | 18:53 | 01.03.2010 | PORSCHE | PET | PORSCHE |
| 987-2 | 2010 | 8  | 11 | 811-05       |              | 248 |       |            |         |     |         |

| Pos  | Part Number    | Description                                    | Remark | Qty | Model | Pos | Part Number | Description | Remark | Qty | Model |
|------|----------------|--|--------|-----|-------|-----|-------------|-------------|--------|-----|-------|
| (10) | 987 561 040 00 | control arm                                    | /R     | 1   |       |     |             |             |        |     |       |
| 11   | 987 561 345 00 | steering arm<br>lower                          | /L     | 1   |       |     |             |             |        |     |       |
| (11) | 987 561 346 00 | steering arm<br>lower                          | /R     | 1   |       |     |             |             |        |     |       |
| 12   | 999 088 043 30 | bolt<br>black                                  |        | 2   |       |     |             |             |        |     |       |
| 13   | 999 094 019 30 | bolt   |        | 2   |       |     |             |             |        |     |       |
| 14   | 999 088 042 30 | bolt   |        | X   |       |     |             |             |        |     |       |
| 15   | 999 088 049 30 | bolt   |        | 4   |       |     |             |             |        |     |       |
| 16   | 999 088 047 30 | bolt   |        | 2   |       |     |             |             |        |     |       |
| 17   | 999 094 020 30 | bolt   |        | 2   |       |     |             |             |        |     |       |
| 18   | 999 166 075 09 | lock   |        | X   |       |     |             |             |        |     |       |
| 20   | 999 166 090 02 | lock washer<br>with<br>tab                     |        | 2   |       |     |             |             |        |     |       |
| 21   | 987 561 769 00 | spring   |        | 2   |       |     |             |             |        |     |       |
| 22   | 999 919 142 09 | lens-head screw                                |        | 4   |       |     |             |             |        |     |       |
| 23   | 987 561 925 00 | ball pin<br>set                                |        | 1   |       |     |             |             |        |     |       |
| 24   | 999 924 086 40 | bush   |        | X   |       |     |             |             |        |     |       |
| 25   | 999 190 194 30 | rivet<br>D12,4/4x10,2                          |        | 2   |       |     |             |             |        |     |       |
| 27   | 987 561 041 01 | roof strut                                     |        | 1   |       |     |             |             |        |     |       |
| 28   | 987 561 237 01 | roof strut                                     |        | 1   |       |     |             |             |        |     |       |
| --   | 987 561 881 00 | slide<br>a-pillar<br>for<br>flap<br>roof frame | /L     | 1   |       |     |             |             |        |     |       |
| --   | 987 561 882 00 | slide<br>a-pillar<br>for<br>flap<br>roof frame | /R     | 1   |       |     |             |             |        |     |       |

|       |      |    |    |              |              |     |       |            |         |     |         |
|-------|------|----|----|--------------|--------------|-----|-------|------------|---------|-----|---------|
| Model | Year | MG | SG | Illustration | Restrictions | UPD | 18:54 | 01.03.2010 | PORSCHE | PET | PORSCHE |
| 987-2 | 2010 | 8  | 11 | 811-08       |              | 248 |       |            |         |     |         |

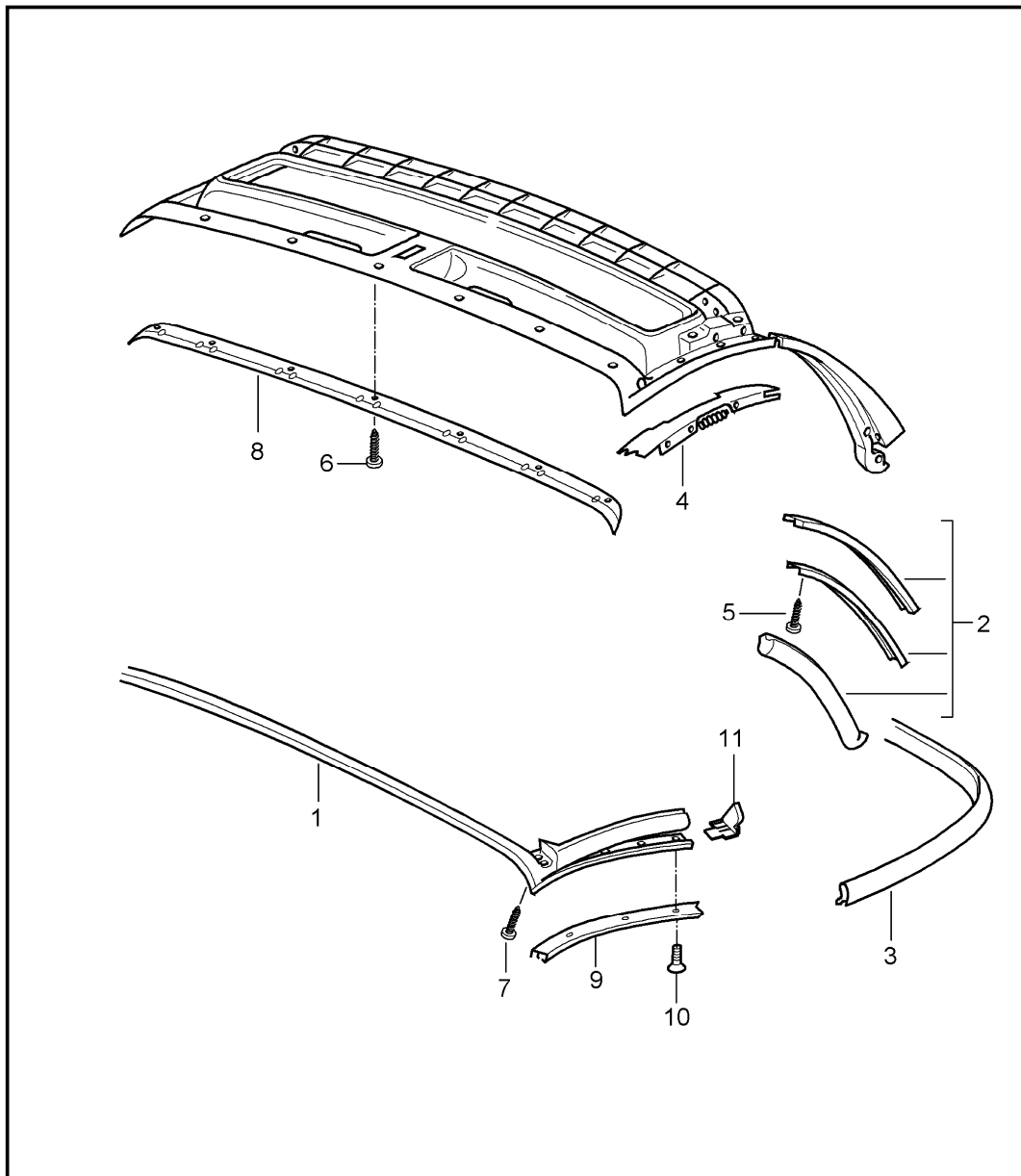


| Pos | Part Number    | Description   | Remark | Qty | Model  |
|-----|----------------|---|--------|-----|--------|
|     |                | convertible top<br>frame<br>single parts<br>seal                  | 10-    |     | SPYDER |
| 1   | 987 567 433 00 | roof frame  |        | 1   |        |
| 2   | 987 567 327 00 | gasket<br>roof frame  |        | 1   |        |
| 3   | 987 567 403 00 | retaining strip<br>lateral<br>left                                | /L     | 1   |        |
| (3) | 987 567 404 00 | retaining strip<br>lateral<br>right                               | /R     | 1   |        |
| 4   | 987 561 501 00 | retaining strip<br>front<br>transverse                            |        | 1   |        |
| 5   | 987 561 605 00 | centring journal<br>left  | /L     | 1   |        |
|     |                | 70C black   |        |     |        |
| (5) | 987 561 606 00 | centring journal<br>right   | /R     | 1   |        |
|     |                | 70C black   |        |     |        |
| 6   | 999 073 344 02 | round head screw<br>M6x20   |        | 4   |        |
| 7   | 996 563 401 00 | catch   |        | 1   |        |
| 8   | 900 249 055 09 | countersunk-head screw<br>M6x20                                   |        | 3   |        |
| 9   | 900 146 024 01 | fastening screw<br>retaining strip<br>front<br>transverse<br>M5x8 |        | 6   |        |
| 10  | 999 073 268 09 | oval-head screw<br>M5x12  |        | 2   |        |
| 11  | 999 073 269 09 | oval-head screw<br>M5x16<br>retaining strip<br>lateral            |        | 4   |        |
| 12  | 987 567 771 00 | tension rope  |        | 1   |        |
| 13  | 987 580 431 00 | tensioner   |        | 1   |        |

|       |      |    |    |              |              |     |       |            |         |     |         |
|-------|------|----|----|--------------|--------------|-----|-------|------------|---------|-----|---------|
| Model | Year | MG | SG | Illustration | Restrictions | UPD | 18:54 | 01.03.2010 | PORSCHE | PET | PORSCHE |
| 987-2 | 2010 | 8  | 11 | 811-08       |              | 248 |       |            |         |     |         |

| Pos  | Part Number    | Description  | Remark | Qty | Model | Pos | Part Number | Description | Remark | Qty | Model |
|------|----------------|--|--------|-----|-------|-----|-------------|-------------|--------|-----|-------|
| 14   | 900 378 033 01 | hexagon-head bolt<br>M8x30   |        | 2   |       |     |             |             |        |     |       |
| 15   | 900 378 107 01 | hexagon-head bolt<br>M8x45   |        | 1   |       |     |             |             |        |     |       |
| 16   | 987 561 787 00 | sealing washer   |        | 2   |       |     |             |             |        |     |       |
| --   | 987 567 831 00 | spacer sleeve<br>between<br>threaded joint<br>M8x30<br>roll-over bar<br>water drip pan | /L     | 2   |       |     |             |             |        |     |       |
| 17   | 987 567 513 00 | tensioner<br>rear<br>left<br>complete  | /L     | 1   |       |     |             |             |        |     |       |
| (17) | 987 567 514 00 | tensioner<br>rear<br>right<br>complete   | /R     | 1   |       |     |             |             |        |     |       |
| 18   | 999 073 268 09 | oval-head screw<br>tensioner   |        | 3   |       |     |             |             |        |     |       |

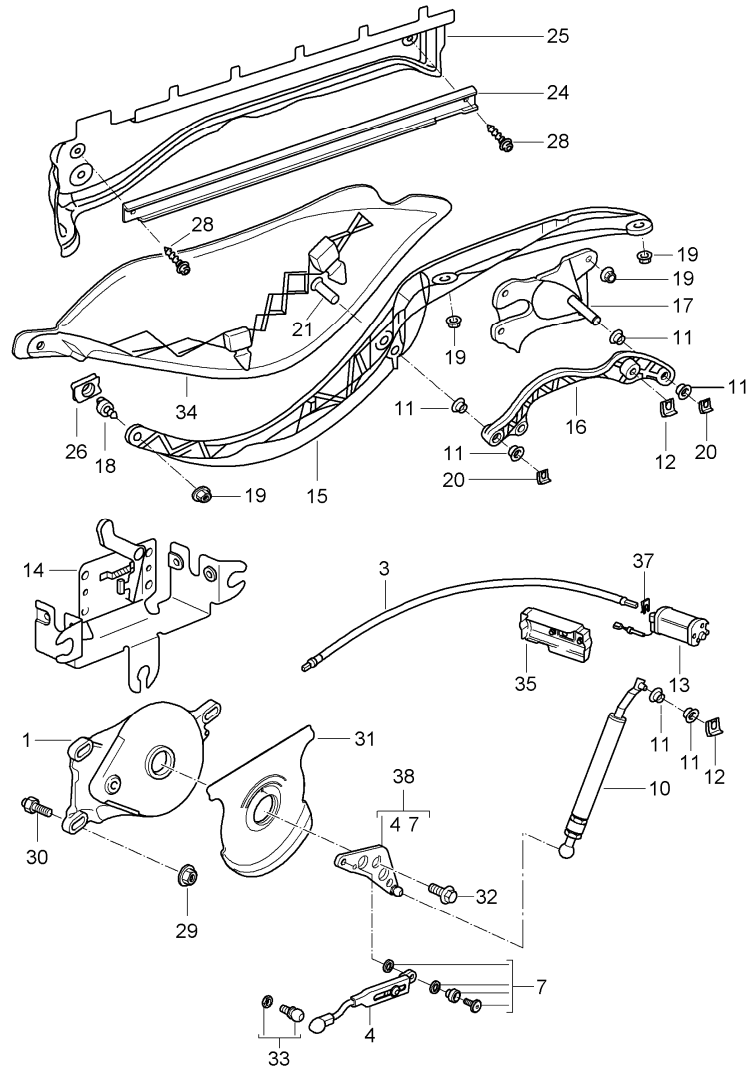
|       |      |    |    |              |              |     |       |            |         |     |         |
|-------|------|----|----|--------------|--------------|-----|-------|------------|---------|-----|---------|
| Model | Year | MG | SG | Illustration | Restrictions | UPD | 18:54 | 01.03.2010 | PORSCHE | PET | PORSCHE |
| 987-2 | 2010 | 8  | 11 | 811-10       |              | 248 |       |            |         |     |         |



| Pos  | Part Number    | Description            | Remark | Qty | Model |
|------|----------------|------------------------|--------|-----|-------|
|      |                | convertible top seal   |        |     |       |
| 1    | 987 561 327 02 | roof frame seal        |        | 1   |       |
| 2    | 987 561 123 01 | gasket b-pillar        | /L     | 1   |       |
| (2)  | 987 561 124 01 | gasket b-pillar        | /R     | 1   |       |
| 3    | 987 561 393 00 | gasket roof strut      |        | 1   |       |
| 4    | 987 561 115 01 | retaining strip        | /L     | 1   |       |
| (4)  | 987 561 116 01 | retaining strip        | /R     | 1   |       |
| 5    | 999 919 239 01 | oval-head screw 3,5x12 |        | 7   |       |
| 6    | 999 919 139 09 | oval-head screw        |        | 6   |       |
| 7    | 999 919 139 09 | oval-head screw        |        | 2   |       |
| 8    | 987 561 501 00 | retaining strip        |        | 1   |       |
| 9    | 987 561 401 00 | retaining strip        | /L     | 1   |       |
| (9)  | 987 561 402 00 | retaining strip        | /R     | 1   |       |
| 10   | 999 919 152 09 | oval-head screw        |        | 8   |       |
| 11   | 987 561 813 02 | filler piece           | /L     | 1   |       |
| (11) | 987 561 814 02 | filler piece           | /R     | 1   |       |



|       |      |    |    |              |              |     |       |            |         |     |         |
|-------|------|----|----|--------------|--------------|-----|-------|------------|---------|-----|---------|
| Model | Year | MG | SG | Illustration | Restrictions | UPD | 18:54 | 01.03.2010 | PORSCHE | PET | PORSCHE |
| 987-2 | 2010 | 8  | 11 | 811-12       |              | 248 |       |            |         |     |         |

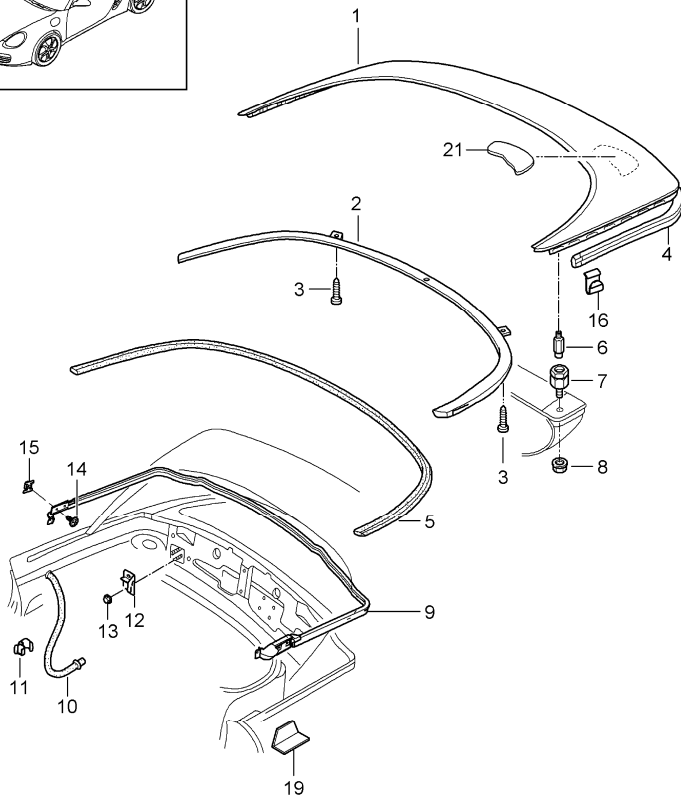
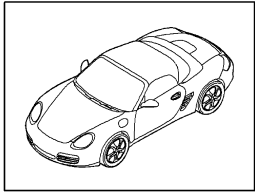


| Pos  | Part Number    | Description  | Remark | Qty | Model |
|------|----------------|--|--------|-----|-------|
|      |                | driving mechanism<br>convertible top<br>convertible top compartm.<br>lid |        |     |       |
| 1    | 987 561 180 03 | transmission   | /R     | 1   |       |
| (1)  | 987 561 179 03 | transmission   | /L     | 1   |       |
| 3    | 987 561 107 00 | pliable shaft  |        | 2   |       |
| 4    | 987 561 279 01 | push rod   |        | 2   |       |
| 7    | 987 561 919 00 | assembly kit<br>for<br>lever   |        | 1   |       |
| 10   | 987 561 580 01 | push rod   | /R     | 1   |       |
| (10) | 987 561 579 01 | push rod   | /L     | 1   |       |
| 11   | 999 924 130 40 | bearing sleeve   |        | X   |       |
| 12   | 999 166 075 09 | safety clip  |        | X   |       |
| 13   | 986 624 117 01 | engine   |        | 1   |       |
| 14   | 986 624 299 00 | support  |        | 1   |       |
| 15   | 987 561 552 00 | guide arm  | /R     | 1   |       |
|      |                | GRV prime coated   |        |     |       |
| (15) | 987 561 551 00 | guide arm  | /L     | 1   |       |
|      |                | GRV prime coated   |        |     |       |
| 16   | 987 561 572 00 | hinge lever  | /R     | 1   |       |
|      |                | GRV prime coated   |        |     |       |
| (16) | 987 561 571 00 | hinge lever  | /L     | 1   |       |
|      |                | GRV prime coated   |        |     |       |
| 17   | 987 561 680 00 | bearing bracket  | /R     | 1   |       |
|      |                | GRV prime coated   |        |     |       |
| (17) | 987 561 679 00 | bearing bracket  | /L     | 1   |       |
|      |                | GRV prime coated   |        |     |       |
| 18   | 900 167 023 01 | ball pin   |        | 1   |       |
| 19   | 900 377 010 09 | hexagon nut  |        | 12  |       |

|       |      |    |    |              |              |     |       |            |         |     |         |
|-------|------|----|----|--------------|--------------|-----|-------|------------|---------|-----|---------|
| Model | Year | MG | SG | Illustration | Restrictions | UPD | 18:54 | 01.03.2010 | PORSCHE | PET | PORSCHE |
| 987-2 | 2010 | 8  | 11 | 811-12       |              | 248 |       |            |         |     |         |

| Pos  | Part Number    | Description                                     | Remark | Qty | Model | Pos | Part Number | Description | Remark | Qty | Model |
|------|----------------|---|--------|-----|-------|-----|-------------|-------------|--------|-----|-------|
| 20   | 999 166 075 09 | safety clip                                     |        | X   |       |     |             |             |        |     |       |
| 21   | 999 088 027 30 | bolt  |        | 2   |       |     |             |             |        |     |       |
| 24   | 987 561 253 00 | guide rail                                      |        | 2   |       |     |             |             |        |     |       |
| 25   | 987 561 762 01 | water drain plate                               | /R     | 1   |       |     |             |             |        |     |       |
| (25) | 987 561 761 01 | water drain plate                               | /L     | 1   |       |     |             |             |        |     |       |
| 26   | 986 561 577 01 | slide   |        | 2   |       |     |             |             |        |     |       |
| 28   | 900 067 376 09 | pan-head screw                                  |        | 4   |       |     |             |             |        |     |       |
| 29   | 999 076 055 09 | hexagon nut                                     |        | 6   |       |     |             |             |        |     |       |
| 30   | 987 561 789 00 | stud  |        | 6   |       |     |             |             |        |     |       |
| 31   | 987 561 589 01 | washer  |        | 2   |       |     |             |             |        |     |       |
| 32   | 900 378 288 01 | hexagon-head bolt<br>micro-self-locking         |        | 2   |       |     |             |             |        |     |       |
| 33   | P              | ball pin<br>set<br>see illustrations<br>8-11-05 |        | 1   |       |     |             |             |        |     |       |
| 34   | 987 561 445 00 | cover   | /L     | 1   |       |     |             |             |        |     |       |
|      | 01C            | black   |        |     |       |     |             |             |        |     |       |
| (34) | 987 561 446 00 | cover   | /R     | 1   |       |     |             |             |        |     |       |
|      | 01C            | black   |        |     |       |     |             |             |        |     |       |
| 35   | 986 624 295 00 | cap   |        | 1   |       |     |             |             |        |     |       |
| 37   | 987 561 643 00 | spring clamp                                    |        | 2   |       |     |             |             |        |     |       |
| 38   | 987 561 277 01 | lever<br>with<br>push rod                       | /L     | 1   |       |     |             |             |        |     |       |
| (38) | 987 561 278 01 | lever<br>with<br>push rod                       | /R     | 1   |       |     |             |             |        |     |       |

|       |      |    |    |              |              |     |       |            |         |     |         |
|-------|------|----|----|--------------|--------------|-----|-------|------------|---------|-----|---------|
| Model | Year | MG | SG | Illustration | Restrictions | UPD | 18:54 | 01.03.2010 | PORSCHE | PET | PORSCHE |
| 987-2 | 2010 | 8  | 11 | 811-13       |              | 248 |       |            |         |     |         |

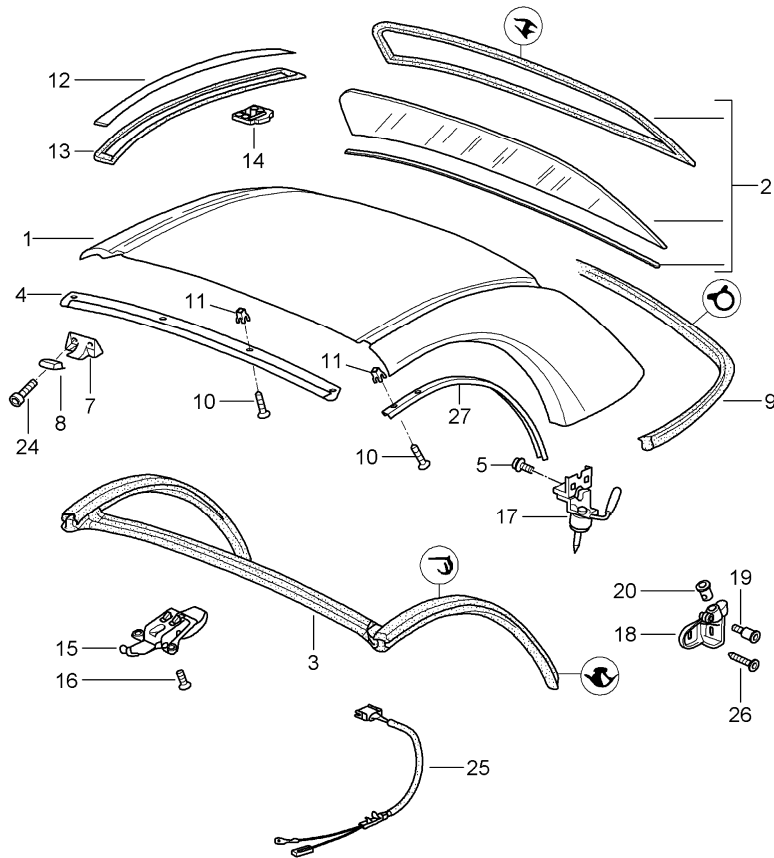
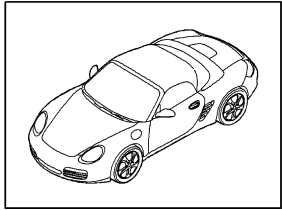


| Pos  | Part Number    | Description                                 | Remark | Qty | Model |
|------|----------------|---|--------|-----|-------|
|      |                | convertible top compartm.<br>lid<br>gaskets |        |     |       |
| 1    | 987 514 011 00 | lid   |        | 1   |       |
|      | GRV            | prime coated                                |        |     |       |
| 2    | 987 514 631 01 | strip                                       |        | 1   |       |
| 3    | 999 073 047 02 | tapping screw                               |        | 2   |       |
| 4    | 987 514 713 00 | edge protection                             |        | 2   |       |
| 5    | 986 514 731 00 | gasket                                      |        | 1   |       |
| 6    | 987 514 253 02 | centring journal                            |        | 2   |       |
| 7    | 986 514 251 01 | base  |        | 2   |       |
| 8    | 999 076 061 09 | hexagon nut                                 |        | 4   |       |
| 9    | 987 514 211 00 | gasket                                      |        | 1   |       |
| 10   | 986 514 241 00 | water drain hose                            |        | 2   |       |
| 11   | 999 507 551 09 | cable clamp                                 |        | 4   |       |
| (12) | 987 561 505 00 | support                                     |        | 2   |       |
| 13   | 999 084 629 09 | hexagon nut                                 |        | 4   |       |
| 14   | 999 073 060 02 | tapping screw<br>4,8 x 13                   |        | 4   |       |
| 15   | 999 591 329 09 | speed nut<br>4,8                            |        | 4   |       |
| 16   | 999 507 600 09 | u-clamp<br>edge protection                  |        | 4   |       |
| 19   | 987 561 801 00 | stop<br>1 MM                                |        | 1   |       |
| 19   | 987 561 801 01 | stop<br>2 MM                                |        | 1   |       |
| 19   | 987 561 801 02 | stop<br>3 MM                                |        | 1   |       |
| 19   | 987 561 801 03 | stop<br>4 MM                                |        | 1   |       |
| 19   | 987 561 801 04 | stop<br>5 MM                                |        | 1   |       |
| 21   | 987 561 633 00 | buffer                                      |        | 1   | /L    |

|       |      |    |    |              |              |     |       |            |         |     |         |
|-------|------|----|----|--------------|--------------|-----|-------|------------|---------|-----|---------|
| Model | Year | MG | SG | Illustration | Restrictions | UPD | 18:54 | 01.03.2010 | PORSCHE | PET | PORSCHE |
| 987-2 | 2010 | 8  | 11 | 811-13       |              | 248 |       |            |         |     |         |

| Pos  | Part Number    | Description | Remark | Qty | Model | Pos | Part Number | Description | Remark | Qty | Model |
|------|----------------|-------------|--------|-----|-------|-----|-------------|-------------|--------|-----|-------|
| (21) | 987 561 634 00 | buffer      |        | 1   | /R    |     |             |             |        |     |       |

|       |      |    |    |              |              |     |       |            |         |     |         |
|-------|------|----|----|--------------|--------------|-----|-------|------------|---------|-----|---------|
| Model | Year | MG | SG | Illustration | Restrictions | UPD | 18:54 | 01.03.2010 | PORSCHE | PET | PORSCHE |
| 987-2 | 2010 | 8  | 11 | 811-15       |              | 248 |       |            |         |     |         |

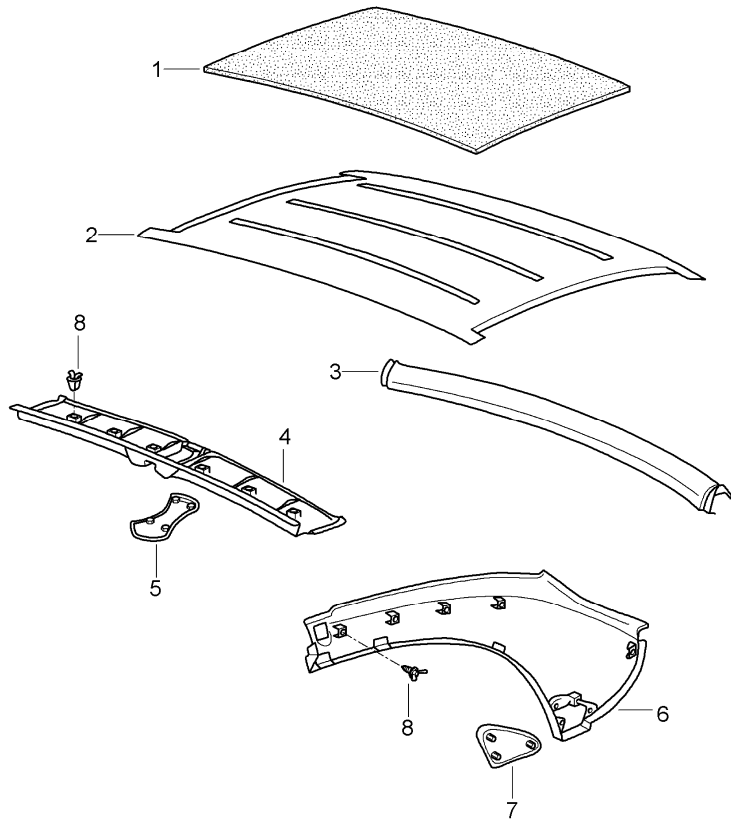
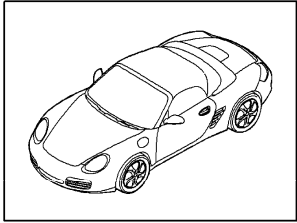


| Pos  | Part Number    | Description                        | Remark | Qty | Model |
|------|----------------|------------------------------------|--------|-----|-------|
|      |                | hardtop accessories gaskets        |        |     | M550  |
| 1    | 987 563 911 00 | hardtop                            |        | 1   |       |
|      | GRV            | prime coated without accessories   |        |     |       |
| 2    | 986 563 091 01 | rear window ready for installation |        | 1   |       |
| 3    | 987 563 125 01 | gasket                             |        | 1   |       |
| 4    | 986 563 319 01 | retaining strip                    |        | 1   |       |
| 5    | 999 073 382 01 | combination screw                  |        | 3   |       |
| 7    | 986 561 605 00 | centring journal                   |        | 2   |       |
|      | A09            | black                              |        |     |       |
| 8    | 986 563 625 03 | cap                                |        | 2   |       |
| 9    | 987 563 127 00 | gasket                             |        | 1   |       |
| 10   | 999 073 049 02 | tapping screw                      |        | 24  |       |
| 11   | 999 507 547 40 | expander nut                       |        | 24  |       |
| 12   | 986 563 707 00 | cover strip                        | /L     | 1   |       |
|      | GRV            | prime coated                       |        |     |       |
| (12) | 986 563 708 00 | cover strip                        | /R     | 1   |       |
|      | GRV            | prime coated                       |        |     |       |
| 13   | 986 563 361 00 | gasket                             | /L     | 1   |       |
| (13) | 986 563 362 00 | gasket                             | /R     | 1   |       |
| 14   | 986 563 721 00 | clip                               |        | 8   |       |
| 15   | 986 563 401 00 | catch                              |        | 1   |       |
| 16   | 900 249 055 09 | countersunk-head screw M 6X20      |        | 3   |       |
| 17   | 987 563 403 01 | catch                              | /L     | 1   |       |
| (17) | 987 563 404 01 | catch                              | /R     | 1   |       |
| 18   | 987 561 653 00 | mounting                           | /L     | 1   |       |
| (18) | 987 561 654 00 | mounting                           | /R     | 1   |       |

|       |      |    |    |              |              |     |       |            |         |     |         |
|-------|------|----|----|--------------|--------------|-----|-------|------------|---------|-----|---------|
| Model | Year | MG | SG | Illustration | Restrictions | UPD | 18:54 | 01.03.2010 | PORSCHE | PET | PORSCHE |
| 987-2 | 2010 | 8  | 11 | 811-15       |              | 248 |       |            |         |     |         |

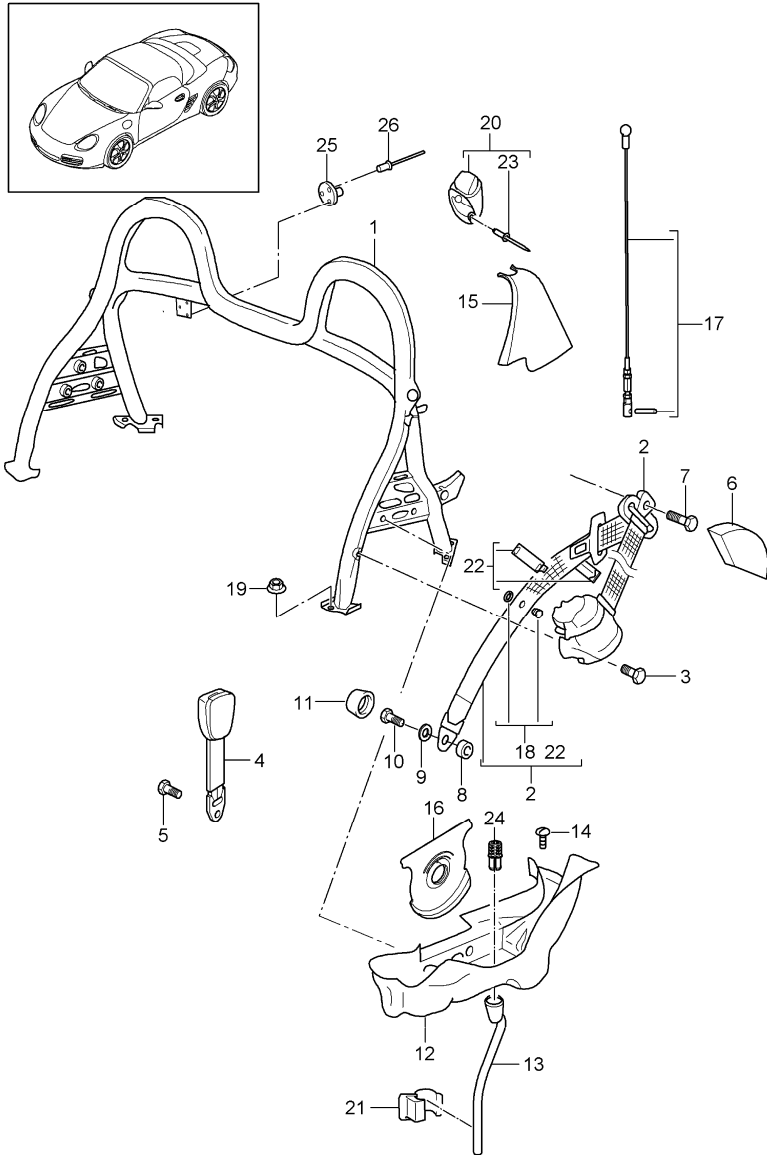
| Pos  | Part Number    | Description            | Remark | Qty | Model | Pos | Part Number | Description | Remark | Qty | Model |
|------|----------------|------------------------|--------|-----|-------|-----|-------------|-------------|--------|-----|-------|
| 19   | 999 219 041 00 | fit bolt               |        | 2   |       |     |             |             |        |     |       |
| 20   | 987 563 713 00 | insert                 | /L     | 1   |       |     |             |             |        |     |       |
| (20) | 987 563 714 00 | insert                 | /R     | 1   |       |     |             |             |        |     |       |
| 24   | 900 119 122 09 | screw                  |        | 4   |       |     |             |             |        |     |       |
| 25   | 987 612 696 00 | wiring harness         |        | 1   |       |     |             |             |        |     |       |
| 26   | 999 073 168 09 | lens-head screw        |        | 4   |       |     |             |             |        |     |       |
| 27   | 987 563 309 00 | retaining strip        | /L     | 1   |       |     |             |             |        |     |       |
| (27) | 987 563 310 00 | retaining strip        | /R     | 1   |       |     |             |             |        |     |       |
| -    | 000 043 203 29 | sealing strap<br>NITTO |        | X   |       |     |             |             |        |     |       |

|       |      |    |    |              |              |     |       |            |         |     |         |
|-------|------|----|----|--------------|--------------|-----|-------|------------|---------|-----|---------|
| Model | Year | MG | SG | Illustration | Restrictions | UPD | 18:54 | 01.03.2010 | PORSCHE | PET | PORSCHE |
| 987-2 | 2010 | 8  | 11 | 811-16       |              | 248 |       |            |         |     |         |



| Pos | Part Number    | Description                   | Remark | Qty | Model |
|-----|----------------|-------------------------------|--------|-----|-------|
|     |                | hardtop<br>interior equipment |        |     |       |
| 1   | 986 563 523 00 | sound absorber<br>set         |        | 1   |       |
| 2   | 986 563 111 01 | lining                        |        | 1   |       |
|     | A21            | black                         |        |     |       |
| 3   | 987 563 505 00 | lining                        |        | 1   |       |
|     | A03            | black                         |        |     |       |
| 4   | 986 563 501 00 | lining                        |        | 1   |       |
|     | A03            |                               |        |     |       |
| 5   | 987 563 551 00 | lid                           |        | 1   |       |
|     | A03            | black                         |        |     |       |
| 6   | 987 563 503 00 | lining                        | /L     | 1   |       |
|     | A03            | black                         |        |     |       |
| (6) | 987 563 504 00 | lining                        | /R     | 1   |       |
|     | A03            | black                         |        |     |       |
| 7   | 987 563 553 00 | lid                           | /L     | 1   |       |
|     | A03            | black                         |        |     |       |
| (7) | 987 563 554 00 | lid                           | /R     | 1   |       |
|     | A03            | black                         |        |     |       |
| 8   | 999 507 764 40 | clamp                         |        | X   |       |

|       |      |    |    |              |              |     |       |            |         |     |         |
|-------|------|----|----|--------------|--------------|-----|-------|------------|---------|-----|---------|
| Model | Year | MG | SG | Illustration | Restrictions | UPD | 18:55 | 01.03.2010 | PORSCHE | PET | PORSCHE |
| 987-2 | 2010 | 8  | 12 | 812-00       |              | 248 |       |            |         |     |         |



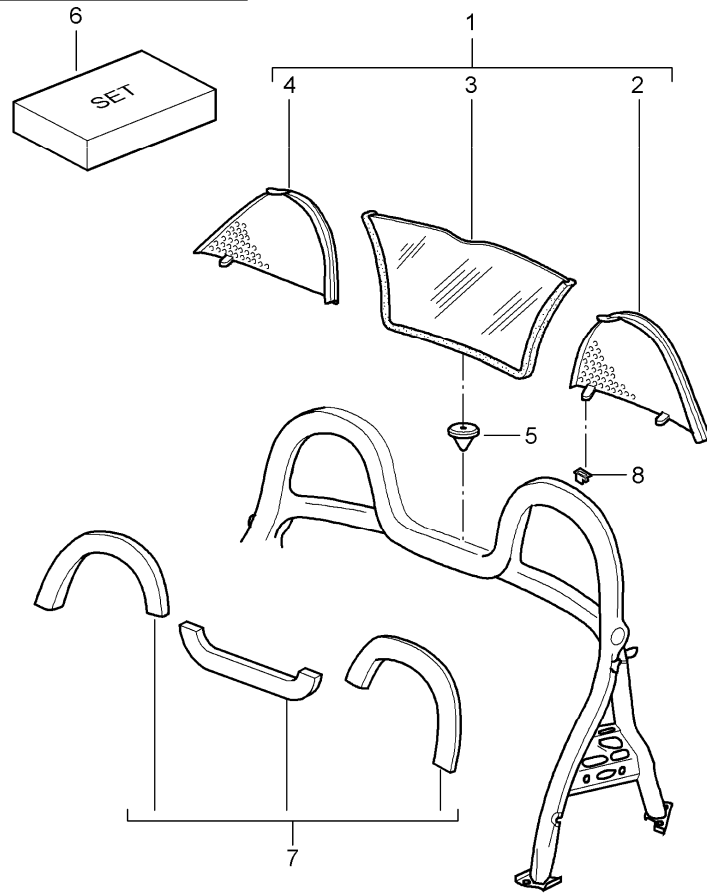
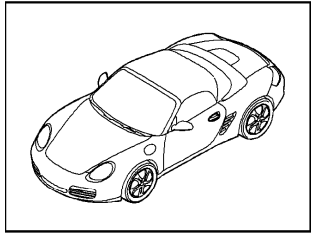
| Pos | Part Number    | Description                             | Remark | Qty | Model                          |
|-----|----------------|---|--------|-----|--------------------------------|
|     |                | roll-over bar<br>seat belt              |        |     | BOXSTER<br>BOXSTER S<br>SPYDER |
| 1   | 987 580 011 01 | roll-over bar                           |        | 1   | BOXSTER                        |
|     |                | D08<br>volcano grey                     |        |     | BOXSTER S                      |
| (1) | 987 580 011 09 | roll-over bar<br>lacquered              | 10-    | 1   | SPYDER                         |
|     |                | 041<br>black                            |        |     |                                |
| --  | 986 580 513 00 | plate<br>roll-over bar<br>front<br>1 MM |        | X   |                                |
| --  | 986 580 613 00 | plate<br>roll-over bar<br>rear<br>1 MM  |        | X   |                                |
| 2   | 987 803 033 04 | seat belt                               | /L     | 1   |                                |
|     |                | A23<br>black                            |        |     | I555                           |
|     |                | V02<br>speed yellow                     |        |     | IXSY                           |
|     |                | U01<br>silver                           |        |     | IXSH                           |
|     |                | N13<br>guards red                       |        |     | IXSX                           |
|     |                | 6M4<br>sand beige                       |        |     | IXST                           |
| (2) | 987 803 034 06 | seat belt                               | /R     | 1   |                                |
|     |                | A23<br>black                            |        |     | I555                           |
|     |                | V02<br>speed yellow                     |        |     | IXSY                           |
|     |                | U01<br>silver                           |        |     | IXSH                           |
|     |                | N13<br>guards red                       |        |     | IXSX                           |
|     |                | 6M4<br>sand beige                       |        |     | IXST                           |
| 3   | 999 075 070 09 | hexagon-head bolt                       |        | 2   |                                |
| (4) | 996 803 183 08 | seat-belt buckle<br>passenger's side    |        | 1   |                                |
| 4   | 997 803 183 01 | seat-belt buckle<br>driver's side       |        | 1   |                                |
| 4   | 997 803 183 04 | seat-belt buckle<br>driver's side       |        | 1   | I388                           |



|       |      |    |    |              |              |     |       |            |         |     |         |
|-------|------|----|----|--------------|--------------|-----|-------|------------|---------|-----|---------|
| Model | Year | MG | SG | Illustration | Restrictions | UPD | 18:55 | 01.03.2010 | PORSCHE | PET | PORSCHE |
| 987-2 | 2010 | 8  | 12 | 812-00       |              | 248 |       |            |         |     |         |

| Pos  | Part Number    | Description   | Remark | Qty | Model                | Pos  | Part Number    | Description                      | Remark | Qty | Model                |
|------|----------------|---|--------|-----|----------------------|------|----------------|----------------------------------|--------|-----|----------------------|
| (4)  | 997 803 183 04 | seat-belt buckle driver's side                      |        | 1   | I389                 | (13) | 987 561 734 00 | water drain tube                 | /R     | 1   |                      |
| (4)  | 997 803 183 05 | seat-belt buckle passenger's side                   |        | 1   | I389                 | 14   | 996 561 247 00 | expansion rivet                  |        | 2   |                      |
| 4    | 997 803 183 05 | seat-belt buckle passenger's side                   |        | 1   | I388                 | 15   | 987 580 801 00 | cover                            | /L     | 1   |                      |
| -    |                | cable for seat-belt tensioner see group 9 / 02 / 10 |        | X   |                      |      | 01C            | black                            |        |     |                      |
| 5    | 999 218 101 02 | hexagon-head bolt                                   |        | 2   |                      | (15) | 987 580 802 00 | cover                            | /R     | 1   |                      |
| 6    | 987 803 541 00 | cover   |        | 2   |                      |      | 01C            | black                            |        |     |                      |
| 7    | 999 075 057 09 | hexagon-head bolt                                   |        | 2   |                      | 16   |                | washer see illustrations 8-11-12 |        | 2   | BOXSTER<br>BOXSTER S |
| 8    | 999 924 064 01 | bush  |        | 2   |                      | 17   | 987 561 421 00 | tension rope                     |        | 2   | BOXSTER<br>BOXSTER S |
| (8)  | 997 803 663 00 | spacer sleeve                                       |        | 1   | I388/389             | 18   | 955 803 056 00 | knob                             |        | 2   |                      |
| 9    | 211 857 771    | washer  |        | 2   |                      |      | HCP            | black                            |        |     |                      |
| (9)  | 999 028 022 01 | spring washer                                       |        | 1   | I388/389             | 19   | 999 076 065 02 | collar nut                       |        | 8   |                      |
| --   | 999 025 275 A2 | washer  |        | 1   | I388/389             | 20   | 987 561 911 00 | assembly kit bracket             | /L     | 1   | BOXSTER<br>BOXSTER S |
| 10   | 999 075 073 09 | hexagon-head bolt                                   |        | 2   |                      |      | 01C            | satin black                      |        |     |                      |
| (10) | 999 075 072 09 | hexagon-head bolt                                   |        | 2   | I388/389             | (20) | 987 561 912 00 | assembly kit bracket             | /R     | 1   | BOXSTER<br>BOXSTER S |
| 11   | 811 857 845    | cap   |        | 2   |                      |      | 01C            | satin black                      |        |     |                      |
|      | 01C            | black   |        |     |                      | 21   | 999 507 551 09 | cable clamp                      |        | 4   |                      |
| 12   | 987 561 805 01 | water drip pan left                                 | /L     | 1   | BOXSTER<br>BOXSTER S | 22   | 997 803 334 00 | clamping piece                   |        | 2   |                      |
| (12) | 987 567 805 00 | water drip pan left                                 | /L     | 10- | SPYDER               |      | 01C            | black                            |        |     |                      |
| (12) | 987 561 806 01 | water drip pan right                                | /R     | 1   | BOXSTER<br>BOXSTER S | 23   | 999 190 176 00 | blind rivet 4,5x12               |        | 4   | BOXSTER<br>BOXSTER S |
| (12) | 987 567 806 00 | water drip pan right                                | /R     | 10- | SPYDER               | 24   | 987 561 587 00 | filter element water drip pan    |        | 2   |                      |
| --   | 987 561 787 00 | sealing washer                                      |        | X   |                      | 25   | 986 551 547 00 | mounting catch                   | 10-    | 2   | SPYDER               |
| 13   | 987 561 733 00 | water drain tube                                    | /L     | 1   |                      | 26   | 999 190 443 00 | blind rivet                      | 10-    | 6   | SPYDER               |

|       |      |    |    |              |              |     |       |            |         |     |         |
|-------|------|----|----|--------------|--------------|-----|-------|------------|---------|-----|---------|
| Model | Year | MG | SG | Illustration | Restrictions | UPD | 18:55 | 01.03.2010 | PORSCHE | PET | PORSCHE |
| 987-2 | 2010 | 8  | 12 | 812-01       |              | 248 |       |            |         |     |         |

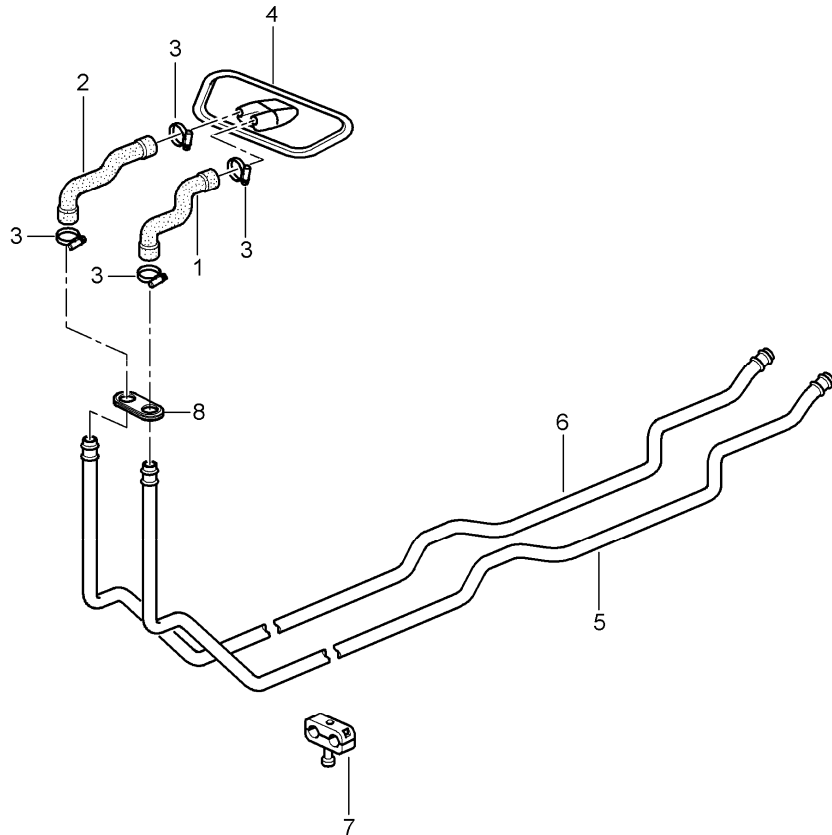
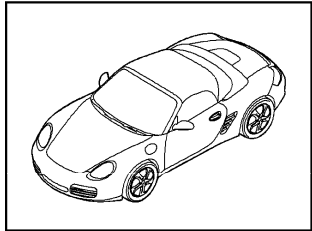


| Pos | Part Number    | Description                               | Remark | Qty | Model |
|-----|----------------|---|--------|-----|-------|
|     |                | wind deflector and linings roll-over bar  |        |     |       |
| 1   | 987 561 125 00 | wind deflector set                        |        | 1   |       |
| 2   | 987 561 583 00 | side section                              |        | 1   |       |
| 3   | 987 561 621 00 | wind deflector centre part with bag       |        | 1   |       |
| 4   | 987 561 584 00 | side section                              |        | 1   |       |
| 5   | 987 561 821 00 | buffer centre part                        |        | 1   |       |
| 6   | 987 561 901 02 | set of fastening parts for wind deflector |        | 1   |       |
| 7   | 987 580 311 01 | lining leatherette set                    |        | 1   |       |
|     | A37            | black                                     |        |     |       |
|     | B27            | stone grey                                |        |     |       |
|     | E27            | sea blue                                  |        |     |       |
|     | T27            | sand beige                                |        |     |       |
| 7   | 987 580 311 03 | lining leather set                        |        | 1   |       |
|     | A11            | black                                     |        |     |       |
|     | D12            | dark grey/natural                         |        |     |       |
|     | T12            | brown/natural                             |        |     |       |
|     | 3S9            | sea blue                                  |        |     |       |
|     | 5X6            | stone grey                                |        |     |       |
|     | 8G2            | sand beige                                |        |     |       |
|     | 9S5            | terracotta                                |        |     |       |
|     | 9V6            | cocoa                                     |        |     |       |
|     | N12            | carrera red                               |        |     |       |

|       |      |    |    |              |              |     |       |            |         |     |         |
|-------|------|----|----|--------------|--------------|-----|-------|------------|---------|-----|---------|
| Model | Year | MG | SG | Illustration | Restrictions | UPD | 18:55 | 01.03.2010 | PORSCHE | PET | PORSCHE |
| 987-2 | 2010 | 8  | 12 | 812-01       |              | 248 |       |            |         |     |         |

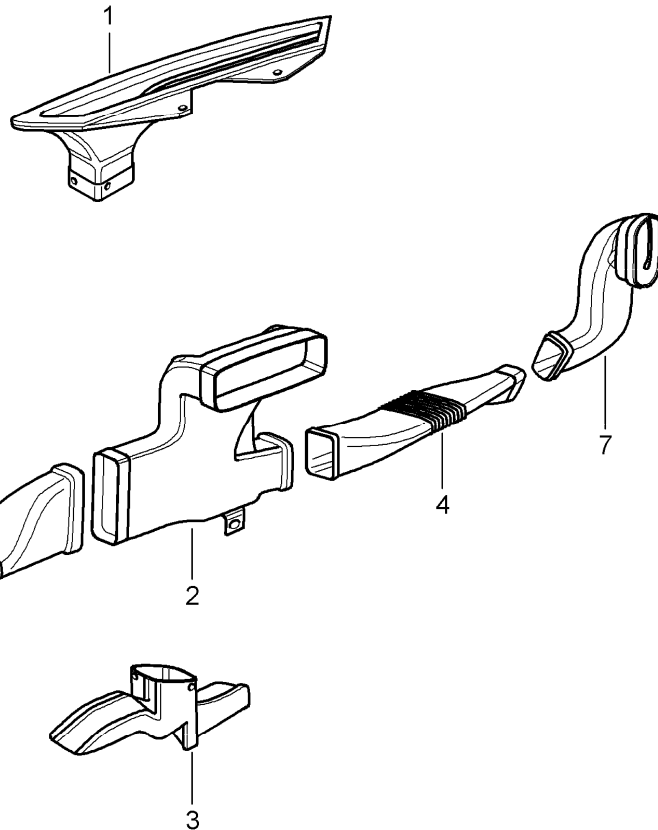
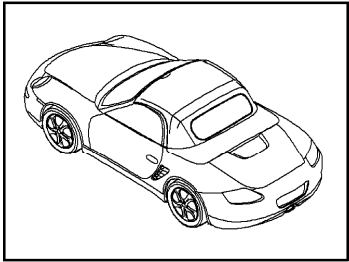
| Pos | Part Number    | Description             | Remark | Qty | Model | Pos | Part Number | Description | Remark | Qty | Model |
|-----|----------------|-------------------------|--------|-----|-------|-----|-------------|-------------|--------|-----|-------|
| 8   | 986 580 751 00 | clip<br>mount<br>lining |        | 8   |       |     |             |             |        |     |       |

|       |      |    |    |              |              |     |       |            |         |     |         |
|-------|------|----|----|--------------|--------------|-----|-------|------------|---------|-----|---------|
| Model | Year | MG | SG | Illustration | Restrictions | UPD | 18:55 | 01.03.2010 | PORSCHE | PET | PORSCHE |
| 987-2 | 2010 | 8  | 13 | 813-00       |              | 248 |       |            |         |     |         |



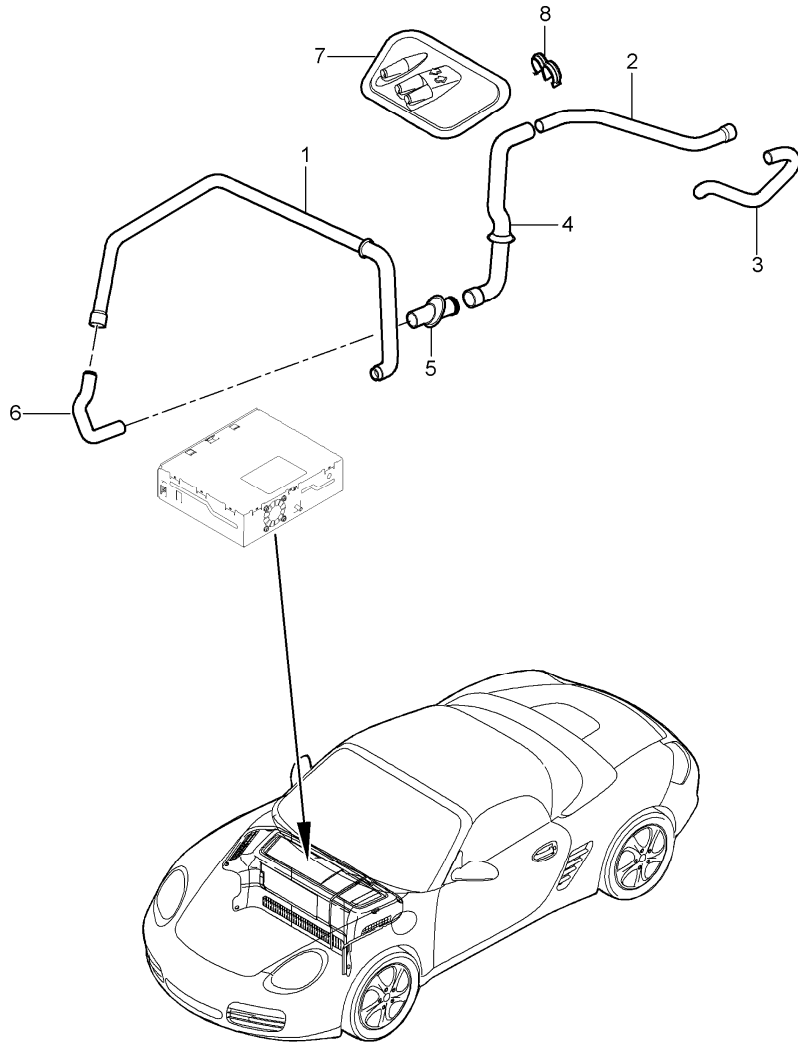
| Pos | Part Number    | Description                                  | Remark | Qty | Model |
|-----|----------------|--|--------|-----|-------|
|     |                | heating system 1<br>feed line<br>return line |        |     |       |
| 1   | 997 572 553 00 | heater hose<br>Zulauf                        | /LL    | 1   | I098  |
| (1) | 997 572 553 01 | heater hose<br>Zulauf                        | /RL    | 1   | I099  |
| 2   | 997 572 555 00 | heater hose<br>R•cklauf                      | /LL    | 1   | I098  |
| (2) | 997 572 555 01 | heater hose<br>R•cklauf                      | /RL    | 1   | I099  |
| 3   | 999 512 441 02 | clip   |        | 4   |       |
| 4   | 996 572 263 02 | gasket                                       | /LL    | 1   | I098  |
| (4) | 996 572 263 03 | gasket                                       | /RL    | 1   | I099  |
| 5   | 987 572 681 00 | hot air duct<br>supply                       |        | 1   |       |
| 6   | 987 572 683 00 | hot air duct<br>return line                  |        | 1   |       |
| 7   | 999 511 230 40 | support                                      |        | 3   |       |
| --  | 999 511 232 41 | rubber mounting                              |        | 3   |       |
| 8   | 996 572 765 02 | grommet                                      |        | 1   |       |

|       |      |    |    |              |              |     |       |            |         |     |         |
|-------|------|----|----|--------------|--------------|-----|-------|------------|---------|-----|---------|
| Model | Year | MG | SG | Illustration | Restrictions | UPD | 18:55 | 01.03.2010 | PORSCHE | PET | PORSCHE |
| 987-2 | 2010 | 8  | 13 | 813-01       |              | 248 |       |            |         |     |         |



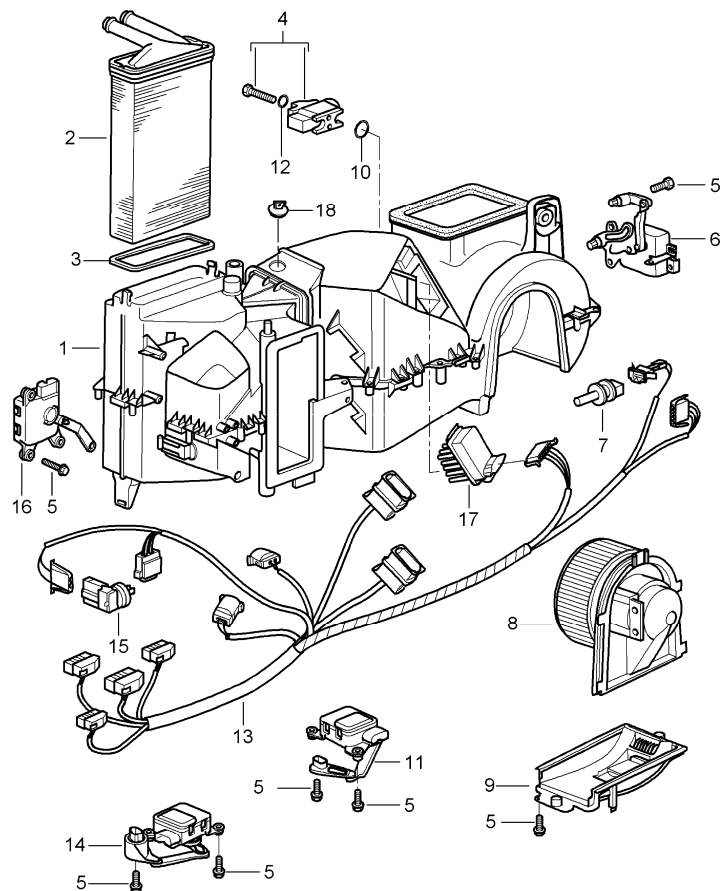
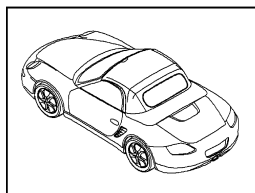
| Pos | Part Number    | Description                | Remark | Qty | Model    |
|-----|----------------|----------------------------|--------|-----|----------|
|     |                | heating<br>air distributor |        |     |          |
| 1   | 997 572 631 00 | defroster vent             | /LL    | 1   | I098     |
| (1) | 997 572 631 01 | defroster vent             | /RL    | 1   | I099     |
| 2   | 997 572 171 00 | air distributor            | /LL    | 1   | I098     |
| (2) | 997 572 171 01 | air distributor            | /RL    | 1   | I099     |
| 3   | 997 572 793 00 | footwell outlet vent       | /LL    | 1   | I098     |
| (3) | 997 572 793 02 | footwell outlet vent       | /LL    | 1   | I098/680 |
| (3) | 997 572 793 01 | footwell outlet vent       | /RL    | 1   | I099     |
| (3) | 997 572 793 03 | footwell outlet vent       | /RL    | 1   | I099/680 |
| 4   | 997 572 464 00 | air duct                   | /LL /R | 1   | I098     |
| (4) | 997 572 464 01 | air duct                   | /RL /R | 1   | I099     |
| 5   | 997 572 463 00 | air duct                   | /LL /L | 1   | I098     |
| (5) | 997 572 463 01 | air duct                   | /RL /L | 1   | I099     |
| 6   | 987 572 767 00 | air duct                   | /LL /L | 1   | I098     |
| (6) | 987 572 767 01 | air duct                   | /RL /L | 1   | I099     |
| 7   | 987 572 768 00 | air duct                   | /LL /R | 1   | I098     |
| (7) | 987 572 768 01 | air duct                   | /RL /R | 1   | I099     |
| --  | 987 572 769 00 | intermediate piece         |        | 1   | I098     |
| --  | 987 572 769 01 | intermediate piece         |        | 1   | I099     |

|       |      |    |    |              |              |     |       |            |         |     |         |
|-------|------|----|----|--------------|--------------|-----|-------|------------|---------|-----|---------|
| Model | Year | MG | SG | Illustration | Restrictions | UPD | 18:55 | 01.03.2010 | PORSCHE | PET | PORSCHE |
| 987-2 | 2010 | 8  | 13 | 813-02       |              | 248 |       |            |         |     |         |



| Pos | Part Number    | Description                 | Remark | Qty | Model |
|-----|----------------|-----------------------------|--------|-----|-------|
|     |                | luggage compartment cooling |        |     | I575  |
| 1   | 997 572 588 02 | air duct                    |        | 1   | I575  |
| 2   | 997 572 582 00 | air duct plenum panel       |        | 1   | I575  |
| 3   | 997 572 580 00 | air duct air conditioner    |        | 1   | I575  |
| 4   | 997 572 584 03 | air duct bulkhead           |        | 1   | I575  |
| 5   | 997 572 593 02 | connection piece            |        | 1   | I575  |
| 6   | 997 572 586 08 | air duct                    |        | 1   | I575  |
| 7   | 997 572 263 00 | gasket                      |        | 1   | I575  |
| 8   | 999 507 830 40 | cable holder                |        | 1   | I575  |
| --  | 999 703 009 40 | stopper                     |        | 1   |       |

|       |      |    |    |              |              |     |       |            |         |     |         |
|-------|------|----|----|--------------|--------------|-----|-------|------------|---------|-----|---------|
| Model | Year | MG | SG | Illustration | Restrictions | UPD | 18:56 | 01.03.2010 | PORSCHE | PET | PORSCHE |
| 987-2 | 2010 | 8  | 13 | 813-05       |              | 248 |       |            |         |     |         |



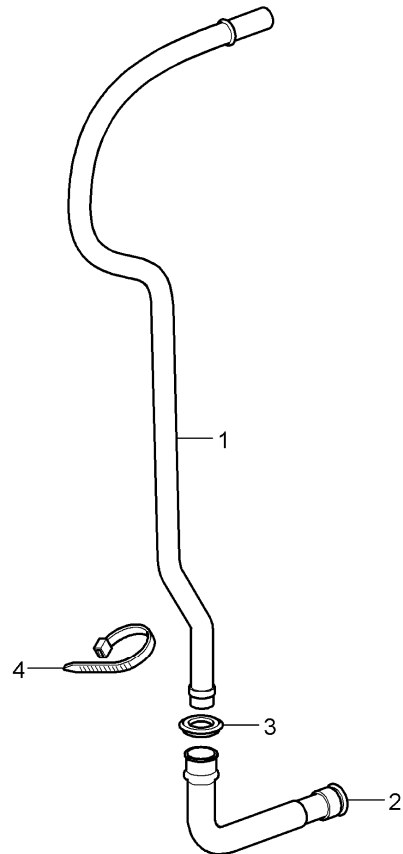
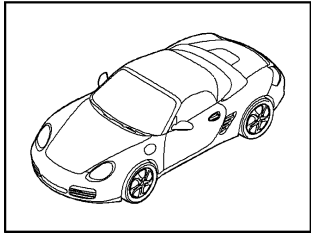
| Pos | Part Number    | Description  | Remark | Qty              | Model    |
|-----|----------------|--|--------|------------------|----------|
|     |                | air conditioner<br>single parts                                    |        |                  |          |
| 1   | 987 573 901 02 | air conditioner<br>without<br>heat exchanger<br>with<br>evaporator | /LL    | 1                | I098/572 |
| 1   | 997 573 901 02 | air conditioner<br>without<br>heat exchanger<br>with<br>evaporator | /LL    | 1                | I098/573 |
| (1) | 987 573 901 03 | air conditioner<br>without<br>heat exchanger<br>with<br>evaporator | /RL    | 1                | I099/572 |
| (1) | 997 573 901 03 | air conditioner<br>without<br>heat exchanger<br>with<br>evaporator | /RL    | 1                | I099/573 |
| 2   | 997 572 129 00 | heat exchanger   |        | 1                |          |
| 3   | 996 572 913 00 | gasket   |        | 1                |          |
| 4   | 997 573 929 00 | expansion valve  |        | 1                |          |
| 5   | 900 143 102 02 | combination screw  |        | X                |          |
| 6   | 996 573 915 00 | electric motor<br>fresh-air flap<br>identification<br>black        | /LL    | 1<br>1<br>1<br>1 | I098/573 |
| (6) | 996 573 915 01 | electric motor<br>fresh-air flap<br>identification<br>black        | /RL    | 1                | I099/573 |
| 7   | 955 572 304 10 | temperature sensor   |        | 1                |          |
| 8   | 996 624 107 01 | blower   | /LL    | 1                | I098     |
| (8) | 996 624 108 01 | blower   | /RL    | 1                | I099     |
| 9   | 996 573 905 00 | lid  |        | 1                |          |
| 10  | 999 707 596 40 | o-ring<br>14x1,82  |        | 1                |          |

|       |      |    |    |              |              |     |       |            |         |     |         |
|-------|------|----|----|--------------|--------------|-----|-------|------------|---------|-----|---------|
| Model | Year | MG | SG | Illustration | Restrictions | UPD | 18:56 | 01.03.2010 | PORSCHE | PET | PORSCHE |
| 987-2 | 2010 | 8  | 13 | 813-05       |              | 248 |       |            |         |     |         |

| Pos  | Part Number    | Description   | Remark | Qty | Model    | Pos | Part Number | Description | Remark | Qty | Model |
|------|----------------|---|--------|-----|----------|-----|-------------|-------------|--------|-----|-------|
| 11   | 996 573 919 02 | electric motor<br>temperature valve<br>identification<br>pink | /LL    | 1   | I098     |     |             |             |        |     |       |
| (11) | 996 573 919 03 | electric motor<br>temperature valve<br>identification<br>pink | /RL    | 1   | I099     |     |             |             |        |     |       |
| 12   | 999 707 534 41 | o-ring<br>17x2,00   |        | 1   |          |     |             |             |        |     |       |
| 13   | 997 612 655 25 | wiring harness  | /LL    | 1   | I098/573 |     |             |             |        |     |       |
| (13) | 997 612 656 25 | wiring harness  | /RL    | 1   | I099/573 |     |             |             |        |     |       |
| (13) | 987 612 655 25 | wiring harness  | /LL    | 1   | I098/572 |     |             |             |        |     |       |
| (13) | 987 612 656 25 | wiring harness  | /RL    | 1   | I099/572 |     |             |             |        |     |       |
| --   | 997 612 664 00 | wiring harness<br>interference-suppr. choke<br>TV             |        | 1   | I676     |     |             |             |        |     |       |
| 14   | 996 573 921 02 | electric motor<br>defroster flap<br>identification<br>yellow  | /LL    | 1   | I098     |     |             |             |        |     |       |
| (14) | 996 573 921 03 | electric motor<br>defroster flap<br>identification<br>yellow  | /RL    | 1   | I099     |     |             |             |        |     |       |
| 15   | 1H0 907 543 A  | temperature sensor  |        | 1   |          |     |             |             |        |     |       |
| 16   | 996 573 917 02 | electric motor<br>central valve<br>identification<br>green    | /LL    | 1   | I098     |     |             |             |        |     |       |
| (16) | 996 573 917 03 | electric motor<br>central valve<br>identification<br>green    | /RL    | 1   | I099     |     |             |             |        |     |       |
| 17   | 996 573 923 00 | resistor  |        | 1   |          |     |             |             |        |     |       |
| --   | 996 573 927 00 | blower outlet sensor  |        | 1   | I573     |     |             |             |        |     |       |
| --   | 1H0 819 943    | screw   |        | 2   |          |     |             |             |        |     |       |
| 18   | 997 573 935 00 | stopper   |        | 1   |          |     |             |             |        |     |       |

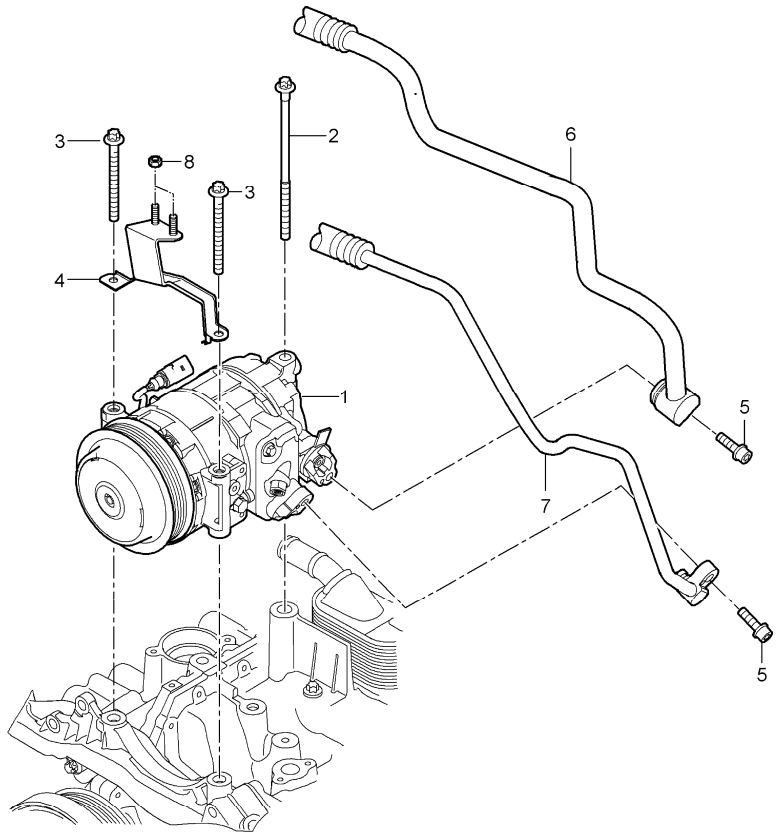
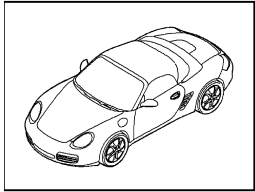


|       |      |    |    |              |              |     |       |            |         |     |         |
|-------|------|----|----|--------------|--------------|-----|-------|------------|---------|-----|---------|
| Model | Year | MG | SG | Illustration | Restrictions | UPD | 18:56 | 01.03.2010 | PORSCHE | PET | PORSCHE |
| 987-2 | 2010 | 8  | 13 | 813-10       |              | 248 |       |            |         |     |         |



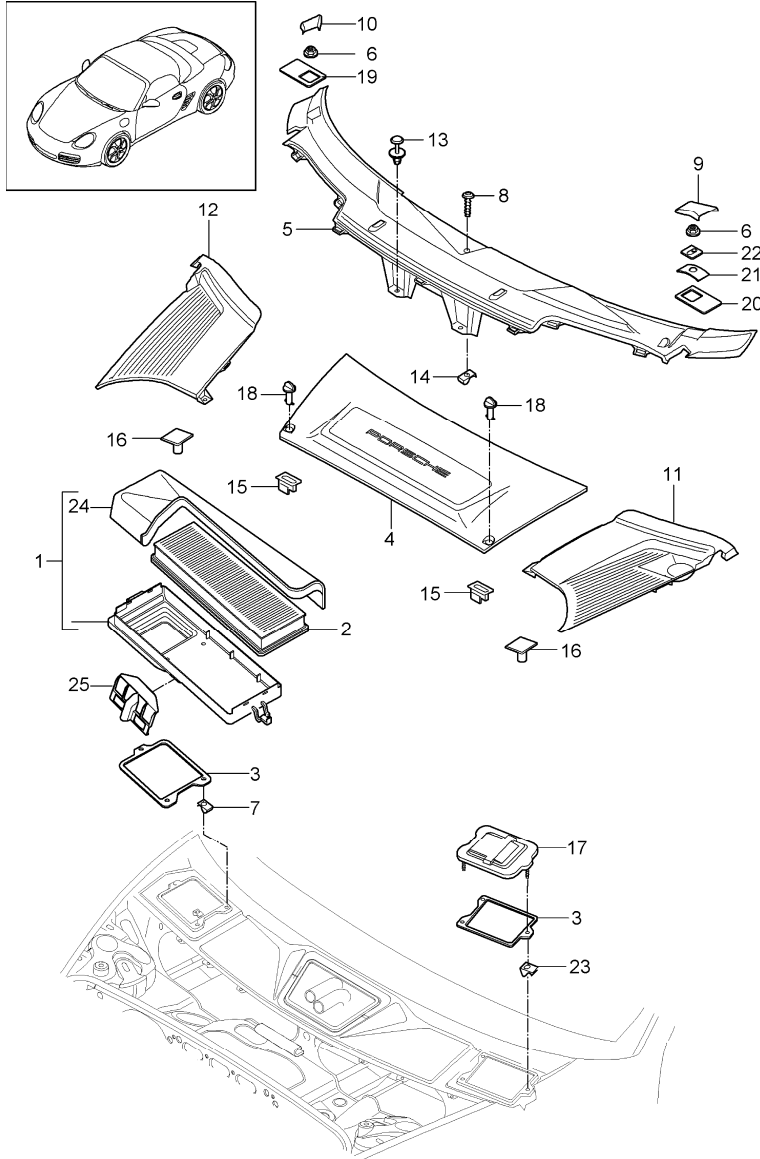
| Pos | Part Number    | Description                                  | Remark | Qty | Model |
|-----|----------------|--|--------|-----|-------|
|     |                | water drain tube<br>mount<br>air conditioner |        |     |       |
| 1   | 996 573 793 01 | water drain tube                             | /LL    | 1   | I098  |
| 1   | 996 573 794 01 | water drain tube                             | /RL    | 1   | I099  |
| 2   | 996 573 797 02 | connecting piece                             |        | 1   |       |
| 3   | 996 573 795 01 | grommet                                      |        | 1   |       |
| 4   | 999 513 049 40 | tie-wrap                                     |        | 1   |       |

|       |      |    |    |              |              |     |       |            |         |     |         |
|-------|------|----|----|--------------|--------------|-----|-------|------------|---------|-----|---------|
| Model | Year | MG | SG | Illustration | Restrictions | UPD | 18:56 | 01.03.2010 | PORSCHE | PET | PORSCHE |
| 987-2 | 2010 | 8  | 13 | 813-15       |              | 248 |       |            |         |     |         |



| Pos | Part Number    | Description                            | Remark | Qty | Model |
|-----|----------------|--|--------|-----|-------|
|     |                | compressor                             |        |     |       |
| 1   | 9A1 126 011 02 | compressor                             |        | 1   |       |
| 2   | 900 385 134 01 | Outer hexagon round screw<br>M 8 X 170 |        | 1   |       |
| 3   | 900 385 102 01 | torx screw<br>M 8 X 90                 |        | 2   |       |
| 4   | 9A1 607 260 01 | support                                |        | 1   |       |
| 5   | N 104 144 02   | pan-head screw<br>M 8 x 28             |        | 2   |       |
|     |                | see illustrations<br>8/13/25<br>Pos.7  |        |     |       |
|     |                | see illustrations<br>8/13/25<br>Pos.8  |        |     |       |
| 8   | 900 377 010 02 | hexagon nut<br>M6                      |        | 2   |       |
| --  | 000 043 200 04 | oil<br>for<br>compressor<br>250 ml     |        | 1   |       |

|       |      |    |    |              |              |     |       |            |         |     |         |
|-------|------|----|----|--------------|--------------|-----|-------|------------|---------|-----|---------|
| Model | Year | MG | SG | Illustration | Restrictions | UPD | 18:56 | 01.03.2010 | PORSCHE | PET | PORSCHE |
| 987-2 | 2010 | 8  | 13 | 813-20       |              | 248 |       |            |         |     |         |

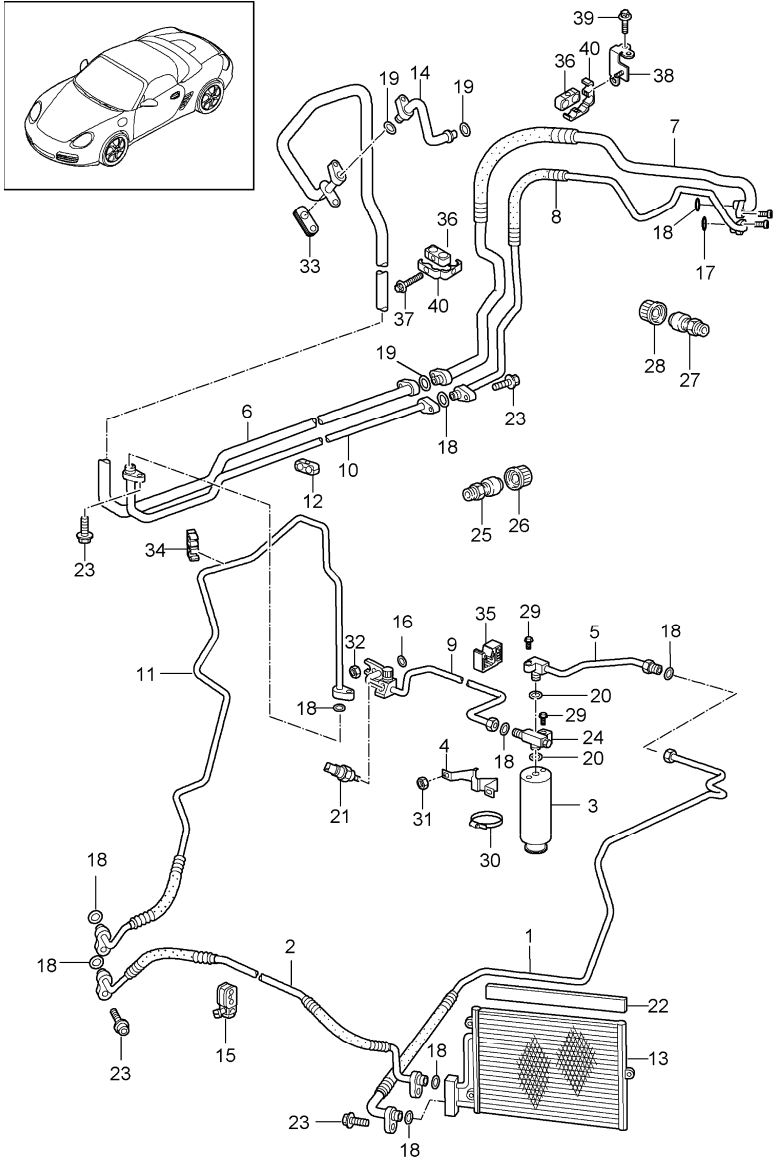


| Pos  | Part Number    | Description             | Remark | Qty | Model |
|------|----------------|-------------------------|--------|-----|-------|
| 1    | 997 572 019 04 | particle filter housing | /LL    | 1   | I098  |
| (1)  | 997 572 019 05 | particle filter housing | /RL    | 1   | I099  |
| 2    | 997 571 219 01 | particle filter         |        | 1   |       |
| 3    | 997 572 221 00 | gasket                  |        | 1   |       |
| 4    | 997 572 567 04 | cover                   |        | 1   |       |
|      | FMT            | black                   |        |     |       |
| 5    | 997 572 563 08 | cover cowl              | /LL    | 1   | I098  |
|      | FMT            | black                   |        |     |       |
| (5)  | 997 572 563 09 | cover cowl              | /RL    | 1   | I099  |
|      | FMT            | black                   |        |     |       |
| 6    | 999 076 071 02 | hexagon nut M6          |        | 2   |       |
| 7    | 999 507 348 01 | speed nut               |        | 3   |       |
| 8    | N 906 487 04   | tapping screw           |        | 1   |       |
| 9    | 997 572 569 04 | cap                     | /LL/L  | 2   | I098  |
|      | FMT            | black                   |        |     |       |
| 9    | 997 572 569 05 | cap                     | /RL/L  | 2   | I099  |
|      | FMT            | black                   |        |     |       |
| 10   | 997 572 570 04 | cap                     | /LL/R  | 1   | I098  |
|      | FMT            | black                   |        |     |       |
| (10) | 997 572 570 05 | cap                     | /RL/R  | 1   | I099  |
|      | FMT            | black                   |        |     |       |
| 11   | 997 572 361 07 | cover                   | /L     | 1   |       |
|      | 02A            | black                   |        |     |       |
| 12   | 997 572 362 08 | cover                   | /R     | 1   |       |
|      | 02A            | black                   |        |     |       |

|       |      |    |    |              |              |     |       |            |         |     |         |
|-------|------|----|----|--------------|--------------|-----|-------|------------|---------|-----|---------|
| Model | Year | MG | SG | Illustration | Restrictions | UPD | 18:56 | 01.03.2010 | PORSCHE | PET | PORSCHE |
| 987-2 | 2010 | 8  | 13 | 813-20       |              | 248 |       |            |         |     |         |

| Pos  | Part Number    | Description                        | Remark | Qty | Model | Pos | Part Number | Description | Remark | Qty | Model |
|------|----------------|------------------------------------|--------|-----|-------|-----|-------------|-------------|--------|-----|-------|
| 13   | 999 507 497 40 | expansion rivet<br>8 X 14          |        | 2   |       |     |             |             |        |     |       |
| 14   | 999 507 834 41 | expander nut<br>ST 4,8             |        | 1   |       |     |             |             |        |     |       |
| 15   | 999 590 046 40 | disc cam                           |        | 2   |       |     |             |             |        |     |       |
| 16   | 999 902 046 40 | catch                              |        | 1   |       |     |             |             |        |     |       |
| 17   | 997 572 419 03 | lid                                |        | 1   |       |     |             |             |        |     |       |
| 18   | 997 572 867 00 | locking bolt                       |        | 2   |       |     |             |             |        |     |       |
|      | 02A            | black                              |        |     |       |     |             |             |        |     |       |
| --   | 997 572 763 00 | cover                              |        | 1   |       |     |             |             |        |     |       |
| 19   | 997 572 842 01 | pressure plate<br>passenger's side | /LL/R  | 1   | I098  |     |             |             |        |     |       |
| 19   | 997 572 842 02 | pressure plate<br>passenger's side | /RL/L  | 1   | I099  |     |             |             |        |     |       |
| 20   | 997 572 841 00 | pressure plate<br>driver's side    |        | 1   |       |     |             |             |        |     |       |
| 21   | 997 572 837 00 | spring plate<br>driver's side      |        | 1   |       |     |             |             |        |     |       |
| 22   | 997 572 533 00 | retainer plate<br>driver's side    |        | 1   |       |     |             |             |        |     |       |
| 23   | 999 591 855 01 | speed nut                          |        | 3   |       |     |             |             |        |     |       |
| 24   | 997 572 729 02 | cover<br>particle filter           | /LL    | 1   | I098  |     |             |             |        |     |       |
| (24) | 997 572 729 03 | cover<br>particle filter           | /RL    | 1   | I099  |     |             |             |        |     |       |
| 25   | 997 572 862 01 | support                            |        | 1   |       |     |             |             |        |     |       |

|       |      |    |    |              |              |     |       |            |         |     |         |
|-------|------|----|----|--------------|--------------|-----|-------|------------|---------|-----|---------|
| Model | Year | MG | SG | Illustration | Restrictions | UPD | 18:56 | 01.03.2010 | PORSCHE | PET | PORSCHE |
| 987-2 | 2010 | 8  | 13 | 813-25       |              | 248 |       |            |         |     |         |

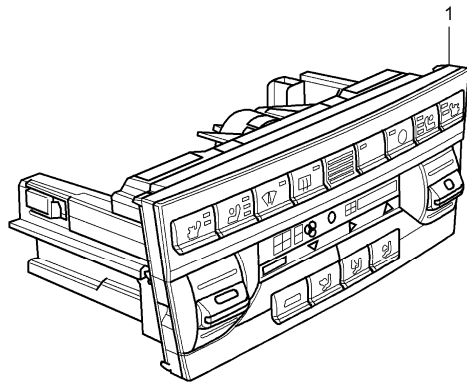
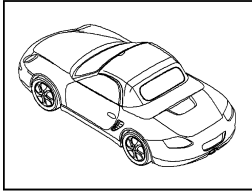


| Pos  | Part Number    | Description           | Remark | Qty | Model            |
|------|----------------|-----------------------|--------|-----|------------------|
|      |                | refrigerant circuit   |        |     |                  |
| 1    | 997 573 105 03 | pressure line         |        | 1   |                  |
| 2    | 997 573 103 02 | pressure line         |        | 1   |                  |
| 3    | 944 573 143 01 | desiccator            |        | 1   |                  |
| 4    | 996 573 451 00 | support               |        | 1   |                  |
| 5    | 996 573 106 00 | refrigerant line      |        | 1   |                  |
| 6    | 996 573 091 01 | intake pipe<br>NW 16  |        | 1   |                  |
| 7    | 9A1 573 099 04 | intake pipe           |        | 1   | MA1.20<br>MA1.21 |
| 8    | 9A1 573 097 04 | pressure line         |        | 1   | MA1.20<br>MA1.21 |
| 9    | 997 573 108 02 | pressure line<br>NW8  | /LL    | 1   | I098             |
| (9)  | 997 573 108 03 | pressure line<br>NW8  | /RL    | 1   | I099             |
| 10   | 996 573 092 02 | pressure line<br>NW10 |        | 1   |                  |
| 11   | 997 573 094 02 | pressure line         |        | 1   |                  |
| 12   | 999 511 230 40 | support<br>use also:  |        | X   |                  |
| -    | 999 511 231 41 | rubber mounting       |        | X   |                  |
| 13   | 996 573 111 03 | condenser             |        | 2   |                  |
| 14   | 996 573 093 06 | intake pipe<br>nw 16  | /LL    | 1   | I098             |
| (14) | 996 573 093 07 | intake pipe<br>NW16   | /RL    | 1   | I099             |
| 15   | 996 347 543 00 | cable holder          |        | 2   |                  |
| 16   | 999 707 247 40 | o-ring<br>7,5X2       |        | 2   |                  |
| 17   | 999 707 557 41 | o-ring<br>11x2,5      |        | 1   |                  |
| 18   | 999 707 434 41 | o-ring<br>10,6X2      |        | 8   |                  |

|       |      |    |    |              |              |     |       |            |         |     |         |
|-------|------|----|----|--------------|--------------|-----|-------|------------|---------|-----|---------|
| Model | Year | MG | SG | Illustration | Restrictions | UPD | 18:56 | 01.03.2010 | PORSCHE | PET | PORSCHE |
| 987-2 | 2010 | 8  | 13 | 813-25       |              | 248 |       |            |         |     |         |

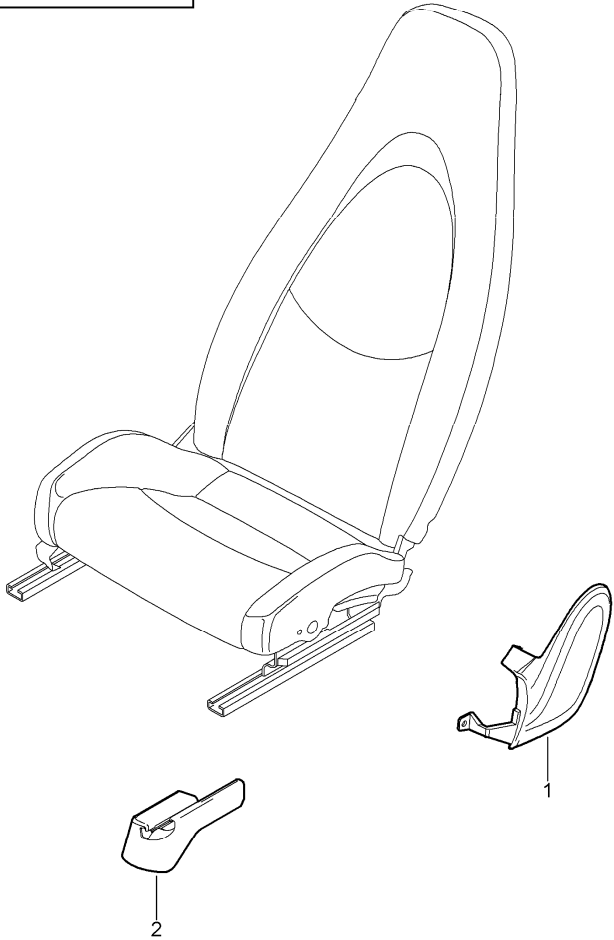
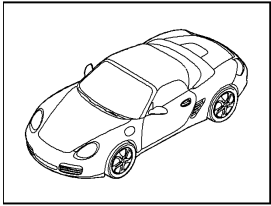
| Pos | Part Number    | Description                                  | Remark | Qty | Model | Pos | Part Number    | Description         | Remark | Qty | Model |
|-----|----------------|--|--------|-----|-------|-----|----------------|---------------------|--------|-----|-------|
| 19  | 999 707 534 41 | o-ring<br>17X2                               |        | 3   |       | 39  | 900 385 041 01 | torx screw<br>M6x12 |        | 1   |       |
| 20  | 999 707 262 40 | o-ring<br>6,7X1,8                            |        | X   |       | 40  | 999 511 260 40 | support             |        | 1   |       |
| 21  | 955 613 137 01 | pressure sensor<br>when required order also: |        | 1   |       |     |                |                     |        |     |       |
| -   | 999 707 555 41 | o-ring<br>10,8 X 1,8                         |        | 1   |       |     |                |                     |        |     |       |
| 22  | 996 573 711 00 | cover strip                                  |        | 2   |       |     |                |                     |        |     |       |
| 23  | 900 067 247 01 | combination screw<br>M8x30                   |        | X   |       |     |                |                     |        |     |       |
| 24  | 997 573 243 00 | distributing piece                           |        | 1   |       |     |                |                     |        |     |       |
| 25  | 996 573 465 00 | valve<br>intake pipe                         |        | 1   |       |     |                |                     |        |     |       |
| 26  | 944 573 663 02 | valve cap                                    |        | 1   |       |     |                |                     |        |     |       |
| 27  | 996 573 466 00 | valve<br>pressure line                       |        | 1   |       |     |                |                     |        |     |       |
| 28  | 944 573 663 01 | valve cap                                    |        | 1   |       |     |                |                     |        |     |       |
| 29  | 900 075 340 01 | combination screw<br>M6x22                   |        | 1   |       |     |                |                     |        |     |       |
| 30  | 999 512 349 01 | hose clamp<br>A50-70/9                       |        | 1   |       |     |                |                     |        |     |       |
| 31  | 900 380 015 09 | hexagon nut<br>M6                            |        | 2   |       |     |                |                     |        |     |       |
| 32  | 900 377 010 09 | nut<br>M6                                    |        | 1   |       |     |                |                     |        |     |       |
| 33  | 996 573 769 01 | grommet                                      |        | 1   |       |     |                |                     |        |     |       |
| 34  | 996 355 547 01 | support                                      |        | 1   |       |     |                |                     |        |     |       |
| 35  | 999 591 922 40 | support                                      |        | 1   |       |     |                |                     |        |     |       |
| 36  | 999 511 231 41 | rubber mounting                              |        | X   |       |     |                |                     |        |     |       |
| 37  | 900 385 149 01 | torx screw<br>M6x40                          |        | 1   |       |     |                |                     |        |     |       |
| 38  | 9A1 573 341 00 | support<br>with<br>bearing<br>and<br>clip    |        | 1   |       |     |                |                     |        |     |       |

|       |      |    |    |              |              |     |       |            |         |     |         |
|-------|------|----|----|--------------|--------------|-----|-------|------------|---------|-----|---------|
| Model | Year | MG | SG | Illustration | Restrictions | UPD | 18:57 | 01.03.2010 | PORSCHE | PET | PORSCHE |
| 987-2 | 2010 | 8  | 13 | 813-45       |              | 248 |       |            |         |     |         |



| Pos | Part Number    | Description               | Remark | Qty | Model        |
|-----|----------------|---------------------------|--------|-----|--------------|
|     |                | control switch            |        |     |              |
| (1) | 997 653 203 02 | control part              |        | 1   | I572         |
|     | FTC            | Mattschwarz/Galvanosilber |        |     |              |
| (1) | 997 653 213 02 | control part              |        | 1   | I342/572     |
|     | FTC            | Mattschwarz/Galvanosilber |        |     |              |
| 1   | 997 653 201 02 | control part              |        | 1   | I573         |
|     | FTC            | Mattschwarz/Galvanosilber |        |     |              |
| 1   | 997 653 211 02 | control part              |        | 1   | I342/573     |
|     | FTC            | Mattschwarz/Galvanosilber |        |     |              |
| 1   | 997 653 221 02 | control part              |        | 1   | I342/541/573 |
|     | FTC            | Mattschwarz/Galvanosilber |        |     |              |

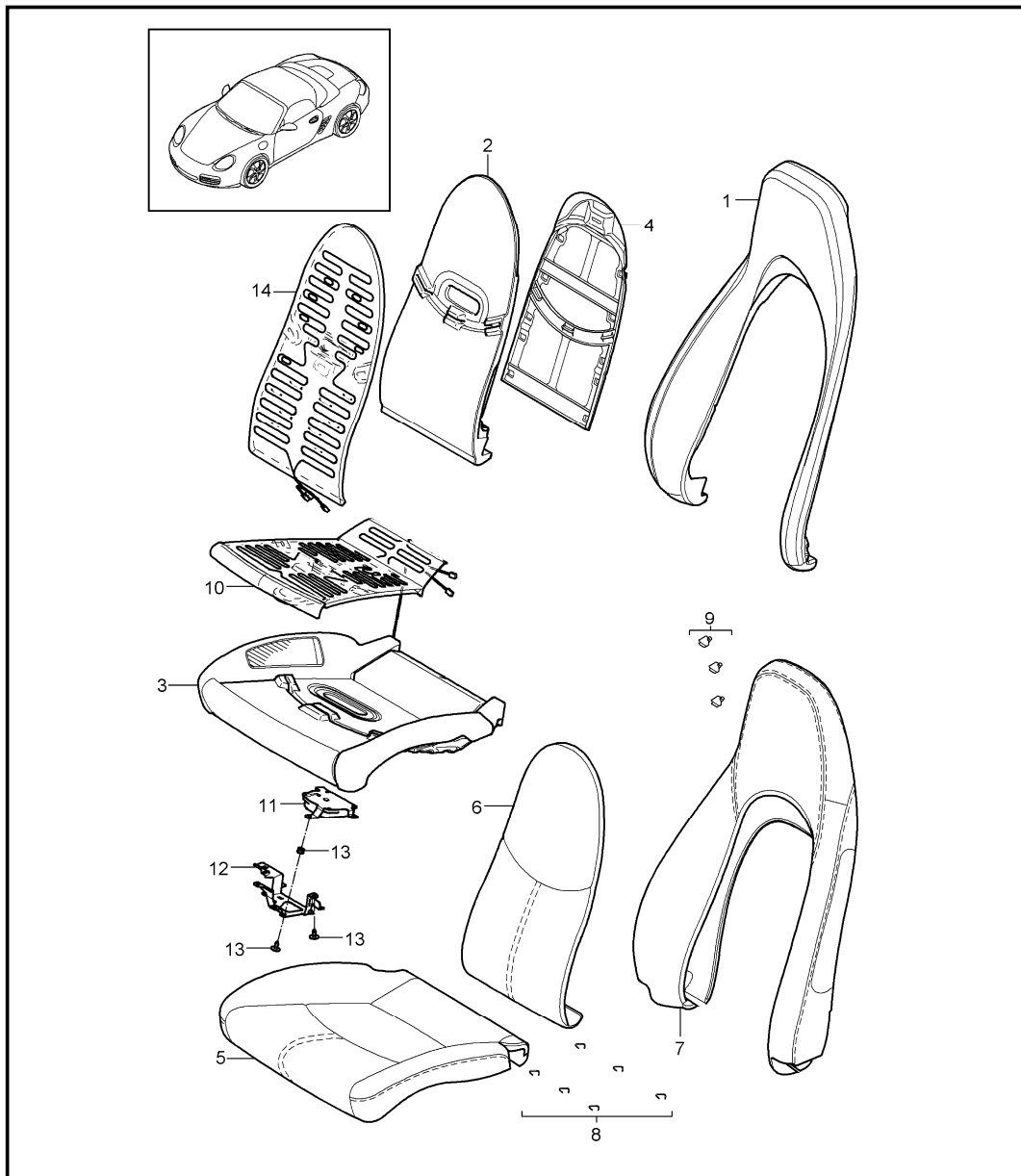
|       |      |    |    |              |              |     |       |            |         |     |         |
|-------|------|----|----|--------------|--------------|-----|-------|------------|---------|-----|---------|
| Model | Year | MG | SG | Illustration | Restrictions | UPD | 18:57 | 01.03.2010 | PORSCHE | PET | PORSCHE |
| 987-2 | 2010 | 8  | 17 | 817-00       |              | 248 |       |            |         |     |         |



| Pos | Part Number    | Description  | Remark | Qty | Model                        |
|-----|----------------|--|--------|-----|------------------------------|
|     |                | front seat<br>standard seat<br>comfort seat<br>complete<br>not available |        |     |                              |
| 1   | 997 521 315 02 | trim cover<br>mounting component   | /L     | 1   | I369/375<br>I377/437         |
|     | D07            | volcano grey   |        |     |                              |
| (1) | 997 521 316 02 | trim cover<br>mounting component   | /R     | 1   | I370/376<br>I378/438         |
|     | D07            | volcano grey   |        |     |                              |
| (1) | 997 521 316 03 | trim cover<br>mounting component   | /R     | 1   | I370/376<br>I378/438/560     |
|     | D07            | volcano grey   |        |     |                              |
| 2   | 997 521 359 01 | rail<br>seat rail  | /L     | 1   | I369/375                     |
|     | 01C            | satin black  |        |     |                              |
| (2) | 997 521 360 01 | rail<br>seat rail  | /R     | 1   | I370/376                     |
|     | 01C            | satin black  |        |     |                              |
| (2) | 997 521 361 00 | rail<br>seat rail  | /L     | 1   | I370/376/377<br>I378/437/438 |
|     | 01C            | satin black  |        |     |                              |
| (2) | 997 521 362 00 | rail<br>seat rail  | /R     | 1   | I369/375/377<br>I378/437/438 |
|     | 01C            | satin black  |        |     |                              |



|       |      |    |    |              |              |     |       |            |         |     |         |
|-------|------|----|----|--------------|--------------|-----|-------|------------|---------|-----|---------|
| Model | Year | MG | SG | Illustration | Restrictions | UPD | 18:57 | 01.03.2010 | PORSCHE | PET | PORSCHE |
| 987-2 | 2010 | 8  | 17 | 817-02       |              | 248 |       |            |         |     |         |



| Pos | Part Number    | Description   | Remark | Qty | Model        |
|-----|----------------|---|--------|-----|--------------|
| 1   | 997 521 535 00 | foam part<br>cover<br>standard seat<br>comfort seat |        | 1   | I369/370     |
| 1   | 997 521 535 00 | foam part<br>backrest<br>outer part                 |        | 1   | I437/438     |
| (1) | 997 521 535 03 | foam part<br>backrest<br>outer part                 |        | 1   | I369/370/541 |
| (1) | 997 521 535 03 | foam part<br>backrest<br>outer part                 |        | 1   | I437/438/541 |
| 2   | 997 521 581 00 | foam part<br>backrest<br>centre part                |        | 1   | I369/370     |
| 2   | 997 521 581 00 | foam part<br>backrest<br>centre part                |        | 1   | I437/438     |
| (2) | 997 521 581 01 | foam part<br>backrest<br>centre part                |        | 1   | I369/370/541 |
| (2) | 997 521 581 01 | foam part<br>backrest<br>centre part                |        | 1   | I437/438/541 |
| 3   | 997 521 571 00 | foam part<br>seat cushion<br>with heating           |        | 1   | I369/370     |
| (3) | 997 521 571 00 | foam part<br>seat cushion<br>with heating           |        | 1   | I437/438     |
| (3) | 997 521 571 03 | foam part<br>seat cushion<br>with heating           |        | 1   | I370/438/560 |
| (3) | 997 521 571 06 | foam part<br>seat cushion<br>with heating           |        | 1   | I369/370/541 |
| (3) | 997 521 571 06 | foam part<br>seat cushion<br>with heating           |        | 1   | I437/438/541 |

|       |      |    |    |              |              |     |       |            |         |     |         |
|-------|------|----|----|--------------|--------------|-----|-------|------------|---------|-----|---------|
| Model | Year | MG | SG | Illustration | Restrictions | UPD | 18:57 | 01.03.2010 | PORSCHE | PET | PORSCHE |
| 987-2 | 2010 | 8  | 17 | 817-02       |              | 248 |       |            |         |     |         |

| Pos | Part Number    | Description                               | Remark     | Qty | Model        | Pos | Part Number    | Description                      | Remark | Qty | Model        |
|-----|----------------|---|------------|-----|--------------|-----|----------------|----------------------------------|--------|-----|--------------|
| (3) | 997 521 571 07 | foam part<br>seat cushion<br>with heating |            | 1   | I370/541/560 |     | FLB            | black                            |        |     |              |
|     |                |   |            |     |              |     | FLE            | stone grey                       |        |     |              |
| (3) | 997 521 571 07 | foam part<br>seat cushion<br>with heating |            | 1   | I438/541/560 |     | FLH            | sand beige                       |        |     |              |
|     |                |   |            |     |              |     | FLL            | sea blue                         |        |     |              |
| 4   | 997 521 551 01 | cushion carrier<br>backrest               |            | 1   |              | (5) | 997 521 161 09 | cover for cushion<br>leatherette |        | 1   | I438/541/946 |
| 5   | 997 521 161 00 | cover for cushion<br>leatherette          |            | 1   | I369/370/946 |     | FLB            | black                            |        |     |              |
|     |                | FLB                                       | black      |     |              |     | FLE            | stone grey                       |        |     |              |
|     |                | FLE                                       | stone grey |     |              |     | FLH            | sand beige                       |        |     |              |
|     |                | FLH                                       | sand beige |     |              |     | FLL            | sea blue                         |        |     |              |
|     |                | FLL                                       | sea blue   |     |              | (5) | 997 521 161 01 | cover for cushion                |        | 1   | I369/370/983 |
| (5) | 997 521 161 00 | cover for cushion<br>leatherette          |            | 1   | I437/438/946 |     | FLC            | black                            |        |     |              |
|     |                | FLB                                       | black      |     |              |     | FLF            | stone grey                       |        |     |              |
|     |                | FLE                                       | stone grey |     |              |     | FLJ            | sand beige                       |        |     |              |
|     |                | FLH                                       | sand beige |     |              |     | FLM            | sea blue                         |        |     |              |
|     |                | FLL                                       | sea blue   |     |              |     | FLQ            | terracotta                       |        |     |              |
| (5) | 997 521 161 09 | cover for cushion<br>leatherette          |            | 1   | I369/541/946 |     | FLR            | cocoa                            |        |     |              |
|     |                | FLB                                       | black      |     |              |     | VAA            | dark grey/natural                |        |     |              |
|     |                | FLE                                       | stone grey |     |              |     | VAB            | brown/natural                    |        |     |              |
|     |                | FLH                                       | sand beige |     |              |     | VAC            | carrera red                      |        |     |              |
|     |                | FLL                                       | sea blue   |     |              | (5) | 997 521 161 01 | cover for cushion                |        | 1   | I437/438/983 |
| (5) | 997 521 161 09 | cover for cushion<br>leatherette          |            | 1   | I370/541/946 |     | FLC            | black                            |        |     |              |
|     |                | FLB                                       | black      |     |              |     | FLF            | stone grey                       |        |     |              |
|     |                | FLE                                       | stone grey |     |              |     | FLJ            | sand beige                       |        |     |              |
|     |                | FLH                                       | sand beige |     |              |     | FLM            | sea blue                         |        |     |              |
|     |                | FLL                                       | sea blue   |     |              |     | FLQ            | terracotta                       |        |     |              |
| (5) | 997 521 161 09 | cover for cushion<br>leatherette          |            | 1   | I437/541/946 |     | FLR            | cocoa                            |        |     |              |
|     |                | FLB                                       | black      |     |              |     | VAA            | dark grey/natural                |        |     |              |
|     |                | FLE                                       | stone grey |     |              |     | VAB            | brown/natural                    |        |     |              |

|       |      |    |    |              |              |     |       |            |         |     |         |
|-------|------|----|----|--------------|--------------|-----|-------|------------|---------|-----|---------|
| Model | Year | MG | SG | Illustration | Restrictions | UPD | 18:57 | 01.03.2010 | PORSCHE | PET | PORSCHE |
| 987-2 | 2010 | 8  | 17 | 817-02       |              | 248 |       |            |         |     |         |

| Pos | Part Number    | Description                          | Remark | Qty | Model        | Pos | Part Number    | Description   | Remark | Qty | Model        |
|-----|----------------|--------------------------------------|--------|-----|--------------|-----|----------------|---|--------|-----|--------------|
| (5) | 997 521 161 10 | VAC carrera red<br>cover for cushion |        | 1   | I369/541/983 | (5) | 997 521 161 10 | VAB brown/natural<br>VAC carrera red<br>cover for cushion |        | 1   | I438/541/983 |
|     |                | FLC black                            |        |     |              |     |                | FLC black   |        |     |              |
|     |                | FLF stone grey                       |        |     |              |     |                | FLF stone grey  |        |     |              |
|     |                | FLJ sand beige                       |        |     |              |     |                | FLJ sand beige  |        |     |              |
|     |                | FLM sea blue                         |        |     |              |     |                | FLM sea blue  |        |     |              |
|     |                | FLQ terracotta                       |        |     |              |     |                | FLQ terracotta  |        |     |              |
|     |                | FLR cocoa                            |        |     |              |     |                | FLR cocoa   |        |     |              |
|     |                | VAA dark grey/natural                |        |     |              |     |                | VAA dark grey/natural                                     |        |     |              |
|     |                | VAB brown/natural                    |        |     |              |     |                | VAB brown/natural   |        |     |              |
|     |                | VAC carrera red                      |        |     |              |     |                | VAC carrera red   |        |     |              |
| (5) | 997 521 161 10 | VAC carrera red<br>cover for cushion |        | 1   | I370/541/983 | (5) | 997 521 161 02 | VAB brown/natural<br>VAC carrera red<br>cover for cushion |        | 1   | I369/370/982 |
|     |                | FLC black                            |        |     |              |     |                | FLC black   |        |     |              |
|     |                | FLF stone grey                       |        |     |              |     |                | FLF stone grey  |        |     |              |
|     |                | FLJ sand beige                       |        |     |              |     |                | FLJ sand beige  |        |     |              |
|     |                | FLM sea blue                         |        |     |              |     |                | FLM sea blue  |        |     |              |
|     |                | FLQ terracotta                       |        |     |              |     |                | FLQ terracotta  |        |     |              |
|     |                | FLR cocoa                            |        |     |              |     |                | FLR cocoa   |        |     |              |
|     |                | VAA dark grey/natural                |        |     |              |     |                | VAA dark grey/natural                                     |        |     |              |
|     |                | VAB brown/natural                    |        |     |              |     |                | VAB brown/natural   |        |     |              |
|     |                | VAC carrera red                      |        |     |              |     |                | VAC carrera red   |        |     |              |
| (5) | 997 521 161 10 | VAC carrera red<br>cover for cushion |        | 1   | I437/541/983 | (5) | 997 521 161 02 | VAB brown/natural<br>VAC carrera red<br>cover for cushion |        | 1   | I437/438/982 |
|     |                | FLC black                            |        |     |              |     |                | FLC black   |        |     |              |
|     |                | FLF stone grey                       |        |     |              |     |                | FLF stone grey  |        |     |              |
|     |                | FLJ sand beige                       |        |     |              |     |                | FLJ sand beige  |        |     |              |
|     |                | FLM sea blue                         |        |     |              |     |                | FLM sea blue  |        |     |              |
|     |                | FLQ terracotta                       |        |     |              |     |                | FLQ terracotta  |        |     |              |
|     |                | FLR cocoa                            |        |     |              |     |                | FLR cocoa   |        |     |              |
|     |                | VAA dark grey/natural                |        |     |              |     |                | FLR cocoa   |        |     |              |

|       |      |    |    |              |              |     |       |            |         |     |         |
|-------|------|----|----|--------------|--------------|-----|-------|------------|---------|-----|---------|
| Model | Year | MG | SG | Illustration | Restrictions | UPD | 18:57 | 01.03.2010 | PORSCHE | PET | PORSCHE |
| 987-2 | 2010 | 8  | 17 | 817-02       |              | 248 |       |            |         |     |         |

| Pos | Part Number    | Description                           | Remark | Qty | Model        | Pos | Part Number    | Description                           | Remark | Qty | Model        |
|-----|----------------|---------------------------------------|--------|-----|--------------|-----|----------------|---------------------------------------|--------|-----|--------------|
|     | VAA            | dark grey/natural                     |        |     |              |     | T25            | sand beige                            |        |     |              |
|     | VAB            | brown/natural                         |        |     |              |     | 3W7            | sea blue                              |        |     |              |
|     | VAC            | carrera red                           |        |     |              | (6) | 997 521 151 03 | backrest cushion cover<br>centre part |        | 1   | I438/541/946 |
| 6   | 997 521 151 00 | backrest cushion cover<br>centre part |        | 1   | I369/370/946 |     | A08            | black                                 |        |     |              |
|     | A08            | black                                 |        |     |              |     | 5D6            | stone grey                            |        |     |              |
|     | 5D6            | stone grey                            |        |     |              |     | T25            | sand beige                            |        |     |              |
|     | T25            | sand beige                            |        |     |              |     | 3W7            | sea blue                              |        |     |              |
| (6) | 997 521 151 00 | backrest cushion cover<br>centre part |        | 1   | I437/438/946 | (6) | 997 521 151 00 | backrest cushion cover                |        | 1   | I369/370/983 |
|     | 3W7            | sea blue                              |        |     |              |     | 8YR            | black                                 |        |     |              |
|     | A08            | black                                 |        |     |              |     | 5X5            | stone grey                            |        |     |              |
|     | 5D6            | stone grey                            |        |     |              |     | 8G1            | sand beige                            |        |     |              |
|     | T25            | sand beige                            |        |     |              |     | 3S8            | sea blue                              |        |     |              |
|     | 3W7            | sea blue                              |        |     |              |     | 9N2            | terracotta                            |        |     |              |
| (6) | 997 521 151 03 | backrest cushion cover<br>centre part |        | 1   | I369/541/946 |     | 9Q3            | cocoa                                 |        |     |              |
|     | A08            | black                                 |        |     |              |     | D11            | dark grey/natural                     |        |     |              |
|     | 5D6            | stone grey                            |        |     |              |     | T11            | brown/natural                         |        |     |              |
|     | T25            | sand beige                            |        |     |              | (6) | 997 521 151 00 | backrest cushion cover                |        | 1   | I437/438/983 |
|     | 3W7            | sea blue                              |        |     |              |     | 8YR            | black                                 |        |     |              |
| (6) | 997 521 151 03 | backrest cushion cover<br>centre part |        | 1   | I370/541/946 |     | 5X5            | stone grey                            |        |     |              |
|     | A08            | black                                 |        |     |              |     | 8G1            | sand beige                            |        |     |              |
|     | 5D6            | stone grey                            |        |     |              |     | 3S8            | sea blue                              |        |     |              |
|     | T25            | sand beige                            |        |     |              |     | 9N2            | terracotta                            |        |     |              |
|     | 3W7            | sea blue                              |        |     |              |     | 9Q3            | cocoa                                 |        |     |              |
| (6) | 997 521 151 03 | backrest cushion cover<br>centre part |        | 1   | I437/541/946 |     | D11            | dark grey/natural                     |        |     |              |
|     | A08            | black                                 |        |     |              |     | T11            | brown/natural                         |        |     |              |
|     | 5D6            | stone grey                            |        |     |              | (6) | 997 521 151 03 | backrest cushion cover                |        | 1   | I369/541/983 |

|       |      |    |    |              |              |     |       |            |         |     |         |
|-------|------|----|----|--------------|--------------|-----|-------|------------|---------|-----|---------|
| Model | Year | MG | SG | Illustration | Restrictions | UPD | 18:57 | 01.03.2010 | PORSCHE | PET | PORSCHE |
| 987-2 | 2010 | 8  | 17 | 817-02       |              | 248 |       |            |         |     |         |

| Pos | Part Number    | Description            | Remark | Qty | Model        | Pos | Part Number    | Description                           | Remark | Qty | Model        |
|-----|----------------|------------------------|--------|-----|--------------|-----|----------------|---------------------------------------|--------|-----|--------------|
|     | 8YR            | black                  |        |     |              | (6) | 997 521 151 03 | backrest cushion cover                |        | 1   | I438/541/983 |
|     | 5X5            | stone grey             |        |     |              |     | 8YR            | black                                 |        |     |              |
|     | 8G1            | sand beige             |        |     |              |     | 5X5            | stone grey                            |        |     |              |
|     | 3S8            | sea blue               |        |     |              |     | 8G1            | sand beige                            |        |     |              |
|     | 9N2            | terracotta             |        |     |              |     | 3S8            | sea blue                              |        |     |              |
|     | 9Q3            | cocoa                  |        |     |              |     | 9N2            | terracotta                            |        |     |              |
|     | D11            | dark grey/natural      |        |     |              |     | 9Q3            | cocoa                                 |        |     |              |
|     | T11            | brown/natural          |        |     |              |     | D11            | dark grey/natural                     |        |     |              |
|     | N11            | carrera red            |        |     |              |     | T11            | brown/natural                         |        |     |              |
| (6) | 997 521 151 03 | backrest cushion cover |        | 1   | I370/541/983 |     | N11            | carrera red                           |        |     |              |
|     | 8YR            | black                  |        |     |              | (6) | 997 521 151 01 | backrest cushion cover<br>centre part |        | 1   | I369/370/982 |
|     | 5X5            | stone grey             |        |     |              |     | 8YR            | black                                 |        |     |              |
|     | 8G1            | sand beige             |        |     |              |     | 5X5            | stone grey                            |        |     |              |
|     | 3S8            | sea blue               |        |     |              |     | 8G1            | sand beige                            |        |     |              |
|     | 9N2            | terracotta             |        |     |              |     | 3S8            | sea blue                              |        |     |              |
|     | 9Q3            | cocoa                  |        |     |              |     | 9N2            | terracotta                            |        |     |              |
|     | D11            | dark grey/natural      |        |     |              |     | 9Q3            | cocoa                                 |        |     |              |
|     | T11            | brown/natural          |        |     |              |     | D11            | dark grey/natural                     |        |     |              |
|     | N11            | carrera red            |        |     |              |     | T11            | brown/natural                         |        |     |              |
| (6) | 997 521 151 03 | backrest cushion cover |        | 1   | I437/541/983 |     | N11            | carrera red                           |        |     |              |
|     | 8YR            | black                  |        |     |              | (6) | 997 521 151 01 | backrest cushion cover<br>centre part |        | 1   | I437/438/982 |
|     | 5X5            | stone grey             |        |     |              |     | 8YR            | black                                 |        |     |              |
|     | 8G1            | sand beige             |        |     |              |     | 5X5            | stone grey                            |        |     |              |
|     | 3S8            | sea blue               |        |     |              |     | 8G1            | sand beige                            |        |     |              |
|     | 9N2            | terracotta             |        |     |              |     | 3S8            | sea blue                              |        |     |              |
|     | 9Q3            | cocoa                  |        |     |              |     | 9N2            | terracotta                            |        |     |              |
|     | D11            | dark grey/natural      |        |     |              |     | 9Q3            | cocoa                                 |        |     |              |
|     | T11            | brown/natural          |        |     |              |     | D11            | dark grey/natural                     |        |     |              |
|     | N11            | carrera red            |        |     |              |     |                |                                       |        |     |              |

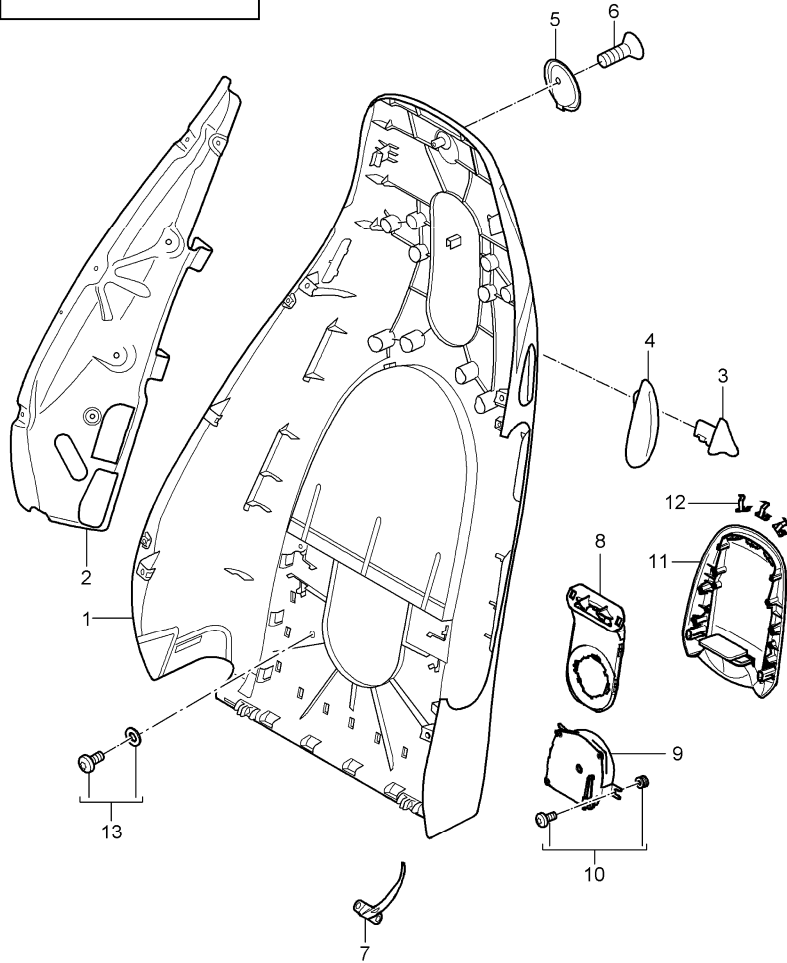
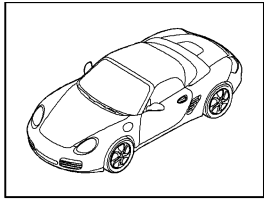
|       |      |    |    |              |              |     |       |            |         |     |         |
|-------|------|----|----|--------------|--------------|-----|-------|------------|---------|-----|---------|
| Model | Year | MG | SG | Illustration | Restrictions | UPD | 18:57 | 01.03.2010 | PORSCHE | PET | PORSCHE |
| 987-2 | 2010 | 8  | 17 | 817-02       |              | 248 |       |            |         |     |         |

| Pos | Part Number    | Description                  | Remark | Qty | Model                | Pos | Part Number    | Description                  | Remark | Qty | Model                |
|-----|----------------|------------------------------|--------|-----|----------------------|-----|----------------|------------------------------|--------|-----|----------------------|
| 7   | T11            | brown/natural                |        |     |                      |     | FLM            | sea blue                     |        |     |                      |
|     | N11            | carrera red                  |        |     |                      |     | FLQ            | terracotta                   |        |     |                      |
|     | 987 521 141 00 | backrest cover<br>outer part | /L     | 1   | I369/950             |     | FLR            | cocoa                        |        |     |                      |
|     | FLA            | black                        |        |     |                      |     | VAA            | dark grey/natural            |        |     |                      |
|     | FLD            | stone grey                   |        |     |                      |     | VAB            | brown/natural                |        |     |                      |
|     | FLG            | sand beige                   |        |     |                      |     | VAC            | carrera red                  |        |     |                      |
| (7) | 987 521 142 00 | backrest cover<br>outer part | /R     | 1   | I370/950             | (7) | 987 521 142 02 | backrest cover<br>outer part | /R     | 1   | I370/438/982<br>I983 |
|     | FLA            | black                        |        |     |                      |     | FLC            | black                        |        |     |                      |
|     | FLD            | stone grey                   |        |     |                      |     | FLF            | stone grey                   |        |     |                      |
|     | FLG            | sand beige                   |        |     |                      |     | FLJ            | sand beige                   |        |     |                      |
|     | FLK            | sea blue                     |        |     |                      |     | FLM            | sea blue                     |        |     |                      |
| (7) | 987 521 141 03 | backrest cover<br>outer part | /L     | 1   | I369/437/946         |     | FLQ            | terracotta                   |        |     |                      |
|     | FLB            | black                        |        |     |                      |     | FLR            | cocoa                        |        |     |                      |
|     | FLE            | stone grey                   |        |     |                      |     | VAA            | dark grey/natural            |        |     |                      |
|     | FLH            | sand beige                   |        |     |                      |     | VAB            | brown/natural                |        |     |                      |
|     | FLL            | sea blue                     |        |     |                      |     | VAC            | carrera red                  |        |     |                      |
| (7) | 987 521 142 03 | backrest cover<br>outer part | /R     | 1   | I370/438/946         | (7) | 987 521 941 03 | backrest cover<br>outer part | /L     | 1   | IXSC/369/437<br>I946 |
|     | FLB            | black                        |        |     |                      |     | A08            | black                        |        |     |                      |
|     | FLE            | stone grey                   |        |     |                      |     | 5D6            | stone grey                   |        |     |                      |
|     | FLH            | sand beige                   |        |     |                      |     | T25            | sand beige                   |        |     |                      |
|     | FLL            | sea blue                     |        |     |                      |     | 3W7            | sea blue                     |        |     |                      |
| (7) | 987 521 141 02 | backrest cover<br>outer part | /L     | 1   | I369/437/982<br>I983 | (7) | 987 521 942 03 | backrest cover<br>outer part | /R     | 1   | IXSC/370/438<br>I946 |
|     | FLC            | black                        |        |     |                      |     | A08            | black                        |        |     |                      |
|     | FLF            | stone grey                   |        |     |                      |     | 5D6            | stone grey                   |        |     |                      |
|     | FLJ            | sand beige                   |        |     |                      |     | T25            | sand beige                   |        |     |                      |
|     |                |                              |        |     |                      |     | 3W7            | sea blue                     |        |     |                      |

|       |      |    |    |              |              |     |       |            |         |     |         |
|-------|------|----|----|--------------|--------------|-----|-------|------------|---------|-----|---------|
| Model | Year | MG | SG | Illustration | Restrictions | UPD | 18:57 | 01.03.2010 | PORSCHE | PET | PORSCHE |
| 987-2 | 2010 | 8  | 17 | 817-02       |              | 248 |       |            |         |     |         |

| Pos | Part Number    | Description       | Remark | Qty | Model                    | Pos  | Part Number    | Description   | Remark | Qty | Model        |
|-----|----------------|-------------------|--------|-----|--------------------------|------|----------------|---|--------|-----|--------------|
| (7) | 987 521 941 04 | backrest cover    | /L     | 1   | IXSC/369/437<br>I541/946 |      | 9N2            | terracotta  |        |     |              |
|     |                | outer part        |        |     |                          |      | 9Q3            | cocoa   |        |     |              |
|     | A08            | black             |        |     |                          |      | D11            | dark grey/natural   |        |     |              |
|     | 5D6            | stone grey        |        |     |                          |      | T11            | brown/natural   |        |     |              |
|     | T25            | sand beige        |        |     |                          |      | N11            | carrera red   |        |     |              |
|     | 3W7            | sea blue          |        |     |                          | 8    | 997 521 837 00 | clip padding  |        | 6   |              |
| (7) | 987 521 942 04 | backrest cover    | /R     | 1   | IXSC/370/438<br>I541/946 | (8)  | 000 043 207 39 | fixing clip seat  |        | 3   | I541         |
|     |                | outer part        |        |     |                          | 9    | 997 521 897 00 | clip backrest cover   |        | 5   |              |
|     | A08            | black             |        |     |                          | (9)  | 000 043 207 39 | fixing clip backrest cover                                  |        | 3   | I541         |
|     | 5D6            | stone grey        |        |     |                          | 10   | 997 521 721 00 | airbag seat cushion   |        | 1   | I369/370/541 |
|     | T25            | sand beige        |        |     |                          | (10) | 997 521 721 00 | airbag seat cushion   |        | 1   | I437/438/541 |
|     | 3W7            | sea blue          |        |     |                          | 11   | 997 624 335 00 | electric motor seat cushion                                 |        | 1   | I541         |
| (7) | 987 521 941 01 | backrest cover    | /L     | 1   | IXSC/369/437<br>I982/983 | 12   | 997 521 661 00 | support electric motor seat cushion                         |        | 1   | I541         |
|     |                | outer part        |        |     |                          | 13   | 000 043 207 38 | set of fastening parts electric motor seat cushion backrest |        | 13  | I541         |
|     | 8YR            | black             |        |     |                          | 14   | 997 521 731 00 | airbag backrest   |        | 1   | I369/370/541 |
|     | 5X5            | stone grey        |        |     |                          | 14   | 997 521 731 00 | airbag backrest   |        | 1   | I437/438/541 |
|     | 8G1            | sand beige        |        |     |                          |      |                |   |        |     |              |
|     | 3S8            | sea blue          |        |     |                          |      |                |   |        |     |              |
|     | 9N2            | terracotta        |        |     |                          |      |                |   |        |     |              |
|     | 9Q3            | cocoa             |        |     |                          |      |                |   |        |     |              |
|     | D11            | dark grey/natural |        |     |                          |      |                |   |        |     |              |
|     | T11            | brown/natural     |        |     |                          |      |                |   |        |     |              |
|     | N11            | carrera red       |        |     |                          |      |                |   |        |     |              |
| (7) | 987 521 942 01 | backrest cover    | /R     | 1   | IXSC/370/438<br>I982/983 |      |                |   |        |     |              |
|     |                | outer part        |        |     |                          |      |                |   |        |     |              |
|     | 8YR            | black             |        |     |                          |      |                |   |        |     |              |
|     | 5X5            | stone grey        |        |     |                          |      |                |   |        |     |              |
|     | 8G1            | sand beige        |        |     |                          |      |                |   |        |     |              |
|     | 3S8            | sea blue          |        |     |                          |      |                |   |        |     |              |

|       |      |    |    |              |              |     |       |            |         |     |         |
|-------|------|----|----|--------------|--------------|-----|-------|------------|---------|-----|---------|
| Model | Year | MG | SG | Illustration | Restrictions | UPD | 18:57 | 01.03.2010 | PORSCHE | PET | PORSCHE |
| 987-2 | 2010 | 8  | 17 | 817-04       |              | 248 |       |            |         |     |         |



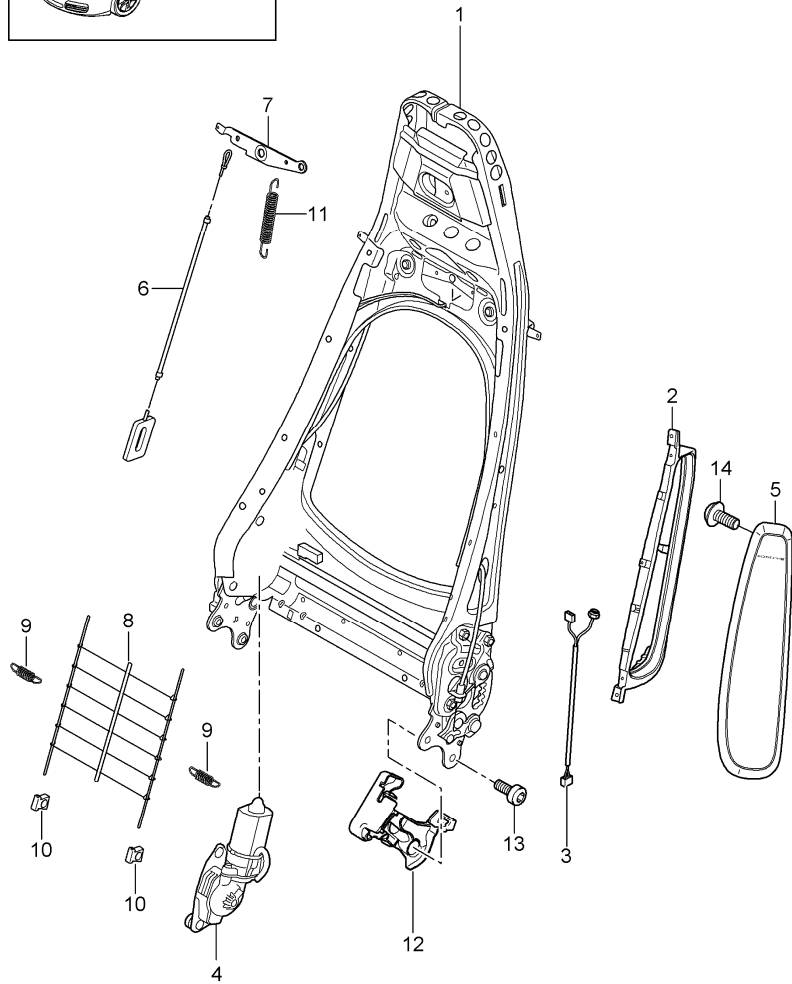
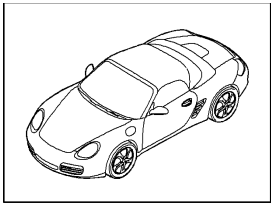
| Pos | Part Number    | Description  | Remark | Qty | Model                |
|-----|----------------|--|--------|-----|----------------------|
|     |                | backrest shell<br>standard seat<br>comfort seat<br>accessories |        |     |                      |
| 1   | 987 521 303 04 | backrest shell   |        | 1   | I369/437             |
|     | 01C            | satin black  |        |     |                      |
| (1) | 987 521 304 04 | backrest shell   |        | 1   | I370/438             |
|     | 01C            | satin black  |        |     |                      |
| (1) | 987 521 303 06 | backrest shell   |        | 1   | I369/437/541         |
|     | 01C            | satin black  |        |     |                      |
| (1) | 987 521 304 06 | backrest shell   |        | 1   | I370/438/541         |
|     | 01C            | satin black  |        |     |                      |
| 2   | 997 521 319 00 | bracket<br>backrest side bolster                               | /L     | 1   |                      |
| (2) | 997 521 320 00 | bracket<br>backrest side bolster                               | /R     | 1   |                      |
| 3   | 987 521 623 01 | control button<br>backrest locking lever                       | /L     | 1   |                      |
|     | V05            | galvano silver   |        |     |                      |
| (3) | 987 521 624 01 | control button<br>backrest locking lever                       | /R     | 1   |                      |
|     | V05            | galvano silver   |        |     |                      |
| 4   | 997 521 621 02 | rosette  | /L     | 1   | I369/370/437<br>I438 |
|     |                | backrest locking lever   |        |     |                      |
|     | D07            | volcano grey   |        |     |                      |
| (4) | 997 521 622 02 | rosette  |        | 1   | I369/370/437<br>I438 |
|     |                | backrest locking lever   |        |     |                      |
|     | D07            | volcano grey   |        |     |                      |
| 5   | 997 521 373 01 | coat hook  |        | 1   | I369/370/437<br>I438 |
|     | D07            | volcano grey   |        |     |                      |
| 6   | 999 919 232 09 | screw<br>M5 X 20<br>coat hook                                  |        | 1   | I369/370/437<br>I438 |



|       |      |    |    |              |              |     |       |            |         |     |         |
|-------|------|----|----|--------------|--------------|-----|-------|------------|---------|-----|---------|
| Model | Year | MG | SG | Illustration | Restrictions | UPD | 18:57 | 01.03.2010 | PORSCHE | PET | PORSCHE |
| 987-2 | 2010 | 8  | 17 | 817-04       |              | 248 |       |            |         |     |         |

| Pos | Part Number    | Description                                     | Remark | Qty | Model                    | Pos | Part Number | Description | Remark | Qty | Model |
|-----|----------------|---|--------|-----|--------------------------|-----|-------------|-------------|--------|-----|-------|
| 8   | 997 521 733 00 | air duct<br>backrest shell                      |        | 1   | I369/370/437<br>I438/541 |     |             |             |        |     |       |
| 9   | 997 624 337 00 | electric motor<br>vented<br>backrest            |        | 1   | I541                     |     |             |             |        |     |       |
| 10  | 000 043 207 38 | set of fastening parts<br>electric motor        |        | 1   | I541                     |     |             |             |        |     |       |
| 11  | 987 521 491 00 | cover<br>fan                                    | 09-    | 1   | I369/370/437<br>I438/541 |     |             |             |        |     |       |
|     | 01C            | satin black                                     |        |     |                          |     |             |             |        |     |       |
| 12  | 000 043 207 40 | clamp<br>mount<br>cover<br>fan                  |        | 3   | I541                     |     |             |             |        |     |       |
| 13  | 000 043 207 41 | set of fastening parts<br>mount<br>cover<br>fan |        | 1   | I541                     |     |             |             |        |     |       |

|       |      |    |    |              |              |     |       |            |         |     |         |
|-------|------|----|----|--------------|--------------|-----|-------|------------|---------|-----|---------|
| Model | Year | MG | SG | Illustration | Restrictions | UPD | 18:57 | 01.03.2010 | PORSCHE | PET | PORSCHE |
| 987-2 | 2010 | 8  | 17 | 817-06       |              | 248 |       |            |         |     |         |

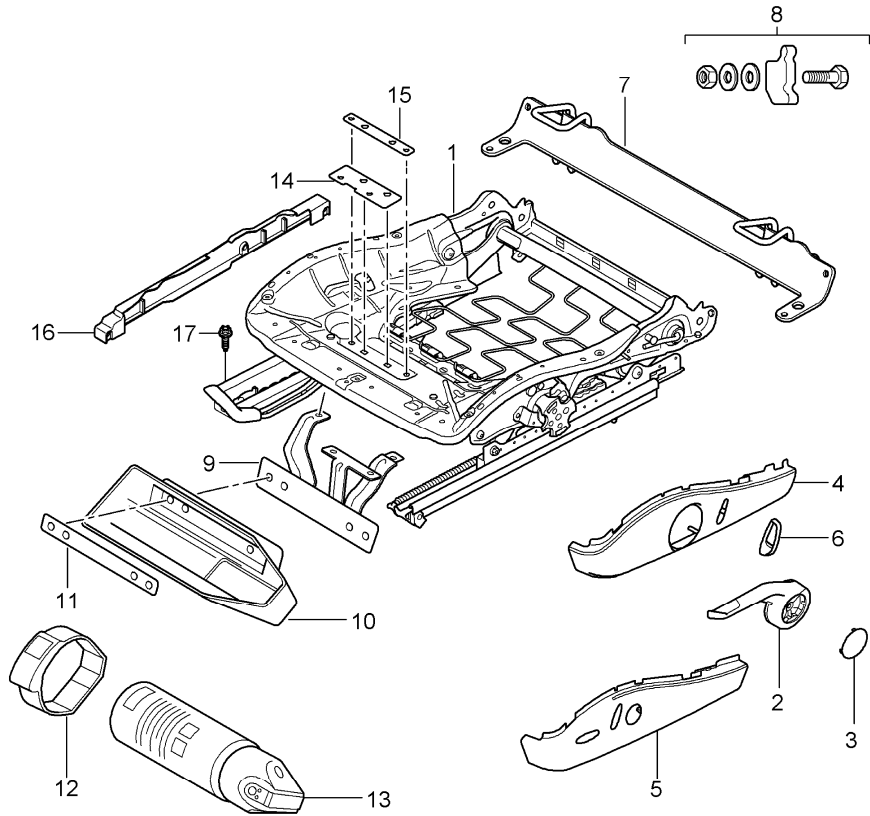
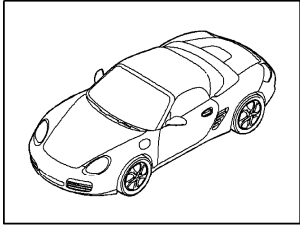


| Pos | Part Number    | Description   | Remark | Qty | Model    |
|-----|----------------|---|--------|-----|----------|
|     |                | backrest frame<br>standard seat<br>comfort seat       |        |     |          |
| 1   | 997 521 329 02 | backrest frame<br>without<br>memory                   |        | 1   | I369/370 |
| (1) | 997 521 329 02 | backrest frame<br>without<br>memory                   |        | 1   | I437/438 |
| (1) | 997 521 329 03 | backrest frame<br>with<br>memory                      |        | 1   | I537/538 |
| 2   | 997 521 533 00 | cushion carrier<br>side airbag                        | /L     | 1   | I369/437 |
| (2) | 997 521 534 00 | cushion carrier<br>side airbag                        | /R     | 1   | I370/438 |
| 3   | 997 612 785 01 | wiring harness<br>side airbag                         | /L     | 1   | I537     |
| (3) | 997 612 786 01 | wiring harness<br>side airbag                         | /R     | 1   | I538     |
| 4   | 997 624 331 00 | electric motor<br>backrest frame<br>memory            |        | 1   | I537/538 |
| (4) | 997 624 321 00 | electric motor<br>backrest frame<br>without<br>memory |        | 1   | I369/370 |
| (4) | 997 624 321 00 | electric motor<br>backrest frame<br>without<br>memory |        | 1   | I437/438 |
| 5   | 997 803 081 01 | side airbag   | /L     | 1   | I369/437 |
|     | A03            | black   |        |     |          |
|     | 5V7            | stone grey  |        |     |          |
|     | 5Z1            | sand beige  |        |     |          |
|     | 8W7            | sea blue  |        |     |          |
|     | 8X8            | terracotta  |        |     |          |
|     | 8P9            | cocoa   |        |     |          |
|     | T13            | brown/natural   |        |     |          |

|       |      |    |    |              |              |     |       |            |         |     |         |
|-------|------|----|----|--------------|--------------|-----|-------|------------|---------|-----|---------|
| Model | Year | MG | SG | Illustration | Restrictions | UPD | 18:57 | 01.03.2010 | PORSCHE | PET | PORSCHE |
| 987-2 | 2010 | 8  | 17 | 817-06       |              | 248 |       |            |         |     |         |

| Pos  | Part Number    | Description                           | Remark | Qty | Model    | Pos  | Part Number    | Description                                 | Remark | Qty | Model |
|------|----------------|---------------------------------------|--------|-----|----------|------|----------------|---|--------|-----|-------|
|      | N23            | carrera red                           |        |     |          | 12   | 997 521 335 01 | cover<br>mounting component<br>inner        | /L     | 1   |       |
| (5)  | 997 803 082 01 | side airbag                           | /R     | 1   | I370/438 |      | D07            | volcano grey                                |        |     |       |
|      | A03            | black                                 |        |     |          | (12) | 997 521 336 01 | cover<br>mounting component<br>inner        | /R     | 1   |       |
|      | 5V7            | stone grey                            |        |     |          |      | D07            | volcano grey                                |        |     |       |
|      | 5Z1            | sand beige                            |        |     |          | 13   | 999 073 375 09 | screw<br>mount<br>backrest<br>seat adjuster |        | 4   |       |
|      | 8W7            | sea blue                              |        |     |          | 14   | 999 073 306 09 | screw<br>mount<br>side airbag               |        | 2   |       |
|      | 8X8            | terracotta                            |        |     |          |      |                |   |        |     |       |
|      | 8P9            | cocoa                                 |        |     |          |      |                |   |        |     |       |
|      | T13            | brown/natural                         |        |     |          |      |                |   |        |     |       |
|      | N23            | carrera red                           |        |     |          |      |                |   |        |     |       |
| 6    | 997 521 485 00 | bowden cable<br>backrest frame        |        | 2   | I369/370 |      |                |   |        |     |       |
| (6)  | 997 521 485 00 | bowden cable<br>backrest frame        |        | 2   | I437/438 |      |                |   |        |     |       |
| 7    | 997 521 375 00 | release<br>backrest frame             |        | 1   | I369/370 |      |                |   |        |     |       |
| (7)  | 997 521 375 00 | release<br>backrest frame             |        | 1   | I437/438 |      |                |   |        |     |       |
| 8    | 997 521 855 00 | grille<br>backrest frame              |        | 1   | I369/370 |      |                |   |        |     |       |
| (8)  | 997 521 855 00 | grille<br>backrest frame              |        | 1   | I437/438 |      |                |   |        |     |       |
| 9    | 997 521 893 00 | tension spring<br>inner spring        |        | 2   | I369/370 |      |                |   |        |     |       |
| (9)  | 997 521 893 00 | tension spring<br>inner spring        |        | 2   | I437/438 |      |                |   |        |     |       |
| 10   | 997 521 895 00 | clip<br>inner spring                  |        | 2   | I369/370 |      |                |   |        |     |       |
| (10) | 997 521 895 00 | clip<br>inner spring                  |        | 2   | I437/438 |      |                |   |        |     |       |
| 11   | 997 521 797 00 | tension spring<br>release<br>backrest |        | 1   | I369/370 |      |                |   |        |     |       |
| (11) | 997 521 797 00 | tension spring<br>release<br>backrest |        | 1   | I437/438 |      |                |   |        |     |       |

|       |      |    |    |              |              |     |       |            |         |     |         |
|-------|------|----|----|--------------|--------------|-----|-------|------------|---------|-----|---------|
| Model | Year | MG | SG | Illustration | Restrictions | UPD | 18:57 | 01.03.2010 | PORSCHE | PET | PORSCHE |
| 987-2 | 2010 | 8  | 17 | 817-08       |              | 248 |       |            |         |     |         |



| Pos | Part Number    | Description   | Remark | Qty | Model        |
|-----|----------------|---|--------|-----|--------------|
|     |                | seat adjuster<br>standard seat<br>comfort seat                  |        |     |              |
| 1   | 997 521 201 10 | seat adjuster<br>manually<br>driver's side                      | /LL/L  | 1   | I098/369     |
| (1) | 997 521 201 14 | seat adjuster<br>manually<br>driver's side                      | /LL/L  | 1   | I098/369/541 |
| (1) | 997 521 202 19 | seat adjuster<br>manually<br>driver's side                      | /RL/R  | 1   | I099/370     |
| (1) | 997 521 202 23 | seat adjuster<br>manually<br>driver's side                      | /R     | 1   | I370/560     |
| (1) | 997 521 202 25 | seat adjuster<br>manually<br>driver's side                      | /RL/R  | 1   | I099/370/541 |
| (1) | 997 521 201 24 | seat adjuster<br>electric<br>without<br>memory<br>driver's side | /L     | 1   | I437         |
| (1) | 997 521 201 26 | seat adjuster<br>electric<br>without<br>memory<br>driver's side | /L     | 1   | I437/541     |
| (1) | 997 521 202 30 | seat adjuster<br>electric<br>without<br>memory<br>driver's side | /R     | 1   | I438         |
| (1) | 997 521 202 24 | seat adjuster<br>electric<br>without<br>memory<br>driver's side | /R     | 1   | I438/560     |
| (1) | 997 521 202 32 | seat adjuster<br>electric<br>without<br>memory<br>driver's side | /R     | 1   | I438/541     |

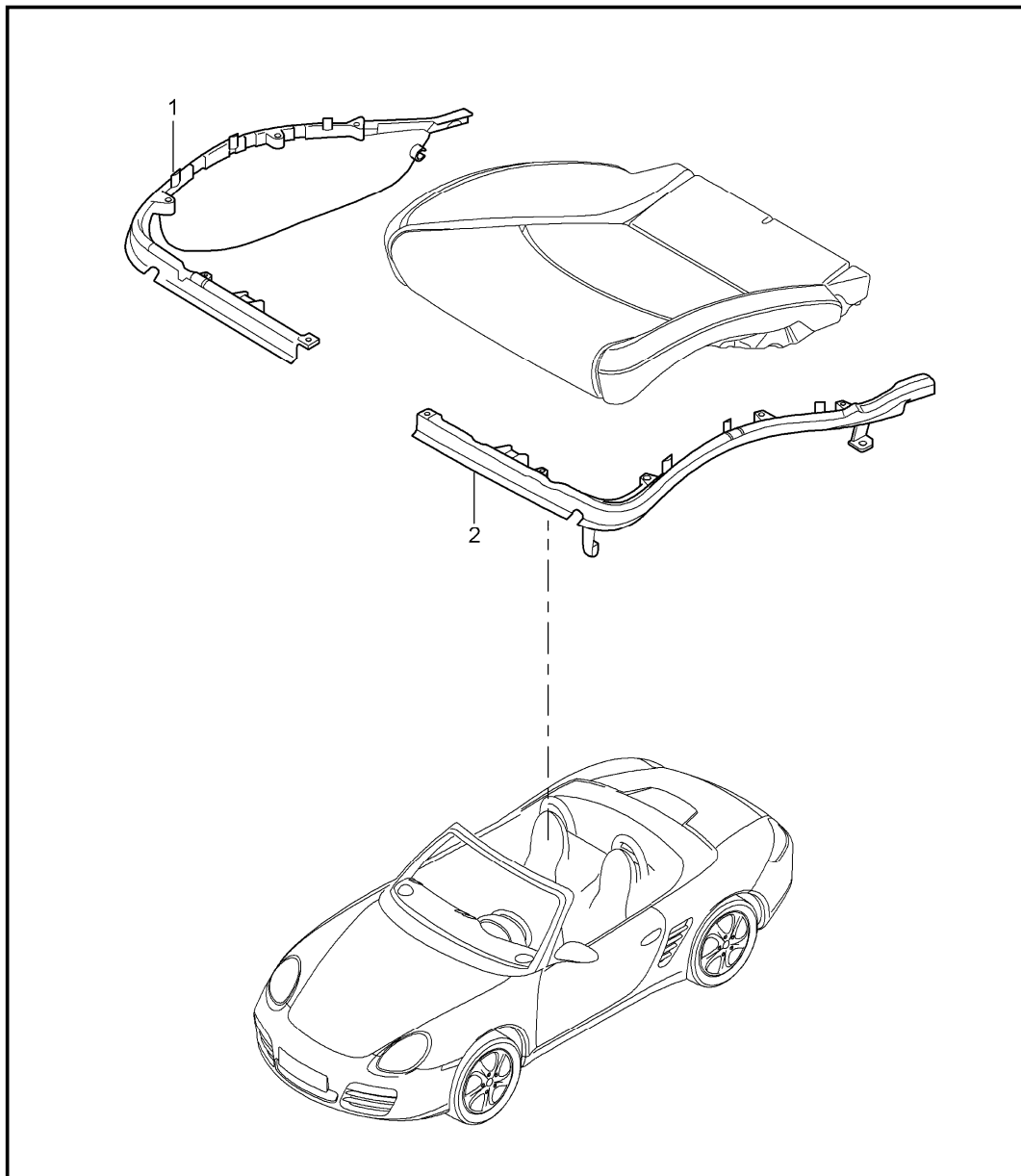
|       |      |    |    |              |              |     |       |            |         |     |         |
|-------|------|----|----|--------------|--------------|-----|-------|------------|---------|-----|---------|
| Model | Year | MG | SG | Illustration | Restrictions | UPD | 18:57 | 01.03.2010 | PORSCHE | PET | PORSCHE |
| 987-2 | 2010 | 8  | 17 | 817-08       |              | 248 |       |            |         |     |         |

| Pos | Part Number    | Description                                      | Remark | Qty | Model        | Pos | Part Number    | Description  | Remark | Qty | Model                |
|-----|----------------|--|--------|-----|--------------|-----|----------------|--|--------|-----|----------------------|
| (1) | 997 521 201 25 | seat adjuster electric with memory driver's side | /L     | 1   | I437/537     |     | D07            | volcano grey   |        |     |                      |
| (1) | 997 521 201 27 | seat adjuster electric with memory driver's side | /L     | 1   | I437/537/541 | (4) | 997 521 326 06 | trim for switch  | /R     | 1   | I370                 |
| (1) | 997 521 202 31 | seat adjuster electric with memory driver's side | /R     | 1   | I438/538     |     | D07            | volcano grey   |        |     |                      |
| (1) | 997 521 202 33 | seat adjuster electric with memory driver's side | /R     | 1   | I438/538/541 | (4) | 997 521 326 09 | trim for switch  | /R     | 1   | I370/560             |
| (1) | 997 521 202 20 | seat adjuster manually passenger's side          | /LL/R  | 1   | I098/370     | 5   | 997 521 325 07 | trim for switch  | /L     | 1   | I437                 |
| (1) | 997 521 202 26 | seat adjuster manually passenger's side          | /LL/R  | 1   | I098/370/541 |     | D07            | volcano grey   |        |     |                      |
| (1) | 997 521 201 11 | seat adjuster manually passenger's side          | /RL/L  | 1   | I099/369     | (5) | 997 521 326 07 | trim for switch  | /R     | 1   | I438                 |
| (1) | 997 521 201 15 | seat adjuster manually passenger's side          | /RL/L  | 1   | I099/369/541 |     | D07            | volcano grey   |        |     |                      |
| 2   | 997 521 627 01 | actuating lever height adjustment                | /L     | 1   | I369         | (5) | 997 521 326 10 | trim for switch  | /R     | 1   | I438/560             |
|     | V05            | galvano silver                                   |        |     |              | 6   | 997 521 631 01 | control button   |        | 1   | I369/370/437<br>I438 |
| (2) | 997 521 628 01 | actuating lever height adjustment                | /R     | 1   | I370         |     | V05            | galvano silver   |        |     |                      |
|     | V05            | galvano silver                                   |        |     |              | 7   | 997 521 061 01 | retaining bow child car seat ISOFIX not for AUSTRALIEN |        | 1   |                      |
| 3   | 997 521 629 01 | cap actuating lever                              |        | 2   | I369/370     | 8   | 997 521 961 01 | set of fastening parts retaining bow                   |        | 1   |                      |
|     | D07            | volcano grey                                     |        |     |              | 9   | 997 521 251 00 | support fire extinguisher                              |        | 1   | I098/509             |
| 4   | 997 521 325 06 | trim for switch                                  | /L     | 1   | I369         | (9) | 997 521 252 00 | support fire extinguisher                              |        | 1   | I099/509             |
|     |                |  |        |     |              | 10  | 997 521 607 00 | cup fire extinguisher                                  |        | 1   | I509                 |
|     |                |  |        |     |              | 11  | 997 521 881 00 | support cup fire extinguisher                          |        | 1   | I509                 |
|     |                |  |        |     |              | 12  | 997 521 851 00 | restraining strap fire extinguisher                    |        | 1   | I509                 |
|     |                |  |        |     |              | 13  | 996 722 115 00 | fire extinguisher                                      |        | 1   | I509                 |
|     |                |  |        |     |              |     |                | Information available                                  |        |     |                      |
|     |                |  |        |     |              |     |                | Information available                                  |        |     |                      |

|       |      |    |    |              |              |     |       |            |         |     |         |
|-------|------|----|----|--------------|--------------|-----|-------|------------|---------|-----|---------|
| Model | Year | MG | SG | Illustration | Restrictions | UPD | 18:57 | 01.03.2010 | PORSCHE | PET | PORSCHE |
| 987-2 | 2010 | 8  | 17 | 817-08       |              | 248 |       |            |         |     |         |

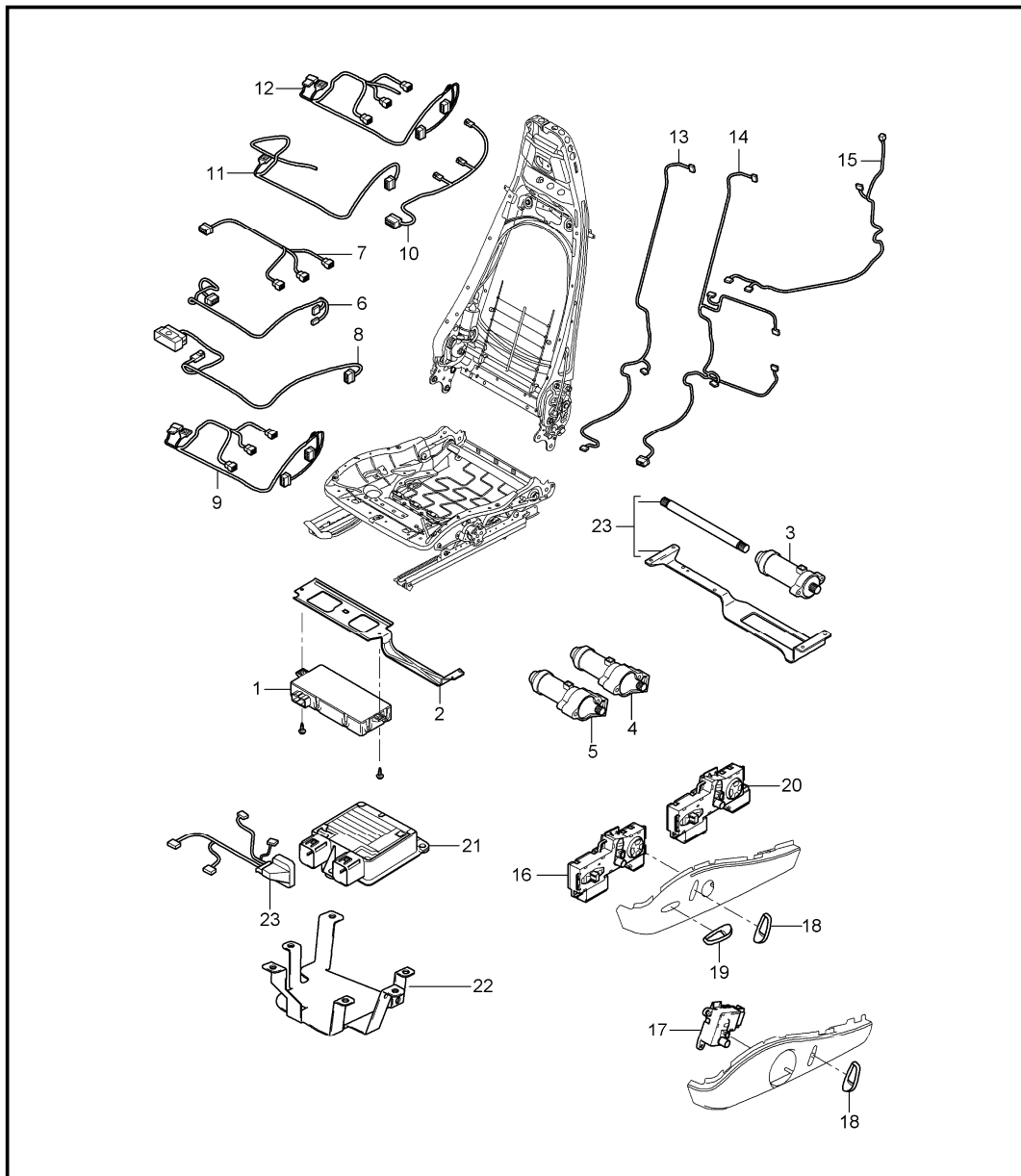
| Pos  | Part Number    | Description                | Remark | Qty | Model        | Pos | Part Number | Description | Remark | Qty | Model |
|------|----------------|----------------------------|--------|-----|--------------|-----|-------------|-------------|--------|-----|-------|
| 14   | 997 521 841 00 | reinforcement front        |        | 1   | I509         |     |             |             |        |     |       |
| 15   | 997 521 843 00 | reinforcement rear         |        | 1   | I509         |     |             |             |        |     |       |
| 16   | 997 521 427 01 | cover sensor weight        | /L     | 1   | I370/438/560 |     |             |             |        |     |       |
|      | 01C            | satin black                |        |     |              |     |             |             |        |     |       |
| (16) | 997 521 426 01 | cover sensor weight        | /R     | 1   | I370/438/560 |     |             |             |        |     |       |
|      | 01C            | satin black                |        |     |              |     |             |             |        |     |       |
| 17   | 999 141 047 01 | torx screw seat rail mount |        | 4   |              |     |             |             |        |     |       |

|       |      |    |    |              |              |     |       |            |         |     |         |
|-------|------|----|----|--------------|--------------|-----|-------|------------|---------|-----|---------|
| Model | Year | MG | SG | Illustration | Restrictions | UPD | 18:58 | 01.03.2010 | PORSCHE | PET | PORSCHE |
| 987-2 | 2010 | 8  | 17 | 817-09       |              | 248 |       |            |         |     |         |



| Pos | Part Number    | Description   | Remark | Qty | Model        |
|-----|----------------|---|--------|-----|--------------|
|     |                | cushion carrier<br>frame<br>seat surface<br>standard seat<br>comfort seat |        |     |              |
| 1   | 997 521 547 00 | frame<br>inner  | /L     | 1   | I370/438     |
| (1) | 997 521 548 00 | frame<br>inner  | /R     | 1   | I369/437     |
| 2   | 997 521 545 00 | frame<br>outer  | /L     | 1   | I369/437     |
| (2) | 997 521 546 00 | frame<br>outer  | /R     | 1   | I370/438     |
| (2) | 997 521 546 01 | frame<br>outer  | /R     | 1   | I370/438/560 |

|       |      |    |    |              |              |     |       |            |         |     |         |
|-------|------|----|----|--------------|--------------|-----|-------|------------|---------|-----|---------|
| Model | Year | MG | SG | Illustration | Restrictions | UPD | 18:58 | 01.03.2010 | PORSCHE | PET | PORSCHE |
| 987-2 | 2010 | 8  | 17 | 817-10       |              | 248 |       |            |         |     |         |



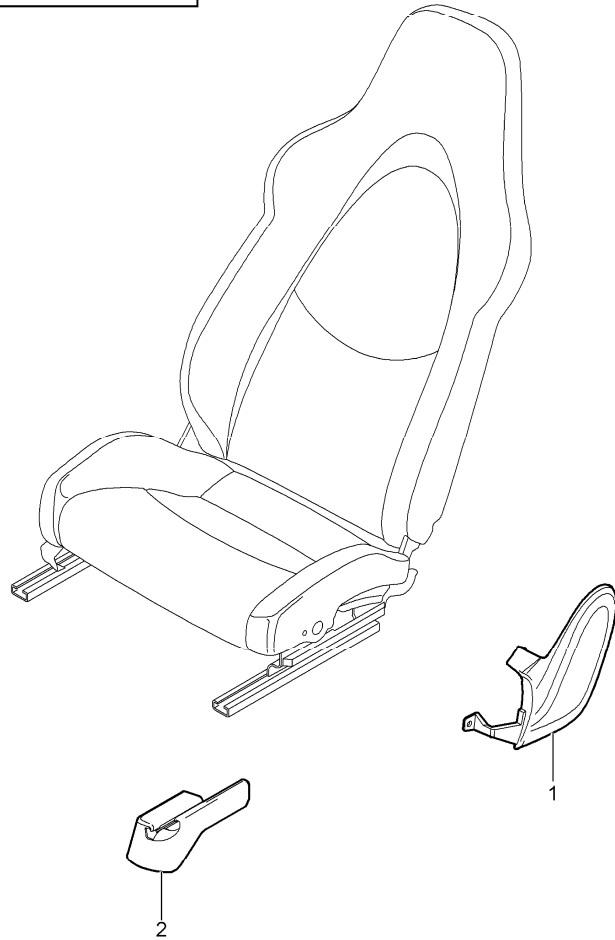
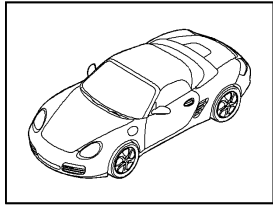
| Pos | Part Number    | Description   | Remark | Qty | Model    |
|-----|----------------|---|--------|-----|----------|
|     |                | wiring harnesses<br>switch<br>control unit<br>electric motor<br>standard seat<br>comfort seat |        |     |          |
| 1   | 997 618 537 07 | control unit<br>seating position control  |        | 1   | I537/538 |
| 2   | 997 521 643 01 | support<br>control unit<br>seating position control   |        | 1   | I537/538 |
| 3   | 997 624 322 00 | electric motor<br>seat adjuster<br>lengthways<br>without<br>memory                            |        | 1   | I437/438 |
| (3) | 997 624 332 00 | electric motor<br>seat adjuster<br>lengthways<br>with<br>memory                               |        | 1   | I537/538 |
| 4   | 997 624 322 00 | electric motor<br>seat adjuster<br>height adjustment<br>without<br>memory                     |        | 1   | I437/438 |
| (4) | 997 624 332 00 | electric motor<br>seat adjuster<br>height adjustment<br>with<br>memory                        |        | 1   | I537/538 |
| 5   | 997 624 323 00 | electric motor<br>seat adjuster<br>tilt angle<br>without<br>memory                            |        | 1   | I437/438 |
| (5) | 997 624 333 00 | electric motor<br>seat adjuster<br>tilt angle<br>with<br>memory                               |        | 1   | I537/538 |
| 6   | 997 612 684 00 | wiring harness<br>seat adjuster<br>memory   |        | 1   | I537/538 |



|       |      |    |    |              |              |     |       |            |         |     |         |
|-------|------|----|----|--------------|--------------|-----|-------|------------|---------|-----|---------|
| Model | Year | MG | SG | Illustration | Restrictions | UPD | 18:58 | 01.03.2010 | PORSCHE | PET | PORSCHE |
| 987-2 | 2010 | 8  | 17 | 817-10       |              | 248 |       |            |         |     |         |

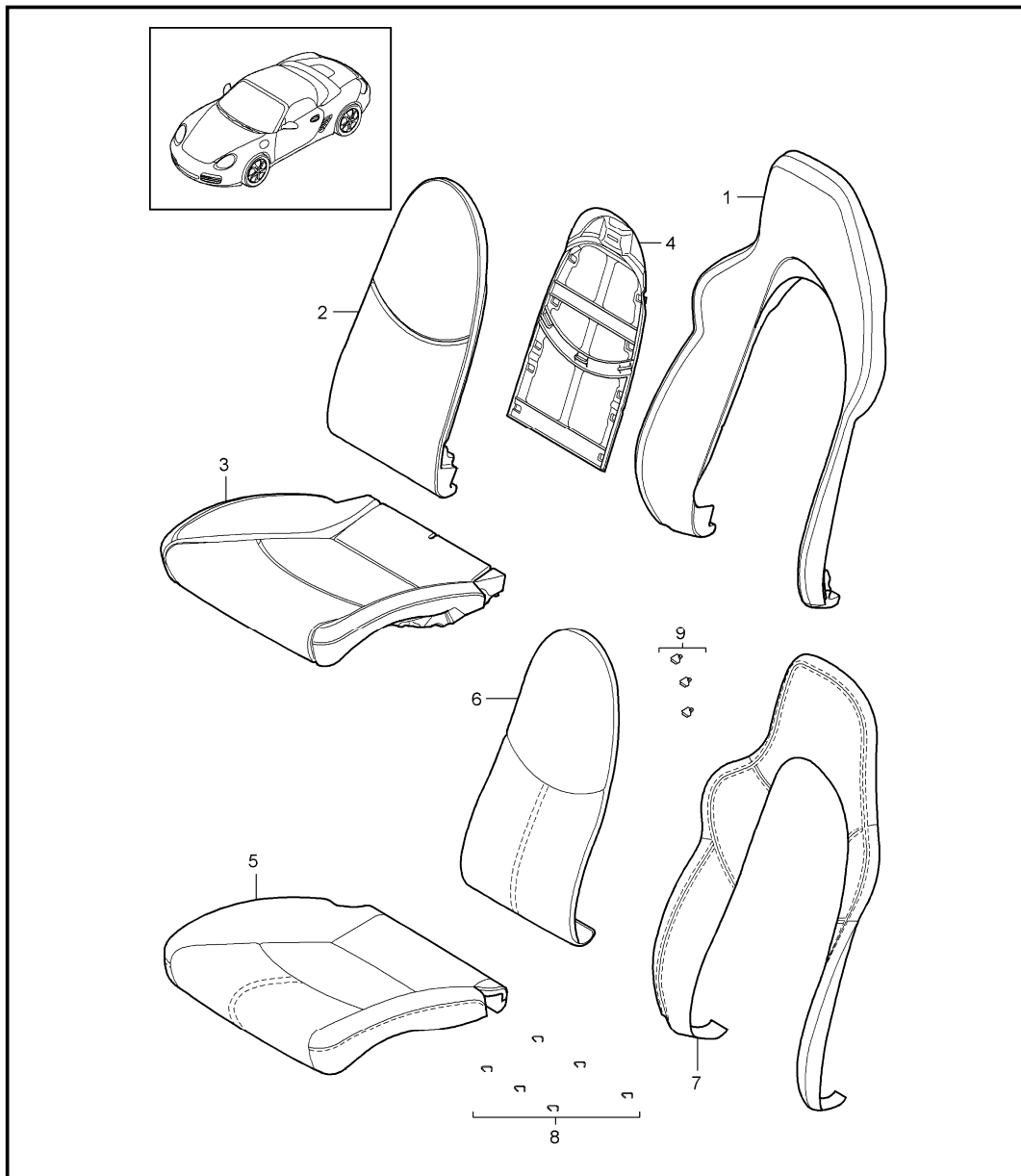
| Pos  | Part Number    | Description  | Remark | Qty | Model        | Pos  | Part Number    | Description   | Remark | Qty | Model        |
|------|----------------|--|--------|-----|--------------|------|----------------|---|--------|-----|--------------|
| 7    | 997 612 690 00 | wiring harness<br>lengthways<br>height adjustment<br>memory    |        | 1   | I537/538     |      | V05            | galvano silver  |        |     |              |
| 8    | 997 612 682 01 | wiring harness<br>switch<br>seat adjuster                      |        | 1   | I369/370     | 17   | 997 613 713 00 | switch<br>seat adjuster<br>manually adjustable              | /L     | 1   | I369         |
| 9    | 997 612 683 01 | wiring harness<br>switch<br>seat adjuster<br>without<br>memory |        | 1   | I437/438     | (17) | 997 613 714 00 | switch<br>seat adjuster<br>manually adjustable              | /R     | 1   | I370         |
| 10   | 997 612 657 00 | wiring harness<br>seat   |        | 2   | I541         | 18   | 997 521 631 01 | control button<br>backrest                                  |        | 1   | I369/370     |
| 11   | 997 612 658 00 | wiring harness<br>standard seat<br>manually                    |        | 1   | I369/370/541 |      | V05            | galvano silver  |        |     |              |
| 12   | 997 612 659 00 | wiring harness<br>comfort seat<br>electric                     |        | 1   | I437/438/541 | (18) | 997 521 631 01 | control button<br>backrest                                  |        | 1   | I437/438     |
| 13   | 997 612 689 00 | wiring harness<br>lumbar support<br>without<br>memory          |        | 1   | I437/438     | 19   | 997 521 633 02 | control button<br>seat cushion                              |        | 1   | I437/438     |
| 14   | 997 612 687 00 | wiring harness<br>lumbar<br>backrest<br>memory                 |        | 1   | I437/537     |      | V05            | galvano silver  |        |     |              |
| (14) | 997 612 687 00 | wiring harness<br>lumbar<br>backrest<br>memory                 |        | 1   | I438/538     | 20   | 997 613 717 01 | switch<br>seat adjuster<br>without<br>memory                | /L     | 1   | I437         |
| 15   | 997 612 685 01 | wiring harness<br>backrest                                     | /L     | 1   | I369/437     |      | V05            | galvano silver  |        |     |              |
| (15) | 997 612 686 01 | wiring harness<br>backrest                                     | /R     | 1   | I370/438     | (20) | 997 613 718 01 | switch<br>seat adjuster<br>without<br>memory                | /R     | 1   | I438         |
| 16   | 997 613 721 01 | switch<br>seat adjuster<br>memory switch                       | /L     | 1   | I437/537     |      | V05            | galvano silver  |        |     |              |
|      | V05            | galvano silver   |        |     |              | (21) | 997 618 233 05 | control unit<br>seat occupancy detection                    |        | 1   | I370/438/560 |
| (16) | 997 613 722 01 | switch<br>seat adjuster<br>memory switch                       | /R     | 1   | I438/538     | 22   | 997 521 646 00 | support<br>control unit<br>seat occupancy detection         |        | 1   | I370/438/560 |
|      |                |  |        |     |              | 23   | 997 612 688 01 | wiring harness<br>seat occupancy detection                  |        | 1   | I370/438/560 |
|      |                |  |        |     |              | 24   | 997 521 901 00 | repair kit<br>pliable shaft<br>engine bracket               |        | 1   |              |
|      |                |  |        |     |              | -    | 999 650 973 40 | clip<br>mount<br>wiring harness<br>seat occupancy detection |        | 1   |              |

|       |      |    |    |              |              |     |       |            |         |     |         |
|-------|------|----|----|--------------|--------------|-----|-------|------------|---------|-----|---------|
| Model | Year | MG | SG | Illustration | Restrictions | UPD | 18:58 | 01.03.2010 | PORSCHE | PET | PORSCHE |
| 987-2 | 2010 | 8  | 17 | 817-15       |              | 248 |       |            |         |     |         |



| Pos | Part Number    | Description   | Remark | Qty | Model    |
|-----|----------------|---|--------|-----|----------|
|     |                | front seat complete<br>not available<br>sports seat |        |     |          |
| 1   | 997 521 315 02 | trim cover<br>mounting component                    | /L     | 1   | I375/377 |
|     | D07            | volcano grey  |        |     |          |
| (1) | 997 521 316 02 | trim cover<br>mounting component                    | /R     | 1   | I375/377 |
|     | D07            | volcano grey  |        |     |          |
| 2   | 997 521 359 01 | rail<br>seat rail                                   | /L     | 1   | I375     |
|     | 01C            | satin black   |        |     |          |
| (2) | 997 521 362 00 | rail<br>seat rail                                   | /R     | 1   | I375     |
|     | 01C            | satin black   |        |     |          |
| (2) | 997 521 361 00 | rail<br>seat rail                                   | /L     | 1   | I376     |
|     | 01C            | satin black   |        |     |          |
| (2) | 997 521 360 01 | rail<br>seat rail                                   | /R     | 1   | I376     |
|     | 01C            | satin black   |        |     |          |
| (2) | 997 521 361 00 | rail<br>seat rail                                   | /L     | 1   | I377     |
|     | 01C            | satin black   |        |     |          |
| (2) | 997 521 362 00 | rail<br>seat rail                                   | /R     | 1   | I377     |
|     | 01C            | satin black   |        |     |          |
| (2) | 997 521 361 00 | rail<br>seat rail                                   | /L     | 1   | I378     |
|     | 01C            | satin black   |        |     |          |
| (2) | 997 521 362 00 | rail<br>seat rail                                   | /R     | 1   | I378     |
|     | 01C            | satin black   |        |     |          |

|       |      |    |    |              |              |     |       |            |         |     |         |
|-------|------|----|----|--------------|--------------|-----|-------|------------|---------|-----|---------|
| Model | Year | MG | SG | Illustration | Restrictions | UPD | 18:58 | 01.03.2010 | PORSCHE | PET | PORSCHE |
| 987-2 | 2010 | 8  | 17 | 817-17       |              | 248 |       |            |         |     |         |



| Pos | Part Number    | Description                               | Remark | Qty | Model        |
|-----|----------------|---|--------|-----|--------------|
|     |                | foam part<br>cover<br>sports seat         |        |     |              |
| 1   | 997 521 535 01 | foam part<br>backrest<br>outer            |        | 2   | I375/376     |
| (1) | 997 521 535 02 | foam part<br>backrest<br>outer            |        | 2   | I377/378     |
| 2   | 997 521 581 00 | foam part                                 |        | 1   | I375/376     |
| 2   | 997 521 581 00 | foam part<br>backrest<br>centre part      |        | 1   | I377/378     |
| 3   | 997 521 571 01 | foam part<br>seat cushion<br>with heating |        | 1   | I375/376     |
| (3) | 997 521 571 02 | foam part<br>seat cushion<br>with heating |        | 1   | I377/378     |
| (3) | 997 521 571 04 | foam part<br>seat cushion<br>with heating |        | 1   | I376/560     |
| (3) | 997 521 571 05 | foam part<br>seat cushion<br>with heating |        | 1   | I378/560     |
| 4   | 997 521 551 01 | cushion carrier<br>backrest               |        | 2   |              |
| 5   | 997 521 161 03 | cover for cushion                         |        | 1   | I375/376/983 |
|     | FLC            | black                                     |        |     |              |
|     | FLF            | stone grey                                |        |     |              |
|     | FLJ            | sand beige                                |        |     |              |
|     | FLM            | sea blue                                  |        |     |              |
|     | FLQ            | terracotta                                |        |     |              |
|     | FLR            | cocoa                                     |        |     |              |
|     | VAA            | dark grey/natural                         |        |     |              |
|     | VAB            | brown/natural                             |        |     |              |
|     | VAC            | carrera red                               |        |     |              |

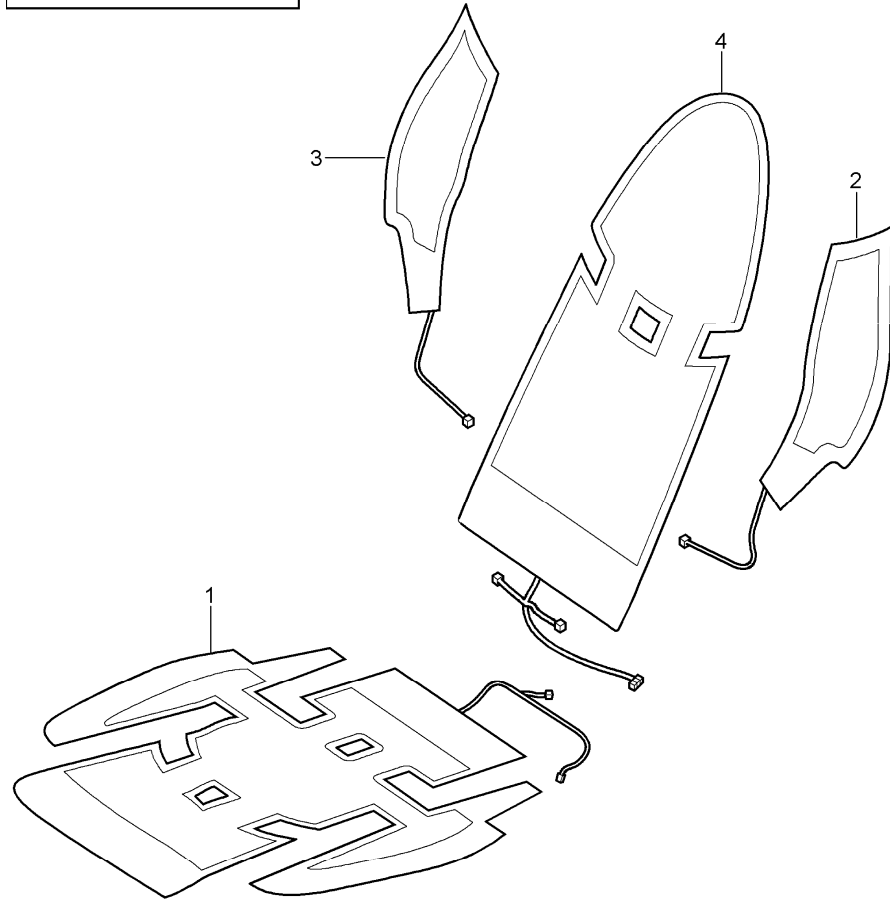
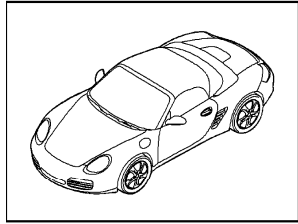
|       |      |    |    |              |              |     |       |            |         |     |         |
|-------|------|----|----|--------------|--------------|-----|-------|------------|---------|-----|---------|
| Model | Year | MG | SG | Illustration | Restrictions | UPD | 18:58 | 01.03.2010 | PORSCHE | PET | PORSCHE |
| 987-2 | 2010 | 8  | 17 | 817-17       |              | 248 |       |            |         |     |         |

| Pos | Part Number    | Description                           | Remark | Qty | Model                    | Pos | Part Number    | Description                           | Remark | Qty | Model                  |
|-----|----------------|---------------------------------------|--------|-----|--------------------------|-----|----------------|---------------------------------------|--------|-----|------------------------|
| (5) | 997 521 161 03 | cover for cushion                     |        | 10- | 1 Spyder<br>I375/376/983 |     | 8G1            | sand beige                            |        |     |                        |
|     | FLC            | black                                 |        |     |                          |     | 9Q3            | cocoa                                 |        |     |                        |
|     | FLJ            | sand beige                            |        |     |                          |     | N11            | carrera red                           |        |     |                        |
|     | FLR            | cocoa                                 |        |     |                          | (6) | 997 521 151 00 | backrest cushion cover<br>centre part |        | 1   | I377/378/983           |
|     | VAC            | carrera red                           |        |     |                          |     | 8YR            | black                                 |        |     |                        |
| (5) | 997 521 161 06 | cover for cushion                     |        | 1   | I377/378/983             |     | 5X5            | stone grey                            |        |     |                        |
|     | FLC            | black                                 |        |     |                          |     | 8G1            | sand beige                            |        |     |                        |
|     | FLF            | stone grey                            |        |     |                          |     | 3S8            | sea blue                              |        |     |                        |
|     | FLJ            | sand beige                            |        |     |                          |     | 9N2            | terracotta                            |        |     |                        |
|     | FLM            | sea blue                              |        |     |                          |     | 9Q3            | cocoa                                 |        |     |                        |
|     | FLQ            | terracotta                            |        |     |                          |     | D11            | dark grey/natural                     |        |     |                        |
|     | FLR            | cocoa                                 |        |     |                          |     | T11            | brown/natural                         |        |     |                        |
|     | VAA            | dark grey/natural                     |        |     |                          |     | N11            | carrera red                           |        |     |                        |
|     | VAB            | brown/natural                         |        |     |                          | 7   | 997 521 155 01 | backrest cover<br>outer part          |        | 2   | I375/376/983           |
|     | VAC            | carrera red                           |        |     |                          |     | FLC            | black                                 |        |     |                        |
| 6   | 997 521 151 00 | backrest cushion cover<br>centre part |        | 1   | I375/376/983             |     | FLF            | stone grey                            |        |     |                        |
|     | 8YR            | black                                 |        |     |                          |     | FLJ            | sand beige                            |        |     |                        |
|     | 5X5            | stone grey                            |        |     |                          |     | FLM            | sea blue                              |        |     |                        |
|     | 8G1            | sand beige                            |        |     |                          |     | FLQ            | terracotta                            |        |     |                        |
|     | 3S8            | sea blue                              |        |     |                          |     | FLR            | cocoa                                 |        |     |                        |
|     | 9N2            | terracotta                            |        |     |                          |     | VAA            | dark grey/natural                     |        |     |                        |
|     | 9Q3            | cocoa                                 |        |     |                          |     | VAB            | brown/natural                         |        |     |                        |
|     | D11            | dark grey/natural                     |        |     |                          |     | VAC            | carrera red                           |        |     |                        |
|     | T11            | brown/natural                         |        |     |                          | (7) | 997 521 155 01 | backrest cover<br>outer part          | 10-    | 2   | Spyder<br>I375/376/983 |
|     | N11            | carrera red                           |        |     |                          |     | FLC            | black                                 |        |     |                        |
| (6) | 997 521 151 00 | backrest cushion cover<br>centre part | 10-    | 1   | Spyder<br>I375/376/983   |     | FLJ            | sand beige                            |        |     |                        |
|     | 8YR            | black                                 |        |     |                          |     | FLR            | cocoa                                 |        |     |                        |

|       |      |    |    |              |              |     |       |            |         |     |         |
|-------|------|----|----|--------------|--------------|-----|-------|------------|---------|-----|---------|
| Model | Year | MG | SG | Illustration | Restrictions | UPD | 18:58 | 01.03.2010 | PORSCHE | PET | PORSCHE |
| 987-2 | 2010 | 8  | 17 | 817-17       |              | 248 |       |            |         |     |         |

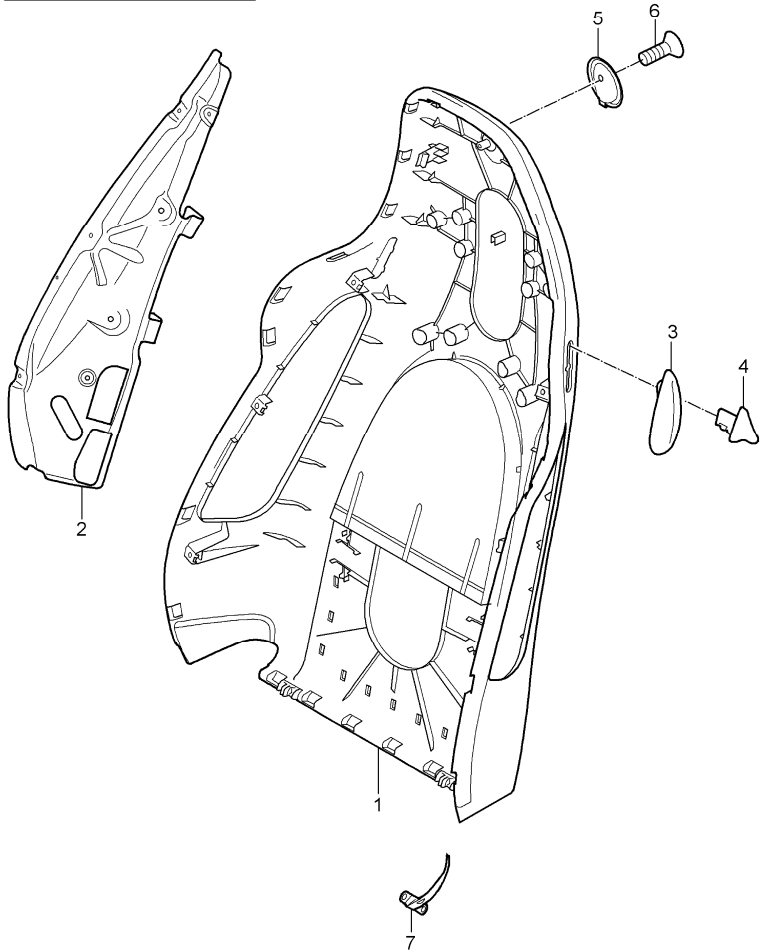
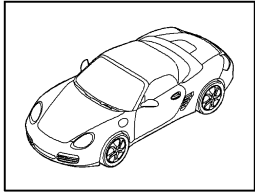
| Pos | Part Number    | Description               | Remark | Qty | Model                          | Pos | Part Number    | Description         | Remark | Qty | Model |
|-----|----------------|---------------------------|--------|-----|--------------------------------|-----|----------------|---------------------|--------|-----|-------|
|     | VAC            | carrera red               |        |     |                                | 8   | 997 521 837 00 | clip padding seat   |        | 6   |       |
| (7) | 997 521 155 01 | backrest cover outer part |        | 2   | I377/378/983                   | 9   | 997 521 897 00 | clip backrest cover |        | 5   |       |
|     | FLC            | black                     |        |     |                                |     |                |                     |        |     |       |
|     | FLF            | stone grey                |        |     |                                |     |                |                     |        |     |       |
|     | FLJ            | sand beige                |        |     |                                |     |                |                     |        |     |       |
|     | FLM            | sea blue                  |        |     |                                |     |                |                     |        |     |       |
|     | FLQ            | terracotta                |        |     |                                |     |                |                     |        |     |       |
|     | FLR            | cocoa                     |        |     |                                |     |                |                     |        |     |       |
|     | VAA            | dark grey/natural         |        |     |                                |     |                |                     |        |     |       |
|     | VAB            | brown/natural             |        |     |                                |     |                |                     |        |     |       |
|     | VAC            | carrera red               |        |     |                                |     |                |                     |        |     |       |
| (7) | 997 521 941 02 | backrest cover outer part |        | 1   | IXSC/375/376<br>I377/378/983   |     |                |                     |        |     |       |
|     | 8YR            | black                     |        |     |                                |     |                |                     |        |     |       |
|     | 5X5            | stone grey                |        |     |                                |     |                |                     |        |     |       |
|     | 8G1            | sand beige                |        |     |                                |     |                |                     |        |     |       |
|     | 3S8            | sea blue                  |        |     |                                |     |                |                     |        |     |       |
|     | 9N2            | terracotta                |        |     |                                |     |                |                     |        |     |       |
|     | 9Q3            | cocoa                     |        |     |                                |     |                |                     |        |     |       |
|     | D11            | dark grey/natural         |        |     |                                |     |                |                     |        |     |       |
|     | T11            | brown/natural             |        |     |                                |     |                |                     |        |     |       |
|     | N11            | carrera red               |        |     |                                |     |                |                     |        |     |       |
| (7) | 997 521 941 02 | backrest cover outer part | 10-    | 1   | Spyder<br>IXSC/375/376<br>I983 |     |                |                     |        |     |       |
|     | 8YR            | black                     |        |     |                                |     |                |                     |        |     |       |
|     | 8G1            | sand beige                |        |     |                                |     |                |                     |        |     |       |
|     | 9Q3            | cocoa                     |        |     |                                |     |                |                     |        |     |       |
|     | N11            | carrera red               |        |     |                                |     |                |                     |        |     |       |

|       |      |    |    |              |              |     |       |            |         |     |         |
|-------|------|----|----|--------------|--------------|-----|-------|------------|---------|-----|---------|
| Model | Year | MG | SG | Illustration | Restrictions | UPD | 18:58 | 01.03.2010 | PORSCHE | PET | PORSCHE |
| 987-2 | 2010 | 8  | 17 | 817-18       |              | 248 |       |            |         |     |         |



| Pos | Part Number    | Description  | Remark | Qty | Model                    |
|-----|----------------|--|--------|-----|--------------------------|
| 1   | 997 653 105 02 | heating front seat<br>heating element<br>seat cushion<br>standard seat<br>comfort seat |        | 2   | I342/369/370             |
| (1) | 997 653 105 03 | heating element<br>seat cushion<br>sports seat   |        | 2   | I342/375/376             |
| (1) | 997 653 117 00 | heating element<br>seat side bolster   | /L     | 2   | I541                     |
| (1) | 997 653 118 00 | heating element<br>seat side bolster   | /R     | 2   | I541                     |
| 2   | 997 653 109 00 | heating element<br>backrest side bolster<br>standard seat<br>comfort seat              | /L     | 1   | I342/369/370<br>I437/438 |
| (2) | 997 653 121 00 | heating element<br>backrest side bolster<br>standard seat<br>comfort seat              | /L     | 1   | I541                     |
| (2) | 997 653 109 01 | heating element<br>backrest side bolster<br>sports seat                                | /L     | 1   | I342/375/376<br>I377/378 |
| 3   | 997 653 110 00 | heating element<br>backrest side bolster<br>standard seat<br>comfort seat              | /R     | 1   | I342/369/370<br>I437/438 |
| (3) | 997 653 122 00 | heating element<br>backrest side bolster<br>standard seat<br>comfort seat              | /R     | 1   | I541                     |
| (3) | 997 653 110 01 | heating element<br>backrest side bolster<br>sports seat                                | /R     | 1   | I342/375/376<br>I377/378 |
| 4   | 997 653 107 00 | heating element<br>backrest cushion  |        | 2   | I342                     |

|       |      |    |    |              |              |     |       |            |         |     |         |
|-------|------|----|----|--------------|--------------|-----|-------|------------|---------|-----|---------|
| Model | Year | MG | SG | Illustration | Restrictions | UPD | 18:59 | 01.03.2010 | PORSCHE | PET | PORSCHE |
| 987-2 | 2010 | 8  | 17 | 817-19       |              | 248 |       |            |         |     |         |



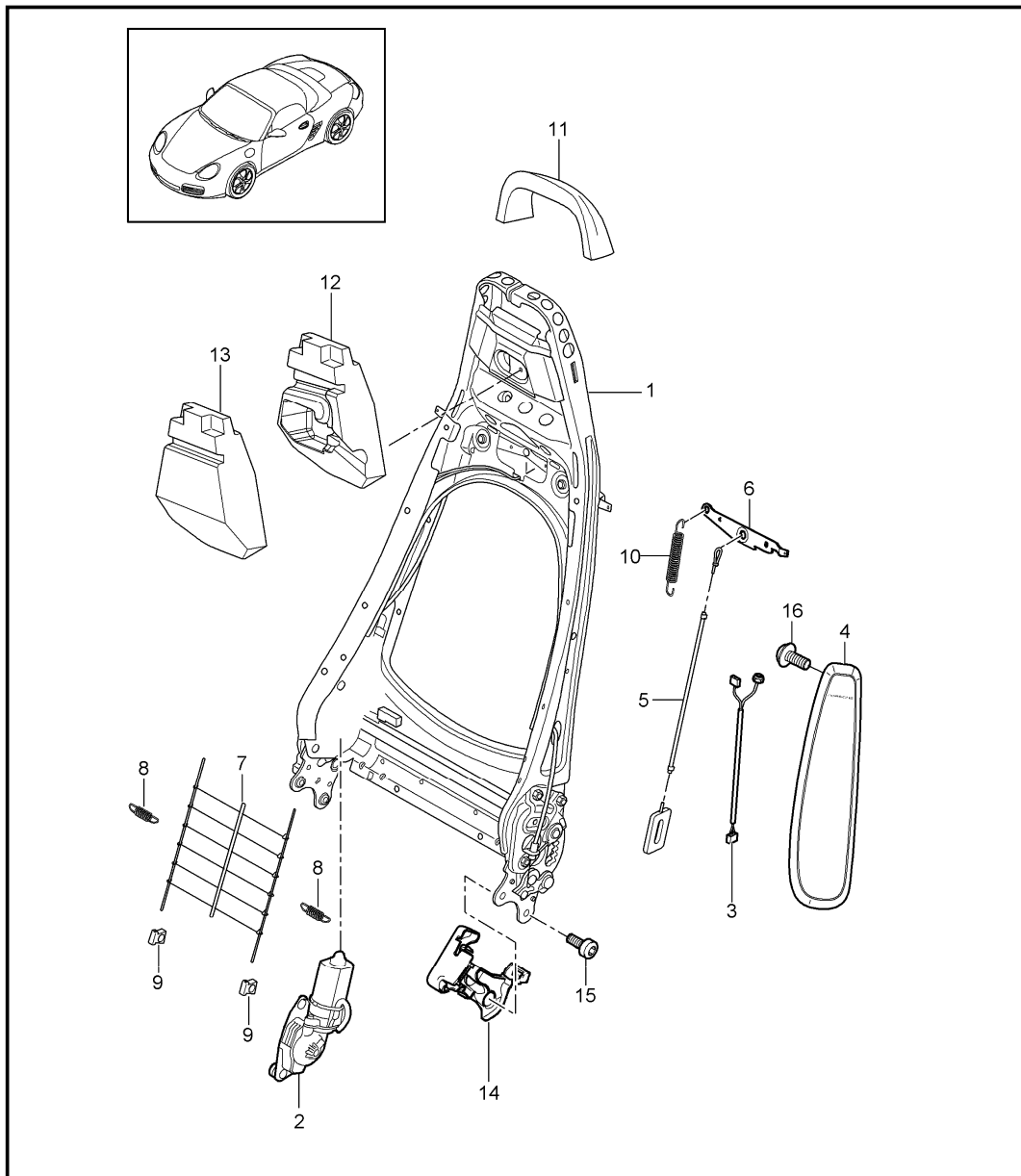
| Pos | Part Number    | Description                   | Remark | Qty | Model              |
|-----|----------------|-------------------------------|--------|-----|--------------------|
|     |                | backrest shell<br>sports seat |        |     |                    |
| 1   | 987 521 303 05 | backrest shell                |        | 1   | I375/377           |
|     | D07            | volcano grey                  |        |     |                    |
| (1) | 987 521 304 05 | backrest shell                |        | 1   | I376/378           |
|     | D07            | volcano grey                  |        |     |                    |
| (1) | 987 521 981 00 | backrest shell<br>lacquered   |        | 1   | IXSA/375/377       |
|     | 041            | black                         |        |     |                    |
|     | 84A            | guards red                    |        |     |                    |
|     | 12H            | speed yellow                  |        |     |                    |
|     | B9A            | carrara white                 |        |     |                    |
|     | 92U            | arctic silver metallic        |        |     |                    |
|     | C9Z            | basalt black metallic         |        |     |                    |
|     | M7X            | atlas grey metallic           |        |     |                    |
|     | 39C            | midnight blue metallic        |        |     |                    |
|     | M7W            | Meteor Grey Metallic          |        |     |                    |
|     | M8W            | Macadamia Metallic            |        |     |                    |
|     | 8A7            | ruby red metallic             |        |     |                    |
|     | 22G            | Racing Green Metallic         |        |     |                    |
|     | M5R            | Aqua Blue Metallic            |        |     |                    |
|     | 32B            | Sailing Blue Metallic         |        |     |                    |
|     | 51A            | creamy white                  |        |     |                    |
|     | M2Z            | Nordic Gold Metallic          |        |     |                    |
|     | M7Z            | gt silver metallic            |        |     |                    |
|     | 2B5            | Malachite Green Metallic      |        |     |                    |
| (1) | 987 521 981 00 | backrest shell<br>lacquered   |        | 1   | Spyder<br>IXSA/375 |
|     | 041            | black                         |        |     |                    |
|     | 84A            | guards red                    |        |     |                    |

|       |      |    |    |              |              |     |       |            |         |     |         |
|-------|------|----|----|--------------|--------------|-----|-------|------------|---------|-----|---------|
| Model | Year | MG | SG | Illustration | Restrictions | UPD | 18:59 | 01.03.2010 | PORSCHE | PET | PORSCHE |
| 987-2 | 2010 | 8  | 17 | 817-19       |              | 248 |       |            |         |     |         |

| Pos | Part Number    | Description                 | Remark | Qty | Model              | Pos | Part Number    | Description                              | Remark | Qty | Model                |
|-----|----------------|-----------------------------|--------|-----|--------------------|-----|----------------|--|--------|-----|----------------------|
|     | B94            | carrara white               |        |     |                    |     | 32B            | Sailing Blue Metallic                    |        |     |                      |
|     | 92U            | arctic silver metallic      |        |     |                    |     | 51A            | creamy white                             |        |     |                      |
|     | C9Z            | basalt black metallic       |        |     |                    |     | M2Z            | Nordic Gold Metallic                     |        |     |                      |
|     | M5R            | Aqua Blue Metallic          |        |     |                    |     | M7Z            | gt silver metallic                       |        |     |                      |
|     | 51A            | creamy white                |        |     |                    |     | 2B5            | Malachite Green Metallic                 |        |     |                      |
| (1) | 987 521 982 00 | backrest shell<br>lacquered |        | 1   | Spyder<br>IXSA/376 | 2   | 997 521 319 00 | bracket                                  | /L     | 1   |                      |
|     | 041            | black                       |        |     |                    | (2) | 997 521 320 00 | bracket<br>backrest side bolster         | /R     | 1   |                      |
|     | 84A            | guards red                  |        |     |                    | 3   | 997 521 621 03 | rosette                                  | /L     | 1   | I375/376<br>I377/378 |
|     | B94            | carrara white               |        |     |                    |     |                | backrest locking lever                   |        |     |                      |
|     | 92U            | arctic silver metallic      |        |     |                    |     | D07            | volcano grey                             |        |     |                      |
|     | C9Z            | basalt black metallic       |        |     |                    | (3) | 997 521 622 03 | rosette                                  | /R     | 1   | I375/376<br>I377/378 |
|     | M5R            | Aqua Blue Metallic          |        |     |                    |     |                | backrest locking lever                   |        |     |                      |
|     | 51A            | creamy white                |        |     |                    |     | D07            | volcano grey                             |        |     |                      |
| (1) | 987 521 982 00 | backrest shell<br>lacquered |        | 1   | IXSA/376/378       | 4   | 987 521 623 01 | control button<br>backrest locking lever | /L     | 1   |                      |
|     | 041            | black                       |        |     |                    |     | V05            | galvano silver                           |        |     |                      |
|     | 84A            | guards red                  |        |     |                    | (4) | 987 521 624 01 | control button<br>backrest locking lever | /R     | 1   |                      |
|     | 12H            | speed yellow                |        |     |                    |     | V05            | galvano silver                           |        |     |                      |
|     | B9A            | carrara white               |        |     |                    | 5   | 997 521 373 01 | coat hook                                |        | 2   | I375/376/377<br>I378 |
|     | 92U            | arctic silver metallic      |        |     |                    |     | D07            | volcano grey                             |        |     |                      |
|     | C9Z            | basalt black metallic       |        |     |                    | 6   | 999 919 232 09 | screw<br>M5 X 20<br>coat hook            |        | 1   | I375/376/377<br>I378 |
|     | M7X            | atlas grey metallic         |        |     |                    |     |                |  |        |     |                      |
|     | 39C            | midnight blue metallic      |        |     |                    |     |                |  |        |     |                      |
|     | M7W            | Meteor Grey Metallic        |        |     |                    |     |                |  |        |     |                      |
|     | M8W            | Macadamia Metallic          |        |     |                    |     |                |  |        |     |                      |
|     | 8A7            | ruby red metallic           |        |     |                    |     |                |  |        |     |                      |
|     | 22G            | Racing Green Metallic       |        |     |                    |     |                |  |        |     |                      |
|     | M5R            | Aqua Blue Metallic          |        |     |                    |     |                |  |        |     |                      |



|       |      |    |    |              |              |     |       |            |         |     |         |
|-------|------|----|----|--------------|--------------|-----|-------|------------|---------|-----|---------|
| Model | Year | MG | SG | Illustration | Restrictions | UPD | 18:59 | 01.03.2010 | PORSCHE | PET | PORSCHE |
| 987-2 | 2010 | 8  | 17 | 817-21       |              | 248 |       |            |         |     |         |

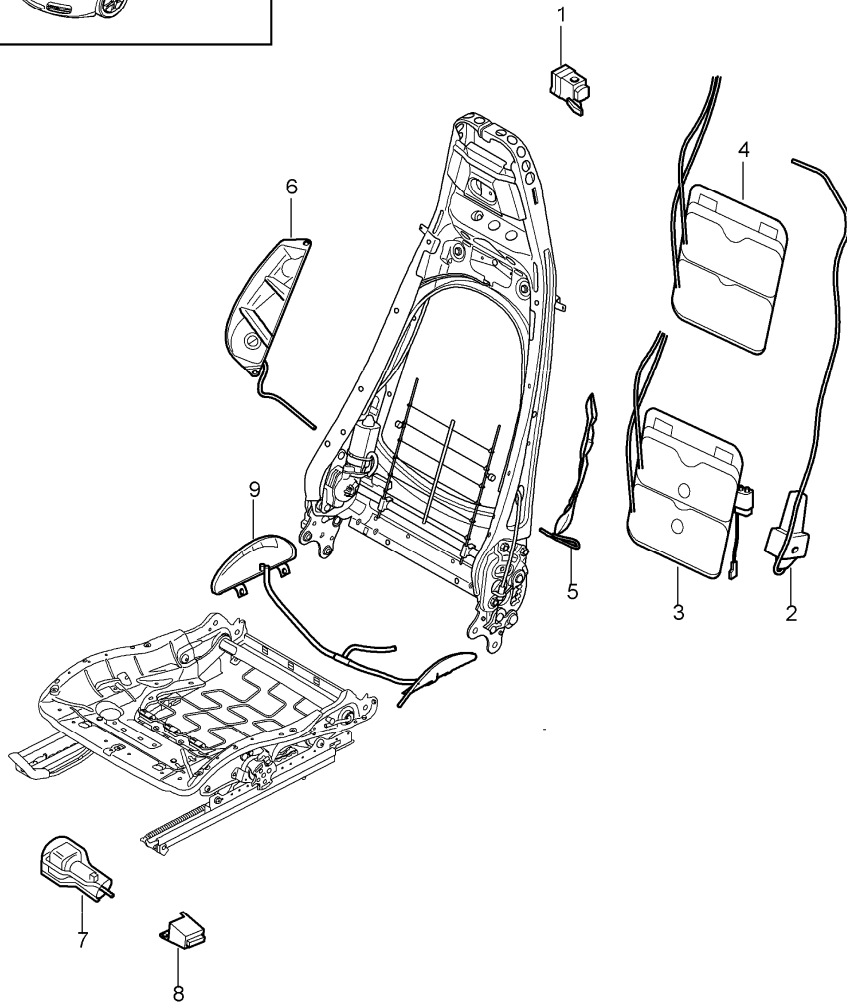
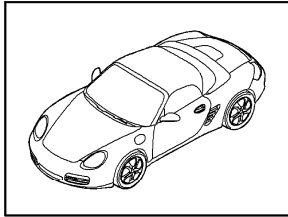


| Pos | Part Number    | Description                               | Remark | Qty | Model    |
|-----|----------------|---|--------|-----|----------|
| 1   | 997 521 329 02 | backrest frame sports seat                |        | 1   | I375/376 |
| (1) | 997 521 329 02 | backrest frame without memory             |        | 1   | I377/378 |
| (1) | 997 521 329 03 | backrest frame with memory                |        | 1   | I537/538 |
| 2   | 997 624 331 00 | electric motor backrest with memory       |        | 1   | I537/538 |
| (2) | 997 624 321 00 | electric motor backrest without memory    |        | 1   | I375/376 |
| (2) | 997 624 321 00 | electric motor backrest without memory    |        | 1   | I377/378 |
| 3   | 997 612 785 01 | wiring harness side airbag                | /L     | 1   | I537     |
| (3) | 997 612 786 01 | wiring harness side airbag                | /R     | 1   | I538     |
| (3) | 997 612 685 01 | wiring harness side airbag without memory | /L     | 1   | I375     |
| (3) | 997 612 686 01 | wiring harness side airbag without memory | /R     | 1   | I376     |
| 4   | 997 803 081 01 | side airbag                               | /L     | 1   | I375/377 |
|     |                | D07 volcano grey                          |        |     |          |
| (4) | 997 803 082 01 | side airbag                               | /R     | 1   | I376/378 |
|     |                | D07 volcano grey                          |        |     |          |
| 5   | 997 521 485 00 | bowden cable backrest frame               |        | 2   | I375/376 |

|       |      |    |    |              |              |     |       |            |         |     |         |
|-------|------|----|----|--------------|--------------|-----|-------|------------|---------|-----|---------|
| Model | Year | MG | SG | Illustration | Restrictions | UPD | 18:59 | 01.03.2010 | PORSCHE | PET | PORSCHE |
| 987-2 | 2010 | 8  | 17 | 817-21       |              | 248 |       |            |         |     |         |

| Pos  | Part Number    | Description                                  | Remark | Qty | Model    | Pos  | Part Number    | Description                                 | Remark | Qty | Model |
|------|----------------|--|--------|-----|----------|------|----------------|---|--------|-----|-------|
| (5)  | 997 521 485 00 | bowden cable<br>backrest frame               |        | 2   | I377/378 | (14) | 997 521 336 01 | cover<br>mounting component<br>inner        | /R     | 1   |       |
| 6    | 997 521 375 00 | release<br>backrest frame                    |        | 1   | I375/376 |      | D07            | volcano grey                                |        |     |       |
| (6)  | 997 521 375 00 | release<br>backrest frame                    |        | 1   | I377/378 | 15   | 999 073 375 09 | screw<br>mount<br>backrest<br>seat adjuster |        | 4   |       |
| 7    | 997 521 855 00 | grille<br>backrest frame                     |        | 1   | I375/376 |      |                |   |        |     |       |
| (7)  | 997 521 855 00 | grille<br>backrest frame                     |        | 1   | I377/378 | 16   | 999 073 306 09 | screw<br>mount<br>side airbag               |        | 2   |       |
| 8    | 997 521 893 00 | tension spring<br>inner spring               |        | 2   | I375/376 |      |                |   |        |     |       |
| (8)  | 997 521 893 00 | tension spring<br>inner spring               |        | 2   | I377/378 |      |                |   |        |     |       |
| 9    | 997 521 895 00 | clip<br>inner spring                         |        | 2   | I375/376 |      |                |   |        |     |       |
| (9)  | 997 521 895 00 | clip<br>inner spring                         |        | 2   | I377/378 |      |                |   |        |     |       |
| 10   | 997 521 797 00 | tension spring<br>release<br>backrest        |        | 1   | I375/376 |      |                |   |        |     |       |
| (10) | 997 521 797 00 | tension spring<br>release<br>backrest        |        | 1   | I377/378 |      |                |   |        |     |       |
| 11   | 997 521 885 00 | foam part<br>head rest<br>upper              |        | 1   | I375/376 |      |                |   |        |     |       |
| (11) | 997 521 885 00 | foam part<br>head rest<br>upper              |        | 1   | I377/378 |      |                |   |        |     |       |
| 12   | 997 521 887 01 | foam part<br>head rest<br>centre<br>electric |        | 1   | I377/378 |      |                |   |        |     |       |
| 13   | 997 521 887 00 | foam part<br>head rest<br>centre             |        | 1   | I375/376 |      |                |   |        |     |       |
| 14   | 997 521 335 01 | cover<br>mounting component<br>inner         | /L     | 1   |          |      |                |   |        |     |       |
|      | D07            | volcano grey                                 |        |     |          |      |                |   |        |     |       |

|       |      |    |    |              |              |     |       |            |         |     |         |
|-------|------|----|----|--------------|--------------|-----|-------|------------|---------|-----|---------|
| Model | Year | MG | SG | Illustration | Restrictions | UPD | 18:59 | 01.03.2010 | PORSCHE | PET | PORSCHE |
| 987-2 | 2010 | 8  | 17 | 817-22       |              | 248 |       |            |         |     |         |

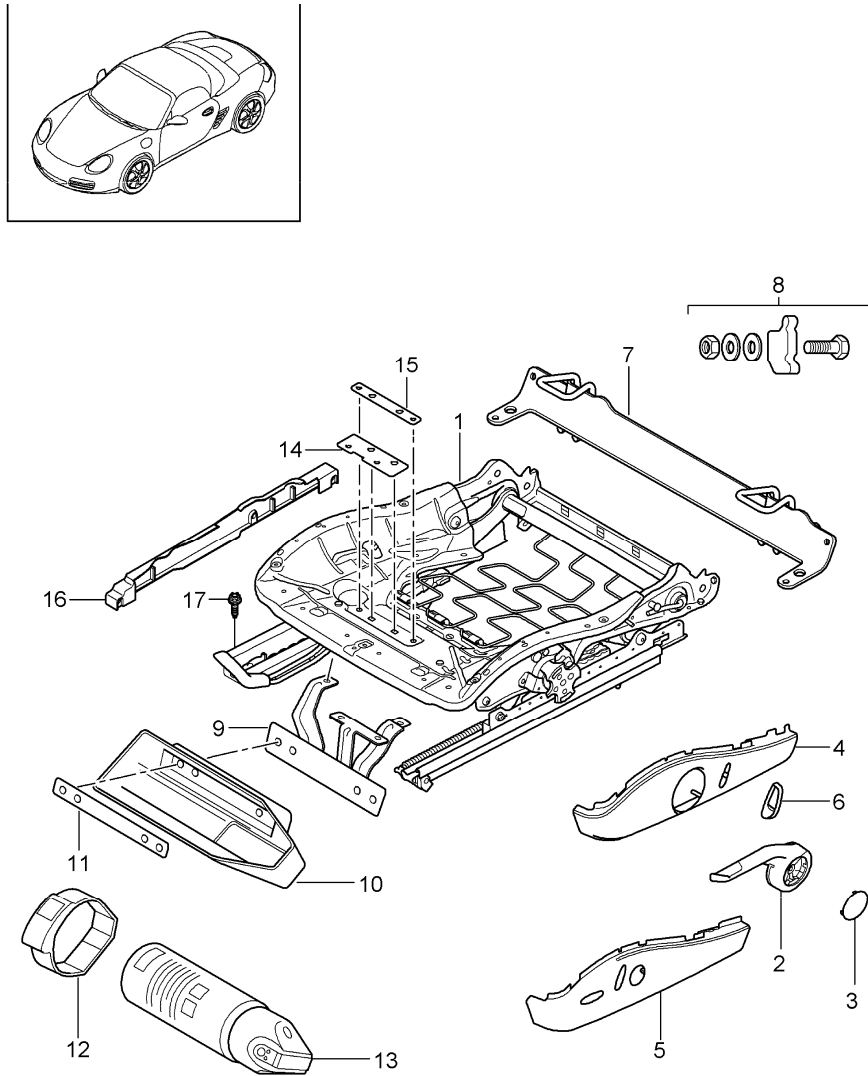


| Pos | Part Number    | Description                                   | Remark | Qty | Model                |
|-----|----------------|---|--------|-----|----------------------|
|     |                | lumbar support                                | 09-    |     |                      |
| 1   | 997 617 725 00 | valve   |        | 1   | I377/378<br>I437/438 |
|     |                | lumbar support<br>without<br>memory           |        |     |                      |
| (1) | 997 617 726 00 | valve<br>lumbar support<br>memory             |        | 1   | I537/538             |
| 2   | 997 620 725 00 | compressor                                    |        | 1   | I377/378<br>I437/438 |
|     |                | lumbar  |        |     |                      |
| 3   | 997 521 709 01 | lumbar support<br>airbag<br>with<br>memory    |        | 1   | I377/537             |
| (3) | 997 521 709 01 | lumbar support<br>airbag<br>with<br>memory    |        | 1   | I378/538             |
| (3) | 997 521 709 01 | lumbar support<br>airbag<br>with<br>memory    |        | 1   | I437/537             |
| (3) | 997 521 709 01 | lumbar support<br>airbag<br>with<br>memory    |        | 1   | I438/538             |
| (3) | 997 521 709 03 | lumbar support<br>airbag<br>with<br>memory    |        | 1   | I437/537/541         |
| (3) | 997 521 709 03 | lumbar support<br>airbag<br>with<br>memory    |        | 1   | I438/538/541         |
| 4   | 997 521 709 00 | lumbar support<br>airbag<br>without<br>memory |        | 1   | I377/378             |
| (4) | 997 521 709 00 | lumbar support<br>airbag<br>without<br>memory |        | 1   | I437/438             |

|       |      |    |    |              |              |     |       |            |         |     |         |
|-------|------|----|----|--------------|--------------|-----|-------|------------|---------|-----|---------|
| Model | Year | MG | SG | Illustration | Restrictions | UPD | 18:59 | 01.03.2010 | PORSCHE | PET | PORSCHE |
| 987-2 | 2010 | 8  | 17 | 817-22       |              | 248 |       |            |         |     |         |

| Pos | Part Number    | Description   | Remark | Qty | Model    | Pos | Part Number | Description | Remark | Qty | Model |
|-----|----------------|---|--------|-----|----------|-----|-------------|-------------|--------|-----|-------|
| (4) | 997 521 709 02 | lumbar support<br>airbag<br>without<br>memory         |        | 1   | I437/541 |     |             |             |        |     |       |
| (4) | 997 521 709 02 | lumbar support<br>airbag<br>without<br>memory         |        | 1   | I438/541 |     |             |             |        |     |       |
| 5   | 997 521 711 00 | container<br>air distributor<br>backrest side bolster | /L     | 1   | I377/378 |     |             |             |        |     |       |
| 6   | 997 521 712 00 | container<br>air distributor<br>backrest side bolster | /R     | 1   | I377/378 |     |             |             |        |     |       |
| 8   | 997 617 727 00 | valve<br>adjustment<br>seat<br>wide                   |        | 1   | I377/378 |     |             |             |        |     |       |
| 9   | 997 521 713 01 | container<br>air distributor<br>seat side bolster     |        | 1   | I377/378 |     |             |             |        |     |       |

|       |      |    |    |              |              |     |       |            |         |     |         |
|-------|------|----|----|--------------|--------------|-----|-------|------------|---------|-----|---------|
| Model | Year | MG | SG | Illustration | Restrictions | UPD | 18:59 | 01.03.2010 | PORSCHE | PET | PORSCHE |
| 987-2 | 2010 | 8  | 17 | 817-23       |              | 248 |       |            |         |     |         |

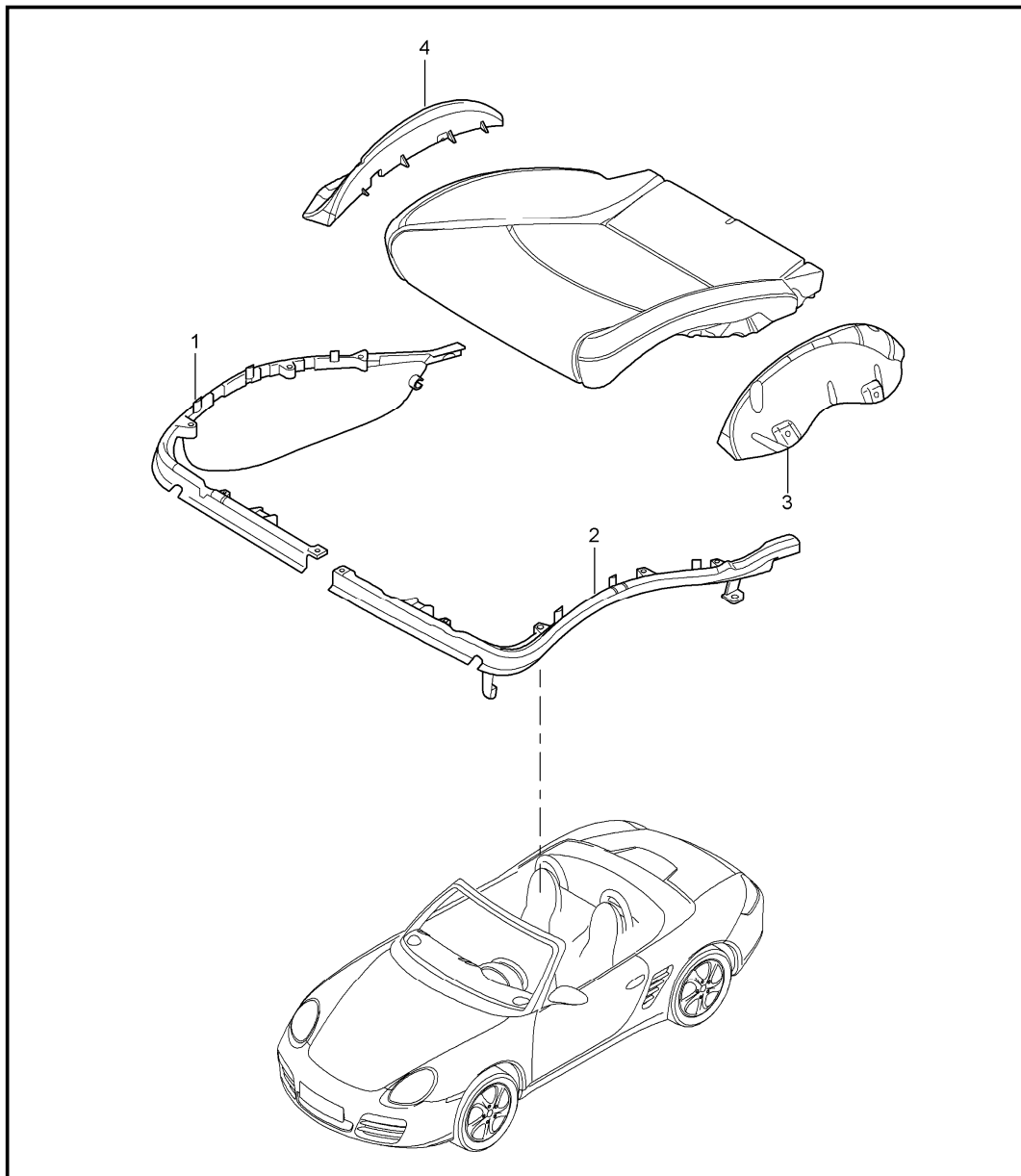


| Pos | Part Number    | Description   | Remark | Qty | Model    |
|-----|----------------|---|--------|-----|----------|
| 1   | 997 521 201 10 | seat adjuster sports seat                           | 09-    | 1   | I098/375 |
| (1) | 997 521 201 10 | seat adjuster manually driver's side                | /LL/L  | 1   | I098/375 |
| (1) | 997 521 202 19 | seat adjuster manually driver's side                | /RL/R  | 1   | I099/376 |
| (1) | 997 521 202 23 | seat adjuster manually driver's side                | /RL/R  | 1   | I376/560 |
| (1) | 997 521 201 24 | seat adjuster electric without memory driver's side | /L     | 1   | I377     |
| (1) | 997 521 202 30 | seat adjuster electric without memory driver's side | /R     | 1   | I378     |
| (1) | 997 521 202 24 | seat adjuster electric without memory driver's side | /R     | 1   | I378/560 |
| (1) | 997 521 201 25 | seat adjuster electric memory driver's side         | /L     | 1   | I377/537 |
| (1) | 997 521 202 31 | seat adjuster electric memory driver's side         | /R     | 1   | I378/538 |
| (1) | 997 521 202 20 | seat adjuster manually passenger's side             | /LL/R  | 1   | I098/376 |
| (1) | 997 521 201 11 | seat adjuster manually passenger's side             | /RL/L  | 1   | I099/375 |
| 2   | 997 521 627 01 | actuating lever height adjustment                   | /L     | 1   | I375     |
|     | V05            | galvano silver                                      |        |     |          |

|       |      |    |    |              |              |     |       |            |         |     |         |
|-------|------|----|----|--------------|--------------|-----|-------|------------|---------|-----|---------|
| Model | Year | MG | SG | Illustration | Restrictions | UPD | 18:59 | 01.03.2010 | PORSCHE | PET | PORSCHE |
| 987-2 | 2010 | 8  | 17 | 817-23       |              | 248 |       |            |         |     |         |

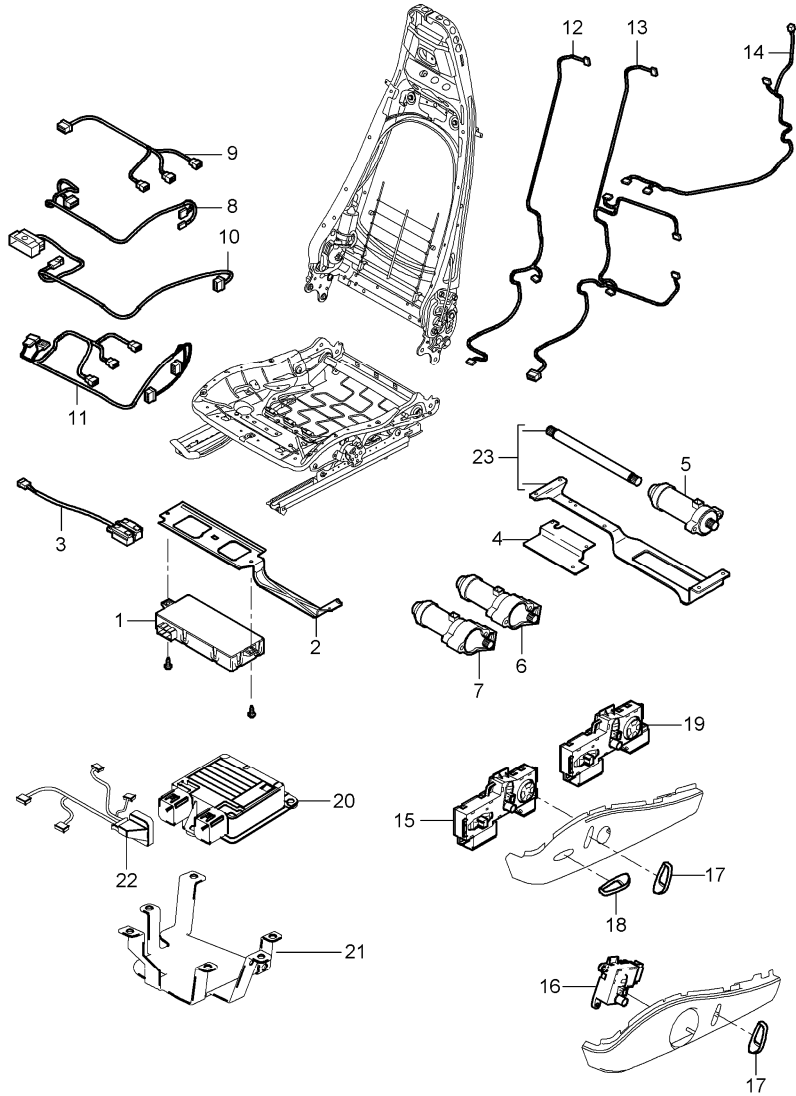
| Pos | Part Number    | Description   | Remark | Qty | Model        | Pos  | Part Number    | Description   | Remark | Qty | Model        |
|-----|----------------|---|--------|-----|--------------|------|----------------|---|--------|-----|--------------|
| (2) | 997 521 628 01 | actuating lever<br>height adjustment                                      | /R     | 1   | I376         | 11   | 997 521 881 00 | support<br>cup<br>fire extinguisher                                 |        | 1   | I509         |
|     | V05            | galvano silver  |        |     |              |      |                |   |        |     |              |
| 3   | 997 521 629 01 | cap<br>height adjustment  |        | 2   | I375/376     | 12   | 997 521 851 00 | restraining strap<br>fire extinguisher                              |        | 1   | I509         |
|     | D07            | volcano grey  |        |     |              | 13   | 996 722 115 00 | fire extinguisher<br>Information available<br>Information available |        | 1   | I509         |
| 4   | 997 521 325 06 | trim for switch   | /L     | 1   | I375         | 14   | 997 521 841 00 | reinforcement<br>front  |        | 1   | I509         |
|     | D07            | volcano grey  |        |     |              | 15   | 997 521 843 00 | reinforcement<br>rear   |        | 1   | I509         |
| (4) | 997 521 326 06 | trim for switch   | /R     | 1   | I376         | 16   | 997 521 427 01 | cover<br>sensor<br>weight   | /L     | 1   | I376/378/560 |
|     | D07            | volcano grey  |        |     |              |      | 01C            | satin black   |        |     |              |
| (4) | 997 521 326 09 | trim for switch   | /R     | 1   | I376/560     | (16) | 997 521 426 01 | cover<br>sensor<br>weight   | /R     | 1   | I376/378/560 |
|     | D07            | volcano grey  |        |     |              |      | 01C            | satin black   |        |     |              |
| 5   | 997 521 325 08 | trim for switch   | /L     | 1   | I377         | 17   | 999 141 047 01 | torx screw<br>seat rail<br>mount                                    |        | 4   |              |
|     | D07            | volcano grey  |        |     |              |      |                |   |        |     |              |
| (5) | 997 521 326 08 | trim for switch   | /R     | 1   | I378         |      |                |   |        |     |              |
|     | D07            | volcano grey  |        |     |              |      |                |   |        |     |              |
| (5) | 997 521 326 11 | trim for switch   |        | 1   | I378/560     |      |                |   |        |     |              |
|     | D07            | volcano grey  |        |     |              |      |                |   |        |     |              |
| 6   | 997 521 631 01 | control button<br>backrest  |        | 1   | I375/376/377 |      |                |   |        |     |              |
|     | V05            | galvano silver  |        |     |              |      |                |   |        |     |              |
| 7   | 997 521 061 01 | retaining bow<br>child car seat<br>retaining bow<br>not for<br>AUSTRALIEN |        | 1   |              |      |                |   |        |     |              |
| 8   | 997 521 961 01 | set of fastening parts<br>retaining bow                                   |        | 1   |              |      |                |   |        |     |              |
| 9   | 997 521 251 00 | support<br>fire extinguisher  |        | 1   | I098/509     |      |                |   |        |     |              |
| (9) | 997 521 252 00 | support<br>fire extinguisher  |        | 1   | I099/509     |      |                |   |        |     |              |
| 10  | 997 521 607 00 | cup<br>fire extinguisher  |        | 1   | I509         |      |                |   |        |     |              |

|       |      |    |    |              |              |     |       |            |         |     |         |
|-------|------|----|----|--------------|--------------|-----|-------|------------|---------|-----|---------|
| Model | Year | MG | SG | Illustration | Restrictions | UPD | 18:59 | 01.03.2010 | PORSCHE | PET | PORSCHE |
| 987-2 | 2010 | 8  | 17 | 817-24       |              | 248 |       |            |         |     |         |



| Pos | Part Number    | Description   | Remark | Qty | Model        |
|-----|----------------|---|--------|-----|--------------|
|     |                | cushion carrier<br>frame<br>seat surface<br>sports seat |        |     |              |
| 1   | 997 521 547 00 | frame<br>inner  | /L     | 1   | I376/378     |
| (1) | 997 521 548 00 | frame<br>inner  | /R     | 1   | I375/377     |
| 2   | 997 521 545 00 | frame<br>outer  | /L     | 1   | I375/377     |
| (2) | 997 521 546 00 | frame<br>outer  | /R     | 1   | I376/378     |
| (2) | 997 521 546 01 | frame<br>outer  | /R     | 1   | I376/378/560 |
| 3   | 997 521 519 00 | supporting plate<br>seat cushion                        | /L     | 1   | I377/378     |
| 4   | 997 521 520 00 | supporting plate<br>seat cushion                        | /R     | 1   | I377/378     |

|       |      |    |    |              |              |     |       |            |         |     |         |
|-------|------|----|----|--------------|--------------|-----|-------|------------|---------|-----|---------|
| Model | Year | MG | SG | Illustration | Restrictions | UPD | 18:59 | 01.03.2010 | PORSCHE | PET | PORSCHE |
| 987-2 | 2010 | 8  | 17 | 817-25       |              | 248 |       |            |         |     |         |



| Pos | Part Number    | Description   | Remark | Qty | Model    |
|-----|----------------|---|--------|-----|----------|
| 1   | 997 618 537 07 | wiring harnesses<br>switch<br>control unit<br>electric motor<br>sports seat |        | 1   | I537/538 |
| 2   | 997 521 643 01 | control unit<br>seating position control                                    |        | 1   | I537/538 |
| 3   | 997 613 725 00 | support<br>control unit<br>seating position control                         |        | 1   | I377     |
|     |                | switch<br>seat adjuster   |        | 1   | I377     |
|     |                | V05 galvano silver  |        |     |          |
| (3) | 997 613 726 00 | switch<br>seat adjuster   |        | 1   | I378     |
|     |                | V05 galvano silver  |        |     |          |
| 4   | 997 521 343 00 | support<br>electric motor   |        | 1   | I377/378 |
| 5   | 997 624 322 00 | electric motor<br>seat adjuster<br>lengthways<br>without<br>memory          |        | 1   | I377/378 |
| (5) | 997 624 332 00 | electric motor<br>seat adjuster<br>lengthways<br>with<br>memory             |        | 1   | I537/538 |
| 6   | 997 624 322 00 | electric motor<br>seat adjuster<br>height adjustment<br>without<br>memory   |        | 1   | I377/378 |
| (6) | 997 624 332 00 | electric motor<br>seat adjuster<br>height adjustment<br>with<br>memory      |        | 1   | I537/538 |
| 7   | 997 624 323 00 | electric motor<br>seat adjuster<br>tilt angle<br>without<br>memory          |        | 1   | I377/378 |



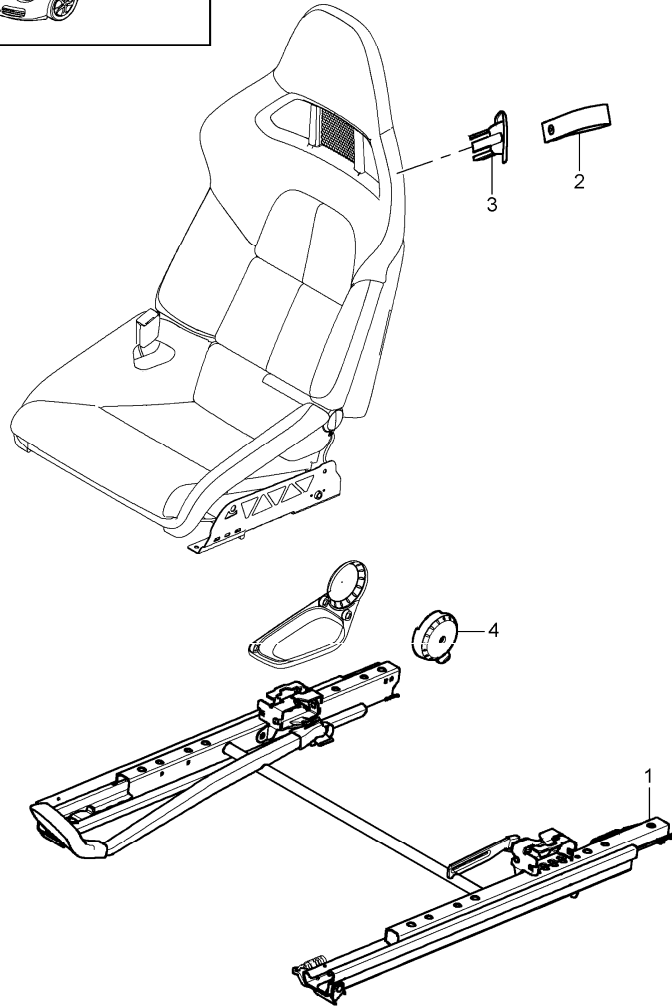
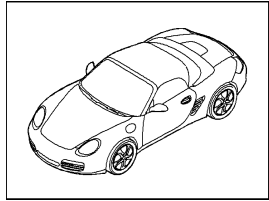
|       |      |    |    |              |              |     |       |            |         |     |         |
|-------|------|----|----|--------------|--------------|-----|-------|------------|---------|-----|---------|
| Model | Year | MG | SG | Illustration | Restrictions | UPD | 18:59 | 01.03.2010 | PORSCHE | PET | PORSCHE |
| 987-2 | 2010 | 8  | 17 | 817-25       |              | 248 |       |            |         |     |         |

| Pos  | Part Number    | Description   | Remark | Qty | Model    | Pos  | Part Number    | Description   | Remark | Qty | Model        |
|------|----------------|---|--------|-----|----------|------|----------------|---|--------|-----|--------------|
| (7)  | 997 624 333 00 | electric motor<br>seat adjuster<br>tilt angle<br>with<br>memory |        | 1   | I537/538 | (15) | 997 613 722 01 | switch<br>seat adjuster<br>memory switch            | /R     | 1   | I378/538     |
| 8    | 997 612 684 00 | wiring harness<br>switch<br>seat adjuster<br>memory             |        | 1   | I537/538 |      | V05            | galvano silver                                      |        |     |              |
| 9    | 997 612 690 00 | wiring harness<br>lengthways<br>height adjustment<br>memory     |        | 1   | I537/538 | 16   | 997 613 713 00 | switch  | /L     | 1   | I375         |
| 10   | 997 612 682 01 | wiring harness<br>switch<br>seat adjuster                       |        | 1   | I375/376 | (16) | 997 613 714 00 | switch<br>seat adjuster<br>manually adjustable      | /R     | 1   | I376         |
| 11   | 997 612 691 02 | wiring harness<br>switch<br>without<br>memory                   |        | 1   | I377/378 | 17   | 997 521 631 01 | control button<br>backrest                          |        | 1   | I375/376     |
| 12   | 997 612 689 00 | wiring harness<br>lumbar support<br>without<br>memory           |        | 1   | I377/378 |      | V05            | galvano silver                                      |        |     |              |
| 13   | 997 612 692 01 | wiring harness<br>backrest<br>lumbar<br>with<br>memory          |        | 1   | I377/537 | (17) | 997 521 631 01 | control button<br>backrest                          |        | 1   | I377/378     |
| (13) | 997 612 692 01 | wiring harness<br>backrest<br>lumbar<br>with<br>memory          |        | 1   | I378/538 |      | V05            | galvano silver                                      |        |     |              |
| 14   | 997 612 685 01 | wiring harness<br>backrest<br>without<br>memory                 | /L     | 1   | I375/377 | 18   | 997 521 633 02 | control button<br>seat cushion                      |        | 1   | I377/378     |
| (14) | 997 612 686 01 | wiring harness<br>backrest<br>without<br>memory                 | /R     | 1   | I376/378 |      | V05            | galvano silver                                      |        |     |              |
| 15   | 997 613 721 01 | switch<br>seat adjuster<br>memory switch                        | /L     | 1   | I377/537 | 19   | 997 613 717 01 | switch<br>seat adjuster<br>without<br>memory        | /L     | 1   | I377         |
|      | V05            | galvano silver  |        |     |          |      | V05            | galvano silver                                      |        |     |              |
|      |                |   |        |     |          | (19) | 997 613 718 01 | switch<br>seat adjuster<br>without<br>memory        | /R     | 1   | I378         |
|      |                |   |        |     |          | 20   | 997 618 233 05 | control unit<br>seat occupancy detection            |        | 1   | I376/378/560 |
|      |                |   |        |     |          | 21   | 997 521 646 00 | support<br>control unit<br>seat occupancy detection |        | 1   | I376/378/560 |
|      |                |   |        |     |          | 22   | 997 612 688 01 | wiring harness<br>seat occupancy detection          |        | 1   | I376/378/560 |
|      |                |   |        |     |          | 23   | 997 521 901 00 | repair kit<br>pliable shaft<br>engine bracket       |        | 1   |              |

|       |      |    |    |              |              |     |       |            |         |     |         |
|-------|------|----|----|--------------|--------------|-----|-------|------------|---------|-----|---------|
| Model | Year | MG | SG | Illustration | Restrictions | UPD | 18:59 | 01.03.2010 | PORSCHE | PET | PORSCHE |
| 987-2 | 2010 | 8  | 17 | 817-25       |              | 248 |       |            |         |     |         |

| Pos | Part Number    | Description   | Remark | Qty | Model | Pos | Part Number | Description | Remark | Qty | Model |
|-----|----------------|---|--------|-----|-------|-----|-------------|-------------|--------|-----|-------|
| -   | 999 650 973 40 | clip<br>mount<br>wiring harness<br>seat occupancy detection |        | 1   |       |     |             |             |        |     |       |

|       |      |    |    |              |              |     |       |            |         |     |         |
|-------|------|----|----|--------------|--------------|-----|-------|------------|---------|-----|---------|
| Model | Year | MG | SG | Illustration | Restrictions | UPD | 19:00 | 01.03.2010 | PORSCHE | PET | PORSCHE |
| 987-2 | 2010 | 8  | 17 | 817-30       |              | 248 |       |            |         |     |         |

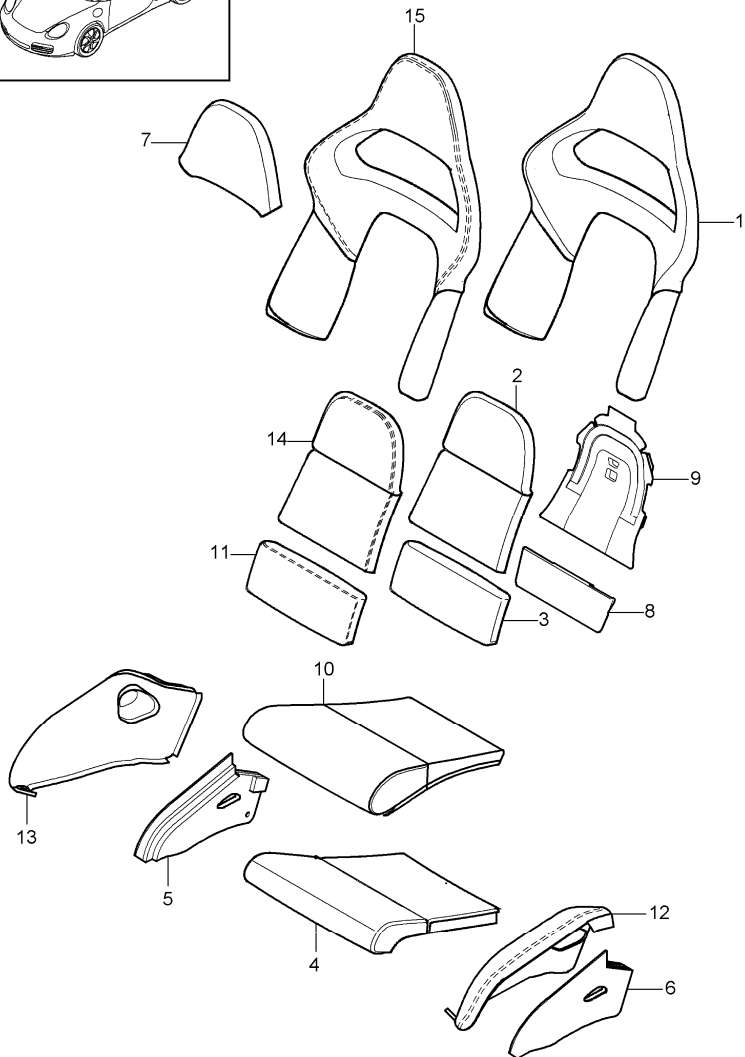
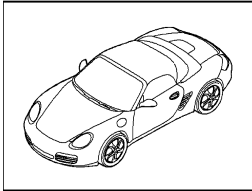


| Pos | Part Number    | Description   | Remark | Qty | Model    |
|-----|----------------|---|--------|-----|----------|
|     |                | bucket seat<br>collapsible<br>complete<br>not available | 09-    |     |          |
| 1   | 997 521 429 01 | set<br>seat rail<br>driver's side                       | /LL/L  | 1   | I098/388 |
| (1) | 997 521 430 01 | set<br>seat rail<br>passenger's side                    | /LL/R  | 1   | I098/389 |
| (1) | 997 521 429 02 | set<br>seat rail<br>passenger's side                    | /RL/L  | 1   | I099/388 |
| (1) | 997 521 430 02 | set<br>seat rail<br>driver's side                       | /RL/R  | 1   | I099/389 |
| 2   | 997 521 539 00 | traction noose<br>backrest frame                        | /L     | 1   | I388     |
|     |                | A80<br>black  |        |     |          |
| (2) | 997 521 540 00 | traction noose<br>backrest frame                        | /R     | 1   | I389     |
|     |                | A80<br>black  |        |     |          |
| 3   | 997 521 538 00 | rosette<br>traction noose<br>backrest frame             | /R     | 1   | I389     |
|     |                | 01C<br>satin black                                      |        |     |          |
| (3) | 997 521 537 00 | rosette<br>traction noose<br>backrest frame             | /L     | 1   | I388     |
|     |                | 01C<br>satin black                                      |        |     |          |
| 4   | 997 521 563 00 | cover<br>hinge<br>inner                                 | /L     | 1   | I388/389 |
|     |                | 01C<br>satin black                                      |        |     |          |
| (4) | 997 521 564 00 | cover<br>hinge<br>inner                                 | /R     | 1   | I388/389 |
|     |                | 01C<br>satin black                                      |        |     |          |

|       |      |    |    |              |              |     |       |            |         |     |         |
|-------|------|----|----|--------------|--------------|-----|-------|------------|---------|-----|---------|
| Model | Year | MG | SG | Illustration | Restrictions | UPD | 19:00 | 01.03.2010 | PORSCHE | PET | PORSCHE |
| 987-2 | 2010 | 8  | 17 | 817-30       |              | 248 |       |            |         |     |         |

| Pos | Part Number    | Description  | Remark | Qty | Model | Pos | Part Number | Description | Remark | Qty | Model |
|-----|----------------|--|--------|-----|-------|-----|-------------|-------------|--------|-----|-------|
| 5   | 997 521 359 01 | rail<br>seat rail<br>manually<br><br>01C satin black | /L     | 1   | I388  |     |             |             |        |     |       |
| (5) | 997 521 360 01 | rail<br>seat rail<br>manually<br><br>01C satin black | /R     | 1   | I389  |     |             |             |        |     |       |
| (5) | 997 521 361 00 | rail<br>seat rail<br><br>01C satin black             | /L     | 1   | I389  |     |             |             |        |     |       |
| (5) | 997 521 362 00 | rail<br>seat rail<br><br>01C satin black             | /R     | 1   | I388  |     |             |             |        |     |       |

|       |      |    |    |              |              |     |       |            |         |     |         |
|-------|------|----|----|--------------|--------------|-----|-------|------------|---------|-----|---------|
| Model | Year | MG | SG | Illustration | Restrictions | UPD | 19:00 | 01.03.2010 | PORSCHE | PET | PORSCHE |
| 987-2 | 2010 | 8  | 17 | 817-32       |              | 248 |       |            |         |     |         |



| Pos | Part Number    | Description   | Remark | Qty | Model    |
|-----|----------------|---|--------|-----|----------|
|     |                | foam part<br>cover<br>seat and backrest surface<br>bucket seat<br>collapsible | 09-    |     |          |
| 1   | 997 521 447 00 | foam part<br>backrest<br>outer part   |        | 2   | I388/389 |
| 2   | 997 521 448 00 | foam part<br>backrest<br>centre part  |        | 2   | I388/389 |
| 3   | 997 521 441 00 | foam part<br>seat cushion<br>rear   |        | 2   | I388/389 |
| 4   | 997 521 440 00 | foam part<br>seat cushion<br>front  |        | 2   | I388/389 |
| 5   | 997 521 443 00 | foam part<br>seat cushion<br>lateral<br>outer<br>left                         | /L     | 1   | I388     |
| (5) | 997 521 444 00 | foam part<br>seat cushion<br>lateral<br>inner<br>left                         |        | 1   | I388     |
| 6   | 997 521 446 00 | foam part<br>seat cushion<br>lateral<br>outer<br>right                        |        | 1   | I389     |
| (6) | 997 521 445 00 | foam part<br>seat cushion<br>lateral<br>inner<br>right                        |        | 1   | I389     |
| 7   | 997 521 458 00 | foam part<br>head rest  |        | 2   | I388/389 |
| 8   | 997 521 456 00 | foam part<br>seat cushion<br>rear   |        | 1   | I388/389 |
| 9   | 997 521 457 00 | foam part<br>backrest   |        | 1   | I388/389 |

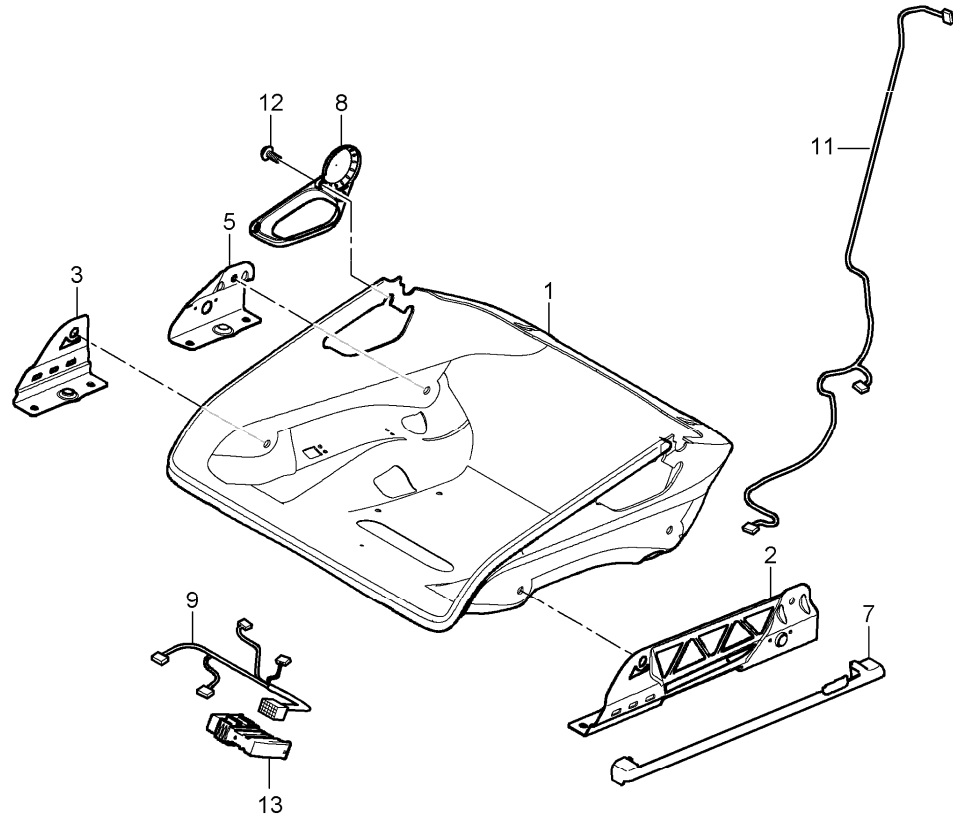
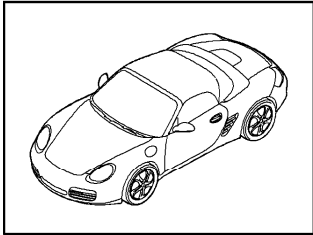
|       |      |    |    |              |              |     |       |            |         |     |         |
|-------|------|----|----|--------------|--------------|-----|-------|------------|---------|-----|---------|
| Model | Year | MG | SG | Illustration | Restrictions | UPD | 19:00 | 01.03.2010 | PORSCHE | PET | PORSCHE |
| 987-2 | 2010 | 8  | 17 | 817-32       |              | 248 |       |            |         |     |         |

| Pos | Part Number    | Description             | Remark | Qty | Model        | Pos  | Part Number    | Description         | Remark | Qty | Model    |
|-----|----------------|-------------------------|--------|-----|--------------|------|----------------|---------------------|--------|-----|----------|
| 10  | 997 521 380 00 | cover for cushion front | /L/R   | 1   | I388/389/983 |      | D11            | dark grey/natural   |        |     |          |
|     | 8YR            | black                   |        |     |              |      | T11            | brown/natural       |        |     |          |
|     | 5X5            | stone grey              |        |     |              |      | N11            | carrera red         |        |     |          |
|     | 8G1            | sand beige              |        |     |              | 13   | 997 521 384 00 | cover lateral inner | /R     | 1   | I388/983 |
|     | 3S8            | sea blue                |        |     |              |      | 8YR            | black               |        |     |          |
|     | 9N2            | terracotta              |        |     |              |      | 5X5            | stone grey          |        |     |          |
|     | 9Q3            | cocoa                   |        |     |              |      | 8G1            | sand beige          |        |     |          |
|     | D11            | dark grey/natural       |        |     |              |      | 3S8            | sea blue            |        |     |          |
|     | T11            | brown/natural           |        |     |              |      | 9N2            | terracotta          |        |     |          |
|     | N11            | carrera red             |        |     |              |      | 9Q3            | cocoa               |        |     |          |
| 11  | 997 521 381 00 | cover for cushion rear  | /L/R   | 1   | I388/983     |      | D11            | dark grey/natural   |        |     |          |
|     | 8YR            | black                   |        |     |              |      | T11            | brown/natural       |        |     |          |
|     | 5X5            | stone grey              |        |     |              |      | N11            | carrera red         |        |     |          |
|     | 8G1            | sand beige              |        |     |              | (13) | 997 521 386 00 | cover lateral outer | /R     | 1   | I389/983 |
|     | 3S8            | sea blue                |        |     |              |      | 8YR            | black               |        |     |          |
|     | 9N2            | terracotta              |        |     |              |      | 5X5            | stone grey          |        |     |          |
|     | 9Q3            | cocoa                   |        |     |              |      | 8G1            | sand beige          |        |     |          |
|     | D11            | dark grey/natural       |        |     |              |      | 3S8            | sea blue            |        |     |          |
|     | T11            | brown/natural           |        |     |              |      | 9N2            | terracotta          |        |     |          |
|     | N11            | carrera red             |        |     |              |      | 9Q3            | cocoa               |        |     |          |
| 12  | 997 521 383 00 | cover lateral outer     | /L     | 1   | I388/983     |      | D11            | dark grey/natural   |        |     |          |
|     | 8YR            | black                   |        |     |              |      | T11            | brown/natural       |        |     |          |
|     | 5X5            | stone grey              |        |     |              |      | N11            | carrera red         |        |     |          |
|     | 8G1            | sand beige              |        |     |              | (13) | 997 521 385 00 | cover lateral inner | /L     | 1   | I389/983 |
|     | 3S8            | sea blue                |        |     |              |      | 8YR            | black               |        |     |          |
|     | 9N2            | terracotta              |        |     |              |      | 5X5            | stone grey          |        |     |          |
|     | 9Q3            | cocoa                   |        |     |              |      |                |                     |        |     |          |

|       |      |    |    |              |              |     |       |            |         |     |         |
|-------|------|----|----|--------------|--------------|-----|-------|------------|---------|-----|---------|
| Model | Year | MG | SG | Illustration | Restrictions | UPD | 19:00 | 01.03.2010 | PORSCHE | PET | PORSCHE |
| 987-2 | 2010 | 8  | 17 | 817-32       |              | 248 |       |            |         |     |         |

| Pos | Part Number    | Description                      | Remark | Qty | Model        | Pos | Part Number | Description | Remark | Qty | Model |
|-----|----------------|----------------------------------|--------|-----|--------------|-----|-------------|-------------|--------|-----|-------|
|     |                | 8G1 sand beige                   |        |     |              |     |             |             |        |     |       |
|     |                | 3S8 sea blue                     |        |     |              |     |             |             |        |     |       |
|     |                | 9N2 terracotta                   |        |     |              |     |             |             |        |     |       |
|     |                | 9Q3 cocoa                        |        |     |              |     |             |             |        |     |       |
|     |                | D11 dark grey/natural            |        |     |              |     |             |             |        |     |       |
|     |                | T11 brown/natural                |        |     |              |     |             |             |        |     |       |
|     |                | N11 carrera red                  |        |     |              |     |             |             |        |     |       |
| 14  | 997 521 387 00 | cover<br>centre part<br>backrest |        | 1   | I388/389/983 |     |             |             |        |     |       |
|     |                | 8YR black                        |        |     |              |     |             |             |        |     |       |
|     |                | 5X5 stone grey                   |        |     |              |     |             |             |        |     |       |
|     |                | 8G1 sand beige                   |        |     |              |     |             |             |        |     |       |
|     |                | 3S8 sea blue                     |        |     |              |     |             |             |        |     |       |
|     |                | 9N2 terracotta                   |        |     |              |     |             |             |        |     |       |
|     |                | 9Q3 cocoa                        |        |     |              |     |             |             |        |     |       |
|     |                | D11 dark grey/natural            |        |     |              |     |             |             |        |     |       |
|     |                | T11 brown/natural                |        |     |              |     |             |             |        |     |       |
|     |                | N11 carrera red                  |        |     |              |     |             |             |        |     |       |
| 15  | 997 521 388 00 | cover<br>outer part<br>backrest  |        | 1   | I388/389/983 |     |             |             |        |     |       |
|     |                | 8YR black                        |        |     |              |     |             |             |        |     |       |
|     |                | 5X5 stone grey                   |        |     |              |     |             |             |        |     |       |
|     |                | 8G1 sand beige                   |        |     |              |     |             |             |        |     |       |
|     |                | 3S8 sea blue                     |        |     |              |     |             |             |        |     |       |
|     |                | 9N2 terracotta                   |        |     |              |     |             |             |        |     |       |
|     |                | 9Q3 cocoa                        |        |     |              |     |             |             |        |     |       |
|     |                | D11 dark grey/natural            |        |     |              |     |             |             |        |     |       |
|     |                | T11 brown/natural                |        |     |              |     |             |             |        |     |       |
|     |                | N11 carrera red                  |        |     |              |     |             |             |        |     |       |

|       |      |    |    |              |              |     |       |            |         |     |         |
|-------|------|----|----|--------------|--------------|-----|-------|------------|---------|-----|---------|
| Model | Year | MG | SG | Illustration | Restrictions | UPD | 19:00 | 01.03.2010 | PORSCHE | PET | PORSCHE |
| 987-2 | 2010 | 8  | 17 | 817-34       |              | 248 |       |            |         |     |         |



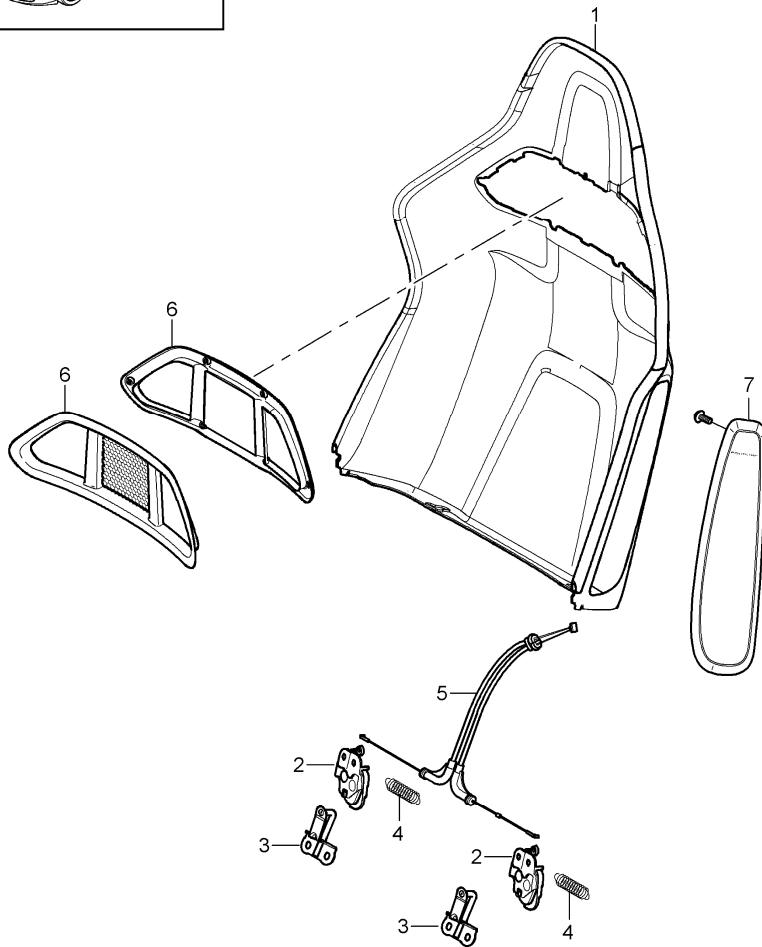
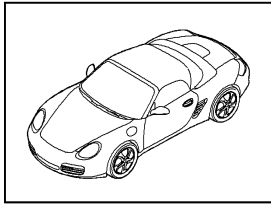
| Pos | Part Number    | Description  | Remark | Qty | Model    |
|-----|----------------|--|--------|-----|----------|
|     |                | bucket seat<br>collapsible<br>seat adjuster<br>accessories                             | 09-    |     |          |
| 1   | 997 521 281 00 | cup<br>seat adjuster<br>without<br>seat occupancy detection                            | /L/R   | 2   | I388/389 |
| (1) | 997 521 182 00 | cup<br>seat adjuster<br>with<br>seat occupancy detection<br>and<br>seat rail           | /R     | 1   | I389/560 |
| 2   | 997 521 433 00 | adapter<br>seat adjuster<br>outer<br>left  |        | 1   | I388     |
| (2) | 997 521 434 00 | adapter<br>seat adjuster<br>outer<br>right   |        | 1   | I389     |
| 3   | 997 521 436 00 | adapter<br>seat adjuster<br>inner front<br>right                                       |        | 1   | I388     |
| 4   | 997 521 435 00 | adapter<br>seat adjuster<br>inner front<br>left<br>without<br>seat occupancy detection |        | 1   | I389     |
| 5   | 997 521 438 00 | adapter<br>seat adjuster<br>inner rear<br>right  |        | 1   | I388     |
| 6   | 997 521 437 00 | adapter<br>seat adjuster<br>inner rear<br>left<br>without<br>seat occupancy detection  |        | 1   | I389     |
| 7   | 997 521 427 03 | cover<br>sensor<br>seat occupancy detection  | /L     | 1   | I389/560 |
|     | 01C            | satin black  |        |     |          |



|       |      |    |    |              |              |     |       |            |         |     |         |
|-------|------|----|----|--------------|--------------|-----|-------|------------|---------|-----|---------|
| Model | Year | MG | SG | Illustration | Restrictions | UPD | 19:00 | 01.03.2010 | PORSCHE | PET | PORSCHE |
| 987-2 | 2010 | 8  | 17 | 817-34       |              | 248 |       |            |         |     |         |

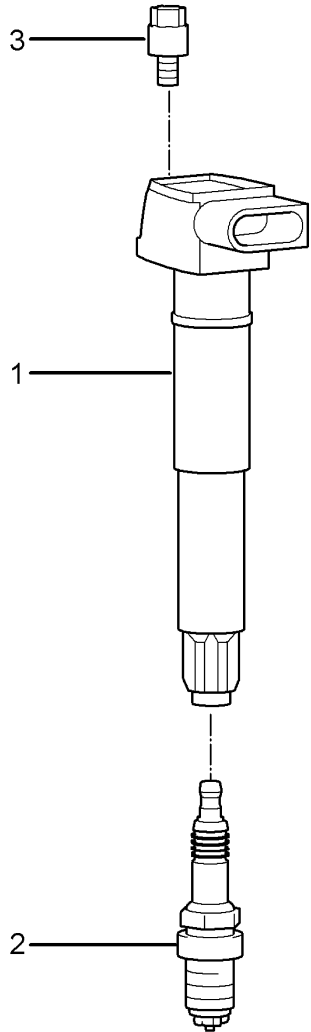
| Pos | Part Number    | Description   | Remark | Qty | Model                | Pos | Part Number | Description | Remark | Qty | Model |
|-----|----------------|---|--------|-----|----------------------|-----|-------------|-------------|--------|-----|-------|
| (7) | 997 521 426 03 | cover<br>sensor<br>seat occupancy detection               | /R     | 1   | I389/560             |     |             |             |        |     |       |
|     | 01C            | satin black   |        |     |                      |     |             |             |        |     |       |
| 8   | 997 521 561 00 | cover<br>seat belt<br>lower                               | /L     | 1   | I388/389             |     |             |             |        |     |       |
|     | 01C            | satin black   |        |     |                      |     |             |             |        |     |       |
| (8) | 997 521 562 00 | cover<br>seat belt<br>lower                               | /R     | 1   | I388/389             |     |             |             |        |     |       |
|     | 01C            | satin black   |        |     |                      |     |             |             |        |     |       |
| 9   | 997 612 688 11 | wiring harness<br>seat occupancy detection                |        | 1   | I389/560             |     |             |             |        |     |       |
| 11  | 997 612 785 10 | wiring harness<br>side airbag                             | /R/L   | 1   | I388/389             |     |             |             |        |     |       |
| 12  | 999 141 049 01 | lens-head screw<br>mount<br>cover<br>belt<br>seat cushion |        | 3   |                      |     |             |             |        |     |       |
| 13  | 997 618 233 05 | control unit<br>seat occupancy detection                  |        | 1   | I376/378/389<br>I560 |     |             |             |        |     |       |

|       |      |    |    |              |              |     |       |            |         |     |         |
|-------|------|----|----|--------------|--------------|-----|-------|------------|---------|-----|---------|
| Model | Year | MG | SG | Illustration | Restrictions | UPD | 19:00 | 01.03.2010 | PORSCHE | PET | PORSCHE |
| 987-2 | 2010 | 8  | 17 | 817-36       |              | 248 |       |            |         |     |         |



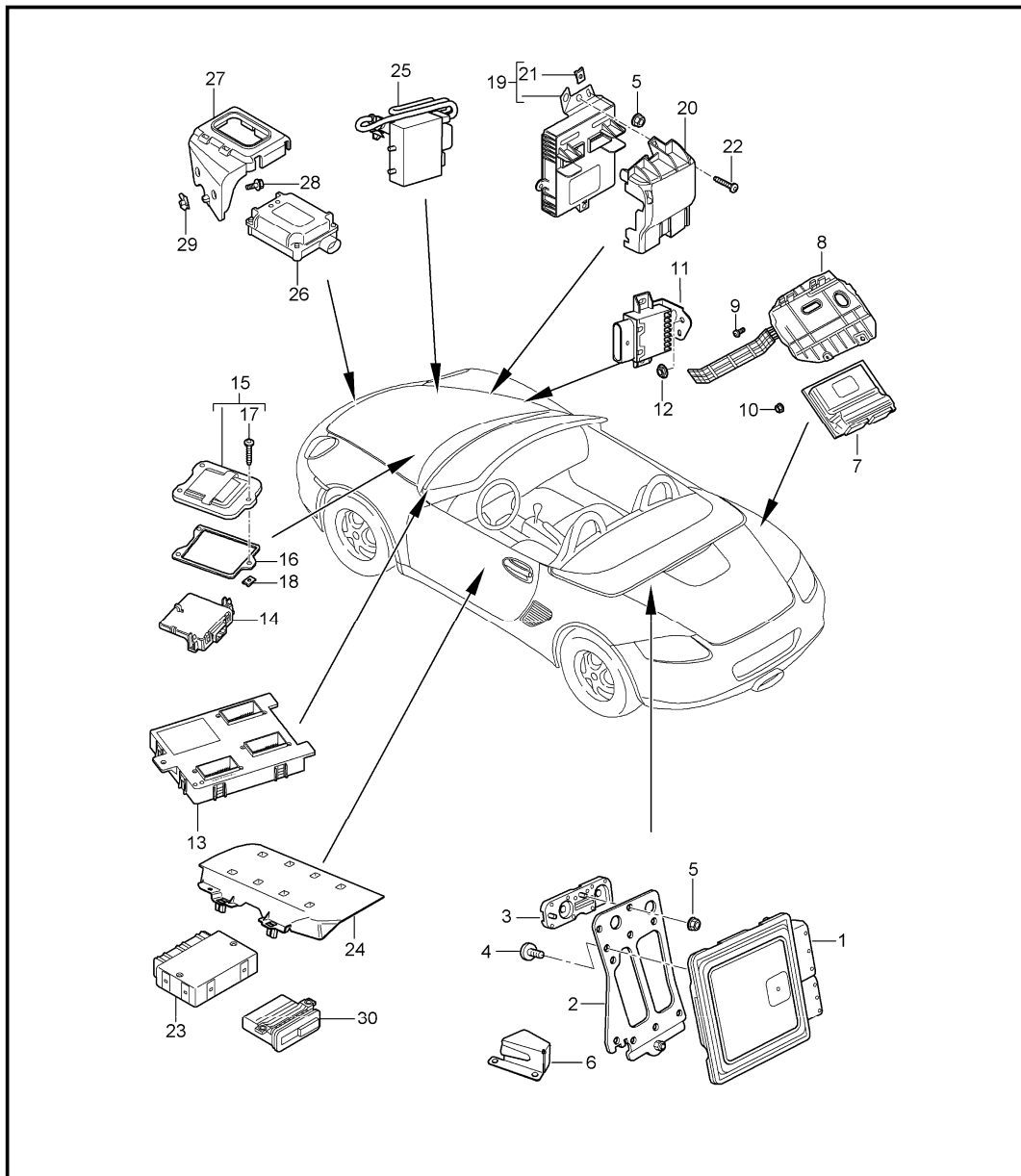
| Pos | Part Number    | Description   | Remark | Qty | Model    |
|-----|----------------|---|--------|-----|----------|
|     |                | backrest shell<br>bucket seat<br>collapsible<br>accessories | 09-    |     |          |
| 1   | 997 521 271 00 | backrest shell<br>bucket seat<br>collapsible                | /L     | 1   | I388     |
| (1) | 997 521 272 00 | backrest shell<br>bucket seat<br>collapsible                | /R     | 1   | I389     |
| 2   | 997 521 651 00 | lock<br>backrest  | /L     | 1   | I388/389 |
| (2) | 997 521 652 00 | lock<br>backrest  | /R     | 1   | I388/389 |
| 3   | 997 521 660 00 | closing element<br>lock<br>backrest shell                   | /L/R   | 1   | I388/389 |
| 4   | 997 521 650 00 | tension spring<br>lock<br>backrest                          | /L/R   | 1   | I388/389 |
| 5   | 997 521 640 01 | bowden cable<br>release<br>backrest                         | /L/R   | 1   | I388/389 |
| 6   | 997 521 330 00 | cover<br>seat belt<br>front                                 |        | 1   | I388/389 |
|     |                | 01C satin black   |        |     |          |
| (6) | 997 521 531 00 | cover<br>seat belt<br>rear                                  |        | 1   | I388/389 |
|     |                | 01C satin black   |        |     |          |
| 7   | 997 803 081 02 | side airbag   | /L     | 1   | I388     |
|     |                | A03 black   |        |     |          |
|     |                | D07 volcano grey  |        |     |          |
| (7) | 997 803 082 02 | side airbag<br>front seat                                   | /R     | 1   | I389     |
|     |                | A03 schwarz   |        |     |          |
|     |                | D07 volcano grey  |        |     |          |

|       |      |    |    |              |              |     |       |            |         |     |         |
|-------|------|----|----|--------------|--------------|-----|-------|------------|---------|-----|---------|
| Model | Year | MG | SG | Illustration | Restrictions | UPD | 19:00 | 01.03.2010 | PORSCHE | PET | PORSCHE |
| 987-2 | 2010 | 9  | 01 | 901-00       |              | 248 |       |            |         |     |         |



| Pos | Part Number    | Description                  | Remark | Qty | Model |
|-----|----------------|------------------------------|--------|-----|-------|
|     |                | ignition system              |        |     |       |
| 1   | 9A1 602 104 02 | ignition coil                |        | 6   |       |
| 2   | 999 170 130 90 | spark plug<br>FGR 5NQE       |        | 6   |       |
| 3   | 999 073 103 01 | round head screw<br>M 6 X 16 |        | 6   |       |

|       |      |    |    |              |              |     |       |            |         |     |         |
|-------|------|----|----|--------------|--------------|-----|-------|------------|---------|-----|---------|
| Model | Year | MG | SG | Illustration | Restrictions | UPD | 19:01 | 01.03.2010 | PORSCHE | PET | PORSCHE |
| 987-2 | 2010 | 9  | 01 | 901-03       |              | 248 |       |            |         |     |         |

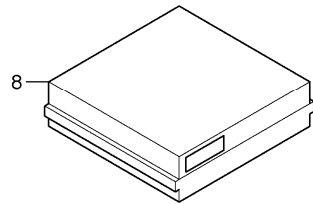
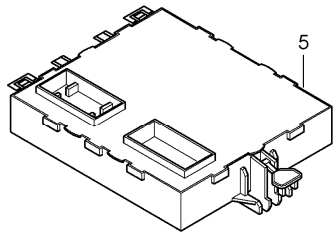
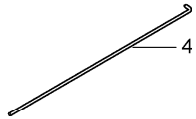
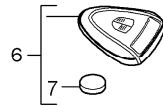
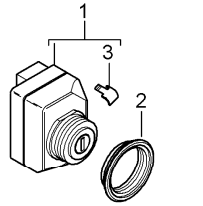
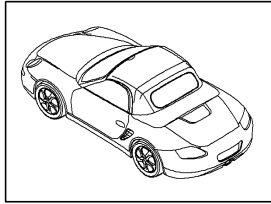


| Pos | Part Number    | Description                               | Remark | Qty | Model           |
|-----|----------------|---|--------|-----|-----------------|
| 1   | 997 618 607 02 | control units<br>control unit<br>- dme -  |        | 1   | BOXSTER S       |
| (1) | 997 618 608 00 | control unit<br>- dme -                   |        | 1   | BOXSTER         |
| 2   | 987 618 233 00 | support<br>control unit<br>- dme -        |        | 1   | BOXSTER S       |
| 3   | 987 618 333 00 | spacer                                    |        | 1   | BOXSTER S       |
| 4   | 999 141 044 09 | oval-head screw<br>M 6 X 16               |        | 6   | BOXSTER S       |
| 5   | 999 084 629 01 | hexagon nut<br>M 6                        |        | X   |                 |
| (5) | 999 084 635 01 | shear-off nut<br>M 6 - SB                 |        | X   | I536            |
| 6   | 987 618 131 01 | tab washer<br>plug-protection             |        | 1   | BOXSTER<br>I536 |
| 7   | 997 618 270 22 | control unit<br>- pdk -                   | -09    | 1   | I250            |
| 8   | 987 618 255 01 | support<br>control unit<br>- pdk -        |        | 1   | I250            |
| 9   | 900 378 035 01 | hexagon-head bolt<br>M 6 X 16             |        | 1   | I250            |
| 10  | 999 591 941 40 | expansion rivet                           |        | 1   | I250            |
| 11  | 997 618 025 01 | control unit<br>fuel pump                 |        | 1   | I663            |
| 11  | 997 618 027 00 | control unit<br>fuel pump                 |        | 1   | I663/676        |
| 12  | 999 049 025 09 | collar nut<br>T 5                         |        | 2   |                 |
| 13  | 997 618 516 01 | control unit<br>vehicle electrical system |        | 1   |                 |
| 14  | 997 610 107 04 | control unit<br>gateway                   |        | 1   |                 |
| 15  | 997 572 419 03 | lid                                       |        | 1   |                 |
| 16  | 997 572 221 00 | gasket                                    |        | 1   |                 |

|       |      |    |    |              |              |     |       |            |         |     |         |
|-------|------|----|----|--------------|--------------|-----|-------|------------|---------|-----|---------|
| Model | Year | MG | SG | Illustration | Restrictions | UPD | 19:01 | 01.03.2010 | PORSCHE | PET | PORSCHE |
| 987-2 | 2010 | 9  | 01 | 901-03       |              | 248 |       |            |         |     |         |

| Pos | Part Number    | Description  | Remark | Qty | Model            | Pos | Part Number | Description | Remark | Qty | Model |
|-----|----------------|--|--------|-----|------------------|-----|-------------|-------------|--------|-----|-------|
| 17  | 900 143 094 09 | tapping screw<br>ST 4,8 X 19                                 |        | 3   |                  |     |             |             |        |     |       |
| 18  | 999 591 855 02 | speed nut<br>ST 4,8  |        | 3   |                  |     |             |             |        |     |       |
| 19  | 997 618 511 01 | control unit<br>FRONT luggage compartment                    |        | 1   |                  |     |             |             |        |     |       |
| 20  | 997 551 736 00 | cover  |        | 1   |                  |     |             |             |        |     |       |
| 21  | 999 507 462 09 | speed nut<br>4,8   |        | 1   |                  |     |             |             |        |     |       |
| 22  | 999 073 061 02 | tapping screw<br>4,8 X 16                                    |        | 1   |                  |     |             |             |        |     |       |
| 23  | 997 618 260 08 | control unit<br>rear end                                     |        | 1   |                  |     |             |             |        |     |       |
| 24  | 997 618 381 00 | support  |        | 1   |                  |     |             |             |        |     |       |
| 25  | 997 618 436 02 | control unit<br>cooling air control                          |        | 1   |                  |     |             |             |        |     |       |
| 26  | 997 618 225 03 | control unit<br>garage door opener                           |        | 1   | I608             |     |             |             |        |     |       |
| 26  | 997 618 227 02 | control unit<br>garage door opener                           |        | 1   | I607             |     |             |             |        |     |       |
| 27  | 997 618 257 00 | support<br>control unit<br>garage door opener                |        | 1   |                  |     |             |             |        |     |       |
| 28  | 900 075 505 01 | combination screw<br>M 6 X 20                                |        | 2   |                  |     |             |             |        |     |       |
| 29  | 999 591 882 01 | speed nut<br>M 6   |        | 2   |                  |     |             |             |        |     |       |
| 30  | 997 618 183 01 | control unit<br>ParkAssist<br>sensor<br>see group<br>8/02/05 |        | 1   | I635<br><br>I635 |     |             |             |        |     |       |

|       |      |    |    |              |              |     |       |            |         |     |         |
|-------|------|----|----|--------------|--------------|-----|-------|------------|---------|-----|---------|
| Model | Year | MG | SG | Illustration | Restrictions | UPD | 19:01 | 01.03.2010 | PORSCHE | PET | PORSCHE |
| 987-2 | 2010 | 9  | 01 | 901-04       |              | 248 |       |            |         |     |         |

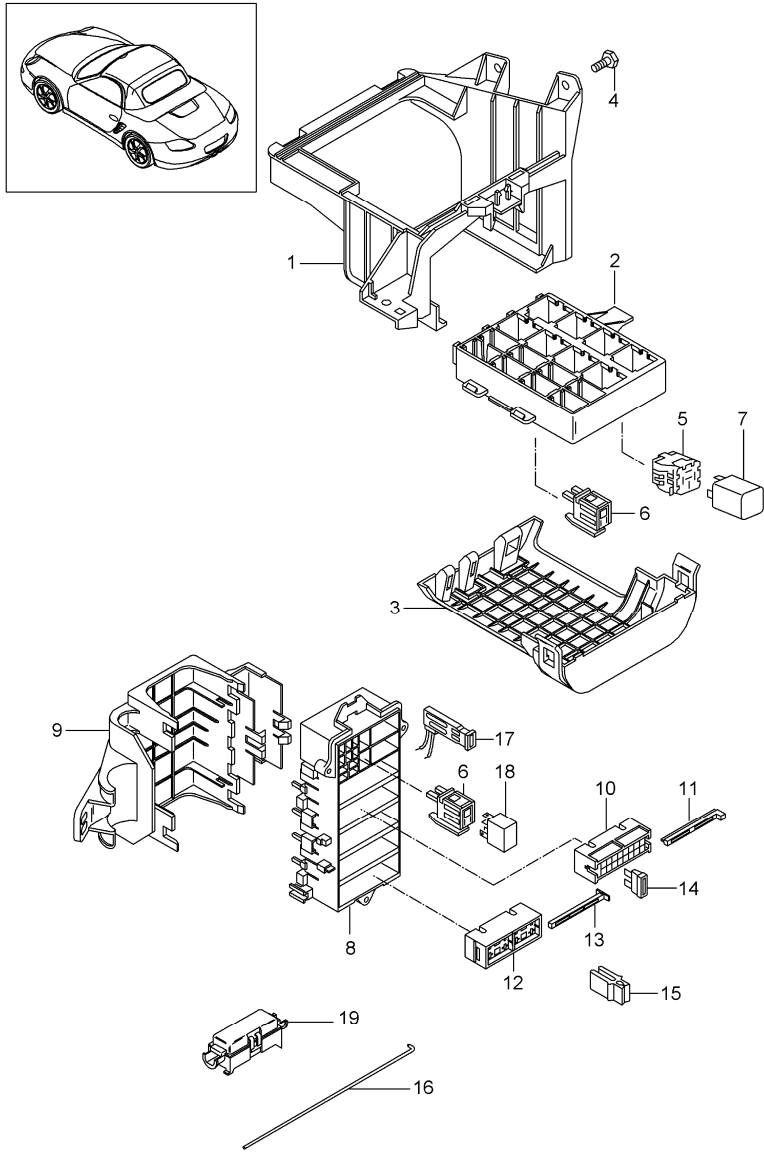


| Pos | Part Number    | Description  | Remark | Qty | Model        |
|-----|----------------|--|--------|-----|--------------|
|     |                | control units<br>ignition starter switch<br>PORSCHE ACCES SYSTEM |        |     |              |
| 1   | 997 618 159 04 | control unit<br>ignition starter switch                          |        | 1   |              |
| 2   | 997 618 759 00 | nut  |        | 1   |              |
| 3   | 997 618 361 00 | cover<br>release<br>Handheld transmitter                         |        | 1   |              |
| 4   | 997 618 761 00 | emergency operation<br>release<br>ignition starter switch        |        | 1   |              |
| 5   | 997 618 171 15 | control unit<br>PORSCHE ACCESS SYSTEM                            |        | 1   | I524         |
| 5   | 997 618 172 15 | control unit<br>PORSCHE ACCESS SYSTEM                            |        | 1   | I525         |
| -   | 997 612 051 01 | cable<br>antenna<br>for<br>POS. 5                                | /LL    | 1   | I098/524/695 |
| -   | 997 612 051 51 | cable<br>antenna<br>for<br>POS. 5<br>Information available       | /RL    | 1   | I099/524/695 |
| -   | 997 612 050 01 | cable<br>antenna<br>for<br>POS. 5                                | /LL    | 1   | I098/525/695 |
| -   | 997 612 050 51 | cable<br>antenna<br>for<br>POS. 5<br>Information available       | /RL    | 1   | I099/525/695 |
| -   | 997 612 053 00 | connecting line<br>antenna booster<br>control unit<br>POS. 5     | /LL    | 1   | I098/665/695 |
| -   | 997 612 053 01 | connecting line<br>antenna booster<br>control unit<br>POS. 5     | /LL    | 1   | I098/675     |

|       |      |    |    |              |              |     |       |            |         |     |         |
|-------|------|----|----|--------------|--------------|-----|-------|------------|---------|-----|---------|
| Model | Year | MG | SG | Illustration | Restrictions | UPD | 19:01 | 01.03.2010 | PORSCHE | PET | PORSCHE |
| 987-2 | 2010 | 9  | 01 | 901-04       |              | 248 |       |            |         |     |         |

| Pos | Part Number    | Description   | Remark | Qty | Model        | Pos | Part Number | Description | Remark | Qty | Model |
|-----|----------------|---|--------|-----|--------------|-----|-------------|-------------|--------|-----|-------|
| -   | 997 612 054 00 | connecting line<br>antenna booster<br>control unit<br>POS. 5<br>Information available   | /RL    | 1   | I099/665/695 |     |             |             |        |     |       |
| -   | 997 612 054 01 | connecting line<br>antenna booster<br>control unit<br>POS. 5<br>Information available   | /RL    | 1   | I099/675     |     |             |             |        |     |       |
| -   | 997 612 064 51 | cable<br>antenna<br>VEHICLE TRACKING SYSTEM   |        | 1   | I674         |     |             |             |        |     |       |
| (6) | 997 637 101 01 | Handheld transmitter  |        | 1   | I524         |     |             |             |        |     |       |
| (6) | 997 637 103 01 | Handheld transmitter  |        | 1   | I525         |     |             |             |        |     |       |
| (6) | 997 637 105 01 | Handheld transmitter  | (J)    | 1   | I525         |     |             |             |        |     |       |
| 7   | 999 611 108 00 | battery   |        | 1   |              |     |             |             |        |     |       |
| 8   | 997 618 210 01 | sensor<br>interior monitoring<br><br>alarm siren<br>tilt sensor<br>see group<br>9/03/00 |        | 1   | I536<br>I521 |     |             |             |        |     |       |

|       |      |    |    |              |              |     |       |            |         |     |         |
|-------|------|----|----|--------------|--------------|-----|-------|------------|---------|-----|---------|
| Model | Year | MG | SG | Illustration | Restrictions | UPD | 19:01 | 01.03.2010 | PORSCHE | PET | PORSCHE |
| 987-2 | 2010 | 9  | 02 | 902-00       |              | 248 |       |            |         |     |         |



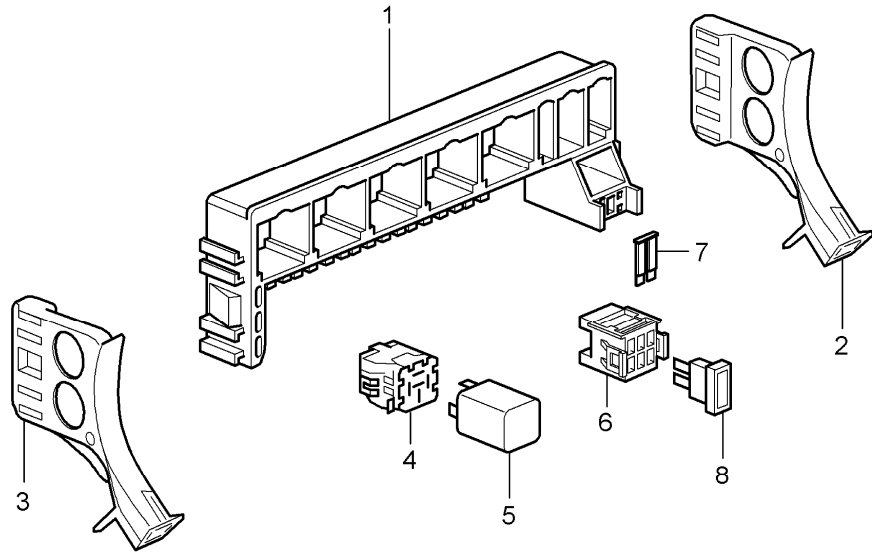
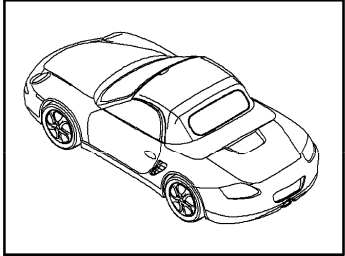
| Pos | Part Number    | Description                                 | Remark | Qty | Model |
|-----|----------------|---|--------|-----|-------|
| 1   | 997 610 117 01 | central electrical system dashboard support | /LL    | 1   | I098  |
| (1) | 997 610 118 00 | support                                     | /RL    | 1   | I099  |
| 2   | 997 610 110 01 | relay carrier support frame                 |        | 1   |       |
| 3   | 997 610 112 00 | cover support frame                         |        | 1   |       |
| 4   | 900 378 155 01 | hexagon-head bolt M 6 X 16 ASP              |        | 2   |       |
| (4) | 900 377 010 01 | hexagon nut M 6                             |        | 1   |       |
| 5   | 928 610 511 00 | relay carrier                               |        | X   |       |
| 6   | 999 650 538 40 | relay carrier                               |        | X   |       |
| 7   | -              | relay                                       |        |     |       |
| S1  | 999 657 015 90 | relay rear window heating                   |        | 1   |       |
| S2  | 999 657 015 90 | relay fuel pump                             |        | 1   |       |
| S3  | 999 657 014 90 | relay convertible top open                  |        | 1   |       |
| S4  | 999 657 015 90 | relay KL. 86S                               |        | 1   |       |
| S5  | 999 657 014 90 | relay convertible top close                 |        | 1   |       |
| S11 | 999 657 013 90 | relay - dme -                               |        | 1   |       |
| S12 | 999 657 013 90 | relay heating                               |        | 1   |       |
| S14 | 999 657 013 90 | relay headlight washer system               |        | 1   | I288  |
| S15 | 999 657 013 90 | relay starter                               |        | 1   |       |
| S16 | 999 657 013 90 | relay KL. 15                                |        | 1   |       |



|       |      |    |    |              |              |     |       |            |         |     |         |
|-------|------|----|----|--------------|--------------|-----|-------|------------|---------|-----|---------|
| Model | Year | MG | SG | Illustration | Restrictions | UPD | 19:01 | 01.03.2010 | PORSCHE | PET | PORSCHE |
| 987-2 | 2010 | 9  | 02 | 902-00       |              | 248 |       |            |         |     |         |

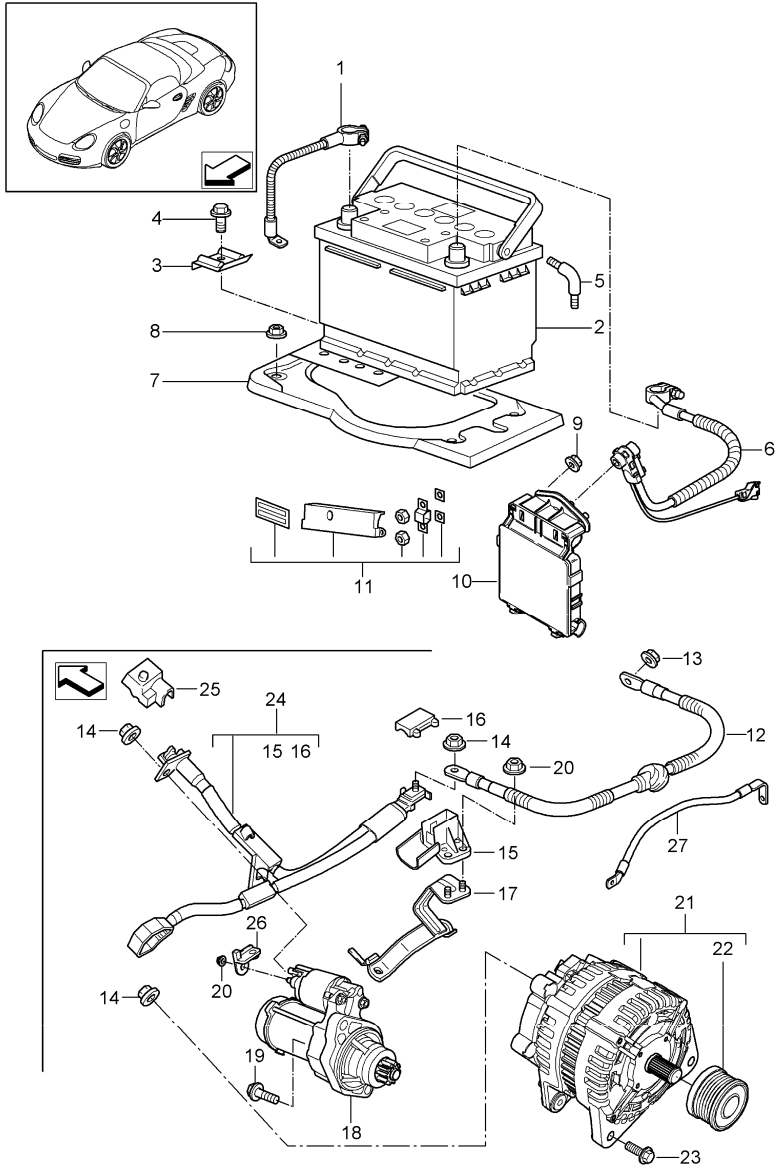
| Pos  | Part Number    | Description   | Remark | Qty | Model | Pos | Part Number    | Description   | Remark | Qty | Model |
|------|----------------|---|--------|-----|-------|-----|----------------|---|--------|-----|-------|
| 8    | 997 610 340 00 | bracket   |        | 1   |       | 19  | 997 610 915 00 | fuse holder<br>with<br>fuse<br>80 A<br>for<br>cooling air control |        | 1   |       |
| 9    | 997 610 341 00 | cover   |        | 1   |       |     |                |   |        |     |       |
| 10   | 999 650 209 40 | fuse holder   |        | 4   |       |     |                |   |        |     |       |
| 11   | 999 650 210 40 | slide   |        | 4   |       |     |                |   |        |     |       |
| 12   | 999 650 750 40 | fuse holder   |        | 1   |       | -   | -              | cover<br>for<br>housing<br>fuse<br>see group<br>8 / 07 / 02       |        | X   |       |
| 13   | 999 650 749 40 | slide   |        | 1   |       |     |                |   |        |     |       |
| 14   | 999 607 082 00 | fuse<br>5 A   |        | X   |       |     |                |   |        |     |       |
| (14) | 999 607 083 00 | fuse<br>7 , 5 A   |        | X   |       |     |                |   |        |     |       |
| (14) | 999 607 084 00 | fuse<br>10 A  |        | X   |       |     |                |   |        |     |       |
| (14) | 999 607 085 00 | fuse<br>15 A  |        | X   |       |     |                |   |        |     |       |
| (14) | 999 607 087 00 | fuse<br>25 A  |        | X   |       |     |                |   |        |     |       |
| (14) | 999 607 088 00 | fuse<br>30 A  |        | X   |       |     |                |   |        |     |       |
| (14) | 999 607 072 00 | fuse<br>30 A<br>large   |        | X   |       |     |                |   |        |     |       |
| (14) | 999 607 073 00 | fuse<br>40 A<br>large   |        | X   |       |     |                |   |        |     |       |
| 15   | 999 107 300 40 | tool  |        | X   |       |     |                |   |        |     |       |
| -    | 997 610 195 25 | assignment sticker<br>fuse  |        | X   |       |     |                |   |        |     |       |
| 16   | 997 618 761 00 | emergency operation<br>release<br>ignition starter switch<br><br>emergency operation<br>lid |        | 1   |       |     |                |   |        |     |       |
| 17   | 996 610 240 00 | terminal clamp  |        | 1   |       |     |                |   |        |     |       |
| 18   | 999 657 014 90 | relay   |        | 1   |       |     |                |   |        |     |       |

|       |      |    |    |              |              |     |       |            |         |     |         |
|-------|------|----|----|--------------|--------------|-----|-------|------------|---------|-----|---------|
| Model | Year | MG | SG | Illustration | Restrictions | UPD | 19:01 | 01.03.2010 | PORSCHE | PET | PORSCHE |
| 987-2 | 2010 | 9  | 02 | 902-01       |              | 248 |       |            |         |     |         |



| Pos | Part Number    | Description                        | Remark | Qty | Model |
|-----|----------------|------------------------------------|--------|-----|-------|
|     |                | central electrical system rear end |        |     |       |
| 1   | 987 610 111 01 | relay carrier support frame        |        | 1   |       |
| 2   | 986 610 126 00 | support                            | /R     | 1   |       |
| 3   | 986 610 127 00 | support                            | /L     | 1   |       |
| 4   | 928 610 511 00 | relay carrier large                |        | X   |       |
| (4) | 999 650 538 40 | relay carrier small                |        | X   |       |
| 5   | -              | relay                              |        |     |       |
| S2  | 999 657 017 90 | relay secondary pump               |        | 1   | I661  |
| S8  | 999 657 015 90 | relay blower engine compartment    |        | 1   |       |
| 6   | 999 650 747 40 | fuse holder                        |        | 1   |       |
| 7   | 999 650 748 40 | locking device                     |        | 1   |       |
| 8   | 999 607 085 00 | fuse 15 A                          |        | X   |       |
| 8   | 999 607 098 00 | lock 3 A                           |        | 1   |       |
| (8) | 999 607 073 00 | fuse 40 A large                    |        | X   | I661  |

|       |      |    |    |              |              |     |       |            |         |     |         |
|-------|------|----|----|--------------|--------------|-----|-------|------------|---------|-----|---------|
| Model | Year | MG | SG | Illustration | Restrictions | UPD | 19:01 | 01.03.2010 | PORSCHE | PET | PORSCHE |
| 987-2 | 2010 | 9  | 02 | 902-05       |              | 248 |       |            |         |     |         |



| Pos | Part Number    | Description   | Remark | Qty | Model |
|-----|----------------|---|--------|-----|-------|
|     |                | battery<br>power distributor<br>starter<br>generator          |        |     |       |
| 1   | 997 611 090 00 | ground strap  | /LL    | 1   | I098  |
| (1) | 997 611 091 00 | ground strap<br>when required order also:                     | /RL    | 1   | I099  |
| -   | 900 377 010 01 | hexagon nut<br>M 6  |        | 1   |       |
| (2) | 999 611 060 20 | battery<br>60 AH  |        | 1   |       |
| (2) | 999 611 070 20 | battery<br>70 AH  |        | 1   |       |
| 2   | 999 611 080 20 | battery<br>80 AH  |        | 1   |       |
| (2) | 999 611 095 20 | battery<br>95 AH  |        | 1   | I200  |
| 3   | 996 611 209 01 | rail<br>battery   |        | 1   |       |
| 4   | 900 378 017 01 | hexagon-head bolt<br>M 8 X 20                                 |        | 1   |       |
| 5   | 893 915 507    | angled pipe   |        | 1   |       |
| 6   | 997 612 993 00 | repair kit<br>cable<br>battery<br>power distributor           | /LL    | 1   | I098  |
| (6) | 997 612 995 00 | repair kit<br>cable<br>battery<br>power distributor           | /RL    | 1   | I099  |
| 7   | 997 504 151 00 | carrier plate for battery                                     |        | 1   |       |
| 8   | 999 084 630 01 | hexagon nut<br>VM 8 SB  |        | 4   |       |
| 9   | 900 380 005 01 | hexagon nut<br>VM 8   |        | 2   |       |
| 10  | 997 610 911 00 | repair kit<br>replacement<br>power distributor<br>comprising: |        | 1   |       |

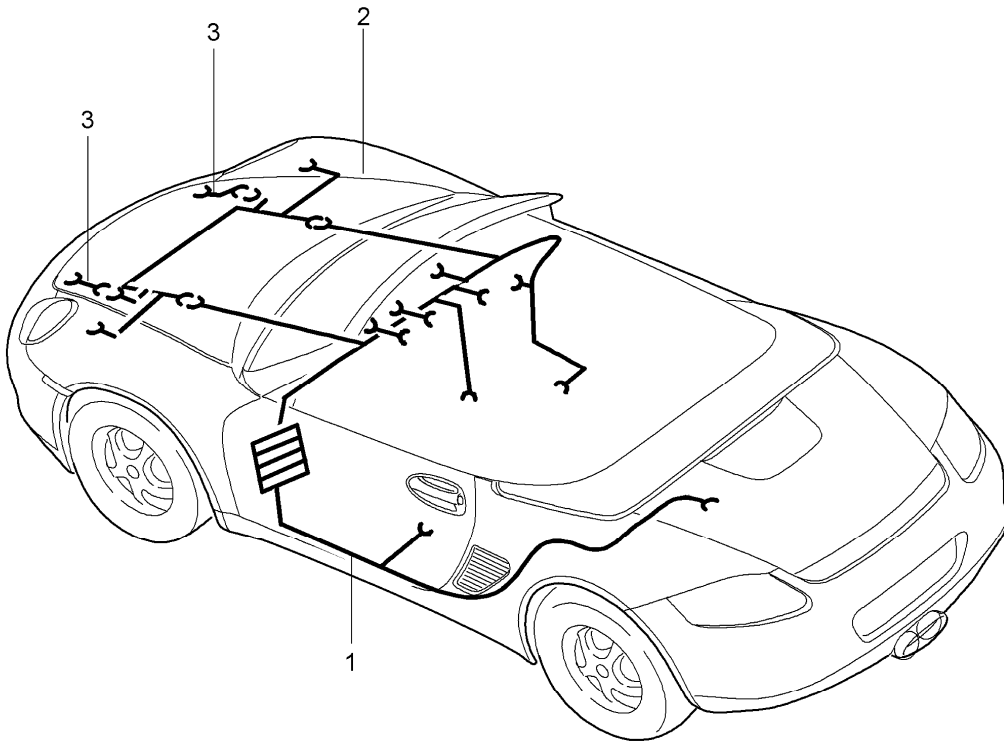
|       |      |    |    |              |              |     |       |            |         |     |         |
|-------|------|----|----|--------------|--------------|-----|-------|------------|---------|-----|---------|
| Model | Year | MG | SG | Illustration | Restrictions | UPD | 19:01 | 01.03.2010 | PORSCHE | PET | PORSCHE |
| 987-2 | 2010 | 9  | 02 | 902-05       |              | 248 |       |            |         |     |         |

| Pos | Part Number    | Description   | Remark | Qty | Model | Pos  | Part Number      | Description  | Remark | Qty | Model |
|-----|----------------|---|--------|-----|-------|------|------------------|--|--------|-----|-------|
| -   | -              | power distributor<br>without<br>fuse element              |        | 1   |       | 12   | 987 612 090 25   | cable<br>power distributor<br>to<br>connection point<br>engine | /LL    | 1   | I098  |
| -   | -              | hexagon nut<br>M 5  |        | 8   |       | (12) | 987 612 096 25   | cable<br>power distributor<br>to<br>connection point<br>engine | /RL    | 1   | I099  |
| -   | -              | hexagon nut<br>M 8  |        | 3   |       |      |                  |  |        |     |       |
| -   | -              | seal label<br>red<br>when required order also:<br>POS. 11 |        | 1   |       | 13   | 900 084 123 02   | hexagon nut<br>M 8   |        | 1   |       |
| 11  | 997 610 912 00 | repair kit<br>replacement<br>fuse element<br>comprising:  |        | 1   |       | 14   | 900 377 003 01   | hexagon nut<br>M 8   |        | X   |       |
| -   | -              | fuse element<br>50 AMPERE                                 |        | 1   |       | 15   | 9A1 607 203 00   | connection point   |        | 1   |       |
| -   | -              | fuse element<br>80 AMPERE                                 |        | 1   |       | 16   | 986 611 203 00   | lid<br>connection point  |        | 1   |       |
| -   | -              | hexagon nut<br>M 5  |        | 4   |       | 17   | 9A1 607 260 01   | support<br>connection point                                    |        | 1   |       |
| -   | -              | square washer   |        | 4   |       | 18   | > 9A1 604 103 00 | starter<br>when required order also:<br>POS.26                 |        | 1   |       |
| -   | -              | cover<br>blue   |        | 1   |       | 18   | 9A1 604 103 X    | starter<br>when required order also:<br>POS.26                 |        | 1   |       |
| -   | -              | seal label<br>red   |        | 1   |       | 19   | 900 385 097 01   | torx screw<br>BM 10 X 35                                       |        | 2   |       |
| 11  | 997 610 913 00 | repair kit<br>replacement<br>fuse element<br>comprising:  |        | 1   |       | 20   | 900 377 010 02   | hexagon nut<br>M 6   |        | 3   |       |
| -   | -              | fuse element<br>150 AMPERE                                |        | 1   |       | 21   | > 9A1 603 012 00 | generator  |        | 1   |       |
| -   | -              | hexagon nut<br>M 8  |        | 2   |       | 21   | 9A1 603 012 X    | generator  |        | 1   |       |
| -   | -              | square washer   |        | 2   |       | 22   | 9A1 603 953 00   | repair kit<br>pulley   |        | 1   |       |
| -   | -              | cover<br>blue   |        | 1   |       | 23   | 900 385 102 01   | torx screw<br>BM 8 x 90  |        | 2   |       |
| -   | -              | seal label<br>red   |        | 1   |       | 24   | 9A1 607 017 02   | wiring harness<br>starter<br>generator                         |        | 1   |       |
|     |                |   |        |     |       | 25   | 9A1 607 247 01   | cap<br>starter   |        | 1   |       |

|       |      |    |    |              |              |     |       |            |         |     |         |
|-------|------|----|----|--------------|--------------|-----|-------|------------|---------|-----|---------|
| Model | Year | MG | SG | Illustration | Restrictions | UPD | 19:01 | 01.03.2010 | PORSCHE | PET | PORSCHE |
| 987-2 | 2010 | 9  | 02 | 902-05       |              | 248 |       |            |         |     |         |

| Pos | Part Number    | Description                    | Remark | Qty | Model | Pos | Part Number | Description | Remark | Qty | Model |
|-----|----------------|--------------------------------|--------|-----|-------|-----|-------------|-------------|--------|-----|-------|
| 26  | 9A1 607 267 00 | support for contact<br>KL. 50  |        | 1   |       |     |             |             |        |     |       |
| 27  | 9A1 607 040 00 | ground cable<br>body<br>engine |        | 1   |       |     |             |             |        |     |       |

|       |      |    |    |              |              |     |       |            |         |     |         |
|-------|------|----|----|--------------|--------------|-----|-------|------------|---------|-----|---------|
| Model | Year | MG | SG | Illustration | Restrictions | UPD | 19:01 | 01.03.2010 | PORSCHE | PET | PORSCHE |
| 987-2 | 2010 | 9  | 02 | 902-10       |              | 248 |       |            |         |     |         |

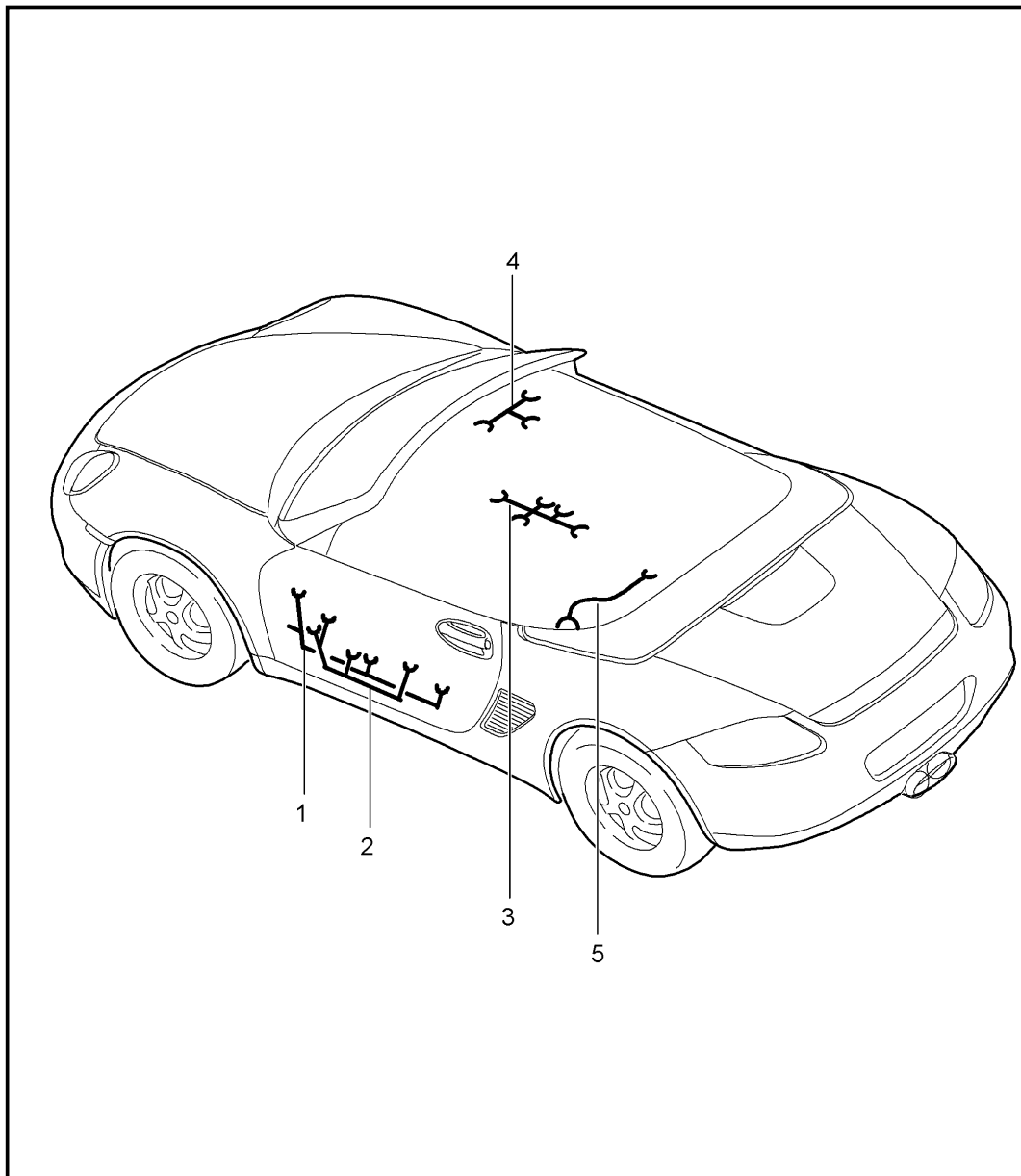


| Pos | Part Number    | Description   | Remark | Qty | Model |
|-----|----------------|---|--------|-----|-------|
|     |                | wiring harnesses<br>passenger compartment<br>FRONT luggage compartment<br>lining<br>front<br>airbag<br>seat-belt tensioner<br>repair kits<br>shock absorber<br>anti-lock brake system<br>brake pad wear indicator<br>front axle |        |     |       |
| 1   | 987 612 903 00 | wiring harness<br>passenger compartment<br>vehicle identification no.<br>indicate   |        | 1   |       |
| -   | 996 610 120 01 | support<br>plug socket<br>diagnostic connector  |        | 1   |       |
| -   | 999 651 302 40 | fixing clip<br>wiring harness<br>passenger compartment<br>door sill   |        | X   |       |
| -   | 999 651 284 40 | fixing clip<br>wiring harness<br>passenger compartment<br>door sill   |        | X   |       |
| 2   | 987 612 520 25 | wiring harness<br>FRONT luggage compartment<br>F >>98AS7 00626<br>F >>98AU7 00426<br>F >>98AS7 20589<br>F >>98AU7 20299   |        | 1   |       |
| 2   | 987 612 520 26 | wiring harness<br>FRONT luggage compartment<br>F 98AS7 00627>><br>F 98AU7 00427>><br>F 98AS7 20590>><br>F 98AU7 20300>>   |        | 1   |       |
| (2) | 987 612 521 25 | wiring harness<br>FRONT luggage compartment<br>F >>98AS7 00626<br>F >>98AU7 00426<br>F >>98AS7 20589<br>F >>98AU7 20299   |        | 1   | I603  |

|       |      |    |    |              |              |     |       |            |         |     |         |
|-------|------|----|----|--------------|--------------|-----|-------|------------|---------|-----|---------|
| Model | Year | MG | SG | Illustration | Restrictions | UPD | 19:01 | 01.03.2010 | PORSCHE | PET | PORSCHE |
| 987-2 | 2010 | 9  | 02 | 902-10       |              | 248 |       |            |         |     |         |

| Pos | Part Number    | Description   | Remark | Qty | Model  | Pos | Part Number    | Description  | Remark | Qty | Model |
|-----|----------------|---|--------|-----|--------|-----|----------------|--|--------|-----|-------|
| 2   | 987 612 521 26 | wiring harness<br>FRONT luggage compartment<br>F 98AS7 00627>><br>F 98AU7 00427>><br>F 98AS7 20590>><br>F 98AU7 20300>> |        | 1   | I603   | -   | 997 612 961 00 | repair kit<br>wiring harness<br>anti-lock brake system<br>brake pad wear indicator | /V/L   | 1   |       |
| -   | 997 610 215 01 | cable guide<br>for<br>sensor<br>airbag  |        | 2   |        | -   | 997 612 960 00 | repair kit<br>wiring harness<br>anti-lock brake system<br>brake pad wear indicator | /V/R   | 1   |       |
| 3   | 987 612 501 25 | wiring harness<br>lining<br>front   |        | 2   |        |     |                | repair kit<br>wiring harness<br>rear axle<br>see group<br>9 / 02 / 20              |        |     |       |
| (3) | 987 612 501 50 | wiring harness<br>lining<br>front   |        | 2   | I605   |     |                |  |        |     |       |
| (3) | 987 612 501 70 | wiring harness<br>lining<br>front   |        | 2   | SPYDER |     |                |  |        |     |       |
| -   | 997 612 781 25 | wiring harness<br>airbag<br>passenger's side<br>setting 1<br>connector<br>green   |        | 1   |        |     |                |  |        |     |       |
| -   | 997 612 783 25 | wiring harness<br>airbag<br>passenger's side<br>setting2<br>connector<br>yellow   |        | 1   |        |     |                |  |        |     |       |
| -   | 997 612 992 00 | wiring harness<br>control unit<br>airbag<br>connection point<br>door  |        | 2   |        |     |                |  |        |     |       |
|     |                | wiring harness<br>airbag<br>seat<br>see group<br>8/17/06 8/17/21  |        |     |        |     |                |  |        |     |       |
| -   | 997 612 793 01 | wiring harness<br>seat-belt tensioner   |        | 2   |        |     |                |  |        |     |       |
| -   | 997 612 950 00 | repair kit<br>wiring harness<br>shock absorber  | /V     | 2   | I475   |     |                |  |        |     |       |

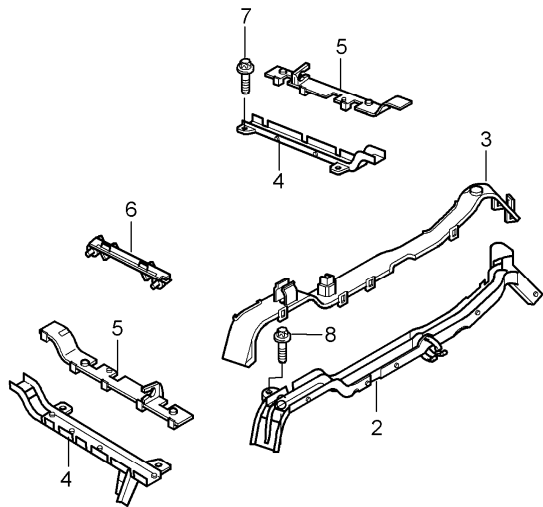
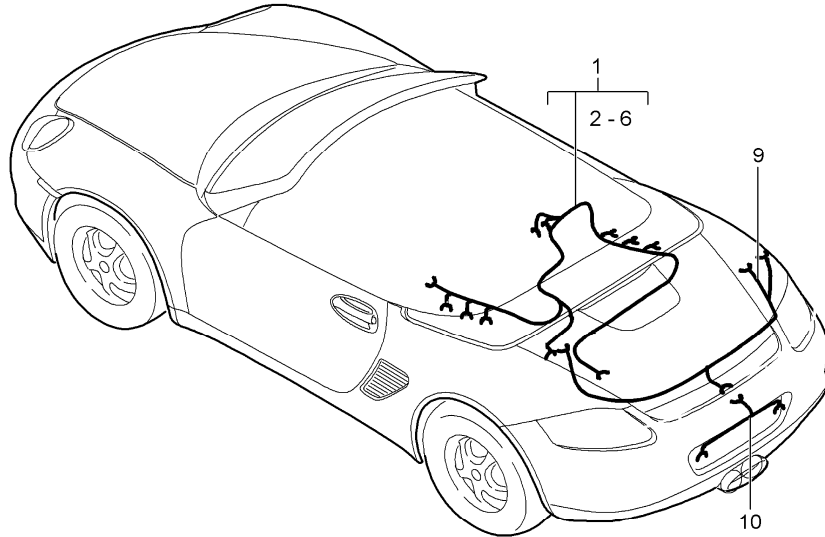
|       |      |    |    |              |              |     |       |            |         |     |         |
|-------|------|----|----|--------------|--------------|-----|-------|------------|---------|-----|---------|
| Model | Year | MG | SG | Illustration | Restrictions | UPD | 19:02 | 01.03.2010 | PORSCHE | PET | PORSCHE |
| 987-2 | 2010 | 9  | 02 | 902-15       |              | 248 |       |            |         |     |         |



| Pos | Part Number    | Description   | Remark | Qty | Model |
|-----|----------------|---|--------|-----|-------|
|     |                | wiring harnesses<br>doors<br>airbag<br>centre console<br>glove compartment<br>hardtop |        |     |       |
| 1   | 997 612 642 07 | wiring harness<br>assembly frame<br>driver's door                                     | /LL    | 1   | I098  |
| (1) | 997 612 644 57 | wiring harness<br>assembly frame<br>driver's door                                     | /RL    | 1   | I099  |
| (1) | 997 612 643 57 | wiring harness<br>assembly frame<br>passenger's door                                  | /LL    | 1   | I098  |
| (1) | 997 612 645 07 | wiring harness<br>assembly frame<br>passenger's door                                  | /RL    | 1   | I099  |
| -   | 997 612 780 16 | wiring harness<br>airbag  |        | 2   |       |
| 2   | 997 612 647 10 | wiring harness<br>door panel<br>driver's door   | /LL    | 1   | I098  |
| 2   | 997 612 650 10 | wiring harness<br>door panel<br>driver's door   | /RL    | 1   | I099  |
| (2) | 997 612 648 10 | wiring harness<br>door panel<br>passenger's door                                      | /LL    | 1   | I098  |
| (2) | 997 612 649 10 | wiring harness<br>door panel<br>passenger's door                                      | /RL    | 1   | I099  |
| 3   | 997 612 652 75 | wiring harness<br>centre console  |        | 1   |       |
| 4   | 997 612 651 00 | wiring harness<br>glove compartment   |        | 1   |       |
| 5   | 986 612 081 01 | wiring harness<br>hardtop   |        | 1   | I550  |
| -   | -              | wiring harness<br>convertible top<br>see group<br>8/11/05                             |        |     |       |



|       |      |    |    |              |              |     |       |            |         |     |         |
|-------|------|----|----|--------------|--------------|-----|-------|------------|---------|-----|---------|
| Model | Year | MG | SG | Illustration | Restrictions | UPD | 19:02 | 01.03.2010 | PORSCHE | PET | PORSCHE |
| 987-2 | 2010 | 9  | 02 | 902-20       |              | 248 |       |            |         |     |         |

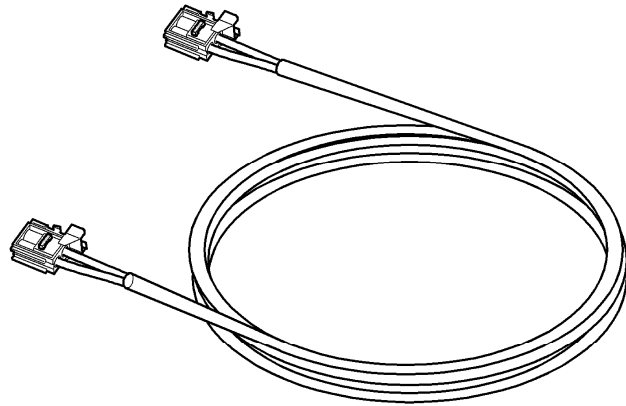
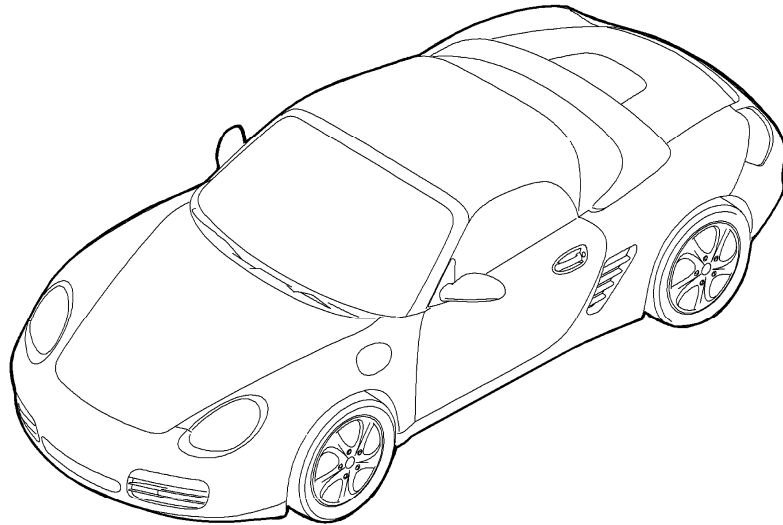


| Pos | Part Number    | Description  | Remark | Qty | Model          |
|-----|----------------|--|--------|-----|----------------|
|     |                | wiring harnesses<br>engine<br>rear end<br>additional brake light<br>license plate light<br>ParkAssist<br>repair kits<br>for<br>shock absorber<br>anti-lock brake system<br>brake pad wear indicator<br>rear axle |        |     | SPYDER         |
| 1   | 9A1 607 027 02 | wiring harness<br>engine   | -09    | 1   | MA1.20<br>I480 |
| 1   | 9A1 607 027 03 | wiring harness<br>engine   | 10-    | 1   | MA1.20<br>I480 |
| 1   | 9A1 607 024 02 | wiring harness<br>engine   | -09    | 1   | MA1.21<br>I480 |
| 1   | 9A1 607 024 03 | wiring harness<br>engine   | 10-    | 1   | MA1.21<br>I480 |
| 1   | 9A1 607 026 02 | wiring harness<br>engine   | -09    | 1   | MA1.20<br>I250 |
| 1   | 9A1 607 026 03 | wiring harness<br>engine   | 10-    | 1   | MA1.20<br>I250 |
| 1   | 9A1 607 023 02 | wiring harness<br>engine   | -09    | 1   | MA1.21<br>I250 |
| 1   | 9A1 607 023 03 | wiring harness<br>engine   | 10-    | 1   | MA1.21<br>I250 |
| 2   | 9A1 607 110 20 | cable guide<br>crankcase   |        | 1   |                |
| 3   | 9A1 607 120 00 | lid<br>cable guide   |        | 1   |                |
| 4   | 9A1 607 117 00 | cable guide<br>cylinder head   |        | 2   |                |
| 5   | 9A1 607 127 00 | lid<br>cable guide   |        | 2   |                |

|       |      |    |    |              |              |     |       |            |         |     |         |
|-------|------|----|----|--------------|--------------|-----|-------|------------|---------|-----|---------|
| Model | Year | MG | SG | Illustration | Restrictions | UPD | 19:02 | 01.03.2010 | PORSCHE | PET | PORSCHE |
| 987-2 | 2010 | 9  | 02 | 902-20       |              | 248 |       |            |         |     |         |

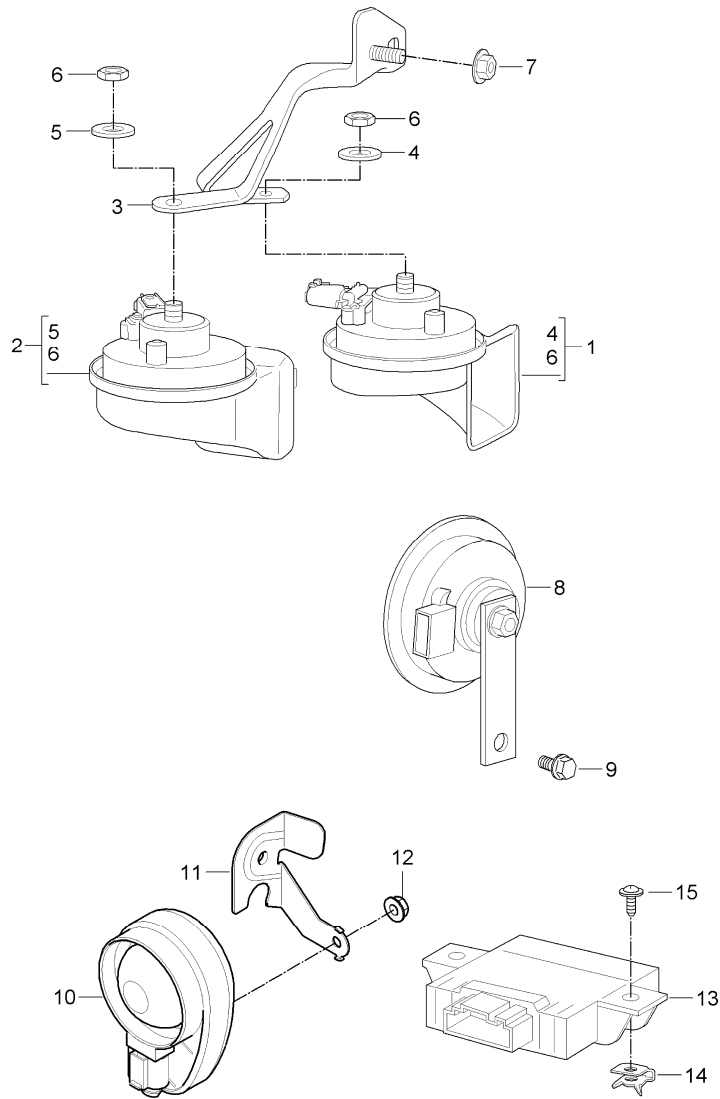
| Pos  | Part Number    | Description  | Remark | Qty | Model  | Pos | Part Number | Description | Remark | Qty | Model |
|------|----------------|--|--------|-----|--------|-----|-------------|-------------|--------|-----|-------|
| 6    | 9A1 607 113 00 | cable guide<br>fuel collection pipe  |        | 2   | MA1.21 |     |             |             |        |     |       |
| 7    | 900 385 044 01 | torx screw<br>BM 8 X 16  |        | 2   |        |     |             |             |        |     |       |
| 8    | 900 385 009 01 | torx screw<br>BM 6 X 16  |        | 2   |        |     |             |             |        |     |       |
| 9    | 987 612 904 00 | wiring harness<br>rear end<br>vehicle identification no.<br>indicate               |        | 1   |        |     |             |             |        |     |       |
| (9)  | 987 612 681 75 | wiring harness<br>sub-part<br>additional brake light                               |        | 1   | SPYDER |     |             |             |        |     |       |
| 10   | 997 612 660 01 | wiring harness<br>license plate light  |        | 1   |        |     |             |             |        |     |       |
| (10) | 997 612 661 25 | wiring harness<br>ParkAssist<br>license plate light                                |        | 1   | I635   |     |             |             |        |     |       |
| -    | 997 612 950 00 | repair kit<br>wiring harness<br>shock absorber                                     | /H     | 2   | I475   |     |             |             |        |     |       |
| -    | 987 612 963 00 | repair kit<br>wiring harness<br>anti-lock brake system<br>brake pad wear indicator | /H/L   | 1   |        |     |             |             |        |     |       |
| -    | 987 612 962 00 | repair kit<br>wiring harness<br>anti-lock brake system<br>brake pad wear indicator | /H/R   | 1   |        |     |             |             |        |     |       |
|      |                | repair kit<br>wiring harness<br>front axle<br>see group<br>9/02/10                 |        |     |        |     |             |             |        |     |       |

|       |      |    |    |              |              |     |       |            |         |     |         |
|-------|------|----|----|--------------|--------------|-----|-------|------------|---------|-----|---------|
| Model | Year | MG | SG | Illustration | Restrictions | UPD | 19:02 | 01.03.2010 | PORSCHE | PET | PORSCHE |
| 987-2 | 2010 | 9  | 02 | 902-50       |              | 248 |       |            |         |     |         |



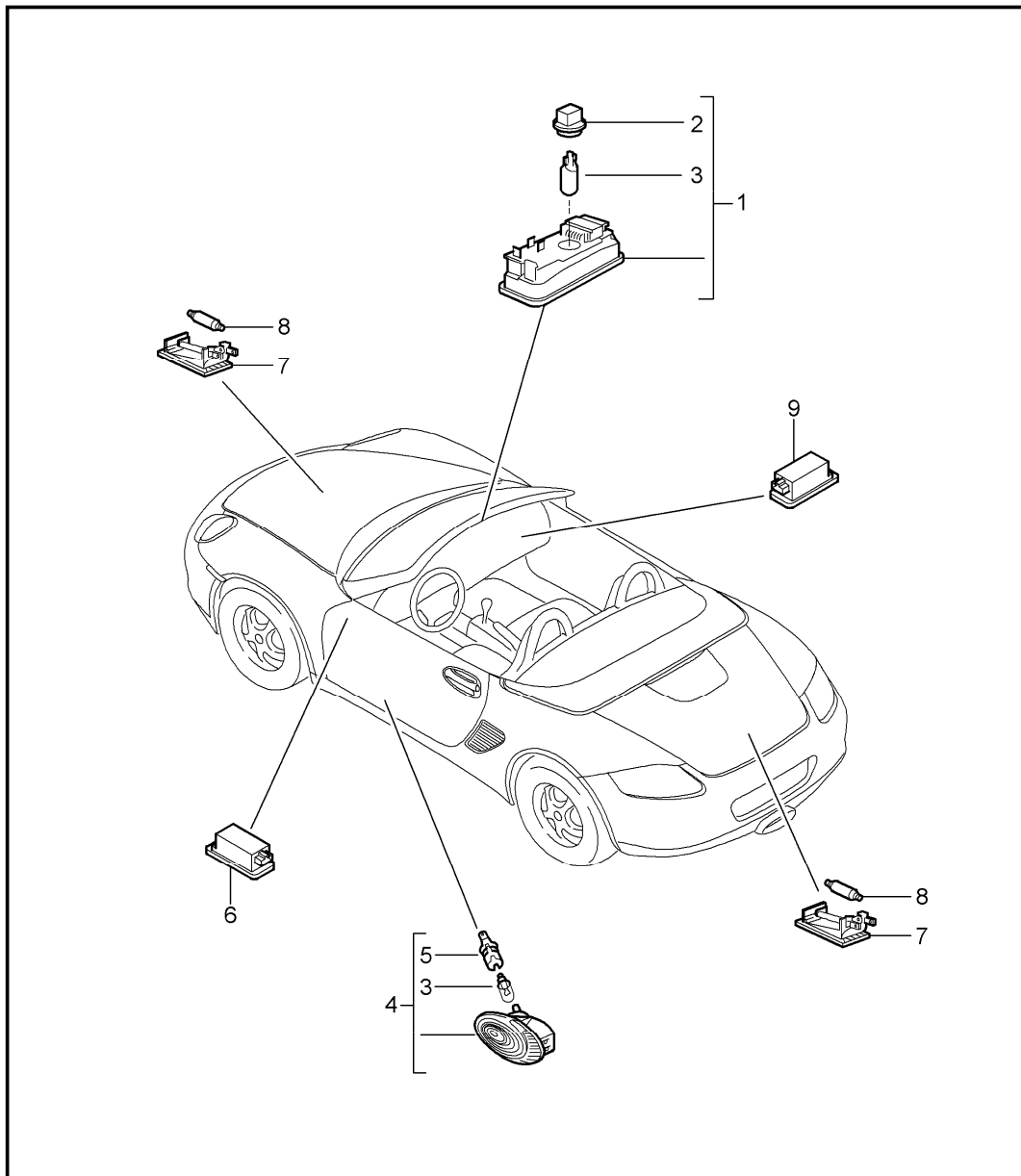
| Pos | Part Number    | Description              | Remark | Qty | Model                  |
|-----|----------------|--------------------------|--------|-----|------------------------|
| -   | 997 622 701 25 | optical waveguide module | /LL    | 1   | I098/665/680 I695      |
| -   | 997 622 701 75 | optical waveguide module | /RL    | 1   | I099/665/680 I695      |
| -   | 997 622 702 25 | optical waveguide module | /LL    | 1   | I098/665/676 /695 I680 |
| -   | 997 622 702 75 | optical waveguide module | /RL    | 1   | I099/665/676 /695 I680 |
| -   | 997 622 703 25 | optical waveguide module | /LL    | 1   | I098/490/665 /695 I676 |
| -   | 997 622 703 75 | optical waveguide module | /RL    | 1   | I099/490/665 /695 I676 |

|       |      |    |    |              |              |     |       |            |         |     |         |
|-------|------|----|----|--------------|--------------|-----|-------|------------|---------|-----|---------|
| Model | Year | MG | SG | Illustration | Restrictions | UPD | 19:02 | 01.03.2010 | PORSCHE | PET | PORSCHE |
| 987-2 | 2010 | 9  | 03 | 903-00       |              | 248 |       |            |         |     |         |



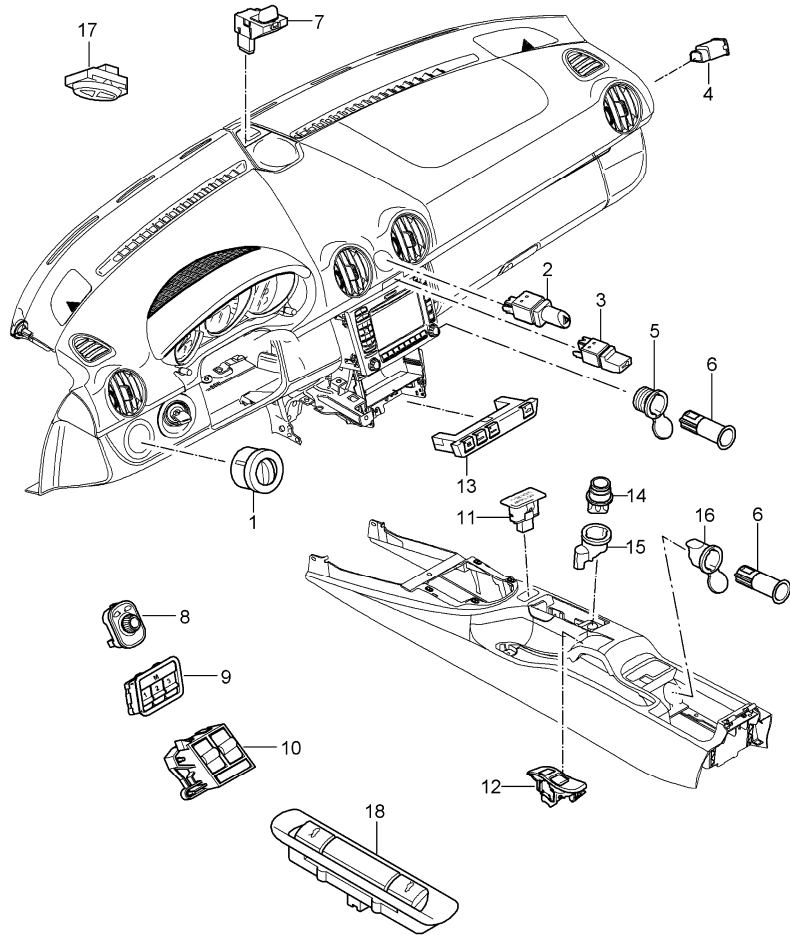
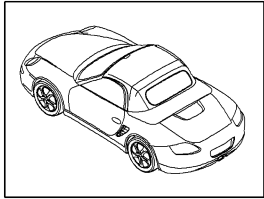
| Pos | Part Number    | Description  | Remark | Qty | Model |
|-----|----------------|--|--------|-----|-------|
| 1   | 997 635 206 03 | fanfare<br>horn<br>alarm system<br>fanfare<br>high-pitched |        | 1   |       |
| 2   | 997 635 205 03 | fanfare<br>low-pitched                                     |        | 1   |       |
| 3   | 997 635 150 03 | support  |        | 1   |       |
| 4   | -              | washer<br>high-pitched                                     |        | 1   |       |
| 5   | -              | washer<br>low-pitched                                      |        | 1   |       |
| 6   | 900 034 001 04 | hexagon nut<br>M 8   |        | 2   |       |
| 7   | 900 377 003 03 | hexagon nut<br>M 8   |        | 1   |       |
| 8   | 996 637 117 03 | horn<br>for<br>alarm system                                |        | 1   |       |
| 9   | 900 075 459 01 | combination screw<br>M 6 X 12 Z2                           |        | 1   |       |
| 10  | 955 618 237 01 | alarm siren  |        | 1   | I536  |
| 11  | 997 637 419 01 | support  |        | 1   | I536  |
| 12  | 900 380 015 01 | hexagon nut<br>M 6   |        | 1   | I536  |
| 13  | 997 618 265 00 | tilt sensor  |        | 1   | I521  |
| 14  | 999 591 742 01 | speed nut<br>4,2   |        | 2   | I521  |
| 15  | 999 073 155 09 | tapping screw<br>4,2 X 13                                  |        | 2   | I521  |

|       |      |    |    |              |              |     |       |            |         |     |         |
|-------|------|----|----|--------------|--------------|-----|-------|------------|---------|-----|---------|
| Model | Year | MG | SG | Illustration | Restrictions | UPD | 19:02 | 01.03.2010 | PORSCHE | PET | PORSCHE |
| 987-2 | 2010 | 9  | 03 | 903-04       |              | 248 |       |            |         |     |         |



| Pos | Part Number    | Description   | Remark | Qty | Model |
|-----|----------------|---|--------|-----|-------|
| 1   | 987 632 053 00 | interior lights<br>luggage compartment lamp<br>engine compartment lamp<br>glove compartment light<br>footwell light<br>interior light |        | 1   |       |
| 2   | 999 632 018 00 | bulb socket   |        | 1   |       |
| 3   | 999 631 032 90 | bulb<br>5 W   |        | 2   |       |
| 4   | 996 632 132 01 | door guard light  |        | 2   |       |
| 5   | 161 949 111    | bulb socket   |        | 1   |       |
| 6   | 955 632 202 00 | light<br>footwell   |        | 2   |       |
| 7   | 997 632 201 00 | light<br>luggage compartment<br>front and rear  |        | 2   |       |
| 8   | 900 631 106 90 | bulb<br>10 W  |        | 2   |       |
| 9   | 997 632 071 00 | glove compartment light   |        | 1   |       |
| -   | 999 631 147 90 | bulb<br>3 W<br>vanity mirror  |        | 4   |       |

|       |      |    |    |              |              |     |       |            |         |     |         |
|-------|------|----|----|--------------|--------------|-----|-------|------------|---------|-----|---------|
| Model | Year | MG | SG | Illustration | Restrictions | UPD | 19:03 | 01.03.2010 | PORSCHE | PET | PORSCHE |
| 987-2 | 2010 | 9  | 03 | 903-05       |              | 248 |       |            |         |     |         |

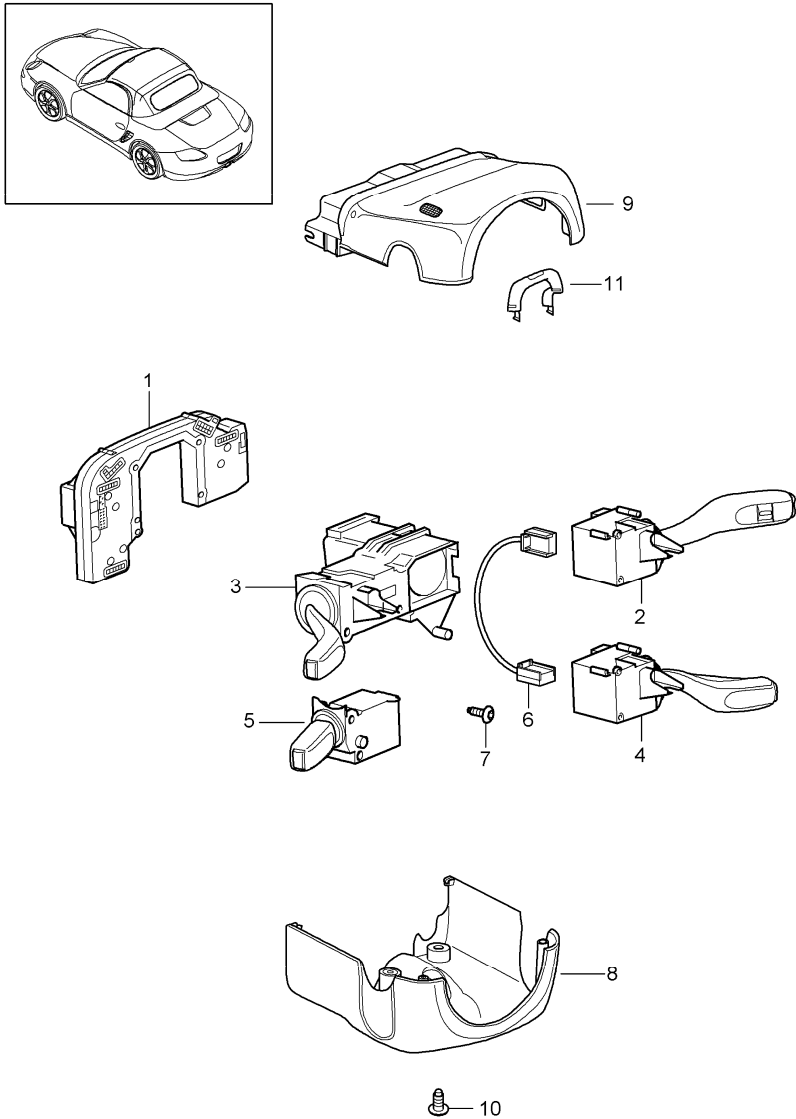


| Pos | Part Number    | Description                              | Remark | Qty | Model  |
|-----|----------------|--|--------|-----|--------|
|     |                | switch                                   |        |     |        |
| 1   | 997 613 535 01 | light switch                             |        | 1   |        |
|     | A05            | black mat                                |        |     |        |
| (1) | 997 613 525 00 | light switch                             |        | 1   | I605   |
|     | A05            | black mat                                |        |     |        |
| (1) | 997 613 525 00 | light switch                             |        | 1   | SPYDER |
|     | A05            | black mat                                |        |     |        |
| 2   | 987 613 120 02 | hazard warning light sw.                 |        | 1   |        |
|     | A05            | black mat                                |        |     |        |
| 3   | 987 613 143 00 | switch<br>central locking system         |        | 1   |        |
|     | A05            | black mat                                |        |     |        |
| 4   | 955 613 165 02 | switch<br>airbag                         |        | 1   |        |
|     | 9B9            | satin black                              |        |     |        |
| 5   | 997 652 103 00 | clamping ring<br>with<br>lid             |        | 1   |        |
| 6   | 955 652 107 00 | plug socket                              |        | 2   |        |
| 7   | 997 653 251 00 | sensor<br>air conditioner                |        | 1   |        |
| 8   | 997 613 241 00 | switch<br>door mirror                    |        | 1   |        |
|     | A05            | black mat                                |        |     |        |
| 9   | 997 613 103 00 | memory switch                            | /L     | 1   | I537   |
|     | A05            | black mat                                |        |     |        |
| (9) | 997 613 104 00 | memory switch                            | /R     | 1   | I538   |
|     | A05            | black mat                                |        |     |        |
| 10  | 997 613 151 04 | switch<br>power windows<br>driver's side | /LL    | 1   | I098   |
|     | A05            | black mat                                |        |     |        |

|       |      |    |    |              |              |     |       |            |         |     |         |
|-------|------|----|----|--------------|--------------|-----|-------|------------|---------|-----|---------|
| Model | Year | MG | SG | Illustration | Restrictions | UPD | 19:03 | 01.03.2010 | PORSCHE | PET | PORSCHE |
| 987-2 | 2010 | 9  | 03 | 903-05       |              | 248 |       |            |         |     |         |

| Pos  | Part Number    | Description                                 | Remark | Qty | Model                        | Pos  | Part Number    | Description                     | Remark | Qty | Model                        |
|------|----------------|---|--------|-----|------------------------------|------|----------------|---------------------------------|--------|-----|------------------------------|
| (10) | 997 613 152 04 | switch<br>power windows<br>driver's side    | /RL    | 1   | I099                         |      | A05            | black mat                       |        |     |                              |
|      | A05            | black mat                                   |        |     |                              | (13) | 997 613 555 00 | combined switch                 |        | 1   | IXLF/475/476<br>I480/639/640 |
| (10) | 997 613 156 04 | switch<br>power windows<br>passenger's side | /LL    | 1   | I098                         |      | A05            | black mat                       |        |     |                              |
|      | A05            | black mat                                   |        |     |                              | (13) | 997 613 557 00 | combined switch                 |        | 1   | I029/250/476<br>I639/640     |
| (10) | 997 613 155 04 | switch<br>power windows<br>passenger's side | /RL    | 1   | I099                         |      | A05            | black mat                       |        |     |                              |
|      | A05            | black mat                                   |        |     |                              | (13) | 997 613 559 00 | combined switch                 |        | 1   | I250/475/476<br>I639/640     |
| 11   | 997 641 165 00 | indicator light<br>airbag                   |        | 1   |                              | (13) | 997 613 561 00 | combined switch                 |        | 1   | IXLF/029/250<br>I476/639/640 |
|      | A05            | black mat                                   |        |     |                              |      | A05            | black mat                       |        |     |                              |
| 12   | 997 613 141 10 | switch<br>convertible top control           |        | 1   |                              | (13) | 997 613 563 00 | combined switch                 |        | 1   | IXLF/250/475<br>I476/639/640 |
|      | A05            | black mat                                   |        |     |                              |      | A05            | black mat                       |        |     |                              |
| 13   | 997 613 541 00 | combined switch                             |        | 1   | I029/476                     | 14   | 997 652 101 00 | cigarette lighter               |        | 1   |                              |
|      | A05            | black mat                                   |        |     |                              |      | A05            | black mat                       |        |     |                              |
| (13) | 997 613 543 00 | combined switch                             |        | 1   | I029/476/480<br>I639/640     | 15   | 997 652 102 00 | headlight unit                  |        | 1   |                              |
|      | A05            | black mat                                   |        |     |                              | 16   | 997 652 104 00 | clamping ring<br>with<br>lid    |        | 1   |                              |
| (13) | 997 613 545 00 | combined switch                             |        | 1   | I475/476                     | 17   | 997 613 225 01 | switch<br>garage door opener    | /L     | 1   | I607/608                     |
|      | A05            | black mat                                   |        |     |                              |      | A05            | black mat                       |        |     |                              |
| (13) | 997 613 547 00 | combined switch                             |        | 1   | I475/476/480<br>I639/640     | (17) | 997 613 227 01 | switch<br>garage door opener    | /R     | 1   | I607/608                     |
|      | A05            | black mat                                   |        |     |                              |      | A05            | black mat                       |        |     |                              |
| (13) | 997 613 549 00 | combined switch                             |        | 1   | IXLF/029/476                 | (17) | 997 613 235 00 | cover                           |        | 2   |                              |
|      | A05            | black mat                                   |        |     |                              |      | 01C            | satin black                     |        |     |                              |
| (13) | 997 613 551 00 | combined switch                             |        | 1   | IXLF/029/476<br>I480/639/640 | 18   | 997 613 105 01 | switch<br>lid<br>front and rear |        | 1   |                              |
|      | A05            | black mat                                   |        |     |                              |      | A05            | black mat                       |        |     |                              |
| (13) | 997 613 553 00 | combined switch                             |        | 1   | IXLF/475/476                 |      |                |                                 |        |     |                              |

|       |      |    |    |              |              |     |       |            |         |     |         |
|-------|------|----|----|--------------|--------------|-----|-------|------------|---------|-----|---------|
| Model | Year | MG | SG | Illustration | Restrictions | UPD | 19:03 | 01.03.2010 | PORSCHE | PET | PORSCHE |
| 987-2 | 2010 | 9  | 03 | 903-10       |              | 248 |       |            |         |     |         |



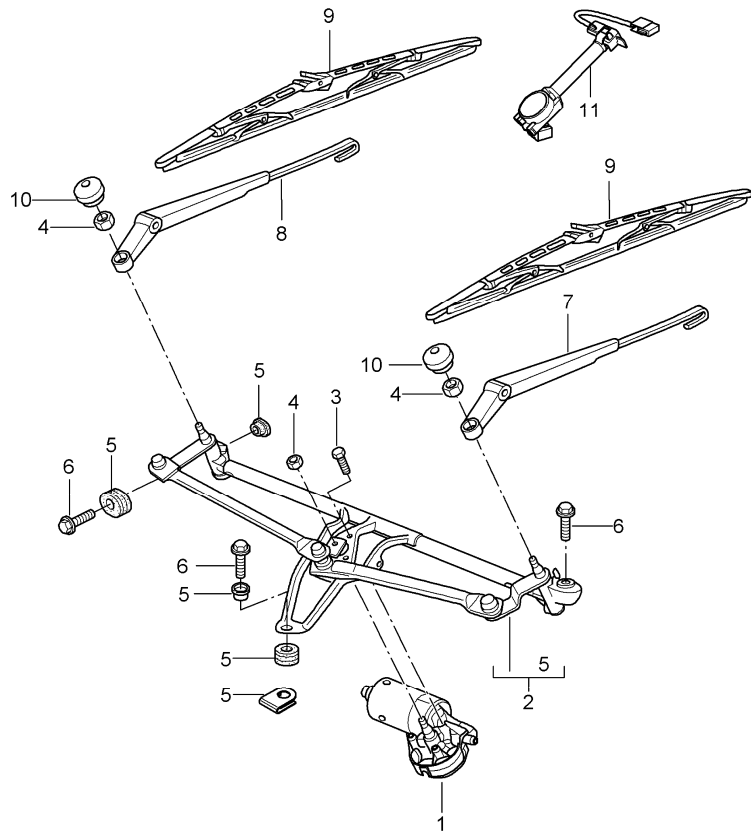
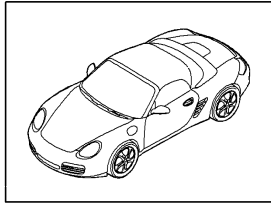
| Pos | Part Number      | Description                     | Remark | Qty | Model        |
|-----|------------------|---------------------------------|--------|-----|--------------|
|     |                  | steering column switch          |        |     |              |
| 1   | 997 613 297 03   | electronic unit                 | 09     | 1   | I480         |
| 1   | 997 613 289 01   | electronic unit                 | 09     | 1   | I250         |
| 1   | 997 613 289 01   | electronic unit                 | 10-    | 1   |              |
| 1   | 997 613 299 01   | electronic unit                 |        | 1   | I250/345/480 |
| 2   | 997 613 253 00   | wiper switch                    |        | 1   | I288         |
|     |                  | 01C satin black                 |        |     |              |
| 3   | 997 613 245 00   | direction indicator switch      |        | 1   |              |
|     |                  | 01C satin black                 |        |     |              |
| 4   | > 997 613 261 00 | switch cruise control           |        | 1   | I454         |
|     |                  | 01C satin black                 |        |     |              |
| 5   | 997 613 265 00   | switch on-board computer        |        | 1   | I659         |
|     |                  | 01C satin black                 |        |     |              |
| (5) | 997 613 267 00   | switch on-board computer        |        | 1   | I659/671     |
|     |                  | 01C satin black                 |        |     |              |
| 6   | 997 622 674 00   | wiring harness cruise control   |        | 1   | I454         |
| 7   | N 909 068 01     | torx screw M 2,5 X 2,6 X 43,5-D |        | X   |              |
| 8   | 997 552 475 02   | switch housing lower            |        | 1   |              |
|     |                  | A03 black                       |        |     |              |
| (8) | 997 552 475 03   | switch housing lower            |        | 1   | I454         |
|     |                  | A03 black                       |        |     |              |
| 8   | 997 552 979 00   | switch housing lower leather    |        | 1   | IXNS         |
|     |                  | A11 black                       |        |     |              |
|     |                  | 5X6 stone grey                  |        |     |              |



|       |      |    |    |              |              |     |       |            |         |     |         |
|-------|------|----|----|--------------|--------------|-----|-------|------------|---------|-----|---------|
| Model | Year | MG | SG | Illustration | Restrictions | UPD | 19:03 | 01.03.2010 | PORSCHE | PET | PORSCHE |
| 987-2 | 2010 | 9  | 03 | 903-10       |              | 248 |       |            |         |     |         |

| Pos | Part Number    | Description                        | Remark | Qty | Model    | Pos | Part Number    | Description                 | Remark | Qty | Model |
|-----|----------------|------------------------------------|--------|-----|----------|-----|----------------|-----------------------------|--------|-----|-------|
|     | 8G2            | sand beige                         |        |     |          |     | D12            | dark grey/natural           |        |     |       |
|     | 3S9            | sea blue                           |        |     |          |     | T12            | brown/natural               |        |     |       |
|     | 9S5            | terracotta                         |        |     |          |     | N12            | carrera red                 |        |     |       |
|     | 9V6            | cocoa                              |        |     |          | 10  | 999 919 136 01 | oval-head screw<br>3,5 X 18 |        | 3   |       |
|     | D12            | dark grey/natural                  |        |     |          | 11  | 997 610 206 00 | cable guide                 |        | 1   |       |
|     | T12            | brown/natural                      |        |     |          |     |                |                             |        |     |       |
|     | N12            | carrera red                        |        |     |          |     |                |                             |        |     |       |
| (8) | 997 552 979 01 | switch housing<br>lower<br>leather |        | 1   | IXNS/454 |     |                |                             |        |     |       |
|     | A11            | black                              |        |     |          |     |                |                             |        |     |       |
|     | 5X6            | stone grey                         |        |     |          |     |                |                             |        |     |       |
|     | 8G2            | sand beige                         |        |     |          |     |                |                             |        |     |       |
|     | 3S9            | sea blue                           |        |     |          |     |                |                             |        |     |       |
|     | 9S5            | terracotta                         |        |     |          |     |                |                             |        |     |       |
|     | 9V6            | cocoa                              |        |     |          |     |                |                             |        |     |       |
|     | D12            | dark grey/natural                  |        |     |          |     |                |                             |        |     |       |
|     | T12            | brown/natural                      |        |     |          |     |                |                             |        |     |       |
|     | N12            | carrera red                        |        |     |          |     |                |                             |        |     |       |
| 9   | 997 552 273 02 | switch housing<br>upper            |        | 1   |          |     |                |                             |        |     |       |
|     | A03            | black                              |        |     |          |     |                |                             |        |     |       |
| 9   | 997 552 997 00 | switch housing<br>upper<br>leather |        | 1   | IXNS     |     |                |                             |        |     |       |
|     | A11            | black                              |        |     |          |     |                |                             |        |     |       |
|     | 5X6            | stone grey                         |        |     |          |     |                |                             |        |     |       |
|     | 8G2            | sand beige                         |        |     |          |     |                |                             |        |     |       |
|     | 3S9            | sea blue                           |        |     |          |     |                |                             |        |     |       |
|     | 9S5            | terracotta                         |        |     |          |     |                |                             |        |     |       |
|     | 9V6            | cocoa                              |        |     |          |     |                |                             |        |     |       |

|       |      |    |    |              |              |     |       |            |         |     |         |
|-------|------|----|----|--------------|--------------|-----|-------|------------|---------|-----|---------|
| Model | Year | MG | SG | Illustration | Restrictions | UPD | 19:03 | 01.03.2010 | PORSCHE | PET | PORSCHE |
| 987-2 | 2010 | 9  | 04 | 904-00       |              | 248 |       |            |         |     |         |

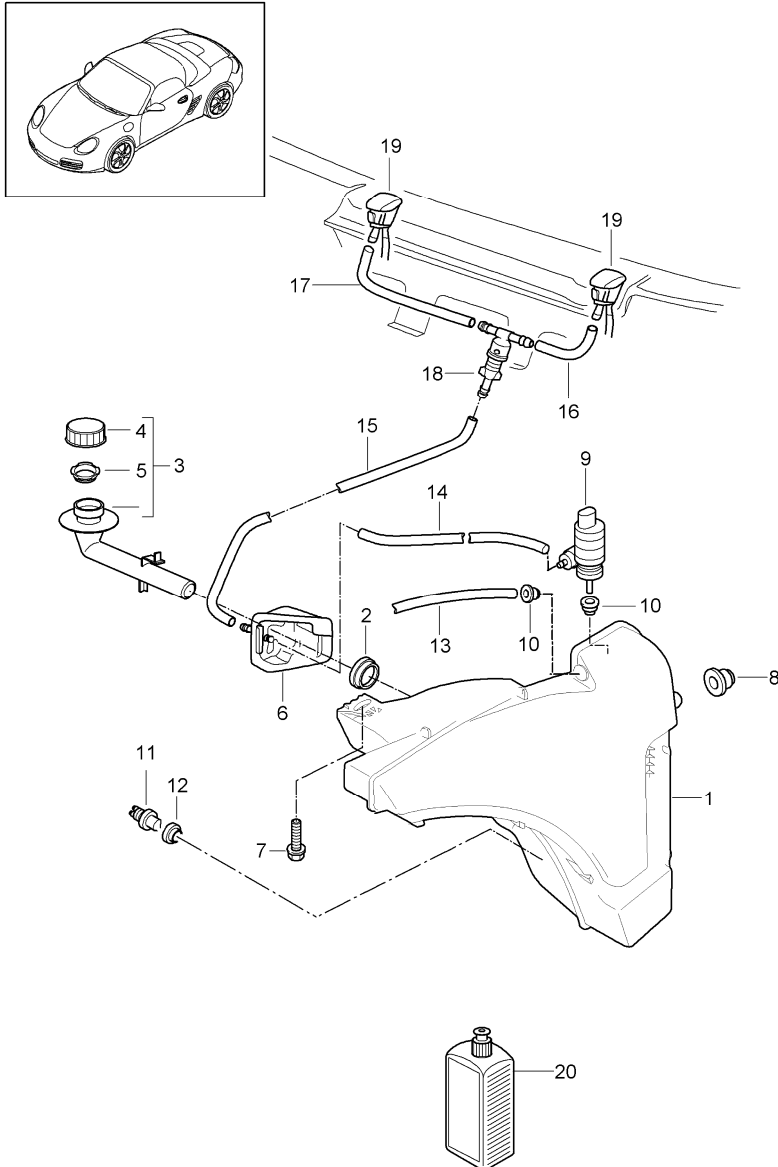


| Pos | Part Number    | Description   | Remark | Qty | Model    |
|-----|----------------|---|--------|-----|----------|
|     |                | windscreen wiper system<br>rain sensor                  |        |     |          |
| 1   | 997 624 105 01 | wiper motor   | /LL    | 1   | I098     |
| (1) | 997 624 106 01 | wiper motor   | /RL    | 1   | I099     |
| 2   | 997 628 235 01 | crank drive   | /LL    | 1   | I098     |
| (2) | 997 628 236 01 | crank drive   | /RL    | 1   | I099     |
| 3   | 999 073 152 02 | torx screw<br>M 6 X 18                                  |        | 3   |          |
| 4   | 900 076 064 02 | hexagon nut<br>M 8                                      |        | 3   |          |
| 5   | 997 628 928 00 | repair kit<br>comprising:                               |        | 1   |          |
| -   | -              | bearing sleeve  |        | 1   |          |
| -   | -              | rubber bush   |        | 1   |          |
| -   | -              | bearing sleeve  |        | 1   |          |
| -   | -              | rubber bush   |        | 1   |          |
| -   | -              | clamp   |        | 2   |          |
| 6   | 999 075 075 01 | combination screw<br>M 6 X 22 SC                        |        | 3   |          |
| 7   | 987 628 027 00 | wiper arm<br>driver's side                              | /LL    | 1   | I098     |
| (7) | 997 628 030 00 | wiper arm<br>passenger's side                           | /RL    | 1   | I099     |
| 8   | 997 628 029 00 | wiper arm<br>passenger's side                           | /LL    | 1   | I098     |
| (8) | 987 628 028 00 | wiper arm<br>driver's side                              | /RL    | 1   | I099     |
| 9   | 996 628 901 08 | wiper blade<br>set<br>driver's side<br>passenger's side |        | 1   |          |
| 10  | 944 628 305 01 | cap   |        | 2   |          |
| 11  | 987 612 693 25 | rain sensor<br>with<br>wiring harness                   |        | 1   | I267/268 |

|       |      |    |    |              |              |     |       |            |         |     |         |
|-------|------|----|----|--------------|--------------|-----|-------|------------|---------|-----|---------|
| Model | Year | MG | SG | Illustration | Restrictions | UPD | 19:03 | 01.03.2010 | PORSCHE | PET | PORSCHE |
| 987-2 | 2010 | 9  | 04 | 904-00       |              | 248 |       |            |         |     |         |

| Pos | Part Number    | Description                         | Remark | Qty | Model | Pos | Part Number | Description | Remark | Qty | Model |
|-----|----------------|-------------------------------------|--------|-----|-------|-----|-------------|-------------|--------|-----|-------|
| -   | 000 043 204 65 | adhesive film<br>for<br>rain sensor |        | 1   |       |     |             |             |        |     |       |

|       |      |    |    |              |              |     |       |            |         |     |         |
|-------|------|----|----|--------------|--------------|-----|-------|------------|---------|-----|---------|
| Model | Year | MG | SG | Illustration | Restrictions | UPD | 19:03 | 01.03.2010 | PORSCHE | PET | PORSCHE |
| 987-2 | 2010 | 9  | 04 | 904-10       |              | 248 |       |            |         |     |         |

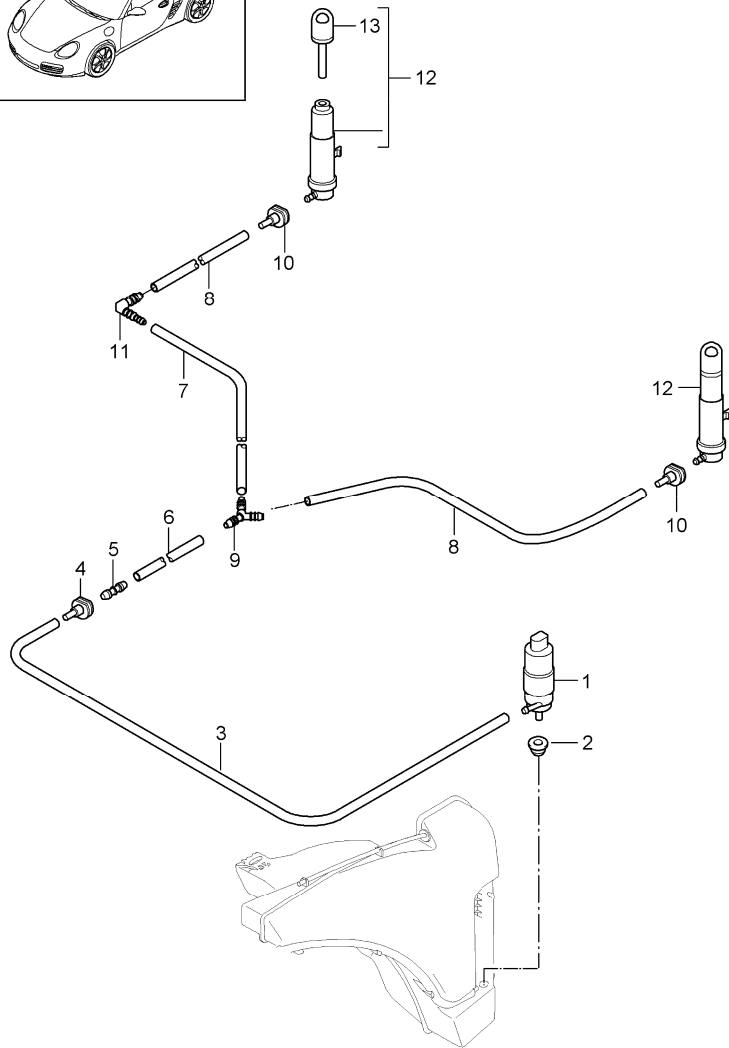
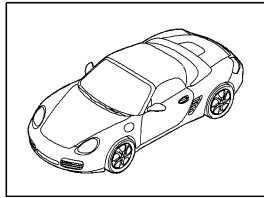


| Pos  | Part Number    | Description   | Remark | Qty | Model |
|------|----------------|---|--------|-----|-------|
|      |                | windscreen washer system  |        |     |       |
| 1    | 997 528 701 01 | water reservoir   |        | 1   | I288  |
| (1)  | 997 528 701 00 | water reservoir   |        | 1   |       |
| 2    | 996 528 711 00 | gasket  |        | 1   |       |
| 3    | 997 528 605 00 | filler neck   |        | 1   |       |
| 4    | 996 528 607 00 | lid   |        | 1   |       |
| 5    | 997 528 621 00 | strainer  |        | 1   |       |
| 6    | 996 528 615 01 | bracket   |        | 1   |       |
| -    | 999 137 091 40 | joining socket<br>repair material<br>for<br>bracket<br>996.528.615.01 |        | X   |       |
| 7    | 900 378 154 01 | hexagon-head bolt<br>AM 8 X 35 SB                                     |        | 1   |       |
| 8    | 999 702 221 40 | grommet   |        | 2   |       |
| 9    | 997 628 182 00 | pump  |        | 1   |       |
| 10   | 431 955 465 B  | gasket  |        | 2   |       |
| 11   | 955 628 105 00 | tank gauge switch   |        | 1   |       |
| 12   | 955 528 721 00 | gasket  |        | 1   |       |
| 13   | 999 181 347 40 | breather pipe<br>273 MM   |        | *   |       |
| -    | 999 181 815 40 | hose<br>5,0 X 2,5   |        | *   |       |
| 14   | -              | 375 MM  |        | 1   |       |
| 15   | -              | 650 MM  |        | 1   |       |
| 16   | -              | 97 MM   |        | 1   |       |
| 17   | -              | 347 MM  |        | 1   |       |
| (18) | 999 137 005 40 | t-piece   |        | 1   |       |
| 19   | 997 628 077 00 | nozzle  |        | 2   |       |
| 20   | 999 901 017 42 | window cleaner<br>250 ML<br>summer                                    |        | X   |       |

|       |      |    |    |              |              |     |       |            |         |     |         |
|-------|------|----|----|--------------|--------------|-----|-------|------------|---------|-----|---------|
| Model | Year | MG | SG | Illustration | Restrictions | UPD | 19:03 | 01.03.2010 | PORSCHE | PET | PORSCHE |
| 987-2 | 2010 | 9  | 04 | 904-10       |              | 248 |       |            |         |     |         |

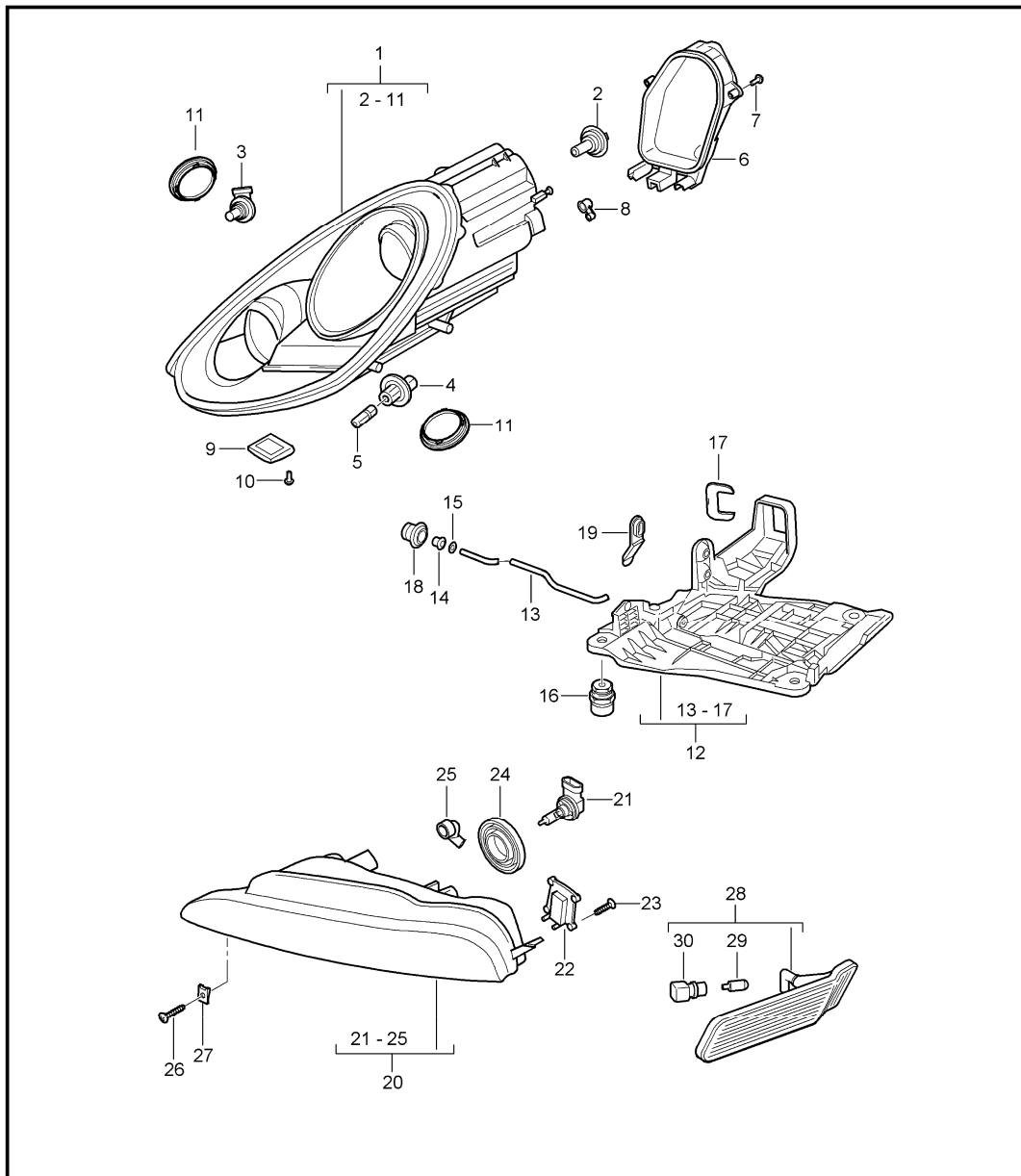
| Pos | Part Number    | Description                         | Remark | Qty | Model | Pos | Part Number | Description | Remark | Qty | Model |
|-----|----------------|-------------------------------------|--------|-----|-------|-----|-------------|-------------|--------|-----|-------|
| 20  | 999 901 033 40 | window cleaner<br>1000 ML<br>winter |        | X   |       |     |             |             |        |     |       |

|       |      |    |    |              |              |     |      |            |         |     |         |
|-------|------|----|----|--------------|--------------|-----|------|------------|---------|-----|---------|
| Model | Year | MG | SG | Illustration | Restrictions | UPD | 7:36 | 02.03.2010 | PORSCHE | PET | PORSCHE |
| 987-2 | 2010 | 9  | 04 | 904-20       |              | 248 |      |            |         |     |         |



| Pos | Part Number    | Description                               | Remark | Qty | Model |
|-----|----------------|---|--------|-----|-------|
|     |                | headlight washer system                   |        |     | I288  |
| 1   | 997 624 502 00 | pump                                      |        | 1   |       |
| 2   | 928 628 193 00 | gasket                                    |        | 1   |       |
| -   | 000 043 204 79 | hose<br>8 X 3                             |        | *   |       |
| 3   | -              | 890 MM                                    |        | 1   |       |
| 4   | 996 628 204 00 | quick-connecting lock                     |        | 1   |       |
| 5   | 997 628 208 00 | hose connection                           |        | 1   |       |
| -   | 999 181 760 40 | hose<br>10 X 3                            |        | *   |       |
| 6   | -              | 405 MM                                    |        |     |       |
| 7   | -              | 1850 MM                                   |        |     |       |
| 8   | -              | 90 MM                                     |        |     |       |
| 9   | 999 137 093 40 | y-piece                                   |        | 1   |       |
| 10  | 997 628 204 00 | quick-connecting lock                     |        | 2   |       |
| 11  | 997 628 209 00 | angled pipe                               |        | 1   |       |
| 12  | 997 628 163 01 | nozzle                                    |        | 2   |       |
| 13  | 997 628 263 00 | nozzle head                               |        | 2   |       |
| -   | 997 628 981 02 | cap<br>prime coated<br>for<br>POS 12 + 13 | 10-    | 2   | IXUB  |

|       |      |    |    |              |              |     |      |            |         |     |         |
|-------|------|----|----|--------------|--------------|-----|------|------------|---------|-----|---------|
| Model | Year | MG | SG | Illustration | Restrictions | UPD | 7:36 | 02.03.2010 | PORSCHE | PET | PORSCHE |
| 987-2 | 2010 | 9  | 05 | 905-00       |              | 248 |      |            |         |     |         |



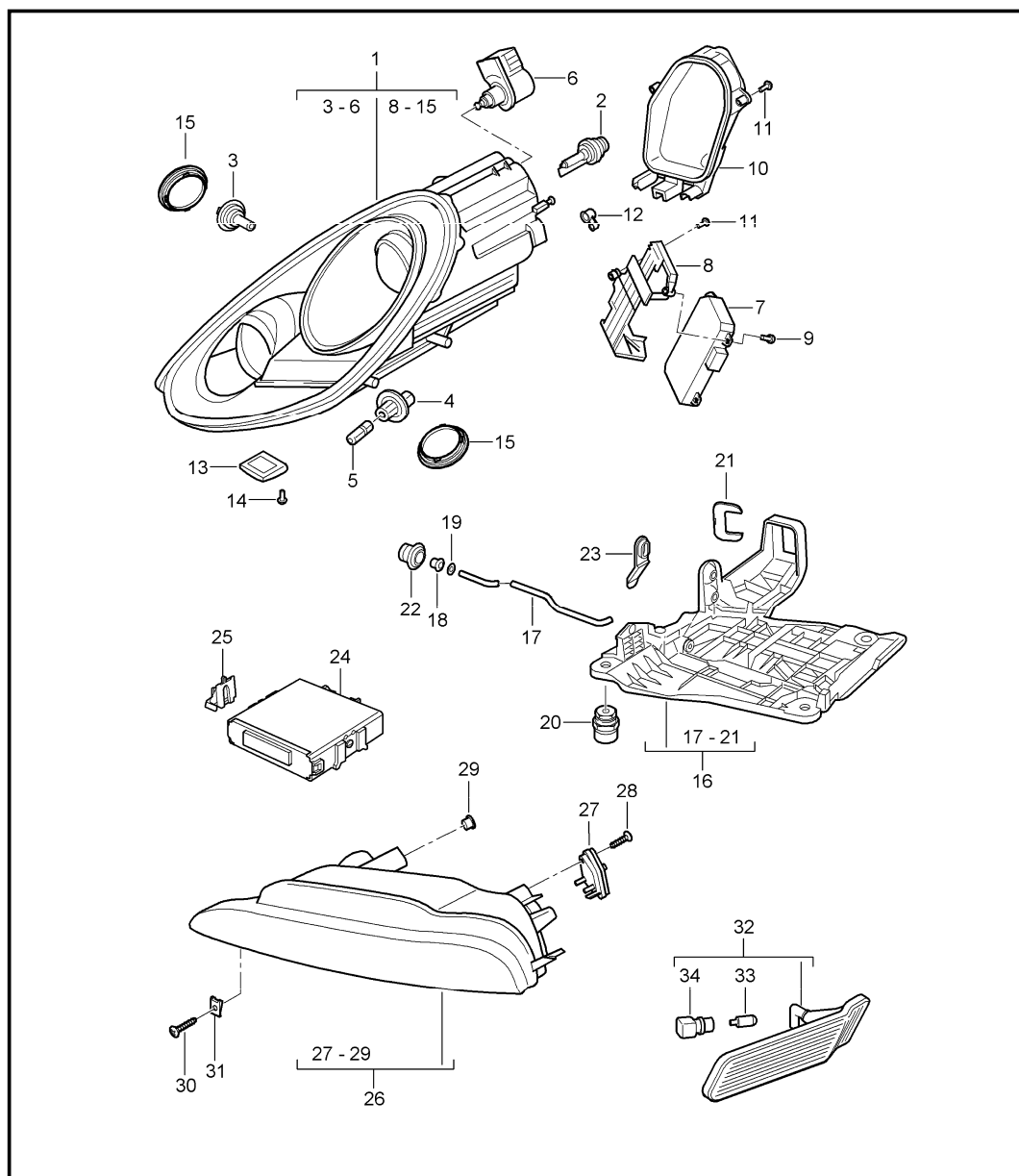
| Pos  | Part Number    | Description  | Remark | Qty | Model |
|------|----------------|--|--------|-----|-------|
|      |                | headlamp<br>additional headlamp<br>direction indicator light |        |     |       |
| 1    | 987 631 165 01 | headlamp   | /L     | 1   |       |
| (1)  | 987 631 166 01 | headlamp   | /R     | 1   |       |
| 1    | 987 631 165 11 | headlamp   | /L     | 1   | I492  |
| (1)  | 987 631 166 11 | headlamp   | /R     | 1   | I492  |
| 2    | 999 631 133 91 | halogen bulb<br>H 7  |        | 2   |       |
| 3    | 999 631 143 90 | halogen bulb<br>H 9  |        | 2   |       |
| 4    | 987 631 151 00 | bulb socket<br>direction indicator light                     |        | 2   |       |
| 5    | 999 631 305 90 | bulb<br>21 W   |        | 2   |       |
| 6    | 987 631 101 00 | protective cap   | /L     | 1   |       |
| (6)  | 987 631 102 00 | protective cap   | /R     | 1   |       |
| 7    | 997 631 191 00 | screw  |        | 8   |       |
| 8    | 997 631 249 00 | ventilation component  |        | 2   |       |
| 9    | 997 631 149 00 | ventilation component  | /L     | 1   |       |
| (9)  | 997 631 150 00 | ventilation component  | /R     | 1   |       |
| 10   | 997 631 153 00 | screw  |        | 4   |       |
| 11   | 997 631 211 00 | protective cap   |        | 4   |       |
| 12   | 987 631 073 01 | mounting   | /L     | 1   |       |
| (12) | 987 631 074 01 | mounting   | /R     | 1   |       |
| 13   | 987 631 243 01 | clamping bow   |        | 2   |       |
| 14   | 997 631 272 00 | bearing sleeve   |        | 2   |       |
| 15   | 900 116 004 09 | lock washer  |        | 2   |       |
| 16   | 997 631 194 02 | fastening part   |        | 6   |       |
| 17   | 997 631 245 00 | locking device<br>connector housing                          |        | 2   |       |
| 18   | 999 703 413 40 | stopper  |        | 2   |       |

|       |      |    |    |              |              |     |      |            |         |     |         |
|-------|------|----|----|--------------|--------------|-----|------|------------|---------|-----|---------|
| Model | Year | MG | SG | Illustration | Restrictions | UPD | 7:36 | 02.03.2010 | PORSCHE | PET | PORSCHE |
| 987-2 | 2010 | 9  | 05 | 905-00       |              | 248 |      |            |         |     |         |

| Pos  | Part Number    | Description                  | Remark | Qty | Model  | Pos | Part Number | Description | Remark | Qty | Model |
|------|----------------|------------------------------|--------|-----|--------|-----|-------------|-------------|--------|-----|-------|
| 19   | 993 631 170 03 | stopper                      |        | 6   |        |     |             |             |        |     |       |
|      |                | additional headlamp          |        |     |        |     |             |             |        |     |       |
| 20   | 987 631 091 01 | additional headlamp          | /L     | 1   |        |     |             |             |        |     |       |
| 20   | 987 631 097 01 | position light               | /L     | 1   | SPYDER |     |             |             |        |     |       |
| (20) | 987 631 092 01 | additional headlamp          | /R     | 1   |        |     |             |             |        |     |       |
| (20) | 987 631 098 01 | position light               | /R     | 1   | SPYDER |     |             |             |        |     |       |
| 21   | 999 631 142 90 | halogen bulb<br>H 8          |        | 2   |        |     |             |             |        |     |       |
| 22   | 997 631 241 00 | LED module<br>position light |        | 2   |        |     |             |             |        |     |       |
| 23   | 997 631 297 00 | screw                        |        | 4   |        |     |             |             |        |     |       |
| 24   | 997 631 145 00 | cap                          |        | 2   |        |     |             |             |        |     |       |
| 25   | 997 631 247 00 | breather adapter             |        | 2   |        |     |             |             |        |     |       |
| 26   | 999 073 063 02 | tapping screw<br>ST 4,8 X 22 |        | 4   |        |     |             |             |        |     |       |
| 27   | 999 507 759 09 | speed nut<br>ST 4,8          |        | 4   |        |     |             |             |        |     |       |
|      |                | direction indicator light    |        |     |        |     |             |             |        |     |       |
| 28   | 987 631 013 00 | direction indicator light    | /L     | 1   |        |     |             |             |        |     |       |
| (28) | 987 631 014 00 | direction indicator light    | /R     | 1   |        |     |             |             |        |     |       |
| 29   | 999 631 138 90 | bulb<br>5 W<br>yellow        |        | 2   |        |     |             |             |        |     |       |
| 30   | 997 631 133 00 | bulb socket                  |        | 2   |        |     |             |             |        |     |       |



|       |      |    |    |              |              |     |      |            |         |     |         |
|-------|------|----|----|--------------|--------------|-----|------|------------|---------|-----|---------|
| Model | Year | MG | SG | Illustration | Restrictions | UPD | 7:36 | 02.03.2010 | PORSCHE | PET | PORSCHE |
| 987-2 | 2010 | 9  | 05 | 905-01       |              | 248 |      |            |         |     |         |

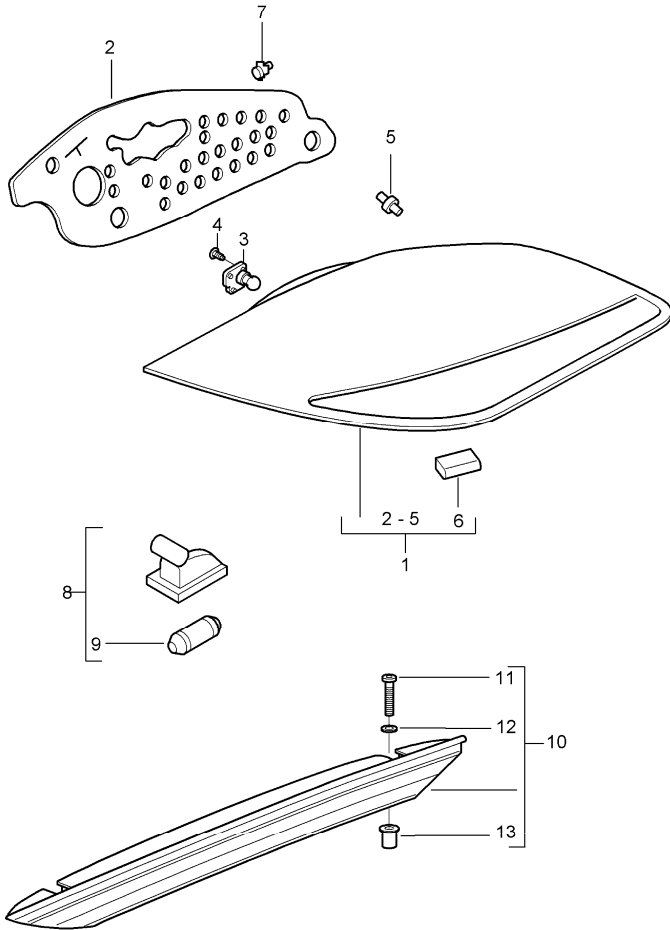
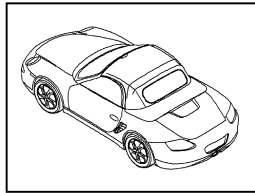


| Pos  | Part Number    | Description  | Remark | Qty | Model        |
|------|----------------|--|--------|-----|--------------|
|      |                | headlamp<br>additional headlamp<br>direction indicator light |        |     | I603<br>I605 |
|      |                | headlamp<br>without<br>control unit<br>and<br>bulb<br>XENON  |        |     |              |
| 1    | 987 631 169 01 | headlamp   | /L     | 1   |              |
| (1)  | 987 631 170 01 | headlamp   | /R     | 1   |              |
| 1    | 987 631 169 11 | headlamp   | /L     | 1   | I492         |
| (1)  | 987 631 170 11 | headlamp   | /R     | 1   | I492         |
| 2    | 999 631 036 90 | bulb<br>- PHILIPS -  |        | 2   |              |
| 3    | 999 631 133 91 | halogen bulb<br>H 7  |        | 2   |              |
| 4    | 987 631 151 00 | bulb socket<br>direction indicator light                     |        | 2   |              |
| 5    | 999 631 305 90 | bulb<br>21 W   |        | 2   |              |
| 6    | 997 631 227 01 | electric motor<br>headlight levelling system                 | /L     | 1   |              |
| (6)  | 997 631 228 01 | electric motor<br>headlight levelling system                 | /R     | 1   |              |
| 7    | 997 631 283 01 | control unit   |        | 2   |              |
| 8    | 987 631 223 00 | support  | /L     | 1   |              |
| (8)  | 987 631 224 00 | support  | /R     | 1   |              |
| 9    | 997 631 199 00 | screw  |        | 4   |              |
| 10   | 987 631 101 00 | protective cap   | /L     | 1   |              |
| (10) | 987 631 102 00 | protective cap   | /R     | 1   |              |
| 11   | 997 631 191 00 | screw  |        | 14  |              |
| 12   | 997 631 249 00 | ventilation component  |        | 2   |              |
| 13   | 997 631 149 00 | ventilation component  | /L     | 1   |              |
| (13) | 997 631 150 00 | ventilation component  | /R     | 1   |              |

|       |      |    |    |              |              |     |      |            |         |     |         |
|-------|------|----|----|--------------|--------------|-----|------|------------|---------|-----|---------|
| Model | Year | MG | SG | Illustration | Restrictions | UPD | 7:36 | 02.03.2010 | PORSCHE | PET | PORSCHE |
| 987-2 | 2010 | 9  | 05 | 905-01       |              | 248 |      |            |         |     |         |

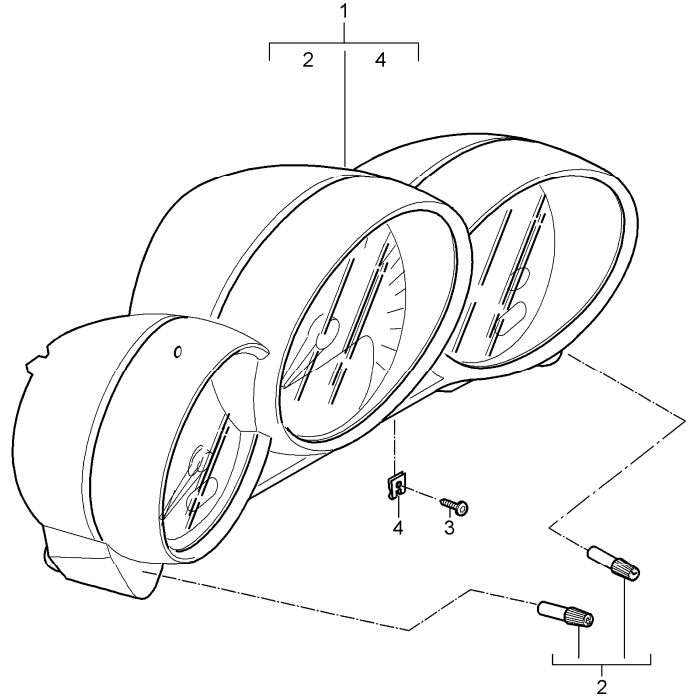
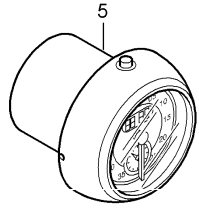
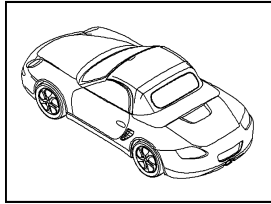
| Pos  | Part Number    | Description                                      | Remark | Qty | Model  | Pos | Part Number    | Description           | Remark | Qty | Model |
|------|----------------|--|--------|-----|--------|-----|----------------|-----------------------|--------|-----|-------|
| 14   | 997 631 153 00 | screw  |        | 4   |        | 33  | 999 631 138 90 | bulb<br>5 W<br>yellow |        | 2   |       |
| 15   | 997 631 211 00 | protective cap                                   |        | 4   |        |     |                |                       |        |     |       |
| 16   | 987 631 073 01 | mounting   | /L     | 1   |        | 34  | 997 631 133 00 | bulb socket           |        | 2   |       |
| (16) | 987 631 074 01 | mounting   | /R     | 1   |        |     |                |                       |        |     |       |
| 17   | 987 631 243 01 | clamping bow                                     |        | 2   |        |     |                |                       |        |     |       |
| 18   | 997 631 272 00 | bearing sleeve                                   |        | 2   |        |     |                |                       |        |     |       |
| 19   | 900 116 004 09 | lock washer                                      |        | 2   |        |     |                |                       |        |     |       |
| 20   | 997 631 194 02 | fastening part                                   |        | 6   |        |     |                |                       |        |     |       |
| 21   | 997 631 245 00 | locking device<br>connector housing              |        | 2   |        |     |                |                       |        |     |       |
| 22   | 999 703 413 40 | stopper  |        | 2   |        |     |                |                       |        |     |       |
| 23   | 993 631 170 03 | stopper  |        | 6   |        |     |                |                       |        |     |       |
| 24   | 997 618 321 02 | control unit<br>Dynamic cornering light          |        | 1   |        |     |                |                       |        |     |       |
| 25   | 997 618 331 00 | support<br>additional headlamp                   |        | 2   |        |     |                |                       |        |     |       |
| 26   | 987 631 095 01 | additional headlamp                              | /L     | 1   | I605   |     |                |                       |        |     |       |
| 26   | 987 631 097 01 | position light                                   | /L     | 1   | SPYDER |     |                |                       |        |     |       |
| (26) | 987 631 096 01 | additional headlamp                              | /R     | 1   | I605   |     |                |                       |        |     |       |
| (26) | 987 631 098 01 | position light                                   | /R     | 1   | SPYDER |     |                |                       |        |     |       |
| 27   | 997 631 241 00 | LED module<br>position light                     |        | 2   | I605   |     |                |                       |        |     |       |
| 28   | 997 631 297 00 | screw  |        | 4   | I605   |     |                |                       |        |     |       |
| 29   | 987 631 291 00 | cap  |        | 2   | I605   |     |                |                       |        |     |       |
| 30   | 999 073 063 02 | tapping screw<br>ST 4,8 X 22                     |        | 4   | I605   |     |                |                       |        |     |       |
| 31   | 999 507 759 09 | speed nut<br>ST 4,8<br>direction indicator light |        | 4   | I605   |     |                |                       |        |     |       |
| 32   | 987 631 013 00 | direction indicator light                        | /L     | 1   |        |     |                |                       |        |     |       |
| (32) | 987 631 014 00 | direction indicator light                        | /R     | 1   |        |     |                |                       |        |     |       |

|       |      |    |    |              |              |     |      |            |         |     |         |
|-------|------|----|----|--------------|--------------|-----|------|------------|---------|-----|---------|
| Model | Year | MG | SG | Illustration | Restrictions | UPD | 7:36 | 02.03.2010 | PORSCHE | PET | PORSCHE |
| 987-2 | 2010 | 9  | 05 | 905-05       |              | 248 |      |            |         |     |         |



| Pos | Part Number    | Description  | Remark | Qty | Model  |
|-----|----------------|--|--------|-----|--------|
|     |                | rear light<br>license plate light<br>additional brake light        |        |     |        |
| 1   | 987 631 425 03 | rear light   | /L     | 1   | I465   |
| 1   | 987 631 427 03 | rear light   | /L     | 1   | I466   |
| (1) | 987 631 426 03 | rear light   | /R     | 1   | I465   |
| (1) | 987 631 428 03 | rear light   | /R     | 1   | I466   |
| 2   | 987 631 441 01 | gasket   | /L     | 1   |        |
| 2   | 987 631 442 01 | gasket   | /R     | 1   |        |
| 3   | 999 631 250 91 | bulb<br>back-up light<br>use also:<br>gasket<br>POS. 2             |        | 1   |        |
| (3) | 999 631 255 91 | bulb<br>direction indicator light<br>use also:<br>gasket<br>POS. 2 |        | 1   |        |
| 4   | 997 631 497 00 | screw  |        | 8   |        |
| 5   | 987 631 053 00 | actuator   |        | 6   |        |
| 6   | 987 631 585 00 | buffer   |        | 2   |        |
| 7   | 999 076 056 01 | hexagon nut<br>M 5   |        | 6   |        |
| 8   | 997 631 620 00 | license plate light  |        | 2   |        |
| 9   | 900 631 025 90 | bulb<br>12V 5W   |        | 2   |        |
| 10  | 987 631 050 02 | additional brake light   |        | 1   |        |
| 10  | 997 631 052 01 | additional brake light   |        | 1   | SPYDER |
| 11  | 900 146 049 00 | pan-head screw<br>M 5 X 25   |        | 2   |        |
| 12  | 900 025 073 00 | washer   |        | 2   |        |
| 13  | 999 500 128 00 | nut  |        | 2   |        |

|       |      |    |    |              |              |     |      |            |         |     |         |
|-------|------|----|----|--------------|--------------|-----|------|------------|---------|-----|---------|
| Model | Year | MG | SG | Illustration | Restrictions | UPD | 7:37 | 02.03.2010 | PORSCHE | PET | PORSCHE |
| 987-2 | 2010 | 9  | 06 | 906-01       |              | 248 |      |            |         |     |         |

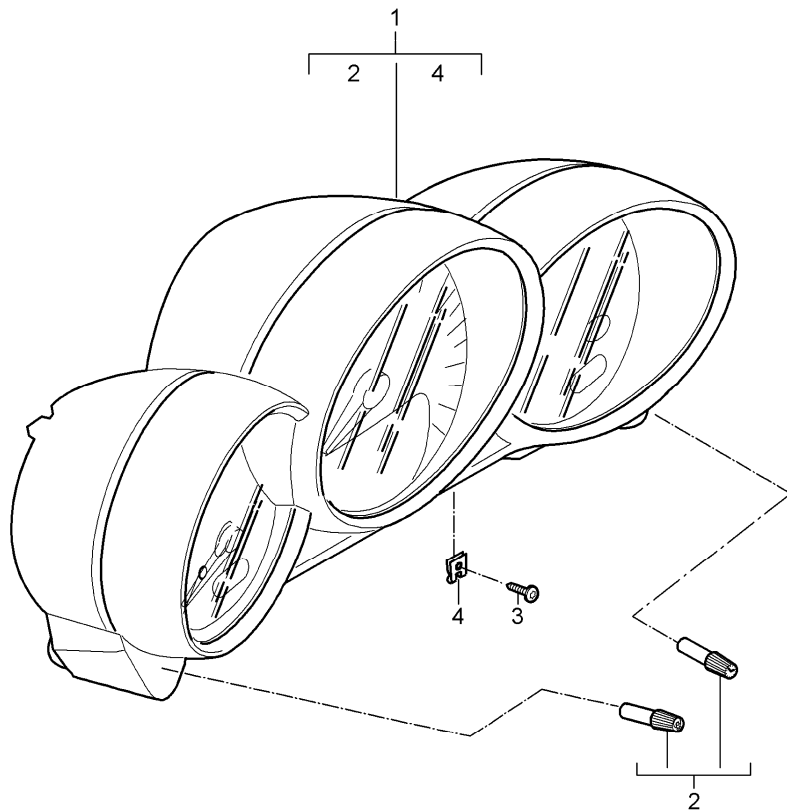
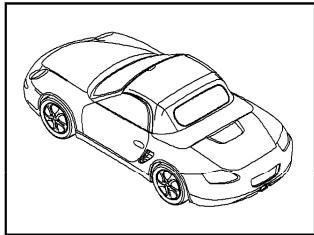


| Pos | Part Number    | Description   | Remark   | Qty | Model    |
|-----|----------------|---|----------|-----|----------|
|     |                | instruments<br>stopwatch<br><br>see technical information<br>GR. 9 NR. 5/09<br>KD - NR. 9025<br><br>B O X S T E R |          |     |          |
| 1   | 987 641 303 03 | instrument cluster<br>complete<br><br>D07 volcano grey  |          | 1   | I022/480 |
| 1   | 987 641 304 03 | instrument cluster<br>complete<br><br>D07 volcano grey  | 09       | 1   | I022/250 |
| 1   | 987 641 304 04 | instrument cluster<br>complete<br><br>D07 volcano grey  | 10-      | 1   | I022/250 |
| 1   | 987 641 307 03 | instrument cluster<br>complete<br><br>D07 volcano grey  | (GB)     | 1   | I022/480 |
| 1   | 987 641 308 03 | instrument cluster<br>complete<br><br>D07 volcano grey  | (GB) 09  | 1   | I022/250 |
| 1   | 987 641 308 04 | instrument cluster<br>complete<br><br>D07 volcano grey  | (GB) 10- | 1   | I022/250 |
| (1) | 987 641 313 03 | B O X S T E R S<br>instrument cluster<br>complete<br><br>D07 volcano grey   |          | 1   | I023/480 |
| (1) | 987 641 314 03 | instrument cluster<br>complete<br><br>D07 volcano grey  | 09       | 1   | I023/250 |
| (1) | 987 641 314 04 | instrument cluster<br>complete<br><br>D07 volcano grey  | 10-      | 1   | I023/250 |

|       |      |    |    |              |              |     |      |            |         |     |         |
|-------|------|----|----|--------------|--------------|-----|------|------------|---------|-----|---------|
| Model | Year | MG | SG | Illustration | Restrictions | UPD | 7:37 | 02.03.2010 | PORSCHE | PET | PORSCHE |
| 987-2 | 2010 | 9  | 06 | 906-01       |              | 248 |      |            |         |     |         |

| Pos | Part Number    | Description                        | Remark | Qty | Model                   | Pos | Part Number    | Description    | Remark | Qty | Model                     |
|-----|----------------|------------------------------------|--------|-----|-------------------------|-----|----------------|----------------|--------|-----|---------------------------|
| 1   | 987 641 317 03 | instrument cluster complete        | (GB)   | 1   | I023/480                | 5   | 987 641 301 26 | stopwatch      |        | 1   | SPYDER<br>I025/639/640    |
|     | D07            | volcano grey                       |        |     |                         |     | V05            | galvano silver |        |     |                           |
| 1   | 987 641 318 03 | instrument cluster complete        | (GB)   | 09  | I023/250                | (5) | 987 641 311 26 | stopwatch      |        | 1   | BOXSTER S<br>I026/639/640 |
|     | D07            | volcano grey                       |        |     |                         |     | V05            | galvano silver |        |     |                           |
| 1   | 987 641 318 04 | instrument cluster complete        | (GB)   | 10- | I023/250                |     |                |                |        |     |                           |
|     | D07            | volcano grey                       |        |     |                         |     |                |                |        |     |                           |
|     |                | S P Y D E R                        |        |     |                         |     |                |                |        |     |                           |
| (1) | 987 641 323 00 | instrument cluster complete        |        | 1   | I022/480                |     |                |                |        |     |                           |
|     | D07            | volcano grey                       |        |     |                         |     |                |                |        |     |                           |
| (1) | 987 641 324 00 | instrument cluster complete        |        | 1   | I022/250                |     |                |                |        |     |                           |
|     | D07            | volcano grey                       |        |     |                         |     |                |                |        |     |                           |
| 1   | 987 641 327 00 | instrument cluster complete        | (GB)   | 1   | I022/480                |     |                |                |        |     |                           |
|     | D07            | volcano grey                       |        |     |                         |     |                |                |        |     |                           |
| 1   | 987 641 328 01 | instrument cluster complete        | (GB)   | 1   | I022/250                |     |                |                |        |     |                           |
|     | D07            | volcano grey                       |        |     |                         |     |                |                |        |     |                           |
| 2   | 997 641 911 00 | knob actuator trip meter and clock |        | 1   |                         |     |                |                |        |     |                           |
| 3   | 999 073 155 09 | tapping screw 4,2 X 19             |        | 2   |                         |     |                |                |        |     |                           |
| 4   | 999 507 403 02 | u-clamp 12,5                       |        | 2   |                         |     |                |                |        |     |                           |
|     |                | stopwatch                          |        |     |                         |     |                |                |        |     |                           |
| 5   | 987 641 301 26 | stopwatch                          |        | 1   | BOXSTER<br>I025/639/640 |     |                |                |        |     |                           |
|     | V05            | galvano silver                     |        |     |                         |     |                |                |        |     |                           |

|       |      |    |    |              |              |     |      |            |         |     |         |
|-------|------|----|----|--------------|--------------|-----|------|------------|---------|-----|---------|
| Model | Year | MG | SG | Illustration | Restrictions | UPD | 7:37 | 02.03.2010 | PORSCHE | PET | PORSCHE |
| 987-2 | 2010 | 9  | 06 | 906-02       |              | 248 |      |            |         |     |         |



| Pos | Part Number    | Description   | Remark | Qty | Model |
|-----|----------------|---|--------|-----|-------|
|     |                | instruments<br>exclusive programme<br><br>see technical information<br>GR. 9 NR. 5/09<br>KD - NR. 9025<br><br>B O X S T E R |        |     |       |
| 1   | 987 641 981 05 | instrument cluster<br>complete<br>dial<br>lacquered   |        | 1   | I480  |
|     | 5Z1            | sand beige  |        |     | IXFD  |
|     | 84A            | guards red  |        |     | IXFG  |
|     | 12H            | speed yellow  |        |     | IXFH  |
|     | B9A            | carrara white   |        |     | IXFJ  |
| 1   | 987 641 981 06 | instrument cluster<br>complete<br>dial<br>lacquered   | 09     | 1   | I250  |
|     | 5Z1            | sand beige  |        |     | IXFD  |
|     | 84A            | guards red  |        |     | IXFG  |
|     | 12H            | speed yellow  |        |     | IXFH  |
|     | B9A            | carrara white   |        |     | IXFJ  |
| 1   | 987 641 981 26 | instrument cluster<br>complete<br>dial<br>lacquered   | 10-    | 1   | I250  |
|     | 5Z1            | sand beige  |        |     | IXFD  |
|     | 84A            | guards red  |        |     | IXFG  |
|     | 12H            | speed yellow  |        |     | IXFH  |
|     | B9A            | carrara white   |        |     | IXFJ  |
| 1   | 987 641 981 07 | instrument cluster<br>complete<br>dial<br>lacquered   | (GB)   | 1   | I480  |
|     | 5Z1            | sand beige  |        |     | IXFD  |
|     | 84A            | guards red  |        |     | IXFG  |

|       |      |    |    |              |              |     |      |            |         |     |         |
|-------|------|----|----|--------------|--------------|-----|------|------------|---------|-----|---------|
| Model | Year | MG | SG | Illustration | Restrictions | UPD | 7:37 | 02.03.2010 | PORSCHE | PET | PORSCHE |
| 987-2 | 2010 | 9  | 06 | 906-02       |              | 248 |      |            |         |     |         |

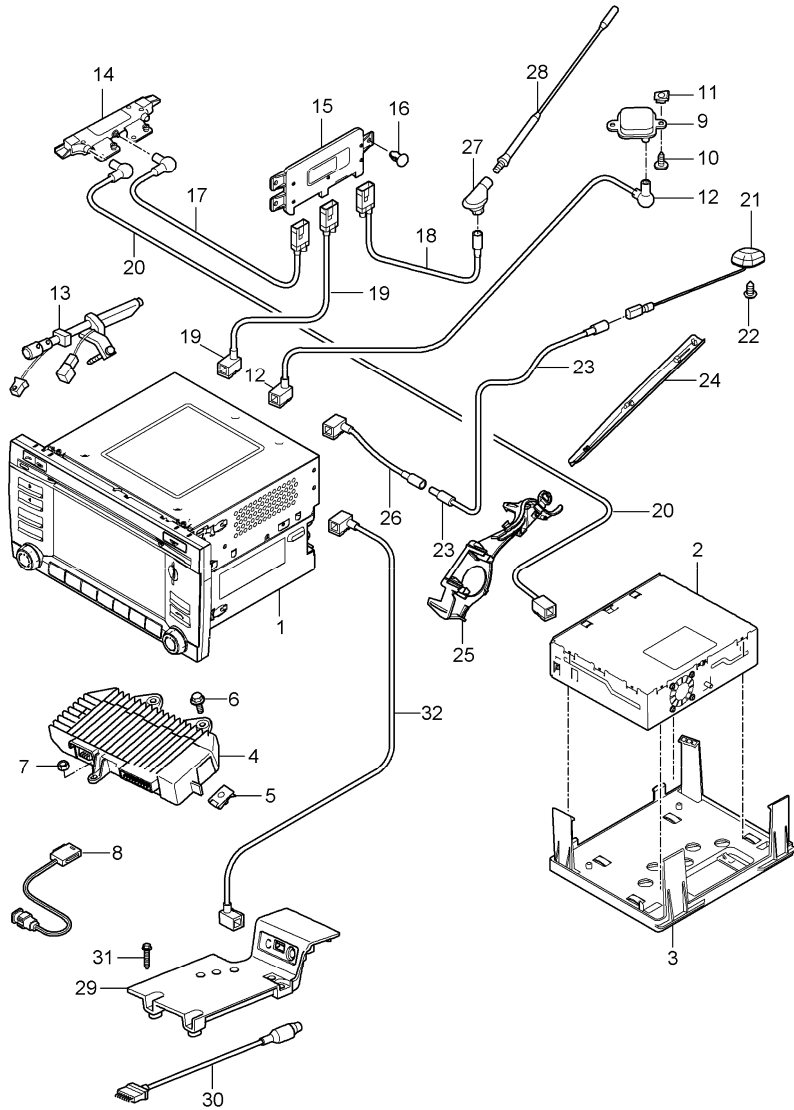
| Pos | Part Number    | Description                                | Remark | Qty | Model | Pos  | Part Number    | Description                                | Remark                                     | Qty  | Model |      |      |      |
|-----|----------------|--|--------|-----|-------|------|----------------|--|--|--|-------|------|------|------|
|     | 12H            | speed yellow                               |        |     | IXFH  | 1    | 987 641 981 36 | instrument cluster complete dial lacquered | 10-  | 1  | I250  |      |      |      |
|     | B9A            | carrara white                              |        |     | IXFJ  |      |                |  |  |  |       |      |      |      |
| 1   | 987 641 981 08 | instrument cluster complete dial lacquered | (GB)   | 09  | 1     | I250 |                |  |  |  |       |      |      |      |
|     | 5Z1            | sand beige                                 |        |     | IXFD  |      | 5Z1            | sand beige                                 |  |  | IXFD  |      |      |      |
|     | 84A            | guards red                                 |        |     | IXFG  |      | 84A            | guards red                                 |  |  | IXFG  |      |      |      |
|     | 12H            | speed yellow                               |        |     | IXFH  |      | 12H            | speed yellow                               |  |  | IXFH  |      |      |      |
|     | B9A            | carrara white                              |        |     | IXFJ  |      | B9A            | carrara white                              |  |  | IXFJ  |      |      |      |
| 1   | 987 641 981 28 | instrument cluster complete dial lacquered | (GB)   | 10- | 1     | I250 | 1              | 987 641 981 17                             | instrument cluster complete dial lacquered | (GB)                                       | 1     | I480 |      |      |
|     | 5Z1            | sand beige                                 |        |     | IXFD  |      | 5Z1            | sand beige                                 |  |  | IXFD  |      |      |      |
|     | 84A            | guards red                                 |        |     | IXFG  |      | 84A            | guards red                                 |  |  | IXFG  |      |      |      |
|     | 12H            | speed yellow                               |        |     | IXFH  |      | 12H            | speed yellow                               |  |  | IXFH  |      |      |      |
|     | B9A            | carrara white                              |        |     | IXFJ  |      | B9A            | carrara white                              |  |  | IXFJ  |      |      |      |
| 1   | 987 641 981 15 | instrument cluster complete dial lacquered |        |     | 1     | I480 | 1              | 987 641 981 18                             | instrument cluster complete dial lacquered | (GB)                                       | 09    | 1    | I250 |      |
|     | 5Z1            | sand beige                                 |        |     | IXFD  |      | 5Z1            | sand beige                                 |  |  | IXFD  |      |      |      |
|     | 84A            | guards red                                 |        |     | IXFG  |      | 84A            | guards red                                 |  |  | IXFG  |      |      |      |
|     | 12H            | speed yellow                               |        |     | IXFH  |      | 12H            | speed yellow                               |  |  | IXFH  |      |      |      |
|     | B9A            | carrara white                              |        |     | IXFJ  |      | B9A            | carrara white                              |  |  | IXFJ  |      |      |      |
| 1   | 987 641 981 16 | instrument cluster complete dial lacquered |        |     | 09    | 1    | I250           | 1  | 987 641 981 38                             | instrument cluster complete dial lacquered | (GB)  | 10-  | 1    | I250 |
|     | 5Z1            | sand beige                                 |        |     | IXFD  |      | 5Z1            | sand beige                                 |  |  | IXFD  |      |      |      |
|     | 84A            | guards red                                 |        |     | IXFG  |      | 84A            | guards red                                 |  |  | IXFG  |      |      |      |
|     | 12H            | speed yellow                               |        |     | IXFH  |      | 12H            | speed yellow                               |  |  | IXFH  |      |      |      |
|     | B9A            | carrara white                              |        |     | IXFJ  |      | B9A            | carrara white                              |  |  | IXFJ  |      |      |      |
|     |                |  |        |     |       | 2    | 997 641 911 00 | knob actuator trip meter and clock         |  |  | 1     |      |      |      |

|       |      |    |    |              |              |     |      |            |         |     |         |
|-------|------|----|----|--------------|--------------|-----|------|------------|---------|-----|---------|
| Model | Year | MG | SG | Illustration | Restrictions | UPD | 7:37 | 02.03.2010 | PORSCHE | PET | PORSCHE |
| 987-2 | 2010 | 9  | 06 | 906-02       |              | 248 |      |            |         |     |         |

| Pos | Part Number    | Description               | Remark | Qty | Model | Pos | Part Number | Description | Remark | Qty | Model |
|-----|----------------|---------------------------|--------|-----|-------|-----|-------------|-------------|--------|-----|-------|
| 3   | 999 073 155 09 | tapping screw<br>4,2 X 19 |        | 2   |       |     |             |             |        |     |       |
| 4   | 999 507 403 02 | u-clamp                   |        | 2   |       |     |             |             |        |     |       |



|       |      |    |    |              |              |     |      |            |         |     |         |
|-------|------|----|----|--------------|--------------|-----|------|------------|---------|-----|---------|
| Model | Year | MG | SG | Illustration | Restrictions | UPD | 7:37 | 02.03.2010 | PORSCHE | PET | PORSCHE |
| 987-2 | 2010 | 9  | 11 | 911-00       |              | 248 |      |            |         |     |         |



| Pos | Part Number    | Description   | Remark | Qty | Model        |
|-----|----------------|---|--------|-----|--------------|
|     |                | control part<br>navigation system<br>radio<br>receiving part<br>tv<br>booster<br>Multimedia interface |        |     |              |
| 1   | 997 642 960 X  | control part<br>only in exchange  |        | 1   | I665         |
|     |                | FTC Matt Black/Galvano Silver<br>we take back:<br>997.642.960.00.FTC                                  |        |     |              |
| 1   | 997 642 962 X  | control part  |        | 1   | I665/693     |
|     |                | FTC Matt Black/Galvano Silver<br>we take back:<br>997.642.962.00.FTC                                  |        |     |              |
| 1   | 997 642 970 X  | control part  |        | 1   | I665/672     |
|     |                | FTC Matt Black/Galvano Silver<br>we take back:<br>997.642.970.00.FTC                                  |        |     |              |
| 1   | 997 642 972 X  | control part  |        | 1   | I665/672/693 |
|     |                | FTC Matt Black/Galvano Silver<br>we take back:<br>997.642.972.00.FTC                                  |        |     |              |
| 1   | 997 642 974 X  | control part  |        | 1   | I665/673     |
|     |                | FTC Matt Black/Galvano Silver<br>we take back:<br>997.642.974.00.FTC                                  |        |     |              |
| 1   | 997 642 975 X  | control part  |        | 1   | I665/673/693 |
|     |                | FTC Matt Black/Galvano Silver<br>we take back:<br>997.642.975.00.FTC                                  |        |     |              |
| -   | -              | control unit<br>telephone<br>see group<br>9/11/10   |        |     |              |
| -   | 997 642 929 00 | rotary knob<br>for<br>control part  | /L     | 1   |              |

|       |      |    |    |              |              |     |      |            |         |     |         |
|-------|------|----|----|--------------|--------------|-----|------|------------|---------|-----|---------|
| Model | Year | MG | SG | Illustration | Restrictions | UPD | 7:37 | 02.03.2010 | PORSCHE | PET | PORSCHE |
| 987-2 | 2010 | 9  | 11 | 911-00       |              | 248 |      |            |         |     |         |

| Pos | Part Number    | Description  | Remark | Qty | Model                | Pos | Part Number    | Description   | Remark | Qty | Model |
|-----|----------------|--|--------|-----|----------------------|-----|----------------|---|--------|-----|-------|
| -   | 997 642 930 00 | rotary knob<br>for<br>control part                           | /R     | 1   |                      | -   | 999 591 941 40 | expansion rivet<br>for<br>mount<br>adapter<br>-CAN-           |        | 1   | I673  |
| (1) | 997 645 138 04 | radio<br>CDR 30  |        | 1   | I695                 | -   | 997 642 271 50 | dvd<br>navigation system<br>for<br>software<br>997.642.271.00 |        | 1   | I610  |
|     | FTC            | Matt Black/Galvano Silver                                    |        |     |                      |     |                | see technical information<br>GR. 9 NR. 52/09<br>KD - NR. 9110 |        |     |       |
| (1) | 997 645 138 DX | radio<br>CDR 30  |        | 1   | I695                 |     |                |   |        |     |       |
|     | FTC            | Matt Black/Galvano Silver<br>we take back:<br>997.645.138.04 |        |     |                      |     |                |   |        |     |       |
| (1) | 997 645 142 04 | radio<br>CDR 30  |        | 1   | I618/619/695         | -   | 997 642 271 51 | dvd<br>navigation system<br>for<br>software<br>997.642.271.01 |        | 1   | I610  |
|     | FTC            | Matt Black/Galvano Silver                                    |        |     |                      |     |                | see technical information<br>GR. 9 NR. 52/09<br>KD - NR. 9110 |        |     |       |
| (1) | 997 645 142 DX | radio<br>CDR 30  |        | 1   | I618/619/695         |     |                |   |        |     |       |
|     | FTC            | Matt Black/Galvano Silver<br>we take back:<br>997.645.142.04 |        |     |                      |     |                |   |        |     |       |
| (1) | 997 645 144 04 | radio<br>CDR 30  |        | 1   | I618/619/692<br>I695 | -   | 997 642 275 50 | dvd<br>navigation system<br>for<br>software<br>997.642.275.00 |        | 1   | I611  |
|     | FTC            | Matt Black/Galvano Silver                                    |        |     |                      |     |                | see technical information<br>GR. 9 NR. 52/09<br>KD - NR. 9110 |        |     |       |
| (1) | 997 645 144 DX | radio<br>CDR 30  |        | 1   | I618/619/692<br>I695 |     |                |   |        |     |       |
|     | FTC            | Matt Black/Galvano Silver<br>we take back:<br>997.645.144.04 |        |     |                      |     |                |   |        |     |       |
| (1) | 997 645 146 04 | radio<br>CDR 30  |        | 1   | I692/695             | -   | 997 642 275 51 | dvd<br>navigation system<br>for<br>software<br>997.642.275.01 |        | 1   | I611  |
|     | FTC            | Matt Black/Galvano Silver                                    |        |     |                      |     |                | see technical information<br>GR. 9 NR. 52/09<br>KD - NR. 9110 |        |     |       |
| (1) | 997 645 146 DX | radio<br>CDR 30  |        | 1   | I692/695             |     |                |   |        |     |       |
|     | FTC            | Matt Black/Galvano Silver<br>we take back:<br>997.645.146.04 |        |     |                      |     |                |   |        |     |       |
| -   | 997 642 125 00 | adapter<br>-CAN-   |        | 1   | I673                 | -   | 997 642 277 50 | dvd<br>navigation system<br>for<br>software<br>997.642.277.00 |        | 1   | I612  |
|     |                |  |        |     |                      |     |                | see technical information<br>GR. 9 NR. 52/09<br>KD - NR. 9110 |        |     |       |

|       |      |    |    |              |              |     |      |            |         |     |         |
|-------|------|----|----|--------------|--------------|-----|------|------------|---------|-----|---------|
| Model | Year | MG | SG | Illustration | Restrictions | UPD | 7:37 | 02.03.2010 | PORSCHE | PET | PORSCHE |
| 987-2 | 2010 | 9  | 11 | 911-00       |              | 248 |      |            |         |     |         |

| Pos | Part Number    | Description  | Remark | Qty | Model | Pos | Part Number    | Description   | Remark | Qty | Model                        |
|-----|----------------|--|--------|-----|-------|-----|----------------|---|--------|-----|------------------------------|
| -   | 997 642 277 51 | dvd<br>navigation system<br>for<br>software<br>997.642.277.01<br><br>see technical information<br>GR. 9 NR. 52/09<br>KD - NR. 9110 |        | 1   | I612  |     |                | see technical information<br>GR. 9 NR. 52/09<br>KD - NR. 9110 |        |     |                              |
| -   | 997 642 279 50 | dvd<br>navigation system<br>for<br>software<br>997.642.279.00<br><br>see technical information<br>GR. 9 NR. 52/09<br>KD - NR. 9110 |        | 1   | I613  | -   | 997 642 283 51 | dvd<br>navigation system<br>for<br>software<br>997.642.283.01 |        | 1   | I616                         |
| -   | 997 642 279 51 | dvd<br>navigation system<br>for<br>software<br>997.642.279.01<br><br>see technical information<br>GR. 9 NR. 52/09<br>KD - NR. 9110 |        | 1   | I613  | -   | 997 642 148 02 | cd-rom<br>logbook   |        | 1   | I641                         |
| -   | 997 642 281 50 | dvd<br>navigation system<br>for<br>software<br>997.642.281.00<br><br>see technical information<br>GR. 9 NR. 52/09<br>KD - NR. 9110 |        | 1   | I614  | 2   | 997 642 320 01 | receiving part<br>tv  |        | 1   | I676                         |
| -   | 997 642 281 51 | dvd<br>navigation system<br>for<br>software<br>997.642.281.01<br><br>see technical information<br>GR. 9 NR. 52/09<br>KD - NR. 9110 |        | 1   | I614  | 3   | 997 642 331 00 | support<br>receiving part<br>tv                               |        | 1   | I676                         |
| -   | 997 642 283 50 | dvd<br>navigation system<br>for<br>software<br>997.642.283.00  |        | 1   | I616  | (3) | 997 642 337 00 | support<br>navigation system                                  |        | 1   | I673                         |
|     |                |  |        |     |       | 4   | 987 645 442 00 | booster   |        | 1   | I490                         |
|     |                |  |        |     |       | (4) | 997 645 444 04 | booster<br>note coding  |        | 1   | I680                         |
|     |                |  |        |     |       | (4) | 7PP 035 223 J  | booster   | 10-    | 1   | I675/680                     |
|     |                |  |        |     |       | 5   | 999 507 766 02 | speed nut<br>M 6  |        | 2   | I490/680                     |
|     |                |  |        |     |       | 6   | 900 378 035 01 | hexagon-head bolt<br>M 6 X 16                                 |        | 2   | I490/680                     |
|     |                |  |        |     |       | 7   | 999 084 638 01 | hexagon nut<br>M 6  |        | 1   | I490/680                     |
|     |                |  |        |     |       | 8   | 997 646 313 00 | microphone  |        | 1   | I441/490/618<br>I619/666/671 |
|     |                |  |        |     |       | 8   | 997 646 315 00 | microphone  |        | 1   | I618/619/666<br>I671/680     |
|     |                |  |        |     |       | 8   | 997 646 317 00 | microphone  |        | 1   | I680                         |
|     |                |  |        |     |       | 8   | 997 646 319 00 | microphone  |        | 1   | I618/619/665<br>I666/671     |
|     |                |  |        |     |       | -   | 997 610 233 01 | cable guide<br>microphone                                     |        | 1   |                              |

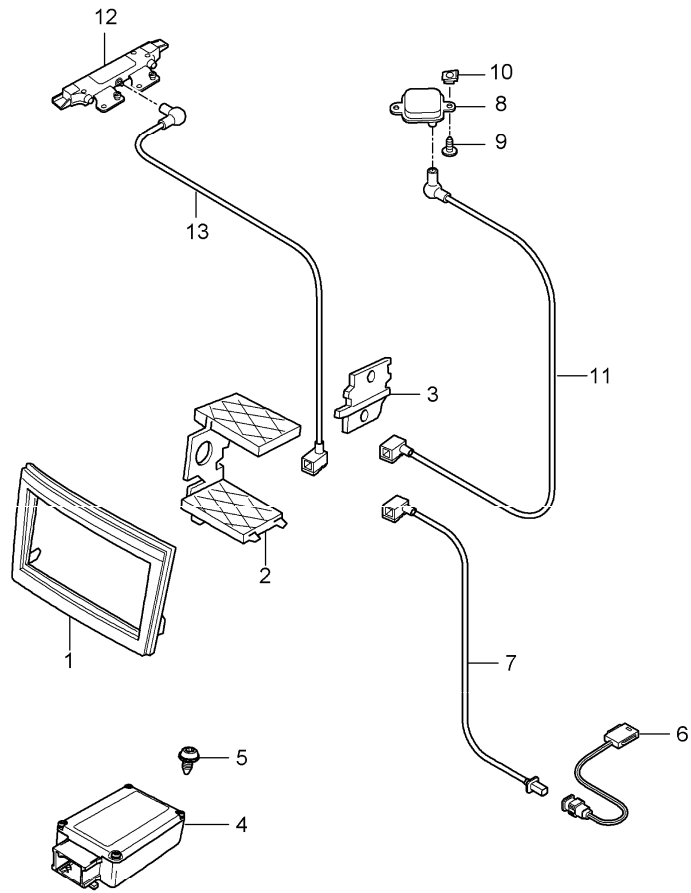
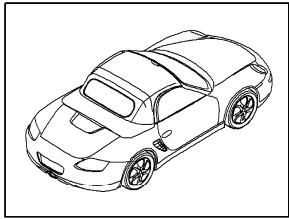
|       |      |    |    |              |              |     |      |            |         |     |         |
|-------|------|----|----|--------------|--------------|-----|------|------------|---------|-----|---------|
| Model | Year | MG | SG | Illustration | Restrictions | UPD | 7:37 | 02.03.2010 | PORSCHE | PET | PORSCHE |
| 987-2 | 2010 | 9  | 11 | 911-00       |              | 248 |      |            |         |     |         |

| Pos  | Part Number    | Description  | Remark | Qty | Model        | Pos  | Part Number    | Description  | Remark | Qty | Model        |
|------|----------------|--|--------|-----|--------------|------|----------------|--|--------|-----|--------------|
| 9    | 997 642 105 00 | antenna<br>GPS   |        | 1   | I672/673     | 17   | 997 612 055 25 | connecting line<br>left<br>antenna booster<br>control unit           | /LL    | 1   | I098/665/695 |
| 10   | 999 073 210 00 | tapping screw<br>4,8 X 13                                  |        | 1   | I672/673     |      |                |  |        |     |              |
| 11   | 999 507 441 01 | speed nut<br>4,8   |        | 1   | I672/673     | 17   | 997 612 056 25 | connecting line<br>right<br>antenna booster<br>control unit          | /LL    | 1   | I098/665/695 |
| 12   | 997 612 030 75 | connecting line<br>antenna<br>control part                 |        | 1   | I672         | 17   | 997 612 055 75 | connecting line<br>left<br>antenna booster<br>control unit           | /RL    | 1   | I099/665/695 |
| (12) | 997 612 073 25 | connecting line<br>antenna<br>control part                 |        | 1   | I673         | 17   | 997 612 056 75 | connecting line<br>right<br>antenna booster<br>control unit          | /RL    | 1   | I099/665/695 |
| 13   | 987 647 105 00 | antenna booster  |        | 1   |              |      |                |  |        |     |              |
| -    | 997 612 052 75 | connecting line<br>antenna<br>radio                        |        | 1   | I695         | 18   | 997 612 066 25 | connecting line<br>antenna base<br>control unit                      |        | 1   | I461         |
| 14   | 997 647 117 00 | antenna booster  | /L     | 1   | I440         | (18) | 997 612 067 01 | connecting line<br>antenna base<br>Power supply                      |        | 1   | I461         |
| (14) | 997 647 118 00 | antenna booster  | /R     | 1   | I440         |      |                |  |        |     |              |
| (14) | 997 647 119 00 | antenna booster  | /L     | 1   | I440/676     |      |                |  |        |     |              |
| (14) | 997 647 120 00 | antenna booster  | /R     | 1   | I440/676     | 19   | 997 612 057 25 | connecting line<br>control unit<br>control part                      | /LL    | 1   | I098/665/695 |
| 15   | 997 618 122 00 | control unit   |        | 1   | I440         | 19   | 997 612 057 75 | connecting line<br>control unit<br>control part                      | /RL    | 1   | I099/665/695 |
| 16   | 999 591 904 40 | fastening part   |        | 2   | I440         |      |                |  |        |     |              |
| 17   | 997 612 069 25 | connecting line<br>left<br>antenna booster<br>control unit | /LL    | 1   | I098/461     | 20   | 997 612 088 25 | connecting line<br>antenna booster<br>receiving part<br>tv           | /LL    | 1   | I098/676     |
| 17   | 997 612 068 25 | connecting line<br>left<br>antenna booster<br>control unit | /LL    | 1   | I098/461/695 | 20   | 997 612 088 75 | connecting line<br>antenna booster<br>receiving part<br>tv           | /RL    | 1   | I099/676     |
| 17   | 997 612 069 75 | connecting line<br>left<br>antenna booster<br>control unit | /RL    | 1   | I099/461     | (20) | 997 612 074 25 | connecting line<br>control part<br>computer<br>navigation system     |        | 1   | I673         |
| 17   | 997 612 068 75 | connecting line<br>left<br>antenna booster<br>control unit | /RL    | 1   | I099/461/695 | (20) | 997 612 072 25 | connecting line<br>computer<br>navigation system<br>- IR -<br>sensor |        | 1   | I673         |

|       |      |    |    |              |              |     |      |            |         |     |         |
|-------|------|----|----|--------------|--------------|-----|------|------------|---------|-----|---------|
| Model | Year | MG | SG | Illustration | Restrictions | UPD | 7:37 | 02.03.2010 | PORSCHE | PET | PORSCHE |
| 987-2 | 2010 | 9  | 11 | 911-00       |              | 248 |      |            |         |     |         |

| Pos  | Part Number    | Description   | Remark | Qty | Model    | Pos | Part Number | Description | Remark | Qty | Model |
|------|----------------|---|--------|-----|----------|-----|-------------|-------------|--------|-----|-------|
| 27   | 997 647 221 00 | antenna base  |        | 1   | I461     |     |             |             |        |     |       |
| 28   | 997 647 223 00 | antenna rod   |        | 1   | I461     |     |             |             |        |     |       |
| 29   | 997 642 465 00 | adapter<br>Multimedia interface                         |        | 1   | I665/870 |     |             |             |        |     |       |
|      | 01C            | satin black   |        |     |          |     |             |             |        |     |       |
| (29) | 997 642 463 00 | adapter<br>Multimedia interface                         |        | 1   | I695/870 |     |             |             |        |     |       |
|      | 01C            | satin black   |        |     |          |     |             |             |        |     |       |
| 30   | 997 612 471 01 | connecting cable<br>iPOD                                |        | 1   | I665/870 |     |             |             |        |     |       |
| 31   | 999 073 429 01 | tapping screw<br>4,2 X 25                               |        | 3   | I870     |     |             |             |        |     |       |
| 32   | 997 612 049 75 | connecting line<br>Multimedia interface<br>control part |        | 1   | I665/870 |     |             |             |        |     |       |

|       |      |    |    |              |              |     |      |            |         |     |         |
|-------|------|----|----|--------------|--------------|-----|------|------------|---------|-----|---------|
| Model | Year | MG | SG | Illustration | Restrictions | UPD | 7:37 | 02.03.2010 | PORSCHE | PET | PORSCHE |
| 987-2 | 2010 | 9  | 11 | 911-01       |              | 248 |      |            |         |     |         |

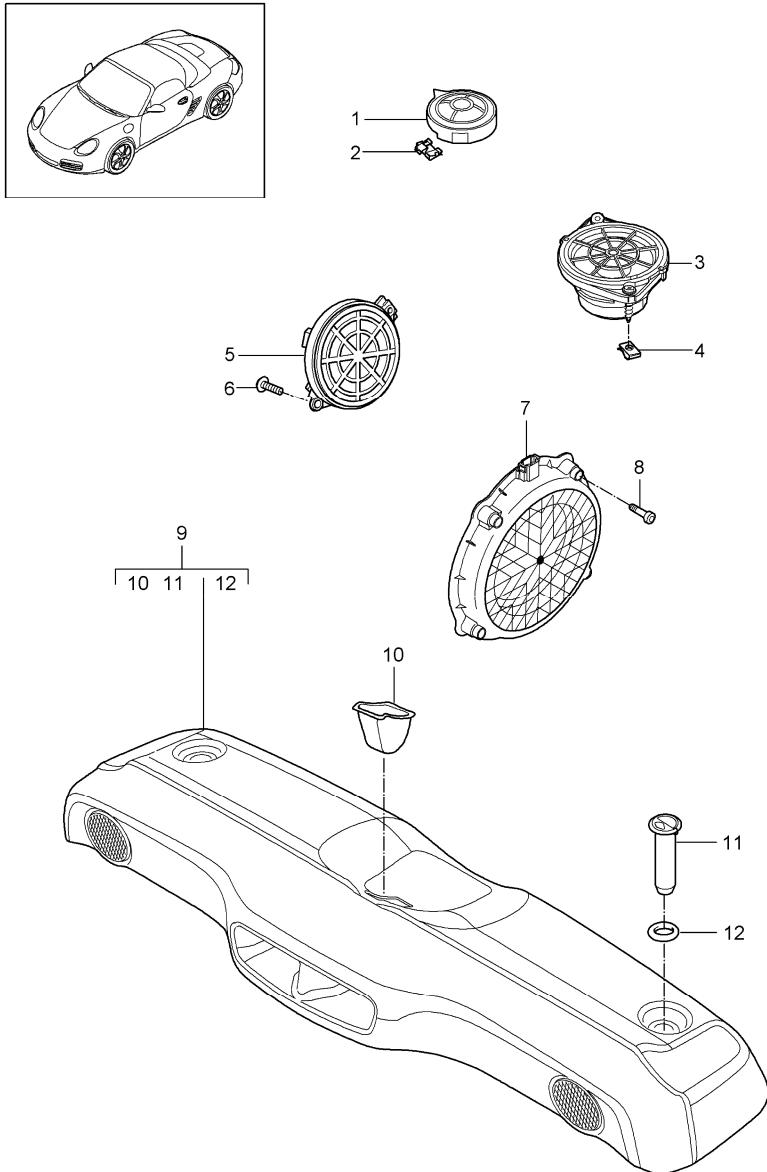


| Pos  | Part Number    | Description   | Remark | Qty | Model |
|------|----------------|---|--------|-----|-------|
|      |                | preparation navigation system japan                     |        |     | I675  |
| 1    | 997 642 913 00 | front frame   |        | 1   | I675  |
|      | A05            | black mat   |        |     |       |
| 2    | 997 642 905 00 | support   |        | 2   | I675  |
| 3    | 997 642 907 00 | guide rail  |        | 2   | I675  |
| 4    | 997 642 915 01 | adapter - CAN -   | 09     | 1   | I675  |
| 4    | 997 642 127 00 | adapter - CAN -   | 10-    | 1   | I675  |
| 5    | 999 591 941 40 | expansion rivet   |        | 1   | I675  |
| 6    | 997 646 309 00 | microphone  |        | 1   | I675  |
| -    | 997 610 233 01 | cable guide microphone                                  |        | 1   | I675  |
| 7    | 997 612 075 75 | connecting line microphone control part                 |        | 1   | I675  |
| (7)  | 997 612 046 25 | connecting line Card reader tv control part             |        | 1   | I675  |
| 8    | 997 642 105 00 | antenna navigation system                               |        | 1   | I675  |
| 9    | 999 073 210 00 | tapping screw 4,8 X 13                                  |        | 1   | I675  |
| 10   | 999 507 441 01 | speed nut 4,8   |        | 1   | I675  |
| 11   | 997 612 079 75 | connecting line antenna navigation system control part  |        | 1   | I675  |
| 12   | 997 647 109 00 | antenna booster   | /L     | 1   | I675  |
| (12) | 997 647 110 00 | antenna booster   | /R     | 1   | I675  |
| 13   | 997 612 076 25 | connecting line antenna booster left control part radio |        | 1   | I675  |

|       |      |    |    |              |              |     |      |            |         |     |         |
|-------|------|----|----|--------------|--------------|-----|------|------------|---------|-----|---------|
| Model | Year | MG | SG | Illustration | Restrictions | UPD | 7:37 | 02.03.2010 | PORSCHE | PET | PORSCHE |
| 987-2 | 2010 | 9  | 11 | 911-01       |              | 248 |      |            |         |     |         |

| Pos  | Part Number    | Description   | Remark | Qty | Model | Pos | Part Number | Description | Remark | Qty | Model |
|------|----------------|---|--------|-----|-------|-----|-------------|-------------|--------|-----|-------|
| (13) | 997 612 077 25 | connecting line<br>antenna booster<br>left<br>control part<br>tv  |        | 1   | I675  |     |             |             |        |     |       |
| (13) | 997 612 078 25 | connecting line<br>antenna booster<br>right<br>control part<br>tv | /LL    | 1   | I675  |     |             |             |        |     |       |
| (13) | 997 612 078 75 | connecting line<br>antenna booster<br>right<br>control part<br>tv | /RL    | 1   | I675  |     |             |             |        |     |       |
| (13) | 997 612 047 25 | connecting line<br>- VICS BEACON -<br>antenna<br>control part     |        | 1   | I675  |     |             |             |        |     |       |

|       |      |    |    |              |              |     |      |            |         |     |         |
|-------|------|----|----|--------------|--------------|-----|------|------------|---------|-----|---------|
| Model | Year | MG | SG | Illustration | Restrictions | UPD | 7:37 | 02.03.2010 | PORSCHE | PET | PORSCHE |
| 987-2 | 2010 | 9  | 11 | 911-05       |              | 248 |      |            |         |     |         |



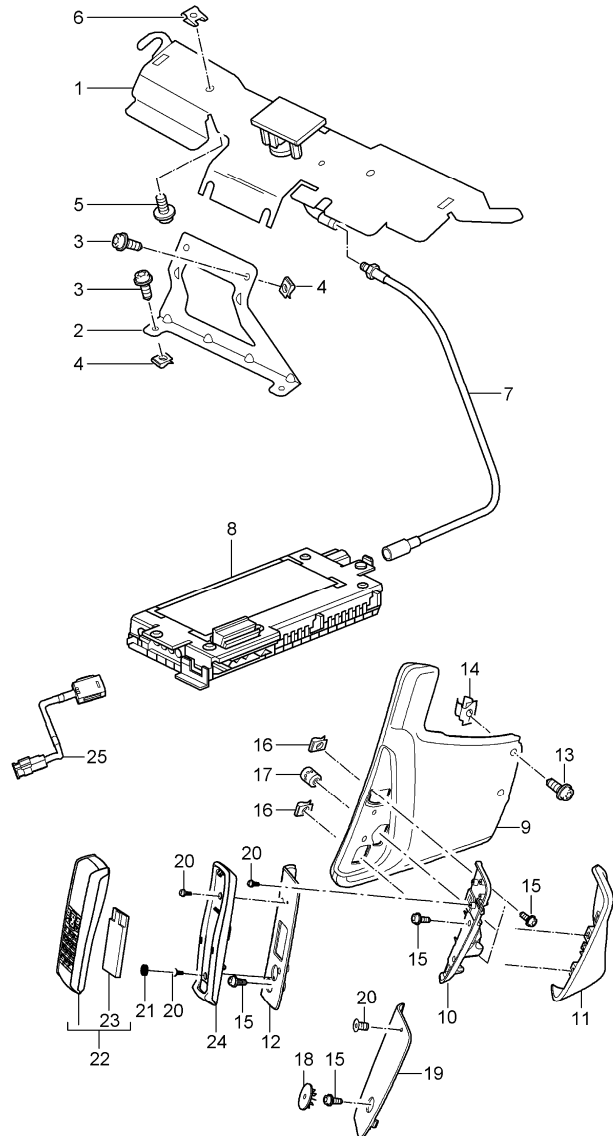
| Pos | Part Number    | Description                   | Remark | Qty | Model    |
|-----|----------------|-------------------------------|--------|-----|----------|
| 1   | 997 645 021 00 | loudspeaker tweeter dashboard |        | 2   | I441/490 |
| (1) | 997 645 025 00 | tweeter dashboard             |        | 2   | I680     |
| 2   | 999 591 303 01 | u-clamp                       |        | 4   |          |
| 3   | 997 645 033 00 | loudspeaker dashboard centre  |        | 1   | I490     |
| (3) | 997 645 035 00 | loudspeaker dashboard centre  |        | 1   | I680     |
| 4   | 999 507 971 01 | speed nut 4,2                 |        | 4   |          |
| 5   | 997 645 543 00 | mid-range loudspeaker door    |        | 2   | I490     |
| (5) | 997 645 545 00 | mid-range loudspeaker door    |        | 2   | I680     |
| 6   | 999 919 164 09 | oval-head screw 5,0 X 12      |        | 4   |          |
| 7   | 997 645 551 00 | woofer                        |        | 2   | I441     |
| (7) | 997 645 553 00 | woofer                        |        | 2   | I490     |
| (7) | 997 645 555 00 | woofer                        |        | 2   | I680     |
| 8   | 900 067 012 03 | pan-head screw M 6 X 30       |        | 8   |          |
| -   | 997 645 511 00 | logo                          |        | 2   | I680     |
| 9   | 987 645 564 01 | subwoofer                     |        | 1   | I680     |
|     | A10            | black                         |        |     |          |
|     | B10            | stone grey                    |        |     |          |
|     | T10            | sand beige                    |        |     |          |
|     | E10            | sea blue                      |        |     |          |
|     | M10            | terracotta                    |        |     |          |
|     | R10            | cocoa                         |        |     |          |
|     | D11            | dark grey/natural             |        |     |          |



|       |      |    |    |              |              |     |      |            |         |     |         |
|-------|------|----|----|--------------|--------------|-----|------|------------|---------|-----|---------|
| Model | Year | MG | SG | Illustration | Restrictions | UPD | 7:37 | 02.03.2010 | PORSCHE | PET | PORSCHE |
| 987-2 | 2010 | 9  | 11 | 911-05       |              | 248 |      |            |         |     |         |

| Pos | Part Number    | Description   | Remark | Qty | Model | Pos | Part Number | Description | Remark | Qty | Model |
|-----|----------------|---------------|--------|-----|-------|-----|-------------|-------------|--------|-----|-------|
|     | T11            | brown/natural |        |     |       |     |             |             |        |     |       |
|     | N10            | carrera red   |        |     |       |     |             |             |        |     |       |
| 10  | 987 551 427 00 | rosette       |        | 1   | I680  |     |             |             |        |     |       |
|     | 01C            | satin black   |        |     |       |     |             |             |        |     |       |
| 11  | 986 551 429 00 | catch         |        | 2   | I680  |     |             |             |        |     |       |
|     | 01C            | satin black   |        |     |       |     |             |             |        |     |       |
| 12  | 986 551 543 00 | thrust washer |        | 2   | I680  |     |             |             |        |     |       |
|     | 01C            | satin black   |        |     |       |     |             |             |        |     |       |

|       |      |    |    |              |              |     |      |            |         |     |         |
|-------|------|----|----|--------------|--------------|-----|------|------------|---------|-----|---------|
| Model | Year | MG | SG | Illustration | Restrictions | UPD | 7:38 | 02.03.2010 | PORSCHE | PET | PORSCHE |
| 987-2 | 2010 | 9  | 11 | 911-10       |              | 248 |      |            |         |     |         |



| Pos | Part Number    | Description                 | Remark | Qty | Model    |
|-----|----------------|-----------------------------|--------|-----|----------|
|     |                | telephone                   |        |     |          |
| 1   | 997 647 125 01 | antenna                     | /LL    | 1   | I098     |
| (1) | 997 647 126 01 | antenna                     | /RL    | 1   | I099     |
| 2   | 997 647 127 00 | support                     | /LL    | 1   | I098     |
| (2) | 997 647 128 00 | support                     | /RL    | 1   | I099     |
| 3   | 999 073 236 0A | oval-head screw<br>M 6 X 10 |        | 4   |          |
| 4   | 999 507 550 01 | speed nut<br>M 6            |        | 4   |          |
| 5   | 999 073 210 00 | tapping screw<br>4,8 X 13   |        | 2   |          |
| 6   | 999 507 441 01 | speed nut<br>4,8            |        | 2   |          |
| 7   | 997 612 065 75 | connecting line             |        | 1   | I666     |
| (7) | 997 612 061 25 | connecting line             |        | 1   | I618/619 |
| 8   | 997 646 218 01 | control unit<br>telephone   |        | 1   | I666     |
| 9   | 997 553 118 07 | cover<br>lateral            | /LL    | 1   | I098     |
|     | FSA            | black/grey                  |        |     |          |
|     | FSB            | stone grey/stone grey       |        |     |          |
|     | FSC            | sand beige/sand beige       |        |     |          |
|     | FSD            | sea blue/grey               |        |     |          |
|     | FSF            | terracotta/terracotta       |        |     |          |
|     | FSG            | cocoa/cocoa                 |        |     |          |
|     | FSH            | darkgrey natural/grey       |        |     |          |
|     | FSJ            | brown nat./brown nat.       |        |     |          |
|     | FSP            | Carrera Red/Carrera Red     |        |     |          |
| (9) | 997 553 117 07 | cover<br>lateral            | /RL    | 1   | I099     |
|     | FSA            | black/grey                  |        |     |          |
|     | FSB            | stone grey/stone grey       |        |     |          |

|       |      |    |    |              |              |     |      |            |         |     |         |
|-------|------|----|----|--------------|--------------|-----|------|------------|---------|-----|---------|
| Model | Year | MG | SG | Illustration | Restrictions | UPD | 7:38 | 02.03.2010 | PORSCHE | PET | PORSCHE |
| 987-2 | 2010 | 9  | 11 | 911-10       |              | 248 |      |            |         |     |         |

| Pos  | Part Number    | Description             | Remark | Qty | Model    | Pos  | Part Number    | Description               | Remark | Qty | Model    |
|------|----------------|-------------------------|--------|-----|----------|------|----------------|---------------------------|--------|-----|----------|
|      | FSC            | sand beige/sand beige   |        |     |          |      | T12            | brown/natural             |        |     |          |
|      | FSD            | sea blue/grey           |        |     |          |      | N12            | carrera red               |        |     |          |
|      | FSF            | terracotta/terracotta   |        |     |          | (11) | 997 553 417 01 | cover                     | /RL    | 1   | I099/618 |
|      | FSG            | cocoa/cocoa             |        |     |          |      | A11            | black                     |        |     |          |
|      | FSH            | darkgrey natural/grey   |        |     |          |      | 5X6            | stone grey                |        |     |          |
|      | FSJ            | brown nat./brown nat.   |        |     |          |      | 8G2            | sand beige                |        |     |          |
|      | FSP            | Carrera Red/Carrera Red |        |     |          |      | 3S9            | sea blue                  |        |     |          |
| 10   | 997 553 520 00 | adapter                 | /LL    | 1   | I098/618 |      | 9S5            | terracotta                |        |     |          |
| (10) | 997 553 516 00 | adapter                 | /LL    | 1   | I098/669 |      | 9V6            | cocoa                     |        |     |          |
| (10) | 997 553 519 00 | adapter                 | /RL    | 1   | I099/618 |      | D12            | dark grey/natural         |        |     |          |
| (10) | 997 553 515 00 | adapter                 | /RL    | 1   | I099/669 |      | T12            | brown/natural             |        |     |          |
| 11   | 997 553 418 01 | cover                   | /LL    | 1   | I098/618 |      | N12            | carrera red               |        |     |          |
|      | A11            | black                   |        |     |          | (11) | 997 553 415 00 | cover                     | /RL    | 1   | I099/669 |
|      | 5X6            | stone grey              |        |     |          |      | A11            | black                     |        |     |          |
|      | 8G2            | sand beige              |        |     |          |      | 5X6            | stone grey                |        |     |          |
|      | 3S9            | sea blue                |        |     |          |      | 8G2            | sand beige                |        |     |          |
|      | 9S5            | terracotta              |        |     |          |      | 3S9            | sea blue                  |        |     |          |
|      | 9V6            | cocoa                   |        |     |          |      | 9S5            | terracotta                |        |     |          |
|      | D12            | dark grey/natural       |        |     |          |      | 9V6            | cocoa                     |        |     |          |
|      | T12            | brown/natural           |        |     |          |      | D12            | dark grey/natural         |        |     |          |
|      | N12            | carrera red             |        |     |          |      | T12            | brown/natural             |        |     |          |
| (11) | 997 553 416 00 | cover                   | /LL    | 1   | I098/669 |      | N12            | carrera red               |        |     |          |
|      | A11            | black                   |        |     |          | 12   | 997 553 524 00 | mounting plate            | /LL    | 1   | I098/669 |
|      | 5X6            | stone grey              |        |     |          |      | 01C            | satin black               |        |     |          |
|      | 8G2            | sand beige              |        |     |          | (12) | 997 553 523 00 | mounting plate            | /RL    | 1   | I099/669 |
|      | 3S9            | sea blue                |        |     |          |      | 01C            | satin black               |        |     |          |
|      | 9S5            | terracotta              |        |     |          | 13   | 999 073 226 09 | tapping screw<br>4,2 X 16 |        | 2   |          |
|      | 9V6            | cocoa                   |        |     |          | 14   | 999 591 508 01 | captive nut<br>4,2        |        | 2   |          |
|      | D12            | dark grey/natural       |        |     |          |      |                |                           |        |     |          |

|       |      |    |    |              |              |     |      |            |         |     |         |
|-------|------|----|----|--------------|--------------|-----|------|------------|---------|-----|---------|
| Model | Year | MG | SG | Illustration | Restrictions | UPD | 7:38 | 02.03.2010 | PORSCHE | PET | PORSCHE |
| 987-2 | 2010 | 9  | 11 | 911-10       |              | 248 |      |            |         |     |         |

| Pos  | Part Number    | Description                      | Remark | Qty | Model                    | Pos | Part Number | Description | Remark | Qty | Model |
|------|----------------|----------------------------------|--------|-----|--------------------------|-----|-------------|-------------|--------|-----|-------|
| 15   | 999 073 155 09 | tapping screw<br>4,2 X 13        |        | 7   |                          |     |             |             |        |     |       |
| 16   | 999 507 028 01 | speed nut<br>4,2                 |        | 2   |                          |     |             |             |        |     |       |
| 17   | 999 507 645 02 | threaded piece<br>4,2            |        | 1   |                          |     |             |             |        |     |       |
| 18   | 997 553 751 00 | cap                              |        | 1   | I618                     |     |             |             |        |     |       |
|      | 01C            | satin black                      |        |     |                          |     |             |             |        |     |       |
| 19   | 997 553 522 01 | mounting plate                   | /LL    | 1   | I098/618                 |     |             |             |        |     |       |
|      | 01C            | satin black                      |        |     |                          |     |             |             |        |     |       |
| (19) | 997 553 521 01 | mounting plate                   | /RL    | 1   | I099/618                 |     |             |             |        |     |       |
|      | 01C            | satin black                      |        |     |                          |     |             |             |        |     |       |
| 20   | 999 919 230 00 | countersunk-head screw<br>3 X 10 |        | 4   |                          |     |             |             |        |     |       |
| 21   | 997 646 311 00 | stopper                          |        | 2   | I669                     |     |             |             |        |     |       |
| 22   | 997 646 212 02 | receiver<br>telephone            |        | 1   | I669                     |     |             |             |        |     |       |
|      | A05            | black mat                        |        |     |                          |     |             |             |        |     |       |
| 23   | 997 646 216 00 | battery                          |        | 1   | I669                     |     |             |             |        |     |       |
| 24   | 997 646 214 00 | mounting<br>receiver             |        | 1   | I669                     |     |             |             |        |     |       |
|      | A05            | black mat                        |        |     |                          |     |             |             |        |     |       |
| (25) | 997 646 313 00 | microphone                       |        | 1   | I490/618/619<br>I666/671 |     |             |             |        |     |       |
| (25) | 997 646 315 00 | microphone                       |        | 1   | I618/619/666<br>I671/680 |     |             |             |        |     |       |
| (25) | 997 646 319 00 | microphone                       |        | 1   | I618/619/665<br>I666     |     |             |             |        |     |       |
| -    | 997 610 233 01 | cable guide<br>microphone        |        | 1   |                          |     |             |             |        |     |       |

987-2\_MXI KAT33. TXT

| KAT. | M-X-I -NR | BENENNUNG-Deutsch<br>BENENNUNG-Engl i sch   |
|------|-----------|---|
|      |           | +-----+<br>! I-Nummern-Uebersicht !<br>+-----+<br>+-----+<br>! Summary of optional extras "I"!<br>+-----+ |
| 33   | I XAF     | Aerokit Turbo<br>Turbo aerokit  |
| 33   | I XAG     | Carrera - Heckspoiler<br>Carrera - rear spoiler   |
| 33   | I XAH     | Aerokit Carrera 4S<br>Carrera 4S aerokit  |
| 33   | I XAJ     | Schwellerblenden lackiert<br>Painted sill covers  |
| 33   | I XAL     | Aerokit Boxster<br>Aerokit Boxster  |
| 33   | I XAM     | Aerokit Cayman<br>Aerokit Cayman  |
| 33   | I XCA     | Nutleiste (3-teilig) Sportsilber<br>Dashboard trim strip (3-part) sports seats                            |
| 33   | I XCB     | Instrumentenabdeckung Unterteil Sportsilber<br>Instrument surround sports seats                           |
| 33   | I XCC     | Seitendüsen Sportsilber<br>Side air vents sports seats  |
| 33   | I XCD     | Mitteldüsenträger Sportsilber<br>Center air vent bracket sports seats                                     |
| 33   | I XCE     | Mittelskonsole hinten Sportsilber<br>Rear center console sports seats                                     |
| 33   | I XCG     | Sportsitzrückenlehne Alu-Optik<br>Sports seat backrest in Aluminium Look finish                           |
| 33   | I XCH     | Seiten-/Mitteldüsenlamellen Sportsilber<br>Side/centre air vent slats, sports seats                       |
| 33   | I XCK     | Mittelskonsole hinten Galvanosilber<br>Rear center console in Galvano Silver                              |
| 33   | I XCL     | Instrumentenabdeckung Unterteil Galvanosilber<br>Instrument surround in Galvano Silver                    |
| 33   | I XCM     | Überrollbügel in Galvanosilber<br>Roll-over bar in Galvano Silver   |
| 33   | I XCN     | Seitendüsen in Alu-Optik (997)<br>Side air vents in Aluminium Look finish (997)                           |
| 33   | I XCY     | Mitteldüse Alu-Optik<br>Center air vent in Aluminium Look finish  |
| 33   | I XCZ     | Schalwegverkürzung<br>Short shifter   |
| 33   | I XDJ     | Zierblende Schalt- und Wählhebel lackiert<br>Decorative trim on gear lever/selector, painted              |
| 33   | I XDS     | Zündschloss Rosette in Leder<br>Ignition lock surround in leather   |
| 33   | I XDV     | Abschlussblende Schalttafel in Leder<br>Dashboard end-trim in leather                                     |
| 33   | I XDZ     | Blende Schalthebel in Leder<br>Selector lever cover in leather  |
| 33   | I XEA     | Passivhörer in Leder<br>Passive handset in leather  |
| 33   | I XE8     | Schaltnopf Alu/Wurzelholz Dunkel/Leder<br>Gear lever knob aluminium/dark burr maple/leather               |
| 33   | I XE9     | Handbremshebel Alu/Wurzelholz Dunkel/Leder<br>Handbrake lever aluminium/dark burr maple/leather           |
| 33   | I XFD     | Instrumenten-Zifferblatt lackiert in sandbeige<br>Instrument dials in Sand Beige                          |
| 33   | I XFE     | Instrumenten-Zifferblatt lackiert in terrakotta<br>Instrument dials in Terracotta                         |
| 33   | I XFF     | Instrumenten-Zifferblatt lackiert in braun/natur  |

987-2\_MXI KAT33. TXT

33 IXFG Instrument dials in Brown/Natural  
Instrumenten-Zifferblatt lackiert in indischrot

33 IXFH Instrumenten-Zifferblatt lackiert in speedgelb  
Instrument dials in Speed Yellow

33 IXFJ Instrumenten-Zifferblatt lackiert in carrerawei ss  
Instrument dials in Carrera White

33 IXFN Schalthebel Aluminium II  
Gear lever in aluminium II

33 IXFP Handbremshebel Aluminium II  
Handbrake lever Aluminium II

33 IXGB Zierblende Schalttafel, Carbon  
Decorative dashboard trim, carbon

33 IXGC Schalthebel Carbon/Alcantara  
Dashboard carbon/Alcantara

33 IXGD Handbremshebel Carbon/Alcantara  
Parking brake handle carbon/Alcantara

33 IXGE Einsatz Griffmulde, Carbon  
Handle recess insert, carbon

33 IXJL Luftseitentdüse Makassar  
Makassar Ebony side air vent

33 IXJM Luftseitentdüse Platane  
Sycamore side air vent

33 IXJN Mitteldüse Makassar  
Makassar Ebony center air vent

33 IXJP Mitteldüse Platane  
Sycamore center air vent

33 IXJR Defrosterblende Makassar  
Makassar Ebony windscreen defroster panel

33 IXJS Defrosterblende Platane  
Sycamore windscreen defroster panel

33 IXJT Mittelkonsole hinten Makassar  
Makassar Ebony rear center console

33 IXJU Mittelkonsole hinten Platane  
Sycamore rear center console

33 IXJ4 Rosette für Zündschloss Lederbezogen  
Leather cover for ignition lock surround

33 IXKB Luftseitentdüse Wurzelholz/Ahorn hell  
Side air vent in light burr maple

33 IXKC Luftseitentdüse Wurzelholz/Ahorn dunkel  
Side air vent in dark burr maple

33 IXKG Defrosterblende Wurzelholz/Ahorn hell, Leder  
"Defroster trim in light burr maple; leather"

33 IXKH Defrosterblende Wurzelholz/Ahorn dunkel, Leder  
"Defroster trim in dark burr maple; leather"

33 IXKJ Defrosterblende Carbon/Leder  
Defroster trim in Carbon/leather

33 IXKL Lautsprecherabdeckungen in Leder  
Leather speaker covers

33 IXKM Lautsprecherabdeckungen Wurzelholz/Ahorn hell  
Speaker covers in light burr maple

33 IXKN Lautsprecherabdeckungen Wurzelholz/Ahorn dunkel  
Speaker covers in dark burr maple

33 IXKP Lautsprecherabdeckungen in Carbon  
Carbon speaker covers

33 IXKR Mitteldüsenträger Wurzelholz/Ahorn hell  
Center air vent bracket in light burr maple

33 IXKS Mitteldüsenträger Wurzelholz/Ahorn dunkel  
Center air vent bracket in dark burr maple

33 IXLA Boxster-Endrohr  
Boxster tail pipe

33 IXLF Sportabgasanlage  
Sports exhaust system

33 IXLG Deckel Ablagefach Mittelkonsole in Alcantara  
Centre console storage bin lid in Alcantara

33 IXLS Sportendrohr 987  
Sports tail pipe, 987

33 IXME Mittelkonsole hinten lackiert

987-2\_MXI KAT33. TXT

|    |       |   |
|----|-------|---|
| 33 | I XMF | Rear section of centre console painted<br>Mittelkonsole vorn inklusive 2 Ablagen, Leder                           |
| 33 | I XMJ | Front center console including 2 storage bins, Leather<br>Mittelkonsole hinten Carbon                             |
| 33 | I XMK | Rear section of centre console in Carbon<br>Überrollbügel in Exterieurfarbe                                       |
| 33 | I XML | Roll-over bar in exterior color<br>Mittelkonsole hinten Wurzelholz Ahorn hell                                     |
| 33 | I XMP | Rear center console in light burr maple<br>Sonnenblende Leder, 2 Make-up-Spiegel beleuchtet                       |
| 33 | I XMR | Leather sun visor, 2 illuminated vanity mirrors<br>Sonnenblende Leder, 2 Make-Up-Spiegel beleuchtet Leder         |
| 33 | I XMZ | Sun visor in leather, 2 illuminated vanity mirrors<br>Mittelkonsole hinten Leder                                  |
| 33 | I XNB | Rear section of centre console in leather<br>Mittelkonsole hinten Wurzelholz Ahorn dunkel                         |
| 33 | I XNG | Rear center console in dark burr maple<br>Instrumentenabdeckung Unterteil Leder                                   |
| 33 | I XNN | Instrument surround in leather<br>Mitteldüsenträger in Leder  |
| 33 | I XNR | Center air vent bracket in leather<br>Mitteldüsenträger Carbon  |
| 33 | I XNS | Carbon center air vent bracket<br>Lenkstock-Verkleidung 4-teilig Leder  |
| 33 | I XNU | Leather steering column trim, 4-part<br>Zierleiste (Nut) in Leder   |
| 33 | I XNV | Leather trim strip (dashboard)<br>Zierleiste (Nut) Wurzelholz/Ahorn hell  |
| 33 | I XNW | Trim strip (dashboard) in light burr maple<br>Zierleiste (Nut) Wurzelholz/Ahorn dunkel                            |
| 33 | I XNX | Trim strip (dashboard) in dark burr maple<br>Zierleiste (Nut) in Carbon   |
| 33 | I XPA | Carbon trim strip (dashboard)<br>3-Speichen Sportlenkrad, Leder Interieurfarbe                                    |
| 33 | I XPB | 3-spoke sports steering wheel in leather interior co<br>3-Speichen Sportlenkrad, Wurzelholz/Ahorn hell, Leder     |
| 33 | I XPC | 3-spoke sports steering wheel, light burr maple, Leder<br>3-Speichen Sportlenkrad, Wurzelholz/Ahorn dunkel, Leder |
| 33 | I XPD | 3-spoke sports steering wheel, dark burr maple, Leder<br>3-Speichen Sportlenkrad, Carbon/Leder                    |
| 33 | I XPG | 3-spoke sports steering wheel, Carbon/leather<br>3-Speichen Sportlenkrad, Sportsilber                             |
| 33 | I XPT | 3-spoke sports steering wheel, sports seats<br>Deckel Ablagefach Mittelkonsole mit Wappen                         |
| 33 | I XPU | Centre console storage bin lid with crest<br>Multifunktions-Lenkrad Galvanosilber,<br>neue Generation             |
| 33 | I XPV | Multifunction steering wheel Galvano Silver,<br>new generation<br>Multifunktions-Lenkrad Galvanosilber            |
| 33 | I XPW | Multifunction steering wheel, Galvano Silver<br>Instrumentenabdeckung Unterteil Wurzelholz/Ahorn Hell             |
| 33 | I XPX | Instrument surround in light burr maple<br>Instrumentenabdeckung Unterteil Wurzelholz/Ahorn Dunkel                |
| 33 | I XPY | Instrument surround in dark burr maple<br>Instrumentenabdeckung Unterteil Carbon                                  |
| 33 | I XRB | Carbon instrument surround<br>Sport-Classic-2 Rad 18"   |
| 33 | I XRC | 18-inch Sport Classic II wheel<br>Sport-Techno Rad 18"  |
| 33 | I XRL | 18-inch SportTechno wheel<br>Sport-Design-Rad 18"   |
| 33 | I XRN | 18-inch SportDesign wheel<br>Distanzscheiben 17 mm, hinten  |
| 33 | I XRP | 17-mm spacers, rear<br>Distanzscheiben 5 mm, vorn/hinten  |
| 33 | I XRR | 5-mm spacers, front/rear<br>Carrera Sport Rad 19"   |

987-2\_MXI KAT33. TXT

|    |       |   |
|----|-------|---|
| 33 | I XSA | 19-in. Carrera Sport wheel<br>Sportsitzrückenlehne lackiert                                   |
| 33 | I XSB | Painted sports seat backrest<br>Sportsitzrückenlehne in Leder                                 |
| 33 | I XSC | Leather sports seat backrest<br>Porsche Wappen geprägt in Kopfstütze                          |
| 33 | I XSD | Porsche Crest embossed in headrest<br>Sitzbedienelemente in Leder                             |
| 33 | I XSE | Front seat controls in leather<br>Schalensitz links   |
| 33 | I XSF | Bucket seat, left<br>Schalensitz rechts   |
| 33 | I XSG | Bucket seat, right<br>Rennschalensitz links   |
| 33 | I XSH | Racing bucket seat, left<br>Sicherheitsgurte in Silber  |
| 33 | I XSJ | Silver seat belts<br>6-Punkt-Gurte  |
| 33 | I XSL | 6-point harness<br>6-Punkt-Sicherheitsbügel   |
| 33 | I XSM | 6-point safety catch<br>Rennsport-Sicherheitskäfig  |
| 33 | I XSN | Racing safety cage<br>Entfall hintere Sitzanlage  |
| 33 | I XSR | Omission of rear seats<br>Schalensitz rechts, Rückseite Carbon                                |
| 33 | I XSS | Carbon back for bucket seat, right<br>Schalensitz links, Rückseite Carbon                     |
| 33 | I XST | Carbon back for bucket seat, left<br>Sicherheitsgurte in Sandbeige                            |
| 33 | I XSU | Seat belts in Sand Beige<br>Abgepolsterter Sitz   |
| 33 | I XSW | Upholstered seat<br>Sicherheitsgurte in Maritimblau   |
| 33 | I XSX | Seat belts in Maritime Blue<br>Sicherheitsgurte in Indischrot                                 |
| 33 | I XSY | Seat belts in Guards Red<br>Sicherheitsgurte in Speedgelb                                     |
| 33 | I XTG | Seat belts in Speed Yellow<br>Schwellerabdeckung innen Leder                                  |
| 33 | I XTJ | Inner door sills in leather<br>Türtafelteile Wurzelholz/Ahorn hell                            |
| 33 | I XTK | Door panel parts in light burr maple<br>Türtafelteile Wurzelholz/Ahorn dunkel                 |
| 33 | I XTL | Door panel parts in dark burr maple<br>Türtafelteile Carbon                                   |
| 33 | I XTR | Door panel parts in Carbon<br>Türtafelteile Alu-Optik   |
| 33 | I XTT | Door panel parts in Aluminium Look finish<br>Türtafelteile Makassar                           |
| 33 | IXTU  | Makassar Ebony door panel parts<br>Türtafelteile Platane                                      |
| 33 | IXTV  | Sycamore door panel parts<br>Türtafelteile Leder  |
| 33 | IXTW  | Leather door panel parts<br>Türtafelteile Galvanosilber                                       |
| 33 | I XUB | Door panel parts in Galvano Silver<br>Abdeckung Scheinwerferreinigungsanlage lackiert         |
| 33 | I XUV | Cover on headlight cleaning system, painted<br>Deckel Ablagefach Mittelkonsole mit Schriftzug |
| 33 | I XVM | Centre console storage bin lid with logo<br>Mitteldüse in Leder                               |
| 33 | I XVP | Leather center air vent<br>Zierleiste inklusive Abdeckung Cupholder in Leder                  |
| 33 | I XVR | Trim strip including cupholder cover in leather<br>Seiten-/Mitteldüsen in Leder               |
| 33 | I XV1 | Side/centre air vent in leather<br>Defrosterblende Lederbezogen                               |



987-2\_MXI KAT33. TXT

|    |       |  |
|----|-------|--|
|    |       | Defroster trim in leather                              |
| 33 | I XWR | Rahmen PDK-Kulisse in Alu-Optik                        |
|    |       | PDK gate frame in Aluminium Look                       |
| 33 | I XWS | Rahmen PDK-Kulisse lackiert                            |
|    |       | PDK gate frame painted                                 |
| 33 | I XWT | Rahmen PDK-Kulisse schwarz lackiert                    |
|    |       | PDK gate frame painted Black                           |
| 33 | I XWU | Rahmen PDK-Kulisse in Leder                            |
|    |       | PDK gate frame in leather                              |
| 33 | I XXF | Rote Heckleuchten                                      |
|    |       | Red tail lights  |
| 33 | I XXZ | Fussstütze   |
|    |       | Footrest   |
| 33 | I XX1 | Fussmatten, Schriftzug, Leder eingefasst               |
|    |       | Floor mats, logo, leather border                       |
| 33 | I XX2 | Fussraumbelichtung                                     |
|    |       | Illuminated footwell                                   |
| 33 | I XYA | PDK-Wählhebel (EXC)                                    |
|    |       | PDK selector lever (EXC)                               |
| 33 | I XY5 | Kulisse Tiptronic-Wählhebel in Leder                   |
|    |       | Tiptronic gear selector gate in leather                |
| 33 | I XZB | Mitteldüse in Carbon                                   |
|    |       | Carbon centre air vent                                 |
| 33 | I XZD | Abdeckung Innenleuchte in Leder                        |
|    |       | Interior light surround in leather                     |
| 33 | I X45 | Instrumenten-Zifferblatt lackiert in Interieurfarbe    |
|    |       | Instrument dial in interior color                      |
| 33 | I X46 | Tiptronic-Wählhebel in Alu/Leder                       |
|    |       | Tiptronic selector lever in aluminium/leather          |
| 33 | I X47 | Schaltnopf Carbon/Alu/Leder                            |
|    |       | Gear lever knob in Carbon/leather                      |
| 33 | I X48 | Tiptronic-Wählhebel in Carbon/Alu                      |
|    |       | Tiptronic selector lever in Carbon/aluminium           |
| 33 | I X50 | Leistungssteigerung 331/340 kW                         |
|    |       | Powerkit 331/340 kW                                    |
| 33 | I X51 | Leistungssteigerung                                    |
|    |       | Powerkit 250 kW  |
| 33 | I X54 | Edelstahlendrohre                                      |
|    |       | Stainless steel tail pipes                             |
| 33 | I X58 | Handbremshebel Carb/Alu/Leder                          |
|    |       | Handbrake lever in Carbon/leather                      |
| 33 | I X65 | Tiptronic-Wählhebel Wurzelholz Hell/Alu                |
|    |       | Tiptronic selector lever in light burr maple/aluminium |
| 33 | I X66 | Tiptronic-Wählhebel Wurzelholz Dunkel/Alu              |
|    |       | Tiptronic selector lever in dark burr maple/aluminium  |
| 33 | I X69 | Einstiegsblenden Carbon, Schriftzug                    |
|    |       | Door entry guards in Carbon with logo                  |
| 33 | I X70 | Einstiegsblenden Edelstahl, Schriftzug                 |
|    |       | Door entry guards in stainless steel with logo         |
| 33 | I X71 | Instrumenten-Zifferblatt Lackiert/Alufarbe             |
|    |       | Instrument dial painted/aluminium Look finish          |
| 33 | I X72 | Schaltnopf Alu/Wurzelholz Hell/Leder                   |
|    |       | Gear lever knob aluminium/light burr maple/leather     |
| 33 | I X73 | Sportfahrwerk Turbo                                    |
|    |       | Turbo sports suspension                                |
| 33 | I X74 | Sportfahrwerk (exklusiv)                               |
|    |       | Sports suspension (exclusive)                          |
| 33 | I X75 | Sperrdifferential (exklusiv)                           |
|    |       | Differential lock (exclusive)                          |
| 33 | I X76 | Schwellerverkleidungen links/rechts                    |
|    |       | Inner door sill guard, left/right                      |
| 33 | I X91 | Handbremshebel Alu/Wurzelholz Hell/Leder               |
|    |       | Handbrake lever aluminium/light burr maple/leather     |
| 33 | I X97 | Schaltnopf Alu/Leder                                   |
|    |       | Gear lever knob in aluminium/leather                   |
| 33 | I X98 | Handbremshebel Alu/Leder                               |
|    |       | Handbrake lever in aluminium/leather                   |
| 33 | I X99 | Naturleder   |

|    |       |  |
|----|-------|--|
|    |       | Natural leather                                      |
| 33 | I 008 | BOXSTER S 3,2 LITER HUBRAUM                          |
|    |       | BOXSTER S 3.2 LITRES DISPLACEMENT                    |
| 33 | I 009 | BOXSTER 2,7 LITER HUBRAUM                            |
|    |       | BOXSTER 2.7 LITRES DISPLACEMENT                      |
| 33 | I 022 | Zifferblätter Kombiinstrument in schwarz             |
|    |       | Black-coloured instrument dials, instrument cluster  |
| 33 | I 023 | Zifferblätter Kombiinstrument in silber              |
|    |       | Silver-coloured instrument dials, instrument cluster |
| 33 | I 024 | Griechenland-Ausführung                              |
|    |       | Version for Greece                                   |
| 33 | I 025 | Zifferblätter Stoppuhr in schwarz                    |
|    |       | Black-coloured instrument dials, stopwatch           |
| 33 | I 026 | Zifferblätter Stoppuhr in silber                     |
|    |       | Silver-coloured instrument dials, stopwatch          |
| 33 | I 027 | Zifferblätter Stoppuhr in carraraweiss               |
|    |       | Instrument dials, stopwatch in Carrara White         |
| 33 | I 029 | Serienfahrwerk                                       |
|    |       | Standard chassis                                     |
| 33 | I 030 | Sportfahrwerk  |
|    |       | Sport-type chassis                                   |
| 33 | I 032 | Langstreckenfahrwerk                                 |
|    |       | Touring suspension                                   |
| 33 | I 034 | Italien - Ausführung                                 |
|    |       | Version for Italy                                    |
| 33 | I 058 | Pralldämpfer vorn und hinten                         |
|    |       | Impact absorbers, front and rear                     |
| 33 | I 061 | Grossbritannien-Ausführung                           |
|    |       | Version for Great Britain                            |
| 33 | I 062 | Schweden-ausführung                                  |
|    |       | Version for Sweden                                   |
| 33 | I 063 | Luxemburg-Ausführung                                 |
|    |       | Version Luxemburg                                    |
| 33 | I 064 | Niederlande-Ausführung                               |
|    |       | Version for Netherlands                              |
| 33 | I 065 | Dänemark-Ausführung                                  |
|    |       | Version for Denmark                                  |
| 33 | I 066 | Norwegen-Ausführung                                  |
|    |       | Version for Norway                                   |
| 33 | I 067 | Finnland-Ausführung                                  |
|    |       | Version for Finland                                  |
| 33 | I 068 | PAP Rechtslenker-Ausführung                          |
|    |       | PAP right-hand drive version                         |
| 33 | I 069 | Sonstige-Länderausführung                            |
|    |       | Other country version                                |
| 33 | I 071 | EU-Länderausführung                                  |
|    |       | EU country version                                   |
| 33 | I 072 | Mexico-Ausführung                                    |
|    |       | Version for Mexico                                   |
| 33 | I 073 | Russland-Ausführung                                  |
|    |       | Version for Russia                                   |
| 33 | I 074 | PAP Linkslenker-Ausführung                           |
|    |       | PAP left-hand drive version                          |
| 33 | I 075 | China-Ausführung                                     |
|    |       | China version  |
| 33 | I 098 | Linkslenker-Ausführung                               |
|    |       | Left-hand drive version                              |
| 33 | I 099 | Rechtslenker-Ausführung                              |
|    |       | Right-hand drive version                             |
| 33 | I 111 | Österreich-Ausführung                                |
|    |       | Version for Austria                                  |
| 33 | I 113 | Kanada - Ausführung                                  |
|    |       | Version for Canada                                   |
| 33 | I 114 | Taiwan - Ausführung                                  |
|    |       | Version for Taiwan                                   |
| 33 | I 119 | Spanien - Ausführung                                 |
|    |       | Version for Spain                                    |
| 33 | I 124 | Frankreich - Ausführung                              |

|    |       |  |
|----|-------|--|
| 33 | I 126 | Version for France<br>Beschri ftung französi sch<br>Control and indications in French lettering                        |
| 33 | I 127 | Beschri ftung schwedi sch<br>Control and indications in Swedish lettering  |
| 33 | I 130 | Beschri ftung engl isch<br>Control and indications in English lettering  |
| 33 | I 150 | Betrieb mit verblei tem Kraftstoff<br>Operation with leaded gas  |
| 33 | I 159 | Leistungsreduzierter Motor 155 kW/211 PS<br>Curbed engine, 155 kW/211 bhp  |
| 33 | I 170 | Akusti kpaket RDW<br>Acoustic package RoW  |
| 33 | I 171 | Akusti kpaket USA<br>Acoustic package USA  |
| 33 | I 172 | Akusti kpaket PAP, Chi na, Korea<br>Acoustic package PAP, Chi na, Korea  |
| 33 | I 181 | Standard Klimazonen<br>Standard climatic zones   |
| 33 | I 182 | Hei ssl and<br>Hot country   |
| 33 | I 183 | Superhei ssl and<br>Super-hot country  |
| 33 | I 193 | Japan-Ausführung<br>Version for Japan  |
| 33 | I 194 | Batterie 60 Ah<br>Battery, 60 Ah   |
| 33 | I 195 | Batterie 70 Ah<br>Battery, 70 Ah   |
| 33 | I 196 | Batterie 80 Ah<br>Battery, 80 Ah   |
| 33 | I 197 | Stärkere Batterie<br>Stronger battery  |
| 33 | I 198 | Stärkerer Anlasser (1,7 kW)<br>Enhanced starter motor (1.7 kW)   |
| 33 | I 199 | Batterietrennschalter<br>Battery disconnecti on swi tch  |
| 33 | I 200 | Batterie 95 Ah<br>95 Ah battery  |
| 33 | I 209 | Kennzei chenhal ter Ausführung 1<br>Li cence plate holder versi on 1   |
| 33 | I 210 | Kennzei chenhal ter Ausführung 2<br>Li cence plate holder versi on 2   |
| 33 | I 211 | Kennzei chenhal ter Ausführung 3<br>Li cence plate holder versi on 3   |
| 33 | I 215 | Saudi -Arabi en - Ausführung<br>Version for Saudi Arabi a  |
| 33 | I 218 | Kennzei chenhal ter Ausführung 4<br>Li cence plate holder versi on 4   |
| 33 | I 219 | Ausg lei chsgetri ebe<br>Di fferenti al  |
| 33 | I 220 | Sperrdi fferenti al 40 %<br>Locking di fferenti al 40 %  |
| 33 | I 225 | Bel gi en-Ausführung<br>Versi on for Bel gi um   |
| 33 | I 249 | Tiptroni c-Getri ebe<br>Tiptroni c transmi ssi on  |
| 33 | I 250 | PDK-Getri ebe (Doppel kuppl ung)<br>PDK transmi ssi on (dual clutch)   |
| 33 | I 265 | Automati sch abbl endbarer Innenspi egel mit Regensensor<br>Automatic anti -dazzle interi or mi rror wi th rain sensor |
| 33 | I 266 | Automati sch abbl endbarer Aussenspi egel<br>Automatic anti -dazzle door mi rror                                       |
| 33 | I 267 | Automati sch abbl endbarer Innen und Aussenspi egel<br>Automatical ly di mmabl e interi or and door mi rrors           |
| 33 | I 268 | Regensensor<br>Rain sensor   |
| 33 | I 270 | Aussenspi egel für Fahrersei te -pl an-,   |

|    |       |   |
|----|-------|---|
|    |       | elektrisch verstell- und beheizbar                          |
|    |       | Door mirrors -flat - driver's side,                         |
|    |       | electrically adjustable and heatable                        |
| 33 | I 271 | Aussenspiegel für Fahreseite -asphärisch-,                  |
|    |       | elektrisch verstell- und beheizbar                          |
|    |       | Door mirrors -aspherical - driver's side,                   |
|    |       | electrically adjustable and heatable                        |
| 33 | I 273 | Aussenspiegel, elektrisch verstell- und beheizbar           |
|    |       | Door mirrors, electrically adjustable and heatable          |
| 33 | I 274 | Make-Up Spiegel beleuchtet                                  |
|    |       | Vanity mirror, illuminated                                  |
| 33 | I 277 | Schweiz-Ausführung  |
|    |       | Version for Switzerland                                     |
| 33 | I 288 | Scheiwerfer-Reinigungsanlage                                |
|    |       | Headlamp washer   |
| 33 | I 301 | Getriebeübersetzung lang                                    |
|    |       | Transmission ratio long                                     |
| 33 | I 305 | Schalthebel in Alcantara, schwarz                           |
|    |       | Gear lever in Alcantara, Black                              |
| 33 | I 308 | Wählhebel in Alcantara, schwarz                             |
|    |       | Selector lever in Alcantara, Black                          |
| 33 | I 325 | Südafrika/Neuseeland-Ausführung                             |
|    |       | Version for South Africa/New Zealand                        |
| 33 | I 342 | Sitzheizung, links u. rechts                                |
|    |       | Seat heating system, left/right seat                        |
| 33 | I 345 | Lenkradheizung  |
|    |       | Heated steering wheel                                       |
| 33 | I 369 | Basissitz links   |
|    |       | Standard seat, left   |
| 33 | I 370 | Basissitz rechts  |
|    |       | Standard seat, right  |
| 33 | I 375 | Sportsitz, Lehnenschale, links                              |
|    |       | Sports seat, backrest shell, left                           |
| 33 | I 376 | Sportsitz, Lehnenschale, rechts                             |
|    |       | Sports seat, backrest shell, right                          |
| 33 | I 377 | Sportsitz, Lehnenschale, links, elektrisch verstellbar      |
|    |       | Sports seat, backrest shell, left, electrically adjustable  |
| 33 | I 378 | Sportsitz, Lehnenschale, rechts, elektrisch verstellbar     |
|    |       | Sports seat, backrest shell, right, electrically adjustable |
| 33 | I 388 | Sportschalensitz links                                      |
|    |       | Sports bucket seat, left                                    |
| 33 | I 389 | Sportschalensitz rechts                                     |
|    |       | Sports bucket seat, right                                   |
| 33 | I 392 | Carrera Rad 17"   |
|    |       | 17-inch Carrera wheel                                       |
| 33 | I 393 | Rad Boxster-2 17" (987)                                     |
|    |       | 17-inch Boxster II wheel (987)                              |
| 33 | I 394 | Boxster III 17" Rad   |
|    |       | Boxster III 17" wheel                                       |
| 33 | I 397 | Rad Boxster S 18" (987)                                     |
|    |       | 18-inch Boxster II wheel (987)                              |
| 33 | I 398 | Cayman Rad 17"  |
|    |       | 17-in. Cayman wheel   |
| 33 | I 399 | CAYMAN II 17" Rad   |
|    |       | CAYMAN II 17" wheel   |
| 33 | I 401 | Cayman S Rad 18"  |
|    |       | 18-in. Cayman S wheel                                       |
| 33 | I 402 | Carrera 3 Rad 18"   |
|    |       | Carrera 3 wheel 18-inch                                     |
| 33 | I 403 | Carrera S Rad 19"   |
|    |       | Carrera S wheel 19-inch                                     |
| 33 | I 404 | Turbo-1 Rad 19"   |
|    |       | 19" Turbo-1 wheel   |
| 33 | I 405 | Carrera Classic Rad 19"                                     |
|    |       | Carrera Classic wheel 19-inch                               |
| 33 | I 406 | Carrera GT Rad 19"/20"                                      |
|    |       | Carrera GT wheel 19-inch/20-inch                            |
| 33 | I 407 | Sport-Design Rad 19"  |

987-2\_MXI KAT33. TXT

|    |       |  |
|----|-------|--|
| 33 | I 408 | SportDesign wheel 19-inch<br>BOXSTER S II 18" Rad  |
| 33 | I 409 | BOXSTER S II 18" wheel<br>CAYMAN S II 18" Rad  |
| 33 | I 410 | CAYMAN S II 18" wheel<br>Turbo-2 Rad 18"   |
| 33 | I 411 | 18-inch Turbo-2 wheel<br>Carrera-Rad 18"   |
| 33 | I 415 | 18-inch Carrera wheel<br>Turbo-Look-2 Rad 18"  |
| 33 | I 416 | 18-inch Turbo-Look II wheel<br>Rad GT3 18"   |
| 33 | I 418 | 18-inch GT3 wheel<br>Rad Turbo-2 18" GT-Silber   |
| 33 | I 419 | 18-inch Turbo II wheel in GT Silver<br>Carrera S II Rad 19"  |
| 33 | I 421 | Carrera S Facelift 19" wheel<br>Turbo-2 Rad 19"  |
| 33 | I 424 | Turbo 2 wheel, 19"<br>CD-Ablage  |
| 33 | I 425 | Cd compartment<br>Heckscheibenwischer  |
| 33 | I 426 | Rear window wiper<br>Ohne Heckscheibenwischer  |
| 33 | I 431 | Without rear window wiper<br>Multifunktionslenkrad, Touch & Feel   |
| 33 | I 432 | Multifunction steering wheel, touch + feel<br>Lenkrad mit Tiptronic-Bedienung                              |
| 33 | I 433 | Steering wheel with Tiptronic control<br>Sportlenkrad GT3, Alcantara                                       |
| 33 | I 435 | Sports steering wheel GT3, Alcantara<br>Sportlenkrad   |
| 33 | I 436 | Sports steering wheel<br>3-Speichen-Airbaglenkrad  |
| 33 | I 437 | 3-spoke airbag steering wheel<br>Komfortsitze links, elektrisch verstellbar                                |
| 33 | I 438 | Comfort seat, left, electrically adjustable<br>Komfortsitze rechts, elektrisch verstellbar                 |
| 33 | I 439 | Comfort seat, right, electrically adjustable<br>Elektrische, Verdeckbetätigung                             |
| 33 | I 440 | Electrical hood operation<br>Antennen-Diversität   |
| 33 | I 441 | Antenna diversity<br>Radiovorbereitung   |
| 33 | I 444 | Radio preparation<br>Diebstahlsicherung, Radschrauben "THATCHAM"   |
| 33 | I 445 | Anti-theft lock, wheel bolts "THATCHAM"<br>Boxster Spyder Rad 19"  |
| 33 | I 446 | Boxster Spyder wheel, 19"<br>Radzierdeckel konkav mit farbigem Wappen                                      |
| 33 | I 447 | Concave wheel centers with full-colour Porsche Crest<br>Notrad   |
| 33 | I 450 | Emergency wheel<br>Keramik-Bremse (PCCB)   |
| 33 | I 451 | Ceramic brake (PCCB)<br>Multifunktionslenkrad, Makassar, Touch & Feel                                      |
| 33 | I 452 | Multifunction steering wheel, Makassar Ebony, touch + feel<br>Multifunktionslenkrad, Platane, Touch & Feel |
| 33 | I 453 | Multifunction steering wheel, Sycamore, touch + feel<br>Multifunktionslenkrad, Carbon, Touch & Feel        |
| 33 | I 454 | Multifunction steering wheel, Carbon, touch + feel<br>Automatische Geschwindigkeitsregulierung             |
| 33 | I 459 | Automatic speed control<br>3-Speichen-Airbaglenkrad, Touch & Feel  |
| 33 | I 460 | 3-spoke airbag steering wheel, touch + feel<br>Sportlenkrad, Touch & Feel                                  |
| 33 | I 461 | Sports steering wheel, touch + feel<br>Stabantenne   |

## 987-2\_MXI KAT33. TXT

|    |       |  |
|----|-------|--|
|    |       | External antenna   |
| 33 | I 465 | Nebelschlussleuchte links<br>Rear fog light, left  |
| 33 | I 466 | Nebelschlussleuchte rechts<br>Rear fog light, right  |
| 33 | I 475 | Elektrische Dämpferregelung "PASM"<br>"PASM" electronic damper control   |
| 33 | I 476 | Porsche Stability Management (PSM)<br>Porsche Stability Management (PSM)   |
| 33 | I 479 | Australien - Ausführung<br>Version for Australia   |
| 33 | I 480 | 6-Gang Schaltgetriebe<br>6-speed manual transmission   |
| 33 | I 481 | 5-Gang Schaltgetriebe<br>5th-speed manual transmission   |
| 33 | I 482 | Reifendruckkontrolle, RDK 433 Mhz<br>Tire Pressure Monitoring TPM, 433 MHz   |
| 33 | I 483 | Reifendruckkontrolle, RDK 315 Mhz<br>315-MHz TPM, Tire Pressure Monitoring   |
| 33 | I 484 | USA - Ausführung<br>Version for USA  |
| 33 | I 488 | Beschreibung deutsch<br>Inscriptions in German language  |
| 33 | I 490 | Klangpaket "ASK"<br>Sound system "ASK"   |
| 33 | I 492 | Scheinwerfer für Linksverkehr<br>Headlights for left-hand traffic  |
| 33 | I 498 | Entfall der Modellbezeichnung am Heck<br>Deletion of model designation on rear end                                 |
| 33 | I 499 | Ausführung für die Bundesrepublik Deutschland<br>Version for Germany   |
| 33 | I 501 | Car-Cover<br>Car cover   |
| 33 | I 509 | Feuerlöscher<br>Fire extinguisher  |
| 33 | I 513 | Lordosenstütze rechter Sitz<br>Lumbar support, right seat  |
| 33 | I 521 | Neigungsgeber<br>Tilt sensor   |
| 33 | I 524 | Wegfahrsicherung, Zentralverriegelung, 433 MHz<br>Immobilizer, central locking, 433 MHz                            |
| 33 | I 525 | Wegfahrsicherung, Zentralverriegelung, 315 MHz<br>Immobilizer, central locking, 315 MHz                            |
| 33 | I 532 | Entfall Fernbedienung Alarmanlage<br>Alarm system remote control omitted   |
| 33 | I 533 | Entfall Funkbetätigung Verdeck<br>Radio convertible-top operation omitted  |
| 33 | I 534 | Diebstahlsicherungsanlage 433 Mhz<br>Theft security system, 433 MHz  |
| 33 | I 535 | Diebstahlsicherungsanlage 315 Mhz<br>Theft security system, 315 MHz  |
| 33 | I 536 | -07 Alarmsirene und Neigungsgeber 08- Alarmsirene<br>-07 Alarm siren and tilt sensor 08- Alarm siren               |
| 33 | I 537 | Sitzpositions-Steuerung für Komfortsitz, links<br>Seating position control for comfort seat, left                  |
| 33 | I 538 | Sitzpositions-Steuerung für Komfortsitz, rechts<br>Seating position control for comfort seat, right                |
| 33 | I 539 | Mechanische Sitzhöhenverstellung links<br>Mechanical seat-height adjustment, left                                  |
| 33 | I 540 | Mechanische Sitzhöhenverstellung rechts<br>Mechanical seat-height adjustment, right                                |
| 33 | I 541 | Aktive Sitzbelüftung<br>Active seat ventilation  |
| 33 | I 544 | Diebstahlsicherung ohne Infrarot-Überwachung 433 MHz<br>Anti-theft protection without infrared monitoring, 433 MHz |
| 33 | I 545 | Diebstahlsicherung ohne Infrarot-Überwachung 315 MHz<br>Anti-theft protection without infrared monitoring, 315 MHz |
| 33 | I 549 | Dachtransportsystem  |

|    |       |  |
|----|-------|--|
| 33 | I 550 | Roof Transport System<br>Hardtop   |
| 33 | I 551 | Windstop<br>Wind deflector   |
| 33 | I 553 | USA-Canada-Ausführung<br>Version for USA, Canada   |
| 33 | I 554 | Bugspoilerlippe beigelegt<br>Front spoiler lip included  |
| 33 | I 555 | Sicherheitsgurte in Schwarz<br>Black seat belts  |
| 33 | I 556 | Sicherheitsgurte in Grundfarben<br>Seat belts in basic colours                                   |
| 33 | I 560 | Advanced Airbag<br>Advanced airbag   |
| 33 | I 562 | Airbag Fahrer- und Beifahrerseite<br>Airbag, driver's side and front passenger's side            |
| 33 | I 563 | Seitenairbag<br>Side airbag  |
| 33 | I 566 | Nebelscheinwerfer weiss<br>Front fog lights, white   |
| 33 | I 567 | Frontscheibe im oberen Bereich stark eingefärbt<br>Windscreen tinted, upper part darker coloured |
| 33 | I 568 | Windschutzscheibe ohne Bandfilter<br>Windscreen without shade band                               |
| 33 | I 571 | Aktivkohlefilter<br>Activated charcoal filter  |
| 33 | I 572 | Klimaanlage manuell<br>Manual air-conditioning system  |
| 33 | I 573 | Klima-Anlage<br>Air conditioner  |
| 33 | I 574 | Ohne Klimaanlage<br>Without air conditioner  |
| 33 | I 575 | Kofferraumkühlung<br>Luggage compartment cooling system  |
| 33 | I 580 | Gepäckschott / Gepäckgitter<br>Luggage bulkhead/luggage guard                                    |
| 33 | I 581 | Mittelkonsole vorn<br>Centre console, front  |
| 33 | I 584 | Ablagebox auf Motordeckel<br>Storage box on engine cover   |
| 33 | I 585 | Getränkehalter<br>Cupholder  |
| 33 | I 586 | Lordosenstütze linker Sitz<br>Lumbar support, left seat  |
| 33 | I 590 | Stahl-Türen<br>Steel doors   |
| 33 | I 594 | Himmel Alcantara<br>Alcantara rooflining   |
| 33 | I 601 | Xenon-Licht<br>Xenon lighting system   |
| 33 | I 602 | Hochgesetzte Bremsleuchte<br>Raised stop lamp  |
| 33 | I 603 | Xenon plus dynamisches Kurvenlicht<br>Xenon plus dynamic cornering light                         |
| 33 | I 605 | LED-Tagfahrlicht<br>LED daytime driving lights   |
| 33 | I 606 | Tagfahrlicht<br>Daytime driving lights   |
| 33 | I 607 | Garagentoröffner "Homelink" 315Mhz<br>Garage door opener "Homelink", 315 MHz                     |
| 33 | I 608 | Garagentoroeffner "Homelink" 433Mhz<br>Garage door opener "Homelink" 433 MHz                     |
| 33 | I 609 | ohne Radio<br>without radio  |
| 33 | I 610 | DVD Navigation "Paket Europa"<br>DVD navigation, "Europe package"                                |
| 33 | I 611 | DVD Navigation Südafrika   |

987-2\_MXI KAT33. TXT

- 33 1612 DVD navigation South Africa  
DVD Navigation mittlerer Osten
- 33 1613 DVD navigation middle east  
DVD Navigation Australien
- 33 1614 DVD navigation australia  
DVD Navigation Asien-Pazifik
- 33 1615 DVD navigation asi a-pacific  
DVD Navigation, Nordamerika
- 33 1616 DVD navigation system, North America  
DVD, Navigation Russland
- 33 1617 DVD, Navigation Russa  
DVD Navigation Südamerika
- 33 1618 DVD navigation South America  
Telefonvorbereitung  
Preparation for telephone installation
- 33 1619 Handyvorbereitung (BLUETOOTH) ohne Konsole  
Mobile phone preparation (BLUETOOTH) without console
- 33 1621 12 Volt Steckdose, Bei fahrerseite, Fussraum  
12-V socket, passenger's side, footwell
- 33 1625 Porsche "entry and drive""KESSY"  
"KESSY" Porsche Entry and Drive
- 33 1635 Einparkhilfe  
Parking assistant
- 33 1639 Sport-Chrono-Paket  
Sport Chrono package
- 33 1640 Sport-Chrono-Paket plus  
Sport Chrono package plus
- 33 1641 elektronisches Fahrtenbuch  
electronic logbook
- 33 1650 Elektrisches Schiebedach  
Electrical sliding roof
- 33 1651 Elektrischer Fensterheber  
Electric window opener
- 33 1652 Ohne Schiebe-Hubdach  
Without sliding/tilting roof
- 33 1657 Servolenkung  
Power assisted steering
- 33 1659 Bordcomputer  
On-board computer
- 33 1660 OBD 2  
OBD 2
- 33 1661 Verschärftes Abgaskonzept  
Stricter emission-control concept
- 33 1663 Kraftstoffpumpensteuerung  
Fuel pump activation
- 33 1664 ORVR  
ORVR
- 33 1665 -2008 PCM 2, 2009- PCM 3 Grundmodul inklusive Radio  
-2008 PCM 2, 2009- PCM 3 basic module incl. radio
- 33 1666 -2008 PCM 2, 2009- PCM 3 Telefon (GSM)  
-2008 PCM 2, 2009- PCM 3 telephone (GSM)
- 33 1668 PCM2 Telefonbedienhörer  
PCM2 telephone handset
- 33 1669 PCM 3 - Telefon Bedienhörer (BLUETOOTH)  
PCM 3 - Telephone handset (BLUETOOTH)
- 33 1670 PCM2 Navigation  
PCM2 navigation
- 33 1671 Sprachbediensystem  
Voice control system
- 33 1672 -2008 PCM 2, 2009- PCM 3 Navigation Offroad  
-2008 PCM 2, 2009- PCM 3 Offroad navigation
- 33 1673 Vorbereitung Navigation China  
Navigation system preparation, China
- 33 1674 Vorrüstung "Vehicle Tracking System"  
"Vehicle Tracking System" preparation
- 33 1675 Ohne Radio Vorbereitung (Japan-Navi)  
Without radio preparation (Japan navigation system)
- 33 1676 TV-Tuner



|    |      |  |
|----|------|--|
|    |      | TV tuner   |
| 33 | 1677 | "Driver card" Antenne<br>"Driver card" antenna   |
| 33 | 1678 | Anbindung Alarmanlage<br>Alarm system connection   |
| 33 | 1679 | Wiederstartverhinderung<br>Restart inhibitor   |
| 33 | 1680 | Soundpaket BOSE<br>BOSE sound package  |
| 33 | 1685 | Geteilte Rücksitzanlage<br>Rear seats, split   |
| 33 | 1686 | SAT-Radioempfang XM (SDARS)<br>SAT radio reception XM (SDARS)                                  |
| 33 | 1689 | CD-Wechsler Vorbereitung<br>Preparation for CD autochanger                                     |
| 33 | 1690 | CD-Radio "Porsche Online Pro"<br>CD radio "Porsche Online Pro"                                 |
| 33 | 1692 | CD-Wechsler "Porsche"<br>CD autochanger "Porsche"  |
| 33 | 1693 | CD-/DVD-Wechsler integriert<br>Integrated CD/DVD autochanger                                   |
| 33 | 1694 | CD-Radio "PORSCHE CDR 24"<br>CD radio "PORSCHE CDR 24"   |
| 33 | 1695 | CD-RADIO, PORSCHE CDR 30<br>CD RADIO, PORSCHE CDR 30   |
| 33 | 1697 | CD-Radio "Porsche CDR 23"<br>CD radio "Porsche CDR-23"   |
| 33 | 1711 | Entfall Unterbodenschutz<br>Omission underbody protection                                      |
| 33 | 1753 | Sondermodell "Orange"<br>Special model "orange Spyder"   |
| 33 | 1754 | Sondermodell "RS 60 Spyder"<br>Special model "RS 60 Spyder"                                    |
| 33 | 1755 | Sondermodell "Porsche Design Edition 1"<br>Special model "Porsche Design Edition 1"            |
| 33 | 1757 | Sondermodell "Porsche Design Edition 2"<br>Special model "Porsche Design Edition 2"            |
| 33 | 1778 | Boxster Spyder<br>*  |
| 33 | 1789 | Individual farbe<br>Colour to sample   |
| 33 | 1796 | Ganzlederausstattung Naturlleder<br>Full leather trim natural leather                          |
| 33 | 1798 | Ganzlederausstattung Sonderleder<br>Full leather trim special leather                          |
| 33 | 1799 | Ganzlederausstattung nach Wahl<br>Full leather trim by choice                                  |
| 33 | 1801 | Holzpaket Makassar, dunkel seidenmatt<br>Makassar Ebony wood package, dark (matt satin finish) |
| 33 | 1802 | Holzpaket Platane, hell seidenmatt<br>Sycamore package, light (matt satin finish)              |
| 33 | 1803 | Carbonpaket<br>Carbon package  |
| 33 | 1804 | Exterieur-Paket Carbon GT2<br>GT2 Carbon exterior package                                      |
| 33 | 1805 | Lifestyle-Paket<br>Lifestyle package   |
| 33 | 1810 | Fussmatten<br>Floor mats   |
| 33 | 1840 | Sportlenkrad-PDK mit Paddle<br>Sports steering wheel for PDK with paddle                       |
| 33 | 1841 | Basislenkrad Glattleder<br>Basic steering wheel Smooth leather                                 |
| 33 | 1844 | Multi funktionslenkrad Glattleder<br>Multi-function steering wheel Smooth leather              |
| 33 | 1845 | Multi funktionslenkrad Carbon<br>Multi-function steering wheel Carbon                          |
| 33 | 1847 | Multi funktionslenkrad Makassar  |

987-2\_MXI KAT33. TXT

- 33 1870 Multi-function steering wheel Makassar  
Universal multimedia-Schnittstelle
- 33 1912 Universal multimedia interface  
ohne Typschild  
without ID plate
- 33 1936 Sitzbezüge hinten, Leder  
Seat covers, rear, leather
- 33 1937 Sitzbezüge hinten, Kunstleder  
Seat covers, rear, leatherette
- 33 1939 Sitzbezüge hinten, Raffleder  
Seat covers, rear, draped leather
- 33 1946 Sitzbezüge vorne, Leder/Leder/Kunstleder  
Seat covers, front, leather/leather/leatherette
- 33 1950 Sitzbezüge vorne, Alcantara/Kunstleder/Kunstleder  
Alcantara seat covers, front
- 33 1951 Sitzbezüge vorne, Alcantara/Leder/Leder  
Seat covers front, Alcantara/leather/leather
- 33 1970 Innenausstattung zwei farbig  
Two-tone interior
- 33 1971 Naturlleder mit "TORO"-Prägung  
"TORO" embossed leather
- 33 1981 Leder-Ausstattung, ohne Sitzbezug  
Leather equipment, without seat covers
- 33 1982 Sitzbezüge vorne, Raffleder/Leder/Leder  
Seat covers, front, draped leather/leather/leather
- 33 1983 Sitzbezüge vorne, Leder  
Seat covers, front, leather
- 33 1985 Sitzbezüge, Leder/Leder/Kunstleder, 2  
Seat covers, leather/leather/leatherette, 2
- 33 1990 Sitzbezüge vorne, Stoff/Stoff/Kunstleder  
Seat covers, front, cloth/cloth/leatherette
- 33 1991 Airbagmodul in Leder  
Steering wheel airbag module in leather
- 33 1998 Leder, Natur  
Leather, natural
- 33 1999 Innenraumüberwachung Sensor  
für Lederfarbe nach Wahl  
Passenger compartment monitoring sensor  
for leather colour of choice

| Model | Year | MG | SG | Illustration | VIN No. | Update |       |            |
|-------|------|----|----|--------------|---------|--------|-------|------------|
| 987-2 | 10   |    |    |              |         | 249    | 15:02 | 03.03.2010 |

PET CONTAINS THE ORDERING DETAILS FOR ALL MODELS SHOWN IN THE MODEL OVERVIEW.

THE UPDATE SERVICE IS PERFORMED AUTOMATICALLY VIA INTERNET UPDATE.

THE VERSION IS SHOWN IN THE HEADER AS "UPDATE 123/12"

SEATS AND RELATED ITEMS FOR MODELS INTRODUCED BEFORE 1997 ARE SHOWN IN THE STZ CATALOGUE.

SEATS AND RELATED ITEMS FOR MODELS INTRODUCED AFTER 1997 ARE SHOWN IN THE CORRESPONDING VEHICLE CATALOGUES.

ALL ILLUSTRATIONS ARE NON-BINDING.

SUBJECT TO CHANGE.

| Model | Year | MG | SG | Illustration | VIN No. | Update |       |            |
|-------|------|----|----|--------------|---------|--------|-------|------------|
| 987-2 | 10   |    |    |              |         | 249    | 15:17 | 03.03.2010 |

## EQUIPMENT BY COUNTRY REGULATIONS

=====

- (A) AUSTRIA
- (AG) ARABIAN GULF STATES
- (AUS) AUSTRALIA
- (B) BELGIUM
- (BR) BRAZIL
- (CDN) CANADA
- (CH) SWITZERLAND
- (CN) PEOPLE'S REPUBLIC OF CHINA
- (D) FEDERAL REPUBLIC OF GERMANY
- (DK) DENMARK
- (E) SPAIN
- (F) FRANCE
- (GB) GREAT BRITAIN
- (GR) GREECE
- (HK) HONGKONG

| Model | Year | MG | SG | Illustration | VIN No. | Update |       |            |
|-------|------|----|----|--------------|---------|--------|-------|------------|
| 987-2 | 10   |    |    |              |         | 249    | 15:17 | 03.03.2010 |

(I) ITALY

(J) JAPAN

(L) LUXEMBURG

(N) NORWAY

(NL) NETHERLANDS

(NZ) NEW ZEALAND

(P) PORTUGAL

(ROK) KOREA

(RC) TAIWAN

(THA) THAILAND

(S) SWEDEN

(SA) SAUDI ARABIA

(SF) FINLAND

(USA) UNITED STATES OF AMERICA

(ZA) SOUTH AFRICA

|       |      |    |    |              |         |        |       |            |
|-------|------|----|----|--------------|---------|--------|-------|------------|
| Model | Year | MG | SG | Illustration | VIN No. | Update | 15:16 | 03.03.2010 |
| 987-2 | 10   |    |    |              |         | 249    |       |            |

IN COLUMN - A -

-----

IDENTIFICATION LETTER FOR PERIOD OF INSTALLATION  
 THAT IS REPEATED SEVERAL TIMES IN THE CATALOG GROUP.

EXPLANATION PLEASE FIND IN TEXT COLUMN OF THE CATALOG GROUP

IN COLUMN - QU - = NO. OF PIECES

-----

1 NUMBER PER APPLICATION

X NUMBER AS NEEDED

\* AVAILABLE ONLY IN RUNNING LENGTHS 1 = 1 METRE

IN COLUMN - MODEL/SYMBOL -

-----

M650 OPTIONAL EQUIPMENT - SEE M-NO. LIST

-98 LIMITATION OF MODEL YEAR FOR INSTANCE: VALID UP TO  
 END OF MODEL YEAR 1997

/LL LHD

/RL RHD

-----+

/V FRONT I

| Model | Year | MG | SG | Illustration | VIN No. | Update |       |            |
|-------|------|----|----|--------------|---------|--------|-------|------------|
| 987-2 | 10   |    |    |              |         | 249    | 15:16 | 03.03.2010 |

I  
 /H REAR I  
 I----> APPLIES TO  
 /L LEFT I DIRECTION OF TRAVEL  
 I  
 /R RIGHT I  
 -----+  
  
 WW THE PART CAN BE USED INSTEAD OF THE  
 PRECEDING ONE.

|       |      |    |    |              |         |        |       |            |
|-------|------|----|----|--------------|---------|--------|-------|------------|
| Model | Year | MG | SG | Illustration | VIN No. | Update | 15:16 | 03.03.2010 |
| 987-2 | 10   |    |    |              |         | 249    |       |            |

LEGENDS AND NOTICES

=====

IN COLUMN -S- STATUS

-----

- N NEW ADDITION
- P PART ALREADY IN PROGRAMME, BUT NEW  
AT THIS APPLICATION
- W DELETED AT THIS APPLICATION, BUT CONTINUED TO BE CARRIED
- K THIS PART MUST BE RE-ORDERED IF IT IS UNAVAILABLE WHEN THE  
ORDER IS FIRST PLACED. ORDER BACKLOGS ARE NOT PROCESSED.
- A STOCK TO BE USED UP
- U DELETED WITHOUT REPLACEMENT
- \* PART ALSO OR ONLY AVAILABLE  
IN REPAIR KIT
- > ALSO AVAILABLE IN EXCHANGE

IN COLUMN - ILL. -

-----

- 1 IDENTIFICATION NO. IN ILLUSTRATION
- (1) PART ONLY SIMILAR AS ILLUSTRATED



| Model | Year | MG | SG | Illustration | VIN No. | Update |       |            |
|-------|------|----|----|--------------|---------|--------|-------|------------|
| 987-2 | 10   |    |    |              |         | 249    | 15:16 | 03.03.2010 |

- PART IS NOT ILLUSTRATED

FIG.-NUMBERS FOR WHICH THERE IS SHOWN NO TEXT ARE  
NOT VALID FOR THIS EDITION OF CATALOGUE

IN COLUMN -PART NUMBER/CODE-

-----

000 000 000 00 PART NUMBER EQUALS ORDERING NO., IF A CODE IS  
SHOWN, IT WILL HAVE TO BE PART OF ORDERING  
NUMBER

01C COLOUR CODE

IN COLUMN -TEXT

-----

INSTALLATION WITH ENGINE OR CHASSIS  
NUMBER-RANGE

EXAMPLE:

M 66W 00389>> FROM ENGINE NO.

F >>99WS6 00889 UP TO CHASSIS NO.

|       |      |    |    |              |         |        |       |            |
|-------|------|----|----|--------------|---------|--------|-------|------------|
| Model | Year | MG | SG | Illustration | VIN No. | Update | 15:15 | 03.03.2010 |
| 987-2 | 10   |    |    |              |         | 249    |       |            |

|                |  | ENGINE |      |            |                |           |         |  |
|----------------|--|--------|------|------------|----------------|-----------|---------|--|
| VEHICLE TYPE   |  | TYPE   | MY   | ENGINE NO. | TECHNICAL DATA |           |         |  |
| BOXSTER        |  | MA1.20 | 09 9 | __9        | 00501>99999    | 6ZYL/2,9L | /188 KW |  |
| BOXSTER "S"    |  | MA1.21 | 09 9 | __9        | 00501>99999    | 6ZYL/3,4L | /228 KW |  |
| BOXSTER        |  | MA1.20 | 10 A | __A        | 00501>99999    | 6ZYL/2,9L | /188 KW |  |
| BOXSTER "S"    |  | MA1.21 | 10 A | __A        | 00501>99999    | 6ZYL/3,4L | /228 KW |  |
| BOXSTER SPYDER |  | MA1.21 | 11 B | C_B        | 50501>60000    | 6ZYL/3,4L | /235 KW |  |

|       |      |    |    |              |         |        |       |            |
|-------|------|----|----|--------------|---------|--------|-------|------------|
| Model | Year | MG | SG | Illustration | VIN No. | Update | 15:14 | 03.03.2010 |
| 987-2 | 10   |    |    |              |         | 249    |       |            |

EXPLANATION OF THE MOTOR-NUMBERS USED IN THE CATALOGUE

=====

```

DIGIT:                1 2 3   4 5 6 7 8

EXAMPLE:              6 9 5   0 0 1 3 6
                    = = =   =====
                    ! ! !       !

ENGINE TYPE (6 = 6-CYL.-ENGINE)-----+ ! !       !
FROM MY-09 POWER KIT (S) OTHERWISE ( )-----+ ! !       !
                    ! !       !

ENGINE VERSION-----+ !       !
FROM MY-09 CONUNTRY VERSION (T=Taiwan) OTHERWISE( )+ !       !
                    !       !

MODEL YEAR-----+           !
                    !

SERIAL NUMBER-----+
    
```

|       |      |    |    |              |         |        |       |            |
|-------|------|----|----|--------------|---------|--------|-------|------------|
| Model | Year | MG | SG | Illustration | VIN No. | Update | 15:02 | 03.03.2010 |
| 987-2 | 10   |    |    |              |         | 249    |       |            |

| VEHICLE TYPE                      | MY   | VIN               | ENGINE TYPE   |
|-----------------------------------|------|-------------------|---------------|
| BOXSTER                           | 09 9 | 989S7 00061>10000 | MA1.20 188 KW |
| BOXSTER                           | 09 9 | 989U7 00061>10000 | MA1.20 188 KW |
| BOXSTER (USA, CN, CDN, MEX, BR)   | 09 9 | 989S7 10061>20000 | MA1.20 188 KW |
| BOXSTER (USA, CN, CDN, MEX, BR)   | 09 9 | 989U7 10061>20000 | MA1.20 188 KW |
| BOXSTER "S"                       | 09 9 | 989S7 20061>30000 | MA1.21 228 KW |
| BOXSTER "S"                       | 09 9 | 999U7 20061>30000 | MA1.21 228 KW |
| BOXSTER S (USA, CN, CDN, MEX, BR) | 09 9 | 989S7 30061>40000 | MA1.21 228 KW |
| BOXSTER S (USA, CN, CDN, MEX, BR) | 09 9 | 989U7 30061>40000 | MA1.21 228 KW |
| BOXSTER                           | 10 A | 98AS7 00061>10000 | MA1.20 188 KW |
| BOXSTER                           | 10 A | 98AU7 00061>10000 | MA1.20 188 KW |
| BOXSTER (KOR, CN, MEX, BR)        | 10 A | 98AS7 10061>20000 | MA1.20 188 KW |
| BOXSTER (USA, CDN)                | 10 A | A8AS7 10061>20000 | MA1.20 188 KW |
| BOXSTER (KOR, CN, MEX, BR)        | 10 A | 98AU7 10061>20000 | MA1.20 188 KW |
| BOXSTER (USA, CDN)                | 10 A | A8AU7 10061>20000 | MA1.20 188 KW |
| BOXSTER "S"                       | 10 A | 98AS7 20061>30000 | MA1.21 228 KW |
| BOXSTER "S"                       | 10 A | 98AU7 20061>30000 | MA1.21 228 KW |
| BOXSTER "S" (KOR, CN, MEX, BR)    | 10 A | 98AS7 30061>40000 | MA1.21 228 KW |
| BOXSTER "S" (USA, CDN)            | 10 A | A8AS7 30061>40000 | MA1.21 228 KW |
| BOXSTER "S" (KOR, CN, MEX, BR)    | 10 A | 98AU7 30061>40000 | MA1.21 228 KW |
| BOXSTER "S" (USA, CDN)            | 10 A | A8AU7 30061>40000 | MA1.21 228 KW |

|       |      |    |    |              |         |        |       |            |
|-------|------|----|----|--------------|---------|--------|-------|------------|
| Model | Year | MG | SG | Illustration | VIN No. | Update | 15:02 | 03.03.2010 |
| 987-2 | 10   |    |    |              |         | 249    |       |            |

|                |                    |  |  |            |             |         |        |
|----------------|--------------------|--|--|------------|-------------|---------|--------|
| BOXSTER SPYDER |                    |  |  | 11 B 98BS7 | 40061>45000 | MA1.21C | 235 KW |
| BOXSTER SPYDER |                    |  |  | 11 B 98BU7 | 40061>45000 | MA1.21C | 235 KW |
| BOXSTER SPYDER | (KOR, CN, MEX, BR) |  |  | 11 B 98BS7 | 45061>50000 | MA1.21C | 235 KW |
| BOXSTER SPYDER | (USA, CDN)         |  |  | 11 B A8BS7 | 45061>50000 | MA1.21C | 235 KW |
| BOXSTER SPYDER | (KOR, CN, MEX, BR) |  |  | 11 B 98BU7 | 45061>50000 | MA1.21C | 235 KW |
| BOXSTER SPYDER | (USA, CDN)         |  |  | 11 B A8BU7 | 45061>50000 | MA1.21C | 235 KW |

|       |      |    |    |              |         |        |       |            |
|-------|------|----|----|--------------|---------|--------|-------|------------|
| Model | Year | MG | SG | Illustration | VIN No. | Update | 15:02 | 03.03.2010 |
| 987-2 | 10   |    |    |              |         | 249    |       |            |

EXPLANATION OF THE ABRIDGED VERSION OF THE VEHICLE IDENT. NUMBERS (VIN)

=====

USED IN THE CATALOGUE

=====

DIGIT:                                1 2 3   4 5 6   7 8   9   10   11   12   13 14 15 16 17

EXAMPLE:                            W P 0   Z Z Z   9 9   Z   5   S   7   0 0 1 2 5

                                      ===    =   =   =   =====

   !        !   !   !                !

VEHICLE TYPE 1ST+2ND DIGIT-----+                    !   !   !                !

   !   !   !                !

MODEL YEAR-----+                                     !   !                !

   !   !                !

MANUFACTURING LOCATION-----+                     !                    !

   !                    !

VEHICLE TYPE 3RD DIGIT-----+    !

    !

SERIAL NUMBER-----+    !

|       |      |    |    |              |         |        |       |            |
|-------|------|----|----|--------------|---------|--------|-------|------------|
| Model | Year | MG | SG | Illustration | VIN No. | Update | 15:16 | 03.03.2010 |
| 987-2 | 10   |    |    |              |         | 249    |       |            |

|                    |        | TRANSM. |                  |                |        |  |  |
|--------------------|--------|---------|------------------|----------------|--------|--|--|
| VEHICLE TYPE       | TYPE   | MY      | TRANSMISSION NO. | TECHNICAL DATA |        |  |  |
| BOXSTER            | G87.10 | 09 9    | G8710 1          | 002001>999999  | 6-GANG |  |  |
| BOXSTER PDK        | CG2.00 | 09 9    | CG200 1          | 002001>999999  | 7-GANG |  |  |
| BOXSTER "S"        | G87.40 | 09 9    | G8740 1          | 002001>999999  | 6-GANG |  |  |
| BOXSTER "S" PDK    | CG2.20 | 09 9    | CG220 1          | 002001>999999  | 7-GANG |  |  |
| BOXSTER            | G87.10 | 10 A    | G8710 1          | 002001>999999  | 6-GANG |  |  |
| BOXSTER PDK        | CG2.00 | 10 A    | CG200 1          | 002001>999999  | 7-GANG |  |  |
| BOXSTER "S"        | G87.40 | 10 A    | G8740 1          | 002001>999999  | 6-GANG |  |  |
| BOXSTER "S" PDK    | CG2.20 | 10 A    | CG220 1          | 002001>999999  | 7-GANG |  |  |
| BOXSTER SPYDER     | G87.40 | 11 B    | G8740 1          | 002001>999999  | 6-GANG |  |  |
| BOXSTER SPYDER PDK | CG2.20 | 11 B    | CG220 1          | 002001>999999  | 7-GANG |  |  |

|       |      |    |    |              |         |        |       |            |
|-------|------|----|----|--------------|---------|--------|-------|------------|
| Model | Year | MG | SG | Illustration | VIN No. | Update | 15:16 | 03.03.2010 |
| 987-2 | 10   |    |    |              |         | 249    |       |            |

EXPLANATION OF THE TRANSMISSION-NUMBERS USED IN THE CATALOGUE

=====

|                            |   |       |   |   |   |   |       |   |   |    |    |
|----------------------------|---|-------|---|---|---|---|-------|---|---|----|----|
| DIGIT:                     | 1 | 2     | 3 | 4 | 5 | 6 | 7     | 8 | 9 | 10 | 11 |
| EXAMPLE:                   | G | 9     | 7 | 0 | 1 | 1 | 0     | 0 | 5 | 4  | 3  |
|                            | = | ===== |   |   |   | = | ===== |   |   |    |    |
|                            | ! |       | ! |   |   | ! |       |   | ! |    | !  |
|                            | ! |       | ! |   |   | ! |       |   | ! |    | !  |
| TRANSMISSION TYPE-----+    |   |       | ! |   |   | ! |       |   | ! |    | !  |
|                            |   |       | ! |   |   | ! |       |   | ! |    | !  |
| TRANSMISSION VERSION-----+ |   |       |   |   |   | ! |       |   | ! |    | !  |
|                            |   |       |   |   |   | ! |       |   | ! |    | !  |
| INDEX OF VARIANTS-----+    |   |       |   |   |   |   |       |   | ! |    | !  |
|                            |   |       |   |   |   |   |       |   | ! |    | !  |
| SERIAL NUMBER-----+        |   |       |   |   |   |   |       |   |   |    | !  |