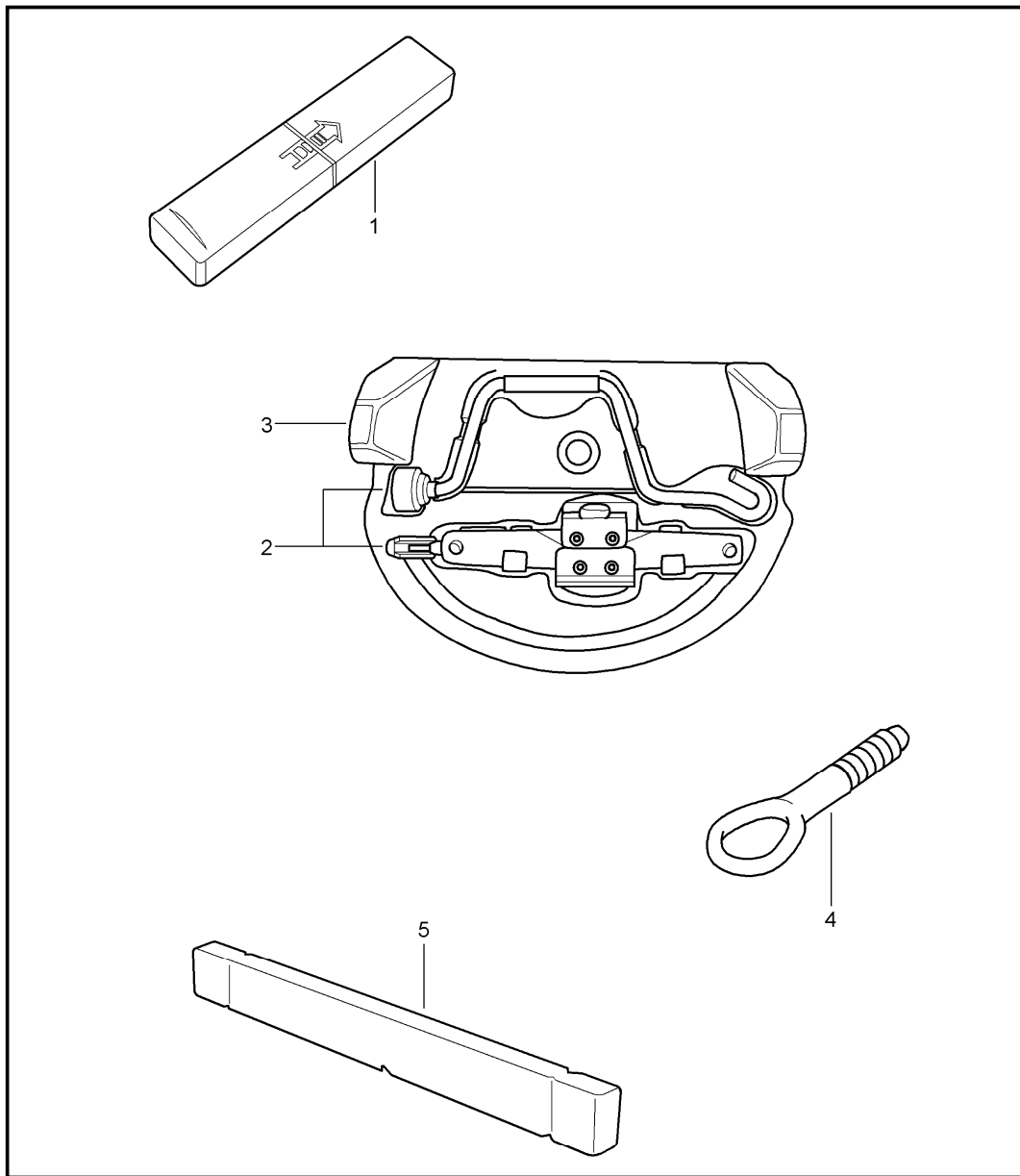


|       |      |    |    |              |              |     |       |            |         |     |         |
|-------|------|----|----|--------------|--------------|-----|-------|------------|---------|-----|---------|
| Model | Year | MG | SG | Illustration | Restrictions | UPD | 11:52 | 24.01.2010 | PORSCHE | PET | PORSCHE |
| 987C  | 2008 | 0  | 01 | 001-00       |              | 248 |       |            |         |     |         |



| Pos | Part Number    | Description                        | Remark | Qty | Model |
|-----|----------------|------------------------------------|--------|-----|-------|
| 1   | 997 721 115 00 | tool jack                          |        | 1   |       |
| -   | 477 012 229    | tool kit with contents comprising: |        | 1   |       |
| -   | 477 012 231    | double-end spanner 10 X 13         |        | 1   |       |
| -   | 477 012 231    | screwdriver                        |        | 1   |       |
| -   | 111 012 287    | handle for screwdriver             |        | 1   |       |
| -   | 999 571 077 02 | socket wrench - 5 - for headlamp   |        | 1   |       |
| 2   | 996 721 211 00 | scissors type jack                 |        | 1   | I447  |
| 3   | 996 722 101 00 | foam part                          |        | 1   | I447  |
| -   | 999 571 074 30 | threaded bolt for assembly wheels  |        | 1   | I447  |
| -   | 477 012 221 A  | rim wrench                         |        | 1   | I447  |
| -   | 999 571 070 30 | operating rod for rim wrench       |        | 1   | I447  |
| -   | 997 722 801 00 | mounting for tool                  |        | 1   | I447  |
| -   | 996 361 521 00 | boot                               |        | 1   | I447  |
| -   | 987 722 061 00 | cover emergency wheel              |        | 1   | I447  |
| 4   | 997 721 551 00 | towing lug                         |        | 1   |       |
| 5   | 000 722 722 05 | warning triangle                   |        | 1   |       |
| -   | 993 722 041 00 | first-aid kit                      |        | 1   |       |

|       |      |    |    |              |              |     |       |            |
|-------|------|----|----|--------------|--------------|-----|-------|------------|
| Model | Year | MG | SG | Illustration | Restrictions | UPD | 11:52 | 24.01.2010 |
| 987C  | 2008 | 0  | 01 | 001-05       |              | 248 |       |            |

| Pos | Part Number    | Description                          | Remark | Qty | Model |
|-----|----------------|--------------------------------------|--------|-----|-------|
|     |                | stickers                             |        |     |       |
|     |                | stickers<br>emergency wheel          |        | 1   | I447  |
| -   | 996 361 701 20 | sticker<br>english                   | (AUS)  | 1   |       |
| -   | 997 361 701 00 | sticker<br>arabic                    |        | 1   | I215  |
| -   | 928 701 150 00 | sticker<br>"MAX 80 KM/H"             |        | 1   |       |
|     |                | stickers<br>engine specifications    |        |     |       |
| (2) | 955 701 675 00 | sticker<br>expansion tank            | 08     | 1   | I193  |
| 3   | 997 006 108 00 | sticker                              |        | 1   | I068  |
| 4   | 997 006 544 00 | sticker<br>engine oil<br>- MOBIL 1 - |        | 1   |       |
| (4) | 997 701 535 00 | sticker<br>engine-oil level          | 08     | 1   | I193  |
|     |                | stickers<br>type of fuel             |        |     |       |
| 5   | 996 006 117 00 | sticker<br>98 ROZ                    |        | 1   |       |
| 5   | 996 006 117 02 | sticker<br>96 ROZ                    | (AUS)  | 1   |       |
| 5   | 996 006 117 01 | sticker<br>98 ROZ                    |        | 1   | I150  |
| 5   | 996 006 117 03 | sticker<br>93 RON/MON/2              |        | 1   | I193  |
| 5   | 955 701 676 15 | sticker<br>fuel                      | 08     | 1   | I193  |
| 5   | 955 701 676 10 | sticker<br>fuel filler flap          | 08     | 1   | I193  |
|     |                | stickers<br>airbag                   |        |     |       |
| 6   | 3B0 010 219 B  | sticker<br>child car seat            |        | 1   |       |
| 6   | 8D0 010 141 Q  | sticker<br>child car seat            | (AUS)  | 1   |       |

PORSCHE

PET

PORSCHE

|       |      |    |    |              |              |     |       |            |
|-------|------|----|----|--------------|--------------|-----|-------|------------|
| Model | Year | MG | SG | Illustration | Restrictions | UPD | 11:52 | 24.01.2010 |
| 987C  | 2008 | 0  | 01 | 001-05       |              | 248 |       |            |

| Pos  | Part Number    | Description                          | Remark | Qty | Model |
|------|----------------|--------------------------------------|--------|-----|-------|
| 6    | 987 701 430 00 | sticker<br>child car seat<br>german  |        | 1   |       |
| 6    | 987 701 430 01 | sticker<br>child car seat<br>english |        | 1   |       |
| 6    | 987 701 430 02 | sticker<br>child car seat<br>french  |        | 1   |       |
| 6    | 987 701 430 03 | sticker<br>child car seat<br>italian |        | 1   |       |
| 6    | 987 701 430 04 | sticker<br>child car seat<br>swedish |        | 1   |       |
| 6    | 987 701 430 05 | sticker<br>child car seat<br>spanish |        | 1   |       |
| 6    | 987 701 430 06 | sticker<br>child car seat<br>arabic  |        | 1   |       |
| 6    | 987 701 430 07 | sticker<br>child car seat<br>chinese |        | 1   |       |
| (6)  | 955 701 675 10 | sticker<br>Recycling                 | 08     | 1   | I193  |
| 9    | 986 701 141 01 | sticker<br>air conditioner           |        | 1   |       |
| (9)  | 987 701 521 00 | sticker<br>air conditioner           | 08     | 1   | I193  |
| (9)  | 955 701 673 00 | sticker<br>battery                   | 08     | 1   | I193  |
| 10   | 997 701 170 00 | sticker<br>first-aid kit             |        | 1   |       |
| (10) | 997 701 527 00 | sticker<br>headlamp                  | 08     | 1   | I193  |
| (10) | 955 701 675 05 | sticker<br>brake fluid               | 08     | 1   | I193  |
| 11   | 955 701 675 15 | sticker<br>import<br>japan           | 08     | 1   | I193  |
| 12   | 997 701 531 00 | sticker<br>airbag                    | 08     | 1   | I193  |

PORSCHE

# PET

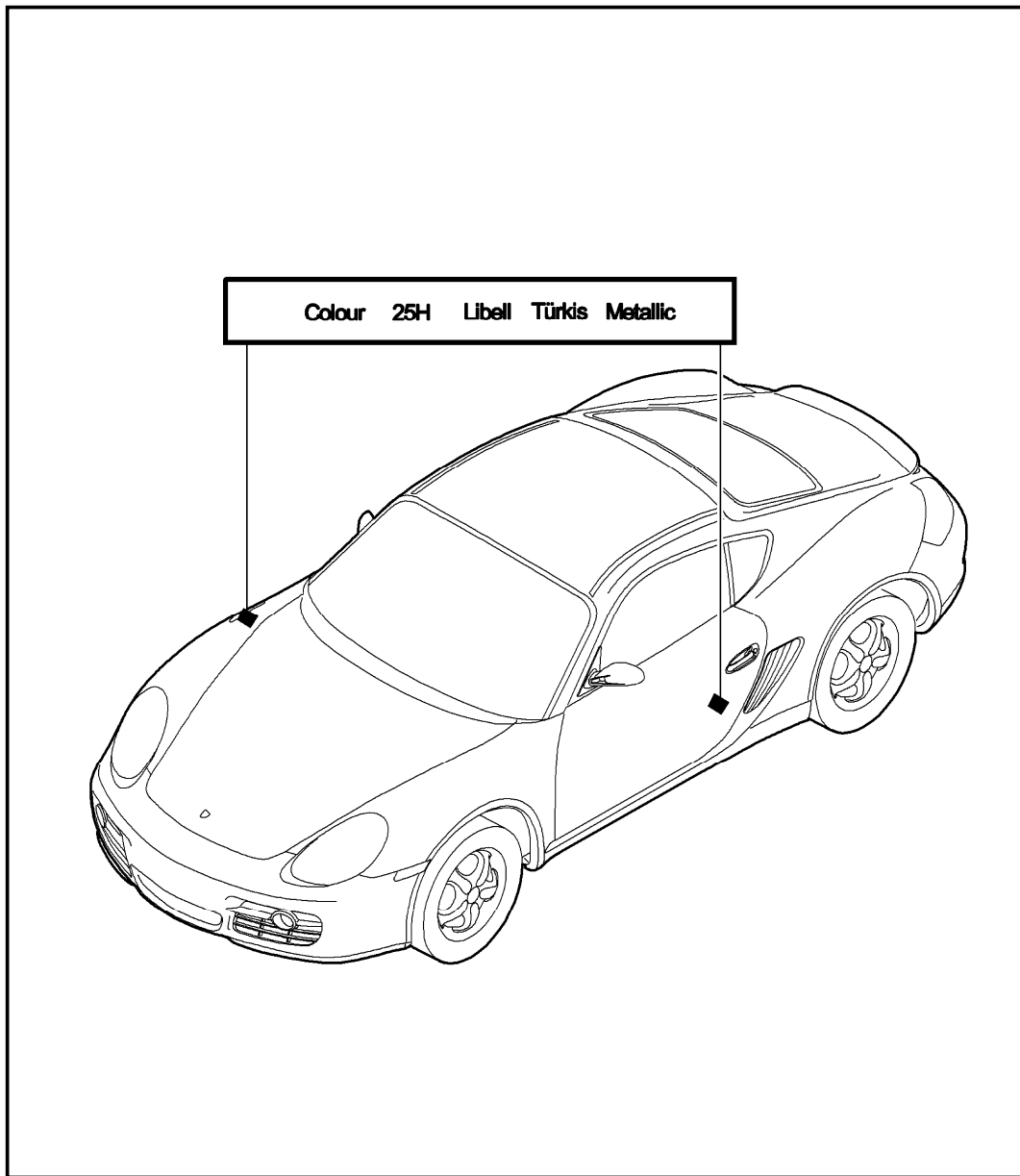
PORSCHE

|       |      |    |    |              |              |     |       |            |
|-------|------|----|----|--------------|--------------|-----|-------|------------|
| Model | Year | MG | SG | Illustration | Restrictions | UPD | 11:52 | 24.01.2010 |
| 987C  | 2008 | 0  | 01 | 001-05       |              | 248 |       |            |

| Pos  | Part Number    | Description                        | Remark | Qty | Model |
|------|----------------|------------------------------------|--------|-----|-------|
| (12) | 955 701 676 00 | sticker<br>warning light<br>engine | 08     | 1   | I193  |

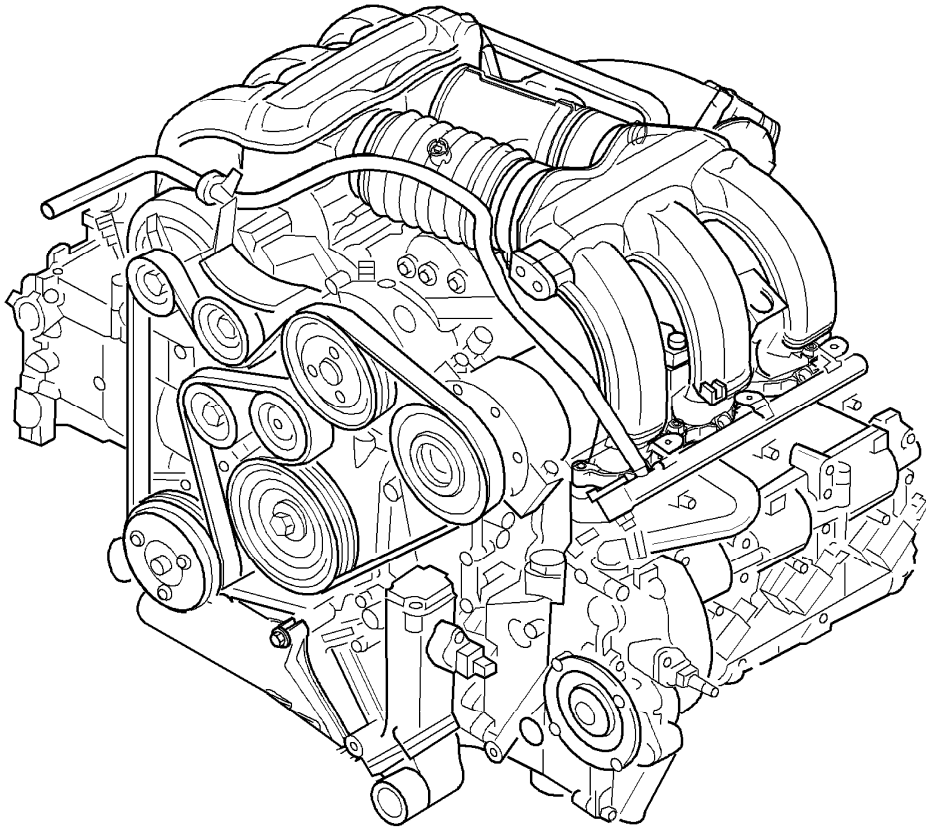


|       |      |    |    |              |              |     |       |            |         |     |         |
|-------|------|----|----|--------------|--------------|-----|-------|------------|---------|-----|---------|
| Model | Year | MG | SG | Illustration | Restrictions | UPD | 11:52 | 24.01.2010 | PORSCHE | PET | PORSCHE |
| 987C  | 2008 | 0  | 04 | 004-00       |              | 248 |       |            |         |     |         |



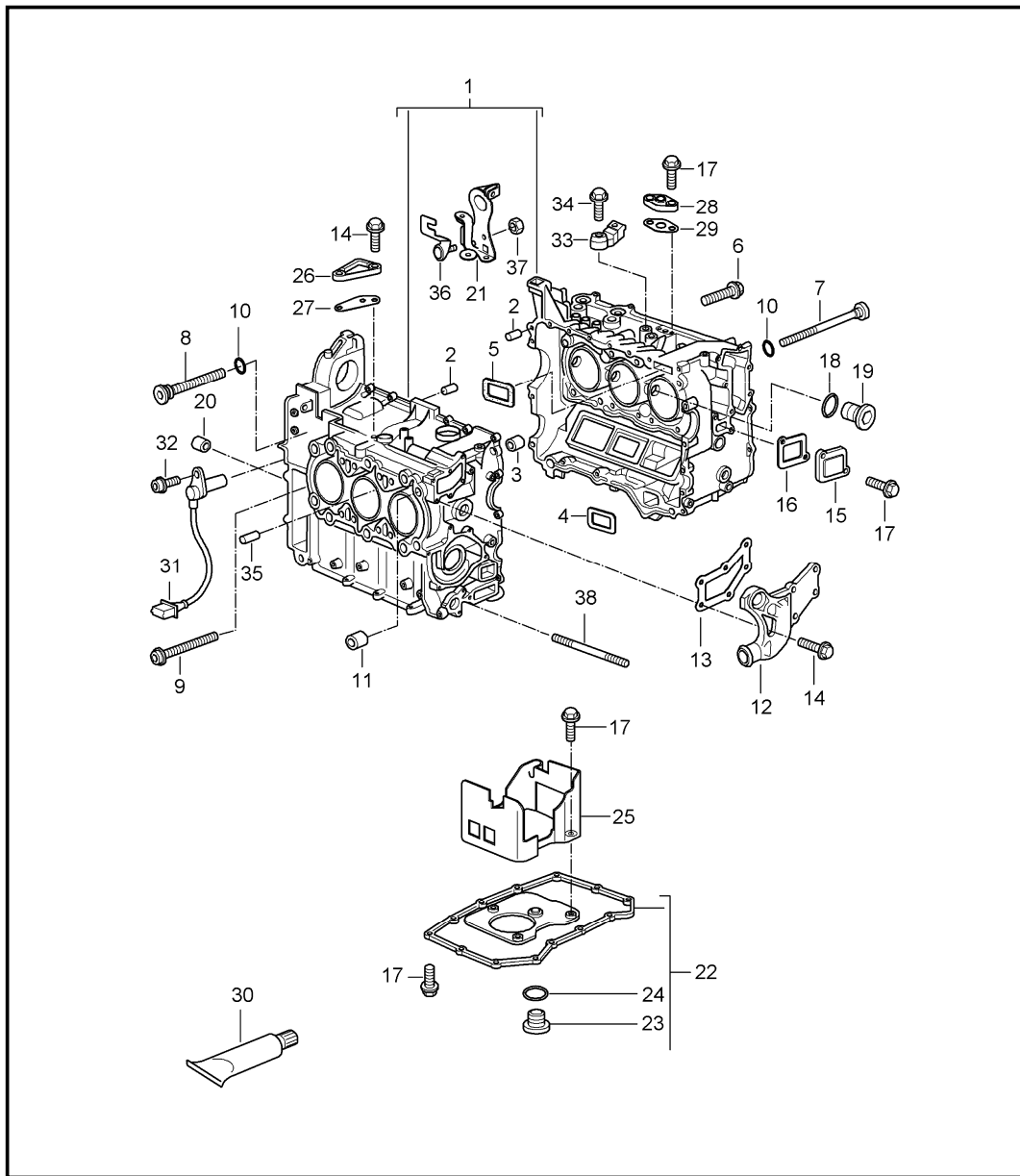
| Pos | Part Number    | Description  | Remark | Qty | Model |
|-----|----------------|--|--------|-----|-------|
| -   | 911 095 932 20 | paint touch-up applicator lacquers   |        | X   |       |
|     | 041            | black  |        |     | A 1   |
|     | 80K            | guards red   |        |     | G 1   |
|     | B9A            | carrara white  |        |     | B 4   |
|     | 12G            | speed yellow   |        |     | X 4   |
| -   | 911 095 933 20 | paint touch-up applicator set comprising:<br>paint touch-up applicator primer<br>paint touch-up applicator clear lacquer |        | X   |       |
|     | 92T            | arctic silver metallic   |        |     | X 1   |
|     | M3W            | carmon red metallic  |        |     | E 4   |
|     | M5W            | lapis blue metallic  |        |     | J 2   |
|     | M6W            | lagoon green metallic  |        |     | G 4   |
|     | C9Z            | basalt black metallic  |        |     | Z 4   |
|     | M7X            | atlas grey metallic  |        |     | E 7   |
|     | 37W            | midnight blue metallic   |        |     | E 9   |
|     | 6B5            | seal grey metallic   |        |     | Y 1   |
|     | 22E            | forest green metallic  |        |     | 53    |
|     | 37U            | cobalt blue metallic   |        |     | 56    |
|     | 22D            | slate grey metallic  |        |     | 59    |
|     | M7Z            | gt silver metallic   |        |     | U 2   |
|     | M6X            | dark olive-metallic  |        |     | 7 G   |
|     | M7W            | Meteor Grey Metallic   | 07-    |     | 9 Q   |
|     | 8A7            | ruby red metallic  | 08     |     | L 2   |
|     | M8W            | Macadamia Metallic   | 08     |     | 9 S   |
|     | 2B5            | Malachite Green Metallic   | 08     |     | H 1   |
|     | M2Z            | Nordic Gold Metallic   | 08     |     | 8 W   |

|       |      |    |    |              |              |     |       |            |         |     |         |
|-------|------|----|----|--------------|--------------|-----|-------|------------|---------|-----|---------|
| Model | Year | MG | SG | Illustration | Restrictions | UPD | 11:52 | 24.01.2010 | PORSCHE | PET | PORSCHE |
| 987C  | 2008 | 1  | 01 | 101-00       |              | 248 |       |            |         |     |         |



| Pos | Part Number      | Description  | Remark | Qty | Model          |
|-----|------------------|--|--------|-----|----------------|
|     |                  | replacement engine<br>without<br>drive plate<br>tiptronic<br>without<br>flywheel<br>manual transmission<br>without<br>compressor<br>for<br>air conditioner |        |     | M97.20/21      |
| 1   | > 987 100 921 00 | replacement engine   | 06     | 1   | M97.21<br>I480 |
| 1   | > 987 100 921 04 | replacement engine   | 07     | 1   | M97.21<br>I480 |
| 1   | > 987 100 921 08 | replacement engine   | 08     | 1   | M97.21<br>I480 |
| 1   | > 987 100 922 00 | replacement engine   | 08     | 1   | M97.22<br>I480 |
| (1) | > 987 100 920 00 | replacement engine   | 07     | 1   | M97.20<br>I481 |
| (1) | > 987 100 920 06 | replacement engine   | 08     | 1   | M97.20<br>I481 |
| (1) | > 987 100 920 05 | replacement engine   | 07     | 1   | M97.20<br>I480 |
| (1) | > 987 100 920 10 | replacement engine   | 08     | 1   | M97.20<br>I480 |
| 1   | > 987 100 921 01 | replacement engine   | 06     | 1   | M97.21<br>I249 |
| 1   | > 987 100 921 05 | replacement engine   | 07     | 1   | M97.21<br>I249 |
| 1   | > 987 100 921 10 | replacement engine   | 08     | 1   | M97.21<br>I249 |
| 1   | > 987 100 922 02 | replacement engine   | 08     | 1   | M97.22<br>I249 |
| (1) | > 987 100 920 01 | replacement engine   | 07     | 1   | M97.20<br>I249 |
| (1) | > 987 100 920 08 | replacement engine   | 08     | 1   | M97.20<br>I249 |

|       |      |    |    |              |              |     |       |            |         |     |         |
|-------|------|----|----|--------------|--------------|-----|-------|------------|---------|-----|---------|
| Model | Year | MG | SG | Illustration | Restrictions | UPD | 11:52 | 24.01.2010 | PORSCHE | PET | PORSCHE |
| 987C  | 2008 | 1  | 01 | 101-05       |              | 248 |       |            |         |     |         |

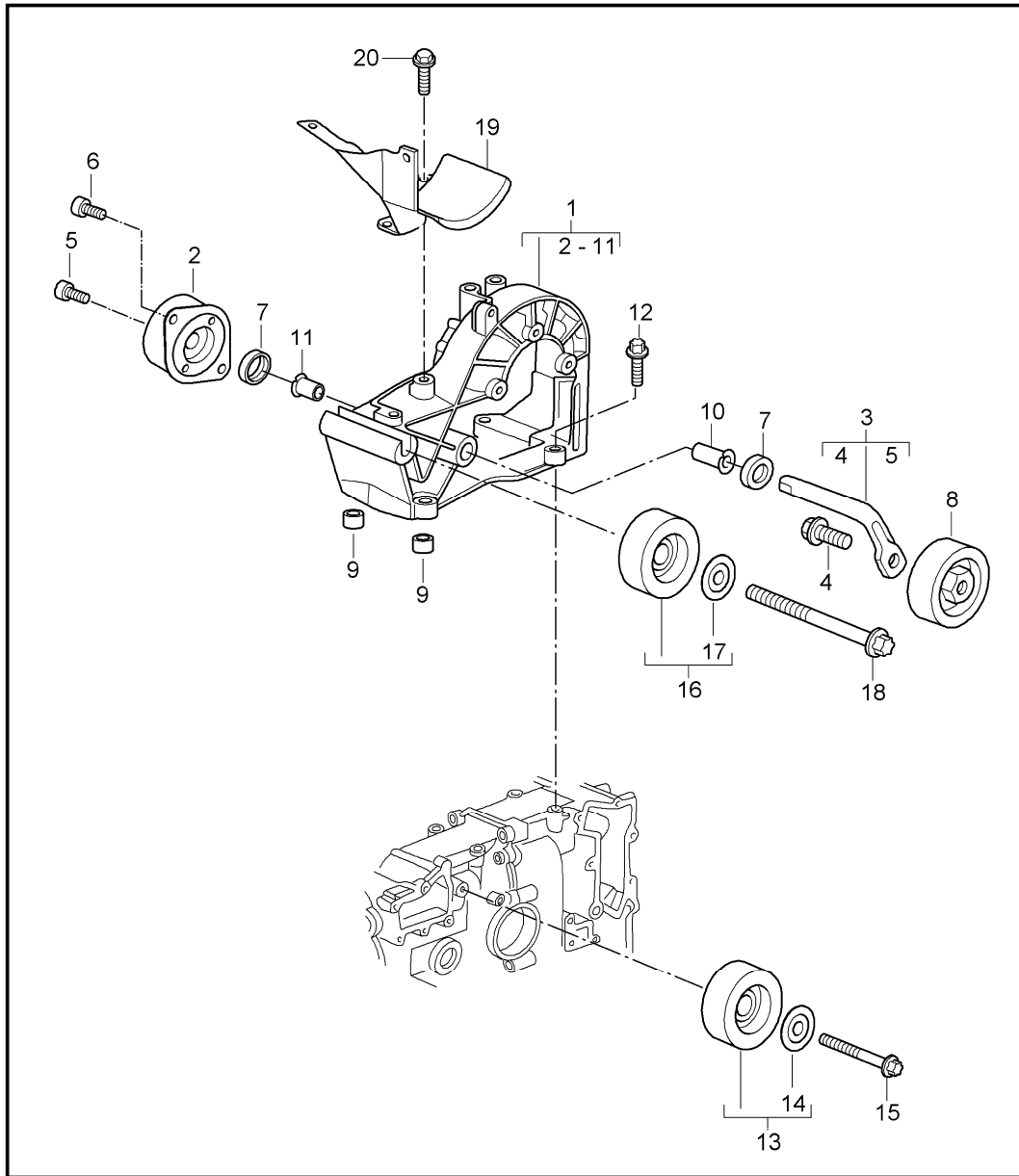


| Pos | Part Number    | Description   | Remark | Qty | Model     |
|-----|----------------|---|--------|-----|-----------|
|     |                | crankcase<br>single parts                                 |        |     | M97.20/21 |
| 1   | 987 101 901 00 | crankcase   |        | 1   | M97.21    |
| 1   | 987 101 901 01 | crankcase   | 07-    | 1   | M97.20    |
| 2   | 999 012 049 00 | straight pin<br>12 M 6 x 22                               |        | 3   |           |
| 3   | 996 101 253 51 | dowel sleeve  |        | 3   |           |
| 4   | 996 101 361 51 | gasket  |        | 1   |           |
| 5   | 996 101 363 50 | gasket  |        | 1   |           |
| 6   | 900 385 270 04 | torx screw<br>M 6 X 35                                    |        | 19  |           |
| (6) | 999 385 004 09 | torx screw<br>BM 6 X 35<br>blue<br>coated                 | -07    | 4   |           |
| (6) | 999 385 004 01 | torx screw<br>BM 6 X 35<br>white<br>coated                | 08-    | 4   |           |
| 7   | 996 101 219 52 | screw<br>9 X 150  |        | 1   |           |
| 8   | 996 101 229 00 | screw<br>M 9 X 94   |        | 1   |           |
| 9   | 996 101 203 00 | screw<br>9 X 94   |        | 1   |           |
| 10  | 999 701 789 40 | o-ring<br>12 X 2<br>use also:<br>grease<br>999 917 788 00 |        | 2   |           |
| 11  | 999 095 043 01 | dowel sleeve<br>17M 6 X 18,5                              |        | 4   |           |
| 12  | 996 101 021 01 | lid   |        | 1   |           |
| 13  | 996 101 331 50 | gasket  |        | 1   |           |
| 14  | 999 073 344 04 | round head screw<br>M 6 X 20                              |        | 8   |           |
| 15  | 996 101 016 00 | lid   |        | 1   |           |
| 16  | 996 101 336 50 | gasket  |        | 1   |           |

|       |      |    |    |              |              |     |       |            |         |     |         |
|-------|------|----|----|--------------|--------------|-----|-------|------------|---------|-----|---------|
| Model | Year | MG | SG | Illustration | Restrictions | UPD | 11:52 | 24.01.2010 | PORSCHE | PET | PORSCHE |
| 987C  | 2008 | 1  | 01 | 101-05       |              | 248 |       |            |         |     |         |

| Pos  | Part Number      | Description                   | Remark | Qty | Model | Pos | Part Number | Description | Remark | Qty | Model |
|------|------------------|-------------------------------|--------|-----|-------|-----|-------------|-------------|--------|-----|-------|
| 17   | 900 385 009 09   | torx screw<br>BM 6 X 16       |        | 13  |       |     |             |             |        |     |       |
| 18   | 900 123 147 30   | sealing ring<br>A 27 X 32     |        | 1   |       |     |             |             |        |     |       |
| 19   | 900 219 017 30   | screw plug<br>M 27 X 2        |        | 1   |       |     |             |             |        |     |       |
| 20   | 014 301 153 B    | dowel sleeve<br>13 X 16 X13,5 |        | 2   |       |     |             |             |        |     |       |
| 21   | ... ..           | see illustrations<br>1/07/05  |        | 1   |       |     |             |             |        |     |       |
| 22   | A 996 107 031 55 | oil pan                       |        | 1   |       |     |             |             |        |     |       |
| (22) | 996 107 031 57   | oil pan                       |        | 1   |       |     |             |             |        |     |       |
| 23   | 900 219 009 30   | screw plug<br>M 18 X 1,5      |        | 1   |       |     |             |             |        |     |       |
| 24   | 900 123 106 30   | sealing ring<br>A 18 X 24     |        | 1   |       |     |             |             |        |     |       |
| 25   | 997 107 243 00   | bulkhead                      |        | 1   |       |     |             |             |        |     |       |
| 26   | 999 036 005 02   | lid<br>B 50                   |        | 2   |       |     |             |             |        |     |       |
| 27   | 000 043 300 19   | lid<br>B 16                   |        | 1   |       |     |             |             |        |     |       |
| 28   | 996 101 613 50   | support                       |        | 1   | I249  |     |             |             |        |     |       |
| 29   | 900 377 010 09   | hexagon nut<br>M 6            |        | 1   | I249  |     |             |             |        |     |       |
| 30   | 000 043 203 73   | sealing compound<br>30 ML     |        | X   |       |     |             |             |        |     |       |
| (30) | 000 043 204 35   | sealing compound<br>50 ML     |        | X   |       |     |             |             |        |     |       |
| 31   | 986 606 112 03   | pulse sender                  |        | 1   |       |     |             |             |        |     |       |
| 32   | 900 387 264 09   | pan-head screw<br>M 6 X 16    |        | 1   |       |     |             |             |        |     |       |
| 33   | 997 606 121 00   | knock sensor                  |        | 2   |       |     |             |             |        |     |       |
| 34   | 900 385 090 04   | torx screw<br>BM 8 X 35       |        | 2   |       |     |             |             |        |     |       |

|       |      |    |    |              |              |     |       |            |         |     |         |
|-------|------|----|----|--------------|--------------|-----|-------|------------|---------|-----|---------|
| Model | Year | MG | SG | Illustration | Restrictions | UPD | 11:53 | 24.01.2010 | PORSCHE | PET | PORSCHE |
| 987C  | 2008 | 1  | 01 | 101-10       |              | 248 |       |            |         |     |         |

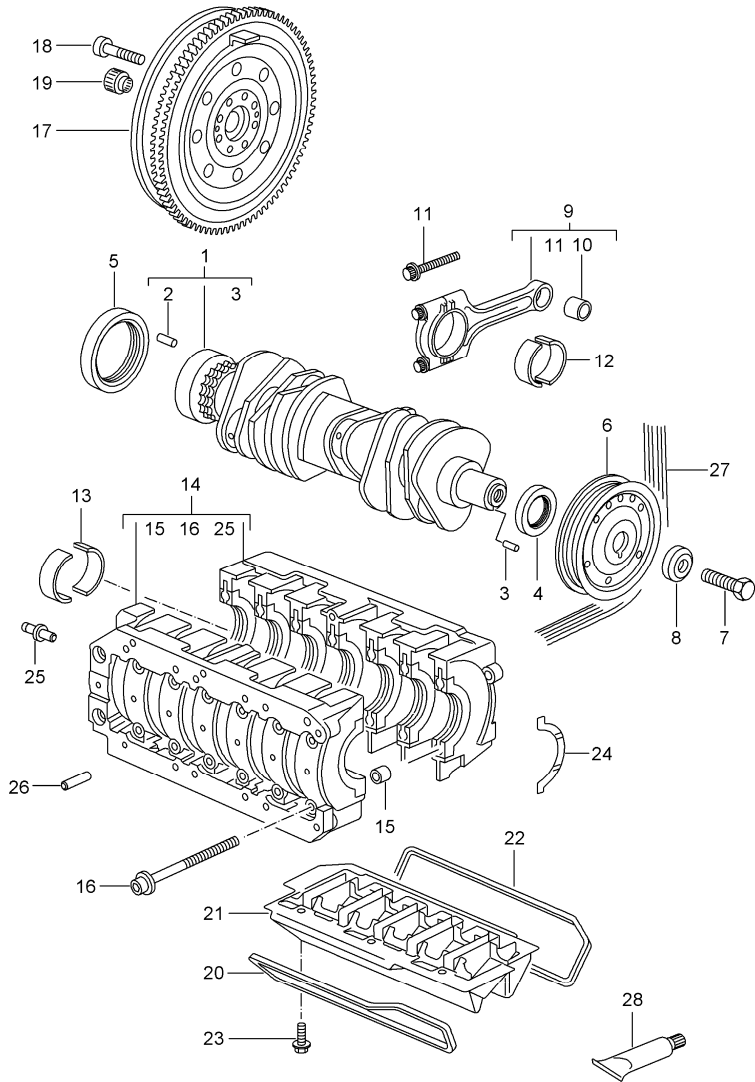


| Pos  | Part Number    | Description                    | Remark | Qty | Model     |
|------|----------------|--------------------------------|--------|-----|-----------|
|      |                | belt tensioner<br>belt drive   |        |     | M97.20/21 |
| 1    | 997 102 016 00 | bracket                        |        | 1   | I480      |
| (1)  | 996 102 016 01 | bracket                        |        | 1   | I249      |
| 2    | 997 102 260 00 | tensioner                      |        | 1   |           |
| 3    | 996 102 360 51 | lever                          |        | 1   |           |
| 4    | 999 072 041 09 | hexagon-head bolt<br>M 10 X 30 |        | 1   |           |
| 5    | 900 067 117 03 | pan-head screw<br>M 6 X 16     |        | 1   |           |
| 6    | 999 067 045 09 | pan-head screw<br>M 8 X 22     |        | 2   |           |
| 7    | 996 102 365 50 | dust boot                      |        | 2   |           |
| 8    | 997 102 117 00 | tensioning roller              |        | 1   | I480      |
| (8)  | 996 102 117 57 | tensioning roller              |        | 1   | I249      |
| 9    | 999 095 064 00 | dowel sleeve<br>12 M 6 X 13    |        | 2   |           |
| 10   | 997 102 167 00 | bush                           |        | 1   |           |
| 11   | 997 102 165 00 | bush                           |        | 1   |           |
| 12   | 900 385 090 04 | torx screw<br>M 8 X 35         |        | 4   |           |
| 13   | 997 102 119 00 | deflection roller              |        | 1   | I480      |
| (13) | 996 102 119 58 | deflection roller              |        | 1   | I249      |
| 14   | 996 102 127 54 | cover disc                     |        | 1   |           |
| 15   | 900 385 091 04 | torx screw<br>M 8 X 60         |        | 1   |           |
| 16   | 997 102 118 00 | deflection roller              |        | 1   | I480      |
| (16) | 996 102 118 56 | deflection roller              |        | 1   | I249      |
| 17   | 996 102 125 53 | cover disc                     |        | 1   |           |
| 18   | 900 385 092 04 | torx screw<br>M 10 X 145       |        | 1   |           |
| 19   | 996 102 211 05 | cover                          |        | 1   |           |

|       |      |    |    |              |              |     |       |            |         |     |         |
|-------|------|----|----|--------------|--------------|-----|-------|------------|---------|-----|---------|
| Model | Year | MG | SG | Illustration | Restrictions | UPD | 11:53 | 24.01.2010 | PORSCHE | PET | PORSCHE |
| 987C  | 2008 | 1  | 01 | 101-10       |              | 248 |       |            |         |     |         |

| Pos | Part Number    | Description                   | Remark | Qty | Model | Pos | Part Number | Description | Remark | Qty | Model |
|-----|----------------|-------------------------------|--------|-----|-------|-----|-------------|-------------|--------|-----|-------|
| 20  | 900 385 279 09 | hexagon-head bolt<br>M 6 X 12 |        | 3   |       |     |             |             |        |     |       |

|       |      |    |    |              |              |     |       |            |         |     |         |
|-------|------|----|----|--------------|--------------|-----|-------|------------|---------|-----|---------|
| Model | Year | MG | SG | Illustration | Restrictions | UPD | 11:53 | 24.01.2010 | PORSCHE | PET | PORSCHE |
| 987C  | 2008 | 1  | 02 | 102-00       |              | 248 |       |            |         |     |         |



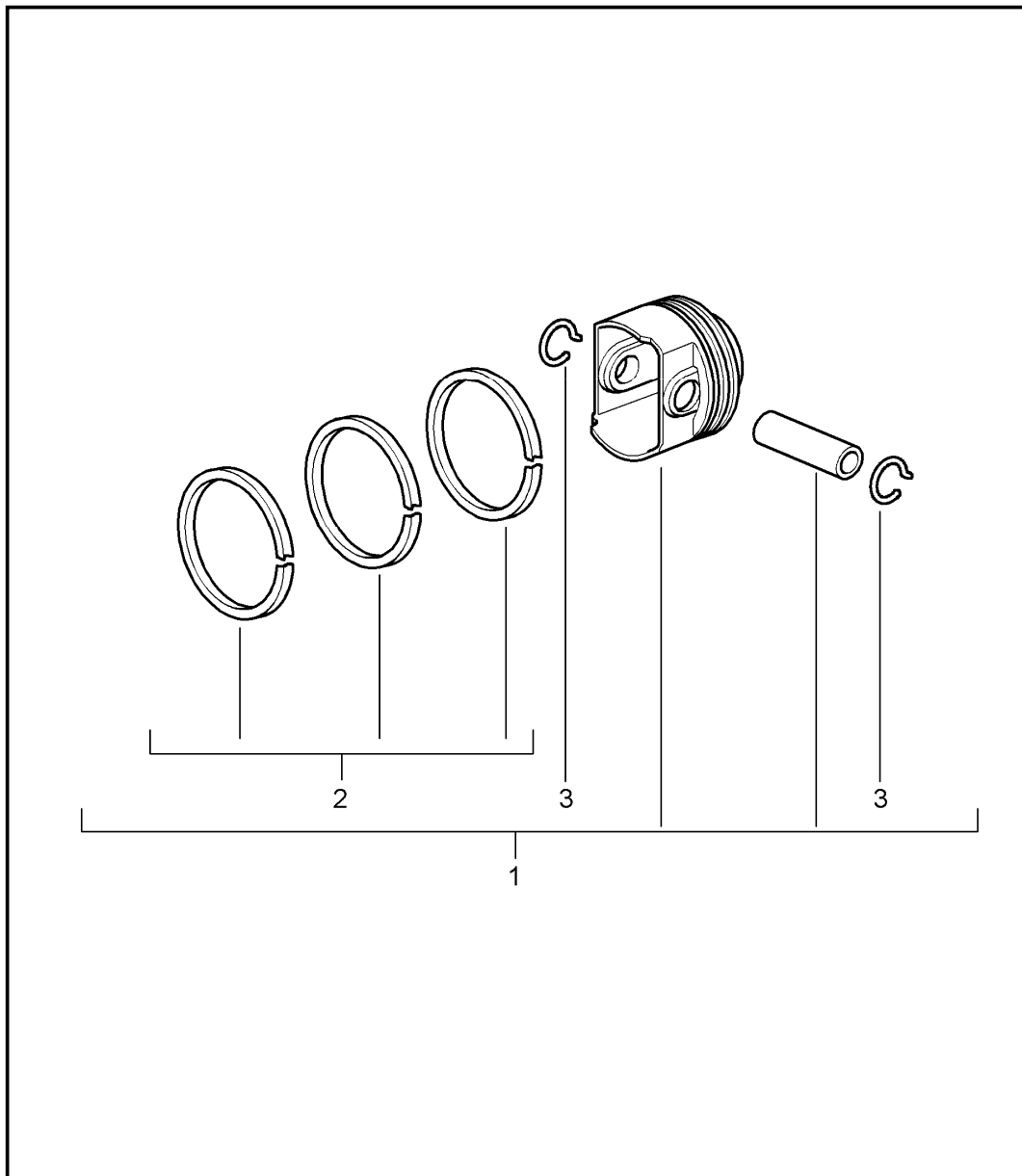
| Pos  | Part Number      | Description   | Remark | Qty | Model     |
|------|------------------|---|--------|-----|-----------|
|      |                  | crankshaft  |        |     | M97.20/21 |
| 1    | 987 102 010 03   | crankshaft  |        | 1   | M97.21    |
| 1    | 996 102 011 58   | crankshaft  | 07-    | 1   | M97.20    |
| 2    | 900 095 031 01   | roll pin<br>6,0 X 16  |        | 1   |           |
| 3    | 900 302 021 00   | straight pin<br>A 4,0 X 10  |        | 1   |           |
| 4    | 999 113 475 40   | shaft sealing ring<br>40 X 62 X 10  |        | 1   |           |
| 5    | 997 101 212 00   | shaft sealing ring<br>85 X 105 X 11   |        | 1   |           |
| 6    | 996 102 115 63   | pulley  |        | 1   |           |
| 7    | 900 082 085 09   | hexagon-head bolt<br>M 16 X 1,5 X 60  |        | 1   |           |
| 8    | 996 102 315 51   | thrust washer   |        | 1   |           |
| 9    | 996 103 975 02   | connecting rod<br>connecting rods<br>comprising:<br>6<br>connecting rods<br>see workshop manual<br>987 GR.1-1 |        | 1   |           |
| 10   | 996 103 111 51   | connecting rod bush   |        | 6   |           |
| 11   | 997 103 115 01   | connecting rod bolt   |        | 12  |           |
| 12   | 996 103 121 62   | connecting-rod bearing  |        | 12  |           |
| 13   | U 987 101 205 01 | crankshaft bearing  |        | 14  | M97.20    |
| 13   | 996 101 205 10   | crankshaft bearing  | 07-    | 14  | M97.20    |
| 13   | 996 101 209 04   | crankshaft bearing  |        | 14  | M97.21    |
| 14   | 996 101 007 22   | bearing case  |        | 1   | M97.21    |
| 14   | 996 101 007 09   | bearing case  | 07-    | 1   | M97.20    |
| 15   | 999 095 064 00   | dowel sleeve<br>12 M 6 X 13   |        | 3   |           |
| (16) | U 996 101 115 61 | screw<br>for<br>bearing case  |        | 14  |           |

|       |      |    |    |              |              |     |       |            |         |     |         |
|-------|------|----|----|--------------|--------------|-----|-------|------------|---------|-----|---------|
| Model | Year | MG | SG | Illustration | Restrictions | UPD | 11:53 | 24.01.2010 | PORSCHE | PET | PORSCHE |
| 987C  | 2008 | 1  | 02 | 102-00       |              | 248 |       |            |         |     |         |

| Pos | Part Number    | Description                                   | Remark | Qty | Model                    | Pos | Part Number | Description | Remark | Qty | Model |
|-----|----------------|---|--------|-----|--------------------------|-----|-------------|-------------|--------|-----|-------|
| 16  | 996 101 115 59 | screw<br>for<br>bearing case                  |        | 14  |                          |     |             |             |        |     |       |
| 17  | 986 114 012 06 | double-mass flywheel                          |        | 1   | M97.21<br>M97.20<br>I480 |     |             |             |        |     |       |
| 17  | 986 114 012 05 | double-mass flywheel                          | 07-    | 1   | M97.20<br>I481           |     |             |             |        |     |       |
| 18  | 999 073 092 09 | pan-head screw<br>M 10 X 1 X 50               |        | 8   |                          |     |             |             |        |     |       |
| 19  | 034 105 313 A  | needle sleeve                                 |        | 1   |                          |     |             |             |        |     |       |
| 20  | 996 101 241 51 | gasket  |        | 1   |                          |     |             |             |        |     |       |
| 21  | 996 101 110 00 | oil separator                                 |        | 1   |                          |     |             |             |        |     |       |
| 22  | 996 101 242 51 | gasket  |        | 1   |                          |     |             |             |        |     |       |
| 23  | 900 385 050 09 | torx screw<br>M 6 X 16                        |        | 6   |                          |     |             |             |        |     |       |
| 24  | 996 101 129 52 | thrust washer                                 |        | 2   |                          |     |             |             |        |     |       |
| 25  | 996 101 117 54 | straight pin                                  |        | 1   |                          |     |             |             |        |     |       |
| 26  | 996 101 018 51 | splash valve                                  |        | 6   |                          |     |             |             |        |     |       |
| 27  | 996 102 151 66 | poly-rib belt                                 |        | 1   |                          |     |             |             |        |     |       |
| 28  | 000 043 204 17 | extreme-pressure grease<br>Optipit<br>100 GR. |        | X   |                          |     |             |             |        |     |       |

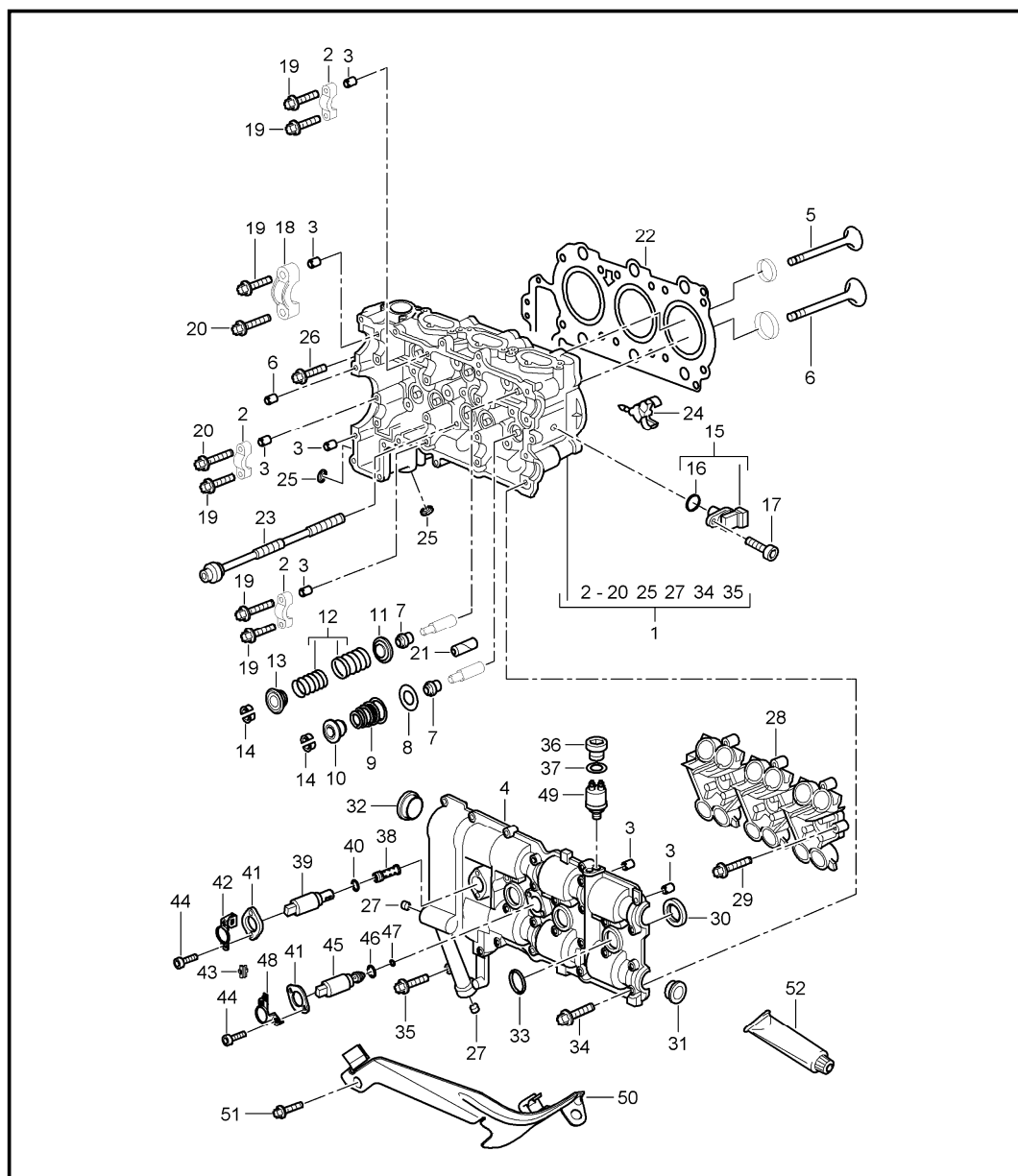


|       |      |    |    |              |              |     |       |            |         |     |         |
|-------|------|----|----|--------------|--------------|-----|-------|------------|---------|-----|---------|
| Model | Year | MG | SG | Illustration | Restrictions | UPD | 11:53 | 24.01.2010 | PORSCHE | PET | PORSCHE |
| 987C  | 2008 | 1  | 02 | 102-05       |              | 248 |       |            |         |     |         |



| Pos | Part Number    | Description  | Remark | Qty | Model               |
|-----|----------------|--|--------|-----|---------------------|
| 1   | 987 103 051 13 | piston<br>tolerance range<br>X<br>number plate<br>-<br>524 - 530 G |        | 6   | M97.20/21<br>M97.21 |
| (1) | 987 103 051 14 | piston<br>tolerance range<br>X<br>number plate<br>+<br>530 - 536 G |        | 6   | M97.21              |
| (1) | 987 103 071 03 | piston<br>tolerance range<br>X<br>number plate<br>-<br>462 - 468 G | 07-    | 6   | M97.20              |
| (1) | 987 103 071 04 | piston<br>tolerance range<br>X<br>number plate<br>+<br>468 - 474 G | 07-    | 6   | M97.20              |
| 2   | 987 103 053 02 | set of piston rings  |        | 6   | M97.21              |
| 2   | 996 103 073 00 | set of piston rings  | 07-    | 6   | M97.20              |
| 3   | 996 103 141 03 | circlip  |        | 12  |                     |

|       |      |    |    |              |              |     |       |            |         |     |         |
|-------|------|----|----|--------------|--------------|-----|-------|------------|---------|-----|---------|
| Model | Year | MG | SG | Illustration | Restrictions | UPD | 11:53 | 24.01.2010 | PORSCHE | PET | PORSCHE |
| 987C  | 2008 | 1  | 03 | 103-00       |              | 248 |       |            |         |     |         |



| Pos | Part Number    | Description                          | Remark | Qty | Model     |
|-----|----------------|--------------------------------------|--------|-----|-----------|
| 1   | 987 104 913 00 | cylinder head                        |        | 1   | M97.20/21 |
|     |                | cylinder head cyl. 1 - 3             |        | 1   | M97.21    |
| (1) | 987 104 915 00 | cylinder head cyl. 1 - 3             | 07-    | 1   | M97.20    |
| (1) | 987 104 914 00 | cylinder head cyl. 4 - 6             |        | 1   | M97.21    |
| (1) | 987 104 916 00 | cylinder head cyl. 4 - 6             | 07-    | 1   | M97.20    |
| 2   | ---            | housing matching with: cylinder head |        | 6   |           |
| 3   | 996 104 117 50 | dowel sleeve                         |        | 28  |           |
| 4   | ---            | lid matching with: cylinder head     |        | 2   |           |
| 8   | 996 105 271 00 | intake valve                         |        | 12  | M97.21    |
| (8) | 987 105 115 00 | intake valve                         | 07-    | 12  | M97.20    |
| 6   | 996 105 273 03 | exhaust valve                        |        | 12  | M97.21    |
| (6) | 987 105 116 00 | exhaust valve                        | 07-    | 12  | M97.20    |
| 7   | 996 105 115 52 | valve stem seal                      |        | 24  |           |
| 8   | 996 105 117 51 | concave washer lower exhaust valve   |        | 12  |           |
| 9   | 996 105 118 01 | valve spring exhaust valve           |        | 12  |           |
| 10  | 996 105 121 54 | concave washer upper exhaust valve   |        | 12  |           |
| 11  | 996 105 147 00 | concave washer lower intake valve    |        | 12  |           |
| 12  | 996 105 939 00 | set of valve springs intake valve    |        | 12  |           |
| 13  | 996 105 145 00 | concave washer upper intake valve    |        | 12  |           |
| 14  | 996 105 123 51 | valve collet                         |        | 48  |           |

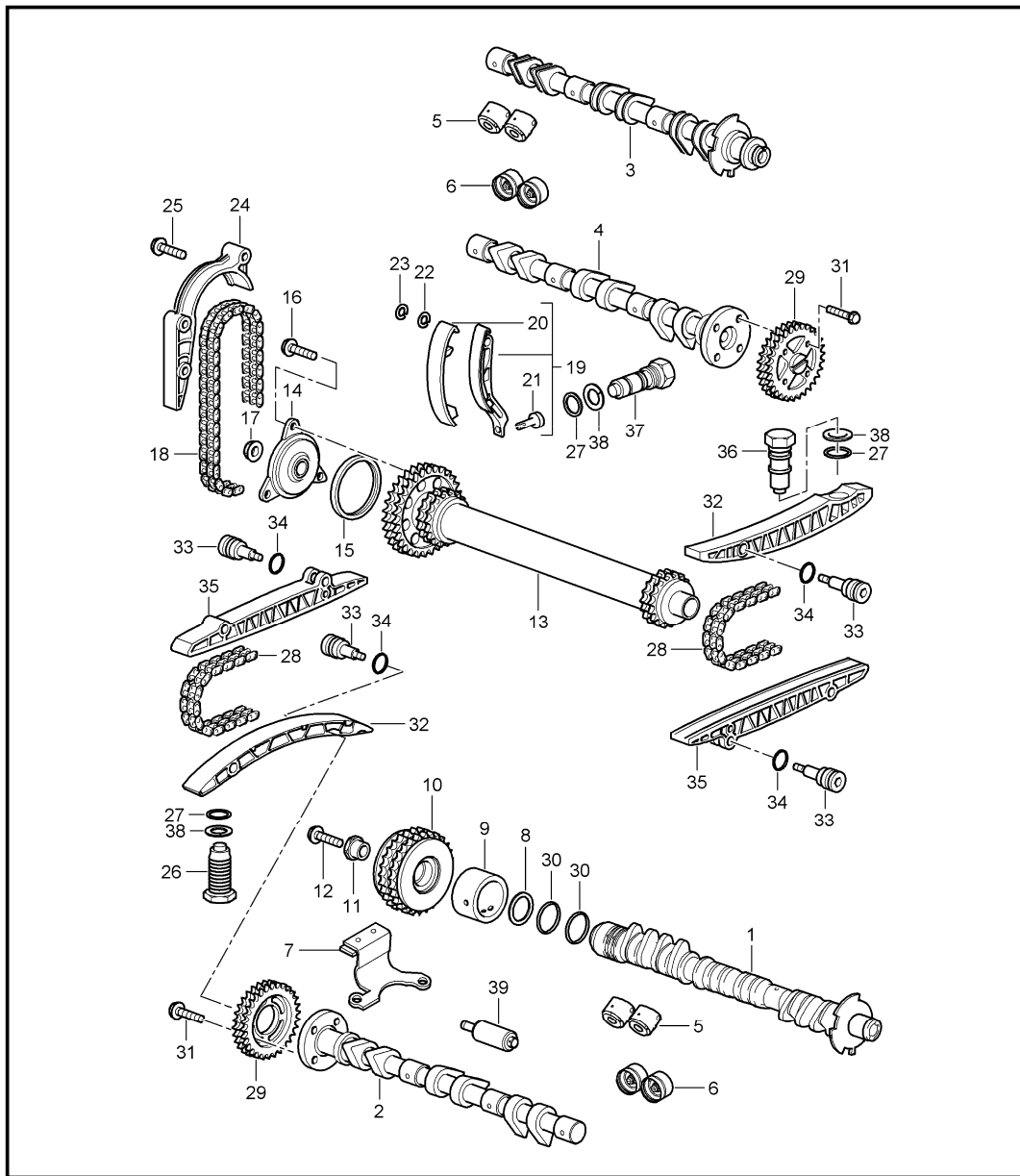
|       |      |    |    |              |              |     |       |            |         |     |         |
|-------|------|----|----|--------------|--------------|-----|-------|------------|---------|-----|---------|
| Model | Year | MG | SG | Illustration | Restrictions | UPD | 11:53 | 24.01.2010 | PORSCHE | PET | PORSCHE |
| 987C  | 2008 | 1  | 03 | 103-00       |              | 248 |       |            |         |     |         |

| Pos  | Part Number    | Description  | Remark | Qty | Model  | Pos  | Part Number    | Description                    | Remark | Qty | Model |
|------|----------------|--|--------|-----|--------|------|----------------|--------------------------------|--------|-----|-------|
| 15   | 997 606 106 01 | hall sender  |        | 2   |        | 31   | 996 104 215 54 | lid                            |        | 4   |       |
| 16   | 999 707 404 40 | o-ring<br>17,05 X 1,78   |        | 2   |        | 32   | 996 104 216 02 | lid                            |        | 2   |       |
| 17   | 900 387 264 01 | pan-head screw<br>M 6 X 16   |        | 2   |        | 33   | 999 701 761 41 | o-ring<br>28 X 2               |        | 6   |       |
| 18   | ---            | housing<br>intake<br>matching with:<br>cylinder head                 |        | 2   |        | 34   | 999 385 003 01 | torx screw<br>M 6 X 30         |        | 16  |       |
| 19   | 900 385 017 09 | torx screw<br>M 6 X 35   |        | 12  |        | 35   | 900 385 048 01 | hexagon-head bolt<br>M 6 X 30  |        | 24  |       |
| 20   | 900 385 025 01 | torx screw<br>M 6 X 40   |        | 4   |        | 36   | 900 219 018 30 | screw plug<br>M 14 X 1,5       |        | 1   |       |
| 21   | 000 043 204 46 | sleeve<br>for<br>valve stem seal                                     |        | 1   |        | 37   | 900 123 104 30 | sealing ring<br>A 14 X 18      |        | 1   |       |
| 22   | 996 104 201 04 | cylinder head gasket   |        | 2   | M97.21 | 38   | 997 105 701 00 | oil strainer                   |        | 2   |       |
| (22) | 996 104 170 10 | cylinder head gasket   |        | 2   | M97.20 | 39 A | 996 105 303 05 | actuator<br>camshaft           |        | 2   |       |
| 23   | 996 104 180 58 | screw<br>M 10 X 230  |        | 24  |        | 40   | 996 105 903 05 | o-ring<br>actuator<br>camshaft |        | 2   |       |
| 24   | 999 507 075 40 | cable holder<br>3,0 - 12   |        | 3   |        | 41   | 996 105 244 03 | lid<br>actuator                |        | 2   |       |
| 25   | 999 036 026 02 | lid<br>10 MM   |        | 4   |        | 42   | 996 105 256 01 | support                        |        | 2   |       |
| 26   | 900 385 048 01 | hexagon-head bolt<br>M 6 X 30<br>mount<br>cylinder head<br>crankcase |        | 8   |        | 43   | 999 651 386 02 | cable clamp<br>5,5 - 9,0       |        | 2   |       |
| 27   | 900 036 023 02 | lid<br>B 18  |        | 4   |        | 44   | 900 387 006 01 | pan-head screw<br>M 6 X 20     |        | 4   |       |
| 28   | 997 104 043 00 | housing<br>cam follower<br>hydraulic                                 |        | 2   | M97.21 | 45   | 997 105 301 00 | actuator                       |        | 2   |       |
| (28) | 987 104 045 00 | housing<br>cam follower<br>hydraulic                                 |        | 2   | M97.20 | 46   | 999 707 479 40 | o-ring<br>22,00 X 1,50         |        | 2   |       |
| 29   | 900 385 017 09 | torx screw<br>M 6 X 35   |        | 22  |        | 47   | 999 707 441 40 | o-ring<br>18,00 X 1,50         |        | 2   |       |
| 30   | 996 104 203 00 | gasket   |        | 6   |        | 48   | 996 105 310 03 | support                        |        | 2   |       |
|      |                |  |        |     |        | 49   | 986 606 203 03 | oil pressure switch            |        | 1   |       |
|      |                |  |        |     |        | 50   | 987 104 445 00 | heat shield<br>cyl. 1 - 3      |        | 2   |       |

|       |      |    |    |              |              |     |       |            |         |     |         |
|-------|------|----|----|--------------|--------------|-----|-------|------------|---------|-----|---------|
| Model | Year | MG | SG | Illustration | Restrictions | UPD | 11:53 | 24.01.2010 | PORSCHE | PET | PORSCHE |
| 987C  | 2008 | 1  | 03 | 103-00       |              | 248 |       |            |         |     |         |

| Pos  | Part Number    | Description  | Remark | Qty | Model | Pos | Part Number | Description | Remark | Qty | Model |
|------|----------------|--|--------|-----|-------|-----|-------------|-------------|--------|-----|-------|
| 51   | 900 385 009 09 | torx screw<br>M 6 X 16   |        | 4   |       |     |             |             |        |     |       |
| 52   | 000 043 204 35 | sealing compound<br>50 ML                                      |        | X   |       |     |             |             |        |     |       |
| (52) | 000 043 024 00 | extreme-pressure grease<br>1 tube<br>80 Gr.<br>for<br>camshaft |        | 1   |       |     |             |             |        |     |       |

|       |      |    |    |              |              |     |       |            |         |     |         |
|-------|------|----|----|--------------|--------------|-----|-------|------------|---------|-----|---------|
| Model | Year | MG | SG | Illustration | Restrictions | UPD | 11:53 | 24.01.2010 | PORSCHE | PET | PORSCHE |
| 987C  | 2008 | 1  | 03 | 103-10       |              | 248 |       |            |         |     |         |

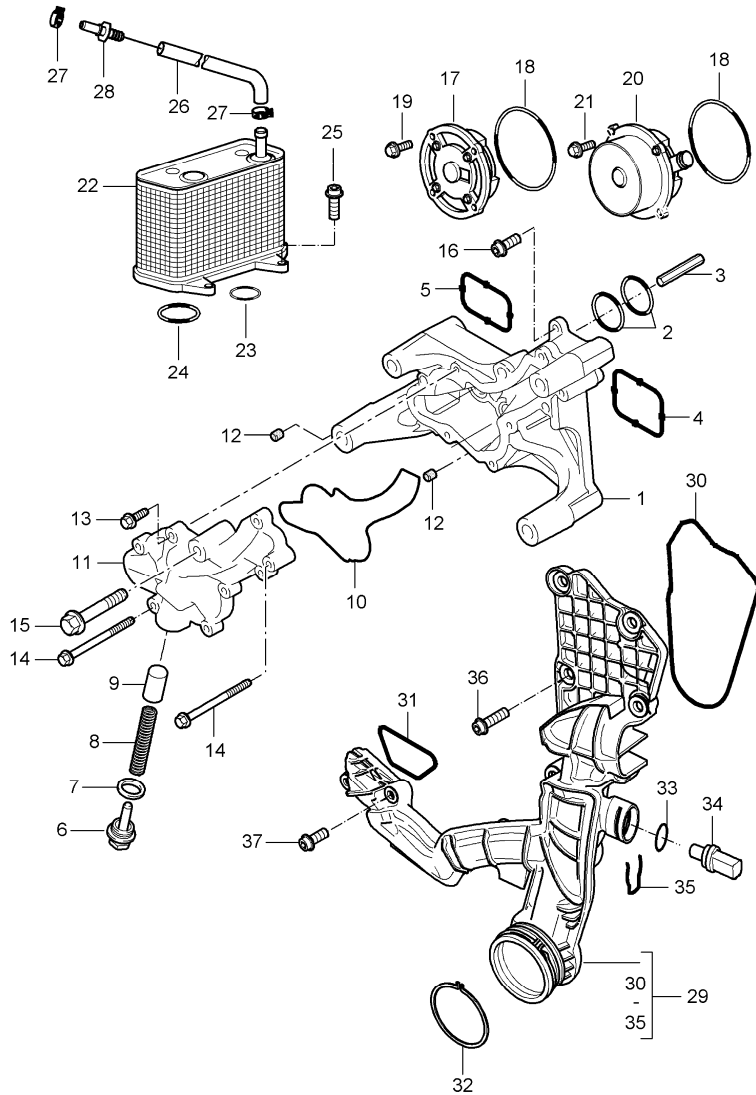


| Pos | Part Number      | Description                    | Remark | Qty | Model     |
|-----|------------------|--------------------------------|--------|-----|-----------|
|     |                  | camshaft driving mechanism     |        |     | M97.20/21 |
| 1   | U 997 105 947 00 | camshaft intake cyl. 1 - 3     |        | 1   | M97.21    |
| (1) | U 997 105 047 03 | camshaft intake cyl. 1 - 3     |        | 1   | M97.21    |
| (1) | 997 105 947 01   | camshaft intake cyl. 1 - 3     |        | 1   | M97.21    |
| (1) | 987 105 951 00   | camshaft intake cyl. 1 - 3     | 07-    | 1   | M97.20    |
| 2   | 987 105 065 04   | camshaft exhaust cyl. 1 - 3    | 07-    | 1   | M97.20    |
| (2) | 996 105 059 01   | camshaft exhaust cyl. 1 - 3    |        | 1   | M97.21    |
| 3   | 987 105 952 00   | camshaft intake cyl. 4 - 6     | 07-    | 1   | M97.20    |
| (3) | U 997 105 948 00 | camshaft intake cyl. 4 - 6     |        | 1   | M97.21    |
| (3) | U 997 105 048 03 | camshaft intake cyl. 4 - 6     |        | 1   | M97.21    |
| (3) | 997 105 948 01   | camshaft intake cyl. 4 - 6     |        | 1   | M97.21    |
| 4   | 987 105 066 04   | camshaft exhaust cyl. 4 - 6    |        | 1   | M97.20    |
| (4) | 997 105 060 01   | camshaft exhaust cyl. 4 - 6    |        | 1   | M97.21    |
| 5   | 996 105 041 72   | hydraulic valve tappet exhaust |        | 12  |           |
| 6   | 996 105 255 24   | hydraulic valve tappet intake  |        | 12  |           |

|       |      |    |    |              |              |     |       |            |         |     |         |
|-------|------|----|----|--------------|--------------|-----|-------|------------|---------|-----|---------|
| Model | Year | MG | SG | Illustration | Restrictions | UPD | 11:53 | 24.01.2010 | PORSCHE | PET | PORSCHE |
| 987C  | 2008 | 1  | 03 | 103-10       |              | 248 |       |            |         |     |         |

| Pos  | Part Number    | Description   | Remark | Qty | Model | Pos  | Part Number    | Description  | Remark | Qty | Model |
|------|----------------|---|--------|-----|-------|------|----------------|--|--------|-----|-------|
| 7    | 996 105 168 03 | rail  |        | 2   |       | 27   | 999 707 344 40 | o-ring<br>18,77 X 1,78   |        | 4   |       |
| 8    | 996 105 203 00 | washer  |        | 2   |       | 28   | 996 105 152 00 | timing chain   |        | 2   |       |
| 9    | 996 104 205 07 | bearing sleeve  |        | 2   |       | 29   | 996 105 178 54 | sprocket<br>with<br>driver                                     |        | 2   |       |
| 10   | 996 105 051 03 | camshaft adjuster<br>camshaft<br>intake<br>cylinder<br>cyl. 1 - 3 |        | 1   |       | 30   | 996 105 280 51 | ring   |        | 1   |       |
| (10) | 996 105 052 01 | camshaft adjuster<br>camshaft<br>intake<br>cylinder<br>cyl. 4 - 6 |        | 1   |       | 31   | 900 385 041 01 | torx screw<br>M 6 X 12   |        | 8   |       |
| 11   | 987 105 260 01 | intermediate piece  |        | 2   |       | 32   | 996 105 156 00 | tensioner blade<br>cylinder<br>1 - 3                           |        | 1   |       |
| 12   | 987 105 254 00 | hexagon-head bolt<br>M 12 X 1,5 X 130                             |        | 2   |       | (32) | 996 105 158 00 | tensioner blade<br>cylinder<br>4 - 6                           |        | 1   |       |
| 13   | 996 105 901 06 | intermediate shaft  |        | 1   |       | 33   | 996 105 062 01 | screw<br>M 6   |        | 6   |       |
| 14   | 996 105 024 06 | housing   |        | 1   |       | 34   | 999 707 346 40 | o-ring<br>15 X 3   |        | 6   |       |
| 15   | 996 105 112 01 | gasket  |        | 1   |       | 35   | 996 105 054 01 | guide rail<br>cylinder<br>1 - 3                                |        | 1   |       |
| 16   | 900 385 093 09 | hexagon-head bolt<br>M 6 X 20                                     |        | 3   |       | (35) | 996 105 164 00 | guide rail<br>cylinder<br>4 - 6                                |        | 1   |       |
| 17   | 999 076 084 01 | hexagon nut<br>m 12 x 1,25  |        | 1   |       | 36   | 996 105 188 01 | chain adjuster   |        | 1   |       |
| 18   | 996 105 171 56 | timing chain  |        | 1   |       | 37   | 996 105 180 56 | chain adjuster   |        | 1   |       |
| 19   | 996 105 165 55 | tensioner blade   |        | 1   |       | 38   | 900 123 147 30 | sealing ring<br>A 27 X 32                                      |        | 3   |       |
| 20   | 996 105 195 00 | pad   |        | 1   |       | 39 A | 996 105 301 03 | actuator   |        | 2   |       |
| 21   | 996 105 197 00 | pressure pin  |        | 1   |       | 39   | 996 105 301 04 | actuator   |        | 2   |       |
| 22   | 900 234 040 01 | shim<br>10 X 16 X 1,2   |        | 1   |       | 39   | 997 105 301 00 | actuator<br>see illustrations<br>1/03/00                       |        | 2   |       |
| 23   | 900 041 004 01 | circlip<br>10 X 1   |        | 1   |       | --   | 000 043 024 00 | extreme-pressure grease<br>1 tube<br>80 Gr.<br>for<br>camshaft |        | 1   |       |
| 24   | 996 105 166 51 | guide rail  |        | 1   |       |      |                |  |        |     |       |
| 25   | 900 075 486 01 | combination screw<br>M 6 X 40                                     |        | 3   |       |      |                |  |        |     |       |
| 26   | 996 105 186 01 | chain adjuster  |        | 1   |       |      |                |  |        |     |       |

|       |      |    |    |              |              |     |       |            |         |     |         |
|-------|------|----|----|--------------|--------------|-----|-------|------------|---------|-----|---------|
| Model | Year | MG | SG | Illustration | Restrictions | UPD | 11:53 | 24.01.2010 | PORSCHE | PET | PORSCHE |
| 987C  | 2008 | 1  | 04 | 104-00       |              | 248 |       |            |         |     |         |



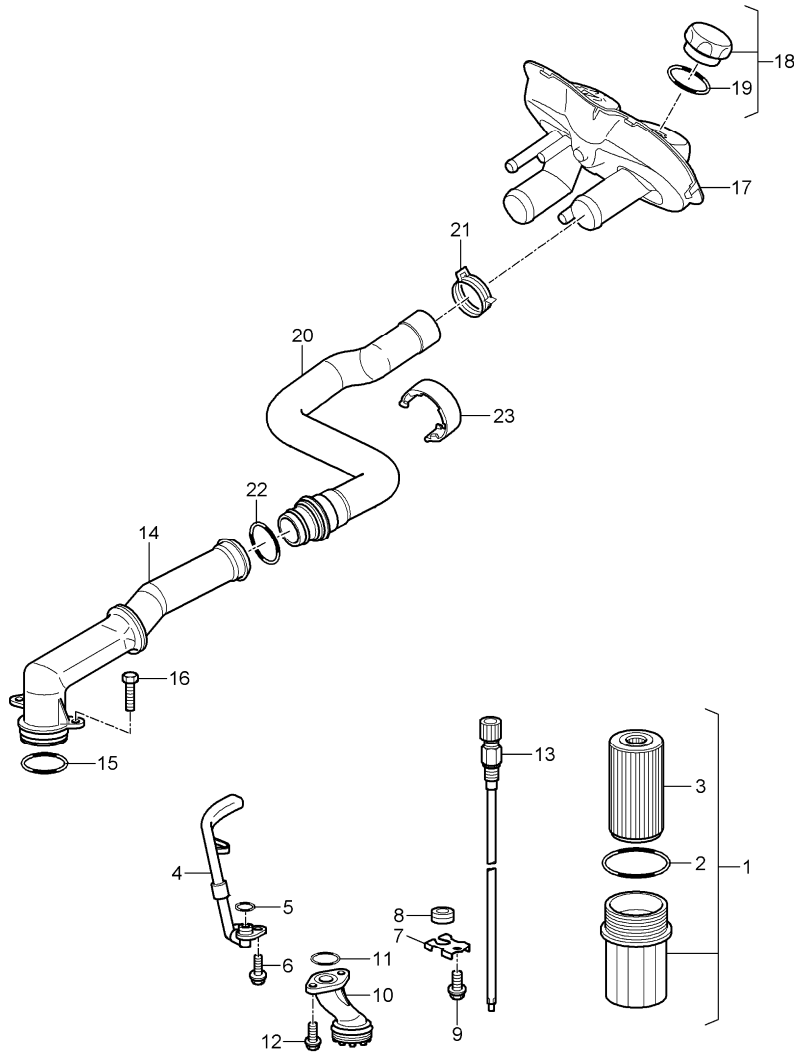
| Pos | Part Number    | Description  | Remark | Qty | Model     |
|-----|----------------|--|--------|-----|-----------|
|     |                | oil pump tandem pump   |        |     | M97.20/21 |
| 1   | 997 107 012 05 | oil pump   |        | 1   |           |
| 2   | 996 107 103 51 | o-ring<br>29,1 X 2,55<br>use also:<br>grease<br>000 043 300 13 |        | 2   |           |
| 3   | 996 107 121 50 | driver   |        | 1   |           |
| 4   | 997 107 266 00 | sealing ring   |        | 1   |           |
| 5   | 997 107 267 00 | sealing ring   |        | 1   |           |
| 6   | 996 107 105 51 | screw plug   |        | 1   |           |
| 7   | 996 107 123 50 | gasket   |        | 1   |           |
| 8   | 996 107 127 53 | spring   |        | 1   |           |
| 9   | 997 107 125 01 | piston   |        | 1   |           |
| 10  | 997 107 261 00 | sealing ring   |        | 1   |           |
| 11  | 997 107 212 03 | lid<br>for<br>997 107 012 04                                   |        | 1   |           |
| 12  | 996 106 103 50 | dowel sleeve   |        | 2   |           |
| 13  | 900 385 023 09 | screw<br>BM 6 X 25   |        | 6   |           |
| 14  | 999 073 355 09 | round head screw<br>M 6 X 80                                   |        | 2   |           |
| 15  | 900 385 089 09 | torx screw<br>BM 10 X 100                                      |        | 1   |           |
| 16  | 999 073 344 04 | round head screw<br>M 6 X 20                                   |        | 6   |           |
| 17  | 997 107 021 03 | oil pump   |        | 1   |           |
| 18  | 999 707 554 40 | o-ring<br>95 X 2,5<br>use also:<br>grease<br>000 043 300 13    |        | 2   |           |
| 19  | 999 073 316 09 | hexagon-head bolt<br>M 6 X 20                                  |        | 4   |           |
| 20  | 997 107 022 01 | tandem pump  |        | 1   |           |

|       |      |    |    |              |              |     |       |            |         |     |         |
|-------|------|----|----|--------------|--------------|-----|-------|------------|---------|-----|---------|
| Model | Year | MG | SG | Illustration | Restrictions | UPD | 11:53 | 24.01.2010 | PORSCHE | PET | PORSCHE |
| 987C  | 2008 | 1  | 04 | 104-00       |              | 248 |       |            |         |     |         |

| Pos  | Part Number    | Description   | Remark | Qty | Model    | Pos | Part Number | Description | Remark | Qty | Model |
|------|----------------|---|--------|-----|----------|-----|-------------|-------------|--------|-----|-------|
| 21   | 999 073 317 09 | round head screw<br>M 6 X 30                        |        | 4   |          |     |             |             |        |     |       |
| 22   | 987 107 025 01 | heat exchanger                                      |        | 1   |          |     |             |             |        |     |       |
| 23   | 999 707 547 40 | o-ring<br>28 X 3                                    |        | 2   |          |     |             |             |        |     |       |
| 24   | 999 707 389 40 | o-ring<br>35 X 4                                    |        | 2   |          |     |             |             |        |     |       |
| 25   | 900 387 264 09 | pan-head screw<br>M 6 X 16                          |        | 4   |          |     |             |             |        |     |       |
| 26   | 987 106 531 00 | breather hose<br>F >>988U7 52755<br>F >>988U7 72698 |        | 1   |          |     |             |             |        |     |       |
| (26) | 987 106 531 01 | breather hose<br>F 988U7 52756>><br>F 988U7 72799>> |        | 1   |          |     |             |             |        |     |       |
| 27   | 999 512 650 09 | hose clamp<br>B 14 X 12                             |        | 2   |          |     |             |             |        |     |       |
| 28   | 996 106 255 00 | flat connector                                      |        | 1   |          |     |             |             |        |     |       |
| 29   | 987 106 508 04 | water guide housing                                 |        | 1   |          |     |             |             |        |     |       |
| 30   | 997 106 709 00 | sealing ring  |        | 1   |          |     |             |             |        |     |       |
| 31   | 997 106 708 00 | sealing ring  |        | 1   |          |     |             |             |        |     |       |
| 32   | 997 106 802 03 | spring<br>SCB 42                                    |        | 1   |          |     |             |             |        |     |       |
| 33   | 999 707 508 40 | o-ring<br>19,6 X 3,65                               |        | 1   |          |     |             |             |        |     |       |
| 34   | 997 606 410 00 | temperature sensor                                  |        | 1   |          |     |             |             |        |     |       |
| 35   | 999 021 011 01 | retainer spring<br>SL-B110                          |        | 1   |          |     |             |             |        |     |       |
| 36   | 999 073 352 09 | round head screw<br>M 6 X 20                        |        | 3   |          |     |             |             |        |     |       |
| 37   | 996 102 235 01 | clip  |        | 1   | I249/572 |     |             |             |        |     |       |
| (37) | 996 102 235 01 | clip  |        | 1   | I249/573 |     |             |             |        |     |       |



|       |      |    |    |              |              |     |       |            |         |     |         |
|-------|------|----|----|--------------|--------------|-----|-------|------------|---------|-----|---------|
| Model | Year | MG | SG | Illustration | Restrictions | UPD | 11:54 | 24.01.2010 | PORSCHE | PET | PORSCHE |
| 987C  | 2008 | 1  | 04 | 104-05       |              | 248 |       |            |         |     |         |

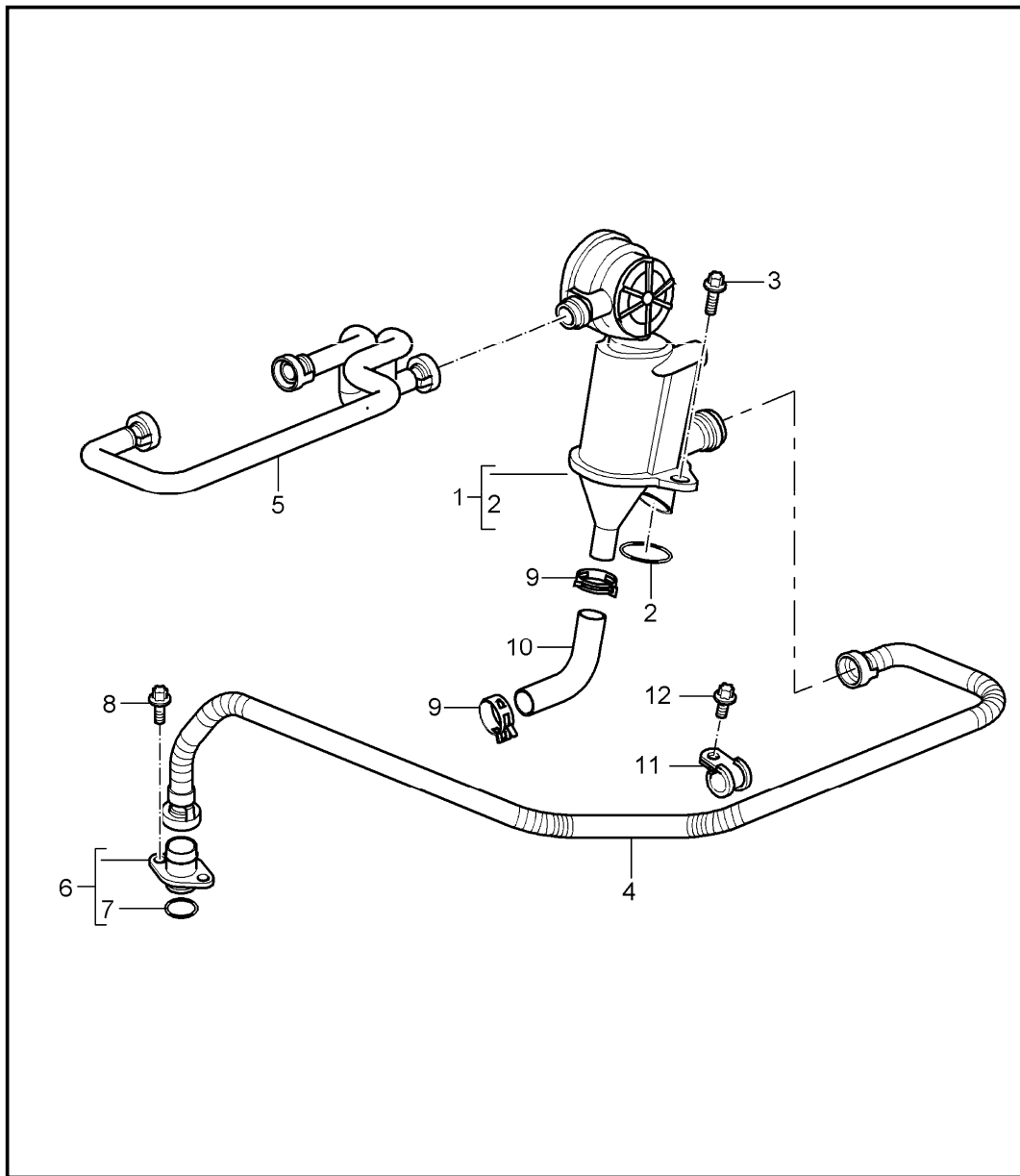


| Pos | Part Number    | Description   | Remark | Qty | Model     |
|-----|----------------|---|--------|-----|-----------|
|     |                | engine lubrication  |        |     | M97.20/21 |
| 1   | 996 107 020 55 | oil filter  |        | 1   |           |
| 2   | 996 107 313 51 | sealing ring<br>use also:<br>grease<br>000 043 300 13     |        | 1   |           |
| 3   | 996 107 225 53 | filter element  |        | 1   |           |
| 4   | 997 107 016 00 | return pipe   |        | 2   |           |
| 5   | 999 701 789 40 | o-ring<br>12 X 2  |        | 2   |           |
| 6   | 900 385 019 04 | torx screw<br>BM 6 X 20                                   |        | 4   |           |
| 7   | 996 107 333 50 | support   |        | 1   | M97.20    |
| (7) | 997 107 333 50 | support   |        | 1   | M97.21    |
| 8   | 999 702 206 50 | grommet<br>9,5 X 18,0 X 1,2                               |        | 1   |           |
| 9   | 900 385 041 09 | torx screw<br>M 6 X 12                                    |        | 1   |           |
| 10  | 996 107 075 57 | suction tube  |        | 1   |           |
| 11  | 999 707 375 40 | o-ring<br>30 X 3  |        | 1   |           |
| 12  | 900 385 275 09 | torx screw<br>M 6 X 20                                    |        | 2   |           |
| 13  | 996 606 150 00 | oil-level sender  |        | 1   |           |
| 14  | 987 107 150 00 | oil tube  |        | 1   |           |
| 15  | 999 707 348 40 | o-ring<br>42 X 4<br>use also:<br>grease<br>000 043 300 13 |        | 1   |           |
| 16  | 900 385 050 09 | torx screw<br>M 6 X 16                                    |        | 2   |           |
| 17  | ---            | see illustrations<br>1/05/21                              |        | 1   |           |
| 18  | 987 107 035 01 | lid   |        | 1   |           |
| 19  | 987 107 336 00 | gasket  |        | 1   |           |

|       |      |    |    |              |              |     |       |            |         |     |         |
|-------|------|----|----|--------------|--------------|-----|-------|------------|---------|-----|---------|
| Model | Year | MG | SG | Illustration | Restrictions | UPD | 11:54 | 24.01.2010 | PORSCHE | PET | PORSCHE |
| 987C  | 2008 | 1  | 04 | 104-05       |              | 248 |       |            |         |     |         |

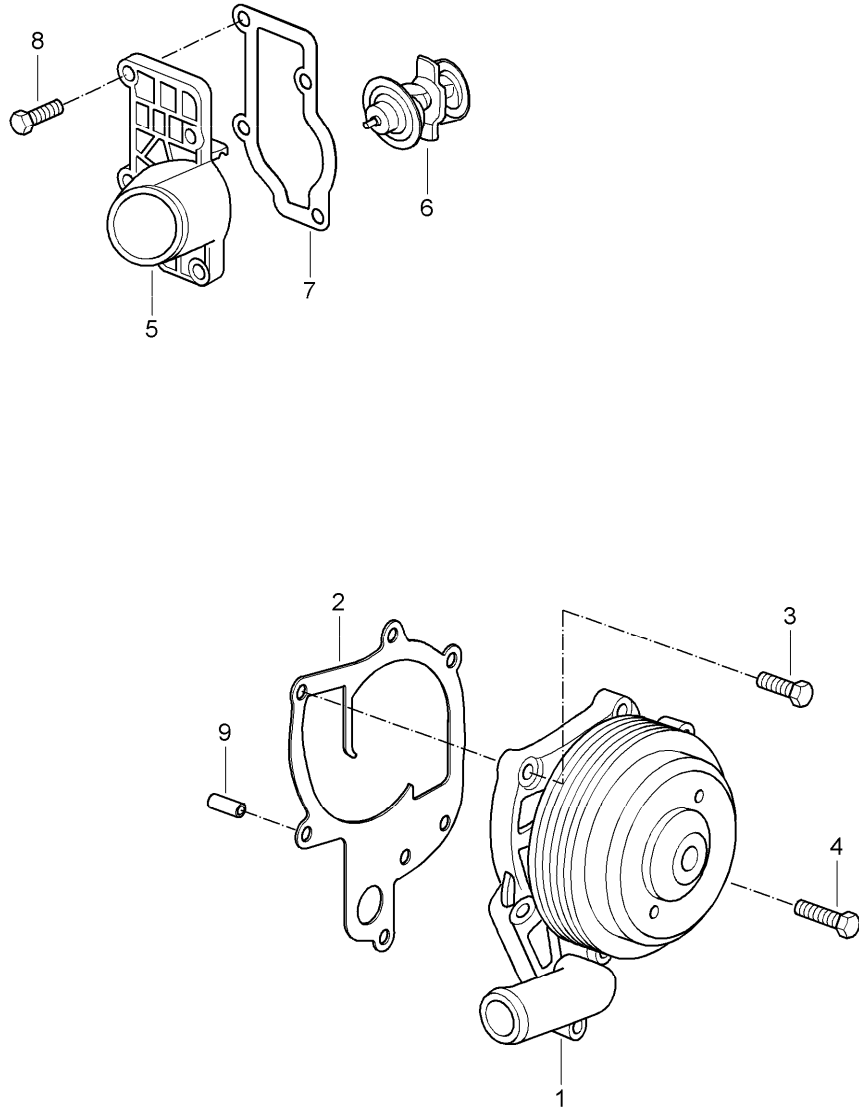
| Pos | Part Number    | Description           | Remark | Qty | Model | Pos | Part Number | Description | Remark | Qty | Model |
|-----|----------------|-----------------------|--------|-----|-------|-----|-------------|-------------|--------|-----|-------|
| 20  | 987 107 064 01 | oil hose              |        | 1   |       |     |             |             |        |     |       |
| 21  | 999 512 667 09 | hose clamp<br>44 X 12 |        | 1   |       |     |             |             |        |     |       |
| 22  | 999 701 416 40 | o-ring<br>33 X 4      |        | 1   |       |     |             |             |        |     |       |
| 23  | 987 107 205 00 | clip                  |        | 1   |       |     |             |             |        |     |       |

|       |      |    |    |              |              |     |       |            |         |     |         |
|-------|------|----|----|--------------|--------------|-----|-------|------------|---------|-----|---------|
| Model | Year | MG | SG | Illustration | Restrictions | UPD | 11:54 | 24.01.2010 | PORSCHE | PET | PORSCHE |
| 987C  | 2008 | 1  | 04 | 104-10       |              | 248 |       |            |         |     |         |



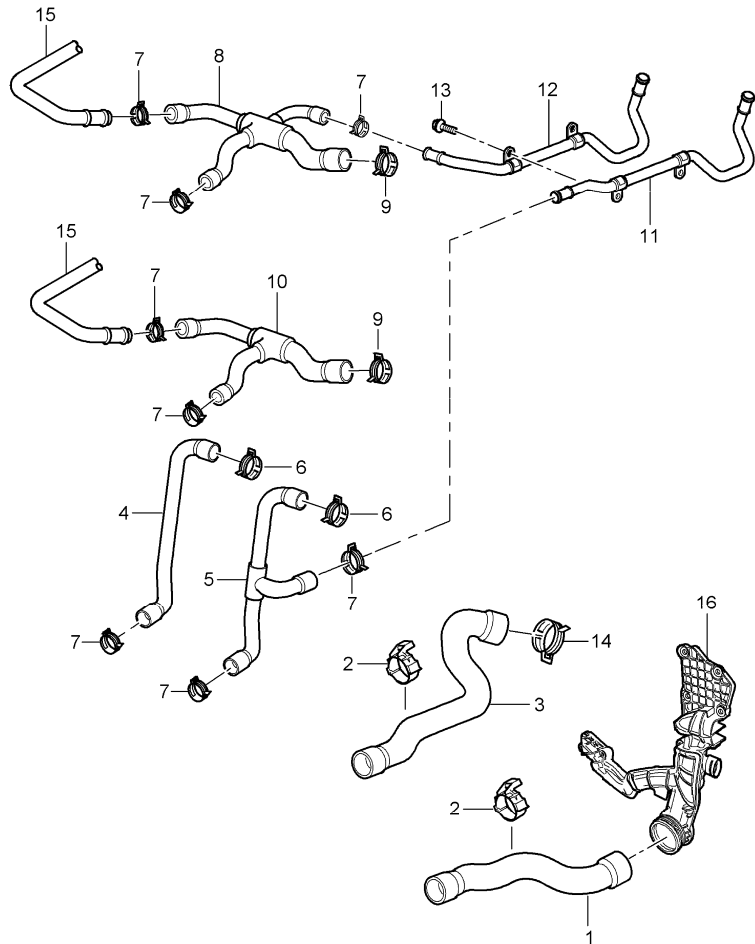
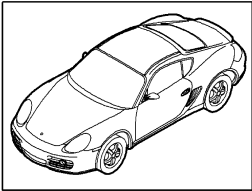
| Pos | Part Number    | Description                | Remark | Qty | Model            |
|-----|----------------|----------------------------|--------|-----|------------------|
|     |                | crankcase bleeding         |        |     | M97.20/21        |
| 1   | 996 107 026 00 | oil separator              |        | 1   |                  |
| 1   | 996 107 026 01 | oil separator              |        | 1   |                  |
| 2   | 999 707 507 40 | o-ring<br>29,74 X 2,95     |        | 1   |                  |
| 3   | 900 385 275 09 | torx screw<br>M 6 X 20     |        | 2   |                  |
| 4   | 987 107 246 01 | vent line<br>cyl. 4 - 6    |        | 1   | M97.20<br>M97.21 |
| 5   | 987 107 145 00 | vent line<br>oil separator |        | 1   |                  |
| 6   | 996 107 047 01 | connection piece           |        | 1   |                  |
| 7   | 999 707 364 40 | sealing ring<br>30 X 2,5   |        | 1   |                  |
| 8   | 900 385 050 09 | torx screw<br>M 6 X 16     |        | 3   |                  |
| 9   | 999 512 683 09 | clip<br>23 X 12            |        | 2   |                  |
| 10  | 996 107 175 50 | oil hose                   |        | 1   |                  |
| 11  | 999 511 008 00 | clip<br>26 X 15            |        | 1   |                  |
| 12  | 900 385 041 09 | torx screw<br>M 6 X 12     |        | 1   |                  |

|       |      |    |    |              |              |     |       |            |         |     |         |
|-------|------|----|----|--------------|--------------|-----|-------|------------|---------|-----|---------|
| Model | Year | MG | SG | Illustration | Restrictions | UPD | 12:38 | 02.02.2010 | PORSCHE | PET | PORSCHE |
| 987C  | 2008 | 1  | 05 | 105-00       |              | 248 |       |            |         |     |         |



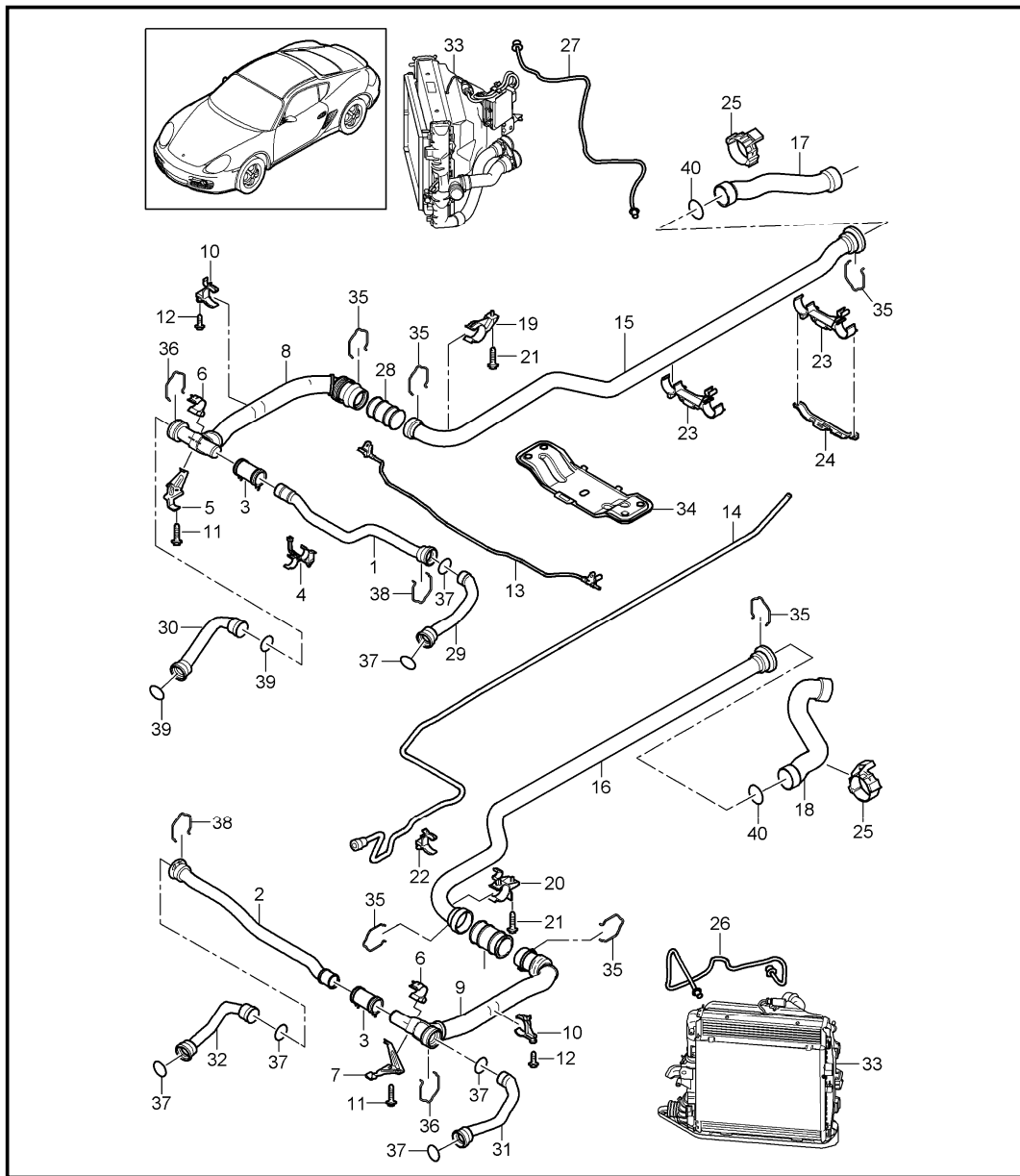
| Pos | Part Number    | Description                             | Remark | Qty | Model     |
|-----|----------------|---|--------|-----|-----------|
|     |                | water pump<br>thermostat housing        |        |     | M97.20/21 |
| 1   | 997 106 011 02 | water pump                              |        | 1   |           |
| 2   | 997 106 340 00 | gasket                                  |        | 1   |           |
| 3   | 900 378 013 09 | hexagon-head bolt<br>AM 6 X 25          | -07    | 5   |           |
| (3) | 900 378 013 01 | hexagon-head bolt<br>AM 6 X 25          | 08-    | 5   |           |
| 4   | 900 378 177 09 | hexagon-head bolt<br>AM 6 X 30          | -07    | 2   |           |
| (4) | 900 378 177 01 | hexagon-head bolt<br>AM 6 X 30          | 08-    | 2   |           |
| 5   | 996 106 013 59 | thermostat<br>with<br>thermostat insert |        | 1   |           |
| 6   | 996 106 125 52 | thermostat insert                       |        | 1   |           |
| 7   | 996 106 326 50 | gasket                                  |        | 1   |           |
| 8   | 900 385 019 04 | torx screw<br>BM 6 X 20                 |        | 4   |           |
| 9   | 996 106 103 50 | dowel sleeve<br>8,2 X 7                 |        | 2   |           |

|       |      |    |    |              |              |     |       |            |         |     |         |
|-------|------|----|----|--------------|--------------|-----|-------|------------|---------|-----|---------|
| Model | Year | MG | SG | Illustration | Restrictions | UPD | 11:55 | 24.01.2010 | PORSCHE | PET | PORSCHE |
| 987C  | 2008 | 1  | 05 | 105-05       |              | 248 |       |            |         |     |         |



| Pos | Part Number      | Description                               | Remark | Qty | Model     |
|-----|------------------|---|--------|-----|-----------|
|     |                  | water cooling 1                           |        |     | M97.20/21 |
| 1   | 987 106 501 06   | water hose supply                         |        | 1   |           |
| 2   | A 987 106 425 00 | support                                   |        | 2   |           |
| 3   | 987 106 502 03   | water hose return line                    |        | 1   |           |
| 4   | 996 106 212 09   | water hose supply                         |        | 1   | I480      |
| 5   | 996 106 212 10   | hose supply                               |        | 1   | I249      |
| 6   | 999 512 660 09   | hose clamp 29 X 12                        |        | 1   |           |
| 7   | 999 512 657 09   | hose clamp 26 X 12                        |        | 4   |           |
| 8   | 987 106 522 01   | water hose return line                    |        | 1   | I249      |
| 9   | 999 512 664 09   | hose clamp 36 X 12                        |        | 1   |           |
| 10  | 996 106 222 15   | water hose return line                    |        | 1   | I480      |
| 11  | 987 106 674 00   | cooling water tube supply atf cooler      |        | 1   | I249      |
| 12  | 996 106 672 01   | cooling water tube return line atf cooler |        | 1   | I249      |
| 13  | 900 385 009 09   | torx screw M 6 X 16                       |        | 2   | I249      |
| 14  | 999 512 669 09   | hose clamp 53 X 12                        |        | 1   |           |
| 15  |                  | see illustrations 1/05/20                 |        | 1   |           |
| 16  |                  | see illustrations 1/04/00                 |        | 1   |           |

|       |      |    |    |              |              |     |       |            |         |     |         |
|-------|------|----|----|--------------|--------------|-----|-------|------------|---------|-----|---------|
| Model | Year | MG | SG | Illustration | Restrictions | UPD | 11:55 | 24.01.2010 | PORSCHE | PET | PORSCHE |
| 987C  | 2008 | 1  | 05 | 105-10       |              | 248 |       |            |         |     |         |

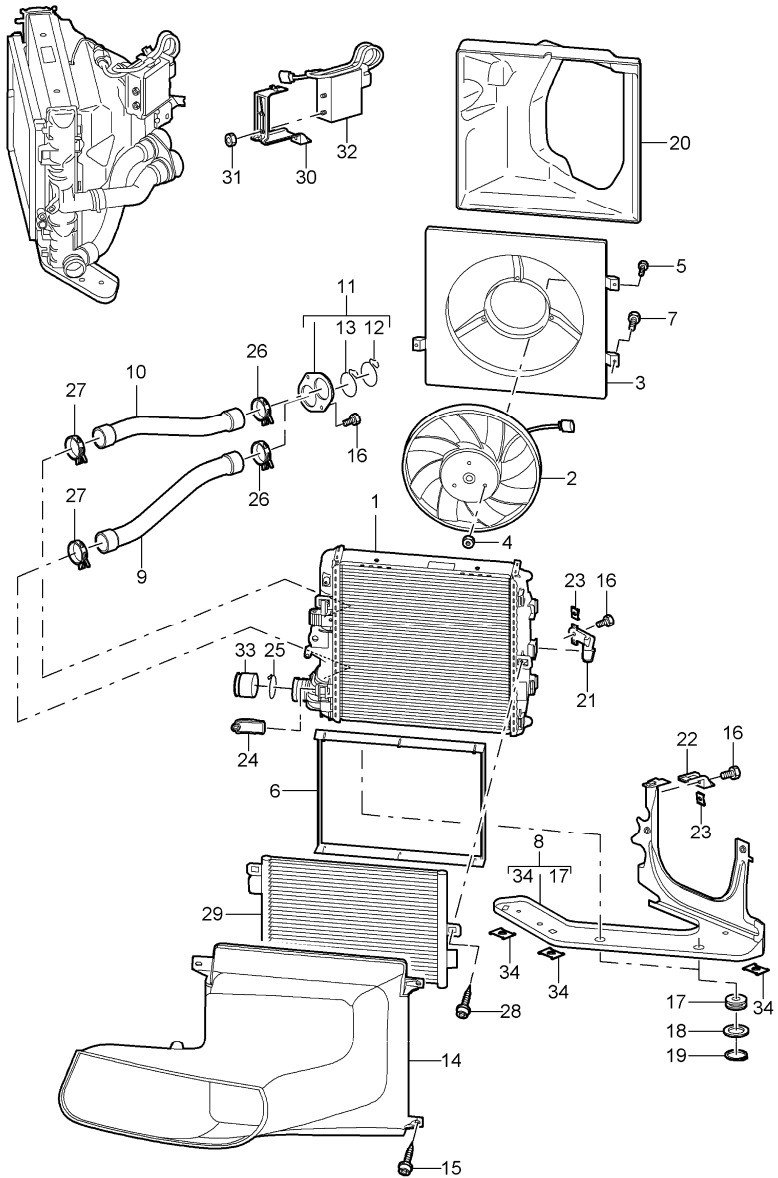


| Pos  | Part Number    | Description                    | Remark | Qty | Model     |
|------|----------------|--------------------------------|--------|-----|-----------|
|      |                | water cooling 2                |        |     | M97.20/21 |
| 1    | 997 106 711 01 | water tube supply              |        | 1   |           |
| 2    | 997 106 720 01 | water tube return line         |        | 1   |           |
| 3    | 997 106 723 04 | water hose                     |        | 2   |           |
| 4    | 997 106 525 01 | support cross tube centre      |        | 1   |           |
| 5    | 997 106 574 02 | support distributor tube right |        | 1   |           |
| 6    | 997 106 526 01 | support cross tube upper       |        | 2   |           |
| 7    | 997 106 573 02 | support distributor tube left  |        | 1   |           |
| 8    | 997 106 752 03 | distributor tube supply        |        | 1   | M97.21    |
| (8)  | 997 106 752 04 | distributor tube supply        |        | 1   | M97.20    |
| 9    | 997 106 751 03 | distributor tube return line   |        | 1   | M97.21    |
| (9)  | 997 106 751 04 | distributor tube return line   |        | 1   | M97.20    |
| 10   | 997 106 413 01 | support distributor tube       |        | 2   |           |
| (10) | 997 106 413 01 | support distributor tube       | /R     | 1   | I601      |
| (10) | 997 106 414 00 | support distributor tube       | /L     | 1   | I601      |
| 11   | 900 378 013 09 | hexagon-head bolt M 6 X 25     |        | 2   |           |
| 12   | 900 378 036 09 | hexagon-head bolt M 6 X 12     |        | 2   |           |
| 13   | 997 106 767 02 | vent line transverse           |        | 1   |           |

|       |      |    |    |              |              |     |       |            |         |     |         |
|-------|------|----|----|--------------|--------------|-----|-------|------------|---------|-----|---------|
| Model | Year | MG | SG | Illustration | Restrictions | UPD | 11:55 | 24.01.2010 | PORSCHE | PET | PORSCHE |
| 987C  | 2008 | 1  | 05 | 105-10       |              | 248 |       |            |         |     |         |

| Pos  | Part Number    | Description  | Remark | Qty | Model | Pos | Part Number    | Description                  | Remark | Qty | Model |
|------|----------------|--|--------|-----|-------|-----|----------------|------------------------------|--------|-----|-------|
| 14   | 987 106 227 01 | vent line<br>tunnel                                |        | 1   |       | 29  | 997 106 623 03 | water hose<br>supply         | /L     | 1   |       |
| 15   | 987 106 651 02 | water tube   |        | 1   |       | 30  | 997 106 627 03 | water hose<br>supply         | /R     | 1   |       |
| (15) | 987 106 851 01 | supply<br>tunnel<br>water tube<br>supply<br>tunnel |        | 1   | I480  | 31  | 997 106 728 03 | water hose<br>return line    | /L     | 1   |       |
| 16   | 987 106 652 02 | water tube   |        | 1   |       | 32  | 997 106 624 03 | water hose<br>return line    | /R     | 1   |       |
| (16) | 987 106 652 02 | return line<br>tunnel<br>water tube                |        | 1   | I480  | 33  | ---            | see illustrations<br>1/05/15 |        | X   |       |
| 17   | ...            | return line<br>tunnel                              |        | 1   |       | 34  | ---            | see illustrations<br>8/01/70 |        | X   |       |
| 18   | ...            | see illustrations<br>1/05/05                       |        | 1   | I480  | 35  | 997 106 802 03 | spring                       |        | X   |       |
| 19   | 997 106 520 02 | support<br>firewall<br>right                       |        | 1   |       | 36  | 997 106 802 02 | spring                       |        | X   |       |
| 20   | 997 106 521 01 | support<br>firewall<br>left                        |        | 1   |       | 37  | 996 106 801 02 | o-ring<br>36,3 X 3,35        |        | X   |       |
| 21   | 900 378 035 01 | hexagon-head bolt<br>M 6 X 16                      |        | 2   |       | 38  | 997 106 802 01 | spring                       |        | X   |       |
| 22   | 997 106 512 03 | connection piece<br>vent line                      |        | 1   |       | 39  | 996 106 801 07 | o-ring<br>39,3 X 3,53        |        | X   |       |
| 23   | 997 106 540 02 | support<br>tunnel                                  |        | 2   |       | 40  | 996 106 801 03 | o-ring<br>46,7 X 3,53        |        | X   |       |
| 24   | 997 106 515 02 | bridge<br>tunnel                                   |        | 1   |       |     |                |                              |        |     |       |
| 25   | 987 106 425 00 | support<br>heel plate                              |        | 1   |       |     |                |                              |        |     |       |
| 26   | 997 106 765 02 | line   | /L     | 1   |       |     |                |                              |        |     |       |
| 27   | 997 106 766 02 | line   | /R     | 1   |       |     |                |                              |        |     |       |
| 28   | 997 106 551 03 | sleeve   |        | 2   |       |     |                |                              |        |     |       |

|       |      |    |    |              |              |     |       |            |         |     |         |
|-------|------|----|----|--------------|--------------|-----|-------|------------|---------|-----|---------|
| Model | Year | MG | SG | Illustration | Restrictions | UPD | 11:55 | 24.01.2010 | PORSCHE | PET | PORSCHE |
| 987C  | 2008 | 1  | 05 | 105-15       |              | 248 |       |            |         |     |         |



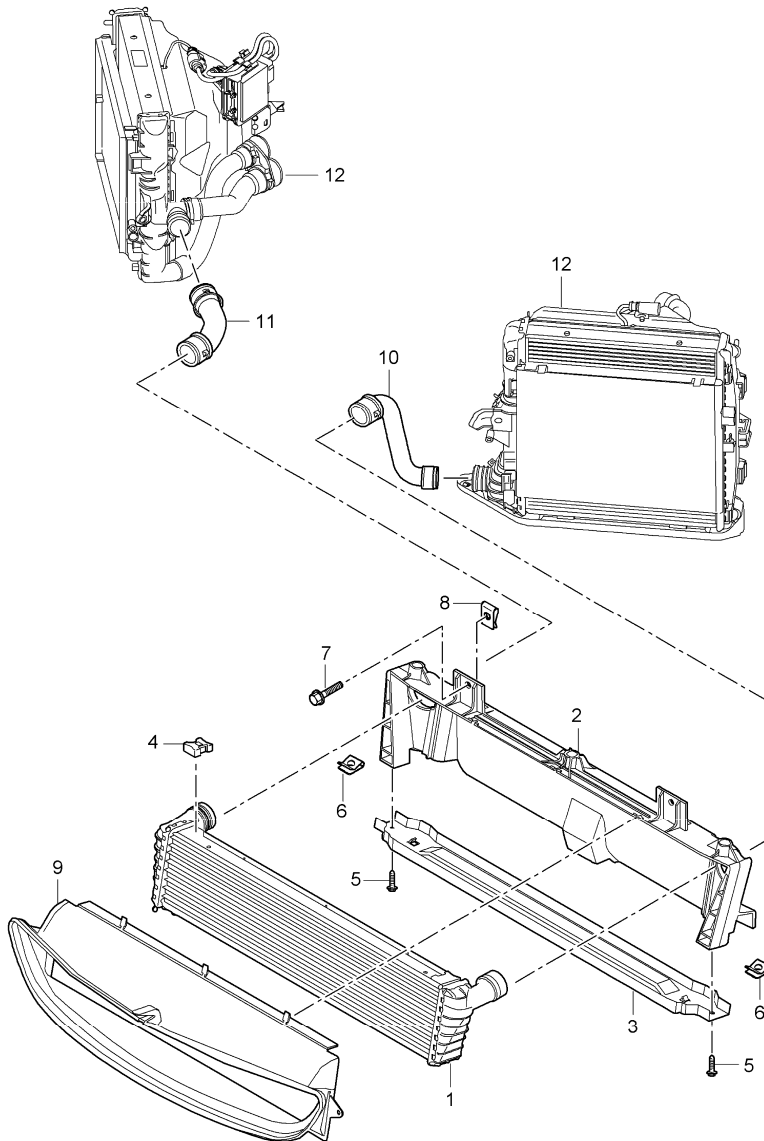
| Pos  | Part Number    | Description                                       | Remark | Qty | Model     |
|------|----------------|---|--------|-----|-----------|
|      |                | water cooling 3                                   |        |     | M97.20/21 |
| 1    | 997 106 131 02 | radiator  | /L     | 1   |           |
| (1)  | 997 106 132 02 | radiator  | /R     | 1   |           |
| 2    | 997 624 135 02 | fan   | /L     | 2   |           |
| (2)  | 997 624 136 02 | fan   | /R     | 2   |           |
| 3    | 997 624 131 02 | air box   | /L     | 2   |           |
| (3)  | 997 624 132 02 | air box   | /R     | 2   |           |
| 4    | 900 377 001 02 | hexagon nut<br>M 6                                |        | 6   |           |
| 5    | 900 146 116 09 | screw<br>M 5 X 16                                 |        | 6   |           |
| 6    | 997 573 711 00 | sealing frame                                     |        | 1   |           |
| 7    | 999 919 125 09 | hexagon-head bolt<br>plastic material<br>M 5 X 16 |        | 6   |           |
| 8    | 997 106 155 01 | bracket   | /L     | 1   |           |
| (8)  | 997 106 156 01 | bracket   | /R     | 1   |           |
| 9    | 997 106 621 03 | water hose<br>supply                              | /L     | 1   |           |
| (9)  | 997 106 622 03 | water hose<br>supply                              | /R     | 1   |           |
| 10   | 997 106 625 03 | water hose<br>return line                         | /L     | 1   |           |
| 10   | 997 106 626 03 | water hose<br>return line                         | /R     | 1   |           |
| 11   | 997 106 255 02 | connecting piece                                  |        | 2   |           |
| 12   | 997 106 802 01 | spring<br>SCB 33                                  |        | 1   |           |
| 13   | 997 106 802 02 | spring<br>SCB 36                                  |        | 1   |           |
| 14   | 987 575 321 01 | air duct  | /L     | 1   |           |
| (14) | 987 575 322 01 | air duct  | /R     | 1   |           |
| 15   | 999 919 134 09 | oval-head screw<br>M 6 X 16                       |        | 6   |           |



|       |      |    |    |              |              |     |       |            |         |     |         |
|-------|------|----|----|--------------|--------------|-----|-------|------------|---------|-----|---------|
| Model | Year | MG | SG | Illustration | Restrictions | UPD | 11:55 | 24.01.2010 | PORSCHE | PET | PORSCHE |
| 987C  | 2008 | 1  | 05 | 105-15       |              | 248 |       |            |         |     |         |

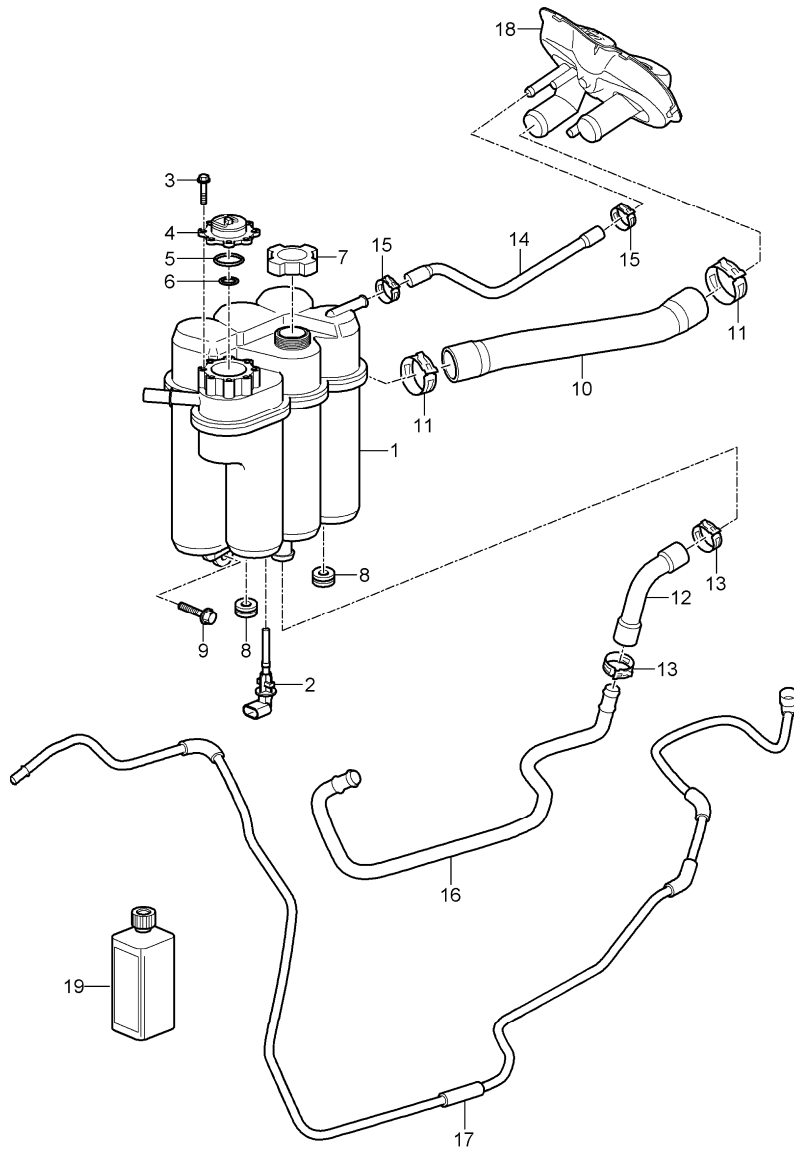
| Pos  | Part Number    | Description   | Remark | Qty | Model | Pos | Part Number | Description | Remark | Qty | Model |
|------|----------------|---|--------|-----|-------|-----|-------------|-------------|--------|-----|-------|
| 16   | 900 385 009 09 | torx screw<br>M 6 X 16  |        | 6   |       |     |             |             |        |     |       |
| 17   | 999 703 494 40 | rubber mounting<br>15 X 19,5  |        | 4   |       |     |             |             |        |     |       |
| 18   | 999 025 255 02 | washer  |        | 4   |       |     |             |             |        |     |       |
| 19   | 999 166 083 09 | tab washer<br>B 25  |        | 4   |       |     |             |             |        |     |       |
| 20   | 997 575 341 00 | air duct  | /L     | 1   |       |     |             |             |        |     |       |
| (20) | 997 575 342 00 | air duct  | /R     | 1   |       |     |             |             |        |     |       |
| 21   | 997 106 232 01 | support<br>outer  |        | 2   |       |     |             |             |        |     |       |
| 22   | 997 106 455 00 | support<br>left   |        | 1   |       |     |             |             |        |     |       |
| 23   | 999 591 350 02 | speed nut<br>ST 4,8   |        | 6   |       |     |             |             |        |     |       |
| 24   | 997 106 231 02 | support<br>inner  |        | 2   |       |     |             |             |        |     |       |
| 25   | 997 106 802 00 | spring<br>SCB26   |        | 2   |       |     |             |             |        |     |       |
| 26   | 997 106 901 00 | clamp   |        | 2   |       |     |             |             |        |     |       |
| 27   | 997 106 902 00 | clamp   |        | 2   |       |     |             |             |        |     |       |
| 28   | 999 919 125 09 | hexagon-head bolt<br>6,0 X 16                                       |        | 1   |       |     |             |             |        |     |       |
| 29   | ---            | condenser<br>see illustrations<br>8/13/25                           |        | *   |       |     |             |             |        |     |       |
| 30   | 997 106 456 00 | support<br>right  |        | 1   |       |     |             |             |        |     |       |
| 31   | 900 377 010 09 | hexagon nut<br>M 6  |        | 2   |       |     |             |             |        |     |       |
| 32   | ---            | control unit<br>cooling air control<br>see illustrations<br>9/01/03 |        | 1   |       |     |             |             |        |     |       |
| 33   | 997 106 546 02 | stopper   |        | 2   | I480  |     |             |             |        |     |       |
| 34   | 999 591 329 01 | speed nut<br>ST 4,8   |        | 3   |       |     |             |             |        |     |       |

|       |      |    |    |              |              |     |       |            |         |     |         |
|-------|------|----|----|--------------|--------------|-----|-------|------------|---------|-----|---------|
| Model | Year | MG | SG | Illustration | Restrictions | UPD | 11:55 | 24.01.2010 | PORSCHE | PET | PORSCHE |
| 987C  | 2008 | 1  | 05 | 105-17       |              | 248 |       |            |         |     |         |



| Pos | Part Number    | Description                    | Remark | Qty | Model          |
|-----|----------------|--------------------------------|--------|-----|----------------|
|     |                | radiator                       |        |     | M97.21<br>I249 |
|     |                | centre                         |        |     |                |
| 1   | 997 106 037 02 | radiator                       |        | 1   |                |
| 2   | 997 504 487 00 | retaining frame<br>upper       |        | 1   |                |
| 3   | 997 504 485 00 | retaining frame<br>lower       |        | 1   |                |
| 4   | 997 106 437 00 | rubber mounting                |        | 4   |                |
| 5   | 900 378 035 01 | hexagon-head bolt<br>M 6 X 16  |        | 2   |                |
| 6   | 999 591 882 02 | speed nut<br>M 6               |        | 2   |                |
| 7   | 900 378 074 09 | hexagon-head bolt<br>M 8 X 16  |        | 4   |                |
| 8   | 999 591 869 02 | speed nut<br>M 8               |        | 4   |                |
| 9   | 987 575 323 01 | air duct<br>radiator<br>centre |        | 1   |                |
| 10  | 997 106 639 03 | water hose<br>return line      |        | 1   |                |
| 11  | 997 106 638 03 | water hose<br>supply           |        | 1   |                |
| 12  | ... ..         | see illustrations<br>1/05/15   |        | X   |                |

|       |      |    |    |              |              |     |       |            |         |     |         |
|-------|------|----|----|--------------|--------------|-----|-------|------------|---------|-----|---------|
| Model | Year | MG | SG | Illustration | Restrictions | UPD | 11:56 | 24.01.2010 | PORSCHE | PET | PORSCHE |
| 987C  | 2008 | 1  | 05 | 105-20       |              | 248 |       |            |         |     |         |

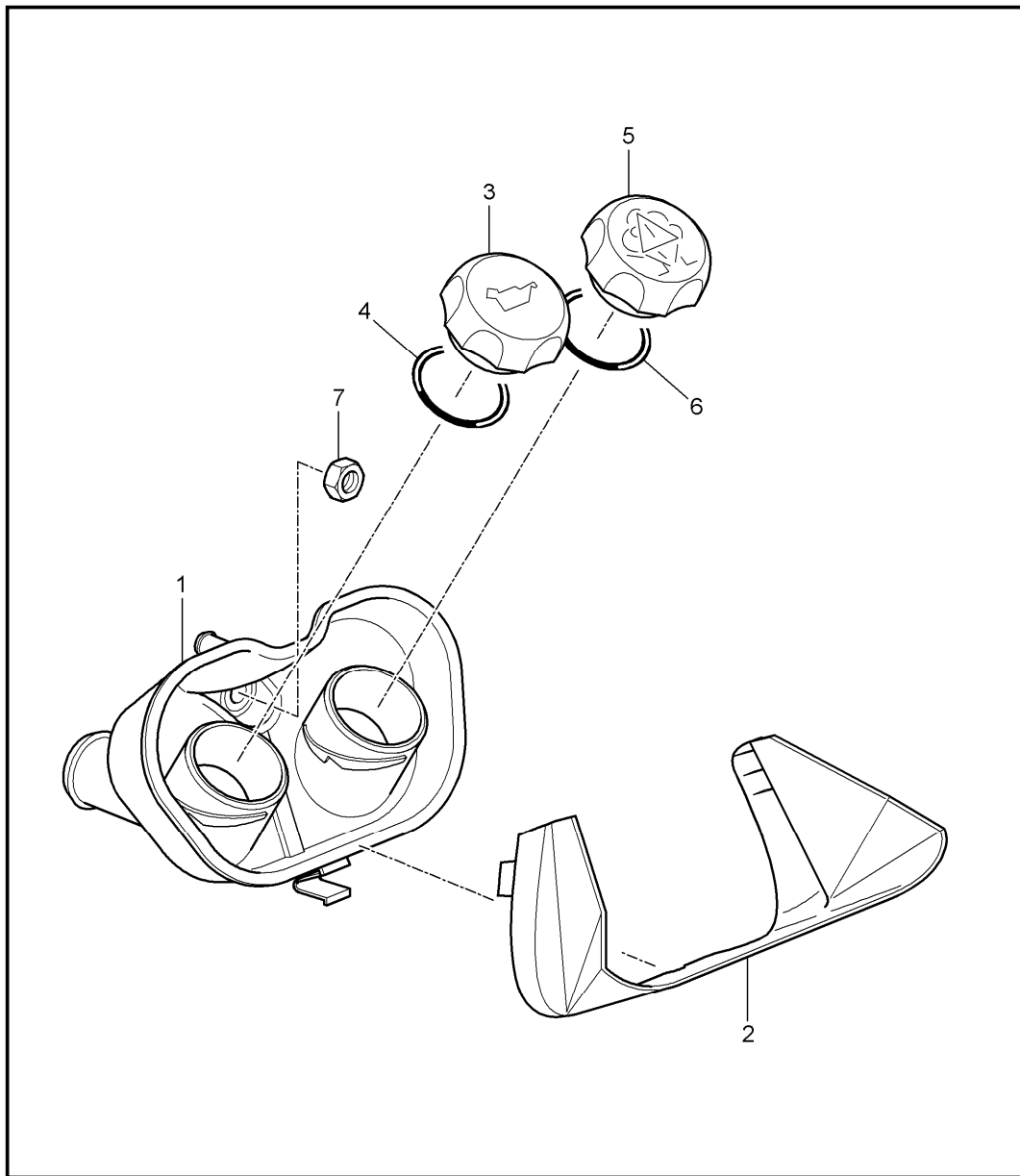


| Pos | Part Number      | Description  | Remark | Qty | Model     |
|-----|------------------|--|--------|-----|-----------|
|     |                  | water cooling 4                                      |        |     | M97.20/21 |
| 1   | 987 106 047 02   | expansion tank<br>F >>988U7 52755<br>F >>988U7 72698 |        | 1   |           |
| (1) | 987 106 047 03   | expansion tank<br>F 988U7 52756>><br>F 988U7 72799>> |        | 1   |           |
| 2   | 987 641 503 00   | switch   |        | 1   |           |
| 3   | 999 919 058 01   | hexagon-head bolt<br>M 5 X 40                        |        | 8   |           |
| 4   | 996 106 347 02   | bleeder valve  |        | 1   |           |
| 5   | 999 707 370 40   | o-ring<br>47,00 X 4,0                                |        | 1   |           |
| 6   | 999 707 371 40   | o-ring<br>17,00 X 4,0                                |        | 1   |           |
| 7   | U 996 106 447 01 | lid<br>see technical manual<br>group 1<br>Nr.190101  |        | 1   |           |
| 7   | 996 106 447 04   | lid<br>see technical manual<br>group 1<br>Nr.190101  |        | 1   |           |
| 8   | 999 702 183 40   | grommet  |        | 2   |           |
| 9   | 900 378 074 09   | hexagon-head bolt<br>M 8 X 16                        |        | 1   |           |
| 10  | 987 106 270 02   | water hose   |        | 1   |           |
| 11  | 999 512 672 09   | hose clamp<br>40 X 12                                |        | 2   |           |
| 12  | 987 106 267 02   | hose   |        | 1   |           |
| 13  | 999 512 657 09   | hose clamp<br>26 X 12                                |        | 2   |           |
| 14  | 987 106 287 01   | vent line  |        | 1   |           |
| 15  | 999 512 684 09   | clamp<br>18 X 12                                     |        | 2   |           |
| 16  | 987 106 664 01   | line   |        | 1   |           |
| 17  | 987 106 682 01   | vent line  |        | 1   |           |

|       |      |    |    |              |              |     |       |            |         |     |         |
|-------|------|----|----|--------------|--------------|-----|-------|------------|---------|-----|---------|
| Model | Year | MG | SG | Illustration | Restrictions | UPD | 11:56 | 24.01.2010 | PORSCHE | PET | PORSCHE |
| 987C  | 2008 | 1  | 05 | 105-20       |              | 248 |       |            |         |     |         |

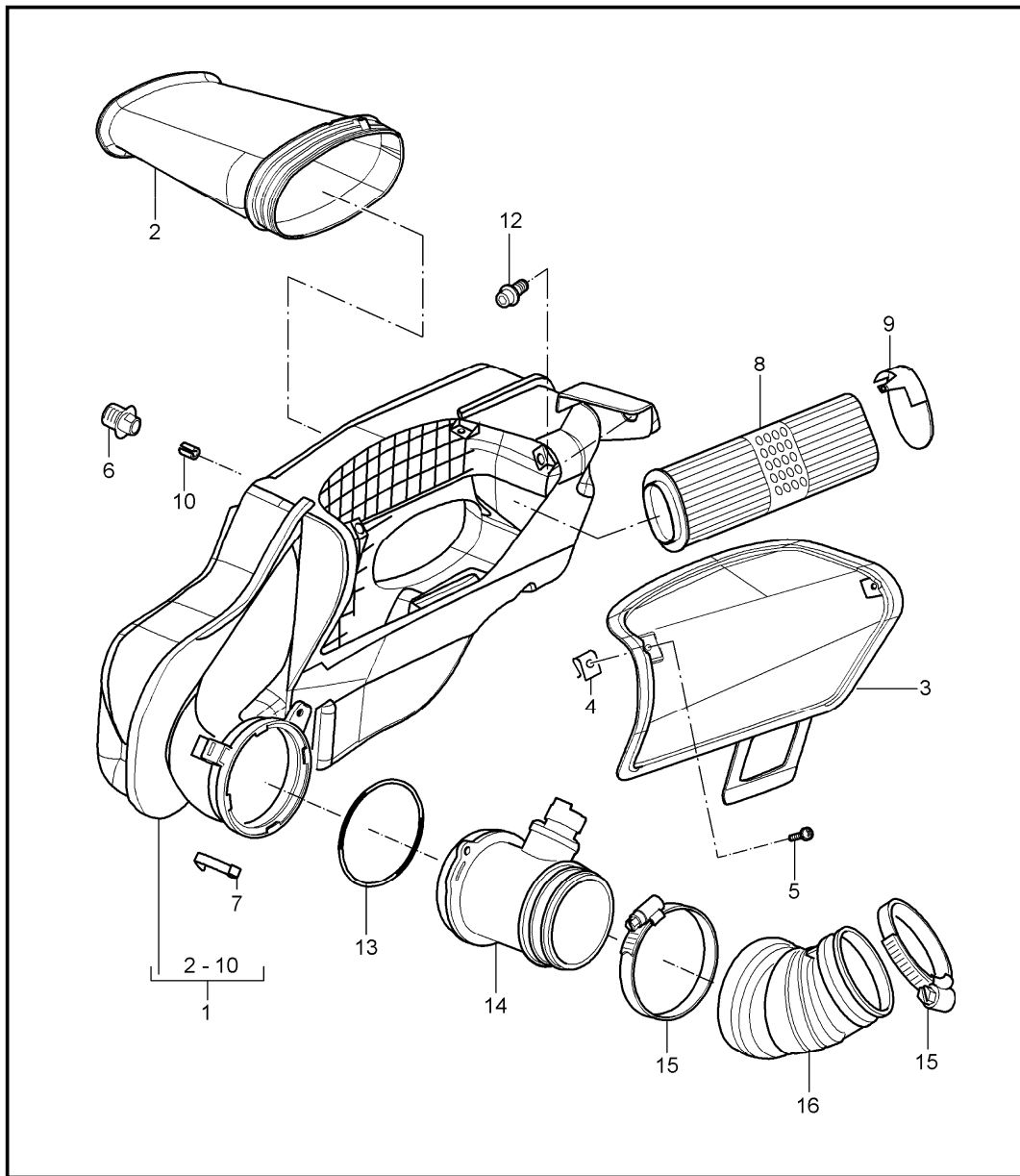
| Pos  | Part Number    | Description                        | Remark | Qty | Model | Pos | Part Number | Description | Remark | Qty | Model |
|------|----------------|------------------------------------|--------|-----|-------|-----|-------------|-------------|--------|-----|-------|
| 18   | ---            | see illustrations<br>1/05/21       |        | 1   |       |     |             |             |        |     |       |
| 19   | 000 043 301 03 | antifreeze<br>1 LTR.<br>container  |        | X   |       |     |             |             |        |     |       |
| (19) | 000 043 301 04 | antifreeze<br>20 LTR.<br>container |        | X   |       |     |             |             |        |     |       |

|       |      |    |    |              |              |     |       |            |         |     |         |
|-------|------|----|----|--------------|--------------|-----|-------|------------|---------|-----|---------|
| Model | Year | MG | SG | Illustration | Restrictions | UPD | 11:56 | 24.01.2010 | PORSCHE | PET | PORSCHE |
| 987C  | 2008 | 1  | 05 | 105-21       |              | 248 |       |            |         |     |         |



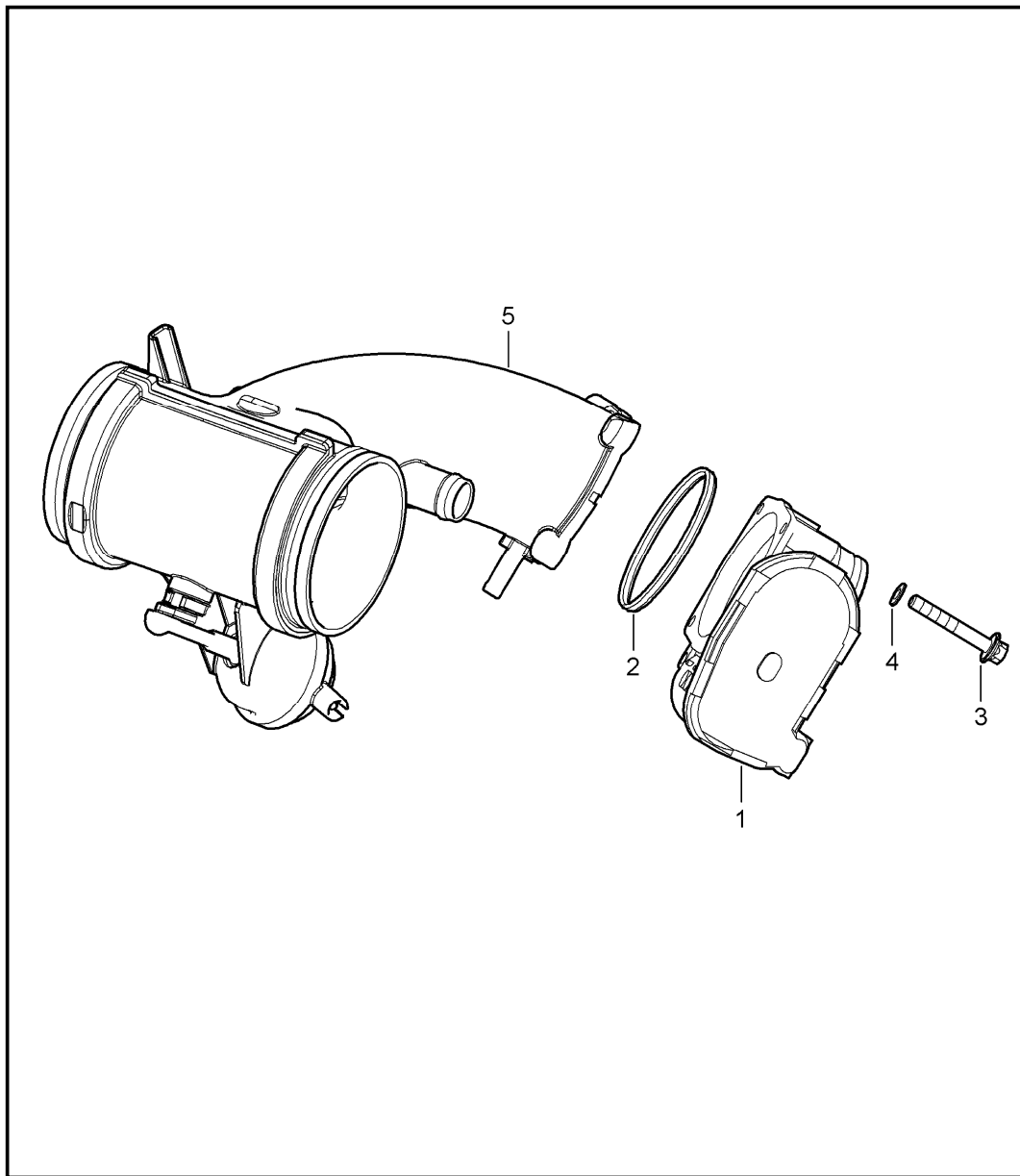
| Pos | Part Number    | Description                    | Remark | Qty | Model     |
|-----|----------------|--------------------------------|--------|-----|-----------|
|     |                | water cooling 4<br>filler neck |        |     | M97.20/21 |
| 1   | 987 106 150 02 | cup                            |        | 1   |           |
| 2   | 987 106 180 00 | cover                          |        | 1   |           |
| 3   | 987 107 035 01 | lid<br>engine oil              |        | 1   |           |
| 4   | 987 107 336 00 | gasket                         |        | 1   |           |
| 5   | 987 106 044 00 | lid<br>coolant                 |        | 1   |           |
| 6   | 987 106 170 00 | gasket                         |        | 1   |           |
| 7   | 999 076 071 02 | hexagon nut<br>M 6             |        | 1   |           |

|       |      |    |    |              |              |     |       |            |         |     |         |
|-------|------|----|----|--------------|--------------|-----|-------|------------|---------|-----|---------|
| Model | Year | MG | SG | Illustration | Restrictions | UPD | 11:56 | 24.01.2010 | PORSCHE | PET | PORSCHE |
| 987C  | 2008 | 1  | 06 | 106-00       |              | 248 |       |            |         |     |         |



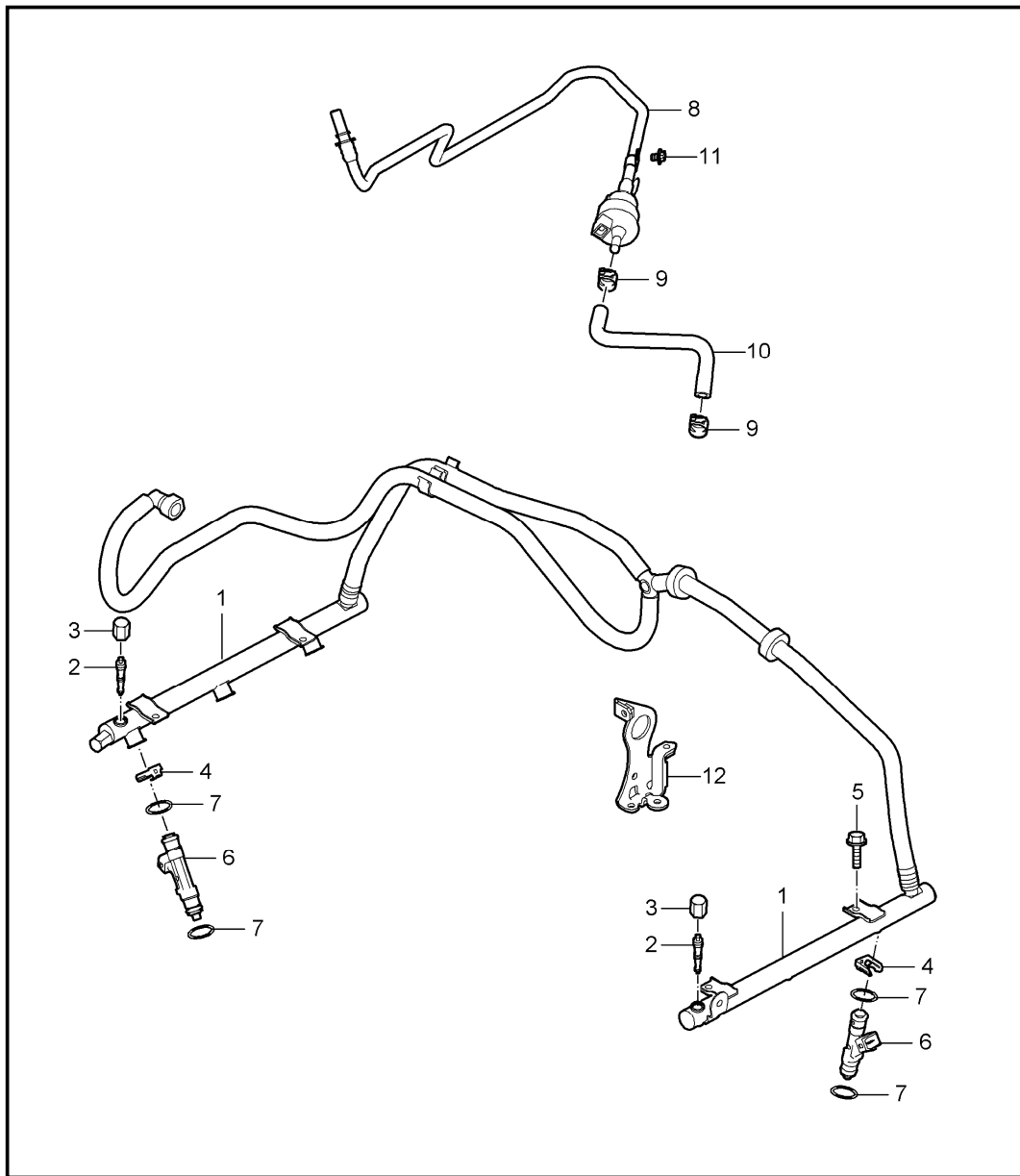
| Pos | Part Number    | Description                   | Remark | Qty | Model     |
|-----|----------------|-------------------------------|--------|-----|-----------|
|     |                | air cleaner                   |        |     | M97.20/21 |
| 1   | 987 110 021 00 | air cleaner complete          |        | 1   |           |
| 2   | 987 110 122 00 | intake manifold               |        | 1   |           |
| 3   | 987 110 131 00 | housing cover                 |        | 1   |           |
| 4   | 999 507 442 02 | speed nut                     |        | 2   |           |
| 5   | 900 143 095 09 | tapping screw                 |        | 3   |           |
| 6   | 987 110 141 00 | grommet                       |        | 1   |           |
| 7   | 993 110 116 01 | clamp                         |        | 1   |           |
| 8   | 987 110 133 00 | air cleaner cartridge         |        | 1   |           |
| 9   | 987 110 134 00 | mounting plate                |        | 1   |           |
| 10  | 900 095 099 09 | roll pin<br>12 X 14           |        | 3   |           |
| 11  | 999 919 050 09 | oval-head screw<br>4 X 12     |        | 1   |           |
| 12  | 900 075 333 02 | hexagon-head bolt<br>M 6 X 25 |        | 1   |           |
| 13  | 999 707 052 40 | o-ring<br>91 X 6              |        | 1   |           |
| 14  | 987 606 125 00 | mass air flow meter           |        | 1   |           |
| 15  | 999 512 542 00 | hose clamp<br>80 - 100        |        | 2   |           |
| 16  | 987 110 222 00 | air box                       |        | 1   |           |

|       |      |    |    |              |              |     |       |            |         |     |         |
|-------|------|----|----|--------------|--------------|-----|-------|------------|---------|-----|---------|
| Model | Year | MG | SG | Illustration | Restrictions | UPD | 11:56 | 24.01.2010 | PORSCHE | PET | PORSCHE |
| 987C  | 2008 | 1  | 07 | 107-00       |              | 248 |       |            |         |     |         |



| Pos | Part Number    | Description                                      | Remark | Qty | Model     |
|-----|----------------|--|--------|-----|-----------|
|     |                | throttle body                                    |        |     | M97.20/21 |
| 1   | 997 605 115 00 | throttle body                                    |        | 1   |           |
| 2   | 997 110 319 00 | gasket<br>distributor tube                       |        | 1   |           |
| 3   | 900 385 025 04 | torx screw<br>BM 6 X 40                          |        | 4   |           |
| 4   | N 011 524 7    | washer<br>A 6,4                                  |        | 2   |           |
| 5   | ---            | distributor tube<br>see illustrations<br>1/07/10 |        |     |           |

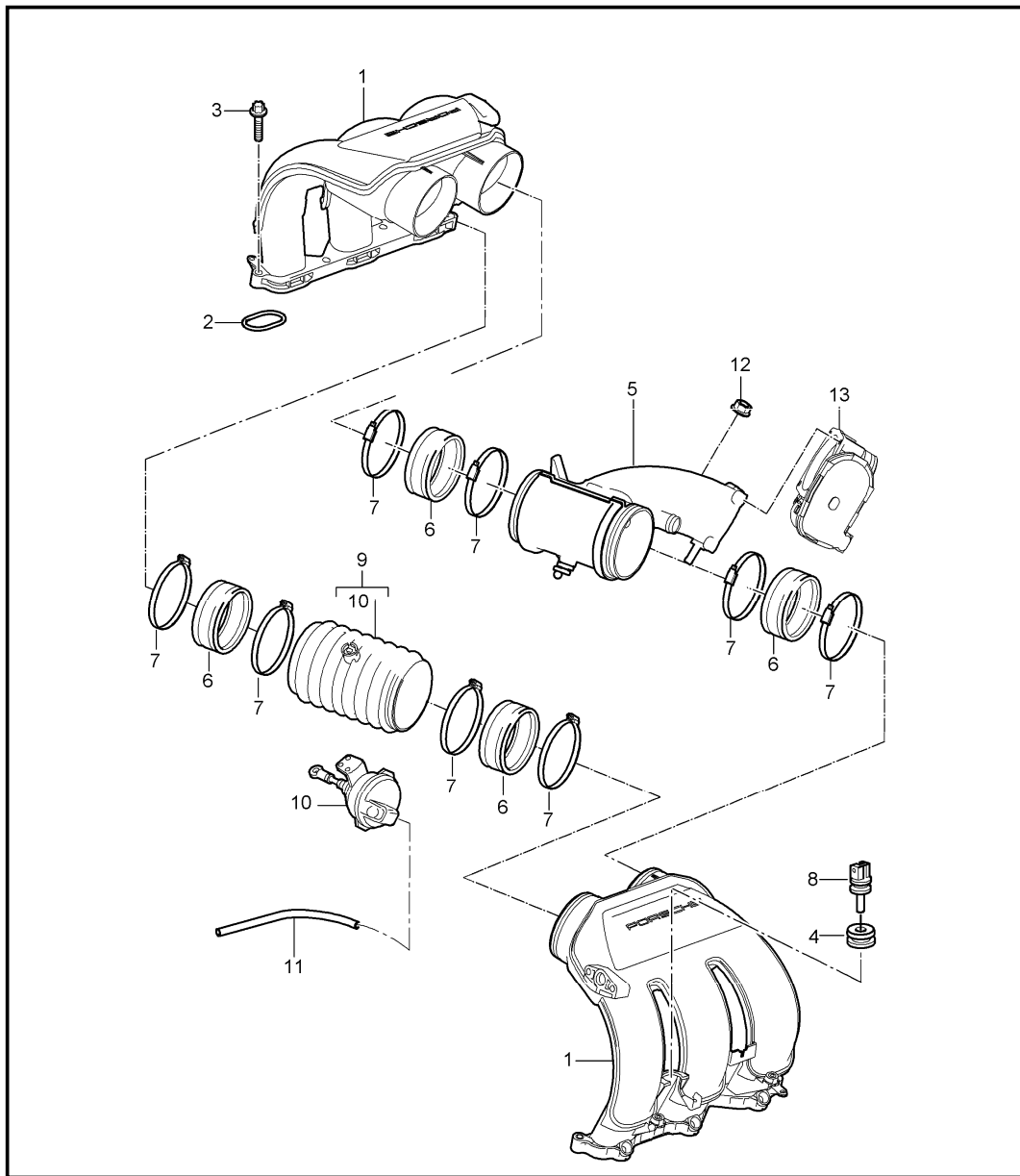
|       |      |    |    |              |              |     |       |            |         |     |         |
|-------|------|----|----|--------------|--------------|-----|-------|------------|---------|-----|---------|
| Model | Year | MG | SG | Illustration | Restrictions | UPD | 11:56 | 24.01.2010 | PORSCHE | PET | PORSCHE |
| 987C  | 2008 | 1  | 07 | 107-05       |              | 248 |       |            |         |     |         |



| Pos | Part Number    | Description                   | Remark | Qty | Model     |
|-----|----------------|-------------------------------|--------|-----|-----------|
|     |                | fuel collection pipe          |        |     | M97.20/21 |
| 1   | 987 110 031 01 | fuel collection pipe          |        | 1   |           |
| 2   | 993 110 217 00 | valve                         |        | 1   |           |
| 3   | 997 110 218 00 | cap                           |        | 1   |           |
| 4   | 996 110 113 52 | retaining clip                |        | 6   |           |
| 5   | 900 385 041 09 | torx screw<br>M 6 X 12        |        | 4   |           |
| 6   | 997 605 123 00 | injector valve                |        | 6   |           |
| 7   | 999 707 574 40 | o-ring<br>7,52 X 3,51         |        | 12  |           |
| 8   | 987 110 128 00 | vent line                     |        | 1   |           |
| 9   | 999 512 650 09 | hose clamp<br>B 14 X 12       |        | 2   |           |
| 10  | 987 110 237 00 | hose<br>tank ventilation      |        | 1   |           |
| 11  | 999 919 125 09 | hexagon-head bolt<br>M 6 X 16 |        | 1   |           |
| 12  | 987 101 213 00 | retaining bar                 |        | 1   |           |

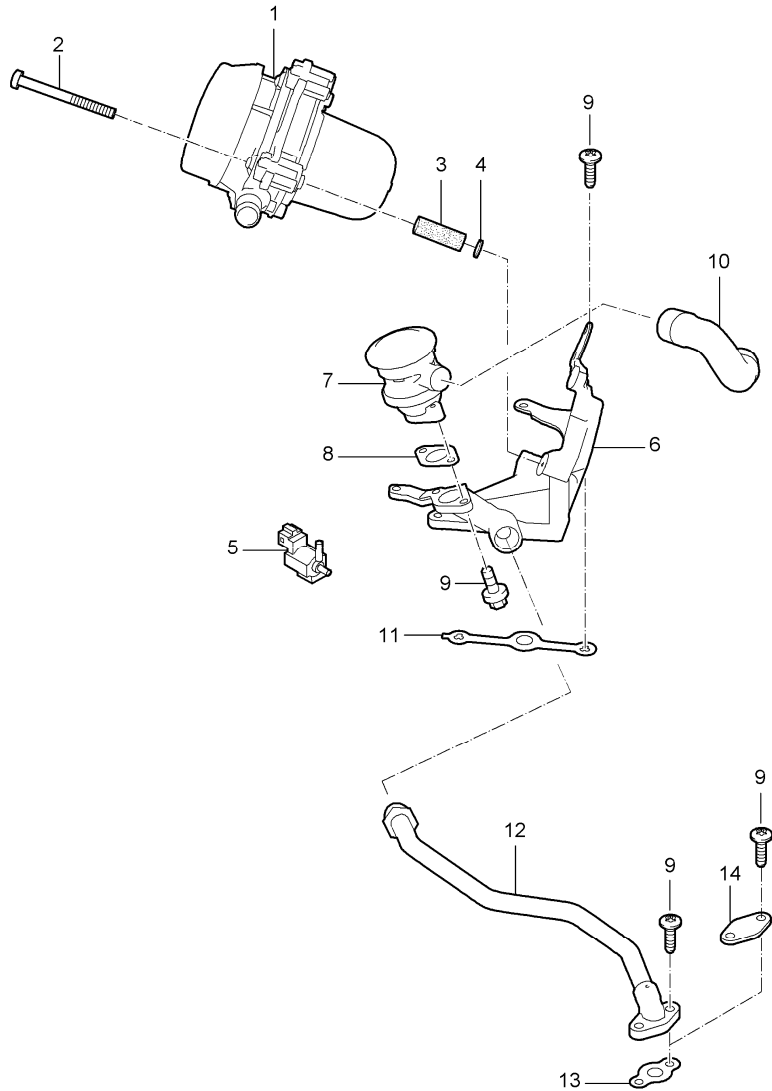


|       |      |    |    |              |              |     |       |            |         |     |         |
|-------|------|----|----|--------------|--------------|-----|-------|------------|---------|-----|---------|
| Model | Year | MG | SG | Illustration | Restrictions | UPD | 11:57 | 24.01.2010 | PORSCHE | PET | PORSCHE |
| 987C  | 2008 | 1  | 07 | 107-10       |              | 248 |       |            |         |     |         |



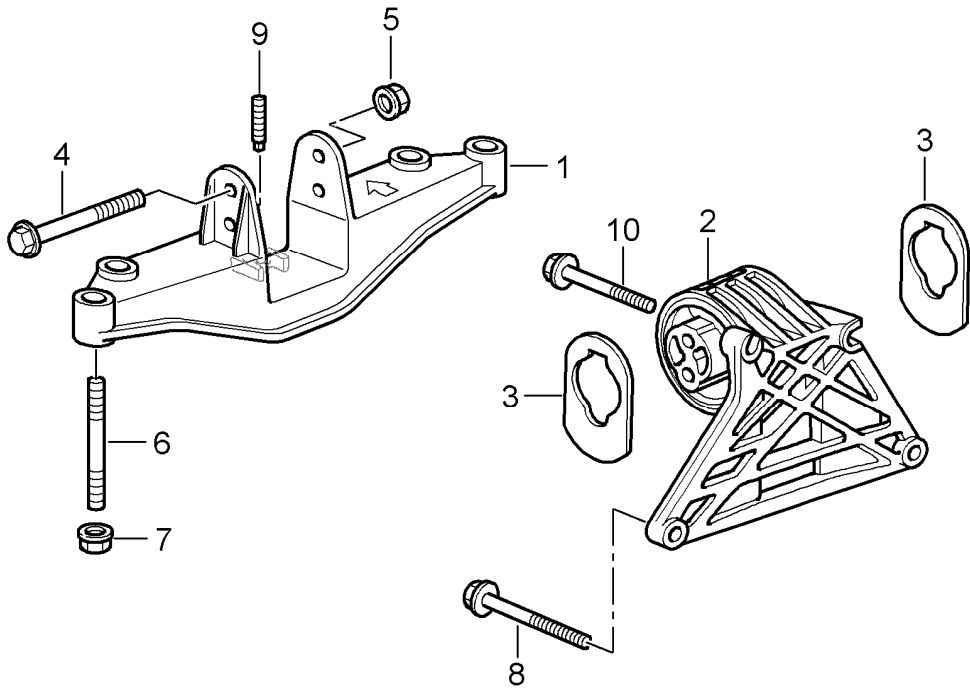
| Pos | Part Number    | Description                                   | Remark | Qty | Model     |
|-----|----------------|---|--------|-----|-----------|
|     |                | intake distributor                            |        |     | M97.20/21 |
| 1   | 997 110 036 01 | intake distributor                            |        | 2   |           |
| 2   | 997 110 247 01 | gasket  |        | 6   |           |
| 3   | 900 385 017 04 | torx screw<br>BM6 X 35                        |        | 1   |           |
| 4   | 993 110 530 01 | grommet                                       |        | 1   |           |
| 5   | 987 110 116 01 | distributor tube                              |        | 1   |           |
| 6   | 997 110 685 00 | rubber sleeve                                 |        | 4   |           |
| 7 A | 999 512 539 00 | hose clamp<br>90 - 110/9                      |        | 8   |           |
| 7   | 999 512 539 01 | hose clamp<br>90 - 110/9                      |        | 8   |           |
| 8   | 997 606 213 00 | temperature sensor                            |        | 1   |           |
| 9   | 996 110 120 53 | resonance tube                                |        | 1   |           |
| 10  | 993 110 462 02 | vacuum unit                                   |        | 1   |           |
| 11  | 000 043 204 99 | hose<br>3,5 X 2<br>120 MM                     |        | *   |           |
| 12  | 900 380 022 09 | hexagon nut<br>M 6                            |        | 1   |           |
| 13  | ---            | throttle body<br>see illustrations<br>1/07/00 |        | 1   |           |

|       |      |    |    |              |              |     |       |            |         |     |         |
|-------|------|----|----|--------------|--------------|-----|-------|------------|---------|-----|---------|
| Model | Year | MG | SG | Illustration | Restrictions | UPD | 11:57 | 24.01.2010 | PORSCHE | PET | PORSCHE |
| 987C  | 2008 | 1  | 08 | 108-05       |              | 248 |       |            |         |     |         |



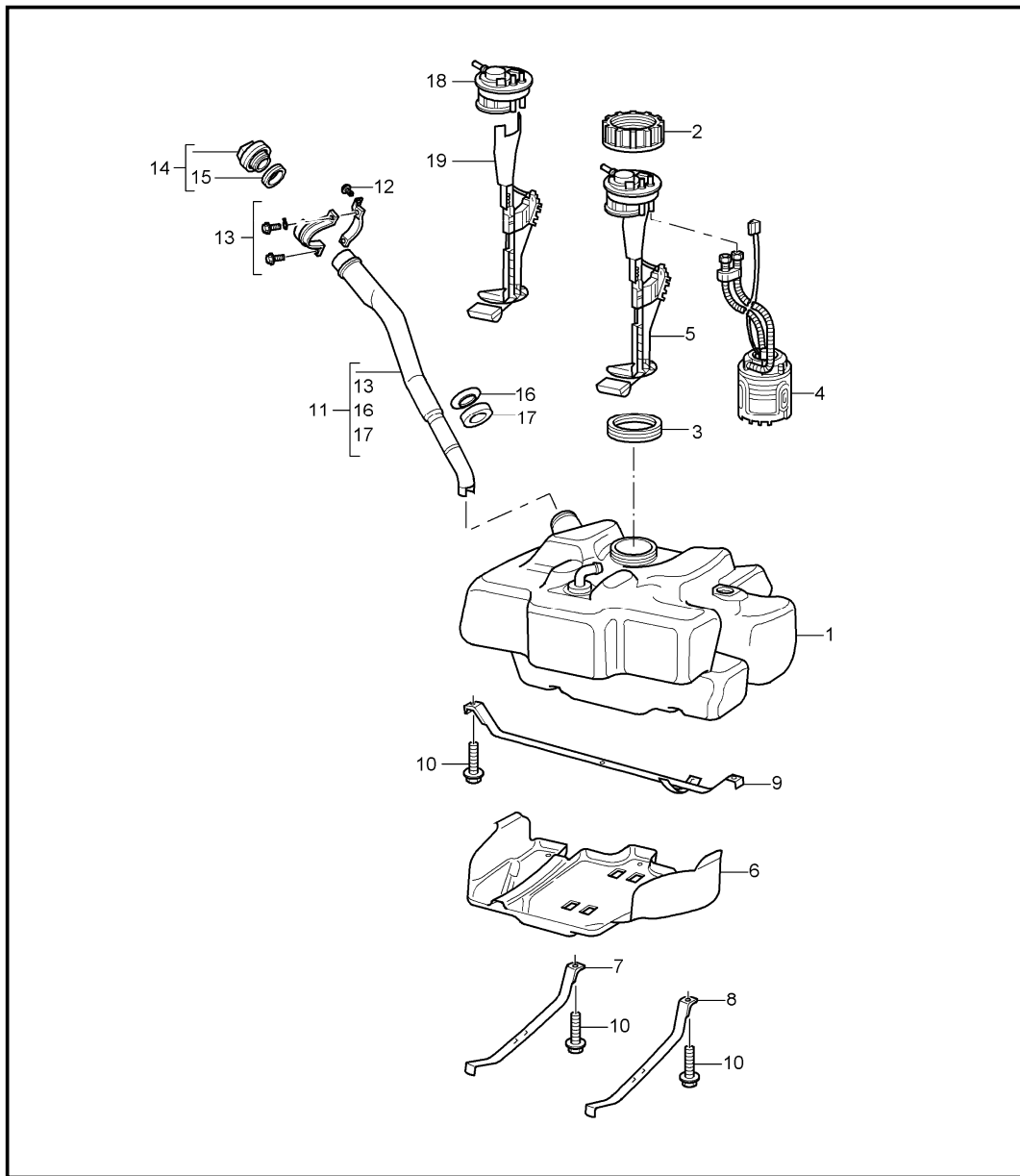
| Pos | Part Number    | Description                    | Remark | Qty | Model     |
|-----|----------------|--------------------------------|--------|-----|-----------|
|     |                | air injection                  |        |     | M97.20/21 |
| 1   | 997 605 104 00 | secondary pump                 | -07    | 1   |           |
| (1) | 997 605 104 02 | secondary pump                 | 08-    | 1   |           |
| 2   | 955 113 325 00 | oval-head screw<br>M 6 X 50    |        | 3   |           |
| 3   | 999 703 868 40 | rubber mounting<br>8,76 X 33,3 |        | 3   |           |
| 4   | 999 209 077 02 | spacer sleeve<br>6,5 X 1       |        | 3   |           |
| 5   | 996 605 123 01 | change-over valve              |        | 1   |           |
| 6   | 997 113 137 01 | bracket<br>secondary pump      |        | 1   |           |
| 7   | 948 113 203 51 | valve                          |        | 1   |           |
| 8   | 993 113 258 51 | gasket                         |        | 1   |           |
| 9   | 999 073 344 04 | round head screw<br>M 6 X 20   |        | 7   |           |
| 10  | 997 113 339 02 | hose                           |        | 1   |           |
| 11  | 997 113 233 01 | gasket<br>bracket              |        | 1   |           |
| 12  | 997 113 117 01 | connecting line                |        | 1   |           |
| 13  | 996 113 213 51 | gasket<br>connecting line      |        | 1   |           |
| 14  | 997 113 340 00 | lid                            |        | 1   |           |

|       |      |    |    |              |              |     |       |            |         |     |         |
|-------|------|----|----|--------------|--------------|-----|-------|------------|---------|-----|---------|
| Model | Year | MG | SG | Illustration | Restrictions | UPD | 11:57 | 24.01.2010 | PORSCHE | PET | PORSCHE |
| 987C  | 2008 | 1  | 09 | 109-00       |              | 248 |       |            |         |     |         |



| Pos | Part Number    | Description                     | Remark | Qty | Model     |
|-----|----------------|---------------------------------|--------|-----|-----------|
|     |                | engine suspension               |        |     | M97.20/21 |
| 1   | 987 375 309 01 | engine carrier                  |        | 1   |           |
| 2   | 987 375 023 02 | engine bracket                  | 06     | 1   |           |
| 2   | 987 375 023 03 | engine bracket                  | 07-    | 1   |           |
| 3   | 987 375 255 05 | stop                            | -07    | 2   |           |
| 3   | 9A1 375 257 01 | stop                            | 08-    | 2   |           |
| 4   | 900 378 167 09 | hexagon-head bolt<br>M 10 X 110 |        | 2   |           |
| 5   | 900 380 008 09 | hexagon nut<br>M 10             |        | 2   |           |
| 6   | 999 061 106 09 | stud<br>M 10 X 84               |        | 4   |           |
| 7   | 999 076 053 09 | hexagon nut<br>M 10             |        | 4   |           |
| 8   | 999 072 027 09 | hexagon-head bolt<br>M 10 X 120 |        | 3   |           |
| 9   | 999 919 169 02 | stud<br>6,0 X 11/M6             |        | 1   |           |
| 10  | 999 072 036 09 | hexagon-head bolt<br>M 10 X 80  |        | 1   |           |

|       |      |    |    |              |              |     |       |            |         |     |         |
|-------|------|----|----|--------------|--------------|-----|-------|------------|---------|-----|---------|
| Model | Year | MG | SG | Illustration | Restrictions | UPD | 11:57 | 24.01.2010 | PORSCHE | PET | PORSCHE |
| 987C  | 2008 | 2  | 01 | 201-00       |              | 248 |       |            |         |     |         |

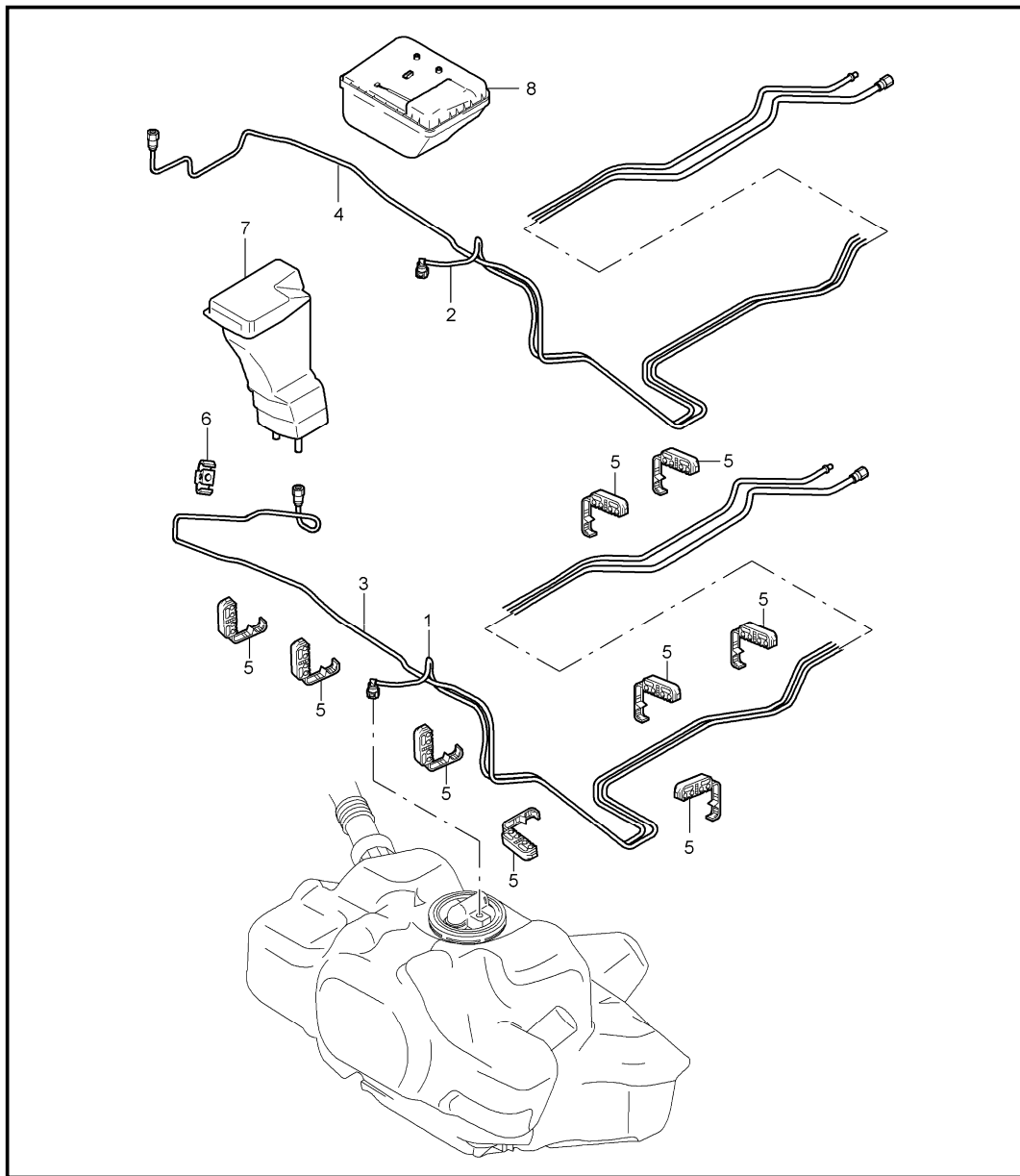


| Pos  | Part Number    | Description                | Remark | Qty | Model     |
|------|----------------|----------------------------|--------|-----|-----------|
|      |                | fuel tank                  |        |     |           |
| 1    | 996 201 021 05 | fuel tank                  | /LL    | 1   |           |
| (1)  | 997 201 022 01 | fuel tank                  | /RL    | 1   |           |
| 2    | 996 201 623 00 | union nut                  |        | 1   |           |
| 3    | 321 919 133    | sealing ring               |        | 1   |           |
| 4    | 996 620 132 00 | fuel pump                  |        | 1   |           |
| 5    | 996 620 832 02 | tank gauge with flange     |        | 1   |           |
| 6    | 997 201 331 02 | protective plate           | /LL    | 1   |           |
| (6)  | 997 201 331 03 | protective plate           | /RL    | 1   |           |
| 7    | 996 201 106 02 | restraining strap right    |        | 1   |           |
| 8    | 996 201 105 02 | restraining strap left     |        | 1   |           |
| 9    | 996 201 107 02 | restraining strap          | /LL    | 1   |           |
| (9)  | 996 201 108 00 | restraining strap          | /RL    | 1   |           |
| 10   | 900 075 479 09 | combination screw M 8 X 40 |        | 4   |           |
| 11   | 997 201 043 06 | filler neck                |        | 1   |           |
| (11) | 997 201 043 07 | filler neck                |        | 1   | II150/193 |
| 12   | 999 073 348 09 | oval-head screw M 6 X 12   |        | 1   |           |
| 13   | 997 201 951 02 | support complete           |        | 1   |           |
| 14   | 996 201 241 03 | fuel tank cap with clip    |        | 1   |           |
| -    | 999 507 499 40 | expansion rivet            |        | 1   |           |
| 15   | 191 201 557    | gasket                     |        | 1   |           |
| 16   | 996 201 755 00 | support washer             |        | 1   |           |
| 17   | 996 201 753 00 | gasket                     |        | 1   |           |

|       |      |    |    |              |              |     |       |            |         |     |         |
|-------|------|----|----|--------------|--------------|-----|-------|------------|---------|-----|---------|
| Model | Year | MG | SG | Illustration | Restrictions | UPD | 11:57 | 24.01.2010 | PORSCHE | PET | PORSCHE |
| 987C  | 2008 | 2  | 01 | 201-00       |              | 248 |       |            |         |     |         |

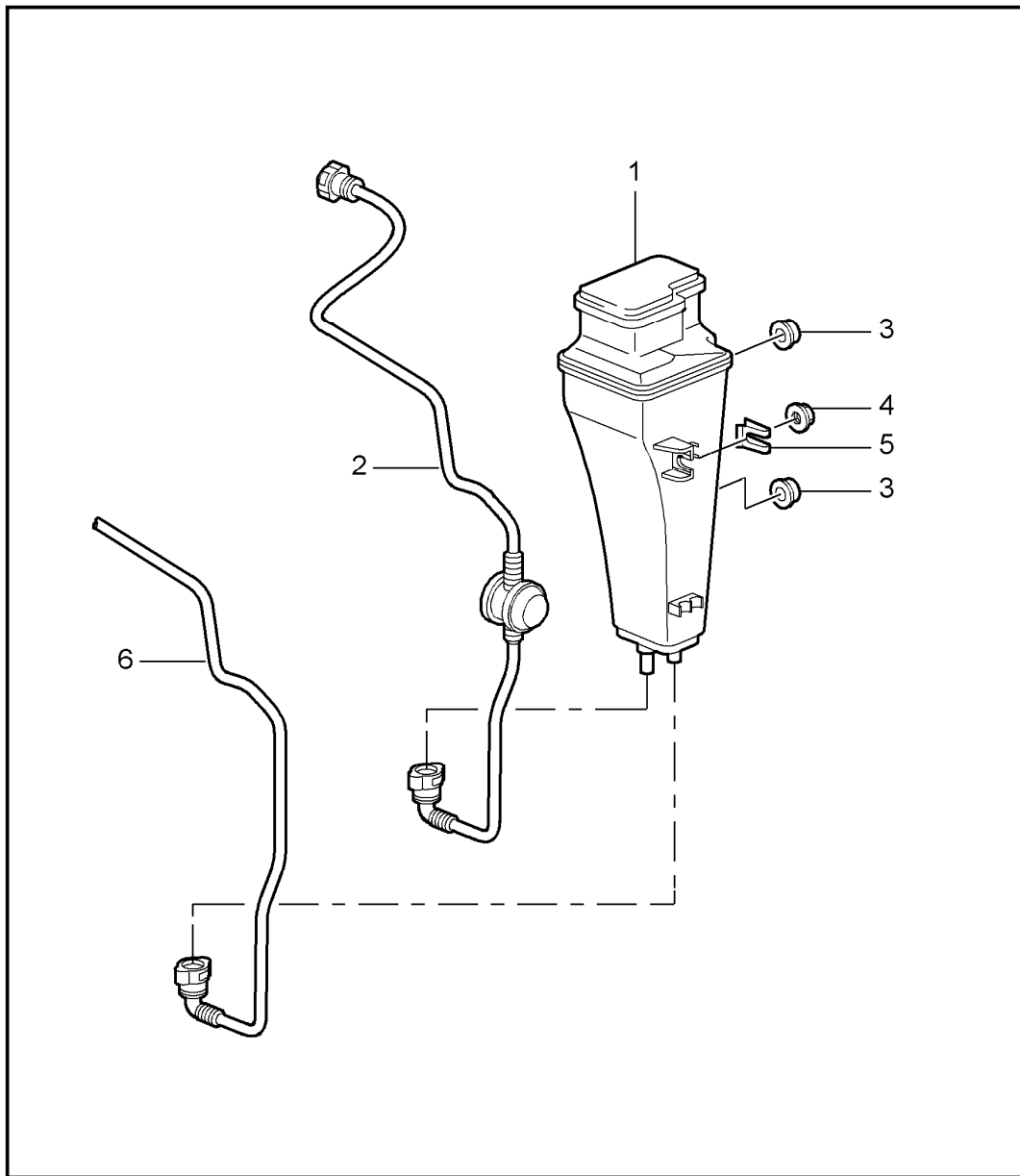
| Pos | Part Number    | Description                          | Remark | Qty | Model | Pos | Part Number | Description | Remark | Qty | Model |
|-----|----------------|--------------------------------------|--------|-----|-------|-----|-------------|-------------|--------|-----|-------|
| 20  | 000 043 206 89 | Additive<br>fuel<br>100 ml Beh.,lter | CHINA  | 1   |       |     |             |             |        |     |       |

|       |      |    |    |              |              |     |       |            |         |     |         |
|-------|------|----|----|--------------|--------------|-----|-------|------------|---------|-----|---------|
| Model | Year | MG | SG | Illustration | Restrictions | UPD | 11:57 | 24.01.2010 | PORSCHE | PET | PORSCHE |
| 987C  | 2008 | 2  | 01 | 201-05       |              | 248 |       |            |         |     |         |



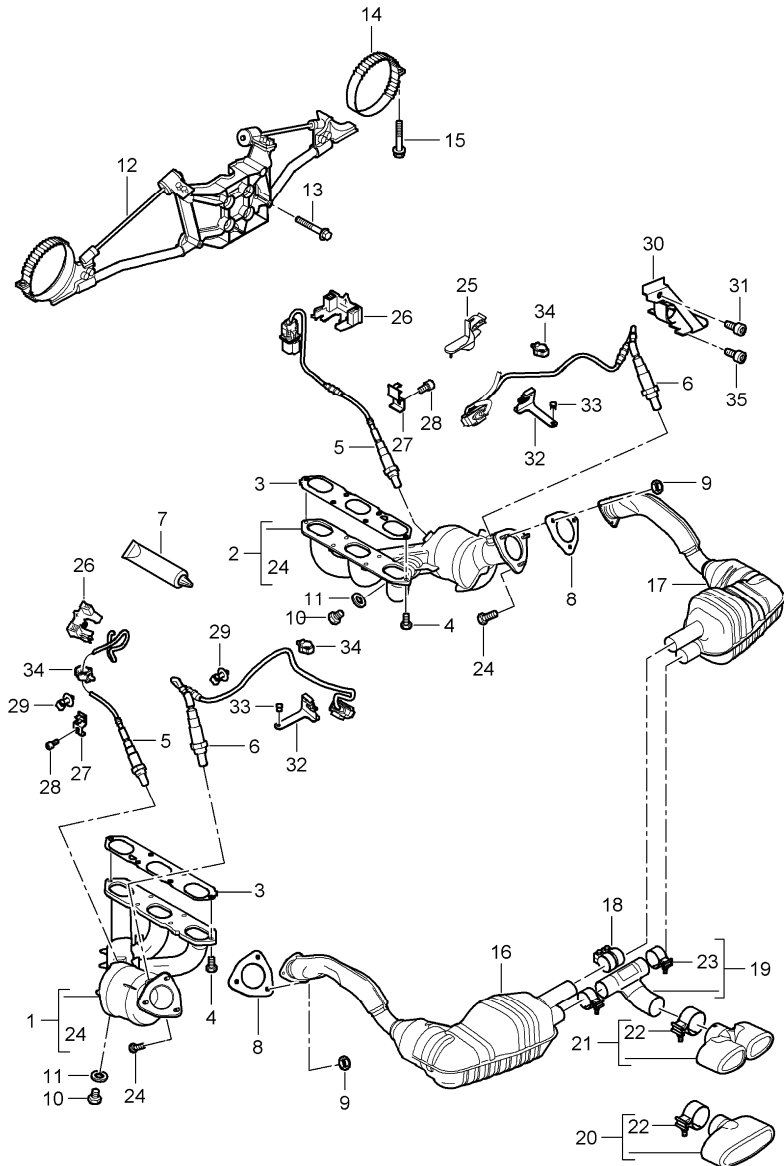
| Pos | Part Number    | Description  | Remark | Qty | Model |
|-----|----------------|--|--------|-----|-------|
|     |                | fuel system  |        |     |       |
| 1   | 987 201 261 01 | fuel line<br>front<br>fuel pump<br>for<br>engine   |        | 1   |       |
| 3   | 987 201 353 01 | purge-air line<br>carbon canister<br>for<br>engine |        | 1   |       |
| 5   | 999 507 521 40 | cable holder<br>8,0/8/10                           |        | X   |       |
| 6   | 999 507 727 40 | cable holder<br>8,0/10,0                           |        | 1   |       |
| 7   | ... ..         | carbon canister<br>see illustrations<br>201-20     |        | 1   |       |

|       |      |    |    |              |              |     |       |            |         |     |         |
|-------|------|----|----|--------------|--------------|-----|-------|------------|---------|-----|---------|
| Model | Year | MG | SG | Illustration | Restrictions | UPD | 11:58 | 24.01.2010 | PORSCHE | PET | PORSCHE |
| 987C  | 2008 | 2  | 01 | 201-20       |              | 248 |       |            |         |     |         |



| Pos | Part Number    | Description                             | Remark | Qty | Model |
|-----|----------------|---|--------|-----|-------|
|     |                | carbon canister                         |        |     |       |
| 1   | 997 201 221 01 | carbon canister complete                |        | 1   |       |
| 2   | 997 201 251 00 | vent line fuel tank for carbon canister |        | 1   |       |
| 3   | 999 702 221 40 | grommet                                 |        | 2   |       |
| 4   | 999 084 629 09 | hexagon nut M 6                         |        | 1   |       |
| 5   | 999 507 543 02 | clamp 2,00 - 3,00                       |        | 1   |       |
| 6   | ... ..         | purge-air line see illustrations 201-05 |        | 1   |       |

|       |      |    |    |              |              |     |       |            |         |     |         |
|-------|------|----|----|--------------|--------------|-----|-------|------------|---------|-----|---------|
| Model | Year | MG | SG | Illustration | Restrictions | UPD | 11:58 | 24.01.2010 | PORSCHE | PET | PORSCHE |
| 987C  | 2008 | 2  | 02 | 202-00       |              | 248 |       |            |         |     |         |



| Pos | Part Number      | Description   | Remark | Qty | Model            |
|-----|------------------|---|--------|-----|------------------|
|     |                  | exhaust system  |        |     | M97.20/21        |
| 1   | A 987 113 108 03 | exhaust manifold<br>cyl. 4 - 6<br>with<br>Pre-catalytic converter | 07-    | 1   | M97.21<br>M97.20 |
| (1) | 987 113 108 05   | exhaust manifold<br>cyl. 4 - 6<br>with<br>Pre-catalytic converter |        | 1   | M97.20/21        |
| 2   | A 987 113 107 03 | exhaust manifold<br>cyl. 1 - 3<br>with<br>Pre-catalytic converter | 07-    | 1   | M97.21<br>M97.20 |
| 2   | 987 113 107 05   | exhaust manifold<br>cyl. 1 - 3<br>with<br>Pre-catalytic converter |        | 1   | M97.20/21        |
| 3   | 996 111 107 55   | gasket<br>exhaust manifold  |        | 2   | M97.20/21        |
| 4   | 999 075 074 00   | hexagon-head bolt<br>M 8 X 26                                     |        | 12  |                  |
| (5) | 987 606 123 02   | oxygen sensor<br><br>in front of<br>catalytic converter           |        | 2   | M97.21<br>M97.20 |
| 6   | U 987 606 124 00 | oxygen sensor<br><br>after<br>catalytic converter                 |        | 2   | M97.21<br>M97.20 |
| 6   | 987 606 123 02   | oxygen sensor<br><br>after<br>catalytic converter                 |        | 2   | M97.21<br>M97.20 |
| 7   | 000 043 207 07   | grease<br>for oxygen sensor                                       |        | 1   |                  |
| 8   | 997 111 113 00   | gasket  |        | 2   |                  |
| 9   | 999 084 052 02   | lock nut<br>M 8   |        | 6   |                  |
| 10  | 900 083 080 00   | hexagon-head bolt<br>M 8 X 1<br>exhaust emission tube             |        | 2   |                  |



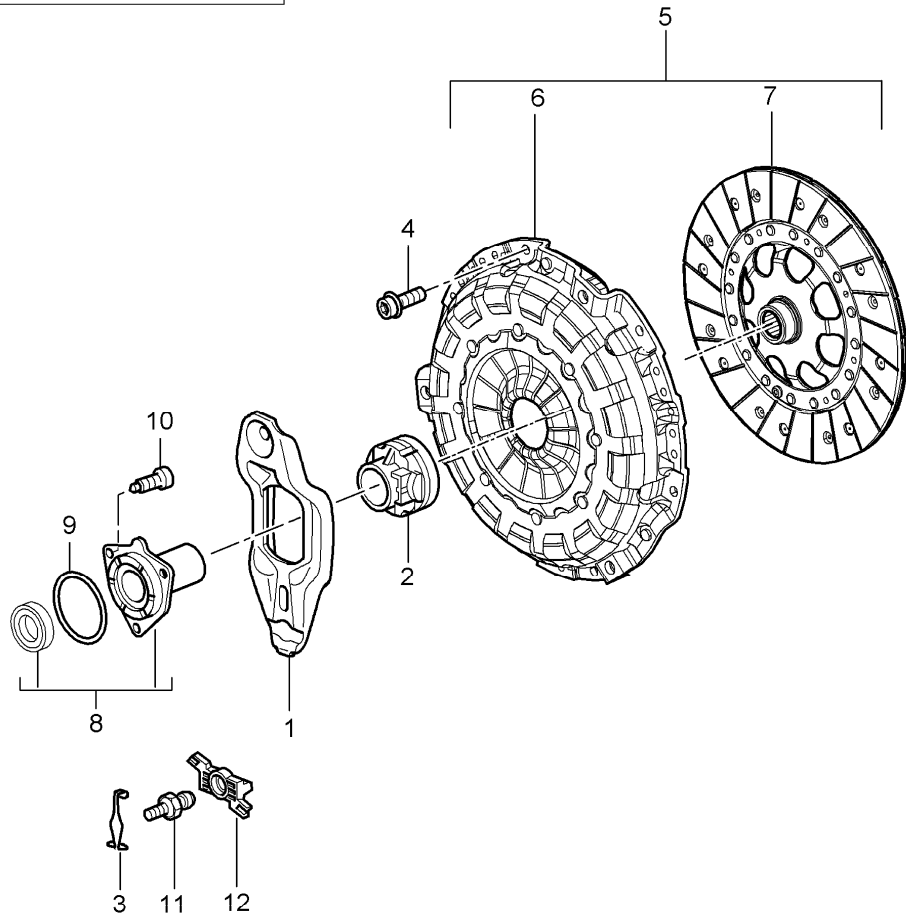
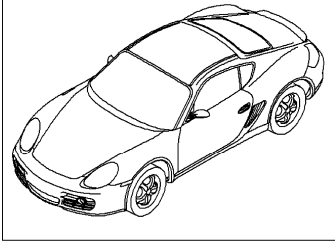
|       |      |    |    |              |              |     |       |            |         |     |         |
|-------|------|----|----|--------------|--------------|-----|-------|------------|---------|-----|---------|
| Model | Year | MG | SG | Illustration | Restrictions | UPD | 11:58 | 24.01.2010 | PORSCHE | PET | PORSCHE |
| 987C  | 2008 | 2  | 02 | 202-00       |              | 248 |       |            |         |     |         |

| Pos    | Part Number    | Description   | Remark | Qty | Model             | Pos    | Part Number    | Description   | Remark | Qty | Model          |
|--------|----------------|---|--------|-----|-------------------|--------|----------------|---|--------|-----|----------------|
| 11     | 900 123 050 20 | sealing ring<br>8 X 11,5<br>exhaust emission tube         |        | 2   |                   | (16) A | 987 113 118 01 | muffler<br>cyl. 4 - 6<br>with<br>Main catalytic converter |        | 1   | M97.20/21      |
| 12     | 987 111 041 02 | support<br>exhaust system                                 |        | 1   | M97.21<br>I249    | (16)   | 987 113 118 02 | muffler<br>cyl. 4 - 6<br>with<br>Main catalytic converter |        | 1   | M97.20/21      |
| (12) A | 987 111 042 02 | support<br>exhaust system                                 | 07-    | 1   | M97.20<br>I481    | (17) A | 987 113 511 00 | muffler<br>cyl. 1 - 3<br>with<br>Main catalytic converter | -07    | 1   | IXLF           |
| (12)   | 987 111 042 04 | support<br>exhaust system                                 |        | 1   | M97.20<br>I481    | (17) A | 987 113 511 01 | muffler<br>cyl. 1 - 3<br>with<br>Main catalytic converter | 08-    | 1   | IXLF           |
| (12)   | 987 111 043 03 | support<br>exhaust system                                 |        | 1   | M97.21<br>I480    | (17)   | 987 113 511 02 | muffler<br>cyl. 1 - 3<br>with<br>Main catalytic converter |        | 1   | IXLF           |
| 13     | 900 378 056 02 | hexagon-head bolt<br>M 8 X 60                             |        | 3   | M97.21<br>I249    | (17)   | 987 113 511 60 | muffler<br>cyl. 1 - 3<br>with<br>Main catalytic converter |        | 1   | I758           |
| 13     | 900 378 070 09 | hexagon-head bolt<br>M 10 X 30                            |        | 4   | M97.20/21<br>I480 | (17)   | 987 113 117 00 | muffler<br>cyl. 1 - 3<br>with<br>Main catalytic converter |        | 1   | M97.20/21      |
| 14     | 987 111 210 01 | clamp   |        | 2   |                   | (17) A | 987 113 117 01 | muffler<br>cyl. 1 - 3<br>with<br>Main catalytic converter |        | 1   | M97.20/21      |
| 15     | 900 378 055 09 | hexagon-head bolt   |        | 2   |                   | (17)   | 987 113 117 02 | muffler<br>cyl. 1 - 3<br>with<br>Main catalytic converter |        | 1   | M97.20/21      |
| (16) A | 987 113 512 00 | muffler<br>cyl. 4 - 6<br>with<br>Main catalytic converter | -07    | 1   | IXLF              | 18     | 987 111 220 00 | clamping sleeve   |        | 1   |                |
| (16) A | 987 113 512 01 | muffler<br>cyl. 4 - 6<br>with<br>Main catalytic converter | 08-    | 1   | IXLF              | 19     | 987 111 353 00 | exhaust pipe  |        | 1   |                |
| (16)   | 987 113 512 02 | muffler<br>cyl. 4 - 6<br>with<br>Main catalytic converter |        | 1   | IXLF              | 20     | 987 111 255 01 | cover   | 07-    | 1   | M97.20         |
| (16)   | 987 113 512 60 | muffler<br>cyl. 4 - 6<br>with<br>Main catalytic converter |        | 1   | I758              | 21     | 987 111 256 01 | cover   |        | 1   | M97.21         |
| 16 A   | 987 113 118 00 | muffler<br>cyl. 4 - 6<br>with<br>Main catalytic converter |        | 1   | M97.20/21         | (21)   | 987 111 981 00 | tail pipe<br>exclusive programme                          |        | 1   | M97.21<br>IXLA |

|       |      |    |    |              |              |     |       |            |         |     |         |
|-------|------|----|----|--------------|--------------|-----|-------|------------|---------|-----|---------|
| Model | Year | MG | SG | Illustration | Restrictions | UPD | 11:58 | 24.01.2010 | PORSCHE | PET | PORSCHE |
| 987C  | 2008 | 2  | 02 | 202-00       |              | 248 |       |            |         |     |         |

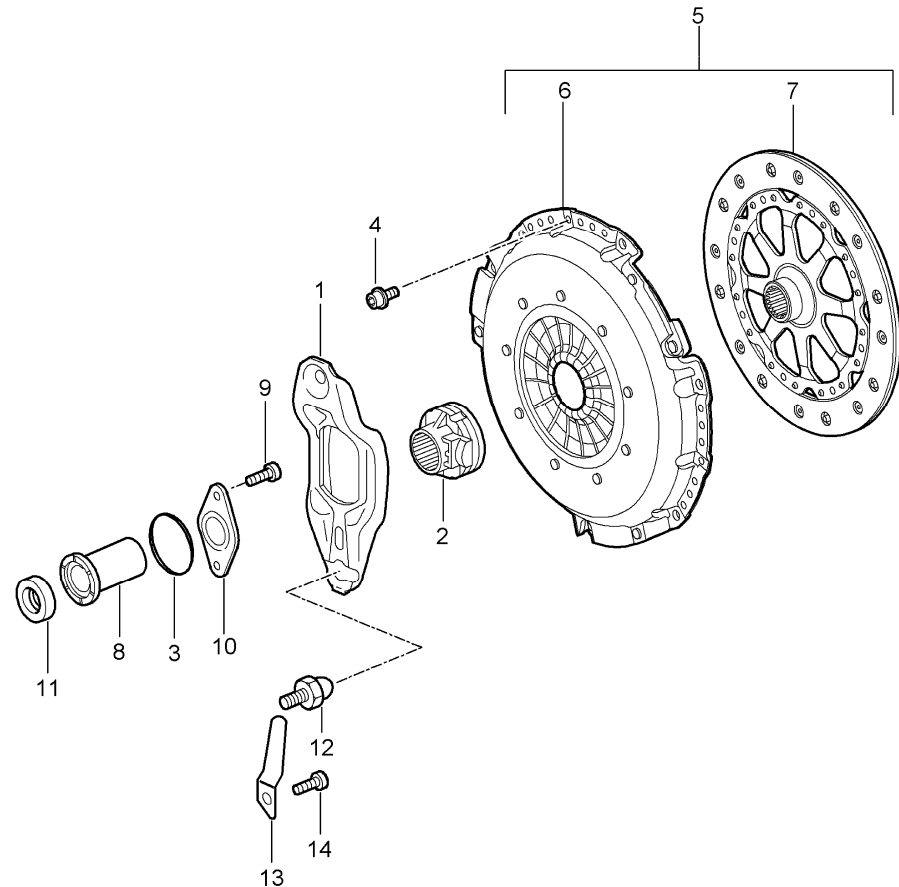
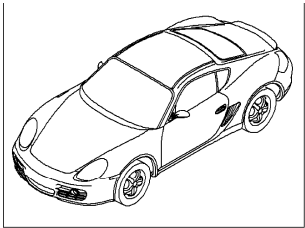
| Pos  | Part Number    | Description   | Remark | Qty | Model | Pos | Part Number    | Description                   | Remark | Qty | Model |
|------|----------------|---|--------|-----|-------|-----|----------------|-------------------------------|--------|-----|-------|
| (21) | 987 111 258 31 | tail pipe<br>Cayman S                                   |        | 1   | I758  | 33  | 999 591 712 40 | expansion rivet<br>6,0 X 12,0 |        | 4   |       |
| 22   | 000 043 300 53 | clip<br>for<br>cover<br>set<br>complete                 |        | 1   |       | 34  | 999 507 075 40 | cable holder<br>3,0 - 12,0    |        | 3   |       |
| 23   | 000 043 300 54 | clip<br>for<br>exhaust pipe<br>set<br>complete          |        | 2   |       | 35  | 900 385 041 09 | torx screw<br>M 6 X 12        |        | 1   |       |
| 24   | 900 075 365 02 | screw<br>M 8 X 30                                       |        | X   |       |     |                |                               |        |     |       |
| 25   | 987 606 259 01 | support<br>line<br>oxygen sensor                        |        | 1   |       |     |                |                               |        |     |       |
| 26   | 987 606 259 01 | support<br>connector<br>oxygen sensor<br>to<br>bulkhead |        | 2   | I660  |     |                |                               |        |     |       |
| 27 A | 987 606 104 00 | support<br>line<br>oxygen sensor<br>to<br>valve cover   |        | 3   |       |     |                |                               |        |     |       |
| (27) | 987 606 104 01 | support<br>line<br>oxygen sensor<br>to<br>valve cover   |        | 3   |       |     |                |                               |        |     |       |
| 28   | 900 385 041 09 | torx screw<br>M 6 X 12                                  |        | 3   |       |     |                |                               |        |     |       |
| 29   | 999 507 111 40 | support<br>line<br>oxygen sensor<br>to<br>cylinder head |        | 2   |       |     |                |                               |        |     |       |
| 30   | 987 104 445 00 | heat shield   |        | 1   |       |     |                |                               |        |     |       |
| 31   | 900 387 009 09 | screw<br>M 6 X 12                                       |        | 1   |       |     |                |                               |        |     |       |
| 32   | 987 606 105 01 | support<br>connector<br>oxygen sensor                   |        | 2   |       |     |                |                               |        |     |       |

|       |      |    |    |              |              |     |       |            |         |     |         |
|-------|------|----|----|--------------|--------------|-----|-------|------------|---------|-----|---------|
| Model | Year | MG | SG | Illustration | Restrictions | UPD | 11:58 | 24.01.2010 | PORSCHE | PET | PORSCHE |
| 987C  | 2008 | 3  | 01 | 301-00       |              | 248 |       |            |         |     |         |



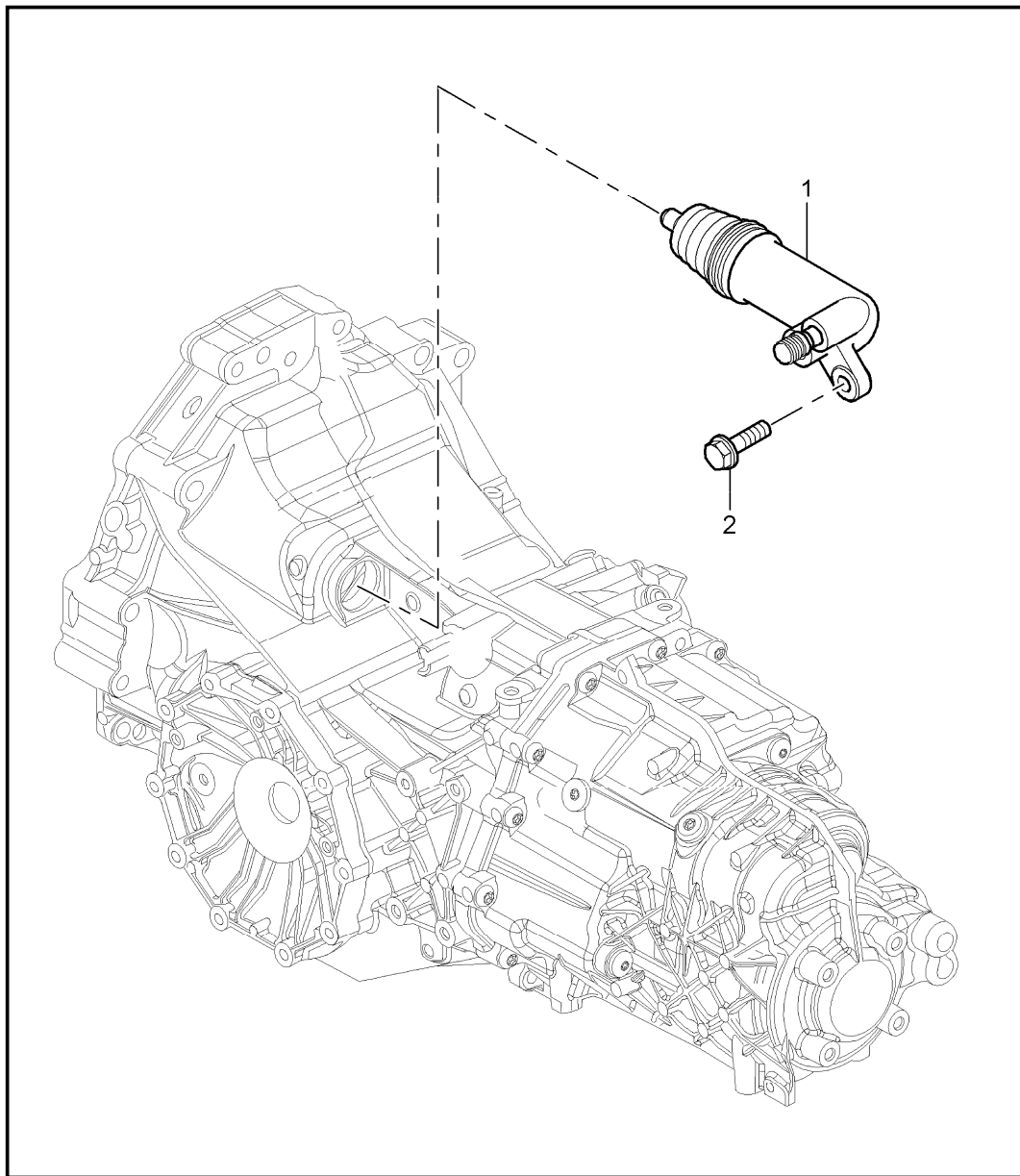
| Pos | Part Number      | Description                | Remark | Qty | Model          |
|-----|------------------|----------------------------|--------|-----|----------------|
|     |                  | clutch                     | 07-    |     | M97.20<br>I481 |
| 1   | 012 141 719 B    | clutch release lever       |        | 1   |                |
| 2   | 012 141 165 E    | clutch release bearing     |        | 1   |                |
| 3   | 012 141 741      | retaining spring           |        | 1   |                |
| 4   | U 900 067 131 03 | pan-head screw<br>M 8 X 16 |        | 6   |                |
| (4) | 999 073 458 01   | screw<br>M 8 X 16          |        | 6   |                |
| 5   | 987 116 914 00   | clutch<br>set              |        | 1   |                |
| 6   | 986 116 028 04   | pressure plate             |        | 1   |                |
| 7   | 987 116 014 00   | clutch plate               |        | 1   |                |
| 8   | 012 141 180 B    | guide sleeve               |        | 1   |                |
| 9   | N 903 542 01     | o-ring<br>56,8 X 2,6       |        | 1   |                |
| 10  | N 903 663 01     | pan-head screw<br>M 8 X 22 |        | 3   |                |
| 11  | 012 141 777 D    | ball pin                   |        | 1   |                |
| 12  | A 012 141 751 B  | intermediate piece         |        | 1   |                |

|       |      |    |    |              |              |     |       |            |         |     |         |
|-------|------|----|----|--------------|--------------|-----|-------|------------|---------|-----|---------|
| Model | Year | MG | SG | Illustration | Restrictions | UPD | 11:58 | 24.01.2010 | PORSCHE | PET | PORSCHE |
| 987C  | 2008 | 3  | 01 | 301-01       |              | 248 |       |            |         |     |         |



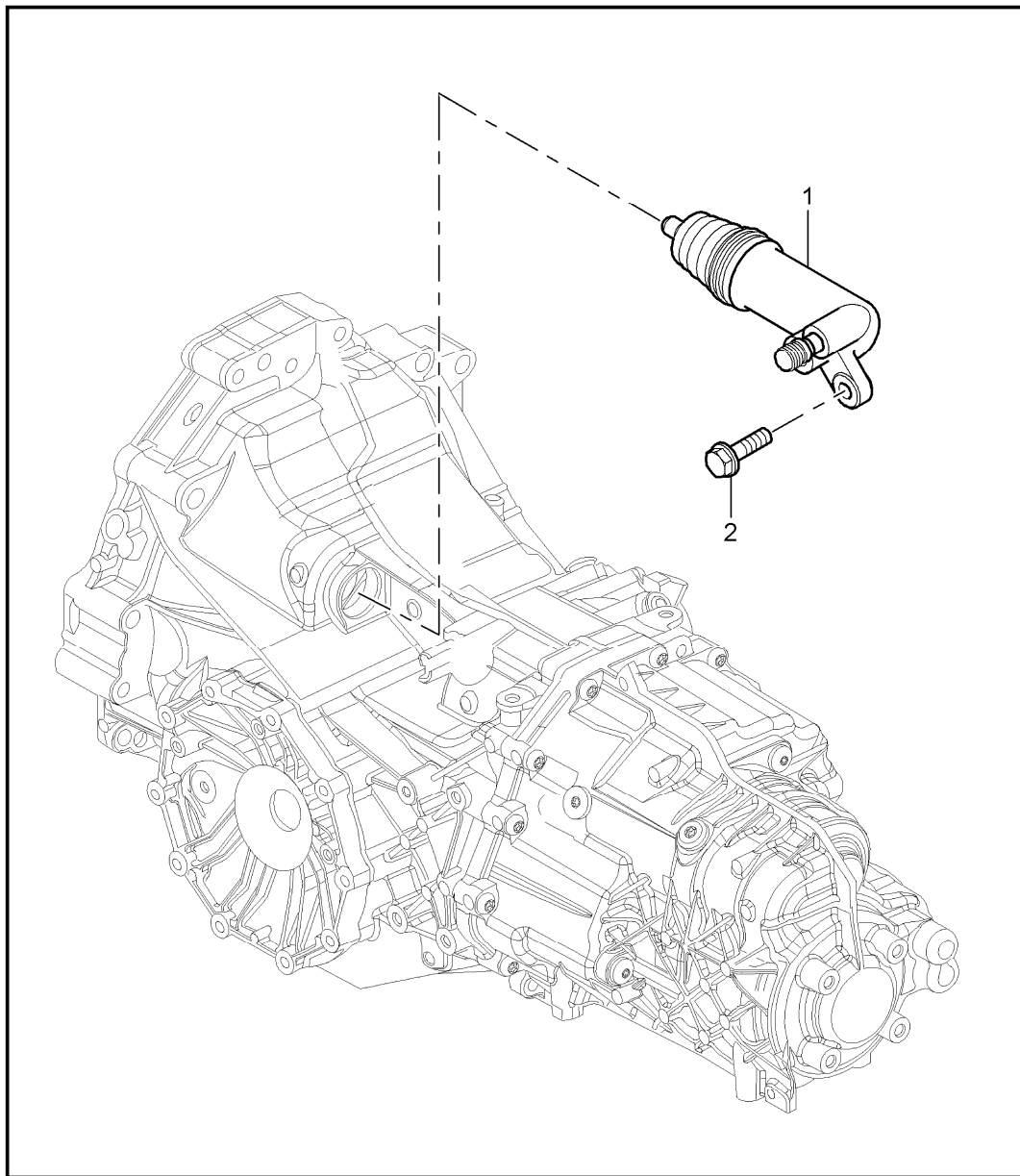
| Pos | Part Number      | Description                     | Remark | Qty | Model                            |
|-----|------------------|---------------------------------|--------|-----|----------------------------------|
|     |                  | clutch                          |        |     | M97.21<br>I480<br>M97.20<br>I480 |
| 1   | 0A2 141 719      | clutch release lever            |        | 1   |                                  |
| 2   | 012 141 165 E    | clutch release bearing          |        | 1   |                                  |
| 3   | 0A2 311 091 A    | o-ring                          |        | 1   |                                  |
| 4   | U 900 067 131 03 | pan-head screw<br>M 8 X 16      |        | 6   |                                  |
| (4) | 999 073 458 01   | screw<br>M 8 X 16               |        | 6   |                                  |
| 5   | 987 116 913 30   | clutch                          |        | 1   | M97.21                           |
| (5) | 987 116 913 22   | clutch<br>set                   |        | 1   | M97.20                           |
| 6   | 987 116 027 30   | pressure plate                  |        | 1   | M97.21                           |
| (6) | 987 116 027 22   | pressure plate                  | 07-    | 1   | M97.20                           |
| 7   | 987 116 013 20   | clutch plate                    |        | 1   |                                  |
| 8   | 0A2 141 181      | guide sleeve                    |        | 1   |                                  |
| 9   | 999 073 320 02   | hexagon-head bolt<br>M 8 x 20,5 |        | 1   |                                  |
| 10  | 0A2 141 179      | retaining bracket               |        | 1   |                                  |
| 11  | 016 311 113 C    | radial shaft seal               |        | 1   |                                  |
| 12  | 01E 141 751 A    | intermediate piece              |        | 1   |                                  |
| 13  | 01E 141 721 A    | leaf spring                     |        | 1   |                                  |
| 14  | 999 073 319 02   | round head screw<br>M 8 x 22    |        | 1   |                                  |

|       |      |    |    |              |              |     |       |            |         |     |         |
|-------|------|----|----|--------------|--------------|-----|-------|------------|---------|-----|---------|
| Model | Year | MG | SG | Illustration | Restrictions | UPD | 11:58 | 24.01.2010 | PORSCHE | PET | PORSCHE |
| 987C  | 2008 | 3  | 01 | 301-05       |              | 248 |       |            |         |     |         |



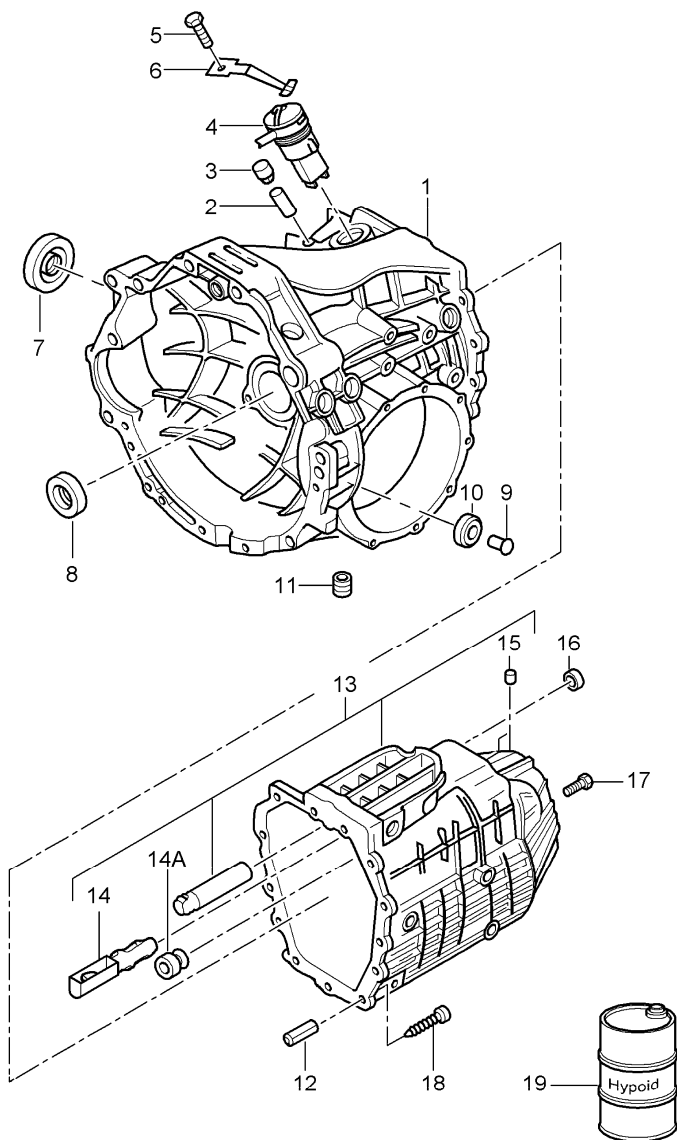
| Pos | Part Number    | Description                      | Remark | Qty | Model          |
|-----|----------------|----------------------------------|--------|-----|----------------|
|     |                | clutch release                   |        |     | G87.01<br>I481 |
| 1   | 8E0 721 257 B  | clutch operating cylinder        | -07    | 1   |                |
| (1) | 8E0 721 257 M  | clutch operating cylinder        | 08-    | 1   |                |
| 2   | N 090 316 5    | combination screw<br>M 8 X 30 Z1 | -07    | 1   |                |
| (2) | 900 075 506 01 | combination screw<br>M 8 X 30    | 08-    | 1   |                |

|       |      |    |    |              |              |     |       |            |         |     |         |
|-------|------|----|----|--------------|--------------|-----|-------|------------|---------|-----|---------|
| Model | Year | MG | SG | Illustration | Restrictions | UPD | 11:59 | 24.01.2010 | PORSCHE | PET | PORSCHE |
| 987C  | 2008 | 3  | 01 | 301-06       |              | 248 |       |            |         |     |         |



| Pos | Part Number      | Description                      | Remark | Qty | Model          |
|-----|------------------|----------------------------------|--------|-----|----------------|
|     |                  | clutch release                   |        |     | G87.21<br>I480 |
| 1   | U 986 116 237 00 | clutch operating cylinder        |        | 1   |                |
| (1) | 986 116 237 01   | clutch operating cylinder        |        | 1   |                |
| 2   | N 090 316 5      | combination screw<br>M 8 X 30 Z1 | -07    | 1   |                |
| (2) | 900 075 506 01   | combination screw<br>M 8 X 30    | 08-    | 1   |                |

|       |      |    |    |              |              |     |       |            |         |     |         |
|-------|------|----|----|--------------|--------------|-----|-------|------------|---------|-----|---------|
| Model | Year | MG | SG | Illustration | Restrictions | UPD | 11:59 | 24.01.2010 | PORSCHE | PET | PORSCHE |
| 987C  | 2008 | 3  | 02 | 302-00       |              | 248 |       |            |         |     |         |



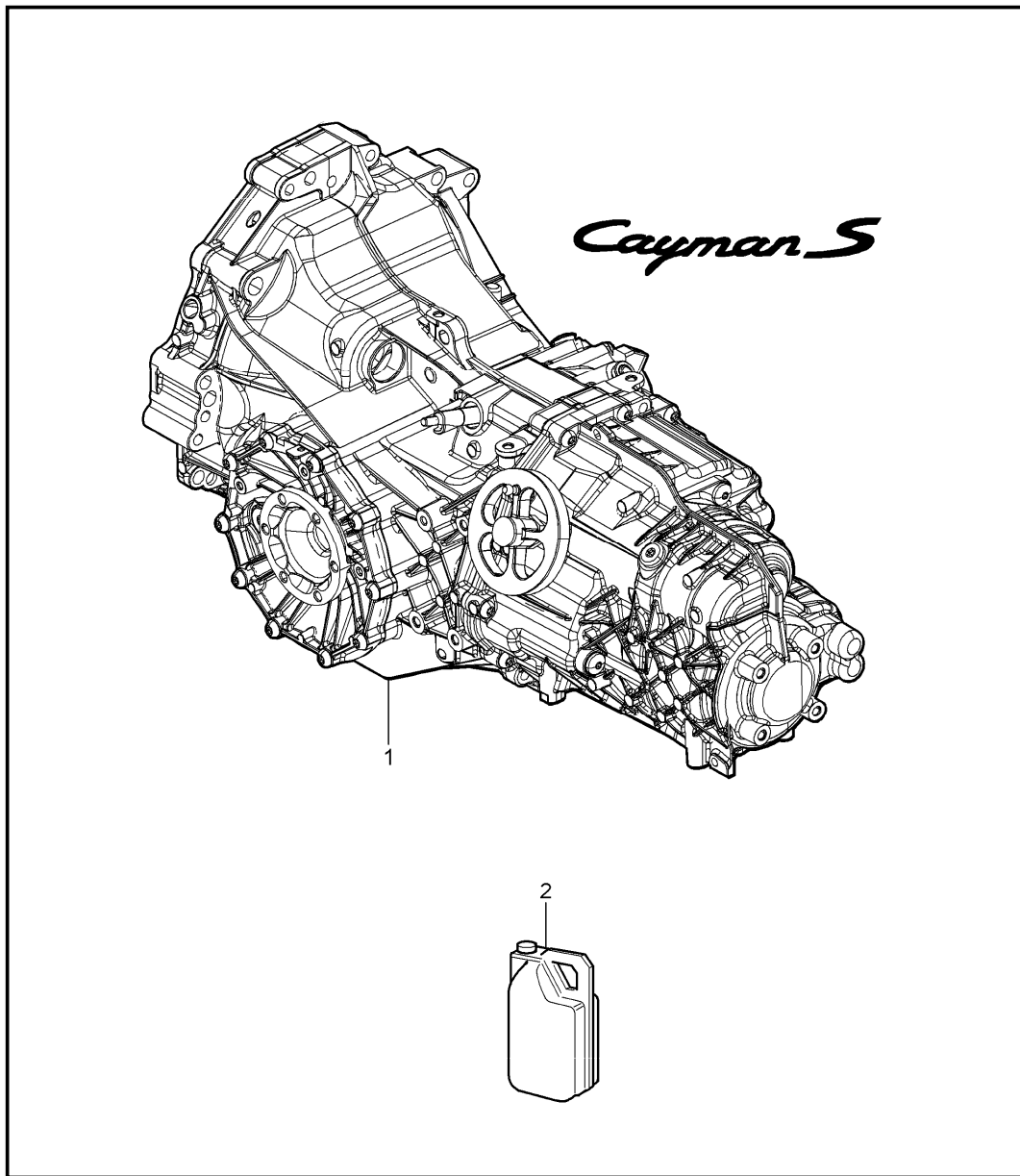
| Pos | Part Number    | Description  | Remark | Qty | Model          |
|-----|----------------|--|--------|-----|----------------|
|     |                | replacement transmission                                   |        |     | G87.01<br>I481 |
|     |                | transmission case  |        |     |                |
|     |                | transmission classification letter                         |        |     | GAL            |
|     |                | attention  |        |     |                |
| - > | 987 300 010 00 | transmission   |        | 1   | GAL            |
| 1   | 012 301 103 AD | transmission case  |        | 1   |                |
| 2   | 012 301 474 A  | guide sleeve<br>12 X 30                                    |        | 1   |                |
| 3   | 014 301 485    | cap  |        | 1   |                |
| 4   | 012 919 823 F  | back-up light switch                                       |        | 1   |                |
| -   | 999 652 907 40 | plug socket  |        | 1   |                |
| -   | 999 652 694 12 | contact bush   |        | 2   |                |
| -   | 999 704 161 40 | gasket   |        | 2   |                |
| -   | 999 652 811 40 | stopper  |        | 3   |                |
| 5   | N 040 255 2    | hexagon-head bolt<br>M 8 X 14                              |        | 1   |                |
| 6   | 012 301 483 G  | leaf spring  |        | 1   |                |
| 7   | 016 409 399 B  | radial shaft seal<br>45 X 60 X 8                           |        | 1   |                |
| 8   | 012 311 113 B  | radial shaft seal  |        | 1   |                |
| 9   | 012 301 183 A  | bush<br>BM 8 X 20  |        | 1   |                |
| 10  | 01X 301 143    | magnet   |        | 1   |                |
| 11  | WHT 001 937    | screw plug<br>M 24 X 1,5                                   |        | 1   |                |
| 12  | 012 301 473    | sleeve<br>12 X 30  |        | 1   |                |
| 13  | 012 301 205 P  | transmission cover<br>use also:<br>sleeve<br>012.311.429.P |        | 1   |                |
| 14  | 012 301 276 A  | cup  |        | 1   |                |
| 14A | 012 311 429 P  | sleeve<br>23 X 39 X 28,3                                   |        | 1   |                |

|       |      |    |    |              |              |     |       |            |         |     |         |
|-------|------|----|----|--------------|--------------|-----|-------|------------|---------|-----|---------|
| Model | Year | MG | SG | Illustration | Restrictions | UPD | 11:59 | 24.01.2010 | PORSCHE | PET | PORSCHE |
| 987C  | 2008 | 3  | 02 | 302-00       |              | 248 |       |            |         |     |         |

| Pos | Part Number      | Description  | Remark | Qty | Model | Pos | Part Number | Description | Remark | Qty | Model |
|-----|------------------|--|--------|-----|-------|-----|-------------|-------------|--------|-----|-------|
| 15  | 012 301 115      | stopper  |        | 2   |       |     |             |             |        |     |       |
| 16  | 012 301 457 C    | shaft sealing ring<br>16 X 24 X 6                  |        | 1   |       |     |             |             |        |     |       |
| 18  | 012 301 282 A    | torx screw<br>M 8 X 48                             |        | 13  |       |     |             |             |        |     |       |
| 19  | A 000 043 204 71 | transmission oil<br>HYPOID<br>25 LTR.<br>container |        | X   |       |     |             |             |        |     |       |
| 19  | 000 043 304 71   | transmission oil<br>HYPOID<br>20 LTR.<br>container |        | X   |       |     |             |             |        |     |       |

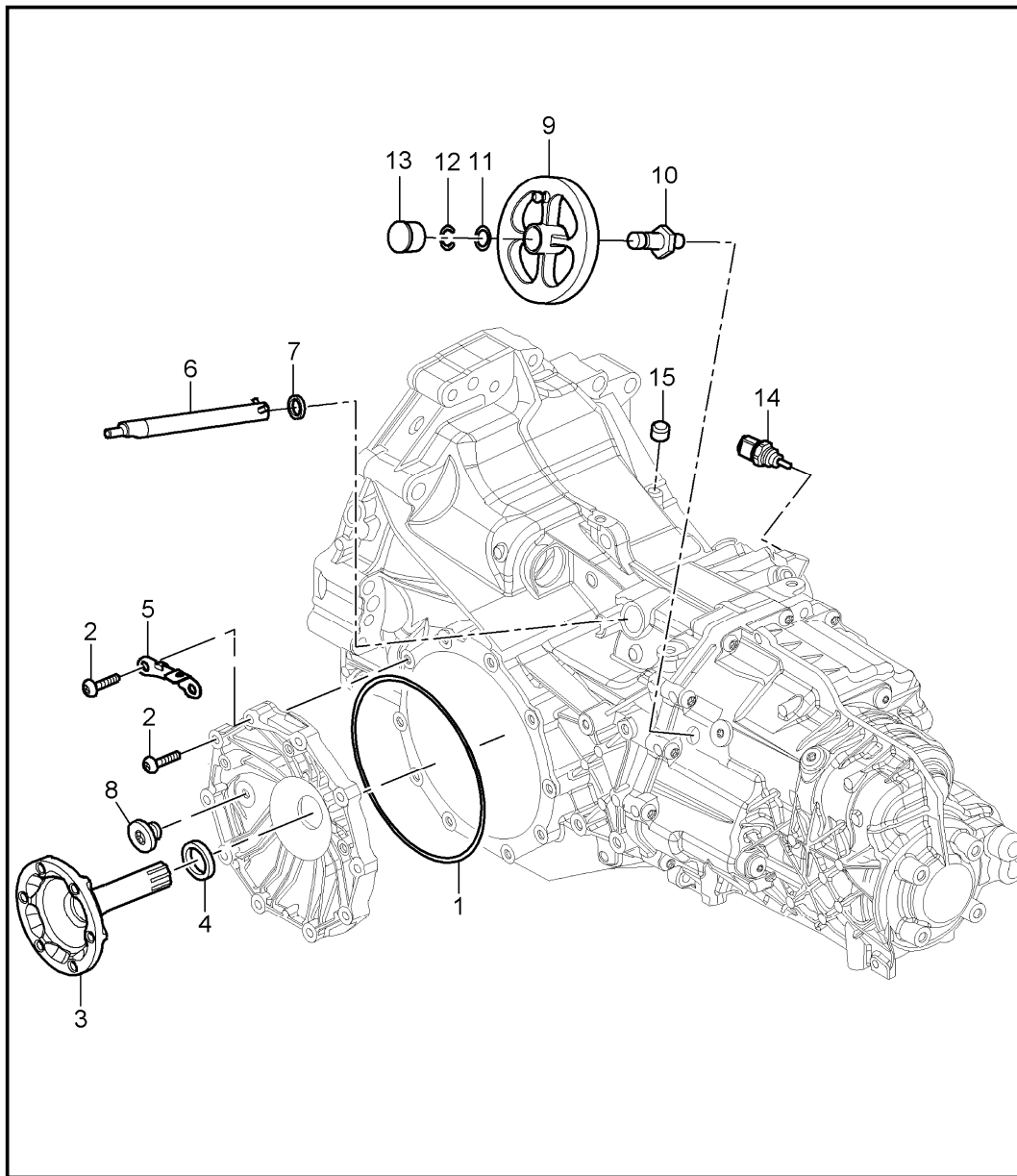


|       |      |    |    |              |              |     |       |            |         |     |         |
|-------|------|----|----|--------------|--------------|-----|-------|------------|---------|-----|---------|
| Model | Year | MG | SG | Illustration | Restrictions | UPD | 11:59 | 24.01.2010 | PORSCHE | PET | PORSCHE |
| 987C  | 2008 | 3  | 02 | 302-01       |              | 248 |       |            |         |     |         |



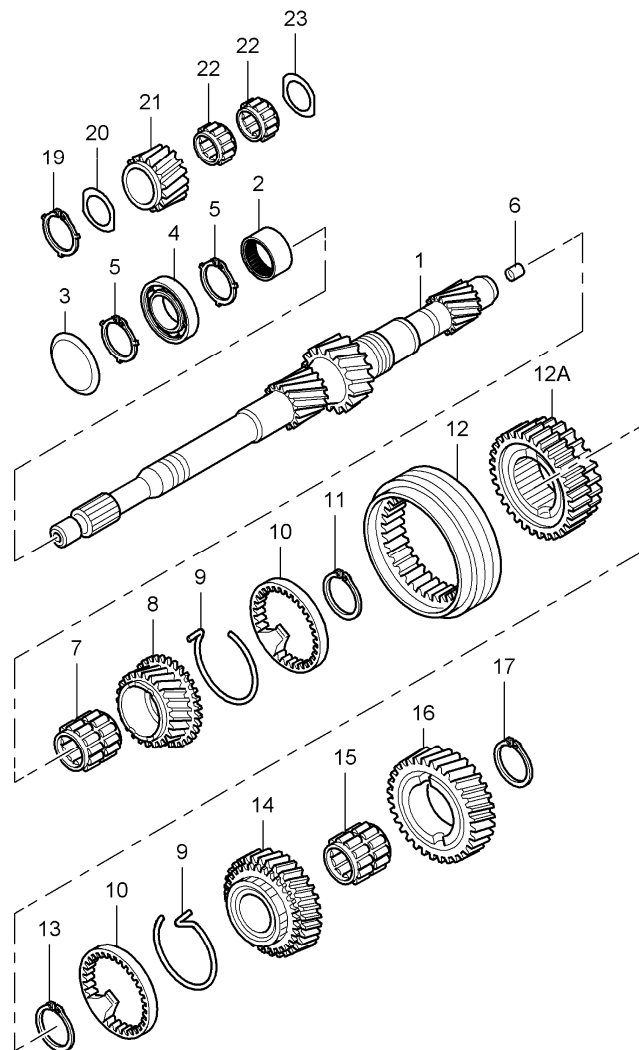
| Pos | Part Number      | Description  | Remark | Qty | Model          |
|-----|------------------|--|--------|-----|----------------|
|     |                  | replacement transmission<br>ready for installation |        |     | G87.21<br>I480 |
| 1   | > 987 300 010 23 | manual transmission                                |        | 1   | G87.21         |
| 2   | 000 043 204 71   | transmission oil<br>HYPOID<br>container<br>25 LTR. |        | X   |                |
| 2   | 000 043 304 71   | transmission oil<br>HYPOID<br>20 LTR.              |        | X   |                |

|       |      |    |    |              |              |     |       |            |         |     |         |
|-------|------|----|----|--------------|--------------|-----|-------|------------|---------|-----|---------|
| Model | Year | MG | SG | Illustration | Restrictions | UPD | 11:59 | 24.01.2010 | PORSCHE | PET | PORSCHE |
| 987C  | 2008 | 3  | 02 | 302-05       |              | 248 |       |            |         |     |         |



| Pos | Part Number    | Description               | Remark | Qty | Model          |
|-----|----------------|---------------------------|--------|-----|----------------|
|     |                | replacement transmission  |        |     | G87.21<br>I480 |
|     |                | single parts              |        |     |                |
| 1   | N 905 144 01   | o-ring<br>171,00 X 3,50   |        | 1   |                |
| 2   | 999 073 368 01 | torx screw<br>M 8 X 42    |        | 10  |                |
| 3   | 987 332 209 00 | joint flange              |        | 2   |                |
| 4   | 016 409 399 B  | radial shaft seal         |        | 2   |                |
| 5   | 987 116 214 00 | bracket                   |        | 1   |                |
| 6   | 987 303 021 00 | shift rod                 |        | 1   |                |
| 7   | 012 301 457 B  | shaft sealing ring        |        | 1   |                |
| 8   | N 910 597 01   | screw plug<br>M 22 X 1,5  |        | 1   |                |
| 9   | 987 303 051 00 | flywheel                  |        | 1   |                |
| 10  | 987 303 151 01 | bearing pin               |        | 1   |                |
| 11  | 900 234 147 00 | shim<br>12 X 18 X 1,0     |        | 1   |                |
| 12  | 900 041 005 03 | circlip<br>12 X 1         |        | 1   |                |
| 13  | 999 703 011 40 | stopper<br>25,5 X 30 X 11 |        | 1   |                |
| 14  | 01E 941 521 A  | switch<br>back-up light   |        | 1   |                |
| 15  | 014 301 485    | cap<br>bleeder            |        | 1   |                |

|       |      |    |    |              |              |     |       |            |         |     |         |
|-------|------|----|----|--------------|--------------|-----|-------|------------|---------|-----|---------|
| Model | Year | MG | SG | Illustration | Restrictions | UPD | 12:00 | 24.01.2010 | PORSCHE | PET | PORSCHE |
| 987C  | 2008 | 3  | 03 | 303-00       |              | 248 |       |            |         |     |         |

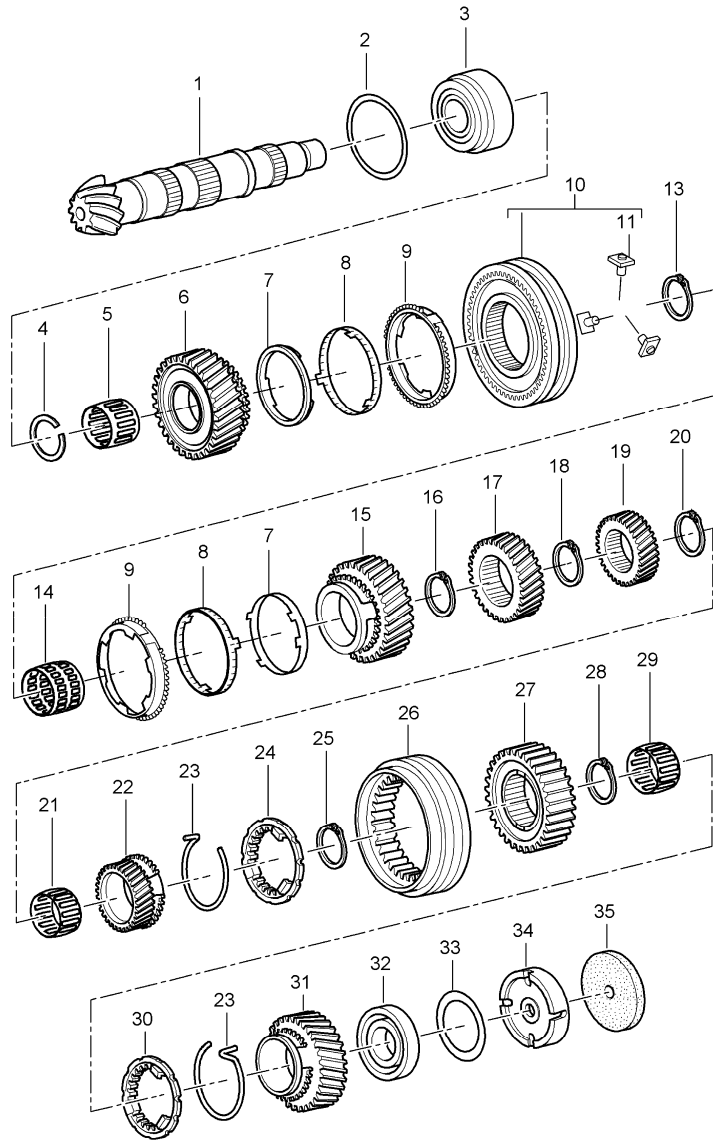


| Pos | Part Number    | Description  | Remark | Qty | Model          |
|-----|----------------|--|--------|-----|----------------|
|     |                | gears and shafts                                   |        |     | G87.01<br>I481 |
|     |                | transmission<br>classification letter<br>attention |        |     | GAL            |
| 1   | 012 311 105 AG | drive shaft  |        | 1   |                |
| 2   | 012 311 123 D  | needle sleeve<br>27 X 41 X 23                      |        | 1   |                |
| 3   | 012 311 443    | cup spring<br>42 X 58 X 2                          |        | 1   |                |
| 4   | 012 311 445 G  | deep-groove ball bearing<br>25 X 58 X 16           |        | 1   |                |
| 5   | N 902 941 02   | circlip<br>24,9 X 1,45                             |        | X   |                |
| (5) | N 902 941 14   | circlip<br>24,9 X 1,54                             |        | X   |                |
| (5) | N 902 941 15   | circlip<br>24,9 X 1,63                             |        | X   |                |
| (5) | N 902 941 16   | circlip<br>24,9 X 1,72                             |        | X   |                |
| (5) | N 902 941 17   | circlip<br>24,9 X 1,81                             |        | 1   |                |
| (5) | N 902 941 18   | circlip<br>24,9 X 1,9                              |        | X   |                |
| (5) | N 902 941 19   | circlip<br>24,9 X 1,99                             |        | X   |                |
| (5) | N 902 941 20   | circlip<br>24,9 X 2,08                             |        | X   |                |
| (5) | N 902 941 11   | circlip<br>24,9 X 2,17                             |        | X   |                |
| 6   | 012 311 111 A  | sleeve<br>13 X 14 X 10,8                           |        | 1   |                |
| 7   | 012 311 213 J  | needle cage<br>38 X 43 X 29,5                      |        | 1   |                |
| 8   | 012 311 131 CB | shifting gear<br>3rd gear<br>Z = 40 : 28           |        | 1   |                |
| 9   | 01X 311 312 A  | retaining spring<br>3rd/4th gear                   |        | 2   |                |

|       |      |    |    |              |              |     |       |            |         |     |         |
|-------|------|----|----|--------------|--------------|-----|-------|------------|---------|-----|---------|
| Model | Year | MG | SG | Illustration | Restrictions | UPD | 12:00 | 24.01.2010 | PORSCHE | PET | PORSCHE |
| 987C  | 2008 | 3  | 03 | 303-00       |              | 248 |       |            |         |     |         |

| Pos  | Part Number    | Description                               | Remark | Qty | Model | Pos | Part Number   | Description                      | Remark | Qty | Model |
|------|----------------|---|--------|-----|-------|-----|---------------|----------------------------------|--------|-----|-------|
| 10   | 01X 311 295 J  | synchroniser ring<br>3rd/4th gear         |        | 2   |       | 18  | 012 311 429 P | sleeve<br>23 X 39 X 28,2         |        | 1   |       |
| 11   | N 902 945 01   | circlip<br>38 X 2                         |        | 1   |       | 19  | N 902 951 01  | circlip<br>22 X 1,7<br>4th speed |        | 1   |       |
| 12   | 01X 311 315    | operating sleeve<br>3rd/4th gear          |        | 1   |       | 20  | 012 311 518   | supporting plate<br>3rd gear     |        | 1   |       |
| 12A  | 01X 311 309    | synchronising hub<br>3rd/4th gear         |        | 1   |       | 21  | 012 311 531 E | reverse idler gear               |        | 1   |       |
| 13   | N 902 944 01   | circlip<br>37 X 1,9                       |        | X   |       | 22  | 012 311 523 G | needle cage<br>22 X 30 X 16      |        | 2   |       |
| (13) | N 902 944 02   | circlip<br>37 X 1,93                      |        | X   |       | 23  | 012 311 517   | thrust washer                    |        | 1   |       |
| (13) | N 902 944 03   | circlip<br>37 X 1,96                      |        | X   |       |     |               |                                  |        |     |       |
| (13) | N 902 944 04   | circlip<br>37 X 1,99                      |        | X   |       |     |               |                                  |        |     |       |
| (13) | N 902 944 05   | circlip<br>37 X 2,02                      |        | X   |       |     |               |                                  |        |     |       |
| (13) | N 902 944 06   | circlip<br>37 X 2,05                      |        | X   |       |     |               |                                  |        |     |       |
| 14   | 012 311 149 CQ | shifting gear<br>4th speed<br>Z = 36 : 33 |        | 1   |       |     |               |                                  |        |     |       |
| 15   | 012 311 115 F  | needle cage<br>37 X 42 X 29,8             |        | 1   |       |     |               |                                  |        |     |       |
| (16) | 012 311 159 CH | gear wheel<br>5th gear<br>Z = 31 ; 37     |        | 1   |       |     |               |                                  |        |     |       |
| 17   | N 902 942 02   | circlip<br>36 X 1,9                       |        | X   |       |     |               |                                  |        |     |       |
| (17) | N 902 942 03   | circlip<br>36 X 1,93                      |        | X   |       |     |               |                                  |        |     |       |
| (17) | N 902 942 04   | circlip<br>36 X 1,96                      |        | X   |       |     |               |                                  |        |     |       |
| (17) | N 902 942 05   | circlip<br>36 X 1,99                      |        | X   |       |     |               |                                  |        |     |       |
| (17) | N 902 942 06   | circlip<br>36 X 2,02                      |        | X   |       |     |               |                                  |        |     |       |

|       |      |    |    |              |              |     |       |            |         |     |         |
|-------|------|----|----|--------------|--------------|-----|-------|------------|---------|-----|---------|
| Model | Year | MG | SG | Illustration | Restrictions | UPD | 12:00 | 24.01.2010 | PORSCHE | PET | PORSCHE |
| 987C  | 2008 | 3  | 03 | 303-05       |              | 248 |       |            |         |     |         |



| Pos | Part Number   | Description  | Remark | Qty | Model          |
|-----|---------------|--|--------|-----|----------------|
|     |               | gears and shafts                                   |        |     | G87.01<br>I481 |
|     |               | transmission<br>classification letter<br>attention |        |     | GAL            |
| 1   | ---           | output shaft                                       |        | 1   |                |
| 2   | 012 311 391   | adjusting shim<br>0,4                              |        | X   |                |
| (2) | 012 311 391 A | adjusting shim<br>0,45                             |        | X   |                |
| (2) | 012 311 391 B | adjusting shim<br>0,5                              |        | X   |                |
| (2) | 012 311 391 C | adjusting shim<br>0,55                             |        | X   |                |
| (2) | 012 311 391 D | adjusting shim<br>0,6                              |        | X   |                |
| (2) | 012 311 391 E | adjusting shim<br>0,65                             |        | X   |                |
| (2) | 012 311 391 F | adjusting shim<br>0,7                              |        | X   |                |
| (2) | 012 311 391 G | adjusting shim<br>0,75                             |        | X   |                |
| 3   | 012 311 220 A | taper roller bearing<br>48,6 X 88 X 21,5           |        | 1   |                |
| 4   | N 908 600 01  | circlip<br>A 48,5 X 2,00                           |        | X   |                |
| (4) | N 908 600 07  | circlip<br>A 48,5 X 2,03                           |        | X   |                |
| (4) | N 908 600 08  | circlip<br>A 48,5 X 2,09                           |        | X   |                |
| (4) | N 908 600 09  | circlip<br>A 48,5 X 2,12                           |        | X   |                |
| (4) | N 908 600 10  | circlip<br>48,5 X 2,15                             |        | X   |                |
| 5   | 01X 311 325 A | needle cage<br>1st gear<br>48,5 X 52,5 X 26,4      |        | 1   |                |

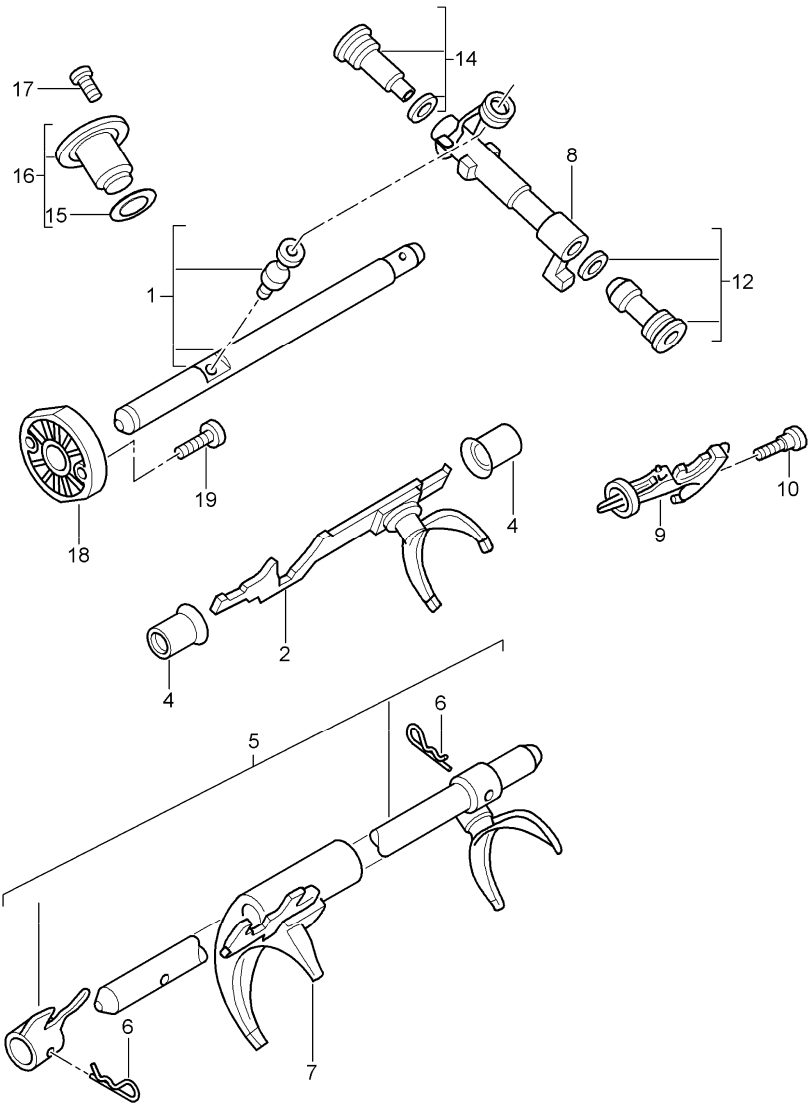
|       |      |    |    |              |              |     |       |            |         |     |         |
|-------|------|----|----|--------------|--------------|-----|-------|------------|---------|-----|---------|
| Model | Year | MG | SG | Illustration | Restrictions | UPD | 12:00 | 24.01.2010 | PORSCHE | PET | PORSCHE |
| 987C  | 2008 | 3  | 03 | 303-05       |              | 248 |       |            |         |     |         |

| Pos  | Part Number    | Description   | Remark | Qty | Model | Pos  | Part Number    | Description  | Remark | Qty | Model |
|------|----------------|---|--------|-----|-------|------|----------------|--|--------|-----|-------|
| 6    | 012 311 250 H  | shifting gear<br>1st gear<br>Z = 35 : 10                      |        | 1   |       | (18) | 01X 311 317 A  | circlip<br>44,5 x 1,94                               |        | X   |       |
| 7    | 01X 311 277 G  | inner ring<br>1st gear  |        | 1   |       | (18) | 01X 311 317 B  | circlip<br>44,5 x 1,98                               |        | X   |       |
| (7)  | 01X 311 277 B  | inner ring<br>2nd gear  |        | 1   |       | (18) | 01X 311 317 C  | circlip<br>44,5 x 2,02                               |        | X   |       |
| 8    | 01X 311 259 G  | intermediate ring<br>1st/2nd gear                             |        | 2   |       | (18) | 01X 311 317 D  | circlip<br>44,5 x 2,06                               |        | X   |       |
| 9    | 01X 311 247 P  | synchroniser ring<br>1st/2nd gear                             |        | 2   |       | (18) | 01X 311 317 E  | circlip<br>44,5 x 2,10                               |        | X   |       |
| 10   | 01X 311 239 B  | synchronising hub<br>with<br>operating sleeve<br>1st/2nd gear |        | 1   |       | 19   | 012 311 149 BT | gear wheel<br>4th speed<br>Z = 36 : 33               |        | 1   |       |
| 11   | 01X 311 314 B  | pressure piece  |        | 3   |       | 20   | N 902 945 01   | circlip<br>38 X 2                                    |        | X   |       |
| 13   | N 902 947 01   | circlip<br>47 X 1,9   |        | X   |       | (20) | N 902 945 02   | circlip<br>38 X 2,16                                 |        | X   |       |
| (13) | N 902 947 02   | circlip<br>47 X 1,93  |        | X   |       | (20) | N 902 945 03   | circlip<br>38 X 2,20                                 |        | X   |       |
| (13) | N 902 947 03   | circlip<br>47 X 1,96  |        | X   |       | (20) | N 902 945 04   | circlip<br>38 X 2,24                                 |        | X   |       |
| (13) | N 902 947 04   | circlip<br>47 X 1,99  |        | X   |       | (20) | N 902 945 05   | circlip<br>38 X 2,28                                 |        | X   |       |
| (13) | N 902 947 05   | circlip<br>47 X 2,02  |        | X   |       | 21   | 012 311 116 G  | needle cage<br>5th gear<br>38 X 43 X 27              |        | 1   |       |
| 14   | 012 311 229 K  | needle cage<br>2nd gear<br>47 X 52 X 26,6                     |        | 1   |       | 22   | 012 311 159 EJ | shifting gear<br>5th gear<br>Z = 31 : 37             |        | 1   |       |
| 15   | 012 311 260 L  | shifting gear<br>2nd gear<br>Z = 36 : 17                      |        | 1   |       | 23   | 01X 311 312 A  | retaining spring                                     |        | 2   |       |
| 16   | 012 311 317    | circlip<br>47 X 2,5   |        | 1   |       | 24   | 01X 311 295 J  | synchroniser ring<br>5th gear<br>and<br>reverse gear |        | 1   |       |
| 17   | 012 311 285 BT | gear wheel<br>3rd gear<br>Z = 40 : 28                         |        | 1   |       | 25   | N 902 945 01   | circlip<br>38 X 2                                    |        | 1   |       |
| 18   | 01X 311 317    | circlip<br>44,5 x 1,9   |        | X   |       | 26   | 01X 311 315    | operating sleeve<br>5th gear<br>and<br>reverse gear  |        | 2   |       |

|       |      |    |    |              |              |     |       |            |         |     |         |
|-------|------|----|----|--------------|--------------|-----|-------|------------|---------|-----|---------|
| Model | Year | MG | SG | Illustration | Restrictions | UPD | 12:00 | 24.01.2010 | PORSCHE | PET | PORSCHE |
| 987C  | 2008 | 3  | 03 | 303-05       |              | 248 |       |            |         |     |         |

| Pos  | Part Number   | Description  | Remark | Qty | Model | Pos  | Part Number   | Description                    | Remark | Qty | Model |
|------|---------------|--|--------|-----|-------|------|---------------|--------------------------------|--------|-----|-------|
| 27   | 01X 311 309   | synchronising hub<br>5th gear<br>and<br>reverse gear |        | 1   |       | (33) | 012 311 393 G | adjusting shim<br>0,73         |        | X   |       |
| 28   | N 902 944 01  | circlip<br>37 X 1,9                                  |        | X   |       | (33) | 012 311 393 H | adjusting shim<br>0,77         |        | X   |       |
| (28) | N 902 944 02  | circlip<br>37 X 1,93                                 |        | X   |       | (33) | 012 311 393 J | adjusting shim<br>0,81         |        | X   |       |
| (28) | N 902 944 03  | circlip<br>37 X 1,96                                 |        | X   |       | (33) | 012 311 393 K | adjusting shim<br>0,85         |        | X   |       |
| (28) | N 902 944 04  | circlip<br>37 X 1,99                                 |        | X   |       | (33) | 012 311 393 L | adjusting shim<br>0,89         |        | X   |       |
| (28) | N 902 944 05  | circlip<br>37 X 2,02                                 |        | X   |       | 34   | 012 301 251 B | pressure plate<br>70,98 X 14,8 |        | X   |       |
| (28) | N 902 944 06  | circlip<br>37 X 2,05                                 |        | X   |       | (34) | 012 301 251 C | pressure plate<br>70,98 X 15,3 |        | X   |       |
| 29   | 012 311 234 E | needle-roller bearing<br>37 x 42 x 24,5              |        | 1   |       | 35   | 012 301 193 C | washer<br>71 X 7               |        | 1   |       |
| 30   | 01X 311 295 J | synchroniser ring<br>reverse gear                    |        | 1   |       |      |               |                                |        |     |       |
| 31   | 012 311 217 L | shifting gear<br>for<br>reverse gear                 |        | 1   |       |      |               |                                |        |     |       |
| 32   | 012 311 375 C | taper roller bearing<br>31,7 x 76,2 x 25,4           |        | 1   |       |      |               |                                |        |     |       |
| 33   | 012 311 393   | adjusting shim<br>0,45                               |        | X   |       |      |               |                                |        |     |       |
| (33) | 012 311 393 A | adjusting shim<br>0,49                               |        | X   |       |      |               |                                |        |     |       |
| (33) | 012 311 393 B | adjusting shim<br>0,53                               |        | X   |       |      |               |                                |        |     |       |
| (33) | 012 311 393 C | adjusting shim<br>0,57                               |        | X   |       |      |               |                                |        |     |       |
| (33) | 012 311 393 D | adjusting shim<br>0,61                               |        | X   |       |      |               |                                |        |     |       |
| (33) | 012 311 393 E | adjusting shim<br>0,65                               |        | X   |       |      |               |                                |        |     |       |
| (33) | 012 311 393 F | adjusting shim<br>0,69                               |        | X   |       |      |               |                                |        |     |       |

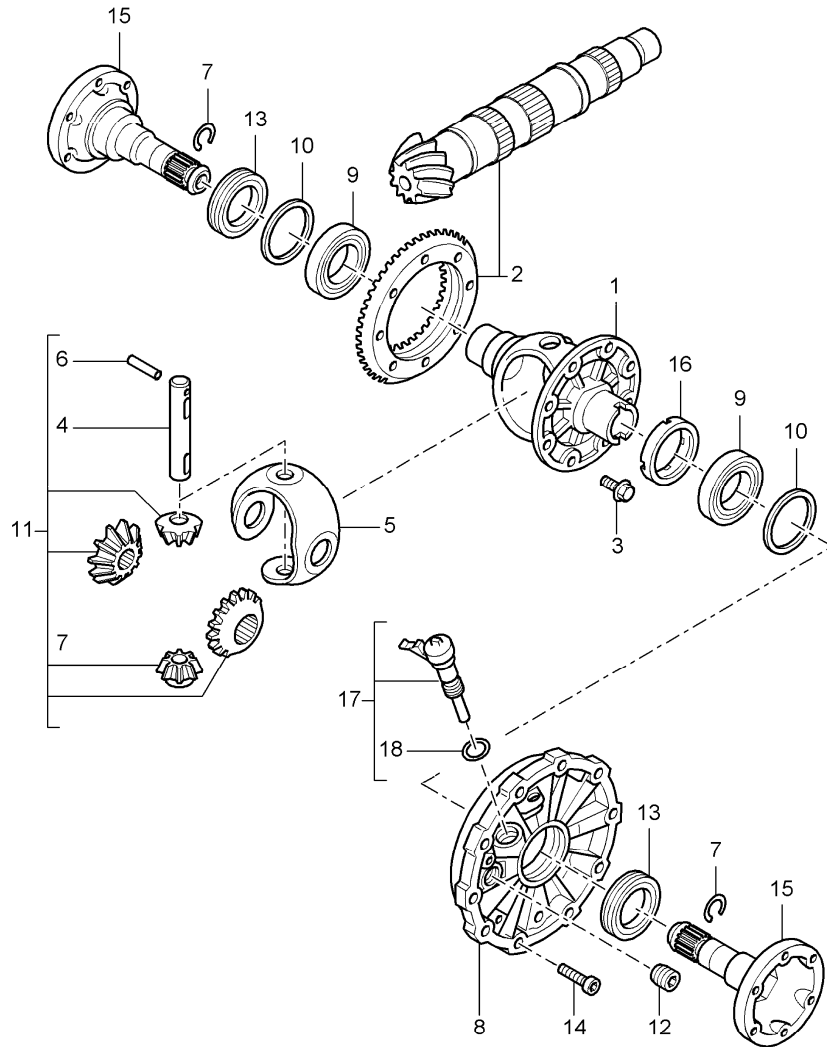
|       |      |    |    |              |              |     |       |            |         |     |         |
|-------|------|----|----|--------------|--------------|-----|-------|------------|---------|-----|---------|
| Model | Year | MG | SG | Illustration | Restrictions | UPD | 12:00 | 24.01.2010 | PORSCHE | PET | PORSCHE |
| 987C  | 2008 | 3  | 04 | 304-00       |              | 248 |       |            |         |     |         |



| Pos | Part Number   | Description                                       | Remark | Qty | Model          |
|-----|---------------|---|--------|-----|----------------|
|     |               | manual transmission                               |        |     | G87.01<br>I481 |
|     |               | shift rods  |        |     |                |
|     |               | shift forks                                       |        |     |                |
| 1   | 012 311 505   | shift rod   |        | 1   |                |
| 2   | 012 311 559 D | gear shift rod<br>3rd/4th gear                    |        | 1   |                |
| 4   | 012 301 120 C | sleeve  |        | 2   |                |
| 5   | 012 311 575 D | gear shift rod<br>5th gear<br>and<br>reverse gear |        | 1   |                |
| 6   | N 023 332 1   | tensioning sleeve<br>6 X 24                       |        | 2   |                |
| 7   | 012 311 549   | shift fork<br>1st/2nd gear                        |        | 1   |                |
| 8   | 012 311 617 E | reverse lever                                     |        | 1   |                |
| 9   | 012 311 741   | locking segment                                   |        | 1   |                |
| 10  | 012 301 291   | torx screw<br>M 8 X 30                            |        | 1   |                |
| 12  | 012 311 718 D | stop screw<br>M 22 X 1,5                          |        | 1   |                |
| 14  | 012 311 720 D | stop screw<br>M 26 X 1,5                          |        | 1   |                |
| 15  | N 903 541 01  | o-ring<br>22 X 2                                  |        | 1   |                |
| 16  | 012 311 691 A | pawl  |        | 1   |                |
| 17  | N 903 663 03  | pan-head screw<br>M 8 X 22                        |        | 2   |                |
| 18  | 012 301 451   | lid<br>for<br>shift rod                           |        | 1   |                |
| 19  | N 903 660 01  | torx screw<br>M 8 X 36                            |        | 2   |                |



|       |      |    |    |              |              |     |       |            |         |     |         |
|-------|------|----|----|--------------|--------------|-----|-------|------------|---------|-----|---------|
| Model | Year | MG | SG | Illustration | Restrictions | UPD | 12:00 | 24.01.2010 | PORSCHE | PET | PORSCHE |
| 987C  | 2008 | 3  | 05 | 305-00       |              | 248 |       |            |         |     |         |

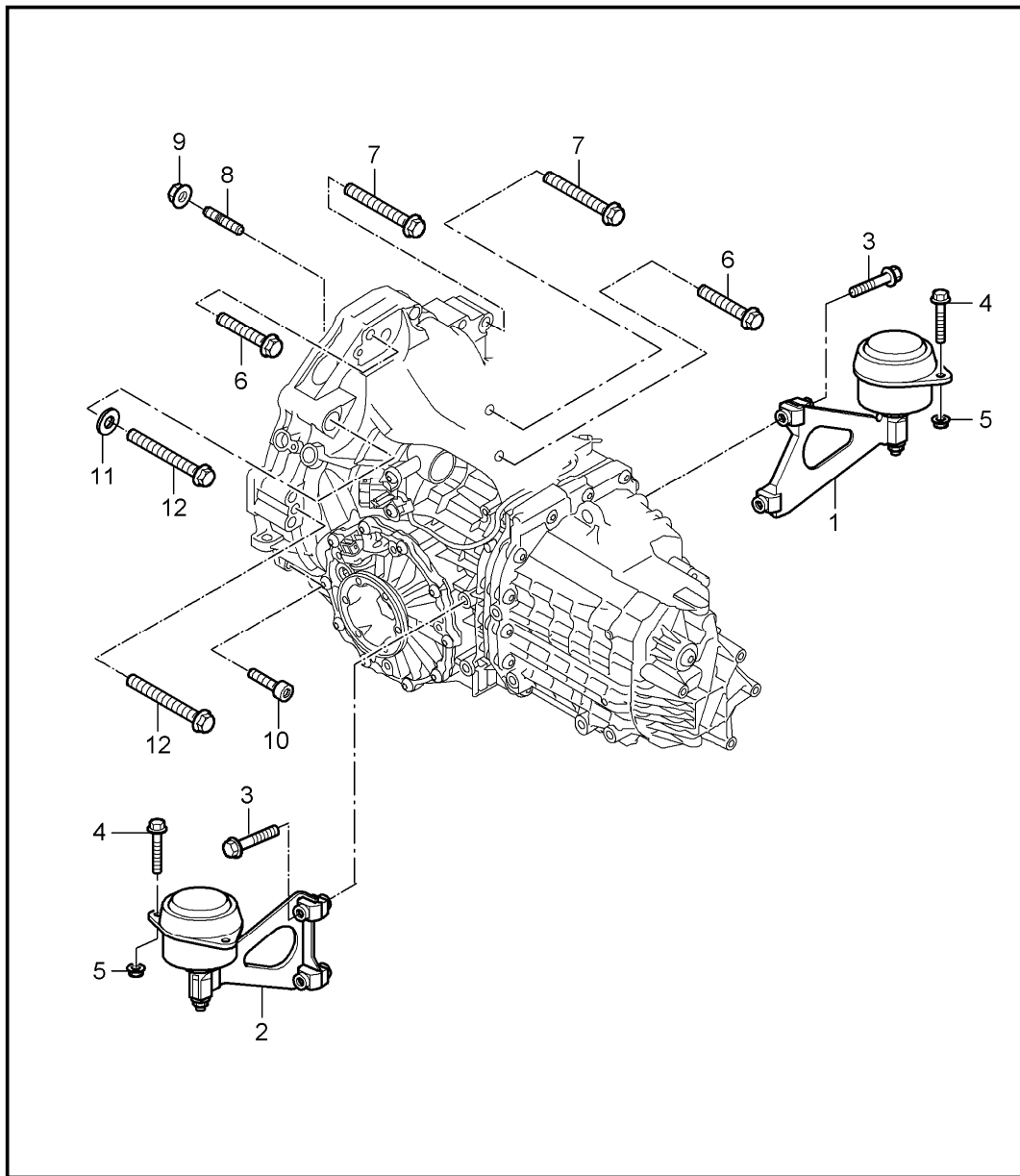


| Pos  | Part Number    | Description  | Remark | Qty | Model          |
|------|----------------|--|--------|-----|----------------|
|      |                | differential                                       |        |     | G87.01<br>I481 |
|      |                | transmission<br>classification letter<br>attention |        |     | GAL            |
| 1    | 01X 409 121 A  | differential housing<br>90 MM                      |        | 1   |                |
| 2    | 012 409 143 EE | ring gear and pinion shaft<br>30 : 8               |        | 1   |                |
| 3    | N 903 614 01   | hexagon-head bolt<br>M 10 X 1 X 22,8               |        | 10  |                |
| 4    | 005 409 177 00 | differential bolt                                  |        | 1   |                |
| 5    | 02B 409 170 A  | thrust washer                                      |        | 1   |                |
| 6    | N 100 726 01   | roll pin<br>5 X 36                                 |        | 1   |                |
| 7    | 012 409 413    | circlip  |        | 2   |                |
| 8    | 012 409 131 L  | lid  |        | 1   |                |
| 9    | 002 517 185 A  | taper roller bearing<br>right<br>46 X 75 X 18      |        | 1   |                |
| 9    | 01X 409 123    | taper roller bearing<br>left<br>50 X 80 X 20       |        | 1   |                |
| 10   | 012 409 387    | shim<br>0,45                                       |        | X   |                |
| 10   | 012 409 387 DM | shim<br>left<br>0,45                               |        | X   |                |
| 10   | 012 409 387 AK | shim<br>right<br>0,45                              |        | X   |                |
| (10) | 012 409 387 DN | shim<br>left<br>0,49                               |        | X   |                |
| (10) | 012 409 387 AL | shim<br>right<br>0,49                              |        | X   |                |
| (10) | 012 409 387 DP | shim<br>left<br>0,53                               |        | X   |                |

|       |      |    |    |              |              |     |       |            |         |     |         |
|-------|------|----|----|--------------|--------------|-----|-------|------------|---------|-----|---------|
| Model | Year | MG | SG | Illustration | Restrictions | UPD | 12:00 | 24.01.2010 | PORSCHE | PET | PORSCHE |
| 987C  | 2008 | 3  | 05 | 305-00       |              | 248 |       |            |         |     |         |

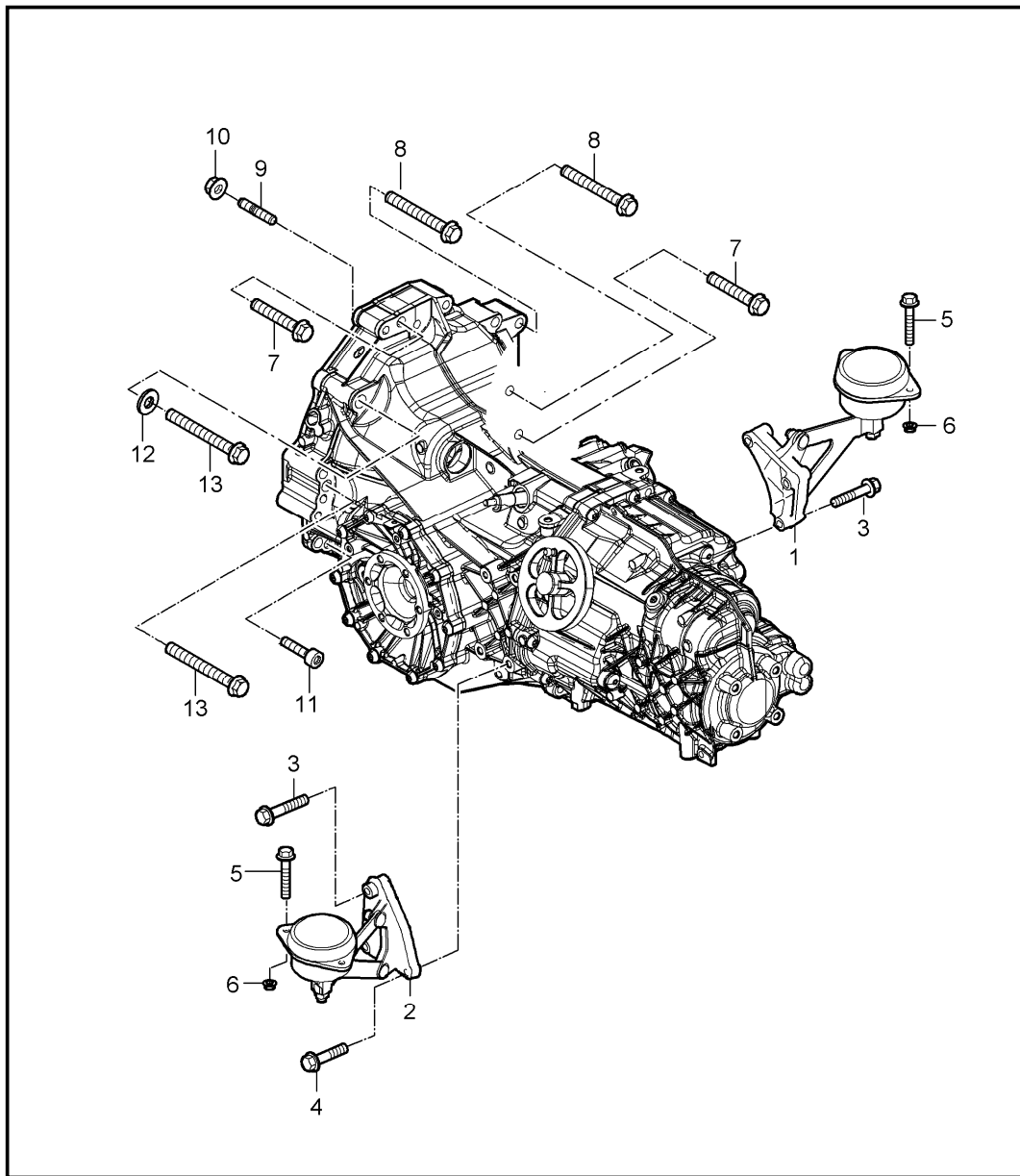
| Pos  | Part Number    | Description           | Remark | Qty | Model | Pos  | Part Number    | Description                              | Remark | Qty | Model |
|------|----------------|-----------------------|--------|-----|-------|------|----------------|--|--------|-----|-------|
| (10) | 012 409 387 AM | shim<br>right<br>0,53 |        | X   |       | (10) | 012 409 387 BA | shim<br>right<br>0,81                    |        | X   |       |
| (10) | 012 409 387 DQ | shim<br>left<br>0,57  |        | X   |       | (10) | 012 409 387 ED | shim<br>left<br>0,85                     |        | X   |       |
| (10) | 012 409 387 AN | shim<br>right<br>0,57 |        | X   |       | (10) | 012 409 387 BB | shim<br>right<br>0,85                    |        | X   |       |
| (10) | 012 409 387 DR | shim<br>left<br>0,61  |        | X   |       | 11   | 01X 498 081    | differential pinions<br>1 set            |        | 1   |       |
| (10) | 012 409 387 AP | shim<br>right<br>0,61 |        | X   |       | 12   | WHT 001 937    | screw plug<br>M 24 X 1,5                 |        | 1   |       |
| (10) | 012 409 387 DS | shim<br>left<br>0,65  |        | X   |       | 13   | 016 409 399 B  | radial shaft seal<br>45 X 60 X 8         |        | 2   |       |
| (10) | 012 409 387 AQ | shim<br>right<br>0,65 |        | X   |       | 14   | N 903 660 01   | torx screw<br>M 8 X 36                   |        | 10  |       |
| (10) | 012 409 387 DT | shim<br>left<br>0,69  |        | X   |       | 15   | 012 409 343 AC | flanged shaft                            |        | 2   |       |
| (10) | 012 409 387 AR | shim<br>right<br>0,69 |        | X   |       | 16   | 012 409 182 C  | drive wheel<br>without<br>function-drive |        | 1   |       |
| (10) | 012 409 387 EA | shim<br>left<br>0,73  |        | X   |       | (17) | 012 409 961    | stopper                                  |        | 1   |       |
| (10) | 012 409 387 AS | shim<br>right<br>0,73 |        | X   |       | 18   | N 903 684 01   | round seal<br>14,5 X 2                   |        | 1   |       |
| (10) | 012 409 387 EB | shim<br>left<br>0,77  |        | X   |       |      |                |  |        |     |       |
| (10) | 012 409 387 AT | shim<br>right<br>0,77 |        | X   |       |      |                |  |        |     |       |
| (10) | 012 409 387 EC | shim<br>left<br>0,81  |        | X   |       |      |                |  |        |     |       |

|       |      |    |    |              |              |     |       |            |         |     |         |
|-------|------|----|----|--------------|--------------|-----|-------|------------|---------|-----|---------|
| Model | Year | MG | SG | Illustration | Restrictions | UPD | 12:00 | 24.01.2010 | PORSCHE | PET | PORSCHE |
| 987C  | 2008 | 3  | 06 | 306-00       |              | 248 |       |            |         |     |         |



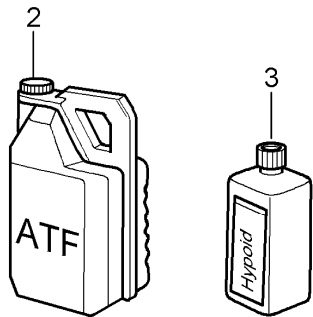
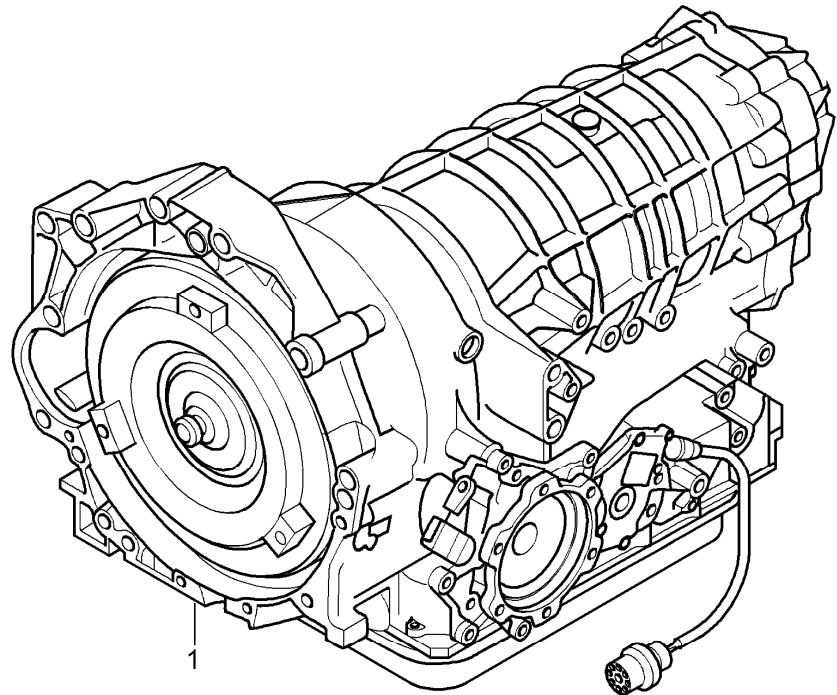
| Pos | Part Number      | Description  | Remark | Qty | Model          |
|-----|------------------|--|--------|-----|----------------|
|     |                  | manual transmission  |        |     | G87.01<br>I481 |
|     |                  | transmission suspension<br>threaded joint<br>for<br>engine |        |     |                |
| 1   | 986 375 084 03   | transmission bracket<br>right                              |        | 1   |                |
| 2   | 986 375 083 03   | transmission bracket<br>left                               |        | 1   |                |
| 3   | A 900 378 098 09 | hexagon-head bolt<br>M 10 X 60                             |        | 4   |                |
| 4   | 900 378 159 09   | hexagon-head bolt<br>M 8 X 60                              |        | 4   |                |
| 5   | 999 084 447 01   | hexagon nut<br>M 8   |        | 4   |                |
| 6   | 999 072 008 09   | hexagon-head bolt<br>M 12 X 1,5 X 70                       |        | 2   |                |
| 7   | 999 072 009 09   | hexagon-head bolt<br>M 12 X 1,5 X 90                       |        | 2   |                |
| 8   | 999 218 088 09   | stud<br>M 10 X 30  |        | 1   |                |
| 9   | 900 377 011 09   | hexagon nut<br>M 10  |        | 1   |                |
| 10  | 999 073 118 09   | pan-head screw<br>M 10 X 40                                |        | 1   |                |
| 11  | N 905 028 02     | washer<br>15 X 28 X 3,5                                    |        | 1   |                |
| 12  | 999 072 010 09   | hexagon-head bolt<br>M 12 X 1,5 X 100                      |        | 2   |                |

|       |      |    |    |              |              |     |       |            |         |     |         |
|-------|------|----|----|--------------|--------------|-----|-------|------------|---------|-----|---------|
| Model | Year | MG | SG | Illustration | Restrictions | UPD | 12:01 | 24.01.2010 | PORSCHE | PET | PORSCHE |
| 987C  | 2008 | 3  | 06 | 306-01       |              | 248 |       |            |         |     |         |



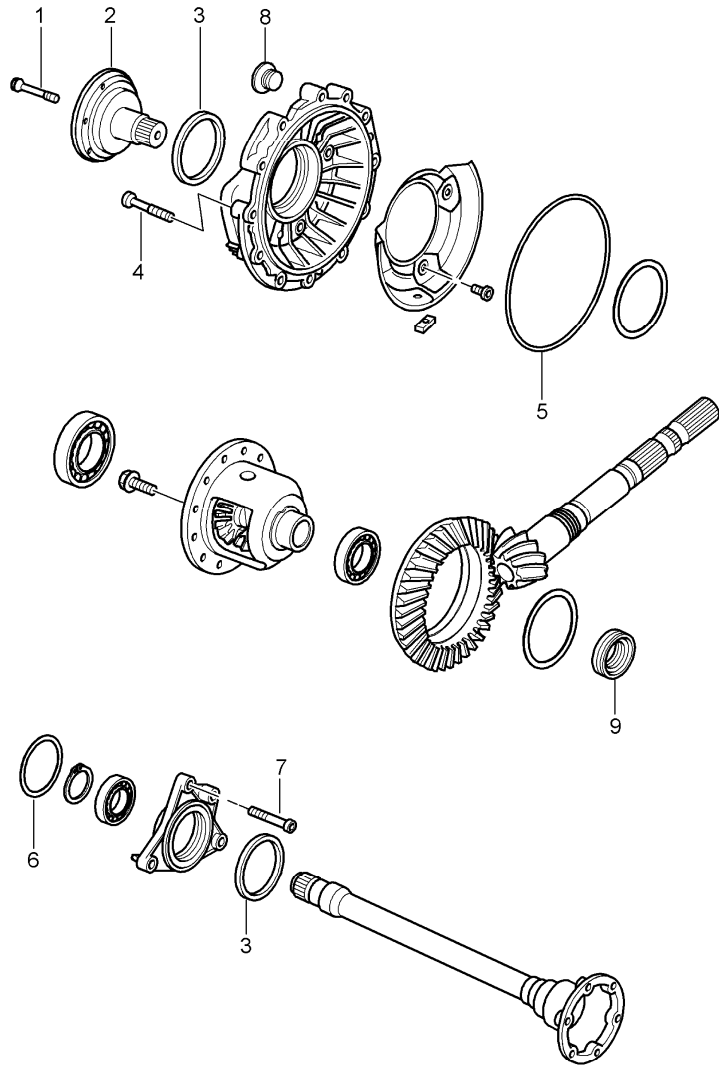
| Pos | Part Number      | Description                                   | Remark | Qty | Model          |
|-----|------------------|---|--------|-----|----------------|
|     |                  | manual transmission                           |        |     | G87.21<br>I480 |
| 1   | 987 375 042 01   | transmission suspension threaded joint engine |        | 1   |                |
| 2   | 987 375 041 01   | transmission bracket right                    |        | 1   |                |
| 3   | A 900 378 098 09 | transmission bracket left                     |        | 1   |                |
| 4   | 900 378 021 09   | hexagon-head bolt M 10 X 60                   |        | 4   |                |
| 5   | 900 378 159 09   | hexagon-head bolt M 10 X 40                   |        | 2   |                |
| 6   | 900 378 005 09   | hexagon-head bolt M 8 X 60                    |        | 4   |                |
| 7   | 900 380 005 09   | hexagon nut M 8                               |        | 4   |                |
| 8   | 999 072 008 09   | hexagon-head bolt M 12 X 1,5 X 70             |        | 2   |                |
| 9   | 999 072 009 09   | hexagon-head bolt M 12 X 1,5 X 90             |        | 2   |                |
| 10  | 999 218 088 09   | stud M 10 X 30                                |        | 1   |                |
| 11  | 900 377 011 09   | hexagon nut M 10                              |        | 1   |                |
| 12  | 999 073 118 09   | pan-head screw M 10 X 40                      |        | 1   |                |
| 13  | N 905 028 02     | washer 15 X 28 X 3,5                          |        | 1   |                |
| 13  | 999 072 010 09   | hexagon-head bolt M 12 X 1,5 X 100            |        | 2   |                |

|       |      |    |    |              |              |     |       |            |         |     |         |
|-------|------|----|----|--------------|--------------|-----|-------|------------|---------|-----|---------|
| Model | Year | MG | SG | Illustration | Restrictions | UPD | 12:01 | 24.01.2010 | PORSCHE | PET | PORSCHE |
| 987C  | 2008 | 3  | 20 | 320-00       |              | 248 |       |            |         |     |         |



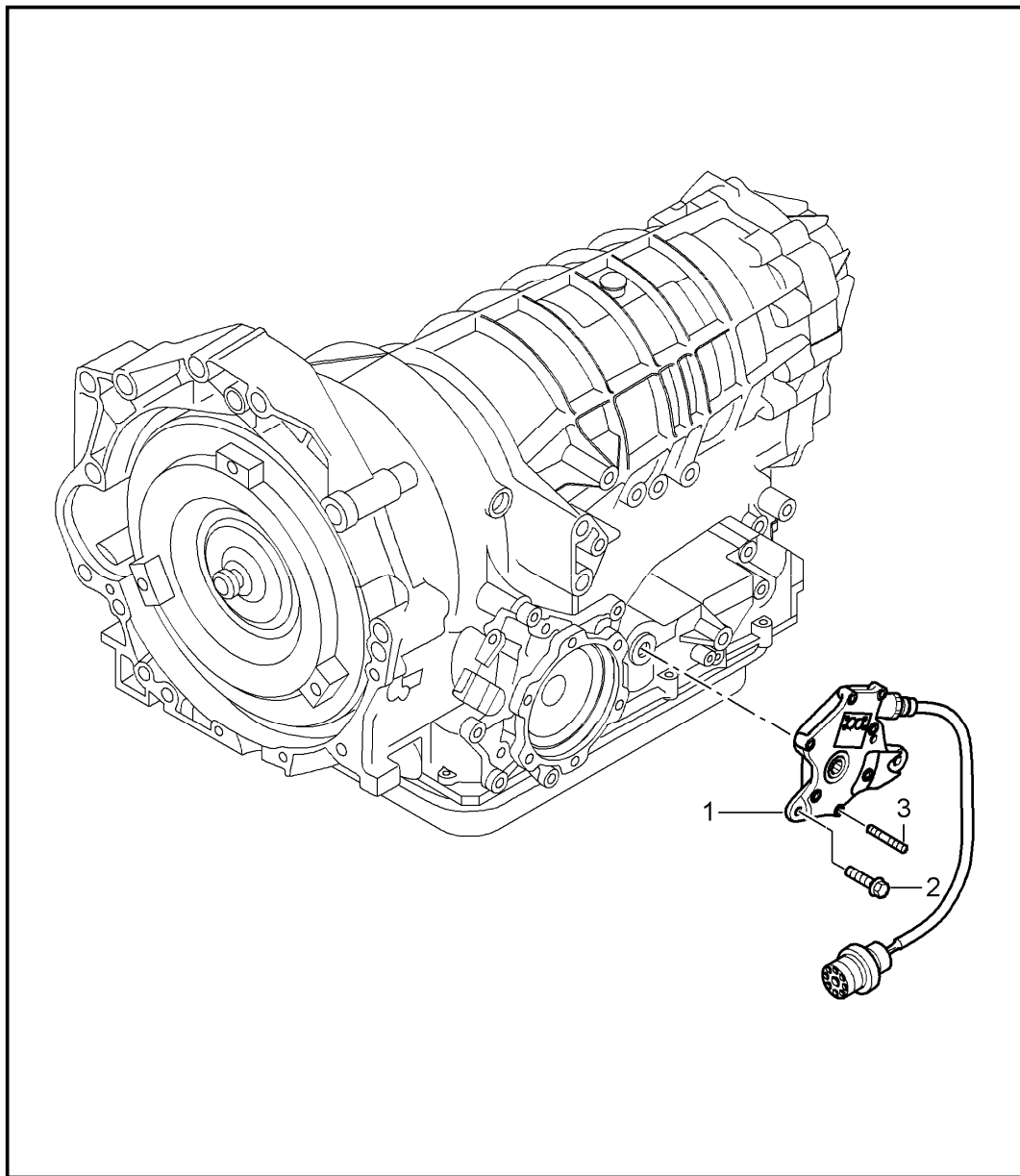
| Pos | Part Number      | Description  | Remark | Qty | Model          |
|-----|------------------|--|--------|-----|----------------|
|     |                  | tiptronic  |        |     | A87.21<br>I249 |
|     |                  | replacement transmission<br>ready for installation | 07-    |     | A87.02<br>I249 |
| 1   | > 987 300 011 01 | transmission                                       | 07-    | 1   | A87.02         |
| 1   | > 987 300 011 21 | transmission                                       |        | 1   | A87.21         |
| 2   | 000 043 207 00   | transmission oil<br>ATF<br>20 LTR.<br>container    |        | X   |                |
| 3   | 999 917 546 00   | transmission oil<br>HYPOID<br>1 LTR.<br>container  |        | X   |                |

|       |      |    |    |              |              |     |       |            |         |     |         |
|-------|------|----|----|--------------|--------------|-----|-------|------------|---------|-----|---------|
| Model | Year | MG | SG | Illustration | Restrictions | UPD | 12:01 | 24.01.2010 | PORSCHE | PET | PORSCHE |
| 987C  | 2008 | 3  | 20 | 320-03       |              | 248 |       |            |         |     |         |



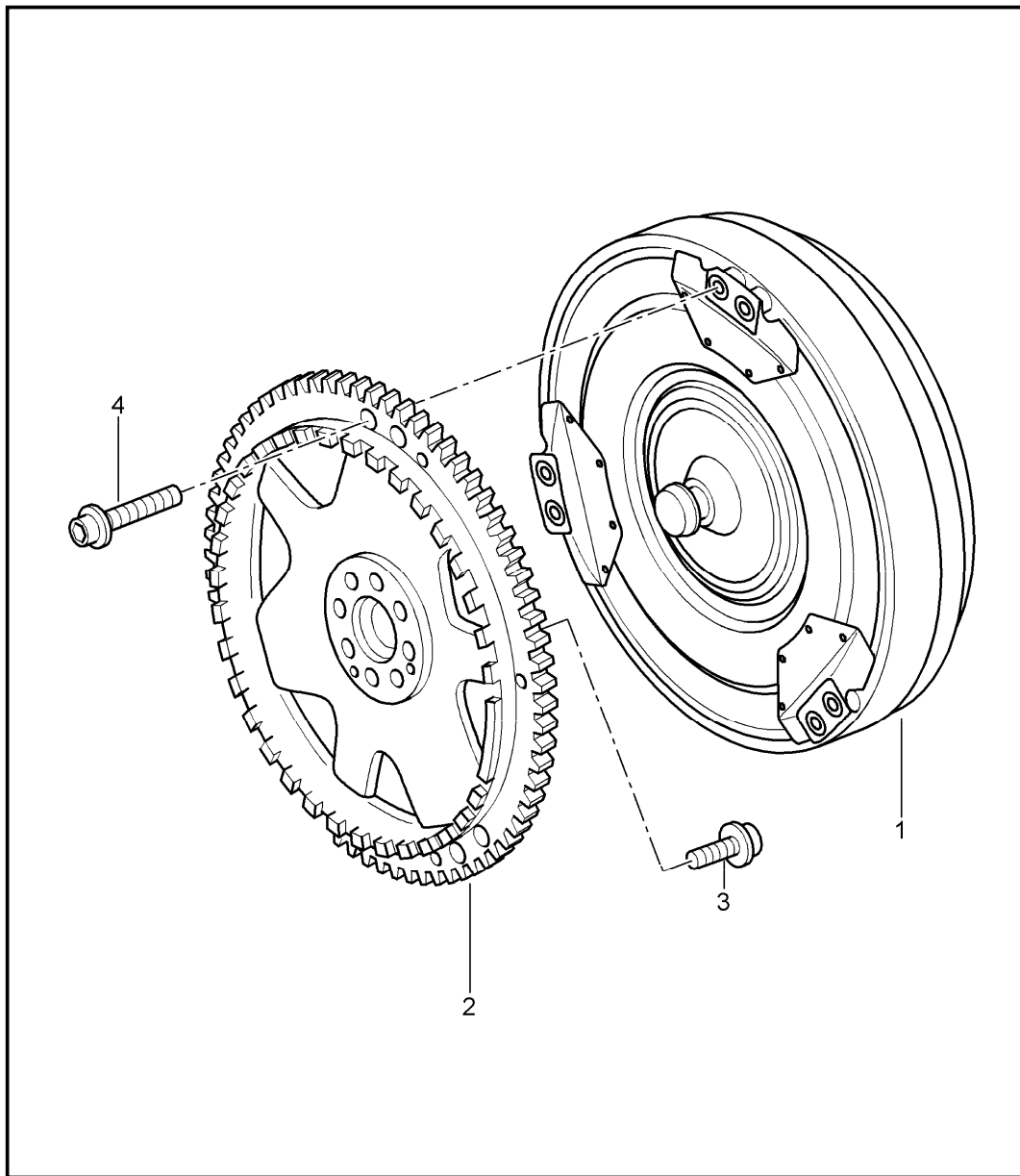
| Pos | Part Number    | Description                              | Remark | Qty | Model          |
|-----|----------------|--|--------|-----|----------------|
|     |                | tiptronic                                |        |     | A87.21<br>I249 |
|     |                | differential housing                     | 07-    |     | A87.02<br>I249 |
| 1   | 944 332 587 00 | elastic bolt<br>M 8                      |        | 1   |                |
| 2   | 986 332 201 00 | drive flange                             |        | 1   | A87.02         |
| 2   | 986 332 201 20 | drive flange                             |        | 1   | A87.21         |
| 3   | 986 397 027 00 | shaft sealing ring<br>for<br>lid         |        | 1   |                |
| (3) | 996 397 015 00 | shaft sealing ring<br>for<br>flange      |        | 1   |                |
| 4   | 986 397 029 00 | pan-head screw<br>M 8 X 45               |        | 12  |                |
| 5   | 986 397 028 00 | round seal                               |        | 1   |                |
| 6   | 986 397 034 00 | round seal                               |        | 1   |                |
| 7   | 996 397 007 00 | pan-head screw<br>M 8 X 30               |        | 3   |                |
| 8   | 986 397 026 00 | screw plug                               |        | 2   |                |
| 9   | 986 397 039 00 | shaft sealing ring<br>34 X 46-37 X 12-16 |        | 1   |                |

|       |      |    |    |              |              |     |       |            |         |     |         |
|-------|------|----|----|--------------|--------------|-----|-------|------------|---------|-----|---------|
| Model | Year | MG | SG | Illustration | Restrictions | UPD | 12:01 | 24.01.2010 | PORSCHE | PET | PORSCHE |
| 987C  | 2008 | 3  | 20 | 320-05       |              | 248 |       |            |         |     |         |



| Pos | Part Number    | Description                | Remark | Qty | Model          |
|-----|----------------|----------------------------|--------|-----|----------------|
|     |                | tiptronic                  |        |     | A87.21<br>I249 |
|     |                | selector switch            | 07-    |     | A87.02<br>I249 |
| 1   | 986 325 612 01 | switch                     |        | 1   |                |
| 2   | 986 397 025 00 | pan-head screw<br>M 6 X 15 |        | 2   |                |
| 3   | 986 397 024 00 | straight pin<br>M 6 X 14   |        | 1   |                |

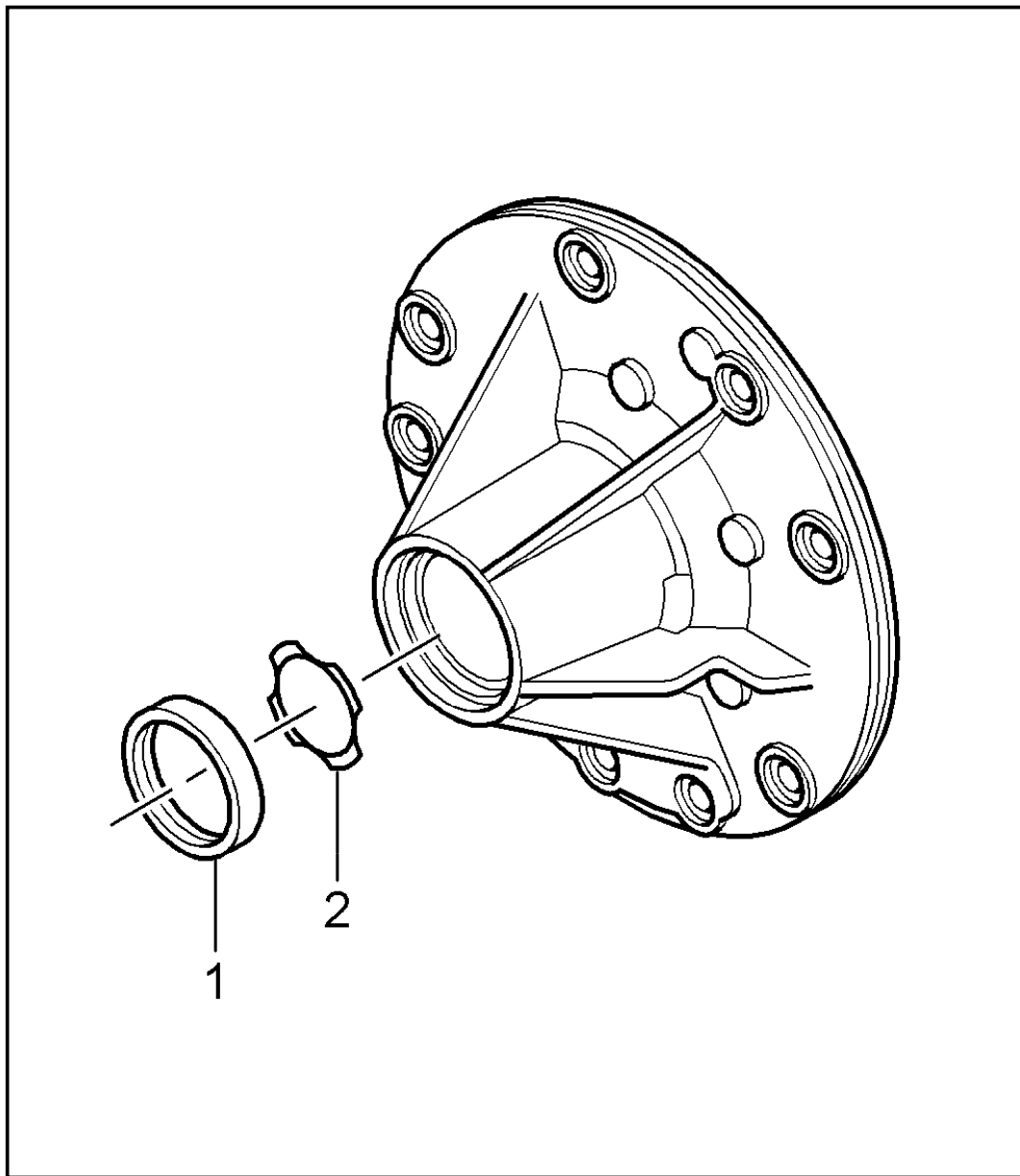
|       |      |    |    |              |              |     |       |            |         |     |         |
|-------|------|----|----|--------------|--------------|-----|-------|------------|---------|-----|---------|
| Model | Year | MG | SG | Illustration | Restrictions | UPD | 12:01 | 24.01.2010 | PORSCHE | PET | PORSCHE |
| 987C  | 2008 | 3  | 30 | 330-00       |              | 248 |       |            |         |     |         |



| Pos | Part Number    | Description                     | Remark | Qty | Model          |
|-----|----------------|---------------------------------|--------|-----|----------------|
|     |                | tiptronic                       |        |     | A87.21<br>I249 |
|     |                | torque converter                | 07-    |     | A87.02<br>I249 |
| 1   | 986 316 001 00 | torque converter                |        | 1   |                |
| 2   | 996 116 075 07 | drive plate                     |        | 1   |                |
| 3   | 999 073 091 09 | pan-head screw<br>M 10 X 1 X 25 |        | 8   |                |
| 4   | 900 067 369 09 | pan-head screw<br>M 8 X 20      |        | 6   |                |

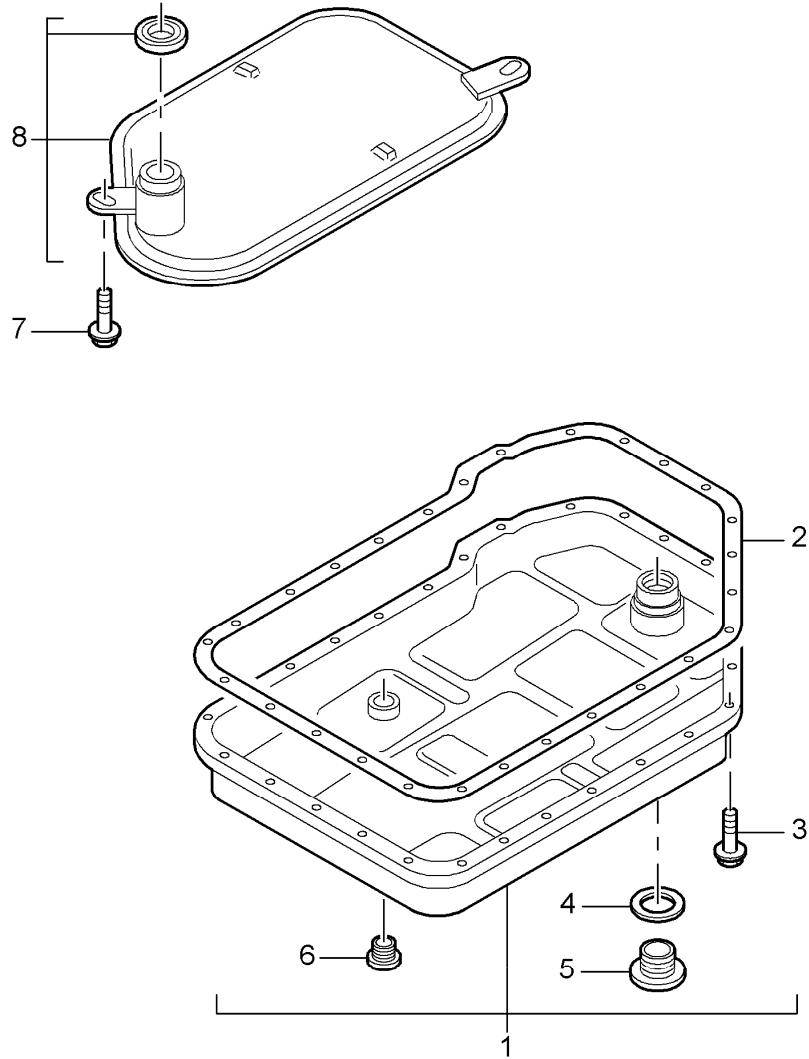


|       |      |    |    |              |              |     |       |            |         |     |         |
|-------|------|----|----|--------------|--------------|-----|-------|------------|---------|-----|---------|
| Model | Year | MG | SG | Illustration | Restrictions | UPD | 12:02 | 24.01.2010 | PORSCHE | PET | PORSCHE |
| 987C  | 2008 | 3  | 30 | 330-01       |              | 248 |       |            |         |     |         |



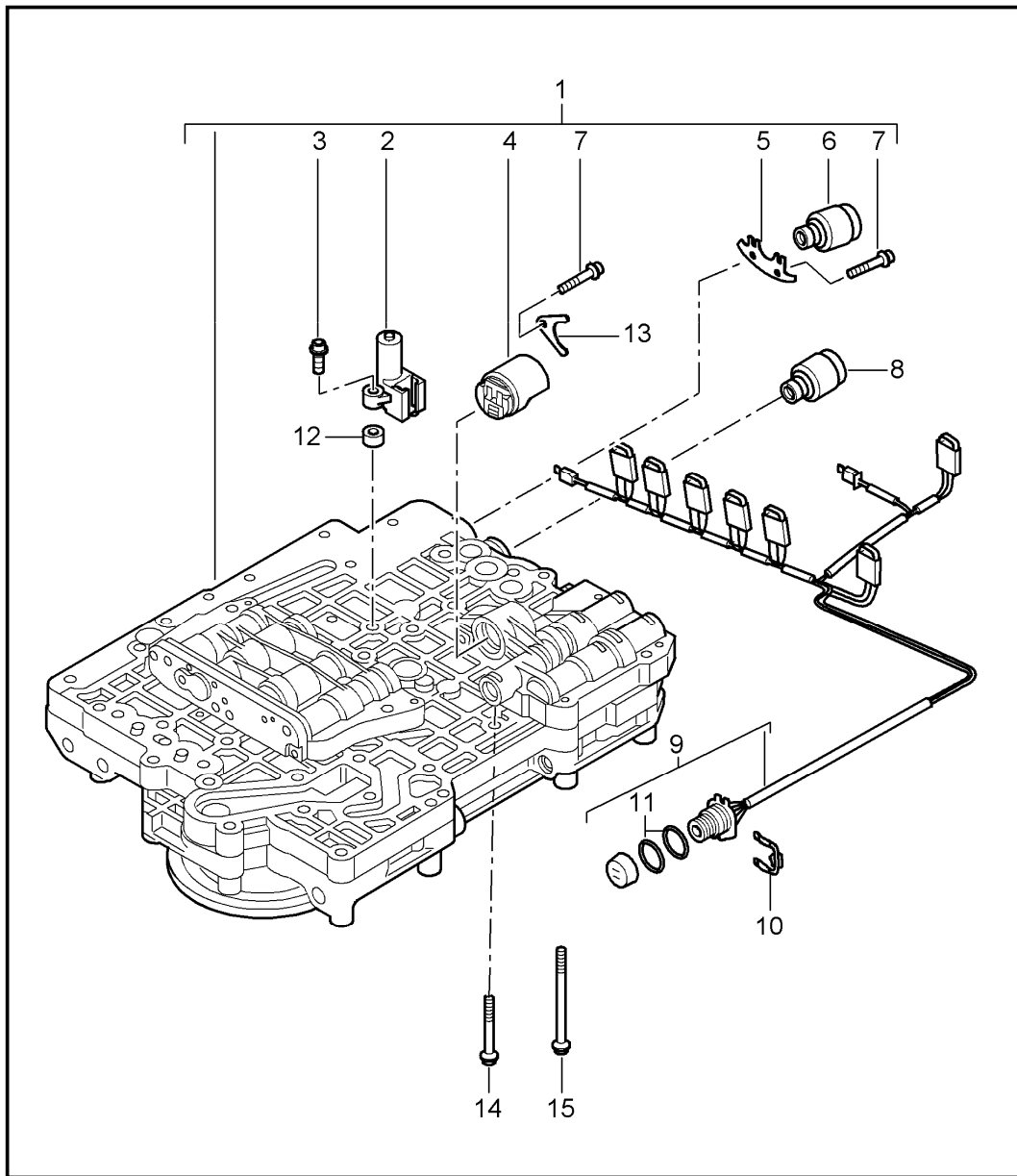
| Pos | Part Number    | Description        | Remark | Qty | Model          |
|-----|----------------|--------------------|--------|-----|----------------|
|     |                | tiptronic          |        |     | A87.21<br>I249 |
|     |                | oil pump           | 07-    |     | A87.02<br>I249 |
| 1   | 996 397 010 00 | shaft sealing ring |        | 1   |                |
| 2   | 986 397 012 00 | washer             |        | 1   |                |

|       |      |    |    |              |              |     |       |            |         |     |         |
|-------|------|----|----|--------------|--------------|-----|-------|------------|---------|-----|---------|
| Model | Year | MG | SG | Illustration | Restrictions | UPD | 12:02 | 24.01.2010 | PORSCHE | PET | PORSCHE |
| 987C  | 2008 | 3  | 40 | 340-01       |              | 248 |       |            |         |     |         |



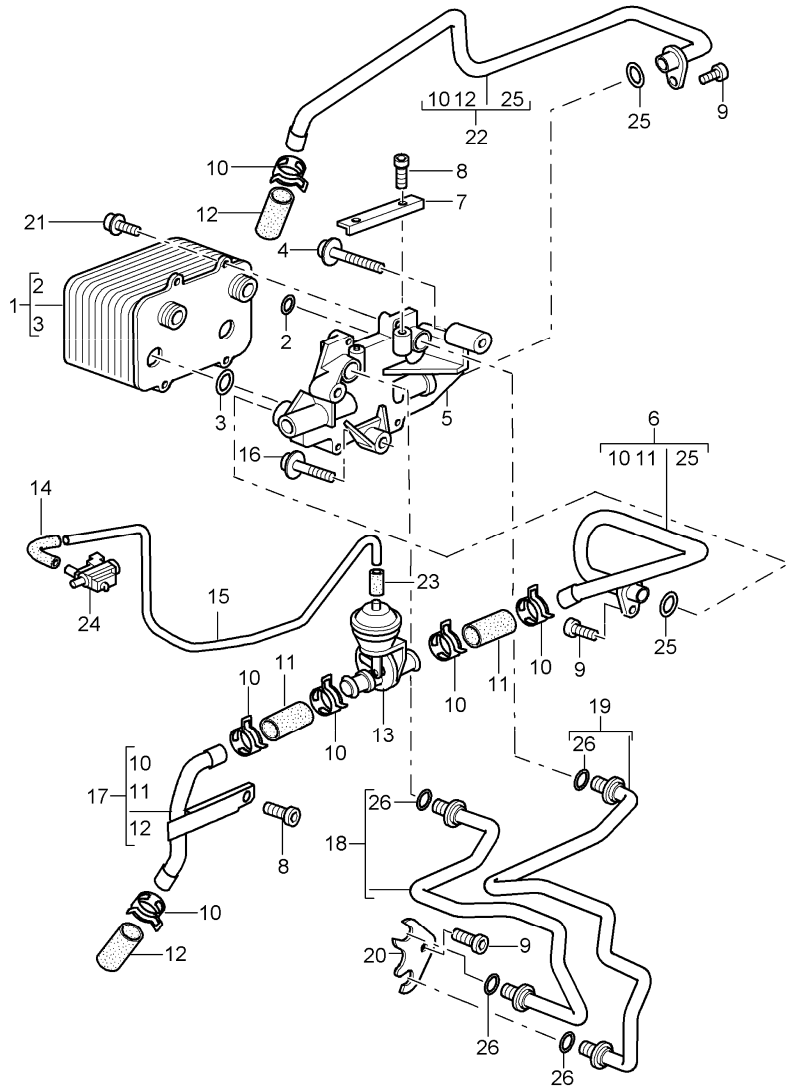
| Pos | Part Number    | Description                | Remark | Qty | Model          |
|-----|----------------|----------------------------|--------|-----|----------------|
|     |                | tiptronic                  |        |     | A87.21<br>I249 |
|     |                | oil filter                 | 07-    |     | A87.02<br>I249 |
|     |                | oil pan                    |        |     |                |
| 1   | 986 321 025 02 | oil pan                    |        | 1   |                |
| 2   | 986 397 016 00 | gasket                     |        | 1   |                |
| 3   | 943 397 039 00 | pan-head screw<br>M 6 X 20 |        | 27  |                |
| 4   | 986 397 014 00 | round seal                 |        | 1   |                |
| 5   | 986 397 015 00 | screw plug<br>M 30 X 1,5   |        | 1   |                |
| 6   | 986 397 013 00 | screw plug<br>M 16 X 1,5   |        | 1   |                |
| 7   | 943 397 045 00 | pan-head screw<br>M 5 X 12 |        | 2   |                |
| 8   | 986 307 403 00 | filter                     |        | 2   |                |

|       |      |    |    |              |              |     |       |            |         |     |         |
|-------|------|----|----|--------------|--------------|-----|-------|------------|---------|-----|---------|
| Model | Year | MG | SG | Illustration | Restrictions | UPD | 12:02 | 24.01.2010 | PORSCHE | PET | PORSCHE |
| 987C  | 2008 | 3  | 40 | 340-02       |              | 248 |       |            |         |     |         |



| Pos | Part Number    | Description                | Remark | Qty | Model                            |
|-----|----------------|----------------------------|--------|-----|----------------------------------|
|     |                | tiptronic                  |        |     | A87.21<br>I249<br>A87.02<br>I249 |
|     |                | switch unit                | 07-    |     |                                  |
|     |                | solenoid valve             |        |     |                                  |
|     |                | pressure regulator         |        |     |                                  |
| 1   | 987 325 617 00 | switch unit                |        | 1   |                                  |
| 2   | 986 325 608 00 | inductive transmitter      |        | 1   |                                  |
| 3   | 986 397 019 00 | pan-head screw<br>M 5 X 40 |        | 2   |                                  |
| 4   | 986 325 604 01 | pressure regulator         |        | 1   |                                  |
| 5   | 986 325 615 00 | retaining bracket          |        | 2   |                                  |
| 6   | 986 325 601 00 | solenoid valve             |        | 3   |                                  |
| 7   | 943 397 045 00 | pan-head screw<br>M 5 X 12 |        | 5   |                                  |
| 8   | 986 325 603 00 | pressure regulator         |        | 3   |                                  |
| 9   | 987 325 611 00 | wiring harness             |        | 1   | A87.02/21                        |
| 10  | 986 397 018 01 | clamp                      |        | 1   |                                  |
| 11  | 986 397 017 00 | round seal                 |        | 2   |                                  |
| 12  | 986 397 020 00 | spacer ring                |        | 2   |                                  |
| 13  | 943 325 111 00 | retaining bracket          |        | 1   |                                  |
| 14  | 943 397 013 00 | pan-head screw<br>M 6 X 30 |        | 1   |                                  |
| 15  | 943 397 005 00 | pan-head screw<br>M 6 X 60 |        | 16  |                                  |

|       |      |    |    |              |              |     |       |            |         |     |         |
|-------|------|----|----|--------------|--------------|-----|-------|------------|---------|-----|---------|
| Model | Year | MG | SG | Illustration | Restrictions | UPD | 12:02 | 24.01.2010 | PORSCHE | PET | PORSCHE |
| 987C  | 2008 | 3  | 60 | 360-00       |              | 248 |       |            |         |     |         |

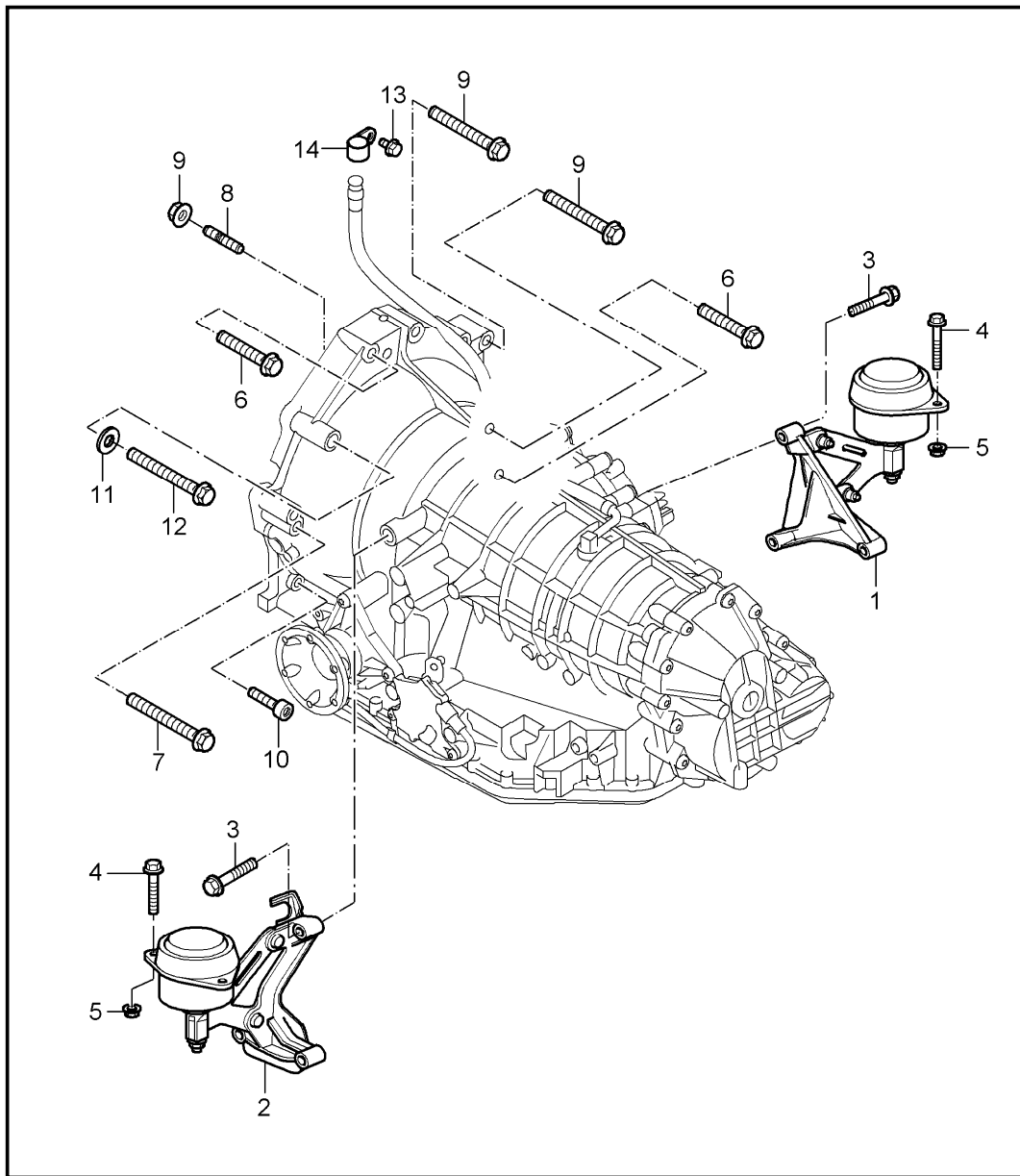


| Pos | Part Number    | Description                  | Remark | Qty | Model                            |
|-----|----------------|------------------------------|--------|-----|----------------------------------|
|     |                | tiptronic                    |        |     | A87.21<br>I249<br>A87.02<br>I249 |
|     |                | atf cooler<br>atf lines      | 07-    |     |                                  |
| 1   | 996 307 017 01 | atf cooler                   |        | 1   |                                  |
| 2   | 999 707 388 40 | o-ring<br>18,64 X 3,53       |        | 2   |                                  |
| 3   | 900 331 034 40 | o-ring<br>25,8 X 3,55        |        | 2   |                                  |
| 4   | 999 073 116 09 | oval-head screw<br>M 8 X 55  |        | 1   |                                  |
| 5   | 986 307 020 00 | port plate                   |        | 1   |                                  |
| 6   | 986 307 076 21 | water line<br>supply         | -06    | 1   |                                  |
| 6   | 986 307 076 22 | water line<br>supply         | 07-    | 1   |                                  |
| 7   | 986 307 143 02 | latch                        |        | 1   |                                  |
| 8   | 999 073 103 09 | oval-head screw<br>M 6 X 16  |        | 2   |                                  |
| 9   | 999 073 094 09 | oval-head screw<br>M 8 X 20  |        | 4   |                                  |
| 10  | 999 512 656 09 | hose clamp<br>B 25 X 12      |        | 6   |                                  |
| 11  | 900 181 060 50 | water hose<br>18 X 3,5 X 50  |        | 2   |                                  |
| 12  | 900 181 062 50 | water hose<br>18 X 3,5 X 60  |        | 2   |                                  |
| 13  | 928 574 573 03 | disc valve                   |        | 1   |                                  |
| 14  | 928 574 717 05 | moulded hose                 |        | 1   |                                  |
| --  | 999 181 742 40 | pipe<br>4,0 X 1,0            |        | X   |                                  |
| 15  | ---            | 140 MM                       |        | 1   |                                  |
| 16  | 999 073 105 09 | round head screw<br>M 8 X 40 |        | 2   |                                  |
| 17  | 986 307 075 21 | water line<br>supply         | -06    | 1   |                                  |

|       |      |    |    |              |              |     |       |            |         |     |         |
|-------|------|----|----|--------------|--------------|-----|-------|------------|---------|-----|---------|
| Model | Year | MG | SG | Illustration | Restrictions | UPD | 12:02 | 24.01.2010 | PORSCHE | PET | PORSCHE |
| 987C  | 2008 | 3  | 60 | 360-00       |              | 248 |       |            |         |     |         |

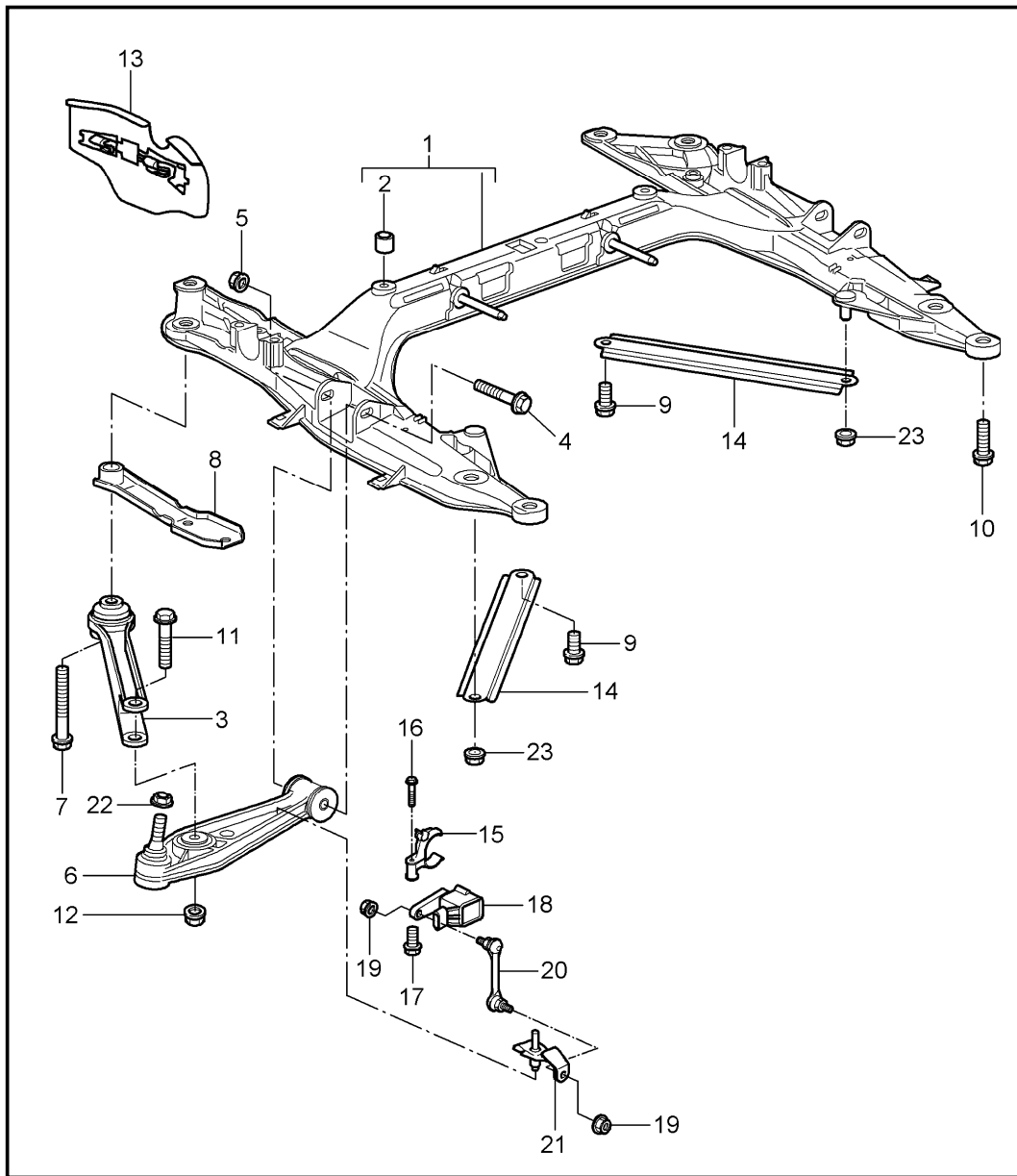
| Pos  | Part Number    | Description                 | Remark | Qty | Model | Pos | Part Number | Description | Remark | Qty | Model |
|------|----------------|-----------------------------|--------|-----|-------|-----|-------------|-------------|--------|-----|-------|
| (17) | 986 307 075 22 | water line<br>supply        | 07-    | 1   |       |     |             |             |        |     |       |
| 18   | 986 307 085 04 | oil pipe<br>return line     | -06    | 1   |       |     |             |             |        |     |       |
| 18   | 986 307 085 05 | oil pipe<br>return line     | 07-    | 1   |       |     |             |             |        |     |       |
| 19   | 986 307 082 04 | oil pipe<br>supply          | -06    | 1   |       |     |             |             |        |     |       |
| 19   | 986 307 082 05 | oil pipe<br>supply          | 07-    | 1   |       |     |             |             |        |     |       |
| 20   | 996 307 147 00 | support                     | -06    | 1   |       |     |             |             |        |     |       |
| (20) | 996 307 147 01 | support                     | 07-    | 1   |       |     |             |             |        |     |       |
| 21   | 999 073 103 09 | oval-head screw<br>M 6 X 16 |        | 4   |       |     |             |             |        |     |       |
| 22   | 987 307 077 01 | water tube<br>return line   |        | 1   |       |     |             |             |        |     |       |
| 23   | 999 239 040 40 | connecting piece            |        | 1   |       |     |             |             |        |     |       |
| 24   | 996 605 123 01 | change-over valve           |        | 1   |       |     |             |             |        |     |       |
| 25   | 999 707 387 40 | o-ring<br>15 X 2,5          |        | 2   |       |     |             |             |        |     |       |
| 26   | 999 707 386 40 | o-ring<br>12,37 X 2,62      |        | 4   |       |     |             |             |        |     |       |

|       |      |    |    |              |              |     |       |            |         |     |         |
|-------|------|----|----|--------------|--------------|-----|-------|------------|---------|-----|---------|
| Model | Year | MG | SG | Illustration | Restrictions | UPD | 12:02 | 24.01.2010 | PORSCHE | PET | PORSCHE |
| 987C  | 2008 | 3  | 70 | 370-00       |              | 248 |       |            |         |     |         |



| Pos | Part Number    | Description                                       | Remark | Qty | Model          |
|-----|----------------|---|--------|-----|----------------|
|     |                | tiptronic   |        |     | A87.21<br>I249 |
|     |                | transmission suspension threaded joint for engine | 07-    |     | A87.02<br>I249 |
| 1   | 986 375 094 03 | transmission bracket right                        |        | 1   |                |
| 2   | 987 375 093 01 | transmission bracket left                         |        | 1   |                |
| 3   | 900 378 076 09 | hexagon-head bolt M 10 X 50                       |        | 6   |                |
| 4   | 900 378 159 09 | hexagon-head bolt M 8 X 60                        |        | 4   |                |
| 5   | 999 084 447 09 | hexagon nut M 8                                   |        | 4   |                |
| 6   | 999 072 008 09 | hexagon-head bolt M 12 X 1,5 X 70                 |        | 1   |                |
| 7   | 999 072 009 09 | hexagon-head bolt M 12 X 1,5 X 90                 |        | 3   |                |
| 8   | 999 218 088 09 | stud M 10 X 30                                    |        | 1   |                |
| 9   | 900 377 011 09 | hexagon nut M 10                                  |        | 1   |                |
| 10  | 999 073 119 09 | pan-head screw M 10 X 50                          |        | 1   |                |
| 11  | N 905 028 02   | washer 15 X 28 X 3,5                              |        | 1   |                |
| 12  | 999 072 010 09 | hexagon-head bolt M 12 X 1,5 X 100                |        | 1   |                |
| 13  | 900 378 036 09 | hexagon-head bolt M 6 X 12                        |        | 1   |                |
| 14  | 999 511 142 02 | clamp A 1   |        | 1   |                |

|       |      |    |    |              |              |     |       |            |         |     |         |
|-------|------|----|----|--------------|--------------|-----|-------|------------|---------|-----|---------|
| Model | Year | MG | SG | Illustration | Restrictions | UPD | 12:03 | 24.01.2010 | PORSCHE | PET | PORSCHE |
| 987C  | 2008 | 4  | 01 | 401-00       |              | 248 |       |            |         |     |         |



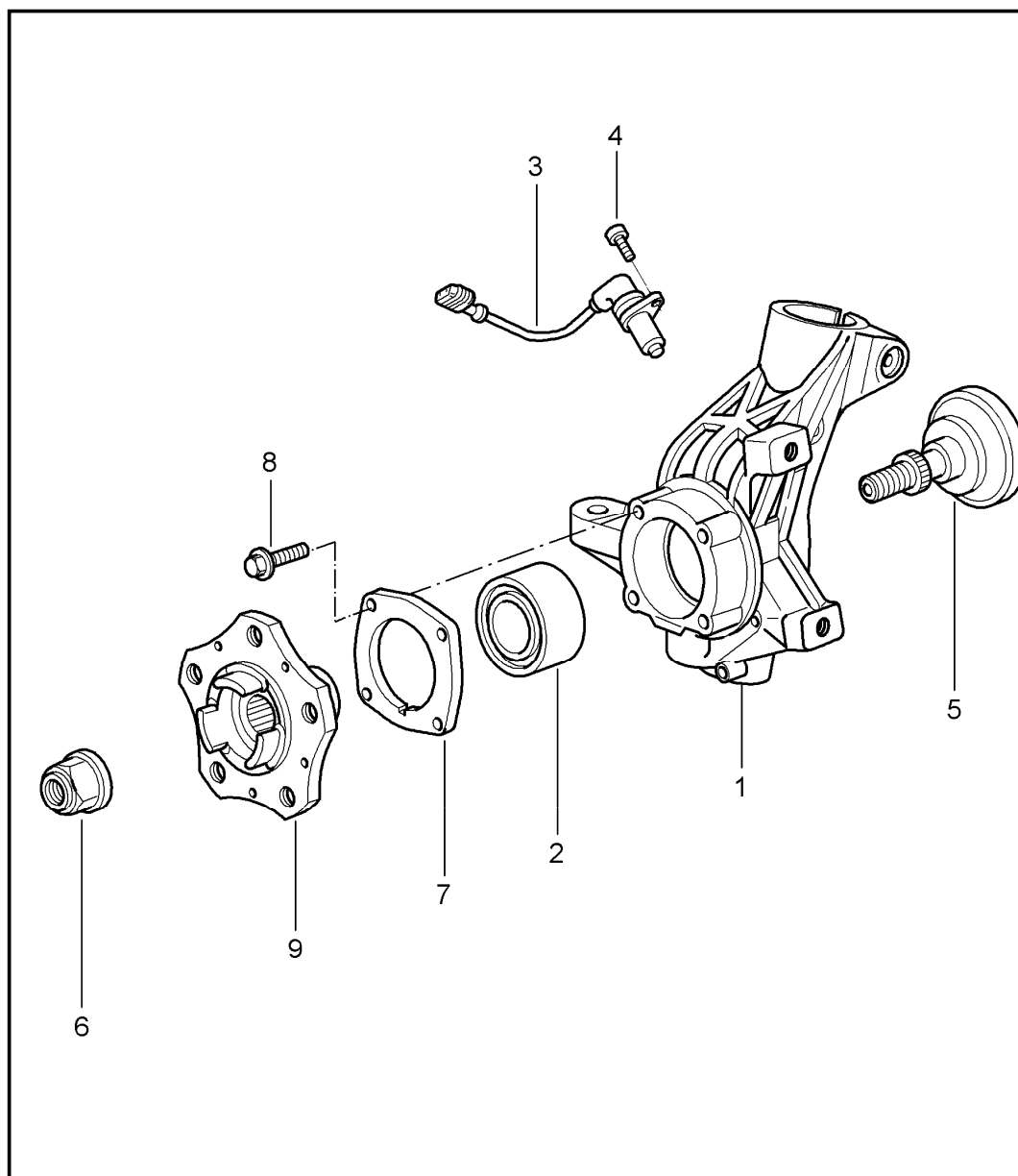
| Pos  | Part Number      | Description                                    | Remark | Qty | Model |
|------|------------------|--|--------|-----|-------|
|      |                  | cross member<br>wishbone                       |        |     |       |
| 1    | 997 341 081 06   | cross member                                   |        | 1   |       |
| 2    | 900 197 070 00   | roll pin<br>13 X 14                            |        | 1   |       |
| 3    | 997 341 043 00   | control arm                                    |        | 2   |       |
| 4    | 900 378 165 09   | hexagon-head bolt<br>M 12 X 1,5 X 95           | -07    | 2   |       |
| (4)  | 900 378 165 01   | hexagon-head bolt<br>M 12 X 1,5 X 95           | 08-    | 2   |       |
| 5    | 999 084 445 01   | lock nut<br>M 12 X 1,5                         |        | 2   |       |
| 6    | 997 341 053 03   | wishbone                                       |        | 2   |       |
| 7    | 999 072 050 09   | hexagon-head bolt<br>M 14 X 1,5 X 120          |        | 2   |       |
| 8    | 997 341 145 05   | plate  |        | 2   |       |
| 9    | A 999 072 047 09 | hexagon-head bolt<br>M 12 X 1,5 X 30           |        | 4   |       |
| (9)  | 999 072 047 01   | hexagon-head bolt<br>M 12 x 1,5 x 30           |        | 4   |       |
| (10) | 900 378 192 09   | hexagon-head bolt<br>M 14 X 1,5 X 50           |        | 4   |       |
| 11   | 900 378 279 09   | hexagon-head bolt<br>M 14 X 1,5 X 95           | -07    | 2   |       |
| (11) | 900 378 279 01   | hexagon-head bolt<br>M 14 X 1,5 X 95           | 08-    | 2   |       |
| 12   | A 900 380 012 09 | hexagon nut<br>M 14 X 1,5                      |        | 2   |       |
| 12   | 900 380 012 01   | hexagon nut<br>M 14 X 1,5                      |        | 2   |       |
| 13   | 996 341 483 05   | spoiler  | /L     | 1   |       |
| 13   | 996 341 484 05   | spoiler  | /R     | 1   |       |
| 14   | 997 504 433 00   | strut  |        | 2   |       |
| 15   | ... ..           | support<br>see illustrations<br>1/05/10 Pos.10 |        | 1   | I601  |

|       |      |    |    |              |              |     |       |            |         |     |         |
|-------|------|----|----|--------------|--------------|-----|-------|------------|---------|-----|---------|
| Model | Year | MG | SG | Illustration | Restrictions | UPD | 12:03 | 24.01.2010 | PORSCHE | PET | PORSCHE |
| 987C  | 2008 | 4  | 01 | 401-00       |              | 248 |       |            |         |     |         |

| Pos  | Part Number      | Description                   | Remark | Qty | Model | Pos | Part Number | Description | Remark | Qty | Model |
|------|------------------|-------------------------------|--------|-----|-------|-----|-------------|-------------|--------|-----|-------|
| 16   | 900 146 003 02   | oval-head screw<br>M 5 X 10   |        | 2   | I601  |     |             |             |        |     |       |
| (16) | 900 146 003 03   | oval-head screw<br>M 5 x 10   |        | 2   | I601  |     |             |             |        |     |       |
| 17   | 900 378 177 09   | hexagon-head bolt<br>M 6 X 30 |        | 1   | I601  |     |             |             |        |     |       |
| 18   | 997 631 121 00   | sensor                        |        | 1   | I601  |     |             |             |        |     |       |
| 19   | A 900 380 015 09 | hexagon nut<br>M 6            |        | 2   | I601  |     |             |             |        |     |       |
| (19) | 900 380 015 01   | hexagon nut<br>M 6            |        | 2   | I601  |     |             |             |        |     |       |
| 20   | 997 341 375 01   | strut                         |        | 1   | I601  |     |             |             |        |     |       |
| 21   | 996 341 371 03   | support                       |        | 1   | I601  |     |             |             |        |     |       |
| 22   | 999 084 449 09   | hexagon nut<br>M 12 X 1,5     |        | 2   |       |     |             |             |        |     |       |
| 23   | 999 084 445 01   | hexagon nut<br>M 12X 1,5      |        | 2   |       |     |             |             |        |     |       |
| -    | 997 361 605 90   | spacer ring<br>5 mm           |        | 2   | IXRP  |     |             |             |        |     |       |

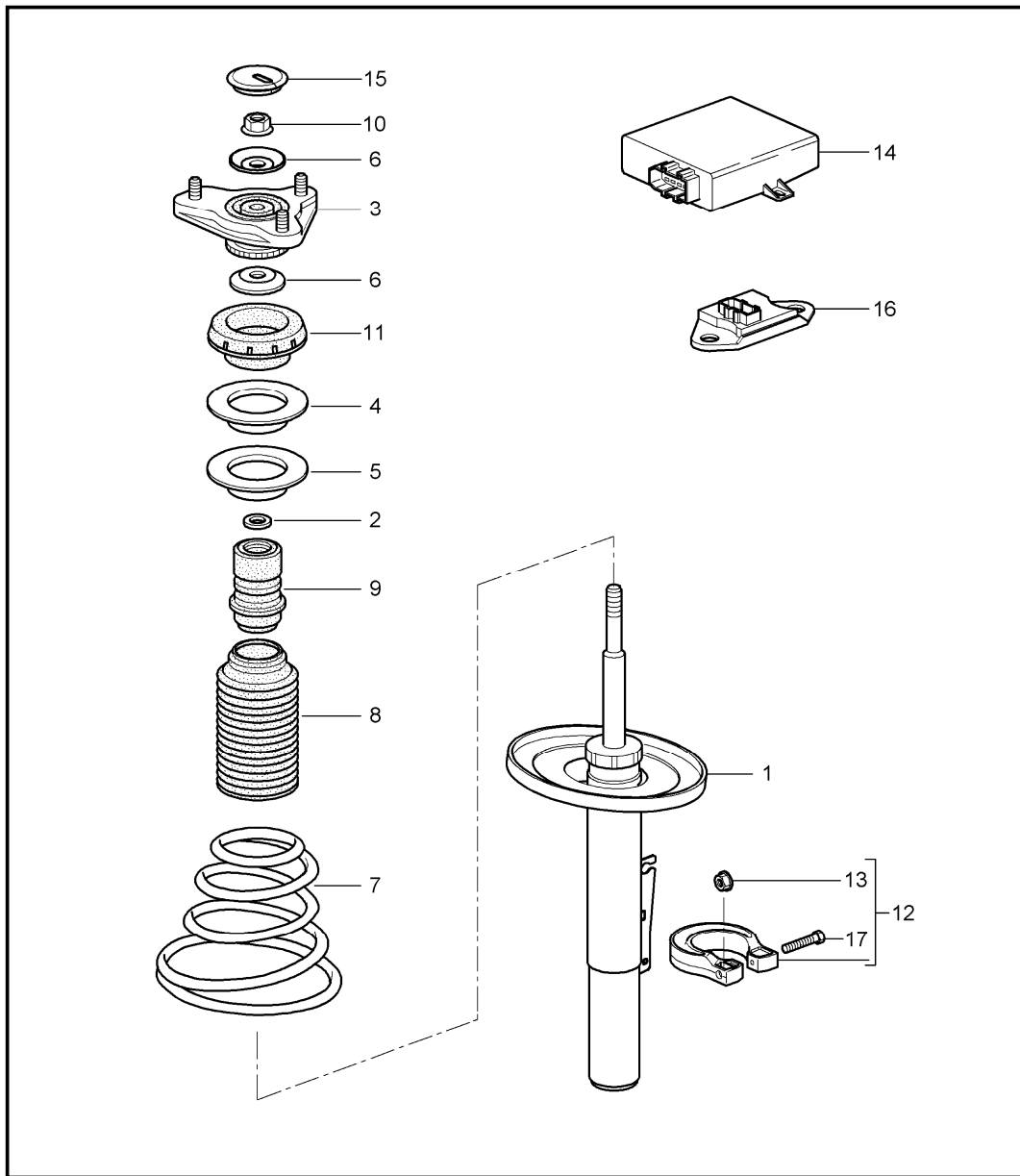


|       |      |    |    |              |              |     |       |            |         |     |         |
|-------|------|----|----|--------------|--------------|-----|-------|------------|---------|-----|---------|
| Model | Year | MG | SG | Illustration | Restrictions | UPD | 12:03 | 24.01.2010 | PORSCHE | PET | PORSCHE |
| 987C  | 2008 | 4  | 01 | 401-05       |              | 248 |       |            |         |     |         |



| Pos | Part Number    | Description                   | Remark | Qty | Model |
|-----|----------------|-------------------------------|--------|-----|-------|
|     |                | wheel carrier<br>wheel hub    |        |     |       |
| 1   | 997 341 157 05 | wheel carrier                 | /L     | 1   |       |
| (1) | 997 341 157 25 | wheel carrier                 | /L     | 1   | I450  |
| (1) | 997 341 158 05 | wheel carrier                 | /R     | 1   |       |
| (1) | 997 341 158 25 | wheel carrier                 | /R     | 1   | I450  |
| 2   | 999 053 054 05 | angular-contact bearing       |        | 2   |       |
| 3   | 997 606 407 01 | speed sensor                  |        | 2   |       |
| 4   | 900 067 117 09 | pan-head screw<br>M 6 X 16    |        | 2   |       |
| 5   | 997 341 131 00 | tension bolt                  |        | 2   |       |
| 6   | 999 084 634 02 | hexagon nut<br>M 22 X 1,5     |        | 2   |       |
| 7   | 986 331 661 20 | lid                           |        | 2   |       |
| 8   | 999 217 042 09 | hexagon-head bolt<br>M 8 X 35 |        | 8   |       |
| 9   | 997 341 605 01 | wheel hub                     |        | 2   |       |
| -   | 997 361 605 90 | spacer ring<br>5 MM           |        | 2   | IXRP  |

|       |      |    |    |              |              |     |       |            |         |     |         |
|-------|------|----|----|--------------|--------------|-----|-------|------------|---------|-----|---------|
| Model | Year | MG | SG | Illustration | Restrictions | UPD | 12:03 | 24.01.2010 | PORSCHE | PET | PORSCHE |
| 987C  | 2008 | 4  | 02 | 402-00       |              | 248 |       |            |         |     |         |

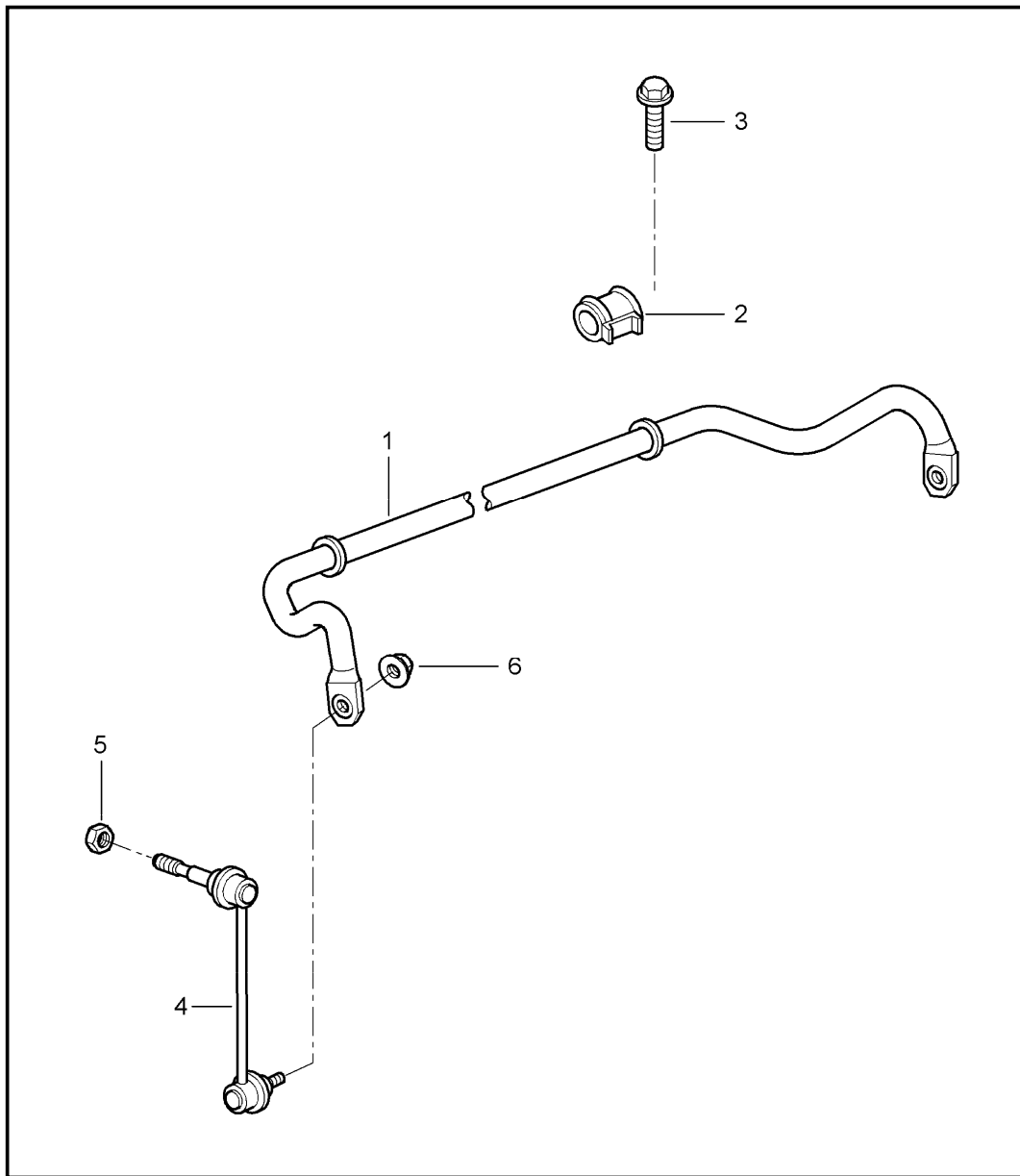


| Pos | Part Number      | Description                         | Remark | Qty | Model |
|-----|------------------|-------------------------------------|--------|-----|-------|
| 1   | A 987 343 047 02 | suspension shock absorber strut     |        | 2   |       |
| (1) | 987 343 047 03   | shock absorber                      |        | 2   |       |
| (1) | 987 343 045 10   | shock absorber                      |        | 2   | I475  |
| -   | 999 084 445 01   | mount shock absorber                |        | 2   |       |
| 2   | 996 343 513 00   | lock nut M 12 X 1,5                 |        | 2   |       |
| 3   | A 997 343 018 00 | washer                              |        | 2   |       |
| 3   | 997 343 018 01   | supporting mount                    |        | 2   |       |
| -   | A 999 084 447 09 | supporting mount                    |        | 2   |       |
| -   | 999 084 447 01   | hexagon nut M 8                     |        | 6   |       |
| 4   | 996 343 517 01   | hexagon nut M 8                     |        | 6   |       |
| 5   | 996 343 511 00   | support ring                        |        | 2   |       |
| (5) | 996 343 511 01   | compensating plate 3,0 MM           |        | X   |       |
| (5) | 996 343 511 01   | compensating plate 6,5 MM           |        | X   |       |
| 6   | 997 343 107 01   | stop plate                          |        | 4   |       |
| (6) | 997 343 107 01   | stop plate lower                    |        | 2   | I475  |
| (6) | 997 343 107 00   | stop plate upper                    |        | 2   |       |
| 7   | 997 343 531 37   | coil spring 1 set                   |        | 1   | I475  |
| (7) | 997 343 531 38   | coil spring 1 set                   |        | 1   | I029  |
|     | 504              | identification blue red             |        |     |       |
|     | 504              | identification rapeseed yellow blue |        |     |       |

|       |      |    |    |              |              |     |       |            |         |     |         |
|-------|------|----|----|--------------|--------------|-----|-------|------------|---------|-----|---------|
| Model | Year | MG | SG | Illustration | Restrictions | UPD | 12:03 | 24.01.2010 | PORSCHE | PET | PORSCHE |
| 987C  | 2008 | 4  | 02 | 402-00       |              | 248 |       |            |         |     |         |

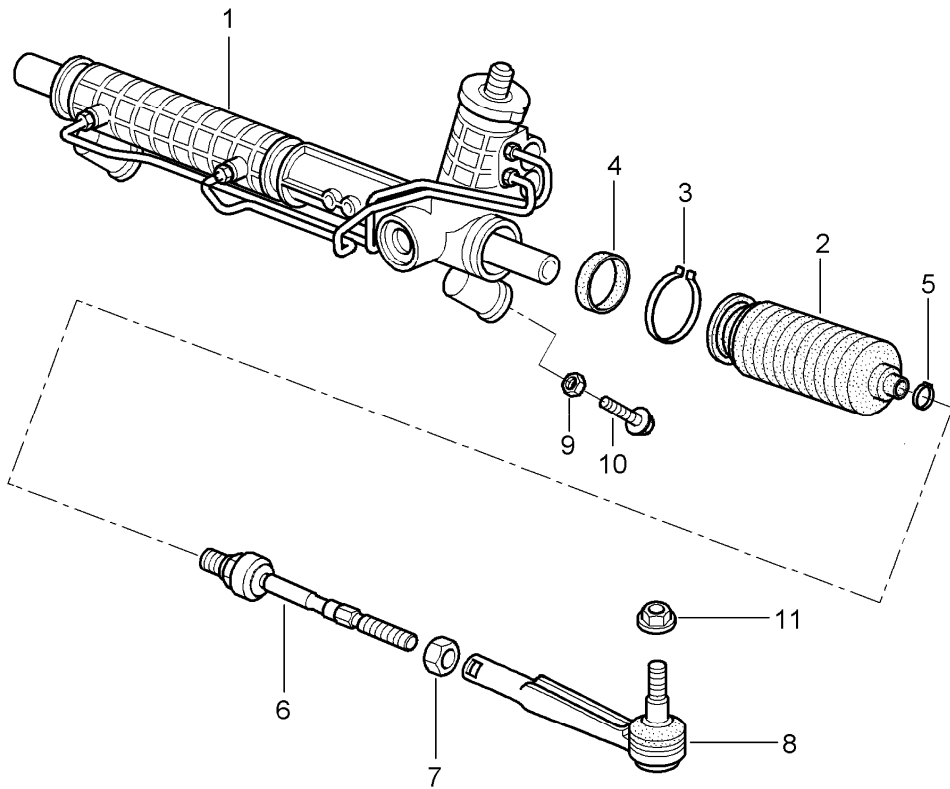
| Pos  | Part Number      | Description                              | Remark | Qty | Model    | Pos | Part Number | Description | Remark | Qty | Model |
|------|------------------|--|--------|-----|----------|-----|-------------|-------------|--------|-----|-------|
| 8    | 996 343 505 00   | bellows                                  |        | 2   |          |     |             |             |        |     |       |
| 9    | 996 343 301 02   | additional spring                        |        | 2   |          |     |             |             |        |     |       |
| 10   | A 900 380 012 09 | hexagon nut<br>M 14 X 1,5                |        | 2   |          |     |             |             |        |     |       |
| 10   | 900 380 012 01   | hexagon nut<br>M 14 X 1,5                |        | 2   |          |     |             |             |        |     |       |
| (11) | 996 343 515 05   | deep-groove ball bearing<br>with housing |        | 2   |          |     |             |             |        |     |       |
| (12) | 997 343 569 00   | clip                                     |        | 2   | CAYMAN S |     |             |             |        |     |       |
| 13   | 900 377 010 09   | hexagon nut<br>M 6                       |        | 2   | CAYMAN S |     |             |             |        |     |       |
| -    | 900 378 111 09   | hexagon-head bolt<br>M 6 X 60            |        | 2   |          |     |             |             |        |     |       |
| 14   | A 987 618 105 08 | control unit                             | 06     | 1   | I475     |     |             |             |        |     |       |
| (14) | 987 618 105 09   | control unit                             | -07    | 1   | I475     |     |             |             |        |     |       |
| (14) | 987 618 105 10   | control unit                             | 08-    | 1   | I475     |     |             |             |        |     |       |
| 15   | 999 703 457 40   | lid                                      |        | 2   |          |     |             |             |        |     |       |
| 16   | 997 606 111 01   | acceleration sensor<br>body              |        | 1   |          |     |             |             |        |     |       |
| 17   | 900 378 111 09   | hexagon-head bolt<br>M 6 X 60            |        | 2   | CAYMAN S |     |             |             |        |     |       |
| 18   | 997 606 212 00   | support<br>acceleration sensor           | 06     | 1   |          |     |             |             |        |     |       |
| (18) | 997 606 212 01   | support<br>acceleration sensor           | 07-    | 1   |          |     |             |             |        |     |       |

|       |      |    |    |              |              |     |       |            |         |     |         |
|-------|------|----|----|--------------|--------------|-----|-------|------------|---------|-----|---------|
| Model | Year | MG | SG | Illustration | Restrictions | UPD | 12:03 | 24.01.2010 | PORSCHE | PET | PORSCHE |
| 987C  | 2008 | 4  | 02 | 402-05       |              | 248 |       |            |         |     |         |



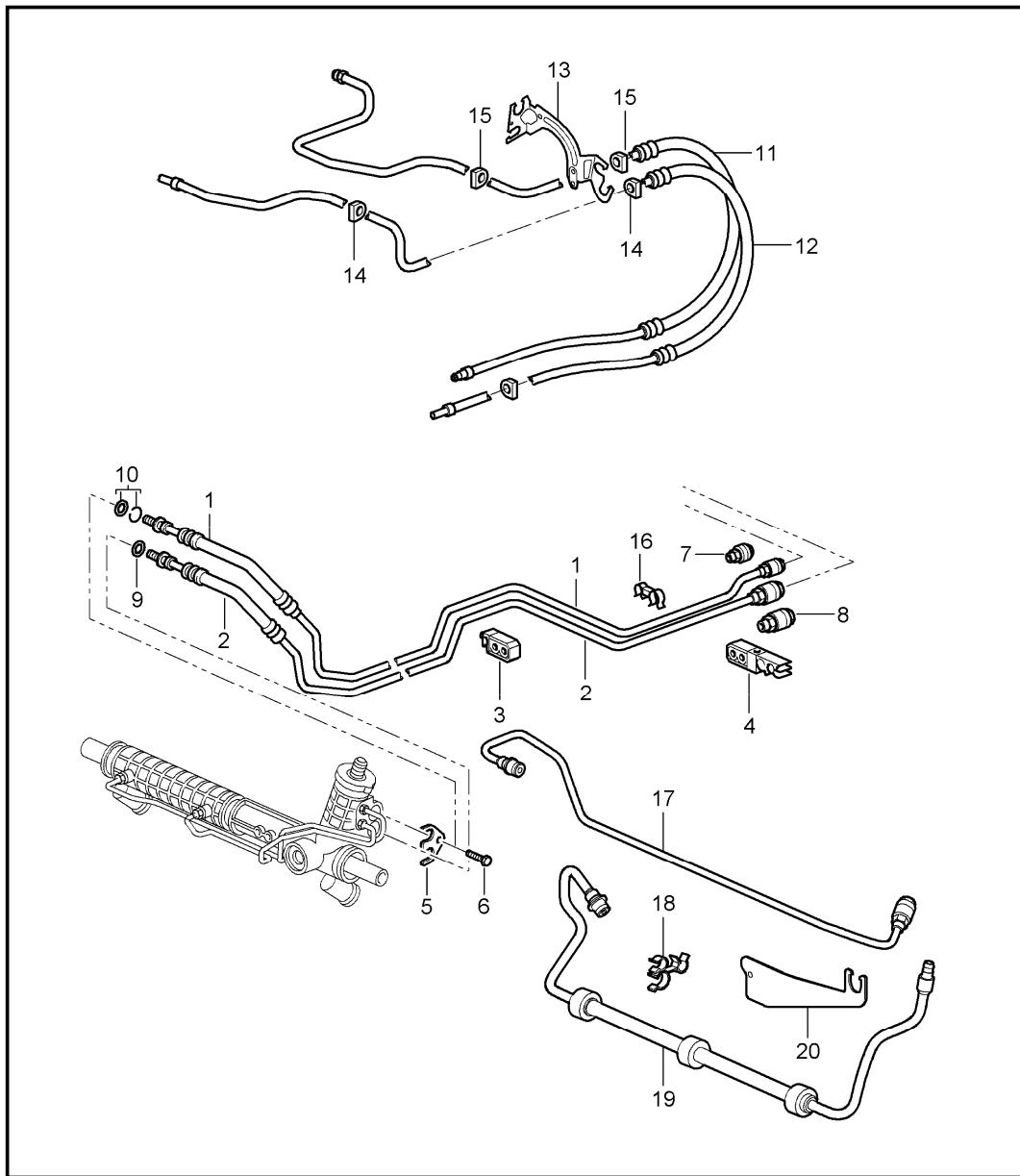
| Pos | Part Number    | Description                    | Remark | Qty | Model            |
|-----|----------------|--------------------------------|--------|-----|------------------|
| 1   | 997 343 701 07 | stabiliser                     |        | 1   | I029<br>CAYMAN   |
| (1) | 997 343 701 08 | stabiliser                     |        | 1   | I475<br>CAYMAN   |
| (1) | 997 343 701 08 | stabiliser                     |        | 1   | I029<br>CAYMAN S |
| (1) | 997 343 701 08 | stabiliser                     |        | 1   | I475<br>CAYMAN S |
| (2) | 996 343 792 17 | stabiliser mounting            |        | 2   |                  |
| 3   | 900 378 098 01 | hexagon-head bolt<br>M 10 X 60 |        | 4   |                  |
| -   | 900 380 008 01 | hexagon nut<br>M 10            |        | 4   |                  |
| 4   | 997 343 069 01 | stabiliser mounting            | /L     | 1   |                  |
| (4) | 997 343 070 01 | stabiliser mounting            | /R     | 1   |                  |
| 5   | 999 084 445 01 | lock nut<br>M 12 X 1,5         |        | 2   |                  |
| 6   | 999 084 123 09 | hexagon nut<br>M 10            |        | 2   |                  |

|       |      |    |    |              |              |     |       |            |         |     |         |
|-------|------|----|----|--------------|--------------|-----|-------|------------|---------|-----|---------|
| Model | Year | MG | SG | Illustration | Restrictions | UPD | 12:03 | 24.01.2010 | PORSCHE | PET | PORSCHE |
| 987C  | 2008 | 4  | 03 | 403-00       |              | 248 |       |            |         |     |         |



| Pos | Part Number      | Description                                       | Remark | Qty | Model |
|-----|------------------|---|--------|-----|-------|
|     |                  | power steering<br>steering gear<br>steering parts |        |     |       |
| 1   | > 997 347 011 05 | steering gear<br>power steering                   | -07    | 1   | I098  |
| (1) | > 997 347 011 06 | steering gear<br>power steering                   | 08-    | 1   | I098  |
| (1) | > 997 347 012 04 | steering gear<br>power steering                   | -07    | 1   | I099  |
| (1) | > 997 347 012 05 | steering gear<br>power steering                   | 08-    | 1   | I099  |
| -   | 996 347 110 02   | clip<br>pinion<br>steering gear                   |        | 1   |       |
| 2   | 997 347 191 00   | bellows<br>for<br>steering gear                   |        | 2   |       |
| 3   | 996 347 293 04   | clamping ring<br>for<br>steering gear             |        | 2   |       |
| 4   | 997 347 373 00   | sealing ring<br>for<br>steering gear              |        | 2   |       |
| 5   | 999 512 693 09   | clamping ring                                     |        | 2   |       |
| 6   | 997 347 322 00   | joint   | -07    | 2   |       |
| (6) | 997 347 322 01   | joint   | 08-    | 2   |       |
| 7   | 999 034 037 09   | hexagon nut<br>M 14 X 1,5                         |        | 2   |       |
| 8   | 996 347 131 04   | track rod   |        | 2   |       |
| 9   | -                | see illustrations<br>4/01/00<br>POS.2             |        |     |       |
| 10  | 900 378 100 01   | hexagon-head bolt<br>AM 10 X 45                   |        | 2   |       |
| 11  | 999 084 449 09   | hexagon nut<br>M 12 X 1,5                         |        | 2   |       |

|       |      |    |    |              |              |     |       |            |         |     |         |
|-------|------|----|----|--------------|--------------|-----|-------|------------|---------|-----|---------|
| Model | Year | MG | SG | Illustration | Restrictions | UPD | 12:04 | 24.01.2010 | PORSCHE | PET | PORSCHE |
| 987C  | 2008 | 4  | 03 | 403-01       |              | 248 |       |            |         |     |         |

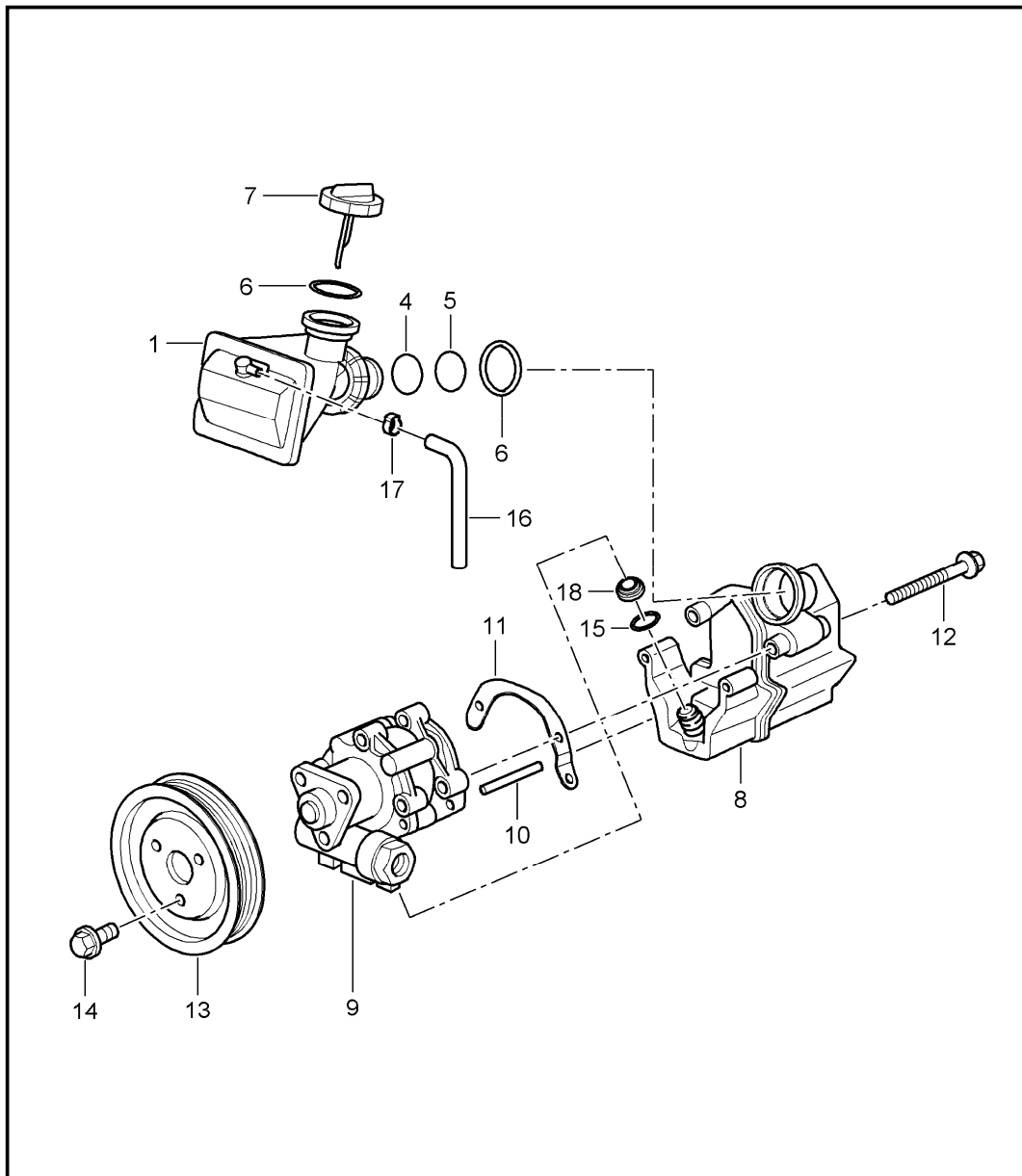


| Pos | Part Number    | Description   | Remark | Qty | Model            |
|-----|----------------|---|--------|-----|------------------|
|     |                | power steering lines                                  |        |     |                  |
| 1   | 997 347 451 03 | pressure line   | -07    | 1   | I098             |
| (1) | 997 347 451 04 | pressure line   | 08-    | 1   | I098             |
| (1) | 997 347 452 02 | pressure line   |        | 1   | I099             |
| 2   | 987 347 449 03 | return line   |        | 1   | I098<br>CAYMAN   |
| (2) | 987 347 449 02 | return line   |        | 1   | I098<br>CAYMAN S |
| (2) | 987 347 650 03 | return line   |        | 1   | I099<br>CAYMAN   |
| (2) | 987 347 650 02 | return line   |        | 1   | I099<br>CAYMAN S |
| 3   | 996 347 543 00 | cable holder  |        | 3   |                  |
| 4   | 996 355 543 00 | support   |        | 1   |                  |
| 5   | 996 347 769 01 | tension shackle                                       |        | 1   |                  |
| 6   | 900 067 063 02 | pan-head screw<br>M 10 X 20                           | -07    | 1   |                  |
| (6) | 900 067 063 03 | pan-head screw<br>M 10 x 20                           | 08-    | 1   |                  |
| 7   | 999 230 552 10 | threaded joint  |        | 1   |                  |
| 8   | 999 230 551 10 | threaded joint  |        | 1   |                  |
| -   | 999 230 683 40 | safety clip<br>for<br>threaded joint<br>pressure line |        | X   |                  |
| -   | 999 230 584 40 | circlip<br>threaded joint<br>return line              |        | 1   | I098             |
| -   | 999 230 584 40 | circlip<br>threaded joint<br>return line              |        | 2   | I099             |
| 9   | 999 230 542 40 | o-ring  |        | X   |                  |
| 10  | 999 230 543 40 | repair kit<br>gaskets                                 |        | X   |                  |
| 11  | 987 347 443 02 | pressure line   | -07    | 1   |                  |

|       |      |    |    |              |              |     |       |            |         |     |         |
|-------|------|----|----|--------------|--------------|-----|-------|------------|---------|-----|---------|
| Model | Year | MG | SG | Illustration | Restrictions | UPD | 12:04 | 24.01.2010 | PORSCHE | PET | PORSCHE |
| 987C  | 2008 | 4  | 03 | 403-01       |              | 248 |       |            |         |     |         |

| Pos  | Part Number    | Description   | Remark | Qty | Model | Pos | Part Number | Description | Remark | Qty | Model |
|------|----------------|---------------|--------|-----|-------|-----|-------------|-------------|--------|-----|-------|
| (11) | 987 347 443 03 | pressure line | 08-    | 1   |       |     |             |             |        |     |       |
| 12   | 987 347 439 01 | return line   |        | 1   |       |     |             |             |        |     |       |
| 13   | 987 347 749 01 | support       |        | 1   |       |     |             |             |        |     |       |
| 14   | 999 702 210 40 | rubber sleeve |        | 4   |       |     |             |             |        |     |       |
| 15   | 999 702 226 40 | rubber sleeve |        | 3   |       |     |             |             |        |     |       |
| 16   | 999 507 091 40 | cable holder  |        | 3   |       |     |             |             |        |     |       |
| 17   | 997 347 564 02 | pressure line | -07    | 1   | I099  |     |             |             |        |     |       |
| (17) | 997 347 564 03 | pressure line | 08-    | 1   | I099  |     |             |             |        |     |       |
| 18   | 999 507 963 40 | support       |        | 1   | I099  |     |             |             |        |     |       |
| 19   | 997 347 462 02 | return line   | 06     | 1   | I099  |     |             |             |        |     |       |
| (19) | 997 347 462 03 | return line   | 07-    | 1   | I099  |     |             |             |        |     |       |
| 20   | 997 347 560 00 | support       |        | 1   | I099  |     |             |             |        |     |       |

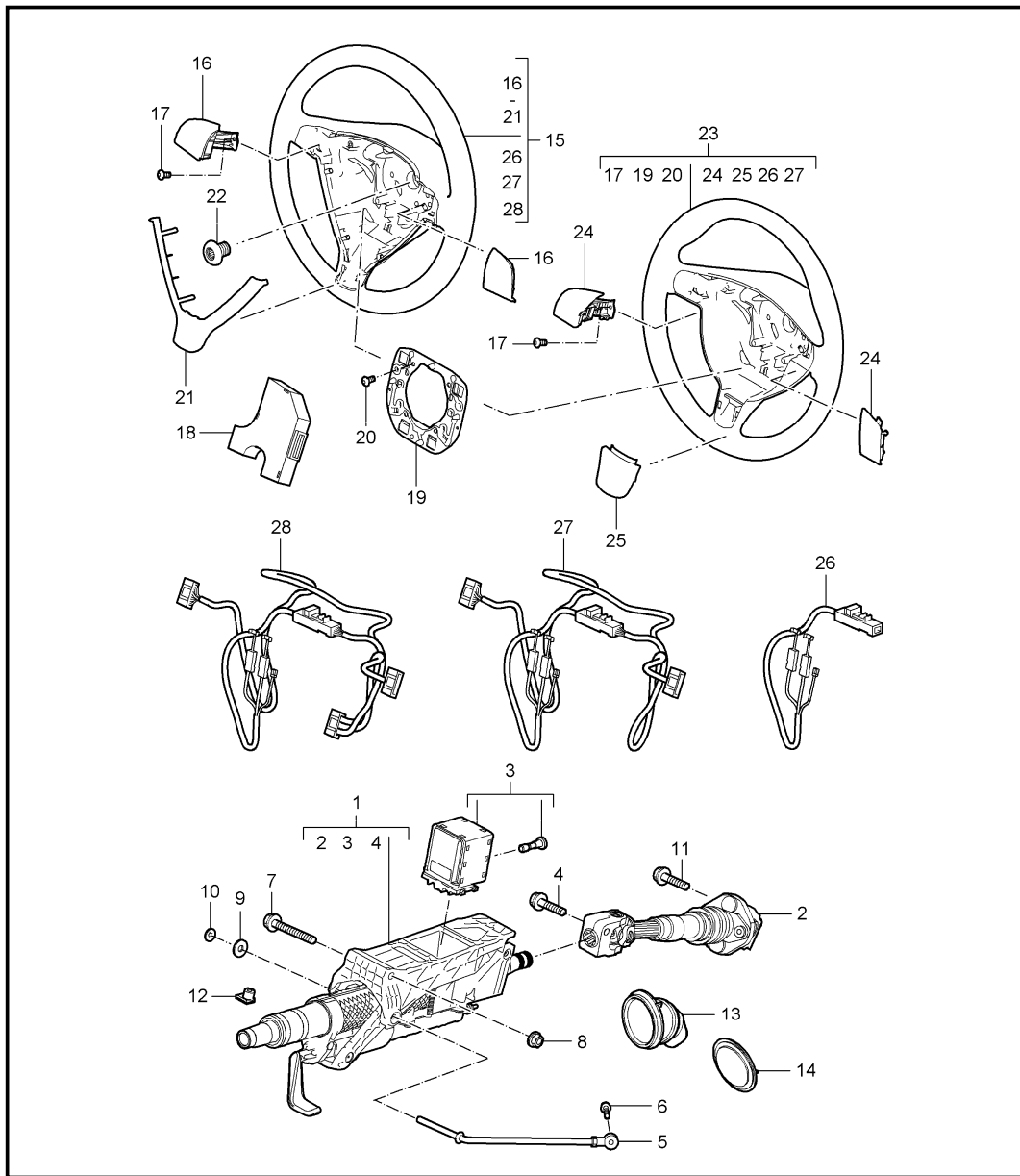
|       |      |    |    |              |              |     |       |            |         |     |         |
|-------|------|----|----|--------------|--------------|-----|-------|------------|---------|-----|---------|
| Model | Year | MG | SG | Illustration | Restrictions | UPD | 12:04 | 24.01.2010 | PORSCHE | PET | PORSCHE |
| 987C  | 2008 | 4  | 03 | 403-03       |              | 248 |       |            |         |     |         |



| Pos | Part Number      | Description  | Remark | Qty | Model |
|-----|------------------|--|--------|-----|-------|
|     |                  | power steering<br>power-steering pump<br>container |        |     |       |
| 1   | 987 314 225 00   | expansion tank                                     |        | 1   |       |
| 4   | 999 707 362 40   | sealing ring                                       |        | 1   |       |
| 5   | 999 707 363 40   | sealing ring                                       |        | 1   |       |
| 6   | 999 701 154 40   | sealing ring                                       |        | 2   |       |
| 7   | 987 314 223 00   | lid  |        | 1   |       |
| 8   | 997 314 220 00   | oil tank   |        | 1   |       |
| 9   | > 996 314 050 02 | power-steering pump                                |        | 1   |       |
| 10  | 996 314 320 03   | straight pin                                       |        | 2   |       |
| 11  | 996 314 431 05   | bracket  |        | 1   |       |
| 12  | 900 378 105 09   | hexagon-head bolt<br>AM 8 X 70                     |        | 2   |       |
| 13  | 996 147 223 60   | pulley   |        | 1   |       |
| 14  | 900 385 099 04   | torx screw<br>M 8 X 12                             |        | 3   |       |
| 15  | 999 707 204 40   | sealing ring<br>12.5 X 2N                          |        | 1   |       |
| 16  | 996 314 545 01   | hose   |        | 1   |       |
| 17  | 999 512 527 00   | clamp<br>8,5-10,0                                  |        | 1   |       |
| -   | 000 043 206 56   | pentosin<br>1000 ML                                |        | X   |       |
| 18  | 996 314 427 00   | guide  |        | 1   |       |



|       |      |    |    |              |              |     |       |            |         |     |         |
|-------|------|----|----|--------------|--------------|-----|-------|------------|---------|-----|---------|
| Model | Year | MG | SG | Illustration | Restrictions | UPD | 12:04 | 24.01.2010 | PORSCHE | PET | PORSCHE |
| 987C  | 2008 | 4  | 03 | 403-05       |              | 248 |       |            |         |     |         |



| Pos | Part Number      | Description  | Remark | Qty | Model |
|-----|------------------|--|--------|-----|-------|
| (1) | 997 347 007 10   | steering outer tube<br>steering shaft<br>steering wheels |        | 1   |       |
| 2   | A 997 347 023 03 | intermed. steering shaft                                 |        | 1   |       |
| (2) | 997 347 023 04   | intermed. steering shaft                                 |        | 1   |       |
| 3   | A 997 618 158 03 | control unit<br>steering column<br>with<br>screw         | -07    | 1   |       |
| (3) | 997 618 158 04   | control unit<br>steering column<br>with<br>screw         | 08-    | 1   |       |
| 4   | 999 217 042 09   | hexagon-head bolt<br>M 8 X 35                            |        | 1   |       |
| 5   | 997 347 243 00   | support  |        | 1   |       |
| 6   | 900 378 173 09   | hexagon-head bolt<br>AM 6 X 20                           |        | 1   |       |
| 7   | 900 378 095 09   | hexagon-head bolt<br>M 10 X 100                          |        | 1   |       |
| 8   | A 900 380 008 09 | hexagon nut<br>M 10                                      |        | 1   |       |
| 8   | 900 380 008 01   | hexagon nut<br>M 10                                      |        | 1   |       |
| 9   | 900 151 006 09   | washer   |        | 1   |       |
| 10  | 999 507 217 07   | clamping washer  |        | 1   |       |
| 11  | 999 217 042 09   | hexagon-head bolt<br>M 8 X 35                            |        | 1   |       |
| 12  | 999 920 019 40   | plug-in nut<br>3,5 X 2,5 X 9                             |        | 1   |       |
| 13  | 986 347 037 01   | bellows  |        | 1   |       |
| 14  | 996 347 339 02   | rubber seal<br>bulkhead                                  |        | 1   |       |

|       |      |    |    |              |              |     |       |            |         |     |         |
|-------|------|----|----|--------------|--------------|-----|-------|------------|---------|-----|---------|
| Model | Year | MG | SG | Illustration | Restrictions | UPD | 12:04 | 24.01.2010 | PORSCHE | PET | PORSCHE |
| 987C  | 2008 | 4  | 03 | 403-05       |              | 248 |       |            |         |     |         |

| Pos  | Part Number    | Description                           | Remark | Qty | Model        | Pos  | Part Number    | Description                                       | Remark | Qty | Model        |
|------|----------------|---------------------------------------|--------|-----|--------------|------|----------------|---|--------|-----|--------------|
| 15   | 997 347 804 03 | steering wheel<br>leather<br>embossed |        | 1   | I436/480/481 |      | FOP            | terracotta/terracotta                             |        |     |              |
|      | FOA            | black                                 |        |     |              |      | FOQ            | cocoa/cocoa                                       |        |     |              |
|      | FOB            | stone grey                            |        |     |              |      | FOR            | darkgrey natural/grey                             |        |     |              |
|      | FOC            | sand beige                            |        |     |              |      | FOS            | brown nat./brown nat.                             |        |     |              |
|      | FOD            | palmgreen                             |        |     |              | (15) | 997 347 804 11 | steering wheel<br>plain leather                   |        | 1   | I249/459     |
|      | FOE            | sea blue                              |        |     |              |      | FOK            | black/grey  |        |     |              |
|      | FOF            | terracotta                            |        |     |              |      | FOL            | stone grey/stone grey                             |        |     |              |
|      | FOG            | cocoa                                 |        |     |              |      | FOM            | sand beige/sand beige                             |        |     |              |
|      | FOH            | dark grey/natural                     |        |     |              |      | FON            | palmgreen/palmgreen                               |        |     |              |
|      | FOJ            | brown/natural                         |        |     |              |      | FOO            | sea blue/grey                                     |        |     |              |
| (15) | 997 347 804 04 | steering wheel<br>leather<br>embossed |        | 1   | I249/436     |      | FOP            | terracotta/terracotta                             |        |     |              |
|      | FOA            | black                                 |        |     |              |      | FOQ            | cocoa/cocoa                                       |        |     |              |
|      | FOB            | stone grey                            |        |     |              |      | FOR            | darkgrey natural/grey                             |        |     |              |
|      | FOC            | sand beige                            |        |     |              |      | FOS            | brown nat./brown nat.                             |        |     |              |
|      | FOD            | palmgreen                             |        |     |              | (15) | 997 347 804 05 | steering wheel<br>plain leather<br>multi-function |        | 1   | I431/480/481 |
|      | FOE            | sea blue                              |        |     |              |      | FOK            | black/grey  |        |     |              |
|      | FOF            | terracotta                            |        |     |              |      | FOL            | stone grey/stone grey                             |        |     |              |
|      | FOG            | cocoa                                 |        |     |              |      | FOM            | sand beige/sand beige                             |        |     |              |
|      | FOH            | dark grey/natural                     |        |     |              |      | FON            | palmgreen/palmgreen                               |        |     |              |
|      | FOJ            | brown/natural                         |        |     |              |      | FOO            | sea blue/grey                                     |        |     |              |
| (15) | 997 347 804 01 | steering wheel<br>plain leather       |        | 1   | I459/480/481 |      | FOP            | terracotta/terracotta                             |        |     |              |
|      | FOK            | black/grey                            |        |     |              |      | FOQ            | cocoa/cocoa                                       |        |     |              |
|      | FOL            | stone grey/stone grey                 |        |     |              |      | FOR            | darkgrey natural/grey                             |        |     |              |
|      | FOM            | sand beige/sand beige                 |        |     |              |      | FOS            | brown nat./brown nat.                             |        |     |              |
|      | FON            | palmgreen/palmgreen                   |        |     |              | (15) | 997 347 804 06 | steering wheel<br>plain leather<br>multi-function |        | 1   | I249/431     |
|      | FOO            | sea blue/grey                         |        |     |              |      | FOK            | black/grey  |        |     |              |

|       |      |    |    |              |              |     |       |            |         |     |         |
|-------|------|----|----|--------------|--------------|-----|-------|------------|---------|-----|---------|
| Model | Year | MG | SG | Illustration | Restrictions | UPD | 12:04 | 24.01.2010 | PORSCHE | PET | PORSCHE |
| 987C  | 2008 | 4  | 03 | 403-05       |              | 248 |       |            |         |     |         |

| Pos  | Part Number    | Description  | Remark | Qty | Model        | Pos  | Part Number    | Description   | Remark | Qty | Model        |
|------|----------------|--|--------|-----|--------------|------|----------------|---|--------|-----|--------------|
|      | FOL            | stone grey/stone grey                                |        |     |              |      | FOR            | darkgrey natural/grey                                     |        |     |              |
|      | FOM            | sand beige/sand beige                                |        |     |              |      | FOS            | brown nat./brown nat.                                     |        |     |              |
|      | FON            | palmgreen/palmgreen                                  |        |     |              | (15) | 997 347 804 23 | steering wheel<br>multi-function<br>wood<br>sycamore wood |        | 1   | I452/480/481 |
|      | FOO            | sea blue/grey  |        |     |              |      | FOK            | black/grey  |        |     |              |
|      | FOP            | terracotta/terracotta                                |        |     |              |      | FOL            | stone grey/stone grey                                     |        |     |              |
|      | FOQ            | cocoa/cocoa  |        |     |              |      | FOM            | sand beige/sand beige                                     |        |     |              |
|      | FOR            | darkgrey natural/grey                                |        |     |              |      | FON            | palmgreen/palmgreen                                       |        |     |              |
|      | FOS            | brown nat./brown nat.                                |        |     |              |      | FOO            | sea blue/grey   |        |     |              |
| (15) | 997 347 804 22 | steering wheel<br>multi-function<br>wood<br>macassar |        | 1   | I451/480/481 |      | FOP            | terracotta/terracotta                                     |        |     |              |
|      | FOK            | black/grey   |        |     |              |      | FOQ            | cocoa/cocoa   |        |     |              |
|      | FOL            | stone grey/stone grey                                |        |     |              |      | FOR            | darkgrey natural/grey                                     |        |     |              |
|      | FOM            | sand beige/sand beige                                |        |     |              |      | FOS            | brown nat./brown nat.                                     |        |     |              |
|      | FON            | palmgreen/palmgreen                                  |        |     |              | (15) | 997 347 804 33 | steering wheel<br>multi-function<br>wood<br>sycamore wood | -09    | 1   | I249/452     |
|      | FOO            | sea blue/grey  |        |     |              |      | FOK            | black/grey  |        |     |              |
|      | FOP            | terracotta/terracotta                                |        |     |              |      | FOL            | stone grey/stone grey                                     |        |     |              |
|      | FOQ            | cocoa/cocoa  |        |     |              |      | FOM            | sand beige/sand beige                                     |        |     |              |
|      | FOR            | darkgrey natural/grey                                |        |     |              |      | FON            | palmgreen/palmgreen                                       |        |     |              |
|      | FOS            | brown nat./brown nat.                                |        |     |              |      | FOO            | sea blue/grey   |        |     |              |
| (15) | 997 347 804 32 | steering wheel<br>multi-function<br>wood<br>macassar |        | 1   | I249/451     |      | FOP            | terracotta/terracotta                                     |        |     |              |
|      | FOK            | black/grey   |        |     |              |      | FOQ            | cocoa/cocoa   |        |     |              |
|      | FOL            | stone grey/stone grey                                |        |     |              |      | FOR            | darkgrey natural/grey                                     |        |     |              |
|      | FOM            | sand beige/sand beige                                |        |     |              |      | FOS            | brown nat./brown nat.                                     |        |     |              |
|      | FON            | palmgreen/palmgreen                                  |        |     |              | (15) | 997 347 804 24 | steering wheel<br>multi-function<br>carbon                |        | 1   | I453/480/481 |
|      | FOO            | sea blue/grey  |        |     |              |      | FOK            | black/grey  |        |     |              |
|      | FOP            | terracotta/terracotta                                |        |     |              |      | FOL            | stone grey/stone grey                                     |        |     |              |
|      | FOQ            | cocoa/cocoa  |        |     |              |      |                |   |        |     |              |

|       |      |    |    |              |              |     |       |            |         |     |         |
|-------|------|----|----|--------------|--------------|-----|-------|------------|---------|-----|---------|
| Model | Year | MG | SG | Illustration | Restrictions | UPD | 12:04 | 24.01.2010 | PORSCHE | PET | PORSCHE |
| 987C  | 2008 | 4  | 03 | 403-05       |              | 248 |       |            |         |     |         |

| Pos               | Part Number    | Description               | Remark           | Qty | Model    | Pos      | Part Number    | Description           | Remark           | Qty | Model    |    |   |          |   |      |
|-------------------|----------------|---------------------------|------------------|-----|----------|----------|----------------|-----------------------|------------------|-----|----------|----|---|----------|---|------|
| (15)              | 997 347 804 34 | FOM sand beige/sand beige |                  | 1   | I249/453 | (15)     | 997 347 981 01 | steering wheel        |                  | 1   | IXPV/432 |    |   |          |   |      |
|                   |                | FON palmgreen/palmgreen   |                  |     |          |          |                | multi-function        |                  |     |          |    |   |          |   |      |
|                   |                | FOO sea blue/grey         |                  |     |          |          |                | aluminium look        |                  |     |          |    |   |          |   |      |
|                   |                | FOP terracotta/terracotta |                  |     |          |          |                | A34 black             |                  |     |          |    |   |          |   |      |
|                   |                | FOQ cocoa/cocoa           |                  |     |          |          |                | B24 maroon            |                  |     |          |    |   |          |   |      |
|                   |                | FOR darkgrey natural/grey |                  |     |          |          |                | D14 dark grey/natural |                  |     |          |    |   |          |   |      |
|                   |                | FOS brown nat./brown nat. |                  |     |          |          |                | E24 sea blue          |                  |     |          |    |   |          |   |      |
|                   |                |                           |                  |     |          |          |                | J24 palmgreen         |                  |     |          |    |   |          |   |      |
|                   |                |                           |                  |     |          |          |                | M24 terracotta        |                  |     |          |    |   |          |   |      |
|                   |                |                           |                  |     |          |          |                | R24 cocoa             |                  |     |          |    |   |          |   |      |
| (15)              | 997 347 981 00 | steering wheel            |                  | 1   | IXPV/480 | (15)     | 997 347 837 00 | cover                 | /L               | 1   | I480/481 |    |   |          |   |      |
|                   |                | multi-function            |                  |     |          |          |                | V04 galvano silver    |                  |     |          |    |   |          |   |      |
|                   |                | aluminium look            |                  |     |          |          |                | (16) 997 347 838 00   | cover            |     |          | /R | 1 | I480/481 |   |      |
|                   |                | A34 black                 |                  |     |          |          |                | V04 galvano silver    |                  |     |          |    |   |          |   |      |
|                   |                | B24 stone grey            |                  |     |          |          |                | (16) 997 613 431 02   | switching module |     |          | /L |   |          | 1 | I249 |
|                   |                | D14 dark grey/natural     |                  |     |          |          |                | with                  |                  |     |          |    |   |          |   |      |
|                   |                | E24 sea blue              |                  |     |          |          |                | tiptronic             |                  |     |          |    |   |          |   |      |
|                   |                | J24 palmgreen             |                  |     |          |          |                | lever                 |                  |     |          |    |   |          |   |      |
|                   |                | M24 terracotta            |                  |     |          |          |                | V04 galvano silver    |                  |     |          |    |   |          |   |      |
|                   |                | R24 cocoa                 |                  |     |          |          |                | (16) 997 613 432 02   | switching module |     |          | /R |   |          |   |      |
| T24 sand beige    |                | with                      |                  |     |          |          |                |                       |                  |     |          |    |   |          |   |      |
| T34 brown/natural |                | tiptronic                 |                  |     |          |          |                |                       |                  |     |          |    |   |          |   |      |
|                   |                | lever                     |                  |     |          |          |                |                       |                  |     |          |    |   |          |   |      |
|                   |                | V04 galvano silver        |                  |     |          |          |                |                       |                  |     |          |    |   |          |   |      |
|                   |                | (16) 997 613 433 02       | switching module | /L  | 1        | I480/481 |                |                       |                  |     |          |    |   |          |   |      |
|                   |                | multi-function            |                  |     |          |          |                |                       |                  |     |          |    |   |          |   |      |
|                   |                | manual transmission       |                  |     |          |          |                |                       |                  |     |          |    |   |          |   |      |
|                   |                | V04 galvano silver        |                  |     |          |          |                |                       |                  |     |          |    |   |          |   |      |
|                   |                | F >>987U7 52071           |                  |     |          |          |                |                       |                  |     |          |    |   |          |   |      |
|                   |                | F >>987U7 71010           |                  |     |          |          |                |                       |                  |     |          |    |   |          |   |      |
|                   |                | (16) 997 613 433 03       | switching module | /L  |          |          | 1              | I480/481              |                  |     |          |    |   |          |   |      |
|                   |                | multi-function            |                  |     |          |          |                |                       |                  |     |          |    |   |          |   |      |
|                   |                | manual transmission       |                  |     |          |          |                |                       |                  |     |          |    |   |          |   |      |

|       |      |    |    |              |              |     |       |            |         |     |         |
|-------|------|----|----|--------------|--------------|-----|-------|------------|---------|-----|---------|
| Model | Year | MG | SG | Illustration | Restrictions | UPD | 12:04 | 24.01.2010 | PORSCHE | PET | PORSCHE |
| 987C  | 2008 | 4  | 03 | 403-05       |              | 248 |       |            |         |     |         |

| Pos    | Part Number    | Description  | Remark | Qty | Model    | Pos    | Part Number    | Description  | Remark | Qty | Model                |
|--------|----------------|--|--------|-----|----------|--------|----------------|--|--------|-----|----------------------|
|        | V04            | galvano silver<br>F 987U7 52072>><br>F 987U7 71011>><br>use also:<br>F >>987U7 52071<br>F >>987U7 71010<br>997.613.434.03 V04<br>997.613.445.03<br>see technical manual<br>group<br>91 6119<br>91 7719 |        |     |          |        | V04            | galvano silver<br>F 987U7 52072>><br>F 987U7 71011>><br>use also:<br>F >>987U7 52071<br>F >>987U7 71010<br>997.613.436.03 V04<br>997.613.445.03<br>see technical manual<br>group<br>91 6119<br>91 7719 |        |     |                      |
| (16)   | 997 613 434 02 | switching module<br>multi-function<br>manual transmission  | /R     | 1   | I480/481 | (16) A | 997 613 436 02 | switching module<br>multi-function<br>with<br>tiptronic<br>lever   | /R     | 1   | I249                 |
|        | V04            | galvano silver<br>F >>987U7 52071<br>F >>987U7 71010   |        |     |          |        | V04            | galvano silver<br>F >>987U7 52071<br>F >>987U7 71010   |        |     |                      |
| (16)   | 997 613 434 03 | switching module<br>multi-function<br>manual transmission  |        | 1   |          | (16)   | 997 613 436 03 | switching module<br>multi-function<br>with<br>tiptronic<br>lever   | /R     | 1   | I249                 |
|        | V04            | galvano silver<br>F 987U7 52072>><br>F 987U7 71011>><br>use also:<br>F >>987U7 52071<br>F >>987U7 71010<br>997.613.433.03 V04<br>997.613.445.03<br>see technical manual<br>group<br>91 6119<br>91 7719 |        |     |          |        | V04            | galvano silver<br>F 987U7 52072>><br>F 987U7 71011>><br>use also:<br>F >>987U7 52071<br>F >>987U7 71010<br>997.613.435.03 V04<br>997.613.445.03<br>see technical manual<br>group<br>91 6119<br>91 7719 |        |     |                      |
| (16) A | 997 613 435 02 | switching module<br>multi-function<br>with<br>tiptronic<br>lever   | /L     | 1   | I249     | 17     | 999 073 318 09 | half-round screw<br>M 4 X 10   |        | 2   |                      |
|        | V04            | galvano silver<br>F >>987U7 52071<br>F >>987U7 71010   |        |     |          | 18     | 997 613 445 02 | electronic unit<br>multi-function<br>F >>987U7 52071<br>F >>987U7 71010  |        | 1   | I431/451<br>I452/453 |
| (16)   | 997 613 435 03 | switching module<br>multi-function<br>with<br>tiptronic<br>lever   | /L     | 1   | I249     |        |                |  |        |     |                      |

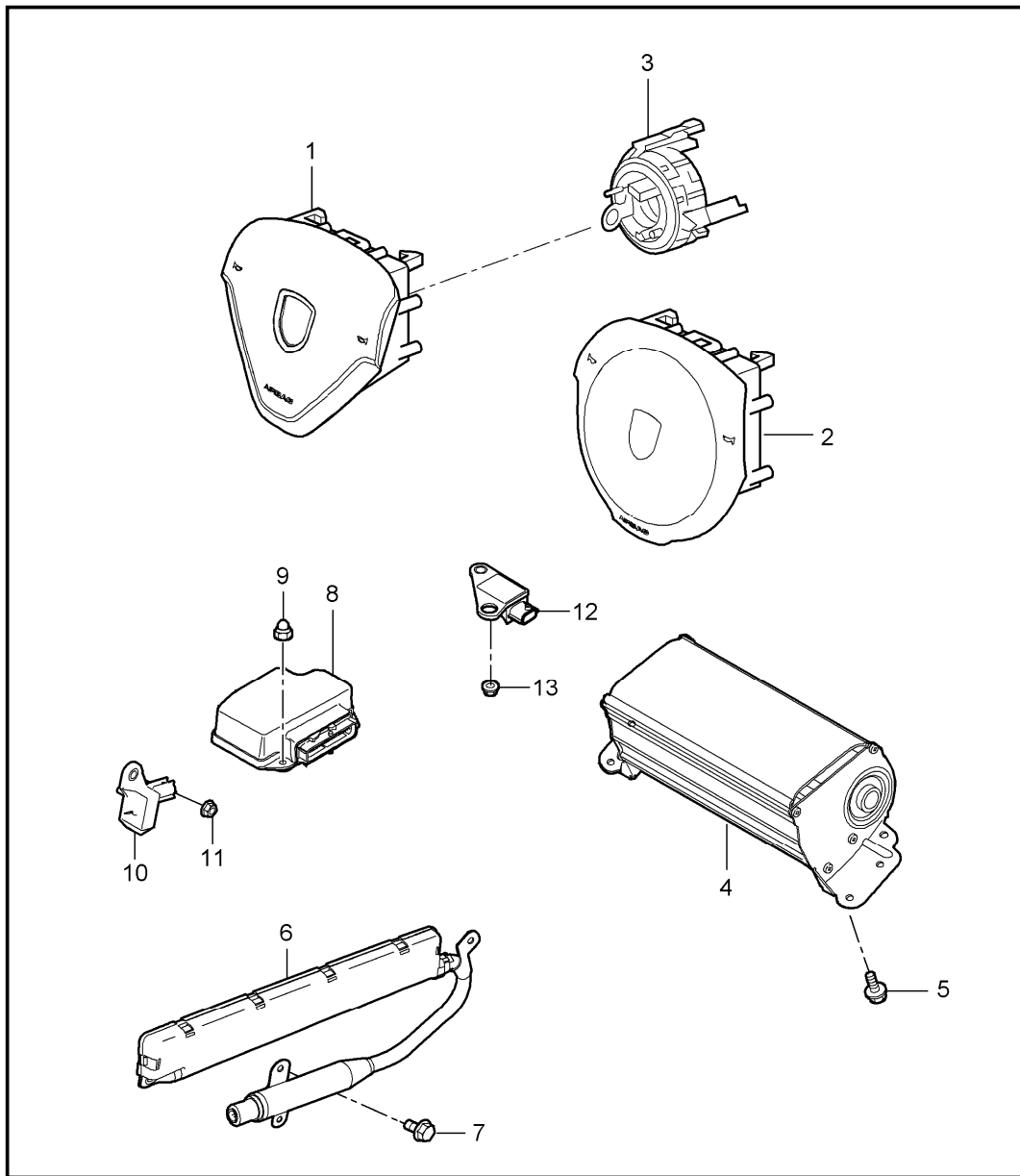
|       |      |    |    |              |              |     |       |            |         |     |         |
|-------|------|----|----|--------------|--------------|-----|-------|------------|---------|-----|---------|
| Model | Year | MG | SG | Illustration | Restrictions | UPD | 12:04 | 24.01.2010 | PORSCHE | PET | PORSCHE |
| 987C  | 2008 | 4  | 03 | 403-05       |              | 248 |       |            |         |     |         |

| Pos  | Part Number    | Description   | Remark | Qty | Model                | Pos  | Part Number    | Description                            | Remark | Qty | Model        |
|------|----------------|---|--------|-----|----------------------|------|----------------|--|--------|-----|--------------|
| (18) | 997 613 445 03 | electronic unit<br>multi-function<br>F 987U7 52072>><br>F 987U7 71011>><br>use also:<br>F >>987U7 52071<br>F >>987U7 70110<br>see technical manual<br>group<br>91 6119<br>91 7719 |        | 1   | I431/451<br>I452/453 |      | FOE            | sea blue                               |        |     |              |
|      |                |   |        |     |                      |      | FOF            | terracotta                             |        |     |              |
|      |                |   |        |     |                      |      | FOG            | cocoa                                  |        |     |              |
|      |                |   |        |     |                      |      | FOH            | dark grey/natural                      |        |     |              |
|      |                |   |        |     |                      |      | FOJ            | brown/natural                          |        |     |              |
|      |                |   |        |     |                      | (23) | 997 347 804 41 | sports steering wheel<br>plain leather |        | 1   | I460/480/481 |
| 19   | 997 347 880 00 | retaining frame   |        | 1   |                      |      | FOK            | black/grey                             |        |     |              |
| 20   | 999 141 022 09 | round head screw<br>M 5 X 12,5  |        | 4   |                      |      | FOL            | stone grey/stone grey                  |        |     |              |
| 21   | 997 347 821 00 | cover   |        | 1   |                      |      | FOM            | sand beige/sand beige                  |        |     |              |
|      | D07            | volcano grey  |        |     |                      |      | FON            | palmgreen/palmgreen                    |        |     |              |
| 22   | N 910 207 01   | screw<br>M 18 X 1,5 X 26  |        | 1   |                      |      | FOO            | sea blue/grey                          |        |     |              |
| 23   | 997 347 804 40 | sports steering wheel<br>leather<br>embossed  |        | 1   | I435/480/481         |      | FOP            | terracotta/terracotta                  |        |     |              |
|      | FOA            | black   |        |     |                      |      | FOQ            | cocoa/cocoa                            |        |     |              |
|      | FOB            | stone grey  |        |     |                      |      | FOR            | darkgrey natural/grey                  |        |     |              |
|      | FOC            | sand beige  |        |     |                      |      | FOS            | brown nat./brown nat.                  |        |     |              |
|      | FOD            | palmgreen   |        |     |                      | (23) | 997 347 804 51 | sports steering wheel<br>plain leather |        | 1   | I249/460     |
|      | FOE            | sea blue  |        |     |                      |      | FOK            | black/grey                             |        |     |              |
|      | FOF            | terracotta  |        |     |                      |      | FOL            | stone grey/stone grey                  |        |     |              |
|      | FOG            | cocoa   |        |     |                      |      | FOM            | sand beige/sand beige                  |        |     |              |
|      | FOH            | dark grey/natural   |        |     |                      |      | FON            | palmgreen/palmgreen                    |        |     |              |
|      | FOJ            | brown/natural   |        |     |                      |      | FOO            | sea blue/grey                          |        |     |              |
|      |                |   |        |     |                      |      | FOP            | terracotta/terracotta                  |        |     |              |
| (23) | 997 347 804 50 | sports steering wheel<br>leather<br>embossed  |        | 1   | I249/435             |      | FOQ            | cocoa/cocoa                            |        |     |              |
|      | FOA            | black   |        |     |                      |      | FOR            | darkgrey natural/grey                  |        |     |              |
|      | FOB            | stone grey  |        |     |                      |      | FOS            | brown nat./brown nat.                  |        |     |              |
|      | FOC            | sand beige  |        |     |                      | (23) | 997 347 980 00 | sports steering wheel<br>leather       |        | 1   | IXPA/480     |
|      | FOD            | palmgreen   |        |     |                      |      | A34            | black                                  |        |     |              |

|       |      |    |    |              |              |     |       |            |         |     |         |
|-------|------|----|----|--------------|--------------|-----|-------|------------|---------|-----|---------|
| Model | Year | MG | SG | Illustration | Restrictions | UPD | 12:04 | 24.01.2010 | PORSCHE | PET | PORSCHE |
| 987C  | 2008 | 4  | 03 | 403-05       |              | 248 |       |            |         |     |         |

| Pos  | Part Number    | Description                                   | Remark | Qty | Model    | Pos  | Part Number    | Description   | Remark | Qty | Model                |
|------|----------------|---|--------|-----|----------|------|----------------|---|--------|-----|----------------------|
|      | B24            | stone grey                                    |        |     |          | (23) | 997 347 804 93 | sports steering wheel<br>leather<br>alcantara   |        | 1   | I249/755             |
|      | D14            | dark grey/natural                             |        |     |          |      | A15            | black   |        |     |                      |
|      | E24            | sea blue                                      |        |     |          | 24   | 997 347 837 40 | cover   | /L     | 1   | I480/481             |
|      | J24            | palmgreen                                     |        |     |          |      | V04            | galvano silver  |        |     |                      |
|      | M24            | terracotta                                    |        |     |          | (24) | 997 347 838 40 | cover   | /R     | 1   | I480/481             |
|      | R24            | cocoa   |        |     |          |      | V04            | galvano silver  |        |     |                      |
|      | T24            | sand beige                                    |        |     |          | (24) | 997 613 437 02 | switching module<br>with<br>tiptronic<br>lever  | /L     | 1   | I249                 |
|      | T34            | brown/natural                                 |        |     |          |      | V04            | galvano silver  |        |     |                      |
| (23) | 997 347 980 01 | sports steering wheel<br>leather              |        | 1   | IXPA/432 | (24) | 997 613 438 02 | switching module<br>with<br>tiptronic<br>lever  | /R     | 1   | I249                 |
|      | A34            | black   |        |     |          |      | V04            | galvano silver  |        |     |                      |
|      | B24            | stone grey                                    |        |     |          | (24) | 997 613 438 02 | switching module<br>with<br>tiptronic<br>lever  |        | 1   | I249                 |
|      | D14            | dark grey/natural                             |        |     |          |      | V04            | galvano silver  |        |     |                      |
|      | E24            | sea blue                                      |        |     |          | 25   | 997 347 821 40 | cover   |        | 1   |                      |
|      | J24            | palmgreen                                     |        |     |          |      | V04            | galvano silver  |        |     |                      |
|      | M24            | terracotta                                    |        |     |          | 26   | 997 612 672 00 | wiring harness<br>3-spoke steering wheel<br>sports steering wheel<br>without<br>multi-function<br>manual transmission |        | 1   | I480/481             |
|      | R24            | cocoa   |        |     |          |      |                |   |        |     |                      |
|      | T24            | sand beige                                    |        |     |          | 27   | 997 612 674 00 | wiring harness<br>3-spoke steering wheel<br>sports steering wheel<br>without<br>multi-function<br>tiptronic           |        | 1   | I249                 |
|      | T34            | brown/natural                                 |        |     |          |      |                |   |        |     |                      |
| (23) | 997 347 804 91 | sports steering wheel<br>leather<br>alcantara |        | 1   | I758     | 28   | 997 612 673 00 | wiring harness<br>3-spoke steering wheel<br>with<br>multi-function<br>manual transmission<br>tiptronic                |        | 1   | I431/451<br>I452/453 |
|      | A15            | black   |        |     |          |      |                |   |        |     |                      |
| (23) | 997 347 804 91 | sports steering wheel<br>leather<br>alcantara |        | 1   | I755     |      |                |   |        |     |                      |
|      | A15            | black   |        |     |          |      |                |   |        |     |                      |
| (23) | 997 347 804 93 | sports steering wheel<br>leather<br>alcantara |        | 1   | I249/758 |      |                |   |        |     |                      |
|      | A15            | black   |        |     |          |      |                |   |        |     |                      |

|       |      |    |    |              |              |     |       |            |         |     |         |
|-------|------|----|----|--------------|--------------|-----|-------|------------|---------|-----|---------|
| Model | Year | MG | SG | Illustration | Restrictions | UPD | 12:04 | 24.01.2010 | PORSCHE | PET | PORSCHE |
| 987C  | 2008 | 4  | 03 | 403-06       |              | 248 |       |            |         |     |         |



| Pos | Part Number    | Description  | Remark | Qty | Model                            |
|-----|----------------|--|--------|-----|----------------------------------|
| 1   | 997 803 089 05 | airbag unit<br>3-spoke steering wheel<br>plastic material<br>crest<br>coloured |        | 1   | I436                             |
|     | A32            | black  |        |     |                                  |
|     | B22            | stone grey   |        |     |                                  |
|     | T22            | sand beige   |        |     |                                  |
|     | E22            | sea blue   |        |     |                                  |
|     | J22            | palmgreen  |        |     |                                  |
|     | M22            | terracotta   |        |     |                                  |
|     | R32            | cocoa  |        |     |                                  |
|     | T32            | brown/natural  |        |     |                                  |
| (1) | 997 803 089 06 | airbag unit<br>3-spoke steering wheel<br>leather<br>crest<br>coloured          |        | 1   | I431/451<br>I452/453<br>I459/991 |
|     | A34            | black  |        |     |                                  |
|     | B24            | stone grey   |        |     |                                  |
|     | T24            | sand beige   |        |     |                                  |
|     | E24            | sea blue   |        |     |                                  |
|     | J24            | palmgreen  |        |     |                                  |
|     | M24            | terracotta   |        |     |                                  |
|     | R24            | cocoa  |        |     |                                  |
|     | D14            | dark grey/natural  |        |     |                                  |
|     | T34            | brown/natural  |        |     |                                  |
| (1) | 997 803 089 06 | airbag unit<br>3-spoke steering wheel<br>leather<br>crest<br>coloured          |        | 1   | IXPV/991                         |
|     | A34            | black  |        |     |                                  |
|     | B24            | stone grey   |        |     |                                  |



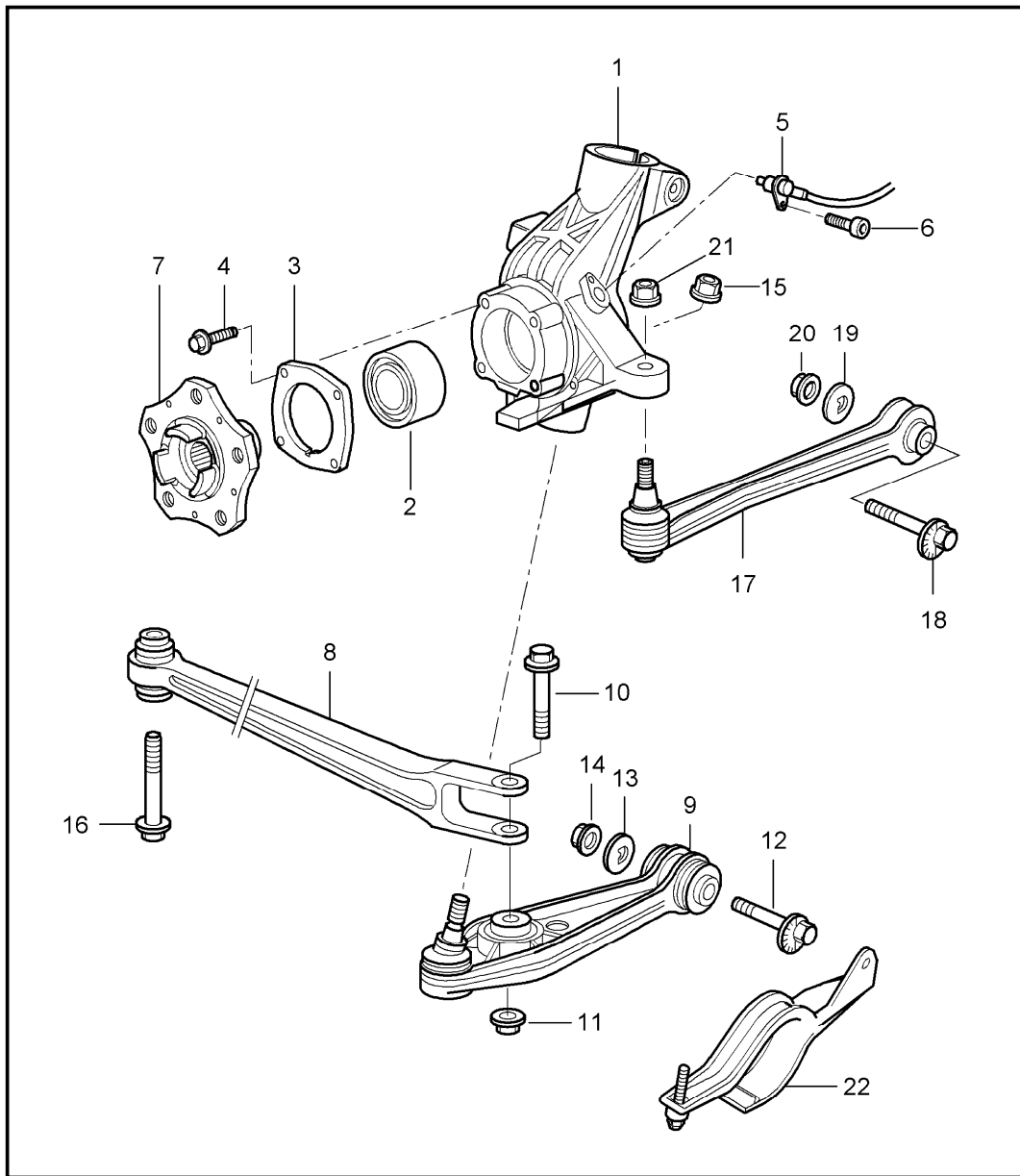
|       |      |    |    |              |              |     |       |            |         |     |         |
|-------|------|----|----|--------------|--------------|-----|-------|------------|---------|-----|---------|
| Model | Year | MG | SG | Illustration | Restrictions | UPD | 12:04 | 24.01.2010 | PORSCHE | PET | PORSCHE |
| 987C  | 2008 | 4  | 03 | 403-06       |              | 248 |       |            |         |     |         |

| Pos | Part Number    | Description   | Remark | Qty | Model    | Pos | Part Number    | Description  | Remark | Qty | Model    |
|-----|----------------|---|--------|-----|----------|-----|----------------|--|--------|-----|----------|
|     | T24            | sand beige  |        |     |          |     | T34            | brown/natural  |        |     |          |
|     | E24            | sea blue  |        |     |          | (2) | 997 803 089 08 | airbag unit<br>sports steering wheel<br>leather<br>crest<br>coloured |        | 1   | IXPA/991 |
|     | J24            | palmgreen   |        |     |          |     | A34            | black  |        |     |          |
|     | M24            | terracotta  |        |     |          |     | B24            | stone grey   |        |     |          |
|     | R24            | cocoa   |        |     |          |     | T24            | sand beige   |        |     |          |
|     | D14            | dark grey/natural   |        |     |          |     | E24            | sea blue   |        |     |          |
|     | T34            | brown/natural   |        |     |          |     | J24            | palmgreen  |        |     |          |
| 2   | 997 803 089 07 | airbag unit<br>sports steering wheel<br>plastic material<br>crest<br>coloured |        | 1   | I435     |     | M24            | terracotta   |        |     |          |
|     | A32            | black   |        |     |          |     | R24            | cocoa  |        |     |          |
|     | B22            | stone grey  |        |     |          |     | D14            | dark grey/natural  |        |     |          |
|     | T22            | sand beige  |        |     |          |     | T34            | brown/natural  |        |     |          |
|     | E22            | sea blue  |        |     |          | (2) | 997 803 089 91 | airbag unit<br>leather<br>alcantara                                  |        | 1   | I432/755 |
|     | J22            | palmgreen   |        |     |          |     | A34            | black  |        |     |          |
|     | M22            | terracotta  |        |     |          | (2) | 997 803 089 17 | airbag unit<br>sports steering wheel<br>leather<br>crest<br>coloured |        | 1   | I433/755 |
|     | R32            | cocoa   |        |     |          |     | A34            | black  |        |     |          |
|     | T32            | brown/natural   |        |     |          | (2) | 997 803 089 17 | airbag unit<br>sports steering wheel<br>leather<br>crest<br>coloured |        | 1   | I433/758 |
| (2) | 997 803 089 08 | airbag unit<br>sports steering wheel<br>leather<br>crest<br>coloured          |        | 1   | I460/991 |     | B24            | stone grey   |        |     |          |
|     | A34            | black   |        |     |          | 3   | 955 652 211 10 | spring<br>with<br>steering-angle sensor                              |        | 1   |          |
|     | B24            | stone grey  |        |     |          | 4   | 997 803 071 07 | airbag unit<br>passenger's side                                      |        | 1   |          |
|     | T24            | sand beige  |        |     |          | 5   | 900 378 222 09 | hexagon-head bolt<br>M 6 X 16  |        | 4   |          |
|     | E24            | sea blue  |        |     |          |     |                |  |        |     |          |
|     | J24            | palmgreen   |        |     |          |     |                |  |        |     |          |
|     | M24            | terracotta  |        |     |          |     |                |  |        |     |          |
|     | R24            | cocoa   |        |     |          |     |                |  |        |     |          |
|     | D14            | dark grey/natural   |        |     |          |     |                |  |        |     |          |

|       |      |    |    |              |              |     |       |            |         |     |         |
|-------|------|----|----|--------------|--------------|-----|-------|------------|---------|-----|---------|
| Model | Year | MG | SG | Illustration | Restrictions | UPD | 12:04 | 24.01.2010 | PORSCHE | PET | PORSCHE |
| 987C  | 2008 | 4  | 03 | 403-06       |              | 248 |       |            |         |     |         |

| Pos  | Part Number      | Description                            | Remark | Qty | Model | Pos | Part Number | Description | Remark | Qty | Model |
|------|------------------|--|--------|-----|-------|-----|-------------|-------------|--------|-----|-------|
| 6    | 997 803 091 03   | side airbag<br>for<br>head airbag      | /L     | 1   |       |     |             |             |        |     |       |
| (6)  | 997 803 092 03   | side airbag<br>for<br>head airbag      | /R     | 1   |       |     |             |             |        |     |       |
| 7    | 900 378 035 01   | hexagon-head bolt<br>M 6 X 16          |        | 6   |       |     |             |             |        |     |       |
| 8    | 997 618 217 08   | control unit                           |        | 1   |       |     |             |             |        |     |       |
| 9    | 999 070 015 02   | cap nut<br>M 6                         |        | 3   |       |     |             |             |        |     |       |
| 10   | 997 618 221 00   | sensor<br>side airbag                  |        | 2   |       |     |             |             |        |     |       |
| 11   | 999 084 629 09   | hexagon nut<br>M 6                     |        | 8   |       |     |             |             |        |     |       |
| 12   | A 997 618 223 00 | acceleration sensor<br>airbag<br>front |        | 06  |       |     |             |             |        |     |       |
| (12) | 997 618 223 01   | acceleration sensor<br>airbag<br>front |        | 07- |       |     |             |             |        |     |       |
| 13   | 999 084 638 01   | hexagon nut<br>M 6 SB                  |        | 2   |       |     |             |             |        |     |       |

|       |      |    |    |              |              |     |       |            |         |     |         |
|-------|------|----|----|--------------|--------------|-----|-------|------------|---------|-----|---------|
| Model | Year | MG | SG | Illustration | Restrictions | UPD | 12:05 | 24.01.2010 | PORSCHE | PET | PORSCHE |
| 987C  | 2008 | 5  | 01 | 501-00       |              | 248 |       |            |         |     |         |

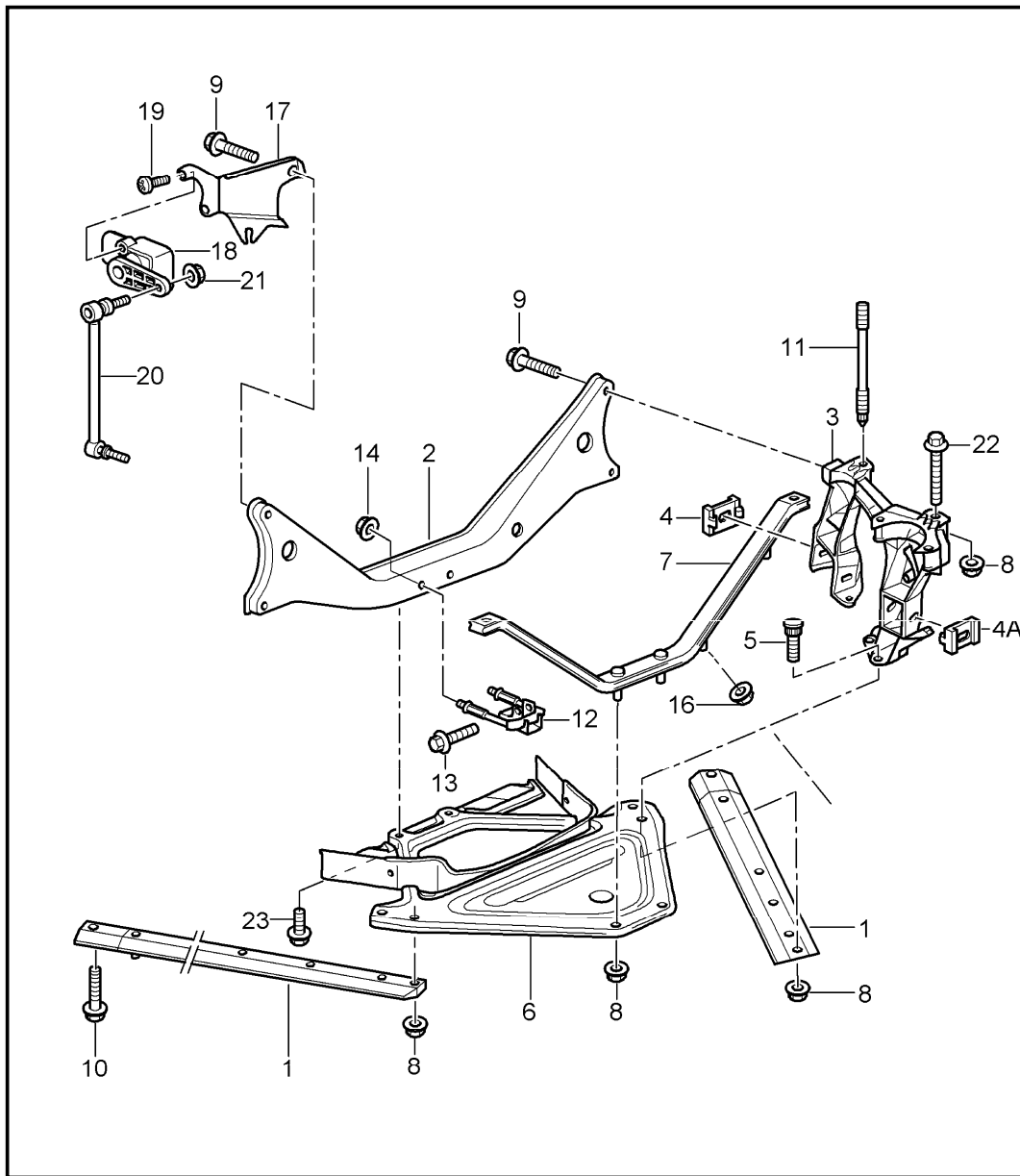


| Pos  | Part Number      | Description  | Remark        | Qty | Model |
|------|------------------|--|---------------|-----|-------|
|      |                  | rear axle<br>wheel carrier<br>control arm<br>wheel hub                     |               |     |       |
| 1    | 987 331 157 06   | wheel carrier  | /L            | 1   |       |
| (1)  | 987 331 158 06   | wheel carrier  | /R            | 1   |       |
| 2    | 999 053 054 05   | angular-contact bearing  |               | 2   |       |
| (3)  | 986 331 661 20   | lid  |               | 2   |       |
| 4    | 999 217 042 09   | hexagon-head bolt<br>M 8 X 35  |               | 8   |       |
| (5)  | 997 606 407 01   | speed sensor   |               | 2   |       |
| 6    | 900 067 117 09   | pan-head screw<br>M 6 x 16   |               | 2   |       |
| 7    | 997 341 605 01   | wheel hub  |               | 2   |       |
| 8    | 987 331 043 02   | control arm  |               | 2   |       |
| 9    | 996 341 053 17   | wishbone<br>F  | >>986U7 74551 | 2   |       |
| (9)  | 997 331 053 01   | wishbone<br>F 986U7 74552>><br>F 986U7 83369>>                             |               | 2   |       |
| 10   | A 900 378 135 09 | hexagon-head bolt<br>M 14 X 1,5 X 75                                       |               | 2   |       |
| (10) | 900 378 135 01   | hexagon-head bolt<br>m 14 x 1,5 x 75                                       |               | 2   |       |
| 11   | A 900 380 012 09 | hexagon nut<br>M 14 X 1,5  |               | 2   |       |
| 11   | 900 380 012 01   | hexagon nut<br>M 14 X 1,5  |               | 2   |       |
| (12) | 996 331 217 03   | eccentric screw<br>M 12 X 100  |               | 2   |       |
| (12) | 996 331 217 04   | eccentric screw<br>M 12 X 105<br>technical information<br>Nr.4238<br>20/07 |               | 2   |       |
| 13   | 996 331 219 00   | eccentric washer   |               | 2   |       |
| 14   | 999 084 445 01   | lock nut<br>M 12 X 1,5   |               | 4   |       |

|       |      |    |    |              |              |     |       |            |         |     |         |
|-------|------|----|----|--------------|--------------|-----|-------|------------|---------|-----|---------|
| Model | Year | MG | SG | Illustration | Restrictions | UPD | 12:05 | 24.01.2010 | PORSCHE | PET | PORSCHE |
| 987C  | 2008 | 5  | 01 | 501-00       |              | 248 |       |            |         |     |         |

| Pos | Part Number    | Description                          | Remark | Qty | Model | Pos | Part Number | Description | Remark | Qty | Model |
|-----|----------------|--------------------------------------|--------|-----|-------|-----|-------------|-------------|--------|-----|-------|
| 15  | 999 084 449 09 | hexagon nut<br>M 12 X 1,5            |        | 2   |       |     |             |             |        |     |       |
| 16  | 900 378 209 09 | hexagon-head bolt<br>M 14 X 1,5 X 90 |        | 2   |       |     |             |             |        |     |       |
| -   | 986 331 023 00 | nut lock                             |        | 2   |       |     |             |             |        |     |       |
| 17  | 997 331 045 04 | track rod                            |        | 2   |       |     |             |             |        |     |       |
| 18  | 996 331 217 02 | eccentric screw<br>M 12 X 83         |        | 2   |       |     |             |             |        |     |       |
| 19  | 996 331 219 00 | eccentric washer                     |        | 2   |       |     |             |             |        |     |       |
| 20  | 999 084 445 01 | lock nut<br>M 12 X 1,5               |        | 2   |       |     |             |             |        |     |       |
| 21  | 999 084 449 09 | hexagon nut<br>M 12 X 1,5            |        | 2   |       |     |             |             |        |     |       |
| 22  | 987 331 371 02 | support                              | /L     | 2   | I601  |     |             |             |        |     |       |
| -   | 997 361 605 90 | spacer ring<br>5 mm                  |        | 2   | IXRP  |     |             |             |        |     |       |

|       |      |    |    |              |              |     |       |            |         |     |         |
|-------|------|----|----|--------------|--------------|-----|-------|------------|---------|-----|---------|
| Model | Year | MG | SG | Illustration | Restrictions | UPD | 12:05 | 24.01.2010 | PORSCHE | PET | PORSCHE |
| 987C  | 2008 | 5  | 01 | 501-01       |              | 248 |       |            |         |     |         |

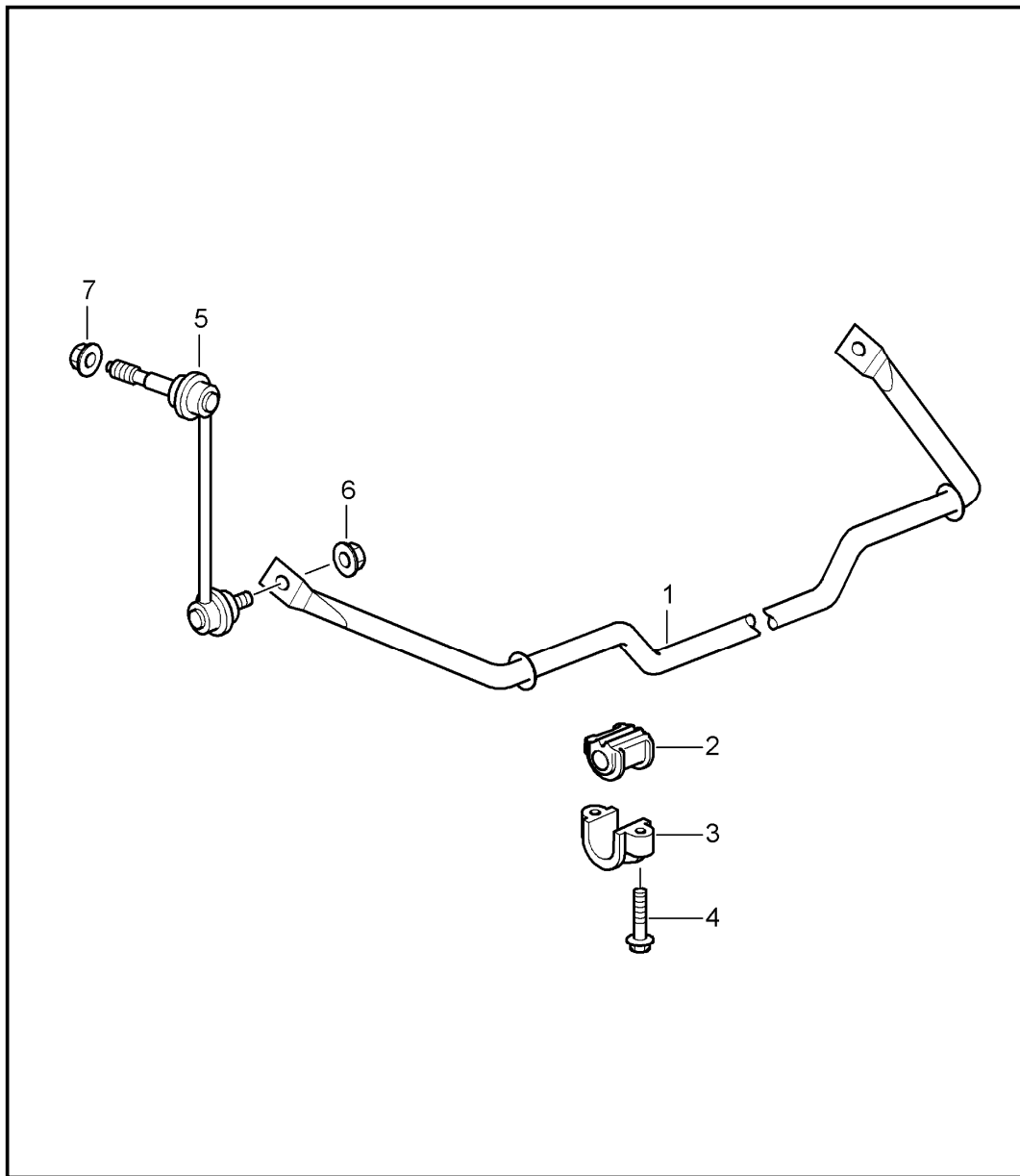


| Pos | Part Number    | Description   | Remark | Qty | Model |
|-----|----------------|---|--------|-----|-------|
|     |                | rear axle<br>side section<br>bracket                      |        |     |       |
| 1   | 986 331 031 01 | strut<br>F >>988U7 50898<br>F >>988U7 70637               | /L     | 1   |       |
| (1) | 987 331 031 20 | strut<br>F 988U7 50899>><br>F 988U7 70638>>               | /L     | 1   |       |
| (1) | 986 331 032 01 | strut<br>F >>988U7 50898<br>F >>988U7 70637               | /R     | 1   |       |
| (1) | 987 331 032 20 | strut<br>F 988U7 50899>><br>F 988U7 70638>>               | /R     | 1   |       |
| 2   | 986 331 071 10 | cross member  |        | 1   |       |
| 3   | 987 331 051 04 | side section  | /L     | 1   |       |
| (3) | 987 331 052 04 | side section<br>technical information<br>Nr.4238<br>20/07 | /R     | 1   |       |
| 4   | 986 331 351 01 | clip  |        | 6   |       |
| 5   | 999 080 031 09 | fastening screw   | -07    | 8   |       |
| (5) | 999 080 031 01 | fastening screw   | 08-    | 8   |       |
| 6   | 987 331 161 02 | bracket   |        | 1   | I481  |
| (6) | 987 331 161 01 | bracket   |        | 1   | I249  |
| (6) | 987 331 161 00 | bracket   |        | 1   | I480  |
| -   | 986 331 361 03 | spoiler   |        | 2   |       |
| -   | 999 507 774 40 | push button<br>A 3,9                                      |        | 2   |       |
| -   | 999 507 775 40 | push button<br>B 3,9                                      |        | 2   |       |
| 7   | 986 331 093 03 | strut   |        | 1   |       |
| - A | 999 072 032 09 | hexagon-head bolt<br>M 10 X 75                            |        | 2   |       |

|       |      |    |    |              |              |     |       |            |         |     |         |
|-------|------|----|----|--------------|--------------|-----|-------|------------|---------|-----|---------|
| Model | Year | MG | SG | Illustration | Restrictions | UPD | 12:05 | 24.01.2010 | PORSCHE | PET | PORSCHE |
| 987C  | 2008 | 5  | 01 | 501-01       |              | 248 |       |            |         |     |         |

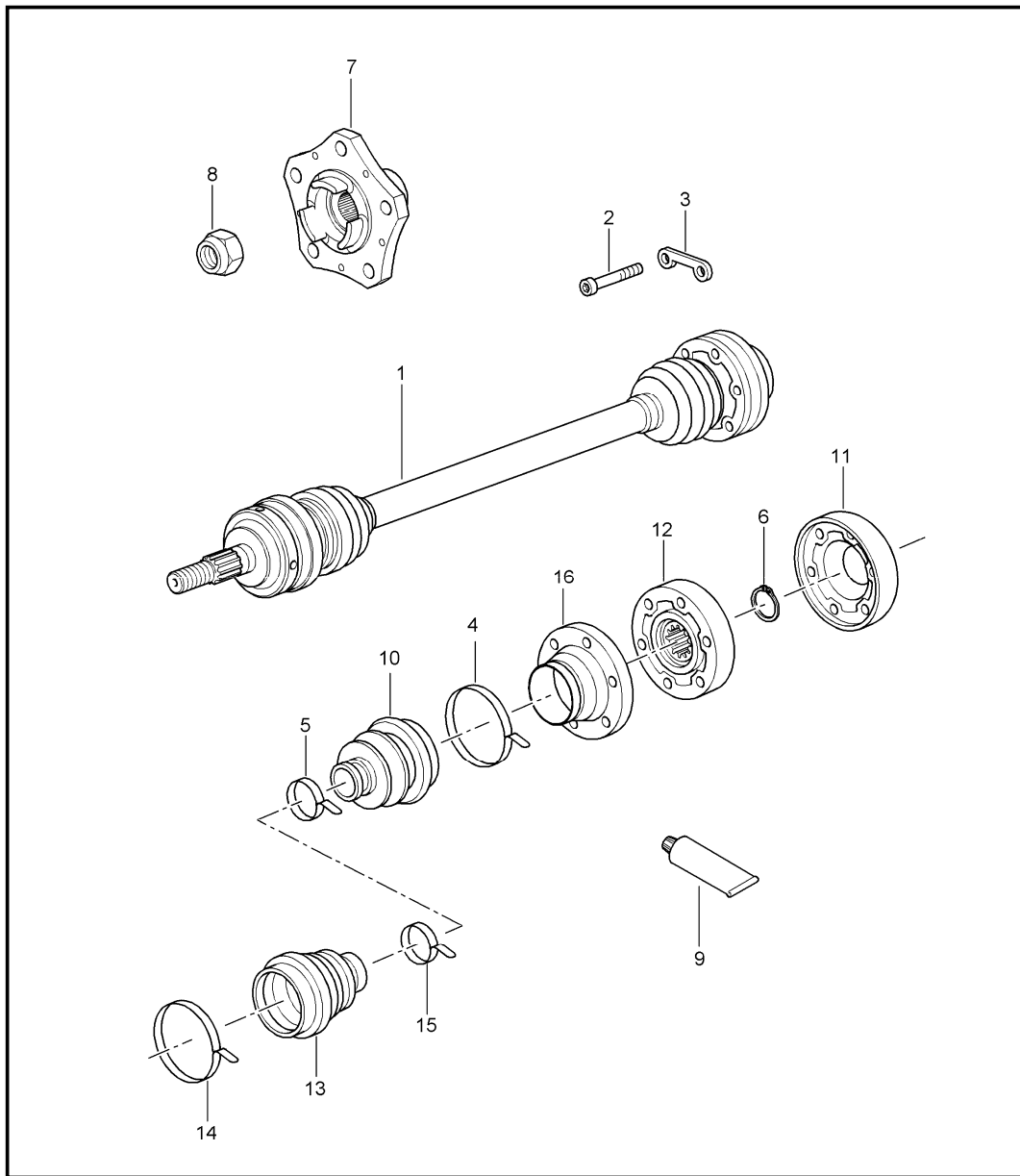
| Pos  | Part Number      | Description   | Remark | Qty | Model | Pos  | Part Number      | Description                    | Remark | Qty | Model |
|------|------------------|---|--------|-----|-------|------|------------------|--------------------------------|--------|-----|-------|
| -    | 999 072 032 01   | hexagon-head bolt<br>M 10 x 75<br>POS.7<br>threaded joint<br>body         |        | 2   |       | 20   | 987 331 375 00   | strut                          |        | 1   | I601  |
| 8    | 999 076 053 09   | hexagon nut<br>M 10   |        | 14  |       | 21   | A 900 380 015 09 | hexagon nut<br>VM 6            |        | 2   | I601  |
| (9)  | 999 072 037 09   | hexagon-head bolt<br>M 10 X 45  |        | 4   |       | (21) | 900 380 015 01   | hexagon nut<br>VM 6            |        | 2   | I601  |
| -    | 999 076 058 09   | nut<br>M 10 - 10 -26A1<br>in<br>side section                              |        | 8   |       | 22   | 999 217 165 09   | hexagon-head bolt<br>M 10 X 80 |        | 2   |       |
| (10) | 999 072 031 01   | hexagon-head bolt<br>M 10 x 45<br>F >>988U7 50898<br>F >>988U7 70637      |        | 2   |       | 23   | 999 072 024 01   | hexagon-head bolt<br>M 10 x 25 |        | 2   |       |
| (10) | 999 073 443 01   | combination screw<br>M 12 X1,5 X 40<br>F 988U7 50899>><br>F 988U7 70638>> |        | 2   |       |      |                  |                                |        |     |       |
| 11   | A 999 061 108 09 | stud<br>M 10 X 113  |        | 4   |       |      |                  |                                |        |     |       |
| (11) | 999 061 108 01   | stud<br>M 10 X 113  |        | 4   |       |      |                  |                                |        |     |       |
| 12   | 986 331 181 01   | restraining cable   |        | 1   |       |      |                  |                                |        |     |       |
| 13   | A 900 378 107 09 | hexagon-head bolt<br>M 8 X 45   |        | 1   |       |      |                  |                                |        |     |       |
| (13) | 900 378 107 01   | hexagon-head bolt<br>M 8 x 45   |        | 1   |       |      |                  |                                |        |     |       |
| 14   | 900 380 005 09   | hexagon nut<br>M 8  | -06    | 2   |       |      |                  |                                |        |     |       |
| (14) | 999 084 457 01   | hexagon nut<br>M 8  | 07-    | 2   |       |      |                  |                                |        |     |       |
| 17   | 987 331 611 01   | support   |        | 1   | I601  |      |                  |                                |        |     |       |
| 18   | 997 631 121 00   | sensor  |        | 1   | I601  |      |                  |                                |        |     |       |
| 19   | A 900 146 003 02 | oval-head screw<br>M 5 X 10   |        | 2   | I601  |      |                  |                                |        |     |       |
| (19) | 900 146 003 03   | oval-head screw<br>M 5 x 10   |        | 2   | I601  |      |                  |                                |        |     |       |

|       |      |    |    |              |              |     |       |            |         |     |         |
|-------|------|----|----|--------------|--------------|-----|-------|------------|---------|-----|---------|
| Model | Year | MG | SG | Illustration | Restrictions | UPD | 12:05 | 24.01.2010 | PORSCHE | PET | PORSCHE |
| 987C  | 2008 | 5  | 01 | 501-03       |              | 248 |       |            |         |     |         |



| Pos | Part Number    | Description                    | Remark | Qty | Model    |
|-----|----------------|--------------------------------|--------|-----|----------|
|     |                | stabiliser                     |        |     |          |
| 1   | 987 333 701 03 | stabiliser                     |        | 1   | CAYMAN   |
| (1) | 987 333 701 04 | stabiliser                     |        | 1   | CAYMAN S |
| 2   | 996 333 792 24 | stabiliser mounting            |        | 2   | CAYMAN   |
| (2) | 996 333 792 28 | stabiliser mounting            |        | 2   | CAYMAN S |
| 3   | 996 333 777 01 | bearing clamp                  |        | 2   |          |
| 4   | 900 378 055 01 | hexagon-head bolt<br>AM 8 X 40 |        | 4   |          |
| 5   | 997 343 069 01 | stabiliser mounting            | /L     | 1   |          |
| (5) | 997 343 070 01 | stabiliser mounting            | /R     | 1   |          |
| 6   | 999 084 123 09 | hexagon nut<br>M 10            |        | 2   |          |
| 7   | 999 084 445 01 | lock nut<br>M 12               |        | 2   |          |

|       |      |    |    |              |              |     |       |            |         |     |         |
|-------|------|----|----|--------------|--------------|-----|-------|------------|---------|-----|---------|
| Model | Year | MG | SG | Illustration | Restrictions | UPD | 12:05 | 24.01.2010 | PORSCHE | PET | PORSCHE |
| 987C  | 2008 | 5  | 01 | 501-05       |              | 248 |       |            |         |     |         |



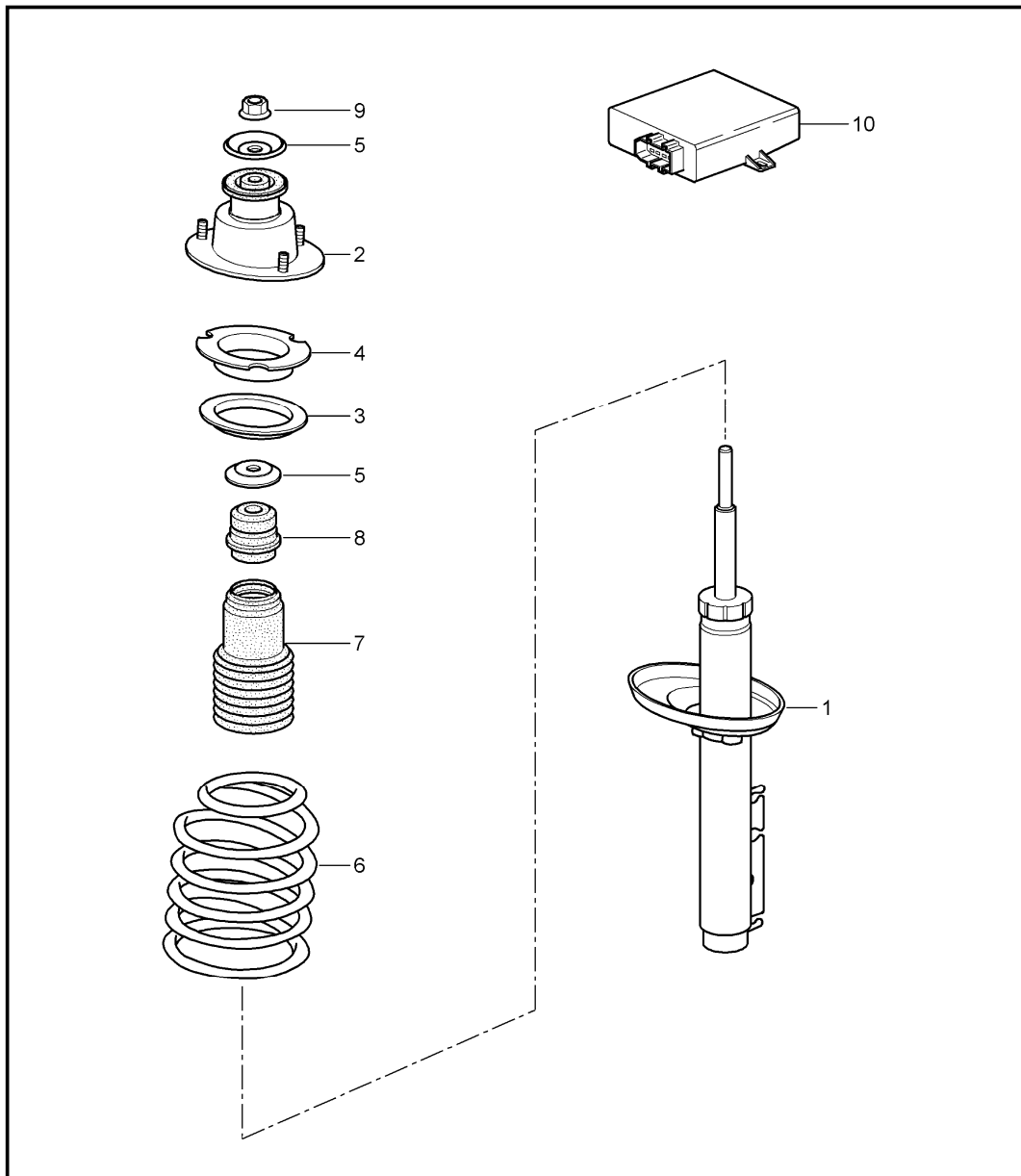
| Pos   | Part Number    | Description                           | Remark | Qty | Model                      |
|-------|----------------|---------------------------------------|--------|-----|----------------------------|
|       |                | drive shaft<br>wheel hub              |        |     |                            |
| 1     | 987 332 024 05 | drive shaft                           | /L     | 2   | I481                       |
| (1)   | 987 332 024 04 | drive shaft                           | /R     | 1   | I481                       |
| (1)   | 987 332 024 23 | drive shaft                           | /L     | 1   | I480                       |
| (1)   | 987 332 024 24 | drive shaft                           | /R     | 1   | I480                       |
| (1)   | 987 332 024 06 | drive shaft                           |        | 2   | I249<br>CAYMAN             |
| (1)   | 987 332 024 25 | drive shaft                           |        | 2   | I249<br>CAYMAN S           |
| 2     | N 909 417 01   | pan-head screw<br>M 10 X 45           |        | 12  | I481<br>I249<br>CAYMAN     |
| (2) A | 900 067 229 09 | pan-head screw<br>M 10 X 48,4         |        | 12  | I480<br>CAYMAN<br>CAYMAN-S |
| (2)   | 900 067 229 01 | pan-head screw<br>M 10 X 48,4         |        | 12  | I480<br>CAYMAN<br>CAYMAN-S |
| (2) A | 900 067 298 09 | pan-head screw<br>M 10 X 46,5         |        | 12  | I249<br>CAYMAN S           |
| (2)   | 900 067 298 02 | pan-head screw<br>M 10 X 46,5         |        | 12  | I249<br>CAYMAN S           |
| 3     | 986 332 191 00 | plate                                 |        | 6   | I481                       |
| (3)   | 996 332 191 00 | plate                                 |        | 6   | I480                       |
| 4     | 996 332 957 00 | clip<br>73 MM                         |        | 2   |                            |
| 5     | 996 332 257 00 | clip<br>34 MM                         |        | 2   |                            |
| 6     | 900 041 014 00 | circlip                               |        | 2   |                            |
| 7     | 997 341 605 01 | wheel hub                             |        | 2   |                            |
| 8     | 999 084 641 02 | lock nut                              |        | 2   |                            |
| 9     | 000 043 110 01 | grease<br>1 100-gramme tube           |        | X   |                            |
| (9)   | 000 043 205 36 | sealing compound<br>1 100-gramme tube |        | X   |                            |



|       |      |    |    |              |              |     |       |            |         |     |         |
|-------|------|----|----|--------------|--------------|-----|-------|------------|---------|-----|---------|
| Model | Year | MG | SG | Illustration | Restrictions | UPD | 12:05 | 24.01.2010 | PORSCHE | PET | PORSCHE |
| 987C  | 2008 | 5  | 01 | 501-05       |              | 248 |       |            |         |     |         |

| Pos  | Part Number    | Description  | Remark | Qty | Model            | Pos | Part Number | Description | Remark | Qty | Model |
|------|----------------|--------------|--------|-----|------------------|-----|-------------|-------------|--------|-----|-------|
| 10   | 996 332 293 00 | dust bellows |        | 2   |                  |     |             |             |        |     |       |
| 11   | 987 332 267 00 | lid          |        | 2   | I481<br>CAYMAN   |     |             |             |        |     |       |
| (11) | 986 332 267 00 | lid          |        | 2   | I249<br>CAYMAN   |     |             |             |        |     |       |
| (11) | 928 332 267 01 | lid          |        | 2   | I480<br>CAYMAN   |     |             |             |        |     |       |
| (11) | 928 332 267 01 | lid          |        | 2   | I480<br>CAYMAN S |     |             |             |        |     |       |
| (11) | 928 332 267 01 | lid          |        | 2   | I249<br>CAYMAN S |     |             |             |        |     |       |
| 12   | 986 332 030 00 | joint        |        | 2   | I481<br>CAYMAN   |     |             |             |        |     |       |
| (12) | 986 332 030 00 | joint        |        | 2   | I249<br>CAYMAN   |     |             |             |        |     |       |
| (12) | 996 332 030 00 | joint        |        | 2   | I480<br>CAYMAN   |     |             |             |        |     |       |
| (12) | 996 332 030 00 | joint        |        | 2   | I480<br>CAYMAN S |     |             |             |        |     |       |
| (12) | 996 332 030 00 | joint        |        | 2   | I249<br>CAYMAN S |     |             |             |        |     |       |
| 13   | 996 332 293 00 | dust bellows |        | 2   |                  |     |             |             |        |     |       |
| 14   | 996 332 957 00 | clip         |        | 2   |                  |     |             |             |        |     |       |
| 15   | 996 332 257 00 | clip         |        | 2   |                  |     |             |             |        |     |       |
| 16   | 986 332 259 00 | support      |        | 2   | I481<br>CAYMAN   |     |             |             |        |     |       |
| (16) | 986 332 259 00 | support      |        | 2   | I249<br>CAYMAN   |     |             |             |        |     |       |
| (16) | 996 332 259 00 | support      |        | 2   | I480<br>CAYMAN   |     |             |             |        |     |       |
| (16) | 996 332 259 00 | support      |        | 2   | I480<br>CAYMAN S |     |             |             |        |     |       |
| (16) | 996 332 259 00 | support      |        | 2   | I249<br>CAYMAN S |     |             |             |        |     |       |

|       |      |    |    |              |              |     |       |            |         |     |         |
|-------|------|----|----|--------------|--------------|-----|-------|------------|---------|-----|---------|
| Model | Year | MG | SG | Illustration | Restrictions | UPD | 12:43 | 02.02.2010 | PORSCHE | PET | PORSCHE |
| 987C  | 2008 | 5  | 02 | 502-00       |              | 248 |       |            |         |     |         |



| Pos   | Part Number      | Description                   | Remark | Qty | Model                |
|-------|------------------|-------------------------------|--------|-----|----------------------|
| 1     | A 987 333 051 09 | shock absorber<br>coil spring |        | 2   | CAYMAN S<br>I029/480 |
|       |                  | - bilstein -                  |        | 2   | CAYMAN<br>I029/481   |
| (1)   | 987 333 051 13   | shock absorber                |        | 2   | CAYMAN S<br>I029/480 |
|       |                  | - bilstein -                  |        | 2   | CAYMAN<br>I029/481   |
| (1) A | 987 333 051 10   | shock absorber                |        | 2   | CAYMAN<br>I029/249   |
|       |                  | - bilstein -                  |        |     |                      |
| (1)   | 987 333 051 12   | shock absorber                |        | 2   | CAYMAN<br>I029/249   |
|       |                  | - bilstein -                  |        |     |                      |
| (1) A | 987 333 051 10   | shock absorber                |        | 2   | CAYMAN S<br>I029/249 |
|       |                  | - bilstein -                  |        |     |                      |
| (1)   | 987 333 051 12   | shock absorber                |        | 2   | CAYMAN S<br>I029/249 |
|       |                  | - bilstein -                  |        |     |                      |
| (1)   | 987 333 053 19   | shock absorber                |        | 2   | CAYMAN<br>I475/481   |
|       |                  | - bilstein -                  |        | 2   | CAYMAN<br>I475/480   |
| (1)   | 987 333 053 20   | vibration damper              |        | 2   | CAYMAN<br>I249/475   |
|       |                  | - bilstein -                  |        |     |                      |
| (1)   | 987 333 053 20   | vibration damper              |        | 2   | CAYMAN S<br>I249/475 |
|       |                  | - bilstein -                  |        |     |                      |
| (1)   | 987 333 053 20   | vibration damper              |        | 2   | CAYMAN S<br>I475/480 |
|       |                  | - bilstein -                  |        |     |                      |
|       |                  | mount<br>shock absorber       |        |     |                      |
| -     | 900 380 005 09   | hexagon nut<br>M 8            |        | 6   |                      |
| -     | 999 084 445 01   | lock nut<br>M 12 X 1,5        |        | 2   |                      |
| (2)   | 986 333 059 06   | supporting mount              | -08    | 2   |                      |

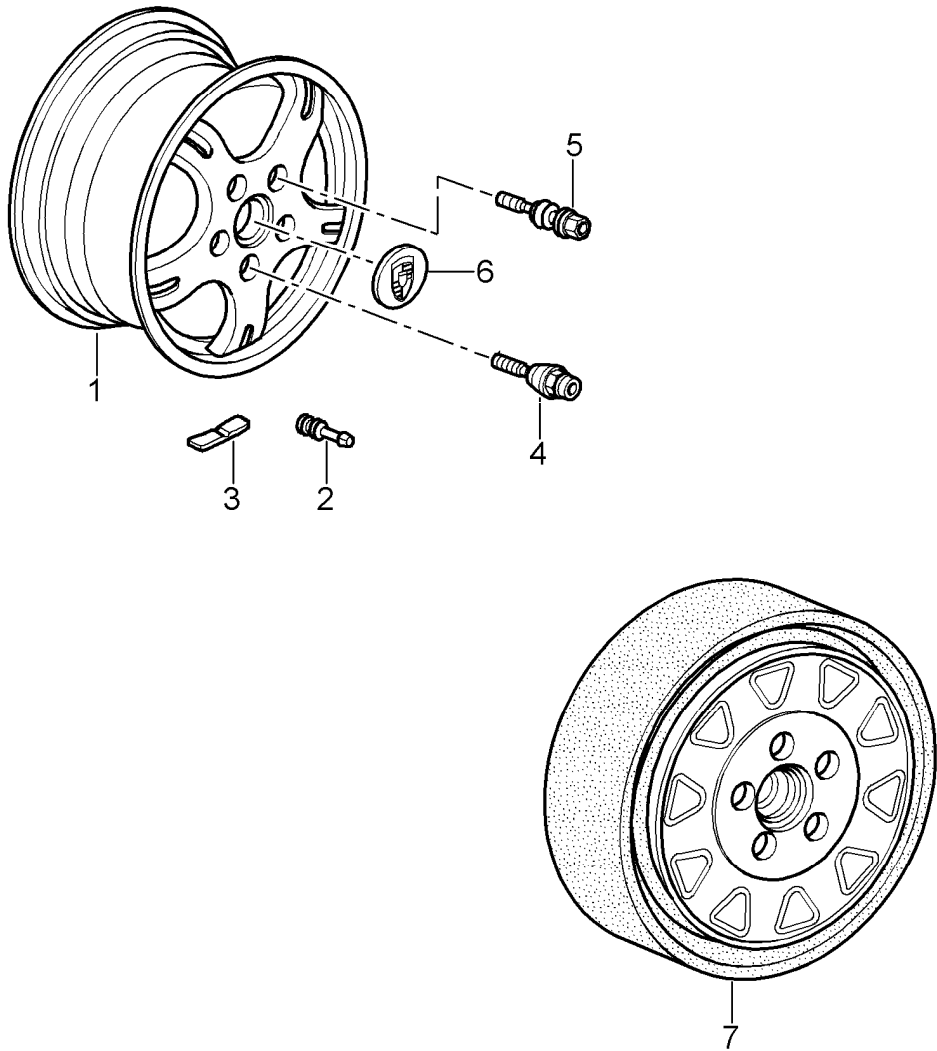
|       |      |    |    |              |              |     |       |            |         |     |         |
|-------|------|----|----|--------------|--------------|-----|-------|------------|---------|-----|---------|
| Model | Year | MG | SG | Illustration | Restrictions | UPD | 12:43 | 02.02.2010 | PORSCHE | PET | PORSCHE |
| 987C  | 2008 | 5  | 02 | 502-00       |              | 248 |       |            |         |     |         |

| Pos | Part Number    | Description                       | Remark | Qty | Model                | Pos  | Part Number    | Description                     | Remark | Qty | Model                |
|-----|----------------|-----------------------------------|--------|-----|----------------------|------|----------------|---------------------------------|--------|-----|----------------------|
| 3   | 986 333 504 02 | compensating plate<br>3,0 MM      |        | X   |                      | (6)  | 987 333 531 64 | coil spring<br>1 set            |        | 1   | CAYMAN<br>I475/481   |
| (3) | 986 333 504 03 | compensating plate<br>6,0 MM      |        | X   |                      |      | 504            | identification<br>blue          |        |     | CAYMAN<br>I475/480   |
| 4   | 986 333 509 02 | ring                              |        | 2   |                      |      |                | red                             |        |     |                      |
| 5   | 997 343 107 01 | stop plate                        |        | 4   | I029                 | (6)  | 987 333 531 65 | coil spring<br>1 set            |        | 1   | CAYMAN<br>I249/475   |
| (5) | 997 343 107 00 | stop plate<br>upper               |        | 2   | I475                 |      | 504            | identification<br>red<br>green  |        |     |                      |
| (5) | 997 343 107 01 | stop plate<br>lower               |        | 2   | I475                 | (6)  | 987 333 531 65 | coil spring<br>1 set            |        | 1   | CAYMAN S<br>I475/480 |
| 6   | 987 333 531 58 | coil spring<br>1 set              |        | 1   | CAYMAN<br>I029/481   | (6)  | 987 333 531 65 | coil spring<br>1 set            |        | 1   | CAYMAN S<br>I475/480 |
|     | 504            | identification<br>green<br>white  |        |     |                      |      | 504            | identification<br>red<br>green  |        |     |                      |
| (6) | 987 333 531 59 | coil spring<br>1 set              |        | 1   | CAYMAN<br>I029/249   | (6)  | 987 333 531 47 | coil spring<br>1 set            |        | 1   | CAMAN S<br>I249/475  |
|     | 504            | identification<br>blue<br>white   |        |     |                      |      | 504            | identification<br>red<br>violet |        |     |                      |
| (6) | 987 333 531 60 | coil spring<br>1 set              |        | 1   | CAYMAN<br>I029/480   | 7    | 986 333 505 01 | bellows                         |        | 1   |                      |
|     | 504            | identification<br>green<br>silver |        |     |                      | 8    | 987 333 301 00 | additional spring               |        | 1   |                      |
| (6) | 987 333 531 43 | coil spring<br>1 set              |        | 1   | CAYMAN S<br>I029/480 | 9 A  | 900 380 012 09 | hexagon nut<br>M 14 X 1,5       |        | 2   | I029                 |
|     | 504            | identification<br>green<br>silver |        |     |                      | 9    | 900 380 012 01 | hexagon nut<br>M 14 X 1,5       |        | 2   | I029                 |
| (6) | 987 333 531 44 | coil spring<br>1 set              |        | 1   | CAYMAN S<br>I029/249 | (9)  | 999 084 645 09 | hexagon nut<br>M 14 X 1,5       |        | 2   | I475                 |
|     | 504            | identification<br>blue<br>violet  |        |     |                      | 10 A | 987 618 105 08 | control unit                    | 06     | 1   | I475                 |
|     |                |                                   |        |     |                      | (11) | 987 618 105 09 | control unit                    | -07    | 1   | I475                 |
|     |                |                                   |        |     |                      | (11) | 987 618 105 10 | control unit                    | 08-    | 1   | I475                 |
|     |                |                                   |        |     |                      | -    | 997 618 205 00 | support<br>for<br>control unit  |        | 1   | I475                 |

|       |      |    |    |              |              |     |       |            |         |     |         |
|-------|------|----|----|--------------|--------------|-----|-------|------------|---------|-----|---------|
| Model | Year | MG | SG | Illustration | Restrictions | UPD | 12:43 | 02.02.2010 | PORSCHE | PET | PORSCHE |
| 987C  | 2008 | 5  | 02 | 502-00       |              | 248 |       |            |         |     |         |

| Pos | Part Number    | Description                    | Remark | Qty | Model | Pos | Part Number | Description | Remark | Qty | Model |
|-----|----------------|--------------------------------|--------|-----|-------|-----|-------------|-------------|--------|-----|-------|
| 12  | 997 606 111 01 | acceleration sensor<br>body    |        | 1   |       |     |             |             |        |     |       |
| 13  | 987 606 235 00 | support<br>acceleration sensor |        | 1   |       |     |             |             |        |     |       |

|       |      |    |    |              |              |     |       |            |         |     |         |
|-------|------|----|----|--------------|--------------|-----|-------|------------|---------|-----|---------|
| Model | Year | MG | SG | Illustration | Restrictions | UPD | 12:06 | 24.01.2010 | PORSCHE | PET | PORSCHE |
| 987C  | 2008 | 6  | 01 | 601-00       |              | 248 |       |            |         |     |         |



| Pos | Part Number    | Description                            | Remark | Qty | Model |
|-----|----------------|--|--------|-----|-------|
|     |                | wheels                                 |        |     |       |
| 1   | 987 362 122 05 | disc wheel<br>6,5 J X 17<br>ET 55      | /V     | 2   | I393  |
| (1) | 987 362 136 00 | disc wheel<br>8 J X 18<br>ET 57        | /V     | 2   | I397  |
| (1) | 987 362 122 06 | disc wheel<br>6,5 J X 17<br>ET 55      | /V     | 2   | I398  |
| (1) | 987 362 136 01 | disc wheel<br>8 J X 18<br>ET 57        | /V     | 2   | I401  |
| (1) | 997 362 156 01 | disc wheel<br>S+M<br>8 J X 19<br>ET 57 | /V     | 2   | I403  |
| (1) | 997 362 156 00 | disc wheel<br>BBS<br>8 J x 19<br>Et 57 | /V     | 2   | I403  |
| (1) | 997 362 156 02 | disc wheel<br>8 J x 19<br>Et 57        | /V 07- | 2   | I404  |
| (1) | 997 362 156 03 | disc wheel<br>8 J X 19<br>ET 57        | /V     | 2   | I405  |
| (1) | 997 362 156 04 | disc wheel<br>8 J X 19<br>ET 57        | /V     | 2   | I407  |
| (1) | 997 362 156 55 | disc wheel<br>8,5 J X 19<br>ET 55      | /V     | 2   | IXRR  |
| (1) | 987 362 126 00 | disc wheel<br>8 J X 17<br>ET 40        | /H     | 2   | I393  |
| (1) | 987 362 138 00 | disc wheel<br>9 J X 18<br>ET 43        | /H     | 2   | I397  |
| (1) | 987 362 126 01 | disc wheel<br>8 J X 17<br>ET 40        | /H     | 2   | I398  |

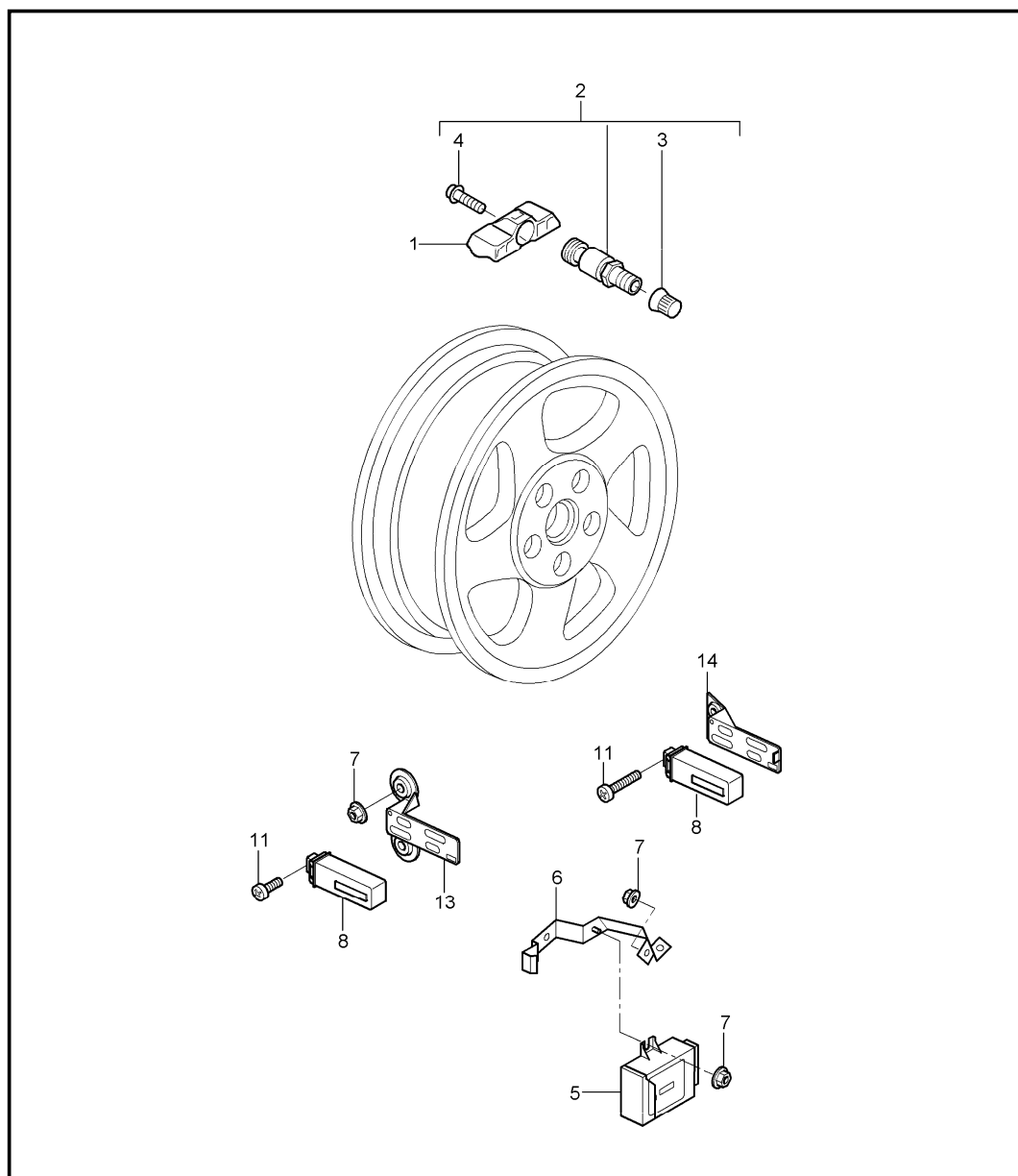
|       |      |    |    |              |              |     |       |            |         |     |         |
|-------|------|----|----|--------------|--------------|-----|-------|------------|---------|-----|---------|
| Model | Year | MG | SG | Illustration | Restrictions | UPD | 12:06 | 24.01.2010 | PORSCHE | PET | PORSCHE |
| 987C  | 2008 | 6  | 01 | 601-00       |              | 248 |       |            |         |     |         |

| Pos | Part Number    | Description                       | Remark | Qty | Model  | Pos   | Part Number    | Description                                  | Remark | Qty | Model      |
|-----|----------------|-----------------------------------|--------|-----|--------|-------|----------------|--|--------|-----|------------|
| (1) | 987 362 138 01 | disc wheel<br>9 J X 18<br>ET 43   | /H     | 2   | I401   | (3)   | 997 361 455 00 | balance stick-on weight<br>55 G.             |        | X   |            |
| (1) | 997 362 158 05 | disc wheel<br>9,5 J X 19<br>ET 46 | /H     | 2   | I403   | (3)   | 997 361 460 00 | balance stick-on weight<br>60 G.             |        | X   |            |
| (1) | 997 362 158 08 | disc wheel<br>9,5 J x 19<br>ET 46 | /H     | 07- | 2 I404 | (3)   | 997 361 465 00 | balance stick-on weight<br>65 G.             |        | X   |            |
| (1) | 997 362 158 06 | disc wheel<br>9,5 J X 19<br>ET 46 | /H     | 2   | I405   | (3)   | 997 361 470 00 | balance stick-on weight<br>70 G.             |        | X   |            |
| (1) | 997 362 158 07 | disc wheel<br>9,5 J X 19<br>ET 46 | /H     | 2   | I407   | (3)   | 997 361 475 00 | balance stick-on weight<br>75 G.             |        | X   |            |
| (1) | 997 362 160 50 | disc wheel<br>10 J X 19<br>ET 42  |        | 2   |        | (3)   | 997 361 480 00 | balance stick-on weight<br>80 G.             |        | X   |            |
| 2   | 900 265 001 50 | rubber valve<br>rubber            |        | 4   |        | (3)   | 997 361 485 00 | balance stick-on weight<br>85 G.             |        | X   |            |
| 3   | 997 361 405 00 | balance stick-on weight<br>5 G.   |        | X   |        | (3)   | 997 361 490 00 | balance stick-on weight<br>90 G.             |        | X   |            |
| (3) | 997 361 410 00 | balance stick-on weight<br>10 G.  |        | X   |        | (4) A | 996 361 057 02 | set<br>anti-theft protection<br>1 set        |        | 1   |            |
| (3) | 997 361 415 00 | balance stick-on weight<br>15 G.  |        | X   |        | (4)   | 997 361 057 02 | set<br>anti-theft protection<br>1 set        |        | 1   |            |
| (3) | 997 361 420 00 | balance stick-on weight<br>20 G.  |        | X   |        | (4)   | 996 361 980 02 | wheel bolt<br>anti-theft protection<br>1 set | -07    | 1   | IXRP       |
| (3) | 997 361 425 00 | balance stick-on weight<br>25 G.  |        | X   |        | (4)   | 997 361 980 10 | wheel bolt<br>anti-theft protection<br>1 set | 08-    | 1   | IXRP       |
| (3) | 997 361 430 00 | balance stick-on weight<br>30 G.  |        | X   |        | (4) A | 997 361 057 00 | set<br>anti-theft protection<br>1 set        | (GB)   | 1   | I444       |
| (3) | 997 361 435 00 | balance stick-on weight<br>35 G.  |        | X   |        | (4)   | 997 361 057 01 | set<br>anti-theft protection<br>1 set        | (GB)   | 1   | I444       |
| (3) | 997 361 440 00 | balance stick-on weight<br>40 G.  |        | X   |        | (4) A | 997 361 980 00 | set<br>anti-theft protection<br>1 set        | (GB)   | -07 | 1 IXRP/444 |
| (3) | 997 361 445 00 | balance stick-on weight<br>45 G.  |        | X   |        | (4)   | 997 361 980 09 | set<br>anti-theft protection<br>1 set        | (GB)   | 08- | 1 IXRP/444 |
| (3) | 997 361 450 00 | balance stick-on weight<br>50 G.  |        | X   |        | (5)   | 996 361 203 02 | wheel bolt                                   |        | 16  |            |

|       |      |    |    |              |              |     |       |            |         |     |         |
|-------|------|----|----|--------------|--------------|-----|-------|------------|---------|-----|---------|
| Model | Year | MG | SG | Illustration | Restrictions | UPD | 12:06 | 24.01.2010 | PORSCHE | PET | PORSCHE |
| 987C  | 2008 | 6  | 01 | 601-00       |              | 248 |       |            |         |     |         |

| Pos | Part Number    | Description                          | Remark | Qty | Model | Pos | Part Number | Description | Remark | Qty | Model |
|-----|----------------|--------------------------------------|--------|-----|-------|-----|-------------|-------------|--------|-----|-------|
| 6   | 955 361 303 00 | hub cap                              |        | 4   |       |     |             |             |        |     |       |
|     | 9A1            | silver                               |        |     |       |     |             |             |        |     |       |
| (6) | 955 361 303 05 | hub cap                              |        | 4   | I446  |     |             |             |        |     |       |
|     | 9A1            | silver                               |        |     |       |     |             |             |        |     |       |
| (6) | 997 361 305 00 | hub cap                              | 07-    | 4   | I404  |     |             |             |        |     |       |
| -   | 955 722 631 00 | compressed air bottle                |        | 1   |       |     |             |             |        |     |       |
| 7   | 996 362 020 04 | emergency wheel                      |        | 1   | I447  |     |             |             |        |     |       |
| -   | 996 361 411 00 | belt<br>for<br>emergency wheel       |        | 1   | I447  |     |             |             |        |     |       |
| -   | 996 361 521 00 | boot<br>for<br>emergency wheel       |        | 1   | I447  |     |             |             |        |     |       |
| -   | 999 914 001 40 | plastic gloves                       |        | 1   | I447  |     |             |             |        |     |       |
| -   | 997 652 051 00 | compressor<br>for<br>emergency wheel | -07    | 1   |       |     |             |             |        |     |       |
| -   | 997 652 055 00 | compressor<br>for<br>emergency wheel | 08-    | 1   |       |     |             |             |        |     |       |

|       |      |    |    |              |              |     |       |            |         |     |         |
|-------|------|----|----|--------------|--------------|-----|-------|------------|---------|-----|---------|
| Model | Year | MG | SG | Illustration | Restrictions | UPD | 12:06 | 24.01.2010 | PORSCHE | PET | PORSCHE |
| 987C  | 2008 | 6  | 01 | 601-05       |              | 248 |       |            |         |     |         |



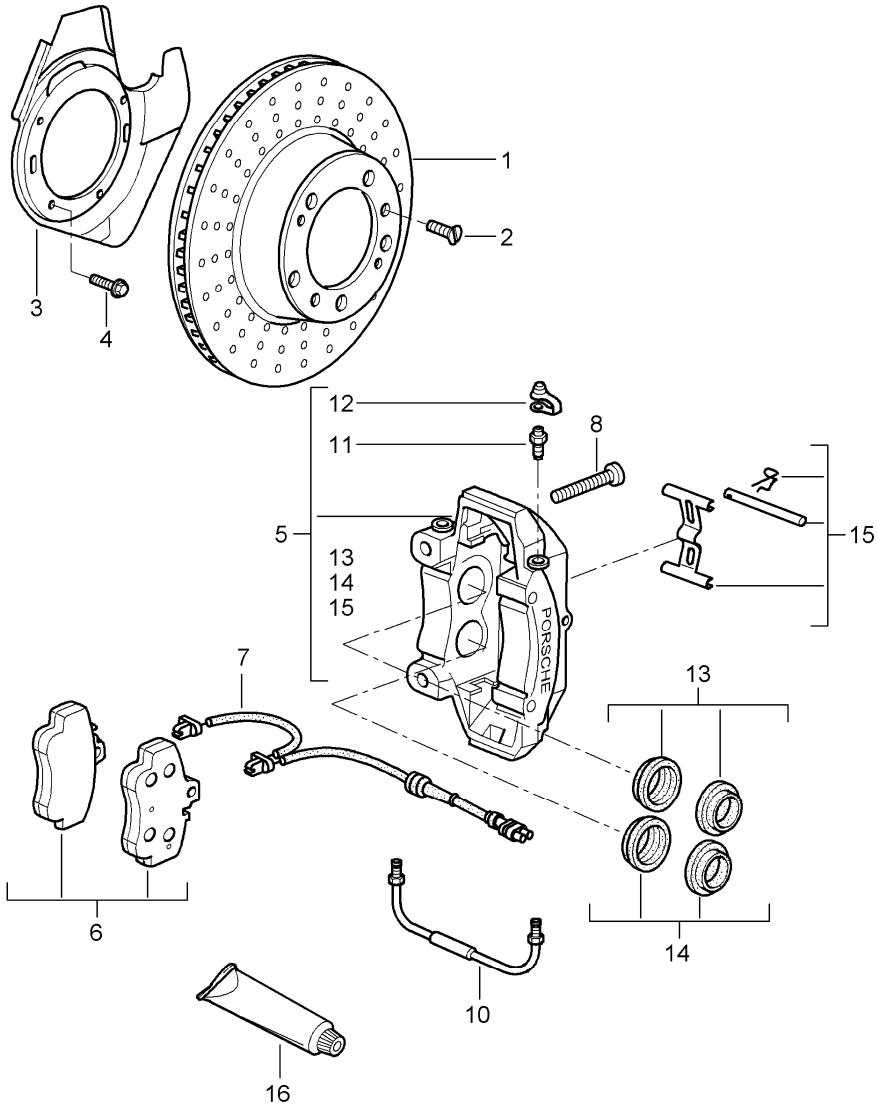
| Pos | Part Number    | Description   | Remark | Qty | Model            |
|-----|----------------|---|--------|-----|------------------|
|     |                | tyre pressure monitoring  |        |     | I482/483         |
| 1   | 997 606 021 00 | sensor<br>tyre pressure monitoring<br>use also:<br>955.361.053.00 | -07    | 4   | I482             |
| (1) | 997 606 021 01 | sensor<br>tyre pressure monitoring<br>use also:<br>955.361.053.00 | 08-    | 4   | I482             |
| (1) | 997 606 023 00 | sensor<br>tyre pressure monitoring<br>use also:<br>955.361.053.00 | -07    | 4   | I483             |
| (1) | 997 606 023 01 | sensor<br>tyre pressure monitoring<br>use also:<br>955.361.053.00 | 08-    | 4   | I483             |
| (1) | 997 606 025 00 | sensor<br>tyre pressure monitoring<br>use also:<br>955.361.053.00 |        | 4   | I483<br>I074/193 |
| 2   | 955 361 053 00 | valve<br>aluminium  |        | 4   |                  |
| 3   | N 908 729 01   | cap   |        | 4   |                  |
| 4   | 4D0 601 365    | fastening screw   |        | 4   |                  |
| 5   | 997 618 103 06 | control unit  |        | 1   |                  |
| 6   | 997 618 203 01 | support<br>control unit   |        | 1   |                  |
| 7   | 999 076 081 40 | plastic nut<br>T5 16 X 11, 2                                      |        | 7   |                  |
| 8   | 997 606 101 00 | antenna<br>433 MHZ  |        | 4   | I482             |
| (8) | 997 606 103 00 | antenna<br>315 MHZ  |        | 4   | I483             |
| -   | N 105 168 01   | expander nut<br>st 4,8  |        | 4   |                  |
| 13  | 997 606 141 00 | support<br>antenna<br>front                                       |        | 2   |                  |



|       |      |    |    |              |              |     |       |            |         |     |         |
|-------|------|----|----|--------------|--------------|-----|-------|------------|---------|-----|---------|
| Model | Year | MG | SG | Illustration | Restrictions | UPD | 12:06 | 24.01.2010 | PORSCHE | PET | PORSCHE |
| 987C  | 2008 | 6  | 01 | 601-05       |              | 248 |       |            |         |     |         |

| Pos | Part Number    | Description                     | Remark | Qty | Model | Pos | Part Number | Description | Remark | Qty | Model |
|-----|----------------|---------------------------------|--------|-----|-------|-----|-------------|-------------|--------|-----|-------|
| 14  | 997 606 131 00 | support<br>antenna<br>rear axle |        | 2   |       |     |             |             |        |     |       |

|       |      |    |    |              |              |     |       |            |         |     |         |
|-------|------|----|----|--------------|--------------|-----|-------|------------|---------|-----|---------|
| Model | Year | MG | SG | Illustration | Restrictions | UPD | 12:07 | 24.01.2010 | PORSCHE | PET | PORSCHE |
| 987C  | 2008 | 6  | 02 | 602-00       |              | 248 |       |            |         |     |         |



| Pos   | Part Number      | Description   | Remark | Qty | Model         |
|-------|------------------|---|--------|-----|---------------|
|       |                  | disc brake front axle                                       |        |     |               |
|       |                  | brake disc only in pairs replace technical manual attention |        |     | I450          |
| 1     | 987 351 401 01   | brake disc  | /L     | 1   | CAYMAN        |
| (1)   | 996 351 405 01   | brake disc  | /L     | 1   | CAYMAN S      |
| (1) > | 996 351 031 04   | brake disc  | /L     | 07  | I450 CAYMAN S |
| (1)   | 997 351 031 00   | brake disc  | /L     | 08- | I450 CAYMAN S |
| (1)   | 987 351 402 01   | brake disc  | /R     | 1   | CAYMAN        |
| (1)   | 996 351 406 01   | brake disc  | /R     | 1   | CAYMAN S      |
| (1) > | 996 351 032 04   | brake disc  | /R     | 07  | I450 CAYMAN S |
| (1)   | 997 351 032 00   | brake disc  | /R     | 08- | I450 CAYMAN S |
| 2     | A 900 269 047 09 | countersunk-head screw M 6 X 12                             |        | 4   |               |
| 2     | 900 269 047 01   | countersunk-head screw M 6 X 12                             |        | 4   |               |
| (3)   | 997 351 801 02   | cover plate   | /L     | 1   |               |
| (3)   | 997 351 805 05   | cover plate   | /L     | 1   | I450          |
| (3)   | 997 351 802 02   | cover plate   | /R     | 1   |               |
| (3)   | 997 351 806 05   | cover plate   | /R     | 1   | I450          |
| 4     | 999 217 116 09   | hexagon-head bolt M 6 X 16                                  |        | X   |               |
| 5     | 986 351 421 03   | fixed calliper without pad                                  | /L     | 1   | CAYMAN        |
| (5)   | 996 351 425 11   | fixed calliper without pad                                  | /L     | 1   | CAYMAN S      |
| (5)   | 996 351 431 30   | fixed calliper without pad                                  | /L     | -07 | I450 CAYMAN S |

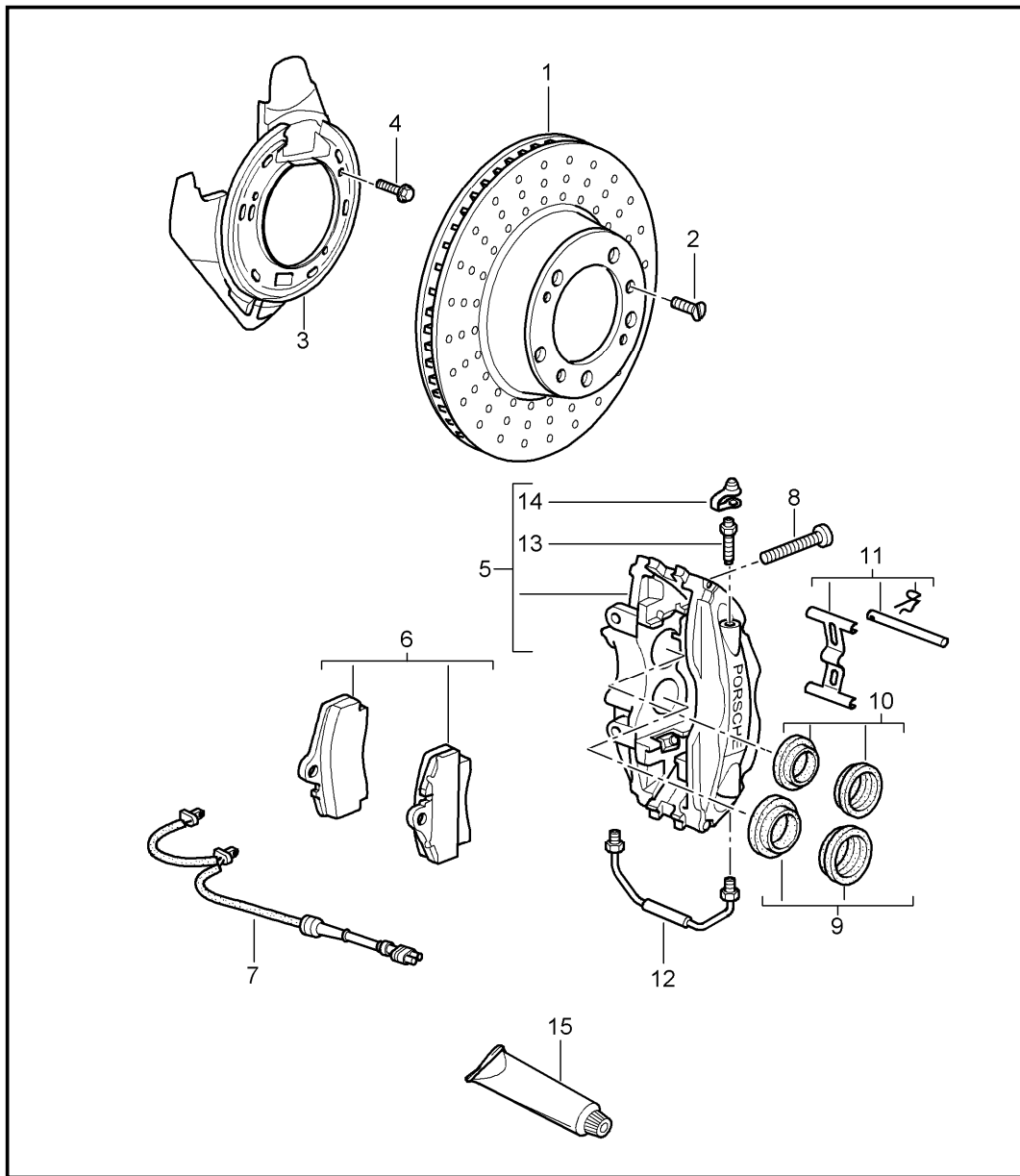
|       |      |    |    |              |              |     |       |            |         |     |         |
|-------|------|----|----|--------------|--------------|-----|-------|------------|---------|-----|---------|
| Model | Year | MG | SG | Illustration | Restrictions | UPD | 12:07 | 24.01.2010 | PORSCHE | PET | PORSCHE |
| 987C  | 2008 | 6  | 02 | 602-00       |              | 248 |       |            |         |     |         |

| Pos   | Part Number    | Description   | Remark | Qty | Model         | Pos  | Part Number    | Description   | Remark | Qty | Model         |
|-------|----------------|---|--------|-----|---------------|------|----------------|---|--------|-----|---------------|
| (5)   | 996 351 431 31 | fixed calliper without pad  | /L 08- | 1   | I450 CAYMAN S | -    | 996 352 086 02 | damping plate                                       |        | 6   | I450 CAYMAN S |
| (5)   | 986 351 422 03 | fixed calliper without pad  | /R     | 1   | CAYMAN        |      |                | see technical manual group 46 34 20 F >>986U7 75101 |        |     |               |
| (5)   | 996 351 426 11 | fixed calliper without pad  | /R     | 1   | CAYMAN S      | 7    | 997 612 755 00 | warning contact                                     | /L     | 1   | CAYMAN        |
| (5)   | 996 351 432 30 | fixed calliper without pad  | /R -07 | 1   | I450 CAYMAN S | (7)  | 997 612 756 00 | warning contact see technical manual group 46 36 19 | /L     | 1   | CAYMAN S      |
| (5)   | 996 351 432 31 | fixed calliper without pad  | /R 08- | 1   | I450 CAYMAN S | (7)  | 997 612 675 01 | warning contact                                     | /L     | 1   | I450 CAYMAN S |
| (6)   | 987 351 939 03 | brake pad repair set  |        | 1   | CAYMAN        | (7)  | 997 612 757 00 | warning contact                                     | /R     | 1   | CAYMAN        |
| (6)   | 997 351 939 05 | brake pad repair set use also: 997.612.756.00 997.612.759.00 955.352.960.00 see technical manual group 46 36 19 |        | 1   | CAYMAN S      | (7)  | 997 612 759 00 | warning contact see technical manual group 46 36 19 | /R     | 1   | CAYMAN S      |
| (6) A | 996 351 947 01 | brake pad repair set see technical manual group 46 34 20 use also: mounting parts F >>986U7 75101               |        | 1   | I450 CAYMAN S | (7)  | 997 612 679 00 | warning contact                                     | /R     | 1   | I450 CAYMAN S |
| (6)   | 997 351 948 01 | brake pad repair set see technical manual group 46 34 20 use also: mounting parts F 986U7 75102>>               |        | 1   | I450 CAYMAN S | 8 A  | 999 067 041 09 | pan-head screw M 12 X 1,5 X 72                      |        | 4   |               |
| -     | 987 351 088 00 | damping plate   |        | 4   | CAYMAN        | 8    | 999 067 041 01 | pan-head screw M 12 X 1,5 X 72                      |        | 4   |               |
| - A   | 996 351 088 01 | damping plate   |        | 4   | CAYMAN S      | (8)  | 999 067 047 09 | pan-head screw M 12 X 1,5 X 85                      |        | 4   | I450 CAYMAN S |
| -     | 996 351 088 02 | damping plate   |        | 4   | CAYMAN S      | 10   | 996 351 962 00 | connecting line                                     | /L     | 1   | CAYMAN        |
| - A   | 996 352 086 01 | damping plate see technical manual group 46 34 20 F >>986U7 75101   |        | 6   | I450 CAYMAN S | (10) | 996 351 961 00 | connecting line                                     | /R     | 1   | CAYMAN        |
|       |                |   |        |     |               | (10) | 996 351 961 00 | connecting line                                     | /L     | 1   | CAYMAN S      |
|       |                |   |        |     |               | (10) | 996 351 962 00 | connecting line                                     | /R     | 1   | CAYMAN S      |
|       |                |   |        |     |               | (10) | 996 351 961 30 | connecting line                                     | /L     | 1   | I450 CAYMAN S |
|       |                |   |        |     |               | (10) | 996 351 961 30 | connecting line                                     | /R     | 1   | I450 CAYMAN S |
|       |                |   |        |     |               | 11   | 930 351 919 00 | ventilation valve                                   |        | 2   |               |
|       |                |   |        |     |               | 12   | 930 351 927 00 | dust boot   |        | 2   |               |
|       |                |   |        |     |               | 13   | 951 351 917 01 | repair kit protection caps 40 MM \$                 |        | 2   | CAYMAN        |

|       |      |    |    |              |              |     |       |            |         |     |         |
|-------|------|----|----|--------------|--------------|-----|-------|------------|---------|-----|---------|
| Model | Year | MG | SG | Illustration | Restrictions | UPD | 12:07 | 24.01.2010 | PORSCHE | PET | PORSCHE |
| 987C  | 2008 | 6  | 02 | 602-00       |              | 248 |       |            |         |     |         |

| Pos  | Part Number    | Description  | Remark | Qty              | Model            | Pos | Part Number | Description | Remark | Qty | Model |
|------|----------------|--|--------|------------------|------------------|-----|-------------|-------------|--------|-----|-------|
| (13) | 951 351 917 01 | repair kit<br>protection caps<br>40 mm \$  |        | 2                | CAYMAN S         |     |             |             |        |     |       |
| 14   | 951 351 917 00 | repair kit<br>protection caps<br>36 MM \$  |        | 2                | CAYMAN           |     |             |             |        |     |       |
| (14) | 951 351 917 00 | repair kit<br>protection caps<br>36 mm \$  |        | 2                | CAYMAN S         |     |             |             |        |     |       |
| 13   | 996 351 915 01 | repair kit<br>protection caps<br>38 MM \$  |        | 2                | I450<br>CAYMAN S |     |             |             |        |     |       |
| 14   | 996 351 915 00 | repair kit<br>protection caps<br>32 MM \$  |        | 2                | I450<br>CAYMAN S |     |             |             |        |     |       |
| 15   | 996 352 959 01 | repair kit<br>mounting parts<br>bolt<br>expanding spring<br>securing clip  |        | 1<br>2<br>2<br>2 | CAYMAN           |     |             |             |        |     |       |
| (15) | 955 352 960 00 | repair kit<br>mounting parts<br>bolt<br>expanding spring<br>securing clip<br>see technical manual<br>group<br>46 36 19 |        | 1                | CAYMAN S         |     |             |             |        |     |       |
| (15) | 996 351 959 30 | repair kit<br>mounting parts<br>bolt<br>expanding spring<br>screw  |        | 1<br>2<br>2<br>2 | I450<br>CAYMAN S |     |             |             |        |     |       |
| 16   | 000 043 117 00 | brake cylinder paste<br>50 G   |        | X                |                  |     |             |             |        |     |       |
| (16) | 000 043 020 00 | optimoly<br>100 G  |        | X                |                  |     |             |             |        |     |       |

|       |      |    |    |              |              |     |       |            |         |     |         |
|-------|------|----|----|--------------|--------------|-----|-------|------------|---------|-----|---------|
| Model | Year | MG | SG | Illustration | Restrictions | UPD | 12:07 | 24.01.2010 | PORSCHE | PET | PORSCHE |
| 987C  | 2008 | 6  | 03 | 603-00       |              | 248 |       |            |         |     |         |

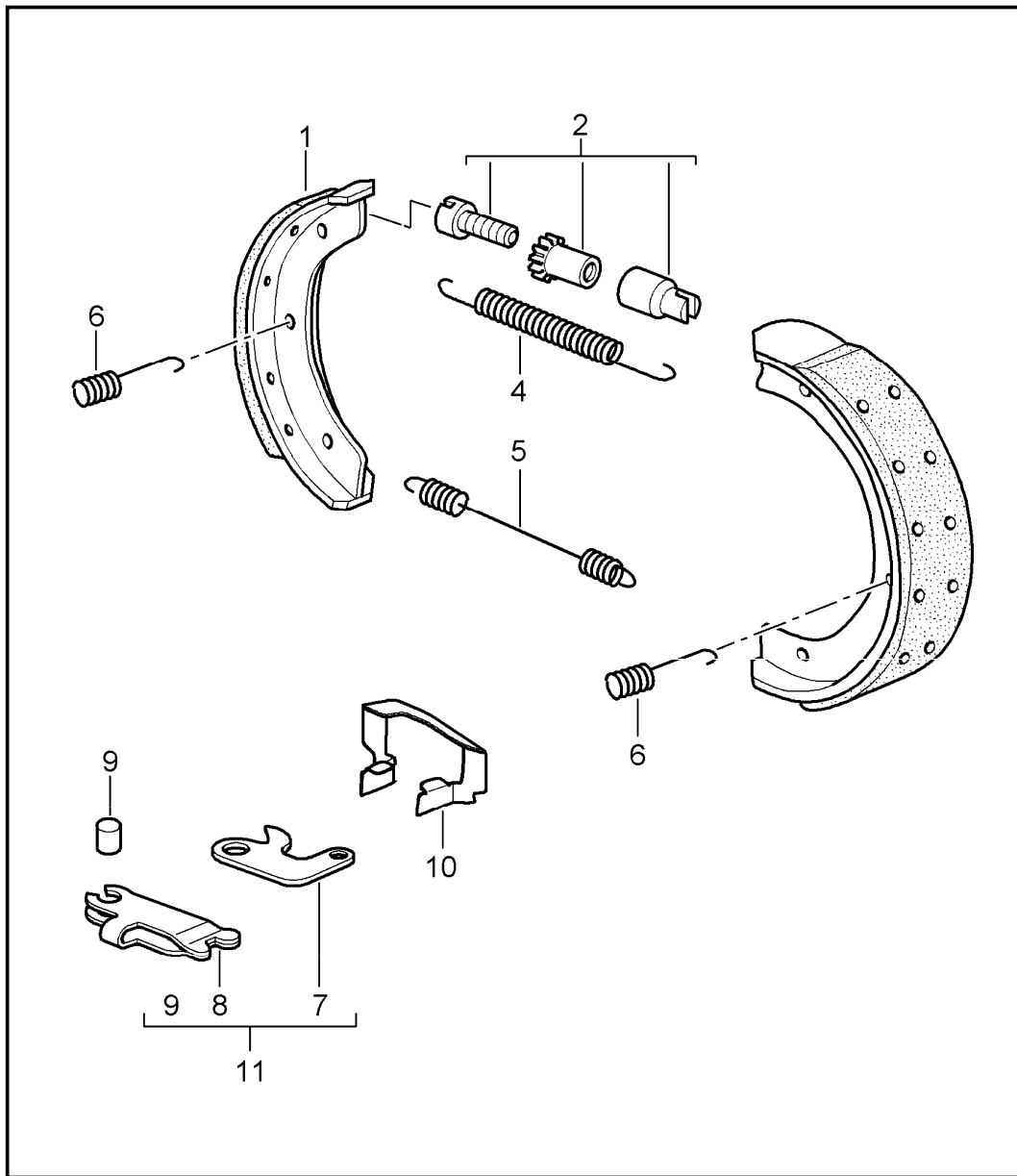


| Pos   | Part Number      | Description   | Remark | Qty | Model                |
|-------|------------------|---|--------|-----|----------------------|
|       |                  | disc brake rear axle  |        |     |                      |
|       |                  | brake disc only in pairs replace technical manual attention |        |     | I450                 |
| 1     | 987 352 401 01   | brake disc  |        | 2   | CAYMAN               |
| (1)   | 987 352 403 00   | brake disc  |        | 2   | CAYMAN S             |
| (1) > | 987 352 031 01   | brake disc  | /L     | -07 | 1 I450<br>1 CAYMAN S |
| (1)   | 987 352 031 02   | brake disc  | /L     | 08- | 1 I450<br>1 CAYMAN S |
| (1) > | 987 352 032 01   | brake disc  | /R     | -07 | 1 I450<br>1 CAYMAN S |
| (1)   | 987 352 032 02   | brake disc  | /R     | 08- | 1 I450<br>1 CAYMAN S |
| 2     | A 900 269 047 09 | countersunk-head screw M 6 X 12                             |        | 4   |                      |
| 2     | 900 269 047 01   | countersunk-head screw M 6 X 12                             |        | 4   |                      |
| 3     | 987 352 801 00   | protective plate  |        | 2   |                      |
| 4     | 999 217 116 09   | hexagon-head bolt M 6 X 16                                  |        | X   |                      |
| 5     | 986 352 423 01   | fixed calliper without pad                                  | /L     | 1   | CAYMAN               |
| (5)   | 996 352 421 13   | fixed calliper without pad                                  | /L     | 1   | CAYMAN S             |
| (5)   | 996 352 423 30   | fixed calliper without pad                                  | /L     | -07 | 1 I450<br>1 CAYMAN S |
| (5)   | 996 352 423 31   | fixed calliper without pad                                  | /L     | 08- | 1 I450<br>1 CAYMAN S |
| (5)   | 986 352 424 01   | fixed calliper without pad                                  | /R     | 1   | CAYMAN               |
| (5)   | 996 352 422 13   | fixed calliper without pad                                  | /R     | 1   | CAYMAN S             |
| (5)   | 996 352 424 30   | fixed calliper without pad                                  | /R     | -07 | 1 I450<br>1 CAYMAN S |

|       |      |    |    |              |              |     |       |            |         |     |         |
|-------|------|----|----|--------------|--------------|-----|-------|------------|---------|-----|---------|
| Model | Year | MG | SG | Illustration | Restrictions | UPD | 12:07 | 24.01.2010 | PORSCHE | PET | PORSCHE |
| 987C  | 2008 | 6  | 03 | 603-00       |              | 248 |       |            |         |     |         |

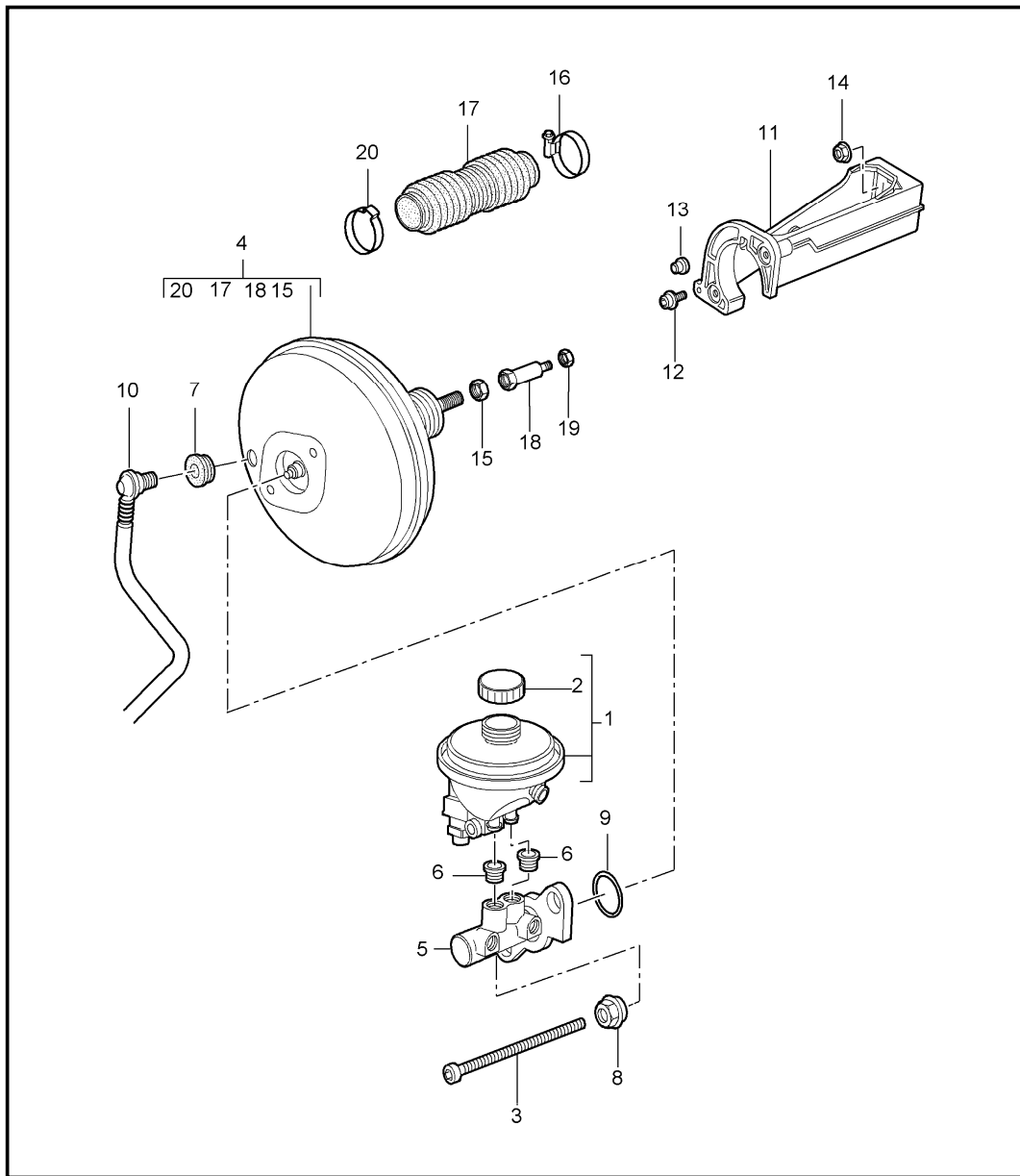
| Pos   | Part Number    | Description   | Remark | Qty | Model            | Pos  | Part Number    | Description  | Remark | Qty | Model            |
|-------|----------------|---|--------|-----|------------------|------|----------------|--|--------|-----|------------------|
| (5)   | 996 352 424 31 | fixed calliper<br>without pad   | /R 08- | 1   | I450<br>CAYMAN S | 11   | 996 352 959 01 | repair kit<br>mounting parts<br>bolt<br>expanding spring<br>securing clip              |        | 1   |                  |
| 6     | 987 352 939 01 | brake pad repair set  |        | 1   | CAYMAN           |      |                |  |        | 2   |                  |
| (6)   | 986 352 939 10 | brake pad repair set  |        | 1   | CAYMAN S         |      |                |  |        | 2   |                  |
| (6)   | 996 352 947 01 | brake pad repair set  |        | 1   | I450<br>CAYMAN S | -    | 964 352 096 00 | damping plate<br>30 MM \$  |        | X   | CAYMAN           |
|       |                | see technical manual<br>group<br>46 35 20<br>use also:<br>mounting parts<br>F >>986U7 75101 |        |     |                  | -    | 996 352 086 01 | damping plate<br>28 MM \$  |        | X   | CAYMAN S         |
| (6)   | 997 352 948 00 | brake pad repair set  |        | 1   | I450<br>CAYMAN S | -    | 996 352 086 01 | damping plate<br>28 MM \$  |        | X   | I450<br>CAYMAN S |
|       |                | see technical manual<br>group<br>46 35 20<br>use also:<br>mounting parts<br>F 986U7 75102>> |        |     |                  | -    | 964 352 096 00 | damping plate<br>30 MM<br>see technical manual<br>group<br>46 35 20<br>F >>986U7 75101 |        | X   | I450<br>CAYMAN S |
| 7     | 987 612 676 01 | warning contact   |        | 2   | CAYMAN           | 12   | 996 352 961 00 | connecting line  | /L     | 1   | CAYMAN           |
| (7)   | 986 612 365 00 | warning contact   |        | 2   | CAYMAN S         | (12) | 996 352 961 00 | connecting line  | /L     | 1   | CAYMAN S         |
| (7)   | 987 612 676 01 | warning contact   |        | 2   | I450<br>CAYMAN S | (12) | 996 352 962 00 | connecting line  | /R     | 1   | CAYMAN           |
|       |                |   |        |     |                  | (12) | 996 352 962 00 | connecting line  | /R     | 1   | CAYMAN S         |
|       |                |   |        |     |                  | (12) | 996 351 961 30 | connecting line  |        | 2   | I450<br>CAYMAN S |
| 8 A   | 999 067 041 09 | pan-head screw<br>M 12 X 1,5 X 72   |        | 4   | CAYMAN           | 13   | 930 351 919 00 | ventilation valve  |        | 4   |                  |
| 8     | 999 067 041 01 | pan-head screw<br>M 12 X 1,5 X 72   |        | 4   | CAYMAN           | 14   | 930 351 927 00 | dust boot  |        | 4   |                  |
| (8) A | 999 067 041 09 | pan-head screw<br>M 12 X 1,5 X 72   |        | 4   | CAYMAN S         | 15   | 000 043 117 00 | brake cylinder paste<br>50 G   |        | X   |                  |
| (8)   | 999 067 041 01 | pan-head screw<br>M 12 X 1,5 X 72   |        | 4   | CAYMAN S         | (15) | 000 043 020 00 | optimoly<br>100 G  |        | X   |                  |
| (8)   | 999 067 047 09 | pan-head screw<br>M 12 X 1,5 X 85   |        | 4   | I450<br>CAYMAN S |      |                |  |        |     |                  |
| 9     | 951 352 917 01 | repair kit<br>protection caps<br>30 MM \$   |        | X   |                  |      |                |  |        |     |                  |
| 10    | 951 352 917 00 | repair kit<br>protection caps<br>28 MM \$   |        | X   |                  |      |                |  |        |     |                  |

|       |      |    |    |              |              |     |       |            |         |     |         |
|-------|------|----|----|--------------|--------------|-----|-------|------------|---------|-----|---------|
| Model | Year | MG | SG | Illustration | Restrictions | UPD | 12:07 | 24.01.2010 | PORSCHE | PET | PORSCHE |
| 987C  | 2008 | 6  | 03 | 603-05       |              | 248 |       |            |         |     |         |



| Pos | Part Number    | Description   | Remark | Qty | Model |
|-----|----------------|---|--------|-----|-------|
|     |                | handbrake   |        |     |       |
|     |                | see technical manual<br>group<br>46 83 20   |        |     |       |
| (1) | 996 352 993 02 | repair kit<br>1 set<br>only together with<br>compression spring<br>997.352.741.01 |        | 1   |       |
| 2   | 993 352 071 00 | adjusting screw   |        | 2   |       |
| 4   | 997 352 721 01 | tension spring  |        | 2   |       |
| 5   | 997 352 723 02 | tension spring  |        | 2   |       |
| 6   | 997 352 741 01 | compression spring<br>only together with<br>brake shoe<br>996.352.993.00/01/02    |        | 4   |       |
| 7   | 986 352 073 02 | expanding bow   |        | 2   |       |
| 8   | 986 352 073 02 | expanding bow   |        | 2   |       |
| 9   | 986 352 735 00 | articulated bolt  |        | 2   |       |
| 10  | 997 352 807 01 | supporting plate  |        | 2   |       |
| 11  | 986 352 073 02 | expanding bow   |        | 2   |       |

|       |      |    |    |              |              |     |       |            |         |     |         |
|-------|------|----|----|--------------|--------------|-----|-------|------------|---------|-----|---------|
| Model | Year | MG | SG | Illustration | Restrictions | UPD | 12:07 | 24.01.2010 | PORSCHE | PET | PORSCHE |
| 987C  | 2008 | 6  | 04 | 604-00       |              | 248 |       |            |         |     |         |



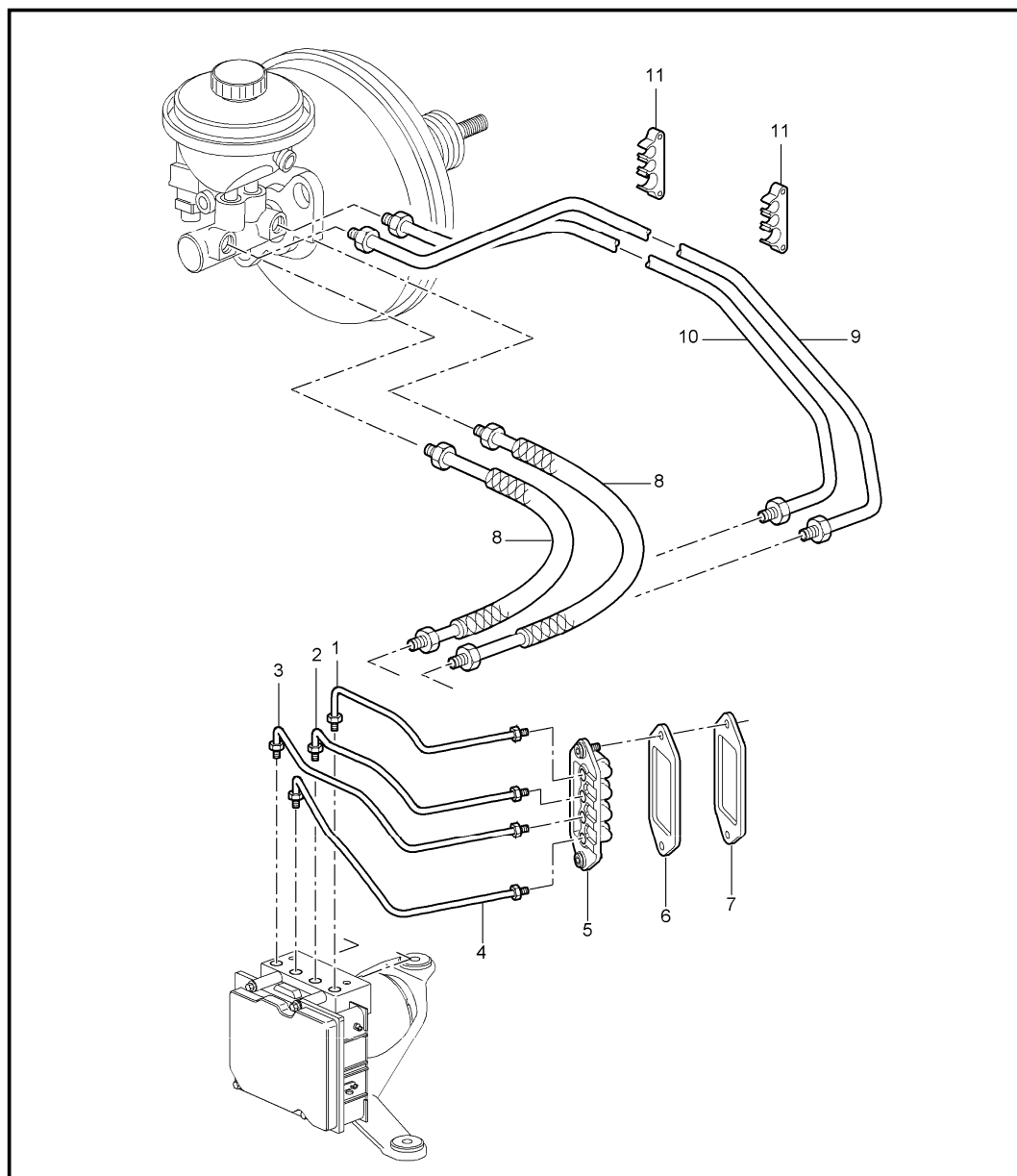
| Pos  | Part Number    | Description                              | Remark | Qty | Model            |
|------|----------------|--|--------|-----|------------------|
| -    | 000 043 203 66 | brake master cylinder<br>brake booster   |        |     |                  |
| -    |                | brake fluid<br>DOT 4<br>1 Ltr.           |        | X   |                  |
| 1    | 997 355 013 01 | expansion tank                           |        | 1   | I480/481         |
| (1)  | 997 355 013 21 | expansion tank                           |        | 1   | I249             |
| 2    | 996 355 119 01 | catch                                    |        | 1   |                  |
| -    | 997 355 125 00 | support for contact<br>for<br>container  |        | 1   |                  |
| 3    | 999 073 124 09 | pan-head screw<br>M 8 X 154 X 80         |        | 2   |                  |
| 4    | 997 355 923 00 | brake booster                            |        | 1   |                  |
| -    | 996 355 137 01 | catch<br>threaded joint<br>brake booster |        | 1   |                  |
| 5    | 997 355 910 00 | brake master cylinder                    |        | 1   | CAYMAN           |
| (5)  | 997 355 910 00 | brake master cylinder                    |        | 1   | CAYMAN S         |
| (5)  | 997 355 910 10 | brake master cylinder                    |        | 1   | I450<br>CAYMAN S |
| 6    | 993 355 922 00 | grommet                                  |        | 2   |                  |
| 7    | 999 702 182 40 | rubber bush                              |        | 1   |                  |
| 8    | 997 355 925 00 | hexagon nut                              |        | 2   |                  |
| 9    | 993 355 212 00 | gasket                                   |        | 1   |                  |
| 10   | 997 355 577 00 | vacuum line                              |        | 1   | I098             |
| (10) | 997 355 578 00 | vacuum line                              |        | 1   | I099             |
| 11   | 997 423 251 00 | intermediate piece                       |        | 1   |                  |
| 12   | 999 073 189 01 | round head screw<br>M 6 X 12             |        | 2   |                  |
| 13   | 999 703 448 50 | stopper                                  | /R     | 1   |                  |
| 14   | 900 380 005 09 | hexagon nut<br>M 8                       |        | 2   |                  |
| 15   | 900 183 015 02 | hexagon nut<br>M 12 X 1,5                |        | 1   |                  |



|       |      |    |    |              |              |     |       |            |         |     |         |
|-------|------|----|----|--------------|--------------|-----|-------|------------|---------|-----|---------|
| Model | Year | MG | SG | Illustration | Restrictions | UPD | 12:07 | 24.01.2010 | PORSCHE | PET | PORSCHE |
| 987C  | 2008 | 6  | 04 | 604-00       |              | 248 |       |            |         |     |         |

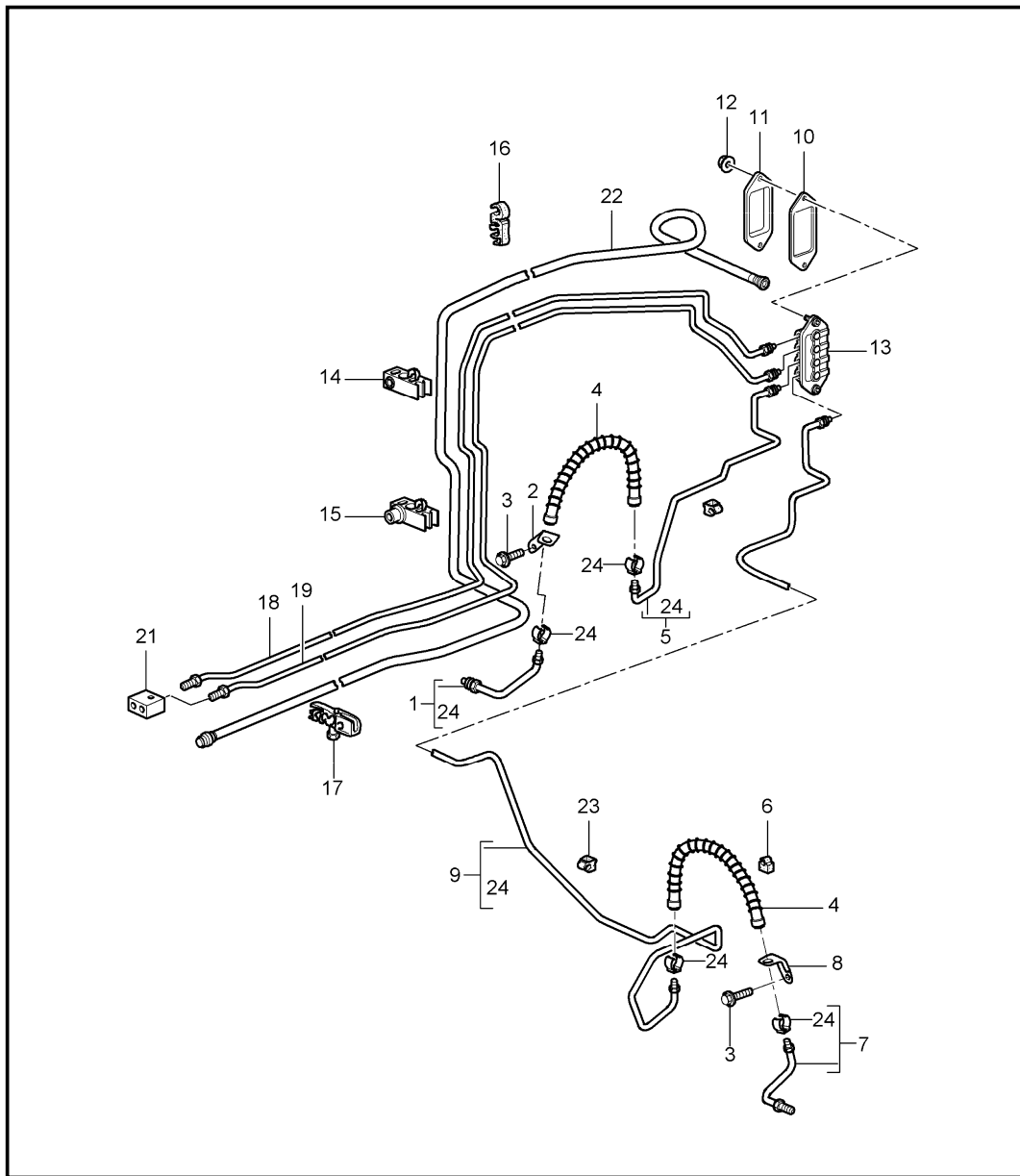
| Pos  | Part Number    | Description                         | Remark | Qty | Model | Pos | Part Number | Description | Remark | Qty | Model |
|------|----------------|-------------------------------------|--------|-----|-------|-----|-------------|-------------|--------|-----|-------|
| -    | 996 355 901 01 | gasket<br>brake booster<br>bulkhead |        | 1   |       |     |             |             |        |     |       |
| 16   | 999 512 478 00 | hose clamp                          |        | 1   |       |     |             |             |        |     |       |
| 17   | 996 423 269 05 | bellows                             |        | 1   |       |     |             |             |        |     |       |
| 18   | 996 355 927 01 | connecting piece                    |        | 1   |       |     |             |             |        |     |       |
| 19 A | 900 380 015 09 | hexagon nut<br>M 6                  |        | 1   |       |     |             |             |        |     |       |
| (19) | 900 380 015 01 | hexagon nut<br>M 6                  |        | 1   |       |     |             |             |        |     |       |
| 20   | 999 512 672 00 | clamp                               |        | 1   |       |     |             |             |        |     |       |

|       |      |    |    |              |              |     |       |            |         |     |         |
|-------|------|----|----|--------------|--------------|-----|-------|------------|---------|-----|---------|
| Model | Year | MG | SG | Illustration | Restrictions | UPD | 12:07 | 24.01.2010 | PORSCHE | PET | PORSCHE |
| 987C  | 2008 | 6  | 04 | 604-05       |              | 248 |       |            |         |     |         |



| Pos | Part Number    | Description                       | Remark | Qty | Model |
|-----|----------------|-----------------------------------|--------|-----|-------|
|     |                | brake lines<br>body front section |        |     |       |
| 1   | 997 355 315 00 | brake line                        |        | 1   |       |
| 2   | 997 355 316 00 | brake line                        |        | 1   |       |
| 3   | 997 355 327 00 | brake line                        |        | 1   |       |
| 4   | 997 355 326 00 | brake line                        |        | 1   |       |
| 5   | 997 355 650 00 | intermediate piece                |        | 1   |       |
| 6   | 997 355 752 00 | gasket                            |        | 1   |       |
| 7   | 997 355 753 00 | reinforcement                     |        | 1   |       |
| 8   | 997 355 311 00 | pressure line                     |        | 2   | I098  |
| 9   | 997 355 312 00 | pressure line                     |        | 1   | I099  |
| 10  | 997 355 314 00 | pressure line                     |        | 1   | I099  |
| 11  | 999 507 632 40 | cable holder                      |        | 2   |       |

|       |      |    |    |              |              |     |       |            |         |     |         |
|-------|------|----|----|--------------|--------------|-----|-------|------------|---------|-----|---------|
| Model | Year | MG | SG | Illustration | Restrictions | UPD | 12:08 | 24.01.2010 | PORSCHE | PET | PORSCHE |
| 987C  | 2008 | 6  | 04 | 604-10       |              | 248 |       |            |         |     |         |

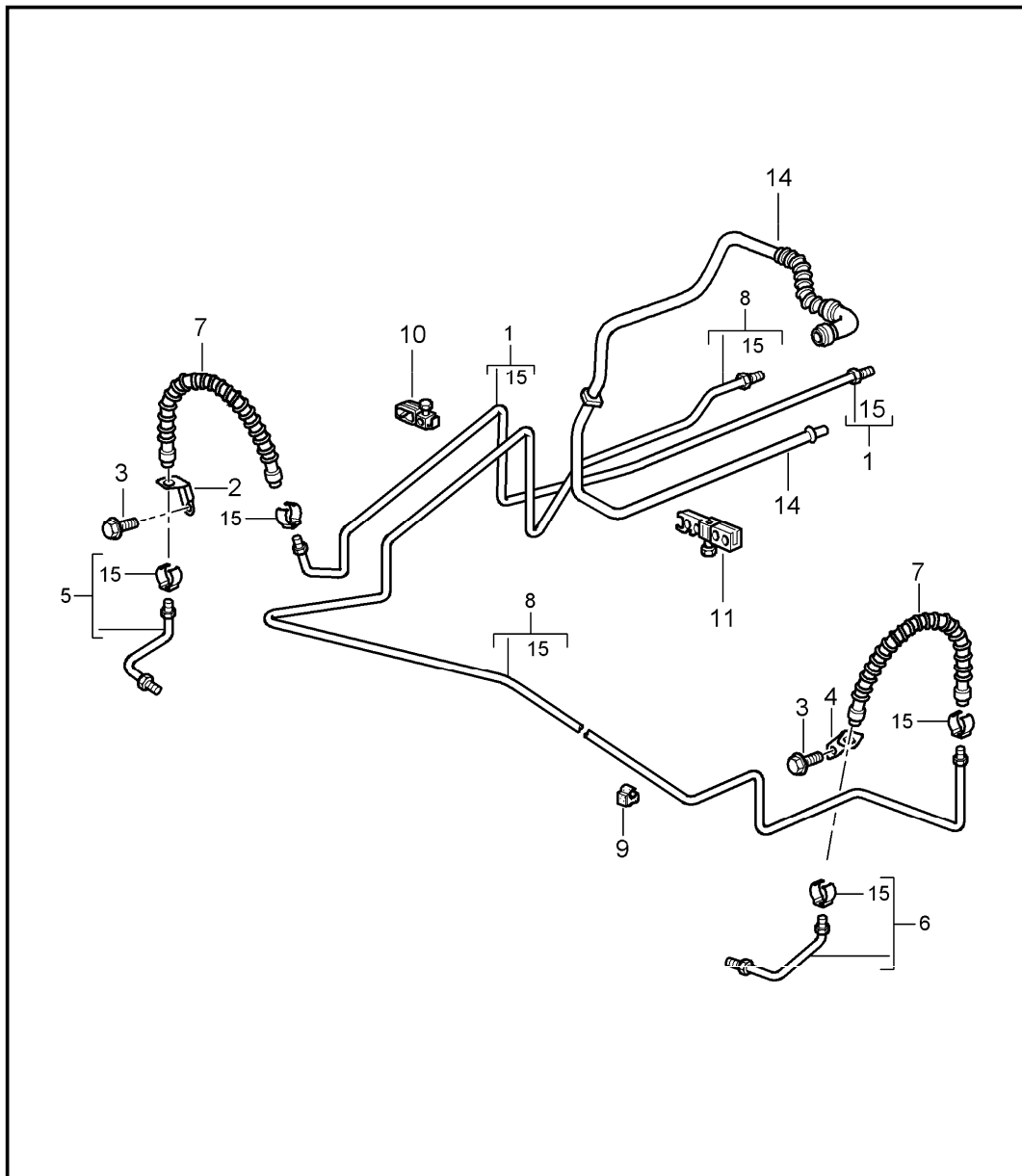


| Pos  | Part Number      | Description  | Remark | Qty | Model            |
|------|------------------|--|--------|-----|------------------|
|      |                  | brake lines<br>brake lines<br>underbody<br>vacuum line |        |     |                  |
| 1    | 996 355 581 06   | brake line   | /L     | 1   | CAYMAN           |
| (1)  | 996 355 581 06   | brake line   | /L     | 1   | CAYMAN S         |
| (1)  | 996 355 581 9B   | brake line   |        | 1   | CAYMAN S<br>I450 |
| 2    | 996 355 501 06   | brake hose bracket                                     | /L     | 1   |                  |
| 3    | 900 067 117 09   | pan-head screw<br>M 6 X 16                             |        | 2   |                  |
| 4    | 996 355 139 01   | brake hose   |        | 2   |                  |
| 5    | 997 355 175 02   | brake line   | /L     | 1   |                  |
| 6    | 999 591 930 40   | support  |        | X   |                  |
| 7    | 996 355 584 06   | brake line   | /R     | 1   | CAYMAN           |
| (7)  | 996 355 584 06   | brake line   | /R     | 1   | CAYMAN S         |
| (7)  | 996 355 584 9B   | brake line   | /R     | 1   | CAYMAN S<br>I450 |
| 8    | 996 355 502 06   | brake hose bracket                                     | /R     | 1   |                  |
| 9    | 997 355 176 02   | brake line   |        | 1   |                  |
| 10   | 997 355 753 00   | reinforcement  |        | 1   |                  |
| 11   | 997 355 752 00   | gasket   |        | 1   |                  |
| 12   | A 900 380 015 09 | hexagon nut<br>M 6                                     |        | 3   |                  |
| (12) | 900 380 015 01   | hexagon nut<br>M 6                                     |        | 3   |                  |
| 13   | 997 355 650 00   | intermediate piece                                     |        | 1   |                  |
| 14   | 996 355 545 00   | support  |        | 3   |                  |
| 15   | 996 355 549 00   | support  |        | 1   |                  |
| 16   | 996 355 547 01   | support  |        | 2   |                  |
| 17   | 996 355 543 00   | support  |        | 1   |                  |
| 18   | 997 355 177 01   | brake line   |        | 1   |                  |
| 19   | 997 355 179 01   | brake line   |        | 1   |                  |

|       |      |    |    |              |              |     |       |            |         |     |         |
|-------|------|----|----|--------------|--------------|-----|-------|------------|---------|-----|---------|
| Model | Year | MG | SG | Illustration | Restrictions | UPD | 12:08 | 24.01.2010 | PORSCHE | PET | PORSCHE |
| 987C  | 2008 | 6  | 04 | 604-10       |              | 248 |       |            |         |     |         |

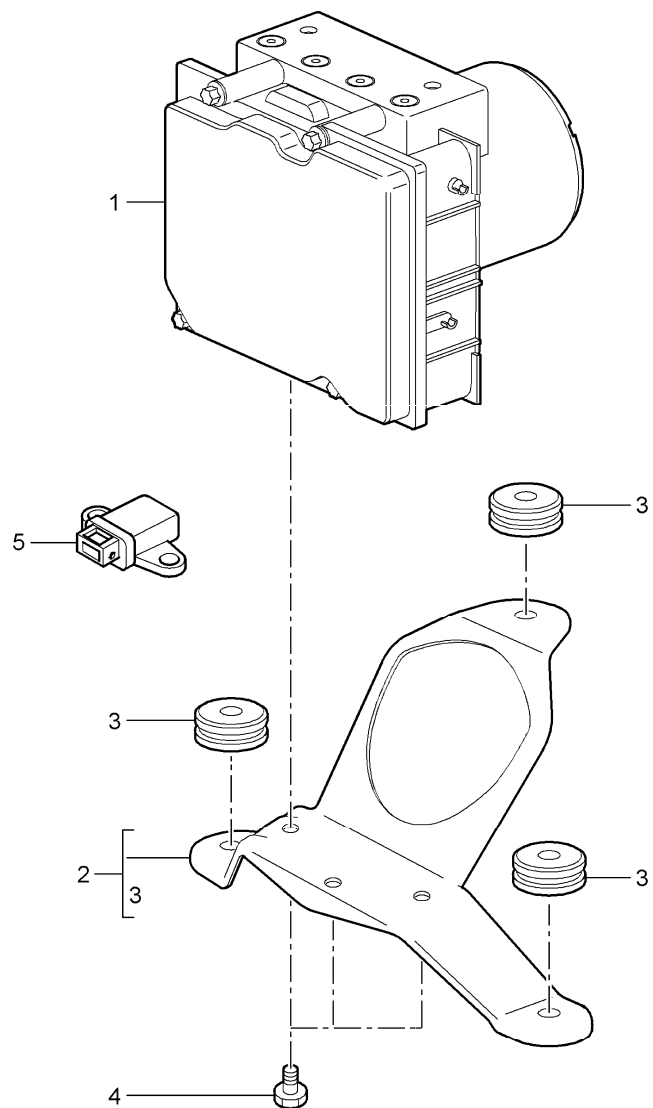
| Pos | Part Number    | Description                          | Remark | Qty | Model | Pos | Part Number | Description | Remark | Qty | Model |
|-----|----------------|--------------------------------------|--------|-----|-------|-----|-------------|-------------|--------|-----|-------|
| 21  | 996 355 760 31 | connecting piece                     |        | 1   |       |     |             |             |        |     |       |
| 22  | 997 355 571 01 | vacuum line                          |        | 1   |       |     |             |             |        |     |       |
| -   | 999 702 289 40 | grommet<br>wheel housing             |        | 1   |       |     |             |             |        |     |       |
| 23  | 999 651 331 40 | cable holder                         |        | 5   |       |     |             |             |        |     |       |
| 24  | 997 355 331 00 | retainer spring<br>for<br>brake line |        | X   |       |     |             |             |        |     |       |

|       |      |    |    |              |              |     |       |            |         |     |         |
|-------|------|----|----|--------------|--------------|-----|-------|------------|---------|-----|---------|
| Model | Year | MG | SG | Illustration | Restrictions | UPD | 12:08 | 24.01.2010 | PORSCHE | PET | PORSCHE |
| 987C  | 2008 | 6  | 04 | 604-15       |              | 248 |       |            |         |     |         |



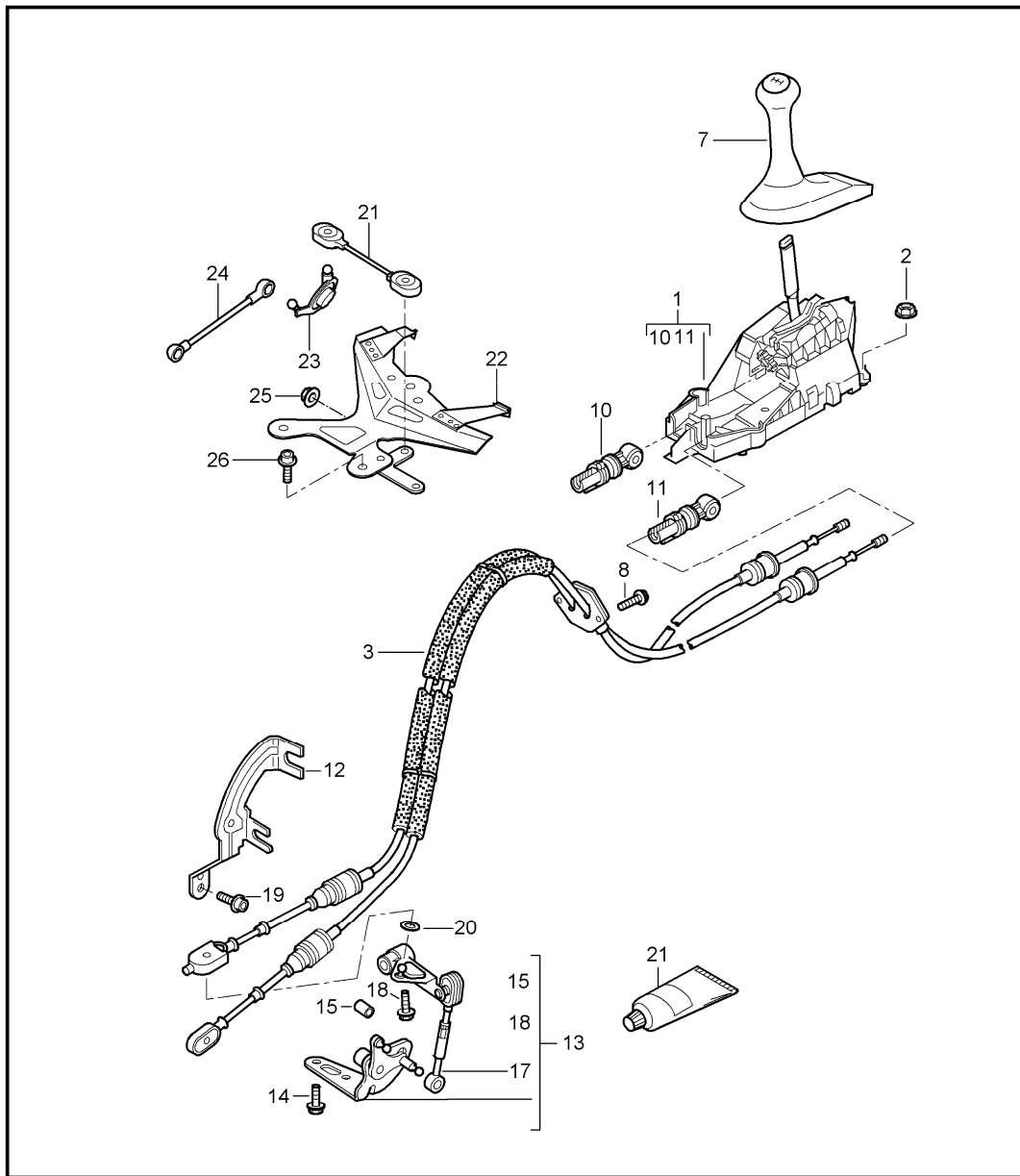
| Pos   | Part Number    | Description   | Remark | Qty | Model            |
|-------|----------------|---|--------|-----|------------------|
|       |                | brake line<br>underbody<br>rear axle<br>vacuum line |        |     |                  |
| 1     | 987 355 189 01 | brake line  | /L     | 1   |                  |
| 2     | 987 355 501 01 | support   | /L     | 1   |                  |
| 3     | 900 067 117 09 | pan-head screw<br>M 6 X 16                          |        | 4   |                  |
| 4     | 987 355 502 01 | support   | /R     | 1   |                  |
| 5     | 987 355 581 00 | brake line  | /L     | 1   | CAYMAN           |
| (5)   | 987 355 581 00 | brake line  | /L     | 1   | CAYMAN S         |
| (5) A | 987 355 583 00 | brake line  | /L     | 1   | I450<br>CAYMAN S |
| (5)   | 987 355 583 01 | brake line  | /L     | 1   | I450<br>CAYMAN S |
| 6     | 987 355 582 00 | brake line  | /R     | 1   | CAYMAN           |
| (6)   | 987 355 582 00 | brake line  | /R     | 1   | CAYMAN S         |
| (6) A | 987 355 584 00 | brake line  | /R     | 1   | I450<br>CAYMAN S |
| (6)   | 987 355 584 01 | brake line  | /R     | 1   | I450<br>CAYMAN S |
| -     | 996 501 815 02 | support   |        | 2   |                  |
|       |                | GRV brake hose                                      |        |     |                  |
| 7     | 987 355 637 00 | brake hose  |        | 2   |                  |
| 8     | 987 355 190 01 | brake line  | /R     | 1   |                  |
| 9     | 999 651 331 40 | cable holder  |        | 3   |                  |
| 10    | 964 423 811 00 | support   |        | 2   |                  |
| 11    | 996 355 543 00 | support   |        | 1   |                  |
| 14    | 987 355 575 02 | vacuum line   |        | 1   |                  |
| 15    | 997 355 331 00 | retainer spring<br>for<br>brake line                |        | X   |                  |

|       |      |    |    |              |              |     |       |            |         |     |         |
|-------|------|----|----|--------------|--------------|-----|-------|------------|---------|-----|---------|
| Model | Year | MG | SG | Illustration | Restrictions | UPD | 12:08 | 24.01.2010 | PORSCHE | PET | PORSCHE |
| 987C  | 2008 | 6  | 05 | 605-00       |              | 248 |       |            |         |     |         |



| Pos | Part Number    | Description   | Remark | Qty | Model |
|-----|----------------|---|--------|-----|-------|
|     |                | hydraulic unit<br>anti-lock brake system<br>control |        |     |       |
| 1   | 987 355 955 05 | hydraulic unit                                      |        | 1   |       |
| 2   | 997 355 033 00 | support<br>with<br>rubber mounting                  |        | 1   |       |
| 3   | 964 356 635 00 | rubber mounting                                     |        | 3   |       |
| -   | 999 045 004 40 | hexagon nut<br>plastic material                     |        | 3   |       |
| 4 A | 900 385 060 09 | screw<br>BM 6 X 10                                  |        | 3   |       |
| (4) | 900 385 060 01 | screw<br>BM 6 x 10                                  |        | 3   |       |
| 5   | 996 606 145 00 | sensor  |        | 1   |       |

|       |      |    |    |              |              |     |       |            |         |     |         |
|-------|------|----|----|--------------|--------------|-----|-------|------------|---------|-----|---------|
| Model | Year | MG | SG | Illustration | Restrictions | UPD | 12:08 | 24.01.2010 | PORSCHE | PET | PORSCHE |
| 987C  | 2008 | 7  | 01 | 701-00       |              | 248 |       |            |         |     |         |



| Pos | Part Number    | Description   | Remark | Qty | Model    |
|-----|----------------|---|--------|-----|----------|
|     |                | transmission control<br>manual transmission         |        |     |          |
| 1   | 997 424 010 00 | gearshift bracket                                   |        | 1   |          |
| (1) | 997 424 983 00 | gearshift bracket                                   |        | 1   | IXCZ     |
| 2   | 999 084 629 01 | hexagon nut<br>M 6 SB                               |        | 4   |          |
| 3   | 987 424 041 11 | cable   |        | 1   | I481     |
| (3) | 987 424 042 11 | cable   |        | 1   | I480     |
| 7   | 987 424 075 00 | gearshift knob<br>leather<br>shift pattern<br>black |        | 1   | I481     |
|     |                | FOT black/black                                     |        |     |          |
|     |                | FOU stone grey/stone grey                           |        |     |          |
|     |                | FOV sand beige/sand beige                           |        |     |          |
|     |                | FOW sea blue/sea blue                               |        |     |          |
|     |                | FOX palmgreen/palmgreen                             |        |     |          |
|     |                | FPW terracotta/terracotta                           |        |     |          |
|     |                | FPX cocoa/cocoa                                     |        |     |          |
|     |                | FQE black/stone grey                                |        |     |          |
|     |                | FOY dark grey/dark grey                             |        |     |          |
|     |                | FOZ brown nat./brown nat.                           |        |     |          |
| (7) | 987 424 075 03 | gearshift knob<br>carbon<br>shift pattern<br>black  |        | 1   | I481/803 |
|     |                | FPP black   |        |     |          |
|     |                | FPQ stone grey                                      |        |     |          |
|     |                | FPR sand beige                                      |        |     |          |
|     |                | FPS sea blue  |        |     |          |
|     |                | FPT palmgreen                                       |        |     |          |
|     |                | FQC terracotta                                      |        |     |          |
|     |                | FQD cocoa   |        |     |          |

|       |      |    |    |              |              |     |       |            |         |     |         |
|-------|------|----|----|--------------|--------------|-----|-------|------------|---------|-----|---------|
| Model | Year | MG | SG | Illustration | Restrictions | UPD | 12:08 | 24.01.2010 | PORSCHE | PET | PORSCHE |
| 987C  | 2008 | 7  | 01 | 701-00       |              | 248 |       |            |         |     |         |

| Pos | Part Number    | Description  | Remark | Qty | Model    | Pos | Part Number    | Description   | Remark | Qty | Model    |
|-----|----------------|--|--------|-----|----------|-----|----------------|---|--------|-----|----------|
|     |                | FPU dark grey/natural  |        |     |          |     |                | FOV sand beige/sand beige                                     |        |     |          |
|     |                | FPV brown/natural  |        |     |          |     |                | FOW sea blue/sea blue   |        |     |          |
| (7) | 987 424 075 04 | gearshift knob<br>macassar<br>shift pattern<br>black         |        | 1   | I481/801 |     |                | FOX palmgreen/palmgreen                                       |        |     |          |
|     |                | FPA black  |        |     |          |     |                | FPW terracotta/terracotta                                     |        |     |          |
|     |                | FPB stone grey   |        |     |          |     |                | FPX cocoa/cocoa   |        |     |          |
|     |                | FPC sand beige   |        |     |          |     |                | FQE black/stone grey  |        |     |          |
|     |                | FPD sea blue   |        |     |          |     |                | FOY dark grey/dark grey                                       |        |     |          |
|     |                | FPE palmgreen  |        |     |          |     |                | FOZ brown nat./brown nat.                                     |        |     |          |
|     |                | FPY terracotta   |        |     |          | (7) | 997 424 075 03 | gearshift knob<br>carbon<br>shift pattern<br>aluminium look   |        | 1   | I480/803 |
|     |                | FPZ cocoa  |        |     |          |     |                | FPP black   |        |     |          |
|     |                | FPP dark grey/natural  |        |     |          |     |                | FPQ stone grey  |        |     |          |
|     |                | FPG brown/natural  |        |     |          |     |                | FPR sand beige  |        |     |          |
| (7) | 987 424 075 04 | gearshift knob<br>sycamore wood<br>shift pattern             |        | 1   | I481/802 |     |                | FPS sea blue  |        |     |          |
|     |                | FPH black  |        |     |          |     |                | FPT palmgreen   |        |     |          |
|     |                | FPJ stone grey   |        |     |          |     |                | FQC terracotta  |        |     |          |
|     |                | FPK sand beige   |        |     |          |     |                | FQD cocoa   |        |     |          |
|     |                | FPL sea blue   |        |     |          |     |                | FPU dark grey/natural   |        |     |          |
|     |                | FPM palmgreen  |        |     |          |     |                | FPV brown/natural   |        |     |          |
|     |                | FQA terracotta   |        |     |          |     |                | FSS Carrera Red/Carrera Red                                   |        |     |          |
|     |                | FQB cocoa  |        |     |          | (7) | 997 424 075 04 | gearshift knob<br>macassar<br>shift pattern<br>aluminium look |        | 1   | I480/801 |
|     |                | FPN dark grey/natural  |        |     |          |     |                | FPA black   |        |     |          |
|     |                | FPO brown/natural  |        |     |          |     |                | FPB stone grey  |        |     |          |
| (7) | 997 424 075 01 | gearshift knob<br>leather<br>shift pattern<br>aluminium look |        | 1   | I480     |     |                | FPC sand beige  |        |     |          |
|     |                | FOT black/black  |        |     |          |     |                | FPD sea blue  |        |     |          |
|     |                | FOU stone grey/stone grey                                    |        |     |          |     |                | FPE palmgreen   |        |     |          |



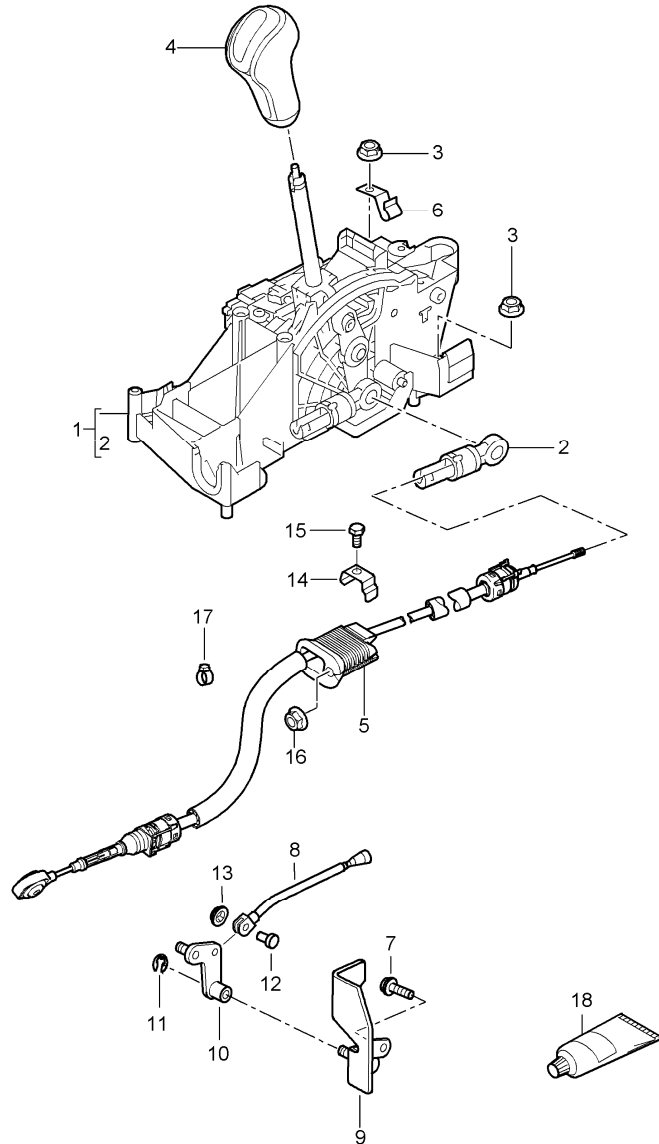
|       |      |    |    |              |              |     |       |            |         |     |         |
|-------|------|----|----|--------------|--------------|-----|-------|------------|---------|-----|---------|
| Model | Year | MG | SG | Illustration | Restrictions | UPD | 12:08 | 24.01.2010 | PORSCHE | PET | PORSCHE |
| 987C  | 2008 | 7  | 01 | 701-00       |              | 248 |       |            |         |     |         |

| Pos | Part Number    | Description  | Remark | Qty | Model    | Pos  | Part Number    | Description                                  | Remark | Qty | Model    |
|-----|----------------|--|--------|-----|----------|------|----------------|--|--------|-----|----------|
|     | FPY            | terracotta   |        |     |          | (7)  | 987 424 981 00 | gearshift knob<br>aluminium<br>leather       |        | 1   | IX97/481 |
|     | FPZ            | cocoa  |        |     |          |      |                |  |        |     |          |
|     | FPF            | dark grey/natural  |        |     |          |      | 8YR            | black  |        |     |          |
|     | FPG            | brown/natural  |        |     |          |      | 5X5            | stone grey                                   |        |     |          |
|     | FST            | Carrera Red/Carrera Red  |        |     |          |      | 8G1            | sand beige                                   |        |     |          |
| (7) | 997 424 075 04 | gearshift knob<br>sycamore wood<br>shift pattern<br>aluminium look |        | 1   | I480/802 |      | 3S8            | sea blue                                     |        |     |          |
|     | FPH            | black  |        |     |          |      | 4P1            | palmgreen                                    |        |     |          |
|     | FPJ            | stone grey   |        |     |          |      | 9N2            | terracotta                                   |        |     |          |
|     | FPK            | sand beige   |        |     |          |      | 9Q3            | cocoa  |        |     |          |
|     | FPL            | sea blue   |        |     |          |      | D11            | dark grey/natural                            |        |     |          |
|     | FPM            | palmgreen  |        |     |          |      | T11            | brown/natural                                |        |     |          |
|     | FQA            | terracotta   |        |     |          | (7)  | 997 424 075 90 | gearshift knob<br>leather                    |        | 1   | I755     |
|     | FQB            | cocoa  |        |     |          |      | A15            | black  |        |     |          |
|     | FPN            | dark grey/natural  |        |     |          | (7)  | 997 424 075 90 | gearshift knob<br>leather                    |        | 1   | I758     |
|     | FPO            | brown/natural  |        |     |          |      | A15            | black  |        |     |          |
| (7) | 997 424 981 00 | gearshift knob<br>aluminium<br>leather                             |        | 1   | IX97/480 | 8    | 900 378 173 09 | hexagon-head bolt<br>M 6 X 20                |        | 2   | I481     |
|     | 8YR            | black  |        |     |          | (8)  | 999 084 629 09 | hexagon nut<br>M 6                           |        | 2   | I480     |
|     | 5X5            | stone grey   |        |     |          | (10) | 996 424 145 01 | fastening part<br>for<br>cable<br>adjustable |        | 1   |          |
|     | 8G1            | sand beige   |        |     |          | -    | 996 424 445 00 | clip<br>for<br>fastening part                |        | 1   |          |
|     | 3S8            | sea blue   |        |     |          | 11   | 996 424 147 00 | fastening part<br>for<br>cable<br>adjustable |        | 1   |          |
|     | 4P1            | palmgreen  |        |     |          | 12   | 986 424 165 02 | support<br>for<br>cable                      | -07    | 1   | I481     |
|     | 9N2            | terracotta   |        |     |          |      |                |  |        |     |          |
|     | 9Q3            | cocoa  |        |     |          |      |                |  |        |     |          |
|     | D11            | dark grey/natural  |        |     |          |      |                |  |        |     |          |
|     | T11            | brown/natural  |        |     |          |      |                |  |        |     |          |
|     | N11            | Carrera Red/Carrera Red  |        |     |          |      |                |  |        |     |          |

|       |      |    |    |              |              |     |       |            |         |     |         |
|-------|------|----|----|--------------|--------------|-----|-------|------------|---------|-----|---------|
| Model | Year | MG | SG | Illustration | Restrictions | UPD | 12:08 | 24.01.2010 | PORSCHE | PET | PORSCHE |
| 987C  | 2008 | 7  | 01 | 701-00       |              | 248 |       |            |         |     |         |

| Pos  | Part Number    | Description                | Remark | Qty | Model | Pos | Part Number | Description | Remark | Qty | Model |
|------|----------------|----------------------------|--------|-----|-------|-----|-------------|-------------|--------|-----|-------|
| (12) | 986 424 165 03 | support for cable          | 08-    | 1   | I481  |     |             |             |        |     |       |
| 13   | 987 424 913 02 | linkage adjustable         | -07    | 1   | I481  |     |             |             |        |     |       |
| (13) | 987 424 913 03 | linkage adjustable         | 08-    | 1   | I481  |     |             |             |        |     |       |
| 14   | 900 075 085 02 | hexagon-head bolt M 8 X 20 |        | 2   | I481  |     |             |             |        |     |       |
| 15   | 987 424 135 00 | rubber stop                |        | 1   |       |     |             |             |        |     |       |
| 17   | 987 424 932 02 | connecting rod adjustable  |        | 1   | I481  |     |             |             |        |     |       |
| 18   | N 901 239 02   | hexagon-head bolt M 8 X 26 |        | 1   | I481  |     |             |             |        |     |       |
| 19   | 999 073 209 09 | pan-head screw M 10 X 20   |        | 2   | I481  |     |             |             |        |     |       |
| 20   | 986 424 133 00 | washer                     |        | 2   | I481  |     |             |             |        |     |       |
| 21 A | 987 424 131 02 | joint rod                  | -07    | 1   | I480  |     |             |             |        |     |       |
| (21) | 987 424 131 22 | joint rod                  | 08-    | 1   | I480  |     |             |             |        |     |       |
| 22   | 987 424 137 01 | transmission bracket       |        | 1   | I480  |     |             |             |        |     |       |
| 23   | 987 424 023 00 | lever                      |        | 1   | I480  |     |             |             |        |     |       |
| 24   | 987 424 035 00 | connecting rod             | 06     | 1   | I480  |     |             |             |        |     |       |
| (24) | 987 424 035 10 | connecting rod             | 07-    | 1   | I480  |     |             |             |        |     |       |
| 25   | 900 377 003 02 | hexagon nut M 8            |        | 1   | I480  |     |             |             |        |     |       |
| 26   | 900 385 274 09 | torx screw M 10 X 25       |        | 3   | I480  |     |             |             |        |     |       |

|       |      |    |    |              |              |     |       |            |         |     |         |
|-------|------|----|----|--------------|--------------|-----|-------|------------|---------|-----|---------|
| Model | Year | MG | SG | Illustration | Restrictions | UPD | 12:08 | 24.01.2010 | PORSCHE | PET | PORSCHE |
| 987C  | 2008 | 7  | 01 | 701-01       |              | 248 |       |            |         |     |         |

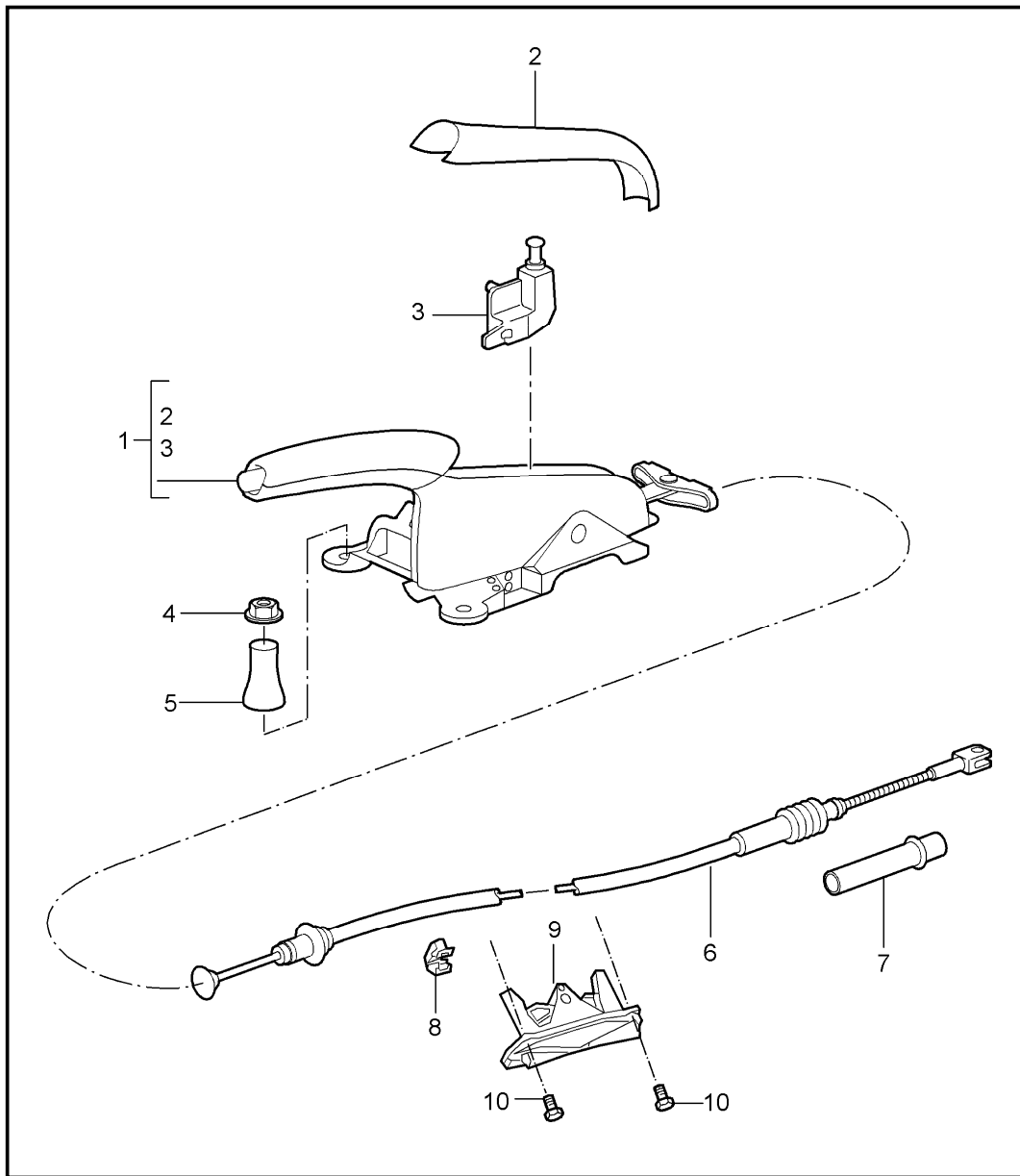


| Pos | Part Number    | Description                         | Remark | Qty | Model |
|-----|----------------|-------------------------------------|--------|-----|-------|
| (1) | 987 426 011 02 | selector lever tiptronic            |        | 1   |       |
| -   | 996 613 212 10 | selector lever with housing         |        | 1   |       |
| 2   | 996 426 035 00 | switch selector lever               |        | 1   |       |
| 2   | 996 426 035 00 | fastening part for cable adjustable |        | 1   |       |
| 3   | 999 084 629 09 | hexagon nut M 6                     |        | 4   |       |
| 4   | 997 426 069 00 | selector knob leather               | -06    | 1   |       |
|     |                | 8YR black                           |        |     |       |
|     |                | 5X5 stone grey                      |        |     |       |
|     |                | 8G1 sand beige                      |        |     |       |
|     |                | 3S8 sea blue                        |        |     |       |
|     |                | 4P1 palmgreen                       |        |     |       |
|     |                | 9N2 terracotta                      |        |     |       |
|     |                | 9Q3 cocoa                           |        |     |       |
|     |                | D11 dark grey/natural               |        |     |       |
|     |                | T11 brown/natural                   |        |     |       |
| (4) | 997 426 069 10 | selector knob leather               | 07-    | 1   |       |
|     |                | 8YR black                           |        |     |       |
|     |                | 5X5 stone grey                      |        |     |       |
|     |                | 8G1 sand beige                      |        |     |       |
|     |                | 3S8 sea blue                        |        |     |       |
|     |                | 4P1 palmgreen                       |        |     |       |
|     |                | 9N2 terracotta                      |        |     |       |
|     |                | 9Q3 cocoa                           |        |     |       |
|     |                | D11 dark grey/natural               |        |     |       |

|       |      |    |    |              |              |     |       |            |         |     |         |
|-------|------|----|----|--------------|--------------|-----|-------|------------|---------|-----|---------|
| Model | Year | MG | SG | Illustration | Restrictions | UPD | 12:08 | 24.01.2010 | PORSCHE | PET | PORSCHE |
| 987C  | 2008 | 7  | 01 | 701-01       |              | 248 |       |            |         |     |         |

| Pos  | Part Number    | Description                 | Remark | Qty | Model | Pos  | Part Number    | Description                   | Remark | Qty | Model |
|------|----------------|-----------------------------|--------|-----|-------|------|----------------|-------------------------------|--------|-----|-------|
|      | T11            | brown/natural               |        |     |       | 12   | 986 426 415 02 | bolt                          |        | 1   |       |
|      | N11            | carrera red                 |        |     |       | 13   | 999 507 057 02 | clamping washer               | -07    | 1   |       |
| (4)  | 997 426 069 03 | selector knob               | -06    | 1   | I803  | (13) | 999 507 057 03 | clamping washer               | 08-    | 1   |       |
|      | A35            | carbon                      |        |     |       | 15   | N 010 237 6    | hexagon-head bolt<br>M 8 X 12 |        | 1   |       |
| (4)  | 997 426 069 13 | selector knob               | 07-    | 1   | I803  | 16   | 999 084 629 09 | hexagon nut<br>M 6            |        | 2   |       |
|      | A35            | carbon                      |        |     |       | 17   | 999 507 635 00 | support                       |        | 1   |       |
| (4)  | 997 426 069 04 | selector knob               | -06    | 1   | I801  | 18   | 000 043 205 93 | grease<br>1 100-gramme tube   |        | 1   |       |
|      | S61            | macassar                    |        |     |       |      |                |                               |        |     |       |
| (4)  | 997 426 069 14 | selector knob               | 07-    | 1   | I801  |      |                |                               |        |     |       |
|      | S61            | macassar                    |        |     |       |      |                |                               |        |     |       |
| (4)  | 997 426 069 04 | selector knob               | -06    | 1   | I802  |      |                |                               |        |     |       |
|      | S62            | sycamore wood               |        |     |       |      |                |                               |        |     |       |
| (4)  | 997 426 069 14 | selector knob               | 07-    | 1   | I802  |      |                |                               |        |     |       |
|      | S62            | sycamore wood               |        |     |       |      |                |                               |        |     |       |
| (4)  | 997 426 991 00 | selector lever              |        | 1   | I755  |      |                |                               |        |     |       |
|      | A15            | black                       |        |     |       |      |                |                               |        |     |       |
| (4)  | 997 426 991 00 | selector lever              |        | 1   | I758  |      |                |                               |        |     |       |
|      | A15            | black                       |        |     |       |      |                |                               |        |     |       |
| -    | 997 426 275 00 | key                         |        | 1   |       |      |                |                               |        |     |       |
|      | V05            | galvano silver              |        |     |       |      |                |                               |        |     |       |
| 5    | 987 426 033 12 | cable                       |        | 1   |       |      |                |                               |        |     |       |
| 6    | 999 507 465 03 | support                     |        | 1   |       |      |                |                               |        |     |       |
| 7    | 999 073 094 09 | oval-head screw<br>M 8 X 20 |        | 2   |       |      |                |                               |        |     |       |
| 8    | 986 426 043 01 | push rod                    |        | 1   |       |      |                |                               |        |     |       |
| 9    | 986 426 041 06 | plate                       |        | 1   |       |      |                |                               |        |     |       |
| 10   | 986 426 045 06 | reverse lever               |        | 1   |       |      |                |                               |        |     |       |
| 11   | 900 116 007 09 | lock                        | -07    | 1   |       |      |                |                               |        |     |       |
| (11) | 900 116 007 02 | lock                        | 08-    | 1   |       |      |                |                               |        |     |       |

|       |      |    |    |              |              |     |       |            |         |     |         |
|-------|------|----|----|--------------|--------------|-----|-------|------------|---------|-----|---------|
| Model | Year | MG | SG | Illustration | Restrictions | UPD | 12:09 | 24.01.2010 | PORSCHE | PET | PORSCHE |
| 987C  | 2008 | 7  | 01 | 701-05       |              | 248 |       |            |         |     |         |



| Pos | Part Number    | Description  | Remark | Qty | Model |
|-----|----------------|--|--------|-----|-------|
| (1) | 997 424 031 62 | handbrake actuator<br>parking-brake lever complete leather |        | 1   |       |
|     | 8YR            | black  |        |     |       |
|     | 5X5            | stone grey   |        |     |       |
|     | 8G1            | sand beige   |        |     |       |
|     | 3S8            | sea blue   |        |     |       |
|     | 4P1            | palmgreen  |        |     |       |
|     | 9N2            | terracotta   |        |     |       |
|     | 9Q3            | cocoa  |        |     |       |
|     | FQF            | black/stone grey   |        |     |       |
|     | D11            | dark grey/natural  |        |     |       |
|     | T11            | brown/natural  |        |     |       |
|     | N11            | carrera red  | 08-    |     |       |
| (1) | 997 424 031 63 | parking-brake lever complete macassar                      |        | 1   | I801  |
|     | 8YR            | black  |        |     |       |
|     | 5X5            | stone grey   |        |     |       |
|     | 8G1            | sand beige   |        |     |       |
|     | 3S8            | sea blue   |        |     |       |
|     | 4P1            | palmgreen  |        |     |       |
|     | 9N2            | terracotta   |        |     |       |
|     | 9Q3            | cocoa  |        |     |       |
|     | D11            | dark grey/natural  |        |     |       |
|     | T11            | brown/natural  |        |     |       |
|     | N11            | carrera red  | 08-    |     |       |
| (1) | 997 424 031 64 | parking-brake lever complete sycamore wood                 |        | 1   | I802  |

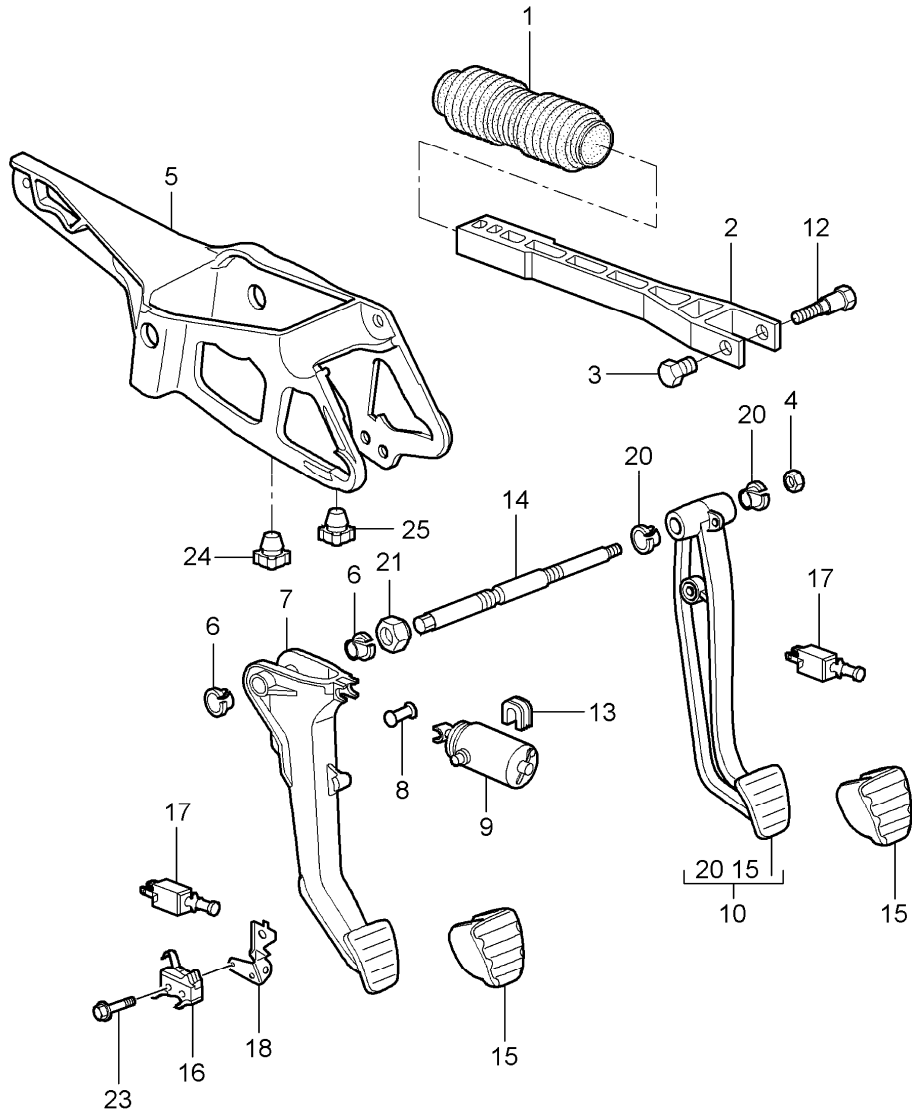
|       |      |    |    |              |              |     |       |            |         |     |         |
|-------|------|----|----|--------------|--------------|-----|-------|------------|---------|-----|---------|
| Model | Year | MG | SG | Illustration | Restrictions | UPD | 12:09 | 24.01.2010 | PORSCHE | PET | PORSCHE |
| 987C  | 2008 | 7  | 01 | 701-05       |              | 248 |       |            |         |     |         |

| Pos | Part Number    | Description                         | Remark   | Qty | Model | Pos | Part Number    | Description                  | Remark   | Qty | Model |
|-----|----------------|-------------------------------------|----------|-----|-------|-----|----------------|------------------------------|----------|-----|-------|
|     | 8YR            | black                               |          |     |       |     | 9Q3            | cocoa                        |          |     |       |
|     | 8G1            | sand beige                          |          |     |       |     | D11            | dark grey/natural            |          |     |       |
|     | 3S8            | sea blue                            |          |     |       |     | T11            | brown/natural                |          |     |       |
|     | 4P1            | palmgreen                           |          |     |       | (1) | 997 424 980 01 | parking-brake lever complete | I099 07- | 1   | IX98  |
|     | 9N2            | terracotta                          |          |     |       |     | 8YR            | black                        |          |     |       |
|     | 9Q3            | cocoa                               |          |     |       |     | 5X5            | stone grey                   |          |     |       |
|     | D11            | dark grey/natural                   |          |     |       |     | 8G1            | sand beige                   |          |     |       |
|     | T11            | brown/natural                       |          |     |       |     | 3S8            | sea blue                     |          |     |       |
|     | N11            | carrera red                         | 08-      |     |       |     | 4P1            | palmgreen                    |          |     |       |
| (1) | 997 424 031 65 | parking-brake lever complete carbon |          | 1   | I803  |     | 9N2            | terracotta                   |          |     |       |
|     | 8YR            | black                               |          |     |       |     | 9Q3            | cocoa                        |          |     |       |
|     | 5X5            | stone grey                          |          |     |       |     | D11            | dark grey/natural            |          |     |       |
|     | 8G1            | sand beige                          |          |     |       | (1) | 997 424 031 92 | parking-brake lever complete |          | 1   | I755  |
|     | 3S8            | sea blue                            |          |     |       |     | A15            | black                        |          |     |       |
|     | 4P1            | palmgreen                           |          |     |       | (1) | 997 424 031 92 | parking-brake lever complete |          | 1   | I758  |
|     | 9N2            | terracotta                          |          |     |       |     | A15            | black                        |          |     |       |
|     | 9Q3            | cocoa                               |          |     |       | 2   | 997 424 155 00 | cover leather                |          | 1   |       |
|     | D11            | dark grey/natural                   |          |     |       |     | 8YR            | black                        |          |     |       |
|     | T11            | brown/natural                       |          |     |       |     | 5X5            | stone grey                   |          |     |       |
|     | N11            | carrera red                         | 08-      |     |       |     | 8G1            | sand beige                   |          |     |       |
| (1) | 997 424 980 00 | parking-brake lever complete        | I098 07- | 1   | IX98  |     | 3S8            | sea blue                     |          |     |       |
|     | 8YR            | black                               |          |     |       |     | 4P1            | palmgreen                    |          |     |       |
|     | 5X5            | stone grey                          |          |     |       |     | 9N2            | terracotta                   |          |     |       |
|     | 8G1            | sand beige                          |          |     |       |     | 9Q3            | cocoa                        |          |     |       |
|     | 3S8            | sea blue                            |          |     |       |     | D11            | dark grey/natural            |          |     |       |
|     | 4P1            | palmgreen                           |          |     |       |     | T11            | brown/natural                |          |     |       |
|     | 9N2            | terracotta                          |          |     |       |     |                |                              |          |     |       |

|       |      |    |    |              |              |     |       |            |         |     |         |
|-------|------|----|----|--------------|--------------|-----|-------|------------|---------|-----|---------|
| Model | Year | MG | SG | Illustration | Restrictions | UPD | 12:09 | 24.01.2010 | PORSCHE | PET | PORSCHE |
| 987C  | 2008 | 7  | 01 | 701-05       |              | 248 |       |            |         |     |         |

| Pos | Part Number    | Description                   | Remark | Qty | Model | Pos | Part Number | Description | Remark | Qty | Model |
|-----|----------------|-------------------------------|--------|-----|-------|-----|-------------|-------------|--------|-----|-------|
| 3   | 996 613 112 01 | switch                        |        | 1   |       |     |             |             |        |     |       |
| 4   | 999 084 630 09 | hexagon nut<br>M 8            |        | 4   |       |     |             |             |        |     |       |
| 6   | 987 424 141 05 | parking-brake cable           |        | 2   |       |     |             |             |        |     |       |
| 7   | 986 424 721 07 | guide tube                    |        | 2   |       |     |             |             |        |     |       |
| 8   | 999 507 827 40 | cable holder                  |        | 2   |       |     |             |             |        |     |       |
| 9   | 986 424 310 02 | housing                       |        | 1   |       |     |             |             |        |     |       |
| 10  | 900 378 035 01 | hexagon-head bolt<br>M 6 X 16 |        | 4   |       |     |             |             |        |     |       |

|       |      |    |    |              |              |     |       |            |         |     |         |
|-------|------|----|----|--------------|--------------|-----|-------|------------|---------|-----|---------|
| Model | Year | MG | SG | Illustration | Restrictions | UPD | 12:09 | 24.01.2010 | PORSCHE | PET | PORSCHE |
| 987C  | 2008 | 7  | 02 | 702-00       |              | 248 |       |            |         |     |         |



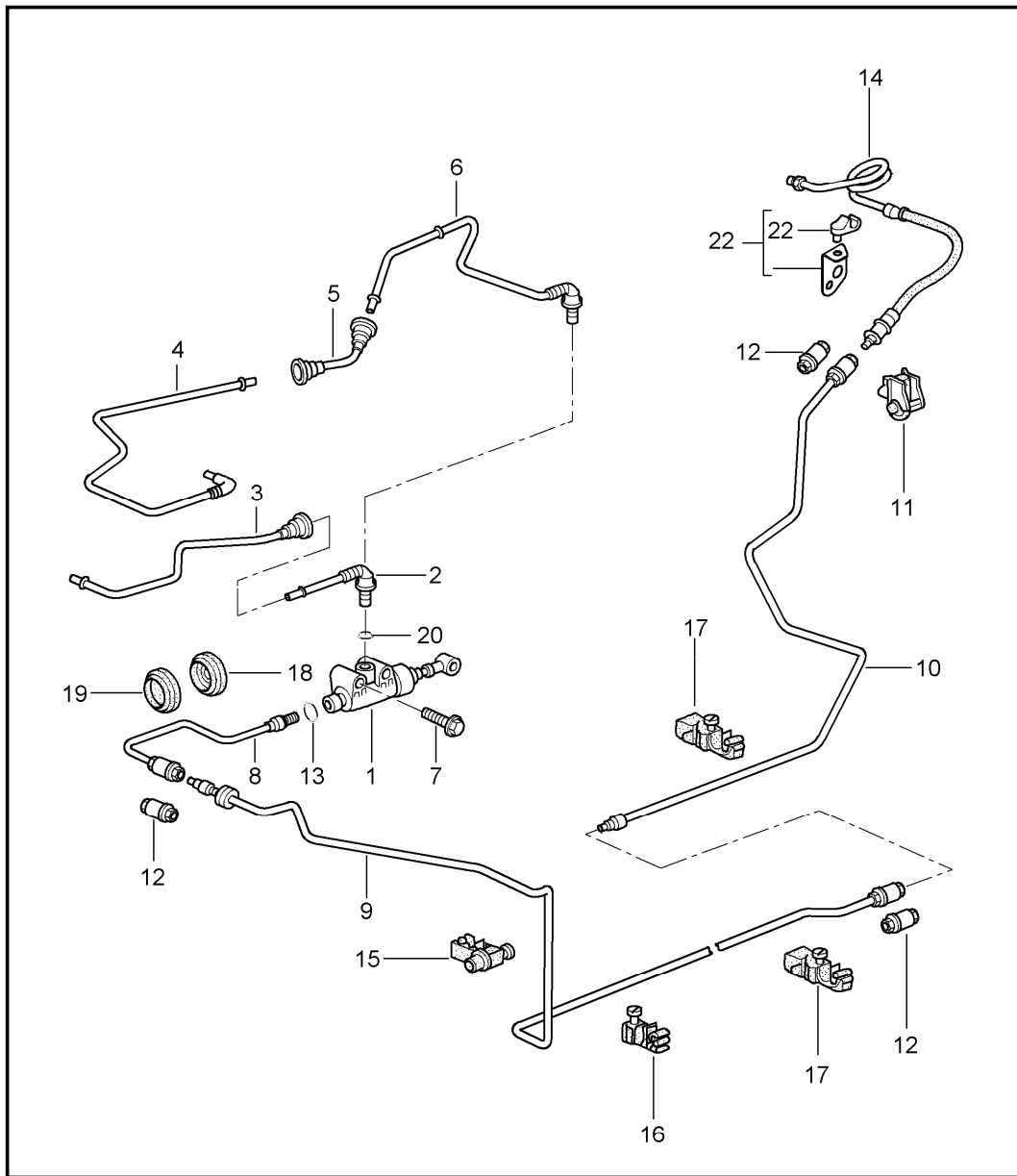
| Pos    | Part Number    | Description                             | Remark | Qty    | Model    |
|--------|----------------|---|--------|--------|----------|
| -      | 000 043 206 17 | grease<br>l tube                        |        | X      |          |
| 1      | ...            | bellows<br>see illustrations<br>6/04/00 |        | 1      |          |
| (2)    | 996 423 165 05 | push rod                                |        | 1      |          |
| 3      | 996 423 307 00 | sleeve                                  |        | 1      |          |
| 4      | 900 380 005 09 | hexagon nut<br>M 8                      |        | 3<br>2 |          |
| 5      | 997 423 571 02 | bracket<br>for<br>clutch power spring   |        | 1      | I480     |
| 6      | 997 423 399 01 | bush                                    |        | 2      | I480     |
| 7      | 997 423 139 01 | clutch pedal                            |        | 1      | I480     |
| (8)    | 996 423 315 06 | bolt                                    |        | 1      | I480     |
| -      | 999 166 022 02 | kl-lock<br>for<br>bolt                  |        | 1      | I480     |
| 9      | 997 423 081 06 | clutch power spring                     |        | 1      |          |
| (10) A | 997 423 091 03 | brake pedal                             |        | 1      | I098/480 |
| (10)   | 997 423 091 04 | brake pedal                             |        | 1      | I098/480 |
| (10) A | 997 423 092 03 | brake pedal                             |        | 1      | I099/480 |
| (10)   | 997 423 092 04 | brake pedal                             |        | 1      | I099/480 |
| (10) A | 997 423 093 03 | brake pedal                             |        | 1      | I098/249 |
| (10)   | 997 423 093 04 | brake pedal                             |        | 1      | I098/249 |
| 10 A   | 997 423 094 03 | brake pedal                             |        | 1      | I099/249 |
| 10     | 997 423 094 04 | brake pedal                             |        | 1      | I099/249 |
| 12     | 996 423 308 00 | bolt                                    |        | 1      |          |
| 13     | 997 423 581 00 | bearing shell                           |        | 1      |          |
| 14     | 997 423 281 00 | axle                                    |        | 1      | I098/480 |
| (14)   | 997 423 284 00 | axle                                    |        | 1      | I099/480 |
| (14)   | 996 423 283 05 | axle                                    |        | 1      | I098/249 |



|       |      |    |    |              |              |     |       |            |         |     |         |
|-------|------|----|----|--------------|--------------|-----|-------|------------|---------|-----|---------|
| Model | Year | MG | SG | Illustration | Restrictions | UPD | 12:09 | 24.01.2010 | PORSCHE | PET | PORSCHE |
| 987C  | 2008 | 7  | 02 | 702-00       |              | 248 |       |            |         |     |         |

| Pos  | Part Number    | Description                   | Remark | Qty | Model    | Pos | Part Number | Description | Remark | Qty | Model |
|------|----------------|-------------------------------|--------|-----|----------|-----|-------------|-------------|--------|-----|-------|
| (14) | 996 423 286 05 | axle                          |        | 1   | I099/249 |     |             |             |        |     |       |
| -    | 996 423 277 00 | bearing sleeve<br>brake pedal |        | 1   | I099     |     |             |             |        |     |       |
| 15   | 997 423 910 00 | pedal cap                     |        | 2   | I480     |     |             |             |        |     |       |
| (15) | 997 423 912 00 | pedal cap                     |        | 1   | I249     |     |             |             |        |     |       |
| 16   | 997 613 109 00 | switch                        |        | 1   | I480     |     |             |             |        |     |       |
| (17) | 996 613 113 01 | switch<br>brake pedal         |        | 2   |          |     |             |             |        |     |       |
| (17) | 996 613 114 01 | switch<br>clutch pedal        |        | 1   |          |     |             |             |        |     |       |
| 18   | 997 423 541 00 | support                       |        | 1   |          |     |             |             |        |     |       |
| 20   | 997 423 401 00 | bush                          |        | 2   | I098     |     |             |             |        |     |       |
| (20) | 997 423 402 00 | bush                          |        | 2   | I099     |     |             |             |        |     |       |
| 21   | 997 423 275 01 | screw plug                    |        | 1   |          |     |             |             |        |     |       |
| 22 A | 900 378 273 09 | hexagon-head bolt<br>M 6 X 18 |        | 1   |          |     |             |             |        |     |       |
| (22) | 900 378 273 01 | hexagon-head bolt<br>M 6 x 18 |        | 1   |          |     |             |             |        |     |       |
| 23   | 900 146 159 02 | round head screw<br>M 3 X 20  |        | 1   |          |     |             |             |        |     |       |
| 24   | 997 423 695 00 | rubber stop                   |        | 1   |          |     |             |             |        |     |       |
| 25   | 997 423 697 00 | rubber stop                   |        | 1   |          |     |             |             |        |     |       |

|       |      |    |    |              |              |     |       |            |         |     |         |
|-------|------|----|----|--------------|--------------|-----|-------|------------|---------|-----|---------|
| Model | Year | MG | SG | Illustration | Restrictions | UPD | 12:09 | 24.01.2010 | PORSCHE | PET | PORSCHE |
| 987C  | 2008 | 7  | 02 | 702-08       |              | 248 |       |            |         |     |         |

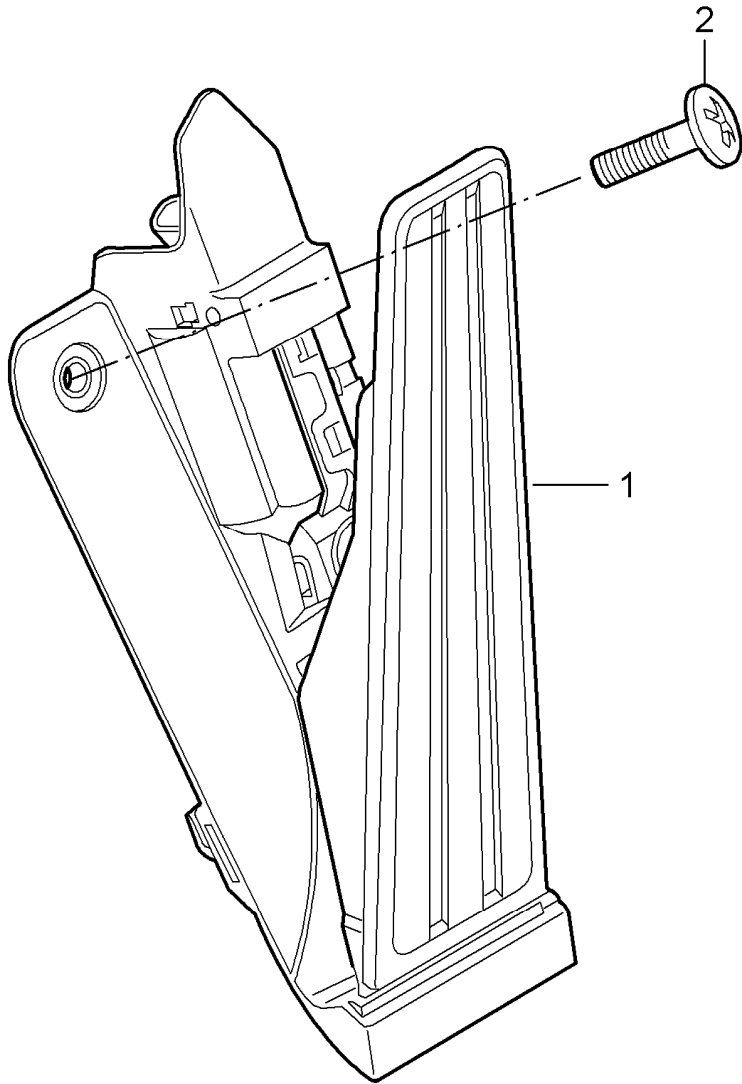


| Pos  | Part Number    | Description   | Remark | Qty | Model |
|------|----------------|---|--------|-----|-------|
|      |                | clutch actuation<br>clutch master cylinder<br>clutch pipeline |        |     |       |
| 1    | 997 423 171 01 | clutch master cylinder  |        | 1   |       |
| -    | 996 423 614 00 | circlip<br>pressure line                                      |        | 1   |       |
| -    | 996 423 315 06 | bolt  |        | 1   |       |
| -    | 999 166 022 02 | kl-lock<br>for<br>bolt  |        | 1   |       |
| 2    | 997 423 147 00 | feed line   |        | 1   | I098  |
| 3    | 997 423 137 00 | feed line   |        | 1   | I098  |
| 4    | 996 423 138 04 | line  |        | 1   | I099  |
| 5    | 996 423 140 02 | line  |        | 1   | I099  |
| 6    | 996 423 142 02 | feed line   |        | 1   | I099  |
| -    | 999 703 421 40 | grommet<br>side section                                       |        | 1   | I249  |
| 7    | 900 378 270 09 | hexagon-head bolt<br>AM 6 X 45                                |        | 2   |       |
| 8    | 996 423 107 10 | clutch pipeline   |        | 1   | I098  |
| (8)  | 997 423 108 00 | clutch pipeline   |        | 1   | I099  |
| -    | 999 702 174 50 | grommet   |        | 1   | I098  |
| 9    | 997 423 109 00 | clutch pipeline   |        | 1   |       |
| 10   | 987 423 113 00 | clutch pipeline   |        | 1   | I480  |
| (10) | 987 423 113 25 | clutch pipeline   |        | 1   | I481  |
| 11   | 999 591 964 40 | support   |        | 1   |       |
| 12   | 999 230 541 10 | threaded joint  |        | 3   |       |
| -    | 999 230 683 40 | safety clip<br>for<br>threaded joint                          |        | 3   |       |
| 13   | 999 707 333 40 | sealing ring  |        | 1   |       |
| (14) | 987 423 377 00 | clutch hose   | -07    | 1   | I480  |
| (14) | 987 423 377 01 | clutch hose   | 08-    | 1   | I480  |

|       |      |    |    |              |              |     |       |            |         |     |         |
|-------|------|----|----|--------------|--------------|-----|-------|------------|---------|-----|---------|
| Model | Year | MG | SG | Illustration | Restrictions | UPD | 12:09 | 24.01.2010 | PORSCHE | PET | PORSCHE |
| 987C  | 2008 | 7  | 02 | 702-08       |              | 248 |       |            |         |     |         |

| Pos  | Part Number    | Description                  | Remark | Qty | Model | Pos | Part Number | Description | Remark | Qty | Model |
|------|----------------|------------------------------|--------|-----|-------|-----|-------------|-------------|--------|-----|-------|
| 15   | 996 355 549 00 | support                      |        | 1   |       |     |             |             |        |     |       |
| 16   | 996 355 545 00 | support                      |        | 2   |       |     |             |             |        |     |       |
| 17   | 996 355 543 00 | support                      |        | 4   |       |     |             |             |        |     |       |
| 18   | 999 702 216 42 | grommet                      |        | 1   | I481  |     |             |             |        |     |       |
| (18) | 999 702 216 42 | grommet                      |        | 1   | I480  |     |             |             |        |     |       |
| 19   | 999 702 217 41 | grommet                      |        | 1   | I249  |     |             |             |        |     |       |
| -    | 999 507 585 40 | fixing clip                  |        | 1   |       |     |             |             |        |     |       |
| 20   | 999 707 333 40 | sealing ring<br>6,07 X 1,78N |        | 1   |       |     |             |             |        |     |       |
| 21   | 986 423 677 25 | bracket                      |        | 1   | I481  |     |             |             |        |     |       |
| 22   | 999 507 586 40 | cable holder                 |        | 1   | I480  |     |             |             |        |     |       |

|       |      |    |    |              |              |     |       |            |         |     |         |
|-------|------|----|----|--------------|--------------|-----|-------|------------|---------|-----|---------|
| Model | Year | MG | SG | Illustration | Restrictions | UPD | 12:09 | 24.01.2010 | PORSCHE | PET | PORSCHE |
| 987C  | 2008 | 7  | 02 | 702-10       |              | 248 |       |            |         |     |         |

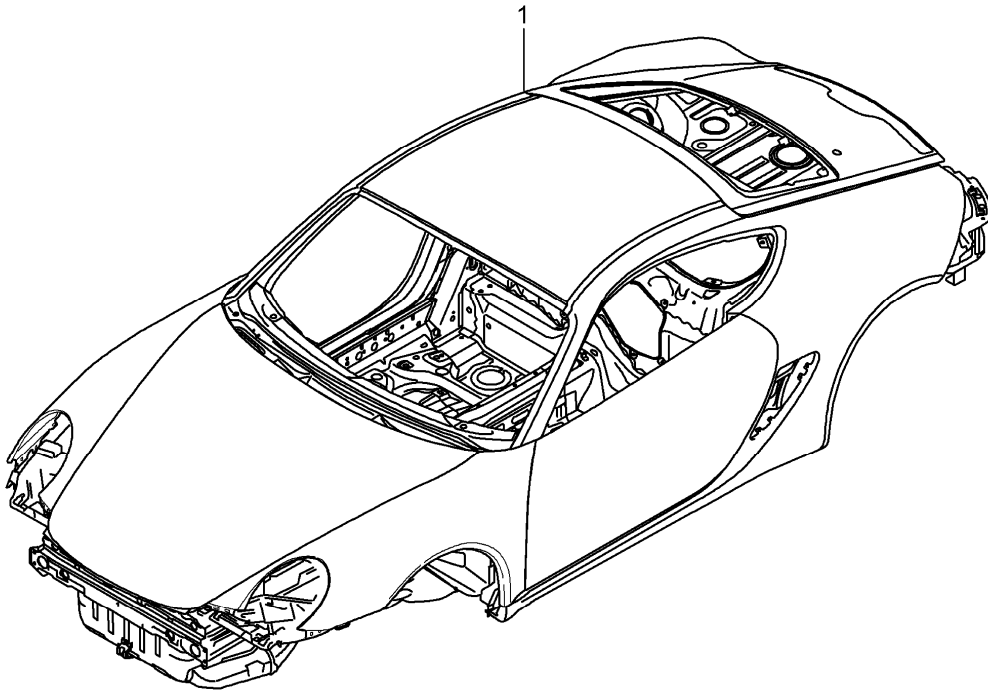


| Pos | Part Number    | Description                   | Remark | Qty | Model |
|-----|----------------|-------------------------------|--------|-----|-------|
|     |                | pedals<br>accelerator control |        |     |       |
| 1   | 997 423 019 02 | accelerator control           |        | 1   | I481  |
| 1   | 997 423 019 02 | accelerator control           |        | 1   | I480  |
| (1) | 997 423 021 02 | accelerator control           |        | 1   | I249  |
| 2   | 900 146 161 09 | round head screw<br>M 6 X 20  |        | 1   |       |

|       |      |    |    |              |              |     |       |            |         |     |         |
|-------|------|----|----|--------------|--------------|-----|-------|------------|---------|-----|---------|
| Model | Year | MG | SG | Illustration | Restrictions | UPD | 12:09 | 24.01.2010 | PORSCHE | PET | PORSCHE |
| 987C  | 2008 | 8  | 01 | 801-00       |              | 248 |       |            |         |     |         |

B — WPOZZZ 98 z 5U730070  
 C — 987 121  
 M9701-885 G9701  
 G — L6B4 AT  
 D — C00 267 268 425 437  
 E — 438 446 454 537 610  
 635 640 650 666 670  
 F — 00641 20772

A

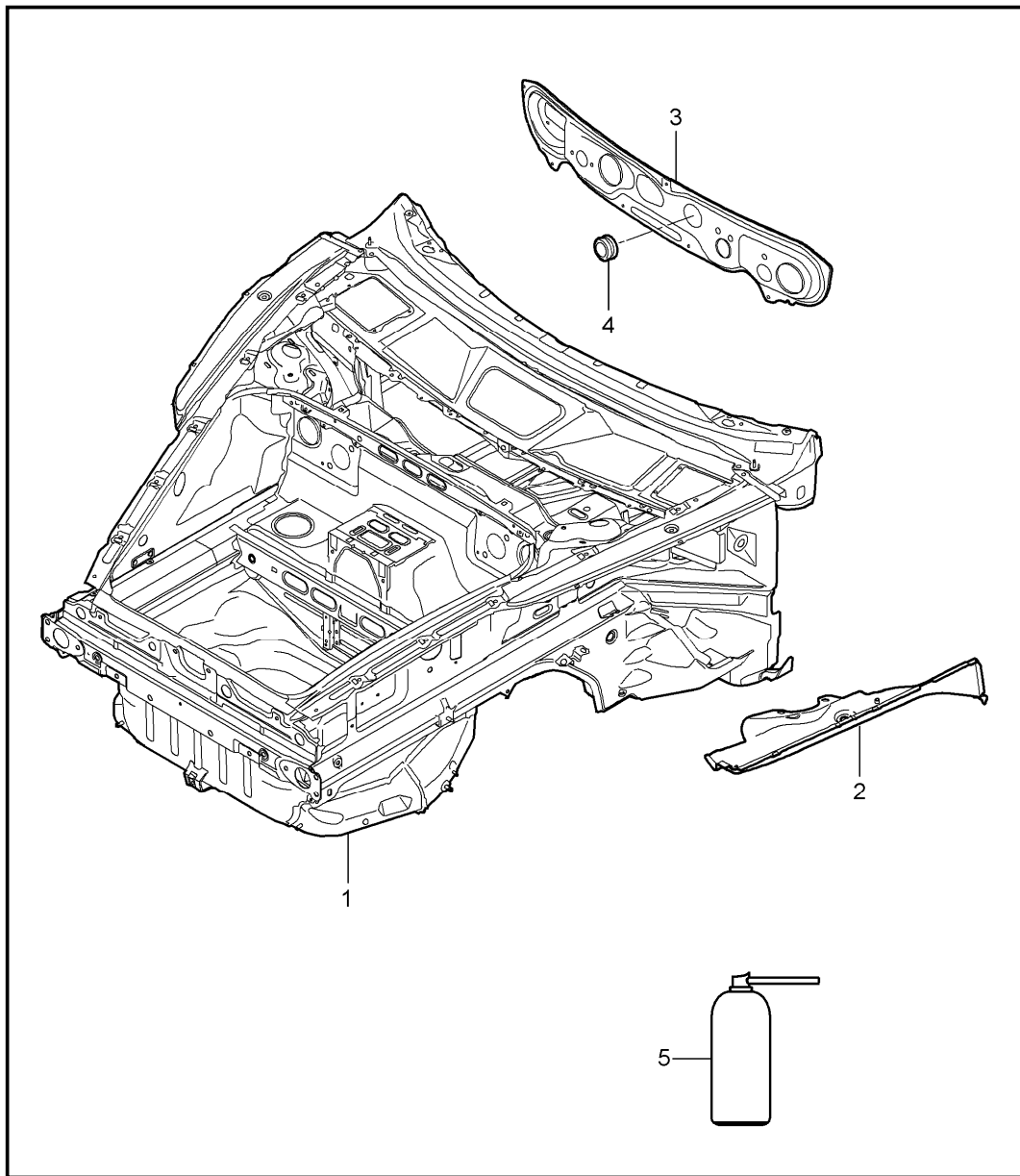


| Pos | Part Number    | Description                 | Remark | Qty | Model |
|-----|----------------|-----------------------------|--------|-----|-------|
|     |                | body in white               |        |     |       |
|     |                | prime coated                |        |     |       |
|     |                | sealed                      |        |     |       |
|     |                | with                        |        |     |       |
|     |                | underbody protection        |        |     |       |
|     |                | with                        |        |     |       |
|     |                | doors/lids/wings            |        |     |       |
|     |                | bodyshells can only         |        |     |       |
|     |                | only available from current |        |     |       |
|     |                | model year available        |        |     |       |
|     |                | the data required           |        |     |       |
|     |                | for your order              |        |     |       |
|     |                | can be found on the         |        |     |       |
|     |                | vehicle data carrier        |        |     |       |
|     |                | in                          |        |     |       |
|     |                | on-board folder             |        |     |       |
|     |                | please indicate this data   |        |     |       |
|     |                | in your order               |        |     |       |
| A   | -              | vehicle data carrier        |        |     |       |
| B   | -              | vehicle identification no.  |        |     |       |
| C   | -              | order type                  |        |     |       |
| D   | -              | country equipment           |        |     |       |
| E   | -              | optional extras             |        |     |       |
| F   | -              | additional applications     |        |     |       |
| G   | -              | indicate colour             |        |     |       |
| 1   | 987 500 900 00 | body in white               |        | 1   |       |
|     | GRV            | prime coated                |        |     |       |

|       |      |    |    |              |              |     |       |            |         |     |         |
|-------|------|----|----|--------------|--------------|-----|-------|------------|---------|-----|---------|
| Model | Year | MG | SG | Illustration | Restrictions | UPD | 12:10 | 24.01.2010 | PORSCHE | PET | PORSCHE |
| 987C  | 2008 | 8  | 01 | 801-02       |              | 248 |       |            |         |     |         |

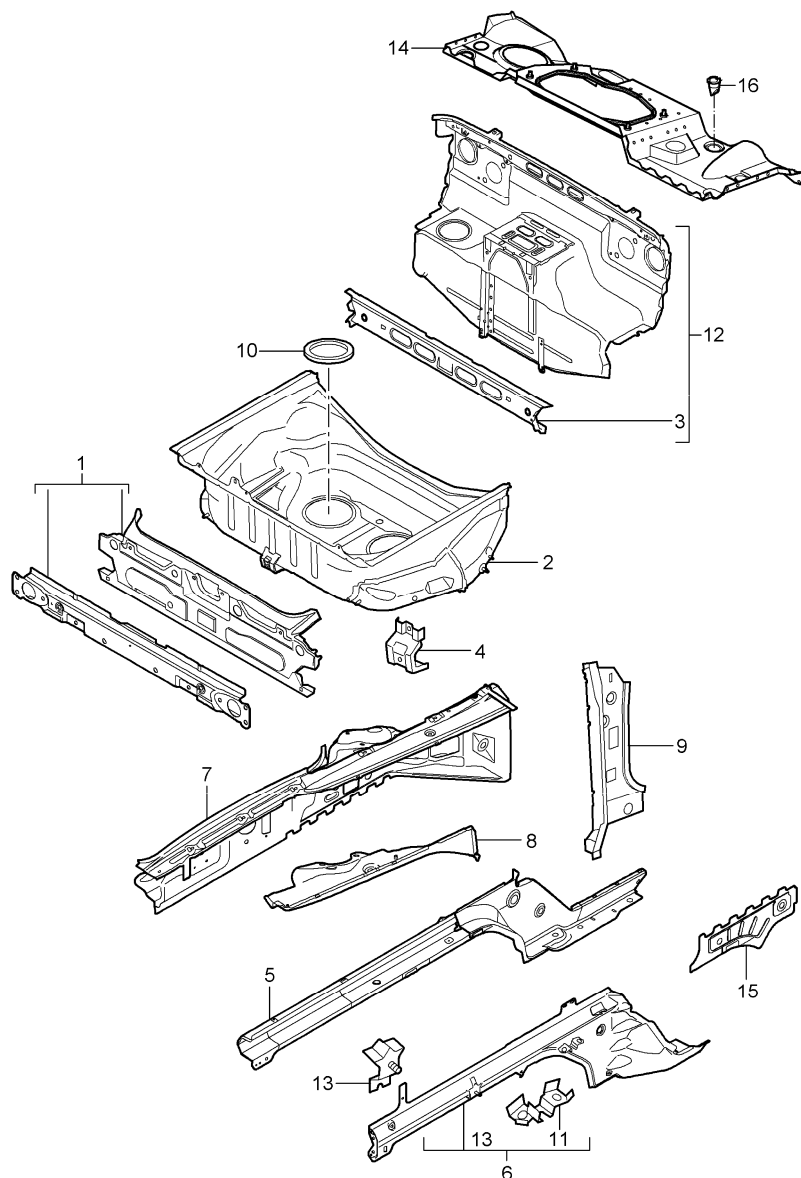
| Pos | Part Number    | Description                             | Remark | Qty | Model |
|-----|----------------|---|--------|-----|-------|
|     |                | stopper<br>plane<br>see workshop manual |        |     |       |
| 1   | 999 703 462 40 | lid<br>10 x 6,5                         |        | X   |       |
| 2   | 999 703 421 40 | grommet<br>15 mm                        |        | X   |       |
| 4   | 803 803 583 A  | lid<br>20 x 30                          |        | X   |       |
| 5   | 999 703 420 40 | stopper<br>20,3 x 30 x 11               |        | X   |       |
| 6   | 803 803 583    | rubber sleeve<br>30 x 40                |        | X   |       |
| 7   | 999 703 433 40 | stopper<br>30 x 42                      |        | X   |       |
| 8   | 999 703 435 40 | lid<br>15 x 26                          |        | X   |       |
| 9   | 999 703 008 40 | lid<br>18,5 x 25                        |        | X   |       |
| 10  | 999 703 018 40 | lid<br>23,8 x 30,4                      |        | X   |       |
| 11  | 999 507 838 40 | stopper<br>10 x 0,9                     |        | X   |       |
| 12  | 955 504 184 00 | stopper                                 |        | X   |       |
| 13  | 955 504 185 00 | stopper<br>15 x20                       |        | X   |       |

|       |      |    |    |              |              |     |       |            |         |     |         |
|-------|------|----|----|--------------|--------------|-----|-------|------------|---------|-----|---------|
| Model | Year | MG | SG | Illustration | Restrictions | UPD | 12:10 | 24.01.2010 | PORSCHE | PET | PORSCHE |
| 987C  | 2008 | 8  | 01 | 801-05       |              | 248 |       |            |         |     |         |



| Pos | Part Number    | Description  | Remark | Qty | Model |
|-----|----------------|--|--------|-----|-------|
| 1   | 987 501 911 00 | body front section   |        | 1   |       |
|     | GRV            | prime coated<br>use also:<br>sealing compound<br>Pos. 5<br>processing instructions<br>see technical manual |        |     |       |
| 2   | 997 501 945 00 | lower part   | /L     | 1   |       |
|     | GRV            | prime coated   |        |     |       |
| (2) | 997 501 946 01 | lower part   | /R     | 1   |       |
|     | GRV            | prime coated   |        |     |       |
| 3   | 997 504 121 00 | lid  | /LL    | 1   | I098  |
| (3) | 997 504 121 01 | lid  | /RL    | 1   | I099  |
|     |                | use also:  |        |     |       |
| --  | 000 043 300 94 | adhesive set   |        | 1   |       |
| 4   | 999 702 255 41 | lid<br>62,5 X 72,6   |        | 1   |       |
| 5   | 999 915 337 40 | sealing compound   |        | 1   |       |

|       |      |    |    |              |              |     |       |            |         |     |         |
|-------|------|----|----|--------------|--------------|-----|-------|------------|---------|-----|---------|
| Model | Year | MG | SG | Illustration | Restrictions | UPD | 12:10 | 24.01.2010 | PORSCHE | PET | PORSCHE |
| 987C  | 2008 | 8  | 01 | 801-10       |              | 248 |       |            |         |     |         |



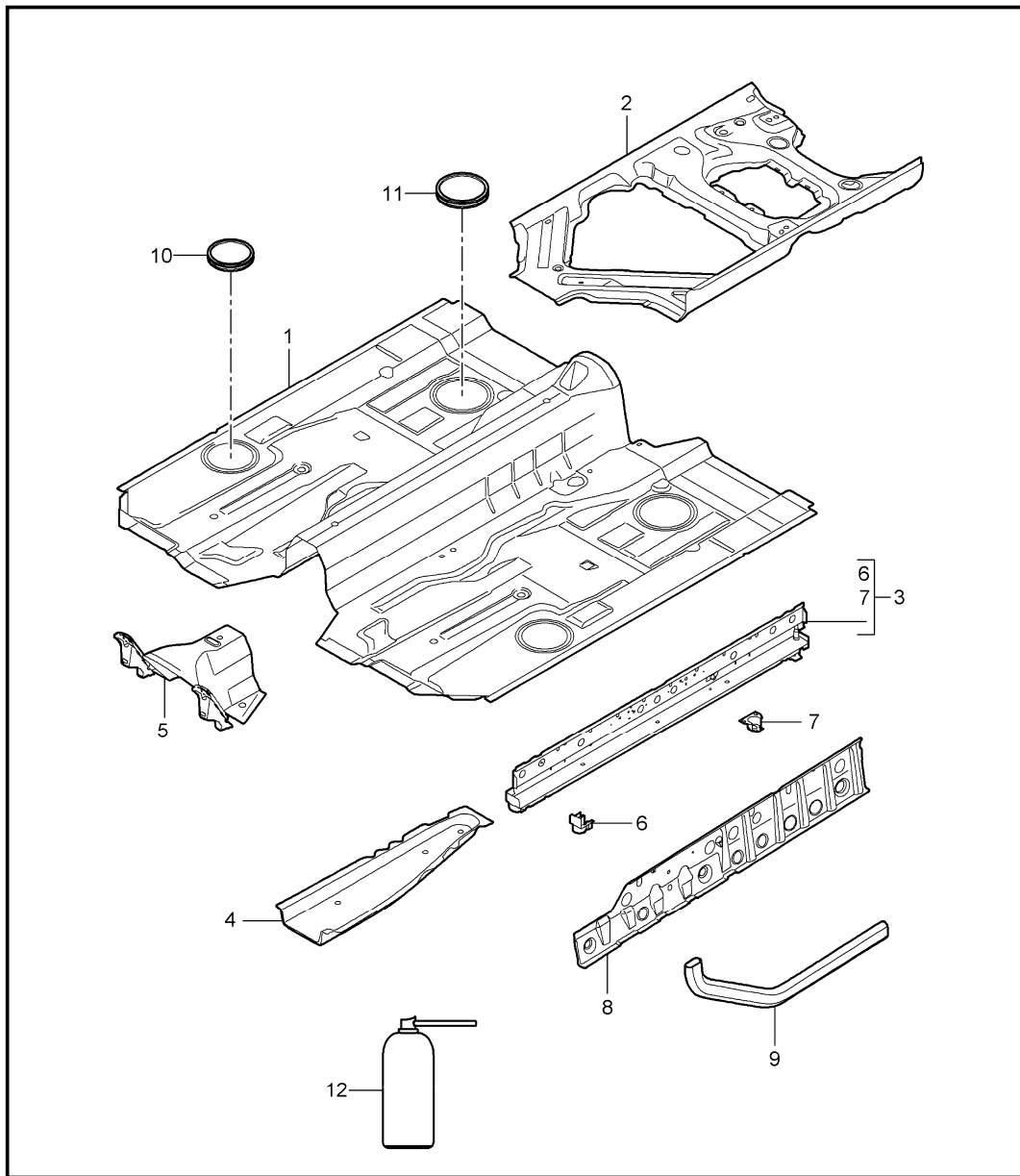
| Pos | Part Number    | Description                        | Remark | Qty | Model |
|-----|----------------|------------------------------------|--------|-----|-------|
|     |                | body front section<br>single parts |        |     |       |
| 1   | 997 501 931 00 | terminal piece                     |        | 1   |       |
|     | GRV            | prime coated                       |        |     |       |
| 2   | 987 501 979 00 | spare-wheel well                   |        | 1   |       |
|     | GRV            | prime coated                       |        |     |       |
| 3   | 997 501 649 00 | cross member                       |        | 1   |       |
|     | GRV            | prime coated                       |        |     |       |
| 4   | 996 501 621 00 | support                            |        | 3   |       |
|     | GRV            | prime coated                       |        |     |       |
| 5   | 997 501 305 01 | side member                        | /L     | 1   |       |
|     | GRV            | prime coated                       |        |     |       |
| (5) | 997 501 306 01 | side member                        | /R     | 1   |       |
|     | GRV            | prime coated                       |        |     |       |
| 6   | 997 501 915 01 | side member                        | /L     | 1   |       |
|     | GRV            | prime coated                       |        |     |       |
| (6) | 997 501 916 01 | side member                        | /R     | 1   |       |
|     | GRV            | prime coated                       |        |     |       |
| 7   | 997 501 935 00 | wheel housing                      | /L     | 1   |       |
|     | GRV            | prime coated                       |        |     |       |
| (7) | 997 501 936 01 | wheel housing                      | /R     | 1   |       |
|     | GRV            | prime coated                       |        |     |       |
| 8   | 997 501 945 00 | lower part                         | /L     | 1   |       |
|     | GRV            | prime coated                       |        |     |       |
| (8) | 997 501 946 01 | lower part                         | /R     | 1   |       |
|     | GRV            | prime coated                       |        |     |       |
| 9   | 997 501 937 00 | hinge pillar                       | /L     | 1   |       |
|     | GRV            | prime coated                       |        |     |       |
| 9   | 997 501 938 00 | hinge pillar                       | /R     | 1   |       |



|       |      |    |    |              |              |     |       |            |         |     |         |
|-------|------|----|----|--------------|--------------|-----|-------|------------|---------|-----|---------|
| Model | Year | MG | SG | Illustration | Restrictions | UPD | 12:10 | 24.01.2010 | PORSCHE | PET | PORSCHE |
| 987C  | 2008 | 8  | 01 | 801-10       |              | 248 |       |            |         |     |         |

| Pos  | Part Number    | Description                    | Remark | Qty | Model | Pos | Part Number | Description | Remark | Qty | Model |
|------|----------------|--------------------------------|--------|-----|-------|-----|-------------|-------------|--------|-----|-------|
|      |                | GRV prime coated               |        |     |       |     |             |             |        |     |       |
| 10   | 996 504 201 01 | lid<br>\$ 145 MM               |        | X   |       |     |             |             |        |     |       |
| 11   | 996 501 815 02 | support                        |        | 2   |       |     |             |             |        |     |       |
|      |                | GRV prime coated<br>brake line |        |     |       |     |             |             |        |     |       |
| 12   | 997 502 921 00 | bulkhead                       |        | 1   |       |     |             |             |        |     |       |
|      |                | GRV prime coated               |        |     |       |     |             |             |        |     |       |
| 13   | 996 501 341 00 | support                        |        | 2   |       |     |             |             |        |     |       |
|      |                | GRV prime coated<br>radiator   |        |     |       |     |             |             |        |     |       |
| 14   | 997 502 017 01 | cross panel                    |        | 1   |       |     |             |             |        |     |       |
|      |                | GRV prime coated               |        |     |       |     |             |             |        |     |       |
| 15   | 997 501 665 01 | separator                      | /L     | 1   |       |     |             |             |        |     |       |
|      |                | GRV prime coated               |        |     |       |     |             |             |        |     |       |
| (15) | 997 501 666 01 | separator                      | /R     | 1   |       |     |             |             |        |     |       |
|      |                | GRV prime coated               |        |     |       |     |             |             |        |     |       |
| 16   | 999 703 476 40 | grommet<br>29,8 X 1,0          |        | 4   |       |     |             |             |        |     |       |

|       |      |    |    |              |              |     |       |            |         |     |         |
|-------|------|----|----|--------------|--------------|-----|-------|------------|---------|-----|---------|
| Model | Year | MG | SG | Illustration | Restrictions | UPD | 12:10 | 24.01.2010 | PORSCHE | PET | PORSCHE |
| 987C  | 2008 | 8  | 01 | 801-20       |              | 248 |       |            |         |     |         |

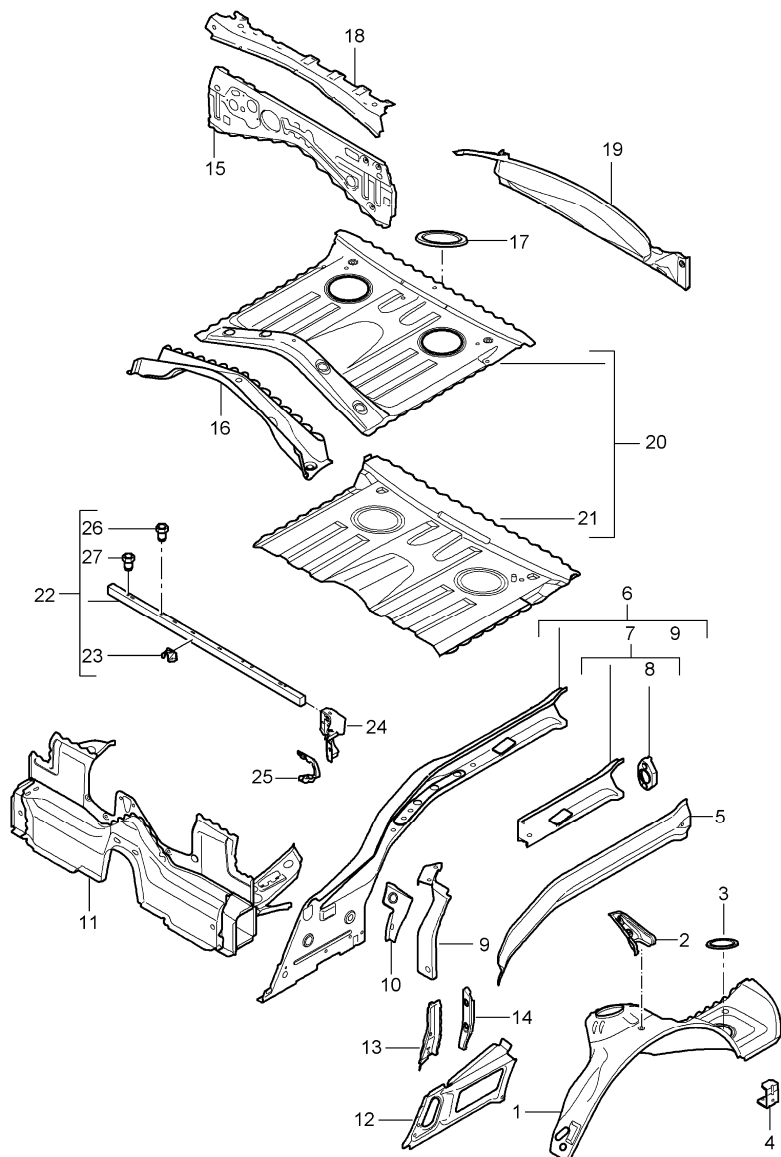


| Pos | Part Number    | Description                           | Remark | Qty | Model |
|-----|----------------|---------------------------------------|--------|-----|-------|
| 1   | 987 501 551 00 | floor<br>centre<br>GRV prime coated   |        | 1   |       |
| (2) | 997 501 953 01 | seat support<br>GRV prime coated      | /L     | 1   |       |
| 2   | 997 501 954 01 | seat support<br>GRV prime coated      | /R     | 1   |       |
| 3   | 987 501 957 00 | side member<br>GRV prime coated       | /L     | 1   |       |
| (3) | 987 501 958 00 | side member<br>GRV prime coated       | /R     | 1   |       |
| 4   | 997 501 525 00 | side member<br>GRV prime coated       | /L     | 1   |       |
| (4) | 997 501 526 00 | side member<br>GRV prime coated       | /R     | 1   |       |
| 5   | 996 501 751 00 | extension<br>GRV prime coated         |        | 1   |       |
| 6   | 996 501 785 00 | jacking point<br>GRV prime coated     | /L/V   | 1   |       |
| (6) | 996 501 786 00 | jacking point<br>GRV prime coated     | /R/V   | 1   |       |
| 7   | 996 501 481 01 | jacking point<br>GRV prime coated     | /L/H   | 1   |       |
| (7) | 996 501 482 01 | jacking point<br>GRV prime coated     | /R/H   | 1   |       |
| 8   | 997 501 329 00 | retaining bracket<br>GRV prime coated | /L     | 1   |       |
| (8) | 997 501 330 00 | retaining bracket                     | /R     | 1   |       |

|       |      |    |    |              |              |     |       |            |         |     |         |
|-------|------|----|----|--------------|--------------|-----|-------|------------|---------|-----|---------|
| Model | Year | MG | SG | Illustration | Restrictions | UPD | 12:10 | 24.01.2010 | PORSCHE | PET | PORSCHE |
| 987C  | 2008 | 8  | 01 | 801-20       |              | 248 |       |            |         |     |         |

| Pos | Part Number    | Description   | Remark | Qty | Model | Pos | Part Number | Description | Remark | Qty | Model |
|-----|----------------|---|--------|-----|-------|-----|-------------|-------------|--------|-----|-------|
| 9   | 997 501 439 00 | GRV prime coated<br>support tube  |        | 2   |       |     |             |             |        |     |       |
|     |                | GRV prime coated<br>use also:<br>sealing compound<br>Pos. 12<br>processing instructions<br>see technical manual<br>51 49 55 |        |     |       |     |             |             |        |     |       |
| 10  | 996 504 205 01 | lid<br>\$ 125 MM  |        | 2   |       |     |             |             |        |     |       |
| 11  | 996 504 201 01 | lid<br>\$ 145 MM  |        | 2   |       |     |             |             |        |     |       |
| 12  | 999 915 337 40 | sealing compound  |        | 1   |       |     |             |             |        |     |       |

|       |      |    |    |              |              |     |       |            |         |     |         |
|-------|------|----|----|--------------|--------------|-----|-------|------------|---------|-----|---------|
| Model | Year | MG | SG | Illustration | Restrictions | UPD | 12:11 | 24.01.2010 | PORSCHE | PET | PORSCHE |
| 987C  | 2008 | 8  | 01 | 801-35       |              | 248 |       |            |         |     |         |

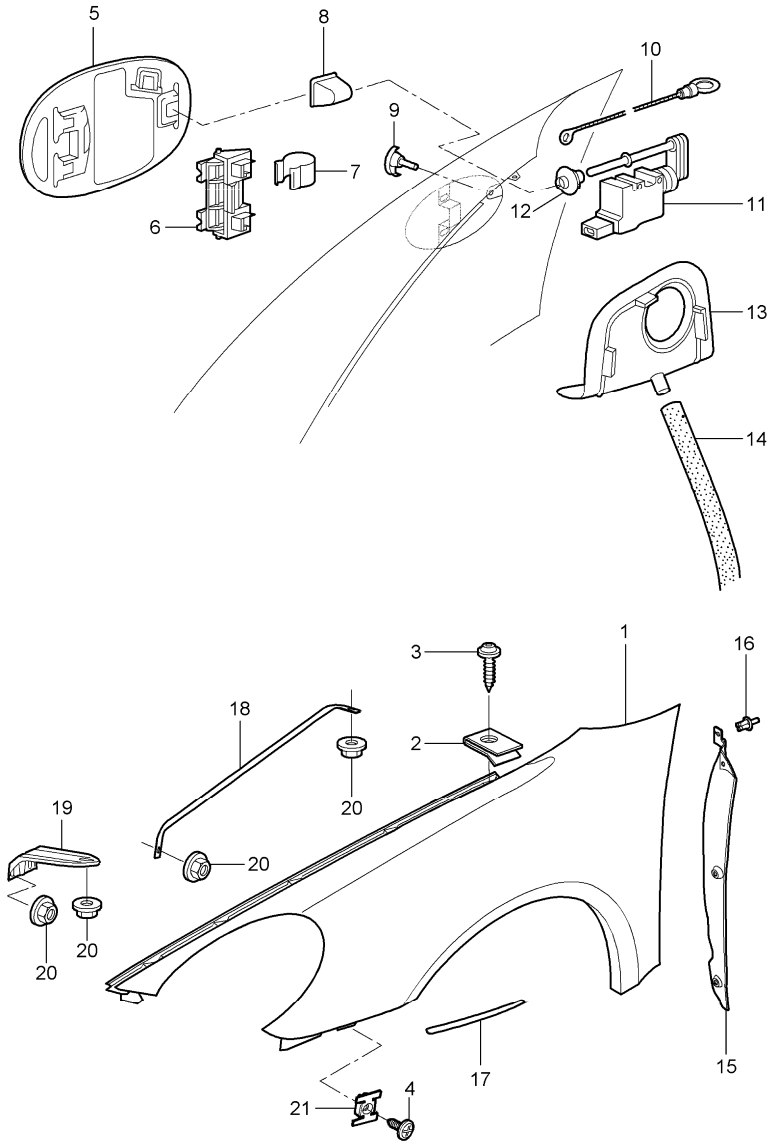


| Pos | Part Number    | Description                       | Remark | Qty | Model |
|-----|----------------|-----------------------------------|--------|-----|-------|
|     |                | rear end<br>single parts          |        |     |       |
| 1   | 987 501 983 00 | wheel housing                     | /L     | 1   |       |
|     | GRV            | prime coated                      |        |     |       |
| (1) | 987 501 984 01 | wheel housing                     | /R     | 1   |       |
|     | GRV            | prime coated                      |        |     |       |
| 2   | 987 502 675 00 | bracket                           | /L     | 1   |       |
|     | GRV            | prime coated                      |        |     |       |
| (2) | 987 502 676 00 | bracket                           | /R     | 1   |       |
|     | GRV            | prime coated                      |        |     |       |
| 3   | 996 504 209 01 | lid<br>100 mm                     |        | 2   |       |
| 4   | 986 501 613 00 | support                           |        | 2   |       |
|     | GRV            | prime coated                      |        |     |       |
| 5   | 986 501 995 01 | side member                       |        | 2   |       |
|     | GRV            | prime coated<br>outer             |        |     |       |
| 6   | 987 501 177 00 | bracket                           | /L     | 1   |       |
|     | GRV            | prime coated<br>inner             |        |     |       |
| (6) | 987 501 178 00 | bracket                           | /R     | 1   |       |
|     | GRV            | prime coated<br>inner             |        |     |       |
| 7   | 986 501 977 00 | side member                       | /L     | 1   |       |
|     | GRV            | prime coated<br>inner<br>sub-part |        |     |       |
| (7) | 987 501 978 00 | side member                       | /R     | 1   |       |
|     | GRV            | prime coated<br>inner<br>sub-part |        |     |       |
| 8   | 996 501 377 01 | mounting                          | /L/R   | 2   |       |
|     | GRV            | prime coated                      |        |     |       |

|       |      |    |    |              |              |     |       |            |         |     |         |
|-------|------|----|----|--------------|--------------|-----|-------|------------|---------|-----|---------|
| Model | Year | MG | SG | Illustration | Restrictions | UPD | 12:11 | 24.01.2010 | PORSCHE | PET | PORSCHE |
| 987C  | 2008 | 8  | 01 | 801-35       |              | 248 |       |            |         |     |         |

| Pos  | Part Number    | Description                         | Remark | Qty | Model | Pos  | Part Number    | Description                          | Remark | Qty | Model |
|------|----------------|-------------------------------------|--------|-----|-------|------|----------------|--------------------------------------|--------|-----|-------|
| 9    | 987 501 695 00 | closing element                     | /L     | 1   |       | 17   | 996 504 201 01 | lid<br>145 MM                        |        | 2   |       |
|      | GRV            | prime coated                        |        |     |       |      |                |                                      |        |     |       |
| (9)  | 987 501 696 00 | closing element                     | /R     | 1   |       | 18   | 987 502 673 00 | cross member                         |        | 1   |       |
|      | GRV            | prime coated                        |        |     |       |      | GRV            | prime coated<br>rear wall            |        |     |       |
| 10   | 986 501 863 00 | bulkhead                            | /L     | 1   |       | 19   | 987 501 243 01 | terminal piece                       |        | 1   |       |
|      | GRV            | prime coated                        |        |     |       |      | GRV            | prime coated                         |        |     |       |
| (10) | 986 501 864 00 | bulkhead                            | /R     | 1   |       | 20   | 986 501 471 00 | floor section                        |        | 1   |       |
|      | GRV            | prime coated                        |        |     |       |      | GRV            | prime coated                         |        |     |       |
| 11   | 987 501 191 00 | bulkhead                            |        | 1   |       | 21   | 987 501 971 00 | boot floor plate                     |        | 1   |       |
|      | GRV            | prime coated                        |        |     |       |      | GRV            | prime coated                         |        |     |       |
| 12   | 987 501 553 00 | gusset plate                        | /L     | 1   |       | 22 A | 987 501 917 00 | pipe                                 |        | 1   |       |
|      | GRV            | prime coated                        |        |     |       |      | GRV            | prime coated                         |        |     |       |
| (12) | 987 501 554 00 | gusset plate                        | /R     | 1   |       | 22   | 987 501 917 01 | pipe                                 |        | 1   |       |
|      | GRV            | prime coated                        |        |     |       |      | GRV            | prime coated                         |        |     |       |
| 13   | 987 501 151 00 | b-pillar                            | /L     | 1   |       | 23   | 987 501 827 00 | support                              |        | 1   |       |
|      | GRV            | prime coated<br>inner               |        |     |       |      | GRV            | prime coated                         |        |     |       |
| (13) | 987 501 152 00 | b-pillar                            | /R     | 1   |       | 24   | 987 501 531 00 | support                              | /L     | 1   |       |
|      | GRV            | prime coated<br>inner               |        |     |       |      | GRV            | prime coated                         |        |     |       |
| 14   | 987 502 531 00 | b-pillar                            | /L     | 1   |       | (24) | 987 501 532 00 | support                              | /R     | 1   |       |
|      | GRV            | prime coated<br>outer               |        |     |       |      | GRV            | prime coated                         |        |     |       |
| (14) | 987 502 532 00 | b-pillar                            | /R     | 1   |       | 25   | 987 501 829 00 | support                              | /L     | 1   |       |
|      | GRV            | prime coated<br>outer               |        |     |       |      | GRV            | prime coated                         |        |     |       |
| 15   | 987 502 671 01 | rear wall                           |        | 1   |       | (25) | 987 501 830 00 | support                              | /R     | 1   |       |
|      | GRV            | prime coated<br>luggage compartment |        |     |       |      | GRV            | prime coated                         |        |     |       |
| 16   | 986 501 575 00 | cross member                        |        | 1   |       | 26   | 999 500 110 03 | blind rivet nut<br>inner<br>M8/0,5-3 |        | 2   |       |
|      | GRV            | prime coated                        |        |     |       | 27   | 999 500 066 02 | blind rivet nut<br>outer<br>M6/0,5-3 |        | 2   |       |

|       |      |    |    |              |              |     |       |            |         |     |         |
|-------|------|----|----|--------------|--------------|-----|-------|------------|---------|-----|---------|
| Model | Year | MG | SG | Illustration | Restrictions | UPD | 12:11 | 24.01.2010 | PORSCHE | PET | PORSCHE |
| 987C  | 2008 | 8  | 01 | 801-40       |              | 248 |       |            |         |     |         |

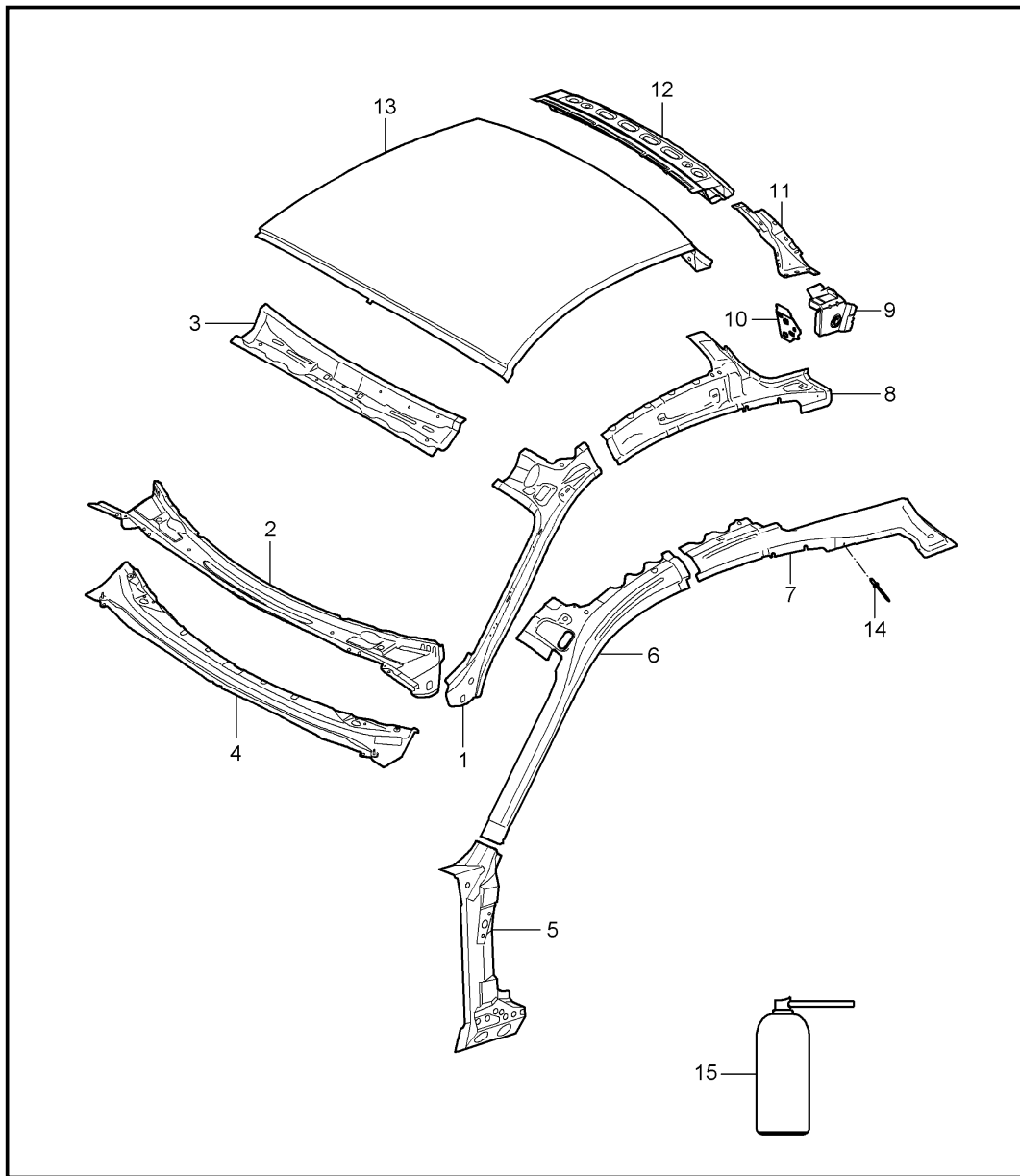


| Pos  | Part Number      | Description                          | Remark | Qty | Model |
|------|------------------|--------------------------------------|--------|-----|-------|
| 1    | 987 503 031 00   | wing<br>wing<br>GRV prime coated     | /L     | 1   |       |
| 1    | 987 503 032 02   | wing<br>GRV prime coated             | /R     | 1   |       |
| (1)  | 987 503 032 03   | wing<br>GRV prime coated             | /R     | 1   | I461  |
| 2    | 999 507 003 02   | speed nut<br>ST 6,3                  |        | 18  |       |
| 3    | 999 073 422 02   | tapping screw<br>ST 6,3 X 14         |        | 10  |       |
| 4    | A 900 187 111 02 | combination screw<br>ST 6,3 X 12     |        | 8   |       |
| 4    | 900 187 111 01   | combination screw<br>ST 6,3 X 12     |        | 8   |       |
| 5    | 987 504 134 00   | fuel filler flap<br>GRV prime coated |        | 1   |       |
| 6    | 996 201 063 00   | hinge                                |        | 1   |       |
| 7    | 997 504 711 00   | spring                               |        | 1   |       |
| 8    | 996 201 423 00   | cap                                  |        | 1   |       |
| 9    | 997 504 888 01   | rubber stop                          |        | 1   |       |
| 10   | 996 201 493 00   | emergency operation                  |        | 1   |       |
| 11   | 997 624 113 00   | actuator                             |        | 1   |       |
| 12   | 996 624 505 02   | guide rose                           |        | 1   |       |
| 13   | 997 201 667 00   | sleeve                               |        | 1   |       |
| 14   | 996 201 153 00   | hose                                 |        | 1   |       |
| 15   | 997 504 641 02   | cover<br>01C black                   | /L     | 1   |       |
| (15) | 997 504 642 02   | cover<br>01C black                   | /R     | 1   |       |

|       |      |    |    |              |              |     |       |            |         |     |         |
|-------|------|----|----|--------------|--------------|-----|-------|------------|---------|-----|---------|
| Model | Year | MG | SG | Illustration | Restrictions | UPD | 12:11 | 24.01.2010 | PORSCHE | PET | PORSCHE |
| 987C  | 2008 | 8  | 01 | 801-40       |              | 248 |       |            |         |     |         |

| Pos  | Part Number    | Description                     | Remark | Qty | Model | Pos | Part Number | Description | Remark | Qty | Model |
|------|----------------|---------------------------------|--------|-----|-------|-----|-------------|-------------|--------|-----|-------|
| 16   | 999 591 712 40 | expansion rivet<br>A 6,0 X 12,0 |        | 6   |       |     |             |             |        |     |       |
| 17   | 987 504 531 00 | protective film                 | /L     | 1   |       |     |             |             |        |     |       |
| (17) | 987 504 532 00 | protective film                 | /R     | 1   |       |     |             |             |        |     |       |
| 18   | 997 504 441 00 | strut                           |        | 2   |       |     |             |             |        |     |       |
|      | GRV            | prime coated                    |        |     |       |     |             |             |        |     |       |
| 19   | 997 504 555 00 | bracket                         |        | 2   |       |     |             |             |        |     |       |
|      | GRV            | prime coated                    |        |     |       |     |             |             |        |     |       |
| 20   | 999 076 066 09 | hexagon nut<br>M 6              |        | 10  |       |     |             |             |        |     |       |
| 21   | 999 507 590 02 | captive nut<br>ST 4,8           |        | 6   |       |     |             |             |        |     |       |
| -    | 000 043 204 85 | cavity preservation<br>400 ML   |        | X   |       |     |             |             |        |     |       |

|       |      |    |    |              |              |     |       |            |         |     |         |
|-------|------|----|----|--------------|--------------|-----|-------|------------|---------|-----|---------|
| Model | Year | MG | SG | Illustration | Restrictions | UPD | 12:11 | 24.01.2010 | PORSCHE | PET | PORSCHE |
| 987C  | 2008 | 8  | 01 | 801-45       |              | 248 |       |            |         |     |         |



| Pos | Part Number    | Description                   | Remark | Qty | Model |
|-----|----------------|-------------------------------|--------|-----|-------|
| 1   | 987 502 637 00 | roof cowl                     |        |     |       |
|     |                | GRV prime coated              | /L     | 1   |       |
| (1) | 987 502 638 00 | cowl                          |        |     |       |
|     |                | GRV prime coated              | /R     | 1   |       |
| 2   | 987 502 537 00 | cowl                          |        |     |       |
|     |                | GRV prime coated              |        | 1   |       |
| 3   | 987 502 919 00 | cowl panel support upper      |        |     |       |
|     |                | GRV prime coated              |        | 1   |       |
| 4   | 997 502 437 00 | cowl lower                    |        |     |       |
|     |                | GRV prime coated              |        | 1   |       |
| 5   | 997 502 233 00 | reinforcement                 |        |     |       |
|     |                | GRV prime coated use also:    | /L     | 1   |       |
| (5) | 997 502 234 00 | reinforcement                 |        |     |       |
|     |                | GRV prime coated use also:    | /R     | 1   |       |
| -   | 000 043 206 29 | adhesive set body comprising: |        |     | X     |
| -   | 000 043 206 30 | adhesive                      |        | 1   |       |
| -   | 000 043 206 31 | tool                          |        | 1   |       |
| -   | 000 043 206 32 | tool                          |        | 1   |       |
| -   | 000 043 206 33 | activator                     |        | 1   |       |
| 6   | 987 502 465 00 | reinforcement                 |        |     |       |
|     |                | GRV prime coated use also:    | /L     | 1   |       |
| (6) | 987 502 466 00 | reinforcement                 |        |     |       |
|     |                | GRV prime coated use also:    | /R     | 1   |       |



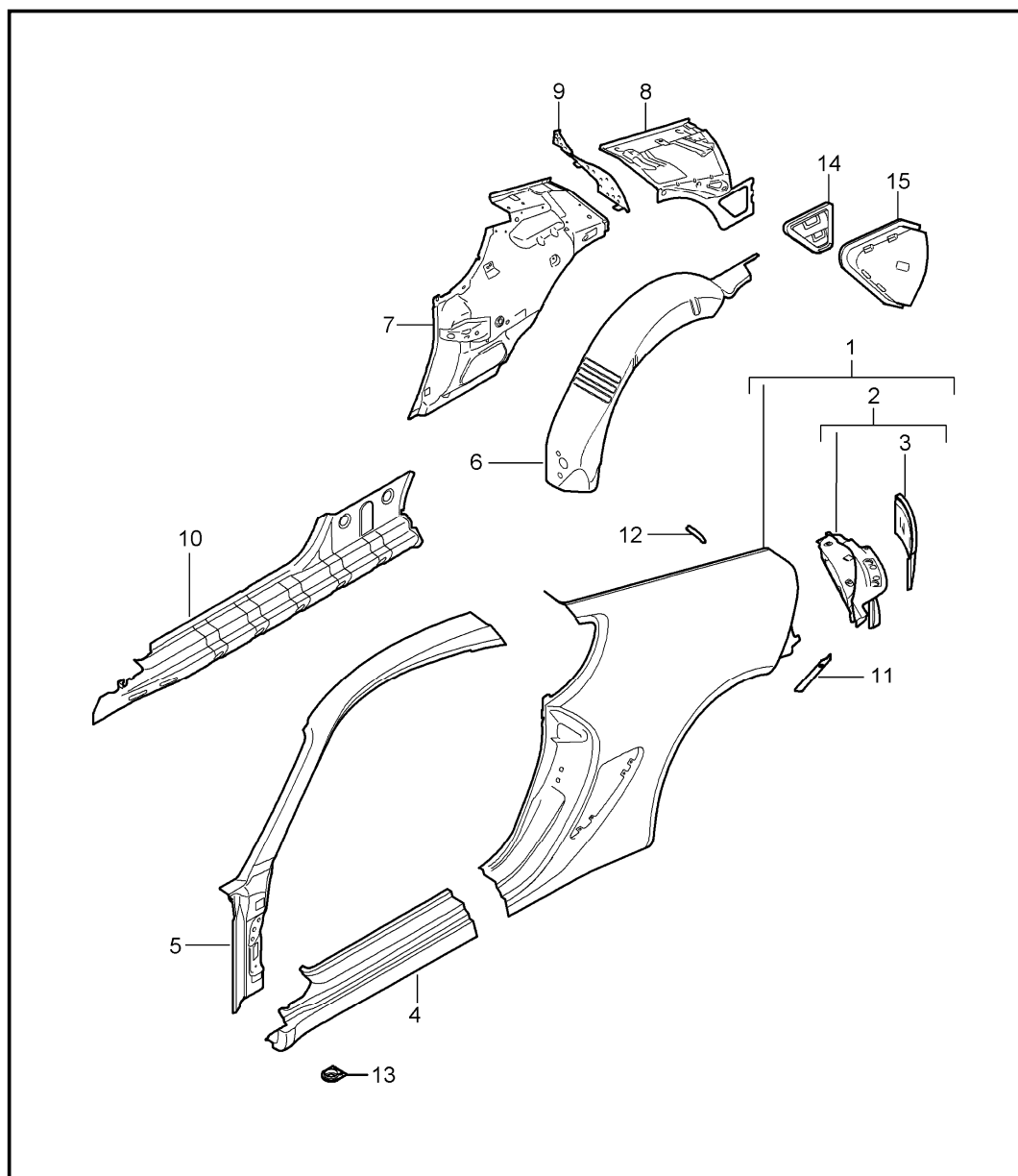
|       |      |    |    |              |              |     |       |            |         |     |         |
|-------|------|----|----|--------------|--------------|-----|-------|------------|---------|-----|---------|
| Model | Year | MG | SG | Illustration | Restrictions | UPD | 12:11 | 24.01.2010 | PORSCHE | PET | PORSCHE |
| 987C  | 2008 | 8  | 01 | 801-45       |              | 248 |       |            |         |     |         |

| Pos | Part Number    | Description  | Remark | Qty | Model | Pos  | Part Number    | Description                         | Remark | Qty | Model |
|-----|----------------|--|--------|-----|-------|------|----------------|-------------------------------------|--------|-----|-------|
| -   | 000 043 206 29 | adhesive set<br>body<br>comprising:  |        | X   |       | -    | 000 043 206 29 | adhesive set<br>body<br>comprising: |        | X   |       |
| -   | 000 043 206 30 | adhesive   |        | 1   |       | -    | 000 043 206 30 | adhesive                            |        | 1   |       |
| -   | 000 043 206 31 | tool   |        | 1   |       | -    | 000 043 206 31 | tool                                |        | 1   |       |
| -   | 000 043 206 32 | tool   |        | 1   |       | -    | 000 043 206 32 | tool                                |        | 1   |       |
| -   | 000 043 206 33 | activator  |        | 1   |       | -    | 000 043 206 33 | activator                           |        | 1   |       |
| 7   | 987 502 869 00 | reinforcement  | /L     | 1   |       | 10   | 987 502 871 00 | bulkhead                            | /L     | 1   |       |
|     | GRV            | prime coated<br>use also:  |        |     |       |      | GRV            | prime coated<br>use also:           |        |     |       |
| (7) | 987 502 870 00 | reinforcement  | /R     | 1   |       | (10) | 987 502 872 00 | bulkhead                            | /R     | 1   |       |
|     | GRV            | prime coated<br>use also:  |        |     |       |      | GRV            | prime coated<br>use also:           |        |     |       |
| -   | 000 043 206 29 | adhesive set<br>body<br>comprising:  |        | X   |       | -    | 000 043 206 29 | adhesive set<br>body<br>comprising: |        | X   |       |
| -   | 000 043 206 30 | adhesive   |        | 1   |       | -    | 000 043 206 30 | adhesive                            |        | 1   |       |
| -   | 000 043 206 31 | tool   |        | 1   |       | -    | 000 043 206 31 | tool                                |        | 1   |       |
| -   | 000 043 206 32 | tool   |        | 1   |       | -    | 000 043 206 32 | tool                                |        | 1   |       |
| -   | 000 043 206 33 | activator<br>use also:<br>sealing compound<br>Pos. 15<br>processing instructions<br>see technical manual<br>51 06 55 |        | 1   |       | -    | 000 043 206 33 | activator                           |        | 1   |       |
| 8   | 987 502 113 00 | side section   | /L     | 1   |       | 11   | 987 502 591 00 | closing element                     | /L     | 1   |       |
|     | GRV            | prime coated   |        |     |       |      | GRV            | prime coated                        |        |     |       |
| (8) | 987 502 114 00 | side section   | /R     | 1   |       | (11) | 987 502 592 00 | closing element                     | /R     | 1   |       |
|     | GRV            | prime coated   |        |     |       |      | GRV            | prime coated                        |        |     |       |
| 9   | 987 502 695 00 | sealing channel  | /L     | 1   |       | 12   | 987 502 929 00 | roof frame<br>rear<br>complete      |        | 1   |       |
|     | GRV            | prime coated<br>use also:  |        |     |       |      | GRV            | prime coated                        |        |     |       |
| (9) | 987 502 696 00 | sealing channel  | /R     | 1   |       | 13   | 987 503 087 00 | outer roof panel                    |        | 1   |       |
|     | GRV            | prime coated<br>use also:  |        |     |       |      | GRV            | prime coated<br>use also:           |        |     |       |
|     |                |  |        |     |       | -    | 000 043 204 38 | sealing material                    |        | 1   |       |
|     |                |  |        |     |       | 14   | 999 190 414 01 | blind rivet<br>4,8 x 10,3           |        | 10  |       |

|       |      |    |    |              |              |     |       |            |         |     |         |
|-------|------|----|----|--------------|--------------|-----|-------|------------|---------|-----|---------|
| Model | Year | MG | SG | Illustration | Restrictions | UPD | 12:11 | 24.01.2010 | PORSCHE | PET | PORSCHE |
| 987C  | 2008 | 8  | 01 | 801-45       |              | 248 |       |            |         |     |         |

| Pos | Part Number    | Description      | Remark | Qty | Model | Pos | Part Number | Description | Remark | Qty | Model |
|-----|----------------|------------------|--------|-----|-------|-----|-------------|-------------|--------|-----|-------|
| 15  | 999 915 337 40 | sealing compound |        | 1   |       |     |             |             |        |     |       |

|       |      |    |    |              |              |     |       |            |         |     |         |
|-------|------|----|----|--------------|--------------|-----|-------|------------|---------|-----|---------|
| Model | Year | MG | SG | Illustration | Restrictions | UPD | 12:11 | 24.01.2010 | PORSCHE | PET | PORSCHE |
| 987C  | 2008 | 8  | 01 | 801-50       |              | 248 |       |            |         |     |         |

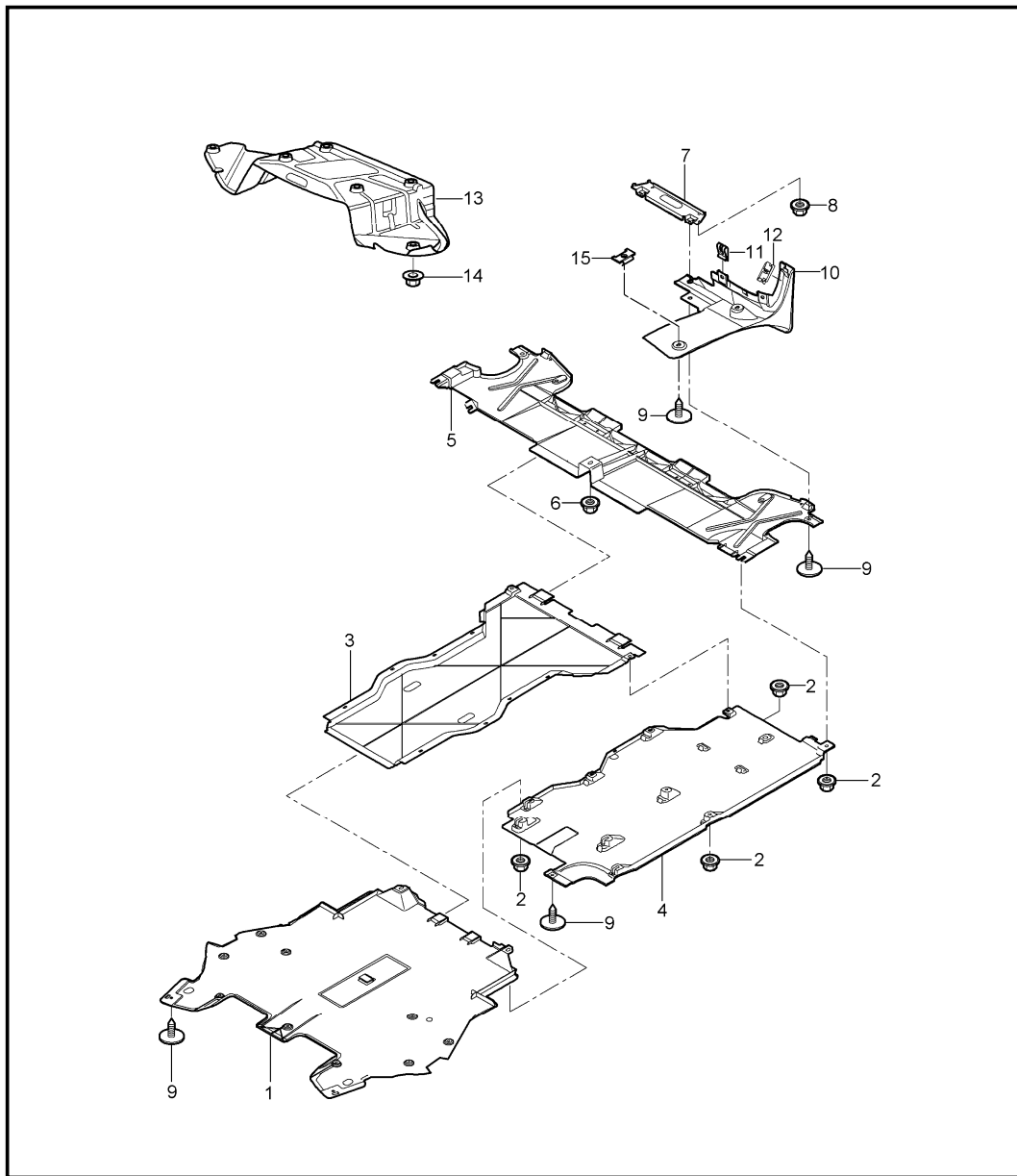


| Pos | Part Number    | Description                         | Remark | Qty | Model |
|-----|----------------|-------------------------------------|--------|-----|-------|
| 1   | 987 503 961 01 | side section                        | /L     | 1   |       |
|     | GRV            | prime coated<br>use also:           |        |     |       |
| (1) | 987 503 962 01 | side section                        | /R     | 1   |       |
|     | GRV            | prime coated<br>use also:           |        |     |       |
| -   | 999 915 650 40 | adhesive<br>TEROMIX 6700            |        | X   |       |
| -   | 000 043 300 48 | tool                                |        | X   |       |
|     |                | use also:                           |        |     |       |
| -   | 000 043 206 29 | adhesive set<br>body<br>comprising: |        | X   |       |
| -   | 000 043 206 30 | adhesive                            |        | 1   |       |
| -   | 000 043 206 31 | tool                                |        | 1   |       |
| -   | 000 043 206 32 | tool                                |        | 1   |       |
| -   | 000 043 206 33 | activator                           |        | 1   |       |
| 2   | 987 502 961 01 | frame for light                     | /L     | 1   |       |
|     | GRV            | prime coated                        |        |     |       |
| (2) | 987 502 962 01 | frame for light                     | /R     | 1   |       |
|     | GRV            | prime coated                        |        |     |       |
| 3   | 987 501 651 00 | corner panel                        | /L     | 1   |       |
|     | GRV            | prime coated                        |        |     |       |
| (3) | 987 501 652 00 | corner panel                        | /R     | 1   |       |
|     | GRV            | prime coated                        |        |     |       |
| 4   | 987 503 963 01 | door sill                           | /L     | 1   |       |
|     | GRV            | prime coated                        |        |     |       |
| (4) | 987 503 964 01 | door sill                           | /R     | 1   |       |
|     | GRV            | prime coated                        |        |     |       |
| 5   | 987 503 965 01 | roof frame                          | /L     | 1   |       |

|       |      |    |    |              |              |     |       |            |         |     |         |
|-------|------|----|----|--------------|--------------|-----|-------|------------|---------|-----|---------|
| Model | Year | MG | SG | Illustration | Restrictions | UPD | 12:11 | 24.01.2010 | PORSCHE | PET | PORSCHE |
| 987C  | 2008 | 8  | 01 | 801-50       |              | 248 |       |            |         |     |         |

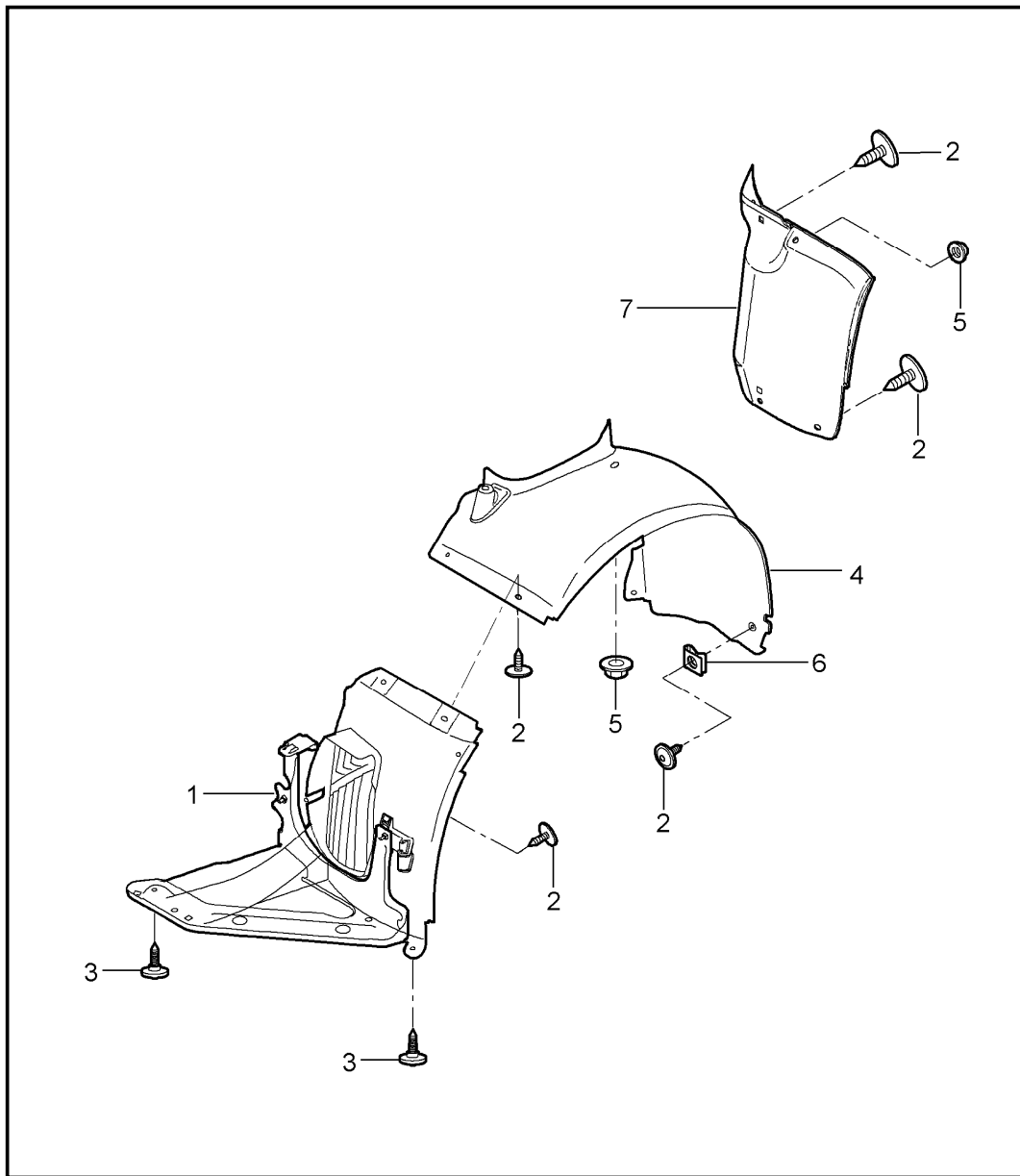
| Pos | Part Number    | Description  | Remark | Qty | Model | Pos  | Part Number                   | Description   | Remark | Qty | Model |
|-----|----------------|--|--------|-----|-------|------|-------------------------------|---|--------|-----|-------|
| (5) | 987 503 966 01 | GRV prime coated<br>use also:<br>roof frame                          | /R     | 1   |       | 9    | 987 504 901 01                | seal<br>side section<br>see technical manual<br>group 5<br>53 55 55 |        | 2   |       |
| -   | 000 043 206 29 | GRV prime coated<br>use also:<br>adhesive set<br>body<br>comprising: |        | X   |       | 10   | 987 502 663 00                | reinforcement   | /L     | 1   |       |
| -   | 000 043 206 30 | adhesive   |        | 1   |       | (10) | 987 502 664 00                | reinforcement   | /R     | 1   |       |
| -   | 000 043 206 31 | tool   |        | 1   |       |      | GRV prime coated<br>use also: |   |        |     |       |
| -   | 000 043 206 32 | tool   |        | 1   |       | -    | 000 043 206 29                | adhesive set<br>body<br>comprising:                                 |        | X   |       |
| -   | 000 043 206 33 | activator  |        | 1   |       | -    | 000 043 206 30                | adhesive  |        | 1   |       |
| 6   | 987 502 515 00 | wheel housing  | /L     | 1   |       | -    | 000 043 206 31                | tool  |        | 1   |       |
| (6) | 987 502 516 00 | GRV prime coated<br>wheel housing                                    | /R     | 1   |       | -    | 000 043 206 32                | tool  |        | 1   |       |
| 7   | 987 502 083 01 | GRV prime coated<br>side section                                     | /L     | 1   |       | -    | 000 043 206 33                | activator   |        | 1   |       |
| (7) | 987 502 084 01 | GRV prime coated<br>use also:<br>side section                        | /R     | 1   |       | 11   | 987 504 631 00                | protective film   |        | 2   |       |
| -   | 000 043 206 29 | adhesive set<br>body<br>comprising:                                  |        | 1   |       | 12   | 996 537 237 00                | protective film   |        | 2   |       |
| -   | 000 043 206 30 | adhesive   |        | 1   |       | 13   | 999 703 475 40                | water drain sleeve<br>door sill                                     |        | 2   |       |
| -   | 000 043 206 31 | tool   |        | 1   |       | 14   | 986 572 043 02                | bleeding  | /L     | 1   |       |
| -   | 000 043 206 32 | tool   |        | 1   |       | (14) | 986 572 044 00                | bleeding  | /R     | 1   |       |
| -   | 000 043 206 33 | activator  |        | 1   |       | 15   | 986 572 643 01                | air-guide cowl  | /L     | 1   |       |
| 8   | 987 502 105 00 | side section   | /L     | 1   |       | (15) | 986 572 644 01                | air-guide cowl<br>bleeding  | /R     | 1   |       |
| (8) | 987 502 106 00 | GRV prime coated<br>side section                                     | /R     | 1   |       |      |                               |   |        |     |       |
|     |                | GRV prime coated   |        |     |       |      |                               |   |        |     |       |

|       |      |    |    |              |              |     |       |            |         |     |         |
|-------|------|----|----|--------------|--------------|-----|-------|------------|---------|-----|---------|
| Model | Year | MG | SG | Illustration | Restrictions | UPD | 12:11 | 24.01.2010 | PORSCHE | PET | PORSCHE |
| 987C  | 2008 | 8  | 01 | 801-70       |              | 248 |       |            |         |     |         |



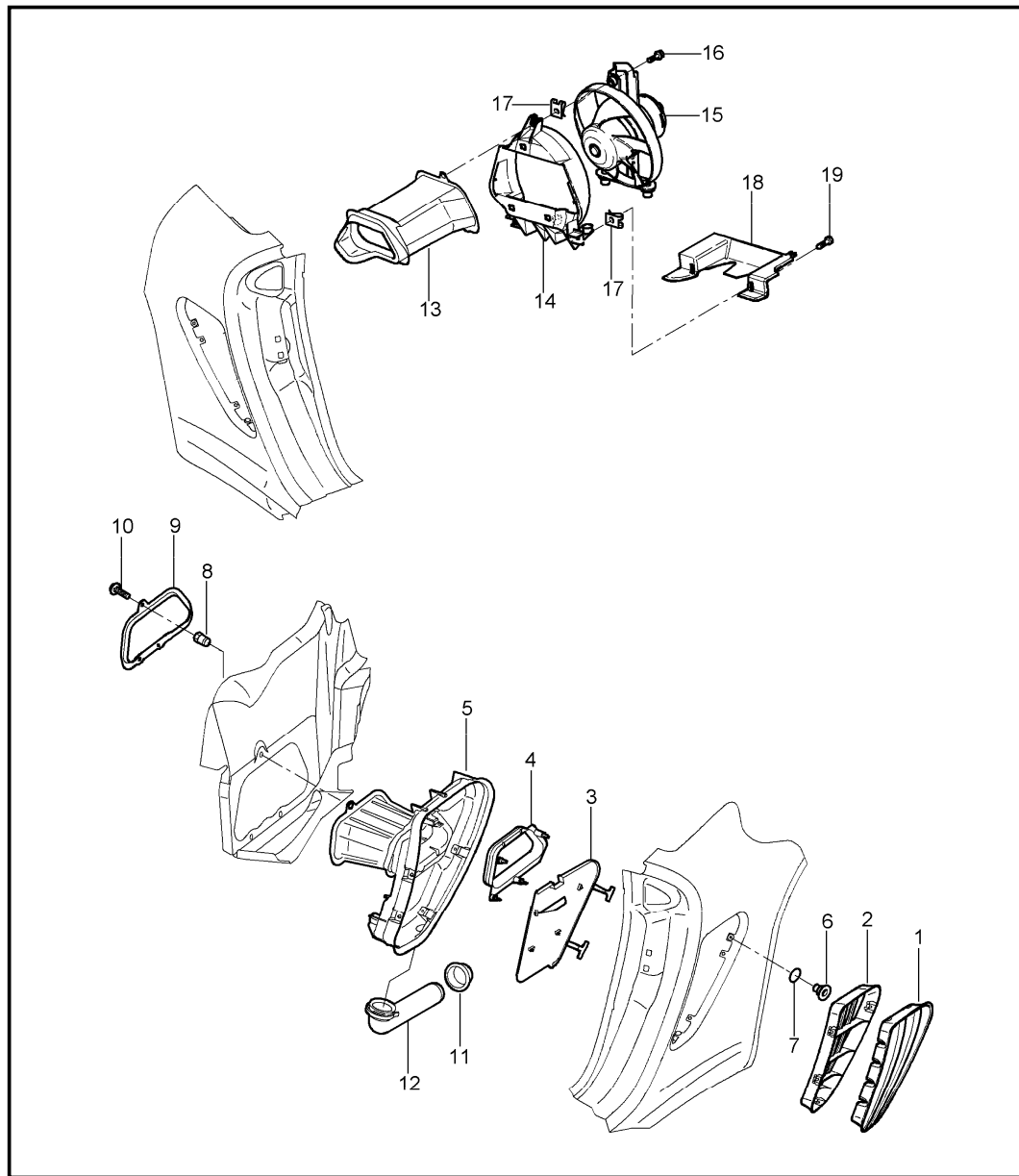
| Pos  | Part Number    | Description                  | Remark | Qty    | Model |
|------|----------------|------------------------------|--------|--------|-------|
|      |                | linings<br>underbody         |        |        |       |
| 1    | 997 504 527 02 | cover<br>front               |        | 1      |       |
| 2    | 999 049 028 40 | plastic nut<br>T 5/22 X 10   |        | 33     |       |
| 3    | 997 504 043 00 | cover<br>centre              |        | 1      |       |
| 4    | 997 504 343 02 | cover                        | /L     | 1      |       |
| (4)  | 997 504 344 02 | cover<br>centre              | /R     | 1      |       |
| 5    | 987 504 129 00 | cover<br>rear                |        | 1      |       |
| 6    | 999 076 068 09 | hexagon nut<br>M 6           |        | 1      |       |
| 7    | 987 504 571 00 | support<br>cover<br>rear     |        | 2      |       |
| 8    | 999 084 212 02 | hexagon nut<br>M 6           |        | 2      |       |
| 9    | 999 073 231 09 | tapping screw<br>ST 4,8 X 16 |        | X      |       |
| 10   | 987 504 793 00 | cover                        | /L     | 1      |       |
|      | 01C            | satin black                  |        |        |       |
| (10) | 987 504 794 00 | cover                        | /R     | 1      |       |
|      | 01C            | satin black                  |        |        |       |
| 11   | 999 507 795 09 | speed nut<br>ST 4,8          |        | 2      |       |
| 12   | 987 504 635 00 | clamp                        | /L     | 1      |       |
| (12) | 987 504 636 00 | clamp<br>cover               | /R     | 1<br>1 |       |
| 13   | 987 504 405 00 | heat protection              |        | 1      |       |
| 14   | 999 049 025 09 | collar nut<br>T 5            |        | 7      |       |
| 15   | 999 507 849 01 | captive nut<br>ST 4,8        |        | 4      |       |

|       |      |    |    |              |              |     |       |            |         |     |         |
|-------|------|----|----|--------------|--------------|-----|-------|------------|---------|-----|---------|
| Model | Year | MG | SG | Illustration | Restrictions | UPD | 12:12 | 24.01.2010 | PORSCHE | PET | PORSCHE |
| 987C  | 2008 | 8  | 01 | 801-75       |              | 248 |       |            |         |     |         |



| Pos | Part Number    | Description                     | Remark | Qty | Model    |
|-----|----------------|---------------------------------|--------|-----|----------|
|     |                | linings<br>for<br>wheel housing |        |     |          |
| 1   | 987 504 123 00 | wheel-housing liner             | /L/V   | 1   | I480/481 |
| (1) | 987 504 124 00 | wheel-housing liner             | /R/V   | 1   | I480/481 |
| (1) | 987 504 123 00 | wheel-housing liner             | /L/V   | 1   | I480     |
| (1) | 987 504 124 00 | wheel-housing liner             | /R/V   | 1   | I480     |
| (1) | 987 504 123 03 | wheel-housing liner             | /L/V   | 1   | I249     |
| (1) | 987 504 124 03 | wheel-housing liner             | /R/V   | 1   | I249     |
| (1) | 987 504 123 02 | wheel-housing liner             | /L/V   | 1   | I249     |
| (1) | 987 504 124 02 | wheel-housing liner             | /R/V   | 1   | I249     |
| 2   | 999 073 231 09 | tapping screw<br>ST 4,8 X 16    |        | 20  |          |
| 3   | 999 073 227 09 | tapping screw<br>ST 4,8 X 19    |        | 4   |          |
| 4   | 987 504 203 00 | wheel-housing liner             | V/H/L  | 1   |          |
| (4) | 987 504 204 00 | wheel-housing liner             | V/H/R  | 1   |          |
| 5   | 999 049 028 40 | plastic nut<br>T5               |        | 10  |          |
| 6   | 999 507 795 09 | speed nut                       |        | 2   |          |
| 7   | 987 504 573 01 | wheel-housing liner             | H/V/L  | 1   |          |
| (7) | 987 504 574 01 | wheel-housing liner             | H/V/R  | 1   |          |
| 8   | 987 504 673 01 | heat protection                 | /L     | 1   |          |
| (8) | 987 504 674 01 | heat protection<br>brake hose   | /R     | 1   |          |
| 9   | 999 507 795 09 | speed nut                       |        | 2   |          |

|       |      |    |    |              |              |     |       |            |         |     |         |
|-------|------|----|----|--------------|--------------|-----|-------|------------|---------|-----|---------|
| Model | Year | MG | SG | Illustration | Restrictions | UPD | 12:12 | 24.01.2010 | PORSCHE | PET | PORSCHE |
| 987C  | 2008 | 8  | 01 | 801-80       |              | 248 |       |            |         |     |         |



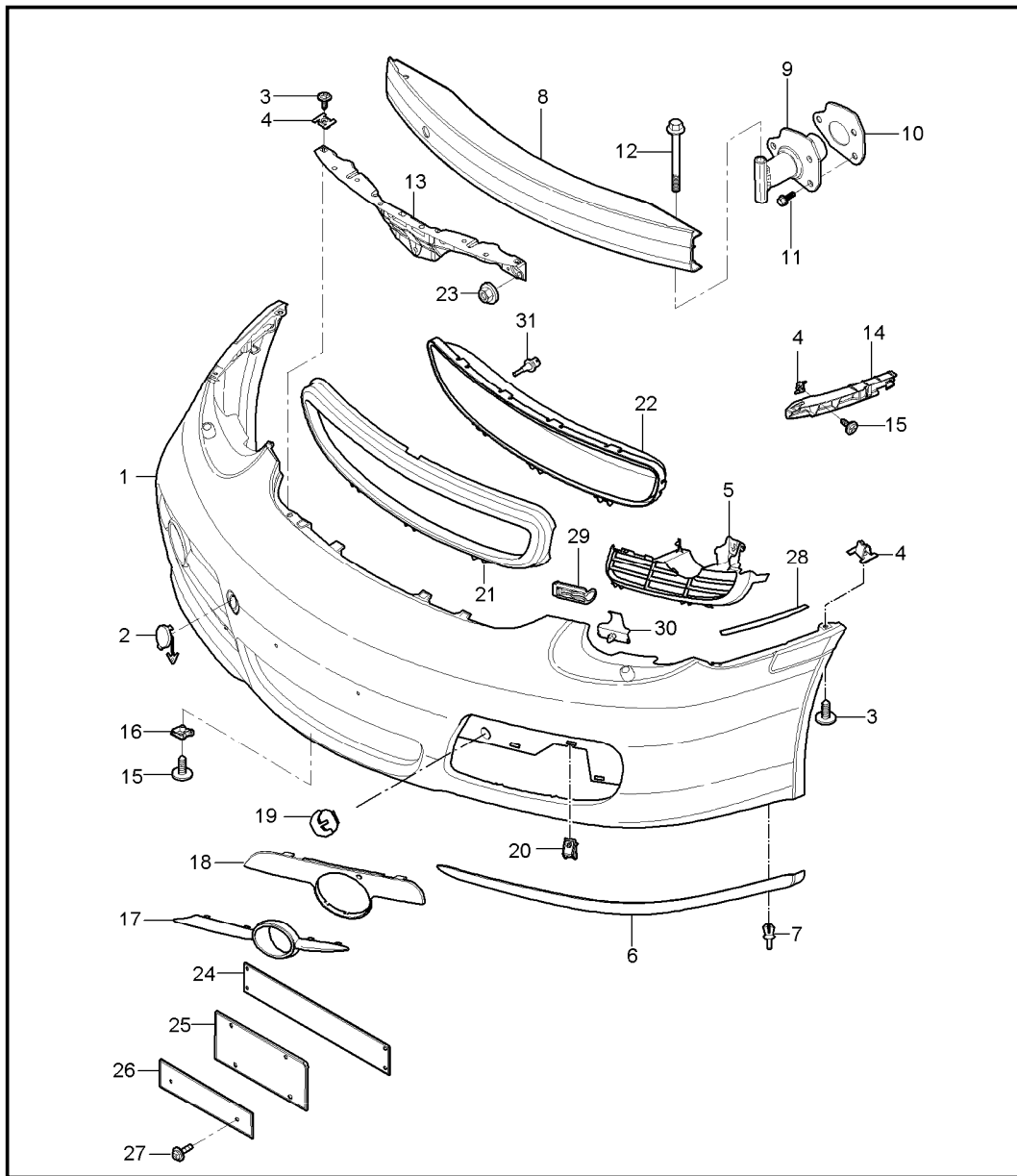
| Pos | Part Number    | Description                           | Remark | Qty | Model |
|-----|----------------|---------------------------------------|--------|-----|-------|
| 1   | 987 504 561 02 | ventilation engine compartment grille | /L     | 1   |       |
|     | G2X            | prime coated                          |        |     |       |
| (1) | 987 504 562 02 | ventilation grille                    | /R     | 1   |       |
|     | G2X            | prime coated                          |        |     |       |
| 2   | 987 504 749 02 | frame                                 | /L     | 1   |       |
|     | 01C            | satin black                           |        |     |       |
| (2) | 987 504 750 02 | frame                                 | /R     | 1   |       |
|     | 01C            | satin black                           |        |     |       |
| 3   | 987 575 647 01 | impact absorber plate                 | /L     | 1   |       |
| 4   | 987 575 757 00 | reinforcement air duct                | /L     | 1   |       |
| 5   | 987 575 657 01 | air duct inner                        | /L     | 1   |       |
| (5) | 987 575 658 00 | air duct inner                        | /R     | 1   |       |
| 6   | 999 507 585 40 | fixing clip                           |        | 8   |       |
| 7   | 999 701 489 40 | sealing ring                          | /L     | 4   |       |
| 8   | 999 500 069 02 | blind rivet nut                       |        | 6   |       |
| 9   | 987 575 759 00 | support frame air duct                |        | 1   |       |
| 10  | 900 075 413 09 | combination screw M 6 X 16            |        | 3   |       |
| 11  | 999 702 288 40 | grommet 32,5 X 20                     | /L     | 1   |       |
| 12  | 987 504 431 00 | water drain tube                      | /L     | 1   |       |
| 13  | 987 575 360 01 | air duct                              |        | 1   |       |
| 14  | 986 575 356 00 | airscoop                              | /R     | 1   |       |
| 15  | 986 624 036 00 | blower                                | /R     | 1   |       |
| 16  | 900 075 333 02 | hexagon-head bolt M 6 X 25            |        | 3   |       |

|       |      |    |    |              |              |     |       |            |         |     |         |
|-------|------|----|----|--------------|--------------|-----|-------|------------|---------|-----|---------|
| Model | Year | MG | SG | Illustration | Restrictions | UPD | 12:12 | 24.01.2010 | PORSCHE | PET | PORSCHE |
| 987C  | 2008 | 8  | 01 | 801-80       |              | 248 |       |            |         |     |         |

| Pos | Part Number    | Description                   | Remark | Qty | Model | Pos | Part Number | Description | Remark | Qty | Model |
|-----|----------------|-------------------------------|--------|-----|-------|-----|-------------|-------------|--------|-----|-------|
| 17  | 999 507 550 02 | speed nut<br>M 6              |        | 3   |       |     |             |             |        |     |       |
| 18  | 987 575 756 00 | air duct                      | /R     | 1   |       |     |             |             |        |     |       |
| 19  | 900 378 036 09 | hexagon-head bolt<br>M 6 X 12 |        | 1   |       |     |             |             |        |     |       |



|       |      |    |    |              |              |     |       |            |         |     |         |
|-------|------|----|----|--------------|--------------|-----|-------|------------|---------|-----|---------|
| Model | Year | MG | SG | Illustration | Restrictions | UPD | 12:12 | 24.01.2010 | PORSCHE | PET | PORSCHE |
| 987C  | 2008 | 8  | 02 | 802-00       |              | 248 |       |            |         |     |         |

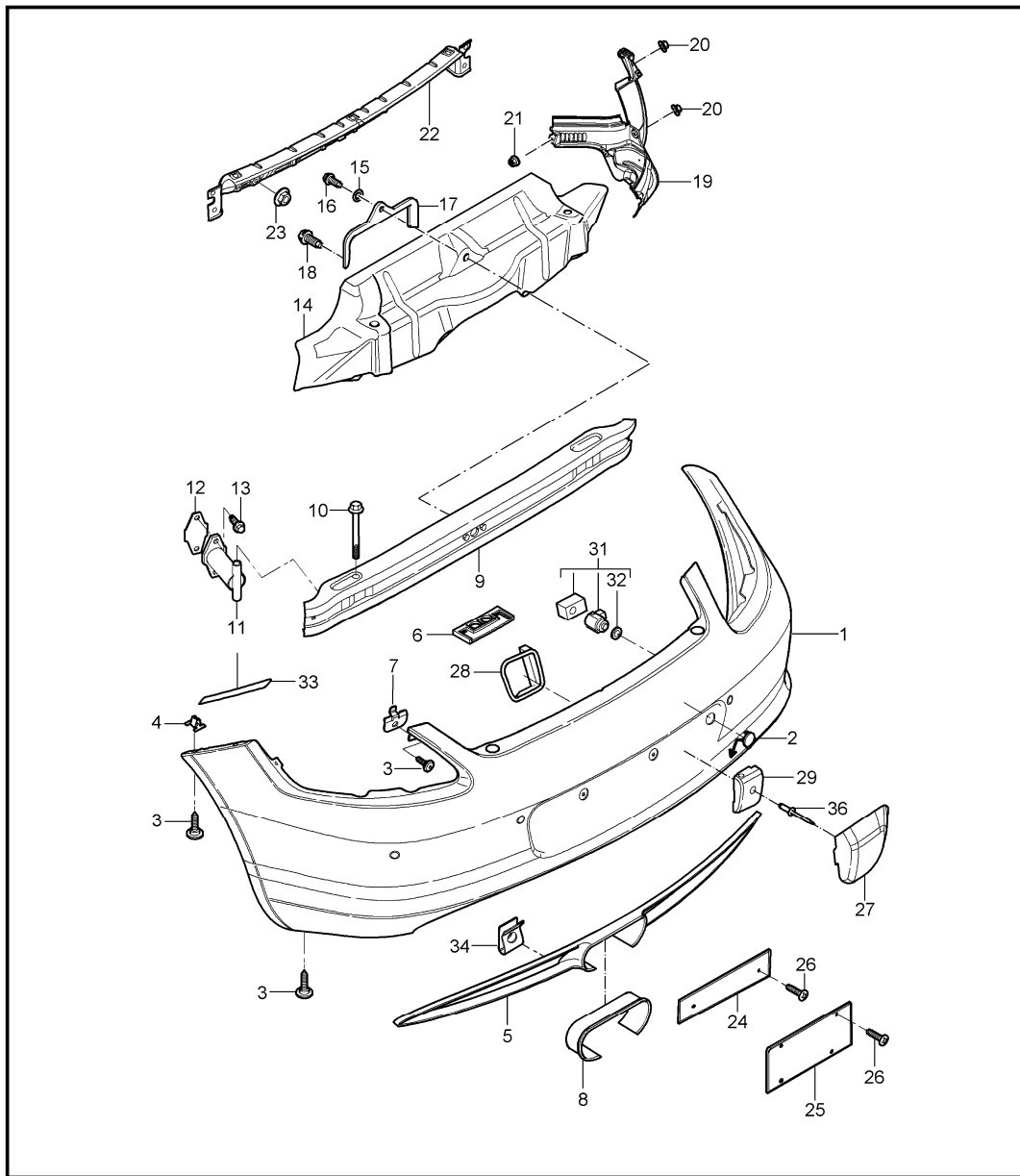


| Pos   | Part Number    | Description           | Remark | Qty | Model    |
|-------|----------------|-----------------------|--------|-----|----------|
|       |                | bumper front          |        |     |          |
| (1)   | 987 505 191 06 | lining                |        | 1   |          |
| (1)   | 987 505 191 07 | lining                |        | 1   | I288     |
| 1     | 987 505 191 08 | lining                |        | 1   | I249     |
| (1)   | 987 505 191 09 | lining                |        | 1   | I249/288 |
| 2     | 987 505 703 01 | cap                   |        | 1   |          |
|       |                | G2X prime coated      |        |     |          |
| 3     | 999 073 227 09 | tapping screw         |        | 10  |          |
| 4     | 999 507 590 02 | captive nut           |        | X   |          |
| 5     | 987 505 553 02 | grille frame          | /L     | 1   |          |
|       |                | 01C satin black       |        |     |          |
| (5)   | 987 505 554 02 | grille frame          | /R     | 1   |          |
|       |                | 01C satin black       |        |     |          |
| 6     | 987 505 527 00 | cover                 | /L     | 1   | CAYMAN   |
|       |                | 01C satin black       |        |     |          |
| (6)   | 987 505 528 00 | cover                 | /R     | 1   | CAYMAN   |
|       |                | 01C satin black       |        |     |          |
| (6)   | 987 505 527 01 | cover                 | /L     | 1   | CAYMAN S |
|       |                | 9B1 titanium metallic |        |     |          |
| (6)   | 987 505 528 01 | cover                 | /R     | 1   | CAYMAN S |
|       |                | 9B1 titanium metallic |        |     |          |
| (6)   | 987 505 528 02 | cover                 | /R     | 1   |          |
|       |                | prime coated          |        |     |          |
| (6)   | 987 505 527 02 | cover                 | /L     | 1   |          |
|       |                | prime coated          |        |     |          |
| (6) A | 987 505 983 01 | spoiler               | /L     | 1   | IXAM     |
| (6) A | 987 505 984 01 | spoiler               | /R     | 1   | IXAM     |
| -     | 987 505 989 01 | adhesive tape set     |        | 1   | IXAM     |

|       |      |    |    |              |              |     |       |            |         |     |         |
|-------|------|----|----|--------------|--------------|-----|-------|------------|---------|-----|---------|
| Model | Year | MG | SG | Illustration | Restrictions | UPD | 12:12 | 24.01.2010 | PORSCHE | PET | PORSCHE |
| 987C  | 2008 | 8  | 02 | 802-00       |              | 248 |       |            |         |     |         |

| Pos  | Part Number    | Description                     | Remark | Qty | Model    | Pos  | Part Number    | Description             | Remark | Qty | Model    |
|------|----------------|---------------------------------|--------|-----|----------|------|----------------|-------------------------|--------|-----|----------|
| 7    | 999 591 712 40 | expansion rivet<br>6,0 X 12,0   |        | 6   |          |      | 01C            | satin black             |        |     |          |
| 8    | 997 505 141 00 | bumper reinforcement            |        | 1   |          | 22   | 987 505 751 00 | cover                   |        | 1   | CAYMAN S |
| 8    | 997 505 141 02 | bumper reinforcement            |        | 1   |          |      | 01C            | satin black             |        |     |          |
| 9    | 997 505 319 00 | impact absorber                 |        | 2   |          | 23   | 999 076 078 09 | hexagon nut<br>M 6      |        | 3   |          |
| 10   | 997 505 751 02 | seal<br>impact absorber         |        | 2   |          | 24   | 987 701 105 01 | support<br>number plate |        | 1   | I211     |
| 11   | 900 378 267 09 | combination screw<br>M8 X 30    |        | 6   |          |      | 01C            | black                   |        |     |          |
| 12   | 900 378 088 09 | hexagon-head bolt<br>M 12 x 100 |        | 2   |          | 26   | 987 701 109 01 | support<br>number plate |        | 1   | I210     |
| 13   | 997 505 531 00 | retaining strip<br>centre       |        | 1   |          |      | 01C            | black                   |        |     |          |
| 14   | 987 505 535 01 | retaining strip                 | /L     | 1   |          | 27   | 999 919 228 A2 | screw<br>5,0X28,0       |        | X   |          |
| (14) | 987 505 536 01 | retaining strip                 | /R     | 1   |          | (27) | 999 919 227 A2 | screw<br>5,0X13,0       |        | X   |          |
| 15   | 999 073 418 01 | tapping screw<br>ST4,8 X 19-C   |        | 4   |          | 28   | 987 504 531 00 | protective film         | /L     | 1   |          |
| -    | 999 591 387 02 | clamping washer<br>4,0          |        | 10  |          | (28) | 987 504 532 00 | protective film         | /R     | 1   |          |
| 16   | 999 591 699 02 | speed nut<br>ST 4,8             |        | 1   |          | 29   | 987 505 719 00 | fixing device           |        | 2   |          |
| 17   | 987 505 721 00 | cover                           | /L     | 1   |          | 30   | 987 505 709 00 | guide plate             |        | 2   |          |
|      | G2X            | prime coated                    |        |     |          | 31   | 996 641 142 00 | temperature sensor      |        | 1   |          |
| (17) | 987 505 722 00 | cover                           | /R     | 1   |          |      |                |                         |        |     |          |
|      | G2X            | prime coated                    |        |     |          |      |                |                         |        |     |          |
| 18   | 987 505 723 00 | cover                           | /L     | 1   |          |      |                |                         |        |     |          |
|      | 01C            | satin black                     |        |     |          |      |                |                         |        |     |          |
| (18) | 987 505 724 00 | cover                           | /R     | 1   |          |      |                |                         |        |     |          |
|      | 01C            | satin black                     |        |     |          |      |                |                         |        |     |          |
| 19   | 987 505 787 00 | clamp                           |        | 2   |          |      |                |                         |        |     |          |
| 20   | 999 507 768 02 | speed nut<br>ST 4,2             |        | 6   |          |      |                |                         |        |     |          |
| 21   | 987 505 555 01 | retaining frame                 |        | 1   | CAYMAN S |      |                |                         |        |     |          |

|       |      |    |    |              |              |     |       |            |         |     |         |
|-------|------|----|----|--------------|--------------|-----|-------|------------|---------|-----|---------|
| Model | Year | MG | SG | Illustration | Restrictions | UPD | 12:12 | 24.01.2010 | PORSCHE | PET | PORSCHE |
| 987C  | 2008 | 8  | 02 | 802-05       |              | 248 |       |            |         |     |         |

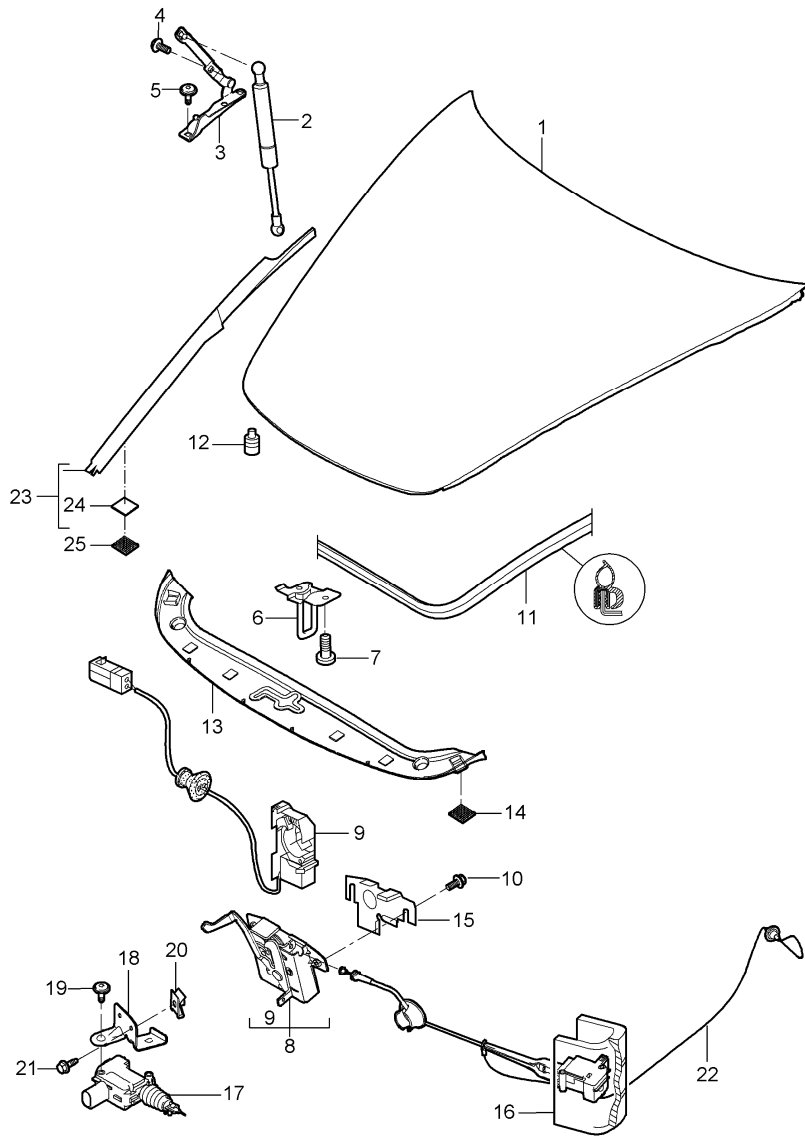


| Pos | Part Number    | Description                           | Remark | Qty | Model |
|-----|----------------|---------------------------------------|--------|-----|-------|
| 1   | 987 505 291 02 | bumper rear                           |        | 1   | I635  |
| (1) | 987 505 411 12 | lining                                |        | 1   |       |
| 2   | 997 505 803 00 | cover                                 |        | 1   |       |
|     | G2X            | prime coated                          |        |     |       |
| 3   | 999 073 227 09 | tapping screw<br>ST 4,8 X 19          |        | 15  |       |
| 4   | 999 507 590 02 | captive nut<br>ST 4,8                 |        | 7   |       |
| 5   | 987 505 853 00 | retaining frame                       |        | 1   |       |
|     | 01C            | satin black                           |        |     |       |
| 6   | 987 505 835 00 | support                               |        | 1   |       |
| 7   | 987 505 815 00 | retainer plate                        |        | 2   |       |
| 8   | 987 505 811 01 | heat shield                           |        | 1   |       |
|     | 9B1            | titanium metallic                     |        |     |       |
| 9   | 987 505 241 00 | bumper reinforcement bumper           |        | 1   |       |
| 10  | 900 378 088 09 | hexagon-head bolt<br>M 12 X 1,5 X 100 |        | 2   |       |
| 11  | 996 505 019 01 | impact pipe                           |        | 2   |       |
| 12  | 996 505 775 00 | desk pad<br>impact absorber           |        | 2   |       |
| 13  | 900 378 267 09 | combination screw<br>M 8 X 30         |        | 4   |       |
| 14  | 987 505 475 01 | heat protection centre                |        | 1   |       |
| 15  | 999 025 243 02 | washer<br>5,0X1,0                     |        | 1   |       |
| 16  | 900 278 025 02 | hexagon-head bolt<br>M5X12            |        | 1   |       |
| 17  | 987 505 639 01 | rear support                          |        | 2   |       |
| 18  | 999 075 056 09 | combination screw<br>M 6 X 22         |        | 2   |       |

|       |      |    |    |              |              |     |       |            |         |     |         |
|-------|------|----|----|--------------|--------------|-----|-------|------------|---------|-----|---------|
| Model | Year | MG | SG | Illustration | Restrictions | UPD | 12:12 | 24.01.2010 | PORSCHE | PET | PORSCHE |
| 987C  | 2008 | 8  | 02 | 802-05       |              | 248 |       |            |         |     |         |

| Pos  | Part Number    | Description   | Remark | Qty | Model    | Pos | Part Number | Description | Remark | Qty | Model |
|------|----------------|---|--------|-----|----------|-----|-------------|-------------|--------|-----|-------|
| (19) | 987 505 631 05 | wheel-housing liner<br>with<br>heat protection<br>lateral | /L     | 1   |          |     |             |             |        |     |       |
| 19   | 987 505 632 05 | wheel-housing liner<br>with<br>heat protection<br>lateral | /R     | 1   |          |     |             |             |        |     |       |
| 20   | 999 076 078 09 | hexagon nut<br>M 6  |        | 6   |          |     |             |             |        |     |       |
| 21   | 999 049 028 40 | plastic nut<br>T5/22 X 10                                 |        | 4   |          |     |             |             |        |     |       |
| 22   | 987 505 841 00 | attachment strip  |        | 1   |          |     |             |             |        |     |       |
| 23   | 999 076 078 09 | hexagon nut<br>M 6  |        | 5   |          |     |             |             |        |     |       |
| 24   | 987 701 105 01 | support<br>number plate                                   |        | 1   | I211     |     |             |             |        |     |       |
|      | 01C            | black   |        |     |          |     |             |             |        |     |       |
| (24) | 987 701 109 01 | support<br>number plate                                   |        | 1   | I210     |     |             |             |        |     |       |
|      | 01C            | black   |        |     |          |     |             |             |        |     |       |
| 26   | 999 919 227 A2 | screw<br>support  |        | 4   | I210/211 |     |             |             |        |     |       |
| (26) | 999 919 227 A2 | screw<br>support<br>number plate<br>5 X 13                |        | 8   | I218     |     |             |             |        |     |       |
| 30   | 999 190 312 30 | buttonhead rivet<br>buffer<br>A4,8 X 24,8                 |        | 2   | I553     |     |             |             |        |     |       |
| 31   | 955 606 275 01 | sensor<br>ParkAssist                                      |        | 4   | I635     |     |             |             |        |     |       |
| 32   | 7L6 919 659    | round seal<br>sensor                                      |        | 4   | I635     |     |             |             |        |     |       |
| 33   | 987 504 631 00 | protective film   |        | 2   |          |     |             |             |        |     |       |
| 34   | 999 507 795 09 | speed nut<br>rear support<br>ST 4,8                       |        | 2   |          |     |             |             |        |     |       |

|       |      |    |    |              |              |     |       |            |         |     |         |
|-------|------|----|----|--------------|--------------|-----|-------|------------|---------|-----|---------|
| Model | Year | MG | SG | Illustration | Restrictions | UPD | 12:12 | 24.01.2010 | PORSCHE | PET | PORSCHE |
| 987C  | 2008 | 8  | 03 | 803-00       |              | 248 |       |            |         |     |         |

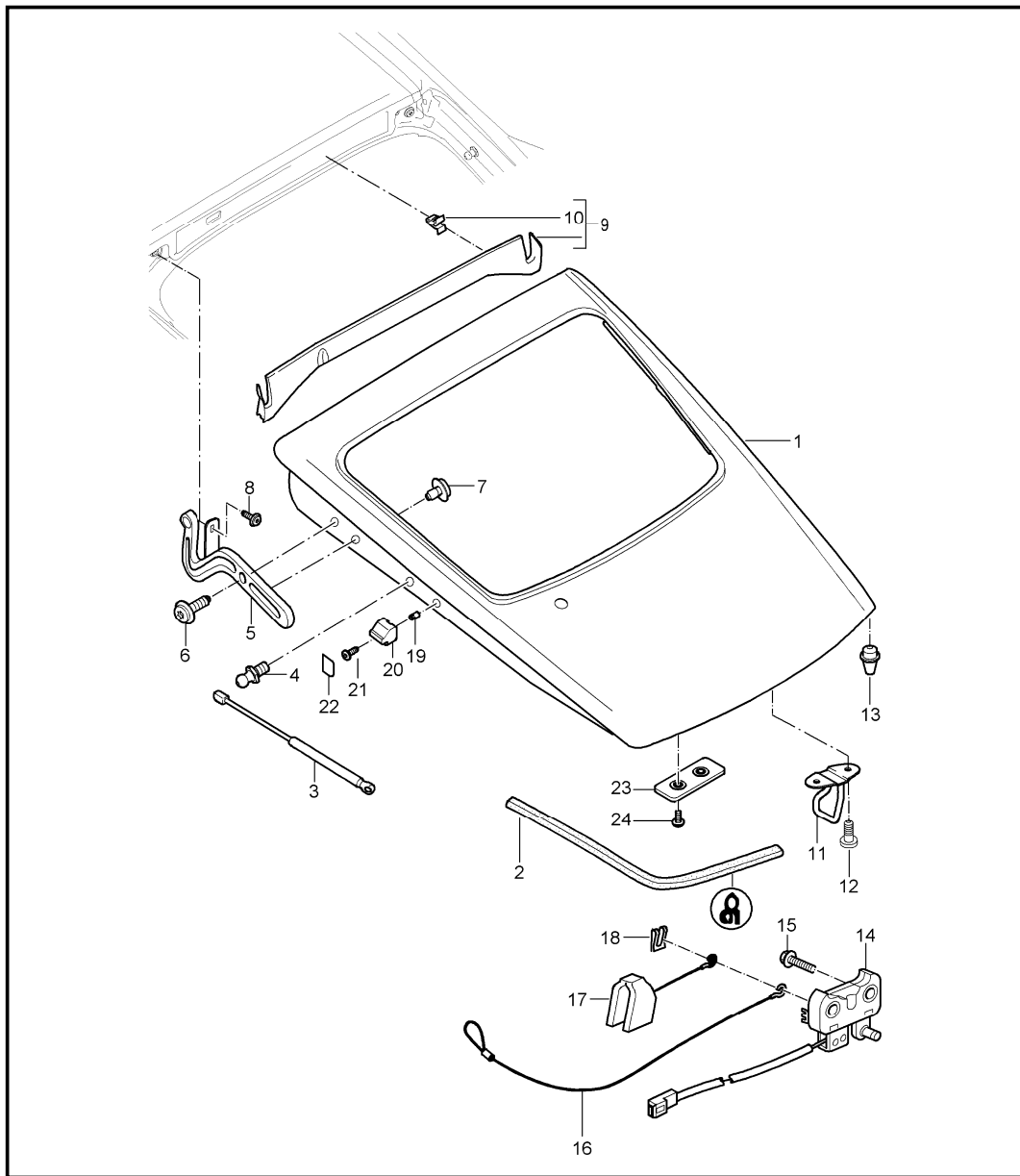


| Pos  | Part Number    | Description                  | Remark | Qty | Model |
|------|----------------|------------------------------|--------|-----|-------|
|      |                | lid front                    |        |     |       |
| 1    | 997 511 011 00 | lid                          |        | 1   |       |
|      |                | GRV prime coated             |        |     |       |
| 2    | 997 511 551 01 | gas-pressure spring          |        | 2   |       |
| (3)  | 997 511 151 01 | hinge                        | /L     | 1   |       |
| 3    | 997 511 152 01 | hinge                        | /R     | 1   |       |
| 4    | 999 073 357 09 | oval-head screw<br>M 6 X 12  |        | 4   |       |
| 5    | 999 073 348 09 | oval-head screw<br>M 6 X 20  |        | 4   |       |
| 6    | 997 511 051 00 | lock upper part              |        | 1   |       |
| 7    | 999 073 350 04 | screw<br>M 6 X 16            |        | 2   |       |
| 8    | 997 511 053 00 | lock lower part              |        | 1   |       |
| 9    | 997 613 206 00 | microswitch                  |        | 1   |       |
| 10   | 900 075 466 09 | combination screw<br>M6 X 16 |        | 2   |       |
| 11   | 997 511 611 00 | gasket                       |        | 1   |       |
| 12   | 999 703 140 41 | rubber buffer                |        | 2   |       |
| 13   | 997 504 811 03 | trim cover                   |        | 1   |       |
|      |                | FMT black                    |        |     |       |
| 14   | 999 902 049 40 | velcro fastener<br>25 X 20   |        | 4   |       |
| 15   | 996 511 653 00 | cover                        |        | 1   |       |
| 16   | 997 511 117 00 | actuator                     |        | 1   |       |
| (23) | 997 572 465 02 | trim cover                   | /L     | 1   |       |
|      |                | 02A black                    |        |     |       |
| 23   | 997 572 466 02 | trim cover wing              | /R     | 1   |       |
|      |                | 02A black                    |        |     |       |

|       |      |    |    |              |              |     |       |            |         |     |         |
|-------|------|----|----|--------------|--------------|-----|-------|------------|---------|-----|---------|
| Model | Year | MG | SG | Illustration | Restrictions | UPD | 12:12 | 24.01.2010 | PORSCHE | PET | PORSCHE |
| 987C  | 2008 | 8  | 03 | 803-00       |              | 248 |       |            |         |     |         |

| Pos | Part Number    | Description                         | Remark | Qty | Model | Pos | Part Number | Description | Remark | Qty | Model |
|-----|----------------|-------------------------------------|--------|-----|-------|-----|-------------|-------------|--------|-----|-------|
| 24  | 999 902 052 40 | velcro fastener<br>cover<br>20 X 20 |        | 4   |       |     |             |             |        |     |       |
| 25  | 999 902 051 40 | velcro fastener<br>wing<br>20 X 20  |        | 4   |       |     |             |             |        |     |       |

|       |      |    |    |              |              |     |       |            |         |     |         |
|-------|------|----|----|--------------|--------------|-----|-------|------------|---------|-----|---------|
| Model | Year | MG | SG | Illustration | Restrictions | UPD | 12:13 | 24.01.2010 | PORSCHE | PET | PORSCHE |
| 987C  | 2008 | 8  | 03 | 803-05       |              | 248 |       |            |         |     |         |



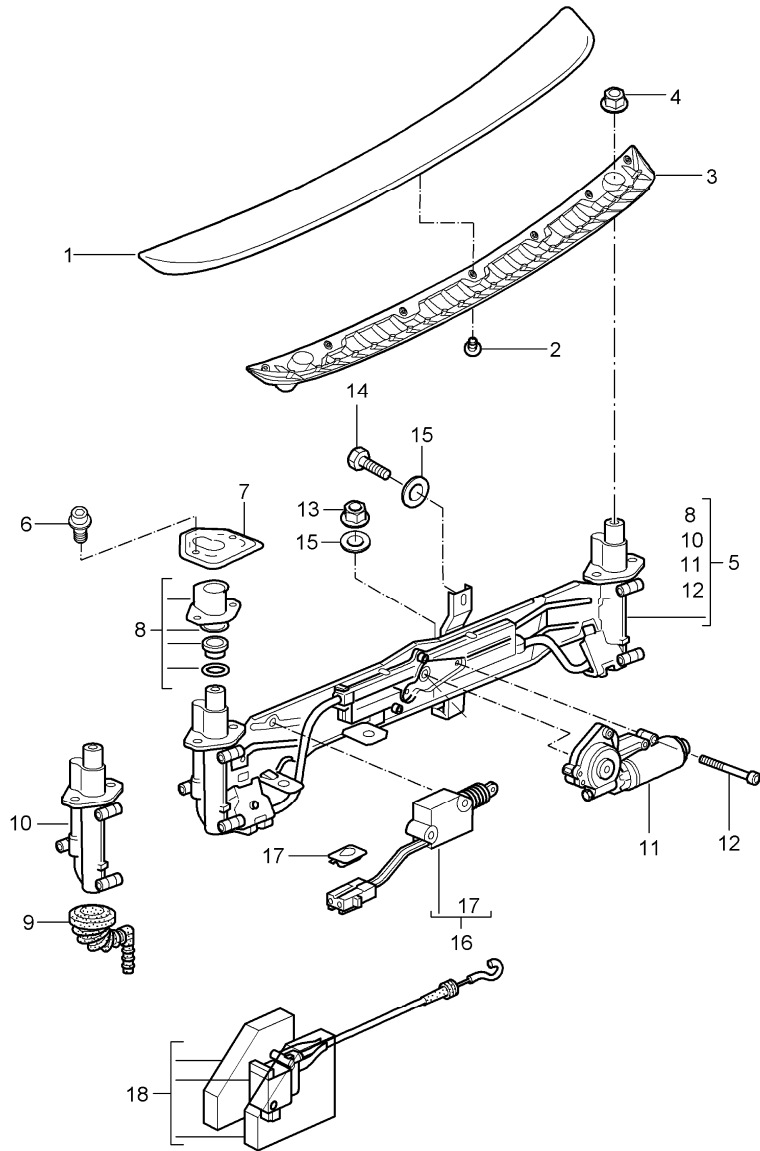
| Pos | Part Number      | Description                            | Remark | Qty | Model |
|-----|------------------|--|--------|-----|-------|
| 1   | 987 512 011 01   | lid rear                               |        | 1   | I426  |
|     | GRV              | prime coated                           |        |     |       |
|     |                  | use also:                              |        |     |       |
| 1   | 987 512 011 02   | lid                                    |        | 1   | I425  |
|     | GRV              | prime coated                           |        |     |       |
|     |                  | use also:                              |        |     |       |
| -   | 000 043 204 38   | sealing material                       |        | 1   |       |
| 2   | 987 512 911 01   | gasket lid                             |        | 1   |       |
| 3   | A 987 512 551 00 | gas-pressure spring                    |        | 2   |       |
| 3   | 987 512 551 02   | gas-pressure spring                    |        | 2   |       |
| 4   | 999 167 051 03   | ball pin gas-pressure spring           |        | 4   |       |
| 5   | 987 512 151 01   | hinge                                  | /L     | 1   |       |
| (5) | 987 512 152 01   | hinge                                  | /R     | 1   |       |
| 6   | 999 073 364 02   | pan-head screw hinge lid outer M8 X 25 |        | 2   |       |
| 7   | 999 073 360 02   | pan-head screw hinge lid inner M8 X 16 |        | 2   |       |
| 8   | 999 073 364 02   | pan-head screw hinge bodyshell M8 X 25 |        | 4   |       |
| 9   | 987 512 111 00   | cover                                  |        | 1   |       |
|     | 01C              | satin black                            |        |     |       |
| 10  | 999 507 987 02   | clamp cover 1,60                       |        | 4   |       |
| 11  | 987 512 051 00   | lock upper part                        |        | 1   |       |

|       |      |    |    |              |              |     |       |            |         |     |         |
|-------|------|----|----|--------------|--------------|-----|-------|------------|---------|-----|---------|
| Model | Year | MG | SG | Illustration | Restrictions | UPD | 12:13 | 24.01.2010 | PORSCHE | PET | PORSCHE |
| 987C  | 2008 | 8  | 03 | 803-05       |              | 248 |       |            |         |     |         |

| Pos | Part Number    | Description                                    | Remark | Qty | Model | Pos | Part Number | Description | Remark | Qty | Model |
|-----|----------------|--|--------|-----|-------|-----|-------------|-------------|--------|-----|-------|
| 12  | 999 073 350 04 | screw<br>M 6 X 16                              |        | 2   |       |     |             |             |        |     |       |
| 13  | 987 512 987 01 | actuator                                       |        | 2   |       |     |             |             |        |     |       |
| 14  | 987 512 053 00 | lock lower part                                |        | 1   |       |     |             |             |        |     |       |
| 15  | 900 075 504 01 | combination screw<br>M 6 X 45                  |        | 2   |       |     |             |             |        |     |       |
| 16  | 987 512 521 00 | emergency operation                            |        | 1   |       |     |             |             |        |     |       |
| 17  | 987 512 117 00 | actuator<br>lid                                |        | 1   |       |     |             |             |        |     |       |
| 18  | 999 166 054 02 | sl-lock  |        | 1   |       |     |             |             |        |     |       |
| 19  | 999 500 152 02 | blind rivet nut<br>M6/0,75                     |        | 4   |       |     |             |             |        |     |       |
| 20  | 987 512 899 00 | rubber buffer<br>lid<br>rear                   |        | 2   |       |     |             |             |        |     |       |
| 21  | 999 073 334 00 | round head screw<br>M6 x 16                    |        | 2   |       |     |             |             |        |     |       |
| 22  | 987 512 819 00 | protective film                                |        | 2   |       |     |             |             |        |     |       |
| 23  | 987 512 125 02 | vibration damper                               |        | 1   |       |     |             |             |        |     |       |
| 24  | 999 073 410 01 | oval-head screw<br>vibration damper<br>M6 X 22 |        | 2   |       |     |             |             |        |     |       |

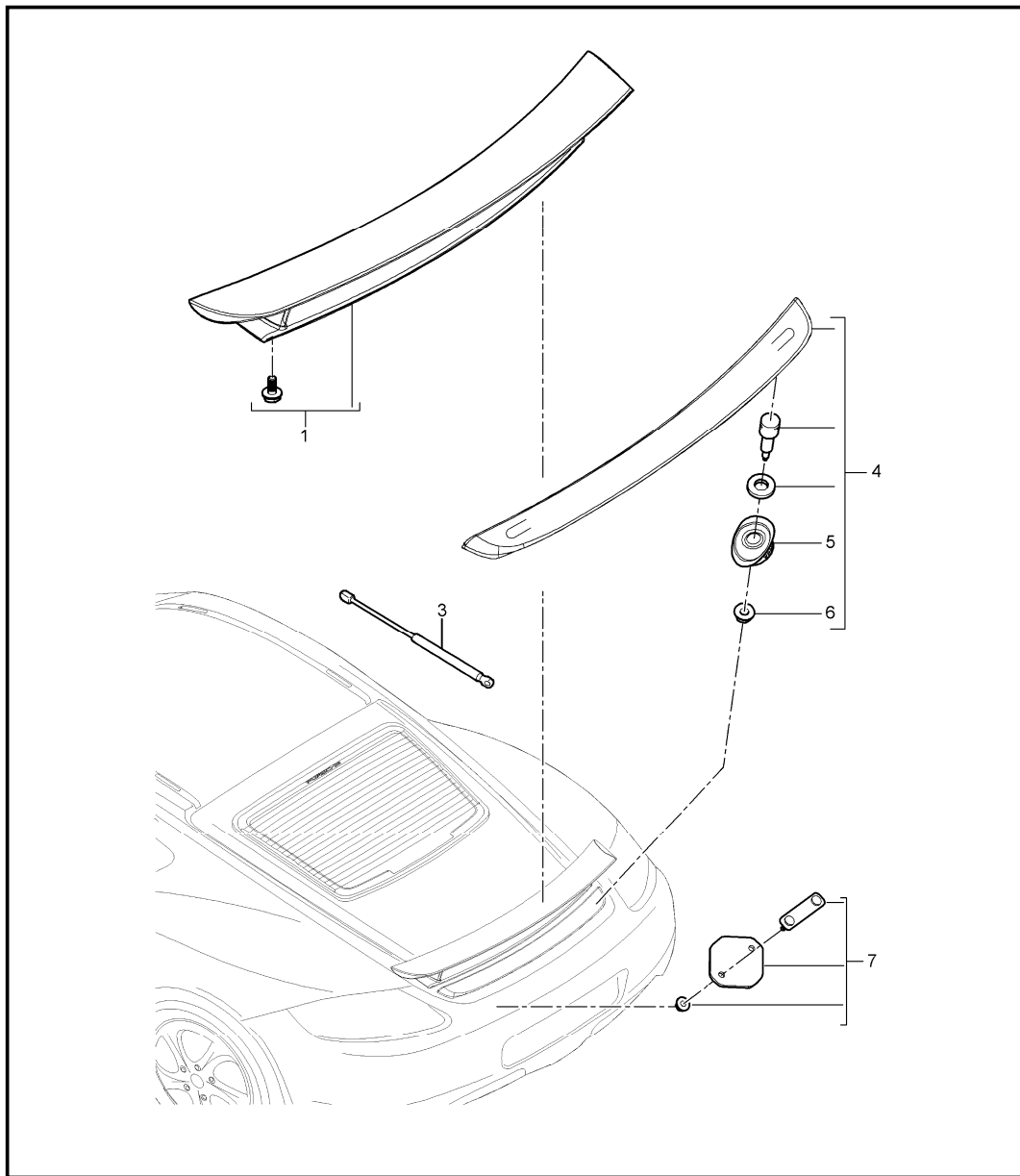


|       |      |    |    |              |              |     |       |            |         |     |         |
|-------|------|----|----|--------------|--------------|-----|-------|------------|---------|-----|---------|
| Model | Year | MG | SG | Illustration | Restrictions | UPD | 12:13 | 24.01.2010 | PORSCHE | PET | PORSCHE |
| 987C  | 2008 | 8  | 03 | 803-07       |              | 248 |       |            |         |     |         |



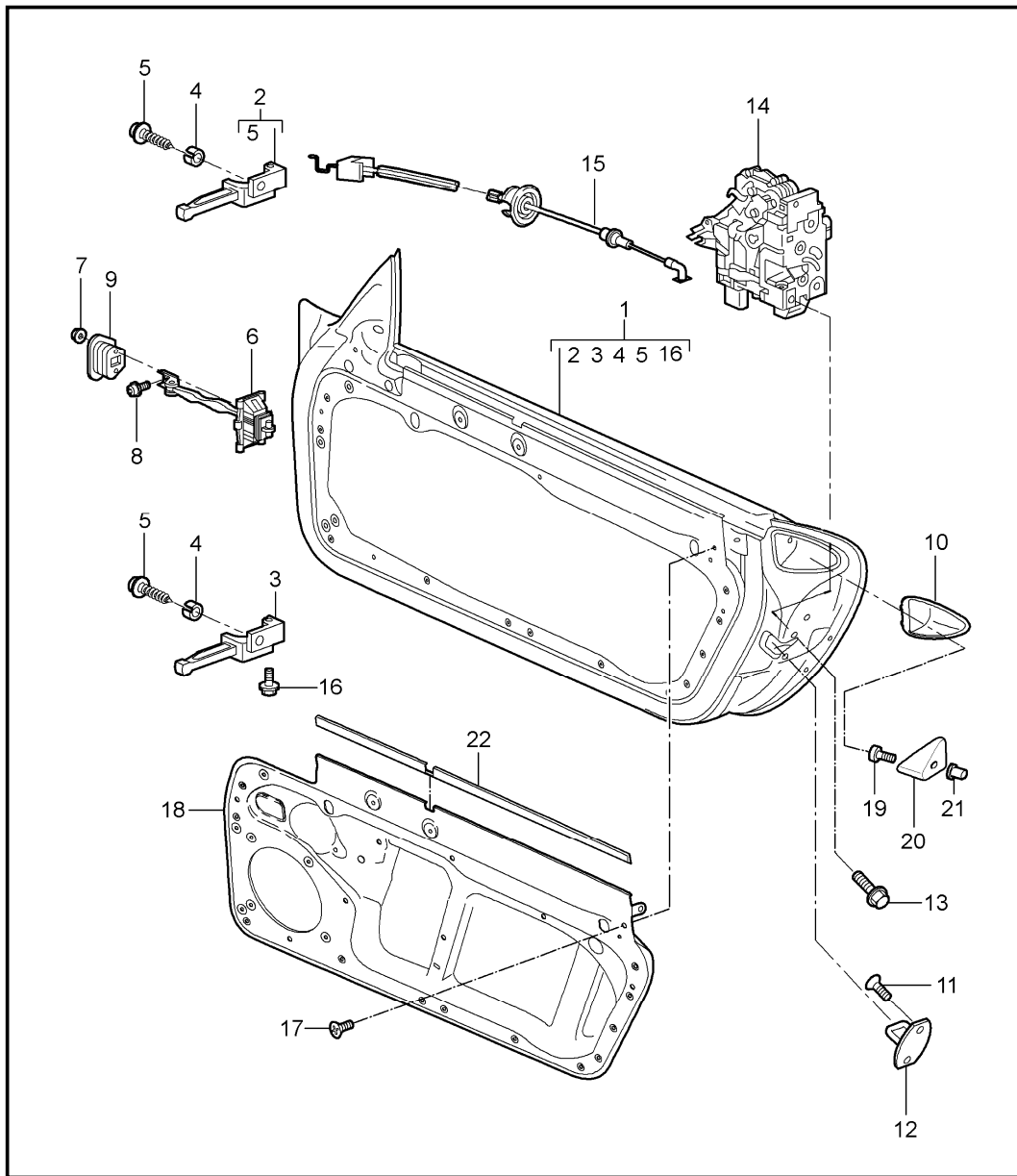
| Pos | Part Number    | Description   | Remark | Qty | Model |
|-----|----------------|---|--------|-----|-------|
| 1   | 987 504 619 00 | rear spoiler<br>upper part                          |        | 1   |       |
|     | G2X            | prime coated  |        |     |       |
| 2   | 999 919 233 07 | oval-head screw<br>4,0 X 8,0                        |        | 7   |       |
| 3   | 987 504 623 00 | lower part  |        | 1   |       |
| 4   | 900 377 003 02 | hexagon nut<br>M8                                   |        | 2   |       |
| 5   | 987 504 109 00 | driving mechanism<br>complete                       |        | 1   |       |
| 6   | 999 218 016 02 | combination screw<br>M 6 X 16<br>micro-self-locking |        | 4   |       |
| 7   | 986 504 251 00 | mounting plate                                      |        | 2   |       |
| 8   | 987 504 413 00 | gasket set<br>hinge                                 |        | 2   |       |
| 9   | 987 504 415 00 | water drain hose                                    |        | 1   |       |
| 10  | 987 504 411 00 | hinge   |        | 2   |       |
| 11  | 996 624 151 00 | electric motor                                      |        | 1   |       |
| 12  | 900 074 364 02 | hexagon-head bolt<br>M 5 X 55<br>micro-self-locking |        | 1   |       |
| 13  | 999 084 629 09 | hexagon nut<br>M 6                                  |        | 3   |       |
| 14  | 900 075 485 09 | hexagon-head bolt<br>M 6 X 16                       |        | 1   |       |
| 15  | 900 035 001 09 | washer  |        | 4   |       |
| 16  | 996 624 117 01 | actuator<br>lid<br>rear                             |        | 1   |       |
| 17  | 999 507 434 40 | support   |        | 1   |       |
| 18  | 987 512 117 00 | actuator  |        | 1   |       |

|       |      |    |    |              |              |     |       |            |         |     |         |
|-------|------|----|----|--------------|--------------|-----|-------|------------|---------|-----|---------|
| Model | Year | MG | SG | Illustration | Restrictions | UPD | 12:13 | 24.01.2010 | PORSCHE | PET | PORSCHE |
| 987C  | 2008 | 8  | 03 | 803-08       |              | 248 |       |            |         |     |         |



| Pos | Part Number    | Description             | Remark | Qty | Model |
|-----|----------------|-------------------------|--------|-----|-------|
|     |                | rear spoiler<br>aerokit |        |     | IXAM  |
| 1   | 987 512 992 01 | rear spoiler            |        | 1   |       |
| 3   | 987 512 551 04 | gas-pressure spring     | /L/R   | 2   |       |
| 4   | 987 512 994 01 | cover<br>spoiler        |        | 1   |       |
| (5) | 987 512 995 01 | adapter                 | /L     | 1   |       |
| 5   | 987 512 996 01 | adapter<br>mounting     | /R     | 1   |       |
| 6   | 900 380 015 01 | hexagon nut<br>M6       |        | 2   |       |
| 7   | 987 512 998 00 | gasket                  |        | 2   |       |

|       |      |    |    |              |              |     |       |            |         |     |         |
|-------|------|----|----|--------------|--------------|-----|-------|------------|---------|-----|---------|
| Model | Year | MG | SG | Illustration | Restrictions | UPD | 12:13 | 24.01.2010 | PORSCHE | PET | PORSCHE |
| 987C  | 2008 | 8  | 04 | 804-00       |              | 248 |       |            |         |     |         |

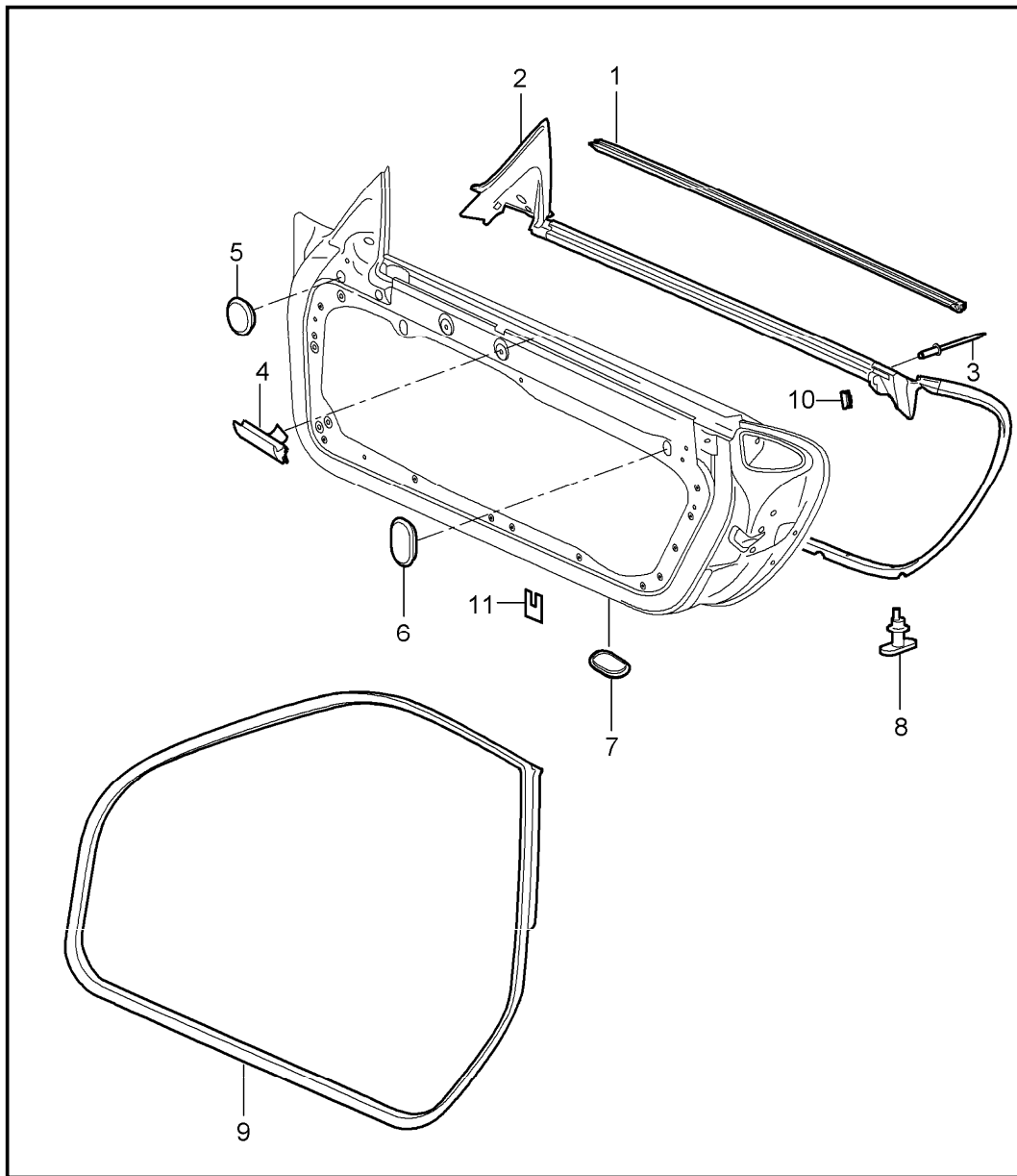


| Pos  | Part Number    | Description                                      | Remark | Qty | Model |
|------|----------------|--|--------|-----|-------|
| (1)  | 997 531 011 04 | door in white<br>installation parts<br>door lock |        | 1   |       |
|      | GRV            | prime coated<br>use also:                        | /L     |     |       |
| 1    | 997 531 012 04 | door   | /R     | 1   |       |
|      | GRV            | prime coated<br>use also:                        |        |     |       |
| -    | 000 043 204 38 | sealing material                                 |        | 1   |       |
| (2)  | 997 531 321 00 | hinge  | /L     | 1   |       |
| 2    | 997 531 322 00 | hinge  | /R     | 1   |       |
| (3)  | 997 531 319 00 | hinge  | /L     | 1   |       |
| 3    | 997 531 320 00 | hinge  | /R     | 1   |       |
| 4    | 996 531 831 00 | sleeve   |        | 4   |       |
| 5    | 900 067 291 01 | combination screw<br>M 8 X 16                    |        | 2   |       |
| 6    | 997 537 151 01 | door arrester                                    |        | 2   |       |
| 7    | 999 084 212 02 | hexagon nut<br>M 6                               |        | 4   |       |
| 8    | 999 073 138 09 | screw<br>M 8 X 25                                |        | 2   |       |
| 9    | 996 537 751 00 | seal   |        | 2   |       |
| (10) | 997 537 331 00 | support  |        | 1   |       |
|      | 01C            | satin black                                      |        |     |       |
| 10   | 997 537 332 00 | support  |        | 1   |       |
|      | 01C            | satin black                                      |        |     |       |
| 11   | N 910 174 01   | countersunk-head screw<br>M 8 X 22               |        | 4   |       |
| 12   | 3C0 837 767 A  | closing element                                  |        | 2   |       |
| 13   | WHT 000 439    | combination screw<br>M 8 X 20                    |        | 2   |       |
| (14) | 3D1 837 015    | door lock  | /LL/L  | 1   |       |

|       |      |    |    |              |              |     |       |            |         |     |         |
|-------|------|----|----|--------------|--------------|-----|-------|------------|---------|-----|---------|
| Model | Year | MG | SG | Illustration | Restrictions | UPD | 12:13 | 24.01.2010 | PORSCHE | PET | PORSCHE |
| 987C  | 2008 | 8  | 04 | 804-00       |              | 248 |       |            |         |     |         |

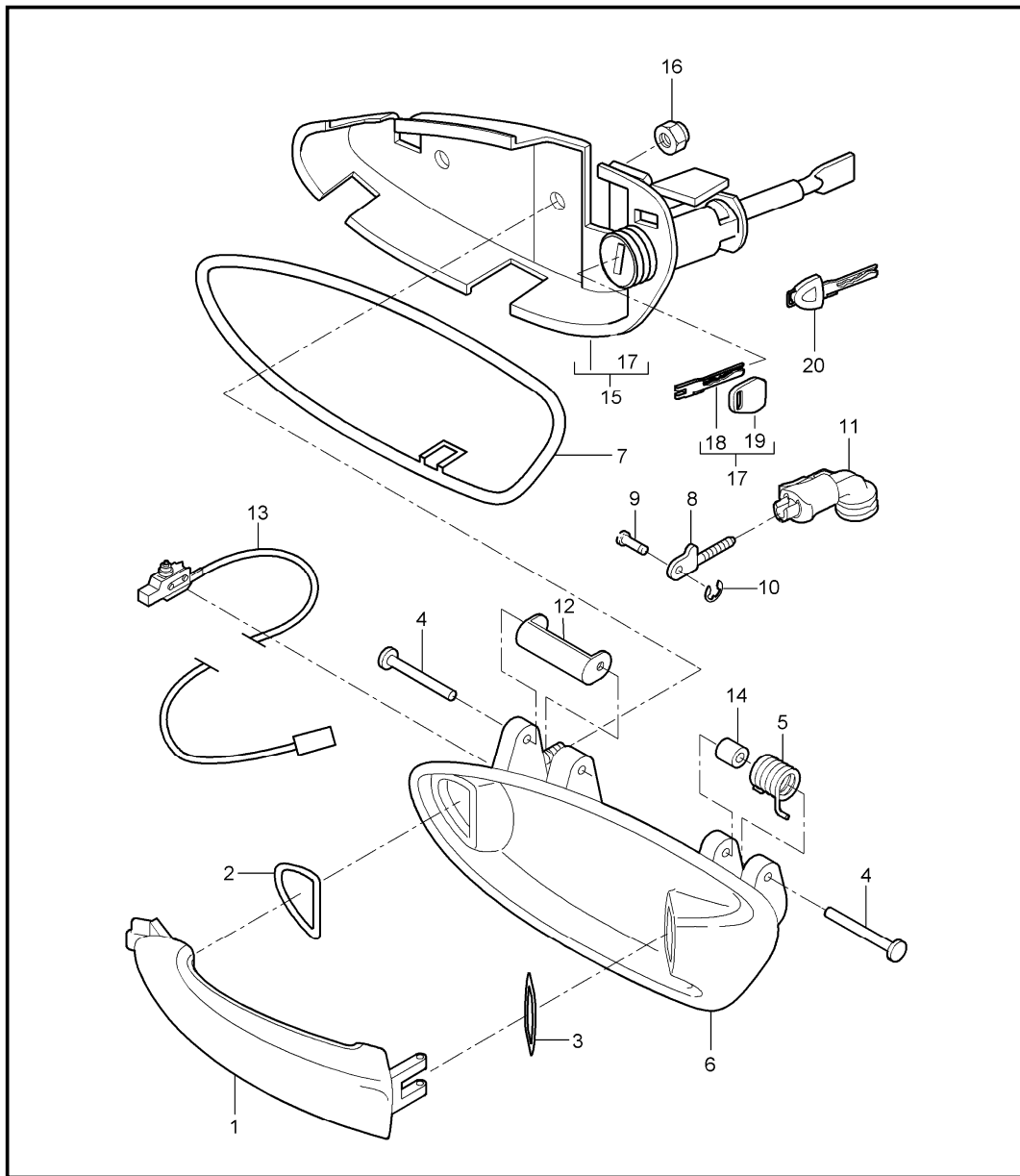
| Pos    | Part Number    | Description  | Remark | Qty | Model | Pos | Part Number | Description | Remark | Qty | Model |
|--------|----------------|--|--------|-----|-------|-----|-------------|-------------|--------|-----|-------|
| 14     | 3D1 837 016    | door lock  | /LL/R  | 1   |       |     |             |             |        |     |       |
| (14)   | 3D2 837 015    | door lock  | /RL/L  | 1   |       |     |             |             |        |     |       |
| (14)   | 3D2 837 016    | door lock  | /RL/R  | 1   |       |     |             |             |        |     |       |
| 15     | 997 537 319 01 | bowden cable   |        | 2   |       |     |             |             |        |     |       |
| 16     | 999 072 043 09 | hexagon-head bolt<br>M 6 X 12<br>micro-self-locking  |        | 4   |       |     |             |             |        |     |       |
| 17     | 999 073 333 09 | oval-head screw<br>M6 X 16                           |        | 9   |       |     |             |             |        |     |       |
| (18) U | 987 537 201 00 | inner panel  | /L     | 1   |       |     |             |             |        |     |       |
| 18 U   | 987 537 202 00 | inner panel  | /R     | 1   |       |     |             |             |        |     |       |
| (18)   | 987 537 201 01 | inner panel  | /L     | 1   |       |     |             |             |        |     |       |
| 18     | 987 537 202 01 | inner panel<br>door                                  | /R     | 1   |       |     |             |             |        |     |       |
| 19     | 900 119 072 00 | pan-head screw<br>M8 X 16                            |        | 2   |       |     |             |             |        |     |       |
| (20)   | 997 537 333 00 | support  | /L     | 1   |       |     |             |             |        |     |       |
|        | G2X            | prime coated   |        |     |       |     |             |             |        |     |       |
| 20     | 997 537 334 00 | support<br>side section                              | /R     | 1   |       |     |             |             |        |     |       |
|        | G2X            | prime coated   |        |     |       |     |             |             |        |     |       |
| 21     | 999 500 121 02 | blind rivet nut<br>M8 / 0,8 - 3                      |        | 2   |       |     |             |             |        |     |       |
| -      | 999 551 172 40 | lining strap<br>25 x 1,3 x 730<br>for<br>inner panel |        | 2   |       |     |             |             |        |     |       |

|       |      |    |    |              |              |     |       |            |         |     |         |
|-------|------|----|----|--------------|--------------|-----|-------|------------|---------|-----|---------|
| Model | Year | MG | SG | Illustration | Restrictions | UPD | 12:13 | 24.01.2010 | PORSCHE | PET | PORSCHE |
| 987C  | 2008 | 8  | 04 | 804-10       |              | 248 |       |            |         |     |         |



| Pos   | Part Number    | Description                             | Remark | Qty | Model |
|-------|----------------|---|--------|-----|-------|
|       |                | door seal<br>gasket<br>windscreen frame |        |     |       |
| (1)   | 997 537 085 00 | gasket                                  | /L     | 1   |       |
| 1     | 997 537 086 00 | gasket                                  | /R     | 1   |       |
|       |                | outer                                   |        |     |       |
| (2) A | 997 537 531 06 | gasket                                  | /L     | -07 | 1     |
| (2)   | 997 537 531 07 | gasket                                  | /L     | 08- | 1     |
| 2 A   | 997 537 532 06 | gasket                                  | /R     | -07 | 1     |
| 2     | 997 537 532 07 | gasket<br>inner                         | /R     | 08- | 1     |
| 4     | 997 537 495 00 | gasket                                  |        | 1   |       |
| 5     | 803 803 583 A  | lid<br>20,0 X 30,0                      |        | 2   |       |
| 6     | 999 703 541 40 | lid<br>20,0 X 28,0                      |        | 4   |       |
| 7     | 999 703 542 40 | lid<br>23,8 X 38,7                      |        | 8   |       |
| 8     | 999 507 578 40 | clip<br>gasket<br>5,0 X 3,7             |        | -07 | 36    |
| (8)   | 999 591 513 40 | clip<br>gasket<br>5,8 x 0,9             |        | 08- | 36    |
| (9)   | 987 537 075 01 | gasket                                  | /L     | 1   |       |
| 9     | 987 537 076 01 | gasket                                  | /R     | 1   |       |
|       |                | door                                    |        |     |       |
| 10    | 999 507 851 01 | u-clamp<br>gasket<br>door               |        | 4   |       |
| 11    | 996 537 337 00 | protective film                         |        | 4   |       |

|       |      |    |    |              |              |     |       |            |         |     |         |
|-------|------|----|----|--------------|--------------|-----|-------|------------|---------|-----|---------|
| Model | Year | MG | SG | Illustration | Restrictions | UPD | 12:14 | 24.01.2010 | PORSCHE | PET | PORSCHE |
| 987C  | 2008 | 8  | 04 | 804-20       |              | 248 |       |            |         |     |         |

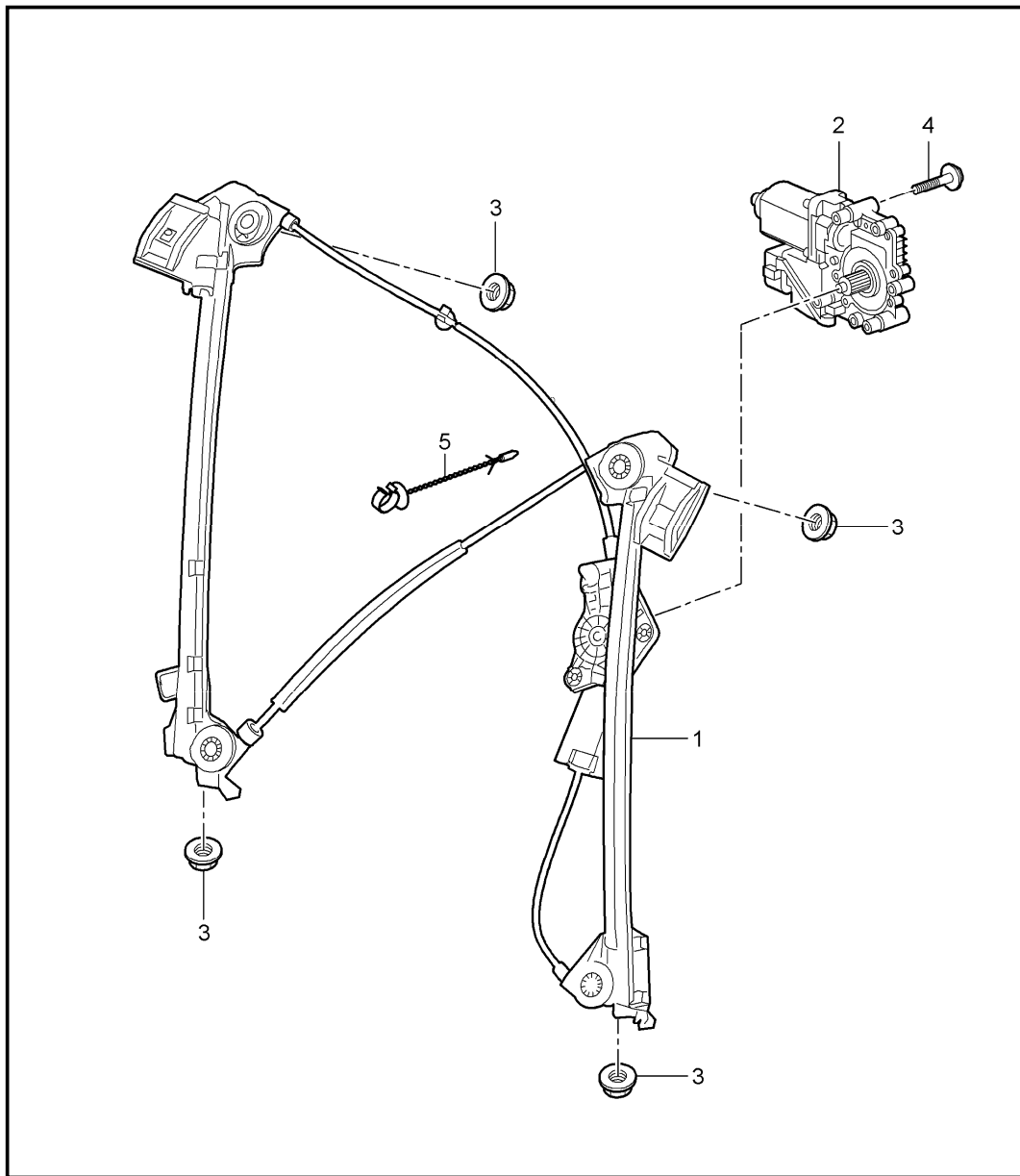


| Pos  | Part Number    | Description      | Remark | Qty | Model |
|------|----------------|------------------|--------|-----|-------|
| 1    | 997 537 613 00 | door handle      | /L     | 1   |       |
|      | G2X            | prime coated     |        |     |       |
| (1)  | 997 537 614 00 | door handle      | /R     | 1   |       |
|      | G2X            | prime coated     |        |     |       |
| 2    | 997 537 623 00 | buffer           |        | 2   |       |
| 3    | 997 537 625 00 | buffer           |        | 2   |       |
| 4    | 997 537 621 00 | axle             |        | 2   |       |
| 5    | 997 537 611 00 | return spring    | /L     | 1   |       |
| (5)  | 997 537 612 00 | return spring    | /R     | 1   |       |
| 6    | 997 537 645 00 | handle liner     | /LL/L  | 1   |       |
|      | G2X            | prime coated     |        |     |       |
| (6)  | 997 537 646 00 | handle liner     | /RL/R  | 1   |       |
|      | G2X            | prime coated     |        |     |       |
| (6)  | 997 537 645 01 | handle liner     | /RL/L  | 1   |       |
|      | G2X            | prime coated     |        |     |       |
| (6)  | 997 537 646 01 | handle liner     | /LL/R  | 1   |       |
|      | G2X            | prime coated     |        |     |       |
| 7    | 997 537 637 00 | desk pad         | /L     | 1   |       |
| (7)  | 997 537 638 00 | desk pad         | /R     | 1   |       |
| 8    | 997 537 627 00 | operating rod    |        | 2   |       |
| 9    | 997 537 629 00 | bolt             |        | 2   |       |
| 10   | 996 537 641 00 | lock washer      |        | 2   |       |
| 11   | 997 537 445 03 | connecting piece |        | 2   |       |
| 12   | 997 537 653 00 | actuating lever  | /L     | 1   |       |
| (12) | 997 537 654 00 | actuating lever  | /R     | 1   |       |
| 13   | 997 613 125 00 | microswitch      |        | 2   |       |
|      |                | power windows    |        |     |       |
| 14   | 997 537 633 00 | bush             |        | 2   |       |

|       |      |    |    |              |              |     |       |            |         |     |         |
|-------|------|----|----|--------------|--------------|-----|-------|------------|---------|-----|---------|
| Model | Year | MG | SG | Illustration | Restrictions | UPD | 12:14 | 24.01.2010 | PORSCHE | PET | PORSCHE |
| 987C  | 2008 | 8  | 04 | 804-20       |              | 248 |       |            |         |     |         |

| Pos  | Part Number    | Description  | Remark | Qty   | Model | Pos | Part Number | Description | Remark | Qty | Model |
|------|----------------|--|--------|-------|-------|-----|-------------|-------------|--------|-----|-------|
| 15   | 997 538 963 00 | support<br>with lock cylinder<br>with stipulated lock number                               | /LL/L  | 1     |       |     |             |             |        |     |       |
| (15) | 997 538 964 00 | support<br>with lock cylinder<br>with stipulated lock number                               | /RL/R  | 1     |       |     |             |             |        |     |       |
| (15) | 997 538 963 01 | support<br>with lock cylinder<br>w/o stipulated lock number                                | /LL/L  | 1     |       |     |             |             |        |     |       |
| (15) | 997 538 964 01 | support<br>with lock cylinder<br>w/o stipulated lock number                                | /RL/R  | 1     |       |     |             |             |        |     |       |
| (15) | 997 537 463 01 | support<br>without lock cylinder   | /RL/L  | 1     |       |     |             |             |        |     |       |
| (15) | 997 537 464 01 | support<br>without lock cylinder   | /LL/R  | 1     |       |     |             |             |        |     |       |
| 16   | 900 380 015 09 | hexagon nut<br>M6  |        | 4     |       |     |             |             |        |     |       |
| 17   | 997 538 931 00 | replacement key<br>with stipulated lock number<br>state lock number                        |        | X     |       |     |             |             |        |     |       |
| 18   | 997 538 531 00 | blank key  |        | X     |       |     |             |             |        |     |       |
| 19   | 944 538 431 00 | key cap  |        | X     |       |     |             |             |        |     |       |
| 20   | 955 538 916 00 | emergency key<br>with stipulated lock number<br>state lock number<br>Information available |        | -06 X |       |     |             |             |        |     |       |
| (20) | 955 538 216 00 | emergency key<br>w/o stipulated lock number  |        | -06 X |       |     |             |             |        |     |       |

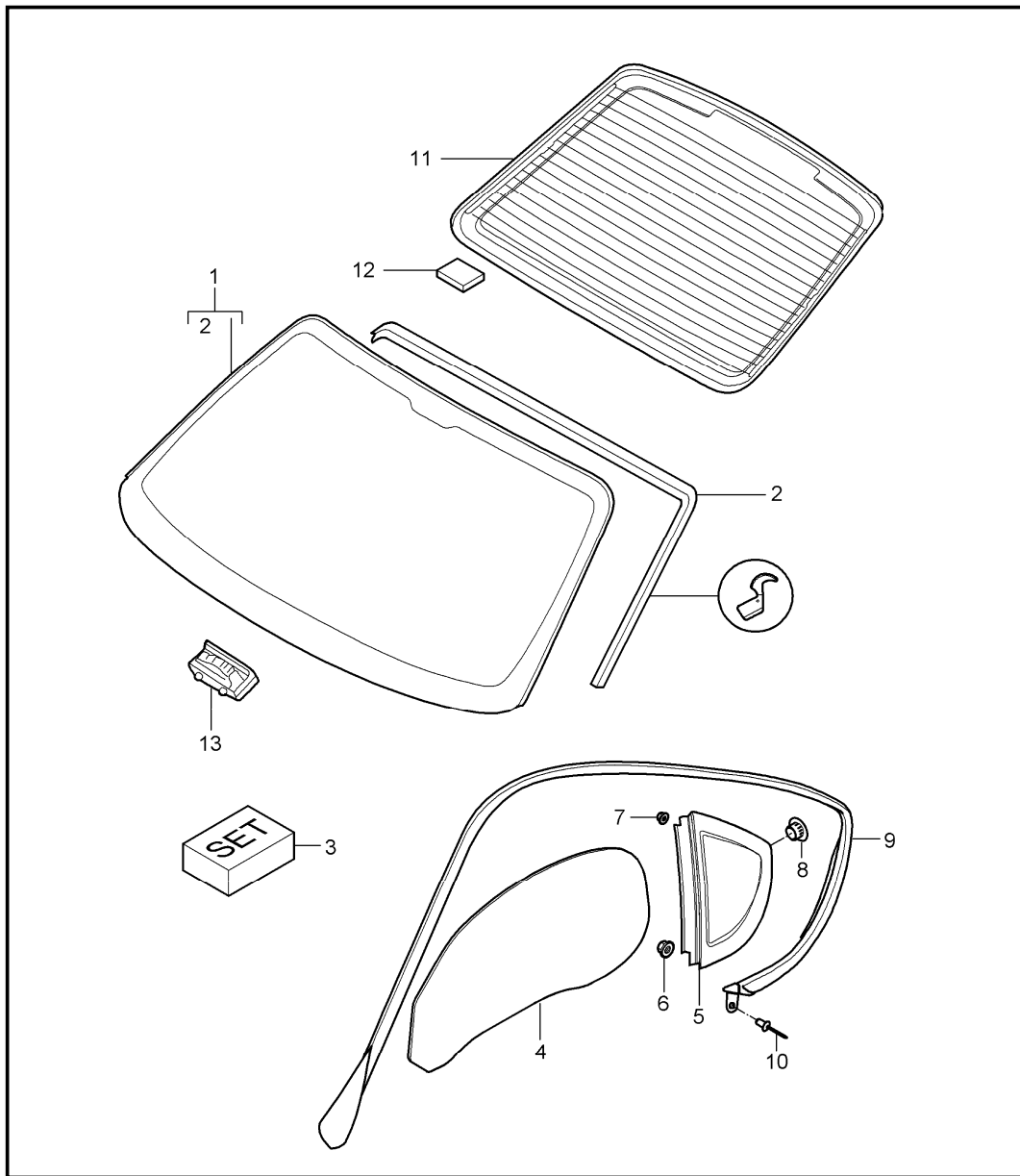
|       |      |    |    |              |              |     |       |            |         |     |         |
|-------|------|----|----|--------------|--------------|-----|-------|------------|---------|-----|---------|
| Model | Year | MG | SG | Illustration | Restrictions | UPD | 12:14 | 24.01.2010 | PORSCHE | PET | PORSCHE |
| 987C  | 2008 | 8  | 04 | 804-30       |              | 248 |       |            |         |     |         |



| Pos | Part Number    | Description                           | Remark | Qty | Model |
|-----|----------------|---------------------------------------|--------|-----|-------|
|     |                | power windows                         |        |     |       |
| 1   | 987 542 075 01 | power windows                         | /L     | 1   |       |
| (1) | 987 542 076 01 | power windows                         | /R     | 1   |       |
| 2   | 997 624 181 02 | electric motor                        | /LL/L  | 1   |       |
| (2) | 997 624 182 02 | electric motor                        | /LL/R  | 1   |       |
| (2) | 997 624 181 02 | electric motor                        | /RL/R  | 1   |       |
| (2) | 997 624 182 02 | electric motor                        | /RL/L  | 1   |       |
| 3   | 900 380 015 09 | hexagon nut<br>M 6                    |        | 4   |       |
| 4   | 999 919 209 09 | oval-head screw<br>M5X22              |        | 6   |       |
| 5   | 987 542 941 00 | clip<br>bowden cable<br>power windows |        | 1   |       |



|       |      |    |    |              |              |     |       |            |         |     |         |
|-------|------|----|----|--------------|--------------|-----|-------|------------|---------|-----|---------|
| Model | Year | MG | SG | Illustration | Restrictions | UPD | 12:14 | 24.01.2010 | PORSCHE | PET | PORSCHE |
| 987C  | 2008 | 8  | 05 | 805-00       |              | 248 |       |            |         |     |         |

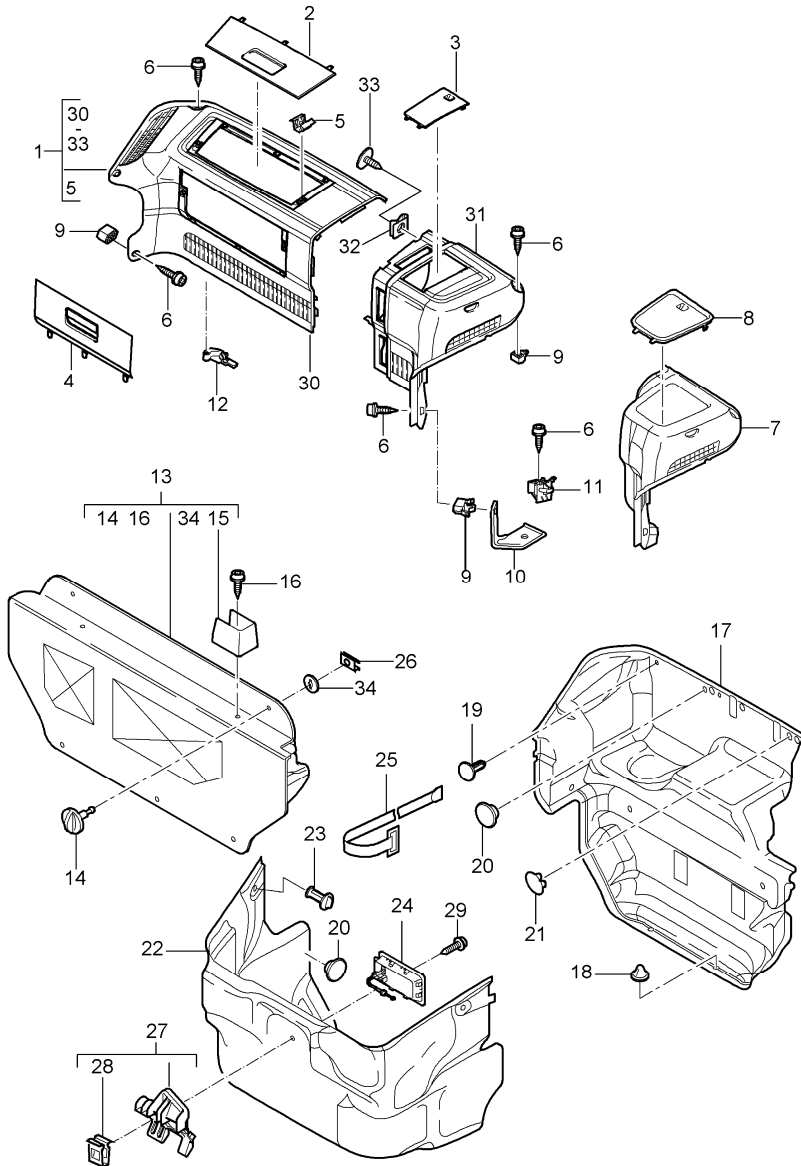


| Pos | Part Number    | Description                | Remark | Qty | Model        |
|-----|----------------|----------------------------|--------|-----|--------------|
|     |                | window glazing             |        |     |              |
| 1   | 987 541 911 00 | windscreen tinted          |        | 1   | I568         |
| (1) | 987 541 911 01 | windscreen tinted          |        | 1   | I567         |
| (1) | 987 541 911 02 | windscreen tinted          |        | 1   | I267/568     |
| (1) | 987 541 911 02 | windscreen tinted          |        | 1   | I268/568     |
| (1) | 987 541 911 03 | windscreen tinted          |        | 1   | I267/567     |
| (1) | 987 541 911 03 | windscreen tinted          |        | 1   | I268/567     |
| (1) | 987 541 911 04 | windscreen tinted          |        | 1   | I440/568     |
| (1) | 987 541 911 05 | windscreen tinted          |        | 1   | I440/567     |
| (1) | 987 541 911 06 | windscreen tinted          |        | 1   | I267/440/568 |
| (1) | 987 541 911 06 | windscreen tinted          |        | 1   | I268/440/568 |
| (1) | 987 541 911 07 | windscreen tinted          |        | 1   | I268/440/567 |
| (1) | 987 541 911 07 | windscreen tinted          |        | 1   | I267/440/567 |
| (1) | 987 541 911 07 | windscreen tinted          |        | 1   | I268/440/567 |
| 2   | 997 541 901 09 | gasket                     |        | 1   |              |
| 3   | 000 043 300 94 | adhesive set TEROSTAT 8593 |        | 1   |              |
| 4   | 987 542 511 03 | door window glass          | /L     | 1   |              |
| (4) | 987 542 512 03 | door window glass          | /R     | 1   |              |
| 5   | 987 543 111 00 | rear window                | /L     | 1   |              |
| (5) | 987 543 112 00 | rear window                | /R     | 1   |              |
| 6   | 999 084 210 01 | hexagon nut rear window M8 |        | 2   |              |

|       |      |    |    |              |              |     |       |            |         |     |         |
|-------|------|----|----|--------------|--------------|-----|-------|------------|---------|-----|---------|
| Model | Year | MG | SG | Illustration | Restrictions | UPD | 12:14 | 24.01.2010 | PORSCHE | PET | PORSCHE |
| 987C  | 2008 | 8  | 05 | 805-00       |              | 248 |       |            |         |     |         |

| Pos | Part Number    | Description                                   | Remark | Qty | Model | Pos | Part Number | Description | Remark | Qty | Model |
|-----|----------------|---|--------|-----|-------|-----|-------------|-------------|--------|-----|-------|
| 7   | 999 084 220 01 | hexagon nut<br>rear window<br>M5              |        | 6   |       |     |             |             |        |     |       |
| 8   | 999 702 352 40 | grommet<br>rear window<br>5,5 X 6,5           |        | 2   |       |     |             |             |        |     |       |
| 9   | 987 537 481 00 | roof frame seal                               | /L     | 1   |       |     |             |             |        |     |       |
| (9) | 987 537 482 00 | roof frame seal<br>rear window                | /R     | 1   |       |     |             |             |        |     |       |
| 10  | 999 190 445 37 | blind rivet<br>roof frame seal<br>A 4,0 X 7,9 |        | 18  |       |     |             |             |        |     |       |
| 11  | 987 545 911 00 | rear window                                   |        | 1   |       |     |             |             |        |     |       |
| 12  | 999 703 130 40 | buffer<br>rear window                         |        | 6   |       |     |             |             |        |     |       |
| 13  | 999 507 576 41 | support                                       |        | 2   |       |     |             |             |        |     |       |

|       |      |    |    |              |              |     |       |            |         |     |         |
|-------|------|----|----|--------------|--------------|-----|-------|------------|---------|-----|---------|
| Model | Year | MG | SG | Illustration | Restrictions | UPD | 12:14 | 24.01.2010 | PORSCHE | PET | PORSCHE |
| 987C  | 2008 | 8  | 07 | 807-00       |              | 248 |       |            |         |     |         |



| Pos | Part Number    | Description                  | Remark | Qty | Model    |
|-----|----------------|------------------------------|--------|-----|----------|
| (1) | 997 551 133 00 | luggage compartment front    |        | 1   | I098/670 |
|     |                | lining                       | /LL    |     |          |
|     |                | luggage compartment complete |        |     |          |
|     |                | 02A                          |        |     |          |
|     |                | black                        |        |     |          |
| (1) | 997 551 133 00 | lining                       | /LL    | 1   | I098/672 |
|     |                | luggage compartment complete |        |     |          |
|     |                | 02A                          |        |     |          |
|     |                | black                        |        |     |          |
| (1) | 997 551 133 00 | lining                       | /LL    | 1   | I098/692 |
|     |                | luggage compartment complete |        |     |          |
|     |                | 02A                          |        |     |          |
|     |                | black                        |        |     |          |
| (1) | 997 551 133 01 | lining                       | /RL    | 1   | I099/670 |
|     |                | luggage compartment complete |        |     |          |
|     |                | 02A                          |        |     |          |
|     |                | black                        |        |     |          |
| (1) | 997 551 133 01 | lining                       | /RL    | 1   | I099/672 |
|     |                | luggage compartment complete |        |     |          |
|     |                | 02A                          |        |     |          |
|     |                | black                        |        |     |          |
| (1) | 997 551 133 01 | lining                       | /RL    | 1   | I099/692 |
|     |                | luggage compartment complete |        |     |          |
|     |                | 02A                          |        |     |          |
|     |                | black                        |        |     |          |
| 2   | 997 551 306 00 | lid upper                    | /LL    | 1   | I098/670 |
|     |                | 02A                          |        |     |          |
|     |                | black                        |        |     |          |
| 2   | 997 551 306 00 | lid upper                    | /LL    | 1   | I098/672 |
|     |                | 02A                          |        |     |          |
|     |                | black                        |        |     |          |
| 2   | 997 551 306 00 | lid upper                    | /LL    | 1   | I098/692 |
|     |                | 02A                          |        |     |          |
|     |                | black                        |        |     |          |
| (2) | 997 551 305 00 | lid upper                    | /RL    | 1   | I099     |

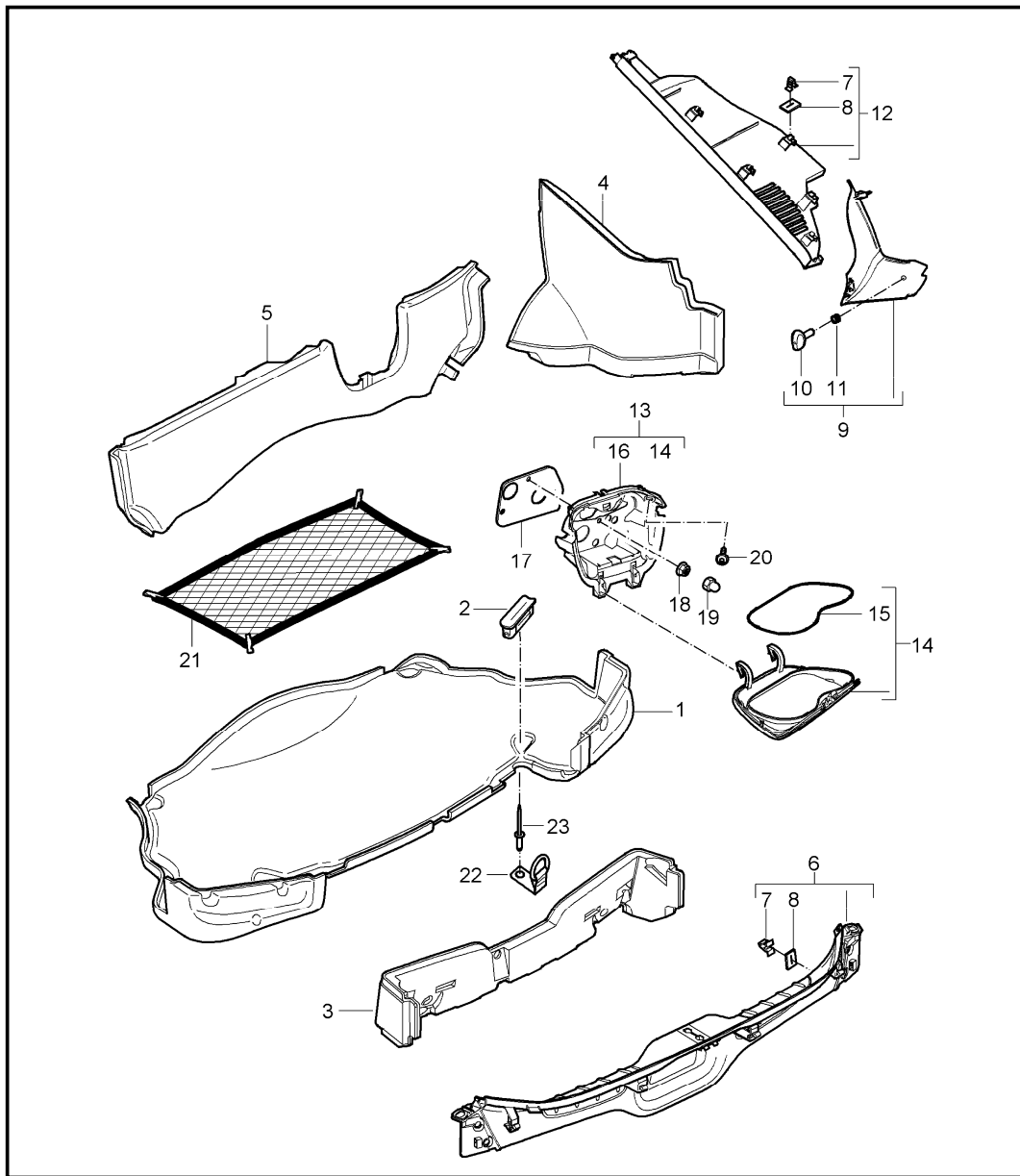
|       |      |    |    |              |              |     |       |            |         |     |         |
|-------|------|----|----|--------------|--------------|-----|-------|------------|---------|-----|---------|
| Model | Year | MG | SG | Illustration | Restrictions | UPD | 12:14 | 24.01.2010 | PORSCHE | PET | PORSCHE |
| 987C  | 2008 | 8  | 07 | 807-00       |              | 248 |       |            |         |     |         |

| Pos | Part Number    | Description                  | Remark | Qty | Model    | Pos  | Part Number    | Description   | Remark | Qty | Model        |
|-----|----------------|------------------------------|--------|-----|----------|------|----------------|---|--------|-----|--------------|
|     | 02A            | black                        |        |     |          | 9    | 999 507 734 40 | support<br>ST 3,5                                   |        | X   |              |
| 3   | 997 551 301 00 | lid<br>brake booster         | /LL    | 1   | I098/670 | 10   | 997 551 771 02 | support<br>lining<br>luggage compartment            |        | 1   |              |
|     | 02A            | black                        |        |     |          | 11   | 999 507 512 40 | support<br>ST 3,5                                   |        | X   |              |
| 3   | 997 551 301 00 | lid<br>brake booster         | /LL    | 1   | I098/672 | 12   | 997 551 772 02 | support<br>lining                                   |        | 1   |              |
|     | 02A            | black                        |        |     |          | 13   | 997 551 123 02 | lining<br>tool<br>carpet                            |        | 1   |              |
| 3   | 997 551 301 00 | lid<br>brake booster         | /LL    | 1   | I098/692 |      | A31            | black   |        |     |              |
| (3) | 997 551 302 00 | lid<br>brake booster         | /RL    | 1   | I099     | (13) | 997 551 123 03 | lining<br>tool<br>carpet                            |        | 1   | I193         |
|     | 02A            | black                        |        |     |          |      | A31            | black   |        |     |              |
| 4   | 997 551 308 00 | lid<br>lower                 | /LL    | 1   | I098/670 | 14   | 997 551 803 00 | catch<br>lining<br>tool                             |        | 2   |              |
|     | 02A            | black                        |        |     |          | 15   | 997 551 801 00 | support<br>warning triangle                         | /L     | 1   |              |
| 4   | 997 551 308 00 | lid<br>lower                 | /LL    | 1   | I098/672 |      | 02A            | black   |        |     |              |
|     | 02A            | black                        |        |     |          | (15) | 997 551 802 00 | support<br>warning triangle                         | /R     | 1   |              |
| 4   | 997 551 308 00 | lid<br>lower                 | /LL    | 1   | I098/692 |      | 02A            | black   |        |     |              |
| (4) | 997 551 307 00 | lid<br>lower                 | /RL    | 1   | I099     | 16   | 999 073 362 09 | tapping screw<br>4,8 X 22                           |        | 2   |              |
|     | 02A            | black                        |        |     |          | 17   | 997 551 051 15 | lining<br>luggage compartment<br>bulkhead<br>carpet | /LL    | 1   | I098/476     |
| 5   | 999 507 735 02 | clamp<br>9 X 22/2,5          |        | 4   |          |      | A31            | black   |        |     |              |
| 6   | 900 187 501 01 | tapping screw<br>ST 3,5 X 16 |        | X   |          | (17) | 997 551 051 16 | lining<br>luggage compartment<br>bulkhead<br>carpet | /LL    | 1   | I098/476/670 |
| 7   | 997 551 231 00 | lining<br>brake booster      | /LL    | 1   | I098     |      | A31            | black   |        |     |              |
|     | 02A            | black                        |        |     |          |      | A31            | black   |        |     |              |
| 8   | 997 551 311 00 | lid<br>brake booster         | /LL    | 1   | I098     |      | A31            | black   |        |     |              |
|     | 02A            | black                        |        |     |          |      |                |   |        |     |              |

|       |      |    |    |              |              |     |       |            |         |     |         |
|-------|------|----|----|--------------|--------------|-----|-------|------------|---------|-----|---------|
| Model | Year | MG | SG | Illustration | Restrictions | UPD | 12:14 | 24.01.2010 | PORSCHE | PET | PORSCHE |
| 987C  | 2008 | 8  | 07 | 807-00       |              | 248 |       |            |         |     |         |

| Pos  | Part Number    | Description   | Remark | Qty | Model        | Pos  | Part Number    | Description                               | Remark | Qty | Model    |
|------|----------------|---|--------|-----|--------------|------|----------------|---|--------|-----|----------|
| (17) | 997 551 051 16 | lining<br>luggage compartment<br>bulkhead<br>carpet | /LL    | 1   | I098/476/672 | 30   | 997 551 634 00 | lining<br>luggage compartment             | /LL    | 1   | I098/672 |
|      | A31            | black   |        |     |              |      | FMU            | black/black                               |        |     |          |
| (17) | 997 551 051 16 | lining<br>luggage compartment<br>bulkhead<br>carpet | /LL    | 1   | I098/476/692 | 30   | 997 551 634 00 | lining<br>luggage compartment             | /LL    | 1   | I098/692 |
|      | A31            | black   |        |     |              |      | FMU            | black/black                               |        |     |          |
| (17) | 997 551 051 18 | lining<br>luggage compartment<br>bulkhead<br>carpet | /RL    | 1   | I099         | (30) | 997 551 635 00 | lining<br>luggage compartment             | /RL    | 1   | I099     |
|      | A31            | black   |        |     |              |      | FMU            | black/black                               |        |     |          |
| 18   | 999 049 004 40 | plastic nut<br>T5 / 32 X 20                         |        | 2   |              | 31   | 997 551 633 00 | lining<br>brake booster                   | /LL    | 1   | I098/670 |
| 19   | 999 703 432 40 | stopper<br>8,2 X 18                                 |        | 2   |              |      | FMU            | black/black                               |        |     |          |
| 20   | 999 703 455 41 | lid<br>12,2 X 25                                    |        | X   |              | 31   | 997 551 633 00 | lining<br>brake booster                   | /LL    | 1   | I098/672 |
| 21   | 999 703 456 40 | cap<br>49 X 26                                      |        | 1   |              |      | FMU            | black/black                               |        |     |          |
| 22   | 987 551 045 04 | lining<br>luggage compartment liner<br>carpet       |        | 1   |              | (31) | 997 551 632 00 | lining<br>brake booster                   |        | 1   | I099     |
|      | A31            | black   |        |     |              |      | FMU            | black/black                               |        |     |          |
| 23   | 999 049 006 40 | plastic nut<br>T5 /30 X 7,5                         |        | 2   |              | 32   | 999 507 795 09 | speed nut<br>4,8                          |        | 3   |          |
| 25   | 997 551 741 00 | retaining strap<br>first-aid kit                    |        | 1   | I024         | 33   | 999 073 231 09 | tapping screw<br>st 4,8 X 16              |        | 3   |          |
| (25) | 997 551 741 00 | retaining strap<br>first-aid kit                    |        | 1   | I499         | 34   | 999 025 236 40 | washer<br>lock<br>catch<br>position<br>14 |        | 2   |          |
| 26   | 999 590 055 01 | fastening clamp<br>10,7 X 11,5                      |        | 2   |              |      |                |   |        |     |          |
| 30   | 997 551 634 00 | lining<br>luggage compartment                       | /LL    | 1   | I098/670     |      |                |   |        |     |          |
|      | FMU            | black/black   |        |     |              |      |                |   |        |     |          |

|       |      |    |    |              |              |     |       |            |         |     |         |
|-------|------|----|----|--------------|--------------|-----|-------|------------|---------|-----|---------|
| Model | Year | MG | SG | Illustration | Restrictions | UPD | 12:15 | 24.01.2010 | PORSCHE | PET | PORSCHE |
| 987C  | 2008 | 8  | 07 | 807-01       |              | 248 |       |            |         |     |         |



| Pos | Part Number    | Description                | Remark | Qty | Model |
|-----|----------------|----------------------------|--------|-----|-------|
| 1   | 987 551 053 02 | luggage compartment rear   |        | 1   |       |
|     |                | lining carpet              |        |     |       |
|     | A10            | black                      |        |     |       |
|     | B10            | stone grey                 |        |     |       |
|     | T10            | sand beige                 |        |     |       |
|     | E10            | sea blue                   |        |     |       |
|     | J10            | palmgreen                  | -07    |     |       |
|     | M10            | terracotta                 |        |     |       |
|     | R10            | cocoa                      |        |     |       |
|     | D11            | dark grey/natural          |        |     |       |
|     | T11            | brown/natural              |        |     |       |
|     | N10            | carrera red                | 08-    |     |       |
| 2   | 987 551 545 00 | cover fastening clip       |        | 2   |       |
|     | 01C            | satin black                |        |     |       |
| 3   | 987 551 067 00 | lining rear spoiler carpet |        | 1   |       |
|     | A10            | black                      |        |     |       |
|     | B10            | stone grey                 |        |     |       |
|     | T10            | sand beige                 |        |     |       |
|     | E10            | sea blue                   |        |     |       |
|     | J10            | palmgreen                  | -07    |     |       |
|     | M10            | terracotta                 |        |     |       |
|     | R10            | cocoa                      |        |     |       |
|     | D11            | dark grey/natural          |        |     |       |
|     | T11            | brown/natural              |        |     |       |
|     | N10            | carrera red                | 08-    |     |       |

|       |      |    |    |              |              |     |       |            |         |     |         |
|-------|------|----|----|--------------|--------------|-----|-------|------------|---------|-----|---------|
| Model | Year | MG | SG | Illustration | Restrictions | UPD | 12:15 | 24.01.2010 | PORSCHE | PET | PORSCHE |
| 987C  | 2008 | 8  | 07 | 807-01       |              | 248 |       |            |         |     |         |

| Pos | Part Number    | Description                             | Remark | Qty | Model | Pos | Part Number    | Description                 | Remark | Qty | Model |
|-----|----------------|---|--------|-----|-------|-----|----------------|-----------------------------|--------|-----|-------|
| (4) | 987 551 063 00 | luggage compartment trim lateral carpet | /L     | 1   |       |     | T10            | sand beige                  |        |     |       |
|     | A10            | black                                   |        |     |       |     | E10            | sea blue                    |        |     |       |
|     | B10            | stone grey                              |        |     |       |     | J10            | palmgreen                   | -07    |     |       |
|     | T10            | sand beige                              |        |     |       |     | M10            | terracotta                  |        |     |       |
|     | E10            | sea blue                                |        |     |       |     | R10            | cocoa                       |        |     |       |
|     | J10            | palmgreen                               | -07    |     |       |     | D11            | dark grey/natural           |        |     |       |
|     | M10            | terracotta                              |        |     |       |     | T11            | brown/natural               |        |     |       |
|     | R10            | cocoa                                   |        |     |       |     | N10            | carrera red                 | 08-    |     |       |
|     | D11            | dark grey/natural                       |        |     |       | 6   | 987 555 251 00 | lining lid lock             |        | 1   |       |
|     | T11            | brown/natural                           |        |     |       |     | A03            | black                       |        |     |       |
|     | N10            | carrera red                             | 08-    |     |       |     | 5V7            | stone grey                  |        |     |       |
| 4   | 987 551 064 00 | luggage compartment trim lateral carpet | /R     | 1   |       |     | 5Z1            | sand beige                  |        |     |       |
|     | A10            | black                                   |        |     |       |     | 8W7            | sea blue                    |        |     |       |
|     | B10            | stone grey                              |        |     |       |     | 5Y2            | palmgreen                   | -07    |     |       |
|     | T10            | sand beige                              |        |     |       |     | 8X8            | terracotta                  |        |     |       |
|     | E10            | sea blue                                |        |     |       |     | 8P9            | cocoa                       |        |     |       |
|     | J10            | palmgreen                               | -07    |     |       |     | T13            | brown/natural               |        |     |       |
|     | M10            | terracotta                              |        |     |       |     | N23            | carrera red                 | 08-    |     |       |
|     | R10            | cocoa                                   |        |     |       | 7   | 999 507 839 01 | clamp 3,5                   |        | X   |       |
|     | D11            | dark grey/natural                       |        |     |       | 8   | 999 209 084 40 | spacer 20 X 25 X 0,5        |        | X   |       |
|     | T11            | brown/natural                           |        |     |       | (9) | 987 551 651 01 | lining rear light           | /L     | 1   |       |
|     | N10            | carrera red                             | 08-    |     |       |     | 01C            | satin black                 |        |     |       |
| 5   | 987 551 045 02 | lining cross member rear wall carpet    |        | 1   |       | 9   | 987 551 652 01 | lining rear light           | /R     | 1   |       |
|     | A10            | black                                   |        |     |       |     | 01C            | satin black                 |        |     |       |
|     | B10            | stone grey                              |        |     |       | 10  | 999 590 056 40 | closing element 26,5 X 18,4 |        | 2   |       |

|       |      |    |    |              |              |     |       |            |         |     |         |
|-------|------|----|----|--------------|--------------|-----|-------|------------|---------|-----|---------|
| Model | Year | MG | SG | Illustration | Restrictions | UPD | 12:15 | 24.01.2010 | PORSCHE | PET | PORSCHE |
| 987C  | 2008 | 8  | 07 | 807-01       |              | 248 |       |            |         |     |         |

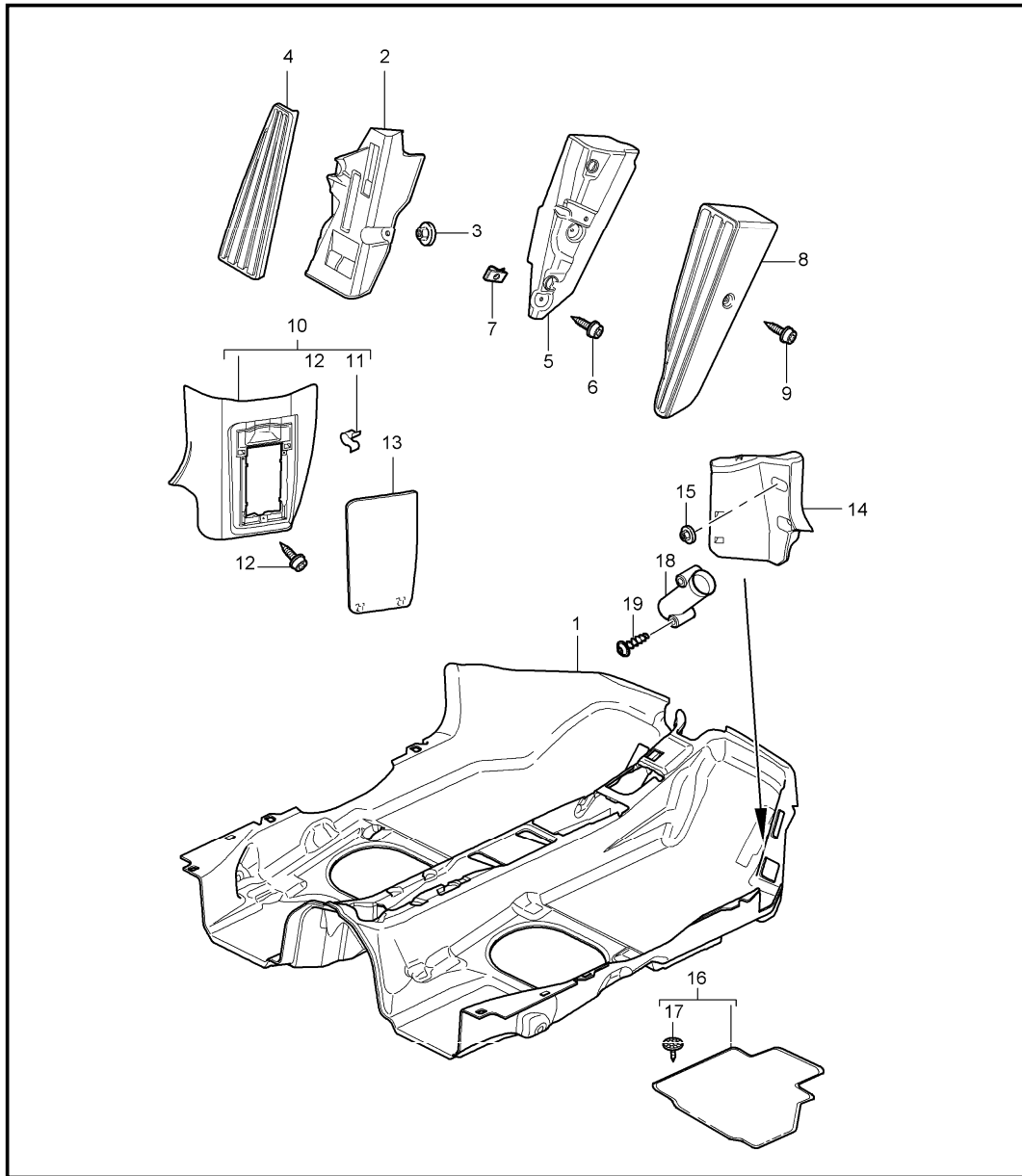
| Pos  | Part Number    | Description                               | Remark | Qty | Model | Pos | Part Number    | Description                      | Remark | Qty | Model |
|------|----------------|---|--------|-----|-------|-----|----------------|----------------------------------|--------|-----|-------|
| 11   | 999 230 579 40 | lock<br>6,15 X 1,07                       |        | 4   |       |     | J10            | palmgreen                        | -07    |     |       |
| (12) | 987 555 189 01 | luggage compartment trim<br>lateral upper | /L     | 1   |       |     | M10            | terracotta                       |        |     |       |
|      | A03            | black                                     |        |     |       |     | R10            | cocoa                            |        |     |       |
|      | 5V7            | stone grey                                |        |     |       |     | D11            | dark grey/natural                |        |     |       |
|      | 5Z1            | sand beige                                |        |     |       |     | T11            | brown/natural                    |        |     |       |
|      | 8W7            | sea blue                                  |        |     |       |     | N10            | carrera red                      | 08-    |     |       |
|      | 5Y2            | palmgreen                                 |        | -07 |       | 14  | 987 555 075 00 | lid<br>service<br>cup            |        | 1   |       |
|      | 8X8            | terracotta                                |        |     |       |     | A10            | black                            |        |     |       |
|      | 8P9            | cocoa                                     |        |     |       |     | B10            | stone grey                       |        |     |       |
|      | T13            | brown/natural                             |        |     |       |     | T10            | sand beige                       |        |     |       |
|      | N23            | carrera red                               |        | 08- |       |     | E10            | sea blue                         |        |     |       |
| 12   | 987 555 190 01 | luggage compartment trim<br>lateral upper | /R     | 1   |       |     | J10            | palmgreen                        | -07    |     |       |
|      | A03            | black                                     |        |     |       |     | M10            | terracotta                       |        |     |       |
|      | 5V7            | stone grey                                |        |     |       |     | R10            | cocoa                            |        |     |       |
|      | 5Z1            | sand beige                                |        |     |       |     | D11            | dark grey/natural                |        |     |       |
|      | 8W7            | sea blue                                  |        |     |       |     | T11            | brown/natural                    |        |     |       |
|      | 5Y2            | palmgreen                                 |        | -07 |       |     | N10            | carrera red                      | 08-    |     |       |
|      | 8X8            | terracotta                                |        |     |       | 15  | 987 555 475 00 | gasket<br>service<br>cup         |        | 1   |       |
|      | 8P9            | cocoa                                     |        |     |       |     |                |                                  |        |     |       |
|      | T13            | brown/natural                             |        |     |       | 16  | 987 555 077 00 | assembly frame<br>service<br>cup |        | 1   |       |
|      | N23            | carrera red                               |        | 08- |       |     |                |                                  |        |     |       |
| 13   | 987 555 067 01 | cover<br>service<br>cup                   |        | 1   |       | 17  | 987 555 477 00 | sealing frame<br>service<br>cup  |        | 1   |       |
|      | A10            | black                                     |        |     |       |     |                |                                  |        |     |       |
|      | B10            | stone grey                                |        |     |       | 18  | 999 076 048 01 | hexagon nut<br>M6                |        | 3   |       |
|      | T10            | sand beige                                |        |     |       |     |                |                                  |        |     |       |
|      | E10            | sea blue                                  |        |     |       | 19  | 999 703 231 40 | protection cap                   |        | 1   |       |
|      |                |   |        |     |       | 20  | 999 073 372 01 | tapping screw<br>4,2 X 16        |        | 2   |       |
|      |                |   |        |     |       | 21  | 987 551 339 00 | luggage net                      |        | 1   |       |



|       |      |    |    |              |              |     |       |            |         |     |         |
|-------|------|----|----|--------------|--------------|-----|-------|------------|---------|-----|---------|
| Model | Year | MG | SG | Illustration | Restrictions | UPD | 12:15 | 24.01.2010 | PORSCHE | PET | PORSCHE |
| 987C  | 2008 | 8  | 07 | 807-01       |              | 248 |       |            |         |     |         |

| Pos  | Part Number    | Description                     | Remark | Qty | Model | Pos | Part Number | Description | Remark | Qty | Model |
|------|----------------|---------------------------------|--------|-----|-------|-----|-------------|-------------|--------|-----|-------|
| (21) | 987 551 339 01 | luggage net                     |        | 1   | I479  |     |             |             |        |     |       |
| 22   | 987 551 245 01 | eye<br>luggage<br>lock<br>60 mm |        | 4   |       |     |             |             |        |     |       |
| 23   | 999 190 484 02 | blind rivet<br>A 6,4 x 14,5     |        | 4   |       |     |             |             |        |     |       |

|       |      |    |    |              |              |     |       |            |         |     |         |
|-------|------|----|----|--------------|--------------|-----|-------|------------|---------|-----|---------|
| Model | Year | MG | SG | Illustration | Restrictions | UPD | 12:15 | 24.01.2010 | PORSCHE | PET | PORSCHE |
| 987C  | 2008 | 8  | 07 | 807-02       |              | 248 |       |            |         |     |         |



| Pos | Part Number    | Description   | Remark | Qty | Model    |
|-----|----------------|---|--------|-----|----------|
| 1   | 987 551 011 04 | interior equipment<br>carpet<br>linings<br>carpet<br>carpet<br>FLW black<br>FLX stone grey<br>FLY sand beige<br>FLZ sea blue<br>FMA palmgreen<br>FMB terracotta<br>FMC cocoa<br>FMD dark grey/natural<br>FME brown/natural<br>FSV carrera red | /LL    | 1   | I098     |
| (1) | 987 551 011 05 | carpet<br>carpet<br>FLW black<br>FLX stone grey<br>FLY sand beige<br>FLZ sea blue<br>FMA palmgreen<br>FMB terracotta<br>FMC cocoa<br>FMD dark grey/natural<br>FME brown/natural<br>FSV carrera red  | /RL    | 1   | I099     |
| (1) | 987 551 011 06 | carpet<br>carpet<br>FLW black<br>FLX stone grey   | /LL    | 1   | I098/680 |

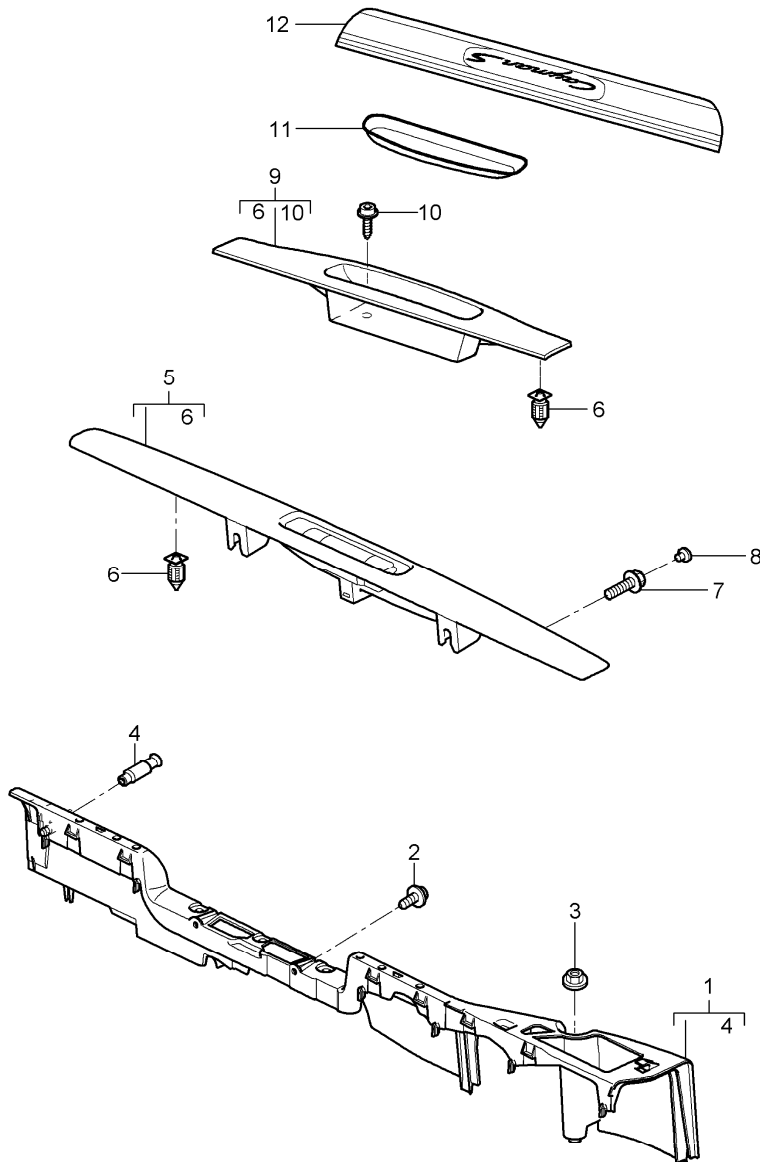
|       |      |    |    |              |              |     |       |            |         |     |         |
|-------|------|----|----|--------------|--------------|-----|-------|------------|---------|-----|---------|
| Model | Year | MG | SG | Illustration | Restrictions | UPD | 12:15 | 24.01.2010 | PORSCHE | PET | PORSCHE |
| 987C  | 2008 | 8  | 07 | 807-02       |              | 248 |       |            |         |     |         |

| Pos | Part Number    | Description                 | Remark | Qty | Model    | Pos  | Part Number    | Description  | Remark | Qty | Model    |
|-----|----------------|-----------------------------|--------|-----|----------|------|----------------|--|--------|-----|----------|
|     | FLY            | sand beige                  |        |     |          | (4)  | 997 551 986 00 | cover<br>foot support  | /LL    | 1   | IXXZ/098 |
|     | FLZ            | sea blue                    |        |     |          | 5    | 997 551 212 00 | foot support   | /RL    | 1   | I099     |
|     | FMA            | palmgreen                   | -07    |     |          | 6    | 999 073 060 02 | tapping screw<br>ST 4,8 X 13<br>for<br>mount<br>foot support         | /RL    | 2   | I099     |
|     | FMB            | terracotta                  |        |     |          | 7    | 999 591 485 01 | speed nut<br>ST 4,8<br>for<br>mount<br>foot support                  | /RL    | 2   | I099     |
|     | FMC            | cocoa                       |        |     |          |      |                |  |        |     |          |
|     | FMD            | dark grey/natural           |        |     |          |      |                |  |        |     |          |
|     | FME            | brown/natural               |        |     |          |      |                |  |        |     |          |
|     | FSV            | carrera red                 | 08-    |     |          |      |                |  |        |     |          |
| (1) | 987 551 011 07 | carpet<br>carpet            | /RL    | 1   | I099/680 | 8    | 997 551 612 00 | cover<br>foot support  | /RL    | 1   | I099     |
|     | FLW            | black                       |        |     |          |      | 01C            | satin black  |        |     |          |
|     | FLX            | stone grey                  |        |     |          | 9    | 999 919 188 09 | oval-head screw<br>5,0 X 30<br>for<br>mount<br>cover<br>foot support | /RL    | 1   | I099     |
|     | FLY            | sand beige                  |        |     |          |      |                |  |        |     |          |
|     | FLZ            | sea blue                    |        |     |          |      |                |  |        |     |          |
|     | FMA            | palmgreen                   | -07    |     |          |      |                |  |        |     |          |
|     | FMB            | terracotta                  |        |     |          | 10   | 997 551 101 00 | lining<br>fusebox<br>carpet  | /LL    | 1   | I098     |
|     | FMC            | cocoa                       |        |     |          |      | A10            | black  |        |     |          |
|     | FMD            | dark grey/natural           |        |     |          |      | B10            | stone grey   |        |     |          |
|     | FME            | brown/natural               |        |     |          |      | T10            | sand beige   |        |     |          |
|     | FSV            | carrera red                 | 08-    |     |          |      | E10            | sea blue   |        |     |          |
| -   | 997 551 813 00 | protective film<br>carpet   | /LL    | -07 | 1 I098   |      | J10            | palmgreen  | -07    |     |          |
| -   | 997 551 813 01 | protective film<br>carpet   | /LL    | 08- | 1 I098   |      | M10            | terracotta   |        |     |          |
| -   | 997 551 815 00 | protective film<br>carpet   | /RL    |     | 1 I099   |      | R10            | cocoa  |        |     |          |
| 2   | 997 551 211 01 | foot support                | /LL    |     | 1        |      | D11            | dark grey/natural  |        |     |          |
| 3   | 999 076 081 40 | plastic nut<br>T5/16 X 11,2 |        |     | 2        |      | T11            | brown/natural  |        |     |          |
| 4   | 997 551 611 00 | cover<br>foot support       | /LL    |     | 1 I098   | (10) | N10            | carrera red  | 08-    |     |          |
|     | 01C            | satin black                 |        |     |          |      | 997 551 102 00 | lining<br>fusebox<br>carpet  | /RL    | 1   | I099     |

|       |      |    |    |              |              |     |       |            |         |     |         |
|-------|------|----|----|--------------|--------------|-----|-------|------------|---------|-----|---------|
| Model | Year | MG | SG | Illustration | Restrictions | UPD | 12:15 | 24.01.2010 | PORSCHE | PET | PORSCHE |
| 987C  | 2008 | 8  | 07 | 807-02       |              | 248 |       |            |         |     |         |

| Pos  | Part Number    | Description   | Remark | Qty | Model | Pos  | Part Number    | Description                          | Remark | Qty | Model    |
|------|----------------|---|--------|-----|-------|------|----------------|--------------------------------------|--------|-----|----------|
|      | A10            | black   |        |     |       | 17   | 999 902 054 40 | fastening plate<br>for<br>floor mats |        | 4   | IXX1     |
|      | B10            | stone grey  |        |     |       |      |                |                                      |        |     |          |
|      | T10            | sand beige  |        |     |       | 18   | 964 551 751 00 | support<br>warning light             | /RL    | 1   | I099/193 |
|      | E10            | sea blue  |        |     |       | (18) | 997 551 852 00 | support<br>warning light             | /LL    | 1   | I098/193 |
|      | J10            | palmgreen   | -07    |     |       |      |                |                                      |        |     |          |
|      | M10            | terracotta  |        |     |       | 19   | 999 919 254 01 | oval-head screw<br>4,0 x 36,5        |        | 2   |          |
|      | R10            | cocoa   |        |     |       |      |                |                                      |        |     |          |
|      | D11            | dark grey/natural   |        |     |       |      |                |                                      |        |     |          |
|      | T11            | brown/natural   |        |     |       |      |                |                                      |        |     |          |
|      | N10            | carrera red   | 08-    |     |       |      |                |                                      |        |     |          |
| 11   | 999 507 552 01 | spring clamp<br>9,0 X 13/4,0                              |        | 2   |       |      |                |                                      |        |     |          |
| 12   | 999 919 161 09 | oval-head screw<br>5,0 X 18<br>for<br>mount<br>fusebox    |        | 3   |       |      |                |                                      |        |     |          |
| 13   | 997 551 621 00 | lid<br>lining<br>fusebox                                  | /LL    | 1   | I098  |      |                |                                      |        |     |          |
|      | 01C            | satin black   |        |     |       |      |                |                                      |        |     |          |
| (13) | 997 551 622 00 | lid<br>lining<br>fusebox                                  | /RL    | 1   | I099  |      |                |                                      |        |     |          |
|      | 01C            | satin black   |        |     |       |      |                |                                      |        |     |          |
| 14   | 997 551 712 02 | support<br>carpet   | /LL    | 1   | I098  |      |                |                                      |        |     |          |
| (14) | 997 551 711 02 | support<br>carpet   | /RL    | 1   | I099  |      |                |                                      |        |     |          |
| 15   | 999 076 081 40 | plastic nut<br>T5/16 X 11,2<br>mount<br>support<br>carpet |        | 2   |       |      |                |                                      |        |     |          |
| 16   | --- --- --- -- | floor mats<br>set<br>see group<br>TEG/8/07/07             |        | 1   |       |      |                |                                      |        |     |          |

|       |      |    |    |              |              |     |       |            |         |     |         |
|-------|------|----|----|--------------|--------------|-----|-------|------------|---------|-----|---------|
| Model | Year | MG | SG | Illustration | Restrictions | UPD | 12:15 | 24.01.2010 | PORSCHE | PET | PORSCHE |
| 987C  | 2008 | 8  | 07 | 807-03       |              | 248 |       |            |         |     |         |

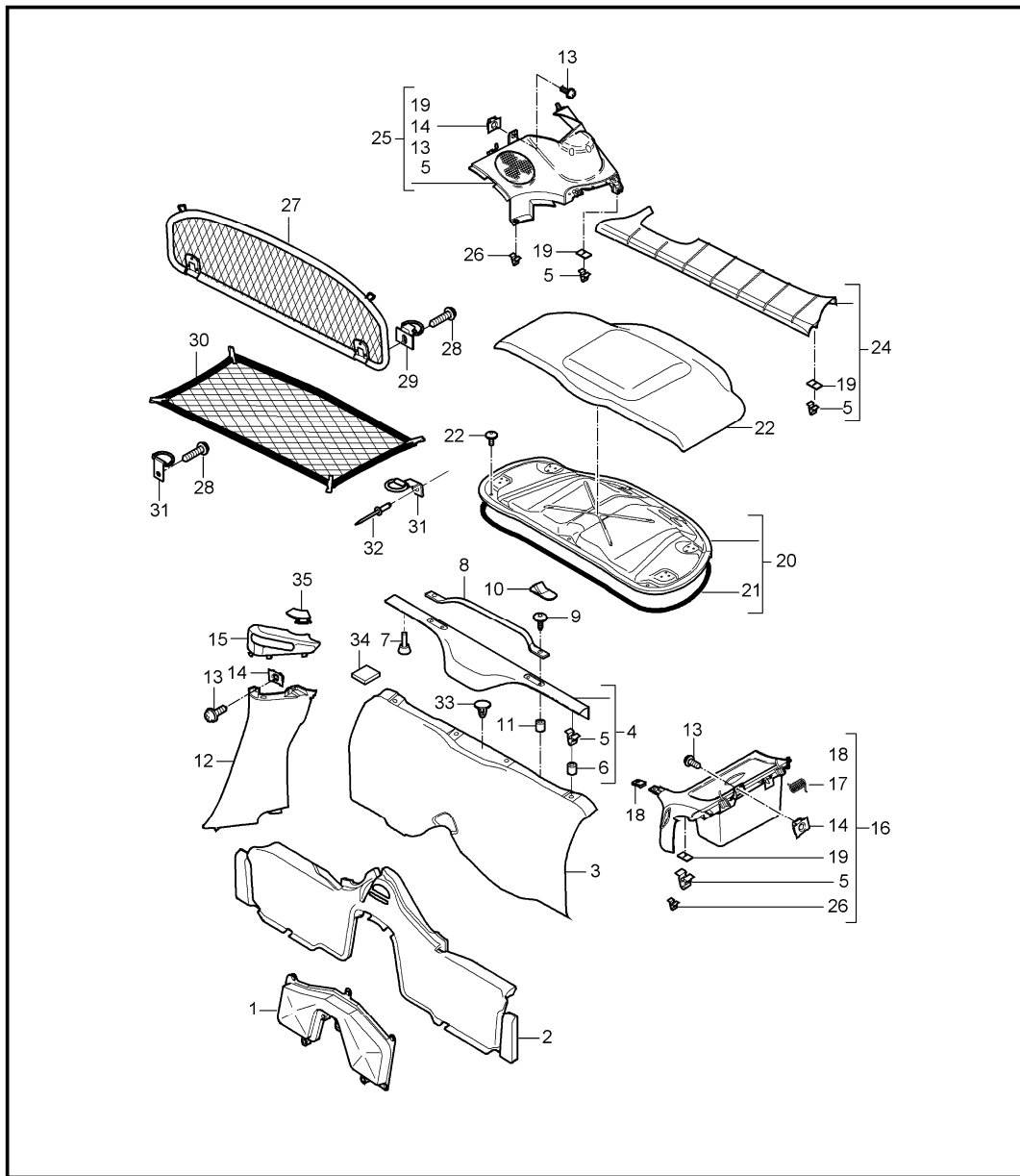


| Pos | Part Number    | Description   | Remark | Qty | Model |
|-----|----------------|---|--------|-----|-------|
| 1   | 987 551 619 01 | lining door sill                                      | /L     | 1   |       |
| (1) | 987 551 620 01 | support door sill                                     | /R     | 1   |       |
| 2   | 900 143 082 01 | tapping screw ST 6,3 X 13 for mount support door sill |        | 4   |       |
| 3   | 999 076 081 40 | plastic nut T5 16 X 11,2 for mount support door sill  |        | 2   |       |
| 4   | 996 551 873 00 | locating peg for mount support door sill              |        | 2   |       |
| 5   | 997 551 019 04 | lining door sill driver's side                        | /LL    | 1   | I098  |
|     | A03            | black   |        |     |       |
| (5) | 997 551 019 05 | lining door sill driver's side                        | /RL    | 1   | I099  |
|     | A03            | black   |        |     |       |
| 6   | 999 507 484 40 | expander nut 9 X 22                                   |        | X   |       |
| 7   | 999 067 046 01 | combination screw M 6 X 20                            |        | 2   |       |
| 8   | 999 703 443 40 | stopper 8,0 X 11                                      |        | 2   |       |
|     | 01C            | satin black   |        |     |       |
| 9   | 997 551 120 01 | lining door sill passenger's side                     |        | 1   |       |
|     | A03            | black   |        |     |       |

|       |      |    |    |              |              |     |       |            |         |     |         |
|-------|------|----|----|--------------|--------------|-----|-------|------------|---------|-----|---------|
| Model | Year | MG | SG | Illustration | Restrictions | UPD | 12:15 | 24.01.2010 | PORSCHE | PET | PORSCHE |
| 987C  | 2008 | 8  | 07 | 807-03       |              | 248 |       |            |         |     |         |

| Pos  | Part Number    | Description  | Remark | Qty | Model                   | Pos | Part Number | Description | Remark | Qty | Model |
|------|----------------|--|--------|-----|-------------------------|-----|-------------|-------------|--------|-----|-------|
| 10   | 999 919 164 09 | oval-head screw<br>5,0 X 12  |        | 1   |                         |     |             |             |        |     |       |
| 11   | 996 551 513 00 | mat  |        | 1   |                         |     |             |             |        |     |       |
| (12) | 987 551 303 06 | scuff plate<br>lacquered<br>A03 black                              |        | 2   | CAYMAN<br>-IX69/-IX70   |     |             |             |        |     |       |
| 12   | 987 551 303 07 | scuff plate<br>lacquered<br>A03 black                              |        | 2   | CAYMAN S<br>-IX69/-IX70 |     |             |             |        |     |       |
| (12) | 987 551 980 12 | scuff plate<br>set   | 08     | 1   | CAYMAN S<br>IX70/755    |     |             |             |        |     |       |
| (12) | 987 551 980 19 | scuff plate<br>set   | 08-    | 1   | CAYMAN S<br>IX70/758    |     |             |             |        |     |       |
| 12   | --- --- --- -- | scuff plate<br>exclusive<br>see catalogue<br>tequipment<br>8/07/07 |        | 1   |                         |     |             |             |        |     |       |

|       |      |    |    |              |              |     |       |            |         |     |         |
|-------|------|----|----|--------------|--------------|-----|-------|------------|---------|-----|---------|
| Model | Year | MG | SG | Illustration | Restrictions | UPD | 12:15 | 24.01.2010 | PORSCHE | PET | PORSCHE |
| 987C  | 2008 | 8  | 07 | 807-05       |              | 248 |       |            |         |     |         |



| Pos | Part Number    | Description  | Remark | Qty | Model |
|-----|----------------|--|--------|-----|-------|
| 1   | 986 504 181 00 | linings<br>engine compartment<br>lid<br>bulkhead<br>engine compartment |        | 1   |       |
| 2   | 987 551 033 01 | lining<br>cross member<br>carpet                                       |        | 1   |       |
|     | A10            | black  |        |     |       |
|     | B10            | stone grey   |        |     |       |
|     | T10            | sand beige   |        |     |       |
|     | E10            | sea blue   |        |     |       |
|     | J10            | palmgreen  | -07    |     |       |
|     | M10            | terracotta   |        |     |       |
|     | R10            | cocoa  |        |     |       |
|     | D11            | dark grey/natural  |        |     |       |
|     | T11            | brown/natural  |        |     |       |
|     | N10            | carrera red  | 08-    |     |       |
| 3   | 987 551 035 04 | lining<br>rear wall<br>carpet  |        | 1   |       |
|     | A10            | black  |        |     |       |
|     | B10            | stone grey   |        |     |       |
|     | T10            | sand beige   |        |     |       |
|     | E10            | sea blue   |        |     |       |
|     | J10            | palmgreen  | -07    |     |       |
|     | M10            | terracotta   |        |     |       |
|     | R10            | cocoa  |        |     |       |
|     | D11            | dark grey/natural  |        |     |       |
|     | T11            | brown/natural  |        |     |       |
|     | N10            | carrera red  | 08-    |     |       |

|       |      |    |    |              |              |     |       |            |         |     |         |
|-------|------|----|----|--------------|--------------|-----|-------|------------|---------|-----|---------|
| Model | Year | MG | SG | Illustration | Restrictions | UPD | 12:15 | 24.01.2010 | PORSCHE | PET | PORSCHE |
| 987C  | 2008 | 8  | 07 | 807-05       |              | 248 |       |            |         |     |         |

| Pos | Part Number    | Description                        | Remark | Qty | Model | Pos            | Part Number                        | Description              | Remark | Qty | Model    |
|-----|----------------|------------------------------------|--------|-----|-------|----------------|------------------------------------|--------------------------|--------|-----|----------|
| 4   | 987 555 401 00 | retaining strip<br>lock<br>luggage |        | 1   |       |                | M3W                                | carmon red metallic      | -07    |     |          |
|     | A03            | black                              |        |     |       |                | M5W                                | lapis blue metallic      | -07    |     |          |
|     | 5V7            | stone grey                         |        |     |       |                | M6W                                | lagoon green metallic    | -07    |     |          |
|     | 5Z1            | sand beige                         |        |     |       |                | C9Z                                | basalt black metallic    |        |     |          |
|     | 8W7            | sea blue                           |        |     |       |                | M7X                                | atlas grey metallic      |        |     |          |
|     | 5Y2            | palmgreen                          | -07    |     |       |                | 39C                                | midnight blue metallic   |        |     |          |
|     | 8X8            | terracotta                         |        |     |       |                | 6B4                                | seal grey metallic       | -06    |     |          |
|     | 8P9            | cocoa                              |        |     |       |                | M7W                                | Meteor Grey Metallic     | 07-    |     |          |
|     | T13            | brown/natural                      |        |     |       |                | 2B4                                | forest green metallic    |        |     |          |
|     | N23            | carrera red                        | 08-    |     |       |                | 3C8                                | cobalt blue metallic     |        |     |          |
| (4) | 987 555 401 01 | retaining strip<br>lock<br>luggage |        | 1   | I580  |                | 23F                                | slate grey metallic      |        |     |          |
|     | A03            | black                              |        |     |       |                | M6X                                | dark olive-metallic      |        |     |          |
|     | 5V7            | stone grey                         |        |     |       |                | M7Z                                | gt silver metallic       |        |     |          |
|     | 5Z1            | sand beige                         |        |     |       |                | M8W                                | Macadamia Metallic       | 08-    |     |          |
|     | 8W7            | sea blue                           |        |     |       |                | 8A7                                | ruby red metallic        | 08-    |     |          |
|     | 5Y2            | palmgreen                          | -07    |     |       | (4)            | 2B5                                | Malachite Green Metallic | 08-    |     |          |
|     | 8X8            | terracotta                         |        |     |       | 987 555 401 03 | retaining strip<br>lock<br>luggage |                          |        | 1   | I580/805 |
|     | 8P9            | cocoa                              |        |     |       | 041            | black                              |                          |        |     |          |
|     | T13            | brown/natural                      |        |     |       | 84A            | guards red                         |                          |        |     |          |
|     | N23            | carrera red                        | 08-    |     |       | 12H            | speed yellow                       |                          |        |     |          |
| (4) | 987 555 401 02 | retaining strip<br>lock<br>luggage |        | 1   | I805  | B9A            | carrara white                      |                          |        |     |          |
|     | 041            | black                              |        |     |       | 92U            | arctic silver metallic             |                          |        |     |          |
|     | 84A            | guards red                         |        |     |       | M3W            | carmon red metallic                | -07                      |        |     |          |
|     | 12H            | speed yellow                       |        |     |       | M5W            | lapis blue metallic                | -07                      |        |     |          |
|     | B9A            | carrara white                      |        |     |       | M6W            | lagoon green metallic              | -07                      |        |     |          |
|     | 92U            | arctic silver metallic             |        |     |       | C9Z            | basalt black metallic              |                          |        |     |          |
|     |                |                                    |        |     |       | M7X            | atlas grey metallic                |                          |        |     |          |
|     |                |                                    |        |     |       | 39C            | midnight blue metallic             |                          |        |     |          |



|       |      |    |    |              |              |     |       |            |         |     |         |
|-------|------|----|----|--------------|--------------|-----|-------|------------|---------|-----|---------|
| Model | Year | MG | SG | Illustration | Restrictions | UPD | 12:15 | 24.01.2010 | PORSCHE | PET | PORSCHE |
| 987C  | 2008 | 8  | 07 | 807-05       |              | 248 |       |            |         |     |         |

| Pos | Part Number    | Description                        | Remark | Qty | Model    | Pos  | Part Number    | Description                    | Remark | Qty | Model |
|-----|----------------|------------------------------------|--------|-----|----------|------|----------------|--------------------------------|--------|-----|-------|
|     | 6B4            | seal grey metallic                 | -06    |     |          |      | 5Z1            | sand beige                     |        |     |       |
|     | M7W            | Meteor Grey Metallic               | 07-    |     |          |      | 8W7            | sea blue                       |        |     |       |
|     | 2B4            | forest green metallic              |        |     |          |      | 5Y2            | palmgreen                      | -07    |     |       |
|     | 3C8            | cobalt blue metallic               |        |     |          |      | 8X8            | terracotta                     |        |     |       |
|     | 23F            | slate grey metallic                |        |     |          |      | 8P9            | cocoa                          |        |     |       |
|     | M6X            | dark olive-metallic                |        |     |          |      | T13            | brown/natural                  |        |     |       |
|     | M7Z            | gt silver metallic                 |        |     |          |      | N23            | carrera red                    | 08-    |     |       |
|     | M8W            | Macadamia Metallic                 | 08-    |     |          | 11   | 999 209 083 02 | spacer sleeve<br>4,5 X 0,7 X 5 |        | 2   |       |
|     | 8A7            | ruby red metallic                  | 08-    |     |          | (12) | 987 555 215 01 | lining<br>c-pillar<br>lower    | /L     | -07 | 1     |
|     | 2B5            | Malachite Green Metallic           | 08-    |     |          |      | A10            | black                          |        |     |       |
| (4) | 987 555 401 02 | retaining strip<br>lock<br>luggage | 08-    | 1   | I758     |      | B10            | stone grey                     |        |     |       |
|     | 041            | black                              |        |     |          |      | T10            | sand beige                     |        |     |       |
| (4) | 987 555 401 03 | retaining strip<br>lock<br>luggage | 08-    | 1   | I580/758 |      | E10            | sea blue                       |        |     |       |
|     | 041            | black                              |        |     |          |      | J10            | palmgreen                      | -07    |     |       |
| 5   | 999 507 839 01 | clamp<br>3.5                       |        | X   |          |      | M10            | terracotta                     |        |     |       |
| 6   | 999 209 084 40 | spacer<br>20 X 25 X 0,5            |        | 6   |          |      | R10            | cocoa                          |        |     |       |
| 7   | 999 703 041 40 | rubber buffer<br>4 X 6 X 9,3       |        | X   |          |      | D11            | dark grey/natural              |        |     |       |
| 8   | 987 555 411 03 | clip<br>lock<br>luggage            |        | 1   |          | (12) | 987 555 215 02 | lining<br>c-pillar<br>lower    | /L     | 08- | 1     |
|     | D07            | volcano grey                       |        |     |          |      | A10            | black                          |        |     |       |
| 9   | 999 073 095 01 | round head screw<br>M 8 X 30       |        | 2   |          |      | B10            | stone grey                     |        |     |       |
| 10  | 987 555 403 00 | cover<br>clip                      |        | 2   |          |      | T10            | sand beige                     |        |     |       |
|     | A03            | black                              |        |     |          |      | E10            | sea blue                       |        |     |       |
|     | 5V7            | stone grey                         |        |     |          |      | M10            | terracotta                     |        |     |       |
|     |                |                                    |        |     |          |      | R10            | cocoa                          |        |     |       |
|     |                |                                    |        |     |          |      | D11            | dark grey/natural              |        |     |       |

|       |      |    |    |              |              |     |       |            |         |     |         |
|-------|------|----|----|--------------|--------------|-----|-------|------------|---------|-----|---------|
| Model | Year | MG | SG | Illustration | Restrictions | UPD | 12:15 | 24.01.2010 | PORSCHE | PET | PORSCHE |
| 987C  | 2008 | 8  | 07 | 807-05       |              | 248 |       |            |         |     |         |

| Pos  | Part Number    | Description                 | Remark | Qty | Model | Pos  | Part Number    | Description            | Remark | Qty | Model |
|------|----------------|-----------------------------|--------|-----|-------|------|----------------|------------------------|--------|-----|-------|
|      | T11            | brown/natural               |        |     |       |      | 5V7            | stone grey             |        |     |       |
|      | N10            | carrera red                 | 08-    |     |       |      | 5Z1            | sand beige             |        |     |       |
| 12   | 987 555 216 01 | lining<br>c-pillar<br>lower | /R -07 | 1   |       |      | 8W7            | sea blue               |        |     |       |
|      | A10            | black                       |        |     |       |      | 5Y2            | palmgreen              | -07    |     |       |
|      | B10            | stone grey                  |        |     |       |      | 8X8            | terracotta             |        |     |       |
|      | T10            | sand beige                  |        |     |       |      | 8P9            | cocoa                  |        |     |       |
|      | E10            | sea blue                    |        |     |       |      | T13            | brown/natural          |        |     |       |
|      | J10            | palmgreen                   | -07    |     |       | 15   | 987 555 452 00 | rosette<br>seat belt   | /R     | 1   |       |
|      | M10            | terracotta                  |        |     |       |      | A03            | black                  |        |     |       |
|      | R10            | cocoa                       |        |     |       |      | 5V7            | stone grey             |        |     |       |
|      | D11            | dark grey/natural           |        |     |       |      | 5Z1            | sand beige             |        |     |       |
| 12   | 987 555 216 02 | lining<br>c-pillar<br>lower | /R 08- | 1   |       |      | 8W7            | sea blue               |        |     |       |
|      | A10            | black                       |        |     |       |      | 5Y2            | palmgreen              | -07    |     |       |
|      | B10            | stone grey                  |        |     |       |      | 8X8            | terracotta             |        |     |       |
|      | T10            | sand beige                  |        |     |       |      | 8P9            | cocoa                  |        |     |       |
|      | E10            | sea blue                    |        |     |       |      | T13            | brown/natural          |        |     |       |
|      | M10            | terracotta                  |        |     |       | (15) | 987 555 451 01 | rosette                | /L     | 1   | I805  |
|      | R10            | cocoa                       |        |     |       |      | 041            | black                  |        |     |       |
|      | D11            | dark grey/natural           |        |     |       |      | 84A            | guards red             |        |     |       |
|      | T11            | brown/natural               |        |     |       |      | 12H            | speed yellow           |        |     |       |
|      | N10            | carrera red                 | 08-    |     |       |      | B9A            | carrara white          |        |     |       |
| 13   | 999 073 372 01 | tapping screw<br>4,2 X 16   |        | 4   |       |      | 92U            | arctic silver metallic |        |     |       |
| 14   | 999 591 135 01 | captive nut<br>ST 4.2       |        | 4   |       |      | M3W            | carmon red metallic    | -07    |     |       |
| (15) | 987 555 451 00 | rosette                     | /L     | 1   |       |      | M5W            | lapis blue metallic    | -07    |     |       |
|      | A03            | black                       |        |     |       |      | M6W            | lagoon green metallic  | -07    |     |       |
|      |                |                             |        |     |       |      | C9Z            | basalt black metallic  |        |     |       |

|       |      |    |    |              |              |     |       |            |         |     |         |
|-------|------|----|----|--------------|--------------|-----|-------|------------|---------|-----|---------|
| Model | Year | MG | SG | Illustration | Restrictions | UPD | 12:15 | 24.01.2010 | PORSCHE | PET | PORSCHE |
| 987C  | 2008 | 8  | 07 | 807-05       |              | 248 |       |            |         |     |         |

| Pos  | Part Number    | Description            | Remark | Qty | Model | Pos  | Part Number    | Description              | Remark | Qty | Model  |
|------|----------------|------------------------|--------|-----|-------|------|----------------|--------------------------|--------|-----|--------|
|      | M7X            | atlas grey metallic    |        |     |       |      | 23F            | slate grey metallic      |        |     |        |
|      | 39C            | midnight blue metallic |        |     |       |      | M6X            | dark olive-metallic      |        |     |        |
|      | 6B4            | seal grey metallic     | -06    |     |       |      | M7Z            | gt silver metallic       |        |     |        |
|      | M7W            | Meteor Grey Metallic   | 07-    |     |       |      | M8W            | Macadamia Metallic       | 08-    |     |        |
|      | 2B4            | forest green metallic  |        |     |       |      | 8A7            | ruby red metallic        | 08-    |     |        |
|      | 3C8            | cobalt blue metallic   |        |     |       |      | 2B5            | Malachite Green Metallic | 08-    |     |        |
|      | 23F            | slate grey metallic    |        |     |       | (15) | 987 555 451 01 | rosette seat belt        | /L     | 08- | 1 I758 |
|      | M6X            | dark olive-metallic    |        |     |       |      | 041            | black                    |        |     |        |
|      | M7Z            | gt silver metallic     |        |     |       | (15) | 987 555 452 01 | rosette seat belt        | /R     | 08- | 1 I758 |
|      | M8W            | Macadamia Metallic     | 08-    |     |       |      | 041            | black                    |        |     |        |
|      | 8A7            | ruby red metallic      | 08-    |     |       | (16) | 987 555 071 05 | shelf                    | /L     |     | 1      |
| (15) | 987 555 452 01 | rosette seat belt      | /R     | 1   | I805  |      | A03            | black                    |        |     |        |
|      | 041            | black                  |        |     |       |      | 5V7            | stone grey               |        |     |        |
|      | 84A            | guards red             |        |     |       |      | 5Y2            | palmgreen                | -07    |     |        |
|      | 12H            | speed yellow           |        |     |       |      | 5Z1            | sand beige               |        |     |        |
|      | B9A            | carrara white          |        |     |       |      | 8W7            | sea blue                 |        |     |        |
|      | 92U            | arctic silver metallic |        |     |       |      | 8X8            | terracotta               |        |     |        |
|      | M3W            | carmon red metallic    | -07    |     |       |      | 8P9            | cocoa                    |        |     |        |
|      | M5W            | lapis blue metallic    | -07    |     |       |      | T13            | brown/natural            |        |     |        |
|      | M6W            | lagoon green metallic  | -07    |     |       |      | N23            | carrera red              | 08-    |     |        |
|      | C9Z            | basalt black metallic  |        |     |       | 16   | 987 555 072 05 | shelf                    | /R     |     | 1      |
|      | M7X            | atlas grey metallic    |        |     |       |      | A03            | black                    |        |     |        |
|      | 39C            | midnight blue metallic |        |     |       |      | 5V7            | stone grey               |        |     |        |
|      | 6B4            | seal grey metallic     | -06    |     |       |      | 5Y2            | palmgreen                | -07    |     |        |
|      | M7W            | Meteor Grey Metallic   | 07-    |     |       |      | 5Z1            | sand beige               |        |     |        |
|      | 2B4            | forest green metallic  |        |     |       |      | 8W7            | sea blue                 |        |     |        |
|      | 3C8            | cobalt blue metallic   |        |     |       |      | 8X8            | terracotta               |        |     |        |
|      |                |                        |        |     |       |      | 8P9            | cocoa                    |        |     |        |

|       |      |    |    |              |              |     |       |            |         |     |         |
|-------|------|----|----|--------------|--------------|-----|-------|------------|---------|-----|---------|
| Model | Year | MG | SG | Illustration | Restrictions | UPD | 12:15 | 24.01.2010 | PORSCHE | PET | PORSCHE |
| 987C  | 2008 | 8  | 07 | 807-05       |              | 248 |       |            |         |     |         |

| Pos  | Part Number    | Description              | Remark | Qty | Model | Pos  | Part Number    | Description                 | Remark | Qty | Model  |
|------|----------------|--------------------------|--------|-----|-------|------|----------------|-----------------------------|--------|-----|--------|
|      | T13            | brown/natural            |        |     |       |      | 92U            | arctic silver metallic      |        |     |        |
|      | N23            | carrera red              | 08-    |     |       |      | M3W            | carmon red metallic         | -07    |     |        |
| (16) | 987 555 071 06 | shelf                    | /L     | 1   | I805  |      | M5W            | lapis blue metallic         | -07    |     |        |
|      | 041            | black                    |        |     |       |      | M6W            | lagoon green metallic       | -07    |     |        |
|      | 84A            | guards red               |        |     |       |      | C9Z            | basalt black metallic       |        |     |        |
|      | 12H            | speed yellow             |        |     |       |      | M7X            | atlas grey metallic         |        |     |        |
|      | B9A            | carrara white            |        |     |       |      | 39C            | midnight blue metallic      |        |     |        |
|      | 92U            | arctic silver metallic   |        |     |       |      | 6B4            | seal grey metallic          | -06    |     |        |
|      | M3W            | carmon red metallic      | -07    |     |       |      | M7W            | Meteor Grey Metallic        | 07-    |     |        |
|      | M5W            | lapis blue metallic      | -07    |     |       |      | 2B4            | forest green metallic       |        |     |        |
|      | M6W            | lagoon green metallic    | -07    |     |       |      | 3C8            | cobalt blue metallic        |        |     |        |
|      | C9Z            | basalt black metallic    |        |     |       |      | 23F            | slate grey metallic         |        |     |        |
|      | M7X            | atlas grey metallic      |        |     |       |      | M6X            | dark olive-metallic         |        |     |        |
|      | 39C            | midnight blue metallic   |        |     |       |      | M7Z            | gt silver metallic          |        |     |        |
|      | 6B4            | seal grey metallic       | -06    |     |       |      | M8W            | Macadamia Metallic          | 08-    |     |        |
|      | M7W            | Meteor Grey Metallic     | 07-    |     |       |      | 8A7            | ruby red metallic           | 08-    |     |        |
|      | 2B4            | forest green metallic    |        |     |       |      | 2B5            | Malachite Green Metallic    | 08-    |     |        |
|      | 3C8            | cobalt blue metallic     |        |     |       | (16) | 987 555 071 06 | shelf                       | /L     | 08- | 1 I758 |
|      | 23F            | slate grey metallic      |        |     |       |      | 041            | black                       |        |     |        |
|      | M6X            | dark olive-metallic      |        |     |       | (16) | 987 555 072 06 | shelf                       | /R     | 08- | 1 I758 |
|      | M7Z            | gt silver metallic       |        |     |       |      | 041            | black                       |        |     |        |
|      | M8W            | Macadamia Metallic       | 08-    |     |       | 17   | 999 521 093 00 | torsion spring<br>1,4 x 8,3 | /L     | 1   |        |
|      | 8A7            | ruby red metallic        | 08-    |     |       | (17) | 999 521 092 00 | torsion spring<br>1,4 x 8,3 | /R     | 1   |        |
|      | 2B5            | Malachite Green Metallic | 08-    |     |       | 18   | 999 507 971 01 | speed nut<br>ST 4,2         |        | X   |        |
| (16) | 987 555 072 06 | shelf                    | /R     | 1   | I805  | 19   | 999 209 084 40 | spacer<br>20 X 25 X 0,5     |        | X   |        |
|      | 041            | black                    |        |     |       | 20   | 987 513 211 01 | engine compartment cover    |        | 1   |        |
|      | 84A            | guards red               |        |     |       |      |                |                             |        |     |        |
|      | 12H            | speed yellow             |        |     |       |      |                |                             |        |     |        |
|      | B9A            | carrara white            |        |     |       |      |                |                             |        |     |        |

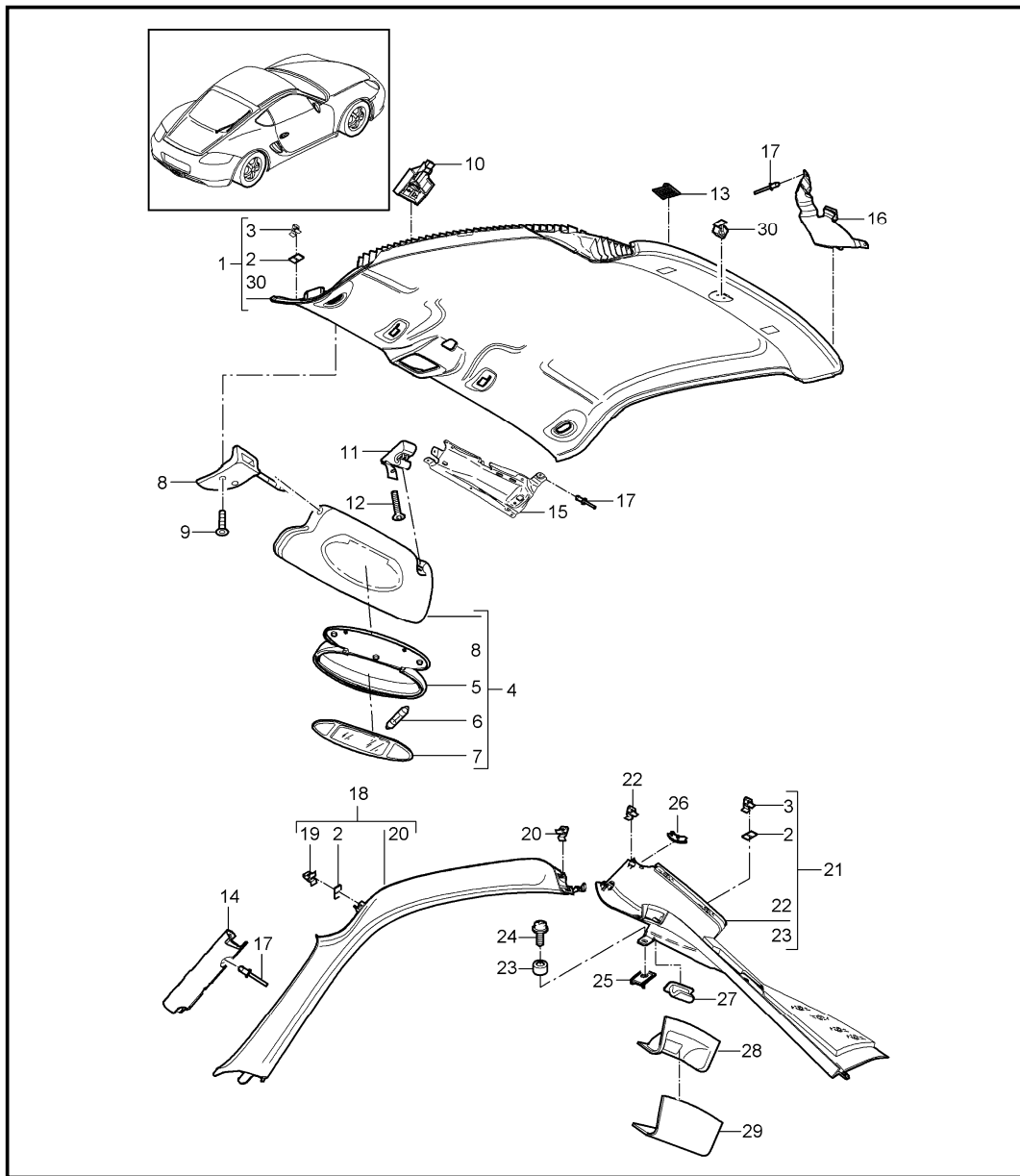
|       |      |    |    |              |              |     |       |            |         |     |         |
|-------|------|----|----|--------------|--------------|-----|-------|------------|---------|-----|---------|
| Model | Year | MG | SG | Illustration | Restrictions | UPD | 12:15 | 24.01.2010 | PORSCHE | PET | PORSCHE |
| 987C  | 2008 | 8  | 07 | 807-05       |              | 248 |       |            |         |     |         |

| Pos  | Part Number    | Description                             | Remark | Qty | Model | Pos  | Part Number    | Description                        | Remark | Qty | Model |
|------|----------------|---|--------|-----|-------|------|----------------|------------------------------------|--------|-----|-------|
| 21   | 987 513 611 00 | gasket<br>engine cover                  |        | 1   |       | 25   | 987 555 062 03 | lining<br>mounting<br>spring strut | /R     | 1   |       |
| 22   | 999 073 130 02 | oval-head screw<br>M6 X 16              |        | 5   |       |      | A03            | black                              |        |     |       |
| 23   | 987 551 039 01 | lining<br>carpet<br>engine cover        |        | 1   |       |      | 5V7            | stone grey                         |        |     |       |
|      | A10            | black                                   |        |     |       |      | 5Z1            | sand beige                         |        |     |       |
|      | B10            | stone grey                              |        |     |       |      | 8W7            | sea blue                           |        |     |       |
|      | E10            | sea blue                                |        |     |       |      | 5Y2            | palmgreen                          | -07    |     |       |
|      | J10            | palmgreen                               | -07    |     |       |      | 8X8            | terracotta                         |        |     |       |
|      | M10            | terracotta                              |        |     |       |      | 8P9            | cocoa                              |        |     |       |
|      | R10            | cocoa                                   |        |     |       |      | T13            | brown/natural                      |        |     |       |
|      | T10            | sand beige                              |        |     |       |      | N23            | carrera red                        | 08-    |     |       |
|      | D11            | dark grey/natural                       |        |     |       | (25) | 987 555 061 04 | lining<br>mounting<br>spring strut | /L     | 1   | I805  |
|      | T11            | brown/natural                           |        |     |       |      | 041            | black                              |        |     |       |
|      | N10            | carrera red                             | 08-    |     |       |      | 84A            | guards red                         |        |     |       |
| 24   | 987 555 151 00 | lining<br>luggage compartment<br>centre |        | 1   |       |      | 12H            | speed yellow                       |        |     |       |
|      | U02            | stainless steel                         |        |     |       |      | B9A            | carrara white                      |        |     |       |
| (25) | 987 555 061 03 | lining<br>mounting<br>spring strut      | /L     | 1   |       |      | 92U            | arctic silver metallic             |        |     |       |
|      | A03            | black                                   |        |     |       |      | M3W            | carmon red metallic                | -07    |     |       |
|      | 5V7            | stone grey                              |        |     |       |      | M5W            | lapis blue metallic                | -07    |     |       |
|      | 5Z1            | sand beige                              |        |     |       |      | M6W            | lagoon green metallic              | -07    |     |       |
|      | 8W7            | sea blue                                |        |     |       |      | C9Z            | basalt black metallic              |        |     |       |
|      | 5Y2            | palmgreen                               | -07    |     |       |      | M7X            | atlas grey metallic                |        |     |       |
|      | 8X8            | terracotta                              |        |     |       |      | 39C            | midnight blue metallic             |        |     |       |
|      | 8P9            | cocoa                                   |        |     |       |      | 6B4            | seal grey metallic                 | -06    |     |       |
|      | T13            | brown/natural                           |        |     |       |      | M7W            | Meteor Grey Metallic               | 07-    |     |       |
|      | N23            | carrera red                             | 08-    |     |       |      | 2B4            | forest green metallic              |        |     |       |
|      |                |   |        |     |       |      | 3C8            | cobalt blue metallic               |        |     |       |
|      |                |   |        |     |       |      | 23F            | slate grey metallic                |        |     |       |

|       |      |    |    |              |              |     |       |            |         |     |         |
|-------|------|----|----|--------------|--------------|-----|-------|------------|---------|-----|---------|
| Model | Year | MG | SG | Illustration | Restrictions | UPD | 12:15 | 24.01.2010 | PORSCHE | PET | PORSCHE |
| 987C  | 2008 | 8  | 07 | 807-05       |              | 248 |       |            |         |     |         |

| Pos  | Part Number    | Description                        | Remark | Qty | Model | Pos  | Part Number    | Description  | Remark | Qty | Model |
|------|----------------|------------------------------------|--------|-----|-------|------|----------------|--|--------|-----|-------|
|      | M6X            | dark olive-metallic                |        |     |       | (25) | 987 555 061 04 | lining<br>mounting<br>spring strut                       | /L 08- | 1   | I758  |
|      | M7Z            | gt silver metallic                 |        |     |       |      |                |  |        |     |       |
|      | M8W            | Macadamia Metallic                 | 08-    |     |       |      | 041            | black  |        |     |       |
|      | 8A7            | ruby red metallic                  | 08-    |     |       | (25) | 987 555 062 04 | lining<br>mounting<br>spring strut                       | /R 08- | 1   | I758  |
|      | 2B5            | Malachite Green Metallic           | 08-    |     |       |      | 041            | black  |        |     |       |
| (25) | 987 555 062 04 | lining<br>mounting<br>spring strut | /R     | 1   | I805  |      |                |  |        |     |       |
|      | 041            | black                              |        |     |       | 26   | 999 507 584 02 | clamp<br>8,0 x 10,0/ 2,0                                 |        | X   |       |
|      | 84A            | guards red                         |        |     |       | 27   | 987 555 321 00 | luggage net<br>collapsible                               |        | 1   | I580  |
|      | 12H            | speed yellow                       |        |     |       | 28   | 999 073 131 02 | oval-head screw<br>M6 X 25                               |        | 2   |       |
|      | B9A            | carrara white                      |        |     |       | 29   | 987 555 627 00 | bearing bracket<br>luggage net<br>collapsible            |        | 2   | I580  |
|      | 92U            | arctic silver metallic             |        |     |       | 30   | 987 551 339 00 | luggage net  |        | 1   |       |
|      | M3W            | carmon red metallic                | -07    |     |       | (30) | 987 551 339 01 | luggage net  |        | 1   | I479  |
|      | M5W            | lapis blue metallic                | -07    |     |       | 31   | 987 551 245 00 | eye<br>luggage<br>lock<br>31 mm                          |        | X   |       |
|      | M6W            | lagoon green metallic              | -07    |     |       | 32   | 999 190 484 02 | blind rivet<br>A6,4 x 14,5                               |        | X   |       |
|      | C9Z            | basalt black metallic              |        |     |       | 33   | 999 591 988 40 | clip<br>for<br>mount<br>rear wall                        | 06-    | 1   |       |
|      | M7X            | atlas grey metallic                |        |     |       | 34   | 987 556 673 00 | plastic foam strip<br>60 X 40 X 10<br>lining<br>c-pillar | 06-    | 1   |       |
|      | 39C            | midnight blue metallic             |        |     |       | 35   | 987 555 781 00 | cover<br>lower<br>black                                  | /L     | 1   |       |
|      | 6B4            | seal grey metallic                 | -06    |     |       | (35) | 987 555 782 00 | cover<br>lower<br>black                                  | /R     | 1   |       |
|      | M7W            | Meteor Grey Metallic               | 07-    |     |       |      |                |  |        |     |       |
|      | 2B4            | forest green metallic              |        |     |       |      |                |  |        |     |       |
|      | 3C8            | cobalt blue metallic               |        |     |       |      |                |  |        |     |       |
|      | 23F            | slate grey metallic                |        |     |       |      |                |  |        |     |       |
|      | M6X            | dark olive-metallic                |        |     |       |      |                |  |        |     |       |
|      | M7Z            | gt silver metallic                 |        |     |       |      |                |  |        |     |       |
|      | M8W            | Macadamia Metallic                 | 08-    |     |       |      |                |  |        |     |       |
|      | 8A7            | ruby red metallic                  | 08-    |     |       |      |                |  |        |     |       |
|      | 2B5            | Malachite Green Metallic           | 08-    |     |       |      |                |  |        |     |       |

|       |      |    |    |              |              |     |       |            |         |     |         |
|-------|------|----|----|--------------|--------------|-----|-------|------------|---------|-----|---------|
| Model | Year | MG | SG | Illustration | Restrictions | UPD | 12:15 | 24.01.2010 | PORSCHE | PET | PORSCHE |
| 987C  | 2008 | 8  | 07 | 807-08       |              | 248 |       |            |         |     |         |



| Pos | Part Number    | Description                                      | Remark | Qty | Model    |
|-----|----------------|--|--------|-----|----------|
| (1) | 987 555 091 04 | rooflining<br>sun visors<br>a-pillar<br>c-pillar |        | 1   |          |
|     | A22            | black  |        |     |          |
|     | D32            | volcano grey                                     |        |     |          |
|     | T42            | sand beige                                       |        |     |          |
| (1) | 987 555 091 06 | rooflining<br>cloth                              |        | 1   | I607     |
|     | A22            | black  |        |     |          |
|     | D32            | volcano grey                                     |        |     |          |
|     | T42            | sand beige                                       |        |     |          |
| (1) | 987 555 091 06 | rooflining<br>cloth                              |        | 1   | I608     |
|     | A22            | black  |        |     |          |
|     | D32            | volcano grey                                     |        |     |          |
|     | T42            | sand beige                                       |        |     |          |
| (1) | 987 555 091 09 | rooflining<br>alcantara                          | 07-    | 1   | I594     |
|     | A15            | black  |        |     |          |
|     | 5E5            | steel grey                                       |        |     |          |
|     | T45            | sand beige                                       |        |     |          |
| (1) | 987 555 091 10 | rooflining<br>alcantara                          | 07-    | 1   | I594/607 |
|     | A15            | black  |        |     |          |
|     | 5E5            | steel grey                                       |        |     |          |
|     | T45            | sand beige                                       |        |     |          |
| (1) | 987 555 091 10 | rooflining<br>alcantara                          | 07-    | 1   | I594/608 |
|     | A15            | black  |        |     |          |
|     | 5E5            | steel grey                                       |        |     |          |

|       |      |    |    |              |              |     |       |            |         |     |         |
|-------|------|----|----|--------------|--------------|-----|-------|------------|---------|-----|---------|
| Model | Year | MG | SG | Illustration | Restrictions | UPD | 12:15 | 24.01.2010 | PORSCHE | PET | PORSCHE |
| 987C  | 2008 | 8  | 07 | 807-08       |              | 248 |       |            |         |     |         |

| Pos | Part Number    | Description              | Remark | Qty | Model | Pos | Part Number    | Description                            | Remark | Qty | Model |
|-----|----------------|--------------------------|--------|-----|-------|-----|----------------|--|--------|-----|-------|
|     | T45            | sand beige               |        |     |       | (4) | 987 731 982 04 | sun visor<br>leather                   | /R     | 1   | IXMP  |
| 2   | 999 209 084 40 | spacer<br>20 X 25 X 0,5  |        | 2   |       |     | A11            | black                                  |        |     |       |
| 3   | 999 507 047 09 | clamp<br>3,6             |        | 2   |       |     | 5X6            | stone grey                             |        |     |       |
| 4   | 987 731 031 07 | sun visor<br>leatherette | /L     | 1   |       |     | 8G2            | sand beige                             |        |     |       |
|     | A12            | black                    |        |     |       |     | 3S9            | sea blue                               |        |     |       |
|     | 8W4            | stone grey               |        |     |       |     | 4P2            | palmgreen                              | -07    |     |       |
|     | 7E3            | sand beige               |        |     |       |     | 9S5            | terracotta                             |        |     |       |
|     | 8Z5            | sea blue                 |        |     |       |     | 9V6            | cocoa                                  |        |     |       |
|     | 7W3            | palmgreen                |        | -07 |       |     | D12            | dark grey/natural                      |        |     |       |
| (4) | 987 731 032 07 | sun visor<br>leatherette | /R     | 1   |       |     | T12            | brown/natural                          |        |     |       |
|     | A12            | black                    |        |     |       |     | N12            | carrera red                            | 08-    |     |       |
|     | 8W4            | stone grey               |        |     |       | 5   | 996 731 903 00 | mirror housing<br>with<br>illumination |        | 1   |       |
|     | 7E3            | sand beige               |        |     |       |     | 01C            | satin black                            |        |     |       |
|     | 8Z5            | sea blue                 |        |     |       | 6   | 999 631 147 90 | bulb<br>3 W                            |        | 2   |       |
|     | 7W3            | palmgreen                |        | -07 |       | 7   | 996 731 531 01 | mirror glass<br>with<br>frame          |        | 2   |       |
| 4   | 987 731 981 04 | sun visor<br>leather     | /L     | 1   | IXMP  |     | 01C            | satin black                            |        |     |       |
|     | A11            | black                    |        |     |       | 8   | 987 731 461 01 | mounting<br>complete                   | /L     | 1   |       |
|     | 5X6            | stone grey               |        |     |       |     | 01C            | satin black                            |        |     |       |
|     | 8G2            | sand beige               |        |     |       | 8   | 987 731 462 01 | mounting<br>complete                   | /R     | 1   |       |
|     | 3S9            | sea blue                 |        |     |       |     | 01C            | satin black                            |        |     |       |
|     | 4P2            | palmgreen                |        | -07 |       | 9   | 999 073 326 09 | oval-head screw<br>M5 X 10             |        | 2   |       |
|     | 9S5            | terracotta               |        |     |       | 10  | 987 731 541 00 | plate<br>support<br>sun visor          |        | 2   |       |
|     | 9V6            | cocoa                    |        |     |       |     |                |  |        |     |       |
|     | D12            | dark grey/natural        |        |     |       |     |                |  |        |     |       |
|     | T12            | brown/natural            |        |     |       |     |                |  |        |     |       |
|     | N12            | carrera red              |        | 08- |       |     |                |  |        |     |       |



|       |      |    |    |              |              |     |       |            |         |     |         |
|-------|------|----|----|--------------|--------------|-----|-------|------------|---------|-----|---------|
| Model | Year | MG | SG | Illustration | Restrictions | UPD | 12:15 | 24.01.2010 | PORSCHE | PET | PORSCHE |
| 987C  | 2008 | 8  | 07 | 807-08       |              | 248 |       |            |         |     |         |

| Pos  | Part Number    | Description  | Remark | Qty | Model | Pos  | Part Number    | Description           | Remark | Qty | Model |
|------|----------------|--|--------|-----|-------|------|----------------|-----------------------|--------|-----|-------|
| 11   | 996 731 341 00 | support<br>sun visor<br>inner                            | /L     | 1   |       |      | 5Z1            | sand beige            |        |     |       |
|      | 01C            | satin black  |        |     |       |      | 8W7            | sea blue              |        |     |       |
| (11) | 996 731 342 00 | support<br>sun visor<br>inner                            | /R     | 1   |       |      | 5Y2            | palmgreen             | -07    |     |       |
|      | 01C            | satin black  |        |     |       |      | 8X8            | terracotta            |        |     |       |
| 12   | 999 919 120 09 | oval-head screw<br>4,0 X 18                              |        | 2   |       |      | 8P9            | cocoa                 |        |     |       |
| 13   | 999 902 050 40 | velcro fastener<br>25,4 X 25,4                           |        | 2   |       | 19   | 999 507 839 01 | clamp<br>3,5          |        | X   |       |
| 15   | 987 555 421 02 | deformation element<br>windscreen frame                  | /L     | 1   |       | 20   | 999 507 476 01 | clamp<br>8,0 X 10/2,5 |        | 3   |       |
| (15) | 987 555 422 02 | deformation element<br>windscreen frame                  | /R     | 1   |       | 21   | 987 555 187 00 | lining                | /L     | 1   |       |
| 17   | 999 190 184 01 | blind rivet<br>4,0 X 8,5<br>mount<br>deformation element |        | X   |       |      | A03            | black                 |        |     |       |
| 18   | 987 555 181 04 | lining<br>a-pillar                                       | /L     | 1   |       |      | 5V7            | stone grey            |        |     |       |
|      | A03            | black  |        |     |       |      | 5Z1            | sand beige            |        |     |       |
|      | 5V7            | stone grey   |        |     |       |      | 8W7            | sea blue              |        |     |       |
|      | 5Z1            | sand beige   |        |     |       |      | 5Y2            | palmgreen             | -07    |     |       |
|      | 8W7            | sea blue   |        |     |       |      | 8X8            | terracotta            |        |     |       |
|      | 5Y2            | palmgreen  | -07    |     |       |      | 8P9            | cocoa                 |        |     |       |
|      | 8X8            | terracotta   |        |     |       |      | T13            | brown/natural         |        |     |       |
|      | 8P9            | cocoa  |        |     |       |      | N23            | carrera red           | 08-    |     |       |
|      | T13            | brown/natural  |        |     |       | (21) | 987 555 188 00 | lining<br>c-pillar    | /R     | 1   |       |
|      | N23            | carrera red  | 08-    |     |       |      | A03            | black                 |        |     |       |
| (18) | 987 555 182 04 | lining<br>a-pillar                                       | /R     | 1   |       |      | 5V7            | stone grey            |        |     |       |
|      | A03            | black  |        |     |       |      | 5Z1            | sand beige            |        |     |       |
|      | 5V7            | stone grey   |        |     |       |      | 8W7            | sea blue              |        |     |       |
|      |                |  |        |     |       |      | 5Y2            | palmgreen             | -07    |     |       |
|      |                |  |        |     |       |      | 8X8            | terracotta            |        |     |       |
|      |                |  |        |     |       |      | 8P9            | cocoa                 |        |     |       |

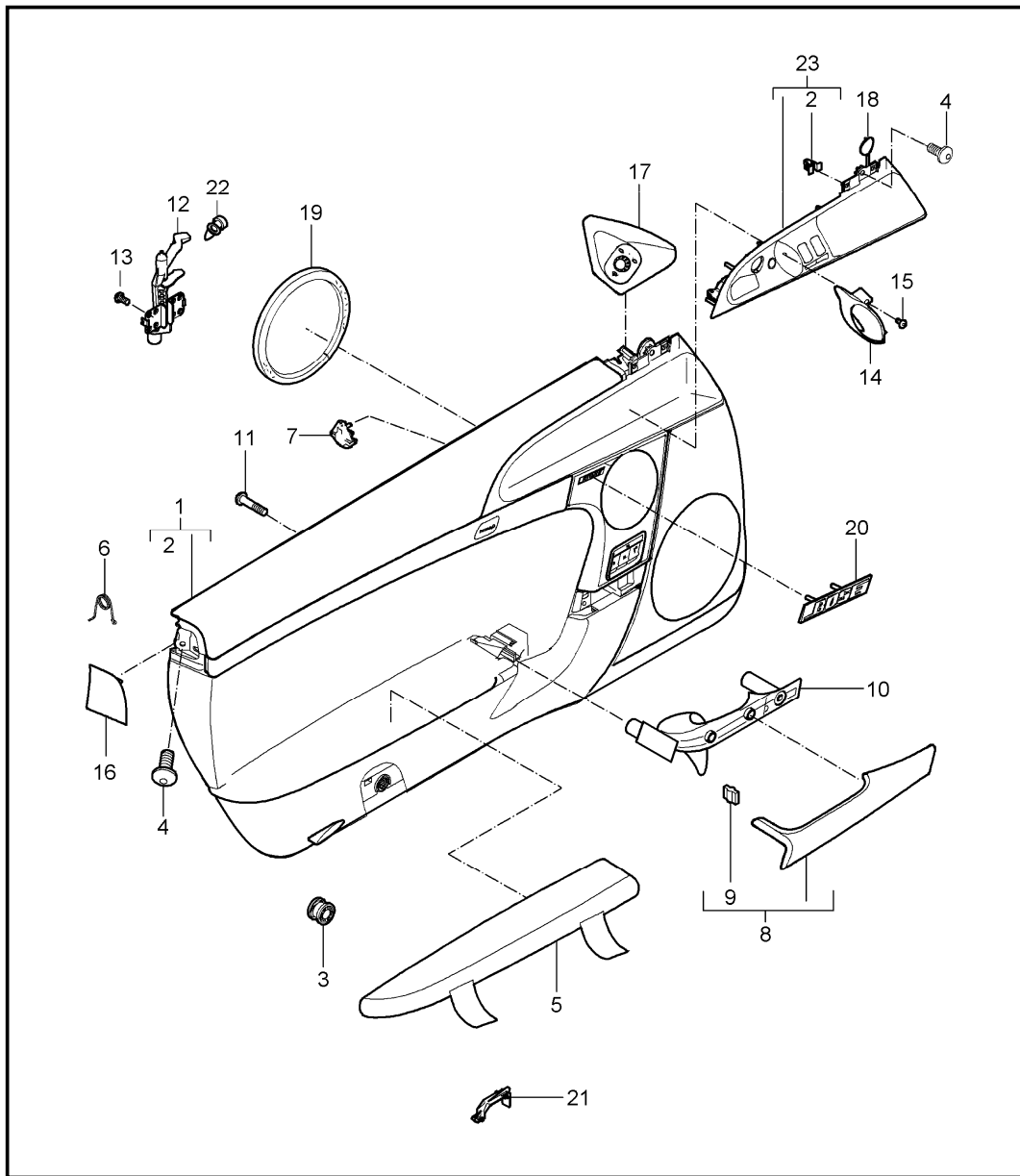
|       |      |    |    |              |              |     |       |            |         |     |         |
|-------|------|----|----|--------------|--------------|-----|-------|------------|---------|-----|---------|
| Model | Year | MG | SG | Illustration | Restrictions | UPD | 12:15 | 24.01.2010 | PORSCHE | PET | PORSCHE |
| 987C  | 2008 | 8  | 07 | 807-08       |              | 248 |       |            |         |     |         |

| Pos  | Part Number    | Description                    | Remark | Qty | Model | Pos  | Part Number    | Description               | Remark | Qty | Model |
|------|----------------|--------------------------------|--------|-----|-------|------|----------------|---------------------------|--------|-----|-------|
|      | T13            | brown/natural                  |        |     |       |      | 8W7            | sea blue                  |        |     |       |
|      | N23            | carrera red                    | 08-    |     |       |      | 5Y2            | palmgreen                 | -07    |     |       |
| 22   | 999 507 058 09 | clamp<br>2,6                   |        | X   |       |      | 8X8            | terracotta                |        |     |       |
| 23   | 999 209 083 02 | spacer sleeve<br>4,5 X 0,7 X 5 |        | 2   |       |      | 8P9            | cocoa                     |        |     |       |
| 24   | 999 073 372 01 | tapping screw<br>ST 4,2 X 16   |        | 2   |       |      | T13            | brown/natural             |        |     |       |
| 25   | 999 507 971 01 | speed nut<br>ST 4,2            |        | 2   |       | (29) | 987 555 567 00 | lid<br>lining<br>c-pillar | /L     | 1   |       |
| (26) | 987 555 787 00 | trim cover<br>upper            | /L     | 1   |       |      | A03            | black                     |        |     |       |
| 26   | 987 555 788 00 | trim cover<br>upper            | /R     | 1   |       |      | 5V7            | stone grey                |        |     |       |
| 27   | 987 555 887 00 | cover<br>hook<br>luggage net   |        | 2   | I580  |      | 5Z1            | sand beige                |        |     |       |
| (28) | 987 555 587 01 | cover<br>hook<br>luggage net   | /L     | 1   | I580  |      | 8W7            | sea blue                  |        |     |       |
|      | A03            | black                          |        |     |       |      | 5Y2            | palmgreen                 | -07    |     |       |
|      | 5V7            | stone grey                     |        |     |       |      | 8X8            | terracotta                |        |     |       |
|      | 5Z1            | sand beige                     |        |     |       |      | 8P9            | cocoa                     |        |     |       |
|      | 8W7            | sea blue                       |        |     |       |      | T13            | brown/natural             |        |     |       |
|      | 5Y2            | palmgreen                      | -07    |     |       | 29   | 987 555 568 00 | lid<br>lining<br>c-pillar | /R     | 1   |       |
|      | 8X8            | terracotta                     |        |     |       |      | N23            | carrera red               | 08-    |     |       |
|      | 8P9            | cocoa                          |        |     |       |      | A03            | black                     |        |     |       |
|      | T13            | brown/natural                  |        |     |       |      | 5V7            | stone grey                |        |     |       |
|      | N23            | carrera red                    | 08-    |     |       |      | 5Z1            | sand beige                |        |     |       |
| 28   | 987 555 588 01 | cover<br>hook<br>luggage net   | /R     | 1   | I580  |      | 8W7            | sea blue                  |        |     |       |
|      | A03            | black                          |        |     |       |      | 5Y2            | palmgreen                 | -07    |     |       |
|      | 5V7            | stone grey                     |        |     |       |      | 8X8            | terracotta                |        |     |       |
|      | 5Z1            | sand beige                     |        |     |       |      | 8P9            | cocoa                     |        |     |       |
|      |                |                                |        |     |       |      | T13            | brown/natural             |        |     |       |
|      |                |                                |        |     |       |      | N23            | carrera red               | 08-    |     |       |

|       |      |    |    |              |              |     |       |            |         |     |         |
|-------|------|----|----|--------------|--------------|-----|-------|------------|---------|-----|---------|
| Model | Year | MG | SG | Illustration | Restrictions | UPD | 12:15 | 24.01.2010 | PORSCHE | PET | PORSCHE |
| 987C  | 2008 | 8  | 07 | 807-08       |              | 248 |       |            |         |     |         |

| Pos | Part Number    | Description               | Remark | Qty | Model | Pos | Part Number | Description | Remark | Qty | Model |
|-----|----------------|---------------------------|--------|-----|-------|-----|-------------|-------------|--------|-----|-------|
| 30  | 999 591 976 40 | fixing clip<br>rooflining |        | 1   |       |     |             |             |        |     |       |
| 31  | 997 555 857 00 | grommet<br>a-pillar       |        | x   |       |     |             |             |        |     |       |

|       |      |    |    |              |              |     |       |            |         |     |         |
|-------|------|----|----|--------------|--------------|-----|-------|------------|---------|-----|---------|
| Model | Year | MG | SG | Illustration | Restrictions | UPD | 12:17 | 24.01.2010 | PORSCHE | PET | PORSCHE |
| 987C  | 2008 | 8  | 07 | 807-10       |              | 248 |       |            |         |     |         |



| Pos | Part Number    | Description  | Remark | Qty | Model    |
|-----|----------------|--|--------|-----|----------|
| 1   | 997 555 201 00 | door trim panel<br>slush technology<br>accessories | /LL/L  | 1   | I098     |
|     | 9L4            | black  |        |     |          |
|     | 9M5            | stone grey   |        |     |          |
|     | 9C6            | sand beige   |        |     |          |
|     | 9D7            | sea blue   |        |     |          |
|     | 9E8            | palmgreen  |        | -07 |          |
| (1) | 997 555 201 04 | door trim panel<br>slush technology                | /LL/L  | 1   | I098/490 |
|     | 9L4            | black  |        |     |          |
|     | 9M5            | stone grey   |        |     |          |
|     | 9C6            | sand beige   |        |     |          |
|     | 9D7            | sea blue   |        |     |          |
|     | 9E8            | palmgreen  |        | -07 |          |
| (1) | 997 555 201 06 | door trim panel<br>slush technology                | /L     | 1   | I537     |
|     | 9L4            | black  |        |     |          |
|     | 9M5            | stone grey   |        |     |          |
|     | 9C6            | sand beige   |        |     |          |
|     | 9D7            | sea blue   |        |     |          |
|     | 9E8            | palmgreen  |        | -07 |          |
| (1) | 997 555 201 08 | door trim panel<br>slush technology                | /LL/L  | 1   | I098/680 |
|     | 9L4            | black  |        |     |          |
|     | 9M5            | stone grey   |        |     |          |
|     | 9C6            | sand beige   |        |     |          |
|     | 9D7            | sea blue   |        |     |          |
|     | 9E8            | palmgreen  |        | -07 |          |
| (1) | 997 555 201 10 | door trim panel<br>slush technology                | /LL/L  | 1   | I537/680 |

|       |      |    |    |              |              |     |       |            |         |     |         |
|-------|------|----|----|--------------|--------------|-----|-------|------------|---------|-----|---------|
| Model | Year | MG | SG | Illustration | Restrictions | UPD | 12:17 | 24.01.2010 | PORSCHE | PET | PORSCHE |
| 987C  | 2008 | 8  | 07 | 807-10       |              | 248 |       |            |         |     |         |

| Pos | Part Number    | Description                         | Remark | Qty | Model    | Pos | Part Number    | Description                         | Remark | Qty | Model    |
|-----|----------------|-------------------------------------|--------|-----|----------|-----|----------------|-------------------------------------|--------|-----|----------|
|     | 9L4            | black                               |        |     |          |     | 9D7            | sea blue                            |        |     |          |
|     | 9M5            | stone grey                          |        |     |          |     | 9E8            | palmgreen                           | -07    |     |          |
|     | 9C6            | sand beige                          |        |     |          | (1) | 997 555 202 00 | door trim panel<br>slush technology | /RL/R  | 1   | I099     |
|     | 9D7            | sea blue                            |        |     |          |     | 9L4            | black                               |        |     |          |
|     | 9E8            | palmgreen                           | -07    |     |          |     | 9M5            | stone grey                          |        |     |          |
| (1) | 997 555 202 24 | door trim panel<br>slush technology | /LL/R  | 1   | I098     |     | 9C6            | sand beige                          |        |     |          |
|     | 9L4            | black                               |        |     |          |     | 9D7            | sea blue                            |        |     |          |
|     | 9M5            | stone grey                          |        |     |          |     | 9E8            | palmgreen                           | -07    |     |          |
|     | 9C6            | sand beige                          |        |     |          | (1) | 997 555 202 04 | door trim panel<br>slush technology | /RL/R  | 1   | I099/490 |
|     | 9D7            | sea blue                            |        |     |          |     | 9L4            | black                               |        |     |          |
|     | 9E8            | palmgreen                           | -07    |     |          |     | 9M5            | stone grey                          |        |     |          |
| (1) | 997 555 202 26 | door trim panel<br>slush technology | /LL/R  | 1   | I537     |     | 9C6            | sand beige                          |        |     |          |
|     | 9L4            | black                               |        |     |          |     | 9D7            | sea blue                            |        |     |          |
|     | 9M5            | stone grey                          |        |     |          |     | 9E8            | palmgreen                           | -07    |     |          |
|     | 9C6            | sand beige                          |        |     |          | (1) | 997 555 202 06 | door trim panel<br>slush technology | /RL/R  | 1   | I538     |
|     | 9D7            | sea blue                            |        |     |          |     | 9L4            | black                               |        |     |          |
|     | 9E8            | palmgreen                           | -07    |     |          |     | 9M5            | stone grey                          |        |     |          |
| (1) | 997 555 202 26 | door trim panel<br>slush technology | /LL/R  | 1   | I098/490 |     | 9C6            | sand beige                          |        |     |          |
|     | 9L4            | black                               |        |     |          |     | 9D7            | sea blue                            |        |     |          |
|     | 9M5            | stone grey                          |        |     |          |     | 9E8            | palmgreen                           | -07    |     |          |
|     | 9C6            | sand beige                          |        |     |          | (1) | 997 555 202 06 | door trim panel<br>slush technology | /RL/R  | 1   | I490/538 |
|     | 9D7            | sea blue                            |        |     |          |     | 9L4            | black                               |        |     |          |
|     | 9E8            | palmgreen                           | -07    |     |          |     | 9M5            | stone grey                          |        |     |          |
| (1) | 997 555 202 28 | door trim panel<br>slush technology | /LL/R  | 1   | I098/680 |     | 9C6            | sand beige                          |        |     |          |
|     | 9L4            | black                               |        |     |          |     | 9D7            | sea blue                            |        |     |          |
|     | 9M5            | stone grey                          |        |     |          |     | 9E8            | palmgreen                           | -07    |     |          |
|     | 9C6            | sand beige                          |        |     |          |     |                |                                     |        |     |          |

|       |      |    |    |              |              |     |       |            |         |     |         |
|-------|------|----|----|--------------|--------------|-----|-------|------------|---------|-----|---------|
| Model | Year | MG | SG | Illustration | Restrictions | UPD | 12:17 | 24.01.2010 | PORSCHE | PET | PORSCHE |
| 987C  | 2008 | 8  | 07 | 807-10       |              | 248 |       |            |         |     |         |

| Pos | Part Number    | Description                         | Remark | Qty | Model    | Pos | Part Number    | Description                         | Remark | Qty | Model        |
|-----|----------------|-------------------------------------|--------|-----|----------|-----|----------------|-------------------------------------|--------|-----|--------------|
| (1) | 997 555 202 08 | door trim panel<br>slush technology | /RL/R  | 1   | I099/680 |     | 9M5            | stone grey                          |        |     |              |
|     | 9L4            | black                               |        |     |          |     | 9C6            | sand beige                          |        |     |              |
|     | 9M5            | stone grey                          |        |     |          |     | 9D7            | sea blue                            |        |     |              |
|     | 9C6            | sand beige                          |        |     |          |     | 9E8            | palmgreen                           | -07    |     |              |
|     | 9D7            | sea blue                            |        |     |          | (1) | 997 555 201 28 | door trim panel<br>slush technology | /RL/L  | 1   | I099/680     |
|     | 9E8            | palmgreen                           | -07    |     |          |     | 9L4            | black                               |        |     |              |
| (1) | 997 555 202 10 | door trim panel<br>slush technology | /RL/R  | 1   | I538/680 |     | 9M5            | stone grey                          |        |     |              |
|     | 9L4            | black                               |        |     |          |     | 9C6            | sand beige                          |        |     |              |
|     | 9M5            | stone grey                          |        |     |          |     | 9D7            | sea blue                            |        |     |              |
|     | 9C6            | sand beige                          |        |     |          |     | 9E8            | palmgreen                           | -07    |     |              |
|     | 9D7            | sea blue                            |        |     |          | (1) | 997 555 201 05 | door trim panel<br>leather          | /LL/L  | 1   | I098/981     |
|     | 9E8            | palmgreen                           | -07    |     |          |     | FSA            | black                               |        |     |              |
| (1) | 997 555 201 24 | door trim panel<br>slush technology | /RL/L  | 1   | I099     |     | FSB            | stone grey                          |        |     |              |
|     | 9L4            | black                               |        |     |          |     | FSC            | sand beige                          |        |     |              |
|     | 9M5            | stone grey                          |        |     |          |     | FSD            | sea blue                            |        |     |              |
|     | 9C6            | sand beige                          |        |     |          |     | FSE            | palmgreen                           | -07    |     |              |
|     | 9D7            | sea blue                            |        |     |          |     | FSF            | terracotta                          |        |     |              |
|     | 9E8            | palmgreen                           | -07    |     |          |     | FSG            | cocoa                               |        |     |              |
| (1) | 997 555 201 26 | door trim panel<br>slush technology | /RL/L  | 1   | I538     |     | FSH            | dark grey/natural                   |        |     |              |
|     | 9L4            | black                               |        |     |          |     | FSJ            | brown/natural                       |        |     |              |
|     | 9M5            | stone grey                          |        |     |          |     | BCB            | black/stone grey                    |        |     |              |
|     | 9C6            | sand beige                          |        |     |          |     | FSP            | carrera red                         | 08-    |     |              |
|     | 9D7            | sea blue                            |        |     |          | (1) | 997 555 201 05 | door trim panel<br>leather          | /LL/L  | 1   | I098/490/981 |
|     | 9E8            | palmgreen                           | -07    |     |          |     | FSA            | black                               |        |     |              |
| (1) | 997 555 201 26 | door trim panel<br>slush technology | /RL/L  | 1   | I099/490 |     | FSB            | stone grey                          |        |     |              |
|     | 9L4            | black                               |        |     |          |     | FSC            | sand beige                          |        |     |              |
|     |                |                                     |        |     |          |     | FSD            | sea blue                            |        |     |              |

|       |      |    |    |              |              |     |       |            |         |     |         |
|-------|------|----|----|--------------|--------------|-----|-------|------------|---------|-----|---------|
| Model | Year | MG | SG | Illustration | Restrictions | UPD | 12:17 | 24.01.2010 | PORSCHE | PET | PORSCHE |
| 987C  | 2008 | 8  | 07 | 807-10       |              | 248 |       |            |         |     |         |

| Pos | Part Number    | Description             | Remark | Qty | Model        | Pos | Part Number    | Description             | Remark | Qty | Model        |
|-----|----------------|-------------------------|--------|-----|--------------|-----|----------------|-------------------------|--------|-----|--------------|
|     | FSE            | palmgreen               | -07    |     |              |     | FSJ            | brown/natural           |        |     |              |
|     | FSF            | terracotta              |        |     |              |     | BCB            | black/stone grey        |        |     |              |
|     | FSG            | cocoa                   |        |     |              |     | FSP            | carrera red             | 08-    |     |              |
|     | FSH            | dark grey/natural       |        |     |              | (1) | 997 555 201 09 | door trim panel leather | /LL/L  | 1   | I098/680/981 |
|     | FSJ            | brown/natural           |        |     |              |     | FSA            | black                   |        |     |              |
|     | BCB            | black/stone grey        |        |     |              |     | FSB            | stone grey              |        |     |              |
|     | FSP            | carrera red             | 08-    |     |              |     | FSC            | sand beige              |        |     |              |
| (1) | 997 555 201 07 | door trim panel leather | /LL/L  | 1   | I537/981     |     | FSD            | sea blue                |        |     |              |
|     | FSA            | black                   |        |     |              |     | FSE            | palmgreen               | -07    |     |              |
|     | FSB            | stone grey              |        |     |              |     | FSF            | terracotta              |        |     |              |
|     | FSC            | sand beige              |        |     |              |     | FSG            | cocoa                   |        |     |              |
|     | FSD            | sea blue                |        |     |              |     | FSH            | dark grey/natural       |        |     |              |
|     | FSE            | palmgreen               | -07    |     |              |     | FSJ            | brown/natural           |        |     |              |
|     | FSF            | terracotta              |        |     |              |     | BCB            | black/stone grey        |        |     |              |
|     | FSG            | cocoa                   |        |     |              |     | FSP            | carrera red             | 08-    |     |              |
|     | FSH            | dark grey/natural       |        |     |              | (1) | 997 555 201 11 | door trim panel leather | /LL/L  | 1   | I537/680/981 |
|     | FSJ            | brown/natural           |        |     |              |     | FSA            | black                   |        |     |              |
|     | BCB            | black/stone grey        |        |     |              |     | FSB            | stone grey              |        |     |              |
|     | FSP            | carrera red             | 08-    |     |              |     | FSC            | sand beige              |        |     |              |
| (1) | 997 555 201 07 | door trim panel leather | /LL/L  | 1   | I490/537/981 |     | FSD            | sea blue                |        |     |              |
|     | FSA            | black                   |        |     |              |     | FSE            | palmgreen               | -07    |     |              |
|     | FSB            | stone grey              |        |     |              |     | FSF            | terracotta              |        |     |              |
|     | FSC            | sand beige              |        |     |              |     | FSG            | cocoa                   |        |     |              |
|     | FSD            | sea blue                |        |     |              |     | FSH            | dark grey/natural       |        |     |              |
|     | FSE            | palmgreen               | -07    |     |              |     | FSJ            | brown/natural           |        |     |              |
|     | FSF            | terracotta              |        |     |              |     | BCB            | black/stone grey        |        |     |              |
|     | FSG            | cocoa                   |        |     |              |     | FSP            | carrera red             | 08-    |     |              |
|     | FSH            | dark grey/natural       |        |     |              |     |                |                         |        |     |              |

|       |      |    |    |              |              |     |       |            |         |     |         |
|-------|------|----|----|--------------|--------------|-----|-------|------------|---------|-----|---------|
| Model | Year | MG | SG | Illustration | Restrictions | UPD | 12:17 | 24.01.2010 | PORSCHE | PET | PORSCHE |
| 987C  | 2008 | 8  | 07 | 807-10       |              | 248 |       |            |         |     |         |

| Pos | Part Number    | Description                | Remark | Qty | Model        | Pos | Part Number    | Description       | Remark | Qty | Model        |
|-----|----------------|----------------------------|--------|-----|--------------|-----|----------------|-------------------|--------|-----|--------------|
| (1) | 997 555 202 27 | door trim panel<br>leather | /LL/R  | 1   | I098/981     |     | FSC            | sand beige        |        |     |              |
|     | FSA            | black                      |        |     |              |     | FSD            | sea blue          |        |     |              |
|     | FSB            | stone grey                 |        |     |              |     | FSE            | palmgreen         | -07    |     |              |
|     | FSC            | sand beige                 |        |     |              |     | FSF            | terracotta        |        |     |              |
|     | FSD            | sea blue                   |        |     |              |     | FSG            | cocoa             |        |     |              |
|     | FSE            | palmgreen                  | -07    |     |              |     | FSH            | dark grey/natural |        |     |              |
|     | FSF            | terracotta                 |        |     |              |     | FSJ            | brown/natural     |        |     |              |
|     | FSG            | cocoa                      |        |     |              |     | BCB            | black/stone grey  |        |     |              |
|     | FSH            | dark grey/natural          |        |     |              |     | FSP            | carrera red       | 08-    |     |              |
|     | FSJ            | brown/natural              |        |     |              | (1) | 997 555 202 05 | door trim panel   | /RL/R  | 1   | I099/981     |
|     | BCB            | black/stone grey           |        |     |              |     | FSA            | black             |        |     |              |
|     | FSP            | carrera red                | 08-    |     |              |     | FSB            | stone grey        |        |     |              |
| (1) | 997 555 202 27 | door trim panel<br>leather | /LL/R  | 1   | I098/490/981 |     | FSC            | sand beige        |        |     |              |
|     | FSA            | black                      |        |     |              |     | FSD            | sea blue          |        |     |              |
|     | FSB            | stone grey                 |        |     |              |     | FSE            | palmgreen         | -07    |     |              |
|     | FSC            | sand beige                 |        |     |              |     | FSF            | terracotta        |        |     |              |
|     | FSD            | sea blue                   |        |     |              |     | FSG            | cocoa             |        |     |              |
|     | FSE            | palmgreen                  | -07    |     |              |     | FSH            | dark grey/natural |        |     |              |
|     | FSF            | terracotta                 |        |     |              |     | FSJ            | brown/natural     |        |     |              |
|     | FSG            | cocoa                      |        |     |              |     | BCB            | black/stone grey  |        |     |              |
|     | FSH            | dark grey/natural          |        |     |              | (1) | 997 555 202 05 | door trim panel   | /RL/R  | 1   | I099/490/981 |
|     | FSJ            | brown/natural              |        |     |              |     | FSA            | black             |        |     |              |
|     | BCB            | black/stone grey           |        |     |              |     | FSB            | stone grey        |        |     |              |
|     | FSP            | carrera red                | 08-    |     |              |     | FSC            | sand beige        |        |     |              |
| (1) | 997 555 202 29 | door trim panel<br>leather | /LL/R  | 1   | I098/680/981 |     | FSD            | sea blue          |        |     |              |
|     | FSA            | black                      |        |     |              |     | FSE            | palmgreen         | -07    |     |              |
|     | FSB            | stone grey                 |        |     |              |     | FSF            | terracotta        |        |     |              |
|     |                |                            |        |     |              |     | FSG            | cocoa             |        |     |              |



|       |      |    |    |              |              |     |       |            |         |     |         |
|-------|------|----|----|--------------|--------------|-----|-------|------------|---------|-----|---------|
| Model | Year | MG | SG | Illustration | Restrictions | UPD | 12:17 | 24.01.2010 | PORSCHE | PET | PORSCHE |
| 987C  | 2008 | 8  | 07 | 807-10       |              | 248 |       |            |         |     |         |

| Pos | Part Number    | Description           | Remark | Qty | Model        | Pos | Part Number           | Description     | Remark | Qty | Model        |
|-----|----------------|-----------------------|--------|-----|--------------|-----|-----------------------|-----------------|--------|-----|--------------|
|     |                | FSH dark grey/natural |        |     |              |     | FSA black             |                 |        |     |              |
|     |                | FSJ brown/natural     |        |     |              |     | FSB stone grey        |                 |        |     |              |
|     |                | BCB black/stone grey  |        |     |              |     | FSC sand beige        |                 |        |     |              |
|     |                | FSP carrera red       | 08-    |     |              |     | FSD sea blue          |                 |        |     |              |
| (1) | 997 555 202 07 | door trim panel       | /RL/R  | 1   | I538/981     |     | FSE palmgreen         |                 | -07    |     |              |
|     |                | FSA black             |        |     |              |     | FSF terracotta        |                 |        |     |              |
|     |                | FSB stone grey        |        |     |              |     | FSG cocoa             |                 |        |     |              |
|     |                | FSC sand beige        |        |     |              |     | FSH dark grey/natural |                 |        |     |              |
|     |                | FSD sea blue          |        |     |              |     | FSJ brown/natural     |                 |        |     |              |
|     |                | FSE palmgreen         | -07    |     |              |     | BCB black/stone grey  |                 |        |     |              |
|     |                | FSF terracotta        |        |     |              |     | FSP carrera red       | 08-             |        |     |              |
|     |                | FSG cocoa             |        |     |              | (1) | 997 555 202 11        | door trim panel | /RL/R  | 1   | I538/680/981 |
|     |                | FSH dark grey/natural |        |     |              |     | FSA black             |                 |        |     |              |
|     |                | FSJ brown/natural     |        |     |              |     | FSB stone grey        |                 |        |     |              |
|     |                | BCB black/stone grey  |        |     |              |     | FSC sand beige        |                 |        |     |              |
|     |                | FSP carrera red       | 08-    |     |              |     | FSD sea blue          |                 |        |     |              |
| (1) | 997 555 202 07 | door trim panel       | /RL/R  | 1   | I490/538/981 |     | FSE palmgreen         |                 | -07    |     |              |
|     |                | FSA black             |        |     |              |     | FSF terracotta        |                 |        |     |              |
|     |                | FSB stone grey        |        |     |              |     | FSG cocoa             |                 |        |     |              |
|     |                | FSC sand beige        |        |     |              |     | FSH dark grey/natural |                 |        |     |              |
|     |                | FSD sea blue          |        |     |              |     | FSJ brown/natural     |                 |        |     |              |
|     |                | FSE palmgreen         | -07    |     |              |     | BCB black/stone grey  |                 |        |     |              |
|     |                | FSF terracotta        |        |     |              |     | FSP carrera red       | 08-             |        |     |              |
|     |                | FSG cocoa             |        |     |              | (1) | 997 555 201 27        | door trim panel | /RL/L  | 1   | I099/981     |
|     |                | FSH dark grey/natural |        |     |              |     | FSA black             |                 |        |     |              |
|     |                | FSJ brown/natural     |        |     |              |     | FSB stone grey        |                 |        |     |              |
|     |                | BCB black/stone grey  |        |     |              |     | FSC sand beige        |                 |        |     |              |
|     |                | FSP carrera red       | 08-    |     |              |     | FSD sea blue          |                 |        |     |              |
| (1) | 997 555 202 09 | door trim panel       | /RL/R  | 1   | I099/680/981 |     | FSE palmgreen         |                 | -07    |     |              |

|       |      |    |    |              |              |     |       |            |         |     |         |
|-------|------|----|----|--------------|--------------|-----|-------|------------|---------|-----|---------|
| Model | Year | MG | SG | Illustration | Restrictions | UPD | 12:17 | 24.01.2010 | PORSCHE | PET | PORSCHE |
| 987C  | 2008 | 8  | 07 | 807-10       |              | 248 |       |            |         |     |         |

| Pos | Part Number    | Description                | Remark | Qty | Model        | Pos | Part Number    | Description  | Remark | Qty | Model          |
|-----|----------------|----------------------------|--------|-----|--------------|-----|----------------|--|--------|-----|----------------|
|     | FSF            | terracotta                 |        |     |              |     | BCB            | black/stone grey   |        |     |                |
|     | FSG            | cocoa                      |        |     |              |     | FSP            | carrera red  | 08-    |     |                |
|     | FSH            | dark grey/natural          |        |     |              | 2   | 999 507 533 02 | clamp<br>8,0 X 10/2,5  |        | 2   |                |
|     | FSJ            | brown/natural              |        |     |              | 3   | 955 555 243 00 | fixing clip  |        | 9   |                |
|     | BCB            | black/stone grey           |        |     |              | 4   | 999 073 322 02 | oval-head screw<br>6 X 20<br>for<br>mount<br>door trim panel |        | 5   |                |
| (1) | 997 555 201 27 | door trim panel            | /RL/L  | 1   | I099/490/981 |     |                |  |        |     |                |
|     | FSA            | black                      |        |     |              | 5   | 987 555 221 01 | lid  | /L     | 1   | CAYMAN         |
|     | FSB            | stone grey                 |        |     |              |     | 1MZ            | black  |        |     |                |
|     | FSC            | sand beige                 |        |     |              |     | 1YP            | stone grey   |        |     |                |
|     | FSD            | sea blue                   |        |     |              |     | 1TK            | sand beige   |        |     |                |
|     | FSE            | palmgreen                  |        |     |              |     | 1VM            | sea blue   |        |     |                |
|     | FSF            | terracotta                 |        |     |              |     | 1UL            | palmgreen  | -07    |     |                |
|     | FSG            | cocoa                      |        |     |              | (5) | 987 555 222 01 | lid<br>shelf   | /R     | 1   | CAYMAN         |
|     | FSH            | dark grey/natural          |        |     |              |     | 1MZ            | black  |        |     |                |
|     | FSJ            | brown/natural              |        |     |              |     | 1YP            | stone grey   |        |     |                |
|     | BCB            | black/stone grey           |        |     |              |     | 1TK            | sand beige   |        |     |                |
| (1) | 997 555 201 29 | door trim panel<br>leather | /RL/L  | 1   | I099/680/981 |     |                |  |        |     |                |
|     | FSA            | black                      |        |     |              |     | 1VM            | sea blue   |        |     |                |
|     | FSB            | stone grey                 |        |     |              |     | 1UL            | palmgreen  | -07    |     |                |
|     | FSC            | sand beige                 |        |     |              | (5) | 997 555 221 01 | lid<br>shelf   | /L     | 1   | CAYMAN<br>I981 |
|     | FSD            | sea blue                   |        |     |              |     | FSA            | black  |        |     |                |
|     | FSE            | palmgreen/palmgreen        |        |     |              |     | FSB            | stone grey   |        |     |                |
|     | FSF            | terracotta                 |        |     |              |     | FSC            | sand beige   |        |     |                |
|     | FSG            | cocoa                      |        |     |              |     | FSD            | sea blue   |        |     |                |
|     | FSH            | dark grey/natural          |        |     |              |     | FSE            | palmgreen  | -07    |     |                |
|     | FSJ            | brown/natural              |        |     |              |     | FSF            | terracotta   |        |     |                |
|     |                |                            |        |     |              |     | FSG            | cocoa/cocoa  |        |     |                |

|       |      |    |    |              |              |     |       |            |         |     |         |
|-------|------|----|----|--------------|--------------|-----|-------|------------|---------|-----|---------|
| Model | Year | MG | SG | Illustration | Restrictions | UPD | 12:17 | 24.01.2010 | PORSCHE | PET | PORSCHE |
| 987C  | 2008 | 8  | 07 | 807-10       |              | 248 |       |            |         |     |         |

| Pos | Part Number    | Description           | Remark | Qty | Model       | Pos | Part Number    | Description           | Remark | Qty | Model |
|-----|----------------|-----------------------|--------|-----|-------------|-----|----------------|-----------------------|--------|-----|-------|
|     |                | FSH dark grey/natural |        |     |             |     |                | FSB stone grey        |        |     |       |
|     |                | FSJ brown/natural     |        |     |             |     |                | FSC sand beige        |        |     |       |
|     |                | FSP carrera red       | 08-    |     |             |     |                | FSD sea blue          |        |     |       |
| (5) | 997 555 221 01 | lid shelf             | /L     | 1   | CAYMAN S    |     |                | FSE palmgreen         | -07    |     |       |
|     |                | FSA black             |        |     |             |     |                | FSF terracotta        |        |     |       |
|     |                | FSB stone grey        |        |     |             |     |                | FSG cocoa/cocoa       |        |     |       |
|     |                | FSC sand beige        |        |     |             |     |                | FSH dark grey/natural |        |     |       |
|     |                | FSD sea blue          |        |     |             |     |                | FSJ brown/natural     |        |     |       |
|     |                | FSE palmgreen         | -07    |     |             |     |                | FSP carrera red       | 08-    |     |       |
|     |                | FSF terracotta        |        |     |             | (5) | 997 555 989 00 | lid shelf carbon      | /L     | 1   | IXTL  |
|     |                | FSG cocoa/cocoa       |        |     |             |     |                | A35 black             |        |     |       |
|     |                | FSH dark grey/natural |        |     |             | (5) | 997 555 990 00 | lid shelf carbon      | /R     | 1   | IXTL  |
|     |                | FSJ brown/natural     |        |     |             |     |                | A35 black             |        |     |       |
| (5) | 997 555 222 01 | lid shelf             | /R     | 1   | CAYMAN I981 | (5) | 997 555 989 01 | lid shelf             | /L     | 1   | IXTU  |
|     |                | FSA black             |        |     |             |     |                | S62 sycamore wood     |        |     |       |
|     |                | FSB stone grey        |        |     |             | (5) | 997 555 990 01 | lid shelf             | /R     | 1   | IXTU  |
|     |                | FSC sand beige        |        |     |             |     |                | S62 sycamore wood     |        |     |       |
|     |                | FSD sea blue          |        |     |             | (5) | 997 555 989 02 | lid shelf             | /L     | 1   | IXTT  |
|     |                | FSE palmgreen         | -07    |     |             |     |                | S61 macassar          |        |     |       |
|     |                | FSF terracotta        |        |     |             | (5) | 997 555 990 02 | lid shelf             | /R     | 1   | IXTT  |
|     |                | FSG cocoa/cocoa       |        |     |             |     |                | S61 macassar          |        |     |       |
|     |                | FSH dark grey/natural |        |     |             | (5) | 997 555 989 03 | lid shelf             | /L     | 1   | IXTW  |
|     |                | FSJ brown/natural     |        |     |             |     |                | V04 galvano silver    |        |     |       |
|     |                | FSP carrera red       | 08-    |     |             | (5) | 997 555 990 03 | lid shelf             | /R     | 1   | IXTW  |
| (5) | 997 555 222 01 | lid shelf             | /R     | 1   | CAYMAN S    |     |                |                       |        |     |       |
|     |                | FSA black             |        |     |             |     |                |                       |        |     |       |

|       |      |    |    |              |              |     |       |            |         |     |         |
|-------|------|----|----|--------------|--------------|-----|-------|------------|---------|-----|---------|
| Model | Year | MG | SG | Illustration | Restrictions | UPD | 12:17 | 24.01.2010 | PORSCHE | PET | PORSCHE |
| 987C  | 2008 | 8  | 07 | 807-10       |              | 248 |       |            |         |     |         |

| Pos | Part Number    | Description                           | Remark | Qty | Model       | Pos | Part Number    | Description       | Remark | Qty | Model       |
|-----|----------------|---------------------------------------|--------|-----|-------------|-----|----------------|-------------------|--------|-----|-------------|
|     | V04            | galvano silver                        |        |     |             |     | FSG            | cocoa             |        |     |             |
| 6   | 997 555 833 00 | steering knuckle spring for lid shelf | /L     | 1   |             |     | FSH            | dark grey/natural |        |     |             |
| (6) | 997 555 834 00 | steering knuckle spring for lid shelf | /R     | 1   |             |     | FSJ            | brown/natural     |        |     |             |
| 7   | 997 555 841 00 | damper shelf                          |        | 1   |             |     | FSP            | carrera red       | 08-    |     |             |
| 8   | 987 555 271 01 | handle upper part                     | /L     | 1   | CAYMAN      | (8) | 987 555 271 02 | handle upper part | /L     | 1   | CAYMAN S    |
|     | A11            | black                                 |        |     |             |     | FSA            | black             |        |     |             |
|     | 5X6            | stone grey                            |        |     |             |     | FSB            | stone grey        |        |     |             |
|     | 8G2            | sand beige                            |        |     |             |     | FSC            | sand beige        |        |     |             |
|     | 3S9            | sea blue                              |        |     |             |     | FSD            | sea blue          |        |     |             |
|     | 4P2            | palmgreen                             |        |     |             |     | FSE            | palmgreen         | -07    |     |             |
| (8) | 987 555 272 01 | handle upper part                     | /R     | 1   | CAYMAN      |     | FSF            | terracotta        |        |     |             |
|     | A11            | black                                 |        |     |             |     | FSG            | cocoa             |        |     |             |
|     | 5X6            | stone grey                            |        |     |             |     | FSH            | dark grey/natural |        |     |             |
|     | 8G2            | sand beige                            |        |     |             |     | FSJ            | brown/natural     |        |     |             |
|     | 3S9            | sea blue                              |        |     |             |     | FSP            | carrera red       | 08-    |     |             |
|     | 4P2            | palmgreen                             |        |     |             | (8) | 987 555 272 02 | handle upper part | /R     | 1   | CAYMAN I981 |
|     |                |                                       |        |     |             |     | FSA            | black             |        |     |             |
|     |                |                                       |        |     |             |     | FSB            | stone grey        |        |     |             |
|     |                |                                       |        |     |             |     | FSC            | sand beige        |        |     |             |
|     |                |                                       |        |     |             |     | FSD            | sea blue          |        |     |             |
| (8) | 987 555 271 02 | handle upper part                     | /L     | 1   | CAYMAN I981 |     | FSE            | palmgreen         | -07    |     |             |
|     | FSA            | black                                 |        |     |             |     | FSF            | terracotta        |        |     |             |
|     | FSB            | stone grey                            |        |     |             |     | FSG            | cocoa             |        |     |             |
|     | FSC            | sand beige                            |        |     |             |     | FSH            | dark grey/natural |        |     |             |
|     | FSD            | sea blue                              |        |     |             |     | FSJ            | brown/natural     |        |     |             |
|     | FSE            | palmgreen                             |        |     |             |     | FSP            | carrera red       | 08-    |     |             |
|     | FSF            | terracotta                            |        |     |             | (8) | 987 555 272 02 | handle upper part | /R     | 1   | CAYMAN S    |

|       |      |    |    |              |              |     |       |            |         |     |         |
|-------|------|----|----|--------------|--------------|-----|-------|------------|---------|-----|---------|
| Model | Year | MG | SG | Illustration | Restrictions | UPD | 12:17 | 24.01.2010 | PORSCHE | PET | PORSCHE |
| 987C  | 2008 | 8  | 07 | 807-10       |              | 248 |       |            |         |     |         |

| Pos | Part Number    | Description       | Remark | Qty | Model | Pos | Part Number    | Description       | Remark | Qty | Model |
|-----|----------------|-------------------|--------|-----|-------|-----|----------------|-------------------|--------|-----|-------|
|     | FSA            | black             |        |     |       |     | 9V6            | cocoa             |        |     |       |
|     | FSB            | stone grey        |        |     |       |     | D12            | dark grey/natural |        |     |       |
|     | FSC            | sand beige        |        |     |       |     | T12            | brown/natural     |        |     |       |
|     | FSD            | sea blue          |        |     |       |     | N12            | carrera red       | 08-    |     |       |
|     | FSE            | palmgreen         | -07    |     |       | (8) | 987 555 987 01 | handle upper part | /L     | 1   | IXTU  |
|     | FSF            | terracotta        |        |     |       |     | A11            | black             |        |     |       |
|     | FSG            | cocoa             |        |     |       |     | 5X6            | stone grey        |        |     |       |
|     | FSH            | dark grey/natural |        |     |       |     | 8G2            | sand beige        |        |     |       |
|     | FSJ            | brown/natural     |        |     |       |     | 3S9            | sea blue          |        |     |       |
|     | FSP            | carrera red       | 08-    |     |       |     | 4P2            | palmgreen         | -07    |     |       |
| (8) | 987 555 987 00 | handle upper part | /L     | 1   | IXTL  |     | 9S5            | terracotta        |        |     |       |
|     | A11            | black             |        |     |       |     | 9V6            | cocoa             |        |     |       |
|     | 5X6            | stone grey        |        |     |       |     | D12            | dark grey/natural |        |     |       |
|     | 8G2            | sand beige        |        |     |       |     | T12            | brown/natural     |        |     |       |
|     | 3S9            | sea blue          |        |     |       |     | N12            | carrera red       | 08-    |     |       |
|     | 4P2            | palmgreen         | -07    |     |       | (8) | 987 555 988 01 | handle upper part | /R     | 1   | IXTU  |
|     | 9S5            | terracotta        |        |     |       |     | A11            | black             |        |     |       |
|     | 9V6            | cocoa             |        |     |       |     | 5X6            | stone grey        |        |     |       |
|     | D12            | dark grey/natural |        |     |       |     | 8G2            | sand beige        |        |     |       |
|     | T12            | brown/natural     |        |     |       |     | 3S9            | sea blue          |        |     |       |
|     | N12            | carrera red       | 08-    |     |       |     | 4P2            | palmgreen         | -07    |     |       |
| (8) | 987 555 988 00 | handle upper part | /R     | 1   | IXTL  |     | 9S5            | terracotta        |        |     |       |
|     | A11            | black             |        |     |       |     | 9V6            | cocoa             |        |     |       |
|     | 5X6            | stone grey        |        |     |       |     | D12            | dark grey/natural |        |     |       |
|     | 8G2            | sand beige        |        |     |       |     | T12            | brown/natural     |        |     |       |
|     | 3S9            | sea blue          |        |     |       |     | N12            | carrera red       | 08-    |     |       |
|     | 4P2            | palmgreen         | -07    |     |       | (8) | 987 555 987 02 | handle upper part | /L     | 1   | IXTT  |
|     | 9S5            | terracotta        |        |     |       |     |                |                   |        |     |       |

|       |      |    |    |              |              |     |       |            |         |     |         |
|-------|------|----|----|--------------|--------------|-----|-------|------------|---------|-----|---------|
| Model | Year | MG | SG | Illustration | Restrictions | UPD | 12:17 | 24.01.2010 | PORSCHE | PET | PORSCHE |
| 987C  | 2008 | 8  | 07 | 807-10       |              | 248 |       |            |         |     |         |

| Pos | Part Number    | Description       | Remark | Qty | Model | Pos | Part Number    | Description       | Remark | Qty | Model |
|-----|----------------|-------------------|--------|-----|-------|-----|----------------|-------------------|--------|-----|-------|
|     | A11            | black             |        |     |       |     | 9V6            | cocoa             |        |     |       |
|     | 5X6            | stone grey        |        |     |       |     | D12            | dark grey/natural |        |     |       |
|     | 8G2            | sand beige        |        |     |       |     | T12            | brown/natural     |        |     |       |
|     | 3S9            | sea blue          |        |     |       |     | N12            | carrera red       | 08-    |     |       |
|     | 4P2            | palmgreen         | -07    |     |       | (8) | 987 555 988 03 | handle upper part | /R     | 1   | IXTW  |
|     | 9S5            | terracotta        |        |     |       |     | A11            | black             |        |     |       |
|     | 9V6            | cocoa             |        |     |       |     | 5X6            | stone grey        |        |     |       |
|     | D12            | dark grey/natural |        |     |       |     | 8G2            | sand beige        |        |     |       |
|     | T12            | brown/natural     |        |     |       |     | 3S9            | sea blue          |        |     |       |
|     | N12            | carrera red       | 08-    |     |       |     | 4P2            | palmgreen         | -07    |     |       |
| (8) | 987 555 988 02 | handle upper part | /R     | 1   | IXTT  |     | 9S5            | terracotta        |        |     |       |
|     | A11            | black             |        |     |       |     | 9V6            | cocoa             |        |     |       |
|     | 5X6            | stone grey        |        |     |       |     | D12            | dark grey/natural |        |     |       |
|     | 8G2            | sand beige        |        |     |       |     | T12            | brown/natural     |        |     |       |
|     | 3S9            | sea blue          |        |     |       |     | N12            | carrera red       | 08-    |     |       |
|     | 4P2            | palmgreen         | -07    |     |       | 9   | 999 591 380 01 | cable clamp       |        | 4   |       |
|     | 9S5            | terracotta        |        |     |       | 10  | 987 555 261 01 | handle lower part | /L     | 1   |       |
|     | 9V6            | cocoa             |        |     |       |     | A11            | black             |        |     |       |
|     | D12            | dark grey/natural |        |     |       |     | 5X6            | stone grey        |        |     |       |
|     | T12            | brown/natural     |        |     |       |     | 8G2            | sand beige        |        |     |       |
|     | N12            | carrera red       | 08-    |     |       |     | 3S9            | sea blue          |        |     |       |
| (8) | 987 555 987 03 | handle upper part | /L     | 1   | IXTW  |     | 4P2            | palmgreen         | -07    |     |       |
|     | A11            | black             |        |     |       |     | 9S5            | terracotta        |        |     |       |
|     | 5X6            | stone grey        |        |     |       |     | 9V6            | cocoa             |        |     |       |
|     | 8G2            | sand beige        |        |     |       |     | D12            | dark grey/natural |        |     |       |
|     | 3S9            | sea blue          |        |     |       |     | T12            | brown/natural     |        |     |       |
|     | 4P2            | palmgreen         | -07    |     |       |     | N12            | carrera red       | 08-    |     |       |
|     | 9S5            | terracotta        |        |     |       |     |                |                   |        |     |       |

|       |      |    |    |              |              |     |       |            |         |     |         |
|-------|------|----|----|--------------|--------------|-----|-------|------------|---------|-----|---------|
| Model | Year | MG | SG | Illustration | Restrictions | UPD | 12:17 | 24.01.2010 | PORSCHE | PET | PORSCHE |
| 987C  | 2008 | 8  | 07 | 807-10       |              | 248 |       |            |         |     |         |

| Pos  | Part Number    | Description   | Remark | Qty | Model | Pos  | Part Number    | Description  | Remark | Qty | Model |
|------|----------------|---|--------|-----|-------|------|----------------|--|--------|-----|-------|
| (10) | 987 555 262 01 | handle<br>lower part  | /R     | 1   |       | 16   | 997 555 683 00 | cap<br>airbag                                      | /L     | 1   |       |
|      | A11            | black   |        |     |       |      | A03            | black  |        |     |       |
|      | 5X6            | stone grey  |        |     |       |      | 5V7            | stone grey   |        |     |       |
|      | 8G2            | sand beige  |        |     |       |      | 5Z1            | sand beige   |        |     |       |
|      | 3S9            | sea blue  |        |     |       |      | 8W7            | sea blue   |        |     |       |
|      | 4P2            | palmgreen   |        | -07 |       |      | 5Y2            | palmgreen  |        | -07 |       |
|      | 9S5            | terracotta  |        |     |       |      | 8X8            | terracotta   |        |     |       |
|      | 9V6            | cocoa   |        |     |       |      | 8P9            | cocoa  |        |     |       |
|      | D12            | dark grey/natural   |        |     |       |      | T13            | brown/natural                                      |        |     |       |
|      | T12            | brown/natural   |        |     |       |      | N23            | carrera red  |        | 08- |       |
|      | N12            | carrera red   |        | 08- |       | (16) | 997 555 684 00 | cap<br>airbag                                      | /R     | 1   |       |
| 11   | 999 919 229 02 | oval-head screw<br>6,0 X 40,0<br>for<br>mount<br>handle           |        | 2   |       |      | A03            | black  |        |     |       |
|      |                |   |        |     |       |      | 5V7            | stone grey   |        |     |       |
| 12   | 997 555 381 02 | axle bearing  | /L     | 1   |       |      | 5Z1            | sand beige   |        |     |       |
| (12) | 997 555 382 02 | axle bearing  | /R     | 1   |       |      | 8W7            | sea blue   |        |     |       |
| 13   | 999 919 164 09 | oval-head screw<br>5 X 12<br>for<br>mount<br>axle bearing         |        | 3   |       |      | 5Y2            | palmgreen  |        | -07 |       |
|      |                |   |        |     |       |      | 8X8            | terracotta   |        |     |       |
|      |                |   |        |     |       |      | 8P9            | cocoa  |        |     |       |
| 14   | 997 555 461 01 | lever<br>door opener  | /L     | 1   |       |      | T13            | brown/natural                                      |        |     |       |
|      | V05            | galvano silver  |        |     |       |      | N23            | carrera red  |        | 08- |       |
| (14) | 997 555 462 01 | lever<br>door opener  | /R     | 1   |       | 17   | 997 555 685 02 | cover<br>door mirror<br>driver's side<br>lacquered | /LL/L  | 1   | I098  |
|      | V05            | galvano silver  |        |     |       |      | A03            | black  |        |     |       |
| 15   | 999 919 164 09 | oval-head screw<br>5 X 12<br>for<br>mount<br>lever<br>door opener |        | 1   |       |      | 5V7            | stone grey   |        |     |       |
|      |                |   |        |     |       |      | 5Z1            | sand beige   |        |     |       |
|      |                |   |        |     |       |      | 8W7            | sea blue   |        |     |       |
|      |                |   |        |     |       |      | 5Y2            | palmgreen  |        | -07 |       |

|       |      |    |    |              |              |     |       |            |         |     |         |
|-------|------|----|----|--------------|--------------|-----|-------|------------|---------|-----|---------|
| Model | Year | MG | SG | Illustration | Restrictions | UPD | 12:17 | 24.01.2010 | PORSCHE | PET | PORSCHE |
| 987C  | 2008 | 8  | 07 | 807-10       |              | 248 |       |            |         |     |         |

| Pos  | Part Number    | Description   | Remark | Qty | Model | Pos  | Part Number    | Description   | Remark | Qty | Model |
|------|----------------|---|--------|-----|-------|------|----------------|---|--------|-----|-------|
|      | 8X8            | terracotta  |        |     |       | (17) | 997 555 685 03 | cover<br>door mirror<br>passenger's side<br>lacquered | /RL/L  | 1   | I099  |
|      | 8P9            | cocoa   |        |     |       |      | A03            | black   |        |     |       |
|      | T13            | brown/natural   |        |     |       |      | 5V7            | stone grey  |        |     |       |
|      | N23            | carrera red   | 08-    |     |       |      | 5Z1            | sand beige  |        |     |       |
| (17) | 997 555 686 03 | cover<br>door mirror<br>driver's side<br>lacquered    | /RL/R  | 1   | I099  |      | 8W7            | sea blue  |        |     |       |
|      | A03            | black   |        |     |       |      | 5Y2            | palmgreen   | -07    |     |       |
|      | 5V7            | stone grey  |        |     |       |      | 8X8            | terracotta  |        |     |       |
|      | 5Z1            | sand beige  |        |     |       |      | 8P9            | cocoa   |        |     |       |
|      | 8W7            | sea blue  |        |     |       |      | T13            | brown/natural   |        |     |       |
|      | 5Y2            | palmgreen   | -07    |     |       |      | N23            | carrera red   | 08-    |     |       |
|      | 8X8            | terracotta  |        |     |       | 18   | 997 555 577 00 | cap<br>handle liner                                   |        | 1   |       |
|      | 8P9            | cocoa   |        |     |       |      | A03            | black   |        |     |       |
|      | T13            | brown/natural   |        |     |       |      | 5V7            | stone grey  |        |     |       |
|      | N23            | carrera red   | 08-    |     |       |      | 8W7            | sea blue  |        |     |       |
| (17) | 997 555 686 02 | cover<br>door mirror<br>passenger's side<br>lacquered | /LL/R  | 1   | I098  |      | 5Y2            | palmgreen   | -07    |     |       |
|      | A03            | black   |        |     |       |      | 8X8            | terracotta  |        |     |       |
|      | 5V7            | stone grey  |        |     |       |      | 8P9            | cocoa   |        |     |       |
|      | 5Z1            | sand beige  |        |     |       |      | T13            | brown/natural   |        |     |       |
|      | 8W7            | sea blue  |        |     |       |      | N23            | carrera red   | 08-    |     |       |
|      | 5Y2            | palmgreen   | -07    |     |       | 19   | 997 555 895 00 | plastic foam strip<br>for<br>woofer                   |        | 1   |       |
|      | 8X8            | terracotta  |        |     |       | 20   | 997 645 511 00 | logo  |        | 2   | I680  |
|      | 8P9            | cocoa   |        |     |       | 21   | 997 555 597 00 | spacer<br>lid hinge                                   |        | 2   |       |
|      | T13            | brown/natural   |        |     |       | 22   | 999 702 281 41 | grommet<br>axle bearing                               |        | 1   |       |
|      | N23            | carrera red   | 08-    |     |       | 23   | 997 555 351 03 | insert<br>handle liner<br>lacquered                   | /LL/L  | 1   | I098  |



|       |      |    |    |              |              |     |       |            |         |     |         |
|-------|------|----|----|--------------|--------------|-----|-------|------------|---------|-----|---------|
| Model | Year | MG | SG | Illustration | Restrictions | UPD | 12:17 | 24.01.2010 | PORSCHE | PET | PORSCHE |
| 987C  | 2008 | 8  | 07 | 807-10       |              | 248 |       |            |         |     |         |

| Pos  | Part Number    | Description                         | Remark | Qty | Model | Pos  | Part Number    | Description                         | Remark | Qty | Model    |
|------|----------------|-------------------------------------|--------|-----|-------|------|----------------|-------------------------------------|--------|-----|----------|
|      | A03            | black                               |        |     |       |      | T13            | brown/natural                       |        |     |          |
|      | 5V7            | stone grey                          |        |     |       |      | N23            | carrera red                         | 08-    |     |          |
|      | 5Z1            | sand beige                          |        |     |       | (23) | 997 555 351 04 | insert<br>handle liner<br>lacquered | /RL/L  | 1   | I099     |
|      | 8W7            | sea blue                            |        |     |       |      | A03            | black                               |        |     |          |
|      | 5Y2            | palmgreen                           | -07    |     |       |      | 5V7            | stone grey                          |        |     |          |
|      | 8X8            | terracotta                          |        |     |       |      | 5Z1            | sand beige                          |        |     |          |
|      | 8P9            | cocoa                               |        |     |       |      | 8W7            | sea blue                            |        |     |          |
|      | T13            | brown/natural                       |        |     |       |      | 5Y2            | palmgreen                           | -07    |     |          |
|      | N23            | carrera red                         | 08-    |     |       |      | 8X8            | terracotta                          |        |     |          |
| (23) | 997 555 352 03 | insert<br>handle liner<br>lacquered | /RL/R  | 1   | I099  |      | 8P9            | cocoa                               |        |     |          |
|      | A03            | black                               |        |     |       |      | T13            | brown/natural                       |        |     |          |
|      | 5V7            | stone grey                          |        |     |       |      | N23            | carrera red                         | 08-    |     |          |
|      | 5Z1            | sand beige                          |        |     |       | 23   | 997 555 985 00 | insert<br>handle liner<br>leather   | /LL/L  | 1   | IXTV/098 |
|      | 8W7            | sea blue                            |        |     |       |      | A11            | black                               |        |     |          |
|      | 5Y2            | palmgreen                           | -07    |     |       |      | 5X6            | stone grey                          |        |     |          |
|      | 8X8            | terracotta                          |        |     |       |      | 8G2            | sand beige                          |        |     |          |
|      | 8P9            | cocoa                               |        |     |       |      | 3S9            | sea blue                            |        |     |          |
|      | T13            | brown/natural                       |        |     |       |      | 4P2            | palmgreen                           | -07    |     |          |
|      | N23            | carrera red                         | 08-    |     |       |      | 9S5            | terracotta                          |        |     |          |
| (23) | 997 555 352 04 | insert<br>handle liner<br>lacquered | /LL/R  | 1   | I098  |      | 9V6            | cocoa                               |        |     |          |
|      | A03            | black                               |        |     |       |      | D12            | dark grey/natural                   |        |     |          |
|      | 5V7            | stone grey                          |        |     |       |      | T12            | brown/natural                       |        |     |          |
|      | 5Z1            | sand beige                          |        |     |       |      | N12            | carrera red                         | 08-    |     |          |
|      | 8W7            | sea blue                            |        |     |       | (23) | 997 555 986 01 | insert<br>handle liner<br>leather   | /RL/R  | 1   | IXTV/099 |
|      | 5Y2            | palmgreen                           | -07    |     |       |      | A11            | black                               |        |     |          |
|      | 8X8            | terracotta                          |        |     |       |      | 5X6            | stone grey                          |        |     |          |
|      | 8P9            | cocoa                               |        |     |       |      |                |                                     |        |     |          |

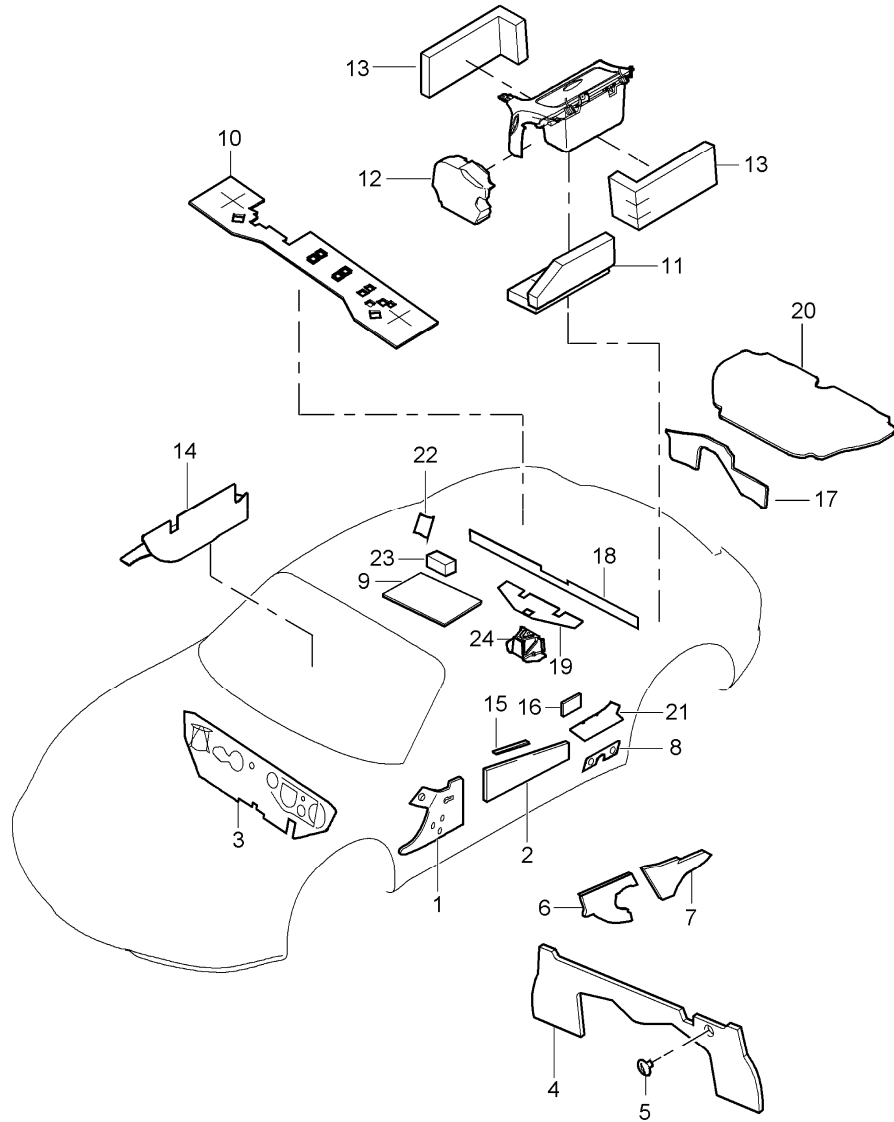
|       |      |    |    |              |              |     |       |            |         |     |         |
|-------|------|----|----|--------------|--------------|-----|-------|------------|---------|-----|---------|
| Model | Year | MG | SG | Illustration | Restrictions | UPD | 12:17 | 24.01.2010 | PORSCHE | PET | PORSCHE |
| 987C  | 2008 | 8  | 07 | 807-10       |              | 248 |       |            |         |     |         |

| Pos  | Part Number    | Description                       | Remark | Qty | Model    | Pos  | Part Number    | Description                      | Remark | Qty | Model    |
|------|----------------|-----------------------------------|--------|-----|----------|------|----------------|----------------------------------|--------|-----|----------|
|      | 8G2            | sand beige                        |        |     |          |      | D12            | dark grey/natural                |        |     |          |
|      | 3S9            | sea blue                          |        |     |          |      | T12            | brown/natural                    |        |     |          |
|      | 4P2            | palmgreen                         | -07    |     |          |      | N12            | carrera red                      | 08-    |     |          |
|      | 9S5            | terracotta                        |        |     |          | 23   | 997 555 985 03 | insert<br>handle liner<br>carbon | /LL/L  | 1   | IXTL/098 |
|      | 9V6            | cocoa                             |        |     |          |      | A35            | black                            |        |     |          |
|      | D12            | dark grey/natural                 |        |     |          | (23) | 997 555 986 04 | insert<br>handle liner<br>carbon | /RL/R  | 1   | IXTL/099 |
|      | T12            | brown/natural                     |        |     |          |      | A35            | black                            |        |     |          |
|      | N12            | carrera red                       | 08-    |     |          | (23) | 997 555 986 03 | insert<br>handle liner<br>carbon | /LL/R  | 1   | IXTL/098 |
| (23) | 997 555 986 00 | insert<br>handle liner<br>leather | /LL/R  | 1   | IXTV/098 |      | A35            | black                            |        |     |          |
|      | A11            | black                             |        |     |          |      | A35            | black                            |        |     |          |
|      | 5X6            | stone grey                        |        |     |          | (23) | 997 555 985 05 | insert<br>handle liner<br>carbon | /RL/L  | 1   | IXTL/099 |
|      | 8G2            | sand beige                        |        |     |          |      | A35            | black                            |        |     |          |
|      | 3S9            | sea blue                          |        |     |          | (23) | 997 555 985 06 | insert<br>handle liner           | /LL/L  | 1   | IXTU/098 |
|      | 4P2            | palmgreen                         | -07    |     |          |      | S62            | sycamore wood                    |        |     |          |
|      | 9S5            | terracotta                        |        |     |          | (23) | 997 555 986 07 | insert<br>handle liner           | /RL/R  | 1   | IXTU/099 |
|      | 9V6            | cocoa                             |        |     |          |      | S62            | sycamore wood                    |        |     |          |
|      | D12            | dark grey/natural                 |        |     |          | (23) | 997 555 986 06 | insert<br>handle liner           | /LL/R  | 1   | IXTU/098 |
|      | T12            | brown/natural                     |        |     |          |      | S62            | sycamore wood                    |        |     |          |
|      | N12            | carrera red                       | 08-    |     |          | (23) | 997 555 985 08 | insert<br>handle liner           | /RL/L  | 1   | IXTU/099 |
| (23) | 997 555 985 02 | insert<br>handle liner<br>leather | /RL/L  | 1   | IXTV/099 |      | S62            | sycamore wood                    |        |     |          |
|      | A11            | black                             |        |     |          | (23) | 997 555 985 09 | insert<br>handle liner           | /LL/L  | 1   | IXTT/098 |
|      | 5X6            | stone grey                        |        |     |          |      | S61            | macassar                         |        |     |          |
|      | 8G2            | sand beige                        |        |     |          | (23) | 997 555 986 10 | insert<br>handle liner           | /RL/R  | 1   | IXTT/099 |
|      | 3S9            | sea blue                          |        |     |          |      |                |                                  |        |     |          |
|      | 4P2            | palmgreen                         | -07    |     |          |      |                |                                  |        |     |          |
|      | 9S5            | terracotta                        |        |     |          |      |                |                                  |        |     |          |
|      | 9V6            | cocoa                             |        |     |          |      |                |                                  |        |     |          |

|       |      |    |    |              |              |     |       |            |         |     |         |
|-------|------|----|----|--------------|--------------|-----|-------|------------|---------|-----|---------|
| Model | Year | MG | SG | Illustration | Restrictions | UPD | 12:17 | 24.01.2010 | PORSCHE | PET | PORSCHE |
| 987C  | 2008 | 8  | 07 | 807-10       |              | 248 |       |            |         |     |         |

| Pos  | Part Number    | Description            | Remark | Qty | Model    | Pos | Part Number | Description | Remark | Qty | Model |
|------|----------------|------------------------|--------|-----|----------|-----|-------------|-------------|--------|-----|-------|
|      | S61            | macassar               |        |     |          |     |             |             |        |     |       |
| (23) | 997 555 986 09 | insert<br>handle liner | /LL/R  | 1   | IXTT/098 |     |             |             |        |     |       |
|      | S61            | macassar               |        |     |          |     |             |             |        |     |       |
| (23) | 997 555 985 11 | insert<br>handle liner | /RL/L  | 1   | IXTT/099 |     |             |             |        |     |       |
|      | S61            | macassar               |        |     |          |     |             |             |        |     |       |
| 23   | 997 555 985 12 | insert<br>handle liner | /LL/L  | 1   | IXTW/098 |     |             |             |        |     |       |
|      | V04            | galvano silver         |        |     |          |     |             |             |        |     |       |
| (23) | 997 555 986 13 | insert<br>handle liner | /RL/R  | 1   | IXTW/099 |     |             |             |        |     |       |
|      | V04            | galvano silver         |        |     |          |     |             |             |        |     |       |
| (23) | 997 555 986 12 | insert<br>handle liner | /LL/R  | 1   | IXTW/098 |     |             |             |        |     |       |
|      | V04            | galvano silver         |        |     |          |     |             |             |        |     |       |
| (23) | 997 555 985 14 | insert<br>handle liner | /RL/L  | 1   | IXTW/099 |     |             |             |        |     |       |
|      | V04            | galvano silver         |        |     |          |     |             |             |        |     |       |

|       |      |    |    |              |              |     |       |            |         |     |         |
|-------|------|----|----|--------------|--------------|-----|-------|------------|---------|-----|---------|
| Model | Year | MG | SG | Illustration | Restrictions | UPD | 12:17 | 24.01.2010 | PORSCHE | PET | PORSCHE |
| 987C  | 2008 | 8  | 07 | 807-15       |              | 248 |       |            |         |     |         |

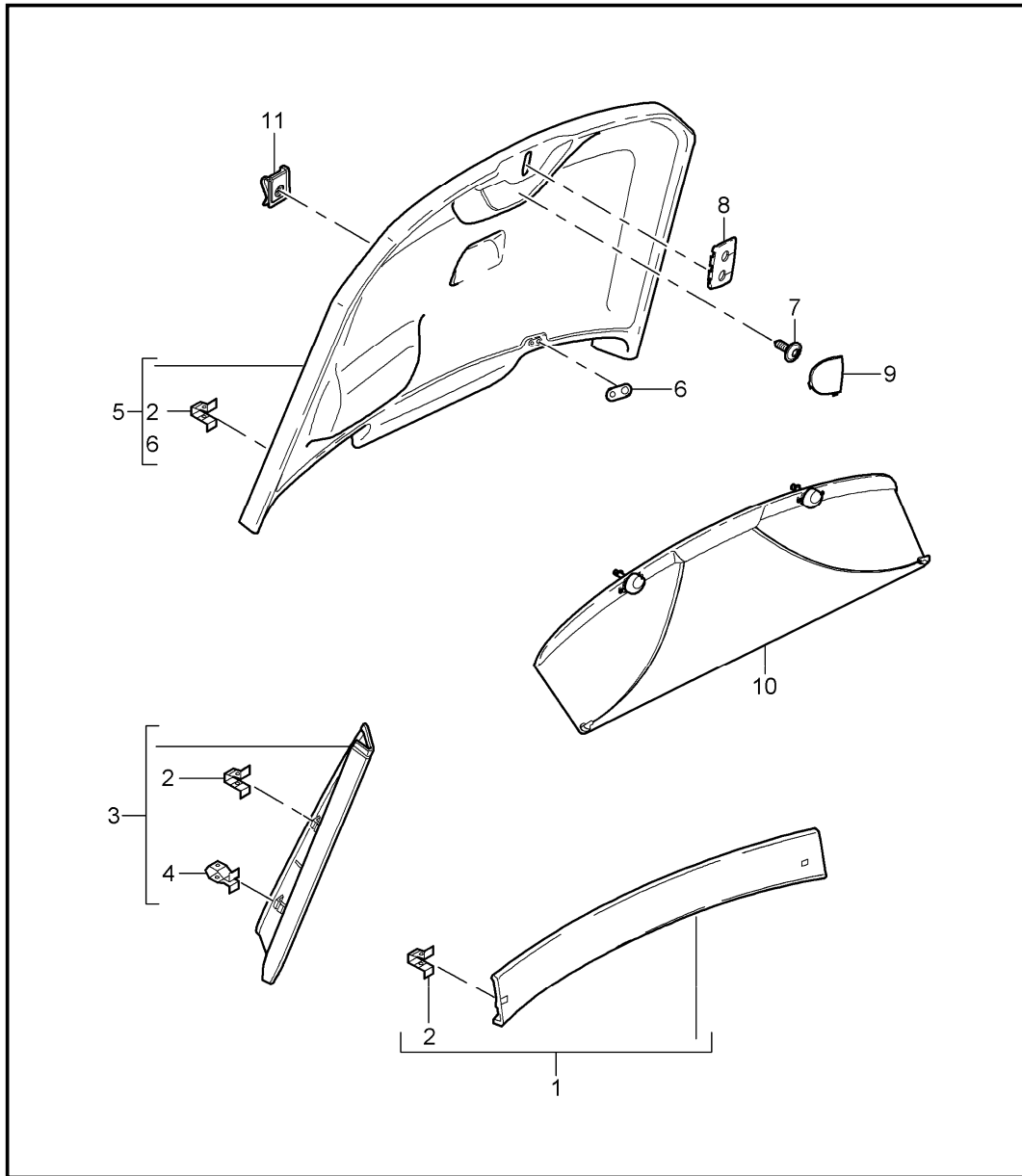


| Pos | Part Number    | Description   | Remark | Qty | Model |
|-----|----------------|---|--------|-----|-------|
|     |                | body<br>sound proofing 1                                |        |     |       |
| 1   | 997 556 605 00 | sound absorber<br>wheel housing<br>front                | /L     | 1   |       |
| (1) | 997 556 606 00 | sound absorber<br>wheel housing<br>front                | /R     | 1   |       |
| 2   | 997 556 531 00 | insulation<br>door                                      |        | 05  | 2     |
| 2   | 997 537 551 00 | insulation<br>door                                      |        | 06- | 2     |
| 3   | 997 556 723 00 | sound absorber<br>firewall                              | /LL    | 1   | I098  |
| (3) | 997 556 724 00 | sound absorber<br>firewall                              | /RL    | 1   | I099  |
| 4   | 987 556 741 00 | sound absorber<br>engine compartment<br>rear wall       |        | -06 | 1     |
| (4) | 987 556 741 01 | sound absorber<br>engine compartment<br>rear wall       |        | -08 | 1     |
| 5   | 999 049 020 40 | plastic nut<br>T5 / 30 X 5,1                            |        |     | 1     |
| (6) | 987 556 721 00 | sound absorber<br>engine compartment<br>lateral         | /L     |     | 1     |
| 6   | 987 556 722 00 | sound absorber<br>engine compartment<br>lateral         | /R     |     | 1     |
| 7   | 987 556 724 00 | sound absorber<br>engine compartment<br>lateral<br>rear | /R     |     | 1     |
| 8   | 987 556 683 00 | insulation<br>side section                              |        |     | 2     |
| 9   | 987 556 625 00 | sound absorber<br>roof                                  |        |     | 1     |
| 10  | 987 556 665 01 | sound absorber<br>cross member                          |        |     | 1     |

|       |      |    |    |              |              |     |       |            |         |     |         |
|-------|------|----|----|--------------|--------------|-----|-------|------------|---------|-----|---------|
| Model | Year | MG | SG | Illustration | Restrictions | UPD | 12:17 | 24.01.2010 | PORSCHE | PET | PORSCHE |
| 987C  | 2008 | 8  | 07 | 807-15       |              | 248 |       |            |         |     |         |

| Pos  | Part Number    | Description   | Remark | Qty | Model | Pos | Part Number    | Description        | Remark | Qty | Model |
|------|----------------|---|--------|-----|-------|-----|----------------|--------------------|--------|-----|-------|
| 11   | 987 556 623 01 | sound absorber convertible top compartm. lower        |        | 2   |       | 24  | 987 556 405 00 | insulation support | 07-    | 1   |       |
| (12) | 987 556 669 00 | sound absorber filler piece convertible top compartm. | /L     | 1   |       |     |                |                    |        |     |       |
| 12   | 987 556 670 00 | sound absorber filler piece convertible top compartm. | /R     | 1   |       |     |                |                    |        |     |       |
| 13   | 987 556 663 01 | sound absorber package box                            |        | 2   |       |     |                |                    |        |     |       |
| 14   | 997 556 634 00 | sound absorber subwoofer                              |        | 1   | I680  |     |                |                    |        |     |       |
| 15   | 997 537 553 00 | insulation reinforcement door                         |        | 4   |       |     |                |                    | 06-    |     |       |
| 16   | 999 902 056 40 | insulation door upper                                 |        | 1   |       |     |                |                    |        |     |       |
| 17   | 987 556 745 00 | insulation bulkhead inner                             |        | 1   |       |     |                |                    | 07-    |     |       |
| 18   | 987 556 403 00 | sound absorber retaining strip rear                   |        | 1   |       |     |                |                    | 07-    |     |       |
| 19   | 987 556 401 00 | sound absorber retaining strip front                  |        | 1   |       |     |                |                    | 07-    |     |       |
| 20   | 987 556 743 00 | insulation engine compartment lid inner               |        | 1   |       |     |                |                    | 07-    |     |       |
| 21   | 987 556 647 00 | insulation air duct                                   | /L     | 1   |       |     |                |                    | 07-    |     |       |
| (21) | 987 556 648 00 | insulation air duct                                   | /R     | 1   |       |     |                |                    | 07-    |     |       |
| 22   | 987 556 637 00 | sound absorber b-pillar front                         |        | 4   |       |     |                |                    | 07-    |     |       |
| 23   | 987 556 635 00 | insulation bulkhead upper front                       |        | 2   |       |     |                |                    | 07-    |     |       |

|       |      |    |    |              |              |     |       |            |         |     |         |
|-------|------|----|----|--------------|--------------|-----|-------|------------|---------|-----|---------|
| Model | Year | MG | SG | Illustration | Restrictions | UPD | 12:18 | 24.01.2010 | PORSCHE | PET | PORSCHE |
| 987C  | 2008 | 8  | 07 | 807-20       |              | 248 |       |            |         |     |         |



| Pos | Part Number    | Description            | Remark | Qty | Model |
|-----|----------------|------------------------|--------|-----|-------|
| 1   | 987 555 191 00 | linings rear lid       |        | 1   |       |
|     |                | lining rear lid upper  |        |     |       |
|     | A03            | black                  |        |     |       |
|     | 5V7            | stone grey             |        |     |       |
|     | 5Z1            | sand beige             |        |     |       |
|     | 8W7            | sea blue               |        |     |       |
|     | 5Y2            | palmgreen              | -07    |     |       |
|     | 8X8            | terracotta             |        |     |       |
|     | 8P9            | cocoa                  |        |     |       |
|     | T13            | brown/natural          |        |     |       |
|     | N23            | carrera red            | 08-    |     |       |
| 2   | 999 507 839 01 | clamp 3,5              |        | X   |       |
| (3) | 987 555 193 01 | lining rear lid centre | /L     | -07 | 1     |
|     | A03            | black                  |        |     |       |
|     | 5V7            | stone grey             |        |     |       |
|     | 5Z1            | sand beige             |        |     |       |
|     | 8W7            | sea blue               |        |     |       |
|     | 5Y2            | palmgreen              | -07    |     |       |
|     | 8X8            | terracotta             |        |     |       |
|     | 8P9            | cocoa                  |        |     |       |
|     | T13            | brown/natural          |        |     |       |
| (3) | 987 555 193 02 | lining rear lid centre | /L     | 08- | 1     |
|     | A03            | black                  |        |     |       |
|     | 5V7            | stone grey             |        |     |       |
|     | 5Z1            | sand beige             |        |     |       |

|       |      |    |    |              |              |     |       |            |         |     |         |
|-------|------|----|----|--------------|--------------|-----|-------|------------|---------|-----|---------|
| Model | Year | MG | SG | Illustration | Restrictions | UPD | 12:18 | 24.01.2010 | PORSCHE | PET | PORSCHE |
| 987C  | 2008 | 8  | 07 | 807-20       |              | 248 |       |            |         |     |         |

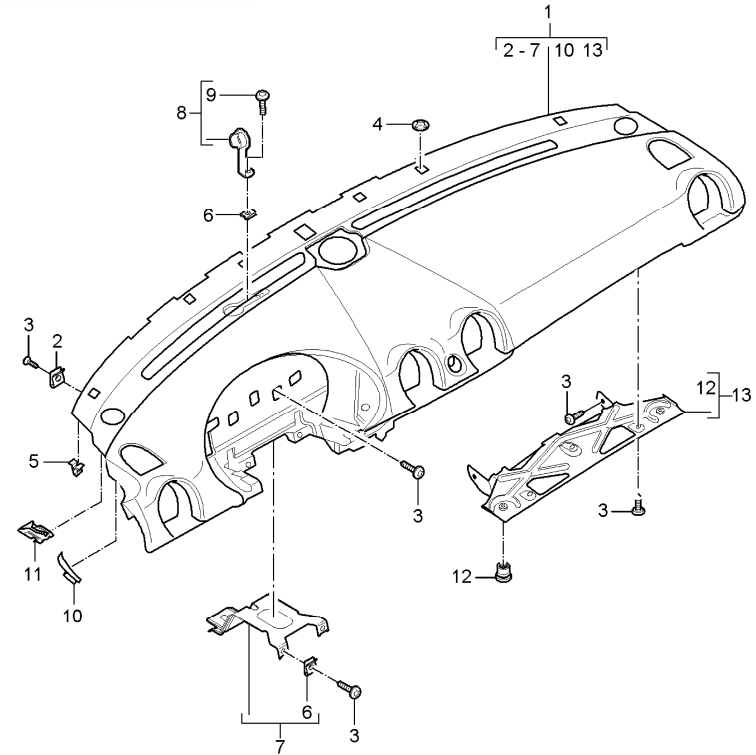
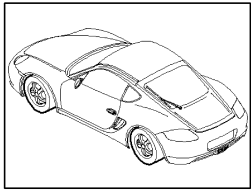
| Pos               | Part Number            | Description       | Remark   | Qty | Model | Pos | Part Number    | Description                 | Remark | Qty | Model |     |
|-------------------|------------------------|-------------------|----------|-----|-------|-----|----------------|-----------------------------|--------|-----|-------|-----|
| 3                 | 987 555 194 01         | 8W7 sea blue      | /R       | 1   |       | 5   | 987 555 095 00 | lining                      |        | 1   | I426  |     |
|                   |                        | 8X8 terracotta    |          |     |       |     |                | rear lid                    |        |     |       |     |
|                   |                        | 8P9 cocoa         |          |     |       |     |                | lower                       |        |     |       |     |
|                   |                        | T13 brown/natural |          |     |       |     |                | FQR black/black             |        |     |       |     |
|                   |                        | N23 carrera red   |          |     |       |     |                | FQS volcano grey/stone grey |        |     |       |     |
|                   |                        | lining            |          |     |       |     |                | FQT sand beige/sand beige   |        |     |       |     |
|                   |                        | rear lid          |          |     |       |     |                | FQU volcano grey/sea blue   |        |     |       |     |
|                   |                        | centre            |          |     |       |     |                | FQV black/palmgreen         |        |     |       | -07 |
|                   |                        | A03 black         |          |     |       |     |                | FQW black/terracotta        |        |     |       |     |
|                   |                        | 5V7 stone grey    |          |     |       |     |                | FQX black/cocoa             |        |     |       |     |
| 5Z1 sand beige    | FQY black/volcano grey |                   |          |     |       |     |                |                             |        |     |       |     |
| 8W7 sea blue      | FQZ black/brown nat.   |                   |          |     |       |     |                |                             |        |     |       |     |
| 5Y2 palmgreen     | FTB carrera red        | 08-               |          |     |       |     |                |                             |        |     |       |     |
| 3                 | 987 555 194 02         | 8X8 terracotta    | /R       | 1   |       | (5) | 987 555 095 01 | lining                      |        | 1   | I425  |     |
|                   |                        | 8P9 cocoa         |          |     |       |     |                | rear lid                    |        |     |       |     |
|                   |                        | T13 brown/natural |          |     |       |     |                | lower                       |        |     |       |     |
|                   |                        | lining            |          |     |       |     |                | FQR black/black             |        |     |       |     |
|                   |                        | rear lid          |          |     |       |     |                | FQS volcano grey/stone grey |        |     |       |     |
|                   |                        | centre            |          |     |       |     |                | FQT sand beige/sand beige   |        |     |       |     |
|                   |                        | A03 black         |          |     |       |     |                | FQU volcano grey/sea blue   |        |     |       |     |
|                   |                        | 5V7 stone grey    |          |     |       |     |                | FQV black/palmgreen         |        |     |       | -07 |
|                   |                        | 5Z1 sand beige    |          |     |       |     |                | FQW black/terracotta        |        |     |       |     |
|                   |                        | 8W7 sea blue      |          |     |       |     |                | FQX black/cocoa             |        |     |       |     |
| 8X8 terracotta    | FQY black/volcano grey |                   |          |     |       |     |                |                             |        |     |       |     |
| 8P9 cocoa         | FQZ black/brown nat.   |                   |          |     |       |     |                |                             |        |     |       |     |
| T13 brown/natural | FTB carrera red        | 08-               |          |     |       |     |                |                             |        |     |       |     |
| 4                 | 999 507 584 02         | N23 carrera red   | 08-      | 6   |       | 6   | 987 555 623 00 | eye                         |        | 2   |       |     |
|                   |                        | clamp             | rear lid |     |       |     |                |                             |        |     |       |     |
| 7                 | 999 073 369 09         | 8,0 X 10/ 2,0     |          |     |       |     | 01C            | satin black                 |        | 2   |       |     |
|                   |                        | lining            |          |     |       |     |                | oval-head screw             |        |     |       |     |
|                   |                        | centre            |          |     |       |     |                | M 5 X 18                    |        |     |       |     |

|       |      |    |    |              |              |     |       |            |         |     |         |
|-------|------|----|----|--------------|--------------|-----|-------|------------|---------|-----|---------|
| Model | Year | MG | SG | Illustration | Restrictions | UPD | 12:18 | 24.01.2010 | PORSCHE | PET | PORSCHE |
| 987C  | 2008 | 8  | 07 | 807-20       |              | 248 |       |            |         |     |         |

| Pos | Part Number    | Description                            | Remark | Qty | Model | Pos | Part Number    | Description       | Remark | Qty | Model |
|-----|----------------|--|--------|-----|-------|-----|----------------|-------------------|--------|-----|-------|
| 8   | 987 555 596 00 | cover<br>door lock striker<br>rear lid |        | 1   |       |     | 8P9            | cocoa             |        |     |       |
|     | A03            | black                                  |        |     |       |     | T13            | brown/natural     |        |     |       |
|     | 5V7            | stone grey                             |        |     |       |     | N23            | carrera red       | 08-    |     |       |
|     | 5Z1            | sand beige                             |        |     |       | 10  | 987 555 341 00 | cover<br>rear lid |        | 1   |       |
|     | 8W7            | sea blue                               |        |     |       |     | A24            | black             |        |     |       |
|     | 5Y2            | palmgreen                              | -07    |     |       | 11  | 999 507 413 08 | cams<br>9,3 X 25  |        | 2   |       |
|     | 8X8            | terracotta                             |        |     |       |     |                |                   |        |     |       |
|     | 8P9            | cocoa                                  |        |     |       |     |                |                   |        |     |       |
|     | T13            | brown/natural                          |        |     |       |     |                |                   |        |     |       |
|     | N23            | carrera red                            | 08-    |     |       |     |                |                   |        |     |       |
| 9   | 987 555 597 00 | cap<br>finger plate                    | /L     | 2   |       |     |                |                   |        |     |       |
|     | A03            | black                                  |        |     |       |     |                |                   |        |     |       |
|     | 5V7            | stone grey                             |        |     |       |     |                |                   |        |     |       |
|     | 5Z1            | sand beige                             |        |     |       |     |                |                   |        |     |       |
|     | 8W7            | sea blue                               |        |     |       |     |                |                   |        |     |       |
|     | 5Y2            | palmgreen                              | -07    |     |       |     |                |                   |        |     |       |
|     | 8X8            | terracotta                             |        |     |       |     |                |                   |        |     |       |
|     | 8P9            | cocoa                                  |        |     |       |     |                |                   |        |     |       |
|     | T13            | brown/natural                          |        |     |       |     |                |                   |        |     |       |
|     | N23            | carrera red                            | 08-    |     |       |     |                |                   |        |     |       |
| (9) | 987 555 598 00 | cap<br>finger plate                    | /R     | 2   |       |     |                |                   |        |     |       |
|     | A03            | black                                  |        |     |       |     |                |                   |        |     |       |
|     | 5V7            | stone grey                             |        |     |       |     |                |                   |        |     |       |
|     | 5Z1            | sand beige                             |        |     |       |     |                |                   |        |     |       |
|     | 8W7            | sea blue                               |        |     |       |     |                |                   |        |     |       |
|     | 5Y2            | palmgreen                              | -07    |     |       |     |                |                   |        |     |       |
|     | 8X8            | terracotta                             |        |     |       |     |                |                   |        |     |       |



|       |      |    |    |              |              |     |       |            |         |     |         |
|-------|------|----|----|--------------|--------------|-----|-------|------------|---------|-----|---------|
| Model | Year | MG | SG | Illustration | Restrictions | UPD | 12:18 | 24.01.2010 | PORSCHE | PET | PORSCHE |
| 987C  | 2008 | 8  | 09 | 809-00       |              | 248 |       |            |         |     |         |



| Pos | Part Number    | Description   | Remark | Qty | Model |
|-----|----------------|---|--------|-----|-------|
| 1   | 987 552 101 10 | dashboard trim upper part with mounting parts<br><br>accessories see group 8/09/01<br><br>dashboard upper part leatherette valid up to:<br>F >>988U7 50789<br>F >>988U7 70582<br><br>9L4 black<br>9M5 stone grey<br>9C6 sand beige<br>9D7 sea blue<br>9E8 palmgreen | /LL    | 1   | I098  |
| (1) | 987 552 102 10 | dashboard upper part leatherette valid up to:<br>F >>988U7 50641<br>F >>988U7 70453<br><br>9L4 black<br>9M5 stone grey<br>9C6 sand beige<br>9D7 sea blue<br>9E8 palmgreen   | /RL    | 1   | I099  |
| 1   | 987 552 101 21 | dashboard upper part leatherette valid from:<br>F 988U7 50790>><br>F 988U7 70583>><br><br>9L4 black<br>9M5 stone grey<br>9C6 sand beige<br>9D7 sea blue   | /LL    | 1   | I098  |

|       |      |    |    |              |              |     |       |            |         |     |         |
|-------|------|----|----|--------------|--------------|-----|-------|------------|---------|-----|---------|
| Model | Year | MG | SG | Illustration | Restrictions | UPD | 12:18 | 24.01.2010 | PORSCHE | PET | PORSCHE |
| 987C  | 2008 | 8  | 09 | 809-00       |              | 248 |       |            |         |     |         |

| Pos | Part Number    | Description  | Remark | Qty | Model        | Pos | Part Number    | Description   | Remark | Qty | Model        |
|-----|----------------|--|--------|-----|--------------|-----|----------------|---|--------|-----|--------------|
| (1) | 987 552 102 21 | dashboard<br>upper part<br>leatherette<br>valid from:<br>F 988U7 50642>><br>F 988U7 70454>>  | /RL    | 1   | I099         |     | 9M5            | stone grey  |        |     |              |
|     | 9L4            | black  |        |     |              |     | 9C6            | sand beige  |        |     |              |
|     | 9M5            | stone grey   |        |     |              |     | 9D7            | sea blue  |        |     |              |
|     | 9C6            | sand beige   |        |     |              | (1) | 987 552 102 23 | dashboard<br>upper part<br>leatherette<br>valid from:<br>F 988U7 50642>><br>F 988U7 70454>> | /RL    | 1   | I099/639/640 |
|     | 9D7            | sea blue   |        |     |              |     | 9L4            | black   |        |     |              |
| (1) | 987 552 101 12 | dashboard<br>upper part<br>leatherette<br>valid up to:<br>F >>988U7 50789<br>F >>988U7 70582 | /LL    | 1   | I098/639/640 |     | 9M5            | stone grey  |        |     |              |
|     | 9L4            | black  |        |     |              |     | 9C6            | sand beige  |        |     |              |
|     | 9M5            | stone grey   |        |     |              |     | 9D7            | sea blue  |        |     |              |
|     | 9C6            | sand beige   |        |     |              | (1) | 987 552 101 11 | dashboard<br>upper part<br>leather<br>valid up to:<br>F >>988U7 50789<br>F >>988U7 70582    | /LL    | 1   | I098/981     |
|     | 9D7            | sea blue   |        |     |              |     | A11            | black   |        |     |              |
|     | 9E8            | palmgreen  | -07    |     |              |     | 5X6            | stone grey  |        |     |              |
| (1) | 987 552 102 12 | dashboard<br>upper part<br>leatherette<br>valid up to:<br>F >>988U7 50641<br>F >>988U7 70453 | /RL    | 1   | I099/639/640 |     | 8G2            | sand beige  |        |     |              |
|     | 9L4            | black  |        |     |              |     | 3S9            | sea blue  |        |     |              |
|     | 9M5            | stone grey   |        |     |              |     | 4P2            | palmgreen   | -07    |     |              |
|     | 9C6            | sand beige   |        |     |              |     | 9S5            | terracotta  |        |     |              |
|     | 9D7            | sea blue   |        |     |              |     | 9V6            | cocoa   |        |     |              |
|     | 9E8            | palmgreen  | -07    |     |              |     | D12            | dark grey/natural   |        |     |              |
| 1   | 987 552 101 23 | dashboard<br>upper part<br>leatherette<br>valid from:<br>F 988U7 50790>><br>F 988U7 70583>>  | /LL    | 1   | I098/639/640 | (1) | 987 552 102 11 | dashboard<br>upper part<br>leather<br>valid up to:<br>F >>988U7 50641<br>F >>988U7 70453    | /RL    | 1   | I099/981     |
|     | 9L4            | black  |        |     |              |     | N12            | carrera red   | 08-    |     |              |
|     |                |  |        |     |              |     | A11            | black   |        |     |              |

|       |      |    |    |              |              |     |       |            |         |     |         |
|-------|------|----|----|--------------|--------------|-----|-------|------------|---------|-----|---------|
| Model | Year | MG | SG | Illustration | Restrictions | UPD | 12:18 | 24.01.2010 | PORSCHE | PET | PORSCHE |
| 987C  | 2008 | 8  | 09 | 809-00       |              | 248 |       |            |         |     |         |

| Pos | Part Number    | Description   | Remark | Qty | Model    | Pos | Part Number    | Description   | Remark | Qty | Model                |
|-----|----------------|---|--------|-----|----------|-----|----------------|---|--------|-----|----------------------|
|     | 5X6            | stone grey  |        |     |          |     | 9S5            | terracotta  |        |     |                      |
|     | 8G2            | sand beige  |        |     |          |     | 9V6            | cocoa   |        |     |                      |
|     | 3S9            | sea blue  |        |     |          |     | D12            | dark grey/natural   |        |     |                      |
|     | 4P2            | palmgreen   | -07    |     |          |     | T12            | brown/natural   |        |     |                      |
|     | 9S5            | terracotta  |        |     |          |     | N12            | carrera red   | 08-    |     |                      |
|     | 9V6            | cocoa   |        |     |          | (1) | 987 552 101 13 | dashboard   | /LL    | 1   | I098/639/640<br>I981 |
|     | D12            | dark grey/natural   |        |     |          |     |                | upper part<br>leather<br>valid up to:<br>F >>988U7 50789<br>F >>988U7 70582 |        |     |                      |
|     | T12            | brown/natural   |        |     |          |     | A11            | black   |        |     |                      |
|     | N12            | carrera red   | 08-    |     |          |     | 5X6            | stone grey  |        |     |                      |
| 1   | 987 552 101 22 | dashboard<br>upper part<br>leather<br>valid from:<br>F 988U7 50790>><br>F 988U7 70583>> | /LL    | 1   | I098/981 |     | 8G2            | sand beige  |        |     |                      |
|     | A11            | black   |        |     |          |     | 3S9            | sea blue  |        |     |                      |
|     | 5X6            | stone grey  |        |     |          |     | 4P2            | palmgreen   | -07    |     |                      |
|     | 8G2            | sand beige  |        |     |          |     | 9S5            | terracotta  |        |     |                      |
|     | 3S9            | sea blue  |        |     |          |     | 9V6            | cocoa   |        |     |                      |
|     | 9S5            | terracotta  |        |     |          |     | D12            | dark grey/natural   |        |     |                      |
|     | 9V6            | cocoa   |        |     |          |     | T12            | brown/natural   |        |     |                      |
|     | D12            | dark grey/natural   |        |     |          |     | N12            | carrera red   | 08-    |     |                      |
|     | T12            | brown/natural   |        |     |          | (1) | 987 552 102 13 | dashboard   | /RL    | 1   | I099/639/640<br>I981 |
|     | N12            | carrera red   | 08-    |     |          |     |                | upper part<br>leather<br>valid up to:<br>F >>988U7 50641<br>F >>988U7 70453 |        |     |                      |
| (1) | 987 552 102 22 | dashboard<br>upper part<br>leather<br>valid from:<br>F 988U7 50642>><br>F 988U7 70454>> | /RL    | 1   | I099/981 |     | A11            | black   |        |     |                      |
|     | A11            | black   |        |     |          |     | 5X6            | stone grey  |        |     |                      |
|     | 5X6            | stone grey  |        |     |          |     | 8G2            | sand beige  |        |     |                      |
|     | 8G2            | sand beige  |        |     |          |     | 3S9            | sea blue  |        |     |                      |
|     | 3S9            | sea blue  |        |     |          |     | 4P2            | palmgreen   | -07    |     |                      |
|     |                |   |        |     |          |     | 9S5            | terracotta  |        |     |                      |

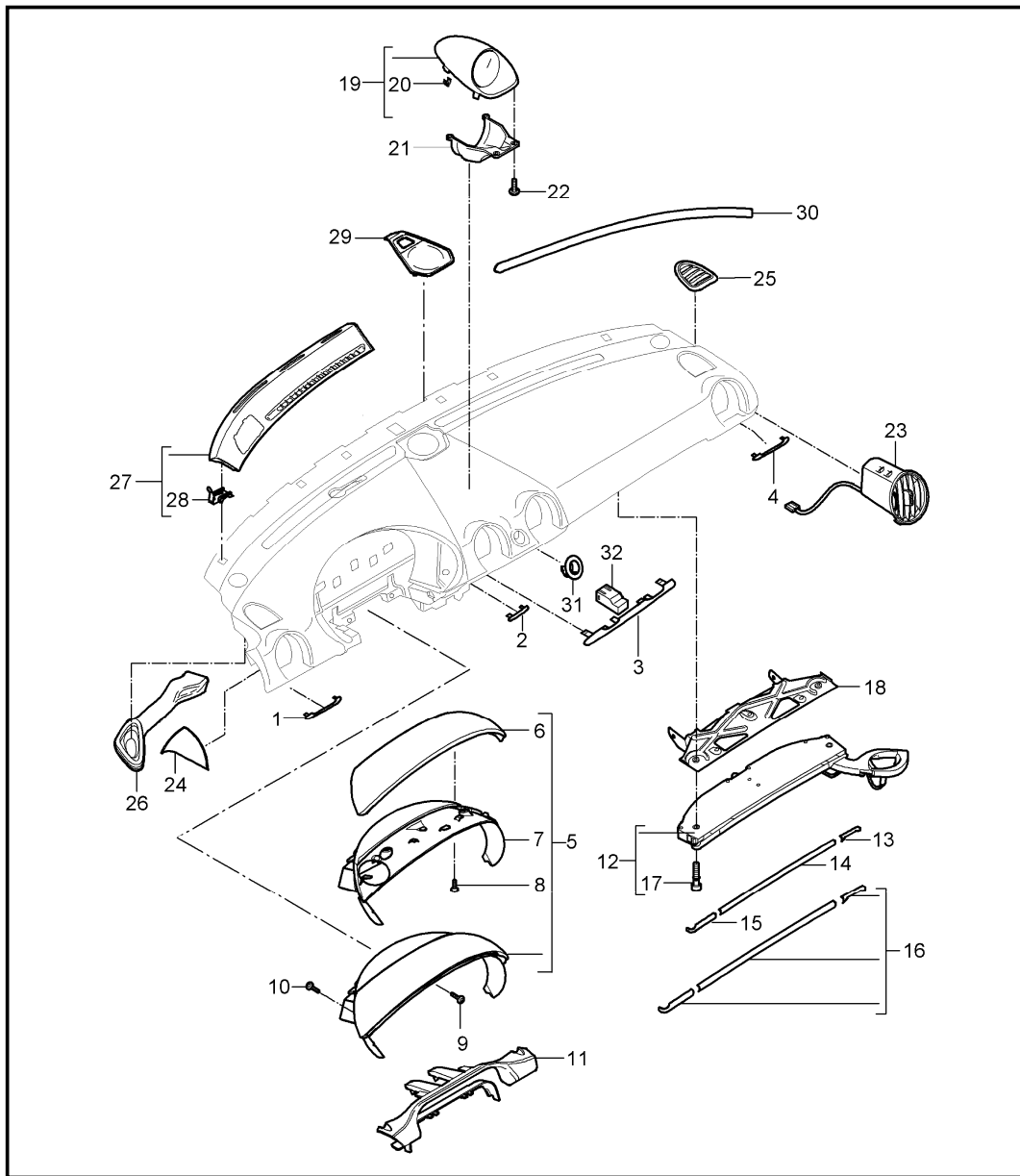
|       |      |    |    |              |              |     |       |            |         |     |         |
|-------|------|----|----|--------------|--------------|-----|-------|------------|---------|-----|---------|
| Model | Year | MG | SG | Illustration | Restrictions | UPD | 12:18 | 24.01.2010 | PORSCHE | PET | PORSCHE |
| 987C  | 2008 | 8  | 09 | 809-00       |              | 248 |       |            |         |     |         |

| Pos | Part Number    | Description   | Remark | Qty | Model                | Pos  | Part Number    | Description   | Remark | Qty | Model |
|-----|----------------|---|--------|-----|----------------------|------|----------------|---|--------|-----|-------|
|     | 9V6            | cocoa   |        |     |                      |      | N12            | carrera red   | 08-    |     |       |
|     | D12            | dark grey/natural   |        |     |                      | 2    | 999 507 971 01 | speed nut<br>ST 4,2   |        | X   |       |
|     | T12            | brown/natural   |        |     |                      | 3    | 999 073 155 09 | tapping screw<br>ST 4,2 X 13  |        | X   |       |
|     | N12            | carrera red   | 08-    |     |                      | 4    | 999 507 106 02 | clamping washer<br>8,0  |        | X   |       |
| 1   | 987 552 101 24 | dashboard<br>upper part<br>leather<br>valid from:<br>F 988U7 50790>><br>F 988U7 70583>> | /LL    | 1   | I098/639/640<br>I981 | 5    | 999 507 732 01 | clamp<br>8,0 X 12,0 /4,0  |        | X   |       |
|     | A11            | black   |        |     |                      | 6    | 999 507 020 01 | speed nut<br>ST 4,2   |        | X   |       |
|     | 5X6            | stone grey  |        |     |                      | 7    | 997 552 617 01 | support<br>dashboard<br>driver's side   |        | 1   |       |
|     | 8G2            | sand beige  |        |     |                      | 8    | 997 552 673 00 | lid<br>defroster trim   |        | 2   |       |
|     | 3S9            | sea blue  |        |     |                      | 9    | 999 073 226 09 | tapping screw<br>ST 4,2 X 16  |        | 2   |       |
|     | 9S5            | terracotta  |        |     |                      | 10   | 997 552 481 00 | insert<br>a-pillar  | /L     | 1   |       |
|     | 9V6            | cocoa   |        |     |                      | (10) | 997 552 482 00 | insert<br>a-pillar  | /R     | 1   |       |
|     | D12            | dark grey/natural   |        |     |                      | 11   | 999 507 921 01 | clamp   |        | 2   |       |
|     | T12            | brown/natural   |        |     |                      | 12   | 999 500 132 00 | grooved nut<br>M5<br>valid up to:<br>F >>988U7 50789<br>F >>988U7 70582<br>F >>988U7 50641<br>F >>988U7 70453 |        | 2   |       |
| (1) | 987 552 102 24 | dashboard<br>upper part<br>leather<br>valid from:<br>F 988U7 50642>><br>F 988U7 70454>> | /RL    | 1   | I099/639/640<br>I981 | 12   | 999 507 319 01 | captive nut<br>M5<br>valid from:<br>F 988U7 50790>><br>F 988U7 70583>><br>F 988U7 50642>><br>F 988U7 70454>>  |        | 2   |       |
|     | A11            | black   |        |     |                      |      |                |   |        |     |       |
|     | 5X6            | stone grey  |        |     |                      |      |                |   |        |     |       |
|     | 8G2            | sand beige  |        |     |                      |      |                |   |        |     |       |
|     | 3S9            | sea blue  |        |     |                      |      |                |   |        |     |       |
|     | 9S5            | terracotta  |        |     |                      |      |                |   |        |     |       |
|     | 9V6            | cocoa   |        |     |                      |      |                |   |        |     |       |
|     | D12            | dark grey/natural   |        |     |                      |      |                |   |        |     |       |
|     | T12            | brown/natural   |        |     |                      |      |                |   |        |     |       |

|       |      |    |    |              |              |     |       |            |         |     |         |
|-------|------|----|----|--------------|--------------|-----|-------|------------|---------|-----|---------|
| Model | Year | MG | SG | Illustration | Restrictions | UPD | 12:18 | 24.01.2010 | PORSCHE | PET | PORSCHE |
| 987C  | 2008 | 8  | 09 | 809-00       |              | 248 |       |            |         |     |         |

| Pos  | Part Number    | Description  | Remark | Qty | Model | Pos | Part Number | Description | Remark | Qty | Model |
|------|----------------|--|--------|-----|-------|-----|-------------|-------------|--------|-----|-------|
| 13   | 997 552 360 02 | retaining bracket<br>for<br>beverages<br>support<br>valid up to:<br>F >>988U7 50789<br>F >>988U7 70582 | /LL    | 1   | I098  |     |             |             |        |     |       |
| (13) | 997 552 359 02 | retaining bracket<br>for<br>beverages<br>support<br>valid up to:<br>F >>988U7 50641<br>F >>988U7 70453 | /RL    | 1   | I099  |     |             |             |        |     |       |
| (13) | 997 552 360 03 | retaining bracket<br>for<br>beverages<br>support<br>valid from:<br>F 988U7 50790>><br>F 988U7 70583>>  | /LL    | 1   | I098  |     |             |             |        |     |       |
| (13) | 997 552 359 03 | retaining bracket<br>for<br>beverages<br>support<br>valid from:<br>F 988U7 50642>><br>F 988U7 70454>>  | /RL    | 1   | I099  |     |             |             |        |     |       |

|       |      |    |    |              |              |     |       |            |         |     |         |
|-------|------|----|----|--------------|--------------|-----|-------|------------|---------|-----|---------|
| Model | Year | MG | SG | Illustration | Restrictions | UPD | 12:19 | 24.01.2010 | PORSCHE | PET | PORSCHE |
| 987C  | 2008 | 8  | 09 | 809-01       |              | 248 |       |            |         |     |         |



| Pos | Part Number    | Description  | Remark    | Qty | Model         |
|-----|----------------|--|-----------|-----|---------------|
|     |                | dashboard trim upper part with accessories         |           |     |               |
| 1   | 987 552 381 01 | moulding driver's side outer<br>D07 volcano grey   | /LL       | 1   | CAYMAN I098   |
| (1) | 987 552 382 01 | moulding driver's side outer<br>D07 volcano grey   | /RL       | 1   | CAYMAN I099   |
| (1) | 987 552 381 02 | moulding driver's side outer<br>V04 galvano silver | /LL       | 1   | CAYMAN S I098 |
| (1) | 987 552 382 02 | moulding driver's side outer<br>V04 galvano silver | /RL       | 1   | CAYMAN S I099 |
| (1) | 987 552 381 03 | moulding driver's side outer<br>S61 macassar       | /LL       | 1   | I098/801      |
| (1) | 987 552 382 03 | moulding driver's side outer<br>S61 macassar       | /RL       | 1   | I099/801      |
| (1) | 987 552 381 04 | moulding outer<br>S62 sycamore wood                | /LL/L -08 | 1   | I098/802      |
| (1) | 987 552 382 04 | moulding outer<br>S62 sycamore wood                | /RL/R -08 | 1   | I099/802      |

|       |      |    |    |              |              |     |       |            |         |     |         |
|-------|------|----|----|--------------|--------------|-----|-------|------------|---------|-----|---------|
| Model | Year | MG | SG | Illustration | Restrictions | UPD | 12:19 | 24.01.2010 | PORSCHE | PET | PORSCHE |
| 987C  | 2008 | 8  | 09 | 809-01       |              | 248 |       |            |         |     |         |

| Pos | Part Number    | Description                        | Remark | Qty | Model                  | Pos | Part Number    | Description                        | Remark | Qty | Model            |
|-----|----------------|------------------------------------|--------|-----|------------------------|-----|----------------|------------------------------------|--------|-----|------------------|
| (1) | 987 552 381 05 | moulding<br>driver's side<br>outer | /LL    | 1   | I098/803               |     | T12            | brown/natural                      |        |     |                  |
|     | A35            | black                              |        |     |                        |     | N12            | carrera red                        | 08-    |     |                  |
| (1) | 987 552 382 05 | moulding<br>driver's side<br>outer | /RL    | 1   | I099/803               | (1) | 987 552 986 01 | moulding<br>driver's side<br>outer | /RL    | 1   | IXVP/099         |
|     | A35            | black                              |        |     |                        |     | A11            | black                              |        |     |                  |
| (1) | 987 552 381 06 | moulding<br>driver's side<br>outer | /LL    | 1   | I098/805               |     | 5X6            | stone grey                         |        |     |                  |
|     | G2X            | prime coated                       |        |     |                        |     | 8G2            | sand beige                         |        |     |                  |
| (1) | 987 552 381 06 | moulding<br>driver's side<br>outer | /LL    | 08- | 1 CAYMAN S<br>I098/758 |     | 3S9            | sea blue                           |        |     |                  |
|     | G2X            | prime coated                       |        |     |                        |     | 4P2            | palmgreen                          | -07    |     |                  |
| (1) | 987 552 382 06 | moulding<br>driver's side<br>outer | /RL    | 1   | I099/805               |     | 9S5            | terracotta                         |        |     |                  |
|     | G2X            | prime coated                       |        |     |                        |     | 9V6            | cocoa                              |        |     |                  |
| (1) | 987 552 382 06 | moulding<br>driver's side<br>outer | /RL    | 08- | 1 CAYMAN S<br>I099/758 |     | D12            | dark grey/natural                  |        |     |                  |
|     | G2X            | prime coated                       |        |     |                        | 2   | 987 552 383 01 | moulding<br>driver's side<br>inner | /LL    | 1   | CAYMAN<br>I098   |
| (1) | 987 552 986 00 | moulding<br>driver's side<br>outer | /LL    | 1   | IXVP/098               |     | D07            | volcano grey                       |        |     |                  |
|     | A11            | black                              |        |     |                        | (2) | 987 552 384 01 | moulding<br>driver's side<br>inner | /RL    | 1   | CAYMAN<br>I099   |
|     | 5X6            | stone grey                         |        |     |                        |     | D07            | volcano grey                       |        |     |                  |
|     | 8G2            | sand beige                         |        |     |                        | (2) | 987 552 383 02 | moulding<br>driver's side<br>inner | /LL    | 1   | CAYMAN S<br>I098 |
|     | 3S9            | sea blue                           |        |     |                        |     | V04            | galvano silver                     |        |     |                  |
|     | 4P2            | palmgreen                          | -07    |     |                        | (2) | 987 552 384 02 | moulding<br>driver's side<br>inner | /RL    | 1   | CAYMAN S<br>I099 |
|     | 9S5            | terracotta                         |        |     |                        |     | V04            | galvano silver                     |        |     |                  |
|     | 9V6            | cocoa                              |        |     |                        |     |                |                                    |        |     |                  |
|     | D12            | dark grey/natural                  |        |     |                        |     |                |                                    |        |     |                  |

|       |      |    |    |              |              |     |       |            |         |     |         |
|-------|------|----|----|--------------|--------------|-----|-------|------------|---------|-----|---------|
| Model | Year | MG | SG | Illustration | Restrictions | UPD | 12:19 | 24.01.2010 | PORSCHE | PET | PORSCHE |
| 987C  | 2008 | 8  | 09 | 809-01       |              | 248 |       |            |         |     |         |

| Pos | Part Number    | Description                        | Remark  | Qty | Model                | Pos | Part Number    | Description                        | Remark  | Qty | Model                |
|-----|----------------|------------------------------------|---------|-----|----------------------|-----|----------------|------------------------------------|---------|-----|----------------------|
| (2) | 987 552 383 03 | moulding<br>driver's side<br>inner | /LL     | 1   | I098/801             | (2) | 987 552 384 06 | moulding<br>driver's side<br>inner | /RL 08- | 1   | CAYMAN S<br>I099/758 |
|     | S61            | macassar                           |         |     |                      |     | G2X            | prime coated                       |         |     |                      |
| (2) | 987 552 384 03 | moulding<br>driver's side<br>inner | /RL     | 1   | I099/801             | (2) | 987 552 987 00 | moulding<br>driver's side<br>inner | /LL     | 1   | IXVP/098             |
|     | S61            | macassar                           |         |     |                      |     | A11            | black                              |         |     |                      |
| (2) | 987 552 383 04 | moulding<br>driver's side<br>inner | /LL -08 | 1   | I098/802             |     | 5X6            | stone grey                         |         |     |                      |
|     | S62            | sycamore wood                      |         |     |                      |     | 8G2            | sand beige                         |         |     |                      |
| (2) | 987 552 384 04 | moulding<br>driver's side<br>inner | /RL -08 | 1   | I099/802             |     | 3S9            | sea blue                           |         |     |                      |
|     | S62            | sycamore wood                      |         |     |                      |     | 4P2            | palmgreen                          | -07     |     |                      |
| (2) | 987 552 383 05 | moulding<br>driver's side<br>inner | /LL     | 1   | I098/803             |     | 9S5            | terracotta                         |         |     |                      |
|     | A35            | black                              |         |     |                      |     | 9V6            | cocoa                              |         |     |                      |
| (2) | 987 552 384 05 | moulding<br>driver's side<br>inner | /RL     | 1   | I099/803             | (2) | 987 552 987 01 | moulding<br>driver's side<br>inner | /RL 08- | 1   | IXVP/099             |
|     | A35            | black                              |         |     |                      |     | D12            | dark grey/natural                  |         |     |                      |
| (2) | 987 552 383 06 | moulding<br>driver's side<br>inner | /LL     | 1   | I098/805             |     | T12            | brown/natural                      |         |     |                      |
|     | G2X            | prime coated                       |         |     |                      |     | N12            | carrera red                        |         |     |                      |
| (2) | 987 552 383 06 | moulding<br>driver's side<br>inner | /LL 08- | 1   | CAYMAN S<br>I098/758 |     | A11            | black                              |         |     |                      |
|     | G2X            | prime coated                       |         |     |                      |     | 5X6            | stone grey                         |         |     |                      |
| (2) | 987 552 384 06 | moulding<br>driver's side<br>inner | /RL     | 1   | I099/805             |     | 8G2            | sand beige                         |         |     |                      |
|     | G2X            | prime coated                       |         |     |                      |     | 3S9            | sea blue                           |         |     |                      |
|     |                |                                    |         |     |                      |     | 4P2            | palmgreen                          | -07     |     |                      |
|     |                |                                    |         |     |                      |     | 9S5            | terracotta                         |         |     |                      |
|     |                |                                    |         |     |                      |     | 9V6            | cocoa                              |         |     |                      |
|     |                |                                    |         |     |                      |     | D12            | dark grey/natural                  |         |     |                      |
|     |                |                                    |         |     |                      |     | T12            | brown/natural                      |         |     |                      |
|     |                |                                    |         |     |                      |     | N12            | carrera red                        | 08-     |     |                      |



|       |      |    |    |              |              |     |       |            |         |     |         |
|-------|------|----|----|--------------|--------------|-----|-------|------------|---------|-----|---------|
| Model | Year | MG | SG | Illustration | Restrictions | UPD | 12:19 | 24.01.2010 | PORSCHE | PET | PORSCHE |
| 987C  | 2008 | 8  | 09 | 809-01       |              | 248 |       |            |         |     |         |

| Pos | Part Number    | Description                     | Remark | Qty | Model            | Pos | Part Number    | Description                  | Remark | Qty | Model            |          |
|-----|----------------|---------------------------------|--------|-----|------------------|-----|----------------|------------------------------|--------|-----|------------------|----------|
| 3   | 987 552 585 01 | moulding<br>dashboard<br>centre |        | 1   | CAYMAN           |     | 9S5            | terracotta                   |        |     |                  |          |
|     | D07            | volcano grey                    |        |     |                  |     | 9V6            | cocoa                        |        |     |                  |          |
| (3) | 987 552 585 02 | moulding<br>dashboard<br>centre |        | 1   | CAYMAN S         |     | D12            | dark grey/natural            |        |     |                  |          |
|     | V04            | galvano silver                  |        |     |                  |     | T12            | brown/natural                |        |     |                  |          |
|     |                |                                 |        |     |                  |     | N12            | carrera red                  | 08-    |     |                  |          |
| (3) | 987 552 585 03 | moulding<br>dashboard<br>centre |        | 1   | I801             | 4   | 987 552 388 01 | moulding<br>passenger's side | /LL    | 1   | CAYMAN<br>I098   |          |
|     | S61            | macassar                        |        |     |                  |     | D07            | volcano grey                 |        |     |                  |          |
| (3) | 987 552 585 04 | moulding<br>dashboard<br>centre | -08    | 1   | I802             | (4) | 987 552 387 01 | moulding<br>passenger's side | /RL    | 1   | CAYMAN<br>I099   |          |
|     | S62            | sycamore wood                   |        |     |                  |     | D07            | volcano grey                 |        |     |                  |          |
| (3) | 987 552 585 05 | moulding<br>dashboard<br>centre |        | 1   | I803             | (4) | 987 552 388 02 | moulding<br>passenger's side | /LL    | 1   | CAYMAN S<br>I098 |          |
|     | A35            | black                           |        |     |                  |     | V04            | galvano silver               |        |     |                  |          |
| (3) | 987 552 585 06 | moulding<br>dashboard<br>centre |        | 1   | I805             | (4) | 987 552 387 02 | moulding<br>passenger's side | /RL    | 1   | CAYMAN S<br>I099 |          |
|     | G2X            | prime coated                    |        |     |                  |     | V04            | galvano silver               |        |     |                  |          |
| (3) | 987 552 585 06 | moulding<br>dashboard<br>centre | 08-    | 1   | CAYMAN S<br>I758 | (4) | 987 552 388 03 | moulding<br>passenger's side | /LL    | 1   | I098/801         |          |
|     | G2X            | prime coated                    |        |     |                  |     | S61            | macassar                     |        |     |                  |          |
| (3) | 987 552 981 00 | moulding<br>dashboard<br>centre |        | 1   | IXVP             | (4) | 987 552 387 03 | moulding<br>passenger's side | /RL    | 1   | I099/801         |          |
|     | A11            | black                           |        |     |                  |     | S61            | macassar                     |        |     |                  |          |
|     | 5X6            | stone grey                      |        |     |                  | (4) | 987 552 388 04 | moulding<br>passenger's side | /LL    | -08 | 1                | I098/802 |
|     | 8G2            | sand beige                      |        |     |                  |     | S62            | sycamore wood                |        |     |                  |          |
|     | 3S9            | sea blue                        |        |     |                  | (4) | 987 552 387 04 | moulding<br>passenger's side | /RL    | -08 | 1                | I099/802 |
|     | 4P2            | palmgreen                       |        |     |                  |     | S62            | sycamore wood                |        |     |                  |          |
|     |                |                                 | -07    |     |                  | (4) | 987 552 388 05 | moulding<br>passenger's side | /LL    | 1   | I098/803         |          |

|       |      |    |    |              |              |     |       |            |         |     |         |
|-------|------|----|----|--------------|--------------|-----|-------|------------|---------|-----|---------|
| Model | Year | MG | SG | Illustration | Restrictions | UPD | 12:19 | 24.01.2010 | PORSCHE | PET | PORSCHE |
| 987C  | 2008 | 8  | 09 | 809-01       |              | 248 |       |            |         |     |         |

| Pos | Part Number    | Description                                      | Remark | Qty | Model                  | Pos | Part Number    | Description                             | Remark | Qty | Model      |
|-----|----------------|--|--------|-----|------------------------|-----|----------------|---|--------|-----|------------|
| (4) | 987 552 387 05 | A35 black<br>moulding<br>passenger's side        | /RL    | 1   | I099/803               |     | 5X6            | stone grey                              |        |     |            |
| (4) | 987 552 388 06 | A35 black<br>moulding<br>passenger's side        | /LL    | 1   | I098/805               |     | 8G2            | sand beige                              |        |     |            |
| (4) | 987 552 388 06 | G2X prime coated<br>moulding<br>passenger's side | /LL    | 08- | 1 CAYMAN S<br>I098/758 |     | 3S9            | sea blue                                |        |     |            |
| (4) | 987 552 387 06 | G2X prime coated<br>moulding<br>passenger's side | /RL    | 1   | I099/805               | 5   | 4P2            | palmgreen                               | -07    |     |            |
| (4) | 987 552 387 06 | G2X prime coated<br>moulding<br>passenger's side | /RL    | 08- | 1 CAYMAN S<br>I099/758 |     | 9S5            | terracotta                              |        |     |            |
| (4) | 987 552 982 00 | G2X prime coated<br>moulding<br>passenger's side | /LL    | 1   | IXVP/098               |     | 9V6            | cocoa                                   |        |     |            |
|     |                | A11 black  |        |     |                        |     | D12            | dark grey/natural                       |        |     |            |
|     |                | 5X6 stone grey                                   |        |     |                        |     | T12            | brown/natural                           |        |     |            |
|     |                | 8G2 sand beige                                   |        |     |                        |     | N12            | carrera red                             | 08-    |     |            |
|     |                | 3S9 sea blue                                     |        |     |                        |     | 987 552 023 00 | instrument box<br>complete<br>lacquered | /LL    | 1   | I098       |
|     |                | 4P2 palmgreen                                    | -07    |     |                        |     | A03            | black                                   |        |     |            |
|     |                | 9S5 terracotta                                   |        |     |                        |     | 5V7            | stone grey                              |        |     |            |
|     |                | 9V6 cocoa  |        |     |                        |     | 5Z1            | sand beige                              |        |     |            |
|     |                | D12 dark grey/natural                            |        |     |                        |     | 8W7            | sea blue                                |        |     |            |
|     |                | T12 brown/natural                                |        |     |                        |     | 5Y2            | palmgreen                               | -07    |     |            |
|     |                | N12 carrera red                                  | 08-    |     |                        | (5) | 987 552 024 00 | instrument box<br>complete<br>lacquered | /RL    | 1   | I099       |
| (4) | 987 552 982 01 | A11 black<br>moulding<br>passenger's side        | /RL    | 1   | IXVP/099               |     | A03            | black                                   |        |     |            |
|     |                | A11 black  |        |     |                        |     | 5V7            | stone grey                              |        |     |            |
|     |                |  |        |     |                        |     | 5Z1            | sand beige                              |        |     |            |
|     |                |  |        |     |                        |     | 8W7            | sea blue                                |        |     |            |
|     |                |  |        |     |                        |     | 5Y2            | palmgreen                               | -07    |     |            |
|     |                |  |        |     |                        | (5) | 987 552 023 01 | instrument box<br>complete              | /LL    | -07 | 1 I098/981 |
|     |                |  |        |     |                        |     | FSA            | black/grey                              |        |     |            |
|     |                |  |        |     |                        |     | FSB            | stone grey/stone grey                   |        |     |            |
|     |                |  |        |     |                        |     | FSC            | sand beige/sand beige                   |        |     |            |
|     |                |  |        |     |                        |     | FSD            | sea blue/grey                           |        |     |            |

|       |      |    |    |              |              |     |       |            |         |     |         |
|-------|------|----|----|--------------|--------------|-----|-------|------------|---------|-----|---------|
| Model | Year | MG | SG | Illustration | Restrictions | UPD | 12:19 | 24.01.2010 | PORSCHE | PET | PORSCHE |
| 987C  | 2008 | 8  | 09 | 809-01       |              | 248 |       |            |         |     |         |

| Pos | Part Number    | Description             | Remark  | Qty | Model    | Pos | Part Number    | Description             | Remark | Qty | Model        |
|-----|----------------|-------------------------|---------|-----|----------|-----|----------------|-------------------------|--------|-----|--------------|
|     | FSE            | palmgreen/palmgreen     | -07     |     |          |     | FSB            | stone grey/stone grey   |        |     |              |
|     | FSF            | terracotta/terracotta   |         |     |          |     | FSC            | sand beige/sand beige   |        |     |              |
|     | FSG            | cocoa/cocoa             |         |     |          |     | FSD            | sea blue/grey           |        |     |              |
|     | FSH            | darkgrey natural/grey   |         |     |          |     | FSF            | terracotta/terracotta   |        |     |              |
|     | FSJ            | brown nat./brown nat.   |         |     |          |     | FSG            | cocoa/cocoa             |        |     |              |
| (5) | 987 552 023 02 | instrument box complete | /LL 08- | 1   | I098/981 |     | FSH            | darkgrey natural/grey   |        |     |              |
|     | FSA            | black/grey              |         |     |          |     | FSJ            | brown nat./brown nat.   |        |     |              |
|     | FSB            | stone grey/stone grey   |         |     |          |     | FSP            | carrera red             | 08-    |     |              |
|     | FSC            | sand beige/sand beige   |         |     |          | (5) | 987 552 990 08 | instrument box complete | /LL    | 1   | IXNG/098     |
|     | FSD            | sea blue/grey           |         |     |          |     | A11            | black                   |        |     |              |
|     | FSF            | terracotta/terracotta   |         |     |          |     | 5X6            | stone grey              |        |     |              |
|     | FSG            | cocoa/cocoa             |         |     |          |     | 8G2            | sand beige              |        |     |              |
|     | FSH            | darkgrey natural/grey   |         |     |          |     | 3S9            | sea blue                |        |     |              |
|     | FSJ            | brown nat./brown nat.   |         |     |          |     | 4P2            | palmgreen               | -07    |     |              |
|     | FSP            | carrera red             | 08-     |     |          | (5) | 987 552 990 09 | instrument box complete | /RL    | 1   | IXNG/099     |
| (5) | 987 552 024 01 | instrument box complete | /RL -07 | 1   | I099/981 |     | A11            | black                   |        |     |              |
|     | FSA            | black/grey              |         |     |          |     | 5X6            | stone grey              |        |     |              |
|     | FSB            | stone grey/stone grey   |         |     |          |     | 8G2            | sand beige              |        |     |              |
|     | FSC            | sand beige/sand beige   |         |     |          |     | 3S9            | sea blue                |        |     |              |
|     | FSD            | sea blue/grey           |         |     |          |     | 4P2            | palmgreen               | -07    |     |              |
|     | FSE            | palmgreen/palmgreen     | -07     |     |          | (5) | 987 552 990 10 | instrument box complete | /LL    | 1   | IXNG/098/981 |
|     | FSF            | terracotta/terracotta   |         |     |          |     | A11            | black                   |        |     |              |
|     | FSG            | cocoa/cocoa             |         |     |          |     | 5X6            | stone grey              |        |     |              |
|     | FSH            | darkgrey natural/grey   |         |     |          |     | 8G2            | sand beige              |        |     |              |
|     | FSJ            | brown nat./brown nat.   |         |     |          |     | 3S9            | sea blue                |        |     |              |
| (5) | 987 552 024 02 | instrument box complete | /RL 08- | 1   | I099/981 |     | 4P2            | palmgreen               | -07    |     |              |
|     | FSA            | black/grey              |         |     |          |     | 9S5            | terracotta              |        |     |              |

|       |      |    |    |              |              |     |       |            |         |     |         |
|-------|------|----|----|--------------|--------------|-----|-------|------------|---------|-----|---------|
| Model | Year | MG | SG | Illustration | Restrictions | UPD | 12:19 | 24.01.2010 | PORSCHE | PET | PORSCHE |
| 987C  | 2008 | 8  | 09 | 809-01       |              | 248 |       |            |         |     |         |

| Pos | Part Number    | Description              | Remark | Qty | Model               | Pos | Part Number    | Description               | Remark | Qty | Model        |
|-----|----------------|--------------------------|--------|-----|---------------------|-----|----------------|---------------------------|--------|-----|--------------|
|     | 9V6            | cocoa                    |        |     |                     | (5) | 987 552 990 15 | instrument box complete   | /RL    | 1   | IXCL/099/981 |
|     | D12            | dark grey/natural        |        |     |                     |     | V04            | galvano silver            |        |     |              |
|     | T12            | brown/natural            |        |     |                     | (6) | 987 552 123 01 | instrument box upper part | /LL    | -07 | 1 I098/981   |
|     | N12            | carrera red              | 08-    |     |                     |     | FSA            | black/grey                |        |     |              |
| (5) | 987 552 990 11 | instrument box complete  | /RL    | 1   | IXNG/099/981        |     | FSB            | stone grey/stone grey     |        |     |              |
|     | A11            | black                    |        |     |                     |     | FSC            | sand beige/sand beige     |        |     |              |
|     | 5X6            | stone grey               |        |     |                     |     | FSD            | sea blue/grey             |        |     |              |
|     | 8G2            | sand beige               |        |     |                     |     | FSE            | palmgreen/palmgreen       | -07    |     |              |
|     | 3S9            | sea blue                 |        |     |                     |     | FSF            | terracotta/terracotta     |        |     |              |
|     | 4P2            | palmgreen                | -07    |     |                     |     | FSG            | cocoa/cocoa               |        |     |              |
|     | 9S5            | terracotta               |        |     |                     |     | FSH            | darkgrey natural/grey     |        |     |              |
|     | 9V6            | cocoa                    |        |     |                     |     | FSJ            | brown nat./brown nat.     |        |     |              |
|     | D12            | dark grey/natural        |        |     |                     | (6) | 987 552 123 02 | instrument box upper part | /LL    | 08- | 1 I098/981   |
|     | T12            | brown/natural            |        |     |                     |     | FSA            | black/grey                |        |     |              |
|     | N12            | carrera red              | 08-    |     |                     |     | FSB            | stone grey/stone grey     |        |     |              |
| (5) | 987 552 990 12 | instrument box complete  | /LL    | 1   | IXCL/098            |     | FSC            | sand beige/sand beige     |        |     |              |
|     | V04            | galvano silver           |        |     |                     |     | FSD            | sea blue/grey             |        |     |              |
| (5) | 987 552 990 13 | instrument box complete  | /RL    | 1   | IXCL/099            |     | FSF            | terracotta/terracotta     |        |     |              |
|     | V04            | galvano silver           |        |     |                     |     | FSG            | cocoa/cocoa               |        |     |              |
| (5) | 987 552 325 02 | instrument box lacquered | /LL    | 08- | 1 CAYMAN S I098/758 |     | FSH            | darkgrey natural/grey     |        |     |              |
|     | A03            | black                    |        |     |                     |     | FSJ            | brown nat./brown nat.     |        |     |              |
|     | A03            | black                    |        |     |                     |     | FSP            | carrera red               | 08-    |     |              |
| (5) | 987 552 326 02 | instrument box lacquered | /RL    | 08- | 1 CAYMAN S I099/758 | (6) | 987 552 124 01 | instrument box upper part | /RL    | -07 | 1 I099/981   |
|     | A03            | black                    |        |     |                     |     | FSA            | black/grey                |        |     |              |
| (5) | 987 552 990 14 | instrument box complete  | /LL    | 1   | IXCL/098/981        |     | FSB            | stone grey/stone grey     |        |     |              |
|     | V04            | galvano silver           |        |     |                     |     | FSC            | sand beige/sand beige     |        |     |              |
|     |                |                          |        |     |                     |     | FSD            | sea blue/grey             |        |     |              |

|       |      |    |    |              |              |     |       |            |         |     |         |
|-------|------|----|----|--------------|--------------|-----|-------|------------|---------|-----|---------|
| Model | Year | MG | SG | Illustration | Restrictions | UPD | 12:19 | 24.01.2010 | PORSCHE | PET | PORSCHE |
| 987C  | 2008 | 8  | 09 | 809-01       |              | 248 |       |            |         |     |         |

| Pos | Part Number    | Description               | Remark  | Qty | Model    | Pos | Part Number    | Description              | Remark | Qty | Model    |
|-----|----------------|---------------------------|---------|-----|----------|-----|----------------|--------------------------|--------|-----|----------|
|     | FSE            | palmgreen/palmgreen       | -07     |     |          |     | 5V7            | stone grey               |        |     |          |
|     | FSF            | terracotta/terracotta     |         |     |          |     | 5Z1            | sand beige               |        |     |          |
|     | FSG            | cocoa/cocoa               |         |     |          |     | 8W7            | sea blue                 |        |     |          |
|     | FSH            | darkgrey natural/grey     |         |     |          |     | 5Y2            | palmgreen                | -07    |     |          |
|     | FSJ            | brown nat./brown nat.     |         |     |          |     | 8X8            | terracotta               |        |     |          |
| (6) | 987 552 124 02 | instrument box upper part | /RL 08- | 1   | I099/981 |     | 8P9            | cocoa                    |        |     |          |
|     | FSA            | black/grey                |         |     |          |     | T13            | brown/natural            |        |     |          |
|     | FSB            | stone grey/stone grey     |         |     |          |     | N23            | carrera red              | 08-    |     |          |
|     | FSC            | sand beige/sand beige     |         |     |          | (7) | 987 552 989 04 | cover instrument cluster | /LL    | 1   | IXNG/098 |
|     | FSD            | sea blue/grey             |         |     |          |     | A11            | black                    |        |     |          |
|     | FSF            | terracotta/terracotta     |         |     |          |     | 5X6            | stone grey               |        |     |          |
|     | FSG            | cocoa/cocoa               |         |     |          |     | 8G2            | sand beige               |        |     |          |
|     | FSH            | darkgrey natural/grey     |         |     |          |     | 3S9            | sea blue                 |        |     |          |
|     | FSJ            | brown nat./brown nat.     |         |     |          |     | 4P2            | palmgreen                | -07    |     |          |
|     | FSP            | carrera red               | 08-     |     |          |     | 9S5            | terracotta               |        |     |          |
| 7   | 987 552 229 00 | cover instrument cluster  |         | 1   | I098     |     | 9V6            | cocoa                    |        |     |          |
|     | A03            | black                     |         |     |          |     | D12            | dark grey/natural        |        |     |          |
|     | 5V7            | stone grey                |         |     |          |     | T12            | brown/natural            |        |     |          |
|     | 5Z1            | sand beige                |         |     |          |     | N12            | carrera red              | 08-    |     |          |
|     | 8W7            | sea blue                  |         |     |          | (7) | 987 552 989 05 | cover instrument cluster | /RL    | 1   | IXNG/099 |
|     | 5Y2            | palmgreen                 | -07     |     |          |     | A11            | black                    |        |     |          |
|     | 8X8            | terracotta                |         |     |          |     | 5X6            | stone grey               |        |     |          |
|     | 8P9            | cocoa                     |         |     |          |     | 8G2            | sand beige               |        |     |          |
|     | T13            | brown/natural             |         |     |          |     | 3S9            | sea blue                 |        |     |          |
|     | N23            | carrera red               | 08-     |     |          |     | 4P2            | palmgreen                | -07    |     |          |
| 7   | 987 552 230 00 | cover instrument cluster  |         | 1   | I099     |     | 9S5            | terracotta               |        |     |          |
|     | A03            | black                     |         |     |          |     | 9V6            | cocoa                    |        |     |          |
|     |                |                           |         |     |          |     | D12            | dark grey/natural        |        |     |          |

|       |      |    |    |              |              |     |       |            |         |     |         |
|-------|------|----|----|--------------|--------------|-----|-------|------------|---------|-----|---------|
| Model | Year | MG | SG | Illustration | Restrictions | UPD | 12:19 | 24.01.2010 | PORSCHE | PET | PORSCHE |
| 987C  | 2008 | 8  | 09 | 809-01       |              | 248 |       |            |         |     |         |

| Pos  | Part Number    | Description                | Remark | Qty | Model    | Pos  | Part Number    | Description       | Remark | Qty | Model    |
|------|----------------|----------------------------|--------|-----|----------|------|----------------|-------------------|--------|-----|----------|
|      | T12            | brown/natural              |        |     |          |      | 8P9            | cocoa             |        |     |          |
|      | N12            | carrera red                | 08-    |     |          |      | T13            | brown/natural     |        |     |          |
| (7)  | 987 552 989 06 | cover instrument cluster   | /LL    | 1   | IXCL/098 |      | N23            | carrera red       | 08-    |     |          |
|      | V04            | galvano silver             |        |     |          | 11   | 987 552 978 00 | bridge            | /LL    | 1   | IXNS/098 |
| (7)  | 987 552 989 07 | cover instrument cluster   | /RL    | 1   | IXCL/099 |      | A11            | black             |        |     |          |
|      | V04            | galvano silver             |        |     |          |      | 5X6            | stone grey        |        |     |          |
| 8    | 999 919 235 09 | oval-head screw ST 3,5 X 8 |        | 4   |          |      | 8G2            | sand beige        |        |     |          |
| 9    | 900 067 416 01 | pan-head screw M5 x 27     |        | 2   |          |      | 3S9            | sea blue          |        |     |          |
| 10   | 999 073 226 09 | tapping screw ST 4,2 X 16  |        | 5   |          |      | 4P2            | palmgreen         | -07    |     |          |
| 11   | 987 552 271 01 | bridge                     | /LL    | 1   | I098     |      | 9S5            | terracotta        |        |     |          |
|      | A03            | black                      |        |     |          |      | 9V6            | cocoa             |        |     |          |
|      | 5V7            | stone grey                 |        |     |          |      | D12            | dark grey/natural |        |     |          |
|      | 5Z1            | sand beige                 |        |     |          | (11) | 987 552 978 01 | bridge leather    | /RL    | 1   | IXNS/099 |
|      | 8W7            | sea blue                   |        |     |          |      | A11            | black             |        |     |          |
|      | 5Y2            | palmgreen                  |        |     |          |      | 5X6            | stone grey        |        |     |          |
|      | 8X8            | terracotta                 | -07    |     |          |      | 8G2            | sand beige        |        |     |          |
|      | 8P9            | cocoa                      |        |     |          |      | 3S9            | sea blue          |        |     |          |
|      | T13            | brown/natural              |        |     |          |      | 4P2            | palmgreen         | -07    |     |          |
|      | N23            | carrera red                | 08-    |     |          |      | 9S5            | terracotta        |        |     |          |
| (11) | 987 552 272 01 | bridge                     | /RL    | 1   | I099     |      | 9V6            | cocoa             |        |     |          |
|      | A03            | black                      |        |     |          |      | D12            | dark grey/natural |        |     |          |
|      | 5V7            | stone grey                 |        |     |          |      | T12            | brown/natural     |        |     |          |
|      | 5Z1            | sand beige                 |        |     |          |      | N12            | carrera red       | 08-    |     |          |
|      | 8W7            | sea blue                   |        |     |          | 12   | 997 552 294 03 | support beverages | /LL    | 1   | I098     |
|      | 5Y2            | palmgreen                  |        |     |          | (12) | 997 552 293 04 | support beverages | /RL    | 1   | I099     |
|      | 8X8            | terracotta                 | -07    |     |          |      |                |                   |        |     |          |

|       |      |    |    |              |              |     |       |            |         |     |         |
|-------|------|----|----|--------------|--------------|-----|-------|------------|---------|-----|---------|
| Model | Year | MG | SG | Illustration | Restrictions | UPD | 12:19 | 24.01.2010 | PORSCHE | PET | PORSCHE |
| 987C  | 2008 | 8  | 09 | 809-01       |              | 248 |       |            |         |     |         |

| Pos  | Part Number    | Description   | Remark | Qty | Model                | Pos  | Part Number    | Description       | Remark | Qty | Model            |
|------|----------------|---|--------|-----|----------------------|------|----------------|-------------------|--------|-----|------------------|
| --   | 997 552 905 00 | repair kit<br>flap<br>torsion spring<br>for<br>beverages<br>support |        | 1   |                      |      | 5X6            | stone grey        |        |     |                  |
|      |                |   |        |     |                      |      | 8G2            | sand beige        |        |     |                  |
|      |                |   |        |     |                      |      | 3S9            | sea blue          |        |     |                  |
| 13   | 997 552 394 01 | cover   | /LL/R  | 1   | CAYMAN<br>I098       |      | 4P2            | palmgreen         |        | -07 |                  |
|      | D07            | volcano grey  |        |     |                      |      | 9S5            | terracotta        |        |     |                  |
|      |                |   |        |     |                      |      | 9V6            | cocoa             |        |     |                  |
| (13) | 997 552 393 01 | cover   | /RL/R  | 1   | CAYMAN<br>I099       |      | D12            | dark grey/natural |        |     |                  |
|      | D07            | volcano grey  |        |     |                      |      | T12            | brown/natural     |        |     |                  |
| (13) | 997 552 394 02 | cover   | /LL/R  | 1   | CAYMAN S<br>I098     | (13) | N12            | carrera red       |        | 08- |                  |
|      | V04            | galvano silver  |        |     |                      |      | 997 552 993 01 | cover             | /RL/R  | 1   | IXVP/099         |
| (13) | 997 552 393 02 | cover   | /RL/R  | 1   | CAYMAN S<br>I099     |      | A11            | black             |        |     |                  |
|      | V04            | galvano silver  |        |     |                      |      | 5X6            | stone grey        |        |     |                  |
| (13) | 997 552 396 05 | cover   | /LL/R  | 1   | I098/803             |      | 8G2            | sand beige        |        |     |                  |
|      | A35            | black   |        |     |                      |      | 3S9            | sea blue          |        |     |                  |
| (13) | 997 552 395 05 | cover   | /RL/R  | 1   | I099/803             |      | 4P2            | palmgreen         |        | -07 |                  |
|      | A35            | black   |        |     |                      |      | 9S5            | terracotta        |        |     |                  |
| (13) | 987 552 394 00 | cover   | /LL/R  | 1   | I098/805             |      | 9V6            | cocoa             |        |     |                  |
|      | G2X            | prime coated  |        |     |                      |      | D12            | dark grey/natural |        |     |                  |
| (13) | 987 552 394 00 | cover   | /LL/R  | 08- | CAYMAN S<br>I098/758 | 14   | T12            | brown/natural     |        | 08- |                  |
|      | G2X            | prime coated  |        |     |                      |      | N12            | carrera red       |        |     |                  |
| (13) | 987 552 393 00 | cover   | /RL/R  | 1   | I099/805             |      | 997 552 398 00 | cover             | /LL    | 1   | CAYMAN<br>I098   |
|      | G2X            | prime coated  |        |     |                      |      |                | centre            |        |     |                  |
| (13) | 987 552 393 00 | cover   | /RL/R  | 08- | CAYMAN S<br>I099/758 | (14) | D07            | volcano grey      | /RL    | 1   | CAYMAN<br>I099   |
|      | G2X            | prime coated  |        |     |                      |      |                | centre            |        |     |                  |
| (13) | 997 552 993 00 | cover   | /LL/R  | 1   | IXVP/098             | (14) | D07            | volcano grey      |        |     |                  |
|      | A11            | black   |        |     |                      |      | 997 552 398 01 | cover             | /LL    | 1   | CAYMAN S<br>I098 |
|      |                |   |        |     |                      |      |                | centre            |        |     |                  |
|      |                |   |        |     |                      |      | V04            | galvano silver    |        |     |                  |

|       |      |    |    |              |              |     |       |            |         |     |         |
|-------|------|----|----|--------------|--------------|-----|-------|------------|---------|-----|---------|
| Model | Year | MG | SG | Illustration | Restrictions | UPD | 12:19 | 24.01.2010 | PORSCHE | PET | PORSCHE |
| 987C  | 2008 | 8  | 09 | 809-01       |              | 248 |       |            |         |     |         |

| Pos  | Part Number    | Description   | Remark | Qty | Model                  | Pos  | Part Number    | Description     | Remark | Qty | Model            |
|------|----------------|---|--------|-----|------------------------|------|----------------|-----------------|--------|-----|------------------|
| (14) | 997 552 397 01 | cover<br>centre<br>V04 galvano silver   | /RL    | 1   | CAYMAN S<br>I099       |      | T12            | brown/natural   |        |     |                  |
|      |                |   |        |     |                        |      | N12            | carrera red     | 08-    |     |                  |
| (14) | 997 552 398 04 | cover<br>centre<br>A35 black  | /LL    | 1   | I098/803               | (14) | 997 552 994 01 | cover<br>centre | /RL    | 1   | IXVP/099         |
| (14) | 997 552 397 04 | cover<br>centre<br>A35 black  | /RL    | 1   | I099/803               |      | A11            | black           |        |     |                  |
| (14) | 987 552 392 00 | cover<br>centre<br>G2X prime coated   | /LL    | 1   | I098/805               |      | 5X6            | stone grey      |        |     |                  |
| (14) | 987 552 392 00 | cover<br>centre<br>G2X prime coated   | /LL    | 08- | 1 CAYMAN S<br>I098/758 |      | 8G2            | sand beige      |        |     |                  |
| (14) | 987 552 391 00 | cover<br>centre<br>G2X prime coated   | /RL    | 1   | I099/805               | 15   | 997 552 396 01 | cover           | /LL/L  | 1   | CAYMAN<br>I098   |
| (14) | 987 552 391 00 | cover<br>centre<br>G2X prime coated   | /RL    | 08- | 1 CAYMAN S<br>I099/758 |      | D07            | volcano grey    |        |     |                  |
| (14) | 997 552 994 00 | cover<br>centre<br>A11 black<br>5X6 stone grey<br>8G2 sand beige<br>3S9 sea blue<br>4P2 palmgreen<br>9S5 terracotta<br>9V6 cocoa<br>D12 dark grey/natural | /LL    | 1   | IXVP/098               | (15) | 997 552 395 01 | cover           | /RL/L  | 1   | CAYMAN<br>I099   |
|      |                |   |        |     |                        |      | D07            | volcano grey    |        |     |                  |
|      |                |   |        |     |                        | (15) | 997 552 396 02 | cover           | /LL/L  | 1   | CAYMAN S<br>I098 |
|      |                |   |        |     |                        |      | V04            | galvano silver  |        |     |                  |
|      |                |   |        |     |                        | (15) | 997 552 395 02 | cover           | /RL/L  | 1   | CAYMAN S<br>I099 |
|      |                |   |        |     |                        |      | V04            | galvano silver  |        |     |                  |
|      |                |   |        |     |                        | (15) | 997 552 394 05 | cover           | /LL/L  | 1   | I098/803         |
|      |                |   |        |     |                        |      | A35            | black           |        |     |                  |
|      |                |   |        |     |                        | (15) | 997 552 393 05 | cover           | /RL/L  | 1   | I099/803         |
|      |                |   |        |     |                        |      | A35            | black           |        |     |                  |
|      |                |   |        |     |                        | (15) | 987 552 396 00 | cover           | /LL/L  | 1   | I098/805         |



|       |      |    |    |              |              |     |       |            |         |     |         |
|-------|------|----|----|--------------|--------------|-----|-------|------------|---------|-----|---------|
| Model | Year | MG | SG | Illustration | Restrictions | UPD | 12:19 | 24.01.2010 | PORSCHE | PET | PORSCHE |
| 987C  | 2008 | 8  | 09 | 809-01       |              | 248 |       |            |         |     |         |

| Pos  | Part Number    | Description            | Remark    | Qty | Model             | Pos  | Part Number    | Description   | Remark  | Qty | Model        |
|------|----------------|------------------------|-----------|-----|-------------------|------|----------------|---|---------|-----|--------------|
| (15) | 987 552 396 00 | G2X prime coated cover | /LL/L 08- | 1   | CAYMAN S I098/758 | 16   | 997 552 904 00 | N12 carrera red set cover wood                        | 08- /LL | 1   | I098/801     |
| (15) | 987 552 395 00 | G2X prime coated cover | /RL/L     | 1   | I099/805          | (16) | 997 552 903 00 | S61 macassar set cover wood                           | /RL     | 1   | I099/801     |
| (15) | 987 552 395 00 | G2X prime coated cover | /RL/L 08- | 1   | CAYMAN S I099/758 |      |                | S61 macassar  |         |     |              |
| (15) | 997 552 992 00 | G2X prime coated cover | /LL/L     | 1   | IXVP/098          | 16   | 997 552 904 01 | S61 macassar set cover wood                           | /LL -08 | 1   | I098/802     |
|      | A11            | black                  |           |     |                   | 16   | 997 552 903 01 | S62 sycamore wood set cover wood                      | /RL -08 | 1   | I099/802     |
|      | 5X6            | stone grey             |           |     |                   |      |                | S62 sycamore wood                                     |         |     |              |
|      | 8G2            | sand beige             |           |     |                   | 17   | 900 067 416 01 | pan-head screw M5 X 27                                |         | 2   |              |
|      | 3S9            | sea blue               |           |     |                   | 18   | ---            | retaining bracket beverages support see group 8/09/00 |         | 1   |              |
|      | 4P2            | palmgreen              |           | -07 |                   | 19   | 987 552 371 00 | air box upper part                                    |         | 1   | I639/640     |
| (15) | 997 552 992 01 | N12 carrera red cover  | /RL/L 08- | 1   | IXVP/099          |      |                | A03 black   |         |     |              |
|      | A11            | black                  |           |     |                   |      |                | 5V7 stone grey  |         |     |              |
|      | 5X6            | stone grey             |           |     |                   |      |                | 5Z1 sand beige  |         |     |              |
|      | 8G2            | sand beige             |           |     |                   |      |                | 8W7 sea blue  |         |     |              |
|      | 3S9            | sea blue               |           |     |                   |      |                | 5Y2 palmgreen   | -07     |     |              |
|      | 4P2            | palmgreen              |           | -07 |                   | (19) | 987 552 371 01 | air box upper part                                    |         | 1   | I639/640/981 |
|      | 9S5            | terracotta             |           |     |                   |      |                | A11 black   |         |     |              |
|      | 9V6            | cocoa                  |           |     |                   |      |                | 5X6 stone grey  |         |     |              |
|      | D12            | dark grey/natural      |           |     |                   |      |                | 8G2 sand beige  |         |     |              |
|      | T12            | brown/natural          |           |     |                   |      |                |   |         |     |              |

|       |      |    |    |              |              |     |       |            |         |     |         |
|-------|------|----|----|--------------|--------------|-----|-------|------------|---------|-----|---------|
| Model | Year | MG | SG | Illustration | Restrictions | UPD | 12:19 | 24.01.2010 | PORSCHE | PET | PORSCHE |
| 987C  | 2008 | 8  | 09 | 809-01       |              | 248 |       |            |         |     |         |

| Pos  | Part Number    | Description                      | Remark | Qty | Model    | Pos  | Part Number    | Description                      | Remark | Qty | Model |
|------|----------------|----------------------------------|--------|-----|----------|------|----------------|----------------------------------|--------|-----|-------|
|      | 3S9            | sea blue                         |        |     |          |      | A03            | black                            |        |     |       |
|      | 4P2            | palmgreen                        | -07    |     |          |      | 5V7            | stone grey                       |        |     |       |
|      | 9S5            | terracotta                       |        |     |          |      | 5Z1            | sand beige                       |        |     |       |
|      | 9V6            | cocoa                            |        |     |          |      | 8W7            | sea blue                         |        |     |       |
|      | D12            | dark grey/natural                |        |     |          |      | 5Y2            | palmgreen                        | -07    |     |       |
|      | T12            | brown/natural                    |        |     |          |      | 8X8            | terracotta                       |        |     |       |
|      | N12            | carrera red                      | 08-    |     |          |      | 8P9            | cocoa                            |        |     |       |
| 20   | 999 507 920 01 | u-clamp<br>1,7-2,1               |        | 4   | I639/640 |      | T13            | brown/natural                    |        |     |       |
| 21   | 997 552 373 01 | support<br>air box<br>upper part |        | 1   | I639/640 | (24) | 987 552 538 01 | cover<br>dashboard<br>upper part | /R     | 1   |       |
| 22   | 999 919 203 07 | oval-head screw<br>3,0 X 10      |        | 4   |          |      | A03            | black                            |        |     |       |
| 23   | 987 552 131 03 | air vent                         | -07    | 4   |          |      | 5V7            | stone grey                       |        |     |       |
|      | FNE            | volcano grey/galvanosilver       |        |     |          |      | 5Z1            | sand beige                       |        |     |       |
| 23   | 987 552 131 04 | air vent                         | 08-    | 4   |          |      | 8W7            | sea blue                         |        |     |       |
|      | FRA            | Black/Galvano Silver             |        |     |          |      | 5Y2            | palmgreen                        | -07    |     |       |
| (23) | 987 552 980 00 | air vent                         |        | 4   | IXVR     |      | 8X8            | terracotta                       |        |     |       |
|      | A11            | black                            |        |     |          |      | 8P9            | cocoa                            |        |     |       |
|      | 5X6            | stone grey                       |        |     |          |      | T13            | brown/natural                    |        |     |       |
|      | 8G2            | sand beige                       |        |     |          |      | N23            | carrera red                      | 08-    |     |       |
|      | 3S9            | sea blue                         |        |     |          | 25   | 987 552 455 01 | cover<br>defroster vent          | /L     | 1   |       |
|      | 4P2            | palmgreen                        | -07    |     |          |      | A03            | black                            |        |     |       |
|      | 9S5            | terracotta                       |        |     |          |      | 5V7            | stone grey                       |        |     |       |
|      | 9V6            | cocoa                            |        |     |          |      | 5Z1            | sand beige                       |        |     |       |
|      | D12            | dark grey/natural                |        |     |          |      | 8W7            | sea blue                         |        |     |       |
|      | T12            | brown/natural                    |        |     |          |      | 5Y2            | palmgreen                        | -07    |     |       |
|      | N12            | carrera red                      | 08-    |     |          |      | 8X8            | terracotta                       |        |     |       |
| 24   | 987 552 537 01 | cover<br>dashboard<br>upper part | /L     | 1   |          |      | 8P9            | cocoa                            |        |     |       |

|       |      |    |    |              |              |     |       |            |         |     |         |
|-------|------|----|----|--------------|--------------|-----|-------|------------|---------|-----|---------|
| Model | Year | MG | SG | Illustration | Restrictions | UPD | 12:19 | 24.01.2010 | PORSCHE | PET | PORSCHE |
| 987C  | 2008 | 8  | 09 | 809-01       |              | 248 |       |            |         |     |         |

| Pos  | Part Number    | Description          | Remark | Qty | Model | Pos  | Part Number    | Description       | Remark | Qty | Model |
|------|----------------|----------------------|--------|-----|-------|------|----------------|-------------------|--------|-----|-------|
|      | T13            | brown/natural        |        |     |       |      | 5Z1            | sand beige        |        |     |       |
|      | N23            | carrera red          | 08-    |     |       |      | 8W7            | sea blue          |        |     |       |
| (25) | 987 552 456 01 | cover defroster vent | /R     | 1   |       |      | 5Y2            | palmgreen         | -07    |     |       |
|      | A03            | black                |        |     |       |      | 8X8            | terracotta        |        |     |       |
|      | 5V7            | stone grey           |        |     |       |      | 8P9            | cocoa             |        |     |       |
|      | 5Z1            | sand beige           |        |     |       |      | T13            | brown/natural     |        |     |       |
|      | 8W7            | sea blue             |        |     |       |      | N23            | carrera red       | 08-    |     |       |
|      | 5Y2            | palmgreen            | -07    |     |       | (27) | 997 552 983 00 | defroster trim    | /L     | 1   | IXV1  |
|      | 8X8            | terracotta           |        |     |       |      | A11            | black             |        |     |       |
|      | 8P9            | cocoa                |        |     |       |      | 5X6            | stone grey        |        |     |       |
|      | T13            | brown/natural        |        |     |       |      | 8G2            | sand beige        |        |     |       |
|      | N23            | carrera red          | 08-    |     |       |      | 3S9            | sea blue          |        |     |       |
| 26   | 987 552 315 02 | air duct lateral     | /L     | 1   |       |      | 4P2            | palmgreen         | -07    |     |       |
| (26) | 987 552 316 02 | air duct lateral     | /R     | 1   |       |      | 9S5            | terracotta        |        |     |       |
|      |                |                      |        |     |       |      | 9V6            | cocoa             |        |     |       |
| 27   | 997 552 175 01 | defroster trim       | /L     | 1   |       |      | D12            | dark grey/natural |        |     |       |
|      | A03            | black                |        |     |       |      | T12            | brown/natural     |        |     |       |
|      | 5V7            | stone grey           |        |     |       |      | N12            | carrera red       | 08-    |     |       |
|      | 5Z1            | sand beige           |        |     |       | (27) | 997 552 984 00 | defroster trim    | /R     | 1   | IXV1  |
|      | 8W7            | sea blue             |        |     |       |      | A11            | black             |        |     |       |
|      | 5Y2            | palmgreen            | -07    |     |       |      | 5X6            | stone grey        |        |     |       |
|      | 8X8            | terracotta           |        |     |       |      | 8G2            | sand beige        |        |     |       |
|      | 8P9            | cocoa                |        |     |       |      | 3S9            | sea blue          |        |     |       |
|      | T13            | brown/natural        |        |     |       |      | 4P2            | palmgreen         | -07    |     |       |
|      | N23            | carrera red          | 08-    |     |       |      | 9S5            | terracotta        |        |     |       |
| (27) | 997 552 176 01 | defroster trim       | /R     | 1   |       |      | 9V6            | cocoa             |        |     |       |
|      | A03            | black                |        |     |       |      | D12            | dark grey/natural |        |     |       |
|      | 5V7            | stone grey           |        |     |       |      | T12            | brown/natural     |        |     |       |
|      |                |                      |        |     |       |      | N12            | carrera red       | 08-    |     |       |

|       |      |    |    |              |              |     |       |            |         |     |         |
|-------|------|----|----|--------------|--------------|-----|-------|------------|---------|-----|---------|
| Model | Year | MG | SG | Illustration | Restrictions | UPD | 12:19 | 24.01.2010 | PORSCHE | PET | PORSCHE |
| 987C  | 2008 | 8  | 09 | 809-01       |              | 248 |       |            |         |     |         |

| Pos  | Part Number    | Description       | Remark | Qty | Model | Pos  | Part Number    | Description       | Remark | Qty | Model |
|------|----------------|-------------------|--------|-----|-------|------|----------------|-------------------|--------|-----|-------|
| (27) | 997 552 983 01 | defroster trim    | /L -08 | 1   | IXKJ  |      | 9V6            | cocoa             |        |     |       |
|      | A11            | black             |        |     |       |      | D12            | dark grey/natural |        |     |       |
|      | 5X6            | stone grey        |        |     |       |      | T12            | brown/natural     |        |     |       |
|      | 8G2            | sand beige        |        |     |       |      | N12            | carrera red       | 08-    |     |       |
|      | 3S9            | sea blue          |        |     |       | (27) | 997 552 984 02 | defroster trim    | /R -08 | 1   | IXJS  |
|      | 4P2            | palmgreen         | -07    |     |       |      | A11            | black             |        |     |       |
|      | 9S5            | terracotta        |        |     |       |      | 5X6            | stone grey        |        |     |       |
|      | 9V6            | cocoa             |        |     |       |      | 8G2            | sand beige        |        |     |       |
|      | D12            | dark grey/natural |        |     |       |      | 3S9            | sea blue          |        |     |       |
|      | T12            | brown/natural     |        |     |       |      | 4P2            | palmgreen         | -07    |     |       |
|      | N12            | carrera red       | 08-    |     |       |      | 9S5            | terracotta        |        |     |       |
| (27) | 997 552 984 01 | defroster trim    | /R -08 | 1   | IXKJ  |      | 9V6            | cocoa             |        |     |       |
|      | A11            | black             |        |     |       |      | D12            | dark grey/natural |        |     |       |
|      | 5X6            | stone grey        |        |     |       |      | T12            | brown/natural     |        |     |       |
|      | 8G2            | sand beige        |        |     |       |      | N12            | carrera red       | 08-    |     |       |
|      | 3S9            | sea blue          |        |     |       | (27) | 997 552 983 03 | defroster trim    | /L -08 | 1   | IXJR  |
|      | 4P2            | palmgreen         | -07    |     |       |      | A11            | black             |        |     |       |
|      | 9S5            | terracotta        |        |     |       |      | 5X6            | stone grey        |        |     |       |
|      | 9V6            | cocoa             |        |     |       |      | 8G2            | sand beige        |        |     |       |
|      | D12            | dark grey/natural |        |     |       |      | 3S9            | sea blue          |        |     |       |
|      | T12            | brown/natural     |        |     |       |      | 4P2            | palmgreen         | -07    |     |       |
|      | N12            | carrera red       | 08-    |     |       |      | 9S5            | terracotta        |        |     |       |
| (27) | 997 552 983 02 | defroster trim    | /L -08 | 1   | IXJS  |      | 9V6            | cocoa             |        |     |       |
|      | A11            | black             |        |     |       |      | D12            | dark grey/natural |        |     |       |
|      | 5X6            | stone grey        |        |     |       |      | T12            | brown/natural     |        |     |       |
|      | 8G2            | sand beige        |        |     |       |      | N12            | carrera red       | 08-    |     |       |
|      | 3S9            | sea blue          |        |     |       | (27) | 997 552 984 03 | defroster trim    | /R -08 | 1   | IXJR  |
|      | 4P2            | palmgreen         | -07    |     |       |      | A11            | black             |        |     |       |
|      | 9S5            | terracotta        |        |     |       |      | 5X6            | stone grey        |        |     |       |

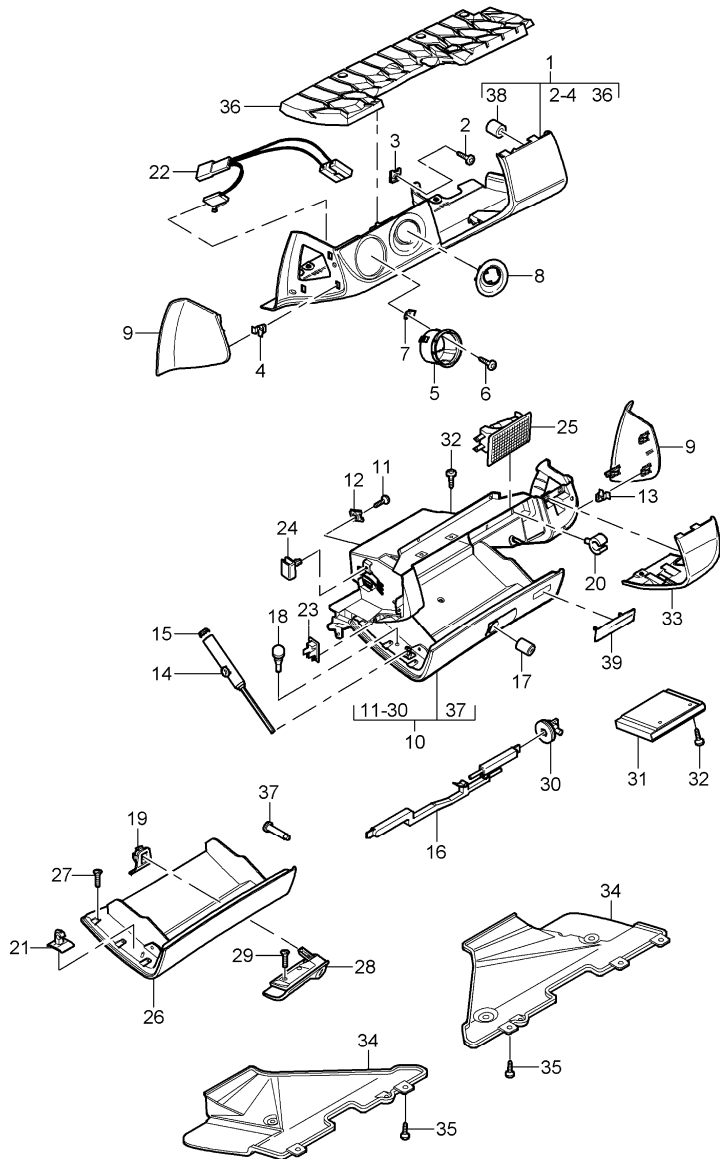
|       |      |    |    |              |              |     |       |            |         |     |         |
|-------|------|----|----|--------------|--------------|-----|-------|------------|---------|-----|---------|
| Model | Year | MG | SG | Illustration | Restrictions | UPD | 12:19 | 24.01.2010 | PORSCHE | PET | PORSCHE |
| 987C  | 2008 | 8  | 09 | 809-01       |              | 248 |       |            |         |     |         |

| Pos  | Part Number    | Description       | Remark | Qty | Model | Pos  | Part Number    | Description       | Remark | Qty | Model |
|------|----------------|-------------------|--------|-----|-------|------|----------------|-------------------|--------|-----|-------|
|      | 8G2            | sand beige        |        |     |       |      | T12            | brown/natural     |        |     |       |
|      | 3S9            | sea blue          |        |     |       |      | N12            | carrera red       | 08-    |     |       |
|      | 4P2            | palmgreen         | -07    |     |       | (29) | 997 552 985 00 | cover<br>centre   | -08    | 1   | IXKJ  |
|      | 9S5            | terracotta        |        |     |       |      | A11            | black             |        |     |       |
|      | 9V6            | cocoa             |        |     |       |      | 5X6            | stone grey        |        |     |       |
|      | D12            | dark grey/natural |        |     |       |      | 8G2            | sand beige        |        |     |       |
|      | T12            | brown/natural     |        |     |       |      | 3S9            | sea blue          |        |     |       |
|      | N12            | carrera red       | 08-    |     |       |      | 4P2            | palmgreen         | -07    |     |       |
| 28   | 999 591 307 01 | u-clamp           |        | 1   |       |      | 9S5            | terracotta        |        |     |       |
| 29   | 997 552 351 01 | cover<br>centre   |        | 1   |       |      | 9V6            | cocoa             |        |     |       |
|      | A03            | black             |        |     |       |      | D12            | dark grey/natural |        |     |       |
|      | 5V7            | stone grey        |        |     |       |      | T12            | brown/natural     |        |     |       |
|      | 5Z1            | sand beige        |        |     |       |      | N12            | carrera red       | 08-    |     |       |
|      | 8W7            | sea blue          |        |     |       | (29) | 997 552 985 00 | cover<br>centre   | -08    | 1   | IXJS  |
|      | 5Y2            | palmgreen         | -07    |     |       |      | A11            | black             |        |     |       |
|      | 8X8            | terracotta        |        |     |       |      | 5X6            | stone grey        |        |     |       |
|      | 8P9            | cocoa             |        |     |       |      | 8G2            | sand beige        |        |     |       |
|      | T13            | brown/natural     |        |     |       |      | 3S9            | sea blue          |        |     |       |
|      | N23            | carrera red       | 08-    |     |       |      | 4P2            | palmgreen         | -07    |     |       |
| (29) | 997 552 985 00 | cover<br>centre   |        | 1   | IXV1  |      | 9S5            | terracotta        |        |     |       |
|      | A11            | black             |        |     |       |      | 9V6            | cocoa             |        |     |       |
|      | 5X6            | stone grey        |        |     |       |      | D12            | dark grey/natural |        |     |       |
|      | 8G2            | sand beige        |        |     |       |      | T12            | brown/natural     |        |     |       |
|      | 3S9            | sea blue          |        |     |       |      | N12            | carrera red       | 08-    |     |       |
|      | 4P2            | palmgreen         | -07    |     |       | (29) | 997 552 985 00 | cover<br>centre   | -08    | 1   | IXJR  |
|      | 9S5            | terracotta        |        |     |       |      | A11            | black             |        |     |       |
|      | 9V6            | cocoa             |        |     |       |      | 5X6            | stone grey        |        |     |       |
|      | D12            | dark grey/natural |        |     |       |      |                |                   |        |     |       |

|       |      |    |    |              |              |     |       |            |         |     |         |
|-------|------|----|----|--------------|--------------|-----|-------|------------|---------|-----|---------|
| Model | Year | MG | SG | Illustration | Restrictions | UPD | 12:19 | 24.01.2010 | PORSCHE | PET | PORSCHE |
| 987C  | 2008 | 8  | 09 | 809-01       |              | 248 |       |            |         |     |         |

| Pos | Part Number    | Description                                  | Remark | Qty | Model | Pos | Part Number | Description | Remark | Qty | Model |
|-----|----------------|--|--------|-----|-------|-----|-------------|-------------|--------|-----|-------|
|     |                | 8G2 sand beige                               |        |     |       |     |             |             |        |     |       |
|     |                | 3S9 sea blue                                 |        |     |       |     |             |             |        |     |       |
|     |                | 4P2 palmgreen                                | -07    |     |       |     |             |             |        |     |       |
|     |                | 9S5 terracotta                               |        |     |       |     |             |             |        |     |       |
|     |                | 9V6 cocoa                                    |        |     |       |     |             |             |        |     |       |
|     |                | D12 dark grey/natural                        |        |     |       |     |             |             |        |     |       |
|     |                | T12 brown/natural                            |        |     |       |     |             |             |        |     |       |
|     |                | N12 carrera red                              | 08-    |     |       |     |             |             |        |     |       |
| 30  | 997 552 645 00 | gasket<br>cowl                               |        | 1   |       |     |             |             |        |     |       |
| 31  | 987 552 397 02 | cover<br>hazard warning light sw.            |        | 1   |       |     |             |             |        |     |       |
|     |                | A03 black                                    |        |     |       |     |             |             |        |     |       |
|     |                | 5V7 stone grey                               |        |     |       |     |             |             |        |     |       |
|     |                | 5Z1 sand beige                               |        |     |       |     |             |             |        |     |       |
|     |                | 8W7 sea blue                                 |        |     |       |     |             |             |        |     |       |
|     |                | 5Y2 palmgreen                                | -07    |     |       |     |             |             |        |     |       |
|     |                | 8X8 terracotta                               |        |     |       |     |             |             |        |     |       |
|     |                | 8P9 cocoa                                    |        |     |       |     |             |             |        |     |       |
|     |                | T13 brown/natural                            |        |     |       |     |             |             |        |     |       |
|     |                | N23 carrera red                              | 08-    |     |       |     |             |             |        |     |       |
| 32  | 987 552 595 00 | mounting<br>switch<br>central locking system |        | 1   |       |     |             |             |        |     |       |

|       |      |    |    |              |              |     |       |            |         |     |         |
|-------|------|----|----|--------------|--------------|-----|-------|------------|---------|-----|---------|
| Model | Year | MG | SG | Illustration | Restrictions | UPD | 12:19 | 24.01.2010 | PORSCHE | PET | PORSCHE |
| 987C  | 2008 | 8  | 09 | 809-03       |              | 248 |       |            |         |     |         |



| Pos | Part Number    | Description                                    | Remark | Qty | Model    |
|-----|----------------|--|--------|-----|----------|
| 1   | 997 552 201 02 | glove compartment lid and lining driver's side | /LL    | 1   | I098     |
|     | 1MZ            | black  |        |     |          |
|     | 1YP            | stone grey                                     |        |     |          |
|     | 1TK            | sand beige                                     |        |     |          |
|     | 1VM            | sea blue                                       |        |     |          |
|     | 1UL            | palmgreen                                      | -07    |     |          |
| (1) | 997 552 202 02 | lining leatherette                             | /RL    | 1   | I099     |
|     | 1MZ            | black  |        |     |          |
|     | 1YP            | stone grey                                     |        |     |          |
|     | 1TK            | sand beige                                     |        |     |          |
|     | 1VM            | sea blue                                       |        |     |          |
|     | 1UL            | palmgreen                                      | -07    |     |          |
| (1) | 997 552 201 03 | lining leather                                 | /LL    | 1   | I098/981 |
|     | A11            | black  |        |     |          |
|     | 5X6            | stone grey                                     |        |     |          |
|     | 8G2            | sand beige                                     |        |     |          |
|     | 3S9            | sea blue                                       |        |     |          |
|     | 4P2            | palmgreen                                      | -07    |     |          |
|     | 9S5            | terracotta                                     |        |     |          |
|     | 9V6            | cocoa  |        |     |          |
|     | D12            | dark grey/natural                              |        |     |          |
|     | T12            | brown/natural                                  |        |     |          |
|     | N12            | carrera red                                    | 08-    |     |          |
| (1) | 997 552 202 03 | lining leather                                 | /RL    | 1   | I099/981 |

|       |      |    |    |              |              |     |       |            |         |     |         |
|-------|------|----|----|--------------|--------------|-----|-------|------------|---------|-----|---------|
| Model | Year | MG | SG | Illustration | Restrictions | UPD | 12:19 | 24.01.2010 | PORSCHE | PET | PORSCHE |
| 987C  | 2008 | 8  | 09 | 809-03       |              | 248 |       |            |         |     |         |

| Pos | Part Number    | Description                                  | Remark | Qty | Model | Pos | Part Number    | Description                           | Remark | Qty | Model |
|-----|----------------|--|--------|-----|-------|-----|----------------|---------------------------------------|--------|-----|-------|
|     | A11            | black  |        |     |       | 7   | 999 507 971 01 | speed nut<br>4,2                      |        | 3   |       |
|     | 5X6            | stone grey                                   |        |     |       |     |                | for<br>mount<br>cover<br>light switch |        |     |       |
|     | 8G2            | sand beige                                   |        |     |       | 8   | 997 552 425 01 | cover<br>ignition starter lock        | /LL    | 1   | I098  |
|     | 3S9            | sea blue                                     |        |     |       |     | A03            | black                                 |        |     |       |
|     | 4P2            | palmgreen                                    | -07    |     |       |     | 5V7            | stone grey                            |        |     |       |
|     | 9S5            | terracotta                                   |        |     |       |     | 5Z1            | sand beige                            |        |     |       |
|     | 9V6            | cocoa  |        |     |       |     | 8W7            | sea blue                              |        |     |       |
|     | D12            | dark grey/natural                            |        |     |       |     | 5Y2            | palmgreen                             | -07    |     |       |
|     | T12            | brown/natural                                |        |     |       |     | 8X8            | terracotta                            |        |     |       |
|     | N12            | carrera red                                  | 08-    |     |       |     | 8P9            | cocoa                                 |        |     |       |
| 2   | 999 073 155 09 | tapping screw<br>4,2 X 13                    |        | 7   |       |     | T13            | brown/natural                         |        |     |       |
| 3   | 999 507 971 01 | speed nut<br>4,2                             |        | 7   |       |     | N23            | carrera red                           | 08-    |     |       |
| 4   | 999 507 732 01 | clamp<br>8 X 12/ 4<br>for<br>mount<br>lining |        | 7   |       | (8) | 997 552 426 01 | cover<br>ignition starter lock        | /RL    | 1   | I099  |
| 5   | 997 552 427 01 | cover<br>light switch                        |        | 1   |       |     | A03            | black                                 |        |     |       |
|     | A03            | black  |        |     |       |     | 5V7            | stone grey                            |        |     |       |
|     | 5V7            | stone grey                                   |        |     |       |     | 5Z1            | sand beige                            |        |     |       |
|     | 5Z1            | sand beige                                   |        |     |       |     | 8W7            | sea blue                              |        |     |       |
|     | 8W7            | sea blue                                     |        |     |       |     | 5Y2            | palmgreen                             | -07    |     |       |
|     | 5Y2            | palmgreen                                    | -07    |     |       |     | 8X8            | terracotta                            |        |     |       |
|     | 8X8            | terracotta                                   |        |     |       |     | 8P9            | cocoa                                 |        |     |       |
|     | 8P9            | cocoa  |        |     |       |     | T13            | brown/natural                         |        |     |       |
|     | T13            | brown/natural                                |        |     |       |     | N23            | carrera red                           | 08-    |     |       |
|     | N23            | carrera red                                  | 08-    |     |       | 9   | 997 552 405 02 | cover                                 | /L     | 1   |       |
| 6   | 999 073 155 09 | tapping screw<br>4,2 X 13                    |        | 3   |       |     | A03            | black                                 |        |     |       |
|     |                |  |        |     |       |     | 5V7            | stone grey                            |        |     |       |
|     |                |  |        |     |       |     | 5Z1            | sand beige                            |        |     |       |



|       |      |    |    |              |              |     |       |            |         |     |         |
|-------|------|----|----|--------------|--------------|-----|-------|------------|---------|-----|---------|
| Model | Year | MG | SG | Illustration | Restrictions | UPD | 12:19 | 24.01.2010 | PORSCHE | PET | PORSCHE |
| 987C  | 2008 | 8  | 09 | 809-03       |              | 248 |       |            |         |     |         |

| Pos  | Part Number    | Description  | Remark | Qty | Model | Pos  | Part Number    | Description   | Remark | Qty | Model    |
|------|----------------|--|--------|-----|-------|------|----------------|---|--------|-----|----------|
|      |                | 8W7 sea blue   |        |     |       |      | 1MZ            | black   |        |     |          |
|      |                | 5Y2 palmgreen  | -07    |     |       |      | 1YP            | stone grey  |        |     |          |
|      |                | 8X8 terracotta   |        |     |       |      | 1TK            | sand beige  |        |     |          |
|      |                | 8P9 cocoa  |        |     |       |      | 1VM            | sea blue  |        |     |          |
|      |                | T13 brown/natural  |        |     |       |      | 1UL            | palmgreen   | -07    |     |          |
|      |                | N23 carrera red  | 08-    |     |       | 10   | 997 552 204 06 | glove compartment<br>leatherette<br>complete<br>valid from:<br>F 988U7 50790>><br>F 988U7 70583>> | /LL    | 1   | I098     |
| (9)  | 997 552 406 02 | cover<br>lateral<br>driver's side  | /R     | 1   |       |      |                |   |        |     |          |
|      |                | A03 black  |        |     |       |      | 1MZ            | black   |        |     |          |
|      |                | 5V7 stone grey   |        |     |       |      | 1YP            | stone grey  |        |     |          |
|      |                | 5Z1 sand beige   |        |     |       |      | 1TK            | sand beige  |        |     |          |
|      |                | 8W7 sea blue   |        |     |       |      | 1VM            | sea blue  |        |     |          |
|      |                | 5Y2 palmgreen  | -07    |     |       | (10) | 997 552 203 06 | glove compartment<br>leatherette<br>complete<br>valid from:<br>F 988U7 50642>><br>F 988U7 70454>> | /RL    | 1   | I099     |
|      |                | 8X8 terracotta   |        |     |       |      |                |   |        |     |          |
|      |                | 8P9 cocoa  |        |     |       |      | 1MZ            | black   |        |     |          |
|      |                | T13 brown/natural  |        |     |       |      | 1YP            | stone grey  |        |     |          |
|      |                | N23 carrera red  | 08-    |     |       |      | 1TK            | sand beige  |        |     |          |
| 10   | 997 552 204 04 | glove compartment<br>leatherette<br>complete<br>valid up to:<br>F >>988U7 50789<br>F >>988U7 70582 | /LL    | 1   | I098  |      | 1VM            | sea blue  |        |     |          |
|      |                | 1MZ black  |        |     |       | 10   | 997 552 204 05 | glove compartment<br>leather<br>complete<br>valid up to:<br>F >>988U7 50789<br>F >>988U7 70582    | /LL    | 1   | I098/981 |
|      |                | 1YP stone grey   |        |     |       |      | A11            | black   |        |     |          |
|      |                | 1TK sand beige   |        |     |       |      | 5X6            | stone grey  |        |     |          |
|      |                | 1VM sea blue   |        |     |       |      | 8G2            | sand beige  |        |     |          |
|      |                | 1UL palmgreen  | -07    |     |       |      | 3S9            | sea blue  |        |     |          |
| (10) | 997 552 203 04 | glove compartment<br>leatherette<br>complete<br>valid up to:<br>F >>988U7 50641<br>F >>988U7 70453 | /RL    | 1   | I099  |      | 4P2            | palmgreen   | -07    |     |          |

|       |      |    |    |              |              |     |       |            |         |     |         |
|-------|------|----|----|--------------|--------------|-----|-------|------------|---------|-----|---------|
| Model | Year | MG | SG | Illustration | Restrictions | UPD | 12:19 | 24.01.2010 | PORSCHE | PET | PORSCHE |
| 987C  | 2008 | 8  | 09 | 809-03       |              | 248 |       |            |         |     |         |

| Pos  | Part Number    | Description  | Remark | Qty | Model    | Pos  | Part Number    | Description   | Remark | Qty | Model                      |
|------|----------------|--|--------|-----|----------|------|----------------|---|--------|-----|----------------------------|
|      | 9S5            | terracotta   |        |     |          |      | T12            | brown/natural   |        |     |                            |
|      | 9V6            | cocoa  |        |     |          |      | N12            | carrera red   |        |     |                            |
|      | D12            | dark grey/natural  |        |     |          | (10) | 997 552 203 07 | glove compartment<br>leather<br>complete<br>valid from:<br>F 988U7 50642>><br>F 988U7 70454>> | /RL    | 1   | I099/981                   |
|      | T12            | brown/natural  |        |     |          |      | A11            | black   |        |     |                            |
| (10) | 997 552 203 05 | glove compartment<br>leather<br>complete<br>valid up to:<br>F >>988U7 50641<br>F >>988U7 70453 | /RL    | 1   | I099/981 |      | 5X6            | stone grey  |        |     |                            |
|      | A11            | black  |        |     |          |      | 8G2            | sand beige  |        |     |                            |
|      | 5X6            | stone grey   |        |     |          |      | 3S9            | sea blue  |        |     |                            |
|      | 8G2            | sand beige   |        |     |          |      | 9S5            | terracotta  |        |     |                            |
|      | 3S9            | sea blue   |        |     |          |      | 9V6            | cocoa   |        |     |                            |
|      | 4P2            | palmgreen  | -07    |     |          |      | D12            | dark grey/natural   |        |     |                            |
|      | 9S5            | terracotta   |        |     |          |      | T12            | brown/natural   |        |     |                            |
|      | 9V6            | cocoa  |        |     |          | (10) | 987 552 204 04 | glove compartment<br>leatherette<br>complete  | /LL    | 08- | 1 Cayman S<br>I098/758     |
|      | D12            | dark grey/natural  |        |     |          |      | 1MZ            | black   |        |     |                            |
|      | T12            | brown/natural  |        |     |          | (10) | 987 552 203 07 | glove compartment<br>leatherette<br>complete  | /RL    | 08- | 1 Cayman S<br>I099/758     |
| 10   | 997 552 204 07 | glove compartment<br>leather<br>complete<br>valid from:<br>F 988U7 50790>><br>F 988U7 70583>>  | /LL    | 1   | I098/981 |      | 1MZ            | black   |        |     |                            |
|      | N12            | carrera red  | 08-    |     |          | (10) | 987 552 204 05 | glove compartment<br>leather<br>complete  | /LL    | 08- | 1 Cayman S<br>I098/758/981 |
|      | A11            | black  |        |     |          |      | A11            | black   |        |     |                            |
|      | 5X6            | stone grey   |        |     |          |      | 5X6            | stone grey  |        |     |                            |
|      | 8G2            | sand beige   |        |     |          | (10) | 987 552 204 05 | glove compartment<br>leather<br>complete  | /LL    | 08  | 1 Cayman S<br>I098/755/981 |
|      | 3S9            | sea blue   |        |     |          |      |                |   |        |     |                            |
|      | 9S5            | terracotta   |        |     |          |      |                |   |        |     |                            |
|      | 9V6            | cocoa  |        |     |          |      |                |   |        |     |                            |
|      | D12            | dark grey/natural  |        |     |          |      |                |   |        |     |                            |

|       |      |    |    |              |              |     |       |            |         |     |         |
|-------|------|----|----|--------------|--------------|-----|-------|------------|---------|-----|---------|
| Model | Year | MG | SG | Illustration | Restrictions | UPD | 12:19 | 24.01.2010 | PORSCHE | PET | PORSCHE |
| 987C  | 2008 | 8  | 09 | 809-03       |              | 248 |       |            |         |     |         |

| Pos  | Part Number           | Description                                       | Remark  | Qty | Model                    | Pos  | Part Number    | Description  | Remark | Qty | Model |
|------|-----------------------|---|---------|-----|--------------------------|------|----------------|--|--------|-----|-------|
| (10) | A11<br>987 552 203 05 | black<br>glove compartment<br>leather<br>complete | /RL 08- | 1   | Cayman S<br>I099/758/981 | (19) | 997 552 510 02 | mounting<br>closing element                              | /LL/R  | 1   | I098  |
|      | A11<br>5X6            | black<br>stone grey                               |         |     |                          | (19) | 997 552 509 03 | mounting<br>closing element                              | /RL/L  | 1   | I099  |
| (10) | A11<br>987 552 203 05 | black<br>glove compartment<br>leather<br>complete | /RL 08  | 1   | Cayman S<br>I099/755/981 | (19) | 997 552 510 03 | mounting<br>closing element                              | /RL/R  | 1   | I099  |
|      |                       |   |         |     |                          | 20   | 996 552 813 00 | support<br>pin   |        | 2   |       |
|      |                       |   |         |     |                          | 21   | 996 552 879 00 | adapter<br>for<br>damper                                 |        | 2   |       |
| 11   | A11<br>999 073 155 09 | black<br>tapping screw<br>4,2 X 13                |         | X   |                          | 22   | 997 612 651 00 | wiring harness<br>glove compartment light                |        | 1   |       |
| 12   |                       |   |         | X   |                          | 23   | 999 650 564 40 | clip<br>for<br>wiring harness<br>microswitch             |        | 1   |       |
| 13   |                       |   |         | X   |                          | 24   | 999 650 565 40 | clip<br>for<br>wiring harness<br>glove compartment light |        | 1   |       |
| 14   |                       |   |         | 1   |                          | 25   | 997 632 071 00 | glove compartment light                                  |        | 1   |       |
| 15   |                       |   |         | 1   |                          | 26   | 997 552 252 02 | glove compartment cover<br>leatherette                   | /LL    | 1   | I098  |
| 16   |                       |   | /LL     | 1   | I098                     |      | 1MZ            | black  |        |     |       |
| (16) |                       |   | /RL     | 1   | I099                     |      | 1YP            | stone grey   |        |     |       |
|      |                       |   |         |     |                          |      | 1TK            | sand beige   |        |     |       |
| 17   |                       |   |         | 1   |                          |      | 1VM            | sea blue   |        |     |       |
| 18   |                       |   |         | 2   |                          |      | 1UL            | palmgreen  | -07    |     |       |
| 18   |                       |   |         | 2   |                          | (26) | 997 552 251 02 | glove compartment cover<br>leatherette                   | /RL    | 1   | I099  |
|      |                       |   |         |     |                          |      | 1MZ            | black  |        |     |       |
| 19   |                       |   | /LL/L   | 1   | I098                     |      | 1YP            | stone grey   |        |     |       |
|      |                       |   |         |     |                          |      | 1TK            | sand beige   |        |     |       |
|      |                       |   |         |     |                          |      | 1VM            | sea blue   |        |     |       |
|      |                       |   |         |     |                          |      | 1UL            | palmgreen  | -07    |     |       |

|       |      |    |    |              |              |     |       |            |         |     |         |
|-------|------|----|----|--------------|--------------|-----|-------|------------|---------|-----|---------|
| Model | Year | MG | SG | Illustration | Restrictions | UPD | 12:19 | 24.01.2010 | PORSCHE | PET | PORSCHE |
| 987C  | 2008 | 8  | 09 | 809-03       |              | 248 |       |            |         |     |         |

| Pos  | Part Number    | Description                            | Remark | Qty | Model                  | Pos  | Part Number    | Description  | Remark | Qty | Model                      |
|------|----------------|--|--------|-----|------------------------|------|----------------|--|--------|-----|----------------------------|
| (26) | 997 552 252 03 | glove compartment cover<br>leather     | /LL    | 1   | I098/981               | (26) | 987 552 252 02 | glove compartment cover<br>leather                                   | /LL    | 08- | 1 Cayman S<br>I098/758/981 |
|      | A11            | black                                  |        |     |                        |      | A11            | black  |        |     |                            |
|      | 5X6            | stone grey                             |        |     |                        |      | 5X6            | stone grey   |        |     |                            |
|      | 8G2            | sand beige                             |        |     |                        | (26) | 987 552 252 02 | glove compartment cover<br>leather                                   | /LL    | 08  | 1 Cayman S<br>I098/755/981 |
|      | 3S9            | sea blue                               |        |     |                        |      | A11            | black  |        |     |                            |
|      | 4P2            | palmgreen                              | -07    |     |                        | (26) | 987 552 251 01 | glove compartment cover<br>leather                                   | /RL    | 08- | 1 Cayman S<br>I099/758/981 |
|      | 9S5            | terracotta                             |        |     |                        |      | A11            | black  |        |     |                            |
|      | 9V6            | cocoa                                  |        |     |                        |      | 5X6            | stone grey   |        |     |                            |
|      | D12            | dark grey/natural                      |        |     |                        | (26) | 987 552 251 01 | glove compartment cover<br>leather                                   | /RL    | 08  | 1 Cayman S<br>I099/755/981 |
|      | T12            | brown/natural                          |        |     |                        |      | A11            | black  |        |     |                            |
|      | N12            | carrera red                            | 08-    |     |                        |      | 5X6            | stone grey   |        |     |                            |
| (26) | 997 552 251 03 | glove compartment cover<br>leather     | /RL    | 1   | I099/981               | (26) | 987 552 251 01 | glove compartment cover<br>leather                                   | /RL    | 08  | 1 Cayman S<br>I099/755/981 |
|      | A11            | black                                  |        |     |                        |      | A11            | black  |        |     |                            |
|      | 5X6            | stone grey                             |        |     |                        | 27   | 999 073 249 07 | tapping screw<br>3.5 X 12<br>for<br>mount<br>glove compartment cover |        | 11  |                            |
|      | 8G2            | sand beige                             |        |     |                        |      |                |  |        |     |                            |
|      | 3S9            | sea blue                               |        |     |                        | 28   | 997 552 362 01 | handle<br>complete   | /LL    | 1   | I098                       |
|      | 4P2            | palmgreen                              | -07    |     |                        |      | A03            | black  |        |     |                            |
|      | 9S5            | terracotta                             |        |     |                        |      | 5V7            | stone grey   |        |     |                            |
|      | 9V6            | cocoa                                  |        |     |                        |      | 5Z1            | sand beige   |        |     |                            |
|      | D12            | dark grey/natural                      |        |     |                        |      | 8W7            | sea blue   |        |     |                            |
|      | T12            | brown/natural                          |        |     |                        |      | 5Y2            | palmgreen  | -07    |     |                            |
|      | N12            | carrera red                            | 08-    |     |                        |      | 8X8            | terracotta   |        |     |                            |
| (26) | 987 552 252 01 | glove compartment cover<br>leatherette | /LL    | 08- | 1 Cayman S<br>I098/758 |      | 8P9            | cocoa  |        |     |                            |
|      | 1MZ            | black                                  |        |     |                        |      | T13            | brown/natural  |        |     |                            |
| (26) | 987 552 251 03 | glove compartment cover<br>leatherette | /RL    | 08- | 1 Cayman S<br>I099/758 |      | N23            | carrera red  | 08-    |     |                            |
|      | 1MZ            | black                                  |        |     |                        | (28) | 997 552 361 01 | handle<br>complete   | /RL    | 1   | I099                       |

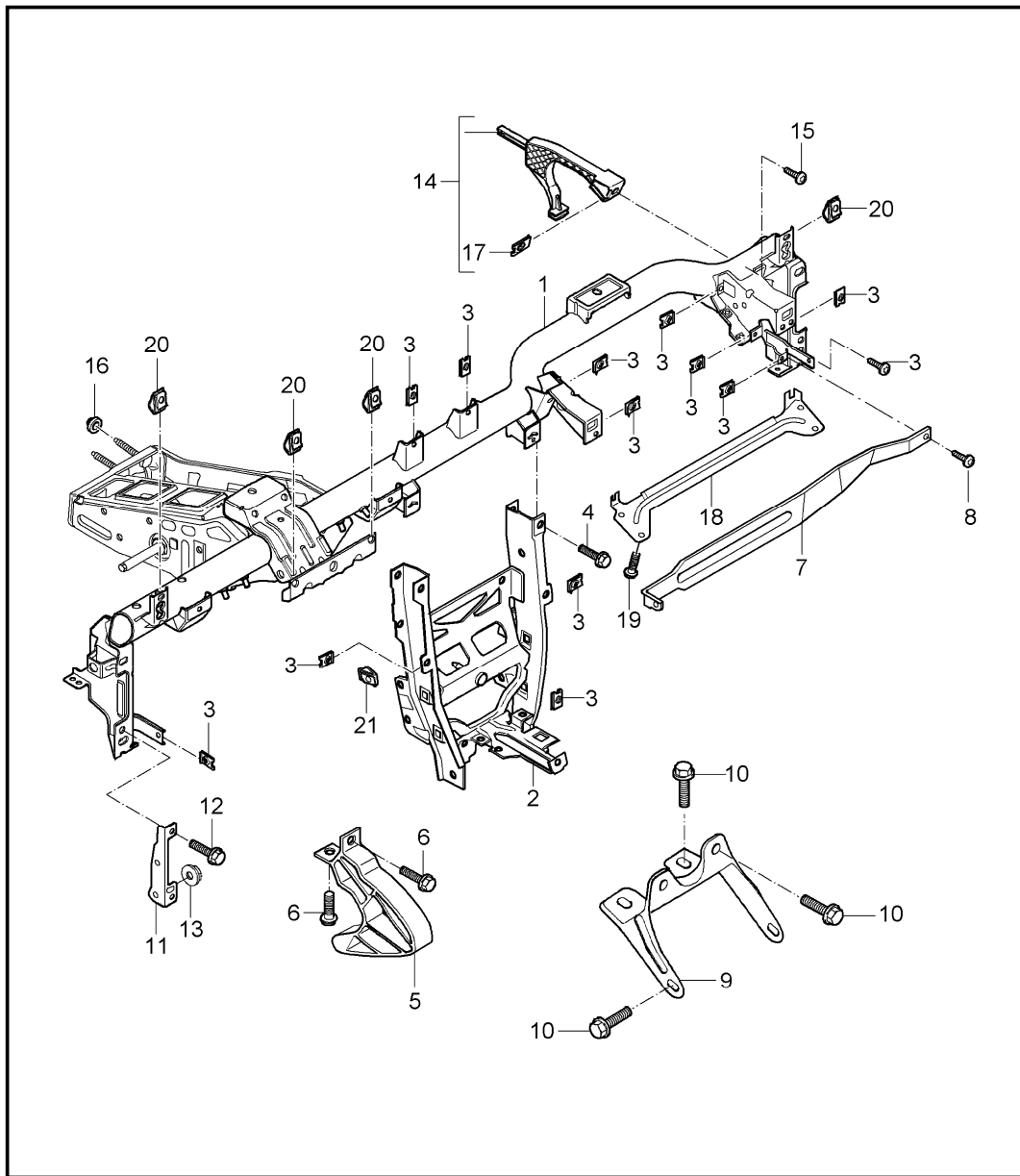
|       |      |    |    |              |              |     |       |            |         |     |         |
|-------|------|----|----|--------------|--------------|-----|-------|------------|---------|-----|---------|
| Model | Year | MG | SG | Illustration | Restrictions | UPD | 12:19 | 24.01.2010 | PORSCHE | PET | PORSCHE |
| 987C  | 2008 | 8  | 09 | 809-03       |              | 248 |       |            |         |     |         |

| Pos  | Part Number    | Description                        | Remark | Qty | Model | Pos  | Part Number    | Description                      | Remark | Qty | Model    |
|------|----------------|------------------------------------|--------|-----|-------|------|----------------|----------------------------------|--------|-----|----------|
|      | A03            | black                              |        |     |       |      | 1VM            | sea blue                         |        |     |          |
|      | 5V7            | stone grey                         |        |     |       |      | 1UL            | palmgreen                        | -07    |     |          |
|      | 5Z1            | sand beige                         |        |     |       | 33   | 997 552 256 03 | cover passenger's side leather   | /LL    | 1   | I098/981 |
|      | 8W7            | sea blue                           |        |     |       |      | A11            | black                            |        |     |          |
|      | 5Y2            | palmgreen                          | -07    |     |       |      | 5X6            | stone grey                       |        |     |          |
|      | 8X8            | terracotta                         |        |     |       |      | 8G2            | sand beige                       |        |     |          |
|      | 8P9            | cocoa                              |        |     |       |      | 3S9            | sea blue                         |        |     |          |
|      | T13            | brown/natural                      |        |     |       |      | 4P2            | palmgreen                        | -07    |     |          |
|      | N23            | carrera red                        | 08-    |     |       |      | 9S5            | terracotta                       |        |     |          |
| 29   | 999 073 240 01 | screw M 4 X 10 for mount handle    |        | 2   |       |      | 9V6            | cocoa                            |        |     |          |
| 30   | 997 552 448 00 | stop                               |        | 1   |       |      | D12            | dark grey/natural                |        |     |          |
| 31   | 997 552 663 00 | box for cds                        |        | 1   | I424  |      | T12            | brown/natural                    |        |     |          |
| (31) | 997 552 665 00 | cover box for cds                  |        | 1   |       | (33) | N12            | carrera red                      | 08-    |     |          |
| 32   | 999 073 240 01 | screw M 4 X 10                     |        | 2   |       |      | 997 552 255 03 | cover passenger's side leather   | /RL    | 1   | I099/981 |
| 33   | 997 552 256 02 | cover passenger's side leatherette | /LL    | 1   | I098  |      | A11            | black                            |        |     |          |
|      | 1MZ            | black                              |        |     |       |      | 5X6            | stone grey                       |        |     |          |
|      | 1YP            | stone grey                         |        |     |       |      | 8G2            | sand beige                       |        |     |          |
|      | 1TK            | sand beige                         |        |     |       |      | 3S9            | sea blue                         |        |     |          |
|      | 1VM            | sea blue                           |        |     |       |      | 4P2            | palmgreen                        | -07    |     |          |
|      | 1UL            | palmgreen                          | -07    |     |       |      | 9S5            | terracotta                       |        |     |          |
| (33) | 997 552 255 02 | cover passenger's side leatherette | /RL    | 1   | I099  |      | 9V6            | cocoa                            |        |     |          |
|      | 1MZ            | black                              |        |     |       |      | D12            | dark grey/natural                |        |     |          |
|      | 1YP            | stone grey                         |        |     |       |      | T12            | brown/natural                    |        |     |          |
|      | 1TK            | sand beige                         |        |     |       |      | N12            | carrera red                      | 08-    |     |          |
|      |                |                                    |        |     |       | 34   | 997 552 414 01 | lining footwell passenger's side | /LL    | 1   | I098     |

|       |      |    |    |              |              |     |       |            |         |     |         |
|-------|------|----|----|--------------|--------------|-----|-------|------------|---------|-----|---------|
| Model | Year | MG | SG | Illustration | Restrictions | UPD | 12:19 | 24.01.2010 | PORSCHE | PET | PORSCHE |
| 987C  | 2008 | 8  | 09 | 809-03       |              | 248 |       |            |         |     |         |

| Pos  | Part Number    | Description                                     | Remark | Qty | Model | Pos | Part Number | Description | Remark | Qty | Model |
|------|----------------|---|--------|-----|-------|-----|-------------|-------------|--------|-----|-------|
| (34) | 997 552 413 01 | lining<br>footwell<br>passenger's side          | /RL    | 1   | I099  |     |             |             |        |     |       |
| 35   | 1H0 819 943    | screw<br>for<br>mount<br>lining<br>footwell     |        | X   |       |     |             |             |        |     |       |
| 36   | 997 552 451 01 | insert  | /LL    | 1   | I098  |     |             |             |        |     |       |
| (36) | 997 552 452 01 | insert  | /RL    | 1   | I099  |     |             |             |        |     |       |
| 37   | 997 552 649 01 | hinge bolt<br>glove compartment                 |        | 2   |       |     |             |             |        |     |       |
| 38   | 997 552 821 00 | grommet   |        | 3   |       |     |             |             |        |     |       |
| 39   | --- --- --- -- | badge<br>vehicle identification no.<br>indicate |        | 08  | I755  |     |             |             |        |     |       |
| (39) | --- --- --- -- | badge<br>vehicle identification no.<br>indicate |        | 09  | I758  |     |             |             |        |     |       |

|       |      |    |    |              |              |     |       |            |         |     |         |
|-------|------|----|----|--------------|--------------|-----|-------|------------|---------|-----|---------|
| Model | Year | MG | SG | Illustration | Restrictions | UPD | 12:19 | 24.01.2010 | PORSCHE | PET | PORSCHE |
| 987C  | 2008 | 8  | 09 | 809-04       |              | 248 |       |            |         |     |         |



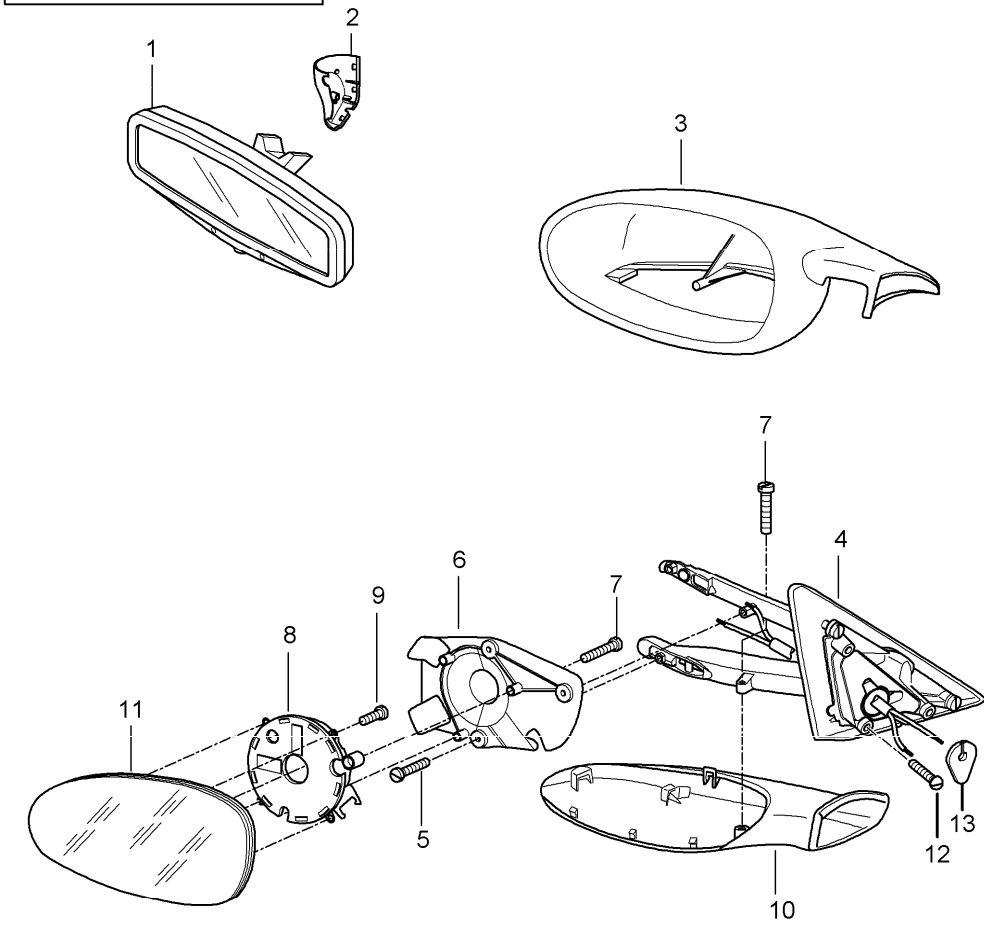
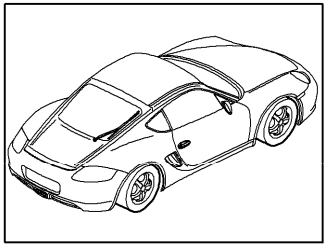
| Pos  | Part Number    | Description   | Remark  | Qty | Model |
|------|----------------|---|---------|-----|-------|
| 1    | 997 552 063 03 | retaining frame dashboard                                     |         |     |       |
| (1)  | 997 552 063 04 | retaining frame   | /LL     | 1   | I098  |
| (1)  | 997 552 063 06 | retaining frame   | /RL -07 | 1   | I099  |
| 2    | 997 552 163 05 | support tunnel  | /RL 08- | 1   | I099  |
| (2)  | 997 552 163 06 | support tunnel  | /LL     | 1   | I098  |
| 3    | 999 507 020 01 | speed nut ST 4,2 for mount retaining frame and support tunnel |         | X   |       |
| 4    | 900 378 305 01 | hexagon-head bolt M 8 X 65 for mount support                  |         | 2   |       |
| 9    | 997 552 515 01 | support tunnel  |         | 1   |       |
| 10   | 999 073 442 01 | screw M 6 X 25 for mount support tunnel                       |         | X   |       |
| 11   | 997 552 407 01 | support a-pillar  | /L      | 1   |       |
| (11) | 997 552 408 01 | support a-pillar  | /R      | 1   |       |
| 12   | 900 378 176 01 | hexagon-head bolt M 8 X 20 for mount support a-pillar         |         | 4   |       |

|       |      |    |    |              |              |     |       |            |         |     |         |
|-------|------|----|----|--------------|--------------|-----|-------|------------|---------|-----|---------|
| Model | Year | MG | SG | Illustration | Restrictions | UPD | 12:19 | 24.01.2010 | PORSCHE | PET | PORSCHE |
| 987C  | 2008 | 8  | 09 | 809-04       |              | 248 |       |            |         |     |         |

| Pos | Part Number    | Description  | Remark | Qty | Model | Pos | Part Number | Description | Remark | Qty | Model |
|-----|----------------|--|--------|-----|-------|-----|-------------|-------------|--------|-----|-------|
| 13  | 999 084 630 09 | hexagon nut<br>M 8<br>for<br>mount<br>support<br>a-pillar          |        | 4   |       |     |             |             |        |     |       |
| 14  | 997 552 401 00 | support<br>heating   |        | 1   |       |     |             |             |        |     |       |
| 15  | 999 073 155 09 | tapping screw<br>ST 4,2 X 13<br>for<br>mount<br>support<br>heating |        | 1   |       |     |             |             |        |     |       |
| 16  | 997 423 299 01 | nut<br>for<br>adjustment<br>retaining frame<br>firewall            |        | 2   |       |     |             |             |        |     |       |
| 17  | 999 507 971 01 | speed nut<br>ST 4,2<br>for<br>mount<br>support<br>heating          |        | 1   |       |     |             |             |        |     |       |
| 18  | 997 552 603 01 | reinforcement plate<br>support<br>airbag                           |        | 1   |       |     |             |             |        |     |       |
| 19  | 900 378 222 09 | hexagon-head bolt<br>M 6 X 16                                      |        | 4   |       |     |             |             |        |     |       |
| 20  | 999 591 850 01 | speed nut<br>ST 4,2  |        | X   |       |     |             |             |        |     |       |
| 21  | 999 591 951 03 | speed nut<br>ST 4,2  |        | X   |       |     |             |             |        |     |       |



|       |      |    |    |              |              |     |       |            |         |     |         |
|-------|------|----|----|--------------|--------------|-----|-------|------------|---------|-----|---------|
| Model | Year | MG | SG | Illustration | Restrictions | UPD | 12:19 | 24.01.2010 | PORSCHE | PET | PORSCHE |
| 987C  | 2008 | 8  | 09 | 809-10       |              | 248 |       |            |         |     |         |



| Pos | Part Number    | Description                    | Remark | Qty | Model    |
|-----|----------------|--------------------------------|--------|-----|----------|
|     |                | interior mirror<br>door mirror |        |     |          |
| 1   | 996 731 511 00 | interior mirror                |        | 1   |          |
|     | 01C            | satin black                    |        |     |          |
| (1) | 987 731 511 00 | interior mirror                |        | 1   | I267     |
|     | 01C            | satin black                    |        |     |          |
| 2   | 997 731 811 00 | cover<br>interior mirror       | /L     | 1   | I267     |
|     | 01C            | satin black                    |        |     |          |
| 2   | 997 731 812 00 | cover<br>interior mirror       | /R     | 1   | I267     |
|     | 01C            | satin black                    |        |     |          |
| 3   | 997 731 619 00 | housing                        | /L     | 1   |          |
|     | G2L            | prime coated                   |        |     |          |
| (3) | 997 731 620 00 | housing                        | /R     | 1   |          |
|     | G2L            | prime coated                   |        |     |          |
| 4   | 997 731 219 00 | mirror base<br>door mirror     | /LL/L  | 1   | I098     |
|     | G2L            | prime coated                   |        |     |          |
| (4) | 997 731 220 00 | mirror base<br>door mirror     | /LL/R  | 1   | I098     |
|     | G2L            | prime coated                   |        |     |          |
| (4) | 997 731 219 01 | mirror base<br>door mirror     | /LL/L  | 1   | I537     |
|     | G2L            | prime coated                   |        |     |          |
| (4) | 997 731 220 01 | mirror base<br>door mirror     | /LL/R  | 1   | I537     |
|     | G2L            | prime coated                   |        |     |          |
| (4) | 997 731 219 02 | mirror base<br>door mirror     | /LL/L  | 1   | I098/267 |
|     | G2L            | prime coated                   |        |     |          |
| (4) | 997 731 220 02 | mirror base<br>door mirror     | /LL/R  | 1   | I098/267 |
|     | G2L            | prime coated                   |        |     |          |

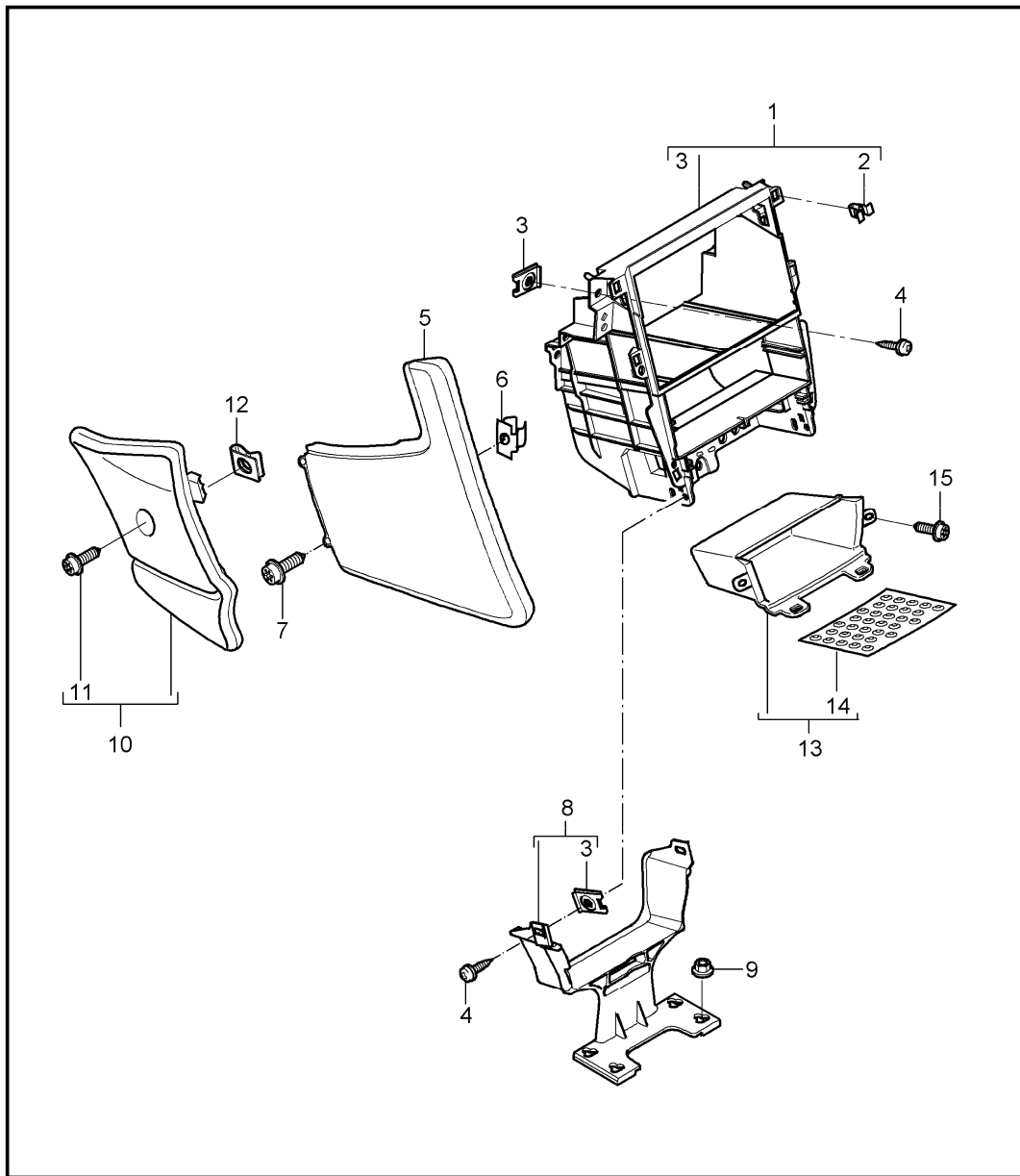
|       |      |    |    |              |              |     |       |            |         |     |         |
|-------|------|----|----|--------------|--------------|-----|-------|------------|---------|-----|---------|
| Model | Year | MG | SG | Illustration | Restrictions | UPD | 12:19 | 24.01.2010 | PORSCHE | PET | PORSCHE |
| 987C  | 2008 | 8  | 09 | 809-10       |              | 248 |       |            |         |     |         |

| Pos | Part Number    | Description              | Remark | Qty | Model    | Pos  | Part Number      | Description                      | Remark | Qty | Model          |
|-----|----------------|--------------------------|--------|-----|----------|------|------------------|----------------------------------|--------|-----|----------------|
|     |                | G2L prime coated         |        |     |          | (6)  | 997 731 520 00   | plate door mirror                | /R     | 1   |                |
| (4) | 997 731 219 03 | mirror base door mirror  | /LL/L  | 1   | I267/537 | 7    | 999 141 043 02   | oval-head screw 3,0 X 14         |        | 5   |                |
|     |                | G2L prime coated         |        |     |          | 8    | 997 624 047 00   | adjusting motor                  |        | 2   |                |
| (4) | 997 731 220 03 | mirror base door mirror  | /LL/R  | 1   | I266/537 | (8)  | 997 624 048 00   | adjusting motor                  |        | 2   | I537/538       |
|     |                | G2L prime coated         |        |     |          | 9    | 999 141 043 02   | oval-head screw M 3,0 X 14       |        | 3   |                |
| (4) | 997 731 219 04 | mirror base door mirror  | /RL/L  | 1   | I099     | 10   | 997 731 719 00   | cover lower                      | /L     | 1   |                |
|     |                | G2L prime coated         |        |     |          |      | G2L prime coated |                                  |        |     |                |
| (4) | 997 731 220 04 | mirror base door mirror  | /RL/R  | 1   | I099     | (10) | 997 731 720 00   | cover lower                      | /R     | 1   |                |
|     |                | G2L prime coated         |        |     |          |      | G2L prime coated |                                  |        |     |                |
| (4) | 997 731 219 05 | mirror base door mirror  | /RL/L  | 1   | I099/538 | 11   | 997 731 035 00   | mirror glass plane               | /LL/L  | 1   | I098/270       |
|     |                | G2L prime coated         |        |     |          | (11) | 997 731 035 01   | mirror glass aspherical          | LL/L   | 1   | I098/271       |
| (4) | 997 731 220 05 | mirror base door mirror  | /RL/R  | 1   | I099/538 | (11) | 997 731 035 02   | mirror glass plane dimmable      | /LL/L  | -06 | 1 I098/267/270 |
|     |                | G2L prime coated         |        |     |          | (11) | 997 731 035 04   | mirror glass plane dimmable      | /LL/L  | 07- | 1 I098/267/270 |
| (4) | 997 731 219 06 | mirror base door mirror  | /RL/L  | 1   | I099/267 | (11) | 997 731 035 03   | mirror glass aspherical dimmable | /LL/L  | -06 | 1 I098/267/271 |
|     |                | G2L prime coated         |        |     |          | (11) | 997 731 035 05   | mirror glass aspherical dimmable | /LL/L  | 07- | 1 I098/267/271 |
| (4) | 997 731 219 07 | mirror base door mirror  | /L     | 1   | I267/538 | (11) | 997 731 037 00   | mirror glass convex              | /RL/L  | 1   | I099           |
|     |                | G2L prime coated         |        |     |          | (11) | 997 731 037 01   | mirror glass convex dimmable     | /RL/L  | -06 | 1 I099/267     |
| (4) | 997 731 220 07 | mirror base door mirror  | /R     | 1   | I267/538 | (11) | 997 731 037 02   | mirror glass convex dimmable     | /RL/L  | 07- | 1 I099/267     |
|     |                | G2L prime coated         |        |     |          |      |                  |                                  |        |     |                |
| 5   | 999 919 024 09 | oval-head screw 3,0 X 12 |        | 2   |          |      |                  |                                  |        |     |                |
| 6   | 997 731 519 00 | plate door mirror        | /L     | 1   |          |      |                  |                                  |        |     |                |

|       |      |    |    |              |              |     |       |            |         |     |         |
|-------|------|----|----|--------------|--------------|-----|-------|------------|---------|-----|---------|
| Model | Year | MG | SG | Illustration | Restrictions | UPD | 12:19 | 24.01.2010 | PORSCHE | PET | PORSCHE |
| 987C  | 2008 | 8  | 09 | 809-10       |              | 248 |       |            |         |     |         |

| Pos  | Part Number    | Description                          | Remark      | Qty | Model          | Pos | Part Number    | Description                       | Remark | Qty | Model |
|------|----------------|--------------------------------------|-------------|-----|----------------|-----|----------------|-----------------------------------|--------|-----|-------|
| (11) | 997 731 038 00 | mirror glass convex                  | /LL/R       | 1   | I098           | 12  | 999 073 345 09 | lens-head screw<br>M 5 X 18       |        | 3   |       |
| (11) | 997 731 038 01 | mirror glass convex                  | /LL/R (ROK) | 1   |                | 13  | 997 537 731 00 | seal<br>cable plug<br>mirror base | -06    | 1   |       |
| (11) | 997 731 038 02 | mirror glass convex                  | /LL/R       | 1   | I215           | 13  | 997 537 733 00 | seal<br>cable plug<br>mirror base | 07-    | 1   |       |
| (11) | 997 731 038 03 | mirror glass convex<br>dimmbable     | /LL/R       | -06 | 1 I098/267     |     |                |                                   |        |     |       |
| (11) | 997 731 038 06 | mirror glass convex<br>dimmbable     | /LL/R       | 07- | 1 I098/267     |     |                |                                   |        |     |       |
| (11) | 997 731 038 04 | mirror glass<br>convex<br>dimmbable  | /LL/R (ROK) | -06 | 1 I267         |     |                |                                   |        |     |       |
| (11) | 997 731 038 07 | mirror glass<br>convex<br>dimmbable  | /LL/R (ROK) | 07- | 1 I267         |     |                |                                   |        |     |       |
| (11) | 997 731 038 05 | mirror glass convex<br>dimmbable     | /LL/R       | -06 | 1 I215/267     |     |                |                                   |        |     |       |
| (11) | 997 731 038 08 | mirror glass convex<br>dimmbable     | /LL/R       | 07- | 1 I215/267     |     |                |                                   |        |     |       |
| (11) | 997 731 036 00 | mirror glass plane                   | /RL/R       |     | 1 I099/270     |     |                |                                   |        |     |       |
| (11) | 997 731 036 01 | mirror glass aspherical              | /RL/R       |     | 1 I099/271     |     |                |                                   |        |     |       |
| (11) | 997 731 036 02 | mirror glass plane<br>dimmbable      | /RL/R       | -06 | 1 I099/267/270 |     |                |                                   |        |     |       |
| (11) | 997 731 036 04 | mirror glass plane<br>dimmbable      | /RL/R       | 07- | 1 I099/267/270 |     |                |                                   |        |     |       |
| (11) | 997 731 036 03 | mirror glass aspherical<br>dimmbable | /RL/R       | -06 | 1 I099/267/271 |     |                |                                   |        |     |       |
| (11) | 997 731 036 05 | mirror glass aspherical<br>dimmbable | /RL/R       | 07- | 1 I099/267/271 |     |                |                                   |        |     |       |

|       |      |    |    |              |              |     |       |            |         |     |         |
|-------|------|----|----|--------------|--------------|-----|-------|------------|---------|-----|---------|
| Model | Year | MG | SG | Illustration | Restrictions | UPD | 12:19 | 24.01.2010 | PORSCHE | PET | PORSCHE |
| 987C  | 2008 | 8  | 09 | 809-15       |              | 248 |       |            |         |     |         |



| Pos | Part Number    | Description                  | Remark | Qty | Model |
|-----|----------------|------------------------------|--------|-----|-------|
| 1   | 997 553 111 03 | centre console front         |        | 1   |       |
| 2   | 999 507 476 01 | bracket centre console front |        | 6   |       |
| 3   | 999 507 971 01 | clamp 8,0 x 10,0/2,5         |        | X   |       |
| 4   | 999 073 155 09 | speed nut st 4,2             |        | X   |       |
| 5   | 997 553 117 05 | tapping screw st 4,2 x 13    |        | 1   |       |
|     |                | cover lateral leatherette    | /L     |     |       |
|     |                | 9L4 black                    |        |     |       |
|     |                | 9M5 stone grey               |        |     |       |
|     |                | 9C6 sand beige               |        |     |       |
|     |                | 9D7 sea blue                 |        |     |       |
|     |                | 9E8 palmgreen                | -07    |     |       |
| (5) | 997 553 118 05 | cover lateral leatherette    | /R     | 1   |       |
|     |                | 9L4 black                    |        |     |       |
|     |                | 9M5 stone grey               |        |     |       |
|     |                | 9C6 sand beige               |        |     |       |
|     |                | 9D7 sea blue                 |        |     |       |
|     |                | 9E8 palmgreen                | -07    |     |       |
| 5   | 997 553 117 06 | cover lateral leather        | /L     | 1   | I981  |
|     |                | FSA black/grey               |        |     |       |
|     |                | FSB stone grey/stone grey    |        |     |       |
|     |                | FSC sand beige/sand beige    |        |     |       |
|     |                | FSD sea blue/grey            |        |     |       |
|     |                | FSE palmgreen/palmgreen      | -07    |     |       |

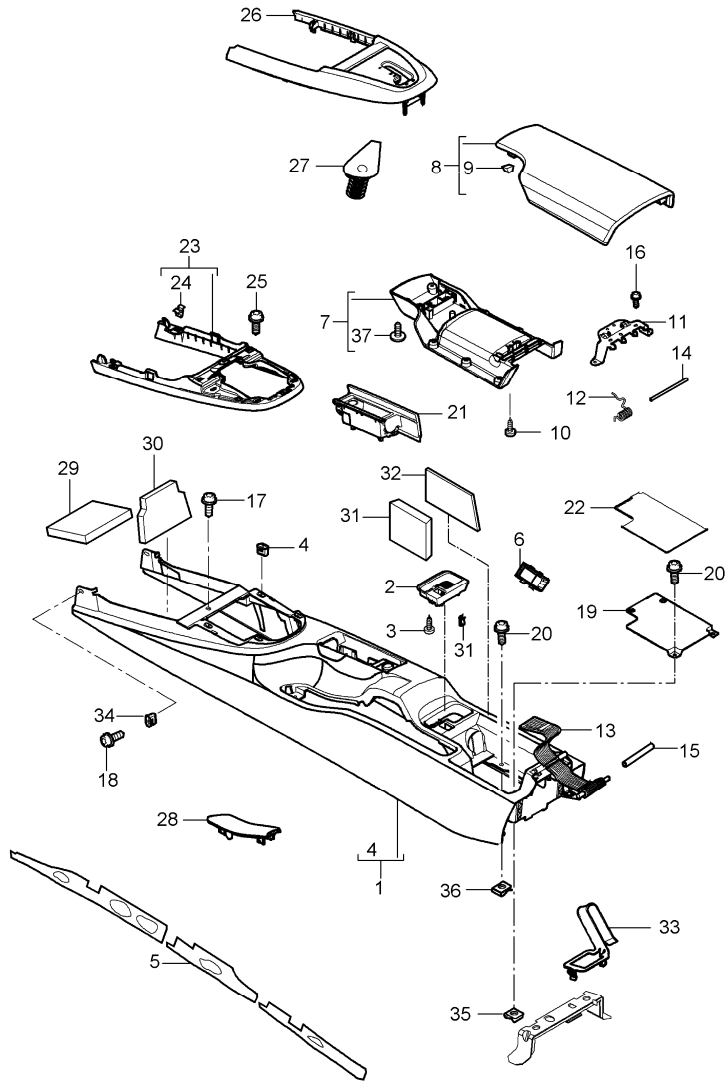
|       |      |    |    |              |              |     |       |            |         |     |         |
|-------|------|----|----|--------------|--------------|-----|-------|------------|---------|-----|---------|
| Model | Year | MG | SG | Illustration | Restrictions | UPD | 12:19 | 24.01.2010 | PORSCHE | PET | PORSCHE |
| 987C  | 2008 | 8  | 09 | 809-15       |              | 248 |       |            |         |     |         |

| Pos | Part Number    | Description   | Remark | Qty | Model | Pos  | Part Number    | Description                             | Remark | Qty | Model    |
|-----|----------------|---|--------|-----|-------|------|----------------|---|--------|-----|----------|
|     |                | FSF terracotta/terracotta   |        |     |       | 7    | 999 073 226 09 | tapping screw<br>ST 4,2 X 16            |        | 4   |          |
|     |                | FSG cocoa/cocoa   |        |     |       |      |                | for<br>mount<br>cover<br>lateral        |        |     |          |
|     |                | FSH darkgrey natural/grey   |        |     |       | 8    | 997 553 361 01 | support<br>centre                       |        | 1   |          |
|     |                | FSJ brown nat./brown nat.   |        |     |       | 9    | 999 084 629 01 | hexagon nut<br>M6                       |        | 4   |          |
| (5) | 997 553 118 06 | FSP carrera red   | 08-    | 1   | I981  | 10   | 997 553 131 01 | cover<br>footwell outlet vent<br>carpet | /L     | 1   |          |
|     |                | cover<br>lateral<br>leather   | /R     |     |       |      | A10            | black                                   |        |     |          |
|     |                | FSA black/grey  |        |     |       |      | B10            | stone grey                              |        |     |          |
|     |                | FSB stone grey/stone grey   |        |     |       |      | T10            | sand beige                              |        |     |          |
|     |                | FSC sand beige/sand beige   |        |     |       |      | E10            | sea blue                                |        |     |          |
|     |                | FSD sea blue/grey   |        |     |       |      | J10            | palmgreen                               | -07    |     |          |
|     |                | FSE palmgreen/palmgreen   | -07    |     |       |      | M10            | terracotta                              |        |     |          |
|     |                | FSF terracotta/terracotta   |        |     |       |      | R10            | cocoa                                   |        |     |          |
|     |                | FSG cocoa/cocoa   |        |     |       |      | D11            | dark grey/natural                       |        |     |          |
|     |                | FSH darkgrey natural/grey   |        |     |       |      | T11            | brown/natural                           |        |     |          |
|     |                | FSJ brown nat./brown nat.   |        |     |       |      | N10            | carrera red                             | 08-    |     |          |
|     |                | FSP carrera red   | 08-    |     |       | (10) | 997 553 132 01 | cover<br>footwell outlet vent<br>carpet | /LL/R  | 1   | I098/621 |
|     |                | cover<br>lateral<br>with<br>preparation for telephone<br>see group<br>9/11/10 |        | 1   |       |      | A10            | black                                   |        |     |          |
| 6   | 999 591 508 02 | captive nut<br>ST 4,2<br>for<br>mount<br>cover<br>lateral                     | -06    | 4   |       |      | B10            | stone grey                              |        |     |          |
| 6   | 999 591 508 01 | captive nut<br>st 4,2<br>for<br>mount<br>cover<br>lateral                     | 07-    | 4   |       |      | T10            | sand beige                              |        |     |          |
|     |                |   |        |     |       |      | E10            | sea blue                                |        |     |          |
|     |                |   |        |     |       |      | J10            | palmgreen                               | -07    |     |          |
|     |                |   |        |     |       |      | M10            | terracotta                              |        |     |          |
|     |                |   |        |     |       |      | R10            | cocoa                                   |        |     |          |
|     |                |   |        |     |       |      | D11            | dark grey/natural                       |        |     |          |

|       |      |    |    |              |              |     |       |            |         |     |         |
|-------|------|----|----|--------------|--------------|-----|-------|------------|---------|-----|---------|
| Model | Year | MG | SG | Illustration | Restrictions | UPD | 12:19 | 24.01.2010 | PORSCHE | PET | PORSCHE |
| 987C  | 2008 | 8  | 09 | 809-15       |              | 248 |       |            |         |     |         |

| Pos  | Part Number    | Description                             | Remark | Qty | Model | Pos | Part Number | Description | Remark | Qty | Model |
|------|----------------|---|--------|-----|-------|-----|-------------|-------------|--------|-----|-------|
|      |                | T11 brown/natural                       |        |     |       |     |             |             |        |     |       |
|      |                | N10 carrera red                         | 08-    |     |       |     |             |             |        |     |       |
| (10) | 997 553 132 02 | cover<br>footwell outlet vent<br>carpet | /R     | 1   |       |     |             |             |        |     |       |
|      |                | A10 black                               |        |     |       |     |             |             |        |     |       |
|      |                | B10 stone grey                          |        |     |       |     |             |             |        |     |       |
|      |                | T10 sand beige                          |        |     |       |     |             |             |        |     |       |
|      |                | E10 sea blue                            |        |     |       |     |             |             |        |     |       |
|      |                | J10 palmgreen                           | -07    |     |       |     |             |             |        |     |       |
|      |                | M10 terracotta                          |        |     |       |     |             |             |        |     |       |
|      |                | R10 cocoa                               |        |     |       |     |             |             |        |     |       |
|      |                | D11 dark grey/natural                   |        |     |       |     |             |             |        |     |       |
|      |                | T11 brown/natural                       |        |     |       |     |             |             |        |     |       |
|      |                | N10 carrera red                         | 08-    |     |       |     |             |             |        |     |       |
| 11   | 999 073 223 07 | oval-head screw<br>M 6 X 25             |        | 2   |       |     |             |             |        |     |       |
| 12   | 999 507 766 02 | speed nut<br>M 6                        |        | 2   |       |     |             |             |        |     |       |
| 13   | 997 553 143 01 | shelf<br>centre console<br>front        |        | 1   |       |     |             |             |        |     |       |
|      |                | D07 volcano grey                        |        |     |       |     |             |             |        |     |       |
| 14   | 997 553 543 01 | insert<br>shelf                         |        | 1   |       |     |             |             |        |     |       |
| 15   | 999 919 164 09 | oval-head screw<br>5,0 X 12,0           |        | X   |       |     |             |             |        |     |       |

|       |      |    |    |              |              |     |       |            |         |     |         |
|-------|------|----|----|--------------|--------------|-----|-------|------------|---------|-----|---------|
| Model | Year | MG | SG | Illustration | Restrictions | UPD | 12:20 | 24.01.2010 | PORSCHE | PET | PORSCHE |
| 987C  | 2008 | 8  | 09 | 809-20       |              | 248 |       |            |         |     |         |



| Pos | Part Number    | Description            | Remark | Qty | Model    |
|-----|----------------|------------------------|--------|-----|----------|
| (1) | 997 553 901 00 | centre console rear    |        | 1   |          |
|     | A03            | black                  |        |     |          |
|     | 5V7            | stone grey             |        |     |          |
|     | 5Z1            | sand beige             |        |     |          |
|     | 8W7            | sea blue               |        |     |          |
|     | 5Y2            | palmgreen              | -07    |     |          |
|     | 8X8            | terracotta             |        |     |          |
|     | 8P9            | cocoa                  |        |     |          |
|     | T13            | brown/natural          |        |     |          |
|     | N23            | carrera red            | 08-    |     |          |
| (1) | 997 553 980 48 | centre console leather |        | 1   | IXMZ     |
|     | A11            | black                  |        |     |          |
|     | 5X6            | stone grey             |        |     |          |
|     | 8G2            | sand beige             |        |     |          |
|     | 3S9            | sea blue               |        |     |          |
|     | 4P2            | palmgreen              | -07    |     |          |
|     | 9S5            | terracotta             |        |     |          |
|     | 9V6            | cocoa                  |        |     |          |
|     | D12            | dark grey/natural      |        |     |          |
|     | T12            | brown/natural          |        |     |          |
|     | N12            | carrera red            | 08-    |     |          |
| (1) | 997 553 980 52 | centre console carbon  |        | 1   | IXMJ     |
|     | A35            | black                  |        |     |          |
| (1) | 997 553 980 02 | centre console rear    | -08    | 1   | IXJU/370 |
|     | S62            | sycamore wood          |        |     |          |

|       |      |    |    |              |              |     |       |            |         |     |         |
|-------|------|----|----|--------------|--------------|-----|-------|------------|---------|-----|---------|
| Model | Year | MG | SG | Illustration | Restrictions | UPD | 12:20 | 24.01.2010 | PORSCHE | PET | PORSCHE |
| 987C  | 2008 | 8  | 09 | 809-20       |              | 248 |       |            |         |     |         |

| Pos | Part Number    | Description            | Remark | Qty | Model    | Pos | Part Number    | Description  | Remark | Qty | Model        |
|-----|----------------|------------------------|--------|-----|----------|-----|----------------|--|--------|-----|--------------|
| (1) | 997 553 980 02 | centre console rear    | -08    | 1   | IXJU/438 |     | 3C8            | cobalt blue metallic                                       |        |     |              |
|     | S62            | sycamore wood          |        |     |          |     | 23F            | slate grey metallic  |        |     |              |
| (1) | 997 553 980 32 | centre console rear    | -08    | 1   | IXJU/376 |     | M7Z            | gt silver metallic   |        |     |              |
|     | S62            | sycamore wood          |        |     |          |     | M6X            | dark olive-metallic  |        |     |              |
|     |                |                        |        |     |          |     | M8W            | Macadamia Metallic   | 08-    |     |              |
| (1) | 997 553 980 32 | centre console rear    | -08    | 1   | IXJU/378 |     | 8A7            | ruby red metallic  | 08-    |     |              |
|     | S62            | sycamore wood          |        |     |          |     | 2B5            | Malachite Green Metallic                                   | 08-    |     |              |
| (1) | 997 553 980 32 | centre console rear    | 08     | 1   | IXJU/389 | (1) | 997 553 980 64 | centre console   | 08     | 1   | IXME/758     |
|     | S62            | sycamore wood          |        |     |          |     | 041            | black  |        |     |              |
| (1) | 997 553 980 56 | centre console         |        | 1   | IXJT     | (1) | 997 553 980 65 | centre console   | 08     | 1   | IXME/560/758 |
|     | S61            | macassar               |        |     |          |     | 041            | black  |        |     |              |
| (1) | 997 553 980 60 | centre console         |        | 1   | IXCK     | (1) | 997 553 997 01 | protective film centre console see technical manual 681749 |        | 2   |              |
|     | V04            | galvano silver         |        |     |          |     |                |  |        |     |              |
| (1) | 997 553 980 64 | centre console         |        | 1   | IXME     | 2   | 997 553 575 02 | insert locking device centre console                       |        | 1   |              |
|     | 041            | black                  |        |     |          |     | 01C            | satin black  |        |     |              |
|     | 84A            | guards red             |        |     |          | 3   | 999 919 159 09 | oval-head screw 4 X 12                                     |        | 1   |              |
|     | B9A            | carrara white          |        |     |          |     |                |  |        |     |              |
|     | 12H            | speed yellow           |        |     |          | 4   | 999 591 210 40 | expander nut 4,2   |        | 4   |              |
|     | 92U            | arctic silver metallic |        |     |          |     |                |  |        |     |              |
|     | M3W            | carmon red metallic    | -07    |     |          | 5   | 997 553 843 00 | sound absorber   | /L     | 1   |              |
|     | M5W            | lapis blue metallic    | -07    |     |          | (5) | 997 553 844 00 | sound absorber   | /R     | 1   |              |
|     | M6W            | lagoon green metallic  | -07    |     |          | 6   | 997 553 579 00 | cover lacquered  | -08    | 1   |              |
|     | C9Z            | basalt black metallic  |        |     |          |     | A03            | black  |        |     |              |
|     | M7X            | atlas grey metallic    |        |     |          |     | 5V7            | stone grey   |        |     |              |
|     | 39C            | midnight blue metallic |        |     |          |     | 5Z1            | sand beige   |        |     |              |
|     | 6B4            | seal grey metallic     | -06    |     |          |     | 8W7            | sea blue   |        |     |              |
|     | M7W            | Meteor Grey Metallic   | 07-    |     |          |     | 5Y2            | palmgreen  | -07    |     |              |
|     | 2B4            | forest green metallic  |        |     |          |     | 8X8            | terracotta   |        |     |              |



|       |      |    |    |              |              |     |       |            |         |     |         |
|-------|------|----|----|--------------|--------------|-----|-------|------------|---------|-----|---------|
| Model | Year | MG | SG | Illustration | Restrictions | UPD | 12:20 | 24.01.2010 | PORSCHE | PET | PORSCHE |
| 987C  | 2008 | 8  | 09 | 809-20       |              | 248 |       |            |         |     |         |

| Pos | Part Number    | Description             | Remark | Qty | Model          | Pos | Part Number    | Description   | Remark | Qty | Model |
|-----|----------------|-------------------------|--------|-----|----------------|-----|----------------|---|--------|-----|-------|
|     | 8P9            | cocoa                   |        |     |                |     | 8G2            | sand beige  |        |     |       |
|     | T13            | brown/natural           |        |     |                |     | 3S9            | sea blue  |        |     |       |
|     | N23            | carrera red             | 08-    |     |                |     | 4P2            | palmgreen   | -07    |     |       |
| 7   | 997 553 433 01 | lid<br>inner            |        | 1   |                |     | 9S5            | terracotta  |        |     |       |
|     | 01C            | satin black             |        |     |                |     | 9V6            | cocoa   |        |     |       |
| 8   | 987 553 231 00 | lid<br>outer            |        | 1   | CAYMAN         |     | D12            | dark grey/natural   |        |     |       |
|     | 1MZ            | black                   |        |     |                |     | T12            | brown/natural   |        |     |       |
|     | 1YP            | stone grey              |        |     |                | 9   | 999 507 972 01 | speed nut<br>3,5  |        | 8   |       |
|     | 1TK            | sand beige              |        |     |                | 10  | 999 073 153 01 | tapping screw<br>3,5 X 14                                   |        | 8   |       |
|     | 1VM            | sea blue                |        |     |                | 11  | 997 553 437 01 | hinge   |        | 1   |       |
|     | 1UL            | palmgreen               | -07    |     |                | 12  | 997 553 439 00 | steering knuckle spring                                     |        | 1   |       |
| (8) | 997 553 231 01 | lid                     |        | 1   | Cayman<br>I981 | 13  | 997 553 441 00 | belt  |        | 1   |       |
|     |                | outer<br>leather        |        |     |                | 14  | 997 553 447 00 | axle  |        | 1   |       |
|     | A11            | black                   |        |     |                | 15  | 997 553 733 00 | retaining pin   |        | 1   |       |
|     | 5X6            | stone grey              |        |     |                | 16  | 999 919 159 09 | oval-head screw<br>M4X12                                    |        | 2   |       |
|     | 8G2            | sand beige              |        |     |                | 17  | 999 919 121 09 | oval-head screw<br>5 X 16<br>for<br>mount<br>centre console |        | 2   |       |
|     | 3S9            | sea blue                |        |     |                | 18  | 999 073 155 09 | tapping screw<br>4,2 X 13<br>for<br>mount<br>centre console |        | 2   |       |
|     | 4P2            | palmgreen               | -07    |     |                | 19  | 997 553 615 01 | floor<br>centre console                                     |        | 1   |       |
|     | 9S5            | terracotta              |        |     |                | 20  | 999 073 226 09 | tapping screw<br>4,2 X 16                                   |        | X   |       |
|     | 9V6            | cocoa                   |        |     |                | 21  | 997 553 902 00 | ashtray<br>lacquered  |        | 1   |       |
|     | D12            | dark grey/natural       |        |     |                |     | A03            | black   |        |     |       |
|     | T12            | brown/natural           |        |     |                |     |                |   |        |     |       |
|     | N12            | carrera red             | 08-    |     |                |     |                |   |        |     |       |
| (8) | 997 553 231 01 | lid<br>outer<br>leather |        | 1   | Cayman S       |     |                |   |        |     |       |
|     | A11            | black                   |        |     |                |     |                |   |        |     |       |
|     | 5X6            | stone grey              |        |     |                |     |                |   |        |     |       |

|       |      |    |    |              |              |     |       |            |         |     |         |
|-------|------|----|----|--------------|--------------|-----|-------|------------|---------|-----|---------|
| Model | Year | MG | SG | Illustration | Restrictions | UPD | 12:20 | 24.01.2010 | PORSCHE | PET | PORSCHE |
| 987C  | 2008 | 8  | 09 | 809-20       |              | 248 |       |            |         |     |         |

| Pos  | Part Number    | Description            | Remark | Qty | Model | Pos  | Part Number    | Description            | Remark | Qty | Model    |
|------|----------------|------------------------|--------|-----|-------|------|----------------|------------------------|--------|-----|----------|
|      | 5V7            | stone grey             |        |     |       | (21) | 997 553 982 05 | ashtray lacquered      |        | 1   | IXME     |
|      | 5Z1            | sand beige             |        |     |       |      | 041            | black                  |        |     |          |
|      | 8W7            | sea blue               |        |     |       |      | 84A            | guards red             |        |     |          |
|      | 5Y2            | palmgreen              | -07    |     |       |      | B9A            | carrara white          |        |     |          |
|      | 8X8            | terracotta             |        |     |       |      | 12H            | speed yellow           |        |     |          |
|      | 8P9            | cocoa                  |        |     |       |      | 92U            | arctic silver metallic |        |     |          |
|      | T13            | brown/natural          |        |     |       |      | M3W            | carmon red metallic    | -07    |     |          |
|      | N23            | carrera red            | 08-    |     |       |      | M5W            | coral metallic         | -07    |     |          |
| (21) | 997 553 982 00 | ashtray leather        |        | 1   | IXMZ  |      | M6W            | lagoon green metallic  | -07    |     |          |
|      | A11            | black                  |        |     |       |      | C9Z            | basalt black metallic  |        |     |          |
|      | 5X6            | stone grey             |        |     |       |      | M7X            | atlas grey metallic    |        |     |          |
|      | 8G2            | sand beige             |        |     |       |      | 39C            | midnight blue metallic |        |     |          |
|      | 3S9            | sea blue               |        |     |       |      | 6B4            | seal grey metallic     | -06    |     |          |
|      | 4P2            | palmgreen              | -07    |     |       |      | M7W            | Meteor Grey Metallic   | 07-    |     |          |
|      | 9S5            | terracotta             |        |     |       |      | 2B4            | forest green metallic  |        |     |          |
|      | 9V6            | cocoa                  |        |     |       |      | 3C8            | cobalt blue metallic   |        |     |          |
|      | D12            | dark grey/natural      |        |     |       |      | 23F            | slate grey metallic    |        |     |          |
|      | T12            | brown/natural          |        |     |       |      | M7Z            | gt silver metallic     |        |     |          |
|      | N12            | carrera red            | 08-    |     |       |      | M6X            | dark olive-metallic    |        |     |          |
| (21) | 997 553 982 01 | ashtray carbon         |        | 1   | IXMJ  |      | M8W            | Macadamia Metallic     | 08-    |     |          |
|      | A35            | black                  |        |     |       |      | 8A7            | ruby red metallic      | 08-    |     |          |
| (21) | 997 553 982 02 | ashtray                |        | 1   | IXJU  |      | 2B5            | MALCHITGRŠNMETALLIC    | 08-    |     |          |
|      | S62            | sycamore wood          |        |     |       | (21) | 997 553 982 05 | ashtray lacquered      | 08     | 1   | IXME/758 |
| (21) | 997 553 982 03 | ashtray                |        | 1   | IXJT  |      | 041            | black                  |        |     |          |
|      | S61            | macassar               |        |     |       | 22   | 997 553 611 01 | insert                 |        | 1   |          |
| (21) | 997 553 982 04 | ashtray aluminium look |        | 1   | IXCK  | 23   | 997 553 261 05 | frame lacquered        |        | 1   | CAYMAN   |
|      | V04            | galvano silver         |        |     |       |      | D07            | volcano grey           |        |     |          |

|       |      |    |    |              |              |     |       |            |         |     |         |
|-------|------|----|----|--------------|--------------|-----|-------|------------|---------|-----|---------|
| Model | Year | MG | SG | Illustration | Restrictions | UPD | 12:20 | 24.01.2010 | PORSCHE | PET | PORSCHE |
| 987C  | 2008 | 8  | 09 | 809-20       |              | 248 |       |            |         |     |         |

| Pos  | Part Number    | Description                      | Remark | Qty | Model    | Pos  | Part Number    | Description                               | Remark | Qty | Model |
|------|----------------|----------------------------------|--------|-----|----------|------|----------------|---|--------|-----|-------|
| (23) | 997 553 261 06 | frame<br>lacquered               | 08-    | 1   | CAYMAN S |      | 8P9            | cocoa                                     |        |     |       |
|      | V04            | galvano silver                   |        |     |          |      | T13            | brown/natural                             |        |     |       |
| (23) | 987 553 261 01 | frame                            |        | 1   | I805     | 27   | N23            | carrera red                               | 08-    |     |       |
|      | G2X            | prime coated                     |        |     |          |      | 996 552 687 00 | slide                                     |        | 1   | I249  |
| (23) | 987 553 261 01 | frame                            | 08-    | 1   | I758     |      | 01C            | satin black                               |        |     |       |
|      | G2X            | prime coated                     |        |     |          | 28   | 997 553 455 01 | cover<br>parking-brake lever<br>lacquered | -07    | 1   |       |
| 24   | 999 507 533 02 | clamp<br>8,0 X 10,0/2,5          |        | 7   |          |      | A03            | black                                     |        |     |       |
| 25   | 999 073 155 09 | tapping screw<br>4,2 X 13        |        | 4   |          |      | 5V7            | stone grey                                |        |     |       |
| 26   | 997 553 241 02 | cover<br>shift gate<br>lacquered |        | 1   | I249     |      | 5Z1            | sand beige                                |        |     |       |
|      | A03            | black                            |        |     |          |      | 8W7            | sea blue                                  |        |     |       |
|      | 5V7            | stone grey                       |        |     |          |      | 5Y2            | palmgreen                                 | -07    |     |       |
|      | 5Z1            | sand beige                       |        |     |          |      | 8X8            | terracotta                                |        |     |       |
|      | 8W7            | sea blue                         |        |     |          |      | 8P9            | cocoa                                     |        |     |       |
|      | 5Y2            | palmgreen                        | -07    |     |          | 28   | 997 553 903 00 | cover<br>parking-brake lever<br>lacquered | 08-    | 1   |       |
|      | 8X8            | terracotta                       |        |     |          |      | A03            | black                                     |        |     |       |
|      | 8P9            | cocoa                            |        |     |          |      | 5V7            | stone grey                                |        |     |       |
|      | T13            | brown/natural                    |        |     |          |      | 5Z1            | sand beige                                |        |     |       |
| (26) | 997 553 243 01 | cover<br>shift gate<br>lacquered |        | 1   | I480/481 |      | 8W7            | sea blue                                  |        |     |       |
|      | A03            | black                            |        |     |          |      | 8X8            | terracotta                                |        |     |       |
|      | 5V7            | stone grey                       |        |     |          |      | 8P9            | cocoa                                     |        |     |       |
|      | 5Z1            | sand beige                       |        |     |          | (28) | 997 553 981 00 | cover<br>parking-brake lever              | 08-    | 1   | IXCK  |
|      | 8W7            | sea blue                         |        |     |          |      | A11            | black                                     |        |     |       |
|      | 5Y2            | palmgreen                        | -07    |     |          |      | 5X6            | stone grey                                |        |     |       |
|      | 8X8            | terracotta                       |        |     |          |      |                |   |        |     |       |

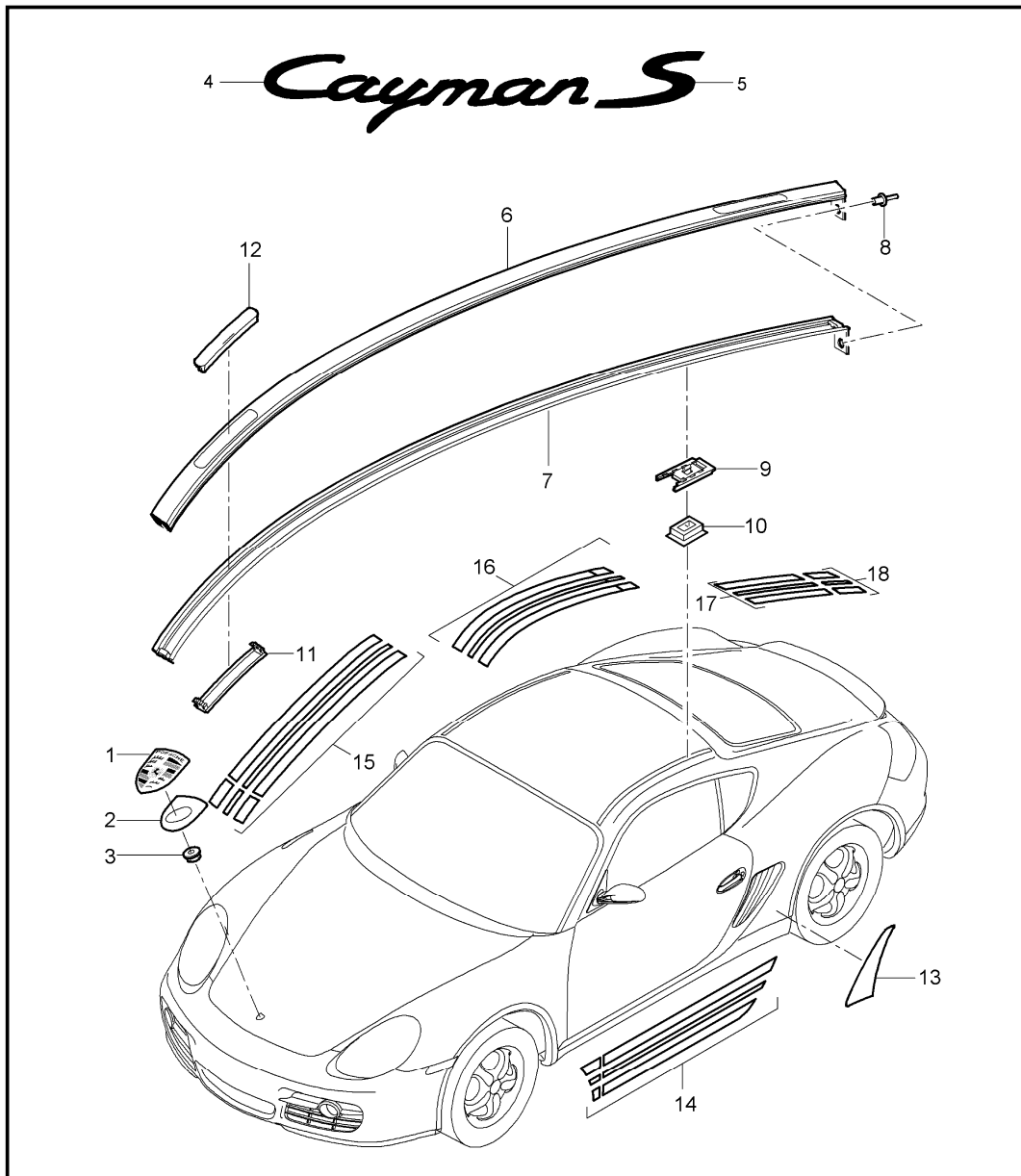
|       |      |    |    |              |              |     |       |            |         |     |         |
|-------|------|----|----|--------------|--------------|-----|-------|------------|---------|-----|---------|
| Model | Year | MG | SG | Illustration | Restrictions | UPD | 12:20 | 24.01.2010 | PORSCHE | PET | PORSCHE |
| 987C  | 2008 | 8  | 09 | 809-20       |              | 248 |       |            |         |     |         |

| Pos  | Part Number    | Description                  | Remark | Qty | Model | Pos  | Part Number    | Description                  | Remark | Qty | Model |
|------|----------------|------------------------------|--------|-----|-------|------|----------------|------------------------------|--------|-----|-------|
|      | 8G2            | sand beige                   |        |     |       |      | T12            | brown/natural                |        |     |       |
|      | 3S9            | sea blue                     |        |     |       |      | N12            | carrera red                  | 08-    |     |       |
|      | 4P2            | palmgreen                    | -07    |     |       | (28) | 997 553 981 00 | cover<br>parking-brake lever |        | 1   | IXME  |
|      | 9S5            | terracotta                   |        |     |       |      | A11            | black                        |        |     |       |
|      | 9V6            | cocoa                        |        |     |       |      | 5X6            | stone grey                   |        |     |       |
|      | D12            | dark grey/natural            |        |     |       |      | 8G2            | sand beige                   |        |     |       |
|      | T12            | brown/natural                |        |     |       |      | 3S9            | sea blue                     |        |     |       |
|      | N12            | carrera red                  | 08-    |     |       |      | 4P2            | palmgreen                    | -07    |     |       |
| (28) | 997 553 981 00 | cover<br>parking-brake lever |        | 1   | IXJT  |      | 9S5            | terracotta                   |        |     |       |
|      | A11            | black                        |        |     |       |      | 9V6            | cocoa                        |        |     |       |
|      | 5X6            | stone grey                   |        |     |       |      | D12            | dark grey/natural            |        |     |       |
|      | 8G2            | sand beige                   |        |     |       |      | T12            | brown/natural                |        |     |       |
|      | 3S9            | sea blue                     |        |     |       |      | N12            | carrera red                  | 08-    |     |       |
|      | 4P2            | palmgreen                    | -07    |     |       | (28) | 997 553 981 00 | cover<br>parking-brake lever |        | 1   | IXMJ  |
|      | 9S5            | terracotta                   |        |     |       |      | A11            | black                        |        |     |       |
|      | 9V6            | cocoa                        |        |     |       |      | 5X6            | stone grey                   |        |     |       |
|      | D12            | dark grey/natural            |        |     |       |      | 8G2            | sand beige                   |        |     |       |
|      | T12            | brown/natural                |        |     |       |      | 3S9            | sea blue                     |        |     |       |
|      | N12            | carrera red                  | 08-    |     |       |      | 4P2            | palmgreen                    | -07    |     |       |
| (28) | 997 553 981 00 | cover<br>parking-brake lever |        | 1   | IXJU  |      | 9S5            | terracotta                   |        |     |       |
|      | A11            | black                        |        |     |       |      | 9V6            | cocoa                        |        |     |       |
|      | 5X6            | stone grey                   |        |     |       |      | D12            | dark grey/natural            |        |     |       |
|      | 8G2            | sand beige                   |        |     |       |      | T12            | brown/natural                |        |     |       |
|      | 3S9            | sea blue                     |        |     |       |      | N12            | carrera red                  | 08-    |     |       |
|      | 4P2            | palmgreen                    | -07    |     |       | (28) | 997 553 981 06 | cover<br>parking-brake lever |        | 1   | IXMZ  |
|      | 9S5            | terracotta                   |        |     |       |      | A11            | black                        |        |     |       |
|      | 9V6            | cocoa                        |        |     |       |      | 5X6            | stone grey                   |        |     |       |
|      | D12            | dark grey/natural            |        |     |       |      |                |                              |        |     |       |

|       |      |    |    |              |              |     |       |            |         |     |         |
|-------|------|----|----|--------------|--------------|-----|-------|------------|---------|-----|---------|
| Model | Year | MG | SG | Illustration | Restrictions | UPD | 12:20 | 24.01.2010 | PORSCHE | PET | PORSCHE |
| 987C  | 2008 | 8  | 09 | 809-20       |              | 248 |       |            |         |     |         |

| Pos | Part Number    | Description                    | Remark | Qty | Model | Pos | Part Number | Description | Remark | Qty | Model |
|-----|----------------|--------------------------------|--------|-----|-------|-----|-------------|-------------|--------|-----|-------|
|     | 8G2            | sand beige                     |        |     |       |     |             |             |        |     |       |
|     | 3S9            | sea blue                       |        |     |       |     |             |             |        |     |       |
|     | 4P2            | palmgreen                      | -07    |     |       |     |             |             |        |     |       |
|     | 9S5            | terracotta                     |        |     |       |     |             |             |        |     |       |
|     | 9V6            | cocoa                          |        |     |       |     |             |             |        |     |       |
|     | D12            | dark grey/natural              |        |     |       |     |             |             |        |     |       |
|     | T12            | brown/natural                  |        |     |       |     |             |             |        |     |       |
|     | N12            | carrera red                    | 08-    |     |       |     |             |             |        |     |       |
| 29  | 997 553 871 00 | filler piece<br>centre console |        | 1   |       |     |             |             |        |     |       |
| 30  | 997 553 873 00 | filler piece<br>centre console |        | 1   |       |     |             |             |        |     |       |
| 31  | 997 553 875 00 | filler piece<br>centre console |        | 1   |       |     |             |             |        |     |       |
| 32  | 997 553 877 00 | filler piece<br>centre console |        | 1   |       |     |             |             |        |     |       |
| 33  | 987 553 269 00 | support<br>shift cable         |        | 1   |       |     |             |             |        |     |       |
| 34  | 999 591 215 40 | expander nut<br>4,2            |        | 2   |       |     |             |             |        |     |       |
| 35  | 999 507 028 01 | speed nut<br>4,2               |        | X   |       |     |             |             |        |     |       |
| 36  | 999 507 028 01 | speed nut<br>4,2               |        | X   |       |     |             |             |        |     |       |
| 37  | 997 553 732 00 | rubber buffer<br>lid<br>inner  |        | 2   |       |     |             |             |        |     |       |

|       |      |    |    |              |              |     |       |            |         |     |         |
|-------|------|----|----|--------------|--------------|-----|-------|------------|---------|-----|---------|
| Model | Year | MG | SG | Illustration | Restrictions | UPD | 12:49 | 02.02.2010 | PORSCHE | PET | PORSCHE |
| 987C  | 2008 | 8  | 10 | 810-00       |              | 248 |       |            |         |     |         |

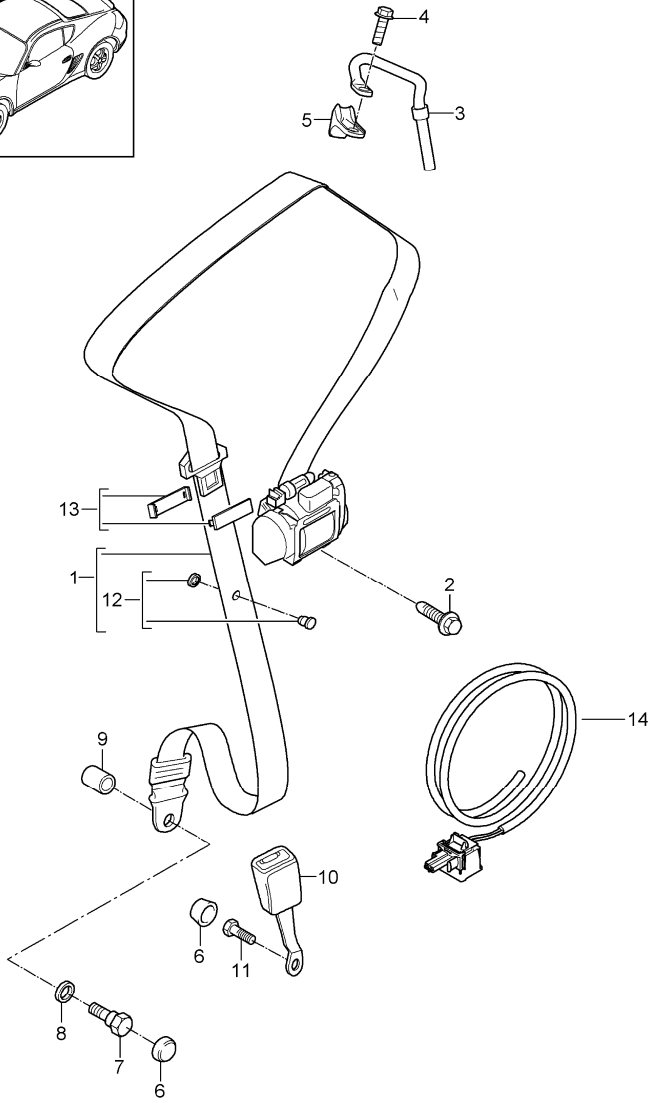
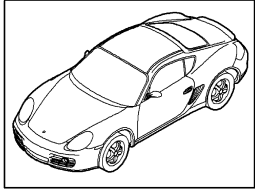


| Pos  | Part Number    | Description  | Remark | Qty | Model    |
|------|----------------|--|--------|-----|----------|
|      |                | insignias<br>decorative fittings<br>stone guard film |        |     |          |
| 1    | 997 559 211 00 | lid emblem<br>Information available                  | WW     | 1   |          |
| 2    | 7L5 853 611 B  | desk pad   |        | 1   |          |
| 3    | 999 591 423 03 | tapping nut  |        | 2   |          |
| 4    | 987 559 239 00 | logo<br>lacquered<br>titanium metallic               |        | 1   | CAYMAN   |
| (4)  | 987 559 239 01 | logo<br>lacquered<br>satin aluminium                 |        | 1   | CAYMAN S |
| 5    | 987 559 245 00 | logo<br>s<br>lacquered<br>satin aluminium            |        | 1   | CAYMAN S |
| 6    | 987 559 401 00 | roof edge strip<br>G2X<br>prime coated               | /L     | 1   |          |
| (6)  | 987 559 402 00 | roof edge strip<br>G2X<br>prime coated               | /R     | 1   |          |
| 7    | 987 559 721 00 | gasket<br>roof edge strip                            | /L     | 1   |          |
| (7)  | 987 559 722 00 | gasket<br>roof edge strip                            | /R     | 1   |          |
| 8    | 999 507 499 40 | expansion rivet                                      |        | 2   |          |
| 9    | 996 559 403 01 | clip<br>roof edge strip                              |        | 6   |          |
| 10   | 987 559 405 00 | adapter  |        | 6   |          |
| 11   | 987 559 729 00 | bracket<br>for<br>flap                               |        | 4   |          |
| 12   | 987 559 501 00 | flap<br>front<br>G2X<br>prime coated                 |        | 2   |          |
| (12) | 987 559 503 00 | flap<br>rear   |        | 2   |          |

|       |      |    |    |              |              |     |       |            |         |     |         |
|-------|------|----|----|--------------|--------------|-----|-------|------------|---------|-----|---------|
| Model | Year | MG | SG | Illustration | Restrictions | UPD | 12:49 | 02.02.2010 | PORSCHE | PET | PORSCHE |
| 987C  | 2008 | 8  | 10 | 810-00       |              | 248 |       |            |         |     |         |

| Pos  | Part Number    | Description  | Remark | Qty | Model | Pos | Part Number | Description | Remark | Qty | Model |
|------|----------------|--|--------|-----|-------|-----|-------------|-------------|--------|-----|-------|
|      | G2X            | prime coated   |        |     |       |     |             |             |        |     |       |
| 13   | 987 504 825 01 | stone guard film<br>side section                             | /L     | 1   |       |     |             |             |        |     |       |
| (13) | 987 504 826 01 | stone guard film<br>side section                             | /R     | 1   |       |     |             |             |        |     |       |
| (14) | 987 559 444 00 | decorative film<br>for<br>door<br>and<br>wing                | /R     | 1   | I755  |     |             |             |        |     |       |
| (14) | 987 559 443 00 | decorative film<br>for<br>door<br>and<br>wing                | /l     | 1   | I755  |     |             |             |        |     |       |
| 15   | 987 559 447 00 | decorative film<br>for<br>lid<br>front<br>and<br>front apron |        | 1   | I755  |     |             |             |        |     |       |
| 16   | 987 559 449 00 | decorative film<br>for<br>roof                               |        | 1   | I755  |     |             |             |        |     |       |
| 17   | 987 559 451 00 | decorative film<br>for<br>rear lid                           |        | 1   | I755  |     |             |             |        |     |       |
| 18   | 987 559 453 00 | decorative film<br>for<br>rear end                           |        | 1   | I755  |     |             |             |        |     |       |

|       |      |    |    |              |              |     |       |            |         |     |         |
|-------|------|----|----|--------------|--------------|-----|-------|------------|---------|-----|---------|
| Model | Year | MG | SG | Illustration | Restrictions | UPD | 12:21 | 24.01.2010 | PORSCHE | PET | PORSCHE |
| 987C  | 2008 | 8  | 12 | 812-00       |              | 248 |       |            |         |     |         |



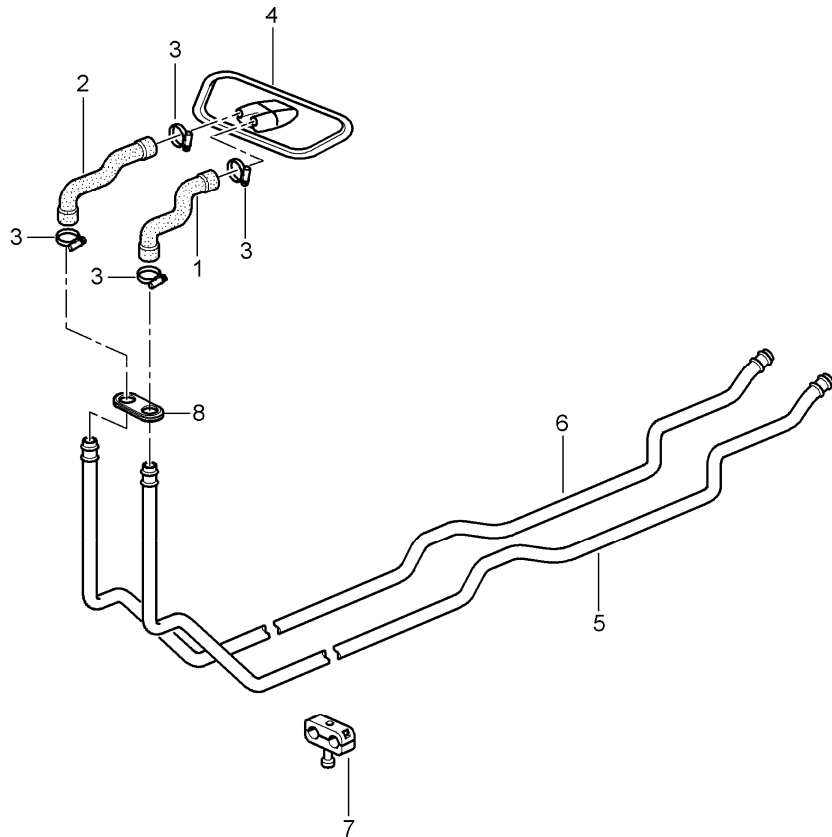
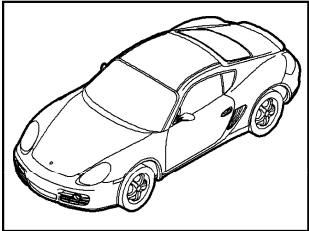
| Pos  | Part Number    | Description                          | Remark                          | Qty | Model |          |
|------|----------------|--------------------------------------|---------------------------------|-----|-------|----------|
| 1    | 987 803 033 03 | seat belt                            |                                 | 2   |       |          |
|      | A23            | black                                |                                 |     | I555  |          |
|      | N13            | guards red                           |                                 |     | IXSX  |          |
|      | U01            | silver                               |                                 |     | IXSH  |          |
|      | V02            | speed yellow                         |                                 |     | IXSY  |          |
| 1    | 987 803 033 05 | seat belt                            |                                 | 2   |       |          |
|      | 6M4            | sand beige                           |                                 |     | IXST  |          |
| 2    | 999 073 361 01 | screw<br>7/16                        |                                 | 2   |       |          |
| (3)  | 987 803 815 00 | reverse lever                        | /L                              | 1   |       |          |
| 3    | 987 803 816 00 | reverse lever                        | /R                              | 1   |       |          |
| 4    | 900 378 073 09 | hexagon-head bolt<br>10 X 25         |                                 | 2   |       |          |
|      | 5              | 987 803 825 00                       | support<br>support for seatbelt | 2   |       |          |
| 6    | 811 857 845    | cap                                  |                                 | 4   |       |          |
| 7    | 999 075 073 09 | hexagon-head bolt<br>7/16 - 20       |                                 | 2   |       |          |
|      | (7)            | 999 075 072 A2                       | hexagon-head bolt               | 08- | 2     | I388/389 |
| 8    | 211 857 771    | washer                               |                                 | 2   |       |          |
| (8)  | 999 028 022 01 | spring washer                        |                                 | 08- | 1     | I388/389 |
| --   | 999 025 275 A2 | washer                               |                                 | 08- | 1     | I388/389 |
| 9    | 999 924 064 02 | bush                                 |                                 | 2   |       |          |
| (9)  | 997 803 663 00 | spacer sleeve                        |                                 | 08- | 1     | I388/389 |
| 10   | 996 803 183 08 | seat-belt buckle<br>passenger's side |                                 | 1   |       |          |
| (10) | 997 803 183 01 | seat-belt buckle<br>driver's side    |                                 | 1   |       |          |
| 10   | 997 803 183 04 | seat-belt buckle<br>driver's side    |                                 | 08- | 1     | I388     |
| (10) | 997 803 183 04 | seat-belt buckle<br>driver's side    |                                 | 08- | 1     | I389     |



|       |      |    |    |              |              |     |       |            |         |     |         |
|-------|------|----|----|--------------|--------------|-----|-------|------------|---------|-----|---------|
| Model | Year | MG | SG | Illustration | Restrictions | UPD | 12:21 | 24.01.2010 | PORSCHE | PET | PORSCHE |
| 987C  | 2008 | 8  | 12 | 812-00       |              | 248 |       |            |         |     |         |

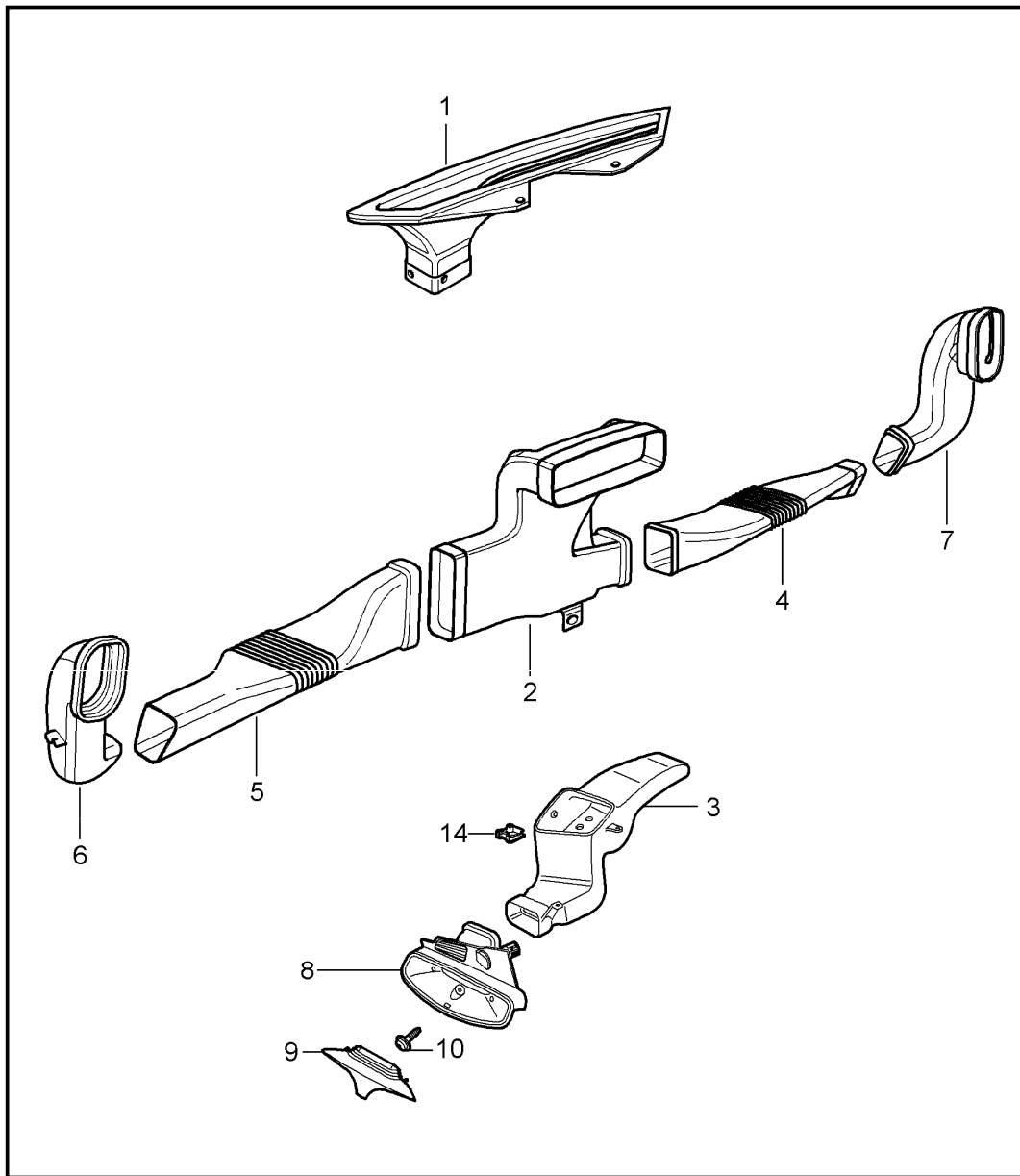
| Pos  | Part Number           | Description   | Remark | Qty | Model | Pos | Part Number | Description | Remark | Qty | Model |
|------|-----------------------|---|--------|-----|-------|-----|-------------|-------------|--------|-----|-------|
| (10) | 997 803 183 05        | seat-belt buckle<br>passenger's side                            | 08-    | 1   | I389  |     |             |             |        |     |       |
| 10   | 997 803 183 05        | seat-belt buckle<br>passenger's side                            | 08-    | 1   | I388  |     |             |             |        |     |       |
| 11   | 999 218 101 02        | hexagon-head bolt<br>7/16 - 20                                  |        | 2   |       |     |             |             |        |     |       |
| 12   | 955 803 056 00        | knob<br><br>HCP black   |        | 2   |       |     |             |             |        |     |       |
| 13   | 997 803 334 00<br>01C | clamping piece<br>black   |        | 1   |       |     |             |             |        |     |       |
| 14   |                       | cable<br>for<br>seat-belt tensioner<br>see group<br>9 / 02 / 10 |        | X   |       |     |             |             |        |     |       |

|       |      |    |    |              |              |     |       |            |         |     |         |
|-------|------|----|----|--------------|--------------|-----|-------|------------|---------|-----|---------|
| Model | Year | MG | SG | Illustration | Restrictions | UPD | 12:22 | 24.01.2010 | PORSCHE | PET | PORSCHE |
| 987C  | 2008 | 8  | 13 | 813-00       |              | 248 |       |            |         |     |         |



| Pos | Part Number    | Description                                  | Remark | Qty | Model |
|-----|----------------|--|--------|-----|-------|
|     |                | heating system 1<br>feed line<br>return line |        |     |       |
| 1   | 996 572 583 04 | heater hose                                  | /LL    | 1   | I098  |
| (1) | 996 572 583 05 | heater hose                                  | /RL    | 1   | I099  |
| 2   | 996 572 585 04 | heater hose                                  | /LL    | 1   | I098  |
| (2) | 996 572 585 05 | heater hose                                  | /RL    | 1   | I099  |
| 3   | 999 512 441 02 | hose clamp                                   |        | 4   |       |
| 4   | 996 572 263 02 | gasket                                       | /LL    | 1   | I098  |
| (4) | 996 572 263 03 | gasket                                       | /RL    | 1   | I099  |
| 5   | 987 572 681 00 | heater pipeline<br>supply                    |        | 1   |       |
| 6   | 987 572 683 00 | heater pipeline<br>return line               |        | 1   |       |
| 7   | 999 511 230 40 | cable holder                                 |        | 4   |       |
| --  | 999 511 232 41 | rubber mounting                              |        | 4   |       |
| 8   | 996 572 765 02 | grommet                                      |        | 1   |       |

|       |      |    |    |              |              |     |       |            |         |     |         |
|-------|------|----|----|--------------|--------------|-----|-------|------------|---------|-----|---------|
| Model | Year | MG | SG | Illustration | Restrictions | UPD | 12:22 | 24.01.2010 | PORSCHE | PET | PORSCHE |
| 987C  | 2008 | 8  | 13 | 813-01       |              | 248 |       |            |         |     |         |

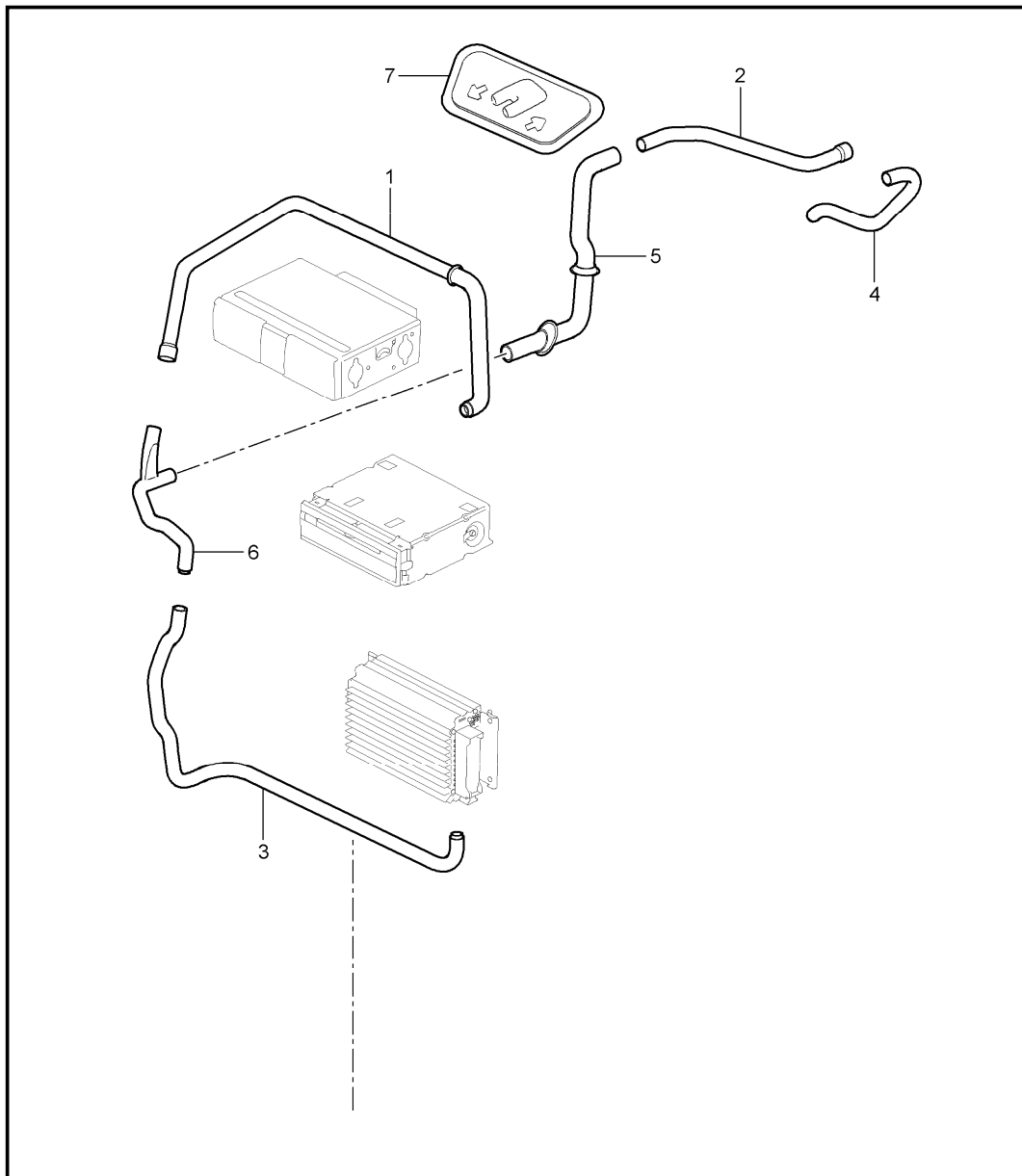


| Pos | Part Number    | Description                | Remark | Qty | Model        |
|-----|----------------|----------------------------|--------|-----|--------------|
|     |                | heating<br>air distributor |        |     |              |
| 1   | 997 572 631 00 | defroster vent             | /LL    | 1   | I098         |
| (1) | 997 572 631 01 | defroster vent             | /RL    | 1   | I099         |
| 2   | 997 572 171 00 | air distributor            | /LL    | 1   | I098         |
| (2) | 997 572 171 01 | air distributor            | /LL    | 1   | I099         |
| 3   | 997 572 793 00 | footwell outlet vent       | /LL    | 1   | I098/441/490 |
| (3) | 997 572 793 02 | footwell outlet vent       | /LL    | 1   | I098/680     |
| (3) | 997 572 793 01 | footwell outlet vent       | /RL    | 1   | I099/441/490 |
| (3) | 997 572 793 03 | footwell outlet vent       | /RL    | 1   | I099/680     |
| 4   | 997 572 464 00 | air duct                   | /LL /R | 1   | I098         |
| (4) | 997 572 464 00 | air duct                   | /RL /R | 1   | I099         |
| 5   | 997 572 463 00 | air duct                   | /LL /L | 1   | I098         |
| (5) | 997 572 463 01 | air duct                   | /RL /L | 1   | I099         |
| 6   | 987 572 767 00 | air duct                   | /LL /L | 1   | I098         |
| (6) | 987 572 767 01 | air duct                   | /RL /L | 1   | I099         |
| 7   | 987 572 768 00 | air duct                   | /RL /R | 1   | I099         |
| (7) | 987 572 768 01 | air duct                   | /LL /R | 1   | I098         |
| 8   | 997 572 396 02 | cover                      | /LL    | 1   | I098/680     |
|     |                | 01C satin black            |        |     |              |
| 8   | 997 572 395 02 | cover                      | /RL    | 1   | I099/680     |
|     |                | 01C satin black            |        |     |              |
| 8   | 997 572 396 03 | cover<br>lacquered         | /LL    | 1   | I098/680     |
|     |                | 5V7 stone grey             |        |     |              |
|     |                | 5Y2 palmgreen              |        |     |              |
|     |                | 5Z1 sand beige             |        |     |              |
|     |                | 8P9 cocoa                  |        |     |              |
|     |                | 8W7 sea blue               |        |     |              |
|     |                | 8X8 terracotta             |        |     |              |

|       |      |    |    |              |              |     |       |            |         |     |         |
|-------|------|----|----|--------------|--------------|-----|-------|------------|---------|-----|---------|
| Model | Year | MG | SG | Illustration | Restrictions | UPD | 12:22 | 24.01.2010 | PORSCHE | PET | PORSCHE |
| 987C  | 2008 | 8  | 13 | 813-01       |              | 248 |       |            |         |     |         |

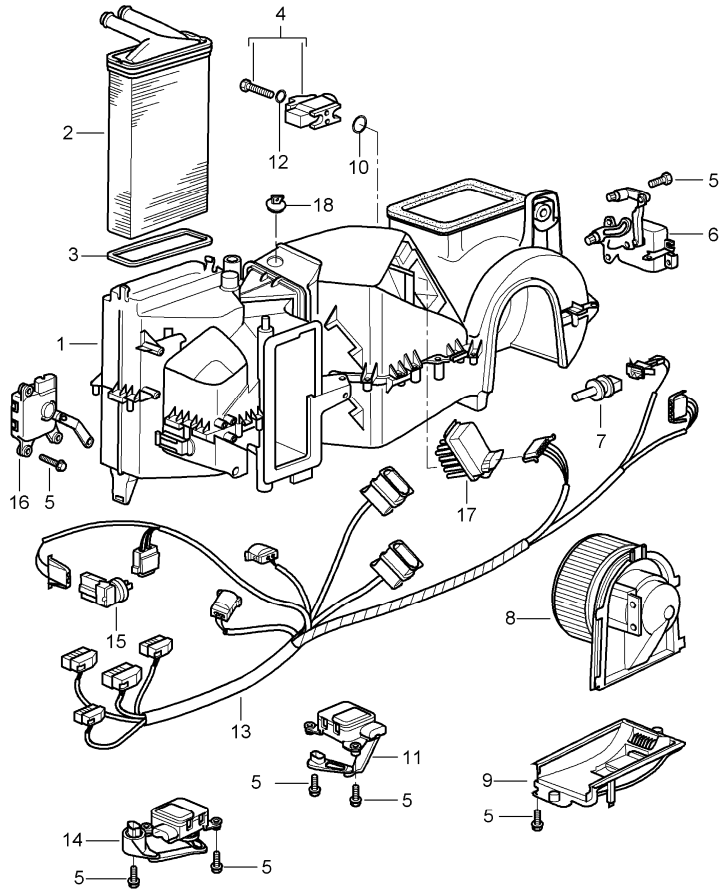
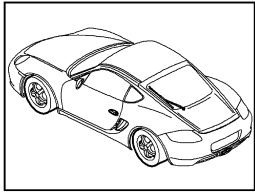
| Pos | Part Number    | Description       | Remark | Qty | Model    | Pos | Part Number       | Description                 | Remark | Qty | Model |
|-----|----------------|-------------------|--------|-----|----------|-----|-------------------|-----------------------------|--------|-----|-------|
|     |                | T13 brown/natural |        |     |          |     | 8X8 terracotta    |                             |        |     |       |
| 8   | 997 572 395 03 | cover lacquered   | /RL    | 1   | I099/680 |     | T13 brown/natural |                             |        |     |       |
|     | 5V7            | stone grey        |        |     |          | 11  | 999 073 345 09    | lens-head screw<br>M 5 X 18 |        | 1   |       |
|     | 5Y2            | palmgreen         |        |     |          | 12  | 999 507 785 02    | speed nut<br>st 4,2         |        | 3   |       |
|     | 5Z1            | sand beige        |        |     |          | 12  | 999 507 785 01    | speed nut<br>ST 4,2         |        | 3   |       |
|     | 8P9            | cocoa             |        |     |          |     |                   |                             |        |     |       |
|     | 8W7            | sea blue          |        |     |          |     |                   |                             |        |     |       |
|     | 8X8            | terracotta        |        |     |          |     |                   |                             |        |     |       |
|     |                | T13 brown/natural |        |     |          |     |                   |                             |        |     |       |
| 9   | 997 572 798 02 | cover             | /LL    | 1   | I098/680 |     |                   |                             |        |     |       |
|     | 01C            | satin black       |        |     |          |     |                   |                             |        |     |       |
| 9   | 997 572 797 02 | cover             | /RL    | 1   | I099/680 |     |                   |                             |        |     |       |
|     | 01C            | satin black       |        |     |          |     |                   |                             |        |     |       |
| 10  | 997 572 798 03 | cover lacquered   | /LL    | 1   | I098/680 |     |                   |                             |        |     |       |
|     | 5V7            | stone grey        |        |     |          |     |                   |                             |        |     |       |
|     | 5Y2            | palmgreen         |        |     |          |     |                   |                             |        |     |       |
|     | 5Z1            | sand beige        |        |     |          |     |                   |                             |        |     |       |
|     | 8P9            | cocoa             |        |     |          |     |                   |                             |        |     |       |
|     | 8W7            | sea blue          |        |     |          |     |                   |                             |        |     |       |
|     | 8X8            | terracotta        |        |     |          |     |                   |                             |        |     |       |
|     |                | T13 brown/natural |        |     |          |     |                   |                             |        |     |       |
| 10  | 997 572 797 03 | cover lacquered   | /RL    | 1   | I099/680 |     |                   |                             |        |     |       |
|     | 5V7            | stone grey        |        |     |          |     |                   |                             |        |     |       |
|     | 5Y2            | palmgreen         |        |     |          |     |                   |                             |        |     |       |
|     | 5Z1            | sand beige        |        |     |          |     |                   |                             |        |     |       |
|     | 8P9            | cocoa             |        |     |          |     |                   |                             |        |     |       |
|     | 8W7            | sea blue          |        |     |          |     |                   |                             |        |     |       |

|       |      |    |    |              |              |     |       |            |         |     |         |
|-------|------|----|----|--------------|--------------|-----|-------|------------|---------|-----|---------|
| Model | Year | MG | SG | Illustration | Restrictions | UPD | 12:22 | 24.01.2010 | PORSCHE | PET | PORSCHE |
| 987C  | 2008 | 8  | 13 | 813-02       |              | 248 |       |            |         |     |         |



| Pos | Part Number    | Description                 | Remark | Qty | Model                |
|-----|----------------|-----------------------------|--------|-----|----------------------|
|     |                | luggage compartment cooling |        |     | I575                 |
| 1   | 997 572 588 00 | air duct                    |        | 1   | I072/215/670         |
| (1) | 997 572 588 01 | air duct                    |        | 1   | I664/670             |
| 2   | 997 572 582 00 | air duct                    |        | 1   | I072/553/670<br>I215 |
| 3   | 997 572 590 00 | air duct                    |        | 1   | I072/553/670<br>I215 |
| 4   | 997 572 580 00 | air duct                    |        | 1   | I072/215/670<br>I553 |
| 5   | 997 572 584 03 | air duct                    |        | 1   | I072/215/670<br>I553 |
| 6   | 997 572 586 06 | air duct                    |        | 1   | I072/215/670<br>I553 |
| 7   | 997 572 263 00 | gasket                      |        | 1   |                      |

|       |      |    |    |              |              |     |       |            |         |     |         |
|-------|------|----|----|--------------|--------------|-----|-------|------------|---------|-----|---------|
| Model | Year | MG | SG | Illustration | Restrictions | UPD | 12:22 | 24.01.2010 | PORSCHE | PET | PORSCHE |
| 987C  | 2008 | 8  | 13 | 813-05       |              | 248 |       |            |         |     |         |

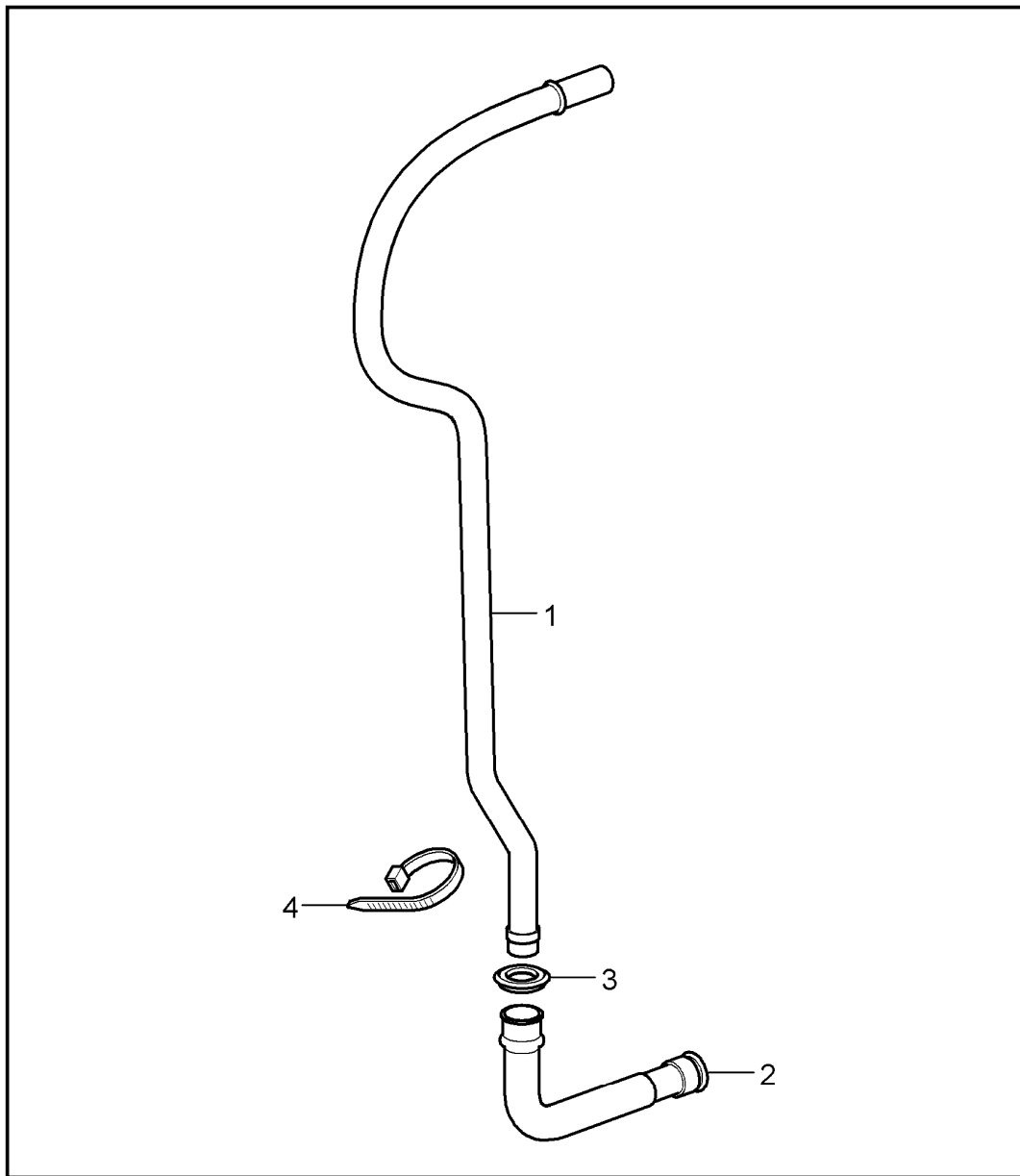


| Pos | Part Number    | Description  | Remark | Qty              | Model    |
|-----|----------------|--|--------|------------------|----------|
|     |                | air conditioner<br>single parts                                    |        |                  |          |
| 1   | 987 573 901 00 | air conditioner<br>without<br>heat exchanger<br>with<br>evaporator | /LL    | 1                | I098/572 |
| 1   | 997 573 901 00 | air conditioner<br>without<br>heat exchanger<br>with<br>evaporator | /LL    | 1                | I098/573 |
| (1) | 987 573 901 01 | air conditioner<br>without<br>heat exchanger<br>with<br>evaporator | /RL    | 1                | I099/572 |
| (1) | 996 573 901 01 | air conditioner<br>without<br>heat exchanger<br>with<br>evaporator | /RL    | 1                | I099/573 |
| 2   | 997 572 129 00 | heat exchanger   |        | 1                |          |
| 3   | 996 572 913 00 | gasket   |        | 1                |          |
| 4   | 996 573 929 01 | expansion valve  |        | 1                |          |
| 5   | 900 143 102 02 | combination screw  |        | X                |          |
| 6   | 996 573 915 00 | electric motor<br>fresh-air flap<br>identification<br>black        | /LL    | 1<br>1<br>1<br>1 | I098/573 |
| (6) | 996 573 915 01 | electric motor<br>fresh-air flap<br>identification<br>black        | /RL    | 1                | I099/573 |
| 7   | 955 572 304 10 | temperature sensor   |        | 1                |          |
| 8   | 996 624 107 01 | blower   | /LL    | 1                | I098     |
| (8) | 996 624 108 01 | blower   | /RL    | 1                | I099     |
| 9   | 996 573 905 00 | lid  |        | 1                |          |
| 10  | 999 707 596 40 | o-ring<br>14x1,82  |        | 1                |          |

|       |      |    |    |              |              |     |       |            |         |     |         |
|-------|------|----|----|--------------|--------------|-----|-------|------------|---------|-----|---------|
| Model | Year | MG | SG | Illustration | Restrictions | UPD | 12:22 | 24.01.2010 | PORSCHE | PET | PORSCHE |
| 987C  | 2008 | 8  | 13 | 813-05       |              | 248 |       |            |         |     |         |

| Pos  | Part Number    | Description   | Remark | Qty | Model    | Pos      | Part Number | Description | Remark | Qty | Model |
|------|----------------|---|--------|-----|----------|----------|-------------|-------------|--------|-----|-------|
| 11   | 996 573 919 02 | electric motor<br>temperature valve<br>identification<br>pink | /LL    | 1   | I098     |          |             |             |        |     |       |
| (11) | 996 573 919 03 | electric motor<br>temperature valve<br>identification<br>pink | /RL    | 1   | I099     |          |             |             |        |     |       |
| 12   | 999 707 534 41 | o-ring<br>17x2,00   |        | 1   |          |          |             |             |        |     |       |
| 13   | 997 612 655 02 | wiring harness  | /LL    | 1   | I098/573 |          |             |             |        |     |       |
| (13) | 997 612 656 02 | wiring harness  | /RL    | -07 | 1        | I099/573 |             |             |        |     |       |
| (13) | 997 612 656 04 | wiring harness  | /RL    | 08- | 1        | I099/573 |             |             |        |     |       |
| (13) | 987 612 655 00 | wiring harness  | /LL    | -07 | 1        | I098/572 |             |             |        |     |       |
| (13) | 987 612 655 02 | wiring harness  | /LL    | 08- | 1        | I098/572 |             |             |        |     |       |
| (13) | 987 612 656 01 | wiring harness  | /RL    | -07 | 1        | I099/572 |             |             |        |     |       |
| (13) | 987 612 656 03 | wiring harness  | /RL    | 08- | 1        | I099/572 |             |             |        |     |       |
| 14   | 996 573 921 02 | electric motor<br>defroster flap<br>identification<br>yellow  | /LL    | 1   | I098     |          |             |             |        |     |       |
| (14) | 996 573 921 03 | electric motor<br>defroster flap<br>identification<br>yellow  | /RL    | 1   | I099     |          |             |             |        |     |       |
| 15   | 1H0 907 543 A  | temperature sensor  |        | 1   |          |          |             |             |        |     |       |
| 16   | 996 573 917 02 | electric motor<br>central valve<br>identification<br>green    | /LL    | 1   | I098     |          |             |             |        |     |       |
| (16) | 996 573 917 03 | electric motor<br>central valve<br>identification<br>green    | /RL    | 1   | I099     |          |             |             |        |     |       |
| 17   | 996 573 923 00 | resistor  |        | 1   |          |          |             |             |        |     |       |
| --   | 996 573 927 00 | blower outlet sensor  |        | 1   | I573     |          |             |             |        |     |       |
| --   | 1H0 819 943    | screw   |        | 2   |          |          |             |             |        |     |       |
| 18   | 997 573 935 00 | stopper   |        | 1   |          |          |             |             |        |     |       |

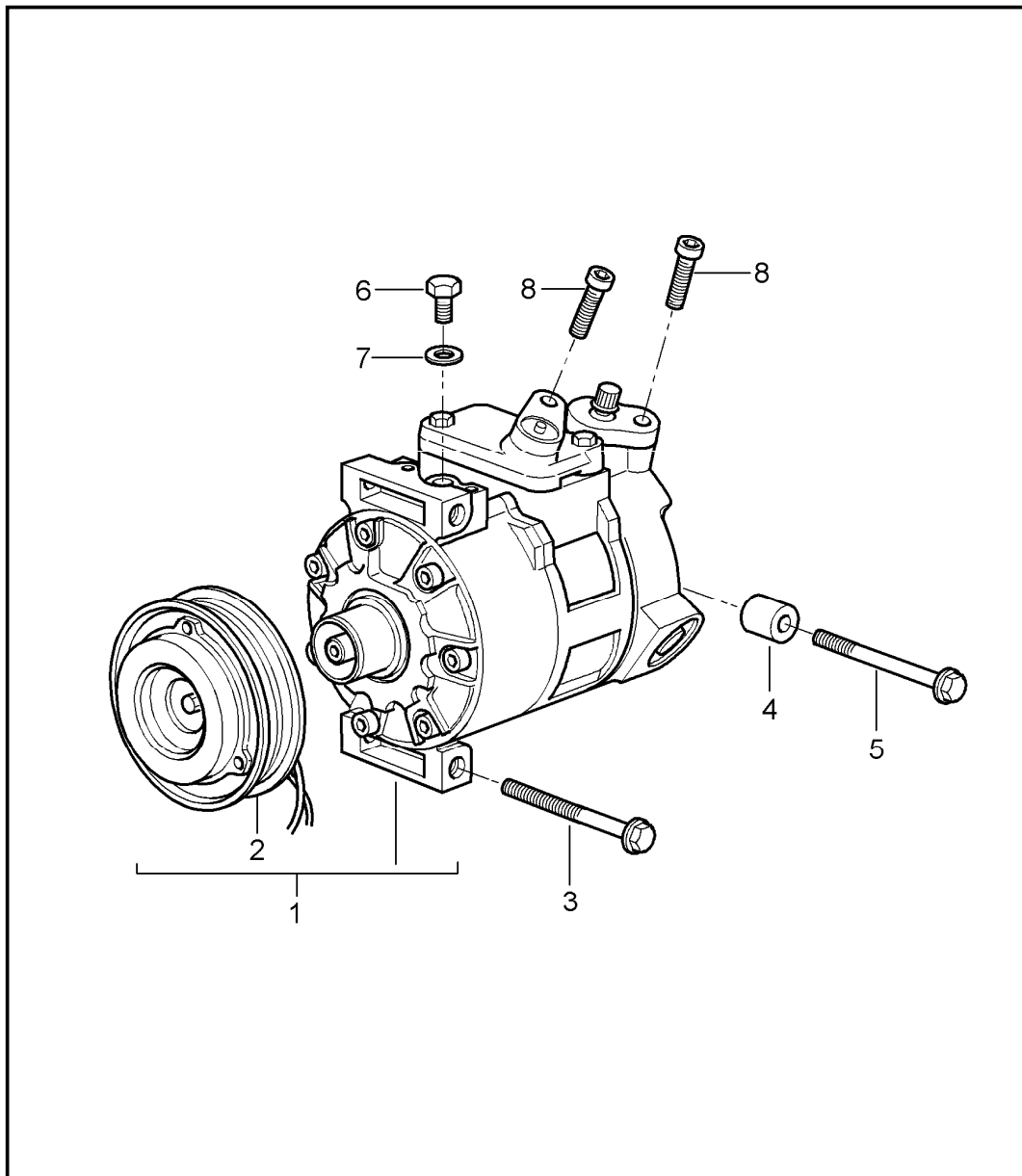
|       |      |    |    |              |              |     |       |            |         |     |         |
|-------|------|----|----|--------------|--------------|-----|-------|------------|---------|-----|---------|
| Model | Year | MG | SG | Illustration | Restrictions | UPD | 12:22 | 24.01.2010 | PORSCHE | PET | PORSCHE |
| 987C  | 2008 | 8  | 13 | 813-10       |              | 248 |       |            |         |     |         |



| Pos | Part Number    | Description                                  | Remark | Qty | Model |
|-----|----------------|--|--------|-----|-------|
|     |                | water drain tube<br>mount<br>air conditioner |        |     |       |
| 1   | 996 573 793 01 | water drain tube                             | /LL    | 1   | I098  |
| 1   | 996 573 794 01 | water drain tube                             | /RL    | 1   | I099  |
| 2   | 996 573 797 02 | connecting piece                             |        | 1   |       |
| 3   | 996 573 795 01 | grommet                                      |        | 1   |       |
| 4   | 999 513 049 40 | tie-wrap                                     |        | 1   |       |

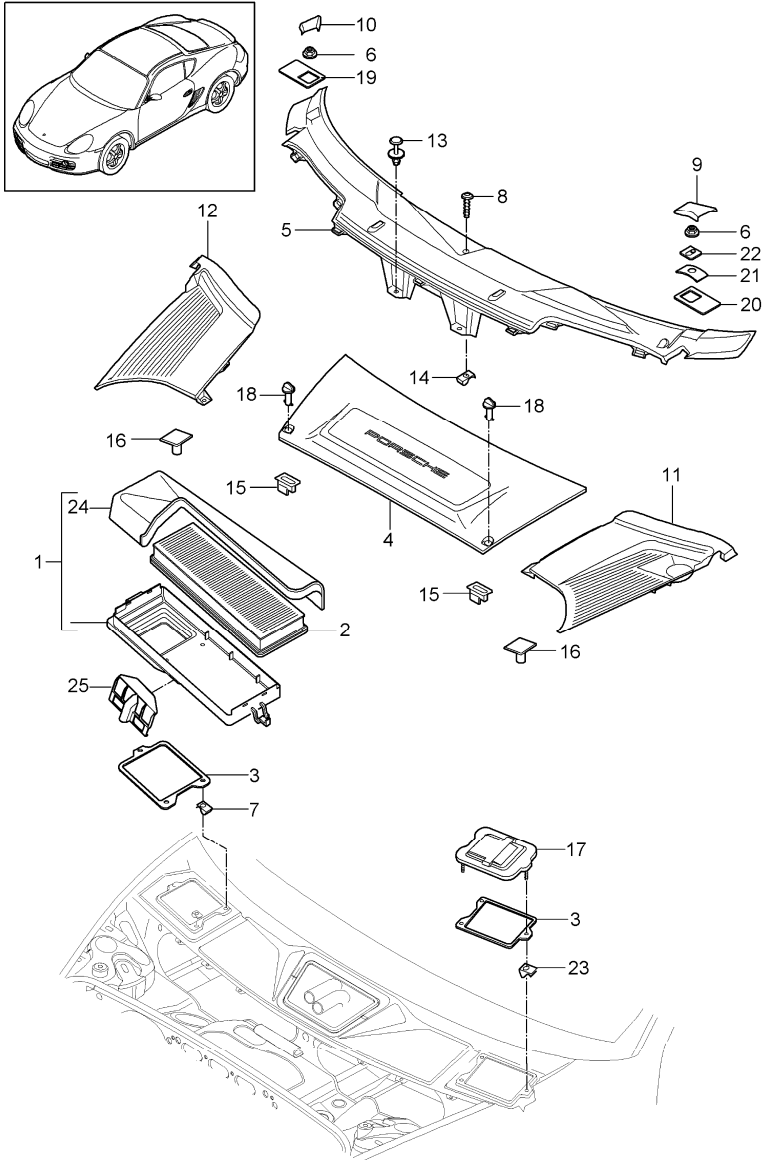


|       |      |    |    |              |              |     |       |            |         |     |         |
|-------|------|----|----|--------------|--------------|-----|-------|------------|---------|-----|---------|
| Model | Year | MG | SG | Illustration | Restrictions | UPD | 12:23 | 24.01.2010 | PORSCHE | PET | PORSCHE |
| 987C  | 2008 | 8  | 13 | 813-15       |              | 248 |       |            |         |     |         |



| Pos | Part Number      | Description                        | Remark | Qty | Model |
|-----|------------------|------------------------------------|--------|-----|-------|
|     |                  | compressor                         |        |     |       |
| 1   | > 996 126 011 52 | compressor                         |        | 1   |       |
| 2   | 996 573 926 00   | repair kit                         |        | 1   |       |
| 3   | 900 378 075 09   | hexagon-head bolt<br>M 8X90        |        | 1   |       |
| 4   | 996 126 102 52   | spacer                             |        | 1   |       |
| 5   | 900 378 136 09   | hexagon-head bolt<br>M 8X120       |        | 1   |       |
| 6   | 996 573 926 01   | oil filler screw                   |        | 1   |       |
| 7   | 996 573 926 02   | sealing ring                       |        | 1   |       |
| 8   | 900 067 252 02   | pan-head screw                     |        | 2   |       |
| --  | 996 126 101 51   | bracket                            |        | 1   |       |
| --  | 000 043 200 04   | oil<br>250 ml<br>for<br>compressor |        | 1   |       |

|       |      |    |    |              |              |     |       |            |         |     |         |
|-------|------|----|----|--------------|--------------|-----|-------|------------|---------|-----|---------|
| Model | Year | MG | SG | Illustration | Restrictions | UPD | 12:23 | 24.01.2010 | PORSCHE | PET | PORSCHE |
| 987C  | 2008 | 8  | 13 | 813-20       |              | 248 |       |            |         |     |         |

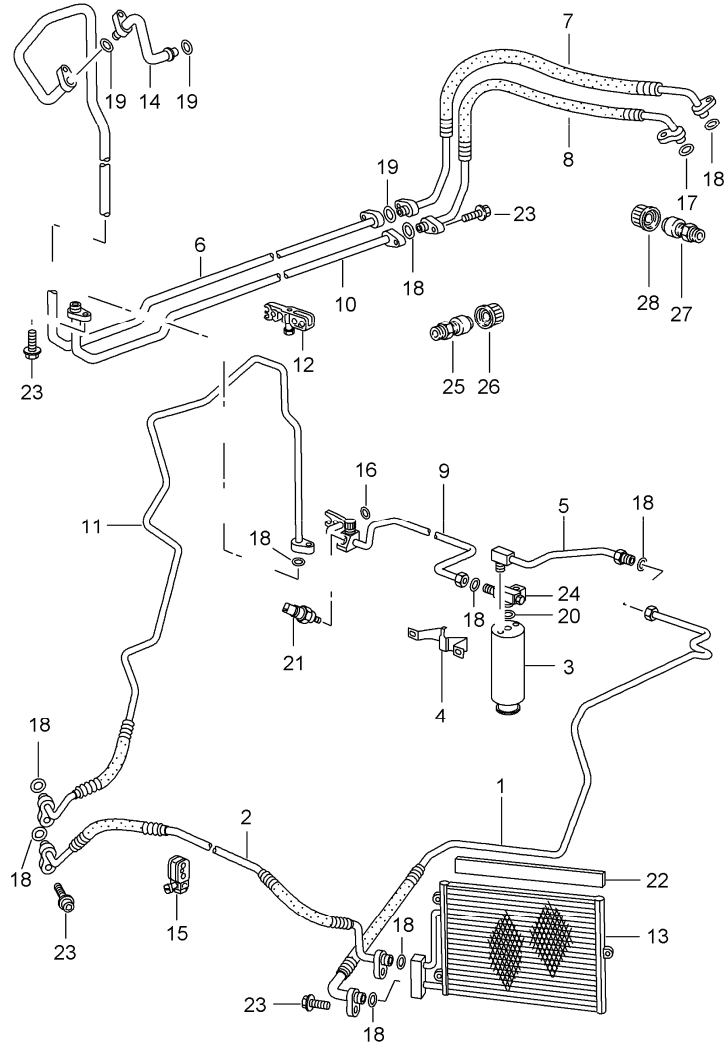


| Pos | Part Number    | Description             | Remark | Qty | Model |
|-----|----------------|-------------------------|--------|-----|-------|
| 1   | 997 572 019 02 | particle filter housing | /LL    | 1   | I098  |
| 1   | 997 572 019 03 | particle filter housing | /RL    | 1   | I099  |
| 2   | 997 571 219 01 | particle filter         |        | 1   |       |
| 3   | 997 572 221 00 | gasket                  |        | 1   |       |
| 4   | 997 572 567 04 | cover                   |        | 1   |       |
|     | FMT            | black battery           |        |     |       |
| (4) | 997 572 729 02 | cover particle filter   | /LL    | 1   | I098  |
| (4) | 997 572 729 03 | cover particle filter   | /RL    | 1   | I099  |
| 5   | 997 572 563 08 | cover cowl              | /LL    | 1   | I098  |
|     | FMT            | black                   |        |     |       |
| (5) | 997 572 563 09 | cover cowl              | /RL    | 06- | I099  |
|     | FMT            | black                   |        |     |       |
| 6   | 999 076 071 02 | hexagon nut M6          |        | 2   |       |
| 7   | 999 507 348 01 | speed nut               |        | 3   |       |
| 8   | N 906 487 02   | tapping screw           |        | 1   |       |
| 9   | 997 572 569 04 | cap                     | /L     | 2   | I098  |
|     | FMT            | black                   |        |     |       |
| 9   | 997 572 569 05 | cap                     | /L     | 2   | I099  |
|     | FMT            | black                   |        |     |       |
| 10  | 997 572 570 04 | cap                     | /R     | 1   | I098  |
|     | FMT            | black                   |        |     |       |
| 10  | 997 572 570 05 | cap                     | /R     | 1   | I099  |
|     | FMT            | black                   |        |     |       |
| 11  | 997 572 361 06 | cover                   | /L     | 1   |       |

|       |      |    |    |              |              |     |       |            |         |     |         |
|-------|------|----|----|--------------|--------------|-----|-------|------------|---------|-----|---------|
| Model | Year | MG | SG | Illustration | Restrictions | UPD | 12:23 | 24.01.2010 | PORSCHE | PET | PORSCHE |
| 987C  | 2008 | 8  | 13 | 813-20       |              | 248 |       |            |         |     |         |

| Pos  | Part Number    | Description                        | Remark    | Qty | Model | Pos | Part Number | Description | Remark | Qty | Model |
|------|----------------|------------------------------------|-----------|-----|-------|-----|-------------|-------------|--------|-----|-------|
|      | 02A            | black                              |           |     |       |     |             |             |        |     |       |
| 12   | 997 572 362 07 | cover                              | /R        | 1   |       |     |             |             |        |     |       |
|      | 02A            | black                              |           |     |       |     |             |             |        |     |       |
| 13   | 999 507 497 40 | expansion rivet<br>8 X 14          |           | 2   |       |     |             |             |        |     |       |
| 14   | 999 507 834 41 | expander nut<br>ST 4,8             |           | 1   |       |     |             |             |        |     |       |
| 15   | 999 590 046 40 | disc cam                           |           | 2   |       |     |             |             |        |     |       |
| 16   | 999 902 046 40 | catch                              |           | 1   |       |     |             |             |        |     |       |
| 17   | 997 572 419 02 | lid                                | -07       | 2   |       |     |             |             |        |     |       |
| 17   | 997 572 419 03 | lid                                | 08        | 2   |       |     |             |             |        |     |       |
| 18   | 997 572 867 00 | locking bolt                       |           | 2   |       |     |             |             |        |     |       |
|      | 02A            | black                              |           |     |       |     |             |             |        |     |       |
| --   | 997 572 763 00 | cover                              |           | 1   |       |     |             |             |        |     |       |
| 19 A | 997 572 842 00 | pressure plate<br>passenger's side | -07       | 1   |       |     |             |             |        |     |       |
| 19   | 997 572 842 01 | pressure plate<br>passenger's side | /LL/R 08- | 1   | I098  |     |             |             |        |     |       |
| 19   | 997 572 842 02 | pressure plate<br>passenger's side | /RL/L 08- | 1   | I099  |     |             |             |        |     |       |
| 20   | 997 572 841 00 | pressure plate<br>driver's side    |           | 1   |       |     |             |             |        |     |       |
| 21   | 997 572 837 00 | spring plate<br>driver's side      |           | 1   |       |     |             |             |        |     |       |
| 22   | 997 572 533 00 | retainer plate<br>driver's side    |           | 1   |       |     |             |             |        |     |       |
| 23   | 999 591 855 02 | speed nut                          |           | 3   |       |     |             |             |        |     |       |
| 24   | 997 572 729 02 | cover<br>particle filter           | /LL       | 1   | I098  |     |             |             |        |     |       |
| (24) | 997 572 729 03 | cover<br>particle filter           | /RL       | 1   | I099  |     |             |             |        |     |       |
| 25   | 997 572 862 01 | support                            |           | 1   |       |     |             |             |        |     |       |

|       |      |    |    |              |              |     |       |            |         |     |         |
|-------|------|----|----|--------------|--------------|-----|-------|------------|---------|-----|---------|
| Model | Year | MG | SG | Illustration | Restrictions | UPD | 12:23 | 24.01.2010 | PORSCHE | PET | PORSCHE |
| 987C  | 2008 | 8  | 13 | 813-25       |              | 248 |       |            |         |     |         |

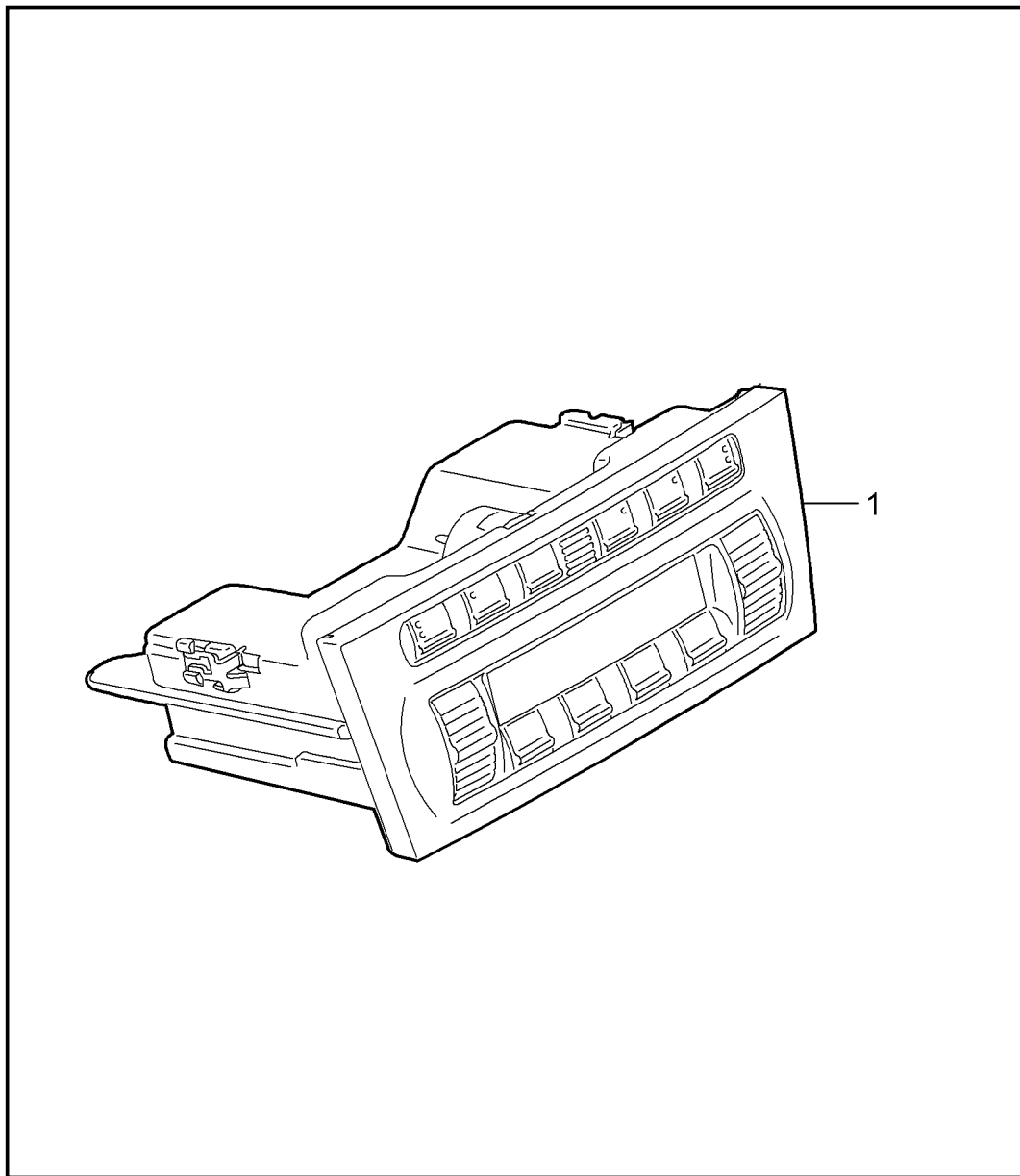


| Pos | Part Number    | Description                                  | Remark | Qty | Model     |
|-----|----------------|--|--------|-----|-----------|
|     |                | refrigerant circuit                          |        |     |           |
| 1   | 997 573 105 02 | pressure line                                |        | 1   |           |
| 2   | 997 573 103 00 | pressure line                                |        | 1   |           |
| 3   | 944 573 143 01 | desiccator                                   |        | 1   |           |
| 4   | 996 573 451 00 | support                                      |        | 1   |           |
| 5   | 996 573 106 00 | pressure line                                |        | 1   |           |
| 6   | 996 573 091 01 | intake pipe                                  |        | 1   |           |
| 7   | 987 573 099 01 | intake pipe                                  |        | 1   | M97.20/21 |
| 8   | 987 573 097 03 | pressure line                                |        | 1   | M97.20/21 |
| 9   | 997 573 108 02 | pressure line                                | /LL    | 1   |           |
| (9) | 997 573 108 01 | pressure line                                | /RL    | 1   | I099      |
| 10  | 996 573 092 02 | pressure line                                |        | 1   |           |
| 11  | 997 573 094 00 | pressure line                                |        | 1   |           |
| 12  | 996 347 543 00 | cable holder                                 |        | 2   |           |
| 13  | 996 573 111 03 | condenser                                    |        | 2   |           |
| 14  | 996 573 093 06 | intake pipe                                  | /LL    | 1   |           |
| 14  | 996 573 093 07 | intake pipe                                  | /RL    | 1   |           |
| 15  | 996 347 543 00 | cable holder                                 |        | X   |           |
| 16  | 999 707 247 40 | o-ring<br>7,5X2                              |        | 2   |           |
| 17  | 999 707 439 41 | o-ring<br>23,8X2,4                           |        | 8   |           |
| 18  | 999 707 434 41 | o-ring<br>10,6X2                             |        | 8   |           |
| 19  | 999 707 534 41 | o-ring<br>17X2                               |        | X   |           |
| --  | 999 707 434 41 | o-ring<br>10,6X2,0                           |        | 5   |           |
| 20  | 999 707 262 40 | o-ring<br>6,7X1,8                            |        | X   |           |
| 21  | 1K0 959 126 B  | pressure sensor<br>when required order also: |        | 1   |           |

|       |      |    |    |              |              |     |       |            |         |     |         |
|-------|------|----|----|--------------|--------------|-----|-------|------------|---------|-----|---------|
| Model | Year | MG | SG | Illustration | Restrictions | UPD | 12:23 | 24.01.2010 | PORSCHE | PET | PORSCHE |
| 987C  | 2008 | 8  | 13 | 813-25       |              | 248 |       |            |         |     |         |

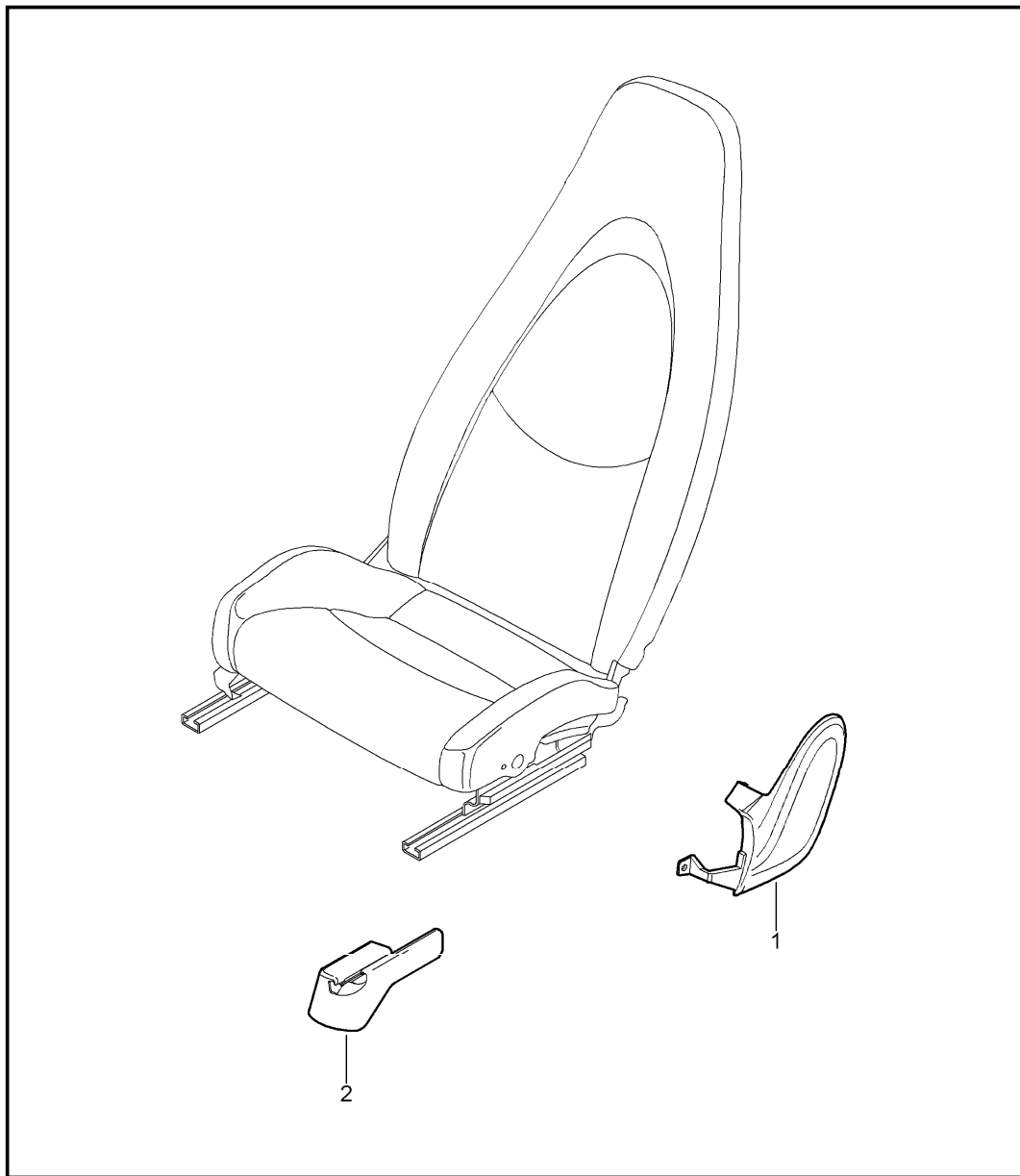
| Pos | Part Number    | Description            | Remark | Qty | Model | Pos | Part Number | Description | Remark | Qty | Model |
|-----|----------------|------------------------|--------|-----|-------|-----|-------------|-------------|--------|-----|-------|
| -   | 999 707 555 41 | o-ring<br>10,8 X 1,8   |        | 1   |       |     |             |             |        |     |       |
| 22  | 996 573 711 00 | cover strip            |        | 2   |       |     |             |             |        |     |       |
| 23  | 900 067 019 03 | pan-head screw         |        | X   |       |     |             |             |        |     |       |
| 24  | 993 573 243 00 | distributing piece     | -06    | 1   |       |     |             |             |        |     |       |
| 25  | 996 573 465 00 | valve<br>intake pipe   |        | 1   |       |     |             |             |        |     |       |
| 26  | 944 573 663 02 | valve cap              |        | 1   |       |     |             |             |        |     |       |
| 27  | 996 573 466 00 | valve<br>pressure line |        | 1   |       |     |             |             |        |     |       |
| 28  | 944 573 663 01 | valve cap              |        | 1   |       |     |             |             |        |     |       |

|       |      |    |    |              |              |     |       |            |         |     |         |
|-------|------|----|----|--------------|--------------|-----|-------|------------|---------|-----|---------|
| Model | Year | MG | SG | Illustration | Restrictions | UPD | 12:23 | 24.01.2010 | PORSCHE | PET | PORSCHE |
| 987C  | 2008 | 8  | 13 | 813-45       |              | 248 |       |            |         |     |         |



| Pos   | Part Number    | Description            | Remark | Qty | Model    |
|-------|----------------|------------------------|--------|-----|----------|
|       |                | control switch         |        |     |          |
| 1     | 997 653 103 11 | control part           | -07    | 1   | I572     |
|       | FMH            | volcano grey/black mat |        |     |          |
| 1     | 997 653 103 13 | control part           | 08-    | 1   | I572     |
|       | FMH            | volcano grey/black mat |        |     |          |
| (1) A | 997 653 113 11 | control part           | -07    | 1   | I342/572 |
|       | FMH            | volcano grey/black mat |        |     |          |
| (1)   | 997 653 113 12 | control part           | -07    | 1   | I342/572 |
|       | FMH            | volcano grey/black mat |        |     |          |
| (1)   | 997 653 113 13 | control part           | 08-    | 1   | I342/572 |
|       | FMH            | volcano grey/black mat |        |     |          |
| (1)   | 997 653 101 11 | control part           | -07    | 1   | I573     |
|       | FMH            | volcano grey/black mat |        |     |          |
| (1)   | 997 653 101 13 | control part           | 08-    | 1   | I573     |
|       | FMH            | volcano grey/black mat |        |     |          |
| (1)   | 997 653 111 11 | control part           | -07    | 1   | I342/573 |
|       | FMH            | volcano grey/black mat |        |     |          |
| (1)   | 997 653 111 13 | control part           | 08-    | 1   | I342/573 |
|       | FMH            | volcano grey/black mat |        |     |          |

|       |      |    |    |              |              |     |       |            |         |     |         |
|-------|------|----|----|--------------|--------------|-----|-------|------------|---------|-----|---------|
| Model | Year | MG | SG | Illustration | Restrictions | UPD | 12:23 | 24.01.2010 | PORSCHE | PET | PORSCHE |
| 987C  | 2008 | 8  | 17 | 817-00       |              | 248 |       |            |         |     |         |



| Pos | Part Number    | Description  | Remark | Qty | Model                        |
|-----|----------------|--|--------|-----|------------------------------|
|     |                | front seat<br>standard seat<br>comfort seat<br>complete<br>not available |        |     | CAYMAN S                     |
| 1   | 997 521 315 02 | trim cover<br>mounting component   | /L     | 1   | I369/375<br>I377/437         |
|     | D07            | volcano grey   |        |     |                              |
| (1) | 997 521 316 02 | trim cover<br>mounting component   | /R     | 1   | I370/376<br>I378/438         |
|     | D07            | volcano grey   |        |     |                              |
| (1) | 997 521 316 03 | trim cover<br>mounting component<br>advanced airbag                      | /R     | 1   | I370/376<br>I378/438/560     |
|     | D07            | volcano grey   |        |     |                              |
| 2   | 997 521 359 01 | rail<br>seat rail  | /L     | 1   | I369/375                     |
|     | 01C            | satin black  |        |     |                              |
| (2) | 997 521 360 01 | rail<br>seat rail  | /R     | 1   | I370/376                     |
|     | 01C            | satin black  |        |     |                              |
| (2) | 997 521 361 00 | rail<br>seat rail  | /L     | 1   | I370/376/377<br>I378/437/438 |
|     | 01C            | satin black  |        |     |                              |
| (2) | 997 521 362 00 | rail<br>seat rail  | /R     | 1   | I369/375/377<br>I378/437/438 |
|     | 01C            | satin black  |        |     |                              |

|       |      |    |    |              |              |     |       |            |         |     |         |
|-------|------|----|----|--------------|--------------|-----|-------|------------|---------|-----|---------|
| Model | Year | MG | SG | Illustration | Restrictions | UPD | 12:24 | 24.01.2010 | PORSCHE | PET | PORSCHE |
| 987C  | 2008 | 8  | 17 | 817-02       |              | 248 |       |            |         |     |         |

| Pos | Part Number    | Description   | Remark | Qty | Model                                    |
|-----|----------------|---|--------|-----|--|
|     |                | foam part<br>cover<br>standard seat<br>comfort seat   |        |     | CAYMAN S                                 |
| 1   | 997 521 535 00 | foam part<br>backrest<br>outer  |        | 2   | I369/370<br>I437/438                     |
| 2   | 997 521 581 00 | foam part<br>backrest<br>centre   |        | 2   | I369/370/375<br>I376/377/378<br>I437/438 |
| 3   | 997 521 571 00 | foam part<br>seat cushion   |        | 1   | I369/370<br>I437/438                     |
| (3) | 997 521 571 03 | foam part<br>seat cushion<br>advanced airbag  |        | 1   | I370/438/560                             |
| 4   | 997 521 551 01 | cushion carrier<br>backrest   |        | 2   | I369/370/375<br>I376/377/378<br>I437/438 |
| 5   | 987 521 161 00 | cover for cushion<br>FLA black<br>FLD stone grey<br>FLG sand beige<br>FLK sea blue<br>FLN palmgreen |        | 2   | I369/370/950                             |
| (5) | 997 521 161 00 | cover for cushion<br>FLB black<br>FLE stone grey<br>FLH sand beige<br>FLL sea blue<br>FLO palmgreen |        | 1   | I369/370/437<br>I946                     |
| (5) | 997 521 161 01 | cover for cushion<br>FLC black<br>FLF stone grey<br>FLJ sand beige                                  |        | 1   | I369/370/437<br>I983                     |



|       |      |    |    |              |              |     |       |            |         |     |         |
|-------|------|----|----|--------------|--------------|-----|-------|------------|---------|-----|---------|
| Model | Year | MG | SG | Illustration | Restrictions | UPD | 12:24 | 24.01.2010 | PORSCHE | PET | PORSCHE |
| 987C  | 2008 | 8  | 17 | 817-02       |              | 248 |       |            |         |     |         |

| Pos | Part Number    | Description                           | Remark | Qty | Model                    | Pos | Part Number    | Description                           | Remark | Qty | Model                    |
|-----|----------------|---------------------------------------|--------|-----|--------------------------|-----|----------------|---------------------------------------|--------|-----|--------------------------|
|     | FLM            | sea blue                              |        |     |                          |     | A08            | black                                 |        |     |                          |
|     | FLP            | palmgreen                             |        |     |                          |     | 5D6            | stone grey                            |        |     |                          |
|     | FLQ            | terracotta                            |        |     |                          |     | T25            | sand beige                            |        |     |                          |
|     | FLR            | cocoa                                 |        |     |                          |     | 3W7            | sea blue                              |        |     |                          |
|     | BCA            | black/stone grey                      |        |     |                          |     | 4Q2            | palmgreen                             |        |     |                          |
|     | VAA            | dark grey/natural                     |        |     |                          | (6) | 997 521 151 00 | backrest cushion cover<br>centre part |        | 1   | I369/370/437<br>I438/983 |
|     | VAB            | brown/natural                         |        |     |                          |     | 8YR            | black                                 |        |     |                          |
|     | VAC            | carrera red                           |        |     |                          |     | 5X5            | stone grey                            |        |     |                          |
| (5) | 997 521 161 02 | cover for cushion                     |        | 1   | I369/370/437<br>I982     |     | 8G1            | sand beige                            |        |     |                          |
|     | FLC            | black                                 |        |     |                          |     | 3S8            | sea blue                              |        |     |                          |
|     | FLF            | stone grey                            |        |     |                          |     | 4P1            | palmgreen                             |        |     |                          |
|     | FLJ            | sand beige                            |        |     |                          |     | 9N2            | terracotta                            |        |     |                          |
|     | FLM            | sea blue                              |        |     |                          |     | 9Q3            | cocoa                                 |        |     |                          |
|     | FLP            | palmgreen                             |        |     |                          |     | D11            | dark grey/natural                     |        |     |                          |
|     | FLQ            | terracotta                            |        |     |                          |     | T11            | brown/natural                         |        |     |                          |
|     | FLR            | cocoa                                 |        |     |                          |     | N11            | carrera red                           |        |     |                          |
|     | BCA            | black/stone grey                      |        |     |                          | (6) | 997 521 151 01 | backrest cushion cover<br>centre part |        | 1   | I369/370/437<br>I438/982 |
|     | VAA            | dark grey/natural                     |        |     |                          |     | 8YR            | black                                 |        |     |                          |
|     | VAB            | brown/natural                         |        |     |                          |     | 5X5            | stone grey                            |        |     |                          |
|     | VAC            | carrera red                           |        |     |                          |     | 8G1            | sand beige                            |        |     |                          |
| 6   | 987 521 151 00 | backrest cushion cover<br>centre part |        | 2   | I369/370/950             |     | 3S8            | sea blue                              |        |     |                          |
|     | A15            | black                                 |        |     |                          |     | 4P1            | palmgreen                             |        |     |                          |
|     | B15            | stone grey                            |        |     |                          |     | 9N2            | terracotta                            |        |     |                          |
|     | T45            | sand beige                            |        |     |                          |     | 9Q3            | cocoa                                 |        |     |                          |
|     | G15            | metropole blue                        |        |     |                          |     | D11            | dark grey/natural                     |        |     |                          |
|     | J45            | palmgreen                             |        |     |                          |     | T11            | brown/natural                         |        |     |                          |
| (6) | 997 521 151 00 | backrest cushion cover<br>centre part |        | 1   | I369/370/437<br>I438/946 |     | N11            | carrera red                           |        |     |                          |

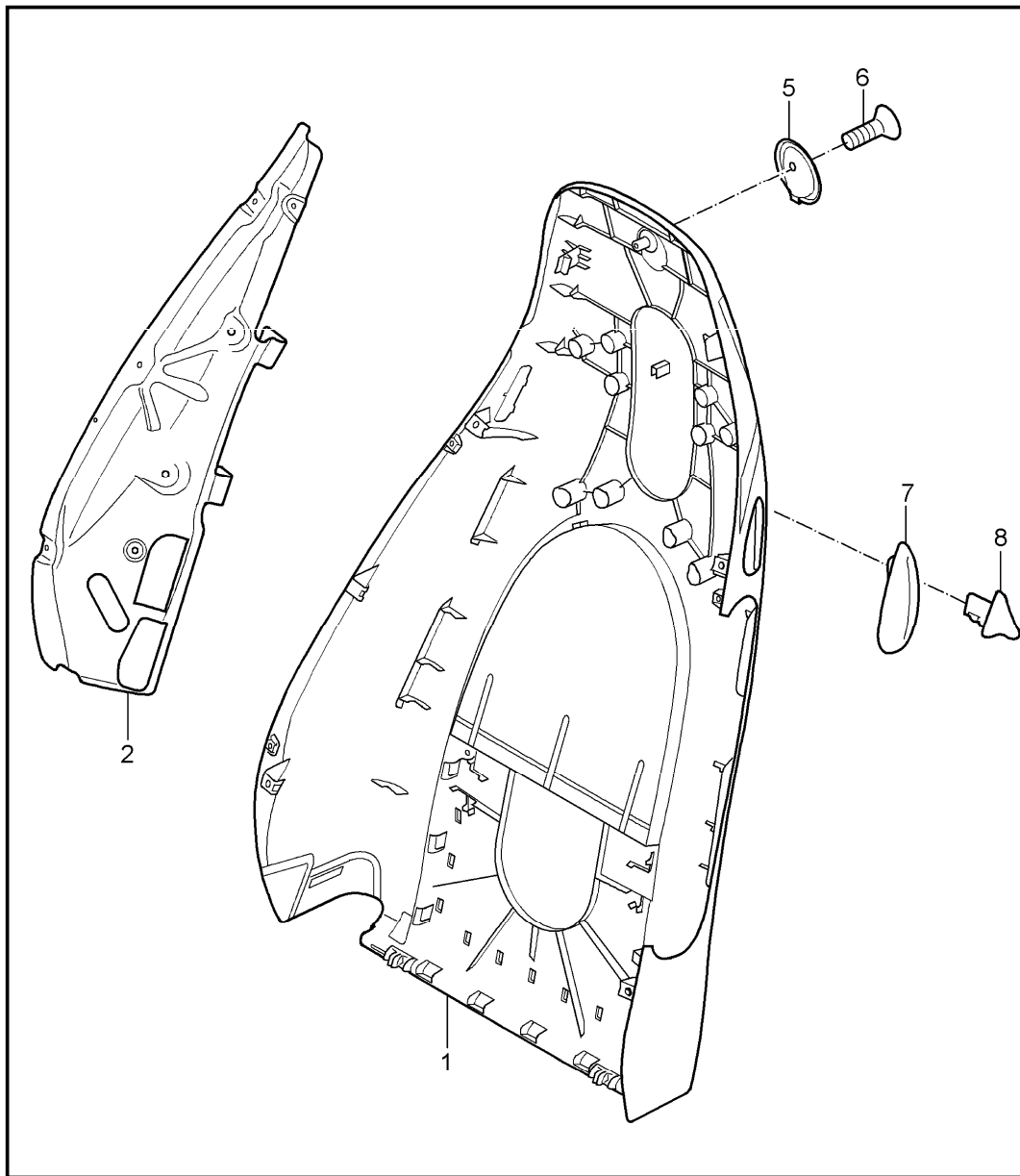
|       |      |    |    |              |              |     |       |            |         |     |         |
|-------|------|----|----|--------------|--------------|-----|-------|------------|---------|-----|---------|
| Model | Year | MG | SG | Illustration | Restrictions | UPD | 12:24 | 24.01.2010 | PORSCHE | PET | PORSCHE |
| 987C  | 2008 | 8  | 17 | 817-02       |              | 248 |       |            |         |     |         |

| Pos | Part Number    | Description                  | Remark | Qty | Model          | Pos | Part Number    | Description                  | Remark | Qty | Model                              |
|-----|----------------|------------------------------|--------|-----|----------------|-----|----------------|------------------------------|--------|-----|------------------------------------|
| 7   | 987 521 141 00 | backrest cover<br>outer part | /L     | 1   | I369/950       |     | FLH            | sand beige                   |        |     |                                    |
|     | FLA            | black                        |        |     |                |     | FLL            | sea blue                     |        |     |                                    |
|     | FLD            | stone grey                   |        |     |                |     | FLO            | palmgreen                    |        |     |                                    |
|     | FLG            | sand beige                   |        |     |                | (7) | 987 521 142 03 | backrest cover<br>outer part | /R     | 07- | 1 I370/438/946                     |
|     | FLK            | sea blue                     |        |     |                |     | FLB            | black                        |        |     |                                    |
|     | FLN            | palmgreen                    |        |     |                |     | FLE            | stone grey                   |        |     |                                    |
| (7) | 987 521 142 00 | backrest cover<br>outer part | /R     | 1   | I370/950       |     | FLH            | sand beige                   |        |     |                                    |
|     | FLA            | black                        |        |     |                |     | FLL            | sea blue                     |        |     |                                    |
|     | FLD            | stone grey                   |        |     |                |     | FLO            | palmgreen                    |        |     |                                    |
|     | FLG            | sand beige                   |        |     |                | (7) | 987 521 141 02 | backrest cover<br>outer part | /L     |     | 1 I369/437<br>I982/983<br>I982/983 |
|     | FLK            | sea blue                     |        |     |                |     | FLC            | black                        |        |     |                                    |
|     | FLN            | palmgreen                    |        |     |                |     | FLF            | stone grey                   |        |     |                                    |
| (7) | 987 521 141 01 | backrest cover<br>outer part | /L     | -06 | 1 I369/437/946 |     | FLJ            | sand beige                   |        |     |                                    |
|     | FLB            | black                        |        |     |                |     | FLM            | sea blue                     |        |     |                                    |
|     | FLE            | stone grey                   |        |     |                |     | FLP            | palmgreen                    |        |     |                                    |
|     | FLH            | sand beige                   |        |     |                |     | FLQ            | terracotta                   |        |     |                                    |
|     | FLL            | sea blue                     |        |     |                |     | FLR            | cocoa                        |        |     |                                    |
|     | FLO            | palmgreen                    |        |     |                |     | VAA            | dark grey/natural            |        |     |                                    |
| (7) | 987 521 142 01 | backrest cover<br>outer part | /R     | -06 | 1 I370/438/946 |     | VAB            | brown/natural                |        |     |                                    |
|     | FLB            | black                        |        |     |                | (7) | 987 521 142 02 | backrest cover<br>outer part | /R     |     | 1 I370/438<br>I982/983             |
|     | FLE            | stone grey                   |        |     |                |     | FLC            | black                        |        |     |                                    |
|     | FLH            | sand beige                   |        |     |                |     | FLF            | stone grey                   |        |     |                                    |
|     | FLL            | sea blue                     |        |     |                |     | FLJ            | sand beige                   |        |     |                                    |
|     | FLO            | palmgreen                    |        |     |                |     | FLM            | sea blue                     |        |     |                                    |
| (7) | 987 521 141 03 | backrest cover               | /L     | 07- | 1 I369/437/946 |     | FLP            | palmgreen                    |        |     |                                    |
|     | FLB            | black                        |        |     |                |     | FLQ            | terracotta                   |        |     |                                    |
|     | FLE            | stone grey                   |        |     |                |     | FLR            | cocoa                        |        |     |                                    |

|       |      |    |    |              |              |     |       |            |         |     |         |
|-------|------|----|----|--------------|--------------|-----|-------|------------|---------|-----|---------|
| Model | Year | MG | SG | Illustration | Restrictions | UPD | 12:24 | 24.01.2010 | PORSCHE | PET | PORSCHE |
| 987C  | 2008 | 8  | 17 | 817-02       |              | 248 |       |            |         |     |         |

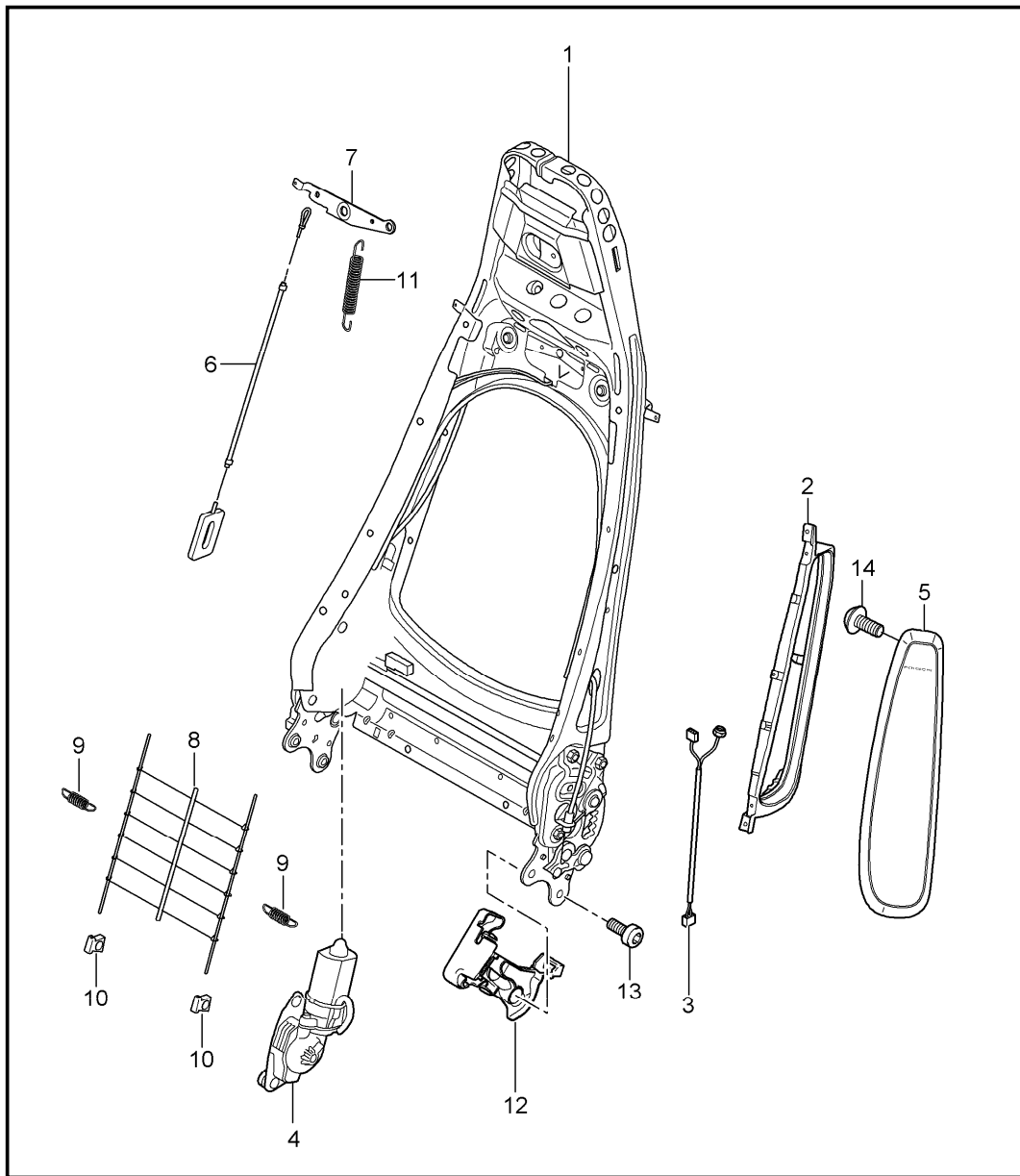
| Pos | Part Number    | Description                  | Remark | Qty | Model    | Pos | Part Number    | Description                  | Remark | Qty | Model |
|-----|----------------|------------------------------|--------|-----|----------|-----|----------------|------------------------------|--------|-----|-------|
|     | VAA            | dark grey/natural            |        |     |          |     | 5X5            | stone grey                   |        |     |       |
|     | VAB            | brown/natural                |        |     |          |     | 8G1            | sand beige                   |        |     |       |
| (7) | 987 521 941 00 | backrest cover<br>outer part | -07    | 1   | IXSC/946 |     | 3S8            | sea blue                     |        |     |       |
|     | A08            | black                        |        |     |          |     | 4P1            | palmgreen                    |        |     |       |
|     | 5D6            | stone grey                   |        |     |          |     | 9N2            | terracotta                   |        |     |       |
|     | 3W7            | sea blue                     |        |     |          |     | 9Q3            | cocoa                        |        |     |       |
|     | 4Q2            | palmgreen                    |        |     |          |     | D11            | dark grey/natural            |        |     |       |
|     | T25            | sand beige                   |        |     |          |     | T11            | brown/natural                |        |     |       |
| (7) | 987 521 941 03 | backrest cover<br>outer part | 08-    | 1   | IXSC/946 | (7) | 987 521 942 01 | backrest cover<br>outer part |        | 1   |       |
|     | 3W7            | sea blue                     |        |     |          |     | 8YR            | black                        |        |     |       |
|     | T25            | sand beige                   |        |     |          |     | 5X5            | stone grey                   |        |     |       |
|     | A08            | black                        |        |     |          |     | 8G1            | sand beige                   |        |     |       |
|     | 5D6            | stone grey                   |        |     |          |     | 3S8            | sea blue                     |        |     |       |
| (7) | 987 521 942 00 | backrest cover<br>outer part | -07    | 1   | IXSC/946 |     | 4P1            | palmgreen                    |        |     |       |
|     | A08            | black                        |        |     |          |     | 9N2            | terracotta                   |        |     |       |
|     | 5D6            | stone grey                   |        |     |          |     | 9Q3            | cocoa                        |        |     |       |
|     | 3W7            | sea blue                     |        |     |          |     | D11            | dark grey/natural            |        |     |       |
|     | 4Q2            | palmgreen                    |        |     |          |     | T11            | brown/natural                |        |     |       |
|     | T25            | sand beige                   |        |     |          | 8   | 997 521 837 00 | clip<br>padding<br>seat      |        | 6   |       |
| (7) | 987 521 942 03 | backrest cover<br>outer part | 08-    | 1   | IXSC/946 | 9   | 997 521 897 00 | clip<br>backrest cover       |        | 5   |       |
|     | 3W7            | sea blue                     |        |     |          |     |                |                              |        |     |       |
|     | T25            | sand beige                   |        |     |          |     |                |                              |        |     |       |
|     | A08            | black                        |        |     |          |     |                |                              |        |     |       |
|     | 5D6            | stone grey                   |        |     |          |     |                |                              |        |     |       |
| (7) | 987 521 941 01 | backrest cover<br>outer part |        | 1   |          |     |                |                              |        |     |       |
|     | 8YR            | black                        |        |     |          |     |                |                              |        |     |       |

|       |      |    |    |              |              |     |       |            |         |     |         |
|-------|------|----|----|--------------|--------------|-----|-------|------------|---------|-----|---------|
| Model | Year | MG | SG | Illustration | Restrictions | UPD | 12:24 | 24.01.2010 | PORSCHE | PET | PORSCHE |
| 987C  | 2008 | 8  | 17 | 817-04       |              | 248 |       |            |         |     |         |



| Pos | Part Number    | Description                                       | Remark | Qty | Model                |
|-----|----------------|---|--------|-----|----------------------|
|     |                | backrest shell<br>standard seat<br>comfort seat   |        |     | CAYMAN S             |
| 1   | 987 521 303 02 | backrest shell                                    | /L     | 1   | I369/437             |
|     | 01C            | satin black                                       |        |     |                      |
| (1) | 987 521 304 02 | backrest shell                                    | /R     | 1   | I370/438             |
|     | 01C            | satin black                                       |        |     |                      |
| (1) | 987 521 303 04 | backrest shell                                    | /L     | 1   | I369/437             |
|     | 01C            | satin black                                       |        |     |                      |
| (1) | 987 521 304 04 | backrest shell                                    | /R     | 1   | I370/438             |
|     | 01C            | satin black                                       |        |     |                      |
| (2) | 997 521 319 00 | bracket   | /L     | 1   |                      |
| 2   | 997 521 320 00 | bracket<br>backrest side bolster                  | /R     | 1   |                      |
| 5   | 997 521 373 01 | coat hook   |        | 2   |                      |
|     | D07            | volcano grey                                      |        |     |                      |
| 6   | 999 919 199 09 | countersunk-head screw<br>coat hook<br>5,0 X 25-M |        | 1   |                      |
| 7   | 997 521 621 02 | rosette<br>backrest locking lever                 | /L     | 1   | I369/370<br>I437/438 |
|     | D07            | volcano grey                                      |        |     |                      |
| (7) | 997 521 622 02 | rosette<br>backrest locking lever                 | /R     | 1   | I369/370<br>I437/438 |
|     | D07            | volcano grey                                      |        |     |                      |
| 8   | 987 521 623 01 | control button<br>backrest locking lever          | /L     | 1   |                      |
|     | V05            | galvano silver                                    |        |     |                      |
| (8) | 987 521 624 01 | control button<br>backrest locking lever          | /R     | 1   |                      |
|     | V05            | galvano silver                                    |        |     |                      |

|       |      |    |    |              |              |     |       |            |         |     |         |
|-------|------|----|----|--------------|--------------|-----|-------|------------|---------|-----|---------|
| Model | Year | MG | SG | Illustration | Restrictions | UPD | 12:24 | 24.01.2010 | PORSCHE | PET | PORSCHE |
| 987C  | 2008 | 8  | 17 | 817-06       |              | 248 |       |            |         |     |         |

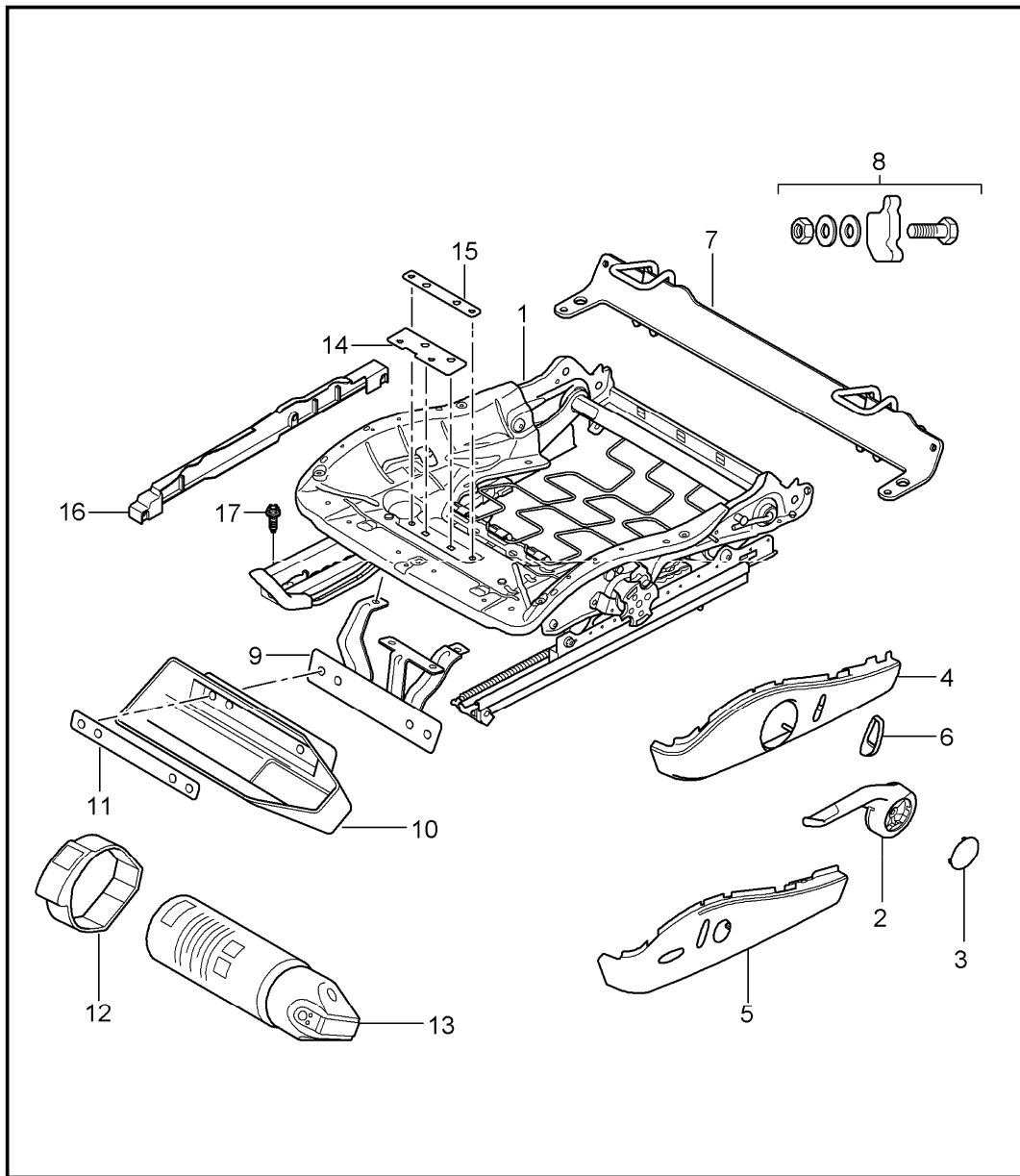


| Pos | Part Number    | Description   | Remark   | Qty | Model                |
|-----|----------------|---|----------|-----|----------------------|
|     |                | backrest frame<br>standard seat<br>comfort seat       |          |     | CAYMAN S             |
| 1   | 997 521 329 00 | backrest frame<br>without<br>memory                   | /L/R -07 | 2   | I369/370<br>I437/438 |
| (1) | 997 521 329 02 | backrest frame<br>without<br>memory                   | /L/R 08- | 2   | I369/370<br>I437/438 |
| (1) | 997 521 329 01 | backrest frame  | /L/R -07 | 2   | I537/538             |
| (1) | 997 521 329 03 | backrest frame<br>with<br>memory                      | /L/R 08- | 2   | I537/538             |
| 2   | 997 521 533 00 | cushion carrier                                       | /L       | 1   | I369/437             |
| (2) | 997 521 534 00 | cushion carrier<br>side airbag                        | /R       | 1   | I370/438             |
| 3   | 997 612 785 01 | wiring harness  | /L       | 1   | I537                 |
| (3) | 997 612 786 01 | wiring harness<br>side airbag                         | /R       | 1   | I538                 |
| 4   | 997 624 331 00 | electric motor<br>backrest frame<br>memory            | /L/R     | 1   | I537/538             |
| (4) | 997 624 321 00 | electric motor<br>backrest frame<br>without<br>memory | /L/R     | 1   | I369/370<br>I437/438 |
| 5   | 997 803 081 01 | side airbag   | /L       | 1   | I369/437             |
|     | A03            | black   |          |     |                      |
|     | 5V7            | stone grey  |          |     |                      |
|     | 5Z1            | sand beige  |          |     |                      |
|     | 8W7            | sea blue  |          |     |                      |
|     | 5Y2            | palmgreen   |          |     |                      |
|     | 8X8            | terracotta  |          |     |                      |
|     | 8P9            | cocoa   |          |     |                      |
|     | T13            | brown/natural   |          |     |                      |
|     | N23            | carrera red   |          |     |                      |
|     |                |   | 08-      |     |                      |

|       |      |    |    |              |              |     |       |            |         |     |         |
|-------|------|----|----|--------------|--------------|-----|-------|------------|---------|-----|---------|
| Model | Year | MG | SG | Illustration | Restrictions | UPD | 12:24 | 24.01.2010 | PORSCHE | PET | PORSCHE |
| 987C  | 2008 | 8  | 17 | 817-06       |              | 248 |       |            |         |     |         |

| Pos  | Part Number    | Description   | Remark | Qty | Model    | Pos | Part Number    | Description                   | Remark | Qty | Model |
|------|----------------|---|--------|-----|----------|-----|----------------|-------------------------------|--------|-----|-------|
| (5)  | 997 803 082 01 | side airbag   | /R     | 1   | I370/438 | 14  | 999 073 306 09 | screw<br>mount<br>side airbag |        | 2   |       |
|      | A03            | black   |        |     |          |     |                |                               |        |     |       |
|      | 5V7            | stone grey  |        |     |          |     |                |                               |        |     |       |
|      | 5Z1            | sand beige  |        |     |          |     |                |                               |        |     |       |
|      | 8W7            | sea blue  |        |     |          |     |                |                               |        |     |       |
|      | 5Y2            | palmgreen   |        |     |          |     |                |                               |        |     |       |
|      | 8X8            | terracotta  |        |     |          |     |                |                               |        |     |       |
|      | 8P9            | cocoa   |        |     |          |     |                |                               |        |     |       |
|      | T13            | brown/natural   |        |     |          |     |                |                               |        |     |       |
|      | N23            | carrera red   | 08-    |     |          |     |                |                               |        |     |       |
| 6    | 997 521 485 00 | bowden cable<br>backrest frame                            |        | 2   |          |     |                |                               |        |     |       |
| 7    | 997 521 375 00 | release<br>backrest frame                                 |        | 1   |          |     |                |                               |        |     |       |
| 8    | 997 521 855 00 | grille<br>backrest frame                                  |        | 1   |          |     |                |                               |        |     |       |
| 9    | 997 521 893 00 | tension spring<br>grille                                  |        | 2   |          |     |                |                               |        |     |       |
| 10   | 997 521 895 00 | clip<br>grille  |        | 2   |          |     |                |                               |        |     |       |
| 11   | 997 521 797 00 | tension spring<br>release<br>backrest                     |        | 1   |          |     |                |                               |        |     |       |
| 12   | 997 521 335 01 | cover   | /L     | 1   |          |     |                |                               |        |     |       |
|      | D07            | volcano grey  |        |     |          |     |                |                               |        |     |       |
| (12) | 997 521 336 01 | cover<br>mounting component<br>inner                      | /R     | 1   |          |     |                |                               |        |     |       |
|      | D07            | volcano grey  |        |     |          |     |                |                               |        |     |       |
| 13   | 999 073 375 09 | screw<br>M10 x 13,0<br>mount<br>backrest<br>seat adjuster |        | 4   |          |     |                |                               |        |     |       |

|       |      |    |    |              |              |     |       |            |         |     |         |
|-------|------|----|----|--------------|--------------|-----|-------|------------|---------|-----|---------|
| Model | Year | MG | SG | Illustration | Restrictions | UPD | 12:24 | 24.01.2010 | PORSCHE | PET | PORSCHE |
| 987C  | 2008 | 8  | 17 | 817-08       |              | 248 |       |            |         |     |         |



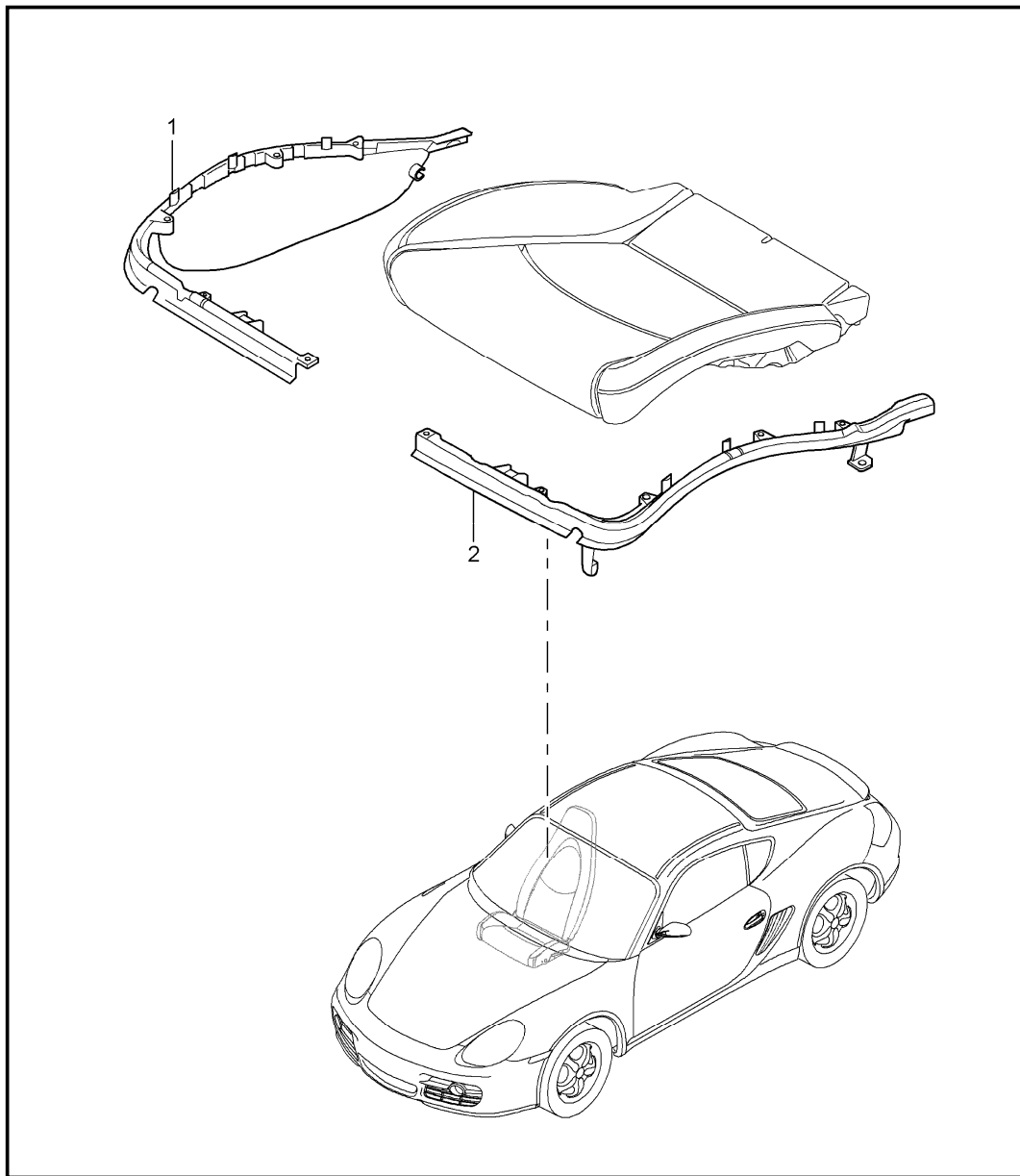
| Pos | Part Number    | Description   | Remark | Qty | Model          |
|-----|----------------|---|--------|-----|----------------|
|     |                | seat adjuster<br>standard seat<br>comfort seat                                      |        |     | CAYMAN S       |
| 1   | 997 521 201 00 | seat adjuster   | /LL/L  | -06 | 1 I098/369/375 |
| (1) | 997 521 201 10 | seat adjuster<br>height adjustment<br>manually<br>left-hand drive<br>driver's side  | /LL/L  | 07- | 1 I098/369/375 |
| (1) | 997 521 202 00 | seat adjuster   | /R     | -07 | 1 I099/370/376 |
| (1) | 997 521 202 19 | seat adjuster<br>height adjustment<br>manually<br>right-hand drive<br>driver's side | /R     | 08- | 1 I099/370/376 |
| (1) | 997 521 201 04 | seat adjuster   | /L     | -06 | 1 I377/437     |
| (1) | 997 521 201 12 | seat adjuster   | /L     | 07- | 1 I377/437     |
| (1) | 997 521 202 10 | seat adjuster   | /R     | -06 | 1 I378/438     |
| (1) | 997 521 202 21 | seat adjuster<br>electric<br>without<br>memory                                      | /R     | 07- | 1 I378/438     |
| (1) | 997 521 201 05 | seat adjuster   | /L     |     | 1 I377/437/537 |
| (1) | 997 521 201 13 | seat adjuster   | /L     | 07- | 1 I377/437/537 |
| (1) | 997 521 202 11 | seat adjuster   | /R     | -06 | 1 I378/438/538 |
| (1) | 997 521 202 22 | seat adjuster<br>electric<br>memory   | /R     | 07- | 1 I378/438/538 |
| (1) | 997 521 201 03 | seat adjuster   | /RL/L  | -06 | 1 I099/369/375 |
| (1) | 997 521 201 11 | seat adjuster<br>manually<br>right-hand drive<br>passenger's side                   | /RL/L  | 07- | 1 I099/369/375 |
| (1) | 997 521 202 06 | seat adjuster   | /R     | 06  | 1 I370/376/560 |
| (1) | 997 521 202 23 | seat adjuster<br>manually<br>seat occupancy detection                               | /R     | 07- | 1 I370/376/560 |
| (1) | 997 521 202 12 | seat adjuster   | /R     | 06  | 1 I378/438/560 |

|       |      |    |    |              |              |     |       |            |         |     |         |
|-------|------|----|----|--------------|--------------|-----|-------|------------|---------|-----|---------|
| Model | Year | MG | SG | Illustration | Restrictions | UPD | 12:24 | 24.01.2010 | PORSCHE | PET | PORSCHE |
| 987C  | 2008 | 8  | 17 | 817-08       |              | 248 |       |            |         |     |         |

| Pos | Part Number    | Description  | Remark    | Qty | Model                | Pos  | Part Number    | Description   | Remark | Qty | Model                        |
|-----|----------------|--|-----------|-----|----------------------|------|----------------|---|--------|-----|------------------------------|
| (1) | 997 521 202 24 | seat adjuster<br>electric<br>seat occupancy detection            | /R 07-    | 1   | I378/438/560         |      | D07            | volcano grey  |        |     |                              |
| (1) | 997 521 202 05 | seat adjuster  | /LL/R -06 | 1   | I098/370/376         | 6    | 997 521 631 01 | control button<br>backrest  |        | 1   | I369/370/375<br>I376/377/378 |
| (1) | 997 521 202 20 | seat adjuster<br>manually<br>left-hand drive<br>passenger's side | /LL/R 07- | 1   | I098/370/376         |      | V05            | galvano silver  |        |     |                              |
| 2   | 997 521 627 01 | actuating lever<br>height adjustment                             | /L        | 1   | I369/375             | 7    | 997 521 061 01 | retaining bow<br>child car seat<br>ISOFIX<br>not for<br>AUSTRALIEN  |        | 1   |                              |
|     | V05            | galvano silver   |           |     |                      | 8    | 997 521 961 01 | set of fastening parts<br>retaining bow                             |        | 1   |                              |
| (2) | 997 521 628 01 | actuating lever<br>height adjustment                             | /R        | 1   | I370/376             | 9    | 997 521 251 00 | support<br>fire extinguisher  |        | 1   | I098/509                     |
|     | V05            | galvano silver   |           |     |                      | (9)  | 997 521 252 00 | support<br>fire extinguisher  |        | 1   | I099/509                     |
| 3   | 997 521 629 01 | cap<br>actuating lever   | /L/R      | 2   | I369/370<br>I375/376 | 10   | 997 521 607 00 | cup<br>fire extinguisher  |        | 1   | I509                         |
|     | D07            | volcano grey   |           |     |                      | 11   | 997 521 881 00 | support<br>cup<br>fire extinguisher                                 |        | 1   | I509                         |
| 4   | 997 521 325 06 | trim for switch  | /L        | 1   | I369/375             | 12   | 997 521 851 00 | restraining strap<br>fire extinguisher                              |        | 1   | I509                         |
|     | D07            | volcano grey   |           |     |                      | 13   | 996 722 115 00 | fire extinguisher<br>Information available<br>Information available |        | 1   | I509                         |
| (4) | 997 521 326 06 | trim for switch<br>without<br>advanced airbag                    | /R        | 1   | I370/376             | 14   | 997 521 841 00 | reinforcement<br>front  |        | 1   | I509                         |
|     | D07            | volcano grey   |           |     |                      | 15   | 997 521 843 00 | reinforcement<br>rear   |        | 1   | I509                         |
| 5   | 997 521 325 07 | trim for switch  | /L        | 1   | I437                 | (16) | 997 521 427 01 | cover<br>sensor<br>weight   | /L     | 1   | I370/376/378<br>I438/560     |
|     | D07            | volcano grey   |           |     |                      |      | 01C            | satin black   |        |     |                              |
| 5   | 997 521 326 07 | trim for switch<br>without<br>advanced airbag                    | /R        | 1   | I438                 | 16   | 997 521 426 01 | cover<br>sensor<br>weight   | /R     | 1   | I370/376/378<br>I438/560     |
|     | D07            | volcano grey   |           |     |                      |      | 01C            | satin black   |        |     |                              |
| (5) | 997 521 326 09 | trim for switch<br>advanced airbag                               | /R        | 1   | I370/376/560         | 17   | 999 141 047 01 | torx screw<br>mount<br>seat rail                                    |        | 4   |                              |
|     | D07            | volcano grey   |           |     |                      |      |                |   |        |     |                              |
| (5) | 997 521 326 10 | trim for switch<br>advanced airbag                               | /R        | 1   | I438/560             |      |                |   |        |     |                              |

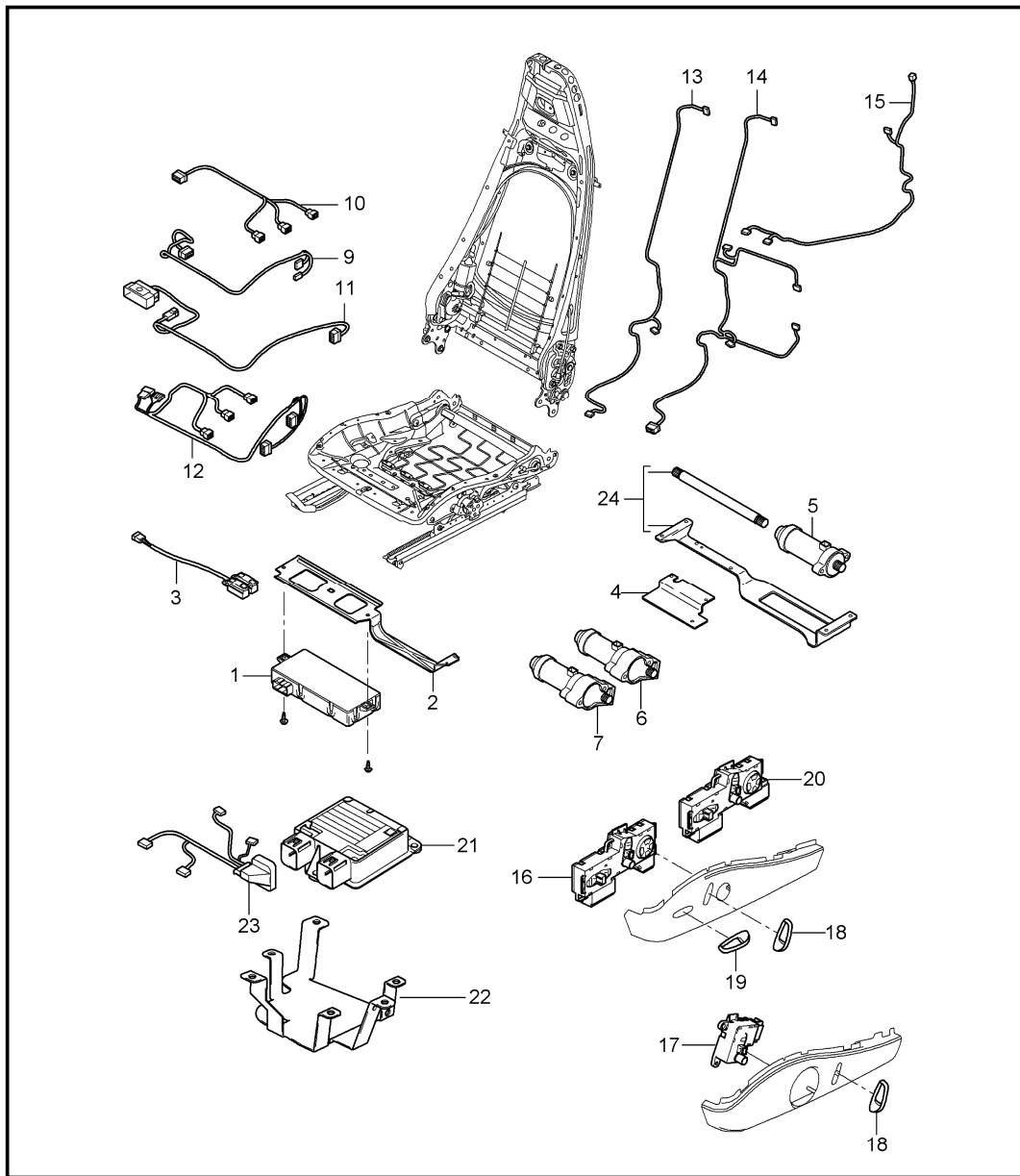


|       |      |    |    |              |              |     |       |            |         |     |         |
|-------|------|----|----|--------------|--------------|-----|-------|------------|---------|-----|---------|
| Model | Year | MG | SG | Illustration | Restrictions | UPD | 12:24 | 24.01.2010 | PORSCHE | PET | PORSCHE |
| 987C  | 2008 | 8  | 17 | 817-09       |              | 248 |       |            |         |     |         |



| Pos | Part Number    | Description   | Remark | Qty | Model                    |
|-----|----------------|---|--------|-----|--------------------------|
|     |                | cushion carrier<br>frame<br>seat surface<br>standard seat<br>comfort seat |        |     | CAYMAN S                 |
| (1) | 997 521 547 00 | frame<br>inner<br>left  | /L     | 1   | I370/376/378<br>I438     |
| 1   | 997 521 548 00 | frame<br>inner<br>right   | /R     | 1   | I369/375/377<br>I437     |
| 2   | 997 521 545 00 | frame<br>outer<br>left  | /L     | 1   | I369/375/377<br>I437     |
| (2) | 997 521 546 00 | frame<br>outer<br>right<br>without<br>advanced airbag                     | /R     | 1   | I370/376/378<br>I438     |
| -   | 997 521 546 01 | frame<br>outer<br>right<br>with<br>advanced airbag                        | /R     | 1   | I370/376/378<br>I438/560 |

|       |      |    |    |              |              |     |       |            |         |     |         |
|-------|------|----|----|--------------|--------------|-----|-------|------------|---------|-----|---------|
| Model | Year | MG | SG | Illustration | Restrictions | UPD | 12:25 | 24.01.2010 | PORSCHE | PET | PORSCHE |
| 987C  | 2008 | 8  | 17 | 817-10       |              | 248 |       |            |         |     |         |

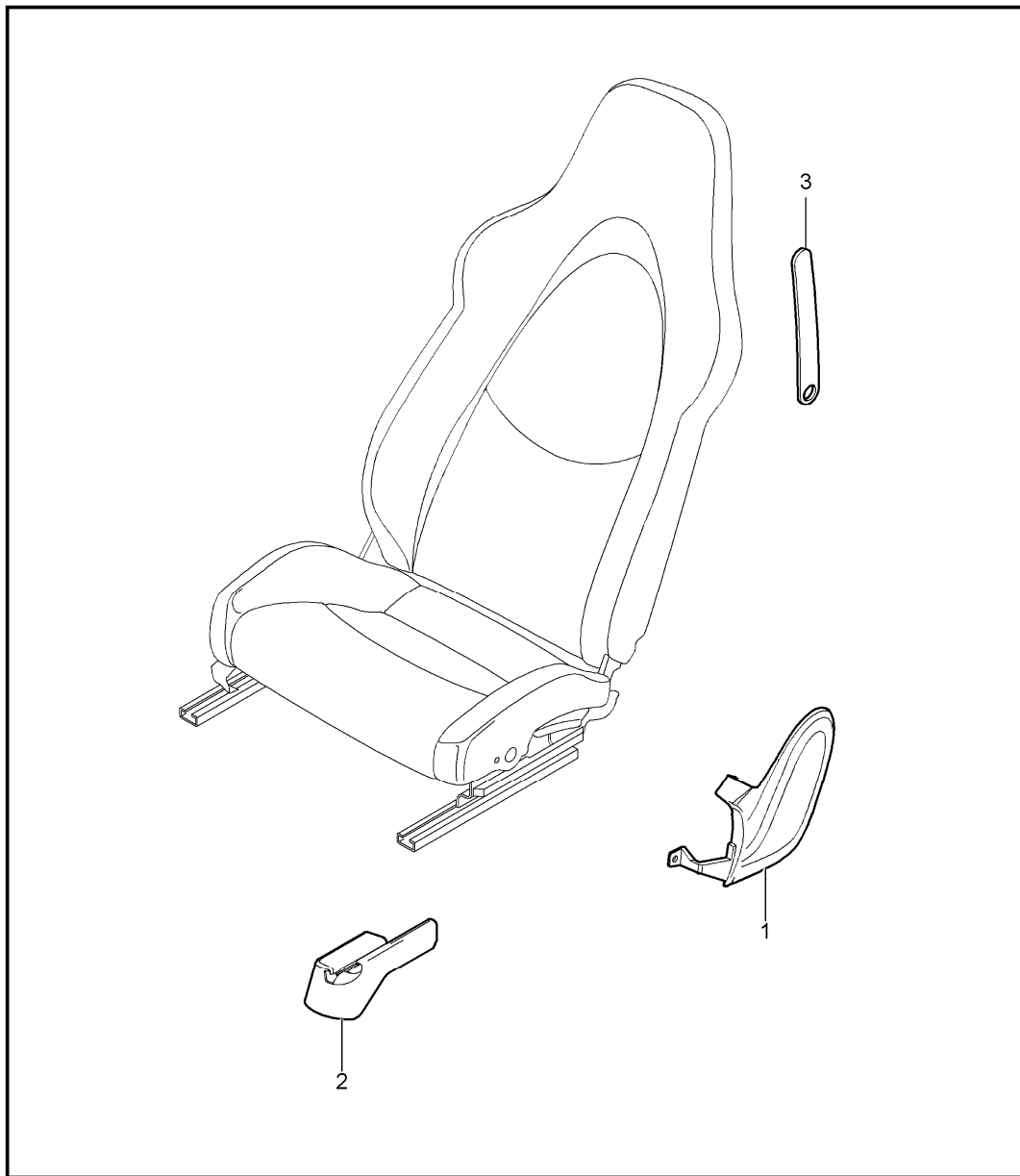


| Pos | Part Number    | Description   | Remark | Qty | Model    |
|-----|----------------|---|--------|-----|----------|
|     |                | wiring harnesses<br>control unit<br>switch<br>standard seat<br>comfort seat |        |     | CAYMAN S |
| 1   | 997 618 537 07 | control unit<br>seating position control                                    |        | 1   | I537/538 |
| 2   | 997 521 643 00 | support<br>control unit<br>seating position control                         |        | 1   | I537/538 |
| 3   | 997 613 725 00 | switch<br>seat adjuster   |        | 1   |          |
|     |                | V05 galvano silver  |        |     |          |
| (3) | 997 613 726 00 | switch<br>seat adjuster   |        | 1   |          |
|     |                | V05 galvano silver  |        |     |          |
| 4   | 997 521 343 00 | support<br>compressor   |        | 1   |          |
| 5   | 997 624 322 00 | electric motor<br>seat adjuster<br>lengthways<br>without<br>memory          |        | 1   | I437/438 |
| (5) | 997 624 332 00 | electric motor<br>seat adjuster<br>lengthways<br>with<br>memory             |        | 1   | I537/538 |
| 6   | 997 624 322 00 | electric motor<br>seat adjuster<br>height adjustment<br>without<br>memory   |        | 1   | I437/438 |
| (6) | 997 624 332 00 | electric motor<br>seat adjuster<br>height adjustment<br>with<br>memory      |        | 1   | I537/538 |
| 7   | 997 624 323 00 | electric motor<br>seat adjuster<br>tilt angle<br>without<br>memory          |        | 1   | I437/438 |

|       |      |    |    |              |              |     |       |            |         |     |         |
|-------|------|----|----|--------------|--------------|-----|-------|------------|---------|-----|---------|
| Model | Year | MG | SG | Illustration | Restrictions | UPD | 12:25 | 24.01.2010 | PORSCHE | PET | PORSCHE |
| 987C  | 2008 | 8  | 17 | 817-10       |              | 248 |       |            |         |     |         |

| Pos  | Part Number    | Description   | Remark | Qty | Model                | Pos  | Part Number    | Description   | Remark | Qty | Model                      |
|------|----------------|---|--------|-----|----------------------|------|----------------|---|--------|-----|----------------------------|
| (7)  | 997 624 333 00 | electric motor<br>seat adjuster<br>tilt angle<br>with<br>memory |        | 1   | I537/538             | (17) | 997 613 713 00 | switch<br>seat adjuster<br>manually adjustable                  | /L     | 1   | I369/375                   |
| 9    | 997 612 684 00 | wiring harness<br>seat adjuster<br>memory                       |        | 1   | I537/538             | 18   | 997 521 631 01 | control button  |        | 1   | I369/370/375               |
| 10   | 997 612 690 00 | wiring harness<br>lengthways<br>height adjustment<br>memory     |        | 1   | I537/538             |      | V05            | galvano silver  |        |     | I437/438                   |
| 11   | 997 612 682 01 | wiring harness<br>switch<br>seat adjuster                       |        | 1   | I369/370<br>I375/376 | 19   | 997 521 633 02 | control button  |        | 1   | I377/378/437               |
| 12   | 997 612 683 01 | wiring harness<br>switch<br>seat adjuster<br>without<br>memory  |        | 1   | I437/438             |      | V05            | galvano silver  |        |     |                            |
| 13   | 997 612 689 00 | wiring harness<br>lumbar support<br>without<br>memory           |        | 1   | I377/378<br>I437/438 | 20   | 997 613 717 01 | switch<br>seat adjuster<br>without<br>memory                    | /L     | 1   | I377/437                   |
| 14   | 997 612 687 00 | wiring harness<br>lumbar<br>backrest<br>memory                  |        | 1   | I537/538<br>I437/438 |      | V05            | galvano silver  |        |     |                            |
| 15   | 997 612 685 01 | wiring harness<br>backrest                                      |        | 1   | I369/375/377<br>I437 | (20) | 997 613 718 01 | switch<br>seat adjuster<br>without<br>memory                    | /R     | 1   | I378/438                   |
| (15) | 997 612 686 01 | wiring harness<br>backrest                                      |        | 1   | I370/376/378<br>I438 |      | V05            | galvano silver  |        |     |                            |
| 16   | 997 613 721 01 | switch<br>seat adjuster<br>memory switch                        | /L     | 1   | I377/437/537         | (21) | 997 618 233 05 | control unit<br>seat occupancy detection                        |        | 06- | 1 I370/376/378<br>I438/560 |
|      | V05            | galvano silver  |        |     |                      | (22) | 997 521 646 00 | support<br>control unit<br>seat occupancy detection             |        | 06- | 1 I370/376/378<br>I438/560 |
| (16) | 997 613 722 01 | switch<br>seat adjuster<br>memory switch                        | /R     | 1   | I378/438/538         | 23   | 997 612 688 00 | wiring harness<br>control unit<br>seat occupancy detection      |        | 06- | 1 I370/376/378<br>I438/560 |
|      | V05            | galvano silver  |        |     |                      | 24   | 000 043 207 06 | pliable shaft<br>adjusting motor<br>seat adjuster<br>lengthways |        |     | 1                          |
| 17   | 997 613 714 00 | switch  | /R     | 1   | I370/376             | (24) | 997 521 901 00 | repair kit<br>pliable shaft<br>engine bracket                   |        |     | 1                          |

|       |      |    |    |              |              |     |       |            |         |     |         |
|-------|------|----|----|--------------|--------------|-----|-------|------------|---------|-----|---------|
| Model | Year | MG | SG | Illustration | Restrictions | UPD | 12:25 | 24.01.2010 | PORSCHE | PET | PORSCHE |
| 987C  | 2008 | 8  | 17 | 817-15       |              | 248 |       |            |         |     |         |

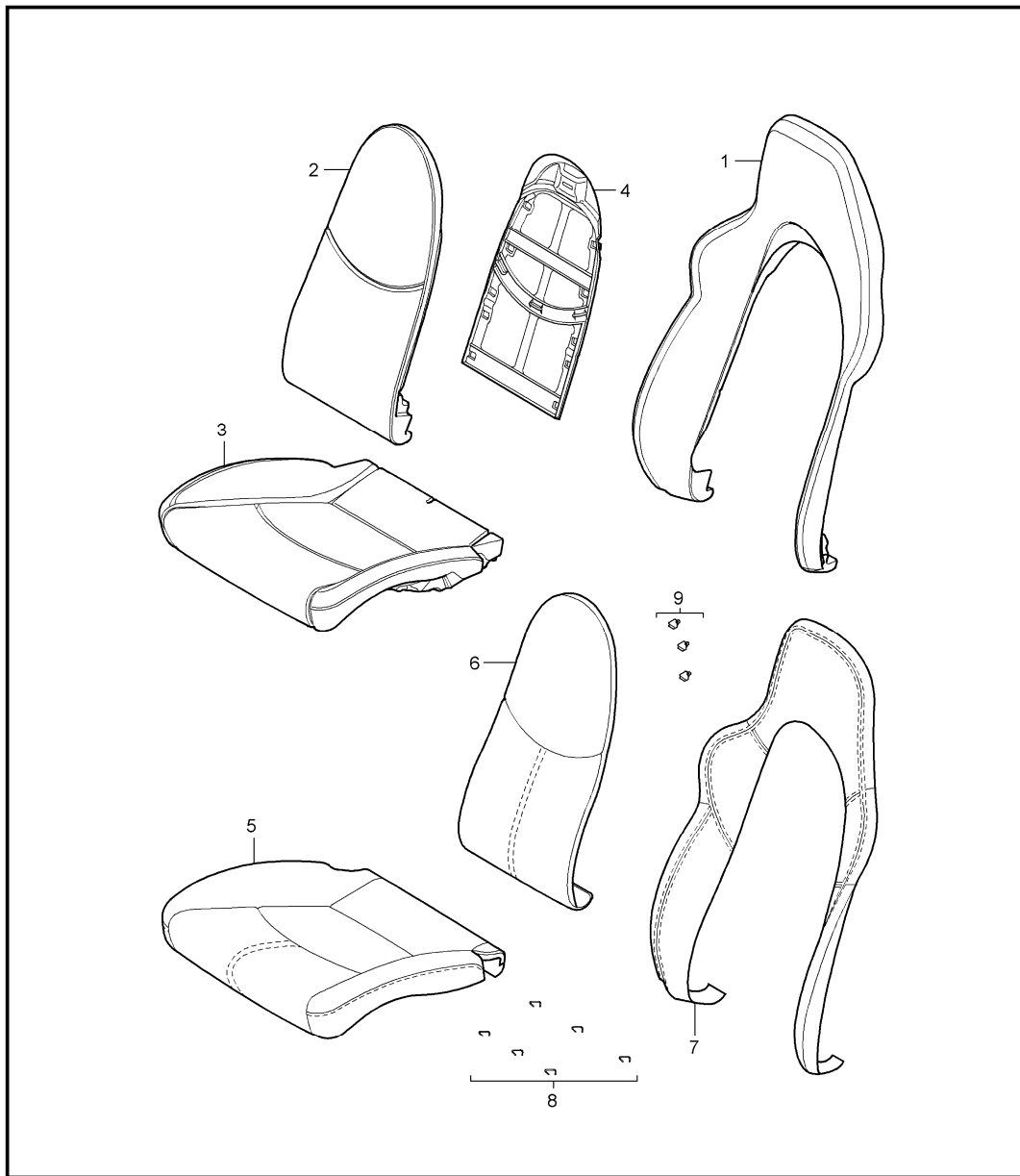


| Pos | Part Number    | Description  | Remark | Qty | Model        |
|-----|----------------|--|--------|-----|--------------|
|     |                | front seat<br>sports seat<br>complete<br>not available |        |     | CAYMAN S     |
| 1   | 997 521 315 02 | trim cover<br>mounting component                       | /L     | 1   | I375/377     |
|     | D07            | volcano grey   |        |     |              |
| (1) | 997 521 316 02 | trim cover<br>mounting component                       | /R     | 1   | I376/378     |
|     | D07            | volcano grey   |        |     |              |
| (1) | 997 521 316 03 | trim cover<br>mounting component<br>advanced airbag    | /R     | 1   | I376/378/560 |
|     | D07            | volcano grey   |        |     |              |
| 2   | 997 521 359 01 | rail<br>seat rail                                      | /L     | 1   | I375         |
|     | 01C            | satin black  |        |     |              |
| (2) | 997 521 360 01 | rail<br>seat rail                                      | /R     | 1   | I376         |
|     | 01C            | satin black  |        |     |              |
| (2) | 997 521 361 00 | rail   | /L     | 1   | I376/377/378 |
|     | 01C            | satin black  |        |     |              |
| (2) | 997 521 362 00 | rail   | /R     | 1   | I375/377/378 |
|     | 01C            | satin black  |        |     |              |
| 3   | 987 521 181 00 | set of fastening parts<br>guide<br>belt                | /L     | 1   | I375/377     |
|     | 8YR            | black  |        |     |              |
|     | 5X5            | stone grey   |        |     |              |
|     | 8G1            | sand beige   |        |     |              |
|     | 3S8            | sea blue   |        |     |              |
|     | 4P1            | palmgreen  |        |     |              |
|     | 9N2            | terracotta   |        |     |              |
|     | 9Q3            | cocoa  |        |     |              |

|       |      |    |    |              |              |     |       |            |         |     |         |
|-------|------|----|----|--------------|--------------|-----|-------|------------|---------|-----|---------|
| Model | Year | MG | SG | Illustration | Restrictions | UPD | 12:25 | 24.01.2010 | PORSCHE | PET | PORSCHE |
| 987C  | 2008 | 8  | 17 | 817-15       |              | 248 |       |            |         |     |         |

| Pos | Part Number    | Description   | Remark | Qty | Model    | Pos | Part Number | Description | Remark | Qty | Model |
|-----|----------------|---|--------|-----|----------|-----|-------------|-------------|--------|-----|-------|
|     |                | D11 dark grey/natural                               |        |     |          |     |             |             |        |     |       |
|     |                | T11 brown/natural                                   |        |     |          |     |             |             |        |     |       |
| (3) | 987 521 182 00 | set of fastening parts<br>guide<br>belt<br>complete | /R     | 1   | I376/378 |     |             |             |        |     |       |
|     |                | 8YR black   |        |     |          |     |             |             |        |     |       |
|     |                | 5X5 stone grey                                      |        |     |          |     |             |             |        |     |       |
|     |                | 8G1 sand beige                                      |        |     |          |     |             |             |        |     |       |
|     |                | 3S8 sea blue  |        |     |          |     |             |             |        |     |       |
|     |                | 4P1 palmgreen                                       |        |     |          |     |             |             |        |     |       |
|     |                | 9N2 terracotta                                      |        |     |          |     |             |             |        |     |       |
|     |                | 9Q3 cocoa   |        |     |          |     |             |             |        |     |       |
|     |                | D11 dark grey/natural                               |        |     |          |     |             |             |        |     |       |
|     |                | T11 brown/natural                                   |        |     |          |     |             |             |        |     |       |

|       |      |    |    |              |              |     |       |            |         |     |         |
|-------|------|----|----|--------------|--------------|-----|-------|------------|---------|-----|---------|
| Model | Year | MG | SG | Illustration | Restrictions | UPD | 12:25 | 24.01.2010 | PORSCHE | PET | PORSCHE |
| 987C  | 2008 | 8  | 17 | 817-17       |              | 248 |       |            |         |     |         |

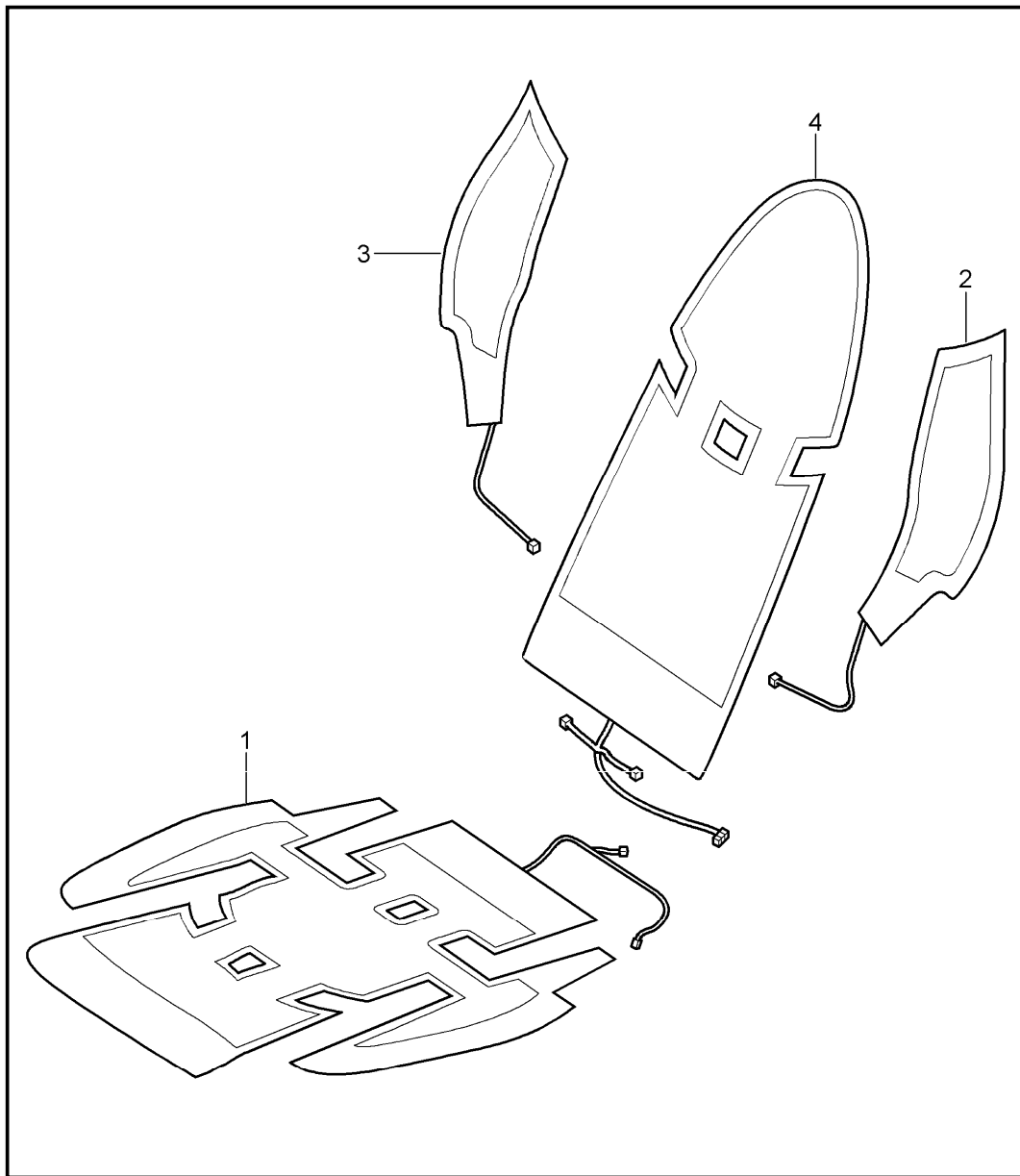


| Pos | Part Number    | Description                                  | Remark | Qty | Model                |
|-----|----------------|--|--------|-----|----------------------|
|     |                | foam part<br>cover<br>sports seat            |        |     | CAYMAN S             |
| 1   | 997 521 535 01 | foam part<br>backrest<br>outer               | /L/R   | 2   | I375/376             |
| 2   | 997 521 581 00 | foam part<br>backrest<br>centre              | /L/R   | 2   | I375/376<br>I377/378 |
| 3   | 997 521 571 01 | foam part<br>seat cushion                    | /L/R   | 2   | I375/376             |
| (3) | 997 521 571 02 | foam part<br>seat cushion                    | /L/R   | 2   | I377/378             |
| (3) | 997 521 571 04 | foam part<br>seat cushion<br>advanced airbag | /R     | 2   | I376/560             |
| (3) | 997 521 571 05 | foam part<br>seat cushion<br>advanced airbag | /R     | 2   | I378/560             |
| 4   | 997 521 551 01 | cushion carrier<br>backrest                  | /L/R   | 2   | I375/376<br>I377/378 |
| 5   | 997 521 161 03 | cover for cushion                            | /L/R   | 2   | I375/376/983         |
|     | FLC            | black  |        |     |                      |
|     | FLF            | stone grey                                   |        |     |                      |
|     | FLJ            | sand beige                                   |        |     |                      |
|     | FLM            | sea blue                                     |        |     |                      |
|     | FLP            | palmgreen                                    |        |     |                      |
|     | FLQ            | terracotta                                   |        |     |                      |
|     | FLR            | cocoa  |        |     |                      |
|     | BCA            | black/stone grey                             |        |     |                      |
|     | VAA            | dark grey/natural                            |        |     |                      |
|     | VAB            | brown/natural                                |        |     |                      |
|     | VAC            | carrera red                                  |        |     |                      |
| (5) | 997 521 161 06 | cover for cushion                            | /L/R   | 2   | I377/378/983         |
|     | FLC            | black  |        |     |                      |

|       |      |    |    |              |              |     |       |            |         |     |         |
|-------|------|----|----|--------------|--------------|-----|-------|------------|---------|-----|---------|
| Model | Year | MG | SG | Illustration | Restrictions | UPD | 12:25 | 24.01.2010 | PORSCHE | PET | PORSCHE |
| 987C  | 2008 | 8  | 17 | 817-17       |              | 248 |       |            |         |     |         |

| Pos | Part Number    | Description  | Remark | Qty | Model                    | Pos | Part Number    | Description                  | Remark | Qty | Model    |
|-----|----------------|--|--------|-----|--------------------------|-----|----------------|------------------------------|--------|-----|----------|
|     | FLF            | stone grey   |        |     |                          |     | FLM            | sea blue                     |        |     |          |
|     | FLJ            | sand beige   |        |     |                          |     | FLP            | palmgreen                    |        |     |          |
|     | FLM            | sea blue   |        |     |                          |     | FLQ            | terracotta                   |        |     |          |
|     | FLP            | palmgreen  |        |     |                          |     | FLR            | cocoa                        |        |     |          |
|     | FLQ            | terracotta   |        |     |                          |     | VAA            | dark grey/natural            |        |     |          |
|     | FLR            | cocoa  |        |     |                          |     | VAB            | brown/natural                |        |     |          |
|     | BCA            | black/stone grey                                   |        |     |                          |     | VAC            | carrera red                  |        |     |          |
|     | VAA            | dark grey/natural                                  |        |     |                          | (7) | 997 521 941 02 | backrest cover<br>outer part |        | 1   | IXSC/983 |
|     | VAB            | brown/natural                                      |        |     |                          |     | 8YR            | black                        |        |     |          |
|     | VAC            | carrera red  |        |     |                          |     | 5X5            | stone grey                   |        |     |          |
| 6   | 997 521 151 00 | backrest cushion cover<br>centre part              | /L/R   | 2   | I375/376<br>I377/378/983 |     | 8G1            | sand beige                   |        |     |          |
|     | 8YR            | black  |        |     |                          |     | 3S8            | sea blue                     |        |     |          |
|     | 5X5            | stone grey   |        |     |                          |     | 4P1            | palmgreen                    |        |     |          |
|     | 8G1            | sand beige   |        |     |                          |     | 9N2            | terracotta                   |        |     |          |
|     | 3S8            | sea blue   |        |     |                          |     | 9Q3            | cocoa                        |        |     |          |
|     | 4P1            | palmgreen  |        |     |                          |     | D11            | dark grey/natural            |        |     |          |
|     | 9N2            | terracotta   |        |     |                          |     | T11            | brown/natural                |        |     |          |
|     | 9Q3            | cocoa  |        |     |                          |     | N11            | carrera red                  |        |     |          |
|     | D11            | dark grey/natural                                  |        |     |                          | 8   | 997 521 837 00 | clip<br>padding<br>seat      |        | 6   |          |
|     | T11            | brown/natural                                      |        |     |                          |     |                |                              |        |     |          |
|     | N11            | carrera red  |        |     |                          | 9   | 997 521 897 00 | clip<br>backrest cover       |        | 5   |          |
| (6) | 987 521 151 00 | backrest cushion cover<br>centre part<br>alcantara |        | 2   | I950                     |     |                |                              |        |     |          |
|     | A15            | black  |        |     |                          |     |                |                              |        |     |          |
| 7   | 997 521 155 01 | backrest cover<br>outer part                       | /L/R   | 2   | I375/376<br>I377/378/983 |     |                |                              |        |     |          |
|     | FLC            | black  |        |     |                          |     |                |                              |        |     |          |
|     | FLF            | stone grey   |        |     |                          |     |                |                              |        |     |          |
|     | FLJ            | sand beige   |        |     |                          |     |                |                              |        |     |          |

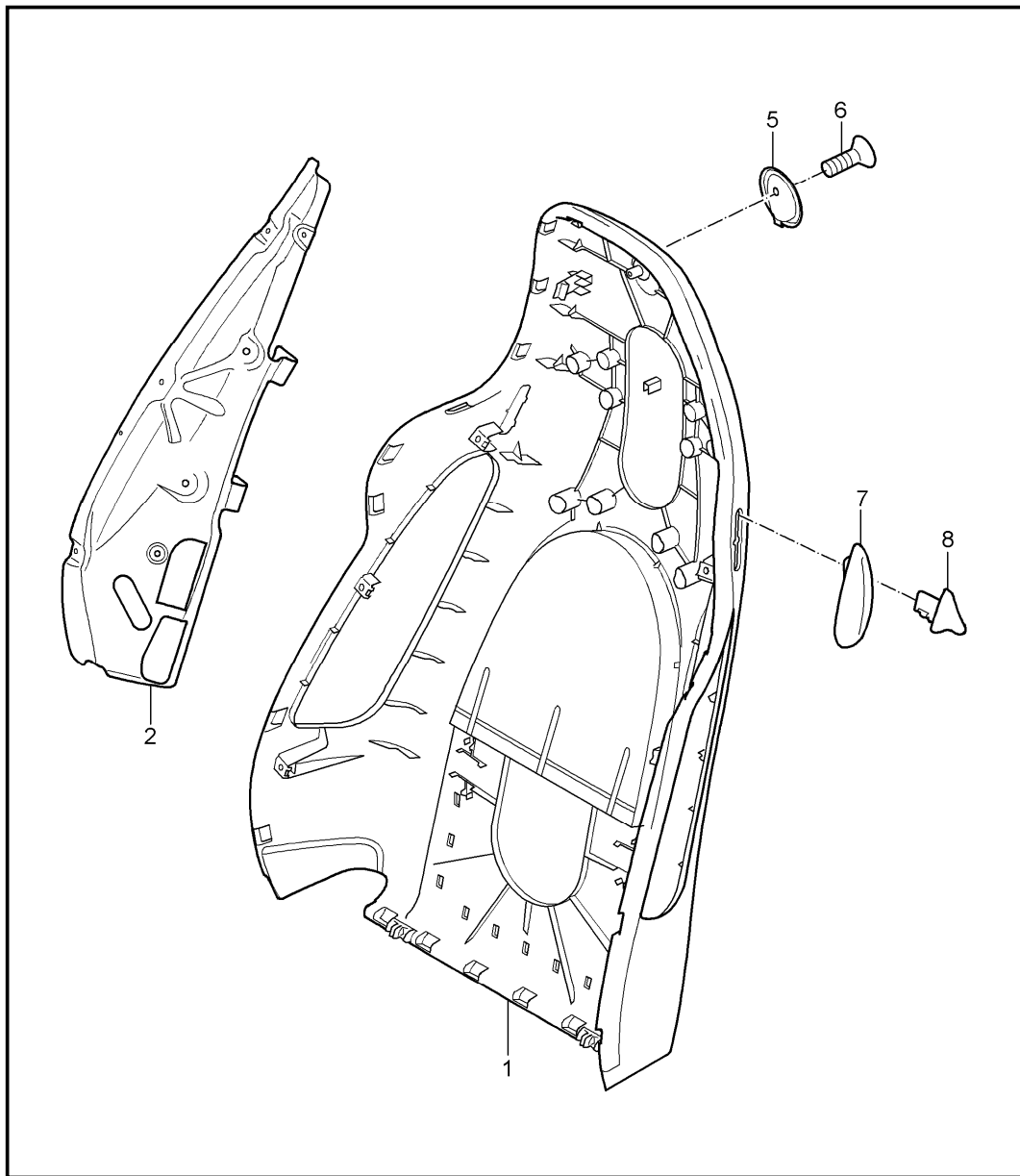
|       |      |    |    |              |              |     |       |            |         |     |         |
|-------|------|----|----|--------------|--------------|-----|-------|------------|---------|-----|---------|
| Model | Year | MG | SG | Illustration | Restrictions | UPD | 12:25 | 24.01.2010 | PORSCHE | PET | PORSCHE |
| 987C  | 2008 | 8  | 17 | 817-18       |              | 248 |       |            |         |     |         |



| Pos | Part Number    | Description   | Remark | Qty | Model                    |
|-----|----------------|---|--------|-----|--------------------------|
|     |                | seat heater   |        |     | CAYMAN S                 |
| 1   | 997 653 105 02 | heating element<br>seat cushion<br>standard seat<br>comfort seat          | /L/R   | 2   | I342/369<br>I370/437/438 |
| (1) | 997 653 105 03 | heating element<br>seat cushion<br>sports seat                            | /L/R   | 2   | I342/375<br>I376/377/378 |
| 2   | 997 653 109 00 | heating element<br>backrest side bolster<br>standard seat<br>comfort seat | /L     | 1   | I342/369<br>I370/437/438 |
| (2) | 997 653 109 01 | heating element<br>backrest side bolster<br>sports seat                   | /L     | 1   | I342/375<br>I376/377/378 |
| 3   | 997 653 110 00 | heating element<br>backrest side bolster<br>standard seat<br>comfort seat | /R     | 1   | I342/369<br>I370/437/438 |
| (3) | 997 653 110 01 | heating element<br>backrest side bolster<br>sports seat                   | /R     | 1   | I342/375<br>I376/377/378 |
| 4   | 997 653 107 00 | heating element<br>backrest cushion                                       | /L/R   | 2   | I342                     |



|       |      |    |    |              |              |     |       |            |         |     |         |
|-------|------|----|----|--------------|--------------|-----|-------|------------|---------|-----|---------|
| Model | Year | MG | SG | Illustration | Restrictions | UPD | 12:26 | 24.01.2010 | PORSCHE | PET | PORSCHE |
| 987C  | 2008 | 8  | 17 | 817-19       |              | 248 |       |            |         |     |         |



| Pos | Part Number    | Description  | Remark | Qty | Model        |
|-----|----------------|--|--------|-----|--------------|
|     |                | backrest shell<br>sports seat  |        |     | CAYMAN S     |
| 1   | 987 521 303 05 | backrest shell<br>D07 volcano grey   | /L     | 1   | I375/377     |
| (1) | 987 521 304 05 | backrest shell<br>D07 volcano grey   | /R     | 1   | I376/378     |
| (1) | 987 521 981 00 | backrest shell<br>041 black<br>84A guards red<br>12H speed yellow<br>B9A carrara white<br>92U arctic silver metallic<br>M3W carmon red metallic<br>M5W lapis blue metallic<br>M6W lagoon green metallic<br>C9Z basalt black metallic<br>M7X atlas grey metallic<br>39C midnight blue metallic<br>6B4 seal grey metallic<br>2B4 forest green metallic<br>3C8 cobalt blue metallic<br>23F slate grey metallic<br>M6X dark olive-metallic<br>M7Z gt silver metallic | /L     | 1   | IXSA/375/377 |
| (1) | 987 521 982 00 | backrest shell<br>041 black<br>84A guards red<br>12H speed yellow<br>B9A carrara white   | /R     | 1   | IXSA/376/378 |

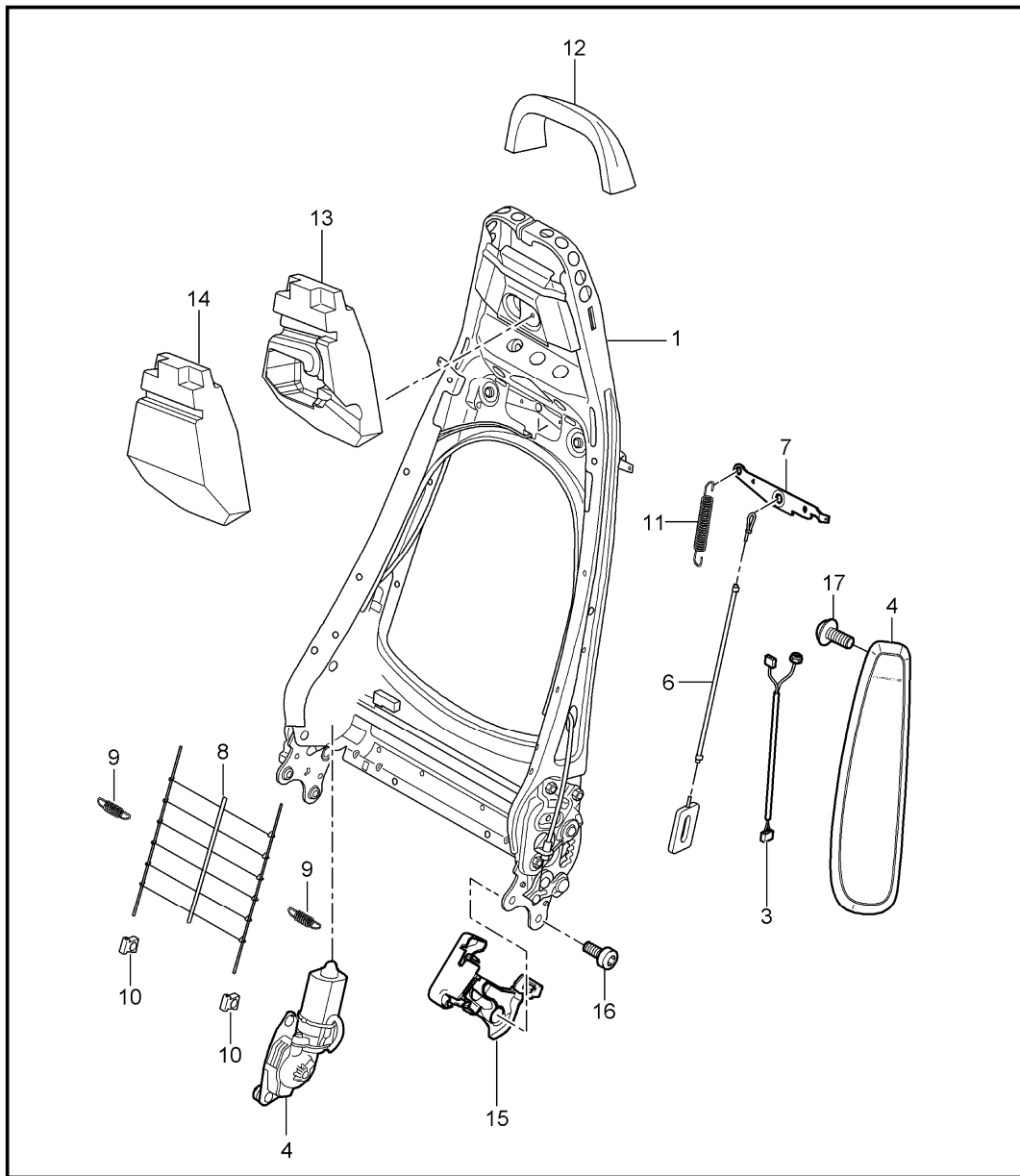
|       |      |    |    |              |              |     |       |            |         |     |         |
|-------|------|----|----|--------------|--------------|-----|-------|------------|---------|-----|---------|
| Model | Year | MG | SG | Illustration | Restrictions | UPD | 12:26 | 24.01.2010 | PORSCHE | PET | PORSCHE |
| 987C  | 2008 | 8  | 17 | 817-19       |              | 248 |       |            |         |     |         |

| Pos | Part Number    | Description                                       | Remark | Qty | Model        | Pos | Part Number    | Description                                       | Remark | Qty | Model                |
|-----|----------------|---|--------|-----|--------------|-----|----------------|---|--------|-----|----------------------|
|     | 92U            | arctic silver metallic                            |        |     |              | (1) | 987 521 982 02 | backrest shell<br>leather                         | /R     | 1   | IXSB/376/378         |
|     | M3W            | carmon red metallic                               |        |     |              |     | A11            | black   |        |     |                      |
|     | M5W            | lapis blue metallic                               |        |     |              |     | 5X6            | stone grey  |        |     |                      |
|     | M6W            | lagoon green metallic                             |        |     |              |     | 8G2            | sand beige  |        |     |                      |
|     | C9Z            | basalt black metallic                             |        |     |              |     | 3S9            | sea blue  |        |     |                      |
|     | M7X            | atlas grey metallic                               |        |     |              |     | 4P2            | palmgreen   |        |     |                      |
|     | 39C            | midnight blue metallic                            |        |     |              |     | 9S5            | terracotta  |        |     |                      |
|     | 6B4            | seal grey metallic                                |        |     |              |     | 9V6            | cocoa   |        |     |                      |
|     | 2B4            | forest green metallic                             |        |     |              |     | D12            | dark grey/natural                                 |        |     |                      |
|     | 3C8            | cobalt blue metallic                              |        |     |              |     | T12            | brown/natural                                     |        |     |                      |
|     | 23F            | slate grey metallic                               |        |     |              | (1) | 987 521 981 03 | backrest shell<br>sports seat                     | /L     | 1   | IXSB/375/377         |
|     | M6X            | dark olive-metallic                               |        |     |              | (1) | 987 521 982 03 | backrest shell<br>sports seat                     | /R     | 1   | IXSB/376/378         |
|     | M7Z            | gt silver metallic                                |        |     |              |     |                |   |        |     |                      |
| (1) | 987 521 981 01 | backrest shell                                    | /L     | 1   | IXCG/375/377 | 2   | 997 521 319 00 | bracket   | /L     | 1   | I375/377             |
|     | V04            | galvano silver                                    |        |     |              | 2   | 997 521 320 00 | bracket<br>backrest                               | /R     | 1   | I376/378             |
| (1) | 987 521 982 01 | backrest shell<br>lacquered<br>aluminium coloured | /R     | 1   | IXCG/376/378 | 5   | 997 521 373 01 | coat hook   |        | 2   |                      |
|     | V04            | galvano silver                                    |        |     |              |     | D07            | volcano grey                                      |        |     |                      |
| (1) | 987 521 981 02 | backrest shell                                    | /L     | 1   | IXSB/375/377 | 6   | 999 919 199 09 | countersunk-head screw<br>coat hook<br>5,0 X 25-M |        | 1   |                      |
|     | A11            | black   |        |     |              | 7   | 997 521 621 03 | rosette<br>backrest locking lever                 | /L     | 1   | I375/377             |
|     | 5X6            | stone grey  |        |     |              |     | D07            | volcano grey                                      |        |     |                      |
|     | 8G2            | sand beige  |        |     |              | (7) | 997 521 622 03 | rosette<br>backrest locking lever                 | /R     | 1   | I376/378             |
|     | 3S9            | sea blue  |        |     |              |     | D07            | volcano grey                                      |        |     |                      |
|     | 4P2            | palmgreen   |        |     |              | 8   | 987 521 623 01 | control button<br>backrest locking lever          | /L     | 1   | I375/376<br>I377/378 |
|     | 9S5            | terracotta  |        |     |              |     | V05            | galvano silver                                    |        |     |                      |
|     | 9V6            | cocoa   |        |     |              | (8) | 987 521 624 01 | control button<br>backrest locking lever          | /R     | 1   | I375/376<br>I377/378 |
|     | D12            | dark grey/natural                                 |        |     |              |     |                |   |        |     |                      |
|     | T12            | brown/natural                                     |        |     |              |     |                |   |        |     |                      |

|       |      |    |    |              |              |     |       |            |         |     |         |
|-------|------|----|----|--------------|--------------|-----|-------|------------|---------|-----|---------|
| Model | Year | MG | SG | Illustration | Restrictions | UPD | 12:26 | 24.01.2010 | PORSCHE | PET | PORSCHE |
| 987C  | 2008 | 8  | 17 | 817-19       |              | 248 |       |            |         |     |         |

| Pos | Part Number | Description    | Remark | Qty | Model | Pos | Part Number | Description | Remark | Qty | Model |
|-----|-------------|----------------|--------|-----|-------|-----|-------------|-------------|--------|-----|-------|
|     | V05         | galvano silver |        |     |       |     |             |             |        |     |       |

|       |      |    |    |              |              |     |       |            |         |     |         |
|-------|------|----|----|--------------|--------------|-----|-------|------------|---------|-----|---------|
| Model | Year | MG | SG | Illustration | Restrictions | UPD | 12:26 | 24.01.2010 | PORSCHE | PET | PORSCHE |
| 987C  | 2008 | 8  | 17 | 817-21       |              | 248 |       |            |         |     |         |



| Pos | Part Number    | Description                                  | Remark   | Qty | Model                |
|-----|----------------|--|----------|-----|----------------------|
|     |                | backrest frame sports seat                   |          |     | CAYMAN S             |
| 1   | 997 521 329 00 | backrest frame without memory                | /L/R -07 | 2   | I375/376<br>I377/378 |
| (1) | 997 521 329 02 | backrest frame without memory                | /L/R 08- | 2   | I375/376<br>I377/378 |
| (1) | 997 521 329 01 | backrest frame                               | /L/R -07 | 2   | I537/538             |
| (1) | 997 521 329 03 | backrest frame with memory                   | /L/R 08- | 2   | I537/538             |
| 3   | 997 612 785 01 | wiring harness                               | /L       | 1   | I537                 |
| (3) | 997 612 786 01 | wiring harness side airbag                   | /R       | 1   | I538                 |
| 4   | 997 624 331 00 | electric motor backrest frame memory         | /L/R     | 1   | I537/538             |
| (4) | 997 624 321 00 | electric motor backrest frame without memory | /L/R     | 1   | I375/376<br>I377/378 |
| 5   | 997 803 081 01 | side airbag                                  | /L       | 1   | I375/377             |
|     |                | D07 volcano grey                             |          |     |                      |
| (5) | 997 803 082 01 | side airbag                                  | /R       | 1   | I376/378             |
|     |                | D07 volcano grey                             |          |     |                      |
| (5) | 997 803 981 00 | side airbag                                  | /L 07-   | 1   | IXSG/375/377         |
|     |                | A03 black                                    |          |     |                      |
|     |                | 5V7 stone grey                               |          |     |                      |
|     |                | 5Z1 sand beige                               |          |     |                      |
|     |                | 5Y2 palmgreen                                | 07       |     |                      |
|     |                | 8W7 sea blue                                 |          |     |                      |
|     |                | 8X8 terracotta                               |          |     |                      |
|     |                | 8P9 cocoa                                    |          |     |                      |
|     |                | T13 brown/natural                            |          |     |                      |

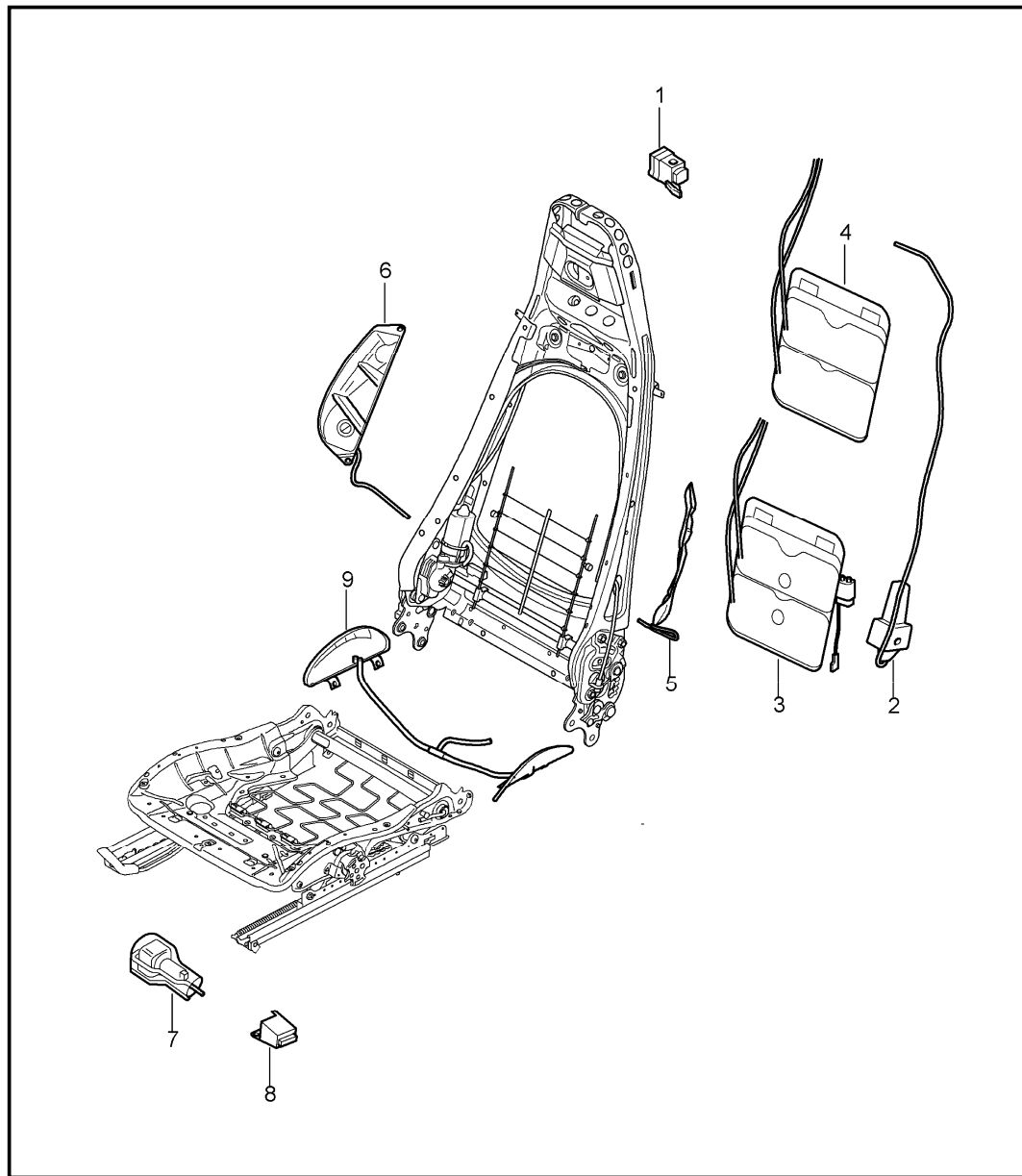
|       |      |    |    |              |              |     |       |            |         |     |         |
|-------|------|----|----|--------------|--------------|-----|-------|------------|---------|-----|---------|
| Model | Year | MG | SG | Illustration | Restrictions | UPD | 12:26 | 24.01.2010 | PORSCHE | PET | PORSCHE |
| 987C  | 2008 | 8  | 17 | 817-21       |              | 248 |       |            |         |     |         |

| Pos | Part Number    | Description   | Remark | Qty | Model        | Pos | Part Number    | Description                    | Remark | Qty | Model        |
|-----|----------------|---------------|--------|-----|--------------|-----|----------------|--------------------------------|--------|-----|--------------|
|     | N23            | carrera red   | 08-    |     |              |     | T13            | brown/natural                  |        |     |              |
| (5) | 997 803 981 00 | side airbag   | /L 07- | 1   | IXSA/375/377 |     | N23            | carrera red                    | 08-    |     |              |
|     | A03            | black         |        |     |              | (5) | 997 803 982 00 | side airbag                    | /R 07- | 1   | IXSA/376/378 |
|     | 5V7            | stone grey    |        |     |              |     | A03            | black                          |        |     |              |
|     | 5Z1            | sand beige    |        |     |              |     | 5V7            | stone grey                     |        |     |              |
|     | 5Y2            | palmgreen     | 07     |     |              |     | 5Z1            | sand beige                     |        |     |              |
|     | 8W7            | sea blue      |        |     |              |     | 5Y2            | palmgreen                      | 07     |     |              |
|     | 8X8            | terracotta    |        |     |              |     | 8W7            | sea blue                       |        |     |              |
|     | 8P9            | cocoa         |        |     |              |     | 8X8            | terracotta                     |        |     |              |
|     | T13            | brown/natural |        |     |              |     | 8P9            | cocoa                          |        |     |              |
|     | N23            | carrera red   | 08-    |     |              |     | T13            | brown/natural                  |        |     |              |
| (5) | 997 803 981 00 | side airbag   | /L 07- | 1   | IXSB/375/377 |     | N23            | carrera red                    | 08-    |     |              |
|     | A03            | black         |        |     |              | (5) | 997 803 982 00 | side airbag                    | /R 07- | 1   | IXSB/376/378 |
|     | 5V7            | stone grey    |        |     |              |     | A03            | black                          |        |     |              |
|     | 5Z1            | sand beige    |        |     |              |     | 5V7            | stone grey                     |        |     |              |
|     | 5Y2            | palmgreen     | 07     |     |              |     | 5Z1            | sand beige                     |        |     |              |
|     | 8W7            | sea blue      |        |     |              |     | 5Y2            | palmgreen                      | 07     |     |              |
|     | 8X8            | terracotta    |        |     |              |     | 8W7            | sea blue                       |        |     |              |
|     | 8P9            | cocoa         |        |     |              |     | 8X8            | terracotta                     |        |     |              |
|     | T13            | brown/natural |        |     |              |     | 8P9            | cocoa                          |        |     |              |
|     | N23            | carrera red   | 08-    |     |              |     | T13            | brown/natural                  |        |     |              |
| (5) | 997 803 982 00 | side airbag   | /R 07- | 1   | IXSG/376/378 |     | N23            | carrera red                    | 08-    |     |              |
|     | A03            | black         |        |     |              | 6   | 997 521 485 00 | bowden cable<br>backrest frame |        | 2   |              |
|     | 5V7            | stone grey    |        |     |              | 7   | 997 521 375 00 | release<br>backrest frame      |        | 1   |              |
|     | 5Z1            | sand beige    |        |     |              | 8   | 997 521 855 00 | grille<br>backrest frame       |        | 1   |              |
|     | 5Y2            | palmgreen     | 07     |     |              | 9   | 997 521 893 00 | tension spring<br>inner spring |        | 2   |              |
|     | 8W7            | sea blue      |        |     |              |     |                |                                |        |     |              |
|     | 8X8            | terracotta    |        |     |              |     |                |                                |        |     |              |
|     | 8P9            | cocoa         |        |     |              |     |                |                                |        |     |              |

|       |      |    |    |              |              |     |       |            |         |     |         |
|-------|------|----|----|--------------|--------------|-----|-------|------------|---------|-----|---------|
| Model | Year | MG | SG | Illustration | Restrictions | UPD | 12:26 | 24.01.2010 | PORSCHE | PET | PORSCHE |
| 987C  | 2008 | 8  | 17 | 817-21       |              | 248 |       |            |         |     |         |

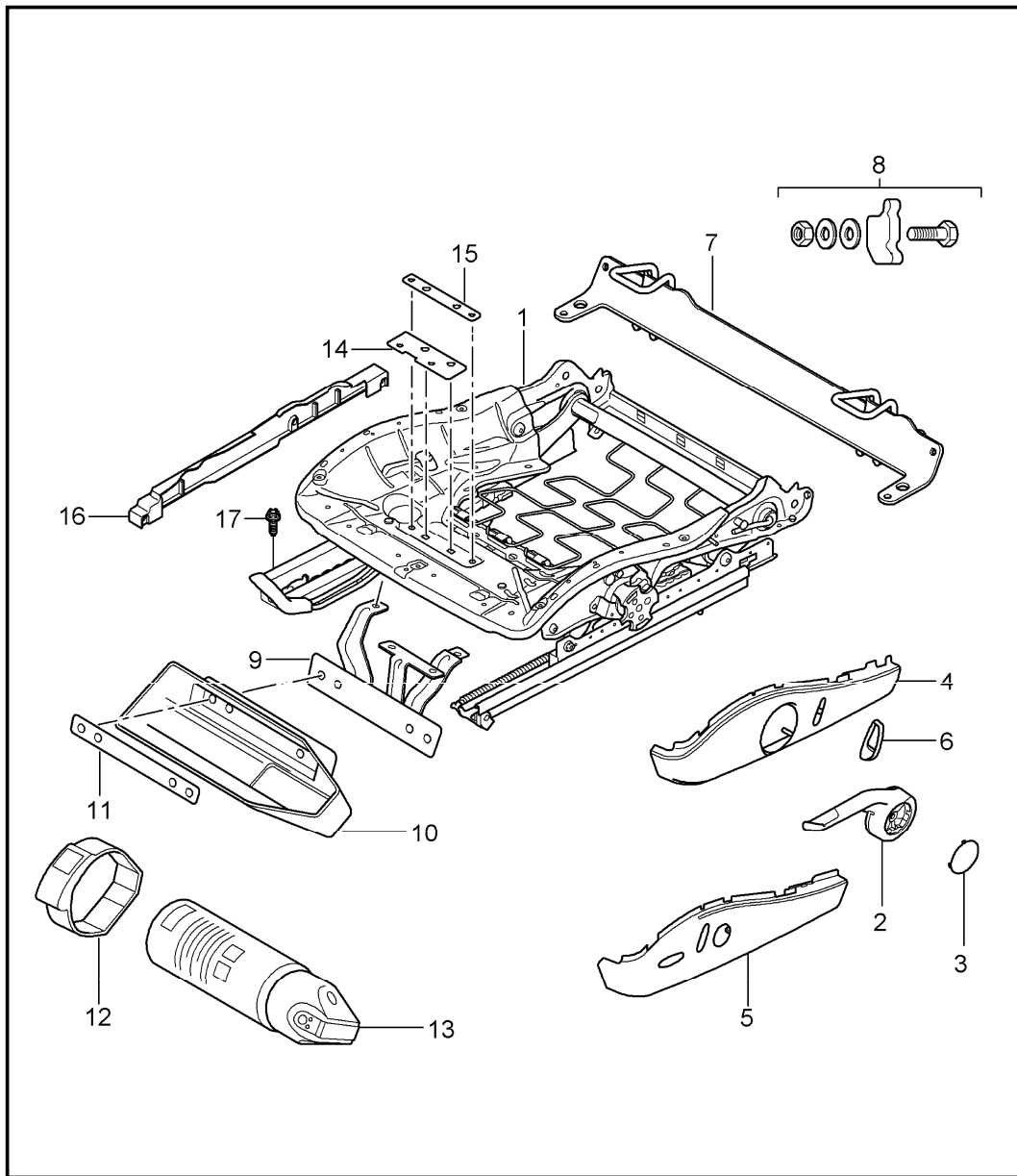
| Pos  | Part Number    | Description   | Remark | Qty | Model                | Pos | Part Number | Description | Remark | Qty | Model |
|------|----------------|---|--------|-----|----------------------|-----|-------------|-------------|--------|-----|-------|
| 10   | 997 521 895 00 | clip<br>inner spring                                      |        | 2   |                      |     |             |             |        |     |       |
| 11   | 997 521 797 00 | tension spring<br>release<br>backrest                     |        | 1   |                      |     |             |             |        |     |       |
| 12   | 997 521 885 00 | foam part<br>head rest<br>upper                           | /L/R   | 1   | I375/376<br>I377/378 |     |             |             |        |     |       |
| 13   | 997 521 887 01 | foam part<br>head rest<br>centre<br>electric              | /L/R   | 1   | I377/378             |     |             |             |        |     |       |
| 14   | 997 521 887 00 | foam part<br>head rest<br>centre                          |        | 1   | I375/376             |     |             |             |        |     |       |
| 15   | 997 521 335 01 | cover   | /L     | 1   |                      |     |             |             |        |     |       |
|      | D07            | volcano grey  |        |     |                      |     |             |             |        |     |       |
| (15) | 997 521 336 01 | cover<br>mounting component<br>inner                      | /R     | 1   |                      |     |             |             |        |     |       |
|      | D07            | volcano grey  |        |     |                      |     |             |             |        |     |       |
| 16   | 999 073 375 09 | screw<br>M10 x 13,0<br>mount<br>backrest<br>seat adjuster |        | 4   |                      |     |             |             |        |     |       |
| 17   | 999 073 306 09 | screw<br>mount<br>side airbag                             |        | 2   |                      |     |             |             |        |     |       |

|       |      |    |    |              |              |     |       |            |         |     |         |
|-------|------|----|----|--------------|--------------|-----|-------|------------|---------|-----|---------|
| Model | Year | MG | SG | Illustration | Restrictions | UPD | 12:26 | 24.01.2010 | PORSCHE | PET | PORSCHE |
| 987C  | 2008 | 8  | 17 | 817-22       |              | 248 |       |            |         |     |         |



| Pos | Part Number    | Description                                     | Remark | Qty | Model                        |
|-----|----------------|---|--------|-----|------------------------------|
|     |                | lumbar support sports seat                      |        |     | CAYMAN S                     |
| 1   | 997 617 725 00 | valve lumbar support without memory             |        | 1   | I377/378<br>I437/438         |
| (1) | 997 617 726 00 | valve lumbar support memory                     |        | 1   | I537/538                     |
| 2   | 997 620 725 00 | compressor lumbar support backrest              |        | 1   | I377/378<br>I437/438         |
| 3   | 997 521 709 01 | lumbar support memory                           |        | 1   | I377/378/437<br>I438/537/538 |
| 4   | 997 521 709 00 | lumbar support without memory                   |        | 1   | I377/378<br>I437/438         |
| 5   | 997 521 711 00 | container air distributor backrest side bolster |        | 1   | I377/378                     |
| 6   | 997 521 712 00 | container air distributor backrest side bolster |        | 1   | I377/378                     |
| 7   | 997 620 727 00 | compressor lumbar support seat cushion          |        | 1   | I377/378                     |
| 8   | 997 617 727 00 | valve adjustment seat wide                      |        | 1   | I377/378                     |
| 9   | 997 521 713 01 | container air distributor seat side bolster     |        | 1   | I377/378                     |

|       |      |    |    |              |              |     |       |            |         |     |         |
|-------|------|----|----|--------------|--------------|-----|-------|------------|---------|-----|---------|
| Model | Year | MG | SG | Illustration | Restrictions | UPD | 12:26 | 24.01.2010 | PORSCHE | PET | PORSCHE |
| 987C  | 2008 | 8  | 17 | 817-23       |              | 248 |       |            |         |     |         |



| Pos | Part Number    | Description   | Remark    | Qty | Model        |
|-----|----------------|---|-----------|-----|--------------|
|     |                | seat adjuster sports seat   |           |     | CAYMAN S     |
| 1   | 997 521 201 00 | seat adjuster   | /LL/L -06 | 1   | I098/369/375 |
| (1) | 997 521 201 10 | seat adjuster height adjustment manually left-hand drive driver's side  | /LL/L 07- | 1   | I098/369/375 |
| (1) | 997 521 202 00 | seat adjuster height adjustment manually right-hand drive driver's side | /R -07    | 1   | I099/370/376 |
| (1) | 997 521 202 19 | seat adjuster height adjustment manually right-hand drive driver's side | /R 08-    | 1   | I099/370/376 |
| (1) | 997 521 201 04 | seat adjuster   | /L -06    | 1   | I377/437     |
| (1) | 997 521 201 12 | seat adjuster   | /L 07-    | 1   | I377/437     |
| (1) | 997 521 202 10 | seat adjuster   | /R -06    | 1   | I378/438     |
| (1) | 997 521 202 21 | seat adjuster electric without memory                                   | /R 07-    | 1   | I378/438     |
| (1) | 997 521 201 05 | seat adjuster   | /L        | 1   | I377/437/537 |
| (1) | 997 521 201 13 | seat adjuster   | /L 07-    | 1   | I377/437/537 |
| (1) | 997 521 202 11 | seat adjuster   | /R -06    | 1   | I378/438/538 |
| (1) | 997 521 202 22 | seat adjuster electric memory   | /R 07-    | 1   | I378/438/538 |
| (1) | 997 521 201 03 | seat adjuster   | /RL/L -06 | 1   | I099/369/375 |
| (1) | 997 521 201 11 | seat adjuster manually right-hand drive passenger's side                | /RL/L 07- | 1   | I099/369/375 |
| (1) | 997 521 202 06 | seat adjuster   | /R 06     | 1   | I370/376/560 |
| (1) | 997 521 202 23 | seat adjuster manually seat occupancy detection                         | /R 07-    | 1   | I370/376/560 |



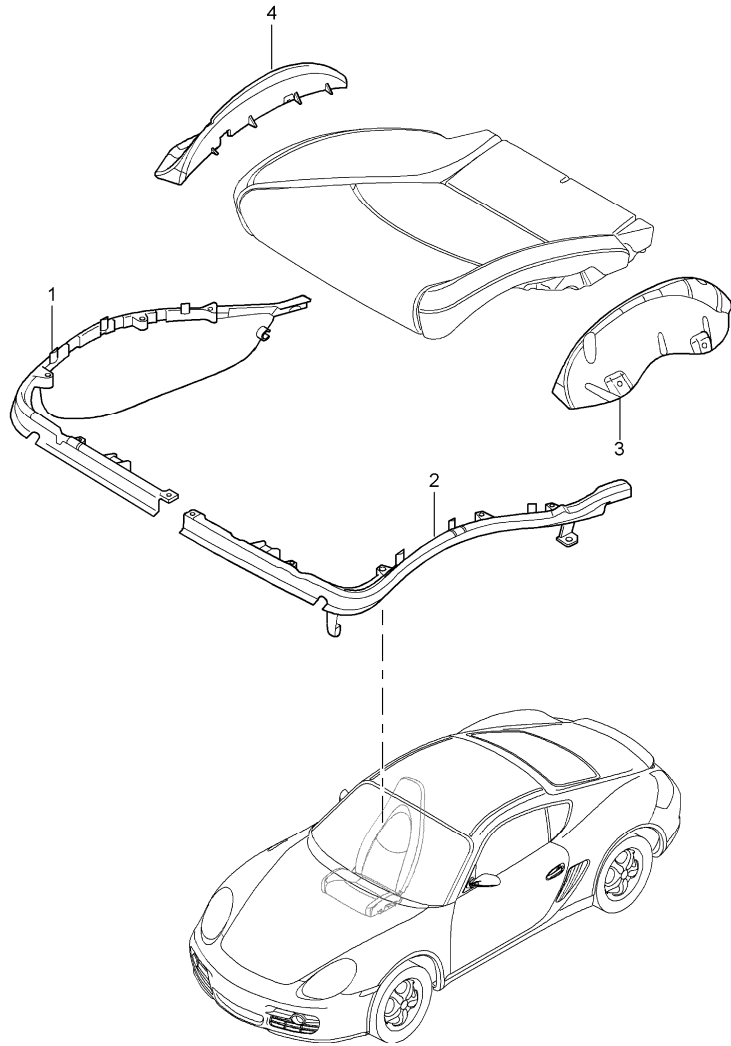
|       |      |    |    |              |              |     |       |            |         |     |         |
|-------|------|----|----|--------------|--------------|-----|-------|------------|---------|-----|---------|
| Model | Year | MG | SG | Illustration | Restrictions | UPD | 12:26 | 24.01.2010 | PORSCHE | PET | PORSCHE |
| 987C  | 2008 | 8  | 17 | 817-23       |              | 248 |       |            |         |     |         |

| Pos | Part Number    | Description  | Remark    | Qty | Model                | Pos  | Part Number    | Description   | Remark | Qty | Model                |
|-----|----------------|--|-----------|-----|----------------------|------|----------------|---|--------|-----|----------------------|
| (1) | 997 521 202 12 | seat adjuster  | /R 06     | 1   | I378/438/560         | (5)  | 997 521 326 11 | trim for switch<br>advanced airbag                                  | /R     | 1   | I378/560             |
| (1) | 997 521 202 24 | seat adjuster<br>electric<br>seat occupancy detection            | /R 07-    | 1   | I378/438/560         |      | D07            | volcano grey  |        |     |                      |
| (1) | 997 521 202 05 | seat adjuster  | /LL/R -06 | 1   | I098/370/376         | 6    | 997 521 631 01 | control button<br>backrest  | /L/R   | 1   | I375/376<br>I377/378 |
| (1) | 997 521 202 20 | seat adjuster<br>manually<br>left-hand drive<br>passenger's side | /LL/R 07- | 1   | I098/370/376         |      | V05            | galvano silver  |        |     |                      |
| 2   | 997 521 627 01 | actuating lever<br>height adjustment                             | /L        | 1   | I369/375             | 7    | 997 521 061 01 | retaining bow<br>child car seat<br>ISOFIX<br>not for<br>AUSTRALIEN  |        | 1   |                      |
|     | V05            | galvano silver   |           |     |                      | 8    | 997 521 961 01 | set of fastening parts<br>retaining bow                             |        | 1   |                      |
| (2) | 997 521 628 01 | actuating lever<br>height adjustment                             | /R        | 1   | I370/376             | 9    | 997 521 251 00 | support<br>fire extinguisher  |        | 1   | I098/509             |
|     | V05            | galvano silver   |           |     |                      | (9)  | 997 521 252 00 | support<br>fire extinguisher  |        | 1   | I099/509             |
| 3   | 997 521 629 01 | cap<br>actuating lever   | /L/R      | 2   | I369/370<br>I375/376 | 10   | 997 521 607 00 | cup<br>fire extinguisher  |        | 1   | I509                 |
|     | D07            | volcano grey   |           |     |                      | 11   | 997 521 881 00 | support<br>cup<br>fire extinguisher                                 |        | 1   | I509                 |
| 4   | 997 521 325 06 | trim for switch  | /L        | 1   | I369/375             | 12   | 997 521 851 00 | restraining strap<br>fire extinguisher                              |        | 1   | I509                 |
|     | D07            | volcano grey<br>without<br>advanced airbag                       |           |     |                      | 13   | 996 722 115 00 | fire extinguisher<br>Information available<br>Information available |        | 1   | I509                 |
| (4) | 997 521 326 06 | trim for switch  | /R        | 1   | I370/376             | 14   | 997 521 841 00 | reinforcement<br>front  |        | 1   | I509                 |
|     | D07            | volcano grey<br>without<br>advanced airbag                       |           |     |                      | 15   | 997 521 843 00 | reinforcement<br>rear   |        | 1   | I509                 |
| 5   | 997 521 325 08 | trim for switch  | /L        | 1   | I377                 | 16   | 997 521 427 01 | cover<br>sensor<br>weight   | /L     | 1   | I376/378/560         |
|     | D07            | volcano grey   |           |     |                      |      | 01C            | satin black   |        |     |                      |
| (5) | 997 521 326 08 | trim for switch  | /R        | 1   | I378                 | (16) | 997 521 426 01 | cover<br>sensor<br>weight   | /R     | 1   | I376/378/560         |
|     | V04            | galvano silver   |           |     |                      |      | 01C            | satin black   |        |     |                      |
| (5) | 997 521 326 09 | trim for switch<br>advanced airbag                               | /R        | 1   | I370/376/560         |      |                |   |        |     |                      |
|     | D07            | volcano grey   |           |     |                      |      |                |   |        |     |                      |

|       |      |    |    |              |              |     |       |            |         |     |         |
|-------|------|----|----|--------------|--------------|-----|-------|------------|---------|-----|---------|
| Model | Year | MG | SG | Illustration | Restrictions | UPD | 12:26 | 24.01.2010 | PORSCHE | PET | PORSCHE |
| 987C  | 2008 | 8  | 17 | 817-23       |              | 248 |       |            |         |     |         |

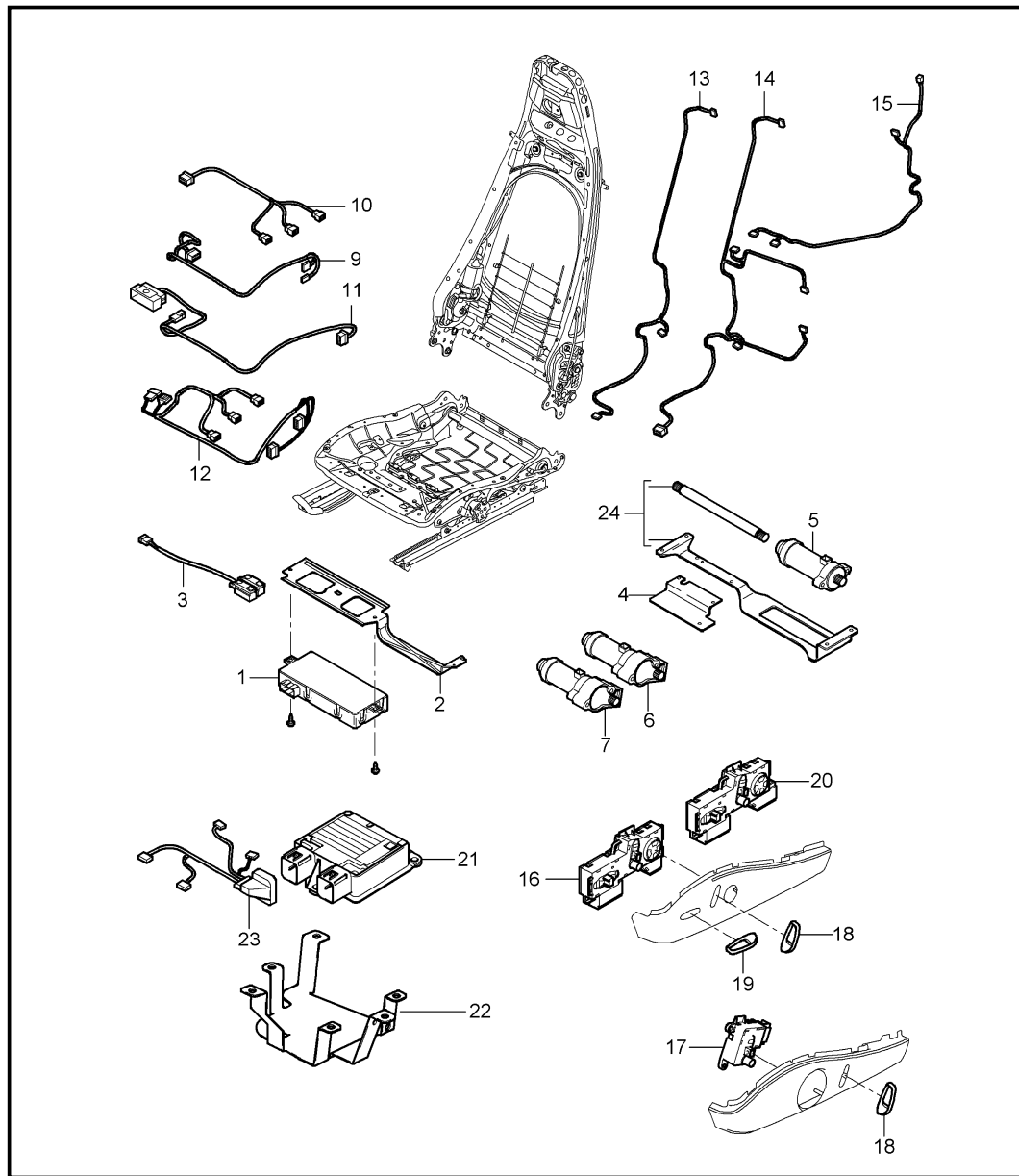
| Pos | Part Number    | Description                      | Remark | Qty | Model | Pos | Part Number | Description | Remark | Qty | Model |
|-----|----------------|----------------------------------|--------|-----|-------|-----|-------------|-------------|--------|-----|-------|
| 17  | 999 141 047 01 | torx screw<br>mount<br>seat rail |        | 4   |       |     |             |             |        |     |       |

|       |      |    |    |              |              |     |       |            |         |     |         |
|-------|------|----|----|--------------|--------------|-----|-------|------------|---------|-----|---------|
| Model | Year | MG | SG | Illustration | Restrictions | UPD | 12:26 | 24.01.2010 | PORSCHE | PET | PORSCHE |
| 987C  | 2008 | 8  | 17 | 817-24       |              | 248 |       |            |         |     |         |



| Pos | Part Number    | Description   | Remark | Qty | Model        |
|-----|----------------|---|--------|-----|--------------|
|     |                | cushion carrier<br>frame<br>seat surface<br>sports seat |        |     | CAYMAN S     |
| 1   | 997 521 547 00 | frame   | /L     | 1   | I376/378     |
| (1) | 997 521 548 00 | frame<br>inner  | /R     | 1   | I375/377     |
| (2) | 997 521 545 00 | frame   | /L     | 1   | I375/377     |
| 2   | 997 521 546 00 | frame<br>outer  | /R     | 1   | I376/378     |
| 3   | 997 521 519 00 | supporting plate<br>seat cushion                        | /L     | 1   | I377/378     |
| 4   | 997 521 520 00 | supporting plate<br>seat cushion                        | /R     | 1   | I377/378     |
| -   | 997 521 546 01 | frame<br>outer<br>with<br>advanced airbag               | /R     | 1   | I376/378/560 |

|       |      |    |    |              |              |     |       |            |         |     |         |
|-------|------|----|----|--------------|--------------|-----|-------|------------|---------|-----|---------|
| Model | Year | MG | SG | Illustration | Restrictions | UPD | 12:27 | 24.01.2010 | PORSCHE | PET | PORSCHE |
| 987C  | 2008 | 8  | 17 | 817-25       |              | 248 |       |            |         |     |         |



| Pos | Part Number    | Description   | Remark | Qty | Model    |
|-----|----------------|---|--------|-----|----------|
|     |                | wiring harnesses<br>control unit<br>switch<br>sports seat                 |        |     | CAYMAN S |
| 1   | 997 618 537 07 | control unit<br>seating position control                                  |        | 1   | I537/538 |
| 2   | 997 521 643 00 | support<br>control unit<br>seating position control                       |        | 1   | I537/538 |
| 3   | 997 613 725 00 | switch  |        | 1   | I377     |
|     |                | V05 galvano silver  |        |     |          |
| (3) | 997 613 726 00 | switch  |        | 1   | I378     |
|     |                | V05 galvano silver  |        |     |          |
| 4   | 997 521 343 00 | support<br>electric motor   |        | 1   | I377/378 |
| 5   | 997 624 322 00 | electric motor<br>seat adjuster<br>lengthways<br>without<br>memory        |        | 1   | I377/378 |
| (5) | 997 624 332 00 | electric motor<br>seat adjuster<br>lengthways<br>with<br>memory           |        | 1   | I537/538 |
| 6   | 997 624 322 00 | electric motor<br>seat adjuster<br>height adjustment<br>without<br>memory |        | 1   | I377/378 |
| (6) | 997 624 332 00 | electric motor<br>seat adjuster<br>height adjustment<br>with<br>memory    |        | 1   | I537/538 |
| 7   | 997 624 323 00 | electric motor<br>seat adjuster<br>tilt angle<br>without<br>memory        |        | 1   | I377/378 |

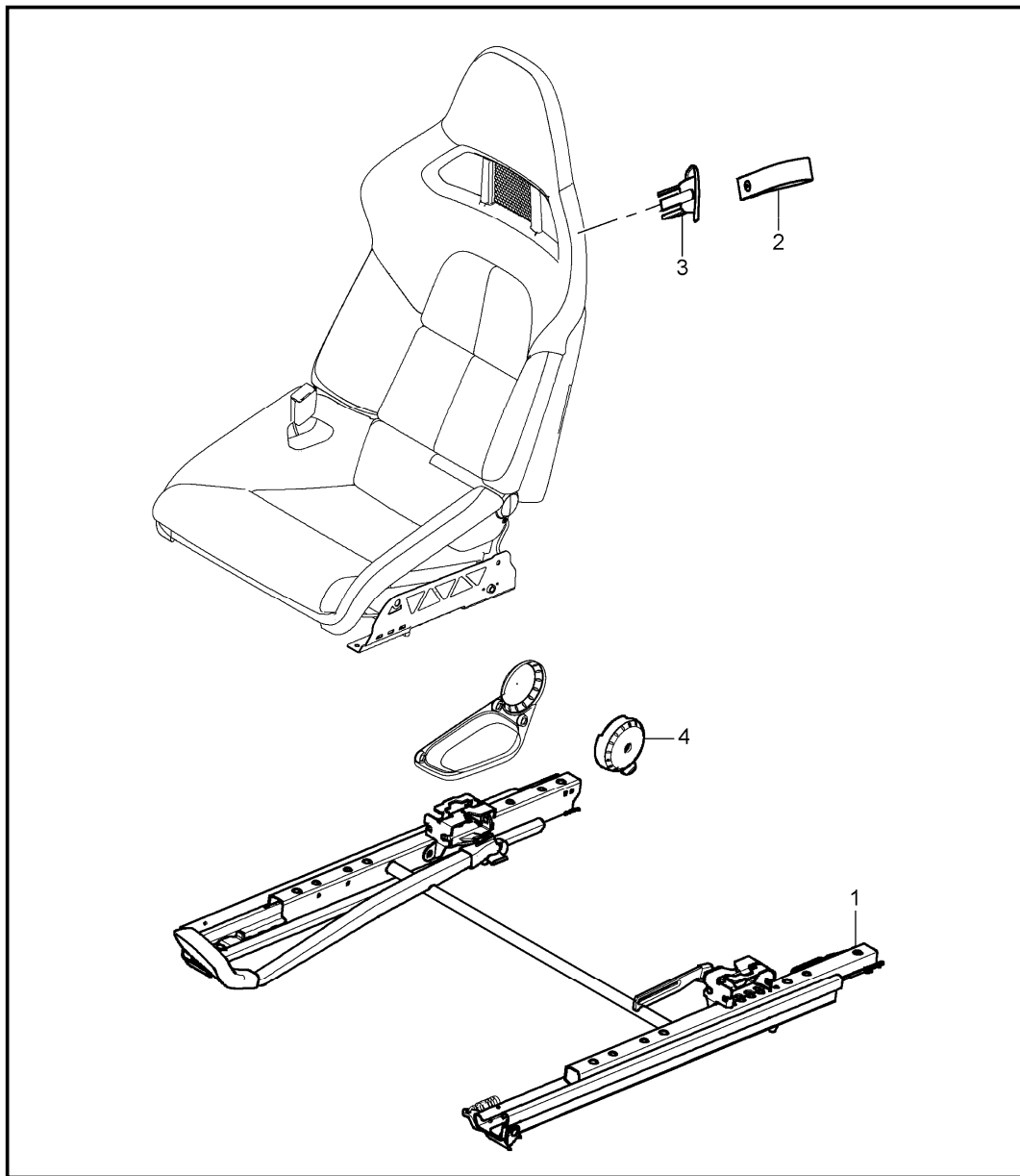
|       |      |    |    |              |              |     |       |            |         |     |         |
|-------|------|----|----|--------------|--------------|-----|-------|------------|---------|-----|---------|
| Model | Year | MG | SG | Illustration | Restrictions | UPD | 12:27 | 24.01.2010 | PORSCHE | PET | PORSCHE |
| 987C  | 2008 | 8  | 17 | 817-25       |              | 248 |       |            |         |     |         |

| Pos | Part Number    | Description   | Remark | Qty | Model    | Pos  | Part Number    | Description   | Remark | Qty | Model                |
|-----|----------------|---|--------|-----|----------|------|----------------|---|--------|-----|----------------------|
| (7) | 997 624 333 00 | electric motor<br>seat adjuster<br>tilt angle<br>with<br>memory |        | 1   | I537/538 | 15   | 997 612 685 01 | wiring harness<br>backrest<br>without<br>memory     | /L     | 1   | I375/377             |
| 9   | 997 612 684 00 | wiring harness<br>switch<br>seat adjuster<br>memory             |        | 1   | I537/538 | (15) | 997 612 686 01 | wiring harness<br>backrest<br>without<br>memory     | /R     | 1   | I376/378             |
| 10  | 997 612 690 00 | wiring harness<br>height adjustment<br>lengthways<br>memory     |        | 1   | I537/538 | 16   | 997 613 721 01 | switch<br>seat adjuster<br>memory switch            | /L     | 1   | I377/437/537         |
| 11  | 997 612 682 01 | wiring harness<br>switch  |        | 1   | I375/376 | (16) | 997 613 722 01 | switch<br>seat adjuster<br>memory switch            | /R     | 1   | I378/438/538         |
| 12  | 997 612 691 01 | wiring harness<br>switch<br>without<br>memory                   | -07    | 1   | I377/378 |      | V05            | galvano silver                                      |        |     |                      |
| 12  | 997 612 691 02 | wiring harness<br>switch<br>without<br>memory                   | 08-    | 1   | I377/378 | 17   | 997 613 713 00 | switch  | /L     | 1   | I375                 |
| 13  | 997 612 689 00 | wiring harness<br>lumbar support<br>without<br>memory           |        | 1   | I377/378 | (17) | 997 613 714 00 | switch<br>manually adjustable                       | /R     | 1   | I376                 |
| 14  | 997 612 692 00 | wiring harness<br>backrest<br>lumbar<br>with<br>memory          | -07    | 1   | I377/537 | 18   | 997 521 631 01 | control button<br>backrest                          |        | 1   | I375/376<br>I377/378 |
| 14  | 997 612 692 00 | wiring harness<br>backrest<br>lumbar<br>with<br>memory          | -07    | 1   | I378/538 |      | V05            | galvano silver                                      |        |     |                      |
| 14  | 997 612 692 01 | wiring harness<br>backrest<br>lumbar<br>with<br>memory          | 08-    | 1   | I377/537 | 19   | 997 521 633 02 | control button<br>seat cushion                      |        | 1   | I377/378             |
| 14  | 997 612 692 01 | wiring harness<br>backrest<br>lumbar<br>with<br>memory          | 08-    | 1   | I377/537 |      | V05            | galvano silver                                      |        |     |                      |
| 14  | 997 612 692 01 | wiring harness<br>backrest<br>lumbar<br>with<br>memory          | 08-    | 1   | I378/538 | 20   | 997 613 717 01 | switch<br>seat adjuster<br>without<br>memory        | /L     | 1   | I377/437             |
|     |                |   |        |     |          |      | V05            | galvano silver                                      |        |     |                      |
|     |                |   |        |     |          | (20) | 997 613 718 01 | switch<br>seat adjuster<br>without<br>memory        | /R     | 1   | I378/438             |
|     |                |   |        |     |          |      | V05            | galvano silver                                      |        |     |                      |
|     |                |   |        |     |          | 21   | 997 618 233 05 | control unit<br>seat occupancy detection            |        | 1   | I376/378/560         |
|     |                |   |        |     |          | 22   | 997 521 646 00 | support<br>control unit<br>seat occupancy detection |        | 1   | I376/378/560         |

|       |      |    |    |              |              |     |       |            |         |     |         |
|-------|------|----|----|--------------|--------------|-----|-------|------------|---------|-----|---------|
| Model | Year | MG | SG | Illustration | Restrictions | UPD | 12:27 | 24.01.2010 | PORSCHE | PET | PORSCHE |
| 987C  | 2008 | 8  | 17 | 817-25       |              | 248 |       |            |         |     |         |

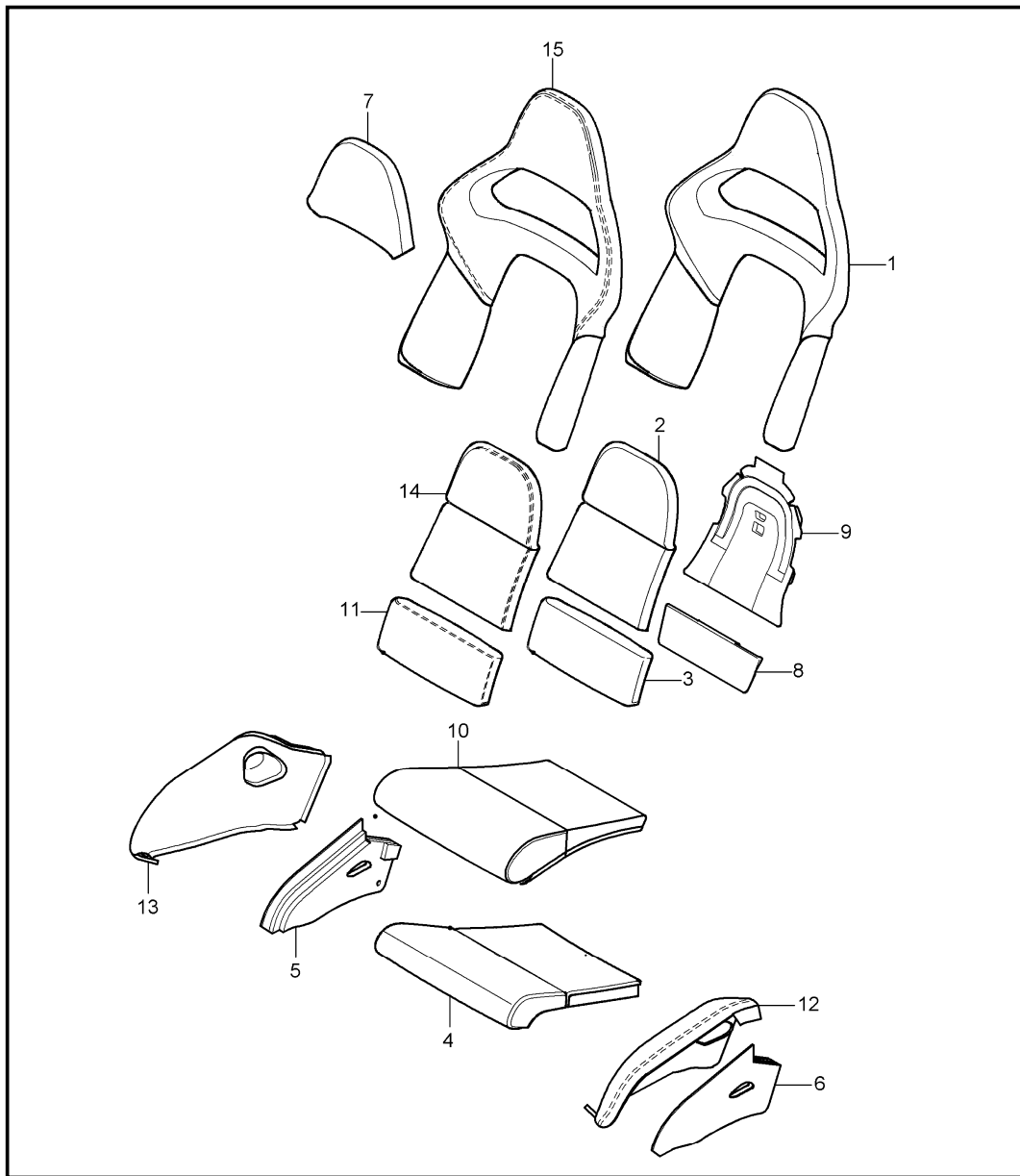
| Pos  | Part Number    | Description   | Remark | Qty | Model        | Pos | Part Number | Description | Remark | Qty | Model |
|------|----------------|---|--------|-----|--------------|-----|-------------|-------------|--------|-----|-------|
| 23   | 997 612 688 00 | wiring harness<br>seat occupancy detection                  |        | 1   | I376/378/560 |     |             |             |        |     |       |
| 24   | 000 043 207 06 | pliable shaft<br>adjusting motor<br>lengthways              |        | 1   |              |     |             |             |        |     |       |
| (24) | 997 521 901 00 | repair kit<br>pliable shaft<br>engine bracket               |        | 1   |              |     |             |             |        |     |       |
| -    | 999 650 973 40 | clip<br>mount<br>wiring harness<br>seat occupancy detection |        | 1   |              |     |             |             |        |     |       |

|       |      |    |    |              |              |     |       |            |         |     |         |
|-------|------|----|----|--------------|--------------|-----|-------|------------|---------|-----|---------|
| Model | Year | MG | SG | Illustration | Restrictions | UPD | 12:27 | 24.01.2010 | PORSCHE | PET | PORSCHE |
| 987C  | 2008 | 8  | 17 | 817-30       |              | 248 |       |            |         |     |         |



| Pos | Part Number    | Description   | Remark | Qty | Model    |
|-----|----------------|---|--------|-----|----------|
|     |                | bucket seat<br>collapsible<br>complete<br>not available | 08-    |     |          |
| 1   | 997 521 429 01 | set<br>seat rail<br>driver's side                       | /LL/L  | 1   | I098/388 |
| (1) | 997 521 430 01 | set<br>seat rail<br>passenger's side                    | /LL/R  | 1   | I098/389 |
| (1) | 997 521 429 02 | set<br>seat rail<br>passenger's side                    | /RL/L  | 1   | I099/388 |
| (1) | 997 521 430 02 | set<br>seat rail<br>driver's side                       | /RL/R  | 1   | I099/389 |
| 2   | 997 521 539 00 | traction noose<br>backrest frame                        | /L     | 1   | I388     |
|     | A80            | black   |        |     |          |
| (2) | 997 521 540 00 | traction noose<br>backrest frame                        | /R     | 1   | I389     |
|     | A80            | black   |        |     |          |
| 3   | 997 521 538 00 | rosette<br>traction noose<br>backrest frame             | /R     | 1   | I389     |
|     | 01C            | satin black   |        |     |          |
| (3) | 997 521 537 00 | rosette<br>traction noose<br>backrest frame             | /L     | 1   | I388     |
|     | 01C            | satin black   |        |     |          |
| 4   | 997 521 563 00 | cover<br>hinge<br>inner                                 | /L     | 1   | I388/389 |
|     | 01C            | satin black   |        |     |          |
| (4) | 997 521 564 00 | cover<br>hinge<br>inner                                 | /R     | 1   | I388/389 |
|     | 01C            | satin black   |        |     |          |

|       |      |    |    |              |              |     |       |            |         |     |         |
|-------|------|----|----|--------------|--------------|-----|-------|------------|---------|-----|---------|
| Model | Year | MG | SG | Illustration | Restrictions | UPD | 12:27 | 24.01.2010 | PORSCHE | PET | PORSCHE |
| 987C  | 2008 | 8  | 17 | 817-32       |              | 248 |       |            |         |     |         |



| Pos | Part Number    | Description   | Remark | Qty | Model    |
|-----|----------------|---|--------|-----|----------|
|     |                | foam part<br>cover<br>seat and backrest surface<br>bucket seat<br>collapsible | 08-    |     |          |
| 1   | 997 521 447 00 | foam part<br>backrest<br>outer part   |        | 2   | I388/389 |
| 2   | 997 521 448 00 | foam part<br>backrest<br>centre part  |        | 2   | I388/389 |
| 3   | 997 521 441 00 | foam part<br>seat cushion<br>rear   |        | 2   | I388/389 |
| 4   | 997 521 440 00 | foam part<br>seat cushion<br>front  |        | 2   | I388/389 |
| 5   | 997 521 443 00 | foam part<br>seat cushion<br>lateral<br>outer<br>left                         | /L     | 1   | I388     |
| (5) | 997 521 444 00 | foam part<br>seat cushion<br>lateral<br>inner<br>left                         |        | 1   | I388     |
| 6   | 997 521 446 00 | foam part<br>seat cushion<br>lateral<br>outer<br>right                        |        | 1   | I389     |
| (6) | 997 521 445 00 | foam part<br>seat cushion<br>lateral<br>inner<br>right                        |        | 1   | I389     |
| 7   | 997 521 458 00 | foam part<br>head rest  |        | 2   | I388/389 |
| 8   | 997 521 456 00 | foam part<br>seat cushion<br>rear   |        | 1   | I388/389 |
| 9   | 997 521 457 00 | foam part<br>backrest   |        | 1   | I388/389 |



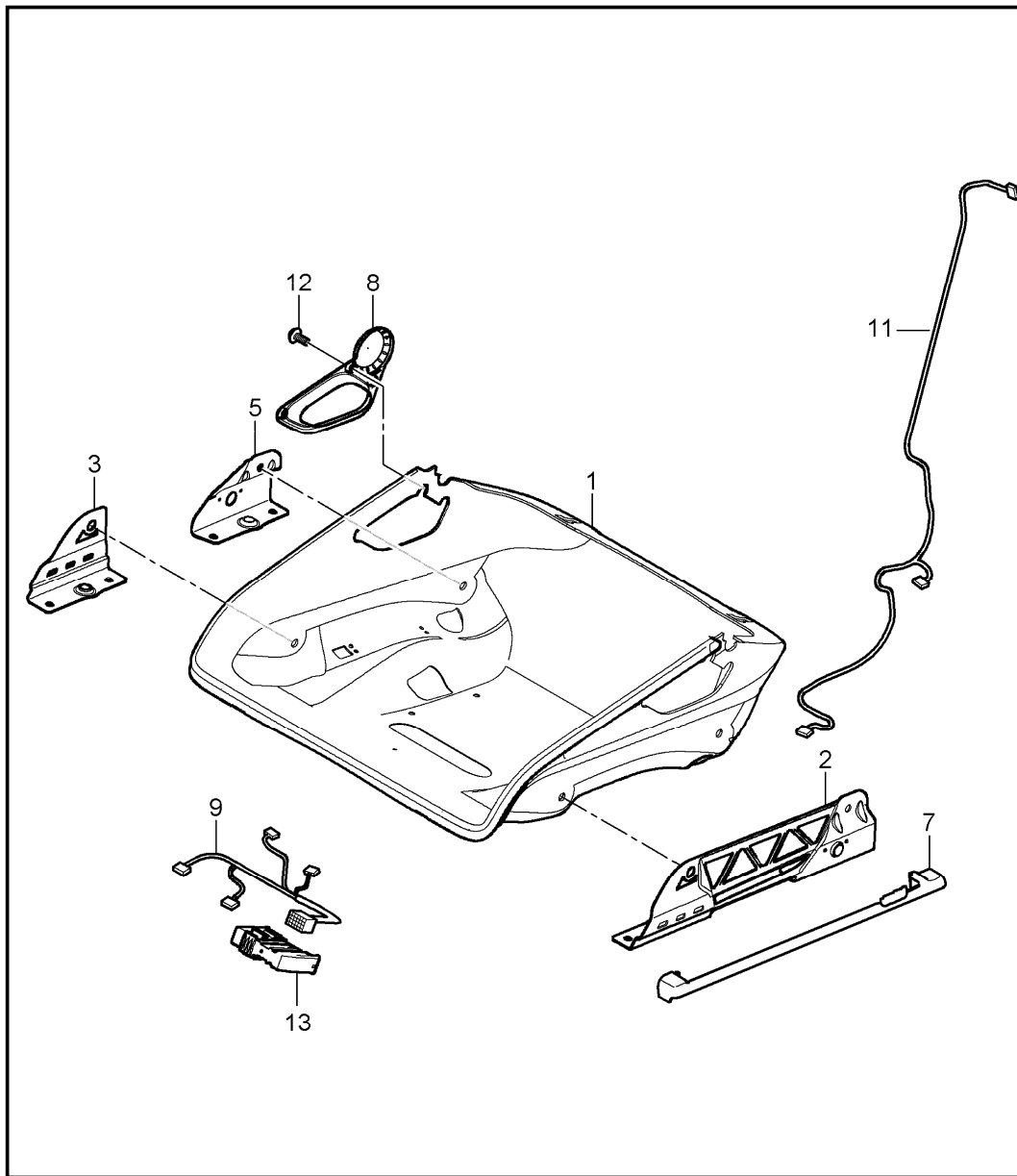
|       |      |    |    |              |              |     |       |            |         |     |         |
|-------|------|----|----|--------------|--------------|-----|-------|------------|---------|-----|---------|
| Model | Year | MG | SG | Illustration | Restrictions | UPD | 12:27 | 24.01.2010 | PORSCHE | PET | PORSCHE |
| 987C  | 2008 | 8  | 17 | 817-32       |              | 248 |       |            |         |     |         |

| Pos | Part Number    | Description             | Remark | Qty | Model        | Pos  | Part Number    | Description         | Remark | Qty | Model    |
|-----|----------------|-------------------------|--------|-----|--------------|------|----------------|---------------------|--------|-----|----------|
| 10  | 997 521 380 00 | cover for cushion front | /L/R   | 1   | I388/389/983 |      | D11            | dark grey/natural   |        |     |          |
|     | 8YR            | black                   |        |     |              |      | T11            | brown/natural       |        |     |          |
|     | 5X5            | stone grey              |        |     |              |      | N11            | carrera red         |        |     |          |
|     | 8G1            | sand beige              |        |     |              | 13   | 997 521 384 00 | cover lateral inner | /L     | 1   | I388/983 |
|     | 3S8            | sea blue                |        |     |              |      | 8YR            | black               |        |     |          |
|     | 9N2            | terracotta              |        |     |              |      | 5X5            | stone grey          |        |     |          |
|     | 9Q3            | cocoa                   |        |     |              |      | 8G1            | sand beige          |        |     |          |
|     | D11            | dark grey/natural       |        |     |              |      | 3S8            | sea blue            |        |     |          |
|     | T11            | brown/natural           |        |     |              |      | 9N2            | terracotta          |        |     |          |
|     | N11            | carrera red             |        |     |              |      | 9Q3            | cocoa               |        |     |          |
| 11  | 997 521 381 00 | cover for cushion rear  |        | 1   | I388/389/983 |      | D11            | dark grey/natural   |        |     |          |
|     | 8YR            | black                   |        |     |              |      | T11            | brown/natural       |        |     |          |
|     | 5X5            | stone grey              |        |     |              |      | N11            | carrera red         |        |     |          |
|     | 8G1            | sand beige              |        |     |              | (13) | 997 521 386 00 | cover lateral outer | /R     | 1   | I389/983 |
|     | 3S8            | sea blue                |        |     |              |      | 8YR            | black               |        |     |          |
|     | 9N2            | terracotta              |        |     |              |      | 5X5            | stone grey          |        |     |          |
|     | 9Q3            | cocoa                   |        |     |              |      | 8G1            | sand beige          |        |     |          |
|     | D11            | dark grey/natural       |        |     |              |      | 3S8            | sea blue            |        |     |          |
|     | T11            | brown/natural           |        |     |              |      | 9N2            | terracotta          |        |     |          |
|     | N11            | carrera red             |        |     |              |      | 9Q3            | cocoa               |        |     |          |
| 12  | 997 521 383 00 | cover lateral outer     | /L     | 1   | I388/983     |      | D11            | dark grey/natural   |        |     |          |
|     | 8YR            | black                   |        |     |              |      | T11            | brown/natural       |        |     |          |
|     | 5X5            | stone grey              |        |     |              |      | N11            | carrera red         |        |     |          |
|     | 8G1            | sand beige              |        |     |              | (13) | 997 521 385 00 | cover lateral inner | /R     | 1   | I389/983 |
|     | 3S8            | sea blue                |        |     |              |      | 8YR            | black               |        |     |          |
|     | 9N2            | terracotta              |        |     |              |      | 5X5            | stone grey          |        |     |          |
|     | 9Q3            | cocoa                   |        |     |              |      |                |                     |        |     |          |

|       |      |    |    |              |              |     |       |            |         |     |         |
|-------|------|----|----|--------------|--------------|-----|-------|------------|---------|-----|---------|
| Model | Year | MG | SG | Illustration | Restrictions | UPD | 12:27 | 24.01.2010 | PORSCHE | PET | PORSCHE |
| 987C  | 2008 | 8  | 17 | 817-32       |              | 248 |       |            |         |     |         |

| Pos | Part Number    | Description                      | Remark | Qty | Model        | Pos | Part Number | Description | Remark | Qty | Model |
|-----|----------------|----------------------------------|--------|-----|--------------|-----|-------------|-------------|--------|-----|-------|
|     |                | 8G1 sand beige                   |        |     |              |     |             |             |        |     |       |
|     |                | 3S8 sea blue                     |        |     |              |     |             |             |        |     |       |
|     |                | 9N2 terracotta                   |        |     |              |     |             |             |        |     |       |
|     |                | 9Q3 cocoa                        |        |     |              |     |             |             |        |     |       |
|     |                | D11 dark grey/natural            |        |     |              |     |             |             |        |     |       |
|     |                | T11 brown/natural                |        |     |              |     |             |             |        |     |       |
|     |                | N11 carrera red                  |        |     |              |     |             |             |        |     |       |
| 14  | 997 521 387 00 | cover<br>centre part<br>backrest |        | 1   | I388/389/983 |     |             |             |        |     |       |
|     |                | 8YR black                        |        |     |              |     |             |             |        |     |       |
|     |                | 5X5 stone grey                   |        |     |              |     |             |             |        |     |       |
|     |                | 8G1 sand beige                   |        |     |              |     |             |             |        |     |       |
|     |                | 3S8 sea blue                     |        |     |              |     |             |             |        |     |       |
|     |                | 9N2 terracotta                   |        |     |              |     |             |             |        |     |       |
|     |                | 9Q3 cocoa                        |        |     |              |     |             |             |        |     |       |
|     |                | D11 dark grey/natural            |        |     |              |     |             |             |        |     |       |
|     |                | T11 brown/natural                |        |     |              |     |             |             |        |     |       |
|     |                | N11 carrera red                  |        |     |              |     |             |             |        |     |       |
| 15  | 997 521 388 00 | cover<br>backrest<br>outer       |        | 1   | I388/389/983 |     |             |             |        |     |       |
|     |                | 8YR black                        |        |     |              |     |             |             |        |     |       |
|     |                | 5X5 stone grey                   |        |     |              |     |             |             |        |     |       |
|     |                | 8G1 sand beige                   |        |     |              |     |             |             |        |     |       |
|     |                | 3S8 sea blue                     |        |     |              |     |             |             |        |     |       |
|     |                | 9N2 terracotta                   |        |     |              |     |             |             |        |     |       |
|     |                | 9Q3 cocoa                        |        |     |              |     |             |             |        |     |       |
|     |                | D11 dark grey/natural            |        |     |              |     |             |             |        |     |       |
|     |                | T11 brown/natural                |        |     |              |     |             |             |        |     |       |
|     |                | N11 carrera red                  |        |     |              |     |             |             |        |     |       |

|       |      |    |    |              |              |     |       |            |         |     |         |
|-------|------|----|----|--------------|--------------|-----|-------|------------|---------|-----|---------|
| Model | Year | MG | SG | Illustration | Restrictions | UPD | 12:27 | 24.01.2010 | PORSCHE | PET | PORSCHE |
| 987C  | 2008 | 8  | 17 | 817-34       |              | 248 |       |            |         |     |         |

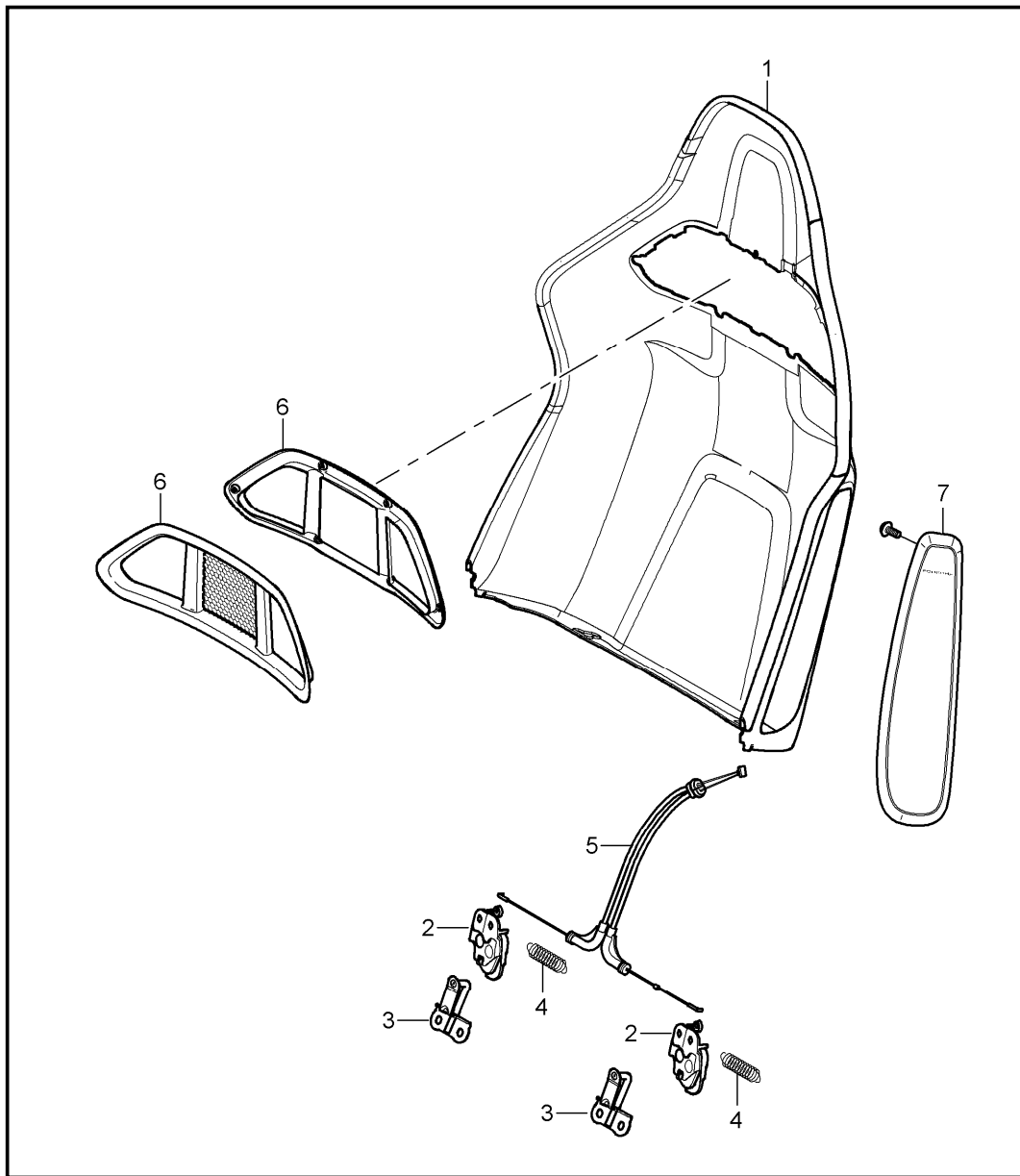


| Pos | Part Number    | Description  | Remark | Qty | Model    |
|-----|----------------|--|--------|-----|----------|
|     |                | bucket seat<br>collapsible<br>seat adjuster<br>accessories                             | 08-    |     |          |
| 1   | 997 521 281 00 | cup<br>seat adjuster<br>without<br>seat occupancy detection                            | /L/R   | 2   | I388/389 |
| (1) | 997 521 182 00 | cup<br>seat adjuster<br>with<br>seat occupancy detection<br>and<br>seat rail           | /R     | 1   | I389/560 |
| 2   | 997 521 433 00 | adapter<br>seat adjuster<br>outer<br>left  |        | 1   | I388     |
| (2) | 997 521 434 00 | adapter<br>seat adjuster<br>outer<br>right   |        | 1   | I389     |
| 3   | 997 521 436 00 | adapter<br>seat adjuster<br>inner front<br>right                                       |        | 1   | I388     |
| 4   | 997 521 435 00 | adapter<br>seat adjuster<br>inner front<br>left<br>without<br>seat occupancy detection |        | 1   | I389     |
| 5   | 997 521 438 00 | adapter<br>seat adjuster<br>inner rear<br>right  |        | 1   | I388     |
| 6   | 997 521 437 00 | adapter<br>seat adjuster<br>inner rear<br>left<br>without<br>seat occupancy detection  |        | 1   | I389     |
| 7   | 997 521 427 03 | cover<br>sensor<br>seat occupancy detection  | /L     | 1   | I389/560 |
|     | 01C            | satin black  |        |     |          |

|       |      |    |    |              |              |     |       |            |         |     |         |
|-------|------|----|----|--------------|--------------|-----|-------|------------|---------|-----|---------|
| Model | Year | MG | SG | Illustration | Restrictions | UPD | 12:27 | 24.01.2010 | PORSCHE | PET | PORSCHE |
| 987C  | 2008 | 8  | 17 | 817-34       |              | 248 |       |            |         |     |         |

| Pos | Part Number    | Description   | Remark | Qty | Model    | Pos | Part Number | Description | Remark | Qty | Model |
|-----|----------------|---|--------|-----|----------|-----|-------------|-------------|--------|-----|-------|
| (7) | 997 521 426 03 | cover<br>sensor<br>seat occupancy detection               | /R     | 1   | I389/560 |     |             |             |        |     |       |
|     | 01C            | satin black   |        |     |          |     |             |             |        |     |       |
| 8   | 997 521 561 00 | cover<br>seat belt<br>lower                               | /L     | 1   | I388/389 |     |             |             |        |     |       |
|     | 01C            | satin black   |        |     |          |     |             |             |        |     |       |
| (8) | 997 521 562 00 | cover<br>seat belt<br>lower                               | /R     | 1   | I388/389 |     |             |             |        |     |       |
|     | 01C            | satin black   |        |     |          |     |             |             |        |     |       |
| 9   | 997 612 688 10 | wiring harness<br>seat occupancy detection                |        | 1   | I389/560 |     |             |             |        |     |       |
| 11  | 997 612 785 10 | wiring harness<br>side airbag                             | /R/L   | 1   | I388/389 |     |             |             |        |     |       |
| 12  | 999 141 049 01 | lens-head screw<br>mount<br>cover<br>belt<br>seat cushion |        | 3   |          |     |             |             |        |     |       |
| 13  | 997 618 233 05 | control unit<br>seat occupancy detection                  |        | 1   | I560     |     |             |             |        |     |       |

|       |      |    |    |              |              |     |       |            |         |     |         |
|-------|------|----|----|--------------|--------------|-----|-------|------------|---------|-----|---------|
| Model | Year | MG | SG | Illustration | Restrictions | UPD | 12:28 | 24.01.2010 | PORSCHE | PET | PORSCHE |
| 987C  | 2008 | 8  | 17 | 817-36       |              | 248 |       |            |         |     |         |



| Pos | Part Number    | Description   | Remark | Qty | Model    |
|-----|----------------|---|--------|-----|----------|
|     |                | backrest shell<br>bucket seat<br>collapsible<br>accessories | 08-    |     |          |
| 1   | 997 521 271 00 | backrest shell<br>bucket seat<br>collapsible                | /L     | 1   | I388     |
| (1) | 997 521 272 00 | backrest shell<br>bucket seat<br>collapsible                | /R     | 1   | I389     |
| 2   | 997 521 651 00 | lock<br>backrest  | /L     | 1   | I388/389 |
| (2) | 997 521 652 00 | lock<br>backrest  | /R     | 1   | I388/389 |
| 3   | 997 521 660 00 | closing element<br>lock<br>backrest shell                   | /L/R   | 1   | I388/389 |
| 4   | 997 521 650 00 | tension spring<br>lock<br>backrest                          | /L/R   | 1   | I388/389 |
| 5   | 997 521 640 00 | bowden cable<br>release<br>backrest                         | /L/R   | 1   | I388/389 |
| 6   | 997 521 330 00 | cover<br>seat belt<br>front                                 |        | 1   | I388/389 |
|     |                | 01C satin black   |        |     |          |
| (6) | 997 521 531 00 | cover<br>seat belt<br>rear                                  |        | 1   | I388/389 |
|     |                | 01C satin black   |        |     |          |
| 7   | 997 803 081 01 | side airbag   | /L     | 1   | I388     |
|     |                | A03 schwarz   |        |     |          |
| (7) | 997 803 082 01 | side airbag<br>front seat                                   | /R     | 1   | I389     |
|     |                | A03 black   |        |     |          |

PORSCHE

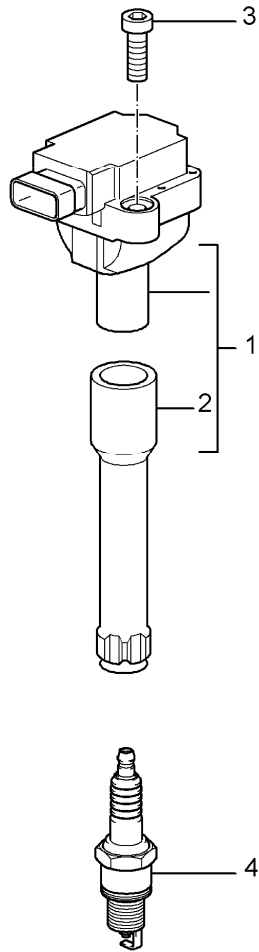
# PET

PORSCHE

|       |      |    |    |              |              |     |       |            |
|-------|------|----|----|--------------|--------------|-----|-------|------------|
| Model | Year | MG | SG | Illustration | Restrictions | UPD | 12:28 | 24.01.2010 |
| 987C  | 2008 | 8  | 98 | 898-00R      |              | 248 |       |            |

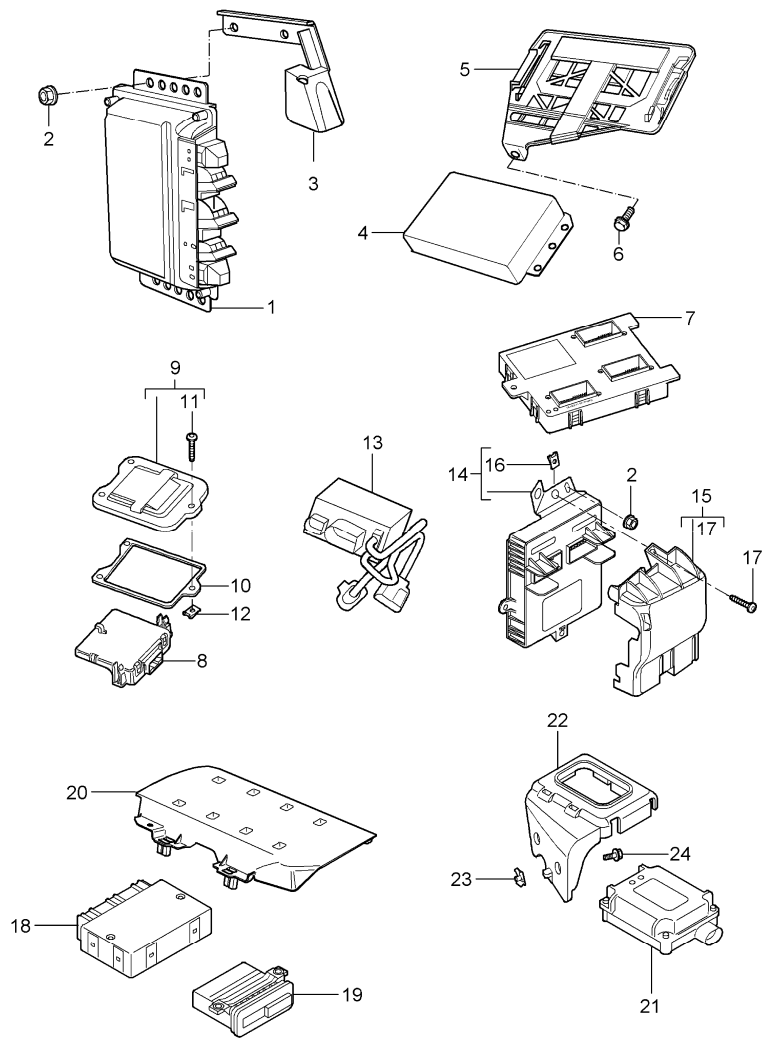
| Pos | Part Number      | Description                 | Remark | Qty | Model |
|-----|------------------|-----------------------------|--------|-----|-------|
|     |                  | repair kits<br>set of locks |        |     |       |
| >>  | >>997 538 011 00 | set of locks                |        | 1   | I098  |
| >>  | >>997 538 011 01 | set of locks                |        | 1   | I099  |

|       |      |    |    |              |              |     |       |            |         |     |         |
|-------|------|----|----|--------------|--------------|-----|-------|------------|---------|-----|---------|
| Model | Year | MG | SG | Illustration | Restrictions | UPD | 12:28 | 24.01.2010 | PORSCHE | PET | PORSCHE |
| 987C  | 2008 | 9  | 01 | 901-00       |              | 248 |       |            |         |     |         |



| Pos | Part Number      | Description                | Remark | Qty | Model            |
|-----|------------------|----------------------------|--------|-----|------------------|
|     |                  | ignition system            |        |     |                  |
| 1   | A 996 602 104 00 | ignition coil              |        | 6   |                  |
| 1   | 997 602 104 00   | ignition coil              |        | 6   |                  |
| 2   | 996 602 105 00   | spark plug connector       |        | 6   |                  |
| 3   | 900 387 008 01   | pan-head screw<br>M 6 X 25 |        | 12  |                  |
| 4   | 999 170 223 90   | spark plug<br>FGR 5KQE0    |        | 6   | /22<br>M97.20/21 |

|       |      |    |    |              |              |     |       |            |         |     |         |
|-------|------|----|----|--------------|--------------|-----|-------|------------|---------|-----|---------|
| Model | Year | MG | SG | Illustration | Restrictions | UPD | 12:28 | 24.01.2010 | PORSCHE | PET | PORSCHE |
| 987C  | 2008 | 9  | 01 | 901-03       |              | 248 |       |            |         |     |         |



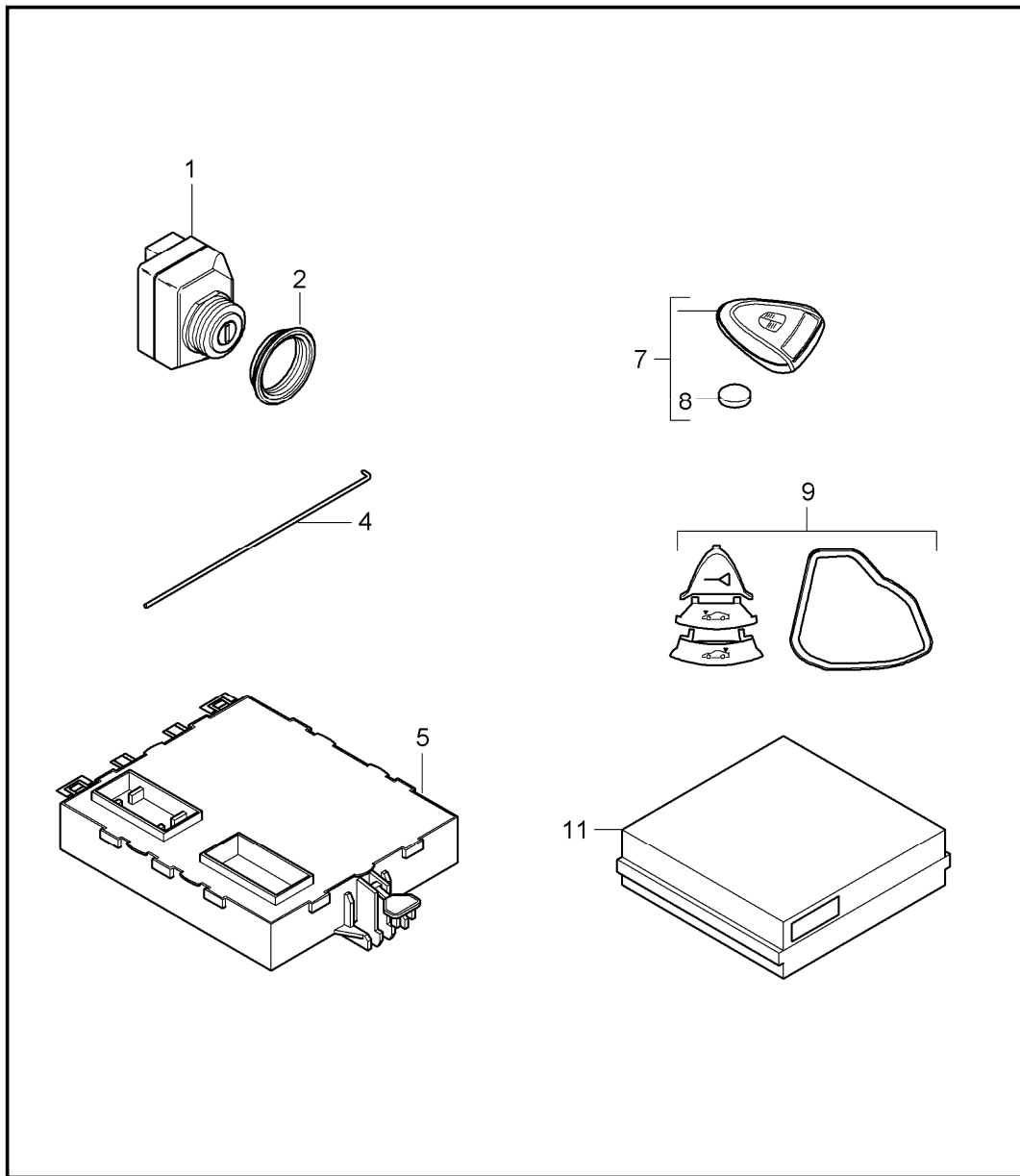
| Pos | Part Number      | Description                               | Remark | Qty | Model    |
|-----|------------------|---|--------|-----|----------|
|     |                  | control units                             |        |     |          |
| 1   | A 997 618 601 03 | control unit<br>- dme -                   | 06     | 1   |          |
| 1   | 997 618 601 05   | control unit<br>- dme -                   |        | 1   |          |
| 1   | A 997 618 603 03 | control unit<br>- dme -                   | 06     | 1   | I660     |
| 1   | 997 618 603 05   | control unit<br>- dme -                   |        | 1   | I660     |
| 2   | 999 084 629 01   | hexagon nut<br>M 6                        |        | X   |          |
| (2) | 999 084 635 01   | shear-off nut<br>M 6 - SB                 |        | 3   | I536     |
| 3   | 987 618 131 01   | tab washer<br>plug-protection             |        | 1   |          |
| 4   | 987 618 272 07   | control unit<br>tiptronic                 |        | 1   | CAYMAN   |
| (4) | 987 618 342 07   | control unit<br>tiptronic                 |        | 1   | CAYMAN S |
| 5   | 987 618 155 02   | support                                   |        | 1   | I249     |
| 6   | 900 378 035 01   | hexagon-head bolt<br>M 6 X 16             |        | 1   |          |
| 7   | U 997 610 102 06 | control unit<br>vehicle electrical system |        | 1   |          |
| 7   | 997 618 516 01   | control unit<br>vehicle electrical system |        | 1   |          |
| 8   | 997 610 107 03   | control unit<br>gateway                   |        | 1   |          |
| 9   | 997 572 419 03   | lid                                       |        | 1   |          |
| 10  | 997 572 221 00   | gasket                                    |        | 1   |          |
| 11  | 900 143 094 09   | tapping screw<br>ST 4,8 X 19              |        | 3   |          |
| 12  | 999 591 855 02   | speed nut<br>ST 4,8                       |        | 3   |          |
| 13  | U 997 618 436 01 | control unit<br>cooling air control       |        | 1   |          |



|       |      |    |    |              |              |     |       |            |         |     |         |
|-------|------|----|----|--------------|--------------|-----|-------|------------|---------|-----|---------|
| Model | Year | MG | SG | Illustration | Restrictions | UPD | 12:28 | 24.01.2010 | PORSCHE | PET | PORSCHE |
| 987C  | 2008 | 9  | 01 | 901-03       |              | 248 |       |            |         |     |         |

| Pos  | Part Number    | Description                                   | Remark | Qty | Model | Pos | Part Number | Description | Remark | Qty | Model |
|------|----------------|---|--------|-----|-------|-----|-------------|-------------|--------|-----|-------|
| 13   | 997 618 436 02 | control unit<br>cooling air control           |        | 1   |       |     |             |             |        |     |       |
| 14   | 997 610 106 11 | control unit<br>FRONT luggage compartment     |        | 1   |       |     |             |             |        |     |       |
| (14) | 997 610 105 11 | control unit<br>FRONT luggage compartment     |        | 1   | I601  |     |             |             |        |     |       |
| 15   | 997 551 736 00 | cover   |        | 1   |       |     |             |             |        |     |       |
| 16   | 999 507 462 09 | speed nut<br>4,8                              |        | 1   |       |     |             |             |        |     |       |
| 17   | 999 073 061 02 | tapping screw<br>4,8 X 16                     |        | 1   |       |     |             |             |        |     |       |
| 18   | 997 618 260 08 | control unit<br>rear end                      |        | 1   |       |     |             |             |        |     |       |
| 19   | 996 618 171 03 | control unit<br>ParkAssist                    |        | 1   | I635  |     |             |             |        |     |       |
| 20   | 997 618 371 01 | support<br><br>sensor<br>see group<br>8/02/05 |        | 1   | I635  |     |             |             |        |     |       |
| 21   | 997 618 225 03 | control unit<br>garage door opener            |        | 1   | I608  |     |             |             |        |     |       |
| 21 A | 997 618 227 01 | control unit<br>garage door opener            |        | 1   | I607  |     |             |             |        |     |       |
| 21   | 997 618 227 02 | control unit<br>garage door opener            |        | 1   | I607  |     |             |             |        |     |       |
| 22   | 997 618 257 00 | support                                       |        | 1   |       |     |             |             |        |     |       |
| 23   | 999 591 882 01 | speed nut<br>M 6                              |        | 2   |       |     |             |             |        |     |       |
| 24   | 900 075 505 01 | combination screw<br>M 6 X 20                 |        | 2   |       |     |             |             |        |     |       |

|       |      |    |    |              |              |     |       |            |         |     |         |
|-------|------|----|----|--------------|--------------|-----|-------|------------|---------|-----|---------|
| Model | Year | MG | SG | Illustration | Restrictions | UPD | 12:28 | 24.01.2010 | PORSCHE | PET | PORSCHE |
| 987C  | 2008 | 9  | 01 | 901-04       |              | 248 |       |            |         |     |         |

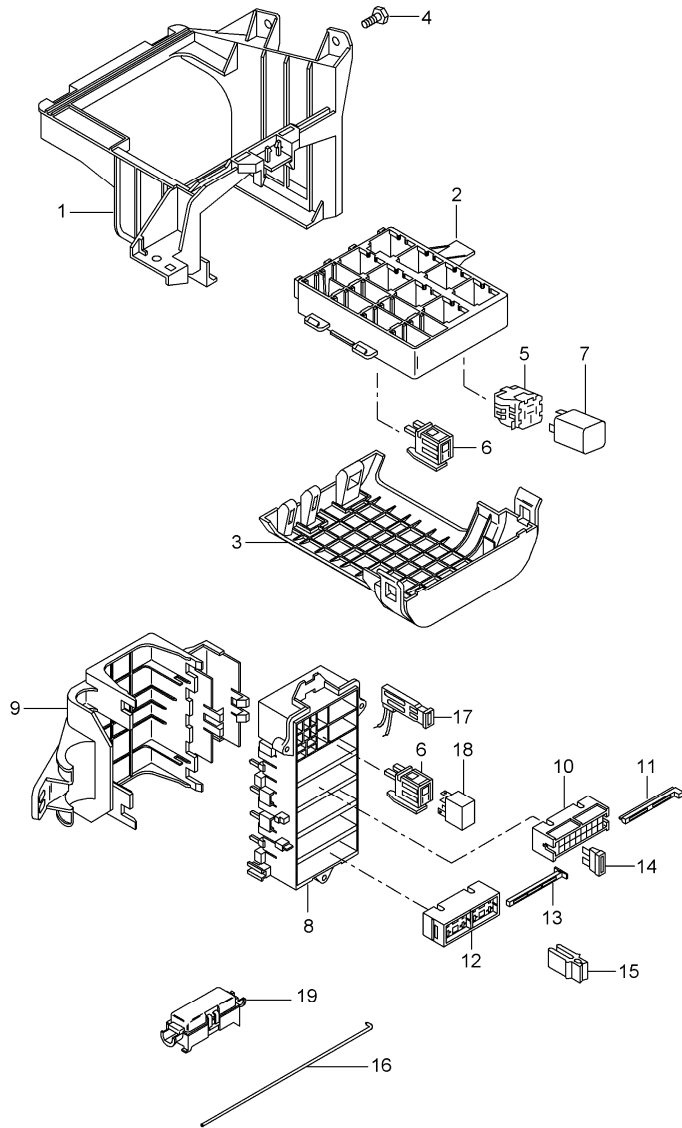


| Pos | Part Number      | Description  | Remark | Qty | Model                |
|-----|------------------|--|--------|-----|----------------------|
|     |                  | control units<br>immobiliser<br>central locking system<br>ignition starter switch<br>PORSCHE ACCESS SYSTEM |        |     |                      |
| 1   | A 997 618 159 03 | control unit<br>ignition starter switch  |        | 1   |                      |
| 1   | 997 618 159 04   | control unit<br>ignition starter switch  |        | 1   |                      |
| 2   | 997 618 759 00   | nut  |        | 1   |                      |
| -   | 997 618 361 00   | cover<br>release<br>Handheld transmitter   |        | 1   |                      |
| 4   | 997 618 761 00   | emergency operation<br>release<br>ignition starter switch  |        | 1   |                      |
| 5   | 997 618 171 12   | control unit<br>PORSCHE ACCESS SYSTEM<br>Information available   | -07    | 1   | I524/534/544         |
| 5   | 997 618 171 14   | control unit<br>PORSCHE ACCESS SYSTEM  | 08     | 1   | I524/534/544         |
| 5   | 997 618 172 12   | control unit<br>PORSCHE ACCESS SYSTEM<br>Information available   | -07    | 1   | I525/535/545         |
| 5   | 997 618 172 14   | control unit<br>PORSCHE ACCESS SYSTEM  | 08     | 1   | I525/535/545         |
| -   | 997 612 051 01   | cable<br>antenna<br>for<br>POS. 5  | /LL    | 1   | I098/524/534<br>I544 |
| -   | 997 612 050 01   | cable<br>antenna<br>for<br>POS. 5  | /LL    | 1   | I098/525/535<br>I544 |
| -   | 997 612 051 51   | cable<br>antenna<br>for<br>POS. 5<br>Information available   | /RL    | 1   | I099/524/534<br>I544 |

|       |      |    |    |              |              |     |       |            |         |     |         |
|-------|------|----|----|--------------|--------------|-----|-------|------------|---------|-----|---------|
| Model | Year | MG | SG | Illustration | Restrictions | UPD | 12:28 | 24.01.2010 | PORSCHE | PET | PORSCHE |
| 987C  | 2008 | 9  | 01 | 901-04       |              | 248 |       |            |         |     |         |

| Pos   | Part Number    | Description   | Remark | Qty | Model                | Pos              | Part Number    | Description   | Remark  | Qty | Model            |
|-------|----------------|---|--------|-----|----------------------|------------------|----------------|---|---------|-----|------------------|
| -     | 997 612 050 51 | cable<br>antenna<br>for<br>POS. 5<br>Information available                            | /RL    | 1   | I099/525/535<br>I545 | (7)              | 997 637 105 00 | Handheld transmitter  | (J) 07- | 1   | I525/535<br>I545 |
| -     | 987 637 253 00 | support<br>for<br>cable<br>antenna  |        | 1   |                      | 8                | 999 611 108 00 | battery   |         | 1   |                  |
| -     | 999 073 225 09 | tapping screw<br>4,8 X 16<br>for<br>cable<br>antenna                                  |        | 1   |                      | 9                | 000 043 400 14 | repair kit<br>key<br>Handheld transmitter<br>see workshop manual<br>KD-NR.: 966237      |         | 1   |                  |
| -     | 928 612 636 01 | protective tube<br>for<br>cable<br>antenna  |        | 1   |                      | 11               | 997 618 210 01 | sensor<br>interior monitoring<br><br>alarm siren<br>tilt sensor<br>see group<br>9/03/00 |         | 1   | I536<br>I521/536 |
| -     | 997 612 053 01 | connecting line<br>antenna booster<br>control unit<br>POS. 5                          | /LL    | 1   | I098/665             |                  |                |   |         |     |                  |
| -     | 997 612 054 01 | connecting line<br>antenna booster<br>control unit<br>POS. 5<br>Information available | /RL    | 1   | I099/665             |                  |                |   |         |     |                  |
| -     | 997 612 064 51 | cable<br>antenna<br>VEHICLE TRACKING SYSTEM   |        | 1   | I674                 |                  |                |   |         |     |                  |
| 7 U   | 997 637 244 36 | Handheld transmitter  |        | 1   | I524/534/544         |                  |                |   |         |     |                  |
| 7     | 997 637 201 01 | Handheld transmitter  |        | 1   | I524/534/544         |                  |                |   |         |     |                  |
| 7 U   | 997 637 244 37 | Handheld transmitter  |        | 07- | 1                    | I525/535/545     |                |   |         |     |                  |
| 7 A   | 997 637 203 01 | Handheld transmitter  |        | 1   | I525/535/545         |                  |                |   |         |     |                  |
| 7     | 997 637 103 00 | Handheld transmitter  |        | 1   | I525/535/545         |                  |                |   |         |     |                  |
| (7) A | 997 637 244 35 | Handheld transmitter  | (J)    | 06  | 1                    | I525/535<br>I545 |                |   |         |     |                  |
| (7) U | 997 637 244 38 | Handheld transmitter  | (J)    | 07- | 1                    | I525/535<br>I545 |                |   |         |     |                  |
| (7)   | 997 637 205 01 | Handheld transmitter  | (J)    | 06  | 1                    | I525/535<br>I545 |                |   |         |     |                  |

|       |      |    |    |              |              |     |       |            |         |     |         |
|-------|------|----|----|--------------|--------------|-----|-------|------------|---------|-----|---------|
| Model | Year | MG | SG | Illustration | Restrictions | UPD | 12:29 | 24.01.2010 | PORSCHE | PET | PORSCHE |
| 987C  | 2008 | 9  | 02 | 902-00       |              | 248 |       |            |         |     |         |

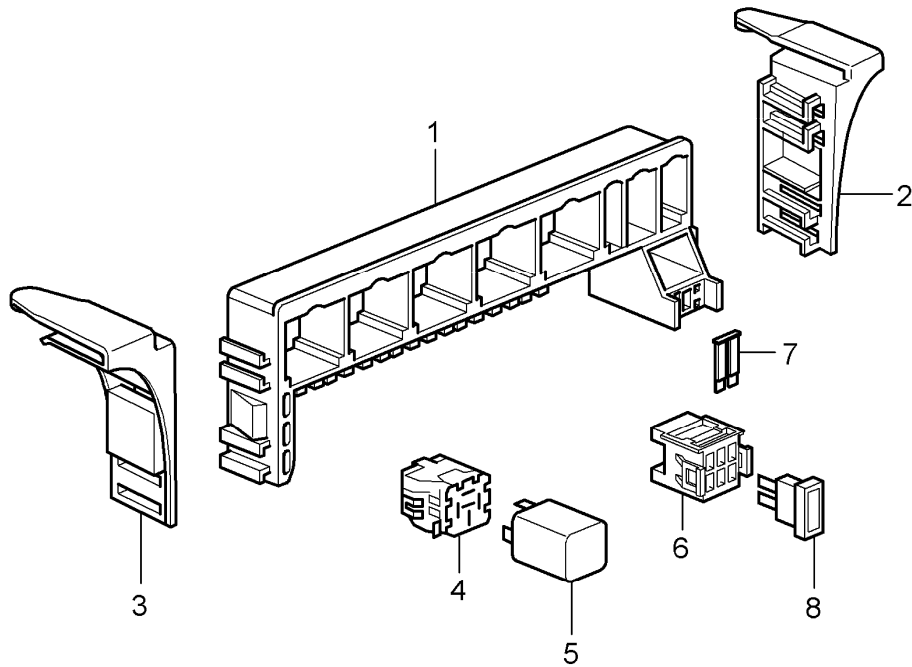


| Pos | Part Number      | Description                         | Remark | Qty | Model |
|-----|------------------|-------------------------------------|--------|-----|-------|
|     |                  | central electrical system dashboard |        |     |       |
| 1   | 997 610 117 01   | support                             | /LL    | 1   | I098  |
| (1) | 997 610 118 00   | support                             | /RL    | 1   | I099  |
| 2   | A 997 610 110 00 | relay carrier support frame         |        | 1   |       |
| 2   | 997 610 110 01   | relay carrier support frame         |        | 1   |       |
| 3   | 997 610 112 00   | cover support frame                 |        | 1   |       |
| 4   | 900 378 155 01   | hexagon-head bolt M 6 X 16 ASP      |        | 2   |       |
| (4) | 900 377 010 01   | hexagon nut M 6                     |        | 1   |       |
| 5   | 928 610 511 00   | relay carrier                       |        | X   |       |
| 6   | 999 650 538 40   | plug socket                         |        | X   |       |
| 7   | -                | relay                               |        |     |       |
| S4  | A 999 657 010 90 | relay KL. X                         |        | 1   |       |
| S4  | 999 657 014 90   | relay KL. X                         |        | 1   |       |
| S6  | A 999 657 007 90 | relay KL. 86S                       |        | 1   |       |
| S6  | 999 657 015 90   | relay KL. 86S                       |        | 1   |       |
| S7  | A 999 657 007 90 | relay rear window heating           |        | 1   |       |
| S7  | 999 657 015 90   | relay rear window heating           |        | 1   |       |
| S8  | A 999 657 007 90 | relay fuel pump                     |        | 1   |       |
| S8  | 999 657 015 90   | relay fuel pump                     |        | 1   |       |
| S11 | A 999 657 009 90 | relay - dme -                       |        | 1   |       |
| S11 | 999 657 013 90   | relay - dme -                       |        | 1   |       |

|       |      |    |    |              |              |     |       |            |         |     |         |
|-------|------|----|----|--------------|--------------|-----|-------|------------|---------|-----|---------|
| Model | Year | MG | SG | Illustration | Restrictions | UPD | 12:29 | 24.01.2010 | PORSCHE | PET | PORSCHE |
| 987C  | 2008 | 9  | 02 | 902-00       |              | 248 |       |            |         |     |         |

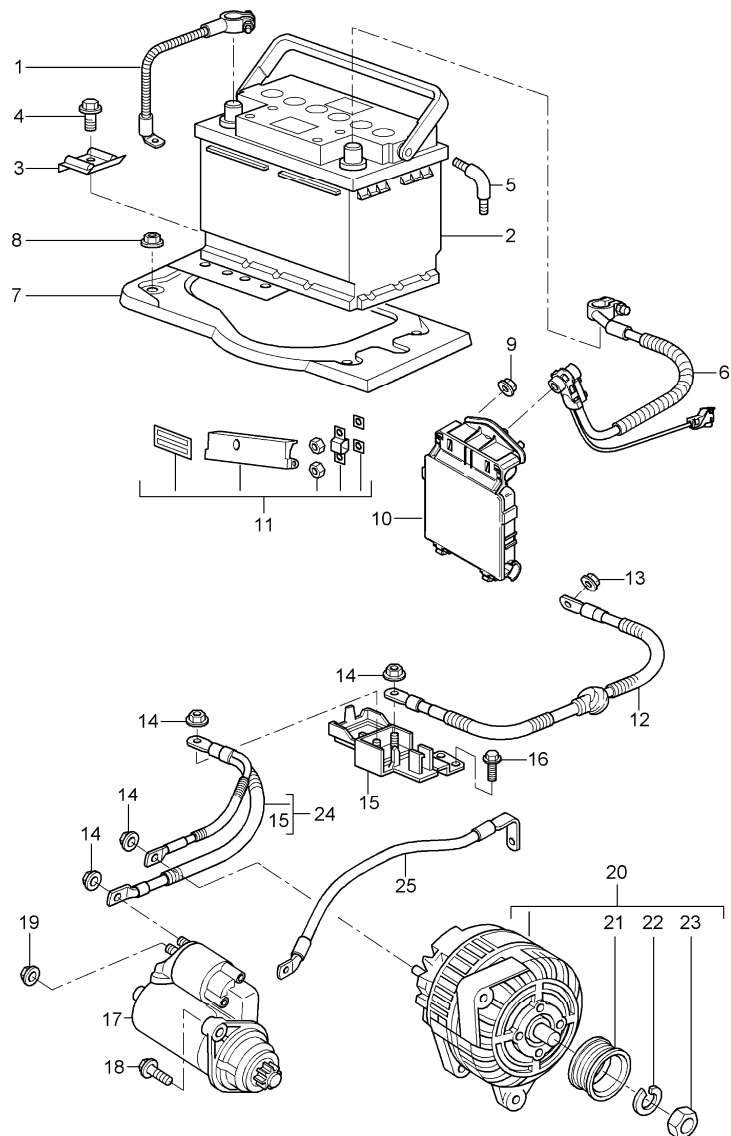
| Pos  | Part Number      | Description                   | Remark | Qty | Model | Pos  | Part Number      | Description   | Remark | Qty | Model |
|------|------------------|-------------------------------|--------|-----|-------|------|------------------|---|--------|-----|-------|
| S12  | A 999 657 009 90 | relay heating                 |        | 1   |       | (14) | 999 607 073 00   | fuse<br>40 A<br>large   |        | X   |       |
| S12  | 999 657 013 90   | relay heating                 |        | 1   |       | 15   | 999 107 300 40   | tool  |        | X   |       |
| S14  | A 999 657 009 90 | relay headlight washer system |        | 1   | I288  | - A  | 997 610 195 05   | assignment sticker<br>fuse  | 06     | X   |       |
| S14  | 999 657 013 90   | relay headlight washer system |        | 1   | I288  | -    | 997 610 195 07   | assignment sticker<br>fuse  |        | X   |       |
| S15  | A 999 657 009 90 | relay starter                 |        | 1   |       | 16   | 997 618 761 00   | emergency operation<br>release<br>ignition starter switch         |        | 1   |       |
| S15  | 999 657 013 90   | relay starter                 |        | 1   |       |      |                  | emergency operation<br>lid  |        |     |       |
| S16  | A 999 657 009 90 | relay KL. 15                  |        | 1   |       | 17   | 996 610 240 00   | terminal clamp  |        | 1   |       |
| S16  | 999 657 013 90   | relay KL. 15                  |        | 1   |       | 18   | A 999 657 010 90 | relay   |        | 1   |       |
| 8    | 997 610 340 00   | bracket                       |        | 1   |       | 18   | 999 657 014 90   | relay   |        | 1   |       |
| 9    | 997 610 341 00   | cover                         |        | 1   |       | 19   | 997 610 915 00   | fuse holder<br>with<br>fuse<br>80 A<br>for<br>cooling air control |        | 1   |       |
| 10   | 999 650 209 40   | fuse holder                   |        | 4   |       |      |                  |   |        |     |       |
| 11   | 999 650 210 40   | slide                         |        | 4   |       |      |                  |   |        |     |       |
| 12   | 999 650 750 40   | fuse holder                   |        | 1   |       | -    | -                | cover<br>for<br>housing<br>fuse<br>see group<br>8 / 07 / 02       |        | X   |       |
| 13   | 999 650 749 40   | slide                         |        | 1   |       |      |                  |   |        |     |       |
| 14   | 999 607 082 00   | fuse 5 A                      |        | X   |       |      |                  |   |        |     |       |
| (14) | 999 607 083 00   | fuse 7 , 5 A                  |        | X   |       |      |                  |   |        |     |       |
| (14) | 999 607 084 00   | fuse 10 A                     |        | X   |       |      |                  |   |        |     |       |
| (14) | 999 607 085 00   | fuse 15 A                     |        | X   |       |      |                  |   |        |     |       |
| (14) | 999 607 087 00   | fuse 25 A                     |        | X   |       |      |                  |   |        |     |       |
| (14) | 999 607 088 00   | fuse 30 A                     |        | X   |       |      |                  |   |        |     |       |
| (14) | 999 607 072 00   | fuse 30 A large               |        | X   |       |      |                  |   |        |     |       |

|       |      |    |    |              |              |     |       |            |         |     |         |
|-------|------|----|----|--------------|--------------|-----|-------|------------|---------|-----|---------|
| Model | Year | MG | SG | Illustration | Restrictions | UPD | 12:29 | 24.01.2010 | PORSCHE | PET | PORSCHE |
| 987C  | 2008 | 9  | 02 | 902-01       |              | 248 |       |            |         |     |         |



| Pos | Part Number      | Description                        | Remark | Qty | Model |
|-----|------------------|------------------------------------|--------|-----|-------|
|     |                  | central electrical system rear end |        |     |       |
| 1   | A 987 610 111 00 | relay carrier support frame        |        | 1   |       |
| 1   | 987 610 111 01   | relay carrier support frame        |        | 1   |       |
| 2   | 987 610 118 00   | support                            | /R     | 1   |       |
| 3   | 987 610 117 00   | support                            | /L     | 1   |       |
| 4   | 928 610 511 00   | relay carrier large                |        | X   |       |
| (4) | 999 650 538 40   | relay carrier small                |        | X   |       |
| 5   | -                | relay                              |        |     |       |
| S1  | A 964 615 215 00 | relay air conditioner              |        | 1   | I573  |
| S1  | 999 657 018 90   | relay air conditioner              |        | 1   | I573  |
| S2  | A 999 657 008 90 | relay secondary pump               |        | 1   | I661  |
| S2  | 999 657 017 90   | relay secondary pump               |        | 1   | I661  |
| S8  | A 999 657 007 90 | relay blower engine compartment    |        | 1   |       |
| S8  | 999 657 015 90   | relay blower engine compartment    |        | 1   |       |
| 6   | 999 650 747 40   | fuse holder                        |        | 1   |       |
| 7   | 999 650 748 40   | locking device                     |        | 1   |       |
| 8   | 999 607 085 00   | fuse 15 A                          |        | X   |       |
| (8) | 999 607 073 00   | fuse 40 A large                    |        | X   | I661  |

|       |      |    |    |              |              |     |       |            |         |     |         |
|-------|------|----|----|--------------|--------------|-----|-------|------------|---------|-----|---------|
| Model | Year | MG | SG | Illustration | Restrictions | UPD | 12:29 | 24.01.2010 | PORSCHE | PET | PORSCHE |
| 987C  | 2008 | 9  | 02 | 902-05       |              | 248 |       |            |         |     |         |



| Pos | Part Number    | Description   | Remark | Qty | Model |
|-----|----------------|---|--------|-----|-------|
|     |                | battery<br>power distributor<br>starter<br>generator          |        |     |       |
| 1   | 997 611 090 00 | ground strap  | /LL    | 1   | I098  |
| (1) | 997 611 091 00 | ground strap<br>when required order also:                     | /RL    | 1   | I099  |
| -   | 900 377 010 01 | hexagon nut<br>M 6  |        | 1   |       |
| (2) | 999 611 060 20 | battery<br>60 AH  |        | 1   |       |
| (2) | 999 611 070 20 | battery<br>70 AH  |        | 1   |       |
| 2   | 999 611 080 20 | battery<br>80 AH  |        | 1   |       |
| (2) | 999 611 095 20 | battery<br>95 AH  |        | 1   | I200  |
| 3   | 996 611 209 00 | rail<br>battery   |        | 1   |       |
| 4   | 900 378 017 01 | hexagon-head bolt<br>M 8 X 20                                 |        | 1   |       |
| 5   | 893 915 507    | angled pipe   |        | 1   |       |
| 6   | 997 612 993 00 | repair kit<br>cable<br>battery<br>power distributor           | /LL    | 1   | I098  |
| (6) | 997 612 995 00 | repair kit<br>cable<br>battery<br>power distributor           | /RL    | 1   | I099  |
| 7   | 996 504 151 00 | carrier plate for battery                                     |        | 1   |       |
| (7) | 997 504 151 00 | carrier plate for battery                                     |        | 1   | I200  |
| 8   | 999 084 630 01 | hexagon nut<br>VM 8 SB  |        | 4   |       |
| 9   | 900 380 005 01 | hexagon nut<br>VM 8   |        | 2   |       |
| 10  | 997 610 911 00 | repair kit<br>replacement<br>power distributor<br>comprising: |        | 1   |       |

|       |      |    |    |              |              |     |       |            |         |     |         |
|-------|------|----|----|--------------|--------------|-----|-------|------------|---------|-----|---------|
| Model | Year | MG | SG | Illustration | Restrictions | UPD | 12:29 | 24.01.2010 | PORSCHE | PET | PORSCHE |
| 987C  | 2008 | 9  | 02 | 902-05       |              | 248 |       |            |         |     |         |

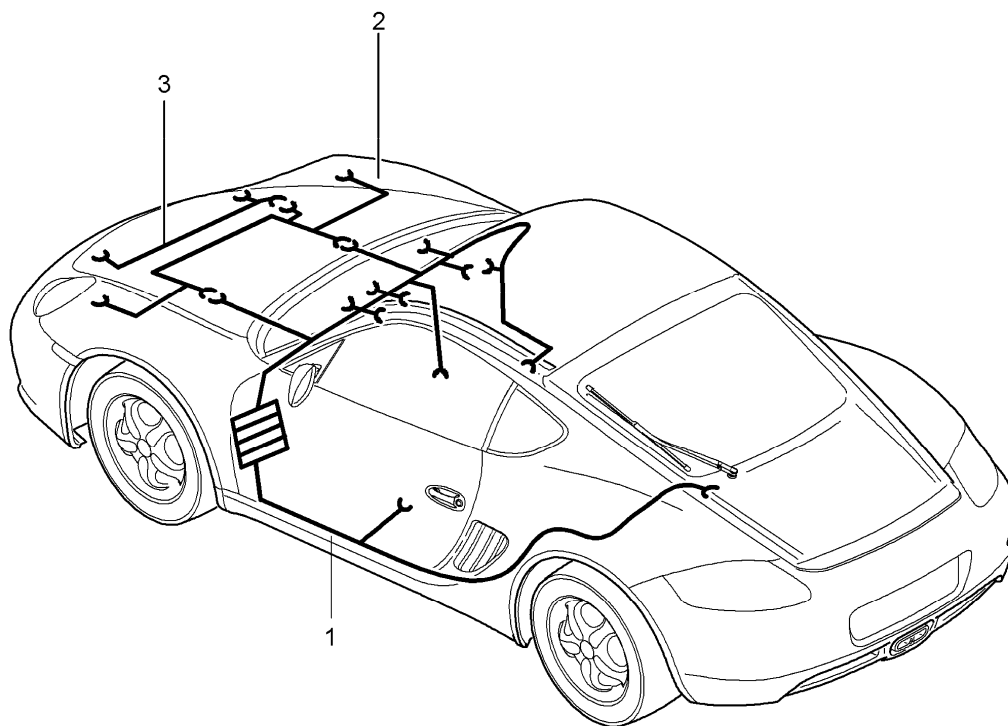
| Pos | Part Number    | Description   | Remark | Qty | Model | Pos  | Part Number      | Description  | Remark | Qty | Model |
|-----|----------------|---|--------|-----|-------|------|------------------|--|--------|-----|-------|
| -   | -              | power distributor<br>without<br>fuse element              |        | 1   |       | 12   | 987 612 090 02   | cable<br>power distributor<br>to<br>connection point<br>engine | /LL    | 1   | I098  |
| -   | -              | hexagon nut<br>M 5  |        | 8   |       | (12) | 987 612 096 00   | cable<br>power distributor<br>to<br>connection point<br>engine | /RL    | 1   | I099  |
| -   | -              | hexagon nut<br>M 8  |        | 3   |       |      |                  |  |        |     |       |
| -   | -              | seal label<br>red<br>when required order also:<br>POS. 11 |        | 1   |       | 13   | 900 084 123 02   | hexagon nut<br>M 8   |        | 1   |       |
| 11  | 997 610 912 00 | repair kit<br>replacement<br>fuse element<br>comprising:  |        | 1   |       | 14   | 900 377 003 03   | hexagon nut<br>M 8   |        | 4   |       |
| -   | -              | fuse element<br>50 AMPERE                                 |        | 1   |       | 15   | 986 611 201 01   | connection point<br>complete                                   |        | 1   |       |
| -   | -              | fuse element<br>80 AMPERE                                 |        | 1   |       | 16   | 900 385 009 01   | torx screw<br>BM 6 X 16  |        | 2   |       |
| -   | -              | hexagon nut<br>M 5  |        | 4   |       | 17   | > 996 604 103 00 | starter<br>1,7 KW  |        | 1   |       |
| -   | -              | square washer   |        | 4   |       | 18   | 900 385 097 01   | torx screw<br>BM 10 X 35                                       |        | 2   |       |
| -   | -              | cover<br>blue   |        | 1   |       | 19   | 900 377 010 01   | hexagon nut<br>M 6   |        | 1   |       |
| -   | -              | seal label<br>red   |        | 1   |       | 20   | A 997 603 012 04 | generator<br>with<br>pulley<br>without<br>free wheel lock      | 06     | 1   | I249  |
| 11  | 997 610 913 00 | repair kit<br>replacement<br>fuse element<br>comprising:  |        | 1   |       | 20   | > 997 603 012 06 | generator<br>with<br>pulley<br>without<br>free wheel lock      | 06     | 1   | I249  |
| -   | -              | fuse element<br>150 AMPERE                                |        | 1   |       |      |                  |  |        |     |       |
| -   | -              | hexagon nut<br>M 8  |        | 2   |       | 20   | A 997 603 022 00 | generator<br>with<br>pulley<br>without<br>free wheel lock      | 07     | 1   | I249  |
| -   | -              | square washer   |        | 2   |       |      |                  |  |        |     |       |
| -   | -              | cover<br>blue   |        | 1   |       | 20   | > 997 603 022 02 | generator<br>with<br>pulley<br>without<br>free wheel lock      | 07-    | 1   | I249  |
| -   | -              | seal label<br>red   |        | 1   |       |      |                  |  |        |     |       |



|       |      |    |    |              |              |     |       |            |         |     |         |
|-------|------|----|----|--------------|--------------|-----|-------|------------|---------|-----|---------|
| Model | Year | MG | SG | Illustration | Restrictions | UPD | 12:29 | 24.01.2010 | PORSCHE | PET | PORSCHE |
| 987C  | 2008 | 9  | 02 | 902-05       |              | 248 |       |            |         |     |         |

| Pos  | Part Number      | Description  | Remark | Qty | Model    | Pos | Part Number    | Description                    | Remark | Qty | Model |
|------|------------------|--|--------|-----|----------|-----|----------------|--------------------------------|--------|-----|-------|
| (20) | A 997 603 012 05 | generator<br>with<br>pulley<br>free wheel lock               | 06     | 1   | I480/481 | 25  | 987 607 030 00 | ground strap<br>body<br>engine |        | 1   |       |
| (20) | > 997 603 012 07 | generator<br>with<br>pulley<br>free wheel lock               | 06     | 1   | I480/481 |     |                |                                |        |     |       |
| (20) | A 997 603 022 01 | generator<br>with<br>pulley<br>free wheel lock               | 07     | 1   | I480/481 |     |                |                                |        |     |       |
| (20) | > 997 603 022 03 | generator<br>with<br>pulley<br>free wheel lock               | 07-    | 1   | I480/481 |     |                |                                |        |     |       |
| 21   | 996 603 151 55   | pulley<br>without<br>free wheel lock                         |        | 1   | I249     |     |                |                                |        |     |       |
| (21) | 997 603 154 00   | pulley<br>with<br>free wheel lock                            |        | 1   | I480/481 |     |                |                                |        |     |       |
| -    | 996 603 113 00   | protection cap   |        | 1   | I249     |     |                |                                |        |     |       |
| -    | 996 603 153 50   | protection cap   |        | 1   | I480/481 |     |                |                                |        |     |       |
| 22   | N 012 016 1      | lock ring<br>B 16  |        | 1   |          |     |                |                                |        |     |       |
| 23   | 900 034 013 01   | hexagon nut<br>M 16 X 1,5<br><br>mounting parts<br>generator |        | 1   |          |     |                |                                |        |     |       |
| -    | 900 385 097 01   | torx screw<br>BM 10 X 35                                     |        | 1   |          |     |                |                                |        |     |       |
| -    | 900 385 092 04   | torx screw<br>BM 10 X 145                                    |        | 1   |          |     |                |                                |        |     |       |
| 24   | 987 607 019 01   | wiring harness<br>starter<br>generator                       | 06     | 1   |          |     |                |                                |        |     |       |
| (24) | 987 607 019 02   | wiring harness<br>starter<br>generator                       | 07     | 1   |          |     |                |                                |        |     |       |

|       |      |    |    |              |              |     |       |            |         |     |         |
|-------|------|----|----|--------------|--------------|-----|-------|------------|---------|-----|---------|
| Model | Year | MG | SG | Illustration | Restrictions | UPD | 12:29 | 24.01.2010 | PORSCHE | PET | PORSCHE |
| 987C  | 2008 | 9  | 02 | 902-10       |              | 248 |       |            |         |     |         |

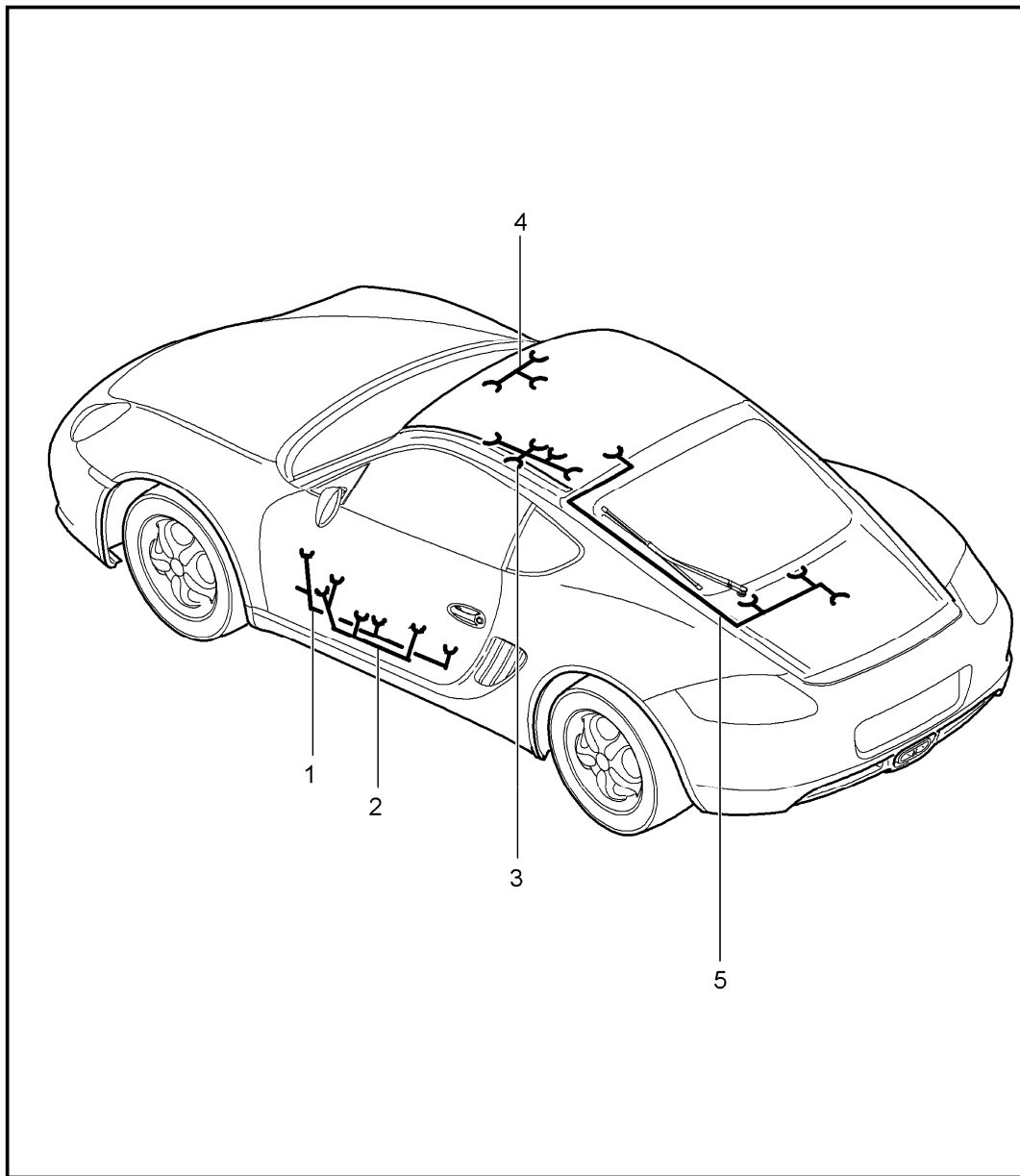


| Pos | Part Number      | Description   | Remark | Qty | Model |
|-----|------------------|---|--------|-----|-------|
|     |                  | wiring harness<br>passenger compartment<br>FRONT luggage compartment<br>lining<br>front<br>airbag<br>seat-belt tensioner<br>repair kits<br>shock absorber<br>anti-lock brake system<br>brake pad wear indicator<br>front axle |        |     |       |
| 1   | 987 612 903 00   | wiring harness<br>passenger compartment<br>vehicle identification no.<br>indicate   |        | 1   |       |
| -   | 996 610 120 01   | support<br>plug socket<br>diagnostic connector  |        | 1   |       |
| -   | 999 651 302 40   | fixing clip<br>wiring harness<br>passenger compartment<br>door sill   |        | X   |       |
| -   | 999 651 284 40   | fixing clip<br>wiring harness<br>passenger compartment<br>door sill   |        | X   |       |
| 2   | U 987 612 520 10 | wiring harness<br>FRONT luggage compartment   |        | 1   |       |
| 2   | 987 612 520 11   | wiring harness<br>FRONT luggage compartment   |        | 1   |       |
| (2) | U 987 612 521 10 | wiring harness<br>FRONT luggage compartment   |        | 1   | I601  |
| (2) | 987 612 521 11   | wiring harness<br>FRONT luggage compartment   |        | 1   | I601  |
| -   | 997 610 215 01   | cable guide<br>for<br>sensor<br>airbag  |        | 2   |       |
| 3   | 987 612 502 00   | wiring harness<br>lining<br>front   |        | 1   |       |
| -   | 999 507 840 40   | cable holder<br>for<br>POS. 3   |        | X   |       |

|       |      |    |    |              |              |     |       |            |         |     |         |
|-------|------|----|----|--------------|--------------|-----|-------|------------|---------|-----|---------|
| Model | Year | MG | SG | Illustration | Restrictions | UPD | 12:29 | 24.01.2010 | PORSCHE | PET | PORSCHE |
| 987C  | 2008 | 9  | 02 | 902-10       |              | 248 |       |            |         |     |         |

| Pos | Part Number    | Description  | Remark | Qty | Model | Pos | Part Number | Description   | Remark | Qty | Model |
|-----|----------------|--|--------|-----|-------|-----|-------------|---|--------|-----|-------|
| -   | 997 612 781 00 | wiring harness<br>airbag<br>passenger's side<br>setting 1<br>connector<br>green  | -07    | 1   |       |     |             | repair kit<br>wiring harness<br>rear axle<br>see group<br>9 / 02 / 20 |        |     |       |
| -   | 997 612 781 25 | wiring harness<br>airbag<br>passenger's side<br>setting 1<br>connector<br>green  | 08     | 1   |       |     |             |   |        |     |       |
| -   | 997 612 783 00 | wiring harness<br>airbag<br>passenger's side<br>setting2<br>connector<br>yellow  | -07    | 1   |       |     |             |   |        |     |       |
| -   | 997 612 783 25 | wiring harness<br>airbag<br>passenger's side<br>setting2<br>connector<br>yellow  | 08     | 1   |       |     |             |   |        |     |       |
| -   | 997 612 992 00 | wiring harness<br>control unit<br>airbag<br>connection point<br>door<br><br>wiring harness<br>airbag<br>seat<br>see group<br>8/17/06 8/17/21 |        | 2   |       |     |             |   |        |     |       |
| -   | 997 612 793 01 | wiring harness<br>seat-belt tensioner  |        | 2   |       |     |             |   |        |     |       |
| -   | 997 612 950 00 | repair kit<br>wiring harness<br>shock absorber   | /V     | 2   | I475  |     |             |   |        |     |       |
| -   | 997 612 961 00 | repair kit<br>wiring harness<br>anti-lock brake system<br>brake pad wear indicator   | /V/L   | 1   |       |     |             |   |        |     |       |
| -   | 997 612 960 00 | repair kit<br>wiring harness<br>anti-lock brake system<br>brake pad wear indicator   | /V/R   | 1   |       |     |             |   |        |     |       |

|       |      |    |    |              |              |     |       |            |         |     |         |
|-------|------|----|----|--------------|--------------|-----|-------|------------|---------|-----|---------|
| Model | Year | MG | SG | Illustration | Restrictions | UPD | 12:29 | 24.01.2010 | PORSCHE | PET | PORSCHE |
| 987C  | 2008 | 9  | 02 | 902-15       |              | 248 |       |            |         |     |         |

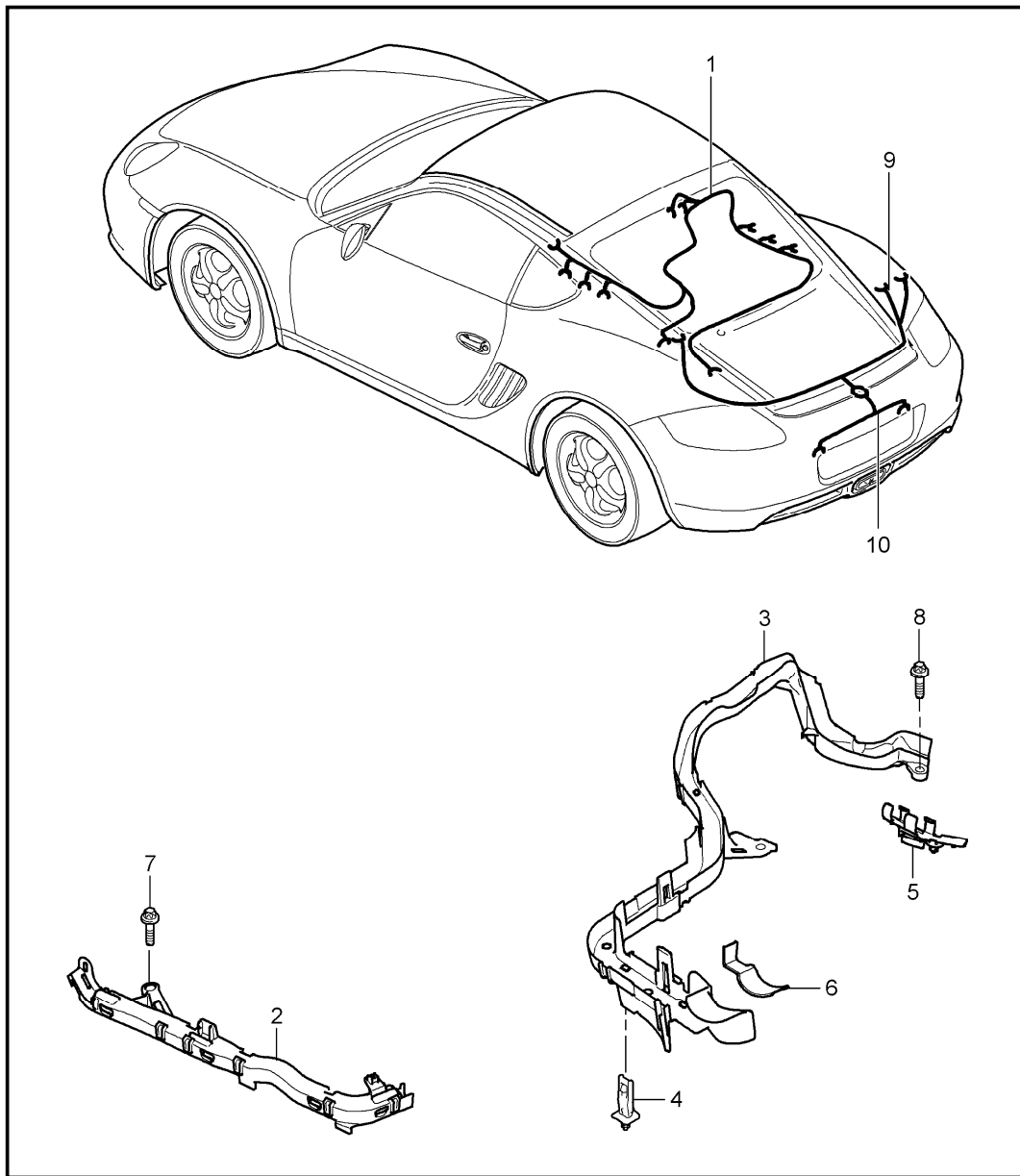


| Pos | Part Number    | Description  | Remark | Qty   | Model                        |
|-----|----------------|--|--------|-------|------------------------------|
|     |                | wiring harnesses<br>doors<br>airbag<br>centre console<br>glove compartment<br>rear lid |        |       |                              |
| 1   | 997 612 642 05 | wiring harness<br>assembly frame<br>driver's door                                      | /LL    | 06    | 1 I098                       |
| 1   | 997 612 642 07 | wiring harness<br>assembly frame<br>driver's door                                      | /LL    | 07-   | 1 I098                       |
| (1) | 997 612 644 55 | wiring harness<br>assembly frame<br>driver's door                                      | /RL    | 06    | 1 I099                       |
| (1) | 997 612 644 57 | wiring harness<br>assembly frame<br>driver's door                                      | /RL    | 07-   | 1 I099                       |
| (1) | 997 612 643 55 | wiring harness<br>assembly frame<br>passenger's door                                   | /LL    | 06    | 1 I098                       |
| (1) | 997 612 643 57 | wiring harness<br>assembly frame<br>passenger's door                                   | /LL    | 07-   | 1 I098                       |
| (1) | 997 612 645 05 | wiring harness<br>assembly frame<br>passenger's door                                   | /RL    | 06    | 1 I099                       |
| (1) | 997 612 645 07 | wiring harness<br>assembly frame<br>passenger's door                                   | /RL    | 07-   | 1 I099                       |
| -   | 997 612 780 16 | wiring harness<br>airbag   |        | 2     |                              |
| 2   | 997 612 647 05 | wiring harness<br>door panel<br>driver's door  | /LL    | 06    | 1 I098                       |
| 2   | 997 612 647 07 | wiring harness<br>door panel<br>driver's door<br>F >>988U7 53595<br>F >>988U7 73372    | /LL    | 07-08 | 1 I098<br>CAYMAN<br>CAYMAN S |
| 2   | 997 612 647 10 | wiring harness<br>door panel<br>driver's door<br>F 988U7 53596>><br>F 988U7 73373>>    | /LL    | 08-   | 1 I098<br>CAYMAN<br>CAYMAN S |

|       |      |    |    |              |              |     |       |            |         |     |         |
|-------|------|----|----|--------------|--------------|-----|-------|------------|---------|-----|---------|
| Model | Year | MG | SG | Illustration | Restrictions | UPD | 12:29 | 24.01.2010 | PORSCHE | PET | PORSCHE |
| 987C  | 2008 | 9  | 02 | 902-15       |              | 248 |       |            |         |     |         |

| Pos | Part Number    | Description  | Remark | Qty   | Model                        | Pos | Part Number | Description | Remark | Qty | Model |
|-----|----------------|--|--------|-------|------------------------------|-----|-------------|-------------|--------|-----|-------|
| (2) | 997 612 650 05 | wiring harness<br>door panel<br>driver's door  | /RL    | 06    | 1 I099                       |     |             |             |        |     |       |
| (2) | 997 612 650 07 | wiring harness<br>door panel<br>driver's door  | /RL    | 07-   | 1 I099                       |     |             |             |        |     |       |
| (2) | 997 612 648 05 | wiring harness<br>door panel<br>passenger's door                                       | /LL    | 06    | 1 I098                       |     |             |             |        |     |       |
| (2) | 997 612 648 07 | wiring harness<br>door panel<br>passenger's door<br>F >>988U7 53595<br>F >>988U7 73372 | /LL    | 07-08 | 1 I098<br>CAYMAN<br>CAYMAN S |     |             |             |        |     |       |
| (2) | 997 612 648 10 | wiring harness<br>door panel<br>passenger's door<br>F 988U7 53596>><br>F 988U7 73373>> | /LL    | 08-   | 1 I098<br>CAYMAN<br>CAYMAN S |     |             |             |        |     |       |
| (2) | 997 612 649 05 | wiring harness<br>door panel<br>passenger's door                                       | /RL    | 06    | 1 I099                       |     |             |             |        |     |       |
| (2) | 997 612 649 07 | wiring harness<br>door panel<br>passenger's door                                       | /RL    | 07-   | 1 I099                       |     |             |             |        |     |       |
| 3   | 997 612 652 75 | wiring harness<br>centre console   |        |       | 1                            |     |             |             |        |     |       |
| 4   | 997 612 651 00 | wiring harness<br>glove compartment  |        |       | 1                            |     |             |             |        |     |       |
| 5   | 987 612 670 50 | wiring harness<br>rear lid   |        |       | 1                            |     |             |             |        |     |       |

|       |      |    |    |              |              |     |       |            |         |     |         |
|-------|------|----|----|--------------|--------------|-----|-------|------------|---------|-----|---------|
| Model | Year | MG | SG | Illustration | Restrictions | UPD | 12:30 | 24.01.2010 | PORSCHE | PET | PORSCHE |
| 987C  | 2008 | 9  | 02 | 902-20       |              | 248 |       |            |         |     |         |

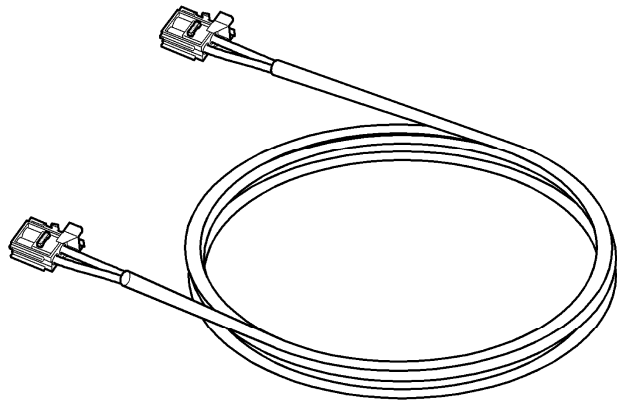
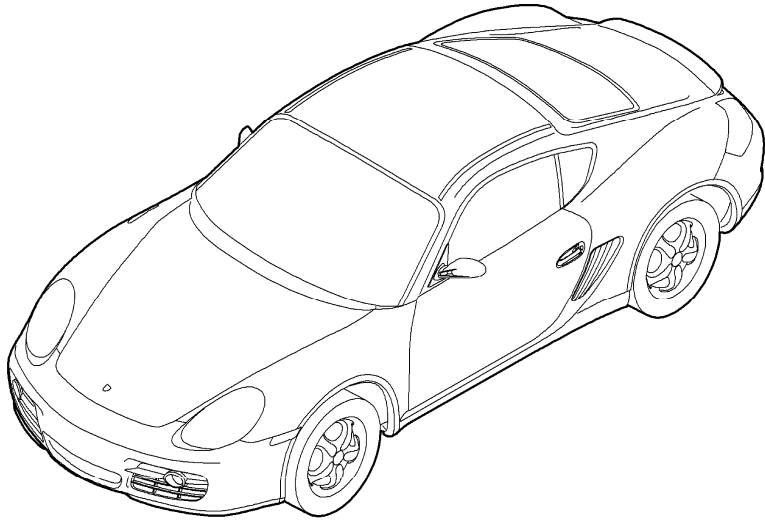


| Pos | Part Number    | Description  | Remark | Qty | Model                      |
|-----|----------------|--|--------|-----|----------------------------|
|     |                | wiring harnesses<br>engine<br>rear end<br>license plate light<br>ParkAssist<br>repair kits<br>for<br>shock absorber<br>anti-lock brake system<br>brake pad wear indicator<br>rear axle |        |     |                            |
| 1   | 987 607 011 06 | wiring harness<br>engine   |        | 06  | 1 M97.20<br>I481           |
| 1 A | 987 607 011 08 | wiring harness<br>engine   |        | 07  | 1 M97.20<br>I481           |
| 1   | 987 607 011 10 | wiring harness<br>engine   |        | 07- | 1 M97.20<br>I481           |
| 1   | 987 607 010 04 | wiring harness<br>engine   |        | 06  | 1 M97.20<br>I481<br>I660   |
| 1 A | 987 607 010 06 | wiring harness<br>engine   |        | 07  | 1 M97.20<br>I481<br>I660   |
| 1   | 987 607 010 08 | wiring harness<br>engine   |        | 07- | 1 M97.20<br>I481<br>I660   |
| 1 A | 987 607 011 62 | wiring harness<br>engine   |        | 06  | 1 M97.20/21<br>I480        |
| 1   | 987 607 011 63 | wiring harness<br>engine   |        | 06  | 1 M97.20/21<br>I480        |
| 1 A | 987 607 011 64 | wiring harness<br>engine   |        | 07  | 1 M97.20/21<br>I480        |
| 1   | 987 607 011 65 | wiring harness<br>engine   |        | 08  | 1 /22<br>M97.20/21<br>I480 |

|       |      |    |    |              |              |     |       |            |         |     |         |
|-------|------|----|----|--------------|--------------|-----|-------|------------|---------|-----|---------|
| Model | Year | MG | SG | Illustration | Restrictions | UPD | 12:30 | 24.01.2010 | PORSCHE | PET | PORSCHE |
| 987C  | 2008 | 9  | 02 | 902-20       |              | 248 |       |            |         |     |         |

| Pos | Part Number      | Description              | Remark | Qty | Model                        | Pos  | Part Number    | Description  | Remark | Qty | Model |
|-----|------------------|--------------------------|--------|-----|------------------------------|------|----------------|--|--------|-----|-------|
| 1   | A 987 607 010 61 | wiring harness<br>engine | 06     | 1   | M97.20/21<br>I480/660        | 7    | 900 385 001 02 | torx screw<br>BM 8 X 20  |        | 2   |       |
| 1   | 987 607 010 62   | wiring harness<br>engine | 06     | 1   | M97.20/21<br>I480/660        | 8    | 900 385 009 01 | torx screw<br>BM 6 X 16  |        | 2   |       |
| 1   | A 987 607 010 63 | wiring harness<br>engine | 07     | 1   | M97.20/21<br>I480/660        | 9    | 987 612 904 00 | wiring harness<br>rear end<br>vehicle identification no.<br>indicate               |        | 1   |       |
| 1   | 987 607 010 64   | wiring harness<br>engine | 07-    | 1   | /22<br>M97.20/21<br>I480/660 | 10   | 997 612 660 00 | wiring harness<br>license plate light  |        | 1   |       |
| 1   | A 987 607 011 05 | wiring harness<br>engine | 06     | 1   | M97.20/21<br>I249            | (10) | 997 612 661 00 | wiring harness<br>ParkAssist<br>license plate light                                |        | 1   | I635  |
| 1   | 987 607 011 07   | wiring harness<br>engine | 06     | 1   | M97.20/21<br>I249            | -    | 997 612 950 00 | repair kit<br>wiring harness<br>shock absorber                                     | /H     | 2   | I475  |
| 1   | 987 607 011 09   | wiring harness<br>engine | 07     | 1   | M97.20/21<br>I249            | -    | 987 612 963 00 | repair kit<br>wiring harness<br>anti-lock brake system<br>brake pad wear indicator | /H/L   | 1   |       |
| 1   | 987 607 011 11   | wiring harness<br>engine | 08     | 1   | /22<br>M97.20/21<br>I249     | -    | 987 612 962 00 | repair kit<br>wiring harness<br>anti-lock brake system<br>brake pad wear indicator | /H/R   | 1   |       |
| 1   | A 987 607 010 03 | wiring harness<br>engine | 06     | 1   | M97.20/21<br>I249/660        |      |                | repair kit<br>wiring harness<br>front axle<br>see group<br>9/02/10                 |        |     |       |
| 1   | 987 607 010 05   | wiring harness<br>engine | 06     | 1   | M97.20/21<br>I249/660        |      |                |  |        |     |       |
| 1   | A 987 607 010 07 | wiring harness<br>engine | 07     | 1   | M97.20/21<br>I249/660        |      |                |  |        |     |       |
| 1   | 987 607 010 09   | wiring harness<br>engine | 07-    | 1   | /22<br>M97.20/21<br>I249/660 |      |                |  |        |     |       |
| 2   | 987 607 116 01   | cable guide              |        | 2   |                              |      |                |  |        |     |       |
| 3   | 997 607 110 00   | cable guide<br>crankcase |        | 1   |                              |      |                |  |        |     |       |
| 4   | 997 607 114 00   | support<br>cable guide   |        | 1   |                              |      |                |  |        |     |       |
| 5   | 987 607 126 00   | support<br>cable guide   |        | 1   |                              |      |                |  |        |     |       |
| 6   | 997 607 113 00   | lid<br>cable guide       |        | 1   |                              |      |                |  |        |     |       |

|       |      |    |    |              |              |     |       |            |         |     |         |
|-------|------|----|----|--------------|--------------|-----|-------|------------|---------|-----|---------|
| Model | Year | MG | SG | Illustration | Restrictions | UPD | 12:30 | 24.01.2010 | PORSCHE | PET | PORSCHE |
| 987C  | 2008 | 9  | 02 | 902-50       |              | 248 |       |            |         |     |         |



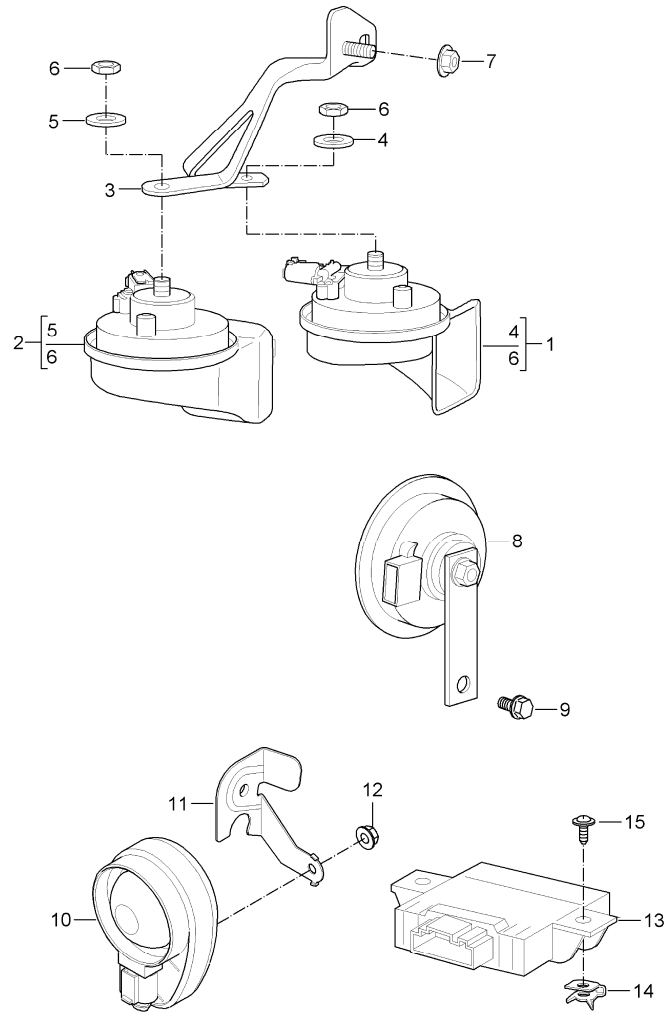
| Pos | Part Number    | Description  | Remark | Qty | Model                        |
|-----|----------------|--|--------|-----|------------------------------|
|     |                | optical waveguide<br>module<br>passenger compartment |        |     |                              |
| -   | 997 622 701 00 | optical waveguide<br>module                          | /LL    | 1   | I098/670/672<br>I680/689/692 |
| -   | 997 622 701 50 | optical waveguide<br>module                          | /RL    | 1   | I099/670/672<br>I680/689/692 |
| -   | 997 622 702 00 | optical waveguide<br>module                          | /LL    | 1   | I098/666/689                 |
| -   | 997 622 702 50 | optical waveguide<br>module                          | /RL    | 1   | I099/666/689                 |
| -   | 997 622 703 00 | optical waveguide<br>module                          | /LL    | 1   | I098/666/670<br>I672/680/692 |
| -   | 997 622 703 50 | optical waveguide<br>module                          | /RL    | 1   | I099/666/670<br>I672/680/692 |
|     |                | module<br>FRONT luggage compartment                  |        |     |                              |
| -   | 997 610 122 00 | support<br>connection point                          |        | 1   |                              |
| -   | 996 610 132 00 | cable guide<br>t-piece<br>FRONT luggage compartment  |        | X   |                              |
| -   | 997 622 707 00 | optical waveguide<br>module                          | /LL    | 1   | I098/670/672                 |
| -   | 997 622 707 50 | optical waveguide<br>module                          | /RL    | 1   | I099/670/672                 |
| -   | 997 622 704 00 | optical waveguide<br>module                          | /LL    | 1   | I098/680                     |
| -   | 997 622 704 50 | optical waveguide<br>module                          | /RL    | 1   | I099/680                     |
| -   | 997 622 706 00 | optical waveguide<br>module                          | /LL    | 1   | I098/692                     |
| -   | 997 622 706 50 | optical waveguide<br>module                          | /RL    | 1   | I099/692                     |
| -   | 997 622 708 00 | optical waveguide<br>module                          | /LL    | 1   | I098/664/692                 |
| -   | 997 622 710 00 | optical waveguide<br>module                          | /LL    | 1   | I098/670/672<br>I680         |



|       |      |    |    |              |              |     |       |            |         |     |         |
|-------|------|----|----|--------------|--------------|-----|-------|------------|---------|-----|---------|
| Model | Year | MG | SG | Illustration | Restrictions | UPD | 12:30 | 24.01.2010 | PORSCHE | PET | PORSCHE |
| 987C  | 2008 | 9  | 02 | 902-50       |              | 248 |       |            |         |     |         |

| Pos | Part Number    | Description                 | Remark | Qty | Model                        | Pos | Part Number | Description | Remark | Qty | Model |
|-----|----------------|-----------------------------|--------|-----|------------------------------|-----|-------------|-------------|--------|-----|-------|
| -   | 997 622 710 50 | optical waveguide<br>module | /RL    | 1   | I099/670/672<br>I680         |     |             |             |        |     |       |
| -   | 997 622 714 00 | optical waveguide<br>module | /LL    | 1   | I098/670/672<br>I692         |     |             |             |        |     |       |
| -   | 997 622 714 50 | optical waveguide<br>module | /RL    | 1   | I099/670/672<br>I692         |     |             |             |        |     |       |
| -   | 997 622 715 00 | optical waveguide<br>module | /LL    | 1   | I098/664/670<br>I672/692     |     |             |             |        |     |       |
| -   | 997 622 709 00 | optical waveguide<br>module | /LL    | 1   | I098/680/692                 |     |             |             |        |     |       |
| -   | 997 622 709 50 | optical waveguide<br>module | /RL    | 1   | I099/680/692                 |     |             |             |        |     |       |
| -   | 997 622 712 00 | optical waveguide<br>module | /LL    | 1   | I098/664/680<br>I692         |     |             |             |        |     |       |
| -   | 997 622 711 00 | optical waveguide<br>module | /LL    | 1   | I098/670/672<br>I680/692     |     |             |             |        |     |       |
| -   | 997 622 711 50 | optical waveguide<br>module | /RL    | 1   | I099/670/672<br>I680/692     |     |             |             |        |     |       |
| -   | 997 622 713 00 | optical waveguide<br>module | /LL    | 1   | I098/664/670<br>I672/680/692 |     |             |             |        |     |       |

|       |      |    |    |              |              |     |       |            |         |     |         |
|-------|------|----|----|--------------|--------------|-----|-------|------------|---------|-----|---------|
| Model | Year | MG | SG | Illustration | Restrictions | UPD | 12:30 | 24.01.2010 | PORSCHE | PET | PORSCHE |
| 987C  | 2008 | 9  | 03 | 903-00       |              | 248 |       |            |         |     |         |

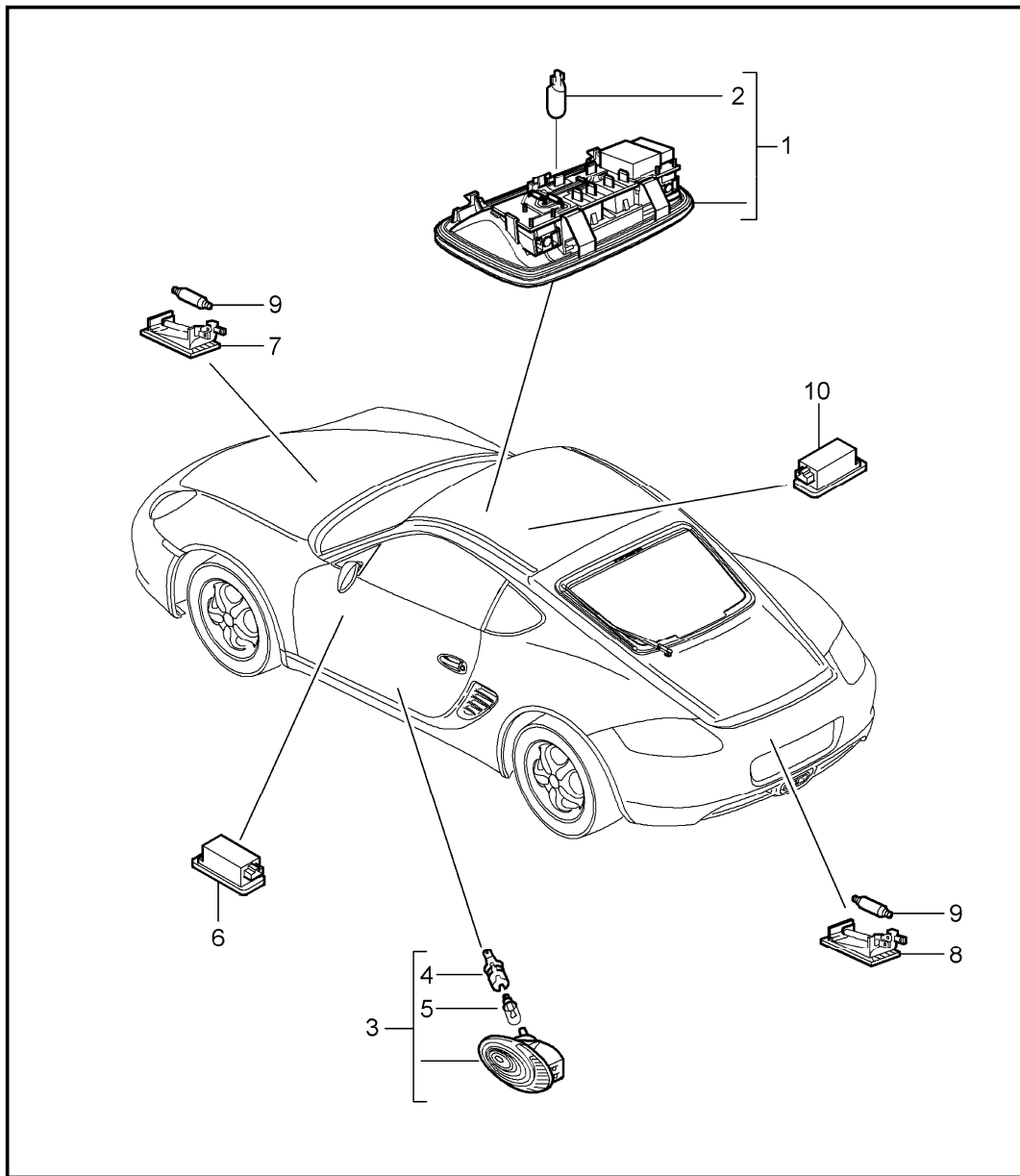


| Pos | Part Number      | Description                      | Remark | Qty | Model |
|-----|------------------|----------------------------------|--------|-----|-------|
|     |                  | fanfare<br>horn<br>alarm system  |        |     |       |
| 1   | A 997 635 206 01 | fanfare<br>high-pitched          | -07    | 1   |       |
| 1   | 997 635 206 02   | fanfare<br>high-pitched          | -07    | 1   |       |
| 1   | 997 635 206 03   | fanfare<br>high-pitched          | 08     | 1   |       |
| 2   | A 997 635 205 01 | fanfare<br>low-pitched           | -06    | 1   |       |
| 2   | 997 635 205 02   | fanfare<br>low-pitched           | -07    | 1   |       |
| 2   | 997 635 205 03   | fanfare<br>low-pitched           | 08     | 1   |       |
| 3   | 997 635 150 01   | support                          | 06     | 1   |       |
| 3   | 997 635 150 02   | support                          | 07     | 1   |       |
| 3   | 997 635 150 03   | support                          | 08     | 1   |       |
| 4   | -                | washer<br>high-pitched           |        | 1   |       |
| 5   | -                | washer<br>low-pitched            |        | 1   |       |
| 6   | 900 034 001 03   | hexagon nut<br>M 8               | -07    | 2   |       |
| 6   | 900 034 001 04   | hexagon nut<br>M 8               | 08     | 2   |       |
| 7   | 900 377 003 03   | hexagon nut<br>M 8               |        | 1   |       |
| 8   | 996 637 117 03   | horn<br>for<br>alarm system      |        | 1   |       |
| 9   | 900 075 459 01   | combination screw<br>M 6 X 12 Z2 |        | 1   |       |
| 10  | 955 618 237 01   | alarm siren                      |        | 1   | I536  |
| 11  | 997 637 419 01   | support                          |        | 1   | I536  |
| 12  | 900 380 015 01   | hexagon nut<br>M 6               |        | 1   | I536  |

|       |      |    |    |              |              |     |       |            |         |     |         |
|-------|------|----|----|--------------|--------------|-----|-------|------------|---------|-----|---------|
| Model | Year | MG | SG | Illustration | Restrictions | UPD | 12:30 | 24.01.2010 | PORSCHE | PET | PORSCHE |
| 987C  | 2008 | 9  | 03 | 903-00       |              | 248 |       |            |         |     |         |

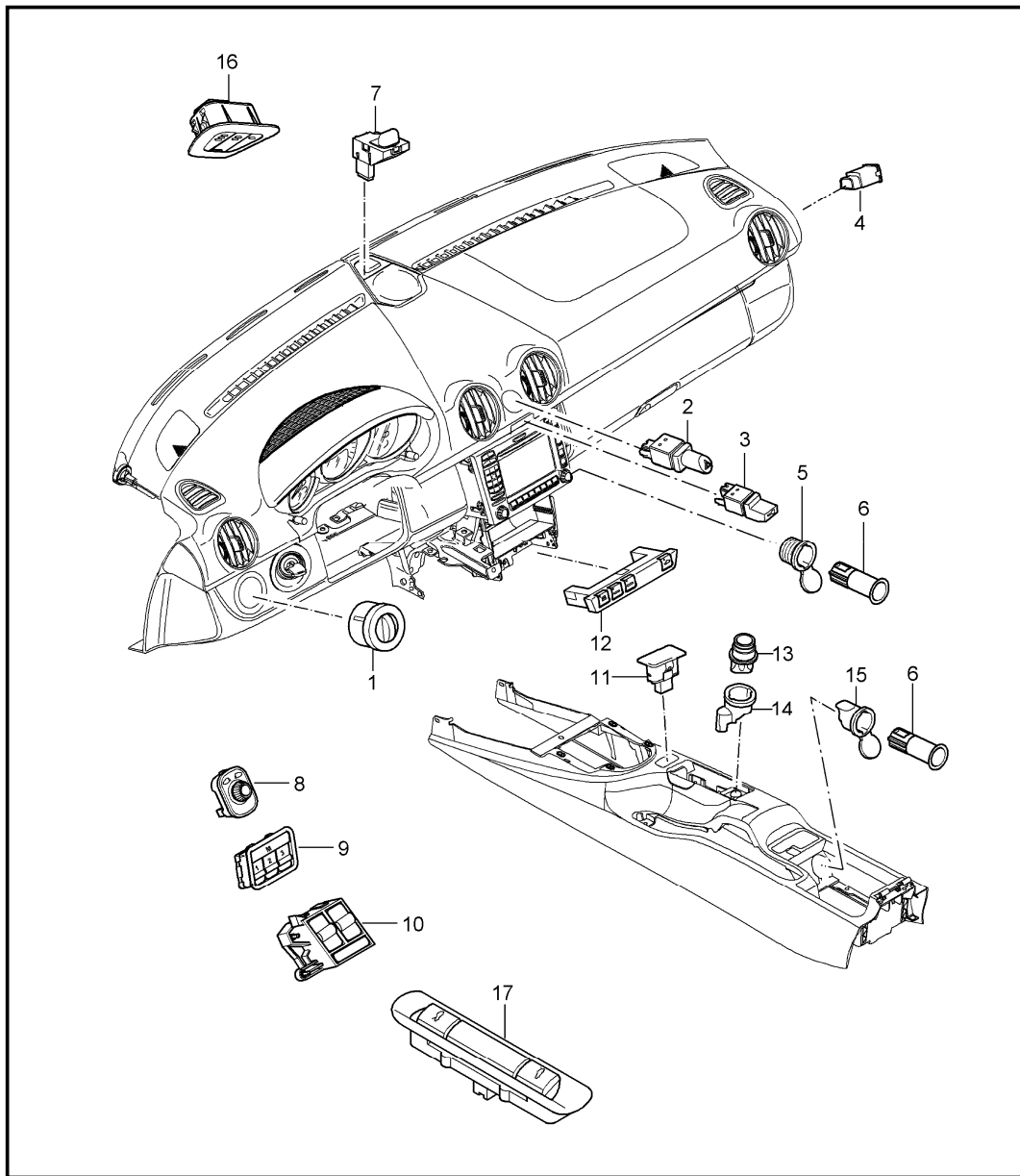
| Pos | Part Number    | Description                 | Remark | Qty | Model    | Pos | Part Number | Description | Remark | Qty | Model |
|-----|----------------|-----------------------------|--------|-----|----------|-----|-------------|-------------|--------|-----|-------|
| 13  | 997 618 265 00 | control unit<br>tilt sensor |        | 1   | I521/536 |     |             |             |        |     |       |
| 14  | 999 591 742 01 | speed nut<br>4,2            |        | 2   | I521/536 |     |             |             |        |     |       |
| 15  | 999 073 155 09 | tapping screw<br>4,2 X 13   |        | 2   | I521/536 |     |             |             |        |     |       |

|       |      |    |    |              |              |     |       |            |         |     |         |
|-------|------|----|----|--------------|--------------|-----|-------|------------|---------|-----|---------|
| Model | Year | MG | SG | Illustration | Restrictions | UPD | 12:30 | 24.01.2010 | PORSCHE | PET | PORSCHE |
| 987C  | 2008 | 9  | 03 | 903-04       |              | 248 |       |            |         |     |         |



| Pos | Part Number    | Description   | Remark | Qty | Model |
|-----|----------------|---|--------|-----|-------|
|     |                | interior lights<br>luggage compartment lamp<br>engine compartment lamp<br>glove compartment light<br>footwell light |        |     |       |
| 1   | 987 632 057 00 | interior light  | /LL    | 1   | I098  |
| (1) | 987 632 059 00 | interior light  | /RL    | 1   | I099  |
| 2   | 999 631 134 90 | bulb<br>6 W   |        | 2   |       |
| 3   | 996 632 132 01 | door guard light  |        | 2   |       |
| (3) | 996 632 135 00 | light<br>tray<br>luggage  |        | 2   |       |
| 4   | 161 949 111    | bulb socket   |        | 2   |       |
| 5   | 999 631 032 90 | bulb<br>5 W   |        | 2   |       |
| 6   | 955 632 202 00 | light<br>footwell   |        | 2   |       |
| 7   | 997 632 201 00 | light<br>luggage compartment<br>front   |        | 1   |       |
| 8   | 997 632 125 00 | light<br>luggage compartment<br>rear  |        | 1   |       |
| 9   | 900 631 106 90 | bulb<br>10 W  |        | 2   |       |
| 10  | 997 632 071 00 | glove compartment light   |        | 1   |       |
| -   | 999 631 147 90 | bulb<br>3 W<br>vanity mirror  |        | 4   |       |

|       |      |    |    |              |              |     |       |            |         |     |         |
|-------|------|----|----|--------------|--------------|-----|-------|------------|---------|-----|---------|
| Model | Year | MG | SG | Illustration | Restrictions | UPD | 12:30 | 24.01.2010 | PORSCHE | PET | PORSCHE |
| 987C  | 2008 | 9  | 03 | 903-05       |              | 248 |       |            |         |     |         |

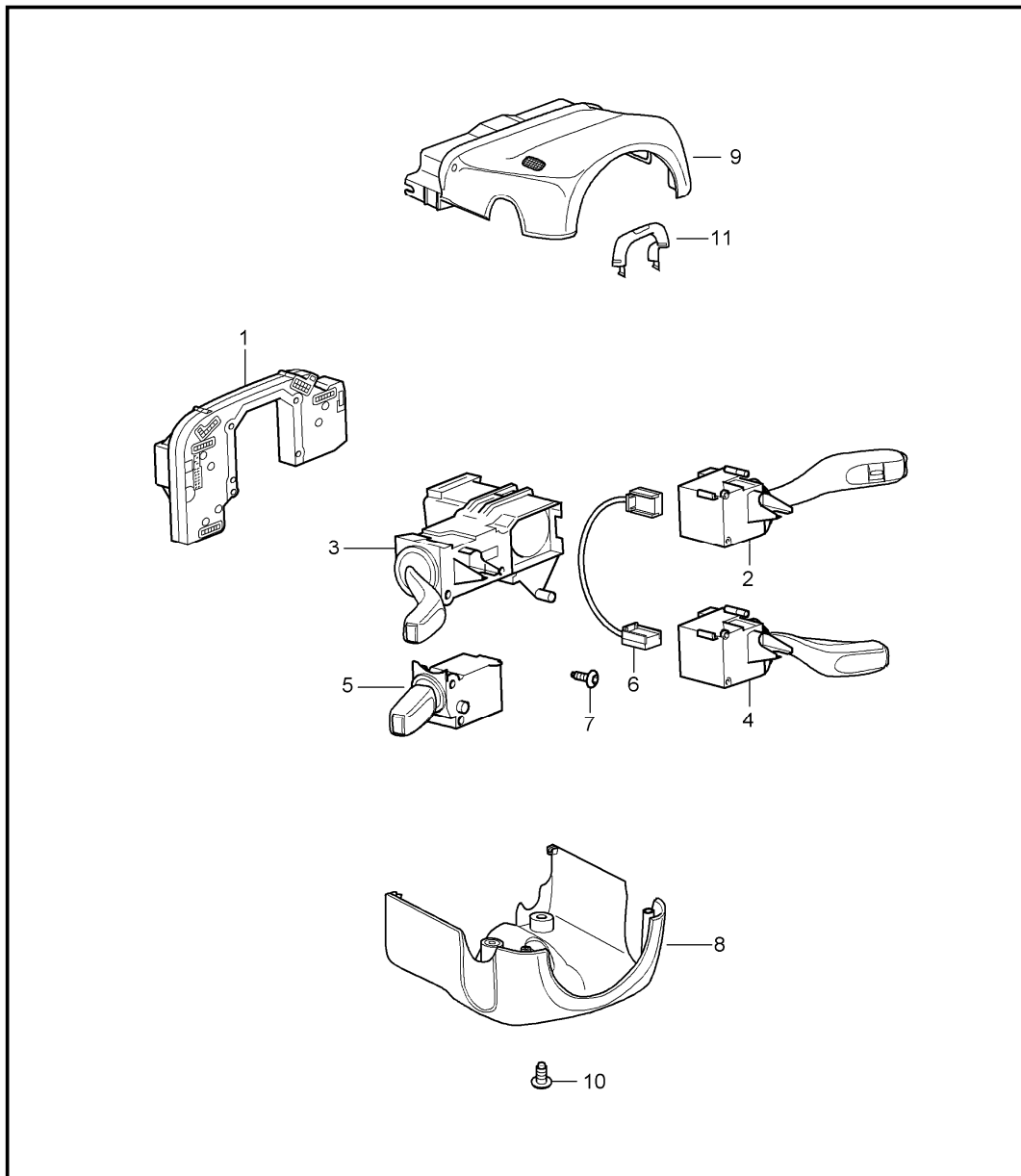


| Pos  | Part Number    | Description              | Remark | Qty | Model |
|------|----------------|--------------------------|--------|-----|-------|
| 1    | 997 613 535 01 | switch                   |        | 1   |       |
|      | A05            | light switch             |        |     |       |
|      | A05            | black mat                |        |     |       |
| 2    | 987 613 120 02 | hazard warning light sw. |        | 1   |       |
|      | A05            | black mat                |        |     |       |
| 3    | 987 613 143 00 | switch                   |        | 1   |       |
|      |                | central locking system   |        |     |       |
|      | A05            | black mat                |        |     |       |
| 4    | 955 613 165 01 | switch                   | 06     | 1   |       |
|      |                | airbag                   |        |     |       |
|      | B41            | satin black              |        |     |       |
| 4    | 955 613 165 02 | switch                   | 07-    | 1   |       |
|      |                | airbag                   |        |     |       |
|      | 9B9            | satin black              |        |     |       |
| 5    | 997 652 103 00 | clamping ring            |        | 1   |       |
|      |                | with lid                 |        |     |       |
| 6    | 955 652 107 00 | plug socket              |        | 2   |       |
| 7    | 997 653 251 00 | sensor                   |        | 1   |       |
|      |                | air conditioner          |        |     |       |
| 8    | 997 613 241 00 | switch                   |        | 1   |       |
|      |                | door mirror              |        |     |       |
|      | A05            | black mat                |        |     |       |
| 9    | 997 613 103 00 | memory switch            | /L     | 1   | I537  |
|      | A05            | black mat                |        |     |       |
| (9)  | 997 613 104 00 | memory switch            | /R     | 1   | I538  |
|      | A05            | black mat                |        |     |       |
| 10 A | 997 613 151 03 | switch                   | /LL    | 1   | I098  |
|      |                | power windows            | -06    |     |       |
|      |                | driver's side            |        |     |       |
|      | A05            | black mat                |        |     |       |
| 10   | 997 613 151 04 | switch                   | /LL    | 1   | I098  |
|      |                | power windows            |        |     |       |
|      |                | driver's side            |        |     |       |

|       |      |    |    |              |              |     |       |            |         |     |         |
|-------|------|----|----|--------------|--------------|-----|-------|------------|---------|-----|---------|
| Model | Year | MG | SG | Illustration | Restrictions | UPD | 12:30 | 24.01.2010 | PORSCHE | PET | PORSCHE |
| 987C  | 2008 | 9  | 03 | 903-05       |              | 248 |       |            |         |     |         |

| Pos  | Part Number      | Description                                 | Remark | Qty | Model                  | Pos  | Part Number    | Description                     | Remark | Qty | Model    |
|------|------------------|---|--------|-----|------------------------|------|----------------|---------------------------------|--------|-----|----------|
|      | A05              | black mat                                   |        |     |                        |      | FMH            | volcano grey/black mat          |        |     |          |
| (10) | 997 613 152 03   | switch<br>power windows<br>driver's side    | /RL    | -07 | 1 I099                 | (12) | 997 613 133 00 | combined switch                 |        | 1   | I476     |
|      | A05              | black mat                                   |        |     |                        |      | FMH            | volcano grey/black mat          |        |     |          |
| (10) | 997 613 152 04   | switch<br>power windows<br>driver's side    | /RL    | 08- | 1 I099                 | (12) | 997 613 129 00 | combined switch                 | 07-    | 1   | IXLF/476 |
|      | A05              | black mat                                   |        |     |                        |      | FMH            | volcano grey/black mat          |        |     |          |
| (10) | A 997 613 156 03 | switch<br>power windows<br>passenger's side | /LL    | -06 | 1 I098                 | 13 A | 996 652 101 10 | cigarette lighter               | -07    | 1   |          |
|      | A05              | black mat                                   |        |     |                        |      | A05            | black mat                       |        |     |          |
| (10) | 997 613 156 04   | switch<br>power windows<br>passenger's side | /LL    |     | 1 I098                 | 13   | 997 652 101 00 | cigarette lighter               |        | 1   |          |
|      | A05              | black mat                                   |        |     |                        |      | A05            | black mat                       |        |     |          |
| (10) | 997 613 155 03   | switch<br>power windows<br>passenger's side | /RL    | -07 | 1 I099                 | 14   | 997 652 102 00 | headlight unit                  |        | 1   |          |
|      | A05              | black mat                                   |        |     |                        |      | A05            | black mat                       |        |     |          |
| (10) | 997 613 155 04   | switch<br>power windows<br>passenger's side | /RL    | 08- | 1 I099                 | 15   | 997 652 104 00 | clamping ring<br>with<br>lid    |        | 1   |          |
|      | A05              | black mat                                   |        |     |                        |      | A05            | black mat                       |        |     |          |
| (10) | 997 613 165 00   | indicator light<br>airbag                   |        |     | 1                      | 16   | 987 613 225 00 | switch<br>garage door opener    |        | 1   | I607/608 |
|      | A05              | black mat                                   |        |     |                        |      | A05            | black mat                       |        |     |          |
| (10) | 997 613 155 04   | switch<br>power windows<br>passenger's side | /RL    | 08- | 1 I099                 | 17 A | 997 613 105 00 | switch<br>lid<br>front and rear | -07    | 1   |          |
|      | A05              | black mat                                   |        |     |                        |      | A05            | black mat                       |        |     |          |
| 11   | 997 641 165 00   | indicator light<br>airbag                   |        |     | 1                      | 17   | 997 613 105 01 | switch<br>lid<br>front and rear |        | 1   |          |
|      | A05              | black mat                                   |        |     |                        |      | A05            | black mat                       |        |     |          |
| 12   | 997 613 139 00   | combined switch                             |        |     | 1 I475/476<br>I639/640 |      |                |                                 |        |     |          |
| (12) | 997 613 137 00   | combined switch                             |        |     | 1 I476/639/640         |      |                |                                 |        |     |          |
| (12) | 997 613 135 00   | combined switch                             |        |     | 1 I475/476             |      |                |                                 |        |     |          |
| (12) | 997 613 131 00   | combined switch                             |        |     | 1 IXLF/475/476         |      |                |                                 | 07-    |     |          |

|       |      |    |    |              |              |     |       |            |         |     |         |
|-------|------|----|----|--------------|--------------|-----|-------|------------|---------|-----|---------|
| Model | Year | MG | SG | Illustration | Restrictions | UPD | 12:55 | 02.02.2010 | PORSCHE | PET | PORSCHE |
| 987C  | 2008 | 9  | 03 | 903-10       |              | 248 |       |            |         |     |         |



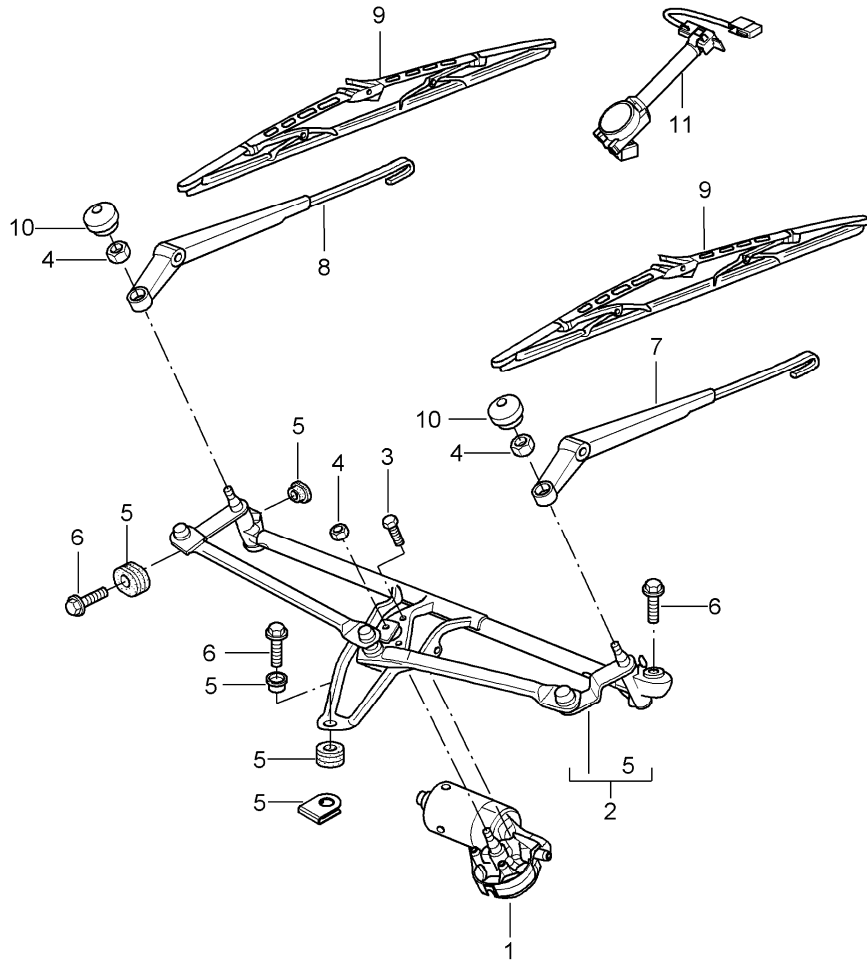
| Pos | Part Number      | Description                        | Remark | Qty | Model    |
|-----|------------------|------------------------------------|--------|-----|----------|
|     |                  | steering column switch             |        |     |          |
| 1   | A 997 613 291 02 | electronic unit                    | 06     | 1   |          |
| 1   | A 997 613 297 01 | electronic unit                    | 07     | 1   |          |
| 1   | 997 613 297 02   | electronic unit                    |        | 1   |          |
| 2   | 997 613 251 00   | wiper switch                       |        | 1   |          |
|     | 01C              | satin black                        |        |     |          |
| (2) | 997 613 253 00   | wiper switch                       |        | 1   | I288     |
|     | 01C              | satin black                        |        |     |          |
| (2) | 997 613 255 00   | wiper switch                       |        | 1   | I425     |
|     | 01C              | satin black                        |        |     |          |
| (2) | 997 613 257 00   | wiper switch                       |        | 1   | I288/425 |
|     | 01C              | satin black                        |        |     |          |
| 3   | 997 613 245 00   | direction indicator switch         |        | 1   |          |
|     | 01C              | satin black                        |        |     |          |
| 4   | > 997 613 261 00 | switch<br>cruise control           |        | 1   | I454     |
|     | 01C              | satin black                        |        |     |          |
| 5   | 997 613 265 00   | switch<br>on-board computer        |        | 1   | I659     |
|     | 01C              | satin black                        |        |     |          |
| 6   | 997 622 674 00   | wiring harness<br>cruise control   |        | 1   | I454     |
| 7   | N 909 068 01     | torx screw<br>M 2,5 X 2,6 X 43,5-D |        | X   |          |
| 8   | 997 552 475 02   | switch housing<br>lower            |        | 1   |          |
|     | A03              | black                              |        |     |          |
| (8) | 997 552 475 03   | switch housing<br>lower            |        | 1   | I454     |
|     | A03              | black                              |        |     |          |
| 8   | 997 552 979 00   | switch housing<br>lower<br>leather |        | 1   | IXNS     |

|       |      |    |    |              |              |     |       |            |         |     |         |
|-------|------|----|----|--------------|--------------|-----|-------|------------|---------|-----|---------|
| Model | Year | MG | SG | Illustration | Restrictions | UPD | 12:55 | 02.02.2010 | PORSCHE | PET | PORSCHE |
| 987C  | 2008 | 9  | 03 | 903-10       |              | 248 |       |            |         |     |         |

| Pos | Part Number    | Description                        | Remark | Qty | Model    | Pos | Part Number      | Description                 | Remark | Qty | Model |
|-----|----------------|------------------------------------|--------|-----|----------|-----|------------------|-----------------------------|--------|-----|-------|
|     | A11            | black                              |        |     |          |     | 8G2              | sand beige                  |        |     |       |
|     | 5X6            | stone grey                         |        |     |          |     | 3S9              | sea blue                    |        |     |       |
|     | 8G2            | sand beige                         |        |     |          |     | 4P2              | palmgreen                   |        |     |       |
|     | 3S9            | sea blue                           |        |     |          |     | 9S5              | terracotta                  |        |     |       |
|     | 4P2            | palmgreen                          |        |     |          |     | 9V6              | cocoa                       |        |     |       |
|     | 9S5            | terracotta                         |        |     |          |     | D12              | dark grey/natural           |        |     |       |
|     | 9V6            | cocoa                              |        |     |          |     | T12              | brown/natural               |        |     |       |
|     | D12            | dark grey/natural                  |        |     |          |     | N12              | carrera red                 |        |     |       |
|     | T12            | brown/natural                      |        |     |          | 10  | A 999 919 136 02 | oval-head screw<br>3,5 X 18 | -06    | 3   |       |
|     | N12            | carrera red                        |        |     |          | 10  | 999 919 136 01   | oval-head screw<br>3,5 X 18 |        | 3   |       |
| (8) | 997 552 979 01 | switch housing<br>lower<br>leather |        | 1   | IXNS/454 | 11  | 997 610 206 00   | cable guide                 |        | 1   |       |
|     | A11            | black                              |        |     |          |     |                  |                             |        |     |       |
|     | 5X6            | stone grey                         |        |     |          |     |                  |                             |        |     |       |
|     | 8G2            | sand beige                         |        |     |          |     |                  |                             |        |     |       |
|     | 3S9            | sea blue                           |        |     |          |     |                  |                             |        |     |       |
|     | 4P2            | palmgreen                          |        |     |          |     |                  |                             |        |     |       |
|     | 9S5            | terracotta                         |        |     |          |     |                  |                             |        |     |       |
|     | 9V6            | cocoa                              |        |     |          |     |                  |                             |        |     |       |
|     | D12            | dark grey/natural                  |        |     |          |     |                  |                             |        |     |       |
|     | T12            | brown/natural                      |        |     |          |     |                  |                             |        |     |       |
|     | N12            | carrera red                        |        |     |          |     |                  |                             |        |     |       |
| 9   | 997 552 273 02 | switch housing<br>upper            |        | 1   |          |     |                  |                             |        |     |       |
|     | A03            | black                              |        |     |          |     |                  |                             |        |     |       |
| 9   | 997 552 997 00 | switch housing<br>upper<br>leather |        | 1   | IXNS     |     |                  |                             |        |     |       |
|     | A11            | black                              |        |     |          |     |                  |                             |        |     |       |
|     | 5X6            | stone grey                         |        |     |          |     |                  |                             |        |     |       |



|       |      |    |    |              |              |     |       |            |         |     |         |
|-------|------|----|----|--------------|--------------|-----|-------|------------|---------|-----|---------|
| Model | Year | MG | SG | Illustration | Restrictions | UPD | 12:31 | 24.01.2010 | PORSCHE | PET | PORSCHE |
| 987C  | 2008 | 9  | 04 | 904-00       |              | 248 |       |            |         |     |         |

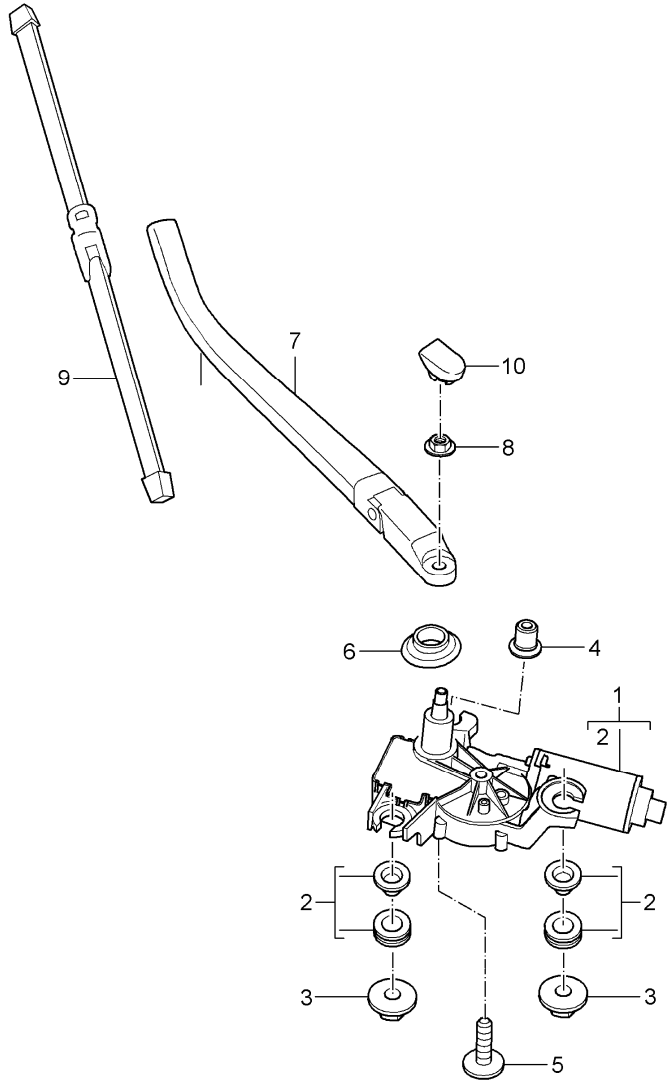


| Pos | Part Number      | Description                            | Remark | Qty | Model  |
|-----|------------------|--|--------|-----|--------|
|     |                  | windscreen wiper system<br>rain sensor |        |     |        |
| 1   | A 997 624 105 00 | wiper motor                            | /LL    | -07 | 1 I098 |
| 1   | 997 624 105 01   | wiper motor                            | /LL    |     | 1 I098 |
| (1) | A 997 624 106 00 | wiper motor                            | /RL    | -07 | 1 I099 |
| (1) | 997 624 106 01   | wiper motor                            | /RL    |     | 1 I099 |
| 2   | 997 628 235 00   | crank drive                            | /LL    | -07 | 1 I098 |
| 2   | 997 628 235 01   | crank drive                            | /LL    | 08  | 1 I098 |
| (2) | 997 628 236 00   | crank drive                            | /RL    | -07 | 1 I099 |
| (2) | 997 628 236 01   | crank drive                            | /RL    | 08  | 1 I099 |
| 3   | 999 073 152 02   | torx screw<br>M 6 X 18                 |        |     | 3      |
| 4   | 900 076 064 02   | hexagon nut<br>M 8                     |        |     | 3      |
| 5   | 997 628 928 00   | repair kit<br>comprising:              |        |     | 1<br>1 |
| -   | -                | bearing sleeve                         |        |     | 1      |
| -   | -                | rubber bush                            |        |     | 1      |
| -   | -                | bearing sleeve                         |        |     | 1      |
| -   | -                | rubber bush                            |        |     | 1      |
| -   | -                | clamp                                  |        |     | 2      |
| 6   | 999 075 075 01   | combination screw<br>M 6 X 22 SC       |        |     | 3      |
| 7   | A 986 628 028 00 | wiper arm<br>driver's side             | /LL    | -07 | 1 I098 |
| 7   | 987 628 027 00   | wiper arm<br>driver's side             | /LL    |     | 1 I098 |
| (7) | A 996 628 027 01 | wiper arm<br>passenger's side          | /RL    | -07 | 1 I099 |
| (7) | 997 628 030 00   | wiper arm<br>passenger's side          | /RL    |     | 1 I099 |
| 8   | A 996 628 028 01 | wiper arm<br>passenger's side          | /LL    | -07 | 1 I098 |

|       |      |    |    |              |              |     |       |            |         |     |         |
|-------|------|----|----|--------------|--------------|-----|-------|------------|---------|-----|---------|
| Model | Year | MG | SG | Illustration | Restrictions | UPD | 12:31 | 24.01.2010 | PORSCHE | PET | PORSCHE |
| 987C  | 2008 | 9  | 04 | 904-00       |              | 248 |       |            |         |     |         |

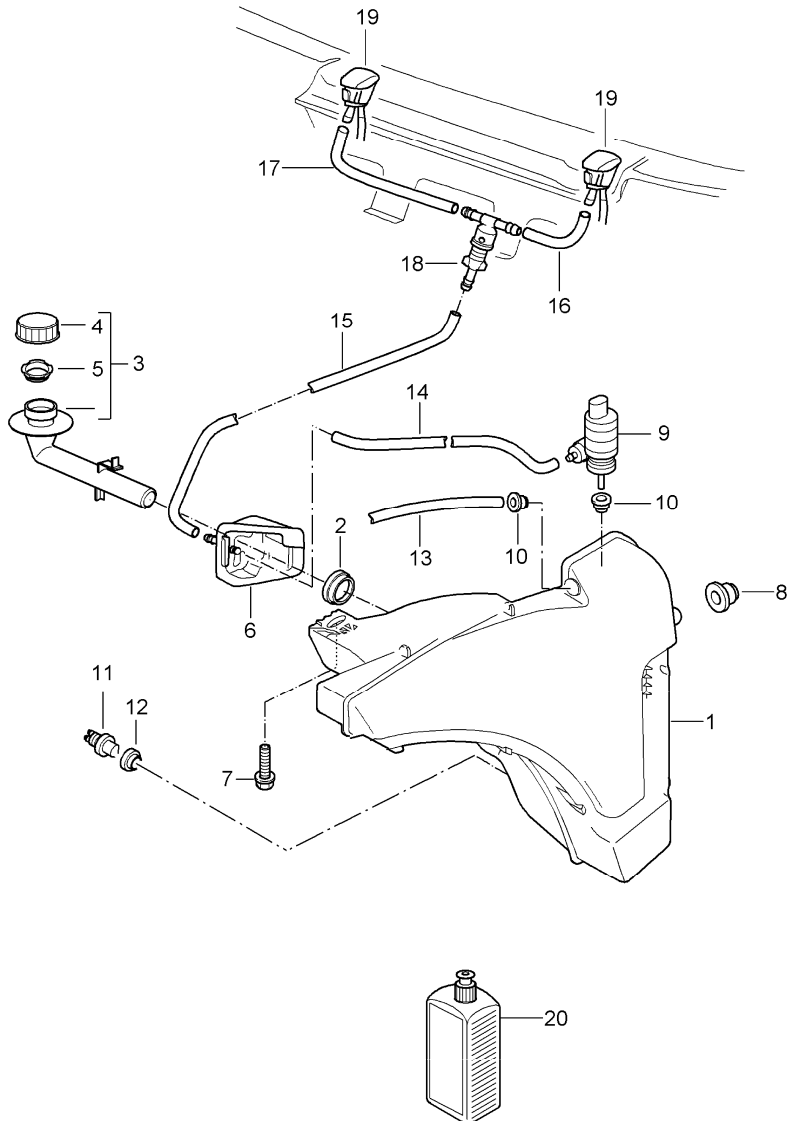
| Pos   | Part Number    | Description   | Remark  | Qty | Model    | Pos | Part Number | Description | Remark | Qty | Model |
|-------|----------------|---|---------|-----|----------|-----|-------------|-------------|--------|-----|-------|
| 8     | 997 628 029 00 | wiper arm<br>passenger's side                           | /LL     | 1   | I098     |     |             |             |        |     |       |
| (8) A | 986 628 027 00 | wiper arm<br>driver's side                              | /RL -07 | 1   | I099     |     |             |             |        |     |       |
| (8)   | 987 628 028 00 | wiper arm<br>driver's side                              | /RL     | 1   | I099     |     |             |             |        |     |       |
| 9     | 996 628 901 08 | wiper blade<br>set<br>driver's side<br>passenger's side |         | 1   |          |     |             |             |        |     |       |
| 10    | 944 628 305 01 | cap   |         | 2   |          |     |             |             |        |     |       |
| 11    | 987 612 693 00 | rain sensor<br>with<br>wiring harness                   |         | 1   | I267/268 |     |             |             |        |     |       |
| -     | 000 043 204 65 | adhesive film<br>for<br>rain sensor                     |         | 1   |          |     |             |             |        |     |       |

|       |      |    |    |              |              |     |       |            |         |     |         |
|-------|------|----|----|--------------|--------------|-----|-------|------------|---------|-----|---------|
| Model | Year | MG | SG | Illustration | Restrictions | UPD | 12:31 | 24.01.2010 | PORSCHE | PET | PORSCHE |
| 987C  | 2008 | 9  | 04 | 904-05       |              | 248 |       |            |         |     |         |



| Pos | Part Number    | Description                   | Remark | Qty | Model |
|-----|----------------|-------------------------------|--------|-----|-------|
|     |                | rear window wiper             |        |     | I425  |
| 1   | 987 628 080 00 | wiper motor                   |        | 1   |       |
| 2   | 997 628 908 00 | repair kit comprising:        |        | 1   |       |
| -   | -              | grommet                       |        | 2   |       |
| -   | -              | bush                          |        | 2   |       |
| 3   | 999 076 078 01 | hexagon nut M 6               |        | 2   |       |
| 4   | 999 500 078 00 | speed nut                     |        | 1   |       |
| 5   | 999 073 468 01 | combination screw M 6 X 22 SC |        | 1   |       |
| 6   | 987 628 273 00 | grommet                       |        | 1   |       |
| 7   | 987 628 169 00 | wiper arm                     |        | 1   |       |
| 8   | 900 377 003 03 | hexagon nut                   |        | 1   |       |
| 9   | 997 628 189 00 | wiper blade                   |        | 1   |       |
| 10  | 997 628 122 00 | cap                           |        | 1   |       |

|       |      |    |    |              |              |     |       |            |         |     |         |
|-------|------|----|----|--------------|--------------|-----|-------|------------|---------|-----|---------|
| Model | Year | MG | SG | Illustration | Restrictions | UPD | 12:34 | 24.01.2010 | PORSCHE | PET | PORSCHE |
| 987C  | 2008 | 9  | 04 | 904-10       |              | 248 |       |            |         |     |         |

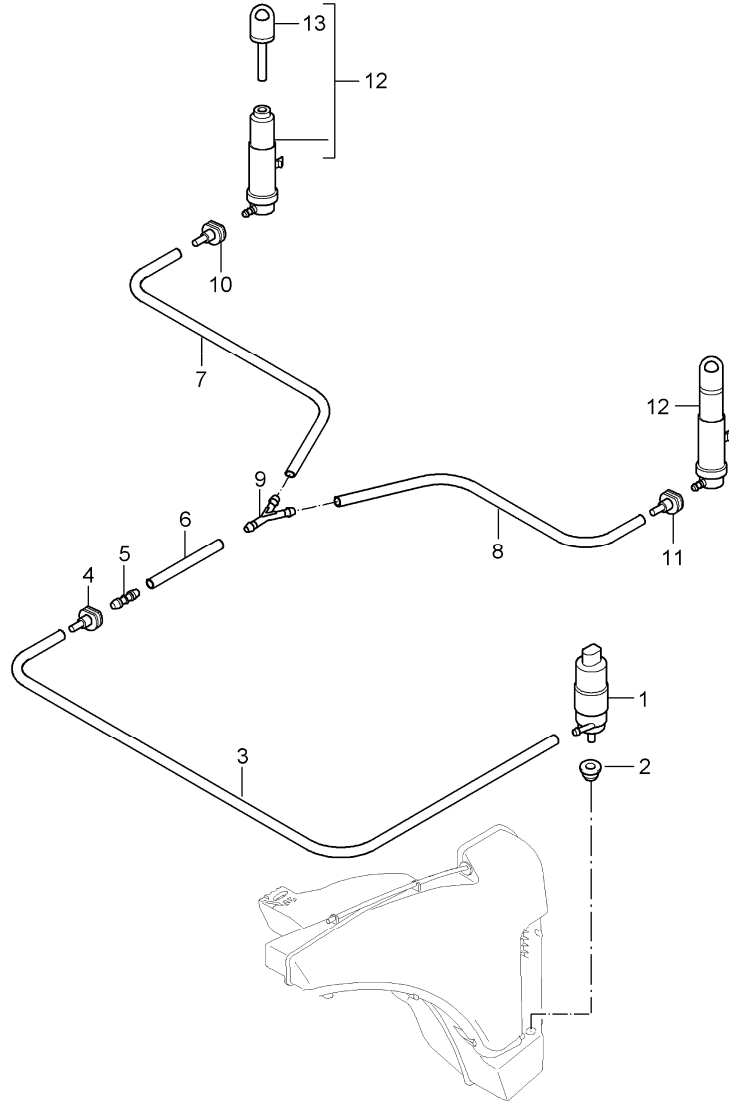


| Pos | Part Number    | Description   | Remark | Qty | Model |
|-----|----------------|---|--------|-----|-------|
|     |                | windscreen washer system  |        |     |       |
| 1   | 997 528 701 01 | water reservoir   |        | 1   | I288  |
| (1) | 997 528 701 00 | water reservoir   |        | 1   |       |
| 2   | 996 528 711 00 | gasket  |        | 1   |       |
| 3   | 997 528 605 00 | filler neck   |        | 1   |       |
| 4   | 996 528 607 00 | lid   |        | 1   |       |
| 5   | 997 528 621 00 | strainer  |        | 1   |       |
| 6   | 996 528 615 01 | bracket   |        | 1   |       |
| -   | 999 137 091 40 | joining socket<br>repair material<br>for<br>bracket<br>996.528.615.01 |        | X   |       |
| 7   | 900 378 154 01 | hexagon-head bolt<br>AM 8 X 35 SB                                     |        | 1   |       |
| 8   | 999 702 221 40 | grommet   |        | 2   |       |
| 9   | 997 628 182 00 | pump  |        | 1   |       |
| 10  | 431 955 465 B  | gasket  |        | 2   |       |
| 11  | 955 628 105 00 | tank gauge switch   |        | 1   |       |
| 12  | 955 528 721 00 | gasket  |        | 1   |       |
| 13  | 999 181 347 40 | breather pipe<br>273 MM   |        | *   |       |
| -   | 999 181 815 40 | hose<br>5,0 X 2,5   |        | *   |       |
| 14  | -              | 375 MM  |        | 1   |       |
| 15  | -              | 650 MM  |        | 1   |       |
| 16  | -              | 97 MM   |        | 1   |       |
| 17  | -              | 347 MM  |        | 1   |       |
| 18  | 999 137 005 40 | t-piece   |        | 1   |       |
| 19  | 996 628 077 03 | nozzle  | -07    | 2   |       |
| 19  | 997 628 077 00 | nozzle  | 08     | 2   |       |

|       |      |    |    |              |              |     |       |            |         |     |         |
|-------|------|----|----|--------------|--------------|-----|-------|------------|---------|-----|---------|
| Model | Year | MG | SG | Illustration | Restrictions | UPD | 12:34 | 24.01.2010 | PORSCHE | PET | PORSCHE |
| 987C  | 2008 | 9  | 04 | 904-10       |              | 248 |       |            |         |     |         |

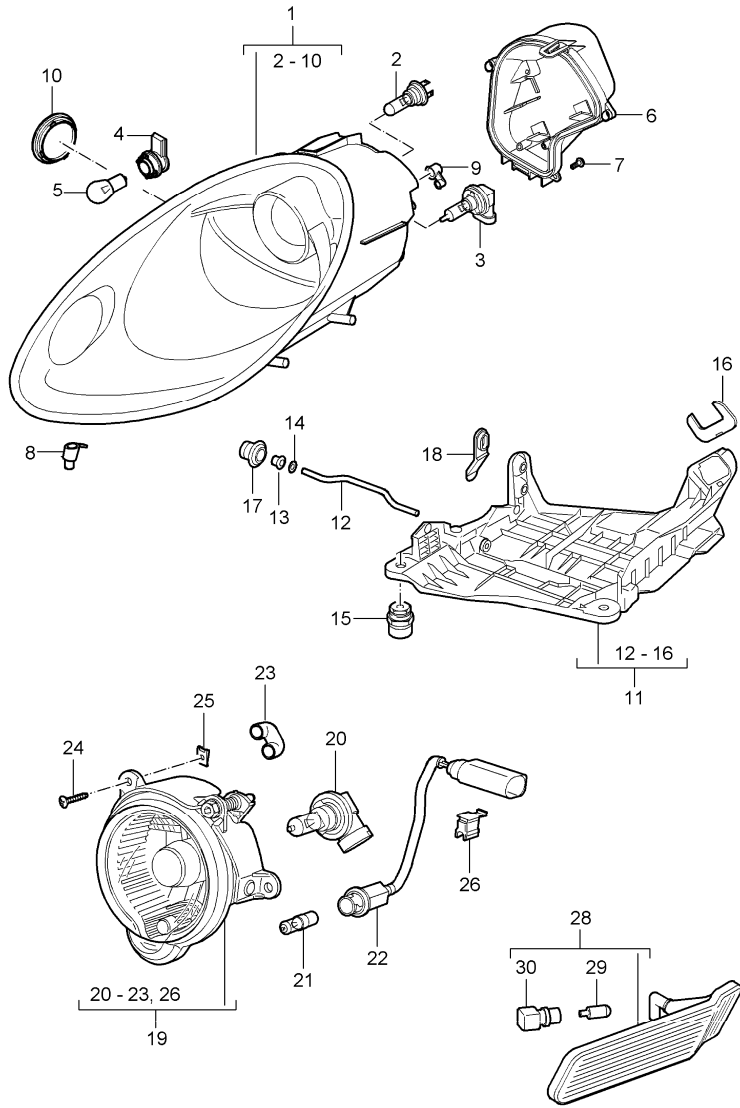
| Pos | Part Number    | Description                        | Remark | Qty | Model | Pos | Part Number | Description | Remark | Qty | Model |
|-----|----------------|------------------------------------|--------|-----|-------|-----|-------------|-------------|--------|-----|-------|
| 20  | 999 901 017 42 | window cleaner<br>250 ML<br>summer |        | X   |       |     |             |             |        |     |       |

|       |      |    |    |              |              |     |       |            |         |     |         |
|-------|------|----|----|--------------|--------------|-----|-------|------------|---------|-----|---------|
| Model | Year | MG | SG | Illustration | Restrictions | UPD | 12:34 | 24.01.2010 | PORSCHE | PET | PORSCHE |
| 987C  | 2008 | 9  | 04 | 904-20       |              | 248 |       |            |         |     |         |



| Pos | Part Number      | Description             | Remark | Qty | Model |
|-----|------------------|-------------------------|--------|-----|-------|
|     |                  | headlight washer system |        |     | I288  |
| 1   | 997 624 502 00   | pump                    |        | 1   |       |
| 2   | 928 628 193 00   | gasket                  |        | 1   |       |
| -   | 000 043 204 79   | hose<br>8 X 3           |        | *   |       |
| 3   | -                | 890 MM                  |        | 1   |       |
| 4   | 996 628 204 00   | quick-connecting lock   |        | 1   |       |
| 5   | 997 628 208 00   | hose connection         |        | 1   |       |
| -   | 999 181 760 40   | hose<br>10 X 3          |        | *   |       |
| 6   | -                | 440 MM                  |        |     |       |
| 7   | -                | 50 MM                   |        |     |       |
| 8   | -                | 2140 MM                 |        |     |       |
| 9   | 999 137 093 40   | y-piece                 |        | 1   |       |
| 10  | 997 628 204 00   | quick-connecting lock   |        | 1   |       |
| 11  | 997 628 205 00   | quick-connecting lock   |        | 1   |       |
| 12  | A 997 628 133 00 | nozzle                  | -07    | 2   |       |
| 12  | 997 628 133 01   | nozzle                  |        | 2   |       |
| 13  | 997 628 231 00   | nozzle head             |        | 2   |       |

|       |      |    |    |              |              |     |       |            |         |     |         |
|-------|------|----|----|--------------|--------------|-----|-------|------------|---------|-----|---------|
| Model | Year | MG | SG | Illustration | Restrictions | UPD | 12:34 | 24.01.2010 | PORSCHE | PET | PORSCHE |
| 987C  | 2008 | 9  | 05 | 905-00       |              | 248 |       |            |         |     |         |



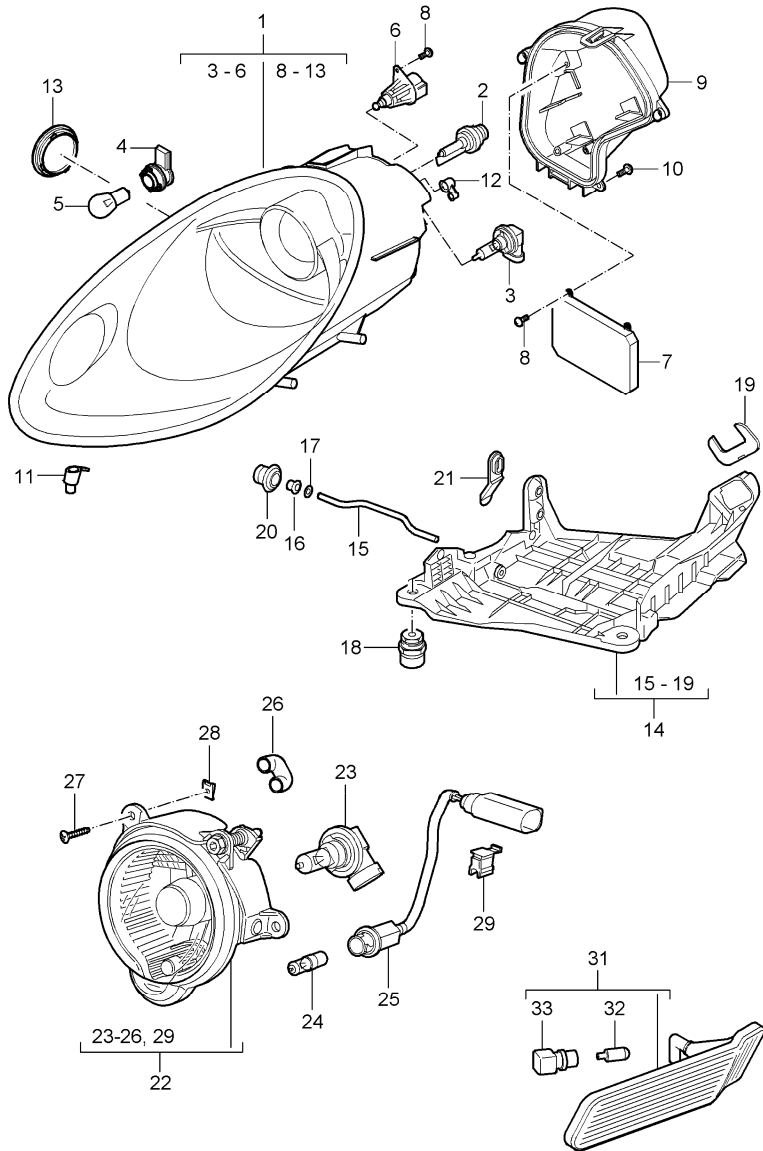
| Pos  | Part Number    | Description  | Remark | Qty | Model |
|------|----------------|--|--------|-----|-------|
|      |                | headlamp<br>additional headlamp<br>direction indicator light |        |     |       |
| 1    | 987 631 163 01 | headlamp   | /L     | 1   |       |
| (1)  | 987 631 164 01 | headlamp   | /R     | 1   |       |
| (1)  | 987 631 163 11 | headlamp   | /L     | 1   | I492  |
| (1)  | 987 631 164 11 | headlamp   | /R     | 1   | I492  |
| 2    | 999 631 133 91 | halogen bulb<br>H 7  |        | 2   |       |
| 3    | 999 631 143 90 | halogen bulb<br>H 9  |        | 2   |       |
| 4    | 987 631 153 00 | bulb socket<br>direction indicator light                     |        | 2   |       |
| 5    | 900 631 021 90 | bulb<br>21 W   |        | 2   |       |
| 6    | 997 631 101 00 | protective cap   | /L     | 1   |       |
| (6)  | 997 631 102 00 | protective cap   | /R     | 1   |       |
| 7    | 997 631 191 00 | screw  |        | 4   |       |
| 8    | 987 631 135 00 | breather adapter   |        | 2   |       |
| 9    | 997 631 249 00 | ventilation component  |        | 2   |       |
| 10   | 987 631 107 00 | lid  |        | 2   |       |
| 11   | 987 631 041 01 | mounting   | /L     | 1   |       |
| (11) | 987 631 042 01 | mounting   | /R     | 1   |       |
| 12   | 987 631 243 01 | clamping bow   |        | 2   |       |
| 13   | 997 631 272 00 | bearing sleeve   |        | 2   |       |
| 14   | 900 116 004 09 | lock washer  |        | 2   |       |
| 15   | 997 631 194 00 | fastening part   |        | 6   |       |
| 16   | 997 631 245 00 | locking device<br>connector housing                          |        | 2   |       |
| 17   | 999 703 413 40 | stopper  |        | 2   |       |
| 18   | 993 631 170 03 | stopper  |        | 6   |       |
|      |                | additional headlamp  |        |     |       |

|       |      |    |    |              |              |     |       |            |         |     |         |
|-------|------|----|----|--------------|--------------|-----|-------|------------|---------|-----|---------|
| Model | Year | MG | SG | Illustration | Restrictions | UPD | 12:34 | 24.01.2010 | PORSCHE | PET | PORSCHE |
| 987C  | 2008 | 9  | 05 | 905-00       |              | 248 |       |            |         |     |         |

| Pos  | Part Number    | Description                           | Remark | Qty | Model | Pos | Part Number | Description | Remark | Qty | Model |
|------|----------------|---------------------------------------|--------|-----|-------|-----|-------------|-------------|--------|-----|-------|
| 19   | 987 631 083 00 | additional headlamp                   | /L     | 1   |       |     |             |             |        |     |       |
| (19) | 987 631 084 00 | additional headlamp                   | /R     | 1   |       |     |             |             |        |     |       |
| 20   | 999 631 144 91 | halogen bulb<br>H 11                  |        | 2   |       |     |             |             |        |     |       |
| 21   | 999 631 140 90 | bulb<br>H 6 W<br>position light       |        | 2   |       |     |             |             |        |     |       |
| 22   | 987 631 191 01 | bulb socket<br>position light         |        | 2   |       |     |             |             |        |     |       |
| 23   | 987 631 302 00 | breather adapter                      |        | 2   |       |     |             |             |        |     |       |
| 24   | 999 073 080 02 | tapping screw<br>ST 4,2 X 16          |        | 6   |       |     |             |             |        |     |       |
| 25   | 999 507 768 02 | speed nut<br>ST 4,2                   |        | 6   |       |     |             |             |        |     |       |
| 26   | 999 507 119 40 | clip<br><br>direction indicator light |        | 2   |       |     |             |             |        |     |       |
| 28   | 987 631 033 01 | direction indicator light             | /L     | 1   |       |     |             |             |        |     |       |
| (28) | 987 631 034 01 | direction indicator light             | /R     | 1   |       |     |             |             |        |     |       |
| 29   | 999 631 138 90 | bulb<br>5 W<br>yellow                 |        | 2   |       |     |             |             |        |     |       |
| 30   | 997 631 133 00 | bulb socket                           |        | 2   |       |     |             |             |        |     |       |



|       |      |    |    |              |              |     |       |            |         |     |         |
|-------|------|----|----|--------------|--------------|-----|-------|------------|---------|-----|---------|
| Model | Year | MG | SG | Illustration | Restrictions | UPD | 12:34 | 24.01.2010 | PORSCHE | PET | PORSCHE |
| 987C  | 2008 | 9  | 05 | 905-01       |              | 248 |       |            |         |     |         |

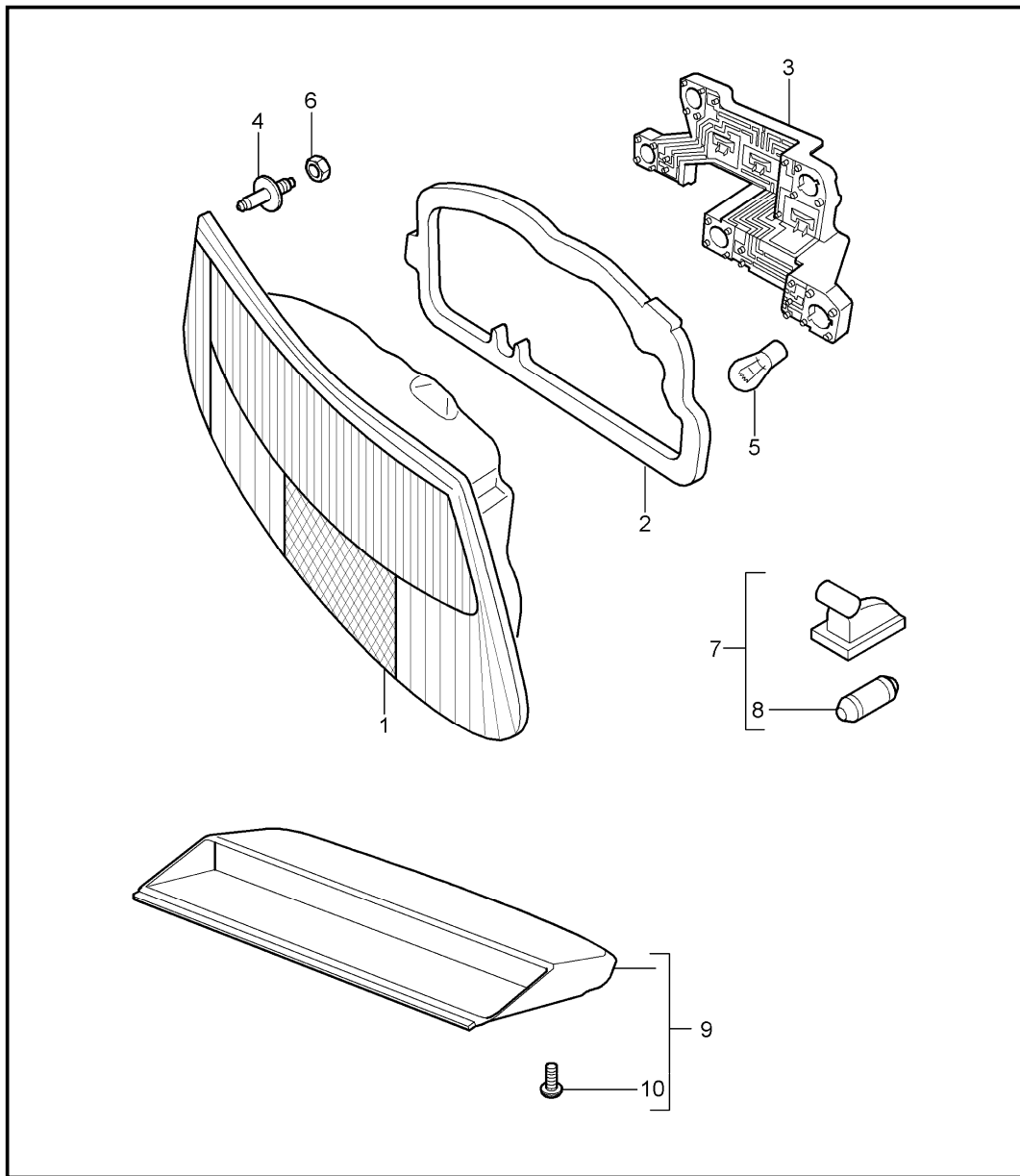


| Pos  | Part Number    | Description  | Remark | Qty | Model |
|------|----------------|--|--------|-----|-------|
|      |                | headlamp<br>additional headlamp<br>direction indicator light |        |     | I601  |
|      |                | headlamp<br>without<br>control unit<br>and<br>bulb<br>XENON  |        |     |       |
| 1    | 987 631 157 01 | headlamp   | /L     | 1   |       |
| (1)  | 987 631 158 01 | headlamp   | /R     | 1   |       |
| (1)  | 987 631 157 11 | headlamp   | /L     | 1   | I492  |
| (1)  | 987 631 158 11 | headlamp   | /R     | 1   | I492  |
| 2    | 999 631 036 90 | bulb<br>- PHILIPS -  |        | 2   |       |
| 3    | 999 631 144 91 | halogen bulb<br>H 11   |        | 2   |       |
| 4    | 987 631 153 00 | bulb socket<br>direction indicator light                     |        | 2   |       |
| 5    | 900 631 021 90 | bulb<br>21 W   |        | 2   |       |
| 6    | 997 631 141 00 | electric motor<br>headlight levelling system                 |        | 2   |       |
| 7    | 997 631 183 00 | control unit   |        | 2   |       |
| 8    | 997 631 199 00 | screw  |        | 6   |       |
| 9    | 997 631 101 00 | protective cap   | /L     | 1   |       |
| (9)  | 997 631 102 00 | protective cap   | /R     | 1   |       |
| 10   | 997 631 191 00 | screw  |        | 8   |       |
| 11   | 987 631 135 00 | breather adapter   |        | 2   |       |
| 12   | 997 631 249 00 | ventilation component  |        | 2   |       |
| 13   | 987 631 107 00 | lid  |        | 2   |       |
| 14   | 987 631 041 01 | mounting   | /L     | 1   |       |
| (14) | 987 631 042 01 | mounting   | /R     | 1   |       |
| 15   | 987 631 243 01 | clamping bow   |        | 2   |       |
| 16   | 997 631 272 00 | bearing sleeve   |        | 2   |       |

|       |      |    |    |              |              |     |       |            |         |     |         |
|-------|------|----|----|--------------|--------------|-----|-------|------------|---------|-----|---------|
| Model | Year | MG | SG | Illustration | Restrictions | UPD | 12:34 | 24.01.2010 | PORSCHE | PET | PORSCHE |
| 987C  | 2008 | 9  | 05 | 905-01       |              | 248 |       |            |         |     |         |

| Pos  | Part Number    | Description                         | Remark | Qty | Model | Pos | Part Number | Description | Remark | Qty | Model |
|------|----------------|-------------------------------------|--------|-----|-------|-----|-------------|-------------|--------|-----|-------|
| 17   | 900 116 004 09 | lock washer                         |        | 2   |       |     |             |             |        |     |       |
| 18   | 997 631 194 00 | fastening part                      |        | 6   |       |     |             |             |        |     |       |
| 19   | 997 631 245 00 | locking device<br>connector housing |        | 2   |       |     |             |             |        |     |       |
| 20   | 999 703 413 40 | stopper                             |        | 2   |       |     |             |             |        |     |       |
| 21   | 993 631 170 03 | stopper                             |        | 6   |       |     |             |             |        |     |       |
|      |                | additional headlamp                 |        |     |       |     |             |             |        |     |       |
| 22   | 987 631 083 00 | additional headlamp                 | /L     | 1   |       |     |             |             |        |     |       |
| (22) | 987 631 084 00 | additional headlamp                 | /R     | 1   |       |     |             |             |        |     |       |
| 23   | 999 631 144 91 | halogen bulb<br>H 11                |        | 2   |       |     |             |             |        |     |       |
| 24   | 999 631 140 90 | bulb<br>H 6 W<br>position light     |        | 2   |       |     |             |             |        |     |       |
| 25   | 987 631 191 01 | bulb socket<br>position light       |        | 2   |       |     |             |             |        |     |       |
| 26   | 987 631 302 00 | breather adapter                    |        | 2   |       |     |             |             |        |     |       |
| 27   | 999 073 080 02 | tapping screw<br>ST 4,2 X 16        |        | 6   |       |     |             |             |        |     |       |
| 28   | 999 507 768 02 | speed nut<br>ST 4,2                 |        | 6   |       |     |             |             |        |     |       |
| 29   | 999 507 119 40 | clip                                |        | 2   |       |     |             |             |        |     |       |
|      |                | direction indicator light           |        |     |       |     |             |             |        |     |       |
| 31   | 987 631 033 01 | direction indicator light           | /L     | 1   |       |     |             |             |        |     |       |
| (31) | 987 631 034 01 | direction indicator light           | /R     | 1   |       |     |             |             |        |     |       |
| 32   | 999 631 138 90 | bulb<br>5 W<br>yellow               |        | 2   |       |     |             |             |        |     |       |
| 33   | 997 631 133 00 | bulb socket                         |        | 2   |       |     |             |             |        |     |       |

|       |      |    |    |              |              |     |       |            |         |     |         |
|-------|------|----|----|--------------|--------------|-----|-------|------------|---------|-----|---------|
| Model | Year | MG | SG | Illustration | Restrictions | UPD | 12:35 | 24.01.2010 | PORSCHE | PET | PORSCHE |
| 987C  | 2008 | 9  | 05 | 905-05       |              | 248 |       |            |         |     |         |

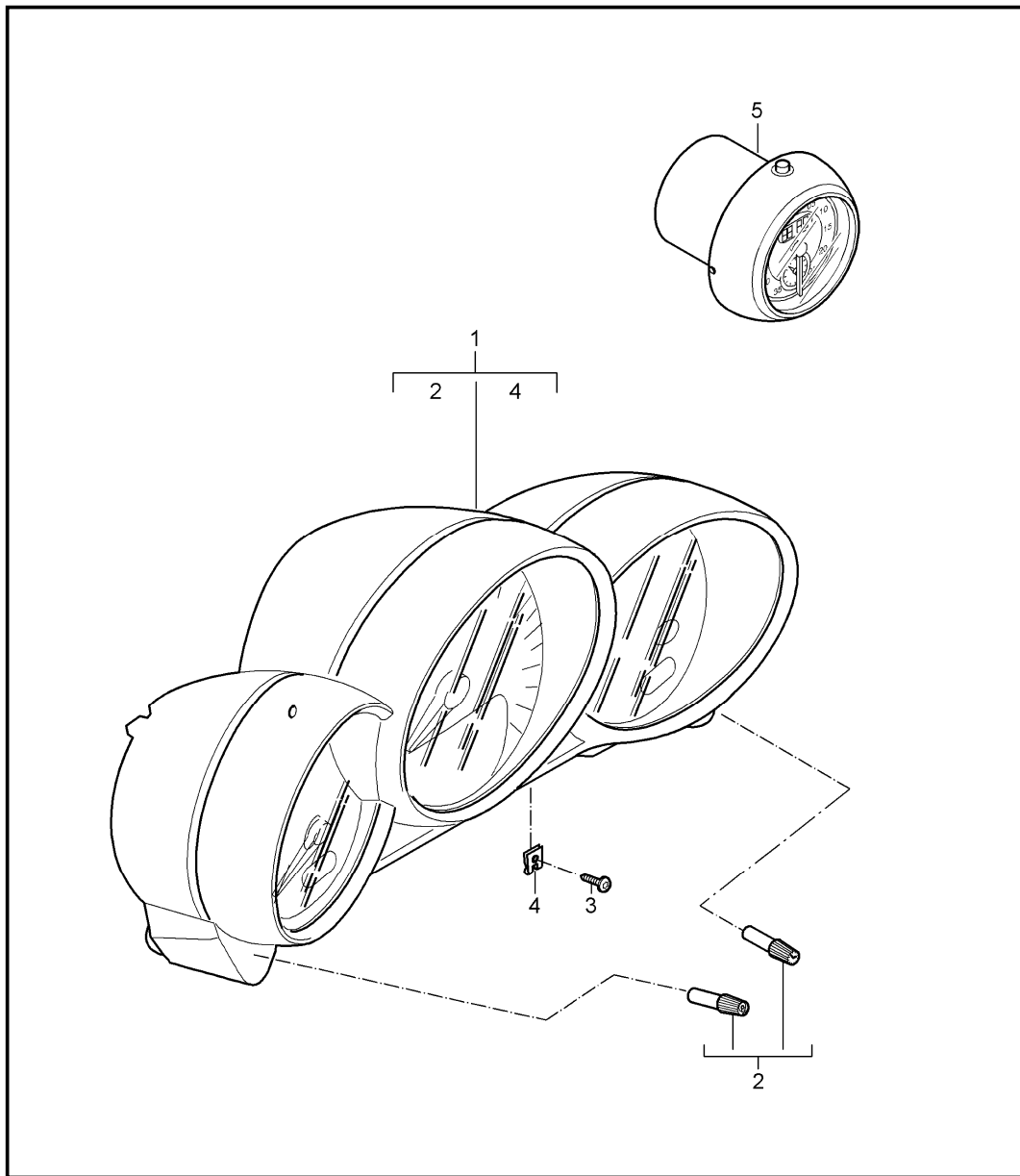


| Pos | Part Number    | Description   | Remark | Qty | Model  |
|-----|----------------|---|--------|-----|--------|
|     |                | rear light<br>license plate light<br>additional brake light |        |     |        |
| 1   | 987 631 445 03 | tail light housing  | /L     | 1   |        |
| (1) | 987 631 446 03 | tail light housing  | /R     | 1   |        |
| (1) | 987 631 981 00 | rear light<br>complete                                      | /L     | 08  | 1 IXXF |
| (1) | 987 631 982 00 | rear light<br>complete                                      | /R     | 08  | 1 IXXF |
| 2   | 987 631 440 00 | gasket  |        | 2   |        |
| 3   | 987 631 453 02 | bulb holder   | /L     | 1   |        |
| (3) | 987 631 454 02 | bulb holder   | /R     | 1   |        |
| 4   | 987 631 087 00 | actuator  |        | 6   |        |
| 5   | 900 631 022 90 | bulb<br>21/5 W<br>Tail light                                |        | 1   |        |
| 5   | 900 631 018 90 | bulb<br>21 W<br>white<br>back-up light                      |        | 1   |        |
| 5   | 900 631 021 90 | bulb<br>21 W<br>yellow<br>direction indicator light         |        | 1   |        |
| 5   | 900 631 017 90 | bulb<br>21/4 W<br>rear fog light<br>Tail light              |        | 1   |        |
| 5   | 900 631 017 91 | bulb<br>21/4 W<br>Brake light<br>Tail light                 |        | 1   |        |
| 6   | 999 076 056 01 | hexagon nut<br>M 5  |        | 6   |        |
| 7   | 997 631 620 00 | license plate light   |        | 2   |        |
| 8   | 900 631 025 90 | bulb<br>12V 5W  |        | 2   |        |
| 9 A | 987 631 051 01 | additional brake light                                      |        | 06  | 1      |
| 9 A | 987 631 051 02 | additional brake light                                      |        | 1   | 1      |

|       |      |    |    |              |              |     |       |            |         |     |         |
|-------|------|----|----|--------------|--------------|-----|-------|------------|---------|-----|---------|
| Model | Year | MG | SG | Illustration | Restrictions | UPD | 12:35 | 24.01.2010 | PORSCHE | PET | PORSCHE |
| 987C  | 2008 | 9  | 05 | 905-05       |              | 248 |       |            |         |     |         |

| Pos | Part Number    | Description                   | Remark | Qty | Model | Pos | Part Number | Description | Remark | Qty | Model |
|-----|----------------|-------------------------------|--------|-----|-------|-----|-------------|-------------|--------|-----|-------|
| 9   | 987 631 051 03 | additional brake light        |        | 1   |       |     |             |             |        |     |       |
| 10  | 999 919 236 02 | oval-head screw<br>5,0 X 14,0 |        | 2   |       |     |             |             |        |     |       |

|       |      |    |    |              |              |     |       |            |         |     |         |
|-------|------|----|----|--------------|--------------|-----|-------|------------|---------|-----|---------|
| Model | Year | MG | SG | Illustration | Restrictions | UPD | 12:35 | 24.01.2010 | PORSCHE | PET | PORSCHE |
| 987C  | 2008 | 9  | 06 | 906-01       |              | 248 |       |            |         |     |         |

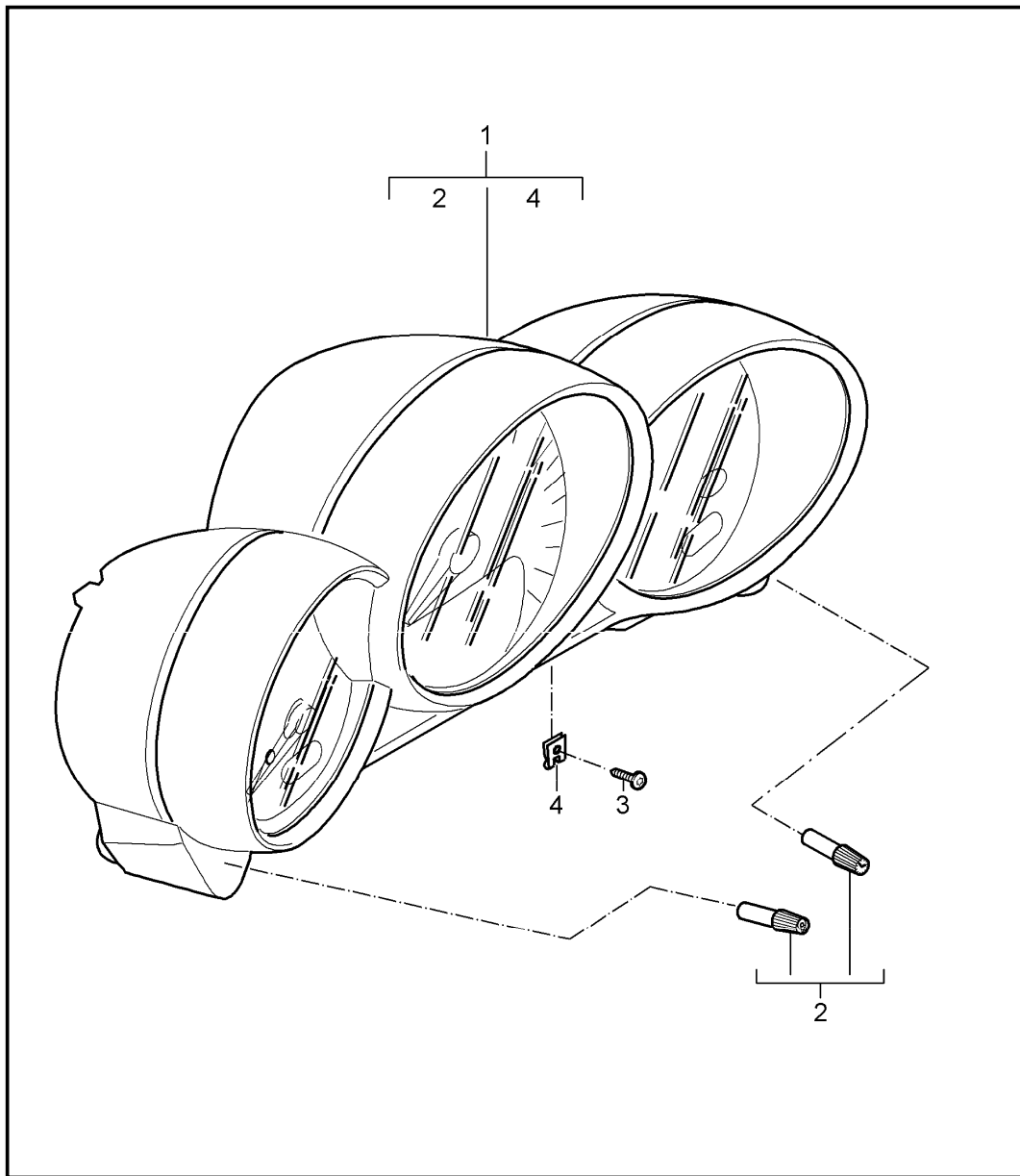


| Pos | Part Number      | Description   | Remark | Qty | Model          |
|-----|------------------|---|--------|-----|----------------|
|     |                  | instruments<br>stopwatch<br><br>see technical information<br>GR. 9 NR. 5/09<br>KD - NR. 9025<br><br>C A Y M A N |        |     |                |
| 1   | A 987 641 105 30 | instrument cluster<br>complete  |        | -07 | 1 I480/481     |
|     |                  | D07 volcano grey  |        |     |                |
| 1   | 987 641 105 32   | instrument cluster<br>complete  |        |     | 1 I480/481     |
|     |                  | D07 volcano grey  |        |     |                |
| (1) | A 987 641 106 21 | instrument cluster<br>complete  |        | 06  | 1 I249         |
|     |                  | D07 volcano grey  |        |     |                |
| (1) | 987 641 106 32   | instrument cluster<br>complete  |        |     | 1 I249         |
|     |                  | D07 volcano grey  |        |     |                |
| 1   | 987 641 107 32   | instrument cluster<br>complete  | (GB)   |     | 1 I480<br>I481 |
|     |                  | D07 volcano grey  |        |     |                |
| (1) | 987 641 108 32   | instrument cluster<br>complete  | (GB)   |     | 1 I249         |
|     |                  | D07 volcano grey  |        |     |                |
| (1) | A 987 641 115 21 | instrument cluster<br>complete  |        | 06  | 1 I480         |
|     |                  | D07 volcano grey  |        |     |                |
| (1) | 987 641 115 32   | instrument cluster<br>complete  |        |     | 1 I480         |
|     |                  | D07 volcano grey  |        |     |                |
| (1) | 987 641 145 00   | instrument cluster<br>complete  |        | 08  | 1 I480/755     |
|     |                  | D07 volcano grey  |        |     |                |

|       |      |    |    |              |              |     |       |            |         |     |         |
|-------|------|----|----|--------------|--------------|-----|-------|------------|---------|-----|---------|
| Model | Year | MG | SG | Illustration | Restrictions | UPD | 12:35 | 24.01.2010 | PORSCHE | PET | PORSCHE |
| 987C  | 2008 | 9  | 06 | 906-01       |              | 248 |       |            |         |     |         |

| Pos   | Part Number    | Description                 | Remark | Qty | Model       | Pos   | Part Number    | Description                        | Remark | Qty | Model  |
|-------|----------------|-----------------------------|--------|-----|-------------|-------|----------------|------------------------------------|--------|-----|--|
| (1) A | 987 641 116 21 | instrument cluster complete |        | 06  | 1 I249      |       | M7Z            | gt silver metallic                 |        |     |  |
|       | D07            | volcano grey                |        |     |             | (1)   | 987 641 168 00 | instrument cluster complete        | (GB)   | 08  | 1 I249 I758                                      |
| (1)   | 987 641 116 32 | instrument cluster complete |        | 1   | 1 I249      |       | M7Z            | gt silver metallic                 |        |     |  |
|       | D07            | volcano grey                |        |     |             | 2     | 997 641 911 00 | knob actuator trip meter and clock |        | 1   |  |
| (1)   | 987 641 146 00 | instrument cluster complete |        | 08  | 1 I249/755  |       |                |                                    |        |     |  |
|       | D07            | volcano grey                |        |     |             | 3     | 999 073 155 09 | tapping screw 4,2 X 19             |        | 2   |  |
| (1) A | 987 641 117 21 | instrument cluster complete | (GB)   | 06  | 1 I480      | 4     | 999 507 403 02 | u-clamp 12,5                       |        | 2   |  |
|       | D07            | volcano grey                |        |     |             |       |                | stopwatch                          |        |     |  |
| (1)   | 987 641 117 30 | instrument cluster complete | (GB)   | -07 | 1 I480      | 5     | 987 641 301 20 | stopwatch                          |        | 06  | 1 CAYMAN I025/639/640                            |
|       | D07            | volcano grey                |        |     |             |       | V05            | galvano silver                     |        |     |  |
| (1)   | 987 641 117 32 | instrument cluster complete | (GB)   | 08  | 1 I480      | 5     | 987 641 301 21 | stopwatch                          |        | 07  | 1 CAYMAN I025/639/640                            |
|       | D07            | volcano grey                |        |     |             |       | V05            | galvano silver                     |        |     |  |
| (1)   | 987 641 147 00 | instrument cluster complete | (GB)   | 08  | 1 I480 I755 | 5     | 987 641 301 23 | stopwatch                          |        | 08  | 1 CAYMAN I025/639/640 CAYMAN S I025/639/640 I755 |
|       | D07            | volcano grey                |        |     |             |       | V05            | galvano silver                     |        | 08  |  |
| (1)   | 987 641 118 32 | instrument cluster complete | (GB)   | 1   | 1 I249      |       |                |                                    |        |     |  |
|       | D07            | volcano grey                |        |     |             | (5) A | 987 641 311 20 | stopwatch                          |        | 06  | 1 CAYMAN S I026/639/640                          |
| (1)   | 987 641 148 00 | instrument cluster complete | (GB)   | 08  | 1 I249 I755 |       | V05            | galvano silver                     |        |     |  |
|       | D07            | volcano grey                |        |     |             | (5) A | 987 641 311 21 | stopwatch                          |        | 07  | 1 CAYMAN S I026/639/640                          |
| (1)   | 987 641 165 00 | instrument cluster          |        | 08  | 1 I480/758  |       | V05            | galvano silver                     |        |     |  |
|       | M7Z            | gt silver metallic          |        |     |             | (5)   | 987 641 311 23 | stopwatch                          |        | 1   | 1 CAYMAN S I026/639/640                          |
| (1)   | 987 641 166 00 | instrument cluster          |        | 08  | 1 I249/758  |       | V05            | galvano silver                     |        |     |  |
|       | M7Z            | gt silver metallic          |        |     |             |       |                |                                    |        |     |  |
| (1)   | 987 641 167 00 | instrument cluster          | (GB)   | 08  | 1 I480 I758 |       |                |                                    |        |     |  |

|       |      |    |    |              |              |     |       |            |         |     |         |
|-------|------|----|----|--------------|--------------|-----|-------|------------|---------|-----|---------|
| Model | Year | MG | SG | Illustration | Restrictions | UPD | 12:35 | 24.01.2010 | PORSCHE | PET | PORSCHE |
| 987C  | 2008 | 9  | 06 | 906-02       |              | 248 |       |            |         |     |         |



| Pos | Part Number      | Description   | Remark | Qty | Model    |
|-----|------------------|---|--------|-----|----------|
|     |                  | instruments<br>exclusive programme<br><br>see technical information<br>GR. 9 NR. 5/09<br>KD - NR. 9025<br><br>C A Y M A N   |        |     |          |
| 1   | A 987 641 980 25 | instrument cluster<br>complete<br>dial<br>lacquered<br><br>5Z1 sand beige<br>8X8 terracotta<br>T13 brown/natural<br>84A guards red<br>12H speed yellow<br>B9A carrara white |        | 1   | I480/481 |
| 1   | 987 641 980 45   | instrument cluster<br>complete<br>dial<br>lacquered<br><br>5Z1 sand beige<br>8X8 terracotta<br>T13 brown/natural<br>84A guards red<br>12H speed yellow<br>B9A carrara white |        | 1   | I480/481 |
| (1) | A 987 641 980 26 | instrument cluster<br>complete<br>dial<br>lacquered<br><br>5Z1 sand beige<br>8X8 terracotta<br>T13 brown/natural<br>84A guards red<br>12H speed yellow                      |        | 1   | I249     |

|       |      |    |    |              |              |     |       |            |         |     |         |
|-------|------|----|----|--------------|--------------|-----|-------|------------|---------|-----|---------|
| Model | Year | MG | SG | Illustration | Restrictions | UPD | 12:35 | 24.01.2010 | PORSCHE | PET | PORSCHE |
| 987C  | 2008 | 9  | 06 | 906-02       |              | 248 |       |            |         |     |         |

| Pos | Part Number      | Description   | Remark | Qty | Model        | Pos   | Part Number      | Description   | Remark | Qty | Model |
|-----|------------------|---|--------|-----|--------------|-------|------------------|---|--------|-----|-------|
|     | B9A              | carrara white                                       |        |     |              | (1) A | 987 641 980 28   | instrument cluster<br>complete<br>dial<br>lacquered | (GB)   | 1   | I249  |
| (1) | 987 641 980 46   | instrument cluster<br>complete<br>dial<br>lacquered |        | 1   | I249         |       |                  |   |        |     |       |
|     | 5Z1              | sand beige  |        |     |              |       | 5Z1              | sand beige  |        |     |       |
|     | 8X8              | terracotta  |        |     |              |       | 8X8              | terracotta  |        |     |       |
|     | T13              | brown/natural                                       |        |     |              |       | T13              | brown/natural                                       |        |     |       |
|     | 84A              | guards red  |        |     |              |       | 84A              | guards red  |        |     |       |
|     | 12H              | speed yellow  |        |     |              |       | 12H              | speed yellow  |        |     |       |
|     | B9A              | carrara white                                       |        |     |              |       | B9A              | carrara white                                       |        |     |       |
| 1   | A 987 641 980 27 | instrument cluster<br>complete<br>dial<br>lacquered | (GB)   | 1   | I480<br>I481 | (1)   | 987 641 980 48   | instrument cluster<br>complete<br>dial<br>lacquered | (GB)   | 1   | I249  |
|     | 5Z1              | sand beige  |        |     |              |       | 5Z1              | sand beige  |        |     |       |
|     | 8X8              | terracotta  |        |     |              |       | 8X8              | terracotta  |        |     |       |
|     | T13              | brown/natural                                       |        |     |              |       | T13              | brown/natural                                       |        |     |       |
|     | 84A              | guards red  |        |     |              |       | 84A              | guards red  |        |     |       |
|     | 12H              | speed yellow  |        |     |              |       | 12H              | speed yellow  |        |     |       |
|     | B9A              | carrara white                                       |        |     |              |       | B9A              | carrara white                                       |        |     |       |
| 1   | 987 641 980 47   | instrument cluster<br>complete<br>dial<br>lacquered | (GB)   | 1   | I480<br>I481 | 1     | A 987 641 980 35 | instrument cluster<br>complete<br>dial<br>lacquered |        | 1   | I480  |
|     | 5Z1              | sand beige  |        |     |              |       | 5Z1              | sand beige  |        |     |       |
|     | 8X8              | terracotta  |        |     |              |       | 8X8              | terracotta  |        |     |       |
|     | T13              | brown/natural                                       |        |     |              |       | T13              | brown/natural                                       |        |     |       |
|     | 84A              | guards red  |        |     |              |       | 84A              | guards red  |        |     |       |
|     | 12H              | speed yellow  |        |     |              |       | 12H              | speed yellow  |        |     |       |
|     | B9A              | carrara white                                       |        |     |              |       | B9A              | carrara white                                       |        |     |       |
|     |                  |   |        |     |              |       |                  | C A Y M A N S                                       |        |     |       |
| 1   | 987 641 980 55   | instrument cluster<br>complete<br>dial<br>lacquered |        |     |              | 1     | 987 641 980 55   | instrument cluster<br>complete<br>dial<br>lacquered |        | 1   | I480  |



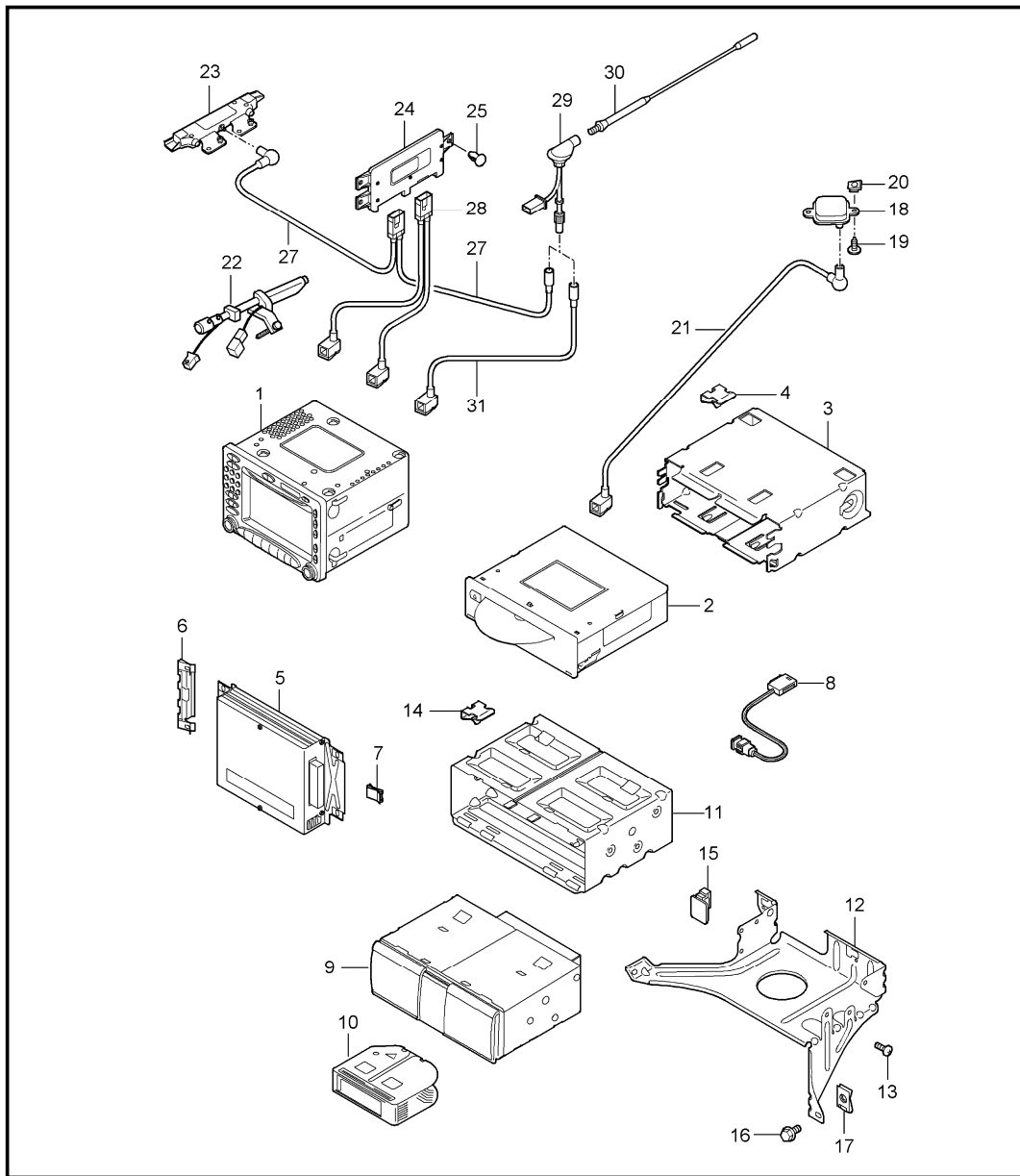
|       |      |    |    |              |              |     |       |            |         |     |         |
|-------|------|----|----|--------------|--------------|-----|-------|------------|---------|-----|---------|
| Model | Year | MG | SG | Illustration | Restrictions | UPD | 12:35 | 24.01.2010 | PORSCHE | PET | PORSCHE |
| 987C  | 2008 | 9  | 06 | 906-02       |              | 248 |       |            |         |     |         |

| Pos   | Part Number      | Description                                | Remark | Qty | Model | Pos   | Part Number    | Description                                | Remark | Qty | Model |
|-------|------------------|--|--------|-----|-------|-------|----------------|--|--------|-----|-------|
|       | 5Z1              | sand beige                                 |        |     |       |       | 84A            | guards red                                 |        |     |       |
|       | 8X8              | terracotta                                 |        |     |       |       | 12H            | speed yellow                               |        |     |       |
|       | T13              | brown/natural                              |        |     |       |       | B9A            | carrara white                              |        |     |       |
|       | 84A              | guards red                                 |        |     |       | 1     | 987 641 980 57 | instrument cluster complete dial lacquered | (GB)   | 1   | I480  |
|       | 12H              | speed yellow                               |        |     |       |       | 5Z1            | sand beige                                 |        |     |       |
|       | B9A              | carrara white                              |        |     |       |       | 8X8            | terracotta                                 |        |     |       |
| (1) A | 987 641 980 36   | instrument cluster complete dial lacquered |        | 1   | I249  |       | T13            | brown/natural                              |        |     |       |
|       | 5Z1              | sand beige                                 |        |     |       |       | 84A            | guards red                                 |        |     |       |
|       | 8X8              | terracotta                                 |        |     |       |       | 12H            | speed yellow                               |        |     |       |
|       | T13              | brown/natural                              |        |     |       |       | B9A            | carrara white                              |        |     |       |
|       | 84A              | guards red                                 |        |     |       | (1) A | 987 641 980 38 | instrument cluster complete dial lacquered | (GB)   | 1   | I249  |
|       | 12H              | speed yellow                               |        |     |       |       | 5Z1            | sand beige                                 |        |     |       |
|       | B9A              | carrara white                              |        |     |       |       | 8X8            | terracotta                                 |        |     |       |
| (1)   | 987 641 980 56   | instrument cluster complete dial lacquered |        | 1   | I249  |       | T13            | brown/natural                              |        |     |       |
|       | 5Z1              | sand beige                                 |        |     |       |       | 84A            | guards red                                 |        |     |       |
|       | 8X8              | terracotta                                 |        |     |       |       | 12H            | speed yellow                               |        |     |       |
|       | T13              | brown/natural                              |        |     |       |       | B9A            | carrara white                              |        |     |       |
|       | 84A              | guards red                                 |        |     |       | (1)   | 987 641 980 58 | instrument cluster complete dial lacquered | (GB)   | 1   | I249  |
|       | 12H              | speed yellow                               |        |     |       |       | 5Z1            | sand beige                                 |        |     |       |
|       | B9A              | carrara white                              |        |     |       |       | 8X8            | terracotta                                 |        |     |       |
| 1     | A 987 641 980 37 | instrument cluster complete dial lacquered | (GB)   | 1   | I480  |       | T13            | brown/natural                              |        |     |       |
|       | 5Z1              | sand beige                                 |        |     |       |       | 84A            | guards red                                 |        |     |       |
|       | 8X8              | terracotta                                 |        |     |       |       | 12H            | speed yellow                               |        |     |       |
|       | T13              | brown/natural                              |        |     |       |       | B9A            | carrara white                              |        |     |       |

|       |      |    |    |              |              |     |       |            |         |     |         |
|-------|------|----|----|--------------|--------------|-----|-------|------------|---------|-----|---------|
| Model | Year | MG | SG | Illustration | Restrictions | UPD | 12:35 | 24.01.2010 | PORSCHE | PET | PORSCHE |
| 987C  | 2008 | 9  | 06 | 906-02       |              | 248 |       |            |         |     |         |

| Pos | Part Number    | Description                                    | Remark | Qty | Model | Pos | Part Number | Description | Remark | Qty | Model |
|-----|----------------|--|--------|-----|-------|-----|-------------|-------------|--------|-----|-------|
| 2   | 997 641 911 00 | knob<br>actuator<br>trip meter<br>and<br>clock |        | 1   |       |     |             |             |        |     |       |
| 3   | 999 073 155 09 | tapping screw<br>4,2 X 19                      |        | 2   |       |     |             |             |        |     |       |
| 4   | 999 507 403 02 | u-clamp  |        | 2   |       |     |             |             |        |     |       |

|       |      |    |    |              |              |     |       |            |         |     |         |
|-------|------|----|----|--------------|--------------|-----|-------|------------|---------|-----|---------|
| Model | Year | MG | SG | Illustration | Restrictions | UPD | 12:35 | 24.01.2010 | PORSCHE | PET | PORSCHE |
| 987C  | 2008 | 9  | 11 | 911-00       |              | 248 |       |            |         |     |         |



| Pos | Part Number      | Description   | Remark | Qty | Model    |
|-----|------------------|---|--------|-----|----------|
| -   | -                | radio<br>booster<br>navigation system   |        |     |          |
| 1   | A 997 642 141 02 | radio<br>see catalogue<br>tequipment  |        | 1   | I665     |
| (1) | 997 642 141 03   | control part<br>FMH volcano grey/black mat<br>F >>986U7 77190<br>see technical information<br>GR. 9 , NR. 13/05 |        | 1   | I665     |
| 1   | A 997 642 143 02 | control part<br>FMH volcano grey/black mat<br>F >>986U7 77190<br>see technical information<br>GR. 9 , NR. 13/05 |        | 1   | I665/680 |
| 1   | 997 642 143 03   | control part<br>FMH volcano grey/black mat<br>F >>986U7 77190<br>see technical information<br>GR. 9 , NR. 13/05 |        | 1   | I665/680 |
| 1   | > 997 642 141 10 | control part<br>FMH volcano grey/black mat<br>F 986U7 77191>>   |        | 1   | I665     |
| 1   | > 997 642 143 10 | control part<br>FMH volcano grey/black mat<br>F 986U7 77191>>   |        | 1   | I665/680 |
| -   | 997 642 201 00   | rotary knob   | /L     | 1   |          |
| -   | 997 642 202 00   | rotary knob   | /R     | 1   |          |
|     | A05              | black mat<br>for<br>control part  |        |     |          |
|     | A05              | black mat<br>for<br>control part  |        |     |          |

|       |      |    |    |              |              |     |       |            |         |     |         |
|-------|------|----|----|--------------|--------------|-----|-------|------------|---------|-----|---------|
| Model | Year | MG | SG | Illustration | Restrictions | UPD | 12:35 | 24.01.2010 | PORSCHE | PET | PORSCHE |
| 987C  | 2008 | 9  | 11 | 911-00       |              | 248 |       |            |         |     |         |

| Pos | Part Number    | Description  | Remark | Qty | Model    | Pos | Part Number    | Description                                 | Remark | Qty | Model    |
|-----|----------------|--|--------|-----|----------|-----|----------------|---|--------|-----|----------|
| -   | 997 642 941 00 | cover<br>Drawer<br>SIM card<br>for<br>control part   |        | 1   |          | -   | 997 642 261 03 | dvd<br>navigation system<br>F 986U7 77191>> | -06    | 1   | I612     |
| -   | 900 187 038 02 | tapping screw<br>ST 4,2 X 19<br>for<br>mount<br>radio<br>and<br>control part<br>centre console |        | 1   |          | -   | 997 642 263 03 | dvd<br>navigation system<br>F 986U7 77191>> | -06    | 1   | I613     |
| 2 > | 997 642 137 02 | dvd device<br>navigation system<br>F >>986U7 77190   |        | 1   | I670/672 | -   | 997 642 265 04 | dvd<br>navigation system<br>F 986U7 77191>> | -06    | 1   | I614     |
| 2 > | 997 642 157 00 | dvd device<br>navigation system<br>F 986U7 77191>>   |        | 1   | I670/672 | -   | 997 642 267 03 | dvd<br>navigation system<br>F 986U7 77191>> | -06    | 1   | I616     |
| -   | 997 642 255 03 | dvd<br>navigation system<br>F >>986U7 77190  |        | 1   | I610     | -   | 997 642 255 05 | dvd<br>navigation system                    | 07     | 1   | I610     |
| -   | 997 642 259 02 | dvd<br>navigation system<br>F >>986U7 77190  |        | 1   | I611     | -   | 997 642 255 06 | dvd<br>navigation system                    | 08     | 1   | I610     |
| -   | 997 642 261 02 | dvd<br>navigation system<br>F >>986U7 77190  |        | 1   | I612     | -   | 997 642 259 04 | dvd<br>navigation system                    | 07     | 1   | I611     |
| -   | 997 642 263 02 | dvd<br>navigation system<br>F >>986U7 77190  |        | 1   | I613     | -   | 997 642 259 05 | dvd<br>navigation system                    | 08     | 1   | I611     |
| -   | 997 642 265 02 | dvd<br>navigation system<br>F >>986U7 77190  |        | 1   | I614     | -   | 997 642 261 04 | dvd<br>navigation system                    | 07     | 1   | I612     |
| -   | 997 642 265 03 | dvd<br>navigation system<br>F >>986U7 77190  |        | 1   | I614     | -   | 997 642 261 05 | dvd<br>navigation system                    | 08     | 1   | I612     |
| -   | 997 642 255 04 | dvd<br>navigation system<br>F 986U7 77191>>  | -06    | 1   | I610     | -   | 997 642 263 04 | dvd<br>navigation system                    | 07     | 1   | I613     |
| -   | 997 642 259 03 | dvd<br>navigation system<br>F 986U7 77191>>  | -06    | 1   | I611     | -   | 997 642 263 05 | dvd<br>navigation system                    | 08     | 1   | I613     |
|     |                |  |        |     |          | -   | 997 642 265 05 | dvd<br>navigation system                    | 07     | 1   | I614     |
|     |                |  |        |     |          | -   | 997 642 265 06 | dvd<br>navigation system                    | 08     | 1   | I614     |
|     |                |  |        |     |          | -   | 997 642 267 04 | dvd<br>navigation system                    | 07     | 1   | I616     |
|     |                |  |        |     |          | -   | 997 642 267 05 | dvd<br>navigation system                    | 08     | 1   | I616     |
|     |                |  |        |     |          | -   | 997 642 148 02 | cd-rom<br>logbook                           |        | 1   | I641     |
|     |                |  |        |     |          | 3   | 997 642 231 00 | support<br>dvd device                       |        | 1   | I670/672 |

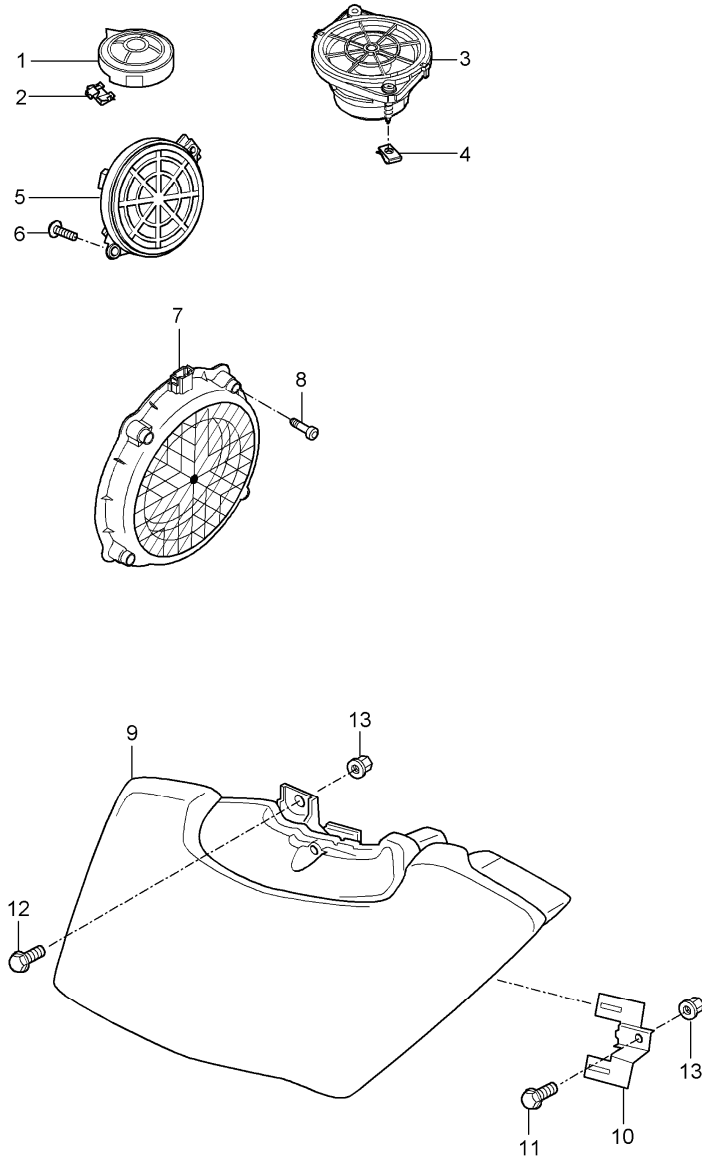
|       |      |    |    |              |              |     |       |            |         |     |         |
|-------|------|----|----|--------------|--------------|-----|-------|------------|---------|-----|---------|
| Model | Year | MG | SG | Illustration | Restrictions | UPD | 12:35 | 24.01.2010 | PORSCHE | PET | PORSCHE |
| 987C  | 2008 | 9  | 11 | 911-00       |              | 248 |       |            |         |     |         |

| Pos   | Part Number      | Description  | Remark | Qty | Model        | Pos  | Part Number    | Description  | Remark | Qty | Model        |
|-------|------------------|--|--------|-----|--------------|------|----------------|--|--------|-----|--------------|
| 4     | 997 645 342 01   | u-clamp  |        | 4   |              | 20   | 999 507 441 01 | speed nut<br>4,8   |        | 1   | I670/672     |
| 5     | > 987 645 331 01 | booster  |        | 1   | I490         | 21   | 997 612 060 25 | connecting line<br>antenna<br>dvd device<br>navigation system  |        | 1   | I670/672     |
| (5) A | 997 645 334 32   | booster<br>note coding   | 06     | 1   | I680         | 22   | 987 647 105 00 | antenna booster<br>radio                                       |        | 1   | I441/694     |
| (5) > | 997 645 334 33   | booster<br>note coding   | 06-    | 1   | I680         | -    | 987 612 052 50 | connecting line<br>antenna booster<br>radio                    |        | 1   | I441/694     |
| 6     | 997 645 340 00   | fastening clamp  |        | 1   | I490/680     | 23   | 997 647 117 00 | antenna booster  | /L     | 1   | I440         |
| 7     | 999 507 532 01   | u-clamp  |        | 2   | I490/680     | (23) | 997 647 118 00 | antenna booster  | /R     | 1   | I440         |
| 8     | 997 646 307 02   | microphone   |        | 1   | I680         | 24   | 997 647 124 00 | control unit   |        | 1   | I440         |
| (8)   | 997 646 307 01   | microphone   |        | 1   | I618/666/680 | 25   | 999 591 904 40 | fastening part   |        | 2   | I440         |
| -     | 997 610 233 00   | cable guide<br>microphone                                      | -07    | 1   |              | 27   | 997 612 066 00 | connecting line<br>antenna booster<br>control unit             | /LL    | 1   | I098/461/665 |
| -     | 997 610 233 01   | cable guide<br>microphone                                      | 08     | 1   |              | (27) | 997 612 066 50 | connecting line<br>antenna booster<br>control unit             | /RL    | 1   | I099/461/665 |
| 9     | > 997 645 140 03 | cd changer<br>CDC 4<br>adjustment<br>installation<br>attention |        | 1   | I692         | (27) | 997 612 055 00 | connecting line<br>antenna booster<br>control unit             | /LL    | 1   | I098/665     |
| 10    | 996 645 113 00   | magazine<br>cd changer   |        | 1   | I692         | (27) | 997 612 056 00 | connecting line<br>antenna booster<br>control unit             | /RL    | 1   | I099/665     |
| 11    | 997 645 222 00   | support  |        | 1   | I692         | (27) | 997 612 062 50 | connecting line<br>antenna booster<br>control unit             |        | 1   | I461/694     |
| 12    | 997 645 221 00   | support  |        | 1   | I664/692     | (28) | 997 612 058 00 | connecting line<br>control unit<br>control part<br>or<br>radio |        | 1   | I665/694     |
| 13    | 900 146 024 01   | round head screw<br>M 5 X 8                                    |        | 6   | I692         |      |                |  |        |     | I665         |
| 14    | 997 645 342 01   | u-clamp  |        | 4   | I692         |      |                |  |        |     | I694         |
| 15    | 999 703 501 40   | fastening part   |        | 2   | I664/692     | 29   | 997 647 221 00 | antenna base   |        | 1   | I461         |
| 16    | 900 378 179 09   | hexagon-head bolt<br>M 6 X 16                                  |        | 2   | I664/692     | 30   | 997 647 223 00 | antenna rod  |        | 1   | I461         |
| 17    | 999 507 766 02   | speed nut<br>M 6   |        | 2   | I664/692     | 31   | 997 612 068 00 | connecting line<br>antenna base<br>radio                       | /LL    | 1   | I098/461/694 |
| 18    | 997 642 105 00   | antenna<br>GPS   |        | 1   | I670/672     |      |                |  |        |     |              |
| 19    | 999 073 210 00   | tapping screw<br>4,8 X 13                                      |        | 1   | I670/672     |      |                |  |        |     |              |

|       |      |    |    |              |              |     |       |            |         |     |         |
|-------|------|----|----|--------------|--------------|-----|-------|------------|---------|-----|---------|
| Model | Year | MG | SG | Illustration | Restrictions | UPD | 12:35 | 24.01.2010 | PORSCHE | PET | PORSCHE |
| 987C  | 2008 | 9  | 11 | 911-00       |              | 248 |       |            |         |     |         |

| Pos  | Part Number    | Description                                     | Remark | Qty | Model        | Pos | Part Number | Description | Remark | Qty | Model |
|------|----------------|---|--------|-----|--------------|-----|-------------|-------------|--------|-----|-------|
| (31) | 997 612 068 50 | connecting line<br>antenna base<br>radio        | /RL    | 1   | I099/461/694 |     |             |             |        |     |       |
| (31) | 997 612 067 01 | connecting line<br>antenna base<br>Power supply |        | 1   | I461         |     |             |             |        |     |       |

|       |      |    |    |              |              |     |       |            |         |     |         |
|-------|------|----|----|--------------|--------------|-----|-------|------------|---------|-----|---------|
| Model | Year | MG | SG | Illustration | Restrictions | UPD | 12:35 | 24.01.2010 | PORSCHE | PET | PORSCHE |
| 987C  | 2008 | 9  | 11 | 911-05       |              | 248 |       |            |         |     |         |



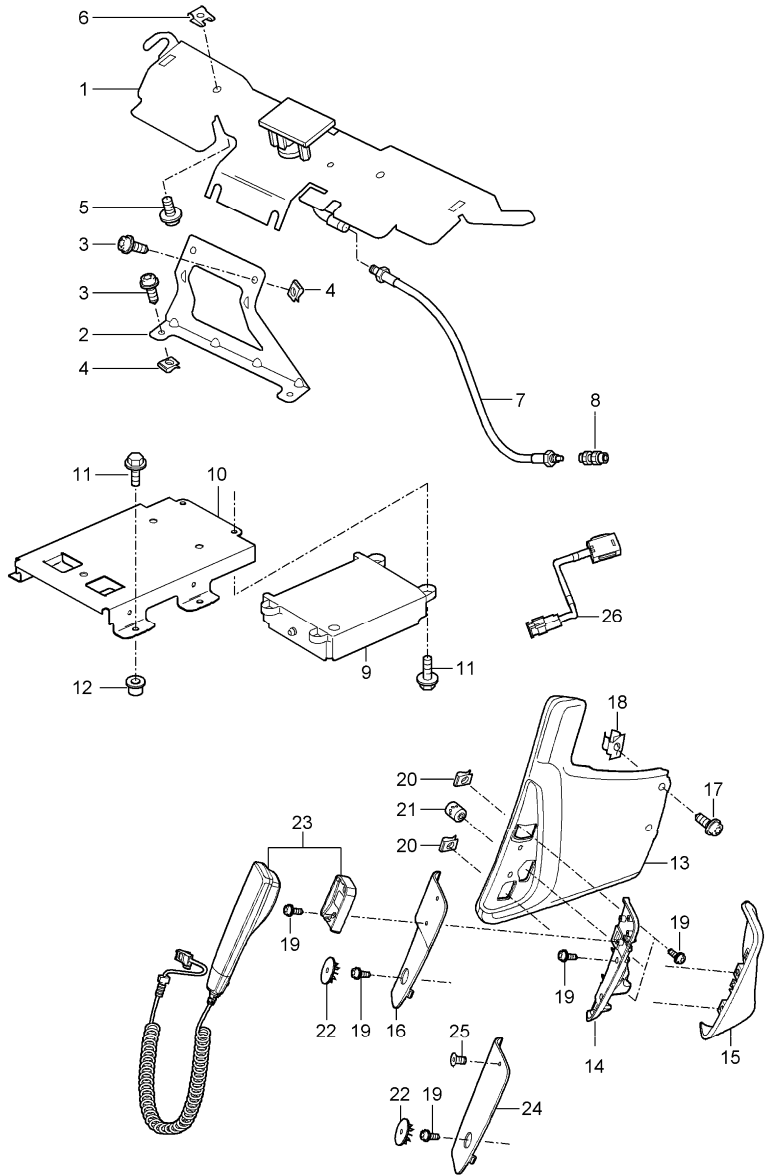
| Pos | Part Number    | Description                         | Remark | Qty | Model    |
|-----|----------------|-------------------------------------|--------|-----|----------|
| 1   | 997 645 021 00 | loudspeaker tweeter dashboard       |        | 2   | I441/490 |
| (1) | 997 645 025 00 | tweeter dashboard                   |        | 2   | I680     |
| 2   | 999 591 303 01 | u-clamp                             |        | 4   |          |
| 3   | 997 645 033 00 | loudspeaker dashboard centre        |        | 1   | I490     |
| (3) | 997 645 035 00 | loudspeaker dashboard centre        |        | 1   | I680     |
| 4   | 999 507 971 01 | speed nut 4,2                       |        | 4   |          |
| 5   | 997 645 543 00 | mid-range loudspeaker door and rear |        | 4   | I490     |
| (5) | 997 645 545 00 | mid-range loudspeaker door and rear |        | 4   | I680     |
| 6   | 999 919 164 09 | oval-head screw 5,0 X 12            |        | 8   |          |
| 7   | 997 645 551 00 | woofer                              |        | 2   | I441     |
| 7   | 997 645 553 00 | woofer                              |        | 2   | I490     |
| (7) | 997 645 555 00 | woofer                              |        | 2   | I680     |
| 8   | 900 067 012 03 | pan-head screw M 6 X 30             |        | 8   |          |
| 9   | 997 645 566 00 | subwoofer                           | /LL    | 1   | I098/680 |
|     | A10            | black                               |        |     |          |
|     | B10            | stone grey                          |        |     |          |
|     | T10            | sand beige                          |        |     |          |
|     | E10            | sea blue                            |        |     |          |
|     | J10            | palmgreen                           |        |     |          |

|       |      |    |    |              |              |     |       |            |         |     |         |
|-------|------|----|----|--------------|--------------|-----|-------|------------|---------|-----|---------|
| Model | Year | MG | SG | Illustration | Restrictions | UPD | 12:35 | 24.01.2010 | PORSCHE | PET | PORSCHE |
| 987C  | 2008 | 9  | 11 | 911-05       |              | 248 |       |            |         |     |         |

| Pos | Part Number    | Description                   | Remark | Qty | Model    | Pos | Part Number | Description | Remark | Qty | Model |
|-----|----------------|-------------------------------|--------|-----|----------|-----|-------------|-------------|--------|-----|-------|
|     | M10            | terracotta                    |        |     |          |     |             |             |        |     |       |
|     | R10            | cocoa                         |        |     |          |     |             |             |        |     |       |
|     | D11            | dark grey/natural             |        |     |          |     |             |             |        |     |       |
|     | T11            | brown/natural                 |        |     |          |     |             |             |        |     |       |
|     | N10            | carrera red                   |        |     |          |     |             |             |        |     |       |
| (9) | 997 645 567 00 | subwoofer                     | /RL    | 1   | I099/680 |     |             |             |        |     |       |
|     | A10            | black                         |        |     |          |     |             |             |        |     |       |
|     | B10            | stone grey                    |        |     |          |     |             |             |        |     |       |
|     | T10            | sand beige                    |        |     |          |     |             |             |        |     |       |
|     | E10            | sea blue                      |        |     |          |     |             |             |        |     |       |
|     | J10            | palmgreen                     |        |     |          |     |             |             |        |     |       |
|     | M10            | terracotta                    |        |     |          |     |             |             |        |     |       |
|     | R10            | cocoa                         |        |     |          |     |             |             |        |     |       |
|     | D11            | dark grey/natural             |        |     |          |     |             |             |        |     |       |
|     | T11            | brown/natural                 |        |     |          |     |             |             |        |     |       |
|     | N10            | carrera red                   |        |     |          |     |             |             |        |     |       |
| 10  | 997 645 569 00 | support                       |        | 2   | I680     |     |             |             |        |     |       |
| 11  | 900 378 035 01 | hexagon-head bolt<br>M 6 X 16 |        | 2   | I680     |     |             |             |        |     |       |
| 12  | 999 073 223 01 | combination screw<br>M 6 X 25 |        | 1   | I680     |     |             |             |        |     |       |
| 13  | 999 500 069 01 | blind rivet nut<br>M 6        |        | 3   | I680     |     |             |             |        |     |       |



|       |      |    |    |              |              |     |       |            |         |     |         |
|-------|------|----|----|--------------|--------------|-----|-------|------------|---------|-----|---------|
| Model | Year | MG | SG | Illustration | Restrictions | UPD | 12:36 | 24.01.2010 | PORSCHE | PET | PORSCHE |
| 987C  | 2008 | 9  | 11 | 911-10       |              | 248 |       |            |         |     |         |



| Pos  | Part Number    | Description                                  | Remark | Qty | Model      |
|------|----------------|--|--------|-----|------------|
|      |                | telephone                                    |        |     | I618/666   |
| 1    | 997 647 125 01 | antenna                                      | /LL    | 1   | I098       |
| (1)  | 997 647 126 01 | antenna                                      | /RL    | 1   | I099       |
| 2    | 997 647 127 00 | support                                      | /LL    | 1   | I098       |
| (2)  | 997 647 128 00 | support                                      | /RL    | 1   | I099       |
| 3    | 999 073 236 0A | oval-head screw<br>M 5 X 12 - Z2             |        | 4   |            |
| 4    | 999 507 550 01 | speed nut<br>M 5                             |        | 4   |            |
| 5    | 999 073 210 00 | tapping screw<br>4,8 X 13                    |        | 2   |            |
| 6    | 999 507 441 01 | speed nut<br>4,8                             |        | 2   |            |
| 7    | 997 612 061 00 | connecting line                              |        | 1   | I618       |
| (7)  | 997 612 989 05 | connecting line                              |        | 1   | I666       |
| 8    | 964 646 318 00 | adapter plug                                 |        | 1   | I618       |
| 9 >  | 997 646 208 13 | control unit<br>telephone<br>F >>986U7 77190 |        | 1   | I666       |
| 9 >  | 997 646 209 00 | control unit<br>telephone<br>F 986U7 77191>> |        | 1   | I666       |
| 10   | 997 642 216 00 | support                                      |        | 1   | I618/666   |
| 11   | 900 378 035 01 | hexagon-head bolt<br>M 6 X 16                |        | 4   | I618/666   |
| 12   | 999 500 078 00 | speed nut<br>M 6                             |        | 06  | 2 I618/666 |
| (12) | 999 507 766 02 | speed nut<br>M 6                             |        | 07- | 2 I618/666 |
| 13   | 997 553 118 07 | cover<br>lateral                             | /LL    | 1   | I098       |
|      | FSA            | black/grey                                   |        |     |            |
|      | FSB            | stone grey/stone grey                        |        |     |            |
|      | FSC            | sand beige/sand beige                        |        |     |            |
|      | FSD            | sea blue/grey                                |        |     |            |

|       |      |    |    |              |              |     |       |            |         |     |         |
|-------|------|----|----|--------------|--------------|-----|-------|------------|---------|-----|---------|
| Model | Year | MG | SG | Illustration | Restrictions | UPD | 12:36 | 24.01.2010 | PORSCHE | PET | PORSCHE |
| 987C  | 2008 | 9  | 11 | 911-10       |              | 248 |       |            |         |     |         |

| Pos  | Part Number    | Description             | Remark | Qty | Model | Pos  | Part Number    | Description               | Remark | Qty | Model    |
|------|----------------|-------------------------|--------|-----|-------|------|----------------|---------------------------|--------|-----|----------|
|      | FSE            | palmgreen/palmgreen     |        |     |       |      | T12            | brown/natural             |        |     |          |
|      | FSF            | terracotta/terracotta   |        |     |       |      | N12            | carrera red               |        |     |          |
|      | FSG            | cocoa/cocoa             |        |     |       | (15) | 997 553 417 01 | cover                     | /RL    | 1   | I099     |
|      | FSH            | darkgrey natural/grey   |        |     |       |      | A11            | black                     |        |     |          |
|      | FSJ            | brown nat./brown nat.   |        |     |       |      | 5X6            | stone grey                |        |     |          |
|      | FSP            | Carrera Red/Carrera Red |        |     |       |      | 8G2            | sand beige                |        |     |          |
| (13) | 997 553 117 07 | cover lateral           | /RL    | 1   | I099  |      | 3S9            | sea blue                  |        |     |          |
|      | FSA            | black/grey              |        |     |       |      | 4P2            | palmgreen                 |        |     |          |
|      | FSB            | stone grey/stone grey   |        |     |       |      | 9S5            | terracotta                |        |     |          |
|      | FSC            | sand beige/sand beige   |        |     |       |      | 9V6            | cocoa                     |        |     |          |
|      | FSD            | sea blue/grey           |        |     |       |      | D12            | dark grey/natural         |        |     |          |
|      | FSE            | palmgreen/palmgreen     |        |     |       |      | T12            | brown/natural             |        |     |          |
|      | FSF            | terracotta/terracotta   |        |     |       |      | N12            | carrera red               |        |     |          |
|      | FSG            | cocoa/cocoa             |        |     |       | 16   | 997 553 522 00 | mounting plate            | /LL    | 1   | I098/668 |
|      | FSH            | darkgrey natural/grey   |        |     |       |      | 01C            | satin black               |        |     |          |
|      | FSJ            | brown nat./brown nat.   |        |     |       | (16) | 997 553 521 00 | mounting plate            | /RL    | 1   | I099/668 |
|      | FSP            | Carrera Red/Carrera Red |        |     |       |      | 01C            | satin black               |        |     |          |
| 14   | 997 553 520 00 | adapter                 | /LL    | 1   | I098  | 17   | 999 073 226 09 | tapping screw<br>4,2 X 16 |        | 2   |          |
| (14) | 997 553 519 00 | adapter                 | /RL    | 1   | I099  | 18   | 999 591 508 01 | captive nut<br>4,2        |        | 2   |          |
| 15   | 997 553 418 01 | cover                   | /LL    | 1   | I098  | 19   | 999 073 155 09 | tapping screw<br>4,2 X 13 |        | 7   |          |
|      | A11            | black                   |        |     |       | 20   | 999 507 028 01 | speed nut<br>4,2          |        | 2   |          |
|      | 5X6            | stone grey              |        |     |       | 21   | 999 507 645 02 | threaded piece<br>4,2     |        | 1   |          |
|      | 8G2            | sand beige              |        |     |       | 22   | 997 553 751 00 | cap                       |        | 1   |          |
|      | 3S9            | sea blue                |        |     |       |      | 01C            | satin black               |        |     |          |
|      | 4P2            | palmgreen               |        |     |       | 23   | 996 642 212 02 | receiver<br>telephone     |        | 1   | I668     |
|      | 9S5            | terracotta              |        |     |       | 24   | 997 553 522 01 | mounting plate            | /LL    | 1   | I098/618 |
|      | 9V6            | cocoa                   |        |     |       |      |                |                           |        |     |          |
|      | D12            | dark grey/natural       |        |     |       |      |                |                           |        |     |          |

|       |      |    |    |              |              |     |       |            |         |     |         |
|-------|------|----|----|--------------|--------------|-----|-------|------------|---------|-----|---------|
| Model | Year | MG | SG | Illustration | Restrictions | UPD | 12:36 | 24.01.2010 | PORSCHE | PET | PORSCHE |
| 987C  | 2008 | 9  | 11 | 911-10       |              | 248 |       |            |         |     |         |

| Pos  | Part Number    | Description                      | Remark | Qty | Model        | Pos | Part Number | Description | Remark | Qty | Model |
|------|----------------|----------------------------------|--------|-----|--------------|-----|-------------|-------------|--------|-----|-------|
|      | 01C            | satin black                      |        |     |              |     |             |             |        |     |       |
| (24) | 997 553 521 01 | mounting plate                   | /RL    | 1   | I099/618     |     |             |             |        |     |       |
|      | 01C            | satin black                      |        |     |              |     |             |             |        |     |       |
| 25   | 999 919 230 00 | countersunk-head screw<br>3 X 10 |        | 1   | I618         |     |             |             |        |     |       |
| 26   | 997 646 307 00 | microphone                       |        | 1   | I618/666     |     |             |             |        |     |       |
| (26) | 997 646 307 01 | microphone                       |        | 1   | I618/666/680 |     |             |             |        |     |       |
| (26) | 997 646 309 00 | microphone                       |        | 08  | I675         |     |             |             |        |     |       |
| -    | 997 610 233 00 | cable guide<br>microphone        |        | -07 | 1            |     |             |             |        |     |       |
| -    | 997 610 233 01 | cable guide<br>microphone        |        | 08  | 1            |     |             |             |        |     |       |

## 987C\_MXI KAT28. TXT

| KAT. | M-X-I -NR | BENENNUNG-Deutsch<br>BENENNUNG-Englisch   |
|------|-----------|---|
|      |           | +-----+<br>! I-Nummern-Uebersicht !<br>+-----+<br>+-----+<br>! Summary of optional extras "I"!<br>+-----+ |
| 28   | I XAF     | Aerokit Turbo<br>Turbo aerokit  |
| 28   | I XAG     | Carrera - Heckspoiler<br>Carrera - rear spoiler   |
| 28   | I XAH     | Aerokit Carrera 4S<br>Carrera 4S aerokit  |
| 28   | I XAJ     | Schwellerblenden lackiert<br>Painted sill covers  |
| 28   | I XAL     | Aerokit Boxster<br>Aerokit Boxster  |
| 28   | I XAM     | Aerokit Cayman<br>Aerokit Cayman  |
| 28   | I XCA     | Nutleiste (3-teilig) Sportsilber<br>Dashboard trim strip (3-part) sports seats                            |
| 28   | I XCB     | Instrumentenabdeckung Unterteil Sportsilber<br>Instrument surround sports seats                           |
| 28   | I XCC     | Seitendüsen Sportsilber<br>Side air vents sports seats  |
| 28   | I XCD     | Mitteldüsenträger Sportsilber<br>Center air vent bracket sports seats                                     |
| 28   | I XCE     | Mittelskonsole hinten Sportsilber<br>Rear center console sports seats                                     |
| 28   | I XCG     | Sportsitzrückenlehne Alu-Optik<br>Sports seat backrest in Aluminium Look finish                           |
| 28   | I XCH     | Seiten-/Mitteldüsenlamellen Sportsilber<br>Side/centre air vent slats, sports seats                       |
| 28   | I XCK     | Mittelskonsole hinten Galvanosilber<br>Rear center console in Galvano Silver                              |
| 28   | I XCL     | Instrumentenabdeckung Unterteil Galvanosilber<br>Instrument surround in Galvano Silver                    |
| 28   | I XCM     | Überrollbügel in Galvanosilber<br>Roll-over bar in Galvano Silver   |
| 28   | I XCN     | Seitendüsen in Alu-Optik (997)<br>Side air vents in Aluminium Look finish (997)                           |
| 28   | I XCY     | Mitteldüse Alu-Optik<br>Center air vent in Aluminium Look finish  |
| 28   | I XCZ     | Schalwegverkürzung<br>Short shifter   |
| 28   | I XEA     | Passivhörer in Leder<br>Passive handset in leather  |
| 28   | I XE8     | Schaltnopf Alu/Wurzelholz Dunkel/Leder<br>Gear lever knob aluminium/dark burr maple/leather               |
| 28   | I XE9     | Handbremshebel Alu/Wurzelholz Dunkel/Leder<br>Handbrake lever aluminium/dark burr maple/leather           |
| 28   | I XFD     | Instrumenten-Zifferblatt lackiert in sandbeige<br>Instrument dials in Sand Beige                          |
| 28   | I XFE     | Instrumenten-Zifferblatt lackiert in terrakotta<br>Instrument dials in Terracotta                         |
| 28   | I XFF     | Instrumenten-Zifferblatt lackiert in braun/natur<br>Instrument dials in Brown/Natural                     |
| 28   | I XFG     | Instrumenten-Zifferblatt lackiert in indischrot<br>Instrument dials in Guards Red                         |
| 28   | I XFH     | Instrumenten-Zifferblatt lackiert in speedgelb<br>Instrument dials in Speed Yellow                        |
| 28   | I XFJ     | Instrumenten-Zifferblatt lackiert in carraraweiß<br>Instrument dials in Carrara White                     |
| 28   | I XGB     | Zierblende Schalttafel, Carbon  |

987C\_MXIKAT28.TXT

28 IXGC Decorative dashboard trim, carbon  
Schalthebel Carbon/Alcantara  
Dashboard carbon/Alcantara

28 IXGD Handbremshebel Carbon/Alcantara  
Parking brake handle carbon/Alcantara

28 IXGE Einsatz Griffmulde, Carbon  
Handle recess insert, carbon

28 IXJL Luftseitendüse Makassar  
Makassar Ebony side air vent

28 IXJM Luftseitendüse Platane  
Sycamore side air vent

28 IXJN Mitteldüse Makassar  
Makassar Ebony center air vent

28 IXJP Mitteldüse Platane  
Sycamore center air vent

28 IXJR Defrosterblende Makassar  
Makassar Ebony windscreen defroster panel

28 IXJS Defrosterblende Platane  
Sycamore windscreen defroster panel

28 IXJT Mittelkonsole hinten Makassar  
Makassar Ebony rear center console

28 IXJU Mittelkonsole hinten Platane  
Sycamore rear center console

28 IXJ4 Rosette für Zündschloss Lederbezogen  
Leather cover for ignition lock surround

28 IXKB Luftseitendüse Wurzelholz/Ahorn hell  
Side air vent in light burr maple

28 IXKC Luftseitendüse Wurzelholz/Ahorn dunkel  
Side air vent in dark burr maple

28 IXKG Defrosterblende Wurzelholz/Ahorn hell, Leder  
"Defroster trim in light burr maple; leather"

28 IXKH Defrosterblende Wurzelholz/Ahorn dunkel, Leder  
"Defroster trim in dark burr maple; leather"

28 IXKJ Defrosterblende Carbon/Leder  
Defroster trim in Carbon/leather

28 IXKL Lautsprecherabdeckungen in Leder  
Leather speaker covers

28 IXKM Lautsprecherabdeckungen Wurzelholz/Ahorn hell  
Speaker covers in light burr maple

28 IXKN Lautsprecherabdeckungen Wurzelholz/Ahorn dunkel  
Speaker covers in dark burr maple

28 IXKP Lautsprecherabdeckungen in Carbon  
Carbon speaker covers

28 IXKR Mitteldüsenträger Wurzelholz/Ahorn hell  
Center air vent bracket in light burr maple

28 IXKS Mitteldüsenträger Wurzelholz/Ahorn dunkel  
Center air vent bracket in dark burr maple

28 IXLA Boxster-Endrohr  
Boxster tail pipe

28 IXLF Sportabgasanlage  
Sports exhaust system

28 IXME Mittelkonsole hinten lackiert  
Rear section of centre console painted

28 IXMF Mittelkonsole vorn inklusive 2 Ablagen, Leder  
Front center console including 2 storage bins, leather

28 IXMJ Mittelkonsole hinten Carbon  
Rear section of centre console in Carbon

28 IXMK Überrollbügel in Exterieurfarbe  
Roll-over bar in exterior color

28 IXML Mittelkonsole hinten Wurzelholz Ahorn hell  
Rear center console in light burr maple

28 IXMP Sonnenblende Leder, 2 Make-up-Spiegel beleuchtet  
Leather sun visor, 2 illuminated vanity mirrors

28 IXMR Sonnenblende Leder, 2 Make-Up-Spiegel beleuchtet Leder  
Sun visor in leather, 2 illuminated vanity mirrors

28 IXMZ Mittelkonsole hinten Leder  
Rear section of centre console in leather

28 IXNB Mittelkonsole hinten Wurzelholz Ahorn dunkel

987C\_MXIKAT28.TXT

|    |       |   |
|----|-------|---|
| 28 | I XNG | Rear center console in dark burr maple<br>Instrumentenabdeckung Unterteil Leder                                     |
| 28 | I XNN | Instrument surround in leather<br>Mitteldüsenträger in Leder  |
| 28 | I XNR | Center air vent bracket in leather<br>Mitteldüsenträger Carbon  |
| 28 | I XNS | Carbon center air vent bracket<br>Lenkstock-Verkleidung 4-teilig Leder  |
| 28 | I XNU | Leather steering column trim, 4-part<br>Zierleiste (Nut) in Leder   |
| 28 | I XNV | Leather trim strip (dashboard)<br>Zierleiste (Nut) Wurzelholz/Ahorn hell  |
| 28 | I XNW | Trim strip (dashboard) in light burr maple<br>Zierleiste (Nut) Wurzelholz/Ahorn dunkel                              |
| 28 | I XNX | Trim strip (dashboard) in dark burr maple<br>Zierleiste (Nut) in Carbon   |
| 28 | I XPA | Carbon trim strip (dashboard)<br>3-Speichen Sportlenkrad, Leder Interieurfarbe                                      |
| 28 | I XPB | 3-spoke sports steering wheel in leather interior color<br>3-Speichen Sportlenkrad, Wurzelholz/Ahorn hell, Leder    |
| 28 | I XPC | 3-spoke sports steering wheel, light burr maple, leather<br>3-Speichen Sportlenkrad, Wurzelholz/Ahorn dunkel, Leder |
| 28 | I XPD | 3-spoke sports steering wheel, dark burr maple, leather<br>3-Speichen Sportlenkrad, Carbon/Leder                    |
| 28 | I XPG | 3-spoke sports steering wheel, Carbon/leather<br>3-Speichen Sportlenkrad, Sportsilber                               |
| 28 | I XPV | 3-spoke sports steering wheel, sports seats<br>Multi-funktions-Lenkrad Galvanosilber                                |
| 28 | I XPW | Multi-function steering wheel, Galvano Silver<br>Instrumentenabdeckung Unterteil Wurzelholz/Ahorn Hell              |
| 28 | I XPX | Instrument surround in light burr maple<br>Instrumentenabdeckung Unterteil Wurzelholz/Ahorn Dunkel                  |
| 28 | I XPY | Instrument surround in dark burr maple<br>Instrumentenabdeckung Unterteil Carbon                                    |
| 28 | I XRB | Carbon instrument surround<br>Sport-Classic-2 Rad 18"   |
| 28 | I XRC | 18-inch Sport Classic II wheel<br>Sport-Techno Rad 18"  |
| 28 | I XRL | 18-inch SportTechno wheel<br>Sport-Design-Rad 18"   |
| 28 | I XRN | 18-inch SportDesign wheel<br>Distanzscheiben 17 mm, hinten  |
| 28 | I XRP | 17-mm spacers, rear<br>Distanzscheiben 5 mm, vorn/hinten  |
| 28 | I XRR | 5-mm spacers, front/rear<br>Carrera Sport Rad 19"   |
| 28 | I XSA | 19-in. Carrera Sport wheel<br>Sportsitzrückenlehne lackiert   |
| 28 | I XSB | Painted sports seat backrest<br>Sportsitzrückenlehne in Leder   |
| 28 | I XSC | Leather sports seat backrest<br>Porsche Wappen geprägt in Kopfstütze  |
| 28 | I XSD | Porsche Crest embossed in headrest<br>Sitzbedienelemente in Leder   |
| 28 | I XSE | Front seat controls in leather<br>Schalensitz links   |
| 28 | I XSF | Bucket seat, left<br>Schalensitz rechts   |
| 28 | I XSG | Bucket seat, right<br>Rennschalensitz links   |
| 28 | I XSH | Racing bucket seat, left<br>Sicherheitsgurte in Silber  |
| 28 | I XSJ | Silver seat belts<br>6-Punkt-Gurte  |
| 28 | I XSL | 6-point harness<br>6-Punkt-Sicherheitsbügel   |
| 28 | I XSM | 6-point safety catch<br>Rennsport-Sicherheitskäfig  |

987C\_MXI KAT28. TXT

|    |       |   |
|----|-------|---|
| 28 | I XSN | Racing safety cage<br>Entfall hintere Sitzanlage  |
| 28 | I XSR | Omission of rear seats<br>Schalensitz rechts, Rückseite Carbon                            |
| 28 | I XSS | Carbon back for bucket seat, right<br>Schalensitz links, Rückseite Carbon                 |
| 28 | I XST | Carbon back for bucket seat, left<br>Sicherheitsgurte in Sandbeige                        |
| 28 | I XSU | Seat belts in Sand Beige<br>Abgepolsterter Sitz   |
| 28 | I XSW | Upholstered seat<br>Sicherheitsgurte in Maritimblau                                       |
| 28 | I XSX | Seat belts in Maritime Blue<br>Sicherheitsgurte in indischrot                             |
| 28 | I XSY | Seat belts in Guards Red<br>Sicherheitsgurte in speedgelb                                 |
| 28 | I XTG | Seat belts in Speed Yellow<br>Schwellerabdeckung innen Leder                              |
| 28 | I XTJ | Inner door sills in leather<br>Türtafelteile Wurzelholz/Ahorn hell                        |
| 28 | I XTK | Door panel parts in light burr maple<br>Türtafelteile Wurzelholz/Ahorn dunkel             |
| 28 | I XTL | Door panel parts in dark burr maple<br>Türtafelteile Carbon                               |
| 28 | I XTR | Door panel parts in Carbon<br>Türtafelteile Alu-Optik                                     |
| 28 | I XTT | Door panel parts in Aluminium Look finish<br>Türtafelteile Makassar                       |
| 28 | I XTU | Makassar Ebony door panel parts<br>Türtafelteile Platane                                  |
| 28 | I XTV | Sycamore door panel parts<br>Türtafelteile Leder  |
| 28 | I XTW | Leather door panel parts<br>Türtafelteile Galvanosilber                                   |
| 28 | I XVM | Door panel parts in Galvano Silver<br>Mitteldüse in Leder                                 |
| 28 | I XVP | Leather center air vent<br>Zierleiste inklusive Abdeckung Cupholder in Leder              |
| 28 | I XVR | Trim strip including cupholder cover in leather<br>Seiten-/Mitteldüsen in Leder           |
| 28 | I XV1 | Side/centre air vent in leather<br>Defrosterblende Lederbezogen                           |
| 28 | I XXF | Defroster trim in leather<br>Rote Heckleuchten  |
| 28 | I XXZ | Red tail lights<br>Fussstütze   |
| 28 | I XX1 | Footrest<br>Fussmatten, Schriftzug, Leder eingefasst                                      |
| 28 | I XX2 | Floor mats, logo, leather border<br>Fussraumbelichtung                                    |
| 28 | I XY5 | Illuminated footwell<br>Kulisse Tiptronic-Wählhebel in Leder                              |
| 28 | I XZB | Tiptronic gear selector gate in leather<br>Mitteldüse in Carbon                           |
| 28 | I XZD | Carbon centre air vent<br>Abdeckung Innenleuchte in Leder                                 |
| 28 | I X45 | Interior light surround in leather<br>Instrumenten-Zifferblatt lackiert in Interieurfarbe |
| 28 | I X46 | Instrument dial in interior color<br>Tiptronic-Wählhebel in Alu/Leder                     |
| 28 | I X47 | Tiptronic selector lever in aluminium/leather<br>Schaltnopf Carbon/Alu/Leder              |
| 28 | I X48 | Gear lever knob in Carbon/leather<br>Tiptronic-Wählhebel in Carbon/Alu                    |
| 28 | I X50 | Tiptronic selector lever in Carbon/aluminium<br>Leistungssteigerung 331/340 kW            |
| 28 | I X51 | Powerkit 331/340 kW<br>Leistungssteigerung  |

## 987C\_MXI KAT28. TXT

|    |       |  |
|----|-------|--|
|    |       | Powerkit 250 kW  |
| 28 | I X54 | Edelstahlendrohre<br>Stainless steel tail pipes  |
| 28 | I X58 | Handbremshebel Carb/Alu/Leder<br>Handbrake lever in Carbon/leather                                 |
| 28 | I X65 | Tiptronic-Wählhebel Wurzelholz Hell/Alu<br>Tiptronic selector lever in light burr maple/aluminium  |
| 28 | I X66 | Tiptronic-Wählhebel Wurzelholz Dunkel/Alu<br>Tiptronic selector lever in dark burr maple/aluminium |
| 28 | I X69 | Einstiegsblenden Carbon, Schritzug<br>Door entry guards in Carbon with logo                        |
| 28 | I X70 | Einstiegsblenden Edelstahl, Schritzug<br>Door entry guards in stainless steel with logo            |
| 28 | I X71 | Instrumenten-Zifferblatt Lackiert/Alufarbe<br>Instrument dial painted/aluminium Look finish        |
| 28 | I X72 | Schaltnopf Alu/Wurzelholz Hell/Leder<br>Gear lever knob aluminium/light burr maple/leather         |
| 28 | I X73 | Sportfahrwerk Turbo<br>Turbo sports suspension   |
| 28 | I X74 | Sportfahrwerk (exklusiv)<br>Sports suspension (exclusive)  |
| 28 | I X75 | Sperrdifferential (exklusiv)<br>Differential lock (exclusive)                                      |
| 28 | I X76 | Schwellerverkleidungen links/rechts<br>Inner door sill guard, left/right                           |
| 28 | I X91 | Handbremshebel Alu/Wurzelholz Hell/Leder<br>Handbrake lever aluminium/light burr maple/leather     |
| 28 | I X97 | Schaltnopf Alu/Leder<br>Gear lever knob in aluminium/leather                                       |
| 28 | I X98 | Handbremshebel Alu/Leder<br>Handbrake lever in aluminium/leather                                   |
| 28 | I X99 | Naturlleder<br>Natural leather   |
| 28 | I 008 | BOXSTER S 3,2 LITER HUBRAUM<br>BOXSTER S 3.2 LITRES DISPLACEMENT                                   |
| 28 | I 009 | BOXSTER 2,7 LITER HUBRAUM<br>BOXSTER 2.7 LITRES DISPLACEMENT                                       |
| 28 | I 022 | Zifferblätter Kombiinstrument in schwarz<br>Black-coloured instrument dials, instrument cluster    |
| 28 | I 023 | Zifferblätter Kombiinstrument in silber<br>Silver-coloured instrument dials, instrument cluster    |
| 28 | I 024 | Griechenland-Ausführung<br>Version for Greece  |
| 28 | I 025 | Zifferblätter Stoppuhr in schwarz<br>Black-coloured instrument dials, stopwatch                    |
| 28 | I 026 | Zifferblätter Stoppuhr in silber<br>Silver-coloured instrument dials, stopwatch                    |
| 28 | I 029 | Serienfahrwerk<br>Standard chassis   |
| 28 | I 030 | Sportfahrwerk<br>Sport-type chassis  |
| 28 | I 032 | Langstreckenfahrwerk<br>Touring suspension   |
| 28 | I 034 | Italien - Ausführung<br>Version for Italy  |
| 28 | I 058 | Pralldämpfer vorn und hinten<br>Impact absorbers, front and rear                                   |
| 28 | I 061 | Grossbritannien-Ausführung<br>Version for Great Britain  |
| 28 | I 062 | Schweden-Ausführung<br>Version for Sweden  |
| 28 | I 063 | Luxemburg-Ausführung<br>Version Luxemburg  |
| 28 | I 064 | Niederlande-Ausführung<br>Version for Netherlands  |
| 28 | I 065 | Dänemark-Ausführung<br>Version for Denmark   |
| 28 | I 066 | Norwegen-Ausführung  |



987C\_MXI KAT28. TXT

|    |       |   |
|----|-------|---|
| 28 | I 067 | Version for Norway<br>Finland-Ausführung  |
| 28 | I 068 | Version for Finland<br>PAP Rechtslenker-Ausführung                                |
| 28 | I 069 | PAP right-hand drive version<br>Sonstige-Länderausführung                         |
| 28 | I 071 | Other country version<br>EU-Länderausführung                                      |
| 28 | I 072 | EU country version<br>Mexico-Ausführung   |
| 28 | I 073 | Version for Mexico<br>Russland-Ausführung   |
| 28 | I 074 | Version for Russia<br>PAP Linkslenker-Ausführung                                  |
| 28 | I 075 | PAP left-hand drive version<br>China-Ausführung                                   |
| 28 | I 098 | China version<br>Linkslenker-Ausführung   |
| 28 | I 099 | Left-hand drive version<br>Rechtslenker-Ausführung                                |
| 28 | I 111 | Right-hand drive version<br>Österreich-Ausführung                                 |
| 28 | I 113 | Version for Austria<br>Kanada - Ausführung  |
| 28 | I 114 | Version for Canada<br>Taiwan - Ausführung   |
| 28 | I 119 | Version for Taiwan<br>Spanien - Ausführung  |
| 28 | I 124 | Version for Spain<br>Frankreich - Ausführung                                      |
| 28 | I 126 | Version for France<br>Beschreibung französisch                                    |
| 28 | I 127 | Control and indications in French lettering<br>Beschreibung schwedisch            |
| 28 | I 130 | Control and indications in Swedish lettering<br>Beschreibung englisch             |
| 28 | I 150 | Control and indications in English lettering<br>Betrieb mit verbleitem Kraftstoff |
| 28 | I 159 | Operation with leaded gas<br>Leistungsreduzierter Motor 155 kW/211 PS             |
| 28 | I 193 | Curbed engine, 155 kW/211 bhp<br>Japan-Ausführung                                 |
| 28 | I 194 | Version for Japan<br>Batterie 60 Ah   |
| 28 | I 195 | Battery, 60 Ah<br>Batterie 70 Ah  |
| 28 | I 196 | Battery, 70 Ah<br>Batterie 80 Ah  |
| 28 | I 197 | Battery, 80 Ah<br>Stärkere Batterie   |
| 28 | I 198 | Stronger battery<br>Stärkerer Anlasser (1,7 kW)                                   |
| 28 | I 199 | Enhanced starter motor (1.7 kW)<br>Batterietrennschalter                          |
| 28 | I 200 | Battery disconnection switch<br>Batterie 95 Ah                                    |
| 28 | I 210 | 95 Ah battery<br>Kennzeichenhalter Ausführung 2                                   |
| 28 | I 211 | Licence plate holder version 2<br>Kennzeichenhalter Ausführung 3                  |
| 28 | I 215 | Licence plate holder version 3<br>Saudi-Arabien - Ausführung                      |
| 28 | I 218 | Version for Saudi Arabia<br>Kennzeichenhalter Ausführung 4                        |
| 28 | I 219 | Licence plate holder version 4<br>Ausgleichsgetriebe                              |
| 28 | I 220 | Differential<br>Sperrdifferential 40 %  |

987C\_MXIKAT28.TXT

- 28 I 225 Locking differentiat 40 %  
Belgien-Ausführung
- 28 I 249 Version for Belgium  
Tiptronic-Getriebe  
Tiptronic transmission
- 28 I 265 Automatisch abblendbarer Innenspiegel mit Regensensor  
Automatic anti-dazzle interior mirror with rain sensor
- 28 I 266 Automatisch abblendbarer Aussenspiegel  
Automatic anti-dazzle door mirror
- 28 I 267 Automatisch abblendbarer Innen und Aussenspiegel  
Automatically dimmable interior and door mirrors
- 28 I 268 Regensensor Rain sensor
- 28 I 270 Aussenspiegel für Fahrerseite -plan-,  
elektrisch verstell- und beheizbar  
Door mirrors -flat - driver's side,  
electrically adjustable and heatable
- 28 I 271 Aussenspiegel für Fahreseite -asphärisch-,  
elektrisch verstell- und beheizbar  
Door mirrors -aspherical - driver's side,  
electrically adjustable and heatable
- 28 I 273 Aussenspiegel, elektrisch verstell- und beheizbar  
Door mirrors, electrically adjustable and heatable
- 28 I 274 Make-Up Spiegel beleuchtet  
Vanity mirror, illuminated
- 28 I 277 Schweiz-Ausführung  
Version for Switzerland
- 28 I 288 Scheinwerfer-Reinigungsanlage  
Headlamp washer
- 28 I 301 Getriebeübersetzung lang  
Transmission ratio long
- 28 I 325 Südafrika/Neuseeland-Ausführung  
Version for South Africa/New Zealand
- 28 I 342 Sitzheizung, links u. rechts  
Seat heating system, left/right seat
- 28 I 369 Basisitz links  
Standard seat, left
- 28 I 370 Basisitz rechts  
Standard seat, right
- 28 I 375 Sportsitz, Lehnenschale, links  
Sports seat, backrest shell, left
- 28 I 376 Sportsitz, Lehnenschale, rechts  
Sports seat, backrest shell, right
- 28 I 377 Sportsitz, Lehnenschale, links, elektrisch verstellbar  
Sports seat, backrest shell, left, electrically adjustable
- 28 I 378 Sportsitz, Lehnenschale, rechts, elektrisch verstellbar  
Sports seat, backrest shell, right, electrically adjustable
- 28 I 388 Sportschalensitz links  
Sports bucket seat, left
- 28 I 389 Sportschalensitz rechts  
Sports bucket seat, right
- 28 I 392 Carrera Rad 17"  
17-inch Carrera wheel
- 28 I 393 Rad Boxster-2 17" (987)  
17-inch Boxster II wheel (987)
- 28 I 397 Rad Boxster S 18" (987)  
18-inch Boxster II wheel (987)
- 28 I 398 Cayman Rad 17"  
17-in. Cayman wheel
- 28 I 401 Cayman S Rad 18"  
18-in. Cayman S wheel
- 28 I 402 Carrera 3 Rad 18"  
Carrera 3 wheel 18-inch
- 28 I 403 Carrera S Rad 19"  
Carrera S wheel 19-inch
- 28 I 404 Turbo-1 Rad 19"  
19" Turbo-1 wheel
- 28 I 405 Carrera Classic Rad 19"  
Carrera Classic wheel 19-inch

|    |       |   |
|----|-------|---|
| 28 | I 406 | Carrera GT Rad 19"/20"                                      |
|    |       | Carrera GT wheel 19-inch/20-inch                            |
| 28 | I 407 | Sport-Design Rad 19"  |
|    |       | SportDesign wheel 19-inch                                   |
| 28 | I 410 | Turbo-2 Rad 18"   |
|    |       | 18-inch Turbo-2 wheel                                       |
| 28 | I 411 | Carrera-Rad 18"   |
|    |       | 18-inch Carrera wheel                                       |
| 28 | I 415 | Turbo-Look-2 Rad 18"  |
|    |       | 18-inch Turbo-Look II wheel                                 |
| 28 | I 416 | Rad GT3 18"   |
|    |       | 18-inch GT3 wheel   |
| 28 | I 418 | Rad Turbo-2 18" GT-Silber                                   |
|    |       | 18-inch Turbo II wheel in GT Silver                         |
| 28 | I 424 | CD-Ablage   |
|    |       | Cd compartment  |
| 28 | I 425 | Heckscheibenwischer   |
|    |       | Rear window wiper   |
| 28 | I 426 | Ohne Heckscheibenwischer                                    |
|    |       | Without rear window wiper                                   |
| 28 | I 431 | Multi-funktionslenkrad, Touch & Feel                        |
|    |       | Multi-function steering wheel, touch + feel                 |
| 28 | I 432 | Lenkrad mit Tiptronic-Bedienung                             |
|    |       | Steering wheel with Tiptronic control                       |
| 28 | I 433 | Sportlenkrad GT3, Alcantara                                 |
|    |       | Sports steering wheel GT3, Alcantara                        |
| 28 | I 435 | Sportlenkrad  |
|    |       | Sports steering wheel                                       |
| 28 | I 436 | 3-Speichen-Airbaglenkrad                                    |
|    |       | 3-spoke airbag steering wheel                               |
| 28 | I 437 | Komfortsitze links, elektrisch verstellbar                  |
|    |       | Comfort seat, left, electrically adjustable                 |
| 28 | I 438 | Komfortsitze rechts, elektrisch verstellbar                 |
|    |       | Comfort seat, right, electrically adjustable                |
| 28 | I 439 | Elektrische, Verdeckbetätigung                              |
|    |       | Electrical hood operation                                   |
| 28 | I 440 | Antennen-Diversität   |
|    |       | Antenna diversity   |
| 28 | I 441 | Radiovorbereitung   |
|    |       | Radio preparation   |
| 28 | I 444 | Diebstahlsicherung, Radschrauben "THATCHAM"                 |
|    |       | Anti-theft lock, wheel bolts "THATCHAM"                     |
| 28 | I 446 | Radzierdeckel konkav mit farbigem Wappen                    |
|    |       | Concave wheel centers with full-colour Porsche Crest        |
| 28 | I 447 | Notrad  |
|    |       | Emergency wheel   |
| 28 | I 450 | Keramik-Bremse (PCCB)                                       |
|    |       | Ceramic brake (PCCB)  |
| 28 | I 451 | Multi-funktionslenkrad, makassar, Touch & Feel              |
|    |       | Multi-function steering wheel, Makassar Ebony, touch + feel |
| 28 | I 452 | Multi-funktionslenkrad, platane, Touch & Feel               |
|    |       | Multi-function steering wheel, Sycamore, touch + feel       |
| 28 | I 453 | Multi-funktionslenkrad, carbon, Touch & Feel                |
|    |       | Multi-function steering wheel, Carbon, touch + feel         |
| 28 | I 454 | Automatische Geschwindigkeitsregulierung                    |
|    |       | Automatic speed control                                     |
| 28 | I 459 | 3-Speichen-Airbaglenkrad, Touch & Feel                      |
|    |       | 3-spoke airbag steering wheel, touch + feel                 |
| 28 | I 460 | Sportlenkrad, Touch & Feel                                  |
|    |       | Sports steering wheel, touch + feel                         |
| 28 | I 461 | Stabantenne   |
|    |       | External antenna  |
| 28 | I 475 | Elektrische Dämpferregelung "PASM"                          |
|    |       | "PASM" electronic damper control                            |
| 28 | I 476 | Porsche Stability Management (PSM)                          |
|    |       | Porsche Stability Management (PSM)                          |
| 28 | I 479 | Australien - Ausführung                                     |
|    |       | Version for Australia                                       |

987C\_MXI KAT28.TXT

- 28 1480 6-Gang Schal tgetrie be  
6-speed manual transmi ssi on
- 28 1481 5-Gang Schal tgetrie be  
5th-speed manual transmi ssi on
- 28 1482 Rei fendruckkontrolle, RDK 433 Mhz  
Ti re Pressure Moni tori ng TPM, 433 MHz
- 28 1483 Rei fendruckkontrolle, RDK 315 Mhz  
315-MHz TPM, Ti re Pressure Moni tori ng
- 28 1484 USA - Ausführung  
Version for USA
- 28 1488 Beschri ftung deutsch  
Inscri ptions in German language
- 28 1490 Klangpaket "ASK"  
Sound system "ASK"
- 28 1492 Scheinwerfer für Li nksverkehr  
Headlights for left-hand traffi c
- 28 1498 Entfall der Modellbezeichnung am Heck  
Deletion of model designati on on rear end
- 28 1499 Ausführung für die Bundesrepubli k Deutschl and  
Version for Germany
- 28 1501 Car-Cover  
Car cover
- 28 1509 Feuerlösch er  
Fi re extingui sher
- 28 1513 Lordosenstütze rechter Si tz  
Lumbar support, right seat
- 28 1521 Neigungsgeber  
Tilt sensor
- 28 1524 Wegfahrssi cherung, Zentral verri egel ung, 433 MHz  
Immobilizer, central locking, 433 MHz
- 28 1525 Wegfahrssi cherung, Zentral verri egel ung, 315 MHz  
Immobilizer, central locking, 315 MHz
- 28 1532 Entfall Fernbedi enung Al armanl age  
Alarm system remote control omi tted
- 28 1533 Entfall Funkbetäti gung Verdeck  
Radio converti ble-top operati on omi tted
- 28 1534 Diebstahl si cherungsanl age 433 Mhz  
Theft security system, 433 MHz
- 28 1535 Diebstahl si cherungsanl age 315 Mhz  
Theft security system, 315 MHz
- 28 1536 -07 Al armsi rene und Neigungsgeber 08- Al armsi rene  
-07 Alarm siren and tilt sensor 08- Alarm siren
- 28 1537 Si tzposi ti ons-Steuerung für Komfortsi tz, links  
Seating position control for comfort seat, left
- 28 1538 Si tzposi ti ons-Steuerung für Komfortsi tz, rechts  
Seating position control for comfort seat, right
- 28 1539 Mechanische Si tzhöhenverstell ung links  
Mechanical seat-height adjustment, left
- 28 1540 Mechanische Si tzhöhenverstell ung rechts  
Mechanical seat-height adjustment, right
- 28 1541 Aktive Si tzbel üftung  
Acti ve seat venti lati on
- 28 1544 Diebstahl si cherung ohne Infrarot-Überwachung 433 MHz  
Anti -theft protecti on wi thout infrared moni tori ng, 433 MHz
- 28 1545 Diebstahl si cherung ohne Infrarot-Überwachung 315 MHz  
Anti -theft protecti on wi thout infrared moni tori ng, 315 MHz
- 28 1549 Dachtransportsystem  
Roof Transport System
- 28 1550 Hardtop  
Hard top
- 28 1551 Windstop  
Wi nd defl ector
- 28 1553 USA-Canada-Ausführung  
Version for USA, Canada
- 28 1554 Bugspoi l erl ippe bei gel egt  
Fr ont spoiler lip i ncl uded
- 28 1555 Sicherhei tsgurte in Schwarz  
Bl ack seat bel ts

## 987C\_MXI KAT28. TXT

|    |      |  |
|----|------|--|
| 28 | 1560 | Advanced Airbag<br>Advanced airbag   |
| 28 | 1562 | Airbag Fahrer- und Beifahrerseite<br>Airbag, driver's side and front passenger's side            |
| 28 | 1563 | Seitenairbag<br>Side airbag  |
| 28 | 1566 | Nebelscheinwerfer weiss<br>Front fog lights, white   |
| 28 | 1567 | Frontscheibe im oberen Bereich stark eingefärbt<br>Windscreen tinted, upper part darker coloured |
| 28 | 1568 | Windschutzscheibe ohne Bandfilter<br>Windscreen without shade band                               |
| 28 | 1571 | Aktivkohlefilter<br>Activated charcoal filter  |
| 28 | 1572 | Klimaanlage manuell<br>Manual air-conditioning system  |
| 28 | 1573 | Klima-Anlage<br>Air conditioner  |
| 28 | 1575 | Kofferraumkühlung<br>Luggage compartment cooling system  |
| 28 | 1580 | Gepäckschott / Gepäckgitter<br>Luggage bulkhead/luggage guard                                    |
| 28 | 1581 | Mittelkonsole vorn<br>Centre console, front  |
| 28 | 1584 | Ablagebox auf Motordeckel<br>Storage box on engine cover   |
| 28 | 1586 | Lordosenstütze linker Sitz<br>Lumbar support, left seat  |
| 28 | 1592 | Himmel Standard, Stoff<br>Standard rooflining, fabric  |
| 28 | 1594 | Himmel Alcantara<br>Alcantara rooflining   |
| 28 | 1601 | Xenon-Licht<br>Xenon lighting system   |
| 28 | 1602 | Hochgesetzte Bremsleuchte<br>Raised stop lamp  |
| 28 | 1606 | Tagfahrlicht<br>Daytime driving lights   |
| 28 | 1607 | Garagentoröffner "Homelink" 315Mhz<br>Garage door opener "Homelink", 315 MHz                     |
| 28 | 1608 | Garagentoroeffner "Homelink" 433Mhz<br>Garage door opener "Homelink" 433 MHz                     |
| 28 | 1610 | DVD Navigation "Paket Europa"<br>DVD navigation, "Europe package"                                |
| 28 | 1611 | DVD Navigation Südafrika<br>DVD navigation South Africa  |
| 28 | 1612 | DVD Navigation mittlerer Osten<br>DVD navigation middle east                                     |
| 28 | 1613 | DVD Navigation Australien<br>DVD navigation australia  |
| 28 | 1614 | DVD Navigation Asien-Pazifik<br>DVD navigation asia-pacific                                      |
| 28 | 1615 | DVD Navigation, Nordamerika<br>DVD navigation system, North America                              |
| 28 | 1616 | DVD, Navigation Russland<br>DVD, Navigation Russia   |
| 28 | 1617 | DVD Navigation Südamerika<br>DVD navigation South America  |
| 28 | 1618 | Telefonvorbereitung<br>Preparation for telephone installation                                    |
| 28 | 1620 | E-Gas<br>Electronic accelerator  |
| 28 | 1621 | 12 Volt Steckdose, Beifahrerseite, Fussraum<br>12-V socket, passenger's side, footwell           |
| 28 | 1625 | Porsche "entry and drive""KESSY"<br>"KESSY" Porsche Entry and Drive                              |
| 28 | 1635 | Ei nparkhilfe<br>Parking assistant   |

|    |      |  |
|----|------|--|
| 28 | 1639 | Sport-Chrono-Paket<br>Sport Chrono package   |
| 28 | 1640 | Sport-Chrono-Paket plus<br>Sport Chrono package plus   |
| 28 | 1641 | elektronisches Fahrtenbuch<br>electronic logbook   |
| 28 | 1650 | Elektrisches Schiebedach<br>Electrical sliding roof  |
| 28 | 1651 | Elektrischer Fensterheber<br>Electric window opener  |
| 28 | 1652 | Ohne Schiebe-Hubdach<br>Without sliding/tilting roof   |
| 28 | 1657 | Servolenkung<br>Power assisted steering  |
| 28 | 1659 | Bordcomputer<br>On-board computer  |
| 28 | 1660 | OBD 2<br>OBD 2   |
| 28 | 1661 | Verschärftes Abgaskonzept<br>Stricter emission-control concept   |
| 28 | 1664 | ORVR<br>ORVR   |
| 28 | 1665 | -2008 PCM 2, 2009- PCM 3 Grundmodul inklusive Radio<br>-2008 PCM 2, 2009- PCM 3 basic module incl. radio |
| 28 | 1666 | -2008 PCM 2, 2009- PCM 3 Telefon (GSM)<br>-2008 PCM 2, 2009- PCM 3 telephone (GSM)                       |
| 28 | 1668 | PCM2 Telefonbedienhoerer<br>PCM2 telephone handset   |
| 28 | 1670 | PCM2 Navigation<br>PCM2 navigation   |
| 28 | 1672 | -2008 PCM 2, 2009- PCM 3 Navigation Offroad<br>-2008 PCM 2, 2009- PCM 3 Offroad navigation               |
| 28 | 1674 | Vorrüstung "Vehicle Tracking System"<br>"Vehicle Tracking System" preparation                            |
| 28 | 1675 | Ohne Radio Vorbereitung (Japan-Navi)<br>Without radio preparation (Japan navigation system)              |
| 28 | 1677 | "Drivercard" Antenne<br>"Driver card" antenna  |
| 28 | 1678 | Anbindung Alarmanlage<br>Alarm system connection   |
| 28 | 1679 | Wiederstartverhinderung<br>Restart inhibitor   |
| 28 | 1680 | Soundpaket BOSE<br>BOSE sound package  |
| 28 | 1685 | Geteilte Rücksitzanlage<br>Rear seats, split   |
| 28 | 1689 | CD-Wechsler Vorbereitung<br>Preparation for CD autochanger   |
| 28 | 1690 | CD-Radio "Porsche Online Pro"<br>CD radio "Porsche Online Pro"   |
| 28 | 1692 | CD-Wechsler "Porsche"<br>CD autochanger "Porsche"  |
| 28 | 1694 | CD-Radio "PORSCHE CDR 24"<br>CD radio "PORSCHE CDR 24"   |
| 28 | 1697 | CD-Radio "Porsche CDR 23"<br>CD radio "Porsche CDR-23"   |
| 28 | 1711 | Entfall Unterbodenschutz<br>Omission underbody protection  |
| 28 | 1755 | Sondermodell "Porsche Design Edition 1"<br>Special model "Porsche Design Edition 1"                      |
| 28 | 1757 | Sondermodell "Porsche Design Edition 2"<br>Special model "Porsche Design Edition 2"                      |
| 28 | 1758 | Sondermodell "CAYMAN S SPORT"<br>Special model "CAYMAN S SPORT"  |
| 28 | 1796 | Ganzlederausstattung Naturleder<br>Full leather trim natural leather                                     |
| 28 | 1798 | Ganzlederausstattung Sonderleder<br>Full leather trim special leather                                    |

987C\_MXIKAT28.TXT

- 28 1799 Ganzlederausstattung nach Wahl  
Full leather trim by choice
- 28 1801 Holzpaket Makassar, dunkel seidenmatt  
Makassar Ebony wood package, dark (matt satin finish)
- 28 1802 Holzpaket Platane, hell seidenmatt  
Sycamore package, light (matt satin finish)
- 28 1803 Carbonpaket  
Carbon package
- 28 1804 Exterieur-Paket Carbon GT2  
GT2 Carbon exterior package
- 28 1805 Lifestyle-Paket  
Lifestyle package
- 28 1810 Fussmatten  
Floor mats
- 28 1912 ohne Typschild  
without ID plate
- 28 1936 Sitzbezüge hinten, Leder  
Seat covers, rear, leather
- 28 1937 Sitzbezüge hinten, Kunstleder  
Seat covers, rear, leatherette
- 28 1939 Sitzbezüge hinten, Raffleder  
Seat covers, rear, draped leather
- 28 1946 Sitzbezüge vorne, Leder/Leder/Kunstleder  
Seat covers, front, leather/leather/leatherette
- 28 1950 Sitzbezüge vorne, Alcantara/Kunstleder/Kunstleder  
Alcantara seat covers, front
- 28 1951 Sitzbezüge vorne, Alcantara/Leder/Leder  
Seat covers front, Alcantara/leather/leather
- 28 1970 Innenausstattung zwei farbig  
Two-tone interior
- 28 1971 Naturleder mit "TORO"-Prägung  
"TORO" embossed leather
- 28 1981 Leder-Ausstattung, ohne Sitzbezug  
Leather equipment, without seat covers
- 28 1982 Sitzbezüge vorne, Raffleder/Leder/Leder  
Seat covers, front, draped leather/leather/leather
- 28 1983 Sitzbezüge vorne, Leder  
Seat covers, front, leather
- 28 1985 Sitzbezüge, Leder/Leder/Kunstleder, 2  
Seat covers, leather/leather/leatherette, 2
- 28 1990 Sitzbezüge vorne, Stoff/Stoff/Kunstleder  
Seat covers, front, cloth/cloth/leatherette
- 28 1991 Airbagmodul in Leder  
Steering wheel airbag module in leather
- 28 1998 Leder, Natur  
Leather, natural
- 28 1999 Innenraumüberwachung Sensor  
für Lederfarbe nach Wahl  
Passenger compartment monitoring sensor  
for leather colour of choice

|               |            |    |    |              |         |               |       |            |
|---------------|------------|----|----|--------------|---------|---------------|-------|------------|
| Model<br>987C | Year<br>08 | MG | SG | Illustration | VIN No. | Update<br>230 | 16:55 | 12.08.2008 |
|---------------|------------|----|----|--------------|---------|---------------|-------|------------|

EQUIPMENT BY COUNTRY REGULATIONS

=====

- (A) AUSTRIA
- (AG) ARABIAN GULF STATES
- (AUS) AUSTRALIA
- (B) BELGIUM
- (BR) BRAZIL
- (CDN) CANADA
- (CH) SWITZERLAND
- (CN) PEOPLE'S REPUBLIC OF CHINA
- (D) FEDERAL REPUBLIC OF GERMANY
- (DK) DENMARK
- (E) SPAIN
- (F) FRANCE
- (GB) GREAT BRITAIN
- (GR) GREECE
- (HK) HONGKONG



|       |      |    |    |              |         |        |       |            |
|-------|------|----|----|--------------|---------|--------|-------|------------|
| Model | Year | MG | SG | Illustration | VIN No. | Update |       |            |
| 987C  | 08   |    |    |              |         | 230    | 16:55 | 12.08.2008 |

|       |                          |
|-------|--------------------------|
| (I)   | ITALY                    |
| (J)   | JAPAN                    |
| (L)   | LUXEMBURG                |
| (N)   | NORWAY                   |
| (NL)  | NETHERLANDS              |
| (NZ)  | NEW ZEALAND              |
| (P)   | PORTUGAL                 |
| (ROK) | KOREA                    |
| (RC)  | TAIWAN                   |
| (THA) | THAILAND                 |
| (S)   | SWEDEN                   |
| (SA)  | SAUDI ARABIA             |
| (SF)  | FINLAND                  |
| (USA) | UNITED STATES OF AMERICA |
| (ZA)  | SOUTH AFRICA             |

|               |            |    |    |              |         |               |       |            |
|---------------|------------|----|----|--------------|---------|---------------|-------|------------|
| Model<br>987C | Year<br>08 | MG | SG | Illustration | VIN No. | Update<br>230 | 16:55 | 12.08.2008 |
|---------------|------------|----|----|--------------|---------|---------------|-------|------------|

IN COLUMN - A -

-----

IDENTIFICATION LETTER FOR PERIOD OF INSTALLATION  
 THAT IS REPEATED SEVERAL TIMES IN THE CATALOG GROUP.

EXPLANATION PLEASE FIND IN TEXT COLUMN OF THE CATALOG GROUP

IN COLUMN - QU - = NO. OF PIECES

-----

- 1 NUMBER PER APPLICATION
- X NUMBER AS NEEDED
- \* AVAILABLE ONLY IN RUNNING LENGTHS 1 = 1 METRE

IN COLUMN - MODEL/SYMBOL -

-----

- M650 OPTIONAL EQUIPMENT - SEE M-NO. LIST
- 98 LIMITATION OF MODEL YEAR FOR INSTANCE: VALID UP TO  
 END OF MODEL YEAR 1997
- /LL LHD
- /RL RHD
- +
- /V FRONT I

|               |            |    |    |              |         |               |       |            |
|---------------|------------|----|----|--------------|---------|---------------|-------|------------|
| Model<br>987C | Year<br>08 | MG | SG | Illustration | VIN No. | Update<br>230 | 16:55 | 12.08.2008 |
|---------------|------------|----|----|--------------|---------|---------------|-------|------------|

I  
 /H REAR I  
 I----> APPLIES TO  
 /L LEFT I DIRECTION OF TRAVEL  
 I  
 /R RIGHT I  
 -----+  
  
 WW THE PART CAN BE USED INSTEAD OF THE  
 PRECEDING ONE.

|       |      |    |    |              |         |        |       |            |
|-------|------|----|----|--------------|---------|--------|-------|------------|
| Model | Year | MG | SG | Illustration | VIN No. | Update |       |            |
| 987C  | 08   |    |    |              |         | 230    | 16:55 | 12.08.2008 |

## LEGENDS AND NOTICES

=====

## IN COLUMN -S- STATUS

-----

- N NEW ADDITION
- P PART ALREADY IN PROGRAMME, BUT NEW  
AT THIS APPLICATION
- W DELETED AT THIS APPLICATION, BUT CONTINUED TO BE CARRIED
- K RACING PART: MARKETED FROM WEISSACH EVM
- A STOCK TO BE USED UP
- U DELETED WITHOUT REPLACEMENT
- \* PART ALSO OR ONLY AVAILABLE  
IN REPAIR KIT
- > ALSO AVAILABLE IN EXCHANGE

## IN COLUMN - ILL. -

-----

- 1 IDENTIFICATION NO. IN ILLUSTRATION
- (1) PART ONLY SIMILAR AS ILLUSTRATED

|       |      |    |    |              |         |        |       |            |
|-------|------|----|----|--------------|---------|--------|-------|------------|
| Model | Year | MG | SG | Illustration | VIN No. | Update |       |            |
| 987C  | 08   |    |    |              |         | 230    | 16:55 | 12.08.2008 |

- PART IS NOT ILLUSTRATED

FIG.-NUMBERS FOR WHICH THERE IS SHOWN NO TEXT ARE  
NOT VALID FOR THIS EDITION OF CATALOGUE

IN COLUMN -PART NUMBER/CODE-

-----

000 000 000 00 PART NUMBER EQUALS ORDERING NO., IF A CODE IS  
SHOWN, IT WILL HAVE TO BE PART OF ORDERING  
NUMBER

01C COLOUR CODE

IN COLUMN -TEXT

-----

INSTALLATION WITH ENGINE OR CHASSIS  
NUMBER-RANGE

EXAMPLE:

M 66W 00389>> FROM ENGINE NO.

F >>99WS6 00889 UP TO CHASSIS NO.

|       |      |    |    |              |         |        |       |            |
|-------|------|----|----|--------------|---------|--------|-------|------------|
| Model | Year | MG | SG | Illustration | VIN No. | Update |       |            |
| 987C  | 08   |    |    |              |         | 230    | 16:55 | 12.08.2008 |

| VEHICLE TYPE         | TYPE   | MY   | TRANSMISSION NO.      | TECHNICAL DATA |
|----------------------|--------|------|-----------------------|----------------|
| CAYMAN "S"           | G87.21 | 06 6 | G8721 1 002001>999999 | 6-GANG         |
| CAYMAN "S" TIPTRONIC | A87.21 | 06 6 | A8721 1 002001>999999 | 5-GANG         |
| CAYMAN "S"           | G87.21 | 07 7 | G8721 1 002001>999999 | 6-GANG         |
| CAYMAN "S" TIPTRONIC | A87.21 | 07 7 | A8721 1 002001>999999 | 5-GANG         |
| CAYMAN               | G87.01 | 07 7 | G8701 1 002001>999999 | 5-GANG         |
| CAYMAN I480          | A87.20 | 07 7 | G8720 1 002001>999999 | 6-GANG         |
| CAYMAN TIPTRONIC     | A87.02 | 07 7 | A8702 1 002001>999999 | 5-GANG         |
| CAYMAN "S"           | G87.21 | 08 8 | G8721 1 002001>999999 | 6-GANG         |
| CAYMAN "S" TIPTRONIC | A87.21 | 08 8 | A8721 1 002001>999999 | 5-GANG         |
| CAYMAN               | G87.01 | 08 8 | G8701 1 002001>999999 | 5-GANG         |
| CAYMAN I480          | A87.20 | 08 8 | G8720 1 002001>999999 | 6-GANG         |
| CAYMAN TIPTRONIC     | A87.02 | 08 8 | A8702 1 002001>999999 | 5-GANG         |

|               |            |    |    |              |         |               |       |            |
|---------------|------------|----|----|--------------|---------|---------------|-------|------------|
| Model<br>987C | Year<br>08 | MG | SG | Illustration | VIN No. | Update<br>230 | 16:55 | 12.08.2008 |
|---------------|------------|----|----|--------------|---------|---------------|-------|------------|

EXPLANATION OF THE TRANSMISSION-NUMBERS USED IN THE CATALOGUE

=====

|                            |   |       |   |   |   |   |       |   |   |    |    |
|----------------------------|---|-------|---|---|---|---|-------|---|---|----|----|
| DIGIT:                     | 1 | 2     | 3 | 4 | 5 | 6 | 7     | 8 | 9 | 10 | 11 |
| EXAMPLE:                   | G | 8     | 6 | 0 | 0 | 1 | 0     | 0 | 5 | 4  | 3  |
|                            | = | ===== |   |   |   | = | ===== |   |   |    |    |
|                            | ! |       | ! |   |   | ! |       |   | ! |    | !  |
|                            | ! |       | ! |   |   | ! |       |   | ! |    | !  |
| TRANSMISSION TYPE-----+    |   |       | ! |   |   | ! |       |   | ! |    | !  |
|                            |   |       | ! |   |   | ! |       |   | ! |    | !  |
| TRANSMISSION VERSION-----+ |   |       |   |   |   | ! |       |   | ! |    | !  |
|                            |   |       |   |   |   | ! |       |   | ! |    | !  |
| INDEX OF VARIANTS-----+    |   |       |   |   |   |   |       |   | ! |    | !  |
|                            |   |       |   |   |   |   |       |   | ! |    | !  |
| SERIAL NUMBER-----+        |   |       |   |   |   |   |       |   |   |    | !  |

|       |      |    |    |              |         |        |       |            |
|-------|------|----|----|--------------|---------|--------|-------|------------|
| Model | Year | MG | SG | Illustration | VIN No. | Update |       |            |
| 987C  | 08   |    |    |              |         | 230    | 16:55 | 12.08.2008 |

ENGINE

| VEHICLE TYPE | TYPE   | MY   | ENGINE NO.      | TECHNICAL DATA    |
|--------------|--------|------|-----------------|-------------------|
| CAYMAN "S"   | M97.21 | 06 6 | 676 00501>60000 | 6ZYL/3,4L /217 KW |
| CAYMAN "S"   | M97.21 | 07 7 | 677 00501>60000 | 6ZYL/3,4L /217 KW |
| CAYMAN       | M97.20 | 07 7 | 657 00501>60000 | 6ZYL/2,7L /180 KW |
| CAYMAN "S"   | M97.21 | 08 8 | 678 00501>60000 | 6ZYL/3,4L /217 KW |
| CAYMAN       | M97.20 | 08 8 | 658 00501>60000 | 6ZYL/2,7L /180 KW |



|       |      |    |    |              |         |        |       |            |
|-------|------|----|----|--------------|---------|--------|-------|------------|
| Model | Year | MG | SG | Illustration | VIN No. | Update | 16:55 | 12.08.2008 |
| 987C  | 08   |    |    |              |         | 230    |       |            |

EXPLANATION OF THE MOTOR-NUMBERS USED IN THE CATALOGUE

=====

DIGIT:                                   1 2 3   4 5 6 7 8

EXAMPLE:                               6 2 5   0 0 1 3 6

      = = =       =====

          ! ! !           !

ENGINE TYPE (6 = 6-CYL.-ENGINE)-----+ ! !       !

          ! !           !

ENGINE VERSION-----+ !       !

          !           !

MODEL YEAR-----+           !

          !

SERIAL NUMBER-----+

|               |            |    |    |              |         |               |       |            |
|---------------|------------|----|----|--------------|---------|---------------|-------|------------|
| Model<br>987C | Year<br>08 | MG | SG | Illustration | VIN No. | Update<br>230 | 16:55 | 12.08.2008 |
|---------------|------------|----|----|--------------|---------|---------------|-------|------------|

| VEHICLE TYPE                     | MY   | VIN               | ENGINE TYPE   |
|----------------------------------|------|-------------------|---------------|
| CAYMAN "S"                       | 06 6 | 986S7 70061>80000 | M97.21 217 KW |
| CAYMAN "S"                       | 06 6 | 986U7 70061>80000 | M97.21 217 KW |
| CAYMAN "S" (USA, CDN, MEX, BR)   | 06 6 | 986S7 80061>90000 | M97.21 217 KW |
| CAYMAN "S" (USA, CDN, MEX, BR)   | 06 6 | 986U7 80061>90000 | M97.21 217 KW |
| CAYMAN "S"                       | 07 7 | 987S7 70061>80000 | M97.21 217 KW |
| CAYMAN "S"                       | 07 7 | 987U7 70061>80000 | M97.21 217 KW |
| CAYMAN S (USA, CN, CDN, MEX, BR) | 07 7 | 987S7 80061>90000 | M97.21 217 KW |
| CAYMAN S (USA, CN, CDN, MEX, BR) | 07 7 | 987U7 80061>90000 | M97.21 217 KW |
| CAYMAN                           | 07 7 | 987S7 50061>60000 | M97.20 180 KW |
| CAYMAN                           | 07 7 | 987U7 50061>60000 | M97.20 180 KW |
| CAYMAN (USA, CN, CDN, MEX, BR)   | 07 7 | 987S7 60061>70000 | M97.20 180 KW |
| CAYMAN (USA, CN, CDN, MEX, BR)   | 07 7 | 987U7 60061>70000 | M97.20 180 KW |
| CAYMAN "S"                       | 08 8 | 988S7 70061>80000 | M97.21 217 KW |
| CAYMAN "S"                       | 08 8 | 988U7 70061>80000 | M97.21 217 KW |
| CAYMAN S (USA, CN, CDN, MEX, BR) | 08 8 | 988S7 80061>90000 | M97.21 217 KW |
| CAYMAN S (USA, CN, CDN, MEX, BR) | 08 8 | 988U7 80061>90000 | M97.21 217 KW |
| CAYMAN                           | 08 8 | 988S7 50061>60000 | M97.20 180 KW |
| CAYMAN                           | 08 8 | 988U7 50061>60000 | M97.20 180 KW |
| CAYMAN (USA, CN, CDN, MEX, BR)   | 08 8 | 988S7 60061>70000 | M97.20 180 KW |
| CAYMAN (USA, CN, CDN, MEX, BR)   | 08 8 | 988U7 60061>70000 | M97.20 180 KW |

|               |            |    |    |              |         |               |       |            |
|---------------|------------|----|----|--------------|---------|---------------|-------|------------|
| Model<br>987C | Year<br>08 | MG | SG | Illustration | VIN No. | Update<br>230 | 16:54 | 12.08.2008 |
|---------------|------------|----|----|--------------|---------|---------------|-------|------------|

EXPLANATION OF THE ABRIDGED VERSION OF THE VEHICLE IDENT. NUMBERS (VIN)

=====

USED IN THE CATALOGUE

=====

DIGIT:                            1 2 3   4 5 6   7 8   9   10   11   12   13 14 15 16 17

EXAMPLE:                        W P 0   Z Z Z   9 8   Z   6   S   7   0 0 1 2 5

                                      ===       =   =   =   =====

    !       !   !   !                !

VEHICLE TYPE 1ST+2ND DIGIT-----+                                    !   !   !                !

    !   !   !                !

MODEL YEAR-----+    !   !                !

    !   !                !

MANUFACTURING LOCATION-----+                                        !                !

    !                !

VEHICLE TYPE 3RD DIGIT-----+    !

    !

SERIAL NUMBER-----+    !

|       |      |    |    |              |         |        |       |            |
|-------|------|----|----|--------------|---------|--------|-------|------------|
| Model | Year | MG | SG | Illustration | VIN No. | Update | 16:54 | 12.08.2008 |
| 987C  | 08   |    |    |              |         | 230    |       |            |

THIS PARTS CATALOGUE CONTAINS ALL ORDER INFORMATION OF  
TYPE CAYMAN FROM MODEL YEAR 2006

IT IS AVAILABLE IN TWO EDITIONS IN THE FOLLOWING LANGUAGES:

EDITION

USA, CANADA - \*

EDITION

ALL OTHER COUNTRIES - GERMAN

\* - ENGLISH

- FRENCH

- ITALIAN

- SPANISH

UPDATING IS BEING PERFORMED BY CHANGING OF UPDATE.

THE EDITION CAN BE RECOGNIZED BY THE CURRENT NO.

IN THE BOTTOM LINE OF SUBJECT UPDATE.

THE PREVIOUS UPDATE SHOULD NO LONGER BE USED.

ALL ILLUSTRATIONS ARE SUBJECT TO CHANGE WITHOUT OBLIGATION.