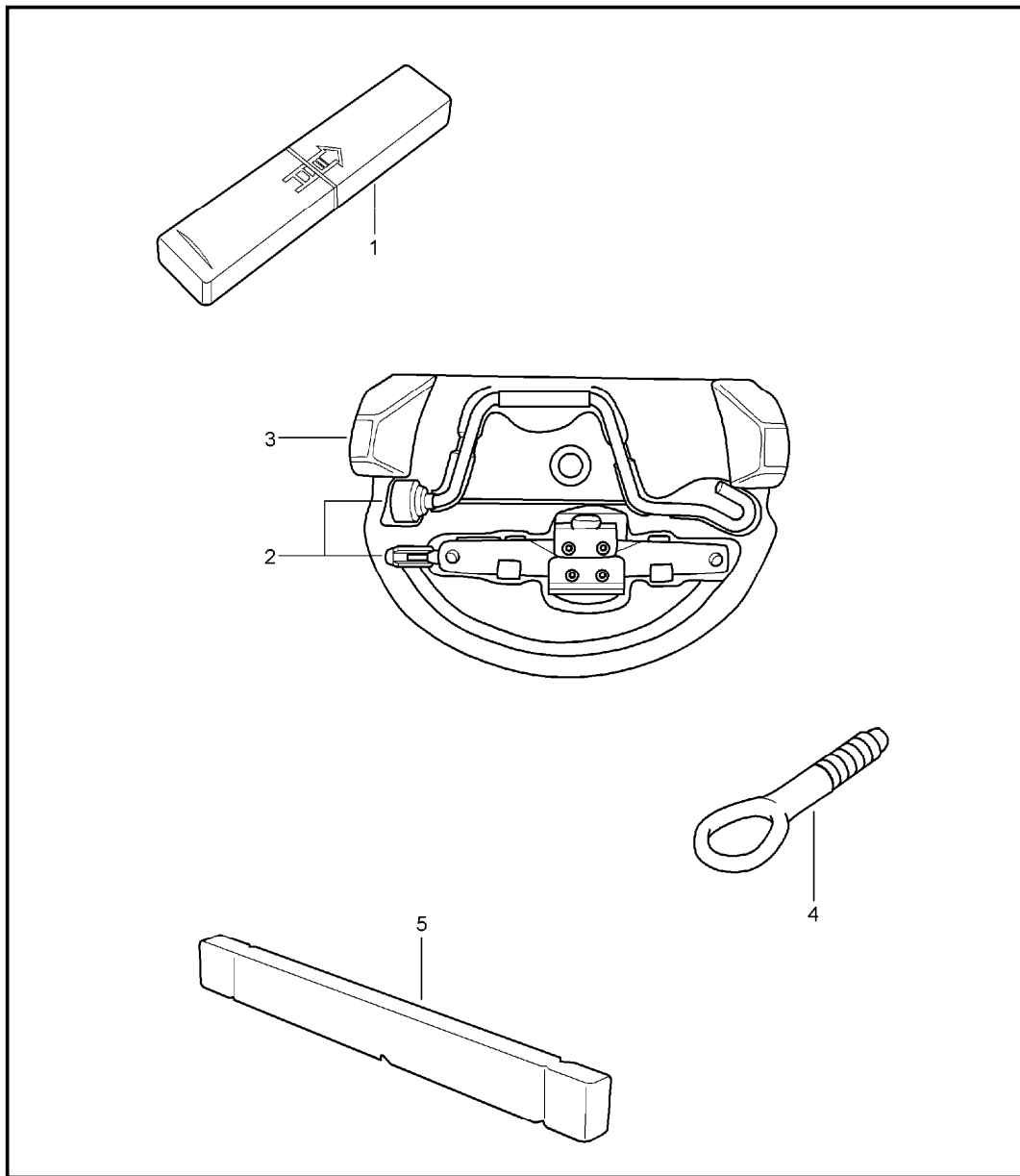


Model	Year	MG	SG	Illustration	Restrictions	UPD	11:11	24.01.2010	PORSCHE	PET	PORSCHE
987	2008	0	01	001-00		248					



Pos	Part Number	Description	Remark	Qty	Model
1	997 721 115 00	tool jack		1	
-	477 012 229	tool kit with contents comprising:		1	
-	477 012 231	double-end spanner 10 X 13		1	
-	477 012 231	screwdriver		1	
-	111 012 287	handle for screwdriver		1	
-	999 571 077 02	socket wrench - 5 - for headlamp		1	
2	996 721 211 00	scissors type jack		1	I447
3	996 722 101 00	foam part		1	I447
-	999 571 074 30	threaded bolt for assembly wheels		1	I447
-	477 012 221 A	rim wrench		1	I447
-	999 571 070 30	operating rod for rim wrench		1	I447
-	997 722 801 00	mounting for tool		1	I447
-	996 361 521 00	boot		1	I447
-	997 722 061 00	cover emergency wheel		1	I447
-	987 722 103 00	mounting emergency wheel		1	I447
4	997 721 551 00	towing lug		1	
5	000 722 722 05	warning triangle		1	
-	993 722 041 00	first-aid kit		1	

Model	Year	MG	SG	Illustration	Restrictions	UPD	11:11	24.01.2010
987	2008	0	01	001-05		248		

Pos	Part Number	Description	Remark	Qty	Model
		stickers			
		stickers emergency wheel		1	I447
-	996 361 701 20	sticker english	(AUS)	1	
-	997 361 701 00	sticker arabic		1	I215
-	928 701 150 00	sticker "MAX 80 KM/H"		1	
		stickers engine specifications			
(2)	955 701 675 00	sticker expansion tank	08	1	I193
3	996 006 108 00	sticker	05	1	I068
3	997 006 108 00	sticker	06-	1	I068
4	996 006 120 00	indication sticker expansion tank coolant		1	
4	997 006 544 00	sticker engine oil - MOBIL 1 -		1	
(4)	997 701 535 00	sticker engine-oil level	08	1	I193
		stickers type of fuel			
5	996 006 117 00	sticker 98 ROZ		1	
5	996 006 117 02	sticker 96 ROZ	(AUS)	1	
5	996 006 117 01	sticker 98 ROZ		1	I150
5	996 006 117 03	sticker 93 RON/MON/2		1	I193
5	955 701 676 15	sticker fuel	08	1	I193
5	955 701 676 10	sticker fuel filler flap	08	1	I193
		stickers airbag			

PORSCHE

# PET

PORSCHE

Model	Year	MG	SG	Illustration	Restrictions	UPD	11:11	24.01.2010
987	2008	0	01	001-05		248		

Pos	Part Number	Description	Remark	Qty	Model
6	3B0 010 219 B	sticker child car seat		1	
6	8D0 010 141 Q	sticker child car seat	(AUS)	1	
6	987 701 430 00	sticker child car seat german		1	
6	987 701 430 01	sticker child car seat english		1	
6	987 701 430 02	sticker child car seat french		1	
6	987 701 430 03	sticker child car seat italian		1	
6	987 701 430 04	sticker child car seat swedish		1	
6	987 701 430 05	sticker child car seat spanish		1	
6	987 701 430 06	sticker child car seat arabic		1	
6	987 701 430 07	sticker child car seat chinese	06-	1	
(6)	955 701 675 10	sticker Recycling	08	1	I193
9	986 701 141 01	sticker air conditioner		1	
(9)	987 701 521 00	sticker air conditioner	08	1	I193
(9)	955 701 673 00	sticker battery	08	1	I193
10	997 701 170 00	sticker first-aid kit		1	
(10)	997 701 527 00	sticker headlamp	08	1	I193
(10)	955 701 675 05	sticker brake fluid	08	1	I193

PORSCHE

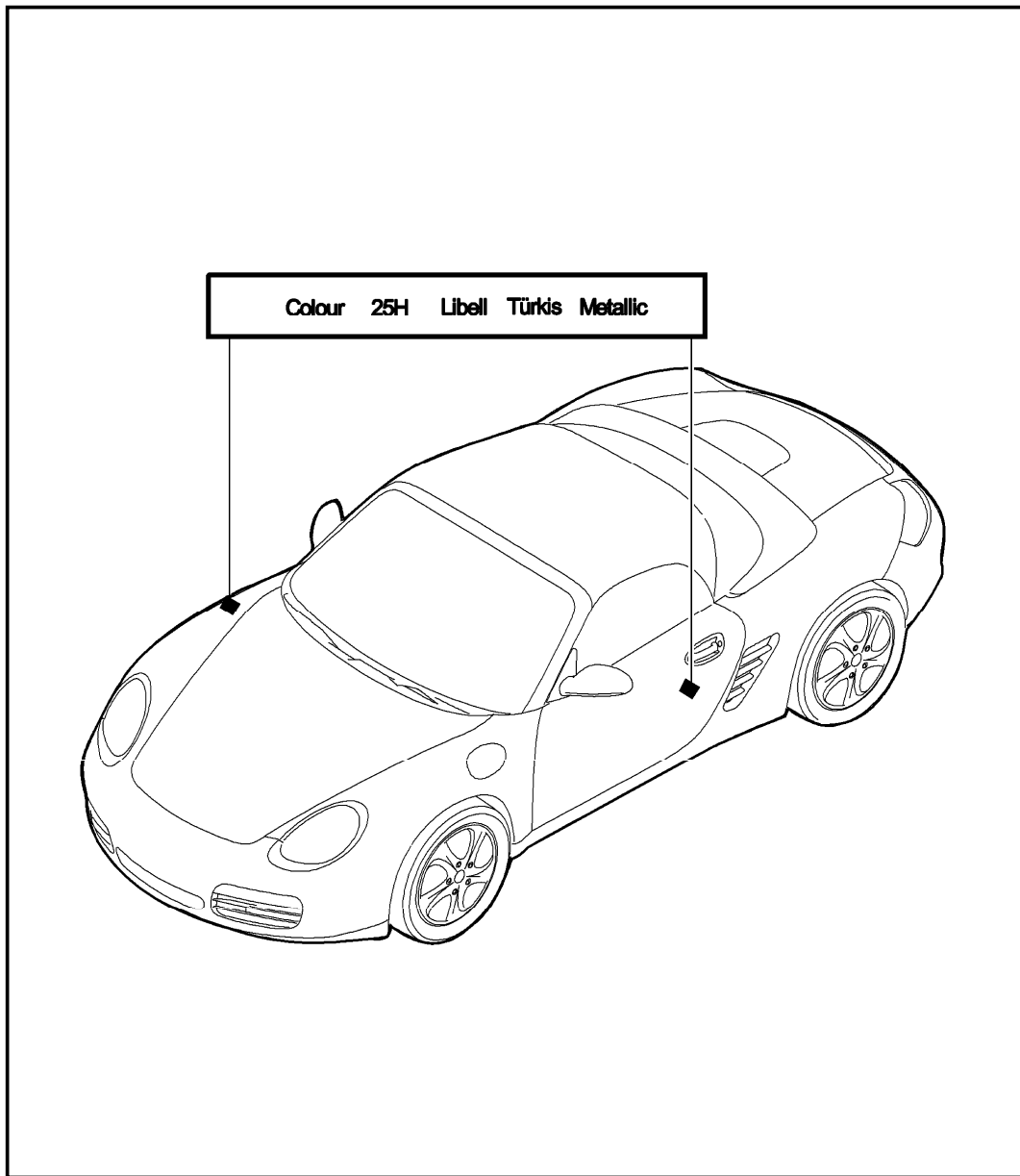
PET

PORSCHE

Model	Year	MG	SG	Illustration	Restrictions	UPD	11:11	24.01.2010
987	2008	0	01	001-05		248		

Pos	Part Number	Description	Remark	Qty	Model
11	955 701 675 15	sticker import japan	08	1	I193
12	997 701 531 00	sticker airbag	08	1	I193
(12)	955 701 676 00	sticker warning light engine  stickers convertible top control see group 8/07/09	08	1	I193

Model	Year	MG	SG	Illustration	Restrictions	UPD	11:12	24.01.2010	PORSCHE	PET	PORSCHE
987	2008	0	04	004-00		248					

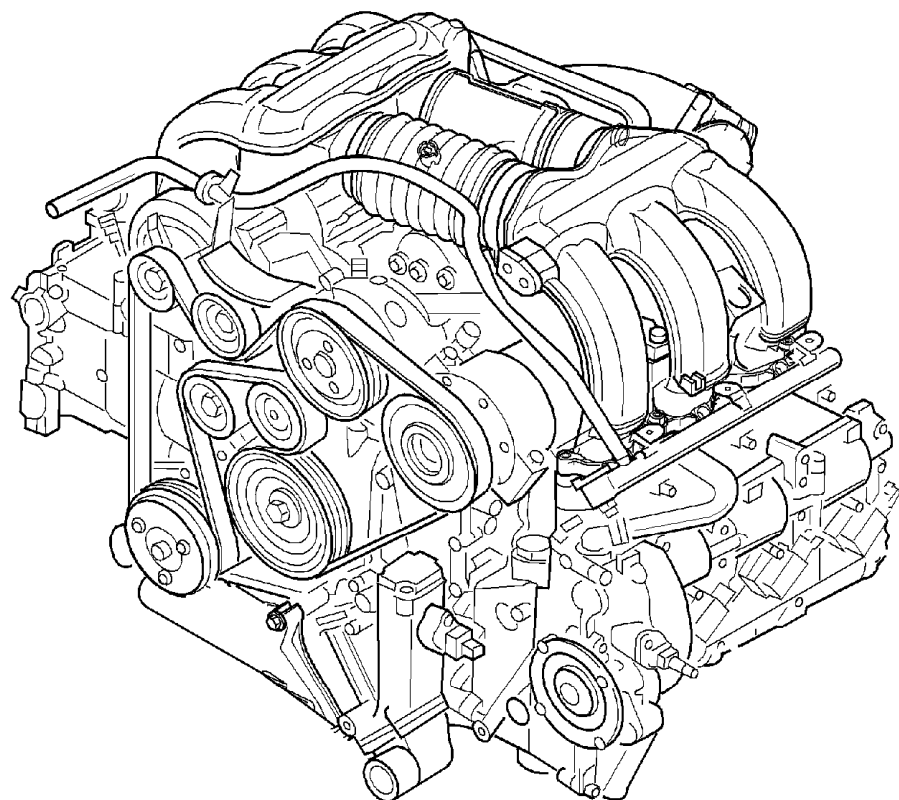


Pos	Part Number	Description	Remark	Qty	Model
-	911 095 932 20	paint touch-up applicator lacquers		X	
	041	black			A 1
	80K	guards red			G 1
	B9A	carrara white			B 4
	12G	speed yellow			X 4
	8C6	orange	08		N 2
-	911 095 933 20	paint touch-up applicator set comprising: paint touch-up applicator primer paint touch-up applicator clear lacquer		X	
	92T	arctic silver metallic			X 1
	M3W	carmon red metallic			E 4
	M5W	lapis blue metallic			J 2
	M6W	lagoon green metallic			G 4
	C9Z	basalt black metallic			Z 4
	M7X	atlas grey metallic			E 7
	37W	midnight blue metallic			E 9
	6B5	seal grey metallic			Y 1
	22E	forest green metallic			53
	37U	cobalt blue metallic			56
	22D	slate grey metallic			59
	M7Z	gt silver metallic			U 2
	M6X	dark olive-metallic			7 G
	M7W	Meteor Grey Metallic	07-		9 Q
	8A7	ruby red metallic	08		L 2
	M8W	Macadamia Metallic	08		9 S
	2B5	Malachite Green Metallic	08		H 1

Model	Year	MG	SG	Illustration	Restrictions	UPD	11:12	24.01.2010	PORSCHE	PET	PORSCHE
987	2008	0	04	004-00		248					

Pos	Part Number	Description	Remark	Qty	Model	Pos	Part Number	Description	Remark	Qty	Model
	M2Z	Nordic Gold Metallic	08		8 W						

Model	Year	MG	SG	Illustration	Restrictions	UPD	11:12	24.01.2010	PORSCHE	PET	PORSCHE
987	2008	1	01	101-00		248					



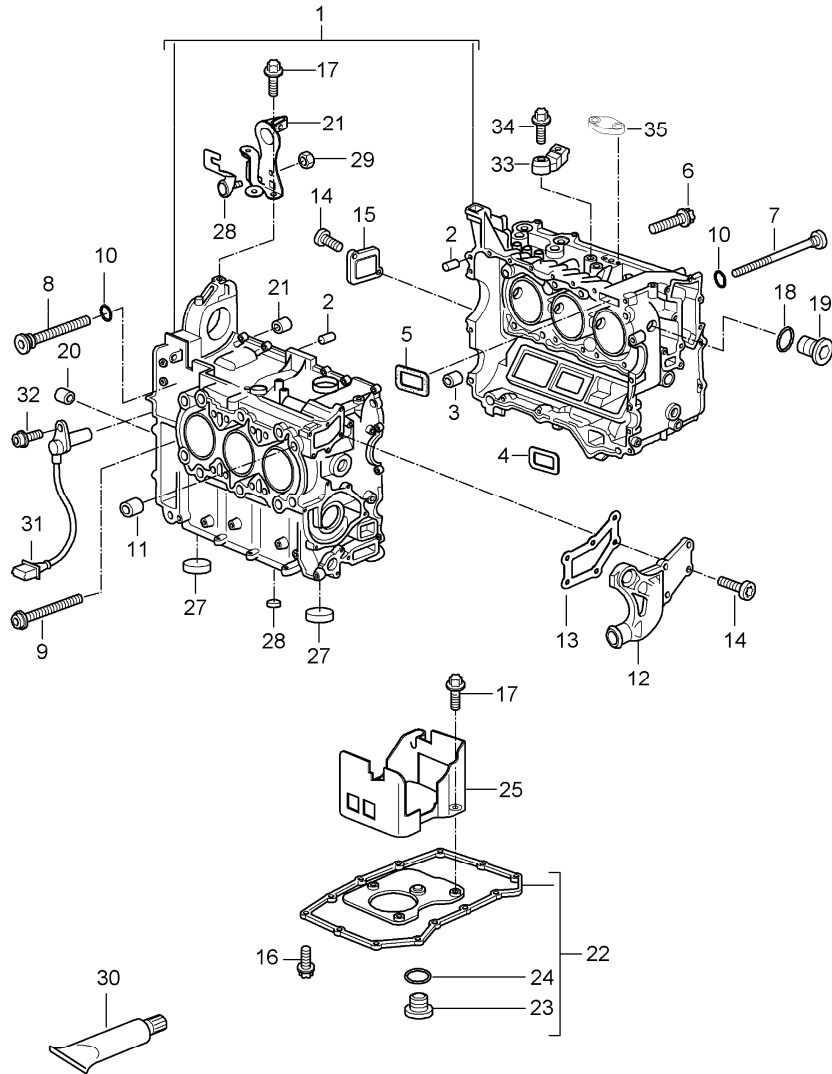
Pos	Part Number	Description	Remark	Qty	Model
		replacement engine			M96.25/26 M97.20/21/22
		without drive plate tiptronic without flywheel manual transmission			
		technical information GRUPPE 1 NR.1/04 attention			
1 >	987 100 925 00	replacement engine		05	1 M96.25 I481
1 >	987 100 925 03	replacement engine		06	1 M96.25 I481
(1) >	987 100 920 00	replacement engine		07	1 M97.20 I481
(1) >	987 100 920 06	replacement engine		08	1 M97.20 I481
1 >	987 100 925 01	replacement engine		05	1 M96.25 I249
1 >	987 100 925 04	replacement engine		06	1 M96.25 I249
(1) >	987 100 920 01	replacement engine		07	1 M97.20 I249
(1) >	987 100 920 08	replacement engine		08	1 M97.20 I249
1 >	987 100 925 02	replacement engine		05	1 M96.25 I480
1 >	987 100 925 05	replacement engine		06	1 M96.25 I480
(1) >	987 100 920 05	replacement engine		07	1 M97.20 I480
(1) >	987 100 920 10	replacement engine		08	1 M97.20 I480
1 >	987 100 926 00	replacement engine		05	1 M96.26 I480
1 >	987 100 926 02	replacement engine		06	1 M96.26 I480

Model	Year	MG	SG	Illustration	Restrictions	UPD	11:12	24.01.2010	PORSCHE	PET	PORSCHE
987	2008	1	01	101-00		248					

Pos	Part Number	Description	Remark	Qty	Model	Pos	Part Number	Description	Remark	Qty	Model
(1)	> 987 100 921 04	replacement engine		07	1 M97.21 I480						
(1)	> 987 100 921 08	replacement engine		08	1 M97.21 I480						
(1)	> 987 100 922 00	replacement engine		08	1 M97.22 I480						
1	> 987 100 926 01	replacement engine		05	1 M96.26 I249						
1	> 987 100 926 03	replacement engine		06	1 M96.26 I249						
(1)	> 987 100 921 05	replacement engine		07	1 M97.21 I249						
(1)	> 987 100 921 10	replacement engine		08	1 M97.21 I249						
(1)	> 987 100 922 02	replacement engine		08	1 M97.22 I249						



Model	Year	MG	SG	Illustration	Restrictions	UPD	11:12	24.01.2010	PORSCHE	PET	PORSCHE
987	2008	1	01	101-05		248					

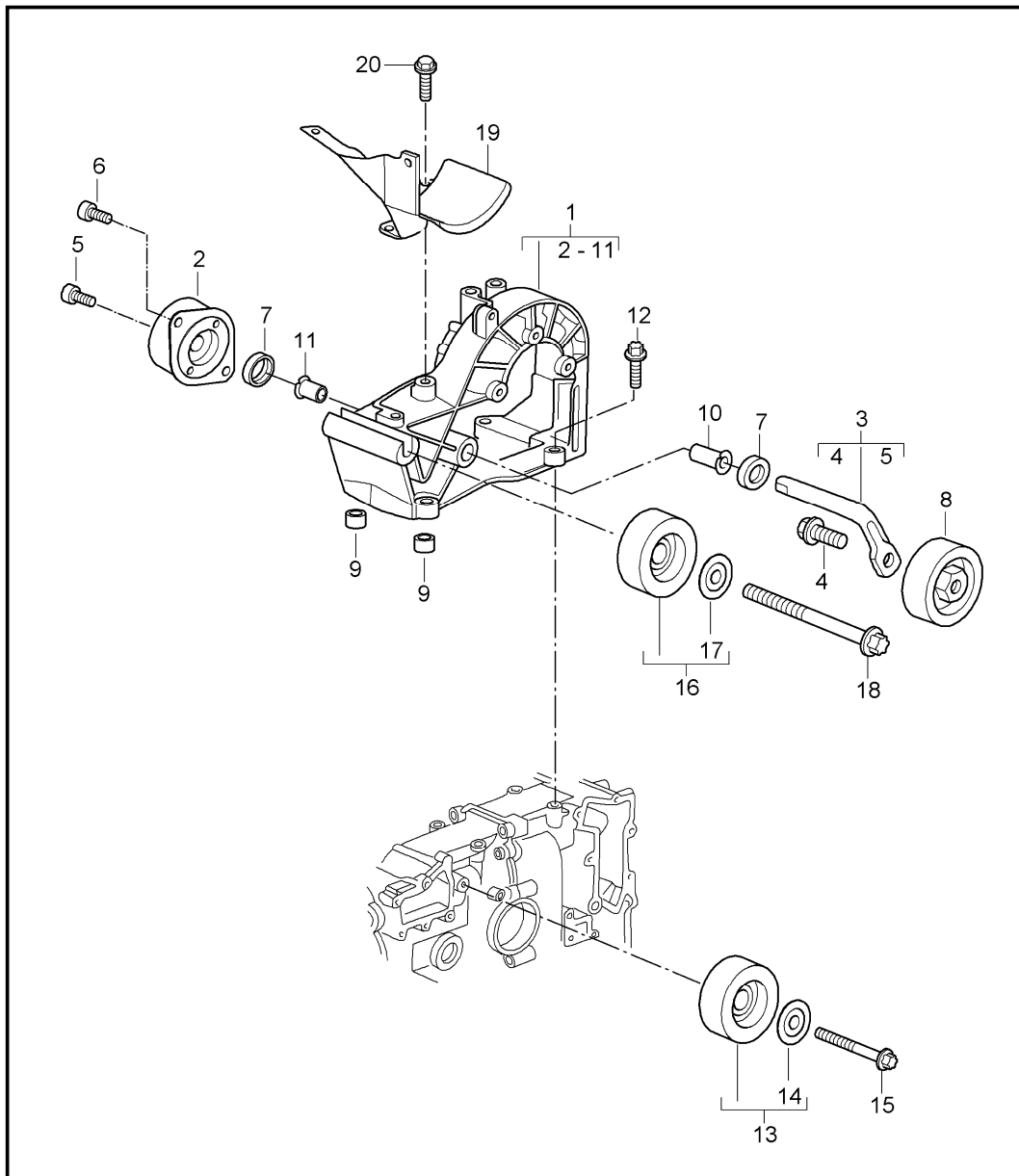


Pos	Part Number	Description	Remark	Qty	Model
		crankcase single parts			M96.25/26 M97.20/21/22
1	996 101 901 10	crankcase	-06	1	M96.26
1	987 101 901 00	crankcase	07-	1	M97.21/22
1	996 101 901 09	crankcase	-06	1	M96.25
1	987 101 901 01	crankcase	07-	1	M97.20
2	999 012 049 00	straight pin 12M 6 X 22		3	
3	996 101 253 51	dowel sleeve		3	
4	996 101 361 51	gasket		1	
5	996 101 363 50	gasket		1	
6	900 385 270 04	torx screw M 6 X 35		19	
(6)	999 385 004 09	torx screw BM 6 X 35 blue coated	-07	4	
(6)	999 385 004 01	torx screw BM 6 X 35 white coated	08-	4	
7	996 101 219 52	screw 9 X 150		1	
8	996 101 229 00	screw M 9 X 94		1	
9	996 101 203 00	screw 9 X 94		1	
10	999 701 789 40	o-ring 12 X 2 use also: grease 999 917 788 00		2	
11	999 095 043 01	dowel sleeve 17M 6 X 18,5		4	
12	996 101 021 01	lid		1	
13	996 101 331 50	gasket		1	
14	999 073 344 04	round head screw M 6 X 20		8	

Model	Year	MG	SG	Illustration	Restrictions	UPD	11:12	24.01.2010	PORSCHE	PET	PORSCHE
987	2008	1	01	101-05		248					

Pos	Part Number	Description	Remark	Qty	Model	Pos	Part Number	Description	Remark	Qty	Model
15	996 101 016 00	lid		1		35	---	see illustrations 1/07/05		1	
16	996 101 336 50	gasket		1							
17	900 385 009 09	torx screw BM 6 X 16		13							
18	900 123 147 30	sealing ring A 27 X 32		1							
19	900 219 017 30	screw plug M 27 X 2		1							
20	014 301 153 B	dowel sleeve 13 X 16 X13,5		2							
21	---	see illustrations 1/07/05		1							
22	A 996 107 031 55	oil pan		1							
(22)	996 107 031 57	oil pan		1							
23	900 219 009 30	screw plug M 18 X 1,5		1							
24	900 123 106 30	sealing ring A 18 X 24		1							
25	997 107 243 00	bulkhead		1							
26	999 036 005 02	lid B 50		2							
27	000 043 300 19	lid B 16		1							
28	996 101 613 50	support		1	I249						
29	900 377 010 09	hexagon nut M 6		1	I249						
30	000 043 203 73	sealing compound 30 ML		X							
(30)	000 043 204 35	sealing compound 50 ML		X							
31	986 606 112 03	pulse sender		1							
32	900 387 264 09	pan-head screw M 6 X 16		1							
33	997 606 121 00	knock sensor		2							
34	900 385 090 04	torx screw BM 8 X 35		2							

Model	Year	MG	SG	Illustration	Restrictions	UPD	11:12	24.01.2010	PORSCHE	PET	PORSCHE
987	2008	1	01	101-10		248					

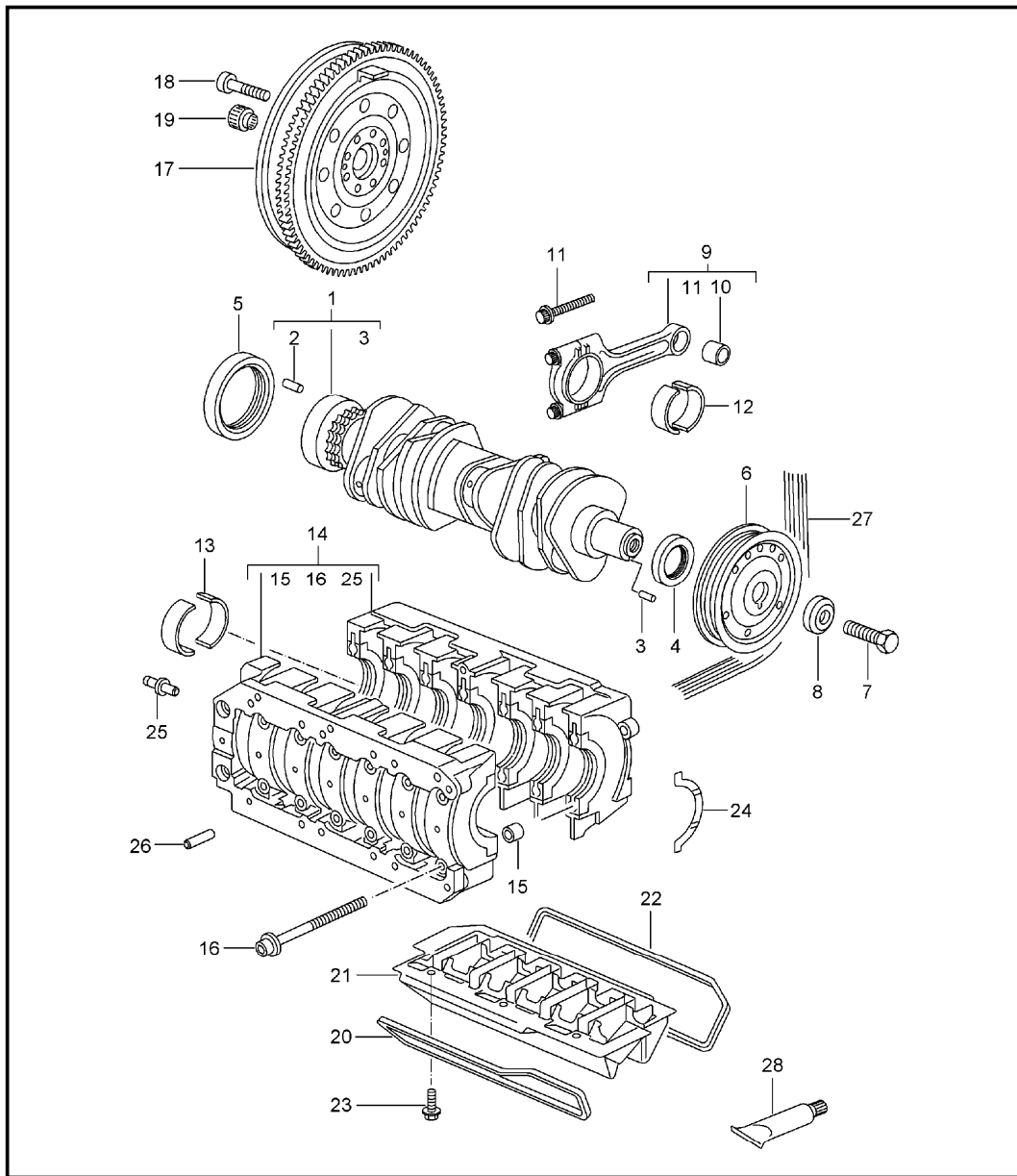


Pos	Part Number	Description	Remark	Qty	Model
		belt tensioner belt drive			M96.25/26 M97.20/21/22
1	997 102 016 00	bracket		1	I480/481
(1)	996 102 016 01	bracket		1	I249
2	997 102 260 00	tensioner		1	
3	996 102 360 51	lever		1	
4	999 072 041 09	hexagon-head bolt M 10 X 30		1	
5	900 067 117 03	pan-head screw M 6 X 16		1	
6	999 067 045 09	pan-head screw M 8 X 22		2	
7	996 102 365 50	dust boot		2	
8	997 102 117 00	tensioning roller		1	I480/481
(8)	996 102 117 57	tensioning roller		1	I249
9	999 095 064 00	dowel sleeve 12 M 6 X 13		2	
10	997 102 167 00	bush		1	
11	997 102 165 00	bush		1	
12	900 385 090 04	torx screw M 8 X 35		4	
13	997 102 119 00	deflection roller		1	I480/481
(13)	996 102 119 58	deflection roller		1	I249
14	996 102 127 54	cover disc		1	
15	900 385 091 04	torx screw M 8 X 60		1	
16	997 102 118 00	deflection roller		1	I480/481
(16)	996 102 118 56	deflection roller		1	I249
17	996 102 125 53	cover disc		1	I249
18	900 385 092 04	torx screw M 10 X 145		1	
19	996 102 211 05	cover		1	

Model	Year	MG	SG	Illustration	Restrictions	UPD	11:12	24.01.2010	PORSCHE	PET	PORSCHE
987	2008	1	01	101-10		248					

Pos	Part Number	Description	Remark	Qty	Model	Pos	Part Number	Description	Remark	Qty	Model
20	900 385 279 09	hexagon-head bolt M 6 X 12		3							

Model	Year	MG	SG	Illustration	Restrictions	UPD	11:12	24.01.2010	PORSCHE	PET	PORSCHE
987	2008	1	02	102-00		248					

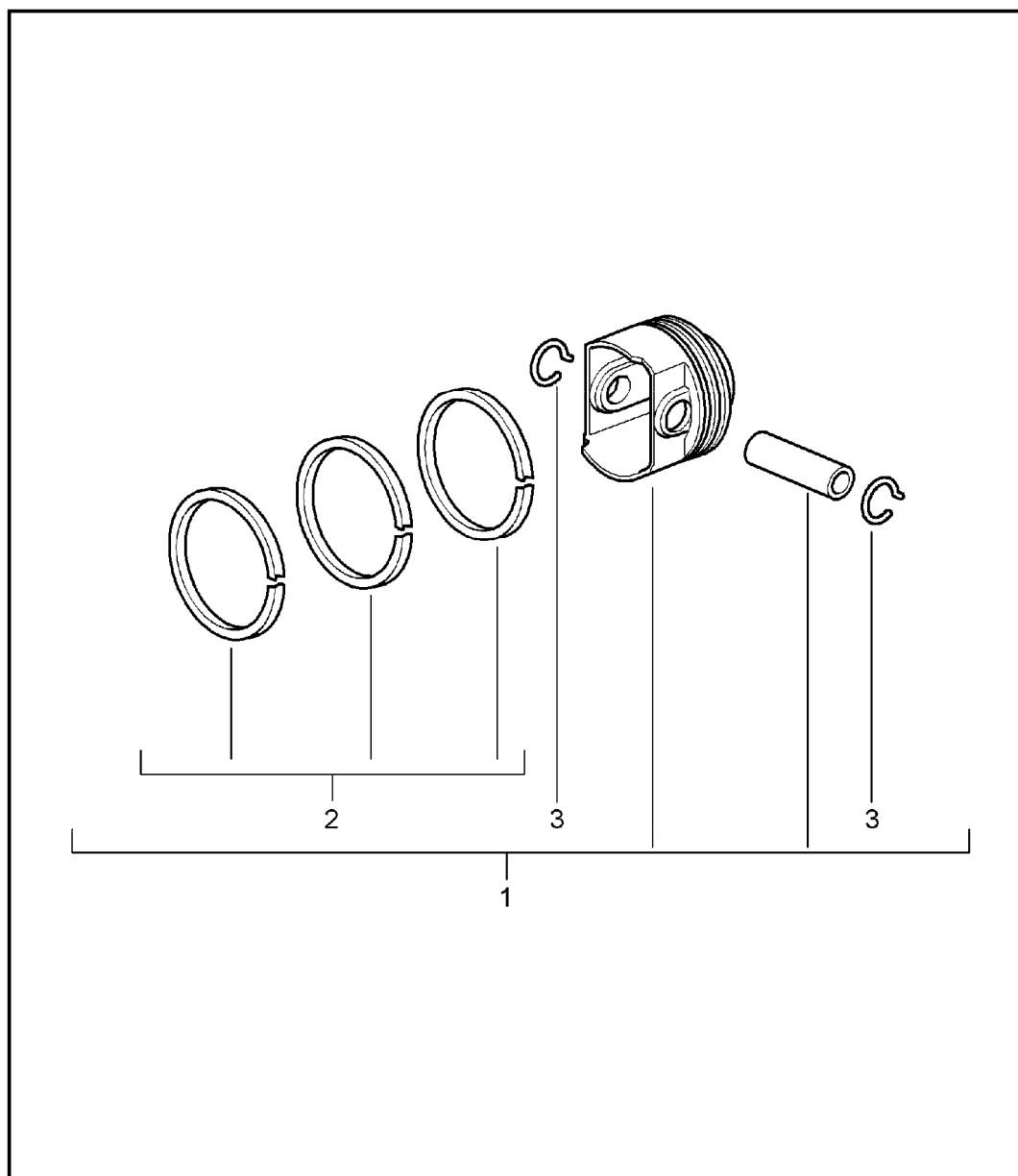


Pos	Part Number	Description	Remark	Qty	Model
		crankshaft			M96.25/26 M97.20/21/22
1	996 102 011 58	crankshaft		1	
1	987 102 010 03	crankshaft		1	M97.21/22
2	900 095 031 01	roll pin 6,0 X 16		1	
3	900 302 021 00	straight pin A 4,0 X 10		1	
4	999 113 475 40	shaft sealing ring 40 X 62 X 10		1	
5	999 113 490 40	shaft sealing ring 85 X 105 X 11		1	
5	997 101 212 00	shaft sealing ring 85 x 105 x 11		1	
6	996 102 115 63	pulley		1	
7	900 082 085 09	hexagon-head bolt M 16 X 1,5 X 60		1	
8	996 102 315 51	thrust washer		1	
9	996 103 975 02	connecting rod connecting rods comprising: 6 connecting rods see workshop manual 987 GR.1-1		1	
10	996 103 111 51	connecting rod bush		6	
11	997 103 115 01	connecting rod bolt		12	
12	996 103 121 62	connecting-rod bearing		12	
13	987 101 205 01	crankshaft bearing		14	M96.25
13	996 101 205 10	crankshaft bearing		14	M96.26 M97.20
13	996 101 205 10	crankshaft bearing use also: M >> 615 06313 bearing case 996.101.007.09		14	M96.25
13	996 101 209 04	crankshaft bearing		14	M97.21/22

Model	Year	MG	SG	Illustration	Restrictions	UPD	11:12	24.01.2010	PORSCHE	PET	PORSCHE
987	2008	1	02	102-00		248					

Pos	Part Number	Description	Remark	Qty	Model	Pos	Part Number	Description	Remark	Qty	Model
14	U 987 101 007 20	bearing case only together with 987.101.205.01		1	M96.25	25	996 101 117 54	straight pin		1	
14	996 101 007 09	bearing case		1	M96.25/26 M97.20	26	996 101 018 51	splash valve		6	
14	A 996 101 007 22	bearing case		1	M97.21	27	996 102 151 66	poly-rib belt		1	
(14)	996 101 007 23	bearing case		1	M97.21/22	28	000 043 204 17	extreme-pressure grease 100 GR.		X	
15	999 095 064 00	dowel sleeve 12 M 6 X 13		3							
16	996 101 115 60	screw M >> 615 06313		14	M96.25						
(16)	U 996 101 115 61	screw M 615 06314 >>		14	M96.25						
(16)	U 996 101 115 61	screw for bearing case		14	M97.20/21/22 M96.26						
(16)	996 101 115 59	screw for bearing case		14	M97.20/21/22 M96.26						
17	986 114 012 05	double-mass flywheel		1	M96.25 M97.20 I481						
17	986 114 012 06	double-mass flywheel		1	M96.25/26 M97.20 I480						
17	986 114 012 06	double-mass flywheel		1	M97.21/22 I480						
18	999 073 092 09	pan-head screw M 10 X 1 X 50		8							
19	034 105 313 A	needle sleeve		1							
20	996 101 241 51	gasket		1							
21	996 101 110 00	oil separator		1							
22	996 101 242 51	gasket		1							
23	900 385 050 09	torx screw M 6 X 16		6							
24	996 101 129 52	thrust washer		2	M96.25/26 M97.20						
(24)	996 101 132 00	thrust washer		2	M97.21/22						

Model	Year	MG	SG	Illustration	Restrictions	UPD	11:13	24.01.2010	PORSCHE	PET	PORSCHE
987	2008	1	02	102-05		248					



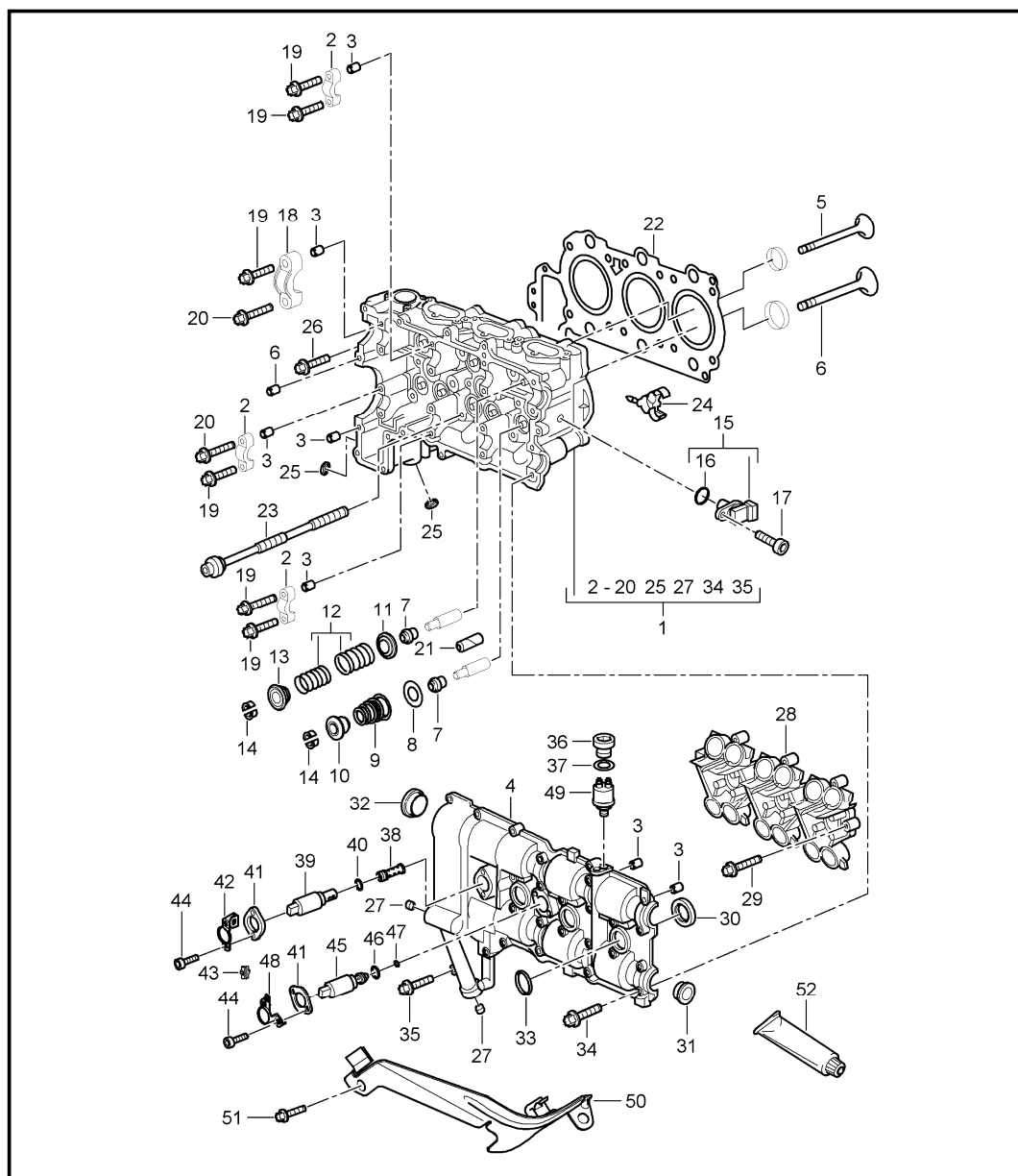
Pos	Part Number	Description	Remark	Qty	Model
		piston			M96.25/26 M97.20/21/22
1	996 103 071 14	piston tolerance range X number plate - 460 - 466 G		6	M96.25
(1)	996 103 071 15	piston tolerance range X number plate + 466 - 472 G		6	M96.25
(1)	987 103 071 03	piston tolerance range X number plate - 462 - 468 G		6	M97.20
(1)	987 103 071 04	piston tolerance range X number plate + 468 - 474 G		6	M97.20
(1)	996 103 032 15	piston tolerance range X number plate - 535 - 541 G		6	M96.26
(1)	996 103 032 16	piston tolerance range X number plate + 541 - 547 G		6	M96.26
(1)	987 103 051 13	piston tolerance range X number plate - 524 - 530 G		6	M97.21/22

Model	Year	MG	SG	Illustration	Restrictions	UPD	11:13	24.01.2010	PORSCHE	PET	PORSCHE
987	2008	1	02	102-05		248					

Pos	Part Number	Description	Remark	Qty	Model	Pos	Part Number	Description	Remark	Qty	Model
(1)	987 103 051 14	piston tolerance range X number plate + 530 - 536 G		6	M97.21/22						
2	996 103 073 00	set of piston rings		6	M96.25						
2	996 103 073 00	set of piston rings		6	M97.20						
2	996 103 033 51	set of piston rings		6	M96.26						
2	987 103 053 02	set of piston rings		6	M97.21/22						
3	996 103 141 03	circlip		12							



Model	Year	MG	SG	Illustration	Restrictions	UPD	11:13	24.01.2010	PORSCHE	PET	PORSCHE
987	2008	1	03	103-00		248					



Pos	Part Number	Description	Remark	Qty	Model
		cylinder head			M96.25/26 M97.20/21/22
1	996 104 933 00	cylinder head cyl. 1 - 3		1	M96.25
1	987 104 915 00	cylinder head cyl. 1 - 3		1	M97.20
(1)	996 104 953 00	cylinder head cyl. 1 - 3		1	M96.26
(1)	987 104 913 00	cylinder head cyl. 1 - 3		1	M97.21/22
(1)	996 104 934 00	cylinder head cyl. 4 - 6		1	M96.25
(1)	987 104 916 00	cylinder head cyl. 4 - 6		1	M97.20
(1)	996 104 954 00	cylinder head cyl. 4 - 6		1	M96.26
(1)	987 104 914 00	cylinder head cyl. 4 - 6		1	M97.21/22
2	---	housing matching with: cylinder head		6	
3	996 104 117 50	dowel sleeve		28	
4	---	lid matching with: cylinder head		2	
5	996 105 111 02	intake valve		12	M96.25
5	987 105 115 00	intake valve		12	M97.20
(5)	996 105 111 52	intake valve		12	M96.26
(5)	996 105 271 00	intake valve		12	M97.21/22
6	996 105 113 04	exhaust valve		12	M96.25
6	987 105 116 00	exhaust valve		12	M97.20
(6)	996 105 247 00	exhaust valve		12	M96.26
(6)	996 105 273 03	exhaust valve		12	M97.21/22
7	996 105 115 52	valve stem seal		24	

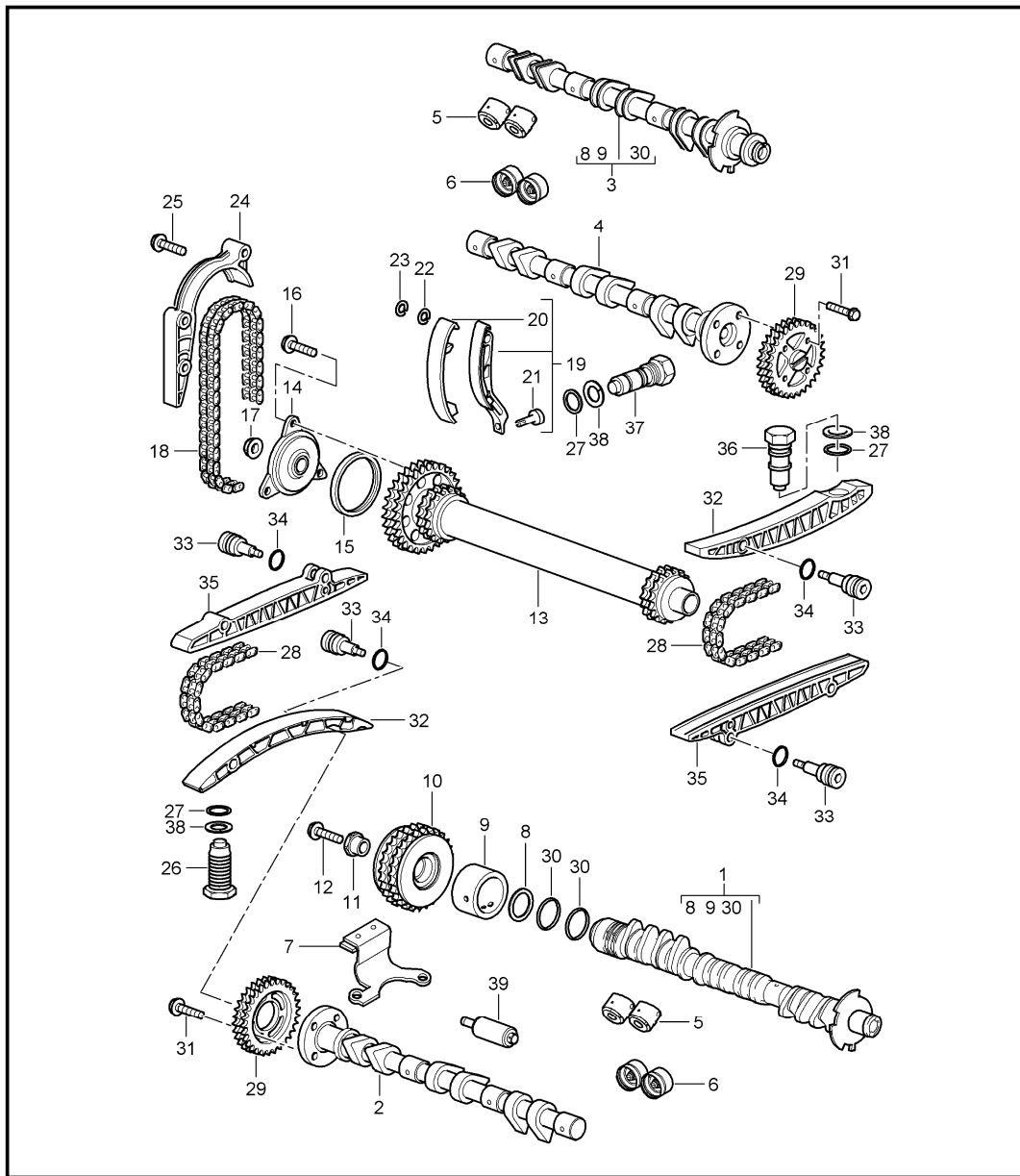
Model	Year	MG	SG	Illustration	Restrictions	UPD	11:13	24.01.2010	PORSCHE	PET	PORSCHE
987	2008	1	03	103-00		248					

Pos	Part Number	Description	Remark	Qty	Model	Pos	Part Number	Description	Remark	Qty	Model
8	996 105 117 51	concave washer lower exhaust valve		24	M96.25/26	22	996 104 170 10	cylinder head gasket		2	/97.20 M96.25
(8)	996 105 117 51	concave washer lower exhaust valve		12	M97.20/21	(22)	996 104 170 60	cylinder head gasket		2	M96.26
(9)	996 105 119 56	valve spring		12	M96.25/26	(22)	996 104 201 04	cylinder head gasket		2	M97.21/22
9	996 105 118 01	valve spring exhaust valve		12	M97.20/21/22	23	996 104 180 58	screw M 10 X 230		24	
10	996 105 121 54	concave washer upper		24	M96.25/26	24	999 507 075 40	cable holder 3,0 - 12		3	
10	996 105 121 54	concave washer upper exhaust valve		12	M97.20/21/22	25	999 036 026 02	lid B 10		4	
11	996 105 147 00	concave washer lower intake valve		12				B 10			
(12)	996 105 119 56	valve spring		12	M96.25/26	26	900 385 048 01	torx screw M 6 X 30 mount cylinder head crankcase		8	
12	996 105 939 00	set of valve springs intake valve		12	M97.20/21/22	27	900 036 023 02	lid B 18		4	
13	996 105 145 00	concave washer upper intake valve		12				B 18			
14	996 105 123 51	valve collet		48		28	996 104 042 03	housing cam follower hydraulic		2	M96.25/26
15	997 606 106 01	hall sender		2		(28)	987 104 045 00	housing cam follower hydraulic		2	M97.20
16	999 707 404 40	o-ring 17,05 X 1,78		2		(28)	997 104 043 00	housing cam follower hydraulic		2	M97.21/22
17	900 387 264 01	pan-head screw M 6 X 16		2		29	900 385 017 09	torx screw M 6 X35		22	
18	---	housing intake matching with: cylinder head		2		30	996 104 203 00	gasket		6	
19	900 385 017 09	torx screw M 6 X 35		12		31	996 104 215 54	lid		4	
20	900 385 025 01	torx screw M 6 X 40		4		32	996 104 216 02	lid		2	
21	000 043 204 46	sleeve for valve stem seal		1		33	999 701 761 41	o-ring 28 X 2		6	
						34	999 385 003 01	torx screw M 6 X 30		16	

Model	Year	MG	SG	Illustration	Restrictions	UPD	11:13	24.01.2010	PORSCHE	PET	PORSCHE
987	2008	1	03	103-00		248					

Pos	Part Number	Description	Remark	Qty	Model	Pos	Part Number	Description	Remark	Qty	Model
35	900 385 048 01	torx screw M 6 X 30		24							
36	900 219 018 30	screw plug M 14 X 1,5		1							
37	900 123 104 30	sealing ring A 14 X 18		1							
38	997 105 701 00	oil strainer		2							
39	A 996 105 303 05	actuator camshaft  camshaft		2							
40	996 105 903 05	o-ring actuator camshaft		2							
41	996 105 244 03	lid actuator		4							
42	996 105 256 01	support		2							
43	999 651 386 02	cable clamp 5,5 - 9,0		4							
44	900 387 006 01	pan-head screw M 6 X 20		8							
45	997 105 301 00	actuator		2	M97.20/21/22						
46	999 707 479 40	o-ring 22,00 X 1,50		2	M97.20/21/22						
47	999 707 441 40	o-ring 18,00 X 1,50		2	M97.20/21/22						
48	996 105 310 03	support	07-	2	M97.20/21						
49	986 606 203 03	oil pressure switch		1							
50	987 104 445 00	heat shield cyl. 1 - 3		1							
51	900 385 009 09	torx screw M 6 X 16		4							
52	000 043 204 35	sealing compound 50 ML		X							
(52)	000 043 024 00	extreme-pressure grease 1 tube 80 Gr. for camshaft		1							

Model	Year	MG	SG	Illustration	Restrictions	UPD	11:13	24.01.2010	PORSCHE	PET	PORSCHE
987	2008	1	03	103-10		248					



Pos	Part Number	Description	Remark	Qty	Model
1	996 105 921 00	camshaft driving mechanism		1	M96.25/26 M97.20/21/22
(1) U	997 105 947 00	camshaft intake cyl. 1 - 3		1	M96.26
(1) U	997 105 947 00	camshaft intake cyl. 1 - 3		1	M97.21
(1) U	997 105 047 03	camshaft intake cyl. 1 - 3		1	M97.21
(1)	997 105 947 01	camshaft intake cyl. 1 - 3		1	M97.21/22
(1)	996 105 921 20	camshaft intake cyl. 1 - 3		1	M96.25
(1)	987 105 951 00	camshaft intake cyl. 1 - 3		1	M97.20
2	996 105 065 01	camshaft exhaust cyl. 1 - 3		1	M96.25
(2)	987 105 065 04	camshaft exhaust cyl. 1 - 3		1	M97.20
(2)	996 105 063 01	camshaft exhaust cyl. 1 - 3		1	M96.26
(2)	996 105 059 01	camshaft exhaust cyl. 1 - 3		1	M97.21/22
3	996 105 916 00	camshaft intake cyl. 4 - 6		1	M96.26
(3) U	997 105 948 00	camshaft intake cyl. 4 - 6		1	M97.21
(3) U	997 105 048 03	camshaft intake cyl. 4 - 6		1	M97.21

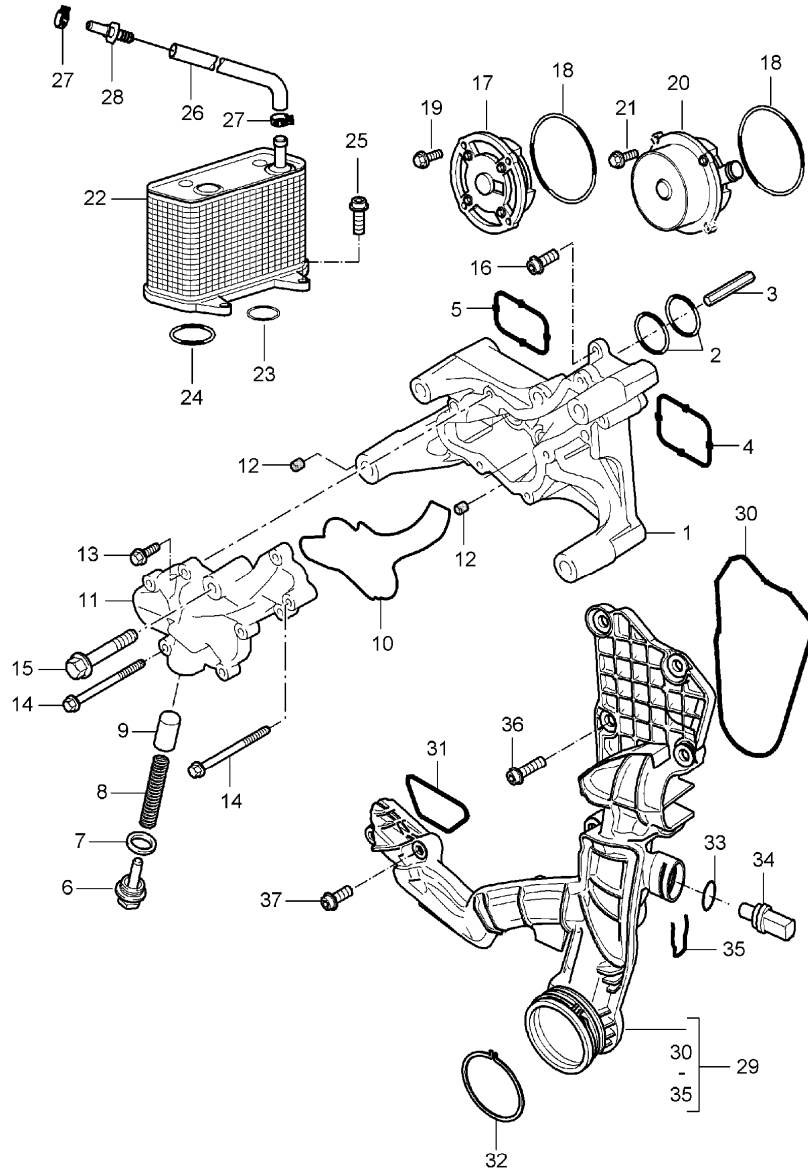
Model	Year	MG	SG	Illustration	Restrictions	UPD	11:13	24.01.2010	PORSCHE	PET	PORSCHE
987	2008	1	03	103-10		248					

Pos	Part Number	Description	Remark	Qty	Model	Pos	Part Number	Description	Remark	Qty	Model
(3)	997 105 948 01	camshaft intake cyl. 4 - 6		1	M97.21/22	12	987 105 254 00	hexagon-head bolt M 12 X 1,5 X 130		2	
(3)	996 105 916 20	camshaft intake cyl. 4 - 6		1	M96.25	13	996 105 901 06	intermediate shaft		1	
(3)	987 105 952 00	camshaft intake cyl. 4 - 6		1	M97.20	14	996 105 024 06	housing		1	
4	996 105 066 26	camshaft exhaust cyl. 4 - 6		1	M96.25	15	996 105 112 01	gasket		1	
(4)	987 105 066 04	camshaft exhaust cyl. 4 - 6		1	M97.20	16	900 385 093 09	hexagon-head bolt M 6 X 20		3	
(4)	996 105 064 27	camshaft exhaust cyl. 4 - 6		1	M96.26	17	999 076 084 01	hexagon nut M 12 x 1,25		1	
(4)	997 105 060 01	camshaft exhaust cyl. 4 - 6		1	M97.21/22	18	996 105 171 56	timing chain		1	
5	996 105 041 72	hydraulic valve tappet		24	M96.25/26	19	996 105 165 55	tensioner blade		1	
5	996 105 041 72	hydraulic valve tappet exhaust		12	M97.20/21/22	20	996 105 195 00	pad		1	
6	996 105 255 25	hydraulic valve tappet intake		12	M97.20/21/22	21	996 105 197 00	pressure pin		1	
7	996 105 168 03	rail		2		22	900 234 040 01	shim 10 X 16 X 1,2		1	
8	996 105 203 00	washer		2		23	900 041 004 01	circlip 10 X 1		1	
9	996 104 205 07	bearing sleeve		2		24	996 105 166 51	guide rail		1	
10	996 105 051 03	camshaft adjuster camshaft intake cylinder cyl. 1 - 3		1		25	900 075 486 01	combination screw M 6 X 40		3	
(10)	996 105 052 01	camshaft adjuster camshaft intake cylinder cyl. 4 - 6		1		26	996 105 186 01	chain adjuster		1	
11	987 105 260 01	intermediate piece		2		27	999 707 344 40	o-ring 18,77 X 1,78		3	
						28	996 105 152 00	timing chain		2	
						29	996 105 178 54	sprocket with driver		2	
						30	996 105 280 51	ring		1	
						31	900 385 041 01	torx screw M 6 X 12		8	
						32	996 105 156 00	tensioner blade cylinder 1 - 3		1	
						(32)	996 105 158 00	tensioner blade cylinder 4 - 6		1	

Model	Year	MG	SG	Illustration	Restrictions	UPD	11:13	24.01.2010	PORSCHE	PET	PORSCHE
987	2008	1	03	103-10		248					

Pos	Part Number	Description	Remark	Qty	Model	Pos	Part Number	Description	Remark	Qty	Model
33	996 105 062 01	screw M 6		6							
34	999 707 346 40	o-ring 15 X 3		6							
35	996 105 054 01	guide rail cylinder 1 - 3		1							
(35)	996 105 164 00	guide rail cylinder 4 - 6		1							
36	996 105 188 01	chain adjuster		1							
37	996 105 180 56	chain adjuster		1							
38	900 123 147 30	sealing ring A 27 X 32		3							
39	... ..	actuator see group 1/03/00		2							
40	A 900 385 025 09	torx screw M 6 X 40		2							
41	900 385 017 09	torx screw M 6 X 35		2							
42	999 707 571 40	o-ring 18 x 2		1							
--	000 043 024 00	extreme-pressure grease 1 tube 80 Gr. for camshaft		1							

Model	Year	MG	SG	Illustration	Restrictions	UPD	11:13	24.01.2010	PORSCHE	PET	PORSCHE
987	2008	1	04	104-00		248					



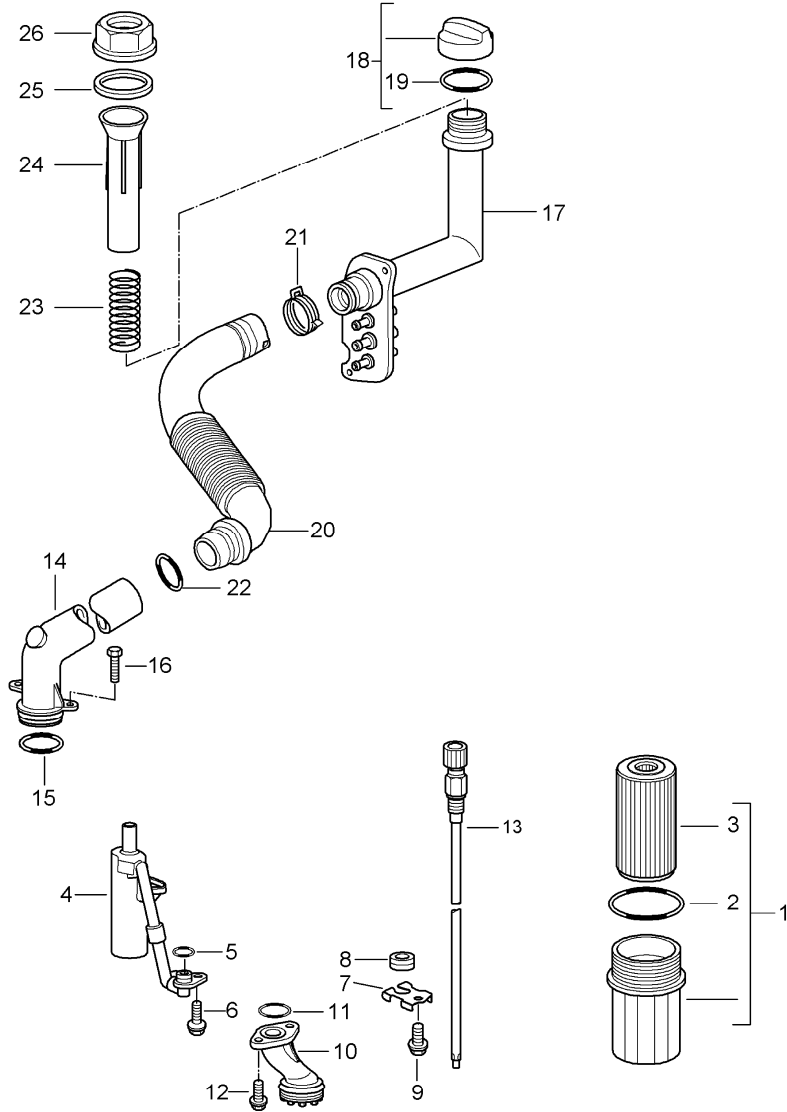
Pos	Part Number	Description	Remark	Qty	Model
1	A 997 107 012 04	oil pump		1	M96.25/26
(1)	997 107 912 04	oil pump	-06	1	M97.20/21/22
(1)	997 107 012 06	oil pump	07-	1	
2	996 107 103 51	o-ring 29,1 X 2,55 use also: grease 000 043 300 13		2	
3	996 107 121 50	driver		1	
4	997 107 266 00	sealing ring		1	
5	997 107 267 00	sealing ring		1	
6	996 107 105 51	screw plug		1	
7	996 107 123 50	gasket		1	
8	996 107 127 53	spring		1	
9	997 107 125 01	piston		1	
10	997 107 261 00	sealing ring		1	
11	U 997 107 212 03	lid use position 1		1	
12	996 106 103 50	dowel sleeve		2	
13	900 385 023 09	screw BM 6 X 25		6	
14	999 073 355 09	round head screw M 6 X 80	-06	2	
(14)	999 073 381 01	round head screw M 6 X 110	07-	1	
15	900 385 089 09	torx screw BM 10 X 100		1	
16	999 073 344 04	round head screw M 6 X 20		6	
17	997 107 021 03	oil pump		1	

Model	Year	MG	SG	Illustration	Restrictions	UPD	11:13	24.01.2010	PORSCHE	PET	PORSCHE
987	2008	1	04	104-00		248					

Pos	Part Number	Description	Remark	Qty	Model	Pos	Part Number	Description	Remark	Qty	Model
18	999 707 554 40	o-ring 95 X 2,5 use also: grease 000 043 300 13		2		33	999 707 508 40	o-ring 19,6 X 3,65		1	
19	999 073 316 09	hexagon-head bolt M 6 X 20		4		34	997 606 410 00	temperature sensor		1	
20 A	997 107 022 01	tandem pump		1		35	999 021 011 01	retainer spring SL-B110		1	
20	997 107 022 02	tandem pump		1		36 A	999 073 352 09	round head screw M 6 X 20		3	
21	999 073 317 09	round head screw M 6 X 30		4		37	996 102 235 01	clip		1	I249/572
22	996 107 025 07	heat exchanger		1	M96.25/26 M97.20	(37)	996 102 235 01	clip		1	I249/573
(22)	987 107 025 01	heat exchanger		1	M97.21/22						
23	999 707 547 40	o-ring 28 X 3		2							
24	999 707 389 40	o-ring 35 X 4		2							
25	900 387 264 09	pan-head screw M 6 X 16		4							
26	987 106 249 00	breather hose		1	M96.25/26						
(26)	987 106 531 00	breather hose F >>988U7 02381 F >>988U7 22204		1	M97.20/21/22						
(26)	987 106 531 01	breather hose F 988U7 02382>> F 988U7 22205>>		1	M97.20/21/22						
27	999 512 650 09	hose clamp B 14 X 12		2	M96.25/26						
(27)	999 512 684 09	clamp B 18 X 12		2	M97.20/21/22						
28	996 106 255 00	flat connector		1	M96.25/26						
29	987 106 508 04	water guide housing		1							
30	997 106 709 00	sealing ring		1							
31	997 106 708 00	sealing ring		1							
32	997 106 802 03	spring SCB 42		1							



Model	Year	MG	SG	Illustration	Restrictions	UPD	11:13	24.01.2010	PORSCHE	PET	PORSCHE
987	2008	1	04	104-05		248					

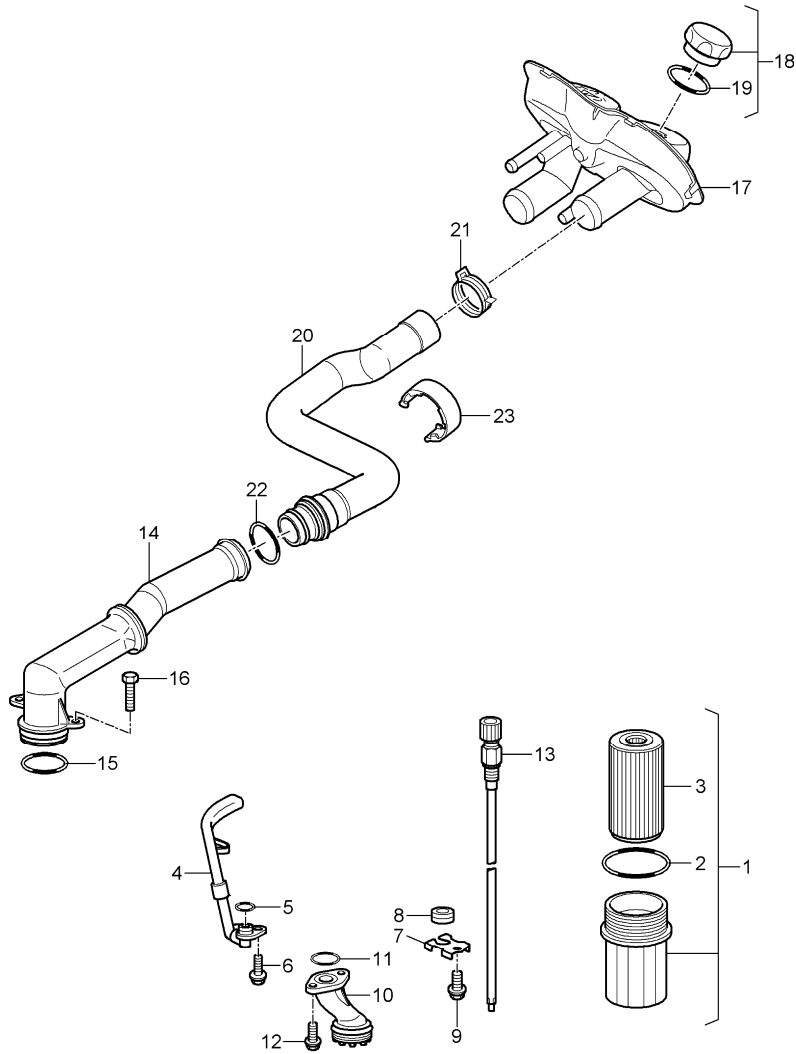


Pos	Part Number	Description	Remark	Qty	Model
		engine lubrication	-06		M96.25
			-06		M96.26
1	996 107 020 55	oil filter		1	
2	996 107 313 51	sealing ring use also: grease 000 043 300 13		1	
3	996 107 225 60	filter element		1	
4	996 107 080 54	oil separator		2	
5	999 701 789 40	o-ring 12 X 2		2	
6	999 073 344 04	round head screw BM 6 X 20		5	
7	996 107 333 50	support		1	
8	999 702 206 50	grommet 9,5 X 18,0 X 1,2		1	
9	900 385 275 09	torx screw M 6 X 20		2	
10	996 107 075 57	suction tube		1	
11	999 707 375 40	o-ring 30 X 3		1	
12	900 378 030 09	hexagon-head bolt M 6 X 20		2	
13	996 606 150 00	oil-level sender		1	
14	987 107 150 00	oil tube		1	
15	999 707 348 40	o-ring 42 X 4 use also: grease 000 043 300 13		1	
16	900 385 050 09	torx screw M 6 X 16		2	
17	996 107 273 05	filler tube		1	
18	996 107 035 52	lid		1	
19	996 107 336 00	gasket		1	
20	987 107 254 01	oil hose		1	

Model	Year	MG	SG	Illustration	Restrictions	UPD	11:13	24.01.2010	PORSCHE	PET	PORSCHE
987	2008	1	04	104-05		248					

Pos	Part Number	Description	Remark	Qty	Model	Pos	Part Number	Description	Remark	Qty	Model
21	999 512 667 09	hose clamp 44 X 12		1							
22	999 701 416 40	o-ring 33 X 4		1							
23	996 107 343 00	spring		1							
24	996 107 323 00	funnel		1							
25	996 107 303 00	gasket		1							
26	996 107 367 00	lock nut		1							

Model	Year	MG	SG	Illustration	Restrictions	UPD	11:14	24.01.2010	PORSCHE	PET	PORSCHE
987	2008	1	04	104-06		248					

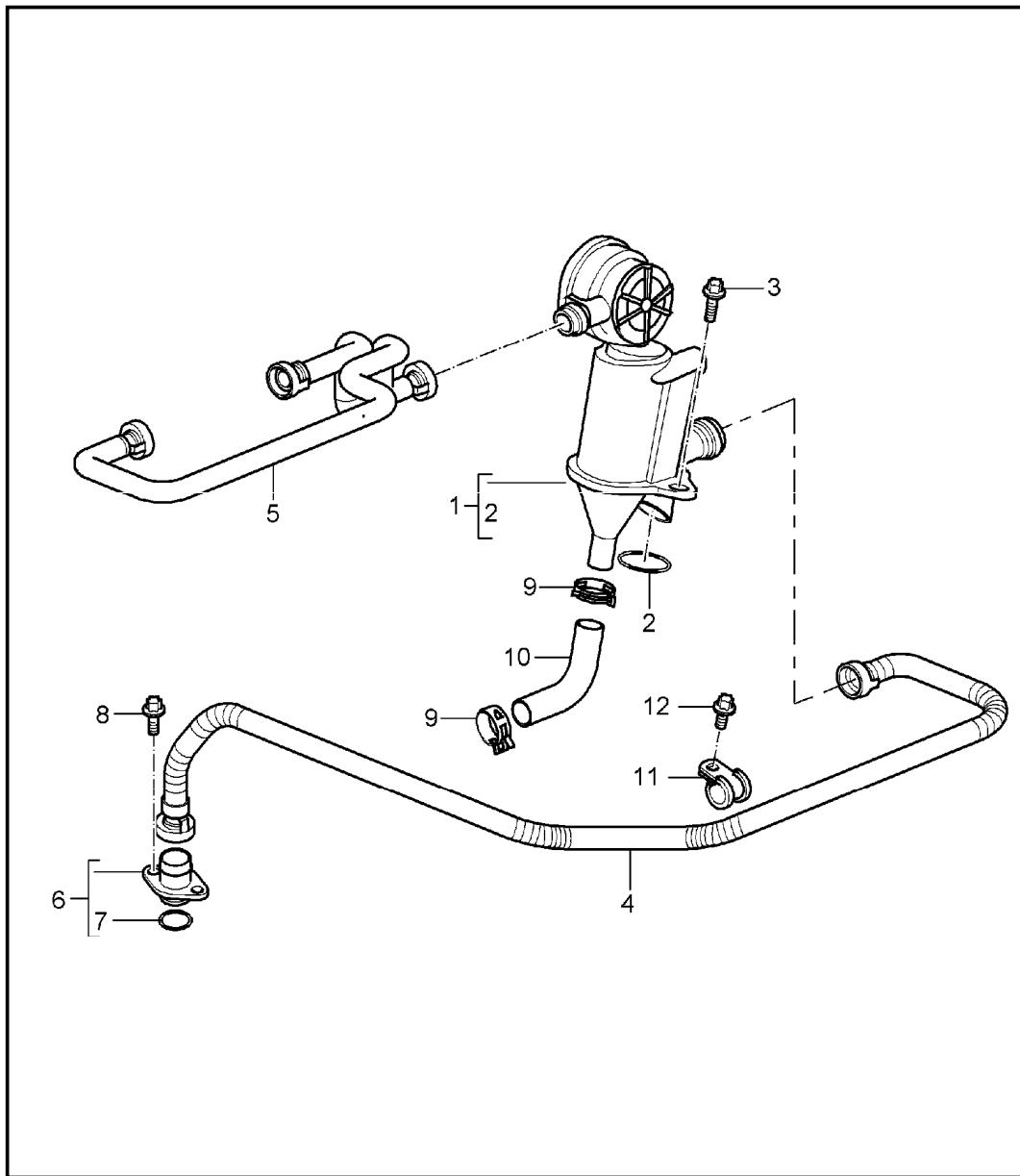


Pos	Part Number	Description	Remark	Qty	Model
		engine lubrication			M97.20/21/22
1	996 107 020 55	oil filter		1	
2	996 107 313 51	sealing ring use also: grease 000 043 300 13		1	
3	996 107 225 53	filter element		1	
4	997 107 016 00	return pipe		2	
5	999 701 789 40	o-ring 12 X 2		2	
6	900 385 019 04	torx screw BM 6 X 20		4	
7	996 107 333 50	support		1	M97.20
(7)	997 107 333 50	support		1	M97.21/22
8	999 702 206 50	grommet 9,5 X 18,0 X 1,2		1	
9	900 385 041 09	torx screw M 6 X 12		1	
10	996 107 075 57	suction tube		1	
11	999 707 375 40	o-ring 30 X 3		1	
12	900 385 275 09	torx screw M 6 X 20		2	
13	996 606 150 00	oil-level sender		1	
14	987 107 150 00	oil tube		1	
15	999 707 348 40	o-ring 42 X 4 use also: grease 000 043 300 13		1	
16	900 385 050 09	torx screw M 6 X 16		2	
17		see illustrations 1/05/22		1	
18		see illustrations 1/05/22		1	

Model	Year	MG	SG	Illustration	Restrictions	UPD	11:14	24.01.2010	PORSCHE	PET	PORSCHE
987	2008	1	04	104-06		248					

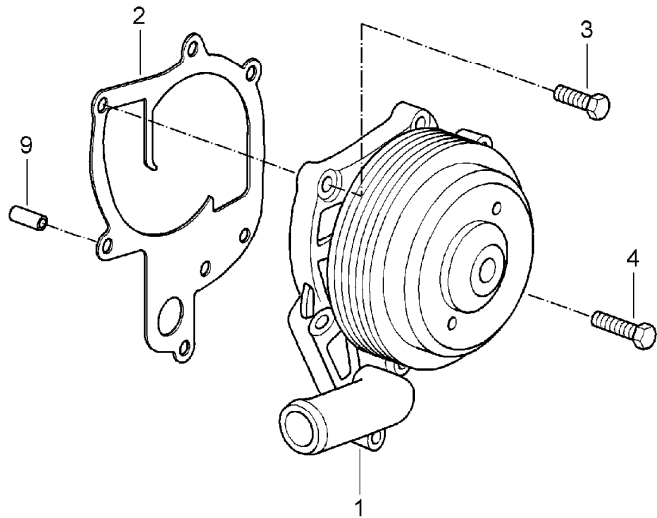
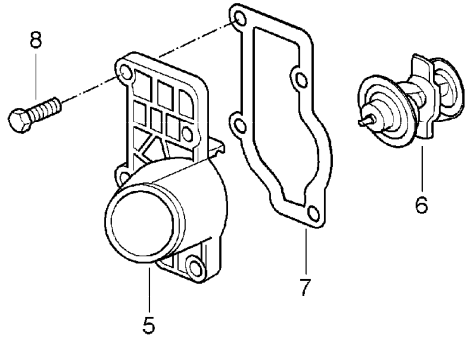
Pos	Part Number	Description	Remark	Qty	Model	Pos	Part Number	Description	Remark	Qty	Model
19		see illustrations 1/05/22		1							
20	987 107 064 01	oil hose		1							
21	999 512 667 09	hose clamp 44 X 12		1							
22	999 701 416 40	o-ring 33 X 4		1							
23	987 107 205 00	clip		1							

Model	Year	MG	SG	Illustration	Restrictions	UPD	11:14	24.01.2010	PORSCHE	PET	PORSCHE
987	2008	1	04	104-10		248					



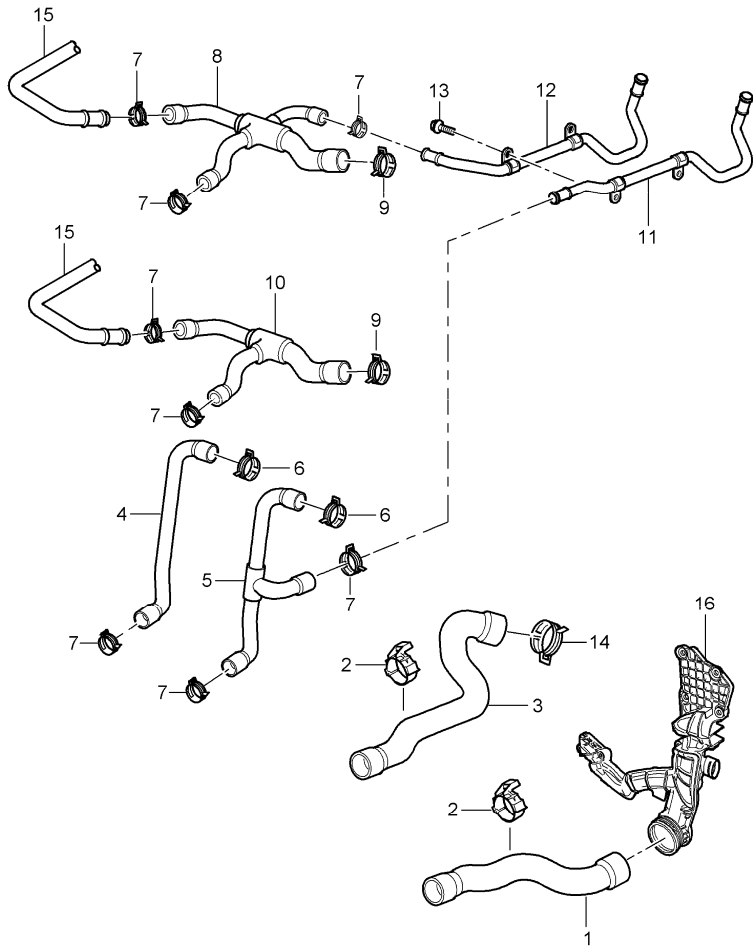
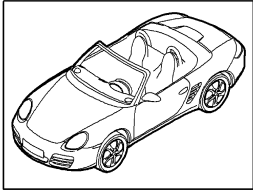
Pos	Part Number	Description	Remark	Qty	Model
		crankcase bleeding			M96.25/26 M97.20/21/22
1	U 996 107 026 00	oil separator		1	
1	996 107 026 01	oil separator		1	
2	999 707 507 40	o-ring 29,74 X 2,95		1	
3	900 385 275 09	torx screw M 6 X 20		2	
4	A 987 107 147 01	vent line cyl. 4 - 6		1	M96.25/26
4	987 107 246 01	vent line cyl. 4 - 6		1	
5	987 107 146 02	vent line oil separator		1	M96.25/26
5	987 107 145 00	vent line oil separator		1	M97.20/21/22
6	996 107 047 01	connection piece		1	
7	999 707 364 40	sealing ring 30 X 2,5		1	
8	900 385 050 09	torx screw M 6 X 16		3	
9	999 512 683 09	clip 23 X 12		2	
10	996 107 175 50	oil hose		1	
11	999 511 008 00	clip 26 X 15		1	
12	900 385 041 09	torx screw M 6 X 12		1	

Model	Year	MG	SG	Illustration	Restrictions	UPD	11:14	24.01.2010	PORSCHE	PET	PORSCHE
987	2008	1	05	105-00		248					



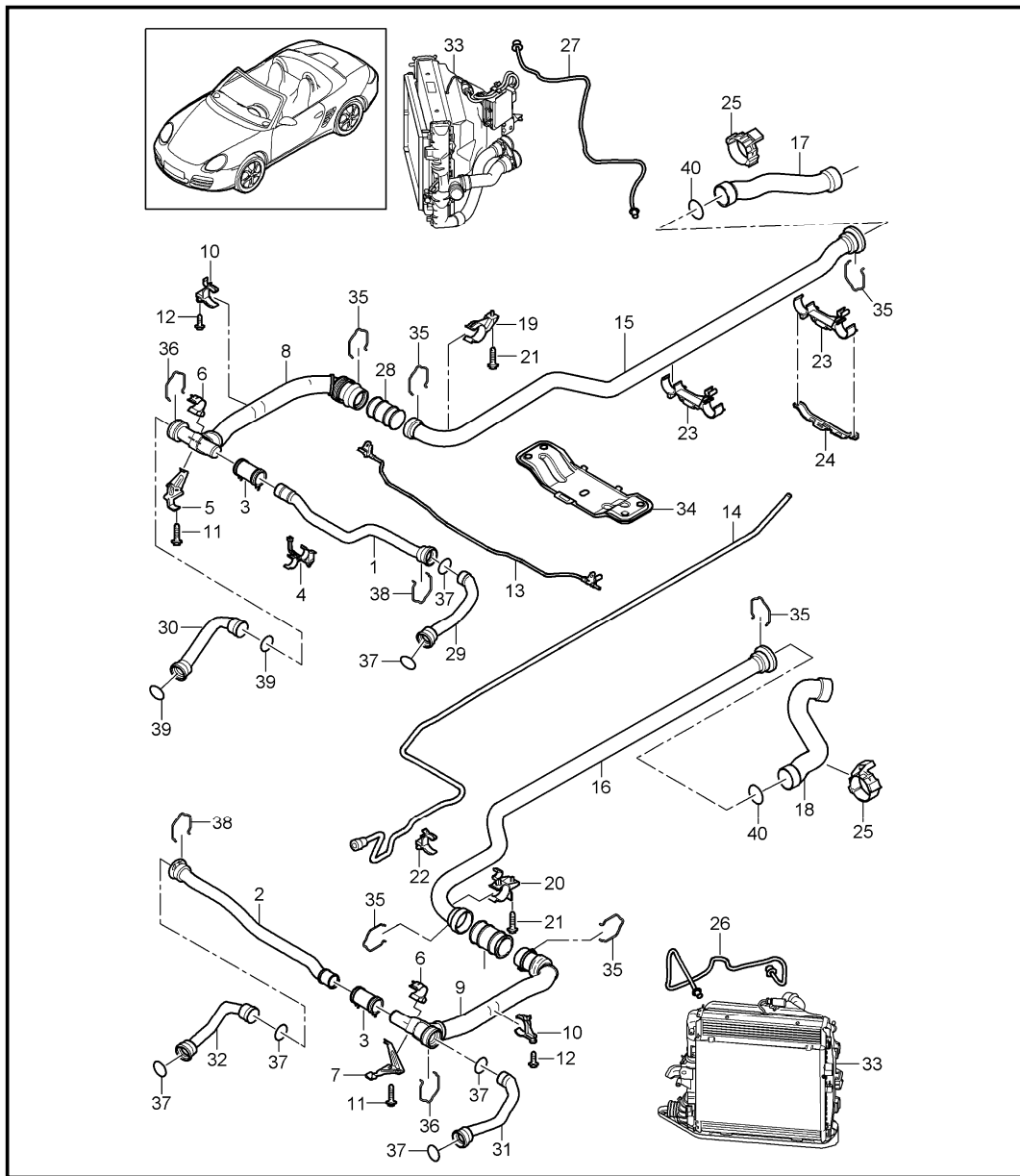
Pos	Part Number	Description	Remark	Qty	Model
		water pump thermostat housing			M96.25/26 M97.20/21/22
1	997 106 011 02	water pump		1	
2	997 106 340 00	gasket		1	
3	900 378 013 09	hexagon-head bolt M 6 X 25	-07	5	
(3)	900 378 013 01	hexagon-head bolt AM 6 X 25	08-	5	
4	900 378 177 09	hexagon-head bolt AM 6 X 30	-07	2	
(4)	900 378 177 01	hexagon-head bolt AM 6 X 30	08-	2	
5 A	996 106 013 57	thermostat with thermostat insert		1	
(5)	996 106 013 59	thermostat with thermostat insert		1	
6	996 106 125 52	thermostat insert		1	
7	996 106 326 50	gasket		1	
8	900 385 019 04	torx screw BM 6 X 20		4	
9	996 106 103 50	dowel sleeve 8,2 X 7		2	

Model	Year	MG	SG	Illustration	Restrictions	UPD	11:14	24.01.2010	PORSCHE	PET	PORSCHE
987	2008	1	05	105-05		248					



Pos	Part Number	Description	Remark	Qty	Model
		water cooling 1			M96.25/26 M97.20/21/22
1	U 987 106 501 05	water hose		1	
1	987 106 501 06	water hose supply		1	
2	A 987 106 425 00	support		2	
3	987 106 502 03	water hose return line		1	
4	996 106 212 09	water hose supply		1	I480/481
5	996 106 212 10	hose supply		1	I249
6	999 512 660 09	hose clamp 29 X 12		1	
7	999 512 657 09	hose clamp 26 X 12		4	
8	987 106 522 01	water hose return line		1	I249
9	999 512 664 09	hose clamp 36 X 12		1	
10	996 106 222 15	water hose return line		1	I480/481
11	987 106 674 00	cooling water tube supply atf cooler		1	I249
12	996 106 672 01	cooling water tube return line atf cooler		1	I249
13	900 385 009 09	torx screw M 6 X 16		2	I249
14	999 512 669 09	hose clamp 53 X 12		1	
15		see illustrations 1/05/20		1	
16		see illustrations 1/04/00		1	

Model	Year	MG	SG	Illustration	Restrictions	UPD	11:14	24.01.2010	PORSCHE	PET	PORSCHE
987	2008	1	05	105-10		248					



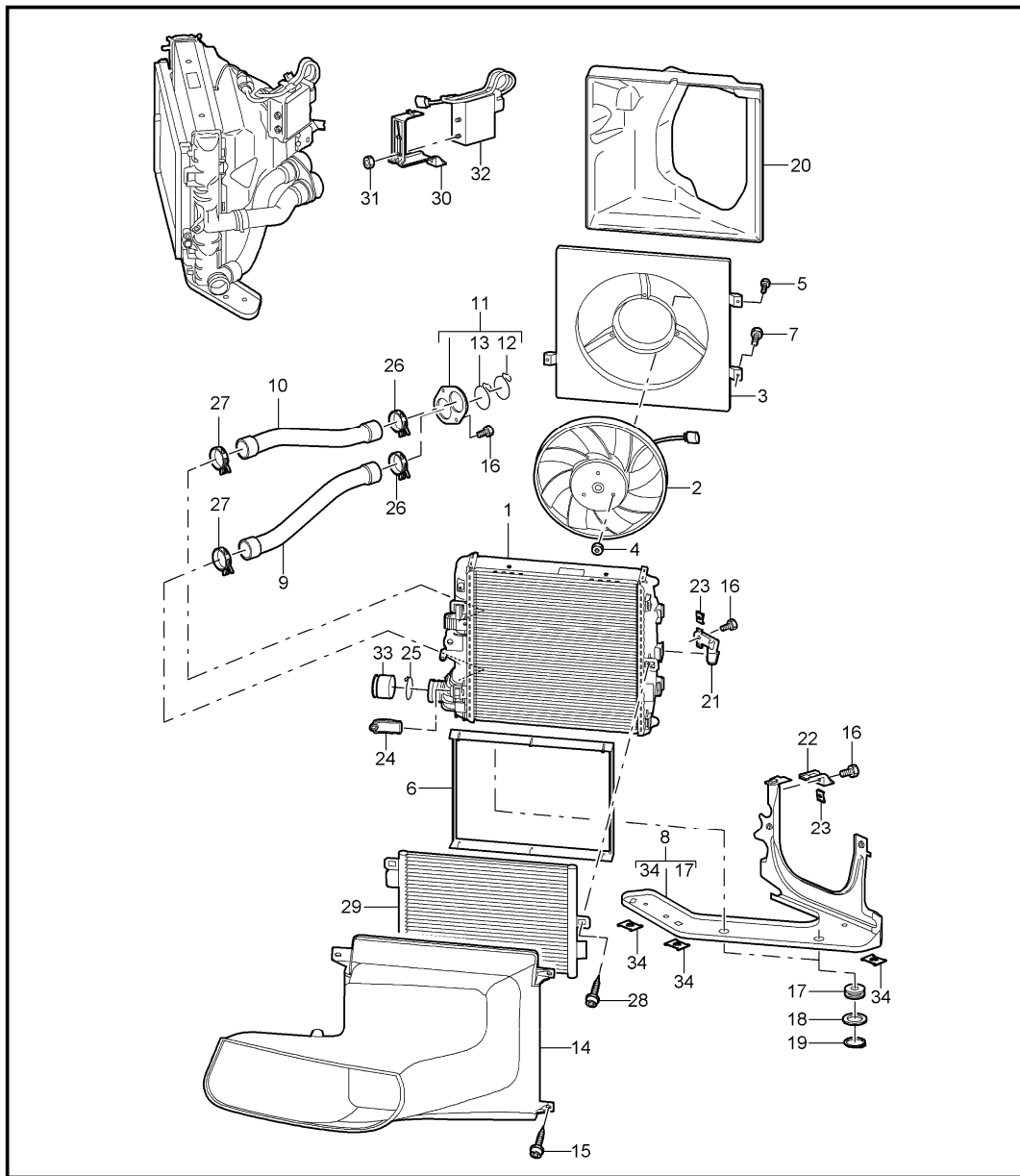
Pos	Part Number	Description	Remark	Qty	Model
		water cooling 2			M96.25/26 M97.20/21/22
1	997 106 711 01	water tube supply		1	
2	997 106 720 01	water tube return line		1	
3	997 106 723 04	water hose		2	
4	997 106 525 01	support cross tube centre		1	
5	997 106 574 02	support distributor tube right		1	
6	997 106 526 01	support cross tube upper		2	
7	997 106 573 02	support distributor tube left		1	
8	997 106 752 03	distributor tube supply	-06	1	
(8)	997 106 752 04	distributor tube supply	07-	1	
9	997 106 751 03	distributor tube return line	-06	1	
(9)	997 106 751 04	distributor tube return line	07-	1	
10	997 106 413 01	support distributor tube		2	
(10)	997 106 413 01	support distributor tube	/R	1	I601
(10)	997 106 414 00	support distributor tube	/L	1	I601
11	900 378 013 09	hexagon-head bolt M 6 X 25		2	
12	900 378 036 09	hexagon-head bolt M 6 X 12		2	
13	997 106 767 02	vent line transverse		1	



Model	Year	MG	SG	Illustration	Restrictions	UPD	11:14	24.01.2010	PORSCHE	PET	PORSCHE
987	2008	1	05	105-10		248					

Pos	Part Number	Description	Remark	Qty	Model	Pos	Part Number	Description	Remark	Qty	Model
14	987 106 227 01	vent line tunnel		1		29	997 106 623 03	water hose supply	/L	1	
15	987 106 651 02	water tube		1		30	997 106 627 03	water hose supply	/R	1	
(15)	987 106 851 01	supply tunnel water tube supply tunnel		1	M96.25 I480	31	997 106 728 03	water hose return line	/L	1	
16	987 106 652 02	water tube		1		32	997 106 624 03	water hose return line	/R	1	
(16)	987 106 652 02	return line tunnel water tube		1	M96.25 I480	33	---	see illustrations 1/05/15		X	
17	---	see illustrations 1/05/05		1		34	---	see illustrations 8/01/70		X	
18	---	see illustrations 1/05/05		1	I480	35	997 106 802 03	spring		X	
19	997 106 520 02	support firewall right		1		36	997 106 802 02	spring		X	
20	997 106 521 01	support firewall left		1		37	996 106 801 02	o-ring 36,3 X 3,53		X	
21	900 378 035 01	hexagon-head bolt M 6 X 16		2		38	997 106 802 01	spring		X	
22	997 106 512 03	connection piece vent line		1		39	996 106 801 07	o-ring 39,3 X 3,53		X	
23	997 106 540 02	support tunnel		2		40	996 106 801 03	o-ring 46,7 X 3,53		X	
24	997 106 515 02	bridge tunnel		1							
25	987 106 425 00	support heel plate		1							
26	997 106 765 02	line	/L	1							
27	997 106 766 02	line	/R	1							
28	997 106 551 03	sleeve		2							

Model	Year	MG	SG	Illustration	Restrictions	UPD	11:15	24.01.2010	PORSCHE	PET	PORSCHE
987	2008	1	05	105-15		248					

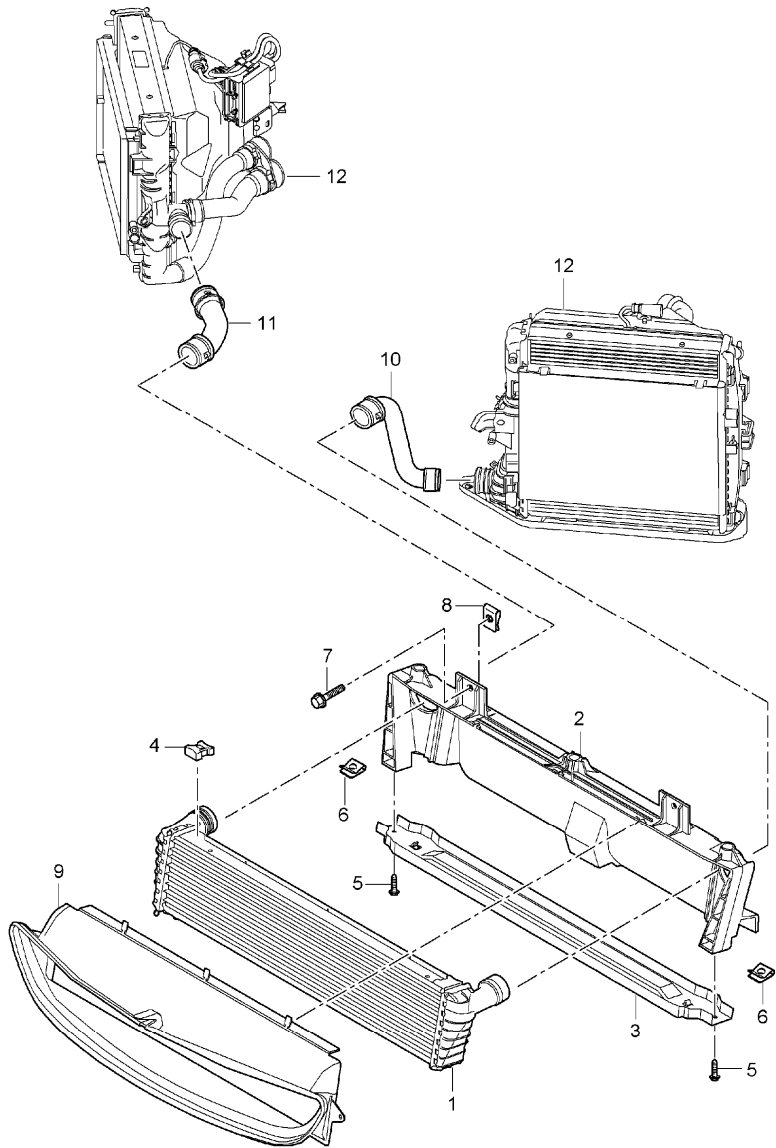


Pos	Part Number	Description	Remark	Qty	Model
		water cooling 3			M96.25/26 M97.20/21/22
1	997 106 131 02	radiator	/L	1	
(1)	997 106 132 02	radiator	/R	1	
2	997 624 135 02	fan	/L	2	
(2)	997 624 136 02	fan	/R	2	
3	997 624 131 02	air box	/L	2	
(3)	997 624 132 02	air box	/R	2	
4	900 377 001 02	hexagon nut M 6		6	
5	900 146 116 09	screw M 5 X 16		6	
6	997 573 711 00	sealing frame		1	
7	999 919 125 09	hexagon-head bolt plastic material M 5 X 16		6	
8	997 106 155 01	bracket	/L	1	
(8)	997 106 156 01	bracket	/R	1	
9	997 106 621 03	water hose supply	/L	1	
(9)	997 106 622 03	water hose supply	/R	1	
10	997 106 625 03	water hose return line	/L	1	
10	997 106 626 03	water hose return line	/R	1	
11	997 106 255 02	connecting piece		2	
12	997 106 802 01	spring SCB 33		1	
13	997 106 802 02	spring SCB 36		1	
14	987 575 321 00	air duct	/L	1	
(14)	987 575 322 00	air duct	/R	1	
15	999 919 134 09	oval-head screw M 6 X 16		6	

Model	Year	MG	SG	Illustration	Restrictions	UPD	11:15	24.01.2010	PORSCHE	PET	PORSCHE
987	2008	1	05	105-15		248					

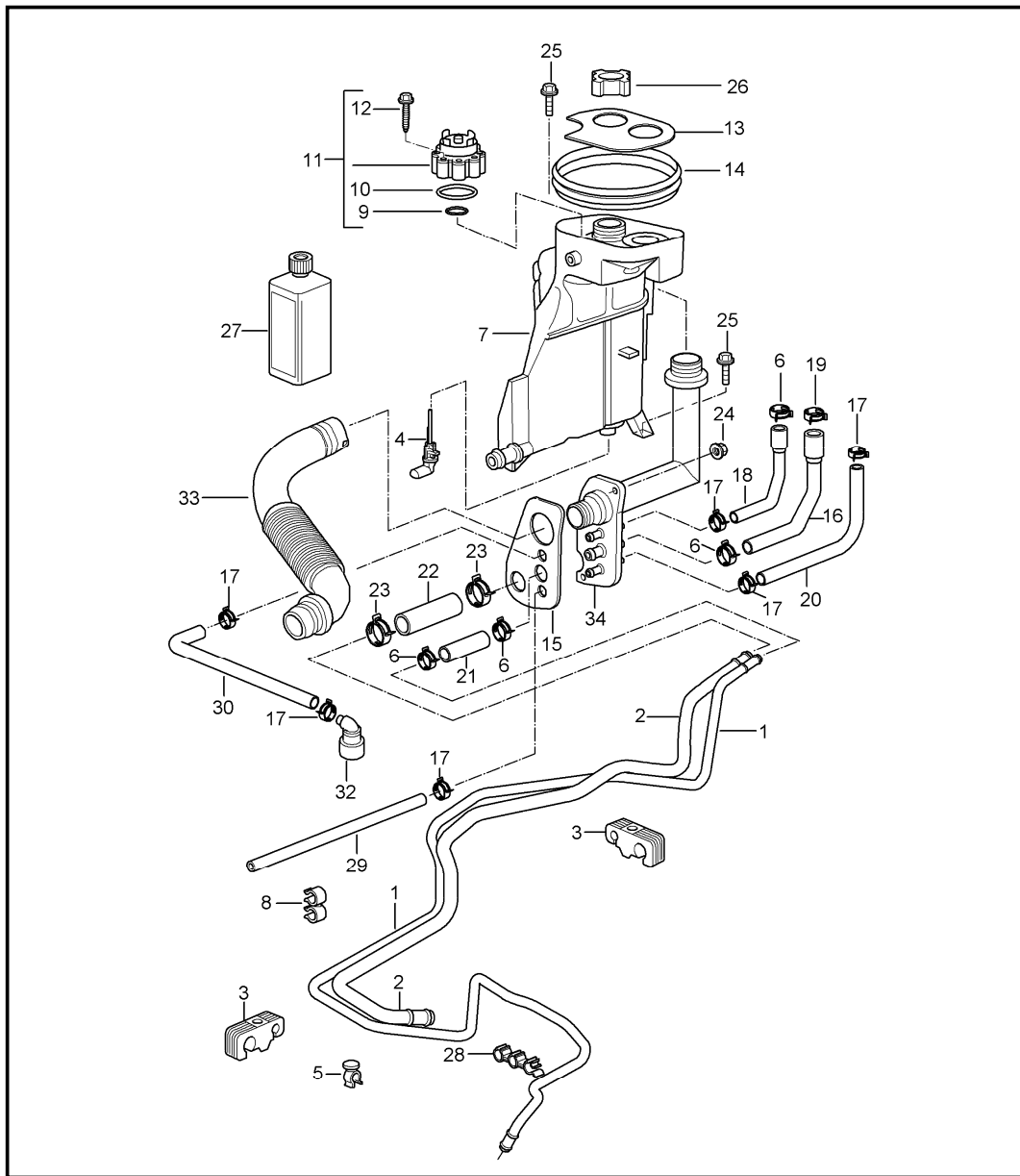
Pos	Part Number	Description	Remark	Qty	Model	Pos	Part Number	Description	Remark	Qty	Model
16	900 385 009 09	torx screw M 6 X 16		6							
17	999 703 494 40	rubber mounting 15 X 19,5		4							
18	999 025 255 02	washer		4							
19	999 166 083 09	tab washer B 25		4							
20	997 575 341 00	air duct	/L	1							
(20)	997 575 342 00	air duct	/R	1							
21	997 106 232 01	support outer		2							
22	997 106 455 00	support left		1							
23	999 591 350 02	speed nut ST 4,8		6							
24	997 106 231 02	support inner		2							
25	997 106 802 00	spring SCB26		2							
26	997 106 901 00	clamp		2							
27	997 106 902 00	clamp		2							
28	999 919 125 09	hexagon-head bolt 6,0 X 16		1							
29	---	condenser see illustrations 8/13/25		*							
30	997 106 456 00	support right		1							
31	900 377 010 09	hexagon nut M 6		2							
32	---	control unit cooling air control see illustrations 9/01/03		1							
33	997 106 546 02	stopper		2	I480						
34	999 591 329 01	speed nut ST 4,8		3							

Model	Year	MG	SG	Illustration	Restrictions	UPD	11:15	24.01.2010	PORSCHE	PET	PORSCHE
987	2008	1	05	105-17		248					



Pos	Part Number	Description	Remark	Qty	Model
		radiator centre			M96.26 I249 M97.21 I249 M97.22 I249
1	997 106 037 02	radiator		1	
2	997 504 487 00	retaining frame upper		1	
3	997 504 485 00	retaining frame lower		1	
4	997 106 437 01	rubber mounting		4	
5	900 378 035 01	hexagon-head bolt M 6 X 16		2	
6	999 591 882 02	speed nut M 6		2	
7	900 378 074 09	hexagon-head bolt M 8 X 16		4	
8	999 591 869 02	speed nut M 8		4	
9	987 575 323 00	air duct radiator centre		1	
10	997 106 639 03	water hose return line		1	
11	997 106 638 03	water hose supply		1	
12	... ..	see illustrations 1/05/15		X	

Model	Year	MG	SG	Illustration	Restrictions	UPD	11:15	24.01.2010	PORSCHE	PET	PORSCHE
987	2008	1	05	105-20		248					

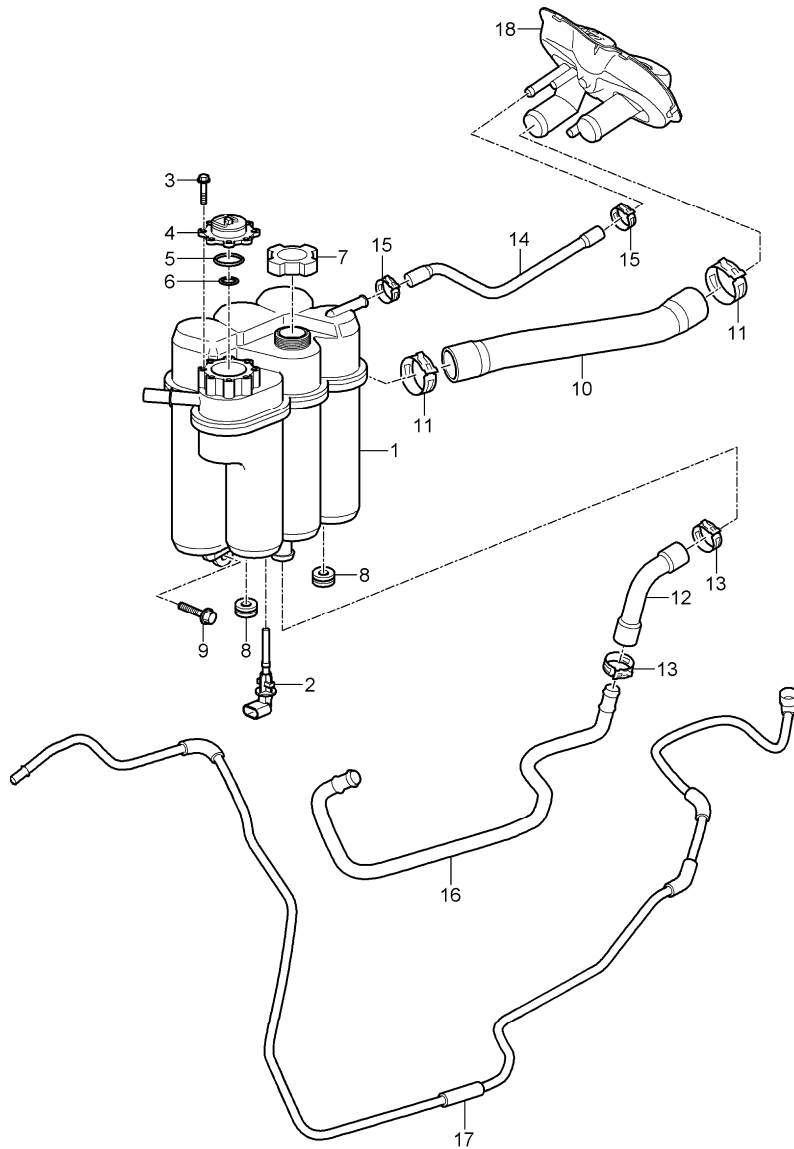


Pos	Part Number	Description	Remark	Qty	Model
		water cooling 4	-06 -06		M96.25 M96.26
1	987 106 681 01	vent line		1	
2	987 106 663 00	filler tube		1	
3	999 591 140 40	line bracket		2	
4	997 641 503 00	switch		1	
5	999 507 743 40	cable holder vent line		2	
6	999 512 653 09	hose clamp 20 X 12		3	
7 A	996 106 147 07	expansion tank		1	
7	996 106 147 08	expansion tank		1	
8	999 507 570 40	hose holder 11,0 / 18,0		2	
9	999 707 371 40	o-ring 17 X 4		1	
10	999 707 370 40	o-ring 47 X 4		1	
11	996 106 347 01	bleeder valve		1	
12	999 919 058 02	hexagon-head bolt 5,0 X 40		8	
13	996 106 234 01	cover		1	
14	986 504 644 00	gasket		1	
15	996 106 235 02	gasket		1	
16	996 106 237 02	hose		1	
17	999 512 651 09	hose clamp 15 X 12		3	
18	996 106 247 02	hose		1	
19	999 512 655 09	hose clamp 22 X 12		1	
20	996 106 287 03	overflow hose		1	
21	996 106 257 02	breather hose		1	
22	996 106 297 03	overflow hose		1	

Model	Year	MG	SG	Illustration	Restrictions	UPD	11:15	24.01.2010	PORSCHE	PET	PORSCHE
987	2008	1	05	105-20		248					

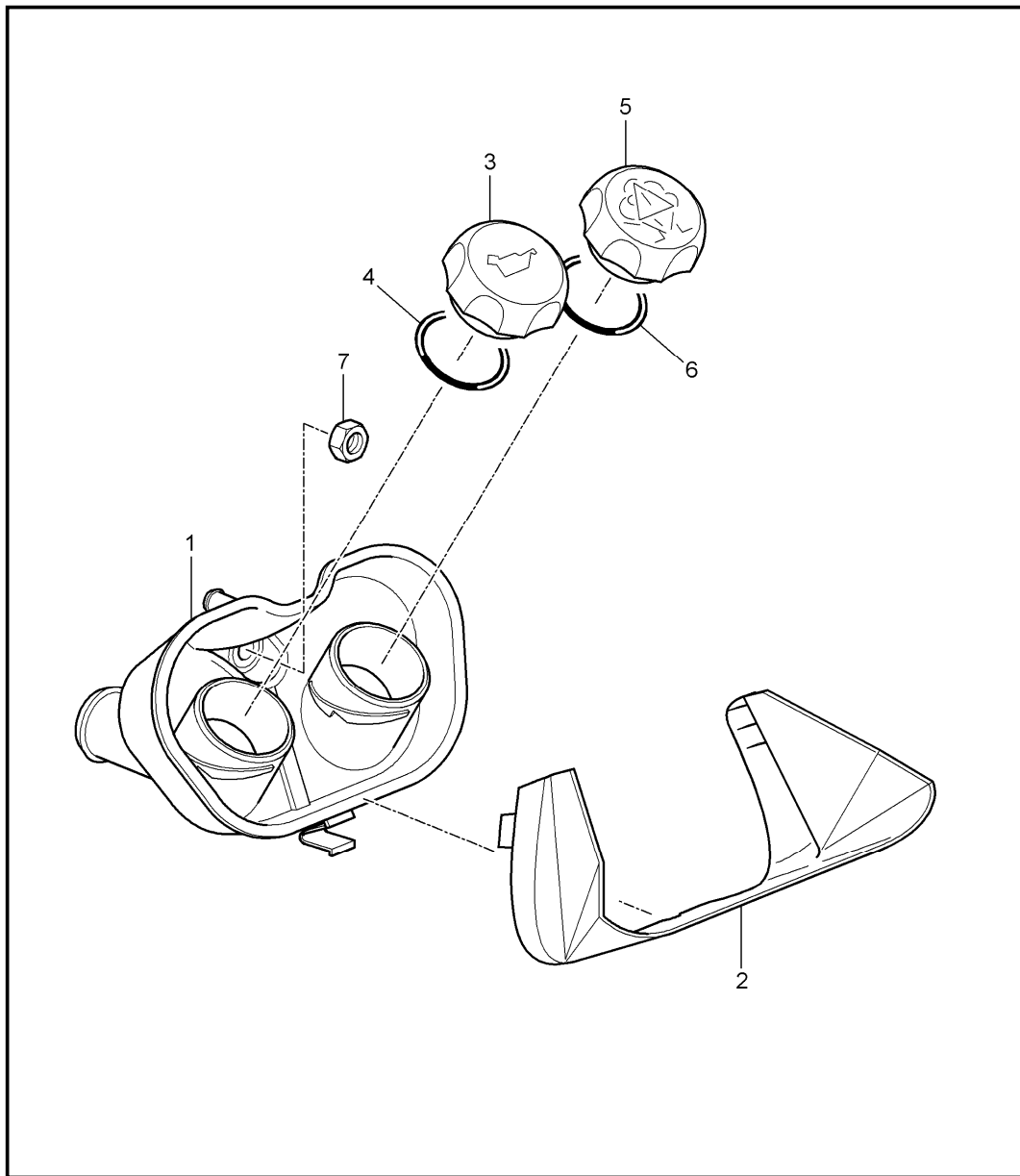
Pos	Part Number	Description	Remark	Qty	Model	Pos	Part Number	Description	Remark	Qty	Model
23	999 512 658 09	hose clamp 27 X 12		2							
24	999 076 071 02	hexagon nut M 6		2							
25	900 075 333 02	hexagon-head bolt M 6 X 25		8							
26	A 996 106 447 01	lid		1							
(26)	996 106 447 04	lid see technical manual group 1 Nr.190101		1							
27	A 000 043 203 78	antifreeze 1 LTR. container		X							
(27)	A 000 043 203 79	antifreeze 25 LTR. container		X							
(27)	000 043 301 03	antifreeze 1 LTR. container		X							
(27)	000 043 301 04	antifreeze 20 LTR. container		X							
28	999 507 743 40	cable holder		1							
29	996 106 267 02	hose		1							
30	996 106 207 04	hose		1							
31	999 500 084 01	special nut M 6		2							
32	996 106 253 00	hose connection		1							
33		see illustrations 1/04/05									
34		see illustrations 1/04/05									

Model	Year	MG	SG	Illustration	Restrictions	UPD	11:15	24.01.2010	PORSCHE	PET	PORSCHE
987	2008	1	05	105-21		248					



Pos	Part Number	Description	Remark	Qty	Model
		water cooling 4			M97.20/21/22
1	987 106 047 02	expansion tank F >>988U7 02381 F >>988U7 22204		1	
(1)	987 106 047 03	expansion tank F 988U7 02382>> F 988U7 22205>>		1	
2	997 641 503 00	switch		1	
3	999 919 058 01	hexagon-head bolt M 5 X 40		8	
4	996 106 347 02	bleeder valve		1	
5	999 707 370 40	o-ring 47,00 X 4,0		1	
6	999 707 371 40	o-ring 17,00 X 4,0		1	
7	A 996 106 447 01	lid		1	
(7)	996 106 447 04	lid see technical manual group 1 Nr.190101		1	
8	999 702 183 40	grommet		2	
9	900 378 074 09	hexagon-head bolt M 8 X 16		1	
10	987 106 270 02	water hose		1	
11	999 512 672 09	hose clamp 40 X 12		2	
12	987 106 267 02	hose		1	
13	999 512 657 09	hose clamp 26 X 12		2	
14	987 106 287 01	vent line		1	
15	999 512 684 09	clamp 18 X 12		2	
16	987 106 664 01	line		1	
17	987 106 682 01	vent line		1	
18		see illustrations 1/05/22			

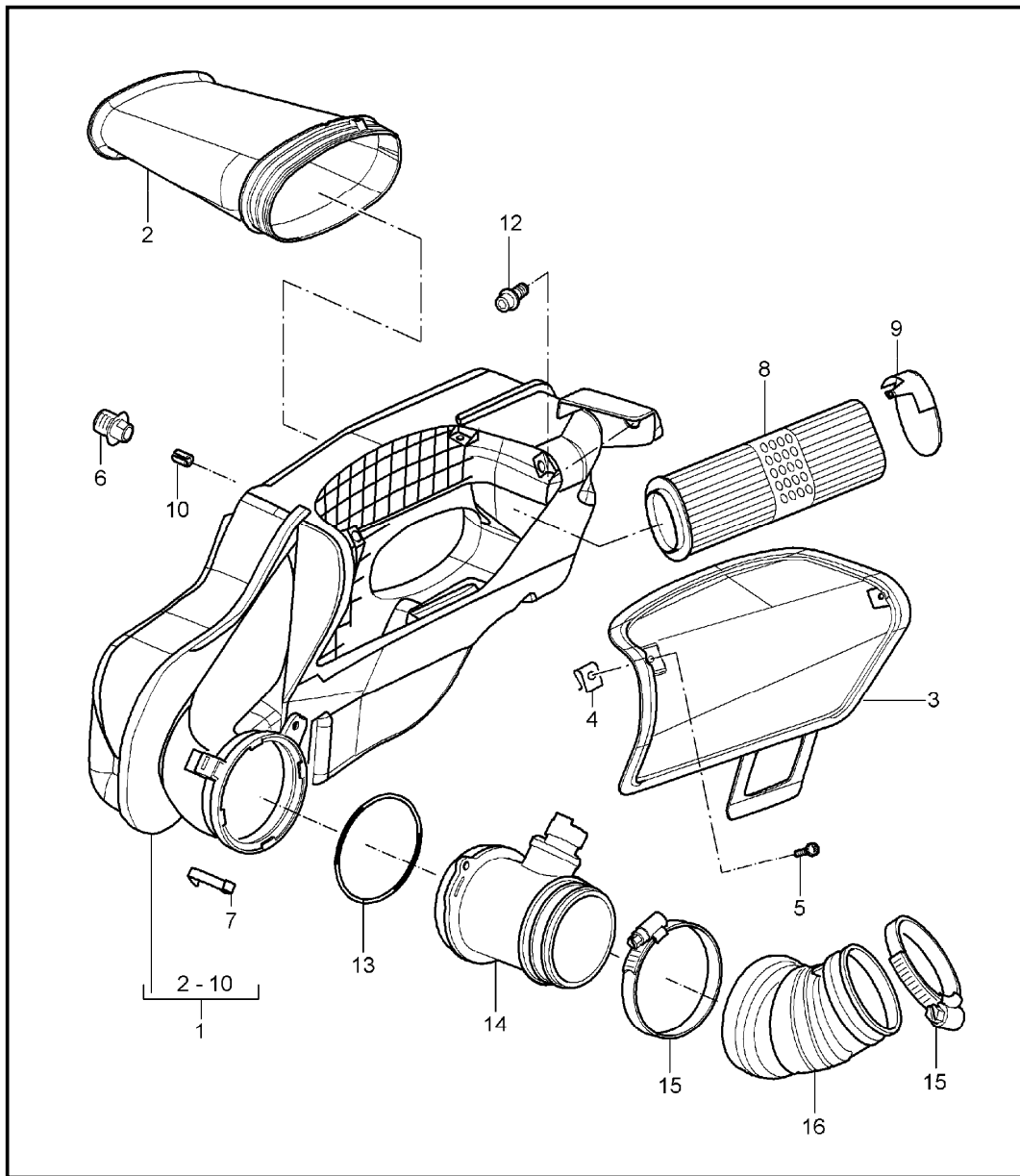
Model	Year	MG	SG	Illustration	Restrictions	UPD	11:15	24.01.2010	PORSCHE	PET	PORSCHE
987	2008	1	05	105-22		248					



Pos	Part Number	Description	Remark	Qty	Model
		water cooling 4 Serviceschale			M97.20/21/22
1	987 106 150 02	cup		1	
2	987 106 180 00	cover		1	
3	987 107 035 01	lid engine oil		1	
4	987 107 336 00	gasket		1	
5	987 106 044 00	lid coolant		1	
6	987 106 170 00	gasket		1	
7	999 076 071 02	hexagon nut M 6		1	

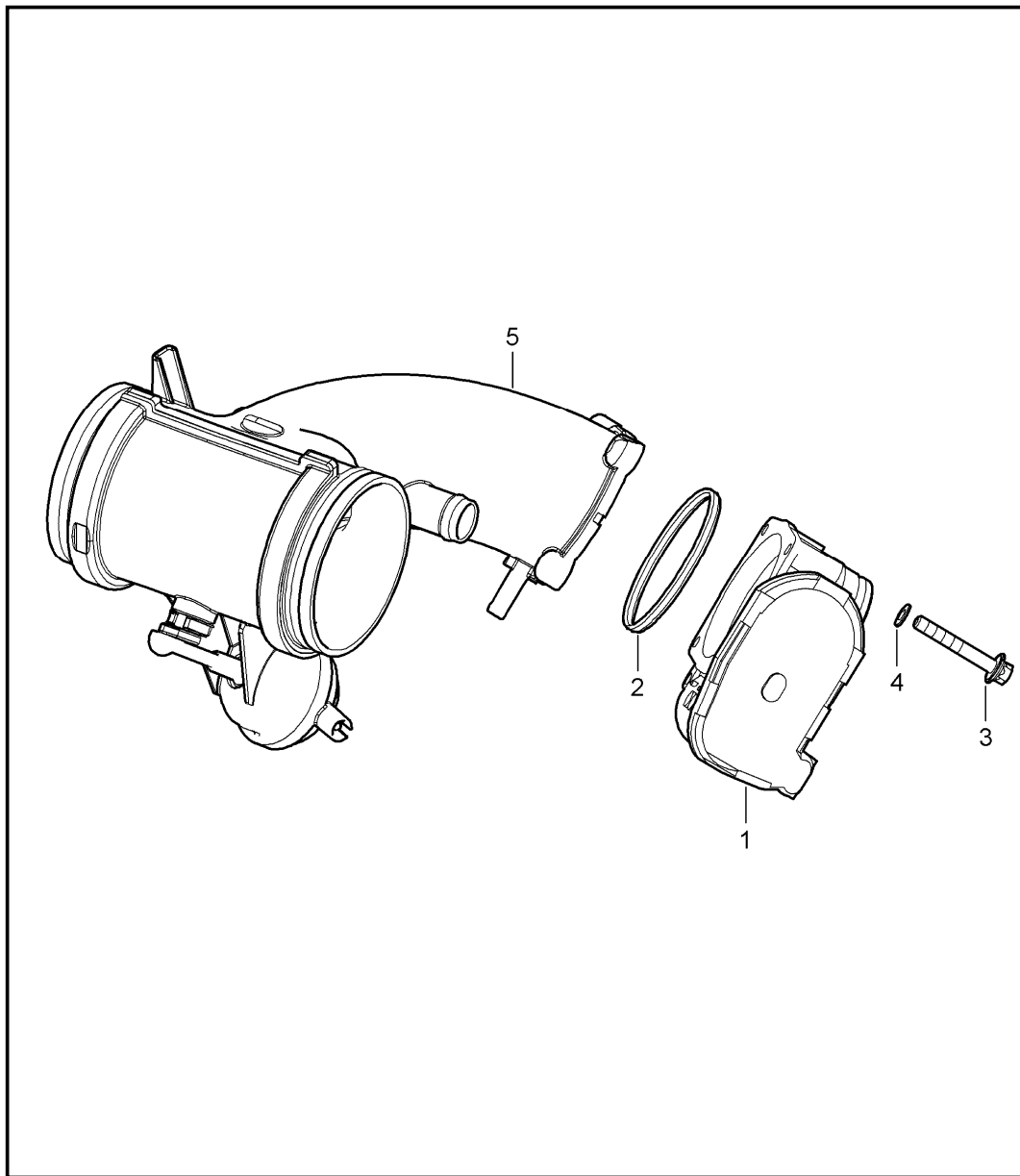


Model	Year	MG	SG	Illustration	Restrictions	UPD	11:16	24.01.2010	PORSCHE	PET	PORSCHE
987	2008	1	06	106-00		248					



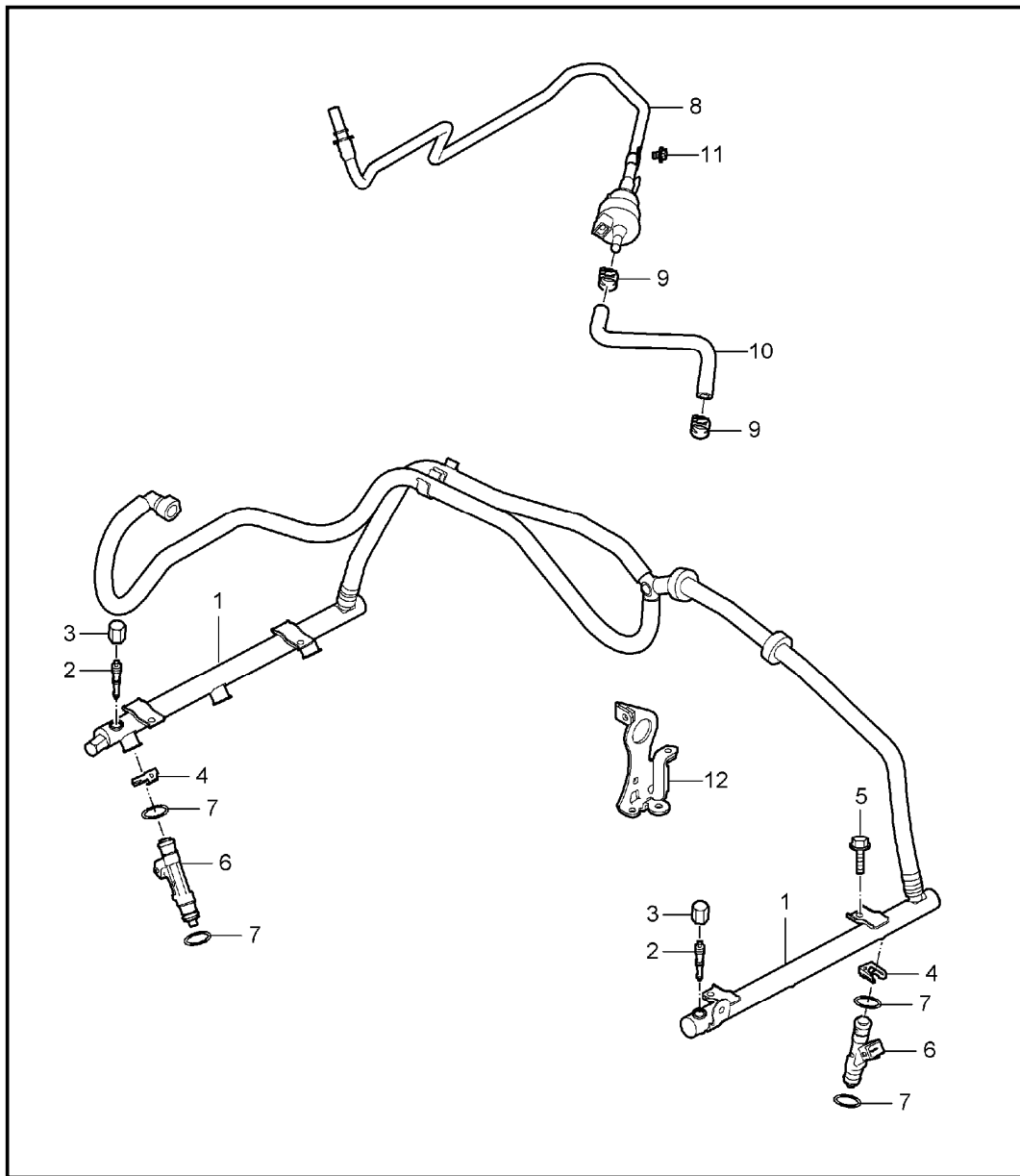
Pos	Part Number	Description	Remark	Qty	Model
		air cleaner			M96.25/26 M97.20/21/22
1	987 110 021 00	air cleaner complete		1	
2	987 110 122 00	intake manifold		1	
3	987 110 131 00	housing cover		1	
4	999 507 442 02	speed nut		2	
5	900 143 095 09	tapping screw		3	
6	987 110 141 00	grommet		1	
7	993 110 116 01	clamp		1	
8	987 110 133 00	air cleaner cartridge		1	
9	987 110 134 00	mounting plate		1	
10	900 095 099 09	roll pin 12 X 14		3	
11	999 919 050 09	oval-head screw 4 X 12		1	
12	900 075 333 02	hexagon-head bolt M 6 X 25		1	
13	999 707 052 40	o-ring 91 X 6		1	
14	987 606 125 00	mass air flow meter		1	
15	999 512 542 00	hose clamp 80 - 100		2	
16	987 110 222 00	air box		1	

Model	Year	MG	SG	Illustration	Restrictions	UPD	11:16	24.01.2010	PORSCHE	PET	PORSCHE
987	2008	1	07	107-00		248					



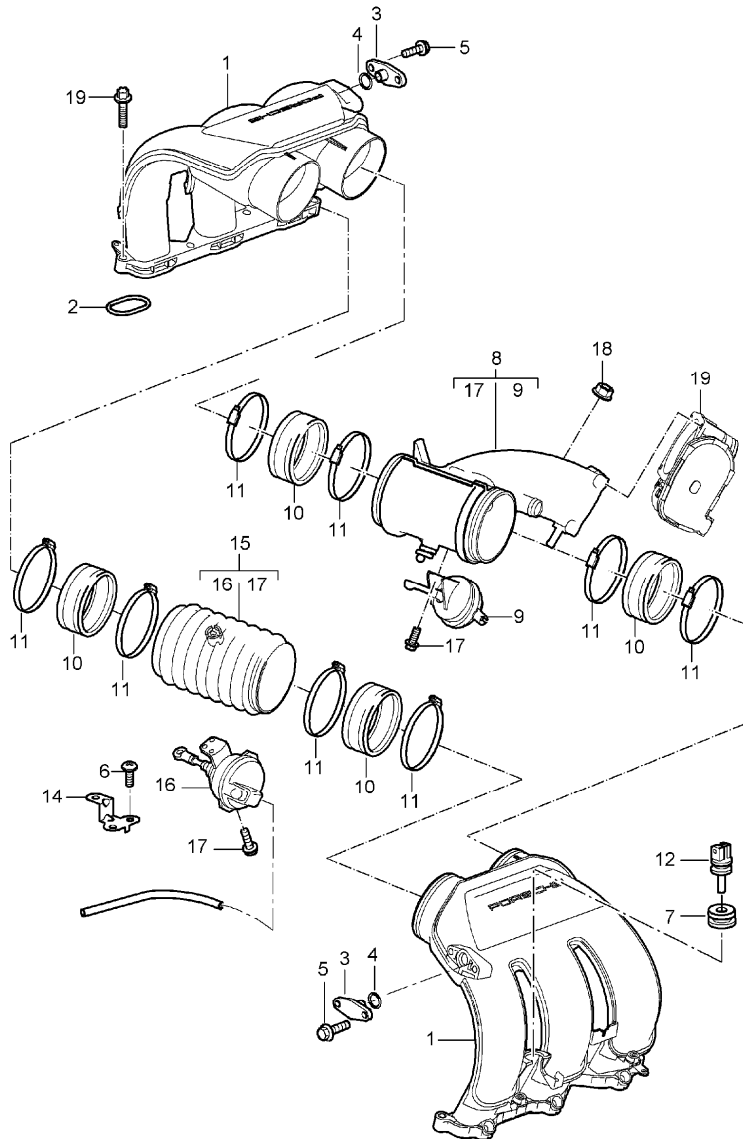
Pos	Part Number	Description	Remark	Qty	Model
		throttle body			M96.25/26 M97.20/21/22
1	986 605 115 01	throttle body	-06	1	
(1)	997 605 115 00	throttle body	07-	1	
2	996 110 319 00	gasket	-06	1	
(2)	997 110 319 00	gasket distributor tube	07-	1	
3	900 385 010 09	torx screw M 6 X 50		4	
4	N 011 524 7	washer A 6,4		2	
5	---	distributor tube see illustrations 1/07/10			

Model	Year	MG	SG	Illustration	Restrictions	UPD	11:16	24.01.2010	PORSCHE	PET	PORSCHE
987	2008	1	07	107-05		248					



Pos	Part Number	Description	Remark	Qty	Model
		fuel collection pipe			M96.25/26 M97.20/21/22
1	987 110 036 00	fuel collection pipe		1	M96.25/26
(1)	987 110 031 01	fuel collection pipe		1	M97.20/21/22
2	993 110 217 00	valve		1	
3	997 110 218 00	cap		1	
4	996 110 113 52	retaining clip		6	
5	900 385 041 09	torx screw M 6 X 12		4	
6	996 606 122 00	injector valve		6	M96.25/26
(6)	997 605 123 00	injector valve		6	M97.20/21/22
7	999 707 574 40	o-ring 7,52 X 3,51		12	
8	987 110 128 00	vent line		1	
9	999 512 650 09	hose clamp B 14 X 12		2	
10	987 110 137 02	breather hose		1	M96.25/26
(10)	987 110 237 00	hose tank ventilation		1	M97.20/21/22
11	999 919 125 09	hexagon-head bolt M 6 X 16		1	
12	996 101 213 56	retaining bar		1	M96.25/26

Model	Year	MG	SG	Illustration	Restrictions	UPD	11:16	24.01.2010	PORSCHE	PET	PORSCHE
987	2008	1	07	107-10		248					

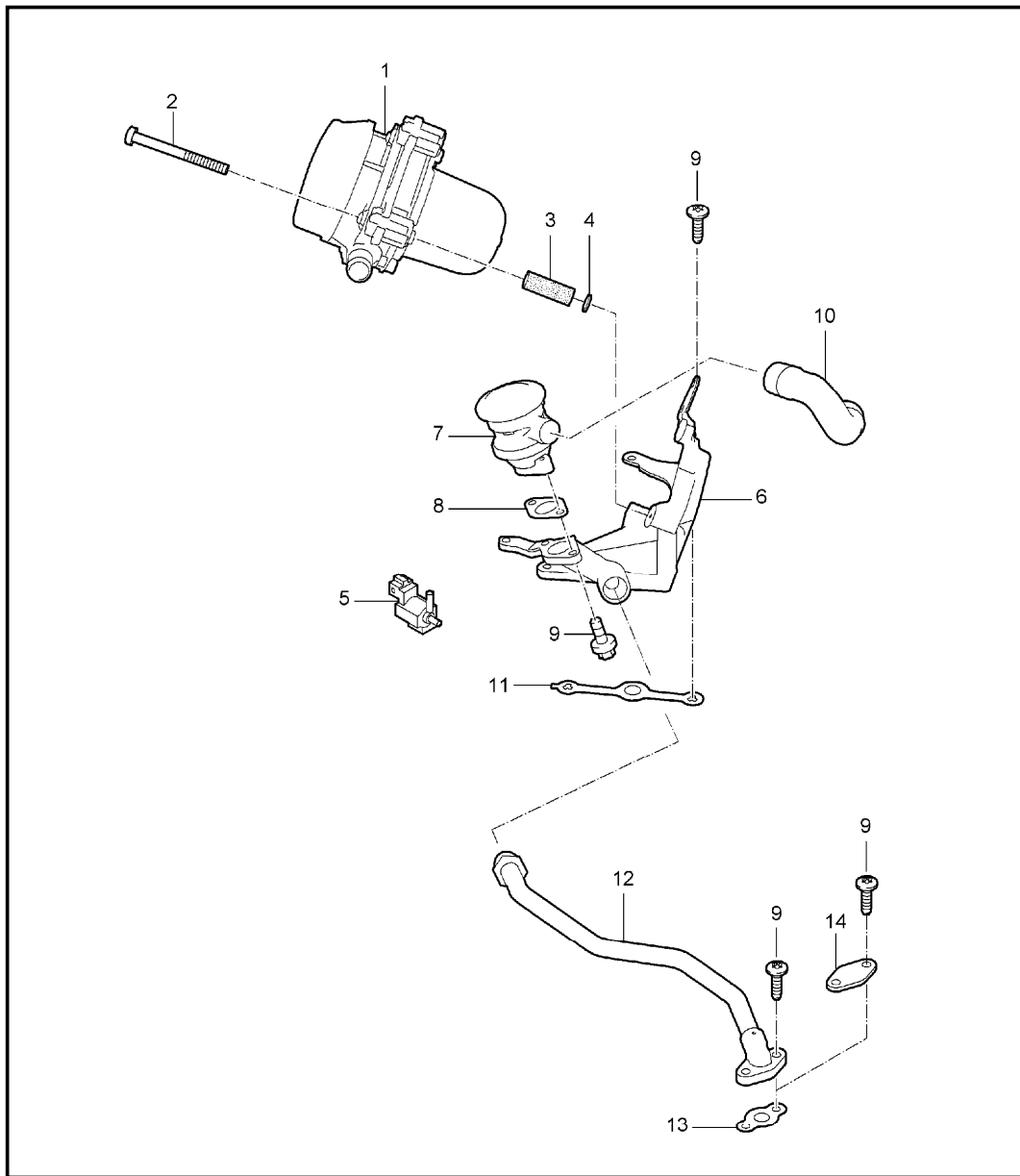


Pos	Part Number	Description	Remark	Qty	Model
		intake distributor			M96.25/26 M97.20/21/22
1	996 110 045 01	intake distributor		2	M96.25/26
(1)	997 110 036 01	intake distributor		2	M97.20/21/22
2	996 110 247 03	gasket		6	M96.25/26
(2)	997 110 247 01	gasket		6	M97.20/21/22
3	996 110 251 51	lid	-06	2	
4	999 701 163 40	o-ring 11,0 X 2,5	-06	2	
5	900 385 017 04	torx screw 6,0 X 16	-06	4	
6	900 385 041 09	torx screw BM 6 X 12	-06	1	
7	993 110 530 01	grommet		1	
8	987 110 055 01	distributor tube		1	M96.25/26
(8)	987 110 116 01	distributor tube		1	M97.20/21/22
9	987 110 462 00	vacuum unit		1	M96.25/26
10	996 110 686 02	rubber sleeve		4	M96.25/26
(10)	997 110 685 00	rubber sleeve		4	M97.20/21/22
11	999 512 350 02	hose clamp 80 - 100/9		8	M96.25/26
(11)	999 512 539 01	hose clamp 90 - 110/9		8	M97.20/21/22
12	997 606 213 00	temperature sensor		1	
13	900 385 017 04	torx screw M 6 X 35		12	
14	987 110 226 00	support		1	M96.25/26
15	996 110 130 02	resonance tube		1	M96.25/26
(15)	996 110 120 53	resonance tube		1	M97.20/21/22
16	993 110 462 02	vacuum unit		1	
17	900 146 123 02	screw M 5 X 16		4	

Model	Year	MG	SG	Illustration	Restrictions	UPD	11:16	24.01.2010	PORSCHE	PET	PORSCHE
987	2008	1	07	107-10		248					

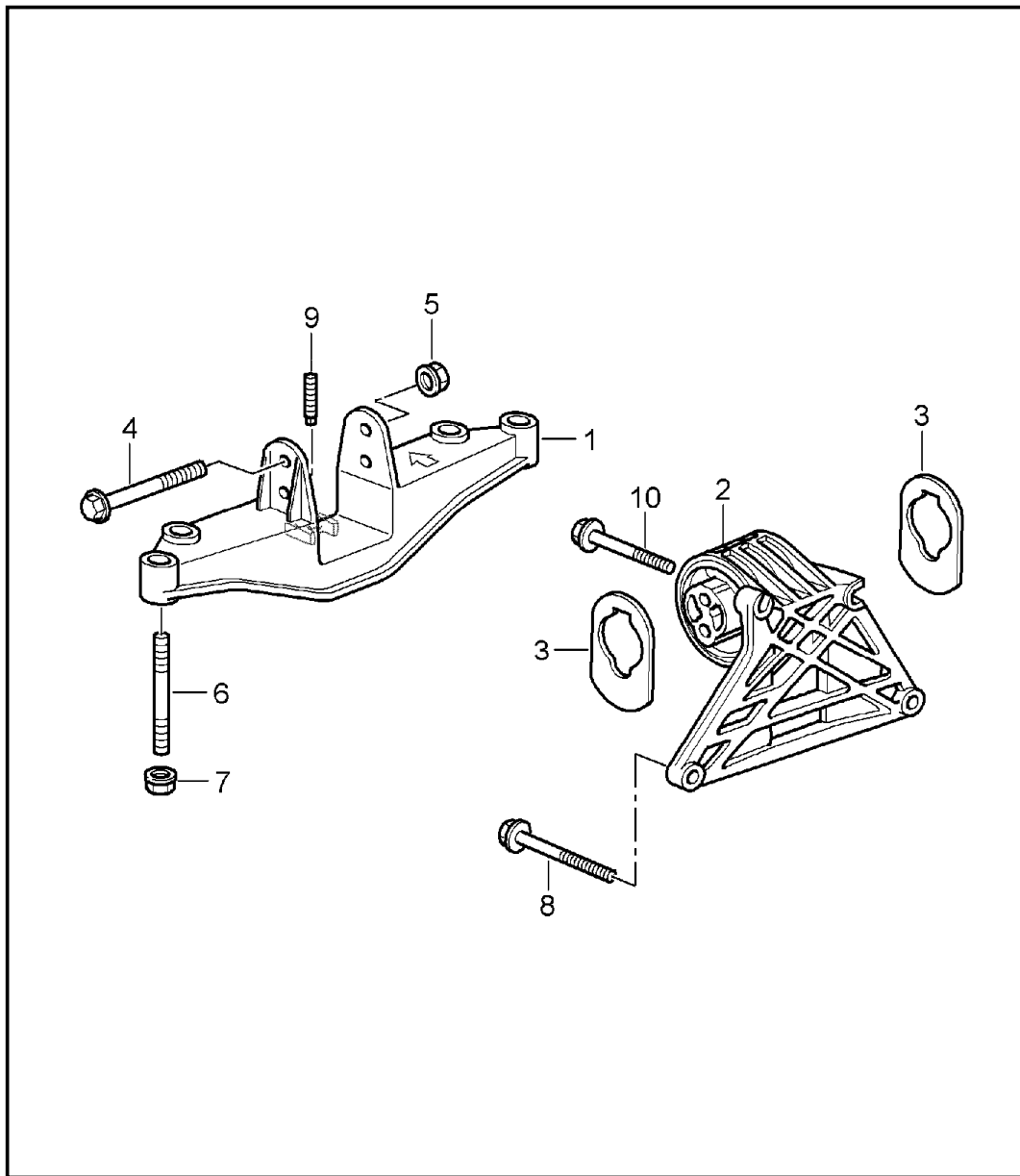
Pos	Part Number	Description	Remark	Qty	Model	Pos	Part Number	Description	Remark	Qty	Model
--	000 043 204 99	hose 3,5 X 2 120 MM		*							
18	900 380 022 09	hexagon nut M 6		1							
19	... ..	throttle body see illustrations 1/07/00		1							

Model	Year	MG	SG	Illustration	Restrictions	UPD	11:16	24.01.2010	PORSCHE	PET	PORSCHE
987	2008	1	08	108-05		248					



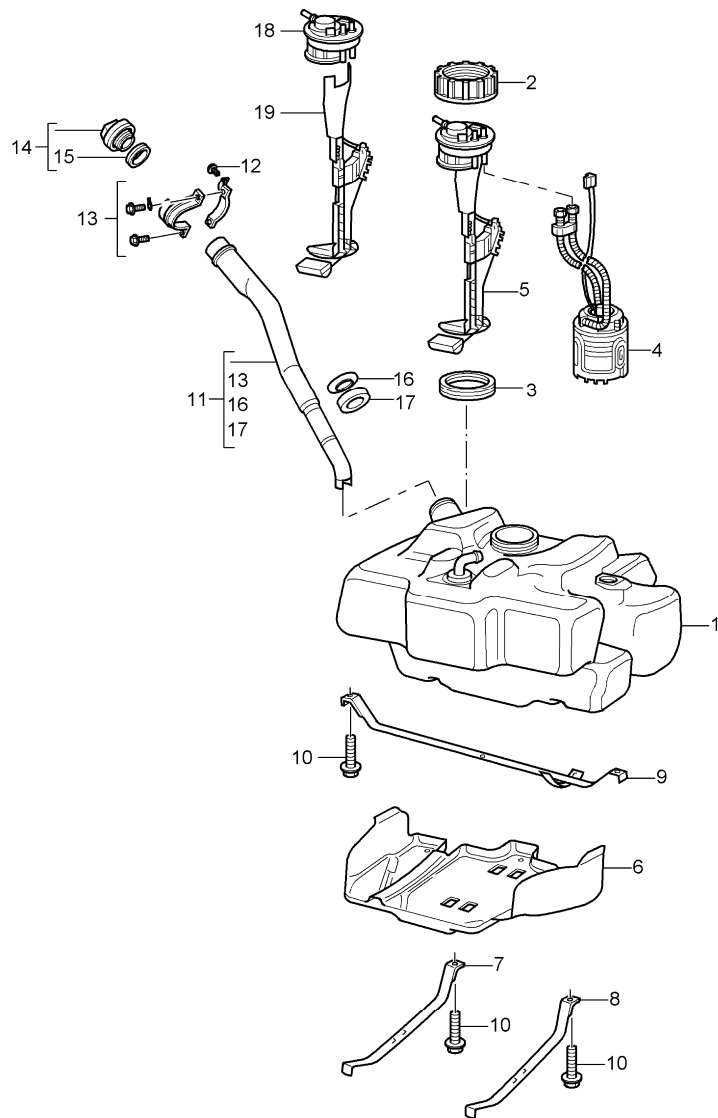
Pos	Part Number	Description	Remark	Qty	Model
		air injection			M96.25/26 M97.20/21/22
1	997 605 104 00	secondary pump		1	
(1)	997 605 104 02	secondary pump		1	
2	955 113 325 00	oval-head screw M 6 X 50		3	
3	999 703 868 40	rubber mounting 8,76 X 33,3		3	
4	999 209 077 02	spacer sleeve 6,5 X 1		3	
5	996 605 123 01	change-over valve		1	
6	997 113 137 01	bracket secondary pump		1	
7	948 113 203 51	valve		1	
8	993 113 258 51	gasket		1	
9	999 073 344 04	round head screw M 6 X 20		7	
10	997 113 339 02	hose		1	
11	997 113 233 01	gasket bracket		1	
12	997 113 117 01	connecting line		1	
13	996 113 213 51	gasket connecting line		1	
14	997 113 340 00	lid		1	

Model	Year	MG	SG	Illustration	Restrictions	UPD	11:17	24.01.2010	PORSCHE	PET	PORSCHE
987	2008	1	09	109-00		248					



Pos	Part Number	Description	Remark	Qty	Model
		engine suspension			M96.25/26 M97.20/21/22
1	987 375 309 01	engine carrier		1	
2	987 375 023 02	engine bracket		1	M96.25/26
2	987 375 023 03	engine bracket		1	M97.20/21/22
3	987 375 255 03	stop		2	M96.25/26
3	987 375 255 05	stop	-07	2	M97.20/21/22
3	9A1 375 257 01	stop	08-	2	
4	900 378 167 09	hexagon-head bolt M 10 X 110		2	
5	900 380 008 09	hexagon nut M 10		2	
6	999 061 106 09	stud M 10 X 84		4	
7	999 076 053 09	hexagon nut M 10		4	
8	999 072 027 09	hexagon-head bolt M 10 X 120		3	
9	999 919 169 02	stud 6,0 X 11/M6		1	
10	999 072 036 09	hexagon-head bolt M 10 X 80		1	

Model	Year	MG	SG	Illustration	Restrictions	UPD	11:17	24.01.2010	PORSCHE	PET	PORSCHE
987	2008	2	01	201-00		248					



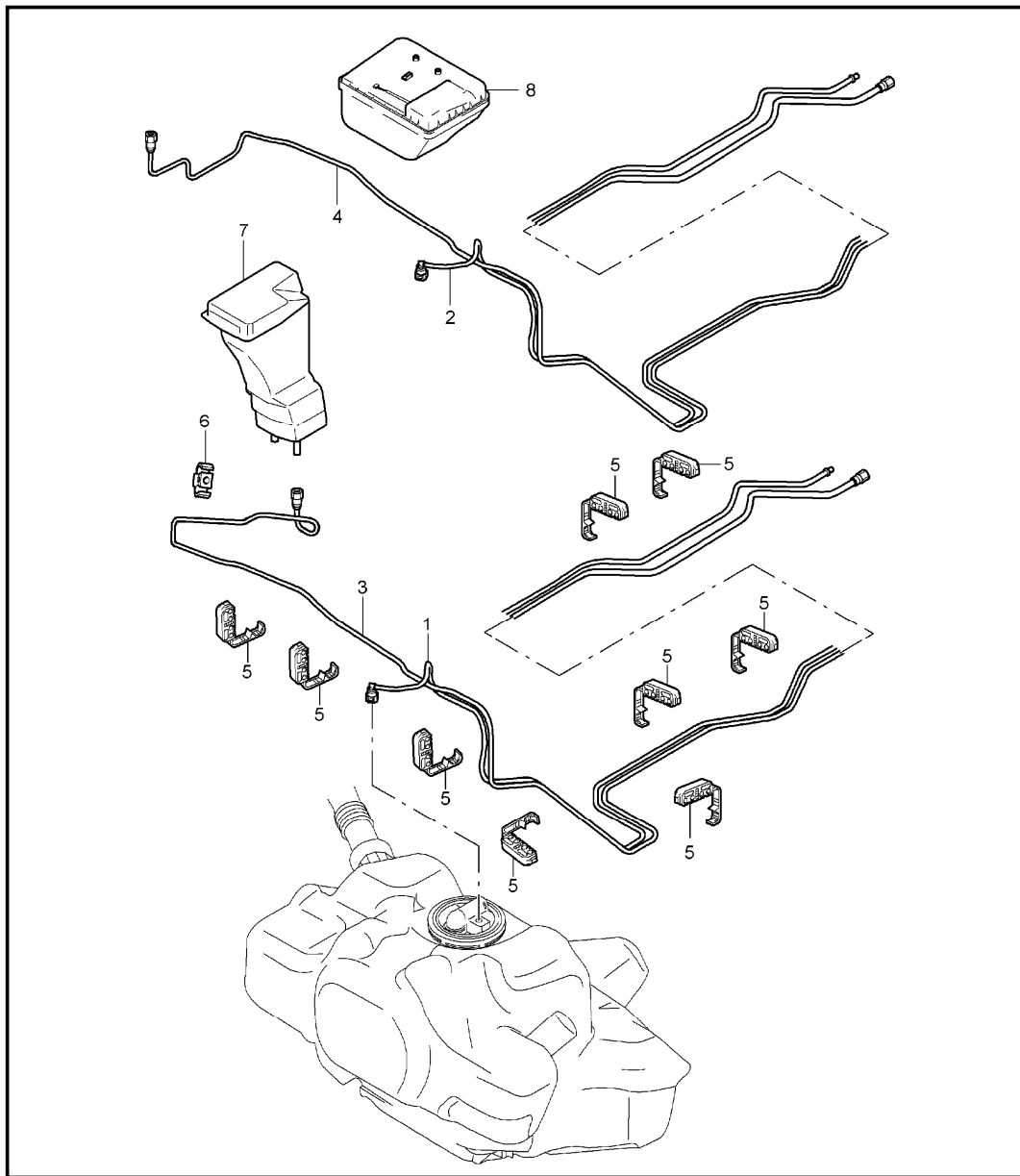
Pos	Part Number	Description	Remark	Qty	Model
		fuel tank			
1	996 201 021 05	fuel tank	/LL	1	
(1)	997 201 022 01	fuel tank	/RL	1	
2	996 201 623 00	union nut		1	
3	321 919 133	sealing ring		1	
4	996 620 132 00	fuel pump		1	
5	996 620 832 02	tank gauge with flange		1	
6	997 201 331 02	protective plate	/LL	1	
(6)	997 201 331 03	protective plate	/RL	1	
7	996 201 106 02	restraining strap right		1	
8	996 201 105 02	restraining strap left		1	
9	996 201 107 02	restraining strap	/LL	1	
(9)	996 201 108 00	restraining strap	/RL	1	
10	900 075 479 09	combination screw M 8 X 40		4	
11	997 201 043 00	filler neck F >>985U7 00076 F >>985U7 01308 F >>985U7 21351		1	
11	997 201 043 06	filler neck F 985U7 00077>> F 985U7 01309>> F 985U7 21352>>		1	
		use also: F >>985U7 00076 F >>985U7 01308 F >>985U7 21351 997.201.951.00		1	
(11)	997 201 043 07	filler neck		1	I150/193
12	999 015 025 09	lens-head screw M 6 X 12 F >>985U7 00076 F >>985U7 01308 F >>985U7 21351		1	



Model	Year	MG	SG	Illustration	Restrictions	UPD	11:17	24.01.2010	PORSCHE	PET	PORSCHE
987	2008	2	01	201-00		248					

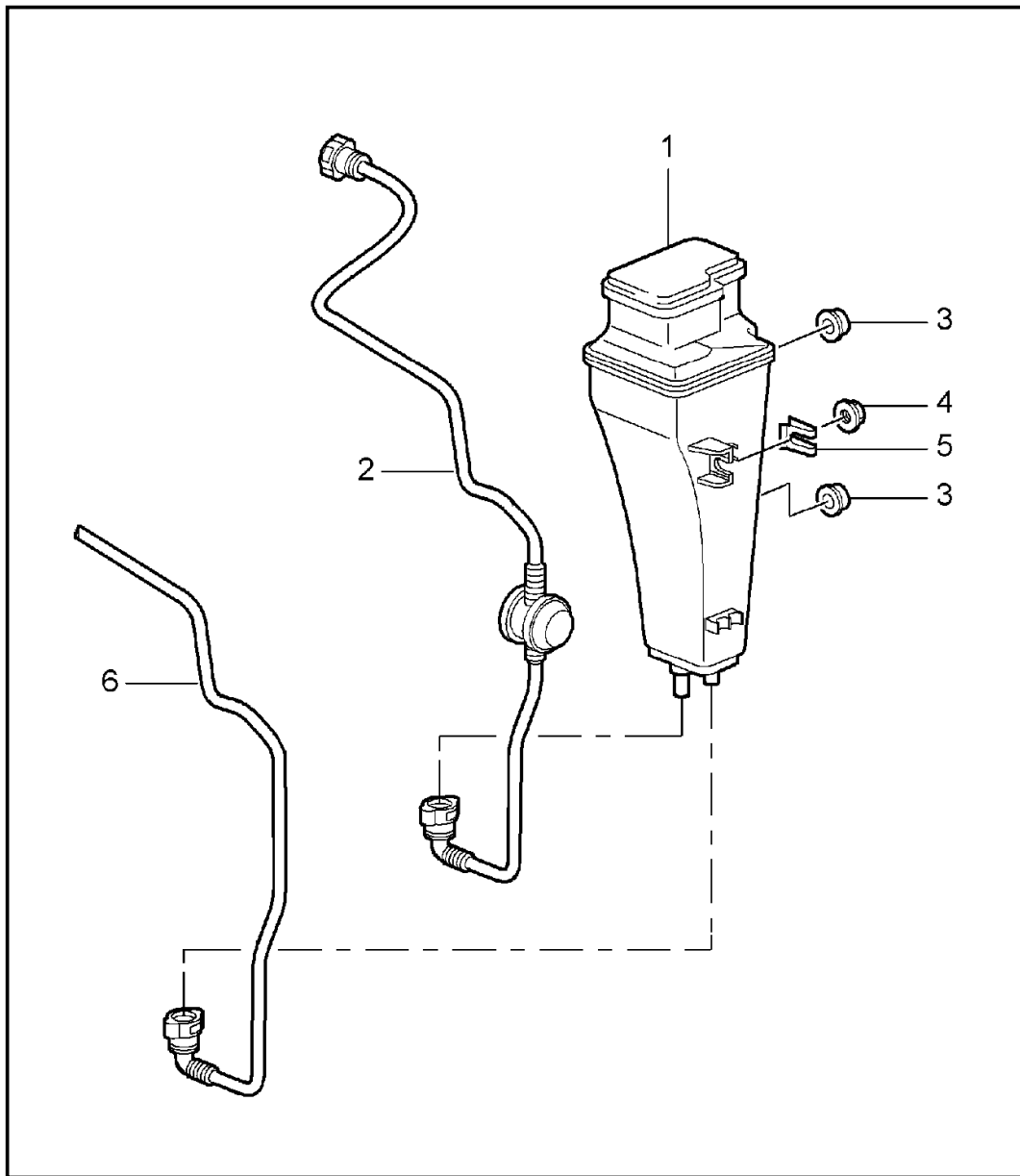
Pos	Part Number	Description	Remark	Qty	Model	Pos	Part Number	Description	Remark	Qty	Model
(12)	999 073 348 09	oval-head screw M 6 X 12 F 985U7 00077>> F 985U7 01309>> F 985U7 21352>>		1							
13	997 201 951 00	support complete F >>985U7 00076 F >>985U7 01308 F >>985U7 21351		1							
13	997 201 951 02	support complete F 985U7 00077>> F 985U7 01309>> F 985U7 21352>>		1							
14	996 201 241 03	fuel tank cap with clip		1							
-	999 507 499 40	expansion rivet		1							
15	191 201 557	gasket		1							
16	996 201 755 00	support washer		1							
17	996 201 753 00	gasket		1							
20	000 043 206 89	Additive fuel 100 ml Beh.,lter	CHINA	1							

Model	Year	MG	SG	Illustration	Restrictions	UPD	11:17	24.01.2010	PORSCHE	PET	PORSCHE
987	2008	2	01	201-05		248					



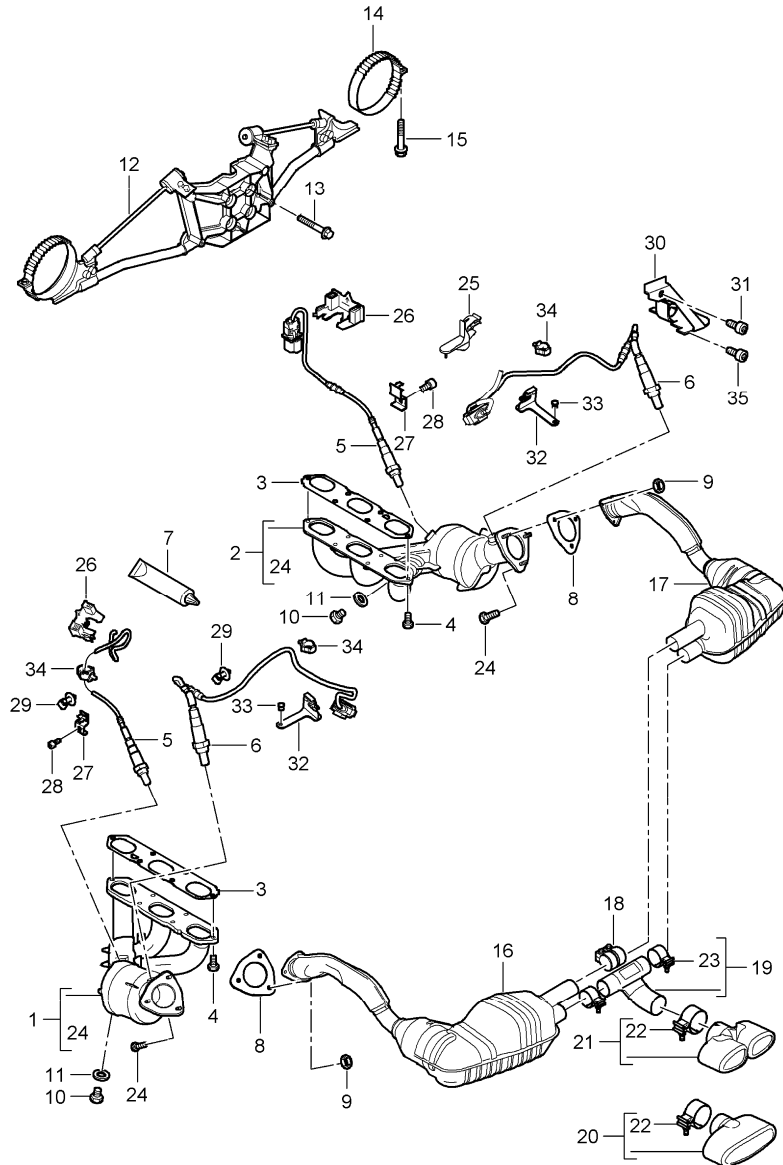
Pos	Part Number	Description	Remark	Qty	Model
		fuel system			
1	987 201 261 01	fuel line fuel pump for engine		1	
3	987 201 353 01	purge-air line carbon canister for engine		1	
5	999 507 521 40	cable holder 8,0/8/10		9	
6	999 507 727 40	cable holder 8,0/10,0		1	
7	---	carbon canister see illustrations 201-20		1	

Model	Year	MG	SG	Illustration	Restrictions	UPD	11:17	24.01.2010	PORSCHE	PET	PORSCHE
987	2008	2	01	201-20		248					



Pos	Part Number	Description	Remark	Qty	Model
1	997 201 221 01	carbon canister complete		1	
2	997 201 251 00	vent line fuel tank for carbon canister		1	
3	999 702 221 40	grommet		2	
4	999 084 629 09	hexagon nut M 6		1	
5	999 507 543 02	clamp 2,00 - 3,00		1	
6	---	purge-air line see illustrations 201-05		1	

Model	Year	MG	SG	Illustration	Restrictions	UPD	11:17	24.01.2010	PORSCHE	PET	PORSCHE
987	2008	2	02	202-00		248					



Pos	Part Number	Description	Remark	Qty	Model
		exhaust system			M96.25/26 M97.20/21/22
1	A 987 113 104 07	exhaust manifold with Pre-catalytic converter cyl. 4 - 6	05	1	M96.25
(1)	A 987 113 104 08	exhaust manifold with Pre-catalytic converter cyl. 4 - 6	06	1	M96.25
(1)	987 113 104 10	exhaust manifold with Pre-catalytic converter cyl. 4 - 6		1	M96.25
(1)	987 113 108 05	exhaust manifold with Pre-catalytic converter cyl. 4 - 6	07-	1	M97.20/21/22
(1)	A 987 113 106 05	exhaust manifold with Pre-catalytic converter cyl. 4 - 6	05	1	M96.26
(1)	987 113 106 06	exhaust manifold with Pre-catalytic converter cyl. 4 - 6		1	M96.26
2	A 987 113 103 07	exhaust manifold with Pre-catalytic converter cyl. 1 - 3	05	1	M96.25
(2)	987 113 103 10	exhaust manifold with Pre-catalytic converter cyl. 1 - 3		1	M96.25
(2)	987 113 107 05	exhaust manifold with Pre-catalytic converter cyl. 1 - 3	07-	1	M97.20/21/22
(2)	987 113 105 05	exhaust manifold with Pre-catalytic converter cyl. 1 - 3		1	M96.26
3	A 996 111 107 54	gasket exhaust manifold		2	

Model	Year	MG	SG	Illustration	Restrictions	UPD	11:17	24.01.2010	PORSCHE	PET	PORSCHE
987	2008	2	02	202-00		248					

Pos	Part Number	Description	Remark	Qty	Model	Pos	Part Number	Description	Remark	Qty	Model
3	996 111 107 55	gasket exhaust manifold		2		13	900 378 070 09	hexagon-head bolt M 10 X 30		4	M96.25 M96.26
4	999 075 074 00	hexagon-head bolt M 8 X 26		12		(13)	900 378 056 02	hexagon-head bolt M 8 X 60		3	M96.25 M96.26
5	987 606 123 01	oxygen sensor in front of catalytic converter		2		14	U 987 111 210 00	clamp		2	
5	987 606 123 02	oxygen sensor in front of catalytic converter	07-	4	M97.20/21/22	14	987 111 210 01	clamp		2	
6	U 987 606 124 00	oxygen sensor after catalytic converter		2		15	900 378 055 09	hexagon-head bolt		2	
(6)	987 606 123 02	oxygen sensor after catalytic converter		2		16	A 987 113 112 00	muffler with Main catalytic converter cyl. 4 - 6	05	1	M96.26
7	000 043 207 07	grease for oxygen sensor		1		16	A 987 113 112 04	muffler with Main catalytic converter cyl. 4 - 6	06	1	M96.26
8	997 111 113 00	gasket		2		16	987 113 112 05	muffler with Main catalytic converter cyl. 4 - 6		1	M96.26
9	999 084 046 02	lock nut M 8		6		16	A 987 113 118 01	muffler with Main catalytic converter cyl. 4 - 6	07-	1	M97.20/21
10	900 083 080 00	hexagon-head bolt M 8 x 1 exhaust emission tube		2		16	A 987 113 118 02	muffler with Main catalytic converter cyl. 4 - 6	07-	1	M97.20/21
11	900 123 050 20	sealing ring 8 x 11,5 exhaust emission tube		2		16	A 987 113 114 00	muffler with Main catalytic converter cyl. 4 - 6	05	1	M96.25
12	987 111 041 02	support exhaust system		1	M96.25/26 I249	16	A 987 113 114 02	muffler with Main catalytic converter cyl. 4 - 6	06	1	M96.25
(12)	987 111 041 03	support exhaust system	07-	1	M97.20/21/22 I249	16	A 987 113 114 03	muffler with Main catalytic converter cyl. 4 - 6		1	M96.25
(12)	A 987 111 042 00	support exhaust system		1	M96.25 I481	16	987 113 114 03	muffler with Main catalytic converter cyl. 4 - 6		1	M96.25
(12)	987 111 042 03	support exhaust system	07-	1	M97.20 I481	(16)	A 987 113 512 00	muffler with Main catalytic converter cyl. 4 - 6	07	1	IXLF
(12)	A 987 111 043 03	support exhaust system		1	M96.25 M96.26						
(12)	987 111 043 04	support exhaust system	07-	1	I480						

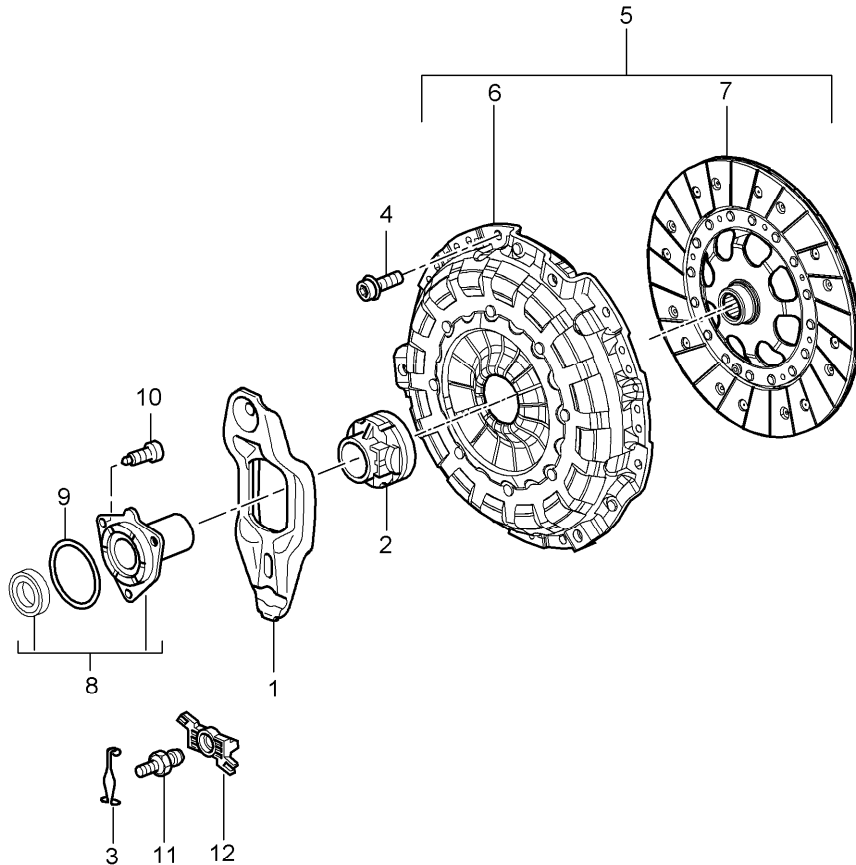
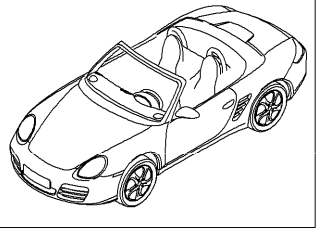
Model	Year	MG	SG	Illustration	Restrictions	UPD	11:17	24.01.2010	PORSCHE	PET	PORSCHE
987	2008	2	02	202-00		248					

Pos	Part Number	Description	Remark	Qty	Model	Pos	Part Number	Description	Remark	Qty	Model
(16)	A 987 113 512 01	muffler with Main catalytic converter cyl. 4 - 6	08-	1	IXLF	(17)	A 987 113 511 00	muffler with Main catalytic converter cyl. 1 - 3	07	1	IXLF
(16)	987 113 512 02	muffler with Main catalytic converter cyl. 4 - 6		1	IXLF	(17)	A 987 113 511 01	muffler with Main catalytic converter cyl. 1 - 3	08-	1	IXLF
(16)	987 113 512 60	muffler with Main catalytic converter cyl. 4 - 6	08-	1	M97.22	(17)	987 113 511 02	muffler with Main catalytic converter cyl. 1 - 3		1	IXLF
17	A 987 113 111 00	muffler with Main catalytic converter cyl. 1 - 3	05	1	M96.26	(17)	987 113 511 60	muffler with Main catalytic converter cyl. 1 - 3	08-	1	M97.22
17	A 987 113 111 04	muffler with Main catalytic converter cyl. 1 - 3	06	1	M96.26	18	987 111 220 00	clamping sleeve		1	
17	987 113 111 05	muffler with Main catalytic converter cyl. 1 - 3		1	M96.26	19	987 111 353 00	exhaust pipe		1	M96.25/26 .21 M97.20
17	A 987 113 117 01	muffler with Main catalytic converter cyl. 1 - 3	07-	1	M97.20/21	20	987 111 253 00	tail pipe	-06	1	M96.25
17	987 113 117 02	muffler with Main catalytic converter cyl. 1 - 3	07-	1	M97.20/21	20	987 111 253 00	tail pipe	07-	1	M97.20
17	A 987 113 113 00	muffler with Main catalytic converter cyl. 1 - 3	05	1	M96.25	21	987 111 254 02	tail pipe	-06	1	M96.26
17	A 987 113 113 02	muffler with Main catalytic converter cyl. 1 - 3	06	1	M96.25	21	987 111 254 02	tail pipe	07-	1	M97.21
17	987 113 113 03	muffler with Main catalytic converter cyl. 1 - 3		1	M96.25	(21)	987 111 254 01	tail pipe		1	IXLA
						(21)	987 111 258 30	tail pipe	08-	1	M97.22 I754
						22	000 043 300 53	clip for cover set complete		1	
						23	000 043 300 54	clip for exhaust pipe set complete		2	
						24	900 075 365 02	screw M 8 X 30		X	
						25	987 606 103 01	support line oxygen sensor		1	

Model	Year	MG	SG	Illustration	Restrictions	UPD	11:17	24.01.2010	PORSCHE	PET	PORSCHE
987	2008	2	02	202-00		248					

Pos	Part Number	Description	Remark	Qty	Model	Pos	Part Number	Description	Remark	Qty	Model
26	987 606 259 01	support connector oxygen sensor to bulkhead		2	I660						
27	A 987 606 104 00	support line oxygen sensor to valve cover		3							
(27)	987 606 104 01	support line oxygen sensor to valve cover		3							
28	900 385 041 09	torx screw M 6 X 12		3							
29	999 507 111 40	support line oxygen sensor to cylinder head		2							
30	987 104 445 00	heat shield		1							
31	900 387 009 09	screw M 6 X 12		1							
32	987 606 105 01	support connector oxygen sensor		2							
33	999 591 712 40	expansion rivet 6,0 X 12,0		4							
34	999 507 075 40	cable holder 3,0 - 12,0		3							
35	900 385 041 09	torx screw M 6 X 12		1							

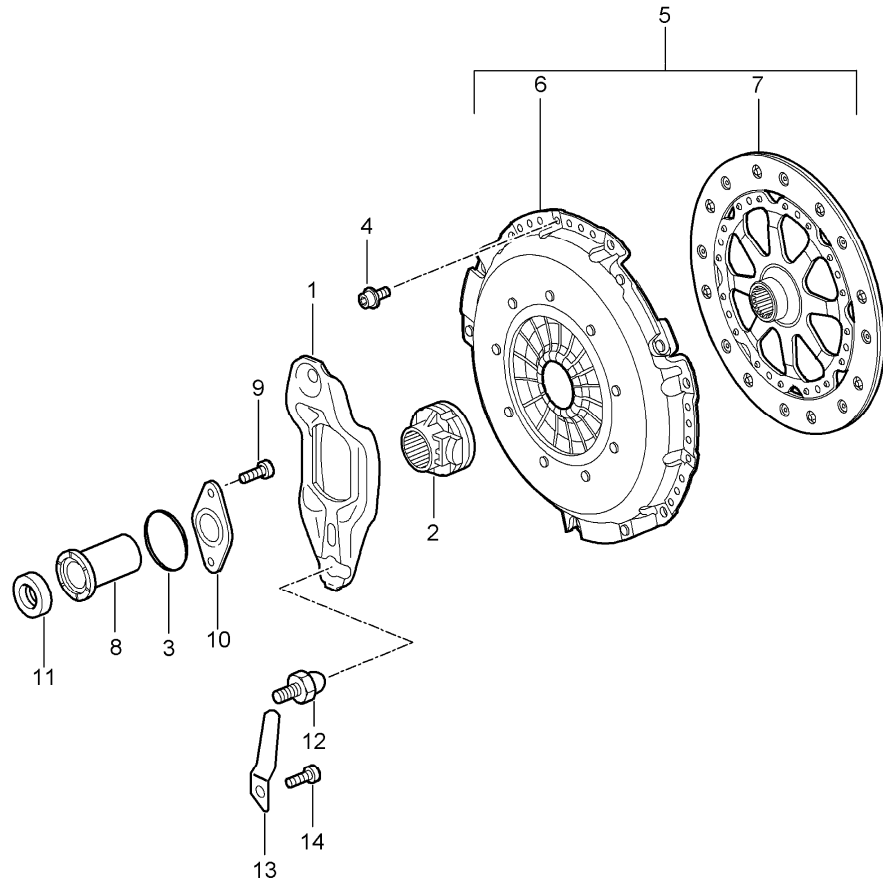
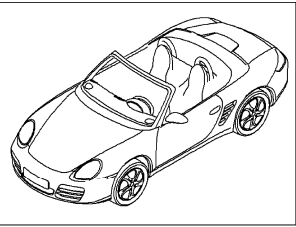
Model	Year	MG	SG	Illustration	Restrictions	UPD	11:18	24.01.2010	PORSCHE	PET	PORSCHE
987	2008	3	01	301-00		248					



Pos	Part Number	Description	Remark	Qty	Model
		clutch	-06		M96.25
			07-		I481
					M97.20
					I481
1	012 141 719 B	clutch release lever		1	
2	012 141 165 E	clutch release bearing		1	
3	012 141 741	retaining spring		1	
4	U 900 067 131 03	pan-head screw M 8 X 16		6	
(4)	999 073 458 01	screw M 8 X 16		6	
5	987 116 914 00	clutch set		1	
6	986 116 028 04	pressure plate		1	
7	987 116 014 00	clutch plate		1	
8	012 141 180 B	guide sleeve		1	
9	N 903 542 01	o-ring 56,8 X 2,6		1	
10	N 903 663 01	pan-head screw M 8 X 22		3	
11	012 141 777 D	ball pin		1	
12	A 012 141 751 B	intermediate piece		1	

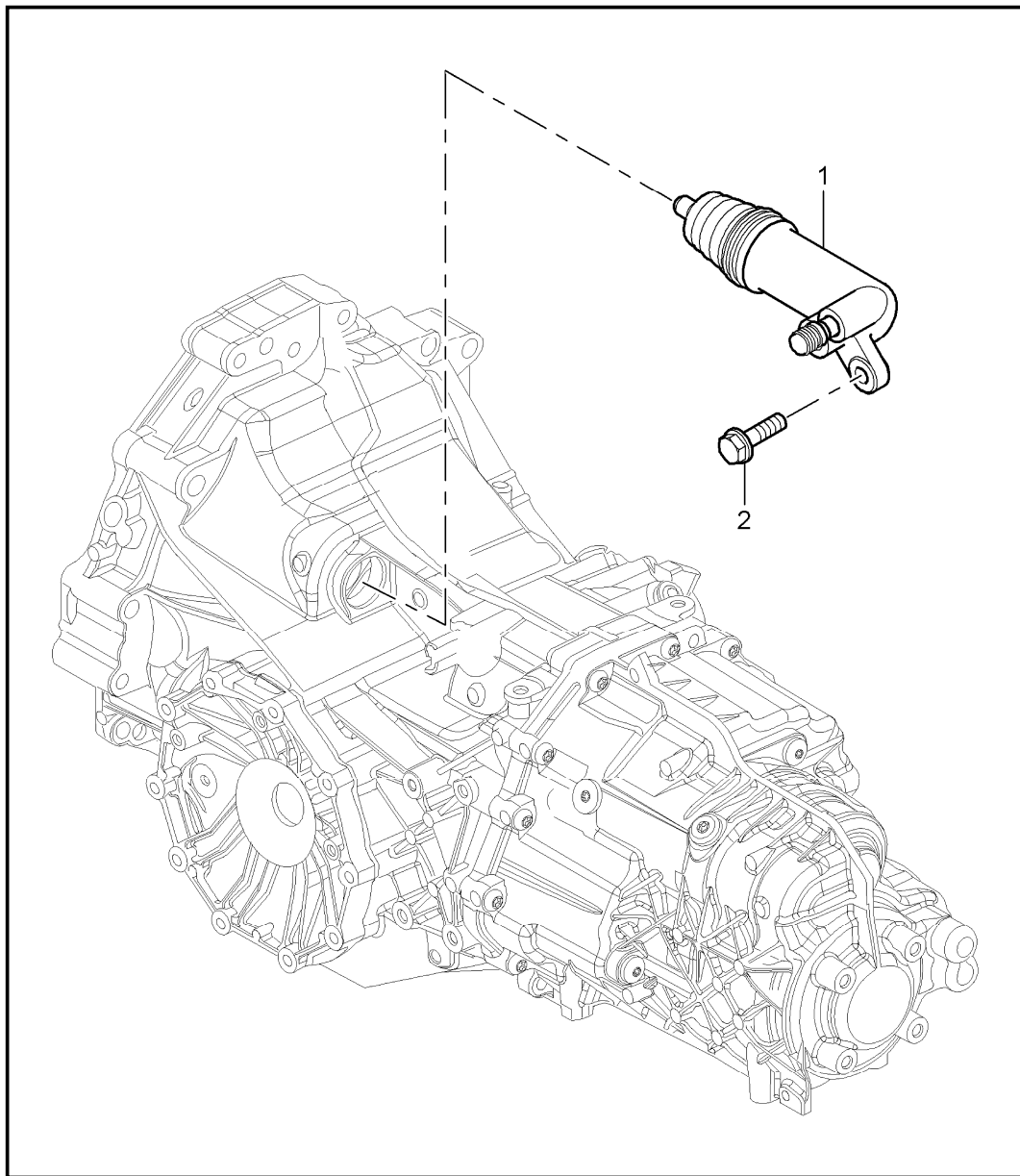


Model	Year	MG	SG	Illustration	Restrictions	UPD	11:18	24.01.2010	PORSCHE	PET	PORSCHE
987	2008	3	01	301-01		248					



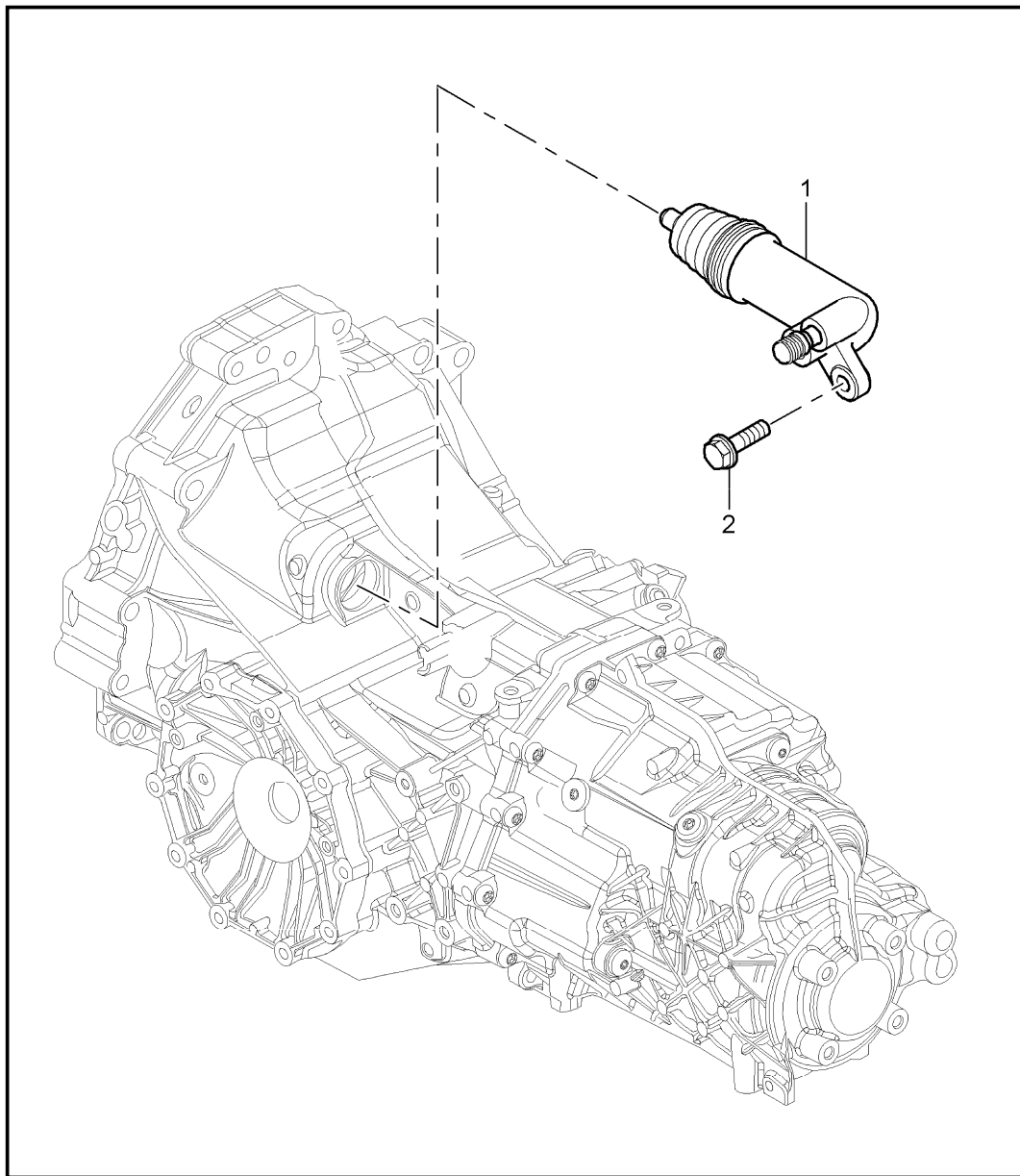
Pos	Part Number	Description	Remark	Qty	Model
		clutch	-06		M96.26 I480
			-06		M96.25 I480
			07-		M97.21 I480
			07-		M97.20 I480
			08-		M97.22 I480
1	0A2 141 719	clutch release lever		1	
2	012 141 165 E	clutch release bearing		1	
3	0A2 311 091 A	o-ring		1	
4	U 900 067 131 03	pan-head screw M 8 X 16		6	
(4)	999 073 458 01	screw M 8 X 16		6	
5	987 116 913 22	clutch set		1	M96.25/26 M97.20
(5)	987 116 913 30	clutch set		1	M97.21/22
6	987 116 027 22	pressure plate		1	M96.25/26 M97.20
(6)	987 116 027 30	pressure plate		1	M97.21
7	987 116 013 20	clutch plate		1	M96.25/26 M97.20/21
8	0A2 141 181	guide sleeve		1	
9	999 073 320 02	hexagon-head bolt m 8 x 20,5		2	
10	0A2 141 179	retaining bracket		1	
11	016 311 113 C	radial shaft seal		1	
12	01E 141 751 A	intermediate piece		1	
13	01E 141 721 A	leaf spring		1	
14	999 073 319 02	round head screw M 8 x 22		1	

Model	Year	MG	SG	Illustration	Restrictions	UPD	11:18	24.01.2010	PORSCHE	PET	PORSCHE
987	2008	3	01	301-05		248					



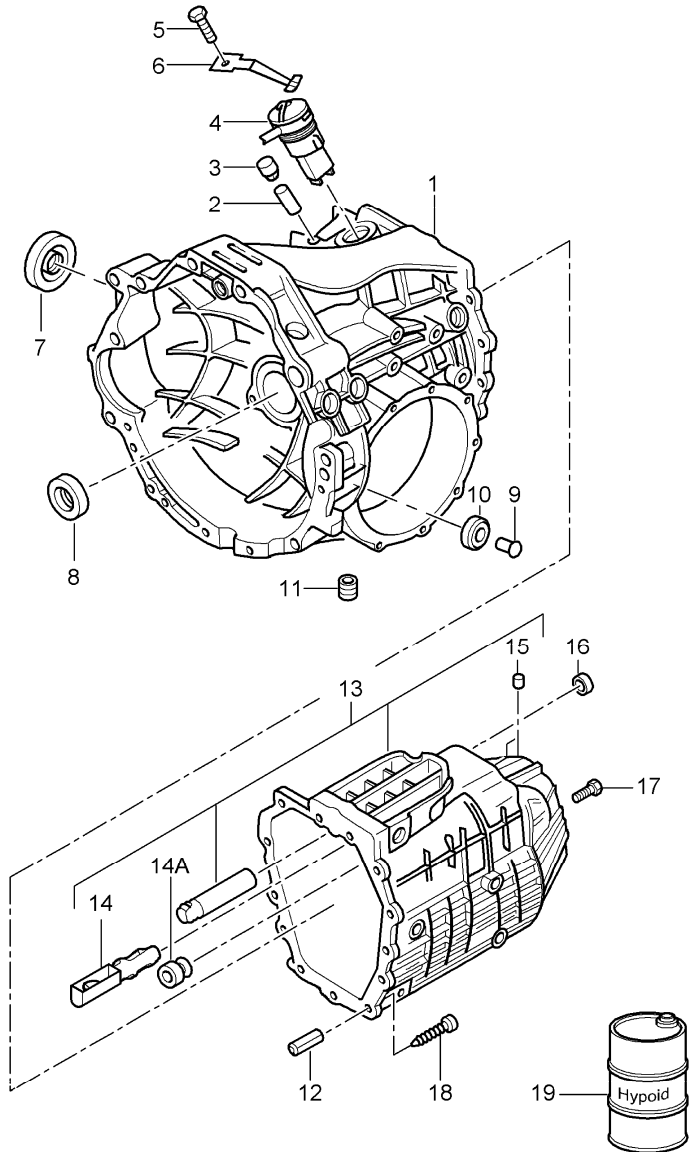
Pos	Part Number	Description	Remark	Qty	Model
		clutch release			G87.01 I481
1	8E0 721 257 B	clutch operating cylinder	-07	1	
1	8E0 721 257 M	clutch operating cylinder	08-	1	
2	N 090 316 5	combination screw M 8 X 30 Z1	-07	1	
(2)	900 075 506 01	combination screw M 8 X 30	08-	1	

Model	Year	MG	SG	Illustration	Restrictions	UPD	11:18	24.01.2010	PORSCHE	PET	PORSCHE
987	2008	3	01	301-06		248					



Pos	Part Number	Description	Remark	Qty	Model
		clutch release			G87.20 G87.21
1	U 986 116 237 00	clutch operating cylinder		1	
(1)	986 116 237 01	clutch operating cylinder		1	
2	N 090 316 5	combination screw M 8 X 30 Z1	-07	1	
(2)	900 075 506 01	combination screw M 8 X 30	08-	1	

Model	Year	MG	SG	Illustration	Restrictions	UPD	11:18	24.01.2010	PORSCHE	PET	PORSCHE
987	2008	3	02	302-00		248					

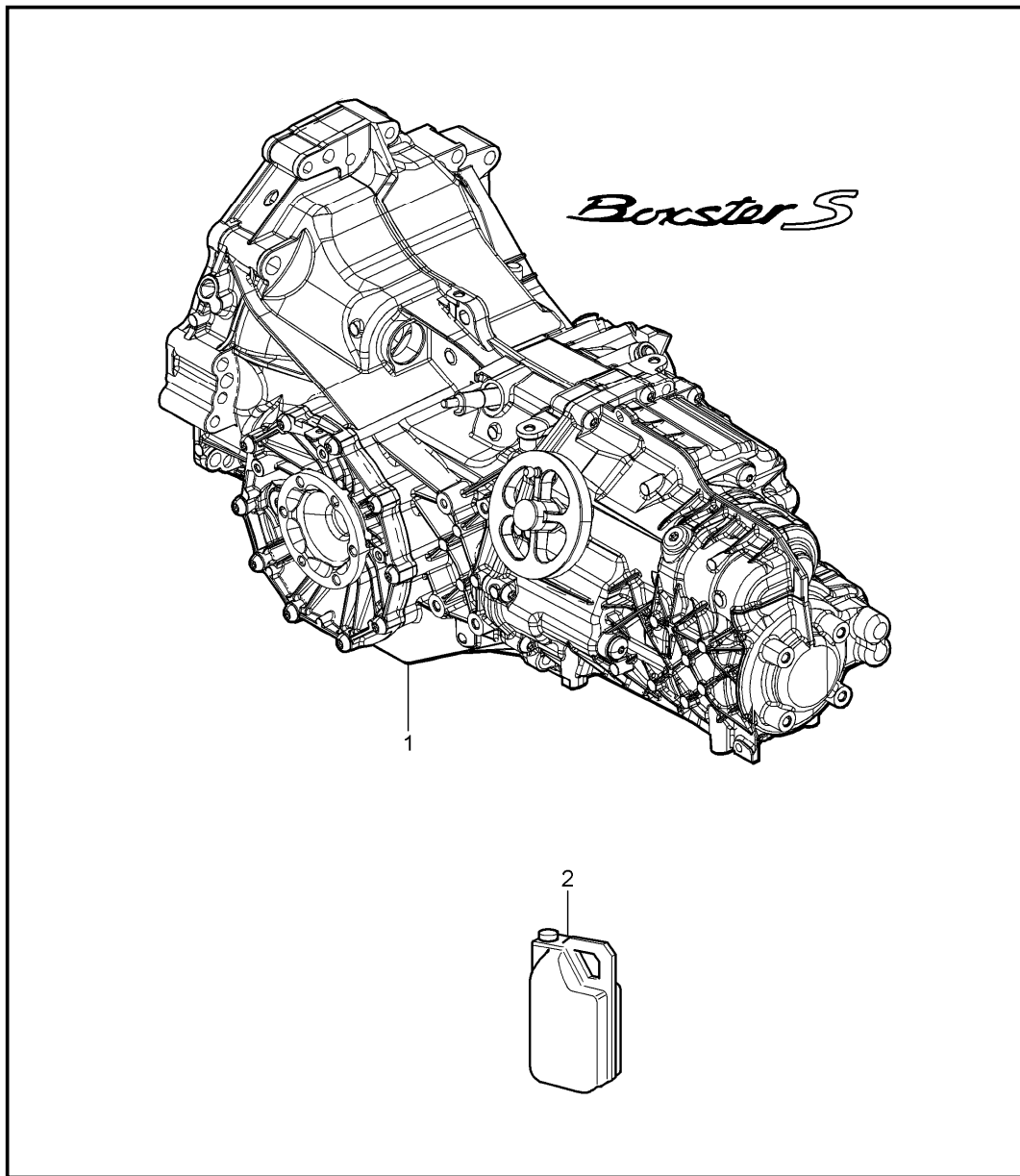


Pos	Part Number	Description	Remark	Qty	Model
		replacement transmission			G87.01 I481
		transmission case			
		transmission classification letter			GAL
		attention			
- >	987 300 010 00	transmission		1	GAL
1	012 301 103 AD	transmission case		1	
2	012 301 474 A	guide sleeve 12 X 30		1	
3	014 301 485	cap		1	
4	012 919 823 F	back-up light switch		1	
-	999 652 907 40	plug socket		1	
-	999 652 694 12	contact bush		2	
-	999 704 161 40	gasket		2	
-	999 652 811 40	stopper		3	
5	N 040 255 2	hexagon-head bolt M 8 X 14		1	
6	012 301 483 G	leaf spring		1	
7	016 409 399 B	radial shaft seal 45 X 60 X 8		1	
8	012 311 113 B	radial shaft seal		1	
9	012 301 183 A	bush BM 8 X 20		1	
10	01X 301 143	magnet		1	
11	WHT 001 937	screw plug M 24 X 1,5		1	
12	012 301 473	sleeve 12 X 30		1	
13	012 301 205 P	transmission cover use also: sleeve 012.311.439.P		1	
14	012 301 276 A	cup		1	
14A	012 311 429 P	sleeve 23 X 39 X 28,3		1	

Model	Year	MG	SG	Illustration	Restrictions	UPD	11:18	24.01.2010	PORSCHE	PET	PORSCHE
987	2008	3	02	302-00		248					

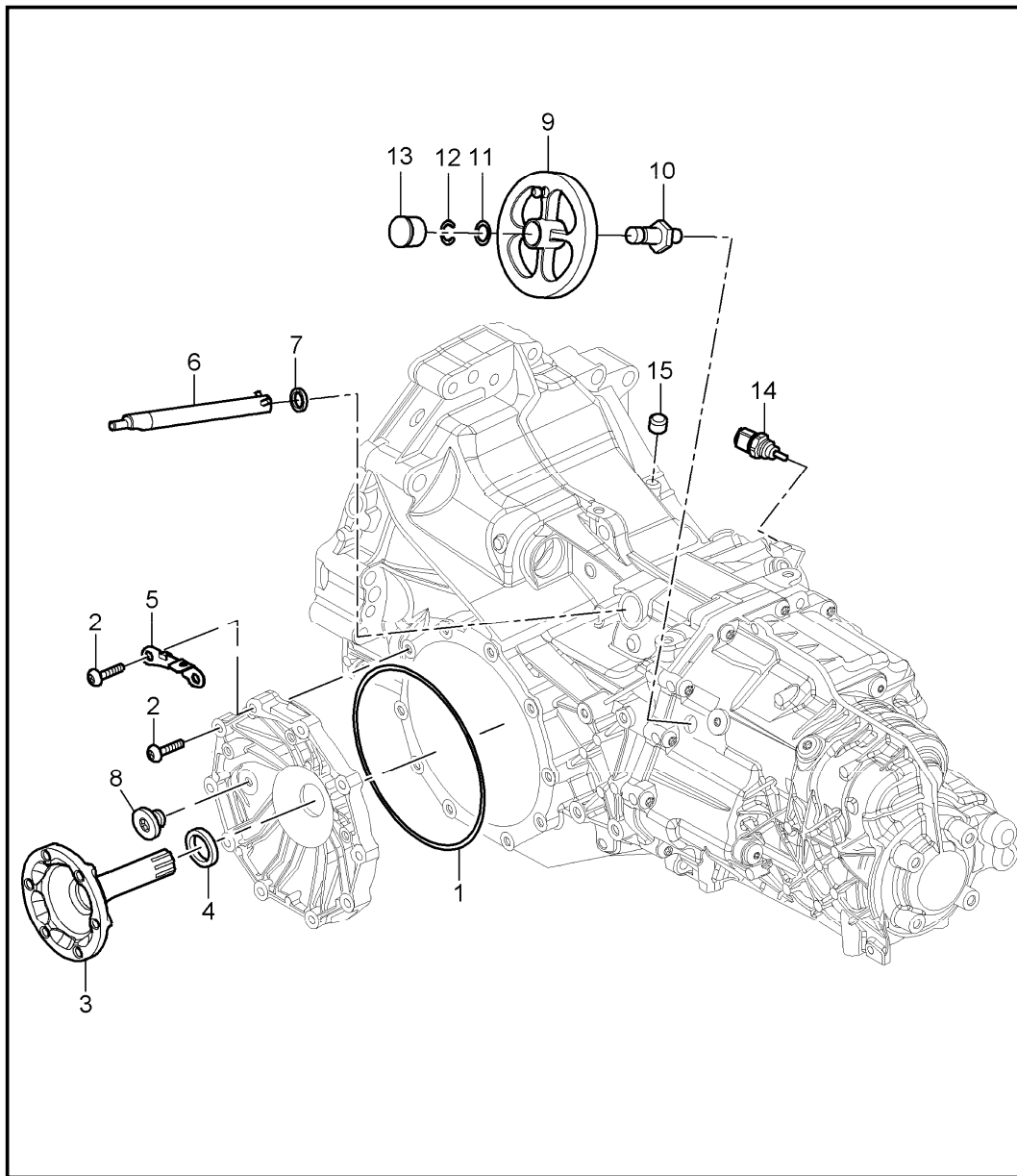
Pos	Part Number	Description	Remark	Qty	Model	Pos	Part Number	Description	Remark	Qty	Model
15	012 301 115	stopper		2							
16	012 301 457 C	shaft sealing ring 16 X 24 X 6		1							
18	012 301 282 A	torx screw M 8 X 48		13							
19	A 000 043 204 71	transmission oil HYPOID 25 LTR. container		X							
19	000 043 304 71	transmission oil HYPOID 20 LTR. container		X							

Model	Year	MG	SG	Illustration	Restrictions	UPD	11:18	24.01.2010	PORSCHE	PET	PORSCHE
987	2008	3	02	302-01		248					



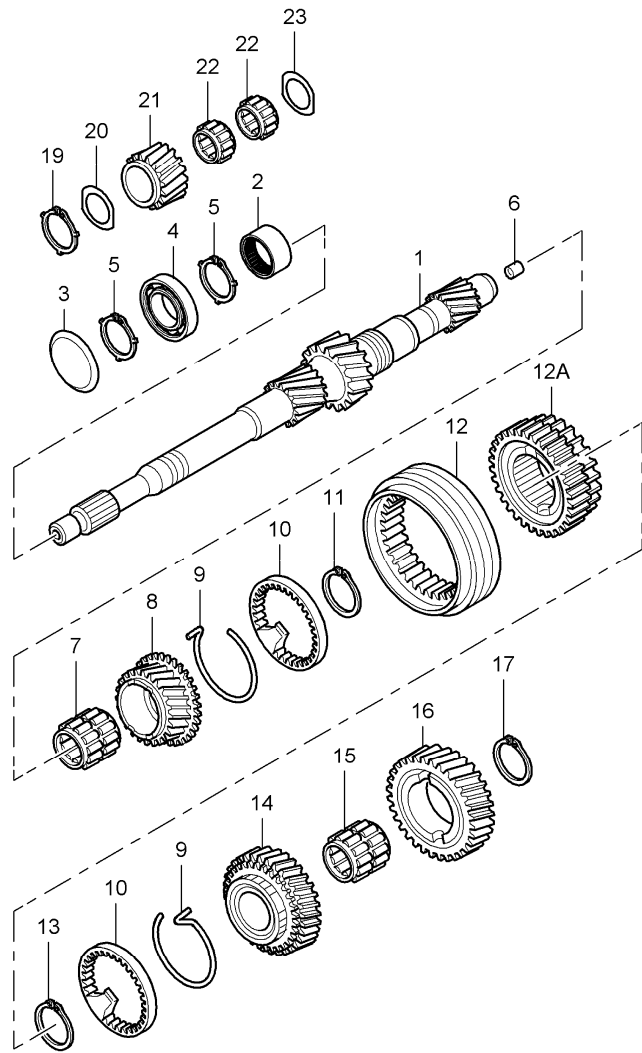
Pos	Part Number	Description	Remark	Qty	Model
		replacement transmission	07-		G87.20 I480 G87.21 I480
		ready for installation			
1	> 987 300 010 22	manual transmission		1	G87.20
1	> 987 300 010 23	manual transmission		1	G87.21
2	A 000 043 204 71	transmission oil HYPOID container 25 LTR.		X	
2	000 043 304 71	transmission oil HYPOID container 20 LTR.		X	

Model	Year	MG	SG	Illustration	Restrictions	UPD	11:19	24.01.2010	PORSCHE	PET	PORSCHE
987	2008	3	02	302-05		248					



Pos	Part Number	Description	Remark	Qty	Model
		replacement transmission			G87.20 I480 G87.21 I480
		single parts	07-		
1	N 905 144 01	o-ring 171,00 X 3,50		1	
2	999 073 368 01	torx screw M 8 X 42		10	
3	987 332 209 00	joint flange		2	
4	016 409 399 B	radial shaft seal		2	
5	987 116 214 00	bracket		1	
6	987 303 021 00	shift rod		1	
7	012 301 457 B	shaft sealing ring		1	
8	N 910 597 01	screw plug M 22 X 1,5		1	
9	987 303 051 00	flywheel		1	
10	987 303 151 01	bearing pin		1	
11	900 234 147 00	shim 12 X 18 X 1,0		1	
12	900 041 005 03	circlip 12 X 1		1	
13	999 703 011 40	stopper 25,5 X 30 X 11		1	
14	01E 941 521 A	switch back-up light		1	
15	014 301 485	cap bleeder		1	

Model	Year	MG	SG	Illustration	Restrictions	UPD	11:19	24.01.2010	PORSCHE	PET	PORSCHE
987	2008	3	03	303-00		248					



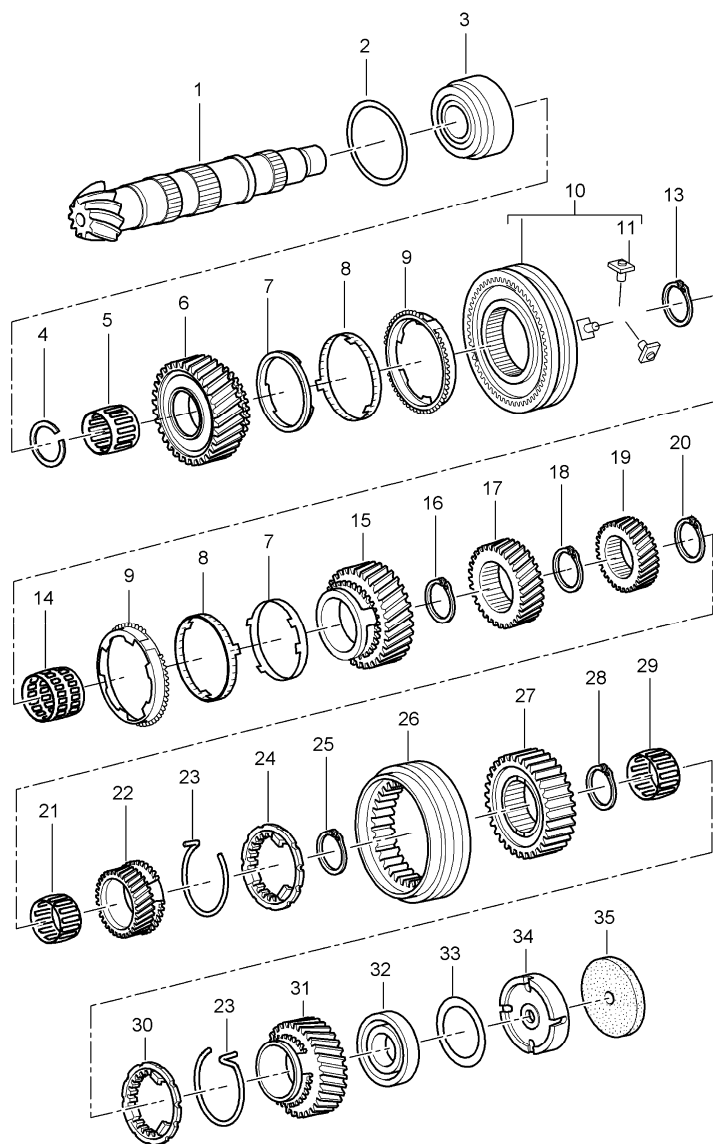
Pos	Part Number	Description	Remark	Qty	Model
		gears and shafts			G87.01 I481
		transmission classification letter attention			GAL
1	012 311 105 AG	drive shaft		1	
2	012 311 123 D	needle sleeve 27 X 41 X 23		1	
3	012 311 443	cup spring 42 X 58 X 2		1	
4	012 311 445 G	deep-groove ball bearing 25 X 58 X 16		1	
5	N 902 941 02	circlip 24,9 X 1,45		X	
(5)	N 902 941 14	circlip 24,9 X 1,54		X	
(5)	N 902 941 15	circlip 24,9 X 1,63		X	
(5)	N 902 941 16	circlip 24,9 X 1,72		X	
(5)	N 902 941 17	circlip 24,9 X 1,81		1	
(5)	N 902 941 18	circlip 24,9 X 1,9		X	
(5)	N 902 941 19	circlip 24,9 X 1,99		X	
(5)	N 902 941 20	circlip 24,9 X 2,08		X	
(5)	N 902 941 11	circlip 24,9 X 2,17		X	
6	012 311 111 A	sleeve 13 X 14 X 10,8		1	
7	012 311 213 J	needle cage 38 X 43 X 29,5		1	
8	012 311 131 CB	shifting gear 3rd gear Z = 40 : 28		1	
9	01X 311 312 A	retaining spring 3rd/4th gear		2	



Model	Year	MG	SG	Illustration	Restrictions	UPD	11:19	24.01.2010	PORSCHE	PET	PORSCHE
987	2008	3	03	303-00		248					

Pos	Part Number	Description	Remark	Qty	Model	Pos	Part Number	Description	Remark	Qty	Model
10	01X 311 295 J	synchroniser ring 3rd/4th gear		2		18	012 311 429 P	sleeve 23 X 39 X 28,2		1	
11	N 902 945 01	circlip 38 X 2		1		19	N 902 951 01	circlip 22 X 1,7 4th speed		1	
12	01X 311 315	operating sleeve 3rd/4th gear		1		20	012 311 518	supporting plate 3rd gear		1	
12A	01X 311 309	synchronising hub 3rd/4th gear		1		21	012 311 531 E	reverse idler gear		1	
13	N 902 944 01	circlip 37 X 1,9		X		22	012 311 523 G	needle cage 22 X 30 X 16		2	
(13)	N 902 944 02	circlip 37 X 1,93		X		23	012 311 517	thrust washer		1	
(13)	N 902 944 03	circlip 37 X 1,96		X							
(13)	N 902 944 04	circlip 37 X 1,99		X							
(13)	N 902 944 05	circlip 37 X 2,02		X							
(13)	N 902 944 06	circlip 37 X 2,05		X							
14	012 311 149 CQ	shifting gear 4th speed Z = 36 : 33		1							
15	012 311 115 F	needle cage 37 X 42 X 29,8		1							
(16)	012 311 159 CH	gear wheel 5th gear Z = 31 ; 37		1							
17	N 902 942 02	circlip 36 X 1,9		X							
(17)	N 902 942 03	circlip 36 X 1,93		X							
(17)	N 902 942 04	circlip 36 X 1,96		X							
(17)	N 902 942 05	circlip 36 X 1,99		X							
(17)	N 902 942 06	circlip 36 X 2,02		X							

Model	Year	MG	SG	Illustration	Restrictions	UPD	11:19	24.01.2010	PORSCHE	PET	PORSCHE
987	2008	3	03	303-05		248					



Pos	Part Number	Description	Remark	Qty	Model
		gears and shafts			G87.01 I481
		transmission classification letter attention			GAL
1	---	output shaft		1	
2	012 311 391	adjusting shim 0,4		X	
(2)	012 311 391 A	adjusting shim 0,45		X	
(2)	012 311 391 B	adjusting shim 0,5		X	
(2)	012 311 391 C	adjusting shim 0,55		X	
(2)	012 311 391 D	adjusting shim 0,6		X	
(2)	012 311 391 E	adjusting shim 0,65		X	
(2)	012 311 391 F	adjusting shim 0,7		X	
(2)	012 311 391 G	adjusting shim 0,75		X	
3	012 311 220 A	taper roller bearing 48,6 X 88 X 21,5		1	
4	N 908 600 01	circlip A 48,5 X 2,00		X	
(4)	N 908 600 07	circlip A 48,5 X 2,03		X	
(4)	N 908 600 08	circlip A 48,5 X 2,09		X	
(4)	N 908 600 09	circlip A 48,5 X 2,12		X	
(4)	N 908 600 10	circlip 48,5 X 2,15		X	
5	01X 311 325 A	needle cage 1st gear 48,5 X 52,5 X 26,4		1	

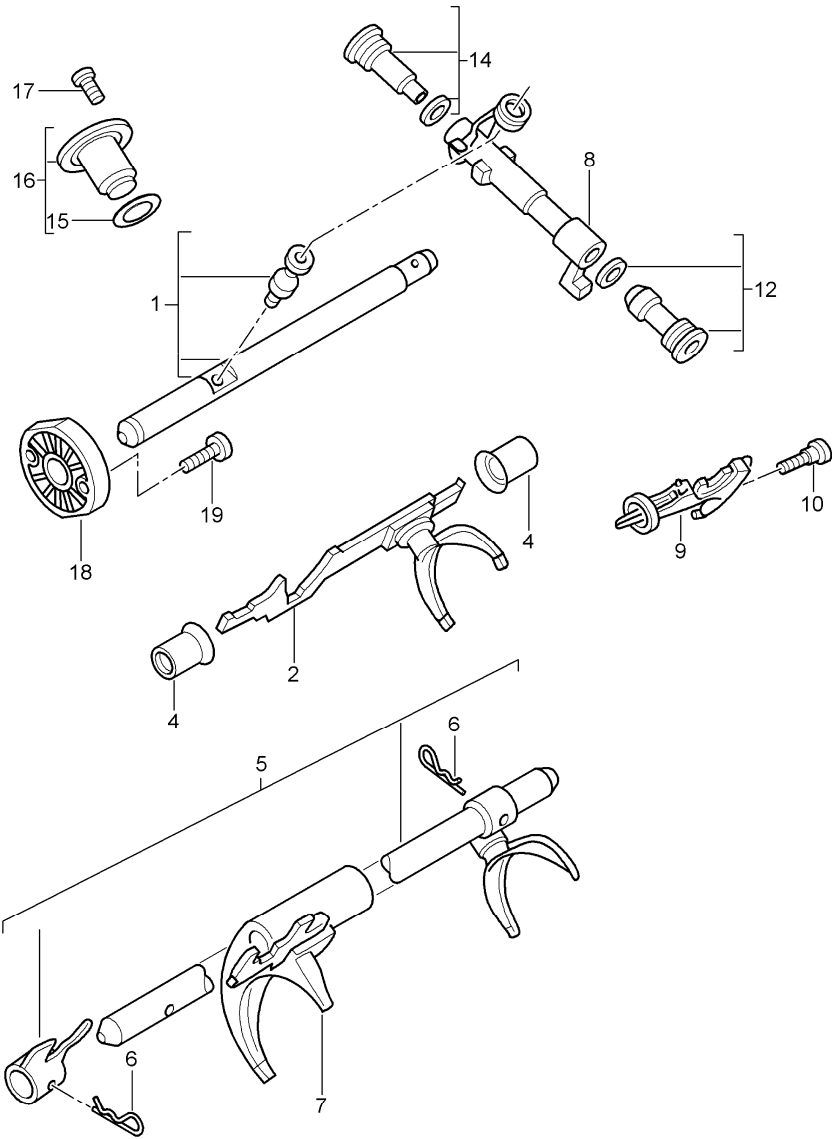
Model	Year	MG	SG	Illustration	Restrictions	UPD	11:19	24.01.2010	PORSCHE	PET	PORSCHE
987	2008	3	03	303-05		248					

Pos	Part Number	Description	Remark	Qty	Model	Pos	Part Number	Description	Remark	Qty	Model
6	012 311 250 H	shifting gear 1st gear Z = 35 : 10		1		(18)	01X 311 317 A	circlip 44,5 x 1,94		X	
7	01X 311 277 G	inner ring 1st gear		1		(18)	01X 311 317 B	circlip 44,5 x 1,98		X	
(7)	01X 311 277 B	inner ring 2nd gear		1		(18)	01X 311 317 C	circlip 44,5 x 2,02		X	
8	01X 311 259 G	intermediate ring 1st/2nd gear		2		(18)	01X 311 317 D	circlip 44,5 x 2,06		X	
9	01X 311 247 P	synchroniser ring 1st/2nd gear		2		(18)	01X 311 317 E	circlip 44,5 x 2,10		X	
10	01X 311 239 B	synchronising hub with operating sleeve 1st/2nd gear		1		19	012 311 149 BT	gear wheel 4th speed Z = 36 : 33		1	
11	01X 311 314 B	pressure piece		3		20	N 902 945 01	circlip 38 X 2		X	
13	N 902 947 01	circlip 47 X 1,9		X		(20)	N 902 945 02	circlip 38 X 2,16		X	
(13)	N 902 947 02	circlip 47 X 1,93		X		(20)	N 902 945 03	circlip 38 X 2,20		X	
(13)	N 902 947 03	circlip 47 X 1,96		X		(20)	N 902 945 04	circlip 38 X 2,24		X	
(13)	N 902 947 04	circlip 47 X 1,99		X		(20)	N 902 945 05	circlip 38 X 2,28		X	
(13)	N 902 947 05	circlip 47 X 2,02		X		21	012 311 116 G	needle cage 5th gear 38 X 43 X 27		1	
14	012 311 229 K	needle cage 2nd gear 47 X 52 X 26,6		1		22	012 311 159 EJ	shifting gear 5th gear Z = 31 : 37		1	
15	012 311 260 L	shifting gear 2nd gear Z = 36 : 17		1		23	01X 311 312 A	retaining spring		2	
16	012 311 317	circlip 47 X 2,5		1		24	01X 311 295 J	synchroniser ring 5th gear and reverse gear		1	
17	012 311 285 BT	gear wheel 3rd gear Z = 40 : 28		1		25	N 902 945 01	circlip 38 X 2		1	
18	01X 311 317	circlip 44,5 x 1,9		X		26	01X 311 315	operating sleeve 5th gear and reverse gear		2	

Model	Year	MG	SG	Illustration	Restrictions	UPD	11:19	24.01.2010	PORSCHE	PET	PORSCHE
987	2008	3	03	303-05		248					

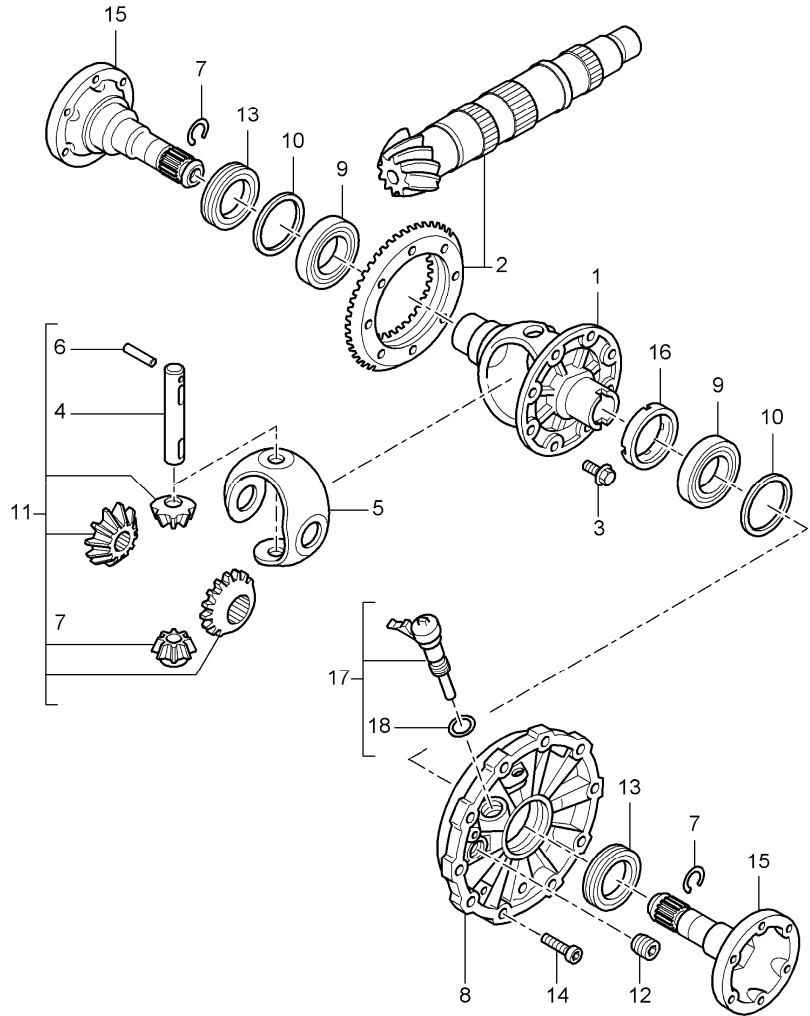
Pos	Part Number	Description	Remark	Qty	Model	Pos	Part Number	Description	Remark	Qty	Model
27	01X 311 309	synchronising hub 5th gear and reverse gear		1		(33)	012 311 393 G	adjusting shim 0,73		X	
28	N 902 944 01	circlip 37 X 1,9		X		(33)	012 311 393 H	adjusting shim 0,77		X	
(28)	N 902 944 02	circlip 37 X 1,93		X		(33)	012 311 393 J	adjusting shim 0,81		X	
(28)	N 902 944 03	circlip 37 X 1,96		X		(33)	012 311 393 K	adjusting shim 0,85		X	
(28)	N 902 944 04	circlip 37 X 1,99		X		(33)	012 311 393 L	adjusting shim 0,89		X	
(28)	N 902 944 05	circlip 37 X 2,02		X		34	012 301 251 B	pressure plate 70,98 X 14,8		X	
(28)	N 902 944 06	circlip 37 X 2,05		X		(34)	012 301 251 C	pressure plate 70,98 X 15,3		X	
29	012 311 234 E	needle-roller bearing 37 x 42 x 24,5		1		35	012 301 193 C	washer 71 X 7		1	
30	01X 311 295 J	synchroniser ring reverse gear		1							
31	012 311 217 L	shifting gear for reverse gear		1							
32	012 311 375 C	taper roller bearing 31,7 x 76,2 x 25,4		1							
33	012 311 393	adjusting shim 0,45		X							
(33)	012 311 393 A	adjusting shim 0,49		X							
(33)	012 311 393 B	adjusting shim 0,53		X							
(33)	012 311 393 C	adjusting shim 0,57		X							
(33)	012 311 393 D	adjusting shim 0,61		X							
(33)	012 311 393 E	adjusting shim 0,65		X							
(33)	012 311 393 F	adjusting shim 0,69		X							

Model	Year	MG	SG	Illustration	Restrictions	UPD	11:19	24.01.2010	PORSCHE	PET	PORSCHE
987	2008	3	04	304-00		248					



Pos	Part Number	Description	Remark	Qty	Model
		manual transmission			G87.01 I481
		shift rods			
		shift forks			
1	012 311 505	shift rod		1	
2	012 311 559 D	gear shift rod 3rd/4th gear		1	
4	012 301 120 C	sleeve		2	
5	012 311 575 D	gear shift rod 5th gear and reverse gear		1	
6	N 023 332 1	tensioning sleeve 6 X 24		2	
7	012 311 549	shift fork 1st/2nd gear		1	
8	012 311 617 E	reverse lever		1	
9	012 311 741	locking segment		1	
10	012 301 291	torx screw M 8 X 30		1	
12	012 311 718 D	stop screw M 22 X 1,5		1	
14	012 311 720 D	stop screw M 26 X 1,5		1	
15	N 903 541 01	o-ring 22 X 2		1	
16	012 311 691 A	pawl		1	
17	N 903 663 03	pan-head screw M 8 X 22		2	
18	012 301 451	lid for shift rod		1	
19	N 903 660 01	torx screw M 8 X 36		2	

Model	Year	MG	SG	Illustration	Restrictions	UPD	11:19	24.01.2010	PORSCHE	PET	PORSCHE
987	2008	3	05	305-00		248					

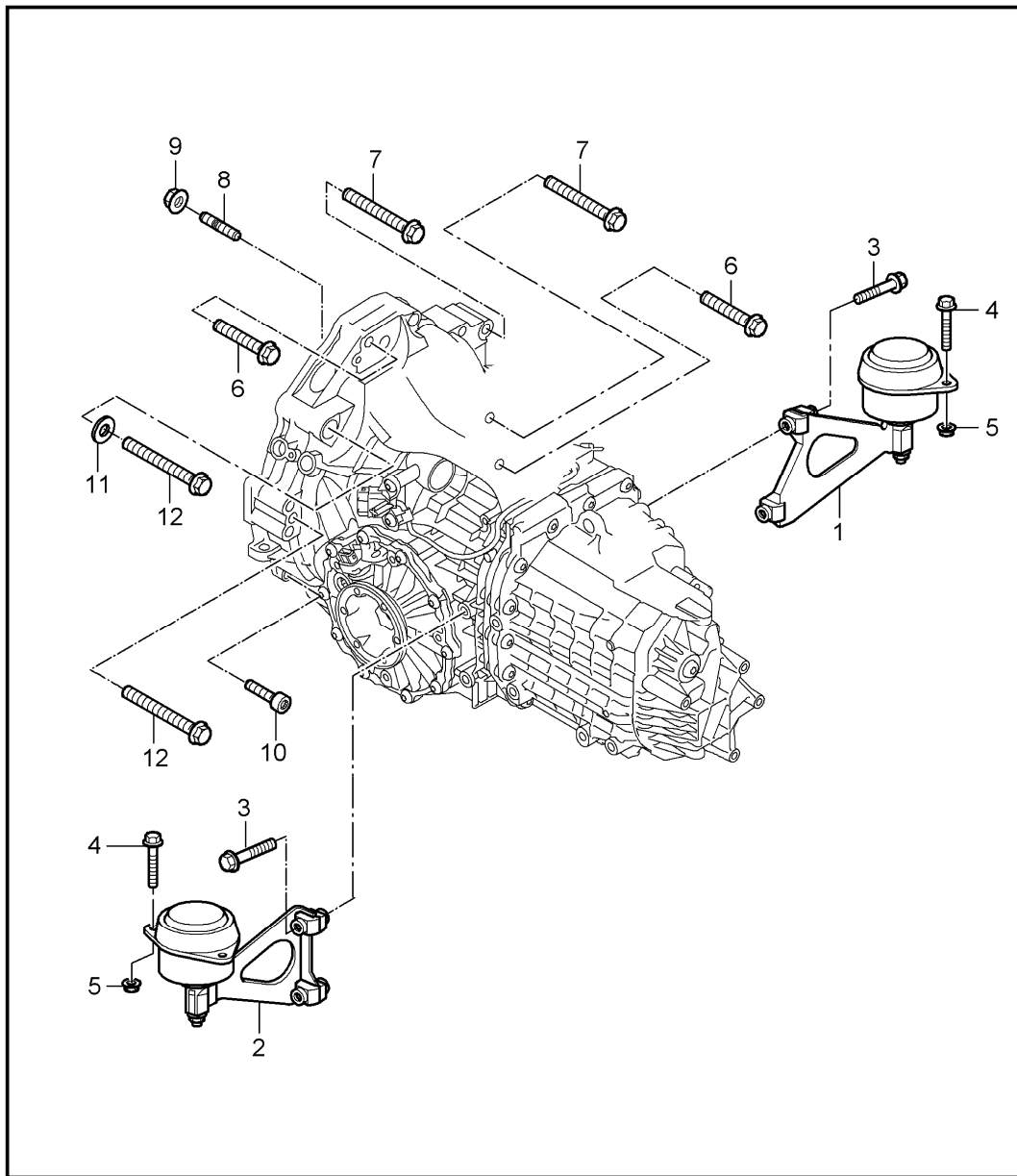


Pos	Part Number	Description	Remark	Qty	Model
		differential			G87.01 I481
		transmission classification letter attention			GAL
1	01X 409 121 A	differential housing 90 MM		1	
2	012 409 143 EE	ring gear and pinion shaft 30 : 8		1	
3	N 903 614 01	hexagon-head bolt M 10 X 1 X 22,8		10	
4	005 409 177 00	differential bolt		1	
5	02B 409 170 A	thrust washer		1	
6	N 100 726 01	roll pin 5 X 36		1	
7	012 409 413	circlip		2	
8	012 409 131 L	lid		1	
9	002 517 185 A	taper roller bearing right 46 X 75 X 18		1	
9	01X 409 123	taper roller bearing left 50 X 80 X 20		1	
10	012 409 387	shim 0,45		X	
10	012 409 387 DM	shim left 0,45		X	
10	012 409 387 AK	shim right 0,45		X	
(10)	012 409 387 DN	shim left 0,49		X	
(10)	012 409 387 AL	shim right 0,49		X	
(10)	012 409 387 DP	shim left 0,53		X	

Model	Year	MG	SG	Illustration	Restrictions	UPD	11:19	24.01.2010	PORSCHE	PET	PORSCHE
987	2008	3	05	305-00		248					

Pos	Part Number	Description	Remark	Qty	Model	Pos	Part Number	Description	Remark	Qty	Model
(10)	012 409 387 AM	shim right 0,53		X		(10)	012 409 387 BA	shim right 0,81		X	
(10)	012 409 387 DQ	shim left 0,57		X		(10)	012 409 387 ED	shim left 0,85		X	
(10)	012 409 387 AN	shim right 0,57		X		(10)	012 409 387 BB	shim right 0,85		X	
(10)	012 409 387 DR	shim left 0,61		X		11	01X 498 081	differential pinions 1 set		1	
(10)	012 409 387 AP	shim right 0,61		X		12	WHT 001 937	screw plug M 24 X 1,5		1	
(10)	012 409 387 DS	shim left 0,65		X		13	016 409 399 B	radial shaft seal 45 X 60 X 8		2	
(10)	012 409 387 AQ	shim right 0,65		X		14	N 903 660 01	torx screw M 8 X 36		10	
(10)	012 409 387 DT	shim left 0,69		X		15	012 409 343 AC	flanged shaft		2	
(10)	012 409 387 AR	shim right 0,69		X		16	012 409 182 C	drive wheel without function-drive		1	
(10)	012 409 387 EA	shim left 0,73		X		(17)	012 409 961	stopper		1	
(10)	012 409 387 AS	shim right 0,73		X		18	N 903 684 01	round seal 14,5 X 2		1	
(10)	012 409 387 EB	shim left 0,77		X							
(10)	012 409 387 AT	shim right 0,77		X							
(10)	012 409 387 EC	shim left 0,81		X							

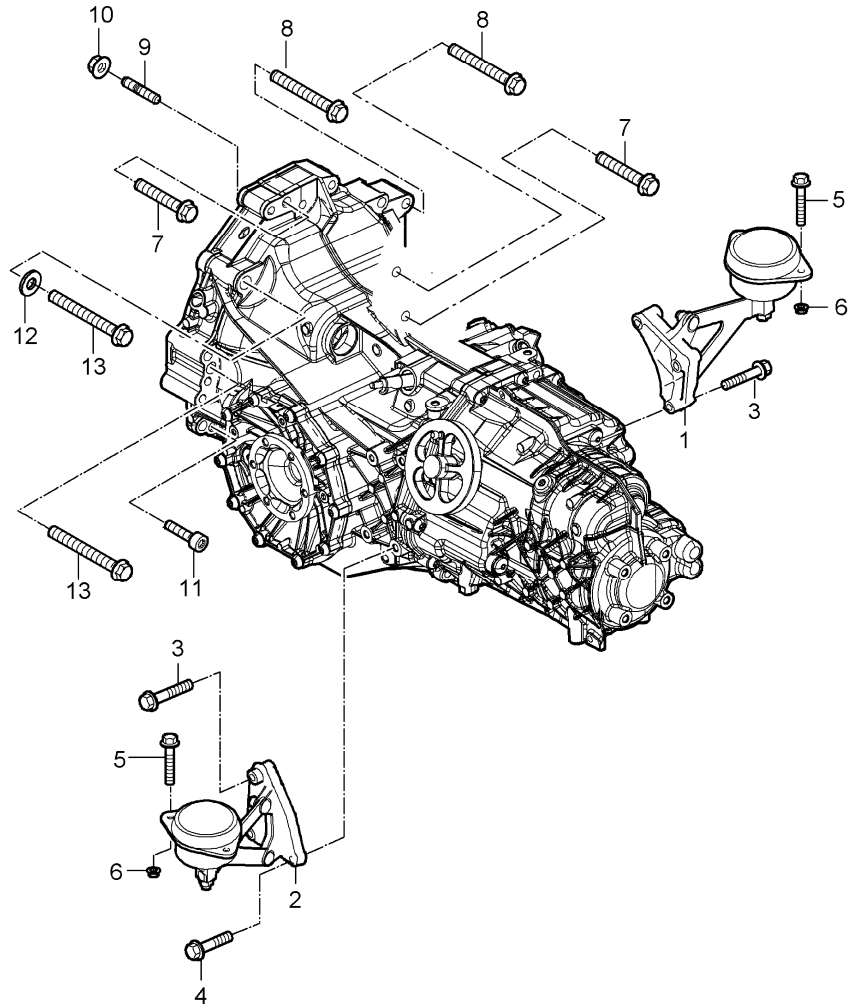
Model	Year	MG	SG	Illustration	Restrictions	UPD	11:20	24.01.2010	PORSCHE	PET	PORSCHE
987	2008	3	06	306-00		248					



Pos	Part Number	Description	Remark	Qty	Model
		manual transmission	-06		M96.25 I481
		transmission suspension threaded joint for engine	07-		M97.20 I481
1	986 375 084 03	transmission bracket right		1	
2	986 375 083 03	transmission bracket left		1	
3	A 900 378 098 09	hexagon-head bolt M 10 X 60		4	
4	900 378 159 09	hexagon-head bolt M 8 X 60		4	
5	999 084 447 01	hexagon nut M 8		4	
6	999 072 008 09	hexagon-head bolt M 12 X 1,5 X 70		2	
7	999 072 009 09	hexagon-head bolt M 12 X 1,5 X 90		2	
8	999 218 088 09	stud M 10 X 30		1	
9	900 377 011 09	hexagon nut M 10		1	
10	999 073 118 09	pan-head screw M 10 X 40		1	
11	N 905 028 02	washer 15 X 28 X 3,5		1	
12	999 072 010 09	hexagon-head bolt M 12 X 1,5 X 100		2	

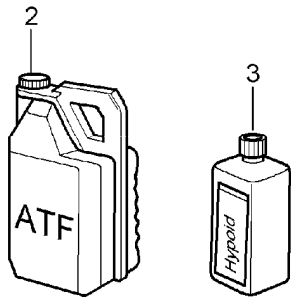
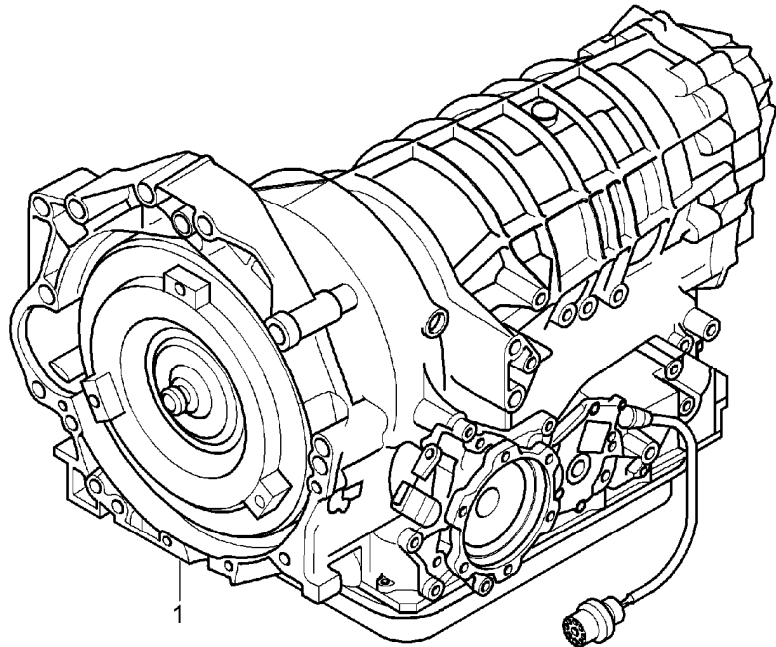


Model	Year	MG	SG	Illustration	Restrictions	UPD	11:20	24.01.2010	PORSCHE	PET	PORSCHE
987	2008	3	06	306-01		248					



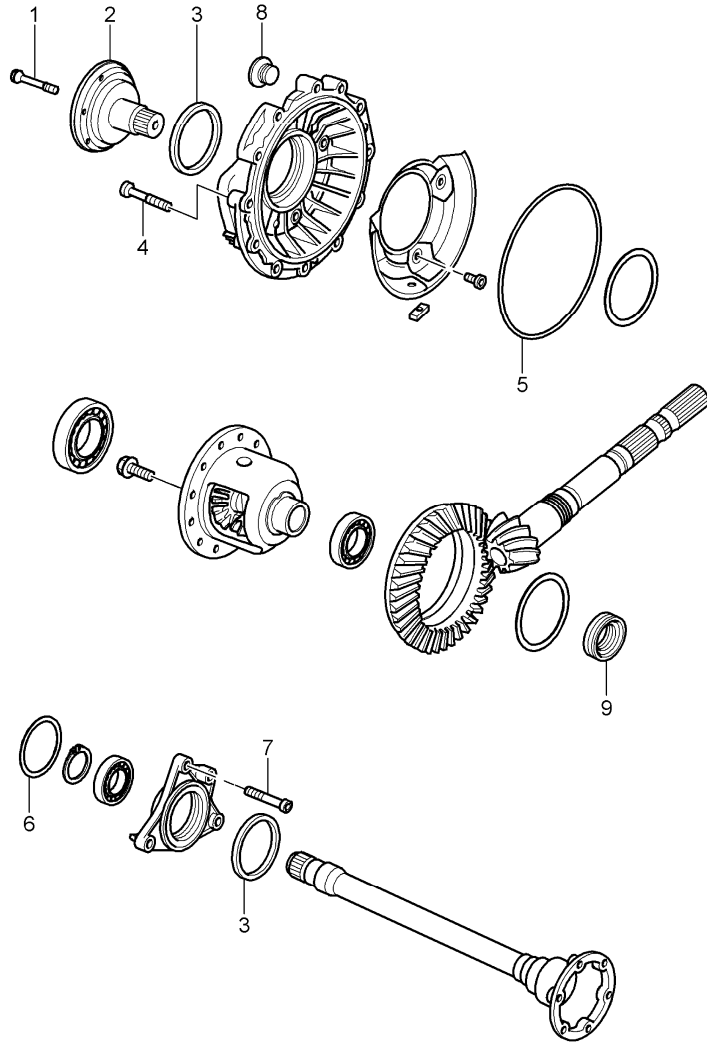
Pos	Part Number	Description	Remark	Qty	Model
		manual transmission	-06		M96.26 I480
			-06		M96.25 I480
			07-		M97.21 I480
			07-		M97.20 I480
			08-		M97.22 I480
		transmission suspension threaded joint engine			
1	987 375 042 01	transmission bracket right		1	
2	987 375 041 01	transmission bracket left		1	
3	A 900 378 098 09	hexagon-head bolt M 10 X 60		4	
4	900 378 021 09	hexagon-head bolt M 10 X 40		2	
5	900 378 159 09	hexagon-head bolt M 8 X 60		4	
6	900 380 005 09	hexagon nut M 8		4	
7	999 072 008 09	hexagon-head bolt M 12 X 1,5 X 70		2	
8	999 072 009 09	hexagon-head bolt M 12 X 1,5 X 90		2	
9	999 218 088 09	stud M 10 X 30		1	
10	900 377 011 09	hexagon nut M 10		1	
11	999 073 118 09	pan-head screw M 10 X 40		1	
12	N 905 028 02	washer 15 X 28 X 3,5		1	
13	999 072 010 09	hexagon-head bolt M 12 X 1,5 X 100		2	

Model	Year	MG	SG	Illustration	Restrictions	UPD	11:20	24.01.2010	PORSCHE	PET	PORSCHE
987	2008	3	20	320-00		248					



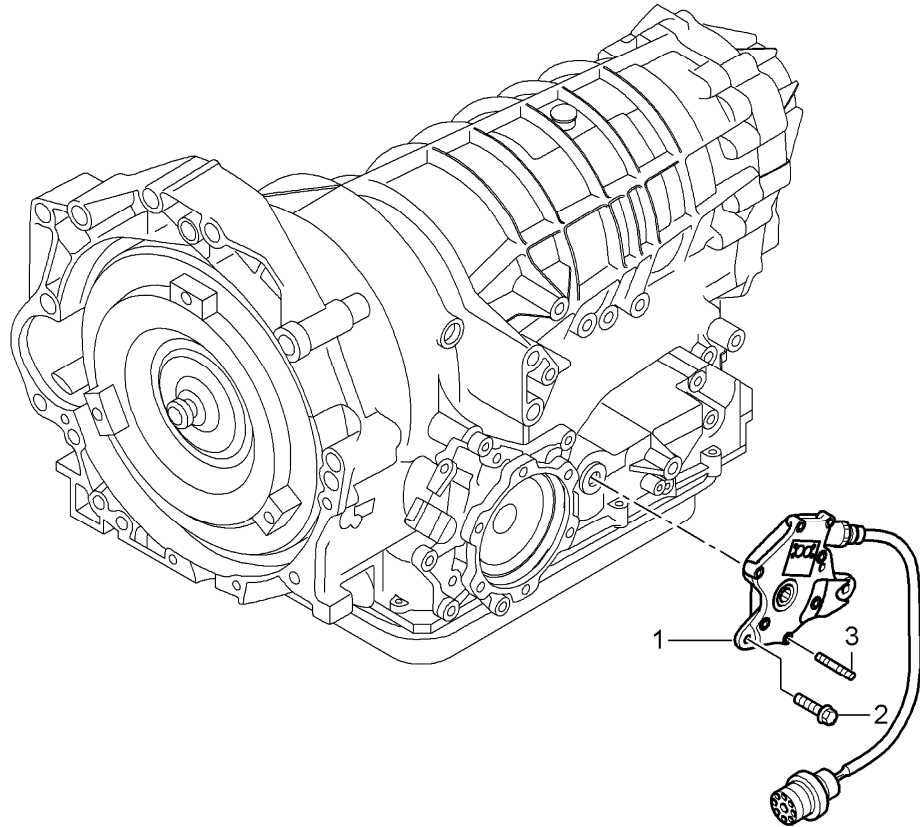
Pos	Part Number	Description	Remark	Qty	Model
		tiptronic	-06 -06 07- 07-		A87.01 A87.20 A87.02 A87.21
		replacement transmission ready for installation			
1	A 987 300 011 00	transmission		1	A87.01
1	> 987 300 011 02	transmission		1	A87.01
1	> 987 300 011 01	transmission		1	A87.02
1	> 987 300 011 20	transmission		1	A87.20
1	> 987 300 011 21	transmission		1	A87.21
2	000 043 205 09	transmission oil ATF 20 LTR. container		X	
3	999 917 546 00	transmission oil HYPOID 1 LTR. container		X	

Model	Year	MG	SG	Illustration	Restrictions	UPD	11:20	24.01.2010	PORSCHE	PET	PORSCHE
987	2008	3	20	320-03		248					



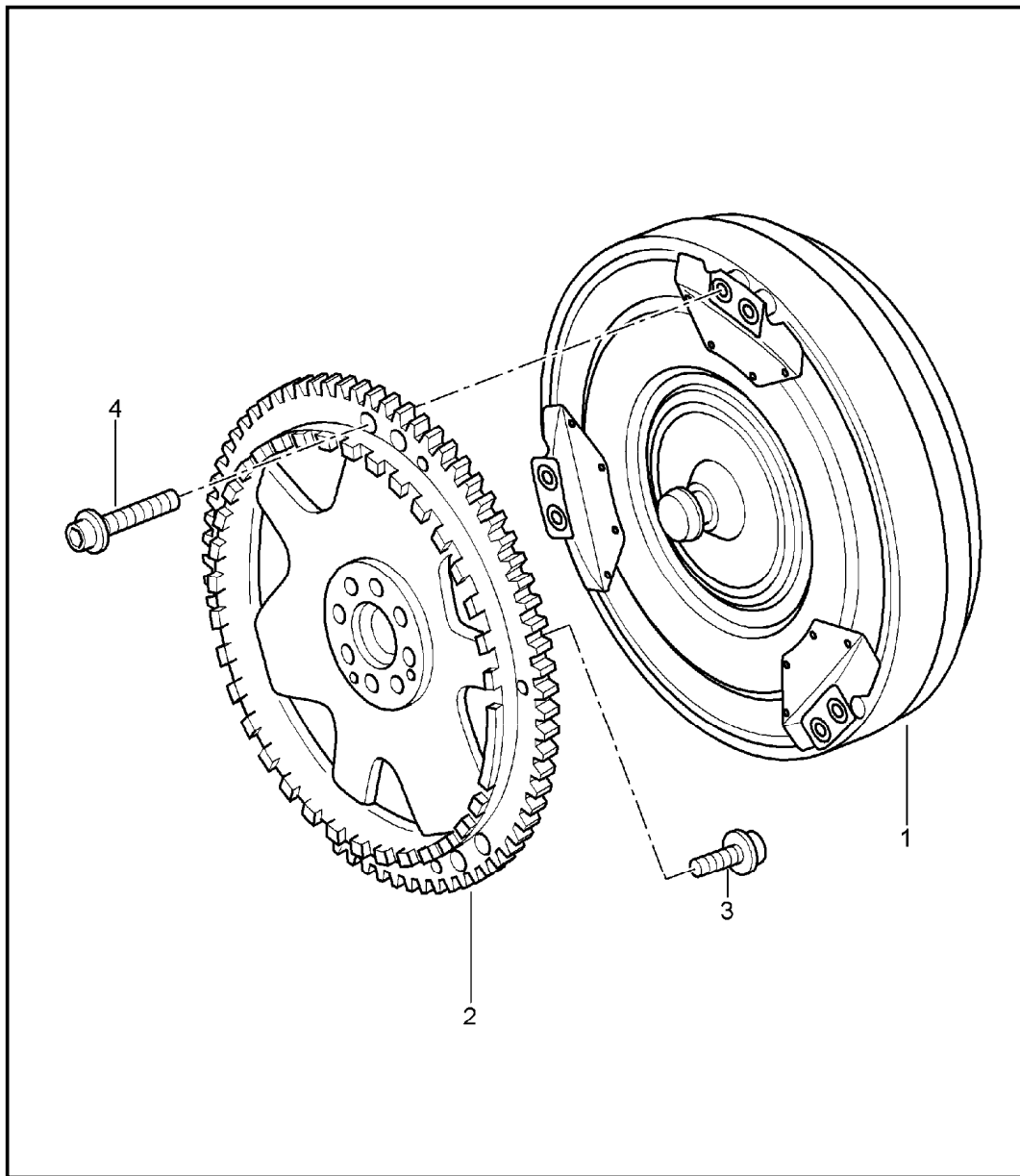
Pos	Part Number	Description	Remark	Qty	Model
		tiptronic	-06		A87.01
			-06		A87.20
			07-		A87.02
			07-		A87.21
		differential housing			
1	944 332 587 00	elastic bolt M 8		1	
2	986 332 201 00	drive flange		1	A87.01 A87.02
2	986 332 201 20	drive flange		1	A87.20 A87.21
3	986 397 027 00	shaft sealing ring for lid		1	
(3)	996 397 015 00	shaft sealing ring for flange		1	
4	986 397 029 00	pan-head screw M 8 X 45		12	
5	986 397 028 00	round seal		1	
6	986 397 034 00	round seal		1	
7	996 397 007 00	pan-head screw M 8 X 30		3	
8	986 397 026 00	screw plug		1	
9	986 397 039 00	shaft sealing ring 34 X 46-37 X 12-16		1	

Model	Year	MG	SG	Illustration	Restrictions	UPD	11:20	24.01.2010	PORSCHE	PET	PORSCHE
987	2008	3	20	320-05		248					



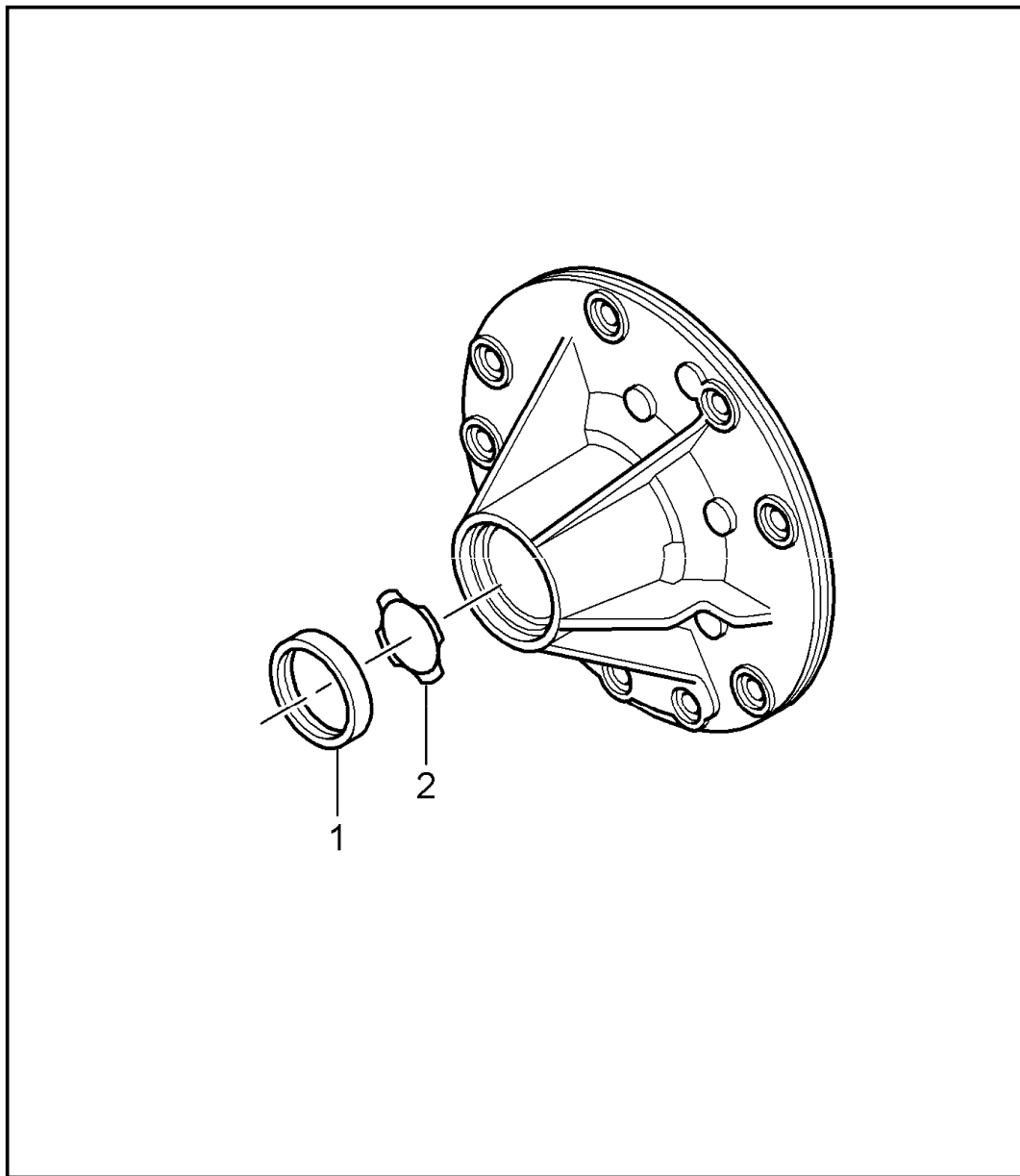
Pos	Part Number	Description	Remark	Qty	Model
		tiptronic	-06 -06 07- 07-		A87.01 A87.20 A87.02 A87.21
		selector switch			
1	986 325 612 01	switch		1	
2	986 397 025 00	pan-head screw M 6 X 15		2	
3	986 397 024 00	straight pin M 6 X 14		1	

Model	Year	MG	SG	Illustration	Restrictions	UPD	11:21	24.01.2010	PORSCHE	PET	PORSCHE
987	2008	3	30	330-00		248					



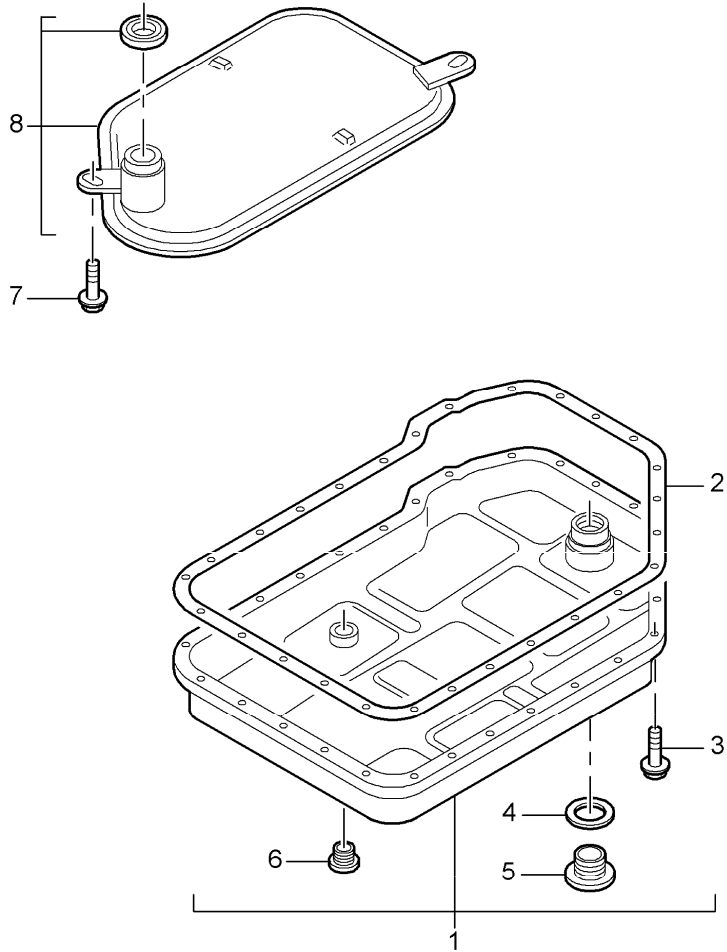
Pos	Part Number	Description	Remark	Qty	Model
		tiptronic	-06 -06 07- 07-		A87.01 A87.20 A87.02 A87.21
1	986 316 001 00	torque converter		1	
2	996 116 075 07	drive plate		1	
3	999 073 091 09	pan-head screw M 10 X 1 X 25		8	
4	900 067 369 09	pan-head screw M 8 X 20		6	

Model	Year	MG	SG	Illustration	Restrictions	UPD	11:21	24.01.2010	PORSCHE	PET	PORSCHE
987	2008	3	30	330-01		248					



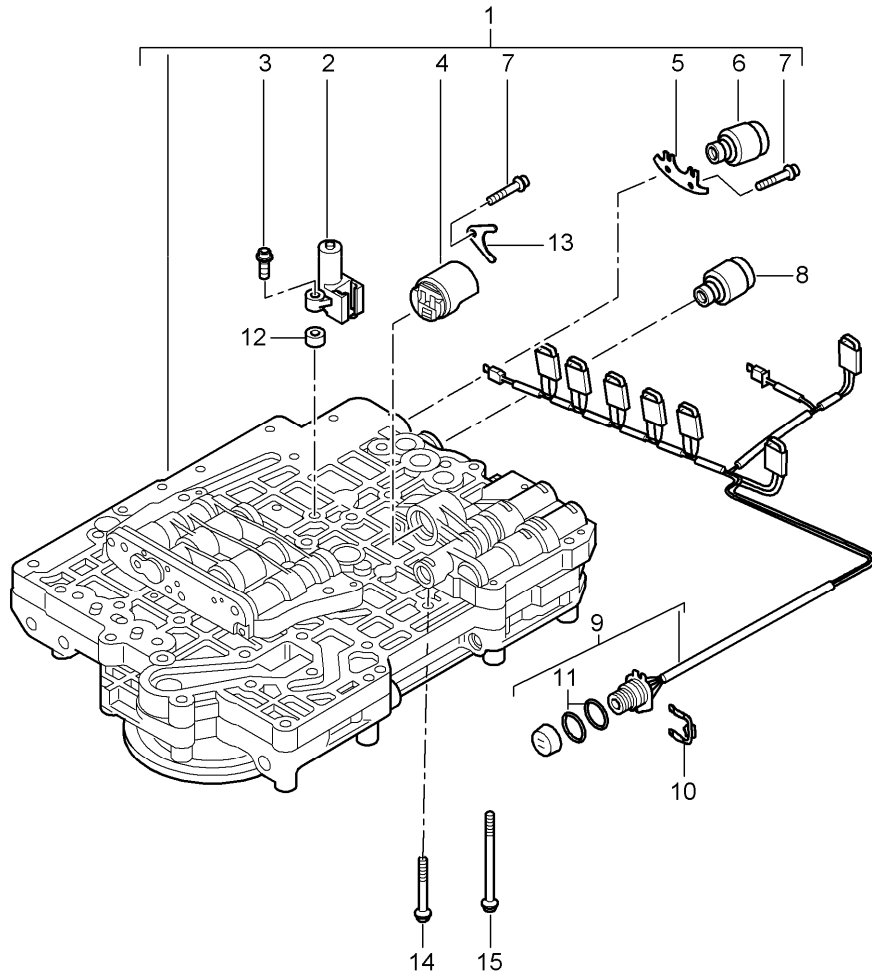
Pos	Part Number	Description	Remark	Qty	Model
		tiptronic	-06 -06 07- 07-		A87.01 A87.20 A87.02 A87.21
1	996 397 010 00	shaft sealing ring		1	
2	986 397 012 00	washer		1	

Model	Year	MG	SG	Illustration	Restrictions	UPD	11:21	24.01.2010	PORSCHE	PET	PORSCHE
987	2008	3	40	340-01		248					



Pos	Part Number	Description	Remark	Qty	Model
		tiptronic	-06		A87.01
		oil filter	-06		A87.20
		oil pan	07-		A87.02
		oil pan	07-		A87.21
1	986 321 025 02	oil pan		1	
2	986 397 016 00	gasket		1	
3	943 397 039 00	pan-head screw M 6 X 20		27	
4	986 397 014 00	round seal		1	
5	986 397 015 00	screw plug M 30 X 1,5		1	
6	986 397 013 00	screw plug M 16 X 1,5		1	
7	943 397 045 00	pan-head screw M 5 X 12		2	
8	986 307 403 00	filter		2	

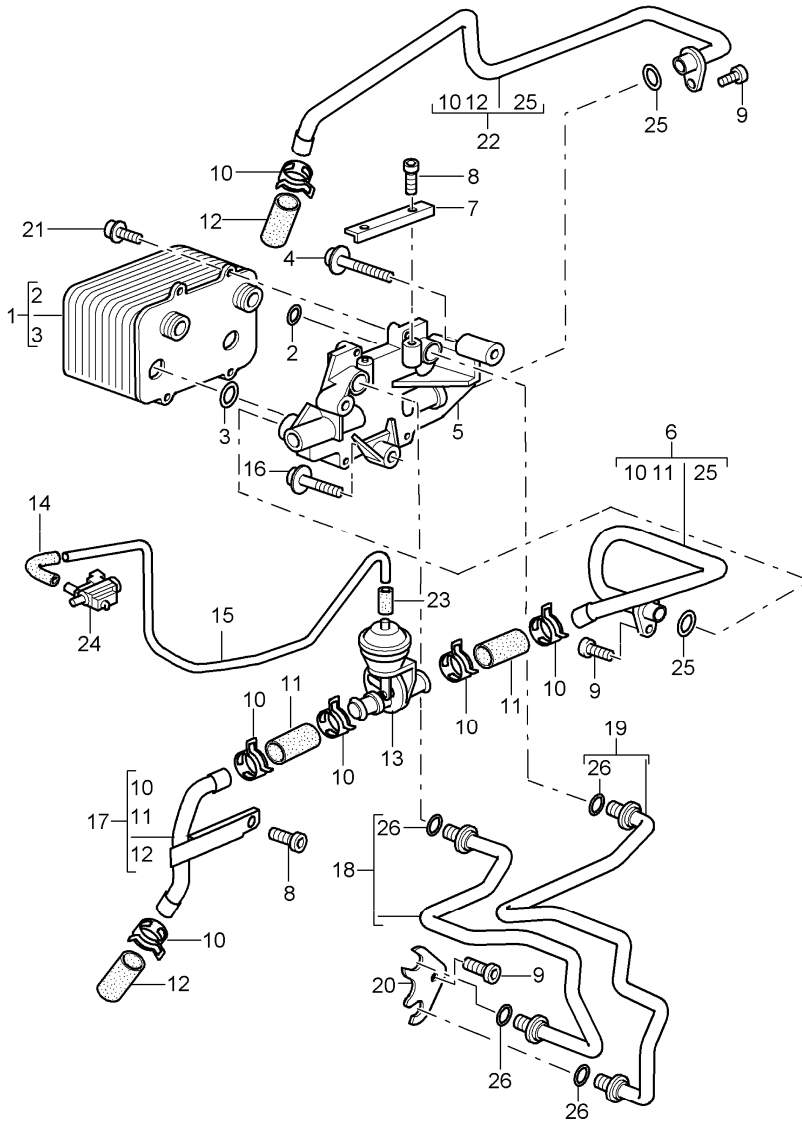
Model	Year	MG	SG	Illustration	Restrictions	UPD	11:21	24.01.2010	PORSCHE	PET	PORSCHE
987	2008	3	40	340-02		248					



Pos	Part Number	Description	Remark	Qty	Model
		tiptronic	-06 -06 07- 07-		A87.01 A87.20 A87.02 A87.21
1	986 325 617 01	switch unit		1	A87.01/20
(1)	987 325 617 00	switch unit		1	A87.02/21
2	986 325 608 00	inductive transmitter		1	
3	986 397 019 00	pan-head screw M 5 X 40		2	
4	986 325 604 01	pressure regulator		1	
5	986 325 615 00	retaining bracket		2	
6	986 325 601 00	solenoid valve		3	
7	943 397 045 00	pan-head screw M 5 X 12		5	
8	986 325 603 00	pressure regulator		3	
9	987 325 611 01	wiring harness		1	A87.01
(9)	987 325 611 00	wiring harness		1	A87.02/20/21
10	986 397 018 01	clamp		1	
11	986 397 017 00	round seal		2	
12	986 397 020 00	spacer ring		2	
13	943 325 111 00	retaining bracket		1	
14	943 397 013 00	pan-head screw M 6 X 30		1	
15	943 397 005 00	pan-head screw M 6 X 60		16	



Model	Year	MG	SG	Illustration	Restrictions	UPD	11:21	24.01.2010	PORSCHE	PET	PORSCHE
987	2008	3	60	360-00		248					

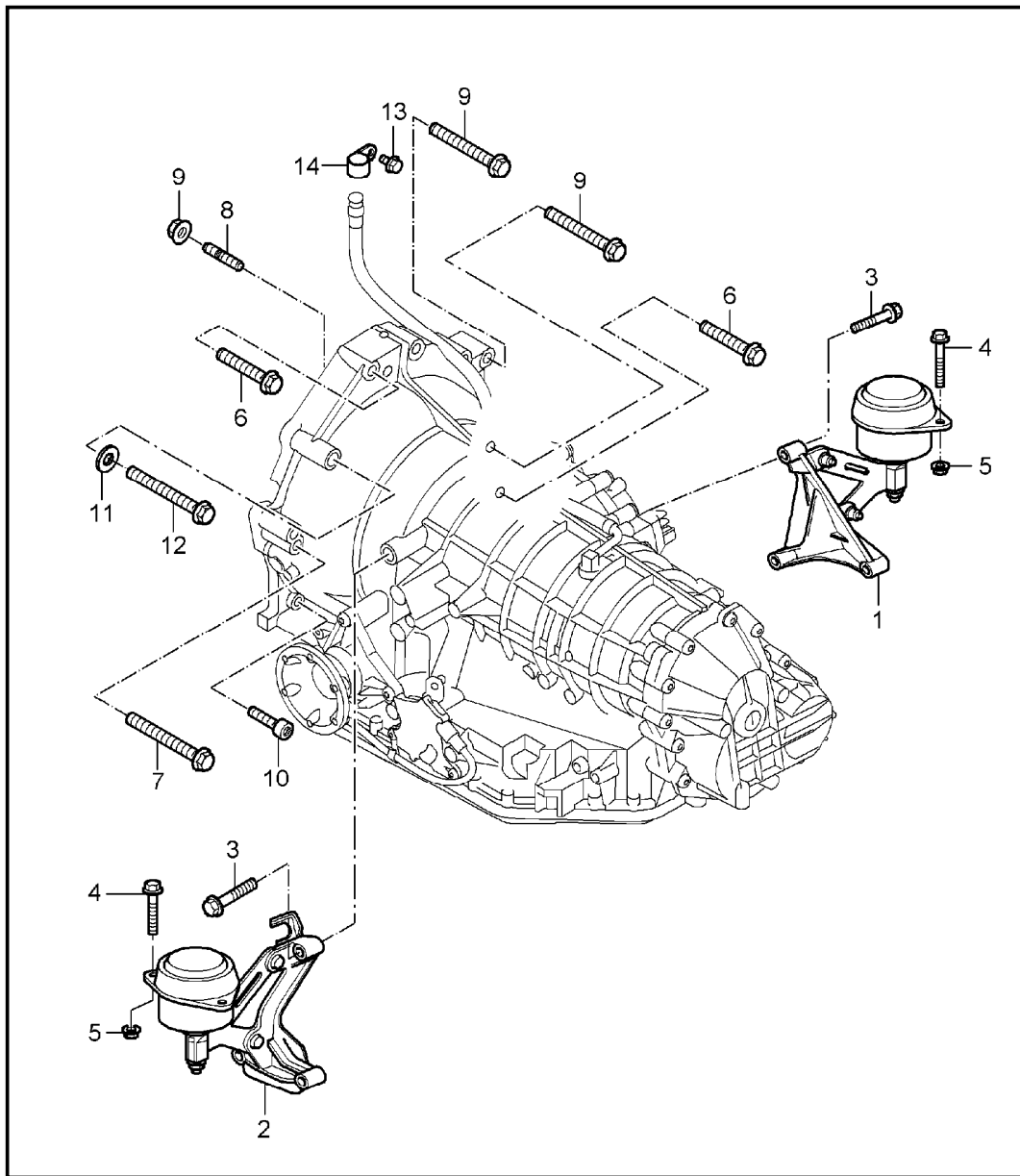


Pos	Part Number	Description	Remark	Qty	Model
		tiptronic		-06	A87.01
		atf cooler		-06	A87.20
		atf lines		07-	A87.02
				07-	A87.21
1	996 307 017 01	atf cooler		1	
2	999 707 388 40	o-ring 18,64 X 3,53		2	
3	900 331 034 40	o-ring 25,8 X 3,55		2	
4	999 073 116 09	oval-head screw M 8 X 55		1	
5	986 307 020 00	port plate		1	
6	986 307 076 21	water line supply	-06	1	
(6)	986 307 076 22	water line supply	07-	1	
7	986 307 143 02	latch		1	
8	999 073 103 09	oval-head screw M 6 X 16		2	
9	999 073 094 09	oval-head screw M 8 X 20		4	
10	999 512 656 09	hose clamp B 25 X 12		6	
11	900 181 060 50	water hose 18 X 3,5 X 50		2	
12	900 181 062 50	water hose 18 X 3,5 X 60		2	
13	928 574 573 03	disc valve		1	
14	928 574 717 05	moulded hose		1	
--	999 181 742 40	pipe 4,0 X 1,0		X	
15	---	140 MM		1	
16	999 073 105 09	round head screw M 8 X 40		2	
17	986 307 075 21	water line supply	-06	1	

Model	Year	MG	SG	Illustration	Restrictions	UPD	11:21	24.01.2010	PORSCHE	PET	PORSCHE
987	2008	3	60	360-00		248					

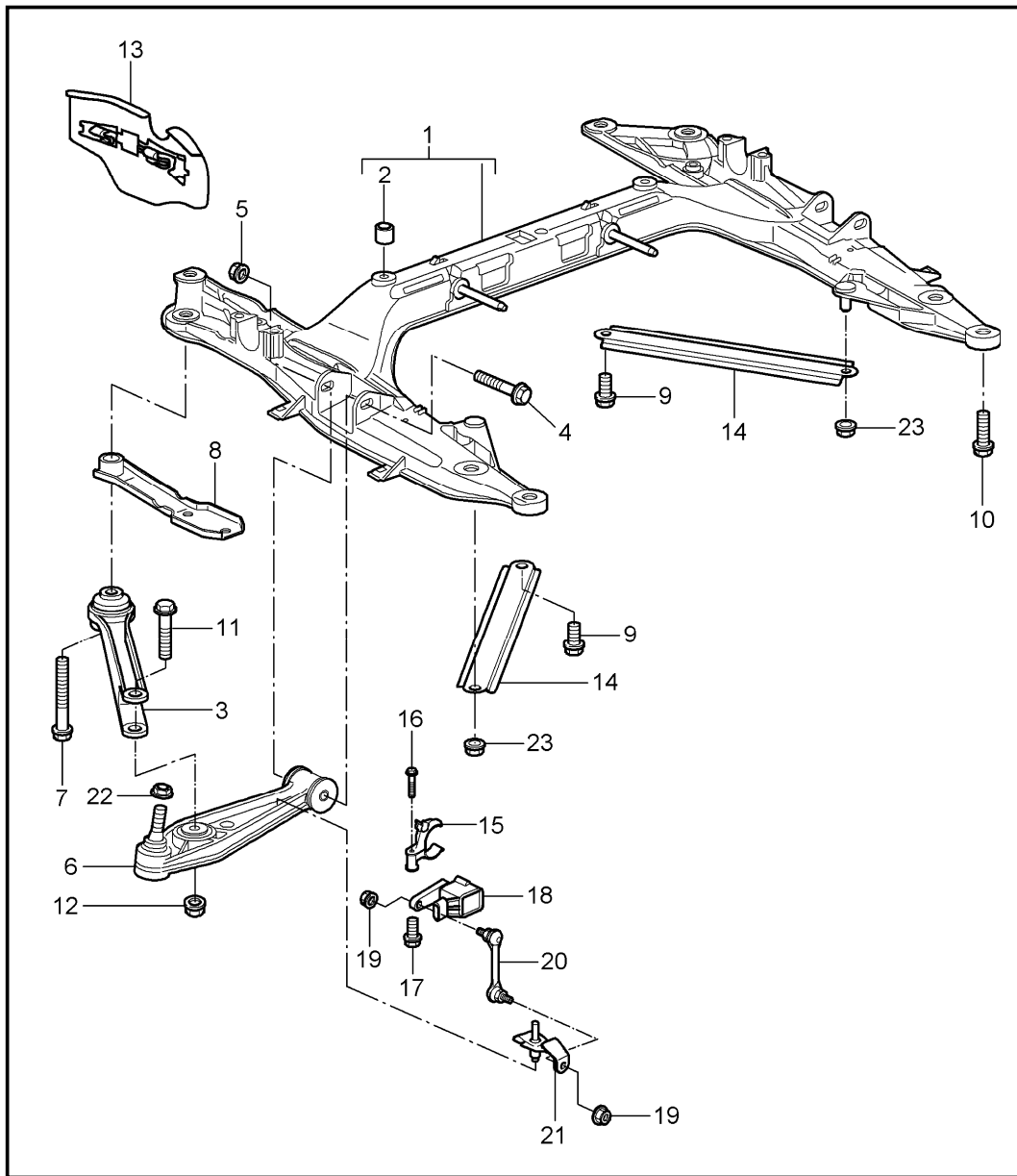
Pos	Part Number	Description	Remark	Qty	Model	Pos	Part Number	Description	Remark	Qty	Model
(17)	986 307 075 22	water line supply	07-	1							
18	986 307 085 04	oil pipe return line	-06	1							
(18)	986 307 085 05	oil pipe return line	07-	1							
19	986 307 082 04	oil pipe supply	-06	1							
(19)	986 307 082 05	oil pipe supply	07-	1							
20	996 307 147 00	support	-06	1							
(20)	996 307 147 01	support	07-	1							
21	999 073 103 09	oval-head screw M 6 X 16		4							
22	987 307 077 01	water tube return line		1							
23	999 239 040 40	connecting piece		1							
24	996 605 123 01	change-over valve		1							
25	999 707 387 40	o-ring 15 X 2,5		2							
26	999 707 386 40	o-ring 12,37 X 2,62		4							

Model	Year	MG	SG	Illustration	Restrictions	UPD	11:21	24.01.2010	PORSCHE	PET	PORSCHE
987	2008	3	70	370-00		248					



Pos	Part Number	Description	Remark	Qty	Model
		tiptronic	-06		M96.25 I249
			-06		M96.26 I249
			07-		M97.21 I249
			07-		M97.20 I249
			08-		M97.22 I249
		transmission suspension threaded joint for engine			
1	986 375 094 03	transmission bracket right		1	
2	987 375 093 01	transmission bracket left		1	
3	900 378 076 09	hexagon-head bolt M 10 X 50		6	
4	900 378 159 09	hexagon-head bolt M 8 X 60		4	
5	999 084 447 09	hexagon nut M 8		4	
6	999 072 008 09	hexagon-head bolt M 12 X 1,5 X 70		1	
7	999 072 009 09	hexagon-head bolt M 12 X 1,5 X 90		3	
8	999 218 088 09	stud M 10 X 30		1	
9	900 377 011 09	hexagon nut M 10		1	
10	999 073 119 09	pan-head screw M 10 X 50		1	
11	N 905 028 02	washer 15 X 28 X 3,5		1	
12	999 072 010 09	hexagon-head bolt M 12 X 1,5 X 100		1	
13	900 378 036 09	hexagon-head bolt M 6 X 12		1	
14	999 511 142 02	clamp A 1		1	

Model	Year	MG	SG	Illustration	Restrictions	UPD	11:22	24.01.2010	PORSCHE	PET	PORSCHE
987	2008	4	01	401-00		248					

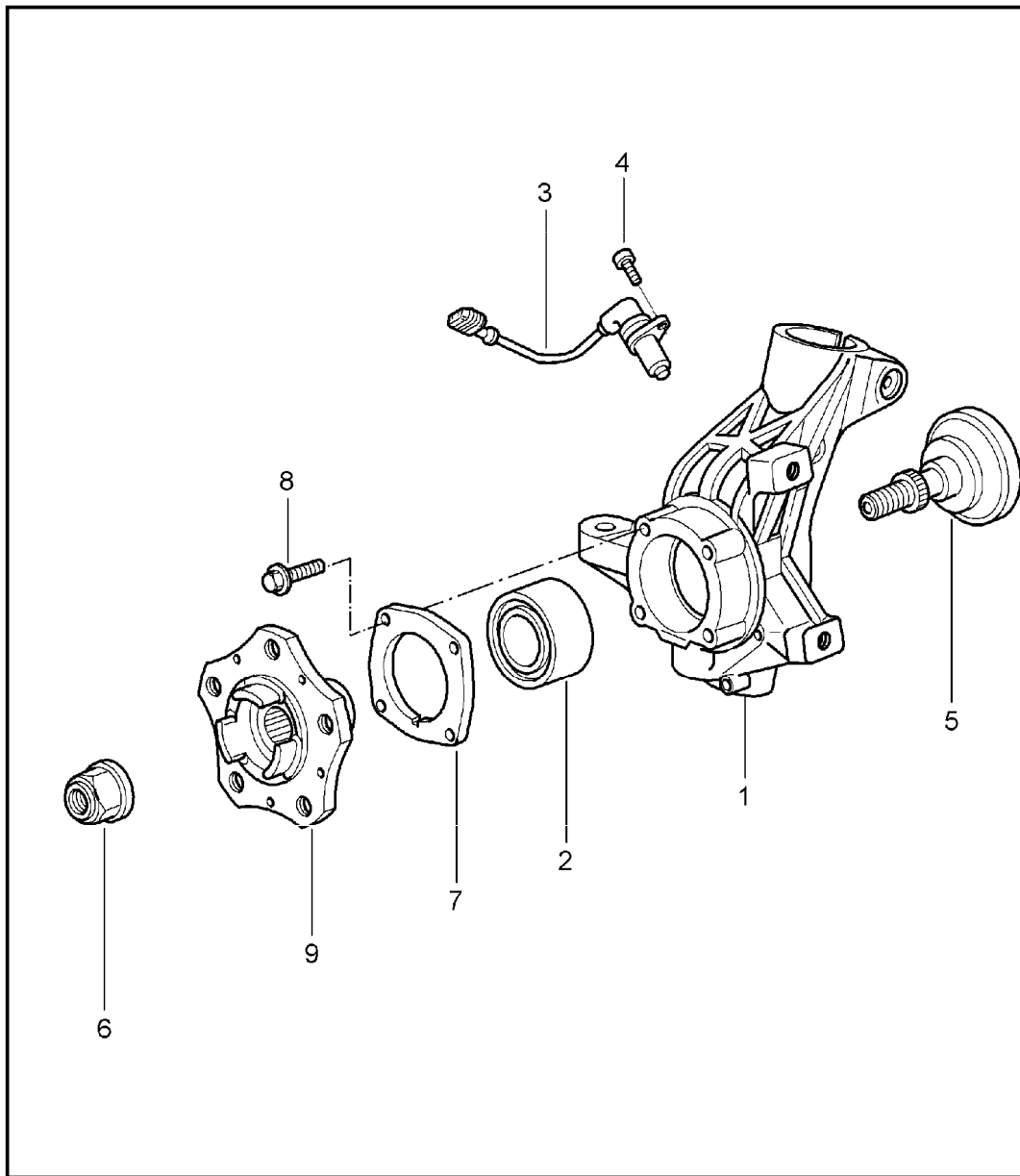


Pos	Part Number	Description	Remark	Qty	Model
		cross member wishbone			
1	A 997 341 081 04	cross member		1	
(1)	997 341 081 06	cross member		1	
2	900 197 070 00	roll pin 13 X 14		1	
3	997 341 043 00	control arm		2	
4	900 378 165 09	hexagon-head bolt M 12 X 1,5 X 95	-07	2	
(4)	900 378 165 01	hexagon-head bolt M 12 X 1,5 X 95	08-	2	
5	999 084 445 01	lock nut M 12 X 1,5		2	
6	997 341 053 00	wishbone	05	2	
(6)	997 341 053 03	wishbone		2	
7	A 900 378 241 09	hexagon-head bolt M 14 X 1,5 X 120	05	2	
(7)	999 072 050 09	hexagon-head bolt M 14 X 1,5 X 120		2	
8	A 997 341 145 01	plate	05	2	
(8)	997 341 145 05	plate		2	
9	A 999 072 047 09	hexagon-head bolt M 12 X 1,5 X 30		6	
(9)	999 072 047 01	hexagon-head bolt M 12 x 1,5 x 30		6	
(10)	A 900 378 192 09	hexagon-head bolt M 14 X 1,5 X 50		4	
(10)	900 378 192 01	hexagon-head bolt M 14 x 1,5 x 50		4	
11	900 378 279 09	hexagon-head bolt M 14 X 1,5 X 95	-07	2	
(11)	900 378 279 01	hexagon-head bolt M 14 X 1,5 X 95	08-	2	
12	A 900 380 012 09	hexagon nut M 14 X 1,5		2	

Model	Year	MG	SG	Illustration	Restrictions	UPD	11:22	24.01.2010	PORSCHE	PET	PORSCHE
987	2008	4	01	401-00		248					

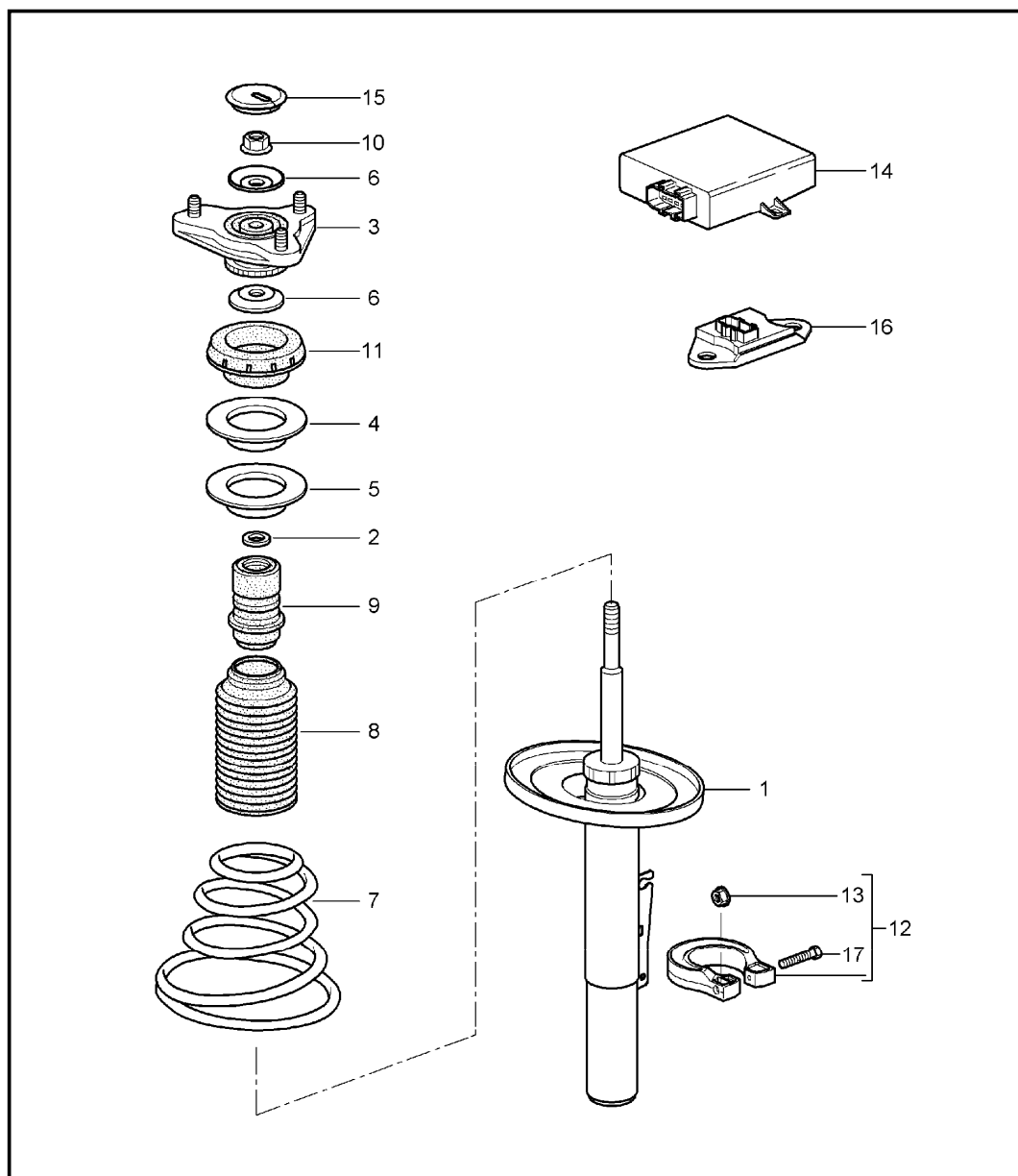
Pos	Part Number	Description	Remark	Qty	Model	Pos	Part Number	Description	Remark	Qty	Model
12	900 380 012 01	hexagon nut M 14 X 1,5		2							
13	996 341 483 05	spoiler	/L	1							
13	996 341 484 05	spoiler	/R	1							
14	997 504 433 00	strut		2							
15	... ..	support see illustrations 1/05/10 Pos.10		1	I601						
16	900 146 003 02	oval-head screw M 5 X 10		2	I601						
(16)	900 146 003 03	oval-head screw M 5 x 10		2	I601						
17	900 378 036 09	hexagon-head bolt M 6 X 12		1	I601						
18	997 631 121 00	sensor		1	I601						
19	A 900 380 015 09	hexagon nut M 6		2	I601						
(19)	900 380 015 01	hexagon nut M 6		2	I601						
20	997 341 375 01	strut		1	I601						
21	996 341 371 03	support		1	I601						
22	999 084 449 09	hexagon nut M 12 X 1,5		2							
23	999 084 445 01	hexagon nut M 12 X 1,5		2							

Model	Year	MG	SG	Illustration	Restrictions	UPD	11:22	24.01.2010	PORSCHE	PET	PORSCHE
987	2008	4	01	401-05		248					



Pos	Part Number	Description	Remark	Qty	Model
		wheel carrier wheel hub			
1	997 341 157 05	wheel carrier	/L	1	
(1)	997 341 157 25	wheel carrier	/L	1	I450
(1)	997 341 158 05	wheel carrier	/R	1	
(1)	997 341 158 25	wheel carrier	/R	1	I450
2	999 053 054 05	angular-contact bearing		2	
3	997 606 407 01	speed sensor		2	
-	999 507 464 40	support		2	
4	900 067 117 09	pan-head screw M 6 X 16		2	
5	997 341 131 00	tension bolt		2	
6	999 084 634 02	hexagon nut M 22 X 1,5		2	
7	986 331 661 20	lid		2	
8	999 217 042 09	hexagon-head bolt M 8 X 35		8	
9	997 341 605 01	wheel hub		2	
-	997 361 605 90	spacer ring 5 MM		2	IXRP

Model	Year	MG	SG	Illustration	Restrictions	UPD	11:22	24.01.2010	PORSCHE	PET	PORSCHE
987	2008	4	02	402-00		248					



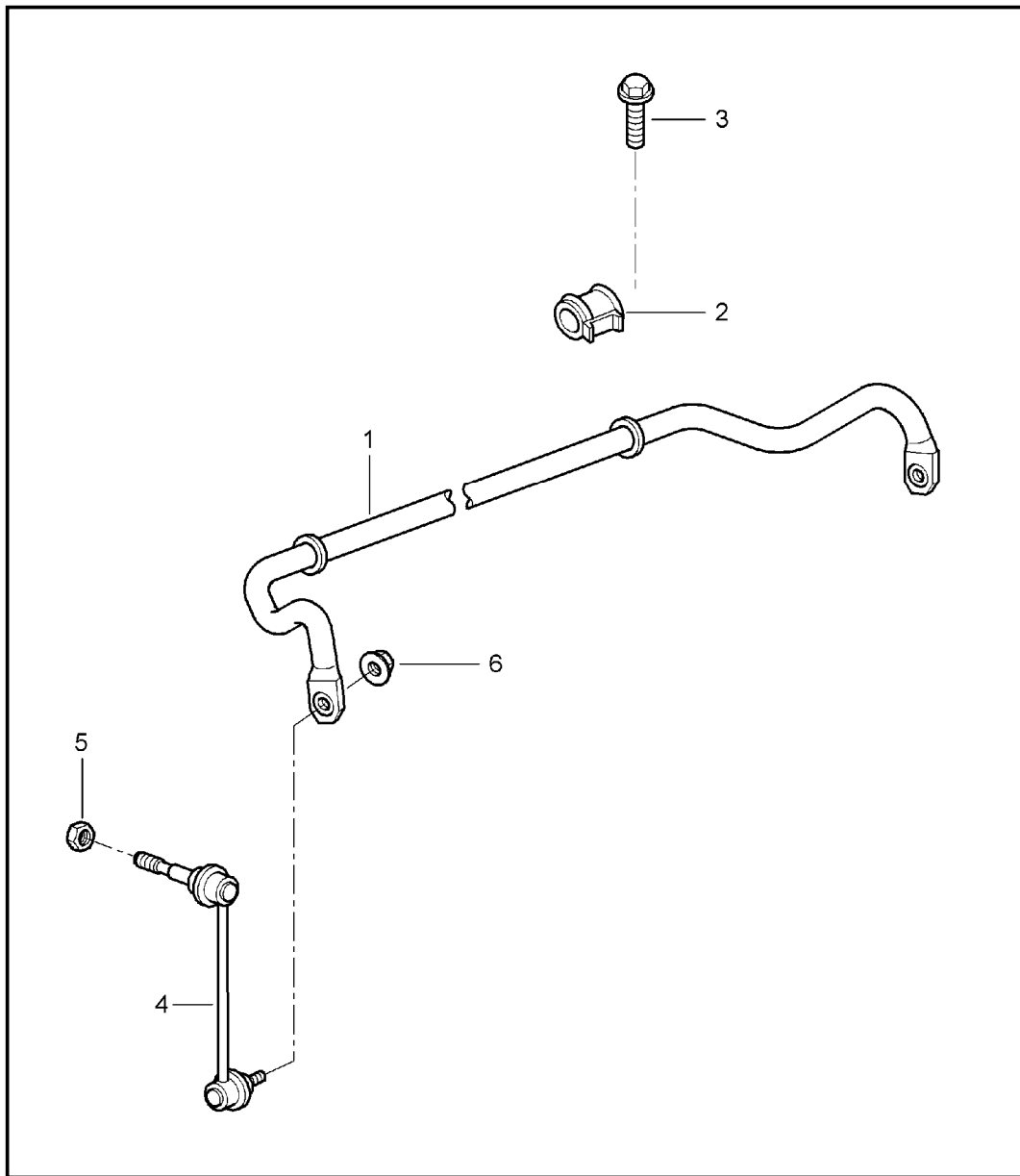
Pos	Part Number	Description	Remark	Qty	Model
1	987 343 041 06	suspension shock absorber strut shock absorber		2	
(1)	987 343 041 07	shock absorber		2	
(1) A	987 343 045 06	shock absorber		2	I475
(1)	987 343 045 10	shock absorber		2	I475
-	A 900 378 138 09	mount shock absorber hexagon-head bolt M 12 X 1,5 X 70		2	
-	900 378 138 01	hexagon-head bolt M 12 X 1,5 X 70		2	
-	999 084 445 01	lock nut M 12 X 1,5		2	
2	996 343 513 00	washer		2	
3 A	997 343 018 00	supporting mount		2	
3	997 343 018 01	supporting mount		2	
- A	999 084 447 09	hexagon nut M 8		6	
-	999 084 447 01	hexagon nut M 8		6	
4	996 343 517 01	support ring		2	
5	996 343 511 00	compensating plate 3,0 MM		X	
(5)	996 343 511 01	compensating plate 6,5 MM		X	
6	997 343 107 01	stop plate		4	
(6)	997 343 107 00	stop plate lower		2	I475
(6)	997 343 107 01	stop plate upper		2	
7	997 343 531 32	coil spring 1 set		1	

Model	Year	MG	SG	Illustration	Restrictions	UPD	11:22	24.01.2010	PORSCHE	PET	PORSCHE
987	2008	4	02	402-00		248					

Pos	Part Number	Description	Remark	Qty	Model	Pos	Part Number	Description	Remark	Qty	Model
	504	identification rapeseed yellow blue F >>985S7 00085 F >>985U7 01649 F >>985S7 20067 F >>985U7 21706				13	900 377 010 09	hexagon nut M 6		2	BOXSTER S
						-	900 378 111 09	hexagon-head bolt M 6 X 60		2	
(7)	997 343 531 38	coil spring 1 set		1		14	987 618 105 05	control unit	-05	1	I475
	504	identification rapeseed yellow blue F 985S7 00086>> F 985U7 01650>> F 985S7 20068>> F 985U7 21707>>				(14)	987 618 105 09	control unit	-07	1	I475
						(14)	987 618 105 10	control unit	08-	1	I475
(7)	997 343 531 30	coil spring 1 set		1	I475	15	999 703 457 40	lid		2	
	504	identification blue red F >>985S7 00084 F >>985U7 01652 F >>985S7 20089 F >>985U7 21707				16 A	997 606 111 00	acceleration sensor body	-06	1	
(7)	997 343 531 37	coil spring 1 set		1	I475	(16)	997 606 111 01	acceleration sensor body	07-	1	
						17	900 378 111 09	hexagon-head bolt M 6 X 60		2	
						16	997 606 111 01	acceleration sensor body		1	
						17	997 606 212 00	support body	-06	1	
(7)	997 343 531 37	coil spring 1 set		1	I475	(17)	997 606 212 01	support body	07-	1	
	504	identification blue red F 985S7 00085>> F 985U7 01653>> F 985S7 20090>> F 985U7 21708>>									
8	996 343 505 00	bellows		2							
9	996 343 301 02	additional spring		2							
10 A	900 380 012 09	hexagon nut M 14 X 1,5		2							
10	900 380 012 01	hexagon nut M 14 X 1,5		2							
(11)	996 343 515 05	deep-groove ball bearing with housing		2							
(12)	997 343 569 00	clip		2	BOXSTER S						



Model	Year	MG	SG	Illustration	Restrictions	UPD	11:22	24.01.2010	PORSCHE	PET	PORSCHE
987	2008	4	02	402-05		248					

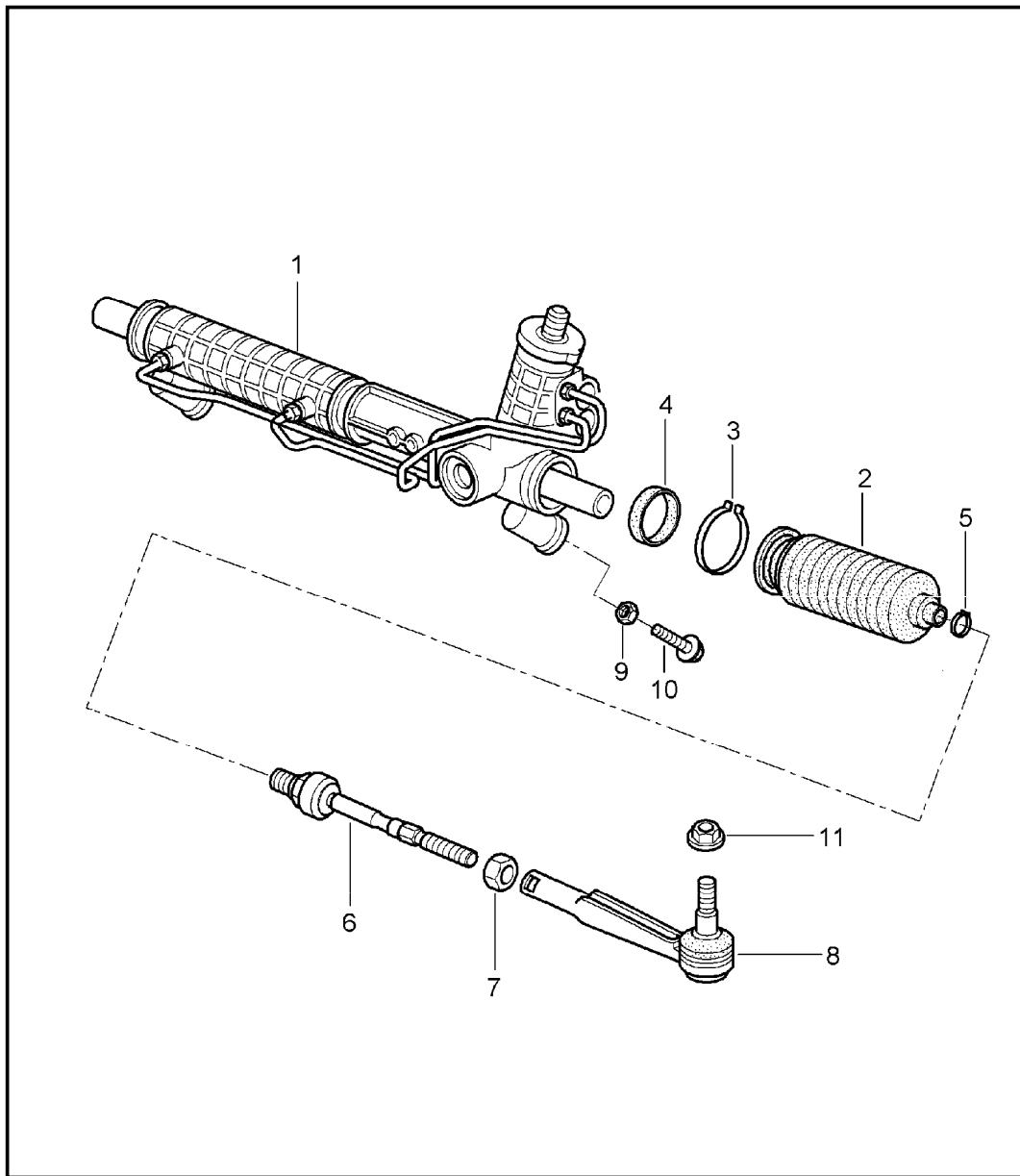


Pos	Part Number	Description	Remark	Qty	Model
1	997 343 701 03	stabiliser		1	BOXSTER I249
		stabiliser			BOXSTER I481
(1) A	997 343 701 04	stabiliser		1	BOXSTER I480
(1)	997 343 701 07	stabiliser		1	BOXSTER I480
(1)	997 343 701 05	stabiliser		1	BOXSTER I475
(1) A	997 343 701 04	stabiliser		1	BOXSTER S I029
(1)	997 343 701 07	stabiliser		1	BOXSTER S I029
(1)	997 343 701 05	stabiliser		1	BOXSTER S I475
2	996 343 792 12	stabiliser mounting		2	BOXSTER I029/249
(2)	996 343 792 17	stabiliser mounting		2	BOXSTER I029/481
(2)	996 343 792 17	stabiliser mounting		2	BOXSTER I029/480
(2)	996 343 792 17	stabiliser mounting		2	BOXSTER I475
(2)	996 343 792 17	stabiliser mounting		2	BOXSTER S I029
(2)	996 343 792 17	stabiliser mounting		2	BOXSTER S I475
3	900 378 098 01	hexagon-head bolt M 10 X 60		4	
-	900 380 008 01	hexagon nut M 10		4	
4	997 343 069 00	stabiliser mounting see technical manual group 4 NR.407819	/L	1	

Model	Year	MG	SG	Illustration	Restrictions	UPD	11:22	24.01.2010	PORSCHE	PET	PORSCHE
987	2008	4	02	402-05		248					

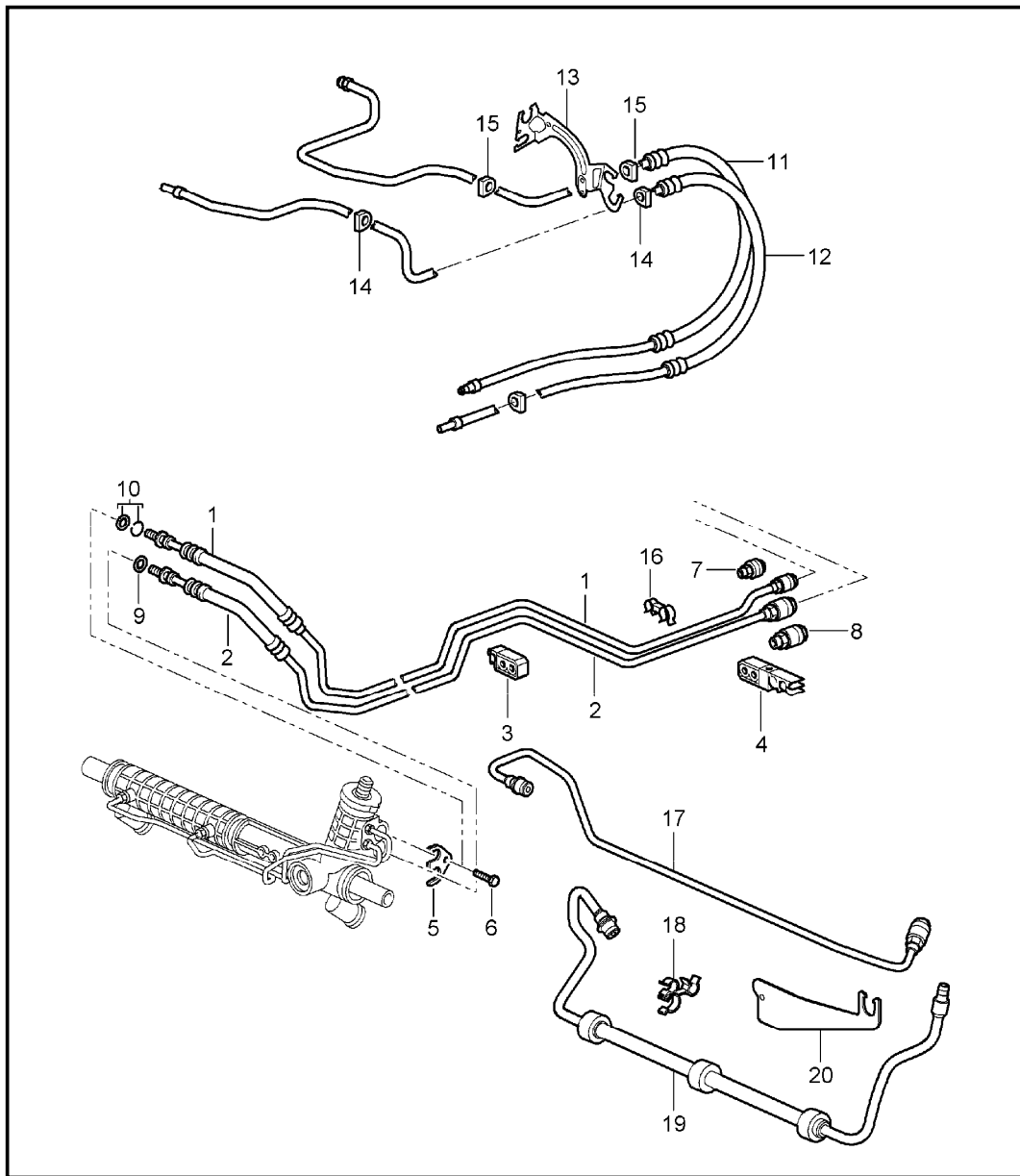
Pos	Part Number	Description	Remark	Qty	Model	Pos	Part Number	Description	Remark	Qty	Model
(4)	997 343 069 01	stabiliser mounting see technical manual group 4 NR 407819	/L	1							
(4)	997 343 070 00	stabiliser mounting see technical manual group 4 NR.407819	/R	1							
(4)	997 343 070 01	stabiliser mounting see technical manual group 4 NR.407819	/R	1							
5	999 084 445 01	lock nut M 12 X 1,5 see technical manual group 4 NR.407819		2							
(5)	999 084 123 09	hexagon nut M 10 see technical manual group 4 NR.407819		2							
6	999 084 643 09	hexagon nut M 10 see technical manual group 4 NR.407819		2							
(6)	999 084 123 09	hexagon nut M 10 see technical manual group 4 NR.407819		2							

Model	Year	MG	SG	Illustration	Restrictions	UPD	11:22	24.01.2010	PORSCHE	PET	PORSCHE
987	2008	4	03	403-00		248					



Pos	Part Number	Description	Remark	Qty	Model
		power steering steering gear steering parts			
1	> 997 347 011 05	steering gear power steering	-07	1	I098
(1)	> 997 347 011 06	steering gear power steering	08-	1	I098
(1)	> 997 347 012 04	steering gear power steering	-07	1	I099
(1)	> 997 347 012 05	steering gear power steering	08-	1	I099
-	996 347 110 02	clip pinion steering gear		1	
2	997 347 191 00	bellows for steering gear		2	
3	996 347 293 04	clamping ring for steering gear		2	
4	997 347 373 00	sealing ring for steering gear		2	
5	999 512 693 09	clamping ring		2	
6	997 347 322 00	joint	-07	2	
(6)	997 347 322 01	joint	08-	2	
7	999 034 037 09	hexagon nut M 14 X 1,5		2	
8	996 347 131 04	track rod		2	
9	-	see illustrations 4/01/00 POS.2			
10	900 378 100 01	hexagon-head bolt AM 10 X 45		2	
11	999 084 449 09	hexagon nut M 12 X 1,5		2	

Model	Year	MG	SG	Illustration	Restrictions	UPD	11:23	24.01.2010	PORSCHE	PET	PORSCHE
987	2008	4	03	403-01		248					

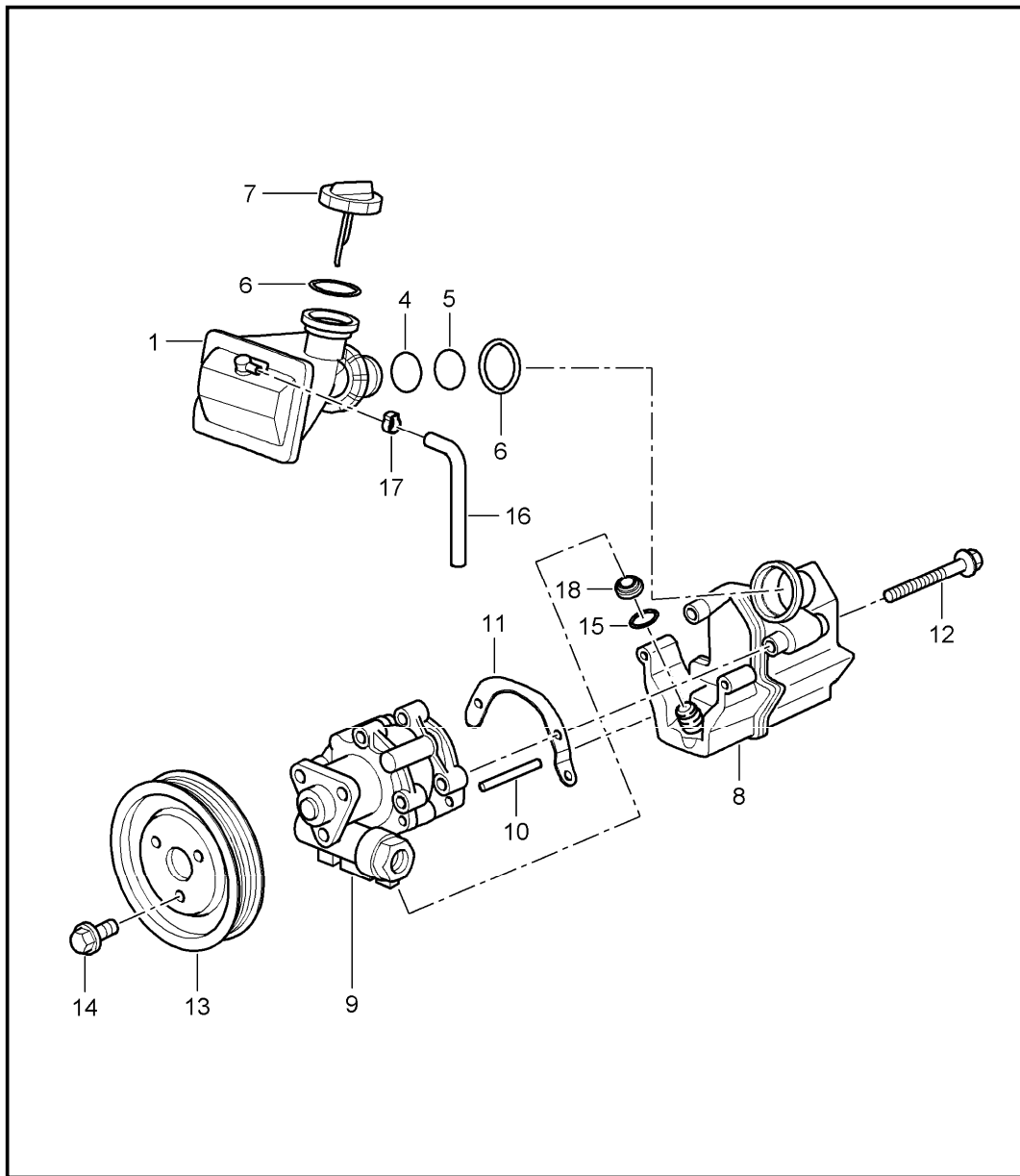


Pos	Part Number	Description	Remark	Qty	Model
		power steering lines			
1	997 347 451 03	pressure line	-07	1	I098
(1)	997 347 451 04	pressure line	08-	1	I098
(1)	997 347 452 02	pressure line		1	I099
2	A 987 347 449 03	return line		1	I098
(2)	987 347 449 05	return line		1	I098
(2)	987 347 650 00	return line	-07	1	I099
(2)	987 347 650 03	return line	08-	1	I099
3	996 347 543 00	cable holder		3	
4	996 355 543 00	support		1	
5	996 347 769 01	tension shackle		1	
6	900 067 063 02	pan-head screw M 10 X 20	-07	1	
(6)	900 067 063 03	pan-head screw M 10 x 20	08-	1	
7	999 230 552 10	threaded joint		1	
8	999 230 551 10	threaded joint		1	
-	999 230 683 40	safety clip for threaded joint pressure line		X	
-	999 230 584 40	circlip threaded joint return line		1	I098
-	999 230 584 40	circlip threaded joint return line		2	I099
9	999 230 542 40	o-ring		X	
10	999 230 543 40	repair kit gaskets		X	
11	987 347 443 02	pressure line	-07	1	
(11)	987 347 443 03	pressure line	08-	1	
12	987 347 439 01	return line		1	

Model	Year	MG	SG	Illustration	Restrictions	UPD	11:23	24.01.2010	PORSCHE	PET	PORSCHE
987	2008	4	03	403-01		248					

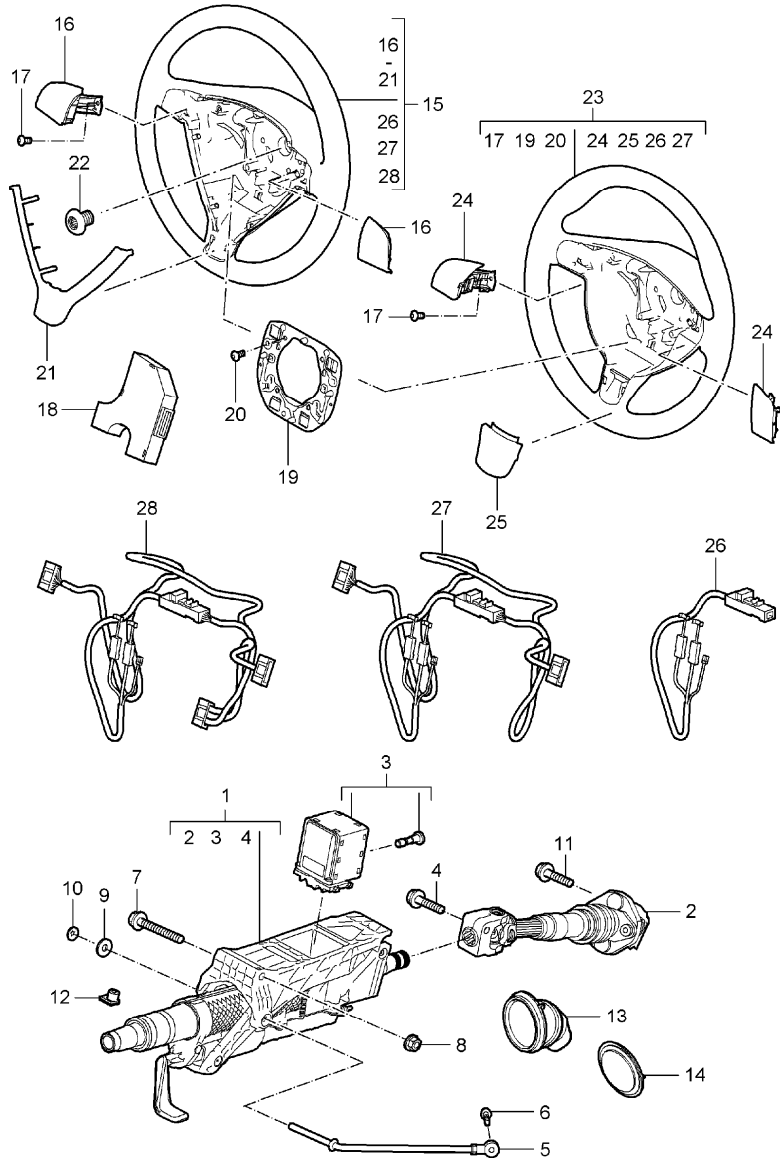
Pos	Part Number	Description	Remark	Qty	Model	Pos	Part Number	Description	Remark	Qty	Model
13	987 347 749 01	support		1							
14	999 702 210 40	rubber sleeve		4							
15	999 702 226 40	rubber sleeve		3							
16	999 507 091 40	cable holder		3							
17	997 347 564 02	pressure line	-07	1	I099						
(17)	997 347 564 03	pressure line	08-	1	I099						
18	999 507 963 40	support		1	I099						
19	997 347 462 02	return line	-06	1	I099						
(19)	997 347 462 03	return line	07-	1	I099						
20	997 347 560 00	support		1	I099						

Model	Year	MG	SG	Illustration	Restrictions	UPD	11:23	24.01.2010	PORSCHE	PET	PORSCHE
987	2008	4	03	403-03		248					



Pos	Part Number	Description	Remark	Qty	Model
		power steering power-steering pump container			
1	986 314 225 02	expansion tank		1	
(1)	987 314 225 00	expansion tank		1	I754
4	999 707 362 40	sealing ring		1	
5	999 707 363 40	sealing ring		1	
6	999 701 154 40	sealing ring		2	
7	986 314 223 00	lid		1	
8	997 314 220 00	oil tank		1	
9	> 996 314 050 02	power-steering pump		1	
10	996 314 320 03	straight pin		2	
11	996 314 431 05	bracket		1	
12	900 378 105 09	hexagon-head bolt AM 8 X 70	-06	2	
(12)	900 378 105 01	hexagon-head bolt am 8 x 70	07-	2	
13	996 147 223 60	pulley		1	
14	900 385 099 04	torx screw M 8 X 12		3	
15	999 707 204 40	sealing ring 12.5 X 2N		1	
17	999 512 527 00	clamp 8,5-10,0		1	
-	000 043 203 33	pentosin 1000 ML		X	
18	996 314 427 00	guide		1	

Model	Year	MG	SG	Illustration	Restrictions	UPD	11:23	24.01.2010	PORSCHE	PET	PORSCHE
987	2008	4	03	403-05		248					



Pos	Part Number	Description	Remark	Qty	Model
1	A 997 347 007 05	steering outer tube steering shaft steering wheels		1	
(1)	A 997 347 007 06	steering column complete with steering shaft		1	
(1)	997 347 007 09	steering column complete with steering shaft		1	
2	997 347 023 02	intermed. steering shaft		1	
3	A 997 618 158 01	control unit steering column with screw	06	1	
(3)	A 997 618 158 03	control unit steering column with screw	-07	1	
(3)	997 618 158 04	control unit steering column with screw	08-	1	
4	999 217 042 09	hexagon-head bolt M 8 X 35		1	
5	997 347 243 00	support		1	
6	900 378 173 09	hexagon-head bolt AM 6 X 20		1	
7	900 378 095 09	hexagon-head bolt M 10 X 100		1	
8	A 900 380 008 09	hexagon nut M 10		1	
8	900 380 008 01	hexagon nut M 10		1	
9	900 151 006 09	washer		1	
10	999 507 217 07	clamping washer		1	

Model	Year	MG	SG	Illustration	Restrictions	UPD	11:23	24.01.2010	PORSCHE	PET	PORSCHE
987	2008	4	03	403-05		248					

Pos	Part Number	Description	Remark	Qty	Model	Pos	Part Number	Description	Remark	Qty	Model
11	999 217 042 09	hexagon-head bolt M 8 X 35		1			FSQ	carrera red			
12	999 920 019 40	plug-in nut 3,5 X 2,5 X 9		1		(15)	997 347 804 01	steering wheel plain leather		1	I459/480/481
13	986 347 037 01	bellows		1			FOK	black/grey			
14	996 347 339 02	rubber seal bulkhead		1			FOL	stone grey/stone grey			
15	997 347 804 03	steering wheel leather embossed		1	I436/480/481		FOM	sand beige/sand beige			
	FOA	black					FON	palmgreen/palmgreen			
	FOB	stone grey					FOO	sea blue/grey			
	FOC	sand beige					FOP	terracotta/terracotta			
	FOD	palmgreen					FOQ	cocoa/cocoa			
	FOE	sea blue					FOR	darkgrey natural/grey			
	FOF	terracotta					FOS	brown nat./brown nat.			
	FOG	cocoa					FSQ	carrera red			
	FOH	dark grey/natural				(15)	997 347 804 11	steering wheel plain leather		1	I249/459
	FOJ	brown/natural					FOK	black/grey			
	FSQ	carrera red					FOL	stone grey/stone grey			
(15)	997 347 804 04	steering wheel leather embossed		1	I249/436		FOM	sand beige/sand beige			
	FOA	black					FON	palmgreen/palmgreen			
	FOB	stone grey					FOO	sea blue/grey			
	FOC	sand beige					FOP	terracotta/terracotta			
	FOD	palmgreen					FOQ	cocoa/cocoa			
	FOE	sea blue					FOR	darkgrey natural/grey			
	FOF	terracotta					FOS	brown nat./brown nat.			
	FOG	cocoa					FSQ	carrera red			
	FOH	dark grey/natural				(15)	997 347 804 05	steering wheel plain leather multi-function		1	I431/480/481
	FOJ	brown/natural					FOK	black/grey			
							FOL	stone grey/stone grey			
							FOM	sand beige/sand beige			



Model	Year	MG	SG	Illustration	Restrictions	UPD	11:23	24.01.2010	PORSCHE	PET	PORSCHE
987	2008	4	03	403-05		248					

Pos	Part Number	Description	Remark	Qty	Model	Pos	Part Number	Description	Remark	Qty	Model
	FON	palmgreen/palmgreen					FOR	darkgrey natural/grey			
	FOO	sea blue/grey					FOS	brown nat./brown nat.			
	FOP	terracotta/terracotta					FSQ	carrera red			
	FOQ	cocoa/cocoa				(15)	997 347 804 32	steering wheel multi-function wood macassar		1	I249/451
	FOR	darkgrey natural/grey					FOK	black/grey			
	FOS	brown nat./brown nat.					FOL	stone grey/stone grey			
(15)	997 347 804 06	steering wheel plain leather multi-function		1	I249/431		FOM	sand beige/sand beige			
	FOK	black/grey					FON	palmgreen/palmgreen			
	FOL	stone grey/stone grey					FOO	sea blue/grey			
	FOM	sand beige/sand beige					FOP	terracotta/terracotta			
	FON	palmgreen/palmgreen					FOQ	cocoa/cocoa			
	FOO	sea blue/grey					FOR	darkgrey natural/grey			
	FOP	terracotta/terracotta					FOS	brown nat./brown nat.			
	FOQ	cocoa/cocoa				(15)	997 347 804 23	steering wheel multi-function wood sycamore wood		1	I452/480/481
	FOR	darkgrey natural/grey					FOK	black/grey			
	FOS	brown nat./brown nat.					FOL	stone grey/stone grey			
(15)	997 347 804 22	steering wheel multi-function wood macassar		1	I451/480/481		FOM	sand beige/sand beige			
	FSQ	carrera red					FON	palmgreen/palmgreen			
	FOK	black/grey					FOO	sea blue/grey			
	FOL	stone grey/stone grey					FOP	terracotta/terracotta			
	FOM	sand beige/sand beige					FOQ	cocoa/cocoa			
	FON	palmgreen/palmgreen					FOR	darkgrey natural/grey			
	FOO	sea blue/grey					FOS	brown nat./brown nat.			
	FOP	terracotta/terracotta					FSQ	carrera red			
	FOQ	cocoa/cocoa									

Model	Year	MG	SG	Illustration	Restrictions	UPD	11:23	24.01.2010	PORSCHE	PET	PORSCHE
987	2008	4	03	403-05		248					

Pos	Part Number	Description	Remark	Qty	Model	Pos	Part Number	Description	Remark	Qty	Model
(15)	997 347 804 33	steering wheel multi-function wood sycamore wood		1	I249/452		FOM	sand beige/sand beige			
		FOK black/grey					FON	palmgreen/palmgreen			
		FOL stone grey/stone grey					FOO	sea blue/grey			
		FOM sand beige/sand beige					FOP	terracotta/terracotta			
		FON palmgreen/palmgreen					FOQ	cocoa/cocoa			
		FOO sea blue/grey					FOR	darkgrey natural/grey			
		FOP terracotta/terracotta					FOS	brown nat./brown nat.			
		FOQ cocoa/cocoa					FSQ	carrera red			
		FOR darkgrey natural/grey				(15)	997 347 981 00	steering wheel multi-function aluminium look		1	IXPV/480
		FOS brown nat./brown nat.					A34	black			
		FSQ carrera red					B24	stone grey			
(15)	997 347 804 24	steering wheel multi-function carbon		1	I453/480/481		D14	dark grey/natural			
		FOK black/grey					E24	sea blue			
		FOL stone grey/stone grey					J24	palmgreen			
		FOM sand beige/sand beige					M24	terracotta			
		FON palmgreen/palmgreen					R24	cocoa			
		FOO sea blue/grey					T24	sand beige			
		FOP terracotta/terracotta					T34	brown/natural			
		FOQ cocoa/cocoa					N14	carrera red			
		FOR darkgrey natural/grey				(15)	997 347 981 01	steering wheel multi-function aluminium look		1	IXPV/432
		FOS brown nat./brown nat.					A34	black			
		FSQ carrera red					B24	stone grey			
(15)	997 347 804 34	steering wheel multi-function carbon		1	I249/453		D14	dark grey/natural			
		FOK black/grey					E24	sea blue			
		FOL stone grey/stone grey					J24	palmgreen			
							M24	terracotta			
							R24	cocoa			

Model	Year	MG	SG	Illustration	Restrictions	UPD	11:23	24.01.2010	PORSCHE	PET	PORSCHE
987	2008	4	03	403-05		248					

Pos	Part Number	Description	Remark	Qty	Model	Pos	Part Number	Description	Remark	Qty	Model		
	T24	sand beige				(16)	997 613 433 03	switching module multi-function manual transmission	/L	1	I480/481		
	T34	brown/natural											
	N14	carrera red											
16	997 347 837 00	cover	/L	1	I480/481		V04	galvano silver F 987U7 01427>> F 987U7 21121>> use also: F >>987U7 01426 F >>987U7 21120 997.613.434.03 V04 997.613.445.03 see technical manual group 91 6119 91 7719					
(16)	997 347 838 00	cover	/R	1	I480/481								
	V04	galvano silver											
(16)	997 613 431 01	switching module with tiptronic lever	/L	05	1	I249							
	V04	galvano silver				(16)	997 613 434 01	switching module multi-function manual transmission	/R	05	1	I480/481	
(16)	997 613 431 02	switching module with tiptronic lever	/L	06-	1	I249		V04	galvano silver				
	V04	galvano silver				(16)	997 613 434 02	switching module multi-function manual transmission	/R	06-	1	I480/481	
(16)	997 613 432 01	switching module with tiptronic lever	/R	05	1	I249		V04	galvano silver F >>987U7 01426 F >>987U7 21120				
	V04	galvano silver				(16)	997 613 434 03	switching module multi-function manual transmission	/R		1	I480/481	
(16)	997 613 432 02	switching module with tiptronic lever	/R	06-	1	I249		V04	galvano silver F 987U7 01427>> F 987U7 21121>> use also: F >>987U7 01426 F >>987U7 21120 997.613.433.03 V04 997.613.445.03 see technical manual group 91 6119 91 7719				
	V04	galvano silver				(16)	997 613 433 01	switching module multi-function manual transmission	/L	05	1	I480/481	
	V04	galvano silver											
(16)	997 613 433 02	switching module multi-function manual transmission	/L	06-	1	I480/481	(16)	997 613 435 01	switching module multi-function with tiptronic lever	/L	05	1	I249
	V04	galvano silver F >>987U7 01426 F >>987U7 21120						V04	galvano silver				

Model	Year	MG	SG	Illustration	Restrictions	UPD	11:23	24.01.2010	PORSCHE	PET	PORSCHE
987	2008	4	03	403-05		248					

Pos	Part Number	Description	Remark	Qty	Model	Pos	Part Number	Description	Remark	Qty	Model
(16)	A 997 613 435 02	switching module multi-function with tiptronic lever	/L 06-	1	I249		V04	galvano silver F 987U7 01427>> F 987U7 21121>> use also: F >>987U7 01426 F >>987U7 21120 997.613.435.03 V04 997.613.445.03 see technical manual group 91 6119 91 7719			
(16)	997 613 435 03	switching module multi-function with tiptronic lever	/L	1	I249		V04	galvano silver F 987U7 01427>> F 987U7 21121>> use also: F >>987U7 01426 F >>987U7 21120 997.613.436.03 V04 997.613.445.03 see technical manual group 91 6119 91 7719			
(16)	997 613 436 01	switching module multi-function with tiptronic lever	/R 05	1	I249		V04	galvano silver			
(16)	A 997 613 436 02	switching module multi-function with tiptronic lever	/R 06-	1	I249		V04	galvano silver F >>987U7 01426 F >>987U7 21120			
(16)	997 613 436 03	switching module multi-function with tiptronic lever	/R	1	I249		V04	galvano silver F >>987U7 01426 F >>987U7 21120			
						17	999 073 318 09	half-round screw M 4 X 10		2	
						18	A 997 613 445 01	electronic unit multi-function		1	I431/451 I452/453
						(18)	997 613 445 02	electronic unit multi-function F >>987U7 01426 F >>987U7 21120		1	I431/451 I452/453
						(18)	997 613 445 03	electronic unit multi-function F 987U7 01427>> F 987U7 21121>> use also: F >>987U7 01426 F >>987U7 21120 997.613.433.03 V04 997.613.434.03 V04 997.613.435.03 V04 997.613.436.03 V04 see technical manual group 91 6119 91 7719	/L /R /L /R	1	I480/481 I480/481 I249 I249
						19	997 347 880 00	retaining frame		1	
						20	999 141 022 09	round head screw M 5 X 12,5		4	
						21	997 347 821 00	cover		1	
							D07	volcano grey			
						22	N 910 207 01	screw M 18 X 1,5 X 26		1	
						23	997 347 804 40	sports steering wheel leather embossed		1	I435/480/481
							FOA	black			

Model	Year	MG	SG	Illustration	Restrictions	UPD	11:23	24.01.2010	PORSCHE	PET	PORSCHE
987	2008	4	03	403-05		248					

Pos	Part Number	Description	Remark	Qty	Model	Pos	Part Number	Description	Remark	Qty	Model
		FOB stone grey						FOQ cocoa/cocoa			
		FOC sand beige						FOR darkgrey natural/grey			
		FOD palmgreen						FOS brown nat./brown nat.			
		FOE sea blue						FSQ carrera red			
		FOF terracotta				(23)	997 347 804 51	sports steering wheel plain leather		1	I249/460
		FOG cocoa						FOK black/grey			
		FOH dark grey/natural						FOL stone grey/stone grey			
		FOJ brown/natural						FOM sand beige/sand beige			
		FSQ carrera red						FON palmgreen/palmgreen			
(23)	997 347 804 50	sports steering wheel leather embossed		1	I249/435			FOO sea blue/grey			
		FOA black						FOP terracotta/terracotta			
		FOB stone grey						FOQ cocoa/cocoa			
		FOC sand beige						FOR darkgrey natural/grey			
		FOD palmgreen						FOS brown nat./brown nat.			
		FOE sea blue						FSQ carrera red			
		FOF terracotta				(23)	997 347 804 91	sports steering wheel alcantara		1	I753/757
		FOG cocoa						A15 black			
		FOH dark grey/natural				(23)	997 347 804 93	sports steering wheel alcantara		1	I249/753 I249/757
		FOJ brown/natural						A15 black			
		N14 carrera red				(23)	997 347 980 00	sports steering wheel leather		1	IXPA/480
(23)	997 347 804 41	sports steering wheel plain leather		1	I460/480/481			A34 black			
		FOK black/grey						B24 stone grey			
		FOL stone grey/stone grey						D14 dark grey/natural			
		FOM sand beige/sand beige						E24 sea blue			
		FON palmgreen/palmgreen						J24 palmgreen			
		FOO sea blue/grey						M24 terracotta			
		FOP terracotta/terracotta						R24 cocoa			

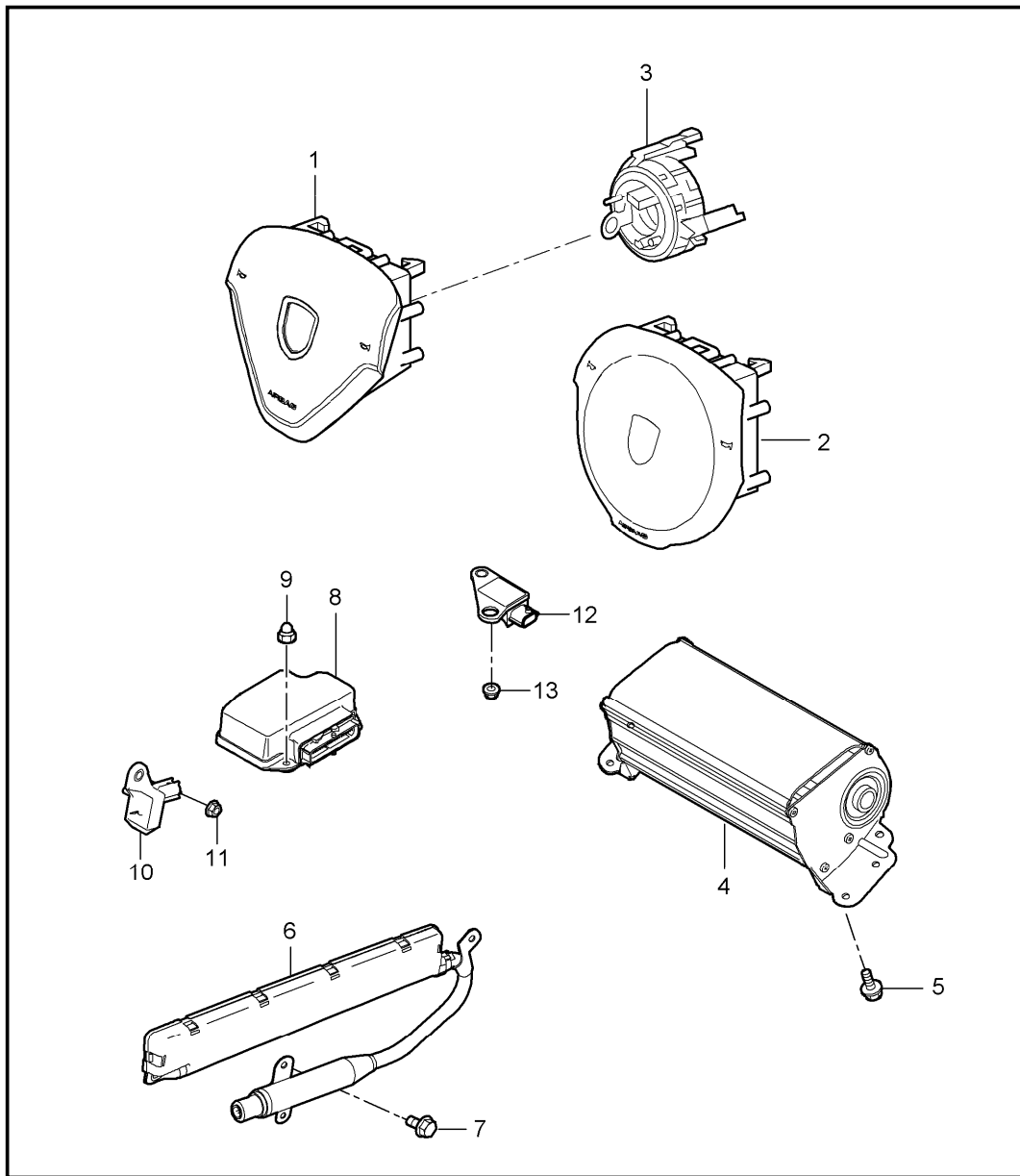
Model	Year	MG	SG	Illustration	Restrictions	UPD	11:23	24.01.2010	PORSCHE	PET	PORSCHE
987	2008	4	03	403-05		248					

Pos	Part Number	Description	Remark	Qty	Model	Pos	Part Number	Description	Remark	Qty	Model
	T24	sand beige				(24)	997 613 437 02	switching module with tiptronic lever	/L	06	1 I249
	T34	brown/natural					V04	galvano silver			
	N14	carrera red				(24)	997 613 437 03	switching module with tiptronic lever	/L	07-	1 I249
(23)	997 347 980 01	sports steering wheel leather		1	IXPA/432		V04	galvano silver			
	A34	black				(24)	997 613 438 00	switching module with tiptronic lever	/R	05	1 I249
	B24	stone grey					V04	galvano silver			
	D14	dark grey/natural				(24)	997 613 438 02	switching module with tiptronic lever	/R	06	1 I249
	E24	sea blue					V04	galvano silver			
	J24	palmgreen				(24)	997 613 438 03	switching module with tiptronic lever	/R	07-	1 I249
	M24	terracotta					V04	galvano silver			
	R24	cocoa				(24)	997 613 438 02	switching module with tiptronic lever	/R	06	1 I249
	T24	sand beige					V04	galvano silver			
	T34	brown/natural				(24)	997 613 438 03	switching module with tiptronic lever	/R	07-	1 I249
	N14	carrera red					V04	galvano silver			
(23)	997 347 804 53	sports steering wheel leather		1	I432/754		V04	galvano silver			
	VAH	carrera red				25	997 347 821 40	cover			1
	VAJ	dark grey/natural					V04	galvano silver			
(23)	997 347 804 43	sports steering wheel leather		1	I480/754	26	997 612 672 00	wiring harness 3-spoke steering wheel sports steering wheel without multi-function manual transmission			1 I480/481
	VAH	carrera red					V04	galvano silver			
	VAJ	dark grey/natural				27	997 612 674 00	wiring harness 3-spoke steering wheel sports steering wheel without multi-function tiptronic			1 I249
24	997 347 837 40	cover	/L	1	I480/481						
	V04	galvano silver									
(24)	997 347 838 40	cover	/R	1	I480/481						
	V04	galvano silver									
(24)	997 613 437 00	switching module with tiptronic lever	/L	05	I249						
	V04	galvano silver									

Model	Year	MG	SG	Illustration	Restrictions	UPD	11:23	24.01.2010	PORSCHE	PET	PORSCHE
987	2008	4	03	403-05		248					

Pos	Part Number	Description	Remark	Qty	Model	Pos	Part Number	Description	Remark	Qty	Model
28	997 612 673 00	wiring harness 3-spoke steering wheel with multi-function manual transmission tiptronic		1	I431/451 I452/453						

Model	Year	MG	SG	Illustration	Restrictions	UPD	11:23	24.01.2010	PORSCHE	PET	PORSCHE
987	2008	4	03	403-06		248					



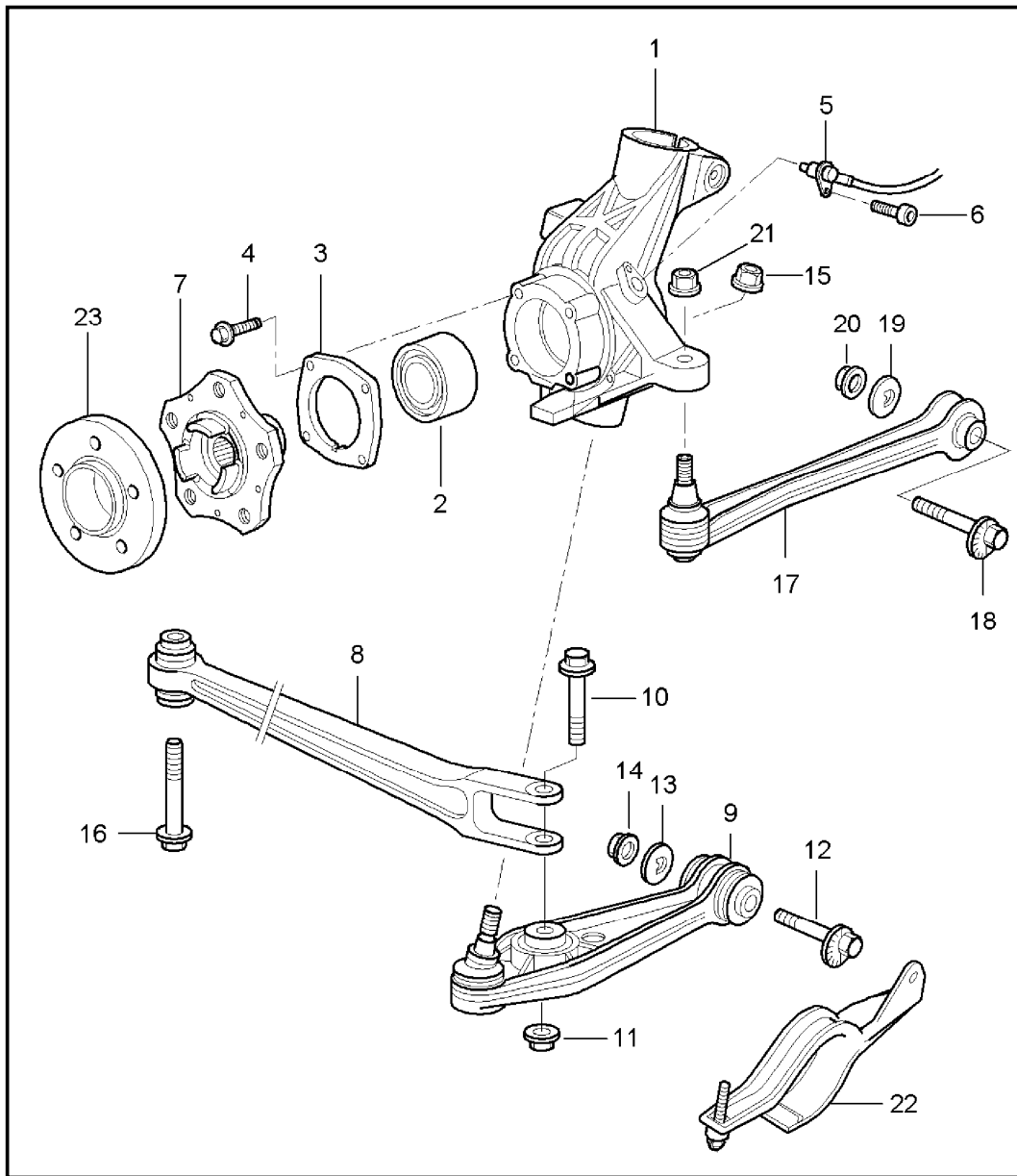
Pos	Part Number	Description	Remark	Qty	Model
1	997 803 089 13	airbag airbag unit 3-spoke steering wheel plastic material crest coloured  A32 black B22 stone grey T22 sand beige E22 sea blue J22 palmgreen M22 terracotta R32 cocoa T32 brown/natural N22 carrera red		1	I436
(1)	997 803 089 14	airbag unit 3-spoke steering wheel leather crest coloured  A34 black B24 stone grey T24 sand beige E24 sea blue J24 palmgreen M24 terracotta R24 cocoa D14 dark grey/natural T34 brown/natural N14 carrera red		1	I431/451 I452/453 I459/991
(2)	997 803 089 16	airbag unit A32 black B22 stone grey		1	I435



Model	Year	MG	SG	Illustration	Restrictions	UPD	11:23	24.01.2010	PORSCHE	PET	PORSCHE
987	2008	4	03	403-06		248					

Pos	Part Number	Description	Remark	Qty	Model	Pos	Part Number	Description	Remark	Qty	Model
	T22	sand beige				6	997 803 091 03	side airbag for head airbag	/L	1	
	E22	sea blue									
	J22	palmgreen				(6)	997 803 092 03	side airbag for head airbag	/R	1	
	M22	terracotta									
	R32	cocoa				7	900 378 035 01	hexagon-head bolt M 6 X 16		6	
	T32	brown/natural				8	A 997 618 217 06	control unit	05	1	
	N22	carrera red				(8)	997 618 217 07	control unit	06-	1	
(2)	997 803 089 17	airbag unit sports steering wheel leather crest coloured		1	I460/991	9	999 070 015 02	cap nut M 6		3	
	A34	black				10	997 618 221 00	sensor side airbag		2	
	B24	stone grey				11	999 084 629 09	hexagon nut M 6		8	
	T24	sand beige				12	997 618 223 01	acceleration sensor airbag front		2	
	E24	sea blue									
	J24	palmgreen				13	999 084 638 01	hexagon nut M 6 SB		2	
	M24	terracotta									
	R24	cocoa									
	D14	dark grey/natural									
	T34	brown/natural									
	N14	carrera red									
(2)	997 803 089 17	airbag unit leather		1	I754						
	D14	dark grey/natural									
	N14	carrera red									
3	955 652 211 11	spring with steering-angle sensor		1							
4	997 803 071 05	airbag unit passenger's side		1							
5	900 378 222 09	hexagon-head bolt M 6 X 16		4							

Model	Year	MG	SG	Illustration	Restrictions	UPD	11:23	24.01.2010	PORSCHE	PET	PORSCHE
987	2008	5	01	501-00		248					

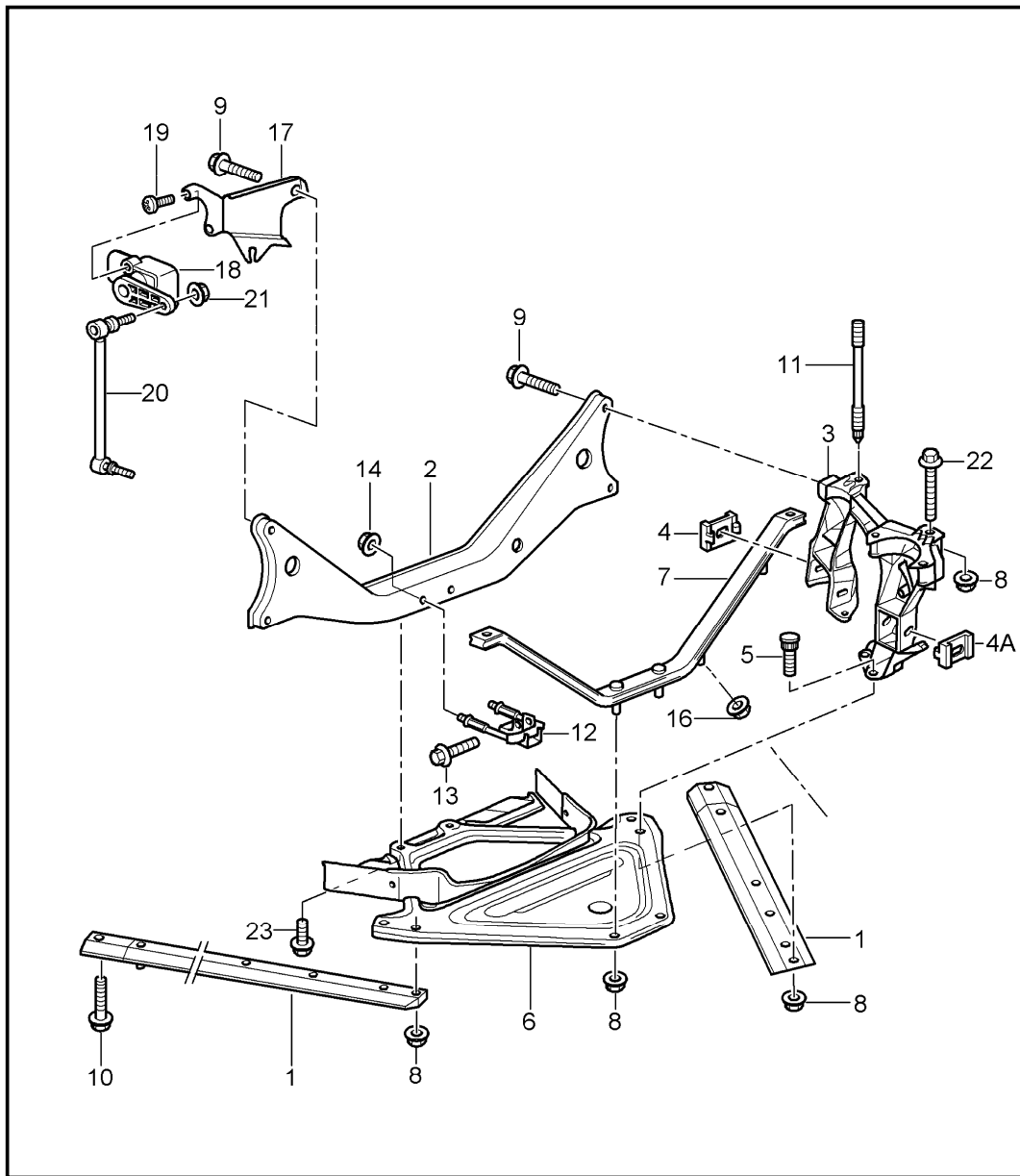


Pos	Part Number	Description	Remark	Qty	Model
		rear axle wheel carrier control arm wheel hub			
1	987 331 157 05	wheel carrier	/L	1	
(1)	987 331 158 05	wheel carrier	/R	1	
2	999 053 054 05	angular-contact bearing		2	
(3)	986 331 661 20	lid		2	
4	999 217 042 09	hexagon-head bolt M 8 X 35		8	
(5)	997 606 407 01	speed sensor		2	
6	900 067 117 09	pan-head screw M 6 X 16		2	
7	997 341 605 01	wheel hub		2	
8	987 331 043 02	control arm		2	
(9)	996 341 053 17	wishbone F >>986U7 03033 F >>986U7 22298		2	
(9)	997 331 053 01	wishbone F 986U7 03034>> F 986U7 22299>>		2	
10	A 900 378 135 09	hexagon-head bolt M 14 X 1,5 X 75		2	
(10)	900 378 135 01	hexagon-head bolt M 14 x 1,5 x 75		2	
11	A 900 380 012 09	hexagon nut M 14 X 1,5		2	
11	900 380 012 01	hexagon nut M 14 X 1,5		2	
(12)	996 331 217 03	eccentric screw M 12 X 100		2	
(12)	996 331 217 04	eccentric screw M 12 X 105 technical information group 4 Nr.4238 20/07		2	
13	996 331 219 00	eccentric washer		2	

Model	Year	MG	SG	Illustration	Restrictions	UPD	11:23	24.01.2010	PORSCHE	PET	PORSCHE
987	2008	5	01	501-00		248					

Pos	Part Number	Description	Remark	Qty	Model	Pos	Part Number	Description	Remark	Qty	Model
14	999 084 445 01	lock nut M 12 X 1,5		4							
15	999 084 449 09	hexagon nut M 12 X 1,5		2							
16	900 378 209 09	hexagon-head bolt M 14 X 1,5 X 90		2							
-	986 331 023 00	nut lock		2							
17	A 996 331 045 12	track rod	05	2							
(17)	997 331 045 04	track rod	06-	2							
18	996 331 217 02	eccentric screw M 12 X 83		2							
19	996 331 219 00	eccentric washer		2							
20	999 084 445 01	lock nut M 12 X 1,5		2							
21	999 084 449 09	hexagon nut M 12 X 1,5		2							
22	987 331 371 02	support	/L	2	I601						
23	997 361 605 90	spacer ring 5 mm		2	IXRP						

Model	Year	MG	SG	Illustration	Restrictions	UPD	11:24	24.01.2010	PORSCHE	PET	PORSCHE
987	2008	5	01	501-01		248					

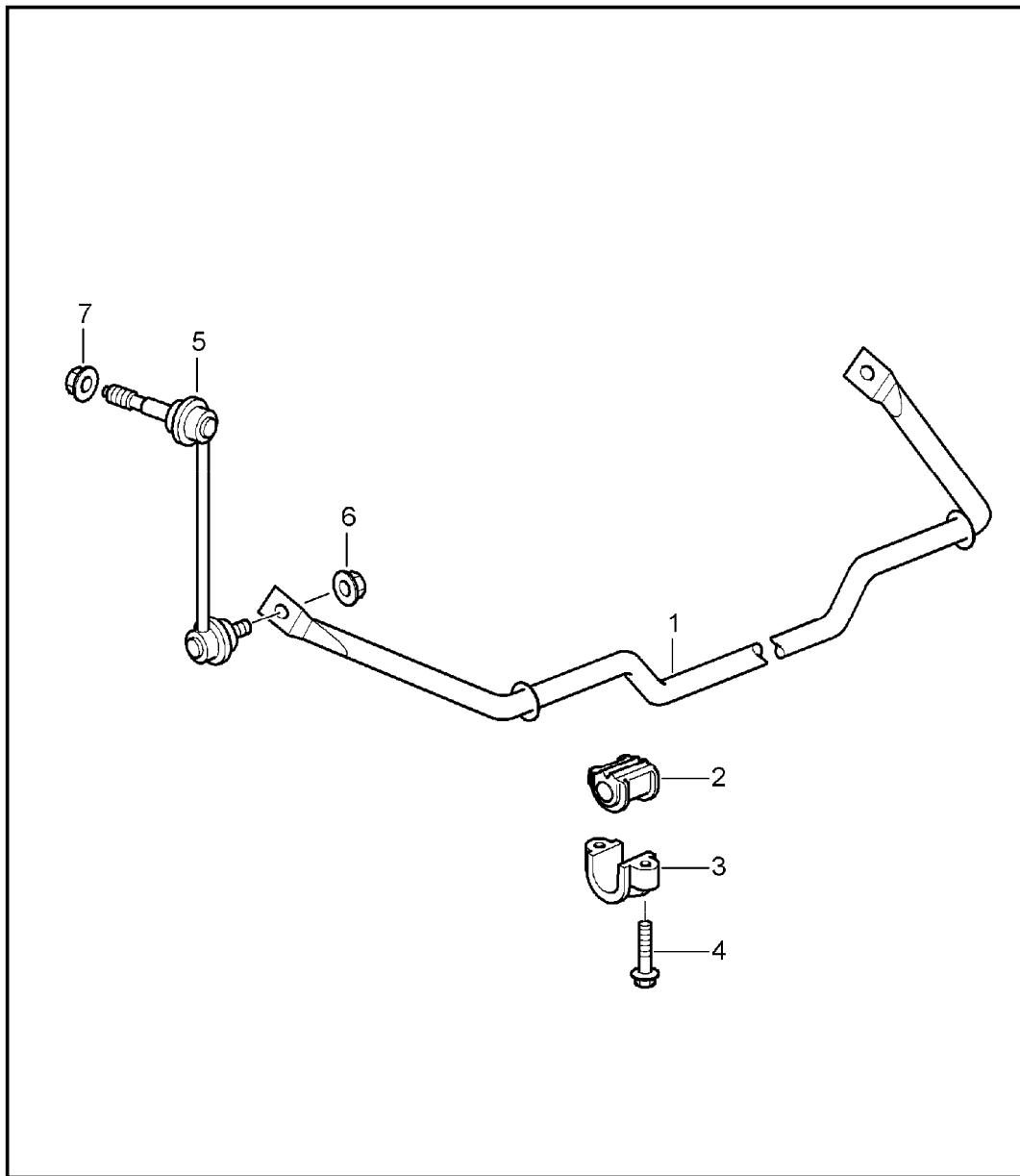


Pos	Part Number	Description	Remark	Qty	Model
		rear axle side section bracket			
1	986 331 031 01	strut F >>988U7 00750 F >>988U7 20549	/L	1	
(1)	987 331 031 20	strut F 988U7 00751>> F 988U7 20550>>	/L	1	
(1)	986 331 032 01	strut F >>988U7 00750 F >>988U7 20549	/R	1	
(1)	987 331 032 20	strut F 988U7 00751>> F 988U7 20550>>	/R	1	
2	986 331 071 10	cross member		1	
3	987 331 051 04	side section	/L	1	
(3)	987 331 052 04	side section technical information group 4 Nr.4238 20/07	/R	1	
4	986 331 351 01	clip		6	
5	999 080 031 09	fastening screw	-07	8	
(5)	999 080 031 01	fastening screw	08-	8	
6	987 331 161 02	bracket		1	I481
(6)	987 331 161 01	bracket		1	I249
(6)	987 331 161 00	bracket		1	I480
-	986 331 361 03	spoiler		2	
-	999 507 774 40	push button A 3,9		2	
-	999 507 775 40	push button B 3,9		2	
7	986 331 093 03	strut		1	
- A	999 072 032 09	hexagon-head bolt M 10 X 75		2	

Model	Year	MG	SG	Illustration	Restrictions	UPD	11:24	24.01.2010	PORSCHE	PET	PORSCHE
987	2008	5	01	501-01		248					

Pos	Part Number	Description	Remark	Qty	Model	Pos	Part Number	Description	Remark	Qty	Model
-	999 072 032 01	hexagon-head bolt M 10 x 75 POS.7 threaded joint body		1		(21)	900 380 015 01	hexagon nut VM 6		2	I601
8	999 076 053 09	hexagon nut M 10		14		22	999 217 165 09	hexagon-head bolt M 10 X 80		2	
(9)	999 072 037 09	hexagon-head bolt M 10 X 45		4		23	999 072 024 01	hexagon-head bolt M 10 x 25		2	
-	999 076 058 09	nut M 10 - 10 -26A1 in side section		8							
(10)	999 072 031 01	hexagon-head bolt M 10 x 45 F >>988U7 00750 F >>988U7 20549		2							
(10)	999 073 443 01	combination screw F 988U7 00751>> F 988U7 20550>>		2							
11 A	999 061 108 09	stud M 10 X 113		4							
(11)	999 061 108 01	stud M 10 X 113		4							
12	986 331 181 01	restraining cable		1							
13 A	900 378 107 09	hexagon-head bolt M 8 X 45		1							
(13)	900 378 107 01	hexagon-head bolt M 8 x 45		1							
14	900 380 005 09	hexagon nut M 8	-06	2							
(14)	999 084 457 01	hexagon nut M 8	07-	2							
17	987 331 611 01	support		1	I601						
18	997 631 121 00	sensor		1	I601						
19	N 014 129 12	oval-head screw M 5 X 10		2	I601						
20	987 331 375 00	strut		1	I601						
21 A	900 380 015 09	hexagon nut VM 6		2	I601						

Model	Year	MG	SG	Illustration	Restrictions	UPD	11:24	24.01.2010	PORSCHE	PET	PORSCHE
987	2008	5	01	501-03		248					

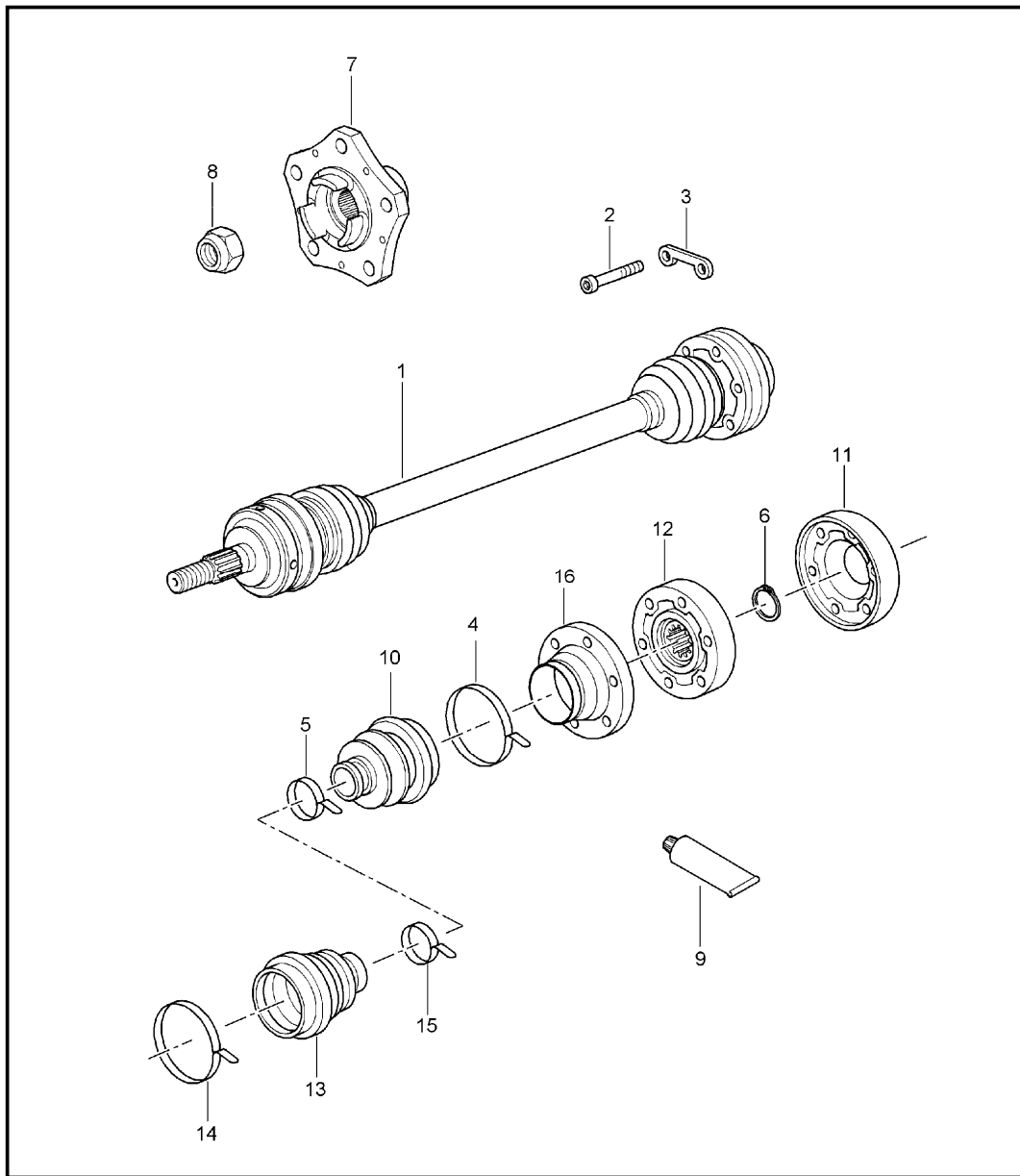


Pos	Part Number	Description	Remark	Qty	Model
		stabiliser			
1	A 987 333 701 01	stabiliser		1	I029
(1)	987 333 701 04	stabiliser		1	I029
(1)	A 987 333 701 02	stabiliser		1	I475
(1)	987 333 701 05	stabiliser		1	I475
2	996 333 792 28	stabiliser mounting		2	I029
(2)	996 333 792 25	stabiliser mounting		2	I475
3	996 333 777 01	bearing clamp		2	
4	900 378 055 01	hexagon-head bolt AM 8 X 40		4	
5	997 343 069 00	stabiliser mounting see technical manual group 4 NR.429019	/L	1	
(5)	997 343 069 01	stabiliser mounting see technical manual group 4 NR.429019	/L	1	
(5)	997 343 070 00	stabiliser mounting see technical manual group 4 NR.429019	/R	1	
(5)	997 343 070 01	stabiliser mounting see technical manual group 4 NR.429019	/R	1	
6	999 084 643 09	hexagon nut M 10 see technical manual group 4 NR.429019		2	
(6)	999 084 123 09	hexagon nut M 10 see technical manual group 4 NR.429019		2	
7	999 084 445 01	lock nut M 12 see technical manual group 4 NR.429019		2	

Model	Year	MG	SG	Illustration	Restrictions	UPD	11:24	24.01.2010	PORSCHE	PET	PORSCHE
987	2008	5	01	501-03		248					

Pos	Part Number	Description	Remark	Qty	Model	Pos	Part Number	Description	Remark	Qty	Model
(7)	999 084 123 09	hexagon nut M 10 see technical manual group 4 NR.429019		2							

Model	Year	MG	SG	Illustration	Restrictions	UPD	11:24	24.01.2010	PORSCHE	PET	PORSCHE
987	2008	5	01	501-05		248					



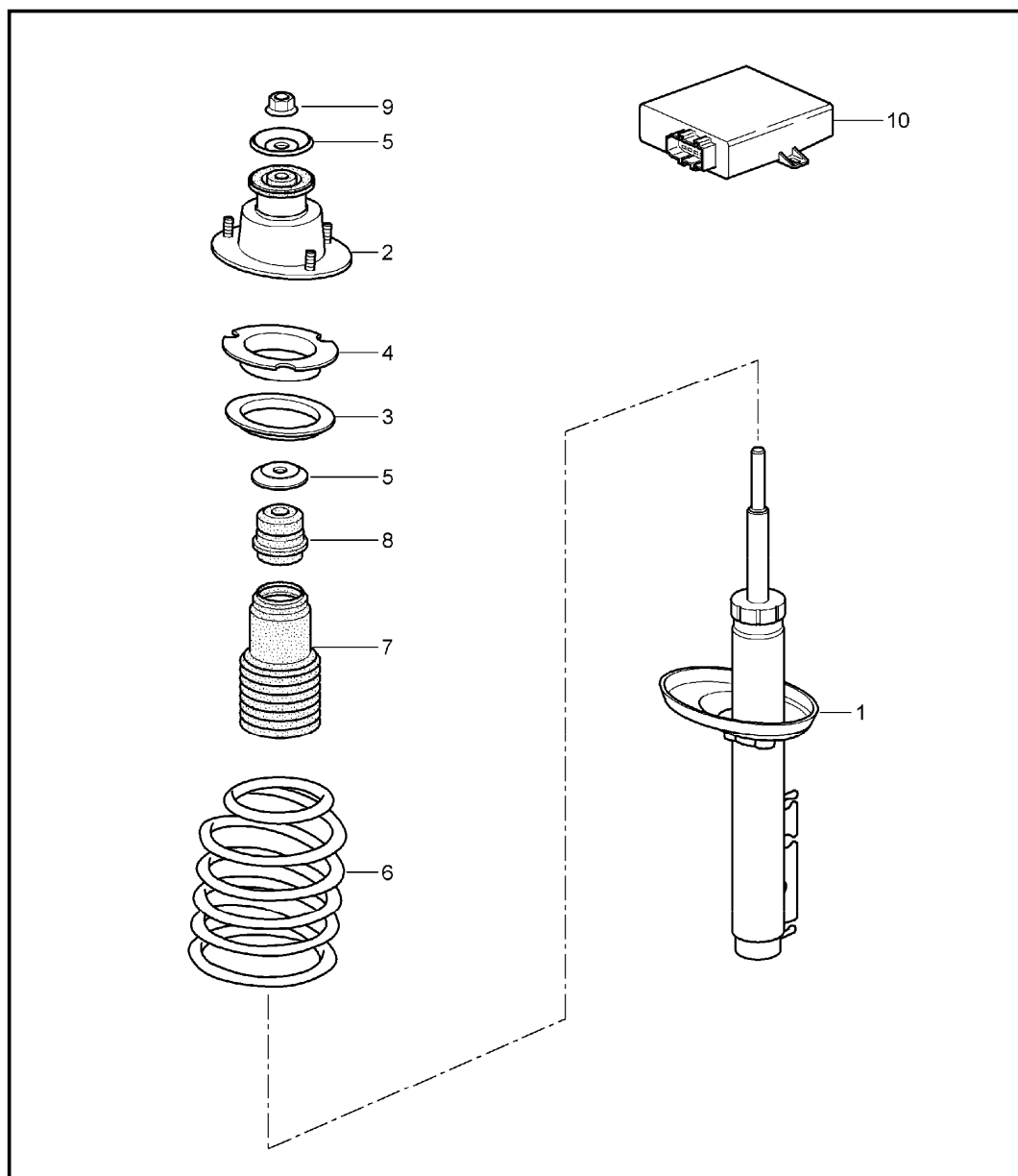
Pos	Part Number	Description	Remark	Qty	Model
1	987 332 024 05	drive shaft wheel hub	/L	2	BOXSTER I481
(1)	987 332 024 04	drive shaft	/R	1	BOXSTER I481
(1)	987 332 024 23	drive shaft	/L	1	I480
(1)	987 332 024 24	drive shaft	/R	1	I480
(1)	987 332 024 06	drive shaft		2	BOXSTER I249
(1)	987 332 024 25	drive shaft		2	BOXSTER S I249
2	N 909 417 01	pan-head screw M 10 X 45		12	BOXSTER I481
(2) A	900 067 229 09	pan-head screw M 10 X 48,4		12	I480
(2)	900 067 229 01	pan-head screw M 10 X 48,4		12	I480
(2)	986 332 190 00	pan-head screw M 8 X 44		X	BOXSTER I249
(2)	N 909 417 01	pan-head screw M 10 x 45		X	BOXSTER I249
(2) A	900 067 298 09	pan-head screw M 10 X 46,5		12	BOXSTER S I249
(2)	900 067 298 02	pan-head screw M 10 X 46,5		12	BOXSTER S I249
3	986 332 191 00	plate		6	BOXSTER
(3)	996 332 191 00	plate		6	BOXSTER S
4	996 332 957 00	clip 73 MM		2	
5	996 332 257 00	clip 34 MM		2	
6	900 041 014 00	circlip		2	
7	997 341 605 01	wheel hub		2	
8	999 084 641 02	lock nut		2	



Model	Year	MG	SG	Illustration	Restrictions	UPD	11:24	24.01.2010	PORSCHE	PET	PORSCHE
987	2008	5	01	501-05		248					

Pos	Part Number	Description	Remark	Qty	Model	Pos	Part Number	Description	Remark	Qty	Model
9	000 043 110 01	grease 1 100-gramme tube		X							
(9)	000 043 205 36	sealing compound 1 100-gramme tube		X							
10	996 332 293 00	dust bellows		2							
11 A	986 332 267 00	lid		2	BOXSTER						
11	987 332 267 00	lid		2	BOXSTER						
(11)	928 332 267 01	lid		2	BOXSTER S						
12	986 332 030 00	joint		2	BOXSTER						
(12)	996 332 030 00	joint		2	BOXSTER S						
13	996 332 293 00	dust bellows		2							
14	996 332 957 00	clip		2							
15	996 332 257 00	clip		2							
16	986 332 259 00	support		2	BOXSTER						
(16)	996 332 259 00	support		2	BOXSTER S						

Model	Year	MG	SG	Illustration	Restrictions	UPD	11:24	24.01.2010	PORSCHE	PET	PORSCHE
987	2008	5	02	502-00		248					



Pos	Part Number	Description	Remark	Qty	Model
1	A 987 333 051 04	shock absorber coil spring		2	I029
(1)	A 987 333 051 11	shock absorber - bilstein -		2	I029
(1)	987 333 051 14	shock absorber - bilstein -		2	I029
(1)	A 987 333 053 07	vibration damper - bilstein -		2	I475/481
(1)	A 987 333 053 12	vibration damper - bilstein -		2	I475/481
(1)	987 333 053 20	vibration damper - bilstein -		2	I475/481
(1)	A 987 333 053 08	vibration damper - bilstein -		2	I249/475
(1)	A 987 333 053 14	vibration damper - bilstein -		2	I249/475
(1)	987 333 053 21	vibration damper - bilstein -		2	I249/475
-	900 380 005 09	mount shock absorber hexagon nut M 8		6	
-	999 084 445 01	lock nut M 12 X 1,5		2	
(2)	986 333 059 06	supporting mount	-08	2	
-	999 703 543 40	lid supporting mount		2	
3	986 333 504 02	compensating plate 3,0 MM		X	
(3)	986 333 504 03	compensating plate 6,0 MM		X	
4	986 333 509 02	ring		2	
5	997 343 107 01	stop plate		4	I029
(5)	997 343 107 00	stop plate upper		2	I475

Model	Year	MG	SG	Illustration	Restrictions	UPD	11:24	24.01.2010	PORSCHE	PET	PORSCHE
987	2008	5	02	502-00		248					

Pos	Part Number	Description	Remark	Qty	Model	Pos	Part Number	Description	Remark	Qty	Model
(5)	997 343 107 01	stop plate lower		2	I475		504	identification rapeseed yellow violet F 985S7 00097>> F 985U7 01697>>			
6	987 333 531 19	coil spring 1 set		1	BOXSTER I029/481	(6)	987 333 531 20	coil spring 1 set		1	BOXSTER S I029/480
	504	identification rapeseed yellow white F >>985S7 00096 F >>985U7 01696					504	identification rapeseed yellow red F >>985S7 20067 F >>985S7 20071			
(6)	987 333 531 53	coil spring 1 set		1	BOXSTER I029/481	(6)	987 333 531 49	coil spring 1 set		1	BOXSTER S I029/480
	504	identification rapeseed yellow white F 985S7 00097>> F 985U7 01697>>					504	identification rapeseed yellow red F 985S7 20068>> F 985S7 20072>>			
(6)	987 333 531 19	coil spring 1 set		1	BOXSTER I029/480	(6)	987 333 531 22	coil spring 1 set		1	BOXSTER S I029/249
	504	identification rapeseed yellow white F >>985S7 00096 F >>985U7 01696					504	identification rapeseed yellow green F >>985S7 20067 F >>985S7 20071			
(6)	987 333 531 53	coil spring 1 set		1	BOXSTER I029/480	(6)	987 333 531 50	coil spring 1 set		1	BOXSTER S I029/249
	504	identification rapeseed yellow white F 985S7 00097>> F 985U7 01697>>					504	identification rapeseed yellow green F 985S7 20068>> F 985S7 20072>>			
(6)	987 333 531 27	coil spring 1 set		1	BOXSTER I029/480	(6)	987 333 531 29	coil spring 1 set		1	I475/481
	504	identification rapeseed yellow violet F >>985S7 00096 F >>985U7 01696					504	identification silver violet F >>985S7 00086 F >>985S7 00096 F >>985U7 01696			
(6)	987 333 531 48	coil spring 1 set		1	BOXSTER I029/249						

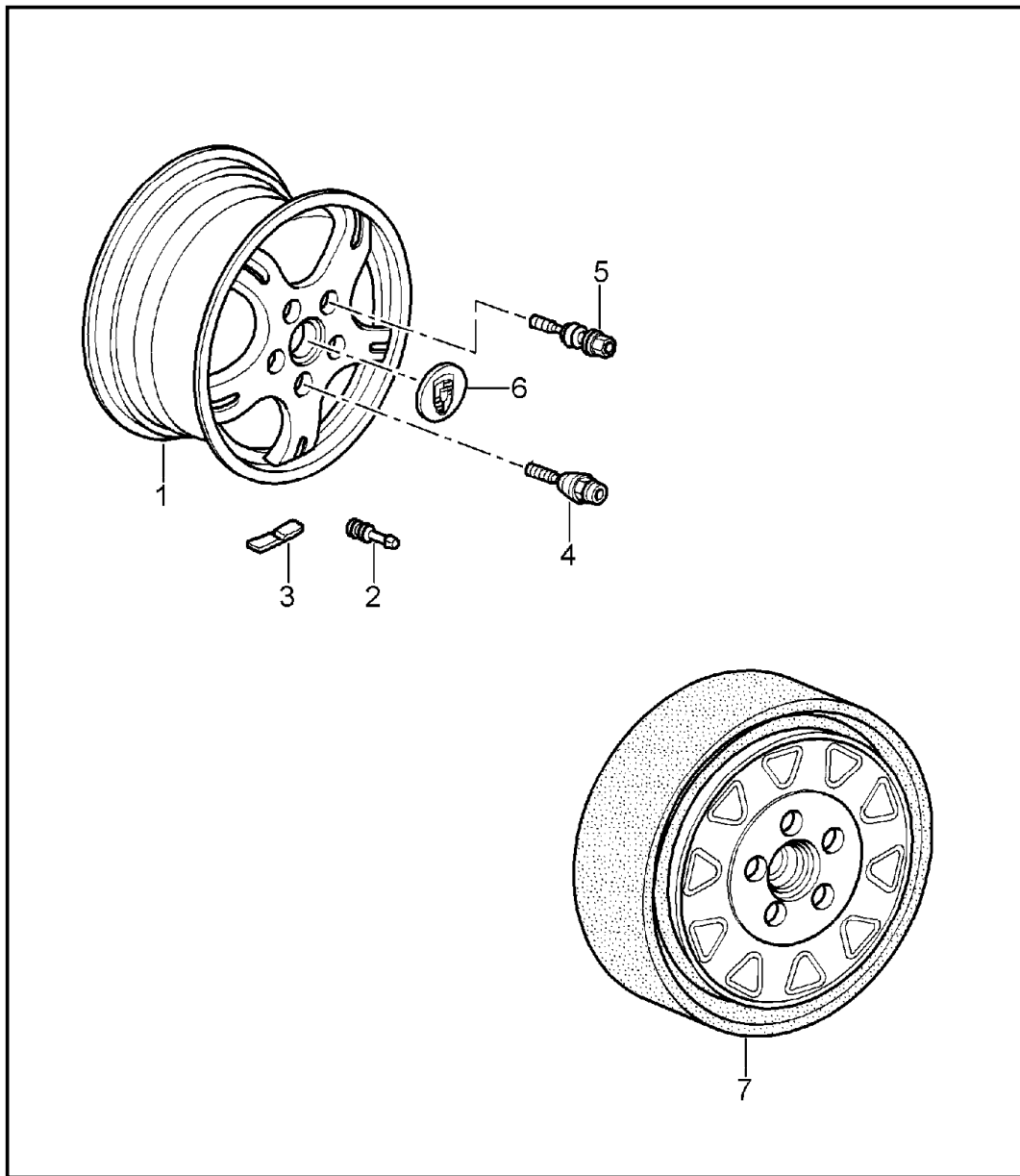
Model	Year	MG	SG	Illustration	Restrictions	UPD	11:24	24.01.2010	PORSCHE	PET	PORSCHE
987	2008	5	02	502-00		248					

Pos	Part Number	Description	Remark	Qty	Model	Pos	Part Number	Description	Remark	Qty	Model
(6) A	987 333 531 51	coil spring 1 set		1	I475/481		504	identification silver violet F 985S7 00087>> F 985S7 00097>> F 985U7 01697>> F 985S7 20068>> F 985S7 20072>> F 985U7 21762>>			
	504	identification silver violet F 985S7 00087>> F 985S7 00097>> F 985U7 01697>>				(6)	987 333 531 30	coil spring 1 set		1	I249/475
	504	identification silver violet F 985S7 00087>> F 985S7 00097>> F 985U7 01697>>					504	identification pink red F >>985S7 00086 F >>985S7 00096 F >>985U7 01696 F >>985S7 20067 F >>985S7 20071 F >>985U7 21761			
(6)	987 333 531 62	coil spring 1 set		1	I475/481						
	504	identification silver violet F >>985S7 00086 F >>985S7 00096 F >>985U7 01696 F >>985S7 20067 F >>985S7 20071 F >>985U7 21761				(6) A	987 333 531 29	coil spring 1 set		1	I475/480
	504	identification silver violet F >>985S7 00086 F >>985S7 00096 F >>985U7 01696 F >>985S7 20067 F >>985S7 20071 F >>985U7 21761					504	identification pink red F 985S7 00087>> F 985S7 00097>> F 985U7 01697>> F 985S7 20068>> F 985S7 20072>> F 985U7 21762>>			
(6) A	987 333 531 51	coil spring 1 set		1	I475/480						
	504	identification silver violet F 985S7 00087>> F 985S7 00097>> F 985U7 01697>> F 985S7 20068>> F 985S7 20072>> F 985U7 21762>>				(6)	987 333 531 52	coil spring 1 set		1	I249/475
	504	identification pink red F 985S7 00087>> F 985S7 00097>> F 985U7 01697>> F 985S7 20068>> F 985S7 20072>> F 985U7 21762>>					504	identification pink red F 985S7 00087>> F 985S7 00097>> F 985U7 01697>> F 985S7 20068>> F 985S7 20072>> F 985U7 21762>>			
(6) A	987 333 531 51	coil spring 1 set		1	I475/480						
	504	identification silver violet F 985S7 00087>> F 985S7 00097>> F 985U7 01697>> F 985S7 20068>> F 985S7 20072>> F 985U7 21762>>				(6)	987 333 531 63	coil spring 1 set		1	I249/475
	504	identification pink red F 985S7 00087>> F 985S7 00097>> F 985U7 01697>> F 985S7 20068>> F 985S7 20072>> F 985U7 21762>>					504	identification pink red F 985S7 00087>> F 985S7 00097>> F 985U7 01697>> F 985S7 20068>> F 985S7 20072>> F 985U7 21762>>			
(6)	987 333 531 62	coil spring 1 set		1	I475/480						
						7	986 333 505 01	bellows		1	
						8	986 333 301 01	additional spring		05	1
						(8)	987 333 301 00	additional spring		06-	1
						9 A	900 380 012 09	hexagon nut M 14 X 1,5		2	I029

Model	Year	MG	SG	Illustration	Restrictions	UPD	11:24	24.01.2010	PORSCHE	PET	PORSCHE
987	2008	5	02	502-00		248					

Pos	Part Number	Description	Remark	Qty	Model	Pos	Part Number	Description	Remark	Qty	Model
9	900 380 012 01	hexagon nut M 14 X 1,5		2	I029						
(9)	999 084 645 09	hexagon nut M 14 X 1,5		2	I475						
10	987 618 105 05	control unit	05	1	I475						
(10)	987 618 105 09	control unit	-07	1	I475						
(10)	987 618 105 10	control unit	08-	1	I475						
-	997 618 205 00	support for control unit		1	I475						
11	997 606 111 01	acceleration sensor body		1	I475						
12	987 606 235 00	support for acceleration sensor		1	I475						

Model	Year	MG	SG	Illustration	Restrictions	UPD	11:24	24.01.2010	PORSCHE	PET	PORSCHE
987	2008	6	01	601-00		248					



Pos	Part Number	Description	Remark	Qty	Model
		wheels			
1	987 362 122 05	disc wheel 6,5 J X 17 ET 55	/V	2	I393
(1)	987 362 136 00	disc wheel 8 J X 18 ET 57	/V	2	I397
(1)	987 362 122 06	disc wheel 6,5 J X 17 ET 55	/V	2	I398
(1)	987 362 136 01	disc wheel 8 J X 18 ET 57	/V	2	I401
(1)	997 362 156 01	disc wheel S+M 8 J X 19 ET 57	/V	2	I403
(1)	997 362 156 00	disc wheel BBS 8 J x 19 Et 57	/V	2	I403
(1)	997 362 156 02	disc wheel 8 J x 19 Et 57	/V 07-	2	I404
(1)	997 362 156 03	disc wheel 8 J X 19 ET 57	/V	2	I405
(1)	997 362 156 04	disc wheel 8 J X 19 ET 57	/V	2	I407
(1)	997 362 156 55	disc wheel 8.5 J x 19 Et 55	/V	2	IXRR
(1)	987 362 126 00	disc wheel 8 J X 17 ET 40	/H	2	I393
(1)	987 362 138 00	disc wheel 9 J X 18 ET 43	/H	2	I397
(1)	987 362 126 01	disc wheel 8 J X 17 ET 40	/H	2	I398

Model	Year	MG	SG	Illustration	Restrictions	UPD	11:24	24.01.2010	PORSCHE	PET	PORSCHE
987	2008	6	01	601-00		248					

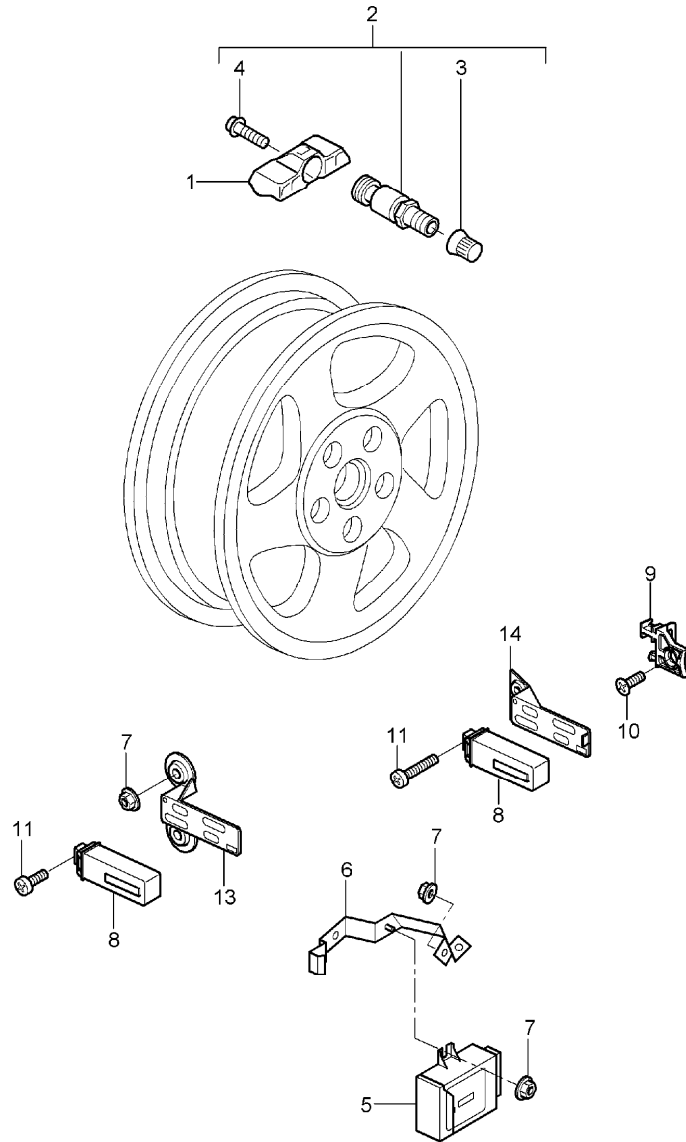
Pos	Part Number	Description	Remark	Qty	Model	Pos	Part Number	Description	Remark	Qty	Model
(1)	987 362 138 01	disc wheel 9 J X 18 ET 43	/H	2	I401	(3)	1K0 601 184 C	balance stick-on weight 30 G.		05	X
(1)	997 362 158 05	disc wheel 9,5 J X 19 ET 46	/H	2	I403	(3)	997 361 430 00	balance stick-on weight 30 G.		06-	X
(1)	997 362 158 08	disc wheel 9,5 J x 19 ET 46	/H	07-	2 I404	(3)	1K0 601 185 C	balance stick-on weight 35 G.		05	X
(1)	997 362 158 06	disc wheel 9,5 J X 19 ET 46	/H	2	I405	(3)	997 361 435 00	balance stick-on weight 35 G.		06-	X
(1)	997 362 158 07	disc wheel 9,5 J X 19 ET46	/H	2	I407	(3)	1K0 601 186 C	balance stick-on weight 40 G.		05	X
(1)	997 362 160 50	disc wheel 10 J x 19 ET 42	/H	2	IXRR	(3)	997 361 440 00	balance stick-on weight 40 G.		06-	X
2	900 265 001 50	rubber valve rubber		4		(3)	1K0 601 187 C	balance stick-on weight 45 G.		05	X
3	1K0 601 178 C	balance stick-on weight 5 G.		05	X	(3)	997 361 445 00	balance stick-on weight 45 G.		06-	X
(3)	997 361 405 00	balance stick-on weight 5 G.		06-	X	(3)	1K0 601 188 C	balance stick-on weight 50 G.		05	X
(3)	1K0 601 179 C	balance stick-on weight 10 G.		05	X	(3)	997 361 450 00	balance stick-on weight 50 G.		06-	X
(3)	997 361 410 00	balance stick-on weight 10 G.		06-	X	(3)	1K0 601 189 C	balance stick-on weight 55 G.		05	X
(3)	1K0 601 181 C	balance stick-on weight 15 G.		05	X	(3)	997 361 455 00	balance stick-on weight 55 G.		06-	X
(3)	997 361 415 00	balance stick-on weight 15 G.		06-	X	(3)	1K0 601 190 C	balance stick-on weight 60 G.		05	X
(3)	1K0 601 182 C	balance stick-on weight 20 G.		05	X	(3)	997 361 460 00	balance stick-on weight 60 G.		06-	X
(3)	997 361 420 00	balance stick-on weight 20 G.		06-	X	(3)	997 361 465 00	balance stick-on weight 65 G.			X
(3)	1K0 601 183 C	balance stick-on weight 25 G.		05	X	(3)	997 361 470 00	balance stick-on weight 70 G.			X
(3)	997 361 425 00	balance stick-on weight 25 G.		06-	X	(3)	997 361 475 00	balance stick-on weight 75 G.			X
(3)	997 361 425 00	balance stick-on weight 25 G.		06-	X	(3)	997 361 480 00	balance stick-on weight 80 G.			X
						(3)	997 361 485 00	balance stick-on weight 85 G.			X

Model	Year	MG	SG	Illustration	Restrictions	UPD	11:24	24.01.2010	PORSCHE	PET	PORSCHE
987	2008	6	01	601-00		248					

Pos	Part Number	Description	Remark	Qty	Model	Pos	Part Number	Description	Remark	Qty	Model
(3)	997 361 490 00	balance stick-on weight 90 G.		X			9A1	silver special model crest coloured paint it is necessary to rework			
(4) A	996 361 057 02	set anti-theft protection 1 set		1							
(4)	997 361 057 02	set anti-theft protection 1 set		1		-	955 722 631 00	compressed air bottle		1	
(4) A	997 361 057 00	set anti-theft protection 1 set	(GB)	1	I444	7	996 362 020 04	emergency wheel		1	I447
(4)	997 361 057 01	set anti-theft protection 1 set	(GB)	1	I444	-	996 361 411 00	belt for emergency wheel		1	I447
(4)	997 361 980 09	set anti-theft protection 1 set	(GB)	1	IXRP/444	-	999 914 001 40	plastic gloves		1	I447
5	996 361 203 02	wheel bolt		X		-	997 652 051 00	compressor for emergency wheel	-07	1	
(5)	996 361 980 00	wheel bolt		X	IXRP	-	997 652 055 00	compressor for emergency wheel	08-	1	
6	955 361 303 00	hub cap		4							
	9A1	silver									
(6)	955 361 303 05	hub cap		4	I446						
	9A1	silver									
(6)	997 361 303 01	hub cap crest coloured silver		4	IXRR						
(6)	997 361 305 00	hub cap	07-	4	I404						
(6) U	997 361 303 00	hub cap		4	I757						
	B9A	carrara white special model crest coloured									
(6) U	997 361 303 04	hub cap		4	I757						
	B9A	carrara white special model crest coloured									
(6)	955 361 303 20	hub cap		4	I757						



Model	Year	MG	SG	Illustration	Restrictions	UPD	11:25	24.01.2010	PORSCHE	PET	PORSCHE
987	2008	6	01	601-05		248					

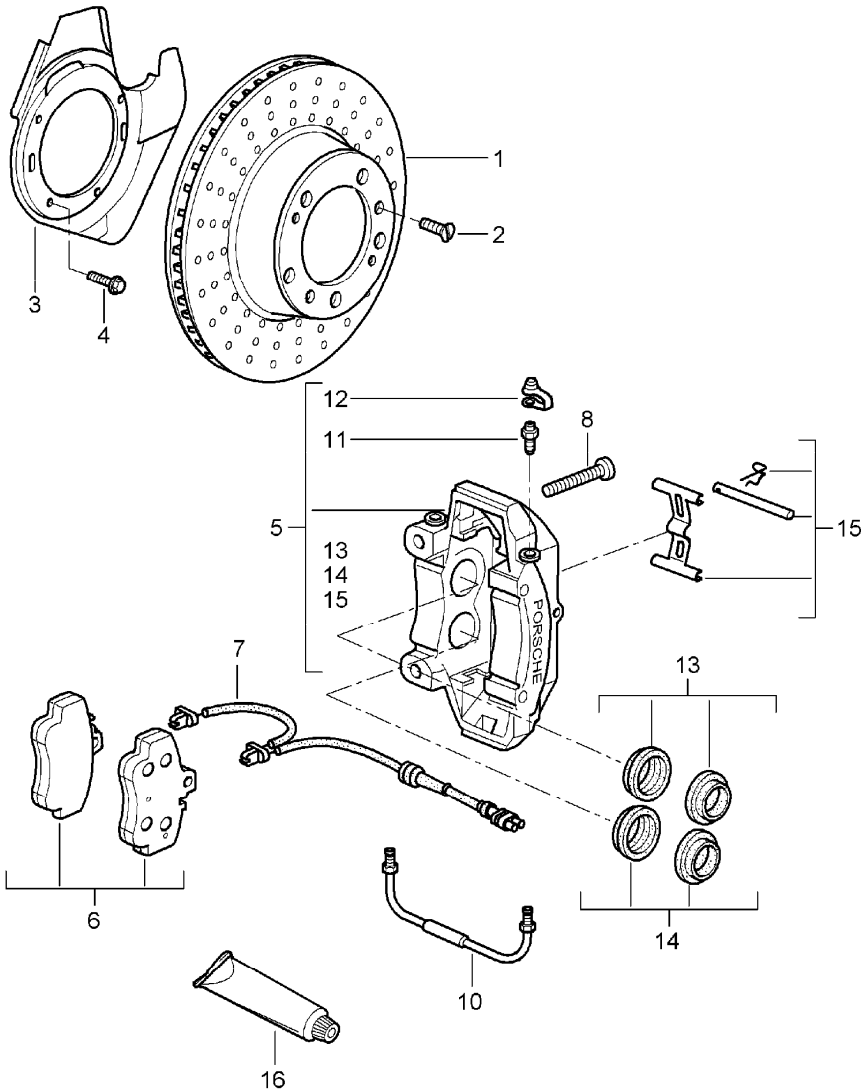


Pos	Part Number	Description	Remark	Qty	Model
		tyre pressure monitoring			I482/483
1	997 606 021 00	sensor tyre pressure monitoring use also: 955.361.053.00	-07	4	I482
(1)	997 606 021 01	sensor tyre pressure monitoring use also: 955.361.053.00	08-	4	I482
(1)	997 606 023 00	sensor tyre pressure monitoring use also: 955.361.053.00	-07	4	I483
(1)	997 606 023 01	sensor tyre pressure monitoring use also: 955.361.053.00	08-	4	I483
(1)	997 606 025 00	sensor tyre pressure monitoring use also: 955.361.053.00		4	I483 I074/193
2	955 361 053 00	valve aluminium		4	
3	N 908 729 01	cap		4	
4	4D0 601 365	fastening screw		4	
5	997 618 103 06	control unit		1	
6	997 618 203 00	support control unit		1	
7	999 076 081 40	plastic nut T5 16 X 11, 2		7	
8	997 606 101 00	antenna 433 MHZ		4	I482
(8)	997 606 103 00	antenna 315 MHZ		4	I483
11	999 919 023 09	oval-head screw M 5 X 35		4	
13	997 606 141 00	support antenna front		2	

Model	Year	MG	SG	Illustration	Restrictions	UPD	11:25	24.01.2010	PORSCHE	PET	PORSCHE
987	2008	6	01	601-05		248					

Pos	Part Number	Description	Remark	Qty	Model	Pos	Part Number	Description	Remark	Qty	Model
14	997 606 131 00	support antenna rear axle		2							

Model	Year	MG	SG	Illustration	Restrictions	UPD	11:25	24.01.2010	PORSCHE	PET	PORSCHE
987	2008	6	02	602-00		248					



Pos	Part Number	Description	Remark	Qty	Model
		disc brake front axle			
		brake disc only in pairs replace technical manual attention			I450
1	987 351 401 01	brake disc	/L	1	
(1)	996 351 405 01	brake disc	/L	1	BOXSTER S
(1) >	996 351 031 03	brake disc	/L	-07	1 BOXSTER S I450
(1) >	996 351 031 04	brake disc	/L	08-	1 BOXSTER S I450
(1)	987 351 402 01	brake disc	/R	1	
(1)	996 351 406 01	brake disc	/R	1	BOXSTER S
(1) >	996 351 032 03	brake disc	/R	-07	1 BOXSTER S I450
(1) >	996 351 032 04	brake disc	/R	08-	1 BOXSTER S I450
2	A 900 269 047 09	countersunk-head screw M 6 X 12		4	
2	900 269 047 01	countersunk-head screw M 6 X 12		4	
(3)	997 351 801 02	cover plate	/L	1	
(3)	997 351 802 02	cover plate	/R	1	
(3)	997 351 805 05	cover plate	/L	1	I450
(3)	997 351 806 05	cover plate	/R	1	I450
4	999 217 116 09	hexagon-head bolt M 6 X 16		X	
5	986 351 421 03	fixed calliper without pad	/L	1	
(5)	996 351 425 11	fixed calliper without pad	/L	1	BOXSTER S
(5)	996 351 431 30	fixed calliper without pad	/L	-07	1 BOXSTER S I450

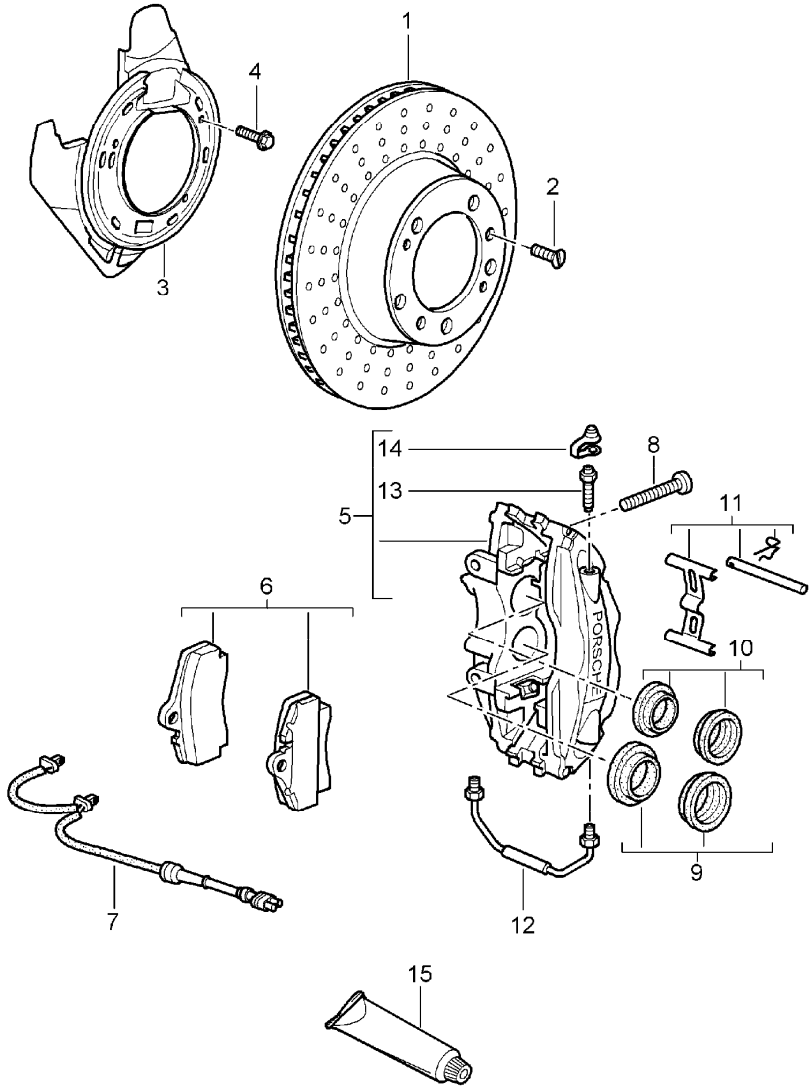
Model	Year	MG	SG	Illustration	Restrictions	UPD	11:25	24.01.2010	PORSCHE	PET	PORSCHE
987	2008	6	02	602-00		248					

Pos	Part Number	Description	Remark	Qty	Model	Pos	Part Number	Description	Remark	Qty	Model
(5)	996 351 431 31	fixed calliper without pad	/L 08-	1	BOXSTER S I450	- A	996 351 088 01	damping plate		4	BOXSTER S
(5)	986 351 422 03	fixed calliper without pad	/R	1		-	996 351 088 02	damping plate		4	BOXSTER S
(5)	996 351 426 11	fixed calliper without pad	/R	1	BOXSTER S	- A	996 352 086 01	damping plate see technical manual group 46 34 20 F >>986U7 22485		12	BOXSTER S I450
(5)	996 351 432 30	fixed calliper without pad	/R -07	1	BOXSTER S I450	-	996 352 086 02	damping plate see technical manual group 46 34 20 F >>986U7 22485		12	BOXSTER S I450
(5)	996 351 432 31	fixed calliper without pad	/R 08-	1	BOXSTER S I450						
(6) A	987 351 939 02	brake pad repair set		1	BOXSTER	7	997 612 755 00	warning contact	/L	2	BOXSTER
(6)	987 351 939 03	brake pad repair set		1	BOXSTER	(7)	997 612 757 00	warning contact	/R	2	BOXSTER
(6)	997 351 939 05	brake pad repair set use also: 997.612.756.00 997.612.759.00 955.352.960.00 see technical manual group 46 Nr.3619		1 1 1	BOXSTER S	(7)	997 612 756 00	warning contact see technical manual group 46 3619	/L	2	BOXSTER S
(6) A	996 351 947 01	brake pad repair set see technical manual group 46 34 20 use also: mounting parts F >>986U7 22485		1	BOXSTER S I450	(7)	997 612 675 01	warning contact	/L	1	BOXSTER S I450
(6) A	997 351 948 00	brake pad repair set see technical manual group 46 34 20 use also: mounting parts F 986U7 22486>>		1	BOXSTER S I450	(7)	997 612 679 00	warning contact	/R	1	BOXSTER S I450
(6)	997 351 948 01	brake pad repair set see technical manual group 46 34 20 use also: mounting parts F 986U7 22486>>		1	BOXSTER S I450	8 A	999 067 041 09	pan-head screw M 12 X 1,5 X 72		4	
- A	987 351 088 00	damping plate		4	BOXSTER	8	999 067 041 01	pan-head screw M 12 X 1,5 X 72		4	
-	987 351 088 01	damping plate		4	BOXSTER	(8)	999 067 047 09	pan-head screw M 12 X 1,5 X 85		4	BOXSTER S I450
						-	944 612 627 00	line bracket for warning contact		2	
						10	996 352 962 00	connecting line	/L	1	
						(10)	996 352 961 00	connecting line	/R	1	
						(10)	996 351 961 00	connecting line	/L	1	BOXSTER S
						(10)	996 351 962 00	connecting line	/R	1	BOXSTER S

Model	Year	MG	SG	Illustration	Restrictions	UPD	11:25	24.01.2010	PORSCHE	PET	PORSCHE
987	2008	6	02	602-00		248					

Pos	Part Number	Description	Remark	Qty	Model	Pos	Part Number	Description	Remark	Qty	Model
(10)	996 351 961 30	connecting line		2	BOXSTER S I450						
11	930 351 919 00	ventilation valve		2							
12	930 351 927 00	dust boot		2							
13	951 351 917 01	repair kit protection caps 40 MM \$		2							
14	951 351 917 00	repair kit protection caps 36 MM \$		2							
13	996 351 915 01	repair kit protection caps 38 MM \$		2	BOXSTER S I450						
14	996 351 915 00	repair kit protection caps 32 MM \$		2	BOXSTER S I450						
15	996 352 959 01	repair kit mounting parts bolt expanding spring securing clip		1 2 2 2							
(15)	955 352 960 00	repair kit mounting parts bolt expanding spring securing clip see technical manual group 46 36 19		1 2 2 2	BOXSTER S						
(15)	996 351 959 30	repair kit mounting parts bolt expanding spring screw		1 2 2 2	BOXSTER S I450						
16	000 043 117 00	brake cylinder paste 50 G		X							
(16)	000 043 020 00	optimoly 100 G		X							

Model	Year	MG	SG	Illustration	Restrictions	UPD	11:25	24.01.2010	PORSCHE	PET	PORSCHE
987	2008	6	03	603-00		248					



Pos	Part Number	Description	Remark	Qty	Model
		disc brake rear axle			
		brake disc only in pairs replace technical manual attention			I450
1	987 352 401 01	brake disc		2	
(1)	987 352 403 00	brake disc		2	BOXSTER S
(1) >	987 352 031 00	brake disc	/L	05	BOXSTER S I450
(1) >	987 352 031 01	brake disc	/L	06-	BOXSTER S I450
(1)	987 352 031 02	brake disc	/L	08-	BOXSTER S I450
(1) >	987 352 032 00	brake disc	/R	05	BOXSTER S I450
(1) >	987 352 032 01	brake disc	/R	06-	BOXSTER S I450
(1)	987 352 032 02	brake disc	/R	08-	BOXSTER S
2	A 900 269 047 09	countersunk-head screw M 6 X 12		4	
2	900 269 047 01	countersunk-head screw M 6 X 12		4	
(2) A	900 269 106 09	countersunk-head screw M 6 x 16		4	IXRP
(2)	900 269 106 01	countersunk-head screw M 6 x 16		4	IXRP
3	987 352 801 00	protective plate		2	
4	999 217 116 09	hexagon-head bolt M 6 X 16		X	
5	986 352 423 01	fixed calliper without pad	/L	1	
(5)	996 352 421 13	fixed calliper without pad	/L	1	BOXSTER S
(5)	996 352 423 30	fixed calliper without pad	/L	-07	BOXSTER S I450

Model	Year	MG	SG	Illustration	Restrictions	UPD	11:25	24.01.2010	PORSCHE	PET	PORSCHE
987	2008	6	03	603-00		248					

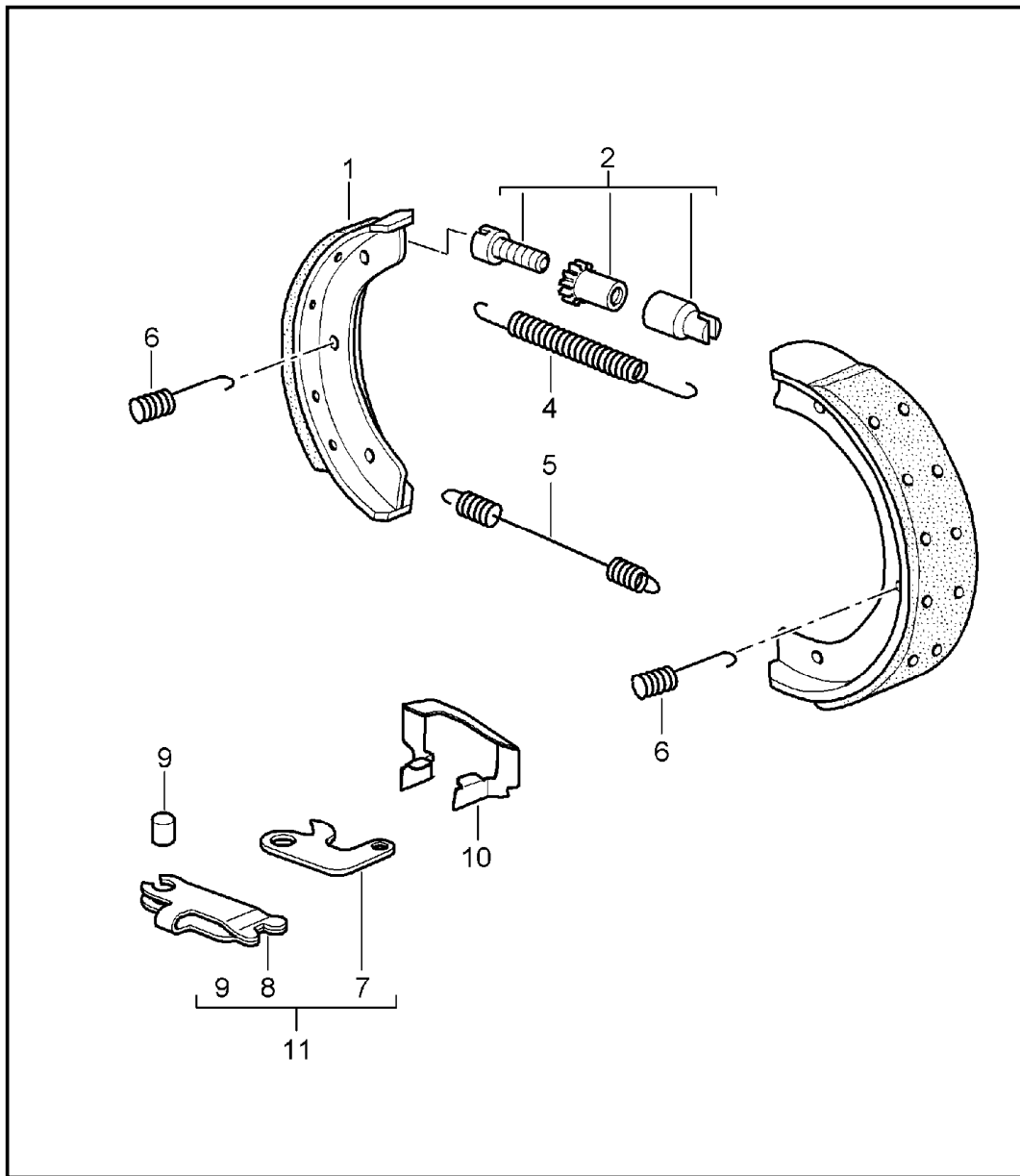
Pos	Part Number	Description	Remark	Qty	Model	Pos	Part Number	Description	Remark	Qty	Model
(5)	996 352 423 31	fixed calliper without pad	/L 08-	1	BOXSTER S I450	(8)	999 067 047 09	pan-head screw M 12 X 1,5 X 85		4	BOXSTER S I450
(5)	986 352 424 01	fixed calliper without pad	/R	1		-	944 612 627 00	line bracket for warning contact		2	
(5)	996 352 422 13	fixed calliper without pad	/R	1	BOXSTER S	9	951 352 917 01	repair kit protection caps 30 MM \$		2	
(5)	996 352 424 30	fixed calliper without pad	/R -07	1	BOXSTER S I450	10	951 352 917 00	repair kit protection caps 28 MM \$		2	
(5)	996 352 424 31	fixed calliper without pad	/R 08-	1	BOXSTER S I450	11	996 352 959 01	repair kit mounting parts bolt expanding spring securing clip		1	
6 A	987 352 939 00	brake pad repair set		1						2	
(6)	987 352 939 01	brake pad repair set		1						2	
(6)	986 352 939 10	brake pad repair set		1	BOXSTER S					2	
(6)	996 352 947 01	brake pad repair set see technical manual group 46 35 20 use also: mounting parts F >>986U7 22485		1	BOXSTER S I450	(11)	996 351 959 01	repair kit mounting parts bolt expanding spring securing clip		1	BOXSTER S I450
(6)	997 352 948 00	brake pad repair set see technical manual group 46 35 20 use also: mounting parts F 986U7 22486>>		1	BOXSTER S I450	-	964 352 096 00	damping plate 30 MM \$		X	BOXSTER S I450
						-	964 352 096 01	damping plate 28 MM \$		X	BOXSTER S I450
						-	996 352 086 01	damping plate 28 MM \$ see technical manual group 46 35 20 F >>986U7 31545 F >>986U7 31545		X	BOXSTER S I450
7	987 612 676 01	warning contact		2	BOXSTER	12	996 352 961 00	connecting line	/L	1	
(7)	986 612 365 00	warning contact		2	BOXSTER S	(12)	996 352 962 00	connecting line	/R	1	
(7)	987 612 676 01	warning contact		2	BOXSTER S I450	(12)	996 351 961 30	connecting line		2	BOXSTER S I450
8 A	999 067 041 09	pan-head screw M 12 X 1,5 X 72		4		13	930 351 919 00	ventilation valve		4	
8	999 067 041 01	pan-head screw M 12 X 1,5 X 72		4		14	930 351 927 00	dust boot		4	
(8) A	999 067 041 09	pan-head screw M 12 X 1,5 X 72		4	BOXSTER S	15	000 043 117 00	brake cylinder paste 50 G		X	
(8)	999 067 041 01	pan-head screw M 12 X 1,5 X 72		4	BOXSTER S						

Model	Year	MG	SG	Illustration	Restrictions	UPD	11:25	24.01.2010	PORSCHE	PET	PORSCHE
987	2008	6	03	603-00		248					

Pos	Part Number	Description	Remark	Qty	Model	Pos	Part Number	Description	Remark	Qty	Model
(15)	000 043 020 00	optimoly 100 G		X							

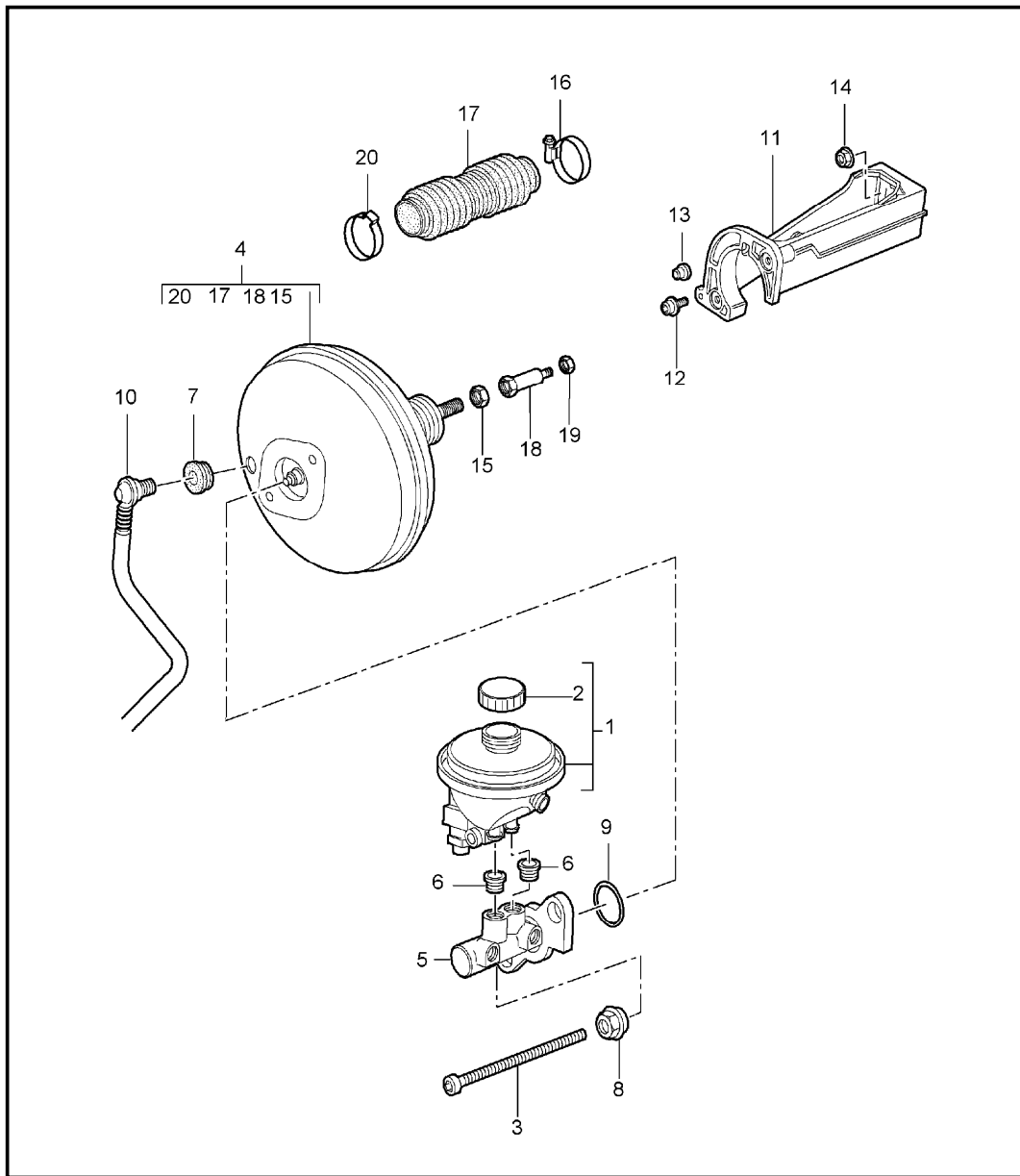


Model	Year	MG	SG	Illustration	Restrictions	UPD	11:25	24.01.2010	PORSCHE	PET	PORSCHE
987	2008	6	03	603-05		248					



Pos	Part Number	Description	Remark	Qty	Model
		handbrake			
		see technical manual			
		group			
		46 83 20			
(1)	996 352 993 02	repair kit 1 set only together with compression spring 997.352.741.01		1	
2	993 352 071 00	adjusting screw		2	
4	997 352 721 01	tension spring		2	
5	997 352 723 01	tension spring	05	2	
(5)	997 352 723 02	tension spring	06-	2	
(6)	997 352 741 01	compression spring only together with brake shoe 996.352.993.00/01/02		4	
7	986 352 731 01	actuating lever		2	
8	986 352 733 02	clip		2	
9	986 352 735 00	articulated bolt		2	
10	997 352 807 01	supporting plate		2	
11	986 352 073 02	expanding bow		2	

Model	Year	MG	SG	Illustration	Restrictions	UPD	11:25	24.01.2010	PORSCHE	PET	PORSCHE
987	2008	6	04	604-00		248					

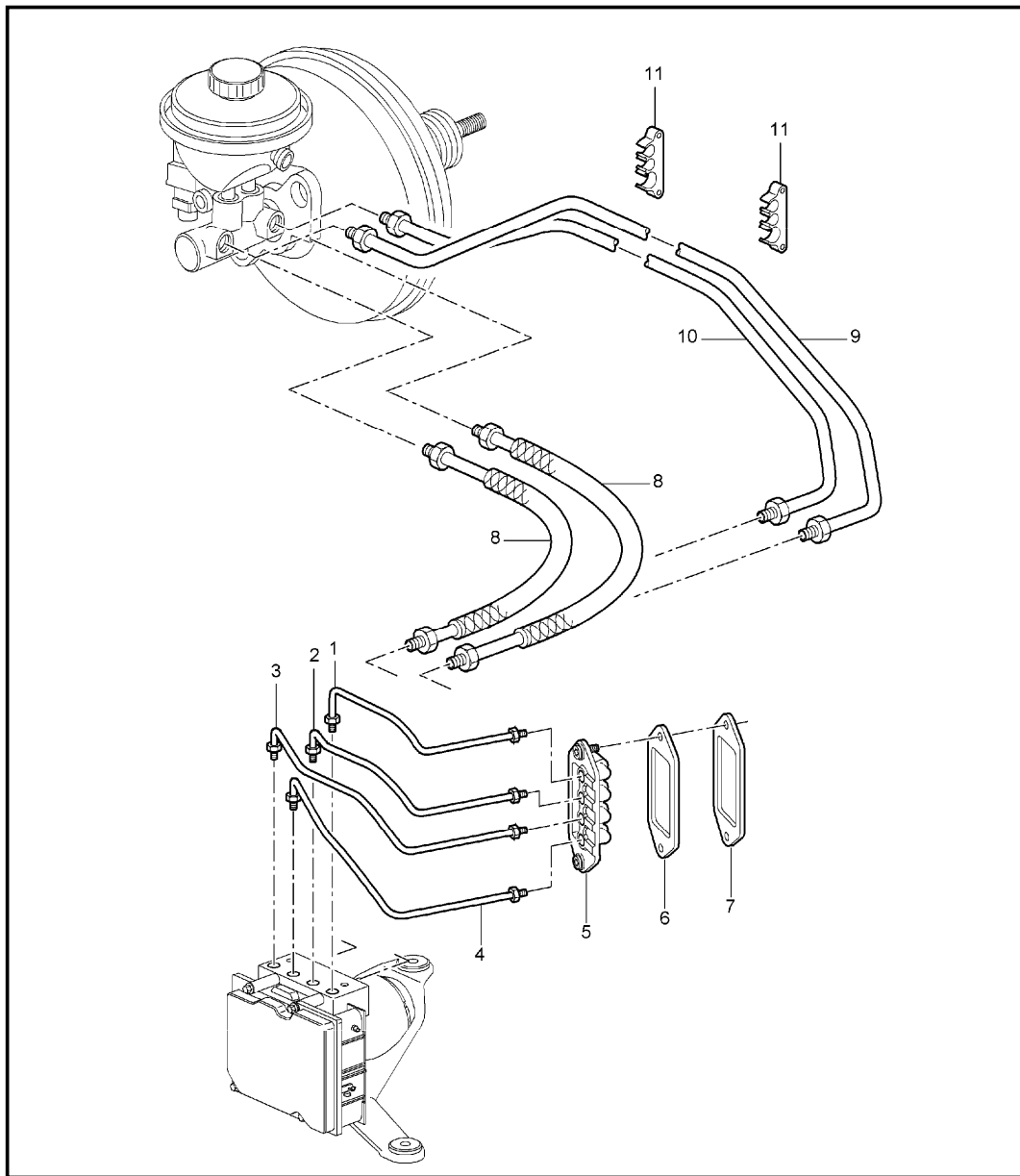


Pos	Part Number	Description	Remark	Qty	Model
-	000 043 203 66	brake master cylinder brake booster			
-		brake fluid DOT 4 1 Ltr.		X	
1	A 997 355 013 00	expansion tank		05	1 I480/481
(1)	997 355 013 01	expansion tank		1	I480/481
(1)	A 997 355 013 20	expansion tank		05	1 I249
(1)	997 355 013 21	expansion tank		1	I249
2	996 355 119 01	catch		1	
-	997 355 125 00	support for contact for container		1	
3	999 073 124 09	pan-head screw M 8 X 154 X 80		2	
4	997 355 923 00	brake booster		1	
-	996 355 137 01	catch threaded joint brake booster		1	
5	997 355 910 00	brake master cylinder		1	
(5)	997 355 910 00	brake master cylinder		1	BOXSTER S
(5)	997 355 910 10	brake master cylinder		1	BOXSTER S I450
6	993 355 922 00	grommet		2	
7	999 702 182 40	rubber bush		1	
8	997 355 925 00	hexagon nut		2	
9	993 355 212 00	gasket		1	
10	997 355 577 00	vacuum line		1	I098
(10)	997 355 578 00	vacuum line		1	I099
11	997 423 251 00	intermediate piece		1	
12	999 073 189 01	round head screw M 6 X 12		2	
13	999 703 448 50	stopper	/R	1	

Model	Year	MG	SG	Illustration	Restrictions	UPD	11:25	24.01.2010	PORSCHE	PET	PORSCHE
987	2008	6	04	604-00		248					

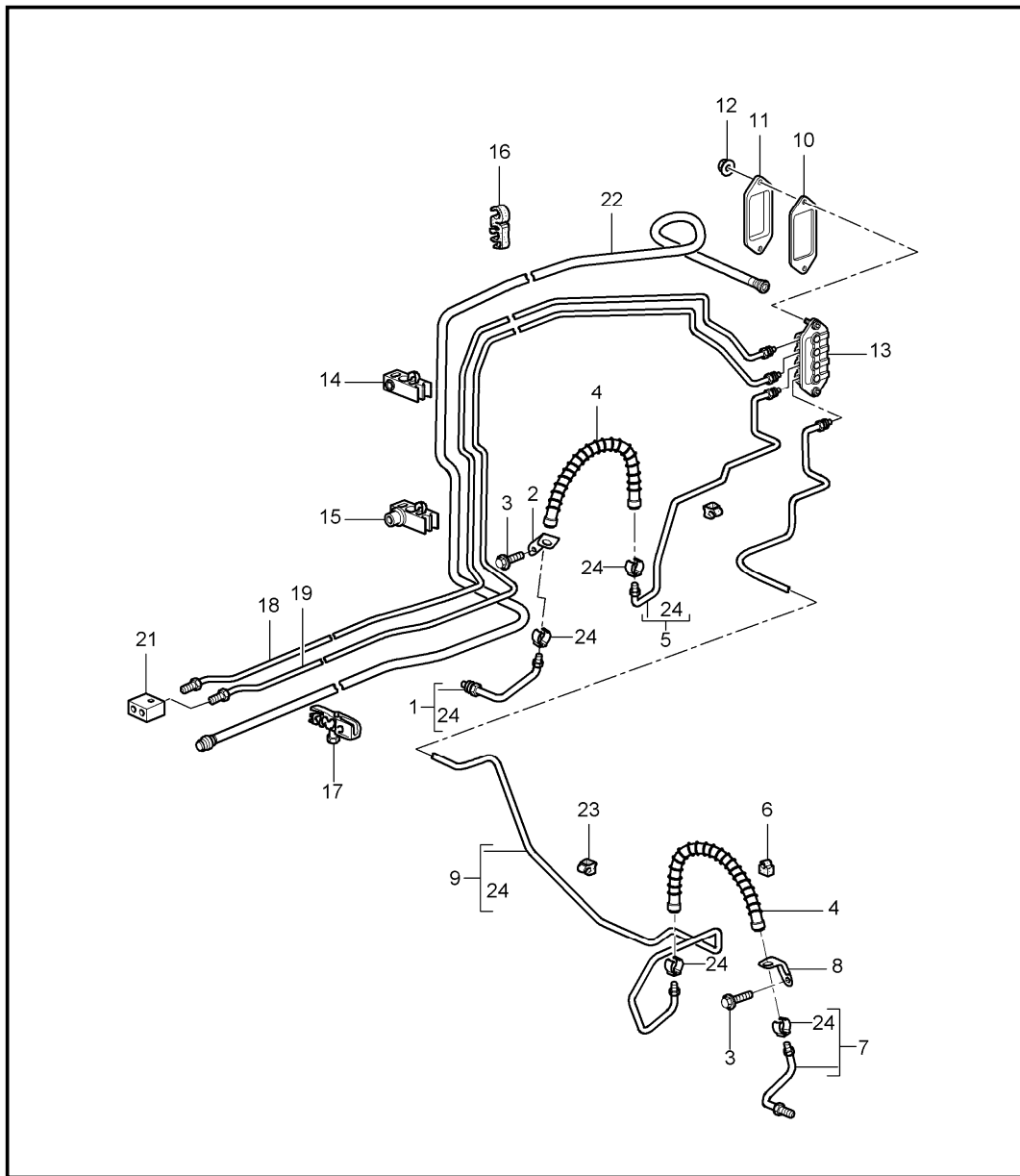
Pos	Part Number	Description	Remark	Qty	Model	Pos	Part Number	Description	Remark	Qty	Model
14	999 084 630 09	hexagon nut M 8		2							
15	900 183 015 02	hexagon nut M 12 X 1,5		1							
-	996 355 901 01	gasket brake booster bulkhead		1							
16	999 512 478 00	hose clamp		1							
17	996 423 269 05	bellows		1							
18	996 355 927 01	connecting piece		1							
19 A	900 380 015 09	hexagon nut M 6		1							
(19)	900 380 015 01	hexagon nut M 6		1							
20	999 512 672 00	clamp		1							

Model	Year	MG	SG	Illustration	Restrictions	UPD	11:25	24.01.2010	PORSCHE	PET	PORSCHE
987	2008	6	04	604-05		248					



Pos	Part Number	Description	Remark	Qty	Model
		brake lines body front section			
1	997 355 315 00	brake line		1	
2	997 355 316 00	brake line		1	
3	997 355 327 00	brake line		1	
4	997 355 326 00	brake line		1	
5	997 355 650 00	intermediate piece		1	
6	997 355 752 00	gasket		1	
7	997 355 753 00	reinforcement		1	
8	997 355 311 00	pressure line		2	I098
9	997 355 312 00	pressure line		1	I099
10	997 355 314 00	pressure line		1	I099
11	999 507 632 40	cable holder		2	

Model	Year	MG	SG	Illustration	Restrictions	UPD	11:26	24.01.2010	PORSCHE	PET	PORSCHE
987	2008	6	04	604-10		248					

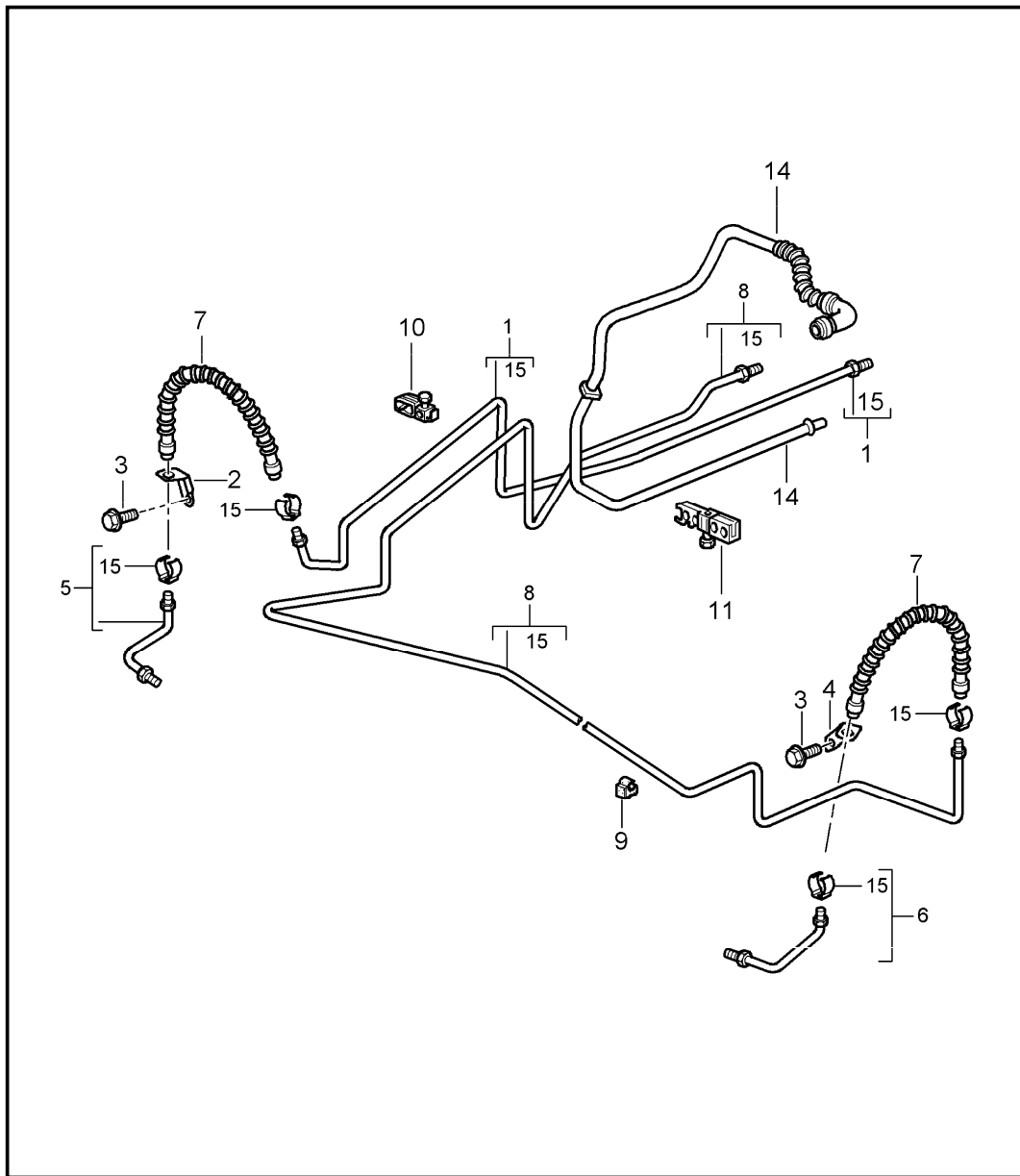


Pos	Part Number	Description	Remark	Qty	Model
		brake lines brake lines underbody vacuum line			
1	996 355 581 06	brake line	/L	1	
(1)	996 355 581 9B	brake line	/L	1	I450
2	996 355 501 06	brake hose bracket	/L	1	
3	900 067 117 09	pan-head screw M 6 X 16		2	
4	996 355 139 01	brake hose		2	
5	997 355 175 02	brake line	/L	1	
6	999 591 930 40	support		X	
7	996 355 584 06	brake line	/R	1	
(7)	996 355 584 9B	brake line	/R	1	I450
8	996 355 502 06	brake hose bracket	/R	1	
9	997 355 176 02	brake line		1	
10	997 355 753 00	reinforcement		1	
11	997 355 752 00	gasket		1	
12	A 900 380 015 09	hexagon nut M 6		3	
(12)	900 380 015 01	hexagon nut M 6		3	
13	997 355 650 00	intermediate piece		1	
14	996 355 545 00	support		3	
15	996 355 549 00	support		1	
16	996 355 547 01	support		2	
17	996 355 543 00	support		1	
18	997 355 177 01	brake line		1	
19	997 355 179 01	brake line		1	
21	996 355 760 31	connecting piece		1	
22	997 355 571 01	vacuum line		1	

Model	Year	MG	SG	Illustration	Restrictions	UPD	11:26	24.01.2010	PORSCHE	PET	PORSCHE
987	2008	6	04	604-10		248					

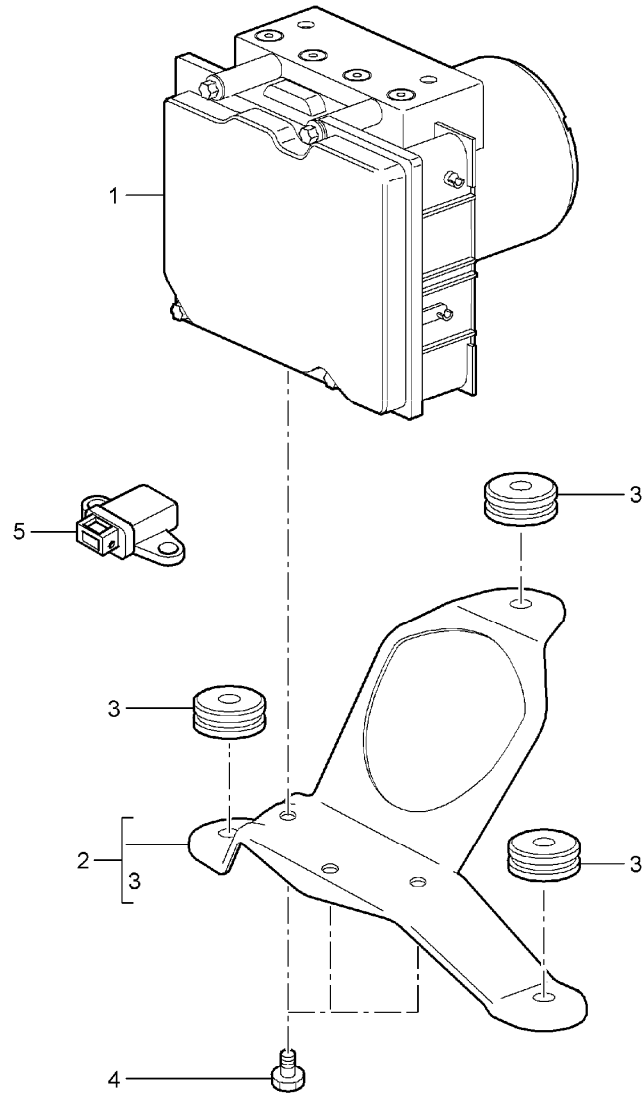
Pos	Part Number	Description	Remark	Qty	Model	Pos	Part Number	Description	Remark	Qty	Model
-	999 702 289 40	grommet wheel housing		1							
23	999 651 331 40	cable holder		5							
24	997 355 331 00	retainer spring for brake hose		X							

Model	Year	MG	SG	Illustration	Restrictions	UPD	11:26	24.01.2010	PORSCHE	PET	PORSCHE
987	2008	6	04	604-15		248					



Pos	Part Number	Description	Remark	Qty	Model
		brake line underbody rear axle vacuum line			
1	987 355 189 01	brake line	/L	1	
2	987 355 501 01	support	/L	1	
3	900 075 355 01	hexagon-head bolt M 6 X 16		4	
4	987 355 502 01	support	/R	1	
5	987 355 581 00	brake line	/L	1	
(5) A	987 355 583 00	brake line	/L	1	BOXSTER S I450
(5)	987 355 583 01	brake line	/L	1	BOXSTER S I450
6	987 355 582 00	brake line	/R	1	
(6) A	987 355 584 00	brake line	/R	1	BOXSTER S I450
(6)	987 355 584 01	brake line	/R	1	BOXSTER S I450
-	996 501 815 02	support brake hose		2	
7 A	987 355 137 00	brake hose		2	
(7)	987 355 637 00	brake hose		2	
8	987 355 190 01	brake line	/R	1	
9	999 651 331 40	cable holder		3	
10	964 423 811 00	support		2	
11	996 355 543 00	support		1	
14 A	987 355 575 01	vacuum line		1	
(14)	987 355 575 02	vacuum line		1	
15	997 355 331 00	retainer spring for brake hose		X	

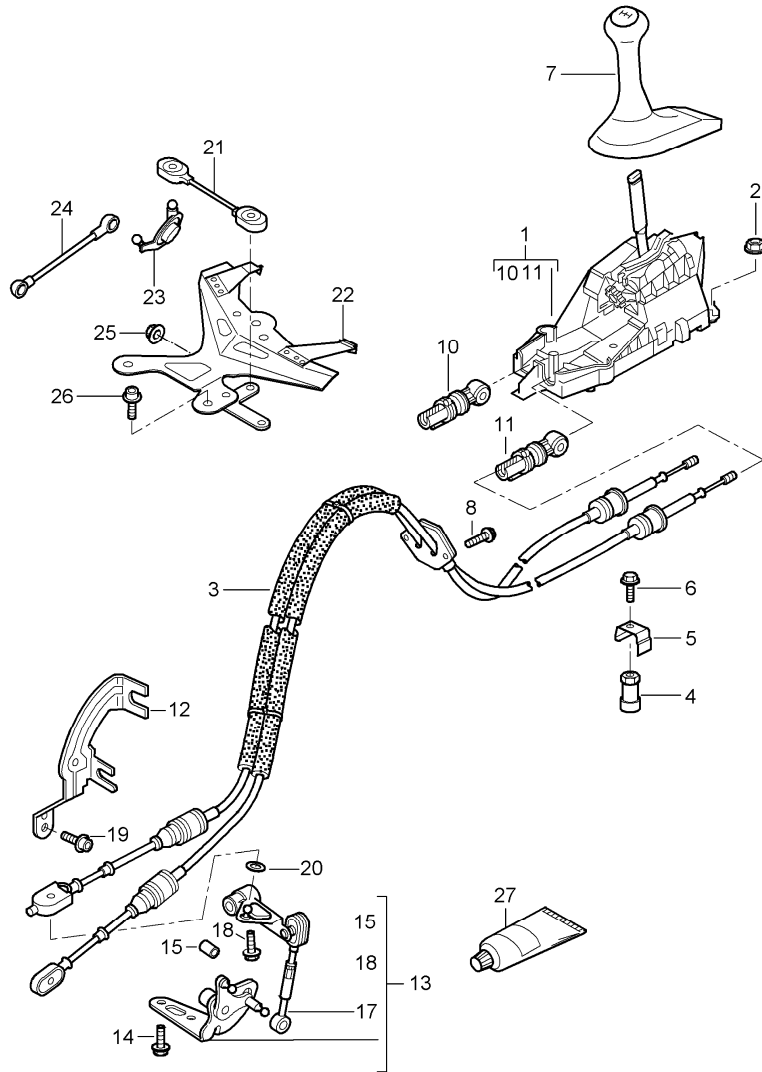
Model	Year	MG	SG	Illustration	Restrictions	UPD	11:26	24.01.2010	PORSCHE	PET	PORSCHE
987	2008	6	05	605-00		248					



Pos	Part Number	Description	Remark	Qty	Model
		hydraulic unit anti-lock brake system control			
1	987 355 955 04	hydraulic unit		1	
2	997 355 033 00	support with rubber mounting		1	
3	964 356 635 00	rubber mounting		3	
-	999 045 004 40	hexagon nut plastic material		3	
4 A	900 385 060 09	screw BM 6 X 10		3	
(4)	900 385 060 01	screw BM 6 x 10		3	
5	996 606 145 00	sensor		1	



Model	Year	MG	SG	Illustration	Restrictions	UPD	11:26	24.01.2010	PORSCHE	PET	PORSCHE
987	2008	7	01	701-00		248					



Pos	Part Number	Description	Remark	Qty	Model
		transmission control manual transmission			
1	997 424 010 00	gearshift bracket		1	
(1)	997 424 983 00	gearshift bracket		1	IXCZ
2	999 084 629 01	hexagon nut M 6SB		4	
3	A 987 424 041 00	cable		1	I481
(3)	987 424 041 01	cable	-06	1	I481
(3)	987 424 041 11	cable	07-	1	I481
(3)	A 987 424 042 00	cable		1	I480
(3)	987 424 042 01	cable	-06	1	I480
(3)	987 424 042 11	cable	07-	1	I480
4	U 986 424 221 00	spacer		2	
5	U 987 424 211 01	support		1	
6	U 900 075 023 02	pan-head screw M 8 X 12		1	
7	987 424 075 00	gearshift knob leather shift pattern black		1	I481
		FOT	black/black		
		FOU	stone grey/stone grey		
		FOV	sand beige/sand beige		
		FOW	sea blue/sea blue		
		FOX	palmgreen/palmgreen		
		FPW	terracotta/terracotta		
		FPX	cocoa/cocoa		
		FQE	black/stone grey		
		FOY	dark grey/dark grey		
		FOZ	brown nat./brown nat.		

Model	Year	MG	SG	Illustration	Restrictions	UPD	11:26	24.01.2010	PORSCHE	PET	PORSCHE
987	2008	7	01	701-00		248					

Pos	Part Number	Description	Remark	Qty	Model	Pos	Part Number	Description	Remark	Qty	Model
(7)	987 424 075 03	gearshift knob carbon shift pattern black		1	I481/803		FPL	sea blue			
	FPP	black					FPM	palmgreen			
	FPQ	stone grey					FQA	terracotta			
	FPR	sand beige					FQB	cocoa			
	FPS	sea blue					FPN	dark grey/natural			
	FPT	palmgreen				(7)	997 424 075 01	gearshift knob leather shift pattern aluminium look		1	I480
	FQC	terracotta					FOT	black/black			
	FQD	cocoa					FOU	stone grey/stone grey			
	FPU	dark grey/natural					FOV	sand beige/sand beige			
	FPV	brown/natural					FOW	sea blue/sea blue			
(7)	987 424 075 04	gearshift knob macassar shift pattern black		1	I481/801		FOX	palmgreen/palmgreen			
	FPA	black					FPW	terracotta/terracotta			
	FPB	stone grey					FPX	cocoa/cocoa			
	FPC	sand beige					FQE	black/stone grey			
	FPD	sea blue					FOY	dark grey/dark grey			
	FPE	palmgreen					FOZ	brown nat./brown nat.			
	FPY	terracotta				(7)	997 424 075 03	gearshift knob carbon shift pattern aluminium look		1	I480/803
	FPZ	cocoa					FPP	black			
	FPF	dark grey/natural					FPQ	stone grey			
	FPG	brown/natural					FPR	sand beige			
(7)	987 424 075 04	gearshift knob sycamore wood shift pattern black		1	I481/802		FPS	sea blue			
	FPH	black					FPT	palmgreen			
	FPJ	stone grey					FQC	terracotta			
	FPK	sand beige					FQD	cocoa			
							FPU	dark grey/natural			

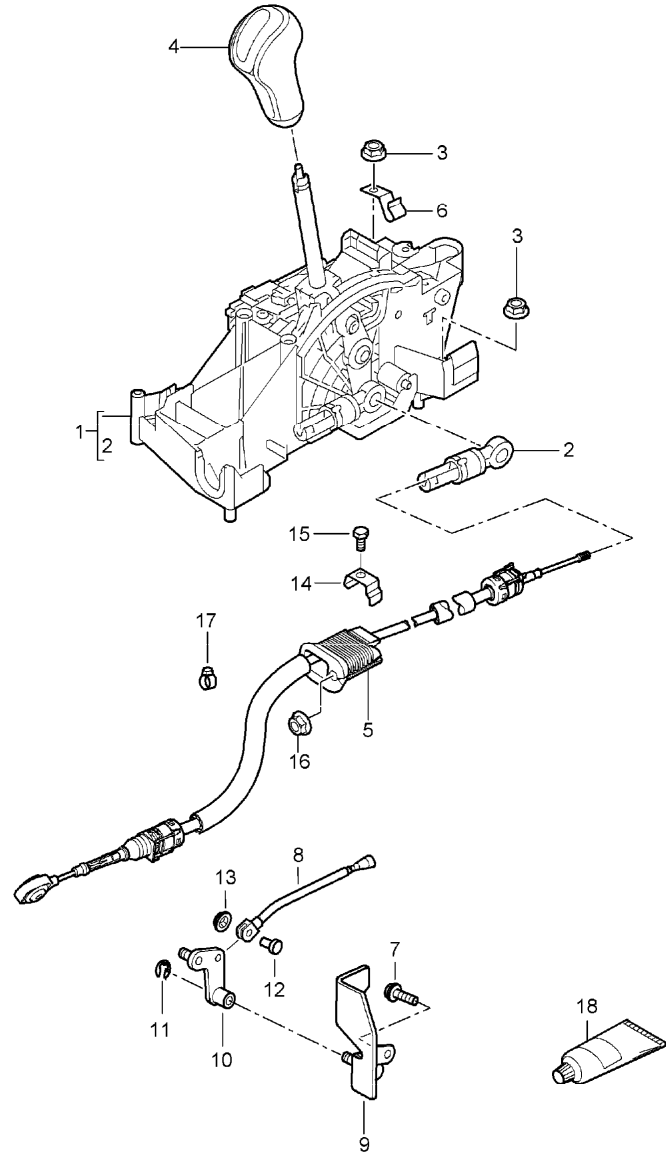
Model	Year	MG	SG	Illustration	Restrictions	UPD	11:26	24.01.2010	PORSCHE	PET	PORSCHE
987	2008	7	01	701-00		248					

Pos	Part Number	Description	Remark	Qty	Model	Pos	Part Number	Description	Remark	Qty	Model
(7)	997 424 075 04	FPV brown/natural gearshift knob macassar shift pattern aluminium look		1	I480/801		3S8	sea blue			
		FPA black					4P1	palmgreen			
		FPB stone grey					9N2	terracotta			
		FPC sand beige					9Q3	cocoa			
		FPD sea blue					D11	dark grey/natural			
		FPE palmgreen				(7)	987 424 981 00	gearshift knob aluminium leather	06-	1	IX97/481
		FPY terracotta					T11	brown/natural			
		FPZ cocoa					8YR	black			
		FPF dark grey/natural					5X5	stone grey			
		FPG brown/natural					8G1	sand beige			
(7)	997 424 075 04	gearshift knob sycamore wood shift pattern aluminium look		1	I480/802		3S8	sea blue			
		FPH black					4P1	palmgreen			
		FPJ stone grey					9N2	terracotta			
		FPK sand beige				(7)	997 424 981 00	gearshift knob aluminium leather		1	IX97/754
		FPL sea blue					N11	carrera red			
		FPM palmgreen					D11	dark grey/natural			
		FQA terracotta				(7)	997 424 075 90	gearshift knob leather		1	I757
		FQB cocoa					A15	black			
		FPN dark grey/natural				8	900 378 152 09	hexagon-head bolt M 6 X 20		2	I481
		FPO brown/natural				(8)	999 084 629 09	hexagon nut M 6		2	I480
(7)	997 424 981 00	gearshift knob aluminium leather	06-	1	IX97/480	(10)	996 424 145 01	fastening part for cable adjustable		1	
		8YR black									
		5X5 stone grey									
		8G1 sand beige									

Model	Year	MG	SG	Illustration	Restrictions	UPD	11:26	24.01.2010	PORSCHE	PET	PORSCHE
987	2008	7	01	701-00		248					

Pos	Part Number	Description	Remark	Qty	Model	Pos	Part Number	Description	Remark	Qty	Model
-	996 424 445 00	clip for fastening part		1							
11	996 424 147 00	fastening part for cable adjustable		1							
12	986 424 165 02	support for cable	-07	1							
13	987 424 913 02	linkage adjustable	-07	1							
(13)	987 424 913 03	linkage adjustable	08-	1							
14	900 075 085 02	hexagon-head bolt M 8 X 20		2							
15	987 424 135 00	rubber stop		1							
17	987 424 932 02	connecting rod adjustable		1							
18	N 901 239 02	hexagon-head bolt M 8 X 26		1							
19	999 073 209 09	pan-head screw M 10 X 20		2							
20	986 424 133 00	washer		2							
21 A	987 424 131 02	joint rod	-07	1	I480						
(21)	987 424 131 22	joint rod	08-	1	I480						
22	987 424 137 01	transmission bracket		1	I480						
23	987 424 023 00	lever		1	I480						
24	987 424 035 00	connecting rod	-06	1	I480						
(24)	987 424 035 10	connecting rod	07-	1	I480						
25	900 377 003 02	hexagon nut M 8		1	I480						
26	900 385 274 09	torx screw M 10 X 25		3	I480						
27	000 043 205 93	grease 1 100-gramme tube		X							

Model	Year	MG	SG	Illustration	Restrictions	UPD	11:26	24.01.2010	PORSCHE	PET	PORSCHE
987	2008	7	01	701-01		248					

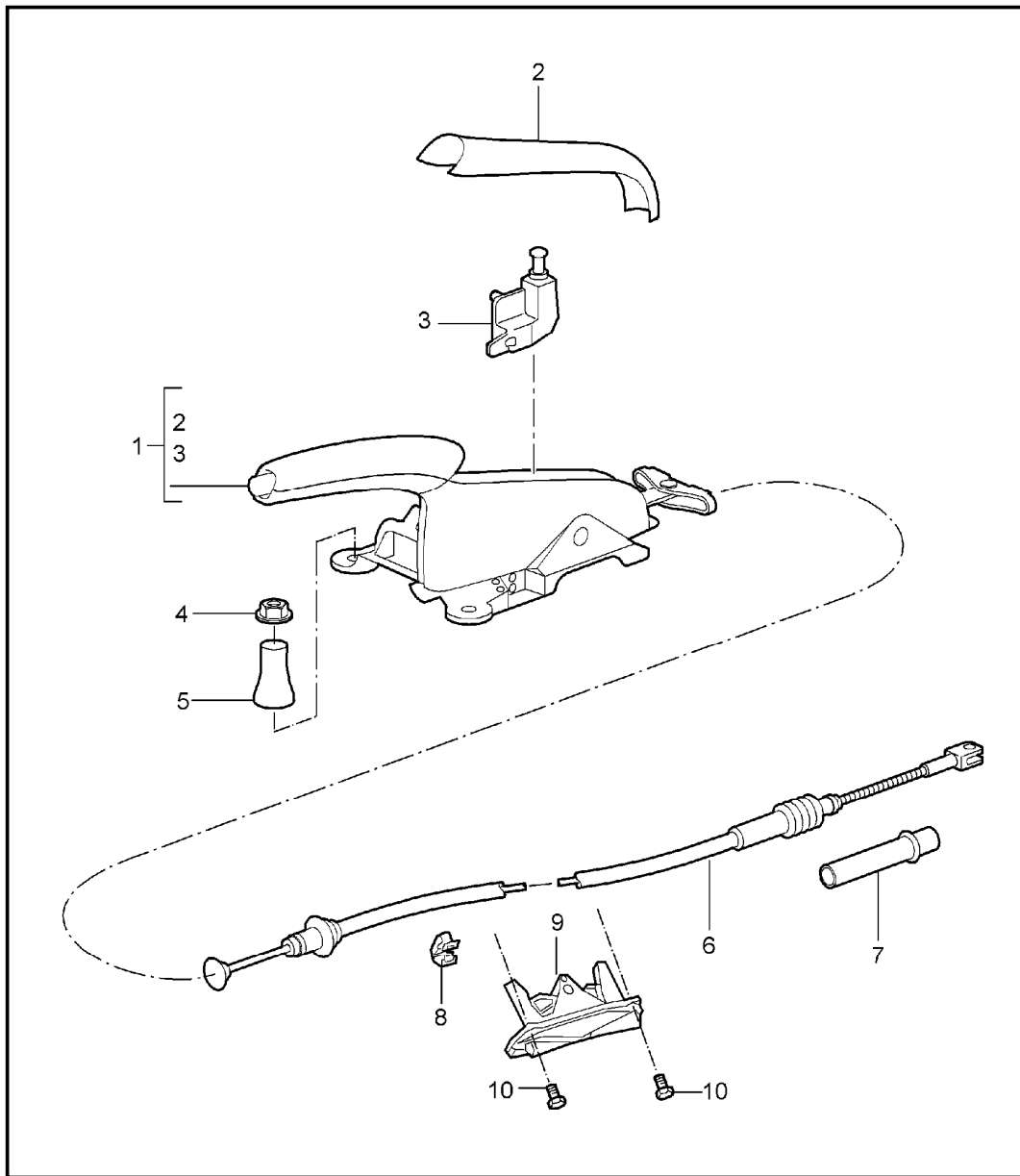


Pos	Part Number	Description	Remark	Qty	Model
1	A 987 426 011 01	selector lever tiptronic	-06	1	
(1)	987 426 011 02	selector lever with housing		1	
-	996 613 212 10	switch selector lever		1	
2	996 426 035 00	fastening part for cable adjustable		1	
3	999 084 629 09	hexagon nut M 6		4	
4	997 426 069 00	selector knob leather	-06	1	
		8YR black			
		5X5 stone grey			
		8G1 sand beige			
		3S8 sea blue			
		4P1 palmgreen			
		9N2 terracotta			
		9Q3 cocoa			
		D11 dark grey/natural			
		T11 brown/natural			
(4)	997 426 069 10	selector knob leather	07-	1	
		8YR black			
		5X5 stone grey			
		8G1 sand beige			
		3S8 sea blue			
		4P1 palmgreen			
		9N2 terracotta			

Model	Year	MG	SG	Illustration	Restrictions	UPD	11:26	24.01.2010	PORSCHE	PET	PORSCHE
987	2008	7	01	701-01		248					

Pos	Part Number	Description	Remark	Qty	Model	Pos	Part Number	Description	Remark	Qty	Model
	9Q3	cocoa				7	999 073 094 09	oval-head screw M 8 X 20		2	
	D11	dark grey/natural				8	986 426 043 01	push rod		1	
	T11	brown/natural				9	986 426 041 06	plate		1	
	N11	carrera red				10	986 426 045 06	reverse lever		1	
(4)	997 426 069 03	selector knob	-06	1	I803	11	900 116 007 09	lock	-07	1	
	A35	carbon				(11)	900 116 007 02	lock		1	
(4)	997 426 069 13	selector knob	07-	1	I803	12	986 426 415 02	bolt		1	
	A35	carbon				13	999 507 057 02	clamping washer	-07	1	
(4)	997 426 069 04	selector knob	-06	1	I801	(13)	999 507 057 03	clamping washer	08-	1	
	S61	macassar				14	U 987 424 211 01	support		1	
(4)	997 426 069 14	selector knob	07-	1	I801	15	U 900 075 023 02	pan-head screw M 8 X 12		1	
	S61	macassar				16	999 084 629 09	hexagon nut M 6		2	
(4)	997 426 069 04	selector knob	-06	1	I802	17	999 507 635 00	support		1	
	S62	sycamore wood				18	000 043 205 93	grease 1 100-gramme tube		1	
(4)	997 426 069 14	selector knob	07-	1	I802						
	S62	sycamore wood									
(4)	997 426 069 10	selector knob leather		1	I754						
	N11	carrera red									
	D11	dark grey/natural									
(4)	997 426 991 00	selector lever leather		1	I757						
	A15	black									
-	997 426 275 00	key		1							
	V05	galvano silver									
5	A 987 426 033 00	cable		1							
(5)	A 987 426 033 01	cable		1							
(5)	987 426 033 02	cable	-06	1							
(5)	987 426 033 12	cable	07-	1							
6	999 507 465 02	support		1							

Model	Year	MG	SG	Illustration	Restrictions	UPD	11:27	24.01.2010	PORSCHE	PET	PORSCHE
987	2008	7	01	701-05		248					



Pos	Part Number	Description	Remark	Qty	Model
(1)	997 424 031 62	handbrake actuator	-	1	
		parking-brake lever complete leather			
	8YR	black			
	5X5	stone grey			
	8G1	sand beige			
	3S8	sea blue			
	4P1	palmgreen			
	9N2	terracotta			
	9Q3	cocoa			
	FQF	black/stone grey			
	D11	dark grey/natural			
	T11	brown/natural			
	N11	carrera red	08-		
(1)	997 424 031 63	parking-brake lever complete macassar	-	1	I801
	8YR	black			
	5X5	stone grey			
	8G1	sand beige			
	3S8	sea blue			
	4P1	palmgreen			
	9N2	terracotta			
	9Q3	cocoa			
	D11	dark grey/natural			
	T11	brown/natural			
	N11	carrera red	08-		
(1)	997 424 031 64	parking-brake lever complete sycamore wood	-	1	I802

Model	Year	MG	SG	Illustration	Restrictions	UPD	11:27	24.01.2010	PORSCHE	PET	PORSCHE
987	2008	7	01	701-05		248					

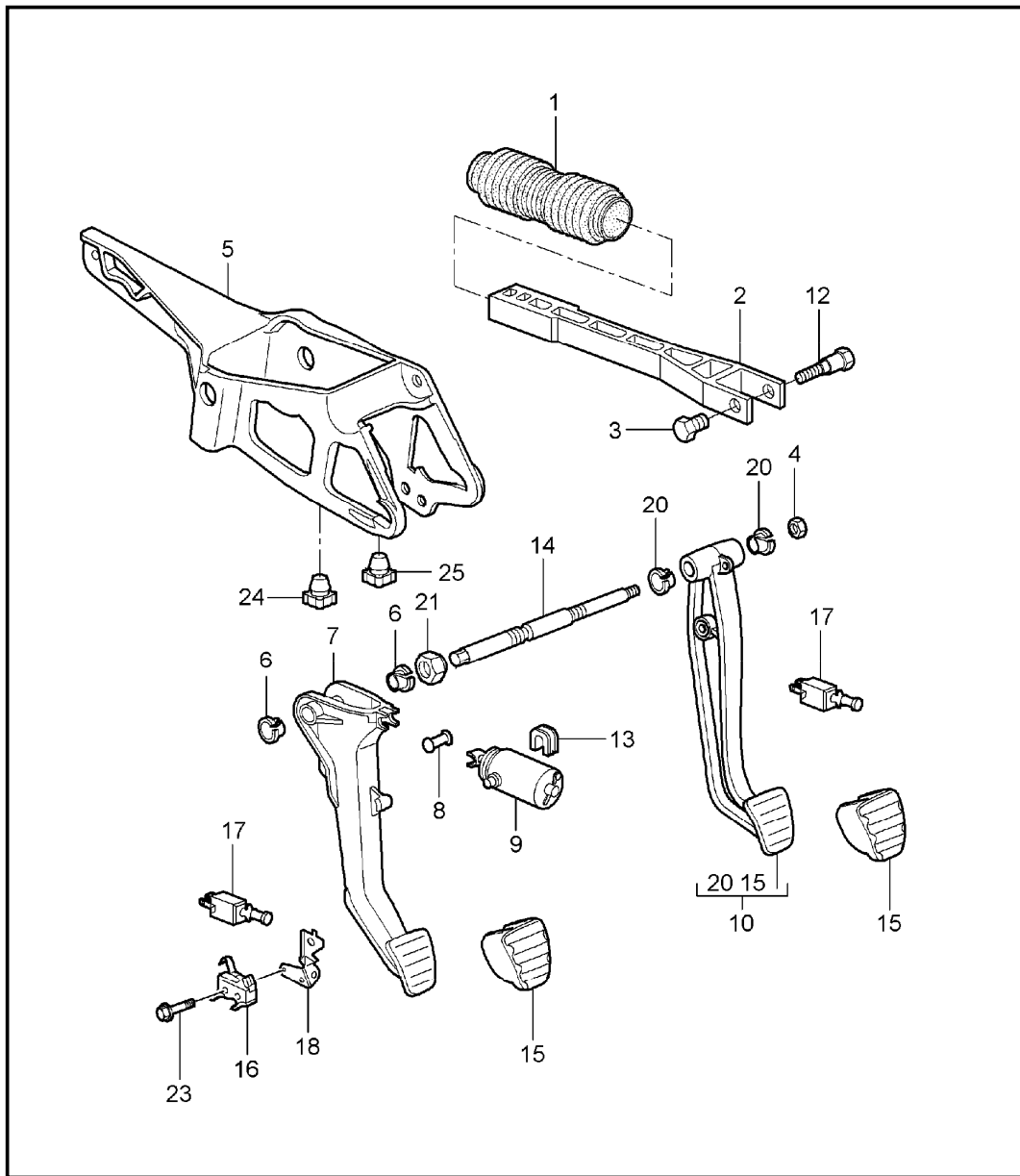
Pos	Part Number	Description	Remark	Qty	Model	Pos	Part Number	Description	Remark	Qty	Model
	8YR	black					9Q3	cocoa			
	8G1	sand beige					D11	dark grey/natural			
	3S8	sea blue					T11	brown/natural			
	4P1	palmgreen				(1)	997 424 980 01	parking-brake lever complete	I099 07-	1	IX98
	9N2	terracotta					8YR	black			
	9Q3	cocoa					5X5	stone grey			
	D11	dark grey/natural					8G1	sand beige			
	T11	brown/natural					3S8	sea blue			
	N11	carrera red	08-				4P1	palmgreen			
(1)	997 424 031 65	parking-brake lever complete carbon		1	I803		9N2	terracotta			
	8YR	black					9Q3	cocoa			
	5X5	stone grey					D11	dark grey/natural			
	8G1	sand beige				(1)	997 424 031 66	parking-brake lever complete		1	I754
	3S8	sea blue					VAL	carrera red			
	4P1	palmgreen					VAK	dark grey/natural			
	9N2	terracotta				(1)	997 424 031 92	parking-brake lever alcantara		1	I757
	9Q3	cocoa					A15	black			
	D11	dark grey/natural				2	997 424 155 00	cover leather		1	
	T11	brown/natural					8YR	black			
(1)	997 424 980 00	parking-brake lever complete	I098 07-	1	IX98		5X5	stone grey			
	8YR	black					8G1	sand beige			
	5X5	stone grey					3S8	sea blue			
	8G1	sand beige					4P1	palmgreen			
	3S8	sea blue					9N2	terracotta			
	4P1	palmgreen					9Q3	cocoa			
	9N2	terracotta					D11	dark grey/natural			



Model	Year	MG	SG	Illustration	Restrictions	UPD	11:27	24.01.2010	PORSCHE	PET	PORSCHE
987	2008	7	01	701-05		248					

Pos	Part Number	Description	Remark	Qty	Model	Pos	Part Number	Description	Remark	Qty	Model
	T11	brown/natural									
(2)	997 424 155 90	cover		1	I757						
	A15	black									
3	996 613 112 01	switch		1							
4	999 084 630 09	hexagon nut M 8		4							
5	U 986 424 221 00	spacer		1							
6	A 987 424 141 04	parking-brake cable		2							
(6)	987 424 141 05	parking-brake cable		2							
7	986 424 721 07	guide tube		2							
8	999 507 827 40	cable holder		2							
9	986 424 310 02	housing		1							
10	900 378 035 01	hexagon-head bolt M 6 X 16		4							

Model	Year	MG	SG	Illustration	Restrictions	UPD	11:27	24.01.2010	PORSCHE	PET	PORSCHE
987	2008	7	02	702-00		248					

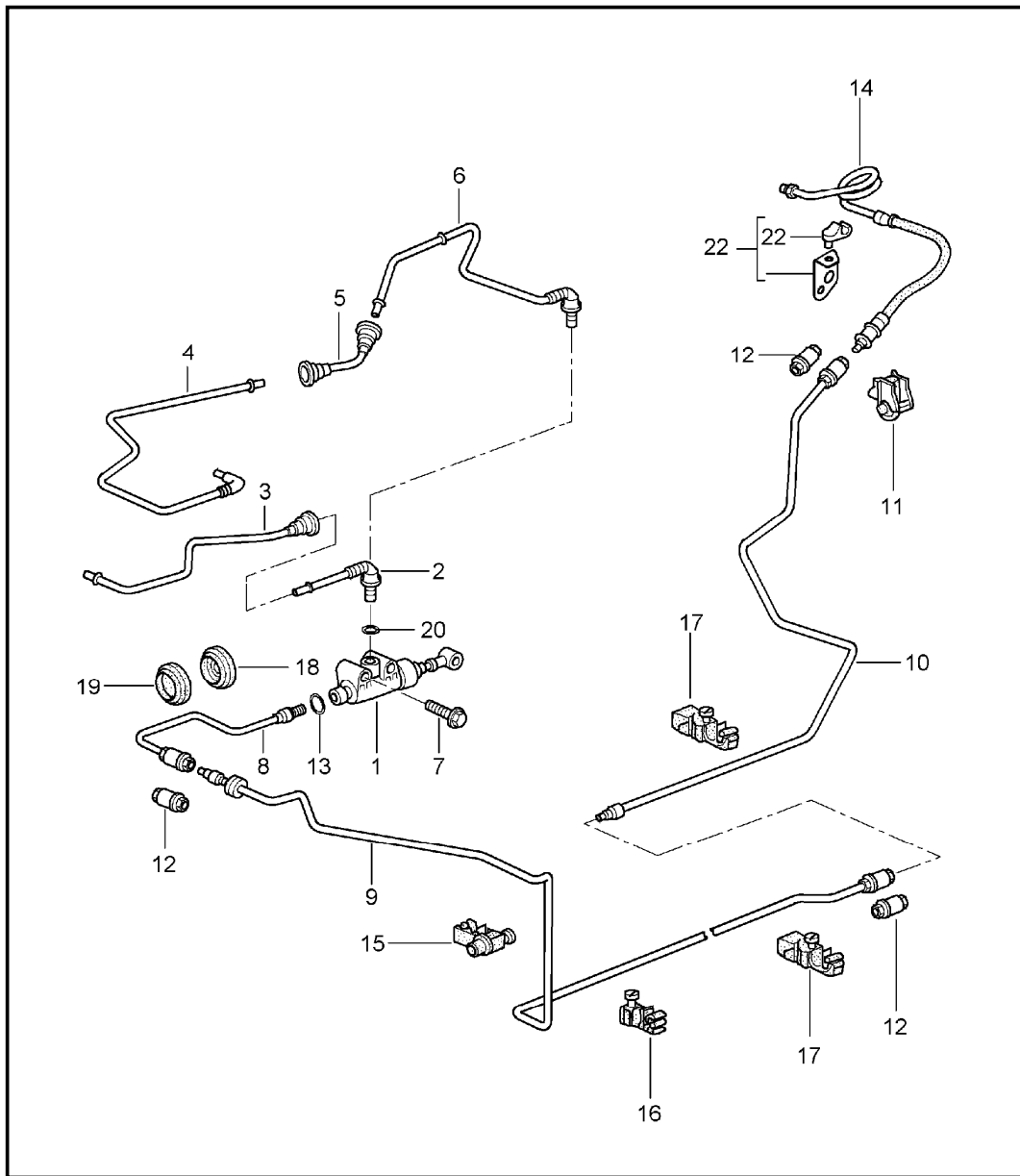


Pos	Part Number	Description	Remark	Qty	Model
-	000 043 206 17	grease l tube		X	
1	...	bellows see illustrations 6/04/00		1	
(2)	996 423 165 05	push rod		1	
3	996 423 307 00	sleeve		1	
4	900 380 005 09	hexagon nut M 8		3 2	
5	997 423 571 02	bracket for clutch power spring		1	I480
6	997 423 399 01	bush		2	I480
7	997 423 139 01	clutch pedal		1	I480
(8)	996 423 315 06	bolt		1	I480
-	999 166 022 02	kl-lock for bolt		1	I480
9	997 423 081 05	clutch power spring		1	
(10) A	997 423 091 03	brake pedal		1	I098/480
(10)	997 423 091 04	brake pedal		1	I098/480
(10) A	997 423 092 03	brake pedal		1	I099/480
(10)	997 423 092 04	brake pedal		1	I099/480
(10) A	997 423 093 03	brake pedal		1	I098/249
(10)	997 423 093 04	brake pedal		1	I098/249
10 A	997 423 094 03	brake pedal		1	I099/249
10	997 423 094 04	brake pedal		1	I099/249
12	996 423 308 00	bolt		1	
13	997 423 581 00	bearing shell		1	
14	997 423 281 00	axle		1	I098/480
(14)	997 423 284 00	axle		1	I099/480
(14)	996 423 283 05	axle		1	I098/249

Model	Year	MG	SG	Illustration	Restrictions	UPD	11:27	24.01.2010	PORSCHE	PET	PORSCHE
987	2008	7	02	702-00		248					

Pos	Part Number	Description	Remark	Qty	Model	Pos	Part Number	Description	Remark	Qty	Model
(14)	996 423 286 05	axle		1	I099/249						
-	996 423 277 00	bearing sleeve brake pedal		1	I099						
15	997 423 910 00	pedal cap		2	I480						
(15)	997 423 912 00	pedal cap		1	I249						
16	997 613 109 00	switch		1	I480						
(17)	996 613 113 01	switch brake pedal		2							
(17)	996 613 114 01	switch clutch pedal		1							
18	997 423 541 00	support		1							
20	997 423 401 00	bush		2	I098						
(20)	997 423 402 00	bush		2	I099						
21	997 423 275 01	screw plug		1							
22 A	900 378 273 09	hexagon-head bolt M 6 X 18		1							
(22)	900 378 273 01	hexagon-head bolt M 6 x 18		1							
23	900 146 159 02	round head screw M 3 X 20		1							
24	997 423 695 00	rubber stop		1							
25	997 423 697 00	rubber stop		1							

Model	Year	MG	SG	Illustration	Restrictions	UPD	11:27	24.01.2010	PORSCHE	PET	PORSCHE
987	2008	7	02	702-08		248					

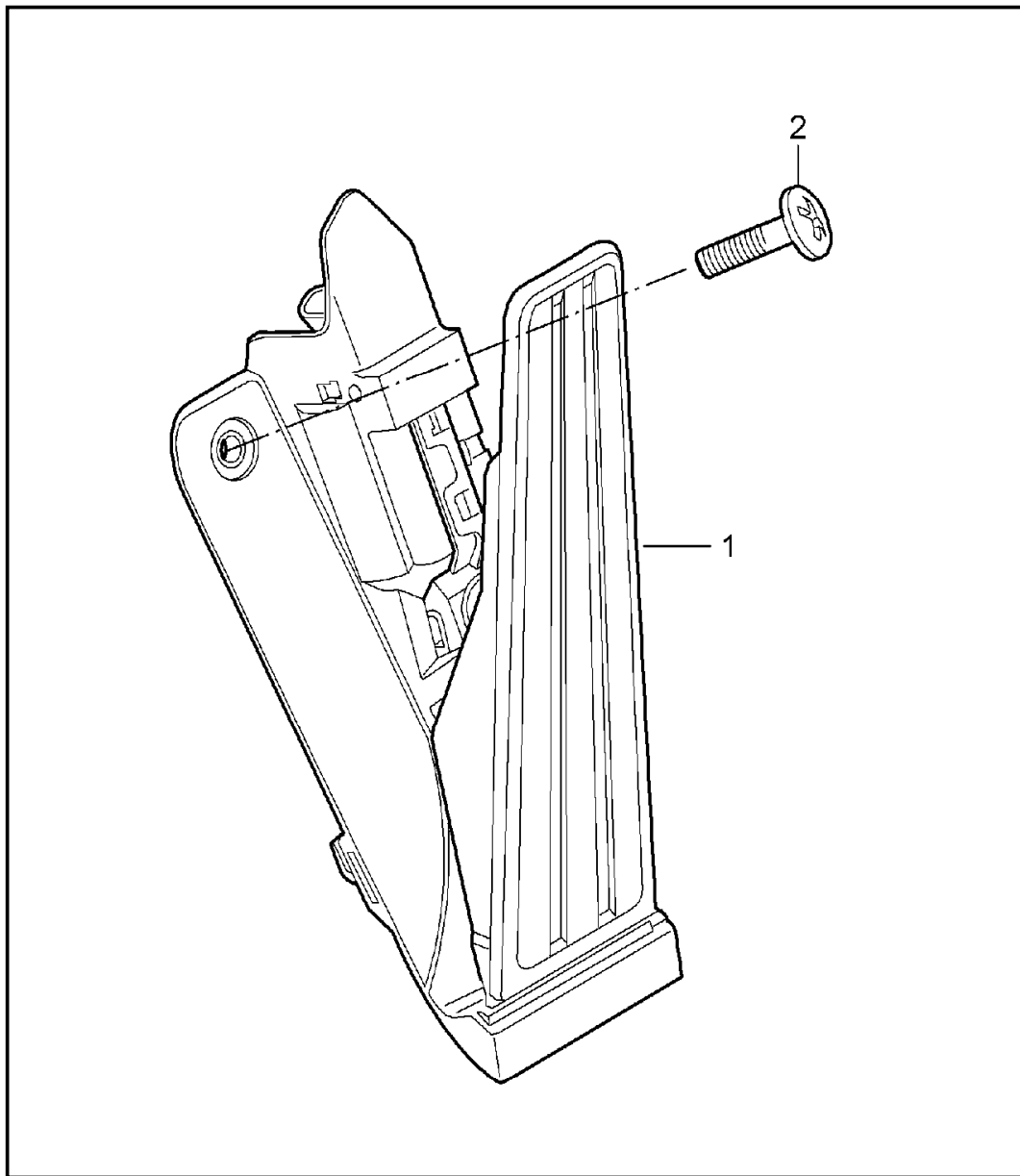


Pos	Part Number	Description	Remark	Qty	Model
		clutch actuation clutch master cylinder clutch pipeline			
1	997 423 171 01	clutch master cylinder		1	
-	996 423 614 00	circlip pressure line		1	
-	996 423 315 06	bolt		1	
-	999 166 022 02	kl-lock for bolt		1	
2	997 423 147 00	feed line		1	I098
3	997 423 137 00	feed line		1	I098
4	996 423 138 04	line		1	I099
5	996 423 140 02	line		1	I099
6	996 423 142 02	feed line		1	I099
-	999 703 421 40	grommet side section		1	I249
7	900 378 217 09	hexagon-head bolt M 6 X 40		2	
8	996 423 107 10	clutch pipeline		1	I098
(8)	997 423 108 00	clutch pipeline		1	I099
-	999 702 174 50	grommet		1	I098
9	997 423 109 00	clutch pipeline		1	
10	987 423 113 00	clutch pipeline		1	I480
(10)	987 423 113 25	clutch pipeline		1	I481
11	999 591 964 40	support		1	
12	999 230 541 10	threaded joint		3	
-	999 230 685 40	safety clip for threaded joint		3	
13	999 707 333 40	sealing ring		1	
14	987 423 377 00	clutch hose	-07	1	I480
(14)	987 423 377 01	clutch hose	08-	1	I480

Model	Year	MG	SG	Illustration	Restrictions	UPD	11:27	24.01.2010	PORSCHE	PET	PORSCHE
987	2008	7	02	702-08		248					

Pos	Part Number	Description	Remark	Qty	Model	Pos	Part Number	Description	Remark	Qty	Model
15	996 355 549 00	support		1							
16	996 355 545 00	support		2							
17	996 355 543 00	support		4							
18	999 702 216 42	grommet		1	I480/481						
19	999 702 217 41	grommet		1	I249						
-	999 507 586 40	cable holder		1							
20	999 707 333 40	sealing ring 6,07 X 1,78N		1							
21	986 423 677 25	bracket		1	I481						
22	999 507 586 40	cable holder		1	I480						

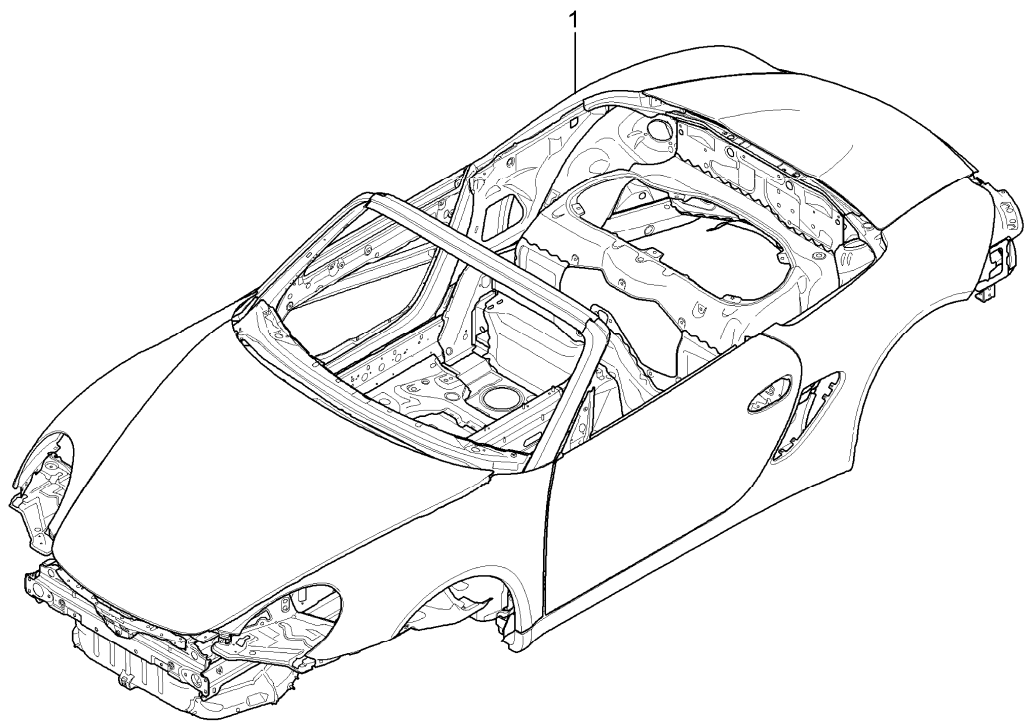
Model	Year	MG	SG	Illustration	Restrictions	UPD	11:27	24.01.2010	PORSCHE	PET	PORSCHE
987	2008	7	02	702-10		248					



Pos	Part Number	Description	Remark	Qty	Model
		pedals accelerator control			
1	997 423 019 02	accelerator control		1	I480
(1)	997 423 021 02	accelerator control		1	I249
2	900 146 161 09	round head screw M 6 X 20		1	

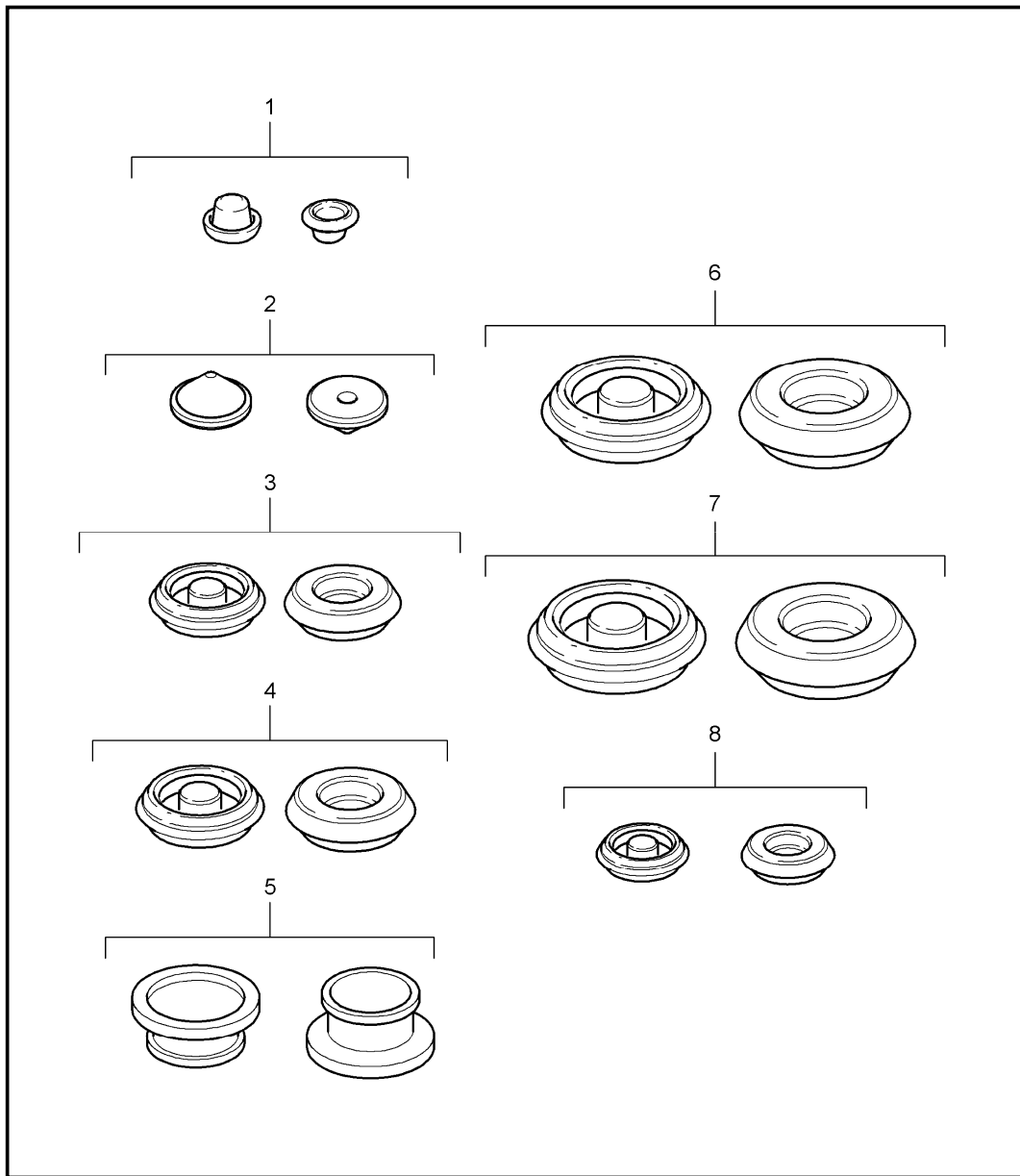
Model	Year	MG	SG	Illustration	Restrictions	UPD	11:27	24.01.2010	PORSCHE	PET	PORSCHE
987	2008	8	01	801-00		248					

B — WPOZZZ 98 z 5U730070  
 C — 987 121  
 M9701-685 G9701  
 G — L6B4 AT  
 D — C00 267 268 425 437  
 E — 438 446 454 537 610  
 635 640 650 666 670  
 F — 00641 20772



Pos	Part Number	Description	Remark	Qty	Model
		body in white			
		prime coated			
		sealed			
		with			
		underbody protection			
		with			
		doors/lids/wings			
		bodyshells can only			
		only available from current			
		model year available			
		the data required			
		for your order			
		can be found on the			
		vehicle data carrier			
		in			
		on-board folder			
		please indicate this data			
		in your order			
A	-	vehicle data carrier			
B	-	vehicle identification no.			
C	-	order type			
D	-	country equipment			
E	-	optional extras			
F	-	additional applications			
G	-	indicate colour			
1	987 500 900 00	body in white		1	
	GRV	prime coated			

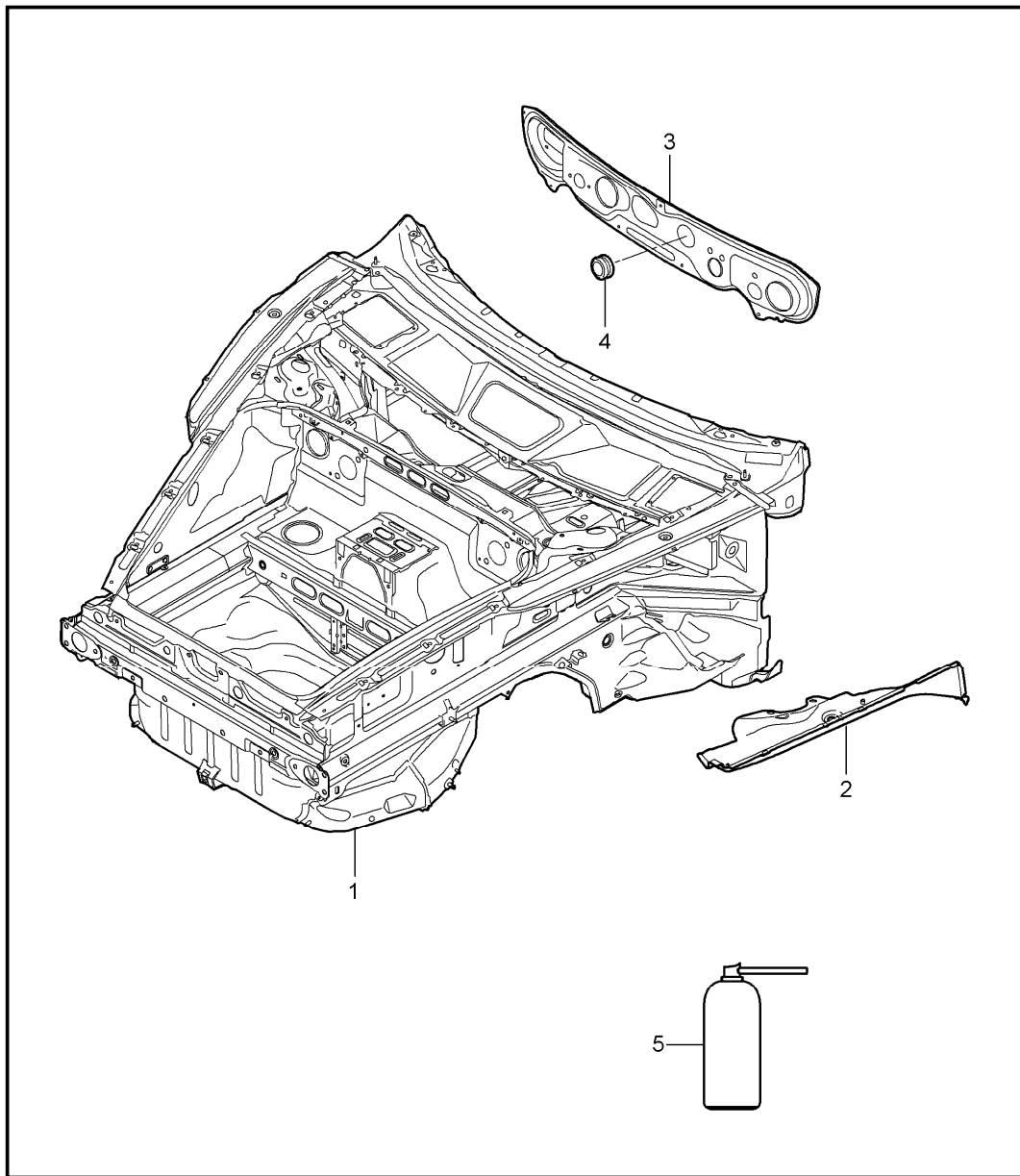
Model	Year	MG	SG	Illustration	Restrictions	UPD	11:28	24.01.2010	PORSCHE	PET	PORSCHE
987	2008	8	01	801-02		248					



Pos	Part Number	Description	Remark	Qty	Model
		stopper plane see workshop manual			
1	999 703 462 40	lid 10 x 6,5		X	
2	999 703 421 40	grommet 15 mm		X	
4	803 803 583 A	lid 20 x 30		X	
5	999 703 420 40	stopper 20,3 x 30 x 11		X	
6	803 803 583	rubber sleeve 30 x 40		X	
7	999 703 433 40	stopper 30 x 42		X	
8	999 703 435 40	lid 15 x 26		X	

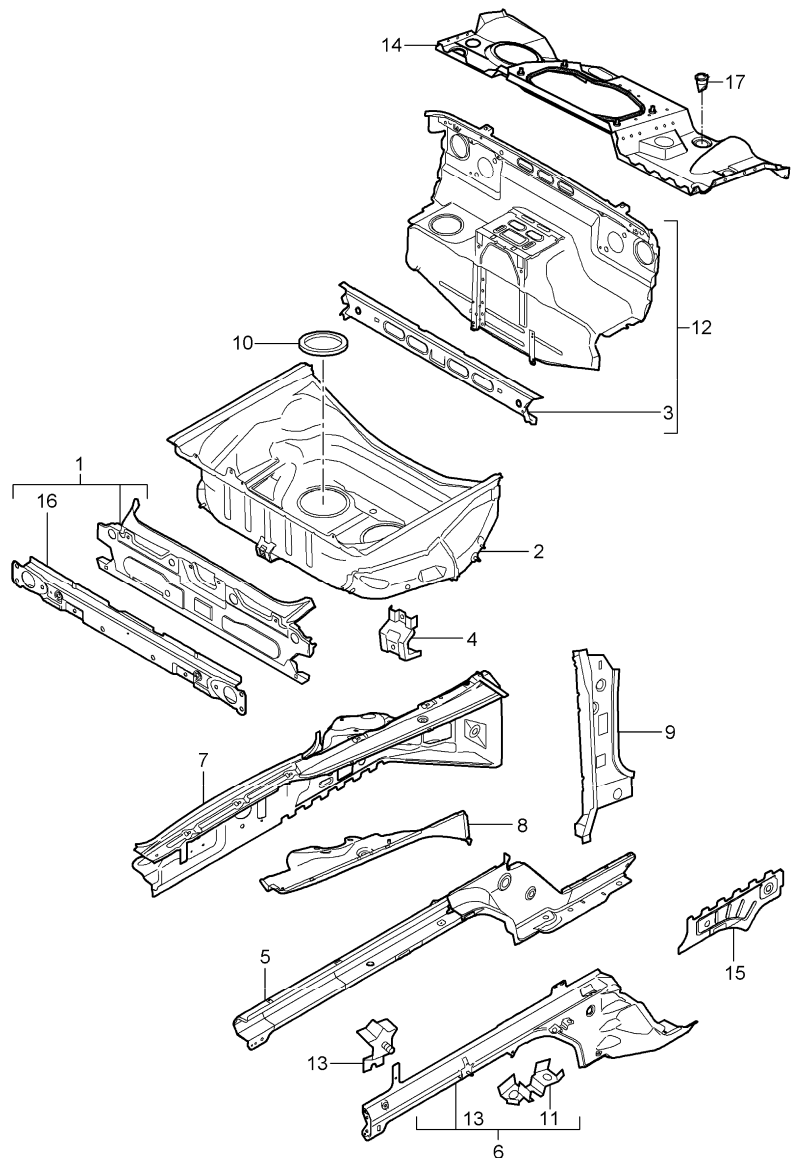


Model	Year	MG	SG	Illustration	Restrictions	UPD	11:28	24.01.2010	PORSCHE	PET	PORSCHE
987	2008	8	01	801-05		248					



Pos	Part Number	Description	Remark	Qty	Model
1	987 501 911 00	body front section		1	
	GRV	prime coated use also: sealing compound Pos. 5 processing instructions see technical manual			
2	997 501 945 00	bottom half	/L	1	
	GRV	prime coated			
(2)	997 501 946 00	bottom half	/R	1	
	GRV	prime coated			
3	997 504 121 00	lid	/LL	1	I098
(3)	997 504 121 01	lid	/RL	1	I099
		use also:			
--	000 043 300 94	adhesive set		1	
4	999 702 255 41	lid 62,5 X 72,6		1	
5	999 915 337 40	sealing compound		1	

Model	Year	MG	SG	Illustration	Restrictions	UPD	11:28	24.01.2010	PORSCHE	PET	PORSCHE
987	2008	8	01	801-10		248					

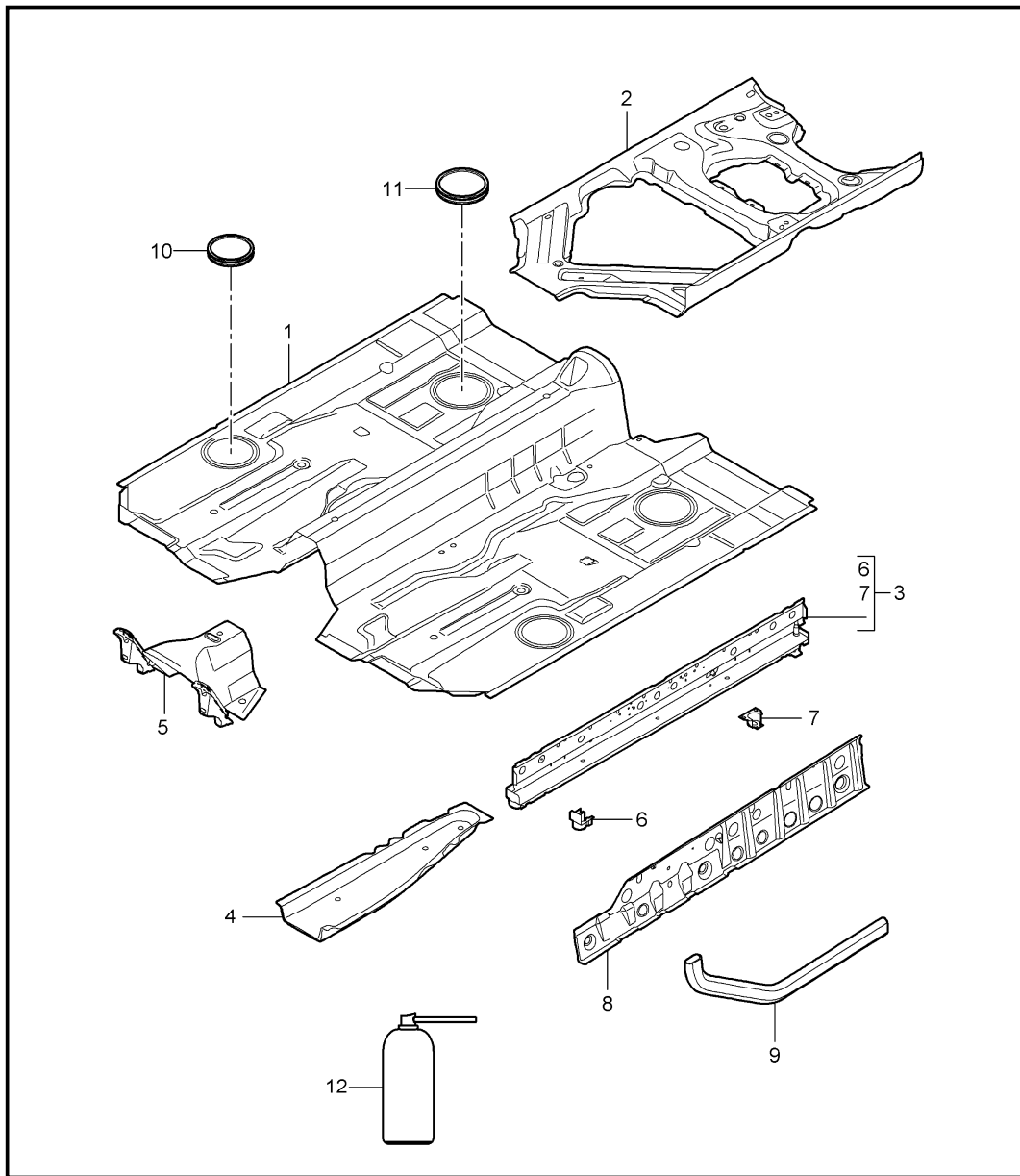


Pos	Part Number	Description	Remark	Qty	Model
		body front section single parts			
1	997 501 931 00	terminal piece		1	
	GRV	prime coated			
2	987 501 979 00	spare-wheel well		1	
	GRV	prime coated			
3	997 501 649 00	cross member bulkhead		1	
	GRV	prime coated			
4	996 501 621 00	support		3	
	GRV	prime coated			
5	997 501 305 01	side member	/L	1	
	GRV	prime coated			
(5)	997 501 306 01	side member	/R	1	
	GRV	prime coated			
6	997 501 915 00	side member	/L	1	
	GRV	prime coated			
(6)	997 501 916 00	side member	/R	1	
	GRV	prime coated			
7	997 501 935 00	wheel housing	/L	1	
	GRV	prime coated			
(7)	997 501 936 01	wheel housing	/R	1	
	GRV	prime coated			
8	997 501 945 00	bottom half	/L	1	
	GRV	prime coated			
(8)	997 501 946 00	bottom half	/R	1	
	GRV	prime coated			
9	997 501 937 00	hinge pillar	/L	1	
	GRV	prime coated			
9	997 501 938 00	hinge pillar	/R	1	

Model	Year	MG	SG	Illustration	Restrictions	UPD	11:28	24.01.2010	PORSCHE	PET	PORSCHE
987	2008	8	01	801-10		248					

Pos	Part Number	Description	Remark	Qty	Model	Pos	Part Number	Description	Remark	Qty	Model
		GRV prime coated									
10	996 504 201 01	lid \$ 145 MM		2							
11	996 501 815 02	support brake line		2							
		GRV prime coated									
12	997 502 921 00	bulkhead		1							
		GRV prime coated									
13	996 501 341 00	support radiator upper		2							
		GRV prime coated									
14	997 502 017 01	cross panel		1							
		GRV prime coated									
15	997 501 665 01	separator	/L	1							
		GRV prime coated									
(15)	997 501 666 01	separator	/R	1							
		GRV prime coated									
16	997 501 901 00	cross member		1							
		GRV prime coated									
17	999 703 476 40	grommet 29,8 X 1,0		4							

Model	Year	MG	SG	Illustration	Restrictions	UPD	11:28	24.01.2010	PORSCHE	PET	PORSCHE
987	2008	8	01	801-20		248					

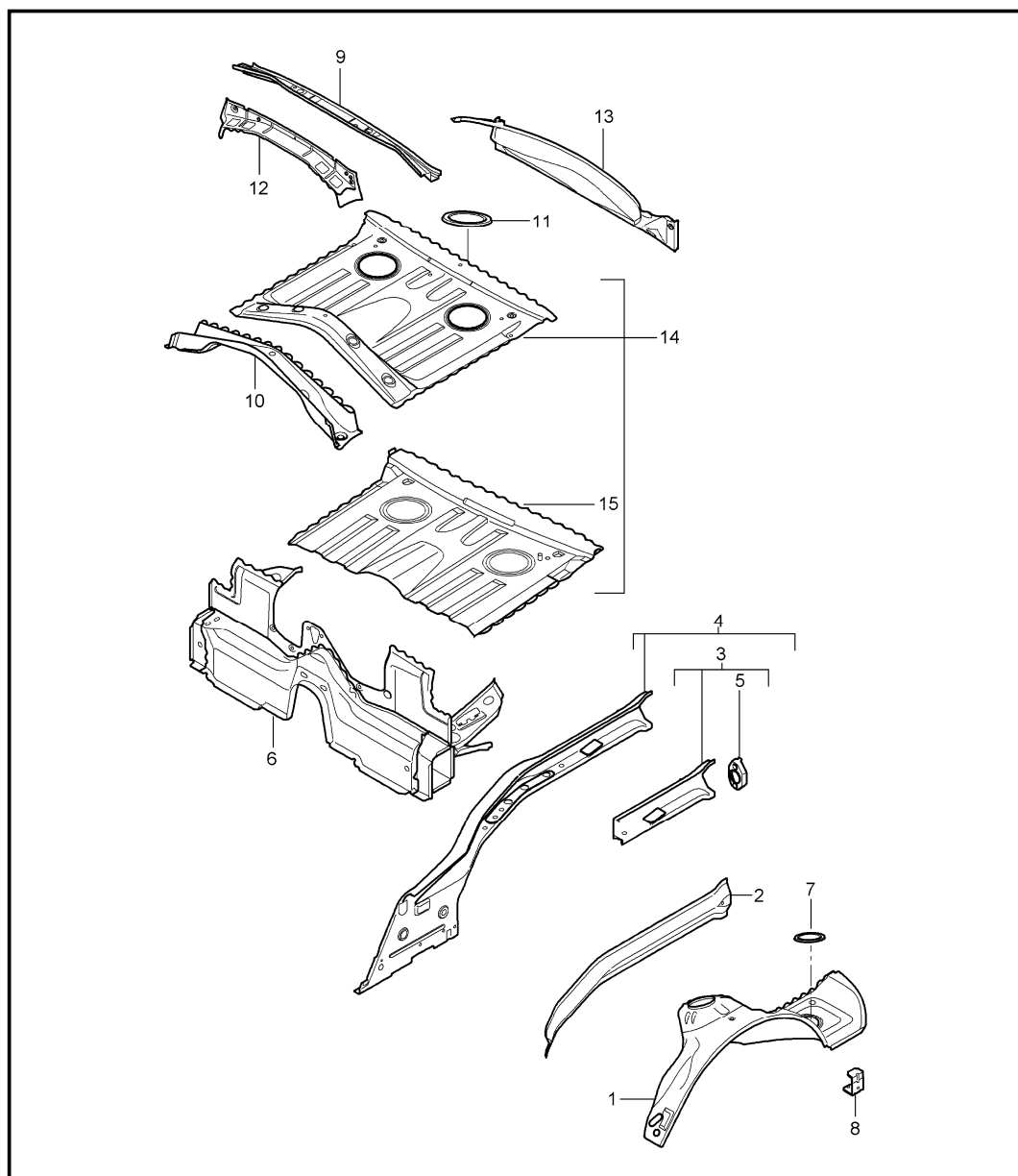


Pos	Part Number	Description	Remark	Qty	Model
		floor centre			
1	987 501 551 00	floor		1	
	GRV	prime coated			
2	997 501 953 01	seat support	/L	1	
	GRV	prime coated			
(2)	997 501 954 01	seat support	/R	1	
	GRV	prime coated			
3	987 501 957 00	side member	/L	1	
	GRV	prime coated			
(3)	987 501 958 00	side member	/R	1	
	GRV	prime coated			
4	997 501 525 00	side member	/L	1	
	GRV	prime coated			
(4)	997 501 526 00	side member	/R	1	
	GRV	prime coated			
5	996 501 751 00	extension		1	
	GRV	prime coated			
6	996 501 785 00	jacking point	/L/V	1	
	GRV	prime coated			
(6)	996 501 786 00	jacking point	/R/V	1	
	GRV	prime coated			
7	996 501 481 01	jacking point	/L/H	1	
	GRV	prime coated			
(7)	996 501 482 01	jacking point	/R/H	1	
	GRV	prime coated			
8	997 501 329 00	retaining bracket	/L	1	
	GRV	prime coated			
(8)	997 501 330 00	retaining bracket	/R	1	

Model	Year	MG	SG	Illustration	Restrictions	UPD	11:28	24.01.2010	PORSCHE	PET	PORSCHE
987	2008	8	01	801-20		248					

Pos	Part Number	Description	Remark	Qty	Model	Pos	Part Number	Description	Remark	Qty	Model
9	997 501 439 00	GRV prime coated support tube		2							
		GRV prime coated use also: sealing compound Pos. 12 processing instructions see technical manual 51 49 55									
10	996 504 205 01	lid \$ 125 MM		2							
11	996 504 201 01	lid \$ 145 MM		2							
12	999 915 337 40	sealing compound		1							

Model	Year	MG	SG	Illustration	Restrictions	UPD	11:28	24.01.2010	PORSCHE	PET	PORSCHE
987	2008	8	01	801-35		248					

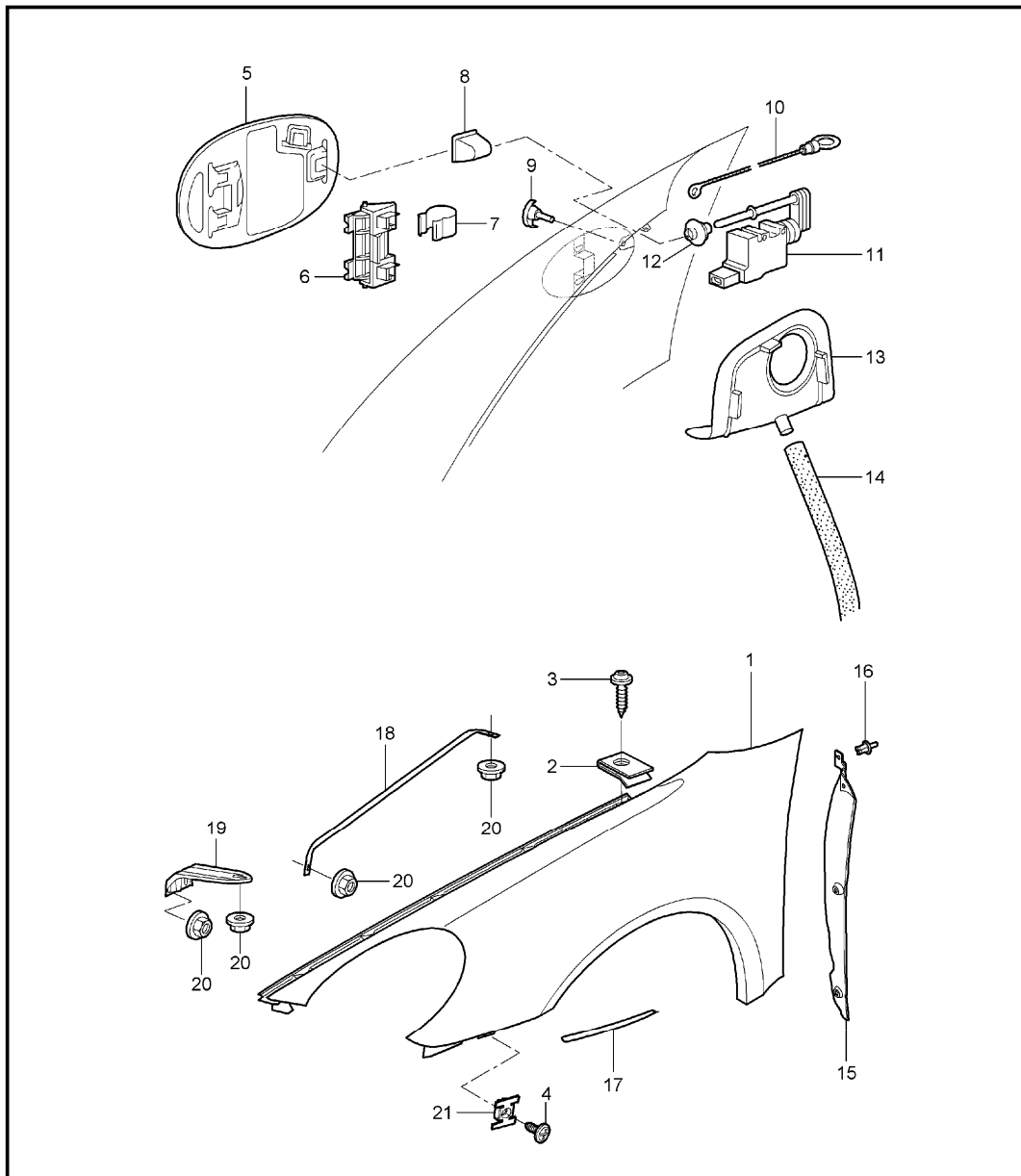


Pos	Part Number	Description	Remark	Qty	Model
-	000 043 206 29	rear end single parts adhesive set body comprising:		X	
-	000 043 206 30	adhesive		1	
-	000 043 206 31	tool		1	
-	000 043 206 32	mixing tube		1	
-	000 043 206 33	activator		1	
1	987 501 983 00	wheel housing	/L	1	
	GRV	prime coated			
(1)	987 501 984 01	wheel housing	/R	1	
	GRV	prime coated			
2	986 501 995 01	side member	/L	2	
	GRV	prime coated outer			
(2)	986 501 996 01	side member	/R	2	
	GRV	prime coated outer			
3	986 501 977 00	side member	/L	1	
	GRV	prime coated inner sub-part see workshop manual			
(3)	987 501 978 00	side member	/R	1	
	GRV	prime coated inner sub-part see workshop manual			
4	987 501 177 00	side member	/L	1	
	GRV	prime coated inner			
(4)	987 501 178 00	side member	/R	1	
	GRV	prime coated inner			

Model	Year	MG	SG	Illustration	Restrictions	UPD	11:28	24.01.2010	PORSCHE	PET	PORSCHE
987	2008	8	01	801-35		248					

Pos	Part Number	Description	Remark	Qty	Model	Pos	Part Number	Description	Remark	Qty	Model
5	996 501 377 01	mounting		2							
	GRV	prime coated									
6	987 501 191 00	bulkhead		1							
	GRV	prime coated									
7	996 504 209 01	lid 100 MM		2							
8	986 501 613 00	support		1							
	GRV	prime coated									
9	987 502 685 00	bracket		1							
	GRV	prime coated side section									
10	986 501 575 00	cross member		1							
	GRV	prime coated rear axle									
11	996 504 201 01	lid 145 MM		2							
12	986 502 673 01	cross member		1							
	GRV	prime coated									
13	987 501 243 00	terminal piece		1							
	GRV	prime coated									
14	986 501 471 00	floor section		1							
	GRV	prime coated									
15	986 501 971 00	boot floor plate		1							
	GRV	prime coated									

Model	Year	MG	SG	Illustration	Restrictions	UPD	15:44	01.02.2010	PORSCHE	PET	PORSCHE
987	2008	8	01	801-40		248					



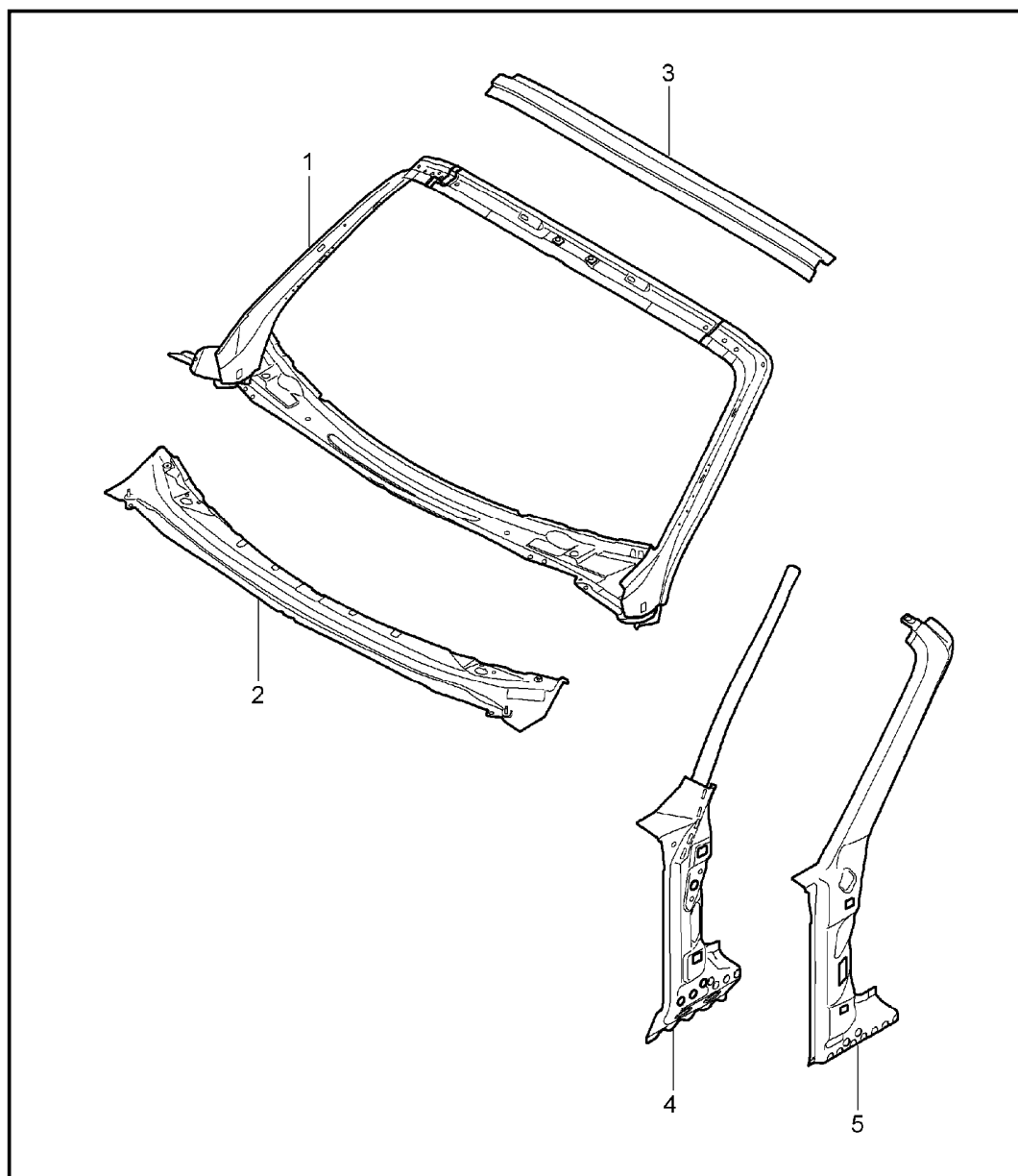
Pos	Part Number	Description	Remark	Qty	Model
1	987 503 031 00	wing	/L	1	
	GRV	prime coated			
(1)	987 503 032 00	wing	/R	1	
	GRV	prime coated			
(1)	987 503 032 01	wing	/R	1	I461
	GRV	prime coated			
2	999 507 003 02	speed nut ST 6,3		18	
3	999 073 128 02	tapping screw ST 6,3 X 14		10	
4	A 900 187 111 02	combination screw ST 6,3 X 12		8	
4	900 187 111 01	combination screw ST 6,3 X 12		8	
5	987 504 134 00	fuel filler flap		1	
	GRV	prime coated			
6	996 201 063 00	hinge		1	
7	997 504 711 00	spring		1	
8	996 201 423 00	cap		1	
9	997 504 888 01	rubber stop		1	
10	996 201 493 00	emergency operation		1	
11	997 624 113 00	actuator		1	
12	996 624 505 02	guide rose		1	
13	996 201 667 01	sleeve	-05	1	
13	997 201 667 00	sleeve	06-	1	
14	996 201 153 00	hose		1	
15	997 504 641 01	cover	/L	1	
	01C	black			
(15)	997 504 642 01	cover	/R	1	
	01C	black			



Model	Year	MG	SG	Illustration	Restrictions	UPD	15:44	01.02.2010	PORSCHE	PET	PORSCHE
987	2008	8	01	801-40		248					

Pos	Part Number	Description	Remark	Qty	Model	Pos	Part Number	Description	Remark	Qty	Model
16	999 591 712 40	expansion rivet A 6,0 X 12,0		6							
17	987 504 531 00	protective film	/L	1							
(17)	987 504 532 00	protective film	/R	1							
18	997 504 441 00	strut		2							
	GRV	prime coated									
19	997 504 555 00	support		2							
	GRV	prime coated									
20	999 076 066 09	hexagon nut M 6		10							
21	999 507 590 02	captive nut ST 4,8		6							
-	000 043 204 85	cavity preservation 400 ML		X							

Model	Year	MG	SG	Illustration	Restrictions	UPD	11:29	24.01.2010	PORSCHE	PET	PORSCHE
987	2008	8	01	801-45		248					

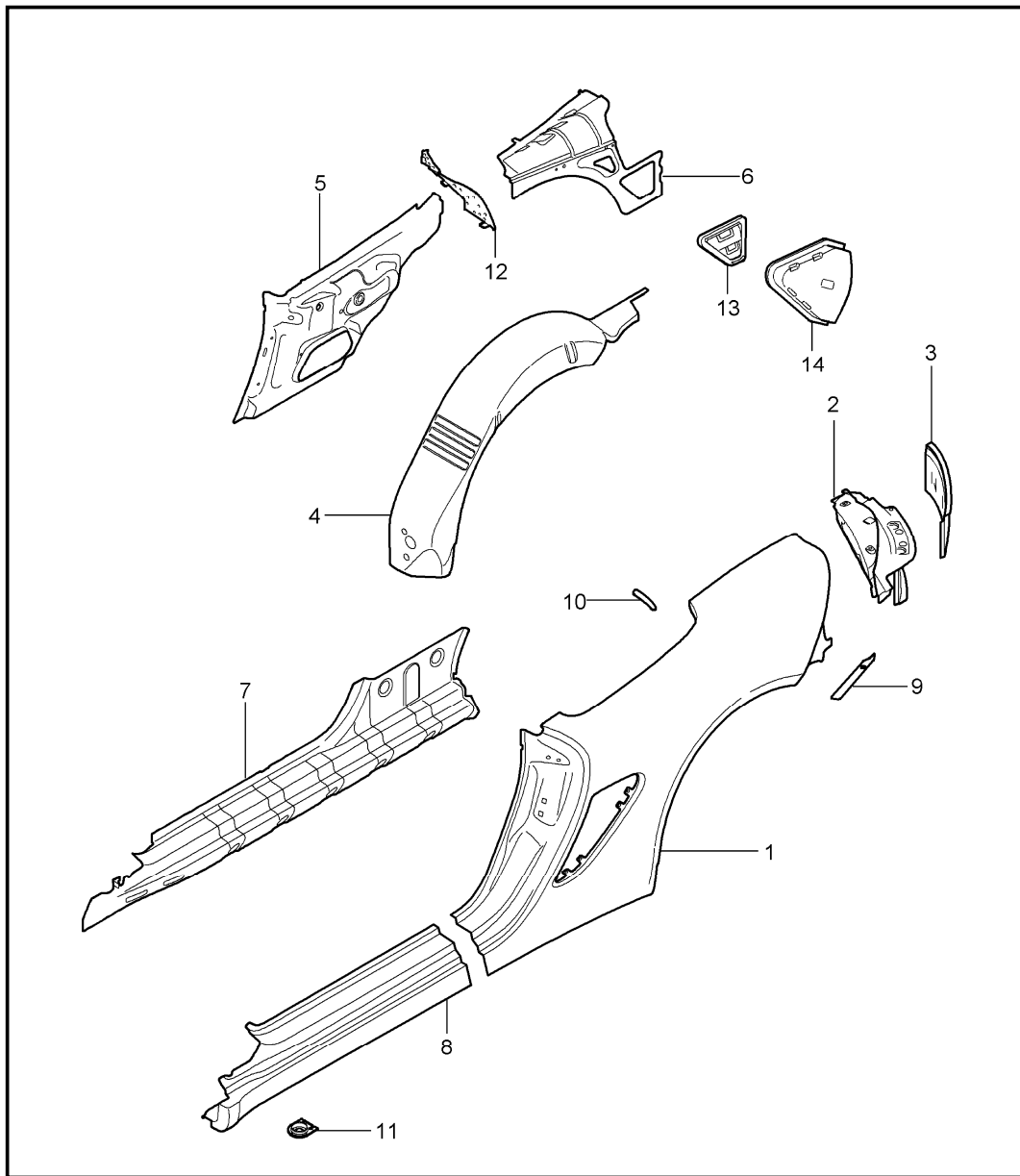


Pos	Part Number	Description	Remark	Qty	Model
1	987 502 137 00	cowl		1	
	GRV	prime coated inner			
2	997 502 527 00	cowl		1	
	GRV	prime coated outer			
3	987 502 529 00	cowl		1	
	GRV	prime coated outer			
4	987 502 135 01	reinforcement	/L	1	
	GRV	prime coated use also:			
(4)	987 502 136 01	reinforcement	/R	1	
	GRV	prime coated use also:			
-	000 043 206 29	adhesive set body comprising:		X	
-	000 043 206 30	adhesive		1	
-	000 043 206 31	tool		1	
-	000 043 206 32	tool		1	
-	000 043 206 33	activator		1	
5	987 502 335 00	hinge pillar	/L	1	
	GRV	prime coated use also:			
(5)	987 502 336 00	hinge pillar	/R	1	
	GRV	prime coated use also:			
-	000 043 206 29	adhesive set body comprising:		X	
-	000 043 206 30	adhesive		1	
-	000 043 206 31	tool		1	

Model	Year	MG	SG	Illustration	Restrictions	UPD	11:29	24.01.2010	PORSCHE	PET	PORSCHE
987	2008	8	01	801-45		248					

Pos	Part Number	Description	Remark	Qty	Model	Pos	Part Number	Description	Remark	Qty	Model
-	000 043 206 32	tool		1							
-	000 043 206 33	activator		1							

Model	Year	MG	SG	Illustration	Restrictions	UPD	11:29	24.01.2010	PORSCHE	PET	PORSCHE
987	2008	8	01	801-50		248					

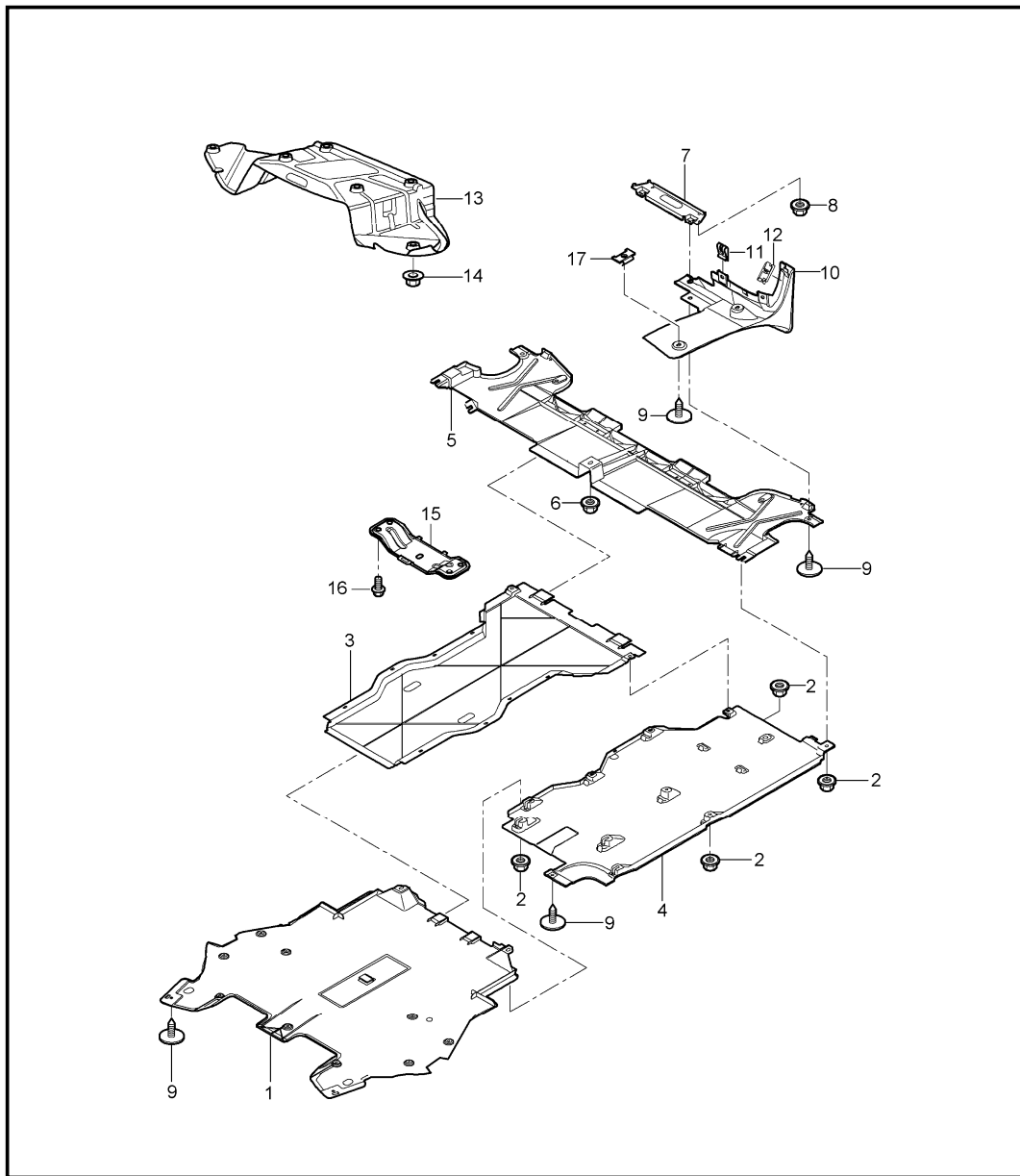


Pos	Part Number	Description	Remark	Qty	Model
1	987 503 961 02	side section			
		side section	/L	1	
		GRV prime coated			
(1)	987 503 962 02	side section	/R	1	
		GRV prime coated			
		use also:			
-	999 915 650 40	adhesive teromix 6700		X	
-	000 043 300 48	tool see technical manual group 5 53 55 55		X	
2	987 502 161 00	frame for light	/L	1	
		GRV prime coated			
(2)	987 502 162 00	frame for light	/R	1	
		GRV prime coated			
3	987 501 651 00	corner panel	/L	1	
		GRV prime coated			
(3)	987 501 652 00	corner panel	/R	1	
		GRV prime coated			
4	987 502 515 00	wheel housing	/L	1	
		GRV prime coated			
(4)	987 502 516 00	wheel housing	/R	1	
		GRV prime coated			
5	987 502 083 00	side section	/L	1	
		GRV prime coated			
(5)	987 502 084 00	side section	/R	1	
		GRV prime coated			
6	986 502 085 00	side section	/L	1	
		GRV prime coated			
(6)	986 502 106 00	side section	/R	1	

Model	Year	MG	SG	Illustration	Restrictions	UPD	11:29	24.01.2010	PORSCHE	PET	PORSCHE
987	2008	8	01	801-50		248					

Pos	Part Number	Description	Remark	Qty	Model	Pos	Part Number	Description	Remark	Qty	Model
		GRV prime coated									
7	986 502 163 02	reinforcement door sill	/L	1							
		GRV prime coated use also:									
(7)	986 502 164 01	reinforcement door sill	/R	1							
		GRV prime coated use also:									
-	000 043 206 29	adhesive set body comprising:		X							
-	000 043 206 30	adhesive		1							
-	000 043 206 31	tool		1							
-	000 043 206 32	tool		1							
-	000 043 206 33	activator		1							
8	987 503 963 02	door sill	/L	1							
		GRV prime coated									
(8)	987 503 964 02	door sill	/R	1							
		GRV prime coated									
9	987 504 631 00	protective film	/L	2							
10	996 537 237 00	protective film		2							
11	999 703 475 40	water drain sleeve door sill		2							
12	987 504 901 00	seal see technical manual group 5 53 55 55		2							
13	986 572 043 02	bleeding	/L	1							
(13)	986 572 044 00	bleeding	/R	1							
14	986 572 643 01	air-guide cowl bleeding	/L	1							
(14)	986 572 644 01	air-guide cowl bleeding	/R	1							

Model	Year	MG	SG	Illustration	Restrictions	UPD	11:29	24.01.2010	PORSCHE	PET	PORSCHE
987	2008	8	01	801-70		248					

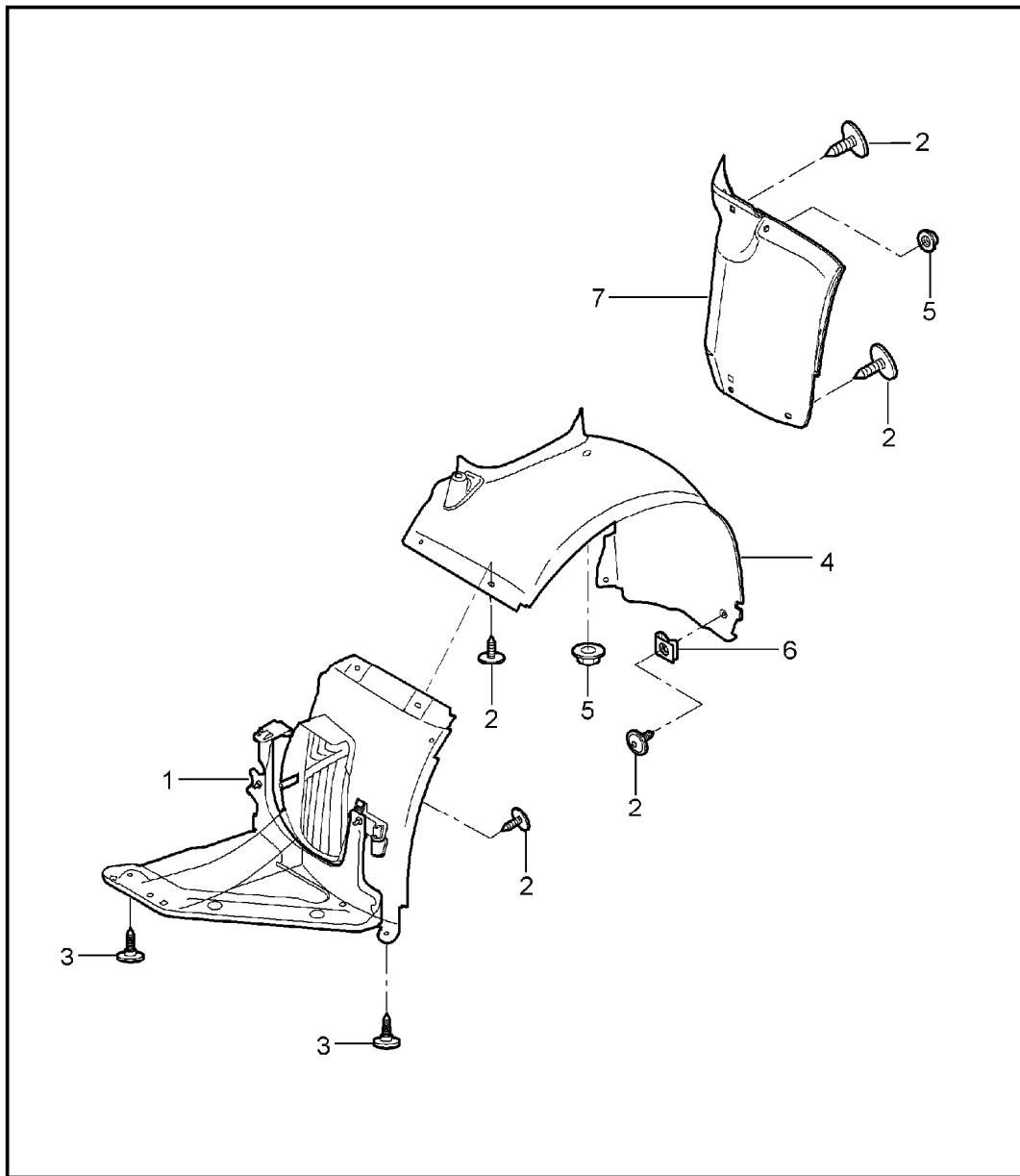


Pos	Part Number	Description	Remark	Qty	Model
		linings underbody			
1	997 504 527 02	cover front		1	
2	999 049 028 40	plastic nut T 5/22 X 10		33	
3	997 504 043 00	cover centre		1	
4	997 504 343 02	cover	/L	1	
(4)	997 504 344 02	cover centre	/R	1	
5	987 504 129 00	cover rear		1	
6	999 076 068 09	hexagon nut M 6		1	
7 A	987 504 571 00	support cover rear		2	
7	987 504 571 01	support cover rear left	/L	1	
7	987 504 572 01	support cover rear right	/R	1	
8	999 084 212 02	hexagon nut M 6		2	
9	999 073 231 09	tapping screw ST 4,8 X 16		X	
10	987 504 793 00	cover	/L	1	
	01C	satin black			
(10)	987 504 794 00	cover	/R	1	
	01C	satin black			
11	999 507 795 09	speed nut ST 4,8		2	
12	987 504 635 00	clamp	/L	1	

Model	Year	MG	SG	Illustration	Restrictions	UPD	11:29	24.01.2010	PORSCHE	PET	PORSCHE
987	2008	8	01	801-70		248					

Pos	Part Number	Description	Remark	Qty	Model	Pos	Part Number	Description	Remark	Qty	Model
(12)	987 504 636 00	clamp cover	/R	1 1							
13	987 504 405 00	heat protection		1							
14	999 049 025 09	hexagon nut T 5		7							
15	997 504 823 01	transverse strut tunnel		1							
16	900 075 475 09	combination screw M 10 x 25		4							
17	999 507 849 01	captive nut st 4,8		4							

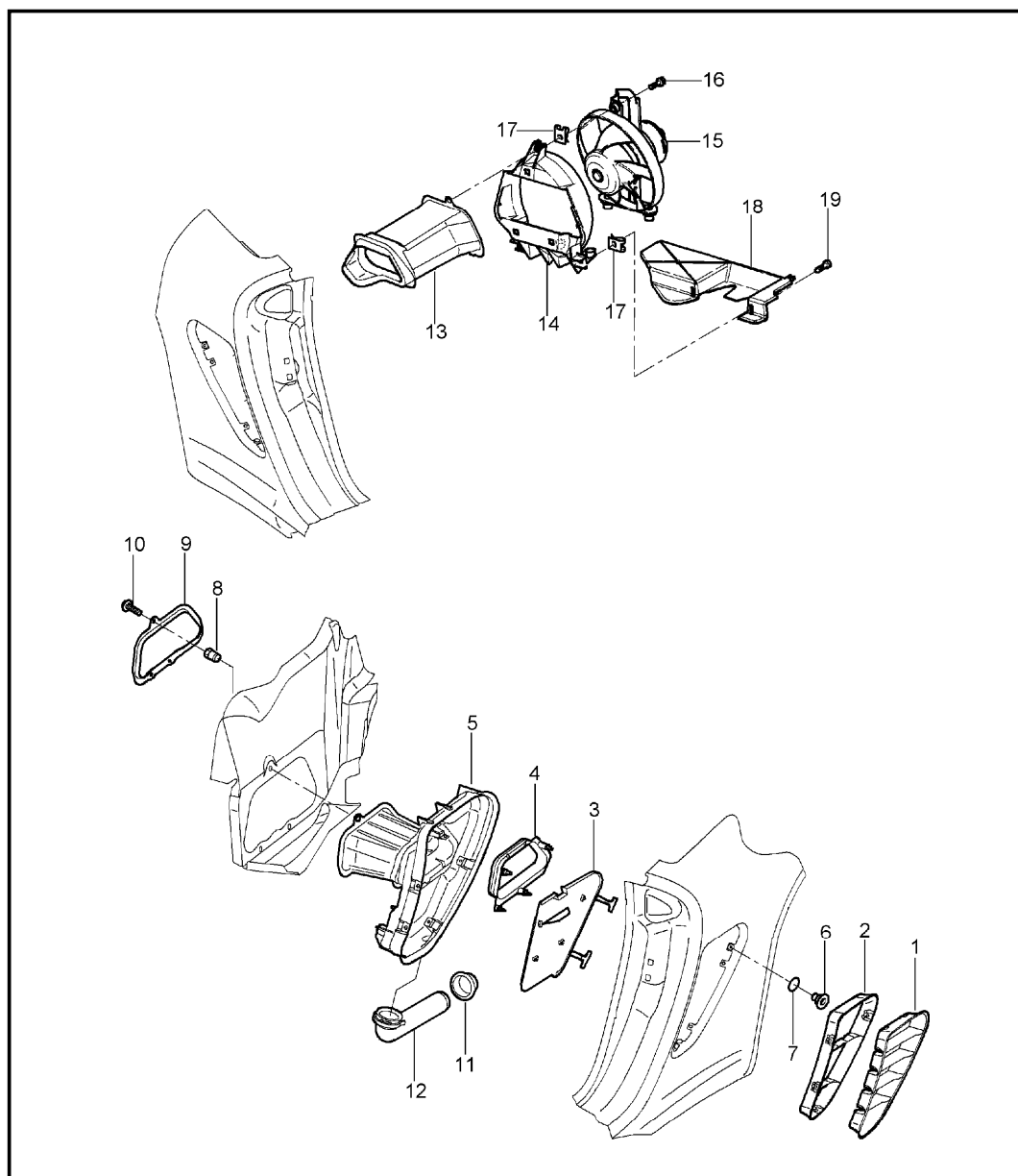
Model	Year	MG	SG	Illustration	Restrictions	UPD	11:30	24.01.2010	PORSCHE	PET	PORSCHE
987	2008	8	01	801-75		248					



Pos	Part Number	Description	Remark	Qty	Model
		linings for wheel housing			
1	987 504 123 00	wheel-housing liner	/L/V	1	I480/481
(1)	987 504 124 00	wheel-housing liner	/R/V	1	I480/481
(1)	987 504 123 00	wheel-housing liner	/L/V	1	I480
(1)	987 504 124 00	wheel-housing liner	/R/V	1	I480
(1)	987 504 123 03	wheel-housing liner	/L/V	1	/BOXSTER I249
(1)	987 504 124 03	wheel-housing liner	/R/V	1	/BOXSTER I249
(1)	987 504 123 02	wheel-housing liner	/L/V	1	I249 BOXSTER S
(1)	987 504 124 02	wheel-housing liner	/R/V	1	I249 BOXSTER S
(1)	987 504 123 06	wheel-housing liner	/V/L	1	I480/754
(1)	987 504 124 06	wheel-housing liner	/V/R	1	I480/754
(1)	987 504 123 07	wheel-housing liner	/V/L	1	I249/754
(1)	987 504 124 07	wheel-housing liner	/V/R	1	I249/754
2	999 073 231 09	tapping screw ST 4,8 X 16		20	
3	999 073 227 09	tapping screw ST 4,8 X 19		4	
4	987 504 203 00	wheel-housing liner	/V/H	1	
(4)	987 504 204 00	wheel-housing liner	/V/H	1	
5	999 049 028 40	plastic nut T5		10	
6	999 507 795 09	speed nut		2	
7	987 504 573 01	wheel-housing liner	/H/V	1	
(7)	987 504 574 01	wheel-housing liner	/H/V	1	
8	987 504 673 01	heat protection	/L	1	
(8)	987 504 674 01	heat protection brake hose	/R	1	
9	999 507 795 09	speed nut		2	



Model	Year	MG	SG	Illustration	Restrictions	UPD	11:30	24.01.2010	PORSCHE	PET	PORSCHE
987	2008	8	01	801-80		248					

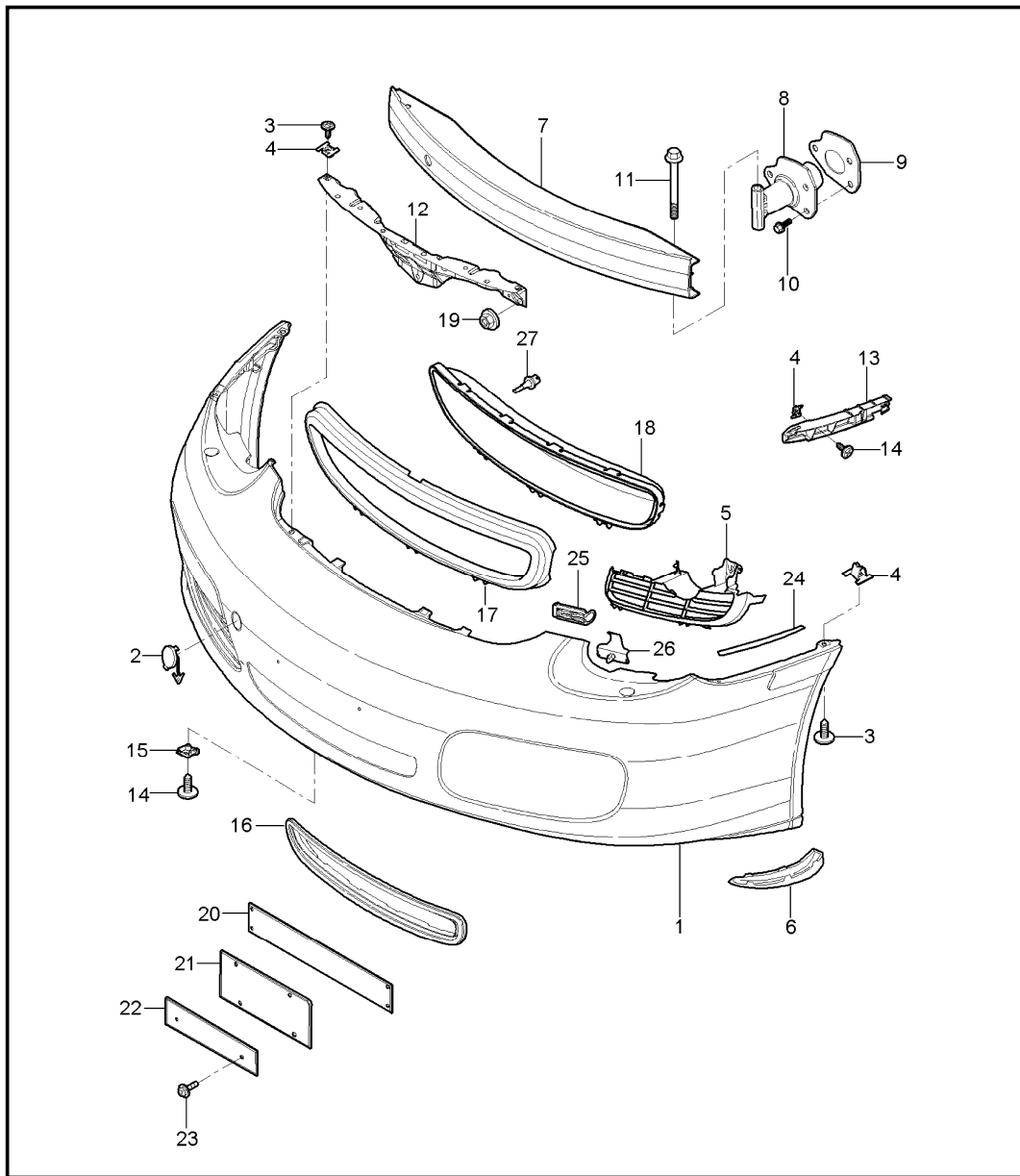


Pos	Part Number	Description	Remark	Qty	Model
		ventilation engine compartment			
1	987 504 561 01	ventilation grille	/L	1	
	9B1	titanium metallic			
(1)	987 504 562 01	ventilation grille	/R	1	
	9B1	titanium metallic			
2	987 504 749 01	frame	/L	1	
	01C	satin black			
(2)	987 504 750 01	frame	/R	1	
	01C	satin black			
3	987 575 647 01	impact absorber plate	/L	1	
4	987 575 757 00	reinforcement air duct	/L	1	
5	987 575 657 00	air duct inner	/L	1	
6	999 507 585 40	fixing clip		8	
7	999 701 489 40	sealing ring	/L	4	
8	999 500 069 02	blind rivet nut		6	
9	987 575 759 00	support frame air duct		1	
10	900 075 413 09	combination screw M 6 X 16		3	
11	999 702 288 40	grommet 32,5 X 20	/L	1	
12	987 504 431 00	water drain tube	/L	1	
13	987 575 360 01	air duct	/R	1	
14	986 575 356 00	airscoop	/R	1	
15	986 624 036 00	blower	/R	1	
16	900 075 333 02	hexagon-head bolt M 6 X 25		3	
17	999 507 550 02	speed nut M 6		3	
18	986 575 756 02	air duct	/R	1	

Model	Year	MG	SG	Illustration	Restrictions	UPD	11:30	24.01.2010	PORSCHE	PET	PORSCHE
987	2008	8	01	801-80		248					

Pos	Part Number	Description	Remark	Qty	Model	Pos	Part Number	Description	Remark	Qty	Model
19	900 378 036 09	hexagon-head bolt M 6 X 12		1							

Model	Year	MG	SG	Illustration	Restrictions	UPD	11:30	24.01.2010	PORSCHE	PET	PORSCHE
987	2008	8	02	802-00		248					

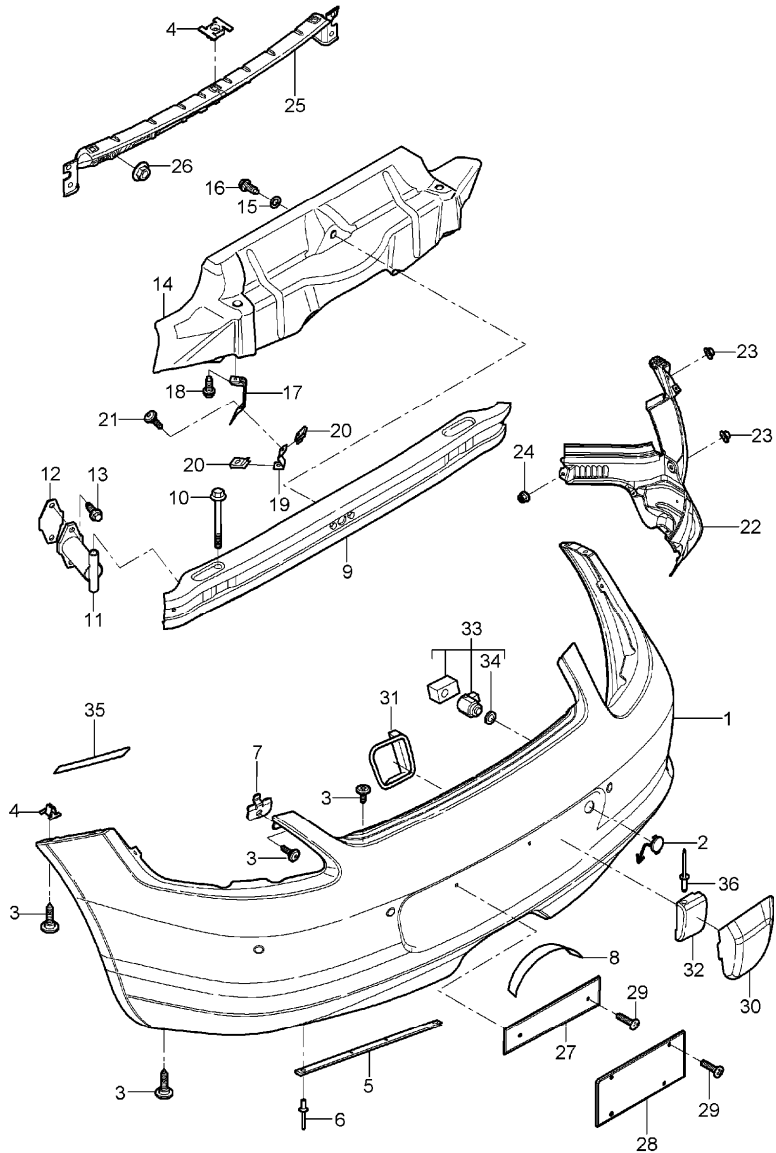


Pos	Part Number	Description	Remark	Qty	Model
(1)	987 505 901 00	bumper front		1	BOXSTER
	G2X	prime coated			
(1)	987 505 901 01	lining		1	BOXSTER I288
	G2X	prime coated			
1	987 505 901 02	lining		1	I249 BOXSTER S
	G2X	prime coated			
(1)	987 505 901 03	lining		1	I249/288 BOXSTER S
	G2X	prime coated			
(1)	987 505 901 04	lining		1	I480 BOXSTER S
	G2X	prime coated			
(1)	987 505 901 05	lining		1	I288/480 BOXSTER S
	G2X	prime coated			
2	987 505 703 00	cap		1	
	G2X	prime coated			
3	999 073 227 09	tapping screw		10	
4	999 507 590 02	speed nut		X	
5	987 505 553 00	grille frame	/L	1	BOXSTER
	01C	satin black			
(5)	987 505 554 00	grille frame	/R	1	BOXSTER
	01C	satin black			
(5)	987 505 553 06	grille frame	/L	1	BOXSTER I753
	041	black			
(5)	987 505 554 06	grille frame	/R	1	BOXSTER I753
	041	black			

Model	Year	MG	SG	Illustration	Restrictions	UPD	11:30	24.01.2010	PORSCHE	PET	PORSCHE
987	2008	8	02	802-00		248					

Pos	Part Number	Description	Remark	Qty	Model	Pos	Part Number	Description	Remark	Qty	Model
(5)	987 505 553 01	grille frame	/L	1	BOXSTER S	15	999 591 699 02	speed nut ST 4,8		1	
	FNP	titanium metallic				16	987 505 551 00	cover		1	BOXSTER S
(5)	987 505 554 01	grille frame	/R	1	BOXSTER S		G2X	prime coated			
	FNP	titanium metallic				17	987 505 555 00	retaining frame		1	I249
(5)	987 505 553 07	grille frame	/L	1	BOXSTER S I753		01C	satin black			BOXSTER S
	041	prime coated				18	987 505 751 01	cover		1	I480
(5)	987 505 554 07	grille frame	/R	1	BOXSTER S I753		01C	air inlet centre			BOXSTER S
	041	prime coated				19	999 076 078 09	hexagon nut M 6		3	
(6)	987 505 525 00	cover	/L	1		20	987 701 105 00	support number plate		1	I211
	01C	satin black					01C	black			
(6)	987 505 526 00	cover	/R	1		22	987 701 109 00	support number plate		1	I210
	01C	satin black					01C	black			
(6)	987 505 987 03	spoiler	/L	1	IXAL/754	23	999 919 228 A2	screw 5,0X28,0		X	
(6)	987 505 988 03	spoiler mitverwenden	/R	1	IXAL/754	(23)	999 919 227 A2	screw 5,0X13,0		X	
--	987 505 989 00	adhesive set		1		24	987 504 531 00	protective film	/L	1	
7	997 505 141 00	bumper reinforcement		1		(24)	987 504 532 00	protective film	/R	1	
8	997 505 319 00	impact absorber		2		25	987 505 719 00	fixing device		2	
9	997 505 751 02	seal impact absorber		2		26	987 505 709 00	guide plate		2	
10	900 378 267 09	hexagon-head bolt M8X30		6		27	996 641 142 00	temperature sensor		1	
11	900 378 088 09	hexagon-head bolt m 12 x 100		2							
12	997 505 531 00	retaining strip centre		1							
13	987 505 535 01	retaining strip	/L	1							
(13)	987 505 536 01	retaining strip	/R	1							
14	999 073 418 01	tapping screw ST4,8 X 19-C		4							
-	999 591 387 02	clamping washer		10							

Model	Year	MG	SG	Illustration	Restrictions	UPD	11:30	24.01.2010	PORSCHE	PET	PORSCHE
987	2008	8	02	802-05		248					

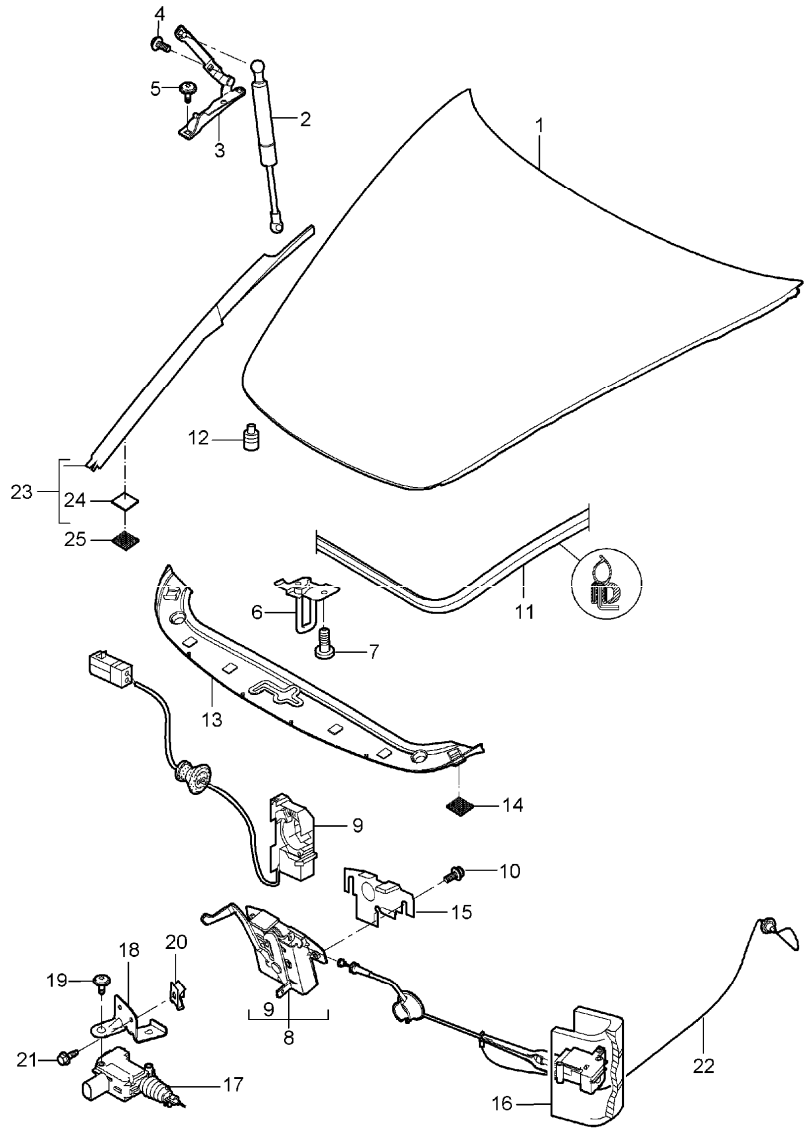


Pos	Part Number	Description	Remark	Qty	Model
1	987 505 411 00	bumper rear		1	
	G2X	prime coated			
1 A	987 505 996 04	lining		1	IXAL
	G2X	prime coated			
1	987 505 291 00	lining		1	I635
1	987 505 993 00	lining		1	IXAL/635
2	997 505 803 00	cap		1	
	G2X	prime coated			
3	999 073 227 09	tapping screw ST 4,8 X 19		15	
4	999 507 590 02	speed nut ST 4,8		7	
5	987 505 837 00	retaining strip		2	
6	999 190 104 30	blind rivet 3,2 X 7,9		4	
7	987 505 815 00	retainer plate		2	
8	987 505 811 00	heat shield		1	
	9B1	titanium metallic			
8	987 505 997 00	heat shield		1	IXAL
	9B1	titanium metallic			
9	987 505 241 00	bracket bumper		1	
10	900 378 088 09	hexagon-head bolt M 12 X 1,5 X 100		2	
11	996 505 019 01	impact pipe		2	
(11)	996 505 015 00	impact absorber		2	I113
12	996 505 775 00	seal impact absorber		2	
(12)	996 505 775 01	seal impact absorber		2	I113

Model	Year	MG	SG	Illustration	Restrictions	UPD	11:30	24.01.2010	PORSCHE	PET	PORSCHE
987	2008	8	02	802-05		248					

Pos	Part Number	Description	Remark	Qty	Model	Pos	Part Number	Description	Remark	Qty	Model
13	900 378 267 09	hexagon-head bolt M 8 X 30		4		(29)	999 919 227 A2	tapping screw support number plate 5 X 13		8	I218
14	987 505 475 00	heat protection centre		1							
15	999 025 243 02	spacer sleeve 5,0X1,0		1		33	955 606 275 01	sensor ParkAssist		4	I635
16	900 278 025 02	hexagon-head bolt M5X12		1		34	7L6 919 659	sealing ring sensor sensor		4	
17	987 505 639 00	rear support		2		35	987 504 631 00	protective film		2	
18	999 075 056 09	combination screw M 6 X 22		2		36	999 591 712 40	expansion rivet		6	
19	996 505 649 01	angular plate rear support		2		-	987 505 991 00	bracket		1	IXAL
20	999 507 795 09	speed nut ST4,8		4		-	999 507 696 00	u-clamp		1	
21	999 073 314 09	tapping screw ST4,8X16-C		2		-	999 507 840 40	cable holder		2	IXAL
(22)	987 505 631 00	support	/L	1		-	999 591 974 01	clamping washer		4	IXAL
22	987 505 632 00	support	/R	1		-	999 073 426 01	tapping screw		2	IXAL
23	999 076 078 09	hexagon nut M 6		6							
24	999 049 028 40	plastic nut T5/22 X 10		4							
25	987 505 841 00	attachment strip		1							
26	999 076 078 09	hexagon nut M 6		5							
27	987 701 105 00	support number plate		1	I211						
	01C	black									
(27)	987 701 107 00	support number plate		1	I210						
	01C	black									
29	999 919 227 A2	tapping screw support		4	I210/211						

Model	Year	MG	SG	Illustration	Restrictions	UPD	11:30	24.01.2010	PORSCHE	PET	PORSCHE
987	2008	8	03	803-00		248					



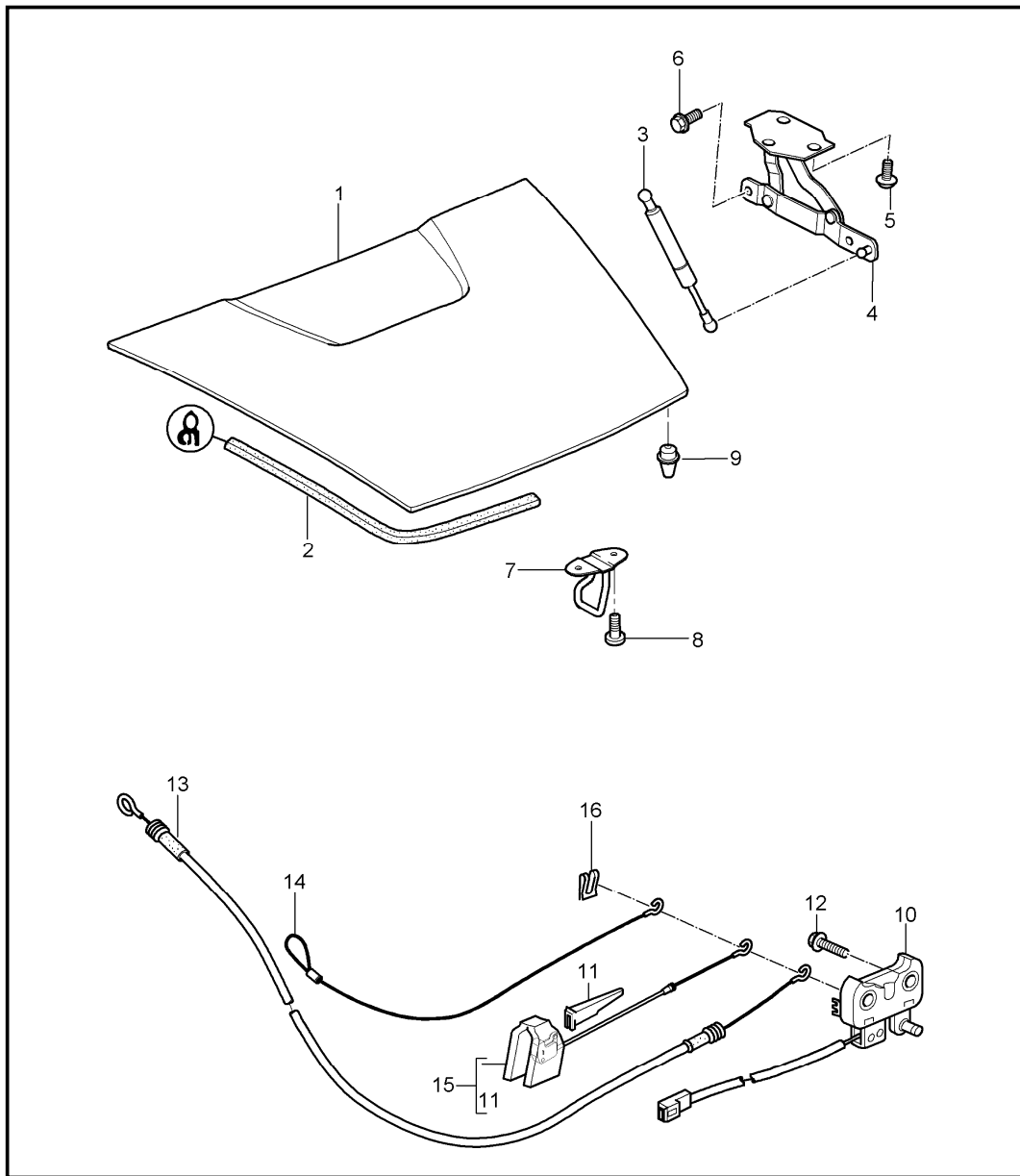
Pos	Part Number	Description	Remark	Qty	Model
		lid front			
1	997 511 011 00	lid		1	
	GRV	prime coated			
2	997 511 551 01	gas-pressure spring		2	
(3)	997 511 151 00	hinge	/L	1	
3	997 511 152 00	hinge	/R	1	
4	999 073 357 09	oval-head screw M 6 X 12		4	
5	999 073 348 09	oval-head screw M 6 X 20		4	
6	997 511 051 00	lock upper part		1	
7	999 073 350 04	round head screw M 6 X 16		2	
8	997 511 053 00	lock lower part		1	
9	997 613 206 00	microswitch		1	
10	900 075 466 09	combination screw M 6 X 16		2	
11	997 511 611 00	gasket		1	
12	999 703 140 41	buffer		2	
13	997 504 811 03	trim cover		1	
	FMT	black			
14	999 902 049 40	velcro fastener		4	
15	996 511 653 00	cover		1	
16	997 511 117 00	actuator		1	
(23)	997 572 465 02	cover	/L	1	
	02A	black			
23	997 572 466 02	cover wing	/R	1	
	02A	black			
24	999 902 052 40	velcro fastener cover 20 X 20		4	

Model	Year	MG	SG	Illustration	Restrictions	UPD	11:30	24.01.2010	PORSCHE	PET	PORSCHE
987	2008	8	03	803-00		248					

Pos	Part Number	Description	Remark	Qty	Model	Pos	Part Number	Description	Remark	Qty	Model
25	999 902 051 40	velcro fastener wing 20 X 20		4							

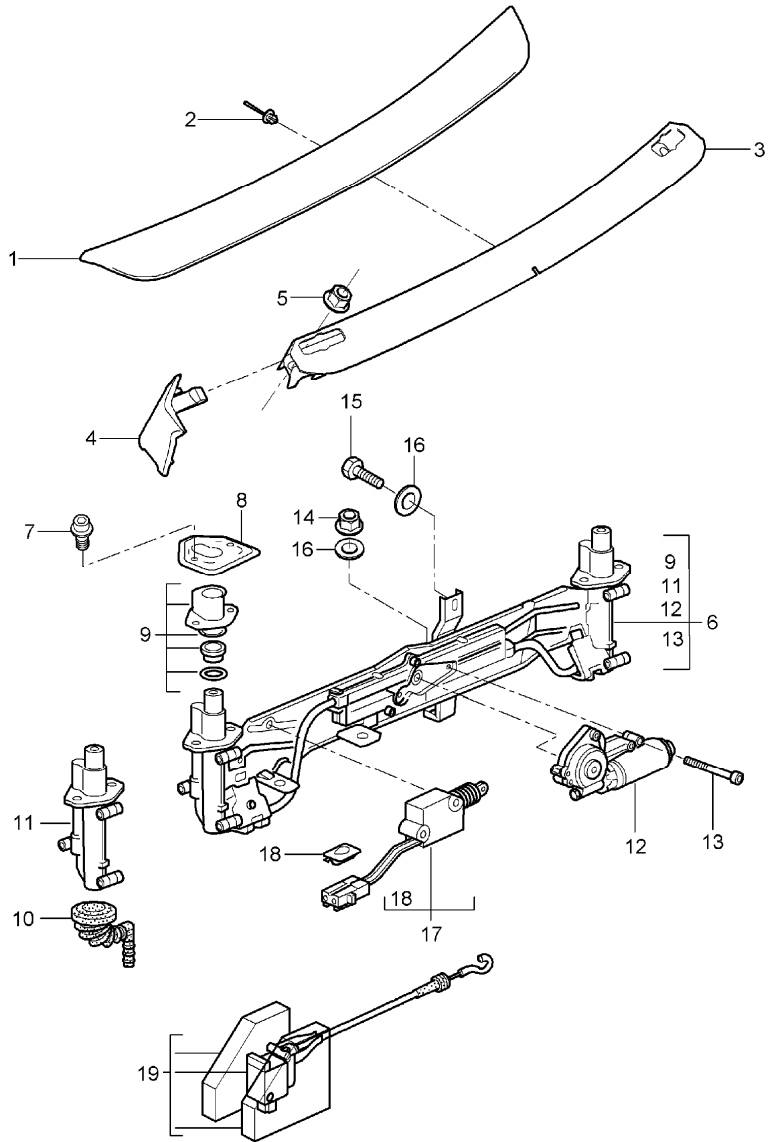


Model	Year	MG	SG	Illustration	Restrictions	UPD	11:30	24.01.2010	PORSCHE	PET	PORSCHE
987	2008	8	03	803-05		248					



Pos	Part Number	Description	Remark	Qty	Model
		lid rear			
1	987 512 011 00	lid		1	
	GRV	prime coated			
		use also:			
-	000 043 204 38	sealing material		1	
2	987 512 611 01	gasket		1	
3	987 512 551 01	gas-pressure spring		1	
(4) A	987 512 151 00	hinge	/L	1	
(4)	987 512 151 02	hinge	/L	1	
4 A	987 512 152 00	hinge	/R	1	
4	987 512 152 02	hinge	/R	1	
5	900 075 469 02	combination screw M 6 X 22		4	
6	900 378 155 09	hexagon-head bolt M 6 X 16		4	
7	987 512 051 00	lock upper part		1	
8	999 073 350 04	round head screw M 6 X 16		2	
9	987 512 987 00	buffer		2	
10	987 512 053 01	lock lower part		1	
11	997 511 753 00	guide		1	
12	900 075 504 01	combination screw M 6 X 45		2	
13	987 512 217 00	cable lid		1	
14	987 512 521 00	cable emergency operation		1	
15	987 512 117 00	actuator lid		1	
16	999 166 054 02	sl-lock		1	

Model	Year	MG	SG	Illustration	Restrictions	UPD	11:31	24.01.2010	PORSCHE	PET	PORSCHE
987	2008	8	03	803-07		248					

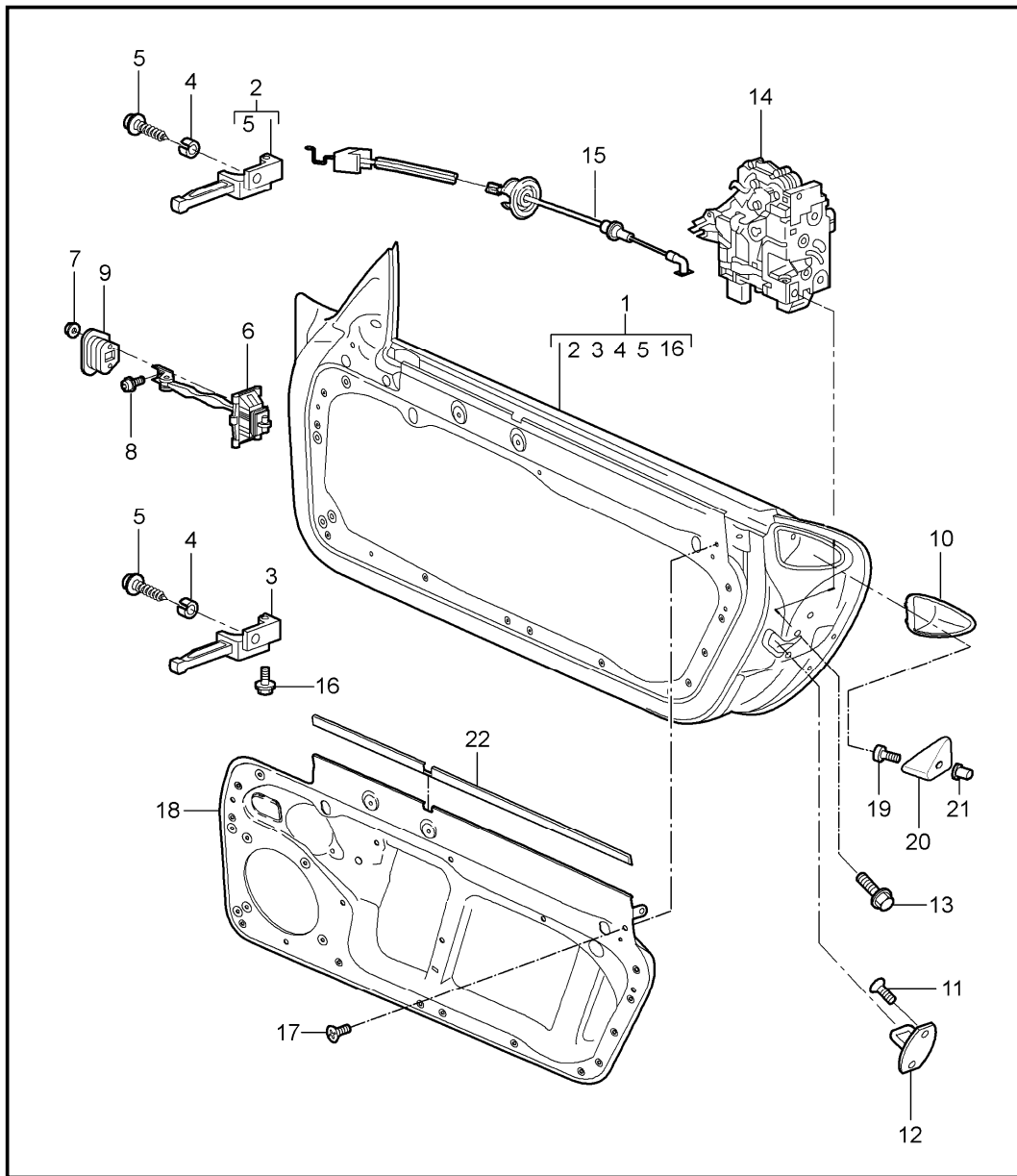


Pos	Part Number	Description	Remark	Qty	Model
1	987 504 609 00	rear spoiler		1	
		upper part			
		G2X prime coated			
2	999 507 499 40	expansion rivet 5,0 X 11,5		3	
3	987 504 613 00	bracket	-05	1	
3	987 504 613 01	bracket upper part	06-	1	
4	987 504 615 00	cover bracket	/L	1	
(4)	987 504 616 00	cover bracket	/R	1	
5	900 377 003 02	hexagon nut bracket M8		2	
6	987 504 109 00	driving mechanism complete		1	
7	999 218 016 02	combination screw M 6 X 16 micro-self-locking		4	
8	986 504 251 00	mounting plate		2	
9	987 504 413 00	gasket set hinge		2	
10	987 504 415 00	water drain hose		1	
11	987 504 411 00	hinge		2	
12	996 624 151 00	electric motor		1	
13	900 074 364 02	hexagon-head bolt M 5 X 55 micro-self-locking		1	
14	999 084 629 09	hexagon nut M 6		3	
15	900 075 485 09	combination screw M 6 X 16		1	
16	900 035 001 09	washer		4	
17	996 624 117 01	actuator lid rear		1	

Model	Year	MG	SG	Illustration	Restrictions	UPD	11:31	24.01.2010	PORSCHE	PET	PORSCHE
987	2008	8	03	803-07		248					

Pos	Part Number	Description	Remark	Qty	Model	Pos	Part Number	Description	Remark	Qty	Model
18	999 507 434 40	clip		1							
19	987 512 117 00	actuator		1							

Model	Year	MG	SG	Illustration	Restrictions	UPD	11:31	24.01.2010	PORSCHE	PET	PORSCHE
987	2008	8	04	804-00		248					

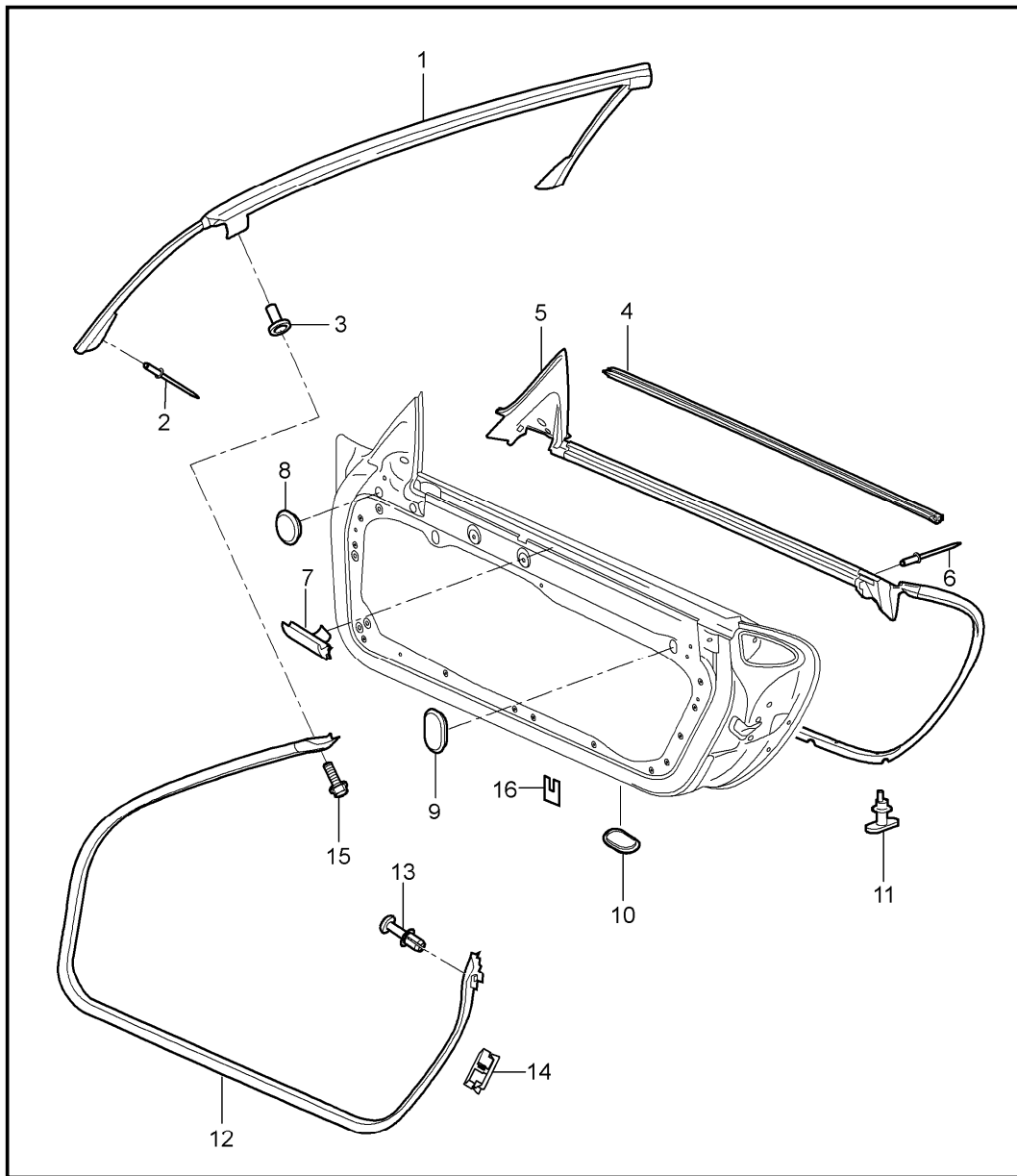


Pos	Part Number	Description	Remark	Qty	Model
(1)	997 531 011 02	door in white installation parts door lock		1	
	GRV	prime coated use also:	/L		
1	997 531 012 02	door in white	/R	1	
	GRV	prime coated use also:			
-	000 043 204 38	sealing material		1	
(2)	997 531 321 00	hinge	/L	1	
2	997 531 322 00	hinge	/R	1	
(3)	997 531 319 00	hinge	/L	1	
3	997 531 320 00	hinge	/R	1	
4	996 531 831 00	sleeve		4	
5	900 067 291 01	combination screw M 8 X 16		2	
6	997 537 151 01	door arrester		2	
7	999 084 212 02	nut M 6		4	
8	999 073 138 09	screw M 8 X 25		2	
9	996 537 751 00	seal		2	
(10)	997 537 331 00	support		1	
	01C	satin black			
10	997 537 332 00	support		1	
	01C	satin black			
11	N 910 174 01	countersunk-head screw M 8 X 22		4	
12	3B0 837 033 P	closing element		2	
13	WHT 000 439	combination screw M 8 X 20		2	
(14)	3D1 837 015	door lock	/LL/L	1	

Model	Year	MG	SG	Illustration	Restrictions	UPD	11:31	24.01.2010	PORSCHE	PET	PORSCHE
987	2008	8	04	804-00		248					

Pos	Part Number	Description	Remark	Qty	Model	Pos	Part Number	Description	Remark	Qty	Model
14	3D1 837 016	door lock	/LL/R	1							
(14)	3D2 837 015	door lock	/RL/L	1							
(14)	3D2 837 016	door lock	/RL/R	1							
15	997 537 319 01	bowden cable		2							
16	999 072 043 09	hexagon-head bolt M 6 X 12 micro-self-locking		4							
17	999 073 333 09	oval-head screw M6 X 16		9							
(18) U	997 537 201 00	inner panel	/L	-05 1							
18 U	997 537 202 00	inner panel	/R	-05 1							
(18)	997 537 901 00	inner panel	/L	-05 1							
18	997 537 902 00	inner panel	/R	-05 1							
(18) U	987 537 201 00	inner panel	/L	06- 1							
18 U	987 537 202 00	inner panel	/R	06- 1							
18	987 537 201 01	inner panel	/L	06- 1							
18	987 537 202 01	inner panel	/R	06- 1							
19	900 119 072 00	pan-head screw M8 X 16		2							
(20)	997 537 333 00	support	/L	1							
	G2X	prime coated									
20	997 537 334 00	support side section	/R	1							
	G2X	prime coated									
21	999 500 121 02	blind rivet nut M8 / 0,8 - 3		2							
-	999 551 172 40	lining strap 25 x 1,3 x 730 for inner panel		2							

Model	Year	MG	SG	Illustration	Restrictions	UPD	11:31	24.01.2010	PORSCHE	PET	PORSCHE
987	2008	8	04	804-10		248					

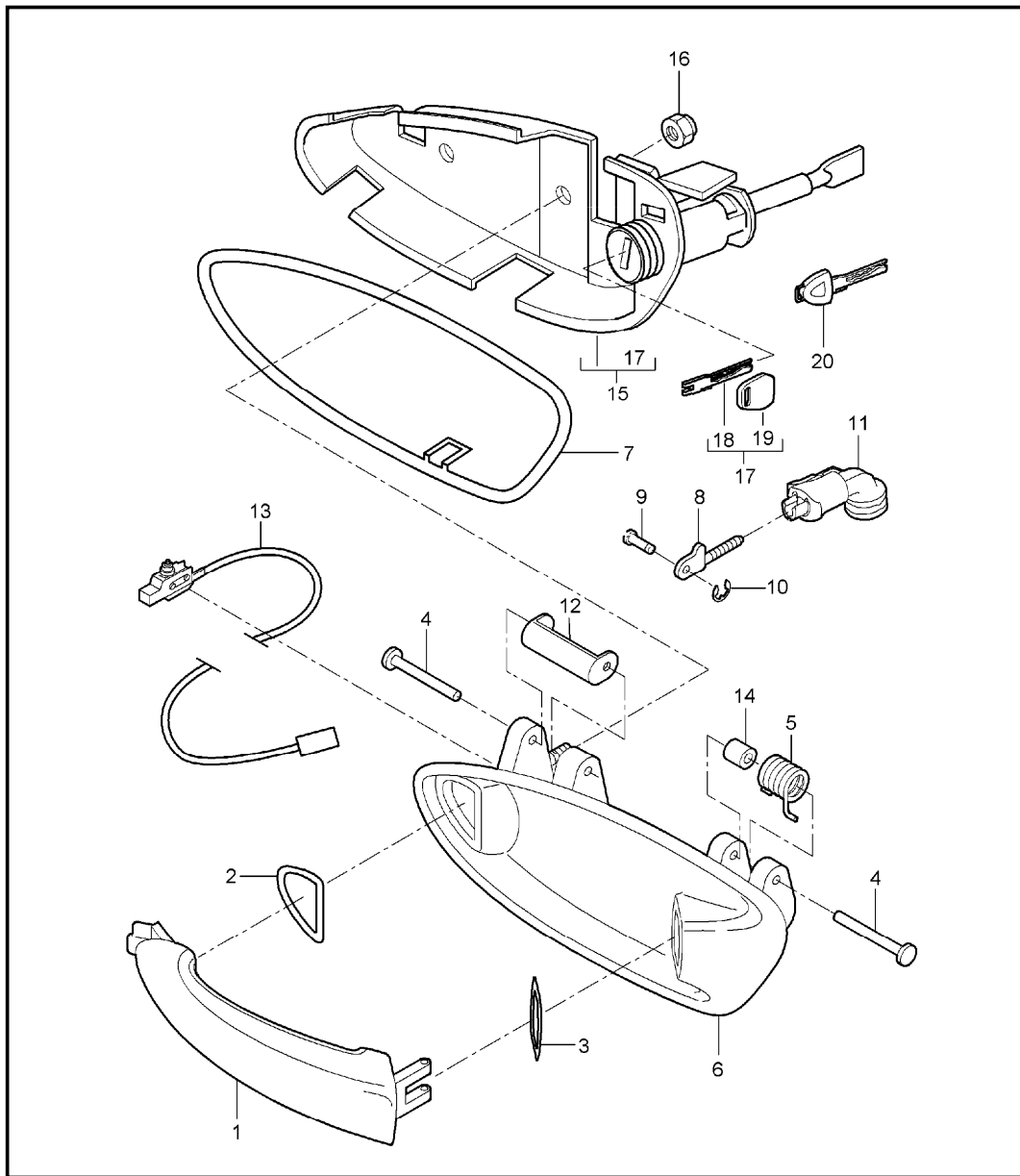


Pos	Part Number	Description	Remark	Qty	Model
		door seal gasket windscreen frame			
1	987 537 077 01	gasket		1	
		windscreen frame			
2	999 190 445 37	rivet A 4,0 X 7,9		X	
3	999 500 098 01	blind rivet nut M 5/0,5-3		2	
(4)	997 537 085 00	gasket	/L	1	
4	997 537 086 00	gasket	/R	1	
		outer			
(5) A	997 537 531 06	gasket	/L	-07	1
(5)	997 537 531 07	gasket	/L	08-	1
5 A	997 537 532 06	gasket	/R	-07	1
5	997 537 532 07	gasket inner	/R	08-	1
7	997 537 495 00	rubber buffer		1	
8	803 803 583 A	rubber sleeve 20,0 X 30,0		2	
9	999 703 541 40	lid 20,0 X 28,0		4	
10	999 703 542 40	lid 23,8 X 38,7		8	
11	999 507 578 40	clip gasket 5,0 X 3,7		-07	36
11	999 591 513 40	clip gasket 5,8 x 0,9		08-	36
(12)	987 537 075 00	gasket	/L	1	
12	987 537 076 00	gasket	/R	1	
		door			
13	999 507 706 40	expander nut 4,2		2	

Model	Year	MG	SG	Illustration	Restrictions	UPD	11:31	24.01.2010	PORSCHE	PET	PORSCHE
987	2008	8	04	804-10		248					

Pos	Part Number	Description	Remark	Qty	Model	Pos	Part Number	Description	Remark	Qty	Model
14	999 507 710 02	u-clamp 1,50 - 2,50		2							
15	900 075 362 02	combination screw M 5 X 16		2							
16	996 537 337 00	protective film		4							

Model	Year	MG	SG	Illustration	Restrictions	UPD	11:31	24.01.2010	PORSCHE	PET	PORSCHE
987	2008	8	04	804-20		248					



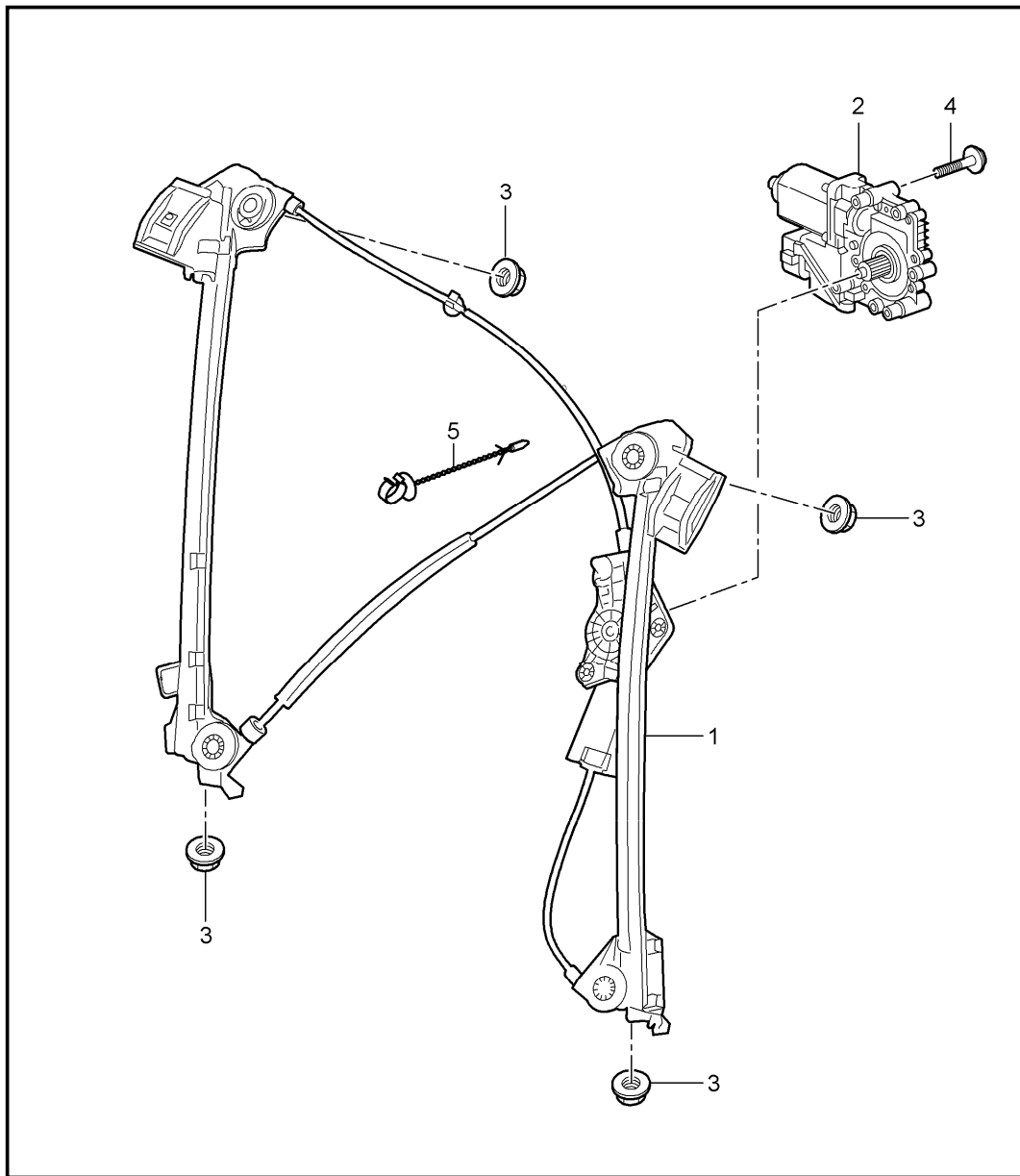
Pos	Part Number	Description	Remark	Qty	Model
1	997 537 613 00	door handle			
		handle	/L	1	
		G2X prime coated			
(1)	997 537 614 00	handle	/R	1	
		G2X prime coated			
2	997 537 623 00	buffer		2	
3	997 537 625 00	buffer		2	
4	997 537 621 00	axle		2	
5	997 537 611 00	return spring	/L	1	
(5)	997 537 612 00	return spring	/R	1	
6	997 537 645 00	handle liner	/LL/L	1	
		G2X prime coated			
(6)	997 537 646 00	handle liner	/RL/R	1	
		G2X prime coated			
(6)	997 537 645 01	handle liner	/RL/L	1	
		G2X prime coated			
(6)	997 537 646 01	handle liner	/LL/R	1	
		G2X prime coated			
7	997 537 637 00	desk pad	/L	1	
(7)	997 537 638 00	desk pad	/R	1	
8	997 537 627 00	control shaft		2	
9	997 537 629 00	bolt		2	
10	996 537 641 00	lock washer		2	
11	997 537 445 02	connecting piece		2	
12	997 537 653 00	eccentric	/L	1	
(12)	997 537 654 00	eccentric	/R	1	
13	997 613 125 00	microswitch		2	
		power windows			
14	997 537 633 00	bush		2	



Model	Year	MG	SG	Illustration	Restrictions	UPD	11:31	24.01.2010	PORSCHE	PET	PORSCHE
987	2008	8	04	804-20		248					

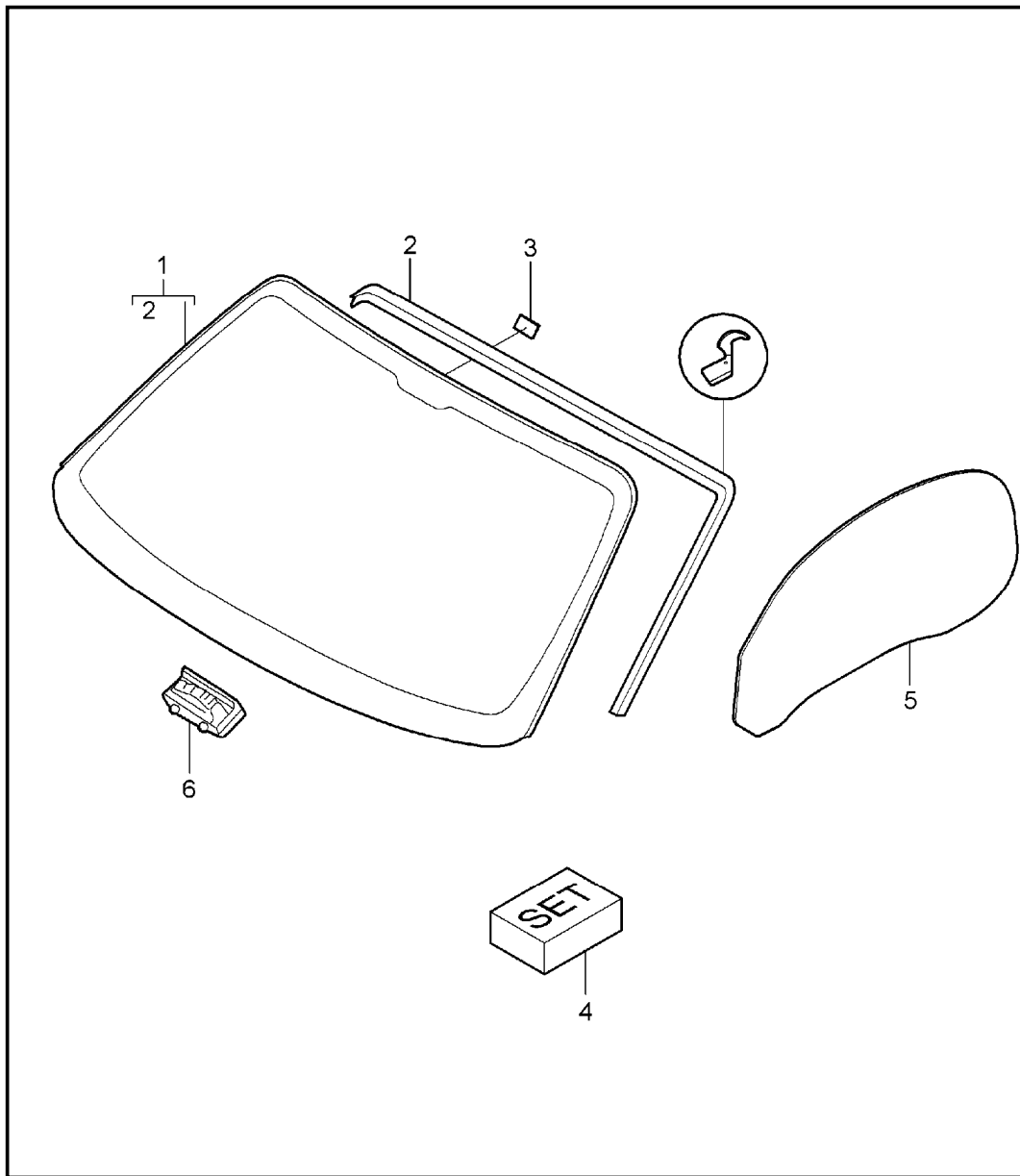
Pos	Part Number	Description	Remark	Qty	Model	Pos	Part Number	Description	Remark	Qty	Model
15	997 538 963 00	support with lock cylinder with stipulated lock number	/LL/L	1							
(15)	997 538 964 00	support with lock cylinder with stipulated lock number	/RL/R	1							
(15)	997 538 963 01	support with lock cylinder w/o stipulated lock number	/LL/L	1							
(15)	997 538 964 01	support with lock cylinder w/o stipulated lock number	/RL/R	1							
(15)	997 537 463 01	support without lock cylinder	/RL/L	1							
(15)	997 537 464 01	support without lock cylinder	/LL/R	1							
16	900 380 015 09	hexagon nut M6		4							
17	997 538 931 00	replacement key with stipulated lock number state lock number		X							
18	997 538 531 00	blank key		X							
19	944 538 431 00	key cap		X							
20	955 538 916 00	emergency key with stipulated lock number state lock number Information available		-06 X							
(20)	955 538 216 00	emergency key w/o stipulated lock number		-06 X							

Model	Year	MG	SG	Illustration	Restrictions	UPD	11:31	24.01.2010	PORSCHE	PET	PORSCHE
987	2008	8	04	804-30		248					



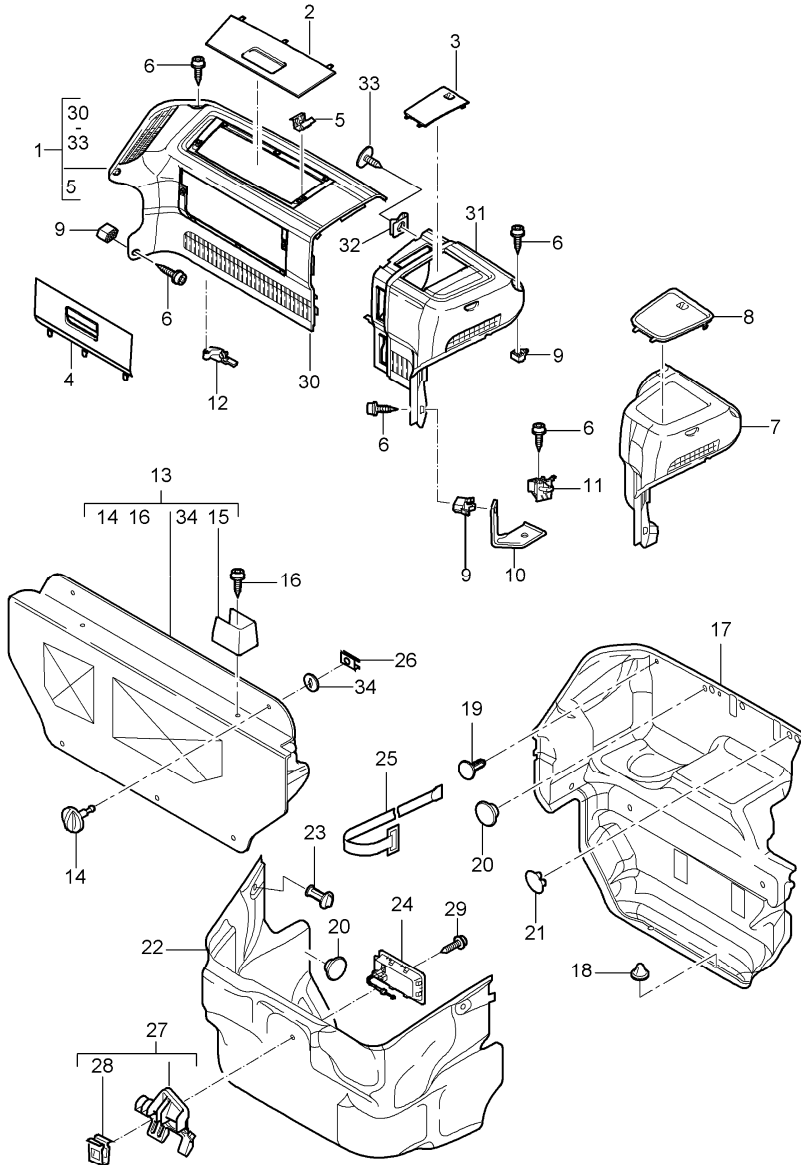
Pos	Part Number	Description	Remark	Qty	Model
		power windows			
1	987 542 075 00	power windows	/L -05	1	
1	987 542 075 01	power windows	/L 06-	1	
(1)	987 542 076 00	power windows	/R -05	1	
(1)	987 542 076 01	power windows	/R 06-	1	
2	987 624 101 06	electric motor	/LL/L -05	1	
(2)	987 624 104 06	electric motor	/LL/R -05	1	
(2)	987 624 102 06	electric motor	/RL/R -05	1	
(2)	987 624 103 06	electric motor	/RL/L -05	1	
(2)	997 624 181 02	electric motor	/LL/L 06-	1	
(2)	997 624 182 02	electric motor	/LL/R 06-	1	
(2)	997 624 181 02	electric motor	/RL/R 06-	1	
(2)	997 624 182 02	electric motor	/RL/L 06-	1	
3	900 380 015 09	hexagon nut M 6		4	
4	999 919 209 09	oval-head screw M5X22		6	
5	987 542 941 00	clip bowden cable power windows		1	

Model	Year	MG	SG	Illustration	Restrictions	UPD	11:32	24.01.2010	PORSCHE	PET	PORSCHE
987	2008	8	05	805-00		248					



Pos	Part Number	Description	Remark	Qty	Model
		window glazing			
1	987 541 911 00	windscreen		1	I568
(1)	987 541 911 01	windscreen		1	I567
(1)	987 541 911 02	windscreen		1	I267/268/568
(1)	987 541 911 03	windscreen		1	I267/268/567
(1)	987 541 911 04	windscreen		1	I440/568
(1)	987 541 911 05	windscreen		1	I440/567
(1)	987 541 911 06	windscreen		1	I267/268/440 I568
(1)	987 541 911 07	windscreen		1	I267/268/440 I567
2	997 541 901 09	gasket		1	
4	000 043 300 94	adhesive set TEROSTAT 8593		1	
5	987 542 511 02	door window glass	/L	1	
(5)	987 542 512 02	door window glass	/R	1	
6	999 507 576 41	support		2	

Model	Year	MG	SG	Illustration	Restrictions	UPD	11:32	24.01.2010	PORSCHE	PET	PORSCHE
987	2008	8	07	807-00		248					



Pos	Part Number	Description	Remark	Qty	Model
(1)	997 551 133 00	luggage compartment front		1	I098/670
		lining luggage compartment complete	/LL	1	I098/670
		02A black			
(1)	997 551 133 00	lining luggage compartment complete	/LL	1	I098/672
		02A black			
(1)	997 551 133 00	lining luggage compartment complete	/LL	1	I098/692
		02A black			
(1)	997 551 133 01	lining luggage compartment complete	/RL	1	I099/670
		02A black			
(1)	997 551 133 01	lining luggage compartment complete	/RL	1	I099/672
		02A black			
(1)	997 551 133 01	lining luggage compartment complete	/RL	1	I099/692
		02A black			
2	997 551 306 00	lid upper	/LL	1	I098/670
		02A black			
2	997 551 306 00	lid upper	/LL	1	I098/672
		02A black			
2	997 551 306 00	lid upper	/LL	1	I098/692
		02A black			
(2)	997 551 305 00	lid upper	/RL	1	I099

Model	Year	MG	SG	Illustration	Restrictions	UPD	11:32	24.01.2010	PORSCHE	PET	PORSCHE
987	2008	8	07	807-00		248					

Pos	Part Number	Description	Remark	Qty	Model	Pos	Part Number	Description	Remark	Qty	Model
	02A	black				9	999 507 734 40	support ST 3,5		X	
3	997 551 301 00	lid brake booster	/LL	1	I098/670	10	997 551 771 02	support lining luggage compartment		1	
	02A	black				11	999 507 512 40	support ST 3,5		X	
3	997 551 301 00	lid brake booster	/LL	1	I098/672	12	997 551 772 02	support lining		1	
	02A	black				13	997 551 123 02	lining tool carpet		1	
3	997 551 301 00	lid brake booster	/LL	1	I098/692		A31	black			
(3)	997 551 302 00	lid brake booster	/RL	1	I099	(13)	997 551 123 03	lining tool carpet		1	I193
	02A	black					A31	black			
4	997 551 308 00	lid lower	/LL	1	I098/670	14	997 551 803 00	catch lining tool		2	
	02A	black				15	997 551 801 00	support warning triangle	/L	1	
4	997 551 308 00	lid lower	/LL	1	I098/672		02A	black			
	02A	black				(15)	997 551 802 00	support warning triangle	/R	1	
4	997 551 308 00	lid lower	/LL	1	I098/692		02A	black			
(4)	997 551 307 00	lid lower	/RL	1	I099	16	999 073 362 09	tapping screw 4,8 X 22		2	
	02A	black				17	997 551 051 06	lining luggage compartment bulkhead valid up to: F >>985S7 00078 F >>985U7 01581 F >>985U7 21624 order also: position 22	/LL	1	I098/476
5	999 507 735 02	clamp 9 X 22/2,5		4			A31	black			
6	900 187 501 01	tapping screw ST 3,5 X 16		X							
7	997 551 231 00	lining brake booster	/LL	1	I098						
	02A	black									
8	997 551 311 00	lid brake booster	/LL	1	I098						
	02A	black									

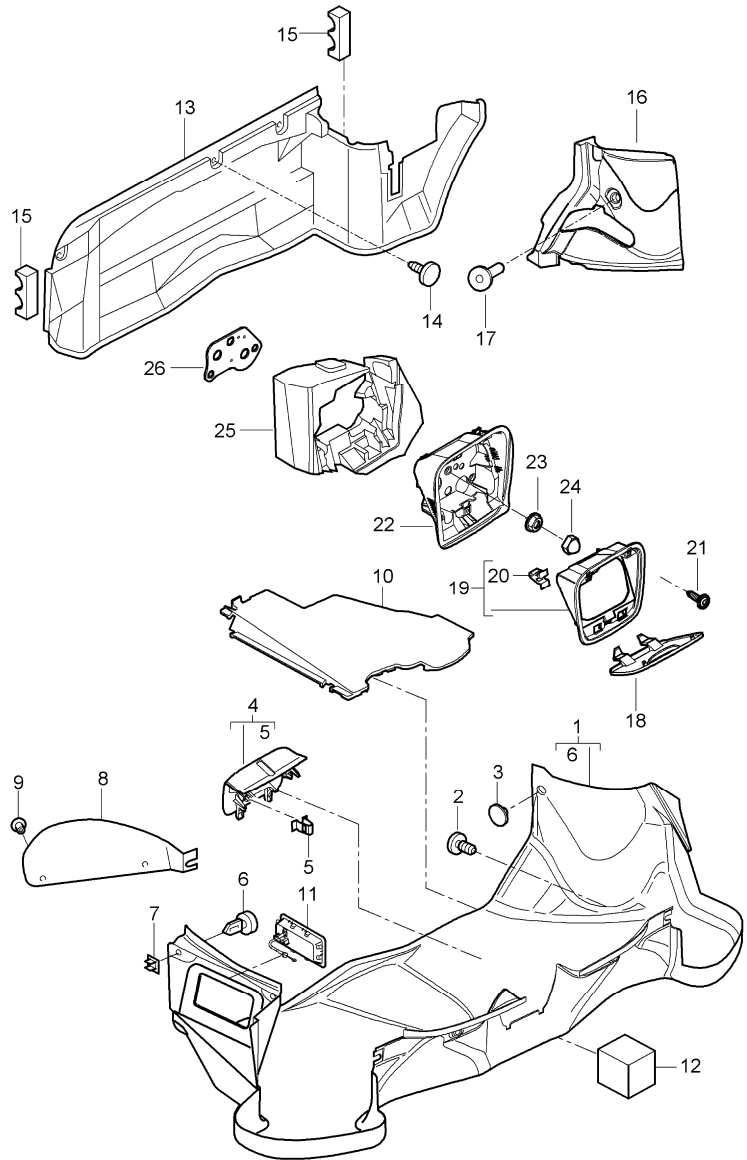
Model	Year	MG	SG	Illustration	Restrictions	UPD	11:32	24.01.2010	PORSCHE	PET	PORSCHE
987	2008	8	07	807-00		248					

Pos	Part Number	Description	Remark	Qty	Model	Pos	Part Number	Description	Remark	Qty	Model
(17)	997 551 051 08	lining luggage compartment bulkhead valid up to: F >>985S7 00078 F >>985U7 01581 F >>985U7 21624 order also: position 22 A31 black	/LL	1	I098/476/670	(17)	997 551 051 15	lining luggage compartment bulkhead valid from: F 985S7 00079>> F 985U7 01582>> F 985U7 21625>> A31 black	/LL	1	I098/476
(17)	997 551 051 08	lining luggage compartment bulkhead valid up to: F >>985S7 00078 F >>985U7 01581 F >>985U7 21624 order also: position 22 A31 black		1	I476/692	(17)	997 551 051 16	lining luggage compartment bulkhead valid from: F 985S7 00079>> F 985U7 01582>> F 985U7 21625>> A31 black	/LL	1	I098/476/670
(17)	997 551 051 10	lining luggage compartment bulkhead valid up to: F >>985S7 00078 F >>985U7 01581 F >>985U7 21624 order also: position 22 A31 black		1	I476/664	(17)	997 551 051 16	lining luggage compartment bulkhead valid from: F 985S7 00079>> F 985U7 01582>> F 985U7 21625>> A31 black	/LL	1	I098/476/672
(17)	997 551 051 12	lining luggage compartment bulkhead valid up to: F >>985S7 00078 F >>985U7 01581 F >>985U7 21624 order also: position 22 A31 black	/RL	1	I099	(17)	997 551 051 16	lining luggage compartment bulkhead valid from: F 985S7 00079>> F 985U7 01582>> F 985U7 21625>> A31 black	/LL	1	I098/476/692
(17)	997 551 051 12	lining luggage compartment bulkhead valid up to: F >>985S7 00078 F >>985U7 01581 F >>985U7 21624 order also: position 22 A31 black	/RL	1	I099	(17)	997 551 051 18	lining luggage compartment bulkhead valid from: F 985S7 00079>> F 985U7 01582>> F 985U7 21625>> A31 black	/RL	1	I099
						18	999 049 004 40	plastic nut T5 / 32 X 20		2	
						19	999 703 432 40	stopper 8,2 X 18		2	

Model	Year	MG	SG	Illustration	Restrictions	UPD	11:32	24.01.2010	PORSCHE	PET	PORSCHE
987	2008	8	07	807-00		248					

Pos	Part Number	Description	Remark	Qty	Model	Pos	Part Number	Description	Remark	Qty	Model
20	999 703 455 41	lid 12,2 X 25		X			FMU	black/black			
21	999 703 456 40	cap 49 X 26		1		31	997 551 633 00	lining brake booster	/LL	1	I098/670
22	987 551 045 00	lining luggage compartment liner valid up to: F >>985S7 00078 F >>985U7 01581 F >>985U7 21624 order also: position 17		1			FMU	black/black			
	A31	black				31	997 551 633 00	lining brake booster	/LL	1	I098/672
(22)	987 551 045 04	lining luggage compartment liner valid from: F 985S7 00079>> F 985U7 01582>> F 985U7 21625>>		1		31	997 551 633 00	lining brake booster	/LL	1	I098/692
	A31	black					FMU	black/black			
						(31)	997 551 632 00	lining brake booster		1	I099
							FMU	black/black			
23	999 049 006 40	plastic nut T5 /30 X 7,5		2		32	999 507 795 09	speed nut 4,8		3	
25	997 551 741 00	retaining strap first-aid kit		1	I024	33	999 073 231 09	tapping screw st 4,8 X 16		3	
(25)	997 551 741 00	retaining strap first-aid kit		1	I499	34	999 025 236 40	washer lock catch position 14		2	
26	999 590 055 01	fastening clamp 10,7 X 11,5		2							
30	997 551 634 00	lining luggage compartment	/LL	1	I098/670						
	FMU	black/black									
30	997 551 634 00	lining luggage compartment	/LL	1	I098/672						
	FMU	black/black									
30	997 551 634 00	lining luggage compartment	/LL	1	I098/692						
	FMU	black/black									
(30)	997 551 635 00	lining luggage compartment	/RL	1	I099						

Model	Year	MG	SG	Illustration	Restrictions	UPD	11:32	24.01.2010	PORSCHE	PET	PORSCHE
987	2008	8	07	807-01		248					



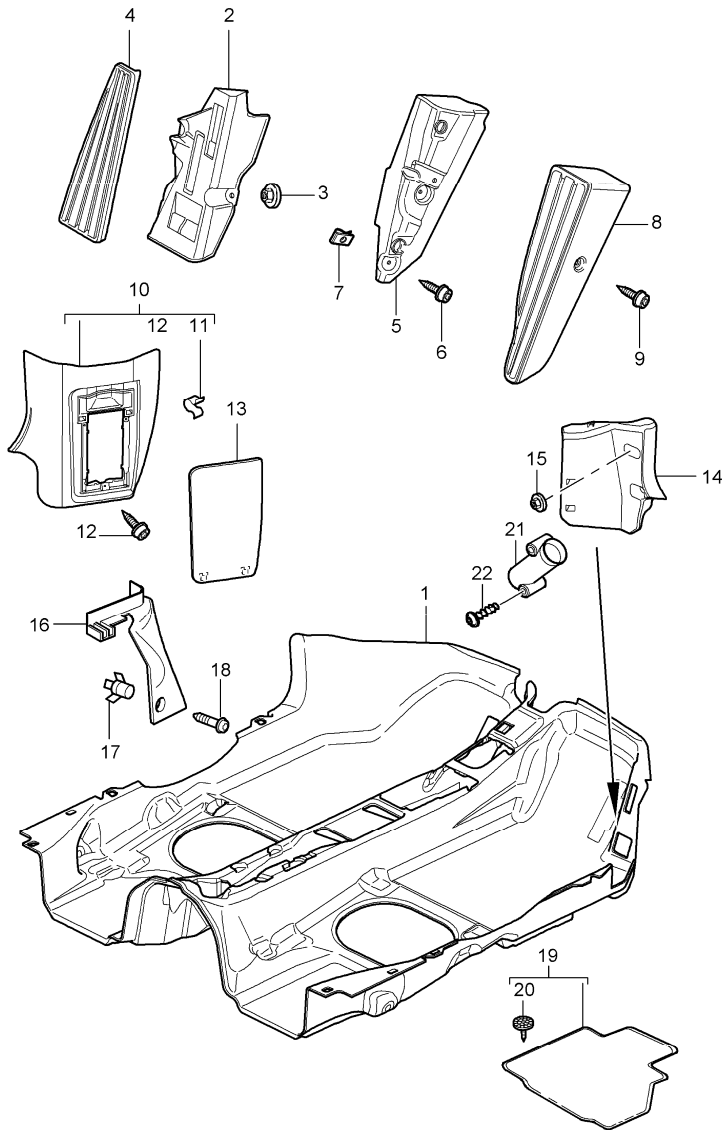
Pos	Part Number	Description	Remark	Qty	Model
1	987 551 053 00	luggage compartment rear			
		lining luggage compartment	-06	1	
	A31	black			
(1)	987 551 053 03	lining luggage compartment	07-	1	
	A31	black			
2	999 703 432 40	stopper 8,0		4	
3	999 703 455 41	lid 12,2 X 25		1	
4	987 551 251 03	lining lid lock		1	
	02A	black			
5	999 507 681 01	clamp 2,5/3,0		2	
6	999 507 529 40	catch 18,0		2	
7	999 590 046 40	disc cam 10,0 X 11,5		2	
8	987 551 651 00	cover rear light	/L	1	
	A31	black			
(8)	987 551 652 00	cover rear light	/R	1	
	A31	black			
9	999 049 005 40	plastic nut T5/27 X 9,8		X	
10	986 551 763 01	reinforcement	/L	1	
(10)	986 551 764 01	reinforcement	/R	-06	1
(10)	987 551 764 00	reinforcement	/R	07-	1
12	987 551 603 00	foam part luggage compartment liner		3	
13	987 551 047 00	lining	-06	1	



Model	Year	MG	SG	Illustration	Restrictions	UPD	11:32	24.01.2010	PORSCHE	PET	PORSCHE
987	2008	8	07	807-01		248					

Pos	Part Number	Description	Remark	Qty	Model	Pos	Part Number	Description	Remark	Qty	Model
	A31	black									
(13)	987 551 047 01	lining luggage compartment	07-	1							
	A31	black									
14	999 703 432 40	stopper 8,0		3							
15	987 551 403 00	foam part luggage compartment		1							
16	987 551 702 00	foam part luggage compartment liner	07-	1							
17	999 049 027 40	plastic nut T5/30 X 1,8	07-	X							
18	987 551 372 01	lid service cup	07-	1							
	01C	satin black									
19	987 551 074 01	covering frame service cup	07-	1							
	01C	satin black									
20	999 507 552 01	spring clamp 9,0 X 13/4,0	07-	2							
21	999 073 226 09	tapping screw ST 4,2 X 16C	07-	X							
22	987 551 078 01	assembly frame service cup	07-	1							
23	999 076 078 01	hexagon nut M 6	07-	3							
24	999 703 231 40	protection cap	07-	1							
25	987 556 502 00	sound absorber service cup	07-	1							
26	987 555 477 00	sealing frame service cup	07-	1							

Model	Year	MG	SG	Illustration	Restrictions	UPD	11:32	24.01.2010	PORSCHE	PET	PORSCHE
987	2008	8	07	807-02		248					



Pos	Part Number	Description	Remark	Qty	Model
1	987 551 011 04	interior equipment carpet linings carpet carpet FLW black FLX stone grey FLY sand beige FLZ sea blue FMA palmgreen FMB terracotta FMC cocoa FMD dark grey/natural FME brown/natural FSV carrera red	/LL	1	I098
(1)	987 551 011 05	carpet carpet FLW black FLX stone grey FLY sand beige FLZ sea blue FMA palmgreen FMB terracotta FMC cocoa FMD dark grey/natural FME brown/natural FSV carrera red	/RL	1	I099
-	997 551 813 00	protective film carpet	/LL	-07	1 I098
-	997 551 813 01	protective film carpet	/LL	08-	1 I098

Model	Year	MG	SG	Illustration	Restrictions	UPD	11:32	24.01.2010	PORSCHE	PET	PORSCHE
987	2008	8	07	807-02		248					

Pos	Part Number	Description	Remark	Qty	Model	Pos	Part Number	Description	Remark	Qty	Model
-	997 551 815 00	protective film carpet	/RL	1	I099		R10	cocoa			
2	997 551 211 01	foot support	/LL	1			D11	dark grey/natural			
3	999 076 081 40	plastic nut T5/16 X 11,2		2			T11	brown/natural			
4	997 551 611 00	cover foot support	/LL	1	I098	(10)	997 551 102 00	lining fusebox carpet	/RL	1	I099
	01C	satin black					N10	carrera red	08-		
(4)	997 551 986 00	cover foot support	/LL	1	IXXZ/098		A10	black			
5	997 551 212 00	foot support	/RL	1	I099		B10	stone grey			
6	999 073 060 02	tapping screw ST 4,8 X 13 for mount foot support	/RL	2	I099		T10	sand beige			
7	999 591 485 01	speed nut ST 4,8 for mount foot support	/RL	2	I099		E10	sea blue			
8	997 551 612 00	cover foot support	/RL	1	I099		J10	palmgreen	-07		
	01C	satin black					M10	terracotta			
9	999 919 188 09	oval-head screw 5,0 X 30 for mount cover foot support	/RL	1	I099	11	999 507 552 01	spring clamp 9,0 X 13/4,0		2	
10	997 551 101 00	lining fusebox carpet	/LL	1	I098	12	999 919 161 09	oval-head screw 5,0 X 18 for mount fusebox		3	
	A10	black				13	997 551 621 00	lid lining fusebox	/LL	1	I098
	B10	stone grey					01C	satin black			
	T10	sand beige				(13)	997 551 622 00	lid lining fusebox	/RL	1	I099
	E10	sea blue					01C	satin black			
	J10	palmgreen	-07			(14)	997 551 712 02	support carpet	/LL	1	I098
	M10	terracotta									

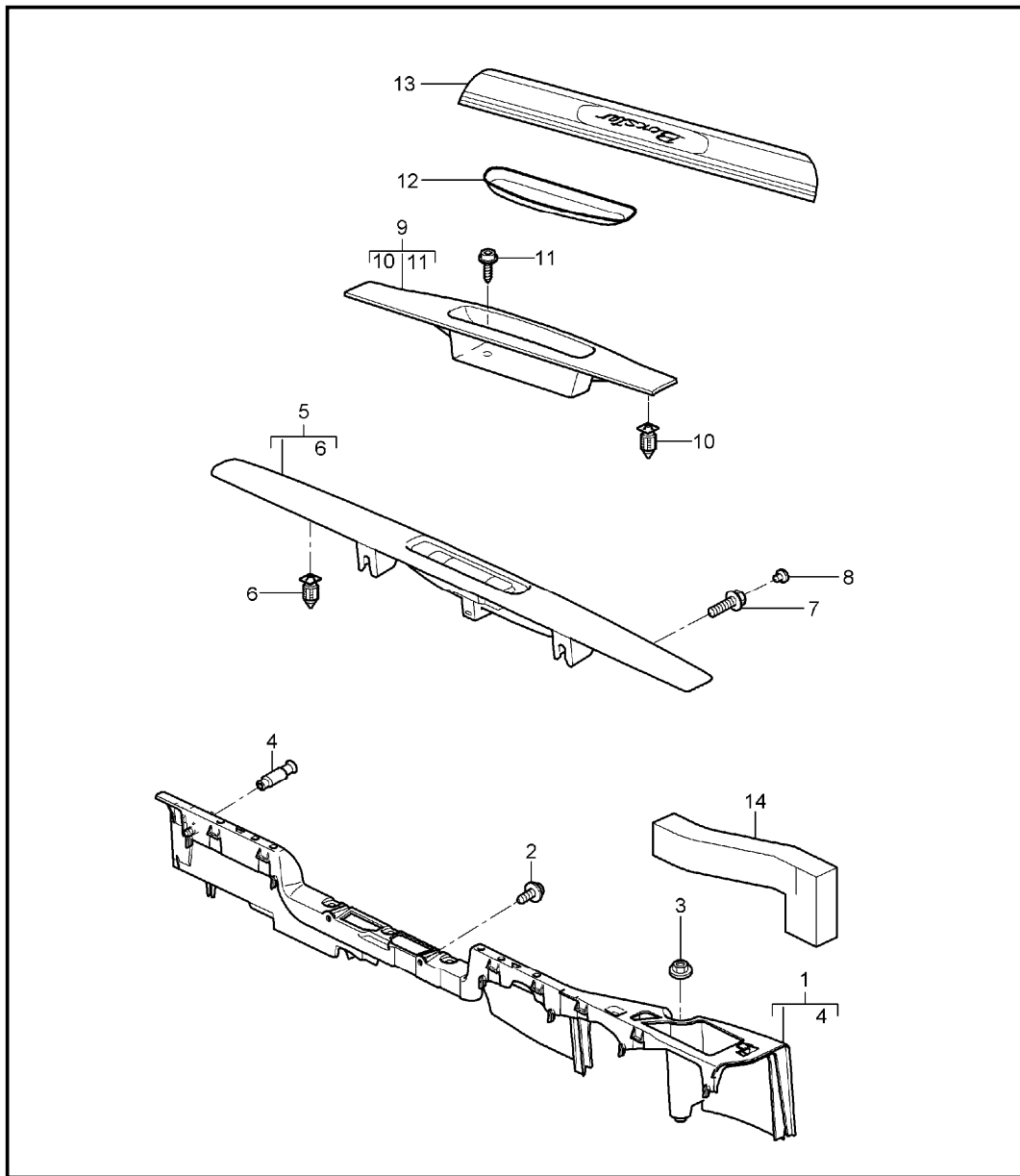
Model	Year	MG	SG	Illustration	Restrictions	UPD	11:32	24.01.2010	PORSCHE	PET	PORSCHE
987	2008	8	07	807-02		248					

Pos	Part Number	Description	Remark	Qty	Model	Pos	Part Number	Description	Remark	Qty	Model
(14)	997 551 711 02	support carpet	/RL	1	I099		FQG	black/black			
15	999 076 081 40	plastic nut T5/16 X 11,2 mount support carpet		2			FQH	stone grey/stone grey			
							FQJ	sand beige/sand beige			
							FQK	sea blue/sea blue			
16	987 551 215 01	lining seat belt	/L	-06	1		FQL	palmgreen/palmgreen	-07		
		FQG					FQM	terracotta/terracotta			
		FQH					FQN	cocoa/cocoa			
		FQJ					FQQ	black/stone grey			
		FQK					FQO	dark grey natural/black			
		FQL					FQP	brown nat./brown nat.			
		FQM					FSY	carrera red	08-		
		FQN				(16)	987 551 216 02	lining seat belt	/R	07-	1
		FQQ					FQG	black/black			
		FQO					FQH	stone grey/stone grey			
		FQP					FQJ	sand beige/sand beige			
(16)	987 551 216 01	lining seat belt	/R	-06	1		FQK	sea blue/sea blue			
		FQL					FQL	palmgreen/palmgreen	-07		
		FQM					FQM	terracotta/terracotta			
		FQN					FQN	cocoa/cocoa			
		FQQ					FQQ	black/stone grey			
		FQO					FQO	dark grey natural/black			
		FQP					FQP	brown nat./brown nat.			
		FSY					FSY	carrera red	08-		
		FQN				17	999 507 438 40	support 3,5			2
		FQQ				18	999 073 049 02	tapping screw 3,5 X 16			2
		FQO				19	--- --- --- --	floor mats set see group TEG/8/07/07			1
(16)	987 551 215 02	lining seat belt	/L	07-	1						

Model	Year	MG	SG	Illustration	Restrictions	UPD	11:32	24.01.2010	PORSCHE	PET	PORSCHE
987	2008	8	07	807-02		248					

Pos	Part Number	Description	Remark	Qty	Model	Pos	Part Number	Description	Remark	Qty	Model
20	999 902 054 40	fastening plate for floor mats		4							
21	964 551 751 00	support warning light	/RL	1	I099/193						
(21)	997 551 852 00	support warning light	/LL	1	I098/193						
22	999 919 254 01	oval-head screw 4,0 x 36,5		2	I193						

Model	Year	MG	SG	Illustration	Restrictions	UPD	11:32	24.01.2010	PORSCHE	PET	PORSCHE
987	2008	8	07	807-03		248					

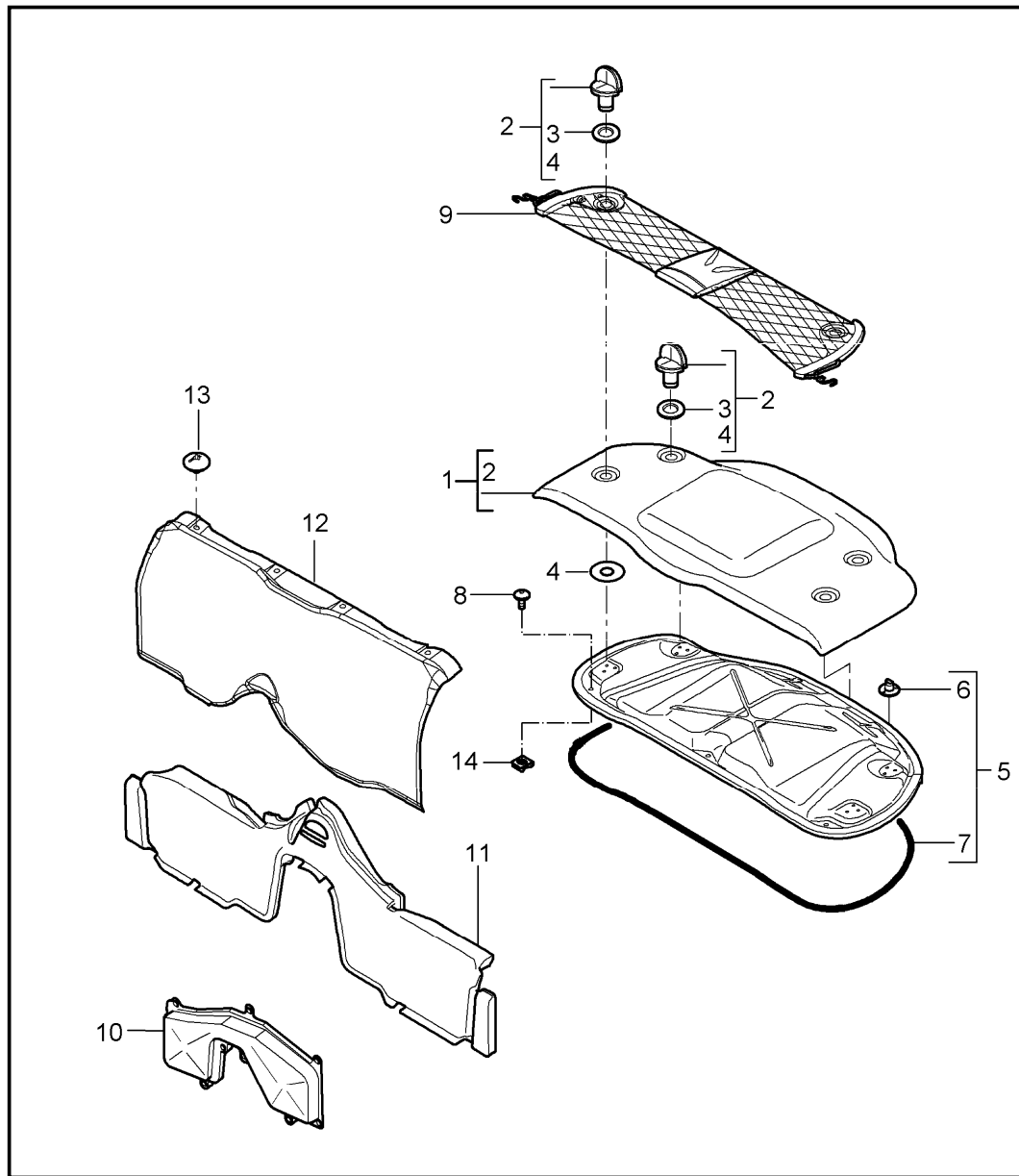


Pos	Part Number	Description	Remark	Qty	Model
1	987 551 619 01	lining door sill			
		support door sill	/L	1	
(1)	987 551 620 01	support door sill	/R	1	
2	900 143 082 01	tapping screw ST 6,3 X 13 for mount support door sill		4	
3	999 076 081 40	plastic nut T5 16 X 11,2 for mount support door sill		2	
4	996 551 873 00	locating peg for mount support door sill		2	
5	997 551 019 04	lining door sill driver's side	/LL	1	I098
	A03	black			
(5)	997 551 019 05	lining door sill driver's side	/RL	1	I099
	A03	black			
6	999 507 484 40	expander nut 9 X 22		6	
7	999 067 046 01	combination screw M 6 X 20		2	
8	999 703 443 40	stopper 8,0 X 11		2	
	01C	satin black			
9	997 551 120 01	lining door sill passenger's side		1	
	A03	black			

Model	Year	MG	SG	Illustration	Restrictions	UPD	11:32	24.01.2010	PORSCHE	PET	PORSCHE
987	2008	8	07	807-03		248					

Pos	Part Number	Description	Remark	Qty	Model	Pos	Part Number	Description	Remark	Qty	Model
10	999 507 484 40	expander nut 9 X 22		6							
11	999 919 164 09	oval-head screw 5,0 X 12		1							
12	996 551 513 00	mat		1							
(13)	987 551 303 04	scuff plate lacquered A03 black		2	BOXSTER -IX69/-IX70						
13	987 551 303 05	scuff plate lacquered A03 black		2	BOXSTER S -IX69/-IX70						
(13)	987 551 980 13	scuff plate set	08	1	BOXSTER S IX70/754						
(13)	987 551 980 18	scuff plate set scuff plate exclusive see catalogue tequipment 8/07/07	08-	1	BOXSTER S IX70/757						
14	987 556 605 00	sound absorber support		2							

Model	Year	MG	SG	Illustration	Restrictions	UPD	11:33	24.01.2010	PORSCHE	PET	PORSCHE
987	2008	8	07	807-05		248					



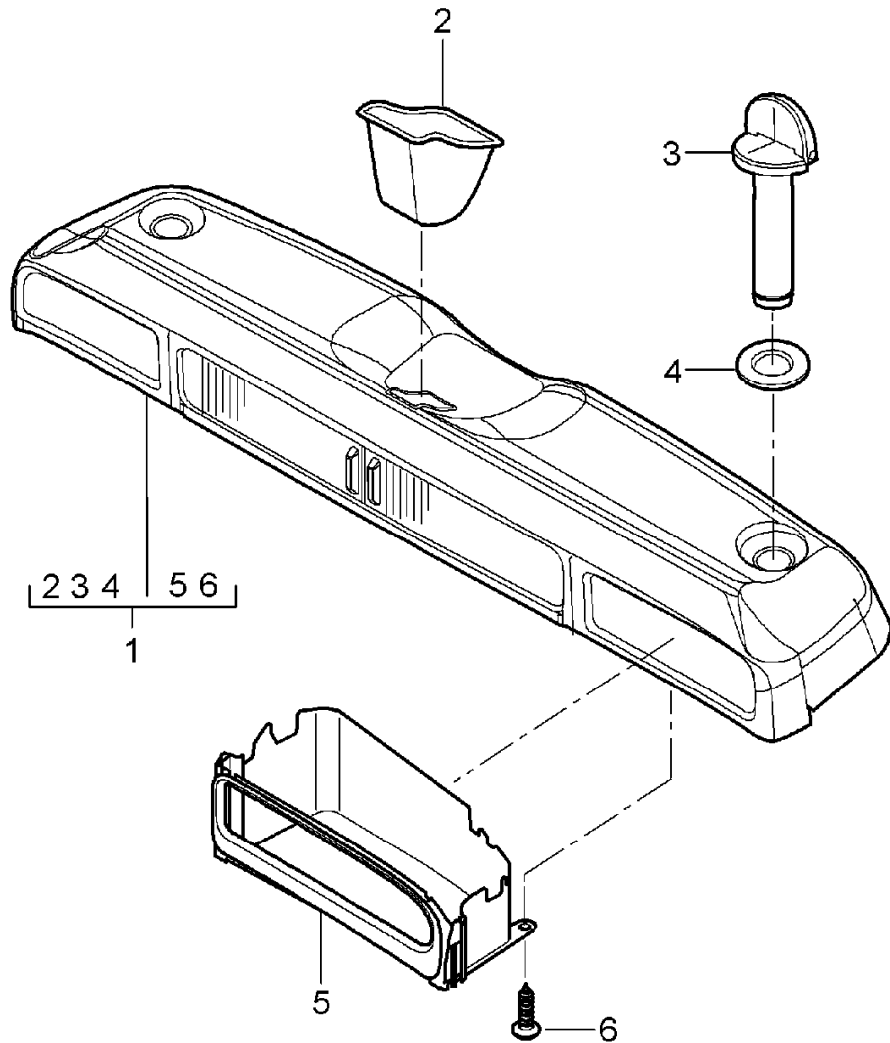
Pos	Part Number	Description	Remark	Qty	Model
1	987 551 039 03	linings engine compartment lining carpet		1	
		FMV black			
		FMW stone grey			
		FMX sand beige			
		FMY sea blue			
		FMZ palmgreen	-07		
		FNA terracotta			
		FNB cocoa			
		FNC dark grey/natural			
		FND brown/natural			
		FSX carrera red	08-		
2	986 551 339 00	catch		4	
		01C satin black			
3	986 551 543 00	thrust washer 40 X 3 X 24		4	
		01C satin black			
4	986 551 545 00	lock washer 55 X 1 X 21		4	
5	987 513 211 00	engine compartment cover	-05	1	
(5)	987 513 211 02	engine compartment cover	06-	1	
6	986 551 547 00	mounting		4	
--	999 190 174 30	blind rivet mount mounting		12	
7	987 513 611 00	gasket engine cover		1	
8	999 073 130 02	oval-head screw M6 X 16		5	
9	987 551 633 00	luggage net		1	



Model	Year	MG	SG	Illustration	Restrictions	UPD	11:33	24.01.2010	PORSCHE	PET	PORSCHE
987	2008	8	07	807-05		248					

Pos	Part Number	Description	Remark	Qty	Model	Pos	Part Number	Description	Remark	Qty	Model
10	986 504 181 00	lid bulkhead engine compartment		1			E10	sea blue			
11	987 551 033 00	lining cross member carpet	-07	1			J10	palmgreen	-07		
	A10	black					M10	terracotta			
	B10	stone grey					R10	cocoa			
	T10	sand beige					D11	dark grey/natural			
	E10	sea blue				12	987 551 035 03	lining rear wall carpet	08-	1	
	J10	palmgreen	-07				A10	black			
	M10	terracotta					B10	stone grey			
	R10	cocoa					T10	sand beige			
	D11	dark grey/natural					E10	sea blue			
	T11	brown/natural					M10	terracotta			
11	987 551 033 01	lining cross member carpet	08-	1			R10	cocoa			
	A10	black					D11	dark grey/natural			
	B10	stone grey					T11	brown/natural			
	T10	sand beige					N10	carrera red	08-		
	E10	sea blue				13	999 049 020 40	plastic nut T5/30 X 5,1		4	
	M10	terracotta				14	U 999 591 869 02	speed nut M 8		5	
	R10	cocoa									
	D11	dark grey/natural									
	T11	brown/natural									
	N10	carrera red	08-								
12	987 551 035 00	lining rear wall carpet	-07	1							
	A10	black									
	B10	stone grey									
	T10	sand beige									

Model	Year	MG	SG	Illustration	Restrictions	UPD	11:33	24.01.2010	PORSCHE	PET	PORSCHE
987	2008	8	07	807-07		248					

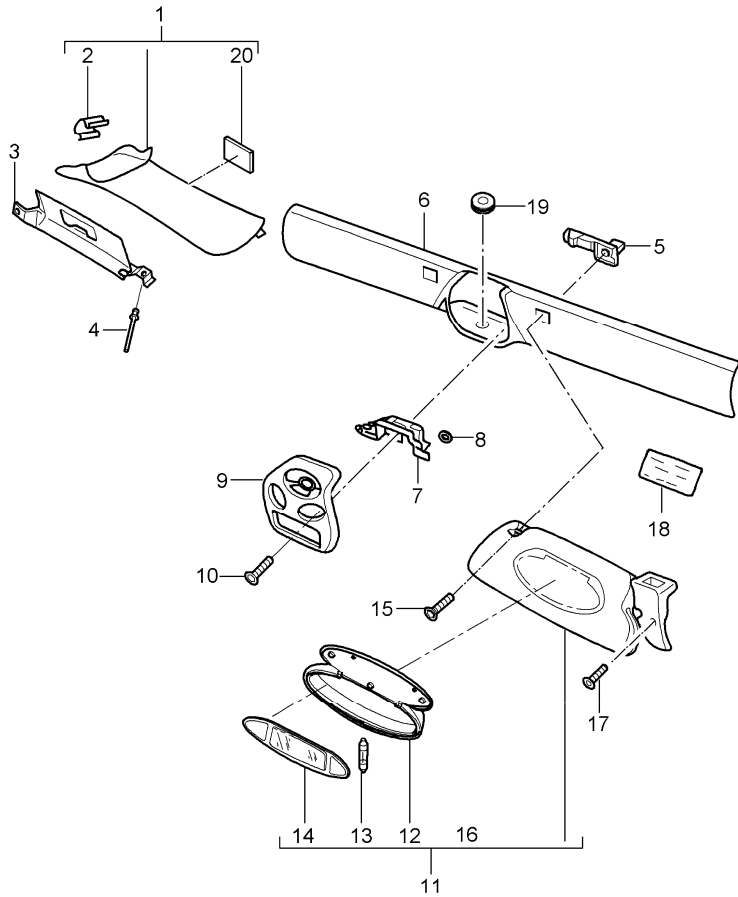
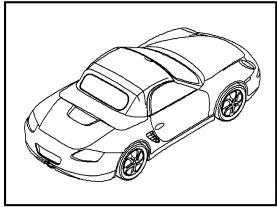


Pos	Part Number	Description	Remark	Qty	Model
1	987 551 223 01	storage box		1	I584
	FNF	black			
	FNG	stone grey			
	FNH	sand beige			
	FNJ	sea blue			
	FNK	palmgreen	-07		
	FNL	terracotta			
	FNM	cocoa			
	FNN	dark grey/natural			
	FNO	brown/natural			
	FSZ	carrera red	08-		
2	986 551 427 00	rosette for storage box 987 551 223 00 ... F >>985S7 00089 F >>985S7 20072 F >>985U7 21685		1	I584
	01C	satin black			
2	987 551 427 00	rosette for storage box 987 551 223 01 ... F 985S7 00090>> F 985S7 20073>> F 985U7 21686>>		1	I584
	01C	satin black			
3	986 551 429 00	catch		2	I584
	01C	satin black			
4	986 551 543 00	thrust washer 40 X 3 X 24		2	I584
	01C	satin black			
5	986 551 435 00	tray appendix	/L	1	I584
	01C	satin black			

Model	Year	MG	SG	Illustration	Restrictions	UPD	11:33	24.01.2010	PORSCHE	PET	PORSCHE
987	2008	8	07	807-07		248					

Pos	Part Number	Description	Remark	Qty	Model	Pos	Part Number	Description	Remark	Qty	Model
(5)	986 551 436 00	tray appendix	/R	1	I584						
	01C	satin black									
6	999 919 164 09	oval-head screw 5 X 12		7	I584						

Model	Year	MG	SG	Illustration	Restrictions	UPD	11:33	24.01.2010	PORSCHE	PET	PORSCHE
987	2008	8	07	807-09		248					



Pos	Part Number	Description	Remark	Qty	Model
1	987 555 181 00	windscreen frame sun visors			
	A03	lining a-pillar	/L	05	1
	A03	black			
(1)	987 555 182 00	lining a-pillar	/R	05	1
	A03	black			
(1)	987 555 181 03	lining a-pillar	/L	06-	1
	A03	black			
(1)	987 555 182 03	lining a-pillar	/R	06-	1
	A03	black			
(2)	999 507 681 01	clamp 2,5/3,0		05	2
(2)	999 507 047 09	clamp 3,6		06	2
3	986 555 291 00	deformation element a-pillar	/L	05	1
(3)	986 555 292 00	deformation element a-pillar	/R	05	1
4	999 190 184 01	blind rivet 4,0 X 8,5			X
5	986 731 541 01	plate support sun visor			2
6	986 555 059 01	lining windscreen frame			1
	A03	black			
(6)	986 555 059 03	lining windscreen frame			1 I267
	A03	black			
7	986 613 799 00	microswitch locking device convertible top			1

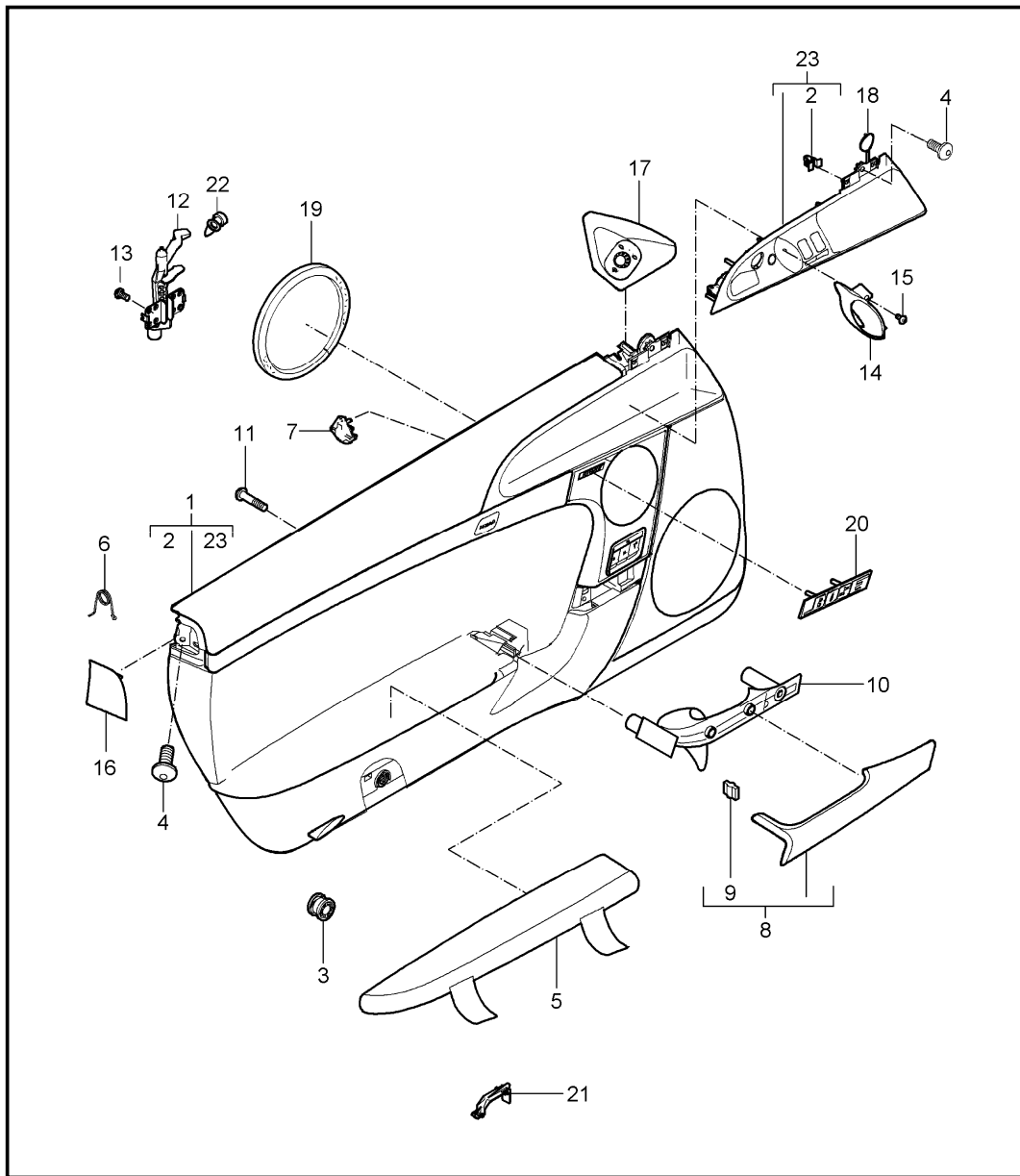
Model	Year	MG	SG	Illustration	Restrictions	UPD	11:33	24.01.2010	PORSCHE	PET	PORSCHE
987	2008	8	07	807-09		248					

Pos	Part Number	Description	Remark	Qty	Model	Pos	Part Number	Description	Remark	Qty	Model
8	999 507 534 02	clamping washer 2,5		2			9V6	cocoa			
9	986 561 235 03	mounting locking device convertible top		1			D12	dark grey/natural			
	A09	rally black					T12	brown/natural			
10	999 073 166 09	countersunk-head screw M 6 X 25		2		(11)	987 731 981 10	sun visor leather	/RL/L	1	IXMR/099
(11)	987 731 031 10	sun visor	/L	1			N12	carrera red		08-	
	A12	black					A11	black			
11	987 731 032 10	sun visor	/R	1			5X6	stone grey			
	A12	black					8G2	sand beige			
(11)	987 731 981 09	sun visor leather	/LL/L	1	IXMR/098		3S9	sea blue			
	A11	black					4P2	palmgreen		-07	
	5X6	stone grey					9S5	terracotta			
	8G2	sand beige					9V6	cocoa			
	3S9	sea blue					D12	dark grey/natural			
	4P2	palmgreen		-07		(11)	987 731 982 10	sun visor leather	/RL/R	1	IXMR/099
	9S5	terracotta					N12	carrera red		08-	
	9V6	cocoa					A11	black			
	D12	dark grey/natural					5X6	stone grey			
	T12	brown/natural					8G2	sand beige			
	N12	carrera red		08-			3S9	sea blue			
(11)	987 731 982 09	sun visor leather	/LL/R	1	IXMR/098		4P2	palmgreen		-07	
	A11	black					9S5	terracotta			
	5X6	stone grey					9V6	cocoa			
	8G2	sand beige					D12	dark grey/natural			
	3S9	sea blue					T12	brown/natural			
	4P2	palmgreen		-07			N12	carrera red		08-	
	9S5	terracotta				12	996 731 903 00	mirror housing with illumination		1	

Model	Year	MG	SG	Illustration	Restrictions	UPD	11:33	24.01.2010	PORSCHE	PET	PORSCHE
987	2008	8	07	807-09		248					

Pos	Part Number	Description	Remark	Qty	Model	Pos	Part Number	Description	Remark	Qty	Model
	01C	satin black									
13	999 631 147 90	bulb 3 W		2							
14	996 731 531 01	mirror glass with frame		2							
	01C	satin black									
15	999 919 120 09	oval-head screw 4,0 X 18		2							
17	999 073 166 09	countersunk-head screw M 6 X 25		4							
18	987 701 401 06	indication sticker convertible top control german		1	I488						
18	987 701 401 07	indication sticker convertible top control english		1	I130						
18	987 701 401 08	indication sticker convertible top control french		1	I113/126						
18	987 701 401 09	indication sticker convertible top control italian		1	I034						
18	987 701 401 10	indication sticker convertible top control spanish		1	I119						
18	987 701 401 11	indication sticker convertible top control japanese		1	I193						
19	996 555 619 00	grommet wiring harness rain sensor		1	I267						
20	999 551 134 40	adhesive tape 20 x 65		2							

Model	Year	MG	SG	Illustration	Restrictions	UPD	11:34	24.01.2010	PORSCHE	PET	PORSCHE
987	2008	8	07	807-10		248					



Pos	Part Number	Description	Remark	Qty	Model
1	997 555 201 00	door trim panel slush technology accessories	/LL/L	1	I098
	9L4	black			
	9M5	stone grey			
	9C6	sand beige			
	9D7	sea blue			
	9E8	palmgreen			
(1)	997 555 201 04	door trim panel slush technology	/LL/L	1	I098/490
	9L4	black			
	9M5	stone grey			
	9C6	sand beige			
	9D7	sea blue			
	9E8	palmgreen			
(1)	997 555 201 06	door trim panel slush technology	/LL/L	1	I537
	9L4	black			
	9M5	stone grey			
	9C6	sand beige			
	9D7	sea blue			
	9E8	palmgreen			
(1)	997 555 201 06	door trim panel slush technology	/LL/L	1	I490/537
	9L4	black			
	9M5	stone grey			
	9C6	sand beige			
	9D7	sea blue			
	9E8	palmgreen			
(1)	997 555 202 24	door trim panel slush technology	/LL/R	1	I098

Model	Year	MG	SG	Illustration	Restrictions	UPD	11:34	24.01.2010	PORSCHE	PET	PORSCHE
987	2008	8	07	807-10		248					

Pos	Part Number	Description	Remark	Qty	Model	Pos	Part Number	Description	Remark	Qty	Model
	9L4	black					9D7	sea blue			
	9M5	stone grey					9E8	palmgreen	-07		
	9C6	sand beige				(1)	997 555 202 06	door trim panel slush technology	/RL/R	1	I538
	9D7	sea blue					9L4	black			
	9E8	palmgreen	-07				9M5	stone grey			
(1)	997 555 202 26	door trim panel slush technology	/LL/R	1	I098/490		9C6	sand beige			
	9L4	black					9D7	sea blue			
	9M5	stone grey					9E8	palmgreen	-07		
	9C6	sand beige				(1)	997 555 202 06	door trim panel slush technology	/RL/R	1	I490/538
	9D7	sea blue					9L4	black			
	9E8	palmgreen	-07				9M5	stone grey			
(1)	997 555 202 26	door trim panel slush technology	/LL/R	1	I537		9C6	sand beige			
	9L4	black					9D7	sea blue			
	9M5	stone grey					9E8	palmgreen	-07		
	9C6	sand beige				(1)	997 555 201 24	door trim panel slush technology	/RL/L	1	I099
	9D7	sea blue					9L4	black			
	9E8	palmgreen	-07				9M5	stone grey			
(1)	997 555 202 00	door trim panel slush technology	/RL/R	1	I099		9C6	sand beige			
	9L4	black					9D7	sea blue			
	9M5	stone grey					9E8	palmgreen	-07		
	9C6	sand beige				(1)	997 555 201 26	door trim panel slush technology	/RL/L	1	I099/490
	9D7	sea blue					9L4	black			
	9E8	palmgreen	-07				9M5	stone grey			
(1)	997 555 202 04	door trim panel slush technology	/RL/R	1	I099/490		9C6	sand beige			
	9L4	black					9D7	sea blue			
	9M5	stone grey					9E8	palmgreen	-07		
	9C6	sand beige									



Model	Year	MG	SG	Illustration	Restrictions	UPD	11:34	24.01.2010	PORSCHE	PET	PORSCHE
987	2008	8	07	807-10		248					

Pos	Part Number	Description	Remark	Qty	Model	Pos	Part Number	Description	Remark	Qty	Model
(1)	997 555 201 26	door trim panel slush technology	/RL/L	1	I538		9M5	stone grey			
	9L4	black					9C6	sand beige			
	9M5	stone grey					9D7	sea blue			
	9C6	sand beige					9E8	palmgreen	-07		
	9D7	sea blue				(1)	997 555 202 10	door trim panel slush technology	/RL/R	1	I538/680
	9E8	palmgreen	-07				9L4	black			
(1)	997 555 201 08	door trim panel slush technology	/LL/L	1	I098/680		9M5	stone grey			
	9L4	black					9C6	sand beige			
	9M5	stone grey					9D7	sea blue			
	9C6	sand beige					9E8	palmgreen	-07		
	9D7	sea blue				(1)	997 555 201 28	door trim panel slush technology	/RL/L	1	I099/680
	9E8	palmgreen	-07				9L4	black			
(1)	997 555 201 10	door trim panel slush technology	/LL/L	1	I537/680		9M5	stone grey			
	9L4	black					9C6	sand beige			
	9M5	stone grey					9D7	sea blue			
	9C6	sand beige					9E8	palmgreen	-07		
	9D7	sea blue				(1)	997 555 201 05	door trim panel leather	/LL/L	1	I098/981
	9E8	palmgreen	-07				FSA	black			
(1)	997 555 202 28	door trim panel slush technology	/LL/R	1	I098/680		FSB	stone grey			
	9L4	black					FSC	sand beige			
	9M5	stone grey					FSD	sea blue			
	9C6	sand beige					FSE	palmgreen	-07		
	9D7	sea blue					FSF	terracotta			
	9E8	palmgreen	-07				FSG	cocoa			
(1)	997 555 202 08	door trim panel slush technology	/RL/R	1	I099/680		FSH	dark grey/natural			
	9L4	black					FSJ	brown/natural			
							BCB	black/stone grey			

Model	Year	MG	SG	Illustration	Restrictions	UPD	11:34	24.01.2010	PORSCHE	PET	PORSCHE
987	2008	8	07	807-10		248					

Pos	Part Number	Description	Remark	Qty	Model	Pos	Part Number	Description	Remark	Qty	Model
(1)	997 555 201 05	FSP carrera red door trim panel leather	08- /LL/L	1	I098/490/981		FSB stone grey				
		FSA black					FSC sand beige				
		FSB stone grey					FSD sea blue				
		FSC sand beige					FSE palmgreen	-07			
		FSD sea blue					FSF terracotta				
		FSE palmgreen	-07				FSG cocoa				
		FSF terracotta					FSH dark grey/natural				
		FSG cocoa					FSJ brown/natural				
		FSH dark grey/natural					BCB black/stone grey				
		FSJ brown/natural					FSP carrera red	08-			
		BCB black/stone grey				(1)	997 555 202 27	door trim panel leather	/LL/R	1	I098/981
		FSP carrera red	08-				FSA black				
(1)	997 555 201 07	door trim panel leather	/LL/L	1	I537/981		FSB stone grey				
		FSA black					FSC sand beige				
		FSB stone grey					FSD sea blue				
		FSC sand beige					FSE palmgreen	-07			
		FSD sea blue					FSF terracotta				
		FSE palmgreen	-07				FSG cocoa				
		FSF terracotta					FSH dark grey/natural				
		FSG cocoa					FSJ brown/natural				
		FSH dark grey/natural					BCB black/stone grey				
		FSJ brown/natural					FSP carrera red	08-			
		BCB black/stone grey				(1)	997 555 202 27	door trim panel leather	/LL/R	1	I098/490/981
		FSP carrera red	08-				FSA black				
(1)	997 555 201 07	door trim panel leather	/LL/L	1	I490/537/981		FSB stone grey				
		FSA black					FSC sand beige				
							FSD sea blue				
							FSE palmgreen	-07			

Model	Year	MG	SG	Illustration	Restrictions	UPD	11:34	24.01.2010	PORSCHE	PET	PORSCHE
987	2008	8	07	807-10		248					

Pos	Part Number	Description	Remark	Qty	Model	Pos	Part Number	Description	Remark	Qty	Model
		FSF terracotta					BCB	black/stone grey			
		FSG cocoa					FSP	carrera red	08-		
		FSH dark grey/natural				(1)	997 555 202 07	door trim panel leather	/R	1	I538/981
		FSJ brown/natural					FSA	black			
		BCB black/stone grey					FSB	stone grey			
		FSP carrera red	08-				FSC	sand beige			
(1)	997 555 202 05	door trim panel leather	/RL/R	1	I099/981		FSD	sea blue			
		FSA black					FSE	palmgreen	-07		
		FSB stone grey					FSF	terracotta			
		FSC sand beige					FSG	cocoa			
		FSD sea blue					FSH	dark grey/natural			
		FSE palmgreen	-07				FSJ	brown/natural			
		FSF terracotta					BCB	black/stone grey			
		FSG cocoa					FSP	carrera red	08-		
		FSH dark grey/natural				(1)	997 555 202 07	door trim panel leather	/RL/R	1	I490/538/981
		FSJ brown/natural					FSA	black			
		BCB black/stone grey					FSB	stone grey			
		FSP carrera red	08-				FSC	sand beige			
(1)	997 555 202 05	door trim panel leather	/RL/R	1	I099/490/981		FSD	sea blue			
		FSA black					FSE	palmgreen	-07		
		FSB stone grey					FSF	terracotta			
		FSC sand beige					FSG	cocoa			
		FSD sea blue					FSH	dark grey/natural			
		FSE palmgreen	-07				FSJ	brown/natural			
		FSF terracotta					BCB	black/stone grey			
		FSG cocoa					FSP	carrera red	08-		
		FSH dark grey/natural				(1)	997 555 201 27	door trim panel leather	/RL/L	1	I099/981
		FSJ brown/natural									

Model	Year	MG	SG	Illustration	Restrictions	UPD	11:34	24.01.2010	PORSCHE	PET	PORSCHE
987	2008	8	07	807-10		248					

Pos	Part Number	Description	Remark	Qty	Model	Pos	Part Number	Description	Remark	Qty	Model
	FSA	black					FSE	palmgreen	-07		
	FSB	stone grey					FSF	terracotta			
	FSC	sand beige					FSG	cocoa			
	FSD	sea blue					FSH	dark grey/natural			
	FSE	palmgreen	-07				FSJ	brown/natural			
	FSF	terracotta					BCB	black/stone grey			
	FSG	cocoa					FSP	carrera red	08-		
	FSH	dark grey/natural				(1)	997 555 201 11	door trim panel leather	/LL/L	1	I537/680/981
	FSJ	brown/natural					FSA	black			
	BCB	black/stone grey					FSB	stone grey			
	FSP	carrera red	08-				FSC	sand beige			
(1)	997 555 201 27	door trim panel leather	/RL/L	1	I099/490/981		FSD	sea blue			
	FSA	black					FSE	palmgreen	-07		
	FSB	stone grey					FSF	terracotta			
	FSC	sand beige					FSG	cocoa			
	FSD	sea blue					FSH	dark grey/natural			
	FSE	palmgreen	-07				FSJ	brown/natural			
	FSF	terracotta					BCB	black/stone grey			
	FSG	cocoa					FSP	carrera red	08-		
	FSH	dark grey/natural				(1)	997 555 202 29	door trim panel leather	/LL/R	1	I098/680/981
	FSJ	brown/natural					FSA	black			
	BCB	black/stone grey					FSB	stone grey			
	FSP	carrera red	08-				FSC	sand beige			
(1)	997 555 201 09	door trim panel leather	/LL/L	1	I098/680/981		FSD	sea blue			
	FSA	black					FSE	palmgreen	-07		
	FSB	stone grey					FSF	terracotta			
	FSC	sand beige					FSG	cocoa			
	FSD	sea blue					FSH	dark grey/natural			

Model	Year	MG	SG	Illustration	Restrictions	UPD	11:34	24.01.2010	PORSCHE	PET	PORSCHE
987	2008	8	07	807-10		248					

Pos	Part Number	Description	Remark	Qty	Model	Pos	Part Number	Description	Remark	Qty	Model			
(1)	997 555 202 09	FSJ brown/natural	/RL/R	1	I099/680/981	(1)	997 555 201 29	door trim panel leather	/RL/L	1	I099/680/981			
		BCB black/stone grey												
		FSP carrera red						08-						
		FSA black												
		FSB stone grey												
		FSC sand beige												
		FSD sea blue												
		FSE palmgreen						-07						
		FSF terracotta												
		FSG cocoa												
		FSH dark grey/natural												
		FSJ brown/natural												
(1)	997 555 202 11	BCB black/stone grey	/RL/R	1	I538/680/981	(1)	997 555 201 05	door trim panel leather	/LL/L	1	I098/754/981			
		FSP carrera red						08-						
		VAF dark grey/natural												
		VAG carrera red												
		(1)						997 555 201 05	door trim panel leather			/LL/L	1	I098/490/754 I981
		VAF dark grey/natural												
		VAG carrera red												
		(1)						997 555 202 27	door trim panel leather			/LL/R	1	I098/754/981
		VAF dark grey/natural												
		VAG carrera red												
		(1)						997 555 202 27	door trim panel leather			/LL/R	1	I098/490/754 I981
		VAF dark grey/natural												
VAG carrera red														
(1)	997 555 202 05	door trim panel leather	/RL/R	1	I099/754/981									

Model	Year	MG	SG	Illustration	Restrictions	UPD	11:34	24.01.2010	PORSCHE	PET	PORSCHE
987	2008	8	07	807-10		248					

Pos	Part Number	Description	Remark	Qty	Model	Pos	Part Number	Description	Remark	Qty	Model
	VAF	dark grey/natural					VAG	carrera red			
	VAG	carrera red				2	999 507 533 02	clamp 8,0 X 10/2,5		2	
(1)	997 555 202 05	door trim panel leather	/RL/R	08-	1 I099/490/754 I981	3	955 555 243 00	fixing clip		9	
	VAF	dark grey/natural				4	999 073 322 02	oval-head screw 6 X 20 for mount door trim panel		5	
(1)	997 555 201 27	door trim panel leather	/RL/L	08-	1 I099/754/981	5	987 555 221 01	lid	/L	1	BOXSTER
	VAF	dark grey/natural					1MZ	black			
	VAG	carrera red					1YP	stone grey			
(1)	997 555 201 27	door trim panel leather	/RL/L	08-	1 I099/490/754 I981		1TK	sand beige			
	VAF	dark grey/natural					1VM	sea blue			
	VAG	carrera red					1UL	palmgreen		-07	
(1)	997 555 201 09	door trim panel leather	/LL/L	08-	1 I098/680/754 I981	(5)	987 555 222 01	lid shelf	/R	1	BOXSTER
	VAF	dark grey/natural					1MZ	black			
	VAG	carrera red					1YP	stone grey			
(1)	997 555 202 29	door trim panel leather	/LL/R	08-	1 I098/680/754 I981		1TK	sand beige			
	VAF	dark grey/natural					1VM	sea blue			
	VAG	carrera red					1UL	palmgreen		-07	
(1)	997 555 202 09	door trim panel leather	/RL/R	08-	1 I099/680/754 I981	(5)	997 555 221 01	lid shelf leather	/L	1	BOXSTER I981
	VAF	dark grey/natural					FSA	black			
	VAG	carrera red					FSB	stone grey			
	VAF	dark grey/natural					FSC	sand beige			
	VAG	carrera red					FSD	sea blue			
(1)	997 555 201 29	door trim panel leather	/RL/L	08-	1 I099/680/754 I981		FSE	palmgreen		-07	
	VAF	dark grey/natural					FSF	terracotta			
							FSG	cocoa			

Model	Year	MG	SG	Illustration	Restrictions	UPD	11:34	24.01.2010	PORSCHE	PET	PORSCHE
987	2008	8	07	807-10		248					

Pos	Part Number	Description	Remark	Qty	Model	Pos	Part Number	Description	Remark	Qty	Model			
(5)	997 555 221 01	FSH dark grey/natural	/L	1	BOXSTER S	(5)	997 555 222 01	lid	/R	1	BOXSTER S			
		shelf												
		leather												
		FSA black						08-				FSA black		
		FSB stone grey										FSB stone grey		
		FSC sand beige										FSC sand beige		
		FSD sea blue										FSD sea blue		
		FSE palmgreen						-07				FSE palmgreen	-07	
		FSF terracotta										FSF terracotta		
		FSG cocoa										FSG cocoa		
		FSH dark grey/natural										FSH dark grey/natural		
		FSJ brown/natural										FSJ brown/natural		
FSP carrera red	08-		FSP carrera red	08-										
(5)	997 555 222 01	lid	/R	1	BOXSTER I981	(5)	997 555 989 00	lid	/L	1	IXTL			
		shelf							shelf					
		leather							carbon					
		FSA black	08-						A35 black					
		FSB stone grey												
		FSC sand beige							(5) 997 555 990 00			/R	1	IXTL
		FSD sea blue							lid					
		FSE palmgreen	-07						shelf					
		FSF terracotta							carbon					
		FSG cocoa							A35 black					
		FSH dark grey/natural							(5) 997 555 989 01			/L	1	IXTU
		FSJ brown/natural							lid					
FSP carrera red	08-		shelf											
			S62 sycamore wood											
			(5) 997 555 990 01	/R	1	IXTU								
			lid											
			shelf											
			S62 sycamore wood											
			(5) 997 555 989 02	/L	1	IXTT								
			lid											
			shelf											
			S61 macassar											
			(5) 997 555 990 02	/R	1	IXTT								
			lid											
			shelf											
			S61 macassar											

Model	Year	MG	SG	Illustration	Restrictions	UPD	11:34	24.01.2010	PORSCHE	PET	PORSCHE
987	2008	8	07	807-10		248					

Pos	Part Number	Description	Remark	Qty	Model	Pos	Part Number	Description	Remark	Qty	Model
(5)	997 555 989 03	lid shelf	/L	1	IXTW		FSC	sand beige			
	V04	galvano silver					FSD	sea blue			
(5)	997 555 990 03	lid shelf	/R	1	IXTW		FSE	palmgreen	-07		
	V04	galvano silver					FSF	terracotta			
6	997 555 833 00	steering knuckle spring for lid shelf	/L	1			FSG	cocoa			
							FSH	dark grey/natural			
(6)	997 555 834 00	steering knuckle spring for lid shelf	/R	1			FSJ	brown/natural			
							FSP	carrera red	08-		
7	997 555 841 00	damper shelf		1		(8)	987 555 271 02	handle upper part	/L	1	BOXSTER S
8	987 555 271 01	handle upper part	/L	1	BOXSTER		FSA	black			
	A11	black					FSB	stone grey			
	5X6	stone grey					FSC	sand beige			
	8G2	sand beige					FSD	sea blue			
	3S9	sea blue					FSE	palmgreen	-07		
	4P2	palmgreen					FSF	terracotta			
							FSG	cocoa			
							FSH	dark grey/natural			
(8)	987 555 272 01	handle upper part	/R	1	BOXSTER		FSJ	brown/natural			
	A11	black					FSP	carrera red	08-		
	5X6	stone grey				(8)	987 555 272 02	handle upper part	/R	1	BOXSTER I981
	8G2	sand beige					FSA	black			
	3S9	sea blue					FSB	stone grey			
	4P2	palmgreen					FSC	sand beige			
							FSD	sea blue			
(8)	987 555 271 02	handle upper part	/L	1	BOXSTER I981		FSE	palmgreen	-07		
	FSA	black					FSF	terracotta			
	FSB	stone grey					FSG	cocoa			



Model	Year	MG	SG	Illustration	Restrictions	UPD	11:34	24.01.2010	PORSCHE	PET	PORSCHE
987	2008	8	07	807-10		248					

Pos	Part Number	Description	Remark	Qty	Model	Pos	Part Number	Description	Remark	Qty	Model
(8)	987 555 272 02	FSH dark grey/natural	/R	1	BOXSTER S	(8)	987 555 987 01	5X6 stone grey	/L	1	IXTU
		FSJ brown/natural						8G2 sand beige			
		FSP carrera red						3S9 sea blue			
		handle upper part						4P2 palmgreen			
		FSA black						9S5 terracotta			
		FSB stone grey						9V6 cocoa			
		FSC sand beige						D12 dark grey/natural			
		FSD sea blue						T12 brown/natural			
		FSE palmgreen						N12 carrera red			
		FSF terracotta						handle upper part			
		FSG cocoa						A11 black			
(8)	987 555 987 00	FSH dark grey/natural	/L	1	IXTL	(8)	987 555 988 01	5X6 stone grey	/R	1	IXTU
		FSJ brown/natural						8G2 sand beige			
		FSP carrera red						3S9 sea blue			
		handle upper part						4P2 palmgreen			
		A11 black						9S5 terracotta			
		5X6 stone grey						9V6 cocoa			
		8G2 sand beige						D12 dark grey/natural			
		3S9 sea blue						T12 brown/natural			
		4P2 palmgreen						N12 carrera red			
		9S5 terracotta						handle upper part			
		9V6 cocoa						A11 black			
(8)	987 555 988 00	D12 dark grey/natural	/R	1	IXTL	(8)	987 555 988 01	5X6 stone grey	/R	1	IXTU
		T12 brown/natural						8G2 sand beige			
		N12 carrera red						3S9 sea blue			
		handle upper part						4P2 palmgreen			
		A11 black						9S5 terracotta			
		5X6 stone grey						9V6 cocoa			
		8G2 sand beige									
		3S9 sea blue									
		4P2 palmgreen									
		9S5 terracotta									
		9V6 cocoa									

Model	Year	MG	SG	Illustration	Restrictions	UPD	11:34	24.01.2010	PORSCHE	PET	PORSCHE
987	2008	8	07	807-10		248					

Pos	Part Number	Description	Remark	Qty	Model	Pos	Part Number	Description	Remark	Qty	Model
(8)	987 555 987 02	D12	dark grey/natural			(8)	987 555 988 03	5X6	stone grey		
		T12	brown/natural					8G2	sand beige		
		N12	carrera red	08-				3S9	sea blue		
		handle upper part	/L	1	IXTT			4P2	palmgreen	-07	
		A11	black					9S5	terracotta		
		5X6	stone grey					9V6	cocoa		
		8G2	sand beige					D12	dark grey/natural		
		3S9	sea blue					T12	brown/natural		
		4P2	palmgreen	-07				N12	carrera red	08-	
		9S5	terracotta					handle upper part	/R	1	IXTW
		9V6	cocoa					A11	black		
(8)	987 555 988 02	D12	dark grey/natural			(8)	987 555 988 02	5X6	stone grey		
		T12	brown/natural					8G2	sand beige		
		N12	carrera red	08-				3S9	sea blue		
		handle upper part	/R	1	IXTT			4P2	palmgreen	-07	
		A11	black					9S5	terracotta		
		5X6	stone grey					9V6	cocoa		
		8G2	sand beige					D12	dark grey/natural		
		3S9	sea blue					T12	brown/natural		
		4P2	palmgreen	-07				N12	carrera red	08-	
		9S5	terracotta					999 591 380 01	cable clamp		4
		9V6	cocoa					10	987 555 261 01	handle lower part	/L
D12	dark grey/natural			A11	black						
T12	brown/natural			5X6	stone grey						
N12	carrera red	08-		8G2	sand beige						
handle upper part	/L	1	IXTW	3S9	sea blue						
(8)	987 555 987 03	A11	black			(8)	987 555 987 03	4P2	palmgreen	-07	
								9S5	terracotta		

Model	Year	MG	SG	Illustration	Restrictions	UPD	11:34	24.01.2010	PORSCHE	PET	PORSCHE
987	2008	8	07	807-10		248					

Pos	Part Number	Description	Remark	Qty	Model	Pos	Part Number	Description	Remark	Qty	Model
	9V6	cocoa				15	999 919 164 09	oval-head screw 5 X 12		1	
	D12	dark grey/natural						for mount lever door opener			
	T12	brown/natural									
	N12	carrera red	08-								
(10)	987 555 262 01	handle lower part	/R	1		16	997 555 683 00	cap airbag	/L	1	
	A11	black					A03	black			
	5X6	stone grey					5V7	stone grey			
	8G2	sand beige					5Z1	sand beige			
	3S9	sea blue					8W7	sea blue			
	4P2	palmgreen	-07				5Y2	palmgreen	-07		
	9S5	terracotta					8X8	terracotta			
	9V6	cocoa					8P9	cocoa			
	D12	dark grey/natural					T13	brown/natural			
	T12	brown/natural					N23	carrera red	08-		
	N12	carrera red	08-			(16)	997 555 684 00	cap airbag	/R	1	
11	999 919 229 02	oval-head screw 6,0 X 40,0 for mount handle		2			A03	black			
							5V7	stone grey			
12	997 555 381 02	axle bearing	/L	1			5Z1	sand beige			
(12)	997 555 382 02	axle bearing	/R	1			8W7	sea blue			
13	999 919 164 09	oval-head screw 5 X 12 for mount axle bearing		3			5Y2	palmgreen	-07		
							8X8	terracotta			
							8P9	cocoa			
14	997 555 461 01	lever door opener	/L	1			T13	brown/natural			
	V05	galvano silver					N23	carrera red	08-		
(14)	997 555 462 01	lever door opener	/R	1		17	997 555 685 02	cover door mirror driver's side lacquered	/LL/L	1	I098
	V05	galvano silver					A03	black			
							5V7	stone grey			

Model	Year	MG	SG	Illustration	Restrictions	UPD	11:34	24.01.2010	PORSCHE	PET	PORSCHE
987	2008	8	07	807-10		248					

Pos	Part Number	Description	Remark	Qty	Model	Pos	Part Number	Description	Remark	Qty	Model
	5Z1	sand beige					N23	carrera red	08-		
	8W7	sea blue				(17)	997 555 685 03	cover door mirror passenger's side lacquered	/RL/L	1	I099
	5Y2	palmgreen	-07				A03	black			
	8X8	terracotta					5V7	stone grey			
	8P9	cocoa					5Z1	sand beige			
	T13	brown/natural					8W7	sea blue			
(17)	997 555 686 03	cover door mirror driver's side lacquered	/RL/R	1	I099		5Y2	palmgreen	-07		
	A03	black					8X8	terracotta			
	5V7	stone grey					8P9	cocoa			
	5Z1	sand beige					T13	brown/natural			
	8W7	sea blue				18	997 555 577 00	cap handle liner		1	
	5Y2	palmgreen	-07				A03	black			
	8X8	terracotta					5V7	stone grey			
	8P9	cocoa					8W7	sea blue			
	T13	brown/natural					5Y2	palmgreen	-07		
(17)	997 555 686 02	cover door mirror passenger's side lacquered	/LL/R	1	I098		8X8	terracotta			
	A03	black					8P9	cocoa			
	5V7	stone grey					T13	brown/natural			
	5Z1	sand beige				19	997 555 895 00	plastic foam strip for woofer		1	
	8W7	sea blue				20	997 645 511 00	logo		2	I680
	5Y2	palmgreen	-07			21	997 555 597 00	spacer lid hinge		2	
	8X8	terracotta				22	999 702 281 41	grommet axle bearing		1	
	8P9	cocoa									
	T13	brown/natural									

Model	Year	MG	SG	Illustration	Restrictions	UPD	11:34	24.01.2010	PORSCHE	PET	PORSCHE
987	2008	8	07	807-10		248					

Pos	Part Number	Description	Remark	Qty	Model	Pos	Part Number	Description	Remark	Qty	Model
23	997 555 351 03	insert handle liner lacquered	/LL/L	1	I098		8X8	terracotta			
	A03	black					8P9	cocoa			
	5V7	stone grey					T13	brown/natural			
	5Z1	sand beige					N23	carrera red	08-		
	8W7	sea blue				(23)	997 555 351 04	insert handle liner lacquered	/RL/L	1	I099
	5Y2	palmgreen	-07				A03	black			
	8X8	terracotta					5V7	stone grey			
	8P9	cocoa					5Z1	sand beige			
	T13	brown/natural					8W7	sea blue			
	N23	carrera red	08-				5Y2	palmgreen	-07		
(23)	997 555 352 03	insert handle liner lacquered	/RL/R	1	I099		8X8	terracotta			
	A03	black					8P9	cocoa			
	5V7	stone grey					T13	brown/natural			
	5Z1	sand beige					N23	carrera red	08-		
	8W7	sea blue				23	997 555 985 00	insert handle liner leather	/LL/L	1	IXTV/098
	5Y2	palmgreen	-07				A11	black			
	8X8	terracotta					5X6	stone grey			
	8P9	cocoa					8G2	sand beige			
	T13	brown/natural					3S9	sea blue			
	N23	carrera red	08-				4P2	palmgreen	-07		
(23)	997 555 352 04	insert handle liner lacquered	/LL/R	1	I098		9S5	terracotta			
	A03	black					9V6	cocoa			
	5V7	stone grey					D12	dark grey/natural			
	5Z1	sand beige					T12	brown/natural			
	8W7	sea blue					N12	carrera red	08-		
	5Y2	palmgreen	-07			(23)	997 555 986 01	insert handle liner leather	/RL/R	1	IXTV/099

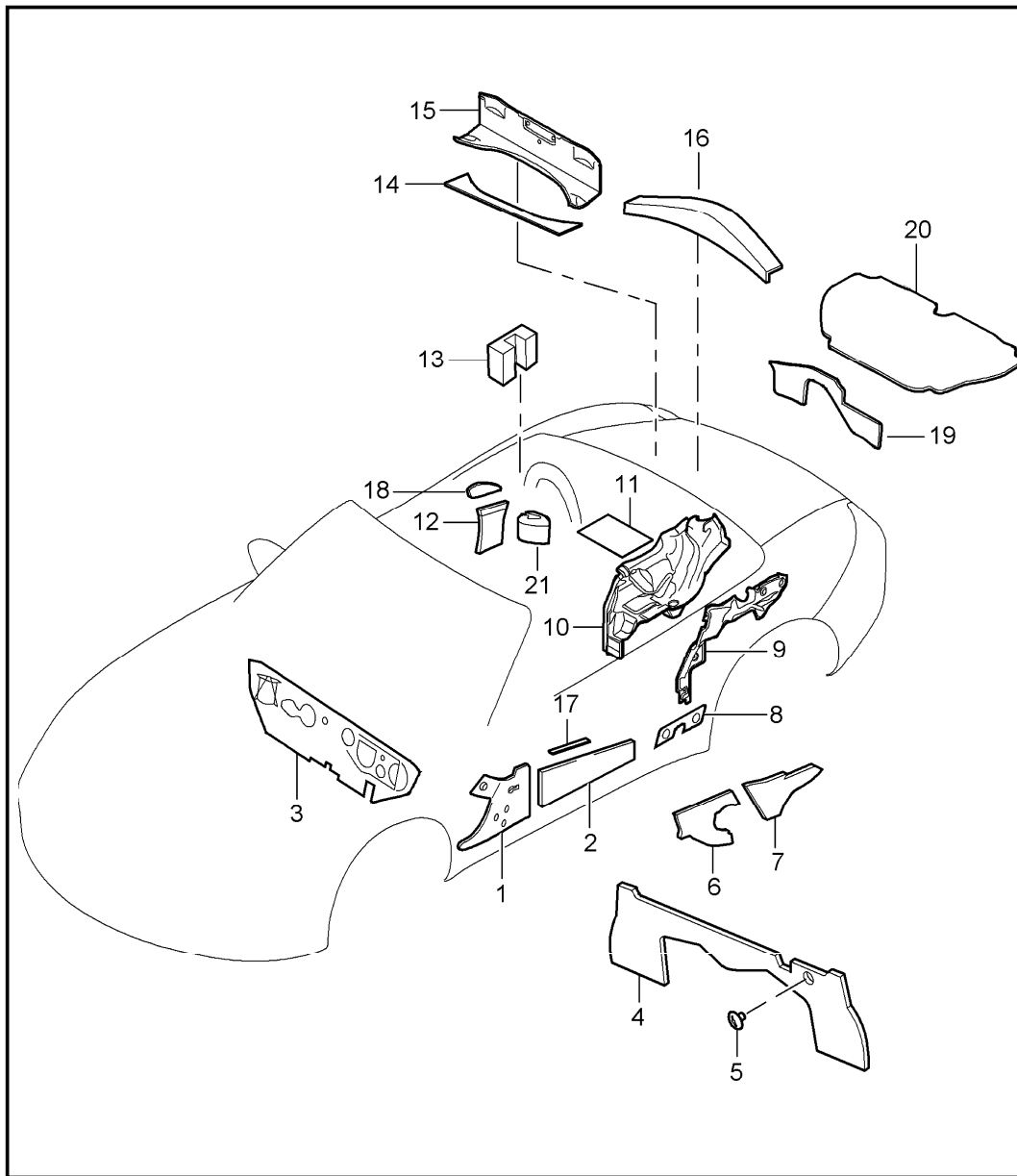
Model	Year	MG	SG	Illustration	Restrictions	UPD	11:34	24.01.2010	PORSCHE	PET	PORSCHE
987	2008	8	07	807-10		248					

Pos	Part Number	Description	Remark	Qty	Model	Pos	Part Number	Description	Remark	Qty	Model
	A11	black					9S5	terracotta			
	5X6	stone grey					9V6	cocoa			
	8G2	sand beige					D12	dark grey/natural			
	3S9	sea blue					T12	brown/natural			
	4P2	palmgreen	-07				N12	carrera red	08-		
	9S5	terracotta				23	997 555 985 03	insert handle liner carbon	/LL/L	1	IXTL/098
	9V6	cocoa					A35	black			
	D12	dark grey/natural				(23)	997 555 986 04	insert handle liner carbon	/RL/R	1	IXTL/099
	T12	brown/natural					A35	black			
	N12	carrera red	08-			(23)	997 555 986 03	insert handle liner carbon	/LL/R	1	IXTL/098
(23)	997 555 986 00	insert handle liner leather	/LL/R	1	IXTV/098		A35	black			
	A11	black					A35	black			
	5X6	stone grey				(23)	997 555 985 05	insert handle liner carbon	/RL/L	1	IXTL/099
	8G2	sand beige					A35	black			
	3S9	sea blue					A35	black			
	4P2	palmgreen	-07			23	997 555 985 06	insert handle liner	/LL/L	1	IXTU/098
	9S5	terracotta					S62	sycamore wood			
	9V6	cocoa				(23)	997 555 986 07	insert handle liner	/RL/R	1	IXTU/099
	D12	dark grey/natural					S62	sycamore wood			
	T12	brown/natural				(23)	997 555 986 06	insert handle liner	/LL/R	1	IXTU/098
	N12	carrera red	08-				S62	sycamore wood			
(23)	997 555 985 02	insert handle liner leather	/RL/L	1	IXTV/099		S62	sycamore wood			
	A11	black				(23)	997 555 985 08	insert handle liner	/RL/L	1	IXTU/099
	5X6	stone grey					S62	sycamore wood			
	8G2	sand beige				23	997 555 985 09	insert handle liner	/LL/L	1	IXTT/098
	3S9	sea blue									
	4P2	palmgreen	-07								

Model	Year	MG	SG	Illustration	Restrictions	UPD	11:34	24.01.2010	PORSCHE	PET	PORSCHE
987	2008	8	07	807-10		248					

Pos	Part Number	Description	Remark	Qty	Model	Pos	Part Number	Description	Remark	Qty	Model
	S61	macassar									
(23)	997 555 986 10	insert handle liner	/RL/R	1	IXTT/099						
	S61	macassar									
(23)	997 555 986 09	insert handle liner	/LL/R	1	IXTT/098						
	S61	macassar									
(23)	997 555 985 11	insert handle liner	/RL/L	1	IXTT/099						
	S61	macassar									
23	997 555 985 12	insert handle liner	/LL/L	1	IXTW/098						
	V04	galvano silver									
(23)	997 555 986 13	insert handle liner	/RL/R	1	IXTW/099						
	V04	galvano silver									
(23)	997 555 986 12	insert handle liner	/LL/R	1	IXTW/098						
	V04	galvano silver									
(23)	997 555 985 14	insert handle liner	/RL/L	1	IXTW/099						
	V04	galvano silver									

Model	Year	MG	SG	Illustration	Restrictions	UPD	11:34	24.01.2010	PORSCHE	PET	PORSCHE
987	2008	8	07	807-15		248					



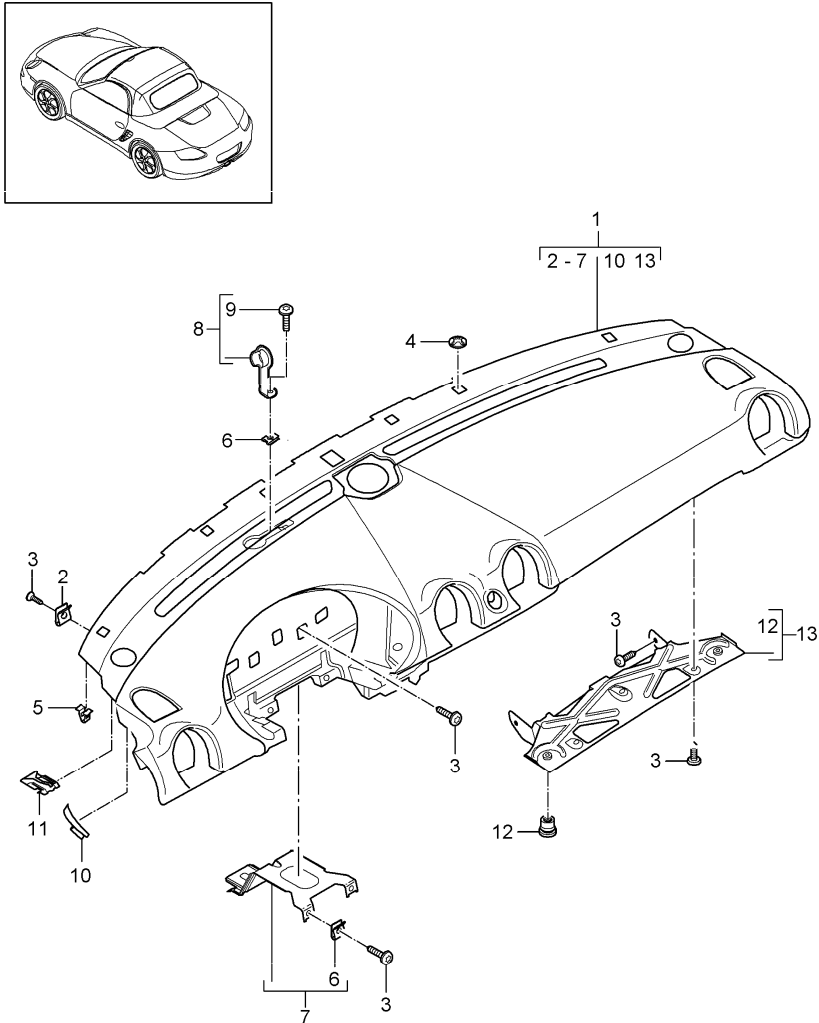
Pos	Part Number	Description	Remark	Qty	Model
		body sound proofing 1			
1	997 556 605 00	sound absorber wheel housing front	/L	1	
(1)	997 556 606 00	sound absorber wheel housing front	/R	1	
2	997 537 551 00	insulation door		2	
3	997 556 723 00	sound absorber firewall	/LL	1	I098
(3)	997 556 724 00	sound absorber firewall	/RL	1	I099
4	987 556 741 00	sound absorber engine compartment rear wall	-06	1	
(4)	987 556 741 01	sound absorber engine compartment rear wall	-08	1	
5	999 049 020 40	plastic nut T5 / 30 X 5,1		1	
(6)	987 556 721 00	sound absorber engine compartment lateral	/L	1	
6	987 556 722 00	sound absorber engine compartment lateral	/R	1	
7	987 556 724 00	sound absorber engine compartment lateral rear	/R	1	
8	987 556 683 00	insulation side section		2	
9	987 556 663 00	sound absorber convertible top compartm. outer	/L	1	
(9)	987 556 664 00	sound absorber convertible top compartm. outer	/R	1	



Model	Year	MG	SG	Illustration	Restrictions	UPD	11:34	24.01.2010	PORSCHE	PET	PORSCHE
987	2008	8	07	807-15		248					

Pos	Part Number	Description	Remark	Qty	Model	Pos	Part Number	Description	Remark	Qty	Model
10	987 556 623 02	sound absorber convertible top compartm. lateral	/L	1		19	987 556 745 00	insulation bulkhead inner	07-	1	
(10)	987 556 624 02	sound absorber convertible top compartm. lateral	/R	1		20	987 556 743 00	insulation engine compartment lid inner	07-	1	
11	987 556 601 00	insulation engine cover		1		21	987 556 653 00	insulation roll-over bar lower	07-	2	
(12)	987 556 603 00	sound absorber cover seat belt	/L	-06	1						
12	987 556 604 00	sound absorber cover seat belt	/R	-06	1						
(12)	987 556 603 01	sound absorber cover seat belt	/L	07-	1						
(12)	987 556 604 01	sound absorber cover seat belt	/R	07-	1						
13	987 556 671 01	sound absorber roll-over bar		2							
14	987 556 627 00	insulation convertible top compartm.		1							
15	987 556 621 00	sound absorber convertible top compartm.		1							
16	987 556 665 00	sound absorber		08	1						
(16)	987 556 665 02	sound absorber cross member rear		08-	1						
17	997 537 553 00	insulation reinforcement door		06-	4						
18	987 556 607 00	sound absorber cover seat belt upper	/L	07-	1						
(18)	987 556 608 00	sound absorber cover seat belt upper	/R	07-	1						

Model	Year	MG	SG	Illustration	Restrictions	UPD	11:34	24.01.2010	PORSCHE	PET	PORSCHE
987	2008	8	09	809-00		248					



Pos	Part Number	Description	Remark	Qty	Model
1	987 552 101 10	dashboard trim upper part with mounting parts accessories see group 8/09/01 valid up to: F >>988U7 00666 F >>988U7 20501 9L4 black 9M5 stone grey 9C6 sand beige 9D7 sea blue 9E8 palmgreen	/LL	1	I098
(1)	987 552 102 10	dashboard upper part leatherette valid up to: F >>988U7 00543 F >>988U7 20411 9L4 black 9M5 stone grey 9C6 sand beige 9D7 sea blue 9E8 palmgreen	/RL	1	I099
1	987 552 101 21	dashboard upper part leatherette valid from: F 988U7 00667>> F 988U7 20502>> 9L4 black 9M5 stone grey 9C6 sand beige 9D7 sea blue	/LL	1	I098

Model	Year	MG	SG	Illustration	Restrictions	UPD	11:34	24.01.2010	PORSCHE	PET	PORSCHE
987	2008	8	09	809-00		248					

Pos	Part Number	Description	Remark	Qty	Model	Pos	Part Number	Description	Remark	Qty	Model
(1)	987 552 102 21	dashboard upper part leatherette valid from: F 988U7 00544>> F 988U7 20412>>	/RL	1	I099		9M5	stone grey			
	9L4	black					9C6	sand beige			
	9M5	stone grey					9D7	sea blue			
	9C6	sand beige				(1)	987 552 102 23	dashboard upper part leatherette valid from: F 988U7 00544>> F 988U7 20412>>	/RL	1	I099/639/640
	9D7	sea blue					9L4	black			
(1)	987 552 101 12	dashboard upper part leatherette valid up to: F >>988U7 00666 F >>988U7 20501	/LL	1	I098/639/640		9M5	stone grey			
	9L4	black					9C6	sand beige			
	9M5	stone grey					9D7	sea blue			
	9C6	sand beige				(1)	987 552 101 11	dashboard upper part leather valid up to: F >>988U7 00666 F >>988U7 20501	/LL	1	I098/981
	9D7	sea blue					A11	black			
	9E8	palmgreen	-07				5X6	stone grey			
(1)	987 552 102 12	dashboard upper part leatherette valid up to: F >>988U7 00543 F >>988U7 20411	/RL	1	I099/639/640		8G2	sand beige			
	9L4	black					3S9	sea blue			
	9M5	stone grey					4P2	palmgreen	-07		
	9C6	sand beige					9S5	terracotta			
	9D7	sea blue					9V6	cocoa			
	9E8	palmgreen	-07				D12	dark grey/natural			
1	987 552 101 23	dashboard upper part leatherette valid from: F 988U7 00667>> F 988U7 20502>>	/LL	1	I098/639/640	(1)	987 552 102 11	dashboard upper part leather valid up to: F >>988U7 00543 F >>988U7 20411	/RL	1	I099/981
	9L4	black					N12	carrera red	08-		
							A11	black			

Model	Year	MG	SG	Illustration	Restrictions	UPD	11:34	24.01.2010	PORSCHE	PET	PORSCHE
987	2008	8	09	809-00		248					

Pos	Part Number	Description	Remark	Qty	Model	Pos	Part Number	Description	Remark	Qty	Model
	5X6	stone grey					9S5	terracotta			
	8G2	sand beige					9V6	cocoa			
	3S9	sea blue					D12	dark grey/natural			
	4P2	palmgreen	-07				T12	brown/natural			
	9S5	terracotta					N12	carrera red	08-		
	9V6	cocoa				(1)	987 552 101 13	dashboard	/LL	1	I098/639/640 I981
	D12	dark grey/natural						upper part leather valid up to: F >>988U7 00666 F >>988U7 20501			
	T12	brown/natural					A11	black			
	N12	carrera red	08-				5X6	stone grey			
1	987 552 101 22	dashboard upper part leather valid from: F 988U7 00667>> F 988U7 20502>>	/LL	1	I098/981		8G2	sand beige			
	A11	black					3S9	sea blue			
	5X6	stone grey					4P2	palmgreen	-07		
	8G2	sand beige					9S5	terracotta			
	3S9	sea blue					9V6	cocoa			
	9S5	terracotta					D12	dark grey/natural			
	9V6	cocoa					T12	brown/natural			
	D12	dark grey/natural					N12	carrera red	08-		
	T12	brown/natural				(1)	987 552 102 13	dashboard	/RL	1	I099/639/640 I981
	N12	carrera red	08-					upper part leather valid up to: F >>988U7 00543 F >>988U7 20411			
(1)	987 552 102 22	dashboard upper part leather valid from: F 988U7 00544>> F 988U7 20412>>	/RL	1	I099/981		A11	black			
	A11	black					5X6	stone grey			
	5X6	stone grey					8G2	sand beige			
	8G2	sand beige					3S9	sea blue			
	3S9	sea blue					4P2	palmgreen	-07		
							9S5	terracotta			

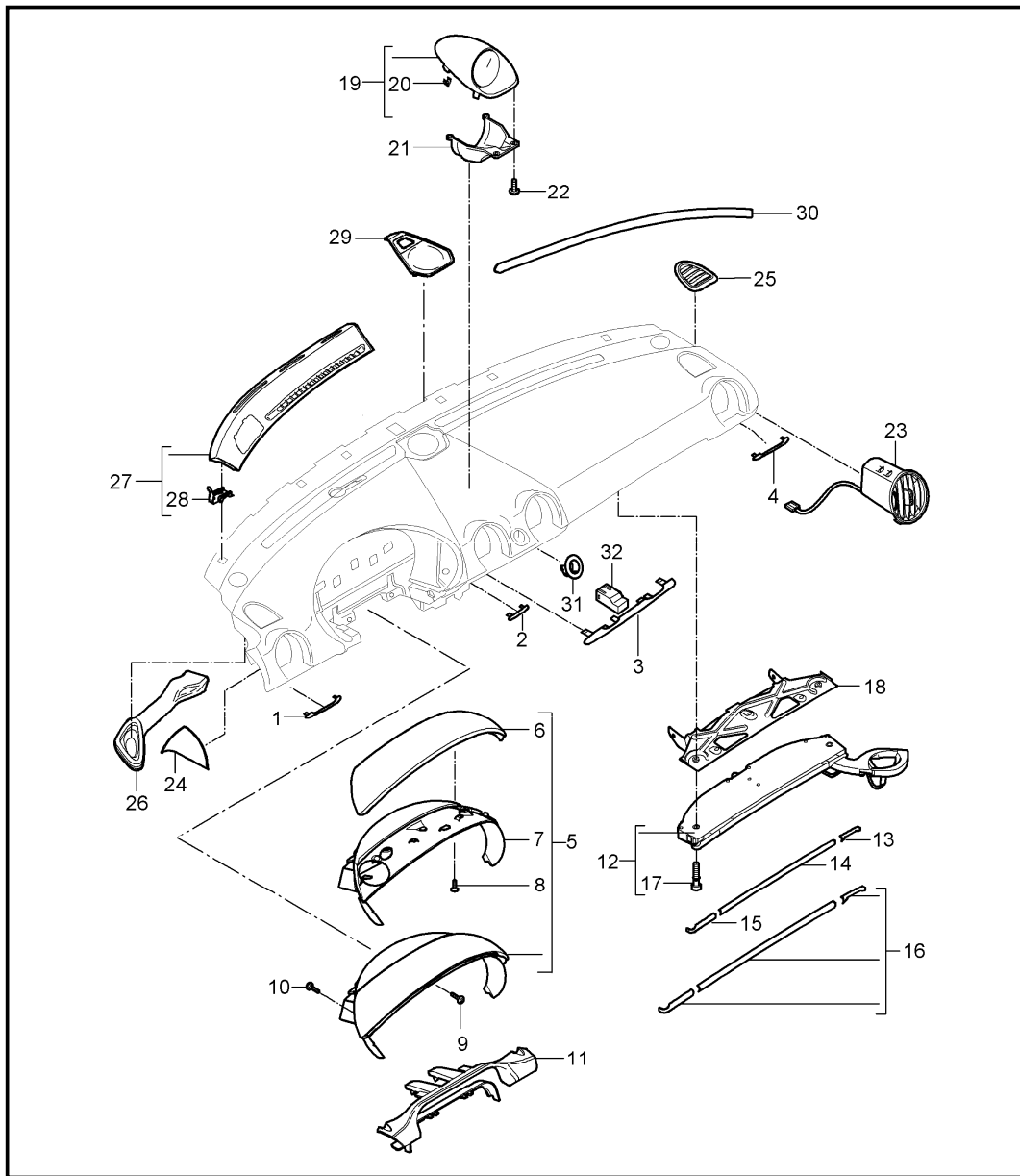
Model	Year	MG	SG	Illustration	Restrictions	UPD	11:34	24.01.2010	PORSCHE	PET	PORSCHE
987	2008	8	09	809-00		248					

Pos	Part Number	Description	Remark	Qty	Model	Pos	Part Number	Description	Remark	Qty	Model
	9V6	cocoa					N12	carrera red	08-		
	D12	dark grey/natural				2	999 507 971 01	speed nut ST 4,2		X	
	T12	brown/natural				3	999 073 155 09	tapping screw ST 4,2 X 13		X	
	N12	carrera red	08-			4	999 507 106 02	clamping washer 8,0		X	
1	987 552 101 24	dashboard upper part leather valid from: F 988U7 00667>> F 988U7 20502>>	/LL	1	I098/639/640 I981	5	999 507 732 01	clamp 8,0 X 12,0 /4,0		X	
	A11	black				6	999 507 020 01	speed nut ST 4,2		X	
	5X6	stone grey				7	997 552 617 01	support dashboard driver's side		1	
	8G2	sand beige				8	997 552 673 00	lid defroster trim		2	
	3S9	sea blue				9	999 073 226 09	tapping screw ST 4,2 X 16		2	
	9S5	terracotta				10	997 552 481 00	insert a-pillar	/L	1	
	9V6	cocoa				(10)	997 552 482 00	insert a-pillar	/R	1	
	D12	dark grey/natural				11	999 507 921 01	clamp		2	
	T12	brown/natural				12	999 500 132 00	grooved nut M5 valid up to: F >>988U7 00666 F >>988U7 20501 F >>988U7 00543 F >>988U7 20411		2	
(1)	987 552 102 24	dashboard upper part leather valid from: F 988U7 00544>> F 988U7 20412>>	/RL	1	I099/639/640 I981	(12)	999 507 319 01	captive nut M5 valid from: F 988U7 00667>> F 988U7 20502>> F 988U7 00544>> F 988U7 20412>>		2	
	A11	black									
	5X6	stone grey									
	8G2	sand beige									
	3S9	sea blue									
	9S5	terracotta									
	9V6	cocoa									
	D12	dark grey/natural									
	T12	brown/natural									

Model	Year	MG	SG	Illustration	Restrictions	UPD	11:34	24.01.2010	PORSCHE	PET	PORSCHE
987	2008	8	09	809-00		248					

Pos	Part Number	Description	Remark	Qty	Model	Pos	Part Number	Description	Remark	Qty	Model
13	997 552 360 02	retaining bracket for beverages support valid up to: F >>98U7 00666 F >>98U7 20501	/LL	1	I098						
(13)	997 552 359 02	retaining bracket for beverages support valid up to: F >>988U7 00543 F >>988U7 20411	/RL	1	I099						
(13)	997 552 360 03	retaining bracket for beverages support valid from: F 988U7 00667>> F 988U7 20502>>	/LL	1	I098						
(13)	997 552 359 03	retaining bracket for beverages support valid from: F 988U7 00544>> F 988U7 20412>>	/RL	1	I099						

Model	Year	MG	SG	Illustration	Restrictions	UPD	11:34	24.01.2010	PORSCHE	PET	PORSCHE
987	2008	8	09	809-01		248					



Pos	Part Number	Description	Remark	Qty	Model
		dashboard trim upper part with accessories			
1	987 552 381 01	moulding driver's side outer D07 volcano grey	/LL	1	BOXSTER I098
(1)	987 552 382 01	moulding driver's side outer D07 volcano grey	/RL	1	BOXSTER I099
(1)	987 552 381 02	moulding driver's side outer V04 galvano silver	/LL	1	BOXSTER S I098
(1)	987 552 382 02	moulding driver's side outer V04 galvano silver	/RL	1	BOXSTER S I099
(1)	987 552 381 03	moulding driver's side outer S61 macassar	/LL	1	I098/801
(1)	987 552 382 03	moulding driver's side outer S61 macassar	/RL	1	I099/801
(1)	987 552 381 04	moulding outer S62 sycamore wood	/LL/L	1	I098/802
(1)	987 552 382 04	moulding outer S62 sycamore wood	/RL/R	1	I099/802

Model	Year	MG	SG	Illustration	Restrictions	UPD	11:34	24.01.2010	PORSCHE	PET	PORSCHE
987	2008	8	09	809-01		248					

Pos	Part Number	Description	Remark	Qty	Model	Pos	Part Number	Description	Remark	Qty	Model
(1)	987 552 381 05	moulding driver's side outer	/LL	1	I098/803		3S9	sea blue			
	A35	black					4P2	palmgreen	-07		
(1)	987 552 382 05	moulding driver's side outer	/RL	1	I099/803		9S5	terracotta			
	A35	black					9V6	cocoa			
(1)	987 552 381 06	moulding driver's side outer	/LL	08-	1	I098/757	D12	dark grey/natural			
	G2X	prime coated					T12	brown/natural			
(1)	987 552 382 06	moulding driver's side outer	/RL	08-	1	I099/757	N12	carrera red	08-		
	G2X	prime coated					2 987 552 383 01	moulding	/LL	1	BOXSTER I098
(1)	987 552 986 00	moulding driver's side outer	/LL	1	IXVP/098			driver's side inner			
	A11	black					D07	volcano grey			
	5X6	stone grey				(2)	987 552 384 01	moulding	/RL	1	BOXSTER I099
	8G2	sand beige						driver's side inner			
	3S9	sea blue						volcano grey			
	4P2	palmgreen	-07			(2)	987 552 383 02	moulding	/LL	1	BOXSTER S I098
	9S5	terracotta						driver's side inner			
	9V6	cocoa						galvano silver			
	D12	dark grey/natural				(2)	987 552 384 02	moulding	/RL	1	BOXSTER S I099
	T12	brown/natural						driver's side inner			
	N12	carrera red	08-					galvano silver			
(1)	987 552 986 01	moulding driver's side outer	/RL	1	IXVP/099	(2)	987 552 383 03	moulding driver's side inner	/LL	1	I098/801
	A11	black						macassar			
	5X6	stone grey				(2)	987 552 384 03	moulding driver's side inner	/RL	1	I099/801
	8G2	sand beige						macassar			
						(2)	987 552 383 04	moulding driver's side inner	/LL	1	I098/802



Model	Year	MG	SG	Illustration	Restrictions	UPD	11:34	24.01.2010	PORSCHE	PET	PORSCHE
987	2008	8	09	809-01		248					

Pos	Part Number	Description	Remark	Qty	Model	Pos	Part Number	Description	Remark	Qty	Model
	S62	sycamore wood				(2)	987 552 987 01	moulding driver's side inner	/RL	1	IXVP/099
(2)	987 552 384 04	moulding driver's side inner	/RL	1	I099/802		A11	black			
	S62	sycamore wood					5X6	stone grey			
(2)	987 552 383 05	moulding driver's side inner	/LL	1	I098/803		8G2	sand beige			
	A35	black					3S9	sea blue			
(2)	987 552 384 05	moulding driver's side inner	/RL	1	I099/803		4P2	palmgreen	-07		
	A35	black					9S5	terracotta			
(2)	987 552 383 06	moulding driver's side inner	/LL	08-	I098/757		9V6	cocoa			
	G2X	prime coated					D12	dark grey/natural			
(2)	987 552 384 06	moulding driver's side inner	/RL	08-	I099/757	3	T12	brown/natural			
	G2X	prime coated					N12	carrera red	08-		
(2)	987 552 987 00	moulding driver's side inner	/LL	1	IXVP/098		3	987 552 585 01	moulding dashboard centre	1	BOXSTER
	A11	black						D07	volcano grey		
	5X6	stone grey				(3)	987 552 585 02	moulding dashboard centre		1	BOXSTER S
	8G2	sand beige						V04	galvano silver		
	3S9	sea blue				(3)	987 552 585 03	moulding dashboard centre		1	I801
	4P2	palmgreen	-07					S61	macassar		
	9S5	terracotta				(3)	987 552 585 04	moulding dashboard centre		1	I802
	9V6	cocoa						S62	sycamore wood		
	D12	dark grey/natural				(3)	987 552 585 05	moulding dashboard centre		1	I803
	T12	brown/natural						A35	black		
	N12	carrera red	08-			(3)	987 552 585 06	moulding dashboard centre	08-	1	I757

Model	Year	MG	SG	Illustration	Restrictions	UPD	11:34	24.01.2010	PORSCHE	PET	PORSCHE
987	2008	8	09	809-01		248					

Pos	Part Number	Description	Remark	Qty	Model	Pos	Part Number	Description	Remark	Qty	Model
	G2X	prime coated					S61	macassar			
(3)	987 552 981 00	moulding dashboard centre		1	IXVP	(4)	987 552 388 04	moulding passenger's side	/LL	1	I098/802
	A11	black					S62	sycamore wood			
	5X6	stone grey				(4)	987 552 387 04	moulding passenger's side	/RL	1	I099/802
	8G2	sand beige					S62	sycamore wood			
	3S9	sea blue				(4)	987 552 388 05	moulding passenger's side	/LL	1	I098/803
	4P2	palmgreen	-07				A35	black			
	9S5	terracotta				(4)	987 552 387 05	moulding passenger's side	/LL	1	I099/803
	9V6	cocoa					A35	black			
	D12	dark grey/natural				(4)	987 552 388 06	moulding passenger's side	/LL	08-	1 I098/757
	T12	brown/natural					G2X	prime coated			
	N12	carrera red	08-			(4)	987 552 387 06	moulding passenger's side	/RL	08-	1 I099/757
4	987 552 388 01	moulding passenger's side	/LL	1	BOXSTER I098		G2X	prime coated			
	D07	volcano grey				(4)	987 552 982 00	moulding passenger's side	/LL	1	IXVP/098
(4)	987 552 387 01	moulding passenger's side	/RL	1	BOXSTER I099		A11	black			
	D07	volcano grey					5X6	stone grey			
(4)	987 552 388 02	moulding passenger's side	/LL	1	BOXSTER S I098		8G2	sand beige			
	V04	galvano silver					3S9	sea blue			
(4)	987 552 387 02	moulding passenger's side	/RL	1	BOXSTER S I099		4P2	palmgreen	-07		
	V04	galvano silver					9S5	terracotta			
(4)	987 552 388 03	moulding passenger's side	/LL	1	I098/801		9V6	cocoa			
	S61	macassar					D12	dark grey/natural			
(4)	987 552 387 03	moulding passenger's side	/RL	1	I099/801	(4)	987 552 982 01	moulding passenger's side	/RL	08-	1 IXVP/099
							T12	brown/natural			
							N12	carrera red			

Model	Year	MG	SG	Illustration	Restrictions	UPD	11:34	24.01.2010	PORSCHE	PET	PORSCHE
987	2008	8	09	809-01		248					

Pos	Part Number	Description	Remark	Qty	Model	Pos	Part Number	Description	Remark	Qty	Model
	A11	black					FSD	sea blue/grey			
	5X6	stone grey					FSE	palmgreen/palmgreen	-07		
	8G2	sand beige					FSF	terracotta/terracotta			
	3S9	sea blue					FSG	cocoa/cocoa			
	4P2	palmgreen	-07				FSH	darkgrey natural/grey			
	9S5	terracotta					FSJ	brown nat./brown nat.			
	9V6	cocoa					FSP	carrera red	08-		
	D12	dark grey/natural				(5)	987 552 022 01	instrument box complete	/RL	1	I099/981
	T12	brown/natural					FSA	black/grey			
	N12	carrera red	08-				FSB	stone grey/stone grey			
5	987 552 021 00	instrument box complete slush technology	/LL	1	I098		FSC	sand beige/sand beige			
	9L4	black					FSD	sea blue/grey			
	9M5	stone grey					FSE	palmgreen/palmgreen	-07		
	9C6	sand beige					FSF	terracotta/terracotta			
	9D7	sea blue					FSG	cocoa/cocoa			
	9E8	palmgreen	-07				FSH	darkgrey natural/grey			
(5)	987 552 022 00	instrument box complete slush technology	/RL	1	I099		FSJ	brown nat./brown nat.			
	9L4	black				(5)	987 552 990 00	instrument box complete	/LL	1	IXNG/098
	9M5	stone grey					9L4	black			
	9C6	sand beige					9M5	stone grey			
	9D7	sea blue					9C6	sand beige			
	9E8	palmgreen	-07				9D7	sea blue			
(5)	987 552 021 01	instrument box complete	/LL	1	I098/981		9E8	palmgreen	-07		
	FSA	black/grey				(5)	987 552 990 01	instrument box complete	/RL	1	IXNG/099
	FSB	stone grey/stone grey					9L4	black			
	FSC	sand beige/sand beige					9M5	stone grey			

Model	Year	MG	SG	Illustration	Restrictions	UPD	11:34	24.01.2010	PORSCHE	PET	PORSCHE
987	2008	8	09	809-01		248					

Pos	Part Number	Description	Remark	Qty	Model	Pos	Part Number	Description	Remark	Qty	Model
	9C6	sand beige					9M5	stone grey			
	9D7	sea blue					9C6	sand beige			
	9E8	palmgreen	-07				9D7	sea blue			
(5)	987 552 990 02	instrument box complete	/LL	1	IXNG/098/991		9E8	palmgreen	-07		
	A11	black				(5)	987 552 990 05	instrument box complete	/RL	1	IXCL/099
	5X6	stone grey					9L4	black			
	8G2	sand beige					9M5	stone grey			
	3S9	sea blue					9C6	sand beige			
	4P2	palmgreen	-07				9D7	sea blue			
	9S5	terracotta					9E8	palmgreen	-07		
	9V6	cocoa				(5)	987 552 990 06	instrument box complete	/LL	1	IXCL/098/981
	D12	dark grey/natural					A11	black			
	T12	brown/natural					5X6	stone grey			
	N12	carrera red	08-				8G2	sand beige			
(5)	987 552 990 03	instrument box complete	/RL	1	IXNG/099/981		3S9	sea blue			
	A11	black					4P2	palmgreen	-07		
	5X6	stone grey					9S5	terracotta			
	8G2	sand beige					9V6	cocoa			
	3S9	sea blue					D12	dark grey/natural			
	4P2	palmgreen	-07				T12	brown/natural			
	9S5	terracotta					N12	carrera red	08-		
	9V6	cocoa				(5)	987 552 990 07	instrument box complete	/RL	1	IXCL/099/981
	D12	dark grey/natural					A11	black			
	T12	brown/natural					5X6	stone grey			
	N12	carrera red	08-				8G2	sand beige			
(5)	987 552 990 04	instrument box complete	/LL	1	IXCL/098		3S9	sea blue			
	9L4	black					4P2	palmgreen	-07		

Model	Year	MG	SG	Illustration	Restrictions	UPD	11:34	24.01.2010	PORSCHE	PET	PORSCHE
987	2008	8	09	809-01		248					

Pos	Part Number	Description	Remark	Qty	Model	Pos	Part Number	Description	Remark	Qty	Model
	9S5	terracotta					FSB	stone grey/stone grey			
	9V6	cocoa					FSC	sand beige/sand beige			
	D12	dark grey/natural					FSD	sea blue/grey			
	T12	brown/natural					FSE	palmgreen/palmgreen	-07		
	N12	carrera red	08-				FSF	terracotta/terracotta			
(5)	987 552 325 02	instrument box lacquered	08-	1	I098/754		FSG	cocoa/cocoa			
	A03	black					FSH	darkgrey natural/grey			
	N23	carrera red					FSJ	brown nat./brown nat.			
(5)	987 552 326 02	instrument box lacquered	08-	1	I098/754	(6)	987 552 122 03	instrument box upper part	/RL	08- 1	I099/981
	A03	black					FSA	black/grey			
	N23	carrera red					FSB	stone grey/stone grey			
6	987 552 121 02	instrument box upper part slush technology	/LL	1	I098		FSC	sand beige/sand beige			
	9L4	black					FSD	sea blue/grey			
	9M5	stone grey					FSE	palmgreen/palmgreen	-07		
	9C6	sand beige					FSF	terracotta/terracotta			
	9D7	sea blue					FSG	cocoa/cocoa			
	9E8	palmgreen	-07				FSH	darkgrey natural/grey			
6	987 552 122 02	instrument box upper part slush technology	/RL	1	I099		FSJ	brown nat./brown nat.			
	9L4	black					FSP	carrera red	08-		
	9M5	stone grey				7	987 552 227 01	cover instrument cluster	/LL	1	I098
	9C6	sand beige					A03	black			
	9D7	sea blue					5V7	stone grey			
	9E8	palmgreen	-07				5Z1	sand beige			
(6)	987 552 121 03	instrument box upper part	/LL	1	I098/981		8W7	sea blue			
	FSA	black/grey					5Y2	palmgreen	-07		
							8X8	terracotta			
							8P9	cocoa			

Model	Year	MG	SG	Illustration	Restrictions	UPD	11:34	24.01.2010	PORSCHE	PET	PORSCHE
987	2008	8	09	809-01		248					

Pos	Part Number	Description	Remark	Qty	Model	Pos	Part Number	Description	Remark	Qty	Model
	T13	brown/natural					3S9	sea blue			
	N23	carrera red	08-				4P2	palmgreen	-07		
(7)	987 552 228 01	cover instrument cluster	/RL	1	I099		9S5	terracotta			
	A03	black					9V6	cocoa			
	5V7	stone grey					D12	dark grey/natural			
	5Z1	sand beige					T12	brown/natural			
	8W7	sea blue					N12	carrera red	08-		
	5Y2	palmgreen	-07			(7)	987 552 989 02	cover instrument cluster	/LL	1	IXCL/098/981
	8X8	terracotta					V04	galvano silver			
	8P9	cocoa				(7)	987 552 989 03	cover instrument cluster	/RL	1	IXCL/099/981
	T13	brown/natural					V04	galvano silver			
(7)	987 552 989 00	cover instrument cluster	/LL	1	IXNG/098/981	8	999 073 340 09	tapping screw ST 3,5 X 11		2	
	A11	black				9	999 073 155 09	tapping screw ST 4,2 X 13 mount cover instrument cluster		2	
	5X6	stone grey				10	999 073 226 09	tapping screw ST 4,2 X 16 mount cover instrument cluster		5	
	8G2	sand beige				--	999 507 621 02	speed nut mount cover instrument cluster	-06	5	
	3S9	sea blue				--	999 507 621 01	speed nut ST 4,2 mount cover instrument cluster	07-	5	
	4P2	palmgreen	-07			(7)	987 552 989 01	cover instrument cluster	/RL	1	IXNG/099/981
	9S5	terracotta				11	987 552 271 01	bridge	/LL	1	I098
	9V6	cocoa					A03	black			
	D12	dark grey/natural					5V7	stone grey			
	T12	brown/natural					5Z1	sand beige			
	N12	carrera red	08-								
	A11	black									
	5X6	stone grey									
	8G2	sand beige									

Model	Year	MG	SG	Illustration	Restrictions	UPD	11:34	24.01.2010	PORSCHE	PET	PORSCHE
987	2008	8	09	809-01		248					

Pos	Part Number	Description	Remark	Qty	Model	Pos	Part Number	Description	Remark	Qty	Model
	8W7	sea blue					5X6	stone grey			
	5Y2	palmgreen	-07				8G2	sand beige			
	8X8	terracotta					3S9	sea blue			
	8P9	cocoa					4P2	palmgreen	-07		
	T13	brown/natural					9S5	terracotta			
	N23	carrera red	08-				9V6	cocoa			
(11)	987 552 272 01	bridge	/RL	1	I099		D12	dark grey/natural			
	A03	black					T12	brown/natural			
	5V7	stone grey					N12	carrera red	08-		
	5Z1	sand beige				12	997 552 294 03	support beverages	/LL	1	I098
	8W7	sea blue				12	997 552 293 04	support beverages	/RL	1	I099
	5Y2	palmgreen	-07			--	997 552 905 00	repair kit flap torsion spring for beverages support		1	
	8X8	terracotta									
	8P9	cocoa									
	T13	brown/natural									
	N23	carrera red	08-								
11	987 552 978 00	bridge	/LL	06-	1 IXNS/098	13	997 552 394 01	cover	/LL/R	1	BOXSTER I098
	A11	black					D07	volcano grey			
	5X6	stone grey				(13)	997 552 393 01	cover	/RL/R	1	BOXSTER I099
	8G2	sand beige					D07	volcano grey			
	3S9	sea blue				(13)	997 552 394 02	cover	/LL/R	1	BOXSTER S I098
	4P2	palmgreen	-07				V04	galvano silver			
	9S5	terracotta				(13)	997 552 393 02	cover	/RL/R	1	BOXSTER S I099
	9V6	cocoa					V04	galvano silver			
	D12	dark grey/natural				(13)	997 552 396 05	cover	/LL/R	1	I098/803
	T12	brown/natural					A35	black			
	N12	carrera red	08-			(13)	997 552 395 05	cover	/RL/R	1	I099/803
(11)	987 552 978 01	bridge	/RL	06-	1 IXNS/099						
	A11	black									

Model	Year	MG	SG	Illustration	Restrictions	UPD	11:34	24.01.2010	PORSCHE	PET	PORSCHE
987	2008	8	09	809-01		248					

Pos	Part Number	Description	Remark	Qty	Model	Pos	Part Number	Description	Remark	Qty	Model
(13)	987 552 394 00	A35 black cover	/LL/R 08-	1	I098/757	(14)	997 552 397 00	D07 volcano grey cover	/RL	1	BOXSTER I099
(13)	987 552 393 00	G2X prime coated cover	/RL/R 08-	1	I099/757	(14)	997 552 398 01	D07 volcano grey cover	/LL	1	BOXSTER S I098
(13)	997 552 993 00	G2X prime coated cover	/LL/R	1	IXVP/098	(14)	997 552 397 01	V04 galvano silver cover	/RL	1	BOXSTER S I099
(13)	997 552 993 01	A11 black 5X6 stone grey 8G2 sand beige 3S9 sea blue 4P2 palmgreen 9S5 terracotta 9V6 cocoa D12 dark grey/natural T12 brown/natural N12 carrera red cover	-07          /RL/R 08-	1	IXVP/099	(14)	997 552 398 04	V04 galvano silver cover centre	/LL	1	I098/803
(13)	997 552 993 01	A11 black 5X6 stone grey 8G2 sand beige 3S9 sea blue 4P2 palmgreen 9S5 terracotta 9V6 cocoa D12 dark grey/natural T12 brown/natural N12 carrera red cover	-07          /RL/R 08-	1	IXVP/099	(14)	997 552 397 04	A35 black cover centre	/RL	1	I099/803
(13)	997 552 993 01	A11 black 5X6 stone grey 8G2 sand beige 3S9 sea blue 4P2 palmgreen 9S5 terracotta 9V6 cocoa D12 dark grey/natural T12 brown/natural N12 carrera red cover	-07          /RL/R 08-	1	IXVP/099	(14)	987 552 392 00	A35 black cover centre	/LL 08-	1	I098/757
(13)	997 552 993 01	A11 black 5X6 stone grey 8G2 sand beige 3S9 sea blue 4P2 palmgreen 9S5 terracotta 9V6 cocoa D12 dark grey/natural T12 brown/natural N12 carrera red cover	-07          /RL/R 08-	1	IXVP/099	(14)	987 552 391 00	G2X prime coated cover centre	/RL 08-	1	I099/757
(13)	997 552 993 01	A11 black 5X6 stone grey 8G2 sand beige 3S9 sea blue 4P2 palmgreen 9S5 terracotta 9V6 cocoa D12 dark grey/natural T12 brown/natural N12 carrera red cover	-07          /RL/R 08-	1	IXVP/099	(14)	997 552 994 00	G2X prime coated cover centre	/LL	1	IXVP/098
14	997 552 398 00	A11 black 5X6 stone grey 8G2 sand beige 3S9 sea blue 4P2 palmgreen 9S5 terracotta 9V6 cocoa cover centre	08-          /LL	1	BOXSTER I098	(14)	997 552 994 00	A11 black 5X6 stone grey 8G2 sand beige 3S9 sea blue 4P2 palmgreen 9S5 terracotta 9V6 cocoa	-07		



Model	Year	MG	SG	Illustration	Restrictions	UPD	11:34	24.01.2010	PORSCHE	PET	PORSCHE
987	2008	8	09	809-01		248					

Pos	Part Number	Description	Remark	Qty	Model	Pos	Part Number	Description	Remark	Qty	Model
		D12 dark grey/natural				(15)	987 552 396 00	cover	/LL/L	08-	1 I098/757
		T12 brown/natural					G2X	prime coated			
		N12 carrera red	08-			(15)	987 552 395 00	cover	/RL/L	08-	1 I099/757
(14)	997 552 994 01	cover centre	/RL	1	IXVP/099		G2X	prime coated			
		A11 black				(15)	997 552 992 00	cover	/LL/L		1 IXVP/098
		5X6 stone grey					A11	black			
		8G2 sand beige					5X6	stone grey			
		3S9 sea blue					8G2	sand beige			
		4P2 palmgreen	-07				3S9	sea blue			
		9S5 terracotta					4P2	palmgreen		-07	
		9V6 cocoa					9S5	terracotta			
		D12 dark grey/natural					9V6	cocoa			
		T12 brown/natural					D12	dark grey/natural			
		N12 carrera red	08-				T12	brown/natural			
15	997 552 396 01	cover	/LL/L	1	BOXSTER I098	(15)	997 552 992 01	cover	/RL/L	08-	1 IXVP/099
		D07 volcano grey					A11	black			
(15)	997 552 395 01	cover	/RL/L	1	BOXSTER I099		5X6	stone grey			
		D07 volcano grey					8G2	sand beige			
(15)	997 552 396 02	cover	/LL/L	1	BOXSTER S I098		3S9	sea blue		-07	
		V04 galvano silver					4P2	palmgreen			
(15)	997 552 395 02	cover	/RL/L	1	BOXSTER S I099		9S5	terracotta			
		V04 galvano silver					9V6	cocoa			
(15)	997 552 394 05	cover	/LL/L	1	I098/803		D12	dark grey/natural			
		A35 black					T12	brown/natural			
(15)	997 552 393 05	cover	/RL/L	1	I099/803	16	N12	carrera red		08-	
		A35 black						set cover wood	/LL		1 I098/801
							S61	macassar			

Model	Year	MG	SG	Illustration	Restrictions	UPD	11:34	24.01.2010	PORSCHE	PET	PORSCHE
987	2008	8	09	809-01		248					

Pos	Part Number	Description	Remark	Qty	Model	Pos	Part Number	Description	Remark	Qty	Model
(16)	997 552 903 00	set cover wood	/RL	1	I099/801		D12	dark grey/natural			
	S61	macassar					T12	brown/natural			
16	997 552 904 01	set cover wood	/LL	1	I098/802	20	999 507 920 01	u-clamp 1,7-2,1		4	I639/640
	S62	sycamore wood				21	997 552 373 01	support		1	I639/640
(16)	997 552 903 01	set cover wood	/RL	1	I099/802	22	999 919 167 09	oval-head screw 3,0 X 10		4	
	S62	sycamore wood				23	987 552 131 03	air vent	-07	4	
17	900 067 416 01	pan-head screw M5 x 27		2		23	987 552 131 04	air vent	08-	4	
18	--- --- --- --	retaining bracket beverages support see group 8/09/00		1			FNE	volcano grey/galvanosilver			
19	987 552 371 00	air box upper part		1	I639/640	(23)	987 552 980 00	air vent		4	IXVR
	A03	black					A11	black			
	5V7	stone grey					5X6	stone grey			
	5Z1	sand beige					8G2	sand beige			
	8W7	sea blue					3S9	sea blue			
	5Y2	palmgreen	-07				4P2	palmgreen	-07		
(19)	987 552 371 01	air box upper part		1	I639/640/981		9S5	terracotta			
	A11	black					9V6	cocoa			
	5X6	stone grey					D12	dark grey/natural			
	8G2	sand beige					T12	brown/natural			
	3S9	sea blue					N12	carrera red	08-		
	4P2	palmgreen	-07			24	987 552 537 01	cover dashboard upper part	/L	1	
	9S5	terracotta					A03	black			
	9V6	cocoa					5V7	stone grey			
							5Z1	sand beige			
							8W7	sea blue			
							5Y2	palmgreen	-07		

Model	Year	MG	SG	Illustration	Restrictions	UPD	11:34	24.01.2010	PORSCHE	PET	PORSCHE
987	2008	8	09	809-01		248					

Pos	Part Number	Description	Remark	Qty	Model	Pos	Part Number	Description	Remark	Qty	Model
	8X8	terracotta					5Z1	sand beige			
	8P9	cocoa					8W7	sea blue			
	T13	brown/natural					5Y2	palmgreen	-07		
	N23	carrera red	08-				8X8	terracotta			
(24)	987 552 538 01	cover dashboard upper part	/R	1			8P9	cocoa			
	A03	black					T13	brown/natural			
	5V7	stone grey				26	987 552 315 02	air duct lateral	/L	1	
	5Z1	sand beige				(26)	987 552 316 02	air duct lateral	/R	1	
	8W7	sea blue									
	5Y2	palmgreen	-07			27	997 552 175 01	defroster trim	/L	1	
	8X8	terracotta					A03	black			
	8P9	cocoa					5V7	stone grey			
	T13	brown/natural					5Z1	sand beige			
	N23	carrera red	08-				8W7	sea blue			
25	987 552 455 01	cover defroster vent	/L	1			5Y2	palmgreen	-07		
	A03	black					8X8	terracotta			
	5V7	stone grey					8P9	cocoa			
	5Z1	sand beige					T13	brown/natural			
	8W7	sea blue					N23	carrera red	08-		
	5Y2	palmgreen	-07			(27)	997 552 176 01	defroster trim	/R	1	
	8X8	terracotta					A03	black			
	8P9	cocoa					5V7	stone grey			
	T13	brown/natural					5Z1	sand beige			
	N23	carrera red	08-				8W7	sea blue			
(25)	987 552 456 01	cover defroster vent	/R	1			5Y2	palmgreen	-07		
	A03	black					8X8	terracotta			
	5V7	stone grey					8P9	cocoa			
							T13	brown/natural			

Model	Year	MG	SG	Illustration	Restrictions	UPD	11:34	24.01.2010	PORSCHE	PET	PORSCHE
987	2008	8	09	809-01		248					

Pos	Part Number	Description	Remark	Qty	Model	Pos	Part Number	Description	Remark	Qty	Model
	N23	carrera red	08-				9S5	terracotta			
(27)	997 552 983 00	defroster trim	/L	1	IXV1		9V6	cocoa			
	A11	black					D12	dark grey/natural			
	5X6	stone grey					T12	brown/natural			
	8G2	sand beige					N12	carrera red	08-		
	3S9	sea blue				(27)	997 552 984 01	defroster trim	/R	1	IXKJ
	4P2	palmgreen	-07				A11	black			
	9S5	terracotta					5X6	stone grey			
	9V6	cocoa					8G2	sand beige			
	D12	dark grey/natural					3S9	sea blue			
	T12	brown/natural					4P2	palmgreen	-07		
	N12	carrera red	08-				9S5	terracotta			
(27)	997 552 984 00	defroster trim	/R	1	IXV1		9V6	cocoa			
	A11	black					D12	dark grey/natural			
	5X6	stone grey					T12	brown/natural			
	8G2	sand beige					N12	carrera red	08-		
	3S9	sea blue				(27)	997 552 983 02	defroster trim	/L	1	IXJS
	4P2	palmgreen	-07				A11	black			
	9S5	terracotta					5X6	stone grey			
	9V6	cocoa					8G2	sand beige			
	D12	dark grey/natural					3S9	sea blue			
	T12	brown/natural					4P2	palmgreen	-07		
	N12	carrera red	08-				9S5	terracotta			
(27)	997 552 983 01	defroster trim	/L	1	IXKJ		9V6	cocoa			
	A11	black					D12	dark grey/natural			
	5X6	stone grey					T12	brown/natural			
	8G2	sand beige					N12	carrera red	08-		
	3S9	sea blue				(27)	997 552 984 02	defroster trim	/R	1	IXJS
	4P2	palmgreen	-07				A11	black			

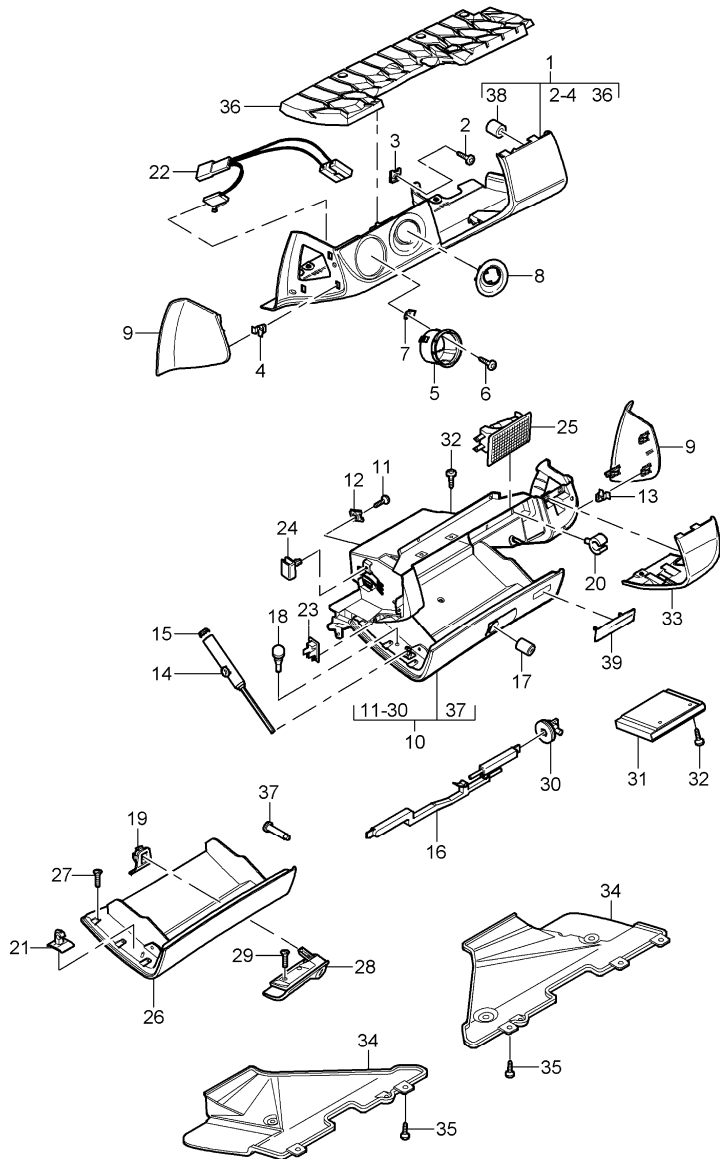
Model	Year	MG	SG	Illustration	Restrictions	UPD	11:34	24.01.2010	PORSCHE	PET	PORSCHE
987	2008	8	09	809-01		248					

Pos	Part Number	Description	Remark	Qty	Model	Pos	Part Number	Description	Remark	Qty	Model
	5X6	stone grey					T12	brown/natural			
	8G2	sand beige					N12	carrera red	08-		
	3S9	sea blue				28	999 591 307 01	u-clamp		1	
	4P2	palmgreen	-07			29	997 552 351 01	cover centre		1	
	9S5	terracotta					A03	black			
	9V6	cocoa					5V7	stone grey			
	D12	dark grey/natural					5Z1	sand beige			
	T12	brown/natural					8W7	sea blue			
	N12	carrera red	08-				5Y2	palmgreen	-07		
(27)	997 552 983 03	defroster trim	/L	1	IXJR		8X8	terracotta			
	A11	black					8P9	cocoa			
	5X6	stone grey					T13	brown/natural			
	8G2	sand beige					N23	carrera red	08-		
	3S9	sea blue				(29)	997 552 985 00	cover centre		1	IXV1
	4P2	palmgreen	-07				A11	black			
	9S5	terracotta					5X6	stone grey			
	9V6	cocoa					8G2	sand beige			
	D12	dark grey/natural					3S9	sea blue			
	T12	brown/natural					4P2	palmgreen	-07		
	N12	carrera red	08-				9S5	terracotta			
(27)	997 552 984 03	defroster trim	/R	1	IXJR		9V6	cocoa			
	A11	black					D12	dark grey/natural			
	5X6	stone grey					T12	brown/natural			
	8G2	sand beige					N12	carrera red	08-		
	3S9	sea blue				(29)	997 552 985 00	cover centre		1	IXKJ
	4P2	palmgreen	-07				A11	black			
	9S5	terracotta					5X6	stone grey			
	9V6	cocoa									
	D12	dark grey/natural									

Model	Year	MG	SG	Illustration	Restrictions	UPD	11:34	24.01.2010	PORSCHE	PET	PORSCHE
987	2008	8	09	809-01		248					

Pos	Part Number	Description	Remark	Qty	Model	Pos	Part Number	Description	Remark	Qty	Model
		8G2 sand beige					T12	brown/natural			
		3S9 sea blue					N12	carrera red	08-		
		4P2 palmgreen	-07			30	997 552 645 00	gasket cowl		1	
		9S5 terracotta				31	987 552 397 02	cover hazard warning light sw.		1	
		9V6 cocoa					A03	black			
		D12 dark grey/natural					5V7	stone grey			
		T12 brown/natural					5Z1	sand beige			
		N12 carrera red	08-				8W7	sea blue			
(29)	997 552 985 00	cover centre		1	IXJS		5Y2	palmgreen	-07		
		A11 black					8X8	terracotta			
		5X6 stone grey					8P9	cocoa			
		8G2 sand beige					T13	brown/natural			
		3S9 sea blue					N23	carrera red	08-		
		4P2 palmgreen	-07			32	987 552 595 00	mounting switch central locking system		1	
		9S5 terracotta									
		9V6 cocoa									
		D12 dark grey/natural									
		T12 brown/natural									
		N12 carrera red	08-								
(29)	997 552 985 00	cover centre		1	IXJR						
		A11 black									
		5X6 stone grey									
		8G2 sand beige									
		3S9 sea blue									
		4P2 palmgreen	-07								
		9S5 terracotta									
		9V6 cocoa									
		D12 dark grey/natural									

Model	Year	MG	SG	Illustration	Restrictions	UPD	11:35	24.01.2010	PORSCHE	PET	PORSCHE
987	2008	8	09	809-03		248					



Pos	Part Number	Description	Remark	Qty	Model
1	997 552 201 02	glove compartment lid and lining driver's side leatherette	/LL	1	I098
	1MZ	black			
	1YP	stone grey			
	1TK	sand beige			
	1VM	sea blue			
	1UL	palmgreen		-07	
(1)	997 552 202 02	lining leatherette	/RL	1	I099
	1MZ	black			
	1YP	stone grey			
	1TK	sand beige			
	1VM	sea blue			
	1UL	palmgreen		-07	
(1)	997 552 201 03	lining leather	/LL	1	I098/981
	A11	black			
	5X6	stone grey			
	8G2	sand beige			
	3S9	sea blue			
	4P2	palmgreen		-07	
	9S5	terracotta			
	9V6	cocoa			
	D12	dark grey/natural			
	T12	brown/natural			
	N12	carrera red		08-	
(1)	997 552 202 03	lining leather	/RL	1	I099/981

Model	Year	MG	SG	Illustration	Restrictions	UPD	11:35	24.01.2010	PORSCHE	PET	PORSCHE
987	2008	8	09	809-03		248					

Pos	Part Number	Description	Remark	Qty	Model	Pos	Part Number	Description	Remark	Qty	Model
	A11	black				7	999 507 971 01	speed nut 4,2		3	
	5X6	stone grey						for mount cover light switch			
	8G2	sand beige				8	997 552 425 01	cover ignition starter lock	/LL	1	I098
	3S9	sea blue					A03	black			
	4P2	palmgreen	-07				5V7	stone grey			
	9S5	terracotta					5Z1	sand beige			
	9V6	cocoa					8W7	sea blue			
	D12	dark grey/natural					5Y2	palmgreen	-07		
	T12	brown/natural					8X8	terracotta			
	N12	carrera red	08-				8P9	cocoa			
2	999 073 155 09	tapping screw 4,2 X 13		7			T13	brown/natural			
3	999 507 971 01	speed nut 4,2		7			N23	carrera red	08-		
4	999 507 732 01	clamp 8 X 12/ 4 for mount lining		7		(8)	997 552 426 01	cover ignition starter lock	/RL	1	I099
5	997 552 427 01	cover light switch		1			A03	black			
	A03	black					5V7	stone grey			
	5V7	stone grey					5Z1	sand beige			
	5Z1	sand beige					8W7	sea blue			
	8W7	sea blue					5Y2	palmgreen	-07		
	5Y2	palmgreen	-07				8X8	terracotta			
	8X8	terracotta					8P9	cocoa			
	8P9	cocoa					T13	brown/natural			
	T13	brown/natural					N23	carrera red	08-		
	N23	carrera red	08-			9	997 552 405 02	cover	/L	1	
6	999 073 155 09	tapping screw 4,2 X 13		3			A03	black			
							5V7	stone grey			
							5Z1	sand beige			



Model	Year	MG	SG	Illustration	Restrictions	UPD	11:35	24.01.2010	PORSCHE	PET	PORSCHE
987	2008	8	09	809-03		248					

Pos	Part Number	Description	Remark	Qty	Model	Pos	Part Number	Description	Remark	Qty	Model
		8W7 sea blue					1MZ	black			
		5Y2 palmgreen	-07				1YP	stone grey			
		8X8 terracotta					1TK	sand beige			
		8P9 cocoa					1VM	sea blue			
		T13 brown/natural					1UL	palmgreen	-07		
		N23 carrera red	08-			10	997 552 204 06	glove compartment leatherette complete valid from: F 988U7 00667>> F 988U7 20502>>	/LL	1	I098
(9)	997 552 406 02	cover lateral driver's side	/R	1							
		A03 black					1MZ	black			
		5V7 stone grey					1YP	stone grey			
		5Z1 sand beige					1TK	sand beige			
		8W7 sea blue					1VM	sea blue			
		5Y2 palmgreen	-07			(10)	997 552 203 06	glove compartment leatherette complete valid from: F 988U7 00544>> F 988U7 20412>>	/RL	1	I099
		8X8 terracotta									
		8P9 cocoa					1MZ	black			
		T13 brown/natural					1YP	stone grey			
		N23 carrera red	08-				1TK	sand beige			
10	997 552 204 04	glove compartment leatherette complete valid up to: F >>988U7 00666 F >>988U7 20501	/LL	1	I098		1VM	sea blue			
		1MZ black				10	997 552 204 05	glove compartment leather complete valid up to: F >>988U7 00666 F >>988U7 20501	/LL	1	I098/981
		1YP stone grey					A11	black			
		1TK sand beige					5X6	stone grey			
		1VM sea blue					8G2	sand beige			
		1UL palmgreen	-07				3S9	sea blue			
(10)	997 552 203 04	glove compartment leatherette complete valid up to: F >>988U7 00543 F >>988U7 20411	/RL	1	I099		4P2	palmgreen	-07		

Model	Year	MG	SG	Illustration	Restrictions	UPD	11:35	24.01.2010	PORSCHE	PET	PORSCHE
987	2008	8	09	809-03		248					

Pos	Part Number	Description	Remark	Qty	Model	Pos	Part Number	Description	Remark	Qty	Model
	9S5	terracotta					T12	brown/natural			
	9V6	cocoa					N12	carrera red			
	D12	dark grey/natural				(10)	997 552 203 07	glove compartment leather complete valid from: F 988U7 00544>> F 988U7 20412>>	/RL	1	I099/981
	T12	brown/natural					A11	black			
	N12	carrera red	08-				5X6	stone grey			
(10)	997 552 203 05	glove compartment leather complete valid up to: F >>988U7 00543 F >>988U7 20411	/RL	1	I099/981		8G2	sand beige			
	A11	black					3S9	sea blue			
	5X6	stone grey					9S5	terracotta			
	8G2	sand beige					9V6	cocoa			
	3S9	sea blue					D12	dark grey/natural			
	4P2	palmgreen	-07				T12	brown/natural			
	9S5	terracotta					N12	carrera red			
	9V6	cocoa				(10)	987 552 204 06	glove compartment complete leather	/LL	08	1 Boxster S I098/754/981
	D12	dark grey/natural					D12	dark grey/natural			
	T12	brown/natural					N12	carrera red			
	N12	carrera red	08-			(10)	987 552 203 06	glove compartment complete leather	/RL	08	1 Boxster S I099/754/981
10	997 552 204 07	glove compartment leather complete valid from: F 988U7 00667>> F 988U7 20502>>	/LL	1	I098/981		D12	dark grey/natural			
	A11	black					N12	carrera red			
	5X6	stone grey				(10)	987 552 204 05	glove compartment complete leather	//LL	08-	1 Boxster S I098/757/981
	8G2	sand beige					A11	black			
	3S9	sea blue					5X6	stone grey		08-	
	9S5	terracotta									
	9V6	cocoa									
	D12	dark grey/natural									

Model	Year	MG	SG	Illustration	Restrictions	UPD	11:35	24.01.2010	PORSCHE	PET	PORSCHE
987	2008	8	09	809-03		248					

Pos	Part Number	Description	Remark	Qty	Model	Pos	Part Number	Description	Remark	Qty	Model
(10)	987 552 203 05	glove compartment complete leather A11 black 5X6 stone grey	/RL 08-	1	Boxster S I099/757/981	(19)	997 552 509 03	mounting closing element	/RL/L	1	I099
						(19)	997 552 510 03	mounting closing element	/RL/R	1	I099
						20	996 552 813 00	support pin		2	
11	999 073 155 09	tapping screw 4,2 X 13		X		21	996 552 879 00	adapter for damper		2	
12	999 507 971 01	speed nut 4,2		X		22	997 612 651 00	wiring harness glove compartment light		1	
13	999 507 732 01	clamp 8 X 12 /4 for mount glove compartment		X		23	999 650 564 40	clip for wiring harness microswitch		1	
14	997 552 484 01	damper glove compartment		1		24	999 650 565 40	clip for wiring harness glove compartment light		1	
15	997 552 612 00	cover damper		1		25	997 632 071 00	glove compartment light		1	
16	997 552 410 01	release glove compartment	/LL	1	I098	26	997 552 252 02	glove compartment cover leatherette	/LL	1	I098
(16)	997 552 409 01	release glove compartment	/RL	1	I099		1MZ	black			
17	996 552 915 01	lock cylinder vehicle identification no. indicate		1			1YP	stone grey			
							1TK	sand beige			
18	997 555 533 01	stop glove compartment F >>986S7 00139 F >>986U7 00977 F >>986S7 20104 F >>986U7 20649		2			1VM	sea blue			
							1UL	palmgreen		-07	
18	999 703 068 40	buffer 3,7 x 10,3 F 986S7 00140>> F 986U7 00978>> F 986S7 20105>> F 986U7 20650>>		2		(26)	997 552 251 02	glove compartment cover leatherette	/RL	1	I099
							1MZ	black			
							1YP	stone grey			
							1TK	sand beige			
19	997 552 509 02	mounting closing element	/LL/L	1	I098		1VM	sea blue			
							1UL	palmgreen		-07	
(19)	997 552 510 02	mounting closing element	/LL/R	1	I098	(26)	997 552 252 03	glove compartment cover leather	/LL	1	I098/981

Model	Year	MG	SG	Illustration	Restrictions	UPD	11:35	24.01.2010	PORSCHE	PET	PORSCHE
987	2008	8	09	809-03		248					

Pos	Part Number	Description	Remark	Qty	Model	Pos	Part Number	Description	Remark	Qty	Model
	A11	black					N12	carrera red			
	5X6	stone grey				(26)	987 552 252 02	glove compartment cover leather	/LL 08-	1	Boxsrer S I098/757/981
	8G2	sand beige					A11	black			
	3S9	sea blue					5X6	stone grey			
	4P2	palmgreen	-07			(26)	987 552 251 01	glove compartment cover leather	/RL 08-	1	Boxsrer S I099/757/981
	9S5	terracotta					A11	black			
	9V6	cocoa					5X6	stone grey			
	D12	dark grey/natural				27	999 073 249 07	tapping screw 3.5 X 12 for mount glove compartment cover		11	
(26)	997 552 251 03	glove compartment cover leather	/RL	1	I099/981						
	A11	black				28	997 552 362 01	handle complete	/LL	1	I098
	5X6	stone grey					A03	black			
	8G2	sand beige					5V7	stone grey			
	3S9	sea blue					5Z1	sand beige			
	4P2	palmgreen	-07				8W7	sea blue			
	9S5	terracotta					5Y2	palmgreen	-07		
	9V6	cocoa					8X8	terracotta			
	D12	dark grey/natural					8P9	cocoa			
	T12	brown/natural					T13	brown/natural			
	N12	carrera red	08-			(26)	987 552 252 03	glove compartment cover leather	/LL 08	1	Boxster S I098/754/981
	D12	dark grey/natural				(28)	997 552 361 01	handle complete	/RL	1	I099
(26)	987 552 251 02	glove compartment cover leather	/RL	08	1	A03	black				
	D12	dark grey/natural				5V7	stone grey				
	N12	carrera red				5Z1	sand beige				
	D12	dark grey/natural				8W7	sea blue				
						5Y2	palmgreen	-07			

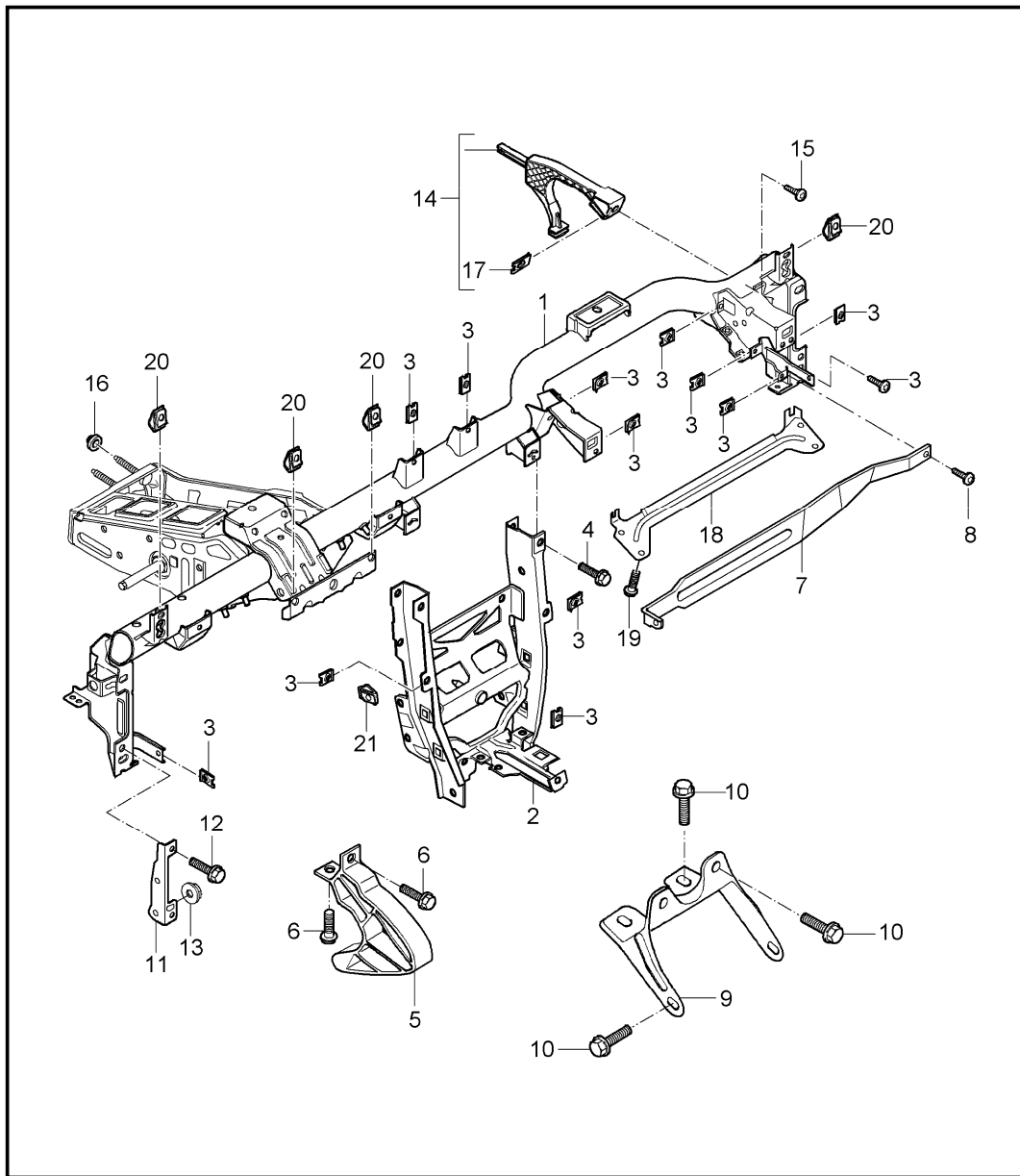
Model	Year	MG	SG	Illustration	Restrictions	UPD	11:35	24.01.2010	PORSCHE	PET	PORSCHE
987	2008	8	09	809-03		248					

Pos	Part Number	Description	Remark	Qty	Model	Pos	Part Number	Description	Remark	Qty	Model
	8X8	terracotta					5X6	stone grey			
	8P9	cocoa					8G2	sand beige			
	T13	brown/natural					3S9	sea blue			
	N23	carrera red	08-				4P2	palmgreen	-07		
29	999 073 240 01	screw M 4 X 10 for mount handle		2			9S5	terracotta			
							9V6	cocoa			
30	997 552 448 00	stop		1			D12	dark grey/natural			
31	997 552 663 00	box for cds		1	I424		T12	brown/natural			
(31)	997 552 665 00	cover box for cds		1		(33)	997 552 255 03	cover passenger's side leather	/RL	1	I099/981
32	999 073 240 01	screw M 4 X 10		2			A11	black			
33	997 552 256 02	cover passenger's side leatherette	/LL	1	I098		5X6	stone grey			
	1MZ	black					8G2	sand beige			
	1YP	stone grey					3S9	sea blue			
	1TK	sand beige					4P2	palmgreen	-07		
	1VM	sea blue					9S5	terracotta			
	1UL	palmgreen	-07				9V6	cocoa			
(33)	997 552 255 02	cover passenger's side leatherette	/RL	1	I099		D12	dark grey/natural			
							T12	brown/natural			
	1MZ	black				34	997 552 414 01	lining footwell passenger's side	/LL	1	I098
	1YP	stone grey									
	1TK	sand beige				(34)	997 552 413 01	lining footwell passenger's side	/RL	1	I099
	1VM	sea blue									
	1UL	palmgreen	-07			35	1H0 819 943	screw for mount lining footwell		X	
33	997 552 256 03	cover passenger's side leather	/LL	1	I098/981						
	A11	black				36	997 552 451 01	insert	/LL	1	I098

Model	Year	MG	SG	Illustration	Restrictions	UPD	11:35	24.01.2010	PORSCHE	PET	PORSCHE
987	2008	8	09	809-03		248					

Pos	Part Number	Description	Remark	Qty	Model	Pos	Part Number	Description	Remark	Qty	Model
(36)	997 552 452 01	insert	/RL	1	I099						
37	997 552 649 01	hinge bolt glove compartment		2							
38	997 552 821 00	grommet		3							
(39)	--- --- --- --	badge vehicle identification no. indicate		1	I754						
(39)	--- --- --- --	badge vehicle identification no. indicate		1	I757						

Model	Year	MG	SG	Illustration	Restrictions	UPD	11:35	24.01.2010	PORSCHE	PET	PORSCHE
987	2008	8	09	809-04		248					



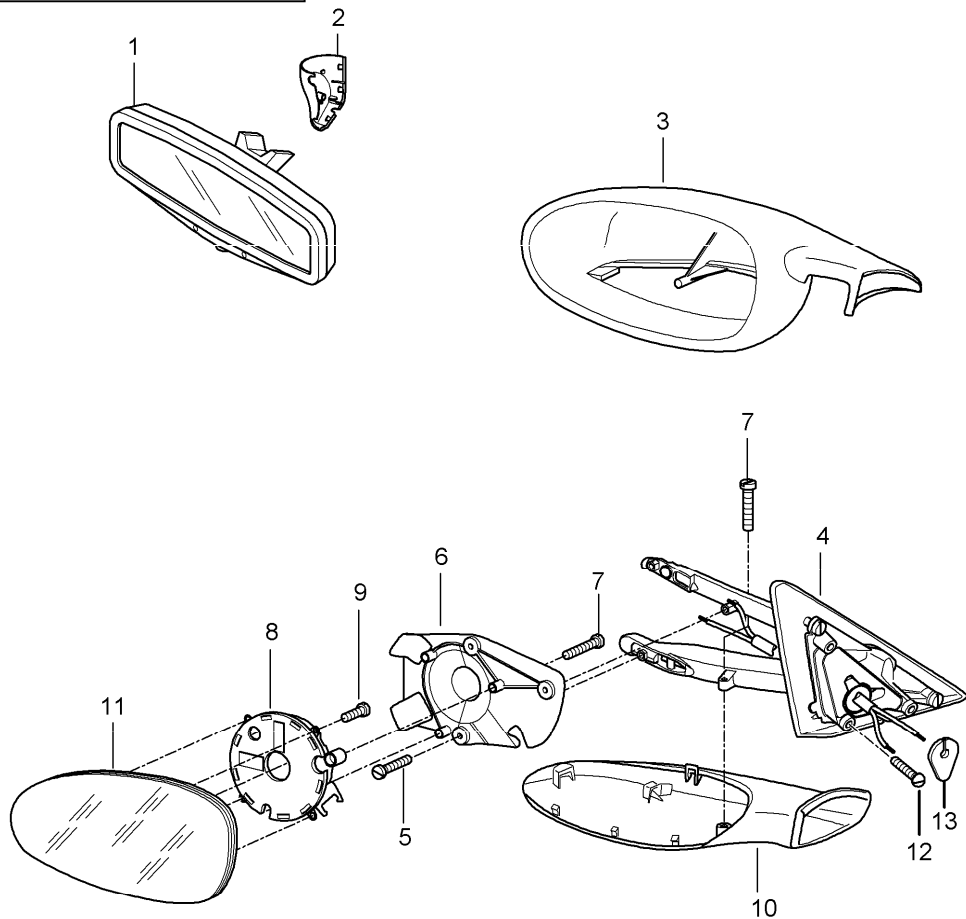
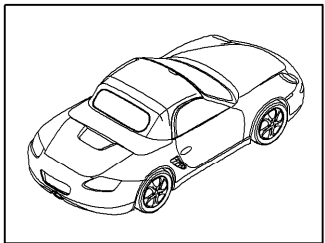
Pos	Part Number	Description	Remark	Qty	Model
		retaining frame dashboard			
1	997 552 063 03	retaining frame	/LL	1	I098
(1)	997 552 063 04	retaining frame	/RL -07	1	I099
(1)	997 552 063 06	retaining frame	/RL 08-	1	I099
2	997 552 163 05	support tunnel	/LL	1	I098
(2)	997 552 163 06	support tunnel	/RL	1	I099
3	999 507 020 01	speed nut ST 4,2		X	
4	900 378 305 01	hexagon-head bolt M 8 X 65 for mount support		2	
9	997 552 515 01	support tunnel		1	
10	999 073 442 01	screw M 6 X 25 for mount support tunnel		X	
11	997 552 407 01	support a-pillar	/L	1	
(11)	997 552 408 01	support a-pillar	/R	1	
12	900 378 176 01	hexagon-head bolt M 8 X 20 for mount support a-pillar		4	
13	999 084 630 09	hexagon nut M 8 for mount support a-pillar		4	
14	997 552 401 00	support heating		1	

Model	Year	MG	SG	Illustration	Restrictions	UPD	11:35	24.01.2010	PORSCHE	PET	PORSCHE
987	2008	8	09	809-04		248					

Pos	Part Number	Description	Remark	Qty	Model	Pos	Part Number	Description	Remark	Qty	Model
15	999 073 155 09	tapping screw ST 4,2 X 13 for mount support heating		1							
16	997 423 299 01	nut for adjustment retaining frame firewall		2							
17	999 507 971 01	speed nut ST 4,2 for mount support heating		1							
18	997 552 603 01	reinforcement plate support airbag		1							
19	900 378 222 09	hexagon-head bolt M 6 X 16		4							
20	999 591 850 01	speed nut ST 4,2		X							
21	999 591 951 03	speed nut ST 4,2		X							



Model	Year	MG	SG	Illustration	Restrictions	UPD	11:35	24.01.2010	PORSCHE	PET	PORSCHE
987	2008	8	09	809-10		248					



Pos	Part Number	Description	Remark	Qty	Model
1	996 731 511 00	interior mirror		1	
	01C	satin black			
(1)	987 731 511 00	interior mirror		1	I267
	01C	satin black			
2	997 731 811 00	cover interior mirror	/L	1	I267
	01C	satin black			
2	997 731 812 00	cover interior mirror	/R	1	I267
	01C	satin black			
3	997 731 619 00	housing	/L	1	
	G2L	prime coated			
(3)	997 731 620 00	housing	/R	1	
	G2L	prime coated			
4	997 731 219 00	mirror base door mirror	/LL/L	1	I098
	G2L	prime coated			
(4)	997 731 220 00	mirror base door mirror	/LL/R	1	I098
	G2L	prime coated			
(4)	997 731 219 01	mirror base door mirror	/LL/L	1	I537
	G2L	prime coated			
(4)	997 731 220 01	mirror base door mirror	/LL/R	1	I537
	G2L	prime coated			
(4)	997 731 219 02	mirror base door mirror	/LL/L	1	I098/267
	G2L	prime coated			
(4)	997 731 220 02	mirror base door mirror	/LL/R	1	I098/267
	G2L	prime coated			

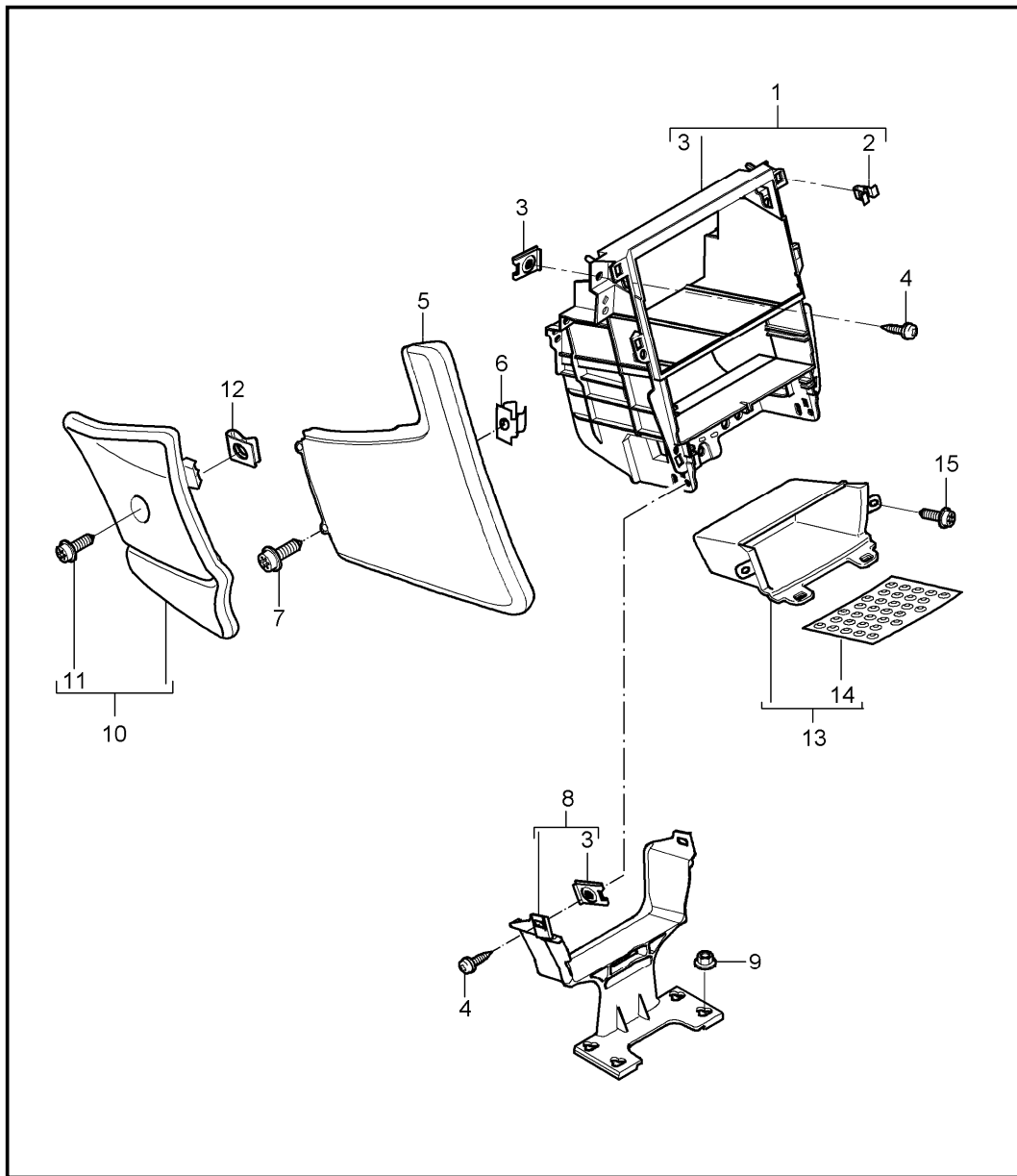
Model	Year	MG	SG	Illustration	Restrictions	UPD	11:35	24.01.2010	PORSCHE	PET	PORSCHE
987	2008	8	09	809-10		248					

Pos	Part Number	Description	Remark	Qty	Model	Pos	Part Number	Description	Remark	Qty	Model
(4)	997 731 219 03	G2L prime coated mirror base door mirror	/LL/L	1	I267/537	(6)	997 731 520 00	plate door mirror	/R	1	
(4)	997 731 220 03	G2L prime coated mirror base door mirror	/LL/R	1	I267/537	7	999 141 043 02	oval-head screw 3,0 X 14		5	
(4)	997 731 219 04	G2L prime coated mirror base door mirror	/RL/L	1	I099	8	997 624 047 00	adjusting motor		2	
(4)	997 731 220 04	G2L prime coated mirror base door mirror	/RL/R	1	I099	(8)	997 624 048 00	adjusting motor		2	I537/538
(4)	997 731 219 05	G2L prime coated mirror base door mirror	/RL/L	1	I099/538	9	999 141 043 02	oval-head screw M 3,0 X 14		3	
(4)	997 731 220 05	G2L prime coated mirror base door mirror	/RL/R	1	I099/538	10	997 731 719 00	cover lower	/L	1	
(4)	997 731 219 06	G2L prime coated mirror base door mirror	/RL/L	1	I099/267	(10)	G2L prime coated 997 731 720 00	cover lower	/R	1	
(4)	997 731 220 06	G2L prime coated mirror base door mirror	/RL/R	1	I099/267	(11)	G2L prime coated 997 731 035 00	mirror glass plane	/LL/L	1	I098/270
(4)	997 731 219 07	G2L prime coated mirror base door mirror	/L	1	I267/538	(11)	997 731 035 01	mirror glass aspherical	LL/L	1	I098/271
(4)	997 731 220 07	G2L prime coated mirror base door mirror	/R	1	I267/538	(11)	997 731 035 02	mirror glass plane dimmable	/LL/L	-06	1 I098/267/270
5	999 919 024 09	oval-head screw 3,0 X 12		2		(11)	997 731 035 04	mirror glass plane dimmable	/LL/L	07-	1 I098/267/270
6	997 731 519 00	plate door mirror	/L	1		(11)	997 731 035 03	mirror glass aspherical dimmable	/LL/L	-06	1 I098/267/271
						(11)	997 731 035 05	mirror glass aspherical dimmable	/LL/L	07-	1 I098/267/271
						(11)	997 731 037 00	mirror glass convex	/RL/L		1 I099
						(11)	997 731 037 01	mirror glass convex dimmable	/RL/L	-06	1 I099/267
						(11)	997 731 037 02	mirror glass convex dimmable	/RL/L	07-	1 I099/267

Model	Year	MG	SG	Illustration	Restrictions	UPD	11:35	24.01.2010	PORSCHE	PET	PORSCHE
987	2008	8	09	809-10		248					

Pos	Part Number	Description	Remark	Qty	Model	Pos	Part Number	Description	Remark	Qty	Model
(11)	997 731 038 00	mirror glass convex	/LL/R	1	I098	12	999 073 345 09	lens-head screw M 5 X 18		3	
(11)	997 731 038 01	mirror glass convex	/LL/R (ROK)	1		13	997 537 731 00	seal cable plug mirror base	-06	1	
(11)	997 731 038 02	mirror glass convex	/LL/R	1	I215	13	997 537 733 00	seal cable plug mirror base	07-	1	
(11)	997 731 038 03	mirror glass convex dimmbable	/LL/R	-06	1	I098/267					
(11)	997 731 038 06	mirror glass convex dimmbable	/LL/R	07-	1	I098/267					
(11)	997 731 038 04	mirror glass convex dimmbable	/LL/R (ROK)	-06	1	I267					
(11)	997 731 038 07	mirror glass convex dimmbable	/LL/R (ROK)	07-	1	I267					
(11)	997 731 038 05	mirror glass convex dimmbable	/LL/R	-06	1	I215/267					
(11)	997 731 038 08	mirror glass convex dimmbable	/LL/R	07-	1	I215/267					
(11)	997 731 036 00	mirror glass plane	/RL/R		1	I099/270					
(11)	997 731 036 01	mirror glass aspherical	/RL/R		1	I099/271					
(11)	997 731 036 02	mirror glass plane dimmbable	/RL/R	-06	1	I099/267/270					
(11)	997 731 036 04	mirror glass plane dimmbable	/RL/R	07-	1	I099/267/270					
(11)	997 731 036 03	mirror glass aspherical dimmbable	/RL/R	-06	1	I099/267/271					
(11)	997 731 036 05	mirror glass aspherical dimmbable	/RL/R	07-	1	I099/267/271					

Model	Year	MG	SG	Illustration	Restrictions	UPD	11:35	24.01.2010	PORSCHE	PET	PORSCHE
987	2008	8	09	809-15		248					



Pos	Part Number	Description	Remark	Qty	Model
1	997 553 111 03	centre console front		1	
2	999 507 476 01	bracket centre console front		6	
3	999 507 971 01	clamp 8,0 X 10,0/2,5		X	
4	999 073 155 09	speed nut ST 4,2		X	
5	997 553 117 05	tapping screw ST 4,2 x 13		1	
		cover lateral leatherette	/L		
		9L4 black			
		9M5 stone grey			
		9C6 sand beige			
		9D7 sea blue			
		9E8 palmgreen		-07	
(5)	997 553 118 05	cover lateral leatherette	/R	1	
		9L4 black			
		9M5 stone grey			
		9C6 sand beige			
		9D7 sea blue			
		9E8 palmgreen		-07	
5	997 553 117 06	cover lateral leather	/L	1	I981
		FSA black/grey			
		FSB stone grey/stone grey			
		FSC sand beige/sand beige			
		FSD sea blue/grey			
		FSE palmgreen/palmgreen		-07	

Model	Year	MG	SG	Illustration	Restrictions	UPD	11:35	24.01.2010	PORSCHE	PET	PORSCHE
987	2008	8	09	809-15		248					

Pos	Part Number	Description	Remark	Qty	Model	Pos	Part Number	Description	Remark	Qty	Model	
(5)	997 553 118 06	FSF terracotta/terracotta	/R	1	I981	7	999 073 226 09	tapping screw ST 4,2 X 16 for mount cover lateral	/LL/L	4	I098	
		FSG cocoa/cocoa				8	997 553 361 01	support centre		1		
		FSH darkgrey natural/grey				9	999 084 629 01	hexagon nut M6		4		
		FSJ brown nat./brown nat.				10	997 553 131 01	cover footwell outlet vent carpet		-05		
		FSP carrera red										
		FSA black/grey					A10	black				
		FSB stone grey/stone grey					B10	stone grey				
		FSC sand beige/sand beige					T10	sand beige				
		FSD sea blue/grey					E10	sea blue				
		FSE palmgreen/palmgreen				-07	J10	palmgreen		-07		
		FSF terracotta/terracotta					M10	terracotta				
		FSG cocoa/cocoa					R10	cocoa				
		FSH darkgrey natural/grey					D11	dark grey/natural				
		FSJ brown nat./brown nat.					T11	brown/natural				
		FSP carrera red				08-						
		cover lateral with preparation for telephone see group 9/11/10		1		(10)	997 553 132 01	cover footwell outlet vent carpet	/LL/R	-05	1	I098
6	999 591 508 02	captive nut ST 4,2 for mount cover lateral	-06	4								
6	999 591 508 01	captive nut st 4,2 for mount cover lateral	07-	4								
							A10	black				
							B10	stone grey				
							T10	sand beige				
							E10	sea blue				
							J10	palmgreen	-07			
							M10	terracotta				
							R10	cocoa				
							D11	dark grey/natural				
							T11	brown/natural				

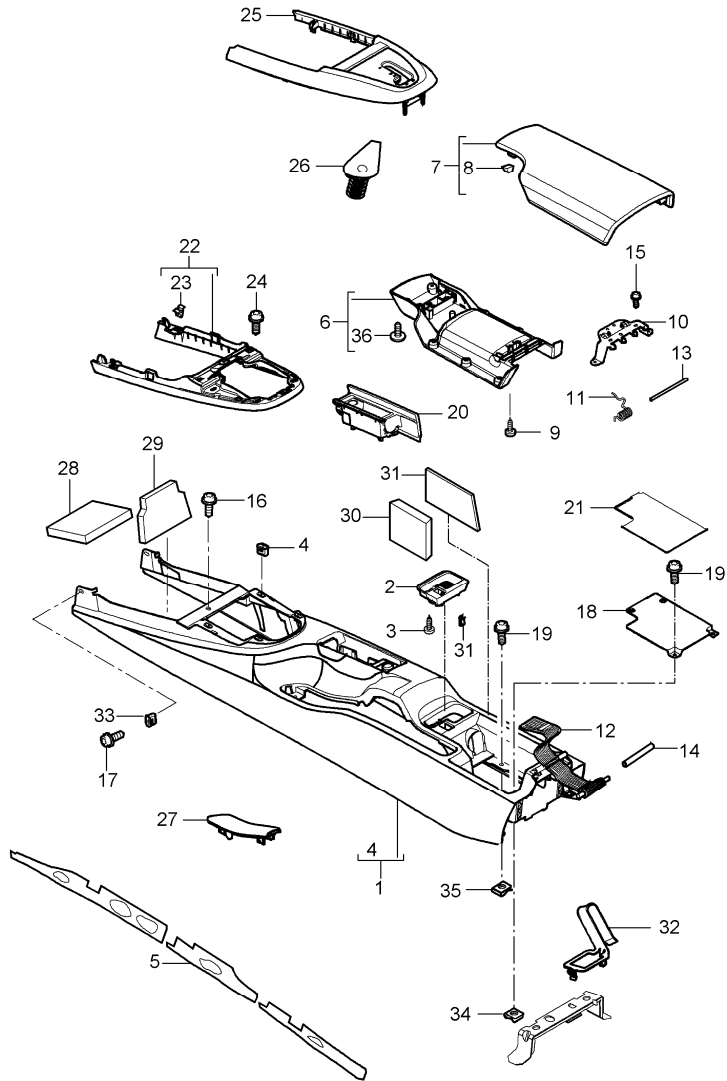
Model	Year	MG	SG	Illustration	Restrictions	UPD	11:35	24.01.2010	PORSCHE	PET	PORSCHE
987	2008	8	09	809-15		248					

Pos	Part Number	Description	Remark	Qty	Model	Pos	Part Number	Description	Remark	Qty	Model	
(10)	997 553 132 02	cover footwell outlet vent carpet	/RL/R	-05	1	I099		M10 terracotta				
	A10	black					R10	cocoa				
	B10	stone grey					D11	dark grey/natural				
	T10	sand beige					T11	brown/natural				
	E10	sea blue					N10	carrera red	08-			
	J10	palmgreen		-07		(10)	997 553 132 01	cover footwell outlet vent carpet	/LL/R	06-	1	I098/621
	M10	terracotta					A10	black				
	R10	cocoa					B10	stone grey				
	D11	dark grey/natural					T10	sand beige				
	T11	brown/natural					E10	sea blue				
(10)	997 553 131 02	cover footwell outlet vent carpet	/RL/L	-05	1	I099		J10	palmgreen	-07		
	A10	black					M10	terracotta				
	B10	stone grey					R10	cocoa				
	T10	sand beige					D11	dark grey/natural				
	E10	sea blue					T11	brown/natural				
	J10	palmgreen		-07		(10)	997 553 132 02	cover footwell outlet vent carpet	/R	06-	1	
	M10	terracotta					A10	black				
	R10	cocoa					B10	stone grey				
	D11	dark grey/natural					T10	sand beige				
	T11	brown/natural					E10	sea blue				
10	997 553 131 01	cover footwell outlet vent carpet	/L	06-	1		J10	palmgreen	-07			
	A10	black					M10	terracotta				
	B10	stone grey					R10	cocoa				
	T10	sand beige					D11	dark grey/natural				
	E10	sea blue					T11	brown/natural				
	J10	palmgreen		-07			N10	carrera red	08-			

Model	Year	MG	SG	Illustration	Restrictions	UPD	11:35	24.01.2010	PORSCHE	PET	PORSCHE
987	2008	8	09	809-15		248					

Pos	Part Number	Description	Remark	Qty	Model	Pos	Part Number	Description	Remark	Qty	Model
11	999 073 223 07	oval-head screw M 6 X 25		2							
12	999 507 766 02	speed nut M 6		2							
13	997 553 143 01	shelf centre console front		1							
	D07	volcano grey									
14	997 553 543 01	insert shelf		1							
15	999 919 164 09	oval-head screw 5,0 X 12,0		3							

Model	Year	MG	SG	Illustration	Restrictions	UPD	11:36	24.01.2010	PORSCHE	PET	PORSCHE
987	2008	8	09	809-20		248					



Pos	Part Number	Description	Remark	Qty	Model
1	997 553 211 01	centre console rear		05	1
	A03	black			
	5V7	stone grey			
	5Z1	sand beige			
	8W7	sea blue			
	5Y2	palmgreen			
	8X8	terracotta			
	8P9	cocoa			
	T13	brown/natural			
1	997 553 211 03	centre console		06	1
	A03	black			
	5V7	stone grey			
	5Z1	sand beige			
	8W7	sea blue			
	5Y2	palmgreen			
	8X8	terracotta			
	8P9	cocoa			
	T13	brown/natural			
(1)	997 553 211 07	centre console for vehicles up to F >>988U7 02845 F >>988U7 22686 use also: 997 613 141 10 A05		07-	1
	A03	black			
	5V7	stone grey			
	5Z1	sand beige			
	8W7	sea blue			
	5Y2	palmgreen		-07	
	8X8	terracotta			



Model	Year	MG	SG	Illustration	Restrictions	UPD	11:36	24.01.2010	PORSCHE	PET	PORSCHE
987	2008	8	09	809-20		248					

Pos	Part Number	Description	Remark	Qty	Model	Pos	Part Number	Description	Remark	Qty	Model
	8P9	cocoa				(1)	997 553 980 50	centre console leather valid from: F 988U7 02846>> F 988U7 22687>>		1	IXMZ
	T13	brown/natural									BOXSTER BOXSTER_S
	N23	carrera red									
(1)	997 553 901 02	centre console valid from: F 988U7 02846>> F 988U7 22687>>	07-	1	BOXTER BOXTER_S		A11	black			
	A03	black					5X6	stone grey			
	5V7	stone grey					8G2	sand beige			
	5Z1	sand beige					3S9	sea blue			
	8W7	sea blue					4P2	palmgreen	-07		
	5Y2	palmgreen	-07				9S5	terracotta			
	8X8	terracotta					9V6	cocoa			
	8P9	cocoa					D12	dark grey/natural			
	T13	brown/natural					T12	brown/natural			
	N23	carrera red					N12	carrera red	08-		
(1)	997 553 980 50	centre console leather for vehicles up to F >>988U7 02845 F >>988U7 22686 use also: 997 613 141 10 A05		1	IXMZ BOXSTER BOXSTER_S	(1)	997 553 980 54	centre console carbon for vehicles up to F >>988U7 02845 F >>988U7 22686 use also: 997 613 141 10 A05		1	IXMJ BOXSTER BOXSTER_S
	A11	black					A35	black			
	5X6	stone grey				(1)	997 553 980 54	centre console carbon valid from: F 988U7 02846>> F 988U7 22687>>		1	IXMJ BOXSTER BOXSTER_S
	8G2	sand beige					A35	black			
	3S9	sea blue				(1)	997 553 980 14	centre console rear	05	1	IXJU
	4P2	palmgreen	-07				S62	sycamore wood			
	9S5	terracotta				(1)	997 553 980 14	centre console rear	06-08	1	IXJU/370
	9V6	cocoa					S62	sycamore wood			
	D12	dark grey/natural				(1)	997 553 980 14	centre console rear	06-08	1	IXJU/438
	T12	brown/natural									
	N12	carrera red	08-								

Model	Year	MG	SG	Illustration	Restrictions	UPD	11:36	24.01.2010	PORSCHE	PET	PORSCHE
987	2008	8	09	809-20		248					

Pos	Part Number	Description	Remark	Qty	Model	Pos	Part Number	Description	Remark	Qty	Model
(1)	997 553 980 34	S62 sycamore wood centre console rear	06-08	1	IXJU/376		84A	guards red			
(1)	997 553 980 34	S62 sycamore wood centre console rear	06-08	1	IXJU/378		B9A	carrara white			
(1)	997 553 980 34	S62 sycamore wood centre console rear	08	1	IXJU/389		12H	speed yellow			
(1)	997 553 980 58	S62 sycamore wood centre console for vehicles up to F >>988U7 02845 F >>988U7 22686 use also: 997 613 141 10 A05		1	IXJT BOXSTER BOXSTER_S		92U	arctic silver metallic			
(1)	997 553 980 58	S61 macassar centre console valid from: F 988U7 02846>> F 988U7 22687>>		1	IXJT BOXSTER BOXSTER_S		M3W	carmon red metallic	-07		
(1)	997 553 980 62	S61 macassar centre console for vehicles up to F >>988U7 02845 F >>988U7 22686 use also: 997 613 141 10 A05		1	IXCK BOXSTER BOXSTER_S		M5W	lapis blue metallic	-07		
(1)	997 553 980 62	V04 galvano silver centre console valid from: F 988U7 02846>> F 988U7 22687>>		1	IXCK BOXSTER BOXSTER_S	(1)	M6W	lagoon green metallic	-07		
(1)	997 553 980 66	V04 galvano silver centre console for vehicles up to F >>988U7 02845 F >>988U7 22686 use also: 997 613 141 10 A05	08- 08- 08- 08-	1	IXME BOXSRER BOXSRER_S		C9Z	basalt black metallic			
	041	black					M7X	atlas grey metallic			
							M7Z	gt silver metallic			
							M6X	dark olive-metallic			
							M8W	Macadamia Metallic	08-		
							8A7	ruby red metallic	08-		
							2B5	Malachite Green Metallic	08-		
							997 553 980 66	centre console valid from: F 988U7 02846>> F 988U7 22687>>	08- 08- 08-	1	IXME BOXSRER BOXSRER_S
							041	black			
							84A	guards red			
							B9A	carrara white			
							12H	speed yellow			
							92U	arctic silver metallic			
							M3W	carmon red metallic	-07		

Model	Year	MG	SG	Illustration	Restrictions	UPD	11:36	24.01.2010	PORSCHE	PET	PORSCHE
987	2008	8	09	809-20		248					

Pos	Part Number	Description	Remark	Qty	Model	Pos	Part Number	Description	Remark	Qty	Model
	M5W	lapis blue metallic	-07			7	987 553 231 00	lid outer		1	BOXSTER
	M6W	lagoon green metallic	-07				1MZ	black			
	C9Z	basalt black metallic					1YP	stone grey			
	M7X	atlas grey metallic					1TK	sand beige			
	39C	midnight blue metallic					1VM	sea blue			
	6B4	seal grey metallic	-06				1UL	palmgreen	-07		
	M7W	Meteor Grey Metallic	07-			(7)	997 553 231 01	lid		1	Boxster I981
	2B4	forest green metallic						outer leather			
	3C8	cobalt blue metallic					A11	black			
	23F	slate grey metallic					5X6	stone grey			
	M7Z	gt silver metallic					8G2	sand beige			
	M6X	dark olive-metallic					3S9	sea blue			
	M8W	Macadamia Metallic	08-				4P2	palmgreen	-07		
	8A7	ruby red metallic	08-				9S5	terracotta			
	2B5	Malachite Green Metallic	08-				9V6	cocoa			
(1)	997 553 997 01	protective film centre console see technical manual 681749		2			D12	dark grey/natural			
2	997 553 575 02	insert locking device centre console		1			T12	brown/natural			
	01C	satin black				(7)	997 553 231 01	lid outer leather		1	Boxster S
3	999 919 159 09	oval-head screw 4 X 12		1			A11	black			
4	999 591 210 40	expander nut 4,2		4			5X6	stone grey			
5	997 553 843 00	sound absorber	/L	1			8G2	sand beige			
(5)	997 553 844 00	sound absorber	/R	1			3S9	sea blue			
6	997 553 433 01	lid inner		1			4P2	palmgreen	-07		
	01C	satin black					9S5	terracotta			
							9V6	cocoa			
							D12	dark grey/natural			

Model	Year	MG	SG	Illustration	Restrictions	UPD	11:36	24.01.2010	PORSCHE	PET	PORSCHE
987	2008	8	09	809-20		248					

Pos	Part Number	Description	Remark	Qty	Model	Pos	Part Number	Description	Remark	Qty	Model
	T12	brown/natural					T13	brown/natural			
	N12	carrera red	08-			20	997 553 902 00	ashtray lacquered	08-	1	
8	999 507 972 01	speed nut 3,5		8			A03	black			
9	999 073 153 01	tapping screw 3,5 X 14		8			5V7	stone grey			
10	997 553 437 01	hinge		1			5Z1	sand beige			
11	997 553 439 00	steering knuckle spring		1			8W7	sea blue			
12	997 553 441 00	belt		1			8X8	terracotta			
13	997 553 447 00	axle		1			8P9	cocoa			
14	997 553 733 00	retaining pin		1			T13	brown/natural			
15	999 919 159 09	oval-head screw M4X12		2		(20)	997 553 982 00	ashtray leather	08-	1	IXMZ
16	999 919 121 09	oval-head screw 5 X 16 for mount centre console		2			A11	black			
17	999 073 155 09	tapping screw 4,2 X 13 for mount centre console		2			5X6	stone grey			
18	997 553 615 01	floor centre console		1			8G2	sand beige			
19	999 073 226 09	tapping screw 4,2 X 16		2			3S9	sea blue			
20	997 553 141 02	ashtray lacquered	-07	1			4P2	palmgreen	-07		
	A03	black				(20)	997 553 982 01	ashtray carbon		1	IXMJ
	5V7	stone grey					A35	black			
	5Z1	sand beige				(20)	997 553 982 02	ashtray		1	IXJU
	8W7	sea blue					S62	sycamore wood			
	5Y2	palmgreen	-07			(20)	997 553 982 03	ashtray		1	IXJT
	8X8	terracotta					S61	macassar			
	8P9	cocoa									

Model	Year	MG	SG	Illustration	Restrictions	UPD	11:36	24.01.2010	PORSCHE	PET	PORSCHE
987	2008	8	09	809-20		248					

Pos	Part Number	Description	Remark	Qty	Model	Pos	Part Number	Description	Remark	Qty	Model
(20)	997 553 982 04	ashtray aluminium look		1	IXCK	(22)	997 553 261 02	frame lacquered	-07	1	BOXSTER S
	V04	galvano silver					V04	galvano silver			
(20)	997 553 982 05	ashtray lacquered		1	IXME	(22)	997 553 261 06	frame lacquered	08-	1	BOXSTER S
	041	black					V04	galvano silver			
	84A	guards red				(22)	987 553 261 01	frame	08-	1	I757
	B9A	carrara white					G2X	prime coated			
	12H	speed yellow				23	999 507 533 02	clamp 8,0 X 10,0/2,5		7	
	92U	arctic silver metallic				24	999 073 155 09	tapping screw 4,2 X 13		4	
	M3W	carmon red metallic	-07			25	997 553 241 02	cover shift gate lacquered		1	I249
	M5W	coral metallic	-07				A03	black			
	M6W	lagoon green metallic	-07				5V7	stone grey			
	C9Z	basalt black metallic					5Z1	sand beige			
	M7X	atlas grey metallic					8W7	sea blue			
	39C	midnight blue metallic					5Y2	palmgreen	-07		
	6B4	seal grey metallic	-06				8X8	terracotta			
	M7W	Meteor Grey Metallic	07-				8P9	cocoa			
	2B4	forest green metallic					T13	brown/natural			
	3C8	cobalt blue metallic					N23	carrera red	08-		
	23F	slate grey metallic				(25)	997 553 243 01	cover shift gate lacquered		1	I480/481
	M7Z	gt silver metallic					A03	black			
	M6X	dark olive-metallic					5V7	stone grey			
	M8W	Macadamia Metallic	08-				5Z1	sand beige			
	8A7	ruby red metallic	08-				8W7	sea blue			
	2B5	Malachite Green Metallic	08-				5Y2	palmgreen	-07		
21	997 553 611 01	insert		1			8X8	terracotta			
22	997 553 261 05	frame lacquered		1	BOXSTER						
	D07	volcano grey									

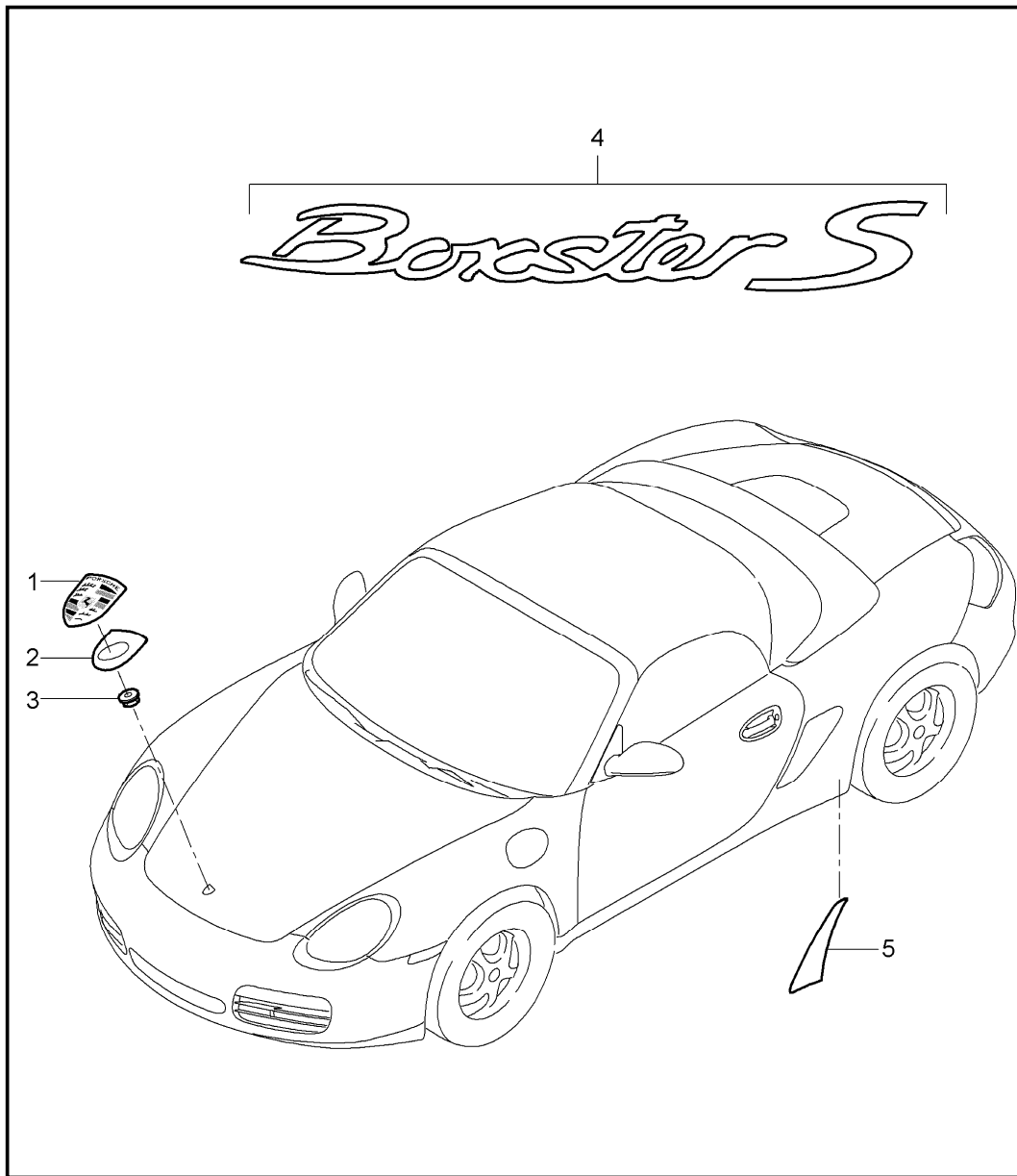
Model	Year	MG	SG	Illustration	Restrictions	UPD	11:36	24.01.2010	PORSCHE	PET	PORSCHE
987	2008	8	09	809-20		248					

Pos	Part Number	Description	Remark	Qty	Model	Pos	Part Number	Description	Remark	Qty	Model
	8P9	cocoa					8G2	sand beige			
	T13	brown/natural					3S9	sea blue			
	N23	carrera red	08-				4P2	palmgreen	-07		
26	996 552 687 00	slide		1	I249		9S5	terracotta			
	01C	satin black					9V6	cocoa			
27	997 553 455 01	cover parking-brake lever lacquered	-07	1			D12	dark grey/natural			
	A03	black					T12	brown/natural			
	5V7	stone grey				(27)	997 553 981 00	cover parking-brake lever		1	IXJT
	5Z1	sand beige					A11	black			
	8W7	sea blue					5X6	stone grey			
	5Y2	palmgreen	-07				8G2	sand beige			
	8X8	terracotta					3S9	sea blue			
	8P9	cocoa					4P2	palmgreen	-07		
	T13	brown/natural					9S5	terracotta			
27	997 553 903 00	cover parking-brake lever lacquered	08-	1			9V6	cocoa			
	A03	black					D12	dark grey/natural			
	5V7	stone grey					T12	brown/natural			
	5Z1	sand beige				(27)	997 553 981 00	cover parking-brake lever		1	IXJU
	8W7	sea blue					N12	carrera red	08-		
	8X8	terracotta					A11	black			
	8P9	cocoa					5X6	stone grey			
	T13	brown/natural					8G2	sand beige			
	N23	carrera red	08-				3S9	sea blue			
(27)	997 553 981 00	cover parking-brake lever		1	IXCK		4P2	palmgreen	-07		
	A11	black					9S5	terracotta			
	5X6	stone grey					9V6	cocoa			
							D12	dark grey/natural			

Model	Year	MG	SG	Illustration	Restrictions	UPD	11:36	24.01.2010	PORSCHE	PET	PORSCHE
987	2008	8	09	809-20		248					

Pos	Part Number	Description	Remark	Qty	Model	Pos	Part Number	Description	Remark	Qty	Model
	T12	brown/natural					8G2	sand beige			
	N12	carrera red	08-				3S9	sea blue			
(27)	997 553 981 00	cover parking-brake lever		1	IXME		4P2	palmgreen	-07		
	A11	black					9S5	terracotta			
	5X6	stone grey					9V6	cocoa			
	8G2	sand beige					D12	dark grey/natural			
	3S9	sea blue					T12	brown/natural			
	4P2	palmgreen	-07				N12	carrera red	08-		
	9S5	terracotta				28	997 553 871 00	filler piece centre console		1	
	9V6	cocoa				29	997 553 873 00	filler piece centre console		1	
	D12	dark grey/natural				30	997 553 875 00	filler piece centre console		1	
	T12	brown/natural				31	997 553 877 00	filler piece centre console		1	
(27)	997 553 981 00	cover parking-brake lever	08-	1	IXMJ	32	987 553 269 00	support shift cable		1	
	A11	black				33	999 591 215 40	expander nut 4,2		2	
	5X6	stone grey				34	999 507 028 01	speed nut 4,2		X	
	8G2	sand beige				35	999 507 028 01	speed nut 4,2		X	
	3S9	sea blue				36	997 553 732 00	rubber buffer lid inner		2	
	4P2	palmgreen	-07								
	9S5	terracotta									
	9V6	cocoa									
	D12	dark grey/natural									
	T12	brown/natural									
	N12	carrera red	08-								
(27)	997 553 981 06	cover parking-brake lever		1	IXMZ						
	A11	black									
	5X6	stone grey									

Model	Year	MG	SG	Illustration	Restrictions	UPD	11:36	24.01.2010	PORSCHE	PET	PORSCHE
987	2008	8	10	810-00		248					



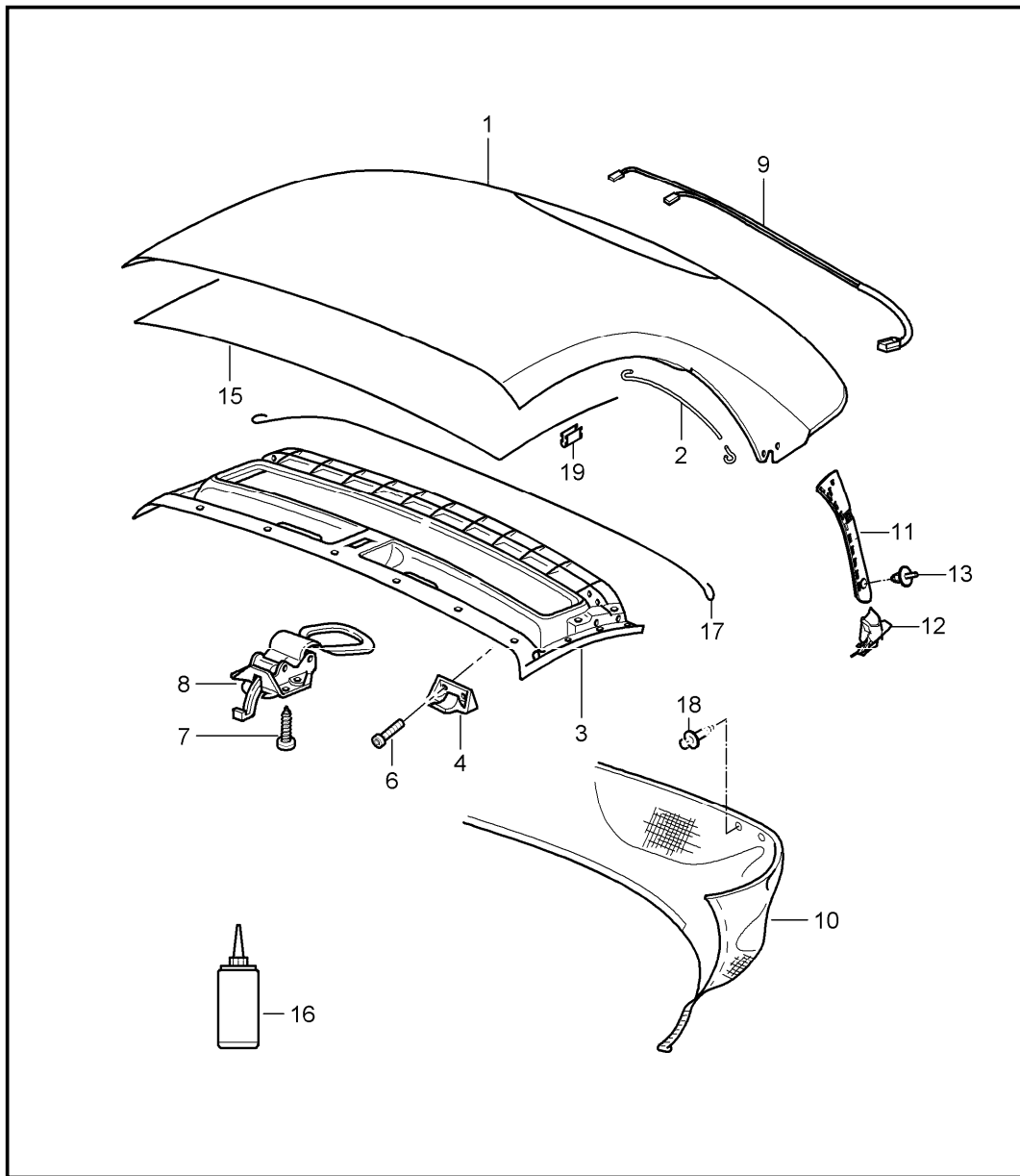
Pos	Part Number	Description	Remark	Qty	Model
1	997 559 211 00	insignias stone guard film lid emblem Information available	WW	1	
(1)	996 559 211 01	lid emblem Information available	WW	1	
2	7L5 853 611 B	desk pad		1	
3	999 591 423 03	tapping nut		2	
4	987 559 037 00	logo lacquered titanium metallic		1	
(4)	987 559 037 02	logo chrome high gloss		1	
5	987 504 825 01	stone guard film side section	/L	1	
(5)	987 504 826 01	stone guard film side section	/R	1	
6	987 559 447 01	decorative film front apron and lid front		1	I757
7	987 559 449 01	decorative film convertible top compartm.		1	I757
8	987 559 451 01	decorative film rear lid		1	I757
(8)	987 559 451 02	decorative film rear lid		1	I075/757
9	987 559 453 01	decorative film rear spoiler and rear apron		1	I757
10	987 559 444 01	decorative film door and wing right	/R	1	I757



Model	Year	MG	SG	Illustration	Restrictions	UPD	11:36	24.01.2010	PORSCHE	PET	PORSCHE
987	2008	8	10	810-00		248					

Pos	Part Number	Description	Remark	Qty	Model	Pos	Part Number	Description	Remark	Qty	Model
(10)	987 559 443 01	decorative film door and wing left	/L	1	I757						

Model	Year	MG	SG	Illustration	Restrictions	UPD	11:36	24.01.2010	PORSCHE	PET	PORSCHE
987	2008	8	11	811-00		248					

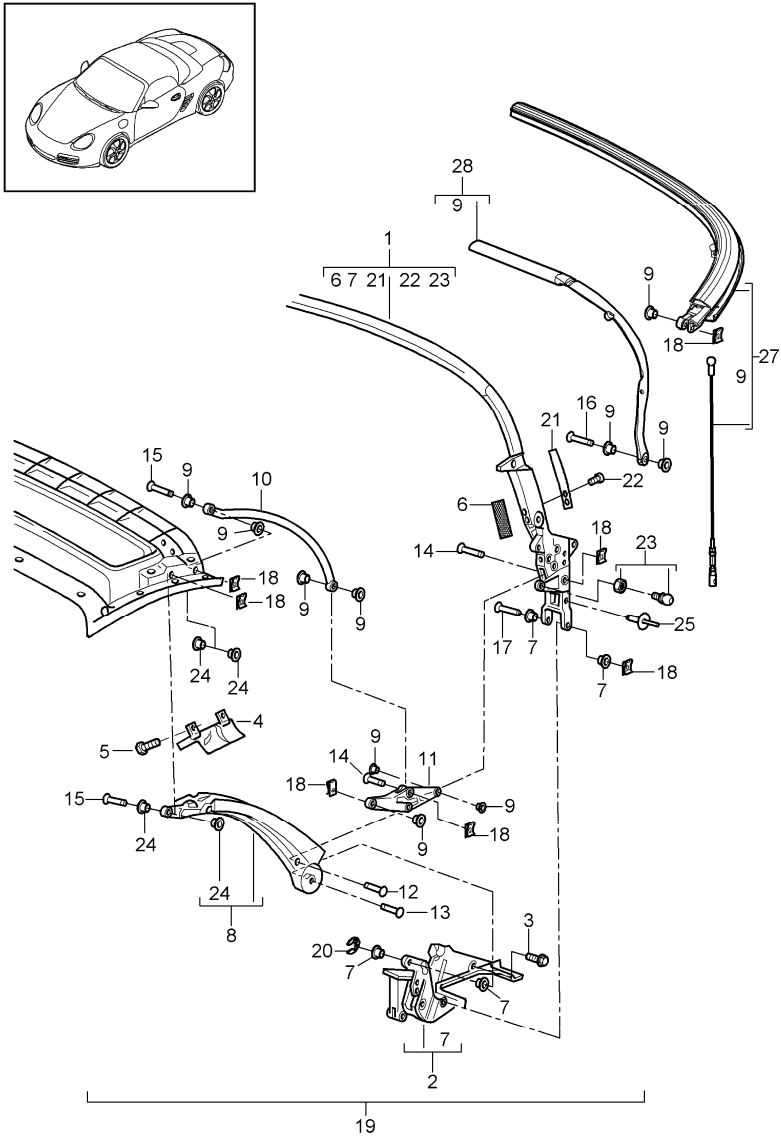


Pos	Part Number	Description	Remark	Qty	Model
1	A 987 561 903 00	convertible top covering roofliner			
	A10	black			
	C17	grey			
	G02	metropole blue			
	R17	brown			
	L02	red			
1	987 561 903 01	convertible top covering with assembly kit valid up to:	-05	1	
	F	>>988U7 02915			
	F	>>988U7 22781			
	F	>>988U7 12267			
	F	>>988U7 31864			
	A10	black			
	C17	grey			
	G02	metropole blue			
	R17	brown			
	L02	red			
1	987 561 903 02	convertible top covering with assembly kit valid from:		1	
	F	988U7 02916>>			
	F	988U7 22782>>			
	F	988U7 12268>>			
	F	988U7 31865>>			
		use also: assembly kit cord lateral 987.561.933.00 see workshop manual group 6 61-2819 61-2855			
	A10	black			
	C17	grey			
	G02	metropole blue			

Model	Year	MG	SG	Illustration	Restrictions	UPD	11:36	24.01.2010	PORSCHE	PET	PORSCHE
987	2008	8	11	811-00		248					

Pos	Part Number	Description	Remark	Qty	Model	Pos	Part Number	Description	Remark	Qty	Model
	R17	brown				13	987 561 597 00	clip		2	
	L02	red				15	987 561 905 00	roofliner		1	
--	987 561 933 00	assembly kit cord lateral		1			A21	black			
2	987 561 915 00	tension rope		2		16	999 917 557 00	grease 30 ML		X	
3	987 561 907 01	roof frame		1		17	987 561 773 01	tension rope		1	
	A09	rally black				18	999 591 941 40	expansion rivet		4	
4	987 561 605 00	centring journal	/L	1		19	999 507 137 01	retaining clip		8	
	70C	black									
(4)	987 561 606 00	centring journal	/R	1							
	70C	black									
6	999 919 144 09	oval-head screw		4							
7	999 919 148 09	oval-head screw		4							
8	987 561 017 00	catch		1							
	A09	black									
9	987 612 698 00	wiring harness rear window heating		1							
10	987 561 085 00	cloth black valid up to: F >>988U7 02915 F >>988U7 22781 F >>988U7 12267 F >>988U7 31864		1							
(10)	987 561 085 01	cloth		1							
	A21	black valid from: F 988U7 02916>> F 988U7 22782>> F 988U7 12268>> F 988U7 31865>>									
11	987 561 669 01	slide	/L	1							
(11)	987 561 670 01	slide	/R	1							
12	987 561 559 00	clamping piece	/L	1							
(12)	987 561 560 00	clamping piece	/R	1							

Model	Year	MG	SG	Illustration	Restrictions	UPD	11:37	24.01.2010	PORSCHE	PET	PORSCHE
987	2008	8	11	811-05		248					



Pos	Part Number	Description	Remark	Qty	Model
		convertible top frame single parts			
1	987 561 037 00	main folding top bow		1	
2	987 561 443 00	convertible top support valid up to: F >>988U7 02915 F >>988U7 22781 F >>988U7 12267 F >>988U7 31864	/L	1	
(2)	987 561 443 01	convertible top support valid from: F 988U7 02916>> F 988U7 22782>> F 988U7 12268>> F 988U7 31865>>	/L	1	
(2)	987 561 444 00	convertible top support valid up to: F >>988U7 02915 F >>988U7 22781 F >>988U7 12267 F >>988U7 31864	/R	1	
(2)	987 561 444 01	convertible top support valid from: F 988U7 02916>> F 988U7 22782>> F 988U7 12268>> F 988U7 31865>>	/R	1	
3	900 378 033 09	hexagon-head bolt		6	
4	987 561 165 01	flap when required order also: 987.561.881.00	/L	1	
		slide a-pillar 999.919.152.09	/L	1	
		fastening screw slide		1	
	A09	black			
(4)	987 561 166 01	flap when required order also: 987.561.882.00	/R	1	
		slide a-pillar 999.919.152.09	/R	1	
		fastening screw slide		1	
	A09	black			

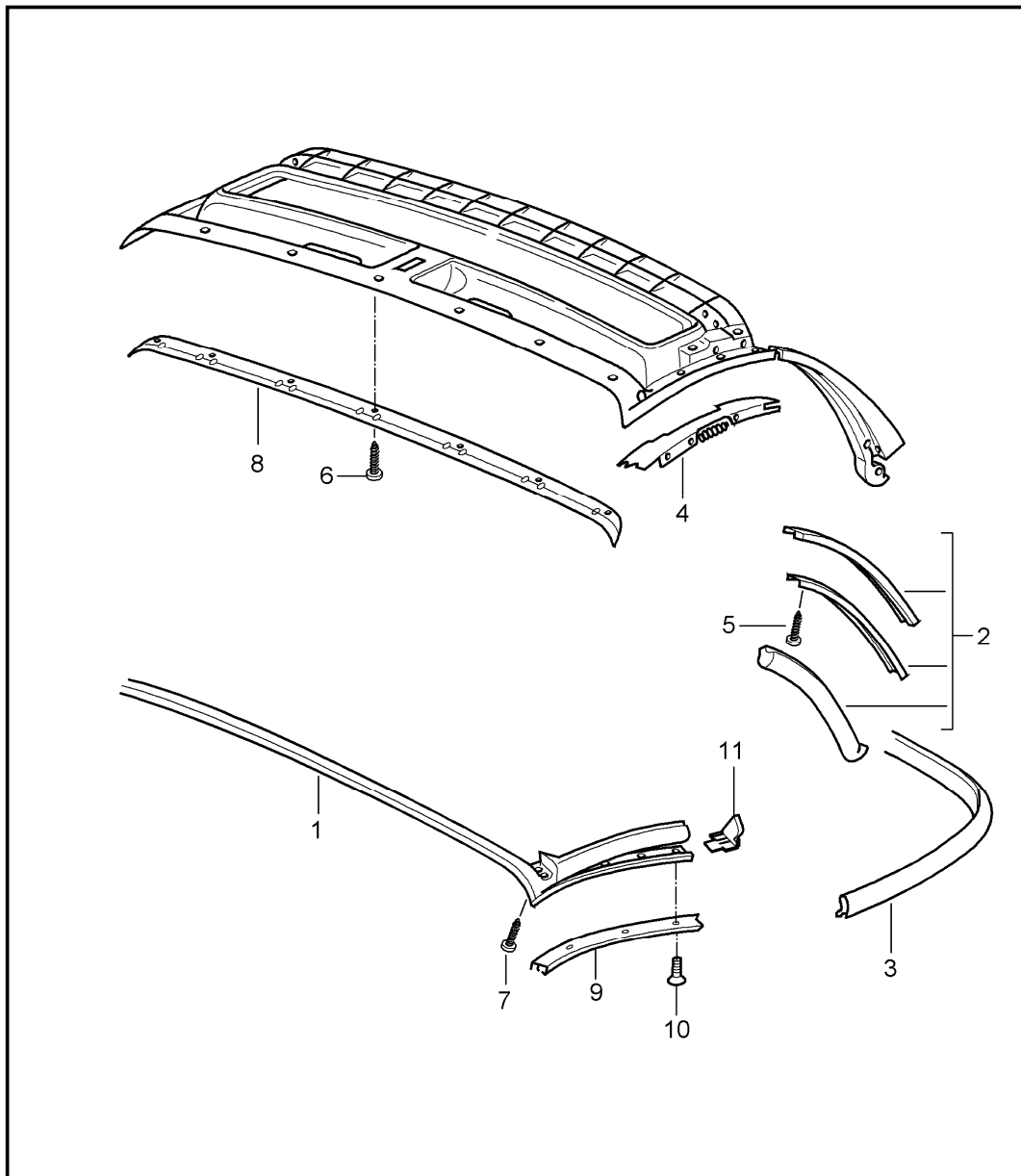
Model	Year	MG	SG	Illustration	Restrictions	UPD	11:37	24.01.2010	PORSCHE	PET	PORSCHE
987	2008	8	11	811-05		248					

Pos	Part Number	Description	Remark	Qty	Model	Pos	Part Number	Description	Remark	Qty	Model
5	999 919 141 09	oval-head screw		2				valid from: F 988U7 02916>> F 988U7 22782>> F 988U7 12268>> F 988U7 31865>>			
6	987 561 927 00	felt strip set lateral main folding top bow		1				single parts use			
7	999 924 117 40	bush 8x10x10,5		X		20	999 166 090 02	lock washer with tab		2	
8	987 561 909 01	b-pillar	/L	1		21	987 561 769 00	spring		2	
	A09	black				22	999 919 142 09	lens-head screw		4	
(8)	987 561 910 01	b-pillar	/R	1		23	987 561 925 00	ball pin set		1	
	A09	black				24	999 924 086 40	bush		X	
9	999 924 118 40	bush 8x10x5,5		X		25	999 190 194 30	rivet D12,4/4x10,2		2	
10	987 561 039 00	control arm	/L	1				valid from: F 988U7 02916>> F 988U7 22782>> F 988U7 12268>> F 988U7 31865>>			
(10)	987 561 040 00	control arm	/R	1		27	987 561 041 00	roof strut valid up to: F >>988U7 02915 F >>988U7 22781 F >>988U7 12267 F >>988U7 31864		1	
11	987 561 345 00	steering arm lower	/L	1				it is necessary to rework see workshop manual group 6 61-3055			
(11)	987 561 346 00	steering arm lower	/R	1				use also:			
12	999 088 043 30	bolt schwarz		2		--	999 190 480 30	blind rivet		2	
13	999 094 019 30	bolt		2		27	987 561 041 01	roof strut valid from: F 988U7 02916>> F 988U7 22782>> F 988U7 12268>> F 988U7 31865>>		1	
14	999 088 042 30	bolt		X							
15	999 088 049 30	bolt		4							
16	999 088 047 30	bolt		2							
17	999 094 020 30	bolt		2							
18	999 166 075 09	lock		X							
19	987 561 011 02	convertible top frame without roll-over bar		1							
	A09	black valid up to: F >>988U7 02915 F >>988U7 22781 F >>988U7 12267 F >>988U7 31864									

Model	Year	MG	SG	Illustration	Restrictions	UPD	11:37	24.01.2010	PORSCHE	PET	PORSCHE
987	2008	8	11	811-05		248					

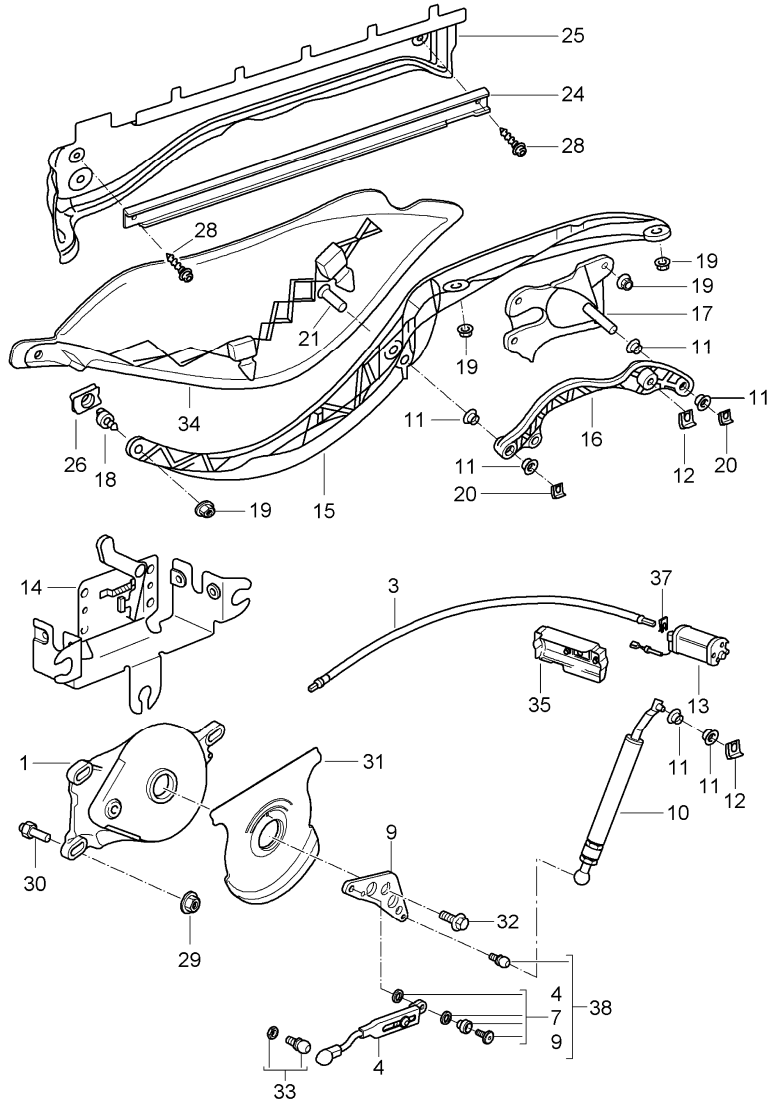
Pos	Part Number	Description	Remark	Qty	Model	Pos	Part Number	Description	Remark	Qty	Model
28	987 561 237 00	roof strut valid up to: F >>988U7 02915 F >>988U7 22781 F >>988U7 12267 F >>988U7 31864		1							
28	987 561 237 01	roof strut valid from: F 988U7 02916>> F 988U7 22782>> F 988U7 12268>> F 988U7 31865>>		1							

Model	Year	MG	SG	Illustration	Restrictions	UPD	15:53	01.02.2010	PORSCHE	PET	PORSCHE
987	2008	8	11	811-10		248					



Pos	Part Number	Description	Remark	Qty	Model
		convertible top seal			
1	987 561 327 02	roof frame seal		1	
2	987 561 123 01	gasket b-pillar	/L	1	
(2)	987 561 124 01	gasket b-pillar	/R	1	
3	987 561 393 00	gasket roof strut		1	
4	987 561 115 01	retaining strip	/L	1	
(4)	987 561 116 01	retaining strip	/R	1	
5	999 919 239 01	oval-head screw 3,5x12		7	
6	999 919 139 09	oval-head screw		6	
7	999 919 139 09	oval-head screw		2	
8	987 561 501 00	retaining strip		1	
9	987 561 401 00	retaining strip		1	
(9)	987 561 402 00	retaining strip		1	
10	999 919 152 09	oval-head screw		8	
11	987 561 813 02	filler piece	/L	1	
(11)	987 561 814 02	filler piece	/R	1	

Model	Year	MG	SG	Illustration	Restrictions	UPD	11:37	24.01.2010	PORSCHE	PET	PORSCHE
987	2008	8	11	811-12		248					



Pos	Part Number	Description	Remark	Qty	Model
1	987 561 179 00	driving mechanism convertible top convertible top compartm. lid transmission F >>986U7 02822 F >>986U7 22145	/L	1	
1	987 561 179 02	transmission F 986U7 02823>> F 986U7 22146>>	/L	1	
1	987 561 180 00	transmission F >>986U7 02822 F >>986U7 22145	/R	1	
1	987 561 180 02	transmission F 986U7 02823>> F 986U7 22146>>	/R	1	
3	986 561 717 03	pliable shaft >F 987U700250 >F 987U720275 >F 987U710140 >F 987U730068		2	
3	987 561 107 00	pliable shaft F 987U7 00251>> F 987U7 20276>> F 987U7 10141>> F 987U7 30069>>		2	
4	987 561 279 00	push rod F >>986U7 02822 F >>986U7 22145		2	
4	987 561 279 01	push rod F 986U7 02823>> F 986U7 22146>>		2	
7	987 561 919 00	assembly kit for lever		1	
9	986 561 479 01	lever F >>986U7 02822 F >>986U7 22145	/L	1	
(9)	987 561 479 01	lever F 986U7 02823>> F 986U7 22146>>	/L	1	
9	986 561 480 01	lever F >>986U7 02822 F >>986U7 22145	/R	1	



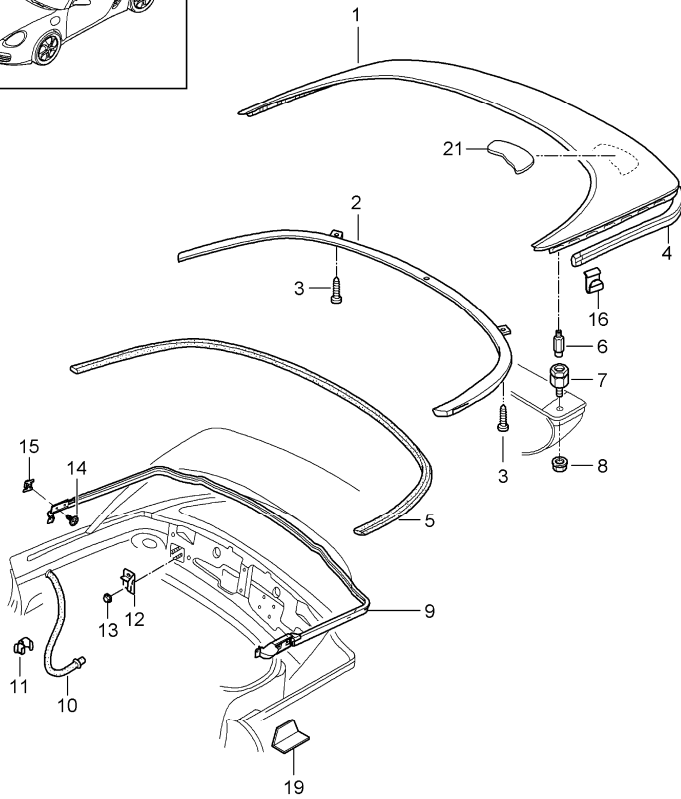
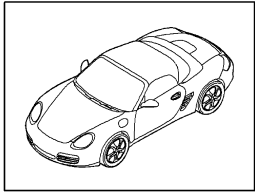
Model	Year	MG	SG	Illustration	Restrictions	UPD	11:37	24.01.2010	PORSCHE	PET	PORSCHE
987	2008	8	11	811-12		248					

Pos	Part Number	Description	Remark	Qty	Model	Pos	Part Number	Description	Remark	Qty	Model
(9)	987 561 480 01	lever F 986U7 02823>> F 986U7 22146>>	/R	1		21	999 088 027 30	bolt		2	
10	987 561 579 00	push rod F >>986U7 02822 F >>986U7 22145	/L	1		24	987 561 253 00	guide rail		2	
10	987 561 579 01	push rod F 986U7 02823>> F 986U7 22146>>	/L	1		25	987 561 761 00	water drain plate	/L	1	
10	987 561 580 00	push rod F >>986U7 02822 F >>986U7 22145	/R	1		25	987 561 762 00	water drain plate	/R	1	
10	987 561 580 01	push rod F 986U7 02823>> F 986U7 22146>>	/R	1		26	986 561 577 01	slide		2	
11	999 924 130 40	bearing sleeve		X		28	900 067 376 09	pan-head screw		4	
12	999 166 075 09	safety clip		X		29	999 076 055 09	hexagon nut		6	
13	986 624 117 01	engine		1		30	987 561 789 00	stud		6	
14	986 624 299 00	support		1		31	987 561 589 00	washer F >>986U7 02822 F >>986U7 22145		2	
15	987 561 551 00	guide arm GRV prime coated	/L	1		31	987 561 589 01	Scheibe F 986U7 02823>> F 986U7 22146>>		2	
(15)	987 561 552 00	guide arm GRV prime coated	/R	1		32 A	999 217 095 02	hexagon-head bolt		2	
16	987 561 571 00	hinge lever GRV prime coated	/L	1		32	900 378 288 01	hexagon-head bolt micro-self-locking		2	
(16)	987 561 572 00	hinge lever GRV prime coated	/R	1		33		ball pin set see illustrations 8-11-05		1	
17	987 561 679 00	bearing bracket GRV prime coated	/L	1		34	987 561 445 00	cover 01C black	/L	1	
17	987 561 680 00	bearing bracket GRV prime coated	/R	1		(34)	987 561 446 00	cover 01C black	/R	1	
18	900 167 023 02	ball pin		1		35	986 624 295 00	cap		1	
19	900 377 010 09	hexagon nut		12		36	N 011 118 11	hexagon nut		2	
20	999 166 075 09	safety clip		X		37	987 561 643 00	spring clamp		2	
						37	987 561 643 00	spring clamp		2	
						38	987 561 277 01	lever with push rod F 986U7 02823>> F 986U7 22146>>	/L	1	

Model	Year	MG	SG	Illustration	Restrictions	UPD	11:37	24.01.2010	PORSCHE	PET	PORSCHE
987	2008	8	11	811-12		248					

Pos	Part Number	Description	Remark	Qty	Model	Pos	Part Number	Description	Remark	Qty	Model
(38)	987 561 278 01	lever with push rod F 986U7 02823>> F 986U7 22146>>	/R	1							

Model	Year	MG	SG	Illustration	Restrictions	UPD	11:37	24.01.2010	PORSCHE	PET	PORSCHE
987	2008	8	11	811-13		248					

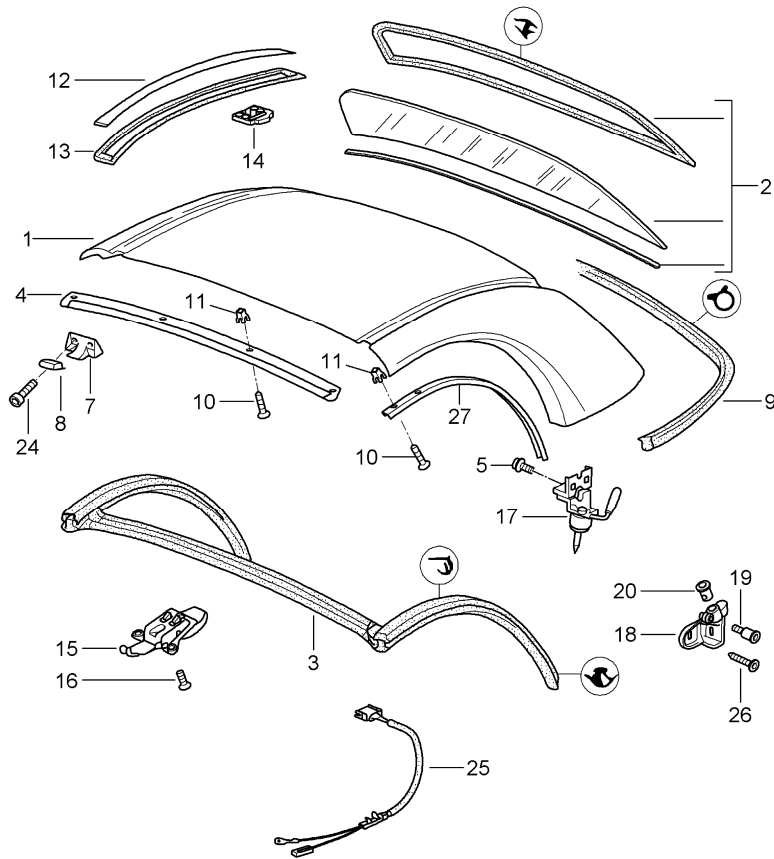
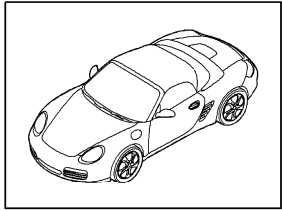


Pos	Part Number	Description	Remark	Qty	Model
		convertible top compartm. lid gaskets			
1	987 514 011 00	lid		1	
		GRV prime coated			
2	987 514 631 01	strip		1	
3	999 073 047 02	tapping screw		2	
4	986 514 714 01	edge protection		2	
5	986 514 731 00	gasket		1	
6	987 514 253 02	centring journal		2	
7	986 514 251 01	base		2	
8	999 076 061 09	hexagon nut		4	
9	987 514 211 00	gasket		1	
10	986 514 241 00	water drain hose		2	
11	999 507 551 09	cable clamp		4	
(12)	987 561 505 00	support		2	
13	999 084 629 09	hexagon nut		4	
14	999 073 060 02	tapping screw 4,8 x 13		4	
15	999 591 329 09	speed nut 4,8		4	
16	999 507 600 09	u-clamp edge protection		4	
19	987 561 801 00	stop 1 MM		1	
19	987 561 801 01	stop 2 MM		1	
19	987 561 801 02	stop 3 MM		1	
19	987 561 801 03	stop 4 MM		1	
19	987 561 801 04	stop 5 MM		1	
21	987 561 633 00	buffer		1	/L

Model	Year	MG	SG	Illustration	Restrictions	UPD	11:37	24.01.2010	PORSCHE	PET	PORSCHE
987	2008	8	11	811-13		248					

Pos	Part Number	Description	Remark	Qty	Model	Pos	Part Number	Description	Remark	Qty	Model
(21)	987 561 634 00	buffer		1	/R						

Model	Year	MG	SG	Illustration	Restrictions	UPD	11:38	24.01.2010	PORSCHE	PET	PORSCHE
987	2008	8	11	811-15		248					

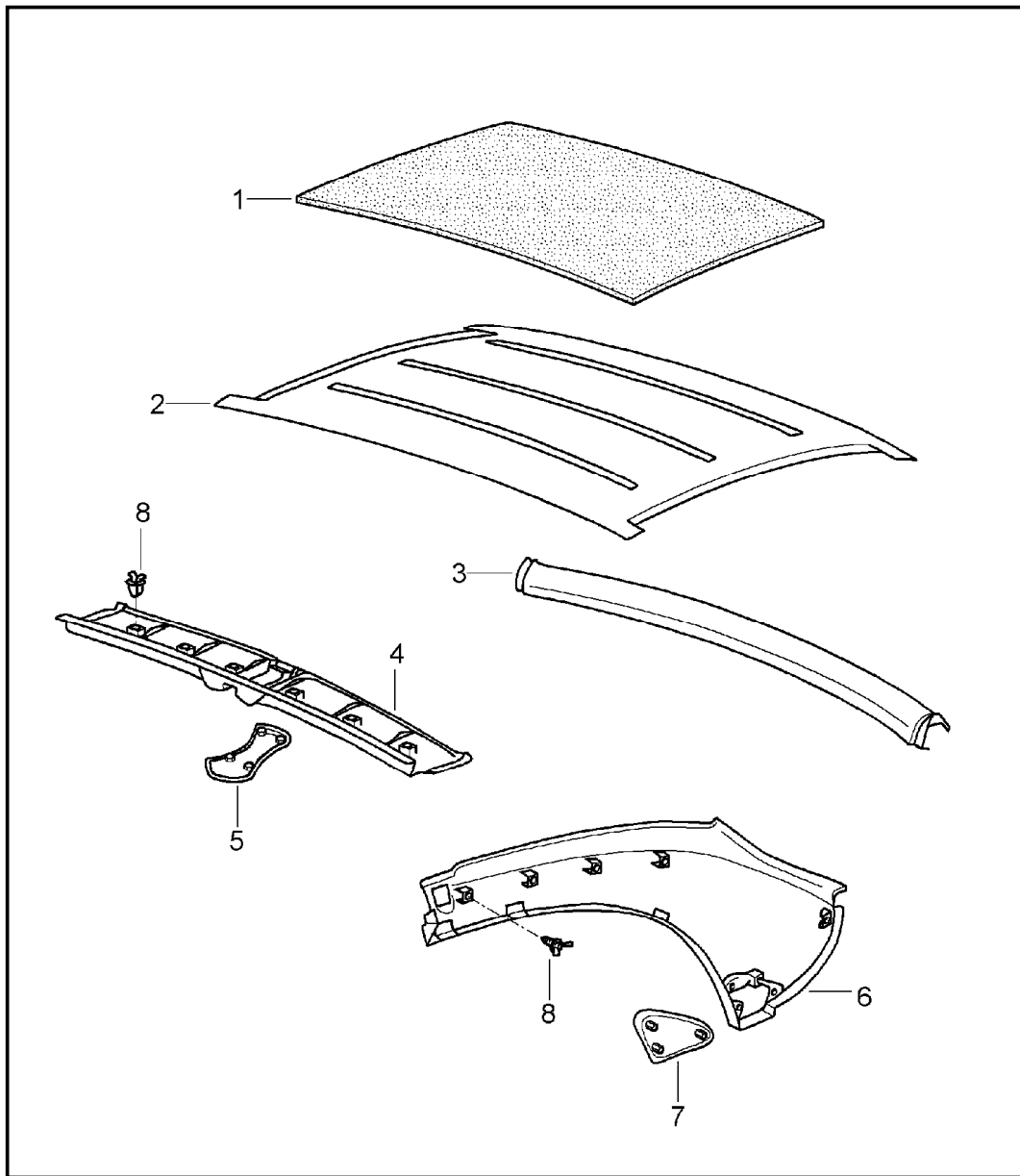


Pos	Part Number	Description	Remark	Qty	Model
		hardtop accessories gaskets			M550
1	987 563 911 00	hardtop		1	
	GRV	prime coated without accessories			
2	986 563 091 01	rear window ready for installation		1	
3	A 987 563 125 00	gasket		1	
3	987 563 125 01	gasket		1	
4	986 563 319 01	retaining strip		1	
5	999 073 382 01	combination screw		3	
7	986 561 605 00	centring journal		2	
	A09	black			
8	986 563 625 03	cap		2	
9	987 563 127 00	gasket		1	
10	999 073 049 02	tapping screw		24	
11	999 507 547 40	expander nut		24	
12	986 563 707 00	cover strip	/L	1	
	GRV	prime coated			
(12)	986 563 708 00	cover strip	/R	1	
	GRV	prime coated			
13	986 563 361 00	gasket	/L	1	
(13)	986 563 362 00	gasket	/R	1	
14	986 563 721 00	clip		8	
15	986 563 401 00	catch		1	
16	900 249 055 09	countersunk-head screw M 6X20		3	
17	987 563 403 01	catch	/L	1	
(17)	987 563 404 01	catch	/R	1	
18	987 561 653 00	mounting	/L	1	

Model	Year	MG	SG	Illustration	Restrictions	UPD	11:38	24.01.2010	PORSCHE	PET	PORSCHE
987	2008	8	11	811-15		248					

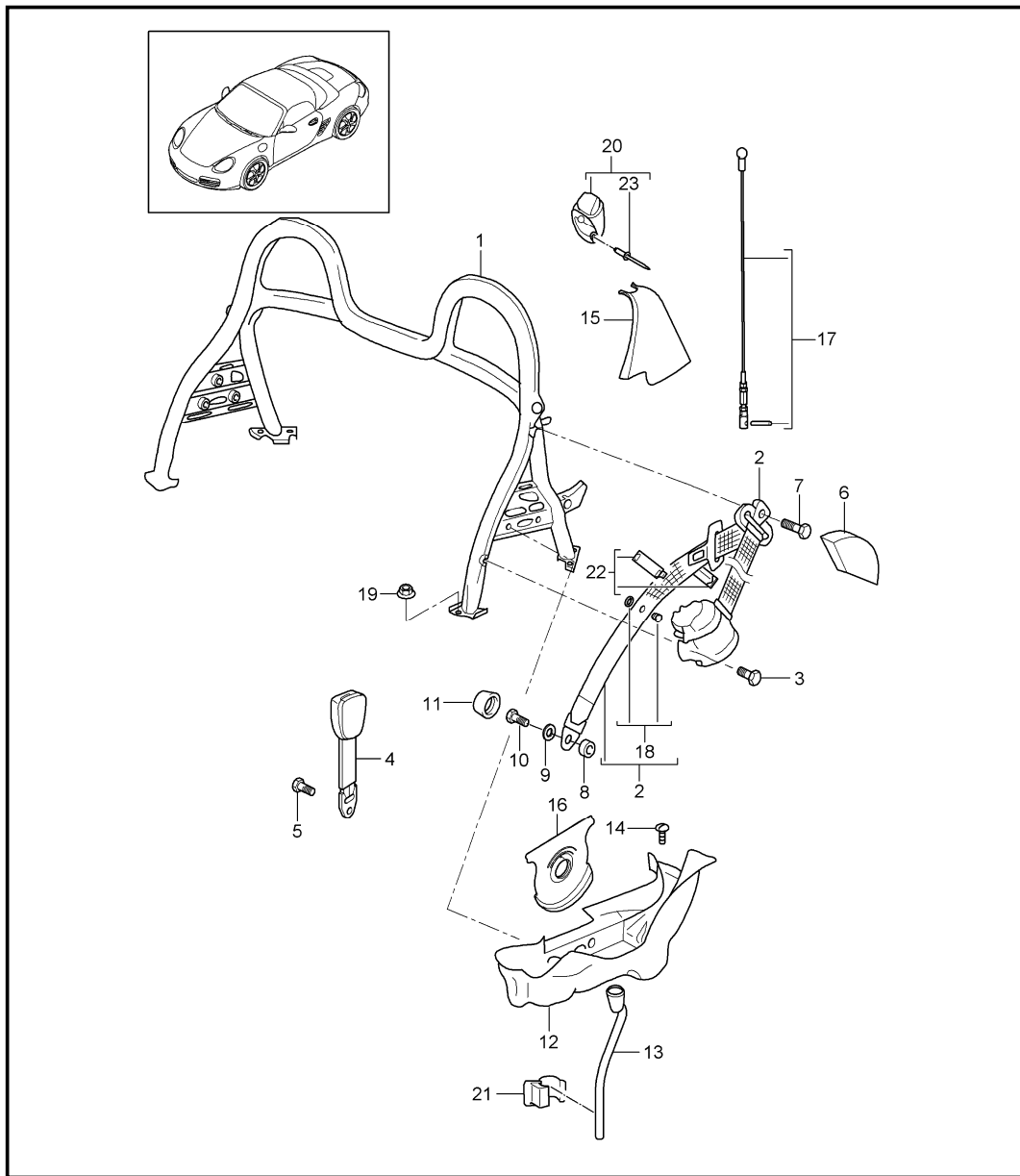
Pos	Part Number	Description	Remark	Qty	Model	Pos	Part Number	Description	Remark	Qty	Model
(18)	987 561 654 00	mounting	/R	1							
19	999 219 041 00	fit bolt		2							
20	987 563 713 00	insert	/L	1							
(20)	987 563 714 00	insert	/R	1							
24	999 015 035 09	screw		2							
25	987 612 696 00	wiring harness		1							
26	999 073 168 09	lens-head screw		4							
27	987 563 309 00	retaining strip	/L	1							
(27)	987 563 310 00	retaining strip	/R	1							
-	000 043 203 29	sealing strap NITTO		X							

Model	Year	MG	SG	Illustration	Restrictions	UPD	11:38	24.01.2010	PORSCHE	PET	PORSCHE
987	2008	8	11	811-16		248					



Pos	Part Number	Description	Remark	Qty	Model
		hardtop interior equipment			
1	986 563 523 00	sound absorber set		1	
2	986 563 111 01	lining		1	
	A21	black			
3	987 563 505 00	lining		1	
	A03	black			
4	986 563 501 00	lining		1	
	A03				
5	987 563 551 00	lid		1	
	A03	black			
6	987 563 503 00	lining	/L	1	
	A03	black			
(6)	987 563 504 00	lining	/R	1	
	A03	black			
7	987 563 553 00	lid	/L	1	
	A03	black			
(7)	987 563 554 00	lid	/R	1	
	A03	black			
8	999 507 764 40	clamp		X	

Model	Year	MG	SG	Illustration	Restrictions	UPD	11:38	24.01.2010	PORSCHE	PET	PORSCHE
987	2008	8	12	812-00		248					



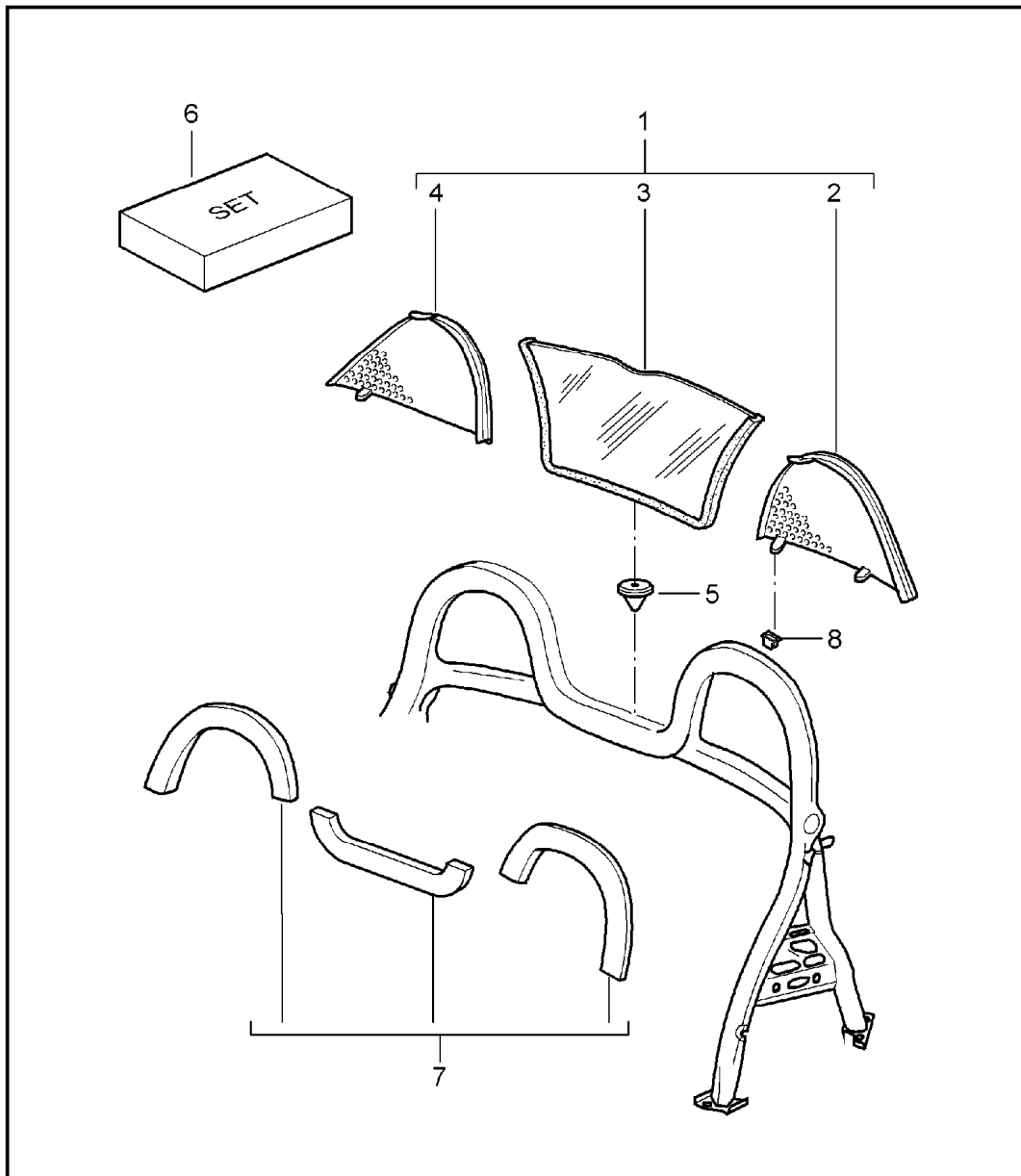
Pos	Part Number	Description	Remark	Qty	Model
1	987 580 011 01	roll-over bar		1	
	D08	volcano grey			
2	987 803 033 02	seat belt	/L	1	
	A23	black			I555
	V02	speed yellow			IXSY
	U01	silver			IXSH
	N13	guards red			IXSX
2	987 803 033 04	seat belt	/L	1	
	6M4	sand beige			IXST
(2)	987 803 034 03	seat belt	/R	1	
	A23	black			I555
	V02	speed yellow			IXSY
	U01	silver			IXSH
	N13	guards red			IXSX
(2)	987 803 034 06	seat belt	/R	1	
	6M4	sand beige			IXST
3	999 075 070 09	hexagon-head bolt		2	
(4)	996 803 183 08	seat-belt buckle passenger's side		1	
4	997 803 183 01	seat-belt buckle driver's side		1	
4	997 803 183 04	seat-belt buckle driver's side	08-	1	I388
(4)	997 803 183 04	seat-belt buckle driver's side	08-	1	I389
(4)	997 803 183 05	seat-belt buckle passenger's side	08-	1	I389
4	997 803 183 05	seat-belt buckle passenger's side	08-	1	I388



Model	Year	MG	SG	Illustration	Restrictions	UPD	11:38	24.01.2010	PORSCHE	PET	PORSCHE
987	2008	8	12	812-00		248					

Pos	Part Number	Description	Remark	Qty	Model	Pos	Part Number	Description	Remark	Qty	Model
-	-	cable for seat-belt tensioner see group 9 / 02 / 10		X		(12)	987 561 806 01	water drip pan valid from: F 988U7 02916>> F 988U7 22782>> F 988U7 12268>> F 988U7 31865>>	/R	1	
5	999 218 101 02	hexagon-head bolt		2		13	987 561 733 00	water drain tube	/L	1	
6	987 803 541 00	cover		2		(13)	987 561 734 00	water drain tube	/R	1	
	01C	black				14	996 561 247 00	expansion rivet		2	
7	999 075 057 09	hexagon-head bolt		2		15	987 580 801 00	cover	/L	1	
8	999 924 064 02	bush		2			01C	black			
(8)	997 803 663 00	spacer sleeve	08-	1	I388/389	(15)	987 580 802 00	cover	/R	1	
9	211 857 771	washer		2			01C	black			
(9)	999 028 022 01	spring washer	08-	1	I388/389	16		washer see illustrations 8-11-12		2	
--	999 025 275 A2	washer	08-	1	I388/389	17	987 561 421 00	tension rope		2	
10	999 075 073 09	hexagon-head bolt		2		18	955 803 056 00	knob		2	
(10)	999 075 072 A2	hexagon-head bolt	08-	2	I388/389		HCP	black			
11	811 857 845	cap		2		19	999 076 065 02	collar nut		8	
	01C	black				20	987 561 911 00	assembly kit bracket	/L	1	
12	987 561 805 00	water drip pan valid up to: F >>988U7 02915 F >>988U7 22781 F >>988U7 12267 F >>988U7 31864	/L	1			01C	satin black			
12	987 561 805 01	water drip pan valid from: F 988U7 02916>> F 988U7 22782>> F 988U7 12268>> F 988U7 31865>>	/L	1		(20)	987 561 912 00	assembly kit bracket	/R	1	
							01C	satin black			
						21	999 507 551 09	cable clamp		4	
(12)	987 561 806 00	water drip pan valid up to: F >>988U7 02915 F >>988U7 22781 F >>988U7 12267 F >>988U7 31864	/R	1		22	997 803 334 00	clamping piece		2	
							01C	black			
						23	999 190 176 00	blind rivet		4	

Model	Year	MG	SG	Illustration	Restrictions	UPD	15:57	01.02.2010	PORSCHE	PET	PORSCHE
987	2008	8	12	812-01		248					

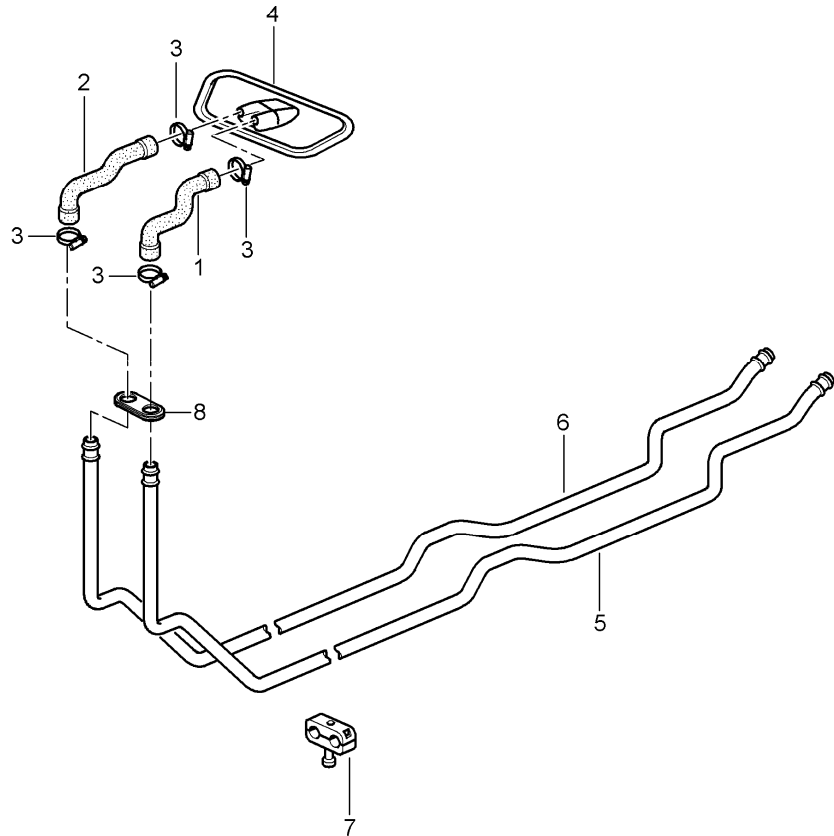
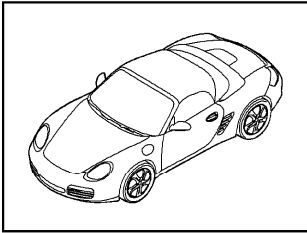


Pos	Part Number	Description	Remark	Qty	Model
		wind deflector and linings roll-over bar			
1	987 561 125 00	wind deflector set		1	
2	987 561 583 00	side section		1	
3	987 561 621 00	wind deflector centre part with bag		1	
4	987 561 584 00	side section		1	
5	987 561 821 00	buffer centre part		1	
6	987 561 901 02	set of fastening parts for wind deflector		1	
7	987 580 311 01	lining leatherette set		1	
	A37	black			
	B27	stone grey			
	E27	sea blue			
	T27	sand beige			
	J27	palmgreen	-07		
7	987 580 311 03	lining leather set		1	
	A11	black			
	D12	dark grey/natural			
	T12	brown/natural			
	3S9	sea blue			
	4P2	palmgreen	-07		
	5X6	stone grey			
	8G2	sand beige			
	9S5	terracotta			

Model	Year	MG	SG	Illustration	Restrictions	UPD	15:57	01.02.2010	PORSCHE	PET	PORSCHE
987	2008	8	12	812-01		248					

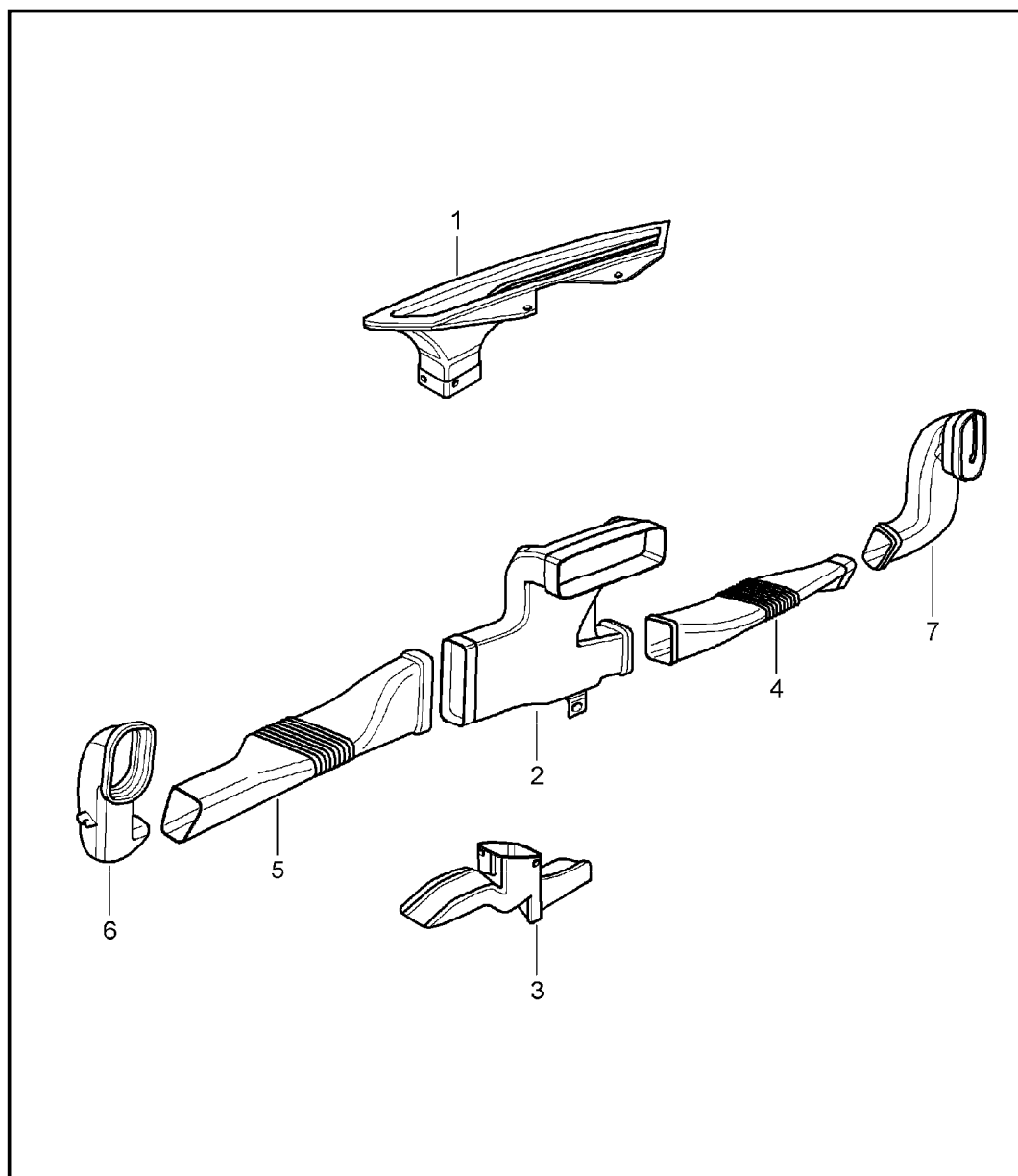
Pos	Part Number	Description	Remark	Qty	Model	Pos	Part Number	Description	Remark	Qty	Model
	9V6	cocoa									
	N12	carrera red	08-								
8	986 580 751 00	clip		8							
-	999 911 011 50	tread wind deflector		1							
-	987 561 825 00	tread wind deflector see technical manual		2							

Model	Year	MG	SG	Illustration	Restrictions	UPD	11:39	24.01.2010	PORSCHE	PET	PORSCHE
987	2008	8	13	813-00		248					



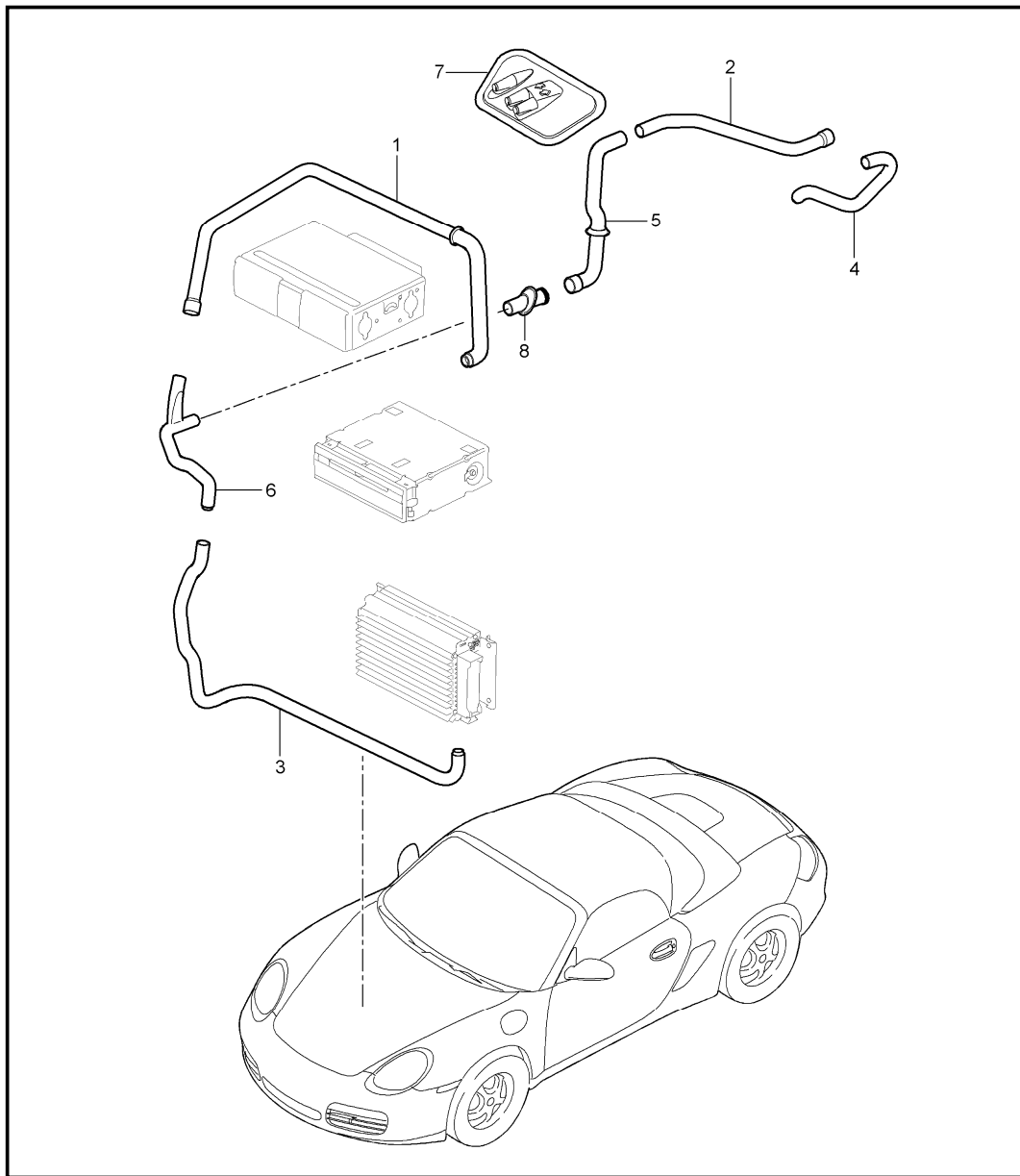
Pos	Part Number	Description	Remark	Qty	Model
		heating system 1 feed line return line			
1	996 572 583 04	heater hose Zulauf	/LL	1	I098
(1)	996 572 583 05	heater hose Zulauf	/RL	1	I099
2	996 572 585 04	heater hose return line	/LL	1	I098
(2)	996 572 585 05	heater hose R•cklauf	/RL	1	I099
3	999 512 441 02	clip		4	
4	996 572 263 02	gasket	/LL	1	I098
(4)	996 572 263 03	gasket	/RL	1	I099
5	987 572 681 00	hot air duct supply		1	
6	987 572 683 00	hot air duct return line		1	
7	999 511 230 40	support		3	
--	999 511 232 41	rubber mounting		3	
8	996 572 765 02	grommet		1	

Model	Year	MG	SG	Illustration	Restrictions	UPD	11:39	24.01.2010	PORSCHE	PET	PORSCHE
987	2008	8	13	813-01		248					



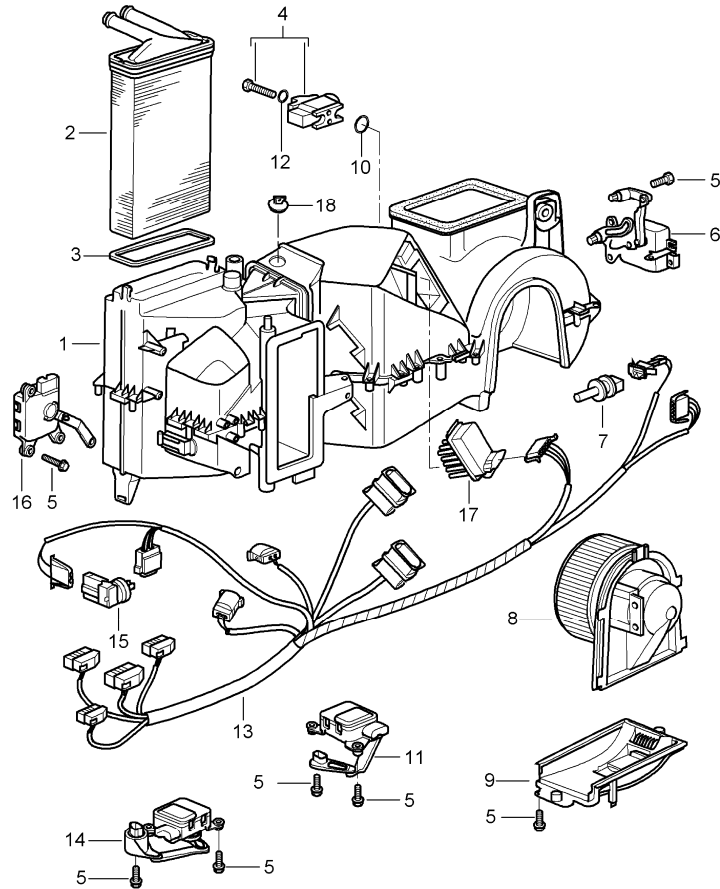
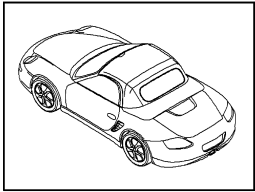
Pos	Part Number	Description	Remark	Qty	Model
		heating air distributor			
1	997 572 631 00	defroster vent	/LL	1	I098
(1)	997 572 631 01	defroster vent	/RL	1	I099
2	997 572 171 00	air distributor	/LL	1	I098
(2)	997 572 171 01	air distributor	/RL	1	I099
3	997 572 793 00	footwell outlet vent	/LL	1	I098
(3)	997 572 793 02	footwell outlet vent	/LL	1	I098/680
(3)	997 572 793 01	footwell outlet vent	/RL	1	I099
(3)	997 572 793 03	footwell outlet vent	/RL	1	I099/680
4	997 572 464 00	air duct	/LL /R	1	I098
(4)	997 572 464 01	air duct	/RL /R	1	I099
5	997 572 463 00	air duct	/LL /L	1	I098
(5)	997 572 463 01	air duct	/RL /L	1	I099
6	987 572 767 00	air duct	/LL /L	1	I098
(6)	987 572 767 01	air duct	/RL /L	1	I099
7	987 572 768 00	air duct	/LL /R	1	I098
(7)	987 572 768 01	air duct	/RL /R	1	I099
--	987 572 769 00	intermediate piece		1	I098
--	987 572 769 01	intermediate piece		1	I099

Model	Year	MG	SG	Illustration	Restrictions	UPD	11:39	24.01.2010	PORSCHE	PET	PORSCHE
987	2008	8	13	813-02		248					



Pos	Part Number	Description	Remark	Qty	Model
		luggage compartment cooling			I575
1	997 572 588 00	air duct dvd		1	I575/692
(1)	997 572 588 02	air duct dvd		1	I575
2	997 572 582 00	air duct plenum panel		1	I575
3	997 572 590 00	air duct booster		1	I490/575/680
4	997 572 580 00	air duct air conditioner		1	I575
5	997 572 584 03	air duct bulkhead		1	I575
6	997 572 586 06	air duct booster		1	I575
7	997 572 263 00	gasket		1	I575
8	997 572 593 00	connection piece		1	I575
--	999 076 081 40	plastic nut		2	
--	999 703 009 40	stopper		1	

Model	Year	MG	SG	Illustration	Restrictions	UPD	11:40	24.01.2010	PORSCHE	PET	PORSCHE
987	2008	8	13	813-05		248					



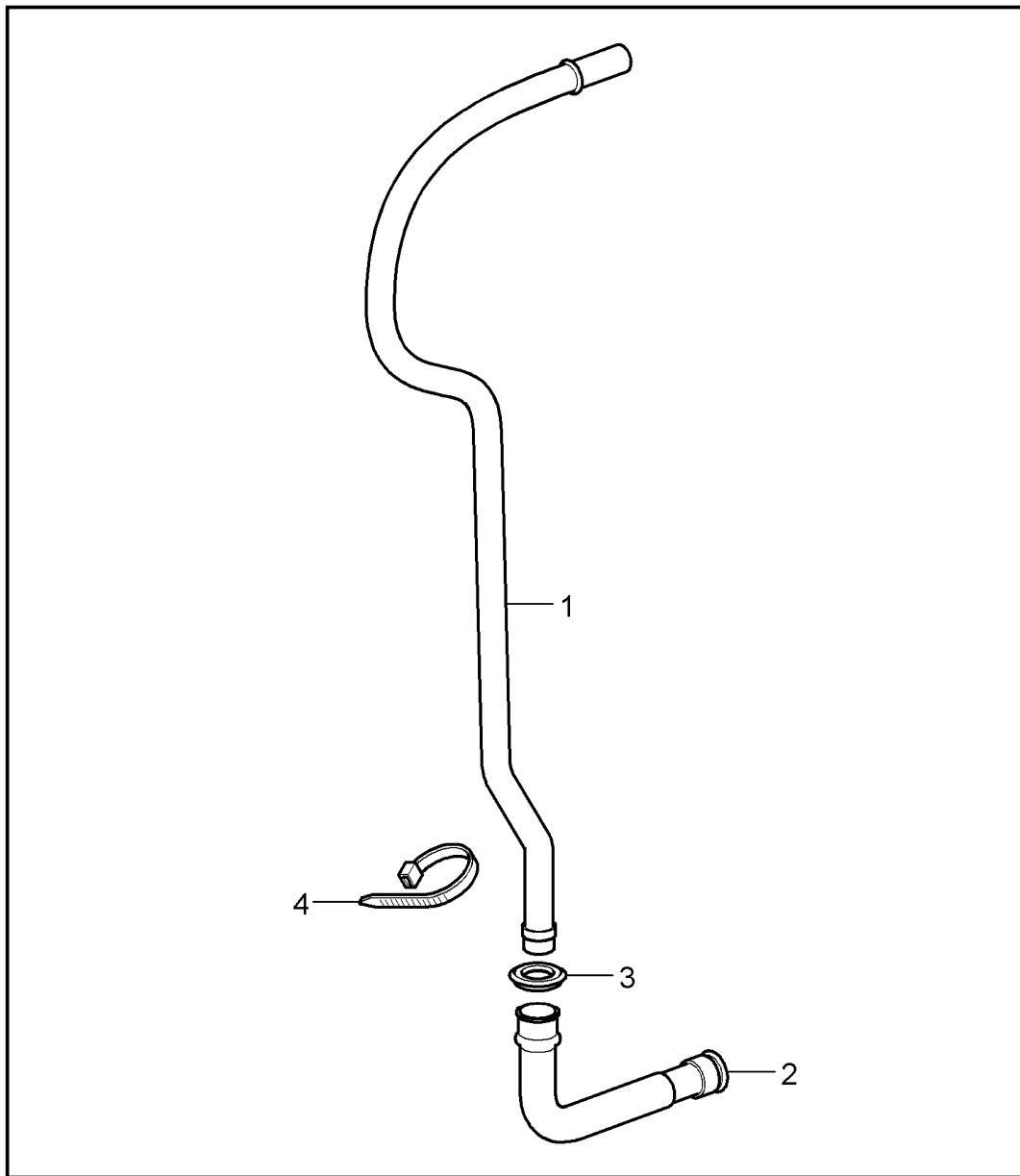
Pos	Part Number	Description	Remark	Qty	Model
		air conditioner single parts			
1	987 573 901 00	air conditioner without heat exchanger with evaporator	/LL	1	I098/572
1	997 573 901 00	air conditioner without heat exchanger with evaporator	/LL	1	I098/573
(1)	987 573 901 01	air conditioner without heat exchanger with evaporator	/RL	1	I099/572
(1)	996 573 901 01	air conditioner without heat exchanger with evaporator	/RL	1	I099/573
2	997 572 129 00	heat exchanger		1	
3	996 572 913 00	gasket		1	
4	996 573 929 01	expansion valve		1	
5	900 143 102 02	combination screw		X	
6	996 573 915 00	electric motor fresh-air flap identification black	/LL	1	I098/573
(6)	996 573 915 01	electric motor fresh-air flap identification black	/RL	1	I099/573
7	955 572 304 10	temperature sensor		1	
8	996 624 107 01	blower	/LL	1	I098
(8)	996 624 108 01	blower	/RL	1	I099
9	996 573 905 00	lid		1	
10	999 707 596 40	o-ring 14x1,82		1	

Model	Year	MG	SG	Illustration	Restrictions	UPD	11:40	24.01.2010	PORSCHE	PET	PORSCHE
987	2008	8	13	813-05		248					

Pos	Part Number	Description	Remark	Qty	Model	Pos	Part Number	Description	Remark	Qty	Model
11	996 573 919 02	electric motor temperature valve identification pink	/LL	1	I098						
(11)	996 573 919 03	electric motor temperature valve identification pink	/RL	1	I099						
12	999 707 534 41	o-ring 17x2,00		1							
13	997 612 655 02	wiring harness	/LL	1	I098/573						
(13)	997 612 656 02	wiring harness	/RL	-07	1	I099/573					
(13)	997 612 656 04	wiring harness	/RL	08-	1	I099/573					
(13)	987 612 655 00	wiring harness	/LL	-07	1	I098/572					
(13)	987 612 655 02	wiring harness	/LL	08-	1	I098/572					
(13)	987 612 656 01	wiring harness	/RL	-07	1	I099/572					
(13)	987 612 656 03	wiring harness	/RL	08-	1	I099/572					
14	996 573 921 02	electric motor defroster flap identification yellow	/LL	1	I098						
(14)	996 573 921 03	electric motor defroster flap identification yellow	/RL	1	I099						
15	1H0 907 543 A	temperature sensor		1							
16	996 573 917 02	electric motor central valve identification green	/LL	1	I098						
(16)	996 573 917 03	electric motor central valve identification green	/RL	1	I099						
17	996 573 923 00	resistor		1							
--	996 573 927 00	blower outlet sensor		1	I573						
--	1H0 819 943	screw		2							
18	997 573 935 00	stopper		1							

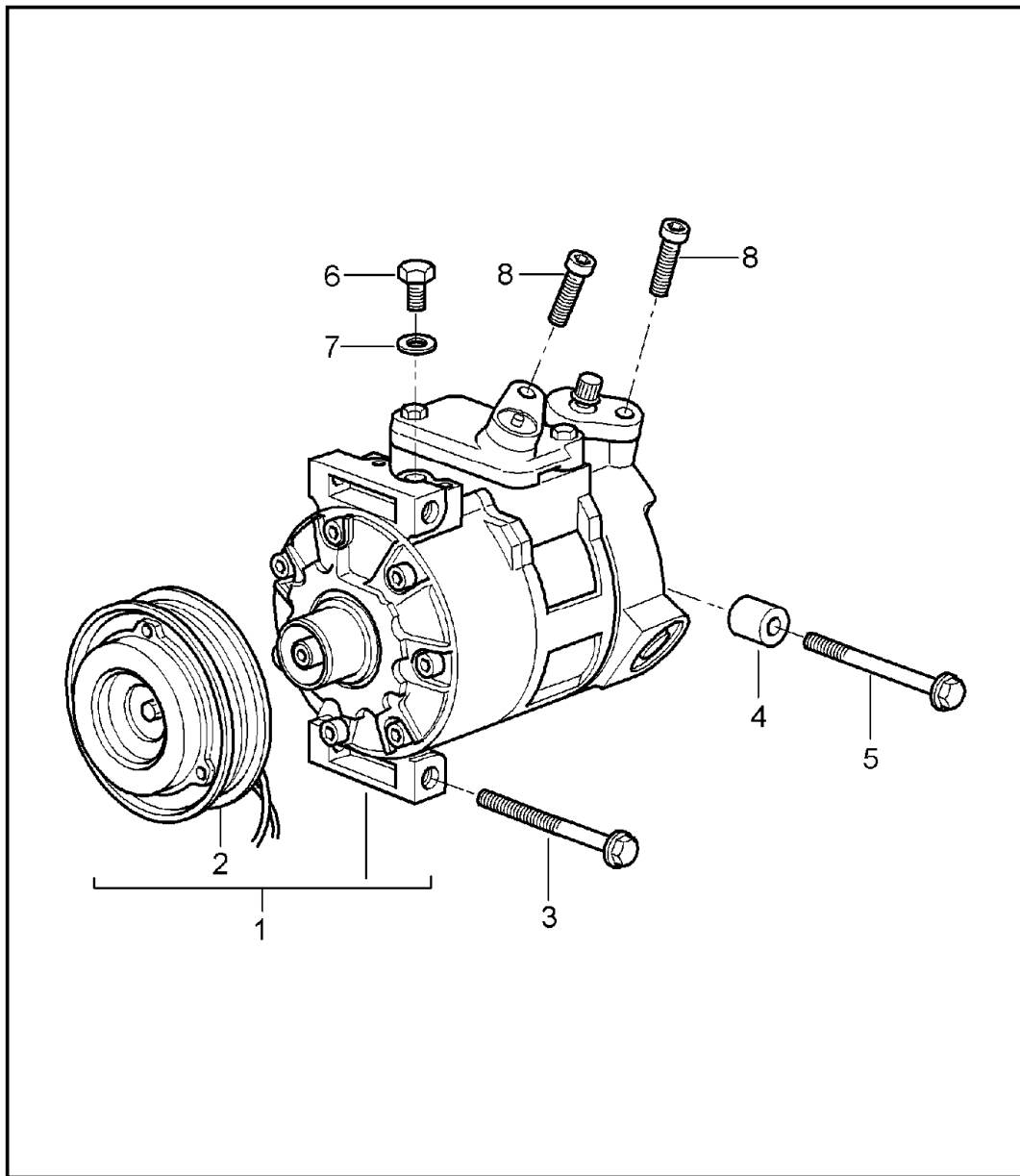


Model	Year	MG	SG	Illustration	Restrictions	UPD	11:40	24.01.2010	PORSCHE	PET	PORSCHE
987	2008	8	13	813-10		248					



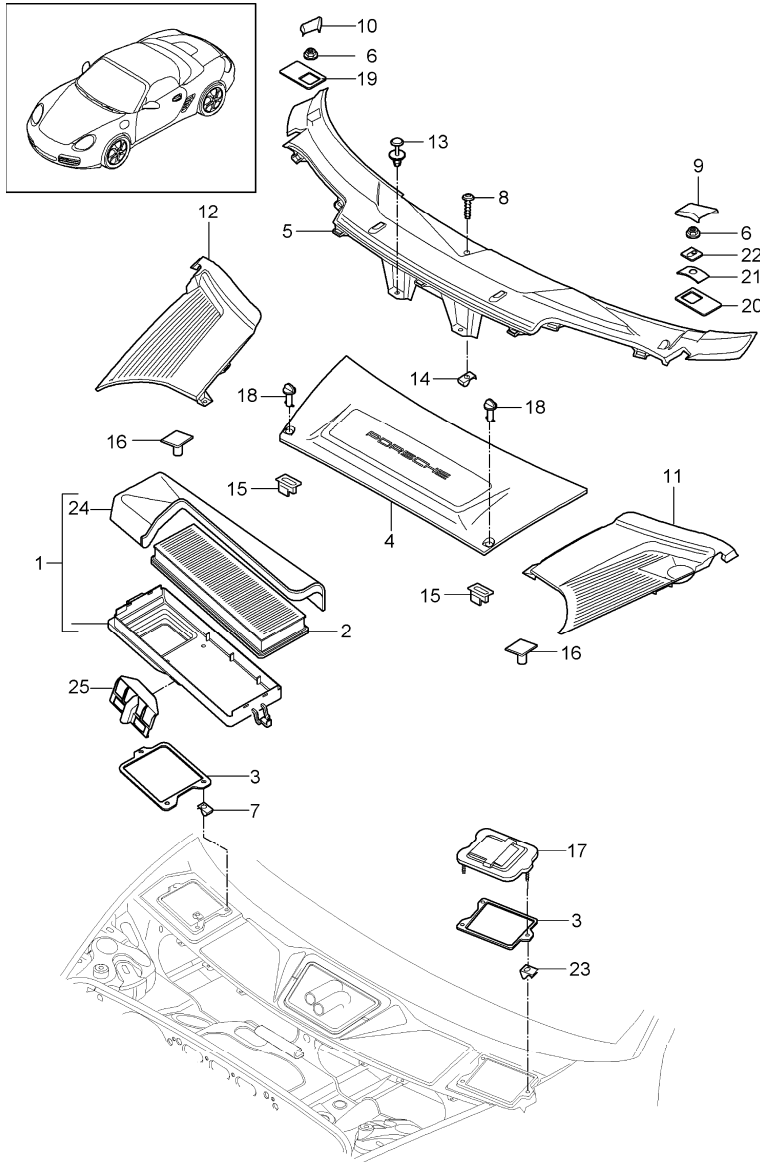
Pos	Part Number	Description	Remark	Qty	Model
		water drain tube mount air conditioner			
1	996 573 793 01	water drain tube	/LL	1	I098
1	996 573 794 01	water drain tube	/RL	1	I099
2	996 573 797 02	connecting piece		1	
3	996 573 795 01	grommet		1	
4	999 513 049 40	tie-wrap		1	

Model	Year	MG	SG	Illustration	Restrictions	UPD	11:40	24.01.2010	PORSCHE	PET	PORSCHE
987	2008	8	13	813-15		248					



Pos	Part Number	Description	Remark	Qty	Model
		compressor			
1	> 996 126 011 52	compressor		1	
2	996 573 926 00	magnetic clutch		1	
3	900 378 075 09	hexagon-head bolt M 8X90	-06	2	
(3)	900 385 102 01	torx screw M 8x90	07-	2	
4	996 126 102 53	spacer sleeve		1	
5	900 378 136 09	hexagon-head bolt M 8X120	-06	1	
(5)	900 385 281 01	torx screw M 8x120	07-	1	
6	996 573 926 01	hexagon-head bolt		1	
7	996 573 926 02	sealing ring		1	
8	900 067 147 02	pan-head screw		2	
--	000 043 200 04	oil for compressor 250 ml		1	

Model	Year	MG	SG	Illustration	Restrictions	UPD	11:40	24.01.2010	PORSCHE	PET	PORSCHE
987	2008	8	13	813-20		248					

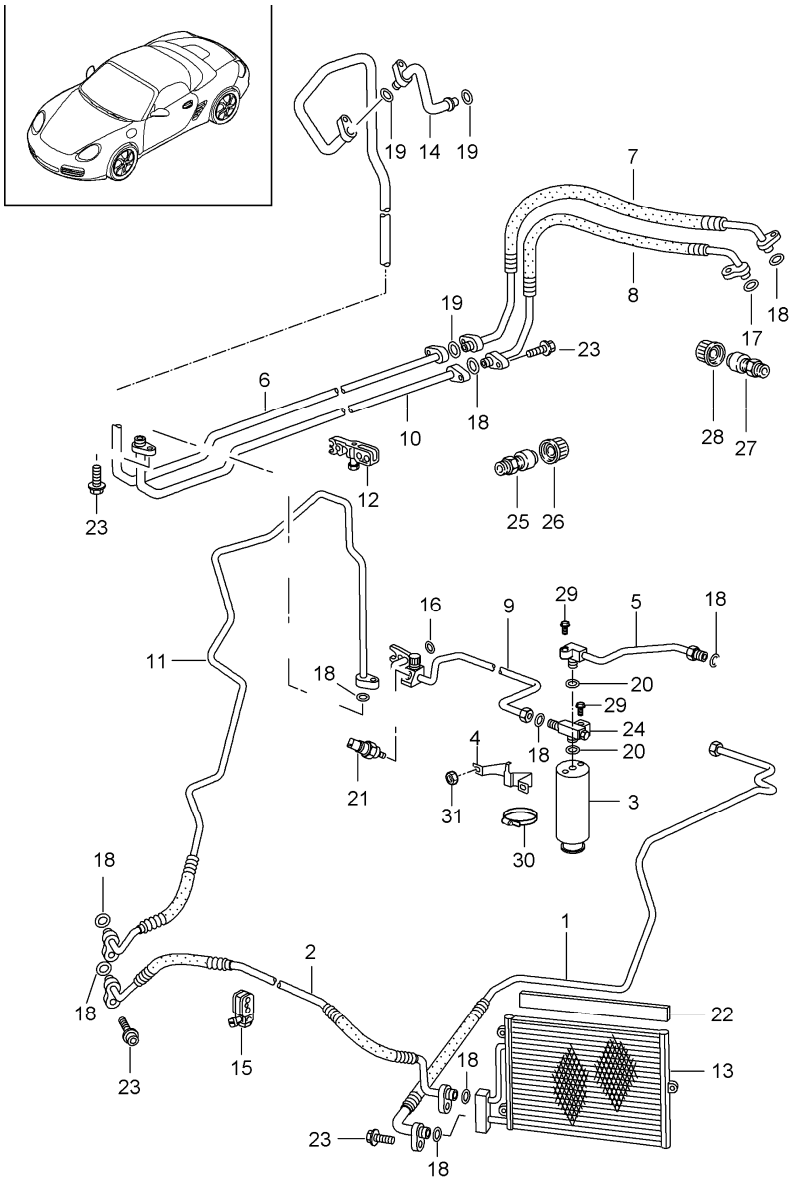


Pos	Part Number	Description	Remark	Qty	Model
1	997 572 019 04	particle filter housing	/LL	1	I098
(1)	997 572 019 05	particle filter housing	/RL	1	I099
2	997 571 219 01	particle filter		1	
3	997 572 221 00	gasket		1	
4	997 572 567 04	cover		1	
	FMT	black			
5	997 572 563 08	cover cowl	/LL	1	I098
	FMT	black			
(5)	997 572 563 09	cover cowl	/RL	1	I099
	FMT	black			
6	999 076 071 02	hexagon nut M6		2	
7	999 507 348 01	speed nut		3	
8	N 906 487 04	tapping screw		1	
9	997 572 569 04	cap	/LL/L	2	I098
	FMT	black			
9	997 572 569 05	cap	/RL/L	2	I099
	FMT	black			
10	997 572 570 04	cap	/LL/R	1	I098
	FMT	black			
(10)	997 572 570 05	cap	/RL/R	1	I099
	FMT	black			
11	997 572 361 07	cover	/L	1	
	02A	black			
12	997 572 362 08	cover	/R	1	
	02A	black			

Model	Year	MG	SG	Illustration	Restrictions	UPD	11:40	24.01.2010	PORSCHE	PET	PORSCHE
987	2008	8	13	813-20		248					

Pos	Part Number	Description	Remark	Qty	Model	Pos	Part Number	Description	Remark	Qty	Model
13	999 507 497 40	expansion rivet 8 X 14		2							
14	999 507 834 41	expander nut ST 4,8		1							
15	999 590 046 40	disc cam		2							
16	999 902 046 40	catch		1							
17	997 572 419 03	lid		1							
18	997 572 867 00	locking bolt		2							
		02A black									
--	997 572 763 00	cover		1							
19 A	997 572 842 00	pressure plate passenger's side	-06	1							
19	997 572 842 01	pressure plate passenger's side	/LL/R 07-	1	I098						
19	997 572 842 02	pressure plate passenger's side	/RL/L 07-	1	I099						
20	997 572 841 00	pressure plate driver's side		1							
21	997 572 837 00	spring plate driver's side		1							
22	997 572 533 00	retainer plate driver's side		1							
23	999 591 855 01	speed nut		3							
24	997 572 729 02	cover particle filter	/LL	1	I098						
(24)	997 572 729 03	cover particle filter	/RL	1	I099						
25	997 572 862 01	support		1							

Model	Year	MG	SG	Illustration	Restrictions	UPD	11:40	24.01.2010	PORSCHE	PET	PORSCHE
987	2008	8	13	813-25		248					

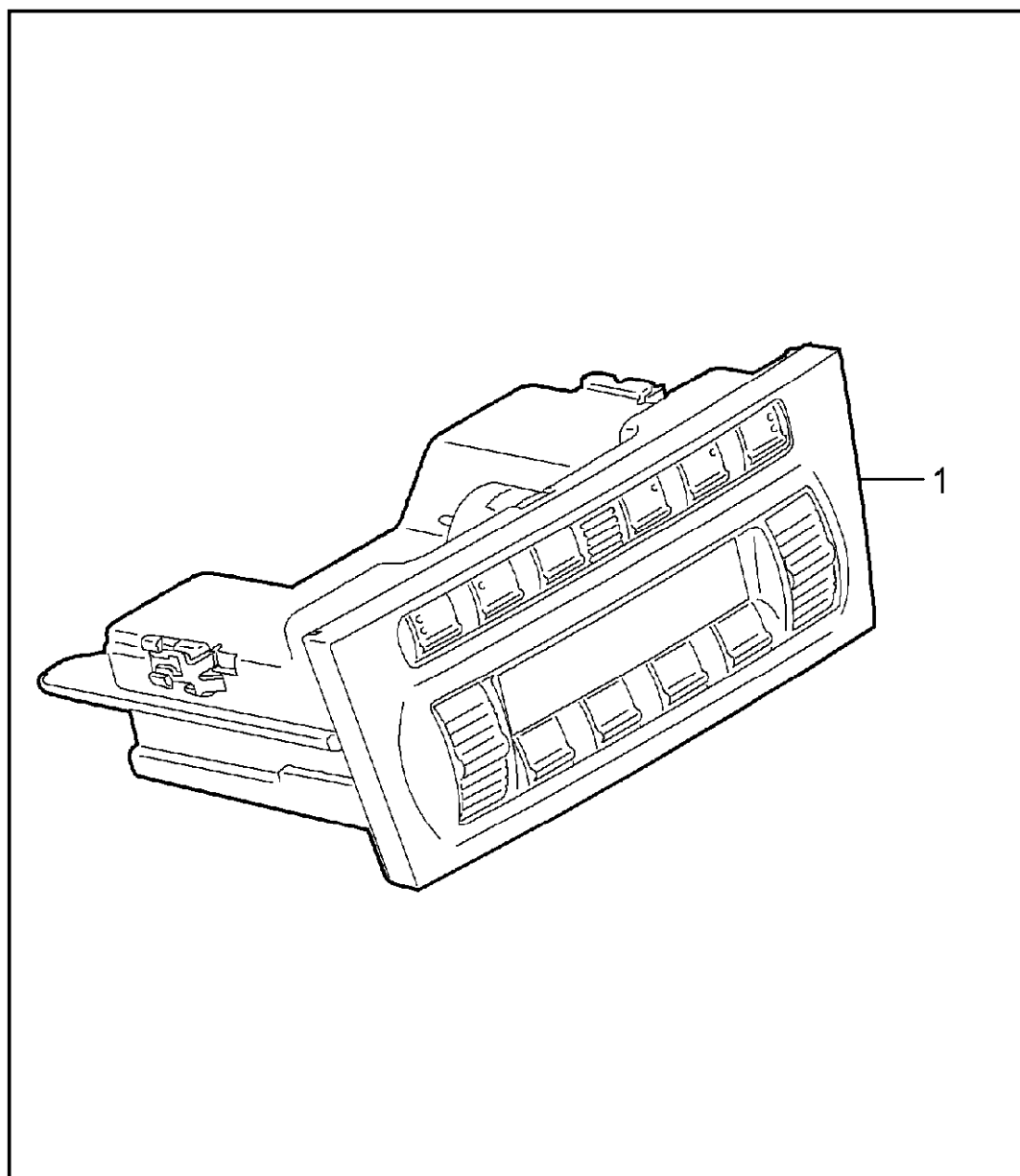


Pos	Part Number	Description	Remark	Qty	Model
		refrigerant circuit			
1	997 573 105 03	refrigerant line		1	
2	997 573 103 02	refrigerant line		1	
3	944 573 143 01	desiccator		1	
4	996 573 451 00	support		1	
5	996 573 106 00	pressure line		1	
6	996 573 091 01	intake pipe		1	
7	987 573 099 00	intake pipe		1	M96.25/26
7	987 573 099 01	intake pipe		1	M97.20/21
8	987 573 097 02	pressure line		1	M96.25/26
8	987 573 097 04	pressure line		1	M97.20/21
9	997 573 108 02	pressure line	/LL	1	I098
(9)	997 573 108 01	pressure line	/RL	1	I099
10	996 573 092 02	pressure line		1	
11	997 573 094 02	pressure line		1	
12	996 347 543 00	cable holder		2	
13	996 573 111 03	condenser		2	
14	996 573 093 06	intake pipe	/LL	1	I098
(14)	996 573 093 07	intake pipe	/RL	1	I099
15	996 347 543 00	cable holder		X	
16	999 707 247 40	o-ring 7,5X2		2	
17	999 707 439 41	o-ring 23,8X2,4		8	
18	999 707 434 41	o-ring 10,6X2		8	
19	999 707 534 41	o-ring 17X2		X	
20	999 707 262 40	o-ring 6,7X1,8		X	
21	1K0 959 126 B	pressure sensor when required order also:		1	

Model	Year	MG	SG	Illustration	Restrictions	UPD	11:40	24.01.2010	PORSCHE	PET	PORSCHE
987	2008	8	13	813-25		248					

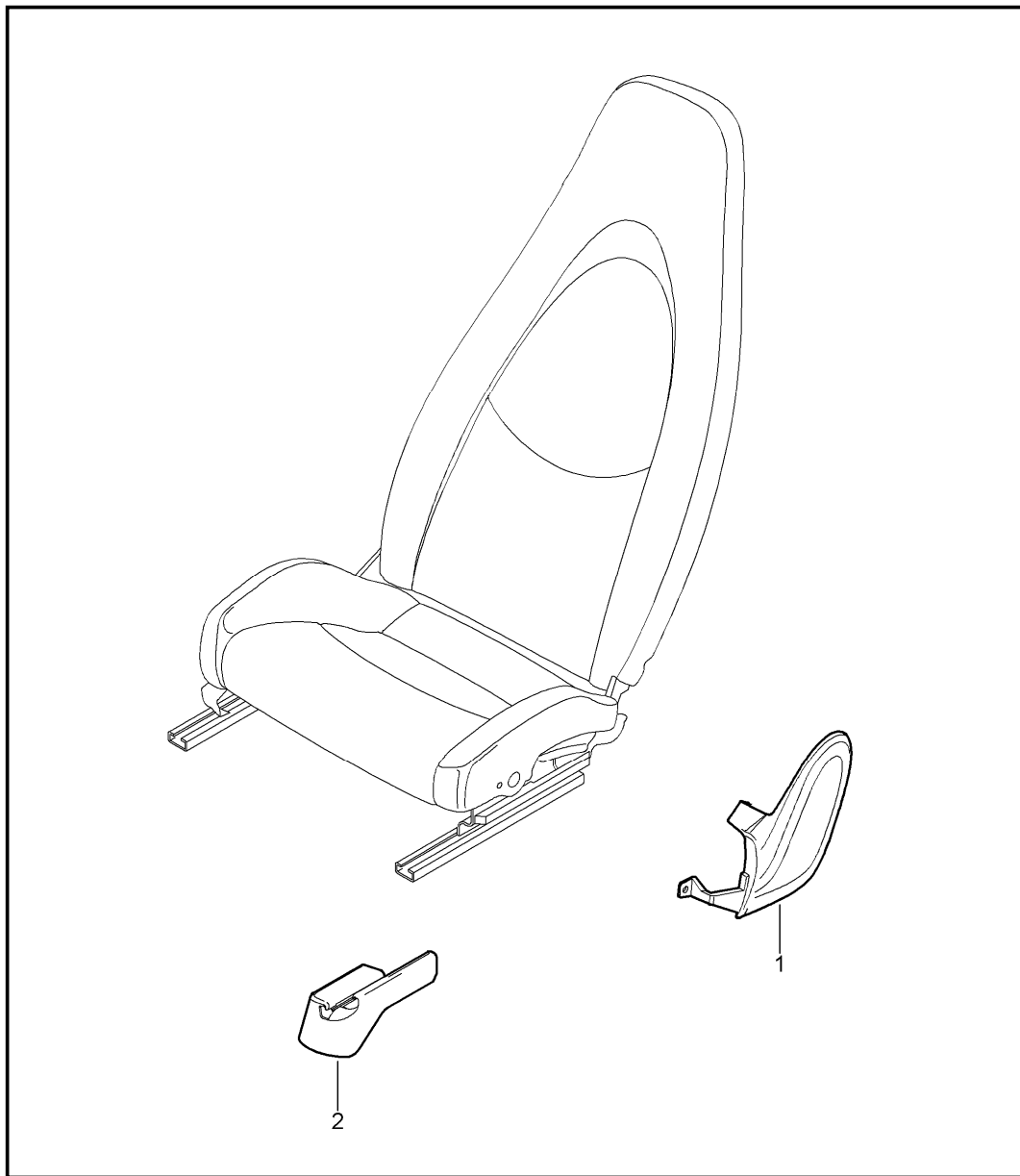
Pos	Part Number	Description	Remark	Qty	Model	Pos	Part Number	Description	Remark	Qty	Model
-	999 707 555 41	o-ring 10,8 X 1,8		1							
22	996 573 711 00	cover strip		2							
23	900 067 019 03	pan-head screw		X							
24	997 573 243 00	distributing piece		1							
25	996 573 465 00	valve intake pipe		1							
26	944 573 663 02	valve cap		1							
27	996 573 466 00	valve pressure line		1							
28	944 573 663 01	valve cap		1							
29	900 075 340 01	combination screw M6x22		1							
30	999 512 349 01	hose clamp A50-70/9		1							

Model	Year	MG	SG	Illustration	Restrictions	UPD	11:41	24.01.2010	PORSCHE	PET	PORSCHE
987	2008	8	13	813-45		248					



Pos	Part Number	Description	Remark	Qty	Model
		control switch			
1	997 653 103 10	control part	-07	1	I572
	FMH	volcano grey/black mat			
1	997 653 103 13	control part	08-	1	I572
	FMH	volcano grey/black mat			
(1)	997 653 113 10	control part	-07	1	I342/572
	FMH	volcano grey/black mat			
(1)	997 653 113 13	control part	08-	1	I342/572
	FMH	volcano grey/black mat			
(1)	997 653 101 09	control part	-07	1	I573
	FMH	volcano grey/black mat			
(1)	997 653 101 13	control part	08-	1	I573
	FMH	volcano grey/black mat			
(1)	997 653 111 09	control part	-07	1	I342/573
	FMH	volcano grey/black mat			
(1)	997 653 111 13	control part	08-	1	I342/573
	FMH	volcano grey/black mat			

Model	Year	MG	SG	Illustration	Restrictions	UPD	11:41	24.01.2010	PORSCHE	PET	PORSCHE
987	2008	8	17	817-00		248					



Pos	Part Number	Description	Remark	Qty	Model
		front seat standard seat comfort seat complete not available	05- 05-		BOXSTER BOXSTER S
1	997 521 315 02	trim cover mounting component  D07 volcano grey	/L	1	I369/375 I377/437
(1)	997 521 316 02	trim cover mounting component  D07 volcano grey	/R	1	I370/376 I378/438
(1)	997 521 316 03	trim cover mounting component advanced airbag  D07 volcano grey	/R	06- 1	I370/376 I378/438/560
2	997 521 359 01	rail seat rail  01C satin black	/L	1	I369/375
(2)	997 521 360 01	rail seat rail  01C satin black	/R	1	I370/376
(2)	997 521 361 00	rail seat rail  01C satin black	/L	1	I370/376/377 I378/437/438
(2)	997 521 362 00	rail seat rail  01C satin black	/R	1	I369/375/377 I378/437/438



Model	Year	MG	SG	Illustration	Restrictions	UPD	11:41	24.01.2010	PORSCHE	PET	PORSCHE
987	2008	8	17	817-02		248					

Pos	Part Number	Description	Remark	Qty	Model
		foam part cover standard seat comfort seat	05- 05-		BOXSTER BOXSTER S
1	997 521 535 00	foam part backrest outer		2	I369/370 I437/438
2	997 521 581 00	foam part backrest centre		2	I369/370/375 I376/377/378 I437/438
3	997 521 571 00	foam part seat cushion		1	I369/370 I437/438
(3)	997 521 571 03	foam part seat cushion advanced airbag	06-	1	I370/438/560
4	997 521 551 01	cushion carrier backrest		2	I369/370/375 I376/377/378 I437/438
5	987 521 161 00	cover for cushion FLA black FLD stone grey FLG sand beige FLK sea blue FLN palmgreen		2	I369/370/950
(5)	997 521 161 00	cover for cushion leatherette FLB black FLE stone grey FLH sand beige FLL sea blue FLO palmgreen		1	I369/370/437 I946
(5)	997 521 161 01	cover for cushion leather/ FLC black FLF stone grey		1	I369/370/437 I983

Model	Year	MG	SG	Illustration	Restrictions	UPD	11:41	24.01.2010	PORSCHE	PET	PORSCHE
987	2008	8	17	817-02		248					

Pos	Part Number	Description	Remark	Qty	Model	Pos	Part Number	Description	Remark	Qty	Model		
(5)	997 521 161 02	FLJ sand beige		1	I369/370/437 I982	(6)	997 521 151 00	backrest cushion cover centre part		1	I946		
		FLM sea blue						A08 black					
		FLP palmgreen						5D6 stone grey					
		FLQ terracotta						T25 sand beige					
		FLR cocoa						3W7 sea blue					
		BCA black/stone grey						4Q2 palmgreen					
		VAA dark grey/natural						997 521 151 00 backrest cushion cover centre part				1	I983
		VAB brown/natural							8YR black				
		VAC carrera red						5X5 stone grey					
		cover for cushion draped leather						8G1 sand beige					
		FLC black						3S8 sea blue					
		FLF stone grey						4P1 palmgreen					
		FLJ sand beige						9N2 terracotta					
		FLM sea blue						9Q3 cocoa					
		FLP palmgreen						D11 dark grey/natural					
		FLQ terracotta						T11 brown/natural					
		FLR cocoa						N11 carrera red					
BCA black/stone grey		997 521 151 01 backrest cushion cover centre part		1	I369/370/437 I438/982								
VAA dark grey/natural			8YR black										
VAB brown/natural		5X5 stone grey											
VAC carrera red		8G1 sand beige											
6	987 521 151 00	backrest cushion cover centre part alcantara		2	I369/370/950	(6)	987 521 151 00	backrest cushion cover centre part		2	I369/370/950		
		A15 black						3S8 sea blue					
		B15 stone grey						4P1 palmgreen					
		T45 sand beige						9N2 terracotta					
		G15 metropole blue						9Q3 cocoa					
		J45 palmgreen						D11 dark grey/natural					
								T11 brown/natural					

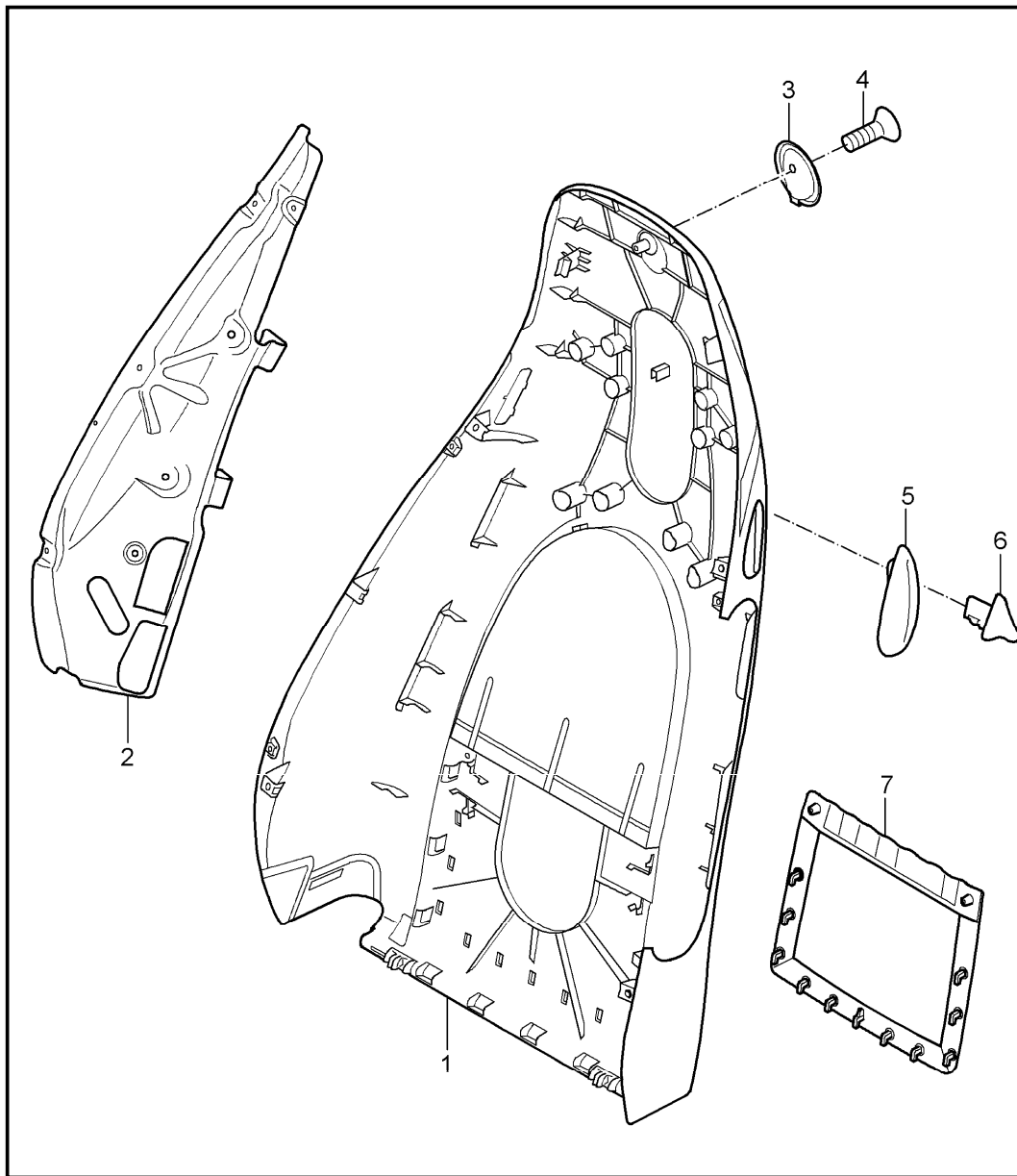
Model	Year	MG	SG	Illustration	Restrictions	UPD	11:41	24.01.2010	PORSCHE	PET	PORSCHE
987	2008	8	17	817-02		248					

Pos	Part Number	Description	Remark	Qty	Model	Pos	Part Number	Description	Remark	Qty	Model
	N11	carrera red					FLE	stone grey			
7	987 521 141 00	backrest cover outer part	/L	1	I369/950		FLH	sand beige			
	FLA	black					FLL	sea blue			
	FLD	stone grey					FLO	palmgreen			
	FLG	sand beige				(7)	987 521 142 03	backrest cover outer part	/R	07-	1 I370/438/946
	FLK	sea blue					FLB	black			
	FLN	palmgreen					FLE	stone grey			
(7)	987 521 142 00	backrest cover outer part	/R	1	I370/950		FLH	sand beige			
	FLA	black					FLL	sea blue			
	FLD	stone grey					FLO	palmgreen			
	FLG	sand beige				(7)	987 521 141 02	backrest cover outer part	/L		1 I369/437 I982/983 I982/983
	FLK	sea blue					FLC	black			
	FLN	palmgreen					FLF	stone grey			
(7)	987 521 141 01	backrest cover outer part	/L	-06	1 I369/437/946		FLJ	sand beige			
	FLB	black					FLM	sea blue			
	FLE	stone grey					FLP	palmgreen			
	FLH	sand beige					FLQ	terracotta			
	FLI	sea blue					FLR	cocoa			
	FLO	palmgreen					VAA	dark grey/natural			
(7)	987 521 142 01	backrest cover outer part	/R	-06	1 I370/438/946		VAB	brown/natural			
	FLB	black				(7)	987 521 142 02	backrest cover outer part	/R		1 I370/438 I982/983
	FLE	stone grey					FLC	black			
	FLH	sand beige					FLF	stone grey			
	FLI	sea blue					FLJ	sand beige			
	FLO	palmgreen					FLM	sea blue			
(7)	987 521 141 03	backrest cover	/L	07-	1 I369/437/946		FLP	palmgreen			
	FLB	black					FLQ	terracotta			

Model	Year	MG	SG	Illustration	Restrictions	UPD	11:41	24.01.2010	PORSCHE	PET	PORSCHE
987	2008	8	17	817-02		248					

Pos	Part Number	Description	Remark	Qty	Model	Pos	Part Number	Description	Remark	Qty	Model
	FLR	cocoa					8YR	black			
	VAA	dark grey/natural					5X5	stone grey			
	VAB	brown/natural					8G1	sand beige			
(7)	987 521 941 00	backrest cover outer part	/L -07	1	IXSC/946		3S8	sea blue			
	A08	black					4P1	palmgreen			
	5D6	stone grey					9N2	terracotta			
	3W7	sea blue					9Q3	cocoa			
	4Q2	palmgreen					D11	dark grey/natural			
	T25	sand beige					T11	brown/natural			
(7)	987 521 941 03	backrest cover outer part	/L 08-	1	IXSC/946	(7)	987 521 942 01	backrest cover outer part	/R	1	IXSC/982/983
	A08	black					8YR	black			
	5D6	stone grey					5X5	stone grey			
	3W7	sea blue					8G1	sand beige			
	T25	sand beige					3S8	sea blue			
(7)	987 521 942 00	backrest cover outer part	/R -07	1	IXSC/946		4P1	palmgreen			
	A08	black					9N2	terracotta			
	5D6	stone grey					9Q3	cocoa			
	3W7	sea blue					D11	dark grey/natural			
	4Q2	palmgreen				8	997 521 837 00	clip padding seat		6	
	T25	sand beige					T11	brown/natural			
(7)	987 521 942 03	backrest cover outer part	/R 08-	1	IXSC/946	9	997 521 897 00	clip backrest cover		5	
	A08	black									
	5D6	stone grey									
	3W7	sea blue									
	T25	sand beige									
(7)	987 521 941 01	backrest cover outer part	/L	1	IXSC/982/983						

Model	Year	MG	SG	Illustration	Restrictions	UPD	11:41	24.01.2010	PORSCHE	PET	PORSCHE
987	2008	8	17	817-04		248					

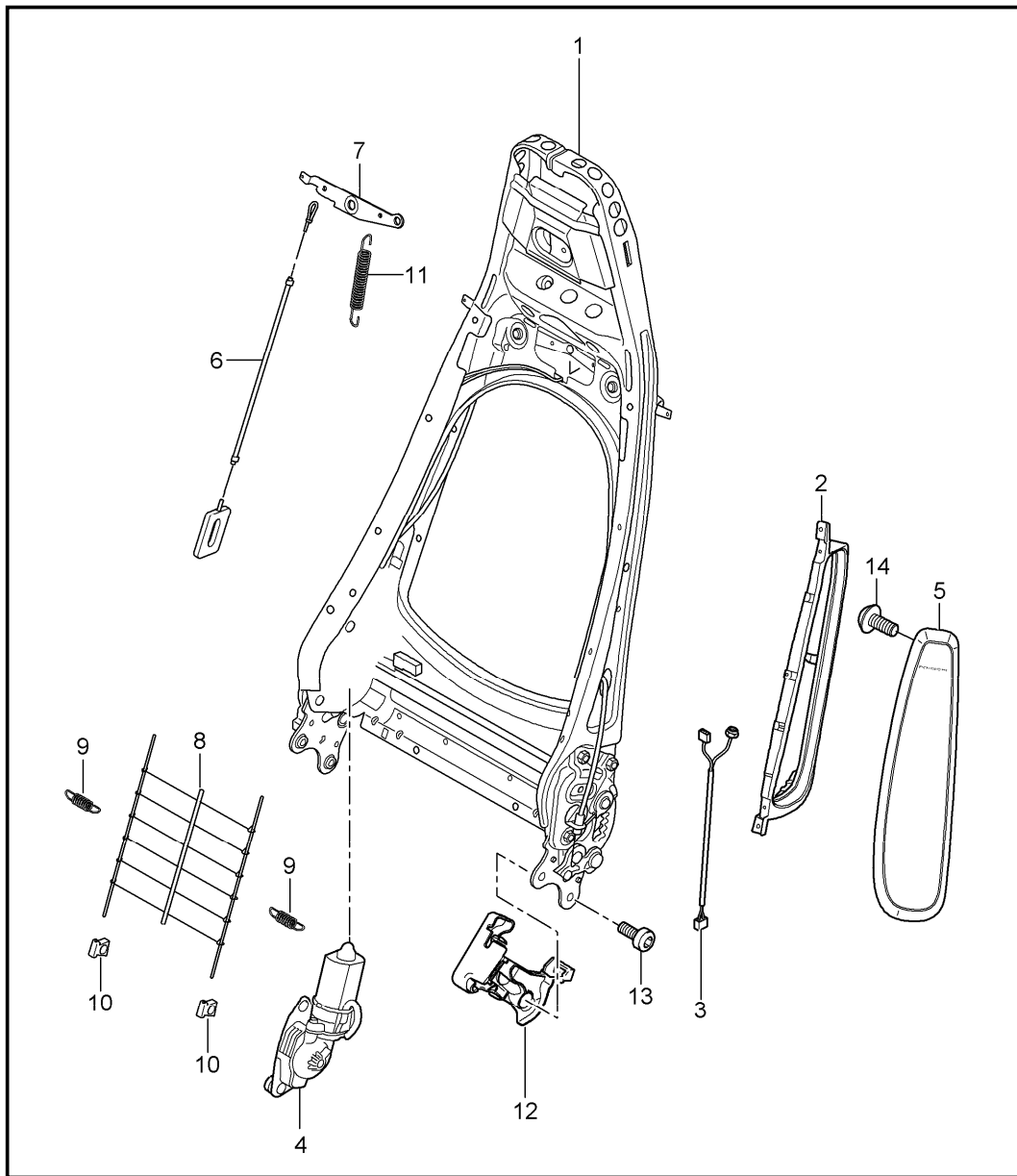


Pos	Part Number	Description	Remark	Qty	Model
		backrest shell standard seat comfort seat	05- 05-		BOXSTER BOXSTER S
1	987 521 303 02	backrest shell	/L	05	1 I369/437
	01C	satin black			
(1)	987 521 304 02	backrest shell	/R	05	1 I370/438
	01C	satin black			
(1)	987 521 303 04	backrest shell	/L	06-	1 I369/437
	01C	satin black			
(1)	987 521 304 04	backrest shell	/R	06-	1 I370/438
	01C	satin black			
(2)	997 521 319 00	bracket	/L		1
2	997 521 320 00	bracket backrest side bolster	/R		1
3	997 521 373 01	coat hook			2
	D07	volcano grey			
4	999 919 199 09	countersunk-head screw coat hook 5,0 X 25-M			1
5	997 521 621 02	rosette backrest locking lever	/L		1 I369/370 I437/438
	D07	volcano grey			
(5)	997 521 622 02	rosette backrest locking lever	/R		1 I369/370 I437/438
	D07	volcano grey			
6	987 521 623 01	control button backrest locking lever	/L		1
	V05	galvano silver			
(6)	987 521 624 01	control button backrest locking lever	/R		1
	V05	galvano silver			
7	997 521 313 01	bag backrest shell			1 I369/370/437 I438/982/983
	8YR	black			

Model	Year	MG	SG	Illustration	Restrictions	UPD	11:41	24.01.2010	PORSCHE	PET	PORSCHE
987	2008	8	17	817-04		248					

Pos	Part Number	Description	Remark	Qty	Model	Pos	Part Number	Description	Remark	Qty	Model
(7)	987 521 313 01	bag backrest shell		1	I369/370/437 I438/946/950						
	5Q2	black									

Model	Year	MG	SG	Illustration	Restrictions	UPD	11:41	24.01.2010	PORSCHE	PET	PORSCHE
987	2008	8	17	817-06		248					



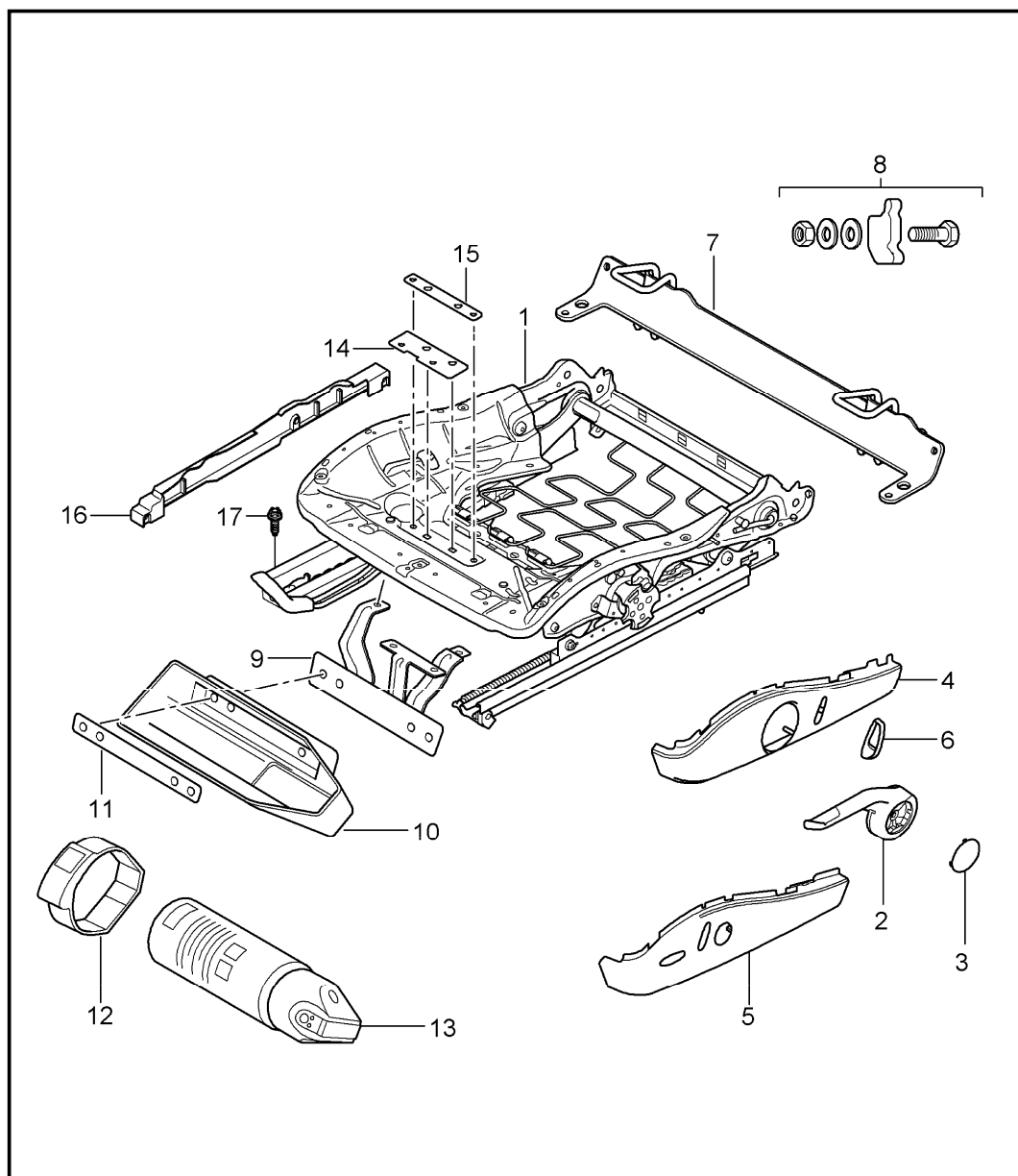
Pos	Part Number	Description	Remark	Qty	Model
		backrest frame standard seat comfort seat	05- 05-		BOXSTER BOXSTER S
1	997 521 329 00	backrest frame without memory	/L/R -07	2	I369/370 I437/438
(1)	997 521 329 02	backrest frame without memory	/L/R 08-	2	I369/370 I437/438
(1)	997 521 329 01	backrest frame	/L/R -07	2	I537/538
(1)	997 521 329 03	backrest frame with memory	/L/R 08-	2	I537/538
2	997 521 533 00	cushion carrier	/L	1	I369/437
(2)	997 521 534 00	cushion carrier side airbag	/R	1	I370/438
3	997 612 785 01	wiring harness	/L	1	I537
(3)	997 612 786 01	wiring harness side airbag	/R	1	I538
4	997 624 331 00	electric motor backrest frame memory	/L/R	1	I537/538
(4)	997 624 321 00	electric motor backrest frame without memory	/L/R	1	I369/370 I437/438
5	997 803 081 01	side airbag	/L	1	
	A03	black			
	5V7	stone grey			
	5Z1	sand beige			
	8W7	sea blue			
	5Y2	palmgreen			
	8X8	terracotta			
	8P9	cocoa			
	T13	brown/natural			
	N23	carrera red	08-		

Model	Year	MG	SG	Illustration	Restrictions	UPD	11:41	24.01.2010	PORSCHE	PET	PORSCHE
987	2008	8	17	817-06		248					

Pos	Part Number	Description	Remark	Qty	Model	Pos	Part Number	Description	Remark	Qty	Model
(5)	997 803 082 01	side airbag	/R	1		14	999 073 306 09	screw mount side airbag		2	
	A03	black									
	5V7	stone grey									
	5Z1	sand beige									
	8W7	sea blue									
	5Y2	palmgreen									
	8X8	terracotta									
	8P9	cocoa									
	T13	brown/natural									
	N23	carrera red	08-								
6	997 521 485 00	bowden cable backrest frame		2							
7	997 521 375 00	release backrest frame		1							
8	997 521 855 00	grille backrest frame		1							
9	997 521 893 00	tension spring inner spring		2							
10	997 521 895 00	clip inner spring		2							
11	997 521 797 00	tension spring release backrest		1							
12	997 521 335 01	cover	/L	1							
	D07	volcano grey									
(12)	997 521 336 01	cover mounting component inner	/R	1							
	D07	volcano grey									
13	999 073 375 09	screw M10 x 13,0 mount backrest seat adjuster		4							



Model	Year	MG	SG	Illustration	Restrictions	UPD	11:41	24.01.2010	PORSCHE	PET	PORSCHE
987	2008	8	17	817-08		248					



Pos	Part Number	Description	Remark	Qty	Model
		seat adjuster standard seat comfort seat	05- 05-		BOXSTER BOXSTER S
1	997 521 201 00	seat adjuster	/LL/L	-06	1 I098/369/375
(1)	997 521 201 10	seat adjuster height adjustment manually left-hand drive driver's side	/LL/L	07-	1 I098/369/375
(1)	997 521 202 00	seat adjuster height adjustment manually right-hand drive driver's side	/R	-07	1 I099/370/376
(1)	997 521 202 19	seat adjuster height adjustment manually right-hand drive driver's side	/R	08-	1 I099/370/376
(1)	997 521 201 04	seat adjuster	/L	-06	1 I377/437
(1)	997 521 201 12	seat adjuster	/L	07-	1 I377/437
(1)	997 521 202 10	seat adjuster	/R	-06	1 I378/438
(1)	997 521 202 21	seat adjuster electric without memory	/R	07-	1 I378/438
(1)	997 521 201 05	seat adjuster	/L	-06	1 I377/437/537
(1)	997 521 201 13	seat adjuster memory	/L	07-	1 I377/437/537
(1)	997 521 202 11	seat adjuster	/R	-06	1 I378/438/538
(1)	997 521 202 22	seat adjuster electric memory		07-	1 I378/438/538
(1)	997 521 201 03	seat adjuster	/RL/L	-06	1 I099/369/375
(1)	997 521 201 11	seat adjuster manually right-hand drive passenger's side	/RL/L	07-	1 I099/369/375
(1)	997 521 202 06	seat adjuster	/R	06	1 I370/376/560

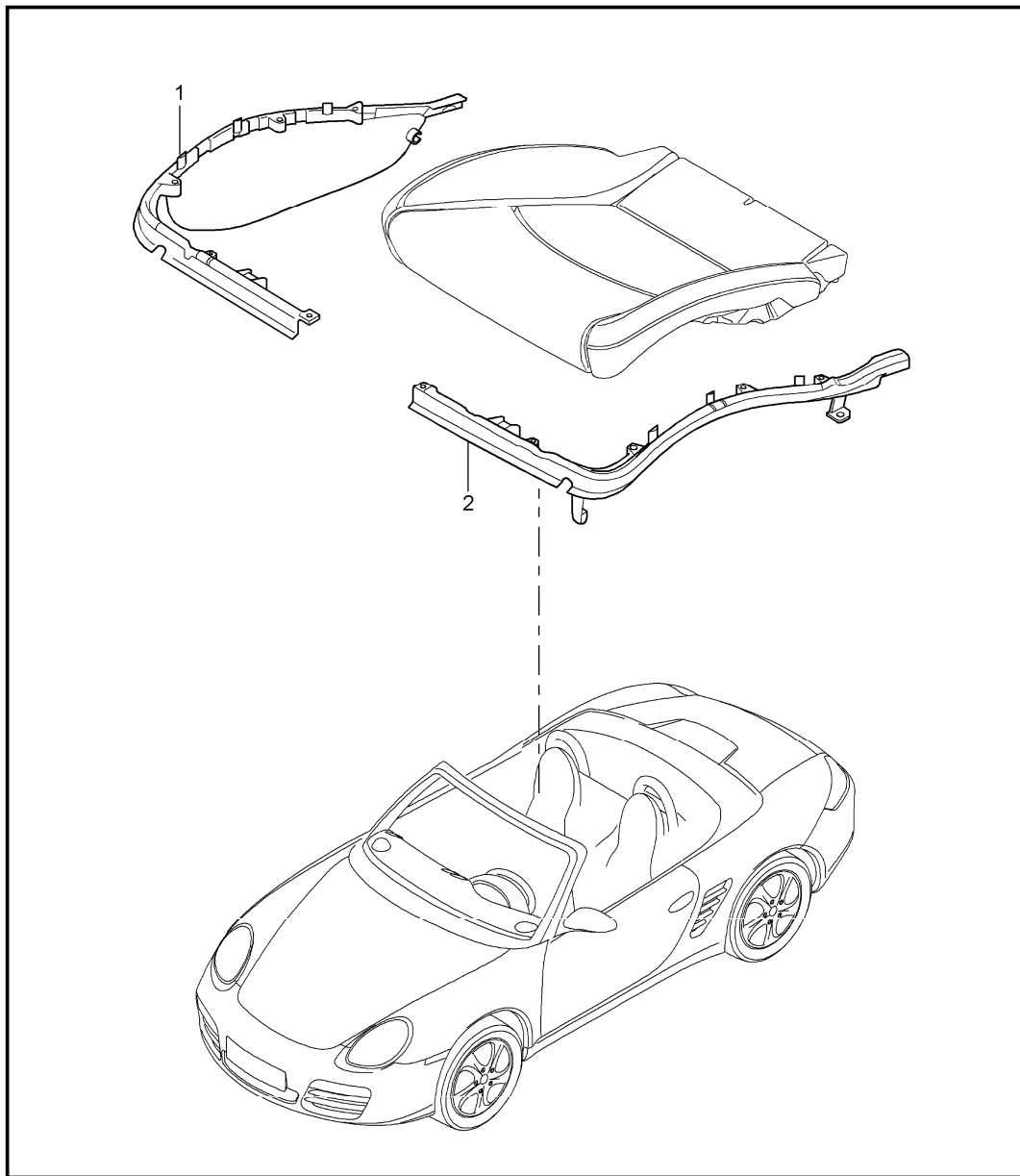
Model	Year	MG	SG	Illustration	Restrictions	UPD	11:41	24.01.2010	PORSCHE	PET	PORSCHE
987	2008	8	17	817-08		248					

Pos	Part Number	Description	Remark	Qty	Model	Pos	Part Number	Description	Remark	Qty	Model
(1)	997 521 202 23	seat adjuster manually seat occupancy detection	/R 07-	1	I370/376/560	(5)	997 521 326 09	trim for switch advanced airbag	/R 06-	1	I370/376/560
(1)	997 521 202 12	seat adjuster	/R 06	1	I378/438/560		D07	volcano grey			
(1)	997 521 202 24	seat adjuster electric seat occupancy detection	/R 07-	1	I378/438/560	(5)	997 521 326 10	trim for switch advanced airbag	/R 06-	1	I438/560
(1)	997 521 202 05	seat adjuster	/LL/R -06	1	I098/370/376		D07	volcano grey			
(1)	997 521 202 20	seat adjuster manually left-hand drive passenger's side	/LL/R 07-	1	I098/370/376	6	997 521 631 01	control button backrest		1	I369/370/375 I376/377/378
		V05 galvano silver					V05	galvano silver			
2	997 521 627 01	actuating lever height adjustment	/L	1	I369/375	7	997 521 061 01	retaining bow child car seat ISOFIX not for AUSTRALIEN		1	
		V05 galvano silver									
(2)	997 521 628 01	actuating lever height adjustment	/R	1	I370/376	8	997 521 961 01	set of fastening parts retaining bow		1	
		V05 galvano silver				9	997 521 251 00	support fire extinguisher		1	I098/509
3	997 521 629 01	cap actuating lever	/L/R	2	I369/370 I375/376	(9)	997 521 252 00	support fire extinguisher		1	I099/509
		D07 volcano grey				10	997 521 607 00	cup fire extinguisher		1	I509
4	997 521 325 06	trim for switch	/L	1	I369/375	11	997 521 881 00	support cup fire extinguisher		1	I509
		D07 volcano grey without advanced airbag				12	997 521 851 00	restraining strap fire extinguisher		1	I509
(4)	997 521 326 06	trim for switch	/R	1	I370/376	13	996 722 115 00	fire extinguisher Information available Information available		1	I509
		D07 volcano grey without advanced airbag				14	997 521 841 00	reinforcement front		1	I509
5	997 521 325 07	trim for switch without advanced airbag	/L	1	I437	15	997 521 843 00	reinforcement rear		1	I509
		D07 volcano grey				(16)	997 521 427 01	cover sensor weight	/L 06-	1	I370/376/378 I438/560
(5)	997 521 326 07	trim for switch without advanced airbag	/R	1	I438		01C	satin black			
		D07 volcano grey									

Model	Year	MG	SG	Illustration	Restrictions	UPD	11:41	24.01.2010	PORSCHE	PET	PORSCHE
987	2008	8	17	817-08		248					

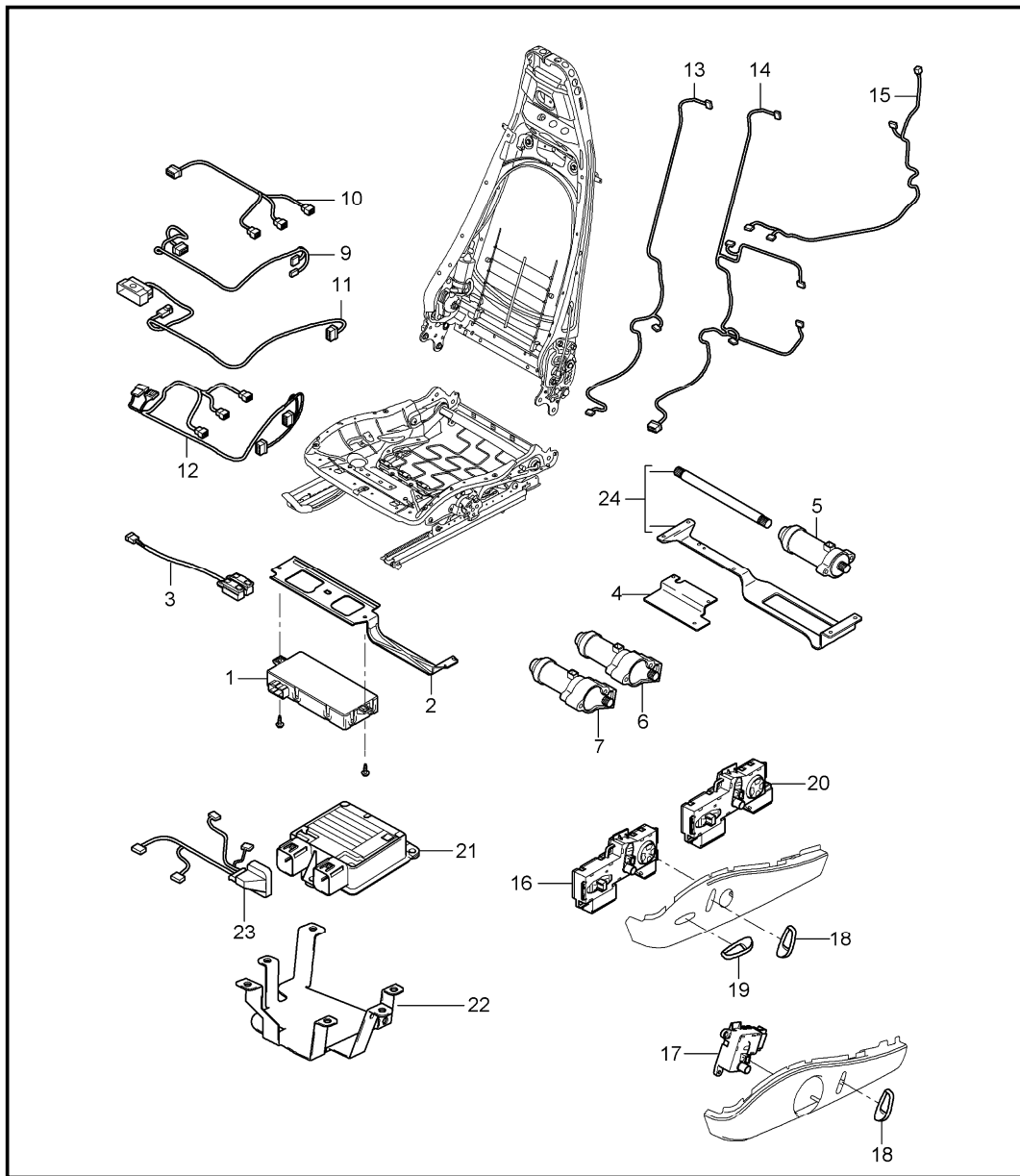
Pos	Part Number	Description	Remark	Qty	Model	Pos	Part Number	Description	Remark	Qty	Model
16	997 521 426 01	cover sensor weight	/R	1	I370/376/378 I438/560						
	01C	satin black									
17	999 141 047 01	torx screw mount seat rail		4							

Model	Year	MG	SG	Illustration	Restrictions	UPD	11:42	24.01.2010	PORSCHE	PET	PORSCHE
987	2008	8	17	817-09		248					



Pos	Part Number	Description	Remark	Qty	Model
		cushion carrier	05-		BOXSTER
		frame	05-		BOXSTER S
		seat surface			
		standard seat			
		comfort seat			
1	997 521 547 00	frame	/L	1	I370/438
(1)	997 521 548 00	frame inner	/R	1	I369/437
2	997 521 545 00	frame	/L	1	I369/437
(2)	997 521 546 00	frame outer right without advanced airbag	/R	1	I370/438
-	997 521 546 01	frame outer right with advanced airbag	/R	06-	I370/438/560

Model	Year	MG	SG	Illustration	Restrictions	UPD	11:42	24.01.2010	PORSCHE	PET	PORSCHE
987	2008	8	17	817-10		248					

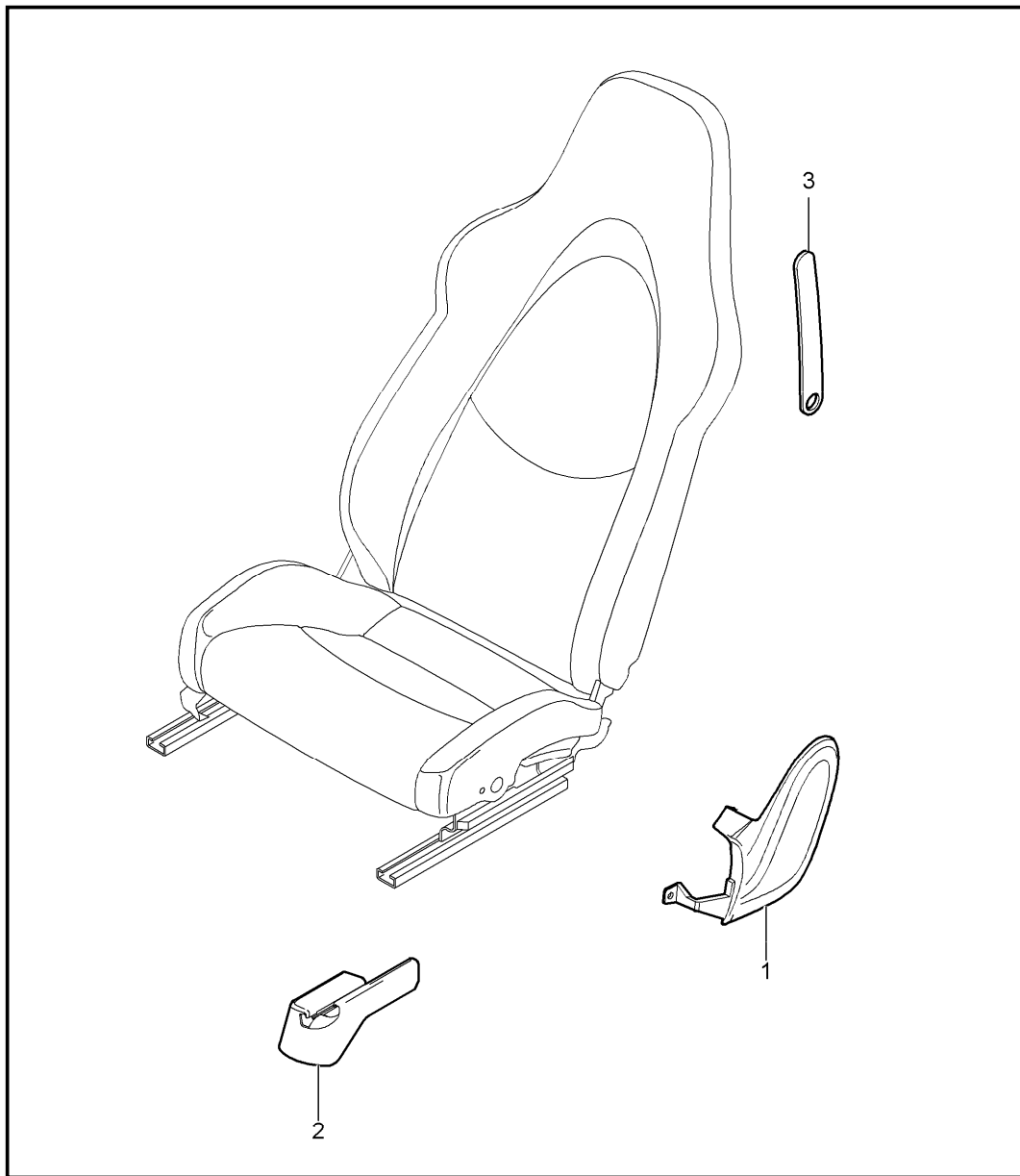


Pos	Part Number	Description	Remark	Qty	Model
		wiring harnesses	05-		BOXSTER
		control unit	05-		BOXSTER S
		switch			
		standard seat			
		comfort seat			
1	997 618 537 07	control unit seating position control		1	I537/538
2	997 521 643 00	support control unit seating position control		1	I537/538
3	997 613 725 00	switch seat adjuster		1	I377
		V05 galvano silver			
(3)	997 613 726 00	switch seat adjuster		1	I378
		V05 galvano silver			
4	997 521 343 00	support compressor		1	I377/378
5	997 624 322 00	electric motor seat adjuster lengthways without memory		1	I437/438
(5)	997 624 332 00	electric motor seat adjuster lengthways with memory		1	I537/538
6	997 624 322 00	electric motor seat adjuster height adjustment without memory		1	I437/438
(6)	997 624 332 00	electric motor seat adjuster height adjustment with memory		1	I537/538
7	997 624 323 00	electric motor seat adjuster tilt angle without memory		1	I437/438

Model	Year	MG	SG	Illustration	Restrictions	UPD	11:42	24.01.2010	PORSCHE	PET	PORSCHE
987	2008	8	17	817-10		248					

Pos	Part Number	Description	Remark	Qty	Model	Pos	Part Number	Description	Remark	Qty	Model
(7)	997 624 333 00	electric motor seat adjuster tilt angle with memory		1	I537/538	(17)	997 613 714 00	switch seat adjuster manually adjustable	/R	1	I370/376
9	997 612 684 00	wiring harness seat adjuster memory		1	I537/538	18	997 521 631 01	control button		1	I369/370/375
10	997 612 690 00	wiring harness lengthways height adjustment memory		1	I537/538		V05	galvano silver			I437/438
11	997 612 682 01	wiring harness switch seat adjuster		1	I369/370 I375/376	19	997 521 633 02	control button		1	I377/378/437
12	997 612 683 01	wiring harness switch seat adjuster without memory		1	I437/438		V05	galvano silver			
13	997 612 689 00	wiring harness lumbar support without memory		1	I377/378 I437/438	20	997 613 717 01	switch seat adjuster without memory	/L	1	I377/437
14	997 612 687 00	wiring harness lumbar backrest memory		1	I537/538 I437/438		V05	galvano silver			
15	997 612 685 01	wiring harness backrest	/L	1	I369/375 I377/437	(20)	997 613 718 01	switch seat adjuster without memory	/R	1	I378/438
(15)	997 612 686 01	wiring harness backrest	/R	1	I370/376 I378/438		V05	galvano silver			
16	997 613 721 01	switch seat adjuster memory switch	/L	1	I377/437/537	(21)	997 618 233 05	control unit seat occupancy detection	06-	1	I370/376/378 I438/560
	V05	galvano silver				(22)	997 521 646 00	support control unit seat occupancy detection	06-	1	I370/376/378 I438/560
(16)	997 613 722 01	switch seat adjuster memory switch	/R	1	I378/438/538	23	997 612 688 00	wiring harness control unit seat occupancy detection	06-	1	I370/376/378 I438/560
	V05	galvano silver				24	000 043 207 06	pliable shaft adjusting motor lengthways		1	
17	997 613 713 00	switch	/L	1	I369/375	(24)	997 521 901 00	repair kit pliable shaft engine bracket		1	

Model	Year	MG	SG	Illustration	Restrictions	UPD	11:42	24.01.2010	PORSCHE	PET	PORSCHE
987	2008	8	17	817-15		248					



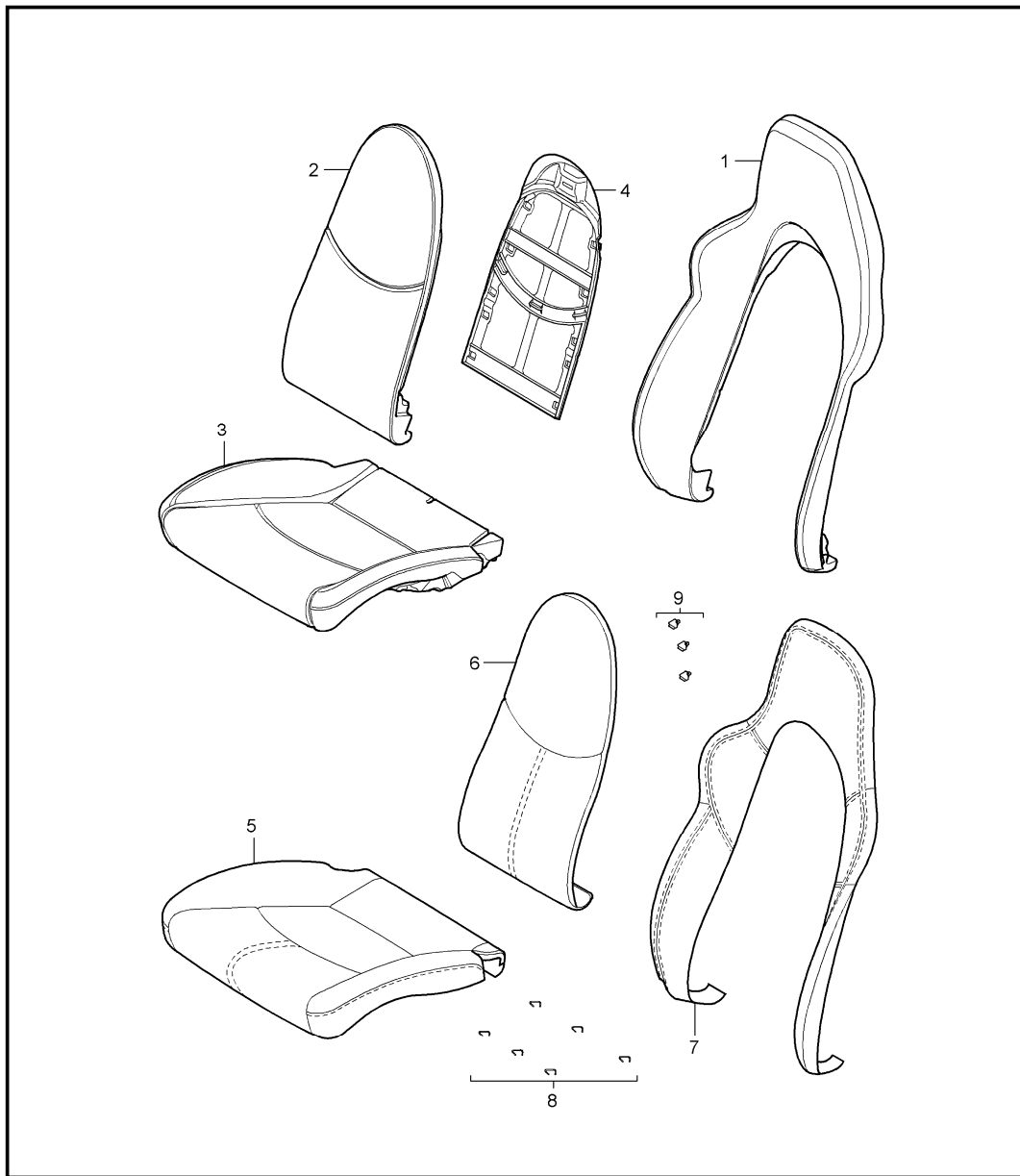
Pos	Part Number	Description	Remark	Qty	Model
		front seat sports seat complete not available	05- 05-		BOXSTER BOXSTER S
1	997 521 315 02	trim cover mounting component D07 volcano grey	/L	1	I375/377
(1)	997 521 316 02	trim cover mounting component D07 volcano grey	/R	1	I376/378
(1)	997 521 316 03	trim cover mounting component advanced airbag D07 volcano grey	/R 06-	1	I370/376 I378/438/560
2	997 521 359 01	rail seat rail 01C satin black	/L	1	I369/375
(2)	997 521 360 01	rail seat rail 01C satin black	/R	1	I370/376
(2)	997 521 361 00	rail 01C satin black	/L	1	I370/376
(2)	997 521 362 00	rail 01C satin black	/R	1	I375/377/378
3	987 521 181 00	set of fastening parts guide belt complete 8YR black 5X5 stone grey 8G1 sand beige 3S8 sea blue 4P1 palmgreen 9N2 terracotta 9Q3 cocoa	/L 05-	1	I375/377

Model	Year	MG	SG	Illustration	Restrictions	UPD	11:42	24.01.2010	PORSCHE	PET	PORSCHE
987	2008	8	17	817-15		248					

Pos	Part Number	Description	Remark	Qty	Model	Pos	Part Number	Description	Remark	Qty	Model
		D11 dark grey/natural									
		T11 brown/natural									
		N11 carrera red									
(3)	987 521 182 00	set of fastening parts guide belt complete	/R	05-	1 I376/378						
		8YR black									
		5X5 stone grey									
		8G1 sand beige									
		3S8 sea blue									
		4P1 palmgreen									
		9N2 terracotta									
		9Q3 cocoa									
		D11 dark grey/natural									
		T11 brown/natural									
		N11 carrera red									



Model	Year	MG	SG	Illustration	Restrictions	UPD	11:42	24.01.2010	PORSCHE	PET	PORSCHE
987	2008	8	17	817-17		248					



Pos	Part Number	Description	Remark	Qty	Model
		foam part cover sports seat	05- 05-		BOXSTER BOXSTER S
1	997 521 535 01	foam part backrest outer		2	I375/376
2	997 521 581 00	foam part backrest centre		2	I375/376 I377/378
3	997 521 571 01	foam part seat cushion		2	I375/376
(3)	997 521 571 02	foam part seat cushion		2	I377/378
(3)	997 521 571 04	foam part seat cushion advanced airbag	06-	2	I376/560
(3)	997 521 571 05	foam part seat cushion advanced airbag	06-	2	I378/560
4	997 521 551 01	cushion carrier backrest		2	I375/376 I377/378
5	987 521 161 01	cover for cushion special model RS Spyder		2	I375/376/754 I983
		VAD dark grey			
		VAE carrera red			
(5)	987 521 161 02	cover for cushion special model RS Spyder		2	I376/377/754 I983
		VAD dark grey			
		VAE carrera red			
(5)	997 521 161 03	cover for cushion		2	I375/376/983
		FLC black			
		FLF stone grey			
		FLJ sand beige			
		FLM sea blue			

Model	Year	MG	SG	Illustration	Restrictions	UPD	11:42	24.01.2010	PORSCHE	PET	PORSCHE
987	2008	8	17	817-17		248					

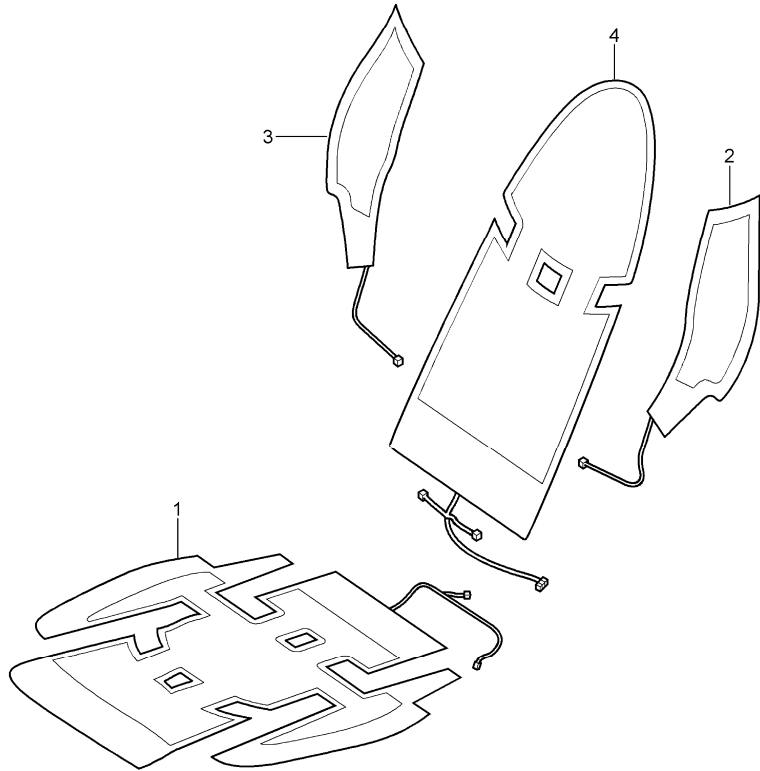
Pos	Part Number	Description	Remark	Qty	Model	Pos	Part Number	Description	Remark	Qty	Model
	FLP	palmgreen					8G1	sand beige			
	FLQ	terracotta					3S8	sea blue			
	FLR	cocoa					4P1	palmgreen			
	BCA	black/stone grey					9N2	terracotta			
	VAA	dark grey/natural					9Q3	cocoa			
	VAB	brown/natural					D11	dark grey/natural			
	VAC	carrera red					T11	brown/natural			
(5)	997 521 161 06	cover for cushion		2	I377/378/983		N11	carrera red			
	FLC	black				(6)	987 521 151 00	backrest cushion cover centre part alcantara		2	I950
	FLF	stone grey					A15	black			
	FLJ	sand beige				(6)	987 521 151 01	backrest cushion cover special model centre part	08-	2	I754
	FLM	sea blue					VAE	carrera red			
	FLP	palmgreen					VAD	dark grey			
	FLQ	terracotta				(7)	997 521 155 01	backrest cover outer part		2	I375/376/377 I378/983
	FLR	cocoa					FLC	black			
	BCA	black/stone grey					FLF	stone grey			
	VAA	dark grey/natural					FLJ	sand beige			
	VAB	brown/natural					FLM	sea blue			
	VAC	carrera red					FLP	palmgreen			
6	997 521 151 00	backrest cushion cover centre part		2	I369/370/437 I438/946		FLQ	terracotta			
	A08	black					FLR	cocoa			
	5D6	stone grey					VAA	dark grey/natural			
	T25	sand beige					VAB	brown/natural			
	3W7	sea blue					VAC	carrera red			
	4Q2	palmgreen				(7)	997 521 941 02	backrest cover outer part		1	IXSC/983
(6)	997 521 151 00	backrest cushion cover centre part		1	I375/376 I377/378/983		8YR	black			
	8YR	black					5X5	stone grey			
	5X5	stone grey									

Model	Year	MG	SG	Illustration	Restrictions	UPD	11:42	24.01.2010	PORSCHE	PET	PORSCHE
987	2008	8	17	817-17		248					

Pos	Part Number	Description	Remark	Qty	Model	Pos	Part Number	Description	Remark	Qty	Model
		5X5 stone grey									
		8G1 sand beige									
		3S8 sea blue									
		4P1 palmgreen									
		9N2 terracotta									
		9Q3 cocoa									
		D11 dark grey/natural									
		T11 brown/natural									
		N11 carrera red									
8	997 521 837 00	clip padding seat		6	I375/376 I377/378						
9	997 521 897 00	clip backrest cover		5	I375/376 I377/378						

Model	Year	MG	SG	Illustration	Restrictions	UPD	11:42	24.01.2010	PORSCHE	PET	PORSCHE
987	2008	8	17	817-18		248					

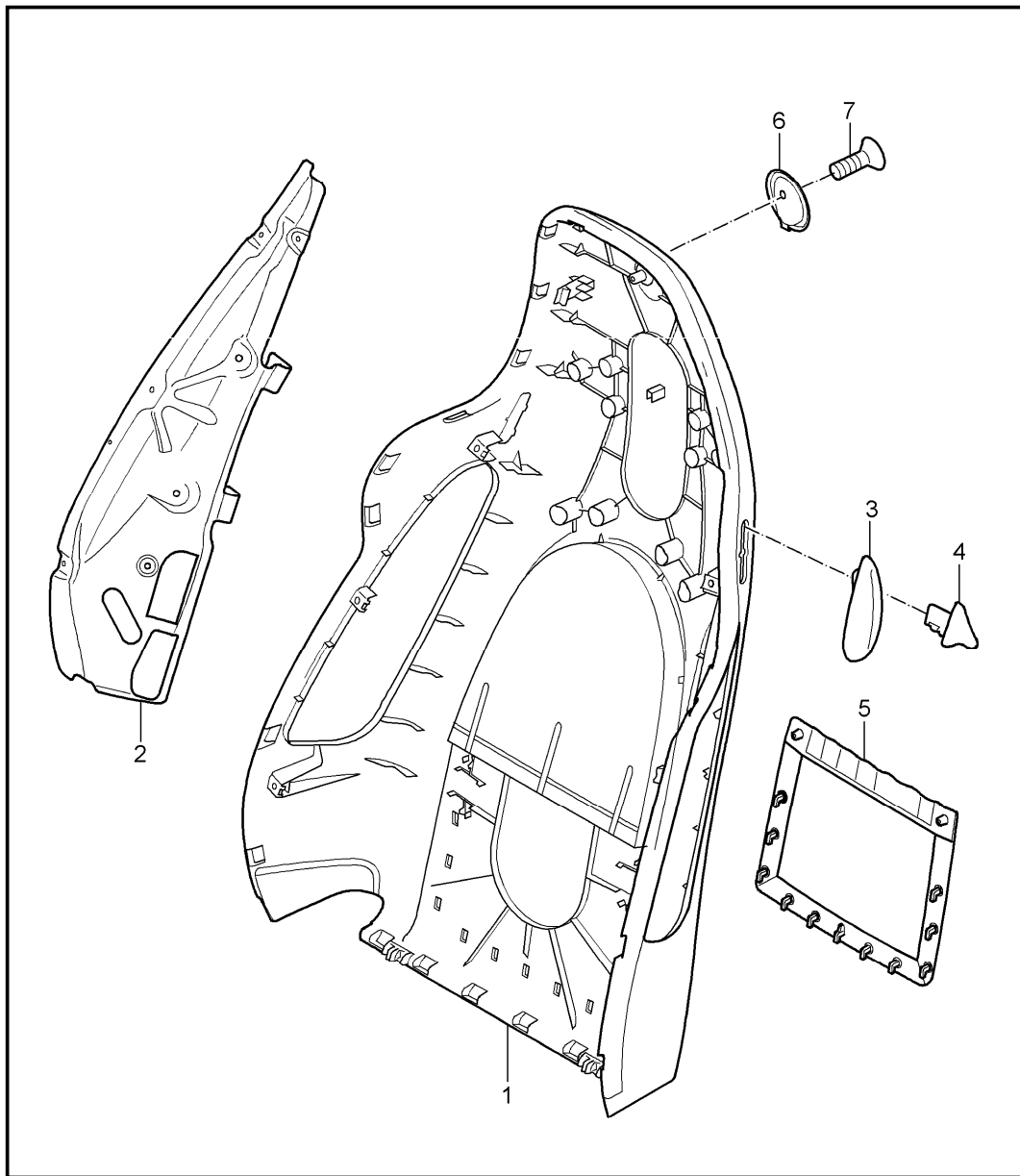
8/17/18



987.27 11 - 05

Pos	Part Number	Description	Remark	Qty	Model
		heating	05-05-		BOXSTER BOXSTER S
1	997 653 105 02	heating element seat cushion standard seat comfort seat	/L/R	2	I342/369/370 I437/438
(1)	997 653 105 03	heating element seat cushion sports seat	/L/R	2	I342/375/376 I377/378
2	997 653 109 00	heating element backrest side bolster standard seat comfort seat	/L	1	I342/369/370 I437/438
(2)	997 653 109 01	heating element backrest side bolster sports seat	/L	1	I342/375/376 I377/378
3	997 653 110 00	heating element backrest side bolster standard seat comfort seat	/R	1	I342/369/370 I437/438
(3)	997 653 110 01	heating element backrest side bolster sports seat	/R	1	I342/375/376 I377/378
4	997 653 107 00	heating element backrest cushion	/L/R	2	I342

Model	Year	MG	SG	Illustration	Restrictions	UPD	11:43	24.01.2010	PORSCHE	PET	PORSCHE
987	2008	8	17	817-19		248					

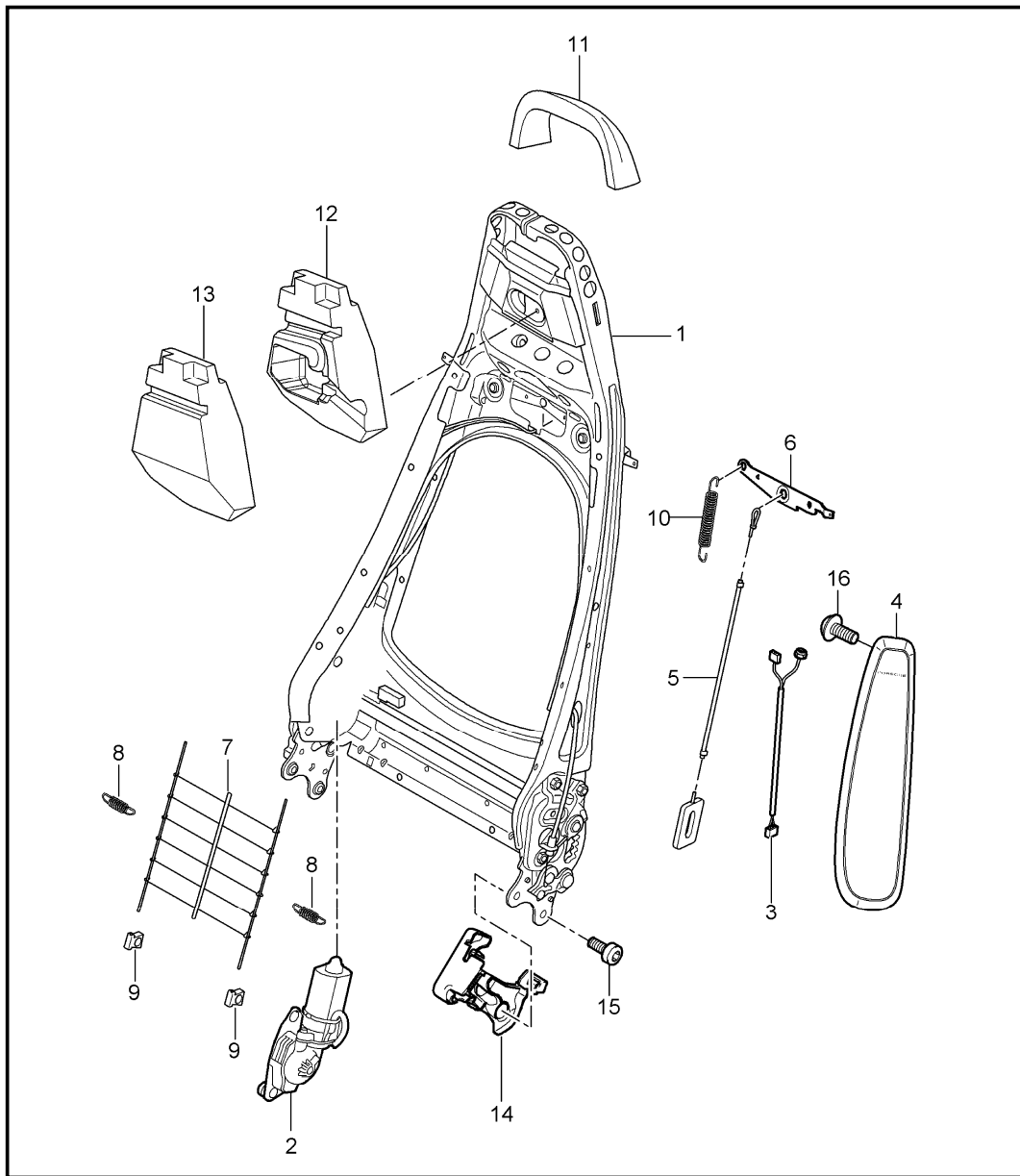


Pos	Part Number	Description	Remark	Qty	Model
		backrest shell sports seat	05- 05-		BOXSTER BOXSTER S
(1)	987 521 303 03	backrest shell D07 volcano grey	/L	05	1 I375/377
(1)	987 521 304 03	backrest shell D07 volcano grey	/R	05	1 I376/378
(1)	987 521 303 05	backrest shell D07 volcano grey	/L	06-	1 I375/377
(1)	987 521 304 05	backrest shell D07 volcano grey	/R	06-	1 I376/378
(1)	987 521 981 00	backrest shell 041 black 84A guards red 12H speed yellow B9A carrara white 92U arctic silver metallic M3W carmon red metallic M5W lapis blue metallic M6W lagoon green metallic C9Z basalt black metallic M7X atlas grey metallic 39C midnight blue metallic 6B4 seal grey metallic 2B4 forest green metallic 3C8 cobalt blue metallic 23F slate grey metallic M6X dark olive-metallic M7Z gt silver metallic	/L	06-	1 IXSA/375/377
(1)	987 521 982 00	backrest shell	/R	06-	1 IXSA/376/378

Model	Year	MG	SG	Illustration	Restrictions	UPD	11:43	24.01.2010	PORSCHE	PET	PORSCHE
987	2008	8	17	817-19		248					

Pos	Part Number	Description	Remark	Qty	Model	Pos	Part Number	Description	Remark	Qty	Model
	041	black				(3)	997 521 622 03	rosette backrest locking lever	/R	1	I376/378
	84A	guards red					D07	volcano grey			
	12H	speed yellow				4	987 521 623 01	control button backrest locking lever	/L	1	I375/377
	B9A	carrara white					V05	galvano silver			
	92U	arctic silver metallic				(4)	987 521 624 01	control button backrest locking lever	/R	1	I376/378
	M3W	carmon red metallic					V05	galvano silver			
	M5W	lapis blue metallic				5	997 521 313 01	bag backrest shell black		1	I375/376/377 I378/983
	M6W	lagoon green metallic					5X5	stone grey			
	C9Z	basalt black metallic					8G1	sand beige			
	M7X	atlas grey metallic					3S8	sea blue			
	39C	midnight blue metallic					4P1	palmgreen			
	6B4	seal grey metallic					9N2	terracotta			
	2B4	forest green metallic					9Q3	cocoa			
	3C8	cobalt blue metallic					D11	dark grey/natural			
	23F	slate grey metallic					T11	brown/natural			
	M6X	dark olive-metallic				(6)	997 521 373 01	coat hook	05-	2	
	M7Z	gt silver metallic					D07	volcano grey			
(1)	987 521 981 01	backrest shell lacquered aluminium coloured	/L	06-	1	IXCG/375/377	7	999 919 199 09	countersunk-head screw coat hook 5,0 X 25-M		1
	V04	galvano silver									
(1)	987 521 982 01	backrest shell lacquered aluminium coloured	/R	06-	1	IXCG/376/378					
	V04	galvano silver									
2	997 521 319 00	bracket	/L		1	I375/376 I377/378					
(2)	997 521 320 00	bracket backrest	/R		1	I375/376 I377/378					
3	997 521 621 03	rosette backrest locking lever	/L		1	I375/377					
	D07	volcano grey									

Model	Year	MG	SG	Illustration	Restrictions	UPD	11:43	24.01.2010	PORSCHE	PET	PORSCHE
987	2008	8	17	817-21		248					



Pos	Part Number	Description	Remark	Qty	Model
1	997 521 329 00	backrest frame sports seat	05-05-		BOXSTER BOXSTER S
		backrest frame without memory	/L/R -07	2	I375/376 I377/378
(1)	997 521 329 02	backrest frame without memory	/L/R 08-	2	I375/376 I377/378
(1)	997 521 329 01	backrest frame	/L/R -07	2	I537/538
(1)	997 521 329 03	backrest frame with memory	/L/R 08-	2	I537/538
2	997 624 331 00	electric motor backrest frame memory	/L/R	1	I537/538
(2)	997 624 321 00	electric motor backrest frame without memory	/L/R	1	I375/376 I377/378
3	997 612 785 01	wiring harness	/L	1	I537
(3)	997 612 786 01	wiring harness side airbag	/R	1	I538
4	997 803 081 01	side airbag	/L	1	I375/377
		D07 volcano grey			
(4)	997 803 082 01	side airbag	/R	1	I376/378
		D07 volcano grey			
(4)	997 803 981 00	side airbag	/L 07-	1	IXSG/375/377
		A03 black			
		5V7 stone grey			
		5Z1 sand beige			
		5Y2 palmgreen	07		
		8W7 sea blue			
		8X8 terracotta			
		8P9 cocoa			
		T13 brown/natural			

Model	Year	MG	SG	Illustration	Restrictions	UPD	11:43	24.01.2010	PORSCHE	PET	PORSCHE
987	2008	8	17	817-21		248					

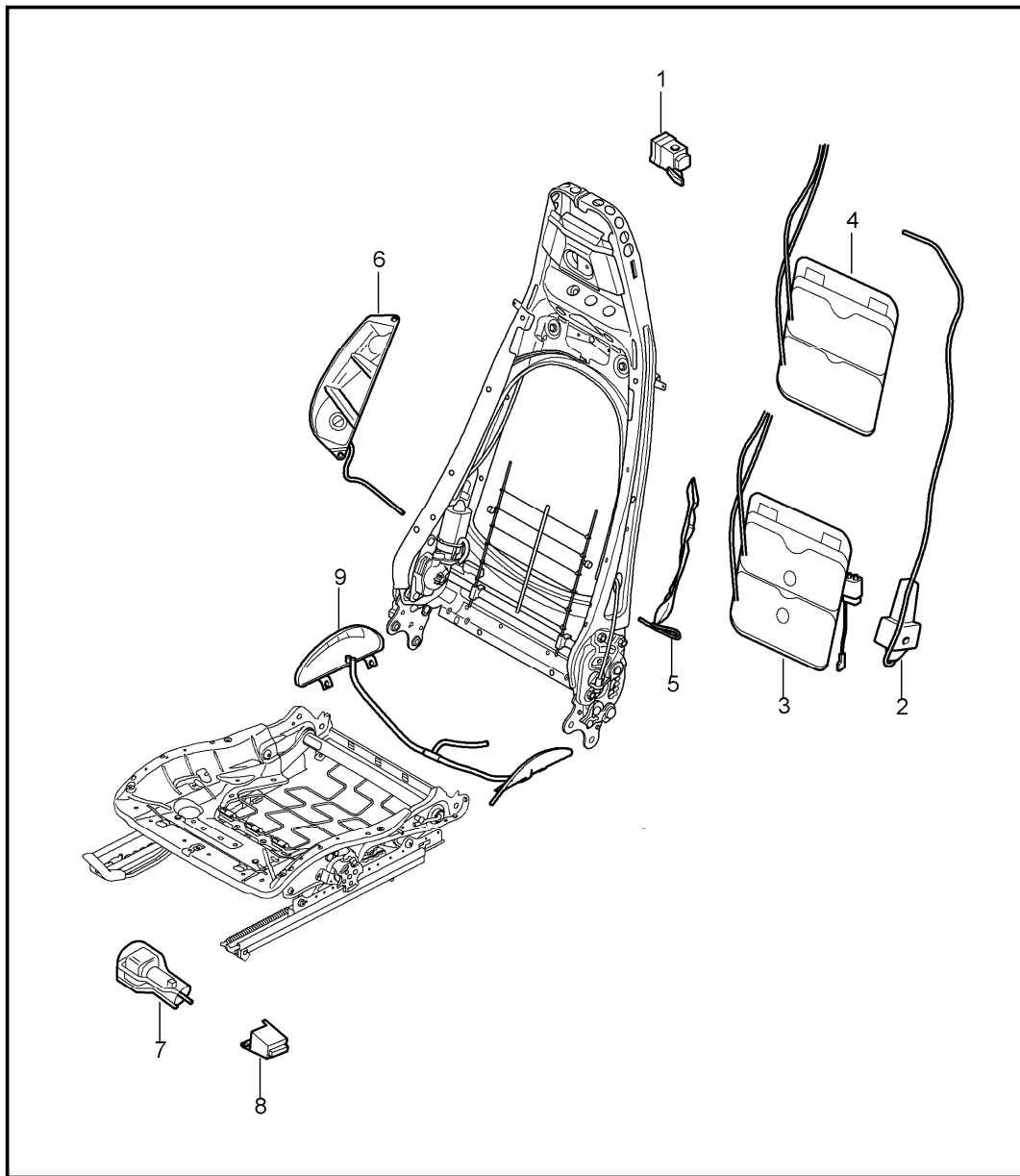
Pos	Part Number	Description	Remark	Qty	Model	Pos	Part Number	Description	Remark	Qty	Model
	N23	carrera red	08-				T13	brown/natural			
(4)	997 803 981 00	side airbag	/L 07-	1	IXSA/375/377		N23	carrera red	08-		
	A03	black				(4)	997 803 982 00	side airbag	/L 07-	1	IXSA/376/378
	5V7	stone grey					A03	black			
	5Z1	sand beige					5V7	stone grey			
	5Y2	palmgreen	07				5Z1	sand beige			
	8W7	sea blue					5Y2	palmgreen	07		
	8X8	terracotta					8W7	sea blue			
	8P9	cocoa					8X8	terracotta			
	T13	brown/natural					8P9	cocoa			
	N23	carrera red	08-				T13	brown/natural			
(4)	997 803 981 00	side airbag	/L 07-	1	IXSB/375/377		N23	carrera red	08-		
	A03	black				(4)	997 803 982 00	side airbag	/L 07-	1	IXSB/376/378
	5V7	stone grey					A03	black			
	5Z1	sand beige					5V7	stone grey			
	5Y2	palmgreen	07				5Z1	sand beige			
	8W7	sea blue					5Y2	palmgreen	07		
	8X8	terracotta					8W7	sea blue			
	8P9	cocoa					8X8	terracotta			
	T13	brown/natural					8P9	cocoa			
	N23	carrera red	08-				T13	brown/natural			
(4)	997 803 982 00	side airbag	/L 07-	1	IXSG/376/378		N23	carrera red	08-		
	A03	black				5	997 521 485 00	bowden cable backrest frame		2	
	5V7	stone grey				6	997 521 375 00	release backrest frame		1	
	5Z1	sand beige				7	997 521 855 00	grille backrest frame		1	
	5Y2	palmgreen	07			8	997 521 893 00	tension spring inner spring		2	
	8W7	sea blue									
	8X8	terracotta									
	8P9	cocoa									



Model	Year	MG	SG	Illustration	Restrictions	UPD	11:43	24.01.2010	PORSCHE	PET	PORSCHE
987	2008	8	17	817-21		248					

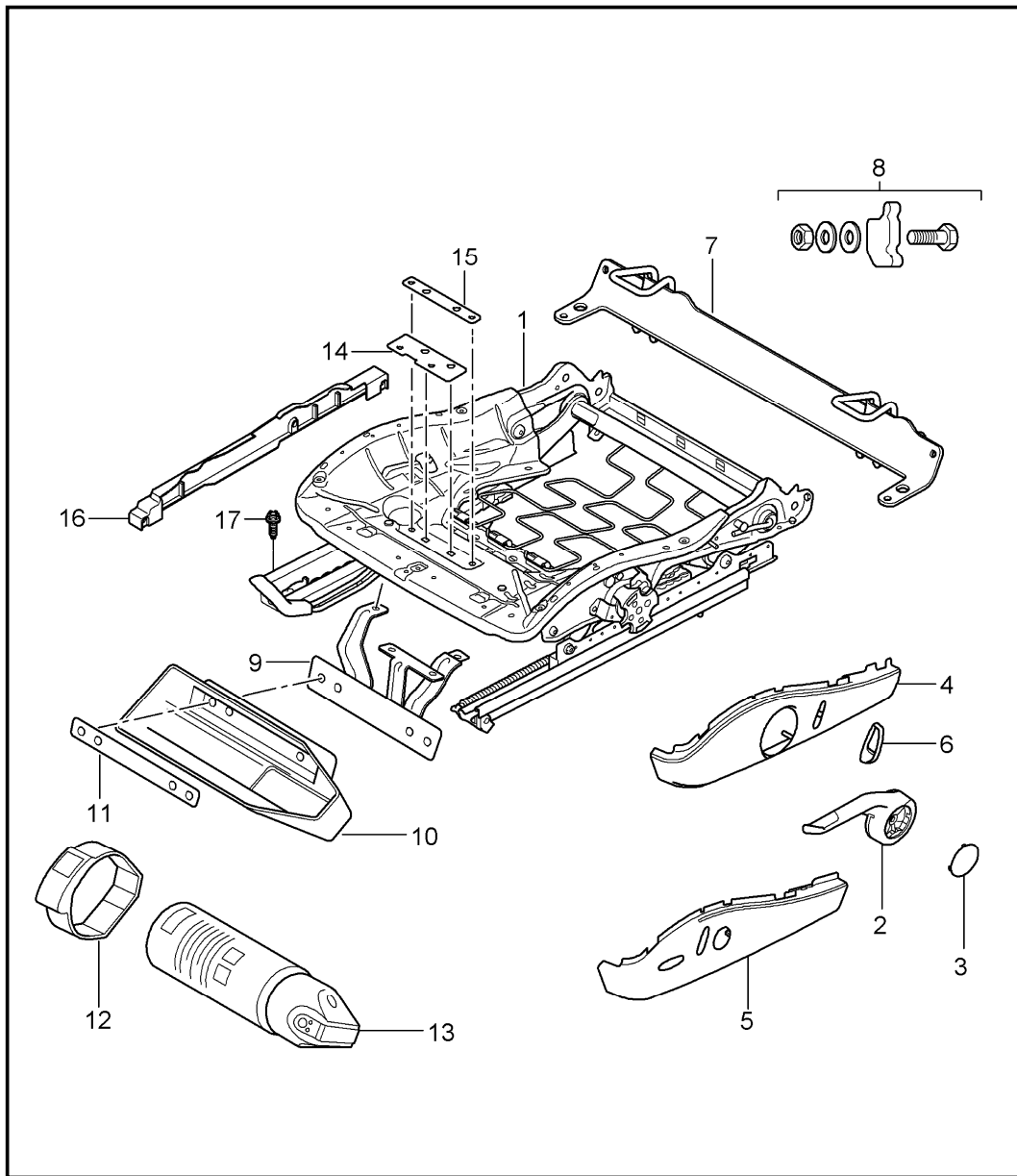
Pos	Part Number	Description	Remark	Qty	Model	Pos	Part Number	Description	Remark	Qty	Model
9	997 521 895 00	clip inner spring		2							
10	997 521 797 00	tension spring release backrest		1							
11	997 521 885 00	foam part head rest upper		1	I375/376 I377/378						
12	997 521 887 01	foam part head rest centre electric		1	I377/378						
13	997 521 887 00	foam part head rest centre		1	I375/376						
14	997 521 335 01	cover	/L	1							
	D07	volcano grey									
(14)	997 521 336 01	cover mounting component inner	/R	1							
	D07	volcano grey									
15	999 073 375 09	screw M10 x 13 mount backrest seat adjuster		4							
16	999 073 306 09	screw mount side airbag		2							

Model	Year	MG	SG	Illustration	Restrictions	UPD	11:43	24.01.2010	PORSCHE	PET	PORSCHE
987	2008	8	17	817-22		248					



Pos	Part Number	Description	Remark	Qty	Model
		lumbar support sports seat	05-05-		BOXSTER BOXSTER S
1	997 617 725 00	valve lumbar support without memory		1	I377/378 I437/438
(1)	997 617 726 00	valve lumbar support memory		1	I537/538
2	997 620 725 00	compressor lumbar		1	I377/378 I437/438
3	997 521 709 01	lumbar support memory		1	I377/378/437 I438/537/538
4	997 521 709 00	lumbar support without memory		1	I377/378 I437/438
5	997 521 711 00	container air distributor backrest side bolster		1	I377/378
6	997 521 712 00	container air distributor backrest side bolster		1	I377/378
7	997 620 727 00	compressor lumbar support seat cushion		1	I377/378
8	997 617 727 00	valve adjustment seat wide		1	I377/378
9	997 521 713 01	container air distributor seat side bolster		1	I377/378

Model	Year	MG	SG	Illustration	Restrictions	UPD	11:43	24.01.2010	PORSCHE	PET	PORSCHE
987	2008	8	17	817-23		248					



Pos	Part Number	Description	Remark	Qty	Model
		seat adjuster sports seat	05-05-		BOXSTER BOXSTER S
1	997 521 201 00	seat adjuster	/LL/L -06	1	I098/369/375
(1)	997 521 201 10	seat adjuster height adjustment manually left-hand drive driver's side	/LL/L 07-	1	I098/369/375
(1)	997 521 202 00	seat adjuster height adjustment manually right-hand drive driver's side	/R -07	1	I099/370/376
(1)	997 521 202 19	seat adjuster height adjustment manually right-hand drive driver's side	/R 08-	1	I099/370/376
(1)	997 521 201 04	seat adjuster	/L -06	1	I377/437
(1)	997 521 201 12	seat adjuster electric without memory	/L 07-	1	I377/437
(1)	997 521 202 10	seat adjuster	/R -06	1	I378/438
(1)	997 521 202 21	seat adjuster electric without memory	/R 07-	1	I378/438
(1)	997 521 201 05	seat adjuster	/L -06	1	I377/437/537
(1)	997 521 201 13	seat adjuster electric memory	/L 07-	1	I377/437/537
(1)	997 521 201 03	seat adjuster	/RL/L -06	1	I099/369/375
(1)	997 521 201 11	seat adjuster manually right-hand drive passenger's side	/RL/L 07-	1	I099/369/375
(1)	997 521 202 06	seat adjuster	/R 06	1	I370/376/560
(1)	997 521 202 23	seat adjuster manually seat occupancy detection	/R 07-	1	I370/376/560
(1)	997 521 202 11	seat adjuster	/R -06	1	I378/438/538

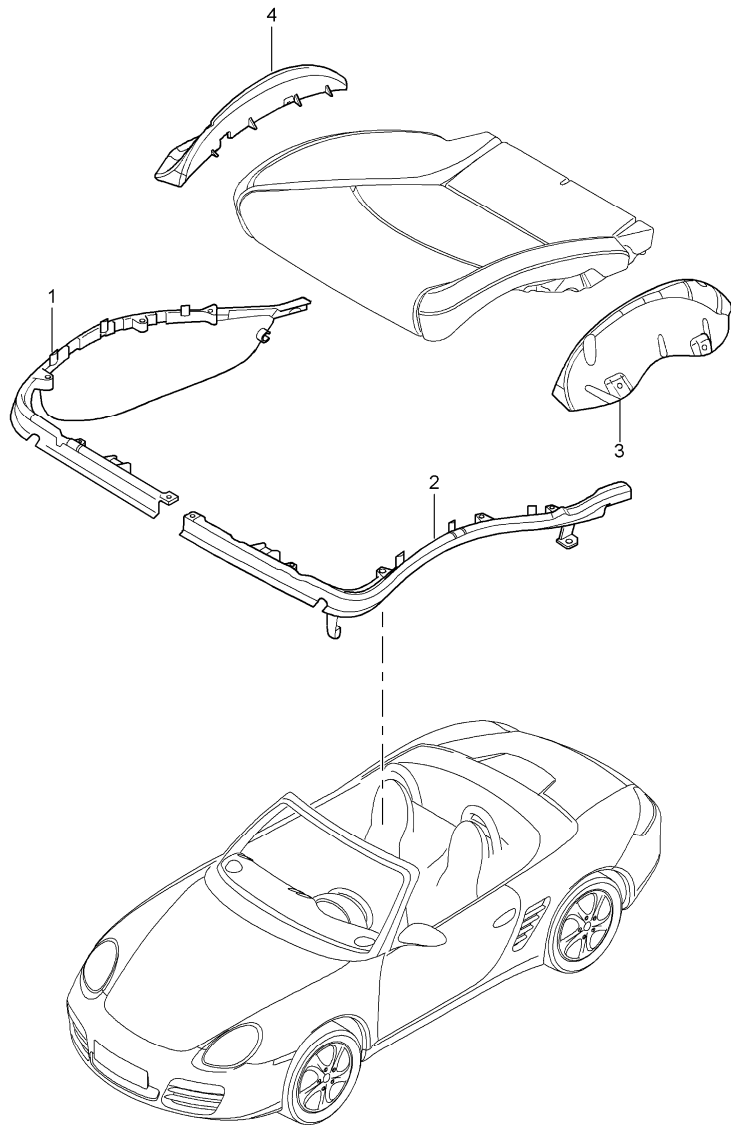
Model	Year	MG	SG	Illustration	Restrictions	UPD	11:43	24.01.2010	PORSCHE	PET	PORSCHE
987	2008	8	17	817-23		248					

Pos	Part Number	Description	Remark	Qty	Model	Pos	Part Number	Description	Remark	Qty	Model
(1)	997 521 202 22	seat adjuster electric memory	/R 07-	1	I378/438/538	(5)	997 521 326 09	trim for switch advanced airbag	/R 06-	1	I370/376/560
(1)	997 521 202 12	seat adjuster	/R 06	1	I378/438/560		D07	volcano grey			
(1)	997 521 202 24	seat adjuster electric seat occupancy detection	/R 07-	1	I378/438/560	(5)	997 521 326 11	trim for switch advanced airbag	/R 06-	1	I378/560
(1)	997 521 202 05	seat adjuster	/LL/R -06	1	I098/370/376		D07	volcano grey			
(1)	997 521 202 20	seat adjuster manually left-hand drive passenger's side	/LL/R 07-	1	I098/370/376	6	997 521 631 01	control button backrest		1	I375/376 I377/378
		V05 galvano silver					V05	galvano silver			
2	997 521 627 01	actuating lever height adjustment	/L	1	I369/375	7	997 521 061 01	retaining bow child car seat ISOFIX not for AUSTRALIEN		1	
(2)	997 521 628 01	actuating lever height adjustment	/R	1	I370/376	8	997 521 961 01	set of fastening parts retaining bow		1	
		V05 galvano silver				9	997 521 251 00	support fire extinguisher		1	I098/509
3	997 521 629 01	cap actuating lever	/L/R	2	I369/370 I375/376	(9)	997 521 252 00	support fire extinguisher		1	I099/509
		D07 volcano grey				10	997 521 607 00	cup fire extinguisher		1	I509
4	997 521 325 06	trim for switch	/L	1	I369/375	11	997 521 881 00	support cup fire extinguisher		1	I509
		D07 volcano grey without advanced airbag				12	997 521 851 00	restraining strap fire extinguisher		1	I509
(4)	997 521 326 06	trim for switch	/R	1	I370/376	13	996 722 115 00	fire extinguisher Information available Information available		1	I509
		D07 volcano grey without advanced airbag				14	997 521 841 00	reinforcement front		1	I509
5	997 521 325 08	trim for switch	/L	1	I377	15	997 521 843 00	reinforcement rear		1	I509
		D07 volcano grey									
		V04 galvano silver									
(5)	997 521 326 08	trim for switch	/R	1	I378	16	997 521 426 01	cover sensor weight	/R 06-	1	I376/378/560
		D07 volcano grey					01C	satin black			
		V04 galvano silver									

Model	Year	MG	SG	Illustration	Restrictions	UPD	11:43	24.01.2010	PORSCHE	PET	PORSCHE
987	2008	8	17	817-23		248					

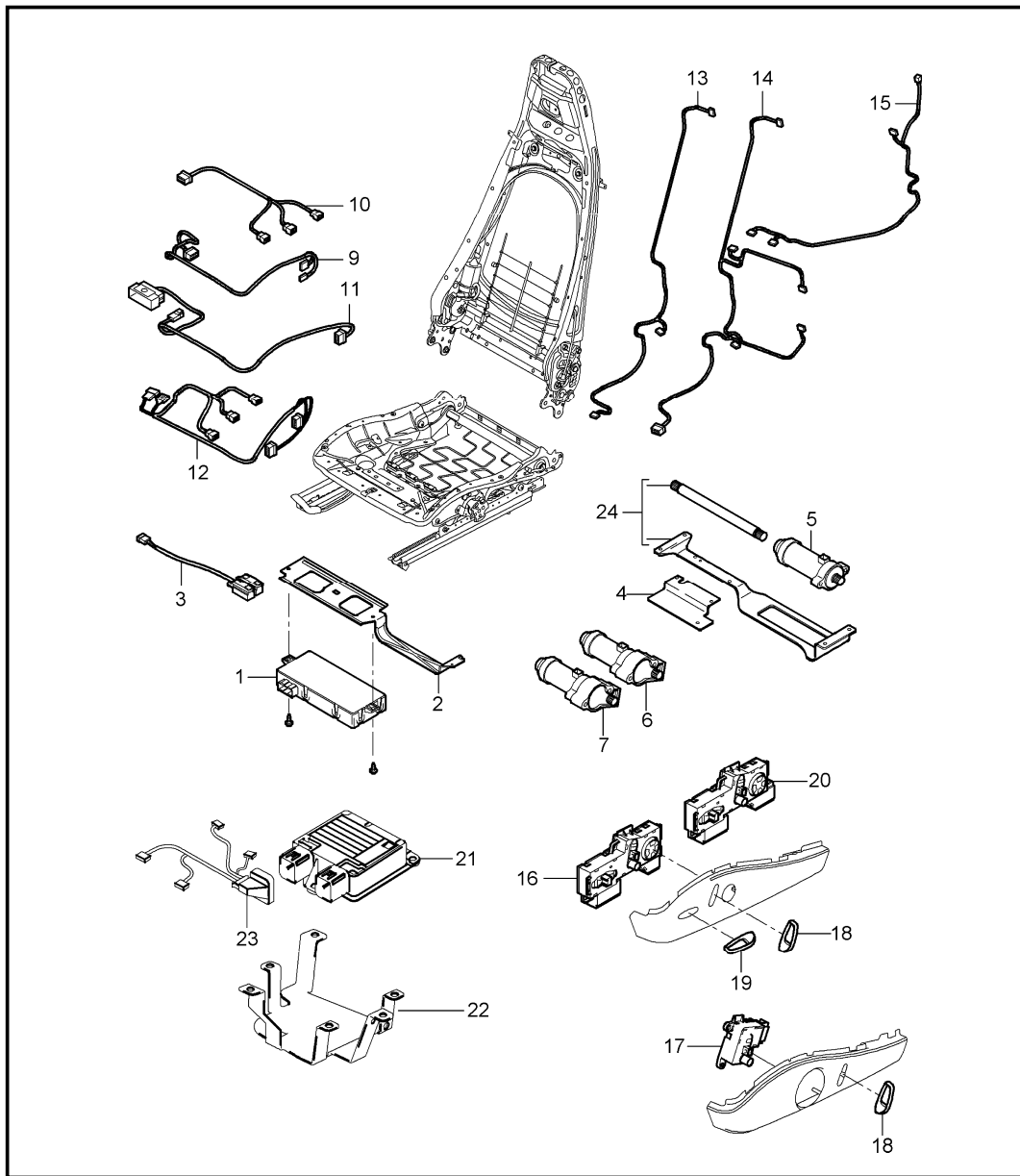
Pos	Part Number	Description	Remark	Qty	Model	Pos	Part Number	Description	Remark	Qty	Model
(16)	997 521 427 01	cover sensor weight	/L 06-	1	I376/378/560						
	01C	satin black									
17	999 141 047 01	torx screw mount seat rail		4							

Model	Year	MG	SG	Illustration	Restrictions	UPD	11:43	24.01.2010	PORSCHE	PET	PORSCHE
987	2008	8	17	817-24		248					



Pos	Part Number	Description	Remark	Qty	Model
		cushion carrier frame seat surface sports seat	05- 05-		BOXSTER BOXSTER S
1	997 521 547 00	frame	/L	1	I376/378
(1)	997 521 548 00	frame inner	/R	1	I375/377
(2)	997 521 545 00	frame	/L	1	I375/377
2	997 521 546 00	frame outer	/R	1	I376/378
3	997 521 519 00	supporting plate seat cushion	/L	1	I377/378
4	997 521 520 00	supporting plate seat cushion	/R	1	I377/378
-	997 521 546 01	frame outer with advanced airbag	/R	06-	1 I376/378/560

Model	Year	MG	SG	Illustration	Restrictions	UPD	11:44	24.01.2010	PORSCHE	PET	PORSCHE
987	2008	8	17	817-25		248					



Pos	Part Number	Description	Remark	Qty	Model
		wiring harnesses control unit switch sports seat	05- 05-		BOXSTER BOXSTER S
1	997 618 537 07	control unit seating position control		1	I537/538
2	997 521 643 00	support control unit seating position control		1	I537/538
3	997 613 725 00	switch V05 galvano silver		1	I377
(3)	997 613 726 00	switch V05 galvano silver		1	I378
4	997 521 343 00	support electric motor		1	I377/378
5	997 624 322 00	electric motor seat adjuster lengthways without memory		1	I377/378
(5)	997 624 332 00	electric motor seat adjuster lengthways with memory		1	I537/538
6	997 624 322 00	electric motor seat adjuster height adjustment without memory		1	I377/378
(6)	997 624 332 00	electric motor seat adjuster height adjustment with memory		1	I537/538
7	997 624 323 00	electric motor seat adjuster tilt angle without memory		1	I437/438

Model	Year	MG	SG	Illustration	Restrictions	UPD	11:44	24.01.2010	PORSCHE	PET	PORSCHE
987	2008	8	17	817-25		248					

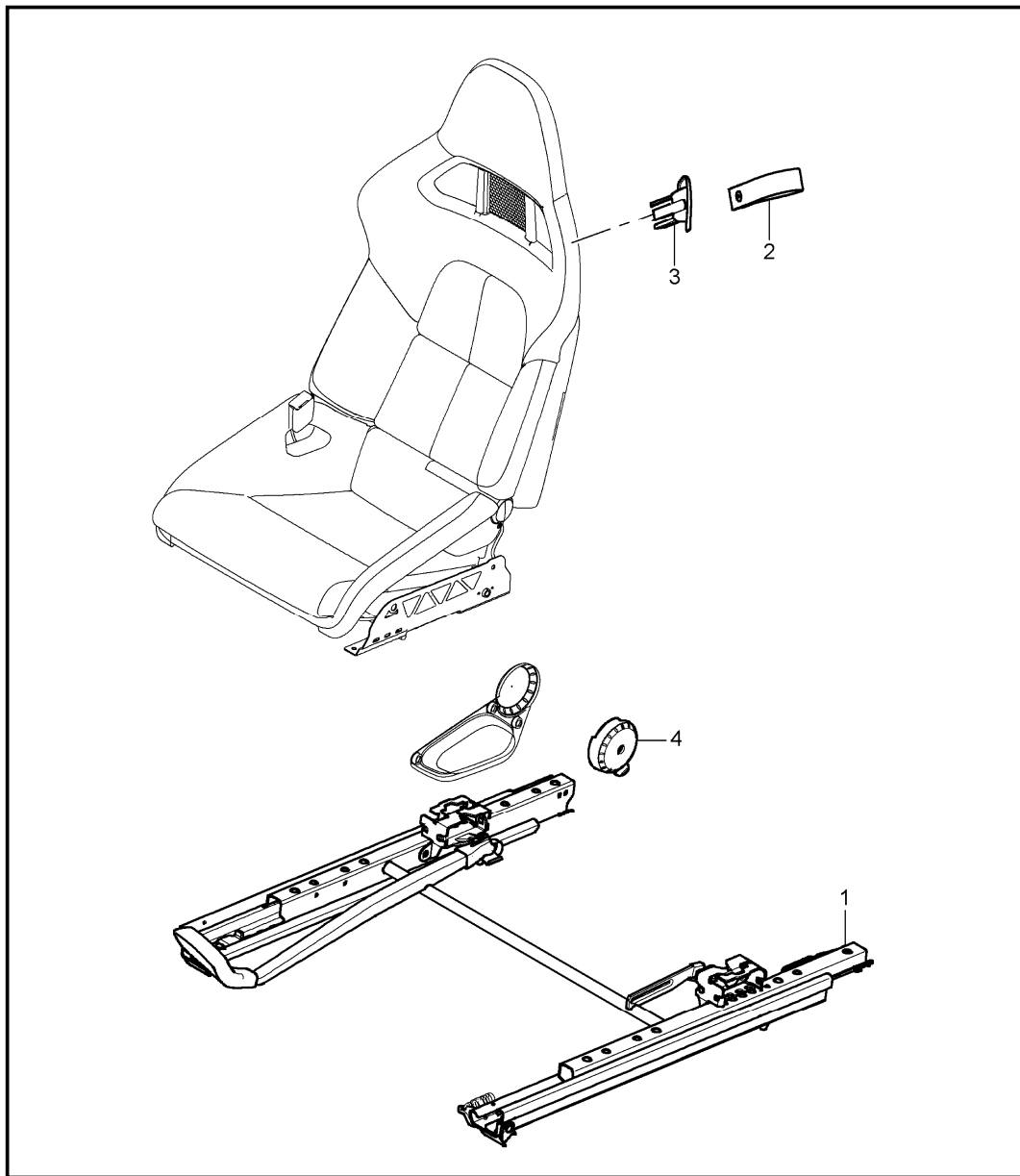
Pos	Part Number	Description	Remark	Qty	Model	Pos	Part Number	Description	Remark	Qty	Model
(7)	997 624 333 00	electric motor seat adjuster tilt angle with memory		1	I537/538	15	997 612 685 01	wiring harness backrest without memory	/L	1	I369/375 I377/437
9	997 612 684 00	wiring harness switch seat adjuster memory		1	I537/538	(15)	997 612 686 01	wiring harness backrest without memory	/R	1	I370/376 I378/438
10	997 612 690 00	wiring harness height adjustment lengthways memory		1	I537/538	16	997 613 721 01	switch seat adjuster memory switch	/L	1	I377/437/537
11	997 612 682 01	wiring harness switch		1	I369/370 I375/376	(16)	997 613 722 01	switch seat adjuster memory switch	/R	1	I378/438/538
12	997 612 691 01	wiring harness switch without memory	-07	1	I377/378		V05	galvano silver			
12	997 612 691 02	wiring harness switch without memory	08-	1	I377/378	17	997 613 713 00	switch	/L	1	I369/375
13	997 612 689 00	wiring harness lumbar support without memory		1	I377/378	(17)	997 613 714 00	switch manually adjustable	/R	1	I370/376
14	997 612 692 00	wiring harness backrest lumbar with memory	-07	1	I377/537	18	997 521 631 01	control button backrest		1	I375/376 I377/378
14	997 612 692 00	wiring harness backrest lumbar with memory	-07	1	I378/538		V05	galvano silver			
14	997 612 692 01	wiring harness backrest lumbar with memory	08-	1	I377/537	19	997 521 633 02	control button seat cushion		1	I377/378 I437/438
14	997 612 692 01	wiring harness backrest lumbar with memory	08-	1	I377/537		V05	galvano silver			
14	997 612 692 01	wiring harness backrest lumbar with memory	08-	1	I378/538	20	997 613 717 01	switch seat adjuster without memory	/L	1	I377/437
							V05	galvano silver			
						(20)	997 613 718 01	switch seat adjuster without memory	/R	1	I378/438
							V05	galvano silver			
						21	997 618 233 05	control unit seat occupancy detection	06-	1	I370/376/378 I438/560
						22	997 521 646 00	support control unit seat occupancy detection	06-	1	I370/376/378 I438/560



Model	Year	MG	SG	Illustration	Restrictions	UPD	11:44	24.01.2010	PORSCHE	PET	PORSCHE
987	2008	8	17	817-25		248					

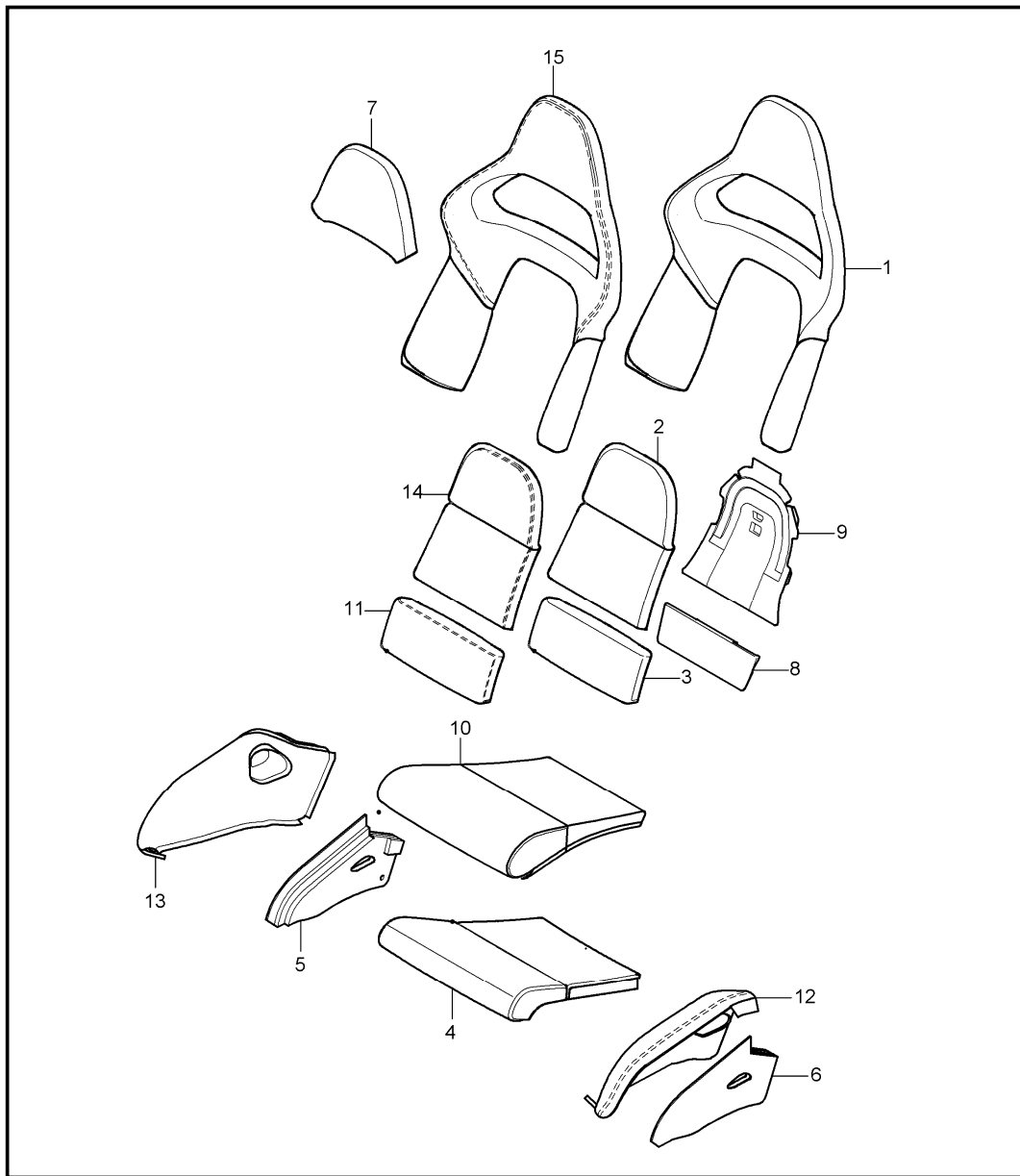
Pos	Part Number	Description	Remark	Qty	Model	Pos	Part Number	Description	Remark	Qty	Model
23	997 612 688 00	wiring harness seat occupancy detection	06-	1	I370/376/378 I438/560						
(24)	997 521 901 00	repair kit pliable shaft engine bracket		1							
-	999 650 973 40	clip mount wiring harness seat occupancy detection		1							

Model	Year	MG	SG	Illustration	Restrictions	UPD	11:44	24.01.2010	PORSCHE	PET	PORSCHE
987	2008	8	17	817-30		248					



Pos	Part Number	Description	Remark	Qty	Model
		bucket seat collapsible complete not available	08-		
1	997 521 429 01	set seat rail driver's side	/LL/L	1	I098/388
(1)	997 521 430 01	set seat rail passenger's side	/LL/R	1	I098/389
(1)	997 521 429 02	set seat rail passenger's side	/RL/L	1	I099/388
(1)	997 521 430 02	set seat rail driver's side	/RL/R	1	I099/389
2	997 521 539 00	traction noose backrest frame	/L	1	I388
	A80	black			
(2)	997 521 540 00	traction noose backrest frame	/R	1	I389
	A80	black			
3	997 521 538 00	rosette traction noose backrest frame	/R	1	I389
	01C	satin black			
(3)	997 521 537 00	rosette traction noose backrest frame	/L	1	I388
	01C	satin black			
4	997 521 563 00	cover hinge inner	/L	1	I388/389
	01C	satin black			
(4)	997 521 564 00	cover hinge inner	/R	1	I388/389
	01C	satin black			

Model	Year	MG	SG	Illustration	Restrictions	UPD	11:44	24.01.2010	PORSCHE	PET	PORSCHE
987	2008	8	17	817-32		248					



Pos	Part Number	Description	Remark	Qty	Model
		foam part cover seat and backrest surface bucket seat collapsible	08-		
1	997 521 447 00	foam part backrest outer part	/L/R	2	
2	997 521 448 00	foam part backrest centre part		2	I388/389
3	997 521 441 00	foam part seat cushion rear		2	I388/389
4	997 521 440 00	foam part seat cushion front		2	I388/389
5	997 521 443 00	foam part seat cushion lateral outer left	/L	1	I388
(5)	997 521 444 00	foam part seat cushion lateral inner left		1	I388
6	997 521 446 00	foam part seat cushion lateral outer right		1	I389
(6)	997 521 445 00	foam part seat cushion lateral inner right		1	I389
7	997 521 458 00	foam part head rest		2	I388/389
8	997 521 456 00	foam part seat cushion rear		1	I388/389
9	997 521 457 00	foam part backrest		1	I388/389

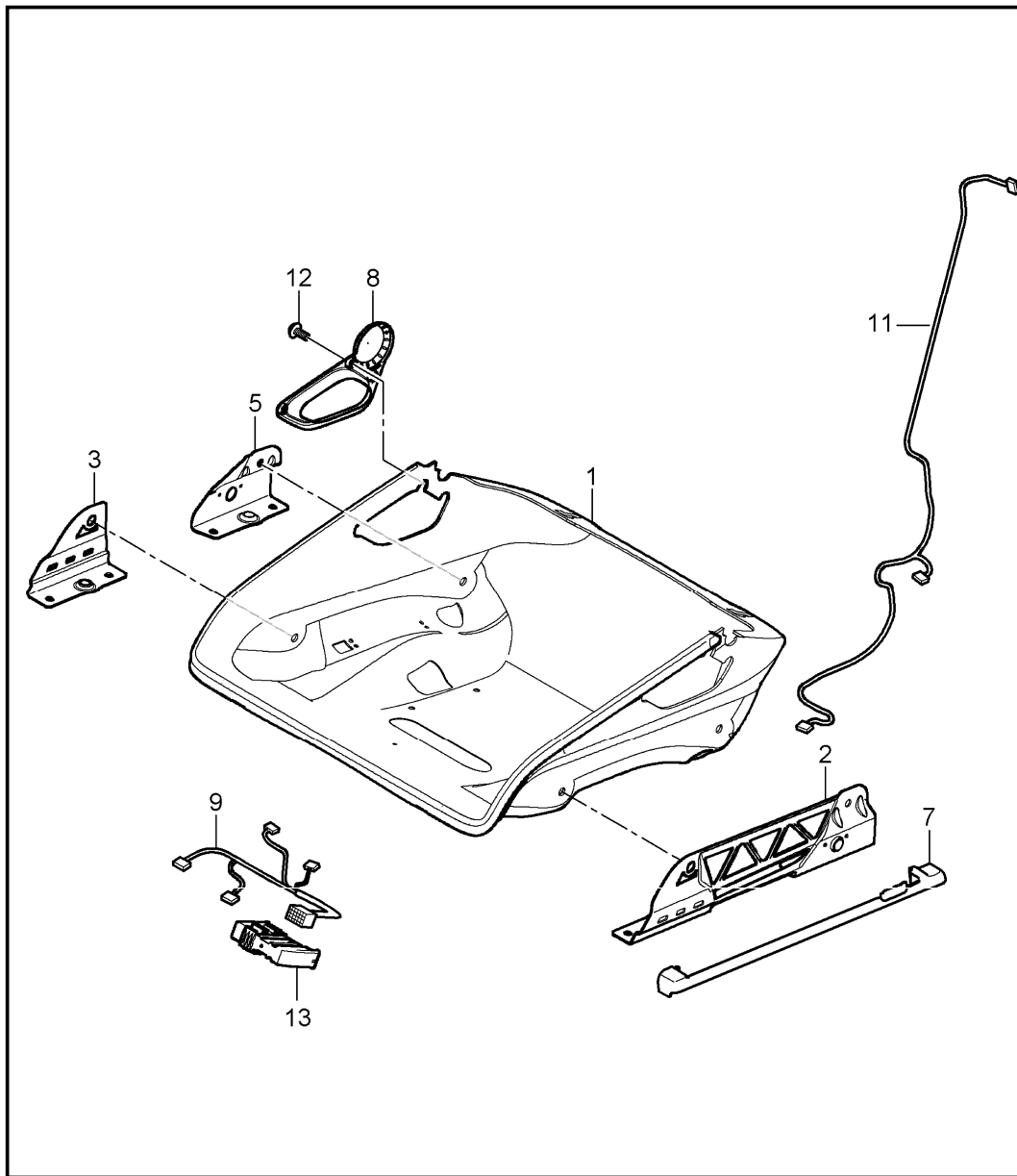
Model	Year	MG	SG	Illustration	Restrictions	UPD	11:44	24.01.2010	PORSCHE	PET	PORSCHE
987	2008	8	17	817-32		248					

Pos	Part Number	Description	Remark	Qty	Model	Pos	Part Number	Description	Remark	Qty	Model
10	997 521 380 00	cover for cushion front	/L/R	1	I388/389/983		D11	dark grey/natural			
	8YR	black					T11	brown/natural			
	5X5	stone grey					N11	carrera red			
	8G1	sand beige				13	997 521 384 00	cover lateral inner	/L	1	I388/983
	3S8	sea blue					8YR	black			
	9N2	terracotta					5X5	stone grey			
	9Q3	cocoa					8G1	sand beige			
	D11	dark grey/natural					3S8	sea blue			
	T11	brown/natural					9N2	terracotta			
	N11	carrera red					9Q3	cocoa			
11	997 521 381 00	cover for cushion rear		1	I388/389/983		D11	dark grey/natural			
	8YR	black					T11	brown/natural			
	5X5	stone grey					N11	carrera red			
	8G1	sand beige				(13)	997 521 386 00	cover lateral outer	/R	1	I389/983
	3S8	sea blue					8YR	black			
	9N2	terracotta					5X5	stone grey			
	9Q3	cocoa					8G1	sand beige			
	D11	dark grey/natural					3S8	sea blue			
	T11	brown/natural					9N2	terracotta			
	N11	carrera red					9Q3	cocoa			
12	997 521 383 00	cover lateral outer	/L	1	I388/983		D11	dark grey/natural			
	8YR	black					T11	brown/natural			
	5X5	stone grey					N11	carrera red			
	8G1	sand beige				(13)	997 521 385 00	cover lateral inner	/R	1	I389/983
	3S8	sea blue					8YR	black			
	9N2	terracotta					5X5	stone grey			
	9Q3	cocoa									

Model	Year	MG	SG	Illustration	Restrictions	UPD	11:44	24.01.2010	PORSCHE	PET	PORSCHE
987	2008	8	17	817-32		248					

Pos	Part Number	Description	Remark	Qty	Model	Pos	Part Number	Description	Remark	Qty	Model
		8G1 sand beige									
		3S8 sea blue									
		9N2 terracotta									
		9Q3 cocoa									
		D11 dark grey/natural									
		T11 brown/natural									
		N11 carrera red									
14	997 521 387 00	cover centre part backrest		1	I388/389/983						
		8YR black									
		5X5 stone grey									
		8G1 sand beige									
		3S8 sea blue									
		9N2 terracotta									
		9Q3 cocoa									
		D11 dark grey/natural									
		T11 brown/natural									
		N11 carrera red									
15	997 521 388 00	cover backrest outer		1	I388/389/983						
		8YR black									
		5X5 stone grey									
		8G1 sand beige									
		3S8 sea blue									
		9N2 terracotta									
		9Q3 cocoa									
		D11 dark grey/natural									
		T11 brown/natural									
		N11 carrera red									

Model	Year	MG	SG	Illustration	Restrictions	UPD	11:44	24.01.2010	PORSCHE	PET	PORSCHE
987	2008	8	17	817-34		248					

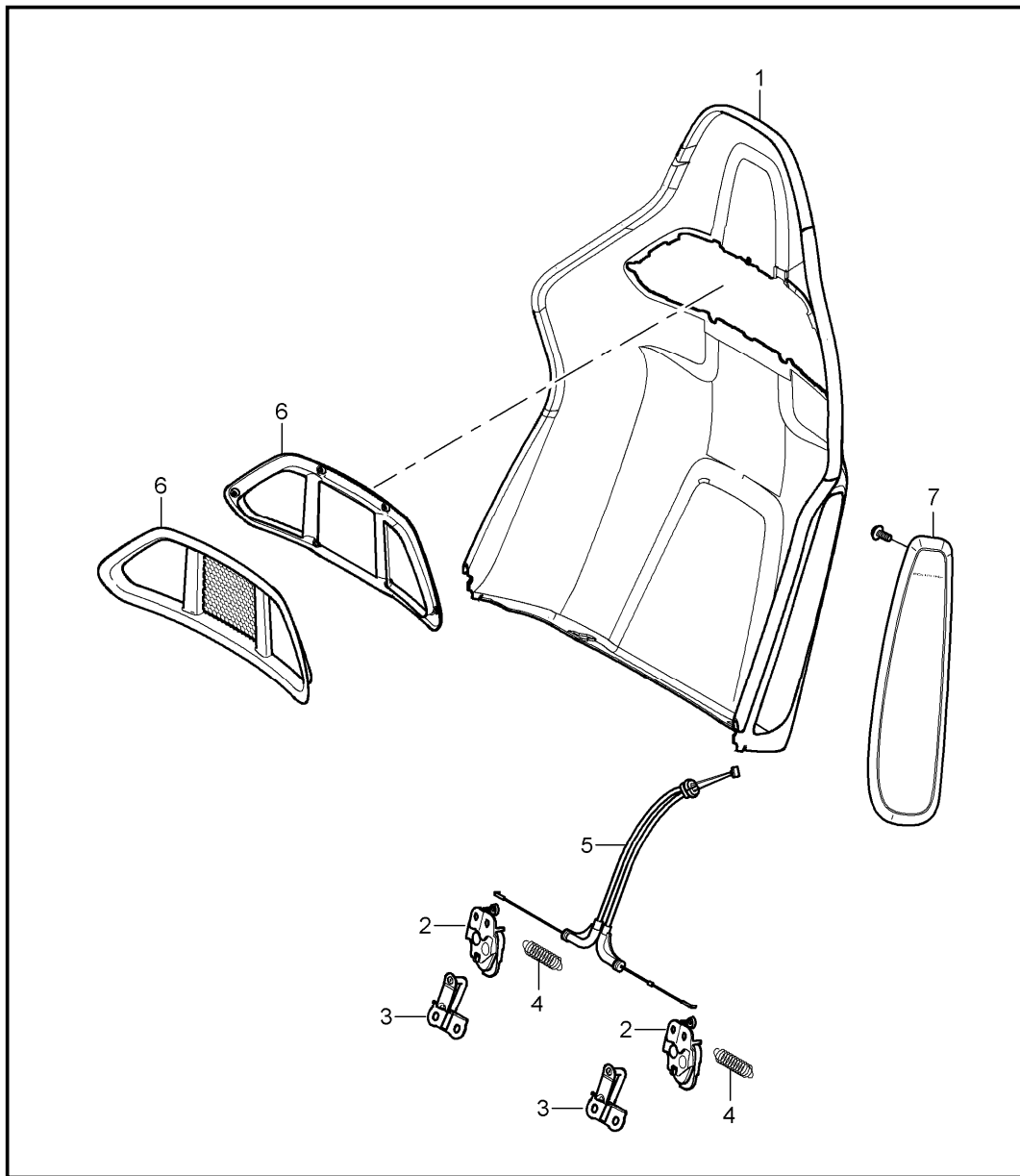


Pos	Part Number	Description	Remark	Qty	Model
		bucket seat collapsible seat adjuster accessories	08-		
1	997 521 281 00	cup seat adjuster without seat occupancy detection	/L/R	2	I388/389
(1)	997 521 182 00	cup seat adjuster with seat occupancy detection and seat rail	/R	1	I389/560
2	997 521 433 00	adapter seat adjuster outer left		1	I388
(2)	997 521 434 00	adapter seat adjuster outer right		1	I389
3	997 521 436 00	adapter seat adjuster inner front right		1	I388
4	997 521 435 00	adapter seat adjuster inner front left without seat occupancy detection		1	I389
5	997 521 438 00	adapter seat adjuster inner rear right		1	I388
6	997 521 437 00	adapter seat adjuster inner rear left without seat occupancy detection		1	I389
7	997 521 427 03	cover sensor seat occupancy detection	/L	1	I389/560
	01C	satin black			

Model	Year	MG	SG	Illustration	Restrictions	UPD	11:44	24.01.2010	PORSCHE	PET	PORSCHE
987	2008	8	17	817-34		248					

Pos	Part Number	Description	Remark	Qty	Model	Pos	Part Number	Description	Remark	Qty	Model
(7)	997 521 426 03	cover sensor seat occupancy detection	/R	1	I389/560						
	01C	satin black									
8	997 521 561 00	cover seat belt lower	/L	1	I388/389						
	01C	satin black									
(8)	997 521 562 00	cover seat belt lower	/R	1	I388/389						
	01C	satin black									
9	997 612 688 10	wiring harness seat occupancy detection		1	I389/560						
11	997 612 785 10	wiring harness side airbag	/R/L	1	I388/389						
12	999 141 049 01	lens-head screw mount cover belt seat cushion		3							
13	997 618 233 05	control unit seat occupancy detection		1	I560						

Model	Year	MG	SG	Illustration	Restrictions	UPD	11:44	24.01.2010	PORSCHE	PET	PORSCHE
987	2008	8	17	817-36		248					



Pos	Part Number	Description	Remark	Qty	Model
		backrest shell bucket seat collapsible accessories	08-		
1	997 521 271 00	backrest shell bucket seat collapsible	/L	1	I388
(1)	997 521 272 00	backrest shell bucket seat collapsible	/R	1	I389
2	997 521 651 00	lock backrest	/L	1	I388/389
(2)	997 521 652 00	lock backrest	/R	1	I388/389
3	997 521 660 00	closing element lock backrest shell	/L/R	1	I388/389
4	997 521 650 00	tension spring lock backrest	/L/R	1	I388/389
5	997 521 640 00	bowden cable release backrest	/L/R	1	I388/389
6	997 521 330 00	cover seat belt front		1	I388/389
		01C satin black			
(6)	997 521 531 00	cover seat belt rear		1	I388/389
		01C satin black			
7	997 803 081 01	side airbag	/L	1	I388
		A03 black			
(7)	997 803 082 01	side airbag front seat	/R	1	I389
		A03 schwarz			



PORSCHE

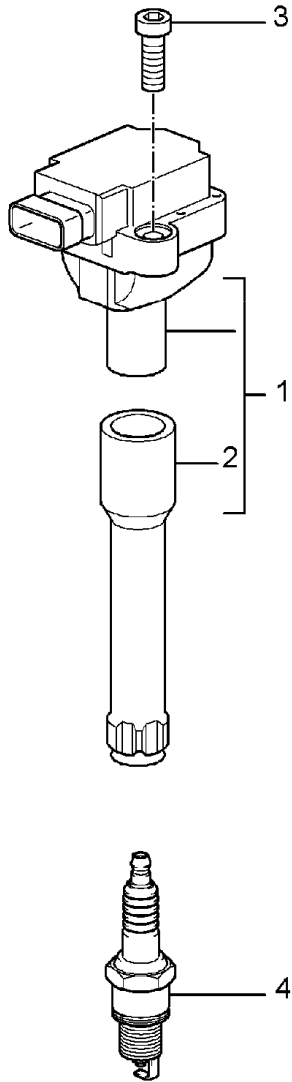
# PET

PORSCHE

Model	Year	MG	SG	Illustration	Restrictions	UPD	11:44	24.01.2010
987	2008	8	98	898-00R		248		

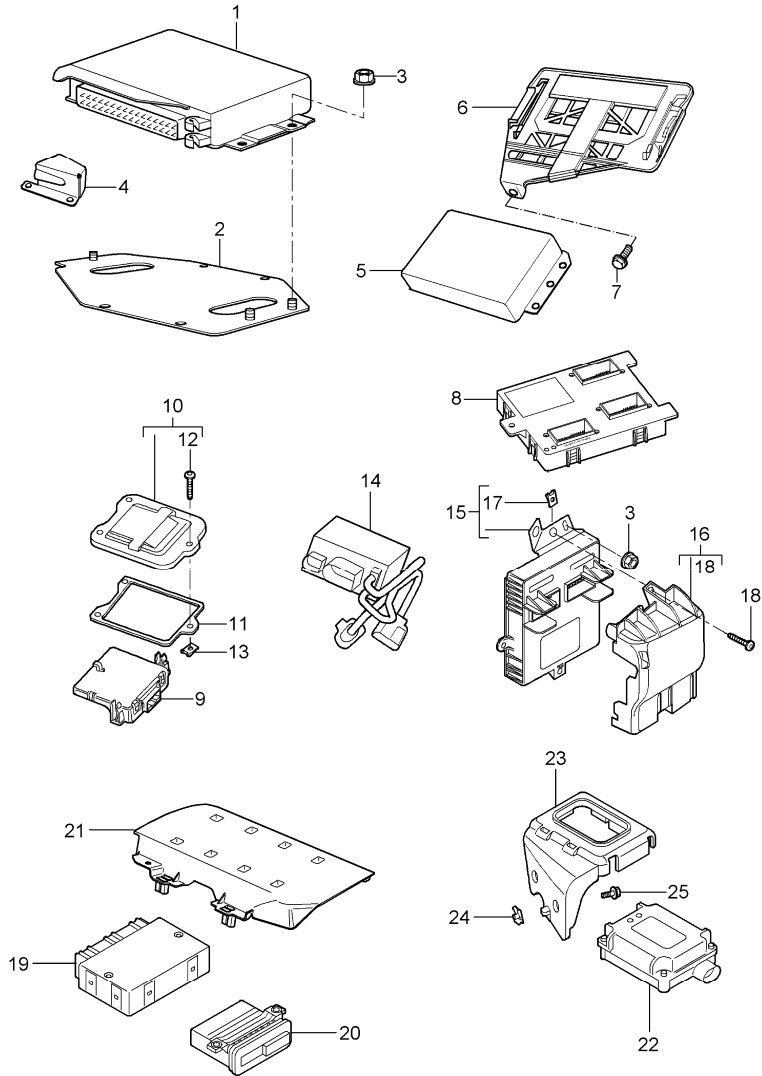
Pos	Part Number	Description	Remark	Qty	Model
		repair kits set of locks			
>>	>>997 538 011 00	set of locks		1	I098
>>	>>997 538 011 01	set of locks		1	I099

Model	Year	MG	SG	Illustration	Restrictions	UPD	11:45	24.01.2010	PORSCHE	PET	PORSCHE
987	2008	9	01	901-00		248					



Pos	Part Number	Description	Remark	Qty	Model
		ignition system			
1	A 996 602 104 00	ignition coil		6	
1	997 602 104 00	ignition coil		6	
2	996 602 105 00	spark plug connector		6	
3	900 387 008 01	pan-head screw M 6 X 25		12	
4	999 170 223 90	spark plug FGR 5KQE0		6	M96.25/26 M97.20/21/22

Model	Year	MG	SG	Illustration	Restrictions	UPD	11:45	24.01.2010	PORSCHE	PET	PORSCHE
987	2008	9	01	901-03		248					

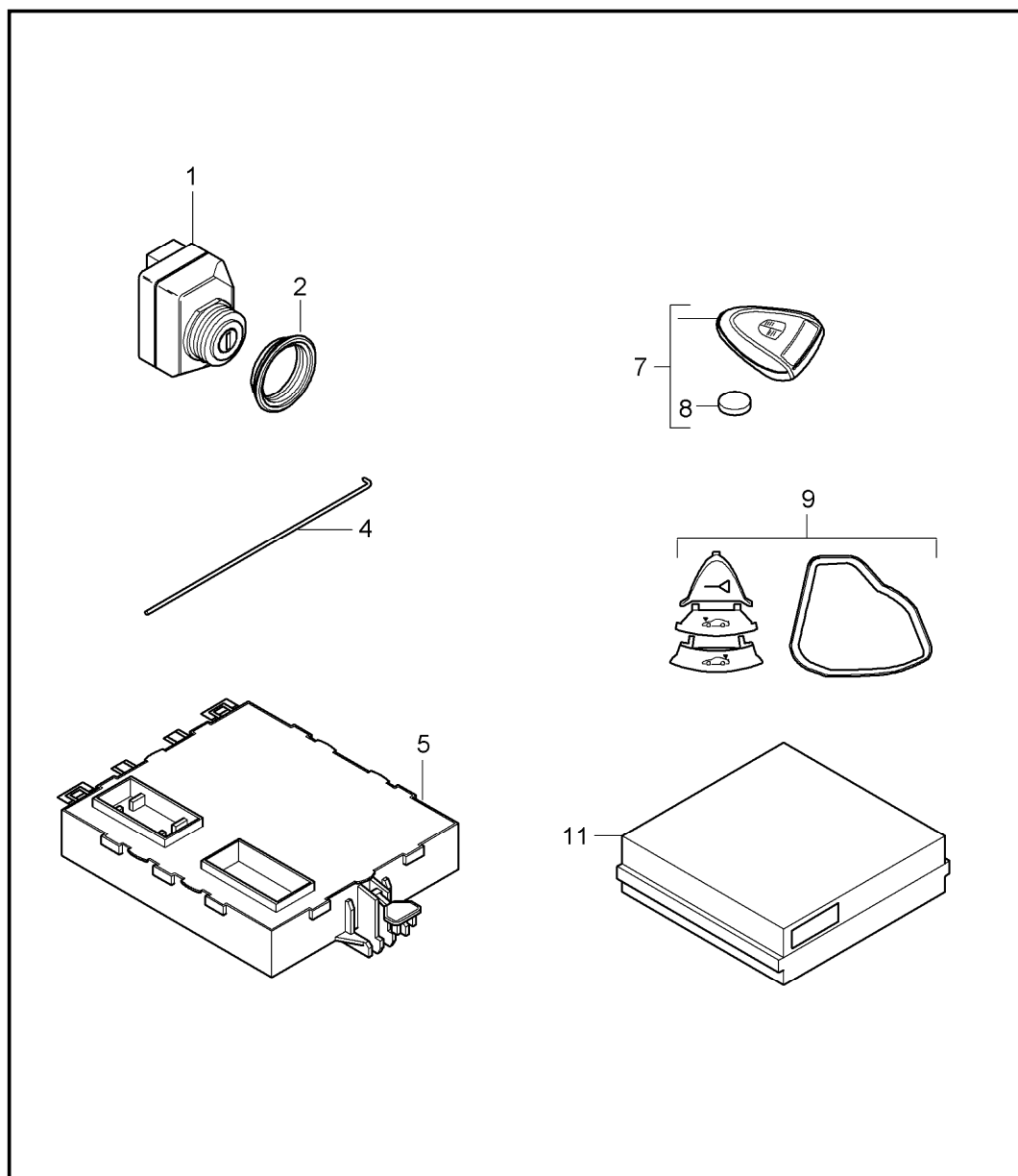


Pos	Part Number	Description	Remark	Qty	Model
		control units			
1	A 997 618 603 03	control unit - dme -		05	1
1	997 618 603 05	control unit - dme -		06	1
1	A 997 618 601 03	control unit - dme -		07	1
1	997 618 601 05	control unit - dme -		07-	1
1	A 997 618 603 03	control unit - dme -		07	1 I660
1	997 618 603 05	control unit - dme -		07-	1 I660
2	987 618 029 00	support		-06	1
3	900 377 010 01	hexagon nut M 6		-06	3
(3)	999 084 635 01	shear-off nut M 6 - SB			5 I536
(3)	999 084 629 01	hexagon nut M 6			X
4	986 618 131 00	tab washer plug-protection		-06	1
(4)	987 618 131 01	tab washer plug-protection		07-	1
5	987 618 270 02	control unit tiptronic		-06	1 BOXSTER
5	987 618 272 07	control unit tiptronic		07-	1 BOXSTER
(5)	987 618 320 02	control unit tiptronic		-06	1 BOXSTER S
(5)	987 618 342 07	control unit tiptronic		07-	1 BOXSTER S
6	987 618 155 02	support vehicle electrical system		07-	1 I249
7	900 378 035 01	hexagon-head bolt M 6 X 16 vehicle electrical system		07-	1 I249

Model	Year	MG	SG	Illustration	Restrictions	UPD	11:45	24.01.2010	PORSCHE	PET	PORSCHE
987	2008	9	01	901-03		248					

Pos	Part Number	Description	Remark	Qty	Model	Pos	Part Number	Description	Remark	Qty	Model
8	U 997 610 102 06	control unit vehicle electrical system		1		22	A 997 618 227 01	control unit garage door opener		1	I607
8	997 618 516 01	control unit vehicle electrical system		1		22	997 618 227 02	control unit garage door opener		1	I607
9	997 610 107 03	control unit gateway		1		23	997 618 257 00	support		1	
10	A 997 572 419 01	lid	05	1		24	999 591 882 01	speed nut M 6		2	
10	997 572 419 03	lid		1		25	900 075 505 01	combination screw M 6 X 20		2	
11	997 572 221 00	gasket		1							
12	900 143 094 09	tapping screw ST 4,8 X 19		3							
13	999 591 855 02	speed nut ST 4,8		3							
14	U 997 618 436 01	control unit cooling air control		1							
14	997 618 436 02	control unit cooling air control		1							
15	997 610 106 11	control unit FRONT luggage compartment		1							
(15)	997 610 105 11	control unit FRONT luggage compartment		1	I601						
16	997 551 736 00	cover		1							
17	999 507 462 09	speed nut 4,8		1							
18	999 073 061 02	tapping screw 4,8 X 16		1							
19	997 618 260 08	control unit rear end		1							
20	996 618 171 03	control unit ParkAssist		1	I635						
21	997 618 371 01	support  sensor see group 8/02/05		1	I635						
22	997 618 225 03	control unit garage door opener		1	I608						

Model	Year	MG	SG	Illustration	Restrictions	UPD	11:45	24.01.2010	PORSCHE	PET	PORSCHE
987	2008	9	01	901-04		248					



Pos	Part Number	Description	Remark	Qty	Model
		control units immobiliser central locking system ignition starter switch PORSCHE ACCESS SYSTEM			
1	A 997 618 159 03	control unit ignition starter switch		1	
1	997 618 159 04	control unit ignition starter switch		1	
2	997 618 759 00	nut		1	
-	997 618 361 00	cover release Handheld transmitter		1	
4	997 618 761 00	emergency operation release ignition starter switch		1	
5	997 618 171 12	control unit PORSCHE ACCESS SYSTEM Information available	-07	1	I524/534/544
5	997 618 171 14	control unit PORSCHE ACCESS SYSTEM	08	1	I524/534/544
5	A 997 618 172 09	control unit PORSCHE ACCESS SYSTEM F >>985S7 10204 F >>985U7 12408 F >>985U7 31635 see technical information GR. 9 , NR. 6/05		1	I525/535/545
5	997 618 172 12	control unit PORSCHE ACCESS SYSTEM F 985S7 10205>> F 985U7 12409>> F 985U7 31636>> Information available	-07	1	I525/535/545
5	997 618 172 14	control unit PORSCHE ACCESS SYSTEM	08	1	I525/535/545
5	A 997 618 173 06	control unit  PORSCHE ACCESS SYSTEM F >>985S7 10204 F >>985U7 12408 F >>985U7 31635 see technical information GR. 9 , NR. 6/05	(J)	1	I525/535 I545

Model	Year	MG	SG	Illustration	Restrictions	UPD	11:45	24.01.2010	PORSCHE	PET	PORSCHE
987	2008	9	01	901-04		248					

Pos	Part Number	Description	Remark	Qty	Model	Pos	Part Number	Description	Remark	Qty	Model
5	997 618 173 09	control unit PORSCHE ACCESS SYSTEM F >>985S7 10204 F >>985U7 12408 F >>985U7 31635 see technical information GR. 9 , NR. 6/05	(J)	1	I525/535 I545	-	997 612 050 50	cable antenna for POS. 5 F >>985S7 10204 F >>985U7 12408 F >>985U7 31635	/RL	1	I099/525/535 I545
5	997 618 172 12	control unit PORSCHE ACCESS SYSTEM F 985S7 10205>> F 985U7 12409>> F 985U7 31636>> Information available	(J)	-07	I525/535 I545	-	997 612 051 01	cable antenna for POS. 5 F 985S7 00524>> F 985S7 20407>> F 985U7 02436>> F 985U7 22548>>	/LL	1	I098/524/534 I544
5	997 618 172 14	control unit PORSCHE ACCESS SYSTEM	(J)	08	I525/535 I545	-	997 612 051 51	cable	/RL	1	I099/524/534 I544
-	997 612 051 00	cable antenna for POS. 5 F >>985S7 00523 F >>985S7 20406 F >>985U7 02435 F >>985U7 22547	/LL	1	I098/524/534 I544	-	997 612 050 01	cable antenna for POS. 5 F 985S7 10205>> F 985U7 12409>> F 985U7 31636>>	/LL	1	I098/525/535 I545
-	997 612 051 50	cable antenna for POS. 5 F >>985S7 00523 F >>985S7 20406 F >>985U7 02435 F >>985U7 22547	/RL	1	I099/524/534 I544	-	997 612 050 51	cable	/RL	1	I099/525/535 I545
-	997 612 050 00	cable antenna for POS. 5 F >>985S7 10204 F >>985U7 12408 F >>985U7 31635	/LL	1	I098/525/535 I545	-	997 612 050 51	antenna for POS. 5 F 985S7 10205>> F 985U7 12409>> F 985U7 31636>> Information available when required order also:	/RL	1	I099/525/535 I545

Model	Year	MG	SG	Illustration	Restrictions	UPD	11:45	24.01.2010	PORSCHE	PET	PORSCHE
987	2008	9	01	901-04		248					

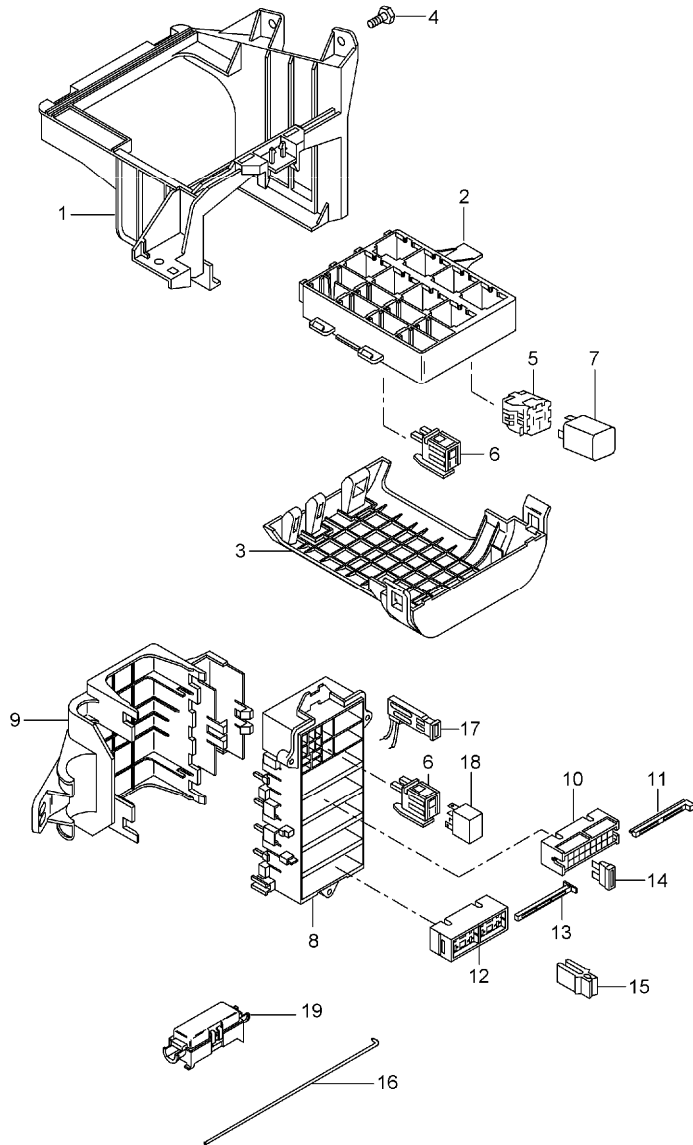
Pos	Part Number	Description	Remark	Qty	Model	Pos	Part Number	Description	Remark	Qty	Model
-	987 637 253 00	support F 985S7 00524>> F 985S7 20407>> F 985U7 02436>> F 985U7 22548>> F 985S7 10205>> F 985U7 12409>> F 985U7 31636>>		1	I524/534/544 I524/534/544 I524/534/544 I524/534/544 I525/535/545 I525/535/545 I525/535/545	-	997 612 054 00	connecting line antenna booster control unit POS. 5 F 985S7 00524>> F 985S7 20407>> F 985U7 02436>> F 985U7 22548>> Information available	/RL	1	I099/534/665
-	999 073 225 09	tapping screw 4,8 X 16 F 985S7 00524>> F 985S7 20407>> F 985U7 02436>> F 985U7 22548>> F 985S7 10205>> F 985U7 12409>> F 985U7 31636>>		1	I524/534/544 I524/534/544 I524/534/544 I524/534/544 I525/535/545 I525/535/545 I525/535/545	-	997 612 053 01	connecting line antenna booster control unit POS. 5	/LL	1	I098/535/665
-	928 612 636 01	protective tube F 985S7 00524>> F 985S7 20407>> F 985U7 02436>> F 985U7 22548>> F 985S7 10205>> F 985U7 12409>> F 985U7 31636>>		1	I524/534/544 I524/534/544 I524/534/544 I524/534/544 I525/535/545 I525/535/545 I525/535/545	-	997 612 054 01	connecting line antenna booster control unit POS. 5 F 985S7 10205>> F 985U7 12409>> F 985U7 31636>> Information available	/RL	1	I099/535/665
-	997 612 053 00	connecting line antenna booster control unit POS. 5	/LL	1	I098/665	7 U	997 637 244 36	Handheld transmitter		1	I524/534/544
-	997 612 054 00	connecting line antenna booster control unit POS. 5 F >>985S7 00523 F >>985S7 20406 F >>985U7 02435 F >>985U7 22547 F >>985S7 10204 F >>985U7 12408 F >>985U7 31635 Information available	/RL	1	I099/665	7	997 637 201 01	Handheld transmitter		1	I524/534/544
-	997 612 053 00	connecting line antenna booster control unit POS. 5	/LL	1	I098/534/665	7 U	997 637 244 37	Handheld transmitter	07-	1	I525/535/545
						7 A	997 637 203 01	Handheld transmitter		1	I525/535/545
						7	997 637 103 00	Handheld transmitter		1	I525/535/545
						(7)	997 637 244 98	Handheld transmitter	(J)	05	1 I525/535 I545
						(7) A	997 637 244 35	Handheld transmitter	(J)	06	1 I525/535 I545
						(7) U	997 637 244 38	Handheld transmitter	(J)	07-	1 I525/535 I545
						(7)	997 637 205 01	Handheld transmitter	(J)	06	1 I525/535 I545
						(7)	997 637 105 00	Handheld transmitter	(J)	07-	1 I525/535 I545
						8	999 611 108 00	battery		1	

Model	Year	MG	SG	Illustration	Restrictions	UPD	11:45	24.01.2010	PORSCHE	PET	PORSCHE
987	2008	9	01	901-04		248					

Pos	Part Number	Description	Remark	Qty	Model	Pos	Part Number	Description	Remark	Qty	Model
9	000 043 400 14	repair kit key Handheld transmitter see workshop manual KD-NR.: 966237		1							
11	997 618 210 01	sensor interior monitoring  alarm siren tilt sensor see group 9/03/00		1	I536 I521/536						



Model	Year	MG	SG	Illustration	Restrictions	UPD	11:45	24.01.2010	PORSCHE	PET	PORSCHE
987	2008	9	02	902-00		248					



Pos	Part Number	Description	Remark	Qty	Model
		central electrical system dashboard			
1	997 610 117 01	support	/LL	1	I098
(1)	997 610 118 00	support	/RL	1	I099
2	A 997 610 110 00	relay carrier support frame		1	
2	997 610 110 01	relay carrier support frame		1	
3	997 610 112 00	cover support frame		1	
4	900 378 155 01	hexagon-head bolt M 6 X 16 ASP		2	
(4)	900 377 010 01	hexagon nut M 6		1	
5	928 610 511 00	relay carrier		X	
6	999 650 538 40	relay carrier		X	
7	-	relay			
S3	A 999 657 010 90	relay convertible top open		1	
S3	999 657 014 90	relay convertible top open		1	
S4	A 999 657 010 90	relay KL. X		1	
S4	999 657 014 90	relay KL. X		1	
S5	A 999 657 010 90	relay convertible top close		1	
S5	999 657 014 90	relay convertible top close		1	
S6	A 999 657 007 90	relay KL. 86S		1	
S6	999 657 015 90	relay KL. 86S		1	

Model	Year	MG	SG	Illustration	Restrictions	UPD	11:45	24.01.2010	PORSCHE	PET	PORSCHE
987	2008	9	02	902-00		248					

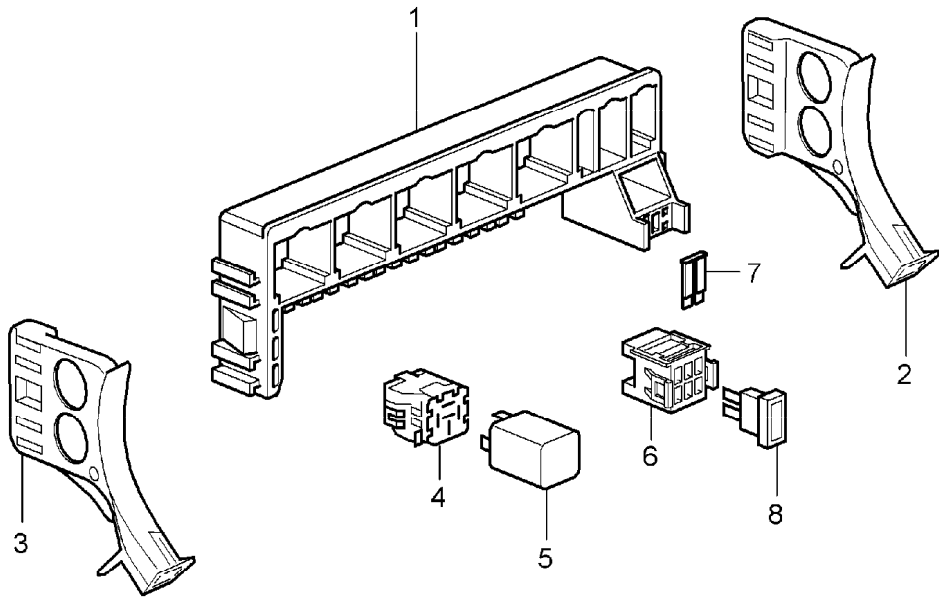
Pos	Part Number	Description	Remark	Qty	Model	Pos	Part Number	Description	Remark	Qty	Model
S7	A 999 657 007 90	relay rear window heating		1		(14)	999 607 083 00	fuse 7 , 5 A		X	
S7	999 657 015 90	relay rear window heating		1		(14)	999 607 084 00	fuse 10 A		X	
S8	A 999 657 007 90	relay fuel pump		1		(14)	999 607 085 00	fuse 15 A		X	
S8	999 657 015 90	relay fuel pump		1		(14)	999 607 087 00	fuse 25 A		X	
S11	A 999 657 009 90	relay - dme -		1		(14)	999 607 088 00	fuse 30 A		X	
S11	999 657 013 90	relay - dme -		1		(14)	999 607 072 00	fuse 30 A large		X	
S12	A 999 657 009 90	relay heating		1		(14)	999 607 073 00	fuse 40 A large		X	
S12	999 657 013 90	relay heating		1							
S14	A 999 657 009 90	relay headlight washer system		1	I288	15	999 107 300 40	tool		X	
S14	999 657 013 90	relay headlight washer system		1	I288	- U	997 610 195 02	assignment sticker fuse		X	
S15	A 999 657 009 90	relay starter		1		- A	997 610 195 05	assignment sticker fuse	-06	X	
S15	999 657 013 90	relay starter		1		-	997 610 195 07	assignment sticker fuse		X	
S16	A 999 657 009 90	relay KL. 15		1		16	997 618 761 00	emergency operation release ignition starter switch		1	
S16	999 657 013 90	relay KL. 15		1				emergency operation lid			
8	997 610 340 00	bracket		1		17	996 610 240 00	terminal clamp		1	
9	997 610 341 00	cover		1		18	A 999 657 010 90	relay		1	
10	999 650 209 40	fuse holder		4		18	999 657 014 90	relay		1	
11	999 650 210 40	slide		4		19	U 999 650 026 99	fuse holder		1	
12	999 650 750 40	fuse holder		1		19	997 610 915 00	fuse holder with fuse 80 A for cooling air control		1	
13	999 650 749 40	slide		1							
14	999 607 082 00	fuse 5 A		X							

Model	Year	MG	SG	Illustration	Restrictions	UPD	11:45	24.01.2010	PORSCHE	PET	PORSCHE
987	2008	9	02	902-00		248					

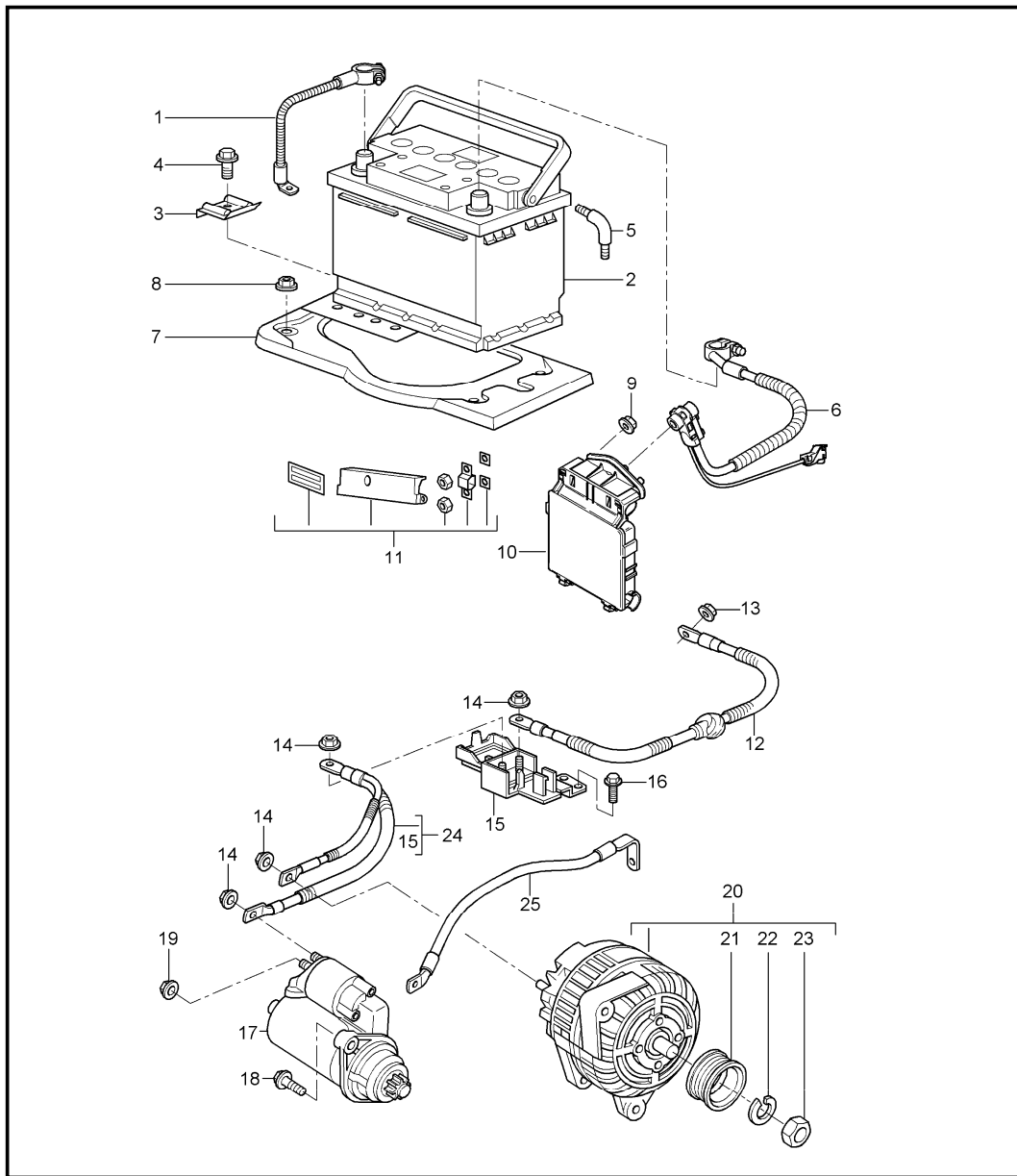
Pos	Part Number	Description	Remark	Qty	Model	Pos	Part Number	Description	Remark	Qty	Model
-	-	cover for housing fuse see group 8 / 07 / 02		X							

Model	Year	MG	SG	Illustration	Restrictions	UPD	11:45	24.01.2010	PORSCHE	PET	PORSCHE
987	2008	9	02	902-01		248					

Pos	Part Number	Description	Remark	Qty	Model
		central electrical system rear end			
1	A 987 610 111 00	relay carrier support frame		1	
1	987 610 111 01	relay carrier support frame		1	
2	986 610 126 00	support	/R	1	
3	986 610 127 00	support	/L	1	
4	928 610 511 00	relay carrier large		X	
(4)	999 650 538 40	relay carrier small		X	
5	-	relay			
S1	A 964 615 215 00	relay air conditioner		1	I573
S1	999 657 018 90	relay air conditioner		1	I573
S2	A 999 657 008 90	relay secondary pump		1	I661
S2	999 657 017 90	relay secondary pump		1	I661
S8	A 999 657 007 90	relay blower engine compartment		1	
S8	999 657 015 90	relay blower engine compartment		1	
6	999 650 747 40	fuse holder		1	
7	999 650 748 40	locking device		1	
8	999 607 085 00	fuse 15 A		X	
(8)	999 607 073 00	fuse 40 A large		X	I661



Model	Year	MG	SG	Illustration	Restrictions	UPD	11:46	24.01.2010	PORSCHE	PET	PORSCHE
987	2008	9	02	902-05		248					



Pos	Part Number	Description	Remark	Qty	Model
		battery power distributor starter generator			
1	997 611 090 00	ground strap	/LL	1	I098
(1)	997 611 091 00	ground strap when required order also:	/RL	1	I099
-	900 377 010 01	hexagon nut M 6		1	
(2)	999 611 060 20	battery 60 AH		1	
(2)	999 611 070 20	battery 70 AH		1	
2	999 611 080 20	battery 80 AH		1	
(2)	999 611 095 20	battery 95 AH		1	I200
3	996 611 209 00	rail battery		1	
4	900 378 017 01	hexagon-head bolt M 8 X 20		1	
5	893 915 507	angled pipe		1	
6	997 612 993 00	repair kit cable battery power distributor	/LL	1	I098
(6)	997 612 995 00	repair kit cable battery power distributor	/RL	1	I099
7	996 504 151 00	carrier plate for battery		1	
(7)	997 504 151 00	carrier plate for battery		1	I200
8	999 084 630 01	hexagon nut VM 8 SB		4	
9	900 380 005 01	hexagon nut VM 8		2	
10	997 610 911 00	repair kit replacement power distributor comprising:		1	

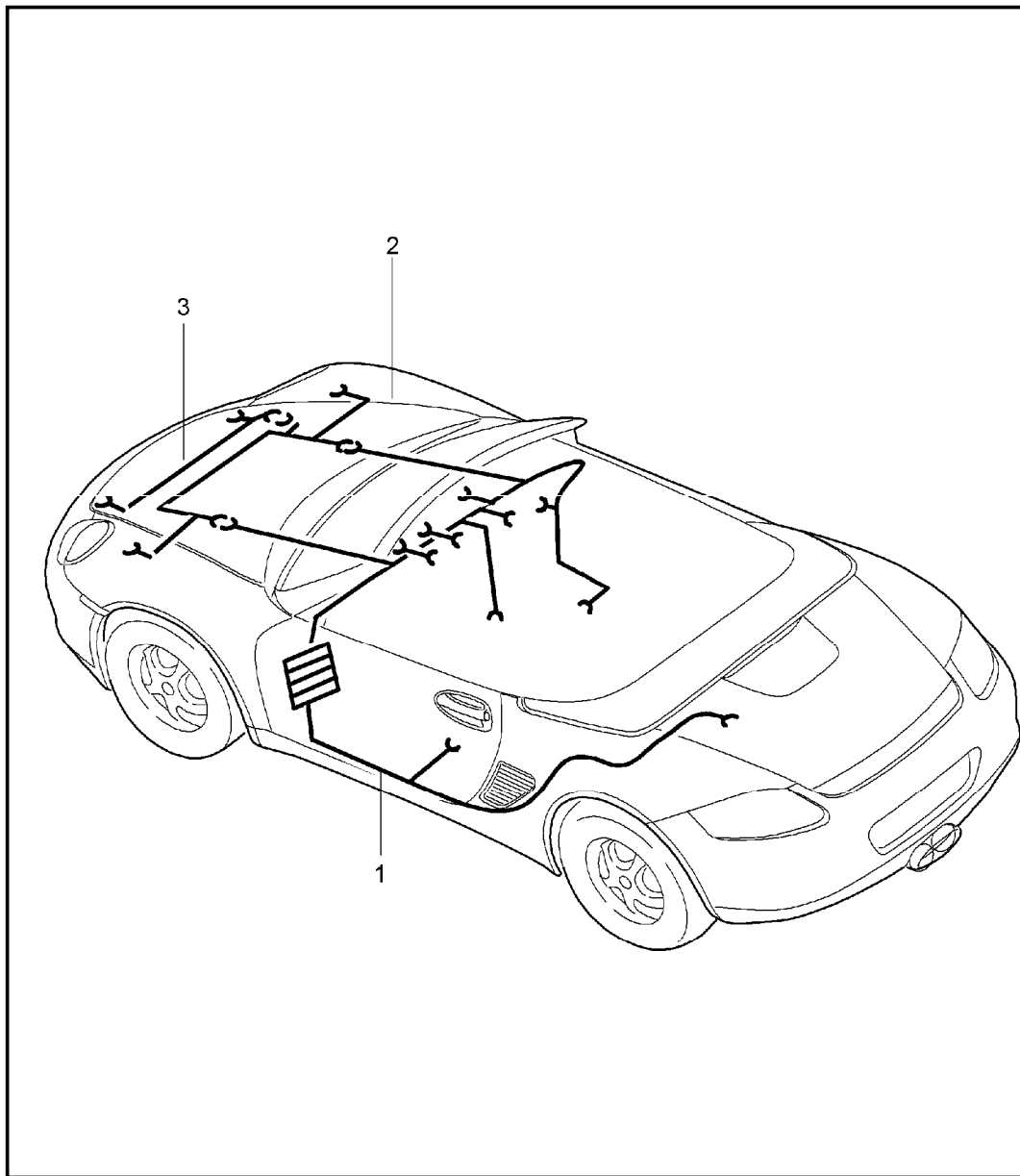
Model	Year	MG	SG	Illustration	Restrictions	UPD	11:46	24.01.2010	PORSCHE	PET	PORSCHE
987	2008	9	02	902-05		248					

Pos	Part Number	Description	Remark	Qty	Model	Pos	Part Number	Description	Remark	Qty	Model
-	-	power distributor without fuse element		1		12	987 612 090 02	cable power distributor to connection point engine	/LL	1	I098
-	-	hexagon nut M 5		8		(12)	987 612 096 00	cable power distributor to connection point engine	/RL	1	I099
-	-	hexagon nut M 8		3							
-	-	seal label red when required order also: POS. 11		1		13	900 084 123 02	hexagon nut M 8		1	
11	997 610 912 00	repair kit replacement fuse element comprising:		1		14	900 377 003 03	hexagon nut M 8		4	
-	-	fuse element 50 AMPERE		1		15	986 611 201 01	connection point complete		1	
-	-	fuse element 80 AMPERE		1		16	900 385 009 01	torx screw BM 6 X 16		2	
-	-	hexagon nut M 5		4		17	> 996 604 103 00	starter 1,7 KW		1	
-	-	square washer		4		18	900 385 097 01	torx screw BM 10 X 35		2	
-	-	cover blue		1		19	900 377 010 01	hexagon nut M 6		1	
-	-	seal label red		1		20	A 997 603 012 04	generator with pulley without free wheel lock	-06	1	I249
11	997 610 913 00	repair kit replacement fuse element comprising:		1		20	> 997 603 012 06	generator with pulley without free wheel lock	-06	1	I249
-	-	fuse element 150 AMPERE		1							
-	-	hexagon nut M 8		2		20	A 997 603 022 00	generator with pulley without free wheel lock	07	1	I249
-	-	square washer		2							
-	-	cover blue		1		20	> 997 603 022 02	generator with pulley without free wheel lock	07-	1	I249
-	-	seal label red		1							

Model	Year	MG	SG	Illustration	Restrictions	UPD	11:46	24.01.2010	PORSCHE	PET	PORSCHE
987	2008	9	02	902-05		248					

Pos	Part Number	Description	Remark	Qty	Model	Pos	Part Number	Description	Remark	Qty	Model
(20)	W 997 603 012 01	generator with pulley free wheel lock	-06	1	I480/481	(24)	987 607 019 02	wiring harness starter generator	07-	1	
(20)	A 997 603 012 05	generator with pulley free wheel lock	-06	1	I480/481	25	996 607 030 00	ground strap	05	1	
(20)	> 997 603 012 07	generator with pulley free wheel lock	-06	1	I480/481	25	987 607 030 00	ground strap body engine	06-	1	
(20)	A 997 603 022 01	generator with pulley free wheel lock	07	1	I480/481						
(20)	> 997 603 022 03	generator with pulley free wheel lock	07-	1	I480/481						
21	996 603 151 55	pulley without free wheel lock		1	I249						
(21)	997 603 154 00	pulley with free wheel lock		1	I480/481						
-	996 603 113 00	protection cap		1	I249						
-	996 603 153 50	protection cap		1	I480/481						
22	N 012 016 1	lock ring B 16		1							
23	900 034 013 01	hexagon nut M 16 X 1,5  mounting parts generator		1							
-	900 385 097 01	torx screw BM 10 X 35		1							
-	900 385 092 04	torx screw BM 10 X 145		1							
24	987 607 019 01	wiring harness starter generator	-06	1							

Model	Year	MG	SG	Illustration	Restrictions	UPD	11:46	24.01.2010	PORSCHE	PET	PORSCHE
987	2008	9	02	902-10		248					



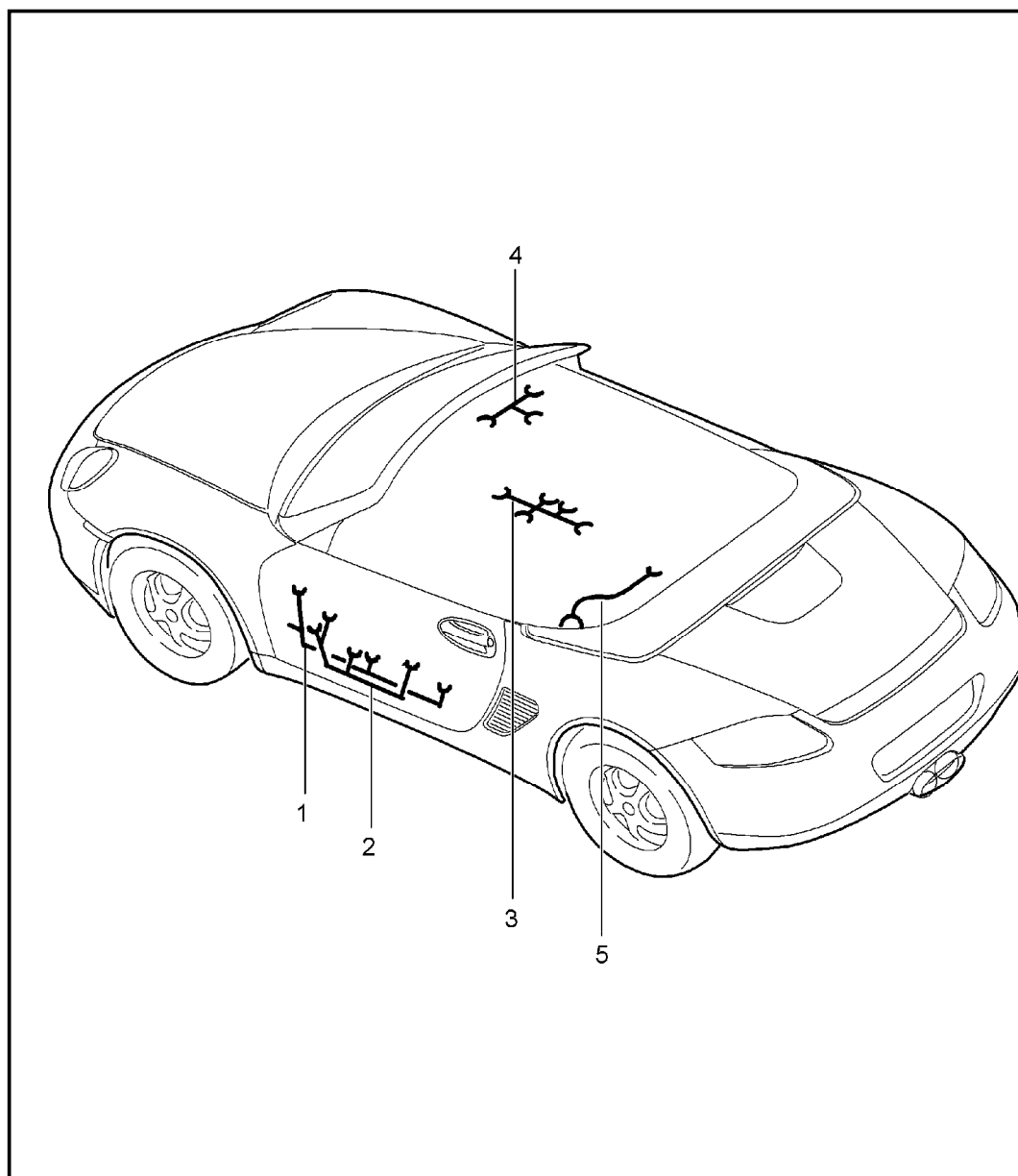
Pos	Part Number	Description	Remark	Qty	Model
		wiring harnesses passenger compartment FRONT luggage compartment lining front airbag seat-belt tensioner repair kits shock absorber anti-lock brake system brake pad wear indicator front axle			
1	987 612 903 00	wiring harness passenger compartment vehicle identification no. indicate		1	
-	996 610 120 01	support plug socket diagnostic connector		1	
-	999 651 302 40	fixing clip wiring harness passenger compartment door sill		X	
-	999 651 284 40	fixing clip wiring harness passenger compartment door sill		X	
2 A	987 612 520 00	wiring harness FRONT luggage compartment see workshop manual KD-NR.: 971619		05	1
2 U	987 612 520 10	wiring harness FRONT luggage compartment see workshop manual KD-NR.: 971619		06	1
2	987 612 520 11	wiring harness FRONT luggage compartment see workshop manual KD-NR.: 971619			1
(2) A	987 612 521 00	wiring harness FRONT luggage compartment see workshop manual KD-NR.: 971619		05	1 I601
(2) U	987 612 521 10	wiring harness FRONT luggage compartment see workshop manual KD-NR.: 971619		06	1 I601



Model	Year	MG	SG	Illustration	Restrictions	UPD	11:46	24.01.2010	PORSCHE	PET	PORSCHE
987	2008	9	02	902-10		248					

Pos	Part Number	Description	Remark	Qty	Model	Pos	Part Number	Description	Remark	Qty	Model
(2)	987 612 521 11	wiring harness FRONT luggage compartment see workshop manual KD-NR.: 971619		1	I601	-	997 612 793 01	wiring harness seat-belt tensioner		2	
-	997 610 215 01	cable guide for sensor airbag		2		-	997 612 950 00	repair kit wiring harness shock absorber	/V	2	I475
3	987 612 501 01	wiring harness lining front		1		-	997 612 961 00	repair kit wiring harness anti-lock brake system brake pad wear indicator	/V/L	1	
-	999 507 840 40	cable holder for POS. 3		X		-	997 612 960 00	repair kit wiring harness anti-lock brake system brake pad wear indicator	/V/R	1	
-	997 612 781 00	wiring harness airbag passenger's side setting 1 connector green	-07	1			repair kit wiring harness rear axle see group 9 / 02 / 20				
-	997 612 781 25	wiring harness airbag passenger's side setting 1 connector green	08	1							
-	997 612 783 00	wiring harness airbag passenger's side setting2 connector yellow	-07	1							
-	997 612 783 25	wiring harness airbag passenger's side setting2 connector yellow	08	1							
-	997 612 992 00	wiring harness control unit airbag connection point door  wiring harness airbag seat see group 8/17/06 8/17/21		2							

Model	Year	MG	SG	Illustration	Restrictions	UPD	11:46	24.01.2010	PORSCHE	PET	PORSCHE
987	2008	9	02	902-15		248					

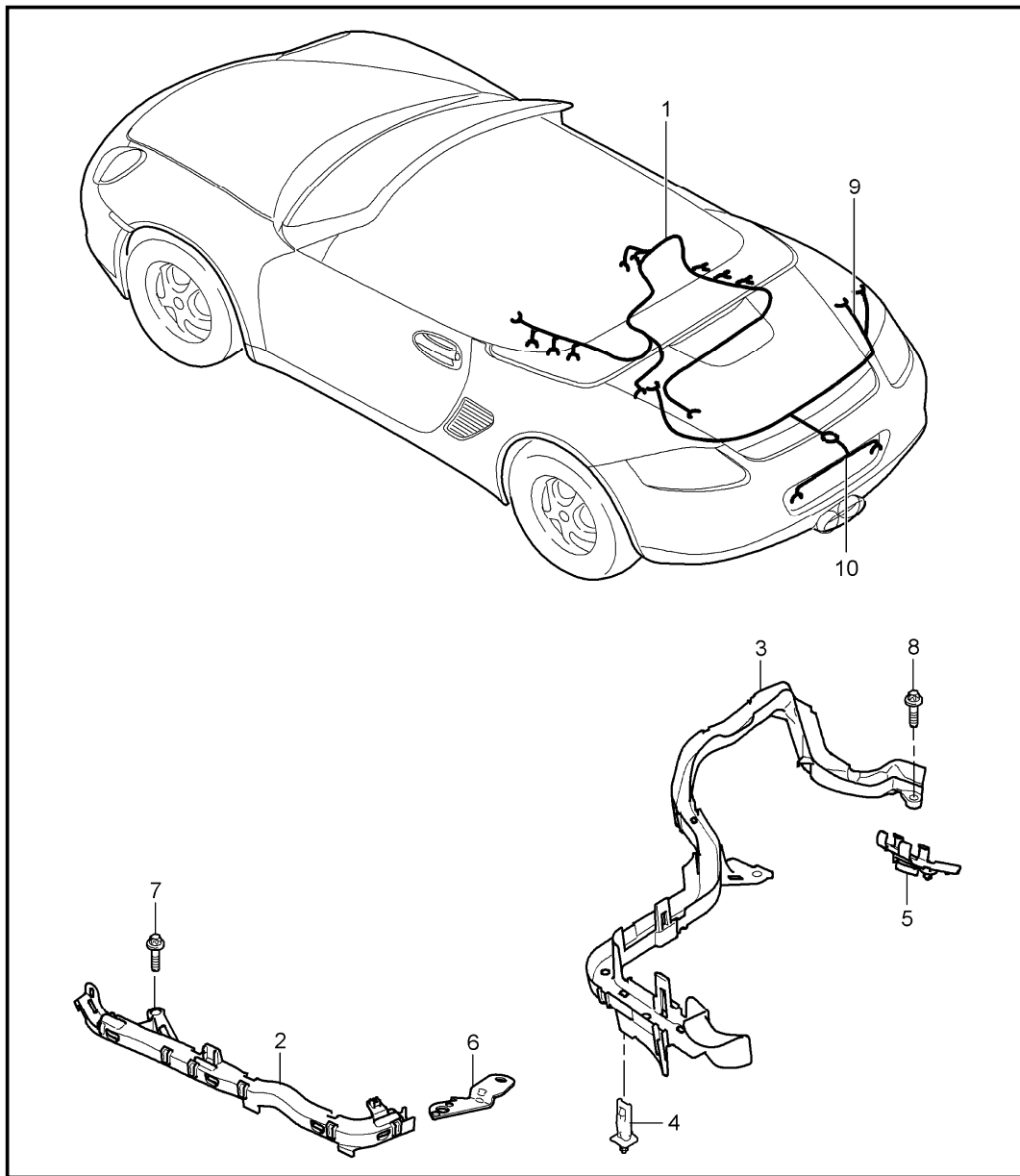


Pos	Part Number	Description	Remark	Qty	Model
		wiring harnesses doors airbag centre console glove compartment hardtop			
1	997 612 642 00	wiring harness assembly frame driver's door	/LL	05	1 I098
1	997 612 642 05	wiring harness assembly frame driver's door	/LL	06	1 I098
1	997 612 642 07	wiring harness assembly frame driver's door	/LL	07-	1 I098
(1)	997 612 644 00	wiring harness assembly frame driver's door	/RL	05	1 I099
(1)	997 612 644 55	wiring harness assembly frame driver's door	/RL	06	1 I099
(1)	997 612 644 57	wiring harness assembly frame driver's door	/RL	07-	1 I099
(1)	997 612 643 00	wiring harness assembly frame passenger's door	/LL	05	1 I098
(1)	997 612 643 55	wiring harness assembly frame passenger's door	/LL	06	1 I098
(1)	997 612 643 57	wiring harness assembly frame passenger's door	/LL	07-	1 I098
(1)	997 612 645 00	wiring harness assembly frame passenger's door	/RL	05	1 I099
(1)	997 612 645 05	wiring harness assembly frame passenger's door	/RL	06	1 I099
(1)	997 612 645 07	wiring harness assembly frame passenger's door	/RL	07-	1 I099
-	997 612 780 00	wiring harness airbag		05	2

Model	Year	MG	SG	Illustration	Restrictions	UPD	11:46	24.01.2010	PORSCHE	PET	PORSCHE
987	2008	9	02	902-15		248					

Pos	Part Number	Description	Remark	Qty	Model	Pos	Part Number	Description	Remark	Qty	Model
-	997 612 780 16	wiring harness airbag	06-	2		(2)	997 612 649 00	wiring harness door panel passenger's door	/RL 05	1	I099
2	997 612 647 00	wiring harness door panel driver's door	/LL 05	1	I098	(2)	997 612 649 05	wiring harness door panel passenger's door	/RL 06	1	I099
2	997 612 647 05	wiring harness door panel driver's door	/LL 06	1	I098	(2)	997 612 649 07	wiring harness door panel passenger's door	/RL 07-	1	I099
2	997 612 647 07	wiring harness door panel driver's door F >>988U7 03080 F >>988U7 23054	/LL 07-08	1	I098	3	997 612 652 50	wiring harness centre console	05	1	
2	997 612 647 10	wiring harness door panel driver's door F 988U7 03081>> F 988U7 23055>>	/LL 08-	1	I098	3	997 612 652 75	wiring harness centre console	06-	1	
(2)	997 612 650 00	wiring harness door panel driver's door	/RL 05	1	I099	4	997 612 651 00	wiring harness glove compartment		1	
(2)	997 612 650 05	wiring harness door panel driver's door	/RL 06	1	I099	5	986 612 081 01	wiring harness hardtop		1	I550
(2)	997 612 650 07	wiring harness door panel driver's door	/RL 07-	1	I099	-	-	wiring harness convertible top see group 8/11/05			
(2)	997 612 648 00	wiring harness door panel passenger's door	/LL 05	1	I098						
(2)	997 612 648 05	wiring harness door panel passenger's door	/LL 06	1	I098						
(2)	997 612 648 07	wiring harness door panel passenger's door F >>988U7 03080 F >>988U7 23054	/LL 07-08	1	I098						
(2)	997 612 648 10	wiring harness door panel passenger's door F 988U7 03081>> F 988U7 23055>>	/LL 08-	1	I098						

Model	Year	MG	SG	Illustration	Restrictions	UPD	11:46	24.01.2010	PORSCHE	PET	PORSCHE
987	2008	9	02	902-20		248					

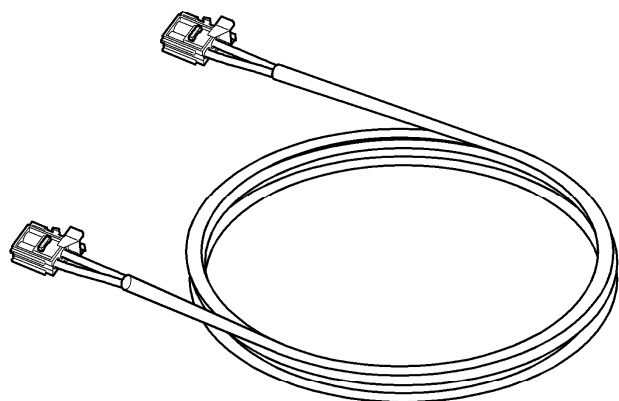
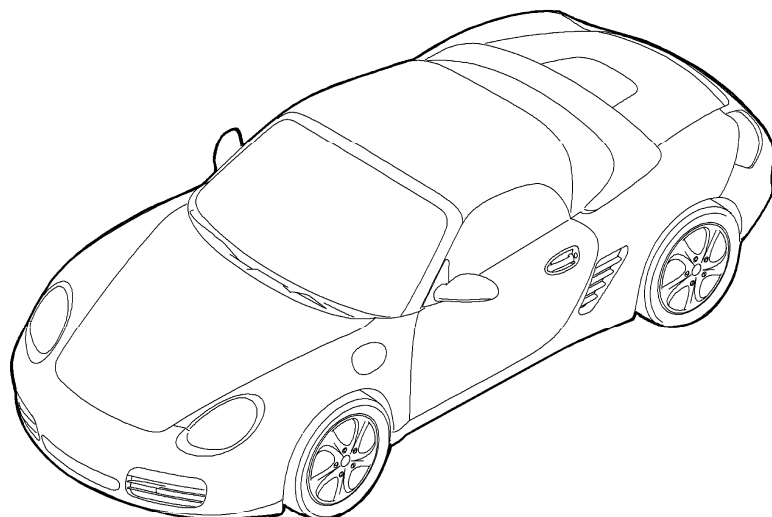


Pos	Part Number	Description	Remark	Qty	Model
		wiring harnesses engine rear end license plate light ParkAssist repair kits for shock absorber anti-lock brake system brake pad wear indicator rear axle			
1	A 987 607 001 02	wiring harness engine M >> 615 07982		1	M96.25 I481
1	A 987 607 001 04	wiring harness engine M >> 615 07982	-06	1	M96.25 I481
1	987 607 001 06	wiring harness engine	-06	1	M96.25 I481
1	A 987 607 011 08	wiring harness engine	07	1	M97.20 I481
1	987 607 011 10	wiring harness engine	07-	1	M97.20 I481
1	A 987 607 010 06	wiring harness engine	07	1	M97.20 I481 I660
1	987 607 010 08	wiring harness engine	07-	1	M97.20 I481 I660
1	A 987 607 001 61	wiring harness engine M >> 625 06879		1	M96.25/26 I480
1	A 987 607 001 62	wiring harness engine M >> 625 06879	-06	1	M96.25/26 I480 I480
1	987 607 001 63	wiring harness engine	-06	1	M96.25/26 I480 I480

Model	Year	MG	SG	Illustration	Restrictions	UPD	11:46	24.01.2010	PORSCHE	PET	PORSCHE
987	2008	9	02	902-20		248					

Pos	Part Number	Description	Remark	Qty	Model	Pos	Part Number	Description	Remark	Qty	Model
1	A 987 607 011 64	wiring harness engine	07	1	M97.20/21 I480	3	997 607 110 00	cable guide crankcase		1	
1	987 607 011 65	wiring harness engine	07-	1	M97.20/21/22 I480	4	997 607 114 00	support cable guide		1	
1	A 987 607 010 63	wiring harness engine	07	1	M97.20/21 I480/660	5	987 607 126 00	support cable guide		1	
1	987 607 010 64	wiring harness engine	07-	1	M97.20/21/22 I480/660	6	987 607 103 00	support cable guide		2	
1	A 987 607 001 03	wiring harness engine M >> 615 08206 M >> 625 07023		1	M96.25/26 I249	7	900 385 001 02	torx screw BM 8 X 20		2	
1	A 987 607 001 05	wiring harness engine M >> 615 08206 M >> 625 07023	-06	1	M96.25/26 I249	8	900 385 009 01	torx screw BM 6 X 16		2	
1	987 607 001 07	wiring harness engine	-06	1	M96.25/26 I249	9	987 612 904 00	wiring harness rear end vehicle identification no. indicate		1	
1	987 607 011 09	wiring harness engine	07	1	M97.20/21 I249	10	997 612 660 00	wiring harness license plate light		1	
1	987 607 011 11	wiring harness engine	08	1	M97.20/21/22 I249	(10)	997 612 661 00	wiring harness ParkAssist license plate light		1	I635
1	A 987 607 010 07	wiring harness engine	07	1	M97.20/21 I249/660	-	997 612 950 00	repair kit wiring harness shock absorber	/H	2	I475
1	987 607 010 09	wiring harness engine	07-	1	M97.20/21/22 I249/660	-	987 612 963 00	repair kit wiring harness anti-lock brake system brake pad wear indicator	/H/L	1	
1	987 607 010 09	wiring harness engine	07-	1	M97.20/21/22 I249/660	-	987 612 962 00	repair kit wiring harness anti-lock brake system brake pad wear indicator	/H/R	1	
2	987 607 116 00	cable guide for wiring harness 987.607.001.02/03/61	07-	2				repair kit wiring harness front axle see group 9/02/10			
(2)	987 607 116 01	cable guide for wiring harness 987.607.001.04/05/06/07/62 987.607.010.06/07/08/09/63 987.607.010.64 987.607.011.08/09/10/11/64 987.607.011.65	-06 07- 07- 07- 07-	2							

Model	Year	MG	SG	Illustration	Restrictions	UPD	11:46	24.01.2010	PORSCHE	PET	PORSCHE
987	2008	9	02	902-50		248					

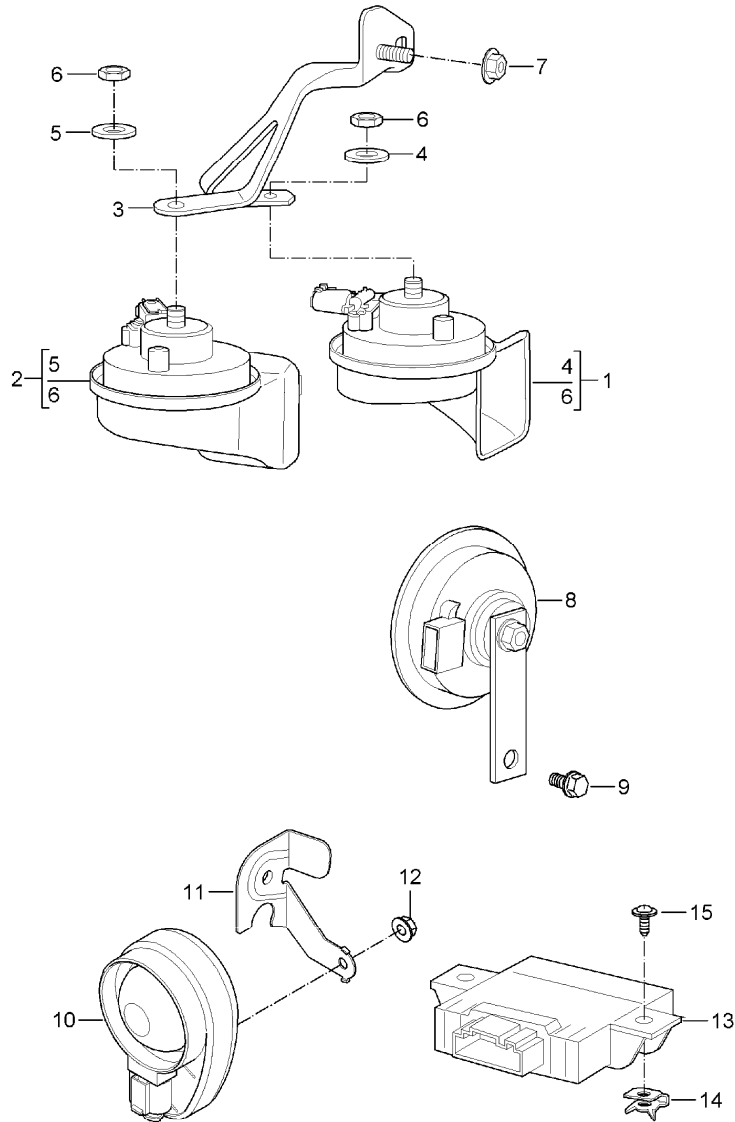


Pos	Part Number	Description	Remark	Qty	Model
		optical waveguide module passenger compartment			
-	997 622 701 00	optical waveguide module	/LL	1	I098/670/672 I680/689/692
-	997 622 701 50	optical waveguide module	/RL	1	I099/670/672 I680/689/692
-	997 622 702 00	optical waveguide module	/LL	1	I098/666/689
-	997 622 702 50	optical waveguide module	/RL	1	I099/666/689
-	997 622 703 00	optical waveguide module	/LL	1	I098/666/670 I672/680/692
-	997 622 703 50	optical waveguide module	/RL	1	I099/666/670 I672/680/692
		module FRONT luggage compartment			
-	997 610 122 00	support connection point		1	
-	996 610 132 00	cable guide t-piece FRONT luggage compartment		X	
-	997 622 707 00	optical waveguide module	/LL	1	I098/670/672
-	997 622 707 50	optical waveguide module	/RL	1	I099/670/672
-	997 622 704 00	optical waveguide module	/LL	1	I098/680
-	997 622 704 50	optical waveguide module	/RL	1	I099/680
-	997 622 706 00	optical waveguide module	/LL	1	I098/692
-	997 622 706 50	optical waveguide module	/RL	1	I099/692
-	997 622 708 00	optical waveguide module	/LL	1	I098/664/692
-	997 622 710 00	optical waveguide module	/LL	1	I098/670/672 I680

Model	Year	MG	SG	Illustration	Restrictions	UPD	11:46	24.01.2010	PORSCHE	PET	PORSCHE
987	2008	9	02	902-50		248					

Pos	Part Number	Description	Remark	Qty	Model	Pos	Part Number	Description	Remark	Qty	Model
-	997 622 710 50	optical waveguide module	/RL	1	I099/670/672 I680						
-	997 622 714 00	optical waveguide module	/LL	1	I098/670/672 I692						
-	997 622 714 50	optical waveguide module	/RL	1	I099/670/672 I692						
-	997 622 715 00	optical waveguide module	/LL	1	I098/664/670 I672/692						
-	997 622 709 00	optical waveguide module	/LL	1	I098/680/692						
-	997 622 709 50	optical waveguide module	/RL	1	I099/680/692						
-	997 622 712 00	optical waveguide module	/LL	1	I098/664/680 I692						
-	997 622 711 00	optical waveguide module	/LL	1	I098/670/672 I680/692						
-	997 622 711 50	optical waveguide module	/RL	1	I099/670/672 I680/692						
-	997 622 713 00	optical waveguide module	/LL	1	I098/664/670 I672/680/692						

Model	Year	MG	SG	Illustration	Restrictions	UPD	11:47	24.01.2010	PORSCHE	PET	PORSCHE
987	2008	9	03	903-00		248					



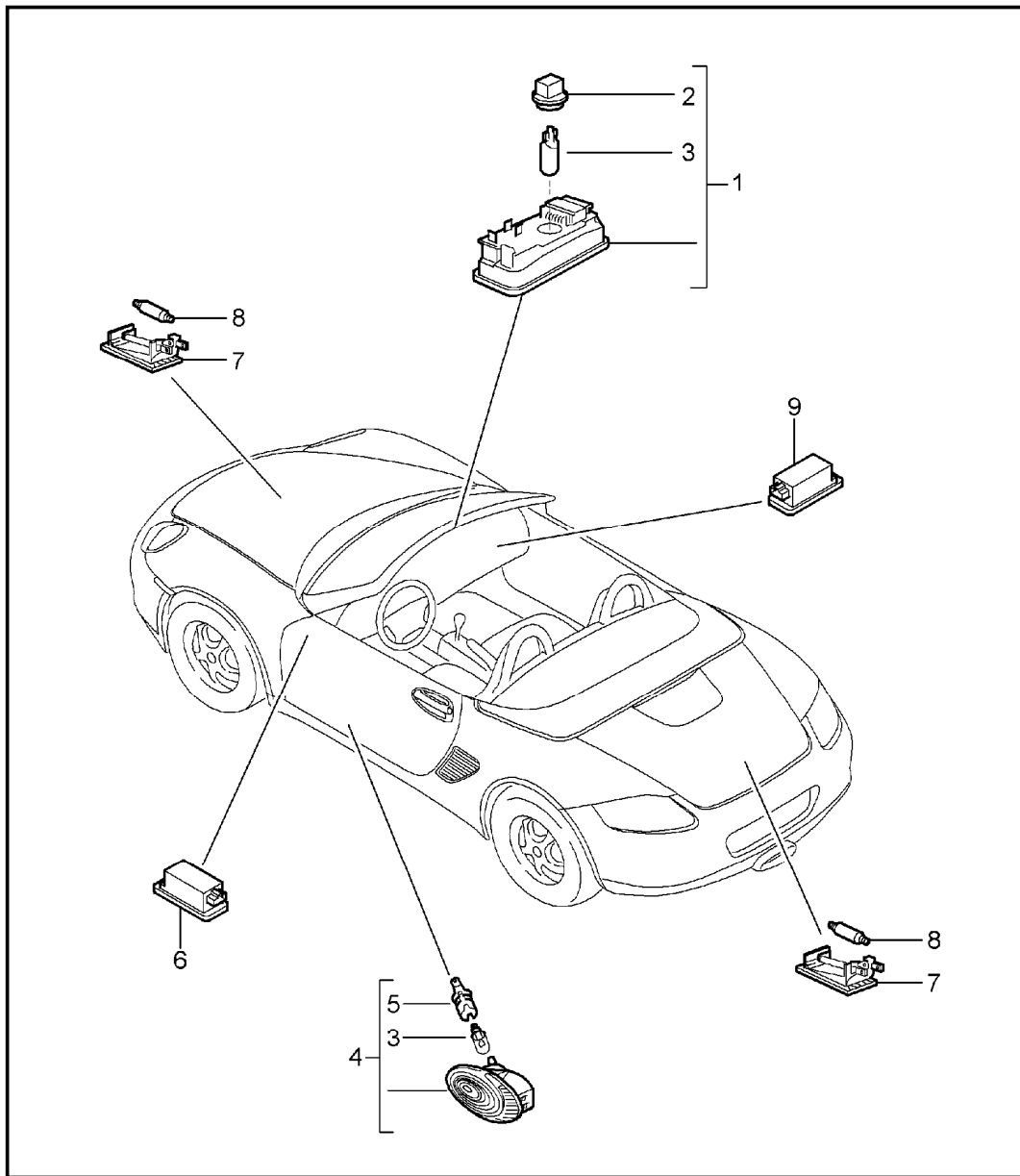
Pos	Part Number	Description	Remark	Qty	Model
		fanfare horn alarm system			
1	A 997 635 206 01	fanfare high-pitched	-07	1	
1	997 635 206 02	fanfare high-pitched	-07	1	
1	997 635 206 03	fanfare high-pitched	08	1	
2	A 997 635 205 01	fanfare low-pitched	-06	1	
2	997 635 205 02	fanfare low-pitched	-07	1	
2	997 635 205 03	fanfare low-pitched	08	1	
3	997 635 150 01	support	-06	1	
3	997 635 150 02	support	07	1	
3	997 635 150 03	support	08	1	
4	-	washer high-pitched		1	
5	-	washer low-pitched		1	
6	900 034 001 03	hexagon nut M 8	-07	2	
6	900 034 001 04	hexagon nut M 8	08	2	
7	900 377 003 03	hexagon nut M 8		1	
8	996 637 117 03	horn for alarm system		1	
9	900 075 459 01	combination screw M 6 X 12 Z2		1	
10	955 618 237 01	alarm siren		1	I536
11	997 637 419 01	support		1	I536
12	900 380 015 01	hexagon nut M 6		1	I536



Model	Year	MG	SG	Illustration	Restrictions	UPD	11:47	24.01.2010	PORSCHE	PET	PORSCHE
987	2008	9	03	903-00		248					

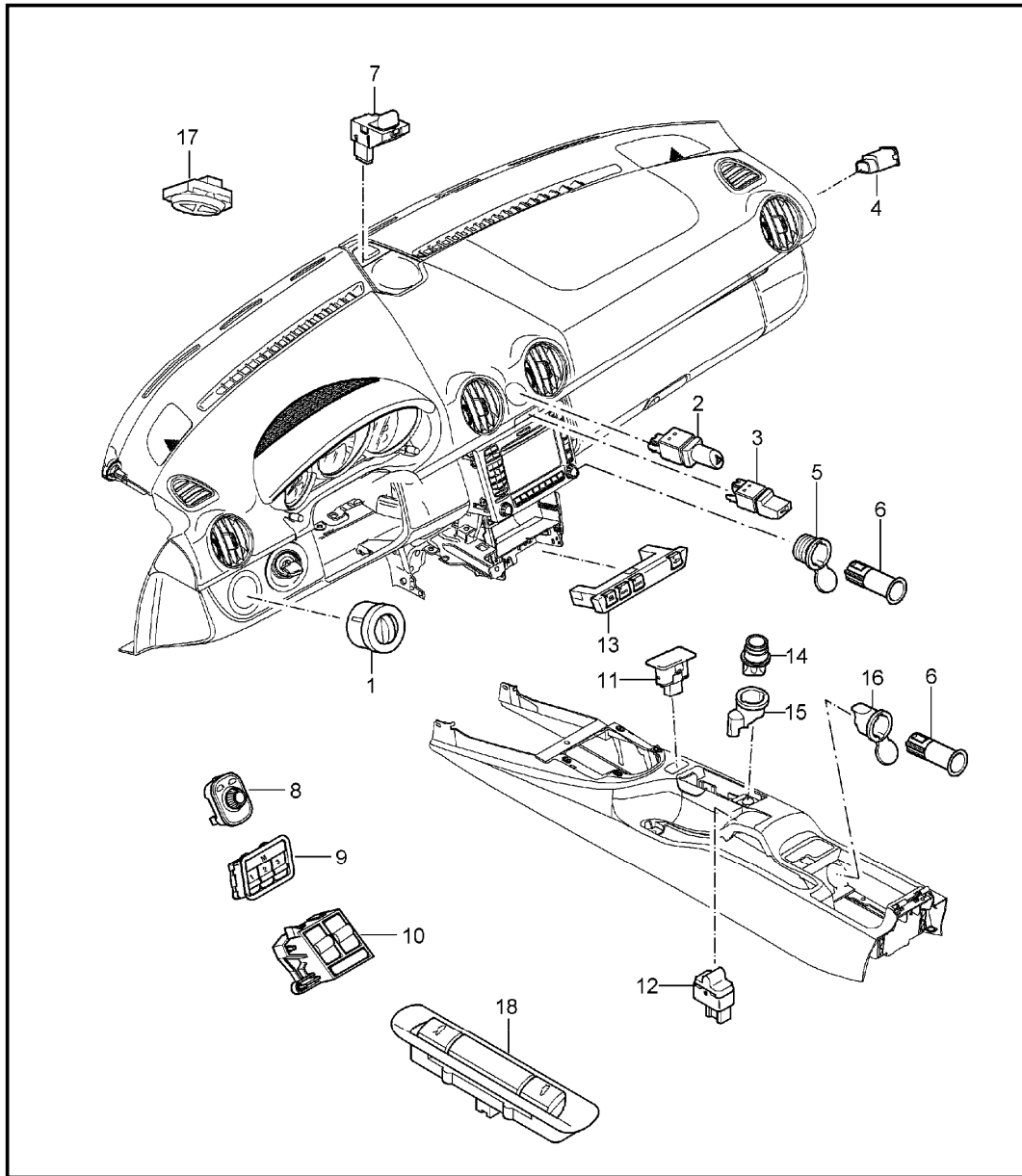
Pos	Part Number	Description	Remark	Qty	Model	Pos	Part Number	Description	Remark	Qty	Model
13	997 618 265 00	control unit tilt sensor		1	I521/536						
14	999 591 742 01	speed nut 4,2		2	I521/536						
15	999 073 155 09	tapping screw 4,2 X 13		2	I521/536						

Model	Year	MG	SG	Illustration	Restrictions	UPD	11:47	24.01.2010	PORSCHE	PET	PORSCHE
987	2008	9	03	903-04		248					



Pos	Part Number	Description	Remark	Qty	Model
1	987 632 053 00	interior lights luggage compartment lamp engine compartment lamp glove compartment light footwell light		1	
2	999 632 018 00	interior light		1	
3	999 631 032 90	bulb socket		1	
4	996 632 132 01	bulb 5 W		2	
5	161 949 111	door guard light		2	
6	955 632 202 00	bulb socket		1	
7	997 632 201 00	light footwell		2	
8	997 632 071 00	light luggage compartment front and rear		2	
9	900 631 106 90	bulb 10 W		2	
-	997 632 071 00	glove compartment light		1	
-	999 631 147 90	bulb 3 W vanity mirror		4	

Model	Year	MG	SG	Illustration	Restrictions	UPD	11:47	24.01.2010	PORSCHE	PET	PORSCHE
987	2008	9	03	903-05		248					



Pos	Part Number	Description	Remark	Qty	Model
1	997 613 535 01	switch		1	
	A05	light switch			
	A05	black mat			
2	987 613 120 02	hazard warning light sw.		1	
	A05	black mat			
3	987 613 143 00	switch		1	
		central locking system			
	A05	black mat			
4	955 613 165 01	switch	05	1	
		airbag			
	B41	satin black			
4	955 613 165 02	switch	06-	1	
		airbag			
	9B9	satin black			
5	997 652 103 00	clamping ring		1	
		with lid			
6	955 652 107 00	plug socket		2	
7	997 653 251 00	sensor		1	
		air conditioner			
8	997 613 241 00	switch		1	
		door mirror			
	A05	black mat			
9	997 613 103 00	memory switch	/L	1	I537
	A05	black mat			
(9)	997 613 104 00	memory switch	/R	1	I538
	A05	black mat			
10	997 613 151 02	switch	/LL	05	I098
		power windows			
		driver's side			
	A05	black mat			
10 A	997 613 151 03	switch	/LL	06	I098
		power windows			
		driver's side			

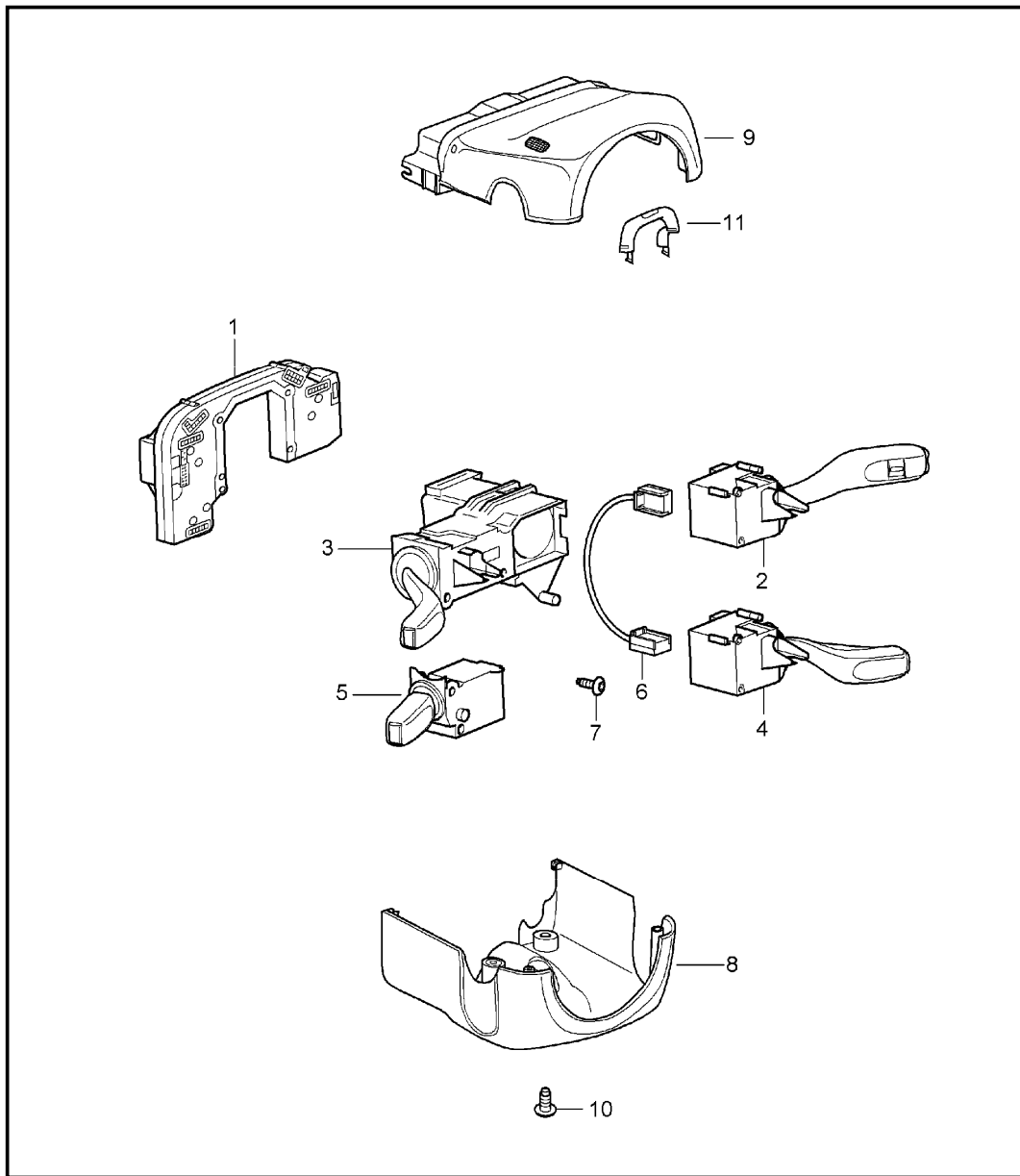
Model	Year	MG	SG	Illustration	Restrictions	UPD	11:47	24.01.2010	PORSCHE	PET	PORSCHE
987	2008	9	03	903-05		248					

Pos	Part Number	Description	Remark	Qty	Model	Pos	Part Number	Description	Remark	Qty	Model
10	A05	black mat					A05	black mat			
	997 613 151 04	switch power windows driver's side	/LL 06-	1	I098	(12)	997 613 141 10	switch convertible top control		1	BOXSTER BOXSTER S
(10)	A05	black mat					A05	black mat			
	997 613 152 03	switch power windows driver's side	/RL -07	1	I099		F 988U7 02846>> F 988U7 22687>>				BOXSTER BOXSTER S
(10)	A05	black mat				13	997 613 139 00	combined switch		1	I475/476 I639/640
	997 613 152 04	switch power windows driver's side	/RL 08-	1	I099	(13)	FMH	volcano grey/black mat		1	I476/639/640
(10)	A05	black mat					FMH	volcano grey/black mat			
	997 613 156 03	switch power windows passenger's side	/LL -06	1	I098	(13)	997 613 135 00	combined switch		1	I475/476
(10)	A05	black mat					FMH	volcano grey/black mat			
	997 613 156 04	switch power windows passenger's side	/LL	1	I098	(13)	997 613 131 00	combined switch	07-	1	IXLF/475/476
(10)	A05	black mat					FMH	volcano grey/black mat			
	997 613 155 02	switch power windows passenger's side	/RL 05	1	I099	(13)	997 613 133 00	combined switch		1	I476
(10)	A05	black mat					FMH	volcano grey/black mat			
	997 613 155 03	switch power windows passenger's side	/RL 06-07	1	I099	(13)	997 613 129 00	combined switch	07-	1	IXLF/476
(10)	A05	black mat				14	A 996 652 101 10	cigarette lighter	-07	1	
	997 613 155 04	switch power windows passenger's side	/RL 08-	1	I099	14	A05	black mat		1	
(10)	A05	black mat					A05	black mat			
	997 641 165 00	indicator light airbag		1		15	997 652 102 00	headlight unit		1	
11	A05	black mat				16	997 652 104 00	clamping ring with lid		1	
	997 613 141 01	switch convertible top control		1		17	997 613 225 01	switch garage door opener	/L	1	I607/608
12	A05	black mat				(17)	A05	black mat			
							997 613 227 01	switch garage door opener	/R	1	I607/608

Model	Year	MG	SG	Illustration	Restrictions	UPD	11:47	24.01.2010	PORSCHE	PET	PORSCHE
987	2008	9	03	903-05		248					

Pos	Part Number	Description	Remark	Qty	Model	Pos	Part Number	Description	Remark	Qty	Model
	A05	black mat									
(17)	997 613 235 00	cover		2							
	01C	satin black									
18	A 997 613 105 00	switch lid front and rear	-07	1							
	A05	black mat									
18	997 613 105 01	switch lid front and rear		1							
	A05	black mat									

Model	Year	MG	SG	Illustration	Restrictions	UPD	11:47	24.01.2010	PORSCHE	PET	PORSCHE
987	2008	9	03	903-10		248					

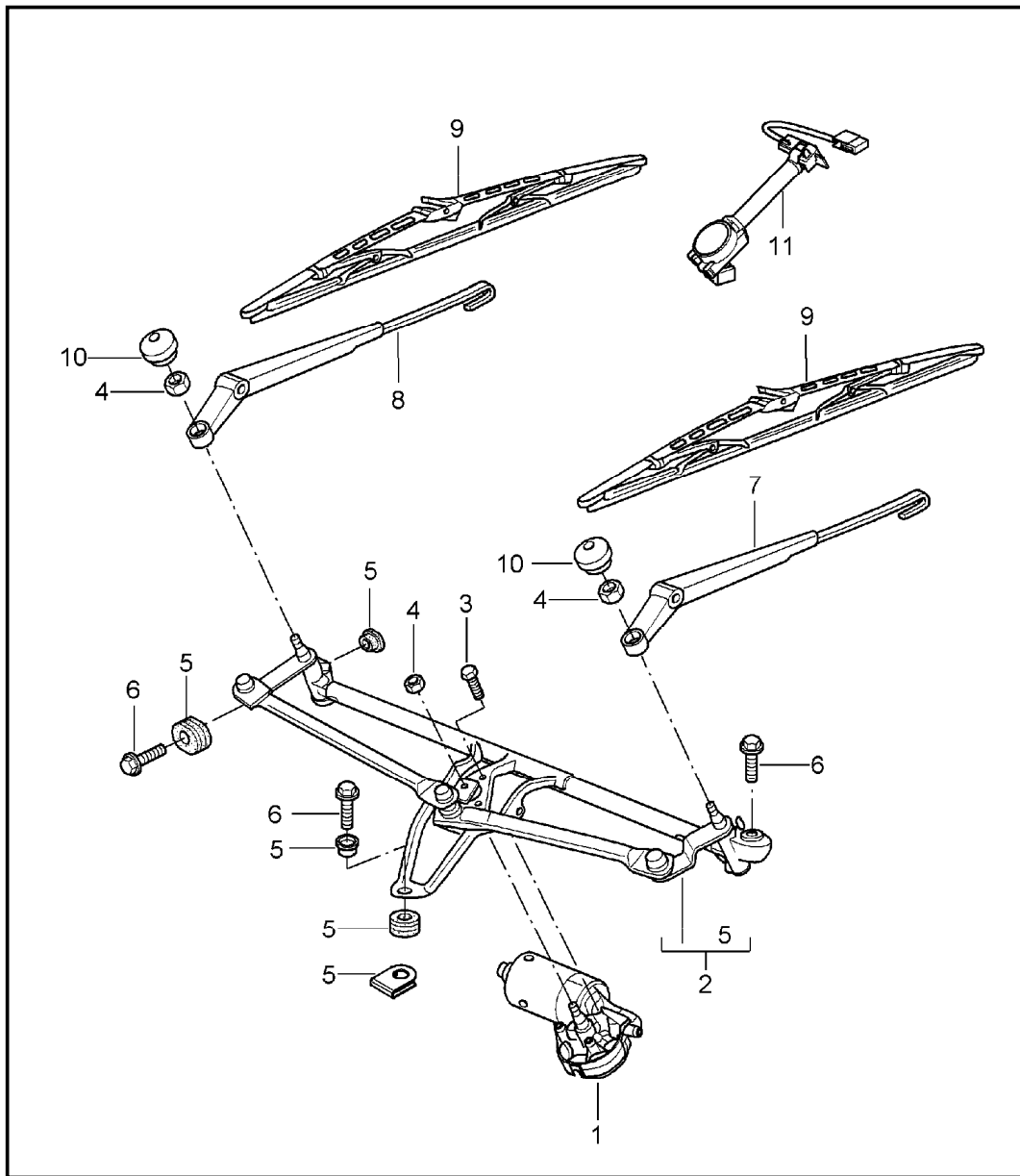


Pos	Part Number	Description	Remark	Qty	Model
		steering column switch			
1	A 997 613 291 02	electronic unit	-06	1	
1	A 997 613 297 01	electronic unit	07	1	
1	997 613 297 02	electronic unit		1	
2	997 613 251 00	wiper switch		1	
	01C	satin black			
(2)	997 613 253 00	wiper switch		1	I288
	01C	satin black			
3	997 613 245 00	direction indicator switch		1	
	01C	satin black			
4	> 997 613 261 00	switch cruise control		1	I454
	01C	satin black			
5	997 613 265 00	switch on-board computer		1	I659
	01C	satin black			
6	997 622 674 00	wiring harness cruise control		1	I454
7	N 909 068 01	torx screw M 2,5 X 2,6 X 43,5-D		X	
8	997 552 475 02	switch housing lower		1	
	A03	black			
(8)	997 552 475 03	switch housing lower		1	I454
	A03	black			
8	997 552 979 00	switch housing lower leather	06-	1	IXNS
	A11	black			
	5X6	stone grey			
	8G2	sand beige			
	3S9	sea blue			

Model	Year	MG	SG	Illustration	Restrictions	UPD	11:47	24.01.2010	PORSCHE	PET	PORSCHE
987	2008	9	03	903-10		248					

Pos	Part Number	Description	Remark	Qty	Model	Pos	Part Number	Description	Remark	Qty	Model
	4P2	palmgreen					9V6	cocoa			
	9S5	terracotta					D12	dark grey/natural			
	9V6	cocoa					T12	brown/natural			
	D12	dark grey/natural					N12	carrera red			
	T12	brown/natural				10	A 999 919 136 02	oval-head screw 3,5 X 18	-06	3	
	N12	carrera red				10	999 919 136 01	oval-head screw 3,5 X 18		3	
(8)	997 552 979 01	switch housing lower leather	06-	1	IXNS/454	11	997 610 206 00	cable guide		1	
	A11	black									
	5X6	stone grey									
	8G2	sand beige									
	3S9	sea blue									
	4P2	palmgreen									
	9S5	terracotta									
	9V6	cocoa									
	D12	dark grey/natural									
	T12	brown/natural									
	N12	carrera red									
9	997 552 273 02	switch housing upper		1							
	A03	black									
9	997 552 997 00	switch housing upper leather	06-	1	IXNS						
	A11	black									
	5X6	stone grey									
	8G2	sand beige									
	3S9	sea blue									
	4P2	palmgreen									
	9S5	terracotta									

Model	Year	MG	SG	Illustration	Restrictions	UPD	11:47	24.01.2010	PORSCHE	PET	PORSCHE
987	2008	9	04	904-00		248					



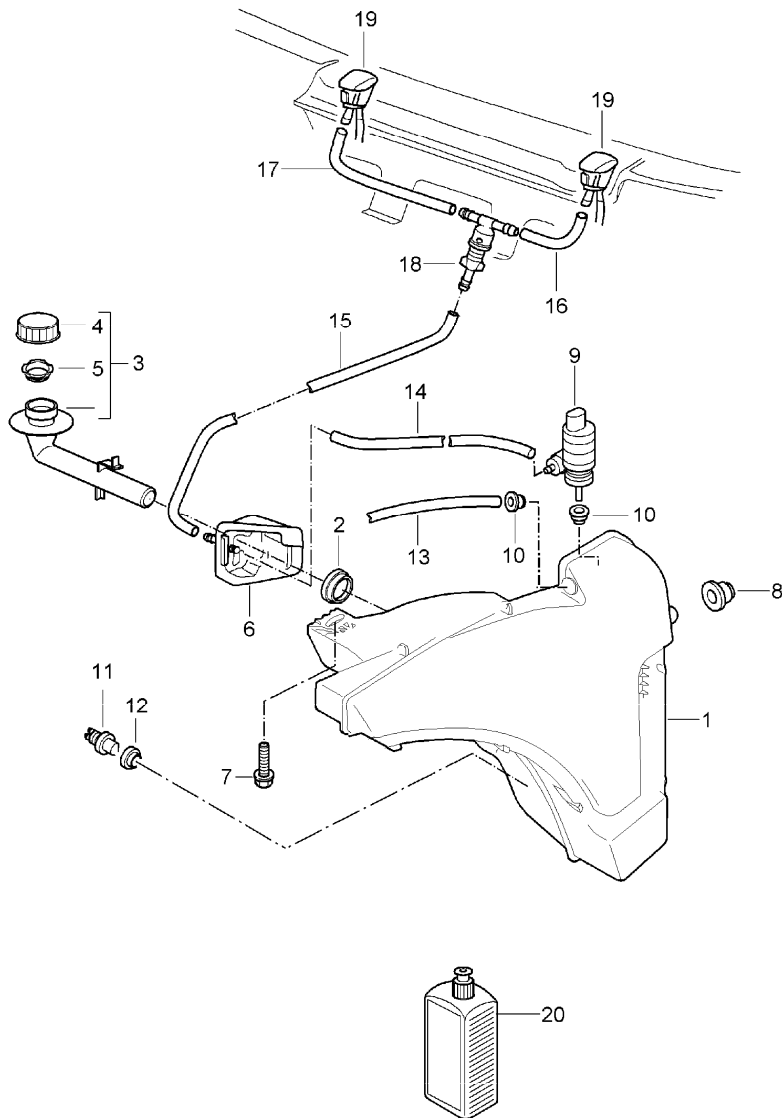
Pos	Part Number	Description	Remark	Qty	Model
		windscreen wiper system rain sensor			
1	A 997 624 105 00	wiper motor	/LL	-07	1 I098
1	997 624 105 01	wiper motor	/LL		1 I098
(1)	A 997 624 106 00	wiper motor	/RL	-07	1 I099
(1)	997 624 106 01	wiper motor	/RL		1 I099
2	997 628 235 00	crank drive	/LL	-07	1 I098
2	997 628 235 01	crank drive	/LL	08	1 I098
(2)	997 628 236 00	crank drive	/RL	-07	1 I099
(2)	997 628 236 01	crank drive	/RL	08	1 I099
3	999 073 152 02	torx screw M 6 X 18			3
4	900 076 064 02	hexagon nut M 8			3
5	997 628 928 00	repair kit comprising:			1 1
-	-	bearing sleeve			1
-	-	rubber bush			1
-	-	bearing sleeve			1
-	-	rubber bush			1
-	-	clamp			2
6	999 075 075 01	combination screw M 6 X 22 SC			3
7	A 986 628 028 00	wiper arm driver's side	/LL	-07	1 I098
7	987 628 027 00	wiper arm driver's side	/LL		1 I098
(7)	A 996 628 027 01	wiper arm passenger's side	/RL	-07	1 I099
(7)	997 628 030 00	wiper arm passenger's side	/RL		1 I099
8	A 996 628 028 01	wiper arm passenger's side	/LL	-07	1 I098



Model	Year	MG	SG	Illustration	Restrictions	UPD	11:47	24.01.2010	PORSCHE	PET	PORSCHE
987	2008	9	04	904-00		248					

Pos	Part Number	Description	Remark	Qty	Model	Pos	Part Number	Description	Remark	Qty	Model
8	997 628 029 00	wiper arm passenger's side	/LL	1	I098						
(8) A	986 628 027 00	wiper arm driver's side	/RL -07	1	I099						
(8)	987 628 028 00	wiper arm driver's side	/RL	1	I099						
9	996 628 901 08	wiper blade set driver's side passenger's side		1							
10	944 628 305 01	cap		2							
11	987 612 693 25	rain sensor with wiring harness		1	I267/268						
-	000 043 204 65	adhesive film for rain sensor		1							

Model	Year	MG	SG	Illustration	Restrictions	UPD	11:48	24.01.2010	PORSCHE	PET	PORSCHE
987	2008	9	04	904-10		248					

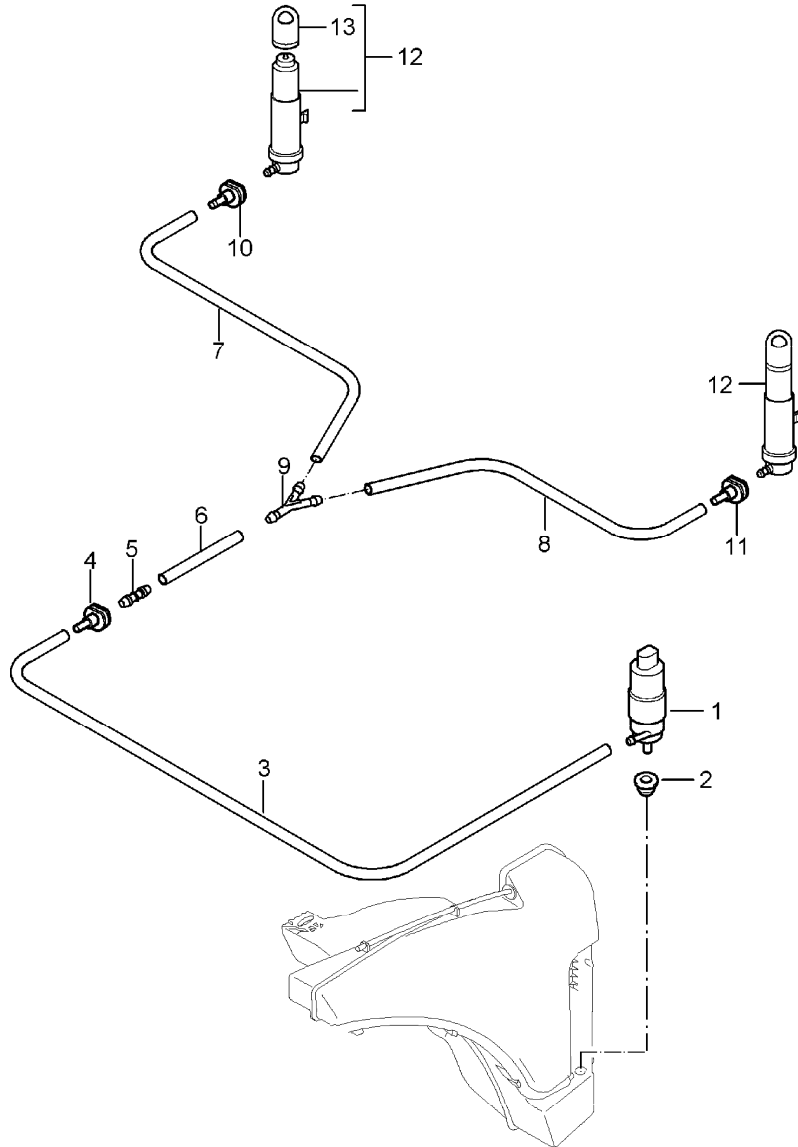


Pos	Part Number	Description	Remark	Qty	Model
		windscreen washer system			
1	997 528 701 01	water reservoir		1	I288
(1)	997 528 701 00	water reservoir		1	
2	996 528 711 00	gasket		1	
3	997 528 605 00	filler neck		1	
4	996 528 607 00	lid		1	
5	997 528 621 00	strainer		1	
6	996 528 615 01	bracket		1	
-	999 137 091 40	joining socket repair material for bracket 996.528.615.01		X	
7	900 378 154 01	hexagon-head bolt AM 8 X 35 SB		1	
8	999 702 221 40	grommet		2	
9	997 628 182 00	pump		1	
10	431 955 465 B	gasket		2	
11	955 628 105 00	tank gauge switch		1	
12	955 528 721 00	gasket		1	
13	999 181 347 40	breather pipe 273 MM		*	
-	999 181 815 40	hose 5,0 X 2,5		*	
14	-	375 MM		1	
15	-	650 MM		1	
16	-	97 MM		1	
17	-	347 MM		1	
(18)	999 137 005 40	t-piece		1	
19	996 628 077 03	nozzle when required order also:	-07	2	
19	997 628 077 00	nozzle when required order also:	08	2	

Model	Year	MG	SG	Illustration	Restrictions	UPD	11:48	24.01.2010	PORSCHE	PET	PORSCHE
987	2008	9	04	904-10		248					

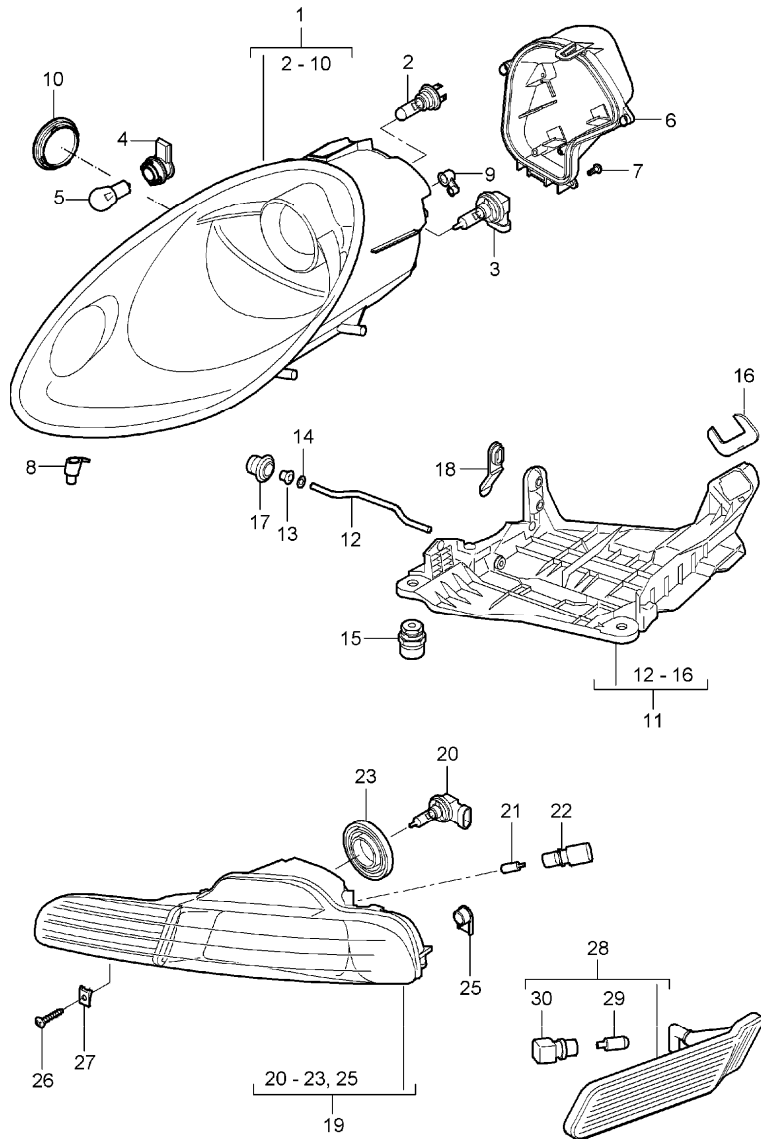
Pos	Part Number	Description	Remark	Qty	Model	Pos	Part Number	Description	Remark	Qty	Model
-	997 612 976 00	repair kit wiring harness		2							
20	999 901 017 42	window cleaner 250 ML summer		X							
20	999 901 033 40	window cleaner 1000 ML winter		X							

Model	Year	MG	SG	Illustration	Restrictions	UPD	11:48	24.01.2010	PORSCHE	PET	PORSCHE
987	2008	9	04	904-20		248					



Pos	Part Number	Description	Remark	Qty	Model
		headlight washer system			I288
1	997 624 502 00	pump		1	
2	928 628 193 00	gasket		1	
-	000 043 204 79	hose 8 X 3		*	
3	-	890 MM		1	
4	996 628 204 00	quick-connecting lock		1	
5	997 628 208 00	hose connection		1	
-	999 181 760 40	hose 10 X 3		*	
6	-	440 MM			
7	-	50 MM			
8	-	1850 MM			
9	999 137 093 40	y-piece		1	
10	997 628 204 00	quick-connecting lock		1	
11	997 628 205 00	quick-connecting lock		1	
12 A	997 628 133 00	nozzle	-07	2	
12	997 628 133 01	nozzle		2	
13	997 628 231 00	nozzle head		2	

Model	Year	MG	SG	Illustration	Restrictions	UPD	11:48	24.01.2010	PORSCHE	PET	PORSCHE
987	2008	9	05	905-00		248					

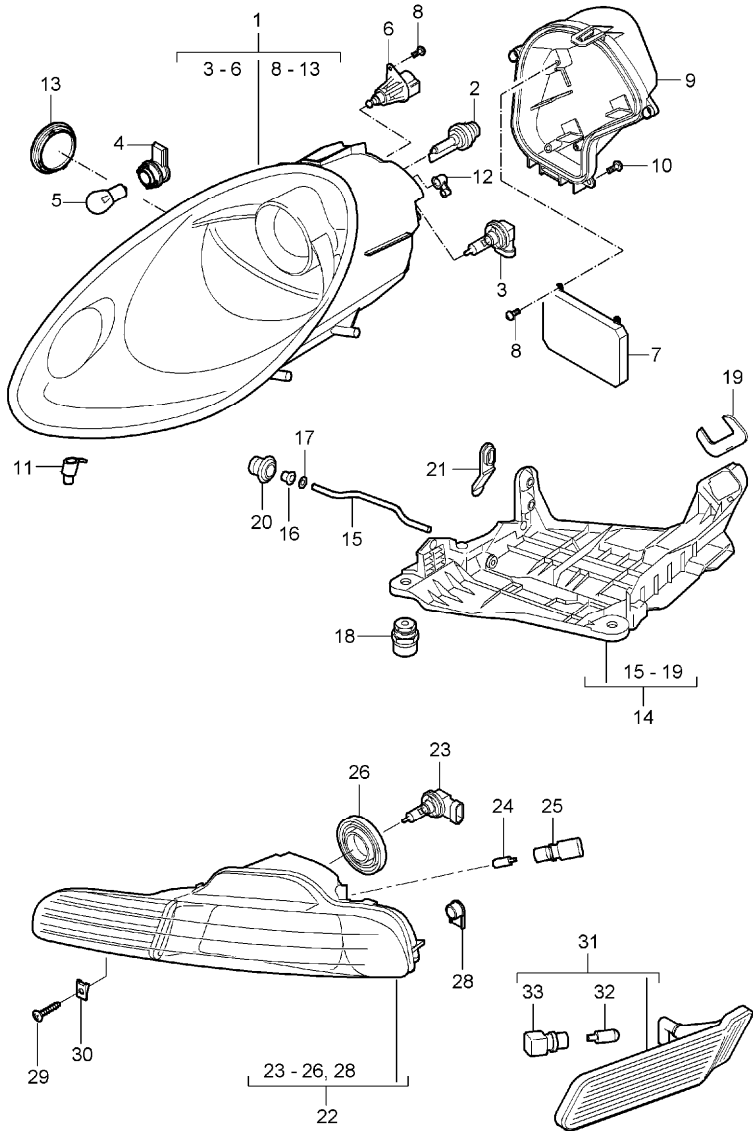


Pos	Part Number	Description	Remark	Qty	Model
		headlamp additional headlamp direction indicator light			
1	987 631 163 01	headlamp	/L	1	
(1)	987 631 164 01	headlamp	/R	1	
1	987 631 163 11	headlamp	/L	1	I492
(1)	987 631 164 11	headlamp	/R	1	I492
2	999 631 133 91	halogen bulb H 7		2	
3	999 631 143 90	halogen bulb H 9		2	
4	987 631 153 00	bulb socket direction indicator light		2	
5	900 631 021 90	bulb 21 W		2	
6	997 631 101 00	protective cap	/L	1	
(6)	997 631 102 00	protective cap	/R	1	
7	997 631 191 00	screw		4	
8	987 631 135 00	breather adapter		2	
9	997 631 249 00	ventilation component		2	
10	987 631 107 00	lid		2	
11	987 631 041 01	mounting	/L	1	
(11)	987 631 042 01	mounting	/R	1	
12	987 631 243 01	clamping bow		2	
13	997 631 272 00	bearing sleeve		2	
14	900 116 004 09	lock washer		2	
15	997 631 194 00	fastening part		6	
16	997 631 245 00	locking device connector housing		2	
17	999 703 413 40	stopper		2	
18	993 631 170 03	stopper		6	
		additional headlamp			

Model	Year	MG	SG	Illustration	Restrictions	UPD	11:48	24.01.2010	PORSCHE	PET	PORSCHE
987	2008	9	05	905-00		248					

Pos	Part Number	Description	Remark	Qty	Model	Pos	Part Number	Description	Remark	Qty	Model
19	987 631 081 00	additional headlamp	/L	-07	1						
19	987 631 081 02	additional headlamp	/L	08-	1						
(19)	987 631 082 00	additional headlamp	/R	-07	1						
(19)	987 631 082 02	additional headlamp	/R	08-	1						
20	999 631 142 90	halogen bulb H 8			2						
21	999 631 033 90	bulb 5 W position light for additional headlamp 987.631.081/082.00			2						
21	999 631 040 90	bulb 5 W position light for additional headlamp 987.631.081/082.02			2						
22	997 631 137 00	bulb socket position light			2						
23	997 631 145 00	cap			2						
(25)	997 631 293 00	cover			2						
26	999 073 080 02	tapping screw ST 4,2 X 16			4						
27	999 507 768 02	speed nut ST 4,2  direction indicator light			4						
28	987 631 033 01	direction indicator light	/L		1						
(28)	987 631 034 01	direction indicator light	/R		1						
29	999 631 138 90	bulb 5 W yellow			2						
30	997 631 133 00	bulb socket			2						

Model	Year	MG	SG	Illustration	Restrictions	UPD	11:48	24.01.2010	PORSCHE	PET	PORSCHE
987	2008	9	05	905-01		248					



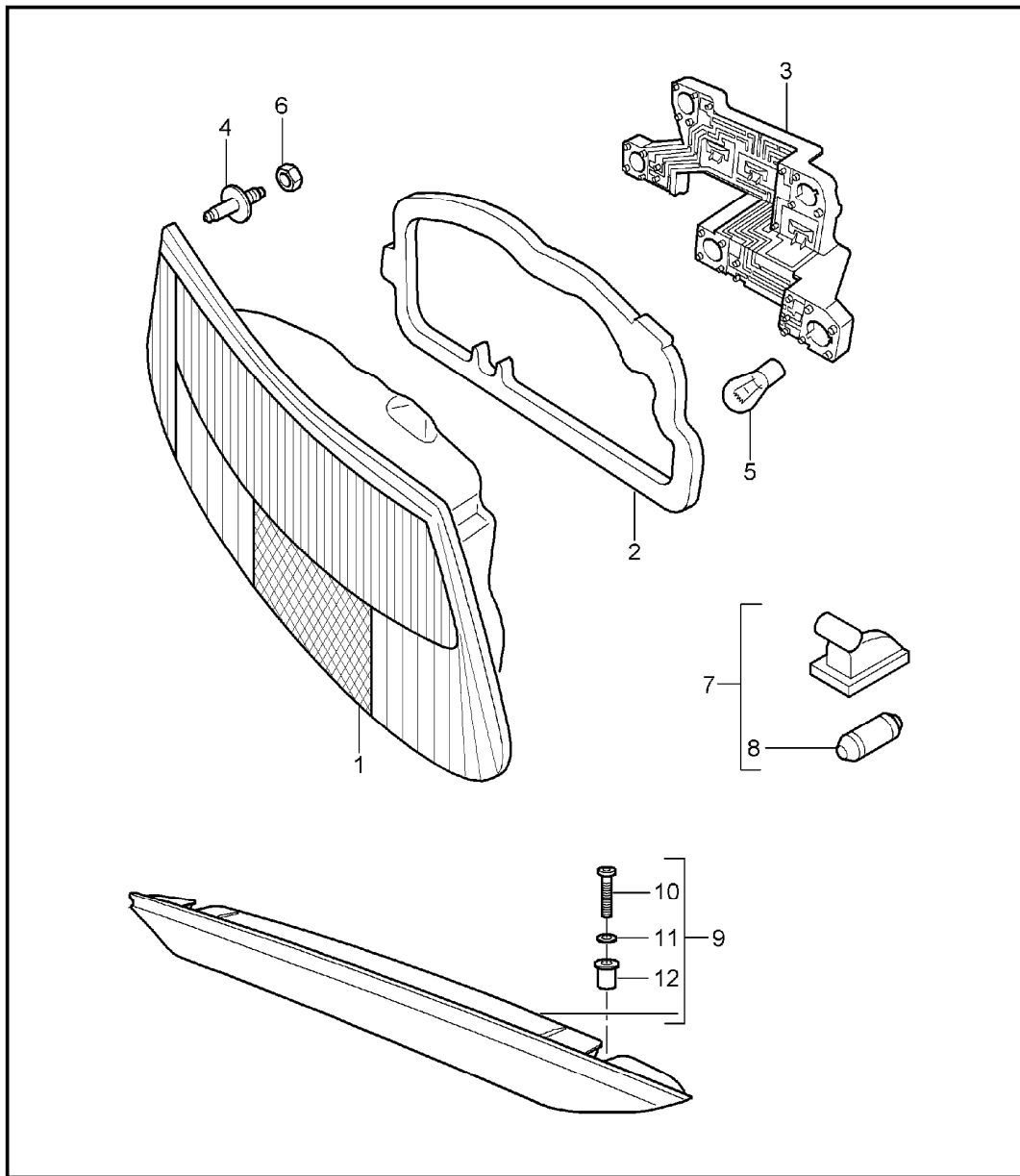
Pos	Part Number	Description	Remark	Qty	Model
		headlamp additional headlamp direction indicator light			I601
		headlamp without control unit and bulb XENON			
1	987 631 157 01	headlamp	/L	1	
(1)	987 631 158 01	headlamp	/R	1	
1	987 631 157 11	headlamp	/L	1	I492
(1)	987 631 158 11	headlamp	/R	1	I492
2	999 631 036 90	bulb - PHILIPS -		2	
3	999 631 144 91	halogen bulb H 11		2	
4	987 631 153 00	bulb socket direction indicator light		2	
5	900 631 021 90	bulb 21 W		2	
6	997 631 125 01	electric motor headlight levelling system F >>985S7 00582 F >>985U7 02552 F >>985U7 22699 F >>985U7 02536 F >>985U7 22678	/L	1	I492 I492
(6)	997 631 126 01	electric motor headlight levelling system F >>985S7 00582 F >>985U7 02552 F >>985U7 22699 F >>985U7 02536 F >>985U7 22678	/R	1	I492 I492
6	997 631 141 00	electric motor headlight levelling system F 985S7 00583>> F 985U7 02553>> F 985U7 22700>> F 985U7 02537>> F 985U7 22679>>		2	I492 I492
		when required order also:			

Model	Year	MG	SG	Illustration	Restrictions	UPD	11:48	24.01.2010	PORSCHE	PET	PORSCHE
987	2008	9	05	905-01		248					

Pos	Part Number	Description	Remark	Qty	Model	Pos	Part Number	Description	Remark	Qty	Model
-	997 631 941 00	cable adapter		2		24	999 631 040 90	bulb 5 W position light for additional headlamp 987.631.081/082.02		2	
7	997 631 183 00	control unit		2							
8	997 631 199 00	screw		6							
9	997 631 101 00	protective cap	/L	1		25	997 631 137 00	bulb socket position light		2	
(9)	997 631 102 00	protective cap	/R	1		26	997 631 145 00	cap		2	
10	997 631 191 00	screw		8		(28)	997 631 293 00	cover		2	
11	987 631 135 00	breather adapter		2		29	999 073 080 02	tapping screw ST 4,2 X 16		4	
12	997 631 249 00	ventilation component		2		30	999 507 768 02	speed nut ST 4,2		4	
13	987 631 107 00	lid		2				direction indicator light			
14	987 631 041 01	mounting	/L	1		31	987 631 033 01	direction indicator light	/L	1	
(14)	987 631 042 01	mounting	/R	1		(31)	987 631 034 01	direction indicator light	/R	1	
15	987 631 243 01	clamping bow		2		32	999 631 138 90	bulb 5 W yellow		2	
16	997 631 272 00	bearing sleeve		2		33	997 631 133 00	bulb socket		2	
17	900 116 004 09	lock washer		2							
18	997 631 194 00	fastening part		6							
19	997 631 245 00	locking device connector housing		2							
20	999 703 413 40	stopper		2							
21	993 631 170 03	stopper		6							
		additional headlamp									
22	987 631 081 00	additional headlamp	/L	-07	1						
22	987 631 081 02	additional headlamp	/L	08-	1						
(22)	987 631 082 00	additional headlamp	/R	-07	1						
(22)	987 631 082 02	additional headlamp	/R	08-	1						
23	999 631 142 90	halogen bulb H 8		2							
24	999 631 033 90	bulb 5 W position light for additional headlamp 987.631.081/082.00		2							



Model	Year	MG	SG	Illustration	Restrictions	UPD	11:48	24.01.2010	PORSCHE	PET	PORSCHE
987	2008	9	05	905-05		248					

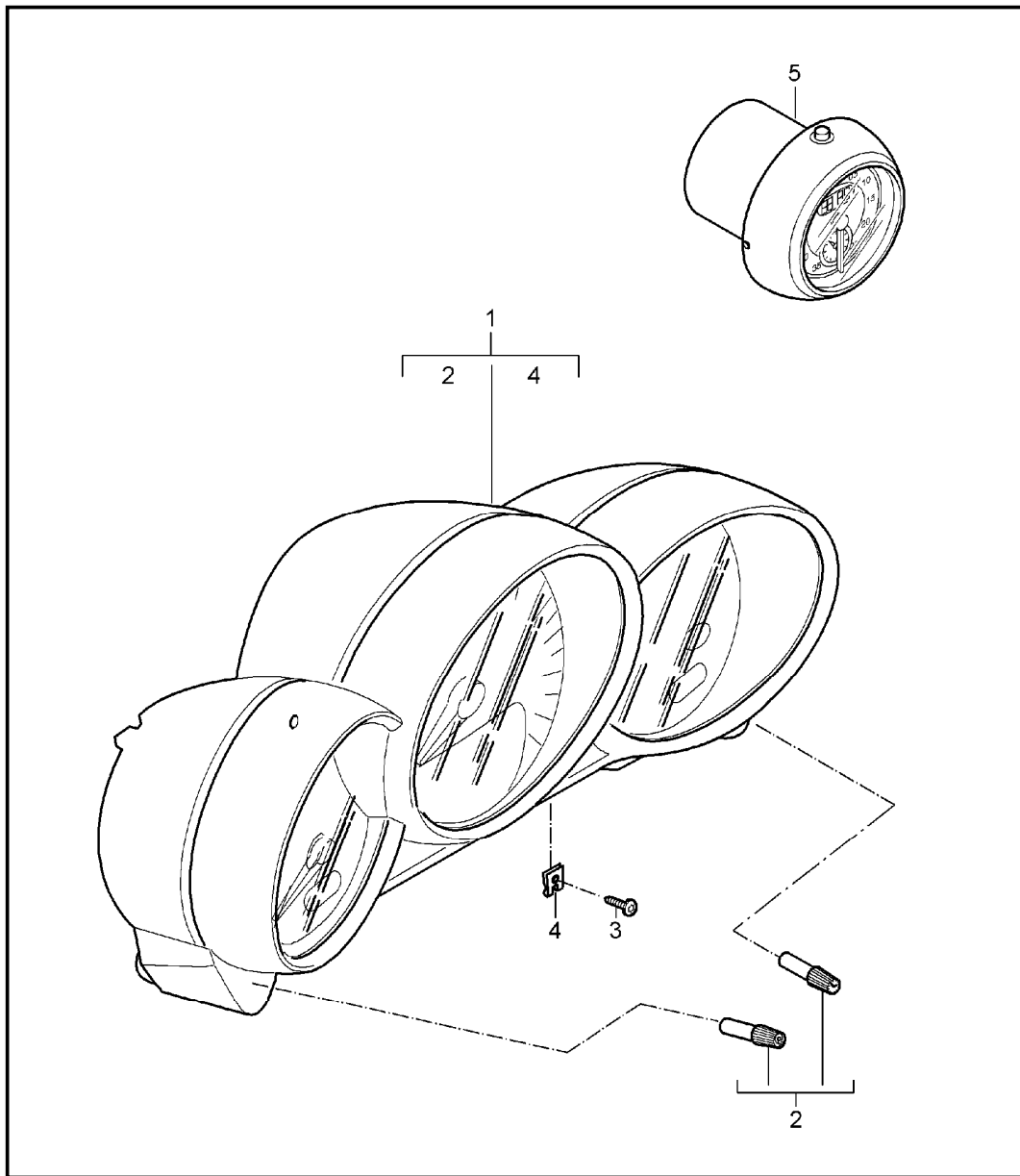


Pos	Part Number	Description	Remark	Qty	Model
		rear light license plate light additional brake light			
1	987 631 445 03	tail light housing	/L	1	
(1)	987 631 446 03	tail light housing	/R	1	
(1)	987 631 981 00	rear light complete	/L	08	1 IXXF
(1)	987 631 982 00	rear light complete	/R	08	1 IXXF
2	987 631 440 00	gasket		2	
3	987 631 453 02	bulb holder	/L	1	
(3)	987 631 454 02	bulb holder	/R	1	
4	987 631 087 00	actuator		6	
5	900 631 022 90	bulb 21/5 W Tail light		1	
5	900 631 018 90	bulb 21 W white back-up light		1	
5	900 631 021 90	bulb 21 W yellow direction indicator light		1	
5	900 631 017 90	bulb 21/4 W rear fog light Tail light		1	
5	900 631 017 91	bulb 21/4 W Brake light Tail light		1	
6	999 076 056 01	hexagon nut M 5		6	
7	997 631 620 00	license plate light		2	
8	900 631 025 90	bulb 12V 5W		2	
9	987 631 050 01	additional brake light		1	

Model	Year	MG	SG	Illustration	Restrictions	UPD	11:48	24.01.2010	PORSCHE	PET	PORSCHE
987	2008	9	05	905-05		248					

Pos	Part Number	Description	Remark	Qty	Model	Pos	Part Number	Description	Remark	Qty	Model
10	900 146 049 00	screw M 5 X 25		2							
11	900 025 073 00	washer		2							
12	999 500 128 00	sheetmetal press nut		2							

Model	Year	MG	SG	Illustration	Restrictions	UPD	11:48	24.01.2010	PORSCHE	PET	PORSCHE
987	2008	9	06	906-01		248					

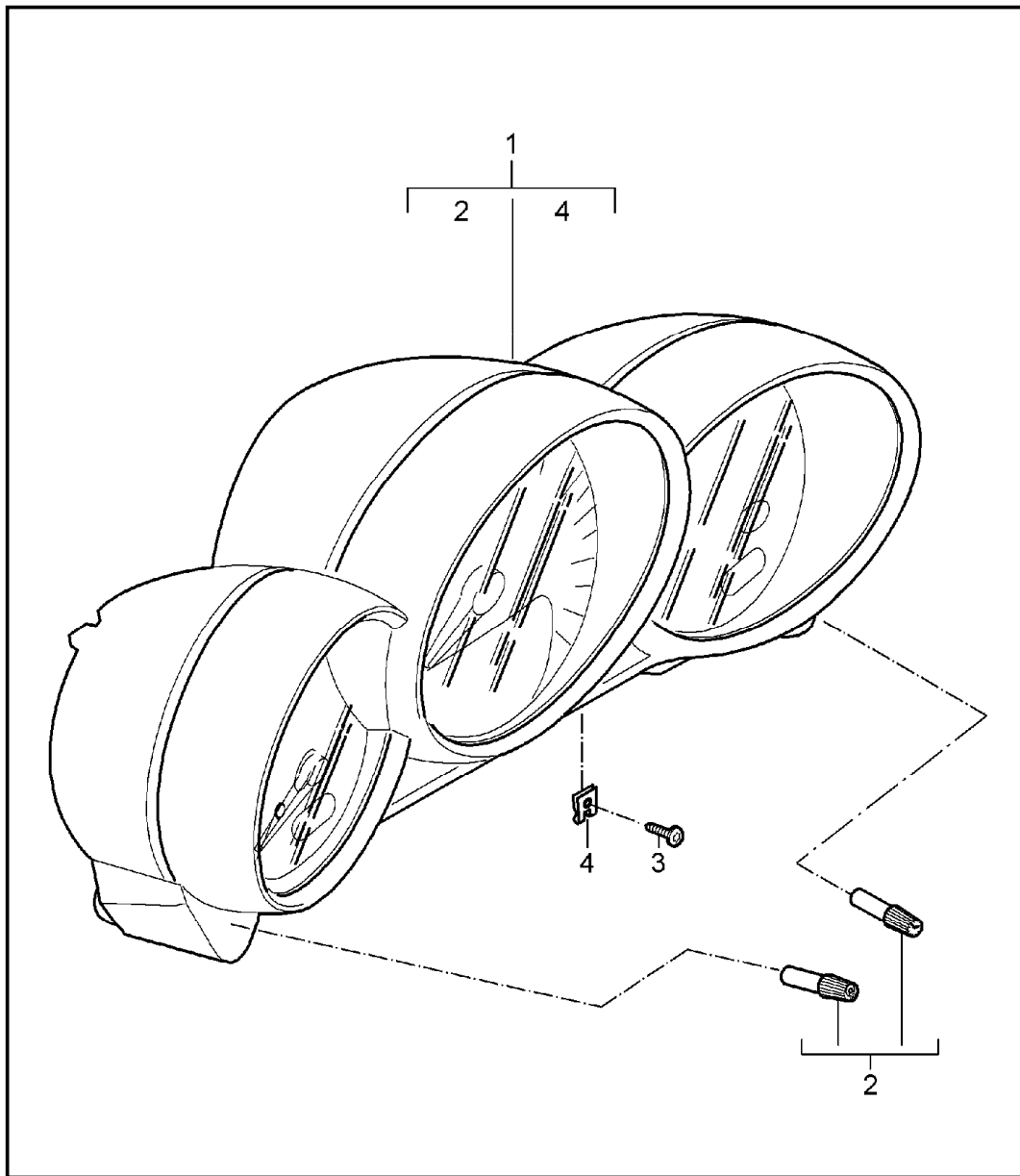


Pos	Part Number	Description	Remark	Qty	Model
		instruments stopwatch			
		see technical information GR. 9 NR. 5/09 KD - NR. 9025			
		B O X S T E R			
1	A 987 641 105 30	instrument cluster complete	-07	1	I480/481
		D07 volcano grey			
1	987 641 105 32	instrument cluster complete		1	I480/481
		D07 volcano grey			
(1)	A 987 641 106 21	instrument cluster complete	-06	1	I249
		D07 volcano grey			
(1)	987 641 106 32	instrument cluster complete		1	I249
		D07 volcano grey			
1	987 641 107 32	instrument cluster complete	(GB)	1	I480 I481
		D07 volcano grey			
(1)	987 641 108 32	instrument cluster complete	(GB)	1	I249
		D07 volcano grey			
		B O X S T E R S			
(1)	A 987 641 115 21	instrument cluster complete	-06	1	I480
		D07 volcano grey			
(1)	987 641 115 32	instrument cluster complete		1	I480
		D07 volcano grey			
(1)	A 987 641 116 21	instrument cluster complete	-06	1	I249
		D07 volcano grey			

Model	Year	MG	SG	Illustration	Restrictions	UPD	11:48	24.01.2010	PORSCHE	PET	PORSCHE
987	2008	9	06	906-01		248					

Pos	Part Number	Description	Remark	Qty	Model	Pos	Part Number	Description	Remark	Qty	Model
(1)	987 641 116 32	instrument cluster complete		1	I249	(1)	987 641 188 00	instrument cluster complete	(GB)	08	1 I480 I757
	D07	volcano grey					B9A	carrara white			
1 A	987 641 117 21	instrument cluster complete	(GB)	-06	1 I480	2	997 641 911 00	knob actuator trip meter and clock		1	
	D07	volcano grey									
1	987 641 117 30	instrument cluster complete	(GB)	-07	1 I480	3	999 073 155 09	tapping screw 4,2 X 19		2	
	D07	volcano grey									
1	987 641 117 32	instrument cluster complete	(GB)	08	1 I480	4	999 507 403 02	u-clamp 12,5 stopwatch		2	
	D07	volcano grey									
(1)	987 641 118 32	instrument cluster complete	(GB)		1 I249	5	987 641 301 20	stopwatch	-06	1	BOXSTER I025/639/640
	D07	volcano grey					V05	galvano silver			
(1)	987 641 165 00	instrument cluster		08	1 I480/754	5	987 641 301 21	stopwatch	07	1	BOXSTER I025/639/640
	M7Z	gt silver metallic					V05	galvano silver			
(1)	987 641 166 00	instrument cluster		08	1 I249/754	5	987 641 301 23	stopwatch	08	1	BOXSTER I025/639/640
	M7Z	gt silver metallic					V05	galvano silver			
(1)	987 641 167 00	instrument cluster	(GB)	08	1 I480 I754	(5) A	987 641 311 20	stopwatch	06	1	BOXSTER S I026/639/640
	M7Z	gt silver metallic					V05	galvano silver			
(1)	987 641 168 00	instrument cluster complete	(GB)	08	1 I249 I754	(5) A	987 641 311 21	stopwatch	07	1	BOXSTER S I026/639/640
	M7Z	gt silver metallic					V05	galvano silver			
(1)	987 641 185 00	instrument cluster		08	1 I480/757	(5)	987 641 311 23	stopwatch		1	BOXSTER S I026/639/640
	B9A	carrara white					V05	galvano silver			
(1)	987 641 186 00	instrument cluster		08	1 I249/757	(5)	987 641 321 00	stopwatch	08	1	BOXSTER S I027/639/640 I757
	B9A	carrara white					V05	galvano silver			
(1)	987 641 187 00	instrument cluster	(GB)	08	1 I480 I757						
	B9A	carrara white									

Model	Year	MG	SG	Illustration	Restrictions	UPD	11:49	24.01.2010	PORSCHE	PET	PORSCHE
987	2008	9	06	906-02		248					



Pos	Part Number	Description	Remark	Qty	Model
		instruments exclusive programme  see technical information GR. 9 NR. 5/09 KD - NR. 9025  B O X S T E R			
1	A 987 641 980 25	instrument cluster complete dial lacquered  5Z1 sand beige 8X8 terracotta T13 brown/natural 84A guards red 12H speed yellow B9A carrara white		1	I480/481
1	987 641 980 45	instrument cluster complete dial lacquered  5Z1 sand beige 8X8 terracotta T13 brown/natural 84A guards red 12H speed yellow B9A carrara white		1	I480/481
(1)	A 987 641 980 26	instrument cluster complete dial lacquered  5Z1 sand beige 8X8 terracotta T13 brown/natural 84A guards red 12H speed yellow		1	I249

Model	Year	MG	SG	Illustration	Restrictions	UPD	11:49	24.01.2010	PORSCHE	PET	PORSCHE
987	2008	9	06	906-02		248					

Pos	Part Number	Description	Remark	Qty	Model	Pos	Part Number	Description	Remark	Qty	Model
	B9A	carrara white				(1) A	987 641 980 28	instrument cluster complete dial lacquered	(GB)	1	I249
(1)	987 641 980 46	instrument cluster complete dial lacquered		1	I249						
	5Z1	sand beige					5Z1	sand beige			
	8X8	terracotta					8X8	terracotta			
	T13	brown/natural					T13	brown/natural			
	84A	guards red					84A	guards red			
	12H	speed yellow					12H	speed yellow			
	B9A	carrara white					B9A	carrara white			
1	A 987 641 980 27	instrument cluster complete dial lacquered	(GB)	1	I480 I481	(1)	987 641 980 48	instrument cluster complete dial lacquered	(GB)	1	I249
	5Z1	sand beige					5Z1	sand beige			
	8X8	terracotta					8X8	terracotta			
	T13	brown/natural					T13	brown/natural			
	84A	guards red					84A	guards red			
	12H	speed yellow					12H	speed yellow			
	B9A	carrara white					B9A	carrara white			
1	987 641 980 47	instrument cluster complete dial lacquered	(GB)	1	I480 I481	1	A 987 641 980 35	instrument cluster complete dial lacquered		1	I480
	5Z1	sand beige					5Z1	sand beige			
	8X8	terracotta					8X8	terracotta			
	T13	brown/natural					T13	brown/natural			
	84A	guards red					84A	guards red			
	12H	speed yellow					12H	speed yellow			
	B9A	carrara white					B9A	carrara white			
								B O X S T E R S			
1	987 641 980 47	instrument cluster complete dial lacquered	(GB)	1	I480 I481	1	A 987 641 980 35	instrument cluster complete dial lacquered		1	I480
	5Z1	sand beige					5Z1	sand beige			
	8X8	terracotta					8X8	terracotta			
	T13	brown/natural					T13	brown/natural			
	84A	guards red					84A	guards red			
	12H	speed yellow					12H	speed yellow			
	B9A	carrara white					B9A	carrara white			
						1	987 641 980 55	instrument cluster complete dial lacquered		1	I480

Model	Year	MG	SG	Illustration	Restrictions	UPD	11:49	24.01.2010	PORSCHE	PET	PORSCHE
987	2008	9	06	906-02		248					

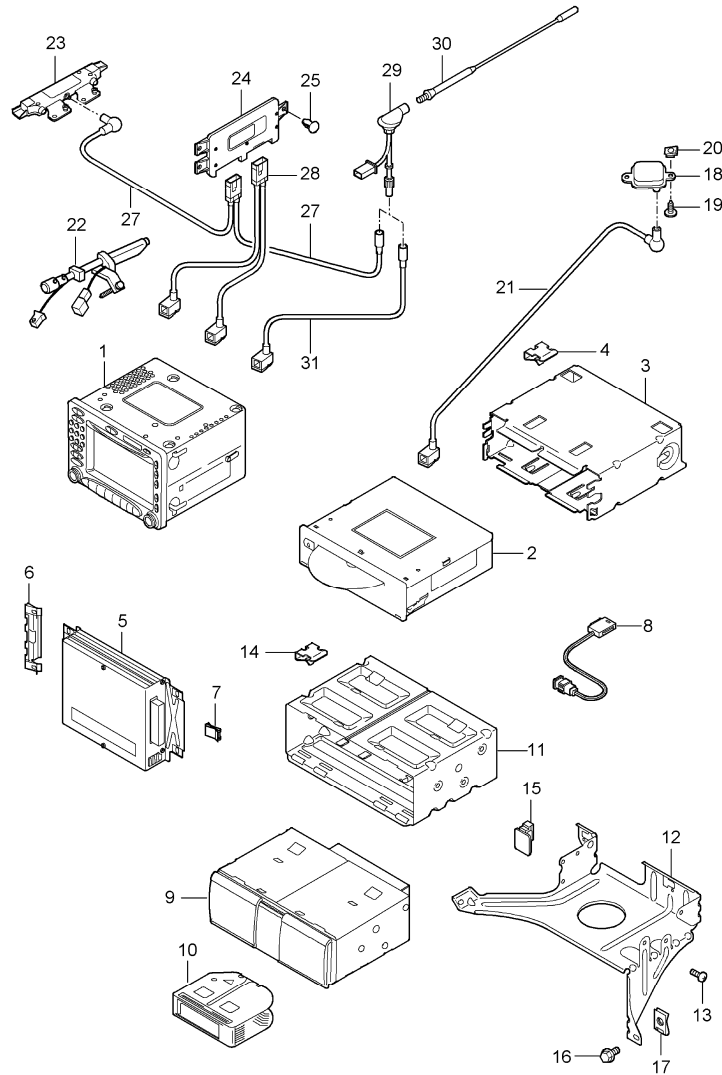
Pos	Part Number	Description	Remark	Qty	Model	Pos	Part Number	Description	Remark	Qty	Model
	5Z1	sand beige					84A	guards red			
	8X8	terracotta					12H	speed yellow			
	T13	brown/natural					B9A	carrara white			
	84A	guards red				1	987 641 980 57	instrument cluster complete dial lacquered	(GB)	1	I480
	12H	speed yellow					5Z1	sand beige			
	B9A	carrara white					8X8	terracotta			
(1) A	987 641 980 36	instrument cluster complete dial lacquered		1	I249		T13	brown/natural			
	5Z1	sand beige					84A	guards red			
	8X8	terracotta					12H	speed yellow			
	T13	brown/natural					B9A	carrara white			
	84A	guards red				(1) A	987 641 980 38	instrument cluster complete dial lacquered	(GB)	1	I249
	12H	speed yellow					5Z1	sand beige			
	B9A	carrara white					8X8	terracotta			
(1)	987 641 980 56	instrument cluster complete dial lacquered		1	I249		T13	brown/natural			
	5Z1	sand beige					84A	guards red			
	8X8	terracotta					12H	speed yellow			
	T13	brown/natural					B9A	carrara white			
	84A	guards red				(1)	987 641 980 58	instrument cluster complete dial lacquered	(GB)	1	I249
	12H	speed yellow					5Z1	sand beige			
	B9A	carrara white					8X8	terracotta			
1	A 987 641 980 37	instrument cluster complete dial lacquered	(GB)	1	I480		T13	brown/natural			
	5Z1	sand beige					84A	guards red			
	8X8	terracotta					12H	speed yellow			
	T13	brown/natural					B9A	carrara white			

Model	Year	MG	SG	Illustration	Restrictions	UPD	11:49	24.01.2010	PORSCHE	PET	PORSCHE
987	2008	9	06	906-02		248					

Pos	Part Number	Description	Remark	Qty	Model	Pos	Part Number	Description	Remark	Qty	Model
2	997 641 911 00	knob actuator trip meter and clock		1							
3	999 073 155 09	tapping screw 4,2 X 19		2							
4	999 507 403 02	u-clamp		2							



Model	Year	MG	SG	Illustration	Restrictions	UPD	11:49	24.01.2010	PORSCHE	PET	PORSCHE
987	2008	9	11	911-00		248					



Pos	Part Number	Description	Remark	Qty	Model
1	A 997 642 101 06	radio booster navigation system  radio see catalogue tequipment		1	I665
	FMH	volcano grey/black mat F >>985S7 00061 F >>985U7 00847 F >>985U7 20253 see technical information GR. 9 , NR. 1/04			
(1)	A 997 642 103 06	control part		1	I665/680
	FMH	volcano grey/black mat F >>985S7 00061 F >>985U7 00273 F >>985S7 20299 see technical information GR. 9 , NR. 1/04			
1	> 997 642 101 11	control part		1	I665
	FMH	volcano grey/black mat F >>985S7 20584 F >>985U7 02718 F >>985U7 22919			
(1)	> 997 642 103 11	control part		1	I665/680
	FMH	volcano grey/black mat F 985S7 00062>>985S7 20584 F 985U7 00274>>985U7 02718 F 985U7 20300>>985U7 22919			
1	A 997 642 141 02	control part		1	I665
	FMH	volcano grey/black mat F 985S7 20585>> F 985U7 02719>>986U7 04749 F 985U7 22920>>986U7 23352 see technical information GR. 9 , NR. 20/05			
1	997 642 141 03	control part		1	I665
	FMH	volcano grey/black mat F 985S7 20585>> F 985U7 02719>>986U7 04749 F 985U7 22920>>986U7 23352 see technical information GR. 9 , NR. 20/05			

Model	Year	MG	SG	Illustration	Restrictions	UPD	11:49	24.01.2010	PORSCHE	PET	PORSCHE
987	2008	9	11	911-00		248					

Pos	Part Number	Description	Remark	Qty	Model	Pos	Part Number	Description	Remark	Qty	Model
1	A 997 642 143 02	control part		1	I665/680	2	A 997 642 135 03	dvd device navigation system F >>985U7 20253 F >>985S7 00061		1	I670
	FMH	volcano grey/black mat F 985S7 20585>> F 985U7 02719>>986U7 04749 F 985U7 22920>>986U7 23352 see technical information GR. 9 , NR. 20/05				2	> 997 642 135 04	dvd device navigation system F >>985S7 20584 F >>985U7 02718 F >>985U7 22919		1	I670
1	997 642 143 03	control part		1	I665/680	2	> 997 642 137 02	dvd device navigation system F 985S7 20585>> F 985U7 02719>>986U7 04749 F 985U7 22920>>986U7 23352		1	I670/672
	FMH	volcano grey/black mat F 985S7 20585>> F 985U7 02719>>986U7 04749 F 985U7 22920>>986U7 23352 see technical information GR. 9 , NR. 20/05				2	> 997 642 157 00	dvd device navigation system F 986U7 04750>> F 986U7 23353>>		1	I670/672
1	> 997 642 141 10	control part		1	I665	-	A 997 642 235 02	dvd navigation system F >>985U7 20253 F >>985S7 00061		1	I610
	FMH	volcano grey/black mat F 986U7 04750>> F 986U7 23353>>				-	A 997 642 239 02	dvd navigation system F >>985U7 20253 F >>985S7 00061		1	I611
1	> 997 642 143 10	control part		1	I665/680	-	A 997 642 241 02	dvd navigation system F >>985U7 20253 F >>985S7 00061		1	I612
	FMH	volcano grey/black mat F 986U7 04750>> F 986U7 23353>>				-	997 642 243 02	dvd navigation system F >>985U7 20253 F >>985S7 00061		1	I613
-	997 642 201 00	rotary knob	/L	1		-	997 642 245 02	dvd navigation system F >>985U7 20253 F >>985S7 00061		1	I614
	A05	black mat for control part				-	997 642 235 03	dvd navigation system F 985U7 20254>>985U7 22919 F >>985U7 02718 F 985S7 00062>>985S7 20584		1	I610
-	997 642 202 00	rotary knob	/R	1							
	A05	black mat for control part									
-	997 642 941 00	cover Drawer SIM card for control part		1							
-	900 187 038 02	tapping screw ST 4,2 X 19 for mount radio and control part centre console		1							

Model	Year	MG	SG	Illustration	Restrictions	UPD	11:49	24.01.2010	PORSCHE	PET	PORSCHE
987	2008	9	11	911-00		248					

Pos	Part Number	Description	Remark	Qty	Model	Pos	Part Number	Description	Remark	Qty	Model
-	997 642 239 03	dvd navigation system F 985U7 20254>>985U7 22919 F >>985U7 02718 F 985S7 00062>>985S7 20584		1	I611	-	997 642 265 03	dvd navigation system F 985U7 22920>>986U7 23352 F 985U7 02719>>986U7 04749 F 985S7 20585>>		1	I614
-	997 642 241 03	dvd navigation system F 985U7 20254>>985U7 22919 F >>985U7 02718 F 985S7 00062>>985S7 20584		1	I612	-	997 642 255 04	dvd navigation system F 986U7 04750>> F 986U7 23353>>	-06	1	I610
-	997 642 243 03	dvd navigation system F 985U7 20254>>985U7 22919 F >>985U7 02718 F 985S7 00062>>985S7 20584		1	I613	-	997 642 259 03	dvd navigation system F 986U7 04750>> F 986U7 23353>>	-06	1	I611
-	997 642 245 03	dvd navigation system F 985U7 20254>>985U7 22919 F >>985U7 02718 F 985S7 00062>>985S7 20584		1	I614	-	997 642 261 03	dvd navigation system F 986U7 04750>> F 986U7 23353>>	-06	1	I612
-	997 642 255 03	dvd navigation system F 985U7 22920>>986U7 23352 F 985U7 02719>>986U7 04749 F 985S7 20585>>		1	I610	-	997 642 263 03	dvd navigation system F 986U7 04750>> F 986U7 23353>>	-06	1	I613
-	997 642 259 02	dvd navigation system F 985U7 22920>>986U7 23352 F 985U7 02719>>986U7 04749 F 985S7 20585>>		1	I611	-	997 642 265 04	dvd navigation system F 986U7 04750>> F 986U7 23353>>	-06	1	I614
-	997 642 261 02	dvd navigation system F 985U7 22920>>986U7 23352 F 985U7 02719>>986U7 04749 F 985S7 20585>>		1	I612	-	997 642 267 03	dvd navigation system F 986U7 04750>> F 986U7 23353>>	-06	1	I616
-	997 642 263 02	dvd navigation system F 985U7 22920>>986U7 23352 F 985U7 02719>>986U7 04749 F 985S7 20585>>		1	I613	-	997 642 255 05	dvd navigation system	07	1	I610
-	A 997 642 265 02	dvd navigation system F 985U7 22920>>986U7 23352 F 985U7 02719>>986U7 04749 F 985S7 20585>>		1	I614	-	997 642 255 06	dvd navigation system	08	1	I610
						-	997 642 259 04	dvd navigation system	07	1	I611
						-	997 642 259 05	dvd navigation system	08	1	I611
						-	997 642 261 04	dvd navigation system	07	1	I612
						-	997 642 261 05	dvd navigation system	08	1	I612
						-	997 642 263 04	dvd navigation system	07	1	I613

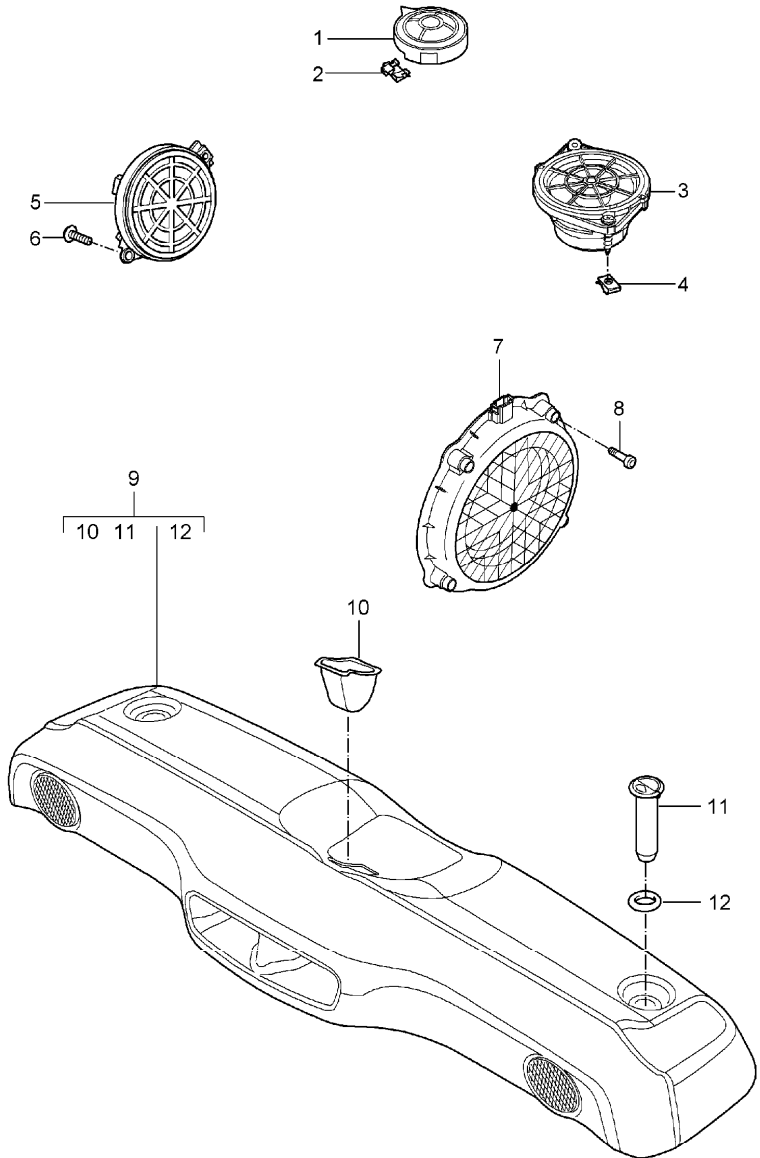
Model	Year	MG	SG	Illustration	Restrictions	UPD	11:49	24.01.2010	PORSCHE	PET	PORSCHE
987	2008	9	11	911-00		248					

Pos	Part Number	Description	Remark	Qty	Model	Pos	Part Number	Description	Remark	Qty	Model
-	997 642 263 05	dvd navigation system		08	1 I613	-	997 610 233 01	cable guide microphone		08	1
-	997 642 265 05	dvd navigation system		07	1 I614	9 A	997 645 140 02	cd changer		05	1 I692
-	997 642 265 06	dvd navigation system		08	1 I614	9 >	997 645 140 03	cd changer CDC 4 adjustment installation attention			1 I692
-	997 642 267 04	dvd navigation system		07	1 I616						
-	997 642 267 05	dvd navigation system		08	1 I616	10	996 645 113 00	magazine cd changer			1 I692
-	997 642 148 02	cd-rom logbook		06-	1 I641	11	997 645 222 00	support			1 I692
						12	997 645 221 00	support			1 I664/692
3	997 642 231 00	support dvd device			1 I670/672	13	900 146 024 01	round head screw M 5 X 8			6 I692
4	997 645 342 01	u-clamp			4	14	997 645 342 01	u-clamp			4 I692
5 >	987 645 331 01	booster			1 I490	15	999 703 501 40	fastening part			2 I664/692
(5)	997 645 333 06	booster F >>985S7 00061 F >>985U7 00273 F >>985U7 20299 see technical information GR. 9 , NR. 1/04 GR. 9 , NR. 8/04			1 I680 BOXSTER BOXSTER BOXSTER S	16	900 378 179 09	hexagon-head bolt M 6 X 16			2 I664/692
						17	999 507 766 02	speed nut M 6			2 I664/692
						18	997 642 105 00	antenna GPS			1 I670/672
(5)	997 645 334 22	booster note coding F 985S7 00062>> F 985U7 00274>> F 985U7 20300>>		05	1 I680 BOXSTER BOXSTER BOXSTER S	19	999 073 210 00	tapping screw 4,8 X 13			1 I670/672
(5) A	997 645 334 32	booster note coding		06	1 I680	20	999 507 441 01	speed nut 4,8			1 I670/672
(5) >	997 645 334 33	booster note coding		06-	1 I680	21	997 612 060 25	connecting line antenna dvd device navigation system			1 I670/672
6	997 645 340 00	fastening clamp			1 I490/680	22 A	986 647 105 00	antenna booster radio		05	1 I441/694
7	999 507 532 01	u-clamp			2 I490/680	22	987 647 105 00	antenna booster radio			1 I441/694
8	997 646 307 02	microphone			1 I680						
(8)	997 646 307 01	microphone			1 I618/666/680	-	987 612 052 50	connecting line antenna booster radio			1 I441/694
-	997 610 233 00	cable guide microphone		-07	1						
						23	997 647 117 00	antenna booster	/L		1 I440

Model	Year	MG	SG	Illustration	Restrictions	UPD	11:49	24.01.2010	PORSCHE	PET	PORSCHE
987	2008	9	11	911-00		248					

Pos	Part Number	Description	Remark	Qty	Model	Pos	Part Number	Description	Remark	Qty	Model
(23)	997 647 118 00	antenna booster	/R	1	I440						
24	997 647 124 00	control unit		1	I440						
25	999 591 904 40	fastening part		2	I440						
27	997 612 066 00	connecting line antenna booster control unit	/LL	1	I098/461/665						
(27)	997 612 066 50	connecting line antenna booster control unit	/RL	1	I099/461/665						
(27)	997 612 055 00	connecting line antenna booster control unit	/LL	1	I098/665						
(27)	997 612 056 00	connecting line antenna booster control unit	/RL	1	I099/665						
(27)	997 612 062 50	connecting line antenna booster control unit		1	I461/694						
(28)	997 612 058 00	connecting line control unit control part or radio		1	I665/694 I665 I694						
29	997 647 221 00	antenna base		1	I461						
30	997 647 223 00	antenna rod		1	I461						
31	997 612 068 00	connecting line antenna base radio	/LL	1	I098/461/694						
(31)	997 612 068 50	connecting line antenna base radio	/RL	1	I099/461/694						
(31)	997 612 067 01	connecting line antenna base Power supply		1	I461						

Model	Year	MG	SG	Illustration	Restrictions	UPD	11:49	24.01.2010	PORSCHE	PET	PORSCHE
987	2008	9	11	911-05		248					

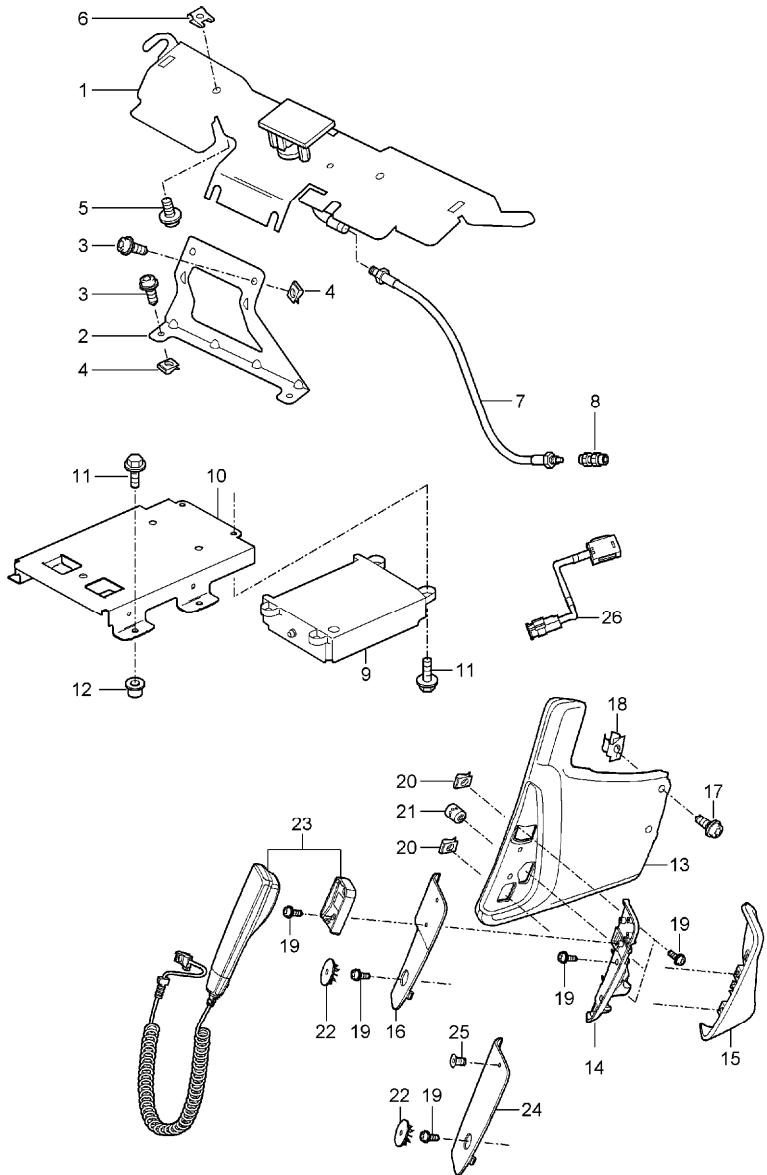


Pos	Part Number	Description	Remark	Qty	Model
1	997 645 021 00	loudspeaker tweeter dashboard		2	I441/490
(1)	997 645 025 00	tweeter dashboard		2	I680
2	999 591 303 01	u-clamp		4	
3	997 645 033 00	loudspeaker dashboard centre		1	I490
(3)	997 645 035 00	loudspeaker dashboard centre		1	I680
4	999 507 971 01	speed nut 4,2		4	
5	997 645 543 00	mid-range loudspeaker door		2	I490
(5)	997 645 545 00	mid-range loudspeaker door		2	I680
6	999 919 164 09	oval-head screw 5,0 X 12		4	
7	997 645 551 00	woofer		2	I441
(7)	997 645 553 00	woofer		2	I490
(7)	997 645 555 00	woofer		2	I680
8	900 067 012 03	pan-head screw M 6 X 30		8	
-	997 645 511 00	logo		2	I680
9	987 645 564 01	subwoofer		1	I680
	A10	black			
	B10	stone grey			
	T10	sand beige			
	E10	sea blue			
	J10	palmgreen			
	M10	terracotta			
	R10	cocoa			

Model	Year	MG	SG	Illustration	Restrictions	UPD	11:49	24.01.2010	PORSCHE	PET	PORSCHE
987	2008	9	11	911-05		248					

Pos	Part Number	Description	Remark	Qty	Model	Pos	Part Number	Description	Remark	Qty	Model
		D11 dark grey/natural									
		T11 brown/natural									
		N10 carrera red									
10	986 551 427 00	rosette		1	I680						
		01C satin black for subwoofer 987 645 564 00 ... F >>985S7 00089 F >>985S7 20072 F >>985U7 21685									
10	987 551 427 00	rosette		1	I680						
		01C satin black for subwoofer 987 645 564 01 ... F 985S7 00090>> F 985S7 20073>> F 985U7 21686>>									
11	986 551 429 00	catch		2	I680						
		01C satin black									
12	986 551 543 00	thrust washer		2	I680						
		01C satin black									

Model	Year	MG	SG	Illustration	Restrictions	UPD	11:49	24.01.2010	PORSCHE	PET	PORSCHE
987	2008	9	11	911-10		248					



Pos	Part Number	Description	Remark	Qty	Model
		telephone			I618/666
1	997 647 125 01	antenna	/LL	1	I098
(1)	997 647 126 01	antenna	/RL	1	I099
2	997 647 127 00	support	/LL	1	I098
(2)	997 647 128 00	support	/RL	1	I099
3	999 073 236 0A	oval-head screw M 6 X 10		4	
4	999 507 550 01	speed nut M 6		4	
5	999 073 210 00	tapping screw 4,8 X 13		2	
6	999 507 441 01	speed nut 4,8		2	
7	997 612 061 00	connecting line		1	I618
(7)	997 612 065 00	connecting line for control unit 997.646.207.02		1	I666
(7) A	997 612 065 05	connecting line for control unit 997.646.208.04/13		1	I666
(7)	997 612 989 05	connecting line for control unit 997.646.208.04/13 997.646.209.00/01		1	I666
(7)	997 612 989 00	connecting line adapter for connecting line 997.612.065.00 to control unit 997.646.208.04/13		1	I666
8	964 646 318 00	adapter plug		1	I618



Model	Year	MG	SG	Illustration	Restrictions	UPD	11:49	24.01.2010	PORSCHE	PET	PORSCHE
987	2008	9	11	911-10		248					

Pos	Part Number	Description	Remark	Qty	Model	Pos	Part Number	Description	Remark	Qty	Model
9	> 997 646 207 02	control unit telephone MOTOROLA F >>985U7 20253 F >>985S7 00061 see technical information GR. 9 , NR. 14/05		1	I666		FSB	stone grey/stone grey			
							FSC	sand beige/sand beige			
							FSD	sea blue/grey			
							FSE	palmgreen/palmgreen			
9	A 997 646 208 04	control unit telephone HARMAN - BECKER F 985U7 20254>>985U7 22919 F >>985U7 02718 F 985S7 00062>>985S7 20584 see technical information GR. 9 , NR. 14/05 when required order also:		1	I666		FSF	terracotta/terracotta			
							FSG	cocoa/cocoa			
							FSH	darkgrey natural/grey			
							FSJ	brown nat./brown nat.			
							FSP	Carrera Red/Carrera Red			
-	997 612 989 00	connecting line adapter for control unit 997.646.208.04		1		(13)	997 553 117 07	cover lateral	/RL	1	I099
							FSA	black/grey			
9	> 997 646 208 13	control unit telephone F 985U7 22920>>986U7 23352 F 985U7 02719>>986U7 04749 F 985S7 20585>> see technical information GR. 9 , NR. 14/05 when required order also:		1	I666		FSB	stone grey/stone grey			
							FSC	sand beige/sand beige			
							FSD	sea blue/grey			
							FSE	palmgreen/palmgreen			
							FSF	terracotta/terracotta			
-	997 612 989 00	connecting line adapter		1			FSG	cocoa/cocoa			
							FSH	darkgrey natural/grey			
9	> 997 646 209 00	control unit telephone F 986U7 23353>> F 986U7 04750>>		1	I666		FSJ	brown nat./brown nat.			
							FSP	Carrera Red/Carrera Red			
10	997 642 216 00	support		1	I618/666	14	997 553 520 00	adapter	/LL	1	I098
11	900 378 035 01	hexagon-head bolt M 6 X 16		4	I618/666	(14)	997 553 519 00	adapter	/RL	1	I099
12	999 500 078 00	speed nut M 6	-06	2	I618/666	15	997 553 418 01	cover	/LL	1	I098
							A11	black			
(12)	999 507 766 02	speed nut M 6	07-	2	I618/666		5X6	stone grey			
13	997 553 118 07	cover lateral	/LL	1	I098		8G2	sand beige			
		FSA black/grey					3S9	sea blue			
							4P2	palmgreen			

Model	Year	MG	SG	Illustration	Restrictions	UPD	11:49	24.01.2010	PORSCHE	PET	PORSCHE
987	2008	9	11	911-10		248					

Pos	Part Number	Description	Remark	Qty	Model	Pos	Part Number	Description	Remark	Qty	Model
	9S5	terracotta					01C	satin black			
	9V6	cocoa				23 A	996 642 212 01	receiver		1	I668
	D12	dark grey/natural				23	996 642 212 02	receiver telephone		1	I668
	T12	brown/natural				24	997 553 522 01	mounting plate	/LL	1	I098/618
	N12	carrera red					01C	satin black			
(15)	997 553 417 01	cover	/RL	1	I099	(24)	997 553 521 01	mounting plate	/RL	1	I099/618
	A11	black					01C	satin black			
	5X6	stone grey				25	999 919 230 00	countersunk-head screw 3 X 10		1	I618
	8G2	sand beige				26	997 646 307 00	microphone		1	I618/666
	3S9	sea blue				(26)	997 646 307 01	microphone		1	I618/666/680
	4P2	palmgreen				(26)	997 646 309 00	microphone	08	1	I675
	9S5	terracotta				-	997 610 233 00	cable guide microphone	-07	1	
	9V6	cocoa				-	997 610 233 01	cable guide microphone	08	1	
	D12	dark grey/natural									
	T12	brown/natural									
	N12	carrera red									
16	997 553 522 00	mounting plate	/LL	1	I098/668						
	01C	satin black									
(16)	997 553 521 00	mounting plate	/RL	1	I099/668						
	01C	satin black									
17	999 073 226 09	tapping screw 4,2 X 16		2							
18	999 591 508 01	captive nut 4,2		2							
19	999 073 155 09	tapping screw 4,2 X 13		7							
20	999 507 028 01	speed nut 4,2		2							
21	999 507 645 02	threaded piece 4,2		1							
22	997 553 751 00	cap		1							

KAT.	M-X-I -NR	BENENNUNG-Deutsch BENENNUNG-Engl i sch
		+-----+ ! I -Nummern-Uebersi cht ! +-----+ +-----+ ! Summary of optional extras "I"! +-----+
27	I XAF	Aeroki t Turbo Turbo aeroki t
27	I XAG	Carrera - Heckspoiler Carrera - rear spoiler
27	I XAH	Aeroki t Carrera 4S Carrera 4S aeroki t
27	I XAJ	Schwell erblenden lacki ert Painted sill covers
27	I XAL	Aeroki t Boxster Aeroki t Boxster
27	I XAM	Aeroki t Cayman Aeroki t Cayman
27	I XCA	Nutleiste (3-teilig) Sportsilber Dashboard trim strip (3-part) sports seats
27	I XCB	Instrumentenabdeckung Unterteil Sportsilber Instrument surround sports seats
27	I XCC	Seitendüsen Sportsilber Side air vents sports seats
27	I XCD	Mitteldüsenträger Sportsilber Center air vent bracket sports seats
27	I XCE	Mittelskonsole hinten Sportsilber Rear center console sports seats
27	I XCG	Sportsitzrückenlehne Alu-Optik Sports seat backrest in Alumi ni um Look fi ni sh
27	I XCH	Seiten-/Mitteldüsenlamellen Sportsilber Side/centre air vent slats, sports seats
27	I XCK	Mittelskonsole hinten Galvanosilber Rear center console in Galvano Silver
27	I XCL	Instrumentenabdeckung Unterteil Galvanosilber Instrument surround in Galvano Silver
27	I XCM	Überrollbügel in Galvanosilber Roll-over bar in Galvano Silver
27	I XCN	Seitendüsen in Alu-Optik (997) Side air vents in Alumi ni um Look fi ni sh (997)
27	I XCY	Mitteldüse Alu-Optik Center air vent in Alumi ni um Look fi ni sh
27	I XCZ	Schalwegverkürzung Short shifter
27	I XEA	Passivhörer in Leder Passive handset in leather
27	I XE8	Schaltnopf Alu/Wurzelholz Dunkel/Leder Gear lever knob alumi ni um/dark burr maple/leather
27	I XE9	Handbremshebel Alu/Wurzelholz Dunkel/Leder Handbrake lever alumi ni um/dark burr maple/leather
27	I XFD	Instrumenten-Zifferblatt lackiert in sandbeige Instrument dials in Sand Beige
27	I XFE	Instrumenten-Zifferblatt lackiert in terrakotta Instrument dials in Terracotta
27	I XFF	Instrumenten-Zifferblatt lackiert in braun/natur Instrument dials in Brown/Natural
27	I XFG	Instrumenten-Zifferblatt lackiert in indischrot Instrument dials in Guards Red
27	I XFH	Instrumenten-Zifferblatt lackiert in speedgelb Instrument dials in Speed Yellow
27	I XFJ	Instrumenten-Zifferblatt lackiert in carraraweiß Instrument dials in Carrera White
27	I XGB	Zierblende Schalttafel, Carbon

987\_MXI KAT27. TXT

27	I XGC	Decorative dashboard trim, carbon Schalthebel Carbon/Alcantara
27	I XGD	Dashboard carbon/Alcantara Handbremshebel Carbon/Alcantara
27	I XGE	Parking brake handle carbon/Alcantara Einatz Griffmulde, Carbon
27	I XJL	Handle recess insert, carbon Luftseitentüse Makassar
27	I XJM	Makassar Ebony side air vent Luftseitentüse Platane
27	I XJN	Sycamore side air vent Mitteldüse Makassar
27	I XJP	Makassar Ebony center air vent Mitteldüse Platane
27	I XJR	Sycamore center air vent Defrosterblende Makassar
27	I XJS	Makassar Ebony windscreen defroster panel Defrosterblende Platane
27	I XJT	Sycamore windscreen defroster panel Mittelkonsole hinten Makassar
27	I XJU	Makassar Ebony rear center console Mittelkonsole hinten Platane
27	I XJ4	Sycamore rear center console Rosette für Zündschloss Lederbezogen
27	I XKB	Leather cover for ignition lock surround Luftseitentüse Wurzelholz/Ahorn hell
27	I XKC	Side air vent in light burr maple Luftseitentüse Wurzelholz/Ahorn dunkel
27	I XKG	Side air vent in dark burr maple Defrosterblende Wurzelholz/Ahorn hell, Leder
27	I XKH	"Defroster trim in light burr maple; leather" Defrosterblende Wurzelholz/Ahorn dunk, Leder
27	I XKJ	"Defroster trim in dark burr maple; leather" Defrosterblende Carbon/Leder
27	I XKL	Defroster trim in Carbon/leather Lautsprecherabdeckungen in Leder
27	I XKM	Leather speaker covers Lautsprecherabdeckungen Wurzelholz/Ahorn hell
27	I XKN	Speaker covers in light burr maple Lautsprecherabdeckungen Wurzelholz/Ahorn dunkel
27	I XKP	Speaker covers in dark burr maple Lautsprecherabdeckungen in Carbon
27	I XKR	Carbon speaker covers Mitteldüsenträger Wurzelholz/Ahorn hell
27	I XKS	Center air vent bracket in light burr maple Mitteldüsenträger Wurzelholz/Ahorn dunkel
27	I XLA	Center air vent bracket in dark burr maple Boxster-Endrohr
27	I XLF	Boxster tail pipe Sportabgasanlage
27	I XME	Sports exhaust system Mittelkonsole hinten lackiert
27	I XMF	Rear section of centre console painted Mittelkonsole vorn inklusive 2 Ablagen, Leder
27	I XMJ	Front center console including 2 storage bins, leather Mittelkonsole hinten Carbon
27	I XMK	Rear section of centre console in Carbon Überrollbügel in Exterieurfarbe
27	I XML	Roll-over bar in exterior color Mittelkonsole hinten Wurzelholz Ahorn hell
27	I XMP	Rear center console in light burr maple Sonnenblende Leder, 2 Make-up-Spiegel beleuchtet
27	I XMR	Leather sun visor, 2 illuminated vanity mirrors Sonnenblende Leder, 2 Make-Up-Spiegel beleuchtet Leder
27	I XMZ	Sun visor in leather, 2 illuminated vanity mirrors Mittelkonsole hinten Leder
27	I XNB	Rear section of centre console in leather Mittelkonsole hinten Wurzelholz Ahorn dunkel

## 987\_MXI KAT27. TXT

27	I XNG	Rear center console in dark burr maple Instrumentenabdeckung Unterteil Leder
27	I XNN	Instrument surround in leather Mitteldüsenträger in Leder
27	I XNR	Center air vent bracket in leather Mitteldüsenträger Carbon
27	I XNS	Carbon center air vent bracket Lenkstock-Verkleidung 4-teilig Leder
27	I XNU	Leather steering column trim, 4-part Zierleiste (Nut) in Leder
27	I XNV	Leather trim strip (dashboard) Zierleiste (Nut) Wurzelholz/Ahorn hell
27	I XNW	Trim strip (dashboard) in light burr maple Zierleiste (Nut) Wurzelholz/Ahorn dunkel
27	I XNX	Trim strip (dashboard) in dark burr maple Zierleiste (Nut) in Carbon
27	I XPA	Carbon trim strip (dashboard) 3-Speichen Sportlenkrad, Leder Interieurfarbe
27	I XPB	3-spoke sports steering wheel in leather interior co 3-Speichen Sportlenkrad, Wurzelholz/Ahorn hell, Leder
27	I XPC	3-spoke sports steering wheel, light burr maple, leather 3-Speichen Sportlenkrad, Wurzelholz/Ahorn dunkel, Leder
27	I XPD	3-spoke sports steering wheel, dark burr maple, leather 3-Speichen Sportlenkrad, Carbon/Leder
27	I XPG	3-spoke sports steering wheel, Carbon/leather 3-Speichen Sportlenkrad, Sportsilber
27	I XPV	3-spoke sports steering wheel, sports seats Multi-funktions-Lenkrad Galvanosilber
27	I XPW	Multi-function steering wheel, Galvano Silver Instrumentenabdeckung Unterteil Wurzelholz/Ahorn Hell
27	I XPX	Instrument surround in light burr maple Instrumentenabdeckung Unterteil Wurzelholz/Ahorn Dunkel
27	I XPY	Instrument surround in dark burr maple Instrumentenabdeckung Unterteil Carbon
27	I XRB	Carbon instrument surround Sport-Classic-2 Rad 18"
27	I XRC	18-inch Sport Classic II wheel Sport-Techno Rad 18"
27	I XRL	18-inch SportTechno wheel Sport-Design-Rad 18"
27	I XRN	18-inch SportDesign wheel Distanzscheiben 17 mm, hinten
27	I XRP	17-mm spacers, rear Distanzscheiben 5 mm, vorn/hinten
27	I XRR	5-mm spacers, front/rear Carrera Sport Rad 19"
27	I XSA	19-in. Carrera Sport wheel Sportsitzrückenlehne lackiert
27	I XSB	Painted sports seat backrest Sportsitzrückenlehne in Leder
27	I XSC	Leather sports seat backrest Porsche Wappen geprägt in Kopfstütze
27	I XSD	Porsche Crest embossed in headrest Sitzbedienelemente in Leder
27	I XSE	Front seat controls in leather Schalensitz links
27	I XSF	Bucket seat, left Schalensitz rechts
27	I XSG	Bucket seat, right Rennschalensitz links
27	I XSH	Racing bucket seat, left Sicherheitsgurte in Silber
27	I XSJ	Silver seat belts 6-Punkt-Gurte
27	I XSL	6-point harness 6-Punkt-Sicherheitsbügel
27	I XSM	6-point safety catch Rennsport-Sicherheitskäfig

## 987\_MXIKAT27.TXT

27	IXSN	Racing safety cage Entfall hintere Sitzanlage
27	IXSR	Omission of rear seats Schalensitz rechts, Rückseite Carbon
27	IXSS	Carbon back for bucket seat, right Schalensitz links, Rückseite Carbon
27	IXST	Carbon back for bucket seat, left Sicherheitsgurte in Sandbeige
27	IXSU	Seat belts in Sand Beige Abgepolsterter Sitz
27	IXSW	Upholstered seat Sicherheitsgurte in Maritimblau
27	IXSX	Seat belts in Maritime Blue Sicherheitsgurte in indischrot
27	IXSY	Seat belts in Guards Red Sicherheitsgurte in speedgelb
27	IXTG	Seat belts in Speed Yellow Schwellerabdeckung innen Leder
27	IXTJ	Inner door sills in leather Türtafelteile Wurzelholz/Ahorn hell
27	IXTK	Door panel parts in light burr maple Türtafelteile Wurzelholz/Ahorn dunkel
27	IXTL	Door panel parts in dark burr maple Türtafelteile Carbon
27	IXTR	Door panel parts in Carbon Türtafelteile Alu-Optik
27	IXTT	Door panel parts in Aluminium Look finish Türtafelteile Makassar
27	IXTU	Makassar Ebony door panel parts Türtafelteile Platane
27	IXTV	Sycamore door panel parts Türtafelteile Leder
27	IXTW	Leather door panel parts Türtafelteile Galvanosilber
27	IXVM	Door panel parts in Galvano Silver Mitteldüse in Leder
27	IXVP	Leather center air vent Zierleiste inklusive Abdeckung Cupholder in Leder
27	IXVR	Trim strip including cupholder cover in leather Seiten-/Mitteldüsen in Leder
27	IXV1	Side/centre air vent in leather Defrosterblende Lederbezogen
27	IXXF	Defroster trim in leather Rote Heckleuchten
27	IXXZ	Red tail lights Fussstütze
27	IXX1	Footrest Fussmatten, Schriftzug, Leder eingefasst
27	IXX2	Floor mats, logo, leather border Fussraumbelichtung
27	IXY5	Illuminated footwell Kulisse Tiptronic-Wählhebel in Leder
27	IXZB	Tiptronic gear selector gate in leather Mitteldüse in Carbon
27	IXZD	Carbon centre air vent Abdeckung Innenleuchte in Leder
27	IX45	Interior light surround in leather Instrumenten-Zifferblatt lackiert in Interieurfarbe
27	IX46	Instrument dial in interior color Tiptronic-Wählhebel in Alu/Leder
27	IX47	Tiptronic selector lever in aluminium/leather Schaltknopf Carbon/Alu/Leder
27	IX48	Gear lever knob in Carbon/leather Tiptronic-Wählhebel in Carbon/Alu
27	IX50	Tiptronic selector lever in Carbon/aluminium Leistungssteigerung 331/340 kW
27	IX51	Powerkit 331/340 kW Leistungssteigerung

		Powerkit 250 kW
27	IX54	Edelstahlendrohre Stainless steel tail pipes
27	IX58	Handbremshebel Carb/Alu/Leder Handbrake lever in Carbon/leather
27	IX65	Tiptronic-Wählhebel Wurzelholz Hell/Alu Tiptronic selector lever in light burr maple/aluminium
27	IX66	Tiptronic-Wählhebel Wurzelholz Dunkel/Alu Tiptronic selector lever in dark burr maple/aluminium
27	IX69	Einstiegsblenden Carbon, Schritzug Door entry guards in Carbon with logo
27	IX70	Einstiegsblenden Edelstahl, Schritzug Door entry guards in stainless steel with logo
27	IX71	Instrumenten-Zifferblatt Lackiert/Alufarbe Instrument dial painted/aluminium Look finish
27	IX72	Schaltnopf Alu/Wurzelholz Hell/Leder Gear lever knob aluminium/light burr maple/leather
27	IX73	Sportfahrwerk Turbo Turbo sports suspension
27	IX74	Sportfahrwerk (exklusiv) Sports suspension (exclusive)
27	IX75	Sperrdifferential (exklusiv) Differential lock (exclusive)
27	IX76	Schwellerverkleidungen links/rechts Inner door sill guard, left/right
27	IX91	Handbremshebel Alu/Wurzelholz Hell/Leder Handbrake lever aluminium/light burr maple/leather
27	IX97	Schaltnopf Alu/Leder Gear lever knob in aluminium/leather
27	IX98	Handbremshebel Alu/Leder Handbrake lever in aluminium/leather
27	IX99	Naturalleder Natural leather
27	I008	BOXSTER S 3,2 LITER HUBRAUM BOXSTER S 3.2 LITRES DISPLACEMENT
27	I009	BOXSTER 2,7 LITER HUBRAUM BOXSTER 2.7 LITRES DISPLACEMENT
27	I024	Griechenland-Ausführung Version for Greece
27	I025	Zifferblätter Stoppuhr in schwarz Black-coloured instrument dials, stopwatch
27	I026	Zifferblätter Stoppuhr in silber Silver-coloured instrument dials, stopwatch
27	I027	Zifferblätter Stoppuhr in carraraweiß Instrument dials, stopwatch in Carrara White
27	I029	Serienfahrwerk Standard chassis
27	I030	Sportfahrwerk Sport-type chassis
27	I032	Langstreckenfahrwerk Touring suspension
27	I034	Italien - Ausführung Version for Italy
27	I058	Pralldämpfer vorn und hinten Impact absorbers, front and rear
27	I061	Grossbritannien-Ausführung Version for Great Britain
27	I062	Schweden-Ausführung Version for Sweden
27	I063	Luxemburg-Ausführung Version Luxemburg
27	I064	Niederlande-Ausführung Version for Netherlands
27	I065	Dänemark-Ausführung Version for Denmark
27	I066	Norwegen-Ausführung Version for Norway
27	I067	Finnland-Ausführung

27	I 068	Version for Finland PAP Rechtslenker-Ausführung
27	I 069	PAP right-hand drive version Sonstige-Länderausführung
27	I 071	Other country version EU-Länderausführung
27	I 072	EU country version Mexico-Ausführung
27	I 073	Version for Mexico Russland-Ausführung
27	I 074	Version for Russia PAP Linkslenker-Ausführung
27	I 075	PAP left-hand drive version China-Ausführung
27	I 098	China version Linkslenker-Ausführung
27	I 099	Left-hand drive version Rechtslenker-Ausführung
27	I 111	Right-hand drive version Österreich-Ausführung
27	I 113	Version for Austria Kanada - Ausführung
27	I 114	Version for Canada Taiwan - Ausführung
27	I 119	Version for Taiwan Spanien - Ausführung
27	I 124	Version for Spain Frankreich - Ausführung
27	I 126	Version for France Beschreibung französisch
27	I 127	Control and indications in French lettering Beschreibung schwedisch
27	I 130	Control and indications in Swedish lettering Beschreibung englisch
27	I 150	Control and indications in English lettering Betrieb mit verbleitem Kraftstoff
27	I 159	Operation with leaded gas Leistungsreduzierter Motor 155 kW/211 PS
27	I 193	Curbed engine, 155 kW/211 bhp Japan-Ausführung
27	I 194	Version for Japan Batterie 60 Ah
27	I 195	Battery, 60 Ah Batterie 70 Ah
27	I 196	Battery, 70 Ah Batterie 80 Ah
27	I 197	Battery, 80 Ah Stärkere Batterie
27	I 198	Stronger battery Stärkerer Anlasser (1,7 kW)
27	I 199	Enhanced starter motor (1.7 kW) Batterietrennschalter
27	I 200	Battery disconnection switch Batterie 95 Ah
27	I 210	95 Ah battery Kennzeichenhalter Ausführung 2
27	I 211	Licence plate holder version 2 Kennzeichenhalter Ausführung 3
27	I 215	Licence plate holder version 3 Saudi-Arabien - Ausführung
27	I 218	Version for Saudi Arabia Kennzeichenhalter Ausführung 4
27	I 219	Licence plate holder version 4 Ausgleichsgetriebe
27	I 220	Differenzial Sperrdifferenzial 40 %
27	I 225	Locking differential 40 % Belgien-Ausführung



## 987\_MXIKAT27.TXT

27	I 249	Version for Belgium Tiptronic-Getriebe
27	I 265	Tiptronic transmission Automatisch abblendbarer Innenspiegel mit Regensensor
27	I 266	Automatic anti-dazzle interior mirror with rain sensor Automatisch abblendbarer Aussenspiegel
27	I 267	Automatic anti-dazzle door mirror Automatisch abblendbarer Innen und Aussenspiegel
27	I 268	Automatically dimmable interior and door mirrors Regensensor
27	I 270	Rain sensor Aussenspiegel für Fahrerseite -plan-, elektrisch verstell- und beheizbar
27	I 271	Door mirrors -flat - driver's side, electrically adjustable and heatable Aussenspiegel für Fahreseite -asphärisch-, elektrisch verstell- und beheizbar
27	I 273	Door mirrors -aspherical - driver's side, electrically adjustable and heatable Aussenspiegel, elektrisch verstell- und beheizbar
27	I 274	Door mirrors, electrically adjustable and heatable Make-Up Spiegel beleuchtet
27	I 277	Vanity mirror, illuminated Schweiz-Ausführung
27	I 288	Version for Switzerland Scheinwerfer-Reinigungsanlage
27	I 301	Headlamp washer Getriebeübersetzung lang
27	I 305	Transmission ratio long Schalthebel in Alcantara, schwarz
27	I 308	Gear lever in Alcantara, Black Wählhebel in Alcantara, schwarz
27	I 325	Selector lever in Alcantara, Black Südafrika/Neuseeland-Ausführung
27	I 342	Version for South Africa/New Zealand Sitzheizung, links u. rechts
27	I 369	Seat heating system, left/right seat Basissitz links
27	I 370	Standard seat, left Basissitz rechts
27	I 375	Standard seat, right Sportsitz, Lehnenschale, links
27	I 376	Sports seat, backrest shell, left Sportsitz, Lehnenschale, rechts
27	I 377	Sports seat, backrest shell, right Sportsitz, Lehnenschale, links, elektrisch verstellbar
27	I 378	Sports seat, backrest shell, left, electrically adjustable Sportsitz, Lehnenschale, rechts, elektrisch verstellbar
27	I 388	Sports seat, backrest shell, right, electrically adjustable Sportschalensitz links
27	I 389	Sports bucket seat, left Sportschalensitz rechts
27	I 392	Sports bucket seat, right Carrera Rad 17"
27	I 393	17-inch Carrera wheel Rad Boxster-2 17" (987)
27	I 397	17-inch Boxster II wheel (987) Rad Boxster S 18" (987)
27	I 398	18-inch Boxster II wheel (987) Cayman Rad 17"
27	I 401	17-in. Cayman wheel Cayman S Rad 18"
27	I 402	18-in. Cayman S wheel Carrera 3 Rad 18"
27	I 403	Carrera 3 wheel 18-inch Carrera S Rad 19"

27	I 404	Carrera S wheel 19-inch Turbo-1 Rad 19" 19" Turbo-1 wheel
27	I 405	Carrera Classic Rad 19" Carrera Classic wheel 19-inch
27	I 406	Carrera GT Rad 19"/20" Carrera GT wheel 19-inch/20-inch
27	I 407	Sport-Design Rad 19" SportDesign wheel 19-inch
27	I 410	Turbo-2 Rad 18" 18-inch Turbo-2 wheel
27	I 411	Carrera-Rad 18" 18-inch Carrera wheel
27	I 415	Turbo-Look-2 Rad 18" 18-inch Turbo-Look II wheel
27	I 416	Rad GT3 18" 18-inch GT3 wheel
27	I 418	Rad Turbo-2 18" GT-Silber 18-inch Turbo II wheel in GT Silver
27	I 424	CD-Ablage Cd compartment
27	I 425	Heckscheibenwischer Rear window wiper
27	I 426	Ohne Heckscheibenwischer Without rear window wiper
27	I 431	Multi funktionslenkrad, Touch & Feel Multi-function steering wheel, touch + feel
27	I 432	Lenkrad mit Tiptronic-Bedienung Steering wheel with Tiptronic control
27	I 433	Sportlenkrad GT3, Alcantara Sports steering wheel GT3, Alcantara
27	I 435	Sportlenkrad Sports steering wheel
27	I 436	3-Speichen-Airbaglenkrad 3-spoke airbag steering wheel
27	I 437	Komfortsitze links, elektrisch verstellbar Comfort seat, left, electrically adjustable
27	I 438	Komfortsitze rechts, elektrisch verstellbar Comfort seat, right, electrically adjustable
27	I 439	Elektrische, Verdeckbetätigung Electrical hood operation
27	I 440	Antennen-Diversität Antenna diversity
27	I 441	Radiovorbereitung Radio preparation
27	I 444	Diebstahlsicherung, Radschrauben "THATCHAM" Anti-theft lock, wheel bolts "THATCHAM"
27	I 446	Radzierdeckel konkav mit farbigem Wappen Concave wheel centers with full-colour Porsche Crest
27	I 447	Notrad Emergency wheel
27	I 450	Keramik-Bremse (PCCB) Ceramic brake (PCCB)
27	I 451	Multi funktionslenkrad, makassar, Touch & Feel Multi-function steering wheel, Makassar Ebony, touch + feel
27	I 452	Multi funktionslenkrad, platane, Touch & Feel Multi-function steering wheel, Sycamore, touch + feel
27	I 453	Multi funktionslenkrad, carbon, Touch & Feel Multi-function steering wheel, Carbon, touch + feel
27	I 454	Automatische Geschwindigkeitsregulierung Automatic speed control
27	I 459	3-Speichen-Airbaglenkrad, Touch & Feel 3-spoke airbag steering wheel, touch + feel
27	I 460	Sportlenkrad, Touch & Feel Sports steering wheel, touch + feel
27	I 461	Stabantenne External antenna
27	I 475	Elektrische Dämpferregelung "PASM"

## 987\_MXIKAT27.TXT

27	1476	"PASM" electronic damper control Porsche Stability Management (PSM)
27	1479	Porsche Stability Management (PSM) Australien - Ausführung
27	1480	Version for Australia 6-Gang Schaltgetriebe
27	1481	6-speed manual transmission 5-Gang Schaltgetriebe
27	1482	5th-speed manual transmission Reifendruckkontrolle, RDK 433 Mhz
27	1483	Tire Pressure Monitoring TPM, 433 MHz Reifendruckkontrolle, RDK 315 Mhz
27	1484	315-MHz TPM, Tire Pressure Monitoring USA - Ausführung
27	1488	Version for USA Beschriftung deutsch
27	1490	Inscriptions in German language Klangpaket "ASK"
27	1492	Sound system "ASK" Scheinwerfer für Linksverkehr
27	1498	Headlights for left-hand traffic Entfall der Modellbezeichnung am Heck
27	1499	Deletion of model designation on rear end Ausführung für die Bundesrepublik Deutschland
27	1501	Version for Germany Car-Cover
27	1509	Car cover Feuerlöscher
27	1513	Fire extinguisher Lordosenstütze rechter Sitz
27	1521	Lumbar support, right seat Neigungsgeber
27	1524	Tilt sensor Wegfahrsicherung, Zentralverriegelung, 433 MHz
27	1525	Immobilizer, central locking, 433 MHz Wegfahrsicherung, Zentralverriegelung, 315 MHz
27	1532	Immobilizer, central locking, 315 MHz Entfall Fernbedienung Alarmanlage
27	1533	Alarm system remote control omitted Entfall Funkbetätigung Verdeck
27	1534	Radio convertible-top operation omitted Diebstahlsicherungsanlage 433 Mhz
27	1535	Theft security system, 433 MHz Diebstahlsicherungsanlage 315 Mhz
27	1536	Theft security system, 315 MHz -07 Alarmsirene und Neigungsgeber 08- Alarmsirene
27	1537	-07 Alarm siren and tilt sensor 08- Alarm siren Sitzpositions-Steuerung für Komfortsitz, links
27	1538	Seating position control for comfort seat, left Sitzpositions-Steuerung für Komfortsitz, rechts
27	1539	Seating position control for comfort seat, right Mechanische Sitzhöhenverstellung links
27	1540	Mechanical seat-height adjustment, left Mechanische Sitzhöhenverstellung rechts
27	1541	Mechanical seat-height adjustment, right Aktive Sitzbelüftung
27	1544	Active seat ventilation Diebstahlsicherung ohne Infrarot-Überwachung 433 MHz
27	1545	Anti-theft protection without infrared monitoring, 433 MHz Diebstahlsicherung ohne Infrarot-Überwachung 315 MHz
27	1549	Anti-theft protection without infrared monitoring, 315 MHz Dachtransportsystem
27	1550	Roof Transport System Hardtop
27	1551	Hard top Windstop
27	1553	Wind deflector USA-Canada-Ausführung

27	1554	Version for USA, Canada Bugspoilerlippe beigelegt Front spoiler lip included
27	1555	Sicherheitsgurte in Schwarz Black seat belts
27	1560	Advanced Airbag Advanced airbag
27	1562	Airbag Fahrer- und Beifahrerseite Airbag, driver's side and front passenger's side
27	1563	Seitenairbag Side airbag
27	1566	Nebelscheinwerfer weiss Front fog lights, white
27	1567	Frontscheibe im oberen Bereich stark eingefärbt Windscreen tinted, upper part darker coloured
27	1568	Windschutzscheibe ohne Bandfilter Windscreen without shade band
27	1571	Aktivkohlefilter Activated charcoal filter
27	1572	Klimaanlage manuell Manual air-conditioning system
27	1573	Klima-Anlage Air conditioner
27	1575	Kofferraumkühlung Luggage compartment cooling system
27	1581	Mittelkonsole vorn Centre console, front
27	1584	Ablagebox auf Motordeckel Storage box on engine cover
27	1586	Lordosenstütze linker Sitz Lumbar support, left seat
27	1594	Himmel Alcantara Alcantara rooflining
27	1601	Xenon-Licht Xenon lighting system
27	1602	Hochgesetzte Bremsleuchte Raised stop lamp
27	1606	Tagfahrlicht Daytime driving lights
27	1607	Garagentoröffner "Homelink" 315Mhz Garage door opener "Homelink", 315 MHz
27	1608	Garagentoroeffner "Homelink" 433Mhz Garage door opener "Homelink" 433 MHz
27	1610	DVD Navigation "Paket Europa" DVD navigation, "Europe package"
27	1611	DVD Navigation Südafrika DVD navigation South Africa
27	1612	DVD Navigation mittlerer Osten DVD navigation middle east
27	1613	DVD Navigation Australien DVD navigation australia
27	1614	DVD Navigation Asien-Pazifik DVD navigation asia-pacific
27	1615	DVD Navigation, Nordamerika DVD navigation system, North America
27	1616	DVD, Navigation Russland DVD, Navigation Russia
27	1617	DVD Navigation Südamerika DVD navigation South America
27	1618	Telefonvorbereitung Preparation for telephone installation
27	1621	12 Volt Steckdose, Beifahrerseite, Fussraum 12-V socket, passenger's side, footwell
27	1625	Porsche "entry and drive""KESSY" "KESSY" Porsche Entry and Drive
27	1635	Einparkhilfe Parking assistant
27	1639	Sport-Chrono-Paket

27	1640	Sport Chrono package Sport-Chrono-Paket plus Sport Chrono package plus
27	1641	elektronisches Fahrtenbuch electronic logbook
27	1650	Elektrisches Schiebedach Electrical sliding roof
27	1651	Elektrischer Fensterheber Electric window opener
27	1652	Ohne Schiebe-Hubdach Without sliding/tilting roof
27	1657	Servolenkung Power assisted steering
27	1659	Bordcomputer On-board computer
27	1660	OBD 2 OBD 2
27	1661	Verschärftes Abgaskonzept Stricter emission-control concept
27	1664	ORVR ORVR
27	1665	-2008 PCM 2, 2009- PCM 3 Grundmodul inklusive Radio -2008 PCM 2, 2009- PCM 3 basic module incl. radio
27	1666	-2008 PCM 2, 2009- PCM 3 Telefon (GSM) -2008 PCM 2, 2009- PCM 3 telephone (GSM)
27	1668	PCM2 Telefonbedienhoerer PCM2 telephone handset
27	1670	PCM2 Navigation PCM2 navigation
27	1672	-2008 PCM 2, 2009- PCM 3 Navigation Offroad -2008 PCM 2, 2009- PCM 3 Offroad navigation
27	1674	Vorrüstung "Vehicle Tracking System" "Vehicle Tracking System" preparation
27	1675	Ohne Radio Vorbereitung (Japan-Navi) Without radio preparation (Japan navigation system)
27	1677	"Drivercard" Antenne "Driver card" antenna
27	1678	Anbindung Alarmanlage Alarm system connection
27	1679	Wiederstartverhinderung Restart inhibitor
27	1680	Soundpaket BOSE BOSE sound package
27	1685	Geteilte Rücksitzanlage Rear seats, split
27	1689	CD-Wechsler Vorbereitung Preperation for CD autochanger
27	1690	CD-Radio "Porsche Online Pro" CD radio "Porsche Online Pro"
27	1692	CD-Wechsler "Porsche" CD autochanger "Porsche"
27	1694	CD-Radio "PORSCHE CDR 24" CD radio "PORSCHE CDR 24"
27	1697	CD-Radio "Porsche CDR 23" CD radio "Porsche CDR-23"
27	1711	Entfall Unterbodenschutz Omission underbody protection
27	1753	Sondermodell "Orange" Special model "orange Spyder"
27	1754	Sondermodell "RS 60 Spyder" Special model "RS 60 Spyder"
27	1755	Sondermodell "Porsche Design Edition 1" Special model "Porsche Design Edition 1"
27	1757	Sondermodell "Porsche Design Edition 2" Special model "Porsche Design Edition 2"
27	1789	Individualfarbe Colour to sample
27	1796	Ganzlederausstattung Naturlleder

## 987\_MXI KAT27. TXT

27	1798	Full leather trim natural leather Ganzlederausstattung Sonderleder
27	1799	Full leather trim special leather Ganzlederausstattung nach Wahl
27	1801	Full leather trim by choice Holzpaket Makassar, dunkel seidenmatt
27	1802	Makassar Ebony wood package, dark (matt satin finish) Holzpaket Platane, hell seidenmatt
27	1803	Sycamore package, light (matt satin finish) Carbonpaket
27	1804	Carbon package Exterieur-Paket Carbon GT2
27	1805	GT2 Carbon exterior package Lifestyle-Paket
27	1810	Lifestyle package Fussmatten
27	1912	Floor mats ohne Typschild
27	1936	without ID plate Sitzbezüge hinten, Leder
27	1937	Seat covers, rear, leather Sitzbezüge hinten, Kunstleder
27	1939	Seat covers, rear, leatherette Sitzbezüge hinten, Raffleder
27	1946	Seat covers, rear, draped leather Sitzbezüge vorne, Leder/Leder/Kunstleder
27	1950	Seat covers, front, leather/leather/leatherette Sitzbezüge vorne, Alcantara/Kunstleder/Kunstleder
27	1951	Alcantara seat covers, front Sitzbezüge vorne, Alcantara/Leder/Leder
27	1970	Seat covers front, Alcantara/leather/leather Innenaustattung zwei farbig
27	1971	Two-tone interior Naturleder mit "TORO"-Prägung
27	1981	"TORO" embossed leather Leder-Ausstattung, ohne Sitzbezug
27	1982	Leather equipment, without seat covers Sitzbezüge vorne, Raffleder/Leder/Leder
27	1983	Seat covers, front, draped leather/leather/leather Sitzbezüge vorne, Leder
27	1985	Seat covers, front, leather Sitzbezüge, Leder/Leder/Kunstleder, 2
27	1990	Seat covers, leather/leather/leatherette, 2 Sitzbezüge vorne, Stoff/Stoff/Kunstleder
27	1991	Seat covers, front, cloth/cloth/leatherette Airbagmodul in Leder
27	1998	Steering wheel airbag module in leather Leder, Natur
27	1999	Leather, natural Innenraumüberwachung Sensor
		für Lederfarbe nach Wahl
		Passenger compartment monitoring sensor
		for leather colour of choice

Model	Year	MG	SG	Illustration	VIN No.	Update	15:27	06.08.2008
987	08					230		

IN COLUMN - A -

-----

IDENTIFICATION LETTER FOR PERIOD OF INSTALLATION  
 THAT IS REPEATED SEVERAL TIMES IN THE CATALOG GROUP.

EXPLANATION PLEASE FIND IN TEXT COLUMN OF THE CATALOG GROUP

IN COLUMN - QU - = NO. OF PIECES

-----

1 NUMBER PER APPLICATION

X NUMBER AS NEEDED

\* AVAILABLE ONLY IN RUNNING LENGTHS 1 = 1 METRE

IN COLUMN - MODEL/SYMBOL -

-----

M650 OPTIONAL EQUIPMENT - SEE M-NO. LIST

-98 LIMITATION OF MODEL YEAR FOR INSTANCE: VALID UP TO  
 END OF MODEL YEAR 1997

/LL LHD

/RL RHD

-----+

/V FRONT I

Model	Year	MG	SG	Illustration	VIN No.	Update		
987	08					230	15:27	06.08.2008

```

I
/H      REAR      I
          I----> APPLIES TO
/L      LEFT      I      DIRECTION OF TRAVEL
          I
/R      RIGHT     I
          -----+

WW      THE PART CAN BE USED INSTEAD OF THE
          PRECEDING ONE.
    
```



Model	Year	MG	SG	Illustration	VIN No.	Update		
987	08					230	15:27	06.08.2008

## LEGENDS AND NOTICES

=====

## IN COLUMN -S- STATUS

-----

- N NEW ADDITION
- P PART ALREADY IN PROGRAMME, BUT NEW  
AT THIS APPLICATION
- W DELETED AT THIS APPLICATION, BUT CONTINUED TO BE CARRIED
- K RACING PART: MARKETED FROM WEISSACH EVM
- A STOCK TO BE USED UP
- U DELETED WITHOUT REPLACEMENT
- \* PART ALSO OR ONLY AVAILABLE  
IN REPAIR KIT
- > ALSO AVAILABLE IN EXCHANGE

## IN COLUMN - ILL. -

-----

- 1 IDENTIFICATION NO. IN ILLUSTRATION
- (1) PART ONLY SIMILAR AS ILLUSTRATED

Model	Year	MG	SG	Illustration	VIN No.	Update		
987	08					230	15:27	06.08.2008

- PART IS NOT ILLUSTRATED

FIG.-NUMBERS FOR WHICH THERE IS SHOWN NO TEXT ARE  
NOT VALID FOR THIS EDITION OF CATALOGUE

IN COLUMN -PART NUMBER/CODE-

-----

000 000 000 00 PART NUMBER EQUALS ORDERING NO., IF A CODE IS  
SHOWN, IT WILL HAVE TO BE PART OF ORDERING  
NUMBER

01C COLOUR CODE

IN COLUMN -TEXT

-----

INSTALLATION WITH ENGINE OR CHASSIS  
NUMBER-RANGE

EXAMPLE:

M 66W 00389>> FROM ENGINE NO.

F >>99WS6 00889 UP TO CHASSIS NO.

Model 987	Year 08	MG	SG	Illustration	VIN No.	Update 230	15:27	06.08.2008
--------------	------------	----	----	--------------	---------	---------------	-------	------------

VEHICLE TYPE	TYPE	MY	TRANSMISSION NO.	TECHNICAL DATA
BOXSTER	G87.01	05 5	G8701 1 002001>999999	5-GANG
BOXSTER TIPTRONIC	A87.01	05 5	A8701 1 002001>999999	5-GANG
BOXSTER "S"	G87.20	05 5	G8720 1 002001>999999	6-GANG
BOXSTER "S" TIPTRONIC	A87.20	05 5	A8720 1 002001>999999	5-GANG
BOXSTER	G87.01	06 6	G8701 1 002001>999999	5-GANG
BOXSTER TIPTRONIC	A87.01	06 6	A8701 1 002001>999999	5-GANG
BOXSTER "S"	G87.20	06 6	G8720 1 002001>999999	6-GANG
BOXSTER "S" TIPTRONIC	A87.20	06 6	A8720 1 002001>999999	5-GANG
BOXSTER	G87.01	07 7	G8701 1 002001>999999	5-GANG
BOXSTER I480	G87.20	07 7	G8720 1 002001>999999	6-GANG
BOXSTER TIPTRONIC	A87.02	07 7	A8702 1 002001>999999	5-GANG
BOXSTER "S"	G87.21	07 7	G8721 1 002001>999999	6-GANG
BOXSTER "S" TIPTRONIC	A87.21	07 7	A8721 1 002001>999999	5-GANG
BOXSTER	G87.01	08 8	G8701 1 002001>999999	5-GANG
BOXSTER I480	G87.20	08 8	G8720 1 002001>999999	6-GANG
BOXSTER TIPTRONIC	A87.02	08 8	A8702 1 002001>999999	5-GANG
BOXSTER "S"	G87.21	08 8	G8721 1 002001>999999	6-GANG
BOXSTER "S" TIPTRONIC	A87.21	08 8	A8721 1 002001>999999	5-GANG

Model	Year	MG	SG	Illustration	VIN No.	Update	15:27	06.08.2008
987	08					230		

EXPLANATION OF THE TRANSMISSION-NUMBERS USED IN THE CATALOGUE

=====

DIGIT:	1	2	3	4	5	6	7	8	9	10	11
EXAMPLE:	G	8	6	0	0	1	0	0	5	4	3
	=	=====				=	=====				
	!		!			!			!		
	!		!			!			!		
TRANSMISSION TYPE-----+			!			!			!		
			!			!			!		
TRANSMISSION VERSION-----+						!			!		
						!			!		
INDEX OF VARIANTS-----+									!		
									!		
SERIAL NUMBER-----+											

Model	Year	MG	SG	Illustration	VIN No.	Update		
987	08					230	15:26	06.08.2008

ENGINE

VEHICLE TYPE	TYPE	MY	ENGINE NO.	TECHNICAL DATA
BOXSTER	M96.25	05 5	615 00501>60000	6ZYL/2,7L /176 KW
BOXSTER"S"	M96.26	05 5	625 00501>60000	6ZYL/3,2L /206 KW
BOXSTER	M96.25	06 6	616 00501>60000	6ZYL/2,7L /176 KW
BOXSTER"S"	M96.26	06 6	626 00501>60000	6ZYL/3,2L /206 KW
BOXSTER	M97.20	07 7	657 00501>60000	6ZYL/2,7L /180 KW
BOXSTER"S"	M97.21	07 7	677 00501>60000	6ZYL/3,4L /217 KW
BOXSTER	M97.20	08 8	658 00501>60000	6ZYL/2,7L /180 KW
BOXSTER"S"	M97.21	08 8	678 00501>60000	6ZYL/3,4L /217 KW
BOXSTER"S" RS SPYDER	M97.22	08 8	668 00501>60000	6ZYL/3,4L /223 KW

Model	Year	MG	SG	Illustration	VIN No.	Update		
987	08					230	15:26	06.08.2008

EXPLANATION OF THE MOTOR-NUMBERS USED IN THE CATALOGUE

=====

DIGIT: 1 2 3 4 5 6 7 8

EXAMPLE: 6 2 5 0 0 1 3 6

= = = =====

! ! ! !

ENGINE TYPE (6 = 6-CYL.-ENGINE)-----+ ! ! !

! ! !

ENGINE VERSION-----+ ! !

! !

MODEL YEAR-----+ !

!

SERIAL NUMBER-----+ !

Model 987	Year 08	MG	SG	Illustration	VIN No.	Update 230	15:26	06.08.2008
--------------	------------	----	----	--------------	---------	---------------	-------	------------

VEHICLE TYPE	MY	VIN	ENGINE TYPE
BOXSTER	05 5	985S7 00061>10000	M96.25 176 KW
BOXSTER	05 5	985U7 00061>10000	M96.25 176 KW
BOXSTER (USA) (CDN) (MEX) (BR)	05 5	985S7 10061>20000	M96.25 176 KW
BOXSTER (USA) (CDN) (MEX) (BR)	05 5	985U7 10061>20000	M96.25 176 KW
BOXSTER "S"	05 5	985S7 20061>30000	M96.26 206 KW
BOXSTER "S"	05 5	985U7 20061>30000	M96.26 206 KW
BOXSTER "S" (USA.CDN.MEX.BR)	05 5	985S7 30061>40000	M96.26 206 KW
BOXSTER "S" (USA.CDN.MEX.BR)	05 5	985U7 30061>40000	M96.26 206 KW
BOXSTER	06 6	986S7 00061>10000	M96.25 176 KW
BOXSTER	06 6	986U7 00061>10000	M96.25 176 KW
BOXSTER (USA) (CDN) (MEX) (BR)	06 6	986S7 10061>20000	M96.25 176 KW
BOXSTER (USA) (CDN) (MEX) (BR)	06 6	986U7 10061>20000	M96.25 176 KW
BOXSTER "S"	06 6	986S7 20061>30000	M96.26 206 KW
BOXSTER "S"	06 6	986U7 20061>30000	M96.26 206 KW
BOXSTER "S" (USA.CDN.MEX.BR)	06 6	986S7 30061>40000	M96.26 206 KW
BOXSTER "S" (USA.CDN.MEX.BR)	06 6	986U7 30061>40000	M96.26 206 KW
BOXSTER	07 7	987S7 00061>10000	M97.20 180 KW
BOXSTER	07 7	987U7 00061>10000	M97.20 180 KW
BOXSTER (USA, CN, CDN, MEX, BR)	07 7	987S7 10061>20000	M97.20 180 KW
BOXSTER (USA, CN, CDN, MEX, BR)	07 7	987U7 10061>20000	M97.20 180 KW
BOXSTER "S"	07 7	987S7 20061>30000	M97.21 217 KW
BOXSTER "S"	07 7	987U7 20061>30000	M97.21 217 KW
BOXSTER S (USA, CN, CDN, MEX, BR)	07 7	987S7 30061>40000	M97.21 217 KW
BOXSTER S (USA, CN, CDN, MEX, BR)	07 7	987U7 30061>40000	M97.21 217 KW
BOXSTER	08 8	988S7 00061>10000	M97.20 180 KW
BOXSTER	08 8	988U7 00061>10000	M97.20 180 KW
BOXSTER (USA, CN, CDN, MEX, BR)	08 8	988S7 10061>20000	M97.20 180 KW

Model	Year	MG	SG	Illustration	VIN No.	Update		
987	08					230	15:26	06.08.2008

BOXSTER (USA, CN, CDN, MEX, BR)	08	8	988U7	10061>20000	M97.20	180	KW	
BOXSTER "S"	08	8	988S7	20061>30000	M97.21	217	KW	
BOXSTER "S"	08	8	988U7	20061>30000	M97.21	217	KW	
BOXSTER S (USA, CN, CDN, MEX, BR)	08	8	988S7	30061>40000	M97.21	217	KW	
BOXSTER S (USA, CN, CDN, MEX, BR)	08	8	988U7	30061>40000	M97.21	217	KW	



Model	Year	MG	SG	Illustration	VIN No.	Update	15:26	06.08.2008
987	08					230		

EXPLANATION OF THE ABRIDGED VERSION OF THE VEHICLE IDENT. NUMBERS (VIN)

=====
USED IN THE CATALOGUE
=====

DIGIT: 1 2 3 4 5 6 7 8 9 10 11 12 13 14 15 16 17

EXAMPLE: W P 0 Z Z Z 9 8 Z 5 S 7 0 0 1 2 5

=== = = = =====

! ! ! ! !

VEHICLE TYPE 1ST+2ND DIGIT-----+ ! ! ! !

! ! ! !

MODEL YEAR-----+ ! ! !

! ! !

MANUFACTURING LOCATION-----+ ! !

! !

VEHICLE TYPE 3RD DIGIT-----+ !

!

SERIAL NUMBER-----+

Model	Year	MG	SG	Illustration	VIN No.	Update		
987	08					230	15:25	06.08.2008

THIS PARTS CATALOGUE CONTAINS ALL ORDER INFORMATION OF  
TYPE 987 FROM MODEL YEAR 2005

IT IS AVAILABLE IN TWO EDITIONS IN THE FOLLOWING LANGUAGES:

EDITION

USA, CANADA - \*

EDITION

ALL OTHER COUNTRIES - GERMAN

\* - ENGLISH

- FRENCH

- ITALIAN

- SPANISH

UPDATING IS BEING PERFORMED BY CHANGING OF UPDATE.

THE EDITION CAN BE RECOGNIZED BY THE CURRENT NO.

IN THE BOTTOM LINE OF SUBJECT UPDATE.

THE PREVIOUS UPDATE SHOULD NO LONGER BE USED.

ALL ILLUSTRATIONS ARE SUBJECT TO CHANGE WITHOUT OBLIGATION.

Model	Year	MG	SG	Illustration	VIN No.	Update		
987	08					230	15:25	06.08.2008

THE SEATS FOR EACH MODEL ARE AVAILABLE IN THE PARTS CATALOGUE

"SEATS (STZ 19)".

Model	Year	MG	SG	Illustration	VIN No.	Update		
987	08					230	15:27	06.08.2008

## EQUIPMENT BY COUNTRY REGULATIONS

=====

- (A) AUSTRIA
- (AG) ARABIAN GULF STATES
- (AUS) AUSTRALIA
- (B) BELGIUM
- (BR) BRAZIL
- (CDN) CANADA
- (CH) SWITZERLAND
- (CN) PEOPLE'S REPUBLIC OF CHINA
- (D) FEDERAL REPUBLIC OF GERMANY
- (DK) DENMARK
- (E) SPAIN
- (F) FRANCE
- (GB) GREAT BRITAIN
- (GR) GREECE
- (HK) HONGKONG

Model	Year	MG	SG	Illustration	VIN No.	Update		
987	08					230	15:27	06.08.2008

(I)	ITALY
(J)	JAPAN
(L)	LUXEMBURG
(N)	NORWAY
(NL)	NETHERLANDS
(NZ)	NEW ZEALAND
(P)	PORTUGAL
(ROK)	KOREA
(RC)	TAIWAN
(THA)	THAILAND
(S)	SWEDEN
(SA)	SAUDI ARABIA
(SF)	FINLAND
(USA)	UNITED STATES OF AMERICA
(ZA)	SOUTH AFRICA