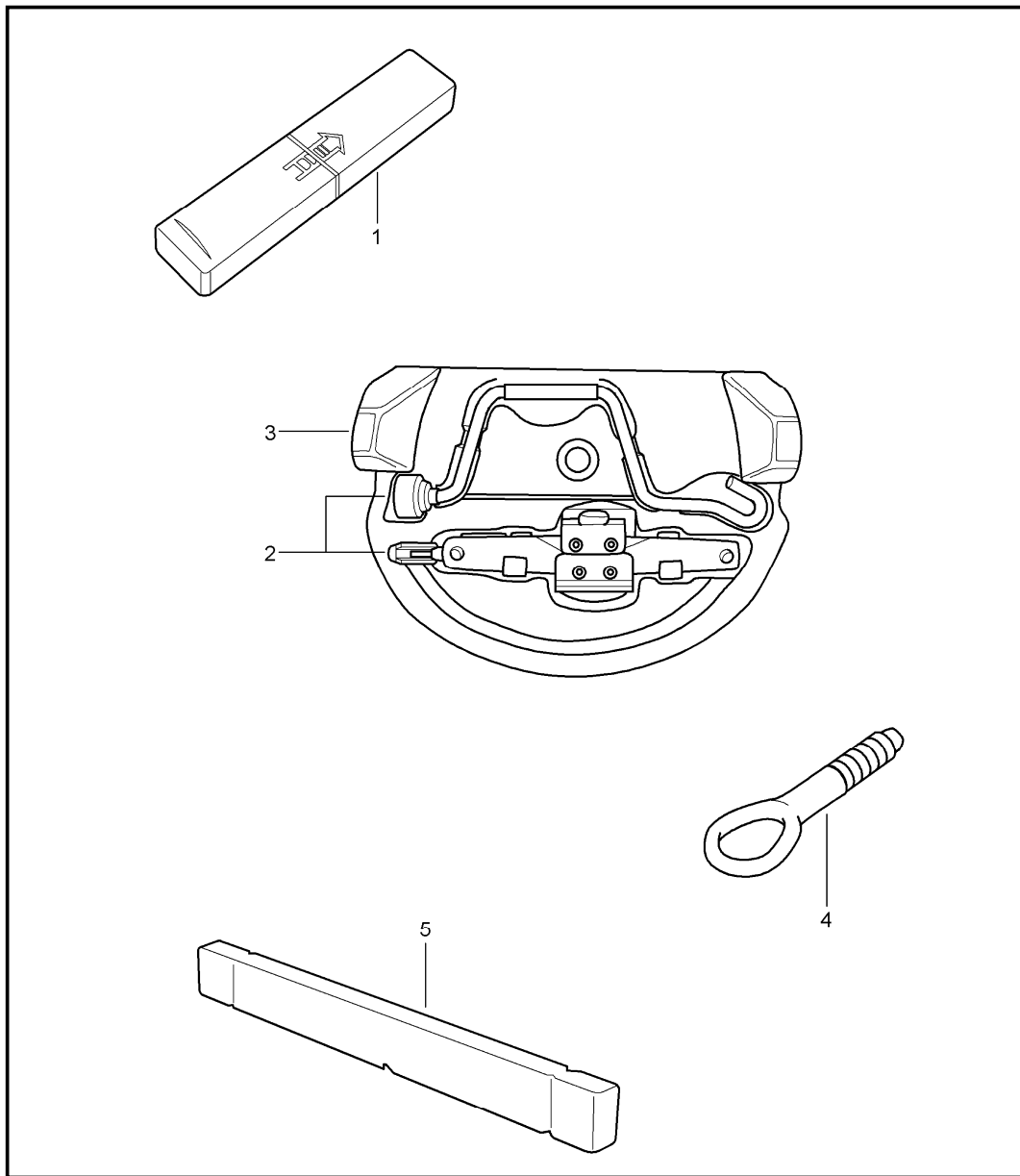


Model	Year	MG	SG	Illustration	Restrictions	UPD	21:38	24.01.2010	PORSCHE	PET	PORSCHE
997-2	2010	0	01	001-00		248					

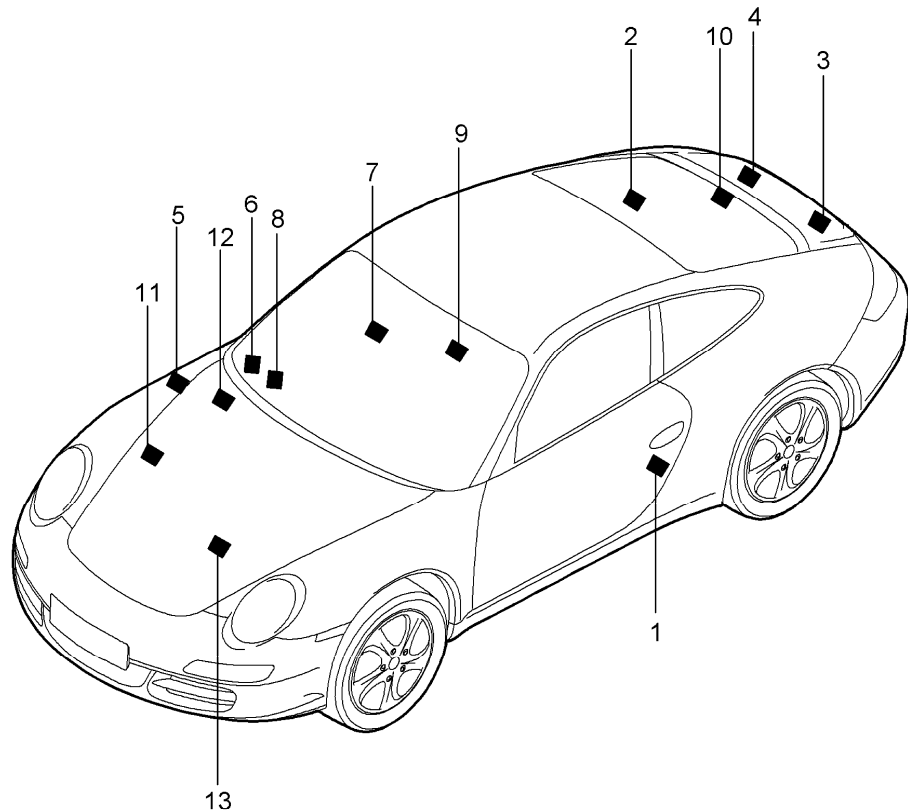


Pos	Part Number	Description	Remark	Qty	Model
1	997 721 115 00	tool jack		1	
-	477 012 229	double-end spanner 10 X 13		1	
-	477 012 231	screwdriver		1	
-	111 012 287	handle for screwdriver		1	
-	999 571 077 02	socket wrench - 5 - for headlamp		1	
2	996 721 211 00	scissors type jack		1	I447
3	996 722 101 00	foam part		1	I447
-	999 571 074 30	threaded bolt for assembly wheels		1	I447
-	477 012 221 A	rim wrench		1	I447
-	999 571 070 30	operating rod for rim wrench		1	I447
-	997 722 801 00	mounting for tool		1	I447
-	996 361 521 00	boot		1	I447
-	997 722 061 00	cover emergency wheel		1	I447
-	997 722 103 00	mounting emergency wheel		1	COUPE/TARGA I447
-	997 722 103 01	mounting emergency wheel		1	CABRIO I447
4	997 721 551 00	towing lug		1	
5	000 722 722 05	warning triangle		1	

Model	Year	MG	SG	Illustration	Restrictions	UPD	21:38	24.01.2010	PORSCHE	PET	PORSCHE
997-2	2010	0	01	001-00		248					

Pos	Part Number	Description	Remark	Qty	Model	Pos	Part Number	Description	Remark	Qty	Model
-	997 722 709 00	support warning triangle		2	CARRERA 4/4S						
-	993 722 041 00	first-aid kit		1							

Model	Year	MG	SG	Illustration	Restrictions	UPD	21:38	24.01.2010	PORSCHE	PET	PORSCHE
997-2	2010	0	01	001-05		248					

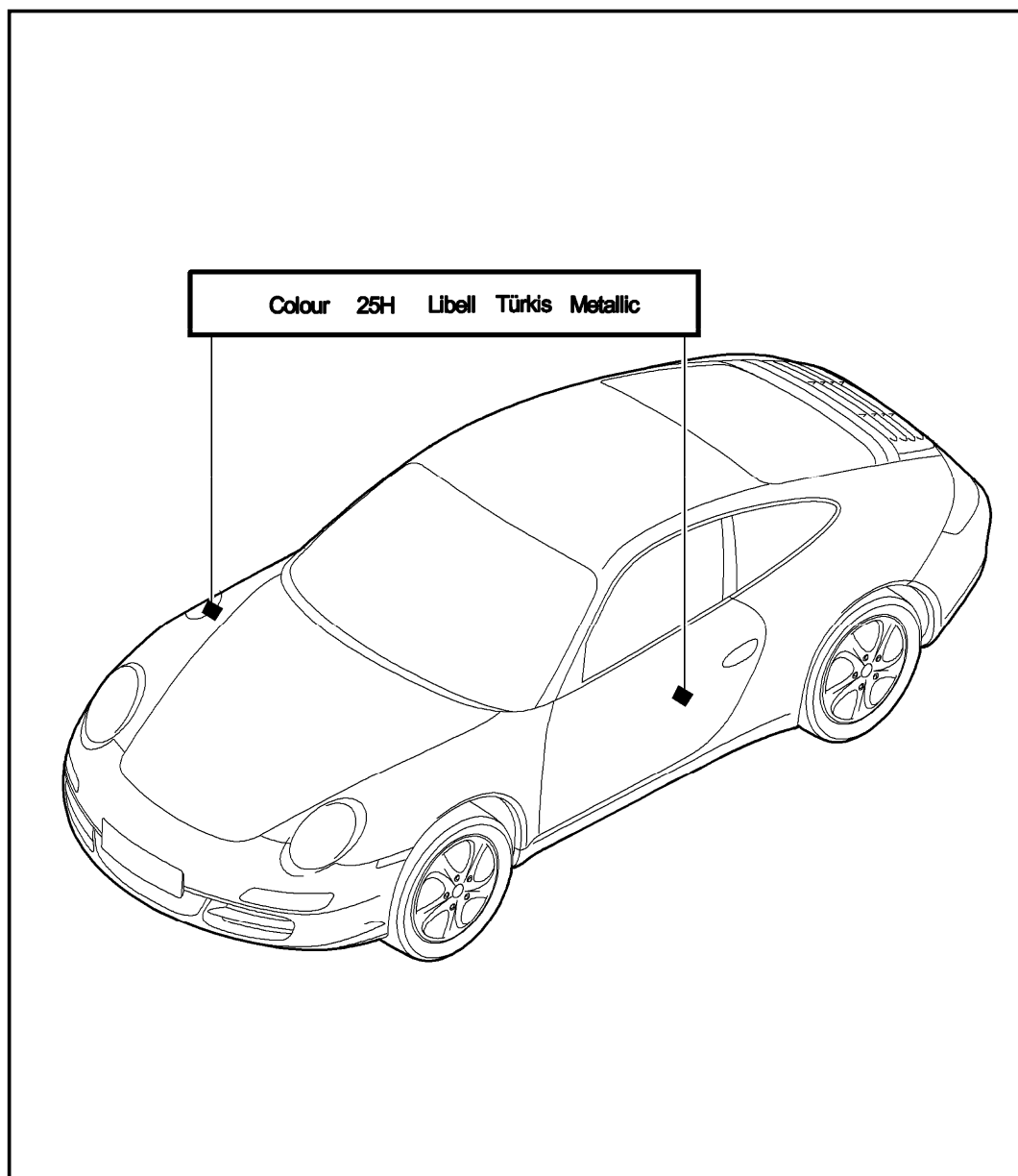


Pos	Part Number	Description	Remark	Qty	Model
		stickers			
		stickers emergency wheel		1	I447
2	996 361 701 20	sticker english	(AUS)	1	I447
2	997 361 701 00	sticker arabic		1	I215/447
2	928 701 150 00	sticker "MAX 80 KM/H"		1	I447
		stickers engine specifications			
3	997 006 108 00	sticker		1	I068
3	955 701 675 00	sticker expansion tank		1	I193
4	997 006 544 00	sticker engine oil - MOBIL 1 -		1	
4	997 701 535 00	sticker engine-oil level		1	I193
		stickers type of fuel			
5	996 006 117 00	sticker 98 ROZ		1	
5	996 006 117 02	sticker 96 ROZ	(AUS)	1	
5	996 006 117 01	sticker 98 ROZ		1	I150
5	996 006 117 03	sticker 93 RON/MON/2		1	I193
5	955 701 676 15	sticker fuel		1	I193
5	955 701 676 10	sticker fuel filler flap		1	I193
		stickers airbag			
6	3B0 010 219 B	sticker child car seat		1	

Model	Year	MG	SG	Illustration	Restrictions	UPD	21:38	24.01.2010	PORSCHE	PET	PORSCHE
997-2	2010	0	01	001-05		248					

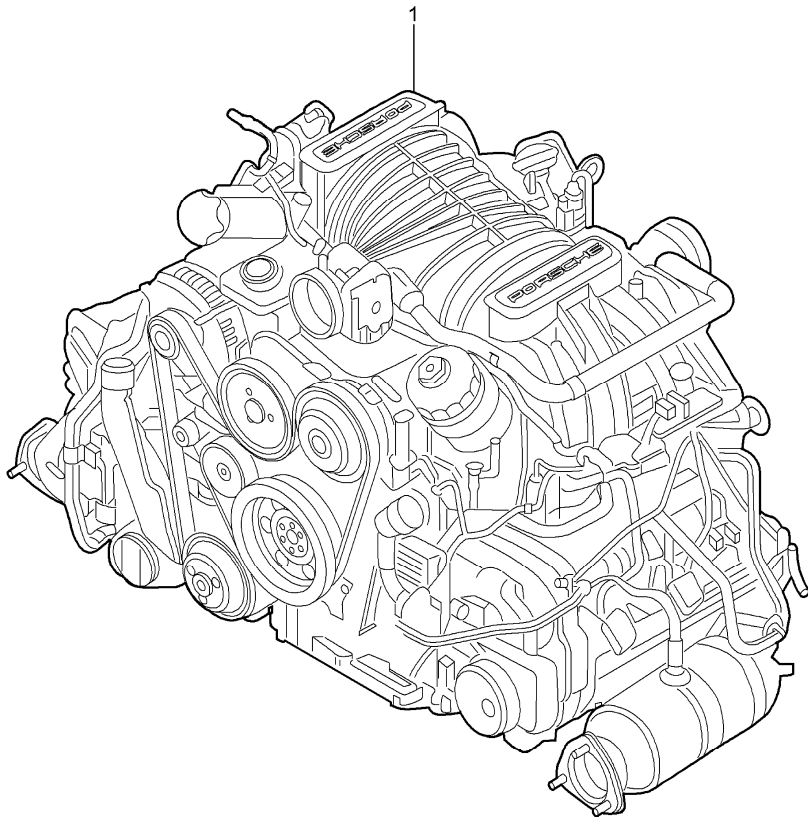
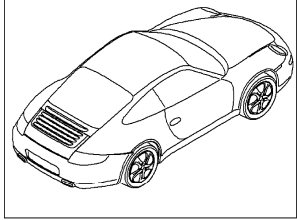
Pos	Part Number	Description	Remark	Qty	Model	Pos	Part Number	Description	Remark	Qty	Model
6	8D0 010 141 Q	sticker child car seat	(AUS)	1		12	997 701 170 00	sticker first-aid kit		1	
6	997 701 430 00	sticker child car seat german		1		13	997 701 527 00	sticker headlamp		1	I193
6	997 701 430 01	sticker child car seat english		1		13	955 701 675 05	sticker brake fluid		1	I193
6	997 701 430 02	sticker child car seat french		1				stickers convertible top control see group 8/07/09			CABRIO
6	997 701 430 03	sticker child car seat italian		1							
6	997 701 430 04	sticker child car seat swedish		1							
6	997 701 430 05	sticker child car seat spanish		1							
6	997 701 430 06	sticker child car seat arabic		1							
6	997 701 430 07	sticker child car seat chinese		1							
6	955 701 675 10	sticker Recycling		1	I193						
9	997 701 531 00	sticker airbag		1	I193						
9	955 701 676 00	sticker warning light engine		1	I193						
10	955 701 675 15	sticker import japan		1	I193						
11	996 701 141 01	sticker air conditioner		1							
11	997 701 521 00	sticker air conditioner		1	I193						
12	955 701 673 00	sticker battery		1	I193						

Model	Year	MG	SG	Illustration	Restrictions	UPD	21:39	24.01.2010	PORSCHE	PET	PORSCHE
997-2	2010	0	04	004-00		248					



Pos	Part Number	Description	Remark	Qty	Model
-	911 095 932 20	paint touch-up applicator lacquers		X	
	041	black			A 1
	80K	guards red			G 1
	B9A	carrara white			B 4
	12G	speed yellow			X 4
	51A	creamy white			T 2
	63A	SportClassic Grey			C 1 I756
-	911 095 933 20	paint touch-up applicator set comprising: paint touch-up applicator primer paint touch-up applicator clear lacquer		X	
	92T	arctic silver metallic			X 1
	C9Z	basalt black metallic			Z 4
	M7X	atlas grey metallic			E 7
	37W	midnight blue metallic			E 9
	M7Z	gt silver metallic			U 2
	M7W	Meteor Grey Metallic			9 Q
	8A7	ruby red metallic	-09		L 2
	M3X	ruby red metallic	10-		A 6
	M8W	Macadamia Metallic			9 S
	2B5	Malachite Green Metallic			H 1
	M2Z	Nordic Gold Metallic			8 W
	32B	Sailing Blue Metallic			E 5
	M5R	Aqua Blue Metallic			D 2
	22G	porsche Racing Green Metallic			J 1
	M5X	Dark Blue Metallic			N 4

Model	Year	MG	SG	Illustration	Restrictions	UPD	21:39	24.01.2010	PORSCHE	PET	PORSCHE
997-2	2010	1	01	101-00		248					

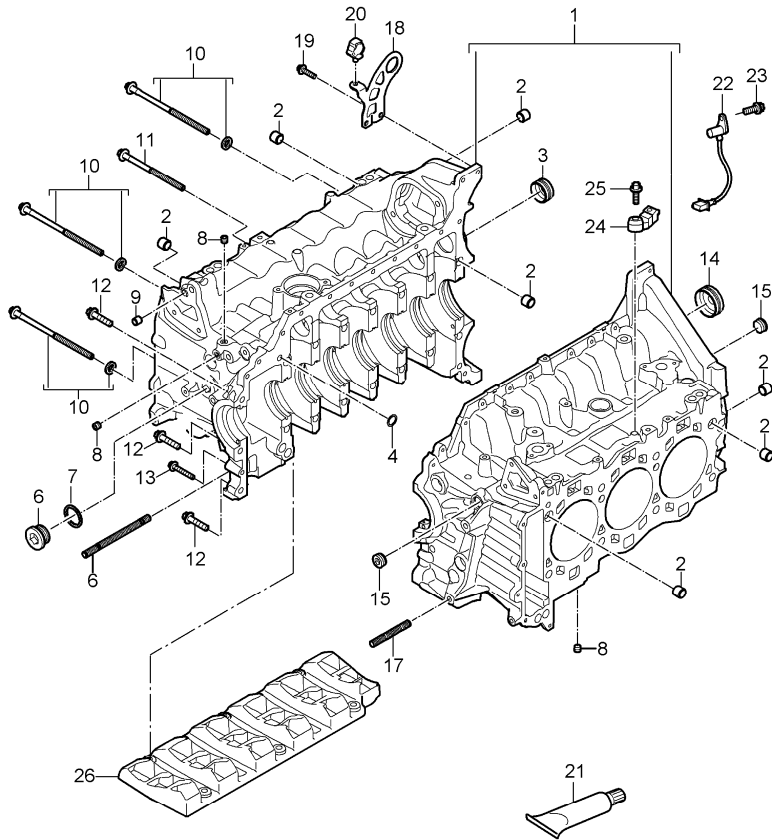
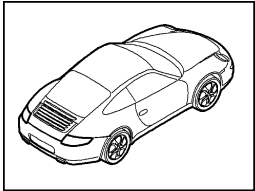


Pos	Part Number	Description	Remark	Qty	Model
		replacement engine			MA1.01 MA1.02
		without drive plate pdk transmission without flywheel manual transmission with compressor air conditioner			
1 >	9A1 100 901 00	replacement engine		09	1 MA1.01 I480
1	9A1 100 901 X	replacement engine		09	1 MA1.01 I480
1 >	9A1 100 901 02	replacement engine		10-	1 MA1.01 I480
1	9A1 100 901 BX	replacement engine		10-	1 MA1.01 I480
(1) >	9A1 100 901 01	replacement engine		09	1 MA1.01 I250
(1)	9A1 100 901 AX	replacement engine		09	1 MA1.01 I250
(1) >	9A1 100 901 03	replacement engine		10-	1 MA1.01 I250
(1)	9A1 100 901 CX	replacement engine		10-	1 MA1.01 I250
(1) >	9A1 100 902 00	replacement engine		09	1 MA1.02 I480
(1)	9A1 100 902 X	replacement engine		09	1 MA1.02 I480
(1) >	9A1 100 902 02	replacement engine		10-	1 MA1.02 I480
(1)	9A1 100 902 BX	replacement engine		10-	1 MA1.02 I480
(1) >	9A1 100 902 01	replacement engine		09	1 MA1.02 I250
(1)	9A1 100 902 AX	replacement engine		09	1 MA1.02 I250

Model	Year	MG	SG	Illustration	Restrictions	UPD	21:39	24.01.2010	PORSCHE	PET	PORSCHE
997-2	2010	1	01	101-00		248					

Pos	Part Number	Description	Remark	Qty	Model	Pos	Part Number	Description	Remark	Qty	Model
(1) >	9A1 100 902 03	replacement engine		10-	1 MA1.02 I250						
(1)	9A1 100 902 CX	replacement engine		10-	1 MA1.02 I250						
(1) >	9A1 100 951 00	replacement engine kit		10-	1 MA1.01 IX51/480						
(1)	9A1 100 951 X	replacement engine kit		10-	1 MA1.01 IX51/480						
(1) >	9A1 100 951 01	replacement engine kit		10-	1 MA1.01 IX51/250						
(1)	9A1 100 951 AX	replacement engine kit		10-	1 MA1.01 IX51/250						

Model	Year	MG	SG	Illustration	Restrictions	UPD	21:39	24.01.2010	PORSCHE	PET	PORSCHE
997-2	2010	1	01	101-05		248					

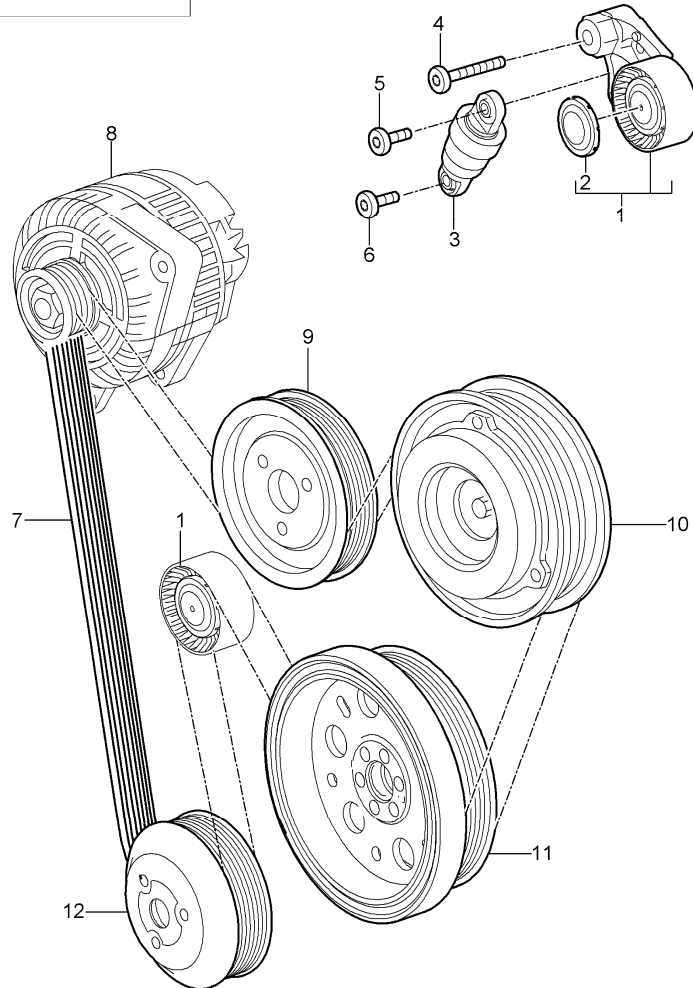
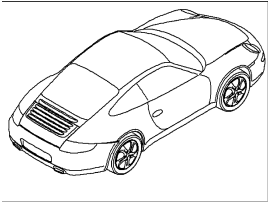


Pos	Part Number	Description	Remark	Qty	Model
		crankcase			MA1.01 MA1.02
1	9A1 101 938 00	crankcase		1	MA1.01
1	9A1 101 936 00	crankcase		1	MA1.02
2	014 301 153 B	dowel sleeve		6	
3	9A1 101 215 01	lid		1	
4	999 707 568 40	o-ring 12,0 x 3,0		1	
5	900 060 109 01	stud M 10 X 120		1	
6	900 219 025 30	screw plug M 30 X 1,5		1	
7	900 123 015 30	sealing ring A 30 X 36		1	
8	999 063 033 01	screw plug M 10 X 1,0 X 8,0		4	
9	999 095 063 01	dowel sleeve M 6 X 10		1	
10	9A1 101 250 00	Outer hexagon round screw M 10 X 1,5 X 195		14	
11	900 385 281 01	torx screw M 8 X 120		1	
12	900 385 042 01	torx screw M 8 x 35		3	
13	900 385 045 01	torx screw M 6 x 40		1	
14	9A1 101 216 01	lid M 8 X 35		1	
15	999 063 034 01	screw plug M 20 X 1,5 x 10		2	
17	900 060 108 01	stud M 10 x 60		1	
18	9A1 101 213 00	shackle for transportation		1	
19	900 385 072 01	torx screw M 6 X 25		14	
20	999 507 075 40	cable holder		1	

Model	Year	MG	SG	Illustration	Restrictions	UPD	21:39	24.01.2010	PORSCHE	PET	PORSCHE
997-2	2010	1	01	101-05		248					

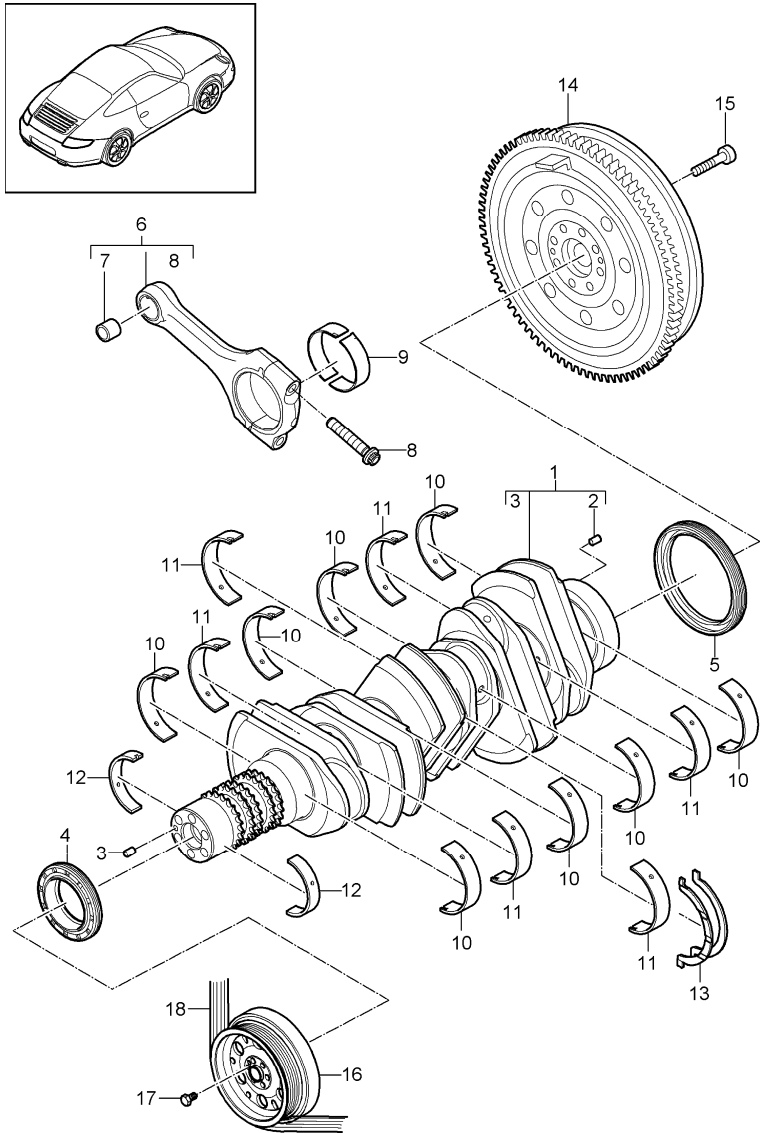
Pos	Part Number	Description	Remark	Qty	Model	Pos	Part Number	Description	Remark	Qty	Model
21	000 043 207 31	sealing compound 80 ML		X							
22	9A1 606 112 01	pulse sender		1							
23	900 387 264 01	pan-head screw M 6 X 16		2							
24	997 606 121 00	knock sensor		2							
25	900 385 042 01	torx screw M 8 X 35		3							
26		oil separator see group 1/04/02		1							

Model	Year	MG	SG	Illustration	Restrictions	UPD	21:39	24.01.2010	PORSCHE	PET	PORSCHE
997-2	2010	1	01	101-10		248					



Pos	Part Number	Description	Remark	Qty	Model
1	9A1 102 211 00	belt tensioner v-belt lever tensioning roller		1	
2	948 102 839 00	protection cap		1	
3	948 102 261 00	tensioner hydraulic		1	
4	999 073 246 09	torx screw M 8 X 33-10,9		1	
5	999 073 411 01	torx screw M 8 X 60		1	
6	999 073 412 01	torx screw M 8 X 26		1	
7	9A1 102 216 01	v-belt		1	
8		generator see group 9/02/05		1	
9		pulley power-steering pump see group 4/03/03		1	
10		pulley compressor see group 8/13/15		1	
11		pulley crankshaft see group 1/02/00		1	
12		pulley water pump see group 1/05/00		1	

Model	Year	MG	SG	Illustration	Restrictions	UPD	21:39	24.01.2010	PORSCHE	PET	PORSCHE
997-2	2010	1	02	102-00		248					

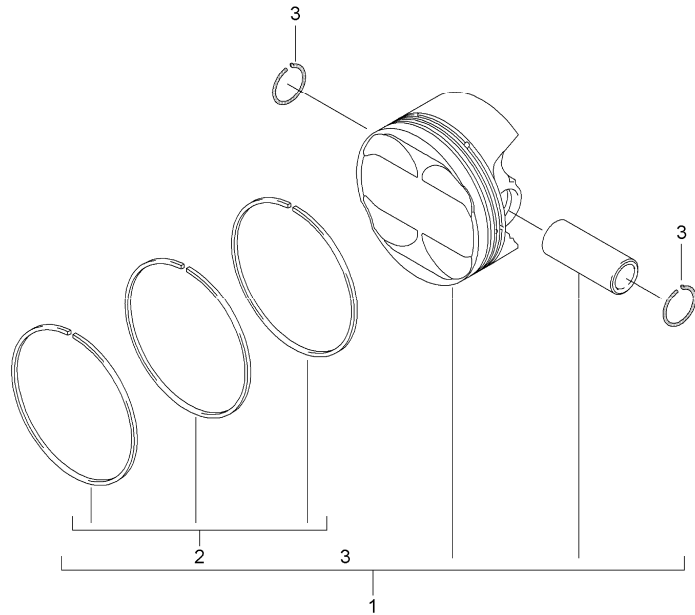
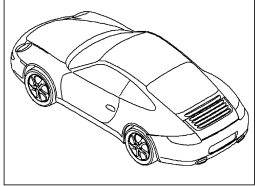


Pos	Part Number	Description	Remark	Qty	Model
		crankshaft			MA1.01 MA1.02
1	9A1 102 077 04	crankshaft		1	MA1.01
1	9A1 102 081 03	crankshaft		1	MA1.02
2	900 095 031 00	tensioning sleeve 6,0 X 16		1	
3	900 302 016 00	straight pin A 6,0 X 16		1	
4	9A1 101 222 02	shaft sealing ring 52,6 X 16,2		1	
5	997 101 212 01	shaft sealing ring 85 x 105 x 11		1	
6	9A1 103 914 02	connecting rod set comprising: connecting rods		1	
				6	
7	9A1 103 122 02	connecting rod bush D = 22		6	
8	9A1 103 115 02	connecting rod bolt M 10 X 1,25 X 51		12	
9	9A1 103 053 00	connecting-rod bearing identification red		12	
(9)	9A1 103 053 01	connecting-rod bearing identification yellow		12	
(9)	9A1 103 053 02	connecting-rod bearing identification blue		12	
10	9A1 101 064 00	crankshaft bearing identification red		8	
(10)	9A1 101 064 01	crankshaft bearing identification yellow		8	
(10)	9A1 101 064 02	crankshaft bearing identification blue		8	

Model	Year	MG	SG	Illustration	Restrictions	UPD	21:39	24.01.2010	PORSCHE	PET	PORSCHE
997-2	2010	1	02	102-00		248					

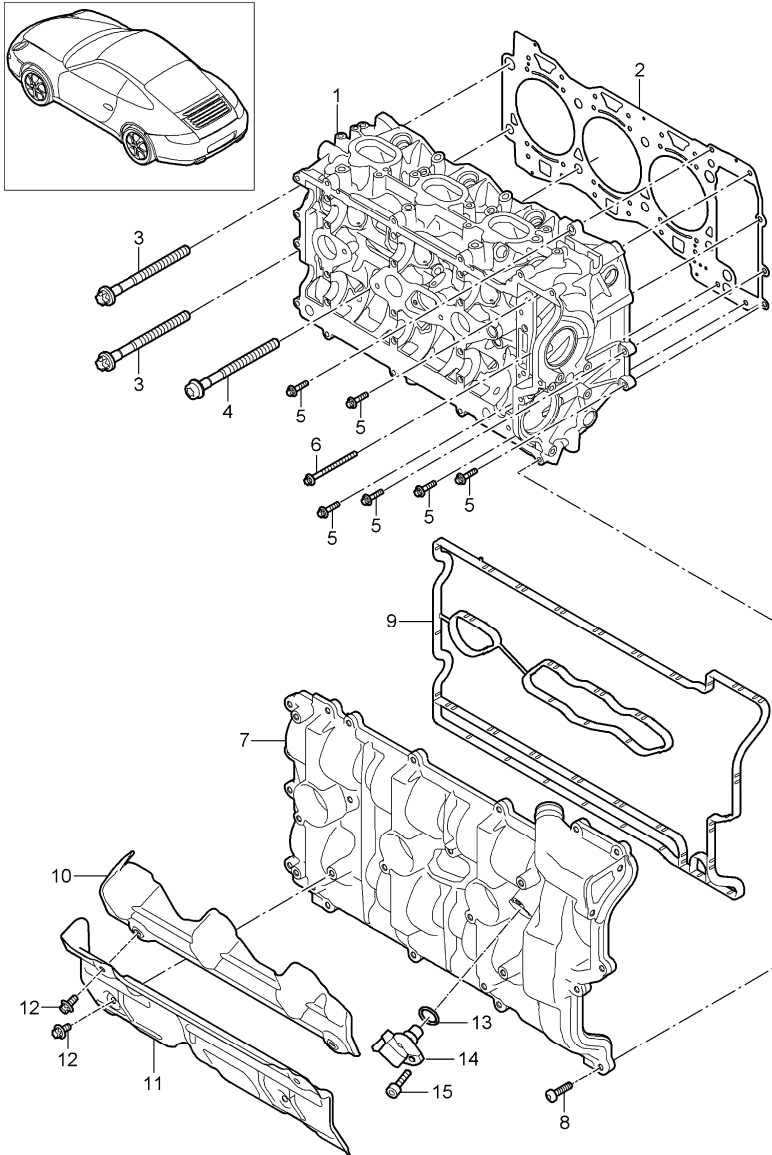
Pos	Part Number	Description	Remark	Qty	Model	Pos	Part Number	Description	Remark	Qty	Model
11	9A1 101 063 00	crankshaft bearing with * identification red		6							
(11)	9A1 101 063 01	crankshaft bearing with * identification yellow		6							
(11)	9A1 101 063 02	crankshaft bearing with * identification blue		6							
12	9A1 101 052 00	supporting mount identification red		2							
(12)	9A1 101 052 01	supporting mount identification yellow		2							
(12)	9A1 101 052 02	supporting mount identification blue		2							
13	996 101 132 00	thrust washer D = 63		2							
14	9G1 114 012 01	double-mass flywheel		1	I480						
(14)	9G1 114 020 01	double-mass flywheel		1	I250						
15	N 906 651 01	pan-head screw M 10 X 1 X 29		10							
16	9A1 102 146 02	pulley with vibration damper		1							
17	900 385 127 01	Outer hexagon round screw M 8 X 25		6							
18		v-belt see group 1/01/10		1							

Model	Year	MG	SG	Illustration	Restrictions	UPD	21:40	24.01.2010	PORSCHE	PET	PORSCHE
997-2	2010	1	02	102-05		248					



Pos	Part Number	Description	Remark	Qty	Model
		piston			MA1.01 MA1.02
1	9A1 103 038 00	piston tolerance range X		6	MA1.01
(1)	9A1 103 036 00	piston tolerance range X		6	MA1.02
2	9A1 103 075 02	set of piston rings		6	MA1.01
(2)	9A1 103 065 02	set of piston rings		6	MA1.02
3	9A1 103 141 01	circlip		12	

Model	Year	MG	SG	Illustration	Restrictions	UPD	21:40	24.01.2010	PORSCHE	PET	PORSCHE
997-2	2010	1	03	103-00		248					

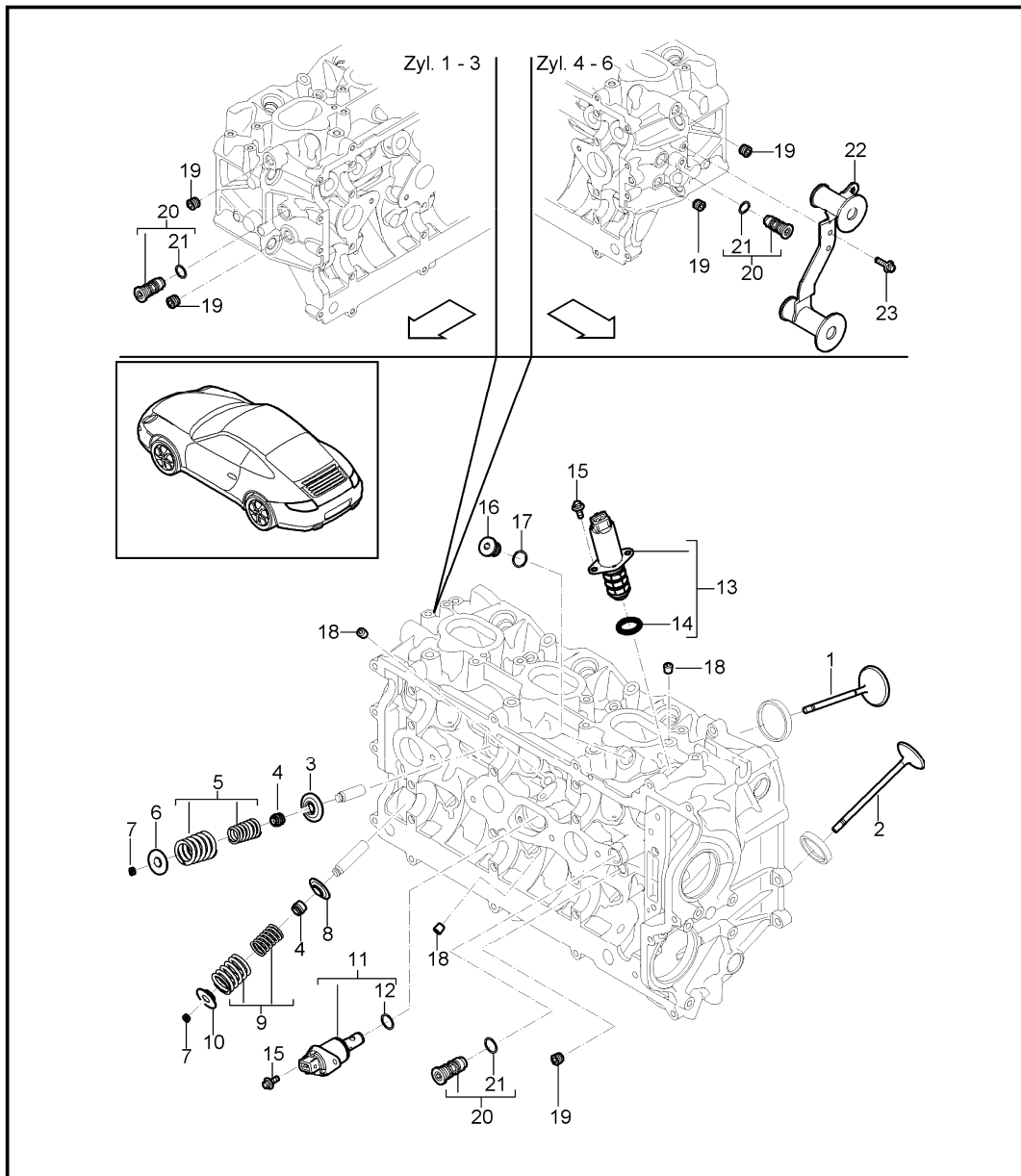


Pos	Part Number	Description	Remark	Qty	Model
		cylinder head with valves cylinder head gasket valve cover			
1	9A1 104 903 00	cylinder head cyl. 1 - 3		1	MA1.01
1	9A1 104 901 00	cylinder head cyl. 1 - 3		1	MA1.02
1 U	9A1 104 011 40	cylinder head cyl. 1 - 3 kit		1	MA1.01 IX51
1	9A1 104 903 40	cylinder head cyl. 1 - 3 kit		1	MA1.01 IX51
1	9A1 104 904 00	cylinder head cyl. 4 - 6		1	MA1.01
1	9A1 104 902 00	cylinder head cyl. 4 - 6		1	MA1.02
1 U	9A1 104 012 40	cylinder head cyl. 4 - 6 kit		1	MA1.01 IX51
1	9A1 104 904 40	cylinder head cyl. 4 - 6 kit		1	MA1.01 IX51
2	9A1 104 141 03	cylinder head gasket cyl. 1 - 3	-09	1	MA1.01
2	9A1 104 141 04	cylinder head gasket cyl. 1 - 3	10-	1	MA1.01
(2)	9A1 104 143 03	cylinder head gasket cyl. 1 - 3	-09	1	MA1.02
(2)	9A1 104 143 04	cylinder head gasket cyl. 1 - 3	10-	1	MA1.02
(2)	9A1 104 140 03	cylinder head gasket cyl. 4 - 6	-09	1	MA1.01
(2)	9A1 104 140 04	cylinder head gasket cyl. 4 - 6	10-	1	MA1.01

Model	Year	MG	SG	Illustration	Restrictions	UPD	21:40	24.01.2010	PORSCHE	PET	PORSCHE
997-2	2010	1	03	103-00		248					

Pos	Part Number	Description	Remark	Qty	Model	Pos	Part Number	Description	Remark	Qty	Model
(2)	9A1 104 142 03	cylinder head gasket cyl. 4 - 6	-09	1	MA1.02	(9)	9A1 105 731 02	gasket valve cover cyl. 1 - 3 M >> 9 16162 M >> 9 06813		1	MA1.01 MA1.02
(2)	9A1 104 142 04	cylinder head gasket cyl. 4 - 6	10-	1	MA1.02	(9)	9A1 105 732 03	gasket valve cover cyl. 4 - 6 M 9 16163 >> M 9 06814 >>		1	MA1.01 MA1.02
3	9A1 104 191 00	torx screw M12 X 1,5 X 140		4		(9)	9A1 105 732 02	gasket valve cover cyl. 4 - 6 M >> 9 16162 M >> 9 06813		1	MA1.01 MA1.02
4	9A1 104 191 02	torx screw M12 X 1,5 X 140		12		(9)	9A1 105 732 02	gasket valve cover cyl. 4 - 6 M >> 9 16162 M >> 9 06813		1	MA1.01 MA1.02
5	900 385 072 01	torx screw M6 X 25		11		10	9A1 104 307 03	heat protection upper part cyl. 1 - 3		1	
6	900 385 108 02	torx screw M6 X 80		2		(10)	9A1 104 308 04	heat protection upper part cyl. 4 - 6		1	
7	9A1 105 231 05	valve cover cyl. 1 - 3 only together with 9A1.105.731.02 M >> 9 16162 M >> 9 06813		1	MA1.01 MA1.02	11	9A1 104 309 02	heat protection lower part cyl. 1 - 3		1	
(7)	9A1 105 231 04	valve cover cyl. 1 - 3 together with 9A1.105.731.03 M 9 16163 >> M 9 06814 >>		1	MA1.01 MA1.02	(11)	9A1 104 310 02	heat protection lower part cyl. 4 - 6		1	
(7)	9A1 105 232 05	valve cover cyl. 4 - 6 only together with 9A1.105.732.02 M >> 9 16162 M >> 9 06813		1	MA1.01 MA1.02	12	900 385 041 01	torx screw M6 X 12		12	
(7)	9A1 105 232 04	valve cover cyl. 4 - 6 only together with 9A1.105.732.03 M 9 16163 >> M 9 06814 >>		1	MA1.01 MA1.02	13	999 707 404 40	o-ring 17,05 X 1,78		2	
8	9A1 107 313 00	torx screw M6 X 25		40		14	997 606 106 01	hall sender		2	
9	9A1 105 731 03	gasket valve cover cyl. 1 - 3 M 9 16163 >> M 9 06814 >>		1	MA1.01 MA1.02	15	900 387 264 01	pan-head screw M 6 X 16		2	

Model	Year	MG	SG	Illustration	Restrictions	UPD	12:43	03.02.2010	PORSCHE	PET	PORSCHE
997-2	2010	1	03	103-05		248					

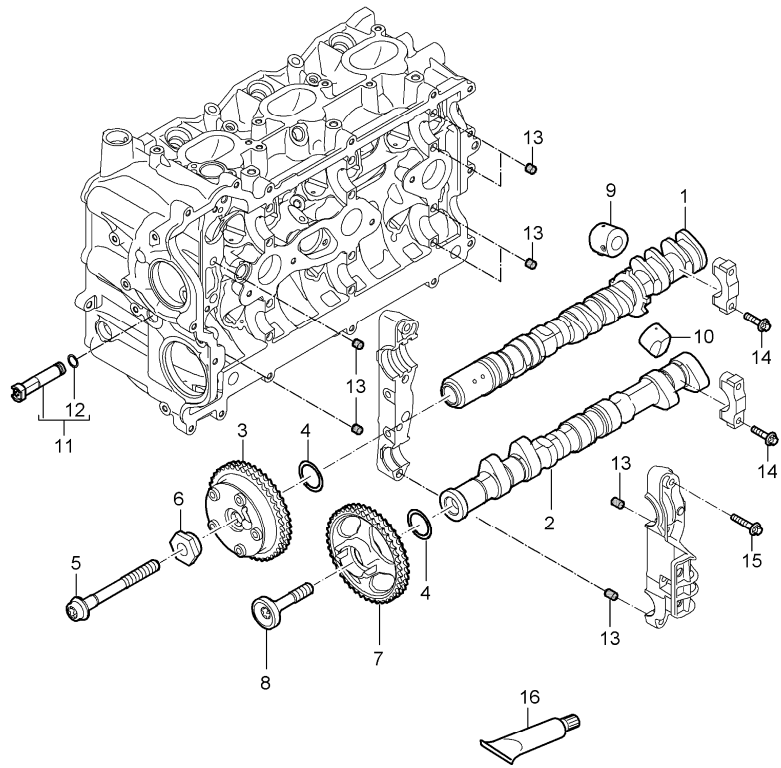
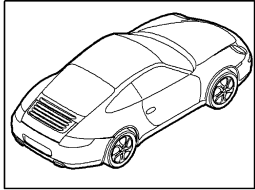


Pos	Part Number	Description	Remark	Qty	Model
		cylinder head accessories valves			MA1.01 MA1.02
1	9A1 105 310 02	intake valve		12	MA1.01
(1)	9A1 105 312 02	intake valve		12	MA1.02
2	9A1 105 320 02	exhaust valve		12	MA1.01
(2)	9A1 105 322 02	exhaust valve		12	MA1.02
3	9A1 105 151 00	concave washer intake lower		12	
4	996 105 115 52	valve stem seal		24	
5	9A1 105 110 01	set of valve springs intake		12	
6	9A1 105 150 00	concave washer intake upper		12	
7	996 105 123 52	valve collet		48	
8	948 105 153 51	concave washer exhaust lower		12	
9	9A1 105 115 01	set of valve springs set exhaust		12	
10	948 105 152 51	concave washer exhaust upper		12	
11	9A1 105 308 02	actuator VVS		1	
12	900 331 057 40	o-ring 11,2 X 2,65		2	
13	9A1 105 304 01	actuator valve		2	
14	999 707 446 40	o-ring 18 X 2,5		2	
15	900 385 112 01	torx screw M 5 X 12		8	
16	900 219 002 03	screw plug		1	

Model	Year	MG	SG	Illustration	Restrictions	UPD	12:43	03.02.2010	PORSCHE	PET	PORSCHE
997-2	2010	1	03	103-05		248					

Pos	Part Number	Description	Remark	Qty	Model	Pos	Part Number	Description	Remark	Qty	Model
17	900 123 104 30	sealing ring 14 X 18		2							
18	900 063 010 01	screw plug M 8 X 1,0		3							
19	900 063 014 01	screw plug M 12 X 1,5		4							
20	9A1 104 250 00	restrictor		4							
21	999 707 577 40	o-ring 10 x 2,5N		4							
22	A 9A1 104 370 01	connection piece cyl. 4 - 6		1	I339						
23	900 385 019 01	torx screw M 6 x 20		2	I339						
24	P 9A1 104 371 00	damping piece		2	I339						

Model	Year	MG	SG	Illustration	Restrictions	UPD	21:42	24.01.2010	PORSCHE	PET	PORSCHE
997-2	2010	1	03	103-10		248					

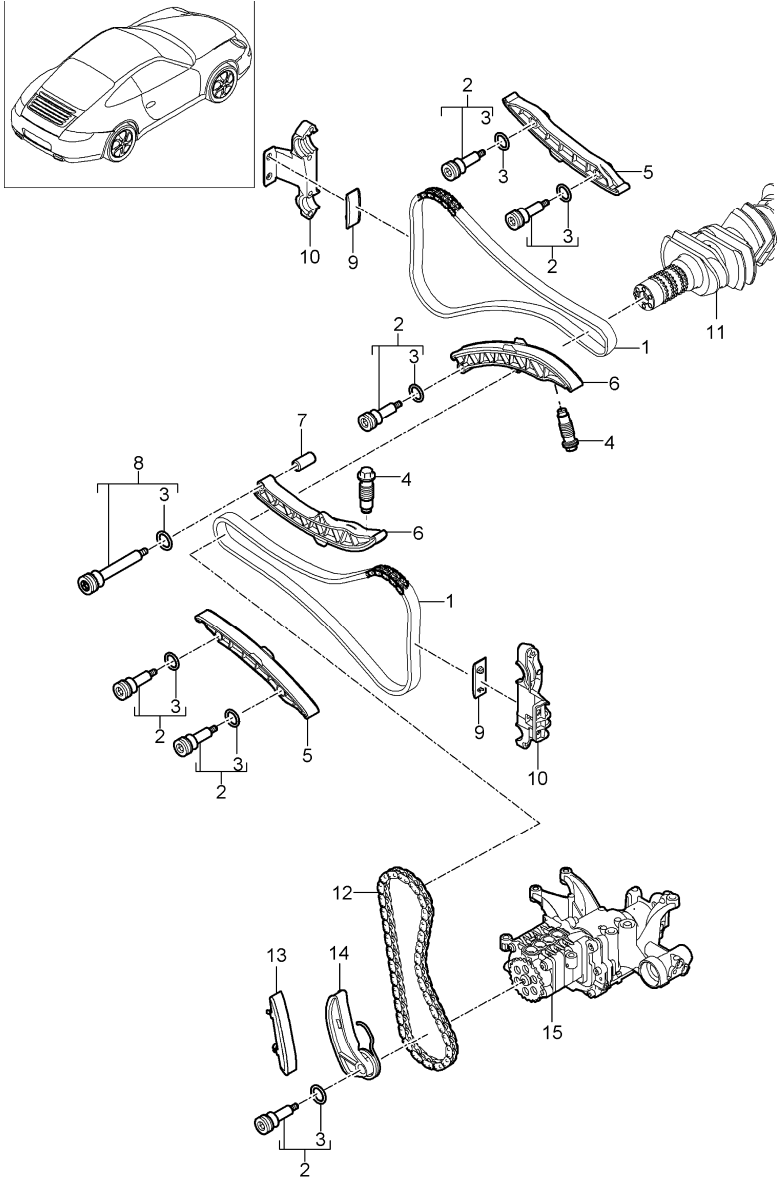


Pos	Part Number	Description	Remark	Qty	Model
		camshaft hydraulic valve tappet camshaft adjuster			MA1.01 MA1.02
(1)	9A1 105 013 03	camshaft intake cyl. 1 - 3		1	MA1.01
(1)	9A1 105 027 03	camshaft intake cyl. 1 - 3		1	MA1.02
1	9A1 105 014 03	camshaft intake cyl. 4 - 6		1	MA1.01
(1)	9A1 105 028 03	camshaft intake cyl. 4 - 6		1	MA1.02
(2)	9A1 105 215 03	camshaft exhaust cyl. 1 - 3		1	MA1.01
(2)	9A1 105 223 03	camshaft exhaust cyl. 1 - 3		1	MA1.02
2	9A1 105 216 03	camshaft exhaust cyl. 4 - 6		1	MA1.01
(2)	9A1 105 224 03	camshaft exhaust cyl. 4 - 6		1	MA1.02
3	9A1 105 052 01	camshaft adjuster		1	
4	9A1 105 403 02	washer camshaft adjuster		1	
5	9A1 105 254 01	torx screw M12 X 50		2	
6	U 948 105 218 01	sleeve camshaft adjuster		1	
6	9A1 105 245 00	sleeve camshaft adjuster		1	
(7)	9A1 105 147 02	sprocket camshaft exhaust cyl. 1 - 3		1	

Model	Year	MG	SG	Illustration	Restrictions	UPD	21:42	24.01.2010	PORSCHE	PET	PORSCHE
997-2	2010	1	03	103-10		248					

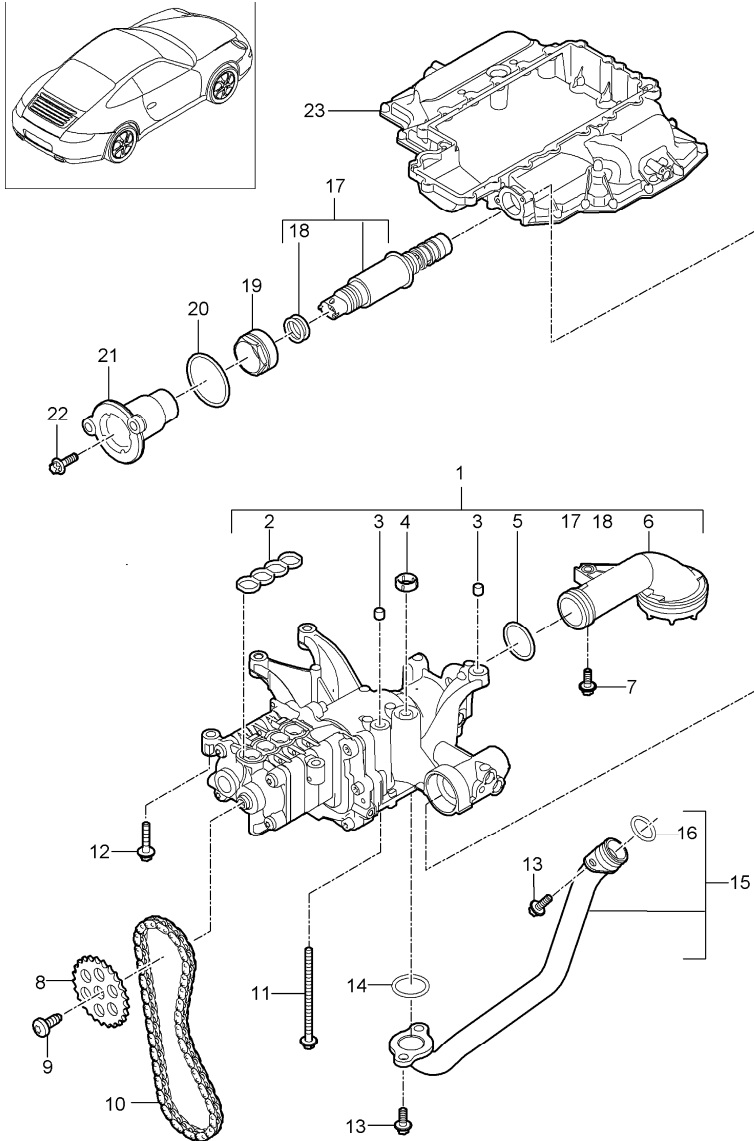
Pos	Part Number	Description	Remark	Qty	Model	Pos	Part Number	Description	Remark	Qty	Model
7	9A1 105 148 02	sprocket camshaft exhaust cyl. 4 - 6		1							
8	9A1 105 255 00	torx screw		2							
9	9A1 105 070 02	hydraulic valve tappet intake		12							
10	948 105 071 02	hydraulic valve tappet exhaust		12							
11	9A1 104 402 02	oil tube cyl. 4 - 6		1							
12	999 707 576 40	o-ring 7,0 X 2,5		1							
13	999 095 075 01	dowel sleeve 8 x 7		32							
14	999 073 450 02	Outer hexagon round screw BM 6 X 37		24							
15	900 385 111 01	torx screw BM 6 X 55		8							
16	000 043 024 00	extreme-pressure grease 1 tube 80 Gr. for camshaft		1							

Model	Year	MG	SG	Illustration	Restrictions	UPD	21:42	24.01.2010	PORSCHE	PET	PORSCHE
997-2	2010	1	03	103-15		248					



Pos	Part Number	Description	Remark	Qty	Model
		valve control			MA1.01 MA1.02
1	9A1 105 142 02	timing chain camshaft crankshaft		2	
2	9A1 105 162 01	screw tensioner blade		6	
3	999 707 346 40	o-ring 15,0 X 3,0		X	
4	9A1 105 157 02	chain adjuster		2	
5	9A1 105 153 02	guide rail		2	
6	9A1 105 155 02	tensioner blade		2	
7	9A1 105 165 01	spacer sleeve		2	
8	9A1 105 163 01	screw		1	
9	9A1 105 101 02	guide rail		2	
10	housing see group 1/03/00		2	
11	crankshaft see group 1/02/00		1	
12	9A1 105 233 02	timing chain oil pump crankshaft		1	
13	9A1 105 237 02	guide rail		1	
14	9A1 105 235 02	tensioner blade		1	
15	oil pump see group 1/04/00		1	

Model	Year	MG	SG	Illustration	Restrictions	UPD	21:42	24.01.2010	PORSCHE	PET	PORSCHE
997-2	2010	1	04	104-00		248					

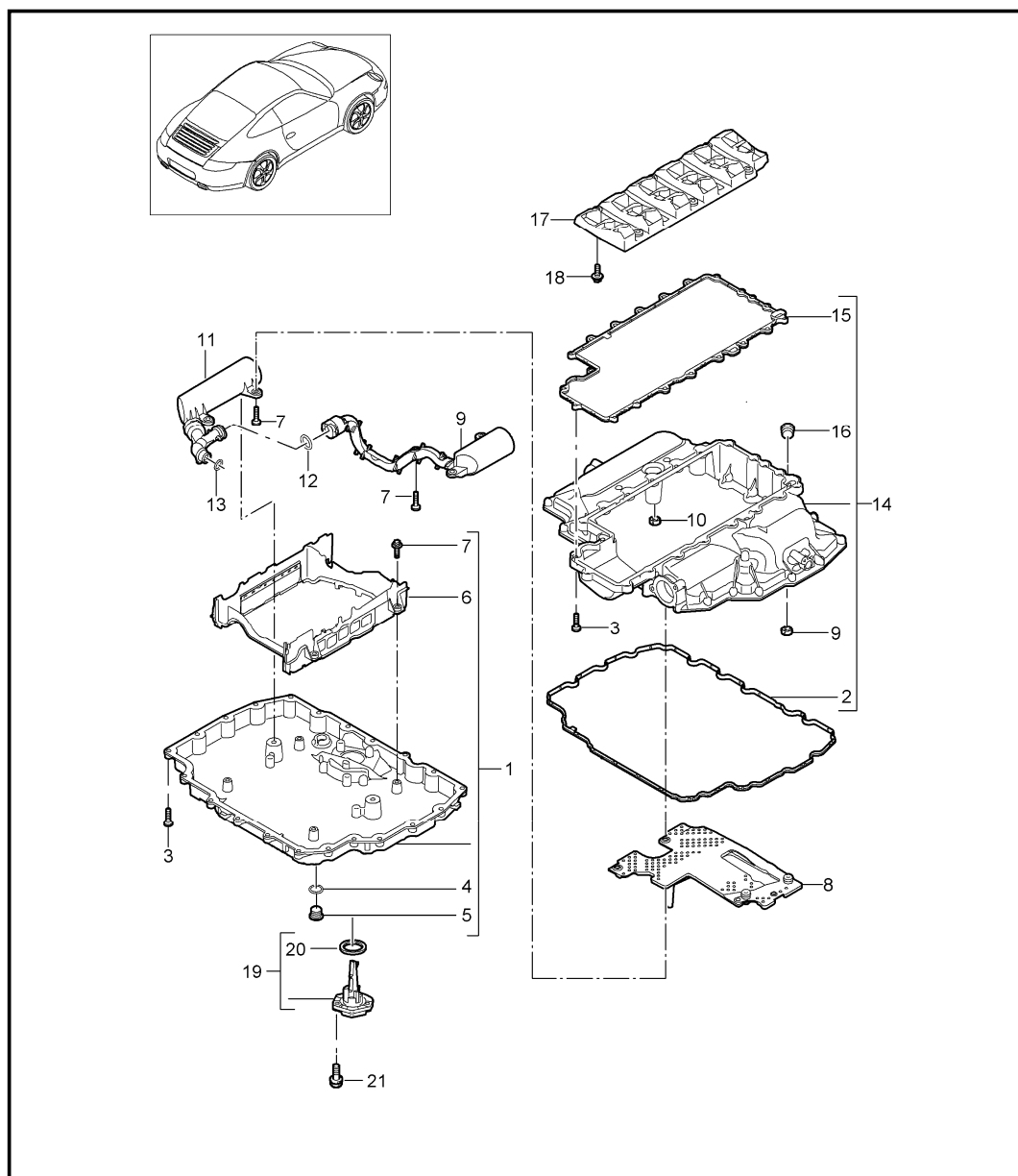


Pos	Part Number	Description	Remark	Qty	Model
		oil pump			
1	9A1 107 050 03	oil pump		1	
2	9A1 107 370 00	gasket		1	
3	996 106 103 50	dowel sleeve 8,2 X 7,0		2	
4	9A1 107 327 00	sealing ring		1	
5	999 707 375 40	o-ring 30,00 X 3,00		1	
6	9A1 107 075 02	suction tube		1	
7	999 073 102 01	round head screw M6 X 25		1	
8	9A1 105 225 02	sprocket oil pump		1	
9	999 073 380 01	torx screw M8 X 22		1	
10	chain oil pump see group 1/03/15		1	
11	900 385 126 01	torx screw M6 X 95		1	
12	900 385 048 01	torx screw M6 X 30		5	
13	900 385 009 01	torx screw M6 X 25		1	
14	999 707 409 40	o-ring 26,00 X 3,00		1	
15	9A1 107 025 01	oil tube oil pump crankcase		1	
16	999 707 575 40	o-ring 20,00 X 3,00		1	
17	948 107 113 01	solenoid valve		1	
18	999 707 567 40	o-ring 17,00 X 3,00		2	
19	999 261 024 01	union nut M36 x 1,0 x 12		1	

Model	Year	MG	SG	Illustration	Restrictions	UPD	21:42	24.01.2010	PORSCHE	PET	PORSCHE
997-2	2010	1	04	104-00		248					

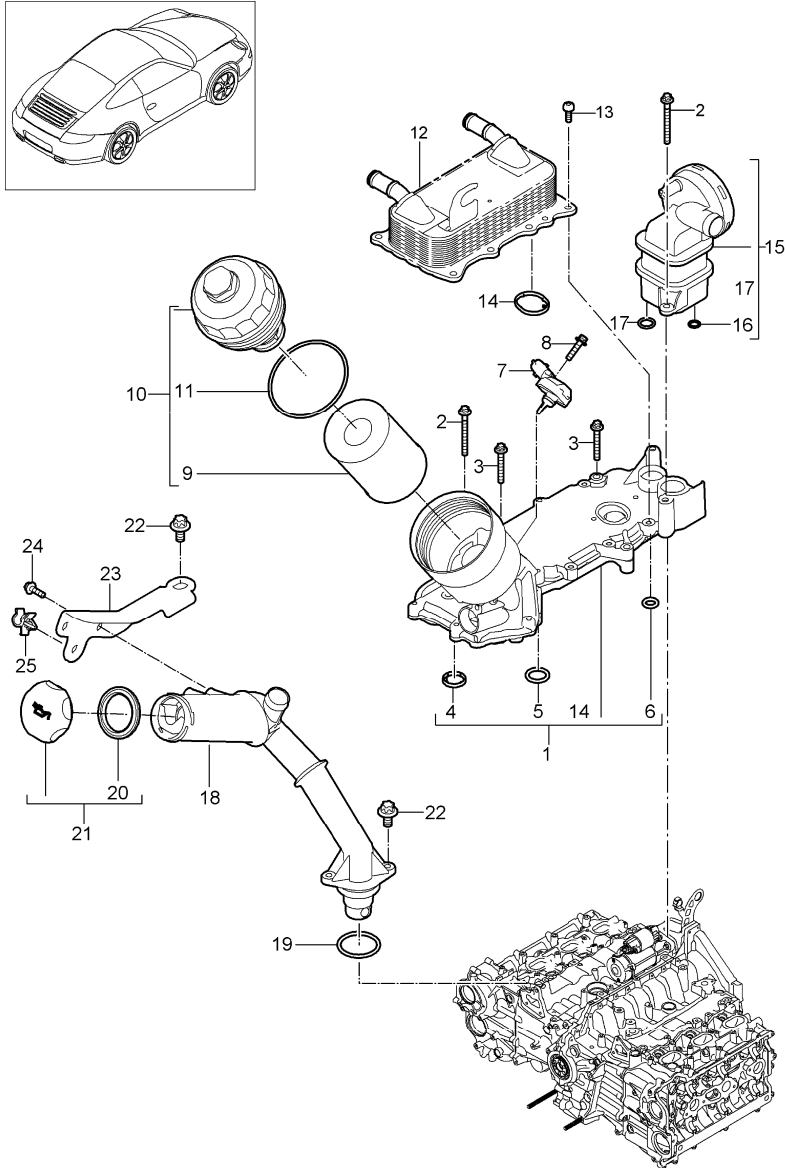
Pos	Part Number	Description	Remark	Qty	Model	Pos	Part Number	Description	Remark	Qty	Model
20	999 707 570 40	o-ring 44,00 x 3,00		1							
21	9A1 107 330 01	joint flange control valve		1							
22	900 385 019 01	torx screw M6 X 20		2							
23	oil pan upper part see group 1/04/02		1							

Model	Year	MG	SG	Illustration	Restrictions	UPD	21:42	24.01.2010	PORSCHE	PET	PORSCHE
997-2	2010	1	04	104-02		248					



Pos	Part Number	Description	Remark	Qty	Model
		oil pan			
1	9A1 107 032 10	oil pan lower part		1	
2	9A1 107 325 02	gasket oil pan		1	
3	9A1 107 313 00	torx screw M 6 X 25		21	
4	900 123 106 30	sealing ring A 18 X 24		1	
5	900 219 020 31	screw plug M 18 X 1,5		1	
6	9A1 107 243 01	bulkhead		1	
7	900 385 019 01	torx screw M6 x 20		10	
8	9A1 107 420 01	oil separator		1	
9	9A1 107 383 01	oil separator		1	
10	9A1 107 327 00	sealing ring		2	
11	9A1 107 380 01	oil separator		1	
12	948 107 439 10	o-ring 20,0 X 3,8		2	
13	999 707 637 40	o-ring 15,0 X 3,0		1	
14	9A1 107 031 01	oil pan upper part		1	
15	9A1 107 315 03	gasket		1	
16	900 063 010 01	screw plug M8 X 1,0		1	
17	9A1 101 010 00	oil separator		1	MA1.01
(17)	9A1 101 010 20	oil separator		1	MA1.02
18	900 385 019 01	torx screw M6 X 20		6	
19	948 606 150 00	oil-level sender		1	
20	948 606 240 00	gasket		1	
21	900 385 072 01	torx screw EM 6 X 25		3	

Model	Year	MG	SG	Illustration	Restrictions	UPD	21:43	24.01.2010	PORSCHE	PET	PORSCHE
997-2	2010	1	04	104-05		248					

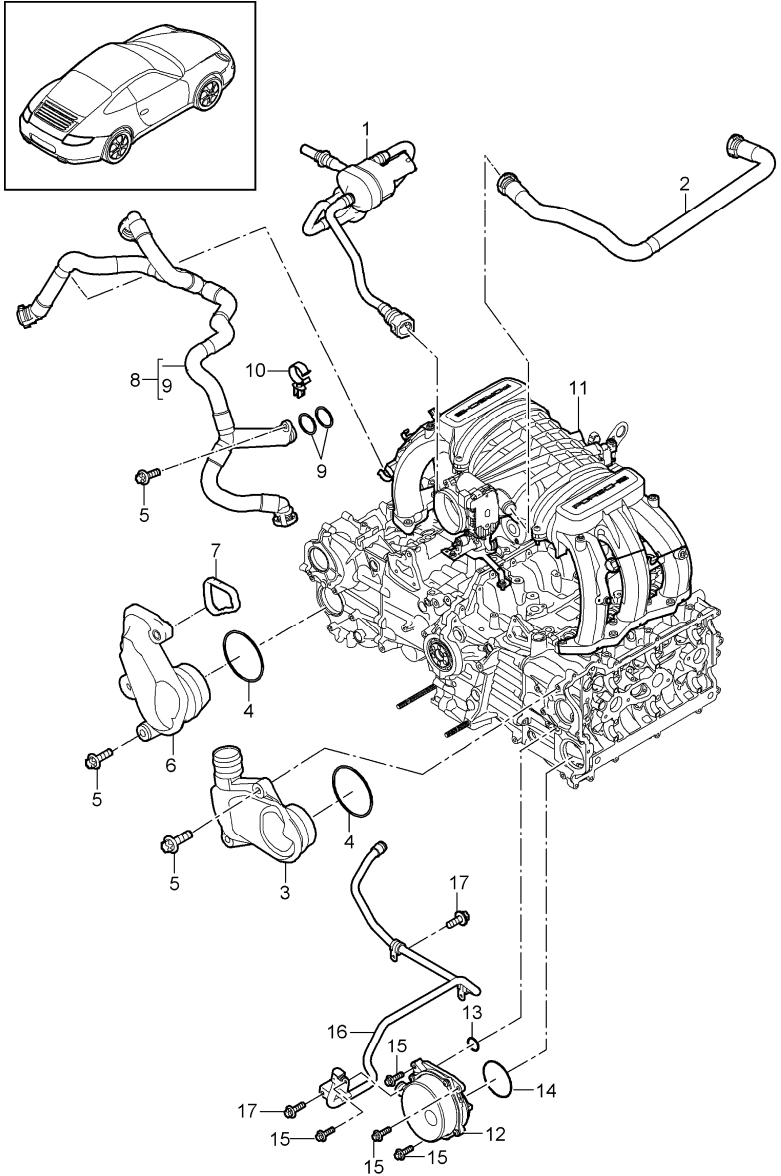


Pos	Part Number	Description	Remark	Qty	Model
		engine lubrication			
1	9A1 107 010 03	Oil-conducting housing		1	
2	900 385 276 01	torx screw M6 X 60		X	
3	900 385 125 01	torx screw M6 X 45		5	
4	9A1 107 465 01	sealing ring Oil-conducting housing crankcase		2	
5	999 707 594 40	o-ring 11,0 X 4,0		1	
6	999 707 595 40	o-ring 20,0 X 4,0		1	
7	997 606 203 01	oil pressure sender 5 bar	-09	1	
(7)	948 606 213 00	oil pressure sender 10 bar	10-	1	
8	900 385 019 01	torx screw M6 X 25		2	
9	948 107 222 00	filter element		1	
10	948 107 122 00	housing oil filter		1	
11	948 107 322 00	sealing ring 91,0 X 4,0		1	
12	9A1 107 450 00	heat exchanger		1	
13	999 073 416 01	combination screw M6 X 20		6	
14	948 107 175 00	gasket		2	
15	9A1 107 040 00	oil separator		1	
16	999 707 634 40	o-ring 18,5 X 4,0		1	
17	999 707 635 40	o-ring 21,0 X 4,0		1	
18	9A1 107 115 02	filler tube engine oil		1	

Model	Year	MG	SG	Illustration	Restrictions	UPD	21:43	24.01.2010	PORSCHE	PET	PORSCHE
997-2	2010	1	04	104-05		248					

Pos	Part Number	Description	Remark	Qty	Model	Pos	Part Number	Description	Remark	Qty	Model
(18)	9A1 107 115 40	filler tube engine oil kit		1	MA1.01 IX51						
19	999 707 348 40	o-ring 42,0 X 4,0		1							
20	9A1 107 336 00	gasket lid		1							
21	U 9A1 107 035 00	lid		1							
21	9A1 107 035 01	lid		1							
22	900 385 019 01	torx screw M6 X 20		5							
23	9A1 107 215 01	support filler tube		1							
(23)	9A1 107 215 40	support filler tube kit		1	MA1.01 IX51						
24	900 385 041 01	torx screw M6 X 20		X							
25	999 507 886 40	hose holder		1							
26	9A1 107 120 40	filler neck engine oil kit with lid gasket		1	MA1.01 IX51						
27	999 707 644 40	o-ring filler neck		1	MA1.01 IX51						
28	900 385 050 01	hexagon socket head bolt M6 x 12		4	MA1.01 IX51						
29	9A1 107 415 40	sleeve filler tube		2	MA1.01 IX51						

Model	Year	MG	SG	Illustration	Restrictions	UPD	21:43	24.01.2010	PORSCHE	PET	PORSCHE
997-2	2010	1	04	104-10		248					

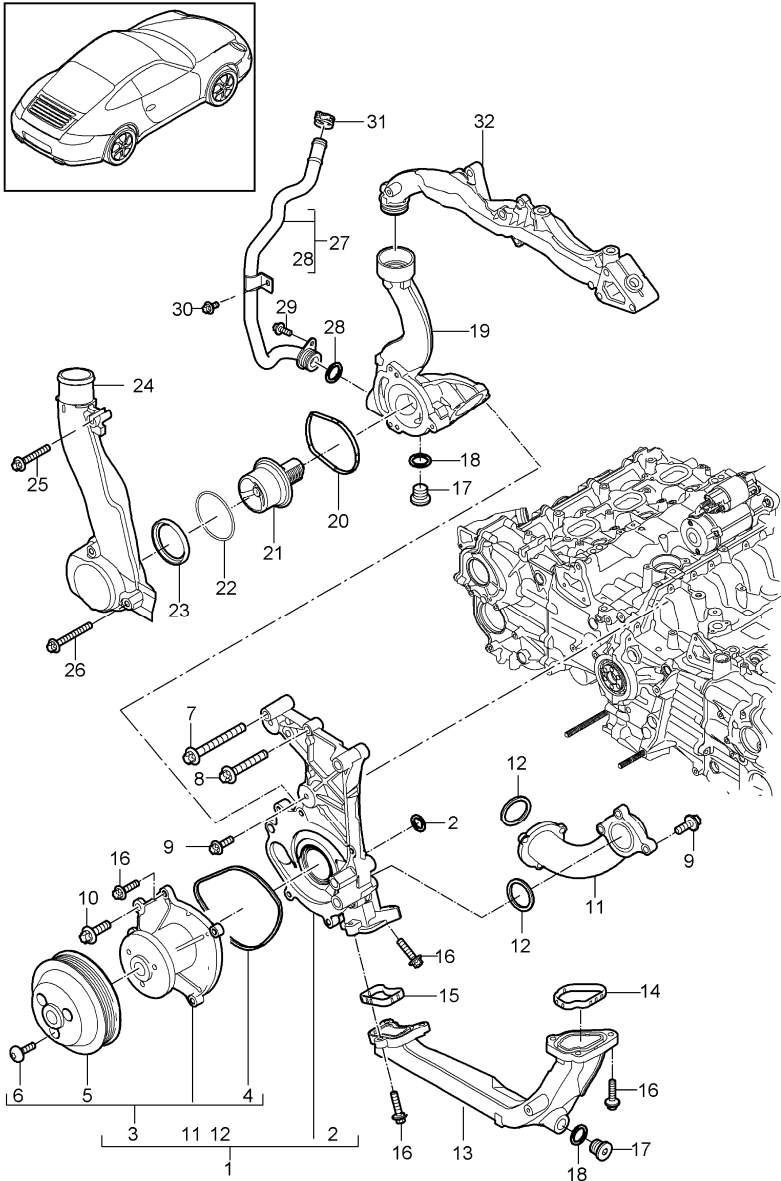


Pos	Part Number	Description	Remark	Qty	Model
		crankcase bleeding tank ventilation vacuum pump			
1	9A1 110 091 02	vent line complete		1	
(1)	9A1 110 091 40	vent line complete kit		1	MA1.01 IX51
2	9A1 107 510 01	vent line distributor tube		1	
3	9A1 105 038 00	lid crankcase bleeding cyl. 4 - 6		1	
4	999 707 636 40	o-ring 44,0 X 3,5N		2	
5	900 385 019 01	torx screw BM6 x 20		6	
6	9A1 105 039 00	lid crankcase bleeding cyl. 1 - 3		1	
7	9A1 105 339 00	gasket for lid crankcase		1	
8	9A1 107 505 01	vent line crankcase		1	
(8)	9A1 107 505 40	vent line crankcase kit		1	MA1.01 IX51
9	999 707 639 40	o-ring		2	
10	999 507 867 40	support		1	
11	9A1 107 506 40	vent line cyl. 1 - 3 kit		1	MA1.01 IX51
12	9A1 110 090 02	vacuum pump		1	

Model	Year	MG	SG	Illustration	Restrictions	UPD	21:43	24.01.2010	PORSCHE	PET	PORSCHE
997-2	2010	1	04	104-10		248					

Pos	Part Number	Description	Remark	Qty	Model	Pos	Part Number	Description	Remark	Qty	Model
13	999 701 504 40	o-ring 10 x 2,5		1							
14	999 701 505 40	o-ring 54 x 2,5		1							
15	900 385 019 01	torx screw M6 x 20		3							
16	9A1 110 055 02	vacuum line		1							
17	900 385 041 01	torx screw M6 x12		4							

Model	Year	MG	SG	Illustration	Restrictions	UPD	21:43	24.01.2010	PORSCHE	PET	PORSCHE
997-2	2010	1	05	105-00		248					

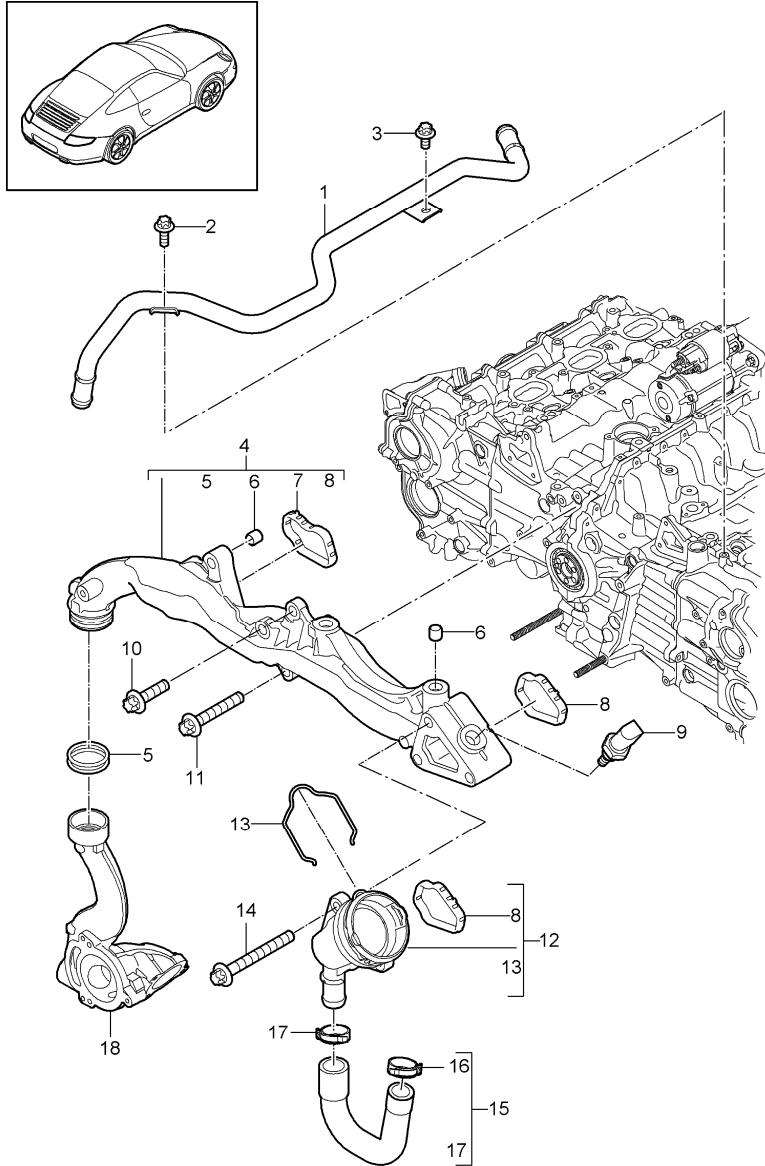


Pos	Part Number	Description	Remark	Qty	Model
1	9A1 106 038 02	water pump thermostat housing		1	
2	999 707 604 40	water pump housing complete		2	
3	999 707 604 40	o-ring 34,0 X 3,0		1	
4	9A1 106 048 00	water pump complete		1	
5	9A1 106 217 00	gasket water pump		1	
6	9A1 106 248 00	pulley		1	
7	999 073 104 01	torx screw M8 X 16		3	
8	900 385 115 01	torx screw M8 X 70		X	
9	900 385 071 01	torx screw M8 X 50		X	
10	900 385 019 01	torx screw M6 X 20		3	
11	900 385 098 01	torx screw M8 X 25		1	
12	9A1 106 238 00	water tube		1	
13	9A1 106 215 00	gasket water tube		2	
14	9A1 106 125 01	water tube		1	
15	9A1 106 326 00	gasket water tube		1	
16	9A1 106 325 00	gasket water tube		1	
17	900 385 072 01	torx screw M6 X 25		16	
18	900 219 018 30	screw plug M14 X 1,5		2	
19	900 123 104 30	sealing ring 14 X 18		2	
20	9A1 106 150 01	housing thermostat		1	

Model	Year	MG	SG	Illustration	Restrictions	UPD	21:43	24.01.2010	PORSCHE	PET	PORSCHE
997-2	2010	1	05	105-00		248					

Pos	Part Number	Description	Remark	Qty	Model	Pos	Part Number	Description	Remark	Qty	Model
20	9A1 106 305 00	gasket thermostat		1							
21	9A1 106 225 01	thermostat insert		1							
22	999 707 625 40	o-ring 59,0 X 5,2		1							
23	9A1 106 558 00	sealing ring		1							
24	9A1 106 111 01	water guide housing		1							
25	900 385 045 01	torx screw M6 X 40		4							
26	900 385 070 01	torx screw M6 X 50		3							
27	9A1 106 850 03	water line		1							
28	999 707 517 40	o-ring 22 X 3		2							
29	900 385 009 01	torx screw M6 X 16		1							
30	900 385 041 01	torx screw M6 X 12		1							
31	999 512 683 09	clip		1							
32		unit carrier see group 1/05/03		1							

Model	Year	MG	SG	Illustration	Restrictions	UPD	21:43	24.01.2010	PORSCHE	PET	PORSCHE
997-2	2010	1	05	105-03		248					

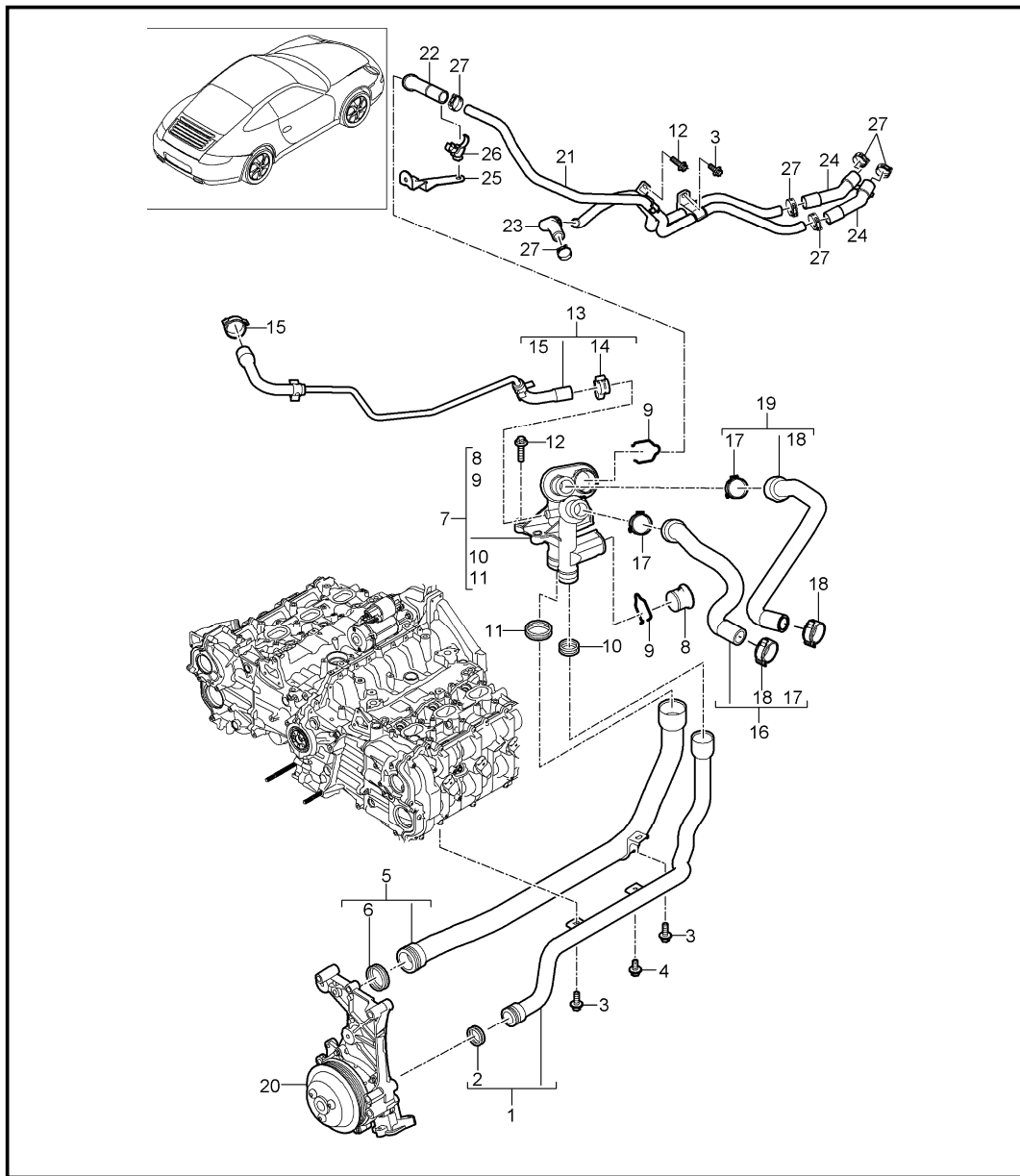


Pos	Part Number	Description	Remark	Qty	Model
1	9A1 106 810 01	unit carrier water tube		1	
(1)	9A1 106 810 40	hot air duct supply kit		1	MA1.01 IX51
2	900 385 009 01	torx screw 6 X 16		1	
3	900 385 041 01	torx screw M6 X 12		1	
4	9A1 102 112 02	unit carrier		1	
5	999 707 589 40	o-ring 31,0 X 3,0		2	
6	999 095 063 01	dowel sleeve 11 M6 X 10		2	
7	9A1 102 312 00	gasket cyl. 1 - 3		1	
8	9A1 102 322 00	gasket cyl. 4 - 6		2	
(9) U	997 606 420 00	temperature sensor		1	
9	997 606 420 01	temperature sensor use also: 900.123.111.20		1	
10	900 385 116 01	torx screw M8 X 30		2	
11	900 385 071 01	torx screw M8 X 50		2	
12	9A1 106 131 00	connection piece		1	
13	997 106 802 03	spring		1	
14	900 385 115 01	torx screw M8 X 70		3	
15	9A1 106 660 00	water hose supply		1	
16	999 512 601 09	hose clamp 23 X 12		1	

Model	Year	MG	SG	Illustration	Restrictions	UPD	21:43	24.01.2010	PORSCHE	PET	PORSCHE
997-2	2010	1	05	105-03		248					

Pos	Part Number	Description	Remark	Qty	Model	Pos	Part Number	Description	Remark	Qty	Model
17	999 512 603 09	hose clamp 26 X 12		1							
18	900 123 111 20	sealing ring copper temperature sensor		1							
19		housing thermostat see group 1/05/00									

Model	Year	MG	SG	Illustration	Restrictions	UPD	21:43	24.01.2010	PORSCHE	PET	PORSCHE
997-2	2010	1	05	105-05		248					

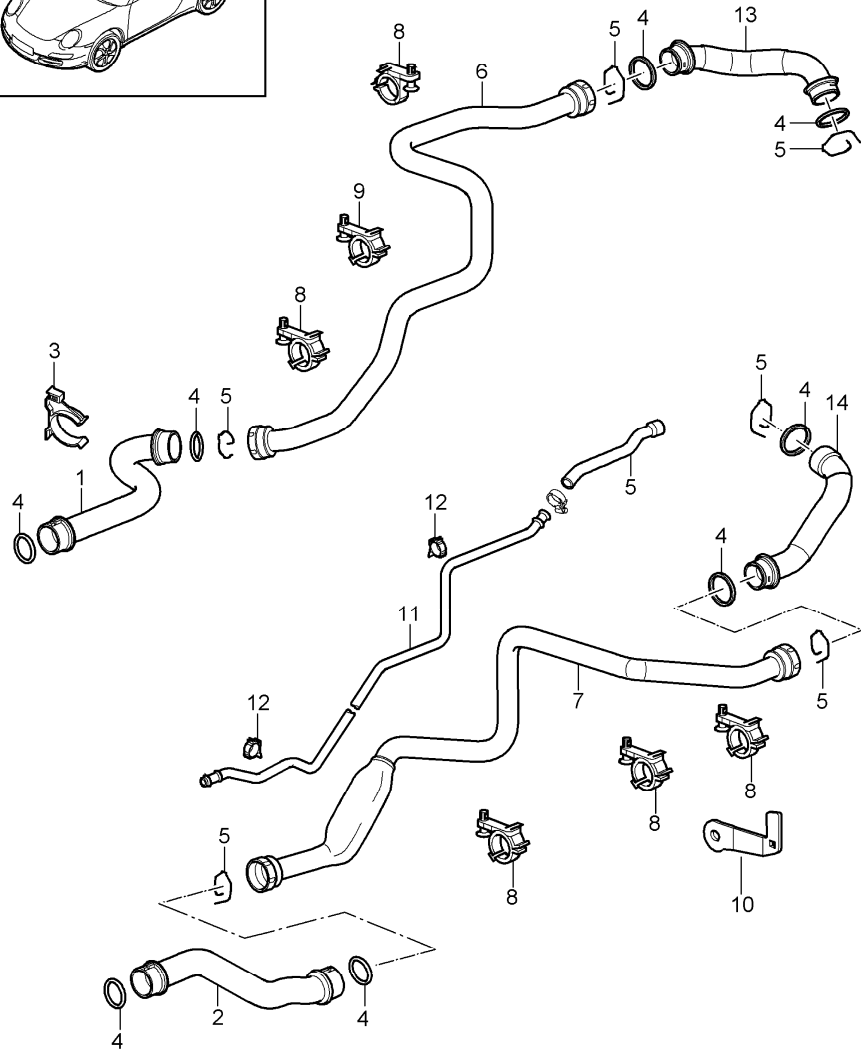
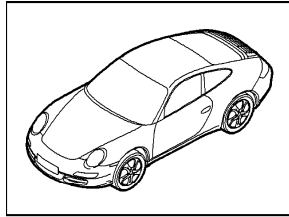


Pos	Part Number	Description	Remark	Qty	Model
1	9A1 106 620 01	connection water tube		1	
2	999 707 517 40	water tube intake		4	
3	900 385 009 01	o-ring 22 X 3		4	
4	900 385 041 01	torx screw M6 X 16		1	
5	900 385 041 01	torx screw M6 X 12		1	
6	9A1 106 625 01	water tube return line		1	
7	999 707 589 40	o-ring 31 X 3		4	
8	9A1 106 010 00	connection		1	
9	9A1 106 546 00	stopper		3	
10	997 106 802 04	spring clip		3	
11	999 707 517 40	o-ring 22 X 3		2	
12	999 707 589 40	o-ring 31 X 3		2	
13	900 385 072 01	torx screw M6 X 25		3	
14	9A1 106 549 01	vent line		1	
15	999 512 699 01	hose clamp 18 X 12 with clip		1	
16	999 512 741 01	hose clamp 19 X 12		1	
17	9A1 106 610 01	water hose intake		1	
18	999 512 608 09	hose clamp 32 X 12		1	
19	999 512 589 09	hose clamp 25 X 12		2	
20	9A1 106 615 00	water hose return line		1	

Model	Year	MG	SG	Illustration	Restrictions	UPD	21:43	24.01.2010	PORSCHE	PET	PORSCHE
997-2	2010	1	05	105-05		248					

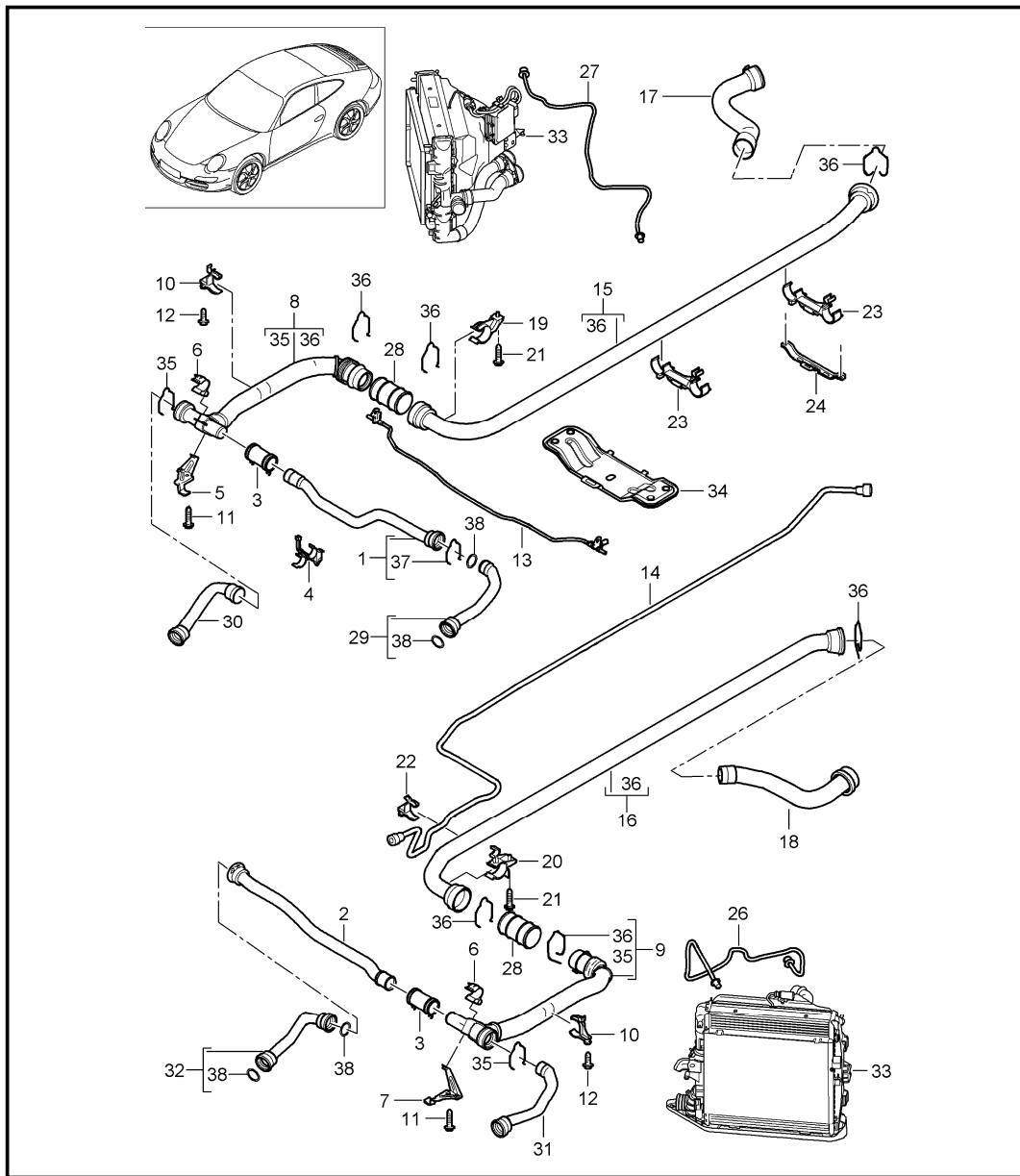
Pos	Part Number	Description	Remark	Qty	Model	Pos	Part Number	Description	Remark	Qty	Model
20	water pump see group 1/05/00		1							
21	997 106 181 32	heater pipeline		1	I480						
(21)	997 106 182 32	heater pipeline		1	I250						
22	997 106 822 31	hose return line		1							
23	997 106 812 30	hose supply		1							
24	997 106 212 32	hose		2							
25	997 106 533 31	support		1							
26	999 511 244 40	clip		1							
27	999 512 658 09	clamp 27 x 12		4							

Model	Year	MG	SG	Illustration	Restrictions	UPD	21:44	24.01.2010	PORSCHE	PET	PORSCHE
997-2	2010	1	05	105-07		248					



Pos	Part Number	Description	Remark	Qty	Model
		water cooling 1			
1	997 106 740 06	water hose supply		1	
2	997 106 741 06	water hose return line		1	
3	997 106 427 01	support water hose supply		1	
4	996 106 801 03	o-ring		8	
5	997 106 802 03	spring		4	
6	997 106 610 31	cooling water tube supply		1	
7	997 106 809 01	cooling water tube return line		1	
8	996 106 417 73	support		5	
9	997 106 457 32	support		1	
10	997 106 609 01	support		1	
11	997 106 681 31	vent line rear end		1	
12	999 507 743 40	cable holder 12,0		2	
13	997 106 831 31	water hose supply for engine		1	
14	997 106 832 31	water hose return line of engine		1	
15		breather hose see illustrations 1 / 05 / 20		1	

Model	Year	MG	SG	Illustration	Restrictions	UPD	21:44	24.01.2010	PORSCHE	PET	PORSCHE
997-2	2010	1	05	105-10		248					

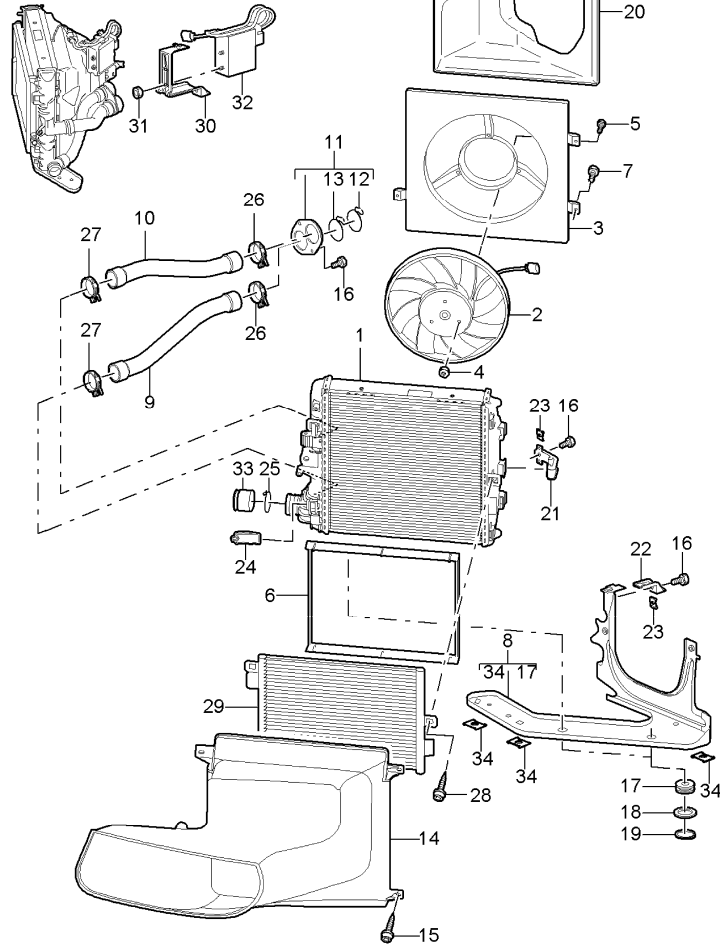
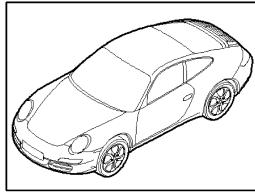


Pos	Part Number	Description	Remark	Qty	Model
		water cooling 2			MA1.01 MA1.02
1	997 106 711 02	water tube cross tube supply		1	
2	997 106 720 02	water tube cross tube return line		1	
3	997 106 723 07	water hose		2	
4	997 106 525 01	support water tube cross tube centre		1	
5	997 106 574 02	support distributor tube right		1	
6	997 106 526 01	support cross tube upper		2	
7	997 106 573 02	support distributor tube left		1	
8	997 106 752 04	distributor tube supply		1	
9	997 106 751 04	distributor tube return line		1	
10	997 106 413 01	support	/L/R	2	
(10)	997 106 413 01	support	/L	1	I601
(10)	997 106 414 00	support distributor tube	/R	1	I601
11	900 378 013 01	hexagon-head bolt M6 X 25		2	
12	900 378 036 01	hexagon-head bolt M6 X 12		2	
13	997 106 767 02	vent line transverse		1	
14	997 106 227 03	vent line tunnel		1	

Model	Year	MG	SG	Illustration	Restrictions	UPD	21:44	24.01.2010	PORSCHE	PET	PORSCHE
997-2	2010	1	05	105-10		248					

Pos	Part Number	Description	Remark	Qty	Model	Pos	Part Number	Description	Remark	Qty	Model
15	997 106 651 02	water tube supply tunnel		1		33	radiator see group 1/05/15		X	
16	997 106 652 02	return pipe tunnel		1		34	transverse strut tunnel see group 8/01/70		X	
17	--- --- --- --	water hose supply see illustrations 1 / 05 / 07		1		35	997 106 802 02	spring SCB 36		2	
18	--- --- --- --	water hose return line see illustrations 1 / 05 / 07		1	I480	36	997 106 802 03	spring SCB 42		6	
19	997 106 520 02	support bulkhead right		1		37	997 106 802 01	spring SCB 33		2	
20	997 106 521 01	support bulkhead left		1		38	996 106 801 02	o-ring		2	
21	900 378 035 01	hexagon-head bolt M6 X 16		2							
22	997 106 512 03	connection piece vent line		1							
23	997 106 540 02	support tunnel		2							
24	997 106 515 02	bridge tunnel		1							
26	997 106 765 02	line	/L	1							
27	997 106 766 02	line	/R	1							
28	997 106 551 03	sleeve		2							
29	997 106 623 03	water hose supply	/L	1							
30	997 106 627 03	water hose supply	/R	1							
31	997 106 728 03	water hose return line	/L	1							
32	997 106 624 03	water hose return line	/R	1							

Model	Year	MG	SG	Illustration	Restrictions	UPD	21:44	24.01.2010	PORSCHE	PET	PORSCHE
997-2	2010	1	05	105-15		248					

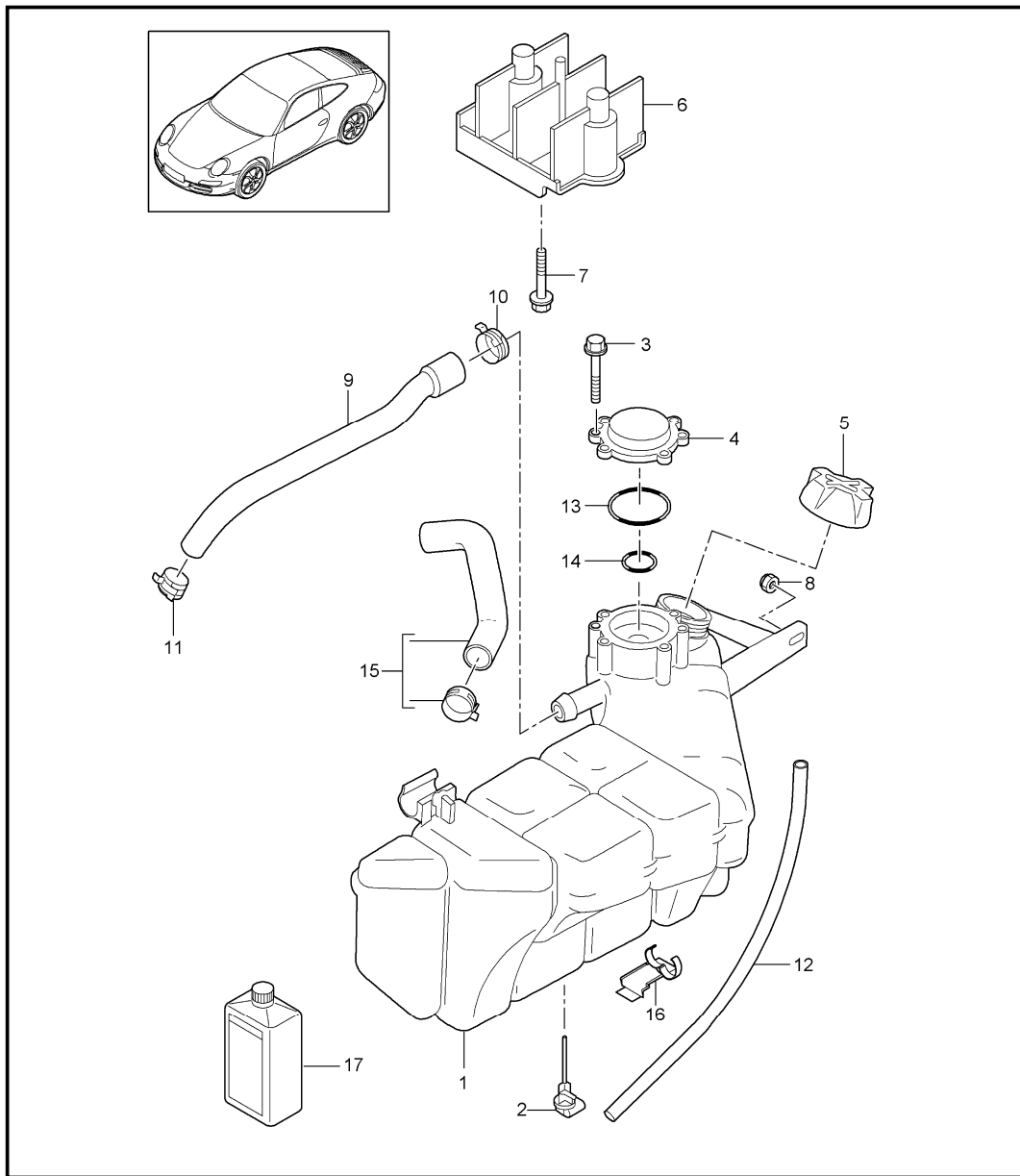


Pos	Part Number	Description	Remark	Qty	Model
		water cooling 3			MA1.01 MA1.02
1	997 106 131 02	radiator	/L	1	
(1)	997 106 132 02	radiator	/R	1	
2	997 624 127 02	fan	/L	1	
(2)	997 624 128 02	fan	/R	1	
3	997 624 131 02	air box	/L	1	
(3)	997 624 132 02	air box	/R	1	
4	900 377 010 01	hexagon nut M 6		6	
6	997 573 711 00	sealing frame condenser		1	
7	999 919 125 09	hexagon-head bolt plastic material M 6 x 16		6	
8	997 106 155 01	bracket	/L	1	
(8)	997 106 156 01	bracket radiator	/R	1	
9	997 106 625 04	water hose return line	/L	1	
(9)	997 106 626 05	water hose return line	/R	1	
10	997 106 621 05	water hose supply	/L	1	
(10)	997 106 622 04	water hose supply	/R	1	
11	997 106 255 02	connecting piece		2	
12	997 106 802 01	spring SCB 33		1	
13	997 106 802 02	spring SCB 36		1	
14	997 575 321 04	air duct	/L	1	
	01C	satin black			
(14)	997 575 322 04	air duct	/R	1	
	01C	satin black			

Model	Year	MG	SG	Illustration	Restrictions	UPD	21:44	24.01.2010	PORSCHE	PET	PORSCHE
997-2	2010	1	05	105-15		248					

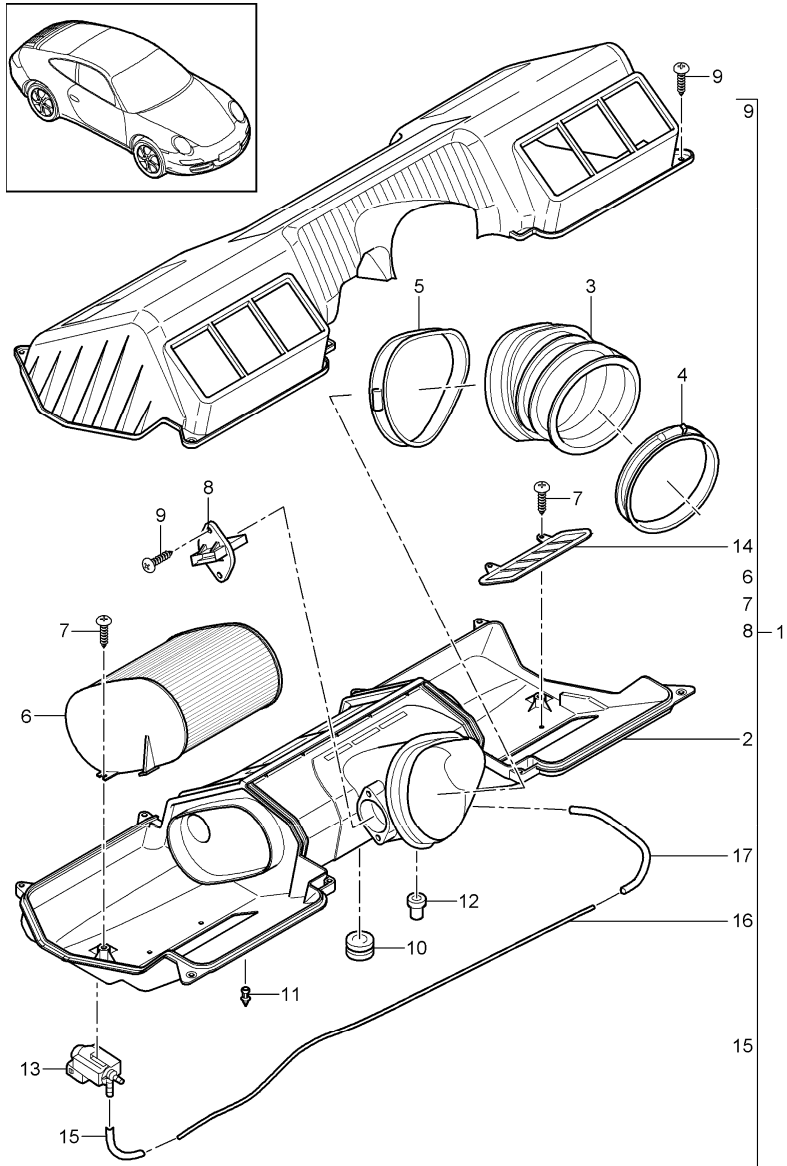
Pos	Part Number	Description	Remark	Qty	Model	Pos	Part Number	Description	Remark	Qty	Model
15	999 919 134 09	oval-head screw M 6 X 16		6		34	999 591 329 01	speed nut ST 4,8		3	
16	900 385 009 01	torx screw M 6 X 16		6		35	997 575 141 04	air duct		1	
17	999 703 494 40	rubber mounting 15 X 19,5		4			01C	satin black centre			
18	999 025 255 02	washer		4							
19	999 166 083 09	tab washer B 25		4							
20	997 575 341 00	air duct	/L	1							
(20)	997 575 342 00	air duct	/R	1							
21	997 106 232 01	support outer		2							
22	997 106 455 00	support left		1							
23	999 591 350 02	speed nut ST 4,8		6							
24	997 106 231 02	support inner		2							
25	997 106 802 00	spring SCB 26		2							
26	997 512 742 01	clamp		2							
27	997 106 902 00	clamp		2							
28	999 919 125 09	hexagon-head bolt 6,0 X 16		1							
29	---	condenser see illustrations 8/13/25									
30	997 106 456 00	support right		1							
31	900 377 010 01	hexagon nut M 6		2							
32	---	control unit cooling air control see illustrations 9/01/03		1							
33	997 106 546 02	stopper		2							

Model	Year	MG	SG	Illustration	Restrictions	UPD	21:44	24.01.2010	PORSCHE	PET	PORSCHE
997-2	2010	1	05	105-20		248					



Pos	Part Number	Description	Remark	Qty	Model
		water cooling 4			MA1.01 MA1.02
1	996 106 157 03	water reservoir		1	
2	997 641 503 00	switch		1	
3	999 919 058 01	hexagon-head bolt 5,0 X 40		8	
4	996 106 347 02	bleeder valve		1	
5	996 106 447 03	lid		1	
5	996 106 447 04	lid		1	
6	996 106 405 52	support		1	
7	900 378 141 09	hexagon-head bolt M 6 X 35		2	
8	999 076 071 02	hexagon nut M 6		1	
9	997 106 251 01	breather hose		1	
10	999 512 657 09	hose clamp 26 X 12		1	
11	999 512 653 09	hose clamp 20 X 12		1	
12	996 106 297 05	overflow hose		1	
13	999 707 370 40	o-ring 47 X 4		1	
14	999 707 371 40	o-ring 17 X 4		1	
15	997 106 851 33	water hose		1	
16	996 110 260 00	support		1	
17	000 043 301 03	antifreeze 1 LTR. container		X	
(17)	000 043 301 04	antifreeze 20 LTR. container		X	

Model	Year	MG	SG	Illustration	Restrictions	UPD	13:32	03.02.2010	PORSCHE	PET	PORSCHE
997-2	2010	1	06	106-00		248					

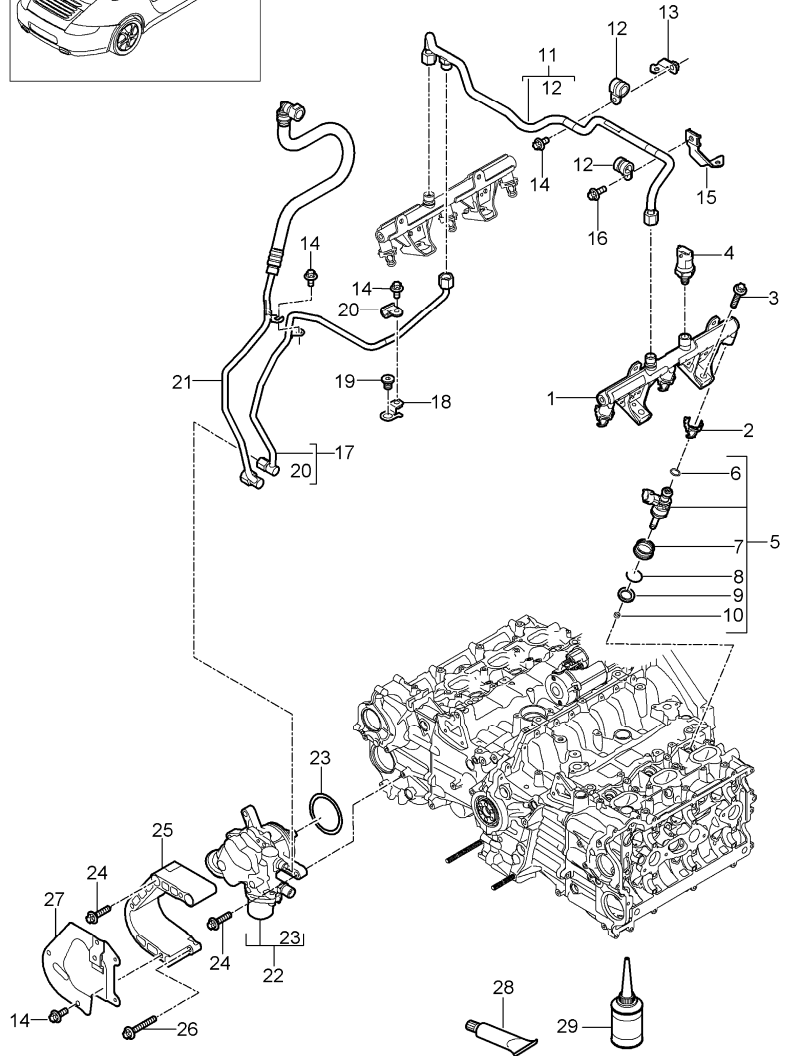
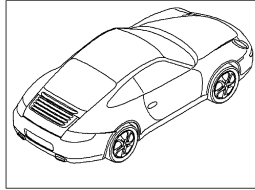


Pos	Part Number	Description	Remark	Qty	Model
1	997 110 020 31	air cleaner air cleaner complete		1	MA1.02
(1)	997 110 021 31	air cleaner complete		1	MA1.02 I172
(1)	997 110 022 31	air cleaner complete		1	MA1.01
(1)	997 110 022 40	air cleaner complete kit		1	MA1.01 IX51
(1)	997 110 023 31	air cleaner complete		1	MA1.01 I172
(1)	997 110 023 40	air cleaner complete kit		1	MA1.01 IX51/172
2	997 110 210 31	air cleaner lower part		1	MA1.02
(2)	997 110 212 31	air cleaner lower part		1	MA1.01
(2)	997 110 212 40	air cleaner lower part kit		1	MA1.01 IX51
(2)	997 110 213 40	air cleaner lower part kit		1	MA1.01 IX51/172
3	997 110 270 30	air box		1	
4	999 512 539 01	hose clamp 90 - 110		1	
5	997 110 255 30	hose clamp		1	
6	997 110 130 30	air cleaner cartridge		2	
7	999 919 262 01	oval-head screw 4 X 16		6	
8	986 606 125 01	mass air flow meter		1	

Model	Year	MG	SG	Illustration	Restrictions	UPD	13:32	03.02.2010	PORSCHE	PET	PORSCHE
997-2	2010	1	06	106-00		248					

Pos	Part Number	Description	Remark	Qty	Model	Pos	Part Number	Description	Remark	Qty	Model
9	999 919 160 07	oval-head screw 5 X 20 mass air flow meter		1							
10	999 702 246 40	grommet 12 X 17		2							
11	997 110 137 01	clip		1							
12	999 703 267 40	bush 12,0 X 25,6 X 17		1							
13	996 605 123 01	change-over valve		1	MA1.01						
14	997 110 240 30	frame		2							
(14)	997 110 241 30	frame		1	I172						
15	999 239 042 40	hose 3,5 X 2,0 X 75		1							
--	000 043 205 01	pipe 4 X 1		*							
16	500 mm		1							
17	999 239 041 40	hose 3,5 X 2,0 X 125		1							

Model	Year	MG	SG	Illustration	Restrictions	UPD	21:55	24.01.2010	PORSCHE	PET	PORSCHE
997-2	2010	1	07	107-05		248					

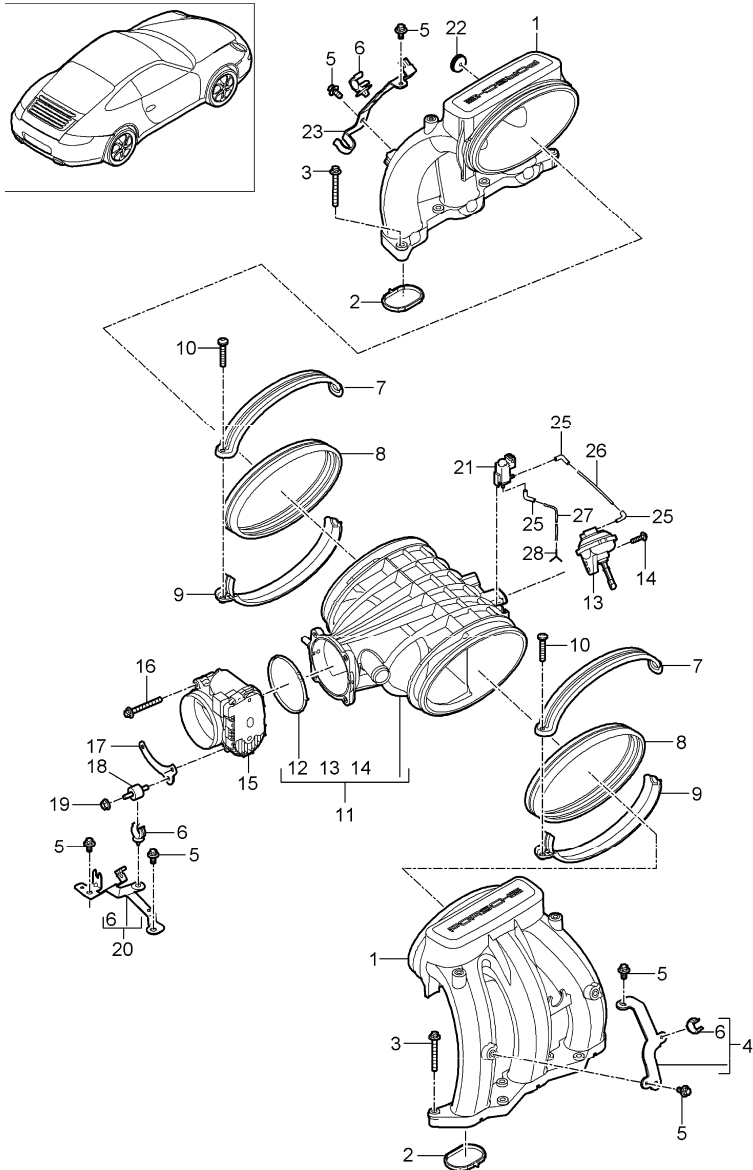


Pos	Part Number	Description	Remark	Qty	Model
		fuel collection pipe high-pressure pump			
(1)	9A1 110 859 02	fuel collection pipe cyl. 1 - 3		1	
(1)	9A1 110 859 40	fuel collection pipe cyl. 1 - 3 kit		1	MA1.01 IX51
1	9A1 110 860 02	fuel collection pipe cyl. 4 - 6		1	
(1)	9A1 110 860 40	fuel collection pipe cyl. 4 - 6 kit		1	MA1.01 IX51
2	9A1 110 866 01	fixing device fuel collection pipe high-pressure injector		6	
3	900 385 048 01	torx screw M6 X 30		8	
4	948 606 230 01	pressure sensor M10 X 1		2	
5	9A1 110 128 00	high-pressure injector		6	MA1.01
(5)	9A1 110 128 10	high-pressure injector		6	MA1.02
6	999 701 112 40	o-ring 7,52 X 3,51 see technical manual group 24		6	
7	9A1 110 524 01	bellows high-pressure injector		6	
8	900 906 011 02	circlip A 14		6	
9	9A1 605 520 00	spacer ring		6	
10	999 704 020 90	sealing ring 6,3 X 2,8		6	
11	9A1 110 092 01	pressure line fuel collection pipe see technical manual group 24		1	

Model	Year	MG	SG	Illustration	Restrictions	UPD	21:55	24.01.2010	PORSCHE	PET	PORSCHE
997-2	2010	1	07	107-05		248					

Pos	Part Number	Description	Remark	Qty	Model	Pos	Part Number	Description	Remark	Qty	Model
(11)	9A1 110 092 40	pressure line fuel collection pipe kit see technical manual group 24		1	MA1.01 IX51	24	900 385 072 01	torx screw M6 X 25		4	
						25	9A1 110 880 00	cover high-pressure pump		1	
12	999 511 114 01	hose clamp D1 12 X 15		2		26	900 385 045 01	torx screw M6 X 40		1	
(12)	999 511 803 01	hose clamp D1 11 X 15		2	MA1.01 IX51	27	9A1 110 881 00	heat protection high-pressure pump		1	
13	9A1 110 945 00	support pressure line		1		28	000 043 207 35	grease 30 ml		1	
14	900 385 041 01	torx screw M6 X 12		X		29	000 043 207 36	lubricants 50 ml		1	
15	9A1 110 947 01	support pressure line		1							
16	900 385 009 01	torx screw M6 X 16		1							
17	9A1 110 095 01	pressure line high-pressure pump t-piece see technical manual group 24		1							
18	9A1 110 940 00	support pressure line		1							
19	900 219 006 01	screw plug M12 X 1,5		1							
20	999 511 153 01	hose clamp D1 8 X 15		1							
21	9A1 110 905 03	fuel line see technical manual group 24		1							
22 A	9A1 110 315 01	high-pressure pump		1							
22	9A1 110 315 02	high-pressure pump		1					-09		
22	9A1 110 315 03	high-pressure pump		1					10-		
23	999 707 632 40	o-ring 55,25 x 2,62		1							

Model	Year	MG	SG	Illustration	Restrictions	UPD	21:55	24.01.2010	PORSCHE	PET	PORSCHE
997-2	2010	1	07	107-10		248					



Pos	Part Number	Description	Remark	Qty	Model
		intake distributor throttle body			MA1.01 MA1.02
1	9A1 110 115 01	intake distributor		2	
2	9A1 110 215 01	gasket		6	
3	900 385 270 01	torx screw M6 X 35		14	
4	9A1 110 294 01	support intake distributor		1	
5	900 385 041 01	torx screw M6 X 10		6	
6	999 507 930 40	hose holder 21,0 - 23,0		3	
7	9A1 110 212 01	clip upper part		2	
8	9A1 110 210 01	rubber sleeve		2	
9	9A1 110 213 01	clip lower part		2	
10	999 073 352 02	round head screw M6 X 35		2	
11	9A1 110 020 02	distributor tube complete		1	MA1.01
(11)	9A1 110 120 11	distributor tube		1	MA1.02
12	9A1 110 220 01	gasket distributor tube		1	
13	993 110 462 02	vacuum unit		1	
14	999 919 245 01	oval-head screw M5 X 18		2	
15	997 605 116 01	throttle body		1	
16	900 385 070 01	torx screw M6 X 50		4	
17	9A1 110 290 00	support throttle body		1	
18	999 703 239 01	damping piece 20 X 15 /M6		1	
19	900 377 010 01	hexagon nut M6		1	

Model	Year	MG	SG	Illustration	Restrictions	UPD	21:55	24.01.2010	PORSCHE	PET	PORSCHE
997-2	2010	1	07	107-10		248					

Pos	Part Number	Description	Remark	Qty	Model	Pos	Part Number	Description	Remark	Qty	Model
-	900 380 022 01	hexagon nut M6		1							
20	9A1 110 292 00	support throttle body		1							
21	996 605 123 01	change-over valve		1	I250/480						
22	993 110 530 01	grommet		1							
23	9A1 110 296 03	support intake distributor		1							
24	999 651 398 40	cable holder 11,0 / 13,0		1							
25	999 239 045 40	moulded hose 3,5 X 2,0 X 60		3	MA1.01						
26	999 181 421 40	pipe 4,0 X 1,0 X 90		1	MA1.01						
27	999 181 373 40	pipe 4,0 X 1,0 X 230		1	MA1.01						
28	928 573 727 03	y-piece		1	MA1.01						

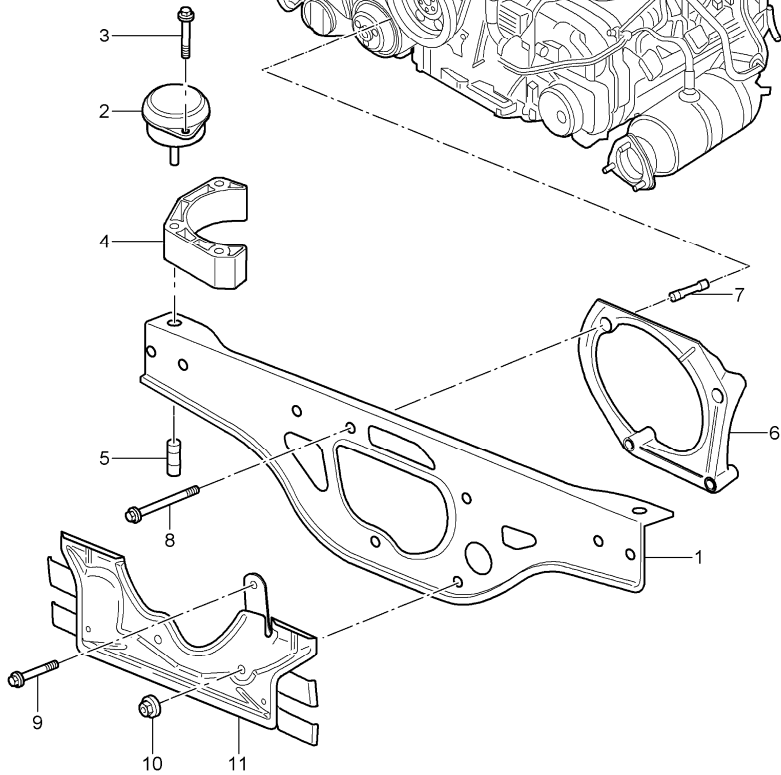
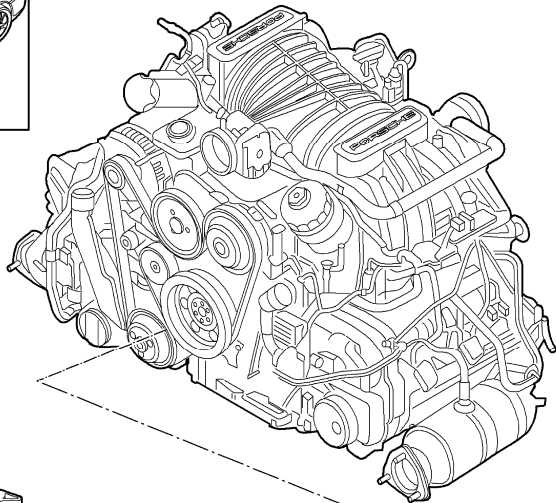
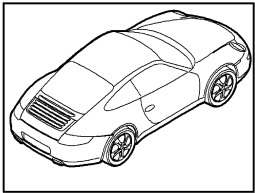
Model	Year	MG	SG	Illustration	Restrictions	UPD	21:55	24.01.2010
997-2	2010	1	07	107-13		248		

Pos	Part Number	Description	Remark	Qty	Model
		intake distributor			MA1.01 IX51
		throttle body kit			
(1)	9A1 110 115 40	intake distributor		2	MA1.01 IX51
		upper part kit			
2	9A1 110 440 40	flange gasket		2	MA1.01 IX51
3	9A1 110 425 40	Schaltklappenwelle		1	MA1.01 IX51
		cyl. 1 - 3			
4	9A1 110 426 40	Schaltklappenwelle		1	MA1.01 IX51
		cyl. 4 - 6			
5	9A1 110 025 40	intake distributor		1	MA1.01 IX51
		lower part kit cyl. 1 - 3			
6	9A1 110 026 40	intake distributor		1	MA1.01 IX51
		lower part kit cyl. 4 - 6			
7	9A1 110 215 01	gasket		6	
8	900 385 049 01	torx screw M 6 X 30		16	
9		support see illustrations 9/02/20			
10		support see illustrations 9/02/20			
11	9A1 110 020 40	distributor tube		1	MA1.01 IX51
		kit			
12	900 331 056 40	o-ring for distributor tube		2	
13	9A1 110 510 40	Verbindungselement distributor tube		4	
14	900 385 041 01	torx screw M 6 x 12		12	

Model	Year	MG	SG	Illustration	Restrictions	UPD	21:55	24.01.2010
997-2	2010	1	07	107-13		248		

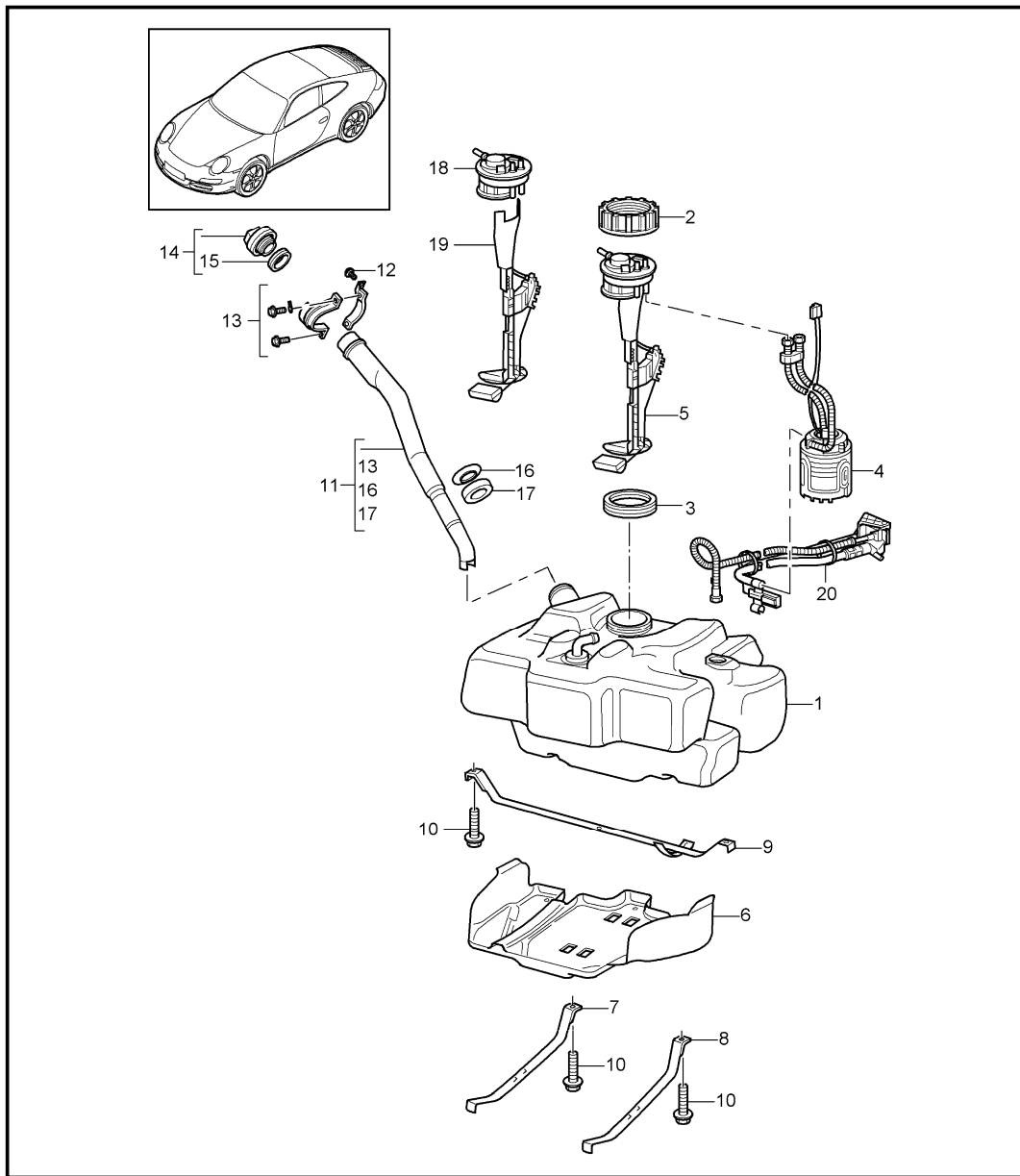
Pos	Part Number	Description	Remark	Qty	Model
15	993 110 462 02	vacuum unit		2	
16	900 385 112 01	torx screw M 5 x 12		1	
17	900 380 001 01	hexagon nut M 5 self-locking		2	
18	9A1 607 169 40	retaining bracket change-over valve		1	
19	996 605 123 01	change-over valve		1	
20	999 239 045 40	moulded hose 3,5 x 2,0 x 60		3	
21	999 181 373 40	pipe 4 x 1 x 230		1	
22	999 181 369 40	pipe 4 x 1 x 270		2	
23	928 573 727 05	y-piece triple		1	
24	999 507 872 40	Kombihalter 4 x 22		1	
25	999 507 873 40	Kombihalter 4 x 14		2	
26	999 073 253 09	torx screw M 6 x 25		12	

Model	Year	MG	SG	Illustration	Restrictions	UPD	21:55	24.01.2010	PORSCHE	PET	PORSCHE
997-2	2010	1	09	109-00		248					



Pos	Part Number	Description	Remark	Qty	Model
		engine suspension			MA1.01 MA1.02
1	9A1 375 013 03	engine carrier		1	
2	997 375 049 07	hydraulic mount		2	CABRIO/TARGA
(2)	997 375 049 08	hydraulic mount		2	COUPE
3	900 378 159 01	hexagon-head bolt M 8 X 60		3	
4	996 375 221 02	adapter		2	
5	9A1 375 425 01	sleeve M12 X 1,5		2	
6	9A1 375 235 02	intermediate flange		1	
7	9A1 375 245 01	spacer sleeve intermediate flange		1	
8	900 378 283 01	torx screw M10 X 130		1	
9	900 378 310 01	torx screw M10 X 80		1	
10	900 380 021 01	hexagon nut M 10		2	
11	support front muffler see group 2/02/00		1	

Model	Year	MG	SG	Illustration	Restrictions	UPD	21:56	24.01.2010	PORSCHE	PET	PORSCHE
997-2	2010	2	01	201-00		248					

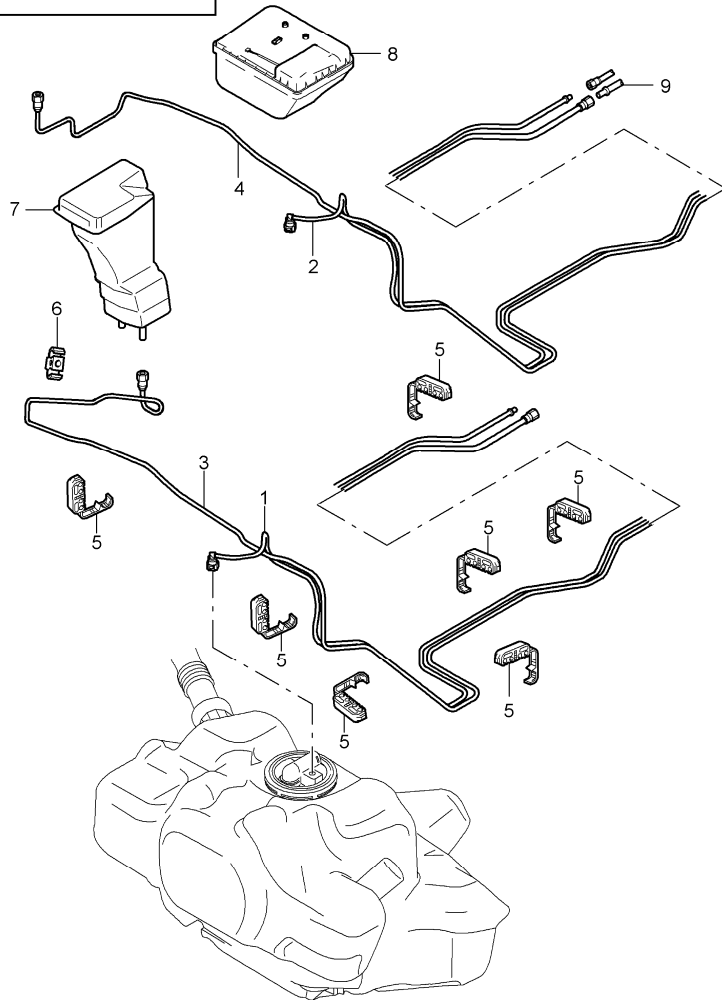
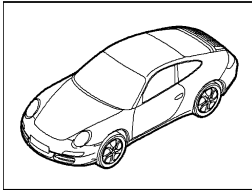


Pos	Part Number	Description	Remark	Qty	Model
		fuel tank			
1	997 201 021 05	fuel tank	/LL	1	Carrera 2/2S
(1)	997 201 021 01	fuel tank	/LL	1	Carrera 4/4S
(1)	997 201 022 06	fuel tank	/RL	1	Carrera 2/2S
(1)	997 201 022 00	fuel tank	/RL	1	Carrera 4/4S
2	996 201 623 00	union nut		1	Carrera 2/2S
(2)	997 201 623 00	union nut		1	Carrera 4/4S
3	1J0 919 133 A	sealing ring		1	Carrera 2/2S
(3)	997 201 733 00	sealing ring		1	Carrera 4/4S
4	997 620 142 01	fuel pump		1	Carrera 2/2S
(4)	997 620 145 00	fuel pump		1	Carrera 4/4S
5	997 620 842 00	tank gauge with flange		1	Carrera 2/2S
6	997 201 331 02	protective plate	/LL	1	Carrera 2/2S
(6)	997 201 331 03	protective plate	/RL	1	Carrera 2/2S
(6)	997 201 331 00	protective plate		1	Carrera 4/4S
7	997 201 106 01	restraining strap right		1	Carrera 2/2S
(7)	997 201 106 00	restraining strap right		1	Carrera 4/4S
8	997 201 105 01	restraining strap left		1	Carrera 2/2S
(8)	997 201 105 00	restraining strap left		1	Carrera 4/4S
9	996 201 107 02	restraining strap	/LL	1	Carrera 2/2S
(9)	996 201 108 00	restraining strap	/RL	1	Carrera 2/2S
(9)	997 201 107 00	restraining strap		1	Carrera 4/4S
10	900 075 479 01	combination screw M 8 X 40		4	
11	997 201 043 06	filler neck use also: 997.201.951.02		1	Carrera 2/2S
				1	

Model	Year	MG	SG	Illustration	Restrictions	UPD	21:56	24.01.2010	PORSCHE	PET	PORSCHE
997-2	2010	2	01	201-00		248					

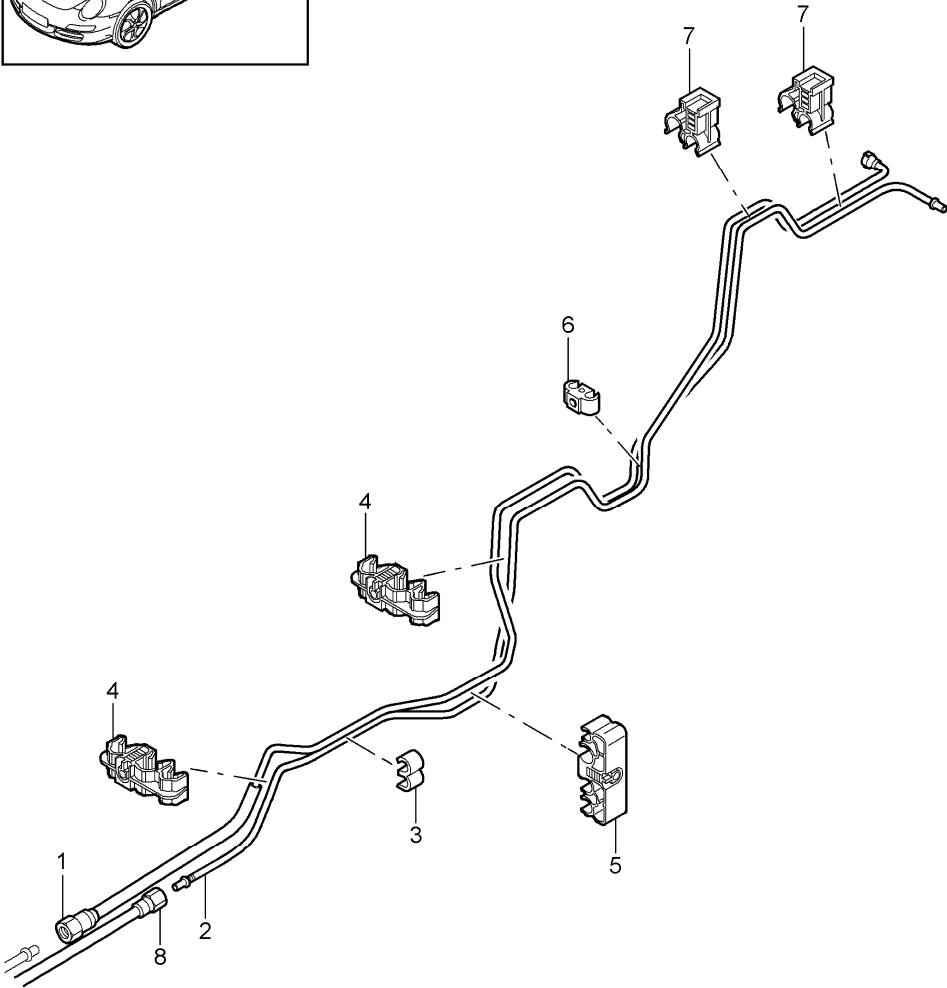
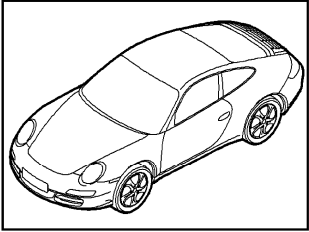
Pos	Part Number	Description	Remark	Qty	Model	Pos	Part Number	Description	Remark	Qty	Model
(11)	997 201 043 12	filler neck use also: 997.201.951.02		1	Carrera 4/4S						
(11)	997 201 043 07	filler neck use also: 997.201.951.02		1	Carrera 2/2S I150/193						
(11)	997 201 043 10	filler neck use also: 997.201.951.02		1	Carrera 4/4S I150/193						
12	999 073 348 09	oval-head screw M 6 X 20		1							
13	997 201 951 02	support complete		1							
14	996 201 241 03	fuel tank cap with clip		1							
-	999 507 499 40	expansion rivet 5,0 X 11,5		1							
15	191 201 557	gasket		1							
16	996 201 755 00	support washer		1							
17	996 201 753 00	gasket		1							
(18)	997 201 421 01	flange for tank gauge		1	Carrera 4/4S						
(19)	997 620 833 00	tank gauge without flange		1	Carrera 4/4S						
20	997 620 123 00	venturi tube set left and right		1	Carrera 4/4S						
21	000 043 206 89	Additive fuel 100 ml Beh,,lter	CHINA	1							

Model	Year	MG	SG	Illustration	Restrictions	UPD	21:56	24.01.2010	PORSCHE	PET	PORSCHE
997-2	2010	2	01	201-05		248					



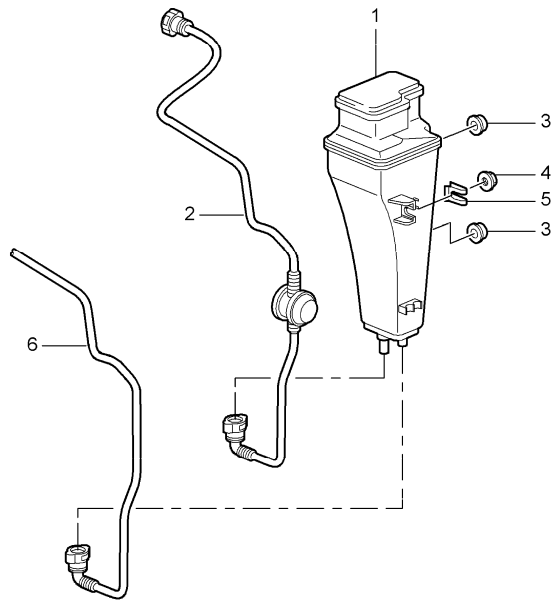
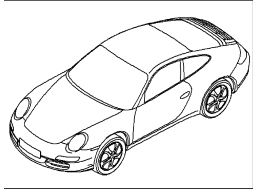
Pos	Part Number	Description	Remark	Qty	Model
		fuel system front			
1	997 201 261 02	fuel line		1	
(1)	997 201 261 03	fuel line front fuel pump for engine		1	
3	997 201 351 02	purge-air line front carbon canister for engine		1	
5	999 507 264 40	cable holder 6,0/8,0/8,0/10,0		8	
6	999 507 727 40	cable holder 8,0/10,0		1	
7	...	carbon canister see group 2/01/20		1	
9	...	lines rear see illustrations 201-10		1	

Model	Year	MG	SG	Illustration	Restrictions	UPD	21:56	24.01.2010	PORSCHE	PET	PORSCHE
997-2	2010	2	01	201-10		248					



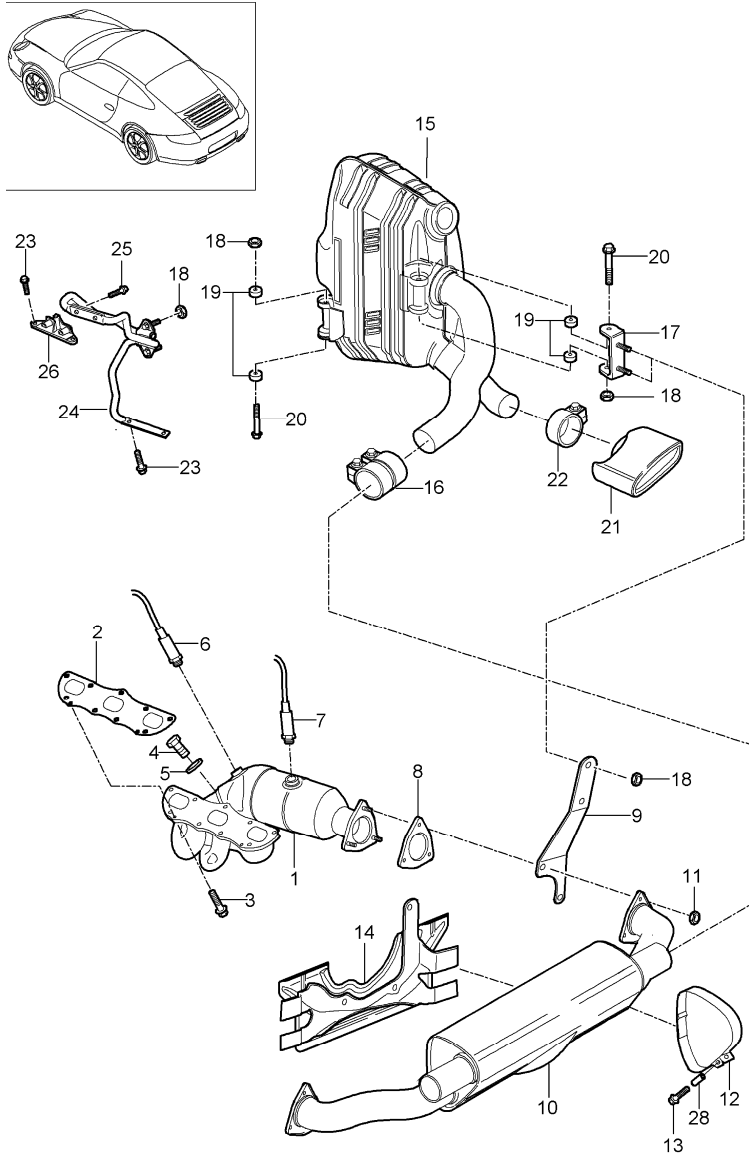
Pos	Part Number	Description	Remark	Qty	Model
1	997 201 265 02	fuel system rear fuel line rear fuel pump for engine		1	
2	997 201 355 02	purge-air line rear carbon canister for engine		1	
3	999 507 488 40	cable holder 5,00/10,0		4	
4	999 507 263 40	cable holder		2	
5	999 507 264 40	cable holder 8,0/8/10		2	
6	999 507 727 40	cable holder 8,0/10,0		3	
7	999 507 991 40	cable holder 8,0/10,0		2	
8	...	lines front see illustrations 201-05		1	

Model	Year	MG	SG	Illustration	Restrictions	UPD	21:56	24.01.2010	PORSCHE	PET	PORSCHE
997-2	2010	2	01	201-20		248					



Pos	Part Number	Description	Remark	Qty	Model
		carbon canister			
1	997 201 221 01	carbon canister complete		1	
2	997 201 251 06	vent line		1	
2	997 201 251 01	vent line fuel tank for carbon canister		1	
3	999 702 221 40	grommet		2	
4	999 084 629 01	hexagon nut M 6		1	
5	999 507 543 02	clamp 2,00 - 3,00		1	
6	purge-air line front see illustrations 201-05		1	X

Model	Year	MG	SG	Illustration	Restrictions	UPD	21:56	24.01.2010	PORSCHE	PET	PORSCHE
997-2	2010	2	02	202-00		248					

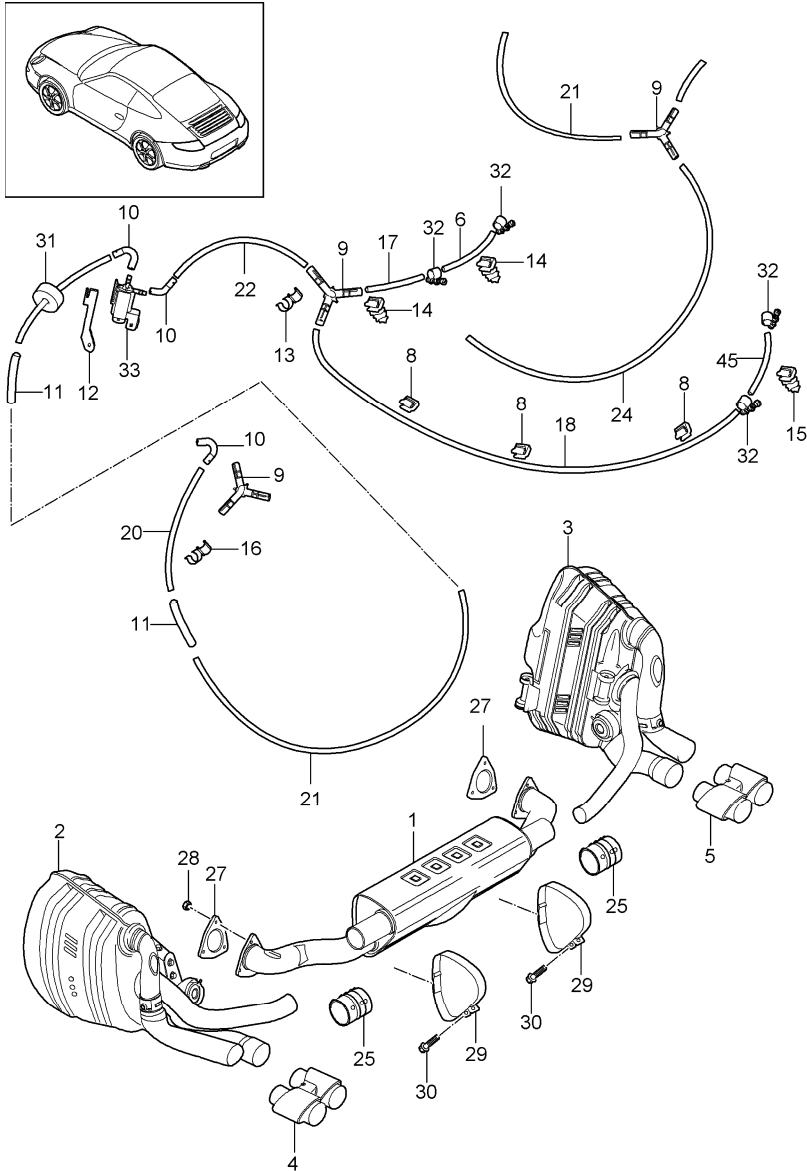


Pos	Part Number	Description	Remark	Qty	Model
		exhaust system			MA1.01 MA1.02
(1)	997 113 109 32	exhaust manifold with catalytic converter cyl. 1 - 3		1	
(1)	997 113 110 32	exhaust manifold with catalytic converter cyl. 4 - 6		1	
2	997 111 107 30	gasket exhaust manifold		2	
3	999 073 471 01	torx screw M 8 X 21		18	
4	900 124 021 05	screw plug M 8 X 1		2	
5	900 123 050 20	sealing ring 8 X 11,5		2	
6	9A1 606 168 00	oxygen sensor in front of catalytic converter		2	
7	9A1 606 177 01	oxygen sensor after catalytic converter		2	
8	997 111 113 30	gasket		2	
(9)	997 111 129 31	bracket	/L	2	
9	997 111 130 31	bracket	/R	2	
10	997 111 180 32	front muffler		1	I170
(10)	997 111 160 32	front muffler		1	I172
11	900 910 003 03	hexagon nut M 8		X	
12	997 113 119 31	restraining strap front muffler		2	
13	900 067 362 01	pan-head screw M 8 X 50		2	
14	997 113 026 30	support front muffler with heat protection		1	

Model	Year	MG	SG	Illustration	Restrictions	UPD	21:56	24.01.2010	PORSCHE	PET	PORSCHE
997-2	2010	2	02	202-00		248					

Pos	Part Number	Description	Remark	Qty	Model	Pos	Part Number	Description	Remark	Qty	Model
(15)	997 111 311 30	main exhaust muffler cyl. 1 - 3		1	I170	24	997 111 128 30	support main exhaust muffler cyl. 4 - 6	/R	1	
(15) N	997 111 995 31	main exhaust muffler cyl. 1 - 3		1	I756	25	900 385 099 01	torx screw M 8 X 12		X	
(15)	997 111 131 30	main exhaust muffler cyl. 1 - 3		1	I172	26	997 111 126 30	bracket main exhaust muffler		2	
15 N	997 111 996 31	main exhaust muffler cyl. 4 - 6		1	I756	27	997 606 256 02	cable guide oxygen sensor right		1	
15 N	997 111 312 31	main exhaust muffler cyl. 4 - 6		1	I170	(27)	997 606 257 02	cable guide oxygen sensor left		1	
15	997 111 132 30	main exhaust muffler cyl. 4 - 6		1	I172	28	997 111 218 30	spacer sleeve clamp		2	
16	997 111 220 30	clamping sleeve		2		--	997 113 208 30	heat protection catalytic converter right see technical information group 2 Nr.28/09		1	
17	997 111 140 30	retaining bar main exhaust muffler		2		--	997 113 209 30	heat protection catalytic converter left see technical information group 2 Nr.28/09		1	
18	900 380 005 01	hexagon nut M 8		6							
19	997 111 229 30	damping piece		8							
20	900 378 319 01	hexagon-head bolt M 8 X 110		2							
21	997 111 151 30	tail pipe	/L	1	MA1.02						
(21)	997 111 351 30	tail pipe	/L	1	MA1.01						
(21)	997 111 983 30	tail pipe	/L	1	IXLT						
(21) N	997 111 991 31	tail pipe	/L	1	I756	--	900 385 009 01	torx screw M 6 x 16		8	
(21)	997 111 152 30	tail pipe	/R	1	MA1.02						
(21)	997 111 352 30	tail pipe	/R	1	MA1.01						
(21)	997 111 984 30	tail pipe	/R	1	IXLT						
(21) N	997 111 992 31	tail pipe	/R	1	I756						
22	997 111 240 30	clip tail pipe		2							
23	900 385 098 01	torx screw M 8 X 25		X							
(24)	997 111 127 31	support main exhaust muffler cyl. 1 - 3	/L	1							

Model	Year	MG	SG	Illustration	Restrictions	UPD	21:57	24.01.2010	PORSCHE	PET	PORSCHE
997-2	2010	2	02	202-04		248					

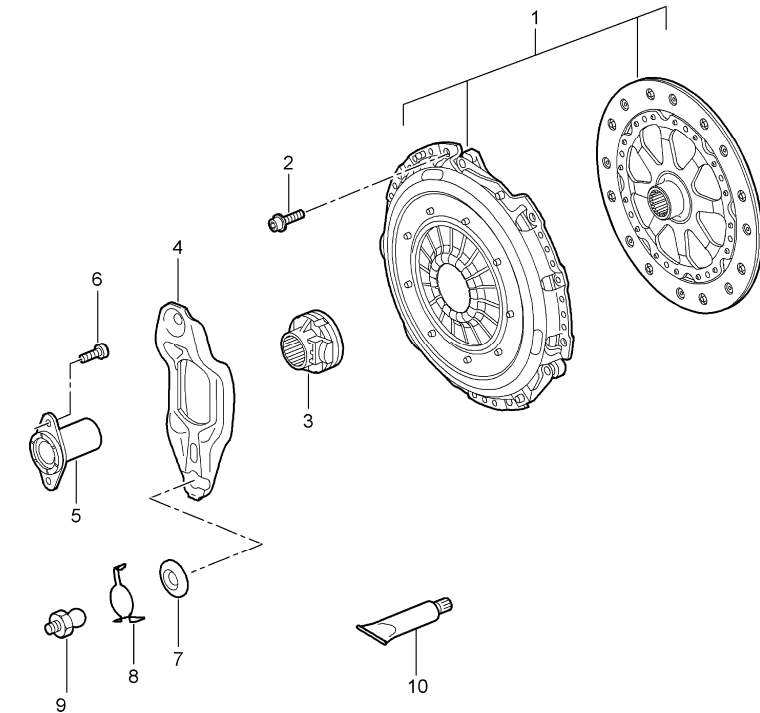
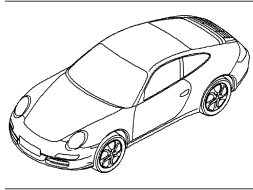


Pos	Part Number	Description	Remark	Qty	Model
		exhaust system sport version			I176
1	A 997 111 150 30	front muffler		1	
1	997 111 159 32	front muffler		1	
2	A 997 111 511 30	main exhaust muffler cyl. 1 - 3		1	
2	997 111 511 31	main exhaust muffler cyl. 1 - 3		1	
2	A 997 111 512 30	main exhaust muffler cyl. 4 - 6		1	
3	997 111 512 31	main exhaust muffler cyl. 4 - 6		1	
4	U 997 111 981 31	tail pipe left		1	
4	997 111 981 32	tail pipe left		1	
5	U 997 111 982 31	tail pipe right		1	
5	997 111 982 32	tail pipe right		1	
6	U 999 181 299 40	hose stahlummantelt 3 x 300		2	
6	U 999 110 016 00	hose stahlummantelt 3 x 300		2	
6	997 110 016 00	hose stahlummantelt 3 x 300		2	
7	997 111 989 30	retaining bracket change-over valve		1	
8	999 651 401 01	cable clamp hose line		3	
9	928 573 727 05	y-piece triple		2	
(9)	928 573 727 05	y-piece triple		1	MA1.02 I480
10	928 574 717 05	moulded hose		2	

Model	Year	MG	SG	Illustration	Restrictions	UPD	21:57	24.01.2010	PORSCHE	PET	PORSCHE
997-2	2010	2	02	202-04		248					

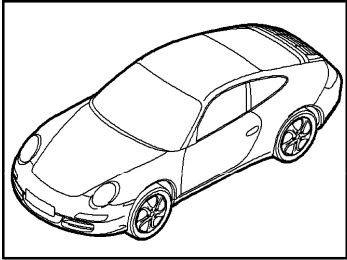
Pos	Part Number	Description	Remark	Qty	Model	Pos	Part Number	Description	Remark	Qty	Model
11	999 239 042 40	hose		2	MA1.02 I250	22	P	hose vacuum line change-over valve 4 x 1 x 230		1	
(11)	999 239 042 40	hose		3	MA1.02 I480						
12	996 111 989 00	support change-over valve		1		24	P	hose vacuum line resonance tube 4 x 1 x 740		1	MA1.01
13	999 507 148 40	support double		1		25	997 111 220 30	clamping sleeve		2	
14	999 507 075 40	cable holder for Stahlflexleitung right		2		26	900 380 005 01	hexagon nut M 8		8	
15	999 507 902 40	cable holder for Stahlflexleitung left		1		27	997 111 113 30	gasket		2	
16	999 507 865 40	support double		3	MA1.02	28	900 910 003 03	hexagon nut M 8 flange		6	
--	999 181 852 40	pipe 4 x 1 x 1650 it is necessary to rework		X		29	997 113 119 31	restraining strap front muffler		2	
17	N	hose control vacuum unit left 4 x 1 x 60		1		30	900 067 362 01	pan-head screw M 8 x 50 restraining strap		2	
18	N	hose control vacuum unit right 4 x 1 x 860		1		31	993 110 530 01	grommet		1	
19	P	hose vacuum line change-over valve 4 x 1 x 280		1		32	999 512 780 01	clamp		4	
20	N	hose Connecting line brake booster 4 x 1 x 1015		1	MA1.02	33	996 605 123 01	change-over valve		1	
21	P	hose vacuum line distributing piece 4 x 1 x 580		1		34	999 651 401 01	cable clamp		3	

Model	Year	MG	SG	Illustration	Restrictions	UPD	22:13	24.01.2010	PORSCHE	PET	PORSCHE
997-2	2010	3	01	301-00		248					

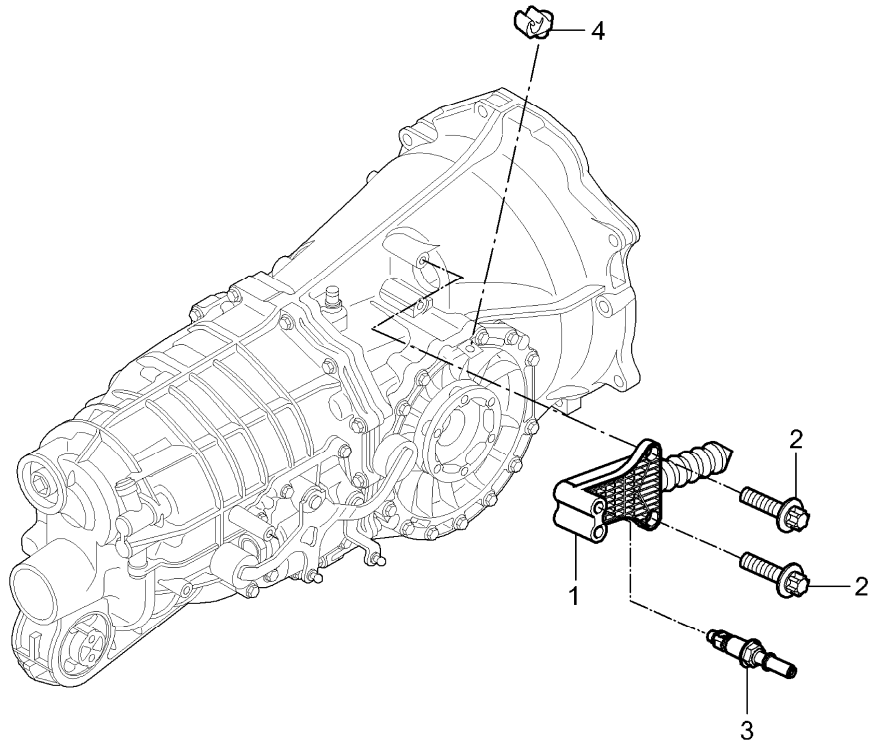


Pos	Part Number	Description	Remark	Qty	Model
1	A 9G1 116 913 00	clutch set		1	
2	999 073 458 01	screw M 8 X 16		6	
3	997 116 080 02	clutch release bearing		1	
4	997 116 712 01	clutch release lever		1	
5	996 116 087 01	guide sleeve		1	
6	N 903 663 01	pan-head screw M 8 X 22		2	
7	996 116 743 00	sealing ring		1	
8	996 116 741 00	clamp		1	
9	997 116 716 02	ball pin		1	
10	000 043 304 02	grease container 50 Gr.		1	

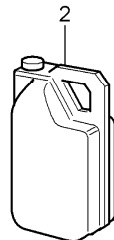
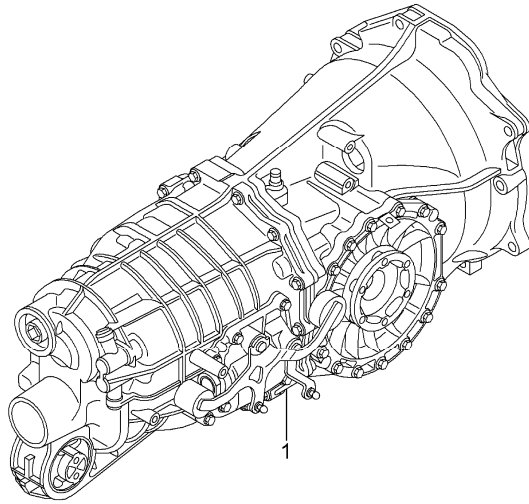
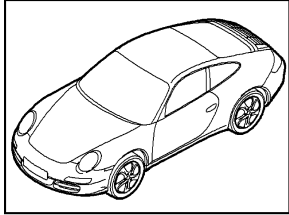
Model	Year	MG	SG	Illustration	Restrictions	UPD	22:14	24.01.2010	PORSCHE	PET	PORSCHE
997-2	2010	3	01	301-05		248					



Pos	Part Number	Description	Remark	Qty	Model
		clutch release clutch operating cylinder			
1	9G1 116 238 00	clutch operating cylinder		1	
2	900 385 096 01	torx screw M 8 X 30		2	
3	9G1 116 277 01	bleeder		1	
4	999 507 586 40	cable holder 6,0		1	

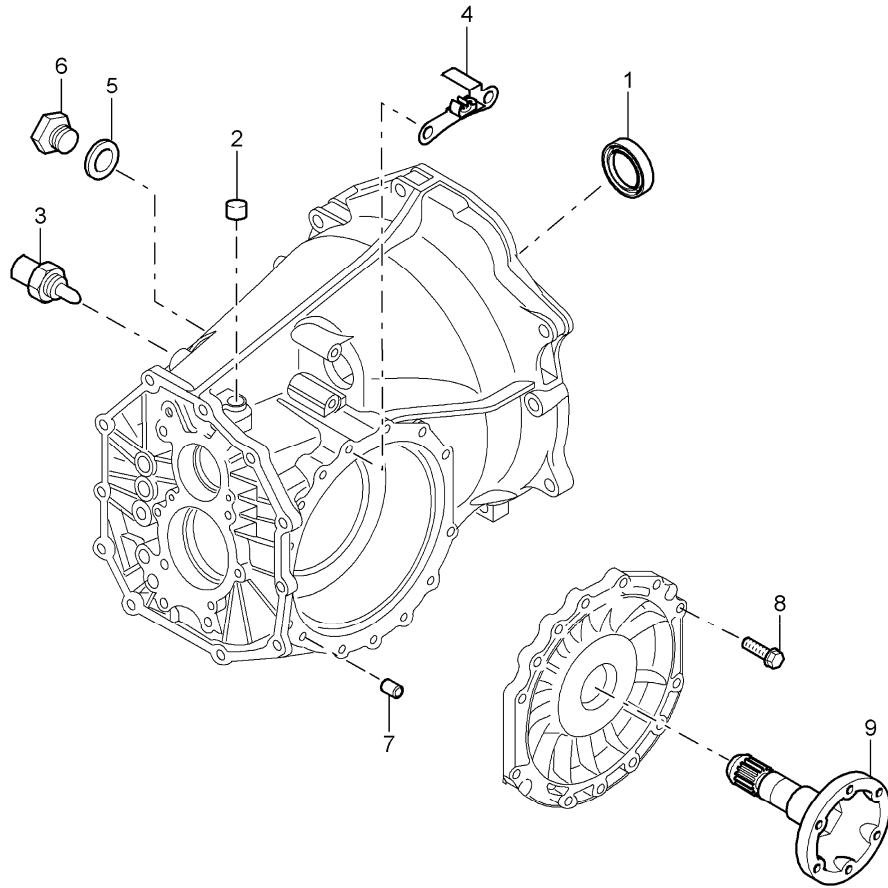
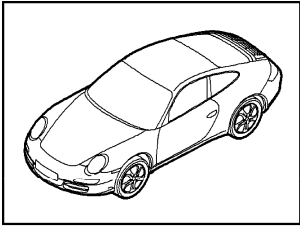


Model	Year	MG	SG	Illustration	Restrictions	UPD	13:37	03.02.2010	PORSCHE	PET	PORSCHE
997-2	2010	3	02	302-00		248					



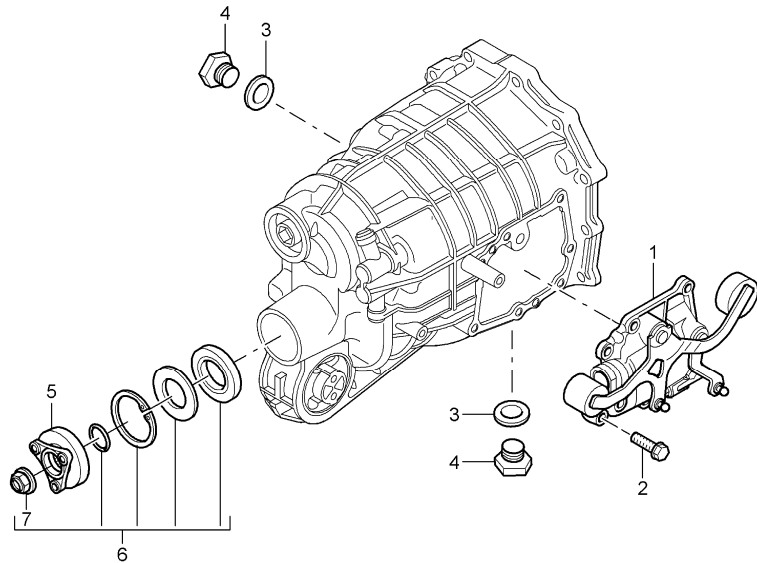
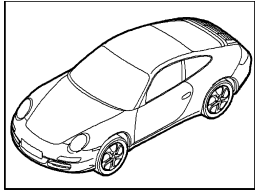
Pos	Part Number	Description	Remark	Qty	Model
1	> 997 300 010 05	manual transmission replacement transmission transmission		1	G97.05 I219
1	997 300 010 EX	transmission		1	G97.05 I219
(1)	> 997 300 020 05	transmission with limited-slip differential		1	G97.05 I220
(1)	997 300 020 GX	transmission with limited-slip differential		1	G97.05 I220
(1)	> 997 300 020 35	transmission with limited-slip differential		1	G97.35 I220
(1)	997 300 020 HX	transmission with limited-slip differential		1	G97.35 I220
2	000 043 204 19	transmission oil 20 LTR. container		X	

Model	Year	MG	SG	Illustration	Restrictions	UPD	22:14	24.01.2010	PORSCHE	PET	PORSCHE
997-2	2010	3	02	302-04		248					



Pos	Part Number	Description	Remark	Qty	Model
		manual transmission			G97.05
		single parts			G97.35
1	997 302 807 00	shaft sealing ring		1	
2	997 301 071 05	bleeder		1	
3	997 613 180 01	back-up light switch		1	
4	997 423 777 00	support		1	
5	997 301 808 00	sealing ring		1	
6	997 301 807 00	screw plug		1	
7	997 301 802 00	straight pin		2	
8	997 301 804 00	hexagon-head bolt		14	
9	997 332 209 05	joint flange		2	
10	997 332 249 01	circlip		2	
11	997 332 804 01	shaft sealing ring 68,2 mm		1	
12	997 332 803 01	shaft sealing ring 70 mm		1	
13	000 043 010 00	loctite 574 50 ml.		X	

Model	Year	MG	SG	Illustration	Restrictions	UPD	22:14	24.01.2010	PORSCHE	PET	PORSCHE
997-2	2010	3	02	302-05		248					



Pos	Part Number	Description	Remark	Qty	Model
		manual transmission single parts			
1	997 303 030 00	switching module		1	
2	997 303 808 00	hexagon-head bolt M8 x 25		7	
3	997 301 808 00	sealing ring		2	
4	997 301 807 00	screw plug		2	
5	997 301 903 05	output flange complete use also:		1	G97.35
6	997 301 911 05	repair kit output flange comprising: shaft sealing ring spacer ring circlip o-ring hexagon nut		1	G97.35
7	997 302 319 00	hexagon nut		1	G97.35

PORSCHE

PET

PORSCHE

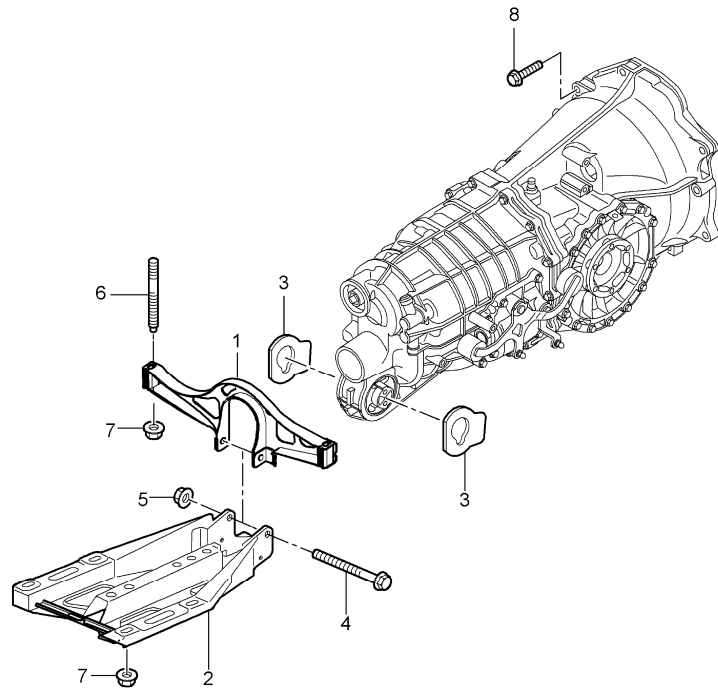
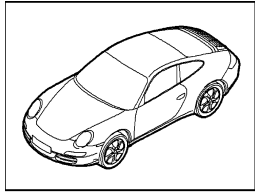
Model	Year	MG	SG	Illustration	Restrictions	UPD	22:15	24.01.2010
997-2	2010	3	05	305-10		248		

Pos	Part Number	Description	Remark	Qty	Model
		front-axle final drive cardan shaft			Z97.51
1	997 349 020 51	front-axle final drive ready for installation		1	
2	999 072 034 01	conical screw M 10 X 28		2	
3	996 375 034 01	transmission carrier front		1	
4	997 375 257 00	stop		2	
5	900 380 008 01	hexagon nut M 10		1	
6	997 375 343 00	transmission carrier rear		1	
7	900 378 142 01	hexagon-head bolt M 10 X 90		1	
8	996 375 054 03	transmission mounting rear		1	
9	997 606 303 00	temperature sensor		1	
10	900 385 123 01	combination screw M 10 X 25		4	
11	999 076 053 01	hexagon nut M 10		4	
12	9G1 421 020 00	cardan shaft		1	
14	900 385 097 01	torx screw M 10 X 35		3	
15	000 043 204 20	transmission oil front-axle final drive MOBILUBE PTX 75 W 90 container 20 Ltr.		X	

Model	Year	MG	SG	Illustration	Restrictions	UPD	22:15	24.01.2010
997-2	2010	3	05	305-16		248		

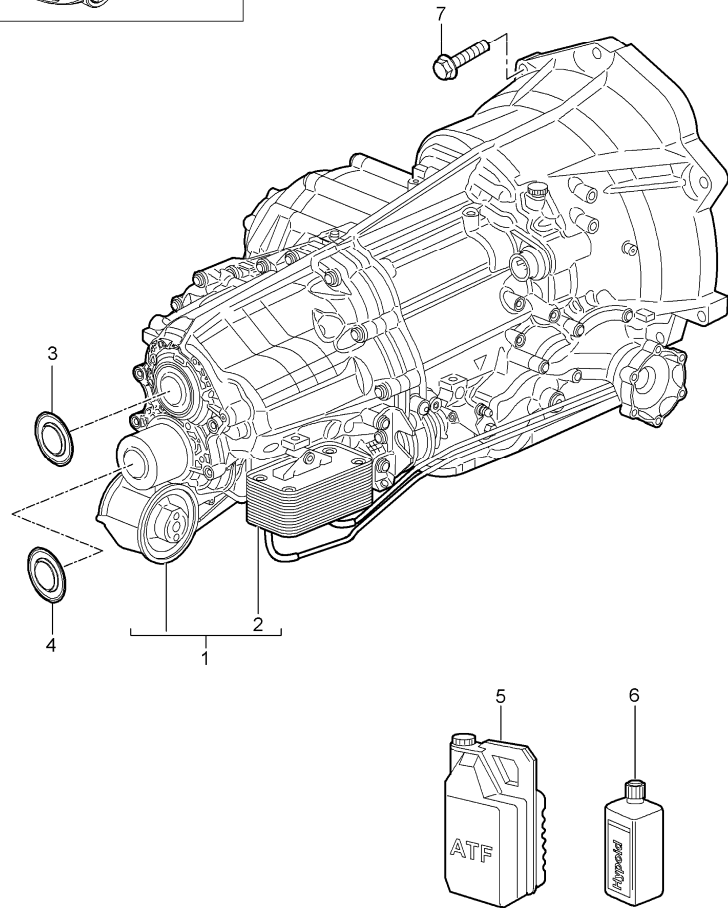
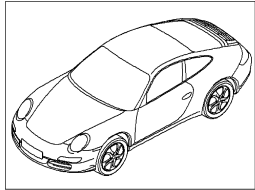
Pos	Part Number	Description	Remark	Qty	Model
		front-axle final drive			
		clutch single parts			
2	999 707 455 40	o-ring 123 X 3		1	
3	900 385 141 01	torx screw M 8 X 40		5	
5	900 067 018 04	pan-head screw M 8 X 25		1	
6	997 332 309 00	joint flange		2	
7	996 332 311 00	circlip 20 X 2,5		2	
8	999 113 454 40	shaft sealing ring 40 X 60 X 9		2	
9	900 124 013 01	screw plug M 18 X 1,5 oil filler screw		2	
10	900 124 014 01	screw plug M 18 X 1,5 drain plug		2	
11	997 337 710 00	cap bleeder 17 X 13,5		1	
12	997 606 303 00	temperature sensor		1	
13	997 337 071 00	breather hose		1	
14	999 507 339 01	cable terminal		4	
15	000 043 303 00	transmission oil for clutch 1 LTR. container		1	
16		transmission oil front-axle final drive see illustrations 3/02/00			

Model	Year	MG	SG	Illustration	Restrictions	UPD	22:15	24.01.2010	PORSCHE	PET	PORSCHE
997-2	2010	3	06	306-00		248					



Pos	Part Number	Description	Remark	Qty	Model
		transmission suspension threaded joint engine			G97.05 G97.35 CG1.00
1	9A1 375 039 01	transmission carrier		1	
2	9A1 375 113 01	side member		1	
3	9A1 375 255 00	stop		2	I480
(3)	9A1 375 255 00	stop		2	I250
(3)	9A1 375 256 00	stop		2	I250
4	900 385 283 01	torx screw BM12 X 1,5 X 130		1	
5	999 086 009 02	nut M12 X 1,5		2	
6	999 061 116 01	stud M10 X 100		2	
7	999 084 648 01	hexagon nut M 10		6	
8	999 385 009 01	Outer hexagon round screw BM 12 X 1,5 X 55		2	

Model	Year	MG	SG	Illustration	Restrictions	UPD	22:15	24.01.2010	PORSCHE	PET	PORSCHE
997-2	2010	3	20	320-00		248					

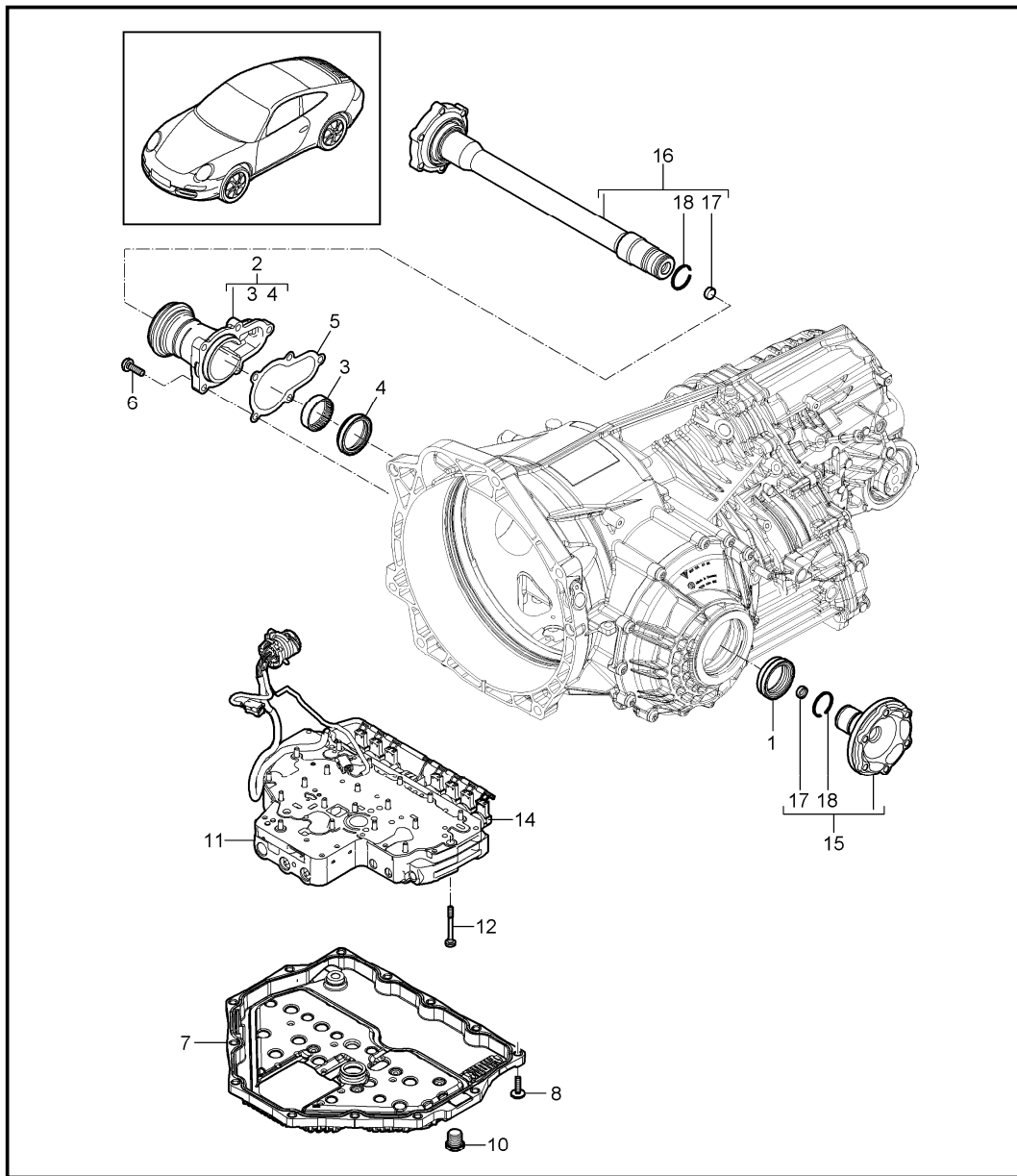


Pos	Part Number	Description	Remark	Qty	Model
		- pdk - transmission replacement transmission			CG1.00 CG1.30
		see technical information group 3 Nr.21/09			
1	A 000 043 300 65	transmission with control unit		1	CG1.00 I219
1	A 000 043 300 EX	transmission with control unit		1	CG1.00 I219
1	A 000 043 300 66	transmission with control unit		1	CG1.00 I220
1	A 000 043 300 FX	transmission with control unit		1	CG1.00 I220
(1)	A 000 043 300 67	transmission with control unit		1	CG1.30 I220
(1)	A 000 043 300 GX	transmission with control unit		1	CG1.30 I220
1	> 9G1 300 011 00	transmission		1	CG1.00 I219
1	> 9G1 300 011 02	transmission		1	CG1.00 I219
1	9G1 300 011 X	transmission		1	CG1.00 I219
1	9G1 300 011 BX	transmission		1	CG1.00 I219
1	> 9G1 300 021 00	transmission		1	CG1.00 I220
1	> 9G1 300 021 02	transmission		1	CG1.00 I220

Model	Year	MG	SG	Illustration	Restrictions	UPD	22:15	24.01.2010	PORSCHE	PET	PORSCHE
997-2	2010	3	20	320-00		248					

Pos	Part Number	Description	Remark	Qty	Model	Pos	Part Number	Description	Remark	Qty	Model
1	9G1 300 021 X	transmission		1	CG1.00 I220						
1	9G1 300 021 BX	transmission		1	CG1.00 I220						
(1) >	9G1 300 021 30	transmission		1	CG1.30 I220						
1 >	9G1 300 021 32	transmission		1	CG1.30 I220						
(1)	9G1 300 021 GX	transmission		1	CG1.30 I220						
(1)	9G1 300 021 HX	transmission		1	CG1.30 I220						
2		heat exchanger see group 3/60/00		1							
3	9G1 321 360 00	lid transmission case rear		2	I338						
4	9G1 321 360 00	lid transmission case rear		1	I339						
5	000 043 207 30	transmission oil Pentosin FFL 3 20 LTR. container		X							
(5)	000 043 207 29	transmission oil Pentosin FFL 3 1 LTR. container		X							
6	999 917 546 00	transmission oil 75 W 90 differential 1 LTR. container		X							
7	999 385 009 01	Outer hexagon round screw M 12 X 1,5 X 55 threaded joint engine and transmission		6							

Model	Year	MG	SG	Illustration	Restrictions	UPD	22:15	24.01.2010	PORSCHE	PET	PORSCHE
997-2	2010	3	20	320-05		248					

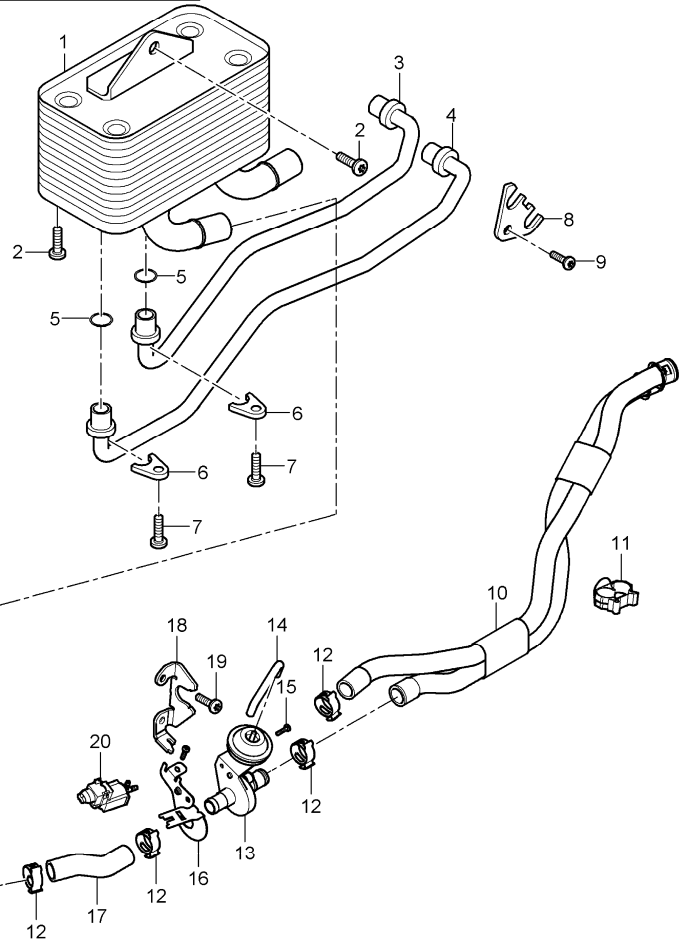
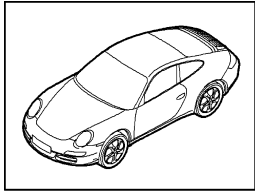


Pos	Part Number	Description	Remark	Qty	Model
		- pdk - transmission single parts			
1	9G1 332 806 00	shaft sealing ring 40X52 / 55X40		1	
2	U 9G1 321 159 00	Housing neck transmission		1	
2	9G1 321 959 00	Housing neck complete		1	
5	9G1 321 259 00	gasket flange		1	
6	9G1 332 801 00	torx screw M8 X 25		5	
7	9G1 321 025 00	oil pan complete		1	
8	9G1 321 801 00	torx screw M6 X 25		13	
9	9G1 321 805 00	screw plug included sealing ring		1	
10	9G1 321 825 00	screw plug included sealing ring		1	
11	9G1 317 015 00	control unit hydraulic pdk		1	
12	9G1 317 801 00	Flachkopfschraube M6x55		20	
13	9G1 317 697 00	connector housing pressure regulator		2	
14	9G1 317 698 00	connector housing solenoid valve		6	
15	9G1 332 028 00	joint flange short only together with 999.510.047.01	-09	1	
16	9G1 332 029 00	joint flange long only together with 999.510.047.01	-09	1	
17	9G1 332 821 00	lid		2	

Model	Year	MG	SG	Illustration	Restrictions	UPD	22:15	24.01.2010	PORSCHE	PET	PORSCHE
997-2	2010	3	20	320-05		248					

Pos	Part Number	Description	Remark	Qty	Model	Pos	Part Number	Description	Remark	Qty	Model
18	9G1 332 820 00	circlip D36 x 2,6		2							
19	9G1 116 807 00	shaft sealing ring for clutch 40 x 57 x 6		1							

Model	Year	MG	SG	Illustration	Restrictions	UPD	22:16	24.01.2010	PORSCHE	PET	PORSCHE
997-2	2010	3	60	360-00		248					

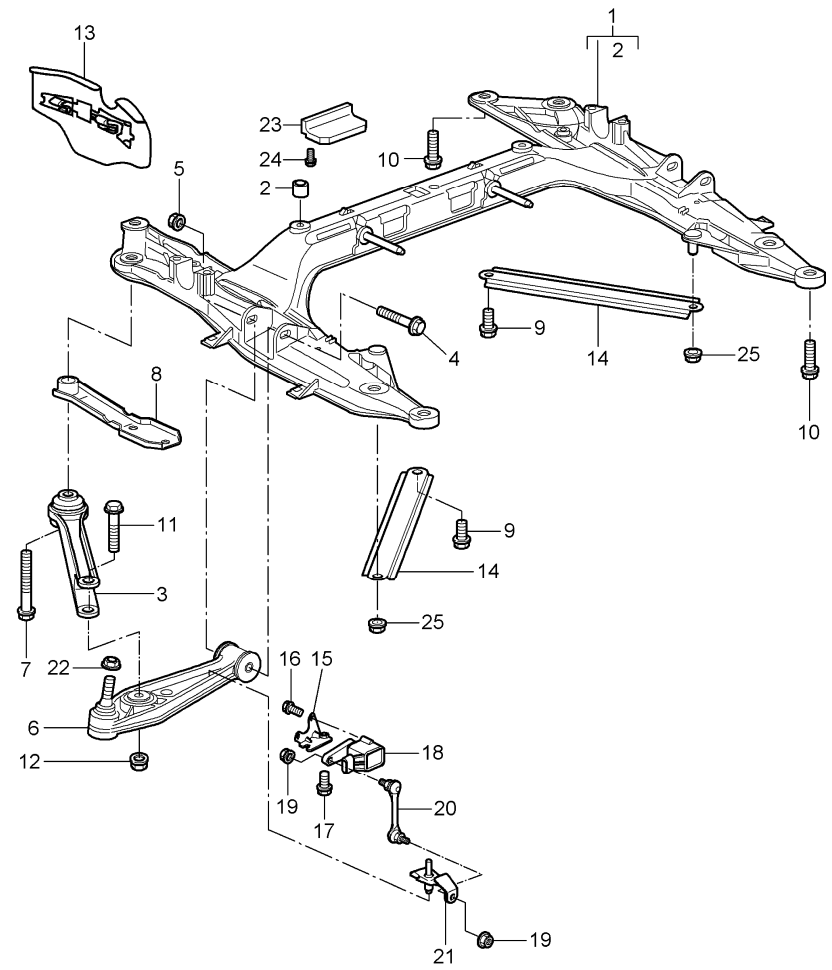
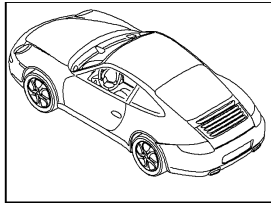


Pos	Part Number	Description	Remark	Qty	Model
		- pdk - transmission heat exchanger oil tube water tube			CG1.00 CG1.30
1	9G1 307 017 00	heat exchanger		1	
2	9G1 307 813 00	torx screw M6 X 12		3	
3	9G1 307 087 00	oil pipe heat exchanger supply		2	
4	9G1 307 085 00	oil pipe heat exchanger return line		1	
5	9G1 307 891 00	sealing ring oil pipe heat exchanger		4	
6	9G1 307 245 00	retaining bracket oil pipe heat exchanger		2	
7	9G1 307 813 00	torx screw M6 X 12		2	
8	9G1 307 255 00	retaining bracket oil pipe transmission		1	
9	9G1 307 802 00	torx screw M8 X 15		1	
10	9G1 307 711 01	hose line		1	
11	999 507 855 40	cable holder 22,0 / 22,0		1	
12	999 512 656 09	hose clamp B25 X 12		4	
13	928 574 573 03	disc valve		1	
14	9G1 307 673 00	moulded hose		1	
15	999 073 415 01	round head screw M4 X 16		2	
16	9G1 307 401 02	support disc valve		1	
17	9G1 307 713 00	water hose		1	

Model	Year	MG	SG	Illustration	Restrictions	UPD	22:16	24.01.2010	PORSCHE	PET	PORSCHE
997-2	2010	3	60	360-00		248					

Pos	Part Number	Description	Remark	Qty	Model	Pos	Part Number	Description	Remark	Qty	Model
18	9G1 426 211 00	support		1							
19	9G1 426 801 00	torx screw M8 X 20		2							
20	996 605 123 01	change-over valve		1							

Model	Year	MG	SG	Illustration	Restrictions	UPD	22:16	24.01.2010	PORSCHE	PET	PORSCHE
997-2	2010	4	01	401-00		248					

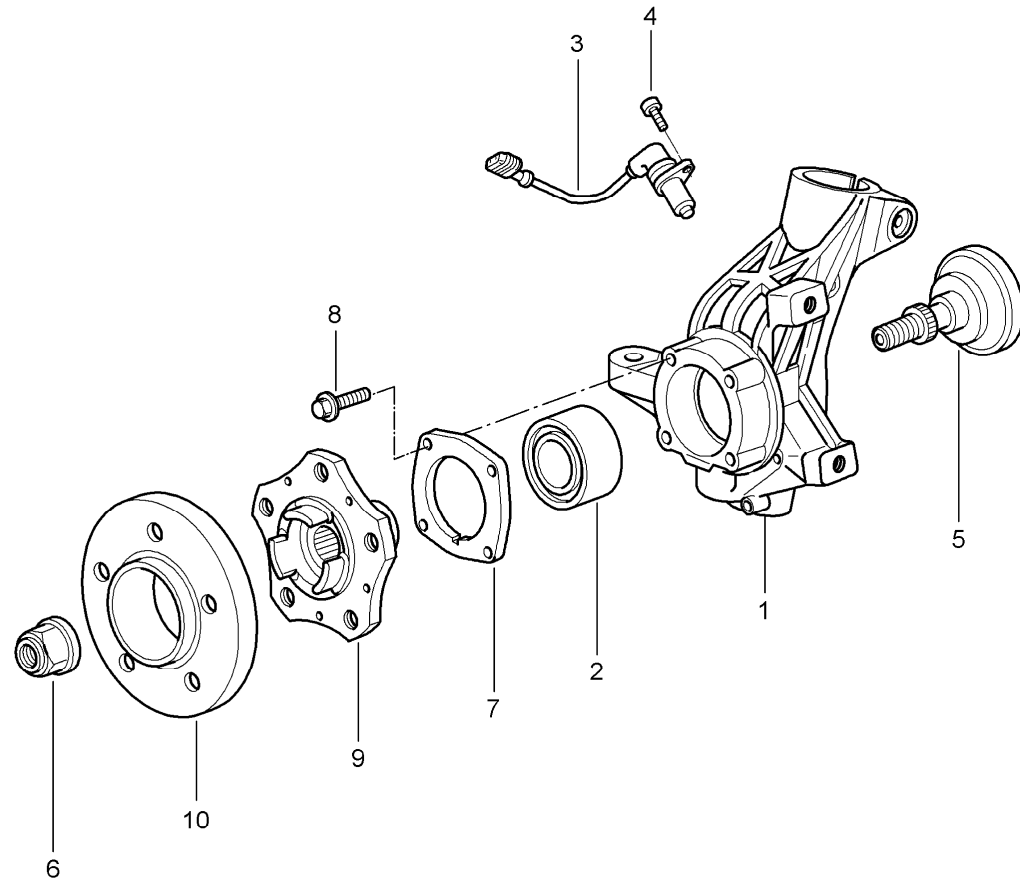
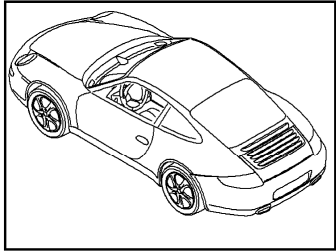


Pos	Part Number	Description	Remark	Qty	Model
		cross member wishbone			
(1)	997 341 081 06	cross member		1	CARRERA 2 CARRERA 2-S
(1)	997 341 081 06	cross member		1	I756
(1)	997 341 081 11	cross member		1	CARRERA 4 CARRERA 4-S
2	900 197 070 00	roll pin 13 X 14		1	
3	997 341 043 00	control arm		2	
4	900 378 165 01	hexagon-head bolt M 12 X 1,5 X 95		2	
5	999 084 445 01	lock nut M 12 X 1,5		2	
6	997 341 053 03	wishbone	-09	2	
6	997 341 053 04	wishbone	10-	2	
(7)	999 072 050 01	hexagon-head bolt M 14 X 1,5 X 120		2	CARRERA 4 CARRERA 4-S
(8)	997 341 145 05	plate		2	CARRERA 4 CARRERA 4-S
(9)	999 072 047 01	hexagon-head bolt M 12 x 1,5 x 30		4	
(10)	900 378 192 01	hexagon-head bolt M 14 x 1,5 x 50		2	
11	900 378 279 01	hexagon-head bolt M 14 X 1,5 X 95		2	
12	900 380 012 09	lock nut M 14 X 1,5	-09	2	
12	900 380 012 01	lock nut M 14 X 1,5	10-	2	
13	996 341 483 05	spoiler	/L /L	1	CARRERA 2 CARRERA 4
(13)	996 341 484 05	spoiler	/R /R	1	CARRERA 2 CARRERA 4
14	997 504 433 00	strut		2	CARRERA 2 CARRERA 2-S
	GRV	prime coated			

Model	Year	MG	SG	Illustration	Restrictions	UPD	22:16	24.01.2010	PORSCHE	PET	PORSCHE
997-2	2010	4	01	401-00		248					

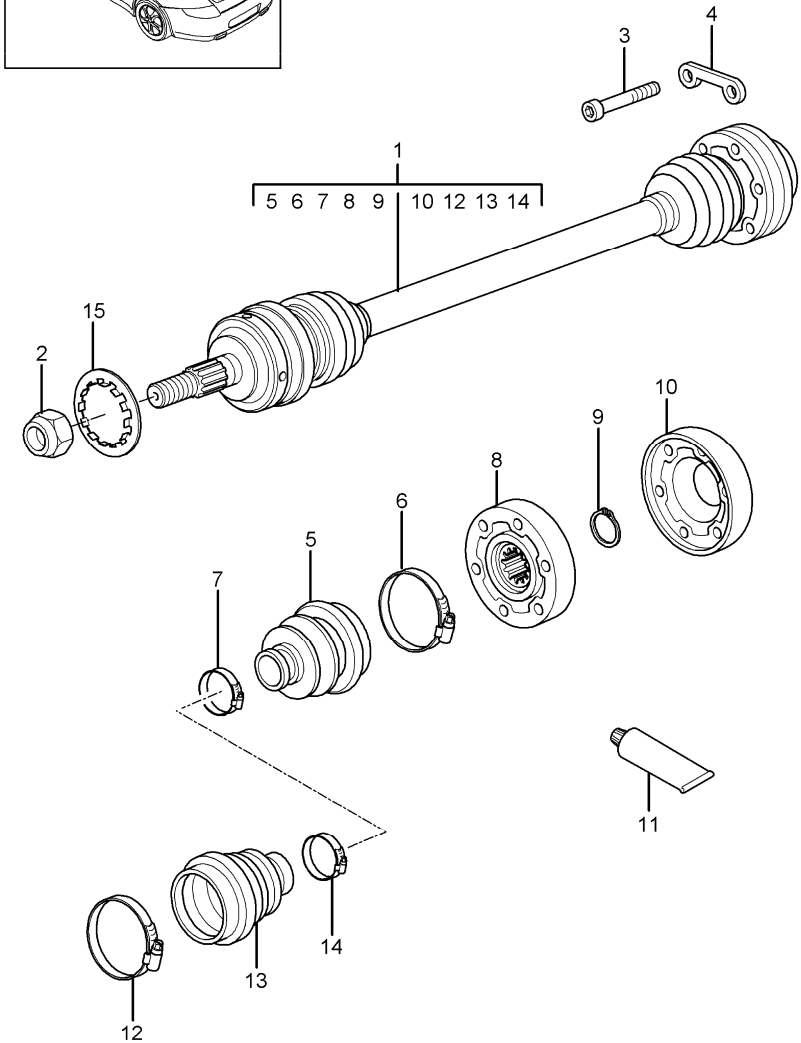
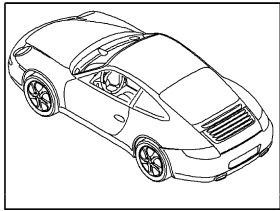
Pos	Part Number	Description	Remark	Qty	Model	Pos	Part Number	Description	Remark	Qty	Model
14	997 504 433 00	strut		2	I756						
	GRV	prime coated									
(14)	997 504 433 01	strut		2	CARRERA 4						
				2	CARRERA 4-S						
15	support see illustrations 1/05/10 Pos.10		1	I601/603						
16	900 146 003 03	oval-head screw M 5 x 10		2	I601/603						
17	900 378 036 01	hexagon-head bolt M 6 x 12		1							
18	997 631 121 00	sensor		1	I601/603						
19	900 380 015 01	hexagon nut VM 6		2							
20	997 341 375 01	strut		1	I601/603						
21	996 341 371 03	support		1	I601/603						
22	999 084 449 09	hexagon nut M 12 X 1,5		2							
23	997 341 431 02	stop		1	CARRERA 4 CARRERA 4-S						
24	999 072 047 01	hexagon-head bolt m 12 x 1,5 x 30		4	CARRERA 4 CARRERA 4-S						
25	999 084 445 01	hexagon nut M 12 X 1,5		2							

Model	Year	MG	SG	Illustration	Restrictions	UPD	13:42	03.02.2010	PORSCHE	PET	PORSCHE
997-2	2010	4	01	401-05		248					



Pos	Part Number	Description	Remark	Qty	Model
		wheel carrier wheel hub			
1	997 341 157 25	wheel carrier	/L	1	CARRERA 2
				1	CARRERA 2-S
1	997 341 157 25	wheel carrier	/L	1	I756
1	997 341 158 25	wheel carrier	/R	1	CARRERA 2
				1	CARRERA 2-S
(1)	997 341 158 25	wheel carrier	/R	1	I756
(1)	997 341 165 24	wheel carrier	/L	1	CARRERA 4
				1	CARRERA 4-S
(1)	997 341 166 24	wheel carrier	/R	1	CARRERA 4
				1	CARRERA 4-S
2	999 053 054 05	angular-contact bearing		2	
3	997 606 407 01	speed sensor		2	
4	900 067 117 04	pan-head screw M 6 x 16		2	
5	997 341 131 00	tension bolt		2	CARRERA 2
				2	CARRERA 2-S
5	997 341 131 00	tension bolt		2	I756
6	999 084 641 02	lock nut M 22 X 1,5	-09	2	
6	999 084 641 01	lock nut M 22 X 1,5	10-	2	
7	986 331 661 20	lid		2	
8	999 217 042 04	hexagon-head bolt M 8 X 35		8	
9	997 341 605 01	wheel hub		2	
10	997 361 605 90	spacer ring 5 MM		2	IXRP

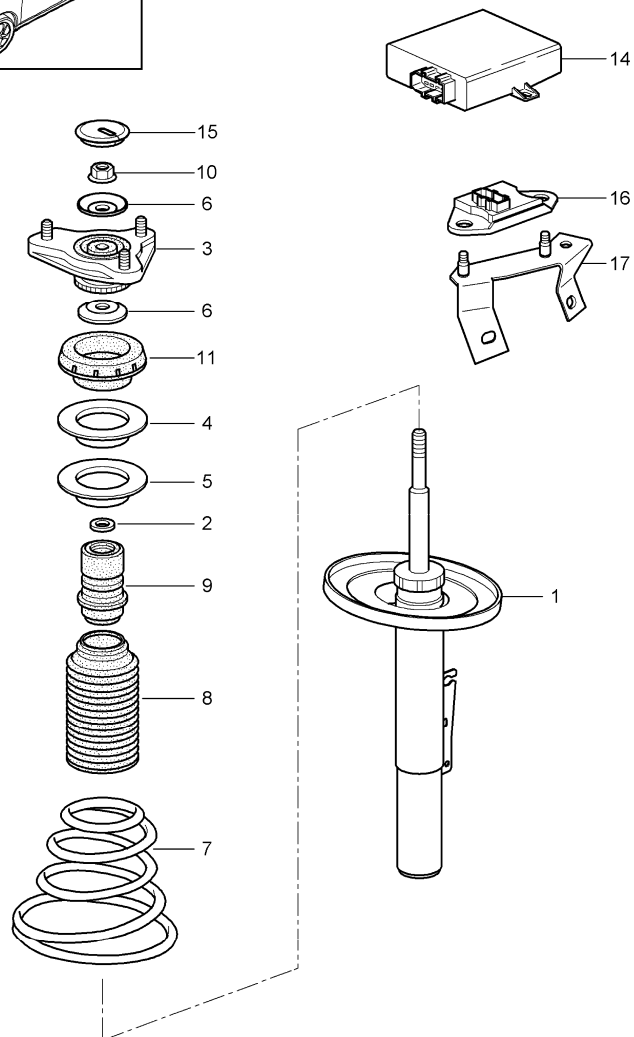
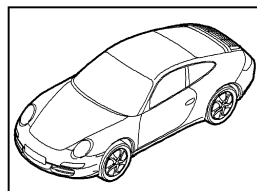
Model	Year	MG	SG	Illustration	Restrictions	UPD	22:21	24.01.2010	PORSCHE	PET	PORSCHE
997-2	2010	4	01	401-10		248					



Pos	Part Number	Description	Remark	Qty	Model
		drive shaft			CARRERA 4 CARRERA 4-S
1	997 349 038 01	drive shaft		2	
2	999 084 641 02	lock nut M 22 X 1,5		2	
3	900 067 073 02	pan-head screw M 8 x 45		12	
4	996 349 191 01	plate		6	
5	996 349 293 00	dust bellows		2	
-	996 349 959 00	bellow support for dust bellows		2	
6	997 349 957 00	clip		2	
7	996 349 257 03	clip		2	
8	996 349 030 00	joint		2	
9	900 041 011 01	circlip		2	
10	996 349 267 00	lid		2	
11	000 043 110 01	grease 1 100-gramme tube		X	
(11)	000 043 205 36	sealing compound drive shaft 1 100-gramme tube		X	
12	996 349 257 00	clip		2	
13	996 349 291 00	dust bellows		2	
14	996 349 257 01	clip		2	
15	997 349 269 00	protective ring		2	

Model	Year	MG	SG	Illustration	Restrictions	UPD	22:21	24.01.2010	PORSCHE	PET	PORSCHE
997-2	2010	4	02	402-00		248					

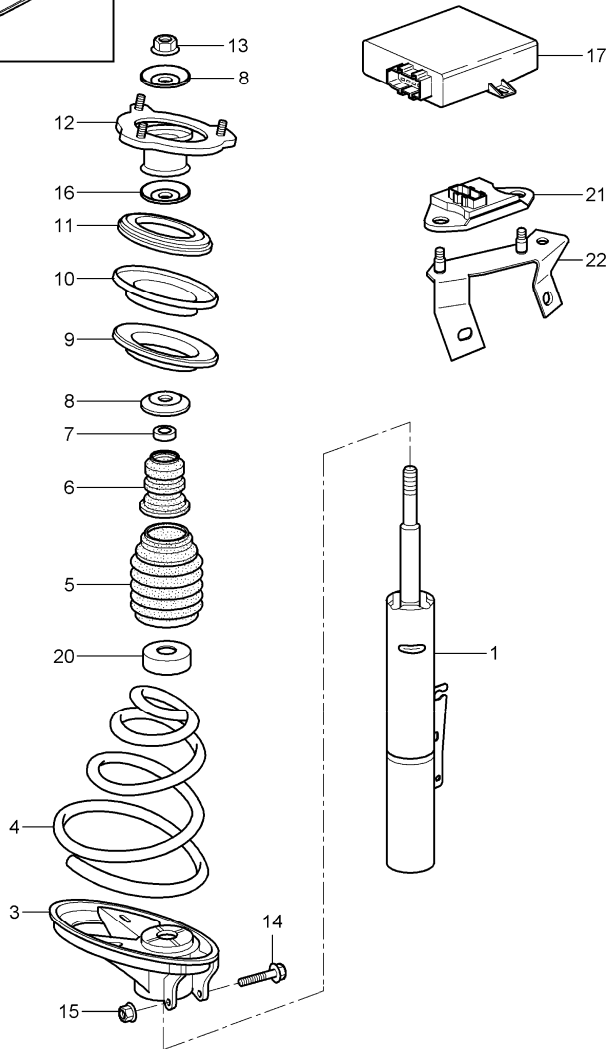
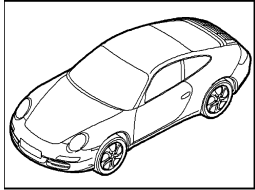
Pos	Part Number	Description	Remark	Qty	Model
1	997 343 042 00	suspension shock absorber strut vibration damper		2	CARRERA 2 CARRERA 2-S
(1)	997 343 045 21	vibration damper	-09	2	I029 CARRERA 2 CARRERA 2-S
(1)	997 343 045 23	vibration damper	10-	2	I030/475 CARRERA 2 CARRERA 2-S
(1)	997 343 045 23	vibration damper		2	I756
(1)	997 343 045 20	vibration damper	-09	2	I475 CARRERA 2 CARRERA 2-S
(1)	997 343 045 22	vibration damper	10-	2	I029/475 CARRERA 2 CARRERA 2-S
-	999 084 445 01	mount vibration damper lock nut M 12 X 1,5 X 12		2	
2	996 343 513 00	washer		2	
3	997 343 018 01	supporting mount		2	
-	999 084 447 01	mount supporting mount hexagon nut M 8		6	
4	996 343 517 01	support ring		2	
5	996 343 511 00	compensating plate 3,0 MM		X	
(5)	996 343 511 01	compensating plate 6,5 MM		X	
6	997 343 107 00	stop plate upper		2	I029
6	997 343 107 01	stop plate lower		2	I029
(6)	997 343 107 01	stop plate upper		1	I475



Model	Year	MG	SG	Illustration	Restrictions	UPD	22:21	24.01.2010	PORSCHE	PET	PORSCHE
997-2	2010	4	02	402-00		248					

Pos	Part Number	Description	Remark	Qty	Model	Pos	Part Number	Description	Remark	Qty	Model
6	997 343 107 01	stop plate lower		1	I475	(9)	996 343 980 09	additional spring		2	I756
(6)	997 343 272 00	washer		2	I030	(9)	996 343 301 02	additional spring		2	I029
(6)	997 343 272 00	washer		2	I756	10	A 900 380 012 09	hexagon nut M 14 X 1,5		2	
(7)	997 343 531 46	coil spring 1 set		1	I029 CARRERA 2	10	900 380 012 01	hexagon nut M 14 X 1,5		2	
	504	identification violet violet blue			COUPE	11	996 343 515 05	deep-groove ball bearing with housing		2	
(7)	997 343 531 47	coil spring 1 set		1	I029 CARRERA 2	14	997 618 450 01	control unit		1	I029/475
	504	identification violet violet white			CABRIO	(14)	997 618 451 01	control unit		1	I030/475
						(14)	997 618 451 01	control unit		1	I756
						15	999 703 457 40	lid		2	
7	997 343 531 48	coil spring 1 set		1	I029/475 CABRIO	16	997 606 111 01	acceleration sensor body		2	
	504	identification red red yellow			CARRERA 2 CARRERA 2-S	17	997 606 212 01	support acceleration sensor		1	
(7)	997 343 531 50	coil spring 1 set		1	I029/475 COUPE	-	999 507 016 40	cable holder 4,0/10,0	/L	1	
	504	identification red red green			CARRERA 2 CARRERA 2-S	-	999 507 673 40	cable holder 4,5	/R	1	
(7)	997 343 531 49	coil spring 1 set		1	I030/475 COUPE						
	504	identification silver silver			CARRERA 2 CARRERA 2-S						
(7)	997 343 531 49	coil spring 1 set		1	I756						
	504	identification silver silver									
8	996 343 505 00	bellows		2							
(9)	996 343 980 09	additional spring		2	I030						

Model	Year	MG	SG	Illustration	Restrictions	UPD	22:21	24.01.2010	PORSCHE	PET	PORSCHE
997-2	2010	4	02	402-01		248					



Pos	Part Number	Description	Remark	Qty	Model
		suspension shock absorber strut			CARRERA 4 CARRERA 4-S
1	997 343 049 10	vibration damper	/L	1	I029 CARRERA 4
(1)	997 343 050 10	vibration damper	/R	1	I029 CARRERA 4
(1)	997 343 047 21	vibration damper	/L -09	1	I030 CARRERA 4 CARRERA 4-S
(1)	997 343 047 23	vibration damper	/L 10-	1	I030 CARRERA 4 CARRERA 4-S
(1)	997 343 048 21	vibration damper	/R -09	1	I030 CARRERA 4 CARRERA 4-S
(1)	997 343 048 23	vibration damper	/R 10-	1	I030 CARRERA 4 CARRERA 4-S
(1)	997 343 047 22	vibration damper	/L -09	1	I475 CARRERA 4 CARRERA 4-S
(1)	997 343 047 24	vibration damper	/L 10-	1	I475 CARRERA 4 CARRERA 4-S
(1)	997 343 048 22	vibration damper	/R -09	1	I475 CARRERA 4 CARRERA 4-S
(1)	997 343 048 24	vibration damper	/R 10-	1	I475 CARRERA 4 CARRERA 4-S
(1)	997 343 049 11	vibration damper	/L	1	I029 TARGA
(1)	997 343 050 11	vibration damper	/R	1	I029 TARGA
(1)	997 343 051 10	vibration damper	/L -09	1	I475 TARGA I475 TARGA-S
(1)	997 343 051 11	vibration damper	/L 10- /L	1	I475 TARGA I475 TARGA-S

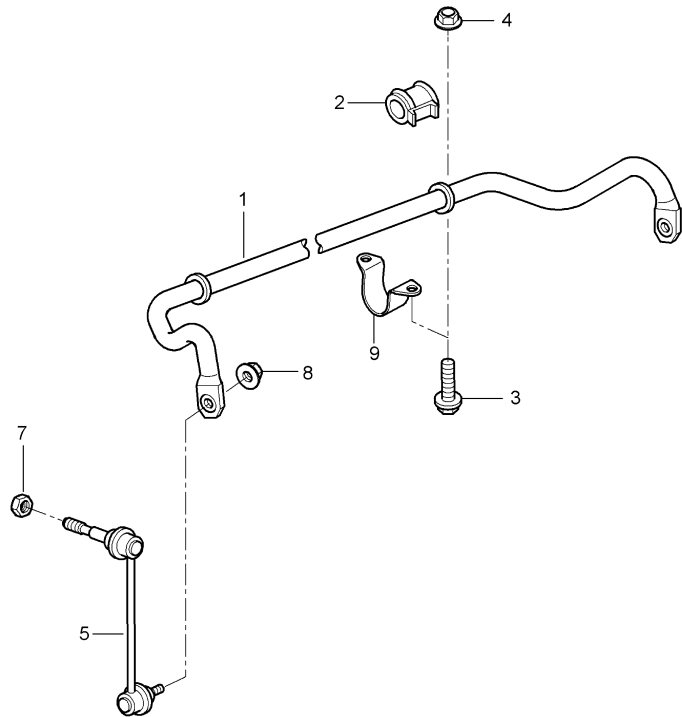
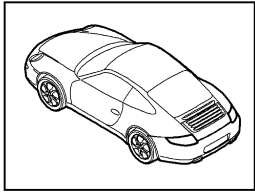
Model	Year	MG	SG	Illustration	Restrictions	UPD	22:21	24.01.2010	PORSCHE	PET	PORSCHE
997-2	2010	4	02	402-01		248					

Pos	Part Number	Description	Remark	Qty	Model	Pos	Part Number	Description	Remark	Qty	Model
(1)	997 343 052 10	vibration damper	/R -09	1	I475		504	identification			CARRERA 4
			/R	1	TARGA			yellow			CARRERA 4-S
				1	I475			yellow			
				1	TARGA-S			green			
(1)	997 343 052 11	vibration damper	/R 10-	1	I475	(4)	997 343 533 36	coil spring		1	I475
			/R	1	TARGA			1 set			TARGA
				1	I475		504	identification			TARGA-S
		mount			TARGA-S			blue			
		shock absorber						blue			
								silver			
-	900 378 138 01	hexagon-head bolt		2		5	996 343 509 01	bellows		2	
		M 12 X 1,5 X 70		2		(6)	996 343 301 02	additional spring		2	I029
-	999 084 445 01	lock nut		2						2	I475
		M 12 X 1,5		2		(6)	996 343 980 09	additional spring		2	I030
4	997 343 533 31	coil spring		1	I029	(6)	996 343 980 09	additional spring		2	I030
		1 set		1	COUPE	7	996 343 513 00	washer		2	
				1	CARRERA 4	8	997 343 107 01	stop plate		2	
		504 identification				9	996 343 525 00	compensating plate		2	
		brown				(9)	996 343 525 01	3,0 MM		2	
		brown						compensating plate		2	
		white				10	996 343 523 00	6,5 MM		2	
(4)	997 343 533 32	coil spring		1	I029	10	996 343 523 00	support ring		2	
		1 set		1	CABRIO	11	996 343 501 00	angular-contact bearing		2	
				1	CARRERA 4	12	997 343 015 02	supporting mount	/L	1	
		504 identification				(12)	997 343 016 02	supporting mount	/R	1	
		yellow						mount			
		yellow						supporting mount			
		white				-	999 084 447 01	hexagon nut		6	
(4)	997 343 533 34	coil spring		1	I030			M 8		6	
		1 set		1	COUPE	13 A	900 380 012 09	hexagon nut		2	
				1	CARRERA 4			M 14 X 1,5		2	
		504 identification			CARRERA 4-S	13	900 380 012 01	hexagon nut		2	
		green						M 14 X 1,5		2	
		green				14	900 378 191 09	hexagon-head bolt		2	
		yellow						M 6 X 55		2	
(4)	997 343 533 35	coil spring		1	I475	15	900 377 010 01	hexagon nut		2	
		1 set		1	CABRIO			M 6		2	
				1		16	997 343 107 01	stop plate		2	

Model	Year	MG	SG	Illustration	Restrictions	UPD	22:21	24.01.2010	PORSCHE	PET	PORSCHE
997-2	2010	4	02	402-01		248					

Pos	Part Number	Description	Remark	Qty	Model	Pos	Part Number	Description	Remark	Qty	Model
17	997 618 450 01	control unit		1	I475						
(17)	997 618 451 01	control unit		1	I030						
-	999 703 457 40	lid		2							
20	997 343 272 00	washer		2	I030						
21	997 606 111 01	acceleration sensor body		2							
-	900 378 111 01	hexagon-head bolt M 6 X 60		2							
22	997 606 212 01	support acceleration sensor		1							
-	999 507 016 40	cable holder 4,0-10,0	/L	1							
-	999 507 673 40	cable holder 4,5	/R	1							

Model	Year	MG	SG	Illustration	Restrictions	UPD	22:21	24.01.2010	PORSCHE	PET	PORSCHE
997-2	2010	4	02	402-05		248					

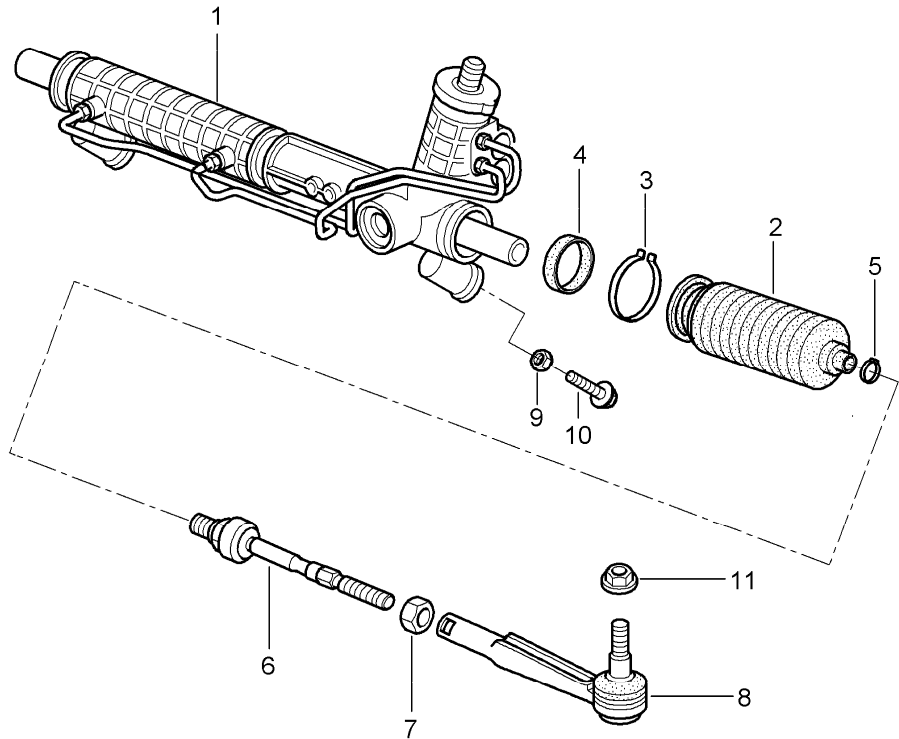
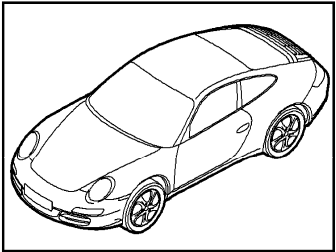


Pos	Part Number	Description	Remark	Qty	Model
		stabiliser			
1	997 343 701 07	stabiliser		1	CARRERA 2 COUPE CABRIO I029
(1)	997 343 701 08	stabiliser		1	CARRERA 2 CARRERA 2-S COUPE I030
(1)	997 343 701 08	stabiliser		1	CARRERA 2 COUPE CABRIO I475
(1)	997 343 701 08	stabiliser		1	CARRERA 2-S COUPE CABRIO I475
(1)	997 343 701 08	stabiliser		1	I756
(1)	997 343 703 08	stabiliser		1	CARRERA 4 COUPE CABRIO I029
(1)	997 343 703 09	stabiliser		1	CARRERA 4 TARGA I029
(1)	997 343 703 09	stabiliser		1	CARRERA 4 CARRERA 4-S COUPE I030
(1)	997 343 703 09	stabiliser		1	CARRERA 4 COUPE CABRIO I475
(1)	997 343 703 09	stabiliser		1	CARRERA 4 CARRERA 4-S TARGA I475
(1)	997 343 703 09	stabiliser		1	CARRERA 4-S COUPE CABRIO I475
(2)	996 343 792 17	stabiliser mounting		2	CARRERA 2 COUPE CABRIO I029/250

Model	Year	MG	SG	Illustration	Restrictions	UPD	22:21	24.01.2010	PORSCHE	PET	PORSCHE
997-2	2010	4	02	402-05		248					

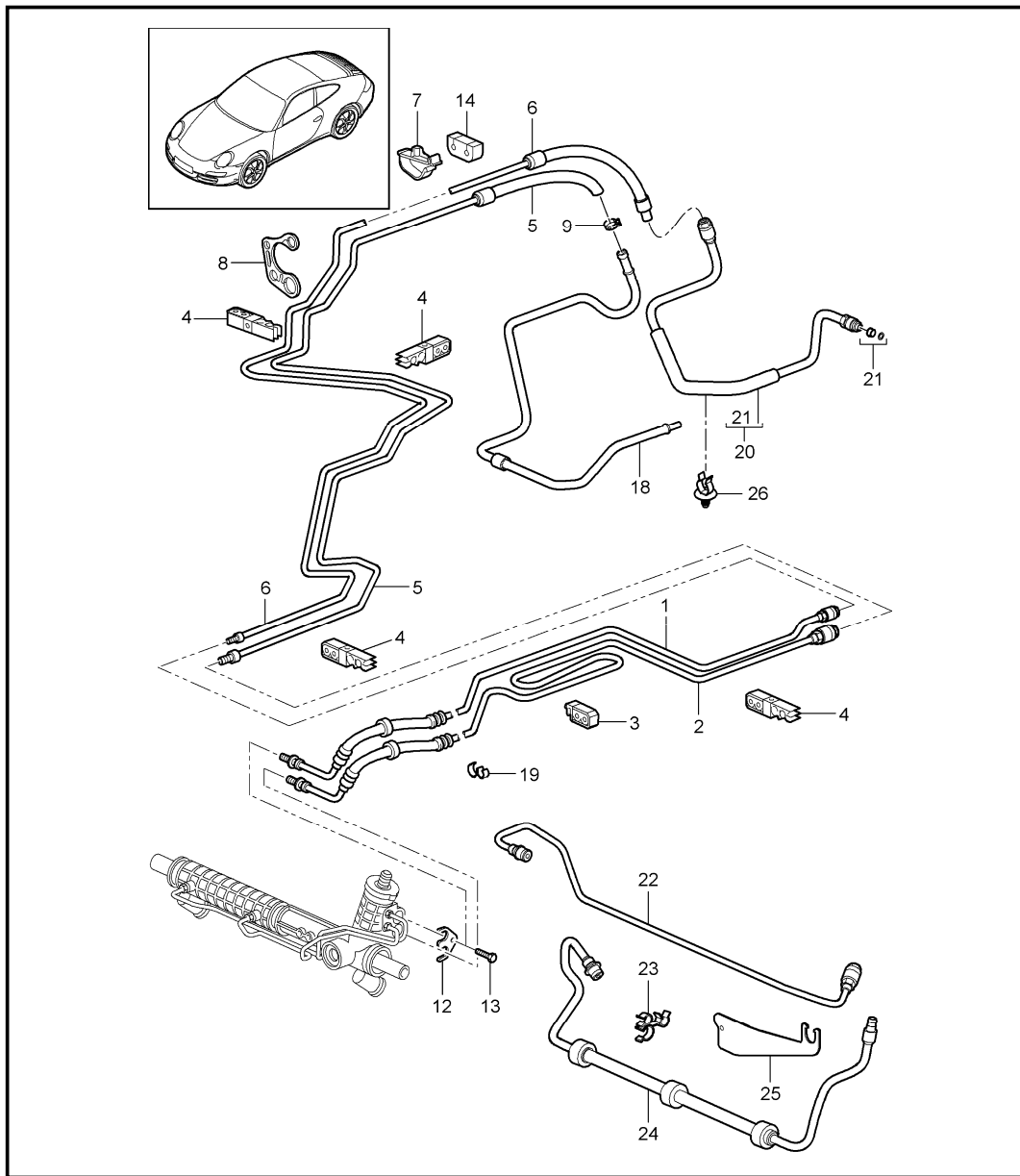
Pos	Part Number	Description	Remark	Qty	Model	Pos	Part Number	Description	Remark	Qty	Model
(2)	996 343 792 17	stabiliser mounting		2	CARRERA 2 CARRERA 2-S COUPE I030	(5)	997 343 073 02	stabiliser mounting	/L -09	1	CARRERA 4 CARRERA 4-S TARGA TARGA-S
(2)	996 343 792 17	stabiliser mounting		2	CARRERA 2 CARRERA 2-S COUPE CABRIO I475	(5)	997 343 073 03	stabiliser mounting	/L 10-	1	CARRERA 4 CARRERA 4-S TARGA TARGA-S
(2)	996 343 792 17	stabiliser mounting		2	I756	(5)	997 343 070 02	stabiliser mounting	/R -09	1	CARRERA 2 CARRERA 2-S
(2)	996 343 792 11	stabiliser mounting		2	CARRERA 4 COUPE CABRIO I029	(5)	997 343 070 03	stabiliser mounting	/R 10-	1	CARRERA 2 CARRERA 2-S
(2)	996 343 792 17	stabiliser mounting		2	CARRERA 4 COUPE CABRIO I475	(5)	997 343 070 03	stabiliser mounting	/R	1	I756
(2)	996 343 792 17	stabiliser mounting		2	CARRERA 4 COUPE CABRIO I475	(5)	997 343 074 02	stabiliser mounting	/R -09	1	CARRERA 4 CARRERA 4-S TARGA TARGA-S
(2)	996 343 792 12	stabiliser mounting		2	CARRERA 4 CABRIO	(5)	997 343 074 03	stabiliser mounting	/R 10-	1	CARRERA 4 CARRERA 4-S TARGA TARGA-S
(2)	996 343 792 12	stabiliser mounting		2	CARRERA 4 CARRERA 4-S COUPE I030	7	999 084 445 01	hexagon nut M 12		2	
(2)	996 343 792 12	stabiliser mounting		2	CARRERA 4 CARRERA 4-S COUPE CABRIO TARGA I475	8	999 084 643 01	hexagon nut M 10		2	
(2)	996 343 792 12	stabiliser mounting		2	CARRERA 4 CARRERA 4-S COUPE CABRIO TARGA I475	9	997 343 777 01	clip		2	CARRERA 4 CARRERA 4-S TARGA TARGA-S
3	900 378 098 01	hexagon-head bolt M 10 x 60		4							
4	900 380 008 01	hexagon nut M 10		4	CARRERA 4 CARRERA 4-S TARGA TARGA-S						
5	997 343 069 02	stabiliser mounting	/L -09	1	CARRERA 2 CARRERA 2-S						
(5)	997 343 069 03	stabiliser mounting	/L 10-	1	CARRERA 2 CARRERA 2-S						
(5)	997 343 069 03	stabiliser mounting	/L	1	I756						

Model	Year	MG	SG	Illustration	Restrictions	UPD	22:21	24.01.2010	PORSCHE	PET	PORSCHE
997-2	2010	4	03	403-00		248					



Pos	Part Number	Description	Remark	Qty	Model
		power steering steering gear steering parts			
1	> 997 347 011 06	steering gear power steering		1	I098
(1)	> 997 347 012 05	steering gear power steering		1	I099
2	997 347 191 00	bellows		2	
3	996 347 293 05	clamping ring		2	
4	997 347 373 00	sealing ring		2	
5	999 512 693 09	clamping ring		2	
6	997 347 322 01	joint		2	
7	999 034 037 09	hexagon nut M 14 X 1,5		2	
8	996 347 131 04	track rod		2	
9	-	see illustrations 4/01/00 POS.2			
10	900 378 100 01	hexagon-head bolt AM 10 X 45		2	
11	999 084 449 09	hexagon nut M 12 X 1,5		2	

Model	Year	MG	SG	Illustration	Restrictions	UPD	22:22	24.01.2010	PORSCHE	PET	PORSCHE
997-2	2010	4	03	403-01		248					

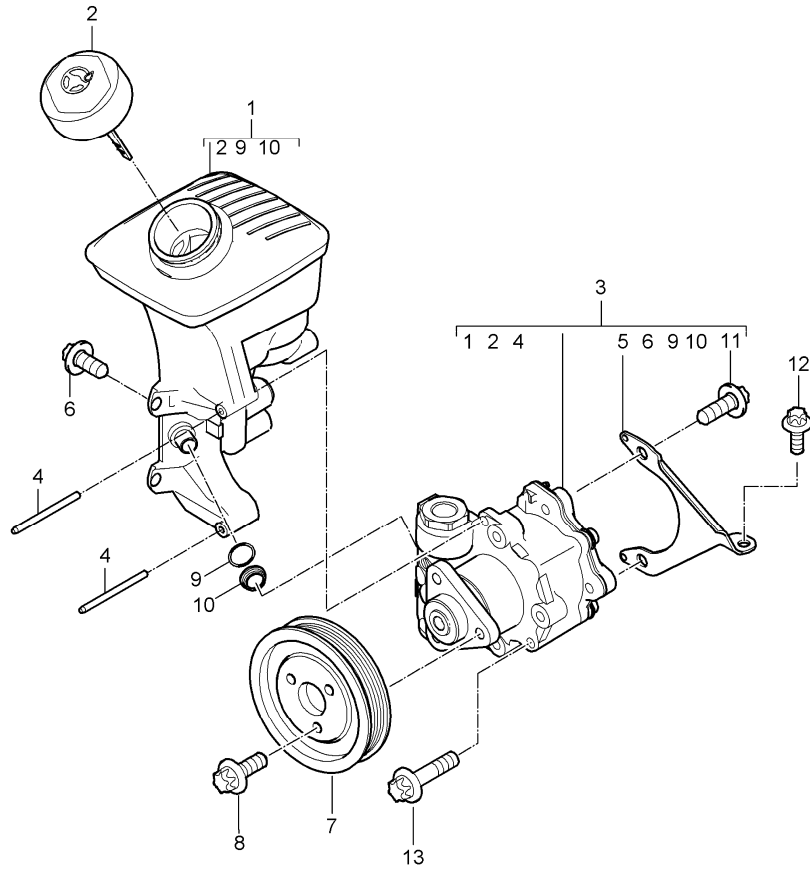
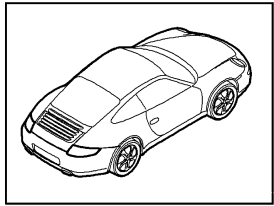


Pos	Part Number	Description	Remark	Qty	Model
		power steering lines			
1	997 347 451 11	pressure line		1	I098
(1)	997 347 452 12	pressure line		1	I099
2	997 347 449 11	return line		1	I098
(2)	997 347 650 11	return line		1	I099
3	996 347 543 00	cable holder		X	
4	996 355 543 00	support		1	
5	997 347 439 11	return line centre	-09	1	
				1	
5	997 347 439 12	return line centre	10-	1	
				1	
6	997 347 445 11	pressure line centre	-09	1	
				1	
6	997 347 445 12	pressure line centre	10-	1	
				1	
7	996 347 549 01	support		2	
8	997 347 544 00	support		1	
9	999 512 639 09	spring clamp		1	
12	996 347 769 01	tension shackle		1	
13	900 067 063 03	pan-head screw M 10 x 20		1	
14	996 347 551 01	retainer plate		1	
18	9A1 347 441 03	return line		1	
19	999 507 091 40	cable holder		3	
20	9A1 347 443 02	pressure line		1	
21	997 347 945 00	repair kit -PENTOSIN-		X	
22	997 347 564 11	pressure line		1	I099
23	999 507 963 40	support		1	I099
24	997 347 462 12	return line		1	I099
25	997 347 560 00	support		1	I099

Model	Year	MG	SG	Illustration	Restrictions	UPD	22:22	24.01.2010	PORSCHE	PET	PORSCHE
997-2	2010	4	03	403-01		248					

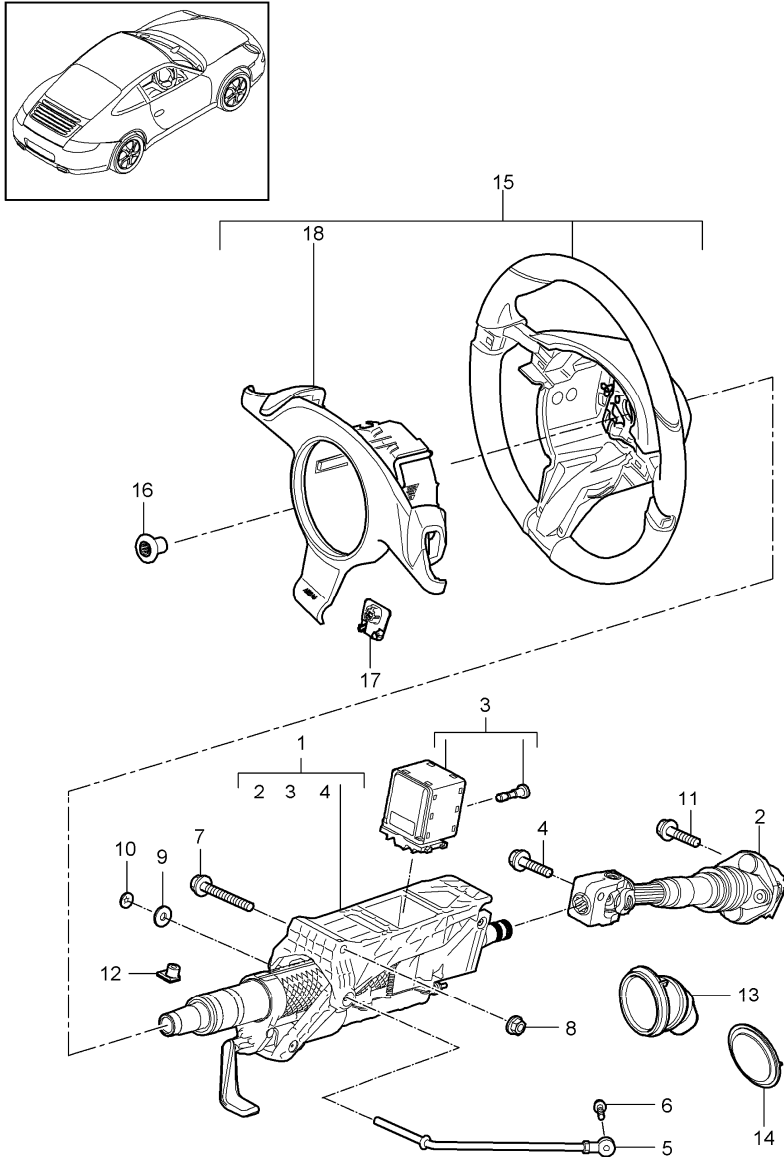
Pos	Part Number	Description	Remark	Qty	Model	Pos	Part Number	Description	Remark	Qty	Model
26	999 507 136 41	cable holder		1							

Model	Year	MG	SG	Illustration	Restrictions	UPD	22:22	24.01.2010	PORSCHE	PET	PORSCHE
997-2	2010	4	03	403-03		248					



Pos	Part Number	Description	Remark	Qty	Model
		power steering power-steering pump container			
1	9A1 314 220 04	container		1	
2	9A1 314 223 02	lid		1	
3	9A1 314 020 03	power-steering pump		1	
4	996 314 320 03	straight pin		2	
5	9A1 314 430 02	bracket		1	
6	900 385 044 01	torx screw BM 8 X 16		2	
7	9A1 147 123 00	pulley		1	
8	900 385 099 01	torx screw BM 8 X 12		3	
9		sealing ring 12,5 X 2,15		1	
10		guide		1	
11	900 385 042 01	torx screw BM 8 X 35		2	
12	900 385 009 01	torx screw 6 X 20		1	
-	000 043 203 33	pentosin 1000 ML		X	
13	900 385 042 01	Outer hexagon round screw BM 8 X 35		2	

Model	Year	MG	SG	Illustration	Restrictions	UPD	22:22	24.01.2010	PORSCHE	PET	PORSCHE
997-2	2010	4	03	403-04		248					



Pos	Part Number	Description	Remark	Qty	Model
		steering outer tube steering shaft steering wheels			I250 I250 I250
(1)	997 347 007 10	steering column complete steering shaft		1	
2	997 347 023 04	intermed. steering shaft		1	
3	997 618 158 04	control unit steering column with screw		1	
4	A 999 217 042 03	hexagon-head bolt M 8 X 35		1	
4	999 217 042 04	hexagon-head bolt M 8 X 35		1	
5	997 347 243 00	support		1	
6	900 378 173 01	hexagon-head bolt M 6 x 20		1	
7	900 378 095 01	hexagon-head bolt M 10 X 100		1	
8	900 380 008 01	hexagon nut M 10		1	
9	900 151 006 03	washer		1	
10	999 507 217 07	clamping washer		1	
11	A 999 217 042 03	hexagon-head bolt M 8 X 35		1	
11	999 217 042 04	hexagon-head bolt M 8 X 35		1	
12	999 920 019 40	plug-in nut 3,5 X 2,5 X 9		1	
13	986 347 037 01	bellows		1	
14	996 347 339 02	rubber seal bulkhead		1	
15	997 347 803 20	steering wheel plain leather	-09	1	I250/841
	A34	black			
	B24	stone grey			

Model	Year	MG	SG	Illustration	Restrictions	UPD	22:22	24.01.2010	PORSCHE	PET	PORSCHE
997-2	2010	4	03	403-04		248					

Pos	Part Number	Description	Remark	Qty	Model	Pos	Part Number	Description	Remark	Qty	Model
	T24	sand beige				(15)	997 347 803 32	steering wheel plain leather	10-	1	I250/841
	E24	sea blue					A34	black			
	M24	terracotta					B24	stone grey			
	R24	cocoa					T24	sand beige			
	D14	dark grey/natural					E24	sea blue			
	T34	brown/natural					M24	terracotta			
	N14	carrera red					R24	cocoa			
		steering wheels		10-			D14	dark grey/natural			
15	997 347 803 30	steering wheel paddle		10-	1 I840		T34	brown/natural			
	A34	black					N14	carrera red			
	B24	stone grey				(15)	997 347 803 25	steering wheel plain leather	-09	1	I250/841 I345
	T24	sand beige					A34	black			
	E24	sea blue					B24	stone grey			
	M24	terracotta					T24	sand beige			
	R24	cocoa					E24	sea blue			
	D14	dark grey/natural					M24	terracotta			
	T34	brown/natural					R24	cocoa			
	N14	carrera red					D14	dark grey/natural			
(15)	997 347 803 31	steering wheel Paddle			1 I639/840 I639/640		T34	brown/natural			
	A34	black					N14	carrera red			
	B24	stone grey				(15)	997 347 803 37	steering wheel plain leather	10-	1	I250/841 I345
	T24	sand beige					A34	black			
	E24	sea blue					B24	stone grey			
	M24	terracotta					T24	sand beige			
	R24	cocoa					E24	sea blue			
	D14	dark grey/natural					M24	terracotta			
	T34	brown/natural					R24	cocoa			
	N14	carrera red									

Model	Year	MG	SG	Illustration	Restrictions	UPD	22:22	24.01.2010	PORSCHE	PET	PORSCHE
997-2	2010	4	03	403-04		248					

Pos	Part Number	Description	Remark	Qty	Model	Pos	Part Number	Description	Remark	Qty	Model			
(15)	997 347 803 21	D14	dark grey/natural		1	I250/844	T24	sand beige						
		T34	brown/natural				E24	sea blue						
		N14	carrera red				M24	terracotta						
			steering wheel plain leather multi-function	-09			R24	cocoa						
		A34	black				D14	dark grey/natural						
		B24	stone grey				T34	brown/natural						
		T24	sand beige				N14	carrera red						
		E24	sea blue				(15)	997 347 803 36	steering wheel plain leather multi-function			10-	1	I250/844 I345
		M24	terracotta				A34	black						
		R24	cocoa				B24	stone grey						
		D14	dark grey/natural				T24	sand beige						
T34	brown/natural		E24	sea blue										
N14	carrera red		M24	terracotta										
(15)	997 347 803 33		steering wheel plain leather multi-function	10-	1	I250/844	R24	cocoa						
		A34	black				D14	dark grey/natural						
		B24	stone grey				T34	brown/natural						
		T24	sand beige				N14	carrera red						
		E24	sea blue				(15)	997 347 803 22	steering wheel multi-function carbon				1	I250/845 I345
		M24	terracotta				A34	black	-09					
		R24	cocoa				B24	stone grey						
		D14	dark grey/natural				T24	sand beige						
		T34	brown/natural				E24	sea blue						
		N14	carrera red				M24	terracotta						
		(15)	997 347 803 24				steering wheel plain leather multi-function	-09	1			I250/844 I345	R24	cocoa
A34	black				D14	dark grey/natural								
B24	stone grey				T34	brown/natural								
					N14	carrera red								

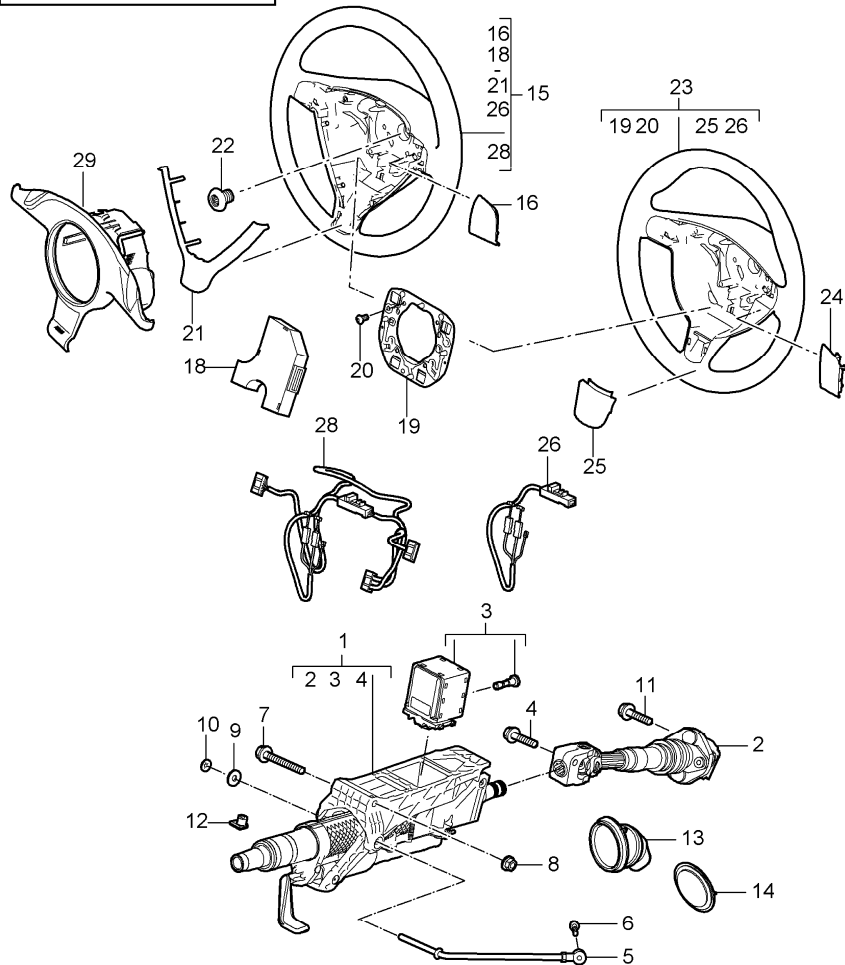
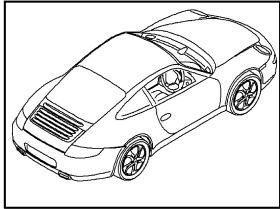
Model	Year	MG	SG	Illustration	Restrictions	UPD	22:22	24.01.2010	PORSCHE	PET	PORSCHE
997-2	2010	4	03	403-04		248					

Pos	Part Number	Description	Remark	Qty	Model	Pos	Part Number	Description	Remark	Qty	Model
(15)	997 347 803 34	steering wheel multi-function carbon	10-	1	I250/845 I345		R24	cocoa			
	A34	black					D14	dark grey/natural			
	B24	stone grey					T34	brown/natural			
	T24	sand beige					N14	carrera red			
	E24	sea blue				(15)	997 347 980 05	steering wheel multi-function aluminium look		1	IXPU/250 I345
	M24	terracotta					A34	black			
	R24	cocoa					B24	stone grey	-09		
	D14	dark grey/natural					T24	sand beige			
	T34	brown/natural					E24	sea blue			
	N14	carrera red					M24	terracotta			
(15)	997 347 803 23	steering wheel multi-function macassar		1	I250/847 I345		R24	cocoa			
	A34	black	-09				D14	dark grey/natural			
	B24	stone grey					T34	brown/natural			
	T24	sand beige					N14	carrera red			
	E24	sea blue				(15)	997 347 980 09	steering wheel multi-function aluminium look	10-	1	IXPU/250 I345
	M24	terracotta					A34	black			
	R24	cocoa					B24	stone grey			
	D14	dark grey/natural					T24	sand beige			
	T34	brown/natural					E24	sea blue			
	N14	carrera red					M24	terracotta			
(15)	997 347 803 35	steering wheel multi-function macassar	10-	1	I250/847 I345		R24	cocoa			
	A34	black					D14	dark grey/natural			
	B24	stone grey					T34	brown/natural			
	T24	sand beige				16	N 910 207 01	screw M 18 X 1,5 X 26		1	
	E24	sea blue				17	997 613 425 00	tip switch		1	I250/345
	M24	terracotta									

Model	Year	MG	SG	Illustration	Restrictions	UPD	22:22	24.01.2010	PORSCHE	PET	PORSCHE
997-2	2010	4	03	403-04		248					

Pos	Part Number	Description	Remark	Qty	Model	Pos	Part Number	Description	Remark	Qty	Model
	A05	black									
18	997 613 461 00	module		1	I250/841						
	FUP	volcano grey/galvanosilver									
(18)	997 613 465 00	module		1	I250/844/845 I847						
	FUQ	volcano grey/galvanosilver									
-	000 043 207 50	mixing tube		X	I250						
-	000 043 207 48	adhesive set steering wheel see technical manual suspension group 48 12 55		1	I250						

Model	Year	MG	SG	Illustration	Restrictions	UPD	22:22	24.01.2010	PORSCHE	PET	PORSCHE
997-2	2010	4	03	403-05		248					



Pos	Part Number	Description	Remark	Qty	Model
		steering outer tube			I480
		steering shaft			I480
		steering wheels			I480
(1)	997 347 007 10	steering column complete		1	
		steering shaft			
2	997 347 023 04	intermed. steering shaft		1	
3	997 618 158 04	control unit steering column with screw		1	
4	A 999 217 042 03	hexagon-head bolt M 8 X 35		1	
4	999 217 042 04	hexagon-head bolt M 8 X 35		1	
5	997 347 243 00	support		1	
6	900 378 173 01	hexagon-head bolt M 6 x 20		1	
7	900 378 095 01	hexagon-head bolt M 10 X 100		1	
8	900 380 008 01	hexagon nut M 10		1	
9	900 151 006 03	washer		1	
10	999 507 217 07	clamping washer		1	
11	A 999 217 042 03	hexagon-head bolt M 8 X 35		1	
11	999 217 042 04	hexagon-head bolt M 8 X 35		1	
12	999 920 019 40	plug-in nut 3,5 X 2,5 X 9		1	
13	986 347 037 01	bellows		1	
14	996 347 339 02	rubber seal bulkhead		1	
15	997 347 804 14	steering wheel plain leather	-09	1	I459/480
		A34	black		
		B24	stone grey		

Model	Year	MG	SG	Illustration	Restrictions	UPD	22:22	24.01.2010	PORSCHE	PET	PORSCHE
997-2	2010	4	03	403-05		248					

Pos	Part Number	Description	Remark	Qty	Model	Pos	Part Number	Description	Remark	Qty	Model
	T24	sand beige					N14	carrera red			
	E24	sea blue				(15)	997 347 804 18	steering wheel multi-function wood carbon	-09	1	I453/480
	M24	terracotta					A34	black			
	R24	cocoa					B24	stone grey			
	D14	dark grey/natural					T24	sand beige			
	T34	brown/natural					E24	sea blue			
	N14	carrera red					M24	terracotta			
(15)	997 347 804 15	steering wheel multi-function plain leather	-09	1	I431/480		R24	cocoa			
	A34	black					D14	dark grey/natural			
	B24	stone grey					T34	brown/natural			
	T24	sand beige					N14	carrera red			
	E24	sea blue				(15)	997 347 981 00	steering wheel multi-function aluminium look	-09	1	IXPV/480
	M24	terracotta					A34	black			
	R24	cocoa					B24	stone grey			
	D14	dark grey/natural					T24	sand beige			
	T34	brown/natural					E24	sea blue			
	N14	carrera red					M24	terracotta			
(15)	997 347 804 16	steering wheel multi-function wood macassar	-09	1	I451/480		R24	cocoa			
	A34	black					D14	dark grey/natural			
	B24	stone grey					T34	brown/natural			
	T24	sand beige					N14	carrera red			
	E24	sea blue				(15)	997 347 803 51	steering wheel leather	10-	1	I841
	M24	terracotta					A34	black			
	R24	cocoa					B24	stone grey			
	D14	dark grey/natural					T24	sand beige			
	T34	brown/natural					E24	sea blue			

Model	Year	MG	SG	Illustration	Restrictions	UPD	22:22	24.01.2010	PORSCHE	PET	PORSCHE
997-2	2010	4	03	403-05		248					

Pos	Part Number	Description	Remark	Qty	Model	Pos	Part Number	Description	Remark	Qty	Model
	R24	cocoa					B24	stone grey			
	M24	terracotta					T24	sand beige			
	D14	dark grey					E24	sea blue			
	T34	brown/natural					R24	cocoa			
	N14	carrera red					M24	terracotta			
(15)	997 347 803 57	steering wheel leather	10-	1	I345/841		D14	dark grey			
	A34	black					T34	brown/natural			
	B24	stone grey				(15)	997 347 803 53	steering wheel leather	10-	1	I345/845
	T24	sand beige					A34	black			
	E24	sea blue					B24	stone grey			
	R24	cocoa					T24	sand beige			
	M24	terracotta					E24	sea blue			
	D14	dark grey					R24	cocoa			
	T34	brown/natural					M24	terracotta			
	N14	carrera red					D14	dark grey			
(15)	997 347 803 52	steering wheel leather	10-	1	I844		T34	brown/natural			
	A34	black					N14	carrera red			
	B24	stone grey				(15)	997 347 803 55	steering wheel leather	10-	1	I345/847
	T24	sand beige					A34	black			
	E24	sea blue					B24	stone grey			
	R24	cocoa					T24	sand beige			
	M24	terracotta					E24	sea blue			
	D14	dark grey					R24	cocoa			
	T34	brown/natural					M24	terracotta			
	N14	carrera red					D14	dark grey			
(15)	997 347 803 58	steering wheel leather	10-	1	I345/844		T34	brown/natural			
	A34	black					N14	carrera red			

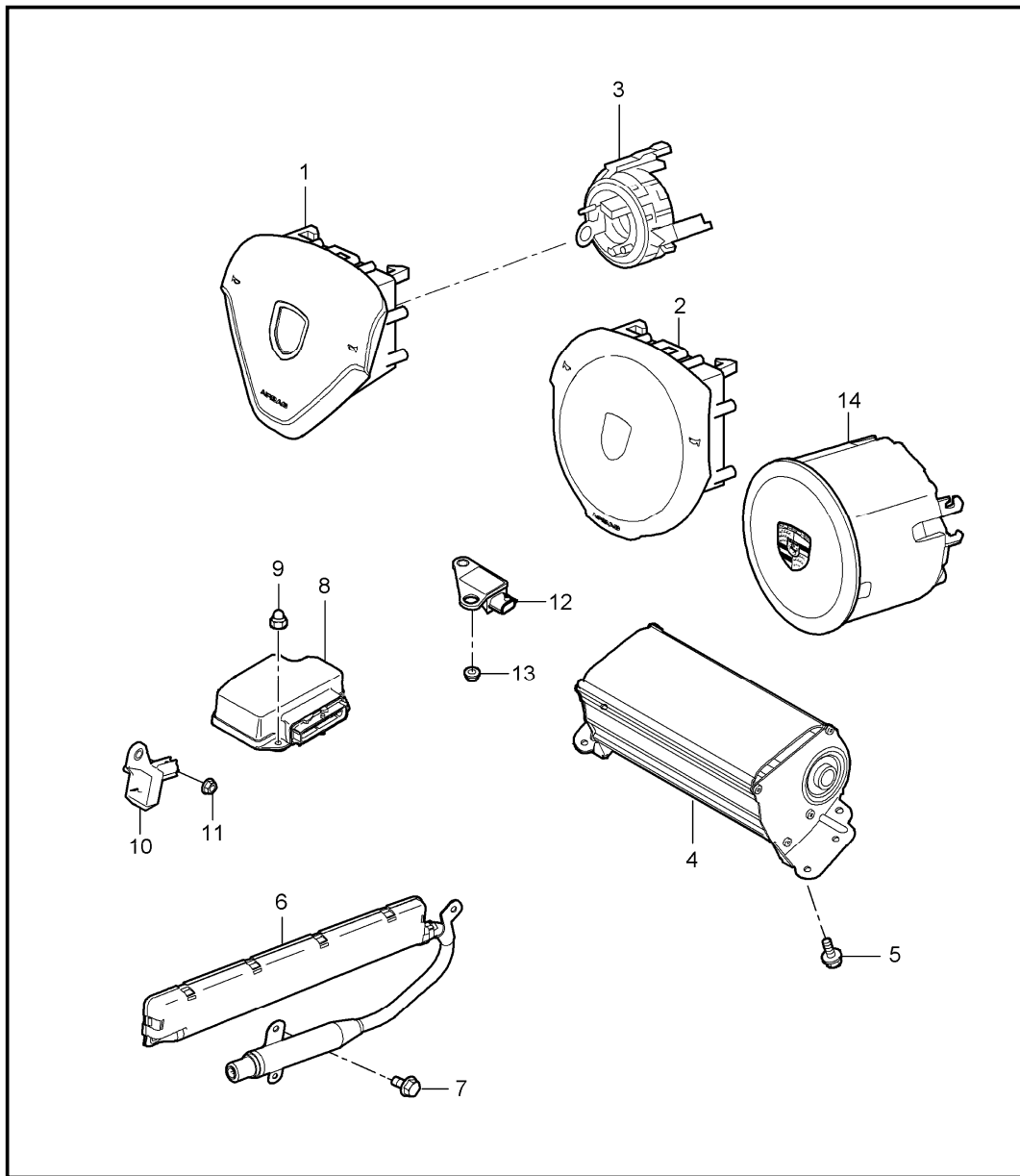
Model	Year	MG	SG	Illustration	Restrictions	UPD	22:22	24.01.2010	PORSCHE	PET	PORSCHE
997-2	2010	4	03	403-05		248					

Pos	Part Number	Description	Remark	Qty	Model	Pos	Part Number	Description	Remark	Qty	Model		
(15)	997 347 980 08	steering wheel leather		10-	1	IXPU/345	18	997 613 445 03	electronic unit multi-function	-09	1	I431/451 I453	
	A34	black					19	997 347 880 00	retaining frame	-09	1		
	B24	stone grey					20	999 141 022 09	round head screw M 5 X 12,5	-09	4		
	T24	sand beige					21	997 347 821 00	cover	-09	1		
	E24	sea blue						D07	volcano grey				
	R24	cocoa					22	N 910 207 01	screw M 18 X 1,5 X 26		1		
	M24	terracotta					23	997 347 804 42	sports steering wheel plain leather	-09	1	I460/480	
	D14	dark grey						A34	black				
	T34	brown/natural						B24	stone grey				
	N14	carrera red						T24	sand beige				
(15)	997 347 980 07	steering wheel leather			1	I756		E24	sea blue				
	6H6	Espresso						M24	terracotta				
16	997 347 837 00	cover	/L	-09	1	I480		R24	cocoa				
	V04	galvano silver						D14	dark grey/natural				
(16)	997 347 838 00	cover	/R	-09	1	I480		T34	brown/natural				
	V04	galvano silver						N14	carrera red				
(16)	997 347 837 40	cover	/L	-09	1	I460/480	24	997 347 837 40	cover	/L	-09	1	I480
	V04	galvano silver						V04	galvano silver				
(16)	997 347 838 40	cover	/R	-09	1	I460/480	(24)	997 347 838 40	cover	/R	-09	1	I480
	V04	galvano silver						V04	galvano silver				
(16)	997 613 433 03	switching module multi-function manual transmission	/L	-09	1	I480	25	997 347 821 40	cover		-09	1	
	V04	galvano silver						V04	galvano silver				
(16)	997 613 434 03	switching module multi-function manual transmission	/R	-09	1	I480	26	997 612 672 00	wiring harness		-09	1	I480
	V04	galvano silver					28	997 612 673 00	wiring harness		-09	1	I431/480 1 I451/480 1 I453/480
17	999 073 318 09	half-round screw M 4 X 10		-09	2		29	997 613 463 01	model		10-	1	I480
								FUR	volcano grey/black mat				

Model	Year	MG	SG	Illustration	Restrictions	UPD	22:22	24.01.2010	PORSCHE	PET	PORSCHE
997-2	2010	4	03	403-05		248					

Pos	Part Number	Description	Remark	Qty	Model	Pos	Part Number	Description	Remark	Qty	Model
-	000 043 207 50	mixing tube		10-	X						
-	000 043 207 48	adhesive set steering wheel see technical manual suspension group 48 12 55		10-	1						

Model	Year	MG	SG	Illustration	Restrictions	UPD	22:22	24.01.2010	PORSCHE	PET	PORSCHE
997-2	2010	4	03	403-06		248					



Pos	Part Number	Description	Remark	Qty	Model
1	997 803 089 13	airbag airbag unit plastic material		1	I431/451 I453/459
	A32	black			
	B22	stone grey			
	T22	sand beige			
	E22	sea blue			
(1)	997 803 089 14	airbag unit leather		1	I431/991 I459/991
	A34	black			
	B24	stone grey			
	T24	sand beige			
	E24	sea blue			
	M24	terracotta			
	R24	cocoa			
	D14	dark grey/natural			
	T34	brown/natural			
	N14	carrera red			
(1)	997 803 089 15	airbag unit		1	IXPV/991
				1	I451/991
				1	I453/991
	A34	black			
	B24	stone grey			
	T24	sand beige			
	E24	sea blue			
	M24	terracotta			
	R24	cocoa			
	D14	dark grey/natural			
	T34	brown/natural			
	N14	carrera red			

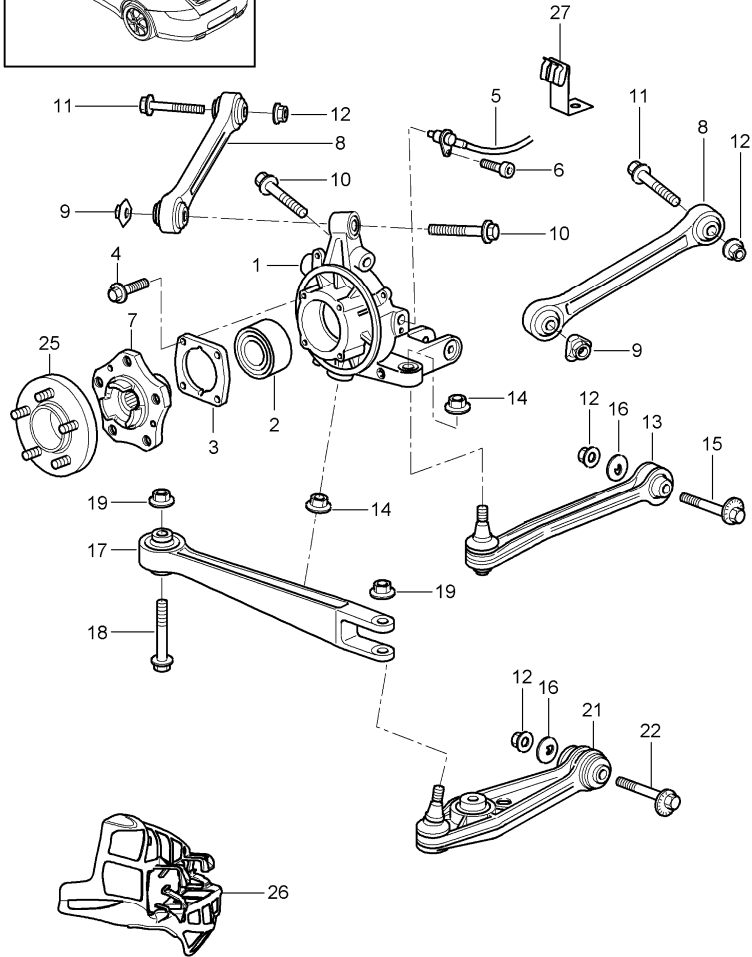
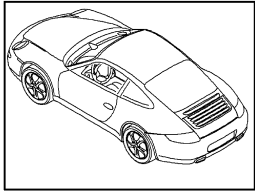
Model	Year	MG	SG	Illustration	Restrictions	UPD	22:22	24.01.2010	PORSCHE	PET	PORSCHE
997-2	2010	4	03	403-06		248					

Pos	Part Number	Description	Remark	Qty	Model	Pos	Part Number	Description	Remark	Qty	Model
2	997 803 089 16	airbag unit sports steering wheel plastic material		1	I460	3	955 652 211 11	spring with steering-angle sensor		1	
	A32	black				(3)	955 652 211 21	spring with steering-angle sensor		1	I345
	B22	stone grey									
	T22	sand beige				4	997 803 071 08	airbag unit passenger's side		1	
	E22	sea blue				5	900 378 222 01	hexagon-head bolt M 6 X 16		4	
(2)	997 803 089 17	airbag unit sports steering wheel leather		1	I460/991	6	997 803 091 03	side airbag for head airbag	/L	1	
	A34	black				(6)	997 803 092 03	side airbag for head airbag	/R	1	
	B24	stone grey									
	T24	sand beige				7	900 378 035 01	hexagon-head bolt M 6 X 16		6	
	E24	sea blue				8	997 618 217 08	control unit		1	COUPE TARGA
	M24	terracotta				(8)	997 618 219 09	control unit		1	CABRIO
	R24	cocoa				9	999 070 015 02	cap nut M 6		3	
	D14	dark grey/natural				10	997 618 221 01	sensor side airbag		2	
	T34	brown/natural				11	999 084 638 01	hexagon nut M 6		8	
	N14	carrera red				12	997 618 223 01	acceleration sensor airbag front		2	
(2)	997 803 089 18	airbag unit sports steering wheel leather		1	IXPA/991	13	999 084 638 01	hexagon nut m 6 SB		2	
	A34	black				(14)	997 803 089 11	airbag unit		1	
	B24	stone grey					A03	black			
	T24	sand beige					5V7	stone grey			
	E24	sea blue					5Z1	sand beige			
	M24	terracotta					8W7	sea blue			
	R24	cocoa									
	D14	dark grey/natural									
	T34	brown/natural									
	N14	carrera red									

Model	Year	MG	SG	Illustration	Restrictions	UPD	22:22	24.01.2010	PORSCHE	PET	PORSCHE
997-2	2010	4	03	403-06		248					

Pos	Part Number	Description	Remark	Qty	Model	Pos	Part Number	Description	Remark	Qty	Model
(14)	997 803 089 12	airbag unit leather		1	I991						
	A34	black									
	B24	stone grey									
	T24	sand beige									
	E24	sea blue									
	M24	terracotta									
	R24	cocoa									
	D14	dark grey/natural									
	T34	brown/natural									
	N14	carrera red									
(14)	997 803 089 12	airbag unit		1	I756						
	6H6	Espresso									

Model	Year	MG	SG	Illustration	Restrictions	UPD	22:23	24.01.2010	PORSCHE	PET	PORSCHE
997-2	2010	5	01	501-00		248					

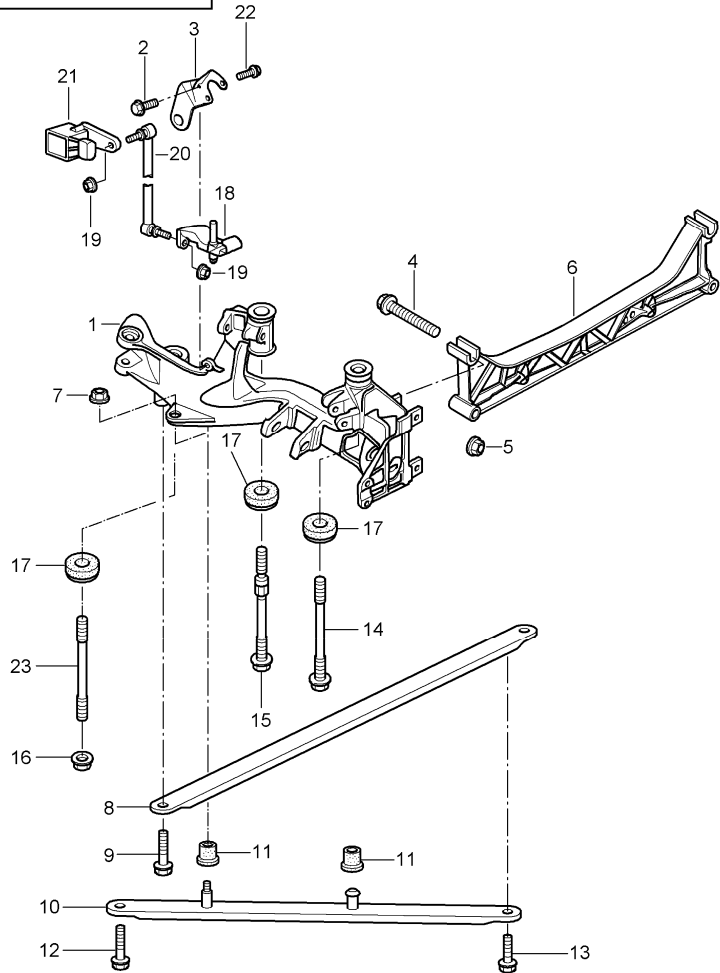
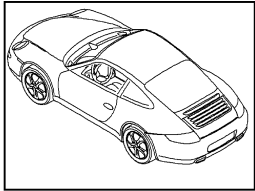


Pos	Part Number	Description	Remark	Qty	Model
		rear axle wheel carrier control arm wheel hub			
1	997 331 111 07	wheel carrier	/L	1	
(1)	997 331 112 07	wheel carrier	/R	1	
2	999 053 055 02	angular-contact bearing		2	
3	996 331 661 01	lid		2	
4	999 217 042 04	hexagon-head bolt M 8 X 35		8	
5	997 606 407 01	speed sensor		2	
6	900 067 117 04	pan-head screw M 6 x 16		2	
7	997 331 605 00	wheel hub		2	
8	997 331 047 00	wishbone	-09	2	
8	997 331 047 01	wishbone	10-	2	
9	999 084 445 01	lock nut M 12 X 1,5		4	
10	A 900 378 138 09	hexagon-head bolt M 12 X 70		4	
10	900 378 138 01	hexagon-head bolt M 12 X 70		4	
11	900 378 165 01	hexagon-head bolt M 12 X 95		4	
12	999 084 445 01	lock nut M 12 X 1,5		10	
13	997 331 045 04	track rod		2	
14	999 084 449 09	hexagon nut M 12 X 1,5		4	
15	996 331 217 02	eccentric screw M 12 X 83	-09	2	
15	997 331 217 02	eccentric screw M 12 X 83	10-	2	
16	996 331 219 00	eccentric washer		2	
17	997 331 043 01	control arm		2	

Model	Year	MG	SG	Illustration	Restrictions	UPD	22:23	24.01.2010	PORSCHE	PET	PORSCHE
997-2	2010	5	01	501-00		248					

Pos	Part Number	Description	Remark	Qty	Model	Pos	Part Number	Description	Remark	Qty	Model
18	900 378 051 01	hexagon-head bolt M 14 x 100		2							
19	900 380 012 01	hexagon nut M 14 X 1,5		4							
21	997 331 053 01	wishbone	-09	2							
21	997 331 053 02	wishbone	10-	2							
22	996 331 217 03	eccentric screw		2							
25	997 361 605 90	spacer ring 5 mm		X	IXRP						
26	997 331 487 03	spoiler	/L	1							
(26)	997 331 488 03	spoiler	/R	1							
27	999 507 530 00	cable holder speed sensor		2							

Model	Year	MG	SG	Illustration	Restrictions	UPD	22:23	24.01.2010	PORSCHE	PET	PORSCHE
997-2	2010	5	01	501-01		248					

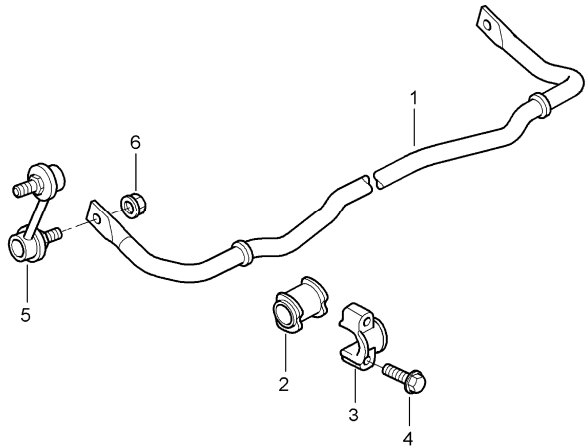
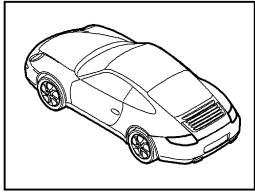


Pos	Part Number	Description	Remark	Qty	Model
		rear axle side section bracket			
1	997 331 051 05	side section	/L	1	
(1)	997 331 052 05	side section	/R	1	
2	900 067 117 04	pan-head screw M 6 x 16		2	
3	997 355 505 02	support for brake hose	/L	1	
(3)	997 355 506 02	support for brake hose	/R	1	
4	900 378 139 01	hexagon-head bolt M 12 x1,5 x 80		4	
5	999 084 445 01	lock nut M 12 X 1,5		4	
6	997 331 261 22	cross member		1	
7	999 076 053 01	hexagon nut M 10		2	
8	997 331 171 20	transverse strut front		1	
-	999 591 629 01	captive nut underbody protection		X	
9	999 072 020 01	hexagon-head bolt M 10 X 40		2	
10	997 331 081 20	strut		2	
-	999 591 629 01	captive nut underbody protection		X	
11	996 331 385 00	rubber mounting		6	
12	999 073 443 01	combination screw 12 x 1,5 x 40		2	
13	900 378 072 01	hexagon-head bolt M 12 X 30		2	
14	900 178 010 01	hexagon-head bolt M 12 x 130		2	
15	900 178 010 01	hexagon-head bolt M 12 x 130		2	

Model	Year	MG	SG	Illustration	Restrictions	UPD	22:23	24.01.2010	PORSCHE	PET	PORSCHE
997-2	2010	5	01	501-01		248					

Pos	Part Number	Description	Remark	Qty	Model	Pos	Part Number	Description	Remark	Qty	Model
16	999 084 445 01	lock nut M 12 X 1,5		2							
17	997 331 291 00	washer		6							
18	996 341 371 03	support		1	I601/603						
19	900 380 015 01	hexagon nut vm 6		2	I601/603						
20	997 331 375 03	strut		1	I601/603						
21	997 631 121 00	sensor		1	I601/603						
22	N 014 129 12	oval-head screw		2	I601/603						
23	999 061 103 01	stud M 12 X 1,5 X 107,5		2							

Model	Year	MG	SG	Illustration	Restrictions	UPD	22:23	24.01.2010	PORSCHE	PET	PORSCHE
997-2	2010	5	01	501-03		248					

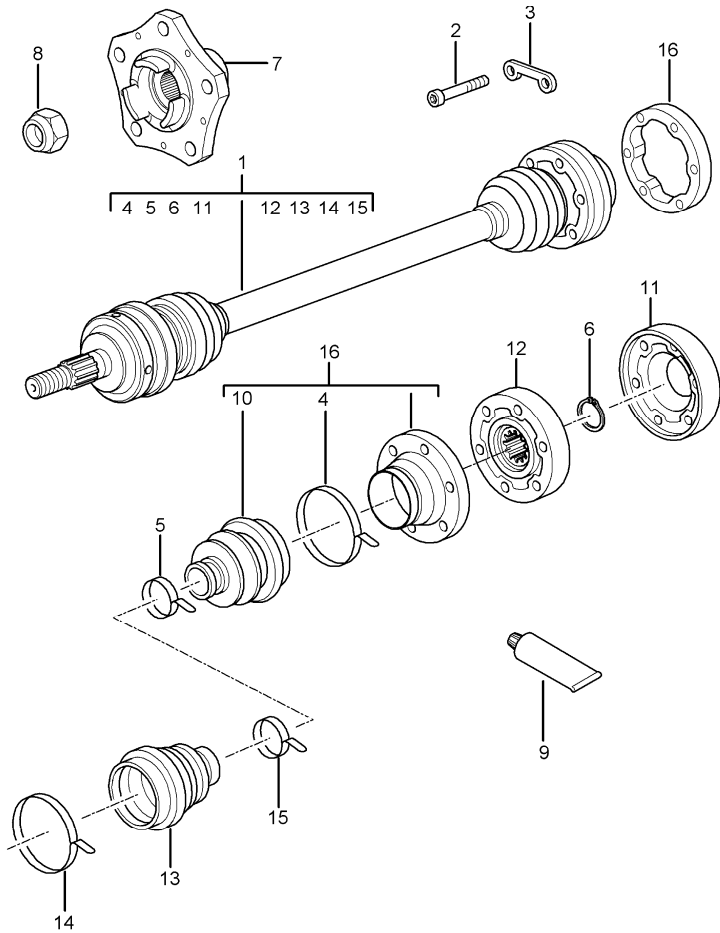
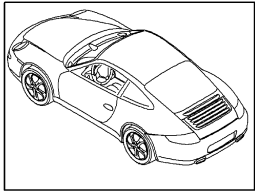


Pos	Part Number	Description	Remark	Qty	Model
		stabiliser			
1	997 333 703 01	stabiliser		1	I029 CARRERA 2 COUPE CABRIO
(1)	997 333 703 01	stabiliser		1	I030 CARRERA 2 CARRERA 2-S COUPE
(1)	997 333 703 01	stabiliser		1	I475 CARRERA 2 CARRERA-S COUPE CABRIO
(1)	997 333 703 02	stabiliser		1	I029/220 CARRERA 2 COUPE CABRIO
(1)	997 333 703 02	stabiliser		1	I220/475 CARRERA 2 COUPE CABRIO
(1)	997 333 703 02	stabiliser		1	I475 CARRERA 2-S COUPE CABRIO
(1)	997 333 703 03	stabiliser		1	I029 CARRERA 4 COUPE CABRIO TARGA
(1)	997 333 703 03	stabiliser		1	I030 CARRERA 4 CARRERA 4-S COUPE
(1)	997 333 703 03	stabiliser		1	I220/475 CARRERA 2-S COUPE CABRIO
(1)	997 333 703 03	stabiliser		1	I756
(1)	997 333 703 03	stabiliser		1	I475 CARRERA 4 CARRERA 4-S TARGA

Model	Year	MG	SG	Illustration	Restrictions	UPD	22:23	24.01.2010	PORSCHE	PET	PORSCHE
997-2	2010	5	01	501-03		248					

Pos	Part Number	Description	Remark	Qty	Model	Pos	Part Number	Description	Remark	Qty	Model
(1)	997 333 703 05	stabiliser		1	I029 CARRERA 4 COUPE TARGA	(2)	996 333 792 26	stabiliser mounting		2	I030 CARRERA 4 CARRERA 4-S COUPE
(1)	997 333 703 05	stabiliser		1	I029/220 CARRERA 4 COUPE CABRIO	(2)	996 333 792 26	stabiliser mounting		2	I220/475 CARRERA 2-S COUPE CABRIO
(1)	997 333 703 05	stabiliser		1	I475 CARRERA 4 COUPE CABRIO	(2)	996 333 792 26	stabiliser mounting		2	I756
(1)	997 333 703 05	stabiliser		1	I475 CARRERA 4-S COUPE CABRIO	(2)	996 333 792 26	stabiliser mounting		2	I475 TARGA TARGA-S
2	996 333 792 24	stabiliser mounting		2	I029 CARRERA 2 COUPE CABRIO	(2)	996 333 792 27	stabiliser mounting		2	I029 CARRERA 4 COUPE CABRIO TARGA
(2)	996 333 792 24	stabiliser mounting		2	I030 CARRERA 2 CARRERA 2-S COUPE	(2)	996 333 792 27	stabiliser mounting		2	I475 CARRERA 4 CARRERA 4-S COUPE CABRIO
(2)	996 333 792 24	stabiliser mounting		2	I475 CARRERA 2 COUPE CABRIO	(2)	996 333 792 29	stabiliser mounting		2	I475 CARRERA 4 COUPE CABRIO
(2)	996 333 792 25	stabiliser mounting		2	I029/220 CARRERA 2 COUPE CABRIO	(2)	996 333 792 29	stabiliser mounting		2	CARRERA 4-S COUPE TATGA
(2)	996 333 792 25	stabiliser mounting		2	I220/475 CARRERA 2 COUPE CABRIO	3	996 333 777 01	bearing clamp		2	
(2)	996 333 792 25	stabiliser mounting		2	I475 CARRERA 2-S COUPE CABRIO	4	900 378 055 01	hexagon-head bolt AM 8 X 40		4	
(2)	996 333 792 25	stabiliser mounting		2	I475 CARRERA 2-S COUPE CABRIO	5	997 333 069 05	stabiliser mounting	/L	-09	1
(2)	996 333 792 25	stabiliser mounting		2	I475 CARRERA 2-S COUPE CABRIO	(5)	997 333 069 06	stabiliser mounting	/L	10-	1
(2)	996 333 792 26	stabiliser mounting		2	I029 CARRERA 4 COUPE CABRIO	(5)	997 333 070 05	stabiliser mounting	/R	-09	1
						(5)	997 333 070 06	stabiliser mounting	/R	10-	1
						6	999 084 123 09	hexagon nut M 10			2

Model	Year	MG	SG	Illustration	Restrictions	UPD	22:23	24.01.2010	PORSCHE	PET	PORSCHE
997-2	2010	5	01	501-05		248					



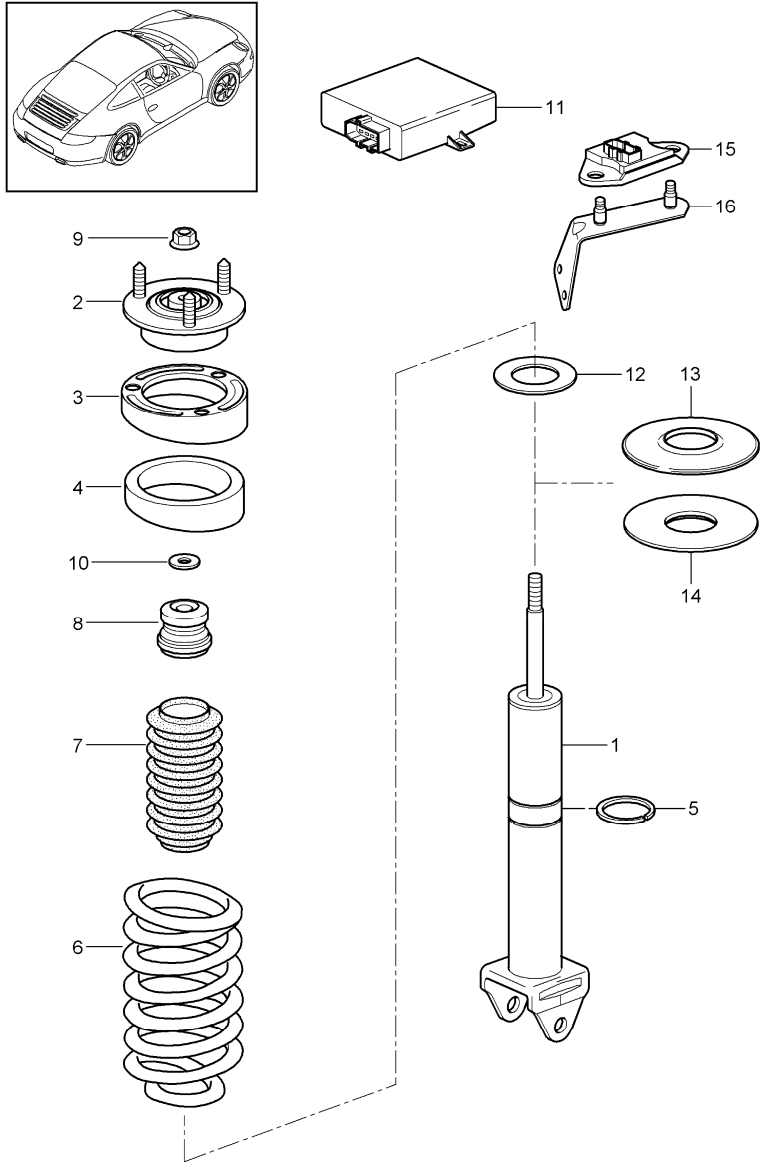
Pos	Part Number	Description	Remark	Qty	Model
1	997 332 024 04	drive shaft		2	I480
(1)	U 997 332 024 50	wheel hub		2	I250
(1)	997 332 024 51	drive shaft		2	I250
2	900 067 229 01	pan-head screw M 10 X 48,4		12	I480
(2)	999 510 047 01	pan-head screw M 10 X 46,5 see technical information 20/09 3925 4221		12	I250
2	999 073 517 01	pan-head screw M 10 X 1 X 46,5 see technical information 20/09 3925 4221		12	I250
(3)	996 332 191 00	plate		6	
4	996 332 957 00	clip 73 MM		2	
5	996 332 257 00	clip		2	I480
(5)	997 332 257 00	clip		2	I250
6	900 041 014 00	circlip		2	
7	997 331 605 00	wheel hub		2	
8	999 084 641 02	lock nut M 22 X 1,5		2	
9	000 043 110 02	grease 1 100-gramme tube		X	
(9)	000 043 205 36	sealing compound 1 100-gramme tube		X	
10	996 332 293 00	dust bellows		2	I480
(10)	997 332 293 00	dust bellows		2	I250
11	997 332 267 00	lid		2	
12	996 332 030 00	joint		2	

Model	Year	MG	SG	Illustration	Restrictions	UPD	22:23	24.01.2010	PORSCHE	PET	PORSCHE
997-2	2010	5	01	501-05		248					

Pos	Part Number	Description	Remark	Qty	Model	Pos	Part Number	Description	Remark	Qty	Model
13	996 332 293 00	dust bellows		2	I480						
(13)	997 332 293 00	dust bellows		2	I250						
14	996 332 957 00	clip		2							
15	996 332 257 00	clip		2	I480						
(15)	997 332 257 00	clip		2	I250						
16	997 332 955 00	bellows with cap		2	I480						
(16)	997 332 955 01	bellows with cap		2	I250						

Model	Year	MG	SG	Illustration	Restrictions	UPD	22:26	24.01.2010	PORSCHE	PET	PORSCHE
997-2	2010	5	02	502-00		248					

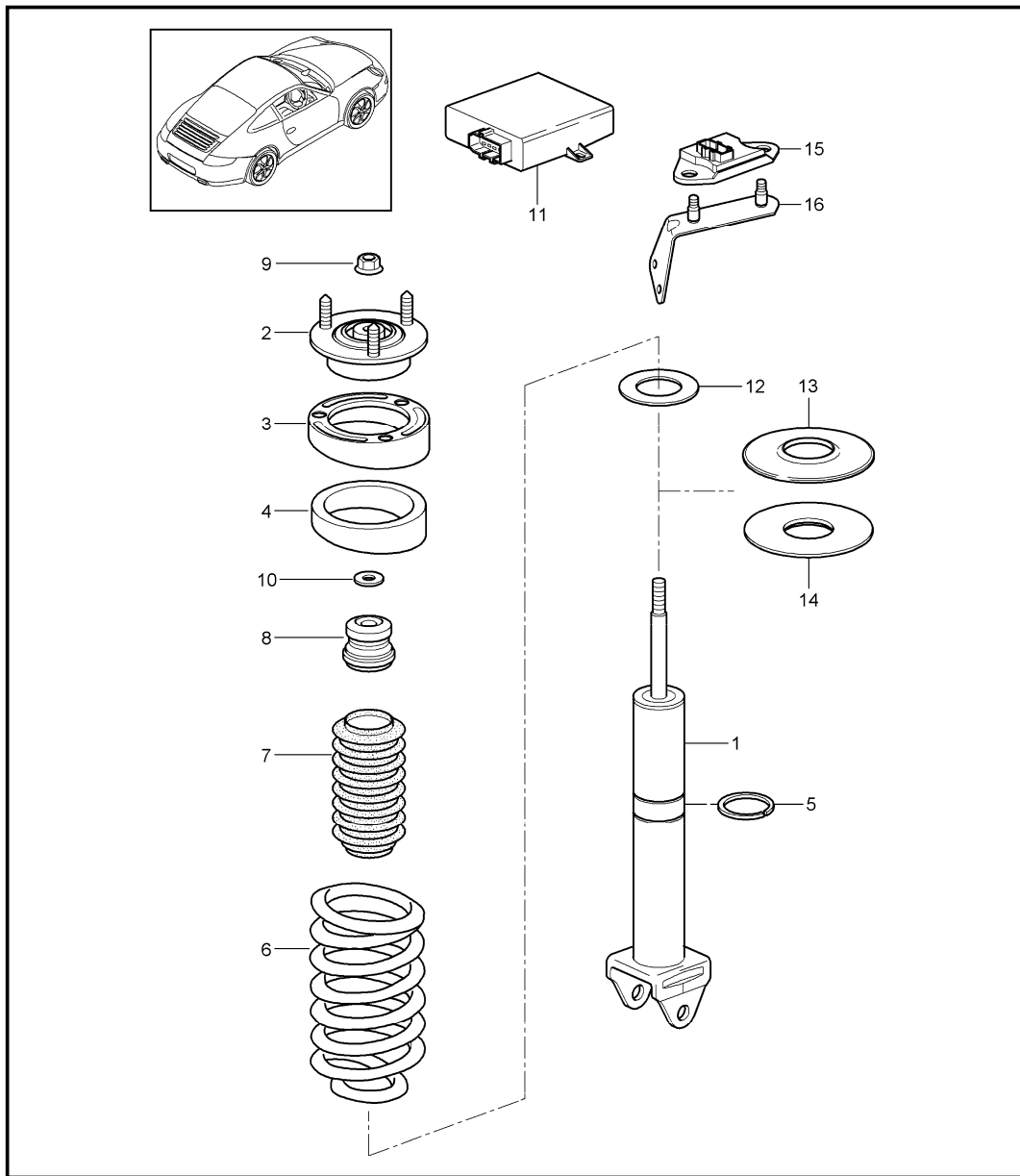
Pos	Part Number	Description	Remark	Qty	Model
1	997 333 059 10	shock absorber coil spring		2	CARRERA 2 CARRERA 2-S
(1)	997 333 053 31	shock absorber		2	I029 CARRERA 2 COUPE CABRIO
(1)	997 333 053 31	shock absorber		2	I030/475 CARRERA 2 CARRERA 2-S COUPE
(1)	997 333 053 30	shock absorber		2	I756
-	A 900 378 138 09	mount shock absorber hexagon-head bolt M 12 X 1,5 X 70		2	I029/475 CARRERA 2 CARRERA 2-S COUPE CABRIO
-	900 378 138 01	hexagon-head bolt M 12 X 1,5 X 70		2	
-	999 084 445 01	lock nut M 12 X 1,5		2	
2	997 333 061 00	supporting mount		2	I029 CARRERA 2 COUPE
(2)	997 333 061 01	supporting mount		2	I030/475 CARRERA 2 CARRERA 2-S COUPE
(2)	997 333 061 01	supporting mount		2	I029/475 CARRERA 2 CARRERA 2-S COUPE
(2)	997 333 061 02	supporting mount		2	I029 CARRERA 2 CABRIO
(2)	997 333 061 02	supporting mount		2	I029/475 CARRERA 2 CARRERA 2-S CABRIO
2	997 333 061 01	supporting mount		2	I756



Model	Year	MG	SG	Illustration	Restrictions	UPD	22:26	24.01.2010	PORSCHE	PET	PORSCHE
997-2	2010	5	02	502-00		248					

Pos	Part Number	Description	Remark	Qty	Model	Pos	Part Number	Description	Remark	Qty	Model
-	900 380 008 01	hexagon nut M 10		6			504	identification red red white			CARRERA 2-S COUPE CABRIO
3	996 333 511 02	compensating plate 0,5 MM		X							
(3)	996 333 511 03	compensating plate 4,0 MM		X		(6)	997 333 531 73	coil spring 1 set		1	I756
4	997 333 504 01	base		2			504	identification silver silver yellow			
5	999 152 163 00	circlip SW 52		2		7	993 333 107 01	bellows		2	
6	997 333 531 71	coil spring 1 set		1	I029/480 CARRERA 2	8	996 333 105 02	additional spring		2	I029
	504	identification violet violet white			COUPE CABRIO	(8)	997 333 105 01	additional spring		2 2	I030 I475
(6)	997 333 531 63	coil spring 1 set		1	I029/250 CARRERA 2	(8)	997 333 105 01	additional spring		2	I756
	504	identification violet violet yellow			COUPE	9	999 084 050 02	hexagon nut M 12 X 1		2	
(6)	997 333 531 66	coil spring 1 set		1	I029/250 CARRERA 2	10	999 025 271 02	washer		2	
	504	identification violet violet green			CABRIO	11	997 618 450 01	control unit		1	I029/475
(6)	997 333 531 70	coil spring 1 set	aufbr.	-09	1	(11)	997 618 451 01	control unit		1	I030/475
	504	identification silver silver blue			I030 CARRERA 2	(11)	997 618 451 01	control unit		1	I756
(6)	997 333 531 73	coil spring 1 set		10-	1	-	997 618 205 00	support for control unit		1 1	
	504	identification silver silver yellow			I030/475 CARRERA 2	12	997 333 513 00	concave washer		2	
(6)	997 333 531 64	coil spring 1 set		1	I029/475 CARRERA 2	13	997 333 523 00	concave washer		2	I030
					CARRERA 2-S COUPE	13	997 333 523 00	concave washer		2	I756
						14	997 333 513 01	concave washer		2	I030
						14	997 333 513 01	concave washer		2	I756
						15	997 606 111 01	acceleration sensor body		1	
						16	997 606 214 00	support acceleration sensor		1	

Model	Year	MG	SG	Illustration	Restrictions	UPD	22:26	24.01.2010	PORSCHE	PET	PORSCHE
997-2	2010	5	02	502-01		248					



Pos	Part Number	Description	Remark	Qty	Model
		shock absorber coil spring			CARRERA 4 CARRERA 4-S TARGA TARGA-S
(1)	997 333 059 10	shock absorber		2	I029 CARRERA 4 COUPE CABRIO
(1)	997 333 053 31	shock absorber		2	I030 CARRERA 4 CARRERA 4-S COUPE
(1)	997 333 059 11	shock absorber		2	I029 TARGA
(1)	997 333 053 30	shock absorber		2	I475 CARRERA 4 CARRERA 4-S COUPE CABRIO
(1)	997 333 049 10	shock absorber		2	I475 TARGA TARGA-S
-	900 378 138 01	mount shock absorber hexagon-head bolt M 12 X 1,5 X 70		2	
-	999 084 445 01	lock nut M 12 X 1,5		2	
2	997 333 061 00	supporting mount		2	I029 CARRERA 4 COUPE TARGA
(2)	997 333 061 02	supporting mount		2 2	I029 CARRERA 4 CABRIO
(2)	997 333 061 01	supporting mount		2	I030 CARRERA 4 CARRERA 4-S COUPE
(2)	997 333 061 01	supporting mount		2	I475 CARRERA 4 CARRERA 4-S COUPE TARGA TARGA-S

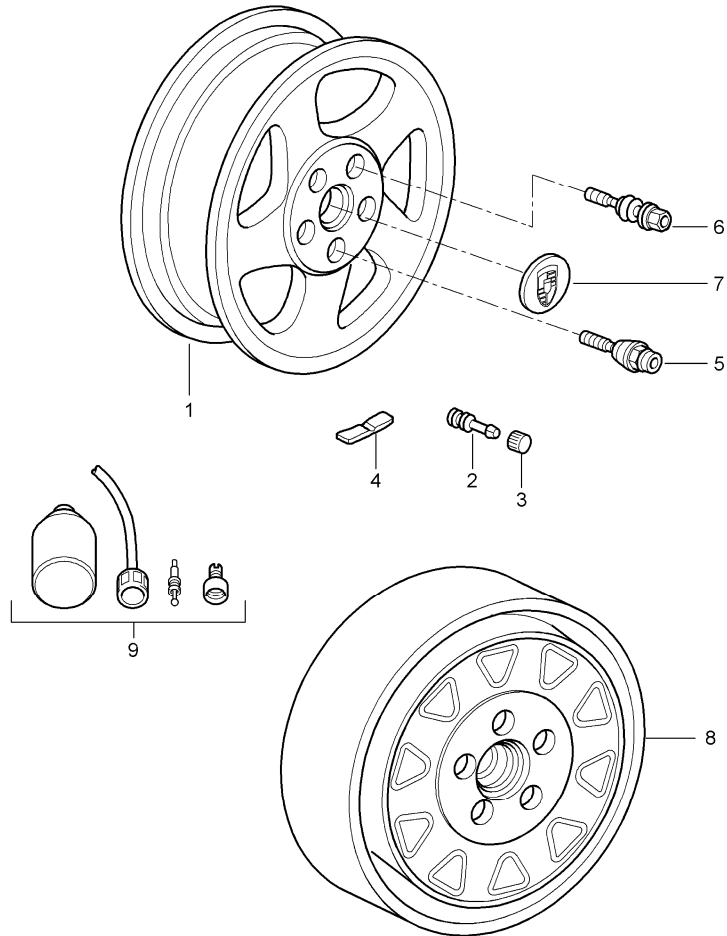
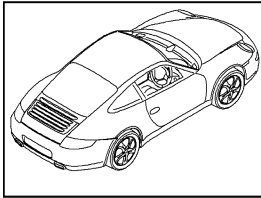
Model	Year	MG	SG	Illustration	Restrictions	UPD	22:26	24.01.2010	PORSCHE	PET	PORSCHE
997-2	2010	5	02	502-01		248					

Pos	Part Number	Description	Remark	Qty	Model	Pos	Part Number	Description	Remark	Qty	Model
(2)	997 333 061 02	supporting mount		2	I475 CARRERA 4 CARRERA 4-S CABRIO		504	identification silver silver yellow			CARRERA 2-S COUPE
-	900 380 008 01	hexagon nut M 10		6		(6)	997 333 531 64	coil spring 1 set		1	I475/480 CARRERA 4
3	996 333 511 02	compensating plate 0,5 MM		X			504	identification red red white			COUPE
(3)	996 333 511 03	compensating plate 4,0 MM		X							
4	997 333 504 01	base		2		(6)	997 333 531 67	coil spring 1 set		1	I250/475 CARRERA 4
5	999 152 163 00	circlip SW 52		2			504	identification			COUPE
(6)	997 333 531 71	coil spring 1 set		1	I029/480 CARRERA 4			red red blue			
		504 identification violet violet white			COUPE						I475 CARRERA 4 CARRERA 4-S CABRIO
6	997 333 531 63	coil spring 1 set		1	I029/250 CARRERA 4	(6)	997 333 531 64	coil spring 1 set		1	I475 CARRERA 4-S
		504 identification violet violet yellow			COUPE		504	identification red red white			COUPE
(6)	997 333 531 66	coil spring 1 set		1	I029/450 CARRERA 4	(6)	997 333 531 69	coil spring 1 set		1	I029/250 TARGA
		504 identification violet violet green			CABRIO		504	identification yellow yellow red			
(6)	997 333 531 70	coil spring 1 set	-09	1	I030 CARRERA 4		504	identification pink pink green			TARGA-S
		504 identification yellow yellow blue			CARRERA 4-S	7	993 333 107 01	bellows		2	
(6)	997 333 531 73	coil spring 1 set	10-	1	I030 CARRERA 2	8	996 333 105 02	additional spring		2	I029
						(8)	997 333 105 01	additional spring		2	I475

Model	Year	MG	SG	Illustration	Restrictions	UPD	22:26	24.01.2010	PORSCHE	PET	PORSCHE
997-2	2010	5	02	502-01		248					

Pos	Part Number	Description	Remark	Qty	Model	Pos	Part Number	Description	Remark	Qty	Model
(8)	997 333 105 01	additional spring		2	I030						
9	999 084 050 02	hexagon nut M 12 X 1		2							
10	999 025 271 02	washer mount shock absorber		2							
-	900 378 138 09	hexagon-head bolt M 12 X 1,5 X 70		2							
-	999 084 445 01	lock nut M 12 X 1,5		2							
11	997 618 450 01	control unit		1	I475						
(11)	997 618 451 01	control unit		1	I030						
-	997 618 205 00	support for control unit		1							
-	997 606 111 01	acceleration sensor body		1							
12	997 333 513 00	concave washer		2							
13	997 333 523 00	concave washer		2	I030						
14	997 333 513 01	concave washer		2	I030						
15	997 606 111 01	acceleration sensor body		1							
16	997 606 214 00	acceleration sensor body		1							

Model	Year	MG	SG	Illustration	Restrictions	UPD	22:26	24.01.2010	PORSCHE	PET	PORSCHE
997-2	2010	6	01	601-00		248					



Pos	Part Number	Description	Remark	Qty	Model
		wheels			
1	997 362 137 01	disc wheel 8 J X 18 ET 57	/V	2	I414 CARRERA 2 CARRERA 4
(1)	997 362 156 02	disc wheel 8 J X 19 ET 57	/V	2	I404
(1)	997 362 156 03	disc wheel 8 J X 19 ET 57	/V	2	I405
(1)	997 362 156 04	disc wheel 8 J X 19 ET 57	/V	2	I407
(1)	997 362 156 55	disc wheel 8,5 J X 19 ET 55	/V	2	IXRR
(1)	997 362 157 00	disc wheel 8 J x 19 ET 57	/V	2	I419
(1)	997 362 157 02	disc wheel 8 J x 19 ET 57	/V	10-	I421
(1)	997 362 157 56	disc wheel 8,5 J X 19 ET 55	/V	2	I756 IXRS
(1)	997 363 156 02	disc wheel 041 black 8 J X 19 ET 57	/V (J)	2	I756 I404
(1)	997 362 141 05	disc wheel 10,5 J X 18 ET 60	/H	2	I414 CARRERA 2 CARRERA 2-S
(1)	997 362 143 00	disc wheel 11 J X 18 ET 51	/H	2	I414 CARRERA 4 CARRERA 4-S
(1)	997 362 162 09	disc wheel 11 J X 19 ET 67	/H	2	I404 CARRERA 2 CARRERA 2-S
(1)	997 362 162 04	disc wheel 11 J X 19 ET 67	/H	2	I405 CARRERA 2 CARRERA2-S

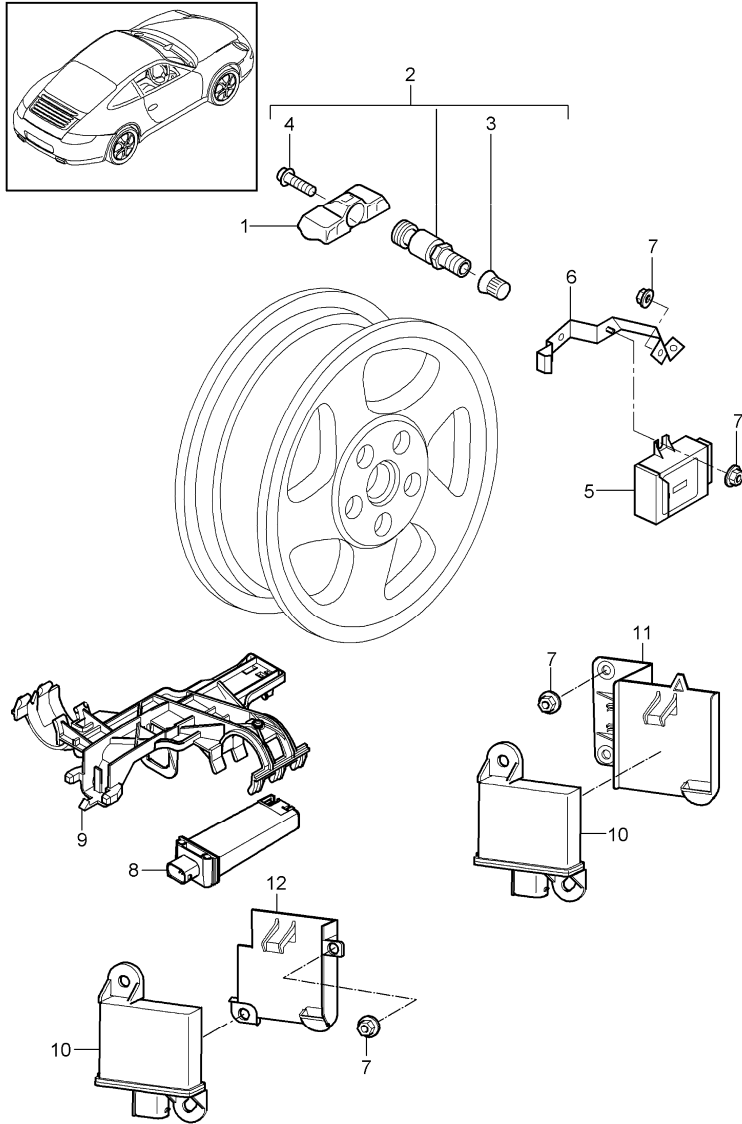
Model	Year	MG	SG	Illustration	Restrictions	UPD	22:26	24.01.2010	PORSCHE	PET	PORSCHE
997-2	2010	6	01	601-00		248					

Pos	Part Number	Description	Remark	Qty	Model	Pos	Part Number	Description	Remark	Qty	Model
(1)	997 362 162 03	disc wheel 11 J X 19 ET 51	/H	2	I405 CARRERA 4 CARRERA 4-S	(2)	valve tyre pressure monitoring see group 6/01/05		4	I482/483
(1)	997 362 162 06	disc wheel 11 J X 19 ET 51	/H	2	I407 CARRERA 4 CARRERA 4-S	3	955 361 163 00	cap for rubber valve		4	
(1)	997 362 162 07	disc wheel 11 J x 19 ET 67	/H	2	I407 CARRERA 2 CARRERA 2-S	4	997 361 405 00	balance stick-on weight 5.G.		X	
(1)	997 362 162 02	disc wheel 11 J X 19 ET 51	/H	2	I404 CARRERA 4 CARRERA 4-S	(4)	997 361 410 00	balance stick-on weight 10 G.		X	
(1)	997 362 162 55	disc wheel 11,5 J X 19 ET 67	/H	2	IXRR CARRERA 2 CARRERA 2-S	(4)	997 361 415 00	balance stick-on weight 15 G.		X	
(1)	997 362 162 56	disc wheel 11,5 J X 19 ET 50	/H	2	IXRR CARRERA 4 CARRERA 4-S	(4)	997 361 420 00	balance stick-on weight 20 G.		X	
(1)	997 362 163 00	disc wheel 11 J X 19 ET 67	/H	2	I419 CARRERA 2 CARRERA 2-S	(4)	997 361 425 00	balance stick-on weight 25 G.		X	
(1)	997 362 163 01	disc wheel 11 J X 19 ET 51	/H	2	I419 CARRERA 4 CARRERA 4-S	(4)	997 361 430 00	balance stick-on weight 30 G.		X	
(1)	997 362 163 03	disc wheel 11 J X 19 ET 67	/H	10-	CARRERA 2 I421 CARRERA 2-S	(4)	997 361 435 00	balance stick-on weight 35 G.		X	
(1)	997 362 163 02	disc wheel 11 J X 19 ET 51	/H	10-	CARRERA 4 I421 CARRERA 4-S	(4)	997 361 440 00	balance stick-on weight 40 G.		X	
(1)	997 362 163 56	disc wheel 11,5 J X 19 ET 50	/H	2	I756 IXRS	(4)	997 361 445 00	balance stick-on weight 45 G.		X	
(1)	997 363 162 02	disc wheel	/H	2	I756	(4)	997 361 450 00	balance stick-on weight 50 G.		X	
	041	black 11 J X 19 ET 51	(J)		I404	(4)	997 361 455 00	balance stick-on weight 55 G.		X	
2	900 265 001 50	rubber valve rubber		4		(4)	997 361 460 00	balance stick-on weight 60 G.		X	
						(4)	997 361 465 00	balance stick-on weight 65 G.		X	
						(4)	997 361 470 00	balance stick-on weight 70 G.		X	
						(4)	997 361 475 00	balance stick-on weight 75 G.		X	
						(4)	997 361 480 00	balance stick-on weight 80 G.		X	

Model	Year	MG	SG	Illustration	Restrictions	UPD	22:26	24.01.2010	PORSCHE	PET	PORSCHE
997-2	2010	6	01	601-00		248					

Pos	Part Number	Description	Remark	Qty	Model	Pos	Part Number	Description	Remark	Qty	Model
(4)	997 361 485 00	balance stick-on weight 85 G.		X		(9)	997 652 055 00	compressor for emergency wheel		1	CARRERA 2 CARRERA 2 S
(4)	997 361 490 00	balance stick-on weight 90 G.		X		(9)	997 652 055 00	compressor for emergency wheel		1	I756
5	997 361 057 02	set anti-theft protection 1 set		1		(9)	997 652 057 00	compressor for emergency wheel		1	CARRERA 4 CARRERA 4 S
(5)	997 361 980 10	set anti-theft protection 1 set		1	IXRP						
(5)	997 361 057 01	set anti-theft protection 1 set	(GB)	1	I444						
(5)	997 361 980 09	set anti-theft protection 1 set	(GB)	1	IXRP/444						
6	997 361 203 01	wheel bolt		X							
(6)	997 361 980 07	wheel bolt		X	IXRP						
7	955 361 303 00	hub cap		4							
	9A1	silver									
(7)	955 361 303 05	hub cap		4	I446						
	9A1	silver									
(7)	997 361 303 01	hub cap crest coloured silver		4	IXRR						
(7)	997 361 303 10	hub cap		4	IXRS/756						
	041	black crest coloured									
(7)	997 361 305 00	hub cap		4	I404						
(7)	7PP 601 149	hub cap	10-	4	I421						
(7)	7PP 601 149 A	hub cap crest coloured	10-	4	I421/446						
9	955 722 631 00	compressed air bottle		1							

Model	Year	MG	SG	Illustration	Restrictions	UPD	22:27	24.01.2010	PORSCHE	PET	PORSCHE
997-2	2010	6	01	601-05		248					

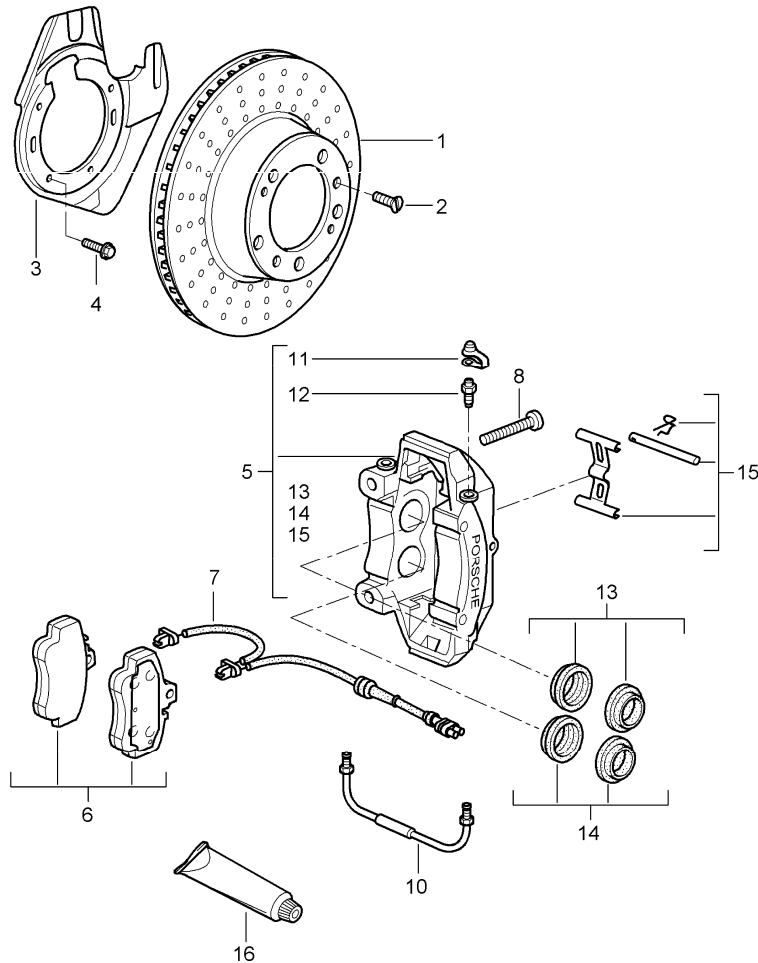
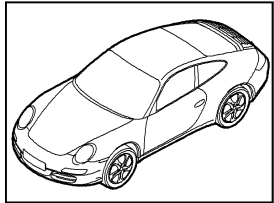


Pos	Part Number	Description	Remark	Qty	Model
1	997 606 021 20	tyre pressure monitoring sensor		4	I482/483
		tyre pressure monitoring use also: 955.361.053.00			I482
(1)	997 606 023 20	sensor tyre pressure monitoring use also: 955.361.053.00		4	I483
(1)	997 606 023 21	sensor tyre pressure monitoring use also: 955.361.053.00	(J)	4	I483
2	955 361 053 00	valve aluminium		4	
3	N 908 729 01	cap		4	
4	4D0 601 365	fastening screw		4	
5	997 618 103 23	control unit	-09	1	
5	997 618 191 02	control unit	10-	1	
6	997 618 203 02	support control unit		1	
7	999 076 081 40	plastic nut T5 16 X 11, 2		8	
8	955 606 101 00	antenna 433 MHZ		1	I482
(8)	955 606 103 00	antenna 315 MHZ		1	I483
9	997 606 259 00	support antenna		1	
10	955 618 113 00	transmitter	-09	4	
(10)	7PP 907 283	transmitter	10-	4	
11	997 606 242 00	support front	/R	1	
(11)	997 606 241 00	support front	/L	1	
12	997 606 252 01	support rear	/R	1	

Model	Year	MG	SG	Illustration	Restrictions	UPD	22:27	24.01.2010	PORSCHE	PET	PORSCHE
997-2	2010	6	01	601-05		248					

Pos	Part Number	Description	Remark	Qty	Model	Pos	Part Number	Description	Remark	Qty	Model
-	997 652 057 00	compressor for emergency wheel		1							

Model	Year	MG	SG	Illustration	Restrictions	UPD	22:27	24.01.2010	PORSCHE	PET	PORSCHE
997-2	2010	6	02	602-00		248					



Pos	Part Number	Description	Remark	Qty	Model
-	999 917 565 40	disc brake front axle grease Interflon HT 1 Tube 150 ml see technical manual group 4 46 36 20 only together with 997.351.938.04 997.351.938.19 brake disc only in pairs replace technical manual attention		1	CARRERA 2 CARRERA 2-S I450
1	997 351 401 00	brake disc	/L	1	CARRERA 2
(1)	996 351 409 03	brake disc	/L	1	CARRERA 2-S
(1)	997 351 031 00	brake disc	/L	1	I450
(1)	997 351 031 00	brake disc	/L	1	I756
(1)	997 351 402 00	brake disc	/R	1	CARRERA 2
(1)	996 351 410 03	brake disc	/R	1	CARRERA 2-S
(1)	997 351 032 00	brake disc	/R	1	I756
2	900 269 047 01	countersunk-head screw M 6 X 12		4	
3	997 351 801 02	cover plate	/L	1	CARRERA 2
(3)	997 351 805 04	cover plate	/L	1	CARRERA 2-S
(3)	997 351 805 05	cover plate	/L	1	I450
(3)	997 351 805 05	cover plate	/L	1	I756
(3)	997 351 802 02	cover plate	/R	1	CARRERA 2
(3)	997 351 806 04	cover plate	/R	1	CARRERA 2-S
(3)	997 351 806 05	cover plate		1	I450
(3)	997 351 806 05	cover plate		1	I756
4	999 217 116 01	hexagon-head bolt M 6 x 16		X	

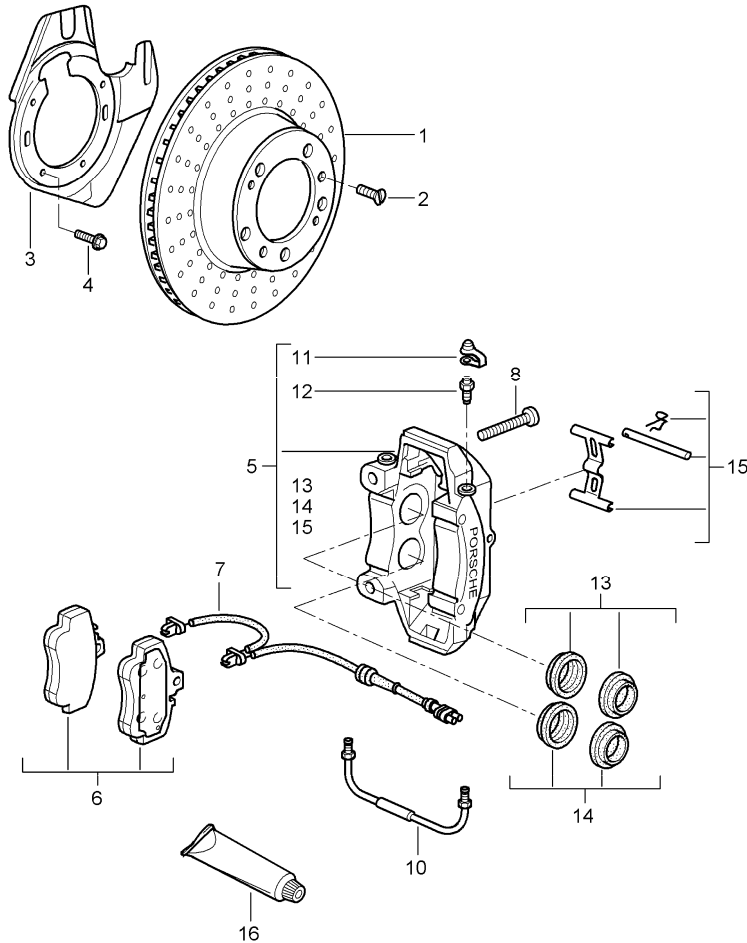
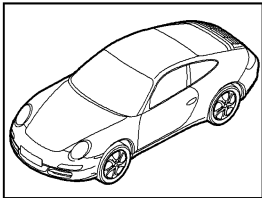
Model	Year	MG	SG	Illustration	Restrictions	UPD	22:27	24.01.2010	PORSCHE	PET	PORSCHE
997-2	2010	6	02	602-00		248					

Pos	Part Number	Description	Remark	Qty	Model	Pos	Part Number	Description	Remark	Qty	Model
5	997 351 421 0C	fixed calliper without pad use also: 999.067.053.09	/L	1	CARRERA 2	(6)	997 351 938 06	brake pad repair set use also: mounting parts use also: 999.067.053.09		1	CARRERA 2
(5)	996 351 429 10	fixed calliper without pad use also: 999.067.050.09	/L	1	CARRERA 2-S	(6)	997 351 949 02	brake pad repair set use also: mounting parts		4	
(5)	996 351 431 31	fixed calliper without pad use also: 999.067.053.09	/L	1	I450	(6)	997 351 948 01	brake pad repair set		1	I450
(5)	996 351 431 31	fixed calliper without pad use also: 999.067.053.09	/L	2	I756	(6)	997 351 948 01	brake pad repair set		1	I756
(5)	997 351 422 0C	fixed calliper without pad use also: 999.067.053.09	/R	1	CARRERA 2	-	996 351 089 01	damping plate		X	CARRERA 2-S
(5)	996 351 430 10	fixed calliper without pad use also: 999.067.050.09	/R	2	I450	7	997 612 769 00	warning contact		2	CARRERA 2
(5)	996 351 432 31	fixed calliper without pad use also: 999.067.053.09	/R	1	I450	(7)	997 612 757 00	warning contact	/L	1	CARRERA 2-S
(5)	996 351 432 31	fixed calliper without pad use also: 999.067.053.09	/R	2	I756	(7)	997 612 678 00	warning contact	/R	1	CARRERA 2-S
(6) A	997 351 938 04	brake pad repair set use also: mounting parts use also: 999.067.053.09 see technical manual group 4 46 36 20		1	CARRERA 2	(7)	997 612 675 01	warning contact	/L	1	I450
(6) A	997 351 938 19	brake pad repair set use also: mounting parts use also: 999.067.053.09 see technical manual group 4 46 36 20		4	CARRERA 2	(7)	997 612 675 01	warning contact	/L	1	I756
				1	CARRERA 2	(7)	997 612 679 00	warning contact	/R	1	I450
				2	I450	(7)	997 612 679 00	warning contact	/R	1	I756
				2	I756	-	999 507 464 40	support		2	
				1	I756	-	944 612 627 00	line bracket for warning contact		3	
				2	CARRERA 2	8	999 067 053 09	pan-head screw m 12 x 1,5 x 85		4	CARRERA 2
				4	CARRERA 2-S	(8)	999 067 050 09	pan-head screw M 12 X 1,5 X 77		4	CARRERA 2-S
				4	I450	(8)	999 067 053 09	pan-head screw m 12 x 1,5 x 85		4	I450
				4	I756	(8)	999 067 053 09	pan-head screw m 12 x 1,5 x 85		4	I756
				1	CARRERA 2	10	997 351 961 00	connecting line		2	CARRERA 2
				4	CARRERA 2-S	(10)	996 351 961 11	connecting line	/L	1	CARRERA 2-S
				1	CARRERA 2-S	(10)	996 351 962 11	connecting line	/R	1	CARRERA 2-S
				2	I450	(10)	996 351 961 30	connecting line		2	I450
				2	I756	(10)	996 351 961 30	connecting line		2	I756

Model	Year	MG	SG	Illustration	Restrictions	UPD	22:27	24.01.2010	PORSCHE	PET	PORSCHE
997-2	2010	6	02	602-00		248					

Pos	Part Number	Description	Remark	Qty	Model	Pos	Part Number	Description	Remark	Qty	Model
11	930 351 927 00	dust boot		2		15	996 351 959 30	repair kit mounting parts		1	I450
12	930 351 919 00	ventilation valve		2				bolt			
13	996 351 915 01	repair kit protection caps 38 MM		X	CARRERA 2			screw			
								expanding spring			
14	996 351 915 01	repair kit protection caps 38 MM		X	CARRERA 2	15	996 351 959 30	repair kit mounting parts		1	I756
								bolt			
(13)	928 351 917 00	repair kit protection caps 44 mm		X	CARRERA 2-S	16	000 043 117 00	brake cylinder paste 50 G		X	
		repair kit			CARRERA 2-S	16	000 043 020 00	optimoly 100 G		X	
(14)	951 351 917 00	repair kit protection caps 36 mm		X							
-	996 351 915 01	repair kit protection caps 38 MM		X	I450						
-	996 351 915 01	repair kit protection caps 38 MM		X	I756						
-	996 351 915 00	repair kit protection caps 32 MM		X	I450						
-	996 351 915 01	repair kit protection caps 38 MM		X	I756						
-	951 352 917 00	repair kit protection caps 28 MM		X	I450						
-	996 351 915 01	repair kit protection caps 38 MM		X	I450						
-	996 351 915 01	repair kit protection caps 38 MM		X	I756						
(15)	997 351 959 00	spring		X	CARRERA 2						
15	996 351 959 11	repair kit mounting parts bolt expanding spring securing clip		1	CARRERA 2-S						

Model	Year	MG	SG	Illustration	Restrictions	UPD	22:27	24.01.2010	PORSCHE	PET	PORSCHE
997-2	2010	6	02	602-01		248					



Pos	Part Number	Description	Remark	Qty	Model
-	999 917 565 40	grease Interflon HT 1 Tube 150 ml see technical manual group 4 46 36 20 only together with 997.351.938.04 997.351.938.19		1	CARRERA 4 CARRERA 4-S TARGA TARGA-S
		brake disc only in pairs replace technical manual attention			I450
1	997 351 401 00	brake disc	/L /L	1 1	CARRERA 4 TARGA
(1)	996 351 409 03	brake disc	/L /L	1 1	CARRERA 4-S TARGA-S
(1)	997 351 031 00	brake disc	/L	1	I450
(1)	997 351 402 00	brake disc	/R /R	1 1	CARRERA 4 TARGA
(1)	996 351 410 03	brake disc	/R /R	1 1	CARRERA 4-S TARGA-S
(1)	997 351 032 00	brake disc	/R	1	I450
2	A 900 269 047 09	countersunk-head screw M 6 X 12		4	
2	900 269 047 01	countersunk-head screw M 6 X 12		4	
3	997 351 805 00	cover plate	/L /L	1 1	CARRERA 4 TARGA
(3)	997 351 805 04	cover plate	/L /L	1 1	CARRERA 4-S TARGA-S
(3)	997 351 805 05	cover plate	/L	1	I450
(3)	997 351 806 00	cover plate	/R /R	1 1	CARRERA 4 TARGA
(3)	997 351 806 04	cover plate	/R /R	1 1	CARRERA 4-S TARGA-S

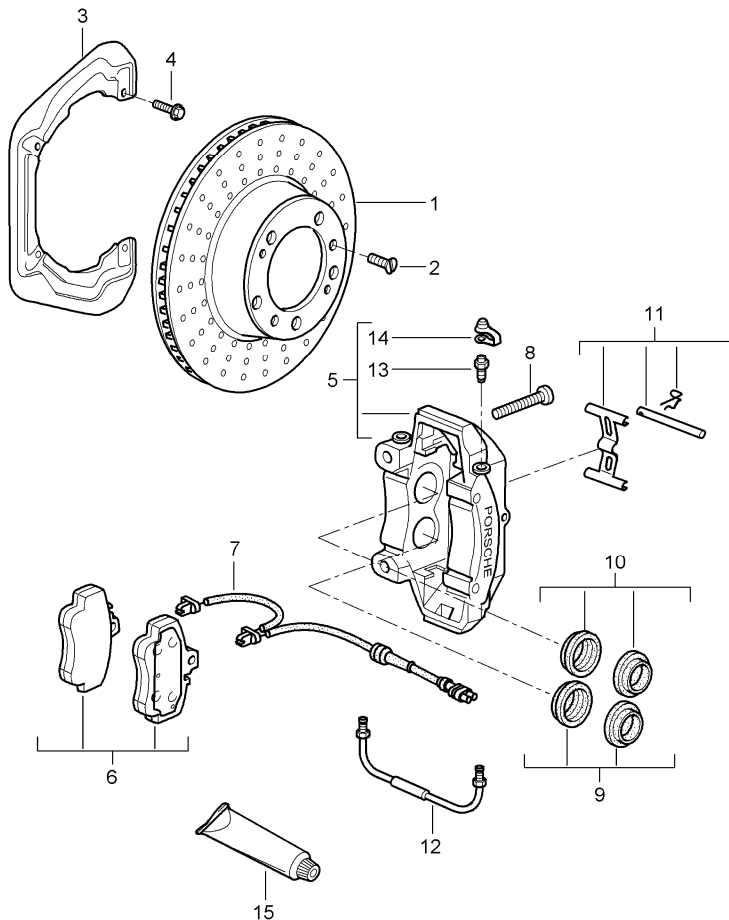
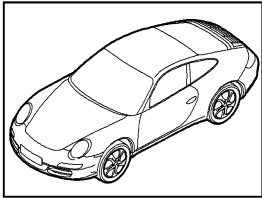
Model	Year	MG	SG	Illustration	Restrictions	UPD	22:27	24.01.2010	PORSCHE	PET	PORSCHE
997-2	2010	6	02	602-01		248					

Pos	Part Number	Description	Remark	Qty	Model	Pos	Part Number	Description	Remark	Qty	Model
(3)	997 351 806 05	cover plate	/R	1	I450	(6)	997 351 938 06	brake pad repair set use also: mounting parts use also: 999.067.053.09		1	CARRERA 4
(4)	999 217 116 01	hexagon-head bolt M 6 x 16		X						4	
5	997 351 421 0C	fixed calliper without pad use also: 999.067.053.09	/L /L	1 1	CARRERA 4 TARGA	(6)	997 351 949 02	brake pad repair set use also: mounting parts		1 1	CARRERA 4-S TARGA-S
(5)	996 351 429 10	fixed calliper without pad use also: 999.067.050.09	/L /L	1 1	CARRERA 4-S TARGA-S	(6)	997 351 948 01	brake pad repair set		1	I450
(5)	996 351 431 31	fixed calliper without pad use also: 999.067.053.09	/R	1	I450	-	996 351 089 01	damping plate		X	CARRERA 4-S TARGA-S
(5)	997 351 422 0C	fixed calliper without pad use also: 999.067.053.09	/R /R	1 1	CARRERA 4 TARGA	7	997 612 770 00	warning contact		2 2	CARRERA 4 TARGA
(5)	996 351 430 10	fixed calliper without pad use also: 999.067.050.09	/R /R	1 1	CARRERA 4-S TARGA-S	(7)	997 612 680 00	warning contact		2 2	CARRERA 4-S TARGA-S
(5)	996 351 432 31	fixed calliper without pad use also: 999.067.053.09	/R	1	I450	(7)	997 612 677 00	warning contact		2	I450
(6)	A 997 351 938 04	brake pad repair set use also: mounting parts use also: 999.067.053.09 see technical manual group 46 36 20		1 1	CARRERA 4 TARGA	-	999 507 464 40	support		2	
(6)	A 997 351 938 19	brake pad repair set use also: mounting parts use also: 999.067.053.09 see technical manual group 46 36 20		1 4	CARRERA 4 TARGA	-	944 612 627 00	line bracket for warning contact		3	
				1	I450	8	999 067 053 09	pan-head screw m 12 x 1,5 x 85	07-	4	CARRERA 4 TARGA
				2		(8)	999 067 050 09	pan-head screw M 12 X 1,5 X 77	07-	4 4	CARRERA 4-S TARGA-S
				4		(8)	999 067 053 09	pan-head screw m 12 x 1,5 x 85		4	I450
				4		10	997 351 961 00	connecting line		2	CARRERA 4
				1		(10)	996 351 961 11	connecting line	/L	1	CARRERA 4-S
				1		(10)	996 351 962 11	connecting line	/R	1	CARRERA 4-S
				2		(10)	996 351 961 30	connecting line		2	I450
				2		11	930 351 927 00	dust boot		2	
				2		12	930 351 919 00	ventilation valve		2	
				X X		13	996 351 915 01	repair kit protection caps 38 MM		X X	CARRERA 4 TARGA
				X X		(13)	928 351 917 00	repair kit protection caps 44 mm		X X	CARRERA 4-S TARGA-S

Model	Year	MG	SG	Illustration	Restrictions	UPD	22:27	24.01.2010	PORSCHE	PET	PORSCHE
997-2	2010	6	02	602-01		248					

Pos	Part Number	Description	Remark	Qty	Model	Pos	Part Number	Description	Remark	Qty	Model
(14)	951 351 917 00	repair kit protection caps 36 mm		X X	CARRERA 4-S TARGA-S						
-	996 351 915 01	repair kit protection caps 38 MM		X	I450						
-	996 351 915 00	repair kit protection caps 32 MM		X	I450						
-	951 352 917 00	repair kit protection caps 28 MM		X	I450						
(15)	997 351 959 00	spring		X X	CARRERA 4 TARGA						
(15)	996 351 959 11	repair kit mounting parts bolt expanding spring securing clip		1 1	CARRERA 4-S TARGA-S						
(15)	996 351 959 30	repair kit mounting parts bolt screw expanding spring		1	I450						
16	000 043 117 00	brake cylinder paste 50 G		X							
16	000 043 020 00	optimoly 100 G		X							

Model	Year	MG	SG	Illustration	Restrictions	UPD	22:27	24.01.2010	PORSCHE	PET	PORSCHE
997-2	2010	6	03	603-00		248					



Pos	Part Number	Description	Remark	Qty	Model
		disc brake rear axle			CARRERA 2 CARRERA 2-S
		brake disc only in pairs replace technical manual attention			I450
1	996 352 405 01	brake disc	/L	1	
(1)	997 352 031 00	brake disc	/L	1	I450
(1)	997 352 031 00	brake disc	/L	1	I756
(1)	996 352 406 01	brake disc	/R	1	
(1)	997 352 032 00	brake disc	/R	1	I450
(1)	997 352 032 00	brake disc	/R	1	I756
2	900 269 047 01	countersunk-head screw M 6 X 12		4	
(2)	900 269 106 01	countersunk-head screw M 6 x 16		4	IXRP CARRERA 2 CARRERA 2-S
3	996 352 801 03	cover plate		2	
(3)	997 352 801 02	cover plate	/L	1	I450
(3)	997 352 801 02	cover plate	/L	1	I756
(3)	997 352 802 02	cover plate	/R	1	I450
(3)	997 352 802 02	cover plate	/R	1	I756
4	999 217 116 01	hexagon-head bolt M 6 x 16		X	
5	997 352 421 0B	fixed calliper without pad use also: 999.067.053.09	/L	1	CARRERA 2
(5)	996 352 425 60	fixed calliper without pad use also: 999.067.050.09	/L	1	CARRERA 2-S
(5)	996 352 423 31	fixed calliper without pad use also: 999.067.053.09	/L	1	I450
				2	

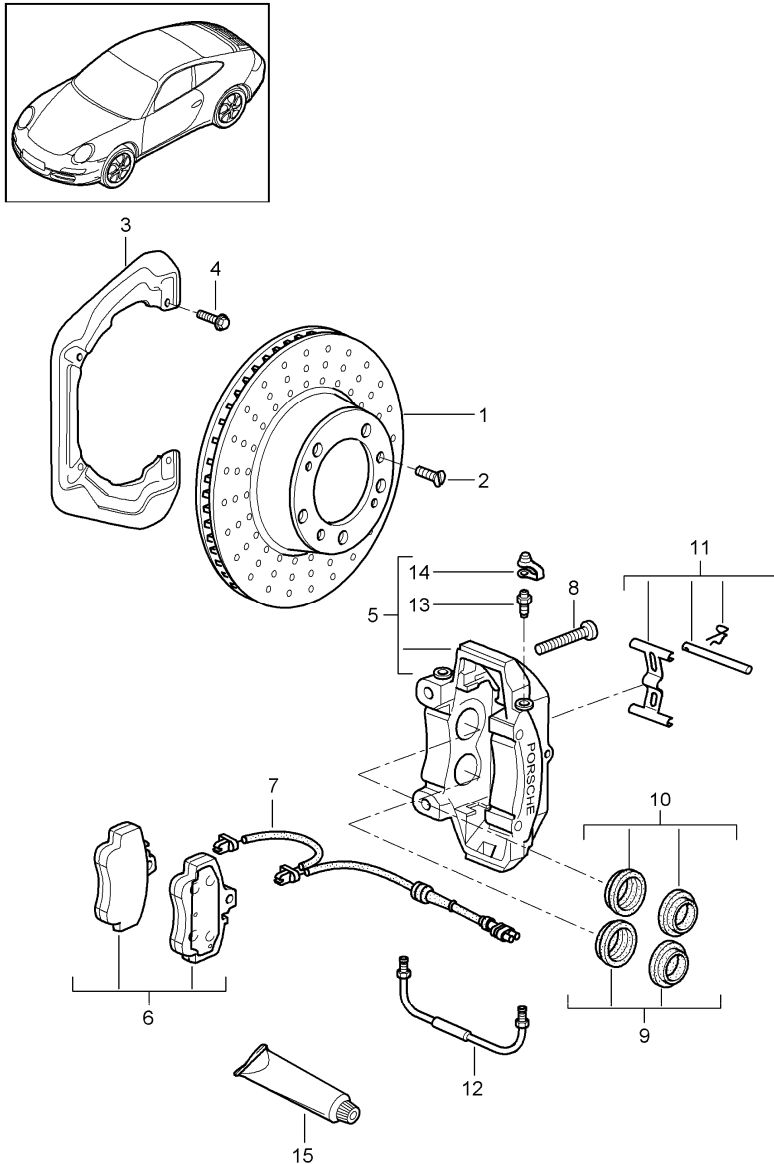
Model	Year	MG	SG	Illustration	Restrictions	UPD	22:27	24.01.2010	PORSCHE	PET	PORSCHE
997-2	2010	6	03	603-00		248					

Pos	Part Number	Description	Remark	Qty	Model	Pos	Part Number	Description	Remark	Qty	Model
(5)	996 352 423 31	fixed calliper without pad use also: 999.067.053.09	/L	1	I756	(8)	999 067 050 09	pan-head screw m 12 x 1,5 x 77		4	CARRERA 2-S
				2		(8)	999 067 053 09	pan-head screw M 12 X 1,5 X 85		4	I450
(5)	997 352 422 0B	fixed calliper without pad use also: 999.067.053.09	/R	1	CARRERA 2	(8)	999 067 053 09	pan-head screw M 12 X 1,5 X 85		4	I756
				2		9	965 352 917 00	repair kit protection caps 34 MM		4	CARRERA 2
(5)	996 352 426 60	fixed calliper without pad use also: 999.067.050.09	/R	1	CARRERA 2-S	(9)	951 352 917 01	repair kit protection caps 30 MM		2	CARRERA 2
				2						2	CARRERA 2-S
(5)	996 352 424 31	fixed calliper without pad use also: 999.067.053.09	/R	1	I450	10	951 352 917 00	repair kit protection caps 28 MM		2	CARRERA 2
				2						2	CARRERA 2-S
(5)	996 352 424 31	fixed calliper without pad use also: 999.067.053.09	/R	1	I756	(10)	951 352 917 00	repair kit protection caps 28 MM		X	I450
				2						X	I756
6	997 352 949 04	brake pad repair set use also: 999.067.053.09		1	CARRERA 2	(10)	951 352 917 00	repair kit protection caps 28 MM		X	I756
				2							
(6)	997 351 939 05	brake pad repair set		1	CARRERA 2-S	11	997 352 959 10	spring		1	CARRERA 2
(6)	997 352 948 00	brake pad repair set		1	I450	(11)	955 352 960 00	repair kit		1	CARRERA 2-S
(6)	997 352 948 00	brake pad repair set		1	I756	(11)	996 351 959 01	repair kit mounting parts bolt expanding spring securing clip		1	I450
-	996 352 086 00	damping plate 30 mm		X	CARRERA 2-S					2	
										2	
										2	
-	996 352 086 02	damping plate 28 MM		X	CARRERA 2-S	(11)	996 351 959 01	repair kit mounting parts bolt expanding spring securing clip		1	I756
7	997 612 754 00	warning contact		2	CARRERA 2					2	
(7)	997 612 676 01	warning contact		2	CARRERA 2-S					2	
(7)	997 612 676 01	warning contact		2	I450	12	996 355 585 01	connecting line	/L	1	CARRERA 2
(7)	997 612 676 01	warning contact		2	I756	(12)	996 355 586 01	connecting line	/R	1	CARRERA 2
(6)	997 352 948 00	brake pad repair set		1	I450	(12)	996 351 962 00	connecting line	/L	1	CARRERA 2-S
(6)	997 352 948 00	brake pad repair set		1	I756	(12)	996 351 961 00	connecting line	/R	1	CARRERA 2-S
8	999 067 053 09	pan-head screw m 12 x 1,5 x 85		4	CARRERA 2	(12)	996 352 961 30	connecting line	/L	1	I450
						(12)	996 352 961 30	connecting line	/L	1	I756

Model	Year	MG	SG	Illustration	Restrictions	UPD	22:27	24.01.2010	PORSCHE	PET	PORSCHE
997-2	2010	6	03	603-00		248					

Pos	Part Number	Description	Remark	Qty	Model	Pos	Part Number	Description	Remark	Qty	Model
(12)	996 352 961 30	connecting line	/R	1	I450						
(12)	996 352 961 30	connecting line	/R	1	I756						
13	930 351 919 01	ventilation valve		4							
14	930 351 927 00	dust boot		4							
15	000 043 117 00	brake cylinder paste 50 G		X							
(15)	000 043 020 00	optimoly 100 G		X							

Model	Year	MG	SG	Illustration	Restrictions	UPD	22:27	24.01.2010	PORSCHE	PET	PORSCHE
997-2	2010	6	03	603-01		248					

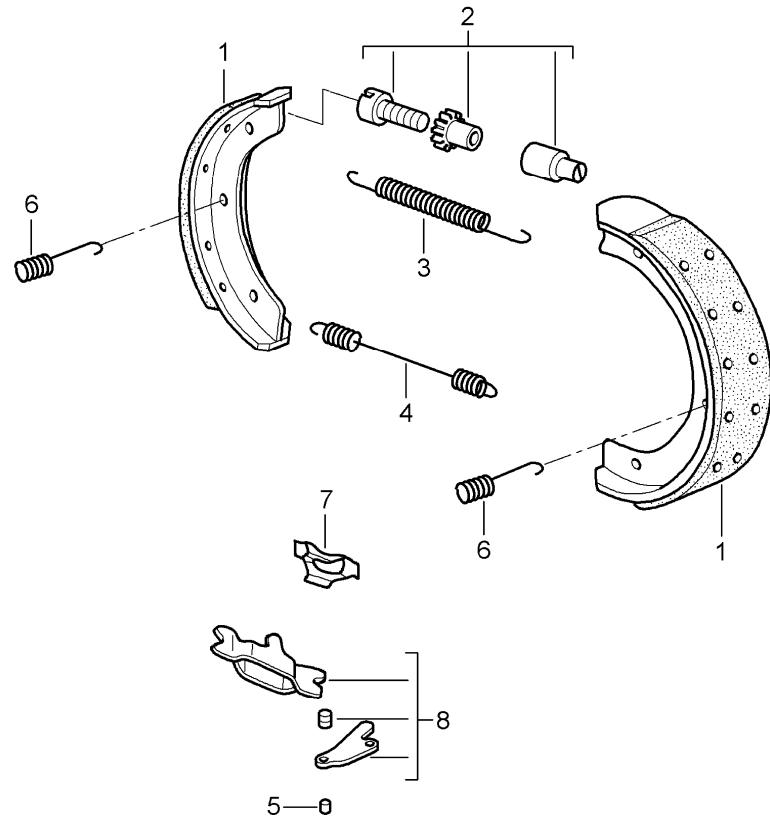
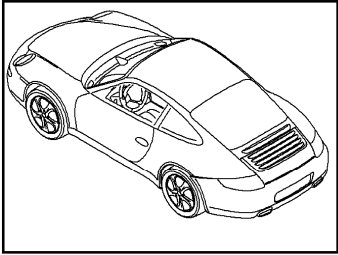


Pos	Part Number	Description	Remark	Qty	Model
		disc brake rear axle			CARRERA 4 CARRERA 4-S TARGA TARGA-S
		brake disc only in pairs replace technical manual attention			I450
(1)	996 352 405 01	brake disc	/L	1	
(1)	997 352 031 00	brake disc	/L	1	I450
(1)	996 352 406 01	brake disc	/R	1	
(1)	997 352 032 00	brake disc	/R	1	I450
2	900 269 047 01	countersunk-head screw M 6 X 12		4	CARRERA 4 CARRERA 4-S
(2)	900 269 106 01	countersunk-head screw M 6 x 16		4	IXRP TARGA TARGA-S
3	996 352 801 03	cover plate		2	
(3)	997 352 801 02	cover plate	/L	1	I450
(3)	997 352 802 02	cover plate	/R	1	I450
4	999 217 116 01	hexagon-head bolt M 6 x 16		X	
5	997 352 421 0B	fixed calliper without pad use also: 999.067.053.09	/L /L	1 1	CARRERA 4 TARGA
(5)	996 352 425 60	fixed calliper without pad use also: 999.067.050.09	/L /L	1 1	CARRERA 4-S TARGA-S
(5)	996 352 423 31	fixed calliper without pad use also: 999.067.053.09	/L	1	I450
(5)	997 352 422 0B	fixed calliper without pad use also: 999.067.053.09	/R /R	1 1	CARRERA 4 TARGA
				2	

Model	Year	MG	SG	Illustration	Restrictions	UPD	22:27	24.01.2010	PORSCHE	PET	PORSCHE
997-2	2010	6	03	603-01		248					

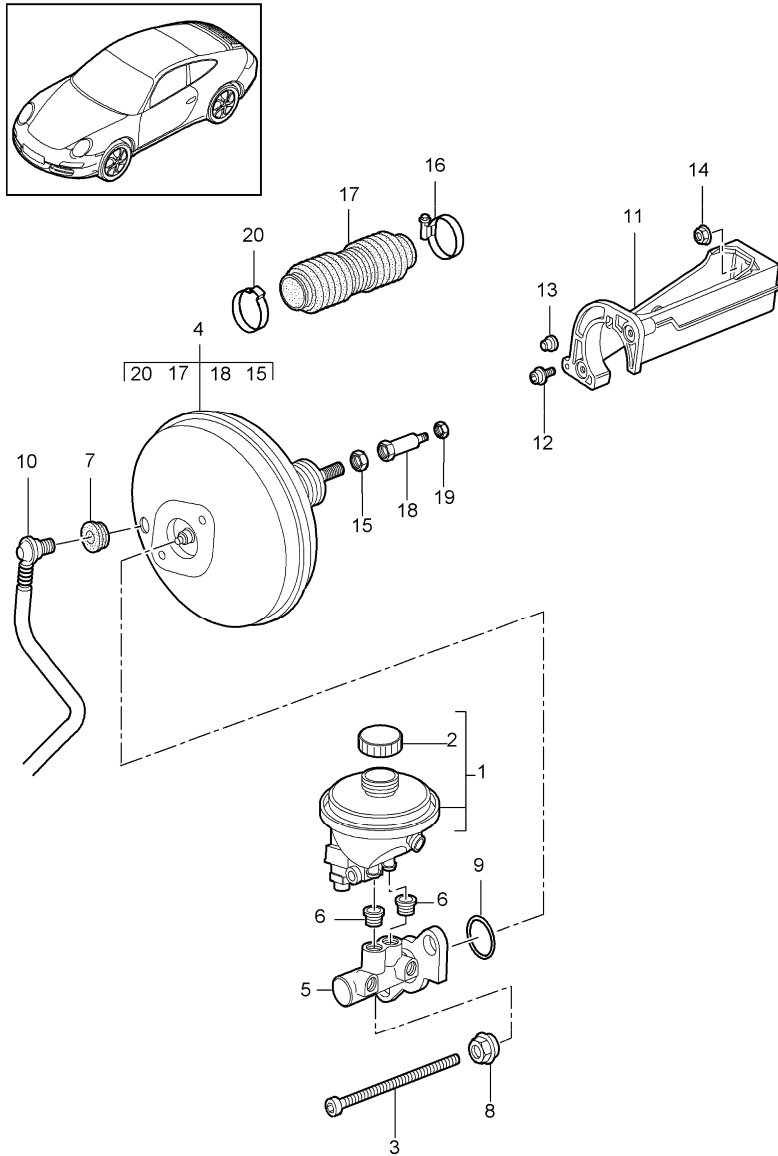
Pos	Part Number	Description	Remark	Qty	Model	Pos	Part Number	Description	Remark	Qty	Model
(5)	996 352 426 60	fixed calliper without pad use also: 999.067.050.09	/R /R	1 1 2	CARRERA 4-S TARGA-S	(10)	951 352 917 00	repair kit protection caps 28 MM		X	I450
(5)	996 352 424 31	fixed calliper without pad use also: 999.067.053.09	/R	1	I450	(11)	997 352 959 10	spring		1	CARRERA 4 TARGA
6	997 352 949 04	brake pad repair set use also: 999.067.053.09		1 1 2	CARRERA 4 TARGA	(11)	955 352 960 00	repair kit mounting parts bolt expanding spring securing clip		1 1 2 2	CARRERA 4-S TARGA-S
(6)	997 351 939 05	brake pad repair set		1 1	CARRERA 4-S TARGA-S	(11)	996 351 959 01	repair kit mounting parts bolt expanding spring securing clip		1 2 2 2	I450
(6)	997 352 948 00	brake pad repair set		1	I450 TARGA TARGA-S	12	996 355 585 01	connecting line	/L /L	2 2	CARRERA 4 TARGA
-	996 352 086 00	damping plate 30 MM		X X X X	CARRERA 4 CARRERA 4-S TARGA TARGA-S	(12)	996 355 586 01	connecting line	/R /R	2 2	CARRERA 4 TARGA
-	996 352 086 02	damping plate 28 MM		X X X X	CARRERA 4 CARRERA 4-S TARGA TARGA-S	(12)	996 351 962 00	connecting line	/L /L	1 1	CARRERA 4-S TARGA-S
(7)	997 612 754 00	warning contact		2		(12)	996 351 961 00	connecting line	/R /R	1 1	CARRERA 4-S TARGA-S
7	997 612 676 01	warning contact		2	I450	(12)	996 352 961 30	connecting line	/L	1	I450
(8)	999 067 050 09	pan-head screw m 12 x 1,5 x 77		4 4	CARRERA 4 TARGA	13	930 351 919 01	ventilation valve		4	
(8)	999 067 050 09	pan-head screw M 12 X 1,5 X 77		4 4	CARRERA 4-S TARGA-S	14	930 351 927 00	dust boot		4	
(8)	999 067 053 09	pan-head screw m 12 x 1,5 x 85		4	I450	15	000 043 117 00	brake cylinder paste 50 G		X	
(8)	965 352 917 00	repair kit protection caps 34 mm		4	CARRERA-4 TARGA	(15)	000 043 020 00	optimoly 100 G		X	
9	951 352 917 01	repair kit protection caps 30 MM		2 2 2	CARRERA 4-S TARGA-S						
10	951 352 917 00	repair kit protection caps 28 MM		2 2 2	CARRERA 4-S TARGA-S						

Model	Year	MG	SG	Illustration	Restrictions	UPD	22:28	24.01.2010	PORSCHE	PET	PORSCHE
997-2	2010	6	03	603-05		248					



Pos	Part Number	Description	Remark	Qty	Model
		handbrake			
1	997 352 993 02	repair kit 1 set		1	
2	993 352 071 00	adjusting screw		2	
3	997 352 721 01	tension spring short		2	
4	997 352 723 02	tension spring long		2	
5	993 352 737 00	bolt		2	
6	997 352 741 02	compression spring		4	
7	997 352 807 00	support panel		2	
8	928 352 090 01	push-button lock complete		2	

Model	Year	MG	SG	Illustration	Restrictions	UPD	22:28	24.01.2010	PORSCHE	PET	PORSCHE
997-2	2010	6	04	604-00		248					

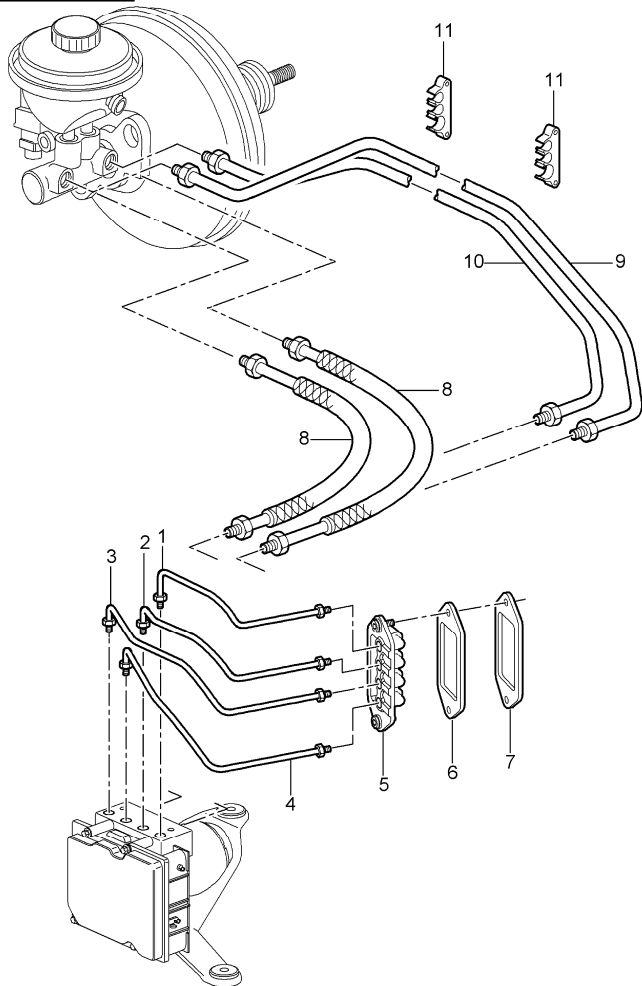
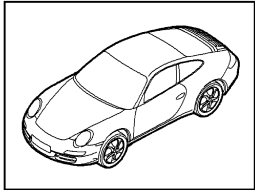


Pos	Part Number	Description	Remark	Qty	Model
-	000 043 203 66	brake master cylinder brake booster			
-		brake fluid DOT 4 1 Ltr.		X	
1	997 355 013 01	expansion tank		1	I480
(1)	997 355 013 21	expansion tank		1	I250
2	996 355 119 01	catch		1	
-	997 355 125 00	support for contact for container		1	
3	999 073 124 09	pan-head screw M 8 X 154 X 80		2	CARRERA 2
				2	CARRERA 2-S
3	999 073 124 09	pan-head screw M 8 X 154 X 80		2	I756
				2	
(3)	999 073 327 09	pan-head screw M 8 X 197 X 29		2	CARRERA 4
				2	CARRERA 4-S
				2	TARGA
				2	TARGA-S
4	997 355 923 00	brake booster		1	CARRERA 2
				1	CARRERA 2-S
4	997 355 923 00	brake booster		1	I756
(4)	997 355 923 20	brake booster		1	CARRERA 4
				1	TARGA
(4)	997 355 925 37	brake booster		1	I450
				1	CARRERA 4
(4)	997 355 925 37	brake booster		1	CARRERA 4-S
(4)	997 355 925 37	brake booster		1	I450
				1	TARGA
(4)	997 355 925 37	brake booster		1	TARGA-S
-	996 355 137 01	catch threaded joint brake booster		1	
5	997 355 910 10	brake master cylinder		1	CARRERA 2
(5)	997 355 910 10	brake master cylinder		1	CARRERA 2-S
(5)	997 355 910 10	brake master cylinder		1	CARRERA 2-S
				1	I450

Model	Year	MG	SG	Illustration	Restrictions	UPD	22:28	24.01.2010	PORSCHE	PET	PORSCHE
997-2	2010	6	04	604-00		248					

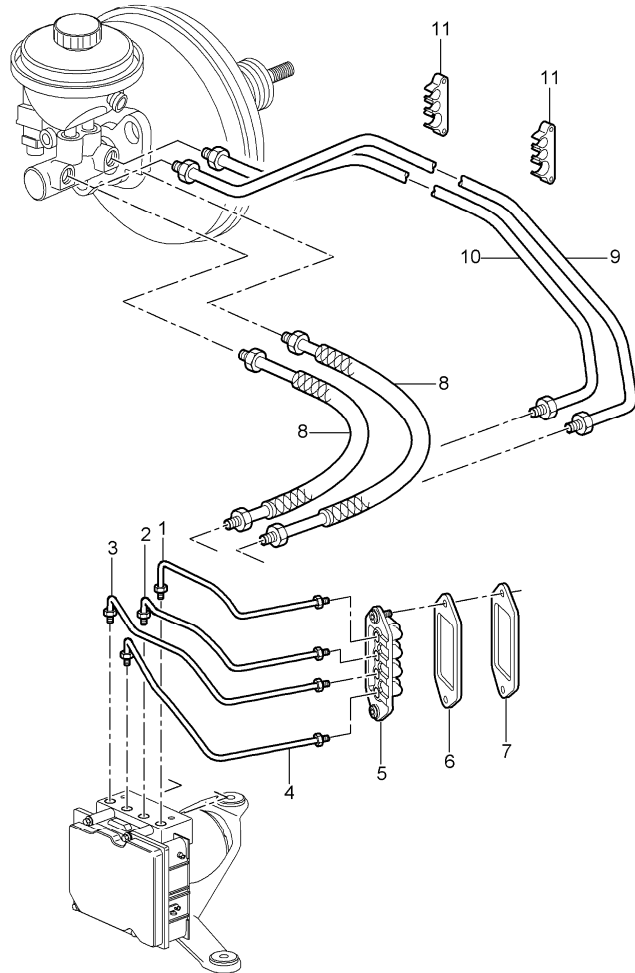
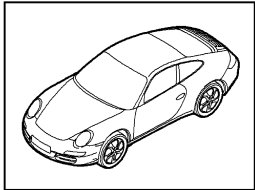
Pos	Part Number	Description	Remark	Qty	Model	Pos	Part Number	Description	Remark	Qty	Model
(5)	997 355 910 10	brake master cylinder		1	I756	15	900 183 015 01	hexagon nut M 12 X 1,5		1	
(5)	997 355 910 10	brake master cylinder		1	CARRERA 4	-	996 355 901 01	gasket brake booster bulkhead		1	
(5)	997 355 910 30	brake master cylinder		1	TARGA						
(5)	997 355 910 30	brake master cylinder		1	CARRERA 4-S TARGA-S	16	999 512 478 00	hose clamp		1	
(5)	997 355 910 30	brake master cylinder		1	I450 CARRERA 4 CARRERA 4-S TARGA TARGA-S	17	996 423 269 05	bellows		1	CARRERA 2
6	993 355 922 00	grommet		2		(17)	997 355 969 00	bellows		1	CARRERA 2-S
7	999 702 182 40	rubber bush		1						1	CARRERA 4
8	997 355 925 00	hexagon nut		2						1	I450
9	993 355 212 00	gasket		1		18	996 355 927 01	connecting piece		1	TARGA
10	997 355 577 00	vacuum line		1	CARRERA 2	19	900 380 015 01	hexagon nut M 6		1	TARGA-S
10	997 355 577 00	vacuum line		1	CARRERA 2-S I098	20	999 512 672 00	clamp		1	
(10)	997 355 577 26	vacuum line		1	I098/756						
(10)	997 355 578 00	vacuum line		1	CARRERA 4						
(10)	997 355 578 00	vacuum line		1	CARRERA 4-S						
(10)	997 355 578 00	vacuum line		1	TARGA						
(10)	997 355 578 26	vacuum line		1	TARGA-S I098						
(10)	997 355 578 00	vacuum line		1	CARRERA 2						
(10)	997 355 578 00	vacuum line		1	CARRERA 2-S I099						
(10)	997 355 578 26	vacuum line		1	I099/756						
(10)	997 355 578 26	vacuum line		1	CARRERA 4						
11	997 423 251 00	intermediate piece		1	CARRERA 4-S						
12	999 073 189 01	round head screw M 6 X 12		2	TARGA						
13	999 703 448 50	stopper	/R	1	TARGA-S						
14	999 084 630 09	hexagon nut M 8		2	I099						

Model	Year	MG	SG	Illustration	Restrictions	UPD	22:28	24.01.2010	PORSCHE	PET	PORSCHE
997-2	2010	6	04	604-05		248					



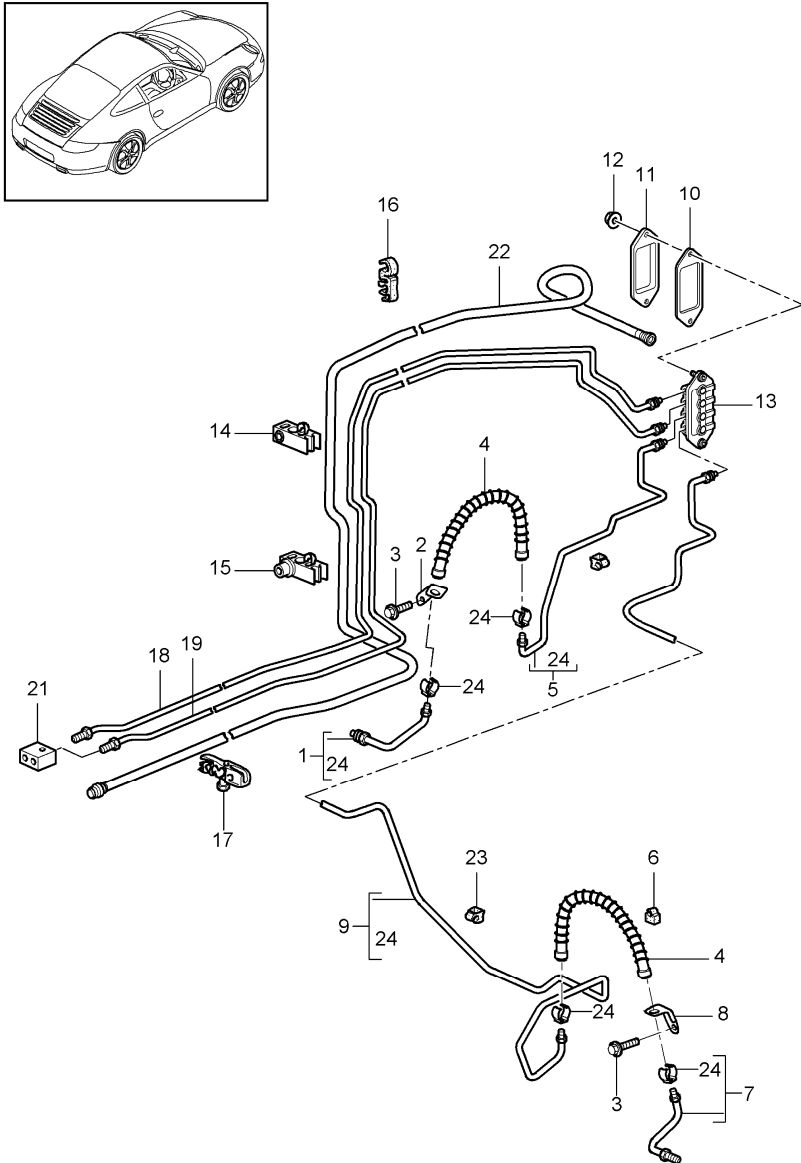
Pos	Part Number	Description	Remark	Qty	Model
		brake lines body front section			CARRERA 2 CARRERA 2-S
1	997 355 315 10	brake line		1 1 1	CARRERA 2 CARRERA 2-S I756
2	997 355 316 10	brake line		1 1 1	CARRERA-2 CARRERA 2-S I756
3	997 355 327 10	brake line		1 1 1	CARRERA 2 CARRERA 2-S I756
4	997 355 326 10	brake line		1 1 1	CARRERA 2 CARRERA 2-S I756
5	997 355 650 00	intermediate piece		1 1 1	CARRERA 2 CARRERA 2-S I756
6	997 355 752 00	gasket		1 1 1	CARRERA 2 CARRERA 2-S I756
7	997 355 753 00	reinforcement		1 1 1	CARRERA 2 CARRERA 2-S I756
8	997 355 311 10	pressure line		2 2 2	CARRERA 2 I098 CARRERA 2-S I098 I098/756
9	997 355 312 10	pressure line		1 1 1	CARRERA 2 I099 CARRERA 2-S I099 I099/756
10	997 355 314 10	pressure line		1 1	I099 I099/756
11	999 507 632 40	cable holder		2 2 2	CARRERA 2 CARRERA 2-S I756

Model	Year	MG	SG	Illustration	Restrictions	UPD	22:28	24.01.2010	PORSCHE	PET	PORSCHE
997-2	2010	6	04	604-06		248					



Pos	Part Number	Description	Remark	Qty	Model
		brake lines body front section			CARRERA 4 CARRERA 4-S TARGA TARGA-S
1	997 355 315 30	brake line		1	I098
(1)	997 355 315 10	brake line		1	I099
2	997 355 316 30	brake line		1	I098
2	997 355 316 10	brake line		1	I099
3	997 355 327 30	brake line		1	I098
(3)	997 355 327 10	brake line		1	I099
4	997 355 326 30	brake line		1	I098
(4)	997 355 326 10	brake line		1	I099
5	997 355 650 00	intermediate piece		1	
6	997 355 752 00	gasket		1	
7	997 355 753 00	reinforcement		1	
8	997 355 311 10	pressure line		2	I098
9	997 355 312 30	pressure line		1	I099
10	997 355 314 30	pressure line		1	I099
11	999 507 632 40	cable holder		2	I099

Model	Year	MG	SG	Illustration	Restrictions	UPD	22:28	24.01.2010	PORSCHE	PET	PORSCHE
997-2	2010	6	04	604-10		248					

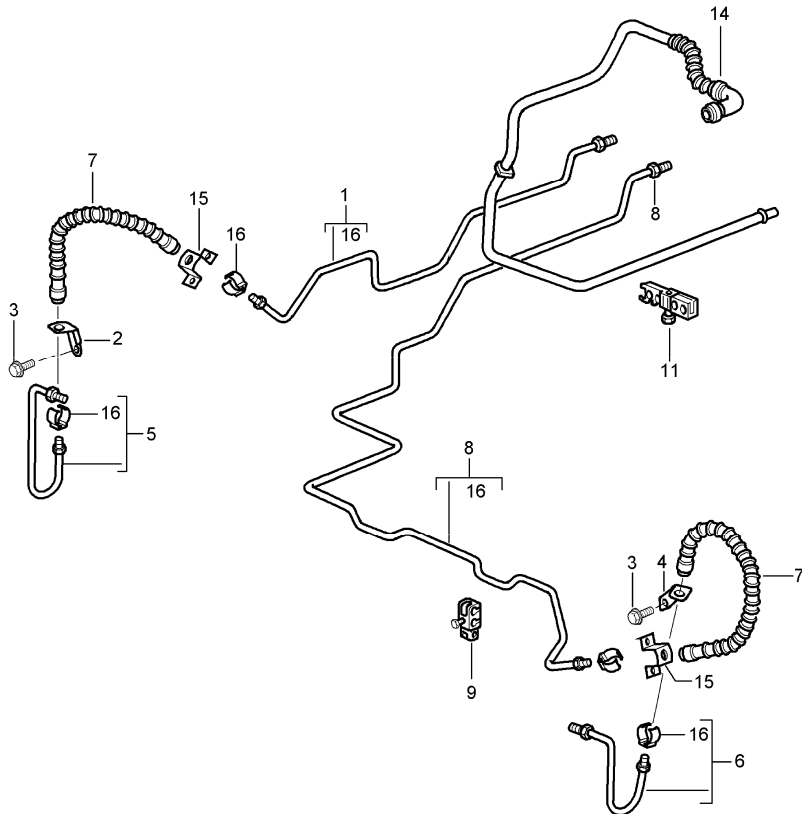
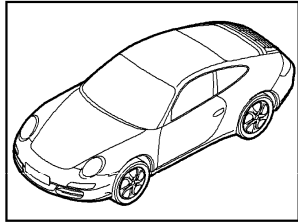


Pos	Part Number	Description	Remark	Qty	Model
1	996 355 581 07	brake line	/L	1	CARRERA 2
		brake lines	/L	1	CARRERA 2-S
		underbody			
		vacuum line			
(1)	996 355 581 9B	brake line	/L	1	I450
			/L	1	CARRERA 2
			/L	1	CARRERA 2-S
(1)	996 355 581 9B	brake line		1	I756
(1)	997 355 587 02	brake line	/L	1	CARRERA 4
			/L	1	CARRERA 4-S
			/L	1	TARGA
			/L	1	TARGA-S
(1)	997 355 587 03	brake line	/L	1	I450
			/L	1	CARRERA 4
			/L	1	CARRERA 4-S
			/L	1	TARGA
			/L	1	TARGA-S
2	996 355 501 06	brake hose bracket	/L	1	CARRERA 2
			/L	1	CARRERA 2-S
2	996 355 501 06	brake hose bracket	/L	1	I756
(2)	996 355 507 05	brake hose bracket	/L	1	CARRERA 4
			/L	1	CARRERA 4-S
			/L	1	TARGA
			/L	1	TARGA-S
3	900 067 117 04	pan-head screw M 6 x 16		2	
4	996 355 139 01	brake hose		2	
5	997 355 175 10	brake line	/L	1	CARRERA 2
			/L	1	CARRERA 2-S
5	997 355 175 10	brake line	/L	1	I756
(5)	997 355 175 30	brake line	/L	1	CARRERA 4
			/L	1	CARRERA 4-S
			/L	1	TARGA
			/L	1	TARGA-S
6	999 591 930 40	support		X	
7	996 355 584 07	brake line	/R	1	CARRERA 2
			/R	1	CARRERA 2-S

Model	Year	MG	SG	Illustration	Restrictions	UPD	22:28	24.01.2010	PORSCHE	PET	PORSCHE
997-2	2010	6	04	604-10		248					

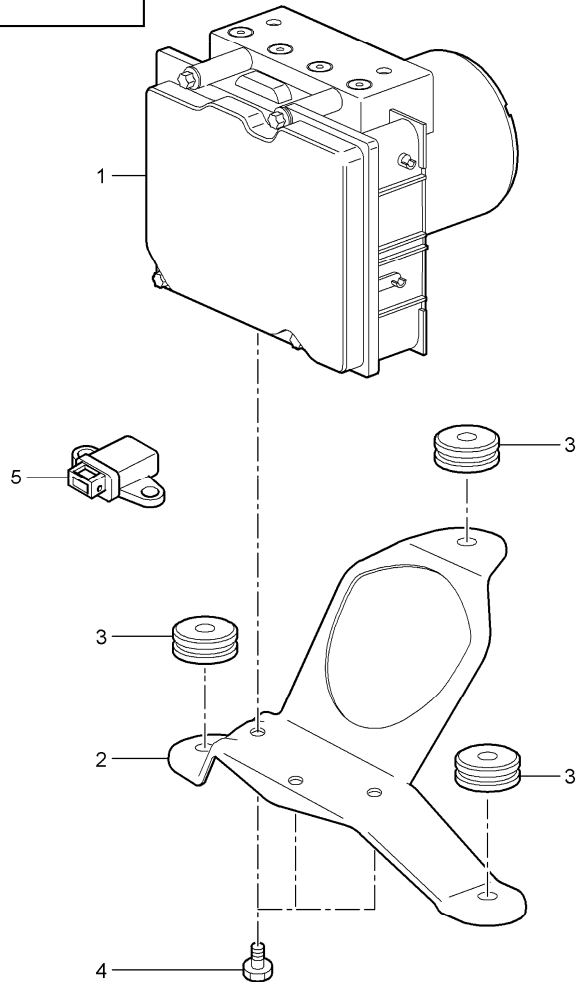
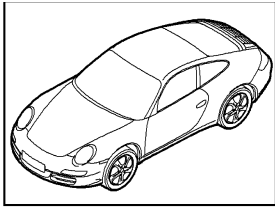
Pos	Part Number	Description	Remark	Qty	Model	Pos	Part Number	Description	Remark	Qty	Model
(7)	996 355 584 9B	brake line	/R /R	1 1 1	I450 CARRERA 2 CARRERA 2-S	21	996 355 760 31	connecting piece		1	
(7)	996 355 584 9B	brake line		1	I756	-	999 702 289 41	grommet wheel housing		1	
(7)	997 355 588 02	brake line	/R /R /R /R	1 1 1 1	CARRERA 4 CARRERA 4-S TARGA TARGA-S	23	999 651 331 40	cable holder		5	
(7)	997 355 588 03	brake line	/R /R /R /R	1 1 1 1	I450 CARRERA 4 CARRERA 4-S TARGA TARGA-S	24	997 355 331 00	retainer spring for brake hose		X	
8	996 355 502 06	brake hose bracket	/R /R	1 1	CARRERA 2 CARRERA 2-S						
8	996 355 502 06	brake hose bracket	/R	1	I756						
(8)	996 355 508 05	brake hose bracket	/R /R /R /R	1 1 1 1	CARRERA 4 CARRERA 4-S TARGA TARGA-S						
9	997 355 176 10	brake line		1 1 1	CARRERA 2 CARRERA 2-S I756						
(9)	997 355 176 30	brake line		1 1 1 1	CARRERA 4 CARRERA 4-S TARGA TARGA-S						
10	997 355 753 00	reinforcement		1							
11	997 355 752 00	gasket		1							
12	900 380 015 01	hexagon nut M 6		3							
13	997 355 650 00	intermediate piece		1							
14	996 355 545 00	support		3							
15	996 355 549 00	support		1							
16	996 355 547 01	support		2							
17	996 355 543 00	support		1							
18	997 355 177 10	brake line		1							
19	997 355 179 10	brake line		1							

Model	Year	MG	SG	Illustration	Restrictions	UPD	22:29	24.01.2010	PORSCHE	PET	PORSCHE
997-2	2010	6	04	604-15		248					



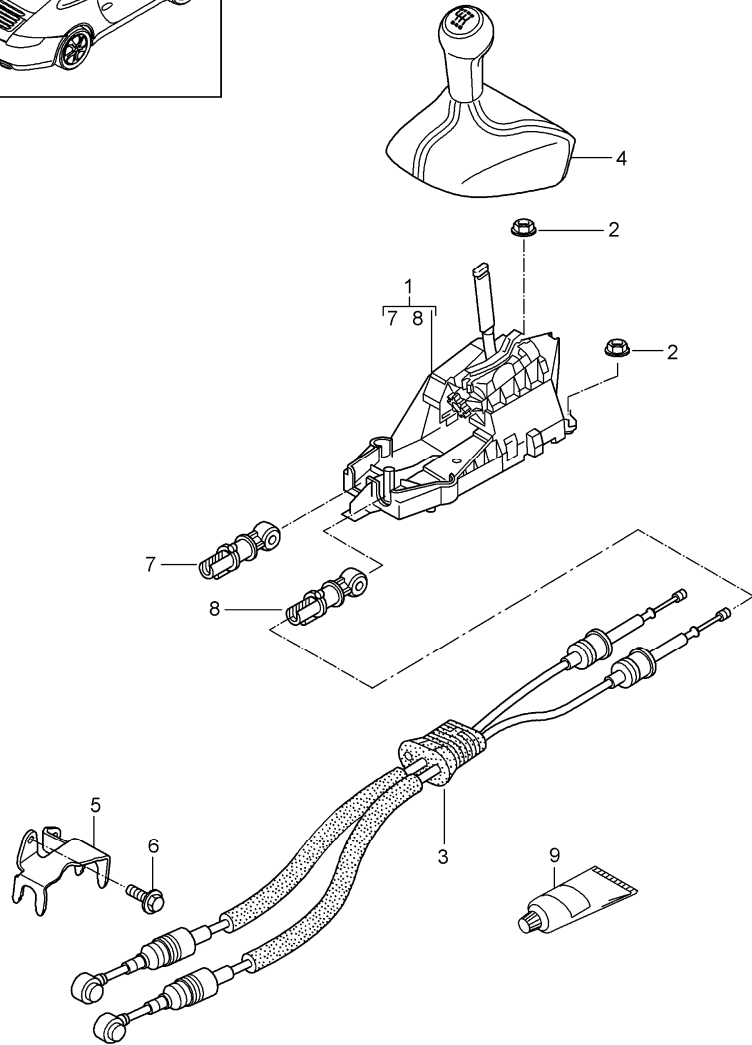
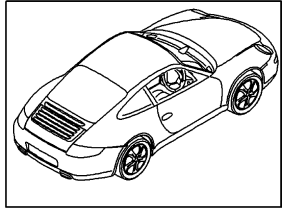
Pos	Part Number	Description	Remark	Qty	Model
		brake line underbody rear axle vacuum line			
1	997 355 189 10	brake line	/L	1	
2	997 355 503 00	brake hose bracket	/L	1	
(2)	997 355 503 10	support	/L	1	I450
(2)	997 355 503 10	support	/L	1	I756
(3)	900 067 117 04	pan-head screw M 6 x 16		2	
4	997 355 504 00	brake hose bracket	/R	1	
(4)	997 355 504 10	support	/R	1	I450
(4)	997 355 504 10	support	/R	1	I756
5	996 355 585 01	brake line	/L	1	
(5)	996 355 585 11	brake line	/L	1	I450
(5)	996 355 585 11	brake line	/L	1	I756
6	996 355 586 11	brake line	/R	1	
(6)	996 355 586 01	brake line	/R	1	
(6)	996 355 586 11	brake line	/R	1	I450
(6)	996 355 586 11	brake line	/R	1	I756
7	996 355 139 00	brake hose		2	
8	997 355 190 11	brake line		1	
9	996 347 543 00	cable holder		3	
11	996 355 543 00	support		1	
14	997 355 575 11	vacuum line	-09	1	
14	997 355 575 12	vacuum line	10-	1	
-	999 507 495 40	support		1	
15	996 501 815 02	support		2	
	GRV	prime coated			
16	997 355 331 00	retainer spring for brake hose		X	

Model	Year	MG	SG	Illustration	Restrictions	UPD	22:29	24.01.2010	PORSCHE	PET	PORSCHE
997-2	2010	6	05	605-00		248					



Pos	Part Number	Description	Remark	Qty	Model
		hydraulic unit anti-lock brake system control			
1	997 355 955 12	hydraulic unit	-09	1	CARRERA 2
				1	CARRERA 2-S
1	997 355 955 13	hydraulic unit	10-	1	CARRERA 2
				1	CARRERA 2-S
1	997 355 955 13	hydraulic unit		1	I756
(1) A	997 355 955 37	hydraulic unit	-09	1	CARRERA 4
				1	CARRERA 4-S
				1	TARGA
				1	TARGA-S
(1)	997 355 955 38	hydraulic unit	-09	1	CARRERA 4
				1	CARRERA 4-S
				1	TARGA
				1	TARGA-S
(1)	997 355 955 39	hydraulic unit	10-	1	CARRERA 4
				1	CARRERA 4-S
				1	TARGA
				1	TARGA-S
2	997 355 033 00	support with rubber mounting		1	CARRERA 2
				1	CARRERA 2-S
2	997 355 033 00	support		1	I756
(2)	997 355 033 25	support with rubber mounting		1	CARRERA 4
				1	CARRERA 4-S
				1	TARGA
				1	TARGA-S
				1	I098
(2)	997 355 033 00	support with rubber mounting		1	CARRERA 4
				1	CARRERA 4-S
				1	TARGA
				1	TARGA-S
				1	I099
3	964 356 635 00	rubber mounting		3	
-	999 045 004 40	hexagon nut plastic material		3	
4	900 385 060 01	screw BM 6 x 10		3	
5	997 606 145 05	sensor		1	

Model	Year	MG	SG	Illustration	Restrictions	UPD	22:29	24.01.2010	PORSCHE	PET	PORSCHE
997-2	2010	7	01	701-00		248					

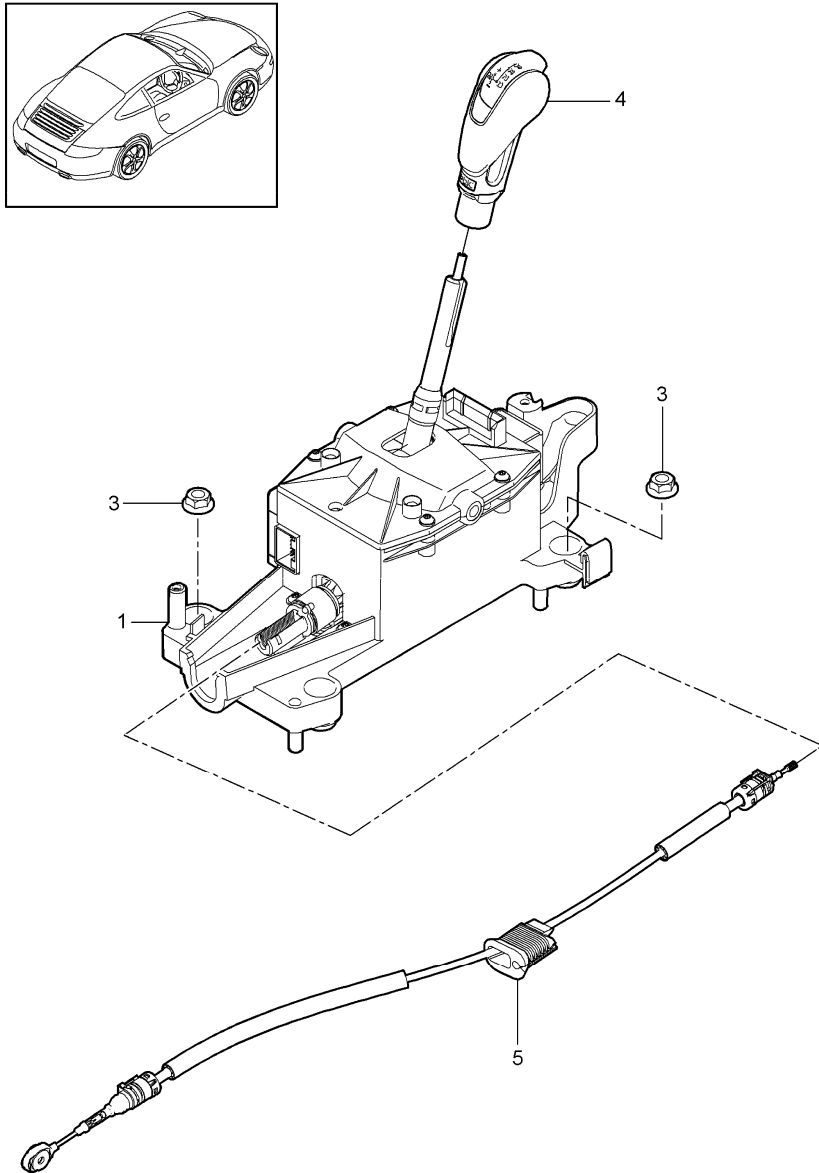


Pos	Part Number	Description	Remark	Qty	Model
		transmission control manual transmission			I480
1	997 424 010 00	gearshift bracket		1	
(1)	997 424 983 00	gearshift bracket		1	IXCZ
2	999 084 629 01	hexagon nut M 6		4	
(3)	997 424 041 10	cable transmission control		1	
(4)	997 424 075 01	gearshift knob gearshift knob leather shift pattern aluminium look		1 1 1 1 1	
		FOT black/black			
		FOU stone grey/stone grey			
		FOV sand beige/sand beige			
		FOW sea blue/sea blue			
		FPW terracotta/terracotta			
		FPX cocoa/cocoa			
		FOY dark grey/dark grey			
		FOZ brown nat./brown nat.			
		FSR Carrera Red/Carrera Red			
(4)	997 424 075 03	gearshift knob carbon shift pattern aluminium look		1	I803
		FPP black			
		FPQ stone grey			
		FPR sand beige			
		FPS sea blue			
		FQC terracotta			
		FQD cocoa			
		FPU dark grey/natural			
		FPV brown/natural			

Model	Year	MG	SG	Illustration	Restrictions	UPD	22:29	24.01.2010	PORSCHE	PET	PORSCHE
997-2	2010	7	01	701-00		248					

Pos	Part Number	Description	Remark	Qty	Model	Pos	Part Number	Description	Remark	Qty	Model
	FSS	carrera red				6	900 385 001 01	torx screw BM 8 X 20		2	
(4)	997 424 075 04	gearshift knob macassar shift pattern aluminium look		1	I801	7	996 424 145 01	fastening part for cable adjustable		1	
	FPA	black				8	996 424 147 00	fastening part for cable adjustable		1	
	FPB	stone grey									
	FPC	sand beige									
	FPD	sea blue				9	000 043 205 93	grease 1 100-gramme tube		X	
	FPY	terracotta									
	FPZ	cocoa									
	FPF	dark grey/natural									
	FPG	brown/natural									
	FST	carrera red									
(4)	997 424 981 00	gearshift knob aluminium leather	06-	1	IX97						
	8YR	black									
	5X5	stone grey									
	8G1	sand beige									
	3S8	sea blue									
	9N2	terracotta									
	9Q3	cocoa									
	D11	dark grey/natural									
	T11	brown/natural									
	N11	carrera red									
(4)	997 424 981 01	gearshift knob leather		1	I756						
	8C0	Espresso									
-	996 424 445 00	clip for fastening part		X							
5	997 424 165 10	bearing bracket		12							

Model	Year	MG	SG	Illustration	Restrictions	UPD	22:29	24.01.2010	PORSCHE	PET	PORSCHE
997-2	2010	7	01	701-01		248					

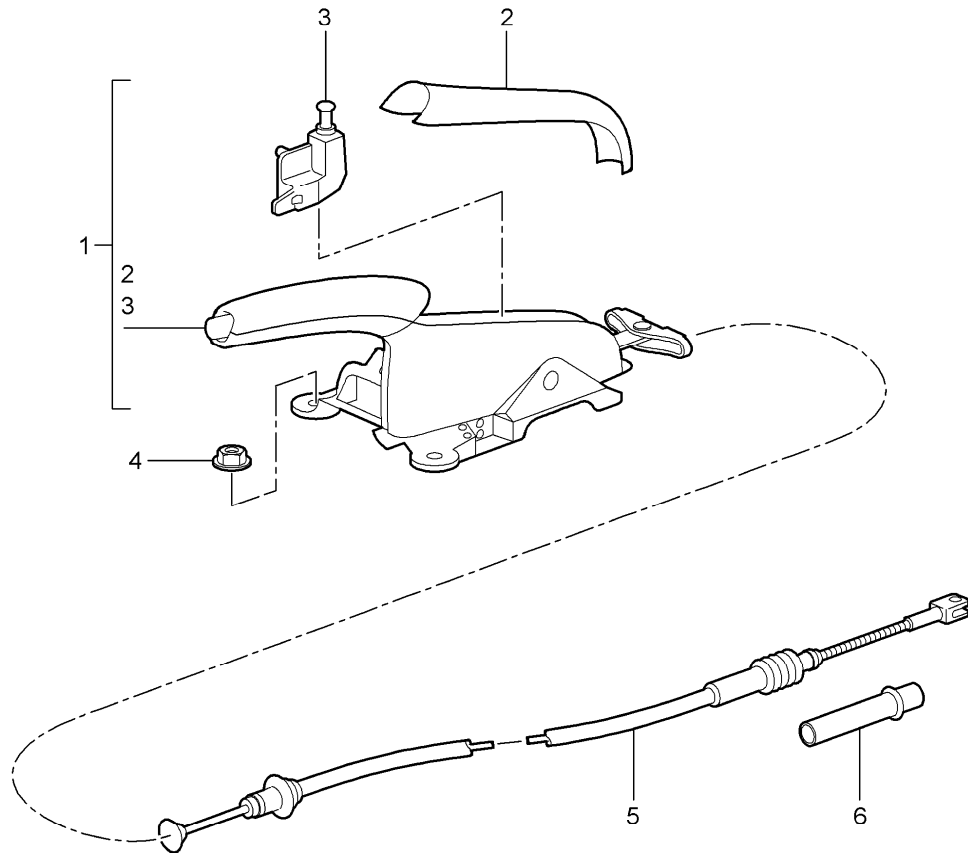
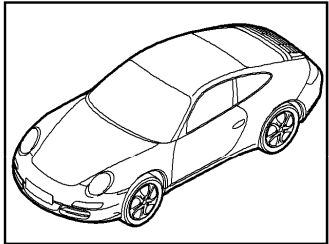


Pos	Part Number	Description	Remark	Qty	Model
1	9G1 426 011 03	selector lever pdk support with housing	-09	1	
1	9G1 426 011 05	support with housing	10-	1	
3	999 084 629 01	hexagon nut M 6		4	
4	9G1 426 069 00	selector knob leather volcano grey		1	
		FTE black			
		FTF stone grey			
		FTG sand beige			
		FTH sea blue			
		FTJ terracotta			
		FTK cocoa			
		FTL dark grey/natural			
		FTM brown/natural			
		FTN carrera red			
(4)	9G1 426 069 04	selector knob macassar volcano grey	-09	1	I801
		FTO black			
		FTP stone grey			
		FTQ sand beige			
		FTR sea blue			
		FTS terracotta			
		FTT cocoa			
		FTU dark grey/natural			
		FTV brown/natural			
		FTW carrera red			

Model	Year	MG	SG	Illustration	Restrictions	UPD	22:29	24.01.2010	PORSCHE	PET	PORSCHE
997-2	2010	7	01	701-01		248					

Pos	Part Number	Description	Remark	Qty	Model	Pos	Part Number	Description	Remark	Qty	Model
(4)	9G1 426 069 14	selector knob macassar volcano grey FTO black FTP stone grey FTQ sand beige FTR sea blue FTS terracotta FTT cocoa FTU dark grey/natural FTV brown/natural FTW carrera red	10-	1	I801		FUB	terracotta			
							FUC	cocoa			
							FUD	dark grey/natural			
							FUE	brown/natural			
							FUF	carrera red			
						(4)	9G1 426 980 00	selector knob		1	IXYA
							D11	dark grey/natural			
							N11	carrera red			
							T11	brown/natural			
							3S8	sea blue			
							5X5	stone grey			
(4)	9G1 426 069 03	selector knob leather carbon volcano grey FTX black FTY stone grey FTZ sand beige FUA sea blue FUB terracotta FUC cocoa FUD dark grey/natural FUE brown/natural FUF carrera red	-09	1	I803		8G1	sand beige			
							8YR	black			
							FTE	black			
							9N2	terracotta			
							9Q3	cocoa			
						5	9G1 426 033 00	cable		1	
(4)	9G1 426 069 13	selector knob leather carbon volcano grey FTX black FTY stone grey FTZ sand beige FUA sea blue	10-	1	I803						

Model	Year	MG	SG	Illustration	Restrictions	UPD	22:29	24.01.2010	PORSCHE	PET	PORSCHE
997-2	2010	7	01	701-05		248					



Pos	Part Number	Description	Remark	Qty	Model
(1)	997 424 031 62	handbrake actuator		1	
	8YR	black			
	5X5	stone grey			
	8G1	sand beige			
	3S8	sea blue			
	9N2	terracotta			
	9Q3	cocoa			
	D11	dark grey/natural			
	T11	brown/natural			
	N11	carrera red			
(1)	997 424 031 63	parking-brake lever complete macassar		1	I801
	8YR	black			
	5X5	stone grey			
	8G1	sand beige			
	3S8	sea blue			
	9N2	terracotta			
	9Q3	cocoa			
	D11	dark grey/natural			
	T11	brown/natural			
	N11	carrera red			
(1)	997 424 031 65	parking-brake lever complete carbon		1	I803
	8YR	black			
	5X5	stone grey			
	8G1	sand beige			

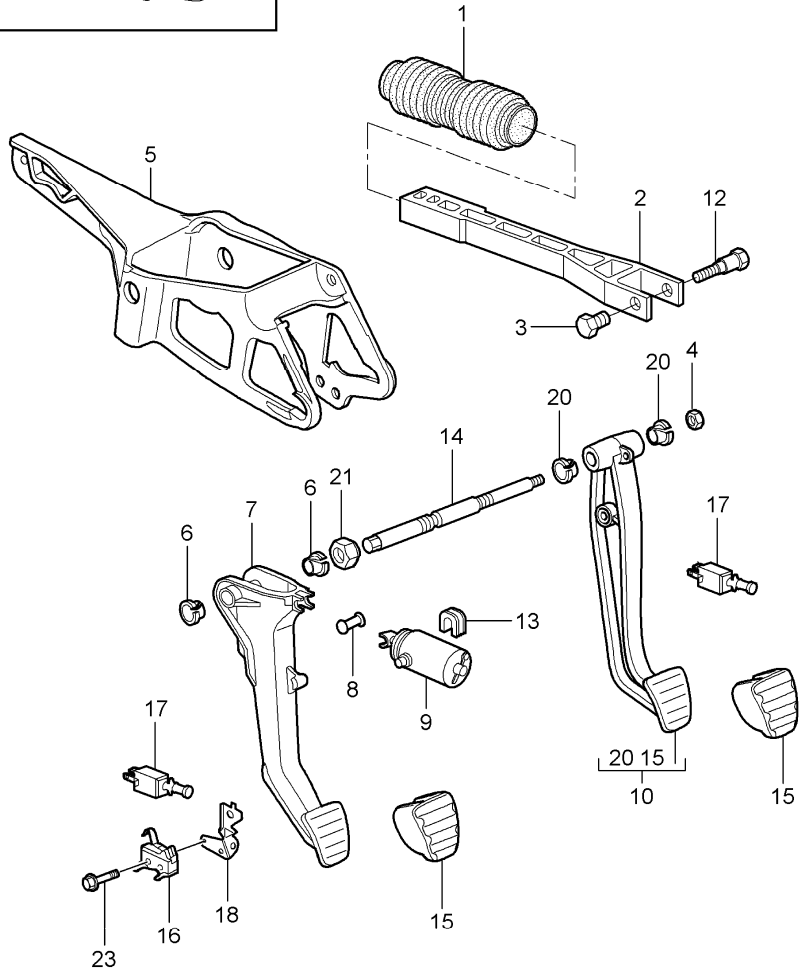
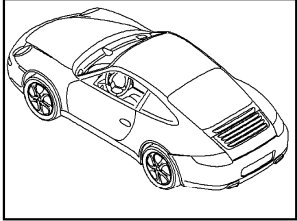
Model	Year	MG	SG	Illustration	Restrictions	UPD	22:29	24.01.2010	PORSCHE	PET	PORSCHE
997-2	2010	7	01	701-05		248					

Pos	Part Number	Description	Remark	Qty	Model	Pos	Part Number	Description	Remark	Qty	Model
	3S8	sea blue					3S8	sea blue			
	9N2	terracotta					9N2	terracotta			
	9Q3	cocoa					9Q3	cocoa			
	D11	dark grey/natural					D11	dark grey/natural			
	T11	brown/natural					T11	brown/natural			
	N11	carrera red					N11	carrera red			
(1)	997 424 980 00	parking-brake lever complete black		1	IX98/098	(1)	997 424 991 01	parking-brake lever complete		1	IXFP/099
	5X5	stone grey					8YR	black			
	8G1	sand beige					5X5	stone grey			
	3S8	sea blue					8G1	sand beige			
	9N2	terracotta					3S8	sea blue			
	9Q3	cocoa					9N2	terracotta			
	D11	dark grey/natural					9Q3	cocoa			
	T11	brown/natural					D11	dark grey/natural			
(1)	997 424 980 01	parking-brake lever complete black		1	IX98/099		T11	brown/natural			
	5X5	stone grey				(1)	997 424 980 02	parking-brake lever complete		1	I098/756
	8G1	sand beige					8C0	Espresso			
	3S8	sea blue				(1)	997 424 980 03	parking-brake lever complete		1	I099/756
	9N2	terracotta					8C0	Espresso			
	9Q3	cocoa				2	997 424 155 00	cover leather		1	
	D11	dark grey/natural					8YR	black			
	T11	brown/natural					5X5	stone grey			
(1)	997 424 991 00	parking-brake lever complete		1	IXFP/098		8G1	sand beige			
	8YR	black					3S8	sea blue			
	5X5	stone grey					9N2	terracotta			
	8G1	sand beige					9Q3	cocoa			

Model	Year	MG	SG	Illustration	Restrictions	UPD	22:29	24.01.2010	PORSCHE	PET	PORSCHE
997-2	2010	7	01	701-05		248					

Pos	Part Number	Description	Remark	Qty	Model	Pos	Part Number	Description	Remark	Qty	Model
	D11	dark grey/natural									
	T11	brown/natural									
3	996 613 112 01	switch		1							
4	999 084 630 01	hexagon nut M 8		4							
5	997 424 141 06	parking-brake cable		2							
6	996 424 721 02	guide tube		2							

Model	Year	MG	SG	Illustration	Restrictions	UPD	22:30	24.01.2010	PORSCHE	PET	PORSCHE
997-2	2010	7	02	702-00		248					

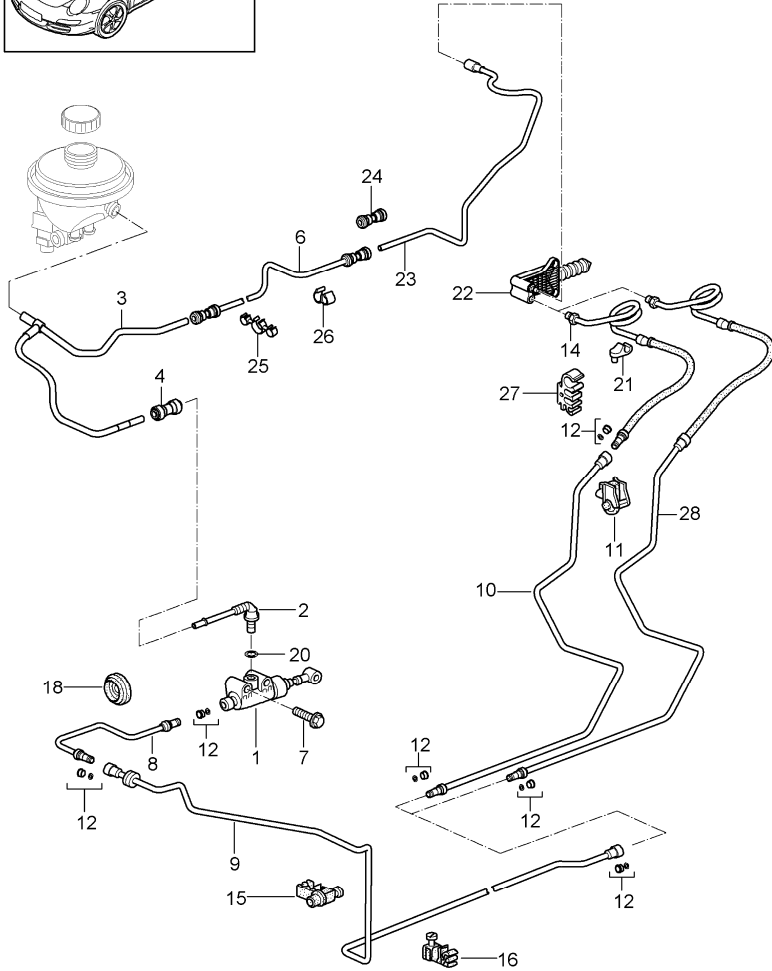
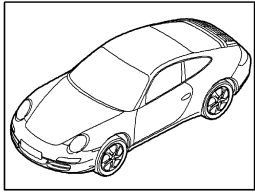


Pos	Part Number	Description	Remark	Qty	Model
-	000 043 206 17	pedals grease 1 tube		X	
1	...	bellows see illustrations 6/04/00		1	
2	996 423 165 05	push rod		1	
3	996 423 307 00	sleeve		1	
4	999 084 457 01	hexagon nut M 8		3 2	
5	997 423 571 02	bracket for clutch power spring		1	I480
6	997 423 399 01	bush		2	I480
7	997 423 139 01	clutch pedal		1	I480
8	996 423 315 06	bolt		1	I480
-	999 166 022 01	kl-lock for bolt		1	I480
9	997 423 081 05	clutch power spring		1	
10	997 423 091 04	brake pedal		1	I098/480
(10)	997 423 092 04	brake pedal		1	I099/480
(10)	997 423 093 04	brake pedal		1	I098/250
10	997 423 094 04	brake pedal		1	I099/250
12	996 423 308 00	bolt		1	
13	997 423 581 00	bearing shell		1	
14	997 423 281 00	axle		1	I098/480
(14)	997 423 284 00	axle		1	I099/480
(14)	996 423 283 05	axle		1	I098/250
(14)	996 423 286 05	axle		1	I099/250
-	996 423 277 00	bearing sleeve brake pedal		1	I099
15	997 423 910 00	pedal cap		2	I480

Model	Year	MG	SG	Illustration	Restrictions	UPD	22:30	24.01.2010	PORSCHE	PET	PORSCHE
997-2	2010	7	02	702-00		248					

Pos	Part Number	Description	Remark	Qty	Model	Pos	Part Number	Description	Remark	Qty	Model
(15)	997 423 912 00	pedal cap		1	I250						
16	997 613 109 01	switch		1	I480						
17	996 613 113 02	switch brake pedal		1							
(17)	996 613 114 01	switch clutch pedal		1							
18	997 423 541 00	support		1							
20	997 423 401 00	bush		2	I098						
(20)	997 423 402 00	bush		2	I099						
21	997 423 275 01	screw plug		1							
(22)	900 378 273 01	hexagon-head bolt M 6 x 18		1							
23	900 146 159 02	round head screw M 3 X 20		1							
24	997 423 695 00	rubber stop		1							
25	997 423 697 00	rubber stop		1							

Model	Year	MG	SG	Illustration	Restrictions	UPD	22:30	24.01.2010	PORSCHE	PET	PORSCHE
997-2	2010	7	02	702-08		248					

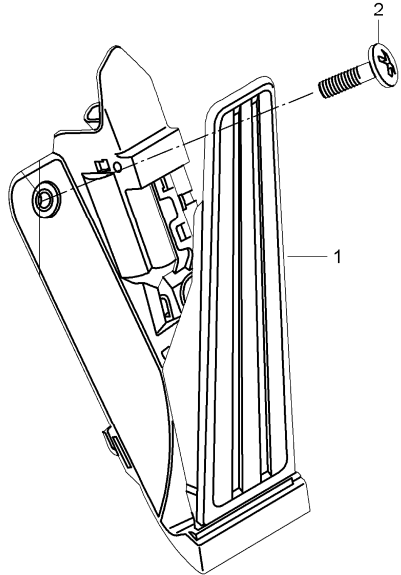
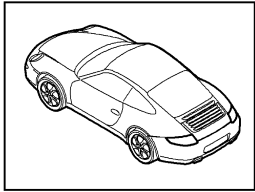


Pos	Part Number	Description	Remark	Qty	Model
		clutch actuation clutch master cylinder clutch pipeline			I480
1	997 423 171 01	clutch master cylinder		1	
-	996 423 614 00	circlip pressure line		1	
-	996 423 315 06	bolt		1	
-	999 166 022 01	kl-lock for bolt		1	
2	997 423 147 00	feed line		1	I098
3	997 423 191 01	feed line		1	I098
				1	CARRERA 2
				1	CARRERA 2-S
3	997 423 191 01	feed line		1	I098/756
(3)	997 423 190 01	feed line	-09	1	I099
				1	CARRERA 2
				1	CARRERA 2-S
(3)	997 423 190 02	feed line	10-	1	I099
				1	CARRERA 2
				1	CARRERA 2-S
(3)	997 423 190 02	feed line		1	I099/756
(3)	997 423 191 21	feed line		1	I098
				1	CARRERA 4
				1	CARRERA 4-S
				1	TARGA
				1	TARGA-S
(3)	997 423 190 21	feed line	-09	1	I099
				1	CARRERA 4
				1	CARRERA 4-S
				1	TARGA
				1	TARGA-S
(3)	997 423 190 22	feed line	10-	1	I099
				1	CARRERA 4
				1	CARRERA 4-S
				1	TARGA
				1	TARGA-S
4	999 230 447 40	adapter		1	
5	999 230 448 40	adapter		1	
6	997 423 192 02	feed line		1	

Model	Year	MG	SG	Illustration	Restrictions	UPD	22:30	24.01.2010	PORSCHE	PET	PORSCHE
997-2	2010	7	02	702-08		248					

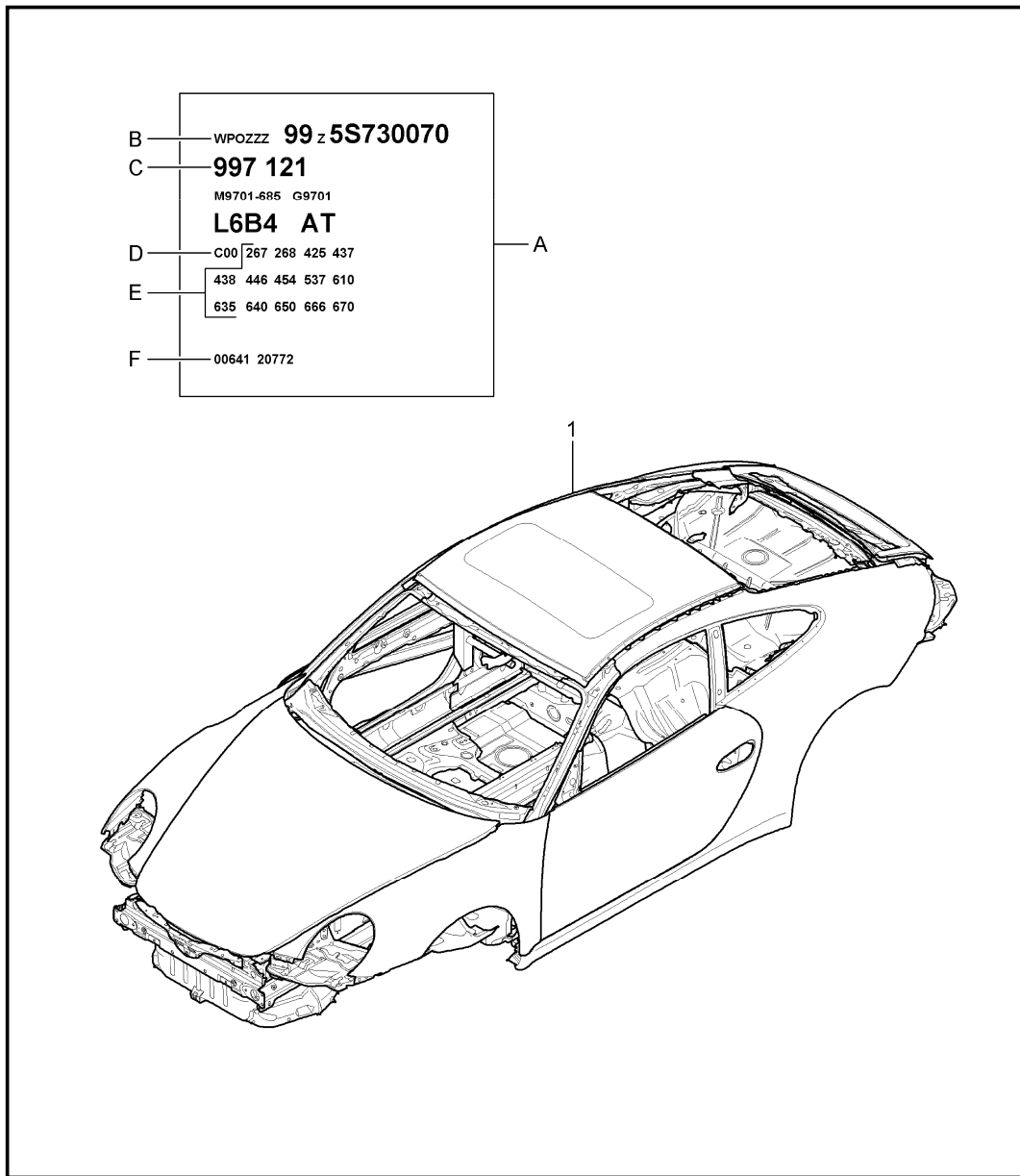
Pos	Part Number	Description	Remark	Qty	Model	Pos	Part Number	Description	Remark	Qty	Model
7	900 378 217 09	hexagon-head bolt M 6 X 40		2		27	999 507 265 40	cable holder		1	I098
8	997 423 107 11	clutch pipeline	-09	1	I098	(27)	999 507 261 40	cable holder	-09	1	I099
8	997 423 107 12	clutch pipeline	10-	1	I098	(27)	999 507 261 41	cable holder	10-	1	I099
(8)	997 423 108 11	clutch pipeline	-09	1	I099	28	997 423 113 13	clutch pipeline	10-	1	
(8)	997 423 108 12	clutch pipeline	10-	1	I099	(28)	997 423 113 15	clutch pipeline		1	I756
9	997 423 109 11	clutch pipeline		1							
10	997 423 113 12	clutch pipeline	-09	1							
11	999 507 495 40	support		1							
12	997 423 913 00	repair kit comprising: o-ring sealing rubber		X							
14	9A1 423 377 01	clutch pipeline	-09	1							
15	996 355 549 00	support		1							
16	996 355 545 00	support		2							
18	999 702 313 40	grommet		1							
20	999 707 333 40	sealing ring 6,07 X 1,78N		1							
21	999 507 586 40	cable holder		1							
(22)	9G1 116 238 00	clutch operating cylinder		1							
-	9G1 116 277 01	bleeder		1							
-	900 378 033 01	hexagon-head bolt M 8 X 30		2							
23	997 423 193 02	return line		1							
-	999 507 567 40	support 7,0 / 9,0 return line		1							
-	999 591 695 40	support 6,5 / 12,0 return line		1							
24	999 230 448 40	adapter		1							
25	999 507 140 40	cable holder		1							
26	999 507 567 40	cable holder		1							

Model	Year	MG	SG	Illustration	Restrictions	UPD	22:30	24.01.2010	PORSCHE	PET	PORSCHE
997-2	2010	7	02	702-10		248					



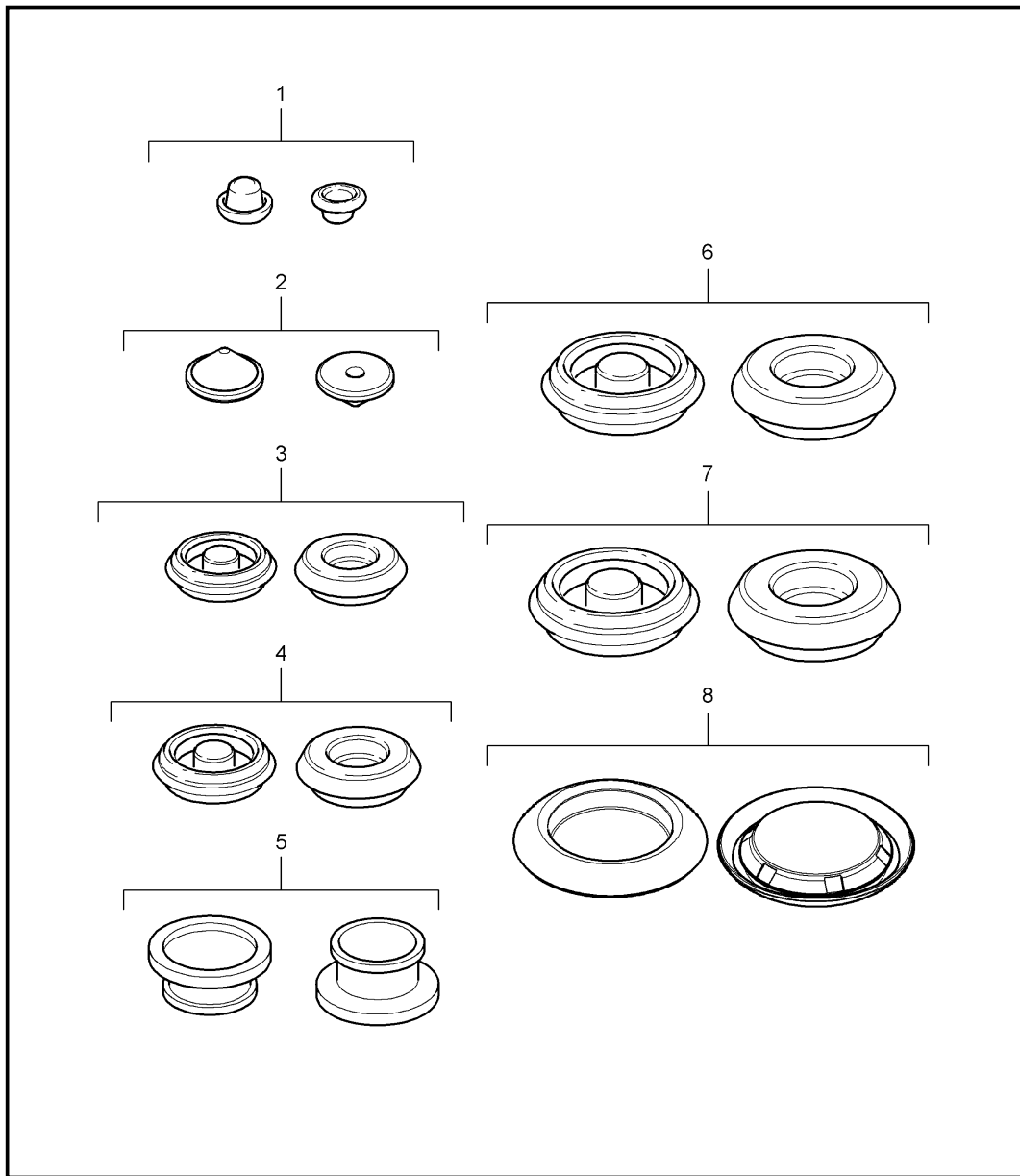
Pos	Part Number	Description	Remark	Qty	Model
		pedals accelerator control			
1	997 423 019 02	accelerator control		1	I480
(1)	997 423 021 02	accelerator control		1	I250
2	900 146 161 09	round head screw M 6 X 20		1	

Model	Year	MG	SG	Illustration	Restrictions	UPD	22:30	24.01.2010	PORSCHE	PET	PORSCHE
997-2	2010	8	01	801-00		248					



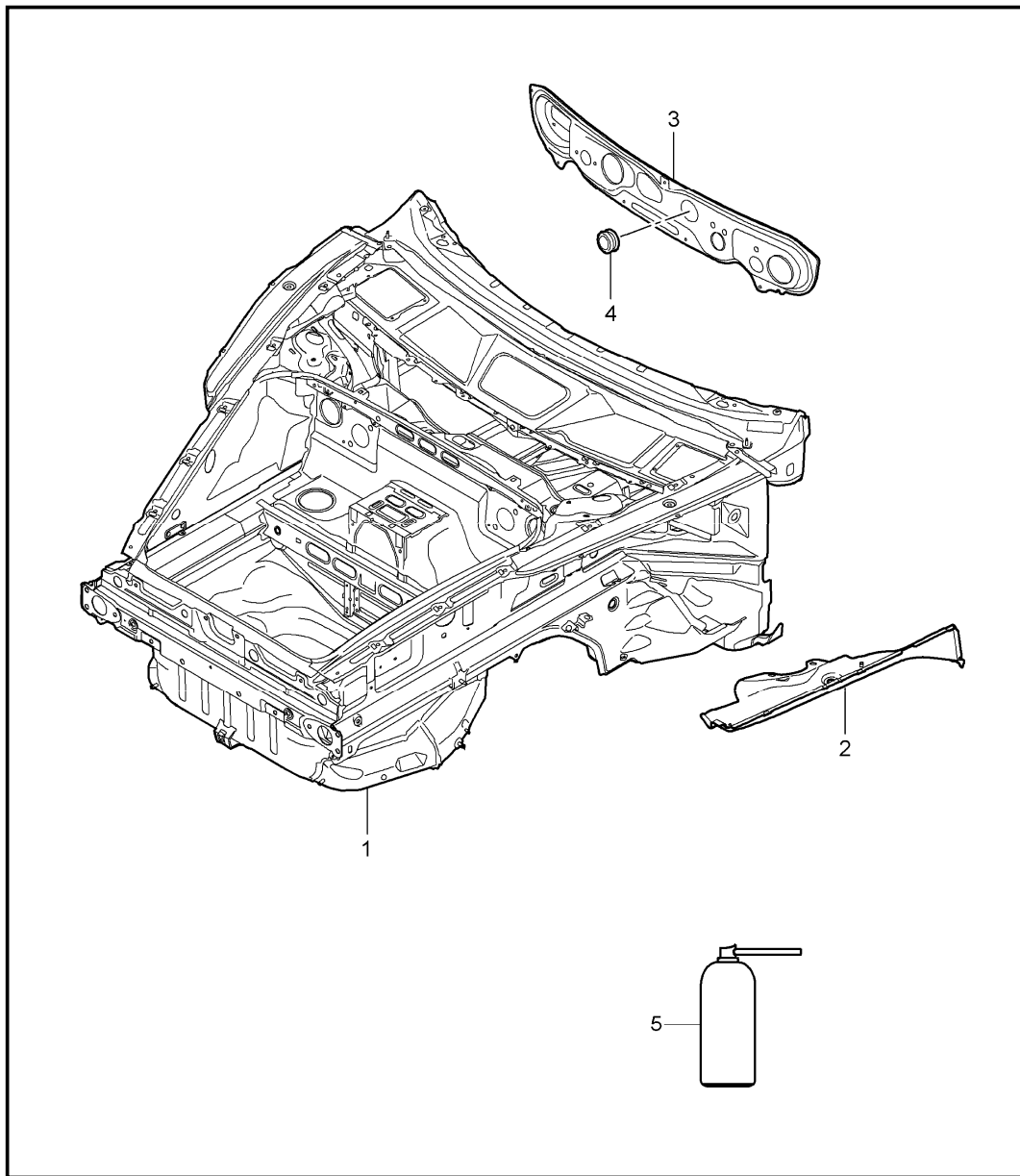
Pos	Part Number	Description	Remark	Qty	Model
		body in white prime coated sealed with underbody protection with doors/lids/wings			
		bodyshells can only only available from current model year available			
		the data required for your order can be found on the vehicle data carrier in on-board folder please indicate this data in your order			
A	-	vehicle data carrier			
B	-	vehicle identification no.			
C	-	order type			
D	-	country equipment			
E	-	optional extras			
F	-	additional applications			
G	-	indicate colour			
1	997 500 900 00	body in white		1	
	GRV	prime coated			

Model	Year	MG	SG	Illustration	Restrictions	UPD	22:31	24.01.2010	PORSCHE	PET	PORSCHE
997-2	2010	8	01	801-02		248					



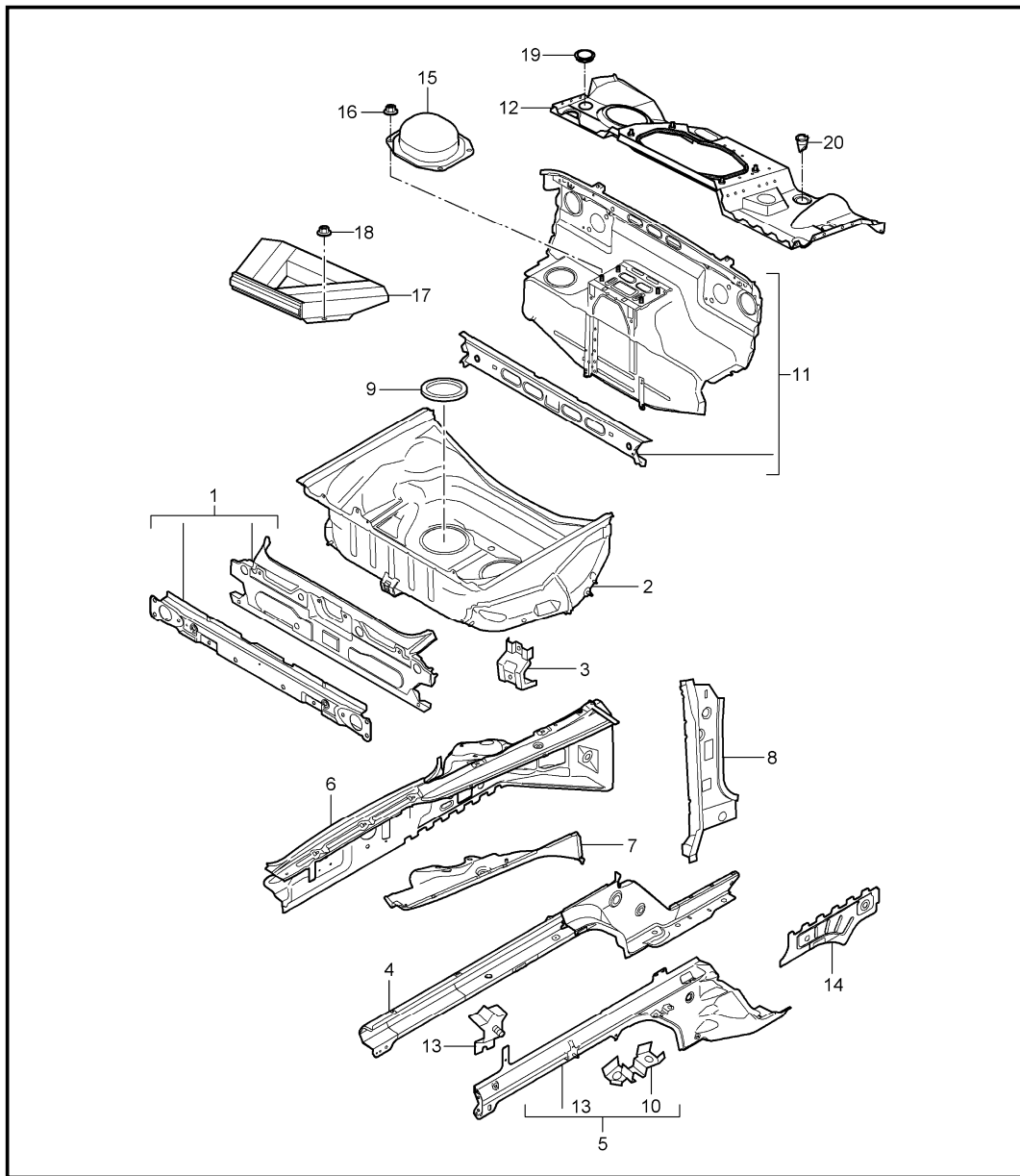
Pos	Part Number	Description	Remark	Qty	Model
		stopper plane see workshop manual			
1	999 703 462 40	lid 10 x 6,5		X	
2	999 703 421 40	grommet 15 mm		X	
3	999 703 318 40	lid 20 x 28		X	
4	803 803 583 A	lid 20 x 30		X	
5	999 703 420 40	stopper 20,3 x 30 x 11		X	
6	803 803 583	rubber sleeve 30 x 40		X	
7	999 703 433 40	stopper 30 x 42		X	
8	999 703 454 40	lid 55 x 70		X	

Model	Year	MG	SG	Illustration	Restrictions	UPD	22:31	24.01.2010	PORSCHE	PET	PORSCHE
997-2	2010	8	01	801-05		248					



Pos	Part Number	Description	Remark	Qty	Model
1	997 501 911 03	body front section		1	C2
	GRV	prime coated use also: sealing compound Pos. 5 processing instructions see technical manual			
1	997 501 911 04	body front section	/LL	1	C4
	GRV	prime coated use also: sealing compound Pos. 5 processing instructions see technical manual			
1	997 501 911 05	body front section	/RL	1	C4
	GRV	prime coated use also: sealing compound Pos. 5 processing instructions see technical manual			
2	997 501 945 00	lower part	/L	1	
	GRV	prime coated			
(2)	997 501 946 01	lower part	/R	1	
	GRV	prime coated			
(3)	997 504 121 01	lid		1	
		use also:			
--	000 043 300 94	adhesive set		1	
4	999 702 255 41	lid 62,5 X 72,6		1	
5	999 915 337 40	sealing compound		1	

Model	Year	MG	SG	Illustration	Restrictions	UPD	22:31	24.01.2010	PORSCHE	PET	PORSCHE
997-2	2010	8	01	801-10		248					

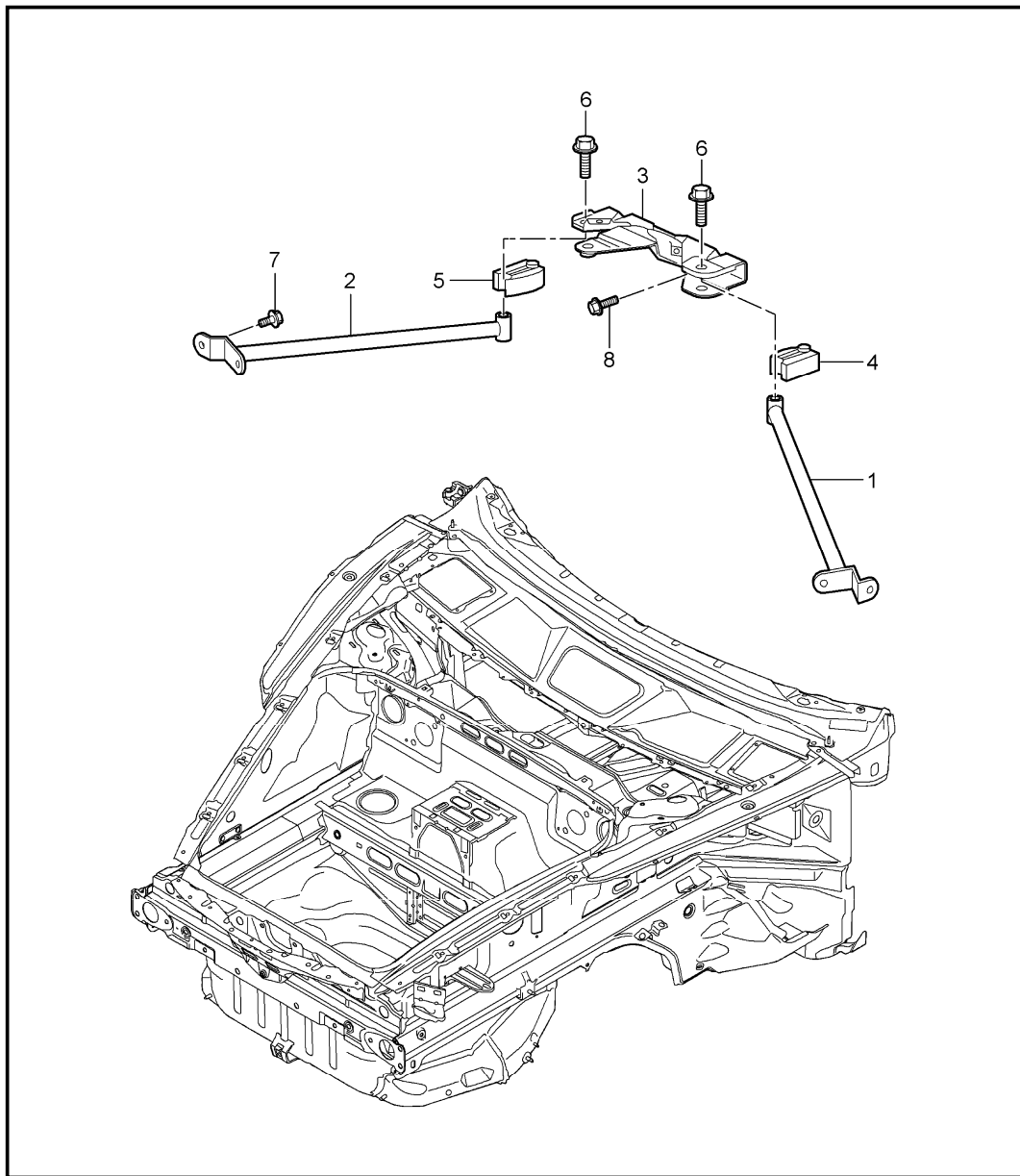


Pos	Part Number	Description	Remark	Qty	Model
		body front section single parts			
1	997 501 931 00	terminal piece		1	
	GRV	prime coated			
2	997 501 979 00	spare-wheel well		1	CARRERA S
	GRV	prime coated			
2	997 501 979 01	spare-wheel well		1	CARRERA 4/4S
	GRV	prime coated			
3	996 501 621 00	support		3	
	GRV	prime coated			
4	997 501 305 01	side member	/L	1	
	GRV	prime coated			
(4)	997 501 306 01	side member	/R	1	
	GRV	prime coated			
5	997 501 915 00	side member	/L	1	
	GRV	prime coated			
(5)	997 501 916 00	side member	/R	1	
	GRV	prime coated			
6	997 501 935 00	wheel housing	/L	1	
	GRV	prime coated			
(6)	997 501 936 01	wheel housing	/R	1	
	GRV	prime coated			
7	997 501 945 00	lower part	/L	1	
	GRV	prime coated			
(7)	997 501 946 01	lower part	/R	1	
	GRV	prime coated			
8	997 501 937 00	hinge pillar	/L	1	
	GRV	prime coated			
(8)	997 501 938 00	hinge pillar	/R	1	

Model	Year	MG	SG	Illustration	Restrictions	UPD	22:31	24.01.2010	PORSCHE	PET	PORSCHE
997-2	2010	8	01	801-10		248					

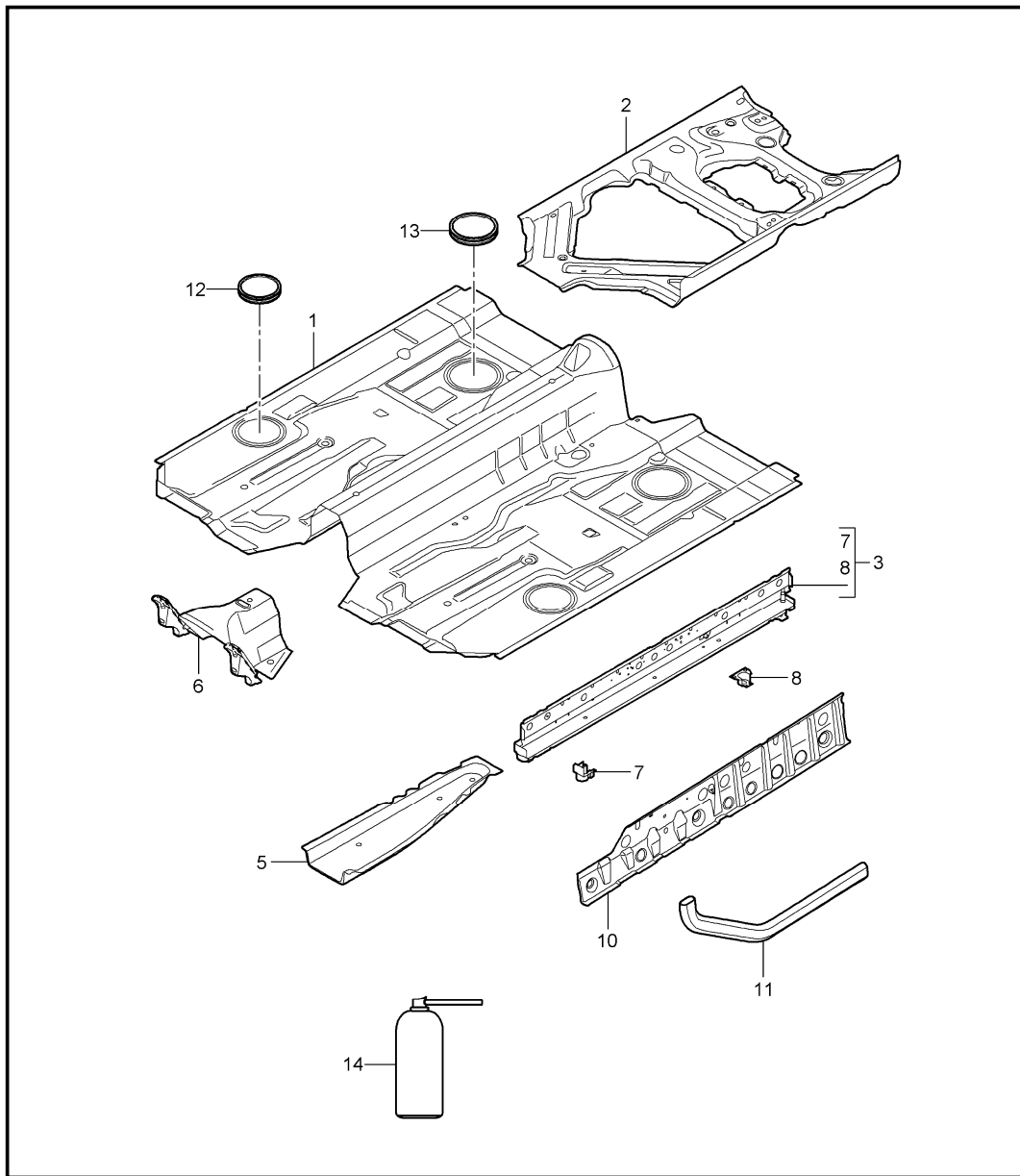
Pos	Part Number	Description	Remark	Qty	Model	Pos	Part Number	Description	Remark	Qty	Model
		GRV prime coated									
9	996 504 201 01	lid \$ 145 MM		2							
10	996 501 815 02	support		2							
		GRV prime coated									
11	997 502 921 00	bulkhead		1	CARRERA S						
		GRV prime coated									
12	997 502 017 02	cross panel		1	CARRERA /S						
		GRV prime coated									
(12)	997 502 017 03	cross panel		1	CARRERA 4/4S						
		GRV prime coated									
13	996 501 341 00	support		2							
		GRV prime coated									
14	997 501 665 01	separator	/L	1							
		GRV prime coated									
(14)	997 501 666 01	separator	/R	1							
		GRV prime coated									
16	900 380 015 09	hexagon nut M6		7							
18	999 084 638 09	hexagon nut m 6		3							
18	999 084 638 01	hexagon nut m 6		3							
18	803 803 583	rubber sleeve 30,0 X 40,0		1							
19	999 703 476 40	grommet 29,8 X 1,0		4							

Model	Year	MG	SG	Illustration	Restrictions	UPD	22:31	24.01.2010	PORSCHE	PET	PORSCHE
997-2	2010	8	01	801-15		248					



Pos	Part Number	Description	Remark	Qty	Model
		dome strut			
1	996 504 233 01	dome strut	/L	1	
2	996 504 234 01	dome strut	/R	1	
3	997 504 359 00	bracket		1	
4	996 504 633 00	filler piece	/L	1	
5	996 504 634 00	filler piece	/R	1	
6	900 378 100 09	hexagon-head bolt AM 10 X 45		2	
7	900 075 010 09	hexagon-head bolt M 6 X 12		4	
8	900 378 173 01	hexagon-head bolt M 6 X 20		4	

Model	Year	MG	SG	Illustration	Restrictions	UPD	22:31	24.01.2010	PORSCHE	PET	PORSCHE
997-2	2010	8	01	801-20		248					

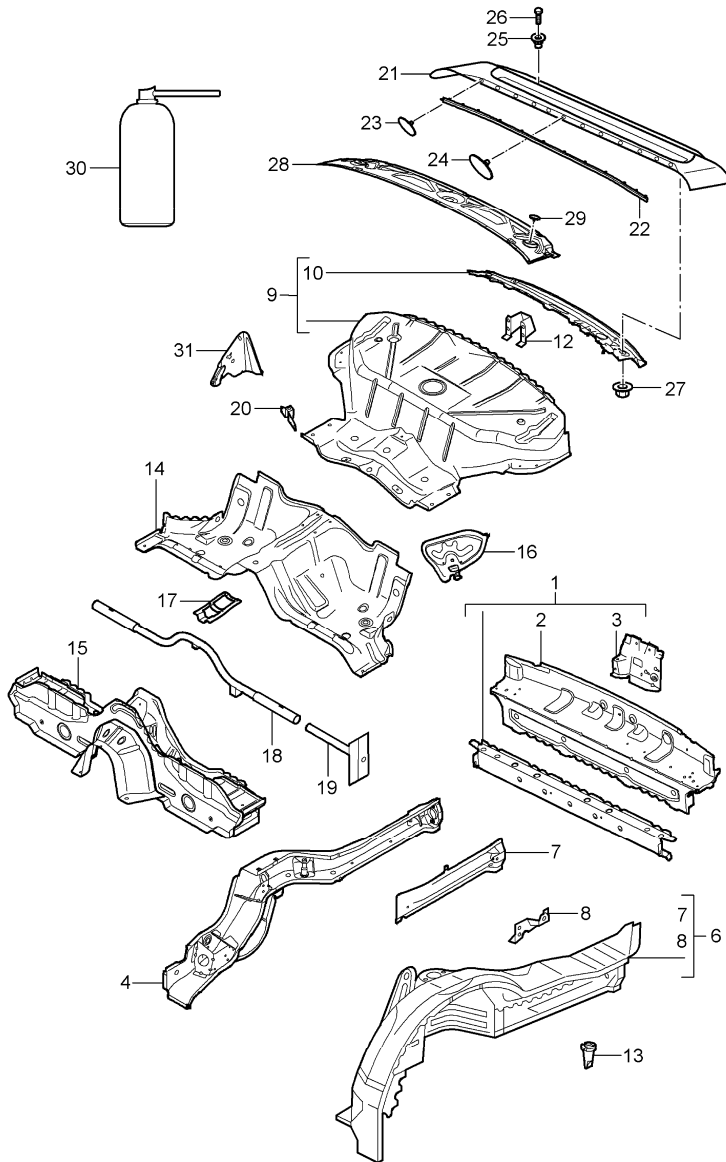


Pos	Part Number	Description	Remark	Qty	Model
-	000 043 206 29	floor centre		X	
-	000 043 206 30	adhesive set		1	
-	000 043 206 31	body comprising:		1	
-	000 043 206 32	adhesive		1	
-	000 043 206 31	tool		1	
-	000 043 206 32	tool		1	
-	000 043 206 33	activator		1	
1	997 501 551 01	floor		1	
	GRV	prime coated			
2	997 501 953 01	seat support	/L	1	
	GRV	prime coated			
(2)	997 501 954 02	seat support	/R	1	
	GRV	prime coated			
3	997 501 157 01	side member	/L	1	
	GRV	prime coated			
(3)	997 501 158 01	side member	/R	1	
	GRV	prime coated			
5	997 501 525 00	side member	/L	1	
	GRV	prime coated			
(5)	997 501 526 00	side member	/R	1	
	GRV	prime coated			
6	996 501 751 00	extension		1	
	GRV	prime coated			
7	996 501 785 00	jacking point	/L/V	1	
	GRV	prime coated			
(7)	996 501 786 00	jacking point	/R/V	1	
	GRV	prime coated			
8	997 501 481 00	jacking point	/L/H	1	

Model	Year	MG	SG	Illustration	Restrictions	UPD	22:31	24.01.2010	PORSCHE	PET	PORSCHE
997-2	2010	8	01	801-20		248					

Pos	Part Number	Description	Remark	Qty	Model	Pos	Part Number	Description	Remark	Qty	Model
		GRV prime coated									
(8)	997 501 482 00	jacking point	/R/H	1							
		GRV prime coated									
10	997 501 329 00	retaining bracket	/L	1							
		GRV prime coated									
(10)	997 501 330 00	retaining bracket	/R	1							
		GRV prime coated									
11	997 501 439 00	support tube		2							
		GRV prime coated									
		use also:									
		sealing compound									
		Pos. 14									
		processing instructions									
		see technical manual									
		51 49 55									
12	996 504 205 01	lid		2							
		\$ 125 MM									
13	996 504 201 01	lid		2							
		\$ 145 MM									
14	999 915 337 40	sealing compound		1							

Model	Year	MG	SG	Illustration	Restrictions	UPD	22:32	24.01.2010	PORSCHE	PET	PORSCHE
997-2	2010	8	01	801-35		248					



Pos	Part Number	Description	Remark	Qty	Model
1	997 501 973 02	rear end terminal piece		1	
	GRV	prime coated			
2	997 501 273 01	end plate		1	
	GRV	prime coated			
3	997 501 247 00	lock carrier		1	
	GRV	prime coated			
4	997 501 977 00	side member	/L	1	
	GRV	prime coated use also: sealing compound Pos. 30 processing instructions see technical manual 53 48 55			
(4)	997 501 978 01	side member	/R	1	
	GRV	prime coated use also: sealing compound Pos. 30 processing instructions see technical manual 53 48 55			
6	997 501 943 00	wheel housing	/L	1	
	GRV	prime coated it is necessary to rework see workshop manual			CABRIO
(6)	997 501 944 00	wheel housing	/R	1	
	GRV	prime coated it is necessary to rework see workshop manual			CABRIO
7	996 501 595 01	side member	/L	1	
	GRV	prime coated			
(7)	996 501 596 01	side member	/R	1	
	GRV	prime coated			
8	997 501 571 00	bracket	/L	1	CABRIO
	GRV	prime coated			

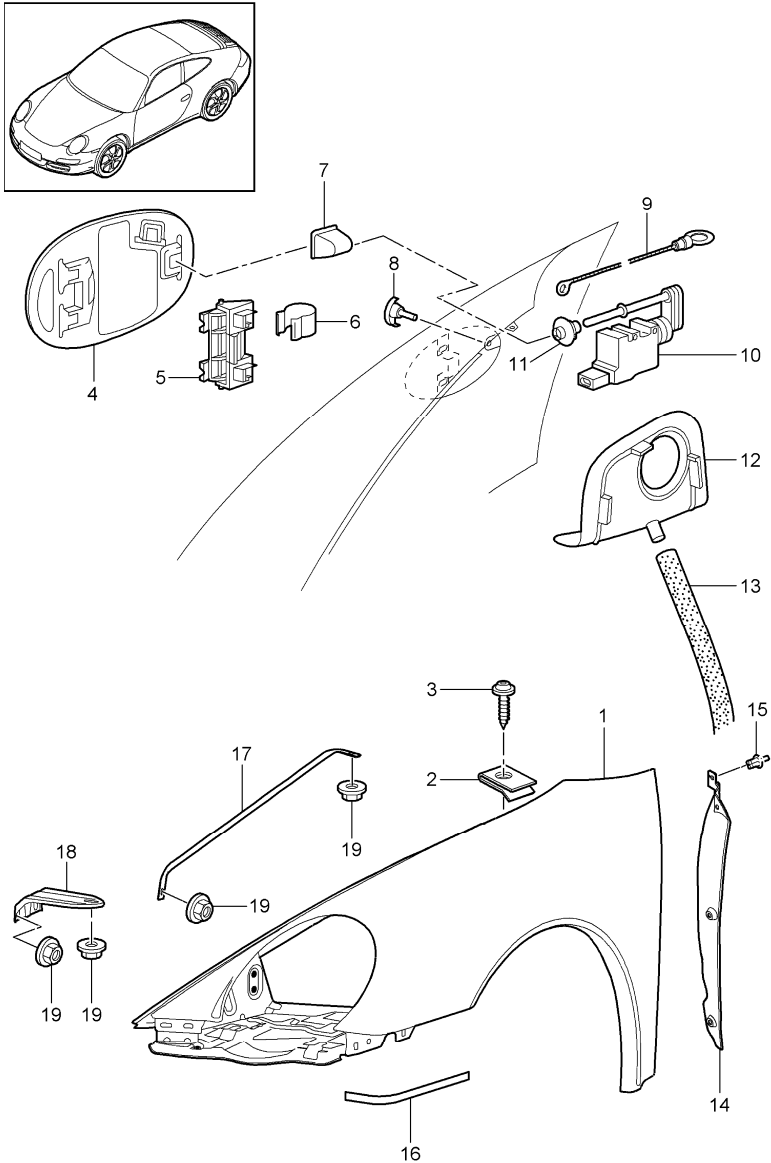
Model	Year	MG	SG	Illustration	Restrictions	UPD	22:32	24.01.2010	PORSCHE	PET	PORSCHE
997-2	2010	8	01	801-35		248					

Pos	Part Number	Description	Remark	Qty	Model	Pos	Part Number	Description	Remark	Qty	Model
(8)	997 501 572 00	bracket	/R	1	CABRIO		GRV	prime coated			
	GRV	prime coated				(16)	996 501 462 02	reinforcement	/R	1	
9	997 502 911 05	rear wall		1	C2		GRV	prime coated			
	GRV	prime coated order also: POS. 12 see workshop manual			CABRIO	17	996 501 659 01	bracket		1	
9	997 502 911 07	rear wall		1	C4/C4S	18	996 501 411 00	pipe		1	
	GRV	prime coated order also: POS. 12 see workshop manual			CABRIO		GRV	prime coated			
10	997 502 373 00	cross member		1	COUPE	20	997 501 611 00	mounting	/L	1	CABRIO
	GRV	prime coated					GRV	prime coated roll-over bar			
(10)	997 502 673 01	cross member		1	CABRIO	(20)	997 501 612 00	mounting	/R	1	CABRIO
	GRV	prime coated					GRV	prime coated roll-over bar			
(10)	997 502 373 01	cross member		1	TARGA	(21)	997 504 345 03	rear centre panel		1	COUPE
	GRV	prime coated					GRV	prime coated			
(10)	997 502 561 00	cross member		1	CABRIO	(21)	997 504 545 02	rear centre panel outer		1	TARGA
	GRV	prime coated upper part					GRV	prime coated			
11	997 501 949 01	seat well		1				use also:			
	GRV	prime coated				-	999 911 591 41	sealing strap 10 x 5 x 285		2	COUPE
12	997 502 525 00	bracket		1	CABRIO	22	997 504 612 00	gasket		1	COUPE
	GRV	prime coated				22	997 504 612 01	gasket rear centre panel prime coated		1	TARGA
13	996 561 825 00	water drain valve wheel housing rear		2				mount 2,8 X 6 X 30		2	COUPE
14	997 501 549 01	seat well		1		23	999 507 973 40	mount 2,8 X 6 X 50		10	COUPE
	GRV	prime coated				24	999 507 974 40	blind rivet nut M 6/0,8 - 3		3	COUPE
15	997 501 955 00	cross member		1		25	999 500 109 02				
	GRV	prime coated									
16	997 501 461 00	reinforcement	/L	1							

Model	Year	MG	SG	Illustration	Restrictions	UPD	22:32	24.01.2010	PORSCHE	PET	PORSCHE
997-2	2010	8	01	801-35		248					

Pos	Part Number	Description	Remark	Qty	Model	Pos	Part Number	Description	Remark	Qty	Model
26	999 073 263 09	combination screw M 6 X 12		3	COUPE		GRV	prime coated			
27	999 076 029 02	hexagon nut M 6		2		(32)	997 502 554 00	connecting piece	/R	1	CABRIO
28	997 502 409 01	filler plate		1	COUPE		GRV	prime coated			
		GRV prime coated rear centre panel use also:									
(28)	997 502 409 02	filler plate		1	TARGA						
		GRV prime coated rear centre panel use also:									
-	999 915 650 40	adhesive TEROMIX 6700		X							
-	000 043 206 29	adhesive set body comprising:		X							
-	000 043 206 30	adhesive		1							
-	000 043 206 31	tool		1							
-	000 043 206 32	tool		1							
-	000 043 206 33	activator		1							
29	999 507 838 40	stopper 10,0 X 0,9		4	TARGA						
30	999 915 337 40	sealing compound		1							
(31)	997 504 797 00	bracket	/L	1							
		GRV prime coated belt									
31	997 504 798 00	bracket	/R	1							
		GRV prime coated belt									
32	996 502 653 01	connecting piece	/L	1	COUPE/TARGA						
		GRV prime coated									
(32)	996 502 654 01	connecting piece	/R	1	COUPE/TARGA						
		GRV prime coated									
(32)	997 502 553 00	connecting piece	/L	1	CABRIO						

Model	Year	MG	SG	Illustration	Restrictions	UPD	22:32	24.01.2010	PORSCHE	PET	PORSCHE
997-2	2010	8	01	801-40		248					

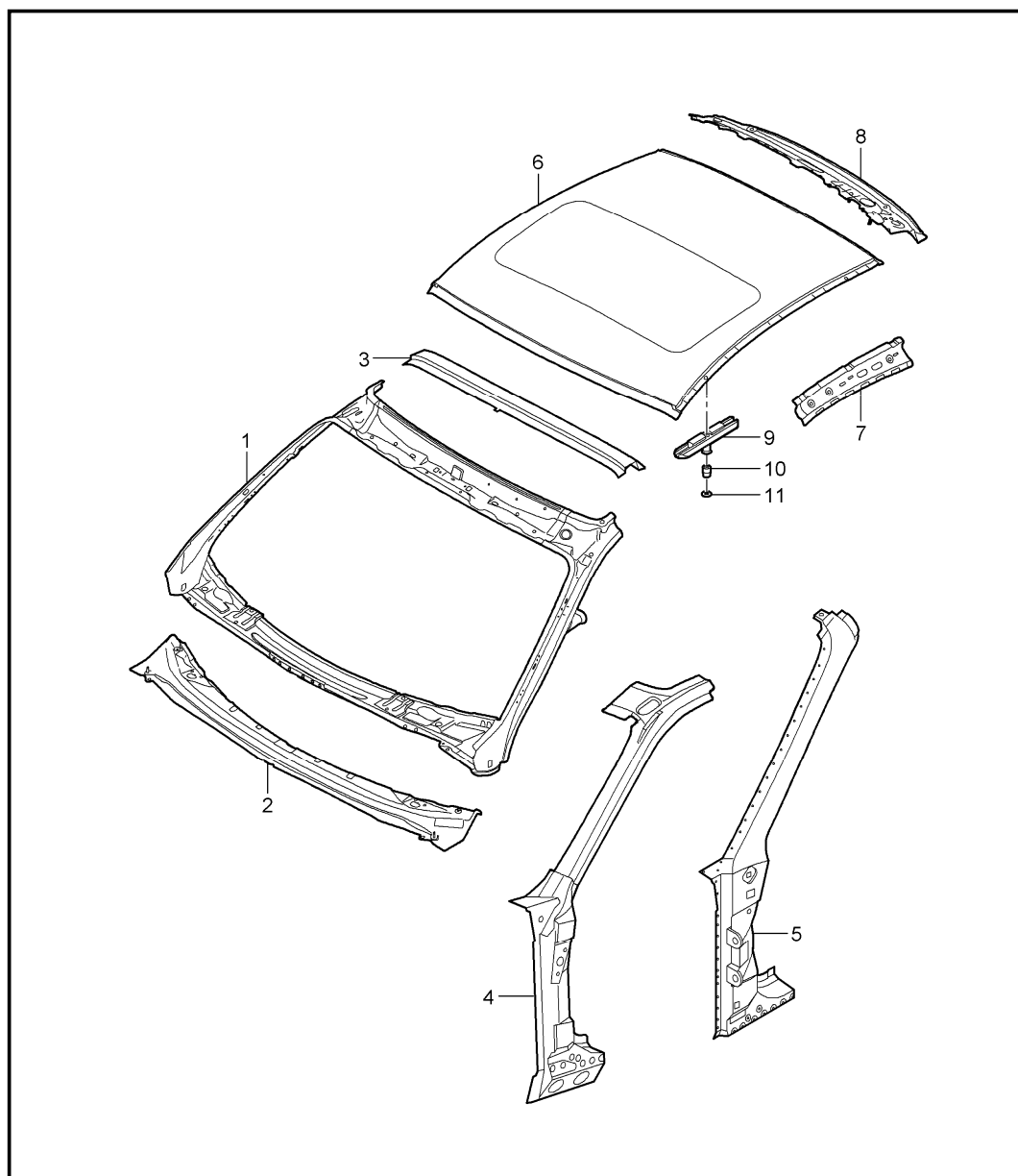


Pos	Part Number	Description	Remark	Qty	Model
1	997 503 031 00	wing	/L	1	
	GRV	prime coated			
(1)	997 503 932 00	wing	/R	1	
	GRV	prime coated			
(1)	997 503 032 03	wing	/R	1	I461
	GRV	prime coated			
2	999 507 003 02	speed nut ST 6,3		22	
3	999 073 128 02	tapping screw ST 6,3 X 14		22	
4	997 504 134 00	fuel filler flap		1	
	GRV	prime coated			
5	997 201 063 00	hinge		1	
6	997 504 711 00	spring		1	
7	996 201 423 00	cap		1	
8	997 504 888 01	rubber stop		1	
9	996 201 493 00	emergency operation		1	
10	997 624 113 00	actuator		1	
11	997 624 505 00	guide rose		1	
(12)	997 201 667 00	sleeve		1	
13	996 201 153 00	hose		1	
14	997 504 641 02	cover	/L	1	
	01C	black			
(14)	997 504 642 02	cover	/R	1	
	01C	black			
15	999 591 712 40	expansion rivet A 6,0 X 12,0		6	
16	997 504 531 00	protective film	/L	1	
(16)	997 504 532 00	protective film	/R	1	

Model	Year	MG	SG	Illustration	Restrictions	UPD	22:32	24.01.2010	PORSCHE	PET	PORSCHE
997-2	2010	8	01	801-40		248					

Pos	Part Number	Description	Remark	Qty	Model	Pos	Part Number	Description	Remark	Qty	Model
17	997 504 441 00	strut		2							
	GRV	prime coated									
18	997 504 555 00	bracket		2							
	GRV	prime coated									
19	900 377 010 09	hexagon nut		X							
		M 6									

Model	Year	MG	SG	Illustration	Restrictions	UPD	22:32	24.01.2010	PORSCHE	PET	PORSCHE
997-2	2010	8	01	801-45		248					

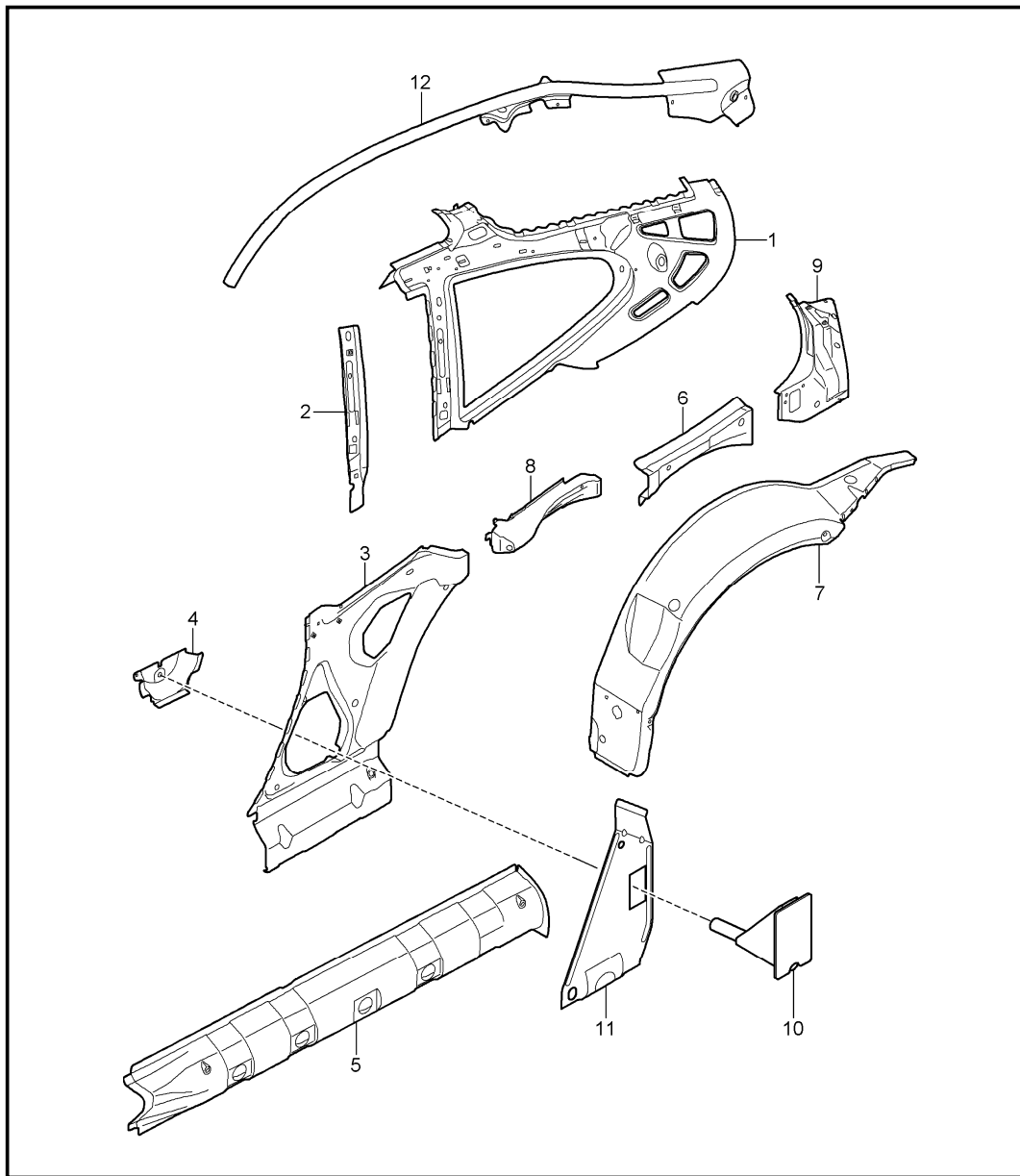


Pos	Part Number	Description	Remark	Qty	Model
1	997 502 137 00	cowl		1	COUPE
	GRV	prime coated inner			
(1)	997 502 137 01	cowl		1	CABRIO
	GRV	prime coated inner			
(1)	997 502 137 02	cowl		1	TARGA
	GRV	prime coated inner			
2	997 502 437 00	cowl		1	
	GRV	prime coated outer			
3	997 502 529 00	cowl		1	CABRIO
	GRV	prime coated outer			
(3)	997 502 529 02	cowl		1	TARGA
	GRV	prime coated outer			
4	997 502 135 03	reinforcement	/L	1	COUPE
	GRV	prime coated inner use also:			
(4)	997 502 136 03	reinforcement	/R	1	COUPE
	GRV	prime coated inner use also:			
(4)	997 502 135 04	reinforcement	/L	1	CABRIO
	GRV	prime coated inner use also:			
(4)	997 502 136 04	reinforcement	/R	1	CABRIO
	GRV	prime coated inner use also:			
(4)	997 502 135 05	reinforcement	/L	1	TARGA

Model	Year	MG	SG	Illustration	Restrictions	UPD	22:32	24.01.2010	PORSCHE	PET	PORSCHE
997-2	2010	8	01	801-45		248					

Pos	Part Number	Description	Remark	Qty	Model	Pos	Part Number	Description	Remark	Qty	Model
(4)	997 502 136 05	GRV prime coated inner use also: reinforcement	/R	1	TARGA	6	997 503 087 00	GRV prime coated use also: outer roof panel		1	I461/650
-	000 043 206 29	GRV prime coated inner use also: adhesive set body comprising:		X		(6)	997 503 501 04	GRV prime coated use also: outer roof panel		1	I652/756
-	000 043 206 30	adhesive		1		-	000 043 204 38	GRV prime coated use also: sealing material 70 ML processing instructions see technical manual		X	
-	000 043 206 31	tool		1		7	996 502 305 03	roof frame	/L	1	COUPE
-	000 043 206 32	tool		1		(7)	996 502 306 03	GRV prime coated roof frame	/R	1	COUPE
-	000 043 206 33	activator		1		(7)	996 502 205 01	GRV prime coated roof frame	/L	1	TARGA
5	997 502 335 00	GRV prime coated use also: hinge pillar	/L	1	CABRIO	(7)	996 502 206 01	GRV prime coated roof frame	/R	1	TARGA
(5)	997 502 336 00	GRV prime coated use also: hinge pillar	/R	1	CABR O	8	997 502 505 00	GRV prime coated roof frame		1	
-	000 043 206 29	adhesive set body comprising:		X		9	996 504 911 00	GRV prime coated plate with threaded pin		X	
-	000 043 206 30	adhesive		1		10	996 504 505 00	threaded bush		X	
-	000 043 206 31	tool		1		11	900 025 008 09	washer A 10,5		X	
-	000 043 206 32	tool		1							
-	000 043 206 33	activator		1							
(6)	996 503 501 00	GRV prime coated use also: outer roof panel		1	I461						
(6)	997 503 501 00	GRV prime coated use also: outer roof panel		1	I461						
6	996 503 087 03	GRV prime coated use also: outer roof panel		1	I650						

Model	Year	MG	SG	Illustration	Restrictions	UPD	22:32	24.01.2010	PORSCHE	PET	PORSCHE
997-2	2010	8	01	801-50		248					

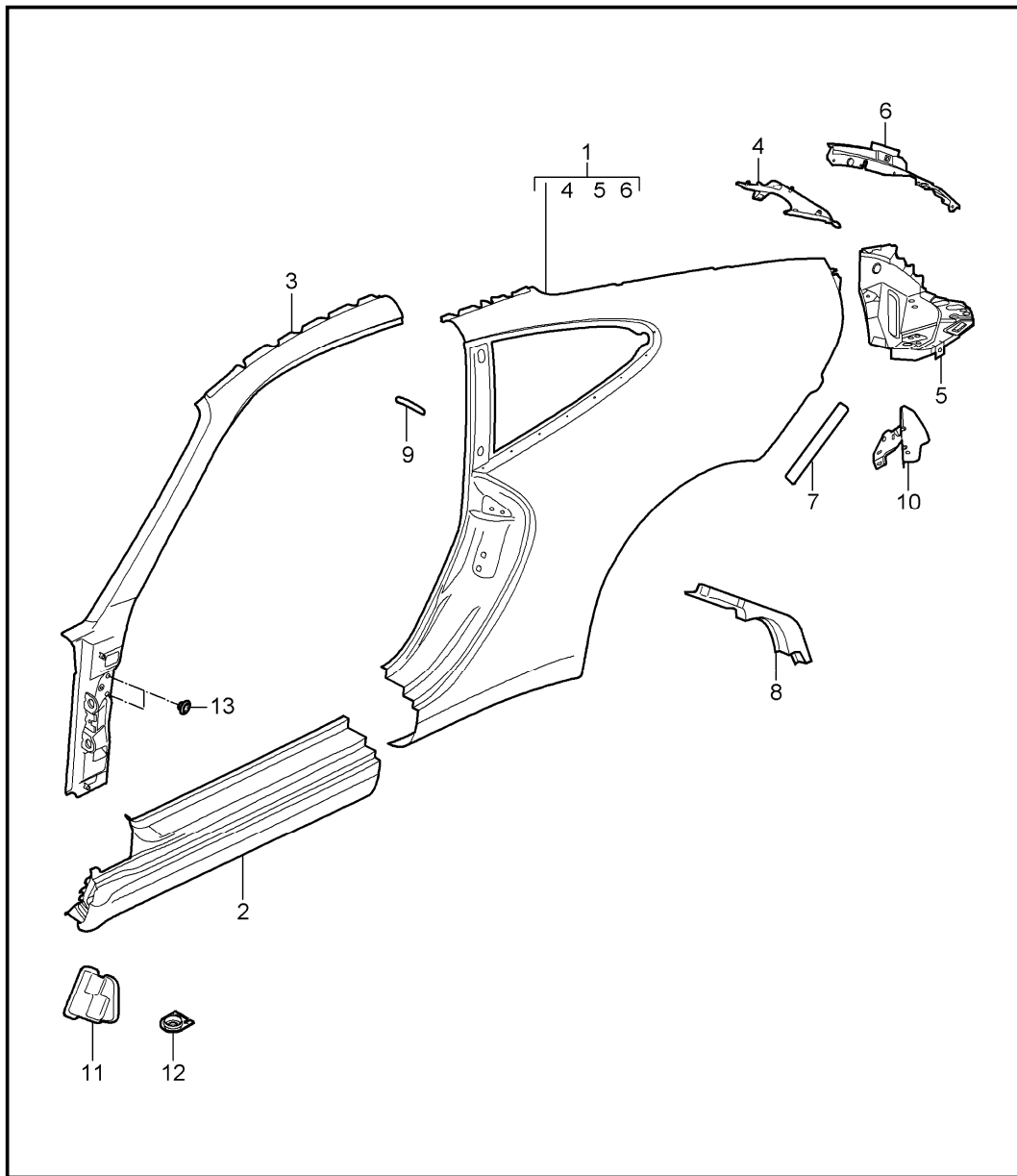


Pos	Part Number	Description	Remark	Qty	Model
1	997 502 153 00	inner side section GRV prime coated	/L	1	COUPE
(1)	997 502 154 00	side section GRV prime coated		1	COUPE
(1)	996 502 153 04	side section GRV prime coated	/L	1	TARGA
(1)	996 502 154 04	side section GRV prime coated	/R	1	TARGA
2	997 502 423 00	reinforcement GRV prime coated	/L	1	
(2)	997 502 424 00	reinforcement GRV prime coated	/R	1	
3	996 502 083 02	side section GRV prime coated	/L	1	
(3)	996 502 084 02	side section GRV prime coated	/R	1	
4	996 502 383 01	bracket GRV prime coated		2	
5	996 502 733 01	reinforcement GRV prime coated	/L	1	
(5)	996 502 734 01	reinforcement GRV prime coated	/R	1	
-	000 043 206 29	use also: adhesive set body comprising:		X	
-	000 043 206 30	adhesive		1	
-	000 043 206 31	tool		1	
-	000 043 206 32	tool		1	

Model	Year	MG	SG	Illustration	Restrictions	UPD	22:32	24.01.2010	PORSCHE	PET	PORSCHE
997-2	2010	8	01	801-50		248					

Pos	Part Number	Description	Remark	Qty	Model	Pos	Part Number	Description	Remark	Qty	Model
-	000 043 206 33	activator		1			GRV	prime coated			
-	999 703 433 40	stopper 30 X 42 for POS. 5		10		12	997 502 619 00	pipe	/L	1	COUPE
							GRV	prime coated			
6	997 502 115 00	side section	/L	1		(12)	997 502 620 00	pipe	/R	1	COUPE
	GRV	prime coated					GRV	prime coated			
(6)	997 502 116 00	side section	/R	1		(12)	997 502 935 05	pipe	/L	1	TARGA
	GRV	prime coated					GRV	prime coated			
7	997 502 215 03	wheel housing	/L	1		(12)	997 502 936 05	pipe	/R	1	TARGA
	GRV	prime coated					GRV	prime coated			
(7)	997 502 216 03	wheel housing	/R	1							
	GRV	prime coated									
(7)	997 502 215 04	wheel housing	/L	1	CARRERA 4						
	GRV	prime coated									
(7)	997 502 216 04	wheel housing	/R	1	CARRERA 4						
	GRV	prime coated									
8	997 502 707 00	reinforcement	/L	1							
	GRV	prime coated									
(8)	997 502 708 00	reinforcement	/R	1							
	GRV	prime coated									
9	997 502 161 00	side section	/L	1							
	GRV	prime coated									
(9)	997 502 162 00	side section	/R	1							
	GRV	prime coated									
10	997 502 711 00	pipe		2							
	GRV	prime coated									
11	997 502 745 00	reinforcement plate	/L	1							
	GRV	prime coated									
(11)	997 502 746 00	reinforcement plate	/R	1							

Model	Year	MG	SG	Illustration	Restrictions	UPD	22:32	24.01.2010	PORSCHE	PET	PORSCHE
997-2	2010	8	01	801-55		248					

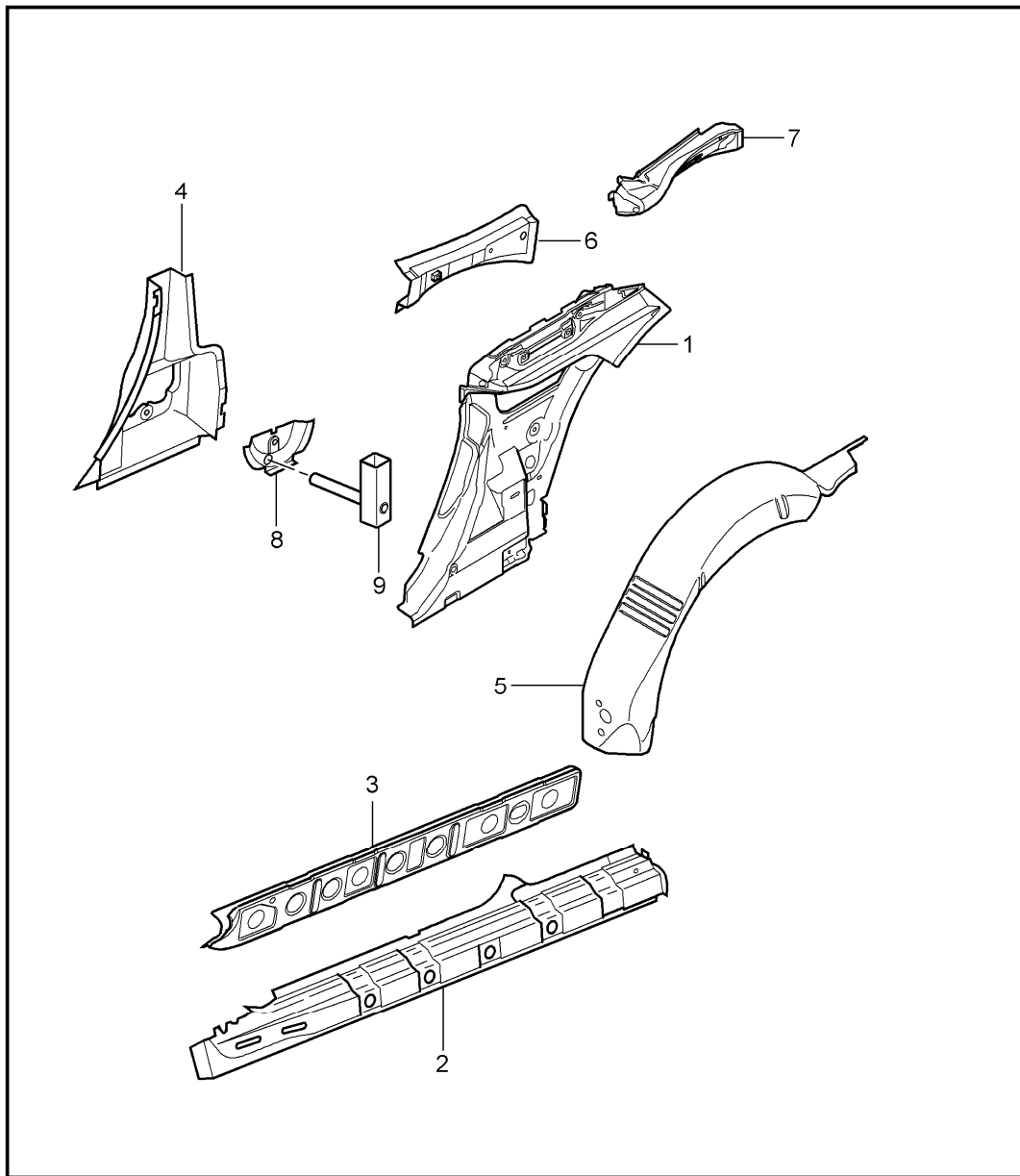


Pos	Part Number	Description	Remark	Qty	Model
		side section outer			COUPE
1	997 503 961 07	side section	/L	1	
	GRV	prime coated			
(1)	997 503 962 07	side section	/R	1	
	GRV	prime coated			
(1)	997 503 961 09	side section	/L	1	CARRERA 4
	GRV	prime coated			
(1)	997 503 962 09	side section	/R	1	CARRERA 4
	GRV	prime coated			
-	999 915 650 40	adhesive TEROMIX 6700		X	
-	000 043 300 48	tool see technical manual group 5 53 55 55		X	
2	997 503 963 00	door sill	/L	1	
	GRV	prime coated			
(2)	997 503 964 00	door sill	/R	1	
	GRV	prime coated			
(2)	997 503 963 02	door sill	/L	1	CARRERA 4
	GRV	prime coated			
(2)	997 503 964 02	door sill	/R	1	CARRERA 4
	GRV	prime coated			
3	997 503 965 03	roof frame	/L	1	
	GRV	prime coated			
(3)	997 503 966 03	roof frame	/R	1	
	GRV	prime coated			
4	997 502 365 00	sealing channel	/L	1	
	GRV	prime coated			

Model	Year	MG	SG	Illustration	Restrictions	UPD	22:32	24.01.2010	PORSCHE	PET	PORSCHE
997-2	2010	8	01	801-55		248					

Pos	Part Number	Description	Remark	Qty	Model	Pos	Part Number	Description	Remark	Qty	Model
(4)	997 502 366 00	sealing channel	/R	1		13	999 703 029 40	lid 12 x 20		4	
	GRV	prime coated									
5	997 502 461 01	frame for light	/L	1							
	GRV	prime coated									
(5)	997 502 462 01	frame for light	/R	1							
	GRV	prime coated									
(6)	997 502 213 02	bracket	/L	1							
	GRV	prime coated									
(6)	997 502 214 01	bracket	/R	1							
	GRV	prime coated									
7	997 504 631 00	protective film		2							
8	997 504 907 00	seal see workshop manual		2							
9	996 537 237 00	protective film		2							
10	997 501 487 01	reinforcement	/L	1							
	GRV	prime coated use also:									
(10)	997 501 488 01	reinforcement	/R	1							
	GRV	prime coated use also:									
-	000 043 206 29	adhesive set body comprising:		X							
-	000 043 206 30	adhesive		1							
-	000 043 206 31	tool		1							
-	000 043 206 32	tool		1							
-	000 043 206 33	activator		1							
11	997 572 311 01	water protection	/L	1							
(11)	997 572 312 01	water protection	/R	1							
12	999 703 475 40	water drain sleeve door sill		2							

Model	Year	MG	SG	Illustration	Restrictions	UPD	22:33	24.01.2010	PORSCHE	PET	PORSCHE
997-2	2010	8	01	801-60		248					

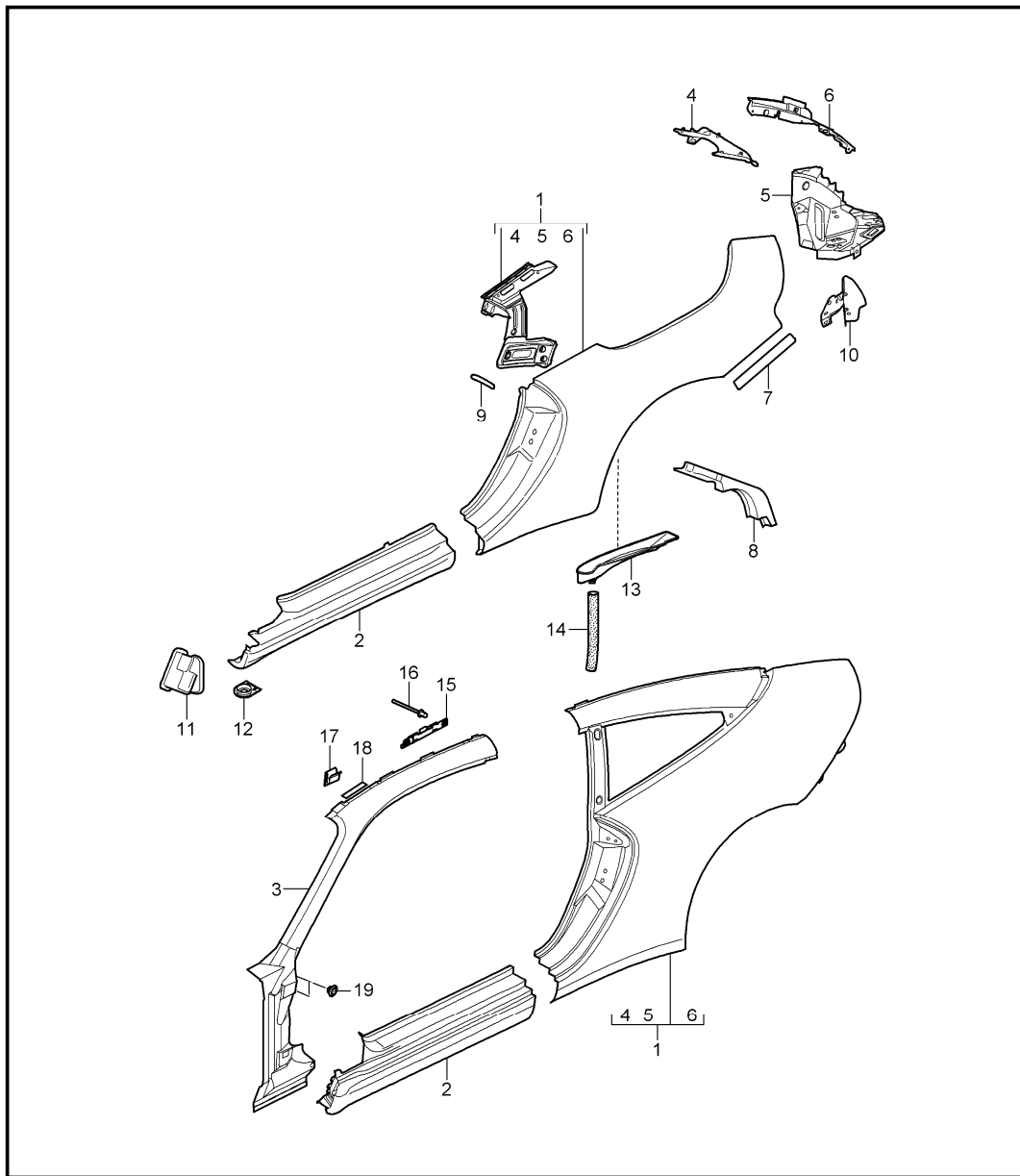


Pos	Part Number	Description	Remark	Qty	Model
		side section inner			CABRIO
1	997 502 073 03	side section	/L	1	
	GRV	prime coated			
(1)	997 502 074 03	side section	/R	1	
	GRV	prime coated			
2	997 502 663 00	reinforcement	/L	1	
	GRV	prime coated			
		use also:			
(2)	997 502 664 00	reinforcement	/R	1	
	GRV	prime coated			
		use also:			
-	000 043 206 29	adhesive set body comprising:		X	
-	000 043 206 30	adhesive		1	
-	000 043 206 31	tool		1	
-	000 043 206 32	tool		1	
-	000 043 206 33	activator		1	
3	996 502 683 01	separator	/L	1	
	GRV	prime coated			
(3)	996 502 684 01	separator	/R	1	
	GRV	prime coated			
4	996 502 415 01	b-pillar	/L	1	
	GRV	prime coated			
(4)	996 502 416 01	b-pillar	/R	1	
	GRV	prime coated			
5	997 502 215 03	wheel housing	/L	1	
	GRV	prime coated			
(5)	997 502 216 03	wheel housing	/R	1	
	GRV	prime coated			

Model	Year	MG	SG	Illustration	Restrictions	UPD	22:33	24.01.2010	PORSCHE	PET	PORSCHE
997-2	2010	8	01	801-60		248					

Pos	Part Number	Description	Remark	Qty	Model	Pos	Part Number	Description	Remark	Qty	Model
(5)	997 502 215 04	wheel housing	/L	1	CARRERA 4						
	GRV	prime coated									
(5)	997 502 216 04	wheel housing	/R	1	CARRERA 4						
	GRV	prime coated									
6	997 502 087 00	side section	/L	1							
	GRV	prime coated									
(6)	997 502 088 00	side section	/R	1							
	GRV	prime coated									
7	997 502 161 01	side section	/L	1							
	GRV	prime coated									
(7)	997 502 162 01	side section	/R	1							
	GRV	prime coated									
8	996 502 383 01	bracket		2							
	GRV	prime coated									
9	997 502 711 01	pipe		2							
	GRV	prime coated									

Model	Year	MG	SG	Illustration	Restrictions	UPD	22:33	24.01.2010	PORSCHE	PET	PORSCHE
997-2	2010	8	01	801-65		248					

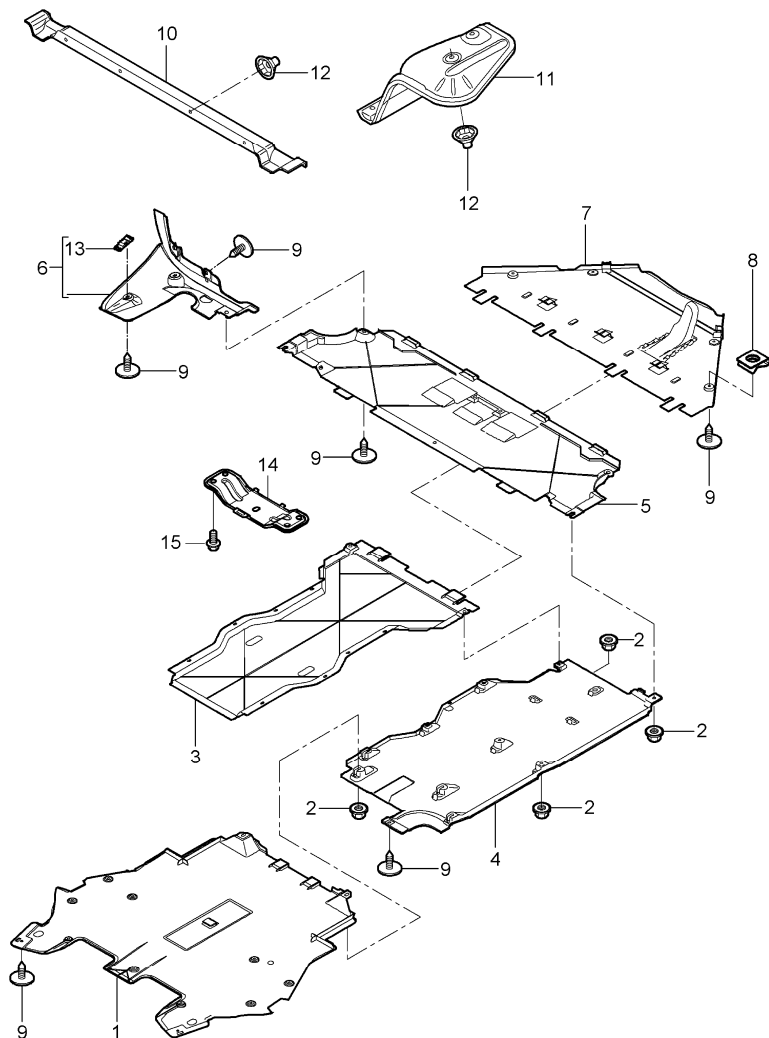


Pos	Part Number	Description	Remark	Qty	Model
1	997 503 961 08	side section outer			CABRIO/TARGA
	GRV	prime coated	/L	1	CABRIO
(1)	997 503 962 08	side section	/R	1	CABRIO
	GRV	prime coated			
(1)	997 503 961 10	side section	/L	1	C4 CABRIO
	GRV	prime coated			
(1)	997 503 962 10	side section	/R	1	C4 CABRIO
	GRV	prime coated			
(1)	997 503 961 11	side section	/L	1	TARGA
	GRV	prime coated			
(1)	997 503 962 11	side section	/R	1	TARGA
	GRV	prime coated			
-	999 915 650 40	adhesive TEROMIX 6700		X	
-	000 043 300 48	tool processing instructions see technical manual group 5 53 55 55		X	
2	997 503 963 01	door sill	/L	1	CABRIO
	GRV	prime coated			
(2)	997 503 964 01	door sill	/R	1	CABRIO
	GRV	prime coated			
(2)	997 503 963 03	door sill	/L	1	C4 CABRIO
	GRV	prime coated			
(2)	997 503 964 03	door sill	/R	1	C4 CABRIO
	GRV	prime coated			
(2)	997 503 963 02	door sill	/L	1	TARGA
	GRV	prime coated			

Model	Year	MG	SG	Illustration	Restrictions	UPD	22:33	24.01.2010	PORSCHE	PET	PORSCHE
997-2	2010	8	01	801-65		248					

Pos	Part Number	Description	Remark	Qty	Model	Pos	Part Number	Description	Remark	Qty	Model
(2)	997 503 964 02	door sill	/R	1	TARGA		GRV	prime coated			
	GRV	prime coated				11	997 572 311 01	water protection	/L	1	
3	997 503 965 05	roof frame	/L	1	TARGA	(11)	997 572 312 01	water protection	/R	1	
	GRV	prime coated				12	999 703 475 40	water drain sleeve door sill		2	
(3)	997 503 966 05	roof frame	/R	1	TARGA	13	997 504 967 00	water drip pan	/L	1	CABRIO
	GRV	prime coated				(13)	997 504 968 00	water drip pan use also:	/R	1	CABRIO
4	997 502 365 01	sealing channel	/L	1	CABRIO	14	986 514 241 00	water drain hose see technical manual 53 55		2	CABRIO
	GRV	prime coated				15	3D5 853 707 B	retaining clip water drain strip		6	TARGA
(4)	997 502 366 01	sealing channel	/R	1	CABRIO	16	N 907 878 02	rivet AK 3,2 X 6,5		12	TARGA
	GRV	prime coated				17	999 591 440 01	u-clamp 0,75 X 1,0		2	TARGA
(4)	997 502 366 00	sealing channel	/R	1	TARGA	18	999 911 725 40	adhesive tape 15 X 60		2	TARGA
	GRV	prime coated				19	999 703 029 40	lid 12 X 20		4	
5	997 502 461 01	frame for light	/L	1							
	GRV	prime coated									
(5)	997 502 462 01	frame for light	/R	1							
	GRV	prime coated									
(6)	997 502 213 02	bracket	/L	1							
	GRV	prime coated									
(6)	997 502 214 01	bracket	/R	1							
	GRV	prime coated									
7	997 504 631 00	protective film		2							
8	997 504 907 00	seal it is necessary to rework see workshop manual		2							
9	996 537 237 00	protective film		2							
10	997 501 487 01	reinforcement	/L	1							
	GRV	prime coated									
(10)	997 501 488 01	reinforcement	/R	1							

Model	Year	MG	SG	Illustration	Restrictions	UPD	22:33	24.01.2010	PORSCHE	PET	PORSCHE
997-2	2010	8	01	801-70		248					

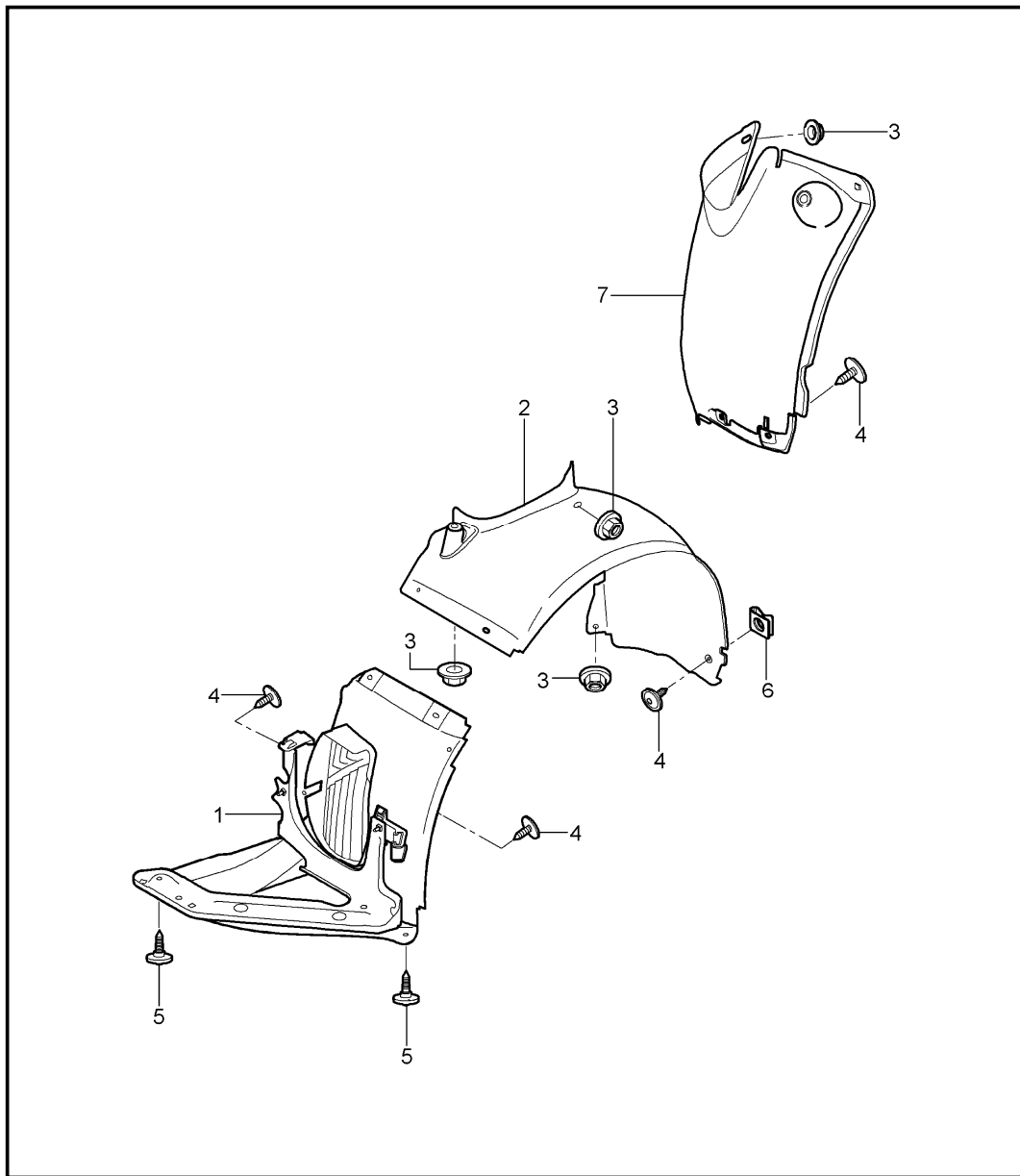


Pos	Part Number	Description	Remark	Qty	Model
		linings underbody			
1	997 504 527 02	cover		1	CARRERA 2
(1)	997 504 527 01	cover front		1	CARRERA 4
2	999 049 028 40	plastic nut T 5		26	
3	997 504 043 00	cover centre		1	
4	997 504 343 03	cover centre	/L	1	
(4)	997 504 344 03	cover centre	/R	1	
5	997 504 029 01	cover rear		1	I480
(5)	997 504 029 04	cover rear		1	I250
6	997 504 393 02	cover	/L	1	C2
	01C	satin black			
(6)	997 504 394 02	cover	/R	1	C2
	01C	satin black			
7	997 575 183 01	air duct brake	/L	1	
(7)	997 575 184 01	air duct brake	/R	1	
8	999 507 795 09	speed nut ST 4,8		4	
(8)	999 591 629 01	speed nut ST 4,8		6	
9	999 073 231 09	tapping screw ST 4,8 X 16		X	
10	996 505 471 00	heat protection centre		1	
11	997 505 477 02	heat protection	/L	1	
(11)	997 505 478 02	heat protection	/R	1	

Model	Year	MG	SG	Illustration	Restrictions	UPD	22:33	24.01.2010	PORSCHE	PET	PORSCHE
997-2	2010	8	01	801-70		248					

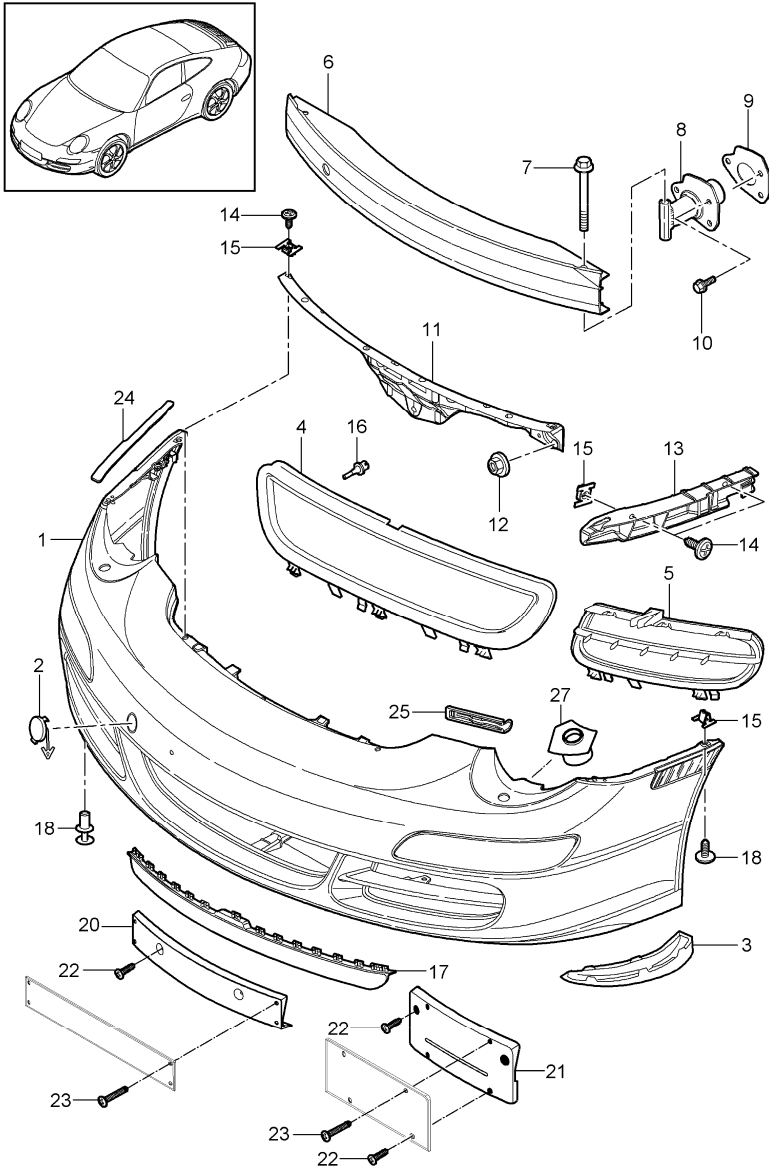
Pos	Part Number	Description	Remark	Qty	Model	Pos	Part Number	Description	Remark	Qty	Model
12	999 049 025 09	collar nut T 5		12							
13	997 504 635 00	clamp		2							
14	997 504 823 01	transverse strut tunnel		1							
15	900 075 475 09	combination screw M 10 x 25		4							
-	999 507 849 01	captive nut st 4,8		X							

Model	Year	MG	SG	Illustration	Restrictions	UPD	22:33	24.01.2010	PORSCHE	PET	PORSCHE
997-2	2010	8	01	801-75		248					



Pos	Part Number	Description	Remark	Qty	Model
		linings wheel housing			
1	997 504 123 02	wheel-housing liner front	/L/V	1	
1	997 504 123 04	wheel-housing liner front	/L/V	1	I182/183
(1)	997 504 124 02	wheel-housing liner front	/R/V	1	
(1)	997 504 124 04	wheel-housing liner front	/R/V	1	I182/183
2	997 504 203 00	wheel-housing liner front	/L/H	1	CARRERA 2
2	997 504 203 01	wheel-housing liner front	/L/H	1	CARRERA 4
(2)	997 504 204 00	wheel-housing liner front	/R/H	1	CARRERA 2
(2)	997 504 204 01	wheel-housing liner front	/R/H	1	CARRERA 4
3	999 049 028 40	plastic nut T5		12	
4	999 073 231 09	tapping screw ST 4,8 X 16		18	
5	999 073 227 09	tapping screw ST 4,8 X 19		4	
6	999 507 795 09	speed nut ST 4,8		2	
7	997 504 573 03	wheel-housing liner	/H/L	1	CARRERA 2
7	997 504 573 02	wheel-housing liner	/H/L	1	CARRERA 4
(7)	997 504 574 03	wheel-housing liner	/H/R	1	CARRERA 2
(7)	997 504 574 02	wheel-housing liner	/H/R	1	CARRERA 4

Model	Year	MG	SG	Illustration	Restrictions	UPD	22:33	24.01.2010	PORSCHE	PET	PORSCHE
997-2	2010	8	02	802-00		248					



Pos	Part Number	Description	Remark	Qty	Model
1	997 505 191 05	bumper front		1	
	G2L	prime coated			
1	997 505 982 07	lining		1	IXAA/XAS/288
		prime coated			
2	997 505 703 05	cover		1	
	G2L	prime coated			
(2)	997 505 994 01	cover		1	IXAA/XAS
		prime coated			
3	997 505 525 01	cover	/L	1	
	G2L	prime coated			
(3)	997 505 526 01	cover	/R	1	
	G2L	prime coated			
4	997 505 541 03	retaining frame		1	
	01C	satin black centre			
5	997 505 563 04	retaining frame	/L	1	C2
	01C	satin black			
(5)	997 505 564 04	retaining frame	/R	1	C2
	01C	satin black			
(5)	997 505 563 05	retaining frame	/L	1	C4
	9B1	titanium metallic			
(5)	997 505 564 05	retaining frame	/R	1	C4
	9B1	titanium metallic			
(5)	997 505 985 02	retaining frame lateral left	/L	1	I756
	041	black			
(5)	997 505 986 02	retaining frame lateral right	/R	1	I756
	041	black			

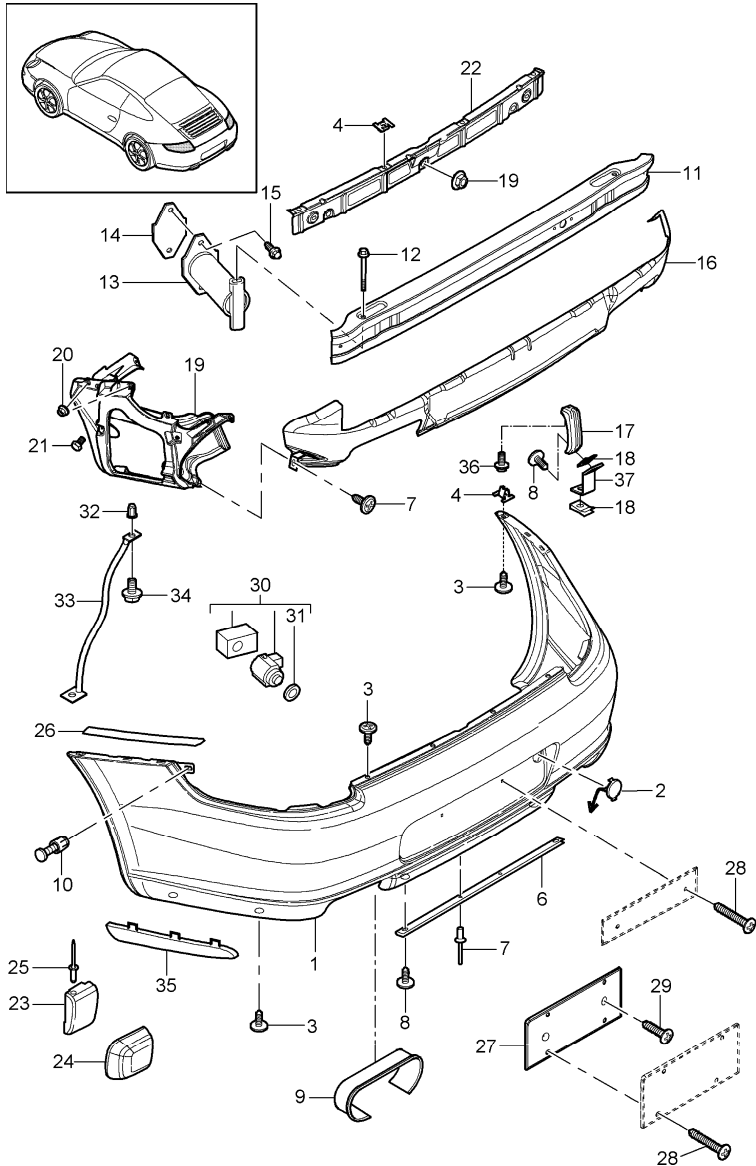
Model	Year	MG	SG	Illustration	Restrictions	UPD	22:33	24.01.2010	PORSCHE	PET	PORSCHE
997-2	2010	8	02	802-00		248					

Pos	Part Number	Description	Remark	Qty	Model	Pos	Part Number	Description	Remark	Qty	Model
6	997 505 131 00	bracket including foam part		1		18	999 073 227 09	tapping screw ST 4,8 X 19		10	
-	997 505 777 01	foam part in bracket		1		19	999 591 699 01	speed nut ST 4,8		1	
7	900 378 088 01	hexagon-head bolt M 12 x 100		2		18	999 591 941 40	expansion rivet		1	
8	997 505 319 00	impact pipe		2		20	997 701 051 09	assembly kit number plate		1 1	I211
9	997 505 751 02	seal impact absorber		2		(20)	997 701 051 14	assembly kit number plate		1 1	IXAA/XAS/211
10	900 378 267 01	hexagon-head bolt M 8 X 30		6		(20)	997 701 051 11	assembly kit number plate		1	I210
11	997 505 531 00	retaining strip centre		1		(20)	997 701 051 16	assembly kit number plate		1	IXAA/XAS/210
12	999 076 048 01	hexagon nut M 6		3		(21)	997 701 103 00	set support front comprising: nut and rubber buffer		1	I209
13	997 505 535 01	retaining strip	/L	1							
(13)	997 505 536 01	retaining strip	/R	1		(21)	987 701 051 10	assembly kit support front comprising: spacer desk pad screw nut		1	I209
14	999 073 418 01	tapping screw ST 4,8 X 19		4							
15	999 507 849 01	captive nut ST 4,8		9							
16	996 641 142 00	temperature sensor		1							
17	997 505 557 02	spoiler		1		22	999 919 243 01	screw 5,0 x 13		X	
	01C	satin black				23	999 919 242 01	screw 5,0 x 28		X	
17	997 505 983 03	spoiler prime coated		1	IXAA	(24)	997 504 531 00	protective film	/V/L	1	
17	997 505 983 05	spoiler prime coated		1	IXAS	24	997 504 532 00	protective film	/V/R	1	
(17)	997 505 983 06	spoiler		1	I756	25	997 505 719 00	fixing device		2	
	G2L	prime coated				--		air duct see group 1/05/15			
-	999 507 616 40	expander nut 3,5 for spoiler		2	I756	27	997 505 761 02	retainer plate left		1	

Model	Year	MG	SG	Illustration	Restrictions	UPD	22:33	24.01.2010	PORSCHE	PET	PORSCHE
997-2	2010	8	02	802-00		248					

Pos	Part Number	Description	Remark	Qty	Model	Pos	Part Number	Description	Remark	Qty	Model
(27)	997 505 762 02	retainer plate right use also:		1							
-	000 043 300 47	set adhesive including 5-fold mixing tube		1							
-	000 043 300 48	tool for adhesive		1							

Model	Year	MG	SG	Illustration	Restrictions	UPD	22:34	24.01.2010	PORSCHE	PET	PORSCHE
997-2	2010	8	02	802-05		248					



Pos	Part Number	Description	Remark	Qty	Model
1	997 505 411 24	bumper rear			
	G2L	prime coated			
(1)	997 505 911 06	lining	C2	1	I635
	G2L	prime coated			
(1)	997 505 411 28	lining	C4	1	
	G2L	prime coated			
(1)	997 505 911 08	lining	C4	1	I635
	G2L	prime coated			
2	997 505 803 02	cover		1	
	G2L	prime coated			
2	997 505 803 00	cover		1	I756
	G2L	prime coated			
-	997 505 813 90	frame air inlet lateral upper left		1	I756
-	997 505 814 90	frame air inlet lateral upper right		1	I756
3	999 073 314 09	tapping screw 4,8 X 16		10	
4	999 507 849 01	captive nut ST 4,8		6	
5	900 144 101 02	tapping screw B 4,8 X 19		4	
6	997 505 837 00	retaining strip		1	
7	999 190 104 30	blind rivet 3,2 X 7,9		4	
8	999 073 418 01	tapping screw ST 4,8 X 19		4	
9	997 505 651 01	heat shield	/L	1	
	01C	satin black			

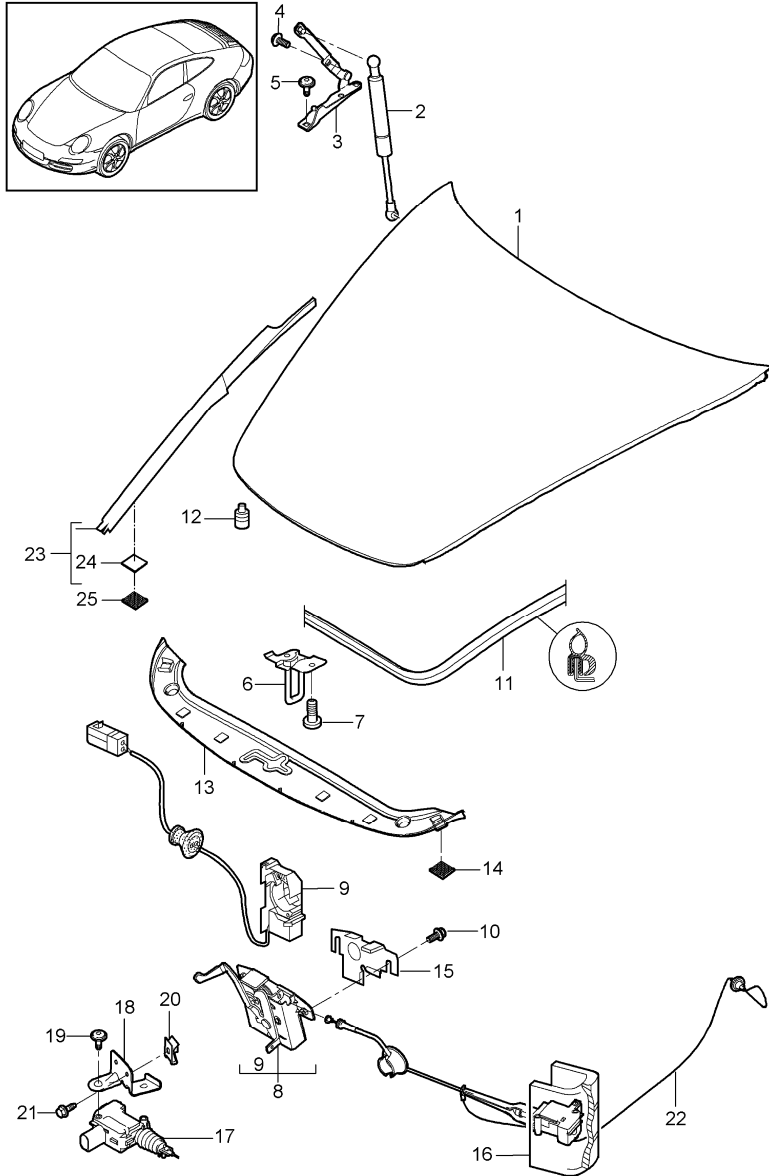
Model	Year	MG	SG	Illustration	Restrictions	UPD	22:34	24.01.2010	PORSCHE	PET	PORSCHE
997-2	2010	8	02	802-05		248					

Pos	Part Number	Description	Remark	Qty	Model	Pos	Part Number	Description	Remark	Qty	Model
(9)	997 505 652 01	heat shield	/R	1		19	997 505 831 02	support	/L	1	C2
	01C	satin black				(19)	997 505 831 03	support	/L	1	C4
(9)	997 505 651 03	heat shield	/L	1	I756	(19)	997 505 832 02	support	/R	1	C2
	01C	satin black				(19)	997 505 832 03	support	/R	1	C4
(9)	997 505 652 03	heat shield	/R	1	I756	20	999 076 078 09	hexagon nut M 6		X	
	01C	satin black				21	900 075 459 01	combination screw M 6 X 12		2	
10	999 591 941 40	expansion rivet ST 4.2		2		22	997 505 641 03	attachment strip centre		1	
11	997 505 121 06	bumper reinforcement		1		25	999 591 941 40	expansion rivet ST 4,2		2	
(11)	997 505 121 16	bumper reinforcement		1	I756	26	997 504 631 00	protective film		2	
12	900 378 088 09	hexagon-head bolt M 12 X 100		2		-	997 701 103 00	set support number plate rear comprising: nut and rubber buffer		1	I209
13	996 505 019 01	impact pipe		2		-	997 701 051 13	assembly kit support number plate rear comprising: spacer washer screw nut lock ring		1	I209
14	996 505 775 00	desk pad impact absorber		2		27	997 701 113 00	support number plate		1	I218
15	900 378 267 09	combination screw M 8 X 30		4			01C	black			
16	997 505 475 02	heat protection centre use also: heat protection upper		1		28	999 919 242 01	screw support number plate 5 X 28		X	
-	996 505 471 00	heat protection upper		1		29	999 919 243 01	screw support number plate 5 X 13		X	
(16)	997 505 475 04	heat protection centre and upper		1							
(16)	997 505 475 06	heat protection centre and upper		1	I756						
17	997 505 639 00	rear support		2							
(17)	997 505 639 90	rear support		2	I756						
37	996 505 649 01	angled pipe		2							
18	999 507 795 09	speed nut		4							

Model	Year	MG	SG	Illustration	Restrictions	UPD	22:34	24.01.2010	PORSCHE	PET	PORSCHE
997-2	2010	8	02	802-05		248					

Pos	Part Number	Description	Remark	Qty	Model	Pos	Part Number	Description	Remark	Qty	Model
30	997 606 191 00	sensor ParkAssist		4	I635						
31	7L6 919 659	round seal		4	I635						
32	999 500 084 01	special nut M6 / 0,5 - 3		2							
33	997 505 681 01	strut	/L	1							
(33)	997 505 682 01	strut	/R	1							
34	900 378 035 09	hexagon-head bolt M6 X 16		2							
(35)	997 505 628 00	cover	/R	1	C4						
	01C	black									
35	997 505 627 00	cover	/L	1	C4						
	01C	black									
36	900 075 335 02	screw M6 x 22		2							

Model	Year	MG	SG	Illustration	Restrictions	UPD	22:34	24.01.2010	PORSCHE	PET	PORSCHE
997-2	2010	8	03	803-00		248					

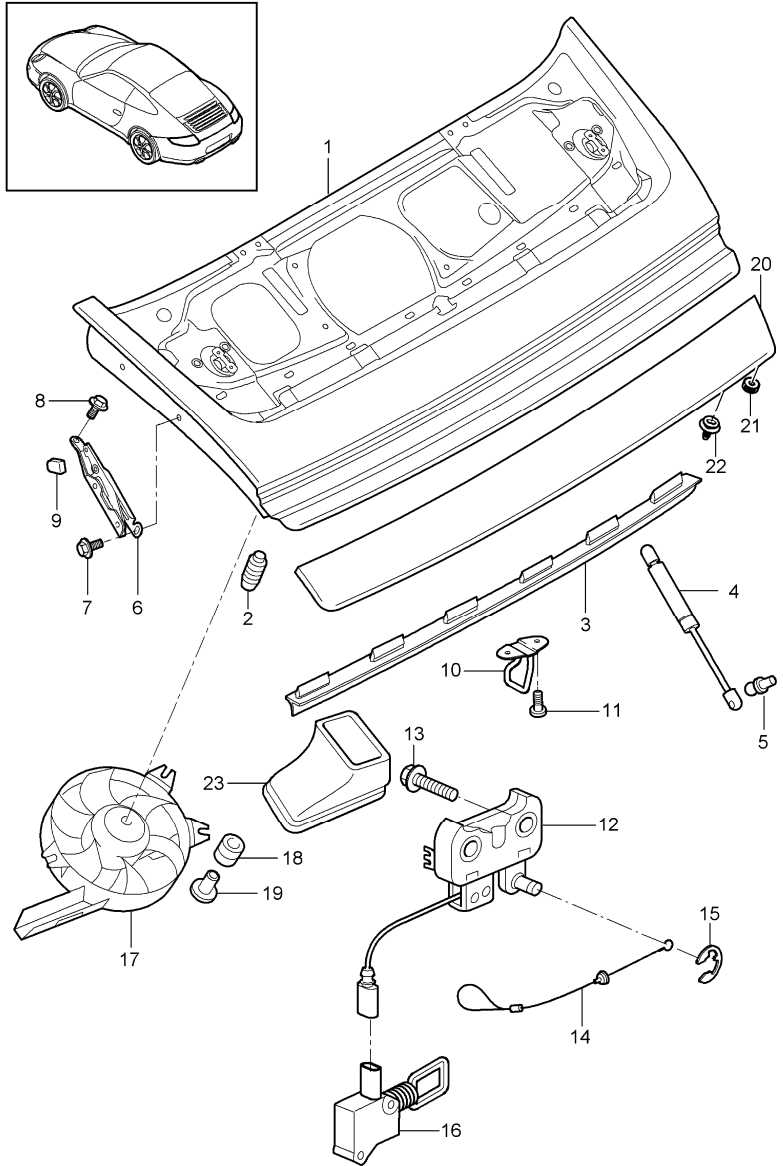


Pos	Part Number	Description	Remark	Qty	Model
		lid front			
1	997 511 011 00	lid		1	
		GRV prime coated			
2	997 511 551 01	gas-pressure spring		2	
3	997 511 151 01	hinge	/L	1	
(3)	997 511 152 01	hinge	/R	1	
4	999 073 357 09	oval-head screw M 6 X 12		4	
5	999 073 348 09	oval-head screw M 6 X 20		4	
6	997 511 051 00	lock upper part		1	
7	999 073 350 04	screw M 6 X 16		2	
8	997 511 053 00	lock lower part		1	
9	997 613 206 00	microswitch		1	
10	900 075 466 09	combination screw M 6 X 16		2	
10	900 075 466 01	combination screw M 6 X 16		2	
11	997 511 611 00	gasket		1	
12	999 703 140 40	rubber buffer		2	
13	997 504 811 03	trim cover		1	
		FMT satin black			
13	997 504 811 04	trim cover		1	
		FMT satin black			
14	999 902 049 40	velcro fastener		4	
15	996 511 653 00	cover		1	
16	997 511 117 00	actuator		1	
(23)	997 572 465 02	trim cover	/L	1	
		02A black			
23	997 572 466 02	trim cover	/R	1	

Model	Year	MG	SG	Illustration	Restrictions	UPD	22:34	24.01.2010	PORSCHE	PET	PORSCHE
997-2	2010	8	03	803-00		248					

Pos	Part Number	Description	Remark	Qty	Model	Pos	Part Number	Description	Remark	Qty	Model
	02A	black									
24	999 902 052 40	velcro fastener cover 20 X 20		4							
25	999 902 051 40	velcro fastener wing 20 X 20		4							

Model	Year	MG	SG	Illustration	Restrictions	UPD	22:34	24.01.2010	PORSCHE	PET	PORSCHE
997-2	2010	8	03	803-05		248					

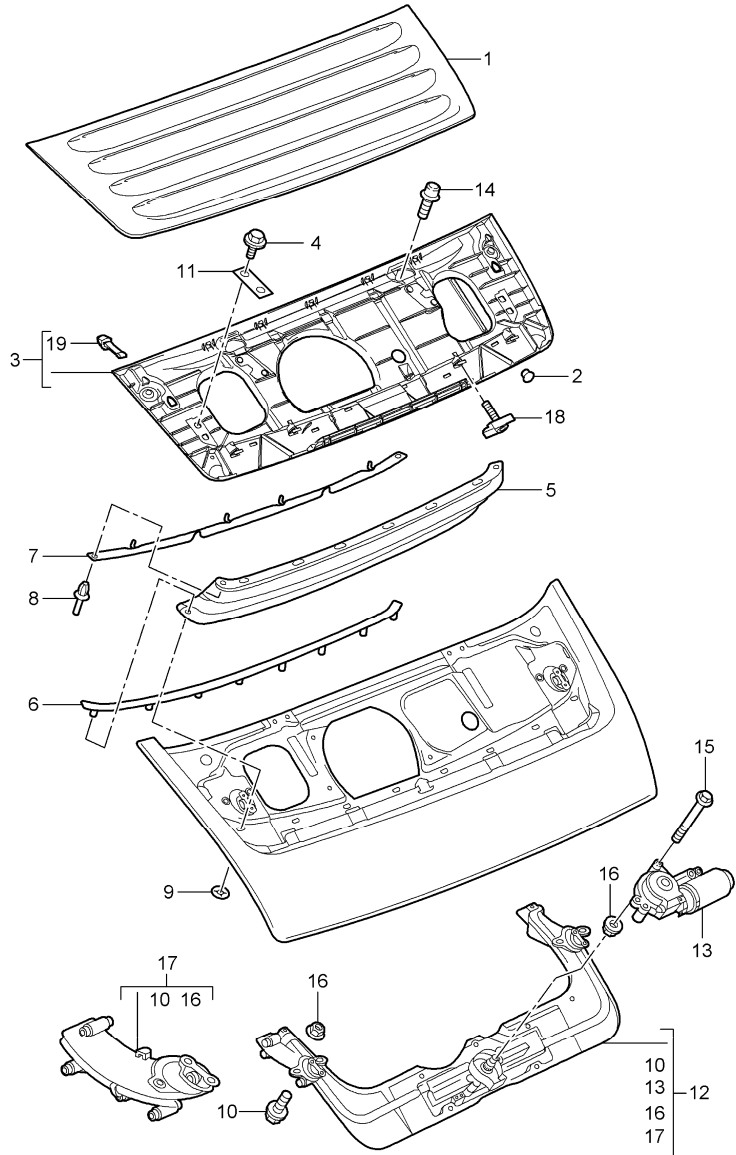


Pos	Part Number	Description	Remark	Qty	Model
		lid rear			
1	997 512 011 03	lid		1	C4
		GRV prime coated			
(1)	997 512 011 01	lid		1	C2
		GRV prime coated			
(1)	997 512 225 07	lid		1	I756
		prime coated			
2	999 703 140 40	rubber buffer		2	
3	997 512 611 00	gasket		1	C2
3	997 512 611 02	gasket		1	C4
4	997 512 551 00	gas-pressure spring	/R	1	
5	999 167 051 03	ball pin		2	
6	997 512 151 02	hinge	/L	1	
(6)	997 512 152 01	hinge	/R	1	
7	900 378 155 09	hexagon-head bolt M 6 X 16		4	
7	900 378 155 01	hexagon-head bolt M 6 X 16		4	
8	900 075 466 09	combination screw M 6 X 16		6	
8	900 075 466 01	combination screw M 6 X 16		6	
9	996 512 153 00	stop hinge		2	
9	997 512 153 00	stop hinge		2	
10	997 512 213 01	lock upper part		1	
11	999 073 248 09	combination screw M 6 X 16		2	
11	999 073 378 01	round head screw M 6 X 20		2	
12	997 512 053 01	lock lower part		1	

Model	Year	MG	SG	Illustration	Restrictions	UPD	22:34	24.01.2010	PORSCHE	PET	PORSCHE
997-2	2010	8	03	803-05		248					

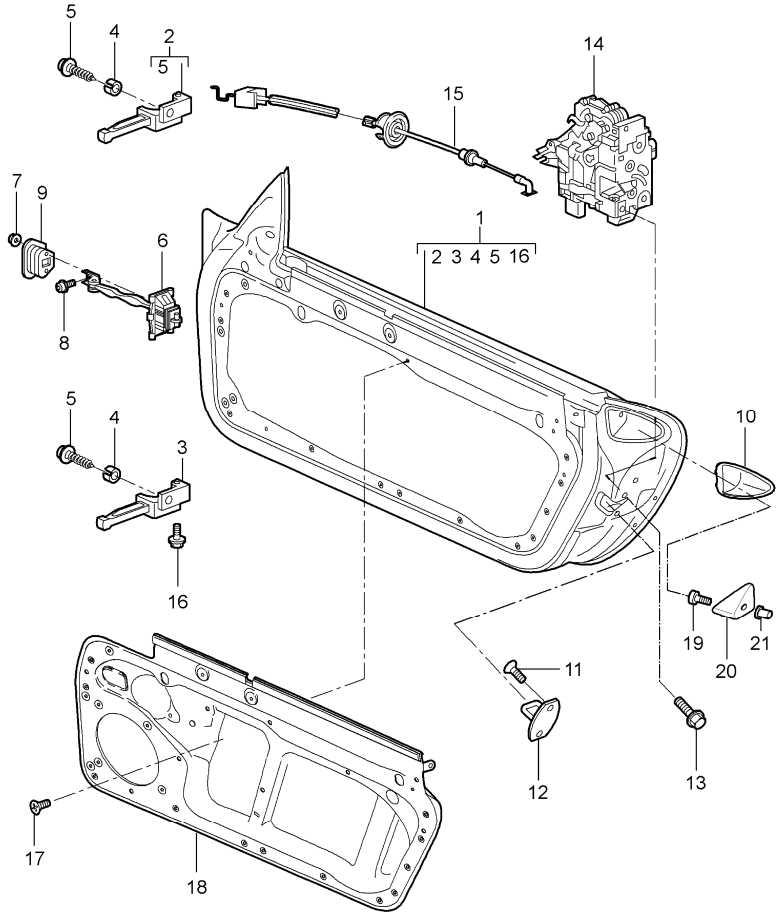
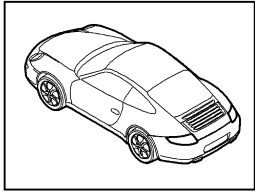
Pos	Part Number	Description	Remark	Qty	Model	Pos	Part Number	Description	Remark	Qty	Model
13	N 910 664 01	combination screw M 6 X 40		2							
14	997 512 521 00	cable emergency operation		1							
15	900 116 002 02	lock washer		1							
16	997 624 118 01	actuator		1							
17	997 624 050 03	blower		1							
17	997 624 056 01	blower		1	IXAA						
18	999 703 451 40	rubber sleeve 9,0 x 14,0 x 1,5		3							
19	999 209 093 01	spacer sleeve		3							
20	997 512 259 01	reflector cover		1	C4						
21	997 512 671 00	clamping nut		2	C4						
22	999 507 131 40	insert part		6	C4						
-	997 512 971 00	set assembly aux. material reflector cover		1	C4						
23	997 110 261 40	air duct	/L	1							
(23)	997 110 262 40	air duct	/R	1							

Model	Year	MG	SG	Illustration	Restrictions	UPD	22:34	24.01.2010	PORSCHE	PET	PORSCHE
997-2	2010	8	03	803-07		248					



Pos	Part Number	Description	Remark	Qty	Model
		rear spoiler			
1	997 512 241 03	upper part prime coated		1	
2	996 512 212 00	stopper		4	
3	997 512 205 08	lower part		1	
-	999 703 488 40	buffer 5,9 X 11,5 X 16		2	
4	900 075 490 09	hexagon-head bolt M 6 X 8		4	
5	996 512 250 00	rear wall		1	
6	996 512 163 00	rail lower		1	
7	996 512 164 00	rail upper		1	
8	999 591 712 40	expansion rivet 6,0 X 12,0		2	
9	999 591 974 07	clamping washer 5,0		8	
10	999 073 382 01	combination screw M 6 X 20		10	
11	996 512 757 00	desk pad		2	
12	997 512 109 10	driving mechanism		1	COUPE
(12)	997 512 109 12	driving mechanism		1	CABRIO/TARGA
13	996 624 151 00	electric motor		1	
14	900 067 273 09	combination screw M 6 X 16		4	
15	900 074 364 02	hexagon-head bolt M 5 X 55		3	
16	900 377 009 01	hexagon nut		32	
17	997 512 911 00	hinge		1	
18	997 512 255 00	support		4	

Model	Year	MG	SG	Illustration	Restrictions	UPD	22:35	24.01.2010	PORSCHE	PET	PORSCHE
997-2	2010	8	04	804-00		248					

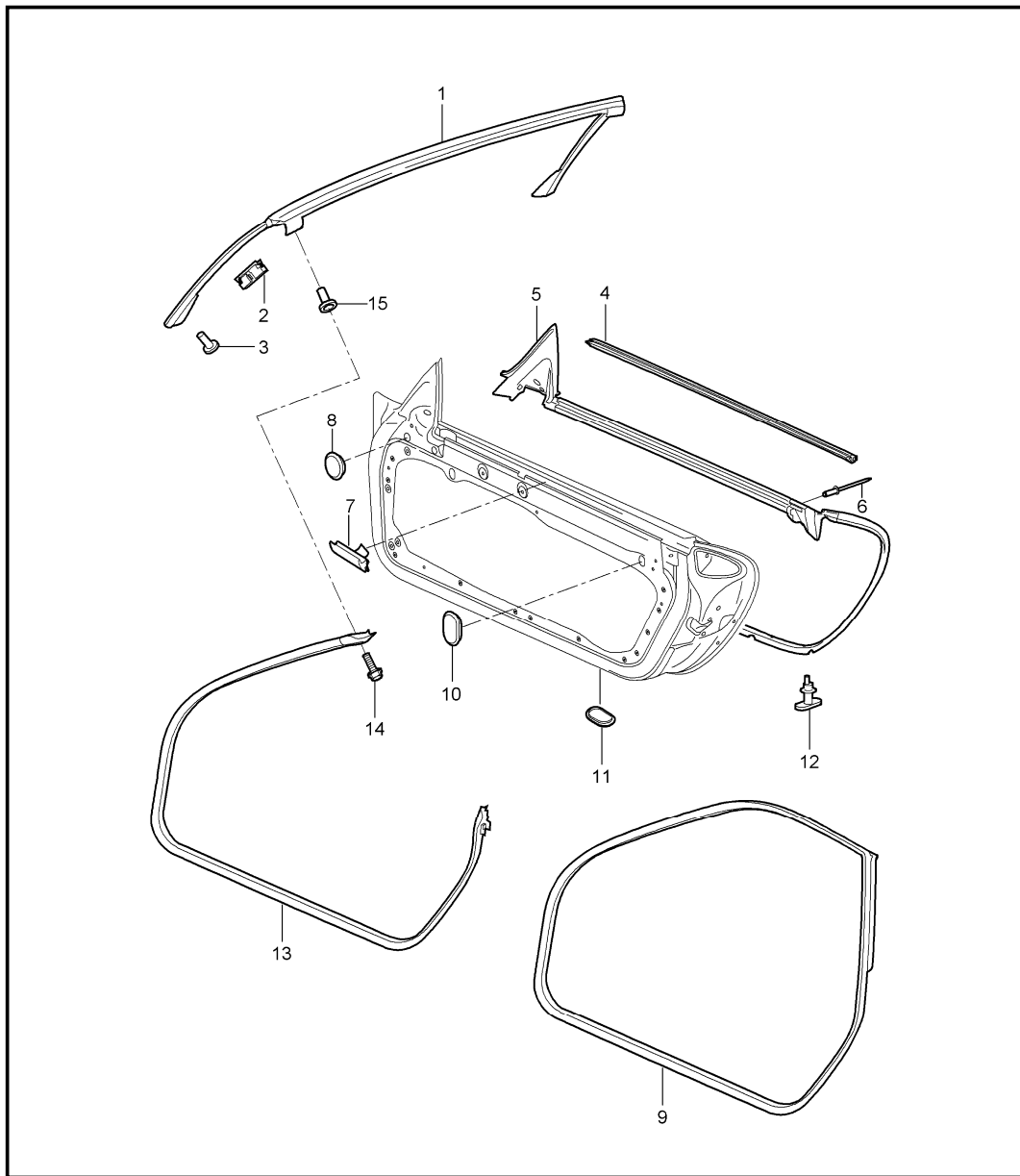


Pos	Part Number	Description	Remark	Qty	Model
		door in white installation parts door lock			
(1)	997 531 011 04	door	/L	1	
	GRV	prime coated			
1	997 531 012 04	door	/R	1	
	GRV	prime coated			
		use also:			
-	000 043 204 38	sealing material		1	
(2)	997 531 321 01	hinge	/L	1	
2	997 531 322 01	hinge upper	/R	1	
(3)	997 531 319 01	hinge	/L	1	
3	997 531 320 01	hinge lower	/R	1	
4	996 531 831 00	sleeve		4	
5	900 378 180 01	hexagon-head bolt M 8 X 25		2	
6	997 537 151 01	door arrester		2	
7	999 084 212 02	hexagon nut M 6		4	
8	999 073 138 09	screw M 8 X 25		2	
9	996 537 751 00	seal		2	
(10)	997 537 331 00	support	/L	1	
	01C	satin black			
10	997 537 332 00	support	/R	1	
	01C	satin black			
11	N 910 174 01	countersunk-head screw M 8 X 22		4	
12	3C0 837 767 A	closing element		2	
13	WHT 000 439	combination screw M 8 X 20		2	

Model	Year	MG	SG	Illustration	Restrictions	UPD	22:35	24.01.2010	PORSCHE	PET	PORSCHE
997-2	2010	8	04	804-00		248					

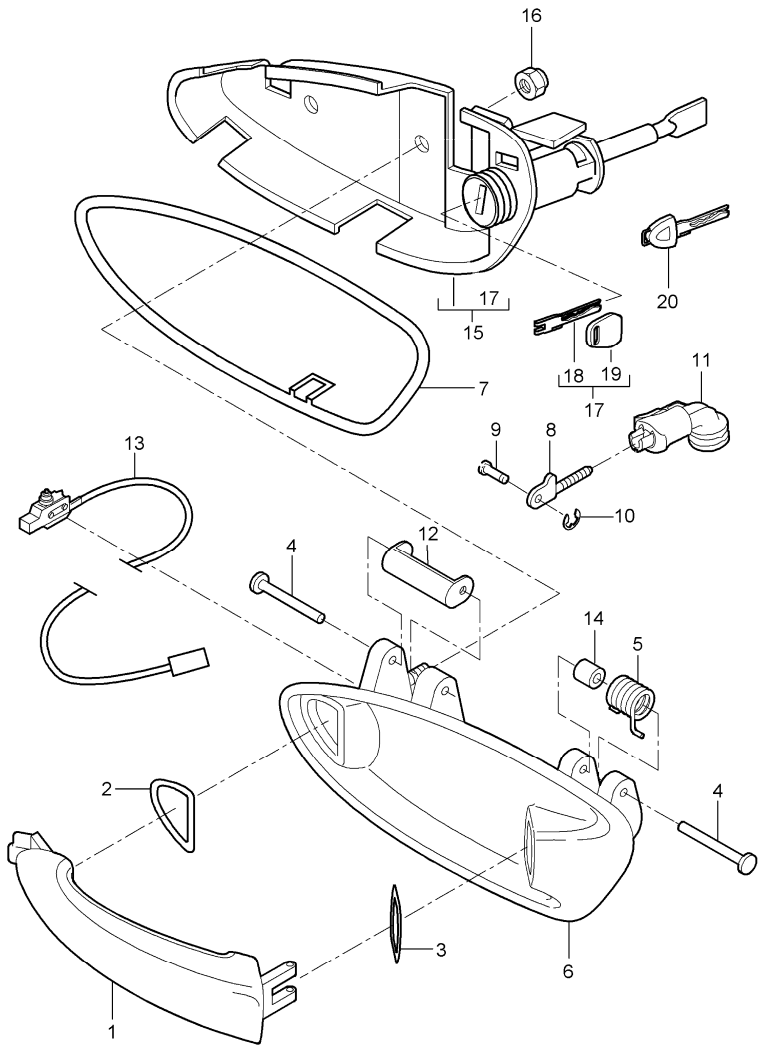
Pos	Part Number	Description	Remark	Qty	Model	Pos	Part Number	Description	Remark	Qty	Model
(14)	3D1 837 015	door lock	/LL/L	1	I098						
14	3D1 837 016	door lock	/LL/R	1	I098						
(14)	3D1 837 015 C	door lock	/L	1	I072						
(14)	3D1 837 016 C	door lock	/R	1	I072						
(14)	3D2 837 015	door lock	/RL/L	1	I099						
(14)	3D2 837 016	door lock	/RL/R	1	I099						
15	997 537 319 01	bowden cable		2							
16	999 072 043 09	hexagon-head bolt M 6 X 12 micro-self-locking		2							
17	999 073 333 09	oval-head screw M 6 X 16		8							
(18)	987 537 201 01	inner panel	/L	1							
18	987 537 202 01	inner panel	/R	1							
19	900 119 072 00	pan-head screw M8 X 16		2							
(20)	997 537 333 00	support	/L	1							
	G2X	prime coated									
20	997 537 334 00	support side section	/R	1							
	G2X	prime coated									
21	999 500 121 02	blind rivet nut M8 / 0,8 - 3		2							

Model	Year	MG	SG	Illustration	Restrictions	UPD	22:35	24.01.2010	PORSCHE	PET	PORSCHE
997-2	2010	8	04	804-10		248					



Pos	Part Number	Description	Remark	Qty	Model
		door seal gasket windscreen			
1	997 537 077 02	gasket windscreen		1	CABRIO
3	999 190 445 37	blind rivet A 4,0 X 7,9		36	CABRIO
4	997 537 085 02	gasket outer	/L	1	
(4)	997 537 086 02	gasket outer	/R	1	
5	997 537 531 07	gasket inner	/L	1	
(5)	997 537 532 07	gasket inner	/R	1	
8	803 803 583 A	lid 20,0 X 30,0		2	
(9)	997 537 075 05	gasket	/L	1	COUPE/TARGA
9	997 537 076 05	gasket	/R	1	COUPE/TARGA
10	999 703 541 40	lid 20 X 28 X 1		4	
11	999 703 542 40	lid 23,8 X 38,7		8	
12	999 591 513 40	clip gasket 5,8 x 0,9		36	
13	997 537 075 07	gasket	/L	1	CABRIO
(13)	997 537 076 07	gasket	/R	1	CABRIO
14	900 075 362 02	combination screw M 5 X 16		2	CABRIO
15	999 500 093 02	nut M 5/0 - 3		2	CABRIO
-	996 537 337 00	protective film		4	

Model	Year	MG	SG	Illustration	Restrictions	UPD	22:35	24.01.2010	PORSCHE	PET	PORSCHE
997-2	2010	8	04	804-20		248					

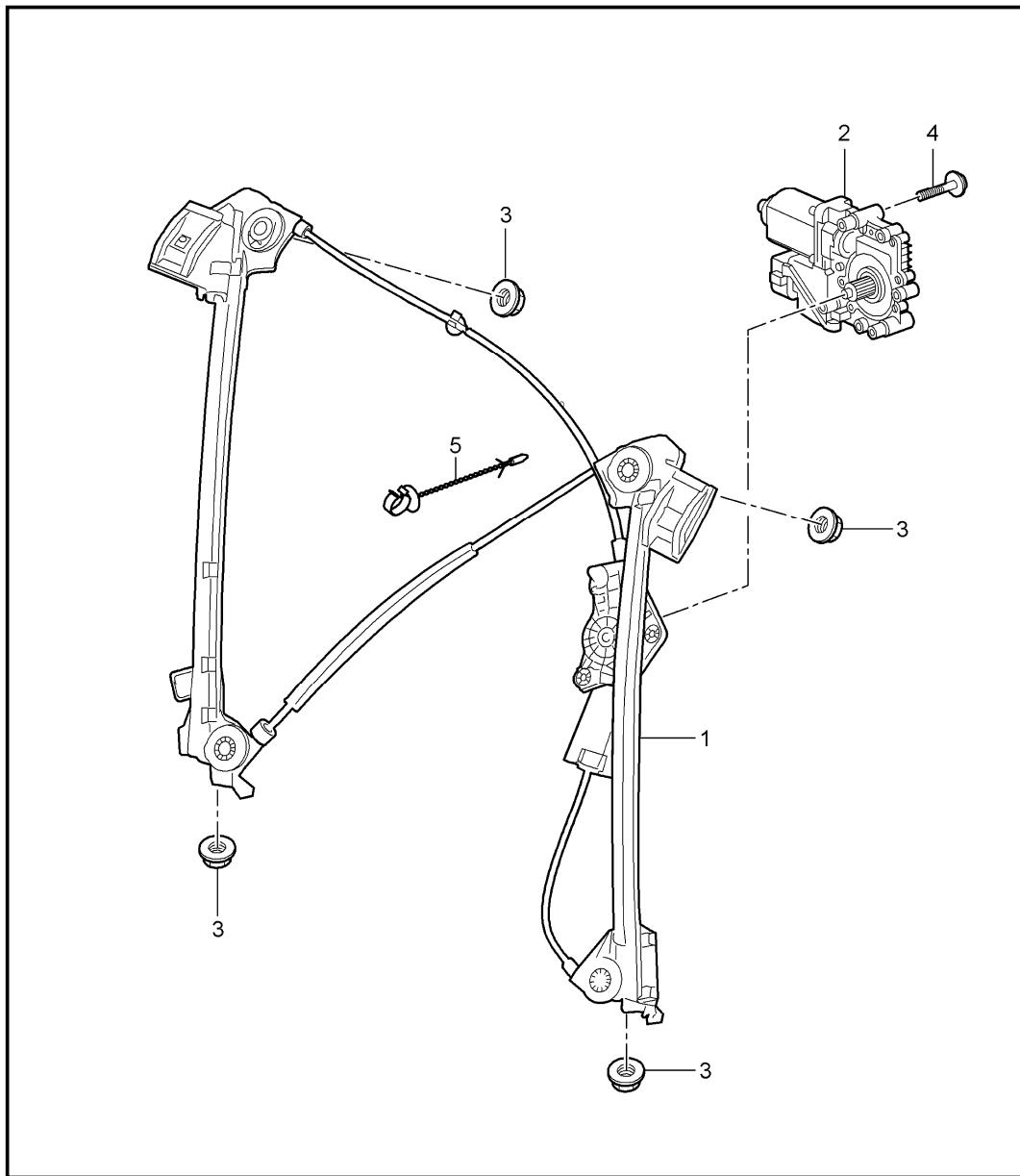


Pos	Part Number	Description	Remark	Qty	Model
		door handle			
1	997 537 613 01	door handle	/L	1	
(1)	997 537 614 01	door handle	/R	1	
2	997 537 623 00	buffer		2	
3	997 537 625 00	buffer		2	
4	997 537 621 00	axle		2	
5	997 537 611 00	return spring	/L	1	
(5)	997 537 612 00	return spring	/R	1	
6	997 537 645 00	handle liner	/LL/L	1	
	G2X	prime coated			
(6)	997 537 646 00	handle liner	/RL/R	1	
	G2X	prime coated			
(6)	997 537 645 01	handle liner	/RL/L	1	
	G2X	prime coated			
(6)	997 537 646 01	handle liner	/LL/R	1	
	G2X	prime coated			
7	997 537 637 01	desk pad	/L	1	
(7)	997 537 638 01	desk pad	/R	1	
8	997 537 627 00	operating rod		2	
9	997 537 629 00	bolt		2	
10	997 537 641 00	lock washer		2	
11	997 537 445 03	connecting piece		2	
12	997 537 653 00	actuating lever	/L	1	
(12)	997 537 654 00	actuating lever	/R	1	
13	997 613 125 01	microswitch power windows		2	
14	997 537 633 00	bush		2	
15	997 538 963 04	support	/LL/L	1	

Model	Year	MG	SG	Illustration	Restrictions	UPD	22:35	24.01.2010	PORSCHE	PET	PORSCHE
997-2	2010	8	04	804-20		248					

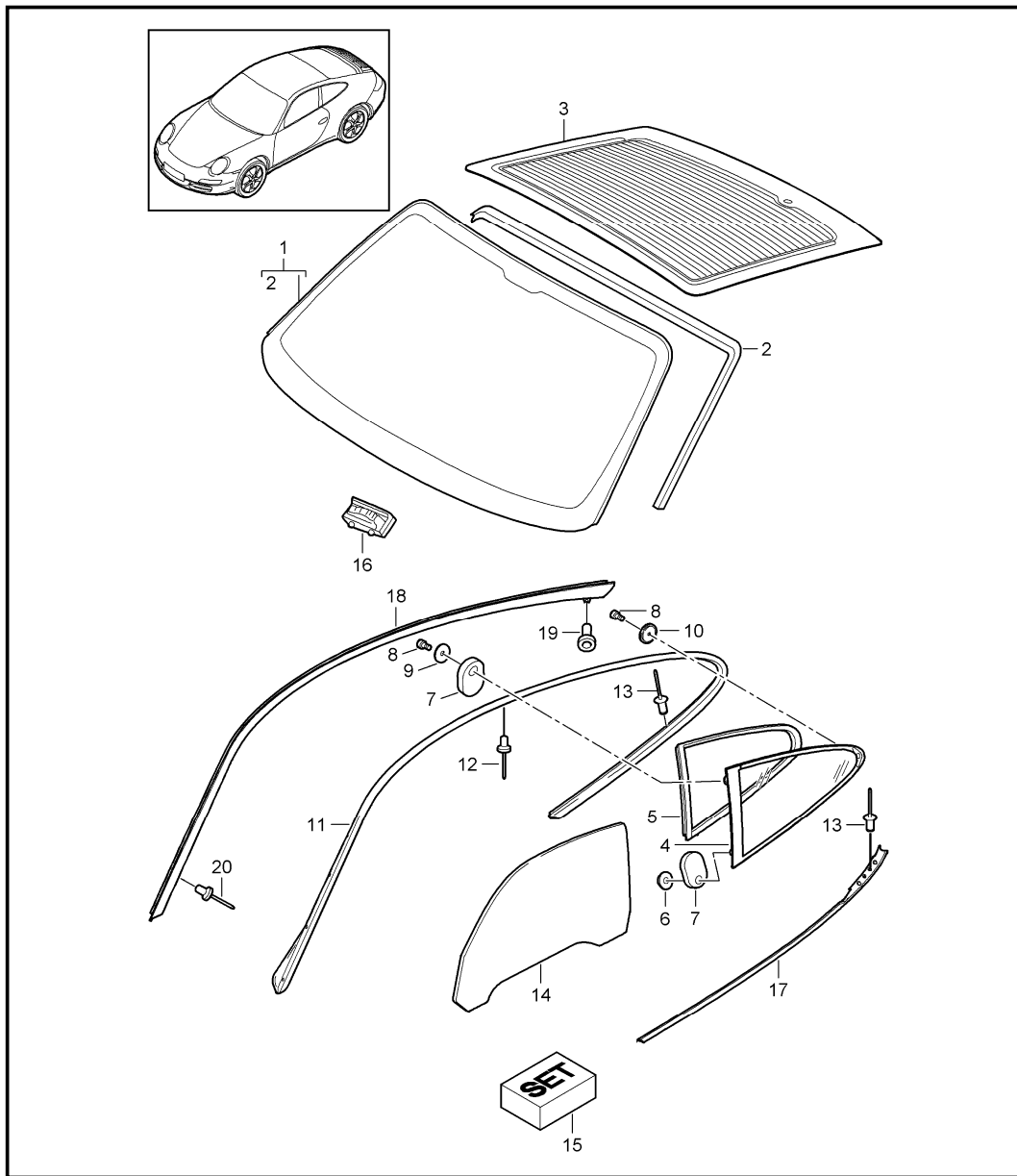
Pos	Part Number	Description	Remark	Qty	Model	Pos	Part Number	Description	Remark	Qty	Model
(15)	997 538 964 04	support with lock cylinder with stipulated lock number	/RL/R	1							
(15)	997 538 963 05	support	/LL/L	1							
(15)	997 538 964 05	support with lock cylinder w/o stipulated lock number	/RL/R	1							
(15)	997 537 463 01	support	/RL/L	1							
(15)	997 537 464 01	support without lock cylinder	/LL/R	1							
16	900 380 015 09	hexagon nut M 6		2							
17	997 538 931 00	replacement key with stipulated lock number state lock number		X							
18	997 538 531 00	blank key		X							
19	944 538 431 00	key cap		X							

Model	Year	MG	SG	Illustration	Restrictions	UPD	22:35	24.01.2010	PORSCHE	PET	PORSCHE
997-2	2010	8	04	804-30		248					



Pos	Part Number	Description	Remark	Qty	Model
		power windows			
1	987 542 075 01	power windows	/L	1	
(1)	987 542 076 01	power windows see technical manual	/R	1	
2	997 624 181 06	electric motor	/LL/L	1	
(2)	997 624 182 06	electric motor	/LL/R	1	
(2)	997 624 181 06	electric motor	/RL/R	1	
(2)	997 624 182 06	electric motor	/RL/L	1	
3	999 084 629 01	hexagon nut m6		4	
4	999 919 209 09	oval-head screw M 5 X 22		3	
5	987 542 941 00	clip bowden cable power windows		1	

Model	Year	MG	SG	Illustration	Restrictions	UPD	22:35	24.01.2010	PORSCHE	PET	PORSCHE
997-2	2010	8	05	805-00		248					

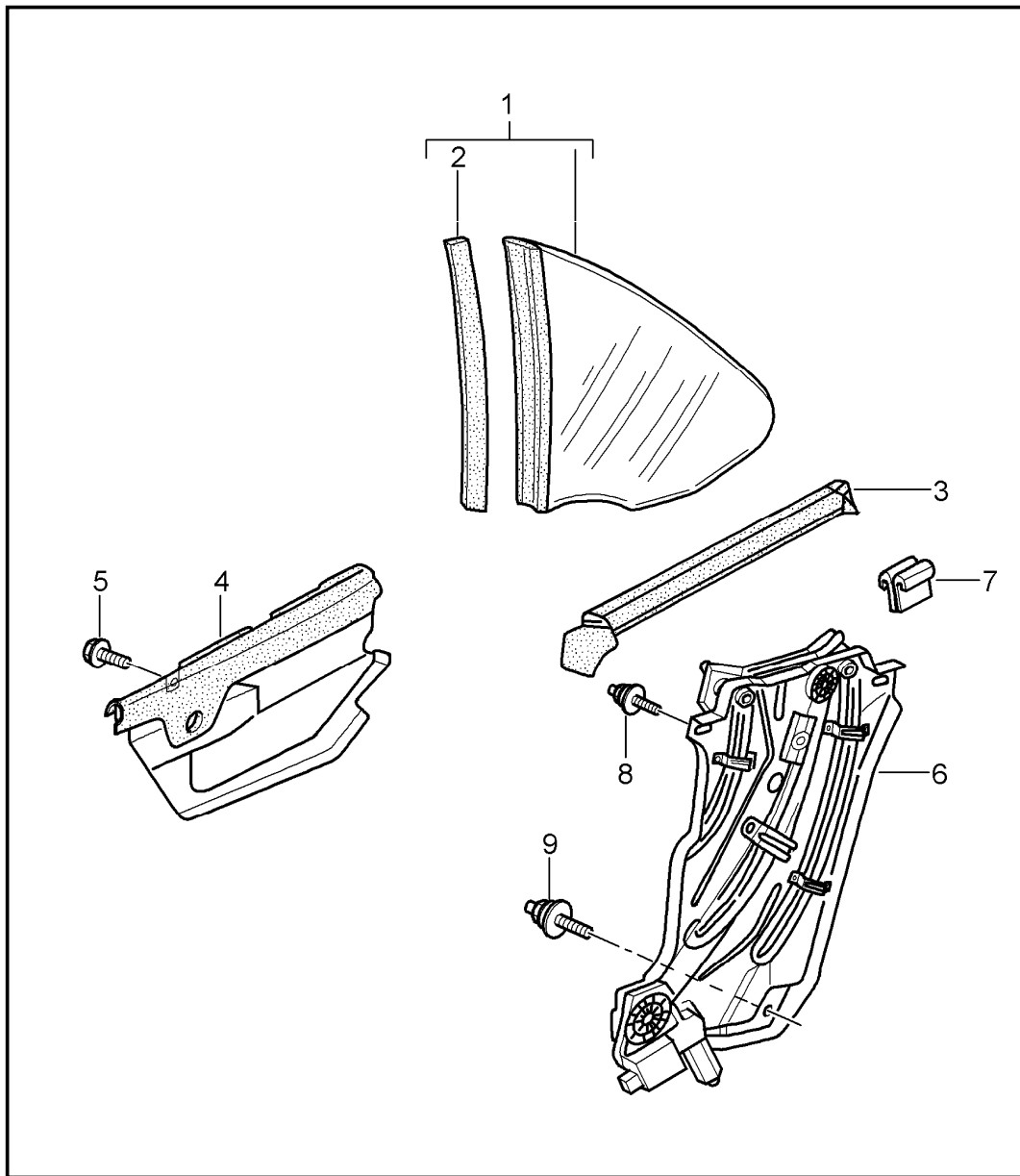


Pos	Part Number	Description	Remark	Qty	Model
		window glazing			
1	997 541 911 08	windscreen tinted		1	I440/568 COUPE/TARGA
(1)	997 541 911 06	windscreen tinted		1	I440/568 CABRIO
(1)	997 541 911 09	windscreen tinted		1	I440/567 COUPE/TARGA
(1)	997 541 911 07	windscreen tinted		1	I440/567 CABRIO
2	997 541 901 10	gasket windscreen		1	COUPE/TARGA
(2)	997 541 901 09	gasket windscreen		1	CABRIO
3	997 545 911 00	rear window		1	/COUPE I426
(3)	997 545 911 01	rear window		1	/COUPE I425
-	997 545 901 00	gasket rear window		1	
4	997 543 111 00	rear window	/L	1	COUPE
(4)	997 543 111 02	rear window	/L	1	TARGA
(4)	997 543 112 00	rear window	/R	1	COUPE
(4)	997 543 112 02	rear window	/R	1	TARGA
5	996 543 325 00	sealing frame	/L	1	COUPE
(5)	996 543 325 01	sealing frame	/L	1	TARGA
(5)	996 543 326 00	sealing frame	/R	1	COUPE
(5)	996 543 326 01	sealing frame rear window	/R	1	TARGA
6	999 084 210 02	lock nut M 8		1	COUPE
7	996 543 611 02	gasket		2	COUPE
8	999 218 011 02	pan-head screw M 6 X 12		2	COUPE
9	999 025 270 02	washer 6,4 X 30 X 1,5		1	COUPE

Model	Year	MG	SG	Illustration	Restrictions	UPD	22:35	24.01.2010	PORSCHE	PET	PORSCHE
997-2	2010	8	05	805-00		248					

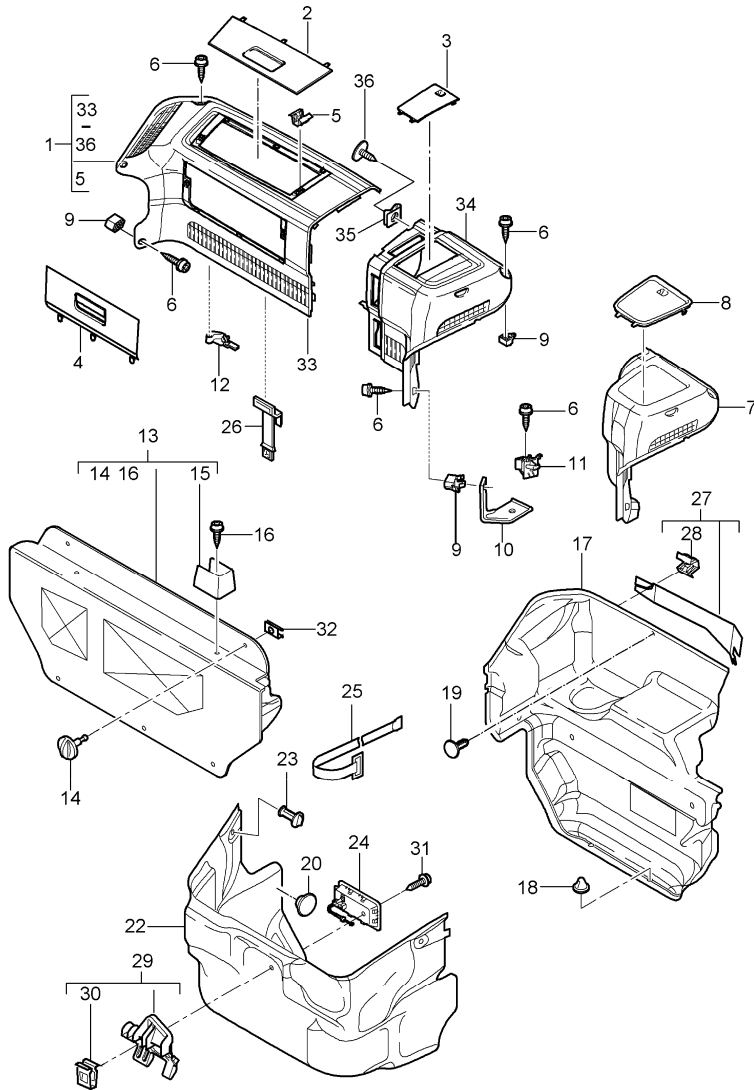
Pos	Part Number	Description	Remark	Qty	Model	Pos	Part Number	Description	Remark	Qty	Model
10	996 543 625 00	sealing washer		1	COUPE						
11	997 537 481 00	roof frame seal	/L	1	COUPE						
(11)	997 537 482 00	roof frame seal	/R	1	COUPE						
12	999 190 445 37	blind rivet 4,0 X 7,9		X							
13	999 190 450 37	blind rivet 4,0 X 6,3		X							
14	997 542 511 00	door window glass	/L	1	COUPE/TARGA						
(14)	997 542 512 00	door window glass	/R	1	COUPE/TARGA						
(14)	997 542 511 01	door window glass	/L	1	CABRIO						
(14)	997 542 512 01	door window glass	/R	1	CABRIO						
15	000 043 300 94	adhesive set TEROSTAT 8593		1							
16	999 507 576 41	support		2							
17	997 543 485 00	gasket	/L	1	TARGA						
(17)	997 543 486 00	gasket rear window	/R	1	TARGA						
18	997 543 481 00	moulding	/L	1	TARGA						
(18)	997 543 482 00	moulding roof frame lateral	/R	1	TARGA						
19	999 190 464 30	blind rivet 3 X 3,5		X	TARGA						
20	999 190 185 30	blind rivet 3,9 X 9,5		X	TARGA						
-	000 043 206 47	car care set side window see technical manual		X							

Model	Year	MG	SG	Illustration	Restrictions	UPD	22:36	24.01.2010	PORSCHE	PET	PORSCHE
997-2	2010	8	05	805-05		248					



Pos	Part Number	Description	Remark	Qty	Model
		rear window			CABRIO
1	997 543 111 11	rear window	/L	1	
(1)	997 543 112 11	rear window	/R	1	
2	996 543 615 03	gasket	/L	1	
(2)	996 543 616 03	gasket	/R	1	
3	997 543 475 00	gasket outer	/L	1	
(3)	997 543 476 00	gasket outer	/R	1	
4	996 543 177 01	gasket inner	/L	1	
(4)	996 543 178 01	gasket inner	/R	1	
5	900 378 036 09	hexagon-head bolt M 6 X 12		4	
6	997 543 015 02	power windows	/L	1	
(6)	997 543 016 02	power windows	/R	1	

Model	Year	MG	SG	Illustration	Restrictions	UPD	22:36	24.01.2010	PORSCHE	PET	PORSCHE
997-2	2010	8	07	807-00		248					



Pos	Part Number	Description	Remark	Qty	Model
		luggage compartment	09-		CARRERA 2
(1)	997 551 133 00	lining luggage compartment complete	/LL	1	I098/674
		02A black			
(1)	997 551 133 00	lining luggage compartment complete	/LL	1	I098/676
		02A black			
(1)	997 551 133 00	lining luggage compartment complete		1	I673
		02A black			
(1)	997 551 133 01	lining luggage compartment complete	/RL	1	I099
		02A black			
2	997 551 306 00	lid upper	/LL	1	I098/674
		02A black			
2	997 551 306 00	lid upper	/LL	1	I098/676
		02A black			
2	997 551 306 00	lid upper		1	I673
		02A black			
(2)	997 551 305 00	lid upper	/RL	1	I099
		02A black			
3	997 551 301 00	lid brake booster	/LL	1	I098/674
		02A black			
3	997 551 301 00	lid brake booster	/LL	1	I098/676
		02A black			

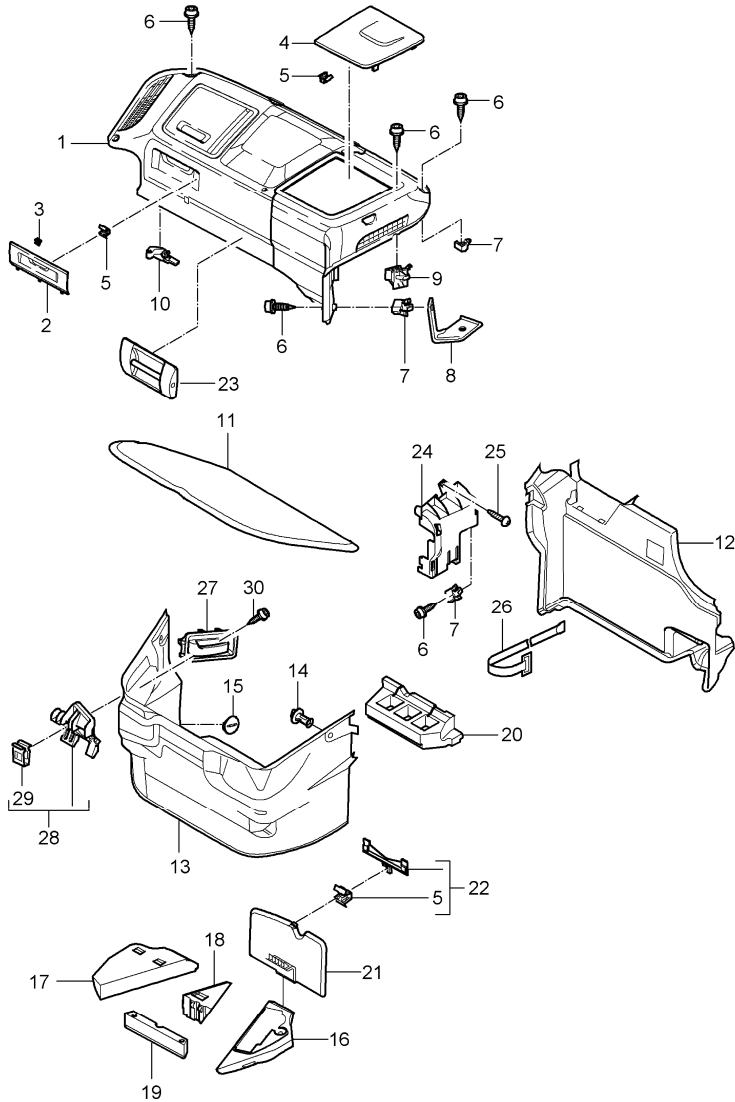
Model	Year	MG	SG	Illustration	Restrictions	UPD	22:36	24.01.2010	PORSCHE	PET	PORSCHE
997-2	2010	8	07	807-00		248					

Pos	Part Number	Description	Remark	Qty	Model	Pos	Part Number	Description	Remark	Qty	Model
3	997 551 301 00	lid brake booster		1	I673	(12)	997 551 772 02	support lining		1	
	02A	black				13	997 551 123 02	lining tool carpet		1	
(3)	997 551 302 00	lid brake booster	/RL	1	I099		A31	black			
	02A	black				(13)	997 551 123 03	lining tool carpet		1	I193
4	997 551 308 01	lid lower	/LL	1	I098/674		A31	black			
	02A	black				14	997 551 803 00	catch lining tool		2	
4	997 551 308 01	lid lower	/LL	1	I098/676						
	02A	black				15	997 551 801 00	support warning triangle	/L	1	
	02A	black					02A	black			
(4)	997 551 307 00	lid lower	/RL	1	I099	(15)	997 551 802 00	support warning triangle	/R	1	
	02A	black					02A	black			
5	999 507 735 02	clamp 9 X 22/2,5		4		16	999 073 362 09	tapping screw 4,8 X 22		2	
6	900 187 501 01	tapping screw ST 3,5 X 16		X		(17)	997 551 051 25	lining luggage compartment bulkhead carpet	/LL	1	I098
7	997 551 231 00	lining brake booster	/LL	1	I098		A31	black			
	02A	black				(17)	997 551 051 26	lining luggage compartment bulkhead carpet	/LL	1	I098/674
8	997 551 311 00	lid brake booster	/LL	1	I098		A31	black			
	02A	black				(17)	997 551 051 26	lining luggage compartment bulkhead carpet	/LL	1	I098/676
9	999 507 734 40	support ST 3,5		X							
10	997 551 771 02	support lining luggage compartment		1			A31	black			
11	999 507 512 40	support ST 3,5		X		(17)	997 551 051 26	lining luggage compartment bulkhead carpet		1	I673

Model	Year	MG	SG	Illustration	Restrictions	UPD	22:36	24.01.2010	PORSCHE	PET	PORSCHE
997-2	2010	8	07	807-00		248					

Pos	Part Number	Description	Remark	Qty	Model	Pos	Part Number	Description	Remark	Qty	Model
(17)	997 551 051 28	black lining luggage compartment bulkhead carpet	/RL	1	I099	33	997 551 634 00	lining luggage compartment	/LL	1	I098/676
	A31	black					FMU	black/black			
18	999 049 004 40	plastic nut T5 / 32 X 20		2		33	997 551 634 00	lining luggage compartment		1	I673
	A31	black					FMU	black/black			
19	999 703 432 40	stopper 8,2 X 18		2		(33)	997 551 635 00	lining luggage compartment	/RL	1	I099
	A31	black					FMU	black/black			
20	999 703 455 41	lid 12,2 X 25		X		34	997 551 633 00	lining brake booster	/LL	1	I098/674
	A31	black					FMU	black/black			
22	997 551 045 12	lining luggage compartment liner carpet		1		34	997 551 633 00	lining brake booster	/LL	1	I098/676
	A31	black					FMU	black/black			
23	999 049 006 40	plastic nut T5 /30 X 7,5		2		34	997 551 633 00	lining brake booster		1	I673
	A31	black					FMU	black/black			
25	997 551 741 00	retaining strap first-aid kit		1	I024	(34)	997 551 632 00	lining brake booster		1	I099
	A31	black					FMU	black/black			
(25)	997 551 741 00	retaining strap first-aid kit		1	I499						
	A31	black					FMU	black/black			
26	997 551 805 00	fastening clip bag wind deflector		1	CABRIO	35	999 507 795 09	speed nut 4,8		3	
	01C	satin black									
27	997 551 751 00	lining lines carpet		1	I099	36	999 073 231 09	tapping screw 4,8 X 16		3	
	A31	black									
28	999 507 116 01	u-clamp 23,0 - 23,5		2	I099	37	999 025 236 40	washer lock for catch position 14		2	
	A31	black									
32	999 590 055 01	fastening clamp 10,7 X 11,5		2							
	A31	black									
33	997 551 634 00	lining luggage compartment	/LL	1	I098/674						
	FMU	black/black									

Model	Year	MG	SG	Illustration	Restrictions	UPD	22:36	24.01.2010	PORSCHE	PET	PORSCHE
997-2	2010	8	07	807-01		248					

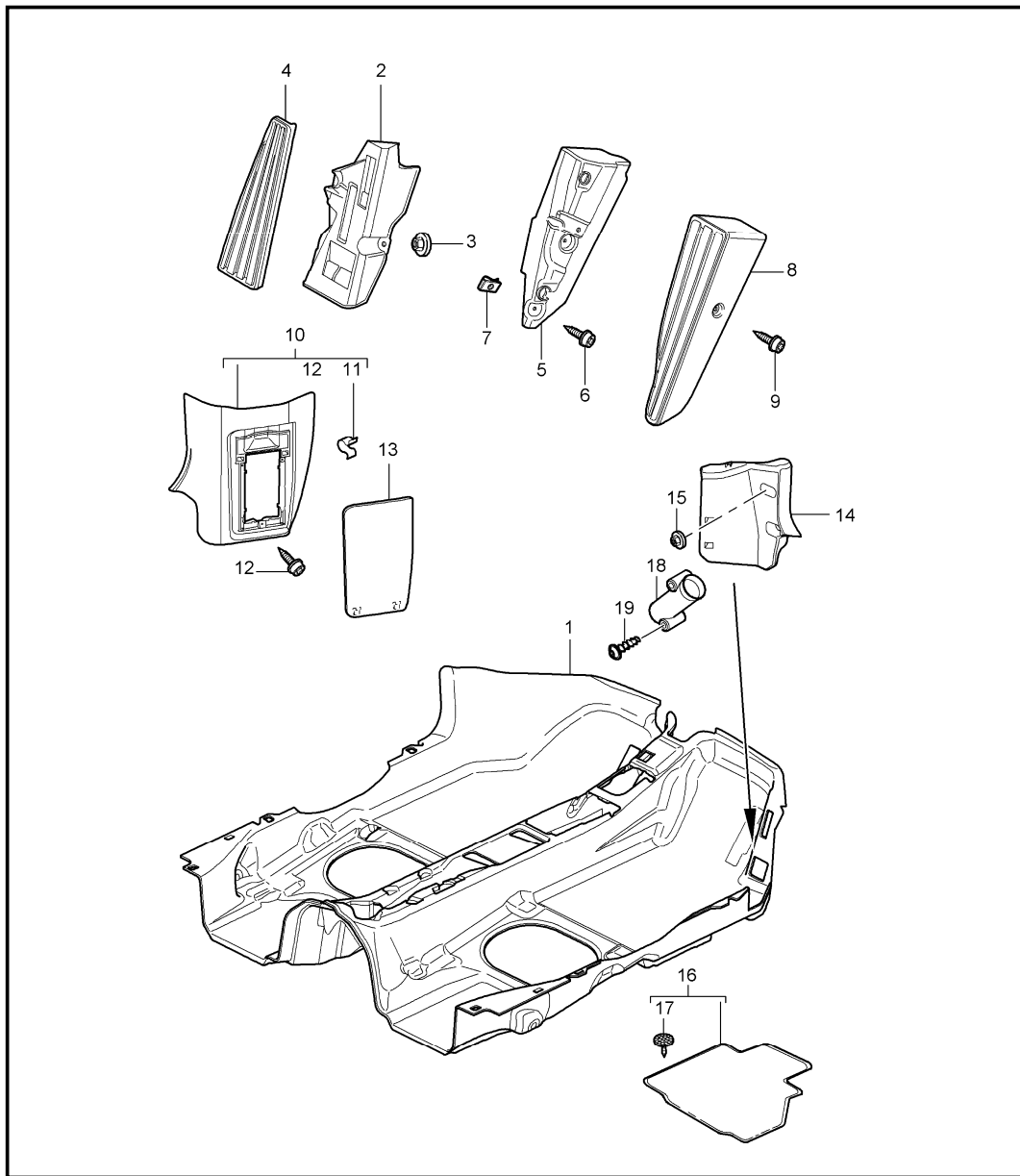


Pos	Part Number	Description	Remark	Qty	Model
		luggage compartment	09-		CARRERA 4
1	997 551 630 00	lining luggage compartment FMU black/black	/LL	1	I098
1	997 551 630 01	lining luggage compartment FMU black/black	/RL	1	I099
2	997 551 304 00	lid lining lower 02A black	/LL	1	I098
3	997 551 817 00	support hinge	/LL	2	I098
4	997 551 309 00	lid brake booster 02A black	/LL	1	I098
(4)	997 551 310 00	lid brake booster 02A black	/RL	1	I099
5	999 507 552 01	spring clamp 9 X 13/3,0		X	
6	999 073 048 02	tapping screw ST 3,5 X 13		X	
7	999 507 734 40	support ST 3,5		X	
8	997 551 771 02	support lining luggage compartment		1	
9	999 507 512 40	support ST 3,5		X	
10	997 551 772 02	support lining		1	
11	997 551 351 00	cover tool carpet A31 black		1	

Model	Year	MG	SG	Illustration	Restrictions	UPD	22:36	24.01.2010	PORSCHE	PET	PORSCHE
997-2	2010	8	07	807-01		248					

Pos	Part Number	Description	Remark	Qty	Model	Pos	Part Number	Description	Remark	Qty	Model
12	997 551 051 29	lining bulkhead carpet	/LL	1	I098	21	997 551 501 00	cover compressed air bottle	/LL	1	I098
	A31	black					A31	black			
(12)	997 551 051 30	lining bulkhead carpet		1	I099	(21)	997 551 502 00	cover compressed air bottle	/RL	1	I099
	A31	black					A31	black			
13	997 551 045 17	lining luggage compartment liner carpet	/LL	1	I098	22	997 551 415 00	adapter compressed air bottle		1	
	A31	black				23	997 551 805 01	eye luggage compartment front		1	
(13)	997 551 045 19	lining luggage compartment liner carpet	/RL	1	I099		02A	black			
	A31	black				24	997 551 736 01	cover control unit		1	
14	999 049 006 40	plastic nut T5 / 30 X 7,5		2		25	999 073 061 02	tapping screw ST 4,8 X 16		X	
15	997 551 807 00	cap nut		1		26	997 551 741 00	retaining strap		1	I024
(15)	999 703 455 41	lid		1		(26)	997 551 741 00	retaining strap first-aid kit		1	I499
16	997 551 401 00	foam part tool	/LL/L	1	I098						
(16)	997 551 402 00	foam part tool	/RL/R	1	I099						
17	997 551 408 00	foam part luggage compartment liner	/LL/R	1	I098						
(17)	997 551 407 00	foam part luggage compartment liner	/RL/L	1	I099						
18	997 551 405 00	foam part compressor rear		1							
19	997 551 403 00	foam part compressor front		1							
20	997 551 432 00	foam part bulkhead	/LL	1	I098						
20	997 551 431 00	foam part bulkhead	/RL	1	I099						

Model	Year	MG	SG	Illustration	Restrictions	UPD	22:36	24.01.2010	PORSCHE	PET	PORSCHE
997-2	2010	8	07	807-02		248					



Pos	Part Number	Description	Remark	Qty	Model
1	997 551 011 08	carpet linings carpet FLW black FLX stone grey FLY sand beige FLZ sea blue FMB terracotta FMC cocoa FMD dark grey/natural FME brown/natural FSV carrera red	/LL	09- 1	COUPE I098
(1)	997 551 011 09	carpet carpet FLW black FLX stone grey FLY sand beige FLZ sea blue FMB terracotta FMC cocoa FMD dark grey/natural FME brown/natural FSV carrera red	/RL	1	COUPE I099
(1)	997 551 011 16	carpet carpet DSC Espresso	/LL	10- 1	COUPE S I098/756
(1)	997 551 011 17	carpet carpet	/RL	10- 1	COUPE S I099/756

Model	Year	MG	SG	Illustration	Restrictions	UPD	22:36	24.01.2010	PORSCHE	PET	PORSCHE
997-2	2010	8	07	807-02		248					

Pos	Part Number	Description	Remark	Qty	Model	Pos	Part Number	Description	Remark	Qty	Model
(1)	997 551 011 10	DSC Espresso carpet carpet FLW black FLX stone grey FLY sand beige FLZ sea blue FMB terracotta FMC cocoa FMD dark grey/natural FME brown/natural FSV carrera red	/LL	1	CABRIO I098/490	(1)	997 551 011 13	FMB terracotta FMC cocoa FMD dark grey/natural FME brown/natural FSV carrera red carpet carpet FLW black FLX stone grey FLY sand beige FLZ sea blue FMB terracotta FMC cocoa FMD dark grey/natural FME brown/natural FSV carrera red	/RL	1	CABRIO I099/680
(1)	997 551 011 11	carpet carpet FLW black FLX stone grey FLY sand beige FLZ sea blue FMB terracotta FMC cocoa FMD dark grey/natural FME brown/natural FSV carrera red	/RL	1	CABRIO I099/490	(1)	997 551 011 08	carpet carpet FLW black FLX stone grey FLY sand beige FLZ sea blue FMB terracotta FMC cocoa FMD dark grey/natural FME brown/natural FSV carrera red	/LL	1	TARGA I098/490
(1)	997 551 011 12	carpet carpet FLW black FLX stone grey FLY sand beige FLZ sea blue	/LL	1	CABRIO I098/680	(1)	997 551 011 09	FMB terracotta FMC cocoa FMD dark grey/natural FME brown/natural FSV carrera red carpet carpet	/RL	1	TARGA I099/490

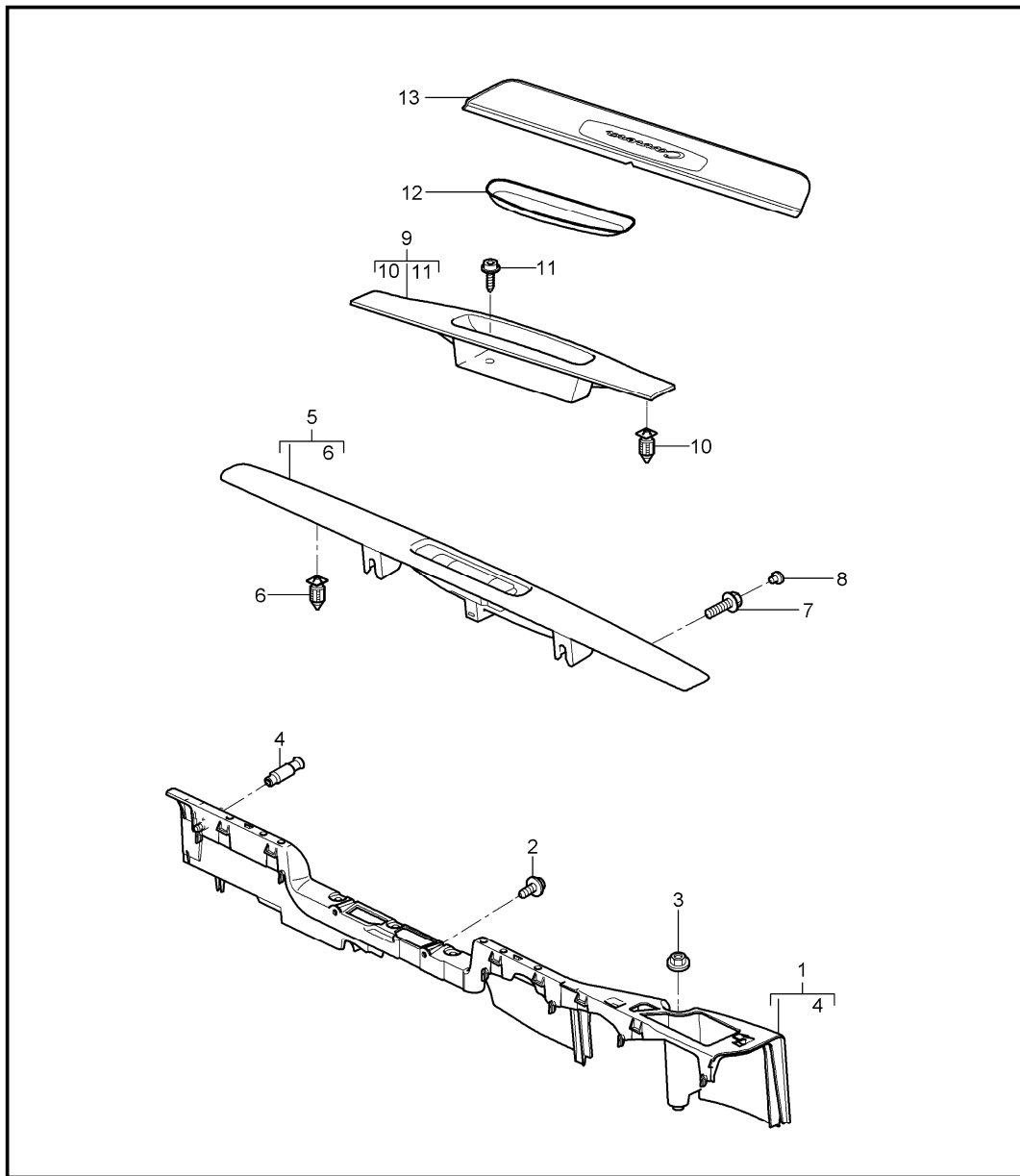
Model	Year	MG	SG	Illustration	Restrictions	UPD	22:36	24.01.2010	PORSCHE	PET	PORSCHE
997-2	2010	8	07	807-02		248					

Pos	Part Number	Description	Remark	Qty	Model	Pos	Part Number	Description	Remark	Qty	Model
		FLW black					FME	brown/natural			
		FLX stone grey					FSV	carrera red			
		FLY sand beige				--	997 551 813 01	protective film carpet	/LL	1	I098
		FLZ sea blue				--	997 551 815 01	protective film carpet	/RL	1	I099
		FMB terracotta				2	997 551 211 01	foot support	/LL	1	
		FMC cocoa				3	999 076 081 40	plastic nut T5/16 X 11,2 for mount foot support	/LL	2	
		FMD dark grey/natural									
		FME brown/natural									
		FSV carrera red									
(1)	997 551 011 14	carpet	/LL	1	TARGA I098/680	4	997 551 611 00	cover foot support	/LL	1	I098
		carpet					01C	satin black			
		FLW black				(4)	997 551 986 00	cover foot support	/LL	1	IXXZ/098
		FLX stone grey									
		FLY sand beige				5	997 551 212 00	foot support	/RL	1	I099
		FLZ sea blue				6	999 073 060 02	tapping screw ST 4,8 X 13	/RL	2	I099
		FMB terracotta				7	999 591 485 01	speed nut ST 4,8 for mount foot support	/RL	2	
		FMC cocoa									
		FMD dark grey/natural									
		FME brown/natural									
		FSV carrera red				8	997 551 612 00	cover foot support	/RL	1	
(1)	997 551 011 15	carpet	/RL	1	TARGA I099/680		01C	satin black			
		carpet				9	999 919 188 09	oval-head screw 5,0 X 30 for mount cover foot support	/RL	1	I099
		FLW black									
		FLX stone grey									
		FLY sand beige									
		FLZ sea blue				10	997 551 101 00	lining fusebox carpet	/LL	1	I098
		FMB terracotta					A10	black			
		FMC cocoa					B10	stone grey			
		FMD dark grey/natural									

Model	Year	MG	SG	Illustration	Restrictions	UPD	22:36	24.01.2010	PORSCHE	PET	PORSCHE
997-2	2010	8	07	807-02		248					

Pos	Part Number	Description	Remark	Qty	Model	Pos	Part Number	Description	Remark	Qty	Model	
		T10 sand beige				12	999 919 161 09	oval-head screw 5,0 X 18		3		
		E10 sea blue						for mount				
		M10 terracotta						lining fusebox				
		R10 cocoa				13	997 551 621 00	lid lining fusebox	/LL	1	I098	
		D11 dark grey/natural						01C satin black				
		T11 brown/natural				(13)	997 551 622 00	lid lining fusebox	/RL	1	I099	
		N10 carrera red						01C satin black				
(10)	997 551 101 01	lining fusebox carpet	/LL	10-	1	COUPE S I098/756						
		H31 Espresso				(14)	997 551 712 02	support carpet	/LL	1	I098	
(10)	997 551 102 00	lining fusebox carpet	/RL		1	I099	(14)	997 551 711 02	support carpet	/RL	1	I099
		A10 black				15	999 076 081 40	plastic nut T5/16 X 11,2 mount support carpet		2		
		B10 stone grey				16	--- --- --- --	floor mats set see group TEG/8/07/06		1		
		T10 sand beige				17	999 902 054 40	fastening plate for floor mats		4		
		E10 sea blue				18	964 551 751 00	support warning light	/RL	1	I099/193	
		M10 terracotta				(18)	997 551 852 00	support warning light	/LL	1	I098/193	
		R10 cocoa				19	999 919 254 01	oval-head screw 4,0 x 36,5		2	I193	
		D11 dark grey/natural										
		T11 brown/natural										
		N10 carrera red										
(10)	997 551 102 01	lining fusebox carpet	/RL	10-	1	COUPE S I099/756						
		H31 Espresso										
11	999 507 552 01	spring clamp 9,0 X 13/4,0			2							

Model	Year	MG	SG	Illustration	Restrictions	UPD	22:36	24.01.2010	PORSCHE	PET	PORSCHE
997-2	2010	8	07	807-03		248					



Pos	Part Number	Description	Remark	Qty	Model
1	997 551 619 02	lining door sill	09-	1	
(1)	997 551 620 01	support door sill	/L	1	
2	900 143 082 01	support door sill	/R	1	
2	900 143 082 01	tapping screw ST 6,3 X 13 for mount support door sill		4	
3	999 076 081 40	plastic nut T5 16 X 11,2 for mount support door sill		2	
4	996 551 873 00	locating peg for mount support door sill		2	
5	997 551 019 04	lining door sill driver's side	/LL	1	COUPE/CABRIO I098
	A03	black			
(5)	997 551 019 05	lining door sill driver's side	/RL	1	COUPE/CABRIO I099
	A03	black			
(5)	997 551 019 06	lining door sill driver's side	/LL	1	TARGA I098
	A03	black			
(5)	997 551 019 07	lining door sill driver's side	/RL	1	TARGA I099
	A03	black			

Model	Year	MG	SG	Illustration	Restrictions	UPD	22:36	24.01.2010	PORSCHE	PET	PORSCHE
997-2	2010	8	07	807-03		248					

Pos	Part Number	Description	Remark	Qty	Model	Pos	Part Number	Description	Remark	Qty	Model	
5	997 551 982 00	lining door sill driver's side leather A11 black 5X6 stone grey 8G2 sand beige 3S9 sea blue 9S5 terracotta 9V6 cocoa D12 dark grey/natural T12 brown/natural N12 carrera red	/LL	1	COUPE/CABRIO IXTG/098		8G2 sand beige 3S9 sea blue 9S5 terracotta 9V6 cocoa D12 dark grey/natural T12 brown/natural N12 carrera red					
(5)	997 551 982 01	lining door sill driver's side leather A11 black 5X6 stone grey 8G2 sand beige 3S9 sea blue 9S5 terracotta 9V6 cocoa D12 dark grey/natural T12 brown/natural N12 carrera red	/RL	1	COUPE/CABRIO IXTG/099	(5)	997 551 982 03	lining door sill driver's side leather A11 black 5X6 stone grey 8G2 sand beige 3S9 sea blue 9S5 terracotta 9V6 cocoa D12 dark grey/natural T12 brown/natural N12 carrera red	/RL	1	TARGA IXTG/099	
(5)	997 551 982 02	lining door sill driver's side leather A11 black 5X6 stone grey	/LL	1	TARGA IXTG/098	(5)	997 551 982 04	lining door sill driver's side leather 6J0 Espresso	/LL	10-	1	COUPE S IXTG/098/756
						(5)	997 551 982 05	lining door sill driver's side leather 6J0 Espresso	/RL	10-	1	COUPE S IXTG/099/756
						6	999 507 484 40	expander nut 9 X 22			6	

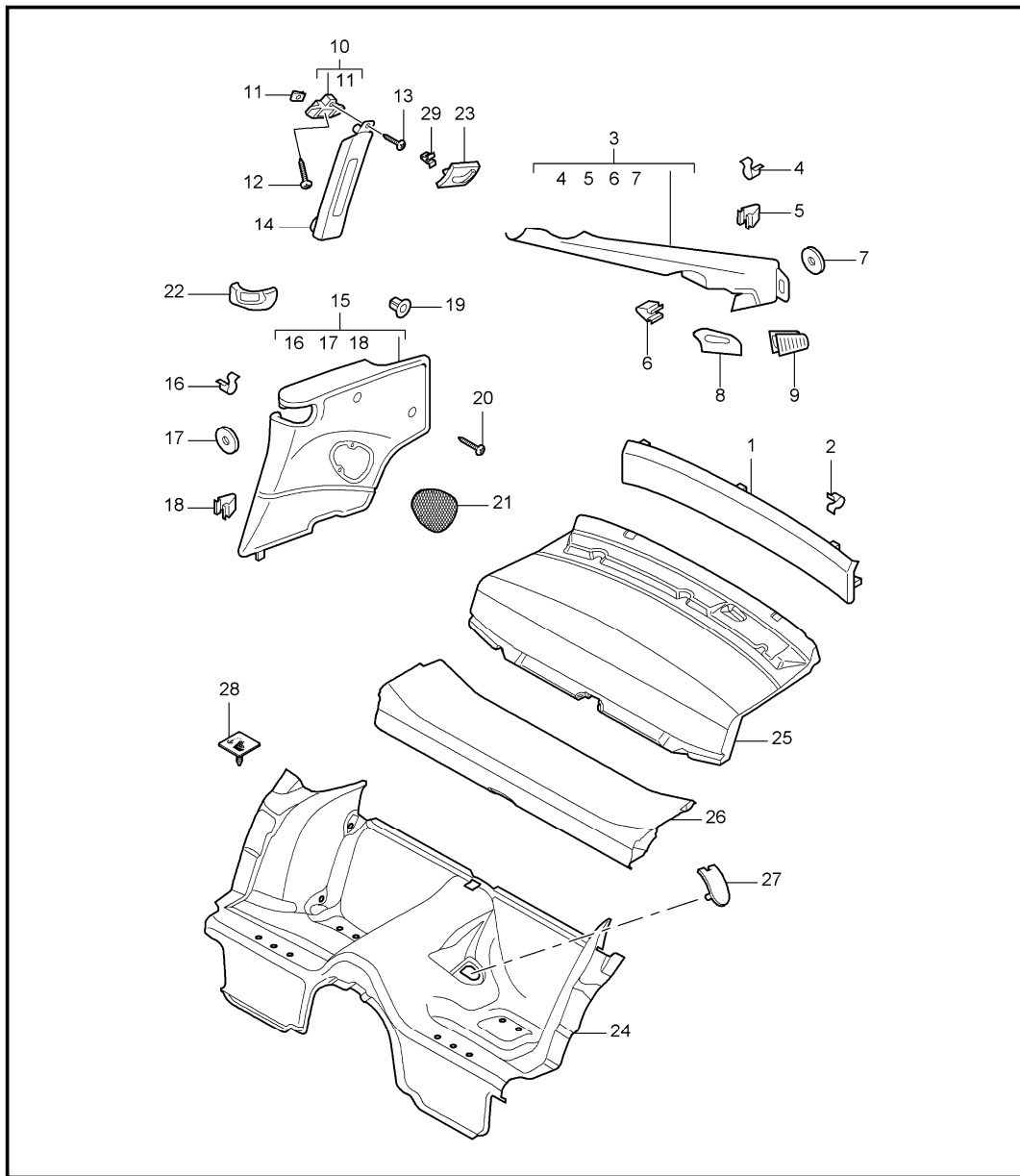
Model	Year	MG	SG	Illustration	Restrictions	UPD	22:36	24.01.2010	PORSCHE	PET	PORSCHE
997-2	2010	8	07	807-03		248					

Pos	Part Number	Description	Remark	Qty	Model	Pos	Part Number	Description	Remark	Qty	Model
7	999 067 046 01	combination screw M 6 X 20		2			A03	black scuff plate exclusive without illumination see catalogue tequipment 8/07/06			
8	999 703 443 40	stopper 8,0 X 11		2							
	01C	satin black									
9	997 551 120 01	lining door sill passenger's side		1		(13)	997 551 303 08	scuff plate lacquered		2	CARRERA S
	A03	black					A03	black scuff plate exclusive without illumination see catalogue tequipment 8/07/06			
(9)	997 551 983 00	lining door sill passenger's side leather		1	IXTG						
	A11	black									
	5X6	stone grey				(13)	997 551 303 09	scuff plate lacquered		2	CARRERA 4
	8G2	sand beige									
	3S9	sea blue					A03	black scuff plate exclusive without illumination see catalogue tequipment 8/07/06			
	9S5	terracotta									
	9V6	cocoa									
	D12	dark grey/natural				(13)	997 551 303 10	scuff plate lacquered		2	CARRERA 4S
	T12	brown/natural									
	N12	carrera red					A03	black scuff plate exclusive without illumination see catalogue tequipment 8/07/06			
(9)	997 551 983 01	lining door sill passenger's side	10-	1	COUPE S IXTG/756						
	6J0	Espresso									
10	999 507 484 40	expander nut 9 X 22		6		(13)	997 551 303 12	scuff plate lacquered		2	TARGA_4
11	999 919 164 09	oval-head screw 5,0 X 12		1							
12	996 551 513 00	mat		1			A03	black scuff plate exclusive without illumination see catalogue tequipment 8/07/06			
13	997 551 303 07	scuff plate lacquered		2	CARRERA						

Model	Year	MG	SG	Illustration	Restrictions	UPD	22:36	24.01.2010	PORSCHE	PET	PORSCHE
997-2	2010	8	07	807-03		248					

Pos	Part Number	Description	Remark	Qty	Model	Pos	Part Number	Description	Remark	Qty	Model
(13)	997 551 303 13	scuff plate lacquered		2	TARGA_4S	(13)	997 551 991 30	scuff plate	10-	1	CARRERA IXXD
	A03	black scuff plate exclusive without illumination see catalogue tequipment 8/07/06				(13)	997 551 991 31	scuff plate	10-	1	CARRERA S IXXD
(13)	997 551 990 30	scuff plate	10-	1	CARRERA IXXB	(13)	997 551 991 32	scuff plate	10-	1	TARGA 4 IXXD
		set stainless steel with illumination						set carbon with illumination			
(13)	997 551 990 31	scuff plate	10-	1	CARRERA S IXXB	(13)	997 551 991 33	scuff plate	10-	1	TARGA 4S IXXD
		set stainless steel with illumination						set carbon with illumination			
(13)	997 551 990 32	scuff plate	10-	1	TARGA 4 IXXB	(13)	997 551 991 37	scuff plate	10-	1	Carrera 4 IXXD
		set stainless steel with illumination						set carbon with illumination			
(13)	997 551 990 33	scuff plate	10-	1	TARGA 4S IXXB	(13)	997 551 991 38	scuff plate	10-	1	Carrera 4S IXXD
		set stainless steel with illumination						set carbon with illumination			
(13)	997 551 990 37	scuff plate	10-	1	CARRERA 4 IXXB						
		set stainless steel with illumination									
(13)	997 551 990 38	scuff plate	10-	1	CARRERA 4S IXXB						
		set stainless steel with illumination									

Model	Year	MG	SG	Illustration	Restrictions	UPD	22:37	24.01.2010	PORSCHE	PET	PORSCHE
997-2	2010	8	07	807-05		248					



Pos	Part Number	Description	Remark	Qty	Model
1	997 555 081 00	linings rear wall carpet	09-	1	COUPE I426
	A10	black			
	B10	stone grey			
	T10	sand beige			
	E10	sea blue			
	M10	terracotta			
	R10	cocoa			
	D11	dark grey/natural			
	T11	brown/natural			
	N10	carrera red			
(1)	997 555 081 01	linings rear wall carpet		1	I425
	A10	black			
	B10	stone grey			
	T10	sand beige			
	E10	sea blue			
	M10	terracotta			
	R10	cocoa			
	D11	dark grey/natural			
	T11	brown/natural			
	N10	carrera red			
(1)	997 555 081 02	linings rear wall carpet	10-	1	COUPE S I426/756
	H31	Espresso			
2	999 507 687 05	fixing clip 11,3		5	

Model	Year	MG	SG	Illustration	Restrictions	UPD	22:37	24.01.2010	PORSCHE	PET	PORSCHE
997-2	2010	8	07	807-05		248					

Pos	Part Number	Description	Remark	Qty	Model	Pos	Part Number	Description	Remark	Qty	Model
3	997 555 187 00	lining c-pillar leatherette	/L	1			9S5	terracotta			
	1MZ	black					9V6	cocoa			
	1YP	stone grey					D12	dark grey/natural			
	1TK	sand beige					T12	brown/natural			
	1VM	sea blue					N12	carrera red			
(3)	997 555 188 00	lining c-pillar leatherette	/R	1		(3)	997 555 187 06	lining	/L	10-	1 COUPE S I756/981
	1MZ	black					C24	light grey			
	1YP	stone grey				(3)	997 555 188 06	lining	/R	10-	1 COUPE S I756/981
	1TK	sand beige					C24	light grey			
	1VM	sea blue									
3	997 555 187 01	lining c-pillar leather	/L	1	I981	4	999 507 533 02	clamp 8,0 X10,0/2,5 2,5/09			4
	A11	black				5	999 507 479 01	clamp 2,5/09			6
	5X6	stone grey				(5)	999 507 676 09	clamp 2,5/2,2 18,0			2
	8G2	sand beige				6	999 651 307 01	cable clamp 18,0			2
	3S9	sea blue				7	999 551 609 40	plastic washer 8,0 X 23 X 3,0			7
	9S5	terracotta				8	996 555 545 01	rosette seat belt rear lacquered	/L		1
	9V6	cocoa					A03	black			
	D12	dark grey/natural					5V7	stone grey			
	T12	brown/natural					5Z1	sand beige			
	N12	carrera red					8W7	sea blue			
(3)	997 555 188 01	lining c-pillar leather	/R	1	I981		8X8	terracotta			
	A11	black					8P9	cocoa			
	5X6	stone grey									
	8G2	sand beige									
	3S9	sea blue									

Model	Year	MG	SG	Illustration	Restrictions	UPD	22:37	24.01.2010	PORSCHE	PET	PORSCHE
997-2	2010	8	07	807-05		248					

Pos	Part Number	Description	Remark	Qty	Model	Pos	Part Number	Description	Remark	Qty	Model
		T13 brown/natural					8X8	terracotta			
		N23 carrera red					8P9	cocoa			
(8)	996 555 546 01	rosette seat belt rear lacquered	/R	1			T13	brown/natural			
		A03 black				10	996 555 821 02	bracket coat hook	/L	1	
		5V7 stone grey				(10)	996 555 822 02	bracket coat hook	/R	1	
		5Z1 sand beige				11	999 507 695 01	speed nut ST 4,8		2	
		8W7 sea blue				12	999 073 128 01	tapping screw 6,3 X14 mount bracket coat hook		2	
		8X8 terracotta				(12)	999 025 268 01	washer 6,4 X 18 mount bracket coat hook		2	
9	996 555 645 00	grille bleeding lacquered	/L	1		13	999 073 060 02	tapping screw 4,8 X 13		2	
		A03 black				14	997 555 183 00	lining b-pillar leatherette	/L	1	
		5V7 stone grey					1MZ	black			
		5Z1 sand beige					1YP	stone grey			
		8W7 sea blue					1TK	sand beige			
		8X8 terracotta					1VM	sea blue			
		8P9 cocoa				(14)	997 555 184 00	lining b-pillar leatherette	/R	1	
		T13 brown/natural					1MZ	black			
(9)	996 555 646 00	grille bleeding lacquered	/R	1			1YP	stone grey			
		A03 black					1TK	sand beige			
		5V7 stone grey					1VM	sea blue			
		5Z1 sand beige									
		8W7 sea blue									

Model	Year	MG	SG	Illustration	Restrictions	UPD	22:37	24.01.2010	PORSCHE	PET	PORSCHE
997-2	2010	8	07	807-05		248					

Pos	Part Number	Description	Remark	Qty	Model	Pos	Part Number	Description	Remark	Qty	Model
14	997 555 183 01	lining b-pillar leather	/L	1	I981	--	996 555 859 00	grommet b-pillar		2	
	A11	black				15	997 555 071 00	side trim panel leatherette	/L	1	
	5X6	stone grey					1MZ	black			
	8G2	sand beige					1YP	stone grey			
	3S9	sea blue					1TK	sand beige			
	9S5	terracotta					1VM	sea blue			
	9V6	cocoa				(15)	997 555 072 00	side trim panel leatherette	/R	1	
	D12	dark grey/natural					1MZ	black			
	T12	brown/natural					1YP	stone grey			
	N12	carrera red					1TK	sand beige			
(14)	997 555 184 01	lining b-pillar leather	/R	1	I981		1VM	sea blue			
	A11	black				15	997 555 071 01	side trim panel leather	/L	1	I981
	5X6	stone grey					FSA	black/grey			
	8G2	sand beige					FSB	stone grey/stone grey			
	3S9	sea blue					FSC	sand beige/sand beige			
	9S5	terracotta					FSD	sea blue/grey			
	9V6	cocoa					FSF	terracotta/terracotta			
	D12	dark grey/natural					FSG	cocoa/cocoa			
	T12	brown/natural					FSH	darkgrey natural/grey			
	N12	carrera red					FSJ	brown nat./brown nat.			
(14)	997 555 183 04	lining b-pillar alcantara	/L	10-	1	COUPE S I756/981	FSP	carrera red			
	C24	light grey				(15)	997 555 072 01	side trim panel leather	/R	1	I981
							FSA	black/grey			
(14)	997 555 184 04	lining b-pillar alcantara	/R	10-	1	COUPE S I756/981	FSB	stone grey/stone grey			
	C24	light grey					FSC	sand beige/sand beige			
							FSD	sea blue/grey			

Model	Year	MG	SG	Illustration	Restrictions	UPD	22:37	24.01.2010	PORSCHE	PET	PORSCHE
997-2	2010	8	07	807-05		248					

Pos	Part Number	Description	Remark	Qty	Model	Pos	Part Number	Description	Remark	Qty	Model
	FSF	terracotta/terracotta				21	997 555 049 00	loudspeaker grille	/L	1	
	FSG	cocoa/cocoa						side trim panel			
	FSH	darkgrey natural/grey					A03	black			
	FSJ	brown nat./brown nat.					5V7	stone grey			
	FSP	carrera red					5Z1	sand beige			
15	997 555 071 06	side trim panel two-colour	/L	1	I970		8W7	sea blue			
	BCG	black/stone grey					8X8	terracotta			
	BCH	black/sand beige					8P9	cocoa			
	BCJ	black/terracotta					T13	brown/natural			
(15)	997 555 072 06	side trim panel two-colour	/R	1	I970	(21)	997 555 050 00	loudspeaker grille	/R	1	
	BCG	black/stone grey						side trim panel			
	BCH	black/sand beige						lacquered			
	BCJ	black/terracotta					A03	black			
(15)	997 555 071 16	side trim panel leather	/L	10-	1 COUPE S I756/981		5V7	stone grey			
	SCB	Espresso/Light Grey					5Z1	sand beige			
(15)	997 555 072 16	side trim panel leather	/R	10-	1 COUPE S I756/981		8W7	sea blue			
	SCB	Espresso/Light Grey					8X8	terracotta			
16	999 507 479 01	clamp 2,5/0,88		2		(21)	997 555 049 01	loudspeaker grille	/L	10-	1 IXVT
17	999 551 609 40	plastic washer 8,0 X 23 X 3,0		2				side trim panel			
18	999 507 533 02	clamp 8.0 X 10 /2,5		1			A11	black			
19	999 507 050 40	expander nut ST 4,2		2			5X6	stone grey			
20	999 073 142 09	tapping screw ST 4,2 X 19		2			8G2	sand beige			
							3S9	sea blue			
							9S5	terracotta			
							9V6	cocoa			
							D12	dark grey/natural			

Model	Year	MG	SG	Illustration	Restrictions	UPD	22:37	24.01.2010	PORSCHE	PET	PORSCHE
997-2	2010	8	07	807-05		248					

Pos	Part Number	Description	Remark	Qty	Model	Pos	Part Number	Description	Remark	Qty	Model
	T12	brown/natural				(22)	997 555 062 00	rosette seat belt lacquered	/R	1	
	N12	carrera red					A03	black			
(21)	997 555 049 01	loudspeaker grille side trim panel leather	/L	10-	1 IXVT/756		5V7	stone grey			
	6J0	Espresso					5Z1	sand beige			
(21)	997 555 050 01	loudspeaker grille side trim panel leather	/R	10-	1 IXVT		8W7	sea blue			
	A11	black					8X8	terracotta			
	5X6	stone grey					8P9	cocoa			
	8G2	sand beige					T13	brown/natural			
	3S9	sea blue				(22)	997 555 998 01	rosette seat belt leather	/L	10-	1 IXDU
	9S5	terracotta					A11	black			
	9V6	cocoa					5X6	stone grey			
	D12	dark grey/natural					8G2	sand beige			
	T12	brown/natural					3S9	sea blue			
	N12	carrera red					9S5	terracotta			
(21)	997 555 050 01	loudspeaker grille side trim panel leather	/R	10-	1 IXVT/756		9V6	cocoa			
	6J0	Espresso					D12	dark grey/natural			
22	997 555 061 00	rosette seat belt lacquered	/L		1		T12	brown/natural			
	A03	black				(22)	997 555 998 02	rosette seat belt leather	/R	10-	1 IXDU
	5V7	stone grey					N12	carrera red			
	5Z1	sand beige					A11	black			
	8W7	sea blue					5X6	stone grey			
	8X8	terracotta					8G2	sand beige			
	8P9	cocoa					3S9	sea blue			
	T13	brown/natural					9S5	terracotta			
	N23	carrera red					9V6	cocoa			

Model	Year	MG	SG	Illustration	Restrictions	UPD	22:37	24.01.2010	PORSCHE	PET	PORSCHE
997-2	2010	8	07	807-05		248					

Pos	Part Number	Description	Remark	Qty	Model	Pos	Part Number	Description	Remark	Qty	Model
	D12	dark grey/natural					N23	carrera red			
	T12	brown/natural				(23)	997 555 574 00	coat hook lacquered	/R	1	
	N12	carrera red					A03	black			
(22)	997 555 998 05	rosette seat belt aluminium	/L	10-	1 IXCW		5V7	stone grey			
	V04	galvano silver					5Z1	sand beige			
(22)	997 555 998 06	rosette seat belt aluminium	/R	10-	1 IXCW		8W7	sea blue			
	V04	galvano silver					8X8	terracotta			
(22)	997 555 998 09	rosette seat belt	/L	10-	1 IXDR		8P9	cocoa			
	G2X	prime coated					T13	brown/natural			
(22)	997 555 998 10	rosette seat belt	/R	10-	1 IXDR	24	997 551 017 02	adhesive carpet seat well		1	I685
	G2X	prime coated					A10	black			
(22)	997 555 998 21	rosette seat belt carbon	/L	10-	1 IXJJ		B10	stone grey			
	A35	black					T10	sand beige			
(22)	997 555 998 22	rosette seat belt carbon	/R	10-	1 IXJJ		E10	sea blue			
	A35	black					M10	terracotta			
23	997 555 573 00	coat hook lacquered	/L		1		R10	cocoa			
	A03	black					D11	dark grey/natural			
	5V7	stone grey				(24)	997 551 017 05	adhesive carpet seat well		10-	1 COUPE S I685/756
	5Z1	sand beige					H31	Espresso			
	8W7	sea blue				(25)	997 551 031 12	adhesive carpet rear wall carpet		1	I490
	8X8	terracotta					A10	black			
	8P9	cocoa					B10	stone grey			
	T13	brown/natural					T10	sand beige			

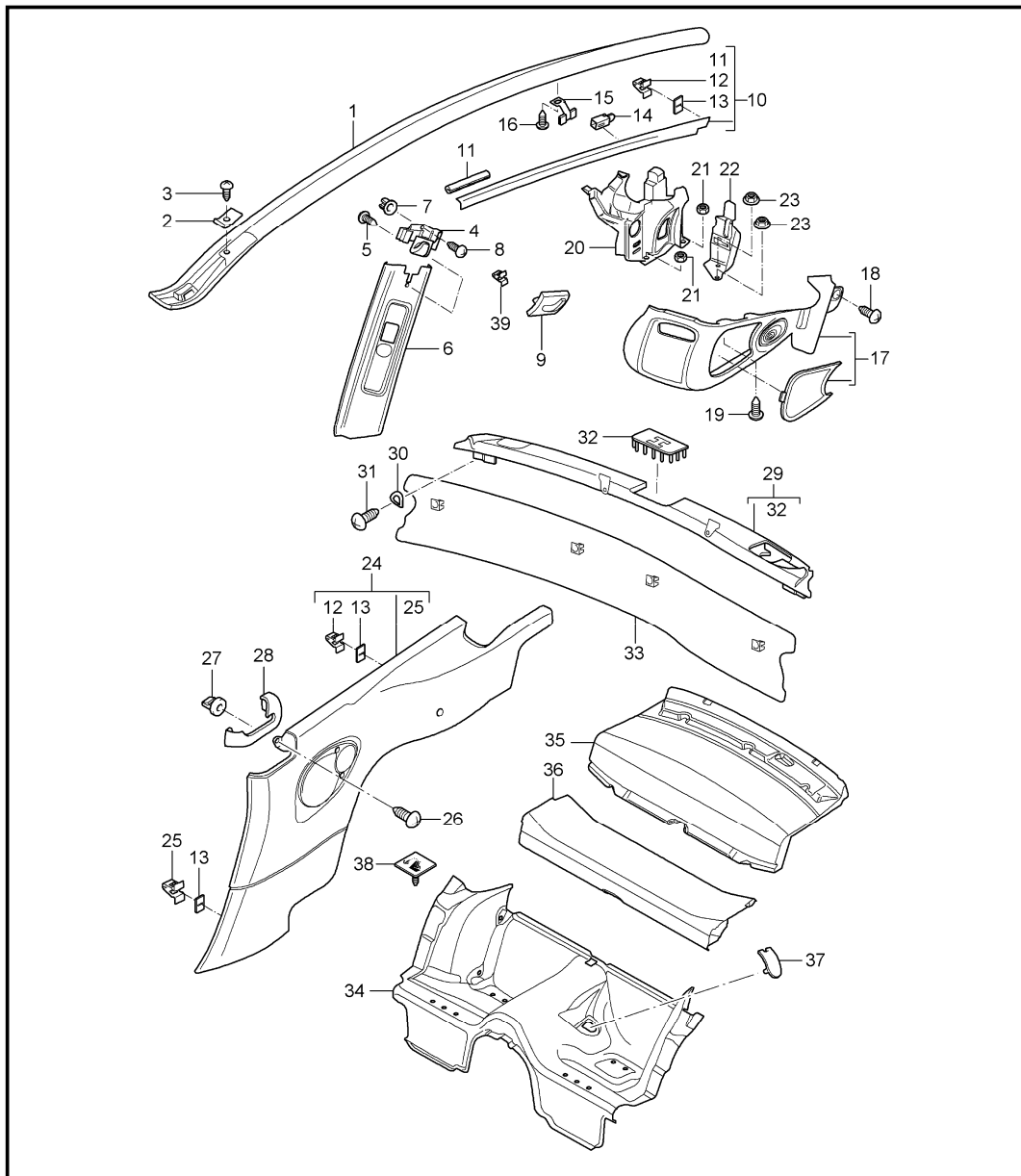
Model	Year	MG	SG	Illustration	Restrictions	UPD	22:37	24.01.2010	PORSCHE	PET	PORSCHE
997-2	2010	8	07	807-05		248					

Pos	Part Number	Description	Remark	Qty	Model	Pos	Part Number	Description	Remark	Qty	Model
	E10	sea blue				(25)	997 551 031 19	adhesive carpet rear wall carpet		1	I479/680
	M10	terracotta									
	R10	cocoa					A10	black			
	D11	dark grey/natural					B10	stone grey			
	T11	brown/natural					T10	sand beige			
	N10	carrera red					E10	sea blue			
(25)	997 551 031 13	adhesive carpet rear wall carpet		1	I479/490		M10	terracotta			
	A10	black					R10	cocoa			
	B10	stone grey					D11	dark grey/natural			
	T10	sand beige					T11	brown/natural			
	E10	sea blue				(25)	997 551 031 24	adhesive carpet rear wall carpet	10-	1	COUPE S I680/756
	M10	terracotta					H31	Espresso			
	R10	cocoa				--	996 551 561 00	desk pad		1	I680
	D11	dark grey/natural				26	997 551 033 00	lining control units carpet		1	I490
	T11	brown/natural					A10	black			
	N10	carrera red					B10	stone grey			
(25)	997 551 031 18	adhesive carpet rear wall carpet		1	I680		T10	sand beige			
	A10	black					E10	sea blue			
	B10	stone grey					M10	terracotta			
	T10	sand beige					R10	cocoa			
	E10	sea blue					D11	dark grey/natural			
	M10	terracotta					T11	brown/natural			
	R10	cocoa					N10	carrera red			
	D11	dark grey/natural				(26)	997 551 033 01	lining control units carpet		1	I680
	T11	brown/natural									
	N10	carrera red									

Model	Year	MG	SG	Illustration	Restrictions	UPD	22:37	24.01.2010	PORSCHE	PET	PORSCHE
997-2	2010	8	07	807-05		248					

Pos	Part Number	Description	Remark	Qty	Model	Pos	Part Number	Description	Remark	Qty	Model
	A10	black									
	B10	stone grey									
	T10	sand beige									
	E10	sea blue									
	M10	terracotta									
	R10	cocoa									
	D11	dark grey/natural									
	T11	brown/natural									
	N10	carrera red									
(26)	997 551 033 02	lining control units carpet		10-	1						COUPE S I680/756
	H31	Espresso									
27	997 551 525 00	cover seat-belt buckle	/L		1						
	01C	black									
(27)	997 551 526 00	cover seat-belt buckle	/R		1						
	01C	black									
29	999 507 476 01	clamp 8,0 x 10 / 2,5 mount coat hook			2						

Model	Year	MG	SG	Illustration	Restrictions	UPD	13:55	03.02.2010	PORSCHE	PET	PORSCHE
997-2	2010	8	07	807-06		248					



Pos	Part Number	Description	Remark	Qty	Model
(1)	997 555 195 00	linings rear	09-	1	TARGA
		5Q2 black	/L		
		8X4 stone grey			
		5S4 sand beige			
		8W3 sea blue			
1	997 555 196 00	lining roof pillar leatherette	/R	1	
		5Q2 black			
		8X4 stone grey			
		5S4 sand beige			
		8W3 sea blue			
(1)	997 555 195 01	lining roof pillar leather	/L	1	I981
		A11 black			
		5X6 stone grey			
		8G2 sand beige			
		3S9 sea blue			
		9S5 terracotta			
		9V6 cocoa			
		D12 dark grey/natural			
		T12 brown/natural			
		N12 carrera red			
1	997 555 196 01	lining roof pillar leather	/R	1	I981
		A11 black			
		5X6 stone grey			

Model	Year	MG	SG	Illustration	Restrictions	UPD	13:55	03.02.2010	PORSCHE	PET	PORSCHE
997-2	2010	8	07	807-06		248					

Pos	Part Number	Description	Remark	Qty	Model	Pos	Part Number	Description	Remark	Qty	Model
	8G2	sand beige					T13	brown/natural			
	3S9	sea blue					8P9	cocoa			
	9S5	terracotta					8X8	terracotta			
	9V6	cocoa					N23	carrera red			
	D12	dark grey/natural				5	999 919 164 09	oval-head screw 5,0 X 12		2	
	T12	brown/natural				(6)	997 555 183 02	lining b-pillar leatherette	/L	1	
	N12	carrera red					1MZ	black			
-	996 555 887 00	pipng		2			1YP	stone grey			
(2)	997 555 779 00	cover	/L	1			1TK	sand beige			
	01C	satin black					1VM	sea blue			
2	997 555 780 00	cover	/R	1		6	997 555 184 02	lining b-pillar leatherette	/R	1	
	01C	satin black					1MZ	black			
3	999 073 218 01	tapping screw 4,2 X 16		2			1YP	stone grey			
(4)	997 555 573 01	coat hook lacquered	/L	1			1TK	sand beige			
	A03	black					1VM	sea blue			
	5V7	stone grey				(6)	997 555 183 03	lining b-pillar leather	/L	1	I981
	5Z1	sand beige					A11	black			
	8W7	sea blue					5X6	stone grey			
	T13	brown/natural					8G2	sand beige			
	8P9	cocoa					3S9	sea blue			
	8X8	terracotta					9S5	terracotta			
	N23	carrera red					9V6	cocoa			
4	997 555 574 01	coat hook lacquered	/R	1			D12	dark grey/natural			
	A03	black					T12	brown/natural			
	5V7	stone grey					N12	carrera red			
	5Z1	sand beige									
	8W7	sea blue									

Model	Year	MG	SG	Illustration	Restrictions	UPD	13:55	03.02.2010	PORSCHE	PET	PORSCHE
997-2	2010	8	07	807-06		248					

Pos	Part Number	Description	Remark	Qty	Model	Pos	Part Number	Description	Remark	Qty	Model
6	997 555 184 03	lining b-pillar leather	/R	1	I981		8W7	sea blue			
	A11	black					8X8	terracotta			
	5X6	stone grey					8P9	cocoa			
	8G2	sand beige					T13	brown/natural			
	3S9	sea blue					N23	carrera red			
	9S5	terracotta				(10)	997 555 187 04	lining c-pillar leatherette	/L	1	
	9V6	cocoa					1MZ	black			
	D12	dark grey/natural					1YP	stone grey			
	T12	brown/natural					1TK	sand beige			
	N12	carrera red					1VM	sea blue			
--	996 555 859 00	grommet b-pillar		2		10	997 555 188 04	lining c-pillar leatherette	/R	1	
7	999 507 755 40	expander nut		2			1MZ	black			
8	999 073 064 02	tapping screw 4,8 X 25		2			1YP	stone grey			
9	997 555 773 00	cover coat hook	/L	1			1TK	sand beige			
	A03	black					1VM	sea blue			
	5V7	stone grey				(10)	997 555 187 05	lining c-pillar leather	/L	1	I981
	5Z1	sand beige					A11	black			
	8W7	sea blue					5X6	stone grey			
	8X8	terracotta					8G2	sand beige			
	8P9	cocoa					3S9	sea blue			
	T13	brown/natural					9S5	terracotta			
	N23	carrera red					9V6	cocoa			
(9)	997 555 774 00	cover coat hook	/R	1			D12	dark grey/natural			
	A03	black					T12	brown/natural			
	5V7	stone grey					N12	carrera red			
	5Z1	sand beige									

Model	Year	MG	SG	Illustration	Restrictions	UPD	13:55	03.02.2010	PORSCHE	PET	PORSCHE
997-2	2010	8	07	807-06		248					

Pos	Part Number	Description	Remark	Qty	Model	Pos	Part Number	Description	Remark	Qty	Model
10	997 555 188 05	lining c-pillar leather	/R	1	I981		N23	carrera red			
	A11	black				17	997 555 246 00	cover seat belt lacquered	/R	1	
	5X6	stone grey					A03	black			
	8G2	sand beige					5V7	stone grey			
	3S9	sea blue					5Z1	sand beige			
	9S5	terracotta					8W7	sea blue			
	9V6	cocoa					8X8	terracotta			
	D12	dark grey/natural					8P9	cocoa			
	T12	brown/natural					T13	brown/natural			
	N12	carrera red					N23	carrera red			
11	999 911 441 40	tread 1,0 X 12		4		--	996 555 877 00	clamp		2	
12	999 507 681 01	clamp 2,5/3,0		3		18	999 073 251 09	tapping screw 4,2 X 25		2	
13	999 209 084 40	spacer 20 X 25 X 0,5		X		19	999 073 226 09	tapping screw 4,2 X 16		2	
14	996 555 581 00	mounting clip		10		(20)	996 555 175 01	support	/L	1	
15	996 555 875 00	clamp		4		20	996 555 176 01	support	/R	1	
16	999 073 218 01	tapping screw 4,2 X 16		4		21	999 084 629 01	hexagon nut M 6		4	
(17)	997 555 245 00	cover seat belt lacquered	/L	1		(22)	996 555 503 00	support	/L	1	
	A03	black				22	996 555 504 00	support	/R	1	
	5V7	stone grey				23	999 049 007 40	plastic nut		4	
	5Z1	sand beige				(24)	997 555 071 04	side trim panel leatherette	/L	1	
	8W7	sea blue					1MZ	black			
	8X8	terracotta					1YP	stone grey			
	8P9	cocoa					1TK	sand beige			
	T13	brown/natural					1VM	sea blue			
						24	997 555 072 04	side trim panel leatherette	/R	1	

Model	Year	MG	SG	Illustration	Restrictions	UPD	13:55	03.02.2010	PORSCHE	PET	PORSCHE
997-2	2010	8	07	807-06		248					

Pos	Part Number	Description	Remark	Qty	Model	Pos	Part Number	Description	Remark	Qty	Model
		1MZ black					BCJ	black/terracotta			
		1YP stone grey				24	997 555 072 08	side trim panel two-colour	/R	1	I970
		1TK sand beige					BCG	black/stone grey			
		1VM sea blue					BCH	black/sand beige			
(24)	997 555 071 05	side trim panel leather	/L	1	I981		BCJ	black/terracotta			
		FSA black				--	999 551 127 40	adhesive tape		1	
		FSB stone grey				25	999 507 479 01	clamp 2,5 X 0,9		1	
		FSC sand beige				26	999 073 142 09	tapping screw 4,2 X 19		2	
		FSD sea blue				27	999 507 050 40	expander nut		2	
		FSF terracotta				(28)	997 555 061 00	rosette	/L	1	-IXCW/-IXDR/ -IXDU/-IXJJ
		FSH dark grey/natural						seat belt lacquered			
		FSJ brown/natural					A03	black			
		FSP carrera red					5V7	stone grey			
24	997 555 072 05	side trim panel leather	/R	1	I981		5Z1	sand beige			
		FSA black					8W7	sea blue			
		FSB stone grey					8X8	terracotta			
		FSC sand beige					8P9	cocoa			
		FSD sea blue					T13	brown/natural			
		FSF terracotta					N23	carrera red			
		FSG cocoa				28	997 555 062 00	rosette	/R	1	-IXCW/-IXDR/ -IXDU/-IXJJ
		FSH dark grey/natural						seat belt lacquered			
		FSJ brown/natural					A03	black			
		FSP carrera red					5V7	stone grey			
(24)	997 555 071 08	side trim panel two-colour	/L	1	I970		5Z1	sand beige			
		BCG black/stone grey					8W7	sea blue			
		BCH black/sand beige					8X8	terracotta			

Model	Year	MG	SG	Illustration	Restrictions	UPD	13:55	03.02.2010	PORSCHE	PET	PORSCHE
997-2	2010	8	07	807-06		248					

Pos	Part Number	Description	Remark	Qty	Model	Pos	Part Number	Description	Remark	Qty	Model
	8P9	cocoa				(28)	997 555 998 06	rosette seat belt aluminium	/R	10-	1 IXCW
	T13	brown/natural									
	N23	carrera red					V04	galvano silver			
(28)	997 555 998 01	rosette seat belt leather	/L	10-	1 IXDU	(28)	997 555 998 09	rosette seat belt	/L	10-	1 IXDR
	A11	black					G2X	prime coated			
	5X6	stone grey				(28)	997 555 998 10	rosette seat belt	/R	10-	1 IXDR
	8G2	sand beige					G2X	prime coated			
	3S9	sea blue				(28)	997 555 998 21	rosette seat belt carbon	/L	10-	1 IXJJ
	9S5	terracotta					A35	black			
	9V6	cocoa				(28)	997 555 998 22	rosette seat belt carbon	/R	10-	1 IXJJ
	D12	dark grey/natural					A35	black			
	T12	brown/natural				29	997 555 151 00	lining rear wall			1 I426
(28)	997 555 998 02	rosette seat belt leather	/R	10-	1 IXDU		A03	black			
	A11	black				(29)	997 555 151 01	lining rear wall			1 I425
	5X6	stone grey					A03	black			
	8G2	sand beige				30	999 507 782 01	spring washer 5,3 X 18			2
	3S9	sea blue				31	999 073 225 09	tapping screw 4,8 X 16			4
	9S5	terracotta				32	996 555 885 00	rosette rear wall upper part			1
	9V6	cocoa				33	996 555 081 08	lining rear wall carpet			1
(28)	997 555 998 05	rosette seat belt aluminium	/L	10-	1 IXCW		A10	black			
	V04	galvano silver					B10	stone grey			
							T10	sand beige			

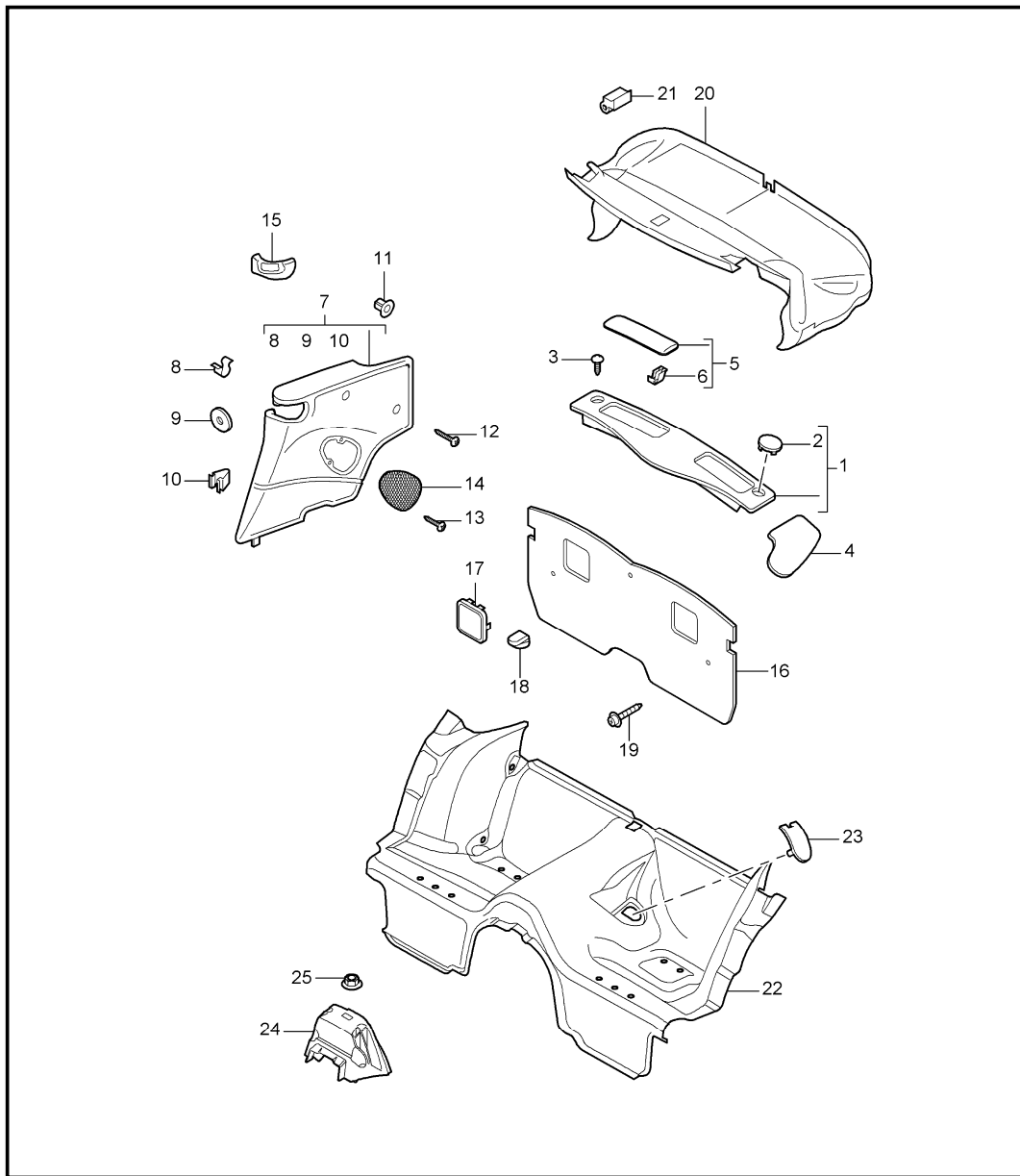
Model	Year	MG	SG	Illustration	Restrictions	UPD	13:55	03.02.2010	PORSCHE	PET	PORSCHE
997-2	2010	8	07	807-06		248					

Pos	Part Number	Description	Remark	Qty	Model	Pos	Part Number	Description	Remark	Qty	Model
34	997 551 017 02	E10 sea blue		1	I685	(35)	997 551 031 16	adhesive carpet		1	I479
		M10 terracotta						rear wall			
		R10 cocoa						carpet			
		D11 dark grey/natural						A10 black			
		T11 brown/natural						B10 stone grey			
		N10 carrera red						T10 sand beige			
		adhesive carpet						E10 sea blue			
		seat well						M10 terracotta			
		A10 black						R10 cocoa			
		B10 stone grey						D11 dark grey/natural			
		T10 sand beige						T11 brown/natural			
		E10 sea blue						N10 carrera red			
35	997 551 031 15	M10 terracotta		1		36	997 551 033 00	lining		1	
		R10 cocoa						control units			
		D11 dark grey/natural						carpet			
		T11 brown/natural						A10 black			
		N10 carrera red						B10 stone grey			
		adhesive carpet						T10 sand beige			
		rear wall						E10 sea blue			
		carpet						M10 terracotta			
		A10 black						R10 cocoa			
		B10 stone grey						D11 dark grey/natural			
		T10 sand beige						T11 brown/natural			
		E10 sea blue						N10 carrera red			
37	997 551 525 00	M10 terracotta		1		(37)	997 551 526 00	cover	/L	1	
		R10 cocoa						seat-belt buckle			
		D11 dark grey/natural						01C black			
		T11 brown/natural									
		N10 carrera red									
37	997 551 526 00	M10 terracotta		1		(37)	997 551 526 00	cover	/R	1	
		R10 cocoa						seat-belt buckle			
		D11 dark grey/natural						01C black			
		T11 brown/natural									
		N10 carrera red									

Model	Year	MG	SG	Illustration	Restrictions	UPD	13:55	03.02.2010	PORSCHE	PET	PORSCHE
997-2	2010	8	07	807-06		248					

Pos	Part Number	Description	Remark	Qty	Model	Pos	Part Number	Description	Remark	Qty	Model
39	999 507 476 01	clamp 8,0 X 10 / 2,5 mount coat hook		2							

Model	Year	MG	SG	Illustration	Restrictions	UPD	22:38	24.01.2010	PORSCHE	PET	PORSCHE
997-2	2010	8	07	807-07		248					



Pos	Part Number	Description	Remark	Qty	Model
1	996 555 083 04	linings rear cover convertible top cloth	09-	1	CABRIO
	EDK	black			
	FNX	stone grey			
	ERN	metropole blue			
	FNZ	brown			
2	996 555 457 00	lid hardtop mounting lacquered		2	
	A10	black			
	5V7	stone grey			
	G10	metropole blue			
	8P9	cocoa			
3	999 073 060 02	tapping screw 4,8 X 13 for mount cover convertible top		3	
4	996 555 263 03	flap convertible top cloth	/L	1	
	A07	black			
	C19	stone grey			
	G03	metropole blue			
	R18	brown			
(4)	996 555 264 03	flap convertible top cloth	/R	1	
	A07	black			
	C19	stone grey			
	G03	metropole blue			

Model	Year	MG	SG	Illustration	Restrictions	UPD	22:38	24.01.2010	PORSCHE	PET	PORSCHE
997-2	2010	8	07	807-07		248					

Pos	Part Number	Description	Remark	Qty	Model	Pos	Part Number	Description	Remark	Qty	Model
5	996 555 341 01	R18 brown flap cover	/L	1		(7)	997 555 072 11	side trim panel leatherette when required order also: 999.551.173.40 see tpi group 8 Nr. 52	/R	1	
		A07 black					1MZ	black			
		C19 stone grey					1YP	stone grey			
		G03 metropole blue					1TK	sand beige			
(5)	996 555 342 01	R18 brown flap cover	/R	1			1VM	sea blue			
		A07 black				7	997 555 071 12	side trim panel leather when required order also: 999.551.173.40 see tpi group 8 Nr. 52	/L	1	I981
		C19 stone grey					FSA	black/grey			
		G03 metropole blue					FSB	stone grey/stone grey			
6	996 555 355 00	R18 brown hinge outer		2			FSC	sand beige/sand beige			
(6)	996 555 356 00	hinge inner		2			FSD	sea blue/grey			
--	996 580 667 00	support		2			FSF	terracotta/terracotta			
--	999 591 489 02	speed nut 4,8		2			FSG	cocoa/cocoa			
--	999 073 060 02	tapping screw 4,8 X 13		3			FSH	darkgrey natural/grey			
7	997 555 071 11	side trim panel leatherette when required order also: 999.551.173.40 see tpi group 8 Nr. 52	/L	1			FSJ	brown nat./brown nat.			
		1MZ black				(7)	997 555 072 12	side trim panel leather when required order also: 999.551.173.40 see tpi group 8 Nr. 52	/R	1	I981
		1YP stone grey					FSA	black/grey			
		1TK sand beige					FSB	stone grey/stone grey			
		1VM sea blue					FSC	sand beige/sand beige			
							FSD	sea blue/grey			

Model	Year	MG	SG	Illustration	Restrictions	UPD	22:38	24.01.2010	PORSCHE	PET	PORSCHE
997-2	2010	8	07	807-07		248					

Pos	Part Number	Description	Remark	Qty	Model	Pos	Part Number	Description	Remark	Qty	Model
	FSF	terracotta/terracotta				13	999 073 048 02	tapping screw ST 3,5 X 13		2	
	FSG	cocoa/cocoa				14	997 555 049 00	loudspeaker grille side trim panel lacquered	/L	1	-IXVT
	FSH	darkgrey natural/grey					A03	black			
	FSJ	brown nat./brown nat.					5V7	stone grey			
	FSP	carrera red					5Z1	sand beige			
7	997 555 071 13	side trim panel two-colour when required order also: 999.551.173.40 see tpi group 8 Nr. 52	/L	1	I970		8W7	sea blue			
	BCK	black/stone grey					8X8	terracotta			
	BCL	black/sand beige					8P9	cocoa			
	BCM	black/terracotta					T13	brown/natural			
(7)	997 555 072 13	side trim panel two-colour when required order also: 999.551.173.40 see tpi group 8 Nr. 52	/R	1	I970	(14)	997 555 050 00	loudspeaker grille side trim panel lacquered	/R	1	-IXVT
	BCK	black/stone grey					A03	black			
	BCL	black/sand beige					5V7	stone grey			
	BCM	black/terracotta					5Z1	sand beige			
--	999 551 173 40	felt strip 35 x 22 x 5		2			8W7	sea blue			
8	999 507 676 09	clamp 2,5/2,2		1			8X8	terracotta			
9	999 551 609 40	plastic washer 8,0 X 23 X3,0		1		(14)	8P9	cocoa			
10	999 507 533 02	clamp 8,0 X 10 /2,5		2			T13	brown/natural			
11	999 507 050 40	expander nut ST 4,2		2			N23	carrera red			
12	999 073 142 09	tapping screw ST 4,2 X 19		2		(14)	997 555 049 01	loudspeaker grille side trim panel leather	/L	10-	1 IXVT
							A11	black			
							5X6	stone grey			
							8G2	sand beige			
							3S9	sea blue			
							9S5	terracotta			

Model	Year	MG	SG	Illustration	Restrictions	UPD	22:38	24.01.2010	PORSCHE	PET	PORSCHE
997-2	2010	8	07	807-07		248					

Pos	Part Number	Description	Remark	Qty	Model	Pos	Part Number	Description	Remark	Qty	Model
	9V6	cocoa					5Z1	sand beige			
	D12	dark grey/natural					8W7	sea blue			
	T12	brown/natural					8X8	terracotta			
	N12	carrera red					8P9	cocoa			
(14)	997 555 050 01	loudspeaker grille side trim panel leather	/R	10-	1 IXVT		T13	brown/natural			
	A11	black				(15)	997 555 998 03	rosette seat belt leather	/L	10-	1 IXDU
	5X6	stone grey					A11	black			
	8G2	sand beige					5X6	stone grey			
	3S9	sea blue					8G2	sand beige			
	9S5	terracotta					3S9	sea blue			
	9V6	cocoa					9S5	terracotta			
	D12	dark grey/natural					9V6	cocoa			
	T12	brown/natural					D12	dark grey/natural			
(15)	997 555 671 01	rosette seat belt	/L		1 -IXCW/-IXDR/ -IXDU/-IXJJ		T12	brown/natural			
	A03	black				(15)	997 555 998 04	rosette seat belt leather	/R	10-	1 IXDU
	5V7	stone grey					A11	black			
	5Z1	sand beige					5X6	stone grey			
	8W7	sea blue					8G2	sand beige			
	8X8	terracotta					3S9	sea blue			
	8P9	cocoa					9S5	terracotta			
	T13	brown/natural					9V6	cocoa			
	N23	carrera red					D12	dark grey/natural			
(15)	997 555 672 01	rosette seat belt	/R		1 -IXCW/-IXDR/ -IXDU/-IXJJ		T12	brown/natural			
	A03	black					N12	carrera red			
	5V7	stone grey									

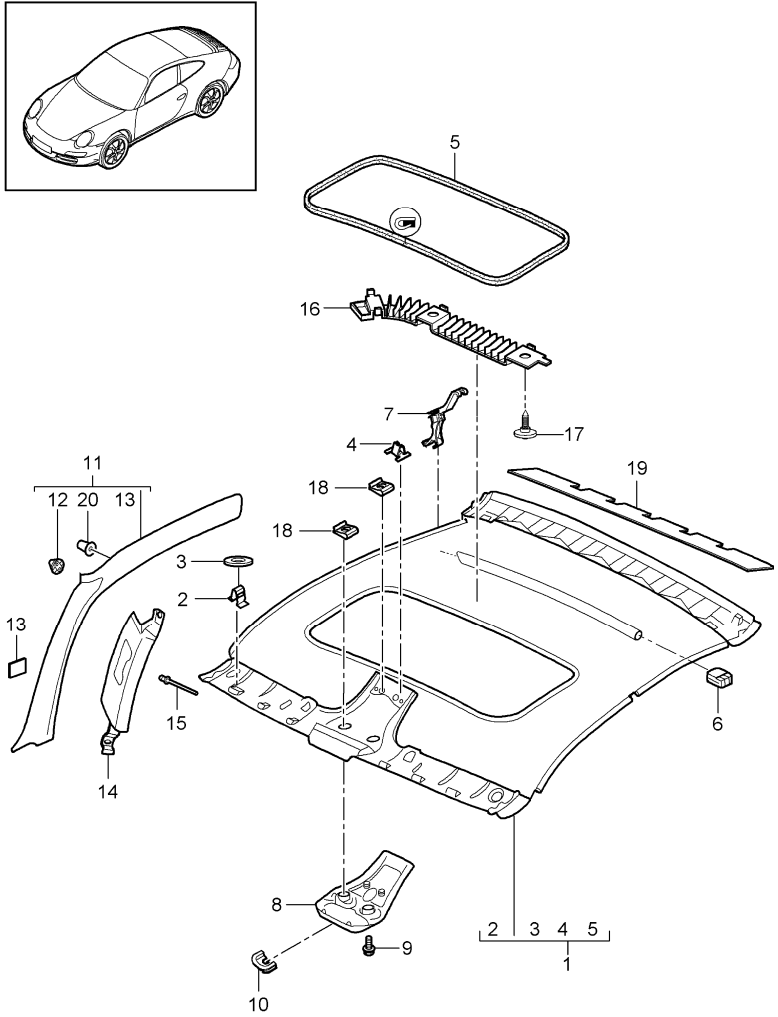
Model	Year	MG	SG	Illustration	Restrictions	UPD	22:38	24.01.2010	PORSCHE	PET	PORSCHE
997-2	2010	8	07	807-07		248					

Pos	Part Number	Description	Remark	Qty	Model	Pos	Part Number	Description	Remark	Qty	Model
(15)	997 555 998 07	rosette seat belt aluminium V04 galvano silver	/L	10-	1 IXCW		B10	stone grey			
							E10	sea blue			
							M10	terracotta			
(15)	997 555 998 08	rosette seat belt aluminium V04 galvano silver	/R	10-	1 IXCW		R10	cocoa			
							D11	dark grey/natural			
							T11	brown/natural			
(15)	997 555 998 11	rosette seat belt G2X prime coated	/L	10-	1 IXDR		N10	carrera red			
						17	996 555 785 00	cover release carpet		2	I479
(15)	997 555 998 12	rosette seat belt G2X prime coated	/R	10-	1 IXDR		EDA	black			
							FNQ	stone grey			
(15)	997 555 998 23	rosette seat belt carbon A35 black	/L	10-	1 IXJJ		FNR	sand beige			
							FNS	sea blue			
							FNU	terracotta			
(15)	997 555 998 24	rosette seat belt carbon A35 black	/R	10-	1 IXJJ		FNV	cocoa			
							VSM	dark grey/natural			
							VSN	brown/natural			
(16)	996 555 281 06	back wall lining carpet A10 black			1		FSW	carrera red			
						18	996 555 789 00	base wind deflector		1	
							01C	satin black			
						19	999 073 062 02	tapping screw 4,8 X 12		2	
						20	997 551 035 01	lining convertible top frame carpet		1	
							B04	dark grey			
						21	999 703 432 40	stopper for mount lining convertible top frame		X	
16	996 555 281 07	back wall lining carpet A10 black			1 I479						

Model	Year	MG	SG	Illustration	Restrictions	UPD	22:38	24.01.2010	PORSCHE	PET	PORSCHE
997-2	2010	8	07	807-07		248					

Pos	Part Number	Description	Remark	Qty	Model	Pos	Part Number	Description	Remark	Qty	Model
22	997 551 017 03	adhesive carpet seat well carpet		1							
	A10	black									
	B10	stone grey									
	T10	sand beige									
	E10	sea blue									
	M10	terracotta									
	R10	cocoa									
	D11	dark grey/natural									
	T11	brown/natural									
	N10	carrera red									
(23)	997 551 525 00	cover seat-belt buckle	/L	1							
	01C	satin black									
23	997 551 526 00	cover seat-belt buckle	/R	1							
	01C	satin black									
24	997 551 221 00	support seat well		1							
25	999 076 081 40	plastic nut T5 16 X 11,2		2							

Model	Year	MG	SG	Illustration	Restrictions	UPD	22:38	24.01.2010	PORSCHE	PET	PORSCHE
997-2	2010	8	07	807-08		248					



Pos	Part Number	Description	Remark	Qty	Model
		rooflining a-pillar	09- 09-		COUPE COUPE/TARGA
1	997 555 091 02	rooflining alcantara A14 black B14 stone grey T44 sand beige G14 metropole blue		1	COUPE I652
1	997 555 091 02	rooflining alcantara C24 light grey	10-	1	COUPE S I652/756
(1)	997 555 091 03	rooflining alcantara A14 black B14 stone grey T44 sand beige G14 metropole blue		1	COUPE I650
(1)	997 555 980 02	rooflining A11 black 5X6 stone grey 8G2 sand beige 3S9 sea blue 9S5 terracotta 9V6 cocoa D12 dark grey/natural T12 brown/natural N12 carrera red		1	IXMA/652
(1)	997 555 980 03	rooflining A11 black		1	IXMA/650

Model	Year	MG	SG	Illustration	Restrictions	UPD	22:38	24.01.2010	PORSCHE	PET	PORSCHE
997-2	2010	8	07	807-08		248					

Pos	Part Number	Description	Remark	Qty	Model	Pos	Part Number	Description	Remark	Qty	Model
	5X6	stone grey					5Z1	sand beige			
	8G2	sand beige					8W7	sea blue			
	3S9	sea blue				(8)	996 555 993 02	cover interior light leather		1	IXZD/650
	9S5	terracotta					A11	black			
	9V6	cocoa					5X6	stone grey			
	D12	dark grey/natural					8G2	sand beige			
	T12	brown/natural					3S9	sea blue			
	N12	carrera red					9S5	terracotta			
2	999 507 479 01	clamp 2,5/0,9		6	COUPE		9V6	cocoa			
3	999 551 609 40	plastic washer 8,0 X 23 X 3,0		6	COUPE		D12	dark grey/natural			
4	999 507 533 02	clamp 8 X 10/2,5		2	COUPE I650		T12	brown/natural			
5	996 564 231 02	pipng		1	COUPE I650	(8)	996 555 993 03	cover interior light leather		1	IXZD/652
6	997 555 823 00	support transverse strut		2	COUPE I650		A11	black			
7	996 555 691 02	clip mount rooflining		8	COUPE		5X6	stone grey			
(8)	996 555 557 09	cover interior light		1	COUPE I650		8G2	sand beige			
	A03	black					3S9	sea blue			
	5V7	stone grey					9S5	terracotta			
	5Z1	sand beige					9V6	cocoa			
	8W7	sea blue					D12	dark grey/natural			
8	996 555 557 11	cover interior light		1	COUPE I652	(8)	T12	brown/natural			
	A03	black					N12	carrera red			
	5V7	stone grey					997 555 993 03	cover interior light alcantara	10-	1	COUPE S IXXJ/652/756
							C24	light grey			
						9	999 073 061 02	tapping screw 4,8 X 16		X	

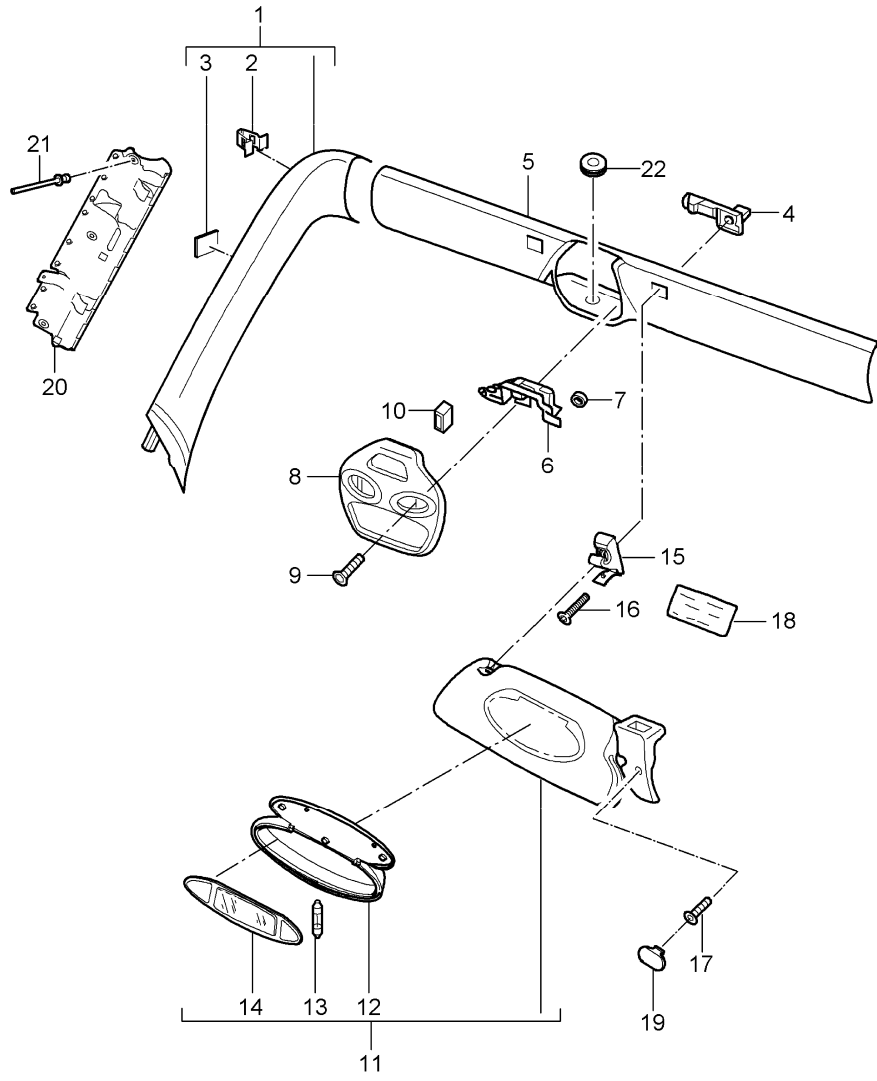
Model	Year	MG	SG	Illustration	Restrictions	UPD	22:38	24.01.2010	PORSCHE	PET	PORSCHE
997-2	2010	8	07	807-08		248					

Pos	Part Number	Description	Remark	Qty	Model	Pos	Part Number	Description	Remark	Qty	Model		
10	996 555 619 00	grommet wiring harness rain sensor		1			A11	black					
(11)	997 555 181 04	lining a-pillar leatherette	/L	1	COUPE		5X6	stone grey					
	1MZ	black					8G2	sand beige					
	1YP	stone grey					3S9	sea blue					
	1TK	sand beige					9S5	terracotta					
	1VM	sea blue					9V6	cocoa					
(11)	997 555 182 04	lining a-pillar leatherette	/R	1	COUPE		D12	dark grey/natural					
	1MZ	black					T12	brown/natural					
	1YP	stone grey				(11)	N12	carrera red	/R	1	COUPE I981		
	1TK	sand beige					997 555 182 05	lining a-pillar leather					
	1VM	sea blue					A11	black					
(11)	997 555 181 16	lining a-pillar leatherette	/L	1	TARGA		5X6	stone grey					
	1MZ	black					8G2	sand beige					
	1YP	stone grey					3S9	sea blue					
	1TK	sand beige					9S5	terracotta					
	1VM	sea blue					9V6	cocoa					
(11)	997 555 182 16	lining a-pillar leatherette	/R	1	TARGA		D12	dark grey/natural					
	1MZ	black					T12	brown/natural					
	1YP	stone grey				(11)	N12	carrera red	/L	10-	1	COUPE S I756/981	
	1TK	sand beige					997 555 181 18	lining a-pillar alcantara					
	1VM	sea blue					C24	light grey					
(11)	997 555 181 05	lining a-pillar leather	/L	1	COUPE I981		(11)	997 555 182 18	lining a-pillar alcantara	/R	10-	1	COUPE S I756/981
							C24	light grey					

Model	Year	MG	SG	Illustration	Restrictions	UPD	22:38	24.01.2010	PORSCHE	PET	PORSCHE
997-2	2010	8	07	807-08		248					

Pos	Part Number	Description	Remark	Qty	Model	Pos	Part Number	Description	Remark	Qty	Model	
(11)	997 555 181 17	lining a-pillar leather A11 black 5X6 stone grey 8G2 sand beige 3S9 sea blue 9S5 terracotta 9V6 cocoa D12 dark grey/natural T12 brown/natural N12 carrera red	/L	1	TARGA I981	(12)	999 507 047 09	clamp 3,6	POS.	11	2	TARGA
						(12)	999 209 084 40	spacer 20 X 25 X 0,5	POS	11	6	TARGA
						13	999 551 134 40	adhesive tape 20 X 65			5	COUPE
						15	999 190 190 01	blind rivet 4,0 X 8,5			8	
						18	999 591 348 01	speed nut St 4,8			X	
						19	997 556 603 00	sound absorber tensioner rear			1	
						20	997 555 857 00	grommet a-pillar			X	COUPE
(11)	997 555 182 17	lining a-pillar leather A11 black 5X6 stone grey 8G2 sand beige 3S9 sea blue 9S5 terracotta 9V6 cocoa D12 dark grey/natural T12 brown/natural N12 carrera red	/R	1	TARGA I981							
12	999 507 681 01	clamp 2,5/3,0		5	COUPE							
(12)	999 507 839 01	clamp 3,5		2	COUPE							
(12)	999 507 047 09	clamp 3,6		3	COUPE							
12	999 507 681 01	clamp 2,5/3,0	11!	4	TARGA							

Model	Year	MG	SG	Illustration	Restrictions	UPD	22:38	24.01.2010	PORSCHE	PET	PORSCHE
997-2	2010	8	07	807-09		248					



Pos	Part Number	Description	Remark	Qty	Model
		a-pillar windscreen frame windscreen frame sun visors sun visors	09- 09- 09- 09- 09-		CABRIO CABRIO TARGA COUPE/CABRIO TARGA
1	997 555 181 06	lining a-pillar leatherette 1MZ black 1YP stone grey 1TK sand beige 1VM sea blue	/L	1	CABRIO
(1)	997 555 182 06	lining a-pillar leatherette 1MZ black 1YP stone grey 1TK sand beige 1VM sea blue	/R	1	CABRIO
1	997 555 181 07	lining a-pillar leather A11 black 5X6 stone grey 8G2 sand beige 3S9 sea blue 9S5 terracotta 9V6 cocoa D12 dark grey/natural T12 brown/natural N12 carrera red	/L	1	CABRIO I981
(1)	997 555 182 07	lining a-pillar leather	/R	1	CABRIO I981

Model	Year	MG	SG	Illustration	Restrictions	UPD	22:38	24.01.2010	PORSCHE	PET	PORSCHE
997-2	2010	8	07	807-09		248					

Pos	Part Number	Description	Remark	Qty	Model	Pos	Part Number	Description	Remark	Qty	Model
	A11	black				5	997 555 059 01	lining		1	CABRIO I981
	5X6	stone grey						windscreen frame part leather			
	8G2	sand beige					A11	black			
	3S9	sea blue					5X6	stone grey			
	9S5	terracotta					8G2	sand beige			
	9V6	cocoa					3S9	sea blue			
	D12	dark grey/natural					9S5	terracotta			
	T12	brown/natural					9V6	cocoa			
	N12	carrera red					D12	dark grey/natural			
2	999 507 047 09	clamp 3,6		2			T12	brown/natural			
3	999 551 134 40	adhesive tape 20 X 65		2			N12	carrera red			
4	986 731 541 01	plate for sun visors		2	COUPE/CABRIO	(5)	997 555 059 05	lining		1	TARGA I981
(4)	997 731 543 00	contact plate for sun visors		2	TARGA			windscreen frame part leather			
							A11	black			
5	997 555 059 00	lining windscreen frame part		1	CABRIO		5X6	stone grey			
	1MZ	black					8G2	sand beige			
	1YP	stone grey					3S9	sea blue			
	1TK	sand beige					9S5	terracotta			
	1VM	sea blue					9V6	cocoa			
(5)	997 555 059 04	lining windscreen frame part		1	TARGA		D12	dark grey/natural			
							T12	brown/natural			
	1MZ	black				6	996 613 795 01	microswitch		1	CABRIO
	1YP	stone grey				7	999 507 534 02	clamping washer 2,5		2	CABRIO
	1TK	sand beige				8	996 561 635 00	cover interior light lacquered		1	CABRIO
	1VM	sea blue					A09	rally black			

Model	Year	MG	SG	Illustration	Restrictions	UPD	22:38	24.01.2010	PORSCHE	PET	PORSCHE
997-2	2010	8	07	807-09		248					

Pos	Part Number	Description	Remark	Qty	Model	Pos	Part Number	Description	Remark	Qty	Model
(8)	996 555 557 07	cover interior light lacquered		1	TARGA		A11	black			
	A03	black					5X6	stone grey			
	5V7	stone grey					8G2	sand beige			
	5Z1	sand beige					3S9	sea blue			
	8W7	sea blue					9S5	terracotta			
	8X8	terracotta					9V6	cocoa			
	8P9	cocoa					D12	dark grey/natural			
	T13	brown/natural					T12	brown/natural			
	N23	carrera red					N12	carrera red			
-	996 561 613 00	cover		1	CABRIO	(11)	997 731 982 00	sun visor	/R	1	COUPE IXMP
	01C	satin black						leather			
9	999 073 166 09	countersunk-head screw M 6 X 25		2	CABRIO		A11	black			
(9)	999 073 061 02	tapping screw 4,8 X 16		2	TARGA		5X6	stone grey			
10	996 561 609 00	cap		1	CABRIO		8G2	sand beige			
(11)	997 731 031 15	sun visor leatherette	/L	1	COUPE		3S9	sea blue			
	A12	black					9S5	terracotta			
	8W4	stone grey					9V6	cocoa			
	7E3	sand beige					D12	dark grey/natural			
	8Z5	sea blue					T12	brown/natural			
(11)	997 731 032 15	sun visor leatherette	/R	1	COUPE	(11)	997 731 983 00	sun visor	/L	10-	1 COUPE S IXXH/756
	A12	black						alcantara			
	8W4	stone grey					C24	light grey			
	7E3	sand beige				(11)	997 731 984 00	sun visor	/R	10-	1 COUPE S IXXH/756
	8Z5	sea blue						alcantara			
(11)	997 731 981 00	sun visor leather	/L	1	COUPE IXMP	(11)	997 731 031 18	sun visor leatherette	/L	1	CABRIO
								light grey			
							A12	black			

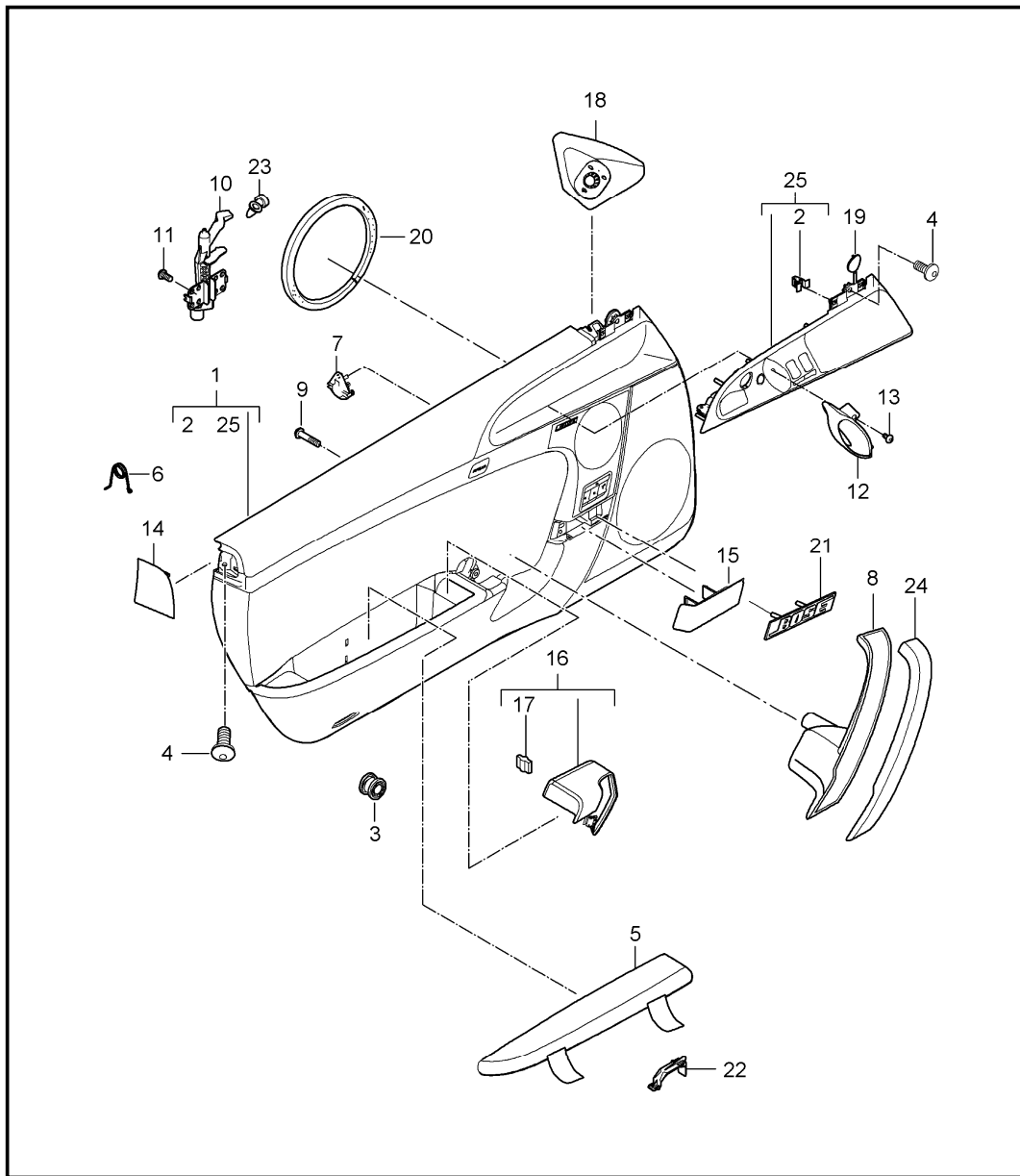
Model	Year	MG	SG	Illustration	Restrictions	UPD	22:38	24.01.2010	PORSCHE	PET	PORSCHE
997-2	2010	8	07	807-09		248					

Pos	Part Number	Description	Remark	Qty	Model	Pos	Part Number	Description	Remark	Qty	Model
(11)	997 731 032 18	8W4 stone grey 7E3 sand beige 8Z5 sea blue sun visor leatherette	/R	1	CABRIO	(11)	997 731 031 24	T12 brown/natural N12 carrera red sun visor leatherette	/L	1	TARGA
		A12 black						A12 black			
		8W4 stone grey						8W4 stone grey			
		7E3 sand beige						7E3 sand beige			
		8Z5 sea blue						8Z5 sea blue			
(11)	997 731 981 06	sun visor leather	/L	1	CABRIO IXMP	(11)	997 731 032 24	sun visor leatherette	/R	1	TARGA
		A11 black						A12 black			
		5X6 stone grey						8W4 stone grey			
		8G2 sand beige						7E3 sand beige			
		3S9 sea blue						8Z5 sea blue			
(11)	997 731 982 06	9S5 terracotta 9V6 cocoa D12 dark grey/natural T12 brown/natural N12 carrera red sun visor leather	/R	1	CABRIO IXMP	(11)	997 731 981 16	sun visor leather	/L	1	TARGA IXMP
		A11 black						A11 black			
		5X6 stone grey						5X6 stone grey			
		8G2 sand beige						8G2 sand beige			
		3S9 sea blue						3S9 sea blue			
		9S5 terracotta						9S5 terracotta			
		9V6 cocoa						9V6 cocoa			
		D12 dark grey/natural						D12 dark grey/natural			
		T12 brown/natural						T12 brown/natural			
		N12 carrera red						N12 carrera red			
(11)	997 731 982 16	sun visor leather	/R	1	TARGA IXMP	(11)	997 731 982 16	sun visor leather	/R	1	TARGA IXMP
		A11 black						A11 black			
		5X6 stone grey						5X6 stone grey			
		8G2 sand beige						8G2 sand beige			

Model	Year	MG	SG	Illustration	Restrictions	UPD	22:38	24.01.2010	PORSCHE	PET	PORSCHE
997-2	2010	8	07	807-09		248					

Pos	Part Number	Description	Remark	Qty	Model	Pos	Part Number	Description	Remark	Qty	Model
	3S9	sea blue				18	997 701 401 06	indication sticker		1	CABRIO I488
	9S5	terracotta						convertible top control german			
	9V6	cocoa				18	997 701 401 07	indication sticker		1	CABRIO I130
	D12	dark grey/natural						convertible top control english			
	T12	brown/natural				18	997 701 401 08	indication sticker		1	CABRIO I113/126
	N12	carrera red						convertible top control french			
12	996 731 903 00	mirror housing with illumination		1	COUPE/CABRIO	18	997 701 401 09	indication sticker		1	CABRIO I034
	01C	satin black						convertible top control italian			
13	999 631 147 90	bulb 3 W		4		18	997 701 401 10	indication sticker		1	CABRIO I119
14	996 731 531 01	mirror glass with frame		2		18	997 701 401 11	indication sticker		1	CABRIO I193
	01C	satin black						convertible top control japanese			
15	996 731 341 00	support sun visor	/L	1	COUPE/CABRIO	19	996 561 613 00	cover mounting		2	CABRIO
	01C	satin black					01C	satin black			
(15)	996 731 342 00	support sun visor	/R	1	COUPE/CABRIO	22	996 555 619 00	grommet wiring harness rain sensor		1	
	01C	satin black									
16	999 919 120 09	oval-head screw 4,0 X 18		1	COUPE/CABRIO						
(16)	999 073 255 09	combination screw M 5 X 14 for mount sun visors		4	TARGA						
17	999 073 166 09	countersunk-head screw M 6 X 25		4	CABRIO						
17	999 073 326 09	oval-head screw M 5 X 10		2	COUPE						
(17)	999 500 093 02	nut M 5		2	COUPE						

Model	Year	MG	SG	Illustration	Restrictions	UPD	22:39	24.01.2010	PORSCHE	PET	PORSCHE
997-2	2010	8	07	807-10		248					



Pos	Part Number	Description	Remark	Qty	Model
		door trim panel accessories	09-		
		door trim panel accessories	10-		I756
		see illustrations 8/07/11	10-		I756
1	997 555 201 04	door trim panel slush technology	/LL/L	1	COUPE/TARGA I098/490
		9L4 black			
		9M5 stone grey			
		9C6 sand beige			
		9D7 sea blue			
1	997 555 201 06	door trim panel slush technology	/LL/L	1	COUPE/TARGA I490/537
		9L4 black			
		9M5 stone grey			
		9C6 sand beige			
		9D7 sea blue			
1	997 555 201 08	door trim panel slush technology	/LL/L	1	COUPE/TARGA I098/680
		9L4 black			
		9M5 stone grey			
		9C6 sand beige			
		9D7 sea blue			
1	997 555 201 10	door trim panel slush technology	/LL/L	1	COUPE/TARGA I537/680
		9L4 black			
		9M5 stone grey			
		9C6 sand beige			
		9D7 sea blue			

Model	Year	MG	SG	Illustration	Restrictions	UPD	22:39	24.01.2010	PORSCHE	PET	PORSCHE
997-2	2010	8	07	807-10		248					

Pos	Part Number	Description	Remark	Qty	Model	Pos	Part Number	Description	Remark	Qty	Model
(1)	997 555 201 16	door trim panel slush technology 9L4 black 9M5 stone grey 9C6 sand beige 9D7 sea blue	/LL/L	1	CABRIO I098/490	(1)	997 555 202 28	door trim panel slush technology 9L4 black 9M5 stone grey 9C6 sand beige 9D7 sea blue	/LL/R	1	I098/680
(1)	997 555 201 18	door trim panel slush technology 9L4 black 9M5 stone grey 9C6 sand beige 9D7 sea blue	/LL/L	1	CABRIO I490/537	(1)	997 555 202 04	door trim panel slush technology 9L4 black 9M5 stone grey 9C6 sand beige 9D7 sea blue	/RL/R	1	COUPE/TARGA I099/490
(1)	997 555 201 20	door trim panel slush technology 9L4 black 9M5 stone grey 9C6 sand beige 9D7 sea blue	/LL/L	1	CABRIO I098/680	(1)	997 555 202 06	door trim panel slush technology 9L4 black 9M5 stone grey 9C6 sand beige 9D7 sea blue	/RL/R	1	COUPE/TARGA I490/538
(1)	997 555 201 22	door trim panel slush technology 9L4 black 9M5 stone grey 9C6 sand beige 9D7 sea blue	/LL/L	1	CABRIO I537/680	(1)	997 555 202 08	door trim panel slush technology 9L4 black 9M5 stone grey 9C6 sand beige 9D7 sea blue	/RL/R	1	COUPE/TARGA I099/680
(1)	997 555 202 26	door trim panel slush technology 9L4 black 9M5 stone grey 9C6 sand beige	/LL/R	1	I098/490	(1)	997 555 202 10	door trim panel slush technology 9L4 black 9M5 stone grey	/RL/R	1	COUPE/TARGA I538/680

Model	Year	MG	SG	Illustration	Restrictions	UPD	22:39	24.01.2010	PORSCHE	PET	PORSCHE
997-2	2010	8	07	807-10		248					

Pos	Part Number	Description	Remark	Qty	Model	Pos	Part Number	Description	Remark	Qty	Model
		9C6 sand beige						9M5 stone grey			
		9D7 sea blue						9C6 sand beige			
(1)	997 555 202 16	door trim panel slush technology	/RL/R	1	CABRIO I099/490	(1)	997 555 201 28	door trim panel slush technology	/RL/L	1	I099/680
		9L4 black						9D7 sea blue			
		9M5 stone grey						9L4 black			
		9C6 sand beige						9M5 stone grey			
(1)	997 555 202 18	door trim panel slush technology	/RL/R	1	CABRIO I490/538	(1)	997 555 201 05	door trim panel	/LL/L	1	COUPE/TARGA -IXVT/I098/ I490/981
		9D7 sea blue						leather			
		9L4 black						FSA black			
		9M5 stone grey						FSB stone grey			
		9C6 sand beige						FSC sand beige			
(1)	997 555 202 20	door trim panel slush technology	/RL/R	1	CABRIO I099/680			FSD sea blue			
		9D7 sea blue						FSF terracotta			
		9L4 black						FSG cocoa			
		9M5 stone grey						FSH dark grey/natural			
		9C6 sand beige						FSJ brown/natural			
		9D7 sea blue						BCD black/stone grey			
(1)	997 555 202 22	door trim panel slush technology	/RL/R	1	CABRIO I538/680			BCE black/sand beige			
		9L4 black						BCF black/terracotta			
		9M5 stone grey						FSP carrera red			
		9C6 sand beige						(1) 997 555 201 07	/LL/L	1	COUPE/TARGA -IXVT/I490/ I537/981
		9D7 sea blue						leather			
(1)	997 555 201 26	door trim panel slush technology	/RL/L	1	I099/490			FSA black			
		9L4 black						FSB stone grey			
								FSC sand beige			

Model	Year	MG	SG	Illustration	Restrictions	UPD	22:39	24.01.2010	PORSCHE	PET	PORSCHE
997-2	2010	8	07	807-10		248					

Pos	Part Number	Description	Remark	Qty	Model	Pos	Part Number	Description	Remark	Qty	Model
	FSD	sea blue					FSD	sea blue			
	FSF	terracotta					FSF	terracotta			
	FSG	cocoa					FSG	cocoa			
	FSH	dark grey/natural					FSH	dark grey/natural			
	FSJ	brown/natural					FSJ	brown/natural			
	BCD	black/stone grey					BCD	black/stone grey			
	BCE	black/sand beige					BCE	black/sand beige			
	BCF	black/terracotta					BCF	black/terracotta			
	FSP	carrera red					FSP	carrera red			
(1)	997 555 201 09	door trim panel	/LL/L	1	COUPE/TARGA -IXVT/I098/ I680/981	(1)	997 555 201 17	door trim panel	/LL/L	1	CABRIO -IXVT/I098/ I490/981
		leather						leather			
	FSA	black					FSA	black			
	FSB	stone grey					FSB	stone grey			
	FSC	sand beige					FSC	sand beige			
	FSD	sea blue					FSD	sea blue			
	FSF	terracotta					FSF	terracotta			
	FSG	cocoa					FSG	cocoa			
	FSH	dark grey/natural					FSH	dark grey/natural			
	FSJ	brown/natural					FSJ	brown/natural			
	BCD	black/stone grey					BCD	black/stone grey			
	BCE	black/sand beige					BCE	black/sand beige			
	BCF	black/terracotta					BCF	black/terracotta			
	FSP	carrera red					FSP	carrera red			
(1)	997 555 201 11	door trim panel	/LL/L	1	COUPE/TARGA -IXVT/I537/ I680/981	(1)	997 555 201 19	door trim panel	/LL/L	1	CABRIO -IXVT/I490/ I537/981
		leather						leather			
	FSA	black					FSA	black			
	FSB	stone grey					FSB	stone grey			
	FSC	sand beige					FSC	sand beige			

Model	Year	MG	SG	Illustration	Restrictions	UPD	22:39	24.01.2010	PORSCHE	PET	PORSCHE
997-2	2010	8	07	807-10		248					

Pos	Part Number	Description	Remark	Qty	Model	Pos	Part Number	Description	Remark	Qty	Model
	FSD	sea blue					FSD	sea blue			
	FSF	terracotta					FSF	terracotta			
	FSG	cocoa					FSG	cocoa			
	FSH	dark grey/natural					FSH	dark grey/natural			
	FSJ	brown/natural					FSJ	brown/natural			
	BCD	black/stone grey					BCD	black/stone grey			
	BCE	black/sand beige					BCE	black/sand beige			
	BCF	black/terracotta					BCF	black/terracotta			
	FSP	carrera red					FSP	carrera red			
(1)	997 555 201 21	door trim panel	/LL/L	1	CABRIO -IXVT/I098/ I680/981	(1)	997 555 202 27	door trim panel	/LL/R	1	-IXVT/I098/ I490/981
		leather						leather			
	FSA	black					FSA	black			
	FSB	stone grey					FSB	stone grey			
	FSC	sand beige					FSC	sand beige			
	FSD	sea blue					FSD	sea blue			
	FSF	terracotta					FSF	terracotta			
	FSG	cocoa					FSG	cocoa			
	FSH	dark grey/natural					FSH	dark grey/natural			
	FSJ	brown/natural					FSJ	brown/natural			
	BCD	black/stone grey					BCD	black/stone grey			
	BCE	black/sand beige					BCE	black/sand beige			
	BCF	black/terracotta					BCF	black/terracotta			
	FSP	carrera red					FSP	carrera red			
(1)	997 555 201 23	door trim panel	/LL/L	1	CABRIO -IXVT/I537/ I680/981	(1)	997 555 202 29	door trim panel	/LL/R	1	-IXVT/I098/ I680/981
		leather						leather			
	FSA	black					FSA	black			
	FSB	stone grey					FSB	stone grey			
	FSC	sand beige					FSC	sand beige			
	FSD	sea blue					FSD	sea blue			

Model	Year	MG	SG	Illustration	Restrictions	UPD	22:39	24.01.2010	PORSCHE	PET	PORSCHE
997-2	2010	8	07	807-10		248					

Pos	Part Number	Description	Remark	Qty	Model	Pos	Part Number	Description	Remark	Qty	Model
	FSF	terracotta					FSF	terracotta			
	FSG	cocoa					FSG	cocoa			
	FSH	dark grey/natural					FSH	dark grey/natural			
	FSJ	brown/natural					FSJ	brown/natural			
	BCD	black/stone grey					BCD	black/stone grey			
	BCE	black/sand beige					BCE	black/sand beige			
	BCF	black/terracotta					BCF	black/terracotta			
	FSP	carrera red					FSP	carrera red			
(1)	997 555 202 05	door trim panel	/RL/R	1	COUPE/TARGA -IXVT/I099/ I490/981	(1)	997 555 202 09	door trim panel	/RL/R	1	COUPE/TARGA -IXVT/I099/ I680/981
		leather						leather			
	FSA	black					FSA	black			
	FSB	stone grey					FSB	stone grey			
	FSC	sand beige					FSC	sand beige			
	FSD	sea blue					FSD	sea blue			
	FSF	terracotta					FSF	terracotta			
	FSG	cocoa					FSG	cocoa			
	FSH	dark grey/natural					FSH	dark grey/natural			
	FSJ	brown/natural					FSJ	brown/natural			
	BCD	black/stone grey					BCD	black/stone grey			
	BCE	black/sand beige					BCE	black/sand beige			
	BCF	black/terracotta					BCF	black/terracotta			
	FSP	carrera red					FSP	carrera red			
(1)	997 555 202 07	door trim panel	/RL/R	1	COUPE/TARGA -IXVT/I490/ I538/981	(1)	997 555 202 11	door trim panel	/RL/R	1	COUPE/TARGA -IXVT/I538/ I680/981
		leather						leather			
	FSA	black					FSA	black			
	FSB	stone grey					FSB	stone grey			
	FSC	sand beige					FSC	sand beige			
	FSD	sea blue					FSD	sea blue			

Model	Year	MG	SG	Illustration	Restrictions	UPD	22:39	24.01.2010	PORSCHE	PET	PORSCHE
997-2	2010	8	07	807-10		248					

Pos	Part Number	Description	Remark	Qty	Model	Pos	Part Number	Description	Remark	Qty	Model
		FSF terracotta						FSF terracotta			
		FSG cocoa						FSG cocoa			
		FSH dark grey/natural						FSH dark grey/natural			
		FSJ brown/natural						FSJ brown/natural			
		BCD black/stone grey						BCD black/stone grey			
		BCE black/sand beige						BCE black/sand beige			
		BCF black/terracotta						BCF black/terracotta			
		FSP carrera red						FSP carrera red			
(1)	997 555 202 17	door trim panel	/RL/R	1	CABRIO -IXVT/I099/ I490/981	(1)	997 555 202 21	door trim panel	/RL/R	1	CABRIO -IXVT/I099/ I680/981
		leather						leather			
		FSA black						FSA black			
		FSB stone grey						FSB stone grey			
		FSC sand beige						FSC sand beige			
		FSD sea blue						FSD sea blue			
		FSF terracotta						FSF terracotta			
		FSG cocoa						FSG cocoa			
		FSH dark grey/natural						FSH dark grey/natural			
		FSJ brown/natural						FSJ brown/natural			
		BCD black/stone grey						BCD black/stone grey			
		BCE black/sand beige						BCE black/sand beige			
		BCF black/terracotta						BCF black/terracotta			
		FSP carrera red						FSP carrera red			
(1)	997 555 202 19	door trim panel	/RL/R	1	CABRIO -IXVT/I490/ I538/981	(1)	997 555 202 23	door trim panel	/RL/R	1	CABRIO -IXVT/I538/ I680/981
		leather						leather			
		FSA black						FSA black			
		FSB stone grey						FSB stone grey			
		FSC sand beige						FSC sand beige			
		FSD sea blue						FSD sea blue			

Model	Year	MG	SG	Illustration	Restrictions	UPD	22:39	24.01.2010	PORSCHE	PET	PORSCHE
997-2	2010	8	07	807-10		248					

Pos	Part Number	Description	Remark	Qty	Model	Pos	Part Number	Description	Remark	Qty	Model
		FSF terracotta						FSG cocoa			
		FSG cocoa						FSH dark grey/natural			
		FSH dark grey/natural						FSJ brown/natural			
		FSJ brown/natural						BCD black/stone grey			
		BCD black/stone grey						BCE black/sand beige			
		BCE black/sand beige						BCF black/terracotta			
		BCF black/terracotta						FSP carrera red			
		FSP carrera red				(1)	997 555 981 01	door trim panel	/LL/L	10-	1 COUPE/TARGA IXVT/490/537 I981
(1)	997 555 201 27	door trim panel	/RL/L	1	-IXVT/I099/ I490/981			leather			
		leather						A11 black			
		FSA black						5X6 stone grey			
		FSB stone grey						8G2 sand beige			
		FSC sand beige						3S9 sea blue			
		FSD sea blue						9S5 terracotta			
		FSF terracotta						9V6 cocoa			
		FSG cocoa						BCD black/stone grey			
		FSH dark grey/natural						BCE black/sand beige			
		FSJ brown/natural						BCF black/terracotta			
		BCD black/stone grey						D12 dark grey/natural			
		BCE black/sand beige						T12 brown/natural			
		BCF black/terracotta						N12 carrera red			
		FSP carrera red				(1)	997 555 981 02	door trim panel	/LL/L	10-	1 COUPE/TARGA IXVT/098/680 I981
(1)	997 555 201 29	door trim panel	/RL/L	1	-IXVT/I099/ I680/981			leather			
		leather						A11 black			
		FSA black						5X6 stone grey			
		FSB stone grey						8G2 sand beige			
		FSC sand beige						3S9 sea blue			
		FSD sea blue						9S5 terracotta			
		FSF terracotta									

Model	Year	MG	SG	Illustration	Restrictions	UPD	22:39	24.01.2010	PORSCHE	PET	PORSCHE
997-2	2010	8	07	807-10		248					

Pos	Part Number	Description	Remark	Qty	Model	Pos	Part Number	Description	Remark	Qty	Model		
		9V6 cocoa						9V6 cocoa					
		BCD black/stone grey						BCD black/stone grey					
		BCE black/sand beige						BCE black/sand beige					
		BCF black/terracotta						BCF black/terracotta					
		D12 dark grey/natural						D12 dark grey/natural					
		T12 brown/natural						T12 brown/natural					
		N12 carrera red						N12 carrera red					
(1)	997 555 981 03	door trim panel	/LL/L	10-	1	COUPE/TARGA IXVT/537/680 I981	(1)	997 555 981 05	door trim panel	/LL/L	10-	1	CABRIO IXVT/490/537 I981
		leather						leather					
		A11 black						A11 black					
		5X6 stone grey						5X6 stone grey					
		8G2 sand beige						8G2 sand beige					
		3S9 sea blue						3S9 sea blue					
		9S5 terracotta						9S5 terracotta					
		9V6 cocoa						9V6 cocoa					
		BCD black/stone grey						BCD black/stone grey					
		BCE black/sand beige						BCE black/sand beige					
		BCF black/terracotta						BCF black/terracotta					
		D12 dark grey/natural						D12 dark grey/natural					
		T12 brown/natural						T12 brown/natural					
		N12 carrera red						N12 carrera red					
(1)	997 555 981 04	door trim panel	/LL/L	10-	1	CABRIO IXVT/098/490 I981	(1)	997 555 981 06	door trim panel	/LL/L	10-	1	CABRIO IXVT/098/680 I981
		leather						leather					
		A11 black						A11 black					
		5X6 stone grey						5X6 stone grey					
		8G2 sand beige						8G2 sand beige					
		3S9 sea blue						3S9 sea blue					
		9S5 terracotta						9S5 terracotta					

Model	Year	MG	SG	Illustration	Restrictions	UPD	22:39	24.01.2010	PORSCHE	PET	PORSCHE
997-2	2010	8	07	807-10		248					

Pos	Part Number	Description	Remark	Qty	Model	Pos	Part Number	Description	Remark	Qty	Model		
	9V6	cocoa					9V6	cocoa					
	BCD	black/stone grey					BCD	black/stone grey					
	BCE	black/sand beige					BCE	black/sand beige					
	BCF	black/terracotta					BCF	black/terracotta					
	D12	dark grey/natural					D12	dark grey/natural					
	T12	brown/natural					T12	brown/natural					
	N12	carrera red					N12	carrera red					
(1)	997 555 981 07	door trim panel	/LL/L	10-	1	CABRIO IXVT/537/680 I981	(1)	997 555 982 09	door trim panel	/LL/R	10-	1	IXVT/098/680 I981
		leather						leather					
	A11	black					A11	black					
	5X6	stone grey					5X6	stone grey					
	8G2	sand beige					8G2	sand beige					
	3S9	sea blue					3S9	sea blue					
	9S5	terracotta					9S5	terracotta					
	9V6	cocoa					9V6	cocoa					
	BCD	black/stone grey					BCD	black/stone grey					
	BCE	black/sand beige					BCE	black/sand beige					
	BCF	black/terracotta					BCF	black/terracotta					
	D12	dark grey/natural					D12	dark grey/natural					
	T12	brown/natural					T12	brown/natural					
	N12	carrera red					N12	carrera red					
(1)	997 555 982 08	door trim panel	/LL/R	10-	1	IXVT/098/490 I981	(1)	997 555 982 00	door trim panel	/RL/R	10-	1	COUPE/TARGA IXVT/099/490 I981
		leather						leather					
	A11	black					A11	black					
	5X6	stone grey					5X6	stone grey					
	8G2	sand beige					8G2	sand beige					
	3S9	sea blue					3S9	sea blue					
	9S5	terracotta					9S5	terracotta					

Model	Year	MG	SG	Illustration	Restrictions	UPD	22:39	24.01.2010	PORSCHE	PET	PORSCHE
997-2	2010	8	07	807-10		248					

Pos	Part Number	Description	Remark	Qty	Model	Pos	Part Number	Description	Remark	Qty	Model		
	9V6	cocoa					9V6	cocoa					
	BCD	black/stone grey					BCD	black/stone grey					
	BCE	black/sand beige					BCE	black/sand beige					
	BCF	black/terracotta					BCF	black/terracotta					
	D12	dark grey/natural					D12	dark grey/natural					
	T12	brown/natural					T12	brown/natural					
	N12	carrera red					N12	carrera red					
(1)	997 555 982 01	door trim panel leather	/RL/R	10-	1	COUPE/TARGA IXVT/490/538 I981	(1)	997 555 982 03	door trim panel leather	/RL/R	10-	1	COUPE/TARGA IXVT/538/680 I981
	A11	black					A11	black					
	5X6	stone grey					5X6	stone grey					
	8G2	sand beige					8G2	sand beige					
	3S9	sea blue					3S9	sea blue					
	9S5	terracotta					9S5	terracotta					
	9V6	cocoa					9V6	cocoa					
	BCD	black/stone grey					BCD	black/stone grey					
	BCE	black/sand beige					BCE	black/sand beige					
	BCF	black/terracotta					BCF	black/terracotta					
	D12	dark grey/natural					D12	dark grey/natural					
	T12	brown/natural					T12	brown/natural					
	N12	carrera red					N12	carrera red					
(1)	997 555 982 02	door trim panel leather	/RL/R	10-	1	COUPE/TARGA IXVT/099/680 I981	(1)	997 555 982 04	door trim panel leather	/RL/R	10-	1	CABRIO IXVT/099/490 I981
	A11	black					A11	black					
	5X6	stone grey					5X6	stone grey					
	8G2	sand beige					8G2	sand beige					
	3S9	sea blue					3S9	sea blue					
	9S5	terracotta					9S5	terracotta					

Model	Year	MG	SG	Illustration	Restrictions	UPD	22:39	24.01.2010	PORSCHE	PET	PORSCHE
997-2	2010	8	07	807-10		248					

Pos	Part Number	Description	Remark	Qty	Model	Pos	Part Number	Description	Remark	Qty	Model		
	9V6	cocoa					9V6	cocoa					
	BCD	black/stone grey					BCD	black/stone grey					
	BCE	black/sand beige					BCE	black/sand beige					
	BCF	black/terracotta					BCF	black/terracotta					
	D12	dark grey/natural					D12	dark grey/natural					
	T12	brown/natural					T12	brown/natural					
	N12	carrera red					N12	carrera red					
(1)	997 555 982 05	door trim panel	/RL/R	10-	1	CABRIO IXVT/490/538 I981	(1)	997 555 982 07	door trim panel	/RL/R	10-	1	CABRIO IXVT/538/680 I981
		leather						leather					
	A11	black					A11	black					
	5X6	stone grey					5X6	stone grey					
	8G2	sand beige					8G2	sand beige					
	3S9	sea blue					3S9	sea blue					
	9S5	terracotta					9S5	terracotta					
	9V6	cocoa					9V6	cocoa					
	BCD	black/stone grey					BCD	black/stone grey					
	BCE	black/sand beige					BCE	black/sand beige					
	BCF	black/terracotta					BCF	black/terracotta					
	D12	dark grey/natural					D12	dark grey/natural					
	T12	brown/natural					T12	brown/natural					
	N12	carrera red					N12	carrera red					
(1)	997 555 982 06	door trim panel	/RL/R	10-	1	CABRIO IXVT/099/680 I981	(1)	997 555 981 08	door trim panel	/RL/L	10-	1	IXVT/099/490 I981
		leather						leather					
	A11	black					A11	black					
	5X6	stone grey					5X6	stone grey					
	8G2	sand beige					8G2	sand beige					
	3S9	sea blue					3S9	sea blue					
	9S5	terracotta					9S5	terracotta					

Model	Year	MG	SG	Illustration	Restrictions	UPD	22:39	24.01.2010	PORSCHE	PET	PORSCHE
997-2	2010	8	07	807-10		248					

Pos	Part Number	Description	Remark	Qty	Model	Pos	Part Number	Description	Remark	Qty	Model
	9V6	cocoa					9V6	cocoa			
	BCD	black/stone grey					BCD	black/stone grey			
	BCE	black/sand beige					BCE	black/sand beige			
	BCF	black/terracotta					BCF	black/terracotta			
	D12	dark grey/natural					D12	dark grey/natural			
	T12	brown/natural					T12	brown/natural			
	N12	carrera red					N12	carrera red			
(1)	997 555 981 09	door trim panel leather	/RL/L	10-	1 IXVT/099/680 I981	(1)	997 555 981 11	door trim panel leather	/LL/L	10-	1 COUPE/TARGA IXTL/XVT/490 I537/981
	A11	black					A11	black			
	5X6	stone grey					5X6	stone grey			
	8G2	sand beige					8G2	sand beige			
	3S9	sea blue					3S9	sea blue			
	9S5	terracotta					9S5	terracotta			
	9V6	cocoa					9V6	cocoa			
	BCD	black/stone grey					BCD	black/stone grey			
	BCE	black/sand beige					BCE	black/sand beige			
	BCF	black/terracotta					BCF	black/terracotta			
	D12	dark grey/natural					D12	dark grey/natural			
	T12	brown/natural					T12	brown/natural			
	N12	carrera red					N12	carrera red			
(1)	997 555 981 10	door trim panel leather	/LL/L	10-	1 COUPE/TARGA IXTL/XVT/098 I490/981	(1)	997 555 981 12	door trim panel leather	/LL/L	10-	1 COUPE/TARGA IXTL/XVT/098 I680/981
	A11	black					A11	black			
	5X6	stone grey					5X6	stone grey			
	8G2	sand beige					8G2	sand beige			
	3S9	sea blue					3S9	sea blue			
	9S5	terracotta					9S5	terracotta			

Model	Year	MG	SG	Illustration	Restrictions	UPD	22:39	24.01.2010	PORSCHE	PET	PORSCHE
997-2	2010	8	07	807-10		248					

Pos	Part Number	Description	Remark	Qty	Model	Pos	Part Number	Description	Remark	Qty	Model		
	9V6	cocoa					9V6	cocoa					
	BCD	black/stone grey					BCD	black/stone grey					
	BCE	black/sand beige					BCE	black/sand beige					
	BCF	black/terracotta					BCF	black/terracotta					
	D12	dark grey/natural					D12	dark grey/natural					
	T12	brown/natural					T12	brown/natural					
	N12	carrera red					N12	carrera red					
(1)	997 555 981 13	door trim panel leather	/LL/L	10-	1	COUPE/TARGA IXTL/XVT/537 I680/981	(1)	997 555 981 17	door trim panel leather	/LL/L	10-	1	CABRIO IXTL/XVT/490 I537/981
	A11	black					A11	black					
	5X6	stone grey					5X6	stone grey					
	8G2	sand beige					8G2	sand beige					
	3S9	sea blue					3S9	sea blue					
	9S5	terracotta					9S5	terracotta					
	9V6	cocoa					9V6	cocoa					
	BCD	black/stone grey					BCD	black/stone grey					
	BCE	black/sand beige					BCE	black/sand beige					
	BCF	black/terracotta					BCF	black/terracotta					
	D12	dark grey/natural					D12	dark grey/natural					
	T12	brown/natural					T12	brown/natural					
	N12	carrera red					N12	carrera red					
(1)	997 555 981 16	door trim panel leather	/LL/L	10-	1	CABRIO IXTL/XVT/098 I490/981	(1)	997 555 981 18	door trim panel leather	/LL/L	10-	1	CABRIO IXTL/XVT/098 I680/981
	A11	black					A11	black					
	5X6	stone grey					5X6	stone grey					
	8G2	sand beige					8G2	sand beige					
	3S9	sea blue					3S9	sea blue					
	9S5	terracotta					9S5	terracotta					

Model	Year	MG	SG	Illustration	Restrictions	UPD	22:39	24.01.2010	PORSCHE	PET	PORSCHE
997-2	2010	8	07	807-10		248					

Pos	Part Number	Description	Remark	Qty	Model	Pos	Part Number	Description	Remark	Qty	Model		
	9V6	cocoa					9V6	cocoa					
	BCD	black/stone grey					BCD	black/stone grey					
	BCE	black/sand beige					BCE	black/sand beige					
	BCF	black/terracotta					BCF	black/terracotta					
	D12	dark grey/natural					D12	dark grey/natural					
	T12	brown/natural					T12	brown/natural					
	N12	carrera red					N12	carrera red					
(1)	997 555 981 19	door trim panel	/LL/L	10-	1	CABRIO IXTL/XVT/537 I680/981	(1)	997 555 982 15	door trim panel	/LL/R	10-	1	IXTL/XVT/098 I680/981
		leather						leather					
	A11	black					A11	black					
	5X6	stone grey					5X6	stone grey					
	8G2	sand beige					8G2	sand beige					
	3S9	sea blue					3S9	sea blue					
	9S5	terracotta					9S5	terracotta					
	9V6	cocoa					9V6	cocoa					
	BCD	black/stone grey					BCD	black/stone grey					
	BCE	black/sand beige					BCE	black/sand beige					
	BCF	black/terracotta					BCF	black/terracotta					
	D12	dark grey/natural					D12	dark grey/natural					
	T12	brown/natural					T12	brown/natural					
	N12	carrera red					N12	carrera red					
(1)	997 555 982 14	door trim panel	/LL/R	10-	1	IXTL/XVT/098 I490/981	(1)	997 555 982 10	door trim panel	/RL/R	10-	1	COUPE/TARGA IXTL/XVT/099 I490/981
		leather						leather					
	A11	black					A11	black					
	5X6	stone grey					5X6	stone grey					
	8G2	sand beige					8G2	sand beige					
	3S9	sea blue					3S9	sea blue					
	9S5	terracotta					9S5	terracotta					

Model	Year	MG	SG	Illustration	Restrictions	UPD	22:39	24.01.2010	PORSCHE	PET	PORSCHE
997-2	2010	8	07	807-10		248					

Pos	Part Number	Description	Remark	Qty	Model	Pos	Part Number	Description	Remark	Qty	Model		
	9V6	cocoa					9V6	cocoa					
	BCD	black/stone grey					BCD	black/stone grey					
	BCE	black/sand beige					BCE	black/sand beige					
	BCF	black/terracotta					BCF	black/terracotta					
	D12	dark grey/natural					D12	dark grey/natural					
	T12	brown/natural					T12	brown/natural					
	N12	carrera red					N12	carrera red					
(1)	997 555 982 11	door trim panel leather	/RL/R	10-	1	COUPE/TARGA IXTL/XVT/490 I538/981	(1)	997 555 982 13	door trim panel leather	/RL/R	10-	1	COUPE/TARGA IXTL/XVT/538 I680/981
	A11	black					A11	black					
	5X6	stone grey					5X6	stone grey					
	8G2	sand beige					8G2	sand beige					
	3S9	sea blue					3S9	sea blue					
	9S5	terracotta					9S5	terracotta					
	9V6	cocoa					9V6	cocoa					
	BCD	black/stone grey					BCD	black/stone grey					
	BCE	black/sand beige					BCE	black/sand beige					
	BCF	black/terracotta					BCF	black/terracotta					
	D12	dark grey/natural					D12	dark grey/natural					
	T12	brown/natural					T12	brown/natural					
	N12	carrera red					N12	carrera red					
(1)	997 555 982 12	door trim panel leather	/RL/R	10-	1	COUPE/TARGA IXTL/XVT/099 I680/981	(1)	997 555 982 16	door trim panel leather	/RL/R	10-	1	CABRIO IXTL/XVT/099 I490/981
	A11	black					A11	black					
	5X6	stone grey					5X6	stone grey					
	8G2	sand beige					8G2	sand beige					
	3S9	sea blue					3S9	sea blue					
	9S5	terracotta					9S5	terracotta					

Model	Year	MG	SG	Illustration	Restrictions	UPD	22:39	24.01.2010	PORSCHE	PET	PORSCHE
997-2	2010	8	07	807-10		248					

Pos	Part Number	Description	Remark	Qty	Model	Pos	Part Number	Description	Remark	Qty	Model		
		9V6 cocoa						9V6 cocoa					
		BCD black/stone grey						BCD black/stone grey					
		BCE black/sand beige						BCE black/sand beige					
		BCF black/terracotta						BCF black/terracotta					
		D12 dark grey/natural						D12 dark grey/natural					
		T12 brown/natural						T12 brown/natural					
		N12 carrera red						N12 carrera red					
(1)	997 555 982 17	door trim panel	/RL/R	10-	1	CABRIO IXTL/XVT/490 I538/981	(1)	997 555 982 19	door trim panel	/RL/R	10-	1	CABRIO IXTL/XVT/538 I680/981
		leather						leather					
		A11 black						A11 black					
		5X6 stone grey						5X6 stone grey					
		8G2 sand beige						8G2 sand beige					
		3S9 sea blue						3S9 sea blue					
		9S5 terracotta						9S5 terracotta					
		9V6 cocoa						9V6 cocoa					
		BCD black/stone grey						BCD black/stone grey					
		BCE black/sand beige						BCE black/sand beige					
		BCF black/terracotta						BCF black/terracotta					
		D12 dark grey/natural						D12 dark grey/natural					
		T12 brown/natural						T12 brown/natural					
		N12 carrera red						N12 carrera red					
(1)	997 555 982 18	door trim panel	/RL/R	10-	1	CABRIO IXTL/XVT/099 I680/981	(1)	997 555 981 14	door trim panel	/RL/L	10-	1	IXTL/XVT/099 I490/981
		leather						leather					
		A11 black						A11 black					
		5X6 stone grey						5X6 stone grey					
		8G2 sand beige						8G2 sand beige					
		3S9 sea blue						3S9 sea blue					
		9S5 terracotta						9S5 terracotta					

Model	Year	MG	SG	Illustration	Restrictions	UPD	22:39	24.01.2010	PORSCHE	PET	PORSCHE
997-2	2010	8	07	807-10		248					

Pos	Part Number	Description	Remark	Qty	Model	Pos	Part Number	Description	Remark	Qty	Model		
	9V6	cocoa					9V6	cocoa					
	BCD	black/stone grey					BCD	black/stone grey					
	BCE	black/sand beige					BCE	black/sand beige					
	BCF	black/terracotta					BCF	black/terracotta					
	D12	dark grey/natural					D12	dark grey/natural					
	T12	brown/natural					T12	brown/natural					
	N12	carrera red					N12	carrera red					
(1)	997 555 981 15	door trim panel leather	/RL/L	10-	1	IXTL/XVT/099 I680/981	(1)	997 555 981 21	door trim panel leather	/LL/L	10-	1	COUPE/TARGA IXTT/XVT/490 I537/981
	A11	black					A11	black					
	5X6	stone grey					5X6	stone grey					
	8G2	sand beige					8G2	sand beige					
	3S9	sea blue					3S9	sea blue					
	9S5	terracotta					9S5	terracotta					
	9V6	cocoa					9V6	cocoa					
	BCD	black/stone grey					BCD	black/stone grey					
	BCE	black/sand beige					BCE	black/sand beige					
	BCF	black/terracotta					BCF	black/terracotta					
	D12	dark grey/natural					D12	dark grey/natural					
	T12	brown/natural					T12	brown/natural					
	N12	carrera red					N12	carrera red					
(1)	997 555 981 20	door trim panel leather	/LL/L	10-	1	COUPE/TARGA IXTT/XVT/098 I490/981	(1)	997 555 981 22	door trim panel leather	/LL/L	10-	1	COUPE/TARGA IXTT/XVT/098 I680/981
	A11	black					A11	black					
	5X6	stone grey					5X6	stone grey					
	8G2	sand beige					8G2	sand beige					
	3S9	sea blue					3S9	sea blue					
	9S5	terracotta					9S5	terracotta					

Model	Year	MG	SG	Illustration	Restrictions	UPD	22:39	24.01.2010	PORSCHE	PET	PORSCHE
997-2	2010	8	07	807-10		248					

Pos	Part Number	Description	Remark	Qty	Model	Pos	Part Number	Description	Remark	Qty	Model		
		9V6 cocoa						9V6 cocoa					
		BCD black/stone grey						BCD black/stone grey					
		BCE black/sand beige						BCE black/sand beige					
		BCF black/terracotta						BCF black/terracotta					
		D12 dark grey/natural						D12 dark grey/natural					
		T12 brown/natural						T12 brown/natural					
		N12 carrera red						N12 carrera red					
(1)	997 555 981 23	door trim panel	/LL/L	10-	1	COUPE/TARGA IXTT/XVT/537 I680/981	(1)	997 555 981 27	door trim panel	/LL/L	10-	1	CABRIO IXTT/XVT/490 I537/981
		leather						leather					
		A11 black						A11 black					
		5X6 stone grey						5X6 stone grey					
		8G2 sand beige						8G2 sand beige					
		3S9 sea blue						3S9 sea blue					
		9S5 terracotta						9S5 terracotta					
		9V6 cocoa						9V6 cocoa					
		BCD black/stone grey						BCD black/stone grey					
		BCE black/sand beige						BCE black/sand beige					
		BCF black/terracotta						BCF black/terracotta					
		D12 dark grey/natural						D12 dark grey/natural					
		T12 brown/natural						T12 brown/natural					
		N12 carrera red						N12 carrera red					
(1)	997 555 981 26	door trim panel	/LL/L	10-	1	CABRIO IXTT/XVT/098 I490/981	(1)	997 555 981 28	door trim panel	/LL/L	10-	1	CABRIO IXTT/XVT/098 I680/981
		leather						leather					
		A11 black						A11 black					
		5X6 stone grey						5X6 stone grey					
		8G2 sand beige						8G2 sand beige					
		3S9 sea blue						3S9 sea blue					
		9S5 terracotta						9S5 terracotta					

Model	Year	MG	SG	Illustration	Restrictions	UPD	22:39	24.01.2010	PORSCHE	PET	PORSCHE
997-2	2010	8	07	807-10		248					

Pos	Part Number	Description	Remark	Qty	Model	Pos	Part Number	Description	Remark	Qty	Model		
	9V6	cocoa					9V6	cocoa					
	BCD	black/stone grey					BCD	black/stone grey					
	BCE	black/sand beige					BCE	black/sand beige					
	BCF	black/terracotta					BCF	black/terracotta					
	D12	dark grey/natural					D12	dark grey/natural					
	T12	brown/natural					T12	brown/natural					
	N12	carrera red					N12	carrera red					
(1)	997 555 981 29	door trim panel leather	/LL/L	10-	1	CABRIO IXTT/XVT/537 I680/981	(1)	997 555 982 25	door trim panel leather	/LL/R	10-	1	IXTT/XVT/098 I680/981
	A11	black					A11	black					
	5X6	stone grey					5X6	stone grey					
	8G2	sand beige					8G2	sand beige					
	3S9	sea blue					3S9	sea blue					
	9S5	terracotta					9S5	terracotta					
	9V6	cocoa					9V6	cocoa					
	BCD	black/stone grey					BCD	black/stone grey					
	BCE	black/sand beige					BCE	black/sand beige					
	BCF	black/terracotta					BCF	black/terracotta					
	D12	dark grey/natural					D12	dark grey/natural					
	T12	brown/natural					T12	brown/natural					
	N12	carrera red					N12	carrera red					
(1)	997 555 982 24	door trim panel leather	/LL/R	10-	1	IXTT/XVT/098 I490/981	(1)	997 555 982 20	door trim panel leather	/RL/R	10-	1	COUPE/TARGA IXTT/XVT/099 I490/981
	A11	black					A11	black					
	5X6	stone grey					5X6	stone grey					
	8G2	sand beige					8G2	sand beige					
	3S9	sea blue					3S9	sea blue					
	9S5	terracotta					9S5	terracotta					

Model	Year	MG	SG	Illustration	Restrictions	UPD	22:39	24.01.2010	PORSCHE	PET	PORSCHE
997-2	2010	8	07	807-10		248					

Pos	Part Number	Description	Remark	Qty	Model	Pos	Part Number	Description	Remark	Qty	Model		
	9V6	cocoa					9V6	cocoa					
	BCD	black/stone grey					BCD	black/stone grey					
	BCE	black/sand beige					BCE	black/sand beige					
	BCF	black/terracotta					BCF	black/terracotta					
	D12	dark grey/natural					D12	dark grey/natural					
	T12	brown/natural					T12	brown/natural					
	N12	carrera red					N12	carrera red					
(1)	997 555 982 21	door trim panel leather	/RL/R	10-	1	COUPE/TARGA IXTT/XVT/490 I538/981	(1)	997 555 982 23	door trim panel leather	/RL/R	10-	1	COUPE/TARGA IXTT/XVT/538 I680/981
	A11	black					A11	black					
	5X6	stone grey					5X6	stone grey					
	8G2	sand beige					8G2	sand beige					
	3S9	sea blue					3S9	sea blue					
	9S5	terracotta					9S5	terracotta					
	9V6	cocoa					9V6	cocoa					
	BCD	black/stone grey					BCD	black/stone grey					
	BCE	black/sand beige					BCE	black/sand beige					
	BCF	black/terracotta					BCF	black/terracotta					
	D12	dark grey/natural					D12	dark grey/natural					
	T12	brown/natural					T12	brown/natural					
	N12	carrera red					N12	carrera red					
(1)	997 555 982 22	door trim panel leather	/RL/R	10-	1	COUPE/TARGA IXTT/XVT/099 I680/981	(1)	997 555 982 26	door trim panel leather	/RL/R	10-	1	CABRIO IXTT/XVT/099 I490/981
	A11	black					A11	black					
	5X6	stone grey					5X6	stone grey					
	8G2	sand beige					8G2	sand beige					
	3S9	sea blue					3S9	sea blue					
	9S5	terracotta					9S5	terracotta					

Model	Year	MG	SG	Illustration	Restrictions	UPD	22:39	24.01.2010	PORSCHE	PET	PORSCHE
997-2	2010	8	07	807-10		248					

Pos	Part Number	Description	Remark	Qty	Model	Pos	Part Number	Description	Remark	Qty	Model		
	9V6	cocoa					9V6	cocoa					
	BCD	black/stone grey					BCD	black/stone grey					
	BCE	black/sand beige					BCE	black/sand beige					
	BCF	black/terracotta					BCF	black/terracotta					
	D12	dark grey/natural					D12	dark grey/natural					
	T12	brown/natural					T12	brown/natural					
	N12	carrera red					N12	carrera red					
(1)	997 555 982 27	door trim panel	/RL/R	10-	1	CABRIO IXTT/XVT/490 I538/981	(1)	997 555 982 29	door trim panel	/RL/R	10-	1	CABRIO IXTT/XVT/538 I680/981
		leather						leather					
	A11	black					A11	black					
	5X6	stone grey					5X6	stone grey					
	8G2	sand beige					8G2	sand beige					
	3S9	sea blue					3S9	sea blue					
	9S5	terracotta					9S5	terracotta					
	9V6	cocoa					9V6	cocoa					
	BCD	black/stone grey					BCD	black/stone grey					
	BCE	black/sand beige					BCE	black/sand beige					
	BCF	black/terracotta					BCF	black/terracotta					
	D12	dark grey/natural					D12	dark grey/natural					
	T12	brown/natural					T12	brown/natural					
	N12	carrera red					N12	carrera red					
(1)	997 555 982 28	door trim panel	/RL/R	10-	1	CABRIO IXTT/XVT/099 I680/981	(1)	997 555 981 24	door trim panel	/RL/L	10-	1	IXTT/XVT/099 I490/981
		leather						leather					
	A11	black					A11	black					
	5X6	stone grey					5X6	stone grey					
	8G2	sand beige					8G2	sand beige					
	3S9	sea blue					3S9	sea blue					
	9S5	terracotta					9S5	terracotta					

Model	Year	MG	SG	Illustration	Restrictions	UPD	22:39	24.01.2010	PORSCHE	PET	PORSCHE
997-2	2010	8	07	807-10		248					

Pos	Part Number	Description	Remark	Qty	Model	Pos	Part Number	Description	Remark	Qty	Model
	9V6	cocoa					9V6	cocoa			
	BCD	black/stone grey					BCD	black/stone grey			
	BCE	black/sand beige					BCE	black/sand beige			
	BCF	black/terracotta					BCF	black/terracotta			
	D12	dark grey/natural					D12	dark grey/natural			
	T12	brown/natural					T12	brown/natural			
	N12	carrera red					N12	carrera red			
(1)	997 555 981 25	door trim panel leather	/RL/L	10-	1 IXTT/XVT/099 I680/981	(1)	997 555 981 31	door trim panel leather	/LL/L	10-	1 COUPE/TARGA IXTV/XVT/490 I537/981
	A11	black					A11	black			
	5X6	stone grey					5X6	stone grey			
	8G2	sand beige					8G2	sand beige			
	3S9	sea blue					3S9	sea blue			
	9S5	terracotta					9S5	terracotta			
	9V6	cocoa					9V6	cocoa			
	BCD	black/stone grey					BCD	black/stone grey			
	BCE	black/sand beige					BCE	black/sand beige			
	BCF	black/terracotta					BCF	black/terracotta			
	D12	dark grey/natural					D12	dark grey/natural			
	T12	brown/natural					T12	brown/natural			
	N12	carrera red					N12	carrera red			
(1)	997 555 981 30	door trim panel leather	/LL/L	10-	1 COUPE/TARGA IXTV/XVT/098 I490/981	(1)	997 555 981 32	door trim panel leather	/LL/L	10-	1 COUPE/TARGA IXTV/XVT/098 I680/981
	A11	black					A11	black			
	5X6	stone grey					5X6	stone grey			
	8G2	sand beige					8G2	sand beige			
	3S9	sea blue					3S9	sea blue			
	9S5	terracotta					9S5	terracotta			

Model	Year	MG	SG	Illustration	Restrictions	UPD	22:39	24.01.2010	PORSCHE	PET	PORSCHE
997-2	2010	8	07	807-10		248					

Pos	Part Number	Description	Remark	Qty	Model	Pos	Part Number	Description	Remark	Qty	Model		
		9V6 cocoa						9V6 cocoa					
		BCD black/stone grey						BCD black/stone grey					
		BCE black/sand beige						BCE black/sand beige					
		BCF black/terracotta						BCF black/terracotta					
		D12 dark grey/natural						D12 dark grey/natural					
		T12 brown/natural						T12 brown/natural					
		N12 carrera red						N12 carrera red					
(1)	997 555 981 33	door trim panel	/LL/L	10-	1	COUPE/TARGA IXTV/XVT/537 I680/981	(1)	997 555 981 37	door trim panel	/LL/L	10-	1	CABRIO IXTV/XVT/490 I537/981
		leather						leather					
		A11 black						A11 black					
		5X6 stone grey						5X6 stone grey					
		8G2 sand beige						8G2 sand beige					
		3S9 sea blue						3S9 sea blue					
		9S5 terracotta						9S5 terracotta					
		9V6 cocoa						9V6 cocoa					
		BCD black/stone grey						BCD black/stone grey					
		BCE black/sand beige						BCE black/sand beige					
		BCF black/terracotta						BCF black/terracotta					
		D12 dark grey/natural						D12 dark grey/natural					
		T12 brown/natural						T12 brown/natural					
		N12 carrera red						N12 carrera red					
(1)	997 555 981 36	door trim panel	/LL/L	10-	1	CABRIO IXTV/XVT/098 I490/981	(1)	997 555 981 38	door trim panel	/LL/L	10-	1	CABRIO IXTV/XVT/098 I680/981
		leather						leather					
		A11 black						A11 black					
		5X6 stone grey						5X6 stone grey					
		8G2 sand beige						8G2 sand beige					
		3S9 sea blue						3S9 sea blue					
		9S5 terracotta						9S5 terracotta					

Model	Year	MG	SG	Illustration	Restrictions	UPD	22:39	24.01.2010	PORSCHE	PET	PORSCHE
997-2	2010	8	07	807-10		248					

Pos	Part Number	Description	Remark	Qty	Model	Pos	Part Number	Description	Remark	Qty	Model		
	9V6	cocoa					9V6	cocoa					
	BCD	black/stone grey					BCD	black/stone grey					
	BCE	black/sand beige					BCE	black/sand beige					
	BCF	black/terracotta					BCF	black/terracotta					
	D12	dark grey/natural					D12	dark grey/natural					
	T12	brown/natural					T12	brown/natural					
	N12	carrera red					N12	carrera red					
(1)	997 555 981 39	door trim panel	/LL/L	10-	1	CABRIO IXTV/XVT/537 I680/981	(1)	997 555 982 35	door trim panel	/LL/R	10-	1	IXTV/XVT/098 I680/981
		leather						leather					
	A11	black					A11	black					
	5X6	stone grey					5X6	stone grey					
	8G2	sand beige					8G2	sand beige					
	3S9	sea blue					3S9	sea blue					
	9S5	terracotta					9S5	terracotta					
	9V6	cocoa					9V6	cocoa					
	BCD	black/stone grey					BCD	black/stone grey					
	BCE	black/sand beige					BCE	black/sand beige					
	BCF	black/terracotta					BCF	black/terracotta					
	D12	dark grey/natural					D12	dark grey/natural					
	T12	brown/natural					T12	brown/natural					
	N12	carrera red					N12	carrera red					
(1)	997 555 982 34	door trim panel	/LL/R	10-	1	IXTV/XVT/098 I490/981	(1)	997 555 982 30	door trim panel	/RL/R	10-	1	COUPE/TARGA IXTV/XVT/099 I490/981
		leather						leather					
	A11	black					A11	black					
	5X6	stone grey					5X6	stone grey					
	8G2	sand beige					8G2	sand beige					
	3S9	sea blue					3S9	sea blue					
	9S5	terracotta					9S5	terracotta					

Model	Year	MG	SG	Illustration	Restrictions	UPD	22:39	24.01.2010	PORSCHE	PET	PORSCHE
997-2	2010	8	07	807-10		248					

Pos	Part Number	Description	Remark	Qty	Model	Pos	Part Number	Description	Remark	Qty	Model		
	9V6	cocoa					9V6	cocoa					
	BCD	black/stone grey					BCD	black/stone grey					
	BCE	black/sand beige					BCE	black/sand beige					
	BCF	black/terracotta					BCF	black/terracotta					
	D12	dark grey/natural					D12	dark grey/natural					
	T12	brown/natural					T12	brown/natural					
	N12	carrera red					N12	carrera red					
(1)	997 555 982 31	door trim panel	/RL/R	10-	1	COUPE/TARGA IXTV/XVT/490 I538/981	(1)	997 555 982 33	door trim panel	/RL/R	10-	1	COUPE/TARGA IXTV/XVT/538 I680/981
		leather						leather					
	A11	black					A11	black					
	5X6	stone grey					5X6	stone grey					
	8G2	sand beige					8G2	sand beige					
	3S9	sea blue					3S9	sea blue					
	9S5	terracotta					9S5	terracotta					
	9V6	cocoa					9V6	cocoa					
	BCD	black/stone grey					BCD	black/stone grey					
	BCE	black/sand beige					BCE	black/sand beige					
	BCF	black/terracotta					BCF	black/terracotta					
	D12	dark grey/natural					D12	dark grey/natural					
	T12	brown/natural					T12	brown/natural					
	N12	carrera red					N12	carrera red					
(1)	997 555 982 32	door trim panel	/RL/R	10-	1	COUPE/TARGA IXTV/XVT/099 I680/981	(1)	997 555 982 36	door trim panel	/RL/R	10-	1	CABRIO IXTV/XVT/098 I680/981
		leather						leather					
	A11	black					A11	black					
	5X6	stone grey					5X6	stone grey					
	8G2	sand beige					8G2	sand beige					
	3S9	sea blue					3S9	sea blue					
	9S5	terracotta					9S5	terracotta					

Model	Year	MG	SG	Illustration	Restrictions	UPD	22:39	24.01.2010	PORSCHE	PET	PORSCHE
997-2	2010	8	07	807-10		248					

Pos	Part Number	Description	Remark	Qty	Model	Pos	Part Number	Description	Remark	Qty	Model		
	9V6	cocoa					9V6	cocoa					
	BCD	black/stone grey					BCD	black/stone grey					
	BCE	black/sand beige					BCE	black/sand beige					
	BCF	black/terracotta					BCF	black/terracotta					
	D12	dark grey/natural					D12	dark grey/natural					
	T12	brown/natural					T12	brown/natural					
	N12	carrera red					N12	carrera red					
(1)	997 555 982 37	door trim panel	/RL/R	10-	1	CABRIO IXTV/XVT/490 I538/981	(1)	997 555 982 39	door trim panel	/RL/R	10-	1	CABRIO IXTV/XVT/538 I680/981
		leather						leather					
	A11	black					A11	black					
	5X6	stone grey					5X6	stone grey					
	8G2	sand beige					8G2	sand beige					
	3S9	sea blue					3S9	sea blue					
	9S5	terracotta					9S5	terracotta					
	9V6	cocoa					9V6	cocoa					
	BCD	black/stone grey					BCD	black/stone grey					
	BCE	black/sand beige					BCE	black/sand beige					
	BCF	black/terracotta					BCF	black/terracotta					
	D12	dark grey/natural					D12	dark grey/natural					
	T12	brown/natural					T12	brown/natural					
	N12	carrera red					N12	carrera red					
(1)	997 555 982 38	door trim panel	/RL/R	10-	1	CABRIO IXTV/XVT/099 I680/981	(1)	997 555 981 34	door trim panel	/RL/L	10-	1	IXTV/XVT/099 I490/981
		leather						leather					
	A11	black					A11	black					
	5X6	stone grey					5X6	stone grey					
	8G2	sand beige					8G2	sand beige					
	3S9	sea blue					3S9	sea blue					
	9S5	terracotta					9S5	terracotta					

Model	Year	MG	SG	Illustration	Restrictions	UPD	22:39	24.01.2010	PORSCHE	PET	PORSCHE
997-2	2010	8	07	807-10		248					

Pos	Part Number	Description	Remark	Qty	Model	Pos	Part Number	Description	Remark	Qty	Model		
	9V6	cocoa					9V6	cocoa					
	BCD	black/stone grey					BCD	black/stone grey					
	BCE	black/sand beige					BCE	black/sand beige					
	BCF	black/terracotta					BCF	black/terracotta					
	D12	dark grey/natural					D12	dark grey/natural					
	T12	brown/natural					T12	brown/natural					
	N12	carrera red					N12	carrera red					
(1)	997 555 981 35	door trim panel leather	/RL/L	10-	1	IXTV/XVT/099 I680/981	(1)	997 555 981 41	door trim panel leather	/LL/L	10-	1	COUPE/TARGA IXTW/XVT/490 I537/981
	A11	black					A11	black					
	5X6	stone grey					5X6	stone grey					
	8G2	sand beige					8G2	sand beige					
	3S9	sea blue					3S9	sea blue					
	9S5	terracotta					9S5	terracotta					
	9V6	cocoa					9V6	cocoa					
	BCD	black/stone grey					BCD	black/stone grey					
	BCE	black/sand beige					BCE	black/sand beige					
	BCF	black/terracotta					BCF	black/terracotta					
	D12	dark grey/natural					D12	dark grey/natural					
	T12	brown/natural					T12	brown/natural					
	N12	carrera red					N12	carrera red					
(1)	997 555 981 40	door trim panel leather	/LL/L	10-	1	COUPE/TARGA IXTW/XVT/098 I490/981	(1)	997 555 981 42	door trim panel leather	/LL/L	10-	1	COUPE/TARGA IXTW/XVT/098 I680/981
	A11	black					A11	black					
	5X6	stone grey					5X6	stone grey					
	8G2	sand beige					8G2	sand beige					
	3S9	sea blue					3S9	sea blue					
	9S5	terracotta					9S5	terracotta					

Model	Year	MG	SG	Illustration	Restrictions	UPD	22:39	24.01.2010	PORSCHE	PET	PORSCHE
997-2	2010	8	07	807-10		248					

Pos	Part Number	Description	Remark	Qty	Model	Pos	Part Number	Description	Remark	Qty	Model		
		9V6 cocoa						9V6 cocoa					
		BCD black/stone grey						BCD black/stone grey					
		BCE black/sand beige						BCE black/sand beige					
		BCF black/terracotta						BCF black/terracotta					
		D12 dark grey/natural						D12 dark grey/natural					
		T12 brown/natural						T12 brown/natural					
		N12 carrera red						N12 carrera red					
(1)	997 555 981 43	door trim panel	/LL/L	10-	1	COUPE/TARGA IXTW/XVT/537 I680/981	(1)	997 555 981 47	door trim panel	/LL/L	10-	1	CABRIO IXTW/XVT/490 I537/981
		leather						leather					
		A11 black						A11 black					
		5X6 stone grey						5X6 stone grey					
		8G2 sand beige						8G2 sand beige					
		3S9 sea blue						3S9 sea blue					
		9S5 terracotta						9S5 terracotta					
		9V6 cocoa						9V6 cocoa					
		BCD black/stone grey						BCD black/stone grey					
		BCE black/sand beige						BCE black/sand beige					
		BCF black/terracotta						BCF black/terracotta					
		D12 dark grey/natural						D12 dark grey/natural					
		T12 brown/natural						T12 brown/natural					
		N12 carrera red						N12 carrera red					
(1)	997 555 981 46	door trim panel	/LL/L	10-	1	CABRIO IXTW/XVT/098 I490/981	(1)	997 555 981 48	door trim panel	/LL/L	10-	1	CABRIO IXTW/XVT/098 I680/981
		leather						leather					
		A11 black						A11 black					
		5X6 stone grey						5X6 stone grey					
		8G2 sand beige						8G2 sand beige					
		3S9 sea blue						3S9 sea blue					
		9S5 terracotta						9S5 terracotta					

Model	Year	MG	SG	Illustration	Restrictions	UPD	22:39	24.01.2010	PORSCHE	PET	PORSCHE
997-2	2010	8	07	807-10		248					

Pos	Part Number	Description	Remark	Qty	Model	Pos	Part Number	Description	Remark	Qty	Model		
	9V6	cocoa					9V6	cocoa					
	BCD	black/stone grey					BCD	black/stone grey					
	BCE	black/sand beige					BCE	black/sand beige					
	BCF	black/terracotta					BCF	black/terracotta					
	D12	dark grey/natural					D12	dark grey/natural					
	T12	brown/natural					T12	brown/natural					
	N12	carrera red					N12	carrera red					
(1)	997 555 981 49	door trim panel	/LL/L	10-	1	CABRIO IXTW/XVT/537 I680/981	(1)	997 555 982 45	door trim panel	/LL/R	10-	1	IXTW/XVT/098 I680/981
		leather						leather					
	A11	black					A11	black					
	5X6	stone grey					5X6	stone grey					
	8G2	sand beige					8G2	sand beige					
	3S9	sea blue					3S9	sea blue					
	9S5	terracotta					9S5	terracotta					
	9V6	cocoa					9V6	cocoa					
	BCD	black/stone grey					BCD	black/stone grey					
	BCE	black/sand beige					BCE	black/sand beige					
	BCF	black/terracotta					BCF	black/terracotta					
	D12	dark grey/natural					D12	dark grey/natural					
	T12	brown/natural					T12	brown/natural					
	N12	carrera red					N12	carrera red					
(1)	997 555 982 44	door trim panel	/LL/R	10-	1	IXTW/XVT/098 I490/981	(1)	997 555 982 40	door trim panel	/RL/R	10-	1	COUPE/TARGA IXTW/XVT/099 I490/981
		leather						leather					
	A11	black					A11	black					
	5X6	stone grey					5X6	stone grey					
	8G2	sand beige					8G2	sand beige					
	3S9	sea blue					3S9	sea blue					
	9S5	terracotta					9S5	terracotta					

Model	Year	MG	SG	Illustration	Restrictions	UPD	22:39	24.01.2010	PORSCHE	PET	PORSCHE
997-2	2010	8	07	807-10		248					

Pos	Part Number	Description	Remark	Qty	Model	Pos	Part Number	Description	Remark	Qty	Model		
	9V6	cocoa					9V6	cocoa					
	BCD	black/stone grey					BCD	black/stone grey					
	BCE	black/sand beige					BCE	black/sand beige					
	BCF	black/terracotta					BCF	black/terracotta					
	D12	dark grey/natural					D12	dark grey/natural					
	T12	brown/natural					T12	brown/natural					
	N12	carrera red					N12	carrera red					
(1)	997 555 982 41	door trim panel	/RL/R	10-	1	COUPE/TARGA IXTW/XVT/490 I538/981	(1)	997 555 982 43	door trim panel	/RL/R	10-	1	COUPE/TARGA IXTW/XVT/538 I680/981
		leather						leather					
	A11	black					A11	black					
	5X6	stone grey					5X6	stone grey					
	8G2	sand beige					8G2	sand beige					
	3S9	sea blue					3S9	sea blue					
	9S5	terracotta					9S5	terracotta					
	9V6	cocoa					9V6	cocoa					
	BCD	black/stone grey					BCD	black/stone grey					
	BCE	black/sand beige					BCE	black/sand beige					
	BCF	black/terracotta					BCF	black/terracotta					
	D12	dark grey/natural					D12	dark grey/natural					
	T12	brown/natural					T12	brown/natural					
	N12	carrera red					N12	carrera red					
(1)	997 555 982 42	door trim panel	/RL/R	10-	1	COUPE/TARGA IXTW/XVT/099 I680/981	(1)	997 555 982 46	door trim panel	/RL/R	10-	1	CABRIO IXTW/XVT/098 I680/981
		leather						leather					
	A11	black					A11	black					
	5X6	stone grey					5X6	stone grey					
	8G2	sand beige					8G2	sand beige					
	3S9	sea blue					3S9	sea blue					
	9S5	terracotta					9S5	terracotta					

Model	Year	MG	SG	Illustration	Restrictions	UPD	22:39	24.01.2010	PORSCHE	PET	PORSCHE
997-2	2010	8	07	807-10		248					

Pos	Part Number	Description	Remark	Qty	Model	Pos	Part Number	Description	Remark	Qty	Model		
	9V6	cocoa					9V6	cocoa					
	BCD	black/stone grey					BCD	black/stone grey					
	BCE	black/sand beige					BCE	black/sand beige					
	BCF	black/terracotta					BCF	black/terracotta					
	D12	dark grey/natural					D12	dark grey/natural					
	T12	brown/natural					T12	brown/natural					
	N12	carrera red					N12	carrera red					
(1)	997 555 982 47	door trim panel	/RL/R	10-	1	CABRIO IXTW/XVT/490 I538/981	(1)	997 555 982 49	door trim panel	/RL/R	10-	1	CABRIO IXTW/XVT/538 I680/981
		leather						leather					
	A11	black					A11	black					
	5X6	stone grey					5X6	stone grey					
	8G2	sand beige					8G2	sand beige					
	3S9	sea blue					3S9	sea blue					
	9S5	terracotta					9S5	terracotta					
	9V6	cocoa					9V6	cocoa					
	BCD	black/stone grey					BCD	black/stone grey					
	BCE	black/sand beige					BCE	black/sand beige					
	BCF	black/terracotta					BCF	black/terracotta					
	D12	dark grey/natural					D12	dark grey/natural					
	T12	brown/natural					T12	brown/natural					
	N12	carrera red					N12	carrera red					
(1)	997 555 982 48	door trim panel	/RL/R	10-	1	CABRIO IXTW/XVT/099 I680/981	(1)	997 555 981 44	door trim panel	/RL/L	10-	1	IXTW/XVT/099 I490/981
		leather						leather					
	A11	black					A11	black					
	5X6	stone grey					5X6	stone grey					
	8G2	sand beige					8G2	sand beige					
	3S9	sea blue					3S9	sea blue					
	9S5	terracotta					9S5	terracotta					

Model	Year	MG	SG	Illustration	Restrictions	UPD	22:39	24.01.2010	PORSCHE	PET	PORSCHE
997-2	2010	8	07	807-10		248					

Pos	Part Number	Description	Remark	Qty	Model	Pos	Part Number	Description	Remark	Qty	Model
	9V6	cocoa				5	997 555 221 01	lid shelf	/L	1	
	BCD	black/stone grey					FSA	black			
	BCE	black/sand beige					FSB	stone grey			
	BCF	black/terracotta					FSC	sand beige			
	D12	dark grey/natural					FSD	sea blue			
	T12	brown/natural					FSF	terracotta			
	N12	carrera red					FSG	cocoa			
(1)	997 555 981 45	door trim panel leather	/RL/L	10-	1		FSH	dark grey/natural			
	A11	black					FSJ	brown/natural			
	5X6	stone grey					FSP	carrera red			
	8G2	sand beige				(5)	997 555 222 01	lid shelf	/R	1	
	3S9	sea blue					FSA	black			
	9S5	terracotta					FSB	stone grey			
	9V6	cocoa					FSC	sand beige			
	BCD	black/stone grey					FSD	sea blue			
	BCE	black/sand beige					FSF	terracotta			
	BCF	black/terracotta					FSG	cocoa			
	D12	dark grey/natural					FSH	dark grey/natural			
	T12	brown/natural					FSJ	brown/natural			
	N12	carrera red					FSP	carrera red			
2	999 507 533 02	clamp 8,0X 10/2,5		2		(5)	997 555 989 00	lid shelf carbon	/L	1	IXTL
3	955 555 243 00	fixing clip for mount door trim panel		9			A35	black			
4	999 073 322 02	oval-head screw M 6 X 20 for mount door trim panel		5		(5)	997 555 990 00	lid shelf carbon	/R	1	IXTL
							A35	black			
						(5)	997 555 989 02	lid shelf	/L	1	IXTT

Model	Year	MG	SG	Illustration	Restrictions	UPD	22:39	24.01.2010	PORSCHE	PET	PORSCHE
997-2	2010	8	07	807-10		248					

Pos	Part Number	Description	Remark	Qty	Model	Pos	Part Number	Description	Remark	Qty	Model
	S61	macassar					8G2	sand beige			
(5)	997 555 990 02	lid shelf	/R	1	IXTT		3S9	sea blue			
	S61	macassar					9S5	terracotta			
(5)	997 555 989 03	lid shelf	/L	1	IXTW		9V6	cocoa			
	V04	galvano silver					D12	dark grey/natural			
(5)	997 555 990 03	lid shelf	/R	1	IXTW		T12	brown/natural			
	V04	galvano silver					N12	carrera red			
6	997 555 833 00	steering knuckle spring for lid shelf	/L	1		9	999 919 229 02	oval-head screw 6,0 X 40,0 for mount handle		2	
(6)	997 555 834 00	steering knuckle spring for lid shelf	/R	1		10	997 555 381 02	axle bearing valid up to:	/L	1	
7	997 555 841 00	damper shelf		1			F	>>999S7 02384			Coupe C2
(8)	997 555 261 01	handle lower part	/L	1			F	>>999S7 15427			Coupe C2 S
	A11	black					F	>>999S7 02383			Coupe C4
	5X6	stone grey					F	>>999S7 15428			Coupe C4 S
	8G2	sand beige					F	>>999S7 36174			Cabrio C2
	3S9	sea blue					F	>>999S7 48476			Cabrio C2 S
	9S5	terracotta					F	>>999S7 40840			Cabrio C4
	9V6	cocoa					F	>>999S7 48469			Cabrio C4 S
	D12	dark grey/natural					F	>>999S7 25333			Targa C4
	T12	brown/natural					F	>>999S7 30676			Targa C4 S
(8)	997 555 262 01	handle lower part	/R	1		(10)	997 555 382 02	axle bearing valid up to:	/R	1	
	A11	black					F	>>999S7 02384			Coupe C2
	5X6	stone grey					F	>>999S7 15427			Coupe C2 S
	8G2	sand beige					F	>>999S7 02383			Coupe C4
	3S9	sea blue					F	>>999S7 15428			Coupe C4 S
	9S5	terracotta					F	>>999S7 36174			Cabrio C2
	9V6	cocoa					F	>>999S7 48476			Cabrio C2 S
	D12	dark grey/natural					F	>>999S7 40840			Cabrio C4
	T12	brown/natural					F	>>999S7 48469			Cabrio C4 S
	N12	carrera red					F	>>999S7 25333			Targa C4
							F	>>999S7 30676			Targa C4 S

Model	Year	MG	SG	Illustration	Restrictions	UPD	22:39	24.01.2010	PORSCHE	PET	PORSCHE
997-2	2010	8	07	807-10		248					

Pos	Part Number	Description	Remark	Qty	Model	Pos	Part Number	Description	Remark	Qty	Model
(10)	997 555 381 03	axle bearing valid from: F 999S7 02385>> F 999S7 15428>> F 999S7 02384>> F 999S7 15429>> F 999S7 36175 >> F 999S7 48477 >> F 999S7 40841 >> F 999S7 48470 >> F 999S7 25334 >> F 999S7 30677 >>	/L	1	Coupe C2 Coupe C2 S Coupe C4 Coupe C4 S Cabrio C2 Cabrio C2 S Cabrio C4 Cabrio C4 S Targa C4 Targa C4 S	(14)	997 555 684 00	cap airbag	/R	1	
(10)	997 555 382 03	axle bearing valid from: F 999S7 02385>> F 999S7 15428>> F 999S7 02384>> F 999S7 15429>> F 999S7 36175 >> F 999S7 48477 >> F 999S7 40841 >> F 999S7 48470 >> F 999S7 25334 >> F 999S7 30677 >>	/R	1	Coupe C2 Coupe C2 S Coupe C4 Coupe C4 S Cabrio C2 Cabrio C2 S Cabrio C4 Cabrio C4 S Targa C4 Targa C4 S						
11	999 919 164 09	oval-head screw 5 X 12 for mount axle bearing		3							
12	997 555 461 01	lever door opener V05 galvano silver	/L	1							
(12)	997 555 462 01	lever door opener V05 galvano silver	/R	1							
13	999 919 164 09	oval-head screw 5 X 12 for mount lever door opener		1							
14	997 555 683 00	cap airbag A03 black 5V7 stone grey 5Z1 sand beige	/L	1		(15)	997 555 644 01	cover front lacquered A03 black 5V7 stone grey	/R	1	

Model	Year	MG	SG	Illustration	Restrictions	UPD	22:39	24.01.2010	PORSCHE	PET	PORSCHE
997-2	2010	8	07	807-10		248					

Pos	Part Number	Description	Remark	Qty	Model	Pos	Part Number	Description	Remark	Qty	Model
	5Z1	sand beige				16	997 555 431 01	cover door handle	/L	1	
	8W7	sea blue					FSA	black			
	8X8	terracotta					FSB	stone grey			
	8P9	cocoa					FSC	sand beige			
	T13	brown/natural					FSD	sea blue			
	N23	carrera red					FSF	terracotta			
(15)	997 555 643 02	cover front leather	/L	10-	1 IXVT		FSG	cocoa			
	A11	black					FSH	dark grey/natural			
	5X6	stone grey					FSJ	brown/natural			
	8G2	sand beige					FSP	carrera red			
	3S9	sea blue				(16)	997 555 432 01	cover door handle	/R	1	
	9S5	terracotta					FSA	black			
	9V6	cocoa					FSB	stone grey			
	D12	dark grey/natural					FSC	sand beige			
	T12	brown/natural					FSD	sea blue			
	N12	carrera red					FSF	terracotta			
(15)	997 555 644 02	cover front leather	/R	10-	1 IXVT		FSG	cocoa			
	A11	black					FSH	dark grey/natural			
	5X6	stone grey					FSJ	brown/natural			
	8G2	sand beige					FSP	carrera red			
	3S9	sea blue				(16)	997 555 991 00	cover door handle carbon	/L	1	IXTL
	9S5	terracotta					A11	black			
	9V6	cocoa					5X6	stone grey			
	D12	dark grey/natural					8G2	sand beige			
	T12	brown/natural					3S9	sea blue			
	N12	carrera red					9S5	terracotta			
							9V6	cocoa			

Model	Year	MG	SG	Illustration	Restrictions	UPD	22:39	24.01.2010	PORSCHE	PET	PORSCHE
997-2	2010	8	07	807-10		248					

Pos	Part Number	Description	Remark	Qty	Model	Pos	Part Number	Description	Remark	Qty	Model	
(16)	997 555 992 00	D12	dark grey/natural	/R	1	IXTL	(16)	8G2	sand beige	/L	1	IXTW
		T12	brown/natural					3S9	sea blue			
		N12	carrera red					9S5	terracotta			
			cover					9V6	cocoa			
			door handle					D12	dark grey/natural			
			carbon					T12	brown/natural			
		A11	black					N12	carrera red			
		5X6	stone grey						cover			
		8G2	sand beige						door handle			
		3S9	sea blue						aluminium look			
(16)	997 555 991 02	9S5	terracotta	/L	1	IXTT	(16)	A11	black	/R	1	IXTW
		9V6	cocoa					5X6	stone grey			
		D12	dark grey/natural					8G2	sand beige			
		T12	brown/natural					3S9	sea blue			
		N12	carrera red					9S5	terracotta			
			cover					9V6	cocoa			
			door handle					D12	dark grey/natural			
			macassar					T12	brown/natural			
		A11	black					N12	carrera red			
		5X6	stone grey						cover			
(16)	997 555 992 02	8G2	sand beige	/R	1	IXTT	(16)	997 555 992 03	cover	/R	1	IXTW
		3S9	sea blue						door handle			
		9S5	terracotta						aluminium look			
		9V6	cocoa					A11	black			
		D12	dark grey/natural					5X6	stone grey			
		T12	brown/natural					8G2	sand beige			
		N12	carrera red					3S9	sea blue			
			cover					9S5	terracotta			
			door handle					9V6	cocoa			
			macassar					D12	dark grey/natural			
A11	black	T12	brown/natural									
5X6	stone grey	N12	carrera red									

Model	Year	MG	SG	Illustration	Restrictions	UPD	22:39	24.01.2010	PORSCHE	PET	PORSCHE
997-2	2010	8	07	807-10		248					

Pos	Part Number	Description	Remark	Qty	Model	Pos	Part Number	Description	Remark	Qty	Model
17	999 591 380 01	cable clamp		3			9S5	terracotta			
18	997 555 685 02	cover door mirror driver's side lacquered	/LL	1	I098		9V6	cocoa			
	A03	black					T12	brown/natural			
	5V7	stone grey				(18)	997 555 996 01	cover door mirror driver's side leather	/RL	10-	1 IXDX/099
	5Z1	sand beige					N12	carrera red			
	8W7	sea blue					A11	black			
	8X8	terracotta					5X6	stone grey			
	8P9	cocoa					8G2	sand beige			
	T13	brown/natural					3S9	sea blue			
	N23	carrera red					9S5	terracotta			
(18)	997 555 686 03	cover door mirror driver's side lacquered	/RL	1	I099		9V6	cocoa			
	A03	black					T12	brown/natural			
	5V7	stone grey				(18)	997 555 686 02	cover door mirror passenger's side lacquered	/LL		1 I098
	5Z1	sand beige					N12	carrera red			
	8W7	sea blue					A03	black			
	8X8	terracotta					5V7	stone grey			
	8P9	cocoa					5Z1	sand beige			
	T13	brown/natural					8W7	sea blue			
	N23	carrera red					8X8	terracotta			
(18)	997 555 995 00	cover door mirror driver's side leather	/LL	10-	1 IXDX/098		8P9	cocoa			
	A11	black					T13	brown/natural			
	5X6	stone grey				(18)	997 555 685 03	cover door mirror passenger's side lacquered	/RL		1 I099
	8G2	sand beige					N23	carrera red			
	3S9	sea blue					A03	black			

Model	Year	MG	SG	Illustration	Restrictions	UPD	22:39	24.01.2010	PORSCHE	PET	PORSCHE
997-2	2010	8	07	807-10		248					

Pos	Part Number	Description	Remark	Qty	Model	Pos	Part Number	Description	Remark	Qty	Model	
(18)	5V7	stone grey				19	N12	carrera red				
	5Z1	sand beige					997 555 577 00	cap handle liner		1		
	8W7	sea blue					A03	black				
	8X8	terracotta					5V7	stone grey				
	8P9	cocoa					8W7	sea blue				
	T13	brown/natural					8X8	terracotta				
	N23	carrera red					8P9	cocoa				
	997 555 996 00	cover door mirror passenger's side leather	/LL	1	IXDX/098		T13	brown/natural				
	A11	black					N23	carrera red				
	5X6	stone grey					997 555 895 00	plastic foam strip for woofer			1	
	8G2	sand beige					997 645 511 00	logo			2	I680
	3S9	sea blue					997 555 597 00	spacer lid hinge			2	
	9S5	terracotta					999 702 281 41	grommet axle bearing			1	
	9V6	cocoa					997 555 271 01	handle upper part	/L		1	
(18)	997 555 995 01	cover door mirror passenger's side leather	/RL	1	IXDX/099	FSA	black					
	A11	black				FSB	stone grey					
	5X6	stone grey				FSC	sand beige					
	8G2	sand beige				FSD	sea blue					
	3S9	sea blue				FSF	terracotta					
	9S5	terracotta				FSG	cocoa					
	9V6	cocoa				FSH	dark grey/natural					
	D12	dark grey/natural				FSJ	brown/natural					
	T12	brown/natural				FSP	carrera red					
	997 555 272 01	handle upper part				(24)	997 555 272 01	handle upper part	/R	1		
	A11	black				FSA	black					
	5X6	stone grey										
	8G2	sand beige										
	3S9	sea blue										
9S5	terracotta											
9V6	cocoa											
D12	dark grey/natural											
T12	brown/natural											

Model	Year	MG	SG	Illustration	Restrictions	UPD	22:39	24.01.2010	PORSCHE	PET	PORSCHE
997-2	2010	8	07	807-10		248					

Pos	Part Number	Description	Remark	Qty	Model	Pos	Part Number	Description	Remark	Qty	Model
	FSB	stone grey					5Z1	sand beige			
	FSC	sand beige					8W7	sea blue			
	FSD	sea blue					8X8	terracotta			
	FSF	terracotta					8P9	cocoa			
	FSG	cocoa					T13	brown/natural			
	FSH	dark grey/natural					N23	carrera red			
	FSJ	brown/natural				(25)	997 555 352 03	insert	/RL/R	1	COUPE/TARGA I099
	FSP	carrera red						handle liner lacquered			
(24)	997 555 987 00	handle upper part carbon	/L	1	IXTL		A03	black			
	A35	black					5V7	stone grey			
(24)	997 555 988 00	handle upper part carbon	/R	1	IXTL		5Z1	sand beige			
	A35	black					8W7	sea blue			
(24)	997 555 987 02	handle upper part	/L	1	IXTT		8X8	terracotta			
	S61	macassar					8P9	cocoa			
(24)	997 555 988 02	handle upper part	/R	1	IXTT	(25)	997 555 351 05	insert	/LL/L	1	CABRIO I098
	S61	macassar						handle liner lacquered			
(24)	997 555 987 03	handle upper part	/L	1	IXTW		A03	black			
	V04	galvano silver					5V7	stone grey			
(24)	997 555 988 03	handle upper part	/R	1	IXTW		5Z1	sand beige			
	V04	galvano silver					8W7	sea blue			
25	997 555 351 03	insert	/LL/L	1	COUPE/TARGA I098		8X8	terracotta			
		handle liner lacquered					8P9	cocoa			
	A03	black					T13	brown/natural			
	5V7	stone grey					N23	carrera red			

Model	Year	MG	SG	Illustration	Restrictions	UPD	22:39	24.01.2010	PORSCHE	PET	PORSCHE
997-2	2010	8	07	807-10		248					

Pos	Part Number	Description	Remark	Qty	Model	Pos	Part Number	Description	Remark	Qty	Model
(25)	997 555 352 05	insert handle liner lacquered	/RL/R	1	CABRIO I099		T13	brown/natural			
	A03	black					N23	carrera red			
	5V7	stone grey				25	997 555 985 00	insert	/LL/L	1	COUPE/TARGA IXTV/098
	5Z1	sand beige						handle liner leather			
	8W7	sea blue					A11	black			
	8X8	terracotta					5X6	stone grey			
	8P9	cocoa					8G2	sand beige			
	T13	brown/natural					3S9	sea blue			
	N23	carrera red					9S5	terracotta			
(25)	997 555 352 04	insert handle liner lacquered	/LL/R	1	I098		9V6	cocoa			
	A03	black					D12	dark grey/natural			
	5V7	stone grey					T12	brown/natural			
	5Z1	sand beige				(25)	997 555 986 01	insert	/RL/R	1	COUPE/TARGA IXTV/099
	8W7	sea blue						handle liner leather			
	8X8	terracotta					A11	black			
	8P9	cocoa					5X6	stone grey			
	T13	brown/natural					8G2	sand beige			
	N23	carrera red					3S9	sea blue			
(25)	997 555 351 04	insert handle liner lacquered	/RL/L	1	I099		9S5	terracotta			
	A03	black					9V6	cocoa			
	5V7	stone grey					D12	dark grey/natural			
	5Z1	sand beige					T12	brown/natural			
	8W7	sea blue					N12	carrera red			
	8X8	terracotta				(25)	997 555 985 01	insert	/LL/L	1	CABRIO IXTV/098
	8P9	cocoa						handle liner leather			
							A11	black			

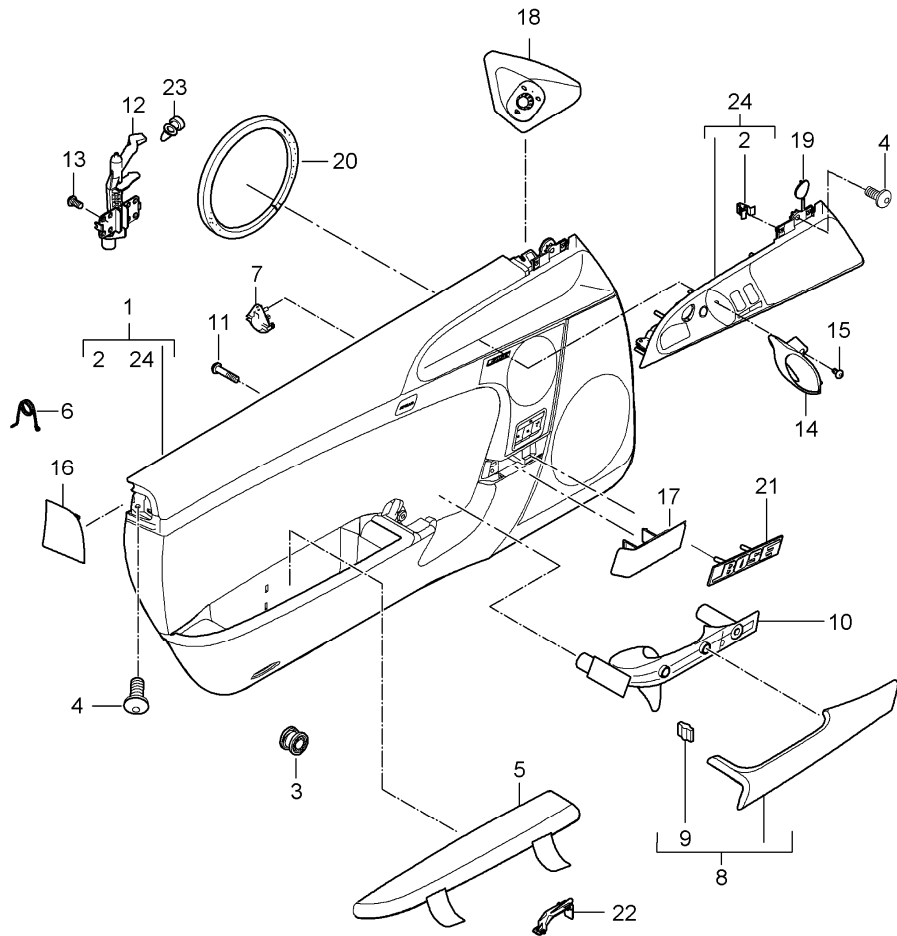
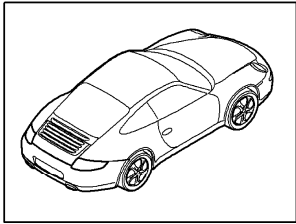
Model	Year	MG	SG	Illustration	Restrictions	UPD	22:39	24.01.2010	PORSCHE	PET	PORSCHE
997-2	2010	8	07	807-10		248					

Pos	Part Number	Description	Remark	Qty	Model	Pos	Part Number	Description	Remark	Qty	Model
	5X6	stone grey					T12	brown/natural			
	8G2	sand beige					N12	carrera red			
	3S9	sea blue				(25)	997 555 985 02	insert handle liner leather	/RL/L	1	IXTV/099
	9S5	terracotta					A11	black			
	9V6	cocoa					5X6	stone grey			
	D12	dark grey/natural					8G2	sand beige			
	T12	brown/natural					3S9	sea blue			
	N12	carrera red					9S5	terracotta			
(25)	997 555 986 02	insert handle liner leather	/RL/R	1	CABRIO IXTV/099		9V6	cocoa			
	A11	black					D12	dark grey/natural			
	5X6	stone grey					T12	brown/natural			
	8G2	sand beige					N12	carrera red			
	3S9	sea blue				25	997 555 985 03	insert handle liner carbon	/LL/L	1	COUPE/TARGA IXTL/098
	9S5	terracotta					A35	black			
	9V6	cocoa				(25)	997 555 986 04	insert handle liner carbon	/RL/R	1	COUPE/TARGA IXTL/099
	D12	dark grey/natural					A35	black			
	T12	brown/natural				(25)	997 555 985 04	insert handle liner carbon	/LL/L	1	CABRIO IXTL/098
(25)	997 555 986 00	insert handle liner leather	/LL/R	1	IXTV/098		A35	black			
	A11	black					997 555 986 05	insert handle liner carbon	/RL/R	1	CABRIO IXTL/099
	5X6	stone grey				(25)	997 555 986 05	insert handle liner carbon	/RL/R	1	CABRIO IXTL/099
	8G2	sand beige					A35	black			
	3S9	sea blue				(25)	997 555 986 03	insert handle liner carbon	/LL/R	1	IXTL/098
	9S5	terracotta									
	9V6	cocoa									
	D12	dark grey/natural									

Model	Year	MG	SG	Illustration	Restrictions	UPD	22:39	24.01.2010	PORSCHE	PET	PORSCHE
997-2	2010	8	07	807-10		248					

Pos	Part Number	Description	Remark	Qty	Model	Pos	Part Number	Description	Remark	Qty	Model
	A35	black					V04	galvano silver			
(25)	997 555 985 05	insert handle liner carbon	/RL/L	1	IXTL/099	(25)	997 555 986 14	insert handle liner	/RL/R	1	CABRIO IXTW/099
	A35	black					V04	galvano silver			
25	997 555 985 09	insert handle liner	/LL/L	1	COUPE/TARGA IXTT/098	(25)	997 555 986 12	insert handle liner	/LL/R	1	IXTW/098
	S61	macassar					V04	galvano silver			
(25)	997 555 986 10	insert handle liner	/RL/R	1	COUPE/TARGA IXTT/099	(25)	997 555 985 14	insert handle liner	/RL/L	1	IXTW/099
	S61	macassar					V04	galvano silver			
(25)	997 555 985 10	insert handle liner	/LL/L	1	CABRIO IXTT/098						
	S61	macassar									
(25)	997 555 986 11	insert handle liner	/RL/R	1	CABRIO IXTT/099						
	S61	macassar									
(25)	997 555 986 09	insert handle liner	/LL/R	1	IXTT/098						
	S61	macassar									
(25)	997 555 985 11	insert handle liner	/RL/L	1	IXTT/099						
	S61	macassar									
25	997 555 985 12	insert handle liner	/LL/L	1	COUPE/TARGA IXTW/098						
	V04	galvano silver									
(25)	997 555 986 13	insert handle liner	/RL/R	1	COUPE/TARGA IXTW/099						
	V04	galvano silver									
(25)	997 555 985 13	insert handle liner	/LL/L	1	CABRIO IXTW/098						

Model	Year	MG	SG	Illustration	Restrictions	UPD	22:39	24.01.2010	PORSCHE	PET	PORSCHE
997-2	2010	8	07	807-11		248					



Pos	Part Number	Description	Remark	Qty	Model
		door trim panel accessories		10-	COUPE S I756
(1)	997 555 983 00	door trim panel leather	/LL/L	10-	1 COUPE S IXTV/XVT/537 I680/756/981
		SCD Espresso/Light Grey			
(1)	997 555 984 01	door trim panel leather	/LL/R	10-	1 COUPE S IXTV/XVT/098 I680/756/981
		SCD Espresso/Light Grey			
(1)	997 555 984 00	door trim panel leather	/RL/R	10-	1 COUPE S IXTV/XVT/538 I680/756/981
		SCD Espresso/Light Grey			
(1)	997 555 983 01	door trim panel leather	/RL/L	10-	1 COUPE S IXTV/XVT/099 I680/756/981
		SCD Espresso/Light Grey			
2	999 507 533 02	clamp 8,0X 10/2,5		2	
3	955 555 243 00	fixing clip for mount door trim panel		9	
4	999 073 322 02	oval-head screw M 6 X 20 for mount door trim panel		5	
5	997 555 221 03	lid shelf	/L	10-	1 COUPE S I756/981
		SCA Espresso			
(5)	997 555 222 03	lid shelf	/R	10-	1 COUPE S I756/981
		SCA Espresso			

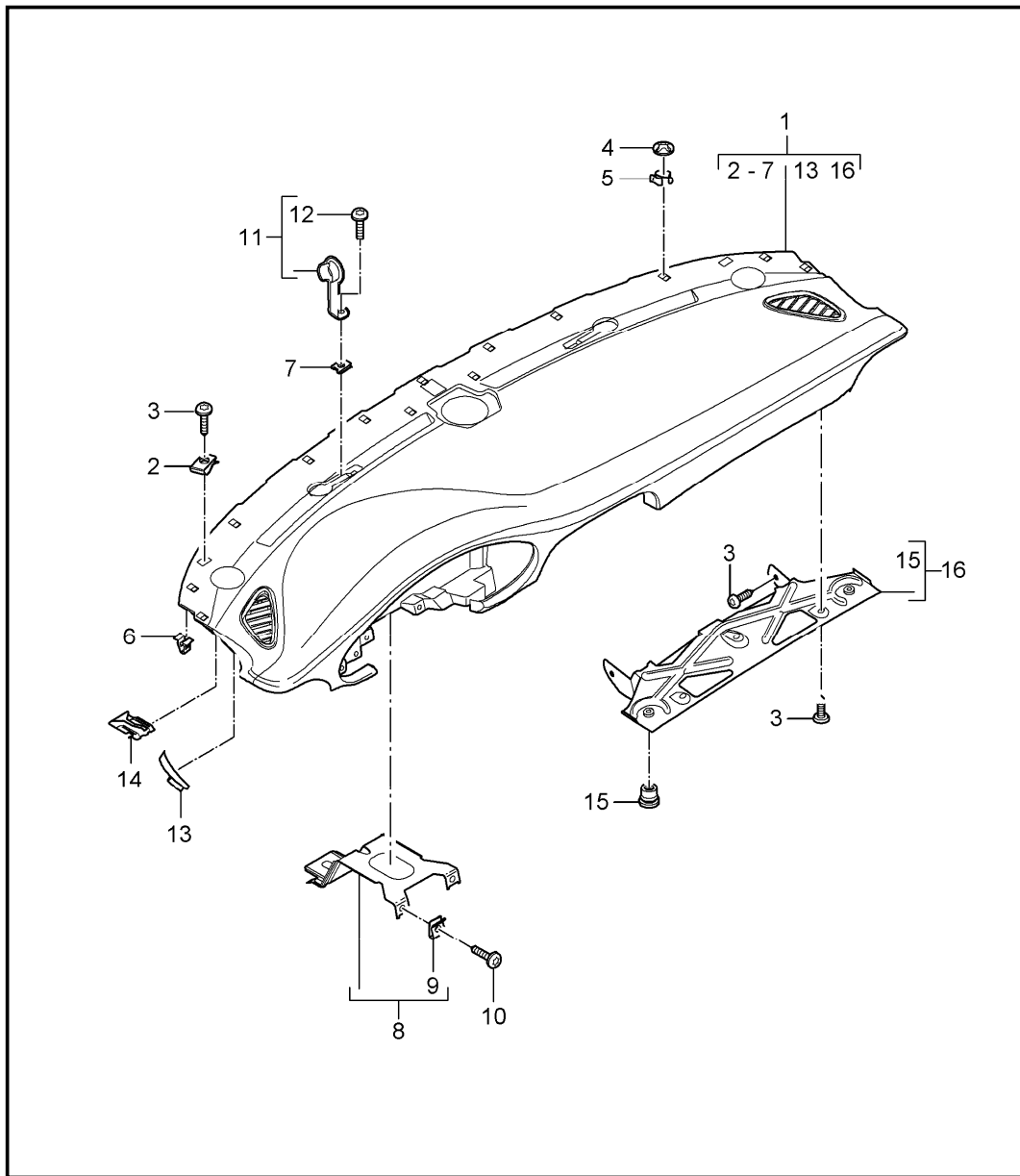
Model	Year	MG	SG	Illustration	Restrictions	UPD	22:39	24.01.2010	PORSCHE	PET	PORSCHE
997-2	2010	8	07	807-11		248					

Pos	Part Number	Description	Remark	Qty	Model	Pos	Part Number	Description	Remark	Qty	Model
6	997 555 833 00	steering knuckle spring for lid shelf	/L	1		15	999 919 164 09	oval-head screw 5 X 12 for mount lever door opener		1	
(6)	997 555 834 00	steering knuckle spring for lid shelf	/R	1		16	997 555 683 00	cap airbag	/L	10-	1 I756
7	997 555 841 00	damper shelf		1			3T0	Espresso			
8	997 555 271 03	handle upper part	/L	10-	1 COUPE S I756	(16)	997 555 684 00	cap airbag	/R	10-	1 I756
	SCA	Espresso					3T0	Espresso			
(8)	997 555 272 03	handle upper part	/R	10-	1 COUPE S I756	17	997 555 643 02	cover front leather	/L	10-	1 I756
	SCA	Espresso					6J0	Espresso			
9	999 591 380 01	cable clamp		4		(17)	997 555 644 02	cover front leather	/R	10-	1 I756
10	987 555 261 01	handle lower part	/L	10-	1 I756		6J0	Espresso			
	6J0	Espresso				20	997 555 895 00	plastic foam strip for woofer			1
(10)	987 555 262 01	handle lower part	/R	10-	1 I756	21	997 645 511 00	logo			2 I680
	6J0	Espresso				22	997 555 597 00	spacer lid hinge			2
11	999 919 229 02	oval-head screw 6,0 X 40,0 for mount handle		2		23	999 702 281 41	grommet axle bearing			1
12	997 555 381 03	axle bearing	/L	1		24	997 555 985 15	insert handle liner	/LL/L	10-	1 COUPE S IXTV/098/756
(12)	997 555 382 03	axle bearing	/R	1			6J0	Espresso			
13	999 919 164 09	oval-head screw 5 X 12 for mount axle bearing		3		(24)	997 555 986 16	insert handle liner	/RL/R	10-	1 COUPE S IXTV/099/756
							6J0	Espresso			
						(24)	997 555 986 15	insert handle liner	/LL/R	10-	1 COUPE S IXTV/098/756

Model	Year	MG	SG	Illustration	Restrictions	UPD	22:39	24.01.2010	PORSCHE	PET	PORSCHE
997-2	2010	8	07	807-11		248					

Pos	Part Number	Description	Remark	Qty	Model	Pos	Part Number	Description	Remark	Qty	Model
(24)	997 555 985 16	Espresso insert handle liner	/RL/L	10-	1						
	6J0	Espresso									
											COUPE S IXTV/099/756

Model	Year	MG	SG	Illustration	Restrictions	UPD	22:39	24.01.2010	PORSCHE	PET	PORSCHE
997-2	2010	8	09	809-00		248					



Pos	Part Number	Description	Remark	Qty	Model
		dashboard trim upper part with mounting parts	09-		
		accessories see group 8/09/01			
1	997 552 101 10	dashboard upper part leatherette 9L4 black 9M5 stone grey 9C6 sand beige 9D7 sea blue	/LL	1	I098
(1)	997 552 102 10	dashboard upper part leatherette 9L4 black 9M5 stone grey 9C6 sand beige 9D7 sea blue	/RL	1	I099
1	997 552 101 12	dashboard upper part leatherette 9L4 black 9M5 stone grey 9C6 sand beige 9D7 sea blue	/LL	1	I098/639/640
1	997 552 102 12	dashboard upper part leatherette 9L4 black 9M5 stone grey 9C6 sand beige 9D7 sea blue	/RL	1	I099/639/640

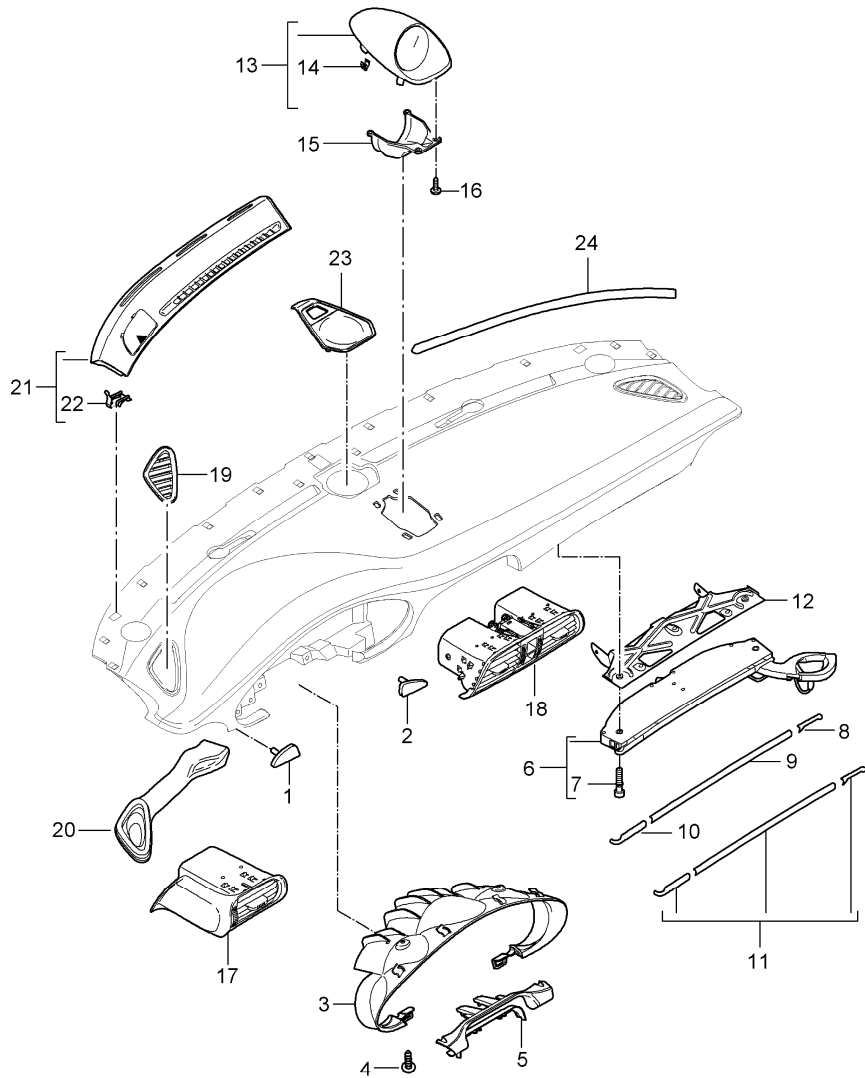
Model	Year	MG	SG	Illustration	Restrictions	UPD	22:39	24.01.2010	PORSCHE	PET	PORSCHE
997-2	2010	8	09	809-00		248					

Pos	Part Number	Description	Remark	Qty	Model	Pos	Part Number	Description	Remark	Qty	Model
1	997 552 101 11	dashboard upper part leather	/LL	1	I098/981		FSF	terracotta			
	FSA	black					FSG	cocoa			
	FSB	stone grey					FSH	dark grey/natural			
	FSC	sand beige					FSJ	brown/natural			
	FSD	sea blue					FSP	carrera red			
	FSF	terracotta				(1)	997 552 102 13	dashboard	/RL	1	I099/639/640 I981
	FSG	cocoa						upper part leather			
	FSH	dark grey/natural					FSA	black			
	FSJ	brown/natural					FSB	stone grey			
	FSP	carrera red					FSC	sand beige			
1	997 552 102 11	dashboard upper part leather	/RL	1	I099/981		FSD	sea blue			
	FSA	black					FSF	terracotta			
	FSB	stone grey					FSG	cocoa			
	FSC	sand beige					FSH	dark grey/natural			
	FSD	sea blue					FSJ	brown/natural			
	FSF	terracotta					FSP	carrera red			
	FSG	cocoa				(1)	997 552 101 14	dashboard	/LL	10-	1 COUPE S I098/639/640 I756/981
	FSH	dark grey/natural						upper part leather			
	FSJ	brown/natural					SCB	Espresso			
	FSP	carrera red				(1)	997 552 102 14	dashboard	/RL	10-	1 COUPE S I099/639/640 I756/981
1	997 552 101 13	dashboard upper part leather	/LL	1	I098/639/640 I981			upper part leather			
	FSA	black					SCB	Espresso			
	FSB	stone grey				2	999 507 971 01	speed nut ST 4,2 for mount dashboard		X	
	FSC	sand beige									
	FSD	sea blue									

Model	Year	MG	SG	Illustration	Restrictions	UPD	22:39	24.01.2010	PORSCHE	PET	PORSCHE
997-2	2010	8	09	809-00		248					

Pos	Part Number	Description	Remark	Qty	Model	Pos	Part Number	Description	Remark	Qty	Model
3	999 073 155 09	tapping screw ST 4,2 X 13 for mount dashboard		X		(15)	999 507 319 01	captive nut M 5		2	
4	999 507 106 02	clamping washer 8,0 for mount dashboard		X		(16)	997 552 360 03	retaining bracket for beverages support	/LL	1	I098
5	999 507 573 02	clamp 6,7 - 8,1 for mount dashboard		X		(16)	997 552 359 03	retaining bracket for beverages support	/RL	1	I099
6	999 507 732 01	clamp 8,0 X 12,0 /4,0 for mount dashboard		X							
7	999 507 020 01	speed nut ST 4,2 for mount dashboard		X							
8	997 552 617 01	support dashboard driver's side		1							
9	999 507 020 01	speed nut ST 4,2		2							
10	999 073 155 09	tapping screw ST 4,2 X 13		2							
11	997 552 673 00	lid defroster trim		2							
12	999 073 226 09	tapping screw ST 4,2 X 16		2							
13	997 552 481 00	insert a-pillar	/L	1							
(13)	997 552 482 00	insert a-pillar	/R	1							
14	8E0 857 117	clamp mount dashboard cowl panel		2							

Model	Year	MG	SG	Illustration	Restrictions	UPD	22:40	24.01.2010	PORSCHE	PET	PORSCHE
997-2	2010	8	09	809-01		248					



Pos	Part Number	Description	Remark	Qty	Model
		accessories dashboard trim upper part			
1	997 552 381 01	moulding driver's side outer	/LL	1	CARRERA I098
	D07	volcano grey			
(1)	997 552 382 01	moulding driver's side outer	/RL	1	CARRERA I099
	D07	volcano grey			
1	997 552 381 02	moulding driver's side outer	/LL	1	CARRERA S I098
	V04	galvano silver			
(1)	997 552 382 02	moulding driver's side outer	/RL	1	CARRERA S I099
	V04	galvano silver			
1	997 552 381 03	moulding driver's side outer	/LL	1	I098/801
	S61	macassar			
(1)	997 552 382 03	moulding driver's side outer	/RL	1	I099/801
	S61	macassar			
1	997 552 381 05	moulding driver's side outer	/LL	1	I098/803
	A35	black			
(1)	997 552 382 05	moulding driver's side outer	/RL	1	I099/803
	A35	black			

Model	Year	MG	SG	Illustration	Restrictions	UPD	22:40	24.01.2010	PORSCHE	PET	PORSCHE
997-2	2010	8	09	809-01		248					

Pos	Part Number	Description	Remark	Qty	Model	Pos	Part Number	Description	Remark	Qty	Model
1	997 552 986 00	moulding driver's side outer	/LL	1	IXVP/098	(1)	997 552 986 50	moulding driver's side outer	/LL	10-	1 IXDM/098
	A11	black					G2X	prime coated			
	5X6	stone grey				(1)	997 552 986 51	moulding driver's side outer	/RL	10-	1 IXDM/099
	8G2	sand beige					G2X	prime coated			
	3S9	sea blue				2	997 552 383 01	moulding	/LL		1 CARRERA I098
	9S5	terracotta						driver's side centre			
	9V6	cocoa					D07	volcano grey			
	D12	dark grey/natural				(2)	997 552 384 01	moulding	/RL		1 CARRERA I099
	T12	brown/natural						driver's side centre			
	N12	carrera red					D07	volcano grey			
1	997 552 986 00	moulding driver's side outer	/LL	10-	1 COUPE S IXVP/098/756	2	997 552 383 02	moulding	/LL		1 CARRERA S I098
	6J0	Espresso						driver's side centre			
(1)	997 552 986 01	moulding driver's side outer	/RL	1	IXVP/099		V04	galvano silver			
	A11	black				(2)	997 552 384 02	moulding	/RL		1 CARRERA S I099
	5X6	stone grey						driver's side centre			
	8G2	sand beige					V04	galvano silver			
	3S9	sea blue				2	997 552 383 03	moulding driver's side centre	/LL		1 I098/801
	9S5	terracotta					S61	macassar			
	9V6	cocoa				(2)	997 552 384 03	moulding driver's side centre	/RL		1 I099/801
	D12	dark grey/natural					S61	macassar			
	T12	brown/natural				2	997 552 383 05	moulding driver's side centre	/LL		1 I098/803
	N12	carrera red					A35	black			
(1)	997 552 986 01	moulding driver's side outer	/RL	10-	1 COUPE S IXVP/099/756						
	6J0	Espresso									

Model	Year	MG	SG	Illustration	Restrictions	UPD	22:40	24.01.2010	PORSCHE	PET	PORSCHE
997-2	2010	8	09	809-01		248					

Pos	Part Number	Description	Remark	Qty	Model	Pos	Part Number	Description	Remark	Qty	Model
(2)	997 552 384 05	moulding driver's side centre A35 black	/RL	1	I099/803	2	997 552 987 01	moulding driver's side centre 6J0 Espresso	/RL	10-	1 COUPE S IXVP/099/756
2	997 552 987 00	moulding driver's side centre A11 black 5X6 stone grey 8G2 sand beige 3S9 sea blue 9S5 terracotta 9V6 cocoa D12 dark grey/natural T12 brown/natural N12 carrera red	/LL	1	IXVP/098	(2)	997 552 987 50	moulding driver's side centre G2X prime coated	/LL	10-	1 IXDM/098
2	997 552 987 00	moulding driver's side centre 6J0 Espresso	/LL	10-	COUPE S IXVP/098/756	(2)	997 552 987 51	moulding driver's side centre G2X prime coated	/RL	10-	1 IXDM/099
(2)	997 552 987 01	moulding driver's side centre A11 black 5X6 stone grey 8G2 sand beige 3S9 sea blue 9S5 terracotta 9V6 cocoa D12 dark grey/natural T12 brown/natural N12 carrera red	/RL	1	IXVP/099	3	997 552 325 01	cover instrument cluster A03 black 5V7 stone grey 5Z1 sand beige 8W7 sea blue 8X8 terracotta 8P9 cocoa T13 brown/natural N23 carrera red	/LL		1 I098
						(3)	997 552 326 01	cover instrument cluster A03 black 5V7 stone grey 5Z1 sand beige 8W7 sea blue 8X8 terracotta 8P9 cocoa T13 brown/natural N23 carrera red	/RL		1 I099

Model	Year	MG	SG	Illustration	Restrictions	UPD	22:40	24.01.2010	PORSCHE	PET	PORSCHE
997-2	2010	8	09	809-01		248					

Pos	Part Number	Description	Remark	Qty	Model	Pos	Part Number	Description	Remark	Qty	Model
3	997 552 989 00	cover instrument cluster	/LL	1	IXNG/098		V04	galvano silver			
	A11	black				(3)	997 552 989 03	cover instrument cluster	/RL	1	IXCL/099
	5X6	stone grey					V04	galvano silver			
	8G2	sand beige				(3)	997 552 995 00	cover instrument cluster	/LL	10-	1 IXDP/098
	3S9	sea blue					G2X	prime coated			
	9S5	terracotta				(3)	997 552 995 01	cover instrument cluster	/RL	10-	1 IXDP/099
	9V6	cocoa					G2X	prime coated			
	D12	dark grey/natural				4	999 073 155 09	tapping screw ST 4,2 X 13			2
	T12	brown/natural				5	997 552 271 01	bridge			1 -IXNS
	N12	carrera red					A03	black			
3	997 552 989 00	cover instrument cluster	/LL	10-	1 COUPE S IXNG/098/756		5V7	stone grey			
	6J0	Espresso					5Z1	sand beige			
(3)	997 552 989 01	cover instrument cluster	/RL	1	IXNG/099		8W7	sea blue			
	A11	black					8X8	terracotta			
	5X6	stone grey					8P9	cocoa			
	8G2	sand beige					T13	brown/natural			
	3S9	sea blue					N23	carrera red			
	9S5	terracotta				5	997 552 978 00	bridge leather			1 IXNS
	9V6	cocoa					A11	black			
	D12	dark grey/natural					5X6	stone grey			
	T12	brown/natural					8G2	sand beige			
	N12	carrera red					3S9	sea blue			
3	997 552 989 01	cover instrument cluster	/RL	10-	1 COUPE S IXNG/099/756		9S5	terracotta			
	6J0	Espresso					9V6	cocoa			
3	997 552 989 02	cover instrument cluster	/LL	1	IXCL/098		D12	dark grey/natural			
							T12	brown/natural			

Model	Year	MG	SG	Illustration	Restrictions	UPD	22:40	24.01.2010	PORSCHE	PET	PORSCHE
997-2	2010	8	09	809-01		248					

Pos	Part Number	Description	Remark	Qty	Model	Pos	Part Number	Description	Remark	Qty	Model
	N12	carrera red					8G2	sand beige			
5	997 552 978 00	bridge	10-	1	COUPE S IXNS/756		3S9	sea blue			
		leather					9S5	terracotta			
	6J0	Espresso					9V6	cocoa			
6	997 552 294 03	support beverages	/LL	1	I098		D12	dark grey/natural			
6	997 552 293 04	support beverages	/RL	1	I099		T12	brown/natural			
--	997 552 905 00	repair kit flap torsion spring for beverages support		1		8	997 552 993 00	cover	LL/R	10-	1 COUPE S IXVP/098/756
						(8)	997 552 993 01	cover	/RL/R		1 IXVP/099
7	900 067 416 01	pan-head screw M5 X 27		1			A11	black			
8	997 552 394 01	cover	/LL/R	1	CARRERA I098		5X6	stone grey			
	D07	volcano grey					8G2	sand beige			
(8)	997 552 393 01	cover	/RL/R	1	CARRERA I099		3S9	sea blue			
	D07	volcano grey					9S5	terracotta			
8	997 552 394 02	cover	/LL/R	1	CARRERA S I098		9V6	cocoa			
	V04	galvano silver					D12	dark grey/natural			
(8)	997 552 393 02	cover	/RL/R	1	CARRERA S I099	8	997 552 993 01	cover	RL/R	10-	1 COUPE S IXVP/099/756
	V04	galvano silver					6J0	Espresso			
8	997 552 396 05	cover	/LL/R	1	I098/803	(8)	997 552 993 50	cover	/LL/R	10-	1 IXDM/098
	A35	black					G2X	prime coated			
(8)	997 552 395 05	cover	/RL/R	1	I099/803	(8)	997 552 993 51	cover	/RL/R	10-	1 IXDM/099
	A35	black					G2X	prime coated			
8	997 552 993 00	cover	/LL/R	1	IXVP/098	9	997 552 398 00	cover	/LL		1 CARRERA I098
	A11	black						centre			
	5X6	stone grey					D07	volcano grey			

Model	Year	MG	SG	Illustration	Restrictions	UPD	22:40	24.01.2010	PORSCHE	PET	PORSCHE
997-2	2010	8	09	809-01		248					

Pos	Part Number	Description	Remark	Qty	Model	Pos	Part Number	Description	Remark	Qty	Model
(9)	997 552 397 00	cover centre D07 volcano grey	/RL	1	CARRERA I099		A11	black			
							5X6	stone grey			
							8G2	sand beige			
9	997 552 398 01	cover centre V04 galvano silver	/LL	1	CARRERA S I098		3S9	sea blue			
							9S5	terracotta			
							9V6	cocoa			
(9)	997 552 397 01	cover centre V04 galvano silver	/RL	1	CARRERA S I099		D12	dark grey/natural			
							T12	brown/natural			
							N12	carrera red			
9	997 552 398 04	cover centre A35 black	/LL	1	I098/803	(9)	997 552 994 01	cover centre 6J0 Espresso	/RL	10-	1 COUPE S IXVP/099/756
(9)	997 552 397 04	cover centre A35 black	/RL	1	I099/803	(9)	997 552 994 50	cover centre G2X prime coated	/LL	10-	1 IXDM/098
9	997 552 994 00	cover centre A11 black 5X6 stone grey 8G2 sand beige 3S9 sea blue 9S5 terracotta 9V6 cocoa D12 dark grey/natural T12 brown/natural N12 carrera red	/LL	1	IXVP/098	(9)	997 552 994 51	cover centre G2X prime coated	/RL	10-	1 IXDM/099
						10	997 552 396 01	cover D07 volcano grey	/LL/L		1 CARRERA I098
						(10)	997 552 395 01	cover D07 volcano grey	/RL/L		1 CARRERA I099
						10	997 552 396 02	cover V04 galvano silver	/LL/L		1 CARRERA S I098
9	997 552 994 00	cover centre 6J0 Espresso	/LL	10-	1 COUPE S IXVP/098/756	(10)	997 552 395 02	cover V04 galvano silver	/RL/L		1 CARRERA S I099
(9)	997 552 994 01	cover centre	/RL	1	IXVP/099	10	997 552 394 05	cover A35 black	/LL/L		1 I098/803

Model	Year	MG	SG	Illustration	Restrictions	UPD	22:40	24.01.2010	PORSCHE	PET	PORSCHE
997-2	2010	8	09	809-01		248					

Pos	Part Number	Description	Remark	Qty	Model	Pos	Part Number	Description	Remark	Qty	Model
(10)	997 552 393 05	cover	/RL/L	1	I099/803	(10)	997 552 992 51	cover	/RL/L	10-	1 IXDM/099
	A35	black					G2X	prime coated			
10	997 552 992 00	cover	/LL/L	1	IXVP/098	11	997 552 904 00	set cover wood	/LL	1	I098/801
	A11	black					S61	macassar			
	5X6	stone grey				(11)	997 552 903 00	set cover wood	/RL	1	I099/801
	8G2	sand beige					S61	macassar			
	3S9	sea blue				12	--- --- --- --	retaining bracket for beverages support see group 8/09/00		1	
	9S5	terracotta									
	9V6	cocoa				13	997 552 371 00	air box upper part		1	I639/640
	D12	dark grey/natural					A03	black			
	T12	brown/natural					5V7	stone grey			
	N12	carrera red					5Z1	sand beige			
10	997 552 992 00	cover	/LL/L	10-	1 COUPE S IXVP/098/756		8W7	sea blue			
	6J0	Espresso				(13)	997 552 371 01	air box upper part		1	I639/640/981
(10)	997 552 992 01	cover	/RL/L	1	IXVP/099		A11	black			
	A11	black					5X6	stone grey			
	5X6	stone grey					8G2	sand beige			
	8G2	sand beige					3S9	sea blue			
	3S9	sea blue					9S5	terracotta			
	9S5	terracotta					9V6	cocoa			
	9V6	cocoa					D12	dark grey/natural			
	D12	dark grey/natural					T12	brown/natural			
	T12	brown/natural					N12	carrera red			
	N12	carrera red				10	997 552 992 01	cover	/RL/L	10-	1 COUPE S IXVP/099/756
	6J0	Espresso									
(10)	997 552 992 50	cover	/LL/L	10-	1 IXDM/098						
	G2X	prime coated									

Model	Year	MG	SG	Illustration	Restrictions	UPD	22:40	24.01.2010	PORSCHE	PET	PORSCHE
997-2	2010	8	09	809-01		248					

Pos	Part Number	Description	Remark	Qty	Model	Pos	Part Number	Description	Remark	Qty	Model		
(13)	997 552 371 01	air box		10-	1	COUPE S I639/640/756 I981		5X6	stone grey				
	6J0	Espresso						8G2	sand beige				
		upper part						3S9	sea blue				
14	999 507 920 01	u-clamp 1,7-2,1		4	1	I639/640		9S5	terracotta				
15	997 552 373 01	support for air box upper part		1	1	I639/640		9V6	cocoa				
16	999 919 167 09	oval-head screw 3,0 X 10 for mount support air box		4				D12	dark grey/natural				
								T12	brown/natural				
								N12	carrera red				
17	997 552 131 05	side vent	/L	-09	1	CARRERA	17	997 552 981 00	side vent	/L	10-	1	COUPE S IXN3/756
	D07	volcano grey						6J0	Espresso				
17	997 552 131 07	side vent	/L	10-	1	CARRERA	(17)	997 552 982 00	side vent	/R		1	IXN3
	D07	volcano grey						A11	black				
(17)	997 552 132 05	side vent	/R	-09	1	CARRERA		5X6	stone grey				
	D07	volcano grey						8G2	sand beige				
(17)	997 552 132 07	side vent	/R	10-	1	CARRERA		3S9	sea blue				
	D07	volcano grey						9S5	terracotta				
17	997 552 131 06	side vent	/L	-09	1	CARRERA S		9V6	cocoa				
	V04	galvano silver						D12	dark grey/natural				
17	997 552 131 08	side vent	/L	10-	1	CARRERA S	(17)	T12	brown/natural				
	V04	galvano silver						N12	carrera red				
(17)	997 552 132 06	side vent	/R	-09	1	CARRERA S	17	997 552 982 00	side vent	/R	10-	1	COUPE S IXN3/756
	V04	galvano silver						6J0	Espresso				
(17)	997 552 132 08	side vent	/R	10-	1	CARRERA S		997 552 981 01	side vent	/L		1	IXKD
	V04	galvano silver						A11	black				
17	997 552 981 00	side vent	/L		1	IXN3		5X6	stone grey				
	A11	black						8G2	sand beige				
								3S9	sea blue				
								9S5	terracotta				

Model	Year	MG	SG	Illustration	Restrictions	UPD	22:40	24.01.2010	PORSCHE	PET	PORSCHE
997-2	2010	8	09	809-01		248					

Pos	Part Number	Description	Remark	Qty	Model	Pos	Part Number	Description	Remark	Qty	Model
	9V6	cocoa					9S5	terracotta			
	D12	dark grey/natural					9V6	cocoa			
	T12	brown/natural					D12	dark grey/natural			
	N12	carrera red					T12	brown/natural			
(17)	997 552 982 01	side vent	/R	1	IXKD		N12	carrera red			
	A11	black				17	997 552 981 04	side vent	/L	1	IXCN
	5X6	stone grey					A11	black			
	8G2	sand beige					5X6	stone grey			
	3S9	sea blue					8G2	sand beige			
	9S5	terracotta					3S9	sea blue			
	9V6	cocoa					9S5	terracotta			
	D12	dark grey/natural					9V6	cocoa			
	T12	brown/natural					D12	dark grey/natural			
	N12	carrera red					T12	brown/natural			
17	997 552 981 03	side vent	/L	1	IXJL		N12	carrera red			
	A11	black				(17)	997 552 982 04	side vent	/R	1	IXCN
	5X6	stone grey					A11	black			
	8G2	sand beige					5X6	stone grey			
	3S9	sea blue					8G2	sand beige			
	9S5	terracotta					3S9	sea blue			
	9V6	cocoa					9S5	terracotta			
	D12	dark grey/natural					9V6	cocoa			
	T12	brown/natural					D12	dark grey/natural			
	N12	carrera red					T12	brown/natural			
(17)	997 552 982 03	side vent	/R	1	IXJL		N12	carrera red			
	A11	black				18	997 552 141 07	centre nozzle	-09	1	CARRERA
	5X6	stone grey					D07	volcano grey			
	8G2	sand beige				18	997 552 141 09	centre nozzle	10-	1	CARRERA
	3S9	sea blue					D07	volcano grey			

Model	Year	MG	SG	Illustration	Restrictions	UPD	22:40	24.01.2010	PORSCHE	PET	PORSCHE
997-2	2010	8	09	809-01		248					

Pos	Part Number	Description	Remark	Qty	Model	Pos	Part Number	Description	Remark	Qty	Model
18	997 552 141 08	centre nozzle	-09	1	CARRERA S		5X6	stone grey			
	V04	galvano silver					8G2	sand beige			
18	997 552 141 10	centre nozzle	10-	1	CARRERA S		3S9	sea blue			
	V04	galvano silver					9S5	terracotta			
(18)	997 552 980 05	centre nozzle		1	IXVM		9V6	cocoa			
	A11	black					D12	dark grey/natural			
	5X6	stone grey					T12	brown/natural			
	8G2	sand beige					N12	carrera red			
	3S9	sea blue				(18)	997 552 980 09	centre nozzle		1	IXCY
	9S5	terracotta					A11	black			
	9V6	cocoa					5X6	stone grey			
	D12	dark grey/natural					8G2	sand beige			
	T12	brown/natural					3S9	sea blue			
	N12	carrera red					9S5	terracotta			
(18)	997 552 980 05	centre nozzle	10-	1	COUPE S IXVM/756		9V6	cocoa			
	6J0	Espresso					D12	dark grey/natural			
(18)	997 552 980 06	centre nozzle		1	IXZB		T12	brown/natural			
	A11	black					N12	carrera red			
	5X6	stone grey				19	997 552 455 01	cover defroster vent	/L	1	
	8G2	sand beige					A03	black			
	3S9	sea blue					5V7	stone grey			
	9S5	terracotta					5Z1	sand beige			
	9V6	cocoa					8W7	sea blue			
	D12	dark grey/natural					8X8	terracotta			
	T12	brown/natural					8P9	cocoa			
	N12	carrera red					T13	brown/natural			
(18)	997 552 980 08	centre nozzle		1	IXJN		N23	carrera red			
	A11	black				(19)	997 552 456 01	cover defroster vent	/R	1	

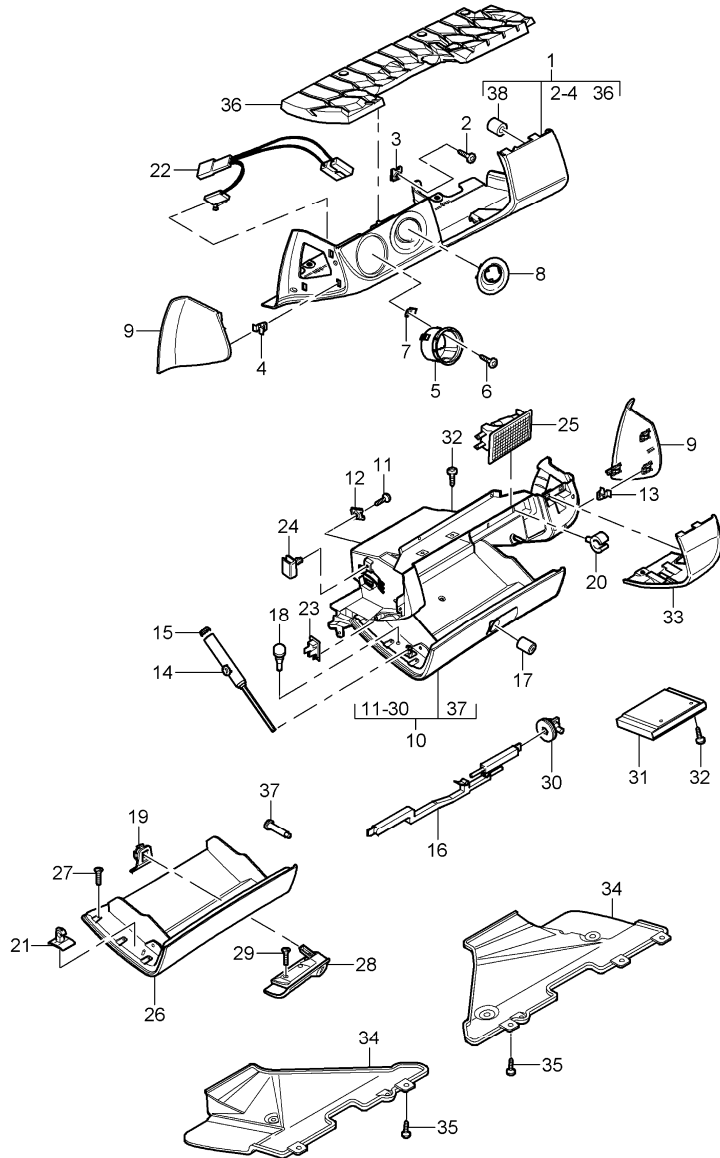
Model	Year	MG	SG	Illustration	Restrictions	UPD	22:40	24.01.2010	PORSCHE	PET	PORSCHE
997-2	2010	8	09	809-01		248					

Pos	Part Number	Description	Remark	Qty	Model	Pos	Part Number	Description	Remark	Qty	Model
	A03	black				(21)	997 552 983 00	defroster trim	/L	1	IXV1
	5V7	stone grey					A11	black			
	5Z1	sand beige					5X6	stone grey			
	8W7	sea blue					8G2	sand beige			
	8X8	terracotta					3S9	sea blue			
	8P9	cocoa					9S5	terracotta			
	T13	brown/natural					9V6	cocoa			
	N23	carrera red					D12	dark grey/natural			
20	997 552 315 02	air duct lateral	/L	1			T12	brown/natural			
(20)	997 552 316 02	air duct lateral	/R	1			N12	carrera red			
21	997 552 175 01	defroster trim	/L	1		(21)	997 552 984 00	defroster trim	/R	1	IXV1
	A03	black					A11	black			
	5V7	stone grey					5X6	stone grey			
	5Z1	sand beige					8G2	sand beige			
	8W7	sea blue					3S9	sea blue			
	8X8	terracotta					9S5	terracotta			
	8P9	cocoa					9V6	cocoa			
	T13	brown/natural					D12	dark grey/natural			
	N23	carrera red					T12	brown/natural			
(21)	997 552 176 01	defroster trim	/R	1		(21)	997 552 983 50	defroster trim	COUPE S	10-	1 /L IXV1/756
	A03	black					6J0	Espresso			
	5V7	stone grey				(21)	997 552 984 50	defroster trim	COUPE S	10-	1 /R IXV1/756
	5Z1	sand beige					6J0	Espresso			
	8W7	sea blue				22	999 591 307 01	u-clamp mount defroster trim			2
	8X8	terracotta				23	997 552 351 01	cover centre			1
	8P9	cocoa									
	T13	brown/natural									
	N23	carrera red									

Model	Year	MG	SG	Illustration	Restrictions	UPD	22:40	24.01.2010	PORSCHE	PET	PORSCHE
997-2	2010	8	09	809-01		248					

Pos	Part Number	Description	Remark	Qty	Model	Pos	Part Number	Description	Remark	Qty	Model
	A03	black									
	5V7	stone grey									
	5Z1	sand beige									
	8W7	sea blue									
	8X8	terracotta									
	8P9	cocoa									
	T13	brown/natural									
	N23	carrera red									
(23)	997 552 985 00	cover centre		1	IXV1						
	A11	black									
	5X6	stone grey									
	8G2	sand beige									
	3S9	sea blue									
	9S5	terracotta									
	9V6	cocoa									
	D12	dark grey/natural									
	T12	brown/natural									
	N12	carrera red									
(23)	997 552 985 50	cover centre	COUPE S	10-	1	IXV1/756					
	6J0	Espresso									
24	997 552 645 00	gasket cowl		1							

Model	Year	MG	SG	Illustration	Restrictions	UPD	22:40	24.01.2010	PORSCHE	PET	PORSCHE
997-2	2010	8	09	809-03		248					



Pos	Part Number	Description	Remark	Qty	Model
1	997 552 201 02	glove compartment lid and lining driver's side leatherette 1MZ black 1YP stone grey 1TK sand beige 1VM sea blue	/LL	1	I098
(1)	997 552 202 02	leatherette 1MZ black 1YP stone grey 1TK sand beige 1VM sea blue	/RL	1	I099
1	997 552 201 03	lining leather A11 black 5X6 stone grey 8G2 sand beige 3S9 sea blue 9S5 terracotta 9V6 cocoa D12 dark grey/natural T12 brown/natural N12 carrera red	/LL	1	I098/981
1	997 552 201 03	lining leather 6JU Espresso	/LL	10-	1 COUPE S I098/756/981
(1)	997 552 202 03	lining leather	/RL	1	I099/981

Model	Year	MG	SG	Illustration	Restrictions	UPD	22:40	24.01.2010	PORSCHE	PET	PORSCHE
997-2	2010	8	09	809-03		248					

Pos	Part Number	Description	Remark	Qty	Model	Pos	Part Number	Description	Remark	Qty	Model
	A11	black					T13	brown/natural			
	5X6	stone grey					N23	carrera red			
	8G2	sand beige				5	997 552 427 01	cover	10-	1	COUPE S I756
	3S9	sea blue						light switch			
	9S5	terracotta					3T0	Espresso			
	9V6	cocoa				6	999 073 155 09	tapping screw 4,2 X 13 for mount cover light switch		3	
	D12	dark grey/natural									
	T12	brown/natural									
	N12	carrera red				7	999 507 971 01	speed nut 4,2 for mount cover light switch		3	
(1)	997 552 202 03	lining leather	/RL	10-	1						COUPE S I099/756/981
	6J0	Espresso									
2	999 073 155 09	tapping screw 4,2 X 13 for mount lining			8	8	997 552 425 01	cover ignition starter lock	/LL	1	I098
3	999 507 971 01	speed nut 4,2 for mount lining			8		A03	black			
							5V7	stone grey			
							5Z1	sand beige			
							8W7	sea blue			
4	999 507 732 01	clamp 8 X 12/ 4 for mount lining			7		8X8	terracotta			
							8P9	cocoa			
5	997 552 427 01	cover light switch			1	(8)	997 552 426 01	cover ignition starter lock	/RL	1	I099
	A03	black									
	5V7	stone grey					A03	black			
	5Z1	sand beige					5V7	stone grey			
	8W7	sea blue					5Z1	sand beige			
	8X8	terracotta					8W7	sea blue			
	8P9	cocoa					8X8	terracotta			
							8P9	cocoa			

Model	Year	MG	SG	Illustration	Restrictions	UPD	22:40	24.01.2010	PORSCHE	PET	PORSCHE
997-2	2010	8	09	809-03		248					

Pos	Part Number	Description	Remark	Qty	Model	Pos	Part Number	Description	Remark	Qty	Model	
(8)	T13	brown/natural				(9)	8X8	terracotta				
	N23	carrera red					8P9	cocoa				
	997 552 998 00	cover ignition starter lock leather	/LL	09-	1		IXDS/098	T13	brown/natural			
	A11	black					N23	carrera red				
	5X6	stone grey					997 552 406 02	cover	/R		1	
	8G2	sand beige					A03	black				
	3S9	sea blue					5V7	stone grey				
	9S5	terracotta					5Z1	sand beige				
	9V6	cocoa					8W7	sea blue				
	D12	dark grey/natural					8X8	terracotta				
(8)	T12	brown/natural				8P9	cocoa					
	N12	carrera red				T13	brown/natural					
	997 552 999 00	cover ignition starter lock leather	/RL	09-	1	IXDS/099	N23	carrera red				
	A11	black				997 552 996 01	cover leather	/L	09-	1	IXDV	
	5X6	stone grey				A11	black					
	8G2	sand beige				5X6	stone grey					
	3S9	sea blue				8G2	sand beige					
	9S5	terracotta				3S9	sea blue					
	9V6	cocoa				9S5	terracotta					
	D12	dark grey/natural				9V6	cocoa					
9	T12	brown/natural				D12	dark grey/natural					
	N12	carrera red				T12	brown/natural					
	997 552 405 02	cover	/L		1	997 552 996 02	cover leather	/R	09-	1	IXDV	
	A03	black				N12	carrera red					
	5V7	stone grey				997 552 996 02	cover leather	/R	09-	1	IXDV	
	5Z1	sand beige				A11	black					
	8W7	sea blue				5X6	stone grey					
						8G2	sand beige					
						3S9	sea blue					

Model	Year	MG	SG	Illustration	Restrictions	UPD	22:40	24.01.2010	PORSCHE	PET	PORSCHE
997-2	2010	8	09	809-03		248					

Pos	Part Number	Description	Remark	Qty	Model	Pos	Part Number	Description	Remark	Qty	Model
	9S5	terracotta				(10)	997 552 203 07	glove compartment leather complete	/RL	1	I099/981
	9V6	cocoa					A11	black			
	D12	dark grey/natural					5X6	stone grey			
	T12	brown/natural					8G2	sand beige			
	N12	carrera red					3S9	sea blue			
10	997 552 204 06	glove compartment leatherette complete	/LL	1	I098		9S5	terracotta			
	1MZ	black					9V6	cocoa			
	1YP	stone grey					D12	dark grey/natural			
	1TK	sand beige					T12	brown/natural			
	1VM	sea blue					N12	carrera red			
(10)	997 552 203 06	glove compartment leatherette complete	/RL	1	I099	(10)	997 552 204 08	glove compartment leather complete	/LL	10-	I098/756/981
	1MZ	black					6J0	Espresso			
	1YP	stone grey				(10)	997 552 203 08	glove compartment leather complete	/RL	10-	I099/756/981
	1TK	sand beige					6J0	Espresso			
	1VM	sea blue									
10	997 552 204 07	glove compartment leather complete	/LL	1	I098/981	11	999 073 155 09	tapping screw 4,2 X 13 for mount glove compartment		X	
	A11	black									
	5X6	stone grey				12	999 507 971 01	speed nut 4,2 for mount glove compartment		X	
	8G2	sand beige									
	3S9	sea blue									
	9S5	terracotta				13	999 507 732 01	clamp 8 X 12 /4 for mount glove compartment		X	
	9V6	cocoa									
	D12	dark grey/natural									
	T12	brown/natural				14	997 552 484 01	damper glove compartment		1	
	N12	carrera red				15	997 552 612 00	cover damper		1	

Model	Year	MG	SG	Illustration	Restrictions	UPD	22:40	24.01.2010	PORSCHE	PET	PORSCHE
997-2	2010	8	09	809-03		248					

Pos	Part Number	Description	Remark	Qty	Model	Pos	Part Number	Description	Remark	Qty	Model
16	997 552 410 01	release glove compartment	/LL	1	I098		1VM	sea blue			
(16)	997 552 409 01	release glove compartment	/RL	1	I099	(26)	997 552 251 02	glove compartment cover leatherette	/RL	1	I099
17	996 552 915 01	lock cylinder glove compartment vehicle identification no. indicate		1			1MZ	black			
18	999 703 068 40	buffer 3,7 x 10,3 glove compartment		2			1YP	stone grey			
19	997 552 509 02	mounting closing element	/LL/L	1	I098		1TK	sand beige			
(19)	997 552 510 02	mounting closing element	/LL/R	1	I098	26	997 552 252 03	glove compartment cover leather	/LL	1	I098/981
(19)	997 552 509 03	mounting closing element	/RL/L	1	I099		A11	black			
(19)	997 552 510 03	mounting closing element	/RL/R	1	I099		5X6	stone grey			
20	996 552 813 00	support pin		2			8G2	sand beige			
21	996 552 879 00	adapter for damper		2			3S9	sea blue			
22	997 612 651 00	wiring harness glove compartment light		1		(26)	997 552 251 03	glove compartment cover leather	/RL	1	I099/981
23	999 650 564 40	clip for wiring harness microswitch		1			9S5	terracotta			
24	999 650 565 40	clip for wiring harness		1			9V6	cocoa			
25	997 632 071 00	glove compartment light		1			D12	dark grey/natural			
26	997 552 252 02	glove compartment cover leatherette	/LL	1	I098		T12	brown/natural			
	1MZ	black					N12	carrera red			
	1YP	stone grey									
	1TK	sand beige									

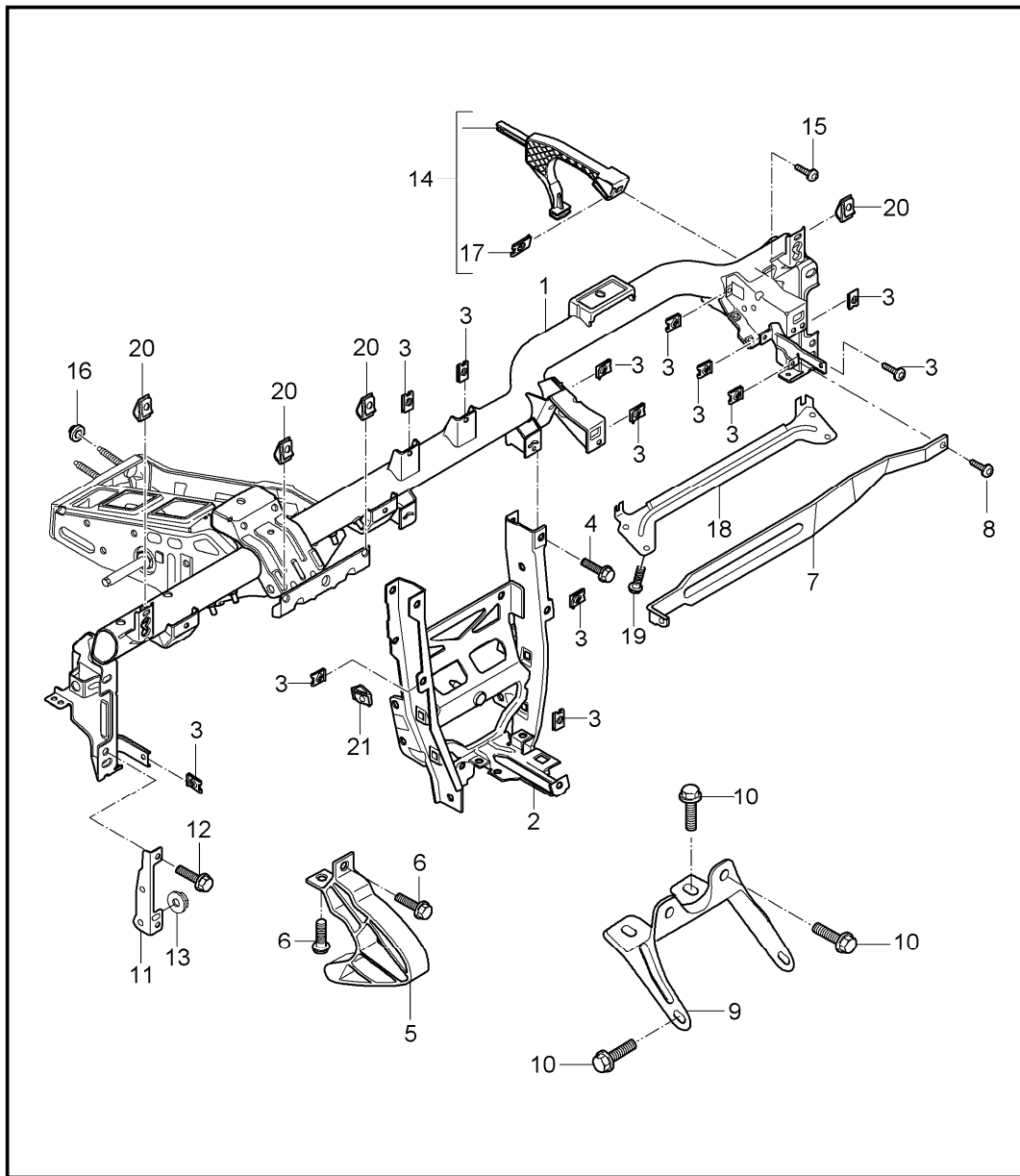
Model	Year	MG	SG	Illustration	Restrictions	UPD	22:40	24.01.2010	PORSCHE	PET	PORSCHE
997-2	2010	8	09	809-03		248					

Pos	Part Number	Description	Remark	Qty	Model	Pos	Part Number	Description	Remark	Qty	Model	
(26)	987 552 252 03	glove compartment cover leather 6J0 Espresso	/LL	10-	1	COUPE S I098/756/981		T13 brown/natural N23 carrera red				
(26)	987 552 251 02	glove compartment cover leather 6J0 Espresso	/RL	10-	1	COUPE S I099/756/981	28	997 552 361 01 handle complete 3T0 Espresso	/RL	10-	1	COUPE S I099/756
27	999 073 249 07	tapping screw 3.5 X 12 for mount glove compartment cover			11		29	999 073 240 01 screw M 4 X 10 for mount handle			2	
28	997 552 362 01	handle complete A03 black 5V7 stone grey 5Z1 sand beige 8W7 sea blue 8X8 terracotta 8P9 cocoa T13 brown/natural N23 carrera red	/LL		1	I098	30	997 552 448 00 stop			1	
28	997 552 362 01	handle complete 3T0 Espresso	/LL	10-	1	COUPE S I098/756	31	997 552 663 00 box for cds			1	I424
(28)	997 552 361 01	handle complete A03 black 5V7 stone grey 5Z1 sand beige 8W7 sea blue 8X8 terracotta 8P9 cocoa	/RL		1	I099	32	999 073 240 01 screw M 4 X 10 for mount box for cds			2	
							33	997 552 256 02 cover passenger's side leatherette 1MZ black 1YP stone grey 1TK sand beige 1VM sea blue	/LL		1	I098
							(33)	997 552 255 02 cover passenger's side leatherette 1MZ black 1YP stone grey 1TK sand beige 1VM sea blue	/RL		1	I099
							33	997 552 256 03 cover passenger's side leather A11 black 5X6 stone grey	/LL		1	I098/981

Model	Year	MG	SG	Illustration	Restrictions	UPD	22:40	24.01.2010	PORSCHE	PET	PORSCHE
997-2	2010	8	09	809-03		248					

Pos	Part Number	Description	Remark	Qty	Model	Pos	Part Number	Description	Remark	Qty	Model
	8G2	sand beige				35	1H0 819 943	screw for mount lining footwell		X	
	3S9	sea blue									
	9S5	terracotta									
	9V6	cocoa				36	997 552 451 01	insert	/LL	1	I098
	D12	dark grey/natural				36	997 552 452 01	insert	/RL	1	I099
	T12	brown/natural				37	997 552 649 01	hinge bolt glove compartment		2	
	N12	carrera red				38	997 552 821 00	grommet		3	
33	997 552 256 03	cover passenger's side leather	/LL	10-	1	COUPE S I098/756/981					
	6J0	Espresso									
(33)	997 552 255 03	cover passenger's side leather	/RL		1	I099/981					
	A11	black									
	5X6	stone grey									
	8G2	sand beige									
	3S9	sea blue									
	9S5	terracotta									
	9V6	cocoa									
	D12	dark grey/natural									
	T12	brown/natural									
	N12	carrera red									
33	997 552 255 03	cover passenger's side leather	/RL	10-	1	COUPE S I099/756/981					
	6J0	Espresso									
34	997 552 414 01	lining footwell passenger's side	/LL		1	I098					
(34)	997 552 413 01	lining footwell passenger's side	/RL		1	I099					

Model	Year	MG	SG	Illustration	Restrictions	UPD	22:40	24.01.2010	PORSCHE	PET	PORSCHE
997-2	2010	8	09	809-04		248					

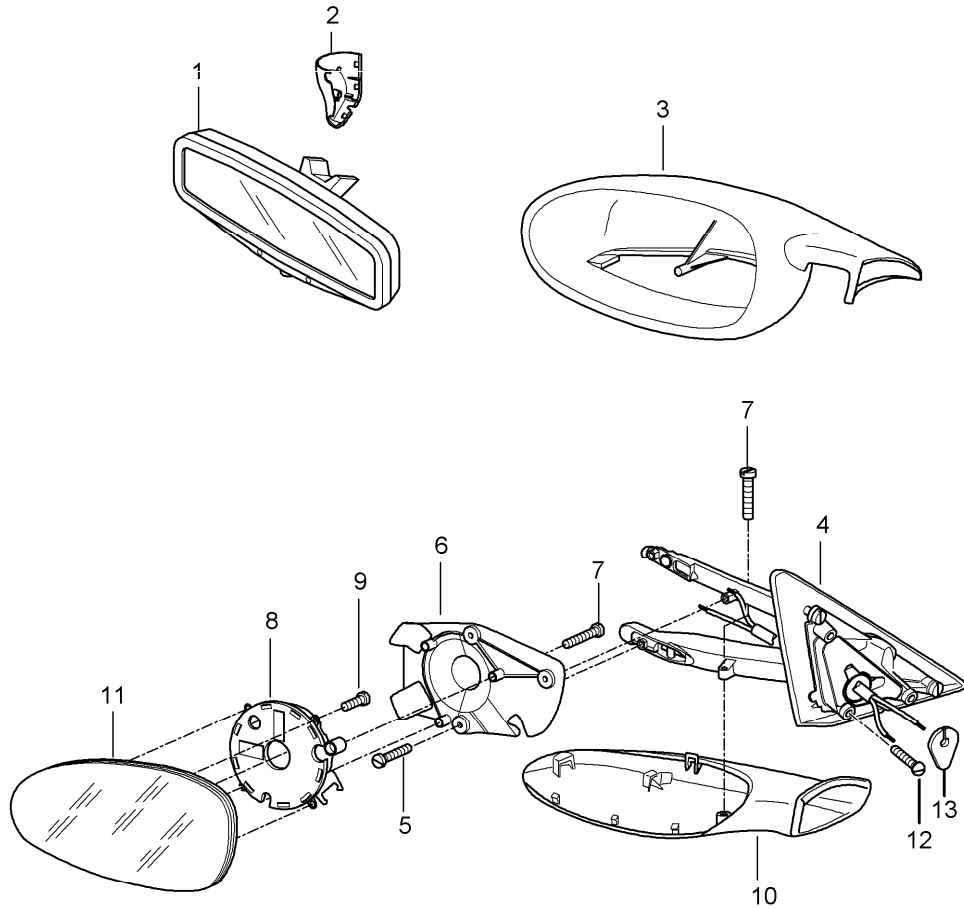
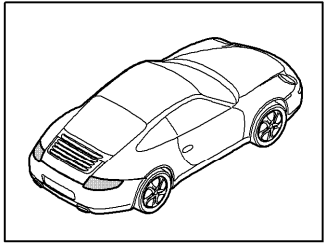


Pos	Part Number	Description	Remark	Qty	Model
1	997 552 063 08	retaining frame dashboard		1	I098
(1)	997 552 063 07	retaining frame	/LL	1	I099
2	997 552 163 05	support tunnel	/LL	1	I098
(2)	997 552 163 06	support tunnel	/RL	1	I099
3	999 507 020 01	speed nut ST 4,2		X	
4	900 378 305 01	hexagon-head bolt M 8 X 65 for mount support		2	
9	997 552 515 01	support tunnel		1	
10	999 073 442 01	screw M 6 X 25 for mount support tunnel		X	
11	997 552 407 01	support a-pillar	/L	1	
(11)	997 552 408 01	support a-pillar	/R	1	
12	900 378 176 01	hexagon-head bolt M 8 X 20 for mount support a-pillar		4	
13	999 084 630 09	hexagon nut M 8 for mount support a-pillar		4	
14	997 552 401 00	support heating		1	

Model	Year	MG	SG	Illustration	Restrictions	UPD	22:40	24.01.2010	PORSCHE	PET	PORSCHE
997-2	2010	8	09	809-04		248					

Pos	Part Number	Description	Remark	Qty	Model	Pos	Part Number	Description	Remark	Qty	Model
15	999 073 155 09	tapping screw ST 4,2 X 13 for mount support heating		1							
16	997 423 299 01	nut for adjustment retaining frame firewall		2							
17	999 507 971 01	speed nut ST 4,2 for mount support heating		1							
18	997 552 603 01	reinforcement plate support airbag		1							
19	900 378 222 09	hexagon-head bolt M 6 X 16		4							
20	999 591 850 01	speed nut ST 4,2		X							
21	999 591 951 03	speed nut ST 4,2		2							

Model	Year	MG	SG	Illustration	Restrictions	UPD	22:40	24.01.2010	PORSCHE	PET	PORSCHE
997-2	2010	8	09	809-10		248					



Pos	Part Number	Description	Remark	Qty	Model
1	997 731 511 05	interior mirror		1	I267
(1)	997 731 511 02	interior mirror		1	
	01C	satin black			
2	997 731 811 00	cover	/L	1	
	interior mirror				
	01C	satin black			
(2)	997 731 812 00	cover	/R	1	
	interior mirror				
	01C	satin black			
3	997 731 619 02	housing	/L	1	
	G2L	prime coated			
(3)	997 731 620 02	housing	/R	1	
	G2L	prime coated			
4	997 731 219 00	mirror base	/LL/L	1	I098
	G2L	prime coated			
(4)	997 731 220 00	mirror base	/LL/R	1	I098
	door mirror				
	G2L	prime coated			
(4)	997 731 219 01	mirror base	/LL/L	1	I537
	door mirror				
	G2L	prime coated			
(4)	997 731 220 01	mirror base	/LL/R	1	I537
	door mirror				
	G2L	prime coated			
(4)	997 731 219 02	mirror base	/LL/L	1	I098/267
	door mirror				
	G2L	prime coated			
(4)	997 731 220 02	mirror base	/LL/R	1	I098/267
	door mirror				
	G2L	prime coated			

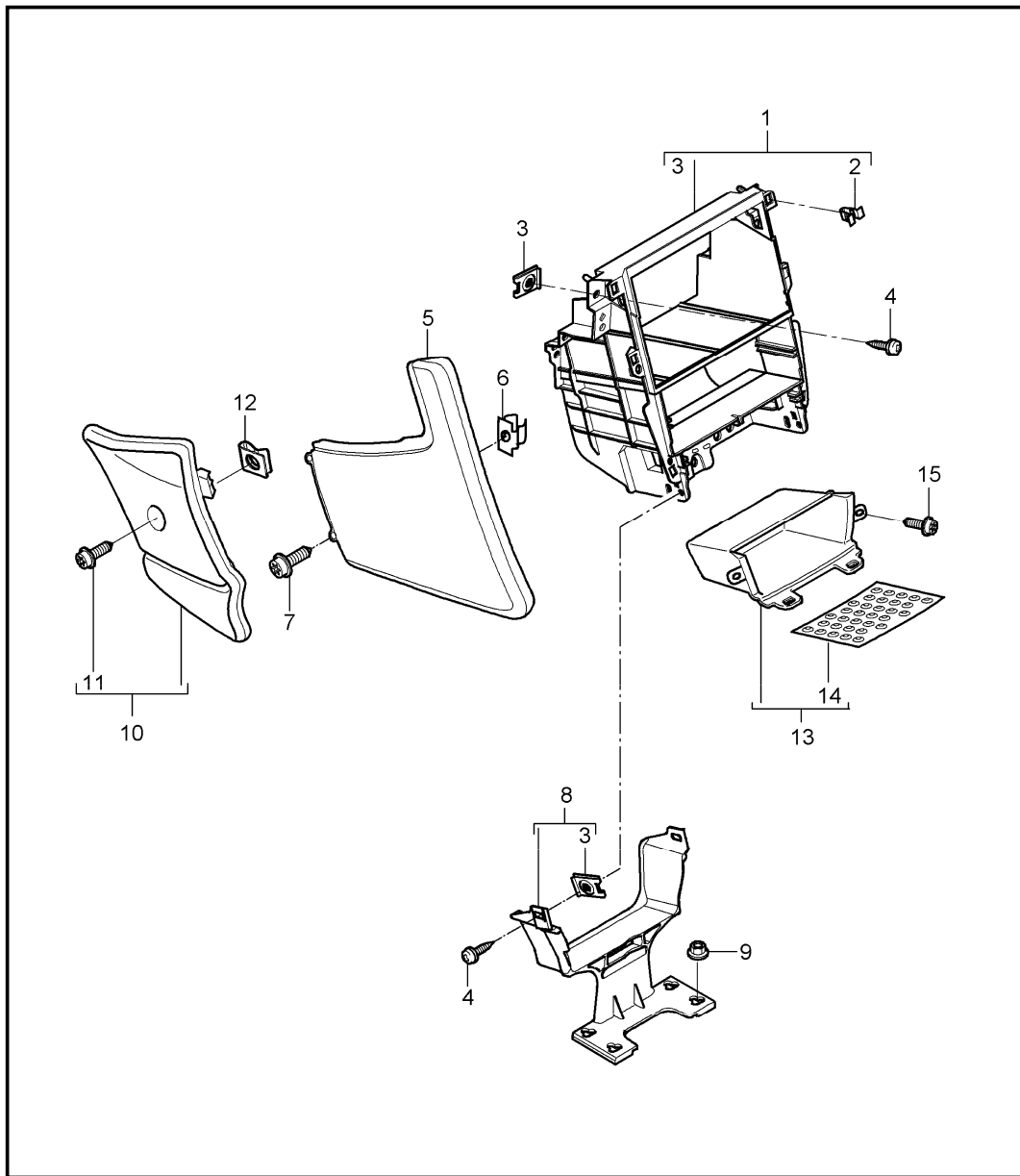
Model	Year	MG	SG	Illustration	Restrictions	UPD	22:40	24.01.2010	PORSCHE	PET	PORSCHE
997-2	2010	8	09	809-10		248					

Pos	Part Number	Description	Remark	Qty	Model	Pos	Part Number	Description	Remark	Qty	Model
(4)	997 731 219 03	mirror base door mirror	/LL/L	1	I267/537	(6)	997 731 520 00	plate door mirror	/R	1	
	G2L	prime coated				7	999 141 043 02	oval-head screw M 3 X 14		4	
(4)	997 731 220 03	mirror base door mirror	/LL/R	1	I267/537	8	997 624 047 00	adjusting motor		2	
	G2L	prime coated				(8)	997 624 048 00	adjusting motor		2	I537/538
(4)	997 731 219 04	mirror base door mirror	/RL/L	1	I099	9	999 141 043 02	oval-head screw M 3,0 X 14		3	
	G2L	prime coated				10	997 731 719 02	cover lower	/L	1	
(4)	997 731 220 04	mirror base door mirror	/RL/R	1	I099		G2L	prime coated			
	G2L	prime coated				(10)	997 731 720 02	cover lower	/R	1	
(4)	997 731 219 05	mirror base door mirror	/RL/L	1	I099/538		G2L	prime coated			
	G2L	prime coated				11	997 731 035 06	mirror glass	/LL/L	1	I098/270
(4)	997 731 220 05	mirror base door mirror	/RL/R	1	I099/538	(11)	997 731 035 08	mirror glass plane	/LL/L	1	I098/267/270
	G2L	prime coated				(11)	997 731 035 07	mirror glass aspherical	/LL/L	1	I098/271
(4)	997 731 219 06	mirror base door mirror	/RL/L	1	I099/267	(11)	997 731 035 09	mirror glass aspherical	/LL/L	1	I098/267/271
	G2L	prime coated				(11)	997 731 036 07	mirror glass	/RL/R	1	I099/271
(4)	997 731 220 06	mirror base door mirror	/RL/R	1	I099/267	(11)	997 731 036 09	mirror glass aspherical	/RL/R	1	I099/267/271
	G2L	prime coated				(11)	997 731 038 09	mirror glass	/LL/R	1	I098
(4)	997 731 219 07	mirror base door mirror	/RL/L	1	I267/538	(11)	997 731 038 10	mirror glass	/LL/R	1	I074
	G2L	prime coated				(11)	997 731 038 11	mirror glass	/LL/R	1	I215
(4)	997 731 220 07	mirror base door mirror	/RL/R	1	I267/538	(11)	997 731 038 12	mirror glass	/LL/R	1	I098/267
	G2L	prime coated				(11)	997 731 038 13	mirror glass	/LL/R	1	I074/267
5	999 919 024 09	oval-head screw 3,0 X 12		3		(11)	997 731 038 14	mirror glass convex	/LL/R	1	I215/267
6	997 731 519 00	plate door mirror	/L	1		(11)	997 731 037 03	mirror glass	/RL/L	1	I099
						(11)	997 731 037 04	mirror glass convex	/RL/L	1	I099/267

Model	Year	MG	SG	Illustration	Restrictions	UPD	22:40	24.01.2010	PORSCHE	PET	PORSCHE
997-2	2010	8	09	809-10		248					

Pos	Part Number	Description	Remark	Qty	Model	Pos	Part Number	Description	Remark	Qty	Model
(11)	997 731 038 01	mirror glass convex	/LL/R (ROK)	1							
12	999 073 345 09	lens-head screw M 5 X 18		3							
13	997 537 733 00	seal cable plug mirror base		1							

Model	Year	MG	SG	Illustration	Restrictions	UPD	22:40	24.01.2010	PORSCHE	PET	PORSCHE
997-2	2010	8	09	809-15		248					



Pos	Part Number	Description	Remark	Qty	Model
1	997 553 111 03	centre console front		1	
2	999 507 476 01	bracket centre console front		6	
3	999 507 971 01	clamp 8,0 X 10,0/2,5		X	
4	999 073 155 09	speed nut st 4,2		X	
5	997 553 117 05	tapping screw st 4,2 x 13		1	
		cover lateral leatherette	/L		
		9L4 black			
		9M5 stone grey			
		9C6 sand beige			
		9D7 sea blue			
(5)	997 553 118 05	cover lateral leatherette	/R	1	
		9L4 black			
		9M5 stone grey			
		9C6 sand beige			
		9D7 sea blue			
5	997 553 117 06	cover lateral leather	/L	1	I981
		FSA black/grey			
		FSB stone grey/stone grey			
		FSC sand beige/sand beige			
		FSD sea blue/grey			
		FSF terracotta/terracotta			
		FSG cocoa/cocoa			
		FSH darkgrey natural/grey			

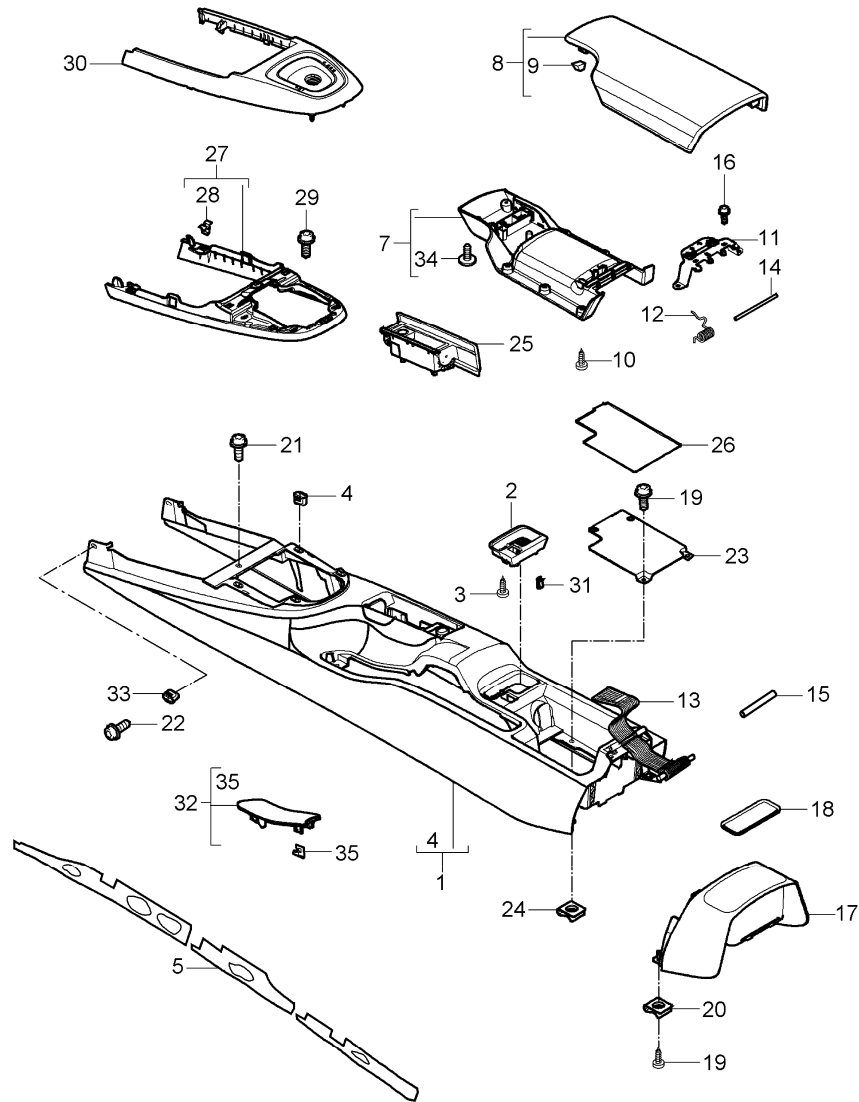
Model	Year	MG	SG	Illustration	Restrictions	UPD	22:40	24.01.2010	PORSCHE	PET	PORSCHE
997-2	2010	8	09	809-15		248					

Pos	Part Number	Description	Remark	Qty	Model	Pos	Part Number	Description	Remark	Qty	Model	
(5)	FSJ	brown nat./brown nat.						cover lateral with preparation for telephone see group 9/11/10		1		
	FSP	carrera red										
	997 553 118 06	cover lateral leather	/R	1	I981							
	FSA	black/grey				6	999 591 508 01	captive nut st 4,2 for mount cover lateral		4		
	FSB	stone grey/stone grey										
	FSC	sand beige/sand beige										
	FSD	sea blue/grey				7	999 073 226 09	tapping screw ST 4,2 X 16 for mount cover lateral		4		
	FSF	terracotta/terracotta										
	FSG	cocoa/cocoa										
	FSH	darkgrey natural/grey										
(5)	FSJ	brown nat./brown nat.				8	997 553 361 01	support centre		1		
	FSP	carrera red				9	999 084 629 01	hexagon nut m 6		4		
	997 553 117 08	cover lateral leather	LL/L	10-	1	COUPE S I098/618/756 I981	10 997 553 131 01	cover footwell outlet vent carpet	/L	1	I098/099	
	SCA	Espresso					A10	black				
	(5)	997 553 117 08	cover lateral leather	/L	10-	1	COUPE S I756/981	B10	stone grey			
		SCA	Espresso					T10	sand beige			
		(5)	997 553 118 08	cover lateral leather	RL/R	10-	1	COUPE S I099/618/756 I981	E10	sea blue		
			SCA	Espresso					M10	terracotta		
	(5)	997 553 118 08	cover lateral leather					R10	cocoa			
		SCA	Espresso					D11	dark grey/natural			
(5)		997 553 118 08	cover lateral leather	/R	10-	1	COUPE S I756/981	T11	brown/natural			
		SCA	Espresso					N10	carrera red			
(5)	997 553 118 08	cover lateral leather					(10) 997 553 132 02	cover footwell outlet vent carpet	/R	1	I098/099	
	SCA	Espresso					A10	black				
							B10	stone grey				

Model	Year	MG	SG	Illustration	Restrictions	UPD	22:40	24.01.2010	PORSCHE	PET	PORSCHE
997-2	2010	8	09	809-15		248					

Pos	Part Number	Description	Remark	Qty	Model	Pos	Part Number	Description	Remark	Qty	Model
	T10	sand beige				(10)	997 553 131 03	cover	LL/L	10-	1 COUPE S I098/756
	E10	sea blue						footwell outlet vent carpet			
	M10	terracotta					H31	Espresso			
	R10	cocoa				(10)	997 553 132 03	cover	RL/R	10-	1 COUPE S I099/756
	D11	dark grey/natural						footwell outlet vent carpet			
	T11	brown/natural					H31	Espresso			
	N10	carrera red				(10)	997 553 132 04	cover	LL/R	10-	1 COUPE S I098/621/756
(10)	997 553 132 01	cover footwell outlet vent carpet	LL/R	1	I098/621			footwell outlet vent carpet			
	A10	black					H31	Espresso			
	B10	stone grey				(10)	997 553 131 04	cover	RL/L	10-	1 COUPE S I099/621/756
	T10	sand beige						footwell outlet vent carpet			
	E10	sea blue					H31	Espresso			
	M10	terracotta				11	999 073 223 01	combination screw M 6 X 25			2
	R10	cocoa				12	999 507 766 02	speed nut M 6 for mount cover footwell outlet vent			2
	D11	dark grey/natural									
	T11	brown/natural				13	997 553 143 02	shelf centre console front			1
	N10	carrera red					A05	black mat			
(10)	997 553 131 02	cover footwell outlet vent carpet	RL/L	1	I099/621	14	997 553 543 01	insert shelf			1
	A10	black				15	999 919 164 09	oval-head screw 5,0 X 12,0 for mount shelf			3
	B10	stone grey									
	T10	sand beige									
	E10	sea blue									
	M10	terracotta									
	R10	cocoa									
	D11	dark grey/natural									
	T11	brown/natural									
	N10	carrera red									

Model	Year	MG	SG	Illustration	Restrictions	UPD	22:41	24.01.2010	PORSCHE	PET	PORSCHE
997-2	2010	8	09	809-20		248					



Pos	Part Number	Description	Remark	Qty	Model
1	997 553 901 00	centre console rear		1	COUPE
	A03	black			
	5V7	stone grey			
	5Z1	sand beige			
	8W7	sea blue			
	8X8	terracotta			
	8P9	cocoa			
	T13	brown/natural			
	N23	carrera red			
(1)	997 553 901 02	centre console		1	CABRIO/TARGA
	A03	black			
	5V7	stone grey			
	5Z1	sand beige			
	8W7	sea blue			
	8X8	terracotta			
	8P9	cocoa			
	T13	brown/natural			
	N23	carrera red			
(1)	997 553 980 69	centre console leather		1	COUPE IXMZ
	A11	black			
	5X6	stone grey			
	8G2	sand beige			
	3S9	sea blue			
	9S5	terracotta			
	9V6	cocoa			
	D12	dark grey/natural			

Model	Year	MG	SG	Illustration	Restrictions	UPD	22:41	24.01.2010	PORSCHE	PET	PORSCHE
997-2	2010	8	09	809-20		248					

Pos	Part Number	Description	Remark	Qty	Model	Pos	Part Number	Description	Remark	Qty	Model
	T12	brown/natural					V04	galvano silver			
	N12	carrera red				(1)	997 553 980 62	centre console		1	CABRIO/TARGA IXCK
(1)	997 553 980 68	centre console	10-	1	COUPE S IXMZ/756		V04	galvano silver			
		leather				(1)	997 553 980 64	centre console		1	COUPE IXME
	6J0	Espresso					041	black			
(1)	997 553 980 71	centre console		1	CABRIO/TARGA IXMZ		84A	guards red			
		leather					B9A	carrara white			
	A11	black					12H	speed yellow			
	5X6	stone grey					92U	arctic silver metallic			
	8G2	sand beige					C9Z	basalt black metallic			
	3S9	sea blue					M7X	atlas grey metallic			
	9S5	terracotta					39C	midnight blue metallic			
	9V6	cocoa					M7W	Meteor Grey Metallic			
	D12	dark grey/natural					M8W	Macadamia Metallic			
	T12	brown/natural					M3X	ruby red metallic			
	N12	carrera red					M5X	Dark Blue Metallic	10-		
(1)	997 553 980 52	centre console		1	COUPE IXMJ		22G	Racing Green Metallic			
		carbon					32B	Sailing Blue Metallic			
	A35	black					M5R	Aqua Blue Metallic			
(1)	997 553 980 54	centre console		1	CABRIO/TARGA IXMJ		51A	creamy white			
		carbon					M2Z	Nordic Gold Metallic			
	A35	black					M7Z	gt silver metallic			
(1)	997 553 980 56	centre console		1	COUPE IXJT		2B5	Malachite Green Metallic			
	S61	macassar				(1)	997 553 980 66	centre console		1	CABRIO/TARGA IXME
(1)	997 553 980 58	centre console		1	CABRIO/TARGA IXJT		041	black			
		macassar					84A	guards red			
	S61	macassar					B9A	carrara white			
(1)	997 553 980 60	centre console		1	COUPE IXCK						

Model	Year	MG	SG	Illustration	Restrictions	UPD	22:41	24.01.2010	PORSCHE	PET	PORSCHE
997-2	2010	8	09	809-20		248					

Pos	Part Number	Description	Remark	Qty	Model	Pos	Part Number	Description	Remark	Qty	Model
	12H	speed yellow				7	997 553 433 01	lid inner		1	
	92U	arctic silver metallic					01C	satin black			
	C9Z	basalt black metallic				8	997 553 231 01	lid outer		1	
	M7X	atlas grey metallic					A11	black			
	39C	midnight blue metallic					5X6	stone grey			
	M7W	Meteor Grey Metallic					8G2	sand beige			
	M8W	Macadamia Metallic					3S9	sea blue			
	M3X	ruby red metallic					9S5	terracotta			
	M5X	Dark Blue Metallic	10-				9V6	cocoa			
	22G	Racing Green Metallic					D12	dark grey/natural			
	32B	Sailing Blue Metallic					T12	brown/natural			
	M5R	Aqua Blue Metallic					N12	carrera red			
	51A	creamy white									
	M2Z	Nordic Gold Metallic				(8)	997 553 991 25	lid	09-	1	Coupe C2/C2S IXUV/098
	M7Z	gt silver metallic						outer with logo carrera			
	2B5	Malachite Green Metallic					A11	black			
(1)	997 553 997 01	protective film centre console see technical manual 681749		2			5X6	stone grey			
2	997 553 575 02	insert locking device centre console		1			8G2	sand beige			
	01C	satin black					3S9	sea blue			
3	999 919 159 09	oval-head screw 4 X 12 for mount insert locking device		1			9S5	terracotta			
							9V6	cocoa			
4	999 591 210 40	expander nut 4,2		4			D12	dark grey/natural			
							T12	brown/natural			
5	997 553 843 00	sound absorber	/L	1			N12	carrera red			
(5)	997 553 844 00	sound absorber	/R	1		(8)	997 553 991 26	lid	09-	1	Coupe C2/C2S IXUV/099
								outer with logo carrera			

Model	Year	MG	SG	Illustration	Restrictions	UPD	22:41	24.01.2010	PORSCHE	PET	PORSCHE
997-2	2010	8	09	809-20		248					

Pos	Part Number	Description	Remark	Qty	Model	Pos	Part Number	Description	Remark	Qty	Model
	A11	black					9S5	terracotta			
	5X6	stone grey					9V6	cocoa			
	8G2	sand beige					D12	dark grey/natural			
	3S9	sea blue					T12	brown/natural			
	9S5	terracotta					N12	carrera red			
	9V6	cocoa				(8)	997 553 991 05	lid outer with porsche crest	09-	1	IXPT
	D12	dark grey/natural					A11	black			
	T12	brown/natural					5X6	stone grey			
	N12	carrera red					8G2	sand beige			
(8)	997 553 991 27	lid outer with logo Carrera S	09-	1	CabrioC2/C2S IXUV/098		3S9	sea blue			
	A11	black					9S5	terracotta			
	5X6	stone grey					9V6	cocoa			
	8G2	sand beige					D12	dark grey/natural			
	3S9	sea blue					T12	brown/natural			
	9S5	terracotta				(8)	997 553 991 31	lid outer with logo carrera 4	/LL 09-	1	Coupe C4 IXUV/098
	9V6	cocoa					A11	black			
	D12	dark grey/natural					5X6	stone grey			
	T12	brown/natural					8G2	sand beige			
	N12	carrera red					3S9	sea blue			
(8)	997 553 991 28	lid outer with logo Carrera S	09-	1	CabrioC2/C2S IXUV/099		9S5	terracotta			
	A11	black					9V6	cocoa			
	5X6	stone grey					D12	dark grey/natural			
	8G2	sand beige					T12	brown/natural			
	3S9	sea blue					N12	carrera red			

Model	Year	MG	SG	Illustration	Restrictions	UPD	22:41	24.01.2010	PORSCHE	PET	PORSCHE
997-2	2010	8	09	809-20		248					

Pos	Part Number	Description	Remark	Qty	Model	Pos	Part Number	Description	Remark	Qty	Model
(8)	997 553 991 31	lid outer with logo carrera 4	/LL 09-	1	Cabrio C4 IXUV/098		A11	black			
	A11	black					5X6	stone grey			
	5X6	stone grey					8G2	sand beige			
	8G2	sand beige					3S9	sea blue			
	3S9	sea blue					9S5	terracotta			
	9S5	terracotta					9V6	cocoa			
	9V6	cocoa					D12	dark grey/natural			
	D12	dark grey/natural					T12	brown/natural			
	T12	brown/natural					N12	carrera red			
	N12	carrera red				(8)	997 553 991 33	lid	/LL 09-	1	Coupe C4S IXUV/098
								outer with logo carrera 4s			
(8)	997 553 991 32	lid outer with logo carrera 4	/RL 09-	1	Coupe C4 IXUV/099		A11	black			
	A11	black					5X6	stone grey			
	5X6	stone grey					8G2	sand beige			
	8G2	sand beige					3S9	sea blue			
	3S9	sea blue					9S5	terracotta			
	9S5	terracotta					9V6	cocoa			
	9V6	cocoa					D12	dark grey/natural			
	D12	dark grey/natural					T12	brown/natural			
	T12	brown/natural					N12	carrera red			
	N12	carrera red				(8)	997 553 991 33	lid	/LL 09-	1	Cabrio C4S IXUV/098
								outer with logo carrera 4s			
(8)	997 553 991 32	lid outer with logo carrera 4	/RL 09-	1	Cabrio C4 IXUV/099		A11	black			
	A11	black					5X6	stone grey			
	5X6	stone grey					8G2	sand beige			
	8G2	sand beige					3S9	sea blue			

Model	Year	MG	SG	Illustration	Restrictions	UPD	22:41	24.01.2010	PORSCHE	PET	PORSCHE
997-2	2010	8	09	809-20		248					

Pos	Part Number	Description	Remark	Qty	Model	Pos	Part Number	Description	Remark	Qty	Model
	9S5	terracotta					N12	carrera red			
	9V6	cocoa				(8)	997 553 991 35	lid	/LL	09-	1 TARGA 4 IXUV/098
	D12	dark grey/natural						outer with logo Targa 4			
	T12	brown/natural					A11	black			
	N12	carrera red					5X6	stone grey			
(8)	997 553 991 34	lid	/RL	09-	1 Coupe C4S IXUV/099		8G2	sand beige			
		outer with logo carrera 4s					3S9	sea blue			
	A11	black					9S5	terracotta			
	5X6	stone grey					9V6	cocoa			
	8G2	sand beige					D12	dark grey/natural			
	3S9	sea blue					T12	brown/natural			
	9S5	terracotta					N12	carrera red			
	9V6	cocoa				(8)	997 553 991 36	lid	/RL	09-	1 TARGA 4 IXUV/099
	D12	dark grey/natural						outer with logo Targa 4			
	T12	brown/natural					A11	black			
	N12	carrera red					5X6	stone grey			
(8)	997 553 991 34	lid	/RL	09-	1 Cabrio C4S IXUV/099		8G2	sand beige			
		outer with logo carrera 4s					3S9	sea blue			
	A11	black					9S5	terracotta			
	5X6	stone grey					9V6	cocoa			
	8G2	sand beige					D12	dark grey/natural			
	3S9	sea blue					T12	brown/natural			
	9S5	terracotta					N12	carrera red			
	9V6	cocoa									
	D12	dark grey/natural									
	T12	brown/natural									

Model	Year	MG	SG	Illustration	Restrictions	UPD	22:41	24.01.2010	PORSCHE	PET	PORSCHE
997-2	2010	8	09	809-20		248					

Pos	Part Number	Description	Remark	Qty	Model	Pos	Part Number	Description	Remark	Qty	Model
(8)	997 553 991 37	lid outer with logo Targa 4S	/LL 09-	1	TARGA 4S IXUV/098	(8)	997 553 991 21	lid outer alcantara	/RL 09-	1	IXLG/099
	A11	black					A25	black			
	5X6	stone grey				(8)	997 553 991 24	lid	10-	1	COUPE S IXMZ/756
	8G2	sand beige					6J0	Espresso			
	3S9	sea blue				9	999 507 972 01	speed nut 3,5 3,5 X 14 for mount lid outer		8	
	9S5	terracotta									
	9V6	cocoa									
	D12	dark grey/natural				10	999 073 153 01	tapping screw 3,5 X 14 for mount lid outer		8	
	T12	brown/natural									
	N12	carrera red									
(8)	997 553 991 38	lid outer with logo Targa 4S	/RL 09-	1	TARGA 4S IXUV/099	11	997 553 437 01	hinge		1	
	A11	black				12	997 553 439 00	steering knuckle spring		1	
	5X6	stone grey				13	997 553 441 00	belt		1	
	8G2	sand beige				14	997 553 447 00	axle		1	
	3S9	sea blue				15	997 553 733 00	retaining pin		1	
	9S5	terracotta				16	999 919 159 09	oval-head screw M4X12		X	
	9V6	cocoa				17	997 553 221 01	extension centre console lacquered		1	COUPE/TARGA
	D12	dark grey/natural					A03	black			
	T12	brown/natural					5V7	stone grey			
	N12	carrera red					5Z1	sand beige			
(8)	997 553 991 20	lid outer alcantara	/LL 09-	1	IXLG/098		8W7	sea blue			
	A25	black					8X8	terracotta			
							8P9	cocoa			

Model	Year	MG	SG	Illustration	Restrictions	UPD	22:41	24.01.2010	PORSCHE	PET	PORSCHE
997-2	2010	8	09	809-20		248					

Pos	Part Number	Description	Remark	Qty	Model	Pos	Part Number	Description	Remark	Qty	Model
	T13	brown/natural				(17)	997 553 983 03	extension		1	COUPE/TARGA IXJT
	N23	carrera red						centre console leather			
(17)	997 553 983 06	extension		1	COUPE/TARGA IXMZ		A11	black			
		centre console leather					5X6	stone grey			
	A11	black					8G2	sand beige			
	5X6	stone grey					3S9	sea blue			
	8G2	sand beige					9S5	terracotta			
	3S9	sea blue					9V6	cocoa			
	9S5	terracotta					D12	dark grey/natural			
	9V6	cocoa					T12	brown/natural			
	D12	dark grey/natural					N12	carrera red			
	T12	brown/natural				(17)	997 553 983 04	extension		1	COUPE/TARGA IXCK
	N12	carrera red						centre console leather			
(17)	997 553 983 00	extension	10-	1	COUPE S I756		A11	black			
		centre console leather					5X6	stone grey			
	6J0	Espresso					8G2	sand beige			
(17)	997 553 983 01	extension		1	COUPE/TARGA IXMJ		3S9	sea blue			
		centre console leather					9S5	terracotta			
	A11	black					9V6	cocoa			
	5X6	stone grey					D12	dark grey/natural			
	8G2	sand beige					T12	brown/natural			
	3S9	sea blue					N12	carrera red			
	9S5	terracotta				(17)	997 553 983 05	extension		1	COUPE/TARGA IXME
	9V6	cocoa						centre console lacquered			
	D12	dark grey/natural					041	black			
	T12	brown/natural					84A	guards red			
	N12	carrera red					B9A	carrara white			

Model	Year	MG	SG	Illustration	Restrictions	UPD	22:41	24.01.2010	PORSCHE	PET	PORSCHE
997-2	2010	8	09	809-20		248					

Pos	Part Number	Description	Remark	Qty	Model	Pos	Part Number	Description	Remark	Qty	Model
	12H	speed yellow					5V7	stone grey			
	92U	arctic silver metallic					5Z1	sand beige			
	C9Z	basalt black metallic					8W7	sea blue			
	M7X	atlas grey metallic					8X8	terracotta			
	39C	midnight blue metallic					8P9	cocoa			
	M7W	Meteor Grey Metallic					T13	brown/natural			
	M8W	Macadamia Metallic					N23	carrera red			
	M3X	ruby red metallic				(25)	997 553 982 00	ashtray	10-	1	COUPE S I756
	M5X	Dark Blue Metallic	10-					leather			
	22G	Racing Green Metallic					6J0	Espresso			
	32B	Sailing Blue Metallic				(25)	997 553 982 06	ashtray leather		1	IXMZ
	M5R	Aqua Blue Metallic					A11	black			
	51A	creamy white					5X6	stone grey			
	M2Z	Nordic Gold Metallic					8G2	sand beige			
	M7Z	gt silver metallic					3S9	sea blue			
	2B5	Malachite Green Metallic					9S5	terracotta			
18	997 553 625 01	insert extension		1	COUPE/TARGA		9V6	cocoa			
19	999 073 226 09	tapping screw 4,2 X 16		X			D12	dark grey/natural			
20	999 507 020 01	speed nut 4,2		X			T12	brown/natural			
21	999 919 121 09	oval-head screw 5 X 16		2		(25)	997 553 982 01	ashtray carbon		1	IXMJ
22	999 073 155 09	tapping screw 4,2 X 13		2			A35	black			
23	997 553 615 01	floor centre console		1		(25)	997 553 982 03	ashtray		1	IXJT
24	999 507 028 01	speed nut 4,2		X		(25)	997 553 982 04	ashtray aluminium look		1	IXCK
25	997 553 902 00	ashtray lacquered		1			V04	galvano silver			
	A03	black				(25)	997 553 982 05	ashtray lacquered		1	IXME

Model	Year	MG	SG	Illustration	Restrictions	UPD	22:41	24.01.2010	PORSCHE	PET	PORSCHE
997-2	2010	8	09	809-20		248					

Pos	Part Number	Description	Remark	Qty	Model	Pos	Part Number	Description	Remark	Qty	Model
	041	black				28	999 507 533 02	clamp 8,0 X 10,0/2,5		7	
	84A	guards red				29	999 073 155 09	tapping screw 4,2 X 13 for mount frame		4	
	B9A	carrara white				30	997 553 245 01	cover shift gate		1	I250
	12H	speed yellow					FUG	Black/Galvano Silver			
	92U	arctic silver metallic					FUH	Stone Grey/Galvano Silver			
	C9Z	basalt black metallic					FUJ	Sand Beige/Galvano Silver			
	M7X	atlas grey metallic					FUK	Ocean Blue/Galvano Silver			
	39C	midnight blue metallic					FUL	Terracotta/Galvano Silver			
	M7W	Meteor Grey Metallic					FUM	Cocoa/Galvano Silver			
	M8W	Macadamia Metallic					FUN	Natural Brown/Galvano Silver			
	M3X	ruby red metallic					FU0	Carrera Red/Galvano Silver			
	M5X	Dark Blue Metallic	10-			(30)	997 553 987 00	cover shift gate lacquered		1	IXWS/250
	22G	Racing Green Metallic					041	black			
	32B	Sailing Blue Metallic					84A	guards red			
	M5R	Aqua Blue Metallic					B9A	carrara white			
	51A	creamy white					12H	speed yellow			
	M2Z	Nordic Gold Metallic					92U	arctic silver metallic			
	M7Z	gt silver metallic					C9Z	basalt black metallic			
	2B5	Malachite Green Metallic					M7X	atlas grey metallic			
26	997 553 611 01	insert		1			39C	midnight blue metallic			
26	997 553 613 00	insert		1	I870		M7W	Meteor Grey Metallic			
27	997 553 261 05	frame lacquered		1	CARRERA		M7Z	gt silver metallic			
	D07	volcano grey					M8W	Macadamia Metallic			
(27)	997 553 261 06	frame lacquered		1	CARRERA S		M3X	ruby red metallic			
	V04	galvano silver					M5X	Dark Blue Metallic		10-	
(27)	987 553 261 01	frame	10-	1	IXDJ						
	G2X	prime coated									

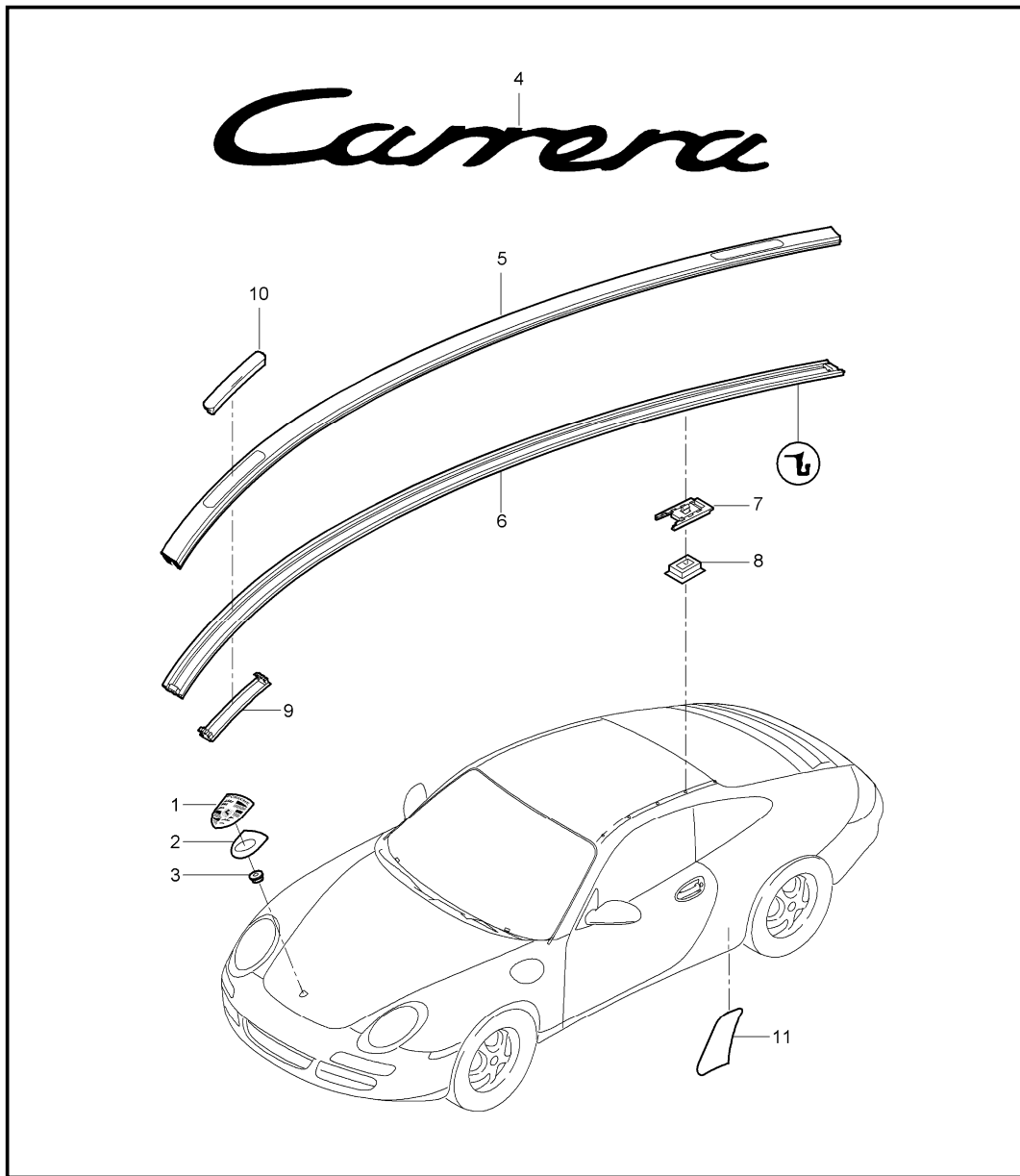
Model	Year	MG	SG	Illustration	Restrictions	UPD	22:41	24.01.2010	PORSCHE	PET	PORSCHE
997-2	2010	8	09	809-20		248					

Pos	Part Number	Description	Remark	Qty	Model	Pos	Part Number	Description	Remark	Qty	Model
	2B5	Malachite Green Metallic					8X8	terracotta			
	22G	Racing Green Metallic					8P9	cocoa			
	32B	Sailing Blue Metallic	-09				T13	brown/natural			
	M5R	Aqua Blue Metallic					N23	carrera red			
	51A	creamy white				(30)	997 553 996 00	cover shift gate leather	10-	1	IXDZ/480
	M2Z	Nordic Gold Metallic					A11	black			
(30)	997 553 987 00	cover shift gate lacquered		1	IXWT/250		5X6	stone grey			
	041	black					8G2	sand beige			
(30)	997 553 987 01	cover shift gate		1	IXWR/250		3S9	sea blue			
	V04	galvano silver					9S5	terracotta			
(30)	997 553 987 02	cover shift gate leather		1	IXWU/250		9V6	cocoa			
	A11	black					D12	dark grey/natural			
	5X6	stone grey				31	999 507 922 01	u-clamp 4,0		1	I870
	8G2	sand beige				32	997 553 903 00	cover parking-brake lever lacquered		1	
	3S9	sea blue					A03	black			
	9S5	terracotta					5V7	stone grey			
	9V6	cocoa					5Z1	sand beige			
	D12	dark grey/natural					8W7	sea blue			
	T12	brown/natural					8X8	terracotta			
	N12	carrera red					8P9	cocoa			
(30)	997 553 243 01	cover shift gate lacquered		1	I480		T13	brown/natural			
	A03	black					N23	carrera red			
	5V7	stone grey				(32)	997 553 981 00	cover parking-brake lever		1	IXCK
	5Z1	sand beige					A11	black			
	8W7	sea blue									

Model	Year	MG	SG	Illustration	Restrictions	UPD	22:41	24.01.2010	PORSCHE	PET	PORSCHE
997-2	2010	8	09	809-20		248					

Pos	Part Number	Description	Remark	Qty	Model	Pos	Part Number	Description	Remark	Qty	Model
	5X6	stone grey				(32)	997 553 981 00	cover parking-brake lever		1	IXMJ
	8G2	sand beige					A11	black			
	3S9	sea blue					5X6	stone grey			
	9S5	terracotta					8G2	sand beige			
	9V6	cocoa					3S9	sea blue			
	D12	dark grey/natural					9S5	terracotta			
	T12	brown/natural					9V6	cocoa			
	N12	carrera red					D12	dark grey/natural			
(32)	997 553 981 00	cover parking-brake lever		1	IXJT		T12	brown/natural			
	A11	black					N12	carrera red			
	5X6	stone grey				(32)	997 553 981 00	cover parking-brake lever	10-	1	COUPE S I756
	8G2	sand beige					6J0	Espresso			
	3S9	sea blue				(32)	997 553 981 07	cover parking-brake lever		1	IXMZ
	9S5	terracotta					A11	black			
	9V6	cocoa					5X6	stone grey			
	D12	dark grey/natural					8G2	sand beige			
	T12	brown/natural					3S9	sea blue			
	N12	carrera red					9S5	terracotta			
(32)	997 553 981 00	cover parking-brake lever		1	IXME		9V6	cocoa			
	A11	black					D12	dark grey/natural			
	5X6	stone grey					T12	brown/natural			
	8G2	sand beige					N12	carrera red			
	3S9	sea blue				33	999 591 215 40	expander nut 4,2		2	
	9S5	terracotta				34	997 553 732 00	rubber buffer lid inner		2	
	9V6	cocoa				35	997 553 861 00	clamp		4	IXMZ
	D12	dark grey/natural									
	T12	brown/natural									
	N12	carrera red									

Model	Year	MG	SG	Illustration	Restrictions	UPD	22:41	24.01.2010	PORSCHE	PET	PORSCHE
997-2	2010	8	10	810-00		248					



Pos	Part Number	Description	Remark	Qty	Model
		insignias decorative fittings stone guard film			
1	997 559 211 00	lid emblem Information available		1	
2	7L5 853 611 B	desk pad		1	
3	999 591 423 03	tapping nut		2	
4	997 559 237 00	logo *CARRERA* lacquered titanium		1	C2/C4
(4)	997 559 237 01	logo *CARRERA* mat chrome		1	C2S/C4S
(4)	997 559 237 04	logo *TARGA* lacquered titanium		1	C4
(4)	997 559 237 05	logo *TARGA* mat chrome		1	C4S
(4)	997 559 231 00	logo *911* chrome		1	I911
(4)	997 559 987 00	logo *911* prime coated		1	IXUC
(4)	997 559 243 00	logo *S*		1	C2S/C4S
(4)	997 559 241 00	logo *4*		1	C4
(4)	997 559 241 01	logo *4*		1	C4S
5	997 559 401 00	roof edge strip G2X prime coated	/L	1	
5	997 559 401 91	roof edge strip G2L prime coated	/L	1	
(5)	997 559 402 00	roof edge strip G2X prime coated	/R	1	

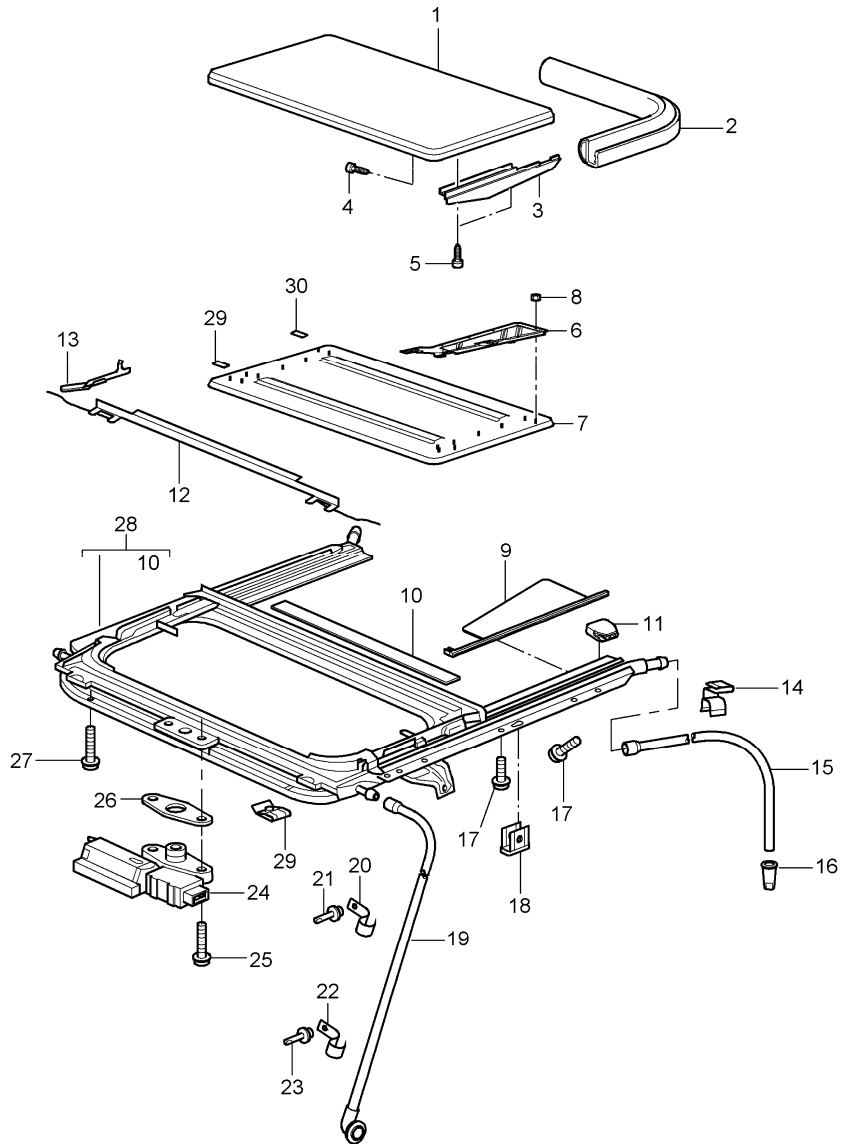
Model	Year	MG	SG	Illustration	Restrictions	UPD	22:41	24.01.2010	PORSCHE	PET	PORSCHE
997-2	2010	8	10	810-00		248					

Pos	Part Number	Description	Remark	Qty	Model	Pos	Part Number	Description	Remark	Qty	Model
(5)	997 559 402 91	roof edge strip	/R	1							
	G2L	prime coated									
6	997 559 721 00	gasket roof edge strip	/L	1							
6	997 559 721 01	gasket roof edge strip	/L	1							
(6)	997 559 722 00	gasket roof edge strip	/R	1							
(6)	997 559 722 01	gasket roof edge strip	/R	1							
7	996 559 403 01	clip		10							
8	996 559 405 01	adapter		10							
9	996 559 729 00	bracket for flap		4							
10	996 559 501 00	flap front		2							
	G2X	prime coated									
(10)	996 559 503 00	flap rear		2							
	G2X	prime coated									
11	997 504 825 02	stone guard film side section	/L	1							
(11)	997 504 826 02	stone guard film side section	/R	1							

Model	Year	MG	SG	Illustration	Restrictions	UPD	22:41	24.01.2010
997-2	2010	8	10	810-05		248		

Pos	Part Number	Description	Remark	Qty	Model
		sill cover			CARRERA 4 TARGA
1	997 504 363 00	sill cover	/L	1	
	01C	satin black			
(1)	997 504 364 00	sill cover	/R	1	
	01C	satin black			
1	997 504 981 00	sill cover	/L	1	IXAJ
	G2X	prime coated			
(1)	997 504 982 00	sill cover	/R	1	IXAJ
	G2X	prime coated			
2	997 504 863 00	rubber lip sill cover	/L	1	
	01C	satin black			
(2)	997 504 864 00	rubber lip sill cover	/R	1	
	01C	satin black			
3	999 507 795 09	speed nut ST 4,8		4	
4	999 507 986 40	fixing clip sill cover 9,0 x 1,5		18	
5	999 073 231 09	tapping screw st 4,8 x 16		24	
6	999 507 640 09	u-clamp		18	

Model	Year	MG	SG	Illustration	Restrictions	UPD	22:41	24.01.2010	PORSCHE	PET	PORSCHE
997-2	2010	8	11	811-00		248					

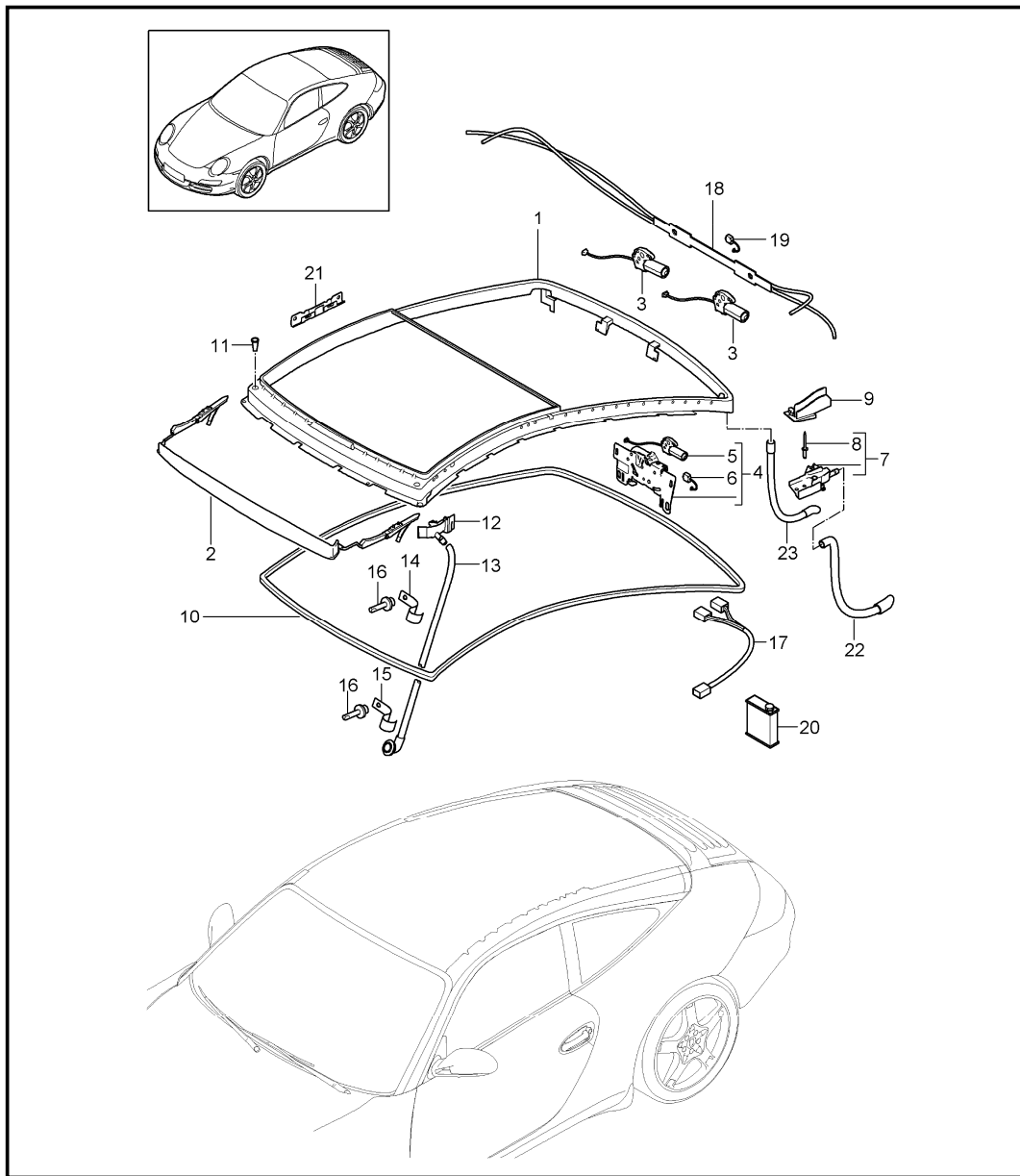


Pos	Part Number	Description	Remark	Qty	Model
		sunroof			I650
1	996 564 941 01	lid		1	
		GRV	prime coated		
2	997 564 211 00	gasket		1	
3	997 564 181 00	cover	/L	1	
		01C	black		
(3)	997 564 182 00	cover	/R	1	
		01C	black		
4	996 564 245 00	combination screw		4	
5	900 143 189 09	tapping screw		4	
6	996 564 321 01	guide plate	/L	1	
(6)	996 564 322 01	guide plate	/R	1	
7	997 564 021 00	roofliner		1	
		alcantara			
		A14	black		
		B14	stone grey		
		G14	metropole blue		
		T44	sand beige		
		J44	palmgreen		
(7)	996 564 983 00	roofliner		1	
		leather			
		A11	product information		
		5X6	stone grey		
		8G2	sand beige		
		3S9	sea blue		
		4P2	palmgreen		
		9S5	terracotta		
		D12	dark grey/natural		
		T12	natural brown		
		9V6	cocoa		

Model	Year	MG	SG	Illustration	Restrictions	UPD	22:41	24.01.2010	PORSCHE	PET	PORSCHE
997-2	2010	8	11	811-00		248					

Pos	Part Number	Description	Remark	Qty	Model	Pos	Part Number	Description	Remark	Qty	Model
8	900 076 084 07	nut		16		29	997 564 903 00	damping piece front		3	
9	997 564 241 00	interior lining	/L	1		30	997 564 905 00	damping piece rear		3	
(9)	997 564 242 00	interior lining	/R	1							
10	997 564 671 00	edge protection		11							
11	997 555 823 00	support		2							
12	997 564 161 00	air deflector		1							
13	996 564 522 01	hinge	/R	1							
(13)	996 564 521 01	hinge	/L	1							
14	999 507 631 02	cable holder		4							
15	996 564 205 01	water drain hose rear		2							
16	996 561 825 00	water drain valve rear		2							
17	999 073 130 02	oval-head screw		6							
17	999 073 279 02	oval-head screw		6							
18	999 703 258 42	clip		2							
19	996 564 207 00	water drain hose front		2							
20	997 564 301 00	support upper		2							
21	999 190 184 01	blind rivet 4,0X8,5		2							
22	997 564 303 00	support lower		2							
23	999 190 450 37	blind rivet 4,0X6,3		1							
24	997 624 211 00	driving mechanism		1							
25	999 073 135 07	countersunk-head screw		1							
26	996 564 213 00	spacer		1							
27	999 073 366 02	oval-head screw		4							
28	997 564 911 00	frame without driving mechanism		1							

Model	Year	MG	SG	Illustration	Restrictions	UPD	22:41	24.01.2010	PORSCHE	PET	PORSCHE
997-2	2010	8	11	811-01		248					

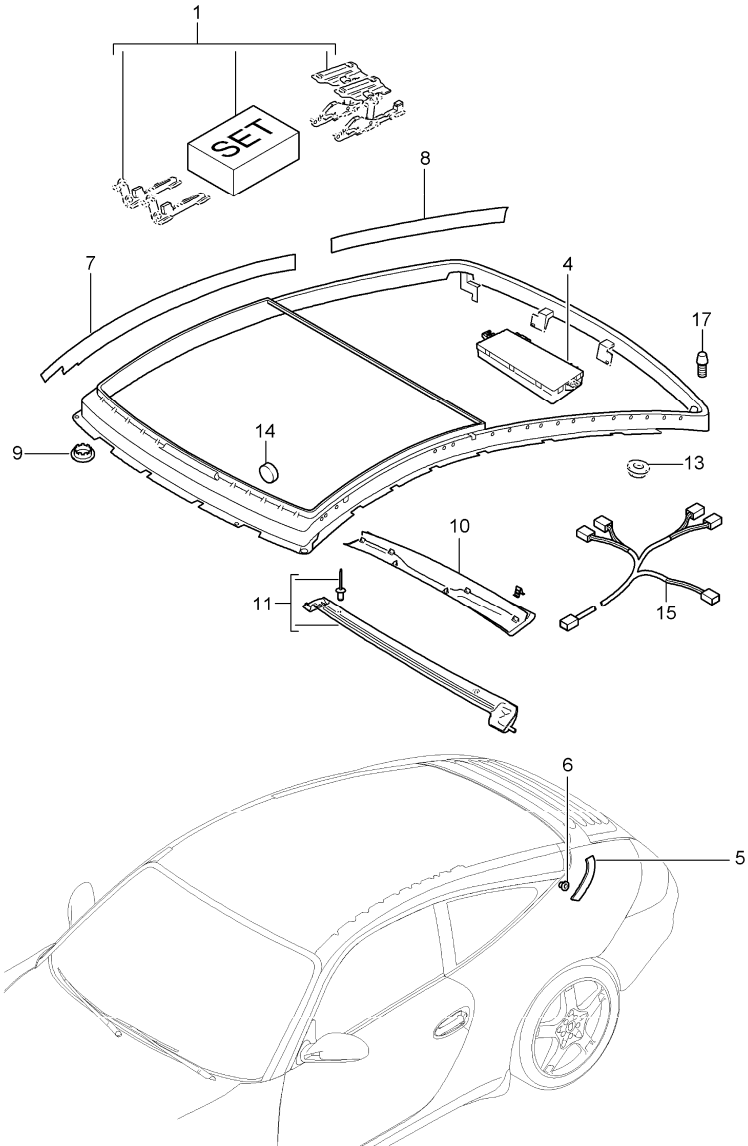


Pos	Part Number	Description	Remark	Qty	Model
		glass roof			TARGA
1	997 562 905 00	frame		1	
2	997 562 953 00	air deflector repair kit		1	
3	996 624 221 00	electric drive		2	
4	997 562 335 00	catch		1	
5	996 624 231 00	driving mechanism		1	
6	996 613 231 00	microswitch		1	
7	996 562 439 00	end piece guide rail	/L	1	
(7)	996 562 440 00	end piece guide rail	/R	1	
8	999 190 172 30	blind rivet		4	
9	996 562 437 00	lid	/L	1	
(9)	996 562 438 00	lid	/R	1	
10	996 562 425 00	sealing strap		1	
11	997 562 421 00	water drain sleeve		1	
12	996 562 401 00	water drain tube	/L	1	
(12)	996 562 402 00	water drain tube	/R	1	
13	996 562 203 01	water drain hose		2	
14	997 564 301 00	support upper		2	
15	997 564 303 00	support lower		2	
16	999 190 450 37	blind rivet		4	
17	996 612 344 00	wiring harness shade		1	
18	996 562 913 00	guide tube with drive shaft		1	
19	996 613 221 00	microswitch		1	
20	000 043 157 00	cleaning agent 30 ML		1	

Model	Year	MG	SG	Illustration	Restrictions	UPD	22:41	24.01.2010	PORSCHE	PET	PORSCHE
997-2	2010	8	11	811-01		248					

Pos	Part Number	Description	Remark	Qty	Model	Pos	Part Number	Description	Remark	Qty	Model
21	- - -	see group 8 / 01 / 65		1							
22	996 562 205 01	water drain hose rear outer		2							
23	996 562 207 01	water drain hose rear inner		2							

Model	Year	MG	SG	Illustration	Restrictions	UPD	22:42	24.01.2010	PORSCHE	PET	PORSCHE
997-2	2010	8	11	811-02		248					

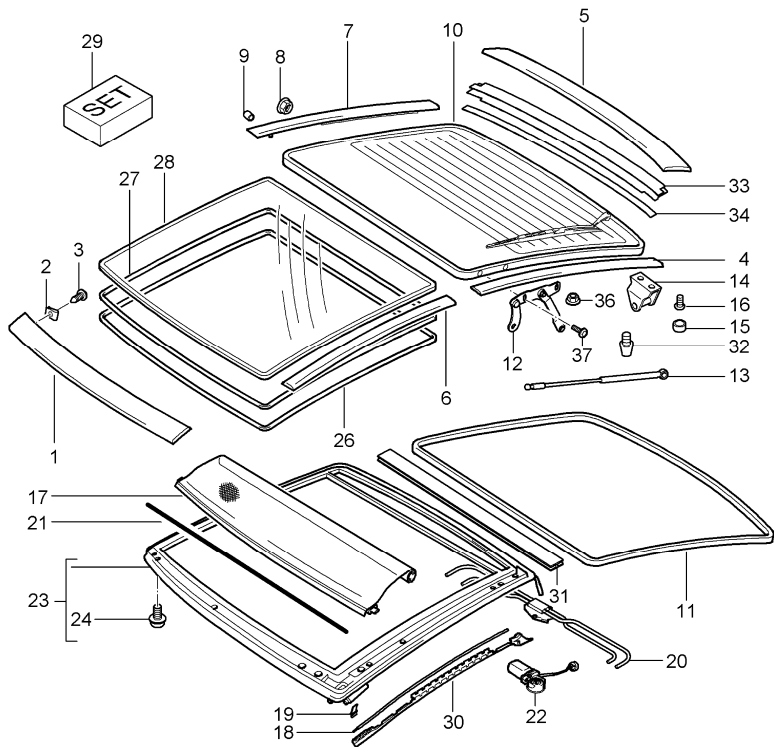


Pos	Part Number	Description	Remark	Qty	Model
1	996 562 906 00	glass roof driving mechanism repair kit lifting mechanism with knock-out lever and mounting parts use also: pos.2 pos.3 installation instructions see technical manual		1	TARGA
2	996 562 315 00	cable	/L	1	
3	996 562 316 00	cable	/R	1	
4	997 618 241 01	control unit		1	
5	997 562 541 00	cover	/L	1	
		GRV prime coated			
(5)	997 562 542 00	cover	/R	1	
		GRV prime coated			
6	893 853 231 A	clamping bush		4	
7	996 562 407 00	cover	/L	1	
(7)	996 562 408 00	cover	/R	1	
8	996 562 911 00	cover	/L	1	
(9)	996 562 404 00	cover	/R	1	
9	999 703 866 40	lid		3	
10	996 562 943 00	lining		1	
11	996 562 459 00	profile strip		1	
12	996 562 427 00	bracket		1	
13	999 084 456 09	nut		X	
14	999 703 134 40	buffer 40,0 x 11,0		2	
15	997 612 699 00	wiring harness		1	
16	999 507 778 02	clamp		6	

Model	Year	MG	SG	Illustration	Restrictions	UPD	22:42	24.01.2010	PORSCHE	PET	PORSCHE
997-2	2010	8	11	811-02		248					

Pos	Part Number	Description	Remark	Qty	Model	Pos	Part Number	Description	Remark	Qty	Model
--	997 562 661 00	rubber buffer for gate guide see workshop manual 600649		4							
17	999 703 488 40	buffer for rear lid 5,9x11,5x16		2							

Model	Year	MG	SG	Illustration	Restrictions	UPD	22:42	24.01.2010	PORSCHE	PET	PORSCHE
997-2	2010	8	11	811-03		248					

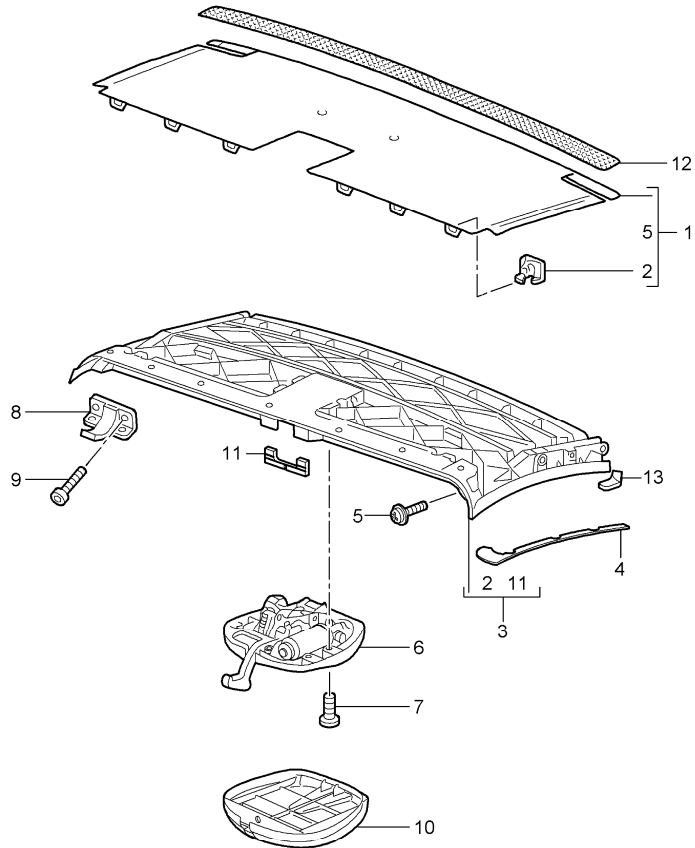
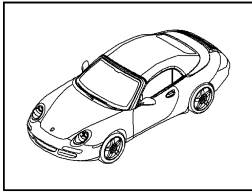


Pos	Part Number	Description	Remark	Qty	Model
		glass roof linings			TARGA
1	A 997 562 021 00	cover cowl		1	
1	997 562 021 02	cover cowl		1	
2	999 591 591 01	speed nut St 3,5		3	
3	999 919 162 09	oval-head screw M 4 x 8		3	
4	997 562 651 00	cover roof pillar	/L	1	
(4)	997 562 652 00	cover roof pillar	/R	1	
5	997 562 653 01	cover centre part	/H	1	
6	997 562 303 00	cover strip glass roof	/L	1	
(6)	997 562 304 00	cover strip glass roof	/R	1	
7	997 562 341 00	cover rear lid lateral including gasket screw square nut	/L	1	
(7)	997 562 342 00	cover rear lid lateral including gasket screw square nut	/R	1	
8	999 076 073 07	hexagon nut		2	
9	900 228 017 09	threaded pin		2	
10	997 562 323 00	rear lid		1	
10	997 562 323 01	rear lid		1	I425
11	996 562 337 00	gasket		1	
12	996 562 319 00	hinge	/L	1	

Model	Year	MG	SG	Illustration	Restrictions	UPD	22:42	24.01.2010	PORSCHE	PET	PORSCHE
997-2	2010	8	11	811-03		248					

Pos	Part Number	Description	Remark	Qty	Model	Pos	Part Number	Description	Remark	Qty	Model
(12)	996 562 320 00	hinge	/R	1		29	996 562 903 00	spacer set		1	
13	997 562 429 00	gas-pressure spring	/L	1		30	996 562 907 00	cover	/L	1	
(13)	997 562 430 00	gas-pressure spring	/R	1		(30)	996 562 908 00	cover	/R	1	
14	996 562 325 00	clip		1		31	997 562 443 00	gasket centre piece		1	
15	996 562 461 00	cap		1		32	999 703 100 40	buffer rear lid		2	
16	900 228 017 09	threaded pin		2		33	997 562 441 00	cover rear window lower		1	
17	996 562 405 00	shade		1		34	996 562 415 00	strip clamping strip for cover		1	
18	997 562 917 00	cable	/L	1		35	000 043 157 00	cleaning agent 30 ML		1	
(18)	997 562 918 00	cable shade	/R	1		36	999 084 456 09	hexagon nut M6		3	
19	997 562 915 00	sliding piece	/L	1		37	999 073 264 09	lens-head screw M6x10		2	
(19)	997 562 916 00	sliding piece shade	/R	1							
20	996 562 910 00	guide cable		1							
21	996 562 901 00	roof strut		1							
22	996 624 241 00	electric motor		1							
23	996 562 933 01	repair kit retaining frame		1							
24	996 562 904 00	repair kit fastening screw retaining frame		1							
25	999 073 262 09	torx screw M 5X14		10							
26	996 562 455 01	gasket		1							
27	996 562 331 00	gasket use also:		1							
--	000 043 207 25	activator 1 Liter see workshop manual 600649		1							
28	997 562 329 00	glass roof		1							
--	000 043 207 27	adhesive tape 4MM X 1600MM		1							

Model	Year	MG	SG	Illustration	Restrictions	UPD	22:42	24.01.2010	PORSCHE	PET	PORSCHE
997-2	2010	8	11	811-05		248					

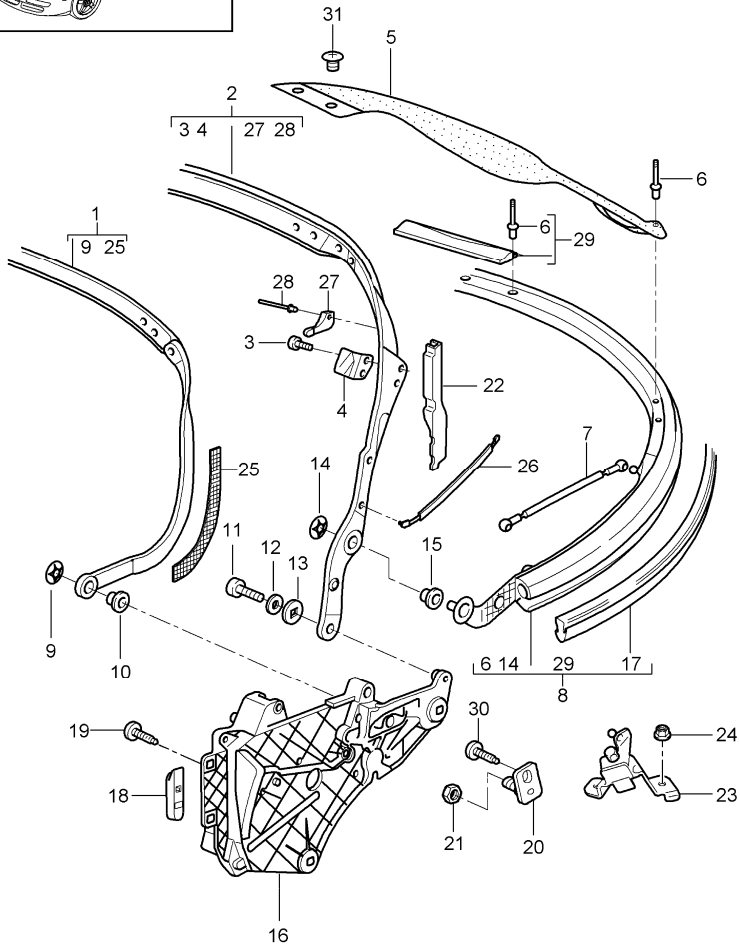
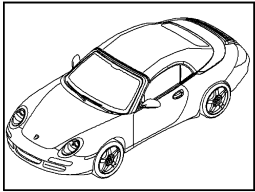


Pos	Part Number	Description	Remark	Qty	Model
		convertible top frame front roof frame catch			
1	996 561 963 00	base		1	
2	996 561 731 00	clip		6	
3	997 561 905 00	roof frame		1	
	A09	black			
		use also:			
-	997 561 509 00	felt strip 60 x 25 see tpi group 8 Nr. 53		1	
4	996 561 807 00	gasket roof frame plastic foam strip	/L	1	
(4)	996 561 808 00	gasket roof frame plastic foam strip	/R	1	
5	999 919 192 09	oval-head screw		6	
6	997 561 117 01	catch		1	
7	999 073 195 09	oval-head screw		4	
8	997 561 605 00	centring journal	/L	1	
(8)	997 561 606 00	centring journal	/R	1	
9	999 919 144 09	oval-head screw		4	
10	997 561 515 00	trim cover		1	
	01C	black			
11		buffer see illustrations 8-11-09		1	
12	000 043 207 44	felt strip 30 mm x 5 Meter		1	
13	997 561 827 00	foam part	/L	1	
(13)	997 561 828 00	foam part	/R	1	

Model	Year	MG	SG	Illustration	Restrictions	UPD	22:42	24.01.2010	PORSCHE	PET	PORSCHE
997-2	2010	8	11	811-05		248					

Pos	Part Number	Description	Remark	Qty	Model	Pos	Part Number	Description	Remark	Qty	Model
-	000 043 206 65	grease Krytox 1 tube 56 Gramm		X							
-	000 043 206 83	grease Optitemp LG2 1 tube 80 Gramm		X							
-	999 917 557 00	grease Osixo 30 ml		X							

Model	Year	MG	SG	Illustration	Restrictions	UPD	22:42	24.01.2010	PORSCHE	PET	PORSCHE
997-2	2010	8	11	811-06		248					

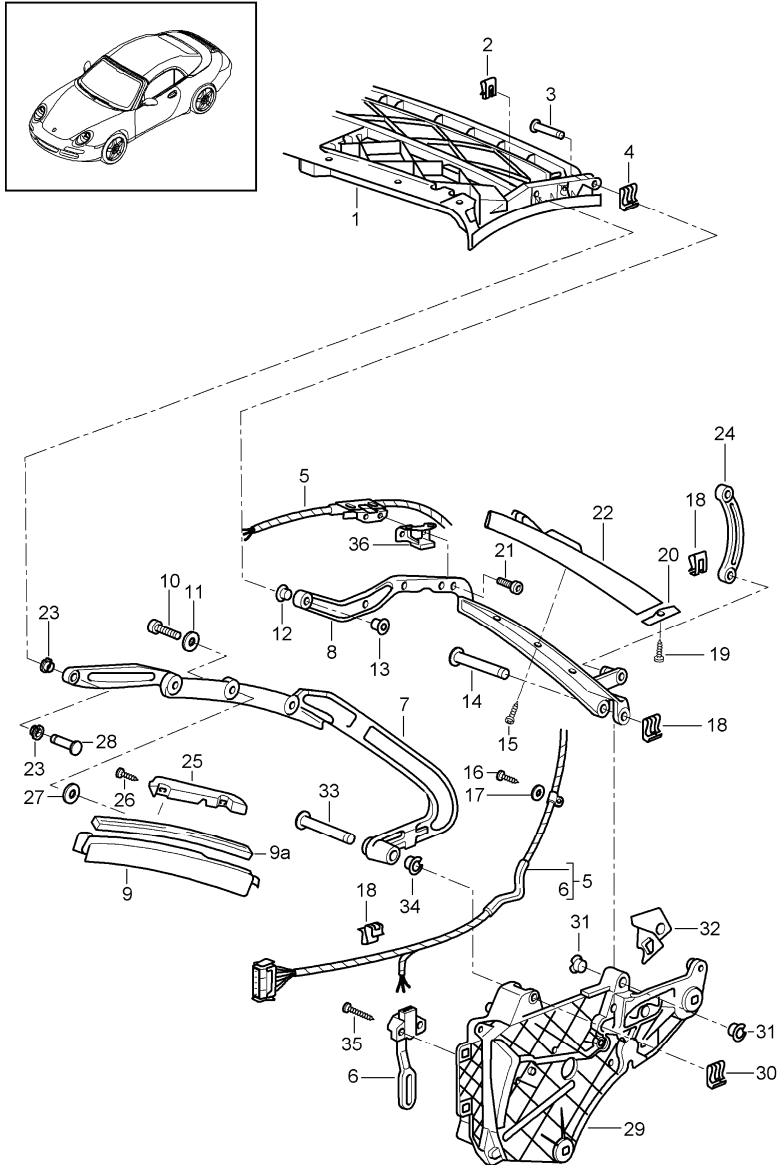


Pos	Part Number	Description	Remark	Qty	Model
		convertible top frame single parts			
1	997 561 942 00	roof strut		1	
2	997 561 037 00	main folding top bow		1	
3	900 146 003 02	oval-head screw		6	
4	996 561 959 00	thrust wedge		2	
5	997 561 089 02	restraining strap	/L	1	
(5)	997 561 090 02	restraining strap	/R	1	
6	999 190 446 30	blind rivet		12	
7	996 561 191 00	tension rope lower		2	
8	997 561 941 00	roof strut with buffer		1	
9	996 561 645 00	lock		4	
10	999 924 122 40	bush		4	
11	999 073 195 09	oval-head screw		2	
12	900 151 006 09	washer		2	
13	999 924 131 30	washer		2	
14	996 561 645 00	lock		4	
15	999 924 122 40	bush		X	
16	997 561 943 00	convertible top support	/L	1	
(16)	997 561 944 00	convertible top support	/R	1	
17	996 561 693 00	additional gasket for roof strut POS.8		1	
18	996 561 735 02	guide		2	
19	999 075 065 09	hexagon-head bolt M8x35 mount convertible top support		6	
20	996 561 715 00	support		2	
21	999 084 629 01	hexagon nut		2	

Model	Year	MG	SG	Illustration	Restrictions	UPD	22:42	24.01.2010	PORSCHE	PET	PORSCHE
997-2	2010	8	11	811-06		248					

Pos	Part Number	Description	Remark	Qty	Model	Pos	Part Number	Description	Remark	Qty	Model
22	996 561 259 00	gasket	/L	1							
(22)	996 561 260 00	gasket	/R	1							
23	996 561 055 01	bracket for tension rope	/L	1							
(23)	996 561 056 01	bracket	/R	1							
24	999 084 629 01	hexagon nut		4							
25	997 561 897 00	velcro strip	/L	1							
(25)	997 561 898 00	velcro strip	/R	1							
26	997 561 531 00	spring plate		2							
27	997 561 579 00	protective plate	/L	1							
(27)	997 561 580 00	protective plate	/R	1							
28	999 190 494 30	rivet A 4.8x12.0		2							
29	997 561 961 00	buffer set		1							
30	999 073 138 01	screw M8x25		1							
31	999 919 141 09	screw for restraining strap		4							

Model	Year	MG	SG	Illustration	Restrictions	UPD	22:43	24.01.2010	PORSCHE	PET	PORSCHE
997-2	2010	8	11	811-07		248					

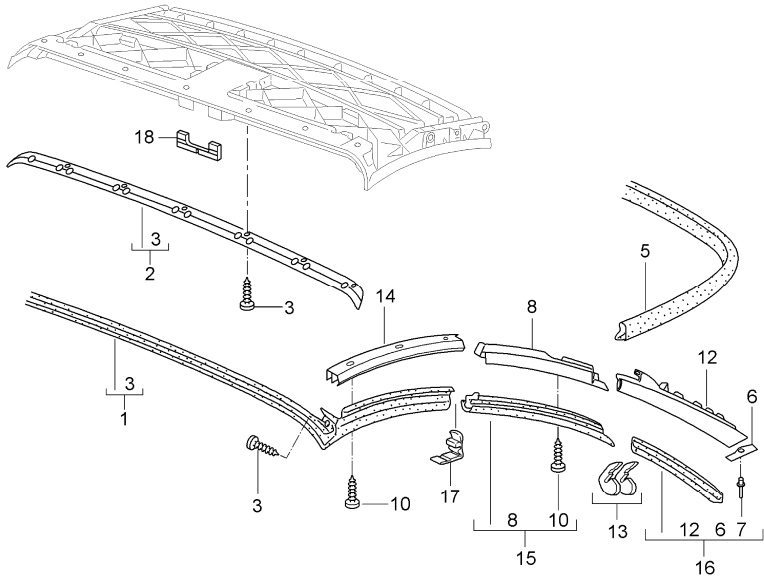
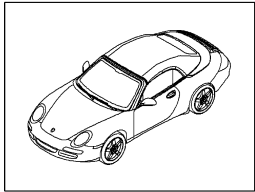


Pos	Part Number	Description	Remark	Qty	Model
1	997 561 905 00	convertible top frame single parts		1	
	A09	black			
2	999 166 075 02	safety clip		X	
3	999 088 050 30	bolt 8X27,8		2	
-	997 561 909 00	repair kit bush bolt lock		1	
4	999 166 075 02	lock		X	
5	997 612 698 03	wiring harness not for convertible top covering black		1	
(5)	997 612 698 01	wiring harness for convertible top covering black		1	
-	997 561 965 00	protective tube		1	
6	996 613 313 02	potentiometer		1	
7	996 561 335 00	roof frame	/L	1	
(7)	996 561 336 00	roof frame	/R	1	
8	997 561 939 00	roof frame	/L	1	
(8)	997 561 940 00	roof frame	/R	1	
9	997 561 355 01	sealing frame	/L	1	
	A09	black			
(9)	997 561 356 01	sealing frame	/R	1	
	A09	black			
9A	996 561 219 00	gasket for sealing frame		2	
10	999 073 195 09	screw M 6X20		X	
11	900 151 006 09	washer		X	

Model	Year	MG	SG	Illustration	Restrictions	UPD	22:43	24.01.2010	PORSCHE	PET	PORSCHE
997-2	2010	8	11	811-07		248					

Pos	Part Number	Description	Remark	Qty	Model	Pos	Part Number	Description	Remark	Qty	Model
12	999 924 086 40	bearing sleeve		4		32	996 561 249 01	sealing strip	/L	1	
13	999 924 086 40	bearing sleeve		4		(32)	996 561 250 01	sealing strip	/R	1	
14	999 088 031 30	bolt		1		33	999 088 031 30	bolt		4	
15	999 919 153 09	oval-head screw		X		34	999 924 125 40	bush		4	
16	900 144 101 02	tapping screw		X		35	999 919 152 09	oval-head screw 3,5X8		2	
17	900 151 027 02	washer		8							
18	999 166 076 02	lock		X							
19		blind rivet see illustrations 8-11-09		4							
20		gasket see illustrations 8-11-09		2							
21	N 014 128 13	oval-head screw M5X8		4							
22	997 561 319 03	sealing frame	/L	1							
	A09	black									
(22)	997 561 320 03	sealing frame	/R	1							
	A09	black									
23	999 924 086 40	bearing sleeve		8							
24	996 561 051 01	lever	/L	1							
(24)	996 561 052 01	lever	/R	1							
25	996 561 535 00	guide	/L	1							
(25)	996 561 536 00	guide	/R	1							
26	999 919 141 09	oval-head screw		4							
27	999 025 267 09	washer		8							
28	999 088 049 30	bolt 8x32,8		2							
29	997 561 943 00	convertible top support	/L	1							
(29)	997 561 944 00	convertible top support	/R	1							
30	999 166 076 02	safety clip		6							
31	999 924 125 40	bush		4							

Model	Year	MG	SG	Illustration	Restrictions	UPD	22:43	24.01.2010	PORSCHE	PET	PORSCHE
997-2	2010	8	11	811-09		248					

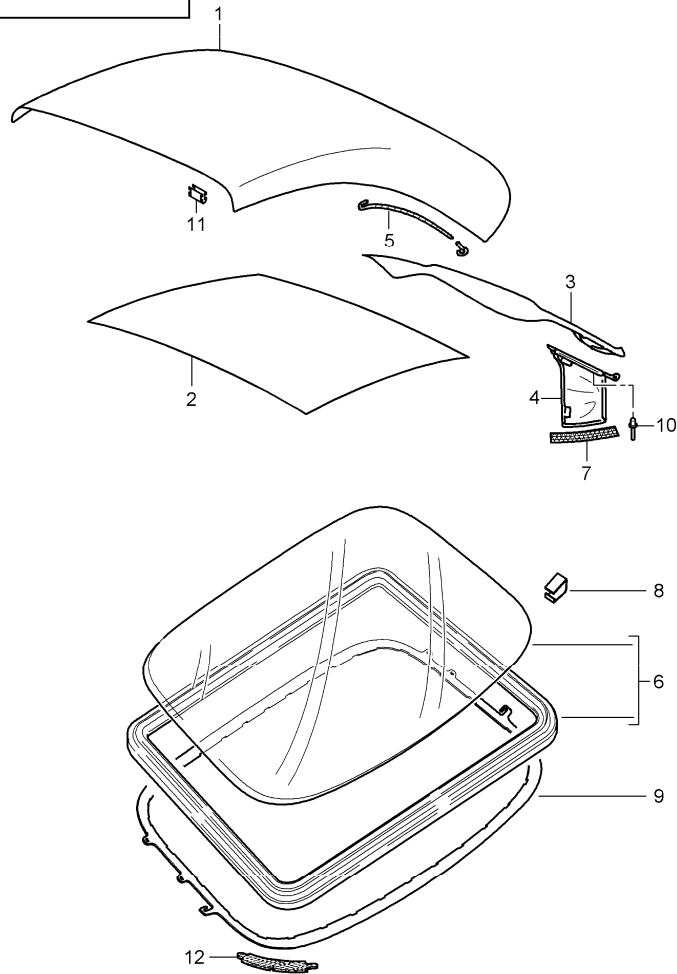
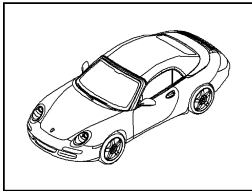


Pos	Part Number	Description	Remark	Qty	Model
		convertible top seal			
1	997 561 937 00	roof frame seal		1	
2	997 561 951 00	retaining strip		1	
3	999 141 036 09	oval-head screw		8	
5	997 561 949 00	gasket roof strut		1	
6	997 561 239 00	gasket	/L	1	
(6)	997 561 240 00	gasket	/R	1	
7	999 190 495 30	blind rivet		4	
8	997 561 355 01	sealing frame	/L	1	
	A09				
(8)	997 561 356 01	sealing frame	/R	1	
	A09				
10	999 919 152 09	oval-head screw		x	
12	997 561 319 03	frame	/L	1	
	A09	black			
(12)	997 561 320 03	frame	/R	1	
	A09	black			
13	996 561 935 00	filler piece set		2	
14	996 561 527 00	mounting	/L	1	
(14)	996 561 528 00	mounting	/R	1	
15	997 561 913 02	gaskets assembly kit	/L	1	
(15)	997 561 914 02	gaskets assembly kit	/L	1	
16	997 561 923 03	gaskets assembly kit	/L	1	
(16)	997 561 924 03	gaskets assembly kit	/R	1	
17	997 561 813 00	filler piece	/L	1	

Model	Year	MG	SG	Illustration	Restrictions	UPD	22:43	24.01.2010	PORSCHE	PET	PORSCHE
997-2	2010	8	11	811-09		248					

Pos	Part Number	Description	Remark	Qty	Model	Pos	Part Number	Description	Remark	Qty	Model
(17)	997 561 814 00	filler piece	/R	1							
18	996 561 745 00	buffer	/R	1							

Model	Year	MG	SG	Illustration	Restrictions	UPD	22:43	24.01.2010	PORSCHE	PET	PORSCHE
997-2	2010	8	11	811-10		248					

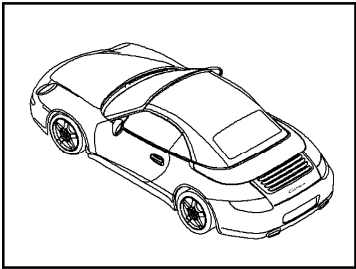


Pos	Part Number	Description	Remark	Qty	Model
1	997 561 901 02	convertible top covering without rear window valid up to: F >>999S7 35745 F >>999S7 35767 F >>999S7 47030 F >>999S7 47027 F >>999S7 35743 F >>999S7 35794 F >>999S7 47028 F >>999S7 47026 it is necessary to rework see technical information group 6 12/09	/LL /RL /LL /RL /LL /RL /LL /RL	1	Cabrio Cabrio Cabrio S Cabrio S Cabrio C4 Cabrio C4 Cabrio C4S Cabrio C4S
		A10 black C17 stone grey G02 metropole blue R17 brown			
1	997 561 901 03	convertible top covering without rear window valid from: F 999S7 35746>> F 999S7 35768>> F 999S7 47031>> F 999S7 47028>> F 999S7 35744>> F 999S7 35795>> F 999S7 47029>> F 999S7 47027>>	/LL /RL /LL /RL /LL /RL /LL /RL	1	Cabrio Cabrio Cabrio S Cabrio S Cabrio C4 Cabrio C4 Cabrio C4S Cabrio C4S
		A10 black C17 stone grey G02 metropole blue R17 brown			
2	997 561 085 02	roofliner A21 black		1	
3		restraining strap see illustrations 08/11/06		2	

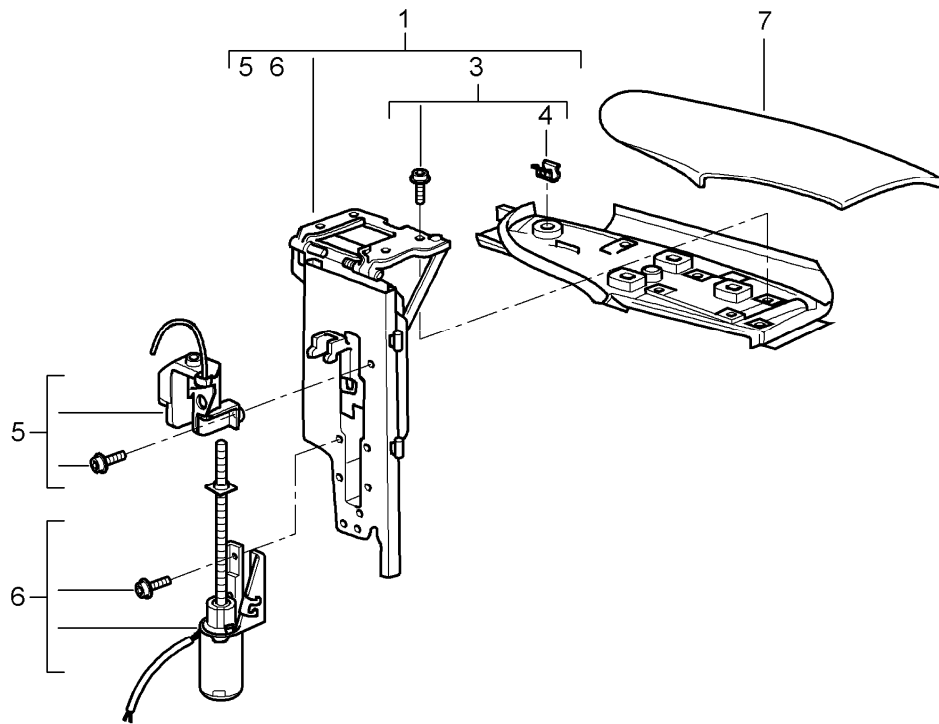
Model	Year	MG	SG	Illustration	Restrictions	UPD	22:43	24.01.2010	PORSCHE	PET	PORSCHE
997-2	2010	8	11	811-10		248					

Pos	Part Number	Description	Remark	Qty	Model	Pos	Part Number	Description	Remark	Qty	Model
4	997 561 095 02	stripe	/L	1							
	A21	black									
(4)	997 561 096 02	stripe	/R	1							
	A21	black									
5	996 561 931 01	tension rope		2							
6	997 561 979 00	rear window with gasket		1							
7	997 561 897 00	velcro strip	/L	1							
(7)	997 561 898 00	velcro strip	/R	1							
8	996 561 205 00	clamp		32							
9	996 561 203 00	frame order also: 997.561.929.00		1							
-	997 561 929 00	assembly kit accessories rear window		1							
10	999 190 446 30	blind rivet		4							
11	997 561 915 00	clamp set 20 St•ck		1							
12	997 561 721 00	velcro strip		2							

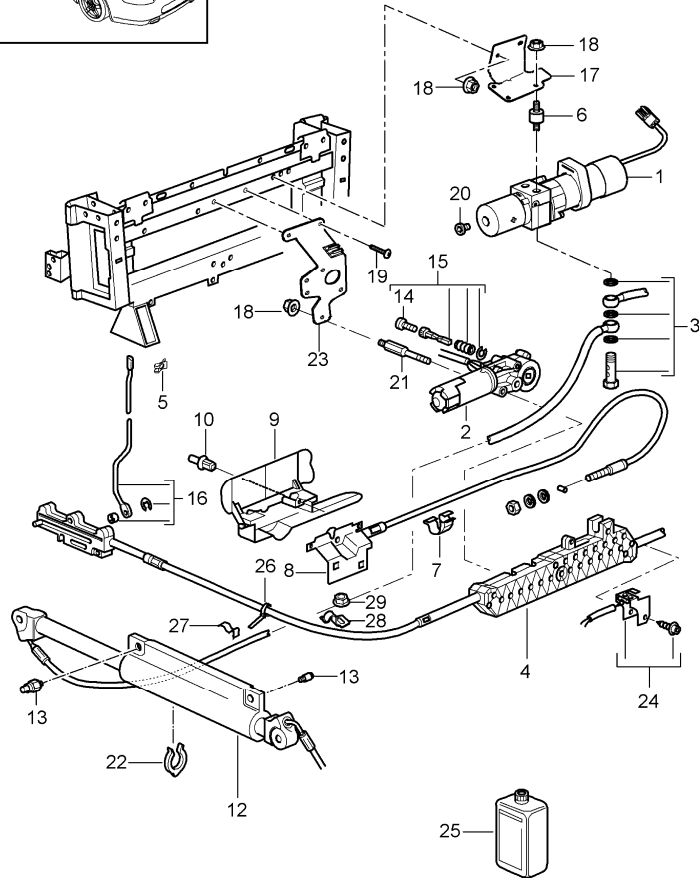
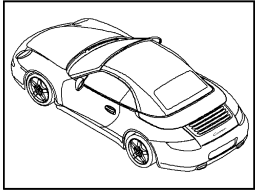
Model	Year	MG	SG	Illustration	Restrictions	UPD	22:43	24.01.2010	PORSCHE	PET	PORSCHE
997-2	2010	8	11	811-11		248					



Pos	Part Number	Description	Remark	Qty	Model
		flap lateral folding top			
1	996 561 175 01	flap	/L	1	
(1)	996 561 176 01	flap	/R	1	
3	996 561 625 00	flap	/L	1	
(3)	996 561 626 00	flap	/R	1	
4	999 507 533 02	clamp		X	
5	996 561 685 00	microswitch	/L	1	
(5)	996 561 686 00	microswitch	/R	1	
6	996 561 675 00	driving mechanism	/L	1	
(6)	996 561 676 00	driving mechanism	/R	1	
7	--- --- --- ---	see illustrations 8/07/07		1	



Model	Year	MG	SG	Illustration	Restrictions	UPD	22:43	24.01.2010	PORSCHE	PET	PORSCHE
997-2	2010	8	11	811-12		248					

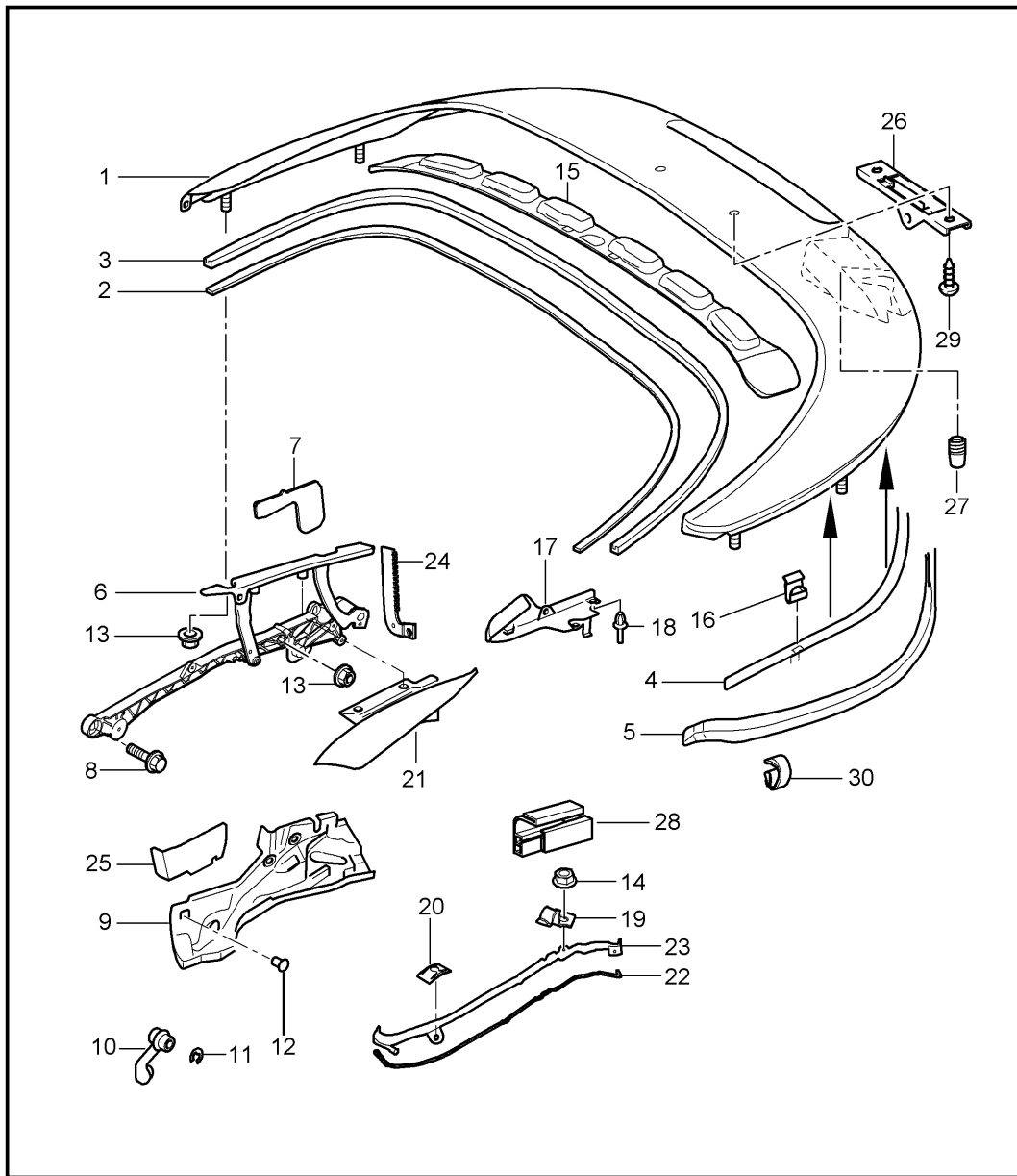


Pos	Part Number	Description	Remark	Qty	Model
		convertible top driving mechanism hydraulic			
1	997 561 307 00	hydraulic unit		1	
2	996 561 933 01	driving mechanism		1	
3	996 561 573 00	banjo bolt set		2	
4	997 561 021 00	driving mechanism		1	
5	999 166 054 01	sl-lock		2	
6	999 703 235 01	bonded rubber buffer		2	
7	999 507 683 40	cable holder		X	
8	996 561 065 01	locking device		1	
9	996 561 265 03	lining		1	
10	999 591 941 40	expansion rivet		X	
11	900 380 015 01	hexagon nut		2	
12	997 561 945 00	cylinder		2	
13	996 561 245 00	bolt		1	
14	996 561 671 00	screw		1	
15	996 561 673 01	repair kit		1	
16	996 561 229 00	push rod	/L	1	
(16)	996 561 230 00	push rod	/R	1	
17	997 561 217 00	support hydraulic unit		1	
18	900 377 010 01	hexagon nut M 6		7	
19	999 073 228 09	tapping screw St 4,8		3	
20	996 561 407 01	oil filler screw		1	
21	996 561 863 01	stud		3	
22	996 561 281 00	retainer		2	
23	996 561 207 01	support driving mechanism convertible top compartm.		1	

Model	Year	MG	SG	Illustration	Restrictions	UPD	22:43	24.01.2010	PORSCHE	PET	PORSCHE
997-2	2010	8	11	811-12		248					

Pos	Part Number	Description	Remark	Qty	Model	Pos	Part Number	Description	Remark	Qty	Model
24	996 561 165 01	microswitch		1							
25	000 043 204 89	oil 250 ML		X							
26	999 513 077 40	tie-wrap		2							
27	997 561 773 00	clamp hydraulic line		2							
28	997 561 775 00	support bowden cable		2							
29	900 380 015 01	hexagon nut M6		2							

Model	Year	MG	SG	Illustration	Restrictions	UPD	22:44	24.01.2010	PORSCHE	PET	PORSCHE
997-2	2010	8	11	811-13		248					

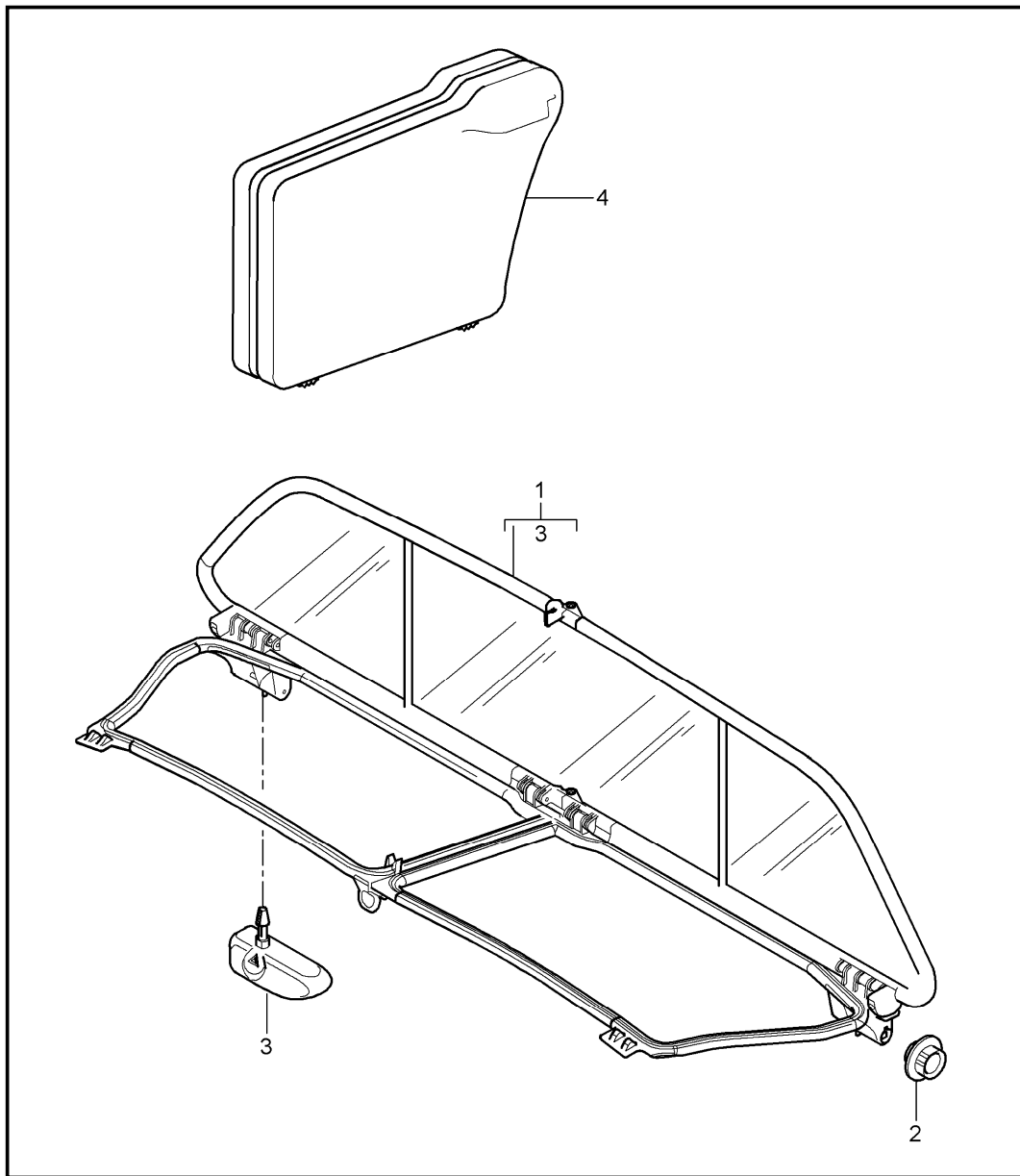


Pos	Part Number	Description	Remark	Qty	Model
		convertible top compartm. lid gaskets			
1	997 514 011 04	lid		1	
	GRV	prime coated			
2	997 514 633 01	sealing strip use also:		1	
-	000 043 207 26	adhesive tape		1	
3	996 514 731 00	gasket		1	
4	997 514 714 02	edge protection		1	
5	997 514 211 01	gasket body		1	
(6)	996 561 907 02	hinge	/L	1	
6	996 561 908 02	hinge use also:	/R	1	
7	996 561 904 00	gasket hinge		1	
8	900 378 180 01	hexagon-head bolt		2	
(9)	996 561 805 03	water drip pan	/L	1	
9	996 561 806 03	water drip pan	/R	1	
(10)	996 561 815 01	water drain hose	/L	1	
10	996 561 816 01	water drain hose	/R	1	
11	996 561 809 00	clamp for Pos. 10		2	
12	999 703 432 40	stopper		2	
13	900 377 003 03	hexagon nut M 8		1	
14	900 380 015 01	hexagon nut		2	
15	997 561 633 00	buffer foam part		1	
16	999 507 600 09	u-clamp		4	
17	997 514 651 02	mounting	/L	1	
(17)	997 514 652 02	mounting	/R	1	

Model	Year	MG	SG	Illustration	Restrictions	UPD	22:44	24.01.2010	PORSCHE	PET	PORSCHE
997-2	2010	8	11	811-13		248					

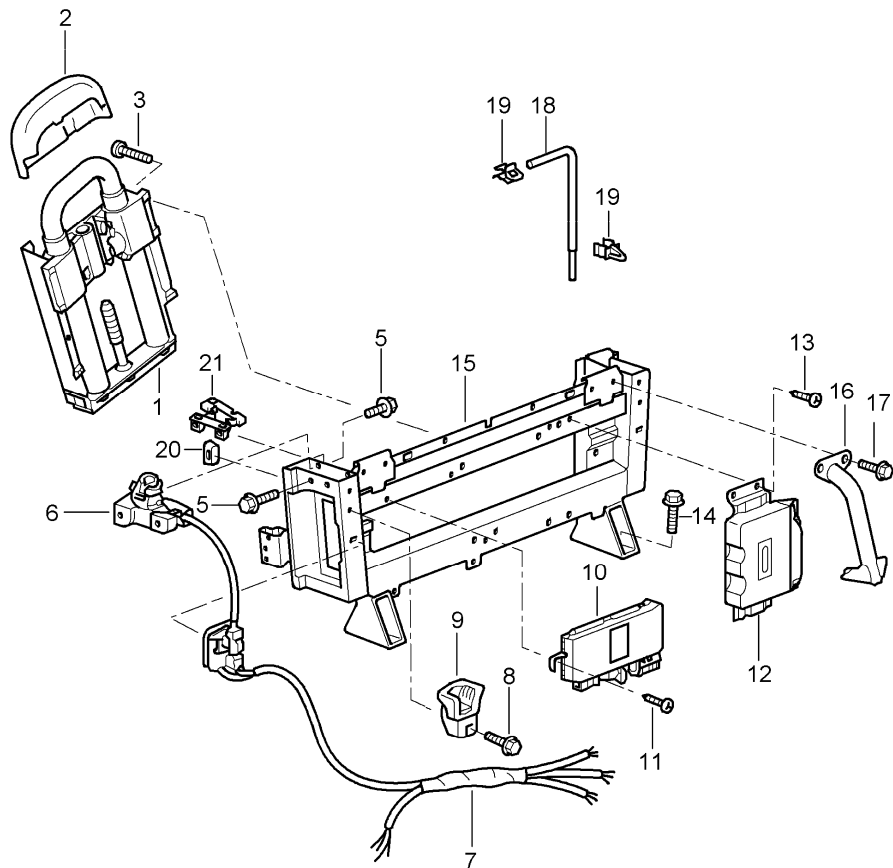
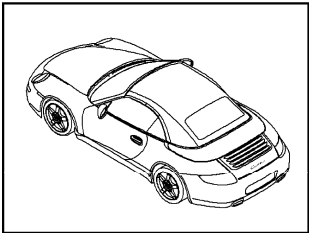
Pos	Part Number	Description	Remark	Qty	Model	Pos	Part Number	Description	Remark	Qty	Model
18	999 591 712 40	expansion rivet		2							
19	997 561 775 00	support		1							
20	999 507 647 01	clamping washer front for water drain strip		1							
21	996 561 061 02	flap	/L	1							
(21)	996 561 062 02	flap	/R	1							
22	999 911 673 41	sealing cord		1							
(23)	997 561 755 02	water drain strip	/L	1							
23	997 561 756 02	water drain strip	/R	1							
24	996 612 504 00	cable guide wiring harness brake light	/L	1							
25	997 561 522 00	cover	/R	1							
(25)	997 561 521 00	cover	/L	1							
26	996 561 465 00	clip		1							
27	999 703 140 40	rubber buffer		1							
28	997 561 801 00	stop -2MM		2							
28	997 561 801 01	stop -1MM		2							
28	997 561 801 02	stop +-0		2							
28	997 561 801 03	stop +1MM		2							
28	997 561 801 04	stop +2MM		2							
28	997 561 801 05	stop +3MM		2							
29	999 073 130 02	oval-head screw		2							
30	996 514 511 00	clip		2							
--	999 703 117 40	stopper		1							

Model	Year	MG	SG	Illustration	Restrictions	UPD	22:44	24.01.2010	PORSCHE	PET	PORSCHE
997-2	2010	8	11	811-14		248					



Pos	Part Number	Description	Remark	Qty	Model
1	997 561 125 00	wind deflector		1	
	01C	black			
2	996 561 127 00	rosette	/L	1	
	01C	black			
2	996 561 128 00	rosette	/R	1	
	01C	black			
3	996 561 955 00	repair kit	/L	1	
(3)	996 561 956 00	repair kit	/R	1	
4	997 561 161 02	bag wind deflector		1	

Model	Year	MG	SG	Illustration	Restrictions	UPD	22:44	24.01.2010	PORSCHE	PET	PORSCHE
997-2	2010	8	11	811-15		248					

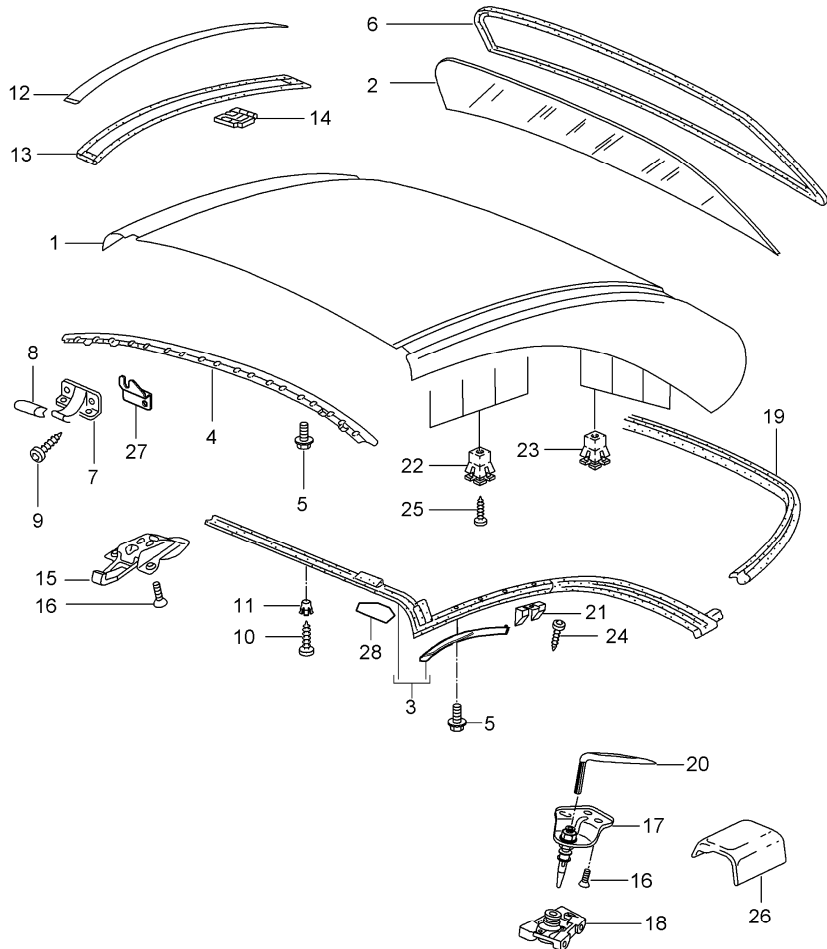
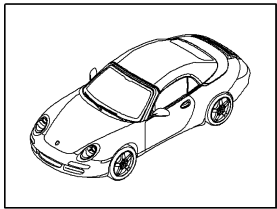


Pos	Part Number	Description	Remark	Qty	Model
		roll-over bar			
1	997 580 021 04	cassette		2	
2	996 580 191 01	cover		2	
3	900 067 394 01	pan-head screw		12	
4	996 561 175 01	flap see illustrations 8/11/11		1	
5	900 378 173 01	hexagon-head bolt		4	
6		mounting see illustrations 08/11/16		2	I550
7	997 612 696 00	wiring harness		1	
8	999 217 166 01	hexagon-head bolt M10 X 55		2	
9	996 561 463 02	guide	/L	1	
(9)	996 561 464 02	guide	/R	1	
10	997 618 111 03	control unit convertible top driving mechanism		1	
11	999 073 228 09	tapping screw		X	
12	---	control unit - dme - see group 9/01/03		X	
13	999 073 228 09	tapping screw		X	
14	999 385 006 01	screw		4	
15	997 580 911 00	auxiliary support use also:		1	
-	997 580 913 00	set of fastening parts blind rivet screw		1	
(16)	997 580 331 02	bracket	/L	1	
16	997 580 332 02	bracket	/R	1	
17	900 385 097 01	torx screw BM10 X 35		X	
18	999 571 079 03	screwdriver		1	

Model	Year	MG	SG	Illustration	Restrictions	UPD	22:44	24.01.2010	PORSCHE	PET	PORSCHE
997-2	2010	8	11	811-15		248					

Pos	Part Number	Description	Remark	Qty	Model	Pos	Part Number	Description	Remark	Qty	Model
19	999 507 633 40	clamp		2							
20	997 561 457 00	sleeve		2							
21	996 561 297 00	insert	/L	1							
(21)	996 561 298 00	insert	/R	1							
22	999 650 176 40	clip for connector housing		3							
23	996 610 126 00	support relay carrier 2		1							
24	996 610 128 00	fixing clip relay carrier 2		1							

Model	Year	MG	SG	Illustration	Restrictions	UPD	22:44	24.01.2010	PORSCHE	PET	PORSCHE
997-2	2010	8	11	811-16		248					



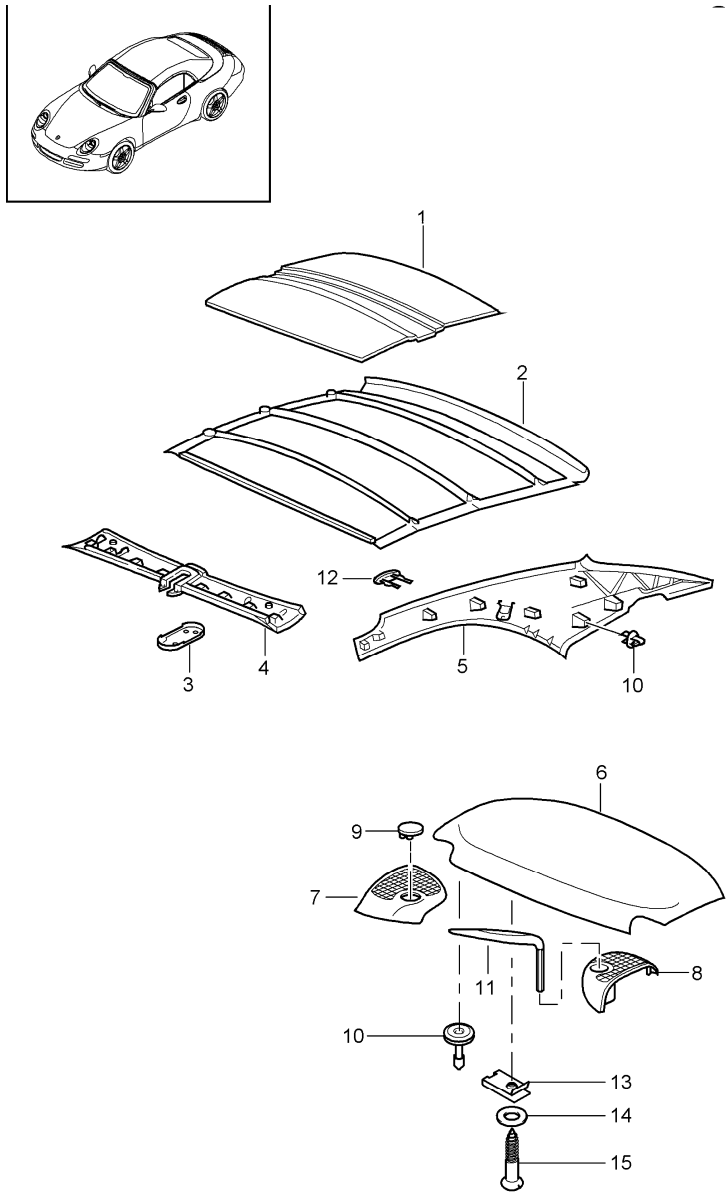
Pos	Part Number	Description	Remark	Qty	Model
		hardtop accessories gaskets			I550
1	996 563 911 00	hardtop		1	
	GRV	prime coated without accessories			
2	996 563 091 00	rear window ready for installation		1	
3	997 563 225 00	gasket with retaining strip rear when required order also:		1	
--	996 563 309 00	retaining strip front	/L	1	
--	996 563 310 00	retaining strip front	/R	1	
4	996 563 319 00	retaining strip		1	
5	999 073 049 02	fastening screw for retaining strip front transverse		8	
6	996 563 029 00	gasket		1	
7	996 563 405 00	centring journal	/L	1	
(7)	996 563 406 00	centring journal	/R	1	
8	996 563 705 01	cap	/L	1	
8	996 563 706 01	cap	/R	1	
9	999 919 144 09	oval-head screw		4	
10	999 073 049 02	tapping screw		14	
11	999 507 547 40	expander nut		8	
12	996 563 707 00	cover strip	/L	1	
	GRV	prime coated			
(12)	996 563 708 00	cover strip	/R	1	
	GRV	prime coated			

Model	Year	MG	SG	Illustration	Restrictions	UPD	22:44	24.01.2010	PORSCHE	PET	PORSCHE
997-2	2010	8	11	811-16		248					

Pos	Part Number	Description	Remark	Qty	Model	Pos	Part Number	Description	Remark	Qty	Model
13	996 563 361 00	gasket	/L	1		(27)	996 563 510 00	support for lining see group 8/11/17 POS. 5	/R	1	
(13)	996 563 362 00	gasket	/R	1							
14	986 563 721 00	clip		8							
15	996 563 401 00	catch		1		28	997 563 539 00	protective film cowl	/L	1	
16	900 249 055 09	countersunk-head screw M 6X20		3		(28)	997 563 540 00	protective film cowl	/R	1	
17	996 563 403 04	catch	/L	1							
(17)	996 563 404 04	catch	/R	1							
18	996 561 653 04	mounting	/L	1							
--	996 561 657 02	insert		1							
--	900 249 031 09	countersunk-head screw		6							
(18)	996 561 654 04	mounting	/R	1							
--	996 561 658 02	insert		1							
19	996 563 027 01	gasket		1							
20	996 563 413 01	tool		1							
21	996 563 125 00	thrust wedge		2							
22	999 507 923 40	expander nut green		8							
23	999 507 924 40	expander nut yellow		8							
24	999 450 008 09	tapping screw		2							
25	999 073 049 02	tapping screw		16							
26	996 563 421 01	protective tab		2							
--	999 507 659 40	expander nut hardtop support for contact	/L	1							
--	999 507 662 40	expander nut hardtop support for contact	/R	1							
27	996 563 509 00	support for lining see group 8/11/17 POS. 5	/L	1							

Model	Year	MG	SG	Illustration	Restrictions	UPD	22:44	24.01.2010	PORSCHE	PET	PORSCHE
997-2	2010	8	11	811-17		248					

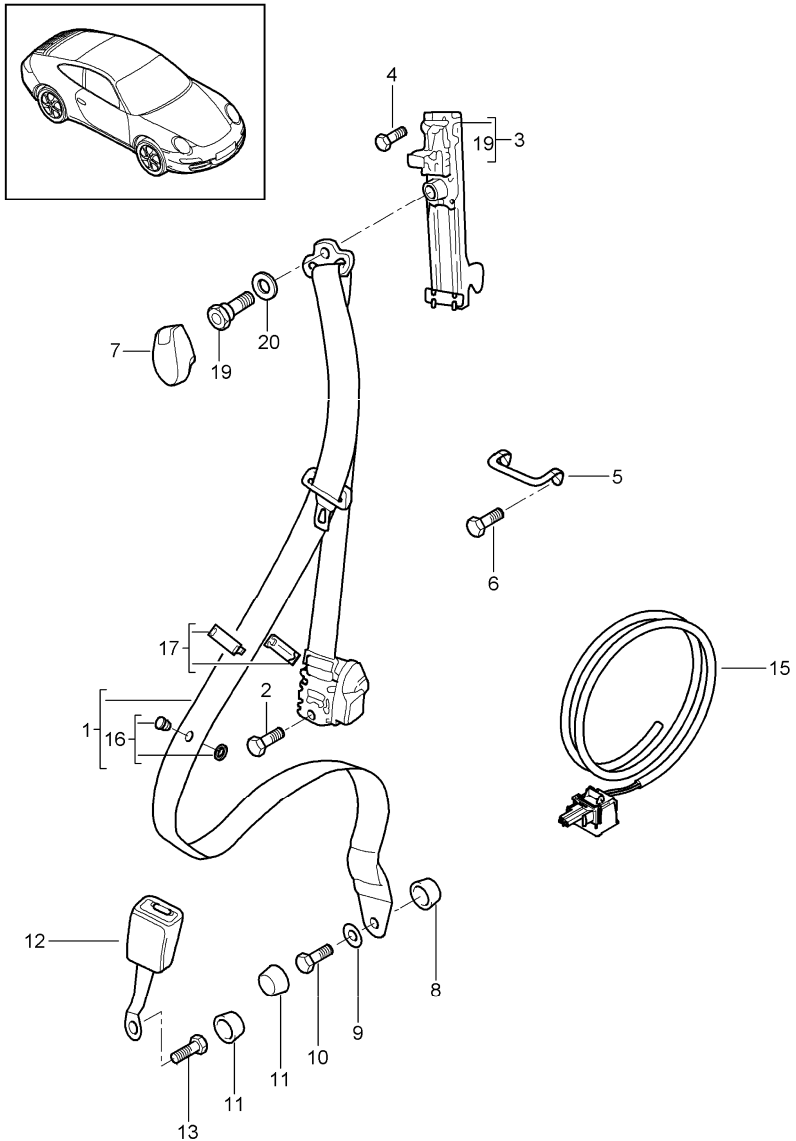
Pos	Part Number	Description	Remark	Qty	Model
		hardtop sound absorber			I550
1	996 563 523 00	sound absorber		1	
2	996 563 111 01	roofliner		1	
	A21	black			
3	997 563 551 00	trim cover		1	
	01C	black			
4	997 563 501 00	lining leatherette		1	
	1MZ	black			
	1TK	sand beige			
	1UL	palmgreen			
	1VM	sea blue			
	1YP	stone grey			
5	997 563 503 00	lining leatherette	/L	1	
	1MZ	black			
	1TK	sand beige			
	1UL	palmgreen			
	1VM	sea blue			
	1YP	stone grey			
(5)	997 563 504 00	lining leatherette	/R	1	
	1MZ	black			
	1TK	sand beige			
	1UL	palmgreen			
	1VM	sea blue			
	1YP	stone grey			
6	996 563 505 00	lining		1	
	A07	black			
	B07	space grey			



Model	Year	MG	SG	Illustration	Restrictions	UPD	22:44	24.01.2010	PORSCHE	PET	PORSCHE
997-2	2010	8	11	811-17		248					

Pos	Part Number	Description	Remark	Qty	Model	Pos	Part Number	Description	Remark	Qty	Model
		C07 graphite grey									
		G07 metropole blue									
7	996 563 554 00	lining	/R	1							
		A10 black									
		B50 space grey									
		C50 graphite grey									
		G10 metropole blue									
8	996 563 553 00	lining	/L	1							
		A10 black									
		B50 space grey									
		C50 graphite grey									
		G10 metropole blue									
9	996 555 457 00	lid		2							
		A10 black									
		C50 graphite grey									
		G10 metropole blue									
		B50 space grey									
10	999 507 764 40	clip		X							
11	996 563 413 01	tool		1							
12	996 563 561 00	rubber stop		2							
		01C black for sun visors									
13	999 507 139 01	speed nut		X							
14	900 151 027 02	washer		2							
15	900 143 046 02	tapping screw		2							

Model	Year	MG	SG	Illustration	Restrictions	UPD	22:45	24.01.2010	PORSCHE	PET	PORSCHE
997-2	2010	8	12	812-00		248					

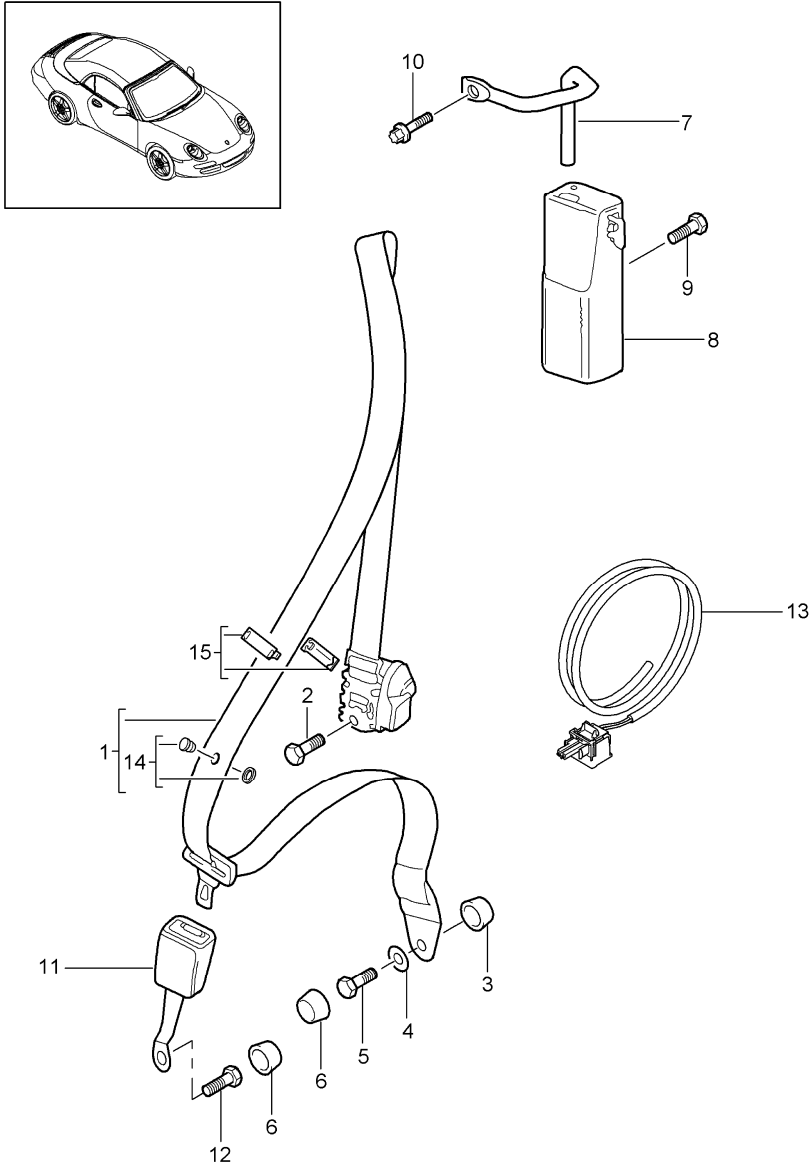


Pos	Part Number	Description	Remark	Qty	Model
1	997 803 033 02	seat belt front		1	COUPE TARGA
	A23	black	/L		I555
	N13	guards red			IXSX
	U01	silver			IXSH
	V02	speed yellow			IXSY
1	997 803 033 05	seat belt	/L	1	
	6M4	sand beige			IXST
(1)	997 803 034 04	seat belt	/R	1	
	A23	black			I555
	N13	guards red			IXSX
	U01	silver			IXSH
	V02	speed yellow			IXSY
(1)	997 803 034 10	seat belt	/R	1	
	6M4	sand beige			IXST
2	999 075 070 09	fastening screw		2	
3	997 803 231 01	height adjustment with		2	
--	999 075 078 01	fastening screw		2	
4	900 067 131 02	pan-head screw		2	
5	996 803 825 01	relay lever		2	
6	900 378 036 09	hexagon-head bolt		4	
7	997 803 521 00	cover		2	
	A03	black			
8	999 924 064 02	spacer sleeve		2	
(8)	997 803 663 00	spacer sleeve		1	I388/389
9	211 857 771	washer		2	
(9)	999 028 022 01	spring washer		1	I388/389
--	999 025 275 A2	washer		1	I388/389

Model	Year	MG	SG	Illustration	Restrictions	UPD	22:45	24.01.2010	PORSCHE	PET	PORSCHE
997-2	2010	8	12	812-00		248					

Pos	Part Number	Description	Remark	Qty	Model	Pos	Part Number	Description	Remark	Qty	Model
10	999 075 073 09	screw		2		16	955 803 056 00	knob		2	
(10)	999 075 072 09	hexagon-head bolt		2	I388/389		HCP	black			
11	811 857 845	cap		2		17	997 803 334 00	clamping piece		2	
	01C	black					01C	black			
12	996 803 183 08	seat-belt buckle passenger's side		1		18	000 043 206 96	clamp see technical manual 693649		2	
(12)	997 803 183 01	seat-belt buckle driver's side		1		19	999 075 078 01	hexagon-head bolt 7/16-20UNF		2	
12	997 803 183 04	seat-belt buckle driver's side		1	I388	20	999 031 052 40	adjusting shim 14,2X22,0		2	
(12)	997 803 183 04	seat-belt buckle driver's side		1	I389						
(12)	997 803 183 05	seat-belt buckle passenger's side		1	I389						
12	997 803 183 05	seat-belt buckle passenger's side		1	I388						
12	997 803 993 08	seat-belt buckle driver's side	/LL/L	10-	1	I098/377/756					
	6J0	Espresso									
(12)	997 803 993 08	seat-belt buckle driver's side	/RL/R	10-	1	I099/378/756					
	6J0	Espresso									
(12)	997 803 993 02	seat-belt buckle passenger's side	/RL/L	10-	1	I099/377/756					
	6J0	Espresso									
(12)	997 803 993 02	seat-belt buckle passenger's side	/LL/R	10-	1	-I072/I098/ I378/756					
	6J0	Espresso									
13	999 218 101 02	fastening screw		2							
14	999 075 073 09	fastening screw		2							
15	--- --- --- --	cable for seat-belt tensioner see group 9/02/10		X							

Model	Year	MG	SG	Illustration	Restrictions	UPD	22:45	24.01.2010	PORSCHE	PET	PORSCHE
997-2	2010	8	12	812-01		248					

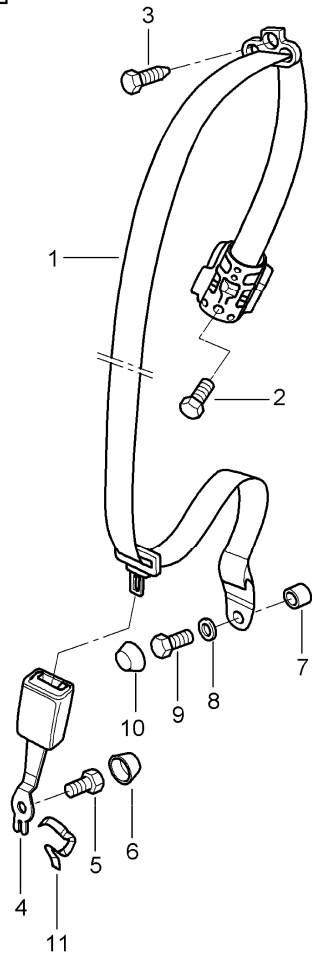
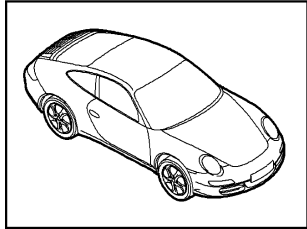


Pos	Part Number	Description	Remark	Qty	Model
		seat belt front			CABRIO
1	997 803 033 03	seat belt	/L	1	
	A23	black			I555
	N13	guards red			IXSX
	V02	speed yellow			IXSY
	U01	silver			IXSH
1	997 803 033 06	seat belt	/L	1	
	6M4	sand beige			IXST
(1)	997 803 034 05	seat belt	/R	1	
	A23	black			I555
	N13	guards red			IXSX
	V02	speed yellow			IXSY
	U01	silver			IXSH
(1)	997 803 034 11	seat belt	/R	1	
	6M4	sand beige			IXST
2	999 075 070 09	hexagon-head bolt		2	
3	999 924 064 02	bush		2	
(3)	997 803 663 00	spacer sleeve		1	I388/389
4	211 857 771	washer		2	
(4)	999 028 022 01	spring washer		1	I388/389
--	999 025 275 A2	washer		1	I388/389
5	999 075 073 09	hexagon-head bolt		2	
(5)	999 075 072 09	hexagon-head bolt		2	I388/389
6	811 857 845	cap		2	
7	996 803 815 00	reverse lever	/L	1	
7	996 803 816 00	reverse lever	/R	1	
8	996 803 581 00	mounting	/L	1	
8	996 803 582 00	mounting	/R	1	

Model	Year	MG	SG	Illustration	Restrictions	UPD	22:45	24.01.2010	PORSCHE	PET	PORSCHE
997-2	2010	8	12	812-01		248					

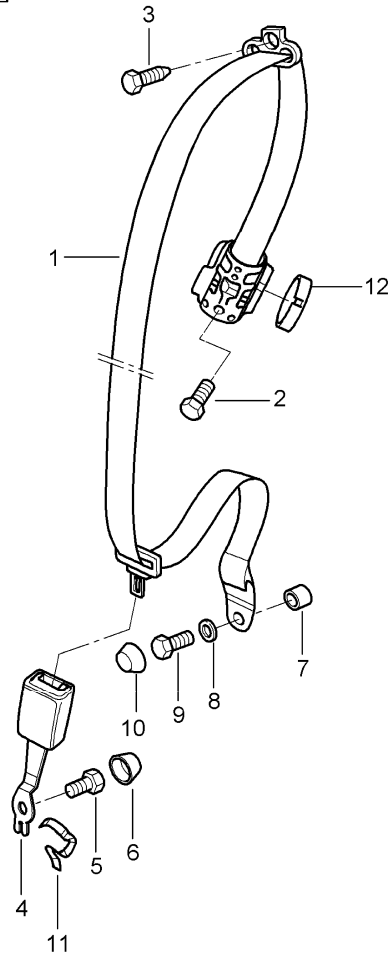
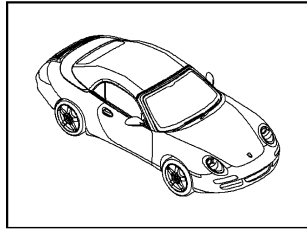
Pos	Part Number	Description	Remark	Qty	Model	Pos	Part Number	Description	Remark	Qty	Model
9	999 075 065 09	hexagon-head bolt M8x35		4							
10	900 378 017 01	hexagon-head bolt M8x20		2							
11	996 803 183 08	seat-belt buckle passenger's side		1							
(11)	997 803 183 01	seat-belt buckle driver's side		1							
11	997 803 183 04	seat-belt buckle driver's side		1	I388						
(11)	997 803 183 04	seat-belt buckle driver's side		1	I389						
(11)	997 803 183 05	seat-belt buckle passenger's side		1	I389						
11	997 803 183 05	seat-belt buckle passenger's side		1	I388						
12	999 218 101 02	hexagon-head bolt		2							
13	--- --- --- --	cable for seat-belt tensioner see group 9/02/10		X							
14	955 803 056 00	knob HCP black		2							
15	997 803 334 00	clamping piece 01C black		2							

Model	Year	MG	SG	Illustration	Restrictions	UPD	22:45	24.01.2010	PORSCHE	PET	PORSCHE
997-2	2010	8	12	812-05		248					



Pos	Part Number	Description	Remark	Qty	Model
		seat belt rear			COUPE
1	997 803 035 02	seat belt	/L	1	
	V02	speed yellow			IXSY
	N13	guards red			IXSX
	U01	silver			IXSH
	A23	black			I555
	6M4	sand beige			IXST
(1)	997 803 036 02	seat belt	/R	1	
	V02	speed yellow			IXSY
	N13	guards red			IXSX
	U01	silver			IXSH
	A23	black			I555
	6M4	sand beige			IXST
2	999 075 070 09	fastening screw		2	
3	999 075 057 09	fastening screw		2	
4	996 803 165 01	seat-belt buckle	/L	1	
(4)	996 803 166 01	seat-belt buckle	/R	1	
5	999 075 070 09	fastening screw		2	
6	811 857 845	cap		2	
7	999 924 064 02	spacer sleeve		2	
8	211 857 771	washer		2	
9	999 075 073 09	screw		2	
10	811 857 845	cap		2	I193
11	996 551 745 00	clamp	/L	2	
(11)	996 551 746 00	clamp	/R	2	

Model	Year	MG	SG	Illustration	Restrictions	UPD	22:45	24.01.2010	PORSCHE	PET	PORSCHE
997-2	2010	8	12	812-06		248					

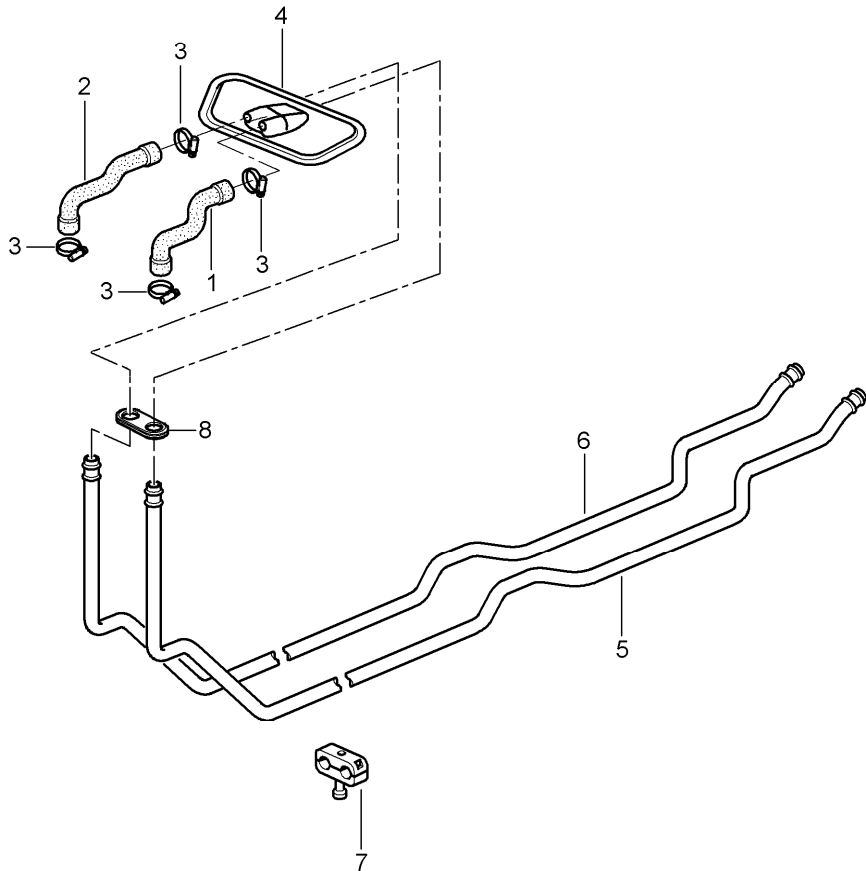
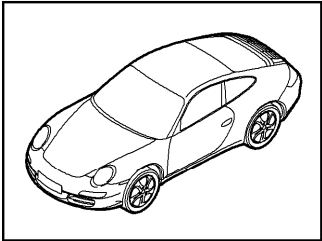


Pos	Part Number	Description	Remark	Qty	Model
		seat belt rear			CABRIO TARGA
1	997 803 035 00	seat belt	/L	1	CABRIO
	V02	speed yellow			IXSY
	N13	guards red			IXSX
	U01	silver			IXSH
	A23	black			I555
	6M4	sand beige			IXST
1	997 803 035 04	seat belt	/L	1	TARGA
	V02	speed yellow			IXSY
	N13	guards red			IXSX
	U01	silver			IXSH
	A23	black			I555
	6M4	sand beige			IXST
(1)	997 803 036 00	seat belt	/R	1	CABRIO
	V02	speed yellow			IXSY
	N13	guards red			IXSX
	U01	silver			IXSH
	A23	black			I555
	6M4	sand beige			IXST
(1)	997 803 036 04	seat belt	/R	1	TARGA
	V02	speed yellow			IXSY
	N13	guards red			IXSX
	U01	silver			IXSH
	A23	black			I555
	6M4	sand beige			IXST
2	999 075 070 09	fastening screw		2	
3	999 075 057 09	fastening screw		2	
4	996 803 165 01	seat-belt buckle	/L	1	

Model	Year	MG	SG	Illustration	Restrictions	UPD	22:45	24.01.2010	PORSCHE	PET	PORSCHE
997-2	2010	8	12	812-06		248					

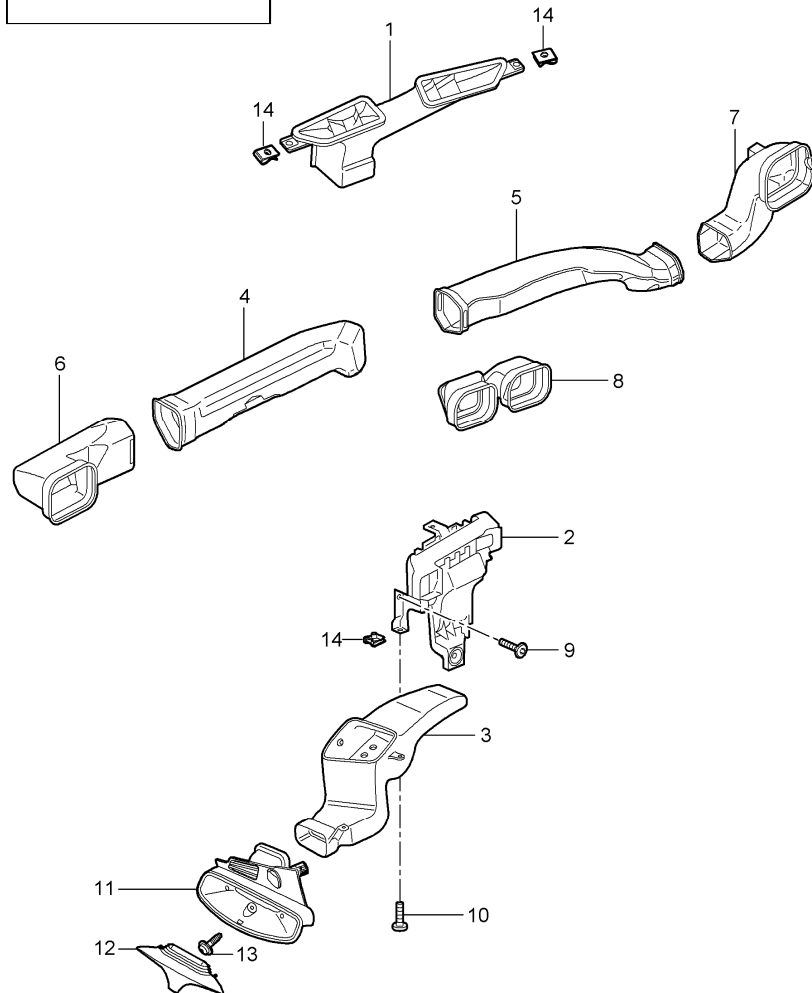
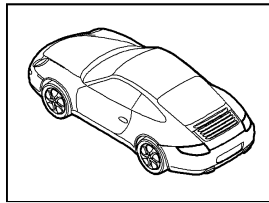
Pos	Part Number	Description	Remark	Qty	Model	Pos	Part Number	Description	Remark	Qty	Model
(4)	996 803 166 01	seat-belt buckle	/R	1							
5	999 075 070 09	fastening screw		2							
6	811 857 845	cap		2							
7	999 924 064 02	spacer sleeve		2							
8	211 857 771	washer		2							
9	999 075 073 09	fastening screw		2							
10	811 857 845	cap		2							
		01C black									
11	996 551 745 00	clamp		2							

Model	Year	MG	SG	Illustration	Restrictions	UPD	22:45	24.01.2010	PORSCHE	PET	PORSCHE
997-2	2010	8	13	813-00		248					



Pos	Part Number	Description	Remark	Qty	Model
		heating system 1 feed line return line			
1	997 572 553 00	heater hose intake	/LL	1	I098
(1)	997 572 553 01	heater hose intake	/RL	1	I099
2	997 572 555 00	heater hose return line	/LL	1	I098
(2)	997 572 555 01	heater hose	/RL	1	I099
3	999 512 603 09	hose clamp		4	
4	996 572 263 02	gasket	/LL	1	I098
(4)	996 572 263 03	gasket	/RL	1	I099
5	997 572 681 00	heater pipeline supply		1	
6	997 572 683 00	heater pipeline return line		1	
--	996 572 785 00	connection piece		X	
7	999 511 230 40	cable holder		4	
--	999 511 232 41	rubber mounting		4	
8	996 572 765 02	grommet		1	

Model	Year	MG	SG	Illustration	Restrictions	UPD	22:46	24.01.2010	PORSCHE	PET	PORSCHE
997-2	2010	8	13	813-01		248					

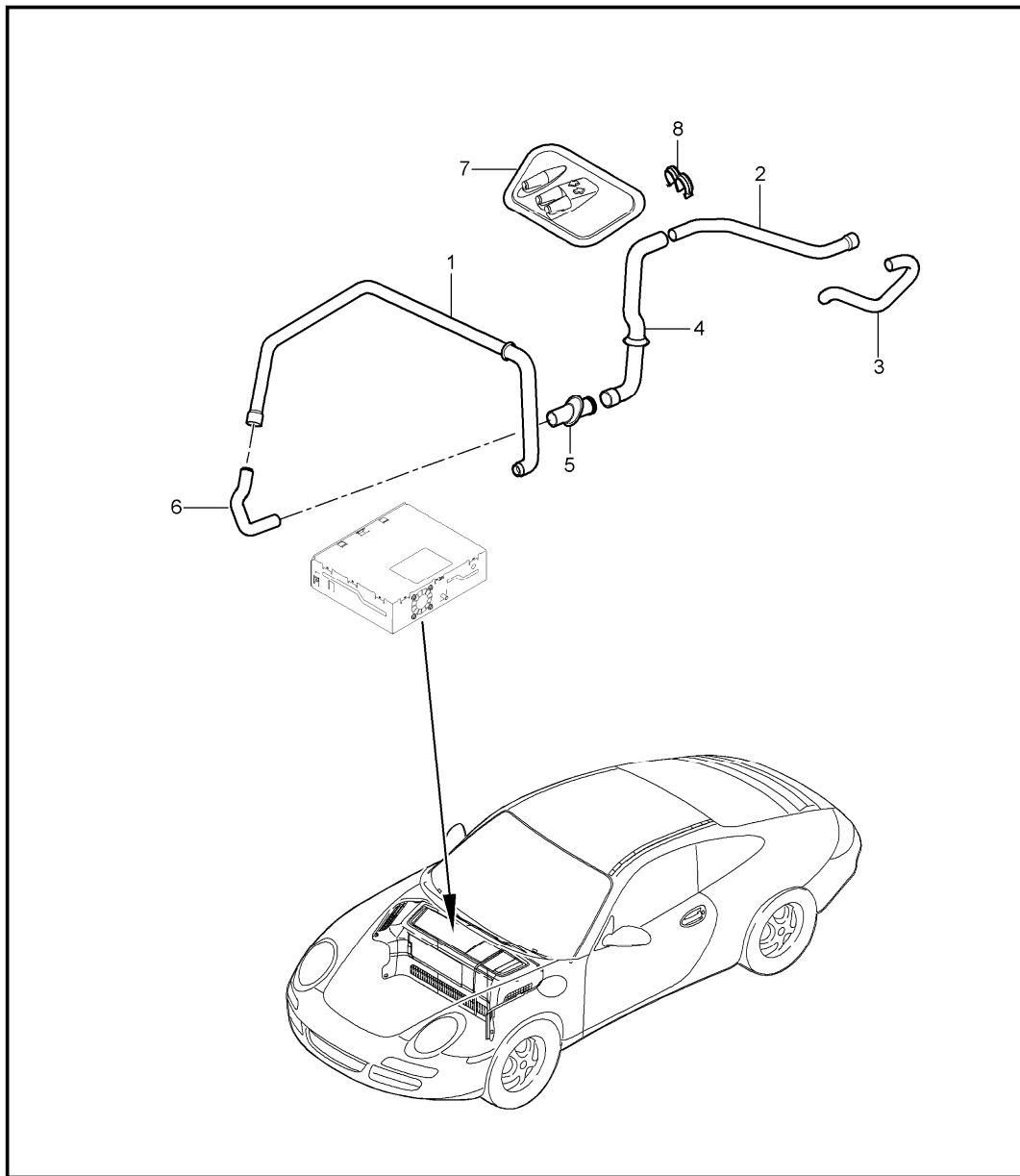


Pos	Part Number	Description	Remark	Qty	Model
		air distributor passenger compartment			
1	997 572 631 00	defroster vent	/LL	1	I098
(1)	997 572 631 01	defroster vent	/RL	1	I099
2	997 572 171 00	air distributor	/LL	1	I098
(2)	997 572 171 01	air distributor	/RL	1	I099
3	997 572 793 00	footwell outlet vent	/LL	1	I098
(3)	997 572 793 02	footwell outlet vent	/LL	1	I098/680
(3)	997 572 793 01	footwell outlet vent	/RL	1	I099
(3)	997 572 793 03	footwell outlet vent	/RL	1	I099/680
4	997 572 463 00	air duct	/LL/L	1	I098
(4)	997 572 463 01	air duct	/RL/L	1	I099
5	997 572 464 00	air duct	/LL/R	1	I098
(5)	997 572 464 01	air duct	/RL/R	1	I099
6	997 572 767 00	air duct	/LL/L	1	I098
(6)	997 572 767 01	air duct	/RL/L	1	I099
7	997 572 768 00	air duct	/LL/R	1	I098
(7)	997 572 768 01	air duct	/RL/R	1	I099
8	997 572 769 00	air duct		1	I098
(8)	997 572 769 01	air duct		1	I099
9	999 919 118 09	oval-head screw		2	
10	999 073 339 09	tapping screw		2	
11	997 572 396 02	cover	/LL	1	CABRIO I098
		01C satin black			
11	997 572 395 02	cover	/RL	1	CABRIO I099
		01C satin black			
11	997 572 396 03	cover	/LL	1	CABRIO I098 I680
		lacquered			

Model	Year	MG	SG	Illustration	Restrictions	UPD	22:46	24.01.2010	PORSCHE	PET	PORSCHE
997-2	2010	8	13	813-01		248					

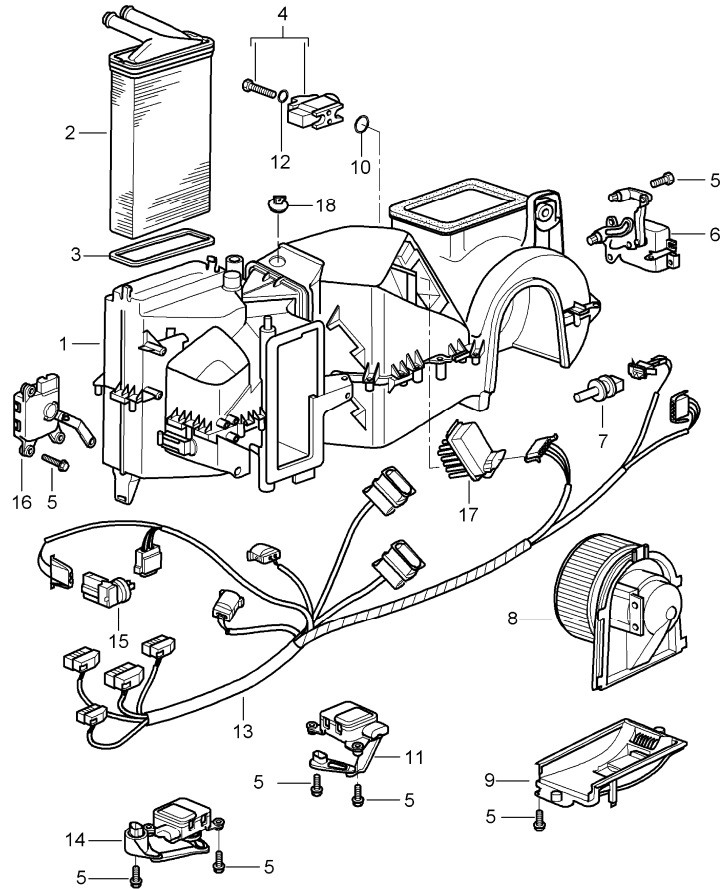
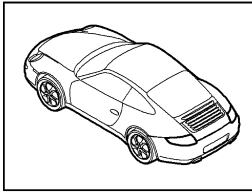
Pos	Part Number	Description	Remark	Qty	Model	Pos	Part Number	Description	Remark	Qty	Model
	5V7	stone grey					8W7	sea blue			
	5Y2	palmgreen					8X8	terracotta			
	5Z1	sand beige					T13	brown/natural			
	8P9	cocoa				12	997 572 797 03	cover	/RL	1	CABRIO I099 I680
	8W7	sea blue						lacquered			
	8X8	terracotta						5V7	stone grey		
	T13	brown/natural						5Y2	palmgreen		
11	997 572 395 03	cover	/RL	1	CABRIO I099 I680			5Z1	sand beige		
		lacquered						8P9	cocoa		
	5V7	stone grey						8W7	sea blue		
	5Y2	palmgreen						8X8	terracotta		
	5Z1	sand beige						T13	brown/natural		
	8P9	cocoa				13	999 073 345 09	lens-head screw		1	CABRIO I680
	8W7	sea blue						M 5 x 18			
	8X8	terracotta				14	999 507 785 02	speed nut ST 4,2		3	
	T13	brown/natural				14	999 507 785 01	speed nut st 4,2		3	
12	997 572 798 02	cover	/LL	1	CABRIO I098 I680						
	01C	satin black									
12	997 572 797 02	cover	/RL	1	CABRIO I099 I680						
	01C	satin black									
12	997 572 798 03	cover	/LL	1	CABRIO I098 I680						
		lacquered									
	5V7	stone grey									
	5Y2	palmgreen									
	5Z1	sand beige									
	8P9	cocoa									

Model	Year	MG	SG	Illustration	Restrictions	UPD	22:46	24.01.2010	PORSCHE	PET	PORSCHE
997-2	2010	8	13	813-02		248					



Pos	Part Number	Description	Remark	Qty	Model
		luggage compartment cooling			I575
1	997 572 588 02	air duct		1	I575
2	997 572 582 00	air duct plenum panel		1	I575
3	997 572 580 00	air duct air conditioner		1	I575
4	997 572 584 03	air duct bulkhead		1	/C2 I575
(4)	997 572 584 01	air duct bulkhead		1	/C4 I575
5	997 572 593 02	connection piece		1	/C2 I575
(5)	997 572 593 03	connection piece		1	/C4 I575
6	997 572 586 08	air duct		1	/C2 I575
(6)	997 572 586 07	air duct		1	/C4 I575
7	997 572 263 00	gasket		1	I575
8	999 507 830 40	cable holder		1	I575
--	999 076 081 40	plastic nut		X	
--	999 703 009 40	stopper		1	

Model	Year	MG	SG	Illustration	Restrictions	UPD	22:46	24.01.2010	PORSCHE	PET	PORSCHE
997-2	2010	8	13	813-05		248					

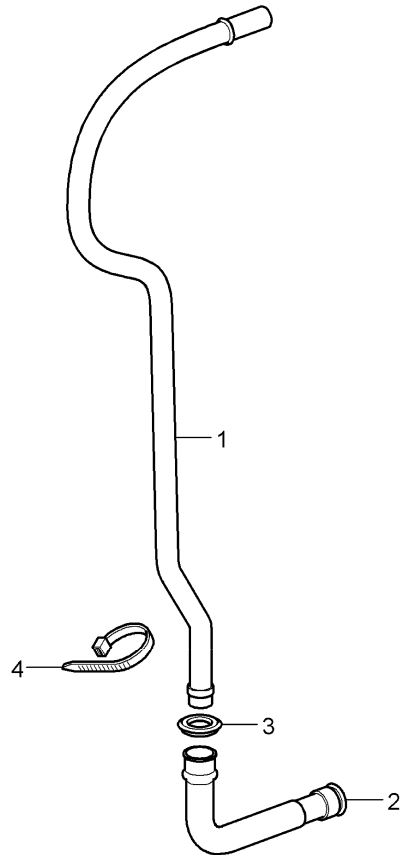
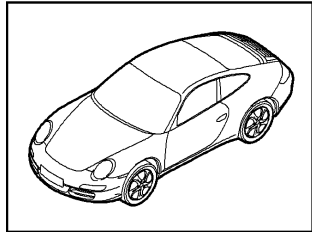


Pos	Part Number	Description	Remark	Qty	Model
		air conditioner single parts			
1	997 573 901 02	air conditioner without heat exchanger with evaporator	/LL	1	I098/573
(1)	997 573 901 03	air conditioner without heat exchanger with evaporator	/RL	1	I099/573
2	997 572 129 00	heat exchanger		1	
3	996 572 913 00	gasket		1	
4	997 573 929 00	expansion valve		1	
5	900 143 102 02	combination screw		X	
6	996 573 915 00	electric motor fresh-air flap identification black	/LL	1 1 1 1	I098/573
(6)	996 573 915 01	electric motor fresh-air flap identification black	/RL	1	I099/573
7	955 572 304 10	temperature sensor		1	
8	996 624 107 01	blower	/LL	1	I098
(8)	996 624 108 01	blower	/RL	1	I099
9	996 573 905 00	lid		1	
10	999 707 596 40	o-ring 14x1,82		1	
11	996 573 919 02	electric motor temperature valve identification pink	/LL	1	I098
(11)	996 573 919 03	electric motor temperature valve identification pink	/RL	1	I099
12	999 707 534 41	o-ring 17x2,00		1	

Model	Year	MG	SG	Illustration	Restrictions	UPD	22:46	24.01.2010	PORSCHE	PET	PORSCHE
997-2	2010	8	13	813-05		248					

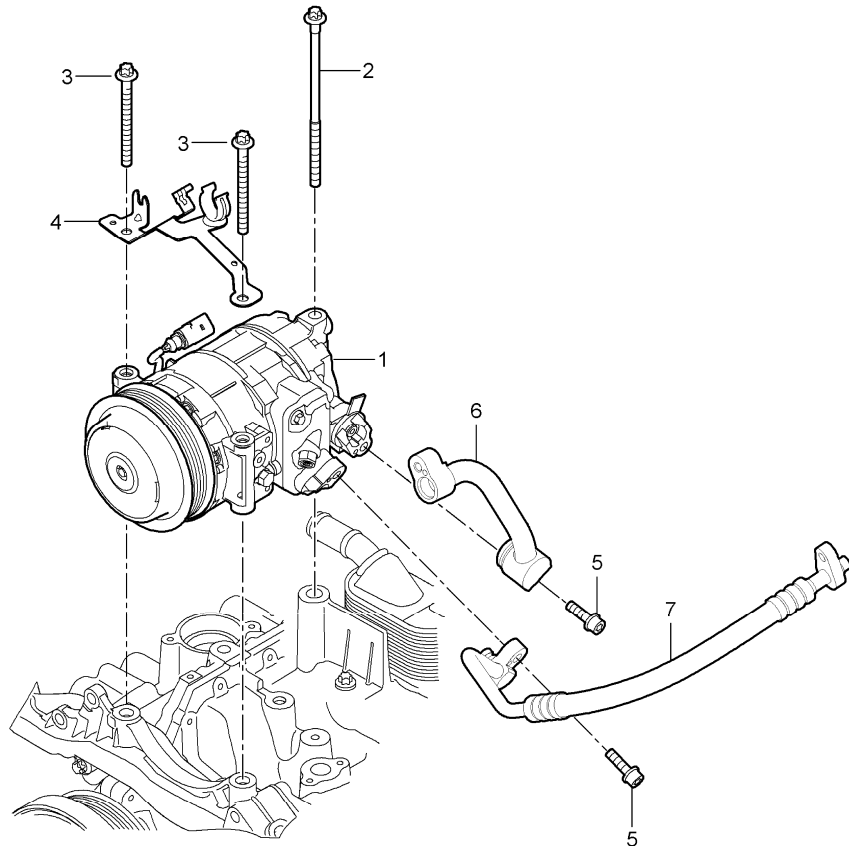
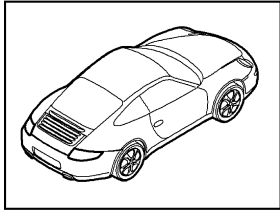
Pos	Part Number	Description	Remark	Qty	Model	Pos	Part Number	Description	Remark	Qty	Model
13	997 612 655 25	wiring harness	/LL	1	I098/573						
(13)	997 612 656 25	wiring harness	/RL	1	I099/573						
--	997 612 664 00	wiring harness interference-suppr. choke TV		1	I676						
14	996 573 921 02	electric motor defroster flap identification yellow	/LL	1	I098						
(14)	996 573 921 03	electric motor defroster flap identification yellow	/RL	1	I099						
15	1H0 907 543 A	temperature sensor		1							
16	996 573 917 02	electric motor central valve identification green	/LL	1	I098						
(16)	996 573 917 03	electric motor central valve identification green	/RL	1	I099						
17	996 573 923 00	resistor		1							
--	996 573 927 00	blower outlet sensor		1	I573						
--	1H0 819 943	screw		2							
18	997 573 935 00	stopper		1							

Model	Year	MG	SG	Illustration	Restrictions	UPD	22:46	24.01.2010	PORSCHE	PET	PORSCHE
997-2	2010	8	13	813-10		248					



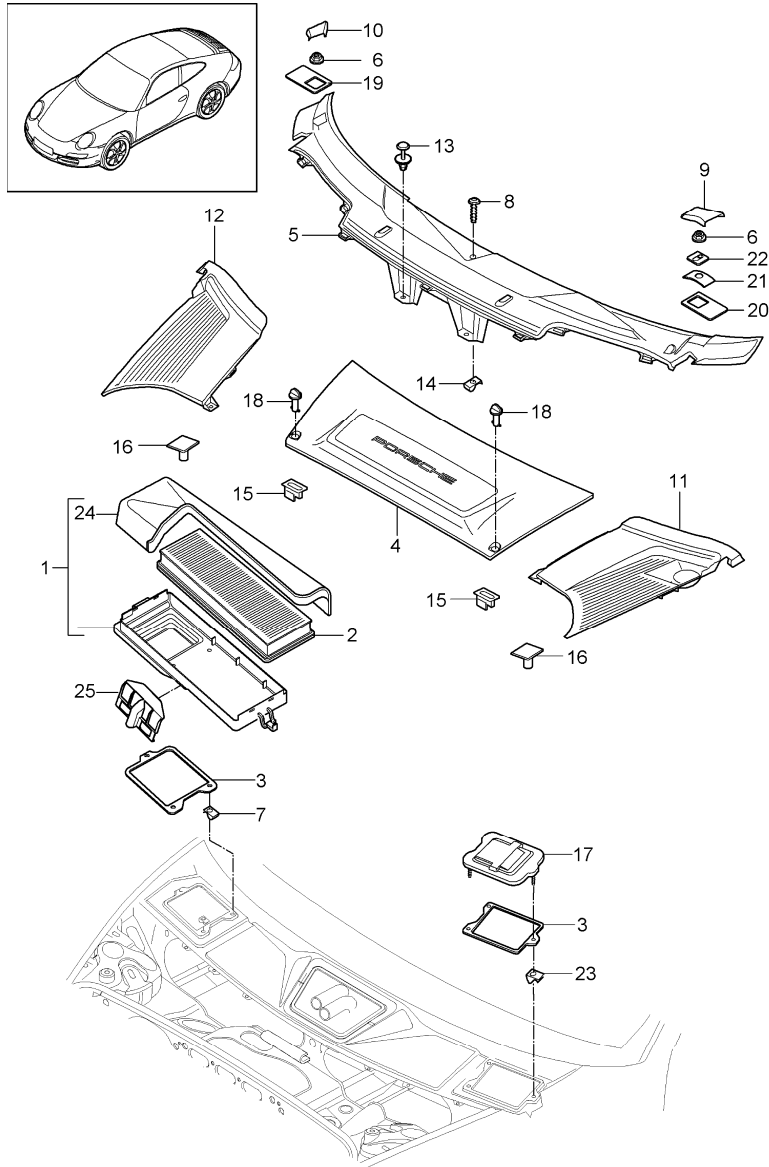
Pos	Part Number	Description	Remark	Qty	Model
		water drain tube mount air conditioner			
1	996 573 793 01	water drain tube	/LL	1	I098
1	996 573 794 01	water drain tube	/RL	1	I099
2	996 573 797 02	connecting piece		1	
3	996 573 795 01	grommet		1	
4	999 513 049 40	tie-wrap		1	

Model	Year	MG	SG	Illustration	Restrictions	UPD	22:46	24.01.2010	PORSCHE	PET	PORSCHE
997-2	2010	8	13	813-15		248					



Pos	Part Number	Description	Remark	Qty	Model
		compressor			
1	9A1 126 011 02	compressor		1	
2	900 385 134 01	Outer hexagon round screw M 8 X 170		1	
3	900 385 102 04	Outer hexagon round screw M 8 X 90 m8x90		2	
4	---	support see illustrations 01/07/10		1	
5	N 104 144 02	pan-head screw		2	
6	---	intake pipe see illustrations 8/13/25 Pos.7		1	
7	---	pressure line see illustrations 8/13/25 Pos.8		1	
--	000 043 200 04	oil for compressor 250 ml		1	

Model	Year	MG	SG	Illustration	Restrictions	UPD	22:47	24.01.2010	PORSCHE	PET	PORSCHE
997-2	2010	8	13	813-20		248					

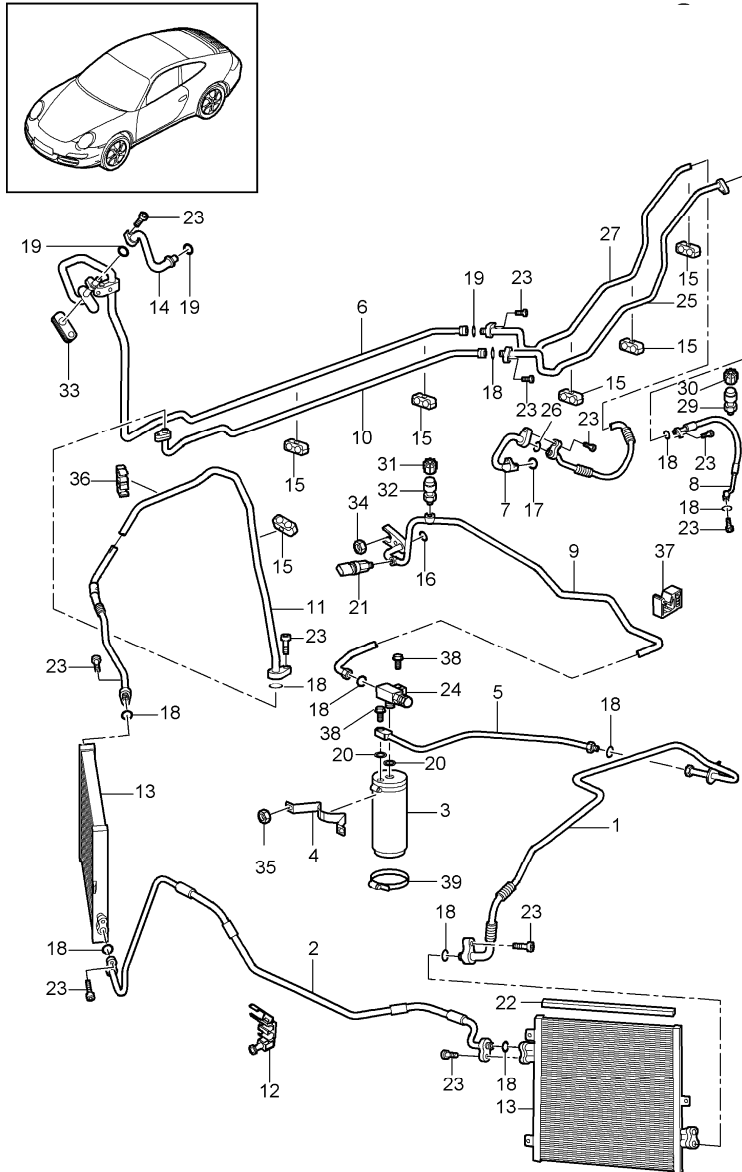


Pos	Part Number	Description	Remark	Qty	Model
		particle filter cowl panel covering			
1	997 572 019 04	housing	/LL	1	I098
(1)	997 572 019 05	housing	/RL	1	I099
2	997 571 219 01	particle filter		1	
3	997 572 221 00	gasket		2	
4	997 572 567 04	cover		1	
	FMT	black battery			
5	997 572 563 08	cover	/LL	1	I098
	FMT	black			
(5)	997 572 563 09	cover cowl	/RL	1	I099
	FMT	black			
6	999 076 071 02	hexagon nut M6		2	
7	999 507 348 01	speed nut		3	
8	N 906 487 02	tapping screw		1	
9	997 572 569 04	cap	/L	2	I098
	FMT	black			
(9)	997 572 569 05	cap	/L	2	I099
	FMT	black			
10	997 572 570 04	cap	/R	1	I098
	FMT	black			
(10)	997 572 570 05	cap	/R	1	I099
	FMT	black			
11	997 572 361 07	cover	/L	1	
	02A	black			
12	997 572 362 08	cover	/R	1	
	02A	black			

Model	Year	MG	SG	Illustration	Restrictions	UPD	22:47	24.01.2010	PORSCHE	PET	PORSCHE
997-2	2010	8	13	813-20		248					

Pos	Part Number	Description	Remark	Qty	Model	Pos	Part Number	Description	Remark	Qty	Model
13	999 507 497 40	expansion rivet 8 X 14		2							
14	999 507 834 41	expander nut ST 4,8		1							
15	999 590 046 40	disc cam		2							
16	999 902 046 40	catch		1							
17	997 572 419 03	lid		2							
18	997 572 867 00	locking bolt		2							
		02A black									
--	997 572 763 00	cover		1							
19 A	997 572 842 00	pressure plate passenger's side		1							
19	997 572 842 01	pressure plate passenger's side	/LL/R	1	I098						
19	997 572 842 02	pressure plate passenger's side	/RL/L	1	I099						
20	997 572 841 00	pressure plate driver's side		1							
21	997 572 837 00	spring plate driver's side		1							
22	997 572 533 00	retainer plate driver's side		1							
23	999 591 855 01	speed nut		3							
24	997 572 729 02	cover particle filter	/LL	1	I098						
(24)	997 572 729 03	cover particle filter	/RL	1	I099						
25	997 572 862 01	support		1							

Model	Year	MG	SG	Illustration	Restrictions	UPD	22:47	24.01.2010	PORSCHE	PET	PORSCHE
997-2	2010	8	13	813-25		248					

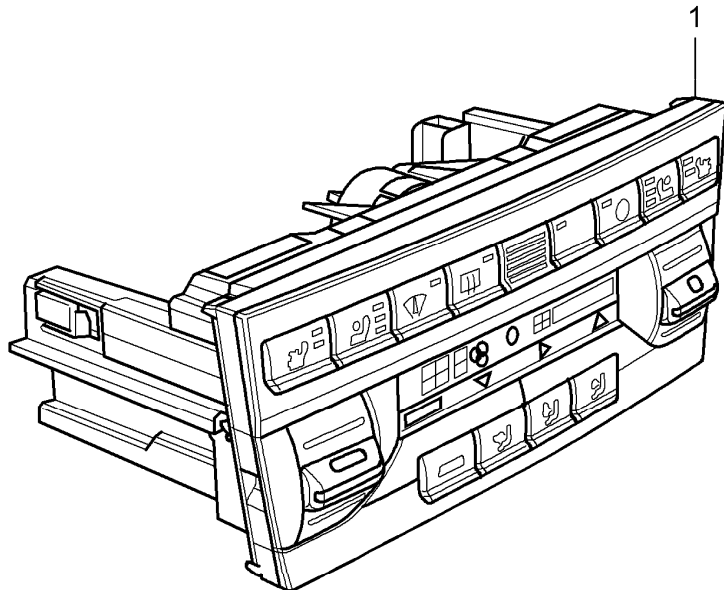
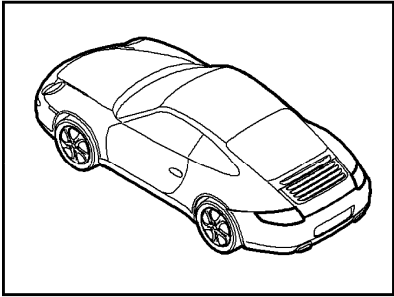


Pos	Part Number	Description	Remark	Qty	Model
		refrigerant circuit			
1	997 573 105 03	pressure line		1	
2	997 573 103 02	pressure line		1	
3	944 573 143 01	desiccator		1	
4	996 573 451 00	support		1	
5	996 573 106 00	refrigerant line		1	
6	996 573 091 01	intake pipe		1	
7	9A1 573 099 03	intake pipe		1	MA1.01 MA1.02
8	9A1 573 097 03	pressure line		1	MA1.01 MA1.02
9	997 573 108 04	pressure line	/LL	1	I098
(9)	997 573 108 03	pressure line	/RL	1	I099
10	996 573 092 02	pressure line		1	
11	997 573 094 02	pressure line		1	
12	996 347 543 00	cable holder		2	
13	996 573 111 03	condenser		2	
14	996 573 093 06	intake pipe	/LL	1	I098
(14)	996 573 093 07	intake pipe	/RL	1	I099
15	999 511 230 40	cable holder use also:		X	
-	999 511 231 41	rubber mounting		X	
16	999 707 247 40	o-ring 7,5X2		2	
17	999 707 439 41	o-ring 23,8X2,4		8	
18	999 707 434 41	o-ring 10,6X2		8	
19	999 707 534 41	o-ring 17X2		3	
20	999 707 262 40	o-ring 6,7X1,8		X	

Model	Year	MG	SG	Illustration	Restrictions	UPD	22:47	24.01.2010	PORSCHE	PET	PORSCHE
997-2	2010	8	13	813-25		248					

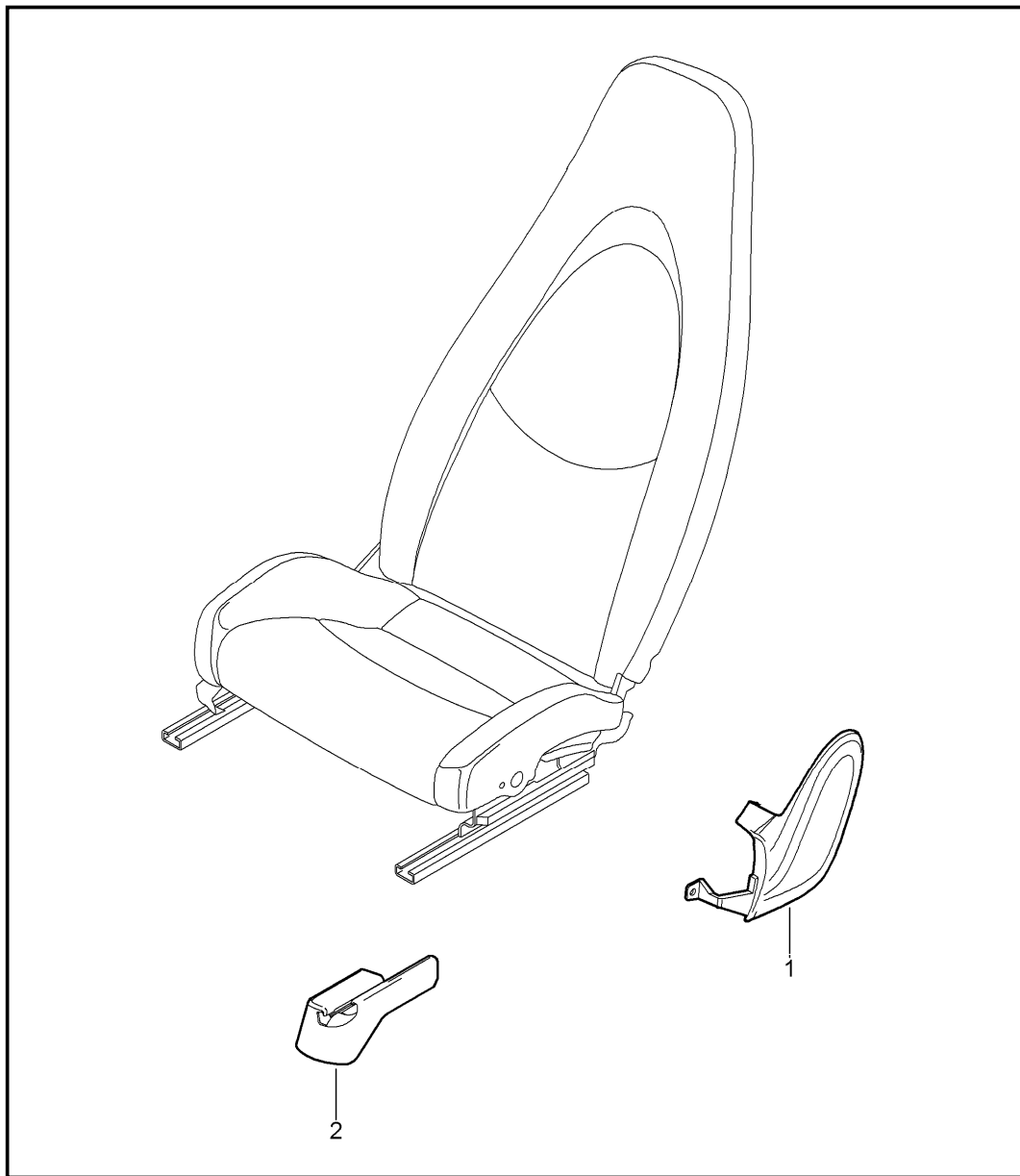
Pos	Part Number	Description	Remark	Qty	Model	Pos	Part Number	Description	Remark	Qty	Model
21	1K0 959 126 B	pressure sensor when required order also:		1							
-	999 707 555 41	o-ring 10,8 X 1,8		1							
22	996 573 711 00	cover strip		2							
23	900 067 247 01	combination screw		X							
24	997 573 243 00	distributing piece		1							
25	997 573 096 04	pressure line		1							
26	999 707 558 41	o-ring 13,7x2,5		X							
27	997 573 095 06	intake pipe		1							
29	996 573 466 00	valve Druckseite		1							
30	944 573 663 01	cap		1							
31	944 573 663 02	cap		1							
32	996 573 465 00	valve Saugseite		1							
33	996 573 769 01	grommet		1							
34	900 377 010 09	hexagon nut M 6		1							
35	900 380 015 09	hexagon nut M6		2							
36	996 355 547 01	support		1							
37	999 591 922 40	support		1							
38	900 075 340 01	combination screw		2							
39	999 512 349 01	hose clamp A50-70/9		1							
40	999 707 557 41	o-ring 11x2,5		1							

Model	Year	MG	SG	Illustration	Restrictions	UPD	22:47	24.01.2010	PORSCHE	PET	PORSCHE
997-2	2010	8	13	813-45		248					



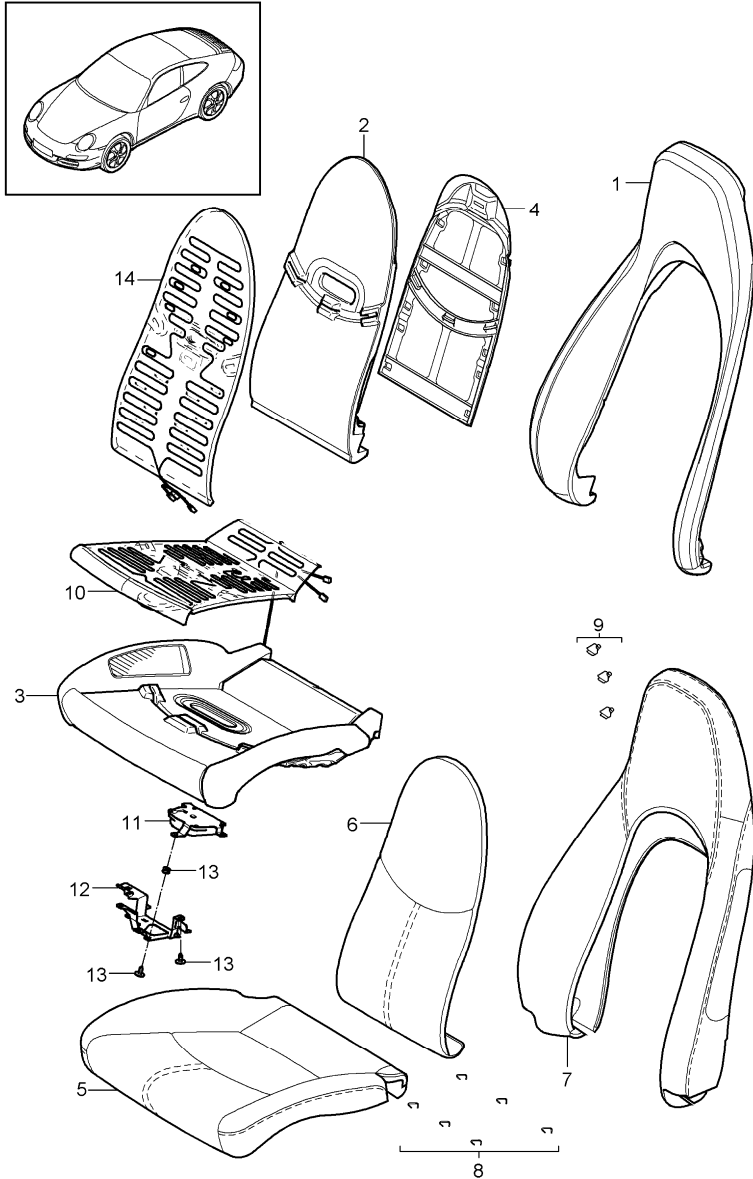
Pos	Part Number	Description	Remark	Qty	Model
		control switch			
1	997 653 201 01	control part		1	I573
	FTC	Mattschwarz/Galvanosilber			
		mattschwarz/Galvanosilber			
1	997 653 211 02	control part		1	I342/573
	FTC	Mattschwarz/Galvanosilber			
1	997 653 221 02	control part		1	I342/541/573
	FTC	Mattschwarz/Galvanosilber			

Model	Year	MG	SG	Illustration	Restrictions	UPD	22:47	24.01.2010	PORSCHE	PET	PORSCHE
997-2	2010	8	17	817-00		248					



Pos	Part Number	Description	Remark	Qty	Model
		front seat complete not available comfort seat			CARRERA COUPE CABRIO TARGA
1	997 521 315 02	trim cover mounting component	/L	1	I369/437
	D07	volcano grey			
(1)	997 521 316 02	trim cover mounting component	/R	1	I370/438
	D07	volcano grey			
2	997 521 359 01	rail seat rail	/L	1	I369
	01C	satin black			
(2)	997 521 362 00	rail seat rail	/R	1	I369
	01C	satin black			
(2)	997 521 361 00	rail seat rail	/L	1	I370
	01C	satin black			
(2)	997 521 360 01	rail seat rail	/R	1	I370
	01C	satin black			
(2)	997 521 361 00	rail seat rail	/L	1	I437
	01C	satin black			
(2)	997 521 362 00	rail seat rail	/R	1	I437
	01C	satin black			
(2)	997 521 361 00	rail seat rail	/L	1	I438
	01C	satin black			
(2)	997 521 362 00	rail seat rail	/R	1	I438
	01C	satin black			

Model	Year	MG	SG	Illustration	Restrictions	UPD	22:48	24.01.2010	PORSCHE	PET	PORSCHE
997-2	2010	8	17	817-02		248					



Pos	Part Number	Description	Remark	Qty	Model
		foam part cover standard seat comfort seat			
1	997 521 535 00	foam part backrest outer part		1	I369/370
1	997 521 535 00	foam part backrest outer part		1	I437/438
(1)	997 521 535 03	foam part backrest outer part		1	I369/370/541
(1)	997 521 535 03	foam part backrest outer part		1	I437/438/541
2	997 521 581 00	foam part backrest centre part		1	I369/370
2	997 521 581 00	foam part backrest centre part		1	I437/438
(2)	997 521 581 01	foam part backrest centre part		1	I369/370/541
(2)	997 521 581 01	foam part backrest centre part		1	I437/438/541
3	997 521 571 00	foam part seat cushion with heating		1	I369/370
3	997 521 571 00	foam part seat cushion with heating		1	I437/438
(3)	997 521 571 03	foam part seat cushion with heating		1	I370/438/560
(3)	997 521 571 06	foam part seat cushion with heating		1	I369/370/541
(3)	997 521 571 06	foam part seat cushion with heating		1	I437/438/541

Model	Year	MG	SG	Illustration	Restrictions	UPD	22:48	24.01.2010	PORSCHE	PET	PORSCHE
997-2	2010	8	17	817-02		248					

Pos	Part Number	Description	Remark	Qty	Model	Pos	Part Number	Description	Remark	Qty	Model
(3)	997 521 571 07	foam part seat cushion with heating		1	I370/541/560		FLB	black			
(3)	997 521 571 07	foam part seat cushion with heating		1	I438/541/560		FLE	stone grey			
4	997 521 551 01	cushion carrier backrest		1		(5)	997 521 161 09	cover for cushion leatherette		1	I438/541/946
5	997 521 161 00	cover for cushion leatherette		1	I369/370/946		FLB	black			
		FLB	black				FLE	stone grey			
		FLE	stone grey				FLH	sand beige			
		FLH	sand beige				FLL	sea blue			
		FLL	sea blue			(5)	997 521 161 01	cover for cushion		1	I369/370/983
5	997 521 161 00	cover for cushion leatherette		1	I437/438/946		FLC	black			
		FLB	black				FLF	stone grey			
		FLE	stone grey				FLJ	sand beige			
		FLH	sand beige				FLM	sea blue			
		FLL	sea blue				FLQ	terracotta			
(5)	997 521 161 09	cover for cushion leatherette		1	I369/541/946		FLR	cocoa			
		FLB	black				VAA	dark grey/natural			
		FLE	stone grey				VAB	brown/natural			
		FLH	sand beige				VAC	carrera red			
		FLL	sea blue			(5)	997 521 161 01	cover for cushion		1	I437/438/983
(5)	997 521 161 09	cover for cushion leatherette		1	I370/541/946		FLC	black			
		FLB	black				FLF	stone grey			
		FLE	stone grey				FLJ	sand beige			
		FLH	sand beige				FLM	sea blue			
		FLL	sea blue				FLQ	terracotta			
(5)	997 521 161 09	cover for cushion leatherette		1	I437/541/946		FLR	cocoa			
		FLB	black				VAA	dark grey/natural			
		FLE	stone grey				VAB	brown/natural			

Model	Year	MG	SG	Illustration	Restrictions	UPD	22:48	24.01.2010	PORSCHE	PET	PORSCHE
997-2	2010	8	17	817-02		248					

Pos	Part Number	Description	Remark	Qty	Model	Pos	Part Number	Description	Remark	Qty	Model
(5)	997 521 161 10	VAC carrera red cover for cushion		1	I369/541/983	(5)	997 521 161 10	VAB brown/natural VAC carrera red cover for cushion		1	I438/541/983
		FLC black						FLC black			
		FLF stone grey						FLF stone grey			
		FLJ sand beige						FLJ sand beige			
		FLM sea blue						FLM sea blue			
		FLQ terracotta						FLQ terracotta			
		FLR cocoa						FLR cocoa			
		VAA dark grey/natural						VAA dark grey/natural			
		VAB brown/natural						VAB brown/natural			
(5)	997 521 161 10	VAC carrera red cover for cushion		1	I370/541/983	(5)	997 521 161 02	VAC carrera red cover for cushion		1	I369/370/982
		FLC black						FLC black			
		FLF stone grey						FLF stone grey			
		FLJ sand beige						FLJ sand beige			
		FLM sea blue						FLM sea blue			
		FLQ terracotta						FLQ terracotta			
		FLR cocoa						FLR cocoa			
		VAA dark grey/natural						VAA dark grey/natural			
		VAB brown/natural						VAB brown/natural			
(5)	997 521 161 10	VAC carrera red cover for cushion		1	I437/541/983	(5)	997 521 161 02	VAC carrera red cover for cushion		1	I437/438/982
		FLC black						FLC black			
		FLF stone grey						FLF stone grey			
		FLJ sand beige						FLJ sand beige			
		FLM sea blue						FLM sea blue			
		FLQ terracotta						FLQ terracotta			
		FLR cocoa						FLR cocoa			
		VAA dark grey/natural						FLR cocoa			

Model	Year	MG	SG	Illustration	Restrictions	UPD	22:48	24.01.2010	PORSCHE	PET	PORSCHE
997-2	2010	8	17	817-02		248					

Pos	Part Number	Description	Remark	Qty	Model	Pos	Part Number	Description	Remark	Qty	Model
	VAA	dark grey/natural					T25	sand beige			
	VAB	brown/natural					3W7	sea blue			
	VAC	carrera red				(6)	997 521 151 03	backrest cushion cover centre part		1	I438/541/946
6	997 521 151 00	backrest cushion cover centre part		1	I369/370/946		A08	black			
	A08	black					5D6	stone grey			
	5D6	stone grey					T25	sand beige			
	T25	sand beige					3W7	sea blue			
6	997 521 151 00	backrest cushion cover centre part		1	I437/438/946	(6)	997 521 151 00	backrest cushion cover		1	I369/370/983
	A08	black					8YR	black			
	5D6	stone grey					5X5	stone grey			
	T25	sand beige					8G1	sand beige			
	3W7	sea blue					3S8	sea blue			
(6)	997 521 151 03	backrest cushion cover centre part		1	I369/541/946		9N2	terracotta			
	A08	black					9Q3	cocoa			
	5D6	stone grey					D11	dark grey/natural			
	T25	sand beige					T11	brown/natural			
	3W7	sea blue				(6)	997 521 151 00	backrest cushion cover		1	I437/438/983
(6)	997 521 151 03	backrest cushion cover centre part		1	I370/541/946		8YR	black			
	A08	black					5X5	stone grey			
	5D6	stone grey					8G1	sand beige			
	T25	sand beige					3S8	sea blue			
	3W7	sea blue					9N2	terracotta			
(6)	997 521 151 03	backrest cushion cover centre part		1	I437/541/946		9Q3	cocoa			
	A08	black					D11	dark grey/natural			
	5D6	stone grey					T11	brown/natural			
						(6)	997 521 151 03	backrest cushion cover		1	I369/541/983

Model	Year	MG	SG	Illustration	Restrictions	UPD	22:48	24.01.2010	PORSCHE	PET	PORSCHE
997-2	2010	8	17	817-02		248					

Pos	Part Number	Description	Remark	Qty	Model	Pos	Part Number	Description	Remark	Qty	Model
	8YR	black				(6)	997 521 151 03	backrest cushion cover		1	I438/541/983
	5X5	stone grey					8YR	black			
	8G1	sand beige					5X5	stone grey			
	3S8	sea blue					8G1	sand beige			
	9N2	terracotta					3S8	sea blue			
	9Q3	cocoa					9N2	terracotta			
	D11	dark grey/natural					9Q3	cocoa			
	T11	brown/natural					D11	dark grey/natural			
	N11	carrera red					T11	brown/natural			
(6)	997 521 151 03	backrest cushion cover		1	I370/541/983		N11	carrera red			
	8YR	black				(6)	997 521 151 01	backrest cushion cover centre part		1	I369/370/982
	5X5	stone grey					8YR	black			
	8G1	sand beige					5X5	stone grey			
	3S8	sea blue					8G1	sand beige			
	9N2	terracotta					3S8	sea blue			
	9Q3	cocoa					9N2	terracotta			
	D11	dark grey/natural					9Q3	cocoa			
	T11	brown/natural					D11	dark grey/natural			
	N11	carrera red					T11	brown/natural			
(6)	997 521 151 03	backrest cushion cover		1	I437/541/983		N11	carrera red			
	8YR	black				(6)	997 521 151 01	backrest cushion cover centre part		1	I437/438/982
	5X5	stone grey					8YR	black			
	8G1	sand beige					5X5	stone grey			
	3S8	sea blue					8G1	sand beige			
	9N2	terracotta					3S8	sea blue			
	9Q3	cocoa					9N2	terracotta			
	D11	dark grey/natural					9Q3	cocoa			
	T11	brown/natural					D11	dark grey/natural			
	N11	carrera red									

Model	Year	MG	SG	Illustration	Restrictions	UPD	22:48	24.01.2010	PORSCHE	PET	PORSCHE
997-2	2010	8	17	817-02		248					

Pos	Part Number	Description	Remark	Qty	Model	Pos	Part Number	Description	Remark	Qty	Model
	T11	brown/natural					FLE	stone grey			
	N11	carrera red					FLH	sand beige			
7	997 521 141 03	backrest cover outer part leatherette	/L	1	I369/437/946	(7)	997 521 142 04	backrest cover outer part leatherette	/R	1	I438/541/946
	FLB	black					FLB	black			
	FLE	stone grey					FLE	stone grey			
	FLH	sand beige					FLH	sand beige			
	FLL	sea blue					FLL	sea blue			
(7)	997 521 141 04	backrest cover outer part leatherette	/L	1	I369/541/946	(7)	997 521 141 01	backrest cover outer part	/L	1	I369/437/983
	FLB	black					FLC	black			
	FLE	stone grey					FLF	stone grey			
	FLH	sand beige					FLJ	sand beige			
	FLL	sea blue					FLM	sea blue			
(7)	997 521 141 04	backrest cover outer part leatherette	/L	1	I437/541/946		FLQ	terracotta			
	FLB	black					FLR	cocoa			
	FLE	stone grey					VAA	dark grey/natural			
	FLH	sand beige					VAB	brown/natural			
	FLL	sea blue					VAC	carrera red			
(7)	997 521 142 03	backrest cover outer part leatherette	/R	1	I370/438/946	(7)	997 521 141 05	backrest cover outer part	/L	1	I369/541/983
	FLB	black					FLC	black			
	FLE	stone grey					FLF	stone grey			
	FLH	sand beige					FLJ	sand beige			
	FLL	sea blue					FLM	sea blue			
(7)	997 521 142 04	backrest cover outer part leatherette	/R	1	I370/541/946		FLQ	terracotta			
	FLB	black					FLR	cocoa			
							VAA	dark grey/natural			
							VAB	brown/natural			

Model	Year	MG	SG	Illustration	Restrictions	UPD	22:48	24.01.2010	PORSCHE	PET	PORSCHE
997-2	2010	8	17	817-02		248					

Pos	Part Number	Description	Remark	Qty	Model	Pos	Part Number	Description	Remark	Qty	Model
(7)	997 521 141 05	VAC carrera red backrest cover outer part	/L	1	I437/541/983		FLR cocoa VAA dark grey/natural VAB brown/natural VAC carrera red				
		FLC black FLF stone grey FLJ sand beige FLM sea blue FLQ terracotta				(7)	997 521 142 05	backrest cover outer part	/R	1	I438/541/983
		FLR cocoa VAA dark grey/natural VAB brown/natural VAC carrera red					FLC black FLF stone grey FLJ sand beige FLM sea blue FLQ terracotta FLR cocoa				
(7)	997 521 142 01	backrest cover outer part	/R	1	I370/438/983		VAA dark grey/natural VAB brown/natural VAC carrera red				
		FLC black FLF stone grey FLJ sand beige FLM sea blue FLQ terracotta				(7)	997 521 141 01	backrest cover outer part leather	/L	1	I369/437/982
		FLR cocoa VAA dark grey/natural VAB brown/natural VAC carrera red					FLC black FLF stone grey FLJ sand beige FLM sea blue FLQ terracotta FLR cocoa				
(7)	997 521 142 05	backrest cover outer part	/R	1	I370/541/983		VAA dark grey/natural VAB brown/natural VAC carrera red				
		FLC black FLF stone grey FLJ sand beige FLM sea blue FLQ terracotta				(7)	997 521 142 01	backrest cover outer part leather	/R	1	I370/438/982
		FLR cocoa VAA dark grey/natural VAB brown/natural VAC carrera red					FLC black				

Model	Year	MG	SG	Illustration	Restrictions	UPD	22:48	24.01.2010	PORSCHE	PET	PORSCHE
997-2	2010	8	17	817-02		248					

Pos	Part Number	Description	Remark	Qty	Model	Pos	Part Number	Description	Remark	Qty	Model
	FLF	stone grey					T25	sand beige			
	FLJ	sand beige					3W7	sea blue			
	FLM	sea blue				(7)	997 521 942 03	backrest cover outer part	/R	1	IXSC/370/946
	FLQ	terracotta					A08	black			
	FLR	cocoa					5D6	stone grey			
	VAA	dark grey/natural					T25	sand beige			
	VAB	brown/natural					3W7	sea blue			
	VAC	carrera red				(7)	997 521 942 03	backrest cover outer part	/R	1	IXSC/438/946
(7)	997 521 941 03	backrest cover outer part	/L	1	IXSC/369/946		A08	black			
	A08	black					5D6	stone grey			
	5D6	stone grey					T25	sand beige			
	T25	sand beige					3W7	sea blue			
(7)	997 521 941 03	backrest cover outer part	/L	1	IXSC/437/946	(7)	997 521 942 04	backrest cover outer part	/R	1	IXSC/370/541 I946
	A08	black					A08	black			
	5D6	stone grey					5D6	stone grey			
	T25	sand beige					T25	sand beige			
	3W7	sea blue					3W7	sea blue			
(7)	997 521 941 04	backrest cover outer part	/L	1	IXSC/369/541 I946	(7)	997 521 942 04	backrest cover outer part	/R	1	IXSC/438/541 I946
	A08	black					A08	black			
	5D6	stone grey					5D6	stone grey			
	T25	sand beige					T25	sand beige			
	3W7	sea blue					3W7	sea blue			
(7)	997 521 941 04	backrest cover outer part	/L	1	IXSC/437/541 I946	(7)	997 521 941 01	backrest cover outer part	/L	1	IXSC/369/983
	A08	black					8YR	black			
	5D6	stone grey					5X5	stone grey			

Model	Year	MG	SG	Illustration	Restrictions	UPD	22:48	24.01.2010	PORSCHE	PET	PORSCHE
997-2	2010	8	17	817-02		248					

Pos	Part Number	Description	Remark	Qty	Model	Pos	Part Number	Description	Remark	Qty	Model	
	8G1	sand beige				(7)	997 521 941 05	backrest cover	/L	1	IXSC/437/541 I983	
	3S8	sea blue						outer part				
	9N2	terracotta					8YR	black				
	9Q3	cocoa					5X5	stone grey				
	D11	dark grey/natural					8G1	sand beige				
	T11	brown/natural					3S8	sea blue				
	N11	carrera red					9N2	terracotta				
(7)	997 521 941 01	backrest cover outer part	/L	1	IXSC/437/983		9Q3	cocoa				
	8YR	black					D11	dark grey/natural				
	5X5	stone grey					T11	brown/natural				
	8G1	sand beige					N11	carrera red				
	3S8	sea blue				(7)	997 521 942 01	backrest cover outer part	/R	1		IXSC/370/983
	9N2	terracotta					8YR	black				
	9Q3	cocoa					5X5	stone grey				
	D11	dark grey/natural					8G1	sand beige				
	T11	brown/natural					3S8	sea blue				
	N11	carrera red					9N2	terracotta				
(7)	997 521 941 05	backrest cover outer part	/L	1	IXSC/369/541 I983		9Q3	cocoa				
	8YR	black					D11	dark grey/natural				
	5X5	stone grey					T11	brown/natural				
	8G1	sand beige					N11	carrera red				
	3S8	sea blue				(7)	997 521 942 01	backrest cover outer part	/R	1	IXSC/438/983	
	9N2	terracotta					8YR	black				
	9Q3	cocoa					5X5	stone grey				
	D11	dark grey/natural					8G1	sand beige				
	T11	brown/natural					3S8	sea blue				
	N11	carrera red					9N2	terracotta				
	8G1	sand beige					9Q3	cocoa				
	3S8	sea blue										
	9N2	terracotta										
	9Q3	cocoa										
	D11	dark grey/natural										
	T11	brown/natural										
	N11	carrera red										

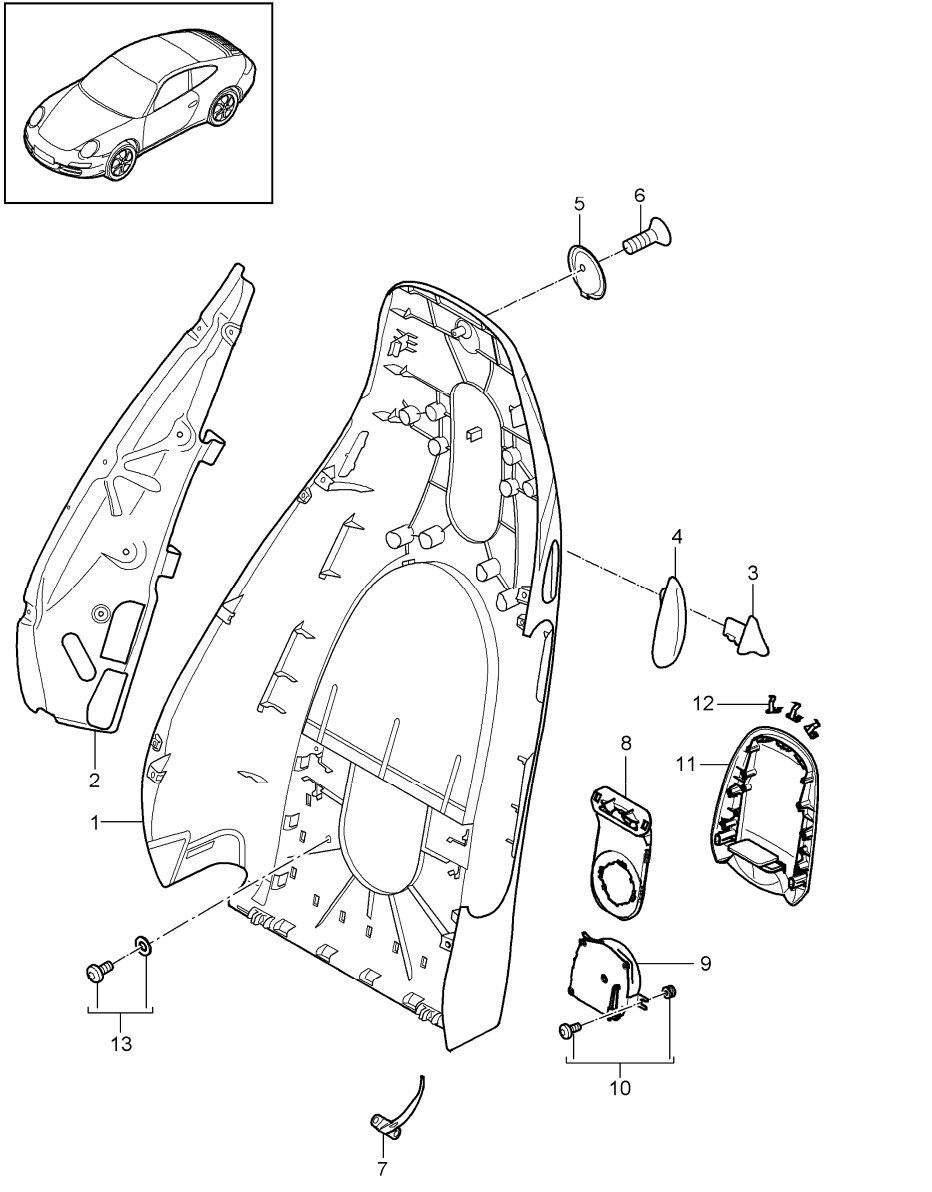
Model	Year	MG	SG	Illustration	Restrictions	UPD	22:48	24.01.2010	PORSCHE	PET	PORSCHE
997-2	2010	8	17	817-02		248					

Pos	Part Number	Description	Remark	Qty	Model	Pos	Part Number	Description	Remark	Qty	Model
(7)	997 521 942 05	D11 dark grey/natural	/R	1	IXSC/370/541 I983	(7)	997 521 941 01	8G1 sand beige	/L	1	IXSC/437/982
		T11 brown/natural						3S8 sea blue			
		N11 carrera red						9N2 terracotta			
		backrest cover						9Q3 cocoa			
		outer part						D11 dark grey/natural			
		8YR black						T11 brown/natural			
		5X5 stone grey						N11 carrera red			
		8G1 sand beige						backrest cover			
		3S8 sea blue						outer part			
		9N2 terracotta						8YR black			
(7)	997 521 942 05	D11 dark grey/natural	/R	1	IXSC/438/541 I983	(7)	997 521 941 01	8G1 sand beige	/R	1	IXSC/370/982
		T11 brown/natural						3S8 sea blue			
		N11 carrera red						9N2 terracotta			
		backrest cover						9Q3 cocoa			
		outer part						D11 dark grey/natural			
		8YR black						T11 brown/natural			
		5X5 stone grey						N11 carrera red			
		8G1 sand beige						backrest cover			
		3S8 sea blue						outer part			
		9N2 terracotta						8YR black			
(7)	997 521 941 01	D11 dark grey/natural	/L	1	IXSC/369/982	(7)	997 521 942 01	8G1 sand beige	/R	1	IXSC/370/982
		T11 brown/natural						3S8 sea blue			
		N11 carrera red						9N2 terracotta			
		backrest cover						9Q3 cocoa			
		outer part						D11 dark grey/natural			
		8YR black						T11 brown/natural			
		5X5 stone grey						N11 carrera red			
								backrest cover			
								outer part			
								8YR black			
	5X5 stone grey										

Model	Year	MG	SG	Illustration	Restrictions	UPD	22:48	24.01.2010	PORSCHE	PET	PORSCHE
997-2	2010	8	17	817-02		248					

Pos	Part Number	Description	Remark	Qty	Model	Pos	Part Number	Description	Remark	Qty	Model
(7)	997 521 942 01	backrest cover outer part	/R	1	IXSC/438/982						
	8YR	black									
	5X5	stone grey									
	8G1	sand beige									
	3S8	sea blue									
	9N2	terracotta									
	9Q3	cocoa									
	D11	dark grey/natural									
	T11	brown/natural									
	N11	carrera red									
8	997 521 837 00	clip padding		6							
(8)	000 043 207 39	fixing clip seat		3	I541						
9	997 521 897 00	clip backrest cover		5							
(9)	000 043 207 39	fixing clip backrest cover		3	I541						
10	997 521 721 00	airbag seat cushion		1	I369/370/541						
10	997 521 721 00	airbag seat cushion		1	I437/438/541						
11	997 624 335 00	electric motor seat cushion		1	I541						
12	997 521 661 00	support electric motor seat cushion		1	I541						
13	000 043 207 38	set of fastening parts electric motor seat cushion backrest		13	I541						
14	997 521 731 00	airbag backrest		1	I369/370/541						
14	997 521 731 00	airbag backrest		1	I437/438/541						

Model	Year	MG	SG	Illustration	Restrictions	UPD	22:48	24.01.2010	PORSCHE	PET	PORSCHE
997-2	2010	8	17	817-04		248					



Pos	Part Number	Description	Remark	Qty	Model
		backrest shell standard seat comfort seat accessories			
1	997 521 303 09	backrest shell	/L	1	I369/437/946
	5Q2	black			
	8X4	stone grey			
	5S4	sand beige			
	8W3	sea blue			
(1)	997 521 303 14	backrest shell	/L	1	I369/437/541 I946
	5Q2	black			
	8X4	stone grey			
	5S4	sand beige			
	8W3	sea blue			
(1)	997 521 304 09	backrest shell	/R	1	I370/438/946
	5Q2	black			
	8X4	stone grey			
	5S4	sand beige			
	8W3	sea blue			
(1)	997 521 304 14	backrest shell	/R	1	I370/438/541 I946
	5Q2	black			
	8X4	stone grey			
	5S4	sand beige			
	8W3	sea blue			
(1)	997 521 303 10	backrest shell	/L	1	I369/437/983
	A80	black			
	B80	stone grey			
	T80	sand beige			
	E80	sea blue			

Model	Year	MG	SG	Illustration	Restrictions	UPD	22:48	24.01.2010	PORSCHE	PET	PORSCHE
997-2	2010	8	17	817-04		248					

Pos	Part Number	Description	Remark	Qty	Model	Pos	Part Number	Description	Remark	Qty	Model
	M80	terracotta					R80	cocoa			
	R80	cocoa				(1)	997 521 304 15	backrest shell	/R	1	I438/541/983
(1)	997 521 303 15	backrest shell	/L	1	I369/541/983		A80	black			
	A80	black					B80	stone grey			
	B80	stone grey					T80	sand beige			
	T80	sand beige					E80	sea blue			
	E80	sea blue					M80	terracotta			
	M80	terracotta					R80	cocoa			
	R80	cocoa				(1)	997 521 303 10	backrest shell	/L	1	I369/437/982
(1)	997 521 303 15	backrest shell	/L	1	I437/541/983		A80	black			
	A80	black					B80	stone grey			
	B80	stone grey					T80	sand beige			
	T80	sand beige					E80	sea blue			
	E80	sea blue					M80	terracotta			
	M80	terracotta					R80	cocoa			
	R80	cocoa				(1)	997 521 304 10	backrest shell	/R	1	I370/438/982
(1)	997 521 304 10	backrest shell	/R	1	I370/438/983		A80	black			
	A80	black					B80	stone grey			
	B80	stone grey					T80	sand beige			
	T80	sand beige					E80	sea blue			
	E80	sea blue					M80	terracotta			
	M80	terracotta					R80	cocoa			
	R80	cocoa				(1)	997 521 303 11	backrest shell	/L	1	I369/983/998
(1)	997 521 304 15	backrest shell	/R	1	I370/541/983		D11	dark grey/natural			
	A80	black					T11	brown/natural			
	B80	stone grey					N11	carrera red			
	T80	sand beige				(1)	997 521 303 11	backrest shell	/L	1	I437/983/998
	E80	sea blue					D11	dark grey/natural			
	M80	terracotta					T11	brown/natural			

Model	Year	MG	SG	Illustration	Restrictions	UPD	22:48	24.01.2010	PORSCHE	PET	PORSCHE
997-2	2010	8	17	817-04		248					

Pos	Part Number	Description	Remark	Qty	Model	Pos	Part Number	Description	Remark	Qty	Model
(1)	997 521 303 16	N11 carrera red backrest shell	/L	1	I369/541/983 I998	(1)	997 521 303 11	T11 brown/natural N11 carrera red backrest shell	/L	1	I437/982/998
(1)	997 521 303 16	D11 dark grey/natural T11 brown/natural N11 carrera red backrest shell	/L	1	I437/541/983 I998	(1)	997 521 304 11	D11 dark grey/natural T11 brown/natural N11 carrera red backrest shell	/R	1	I370/982/998
(1)	997 521 304 11	D11 dark grey/natural T11 brown/natural N11 carrera red backrest shell	/R	1	I370/983/998	(1)	997 521 304 11	D11 dark grey/natural T11 brown/natural N11 carrera red backrest shell	/R	1	I438/982/998
(1)	997 521 304 11	D11 dark grey/natural T11 brown/natural N11 carrera red backrest shell	/R	1	I438/983/998	(2)	997 521 319 00	V05 galvano silver control button backrest side bolster	/L	1	
(1)	997 521 304 16	D11 dark grey/natural T11 brown/natural N11 carrera red backrest shell	/R	1	I370/541/983 I998	3	997 521 623 02	V05 galvano silver control button backrest locking lever	/L	1	
(1)	997 521 304 16	D11 dark grey/natural T11 brown/natural N11 carrera red backrest shell		1	I438/541/983 I998	(3)	997 521 624 02	V05 galvano silver control button backrest locking lever	/R	1	
(1)	997 521 304 16	D11 dark grey/natural T11 brown/natural N11 carrera red backrest shell		1	I438/541/983 I998	4	997 521 621 02	V05 galvano silver rosette backrest locking lever	/L	1	I369/370/437 I438
(1)	997 521 303 11	D11 dark grey/natural backrest shell	/L	1	I369/982/998	(4)	997 521 622 02	D07 volcano grey rosette backrest locking lever		1	I369/370/437 I438
		D11 dark grey/natural					D07 volcano grey				

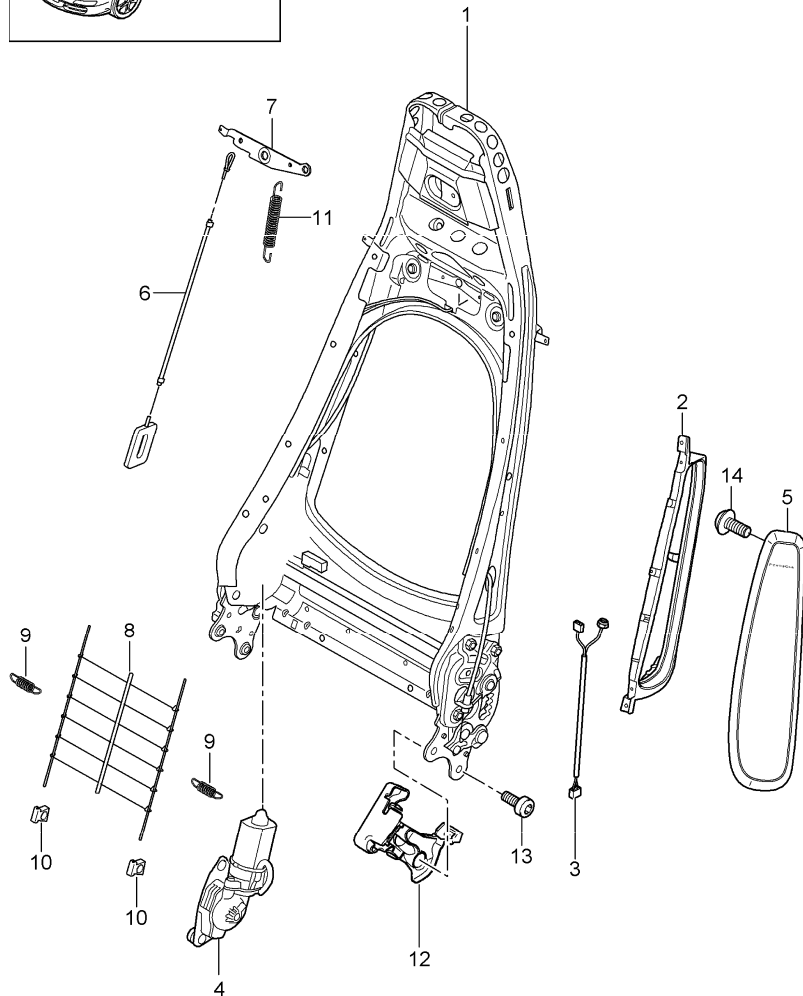
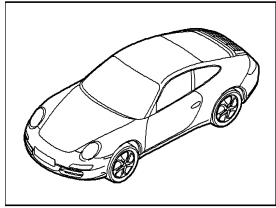
Model	Year	MG	SG	Illustration	Restrictions	UPD	22:48	24.01.2010	PORSCHE	PET	PORSCHE
997-2	2010	8	17	817-04		248					

Pos	Part Number	Description	Remark	Qty	Model	Pos	Part Number	Description	Remark	Qty	Model
5	997 521 373 01	coat hook		1	I369/370/437 I438		T80	sand beige			
	D07	volcano grey					E80	sea blue			
6	999 919 232 09	screw M5 X 20 coat hook		1	I369/370/437 I438		M80	terracotta			
7	997 521 783 00	support panel	/L	1	I369/370/437 I438	(11)	997 521 491 01	cover fan		1	I370/541/983
		backrest shell					A80	black			
(7)	997 521 784 00	support panel	/R	1	I369/370/437 I438		B80	stone grey			
		backrest shell					T80	sand beige			
8	997 521 733 00	air duct		1	I369/370/437 I438/541		E80	sea blue			
		backrest shell					M80	terracotta			
9	997 624 337 00	electric motor vented backrest		1	I541	(11)	997 521 491 01	cover fan		1	I437/541/983
10	000 043 207 38	set of fastening parts electric motor		1	I541		A80	black			
11	997 521 491 00	cover fan		1	I369/370/946		B80	stone grey			
	5Q2	black					T80	sand beige			
	8X4	stone grey					E80	sea blue			
	5S4	sand beige					M80	terracotta			
	8W3	sea blue					R80	cocoa			
11	997 521 491 00	cover fan		1	I437/438/946	(11)	997 521 491 01	cover fan		1	I438/541/983
	5Q2	black					A80	black			
	8X4	stone grey					B80	stone grey			
	5S4	sand beige					T80	sand beige			
	8W3	sea blue					E80	sea blue			
(11)	997 521 491 01	cover fan		1	I369/541/983		M80	terracotta			
	A80	black				(11)	997 521 491 02	cover fan		1	I369/541/983 I998
	B80	stone grey									

Model	Year	MG	SG	Illustration	Restrictions	UPD	22:48	24.01.2010	PORSCHE	PET	PORSCHE
997-2	2010	8	17	817-04		248					

Pos	Part Number	Description	Remark	Qty	Model	Pos	Part Number	Description	Remark	Qty	Model
		D11 dark grey/natural									
		T11 brown/natural									
		N11 carrera red									
(11)	997 521 491 02	cover		1	I370/541/983 I998						
		fan									
		D11 dark grey/natural									
		T11 brown/natural									
		N11 carrera red									
(11)	997 521 491 02	cover		1	I437/541/983 I998						
		fan									
		D11 dark grey/natural									
		T11 brown/natural									
		N11 carrera red									
(11)	997 521 491 02	cover		1	I438/541/983 I998						
		fan									
		D11 dark grey/natural									
		T11 brown/natural									
		N11 carrera red									
12	000 043 207 40	clamp mount cover fan		3	I541						
13	000 043 207 41	set of fastening parts mount cover fan		1	I541						

Model	Year	MG	SG	Illustration	Restrictions	UPD	22:48	24.01.2010	PORSCHE	PET	PORSCHE
997-2	2010	8	17	817-06		248					

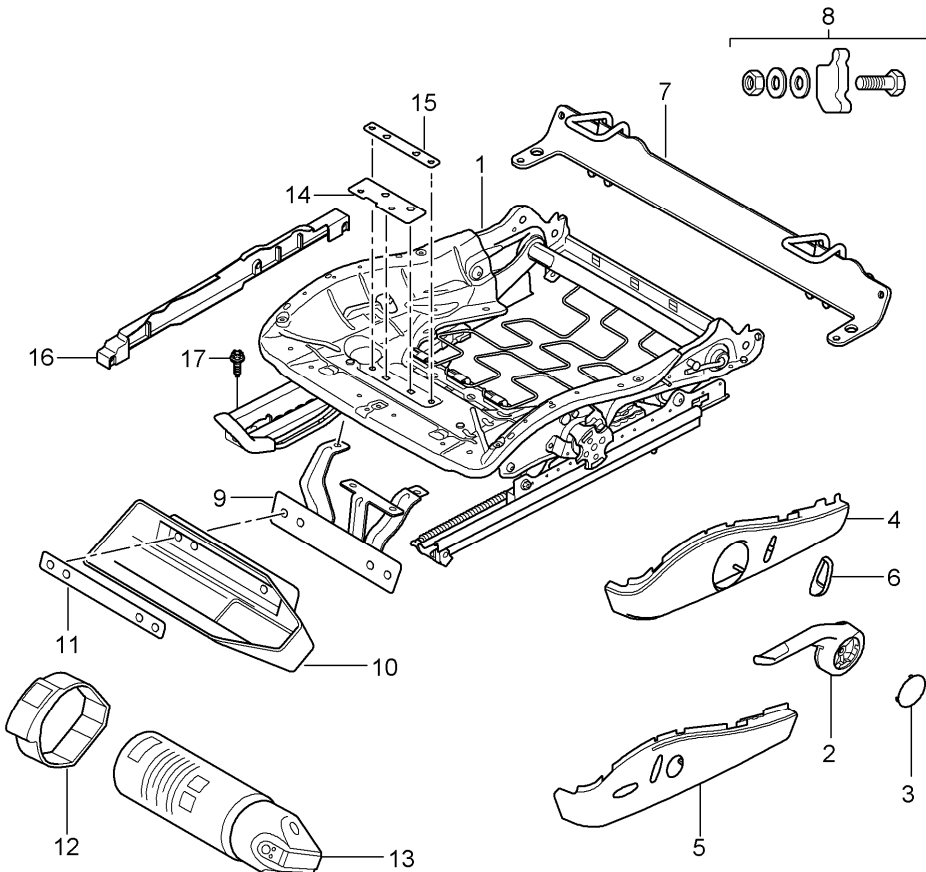
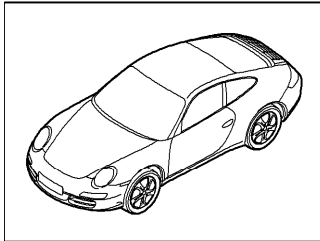


Pos	Part Number	Description	Remark	Qty	Model
		backrest frame standard seat comfort seat			CARRERA COUPE CABRIO TARGA
1	997 521 329 02	backrest frame without memory		1	I369/370
1	997 521 329 02	backrest frame without memory		1	I437/438
(1)	997 521 329 03	backrest frame with memory		1	I537/538
2	997 521 533 00	cushion carrier side airbag	/L	1	I369/437
(2)	997 521 534 00	cushion carrier side airbag	/R	1	I370/438
3	997 612 785 01	wiring harness side airbag	/L	1	I537
(3)	997 612 786 01	wiring harness side airbag	/R	1	I538
4	997 624 331 00	electric motor backrest frame memory		1	I537/538
(4)	997 624 321 00	electric motor backrest frame without memory		1	I369/370
(4)	997 624 321 00	electric motor backrest frame without memory		1	I437/438
5	997 803 081 01	side airbag	/L	1	I369/437
	A03	black			
	5V7	stone grey			
	5Z1	sand beige			
	8W7	sea blue			
	8X8	terracotta			
	8P9	cocoa			

Model	Year	MG	SG	Illustration	Restrictions	UPD	22:48	24.01.2010	PORSCHE	PET	PORSCHE
997-2	2010	8	17	817-06		248					

Pos	Part Number	Description	Remark	Qty	Model	Pos	Part Number	Description	Remark	Qty	Model
		T13 brown/natural				11	997 521 797 00	tension spring release backrest		1	I437/438
		N23 carrera red									
(5)	997 803 082 01	side airbag	/R	1	I370/438	12	997 521 335 01	cover mounting component inner	/L	1	
		A03 black					D07	volcano grey			
		5V7 stone grey				(12)	997 521 336 01	cover mounting component inner	/R	1	
		5Z1 sand beige					D07	volcano grey			
		8W7 sea blue				13	999 073 375 09	screw mount backrest seat adjuster		4	
		8X8 terracotta									
		8P9 cocoa				14	999 073 306 09	screw mount side airbag		2	
		T13 brown/natural									
		N23 carrera red									
6	997 521 485 00	bowden cable backrest frame		2	I369/370						
6	997 521 485 00	bowden cable backrest frame		2	I437/438						
7	997 521 375 00	release backrest frame		1	I369/370						
7	997 521 375 00	release backrest frame		1	I437/438						
8	997 521 855 00	grille backrest frame		1	I369/370						
8	997 521 855 00	grille backrest frame		1	I437/438						
9	997 521 893 00	tension spring inner spring		2	I369/370						
9	997 521 893 00	tension spring inner spring		2	I437/438						
10	997 521 895 00	clip inner spring		2	I369/370						
10	997 521 895 00	clip inner spring		2	I437/438						
11	997 521 797 00	tension spring release backrest		1	I369/370						

Model	Year	MG	SG	Illustration	Restrictions	UPD	22:48	24.01.2010	PORSCHE	PET	PORSCHE
997-2	2010	8	17	817-08		248					



Pos	Part Number	Description	Remark	Qty	Model
		seat adjuster standard seat comfort seat			CARRERA COUPE CABRIO TARGA
(1)	997 521 201 10	seat adjuster manually driver's side	/LL/L	1	I098/369
(1)	997 521 201 14	seat adjuster manually driver's side	/LL/L	1	I098/369/541
(1)	997 521 202 19	seat adjuster manually driver's side	/RL/R	1	I099/370
(1)	997 521 202 23	seat adjuster manually driver's side	/R	1	I370/560
(1)	997 521 202 25	seat adjuster manually driver's side	/RL/R	1	I099/370/541
(1)	997 521 201 24	seat adjuster electric without memory driver's side	/L	1	I437
(1)	997 521 201 26	seat adjuster electric without memory driver's side	/L	1	I437/541
(1)	997 521 202 30	seat adjuster electric without memory driver's side	/R	1	I438
(1)	997 521 202 24	seat adjuster electric without memory driver's side	/R	1	I438/560
(1)	997 521 202 32	seat adjuster electric without memory driver's side	/R	1	I438/541

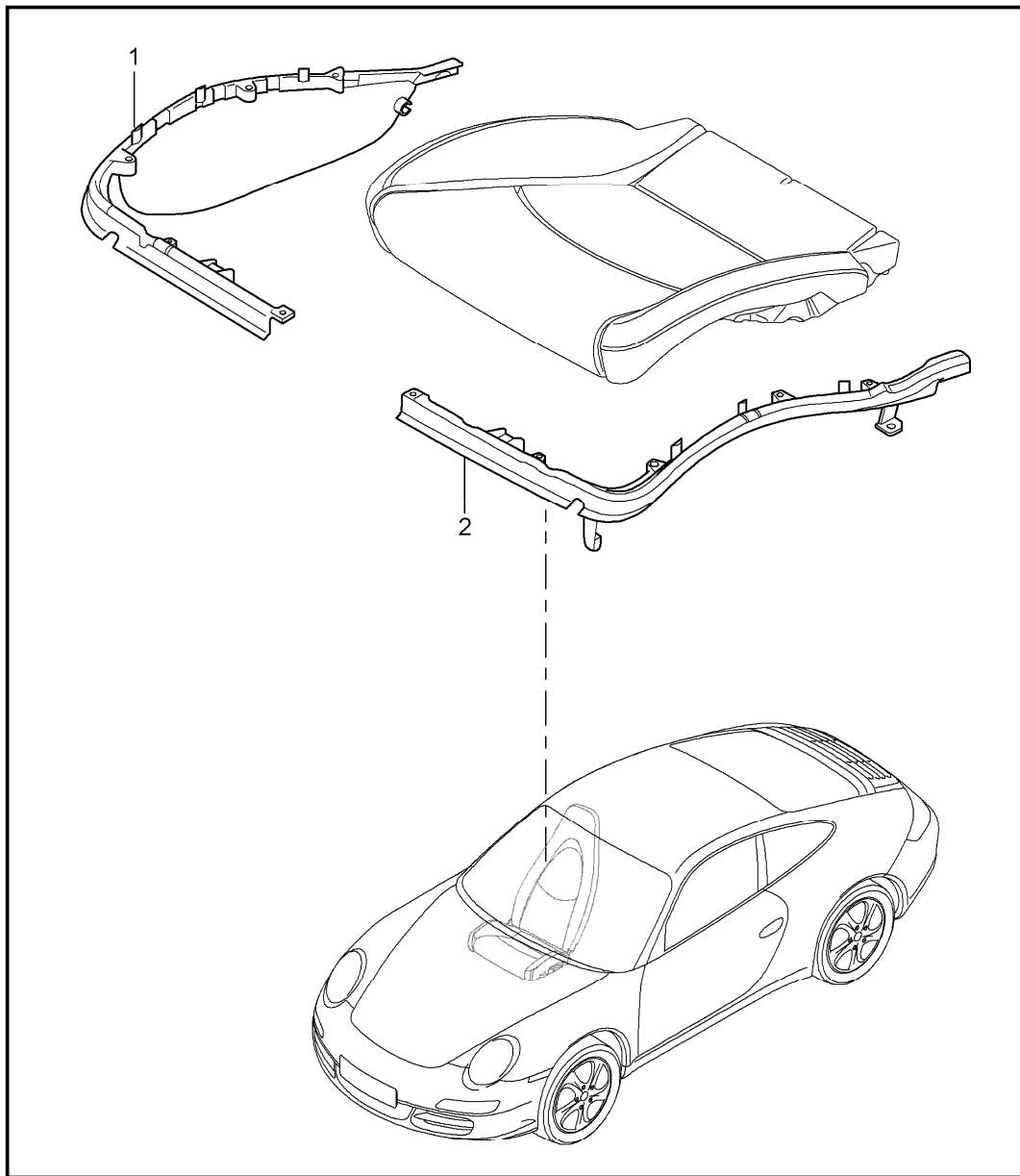
Model	Year	MG	SG	Illustration	Restrictions	UPD	22:48	24.01.2010	PORSCHE	PET	PORSCHE
997-2	2010	8	17	817-08		248					

Pos	Part Number	Description	Remark	Qty	Model	Pos	Part Number	Description	Remark	Qty	Model
(1)	997 521 201 25	seat adjuster electric with memory driver's side	/L	1	I437/537		D07	volcano grey			
(1)	997 521 201 27	seat adjuster electric with memory driver's side	/L	1	I437/537/541	(4)	997 521 326 06	trim for switch	/R	1	I370
(1)	997 521 202 31	seat adjuster electric with memory driver's side	/R	1	I438/538		D07	volcano grey			
(1)	997 521 202 33	seat adjuster electric with memory driver's side	/R	1	I438/538/541	(4)	997 521 326 09	trim for switch	/R	1	I370/560
(1)	997 521 202 20	seat adjuster manually passenger's side	/LL/R	1	I098/370	5	997 521 325 07	trim for switch	/L	1	I437
(1)	997 521 202 26	seat adjuster manually passenger's side	/LL/R	1	I098/370/541		D07	volcano grey			
(1)	997 521 201 11	seat adjuster manually passenger's side	/RL/L	1	I099/369	(5)	997 521 326 07	trim for switch	/R	1	I438
(1)	997 521 201 15	seat adjuster manually passenger's side	/RL/L	1	I099/369/541		D07	volcano grey			
2	997 521 627 01	actuating lever height adjustment	/L	1	I369	(5)	997 521 326 10	trim for switch	/R	1	I438/560
	V05	galvano silver				6	997 521 631 01	control button		1	I369/370/437 I438
(2)	997 521 628 01	actuating lever height adjustment	/R	1	I370		V05	galvano silver			
	V05	galvano silver				7	997 521 061 01	retaining bow child car seat ISOFIX not for AUSTRALIEN		1	
3	997 521 629 01	cap actuating lever		2	I369/370	8	997 521 961 01	set of fastening parts retaining bow		1	
	D07	volcano grey				9	997 521 251 00	support fire extinguisher		1	I098/509
4	997 521 325 06	trim for switch	/L	1	I369	(9)	997 521 252 00	support fire extinguisher		1	I099/509
						10	997 521 607 00	cup fire extinguisher		1	I509
						11	997 521 881 00	support cup fire extinguisher		1	I509
						12	997 521 851 00	restraining strap fire extinguisher		1	I509
						13	996 722 115 00	fire extinguisher		1	I509
								Information available			
								Information available			

Model	Year	MG	SG	Illustration	Restrictions	UPD	22:48	24.01.2010	PORSCHE	PET	PORSCHE
997-2	2010	8	17	817-08		248					

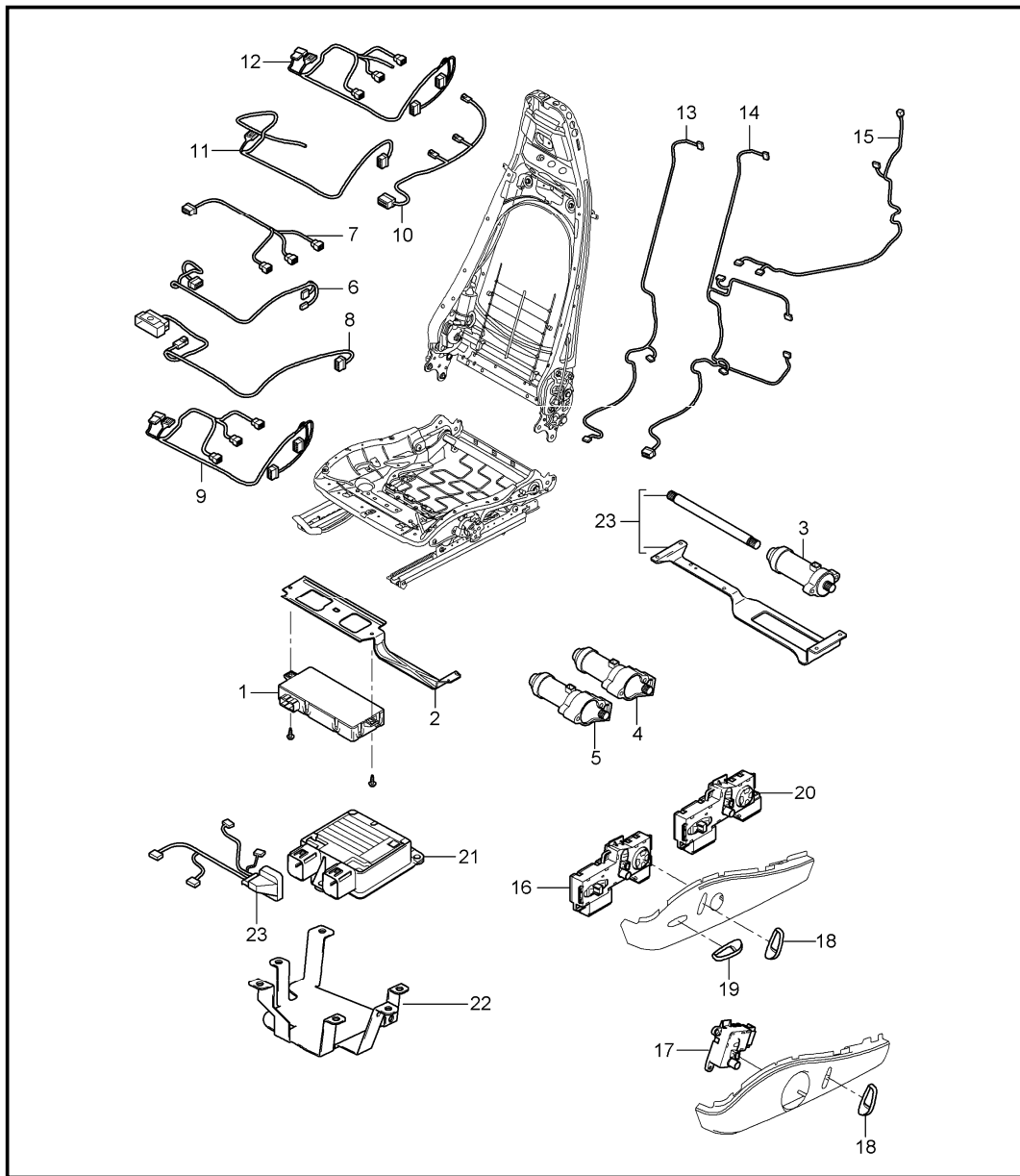
Pos	Part Number	Description	Remark	Qty	Model	Pos	Part Number	Description	Remark	Qty	Model
14	997 521 841 00	reinforcement front		1	I509						
15	997 521 843 00	reinforcement rear		1	I509						
16	997 521 427 01	cover sensor weight	/L	1	I370/438/560						
	01C	satin black									
(16)	997 521 426 01	cover sensor weight	/R	1	I370/438/560						
	01C	satin black									
17	999 141 047 01	torx screw seat rail mount		4							

Model	Year	MG	SG	Illustration	Restrictions	UPD	22:48	24.01.2010	PORSCHE	PET	PORSCHE
997-2	2010	8	17	817-09		248					



Pos	Part Number	Description	Remark	Qty	Model
		cushion carrier frame seat surface standard seat comfort seat			CARRERA COUPE CABRIO TARGA
(1)	997 521 547 00	frame inner	/L	1	I370/438
1	997 521 548 00	frame inner	/R	1	I369/437
2	997 521 545 00	frame outer	/L	1	I369/437
(2)	997 521 546 00	frame outer	/R	1	I370/438
(2)	997 521 546 01	frame outer	/R	1	I370/438/560

Model	Year	MG	SG	Illustration	Restrictions	UPD	22:49	24.01.2010	PORSCHE	PET	PORSCHE
997-2	2010	8	17	817-10		248					

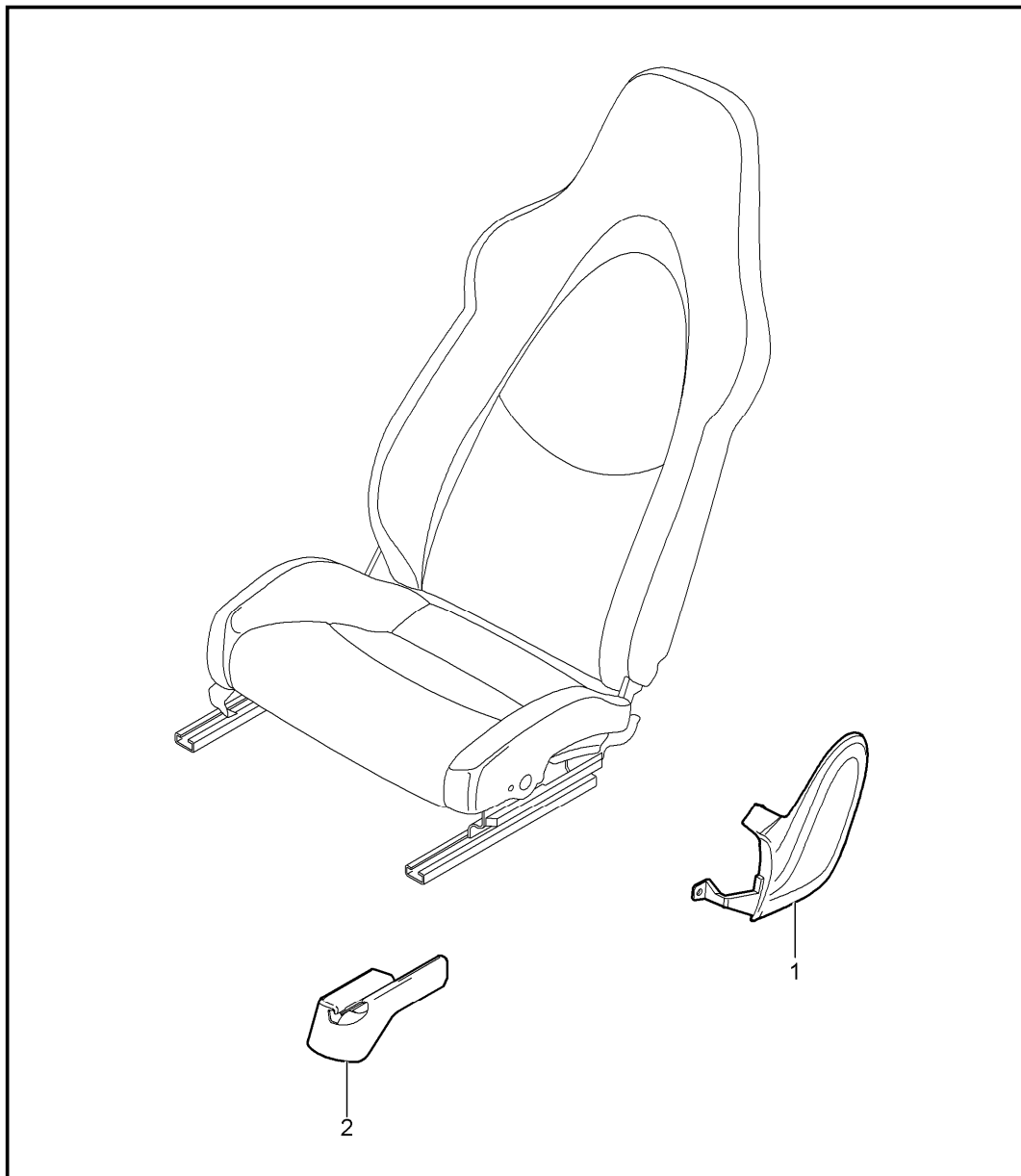


Pos	Part Number	Description	Remark	Qty	Model
		wiring harnesses switch control unit electric motor standard seat comfort seat			CARRERA COUPE CABRIO TARGA
1	997 618 537 07	control unit seating position control		1	I537/538
2	997 521 643 01	support control unit seating position control		1	I537/538
3	997 624 322 00	electric motor seat adjuster lengthways without memory		1	I437/438
(3)	997 624 332 00	electric motor seat adjuster lengthways with memory		1	I537/538
4	997 624 322 00	electric motor seat adjuster height adjustment without memory		1	I437/438
(4)	997 624 332 00	electric motor seat adjuster height adjustment with memory		1	I537/538
5	997 624 323 00	electric motor seat adjuster tilt angle without memory		1	I437/438
(5)	997 624 333 00	electric motor seat adjuster tilt angle with memory		1	I537/538
6	997 612 684 00	wiring harness seat adjuster memory		1	I537/538

Model	Year	MG	SG	Illustration	Restrictions	UPD	22:49	24.01.2010	PORSCHE	PET	PORSCHE
997-2	2010	8	17	817-10		248					

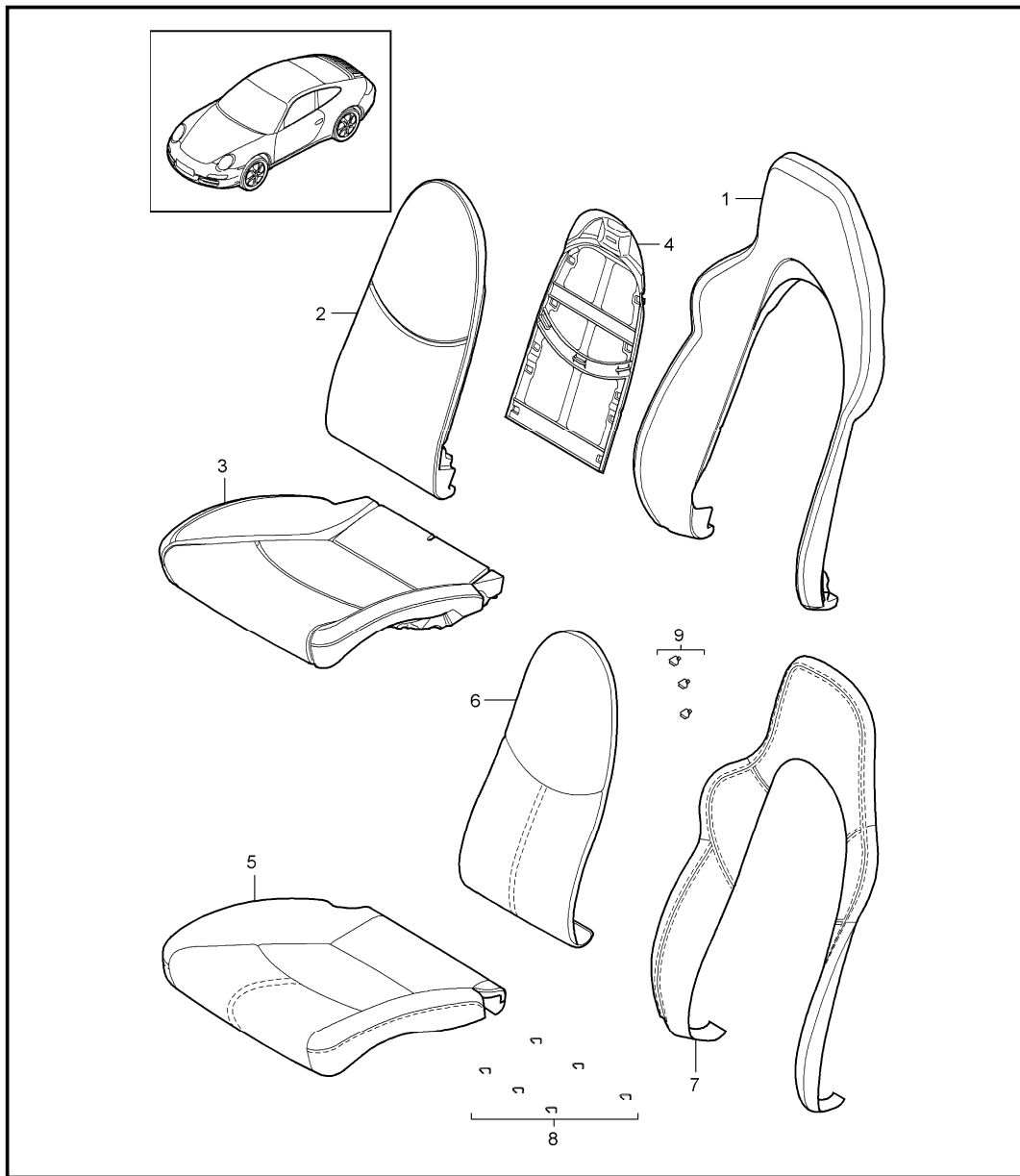
Pos	Part Number	Description	Remark	Qty	Model	Pos	Part Number	Description	Remark	Qty	Model
7	997 612 690 00	wiring harness lengthways height adjustment memory		1	I537/538		V05	galvano silver			
8	997 612 682 01	wiring harness switch seat adjuster		1	I369/370	17	997 613 713 00	switch seat adjuster manually adjustable	/L	1	I369
9	997 612 683 01	wiring harness switch seat adjuster without memory		1	I437/438	(17)	997 613 714 00	switch seat adjuster manually adjustable	/R	1	I370
10	997 612 657 00	wiring harness seat		2	I541	18	997 521 631 01	control button backrest		1	I369/370
11	997 612 658 00	wiring harness standard seat manually		1	I369/370/541		V05	galvano silver			
12	997 612 659 00	wiring harness comfort seat electric		1	I437/438/541	18	997 521 631 01	control button backrest		1	I437/438
13	997 612 689 00	wiring harness lumbar support without memory		1	I437/438	19	997 521 633 02	control button seat cushion		1	I437/438
14	997 612 687 00	wiring harness lumbar backrest memory		1	I437/537		V05	galvano silver			
14	997 612 687 00	wiring harness lumbar backrest memory		1	I438/538	(20)	997 613 718 01	switch seat adjuster without memory	/R	1	I438
15	997 612 685 01	wiring harness backrest	/L	1	I369/437		V05	galvano silver			
(15)	997 612 686 01	wiring harness backrest	/R	1	I370/438	(21)	997 618 233 05	control unit seat occupancy detection		1	I370/438/560
16	997 613 721 01	switch seat adjuster memory switch	/L	1	I437/537	22	997 521 646 00	support control unit seat occupancy detection		1	I370/438/560
	V05	galvano silver				23	997 612 688 00	wiring harness seat occupancy detection		1	I370/438/560
(16)	997 613 722 01	switch seat adjuster memory switch	/R	1	I438/538	(24)	997 521 901 00	repair kit pliable shaft engine bracket		1	
						-	999 650 973 40	clip mount wiring harness seat occupancy detection		1	

Model	Year	MG	SG	Illustration	Restrictions	UPD	14:03	03.02.2010	PORSCHE	PET	PORSCHE
997-2	2010	8	17	817-15		248					



Pos	Part Number	Description	Remark	Qty	Model
		front seat complete not available sports seat			CARRERA COUPE CABRIO TARGA
1	997 521 315 02	trim cover mounting component	/L	1	I375/377
	D07	volcano grey			
(1)	997 521 316 02	trim cover mounting component	/R	1	I375/377
	D07	volcano grey			
2	997 521 359 01	rail seat rail	/L	1	I375
	01C	satin black			
(2)	997 521 362 00	rail seat rail	/R	1	I375
	01C	satin black			
(2)	997 521 361 00	rail seat rail	/L	1	I376
	01C	satin black			
(2)	997 521 360 01	rail seat rail	/R	1	I376
	01C	satin black			
(2)	997 521 361 00	rail seat rail	/L	1	I377
	01C	satin black			
(2)	997 521 362 00	rail seat rail	/R	1	I377
	01C	satin black			
(2)	997 521 361 00	rail seat rail	/L	1	I378
	01C	satin black			
(2)	997 521 362 00	rail seat rail	/R	1	I378
	01C	satin black			

Model	Year	MG	SG	Illustration	Restrictions	UPD	22:49	24.01.2010	PORSCHE	PET	PORSCHE
997-2	2010	8	17	817-17		248					



Pos	Part Number	Description	Remark	Qty	Model
		foam part cover sports seat			CARRERA CABRIO COUPE TARGA
1	997 521 535 01	foam part backrest outer		2	I375/376
(1)	997 521 535 02	foam part backrest outer		2	I377/378
2	997 521 581 00	foam part		1	I375/376
2	997 521 581 00	foam part backrest centre part		1	I377/378
3	997 521 571 01	foam part seat cushion with heating		1	I375/376
(3)	997 521 571 02	foam part seat cushion with heating		1	I377/378
(3)	997 521 571 04	foam part seat cushion with heating		1	I376/560
(3)	997 521 571 05	foam part seat cushion with heating		1	I378/560
4	997 521 551 01	cushion carrier backrest		2	
5	997 521 161 03	cover for cushion		1	I375/376/983
	FLC	black			
	FLF	stone grey			
	FLJ	sand beige			
	FLM	sea blue			
	FLQ	terracotta			
	FLR	cocoa			
	VAA	dark grey/natural			
	VAB	brown/natural			
	VAC	carrera red			

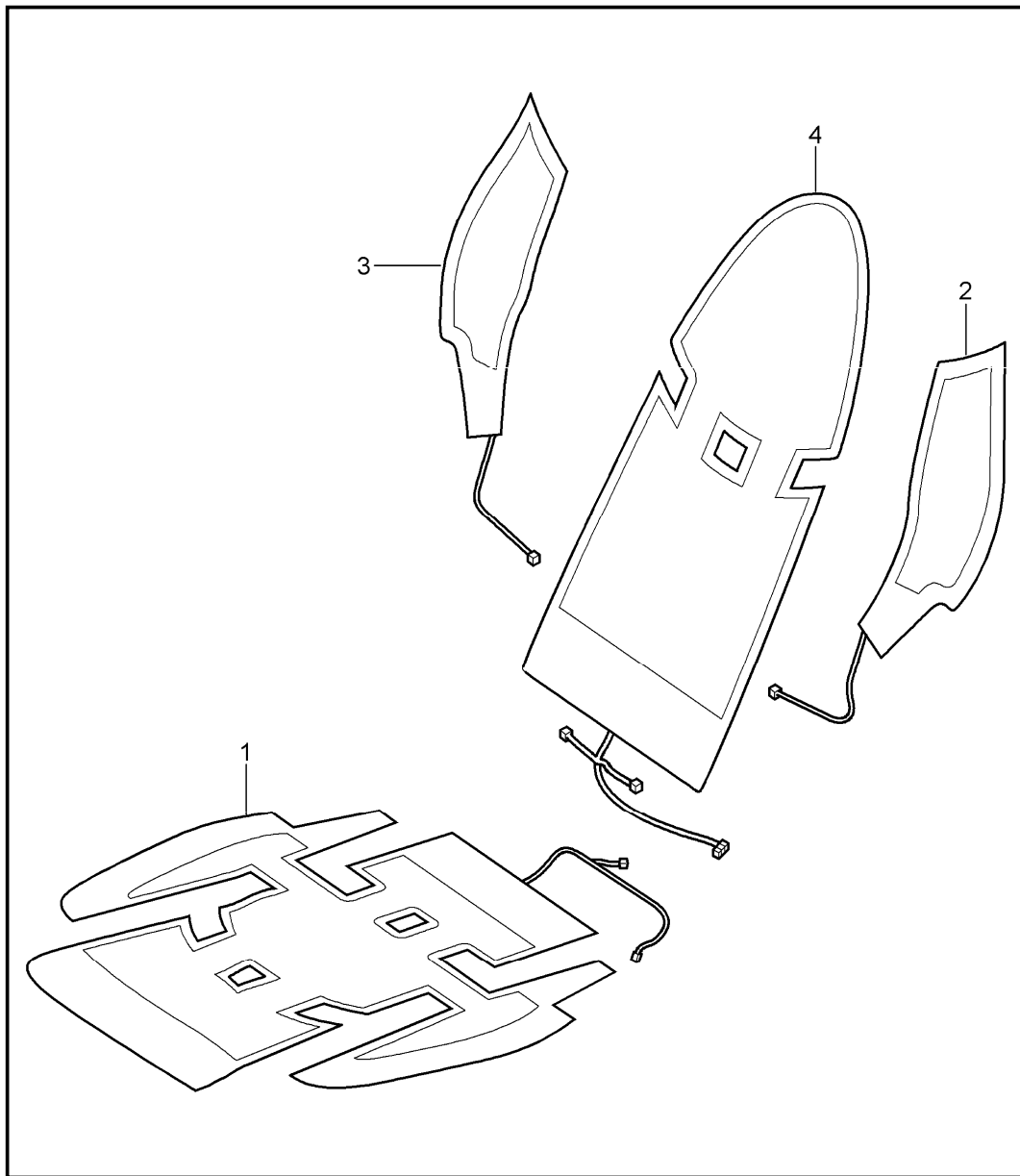
Model	Year	MG	SG	Illustration	Restrictions	UPD	22:49	24.01.2010	PORSCHE	PET	PORSCHE
997-2	2010	8	17	817-17		248					

Pos	Part Number	Description	Remark	Qty	Model	Pos	Part Number	Description	Remark	Qty	Model
(5)	997 521 161 06	cover for cushion		1	I377/378/983		9N2	terracotta			
	FLC	black					9Q3	cocoa			
	FLF	stone grey					D11	dark grey/natural			
	FLJ	sand beige					T11	brown/natural			
	FLM	sea blue					N11	carrera red			
	FLQ	terracotta				(6)	997 521 151 04	backrest cushion cover		1	I377/378/983
	FLR	cocoa						centre part			I756
	VAA	dark grey/natural					H12	Espresso			
	VAB	brown/natural				(7)	997 521 155 01	backrest cover		2	I375/376/983
	VAC	carrera red						outer part			
(5)	997 521 161 11	cover for cushion		1	I377/378/983		FLC	black			
	VAM	Espresso					FLF	stone grey			
6	997 521 151 00	backrest cushion cover		1	I375/376/983		FLJ	sand beige			
		centre part					FLM	sea blue			
	8YR	black					FLQ	terracotta			
	5X5	stone grey					FLR	cocoa			
	8G1	sand beige					VAA	dark grey/natural			
	3S8	sea blue					VAB	brown/natural			
	9N2	terracotta					VAC	carrera red			
	9Q3	cocoa				(7)	997 521 155 01	backrest cover		2	I377/378/983
	D11	dark grey/natural						outer part			
	T11	brown/natural					FLC	black			
	N11	carrera red					FLF	stone grey			
(6)	997 521 151 00	backrest cushion cover		1	I377/378/983		FLJ	sand beige			
		centre part					FLM	sea blue			
	8YR	black					FLQ	terracotta			
	5X5	stone grey					FLR	cocoa			
	8G1	sand beige					VAA	dark grey/natural			
	3S8	sea blue					VAB	brown/natural			
							VAC	carrera red			

Model	Year	MG	SG	Illustration	Restrictions	UPD	22:49	24.01.2010	PORSCHE	PET	PORSCHE
997-2	2010	8	17	817-17		248					

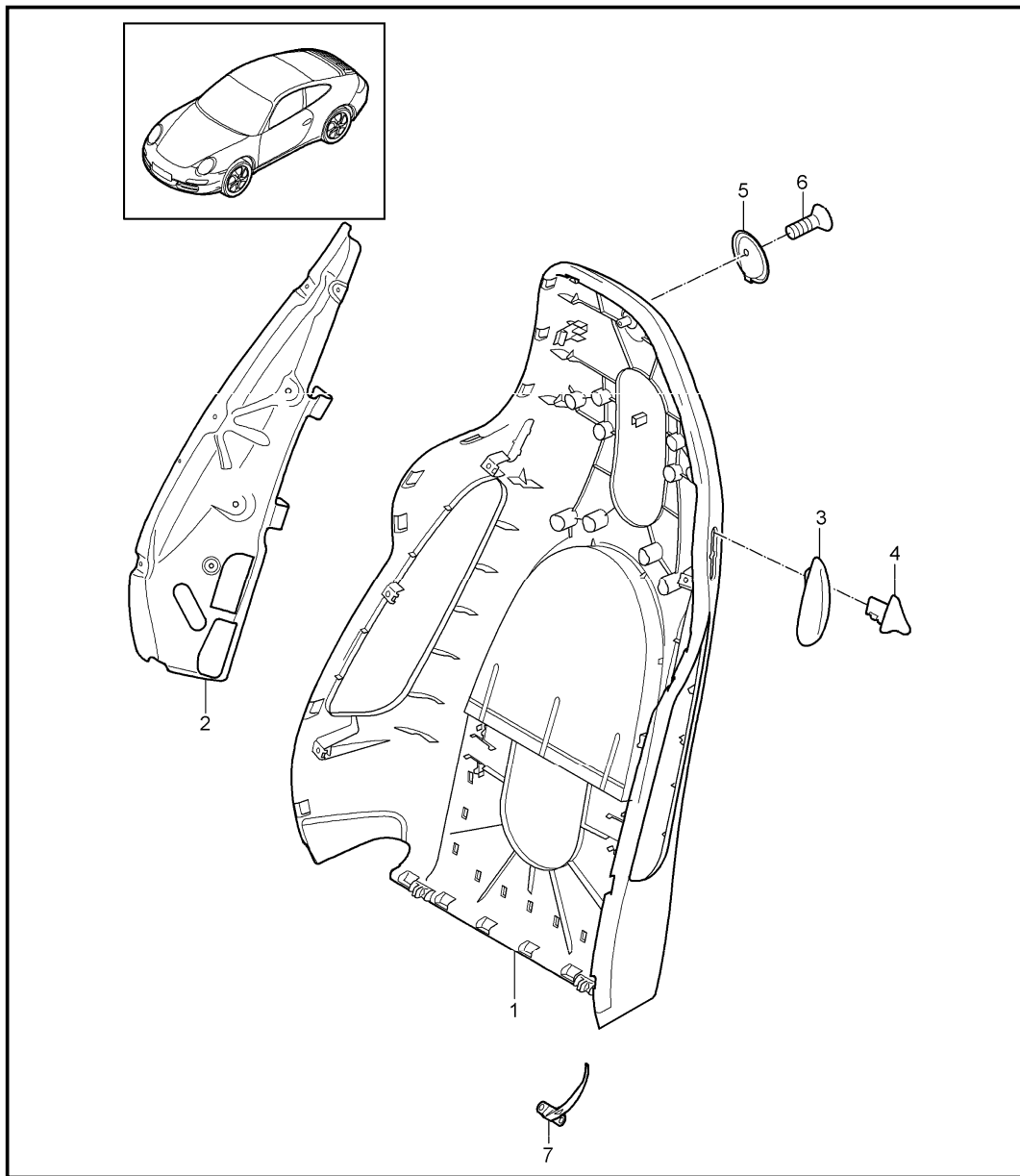
Pos	Part Number	Description	Remark	Qty	Model	Pos	Part Number	Description	Remark	Qty	Model
(7)	997 521 155 02	backrest cover outer part 8C0 Espresso		2	IXXK/377/378 I756		3S8	sea blue			
							9N2	terracotta			
							9Q3	cocoa			
(7)	997 521 941 02	backrest cover outer part 8YR black 5X5 stone grey 8G1 sand beige 3S8 sea blue 9N2 terracotta 9Q3 cocoa D11 dark grey/natural T11 brown/natural N11 carrera red		1	IXSC/375/983		D11	dark grey/natural			
							T11	brown/natural			
							N11	carrera red			
						(7)	997 521 941 02	backrest cover outer part 8YR black 5X5 stone grey 8G1 sand beige 3S8 sea blue 9N2 terracotta 9Q3 cocoa D11 dark grey/natural T11 brown/natural N11 carrera red		1	IXSC/378/983
(7)	997 521 941 02	backrest cover outer part 8YR black 5X5 stone grey 8G1 sand beige 3S8 sea blue 9N2 terracotta 9Q3 cocoa D11 dark grey/natural T11 brown/natural N11 carrera red		1	IXSC/376/983		D11	dark grey/natural			
							T11	brown/natural			
							N11	carrera red			
						8	997 521 837 00	clip padding seat		6	
						9	997 521 897 00	clip backrest cover		5	
(7)	997 521 941 02	backrest cover outer part 8YR black 5X5 stone grey 8G1 sand beige		1	IXSC/377/983						

Model	Year	MG	SG	Illustration	Restrictions	UPD	22:49	24.01.2010	PORSCHE	PET	PORSCHE
997-2	2010	8	17	817-18		248					



Pos	Part Number	Description	Remark	Qty	Model
		heating front seat			CARRERA CABRIO COUPE TARGA
1	997 653 105 02	heating element		2	I342/369/370 I437/438
(1)	997 653 105 03	heating element seat cushion standard seat comfort seat		2	I342/375/376 I377/378
(1)	997 653 117 00	heating element seat side bolster	/L	2	I541
(1)	997 653 118 00	heating element seat side bolster	/R	2	I541
2	997 653 109 00	heating element	/L	1	I342/369/370 I437/438
(2)	997 653 121 00	backrest side bolster heating element standard seat comfort seat	/L	1	I541
(2)	997 653 109 01	heating element	/L	1	I342/375/376 I377/378
3	997 653 110 00	heating element	/R	1	I342/369/370 I437/438
(3)	997 653 122 00	backrest side bolster heating element standard seat comfort seat	/R	1	I541
(3)	997 653 110 01	heating element	/R	1	I342/375/376 I377/378
4	997 653 107 00	heating element backrest cushion		2	I342

Model	Year	MG	SG	Illustration	Restrictions	UPD	22:50	24.01.2010	PORSCHE	PET	PORSCHE
997-2	2010	8	17	817-19		248					



Pos	Part Number	Description	Remark	Qty	Model
		backrest shell sports seat			CARRERA COUPE CABRIO TARGA
1	997 521 303 13	backrest shell	/L	1	I375/377
	D07	volcano grey			
(1)	997 521 304 13	backrest shell	/R	1	I376/378
	D07	volcano grey			
(1)	997 521 303 17	backrest shell	/L	1	IXSB/377/756
	6J0	Espresso			
(1)	997 521 304 17	backrest shell	/R	1	IXSB/378/756
	6J0	Espresso			
(1)	997 521 981 00	backrest shell	/L	1	IXSA/375/377
	041	black			
	84A	guards red			
	12H	speed yellow			
	B9A	carrara white			
	92U	arctic silver metallic			
	C9Z	basalt black metallic			
	M7X	atlas grey metallic			
	39C	midnight blue metallic			
	M7Z	gt silver metallic			
	M7W	Meteor Grey Metallic			
	M8W	Macadamia Metallic			
	8A7	ruby red metallic			
	22G	Racing Green Metallic			
	M5R	Aqua Blue Metallic			
	51A	creamy white			
	M2Z	Nordic Gold Metallic			
	2B5	Malachite Green Metallic			

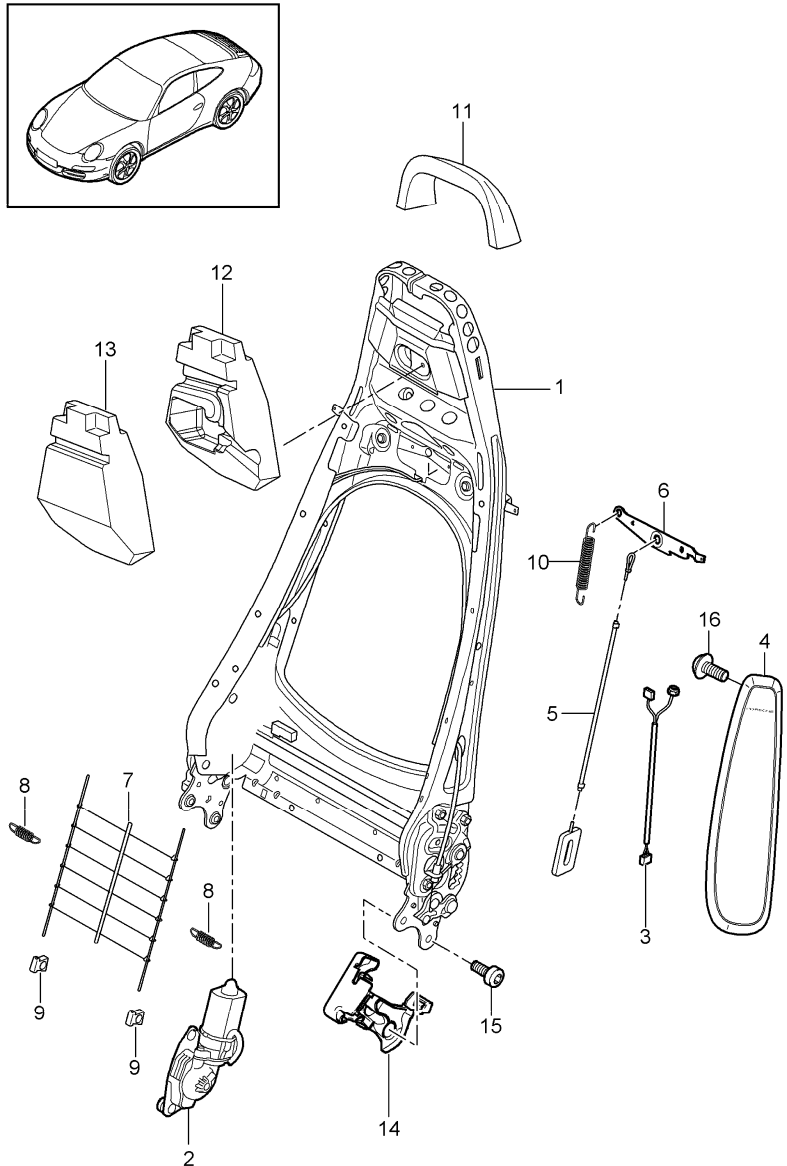
Model	Year	MG	SG	Illustration	Restrictions	UPD	22:50	24.01.2010	PORSCHE	PET	PORSCHE
997-2	2010	8	17	817-19		248					

Pos	Part Number	Description	Remark	Qty	Model	Pos	Part Number	Description	Remark	Qty	Model
(1)	997 521 982 00	backrest shell	/R	1	IXSA/376/378	(1)	997 521 982 02	backrest shell leather	/R	1	IXSB/376/378
	041	black					A11	black			
	84A	guards red					5X6	stone grey			
	12H	speed yellow					8G2	sand beige			
	B9A	carrara white					3S9	sea blue			
	92U	arctic silver metallic					9S5	terracotta			
	C9Z	basalt black metallic					9V6	cocoa			
	M7X	atlas grey metallic					D12	dark grey/natural			
	39C	midnight blue metallic					T12	brown/natural			
	M7Z	gt silver metallic					N12	carrera red			
	M7W	Meteor Grey Metallic				2	997 521 319 00	bracket	/L	1	
	M8W	Macadamia Metallic				(2)	997 521 320 00	bracket backrest side bolster	/R	1	
	8A7	ruby red metallic				3	997 521 621 03	rosette backrest locking lever	/L	1	I375/376 I377/378
	22G	Racing Green Metallic					D07	volcano grey			
	M5R	Aqua Blue Metallic				(3)	997 521 622 03	rosette backrest locking lever	/R	1	I375/376 I377/378
	51A	creamy white					D07	volcano grey			
	M2Z	Nordic Gold Metallic				4	997 521 623 02	control button backrest locking lever	/L	1	
	2B5	Malachite Green Metallic					V05	galvano silver			
(1)	997 521 981 02	backrest shell leather	/L	1	IXSB/375/377	(4)	997 521 624 02	control button backrest locking lever	/R	1	
	A11	black					V05	galvano silver			
	5X6	stone grey				5	997 521 373 01	coat hook volcano grey		2	I375/376/377 I378
	8G2	sand beige					D07	volcano grey			
	3S9	sea blue				6	999 919 232 09	screw M5 X 20 coat hook		1	I375/376/377 I378
	9S5	terracotta									
	9V6	cocoa									
	D12	dark grey/natural									
	T12	brown/natural									
	N12	carrera red									

Model	Year	MG	SG	Illustration	Restrictions	UPD	22:50	24.01.2010	PORSCHE	PET	PORSCHE
997-2	2010	8	17	817-19		248					

Pos	Part Number	Description	Remark	Qty	Model	Pos	Part Number	Description	Remark	Qty	Model
7	997 521 783 00	support panel backrest shell	/L	1	I375/376/377 I378						
(7)	997 521 784 00	support panel backrest shell	/R	1	I375/376/377 I378						

Model	Year	MG	SG	Illustration	Restrictions	UPD	22:50	24.01.2010	PORSCHE	PET	PORSCHE
997-2	2010	8	17	817-21		248					



Pos	Part Number	Description	Remark	Qty	Model
		backrest frame sports seat			CARRERA COUPE CABRIO TARGA
1	997 521 329 02	backrest frame without memory		1	I375/376
1	997 521 329 02	backrest frame without memory		1	I377/378
(1)	997 521 329 03	backrest frame with memory		1	I537/538
2	997 624 331 00	electric motor backrest with memory		1	I537/538
(2)	997 624 321 00	electric motor backrest without memory		1	I375/376
(2)	997 624 321 00	electric motor backrest without memory		1	I377/378
3	997 612 785 01	wiring harness side airbag	/L	1	I537
(3)	997 612 786 01	wiring harness side airbag	/R	1	I538
(3)	997 612 685 01	wiring harness side airbag without memory	/L	1	I375
3	997 612 686 01	wiring harness side airbag without memory	/R	1	I376
4	997 803 081 01	side airbag	/L	1	I375/377
(4)	997 803 082 01	side airbag	/R	1	I376/378
(4)	997 803 981 00	side airbag	/L	1	IXSA/375/377
	A03	black			
	5V7	stone grey			

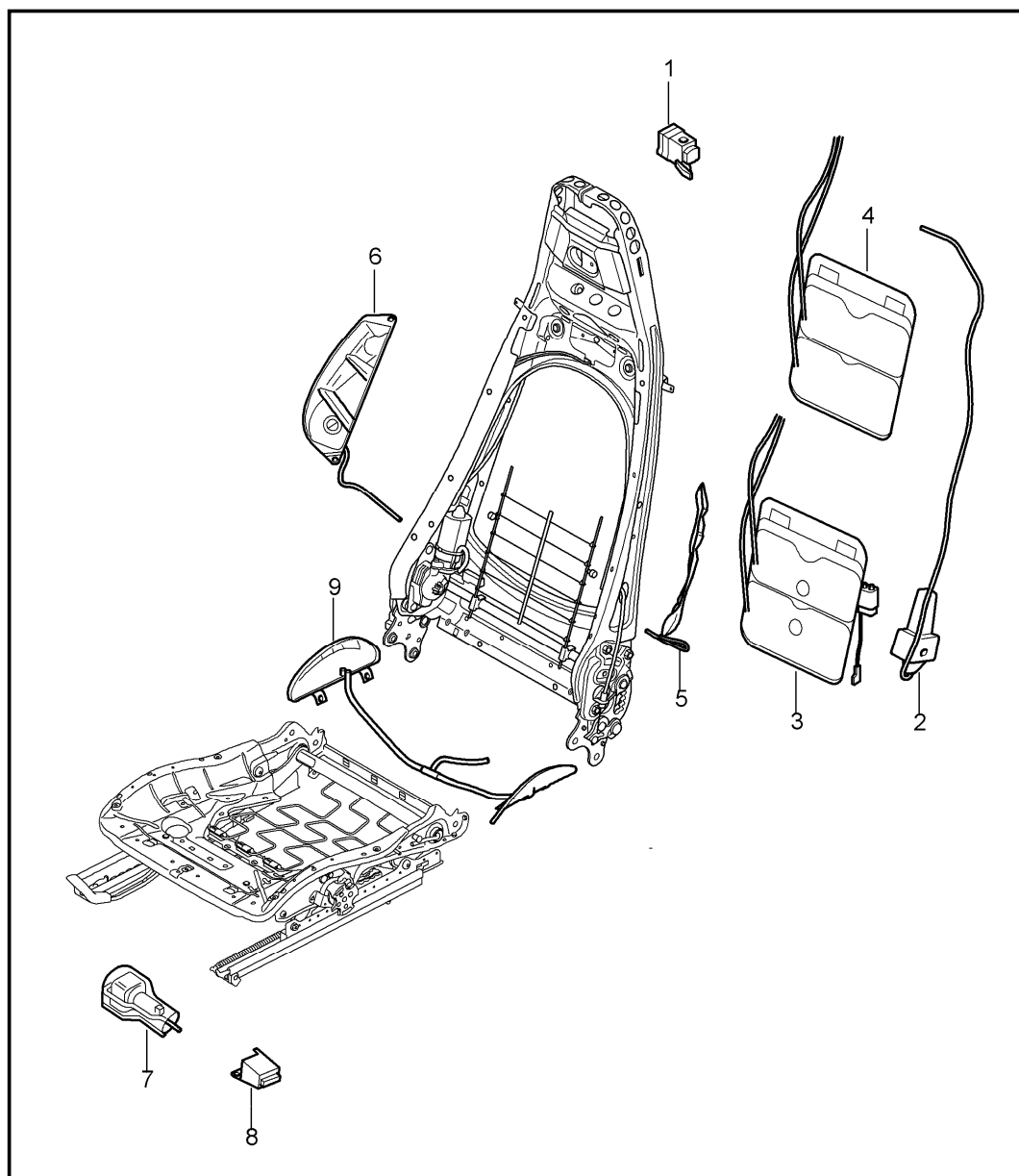
Model	Year	MG	SG	Illustration	Restrictions	UPD	22:50	24.01.2010	PORSCHE	PET	PORSCHE
997-2	2010	8	17	817-21		248					

Pos	Part Number	Description	Remark	Qty	Model	Pos	Part Number	Description	Remark	Qty	Model
	5Z1	sand beige					8X8	terracotta			
	8W7	sea blue					8P9	cocoa			
	8X8	terracotta					T13	brown/natural			
	8P9	cocoa					N23	carrera red			
	T13	brown/natural				5	997 521 485 00	bowden cable backrest frame		2	I375/376
	N23	carrera red				5	997 521 485 00	bowden cable backrest frame		2	I377/378
(4)	997 803 981 00	side airbag	/L	1	IXSB/375/377	6	997 521 375 00	release backrest frame		1	I375/376
	A03	black				6	997 521 375 00	release backrest frame		1	I377/378
	5V7	stone grey				7	997 521 855 00	grille backrest frame		1	I375/376
	5Z1	sand beige				7	997 521 855 00	grille backrest frame		1	I377/378
	8W7	sea blue				8	997 521 893 00	tension spring inner spring		2	I375/376
	8X8	terracotta				8	997 521 893 00	tension spring inner spring		2	I377/378
	8P9	cocoa				9	997 521 895 00	clip inner spring		2	I375/376
	T13	brown/natural				9	997 521 895 00	clip inner spring		2	I377/378
	N23	carrera red				10	997 521 797 00	tension spring release backrest		1	I375/376
(4)	997 803 982 00	side airbag	/R	1	IXSA/376/378	10	997 521 797 00	tension spring release backrest		1	I377/378
	A03	black				11	997 521 885 00	foam part head rest upper		1	I375/376
	5V7	stone grey				11	997 521 885 00	foam part head rest upper		1	I377/378
	5Z1	sand beige									
	8W7	sea blue									

Model	Year	MG	SG	Illustration	Restrictions	UPD	22:50	24.01.2010	PORSCHE	PET	PORSCHE
997-2	2010	8	17	817-21		248					

Pos	Part Number	Description	Remark	Qty	Model	Pos	Part Number	Description	Remark	Qty	Model
12	997 521 887 01	foam part head rest centre electric		1	I377/378						
13	997 521 887 00	foam part head rest centre		1	I375/376						
14	997 521 335 01	cover mounting component inner	/L	1							
	D07	volcano grey									
(14)	997 521 336 01	cover mounting component inner	/R	1							
	D07	volcano grey									
15	999 073 375 09	screw mount backrest seat adjuster		4							
16	999 073 306 09	screw mount side airbag		2							

Model	Year	MG	SG	Illustration	Restrictions	UPD	14:06	03.02.2010	PORSCHE	PET	PORSCHE
997-2	2010	8	17	817-22		248					

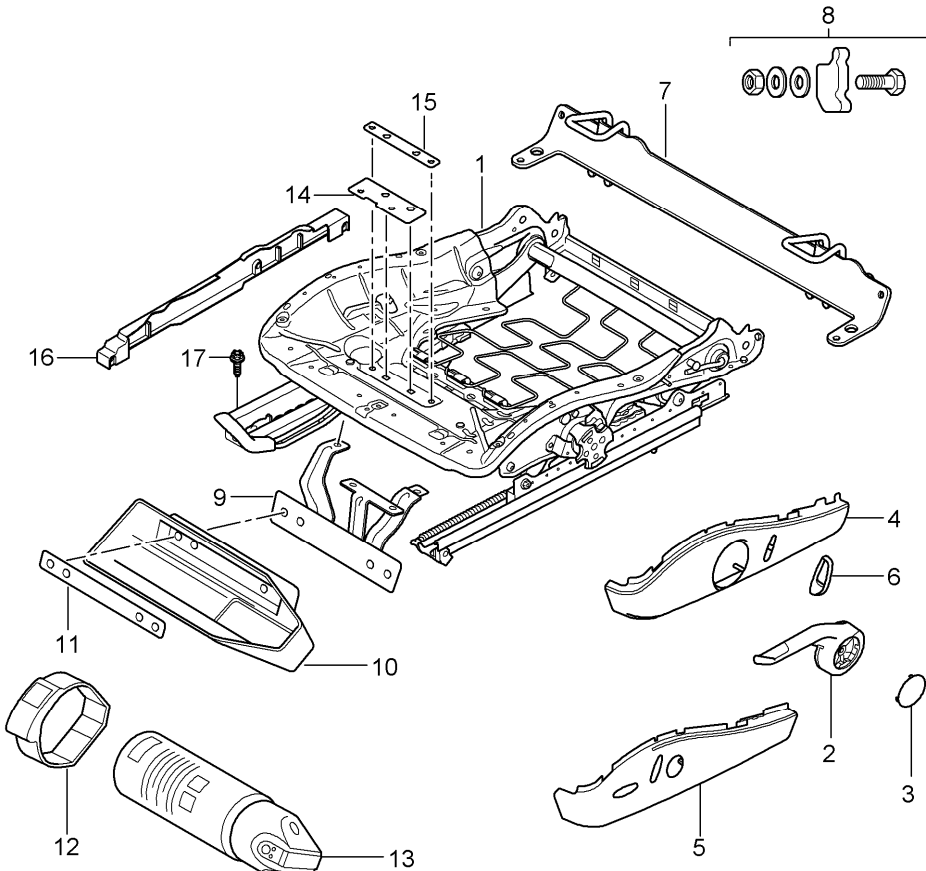
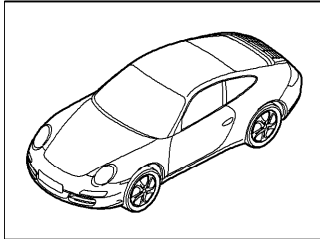


Pos	Part Number	Description	Remark	Qty	Model
		lumbar support			CARRERA COUPE CABRIO TARGA
1	997 617 725 00	valve		1	I377/378 I437/438
(1)	997 617 726 00	lumbar support without memory		1	I537/538
2	997 620 725 00	valve lumbar support memory		1	I537/538
		compressor		1	I377/378 I437/438
		lumbar			
3	997 521 709 01	lumbar support airbag with memory		1	I377/537
3	997 521 709 01	lumbar support airbag with memory		1	I378/538
3	997 521 709 01	lumbar support airbag with memory		1	I437/537
3	997 521 709 01	lumbar support airbag with memory		1	I438/538
(3)	997 521 709 03	lumbar support airbag with memory		1	I437/537/541
(3)	997 521 709 03	lumbar support airbag with memory		1	I438/538/541
4	997 521 709 00	lumbar support airbag without memory		1	I377/378

Model	Year	MG	SG	Illustration	Restrictions	UPD	14:06	03.02.2010	PORSCHE	PET	PORSCHE
997-2	2010	8	17	817-22		248					

Pos	Part Number	Description	Remark	Qty	Model	Pos	Part Number	Description	Remark	Qty	Model
4	997 521 709 00	lumbar support airbag without memory		1	I437/438						
(4)	997 521 709 02	lumbar support airbag without memory		1	I437/541						
(4)	997 521 709 02	lumbar support airbag without memory		1	I438/541						
5	997 521 711 00	container air distributor backrest side bolster	/L	1	I377/378						
6	997 521 712 00	container air distributor backrest side bolster	/R	1	I377/378						
7	997 620 727 00	compressor adjustment seat side bolster		1	I377/378						
8	997 617 727 00	valve adjustment seat wide		1	I377/378						
9	997 521 713 01	container air distributor seat side bolster		1	I377/378						

Model	Year	MG	SG	Illustration	Restrictions	UPD	22:51	24.01.2010	PORSCHE	PET	PORSCHE
997-2	2010	8	17	817-23		248					



Pos	Part Number	Description	Remark	Qty	Model
		seat adjuster sports seat			CARRERA COUPE CABRIO TARGA
1	997 521 201 10	seat adjuster manually driver's side	/LL/L	1	I098/375
(1)	997 521 201 14	seat adjuster manually driver's side	/LL/L	1	I098/375/541
(1)	997 521 202 19	seat adjuster manually driver's side	/RL/R	1	I099/376
(1)	997 521 202 23	seat adjuster manually driver's side	/RL/R	1	I376/560
(1)	997 521 202 25	seat adjuster manually driver's side	/RL/R	1	I099/376/541
(1)	997 521 201 24	seat adjuster electric without memory driver's side	/L	1	I377
(1)	997 521 201 26	seat adjuster electric without memory driver's side	/L	1	I377/541
(1)	997 521 202 30	seat adjuster electric without memory driver's side	/R	1	I378
(1)	997 521 202 24	seat adjuster electric without memory driver's side	/R	1	I378/560
(1)	997 521 202 32	seat adjuster electric without memory driver's side	/R	1	I378/541

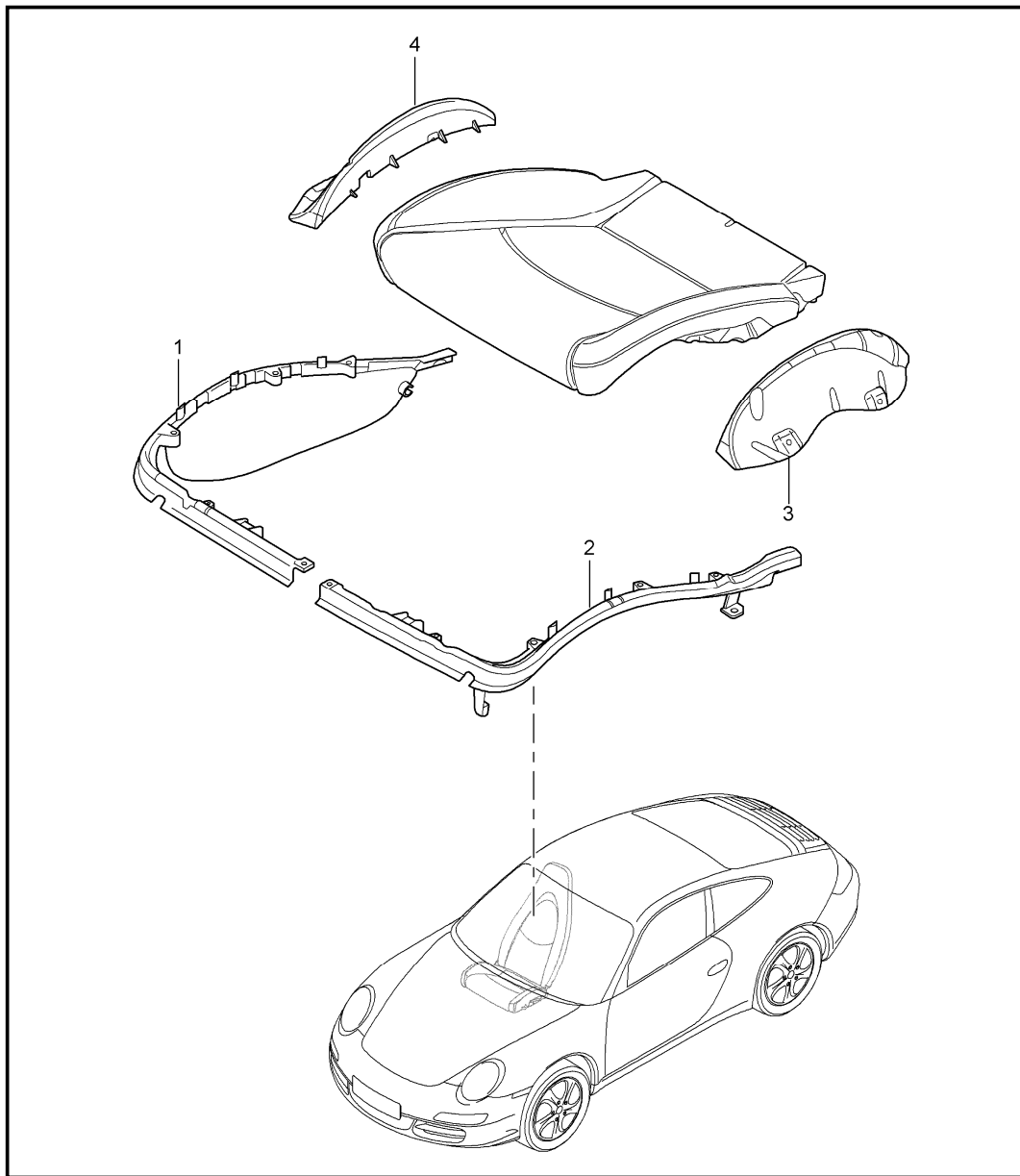
Model	Year	MG	SG	Illustration	Restrictions	UPD	22:51	24.01.2010	PORSCHE	PET	PORSCHE
997-2	2010	8	17	817-23		248					

Pos	Part Number	Description	Remark	Qty	Model	Pos	Part Number	Description	Remark	Qty	Model
(1)	997 521 201 25	seat adjuster electric memory driver's side	/L	1	I377/537		D07	volcano grey			
(1)	997 521 201 27	seat adjuster electric memory driver's side	/L	1	I377/537/541	(4)	997 521 326 09	trim for switch	/R	1	I376/560
(1)	997 521 202 31	seat adjuster electric memory driver's side	/R	1	I378/538	5	997 521 325 08	trim for switch	/L	1	I377
(1)	997 521 202 33	seat adjuster electric memory driver's side	/R	1	I378/538/541	(5)	997 521 326 08	trim for switch	/R	1	I378
(1)	997 521 202 20	seat adjuster manually passenger's side	/LL/R	1	I098/376	(5)	997 521 326 11	trim for switch		1	I378/560
(1)	997 521 202 26	seat adjuster manually passenger's side	/LL/R	1	I098/376/541	6	997 521 631 01	control button		1	I375/376/377 I378
(1)	997 521 201 11	seat adjuster manually passenger's side	/RL/L	1	I099/375		V05	galvano silver			
(1)	997 521 201 15	seat adjuster manually passenger's side	/RL/L	1	I099/375/541	7	997 521 061 01	retaining bow child car seat retaining bow not for AUSTRALIEN		1	
2	997 521 627 01	actuating lever height adjustment	/L	1	I375	8	997 521 961 01	set of fastening parts retaining bow		1	
	V05	galvano silver				9	997 521 251 00	support fire extinguisher		1	I098/509
(2)	997 521 628 01	actuating lever height adjustment	/R	1	I376	(9)	997 521 252 00	support fire extinguisher		1	I099/509
	V05	galvano silver				10	997 521 607 00	cup fire extinguisher		1	I509
3	997 521 629 01	cap height adjustment		2	I375/376	11	997 521 881 00	support cup fire extinguisher		1	I509
	D07	volcano grey				12	997 521 851 00	restraining strap fire extinguisher		1	I509
4	997 521 325 06	trim for switch	/L	1	I375	13	996 722 115 00	fire extinguisher Information available Information available		1	I509
	D07	volcano grey				14	997 521 841 00	reinforcement front		1	I509
(4)	997 521 326 06	trim for switch	/R	1	I376						

Model	Year	MG	SG	Illustration	Restrictions	UPD	22:51	24.01.2010	PORSCHE	PET	PORSCHE
997-2	2010	8	17	817-23		248					

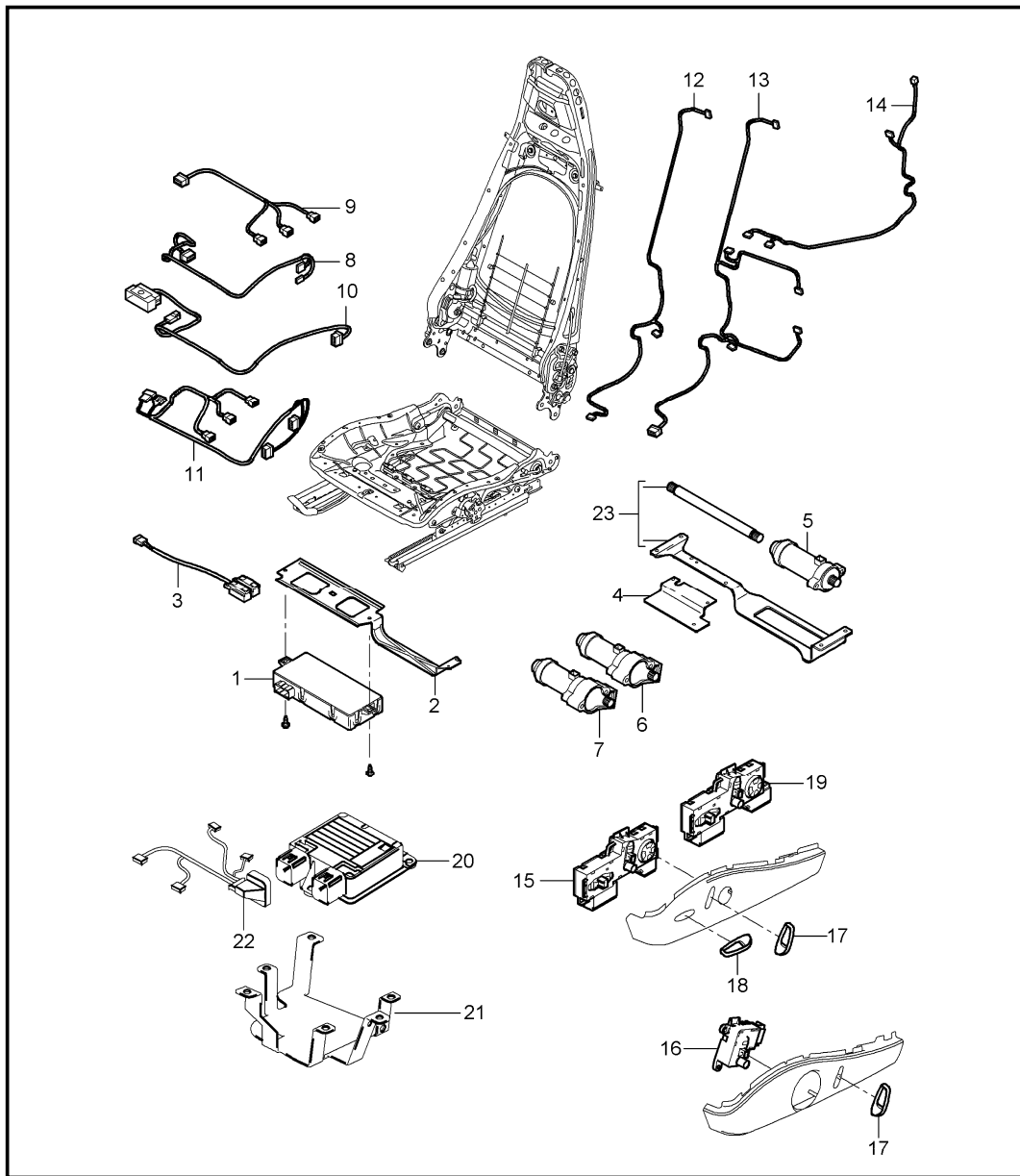
Pos	Part Number	Description	Remark	Qty	Model	Pos	Part Number	Description	Remark	Qty	Model
15	997 521 843 00	reinforcement rear		1	I509						
16	997 521 427 01	cover sensor weight	/L	1	I376/378/560						
	01C	01C satin black									
(16)	997 521 426 01	cover sensor weight	/R	1	I376/378/560						
	01C	01C satin black									
17	999 141 047 01	torx screw seat rail mount		4							

Model	Year	MG	SG	Illustration	Restrictions	UPD	22:51	24.01.2010	PORSCHE	PET	PORSCHE
997-2	2010	8	17	817-24		248					



Pos	Part Number	Description	Remark	Qty	Model
		cushion carrier frame seat surface sports seat			CARRERA COUPE CABRIO TARGA
(1)	997 521 547 00	frame inner	/L	1	I376/378
1	997 521 548 00	frame inner	/R	1	I375/377
2	997 521 545 00	frame outer	/L	1	I375/377
(2)	997 521 546 00	frame outer	/R	1	I376/378
(2)	997 521 546 01	frame outer	/R	1	I376/378/560
3	997 521 519 00	supporting plate seat cushion	/L	1	I377/378
4	997 521 520 00	supporting plate seat cushion	/R	1	I377/378

Model	Year	MG	SG	Illustration	Restrictions	UPD	22:51	24.01.2010	PORSCHE	PET	PORSCHE
997-2	2010	8	17	817-25		248					



Pos	Part Number	Description	Remark	Qty	Model
1	997 618 537 07	wiring harnesses switch control unit electric motor sports seat control unit seating position control		1	I537/538
2	997 521 643 01	support control unit seating position control		1	I537/538
3	997 613 725 00	switch seat adjuster V05 galvano silver		1	I377
(3)	997 613 726 00	switch seat adjuster V05 galvano silver		1	I378
4	997 521 343 00	support electric motor		1	I377/378
5	997 624 322 00	electric motor seat adjuster lengthways without memory		1	I377/378
(5)	997 624 332 00	electric motor seat adjuster lengthways with memory		1	I537/538
6	997 624 322 00	electric motor seat adjuster height adjustment without memory		1	I377/378
(6)	997 624 332 00	electric motor seat adjuster height adjustment with memory		1	I537/538
7	997 624 323 00	electric motor seat adjuster tilt angle without memory		1	I377/378

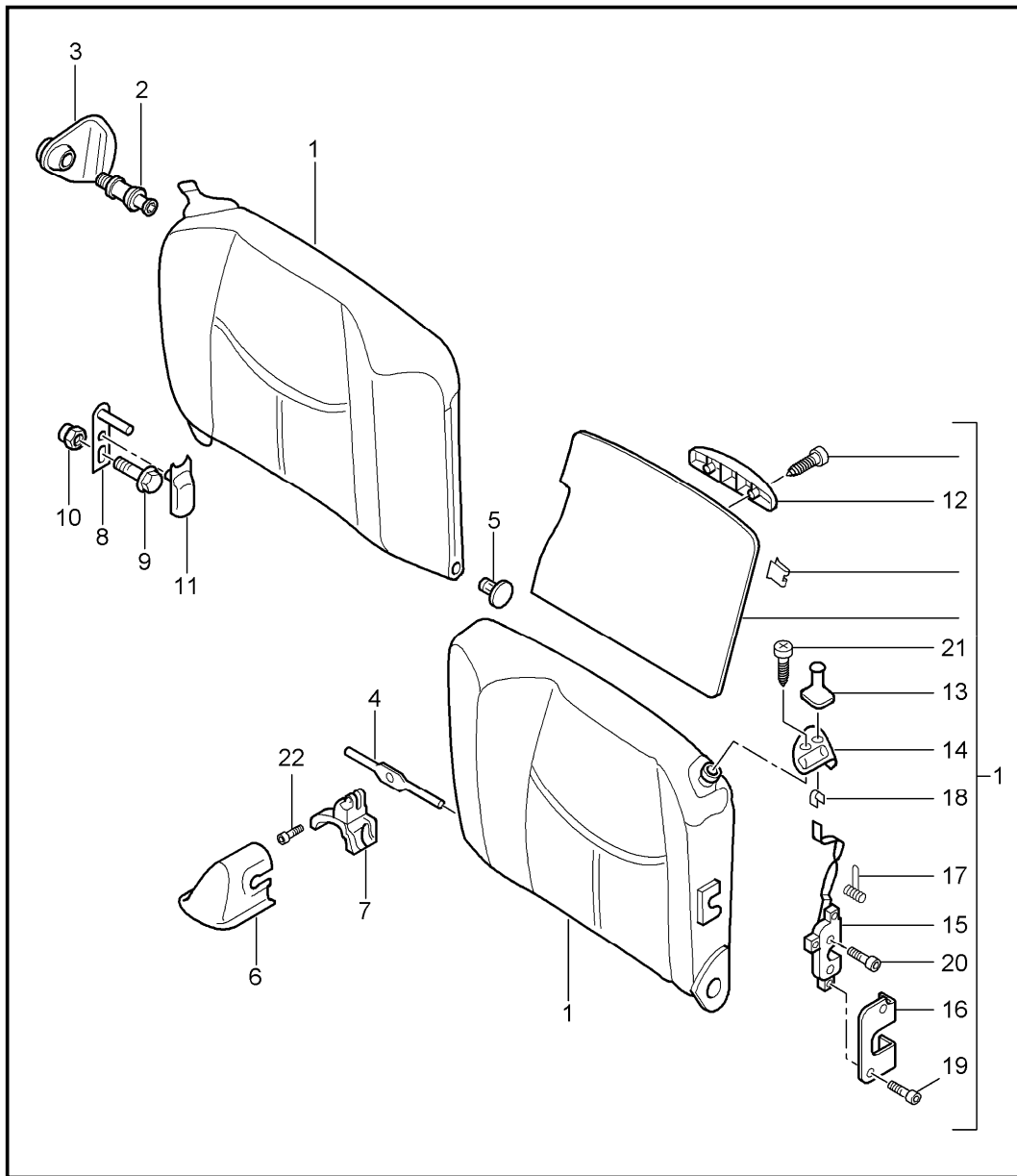
Model	Year	MG	SG	Illustration	Restrictions	UPD	22:51	24.01.2010	PORSCHE	PET	PORSCHE
997-2	2010	8	17	817-25		248					

Pos	Part Number	Description	Remark	Qty	Model	Pos	Part Number	Description	Remark	Qty	Model
(7)	997 624 333 00	electric motor seat adjuster tilt angle with memory		1	I537/538	(15)	997 613 722 01	switch seat adjuster memory switch	/R	1	I378/538
8	997 612 684 00	wiring harness switch seat adjuster memory		1	I537/538	16	997 613 713 00	switch	/L	1	I375
9	997 612 690 00	wiring harness lengthways height adjustment memory		1	I537/538	(16)	997 613 714 00	switch seat adjuster manually adjustable	/R	1	I376
10	997 612 682 01	wiring harness switch seat adjuster		1	I375/376	17	997 521 631 01	control button backrest		1	I375/376
11	997 612 691 02	wiring harness switch without memory		1	I377/378		V05	galvano silver			
12	997 612 689 00	wiring harness lumbar support without memory		1	I377/378	17	997 521 631 01	control button backrest		1	I377/378
13	997 612 692 01	wiring harness backrest lumbar with memory		1	I377/537		V05	galvano silver			
13	997 612 692 01	wiring harness backrest lumbar with memory		1	I378/538	18	997 521 633 02	control button seat cushion		1	I377/378
14	997 612 685 01	wiring harness backrest without memory	/L	1	I375/377		V05	galvano silver			
(14)	997 612 686 01	wiring harness backrest without memory	/R	1	I376/378	19	997 613 717 01	switch seat adjuster without memory	/L	1	I377
15	997 613 721 01	switch seat adjuster memory switch	/L	1	I377/537		V05	galvano silver			
	V05	galvano silver				(19)	997 613 718 01	switch seat adjuster without memory	/R	1	I378
							V05	galvano silver			
						(20)	997 618 233 05	control unit seat occupancy detection		1	I376/378/560
						(21)	997 521 646 00	support control unit seat occupancy detection		1	I376/378/560
						22	997 612 688 00	wiring harness seat occupancy detection		1	I376/378/560
						(23)	997 521 901 00	repair kit pliable shaft engine bracket		1	

Model	Year	MG	SG	Illustration	Restrictions	UPD	22:51	24.01.2010	PORSCHE	PET	PORSCHE
997-2	2010	8	17	817-25		248					

Pos	Part Number	Description	Remark	Qty	Model	Pos	Part Number	Description	Remark	Qty	Model
-	999 650 973 40	clip mount wiring harness seat occupancy detection		1							

Model	Year	MG	SG	Illustration	Restrictions	UPD	22:51	24.01.2010	PORSCHE	PET	PORSCHE
997-2	2010	8	17	817-40		248					



Pos	Part Number	Description	Remark	Qty	Model
		back seat backrest			CARRERA COUPE TARGA
1	997 522 011 06	back seat backrest	/L	1	I685/937
	5Q2	black			
	8X4	stone grey			
	5S4	sand beige			
	8W3	sea blue			
(1)	997 522 012 06	back seat backrest	/R	1	I685/937
	5Q2	black			
	8X4	stone grey			
	5S4	sand beige			
	8W3	sea blue			
(1)	997 522 011 07	back seat backrest	/L	1	I685/936
	8YR	black			
	5X5	stone grey			
	8G1	sand beige			
	3S8	sea blue			
	9N2	terracotta			
	9Q3	cocoa			
	D11	dark grey/natural			
	T11	brown/natural			
	N11	carrera red			
(1)	997 522 012 07	back seat backrest	/R	1	I685/936
	8YR	black			
	5X5	stone grey			
	8G1	sand beige			
	3S8	sea blue			
	9N2	terracotta			
	9Q3	cocoa			

Model	Year	MG	SG	Illustration	Restrictions	UPD	22:51	24.01.2010	PORSCHE	PET	PORSCHE
997-2	2010	8	17	817-40		248					

Pos	Part Number	Description	Remark	Qty	Model	Pos	Part Number	Description	Remark	Qty	Model
		D11 dark grey/natural				2	996 522 267 06	bolt locking device		2	I685
		T11 brown/natural				3	997 522 095 00	stop	/L	1	I685
		N11 carrera red					01C	satin black			
(1)	997 522 011 08	back seat backrest	/L	1	I685/939	(3)	997 522 096 00	stop	/R	1	I685
		8YR black					01C	satin black			
		5X5 stone grey				4	997 522 615 01	bearing shaft		1	I685
		8G1 sand beige				-	999 073 436 01	combination screw bearing shaft		1	I685
		3S8 sea blue				5	996 522 571 00	protection washer		1	I685
		9N2 terracotta					01C	satin black			
		9Q3 cocoa				6	996 522 431 02	cover		1	I685
		D11 dark grey/natural					01C	satin black			
		T11 brown/natural				7	996 522 333 00	bracket		1	I685
		N11 carrera red				8	997 522 211 00	bearing outer		2	I685
(1)	997 522 012 08	back seat backrest	/R	1	I685/939	9	999 073 138 01	screw M 8 X 25		2	I685
		8YR black				10	996 522 271 00	bush		2	I685
		5X5 stone grey				11	996 522 425 01	cover		1	I685
		8G1 sand beige					01C	satin black			
		3S8 sea blue				12	996 522 421 00	stop backrest		2	I685
		9N2 terracotta					01C	satin black			
		9Q3 cocoa				13	997 522 321 00	actuating lever backrest	/L	1	I685
		D11 dark grey/natural					01C	satin black			
		T11 brown/natural				(13)	997 522 322 00	actuating lever backrest	/R	1	I685
		N11 carrera red					01C	satin black			
(1)	997 522 012 12	back seat backrest	/R	1	IXUX/XXL/685 I756	(13)	997 522 981 00	actuating lever backrest	/L	1	IXUX
		VAM Espresso					A11	black			
(1)	997 522 011 12	back seat backrest	/L	1	IXUX/XXL/685 I756						
		VAM Espresso									

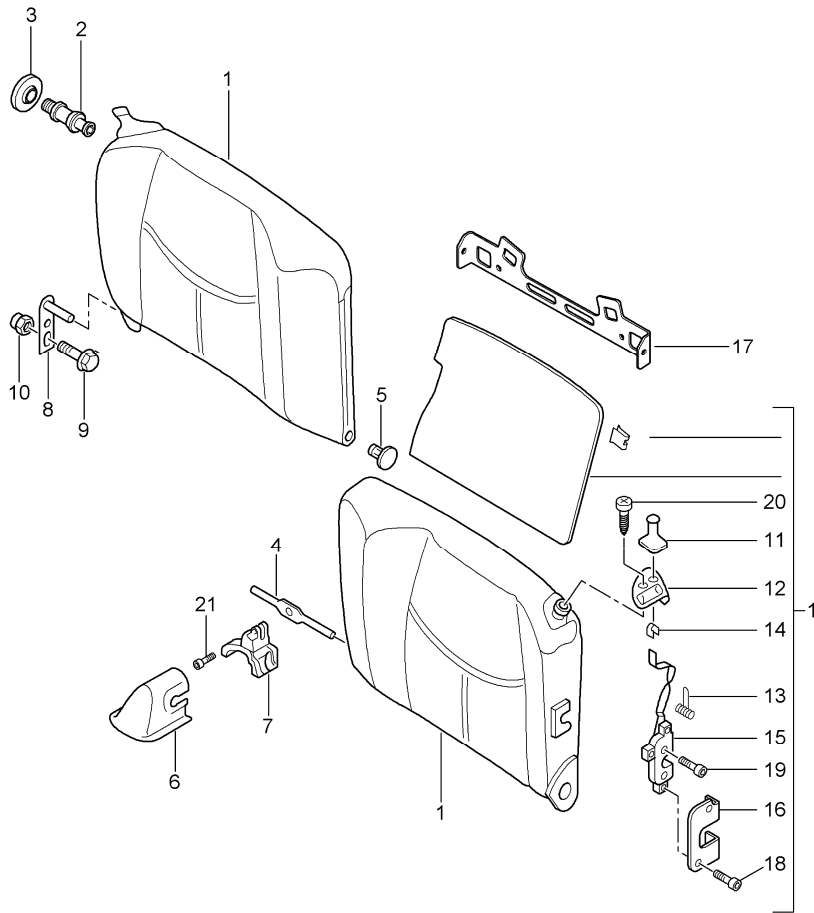
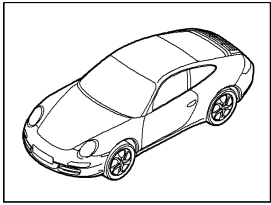
Model	Year	MG	SG	Illustration	Restrictions	UPD	22:51	24.01.2010	PORSCHE	PET	PORSCHE
997-2	2010	8	17	817-40		248					

Pos	Part Number	Description	Remark	Qty	Model	Pos	Part Number	Description	Remark	Qty	Model
	5X6	stone grey					5X6	stone grey			
	8G2	sand beige					8G2	sand beige			
	3S9	sea blue					3S9	sea blue			
	9S5	terra					9S5	terracotta			
	9V6	cocoa					9V6	cocoa			
	D12	dark grey/natural					D12	dark grey/natural			
	T12	braun					T12	brown/natural			
	N12	carrera red					N12	carrera red			
	6J0	Espresso					6J0	Espresso			
(13)	997 522 982 00	actuating lever backrest	/R	1	IXUX	(14)	997 522 986 00	rosette control button leather	/R	1	IXUX
	A11	black					A11	black			
	5X6	stone grey					5X6	stone grey			
	8G2	sand beige					8G2	sand beige			
	3S9	sea blue					3S9	sea blue			
	9S5	terra					9S5	terracotta			
	9V6	cocoa					9V6	cocoa			
	D12	dark grey/natural					D12	dark grey/natural			
	T12	braun					T12	brown/natural			
	N12	carrera red					N12	carrera red			
	6J0	Espresso					6J0	Espresso			
14	996 522 315 00	rosette control button	/L	1	I685	15	996 522 281 02	lock backrest	/L	1	I685
	01C	satin black									
(14)	996 522 316 00	rosette control button	/R	1	I685	(15)	996 522 282 02	lock backrest	/R	1	I685
	01C	satin black									
(14)	997 522 985 00	rosette control button leather	/L	1	IXUX	16	997 522 771 00	trim cover lock	/L	1	I685
	A11	black									
						(16)	997 522 772 00	trim cover lock	/R	1	I685
						17	996 522 653 00	spring lock		2	I685

Model	Year	MG	SG	Illustration	Restrictions	UPD	22:51	24.01.2010	PORSCHE	PET	PORSCHE
997-2	2010	8	17	817-40		248					

Pos	Part Number	Description	Remark	Qty	Model	Pos	Part Number	Description	Remark	Qty	Model
18	999 507 630 01	clamp control button		2	I685						
19	999 073 049 02	tapping screw ST 3,5 X 16		4	I685						
20	900 269 028 03	countersunk-head screw M 8 X 30		4	I685						
21	900 145 041 07	tapping screw B 3,5 X 16		4	I685						
22	900 067 358 09	combination screw M 5 X 16		1	I685						

Model	Year	MG	SG	Illustration	Restrictions	UPD	22:51	24.01.2010	PORSCHE	PET	PORSCHE
997-2	2010	8	17	817-44		248					



Pos	Part Number	Description	Remark	Qty	Model
		back seat backrest	09-		CARRERA CABRIO
1	997 522 011 09	back seat backrest	/L	1	I685/937
	5Q2	black			
	8X4	stone grey			
	5S4	sand beige			
	8W3	sea blue			
(1)	997 522 012 09	back seat backrest	/R	1	I685/937
	5Q2	black			
	8X4	stone grey			
	5S4	sand beige			
	8W3	sea blue			
(1)	997 522 011 10	back seat backrest	/L	1	I685/936
	8YR	black			
	5X5	stone grey			
	8G1	sand beige			
	3S8	sea blue			
	9N2	terracotta			
	9Q3	cocoa			
	D11	dark grey/natural			
	T11	brown/natural			
	N11	carrera red			
(1)	997 522 012 10	back seat backrest	/R	1	I685/936
	8YR	black			
	5X5	stone grey			
	8G1	sand beige			
	3S8	sea blue			
	9N2	terracotta			
	9Q3	cocoa			

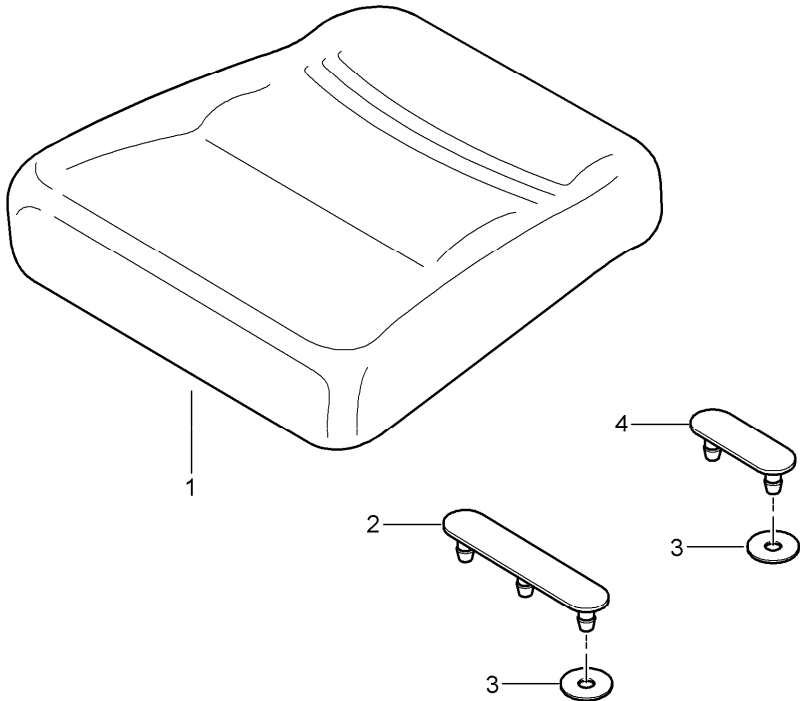
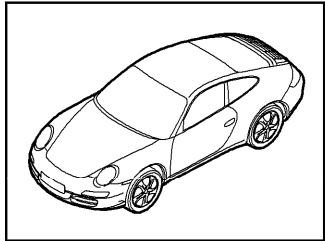
Model	Year	MG	SG	Illustration	Restrictions	UPD	22:51	24.01.2010	PORSCHE	PET	PORSCHE
997-2	2010	8	17	817-44		248					

Pos	Part Number	Description	Remark	Qty	Model	Pos	Part Number	Description	Remark	Qty	Model
(1)	997 522 011 11	D11 dark grey/natural	/L	1	I685/939	5	996 522 571 00	protection washer		1	I685
		T11 brown/natural				01C satin black					
		N11 carrera red				6	996 522 431 02	cover	1	I685	
		back seat backrest				01C satin black					
		8YR black				7	996 522 041 00	bearing	1		
		5X5 stone grey				8	997 522 211 00	bearing outer	2	I685	
		8G1 sand beige				9	999 073 138 01	screw M 8 X 25	2	I685	
		3S8 sea blue				10	996 522 271 00	bush	2	I685	
		9N2 terracotta				11	997 522 321 00	actuating lever	1	I685	
		9Q3 cocoa				01C satin black					
(1)	997 522 012 11	D11 dark grey/natural	/R	1	I685/939	(11)	997 522 322 00	actuating lever	/R	1	I685
		T11 brown/natural				01C satin black					
		N11 carrera red				12	996 522 315 00	rosette	1	I685	
		back seat backrest				01C satin black					
		8YR black				(12)	996 522 316 00	rosette	1	I685	
		5X5 stone grey				01C satin black					
		8G1 sand beige				13	996 522 653 00	spring lock	2	I685	
		3S8 sea blue				14	999 507 630 01	clamp control button	2	I685	
		9N2 terracotta				15	996 522 281 02	lock backrest	1	I685	
		9Q3 cocoa				(15)	996 522 282 02	lock backrest	1	I685	
2	996 522 267 07	D11 dark grey/natural		2	I685	16	997 522 771 00	trim cover	/L	1	I685
		T11 brown/natural				01C satin black					
3	996 522 097 08	N11 carrera red		2	I685	(16)	997 522 772 00	trim cover	/R	1	I685
		rosette				01C satin black					
4	997 522 615 01	bearing shaft		1	I685						
-	999 073 436 01	combination screw bearing shaft		1	I685						

Model	Year	MG	SG	Illustration	Restrictions	UPD	22:51	24.01.2010	PORSCHE	PET	PORSCHE
997-2	2010	8	17	817-44		248					

Pos	Part Number	Description	Remark	Qty	Model	Pos	Part Number	Description	Remark	Qty	Model
17	997 803 721 00	support child car seat filler plate back seat backrest		1	I335/479						
18	999 073 049 02	tapping screw ST 4,3 X 16		4	I685						
19	900 269 028 03	countersunk-head screw M 8 X 30		4	I685						
20	900 145 041 07	tapping screw B 3,5 X 16		4	I685						
21	900 067 358 09	combination screw M 5 X 16		1	I685						

Model	Year	MG	SG	Illustration	Restrictions	UPD	22:52	24.01.2010	PORSCHE	PET	PORSCHE
997-2	2010	8	17	817-50		248					

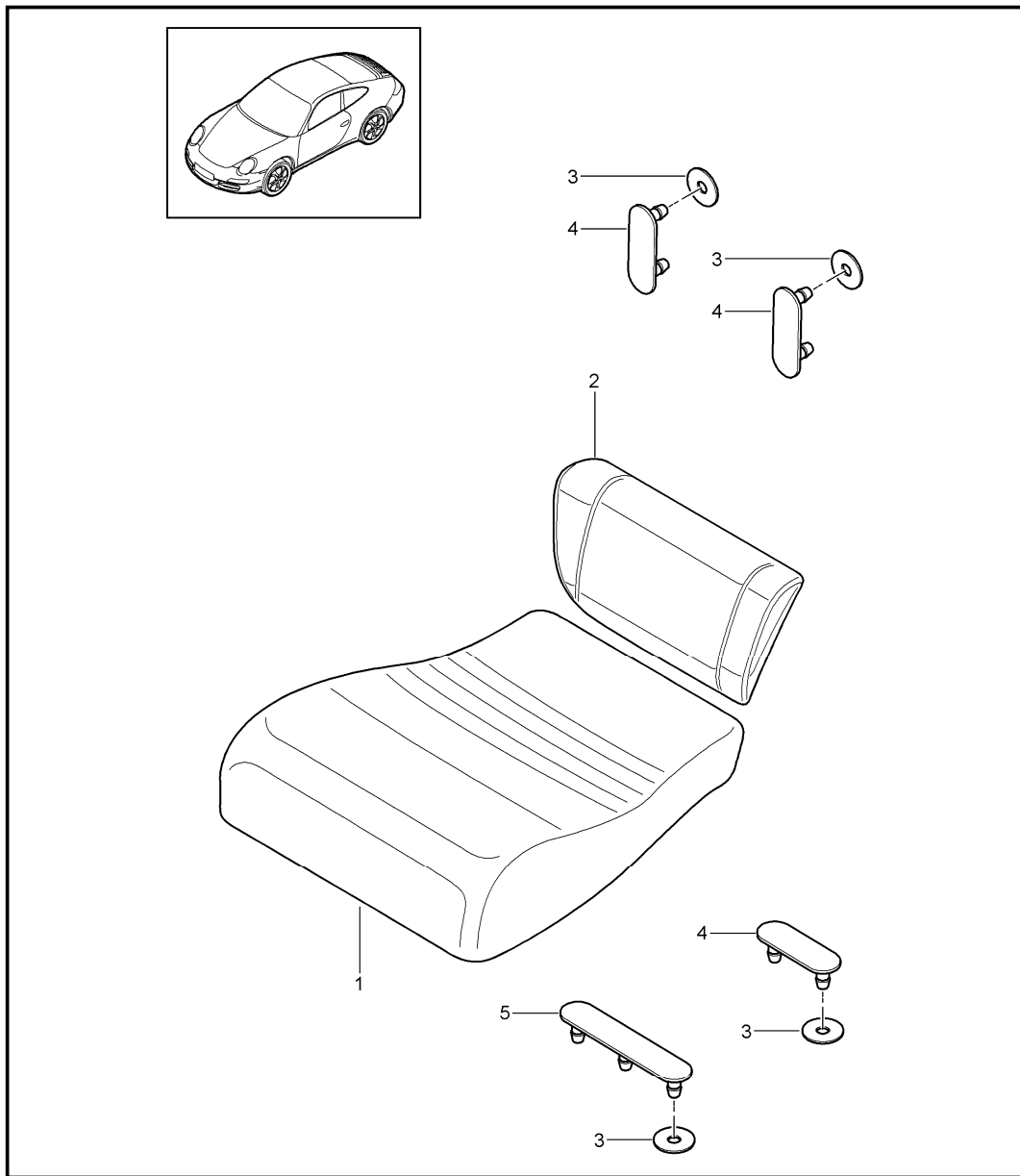


Pos	Part Number	Description	Remark	Qty	Model
		back seat cushion	09-		CARRERA COUPE TARGA
1	997 522 051 00	back seat cushion	/L	1	I685/937
	5Q2	black			
	8X4	stone grey			
	5S4	sand beige			
	8W3	sea blue			
(1)	997 522 052 00	back seat cushion	/R	1	I685/937
	5Q2	black			
	8X4	stone grey			
	5S4	sand beige			
	8W3	sea blue			
(1)	997 522 051 01	back seat cushion	/L	1	I685/936
	8YR	black			
	5X5	stone grey			
	8G1	sand beige			
	3S8	sea blue			
	9N2	terracotta			
	9Q3	cocoa			
	D11	dark grey/natural			
	T11	brown/natural			
	N11	carrera red			
(1)	997 522 052 01	back seat cushion	/R	1	I685/936
	8YR	black			
	5X5	stone grey			
	8G1	sand beige			
	3S8	sea blue			
	9N2	terracotta			
	9Q3	cocoa			

Model	Year	MG	SG	Illustration	Restrictions	UPD	22:52	24.01.2010	PORSCHE	PET	PORSCHE
997-2	2010	8	17	817-50		248					

Pos	Part Number	Description	Remark	Qty	Model	Pos	Part Number	Description	Remark	Qty	Model
		D11 dark grey/natural				2	997 551 893 01	clip triple		X	I685
		T11 brown/natural				(3)	997 551 897 01	lock washer		X	I685
		N11 carrera red				4	997 551 895 01	clip double		X	I685
(1)	997 522 051 02	back seat cushion	/L	1	I685/939						
		8YR black									
		5X5 stone grey									
		8G1 sand beige									
		3S8 sea blue									
		9N2 terracotta									
		9Q3 cocoa									
		D11 dark grey/natural									
		T11 brown/natural									
		N11 carrera red									
(1)	997 522 052 02	back seat cushion	/R	1	I685/939						
		8YR black									
		5X5 stone grey									
		8G1 sand beige									
		3S8 sea blue									
		9N2 terracotta									
		9Q3 cocoa									
		D11 dark grey/natural									
		T11 brown/natural									
		N11 carrera red									
(1)	997 522 051 12	back seat cushion	/L	10-	1 IXXL/507/685 I756						
		VAM Espresso									
(1)	997 522 052 12	back seat cushion	/R	10-	1 IXXL/507/685 I756						
		VAM Espresso									

Model	Year	MG	SG	Illustration	Restrictions	UPD	22:52	24.01.2010	PORSCHE	PET	PORSCHE
997-2	2010	8	17	817-54		248					



Pos	Part Number	Description	Remark	Qty	Model
		back seat cushion	09-		CARRERA CABRIO
(1)	997 522 051 09	back seat cushion	/L	1	I685/937
	5Q2	black			
	8X4	stone grey			
	5S4	sand beige			
	8W3	sea blue			
(1)	997 522 052 09	back seat cushion	/R	1	I685/937
	5Q2	black			
	8X4	stone grey			
	5S4	sand beige			
	8W3	sea blue			
(1)	997 522 051 10	back seat cushion	/L	1	I685/936
	8YR	black			
	5X5	stone grey			
	8G1	sand beige			
	3S8	sea blue			
	9N2	terracotta			
	9Q3	cocoa			
	D11	dark grey/natural			
	T11	brown/natural			
	N11	carrera red			
(1)	997 522 052 10	back seat cushion	/R	1	I685/936
	8YR	black			
	5X5	stone grey			
	8G1	sand beige			
	3S8	sea blue			
	9N2	terracotta			
	9Q3	cocoa			

Model	Year	MG	SG	Illustration	Restrictions	UPD	22:52	24.01.2010	PORSCHE	PET	PORSCHE
997-2	2010	8	17	817-54		248					

Pos	Part Number	Description	Remark	Qty	Model	Pos	Part Number	Description	Remark	Qty	Model				
(1)	997 522 051 11	D11 dark grey/natural	/L	1	I685/939	(2)	997 522 236 00	centre part	/R	1	I685/937				
		T11 brown/natural						back seat backrest							
		N11 carrera red						5Q2 black							
		back seat cushion						8X4 stone grey							
		8YR black						5S4 sand beige							
		5X5 stone grey						8W3 sea blue							
		8G1 sand beige						(2) 997 522 235 01				centre part	/L	1	I685/936
		3S8 sea blue						back seat backrest							
		9N2 terracotta						8YR black							
		9Q3 cocoa						5X5 stone grey							
D11 dark grey/natural	8G1 sand beige														
T11 brown/natural	3S8 sea blue														
N11 carrera red	9N2 terracotta														
back seat cushion	9Q3 cocoa														
8YR black	D11 dark grey/natural	08-	1	I685/939	(2)	997 522 236 01	centre part	/R	1	I685/936					
5X5 stone grey	back seat backrest														
8G1 sand beige	8YR black														
3S8 sea blue	5X5 stone grey														
9N2 terracotta	8G1 sand beige														
9Q3 cocoa	3S8 sea blue														
D11 dark grey/natural	9N2 terracotta														
T11 brown/natural	9Q3 cocoa														
N11 carrera red	D11 dark grey/natural														
back seat cushion	T11 brown/natural														
2	997 522 235 00	D11 dark grey/natural	/L	1	I685/937	(2)	997 522 236 01	centre part	/R	1	I685/936				
		T11 brown/natural						back seat backrest							
		N11 carrera red						8YR black							
		centre part						5X5 stone grey							
		back seat backrest						8G1 sand beige							
		5Q2 black						3S8 sea blue							
		8X4 stone grey						9N2 terracotta							
		5S4 sand beige						9Q3 cocoa							
		8W3 sea blue						D11 dark grey/natural							
								T11 brown/natural							
	N11 carrera red														
	(2) 997 522 235 02	centre part	/L	1	I685/939										
	8YR black	back seat backrest													

Model	Year	MG	SG	Illustration	Restrictions	UPD	22:52	24.01.2010	PORSCHE	PET	PORSCHE
997-2	2010	8	17	817-54		248					

Pos	Part Number	Description	Remark	Qty	Model	Pos	Part Number	Description	Remark	Qty	Model
		5X5 stone grey									
		8G1 sand beige									
		3S8 sea blue									
		9N2 terracotta									
		9Q3 cocoa									
		D11 dark grey/natural									
		T11 brown/natural									
		N11 carrera red									
(2)	997 522 236 02	centre part back seat backrest	/R	1	I685/939						
		8YR black									
		5X5 stone grey									
		8G1 sand beige									
		3S8 sea blue									
		9N2 terracotta									
		9Q3 cocoa									
		D11 dark grey/natural									
		T11 brown/natural									
		N11 carrera red									
(3)	997 551 897 01	lock washer		X	I685						
4	997 551 895 01	clip double		X							
5	997 551 893 01	clip triple		X	I685						

Model	Year	MG	SG	Illustration	Restrictions	UPD	22:52	24.01.2010
997-2	2010	8	17	817-60		248		

Pos	Part Number	Description	Remark	Qty	Model
		bucket seat collapsible complete not available			COUPE CABRIO TARGA
1	997 521 429 01	set seat rail driver's side	/LL/L	1	I098/388
(1)	997 521 430 01	set seat rail passenger's side	/LL/R	1	I098/389
(1)	997 521 429 02	set seat rail passenger's side	/RL/L	1	I099/388
(1)	997 521 430 02	set seat rail driver's side	/RL/R	1	I099/389
2	997 521 539 00	traction noose backrest frame	/L	1	I388
	A80	black			
(2)	997 521 540 00	traction noose backrest frame	/R	1	I389
	A80	black			
3	997 521 538 00	rosette traction noose backrest frame	/R	1	I389
	01C	satin black			
(3)	997 521 537 00	rosette traction noose backrest frame	/L	1	I388
	01C	satin black			
4	997 521 563 00	cover hinge inner	/L	1	I388/389
	01C	satin black			
(4)	997 521 564 00	cover hinge inner	/R	1	I388/389
	01C	satin black			

Model	Year	MG	SG	Illustration	Restrictions	UPD	22:52	24.01.2010
997-2	2010	8	17	817-62		248		

Pos	Part Number	Description	Remark	Qty	Model
1	997 521 447 00	foam part cover seat and backrest surface bucket seat collapsible		2	I388/389
2	997 521 448 00	foam part backrest outer part		2	I388/389
3	997 521 441 00	foam part seat cushion rear		2	I388/389
4	997 521 440 00	foam part seat cushion front		2	I388/389
5	997 521 443 00	foam part seat cushion lateral outer left	/L	1	I388
(5)	997 521 444 00	foam part seat cushion lateral inner left		1	I388
6	997 521 446 00	foam part seat cushion lateral outer right	/R	1	I389
(6)	997 521 445 00	foam part seat cushion lateral inner right	/R	1	I389
7	997 521 458 00	foam part head rest		2	I388/389
8	997 521 456 00	foam part seat cushion rear		1	I388/389
9	997 521 457 00	foam part backrest		1	I388/389
10	997 521 380 00	cover for cushion front		1	I388/389/983
	8YR	black			

PORSCHE

PET

PORSCHE

Model	Year	MG	SG	Illustration	Restrictions	UPD	22:52	24.01.2010
997-2	2010	8	17	817-62		248		

Pos	Part Number	Description	Remark	Qty	Model	
11	5X5	stone grey				
	8G1	sand beige				
	3S8	sea blue				
	9N2	terracotta				
	9Q3	cocoa				
	D11	dark grey/natural				
	T11	brown/natural				
	N11	carrera red				
	997 521 381 00	cover for cushion rear			1	I388/389/983
	8YR	black				
12	5X5	stone grey				
	8G1	sand beige				
	3S8	sea blue				
	9N2	terracotta				
	9Q3	cocoa				
	D11	dark grey/natural				
	T11	brown/natural				
	N11	carrera red				
	997 521 383 00	cover lateral outer	/L		1	I388/983
	8YR	black				
5X5	stone grey					
8G1	sand beige					
3S8	sea blue					
9N2	terracotta					
9Q3	cocoa					
D11	dark grey/natural					
T11	brown/natural					
N11	carrera red					

Model	Year	MG	SG	Illustration	Restrictions	UPD	22:52	24.01.2010
997-2	2010	8	17	817-62		248		

Pos	Part Number	Description	Remark	Qty	Model
13	997 521 384 00	cover lateral inner	/L	1	I388/983
	8YR	black			
	5X5	stone grey			
	8G1	sand beige			
	3S8	sea blue			
	9N2	terracotta			
	9Q3	cocoa			
	D11	dark grey/natural			
	T11	brown/natural			
	N11	carrera red			
(13)	997 521 386 00	cover lateral outer	/R	1	I389/983
	8YR	black			
	5X5	stone grey			
	8G1	sand beige			
	3S8	sea blue			
	9N2	terracotta			
	9Q3	cocoa			
	D11	dark grey/natural			
	T11	brown/natural			
	N11	carrera red			
(13)	997 521 385 00	cover lateral inner	/R	1	I389/983
	8YR	black			
	5X5	stone grey			
	8G1	sand beige			
	3S8	sea blue			
	9N2	terracotta			
	9Q3	cocoa			

Model	Year	MG	SG	Illustration	Restrictions	UPD	22:52	24.01.2010
997-2	2010	8	17	817-62		248		

Pos	Part Number	Description	Remark	Qty	Model	
14	997 521 387 00	D11	dark grey/natural		1	I388/389/983
		T11	brown/natural			
		N11	carrera red			
			cover			
			centre part			
			backrest			
		8YR	black			
		5X5	stone grey			
		8G1	sand beige			
		3S8	sea blue			
15	997 521 388 00	9N2	terracotta		1	I388/389/983
		9Q3	cocoa			
		D11	dark grey/natural			
		T11	brown/natural			
		N11	carrera red			
			cover			
			backrest			
			outer			
		8YR	black			
		5X5	stone grey			
(15)	997 521 941 06	8G1	sand beige	10-	1	IXSC/388/389 I541/983
		3S8	sea blue			
		9N2	terracotta			
		9Q3	cocoa			
		D11	dark grey/natural			
		T11	brown/natural			
		N11	carrera red			
		P12	palmgreen			
			backrest cover			
			outer part			
8YR	black					
5X5	stone grey					

PORSCHE

PET

PORSCHE

Model	Year	MG	SG	Illustration	Restrictions	UPD	22:52	24.01.2010
997-2	2010	8	17	817-62		248		

Pos	Part Number	Description	Remark	Qty	Model
	8G1	sand beige			
	3S8	sea blue			
	9N2	terracotta			
	9Q3	cocoa			
	D11	dark grey/natural			
	T11	brown/natural			
	N11	carrera red			

Model	Year	MG	SG	Illustration	Restrictions	UPD	22:52	24.01.2010
997-2	2010	8	17	817-64		248		

Pos	Part Number	Description	Remark	Qty	Model
		bucket seat collapsible seat adjuster accessories	09-		
1	997 521 281 00	cup seat adjuster without seat occupancy detection		2	I388/389
2	997 521 433 00	adapter seat adjuster outer left		1	I388
(2)	997 521 434 00	adapter seat adjuster outer right		1	I389
3	997 521 436 00	adapter seat adjuster inner front right		1	I388
(3)	997 521 435 00	adapter seat adjuster inner front left without seat occupancy detection		1	I389
4	999 217 168 01	hexagon-head bolt 8 X 16		X	
5	997 521 438 00	adapter seat adjuster inner rear right		1	I388
(5)	997 521 437 00	adapter seat adjuster inner rear left without seat occupancy detection		1	I389
6	997 521 427 03	cover sensor seat occupancy detection	/L	1	I389/560
	01C	satin black			
(6)	997 521 426 03	cover sensor seat occupancy detection	/R	1	I389/560
	01C	satin black			

PORSCHE

PET

PORSCHE

Model	Year	MG	SG	Illustration	Restrictions	UPD	22:52	24.01.2010
997-2	2010	8	17	817-64		248		

Pos	Part Number	Description	Remark	Qty	Model
7	997 521 561 00	cover seat belt lower	/L	1	I388/389
	01C	satin black			
(7)	997 521 562 00	cover seat belt lower	/R	1	I388/389
	01C	satin black			
8	999 141 049 01	lens-head screw mount cover belt seat cushion		3	
9	997 612 688 10	wiring harness seat occupancy detection		1	I389/560
10	997 612 785 10	wiring harness side airbag		1	I388/389
11	997 618 233 05	control unit seat occupancy detection		1	I389/560

Model	Year	MG	SG	Illustration	Restrictions	UPD	22:53	24.01.2010
997-2	2010	8	17	817-66		248		

Pos	Part Number	Description	Remark	Qty	Model
		backrest shell bucket seat collapsible accessories	09-		
1	997 521 271 00	backrest shell bucket seat collapsible	/L	1	I388
(1)	997 521 272 00	backrest shell bucket seat collapsible	/R	1	I389
2	997 521 651 00	lock backrest	/L	1	I388/389
(2)	997 521 652 00	lock backrest	/R	1	I388/389
3	997 521 660 00	closing element lock backrest shell		2	I388/389
4	997 521 650 00	tension spring lock backrest		2	I388/389
5	997 521 640 01	bowden cable release backrest		1	I388/389
6	997 521 330 00	cover seat belt front		1	I388/389
	01C	satin black			
(6)	997 521 531 00	cover seat belt rear		1	I388/389
	01C	satin black			
7	997 803 081 01	side airbag front seat		1	I388
	A03	black			
(7)	997 803 082 01	side airbag front seat		1	I389
	A03	black			

PORSCHE

PET

PORSCHE

Model	Year	MG	SG	Illustration	Restrictions	UPD	22:53	24.01.2010
997-2	2010	8	17	817-70		248		

Pos	Part Number	Description	Remark	Qty	Model
		body sound proofing 1			COUPE/TARGA
1	997 556 605 00	sound absorber wheel housing front	/L	1	
(1)	997 556 606 00	sound absorber wheel housing front	/R	1	
2	997 556 531 00	insulation door		05	2
2	997 537 551 00	insulation door		06-	2
3	997 556 723 00	sound absorber firewall	/LL	1	I098
(3)	997 556 724 00	sound absorber firewall	/RL	1	I099
4	997 556 503 00	insulation floor			2
5	997 556 655 00	sound absorber side trim panel	/L	1	
(5)	997 556 656 00	sound absorber side trim panel	/R	1	
6	997 556 523 00	insulation tray			2
7	997 556 507 00	insulation wheel housing rear	/L	1	
(7)	997 556 508 00	insulation wheel housing rear	/R	1	
8	997 556 511 00	insulation rear wall lower			1
9	997 556 521 00	insulation rear wall upper			1
10	997 556 711 03	sound absorber engine compartment		08-	1
11	996 556 761 01	retaining strip engine compartment			1
12	999 049 020 40	plastic nut T5/30 X 5,1			5

Model	Year	MG	SG	Illustration	Restrictions	UPD	22:53	24.01.2010
997-2	2010	8	17	817-70		248		

Pos	Part Number	Description	Remark	Qty	Model
13	997 556 647 00	sound absorber roof		1	I652
14	997 556 657 00	sound absorber wheel-housing liner rear	/L	1	
(14)	997 556 658 00	sound absorber wheel-housing liner rear	/R	1	
15	997 556 571 02	sound absorber side trim panel		2	
16	996 556 753 01	seal side section upper	/L	1	
(16)	996 556 754 01	seal side section upper	/R	1	
17	997 556 811 01	filler piece wheel housing	/L	1	
(17)	997 556 812 01	filler piece wheel housing	/R	1	
18	997 556 807 00	sound absorber 40,0 end plate rear end		2	
19	997 556 805 00	sound absorber 120 X 90 end plate rear end		1	
20	997 556 801 00	sound absorber seat well		4	
21	997 556 803 00	filler piece seat well		2	
22	997 556 513 02	sound absorber b-pillar		2	06-
23	997 556 619 00	sound absorber air duct	/L	1	
(23)	997 556 620 00	sound absorber air duct	/R	1	
24	997 556 603 00	sound absorber tensioner rear		1	
25	997 556 613 00	sound absorber mounting spring strut	/L	1	

PORSCHE

PET

PORSCHE

Model	Year	MG	SG	Illustration	Restrictions	UPD	22:53	24.01.2010
997-2	2010	8	17	817-70		248		

Pos	Part Number	Description	Remark	Qty	Model
(25)	997 556 614 00	sound absorber mounting spring strut	/R	1	
26	997 537 553 00	insulation reinforcement door	06-	4	
27	999 049 027 40	plastic nut 30 X 1,8		2	

Model	Year	MG	SG	Illustration	Restrictions	UPD	22:53	24.01.2010
997-2	2010	8	17	817-72		248		

Pos	Part Number	Description	Remark	Qty	Model
		body sound proofing 1			CABRIO
1	997 556 605 00	sound absorber wheel housing front	/L	1	
(1)	997 556 606 00	sound absorber wheel housing front	/R	1	
2	997 556 531 00	insulation door		05	2
2	997 537 551 00	insulation door		06-	2
3	997 556 723 00	sound absorber firewall	/LL	1	I098
(3)	997 556 724 00	sound absorber firewall	/RL	1	I099
4	997 556 503 00	insulation floor			2
5	997 556 507 01	insulation wheel housing rear	/L	1	
(5)	997 556 508 01	insulation wheel housing rear	/R	1	
6	997 556 511 00	insulation rear wall lower			1
(7)	997 556 611 00	sound absorber convertible top tray	/L	1	
7	997 556 612 00	sound absorber convertible top tray	/R	1	
8	997 556 711 03	sound absorber engine compartment		08-	1
9	996 556 761 01	retaining strip engine compartment			1
10	999 049 020 40	plastic nut T5/30 X 5,1			5
(11)	997 556 657 01	sound absorber wheel-housing liner rear	/L	1	

PORSCHE

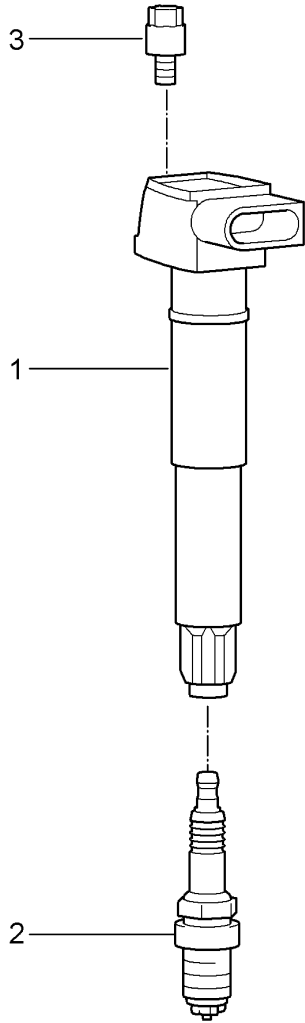
PET

PORSCHE

Model	Year	MG	SG	Illustration	Restrictions	UPD	22:53	24.01.2010
997-2	2010	8	17	817-72		248		

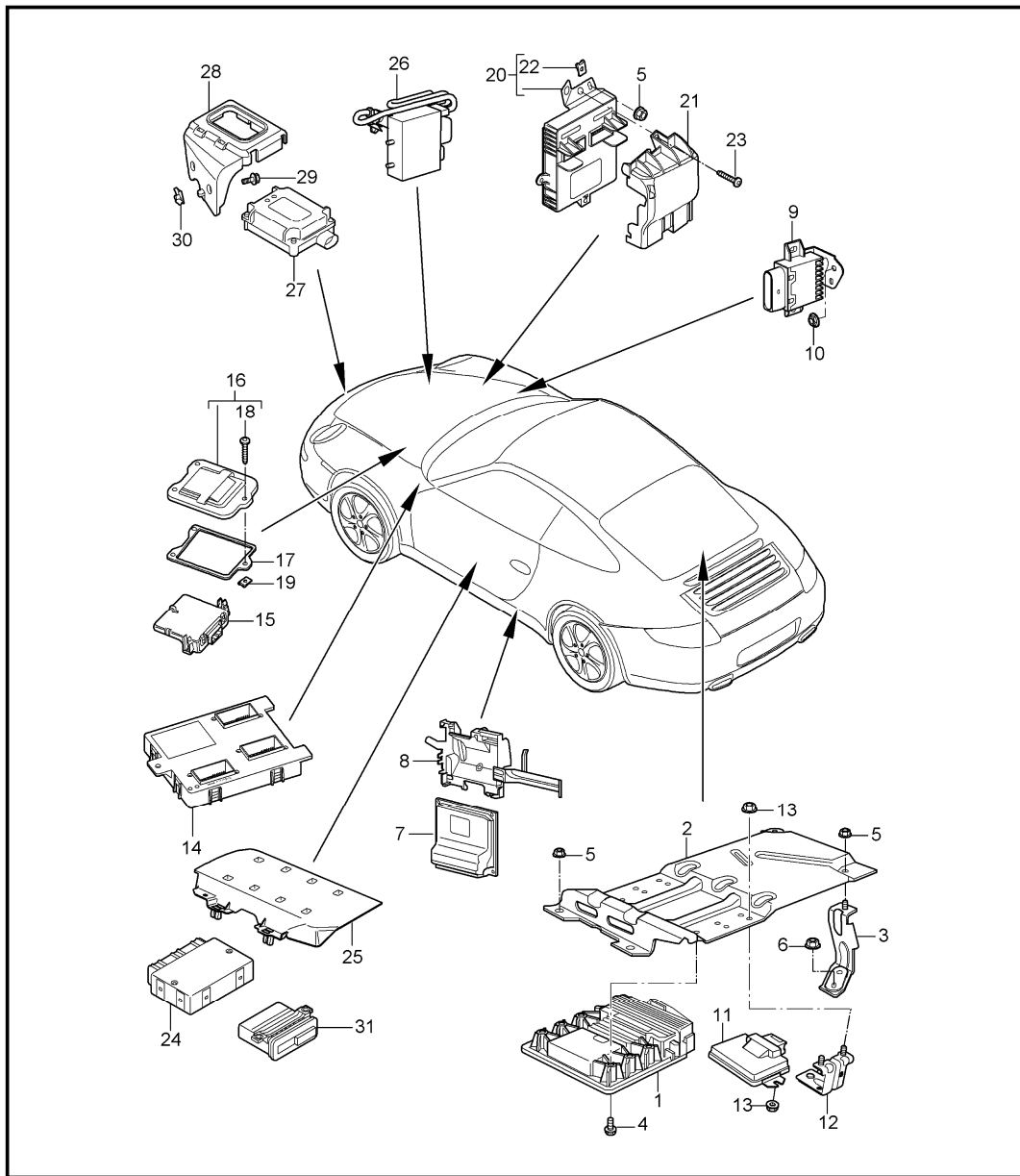
Pos	Part Number	Description	Remark	Qty	Model
11	997 556 658 01	sound absorber wheel-housing liner rear	/R	1	
12	997 556 653 00	sound absorber control units		1	
13	997 556 521 00	insulation rear wall upper		1	
14	997 556 634 00	sound absorber subwoofer		1	I680
15	997 537 553 00	insulation reinforcement door	06-	4	

Model	Year	MG	SG	Illustration	Restrictions	UPD	22:53	24.01.2010	PORSCHE	PET	PORSCHE
997-2	2010	9	01	901-00		248					



Pos	Part Number	Description	Remark	Qty	Model
		ignition system			
1	9A1 602 104 01	ignition coil		6	
2	999 170 130 90	spark plug FGR 5NQE		6	
2	999 170 232 90	spark plug FGR 4NQE	10-	6	IX51
3	999 073 103 01	round head screw M 6 X 16		6	

Model	Year	MG	SG	Illustration	Restrictions	UPD	22:53	24.01.2010	PORSCHE	PET	PORSCHE
997-2	2010	9	01	901-03		248					



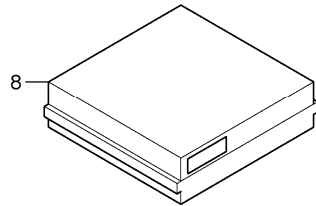
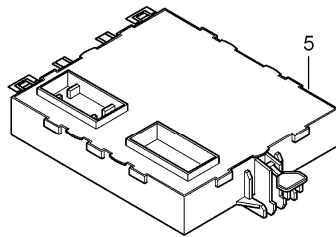
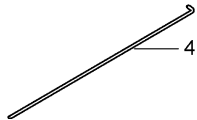
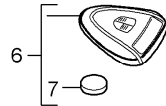
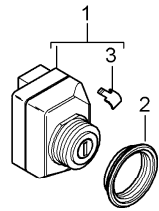
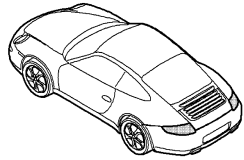
Pos	Part Number	Description	Remark	Qty	Model
		control units			
1	997 618 607 01	control unit - dme -	09	1	
1	997 618 607 02	control unit - dme - see Quick Information: NR. 12/08	10-	1	
2	997 618 133 00	support control unit - dme -		1	COUPE/TARGA
(2)	997 618 141 00	support control unit - dme -		1	CABRIO
3	997 618 134 00	support		1	COUPE/TARGA
4	999 141 044 09	oval-head screw M 6 X 16		6	
5	999 084 629 01	hexagon nut M 6		4	COUPE/TARGA
(5)	999 073 228 09	tapping screw 4,8 X 13		3	CABRIO
6	999 049 025 09	collar nut T 5		2	COUPE/TARGA
7	997 618 270 22	control unit - pdk -	-09	1	I250
7	U 000 043 207 32	control unit - pdk - vehicle identification no. indicate		1	CG100 I219
7	U 000 043 207 33	control unit - pdk - vehicle identification no. indicate		1	CG100 I220
7	U 000 043 207 34	control unit - pdk - vehicle identification no. indicate		1	CG130 I220
8	997 618 255 00	support control unit - pdk -		1	I250

Model	Year	MG	SG	Illustration	Restrictions	UPD	22:53	24.01.2010	PORSCHE	PET	PORSCHE
997-2	2010	9	01	901-03		248					

Pos	Part Number	Description	Remark	Qty	Model	Pos	Part Number	Description	Remark	Qty	Model
9	997 618 025 00	control unit fuel pump		1	I663	24	997 618 260 08	control unit rear end		1	
9	997 618 027 00	control unit fuel pump		1	I663/676	25	997 618 381 00	support		1	
10	999 049 025 09	collar nut T 5		2		26	997 618 436 02	control unit cooling air control		1	
-	-	control unit convertible top control see group 8/11/15		1	CABRIO	27	997 618 225 03	control unit garage door opener		1	I608
11	997 618 195 11	control unit all-wheel		1	CARRERA 4/4S	27	997 618 227 02	control unit garage door opener		1	I607
12	997 618 143 00	support control unit all-wheel		2	CARRERA 4/4S COUPE/TARGA	28	997 618 257 00	support control unit garage door opener		1	
13	900 377 010 01	hexagon nut M 6		6	CARRERA 4/4S COUPE/TARGA	29	900 075 505 01	combination screw M 6 X 20		2	
14	997 618 516 01	control unit vehicle electrical system		1		30	999 591 882 01	speed nut M 6		2	
15	997 610 107 03	control unit gateway		1		31	997 618 183 00	control unit ParkAssist sensor see group 8/02/05		1	I635 I635
16	997 572 419 03	lid		1							
17	997 572 221 00	gasket		1							
18	900 143 094 09	tapping screw ST 4,8 X 19		3							
19	999 591 855 02	speed nut ST 4,8		3							
20	997 618 511 01	control unit FRONT luggage compartment		1	I603						
20	997 618 512 01	control unit FRONT luggage compartment		1	I601						
21	997 551 736 00	cover		1	CARRERA/S						
(21)	997 551 736 01	cover		1	CARRERA 4/4S						
22	999 507 462 09	speed nut 4,8		1							
23	999 073 061 02	tapping screw 4,8 X 16		1							

Model	Year	MG	SG	Illustration	Restrictions	UPD	22:54	24.01.2010	PORSCHE	PET	PORSCHE
997-2	2010	9	01	901-04		248					

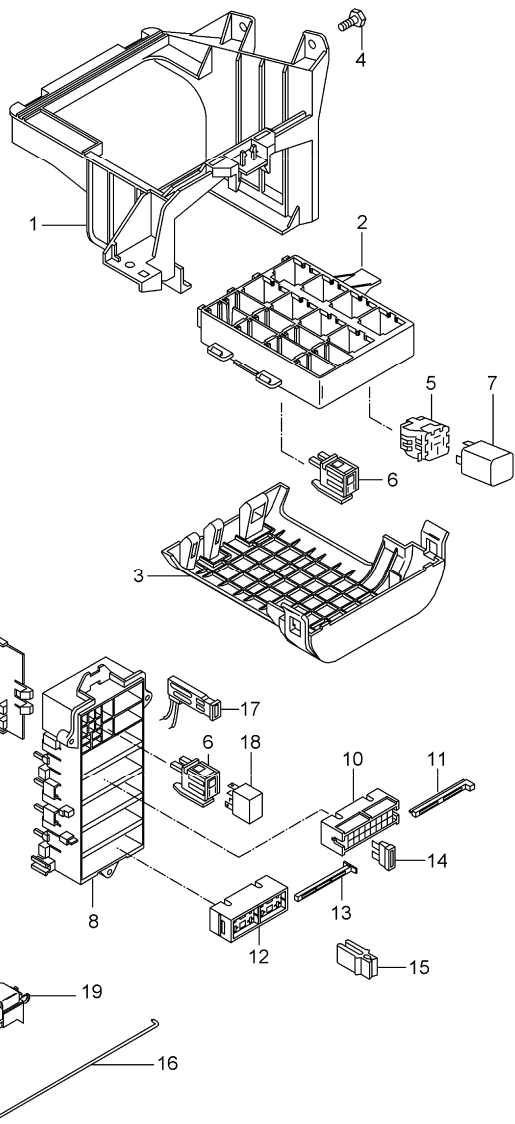
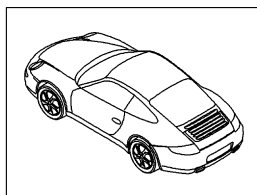
Pos	Part Number	Description	Remark	Qty	Model
		control units ignition starter switch PORSCHE ACCES SYSTEM			
1	997 618 159 04	control unit ignition starter switch		1	
2	997 618 759 00	nut		1	
3	997 618 361 00	cover release Handheld transmitter		1	
4	997 618 761 00	emergency operation release ignition starter switch		1	
5	997 618 171 15	control unit PORSCHE ACCESS SYSTEM		1	I524
5	997 618 172 15	control unit PORSCHE ACCESS SYSTEM		1	I525
-	997 612 053 00	connecting line antenna booster control unit POS. 5	/LL	1	I098/665
-	997 612 053 01	connecting line antenna booster control unit POS. 5	/LL	1	I098/675
-	997 612 054 00	connecting line antenna booster control unit POS. 5 Information available	/RL	1	I099/665
-	997 612 054 01	connecting line antenna booster control unit POS. 5 Information available	/RL	1	I099/675
-	997 612 064 51	cable antenna VEHICLE TRACKING SYSTEM		1	I674
6	997 637 107 00	Handheld transmitter		1	COUPE I524
6	997 637 107 00	Handheld transmitter		1	CABRIO I524 I533



Model	Year	MG	SG	Illustration	Restrictions	UPD	22:54	24.01.2010	PORSCHE	PET	PORSCHE
997-2	2010	9	01	901-04		248					

Pos	Part Number	Description	Remark	Qty	Model	Pos	Part Number	Description	Remark	Qty	Model
6	997 637 109 00	Handheld transmitter		1	COUPE I525						
6	997 637 109 00	Handheld transmitter		1	CABRIO I525 I533						
6	997 637 111 00	Handheld transmitter	(J)	1	COUPE I525						
(6)	997 637 101 00	Handheld transmitter		1	CABRIO I524						
(6)	997 637 101 00	Handheld transmitter		1	TARGA I524						
(6)	997 637 103 00	Handheld transmitter		1	CABRIO I525						
(6)	997 637 103 00	Handheld transmitter		1	TARGA I525						
(6)	997 637 105 00	Handheld transmitter	(J)	1	CABRIO I525						
(6)	997 637 105 00	Handheld transmitter	(J)	1	TARGA I525						
7	999 611 108 00	battery		1							
8	997 618 210 01	sensor interior monitoring alarm siren tilt sensor see group 9/03/00		1	I536 I521						

Model	Year	MG	SG	Illustration	Restrictions	UPD	22:54	24.01.2010	PORSCHE	PET	PORSCHE
997-2	2010	9	02	902-00		248					

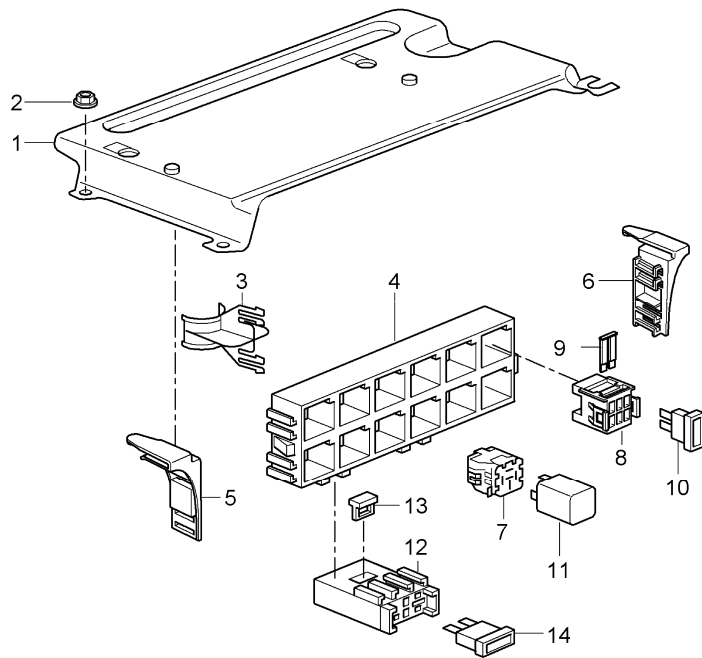
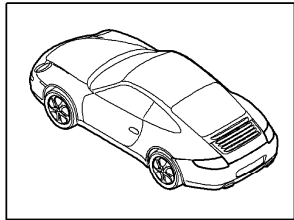


Pos	Part Number	Description	Remark	Qty	Model
		central electrical system dashboard			
1	997 610 117 01	support	/LL	1	I098
(1)	997 610 118 00	support	/RL	1	I099
2	997 610 110 01	relay carrier support frame		1	
3	997 610 112 00	cover support frame		1	
4	900 378 155 01	hexagon-head bolt M 6 X 16 ASP		2	
(4)	900 377 010 01	hexagon nut M 6		1	
5	928 610 511 00	relay carrier		X	
6	999 650 538 40	relay carrier		X	
7	-	relay			
S2	999 657 015 90	relay fuel pump		1	
S4	999 657 015 90	relay KL. 86S		1	
S11	999 657 013 90	relay - dme -		1	
S12	999 657 013 90	relay heating		1	
S14	999 657 013 90	relay headlight washer system		1	I288
S15	999 657 013 90	relay starter		1	
S16	999 657 013 90	relay KL. 15		1	
8	997 610 340 00	bracket		1	
9	997 610 341 00	cover		1	
10	999 650 209 40	fuse holder		4	
11	999 650 210 40	slide		4	
12	999 650 750 40	fuse holder		1	
13	999 650 749 40	slide		1	

Model	Year	MG	SG	Illustration	Restrictions	UPD	22:54	24.01.2010	PORSCHE	PET	PORSCHE
997-2	2010	9	02	902-00		248					

Pos	Part Number	Description	Remark	Qty	Model	Pos	Part Number	Description	Remark	Qty	Model
14	999 607 082 00	fuse 5 A		X							
(14)	999 607 083 00	fuse 7 , 5 A		X							
(14)	999 607 084 00	fuse 10 A		X							
(14)	999 607 085 00	fuse 15 A		X							
(14)	999 607 087 00	fuse 25 A		X							
(14)	999 607 088 00	fuse 30 A		X							
(14)	999 607 072 00	fuse 30 A large		X							
(14)	999 607 073 00	fuse 40 A large		X							
15	999 107 300 40	tool		X							
-	997 610 195 25	assignment sticker fuse		X							
16	997 618 761 00	emergency operation release ignition starter switch emergency operation lid		1							
17	996 610 240 00	terminal clamp		1							
18	999 657 014 90	relay		1							
19	997 610 915 00	fuse holder with fuse 80 A for cooling air control		1							
-	-	cover for housing fuse see group 8 / 07 / 02		X							

Model	Year	MG	SG	Illustration	Restrictions	UPD	22:54	24.01.2010	PORSCHE	PET	PORSCHE
997-2	2010	9	02	902-01		248					

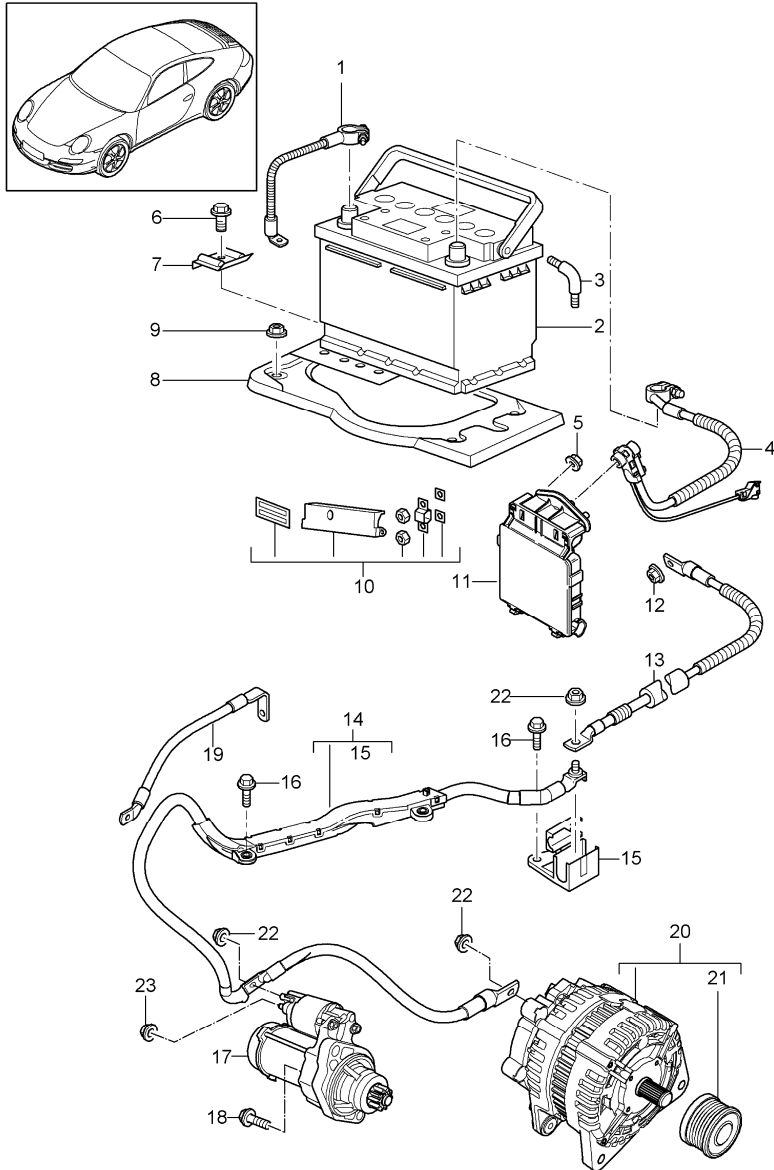


Pos	Part Number	Description	Remark	Qty	Model
		central electrical system rear end			
1	996 610 229 03	mounting plate		1	COUPE/TARGA
2	999 084 629 01	hexagon nut M 6		2	COUPE/TARGA
3	996 610 112 00	cable holder		1	COUPE/TARGA
(3)	996 610 115 00	cable holder		1	CABRIO
4	996 610 111 00	relay carrier support frame		X	
5	987 610 118 00	support	/R	1	COUPE/TARGA
(5)	996 610 126 00	support	/R	1	CABRIO
6	987 610 117 00	support	/L	1	COUPE/TARGA
(6)	996 610 127 00	support	/L	1	CABRIO
-	996 610 128 00	fixing clip		2	CABRIO
-	999 074 059 01	round head screw M 5		2	CABRIO
7	928 610 511 00	relay carrier		X	
8	999 650 747 40	fuse holder		1	
9	999 650 748 40	locking device		1	
10	999 607 084 00	fuse 10 A		X	
10	999 607 098 00	fuse 3 A		X	
11	-	relay			
S1	999 657 013 90	relay rear window heating		1	COUPE
S2	996 615 112 00	relay rear window heating		1	CABRIO
S7	999 657 013 90	relay blower engine compartment		1	
S8	999 657 013 90	relay blower engine compartment		1	

Model	Year	MG	SG	Illustration	Restrictions	UPD	22:54	24.01.2010	PORSCHE	PET	PORSCHE
997-2	2010	9	02	902-01		248					

Pos	Part Number	Description	Remark	Qty	Model	Pos	Part Number	Description	Remark	Qty	Model
S9	999 657 017 90	relay secondary pump		1	I661						
12	999 650 193 40	fuse holder		2							
13	999 650 371 40	locking device		2							
14	999 607 073 00	fuse 40 A rear window heating		X							
14	999 607 077 00	fuse 60 A secondary pump		X	I661						

Model	Year	MG	SG	Illustration	Restrictions	UPD	22:54	24.01.2010	PORSCHE	PET	PORSCHE
997-2	2010	9	02	902-05		248					



Pos	Part Number	Description	Remark	Qty	Model
		battery power distributor starter generator			
1	997 611 090 00	ground strap	/LL	1	I098
(1)	997 611 091 00	ground strap when required order also:	/RL	1	I099
-	900 377 010 01	hexagon nut M 6		1	
(2)	999 611 070 20	battery 70 AH		1	
2	999 611 080 20	battery 80 AH		1	
(2)	999 611 095 20	battery 95 AH		1	I200
3	893 915 507	angled pipe		1	
4	997 612 993 00	repair kit wiring harness battery power distributor	/LL	1	I098
(4)	997 612 995 00	repair kit wiring harness battery power distributor	/RL	1	I099
5	900 380 005 01	hexagon nut VM 8		2	
6	900 378 017 01	hexagon-head bolt M 8 X 20		1	
7	996 611 209 01	rail battery		1	
8	997 504 151 00	carrier plate for battery		1	CARRERA/S
(8)	997 504 151 01	carrier plate for battery		1	CARRERA 4/4S
-	996 504 622 00	gasket carrier plate for battery		1	CARRERA/S
-	996 504 622 01	gasket carrier plate for battery		1	CARRERA 4/4S
9	999 084 630 01	hexagon nut VM 8 SB		4	

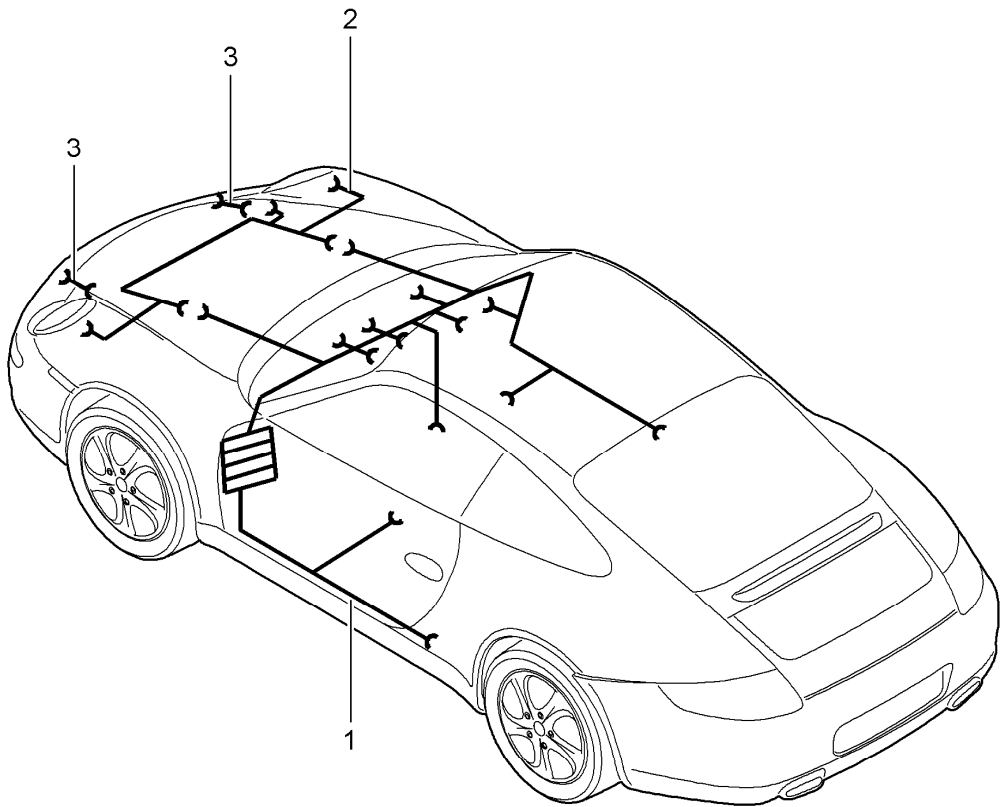
Model	Year	MG	SG	Illustration	Restrictions	UPD	22:54	24.01.2010	PORSCHE	PET	PORSCHE
997-2	2010	9	02	902-05		248					

Pos	Part Number	Description	Remark	Qty	Model	Pos	Part Number	Description	Remark	Qty	Model
10	997 610 912 00	repair kit replacement fuse element comprising:		1		-	-	seal label red when required order also: POS. 12		1	
-	-	fuse element 50 AMPERE		1		12	900 084 123 02	hexagon nut M 8		1	
-	-	fuse element 80 AMPERE		1		13	997 612 090 25	cable power distributor connection point	/LL	1	I098/480
-	-	hexagon nut M 5		4		(13)	997 612 096 25	cable power distributor connection point	/RL	1	I099/480
-	-	square washer		4		(13)	997 612 091 25	cable power distributor connection point	/LL	1	I098/250
-	-	cover blue		1		(13)	997 612 097 25	cable power distributor connection point	/RL	1	I099/250
-	-	seal label red		1		-	999 084 629 01	hexagon nut M 6		1	I250
(10)	997 610 913 00	repair kit replacement fuse element comprising:		1		-	900 075 497 01	combination screw M 5 X 10		1	I250
-	-	fuse element 150 AMPERE		1		14	9A1 607 019 01	wiring harness with connection point generator starter		1	I480
-	-	hexagon nut M 8		2		(14)	9A1 607 018 01	wiring harness with connection point generator starter		1	I250
-	-	square washer		2		15	997 607 201 00	connection point complete		1	I480
-	-	cover blue		1		(15)	9A1 607 230 00	lid connection point		1	I250
-	-	seal label red		1		16	900 385 009 01	torx screw BM 6 X 16		4 3	I480 I250
11	997 610 911 00	repair kit replacement power distributor comprising:		1		17	9A1 604 103 00	starter		1	
-	-	power distributor without fuse element		1		17	9A1 604 103 X	starter		1	
-	-	hexagon nut M 5		8		18	900 385 097 01	torx screw BM 10 X 35		2	
-	-	hexagon nut M 8		3							

Model	Year	MG	SG	Illustration	Restrictions	UPD	22:54	24.01.2010	PORSCHE	PET	PORSCHE
997-2	2010	9	02	902-05		248					

Pos	Part Number	Description	Remark	Qty	Model	Pos	Part Number	Description	Remark	Qty	Model
19	9A1 607 030 01	ground cable engine body		1							
20	> 9A1 603 012 00	generator		1							
20	9A1 603 012 X	generator		1							
21	9A1 603 953 00	repair kit pulley mounting parts generator		1							
-	900 385 102 01	torx screw BM 8 X 90		2							
22	900 377 003 01	hexagon nut M 8		3							
23	900 377 010 02	hexagon nut M 6		1							

Model	Year	MG	SG	Illustration	Restrictions	UPD	22:54	24.01.2010	PORSCHE	PET	PORSCHE
997-2	2010	9	02	902-10		248					

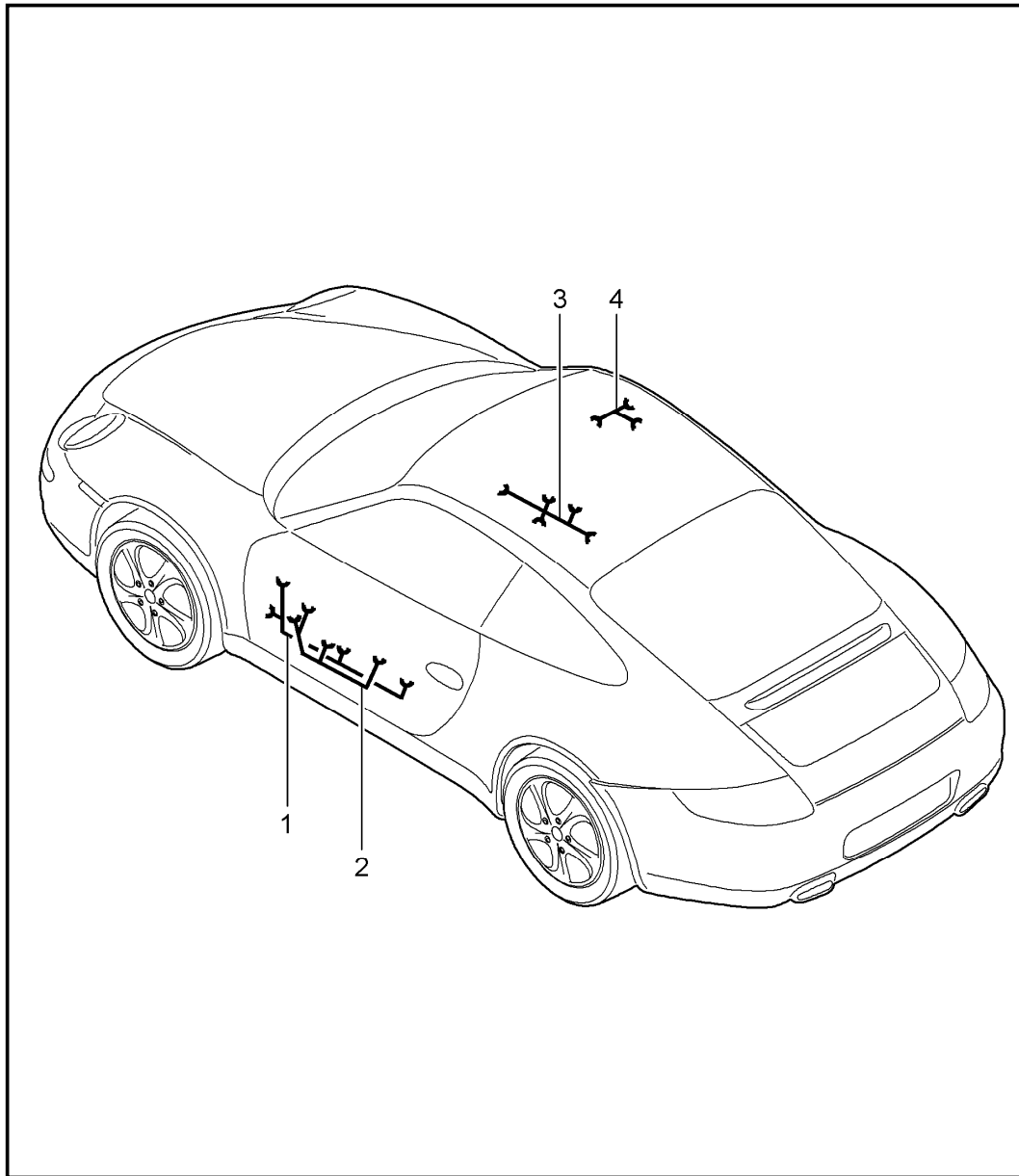


Pos	Part Number	Description	Remark	Qty	Model
		wiring harnesses passenger compartment FRONT luggage compartment lining front airbag seat-belt tensioner repair kits shock absorber anti-lock brake system brake pad wear indicator front axle			
1	997 612 903 00	wiring harness passenger compartment vehicle identification no. indicate		1	
-	996 610 120 01	support plug socket diagnostic connector		1	
-	999 651 302 40	fixing clip wiring harness passenger compartment door sill		X	
-	999 651 284 40	fixing clip wiring harness passenger compartment door sill		X	
2	997 612 521 25	wiring harness FRONT luggage compartment F >>99AS7 00695 F >>99AS7 35479 F >>99AS7 11810 F >>99AS7 46477 F >>99AS7 00770 F >>99AS7 35486 F >>99AS7 25154 F >>99AS7 11808 F >>99AS7 46476 F >>99AS7 30340		1	I601
2	997 612 521 26	wiring harness FRONT luggage compartment F 99AS7 00696>> F 99AS7 35480>> F 99AS7 11811>> F 99AS7 46478>> F 99AS7 00771>> F 99AS7 35487>> F 99AS7 25155>> F 99AS7 11809>> F 99AS7 46477>> F 99AS7 30341>>		1	I601

Model	Year	MG	SG	Illustration	Restrictions	UPD	22:54	24.01.2010	PORSCHE	PET	PORSCHE
997-2	2010	9	02	902-10		248					

Pos	Part Number	Description	Remark	Qty	Model	Pos	Part Number	Description	Remark	Qty	Model
(2)	997 612 522 25	wiring harness FRONT luggage compartment F >>99AS7 00695 F >>99AS7 35479 F >>99AS7 11810 F >>99AS7 46477		1	CARRERA 2/2S I603	-	997 612 783 25	wiring harness airbag passenger's side setting2 connector yellow		1	
2	997 612 522 26	wiring harness FRONT luggage compartment F 99AS7 00696>> F 99AS7 35480>> F 99AS7 11811>> F 99AS7 46478>>		1	CARRERA 2/2S I603	-	997 612 992 00	wiring harness control unit airbag connection point door wiring harness airbag seat see group 8/17/06 8/17/21		2	
(2)	997 612 522 75	wiring harness FRONT luggage compartment	09	1	CARRERA 4/4S I603	-	997 612 793 01	wiring harness seat-belt tensioner		2	
(2)	997 612 522 76	wiring harness FRONT luggage compartment F >>99AS7 00770 F >>99AS7 35486 F >>99AS7 25154 F >>99AS7 11808 F >>99AS7 46476 F >>99AS7 30340	10-	1	CARRERA 4/4S I603	-	997 612 950 00	repair kit wiring harness shock absorber repair kit wiring harness anti-lock brake system brake pad wear indicator front axle	/V	2	I030/475
(2)	997 612 522 78	wiring harness FRONT luggage compartment F 99AS7 00771>> F 99AS7 35487>> F 99AS7 25155>> F 99AS7 11809>> F 99AS7 46477>> F 99AS7 30341>>	10-	1	CARRERA 4/4S I603	-	997 612 961 00	repair kit wiring harness	/V/L	1	CARRERA/S
-	997 610 215 01	cable guide for sensor airbag		2		-	997 612 965 00	repair kit wiring harness	/V/L	1	CARRERA4/4S
-	997 612 215 01	cable guide for sensor airbag		2		-	997 612 960 00	repair kit wiring harness	/V/R	1	CARRERA/S
-	997 612 215 01	cable guide for sensor airbag		2		-	997 612 964 00	repair kit wiring harness when required order also:	/V/R	1	CARRERA4/4S
3	997 612 501 25	wiring harness lining front		2		-	999 513 049 40	tie-wrap		4	
-	997 612 781 25	wiring harness airbag passenger's side setting 1 connector green		1		-		repair kit wiring harness rear axle see group 9/02/20			

Model	Year	MG	SG	Illustration	Restrictions	UPD	22:55	24.01.2010	PORSCHE	PET	PORSCHE
997-2	2010	9	02	902-15		248					

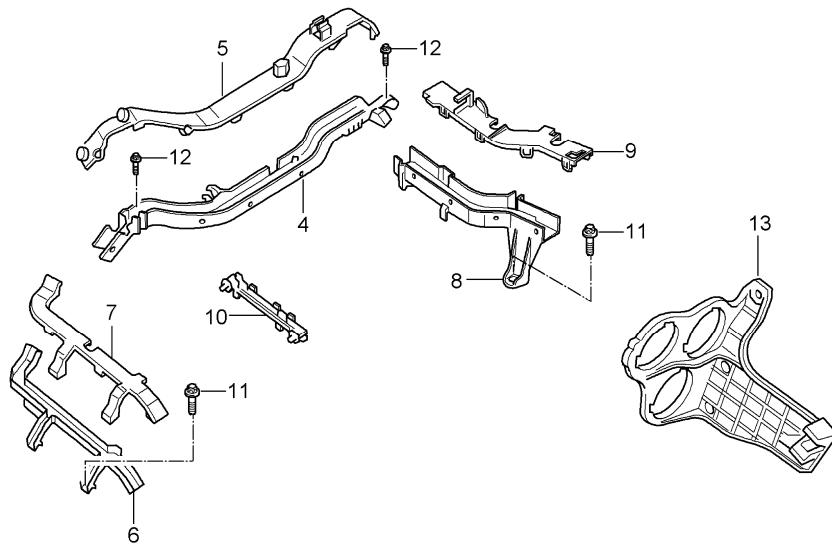
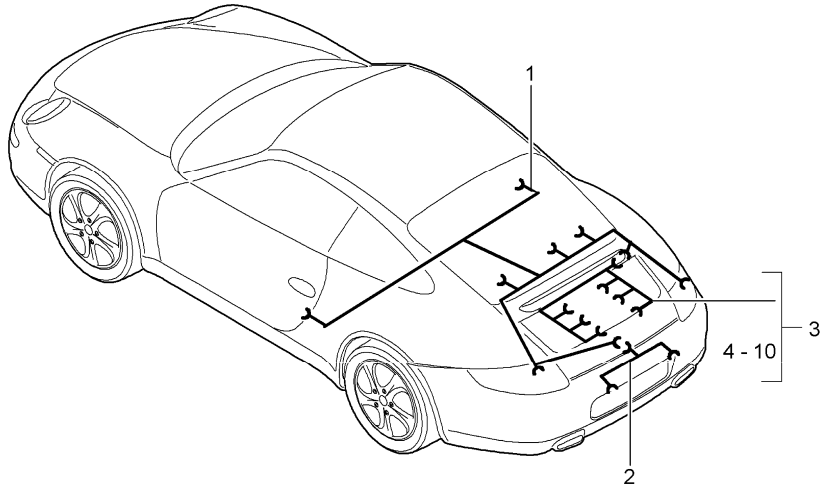


Pos	Part Number	Description	Remark	Qty	Model
		wiring harnesses doors airbag centre console glove compartment targa roof convertible top control auxiliary support			
1	997 612 642 07	wiring harness assembly frame driver's door	/LL	1	I098
(1)	997 612 644 57	wiring harness assembly frame driver's door	/RL	1	I099
(1)	997 612 643 57	wiring harness assembly frame passenger's door	/LL	1	I098
(1)	997 612 645 07	wiring harness assembly frame passenger's door	/RL	1	I099
-	997 612 780 16	wiring harness airbag		2	
2	997 612 647 10	wiring harness door panel driver's door	/LL	1	I098
(2)	997 612 650 10	wiring harness door panel driver's door	/RL	1	I099
(2)	997 612 648 10	wiring harness door panel passenger's door	/LL	1	I098
(2)	997 612 649 10	wiring harness door panel passenger's door	/RL	1	I099
3	997 612 652 75	wiring harness centre console		1	
4	997 612 651 00	wiring harness glove compartment		1	
-	-	wiring harness targa roof see group 8/11/02		1	TARGA

Model	Year	MG	SG	Illustration	Restrictions	UPD	22:55	24.01.2010	PORSCHE	PET	PORSCHE
997-2	2010	9	02	902-15		248					

Pos	Part Number	Description	Remark	Qty	Model	Pos	Part Number	Description	Remark	Qty	Model
-	-	wiring harness convertible top control see group 8/11/07		1	CABRIO						
-	-	wiring harness auxiliary support see group 8/11/15		1	CABRIO						

Model	Year	MG	SG	Illustration	Restrictions	UPD	22:55	24.01.2010	PORSCHE	PET	PORSCHE
997-2	2010	9	02	902-20		248					

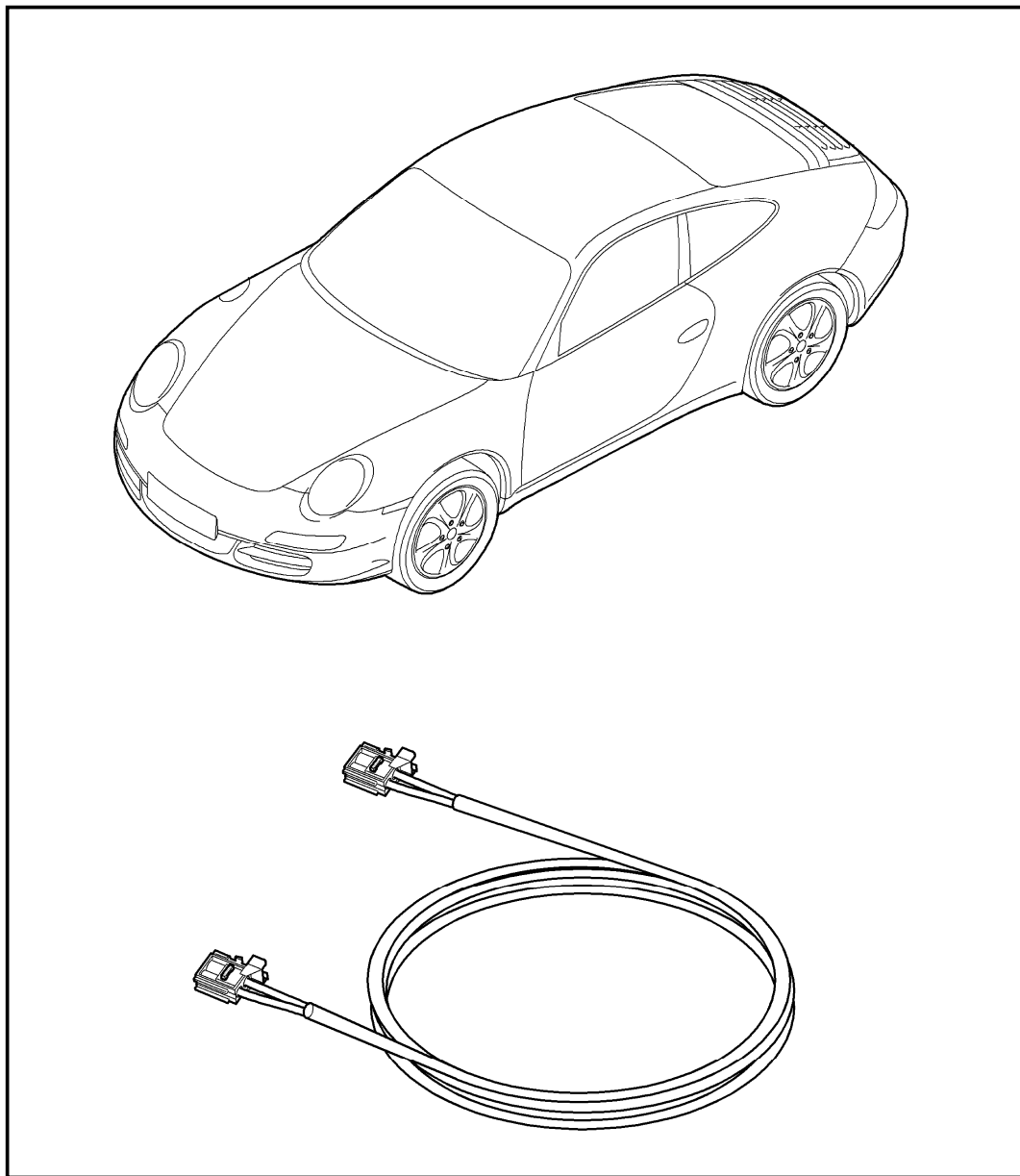


Pos	Part Number	Description	Remark	Qty	Model
		wiring harnesses rear end additional brake light license plate light engine transmission repair kits shock absorber anti-lock brake system brake pad wear indicator rear axle			
1	997 612 904 00	wiring harness rear end vehicle identification no. indicate		1	
-	997 612 670 71	wiring harness lid rear	10-	1	IXAA
-	997 622 670 70	wiring harness lid rear		1	I756
-	997 612 681 00	wiring harness additional brake light		1	CABRIO
-	997 610 255 00	protective tube for wiring harness		1	CABRIO
2	997 612 660 01	wiring harness license plate light		1	
(2)	997 612 661 25	wiring harness ParkAssist license plate light		1	I635
3	9A1 607 011 02	wiring harness engine	-09	1	MA1.01
3	9A1 607 011 03	wiring harness engine	10-	1	MA1.01
(3)	9A1 607 011 90	wiring harness engine		1	MA1.01 IX51
3	9A1 607 010 02	wiring harness engine	-09	1	MA1.02
3	9A1 607 010 03	wiring harness engine	10-	1	MA1.02
4	9A1 607 110 00	cable guide crankcase		1	

Model	Year	MG	SG	Illustration	Restrictions	UPD	22:55	24.01.2010	PORSCHE	PET	PORSCHE
997-2	2010	9	02	902-20		248					

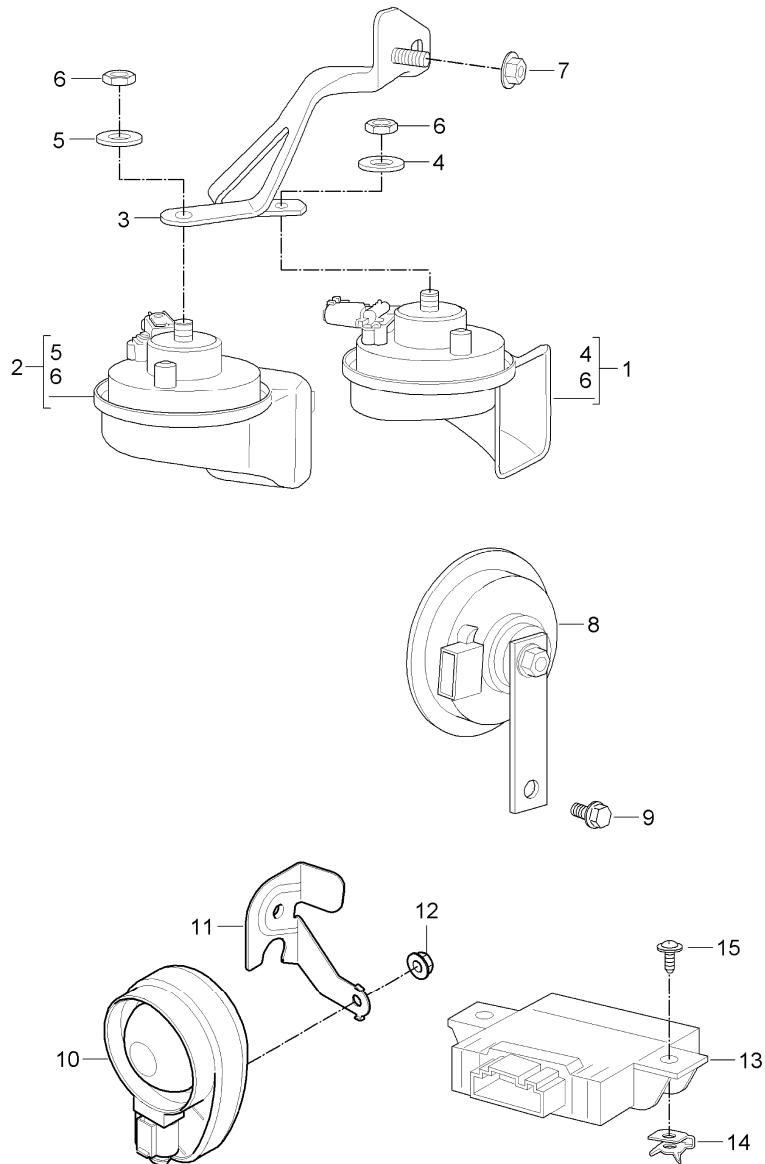
Pos	Part Number	Description	Remark	Qty	Model	Pos	Part Number	Description	Remark	Qty	Model
(4)	9A1 607 165 40	cable holder crankcase		1	IX51	-	997 612 967 00	repair kit wiring harness	/H/L	1	
5	9A1 607 120 00	lid cable guide		1		-	997 612 966 00	repair kit wiring harness when required order also:	/H/R	1	
6	9A1 607 111 01	cable guide cyl. 1 - 3		1		-	999 507 960 02	cable holder		4	
(6)	9A1 607 163 40	cable holder cyl. 1 - 3		1	IX51			repair kit wiring harness front axle see group 9/02/10			
7	9A1 607 121 00	lid cable guide		1							
8	9A1 607 112 01	cable guide cyl. 4 - 6		1							
(8)	9A1 607 161 40	cable holder cyl. 4 - 6		1	IX51						
(8)	999 511 124 01	clip 25 X 15		1	IX51						
-	9A1 607 167 40	support wiring harness engine with tie-wrap		1	IX51						
9	9A1 607 122 00	lid cable guide		1							
10	9A1 607 113 00	cable guide fuel collection pipe		2							
11	900 385 044 01	torx screw BM 8 X 16		2							
12	900 385 009 01	torx screw BM 6 X 16		2							
13	997 610 131 00	support connection point wiring harness engine		1							
-	997 612 950 00	repair kit wiring harness shock absorber	/H	2	I030/475						
		repair kit wiring harness anti-lock brake system brake pad wear indicator rear axle									

Model	Year	MG	SG	Illustration	Restrictions	UPD	22:55	24.01.2010	PORSCHE	PET	PORSCHE
997-2	2010	9	02	902-50		248					



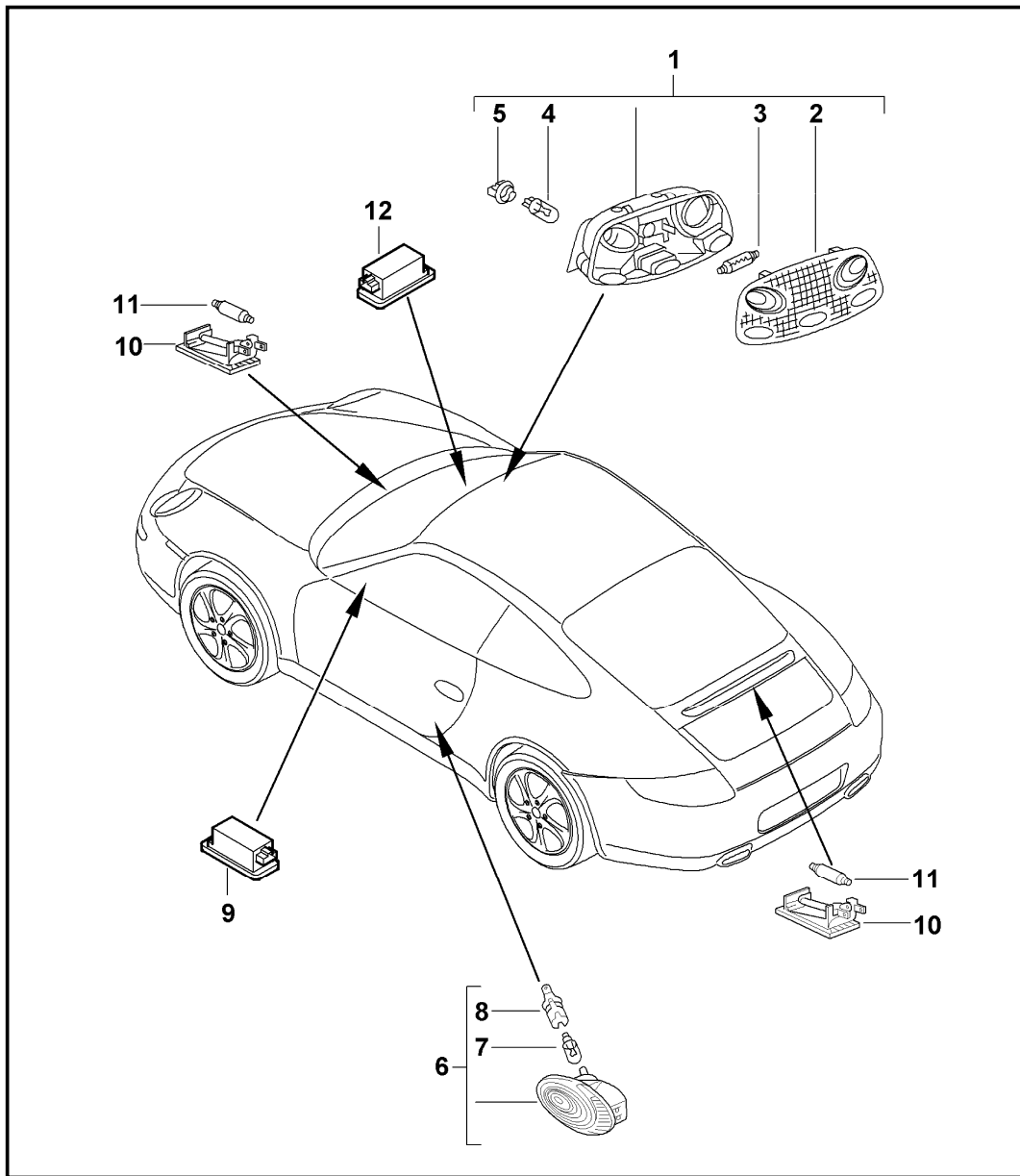
Pos	Part Number	Description	Remark	Qty	Model
		optical waveguide C A R R E R A / S			
-	997 622 701 25	optical waveguide module	/LL	1	I098/665/680
-	997 622 701 75	optical waveguide module	/RL	1	I099/665/680
-	997 622 702 25	optical waveguide module	/LL	1	I098/665/676 I680
-	997 622 702 75	optical waveguide module	/RL	1	I099/665/676 I680
-	997 622 703 25	optical waveguide module	/LL	1	I098/490/665 I676
-	997 622 703 75	optical waveguide module	/RL	1	I099/490/665 I676
		C A R R E R A 4 / 4 S			
-	997 622 701 25	optical waveguide module	/LL	1	I098/665/680
-	997 622 701 75	optical waveguide module	/RL	1	I099/665/680
-	997 622 704 25	optical waveguide module	/LL	1	I098/665/676 I680
-	997 622 704 75	optical waveguide module	/RL	1	I099/665/676 I680
-	997 622 705 25	optical waveguide module	/LL	1	I098/490/665 I676
-	997 622 705 75	optical waveguide module	/RL	1	I099/490/665 I676

Model	Year	MG	SG	Illustration	Restrictions	UPD	22:55	24.01.2010	PORSCHE	PET	PORSCHE
997-2	2010	9	03	903-00		248					



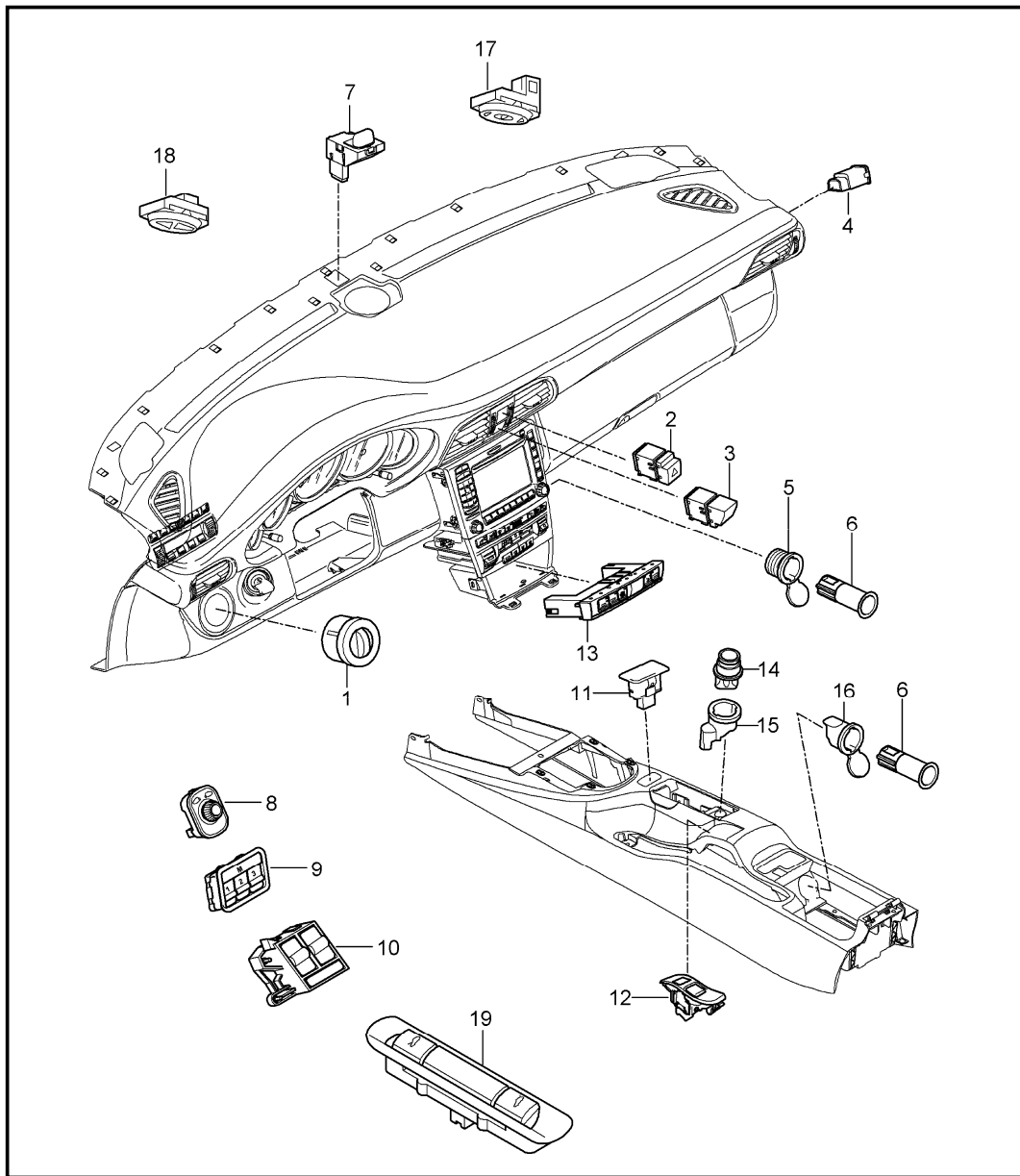
Pos	Part Number	Description	Remark	Qty	Model
		fanfare horn alarm system			
1	997 635 206 02	fanfare high-pitched	09	1	
1	997 635 206 03	fanfare high-pitched	10-	1	
2	997 635 205 02	fanfare low-pitched	09	1	
2	997 635 205 03	fanfare low-pitched	10-	1	
3	997 635 150 03	support		1	
4	-	washer high-pitched		1	
5	-	washer low-pitched		1	
6	900 034 001 04	hexagon nut M 8		2	
7	900 377 003 03	hexagon nut M 8		1	
8	996 637 117 03	horn for alarm system		1	
9	900 075 459 01	combination screw M 6 X 12 Z2		1	
10	955 618 237 01	alarm siren		1	I536
11	997 637 419 01	support		1	I536
12	900 380 015 01	hexagon nut M 6		1	I536
13	997 618 265 00	tilt sensor		1	I521
14	999 591 742 01	speed nut 4,2		2	I521
15	999 073 155 09	tapping screw 4,2 X 13		2	I521

Model	Year	MG	SG	Illustration	Restrictions	UPD	22:55	24.01.2010	PORSCHE	PET	PORSCHE
997-2	2010	9	03	903-04		248					



Pos	Part Number	Description	Remark	Qty	Model
		interior lights luggage compartment lamp engine compartment lamp glove compartment light footwell light			
1	997 632 051 00	interior light		1	
2	996 632 151 00	lens		1	
3	900 631 106 90	bulb 10 W		1	
4	999 631 134 90	bulb 6 W		2	
5	999 632 018 00	bulb socket		2	
6	996 632 132 01	door guard light		2	
(6)	996 632 135 00	light tray luggage		2	TARGA
7	999 631 032 90	bulb 5 W		2	
8	161 949 111	bulb holder		2	
9	955 632 202 00	light footwell		2	
10	997 632 201 00	light engine compartment luggage compartment		2	
11	900 631 106 90	bulb 10 W		2	
12	997 632 071 00	glove compartment light		1	
-	999 631 147 90	bulb 3 W vanity mirror		4	

Model	Year	MG	SG	Illustration	Restrictions	UPD	22:56	24.01.2010	PORSCHE	PET	PORSCHE
997-2	2010	9	03	903-05		248					



Pos	Part Number	Description	Remark	Qty	Model
1	997 613 525 00	switch light switch		1	
	A05	black mat			
2	997 613 120 02	hazard warning light sw.		1	
	A05	black mat			
3	997 613 143 00	switch central locking system		1	
	A05	black mat			
4	955 613 165 02	switch airbag		1	
	9B9	satin black			
5	997 652 103 00	clamping ring with lid		1	
6	955 652 107 00	plug socket		2	
7	997 653 251 00	sensor air conditioner		1	I573
8	997 613 241 00	switch door mirror		1	
	A05	black mat			
9	997 613 103 00	memory switch	/L	1	I537
	A05	black mat			
(9)	997 613 104 00	memory switch	/R	1	I538
	A05	black mat			
10	997 613 151 04	switch	/LL	1	COUPE/TARGA I098
	A05	black mat			
(10)	997 613 152 04	switch	/RL	1	COUPE/TARGA I099
	A05	black mat			

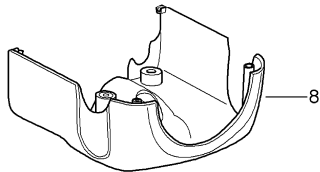
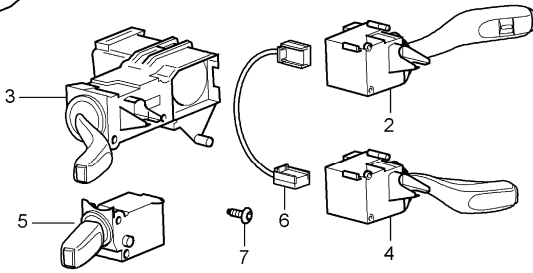
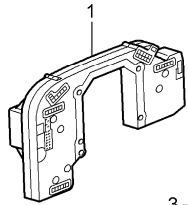
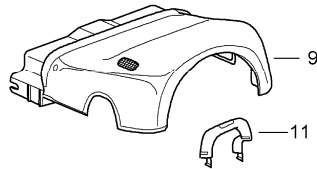
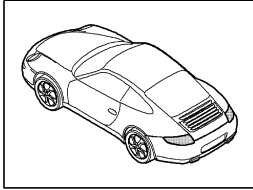
Model	Year	MG	SG	Illustration	Restrictions	UPD	22:56	24.01.2010	PORSCHE	PET	PORSCHE
997-2	2010	9	03	903-05		248					

Pos	Part Number	Description	Remark	Qty	Model	Pos	Part Number	Description	Remark	Qty	Model
(10)	997 613 153 04	switch power windows driver's side	/LL	1	CABRIO I098		A05	black mat			
	A05	black mat				(13)	997 613 549 00	combined switch		1	I029/176/476
(10)	997 613 154 04	switch power windows driver's side	/RL	1	CABRIO I099		A05	black mat			
	A05	black mat				(13)	997 613 551 00	combined switch		1	I029/176/476 I480/639/640
(10)	997 613 156 04	switch power windows passenger's side	/LL	1	I098		A05	black mat			
	A05	black mat				(13)	997 613 553 00	combined switch		1	I030/176/475 I476
(10)	997 613 155 04	switch power windows passenger's side	/RL	1	I099		A05	black mat			
	A05	black mat				(13)	997 613 555 00	combined switch		1	I030/176/475 I476/480/639 I640
11	997 641 165 00	indicator light airbag		1			A05	black mat			
	A05	black mat				(13)	997 613 557 00	combined switch		1	I029/250/476 I639/640
12	997 613 141 10	switch convertible top control		1	CABRIO		A05	black mat			
	A05	black mat				(13)	997 613 559 00	combined switch		1	I030/250/475 I476/639/640
(12)	997 613 119 10	switch glass roof shade		1	TARGA		A05	black mat			
	A05	black mat				(13)	997 613 561 00	combined switch		1	I029/176/250 I476/639/640
13	997 613 541 00	combined switch		1	I029/476		A05	black mat			
	A05	black mat				14	997 652 101 00	cigarette lighter		1	
(13)	997 613 543 00	combined switch		1	I029/476/480 I639/640		A05	black mat			
	A05	black mat				15	997 652 102 00	headlight unit		1	
(13)	997 613 545 00	combined switch		1	I030/475/476		A05	black mat			
	A05	black mat				16	997 652 104 00	clamping ring with lid		1	
(13)	997 613 547 00	combined switch		1	I030/475/476 I480/639/640		A05	black mat			
	A05	black mat				17	997 613 147 00	switch sunroof		1	I650

Model	Year	MG	SG	Illustration	Restrictions	UPD	22:56	24.01.2010	PORSCHE	PET	PORSCHE
997-2	2010	9	03	903-05		248					

Pos	Part Number	Description	Remark	Qty	Model	Pos	Part Number	Description	Remark	Qty	Model
18	997 613 225 01	switch garage door opener	/L	1	I607/608						
	A05	black mat									
(18)	997 613 227 01	switch garage door opener	/R	1	I607/608						
	A05	black mat									
(18)	997 613 235 00	cover		2							
	01C	satin black									
19	997 613 105 01	switch lid front and rear		1	COUPE/CABRIO						
	A05	black mat									
(19)	997 613 107 01	switch lid front and rear		1	TARGA						
	A05	black mat									

Model	Year	MG	SG	Illustration	Restrictions	UPD	22:56	24.01.2010	PORSCHE	PET	PORSCHE
997-2	2010	9	03	903-10		248					

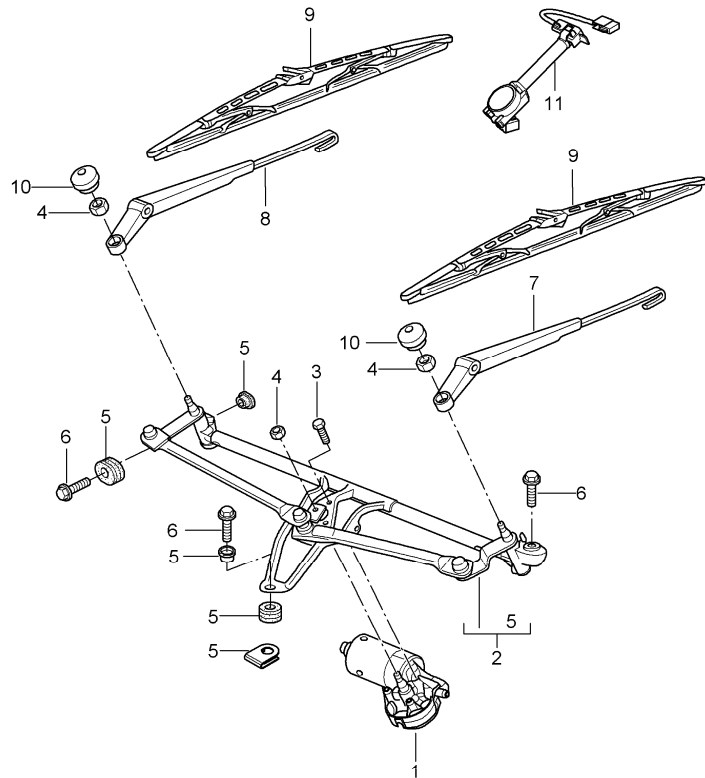
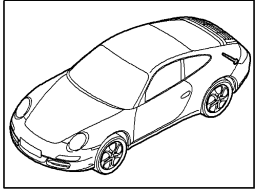


Pos	Part Number	Description	Remark	Qty	Model
		steering column switch			
1	997 613 297 02	electronic unit	09	1	I480
1	997 613 289 00	electronic unit	09	1	I250
1	997 613 289 01	electronic unit	10-	1	
1	997 613 299 00	electronic unit		1	I250/345/480
2	997 613 253 00	wiper switch		1	I288
	01C	satin black			
(2)	997 613 257 00	wiper switch		1	I288/425
	01C	satin black			
3	997 613 245 00	direction indicator switch		1	
	01C	satin black			
4	> 997 613 261 00	switch cruise control		1	I454
	01C	satin black			
5	997 613 265 00	switch on-board computer		1	I659
	01C	satin black			
(5)	997 613 267 00	switch on-board computer		1	I659/671
	01C	satin black			
6	997 622 674 00	wiring harness cruise control		1	I454
7	N 909 068 01	torx screw M 2,5 X 2,6 X 43,5-D		X	
8	997 552 475 02	switch housing lower		1	
	A03	black			
(8)	997 552 475 03	switch housing lower		1	I454
	A03	black			
8	997 552 979 00	switch housing lower leather		1	IXNS

Model	Year	MG	SG	Illustration	Restrictions	UPD	22:56	24.01.2010	PORSCHE	PET	PORSCHE
997-2	2010	9	03	903-10		248					

Pos	Part Number	Description	Remark	Qty	Model	Pos	Part Number	Description	Remark	Qty	Model
	A11	black					5X6	stone grey			
	5X6	stone grey					8G2	sand beige			
	8G2	sand beige					3S9	sea blue			
	3S9	sea blue					9S5	terracotta			
	9S5	terracotta					9V6	cocoa			
	9V6	cocoa					D12	dark grey/natural			
	D12	dark grey/natural					T12	brown/natural			
	T12	brown/natural					N12	carrera red			
	N12	carrera red				9	997 552 997 03	switch housing upper leather		1	IXNS/756
(8)	997 552 979 01	switch housing lower leather		1	IXNS/454		6J0	Espresso			
	A11	black				10	999 919 136 01	oval-head screw 3,5 X 18		3	
	5X6	stone grey				11	997 610 206 00	cable guide		1	
	8G2	sand beige									
	3S9	sea blue									
	9S5	terracotta									
	9V6	cocoa									
	D12	dark grey/natural									
	T12	brown/natural									
	N12	carrera red									
(8)	997 552 979 02	switch housing lower leather		1	IXNS/454/756						
	6J0	Espresso									
9	997 552 273 02	switch housing upper		1							
	A03	black									
9	997 552 997 00	switch housing upper leather		1	IXNS						
	A11	black									

Model	Year	MG	SG	Illustration	Restrictions	UPD	22:56	24.01.2010	PORSCHE	PET	PORSCHE
997-2	2010	9	04	904-00		248					

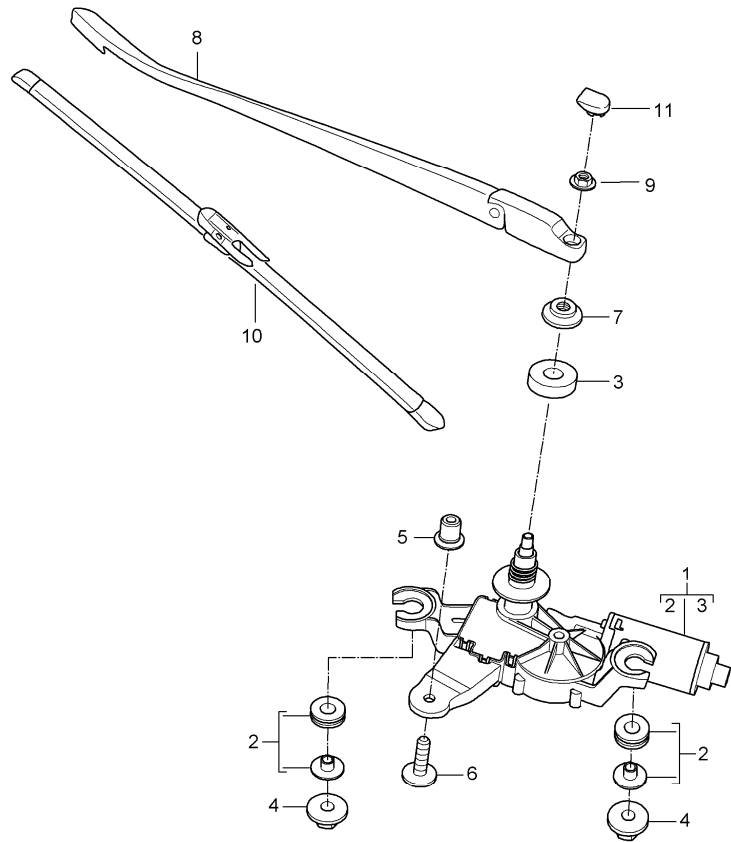
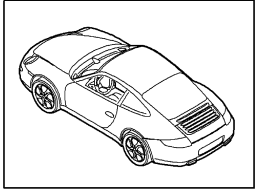


Pos	Part Number	Description	Remark	Qty	Model
		windscreen wiper system rain sensor			
1	997 624 105 01	wiper motor	/LL	1	I098
(1)	997 624 106 01	wiper motor	/RL	1	I099
2	997 628 235 01	crank drive	/LL	1	I098
(2)	997 628 236 01	crank drive	/RL	1	I099
3	999 073 152 02	torx screw M 6 X 18		3	
4	900 076 064 02	hexagon nut M 8		3	
5	997 628 928 00	repair kit comprising:		1	
-	-	bearing sleeve		1	
-	-	rubber bush		1	
-	-	bearing sleeve		1	
-	-	rubber bush		1	
-	-	clamp		2	
6	999 075 075 01	combination screw M 6 X 22 SC		3	
7	997 628 027 00	wiper arm driver's side	/LL	1	I098
(7)	997 628 030 00	wiper arm passenger's side	/RL	1	I099
8	997 628 029 00	wiper arm passenger's side	/LL	1	I098
(8)	997 628 028 00	wiper arm driver's side	/RL	1	I099
9	996 628 901 08	wiper blade set driver's side passenger's side		1	
10	944 628 305 01	cap		2	
11	997 612 693 00	rain sensor with wiring harness		1	COUPE I268

Model	Year	MG	SG	Illustration	Restrictions	UPD	22:56	24.01.2010	PORSCHE	PET	PORSCHE
997-2	2010	9	04	904-00		248					

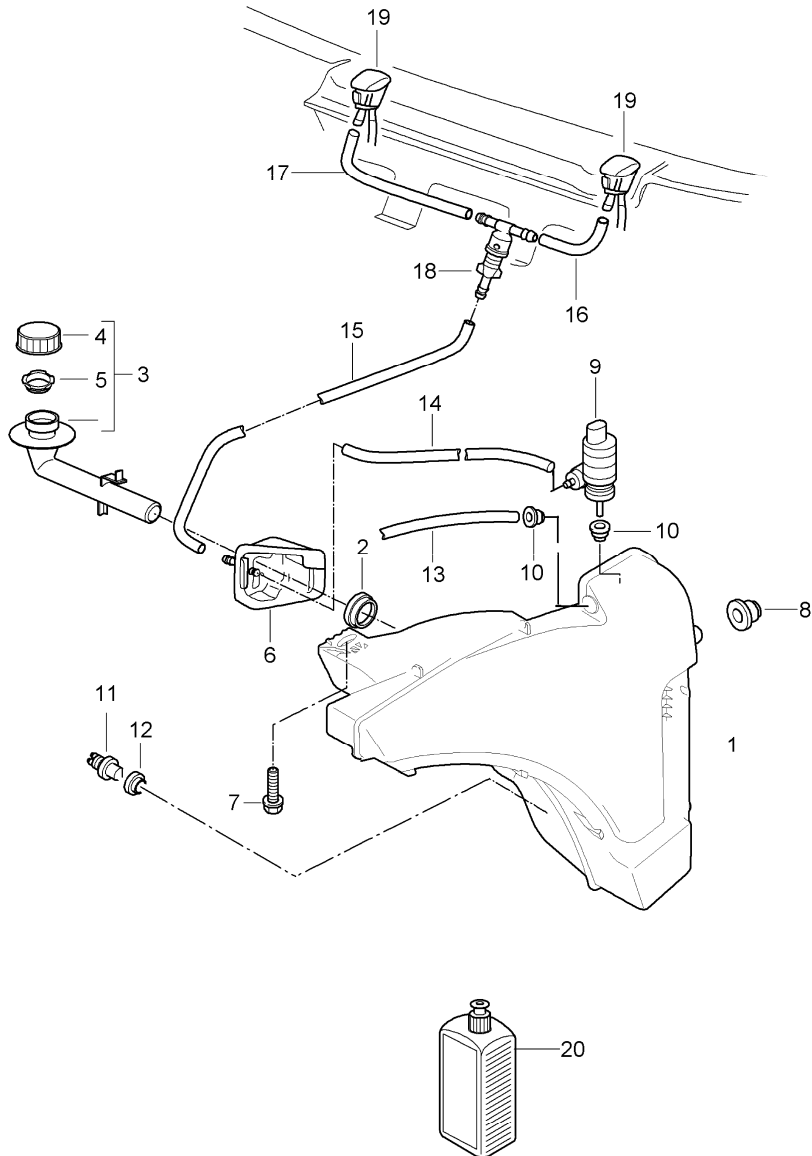
Pos	Part Number	Description	Remark	Qty	Model	Pos	Part Number	Description	Remark	Qty	Model
(11)	997 612 693 25	rain sensor with wiring harness		1	CABRIO I268						
(11)	997 612 693 50	rain sensor with wiring harness		1	TARGA I268						
(11)	997 612 694 00	rain sensor with wiring harness		1	COUPE I267 I268						
(11)	997 612 694 25	rain sensor with wiring harness		1	CABRIO I267 I268						
(11)	997 612 694 50	rain sensor with wiring harness		1	TARGA I267 I268						
-	000 043 204 65	adhesive film for rain sensor		1							
(11)	997 612 695 00	wiring harness with light for cars without rain sensor		1	COUPE						
(11)	997 612 695 25	wiring harness with light for cars without rain sensor		1	CABRIO						
(11)	997 612 695 50	wiring harness with light for cars without rain sensor		1	TARGA						

Model	Year	MG	SG	Illustration	Restrictions	UPD	22:56	24.01.2010	PORSCHE	PET	PORSCHE
997-2	2010	9	04	904-05		248					



Pos	Part Number	Description	Remark	Qty	Model
		rear window wiper			I425
1	997 628 080 00	wiper motor		1	COUPE
(1)	996 628 090 01	wiper motor		1	TARGA
2	997 628 908 00	repair kit comprising:		1	
-	-	grommet		2	
-	-	bush		2	
3	997 628 910 00	sealing ring		1	
4	999 076 078 01	hexagon nut M 6		2	
5	999 500 078 00	speed nut		1	
6	999 073 468 01	combination screw M 6 X 22 SC		1	
7	997 628 273 00	grommet		1	
8	997 628 169 00	wiper arm		1	COUPE
(8)	997 628 159 00	wiper arm		1	TARGA
9	900 377 003 03	hexagon nut		1	
10	997 628 189 00	wiper blade		1	
11	997 628 122 00	cap		1	

Model	Year	MG	SG	Illustration	Restrictions	UPD	22:57	24.01.2010	PORSCHE	PET	PORSCHE
997-2	2010	9	04	904-10		248					

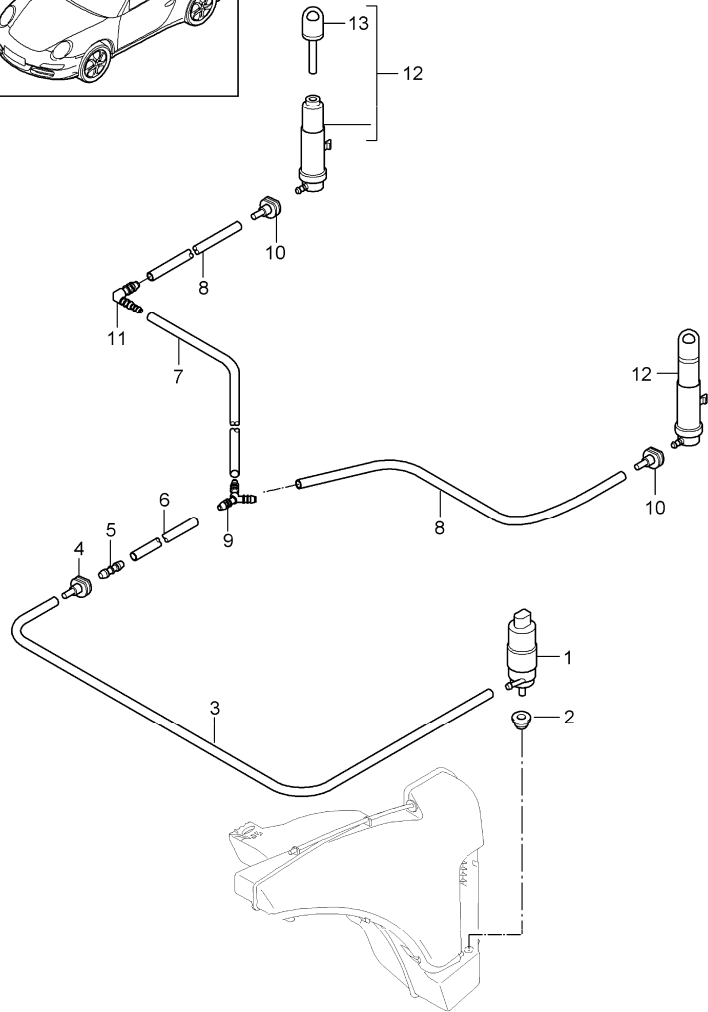
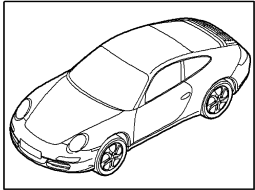


Pos	Part Number	Description	Remark	Qty	Model
		windscreen washer system			
1	997 528 701 01	water reservoir		1	I288
(1)	997 528 701 00	water reservoir		1	
2	996 528 711 00	gasket		1	
3	997 528 605 00	filler neck		1	
4	996 528 607 00	lid		1	
5	997 528 621 00	strainer		1	
6	996 528 615 01	bracket		1	
-	999 137 091 40	joining socket repair material for bracket 996.528.615.01		X	
7	900 378 154 01	hexagon-head bolt AM 8 X 35 SB		1	
8	999 702 221 40	grommet		2	
9	997 628 182 00	pump		1	
10	431 955 465 B	gasket		2	
11	955 628 105 00	tank gauge switch		1	
12	955 528 721 00	gasket		1	
13	999 181 347 40	breather pipe 273 MM		*	
-	999 181 815 40	hose 5,0 X 2,5		*	
14	-	375 MM		1	
15	-	650 MM		1	
16	-	97 MM		1	
17	-	347 MM		1	
(18)	999 137 005 40	t-piece		1	
19	997 628 077 00	nozzle		2	
20	999 901 017 42	window cleaner 250 ML summer		X	

Model	Year	MG	SG	Illustration	Restrictions	UPD	22:57	24.01.2010	PORSCHE	PET	PORSCHE
997-2	2010	9	04	904-10		248					

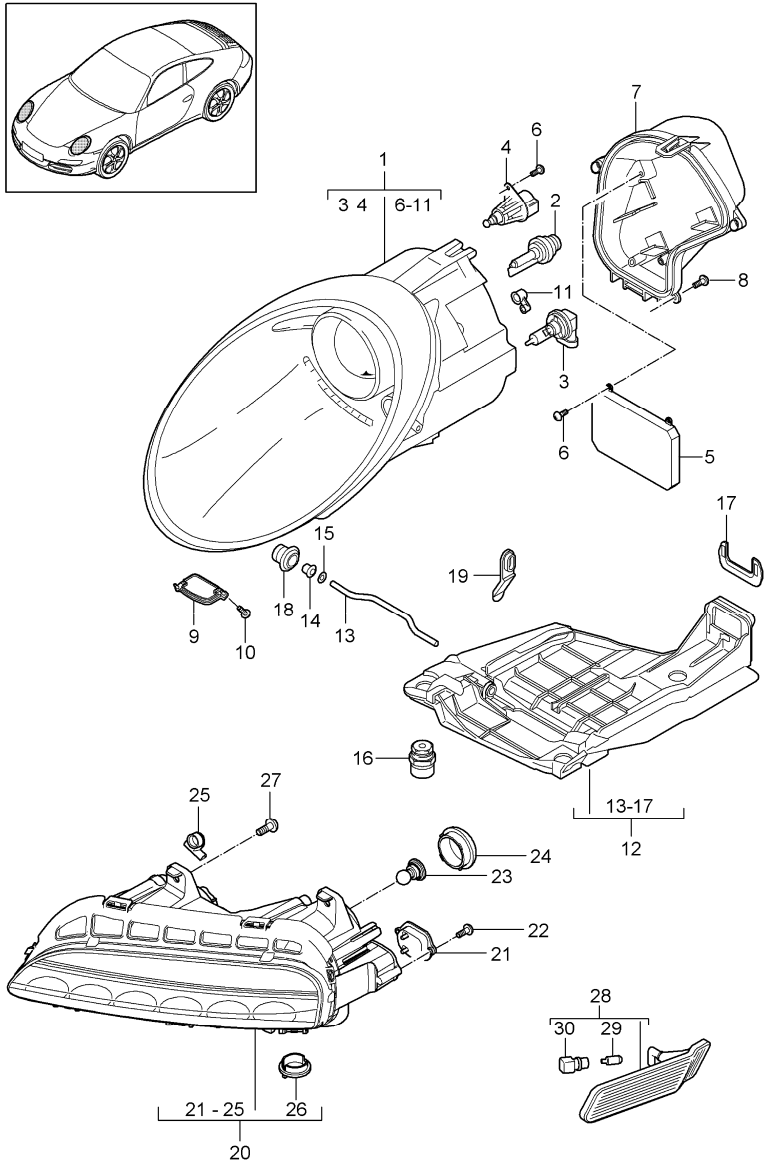
Pos	Part Number	Description	Remark	Qty	Model	Pos	Part Number	Description	Remark	Qty	Model
20	999 901 033 40	window cleaner 1000 ML winter		X							

Model	Year	MG	SG	Illustration	Restrictions	UPD	22:57	24.01.2010	PORSCHE	PET	PORSCHE
997-2	2010	9	04	904-20		248					



Pos	Part Number	Description	Remark	Qty	Model
		headlight washer system			I288
1	997 624 502 00	pump		1	
2	928 628 193 00	gasket		1	
-	000 043 204 79	hose 8 X 3		*	
3	-	890 MM		1	
4	996 628 204 00	quick-connecting lock		1	
5	997 628 208 00	hose connection		1	
-	999 181 760 40	hose 10 X 3		*	
6	-	380 MM			
7	-	1980 MM			
8	-	120 MM			
9	999 137 093 40	y-piece		1	
10	997 628 204 00	quick-connecting lock		2	
11	997 628 209 00	angled pipe		1	
12	997 628 163 01	nozzle		2	
13	997 628 263 00	nozzle head		2	
-	997 628 981 02	cap prime coated for POS 12 + 13	10-	2	IXUB

Model	Year	MG	SG	Illustration	Restrictions	UPD	22:57	24.01.2010	PORSCHE	PET	PORSCHE
997-2	2010	9	05	905-00		248					



Pos	Part Number	Description	Remark	Qty	Model
		headlamp additional headlamp direction indicator light			I601
		headlamp without control unit and bulb XENON			
1	997 631 157 07	headlamp F >>999S7 00676 F >>999S7 35371 F >>999S7 11107 F >>999S7 45754 F >>999S7 00682 F >>999S7 35373 F >>999S7 25094 F >>999S7 11122 F >>999S7 45765 F >>999S7 30128	/L	1	I601
1	997 631 157 03	headlamp F 999S7 00677>> F 999S7 35372>> F 999S7 11108>> F 999S7 45755>> F 999S7 00683>> F 999S7 35374>> F 999S7 25095>> F 999S7 11123>> F 999S7 45766>> F 999S7 30129>>	/L	1	I601
1	997 631 157 07	headlamp F 999S7 00677>> F 999S7 35372>> F 999S7 11108>> F 999S7 45755>> F 999S7 00683>> F 999S7 35374>> F 999S7 25095>> F 999S7 11123>> F 999S7 45766>> F 999S7 30129>>	/L	1	I601/676

Model	Year	MG	SG	Illustration	Restrictions	UPD	22:57	24.01.2010	PORSCHE	PET	PORSCHE
997-2	2010	9	05	905-00		248					

Pos	Part Number	Description	Remark	Qty	Model	Pos	Part Number	Description	Remark	Qty	Model
(1)	997 631 158 07	headlamp F >>999S7 00676 F >>999S7 35371 F >>999S7 11107 F >>999S7 45754 F >>999S7 00682 F >>999S7 35373 F >>999S7 25094 F >>999S7 11122 F >>999S7 45765 F >>999S7 30128	/R	1	I601	1	997 631 157 13	headlamp F 999S7 00676>> F 999S7 35391>> F 999S7 11110>> F 999S7 45754>> F 999S7 00930>> F 999S7 35378>> F 999S7 25117>> F 999S7 11177>> F 999S7 45779>> F 999S7 30131>>	/L	1	I492/601
(1)	997 631 158 03	headlamp F 999S7 00677>> F 999S7 35372>> F 999S7 11108>> F 999S7 45755>> F 999S7 00683>> F 999S7 35374>> F 999S7 25095>> F 999S7 11123>> F 999S7 45766>> F 999S7 30129>>	/R	1	I601	1	997 631 157 17	headlamp F 999S7 00676>> F 999S7 35391>> F 999S7 11110>> F 999S7 45754>> F 999S7 00930>> F 999S7 35378>> F 999S7 25117>> F 999S7 11177>> F 999S7 45779>> F 999S7 30131>>	/L	1	I492/601/676
(1)	997 631 158 07	headlamp F 999S7 00677>> F 999S7 35372>> F 999S7 11108>> F 999S7 45755>> F 999S7 00683>> F 999S7 35374>> F 999S7 25095>> F 999S7 11123>> F 999S7 45766>> F 999S7 30129>>	/R	1	I601/676	(1)	997 631 158 17	headlamp F >>999S7 00675 F >>999S7 35390 F >>999S7 11109 F >>999S7 45753 F >>999S7 00929 F >>999S7 35377 F >>999S7 25116 F >>999S7 11176 F >>999S7 45778 F >>999S7 30130	/R	1	I492/601
1	997 631 157 17	headlamp F >>999S7 00675 F >>999S7 35390 F >>999S7 11109 F >>999S7 45753 F >>999S7 00929 F >>999S7 35377 F >>999S7 25116 F >>999S7 11176 F >>999S7 45778 F >>999S7 30130	/L	1	I492/601	(1)	997 631 158 13	headlamp F 999S7 00676>> F 999S7 35391>> F 999S7 11110>> F 999S7 45754>> F 999S7 00930>> F 999S7 35378>> F 999S7 25117>> F 999S7 11177>> F 999S7 45779>> F 999S7 30131>>	/R	1	I492/601

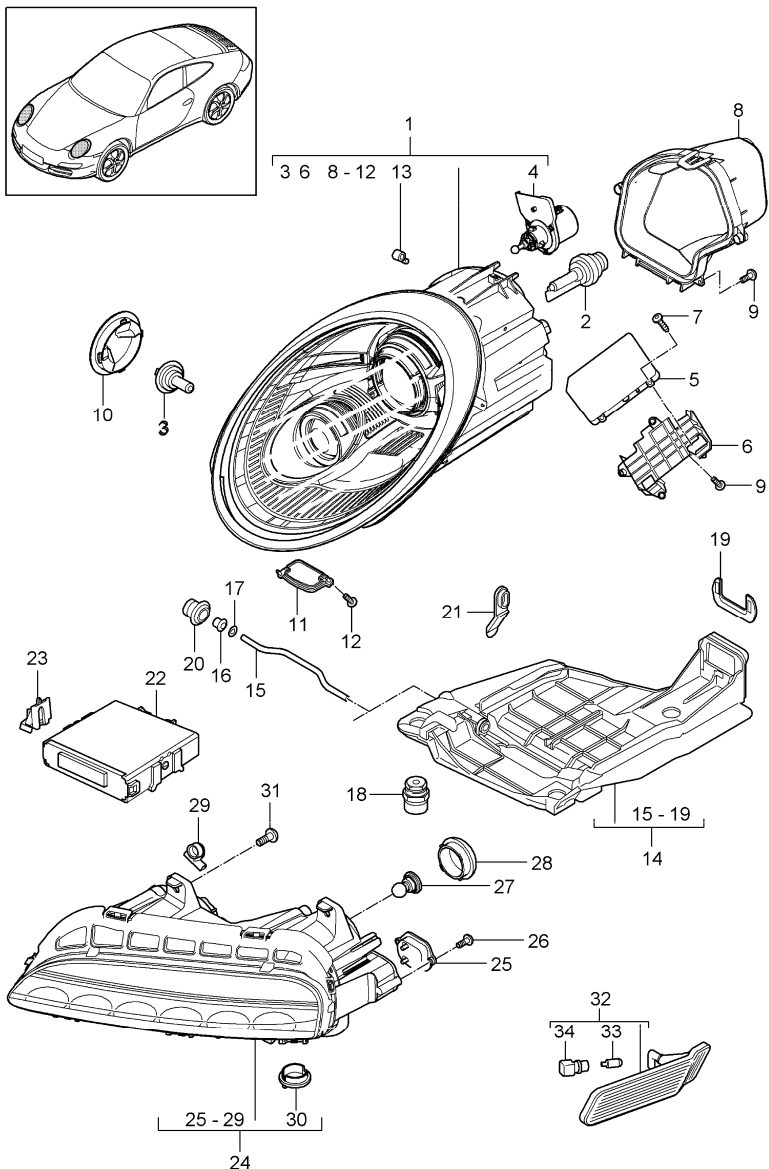
Model	Year	MG	SG	Illustration	Restrictions	UPD	22:57	24.01.2010	PORSCHE	PET	PORSCHE
997-2	2010	9	05	905-00		248					

Pos	Part Number	Description	Remark	Qty	Model	Pos	Part Number	Description	Remark	Qty	Model	
(1)	997 631 158 17	headlamp F 999S7 00676>> F 999S7 35391>> F 999S7 11110>> F 999S7 45754>> F 999S7 00930>> F 999S7 35378>> F 999S7 25117>> F 999S7 11177>> F 999S7 45779>> F 999S7 30131>>	/R	1	I492/601/676	5	997 631 183 00	control unit F 999S7 00677>> F 999S7 00676>> F 999S7 35372>> F 999S7 35391>> F 999S7 11108>> F 999S7 11110>> F 999S7 45755>> F 999S7 45754>> F 999S7 00683>> F 999S7 00930>> F 999S7 35374>> F 999S7 35378>> F 999S7 25095>> F 999S7 25117>> F 999S7 11123>> F 999S7 11177>> F 999S7 45766>> F 999S7 45779>> F 999S7 30129>>		2	I601	
2	999 631 036 90	bulb - PHILIPS -		2				F 999S7 25095>> F 999S7 25117>> F 999S7 11123>> F 999S7 11177>> F 999S7 45766>> F 999S7 45779>> F 999S7 30129>>				I492
3	999 631 144 91	halogen bulb H 11		2				F 999S7 30131>>				I492
4	997 631 141 00	electric motor headlight levelling system		2								I492
5	997 631 283 01	control unit F >>999S7 00676 F >>999S7 00675 F >>999S7 35371 F >>999S7 35390 F >>999S7 11107 F >>999S7 11109 F >>999S7 45754 F >>999S7 45753 F >>999S7 00682 F >>999S7 00929 F >>999S7 35373 F >>999S7 35377 F >>999S7 25094 F >>999S7 25116 F >>999S7 11122 F >>999S7 11176 F >>999S7 45765 F >>999S7 45778 F >>999S7 30128 F >>999S7 30130		2	I601	5	997 631 283 01	control unit F 999S7 00677>> F 999S7 00676>> F 999S7 35372>> F 999S7 35391>> F 999S7 11108>> F 999S7 11110>> F 999S7 45755>> F 999S7 45754>> F 999S7 00683>> F 999S7 00930>> F 999S7 35374>> F 999S7 35378>> F 999S7 25095>> F 999S7 25117>> F 999S7 11123>> F 999S7 11177>> F 999S7 45766>> F 999S7 45779>> F 999S7 30129>> F 999S7 30131>>		2	I601/676	
						6	997 631 199 00	screw				I492
						7	997 631 101 00	protective cap	/L	1		
						(7)	997 631 102 00	protective cap	/R	1		
						8	997 631 191 00	screw		8		
						9	997 631 149 00	ventilation component	/L	1		
						(9)	997 631 150 00	ventilation component	/R	1		

Model	Year	MG	SG	Illustration	Restrictions	UPD	22:57	24.01.2010	PORSCHE	PET	PORSCHE
997-2	2010	9	05	905-00		248					

Pos	Part Number	Description	Remark	Qty	Model	Pos	Part Number	Description	Remark	Qty	Model
10	997 631 153 00	screw		4		30	997 631 133 00	bulb socket		2	
11	997 631 249 00	breather adapter		2							
12	997 631 073 02	mounting	/L	1							
(12)	997 631 074 02	mounting	/R	1							
13	997 631 273 01	clamping bow		2							
14	997 631 272 00	bearing sleeve		2							
15	900 116 004 09	lock washer		2							
16	997 631 194 02	fastening part		6							
17	997 631 245 00	locking device connector housing		2							
18	999 703 413 40	stopper		2							
19	993 631 170 03	stopper		6							
		additional headlamp									
20	997 631 083 01	additional headlamp	/L	1							
(20)	997 631 084 01	additional headlamp	/R	1							
21	997 631 241 00	LED module position light		2							
22	997 631 297 00	screw		4							
23	999 631 253 91	bulb HP 24 W direction indicator light		4							
24	997 631 271 00	cap direction indicator light		4							
25	997 631 247 00	breather adapter		2							
26	997 631 267 00	ventilation component		2							
27	999 919 246 01	oval-head screw 6,0 X 18,0		8							
		direction indicator light									
28	997 631 033 01	direction indicator light	/L	1							
(28)	997 631 034 01	direction indicator light	/R	1							
29	999 631 138 90	bulb 5 W yellow		2							

Model	Year	MG	SG	Illustration	Restrictions	UPD	22:57	24.01.2010	PORSCHE	PET	PORSCHE
997-2	2010	9	05	905-01		248					

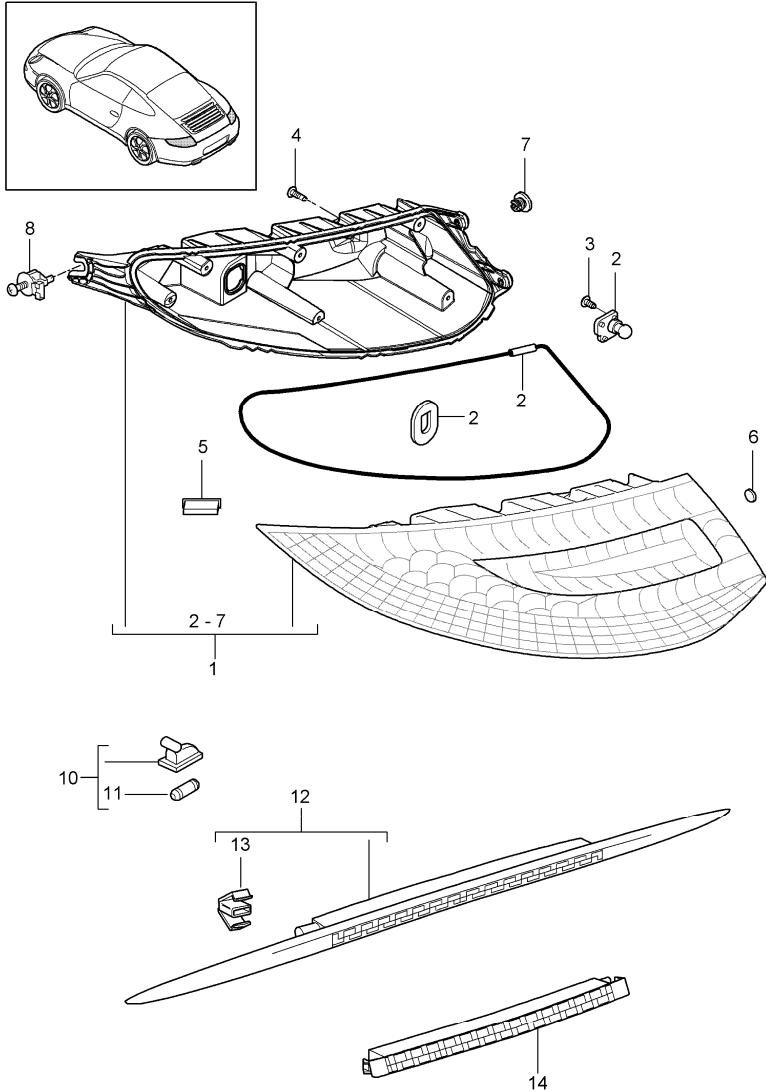


Pos	Part Number	Description	Remark	Qty	Model
		headlamp additional headlamp direction indicator light			I603
		headlamp without control unit and bulb XENON			
1	997 631 169 01	headlamp	/L	1	
1	997 631 169 50	headlamp	/L	1	I756
(1)	997 631 170 01	headlamp	/R	1	
(1)	997 631 170 50	headlamp	/R	1	I756
1	997 631 169 11	headlamp	/L	1	I492
1	997 631 169 60	headlamp	/L	1	I492/756
(1)	997 631 170 11	headlamp	/R	1	I492
(1)	997 631 170 60	headlamp	/R	1	I492/756
2	999 631 036 90	bulb - PHILIPS -		2	
3	999 631 133 91	halogen bulb H 7		2	
4	997 631 227 01	electric motor headlight levelling system	/L	1	
(4)	997 631 228 01	electric motor headlight levelling system	/R	1	
5	997 631 283 01	control unit		2	
6	997 631 223 00	support	/L	1	
(6)	997 631 224 00	support	/R	1	
7	997 631 199 00	screw		4	
8	997 631 201 00	protective cap	/L	1	
(8)	997 631 202 00	protective cap	/R	1	
9	997 631 191 00	screw		14	
10	997 631 211 00	protective cap high beam		2	
11	997 631 149 00	ventilation component	/L	1	

Model	Year	MG	SG	Illustration	Restrictions	UPD	22:57	24.01.2010	PORSCHE	PET	PORSCHE
997-2	2010	9	05	905-01		248					

Pos	Part Number	Description	Remark	Qty	Model	Pos	Part Number	Description	Remark	Qty	Model
(11)	997 631 150 00	ventilation component	/R	1		32	997 631 033 01	direction indicator light	/L	1	
12	997 631 153 00	screw		4		(32)	997 631 034 01	direction indicator light	/R	1	
13	997 631 249 00	breather adapter		2		33	999 631 138 90	bulb 5 W yellow		2	
14	997 631 073 02	mounting	/L	1							
(14)	997 631 074 02	mounting	/R	1		34	997 631 133 00	bulb socket		2	
15	997 631 273 01	clamping bow		2							
16	997 631 272 00	bearing sleeve		2							
17	900 116 004 09	lock washer		2							
18	997 631 194 02	fastening part		6							
19	997 631 245 00	locking device connector housing		2							
20	999 703 413 40	stopper		2							
21	993 631 170 03	stopper		6							
22	997 618 321 02	control unit Dynamic cornering light		1							
23	997 618 331 00	support additional headlamp		2	CARRERA/S						
24	997 631 083 01	additional headlamp	/L	1							
(24)	997 631 084 01	additional headlamp	/R	1							
25	997 631 241 00	LED module position light		2							
26	997 631 297 00	screw		4							
27	999 631 253 91	bulb HP 24 W direction indicator light		4							
28	997 631 271 00	cap direction indicator light		4							
29	997 631 247 00	breather adapter		2							
30	997 631 267 00	ventilation component		2							
31	999 919 246 01	oval-head screw 6,0 X 18,0 direction indicator light		8							

Model	Year	MG	SG	Illustration	Restrictions	UPD	22:57	24.01.2010	PORSCHE	PET	PORSCHE
997-2	2010	9	05	905-05		248					

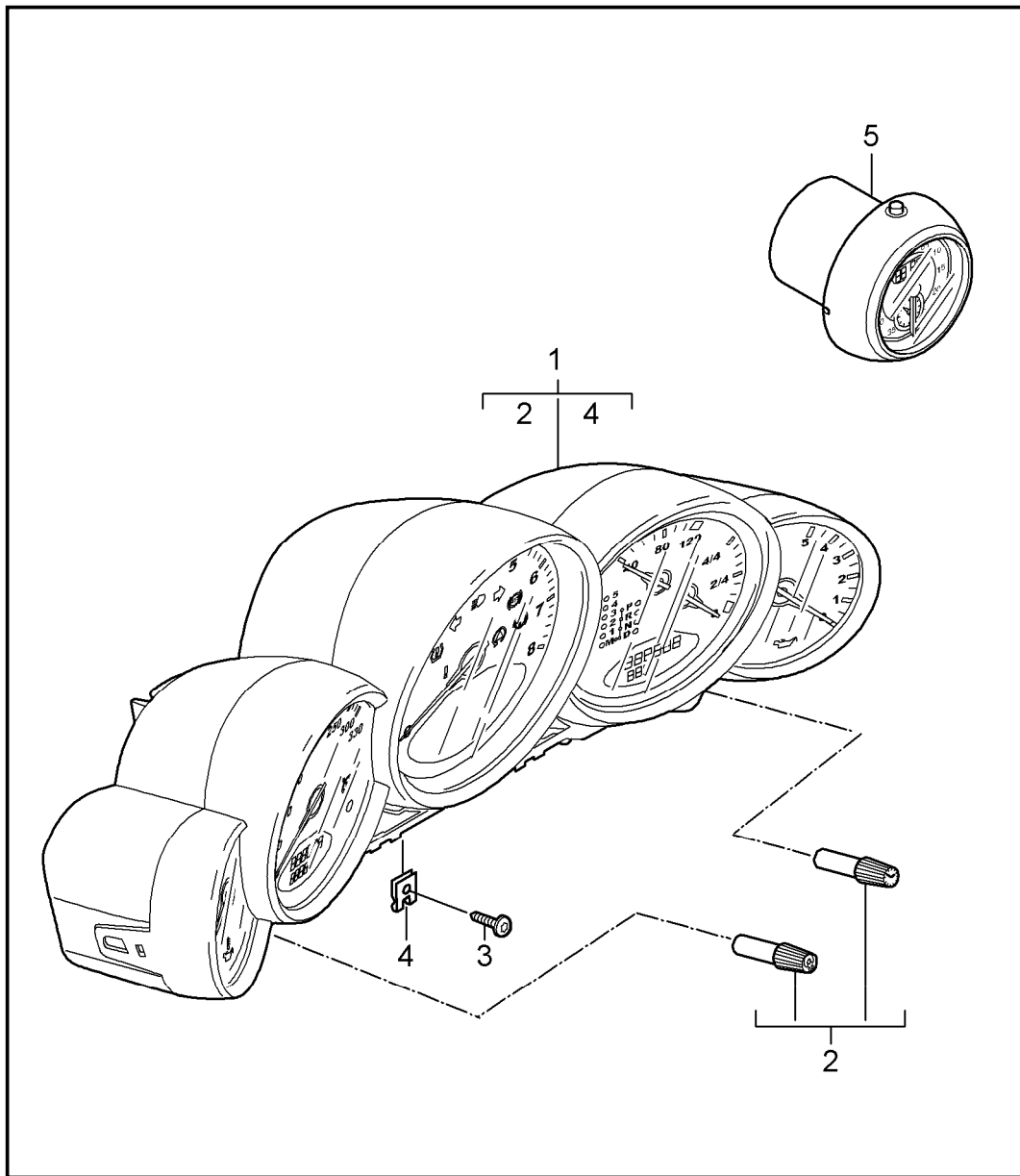


Pos	Part Number	Description	Remark	Qty	Model
		rear light license plate light additional brake light			
		see technical information GR. 9 NR. 1/09 KD - NR 9431			
1	997 631 411 02	rear light	/L	1	I465
1	997 631 989 00	rear light	/L	1	IXXG/465
(1)	997 631 412 02	rear light	/R	1	I465
(1)	997 631 990 00	rear light	/R	1	IXXG/465
1	997 631 417 02	rear light	/L	1	I466
1	997 631 993 00	rear light	/L	1	IXXG/466
(1)	997 631 418 02	rear light	/R	1	I466
(1)	997 631 994 00	rear light	/R	1	IXXG/466
2	997 631 931 01	repair kit bulb back-up light		2	
3	997 631 598 00	screw		6	
4	997 631 497 00	screw		14	
5	997 631 585 00	buffer		2	
6	997 631 441 00	ventilation component		4	
7	997 631 499 00	screw		4	
8	997 631 471 00	mounting		2	
10	997 631 620 00	license plate light		2	
11	900 631 025 90	bulb 12V 5W		2	
12 A	997 631 050 03	additional brake light		1	COUPE/TARGA
12	997 631 050 04	additional brake light		1	COUPE/TARGA
(12)	997 631 052 01	additional brake light		1	COUPE I756
(12) A	997 631 054 02	additional brake light		1	CABRIO
(12)	997 631 054 03	additional brake light		1	CABRIO
13	997 631 203 00	clip		6	COUPE/TARGA

Model	Year	MG	SG	Illustration	Restrictions	UPD	22:57	24.01.2010	PORSCHE	PET	PORSCHE
997-2	2010	9	05	905-05		248					

Pos	Part Number	Description	Remark	Qty	Model	Pos	Part Number	Description	Remark	Qty	Model
14	997 631 051 03	additional brake light in spoiler		1							

Model	Year	MG	SG	Illustration	Restrictions	UPD	22:58	24.01.2010	PORSCHE	PET	PORSCHE
997-2	2010	9	06	906-01		248					

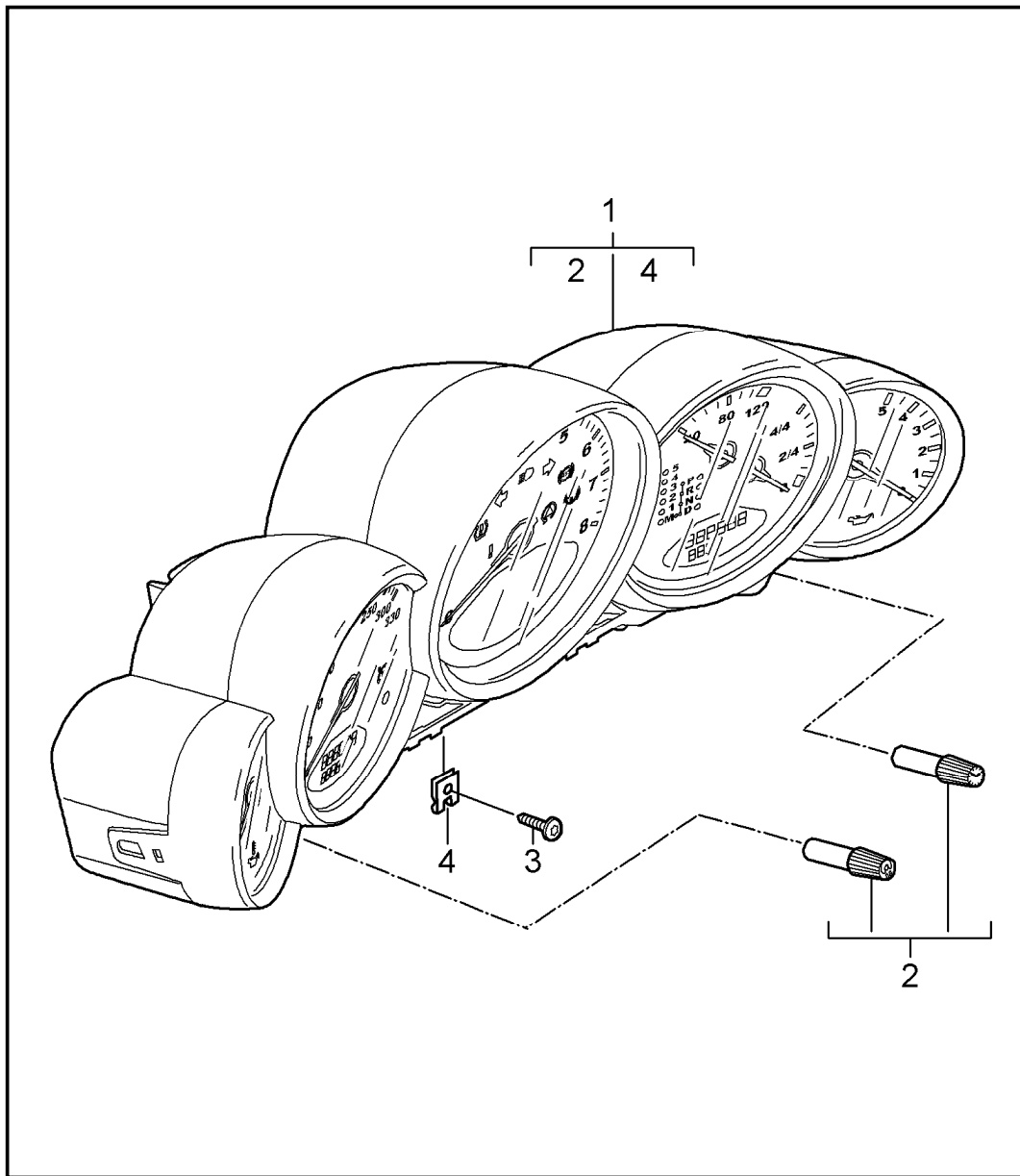


Pos	Part Number	Description	Remark	Qty	Model
		instruments stopwatch			
		see technical information GR. 9 NR. 5/09 KD - NR. 9025			
1	997 641 303 02	instrument cluster complete		1	I022/480
		D07			
1	997 641 993 00	instrument cluster complete		1	I022/480/756
		V04			
1	997 641 304 02	instrument cluster complete	(GB)	09	1 I022/250
		D07			
1	997 641 304 04	instrument cluster complete		10-	1 I022/250
		D07			
1	997 641 307 02	instrument cluster complete	(GB)	1	1 I022 I480
		D07			
1	997 641 993 01	instrument cluster complete	(GB)	1	1 I022 I480/756
		V04			
1	997 641 308 02	instrument cluster complete	(GB)	09	1 I022 I250
		D07			
1	997 641 308 04	instrument cluster complete	(GB)	10-	1 I022 I250
		D07			
1	997 641 313 02	instrument cluster complete		1	1 I023/480
		D07			

Model	Year	MG	SG	Illustration	Restrictions	UPD	22:58	24.01.2010	PORSCHE	PET	PORSCHE
997-2	2010	9	06	906-01		248					

Pos	Part Number	Description	Remark	Qty	Model	Pos	Part Number	Description	Remark	Qty	Model
1	997 641 314 02	instrument cluster complete		09	1 I023/250						
	D07	volcano grey									
1	997 641 314 04	instrument cluster complete		10-	1 I023/250						
	D07	volcano grey									
1	997 641 317 02	instrument cluster complete	(GB)		1 I023 I480						
	D07	volcano grey									
1	997 641 318 02	instrument cluster complete	(GB)	09	1 I023 I250						
	D07	volcano grey									
1	997 641 318 04	instrument cluster complete	(GB)	10-	1 I023 I250						
	D07	volcano grey									
(2)	997 641 911 00	knob actuator trip meter and clock			1						
3	999 073 155 09	tapping screw 4,2 X 19			2						
4	999 507 403 02	u-clamp stopwatch			2						
5	997 641 301 24	stopwatch			1 I025/639/640						
	V05	galvano silver									
(5)	997 641 311 24	stopwatch			1 I026/639/640						
	V05	galvano silver									

Model	Year	MG	SG	Illustration	Restrictions	UPD	22:58	24.01.2010	PORSCHE	PET	PORSCHE
997-2	2010	9	06	906-02		248					

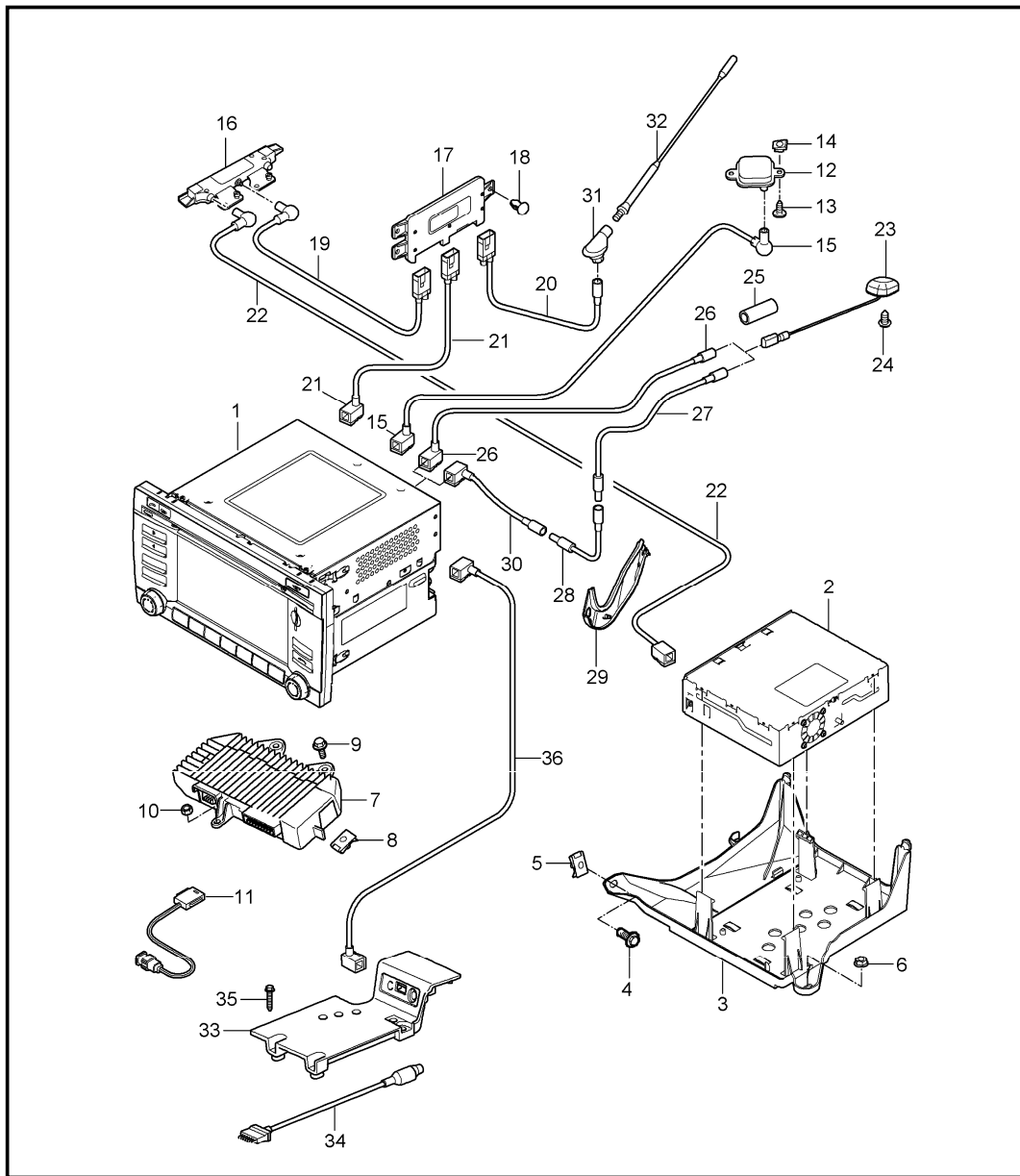


Pos	Part Number	Description	Remark	Qty	Model
		instruments exclusive programme see technical information GR. 9 NR. 5/09 KD - NR. 9025			
(1)	997 641 981 03	instrument cluster complete dial lacquered		1	I480
	5Z1	sand beige			IXFD
	84A	guards red			IXFG
	12H	speed yellow			IXFH
	B9A	carrara white			IXFJ
1	997 641 981 04	instrument cluster complete dial lacquered		09	I250
	5Z1	sand beige			IXFD
	84A	guards red			IXFG
	12H	speed yellow			IXFH
	B9A	carrara white			IXFJ
1	997 641 981 24	instrument cluster complete dial lacquered		10-	I250
	5Z1	sand beige			IXFD
	84A	guards red			IXFG
	12H	speed yellow			IXFH
	B9A	carrara white			IXFJ
(1)	997 641 981 07	instrument cluster complete dial lacquered	(GB)	1	I480
	5Z1	sand beige			IXFD
	84A	guards red			IXFG
	12H	speed yellow			IXFH

Model	Year	MG	SG	Illustration	Restrictions	UPD	22:58	24.01.2010	PORSCHE	PET	PORSCHE
997-2	2010	9	06	906-02		248					

Pos	Part Number	Description	Remark	Qty	Model	Pos	Part Number	Description	Remark	Qty	Model
	B9A	carrara white			IXFJ						
1	997 641 981 08	instrument cluster complete dial lacquered	(GB) 09	1	I250						
	5Z1	sand beige			IXFD						
	84A	guards red			IXFG						
	12H	speed yellow			IXFH						
	B9A	carrara white			IXFJ						
1	997 641 981 28	instrument cluster complete dial lacquered	(GB) 10-	1	I250						
	5Z1	sand beige			IXFD						
	84A	guards red			IXFG						
	12H	speed yellow			IXFH						
	B9A	carrara white			IXFJ						
(2)	997 641 911 00	knob actuator trip meter and clock		1							
3	999 073 155 09	tapping screw 4,2 X 19		2							
4	999 507 403 02	u-clamp		2							

Model	Year	MG	SG	Illustration	Restrictions	UPD	22:59	24.01.2010	PORSCHE	PET	PORSCHE
997-2	2010	9	11	911-00		248					



Pos	Part Number	Description	Remark	Qty	Model
1	997 642 960 X	control part navigation system receiving part tv booster Multimedia interface		1	I665
1	997 642 962 X	control part only in exchange		1	I665/693
1	997 642 970 X	control part FTC Matt Black/Galvano Silver we take back: 997.642.960.00.FTC		1	I665/672
1	997 642 972 X	control part FTC Matt Black/Galvano Silver we take back: 997.642.962.00.FTC		1	I665/672/693
1	997 642 974 X	control part FTC Matt Black/Galvano Silver we take back: 997.642.972.00.FTC		1	I665/673
1	997 642 975 X	control part FTC Matt Black/Galvano Silver we take back: 997.642.974.00.FTC		1	I665/673/693
-	-	control unit telephone see group 9/11/10			
-	997 642 929 00	rotary knob for control part	/L	1	

Model	Year	MG	SG	Illustration	Restrictions	UPD	22:59	24.01.2010	PORSCHE	PET	PORSCHE
997-2	2010	9	11	911-00		248					

Pos	Part Number	Description	Remark	Qty	Model	Pos	Part Number	Description	Remark	Qty	Model
-	997 642 930 00	rotary knob for control part	/R	1		-	997 642 277 50	dvd navigation system for software 997.642.277.00		1	I612
-	997 642 125 00	adapter -CAN-		1	I673			see technical information GR. 9 NR. 52/09 KD - NR. 9110			
-	999 591 941 40	expansion rivet for mount adapter -CAN-		1	I673	-	997 642 277 51	dvd navigation system for software 997.642.277.01		1	I612
-	997 642 271 50	dvd navigation system for software 997.642.271.00		1	I610			see technical information GR. 9 NR. 52/09 KD - NR. 9110			
-	997 642 271 51	dvd navigation system for software 997.642.271.01		1	I610	-	997 642 279 50	dvd navigation system for software 997.642.279.00		1	I613
		see technical information GR. 9 NR. 52/09 KD - NR. 9110						see technical information GR. 9 NR. 52/09 KD - NR. 9110			
-	997 642 275 50	dvd navigation system for software 997.642.275.00		1	I611	-	997 642 279 51	dvd navigation system for software 997.642.279.01		1	I613
		see technical information GR. 9 NR. 52/09 KD - NR. 9110						see technical information GR. 9 NR. 52/09 KD - NR. 9110			
-	997 642 275 51	dvd navigation system for software 997.642.275.01		1	I611	-	997 642 281 50	dvd navigation system for software 997.642.281.00		1	I614
		see technical information GR. 9 NR. 52/09 KD - NR. 9110						see technical information GR. 9 NR. 52/09 KD - NR. 9110			
						-	997 642 281 51	dvd navigation system for software 997.642.281.01		1	I614

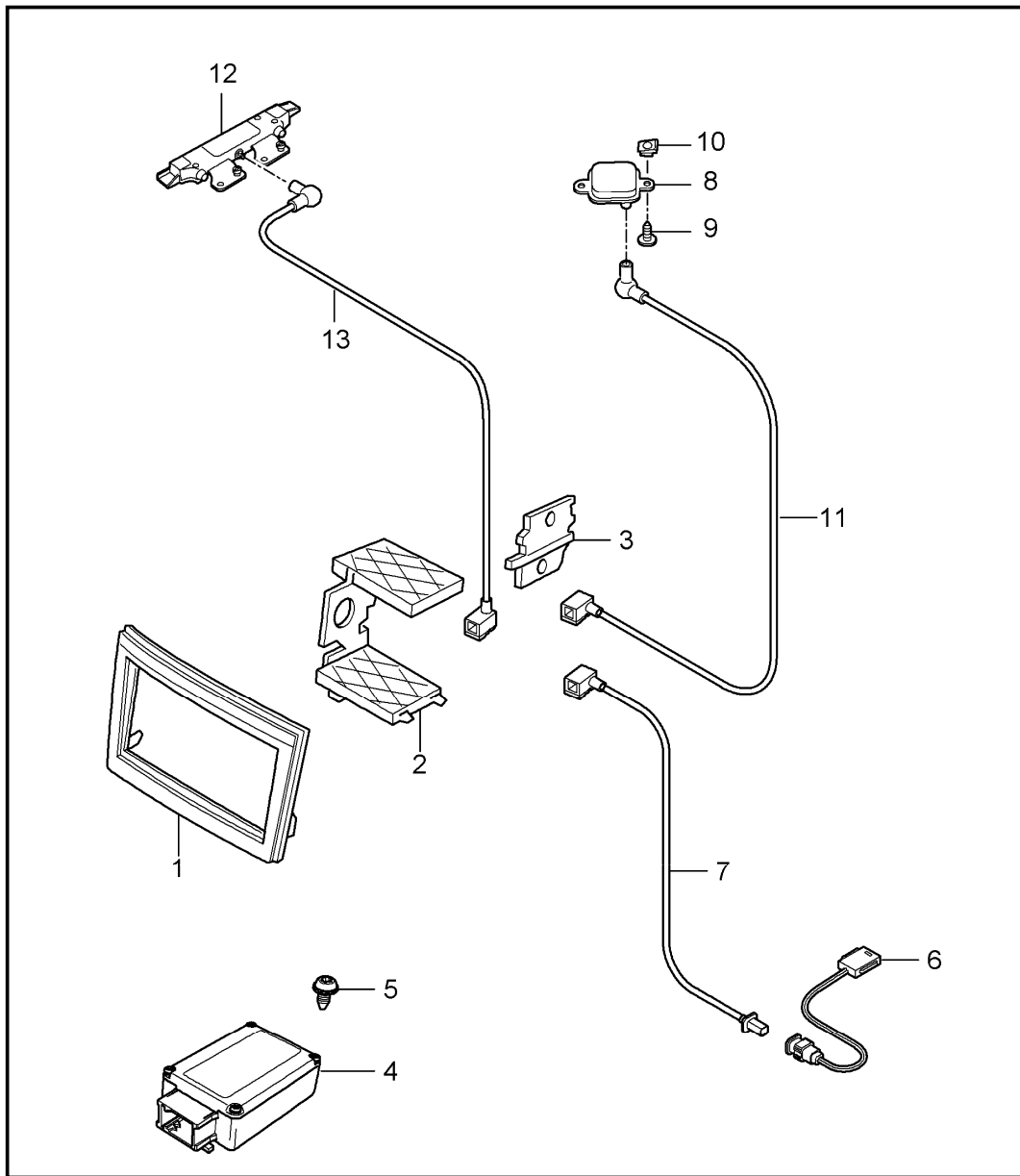
Model	Year	MG	SG	Illustration	Restrictions	UPD	22:59	24.01.2010	PORSCHE	PET	PORSCHE
997-2	2010	9	11	911-00		248					

Pos	Part Number	Description	Remark	Qty	Model	Pos	Part Number	Description	Remark	Qty	Model
-	997 642 283 50	dvd navigation system for software 997.642.283.00		1	I616	6	999 084 638 01	hexagon nut M 6	/LL	1	CARRERA 4/4S I673/676
-	997 642 283 51	dvd navigation system for software 997.642.283.01		1	I616	7	997 645 441 00	booster		1	COUPE/TARGA I490
-	997 642 148 02	cd-rom logbook		1	I641	7	997 645 442 00	booster		1	CABRIO I490
2	997 642 320 01	receiving part tv		1	I676	(7)	997 645 444 04	booster note coding		1	I680
(3)	997 642 331 00	support receiving part tv		1	CARRERA/S I676	(7)	7PP 035 223 J	booster	10-	1	I675/680
(3)	997 642 337 00	support navigation system		1	CARRERA/S I673	8	999 507 766 02	speed nut M 6		2	I490/680
3	997 642 333 00	support receiving part tv	/LL	1	CARRERA 4/4S I676	9	900 378 035 01	hexagon-head bolt M 6 X 16		2	I490/680
3	997 642 339 00	support navigation system		1	CARRERA 4/4S I673	10	999 084 638 01	hexagon nut M 6		1	I490/680
(3)	997 642 332 00	support receiving part tv	/RL	1	CARRERA 4/4S I676	11	997 646 313 00	microphone		1	I490/618/619 I666/671
4	900 378 179 09	hexagon-head bolt M 6 X 16	/LL	1	CARRERA 4/4S I673/676	11	997 646 315 00	microphone		1	I618/619/666 I671/680
5	999 507 766 02	speed nut M 6	/LL	1	CARRERA 4/4S I673/676	11	997 646 317 00	microphone		1	I680
						11	997 646 319 00	microphone		1	I618/619/665 I666/671
						-	997 610 233 01	cable guide microphone		1	
						12	997 642 105 00	antenna GPS		1	I672/673
						13	999 073 210 00	tapping screw 4,8 X 13		1	I672/673
						14	999 507 441 01	speed nut 4,8		1	I672/673
						15	997 612 030 75	connecting line antenna control part		1	I672
						(15)	997 612 073 25	connecting line antenna control part		1	I673
						16	997 647 117 00	antenna booster	/L	1	I440
						(16)	997 647 118 00	antenna booster	/R	1	I440

Model	Year	MG	SG	Illustration	Restrictions	UPD	22:59	24.01.2010	PORSCHE	PET	PORSCHE
997-2	2010	9	11	911-00		248					

Pos	Part Number	Description	Remark	Qty	Model	Pos	Part Number	Description	Remark	Qty	Model
(16)	997 647 119 00	antenna booster	/L	1	I440/676	22	997 612 088 25	connecting line	/LL	1	CARRERA /S I098/676
(16)	997 647 120 00	antenna booster	/R	1	I440/676			antenna booster receiving part tv			
17	997 618 122 00	control unit		1	I440						
18	999 591 904 40	fastening part		2	I440	22	997 612 088 75	connecting line	/RL	1	CARRERA /S I099/676
19	997 612 069 25	connecting line left antenna booster control unit	/LL	1	I098/461			antenna booster receiving part tv			
19	997 612 069 75	connecting line left antenna booster control unit	/RL	1	I099/461	22	997 612 089 25	connecting line	/LL	1	CARRERA 4/4S I098/676
19	997 612 055 25	connecting line left antenna booster control unit	/LL	1	I098/665	22	997 612 089 75	connecting line	/RL	1	CARRERA 4/4S I099/676
19	997 612 056 25	connecting line right antenna booster control unit	/LL	1	I098/665	(22)	997 612 074 25	connecting line control part computer navigation system		1	I673
19	997 612 055 75	connecting line left antenna booster control unit	/RL	1	I099/665	(22)	997 612 072 25	connecting line computer navigation system - IR - sensor		1	I673
19	997 612 056 75	connecting line right antenna booster control unit	/RL	1	I099/665	31	997 647 221 00	antenna base		1	I461
20	997 612 066 25	connecting line antenna base control unit		1	I461	32	997 647 223 00	antenna rod		1	I461
(20)	997 612 067 01	connecting line antenna base Power supply		1	I461	33	997 642 465 00	adapter Multimedia interface		1	I870
21	997 612 057 25	connecting line control unit control part	/LL	1	I098/665		01C	satin black			
21	997 612 057 75	connecting line control unit control part	/RL	1	I099/665	34	997 612 471 01	connecting cable iPOD		1	I870
						35	999 073 429 01	tapping screw 4,2 X 25		3	I870
						36	997 612 049 75	connecting line Multimedia interface control part		1	I870

Model	Year	MG	SG	Illustration	Restrictions	UPD	22:59	24.01.2010	PORSCHE	PET	PORSCHE
997-2	2010	9	11	911-01		248					

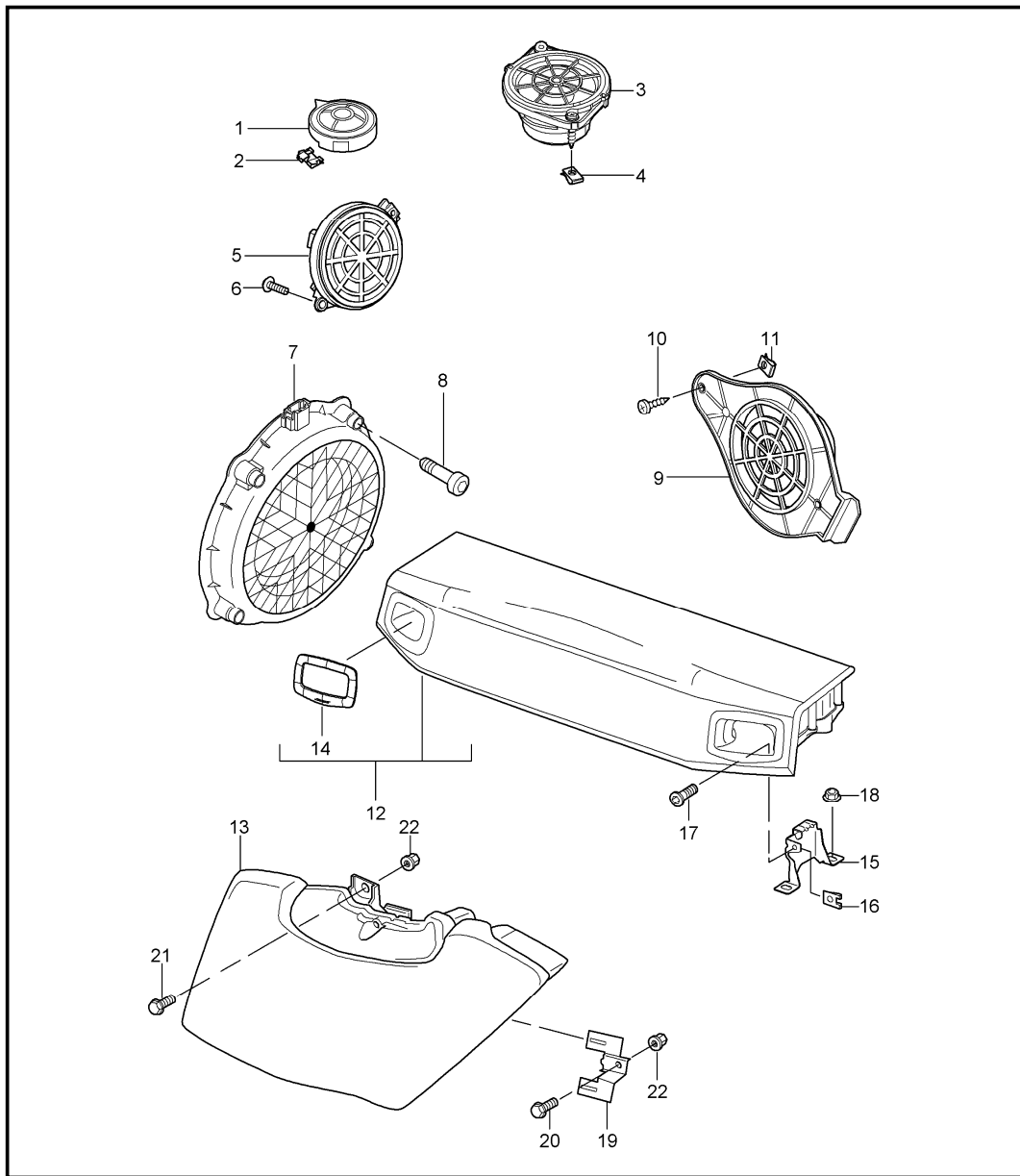


Pos	Part Number	Description	Remark	Qty	Model
		preparation navigation system japan			I675
1	997 642 913 00	front frame		1	I675
	A05	black mat			
2	997 642 905 00	support		2	I675
3	997 642 907 00	guide rail		2	I675
4	997 642 915 01	adapter - CAN -	09	1	I675
4	997 642 127 00	adapter - CAN -	10-	1	I675
5	999 591 941 40	expansion rivet		1	I675
6	997 646 309 00	microphone		1	I675
-	997 610 233 01	cable guide microphone		1	I675
7	997 612 075 75	connecting line microphone control part		1	I675
(7)	997 612 046 25	connecting line Card reader tv control part		1	I675
8	997 642 105 00	antenna navigation system		1	I675
9	999 073 210 00	tapping screw 4,8 X 13		1	I675
10	999 507 441 01	speed nut 4,8		1	I675
11	997 612 079 75	connecting line antenna navigation system control part		1	I675
12	997 647 109 00	antenna booster	/L	1	I675
(12)	997 647 110 00	antenna booster	/R	1	I675
13	997 612 076 25	connecting line antenna booster left control part radio		1	I675

Model	Year	MG	SG	Illustration	Restrictions	UPD	22:59	24.01.2010	PORSCHE	PET	PORSCHE
997-2	2010	9	11	911-01		248					

Pos	Part Number	Description	Remark	Qty	Model	Pos	Part Number	Description	Remark	Qty	Model
(13)	997 612 077 25	connecting line antenna booster left control part tv		1	I675						
(13)	997 612 078 25	connecting line antenna booster right control part tv	/LL	1	I675						
(13)	997 612 078 75	connecting line antenna booster right control part tv	/RL	1	I675						
(13)	997 612 047 25	connecting line - VICS BEACON - antenna control part		1	I675						

Model	Year	MG	SG	Illustration	Restrictions	UPD	22:59	24.01.2010	PORSCHE	PET	PORSCHE
997-2	2010	9	11	911-05		248					

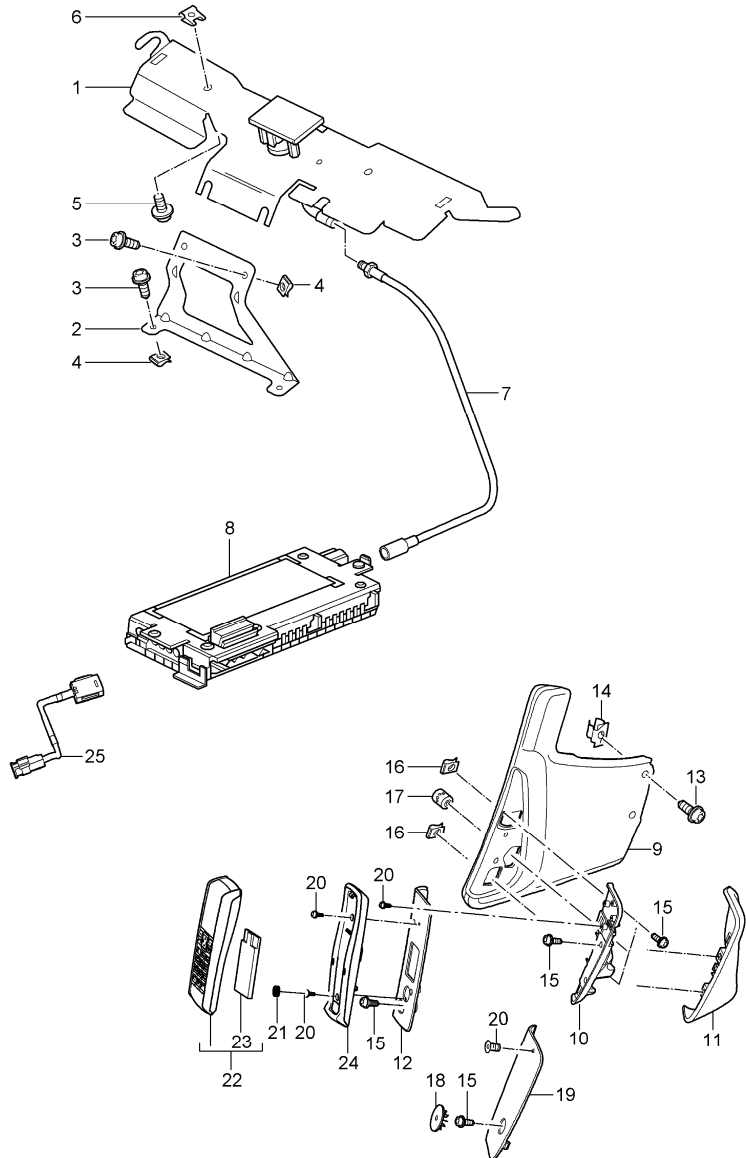


Pos	Part Number	Description	Remark	Qty	Model
1	997 645 021 00	loudspeaker tweeter dashboard		2	I490
(1)	997 645 025 00	tweeter dashboard		2	I680
2	999 591 303 01	u-clamp		4	
3	997 645 033 00	loudspeaker dashboard centre		1	I490
(3)	997 645 035 00	loudspeaker dashboard centre		1	I680
4	999 507 971 01	speed nut 4,2		4	
5	997 645 543 00	mid-range loudspeaker door		2	I490
(5)	997 645 545 00	mid-range loudspeaker door		2	I680
6	999 919 164 09	oval-head screw 5,0 X 12		4	
7	997 645 553 00	woofer		2	I490
(7)	997 645 555 00	woofer		2	I680
8	900 067 012 03	pan-head screw M 6 X 30		8	
9	997 645 041 01	loudspeaker rear		2	I490
(9)	997 645 045 01	loudspeaker rear		2	I680
10	999 073 225 09	tapping screw 4,8 X 16		2	
11	999 507 441 09	speed nut 4,8		2	
12	997 645 564 00	subwoofer		1	COUPE I680
	FMF	black			
	FMG	stone grey			

Model	Year	MG	SG	Illustration	Restrictions	UPD	22:59	24.01.2010	PORSCHE	PET	PORSCHE
997-2	2010	9	11	911-05		248					

Pos	Part Number	Description	Remark	Qty	Model	Pos	Part Number	Description	Remark	Qty	Model
	FMM	sand beige					T11	brown/natural			
	FMN	sea blue					N10	carrera red			
	FMP	terracotta				14	996 645 568 00	rosette		2	COUPE I680
	FMQ	cocoa					A03	black			
	FMR	dark grey/natural					5V7	stone grey			
	FMS	brown/natural					5Z1	sand beige			
	FTA	carrera red					8W7	sea blue			
12	997 645 574 00	subwoofer		1	COUPE I680/756		8X8	terracotta			
	SCC	Espresso					8P9	cocoa			
13	997 645 566 00	subwoofer	/LL	1	CABRIO/TARGA I098/680		T13	brown/natural			
	A10	black				(15)	996 645 245 00	support	/L	1	COUPE I680
	B10	stone grey					N23	carrera red			
	T10	sand beige				15	996 645 246 00	support	/R	1	COUPE I680
	E10	sea blue									
	M10	terracotta				16	999 507 766 02	speed nut		2	COUPE I680
	R10	cocoa					M 6				
	D11	dark grey/natural				17	999 073 113 09	oval-head screw		2	COUPE I680
	T11	brown/natural					M 6,0 X 50 ASP				
	N10	carrera red				18	900 380 015 01	hexagon nut		4	COUPE I680
(13)	997 645 567 00	subwoofer	/RL	1	CABRIO/TARGA I099/680		VM 6				
	A10	black				19	997 645 569 00	support		2	CABRIO/TARGA I680
	B10	stone grey				20	900 378 035 01	hexagon-head bolt M 6 X 16		2	CABRIO/TARGA I680
	T10	sand beige				21	999 073 223 01	combination screw M 6 X 25		1	CABRIO/TARGA I680
	E10	sea blue				22	999 500 069 01	blind rivet nut M 6		3	CABRIO/TARGA I680
	M10	terracotta									
	R10	cocoa									
	D11	dark grey/natural									

Model	Year	MG	SG	Illustration	Restrictions	UPD	22:59	24.01.2010	PORSCHE	PET	PORSCHE
997-2	2010	9	11	911-10		248					



Pos	Part Number	Description	Remark	Qty	Model
		telephone			
1	997 647 125 01	antenna	/LL	1	I098
(1)	997 647 126 01	antenna	/RL	1	I099
2	997 647 127 00	support	/LL	1	I098
(2)	997 647 128 00	support	/RL	1	I099
3	999 073 236 0A	oval-head screw M 6 X 10		4	
4	999 507 550 01	speed nut M 6		4	
5	999 073 210 00	tapping screw 4,8 X 13		2	
6	999 507 441 01	speed nut 4,8		2	
7	997 612 065 75	connecting line		1	I666
(7)	997 612 061 25	connecting line		1	I618/619
8	997 646 218 01	control unit telephone		1	I666
9	997 553 118 07	cover lateral	/LL	1	I098
	FSA	black/grey			
	FSB	stone grey/stone grey			
	FSC	sand beige/sand beige			
	FSD	sea blue/grey			
	FSF	terracotta/terracotta			
	FSG	cocoa/cocoa			
	FSH	darkgrey natural/grey			
	FSJ	brown nat./brown nat.			
	FSP	Carrera Red/Carrera Red			
9	997 553 118 09	cover lateral	/LL	1	I098/756
	SCA	Espresso			
(9)	997 553 117 07	cover lateral	/RL	1	I099

Model	Year	MG	SG	Illustration	Restrictions	UPD	22:59	24.01.2010	PORSCHE	PET	PORSCHE
997-2	2010	9	11	911-10		248					

Pos	Part Number	Description	Remark	Qty	Model	Pos	Part Number	Description	Remark	Qty	Model
	FSA	black/grey					5X6	stone grey			
	FSB	stone grey/stone grey					8G2	sand beige			
	FSC	sand beige/sand beige					3S9	sea blue			
	FSD	sea blue/grey					9S5	terracotta			
	FSF	terracotta/terracotta					9V6	cocoa			
	FSG	cocoa/cocoa					D12	dark grey/natural			
	FSH	darkgrey natural/grey					T12	brown/natural			
	FSJ	brown nat./brown nat.					N12	carrera red			
	FSP	Carrera Red/Carrera Red				(11)	997 553 417 01	cover	/RL	1	I099/618
(9)	997 553 117 09	cover lateral	/RL	1	I099/756		A11	black			
	SCA	Espresso					5X6	stone grey			
10	997 553 520 00	adapter	/LL	1	I098/618		8G2	sand beige			
(10)	997 553 516 00	adapter	/LL	1	I098/669		3S9	sea blue			
(10)	997 553 519 00	adapter	/RL	1	I099/618		9S5	terracotta			
(10)	997 553 515 00	adapter	/RL	1	I099/669		9V6	cocoa			
11	997 553 418 01	cover	/LL	1	I098/618		D12	dark grey/natural			
	A11	black					T12	brown/natural			
	5X6	stone grey					N12	carrera red			
	8G2	sand beige					6J0	Espresso			I756
	3S9	sea blue				(11)	997 553 415 00	cover	/RL	1	I099/669
	9S5	terracotta					A11	black			
	9V6	cocoa					5X6	stone grey			
	D12	dark grey/natural					8G2	sand beige			
	T12	brown/natural					3S9	sea blue			
	N12	carrera red					9S5	terracotta			
	6J0	Espresso			I756		9V6	cocoa			
(11)	997 553 416 00	cover	/LL	1	I098/669		D12	dark grey/natural			
	A11	black					T12	brown/natural			
							N12	carrera red			

Model	Year	MG	SG	Illustration	Restrictions	UPD	22:59	24.01.2010	PORSCHE	PET	PORSCHE
997-2	2010	9	11	911-10		248					

Pos	Part Number	Description	Remark	Qty	Model	Pos	Part Number	Description	Remark	Qty	Model
12	997 553 524 00	mounting plate	/LL	1	I098/669	(25)	997 646 319 00	microphone		1	I618/619/665 I666
	01C	satin black									
(12)	997 553 523 00	mounting plate	/RL	1	I099/669	-	997 610 233 01	cable guide microphone		1	
	01C	satin black									
13	999 073 226 09	tapping screw 4,2 X 16		2							
14	999 591 508 01	captive nut 4,2		2							
15	999 073 155 09	tapping screw 4,2 X 13		7							
16	999 507 028 01	speed nut 4,2		2							
17	999 507 645 02	threaded piece 4,2		1							
18	997 553 751 00	cap		1	I618						
	01C	satin black									
19	997 553 522 01	mounting plate	/LL	1	I098/618						
	01C	satin black									
(19)	997 553 521 01	mounting plate	/RL	1	I099/618						
	01C	satin black									
20	999 919 230 00	countersunk-head screw 3 X 10		4							
21	997 646 311 00	stopper		2	I669						
22	997 646 212 02	receiver telephone		1	I669						
	A05	black mat									
23	997 646 216 00	battery		1	I669						
24	997 646 214 00	mounting receiver		1	I669						
	A05	black mat									
(25)	997 646 313 00	microphone		1	I490/618/619 I666/671						
(25)	997 646 315 00	microphone		1	I618/619/666 I671/680						

997-2_MXI KAT32. TXT

KAT.	I-NR	BENENNUNG-Deutsch BENENNUNG-Englisch
		+-----+ ! I-Nummern-Uebersicht ! +-----+ +-----+ ! Summary of optional extras "I"! +-----+
32	I XAA	Aerokit Cup Aerokit Cup
32	I XAF	Aerokit Turbo Turbo aerokit
32	I XAG	Carrera - Heckspoiler Carrera - rear spoiler
32	I XAH	Aerokit Carrera 4S Carrera 4S aerokit
32	I XAJ	Schwellerblenden lackiert Painted sill covers
32	I XAS	Sport Design Bugverkleidung *
32	I XCA	Nutleiste (3-teilig) Sportsilber Dashboard trim strip (3-part) sports seats
32	I XCB	Instrumentenabdeckung Unterteil Sportsilber Instrument surround sports seats
32	I XCC	Seitendüsen Sportsilber Side air vents sports seats
32	I XCD	Mitteldüsenträger Sportsilber Center air vent bracket sports seats
32	I XCE	Mittelskonsole hinten Sportsilber Rear center console sports seats
32	I XCG	Sportsitzrückenlehne Alu-Optik Sports seat backrest in Aluminium Look finish
32	I XCH	Seiten-/Mitteldüsenlamellen Sportsilber Side/centre air vent slats, sports seats
32	I XCK	Mittelskonsole hinten Galvanosilber Rear center console in Galvano Silver
32	I XCL	Instrumentenabdeckung Unterteil Galvanosilber Instrument surround in Galvano Silver
32	I XCM	Überrollbügel in Galvanosilber Roll-over bar in Galvano Silver
32	I XCN	Seitendüsen in Alu-Optik (997) Side air vents in Aluminium Look finish (997)
32	I XCW	Blende Gurtaustritt B-Säule in Aluoptik Aluminium Look trim on belt opening in B-pillar
32	I XCY	Mitteldüse Alu-Optik Center air vent in Aluminium Look finish
32	I XCZ	Schalwegverkürzung Short shifter
32	I XDJ	Zierblende Schalt- und Wählhebel lackiert Decorative trim on gear lever/selector, painted
32	I XDM	Zierblende Schalttafel lackiert Decorative dashboard trim, painted
32	I XDP	Rahmen Kombiinstrument lackiert Instrument cluster frame, painted
32	I XDR	Blende Gurtaustritt B-Säule lackiert Painted trim on belt opening in B-pillar
32	I XDS	Zündschloss Rosette in Leder Ignition lock surround in leather
32	I XDU	Blende Gurtaustritt B-Säule in Leder Leather trim on belt opening in B-pillar
32	I XDV	Abschlussblende Schalttafel in Leder Dashboard end-trim in leather
32	I DX	Spiegeldreieck in Leder Mirror attachment point finisher, leather
32	I XDZ	Blende Schalthebel in Leder

997-2_MXI KAT32. TXT

32	I XD9	Selector lever cover in leather Felgenstern in Wagenfarbe lackiert Wheel painted in body colour
32	I XEA	Passivhörer in Leder Passive handset in leather
32	I XE8	Schaltknopf Alu/Wurzelholz Dunkel/Leder Gear lever knob aluminum/dark burr maple/leather
32	I XE9	Handbremshebel Alu/Wurzelholz Dunkel/Leder Handbrake lever aluminum/dark burr maple/leather
32	I XFD	Instrumenten-Zifferblatt lackiert in sandbeige Instrument dials in Sand Beige
32	I XFE	Instrumenten-Zifferblatt lackiert in terrakotta Instrument dials in Terracotta
32	I XFF	Instrumenten-Zifferblatt lackiert in braun/natur Instrument dials in Brown/Natural
32	I XFG	Instrumenten-Zifferblatt lackiert in indischrot Instrument dials in Guards Red
32	I XFH	Instrumenten-Zifferblatt lackiert in speedgelb Instrument dials in Speed Yellow
32	I XFJ	Instrumenten-Zifferblatt lackiert in carraraweiß Instrument dials in Carrara White
32	I XFP	Handbremshebel Aluminium II Handbrake lever Aluminum II
32	I XGB	Zierblende Schalttafel, Carbon Decorative dashboard trim, carbon
32	I XGC	Schalthebel Carbon/Alcantara Dashboard carbon/Alcantara
32	I XGD	Handbremshebel Carbon/Alcantara Parking brake handle carbon/Alcantara
32	I XGE	Einsatz Griffmulde, Carbon Handle recess insert, carbon
32	I XJJ	Blende Gurtaustritt B-Säule in Carbon Carbon trim on belt opening in B-pillar
32	I XJL	Luftseidendüse Makassar Makassar Ebony side air vent
32	I XJM	Luftseidendüse Platane Sycamore side air vent
32	I XJN	Mitteldüse Makassar Makassar Ebony center air vent
32	I XJP	Mitteldüse Platane Sycamore center air vent
32	I XJR	Defrosterblende Makassar Makassar Ebony windshield defroster panel
32	I XJS	Defrosterblende Platane Sycamore windshield defroster panel
32	I XJT	Mittelkonsole hinten Makassar Makassar Ebony rear center console
32	I XJU	Mittelkonsole hinten Platane Sycamore rear center console
32	I XJ4	Rosette für Zündschloss Lederbezogen Leather cover for ignition lock surround
32	I XKB	Luftseidendüse Wurzelholz/Ahorn hell Side air vent in light burr maple
32	I XKC	Luftseidendüse Wurzelholz/Ahorn dunkel Side air vent in dark burr maple
32	I XKD	Luftseidendüse carbon Side air vent in Carbon
32	I XKG	Defrosterblende Wurzelholz/Ahorn hell, Leder "Defroster trim in light burr maple; leather"
32	I XKH	Defrosterblende Wurzelholz/Ahorn dunkel, Leder "Defroster trim in dark burr maple; leather"
32	I XKJ	Defrosterblende Carbon/Leder Defroster trim in Carbon/leather
32	I XKL	Lautsprecherabdeckungen in Leder Leather speaker covers
32	I XKM	Lautsprecherabdeckungen Wurzelholz/Ahorn hell Speaker covers in light burr maple
32	I XKN	Lautsprecherabdeckungen Wurzelholz/Ahorn dunkel

997-2_MXI KAT32. TXT

32	I XKP	Speaker covers in dark burr maple Lautsprecherabdeckungen in Carbon Carbon speaker covers
32	I XKR	Mitteldüsenträger Wurzelholz/Ahorn hell Center air vent bracket in light burr maple
32	I XKS	Mitteldüsenträger Wurzelholz/Ahorn dunkel Center air vent bracket in dark burr maple
32	I XLA	Boxster-Endrohr Boxster tailpipe
32	I XLF	Sportabgasanlage Sports exhaust system
32	I XLG	Deckel Ablagefach Mittelkonsole in Alcantara Centre console storage bin lid in Alcantara
32	I XLT	Sportendrohre 997 Sports tailpipes, 997
32	I XMA	Himmel mit Leder bezogen Rooflining in leather
32	I XME	Mittelkonsole hinten lackiert Rear section of centre console painted
32	I XMF	Mittelkonsole vorn inklusive 2 Ablagen, Leder Front center console including 2 storage bins, leather
32	I XMJ	Mittelkonsole hinten Carbon Rear section of centre console in Carbon
32	I XMK	Überrollbügel in Exteriorfarbe Roll-over bar in exterior color
32	I XML	Mittelkonsole hinten Wurzelholz Ahorn hell Rear center console in light burr maple
32	I XMP	Sonnenblende Leder, 2 Make-up-Spiegel beleuchtet Leather sun visor, 2 illuminated vanity mirrors
32	I XMR	Sonnenblende Leder, 2 Make-Up-Spiegel beleuchtet Leder Sun visor in leather, 2 illuminated vanity mirrors
32	I XMZ	Mittelkonsole hinten Leder Rear section of centre console in leather
32	I XNB	Mittelkonsole hinten Wurzelholz Ahorn dunkel Rear center console in dark burr maple
32	I XNG	Instrumentenabdeckung Unterteil Leder Instrument surround in leather
32	I XNN	Mitteldüsenträger in Leder Center air vent bracket in leather
32	I XNR	Mitteldüsenträger Carbon Carbon center air vent bracket
32	I XNS	Lenkstock-Verkleidung 4-teilig Leder Leather steering column trim, 4-part
32	I XNU	Zierleiste (Nut) in Leder Leather trim strip (dashboard)
32	I XNV	Zierleiste (Nut) Wurzelholz/Ahorn hell Trim strip (dashboard) in light burr maple
32	I XNW	Zierleiste (Nut) Wurzelholz/Ahorn dunkel Trim strip (dashboard) in dark burr maple
32	I XNX	Zierleiste (Nut) in Carbon Carbon trim strip (dashboard)
32	I XN3	Luftseitendüse Armaturenbrett Leder Dashboard side air vent in leather
32	I XPA	3-Speichen Sportlenkrad, Leder Interiorfarbe 3-spoke sports steering wheel in leather interior color
32	I XPB	3-Speichen Sportlenkrad, Wurzelholz/Ahorn hell, Leder 3-spoke sports steering wheel, light burr maple, leather
32	I XPC	3-Speichen Sportlenkrad, Wurzelholz/Ahorn dunkel, Leder 3-spoke sports steering wheel, dark burr maple, leather
32	I XPD	3-Speichen Sportlenkrad, Carbon/Leder 3-spoke sports steering wheel, Carbon/leather
32	I XPG	3-Speichen Sportlenkrad, Sportsilber 3-spoke sports steering wheel, sports seats
32	I XPT	Deckel Ablagefach Mittelkonsole mit Wappen Centre console storage bin lid with crest
32	I XPU	Multi-funktions-Lenkrad Galvanosilber, neue Generation Multi-function steering wheel Galvano Silver,

997-2_MXI KAT32. TXT

		new generation
32	I XPV	Multi-funktions-Lenkrad Galvanosilber
		Multi-function steering wheel, Galvano Silver
32	I XPW	Instrumentenabdeckung Unterteil Wurzelholz/Ahorn Hell
		Instrument surround in light burr maple
32	I XPX	Instrumentenabdeckung Unterteil Wurzelholz/Ahorn Dunkel
		Instrument surround in dark burr maple
32	I XPY	Instrumentenabdeckung Unterteil Carbon
		Carbon instrument surround
32	I XRB	Sport-Classic-2 Rad 18"
		18-inch Sport Classic II wheel
32	I XRC	Sport-Techno Rad 18"
		18-inch SportTechno wheel
32	I XRL	Sport-Design-Rad 18"
		18-inch SportDesign wheel
32	I XRN	Distanzscheiben 17 mm, hinten
		17-mm spacers, rear
32	I XRP	Distanzscheiben 5 mm, vorn/hinten
		5-mm spacers, front/rear
32	I XRR	Carrera Sport Rad 19"
		19-in. Carrera Sport wheel
32	I XRS	Sport-Classic RAD 19"
		*
32	I XSA	Sportsitzrückenlehne lackiert
		Painted sports seat backrest
32	I XSB	Sportsitzrückenlehne in Leder
		Leather sports seat backrest
32	I XSC	Porsche Wappen geprägt in Kopfstütze
		Porsche Crest embossed in headrest
32	I XSD	Sitzbedienelemente in Leder
		Front seat controls in leather
32	I XSE	Schalensitz links
		Bucket seat, left
32	I XSF	Schalensitz rechts
		Bucket seat, right
32	I XSG	Rennschalensitz links
		Racing bucket seat, left
32	I XSH	Sicherheitsgurte in Silber
		Silver seat belts
32	I XSJ	6-Punkt-Gurte
		6-point harness
32	I XSL	6-Punkt-Sicherheitsbügel
		6-point safety catch
32	I XSM	Rennsport-Sicherheitskäfig
		Racing safety cage
32	I XSN	Entfall hintere Sitzanlage
		Omission of rear seats
32	I XSR	Schalensitz rechts, Rückseite Carbon
		Carbon back for bucket seat, right
32	I XSS	Schalensitz links, Rückseite Carbon
		Carbon back for bucket seat, left
32	I XST	Sicherheitsgurte in Sandbeige
		Seat belts in Sand Beige
32	I XSU	Abgepolsterter Sitz
		Upholstered seat
32	I XSW	Sicherheitsgurte in Maritimblau
		Seat belts in Maritime Blue
32	I XSX	Sicherheitsgurte in Indischrot
		Seat belts in Guards Red
32	I XSY	Sicherheitsgurte in Speedgelb
		Seat belts in Speed Yellow
32	I XTG	Schwellerabdeckung innen Leder
		Inner door sills in leather
32	I XTJ	Türtafelteile Wurzelholz/Ahorn hell
		Door panel parts in light burr maple
32	I XTK	Türtafelteile Wurzelholz/Ahorn dunkel
		Door panel parts in dark burr maple
32	I XTL	Türtafelteile Carbon

997-2_MXI KAT32. TXT

32	I XTR	Door panel parts in Carbon Türtafel teile Alu-Optik
32	I XTT	Door panel parts in Aluminium Look finish Türtafel teile Makassar
32	I XTU	Makassar Ebony door panel parts Türtafel teile Platane
32	I XTV	Sycamore door panel parts Türtafel teile Leder
32	I XTW	Leather door panel parts Türtafel teile Galvanosilber
32	I XUB	Door panel parts in Galvano Silver Abdeckung Scheinwerferreinigungsanlage lackiert
32	I XUC	Cover on headlight cleaning system, painted Modellbezeichnung lackiert
32	I XUV	* Deckel Ablagefach Mittelkonsole mit Schriftzug Centre console storage bin lid with logo
32	I XUX	Entriegelungsschleufe Sitzlehne hinten in Leder *
32	I XVM	Mitteldüse in Leder Leather center air vent
32	I XVP	Zierleiste inklusive Abdeckung Cupholder in Leder Trim strip including cupholder cover in leather
32	I XVR	Seiten-/Mitteldüsen in Leder Side/centre air vent in leather
32	I XVT	Abdeckung Lautsprecher Türen und Fond in Leder Cover for loudspeakers, doors and rear in leather
32	I XV1	Defrosterblende Lederbezogen Defroster trim in leather
32	I XWR	Rahmen PDK-Kulisse in Alu-Optik PDK gate frame in Aluminium Look
32	I XWS	Rahmen PDK-Kulisse lackiert PDK gate frame painted
32	I XWT	Rahmen PDK-Kulisse schwarz lackiert PDK gate frame painted Black
32	I XWU	Rahmen PDK-Kulisse in Leder PDK gate frame in leather
32	I XXB	Einstiegsleisten Edelstahl, Beleuchtet Door entry guards, stainless steel, illuminated
32	I XXD	Einstiegsleisten Carbon, Beleuchtet Door entry guards, carbon, illuminated
32	I XXF	Rote Heckleuchten Red tail lights
32	I XXG	Heckleuchten in Klarglasoptik Tail lights in clear glass look
32	I XXH	Sonnenblende in Alcantara *
32	I XXJ	Abdeckung Innenleuchte in Alcantara *
32	I XXK	Sitzbezüge vorne in Flechtleder *
32	I XXL	Sitzbezüge hinten in Flechtleder *
32	I XXZ	Fussstütze Footrest
32	I XX1	Fussmatten, Schriftzug, Leder eingefasst Floor mats, logo, leather border
32	I XX2	Fussraumbelichtung Illuminated footwell
32	I XYA	PDK-Wählhebel (EXC) PDK selector lever (EXC)
32	I XY5	Kulisse Tiptronic-Wählhebel in Leder Tiptronic gear selector gate in leather
32	I XZB	Mitteldüse in Carbon Carbon centre air vent
32	I XZD	Abdeckung Innenleuchte in Leder Interior light surround in leather
32	I X45	Instrumenten-Zifferblatt lackiert in Interieurfarbe

997-2_MXI KAT32. TXT

		Instrument dial in interior color
32	I X46	Tiptronic-Wählhebel in Alu/Leder
		Tiptronic selector lever in aluminium/leather
32	I X47	Schaltnopf Carbon/Alu/Leder
		Gear lever knob in Carbon/leather
32	I X48	Tiptronic-Wählhebel in Carbon/Alu
		Tiptronic selector lever in Carbon/aluminium
32	I X50	Leistungssteigerung 331/340 kW
		Powerkit 331/340 kW
32	I X51	Leistungssteigerung
		Powerkit 250 kW
32	I X54	Edelstahlendrohre
		Stainless steel tail pipes
32	I X58	Handbremshebel Carb/Alu/Leder
		Handbrake lever in Carbon/leather
32	I X65	Tiptronic-Wählhebel Wurzelholz Hell/Alu
		Tiptronic selector lever in light burr maple/aluminium
32	I X66	Tiptronic-Wählhebel Wurzelholz Dunkel/Alu
		Tiptronic selector lever in dark burr maple/aluminium
32	I X69	Einsteigsblenden Carbon, Schriftzug
		Door entry guards in Carbon with logo
32	I X70	Einsteigsblenden Edelstahl, Schriftzug
		Door entry guards in stainless steel with logo
32	I X71	Instrumenten-Zifferblatt Lackiert/Alufarbe
		Instrument dial painted/aluminium Look finish
32	I X72	Schaltnopf Alu/Wurzelholz Hell/Leder
		Gear lever knob aluminium/light burr maple/leather
32	I X73	Sportfahrwerk Turbo
		Turbo sports suspension
32	I X74	Sportfahrwerk (exklusiv)
		Sports suspension (exclusive)
32	I X75	Sperrdifferential (exklusiv)
		Differential lock (exclusive)
32	I X76	Schwellerverkleidungen links/rechts
		Inner door sill guard, left/right
32	I X91	Handbremshebel Alu/Wurzelholz Hell/Leder
		Handbrake lever aluminium/light burr maple/leather
32	I X97	Schaltnopf Alu/Leder
		Gear lever knob in aluminium/leather
32	I X98	Handbremshebel Alu/Leder
		Handbrake lever in aluminium/leather
32	I X99	Naturalleder
		Natural leather
32	I 022	Zifferblätter Kombiinstrument in schwarz
		Black-coloured instrument dials, instrument cluster
32	I 023	Zifferblätter Kombiinstrument in silber
		Silver-coloured instrument dials, instrument cluster
32	I 024	Griechenland-Ausführung
		Version for Greece
32	I 025	Zifferblätter Stoppuhr in schwarz
		Black-coloured instrument dials, stopwatch
32	I 026	Zifferblätter Stoppuhr in silber
		Silver-coloured instrument dials, stopwatch
32	I 029	Serienfahrwerk
		Standard chassis
32	I 030	Sportfahrwerk
		Sport-type chassis
32	I 032	Langstreckenfahrwerk
		Touring suspension
32	I 034	Italien - Ausführung
		Version for Italy
32	I 058	Pralldämpfer vorn und hinten
		Impact absorbers, front and rear
32	I 061	Grossbritannien-Ausführung
		Version for Great Britain
32	I 062	Schweden-Ausführung
		Version for Sweden
32	I 063	Luxemburg-Ausführung

32	I 064	Version Luxemburg Niederlande-Ausführung Version for Netherlands
32	I 065	Dänemark-Ausführung Version for Denmark
32	I 066	Norwegen-Ausführung Version for Norway
32	I 067	Finnland-Ausführung Version for Finland
32	I 068	PAP Rechtslenker-Ausführung PAP right-hand drive version
32	I 069	Sonstige-Länderausführung Other country version
32	I 071	EU-Länderausführung EU country version
32	I 072	Mexico-Ausführung Version for Mexico
32	I 073	Russland-Ausführung Version for Russia
32	I 074	PAP Linkslenker-Ausführung PAP left-hand drive version
32	I 075	China-Ausführung China version
32	I 098	Linkslenker-Ausführung Left-hand drive version
32	I 099	Rechtslenker-Ausführung Right-hand drive version
32	I 111	Österreich-Ausführung Version for Austria
32	I 113	Kanada - Ausführung Version for Canada
32	I 114	Taiwan - Ausführung Version for Taiwan
32	I 119	Spanien - Ausführung Version for Spain
32	I 124	Frankreich - Ausführung Version for France
32	I 126	Beschreibung französisch Control and indications in French lettering
32	I 127	Beschreibung schwedisch Control and indications in Swedish lettering
32	I 130	Beschreibung englisch Control and indications in English lettering
32	I 150	Betrieb mit verbleitem Kraftstoff Operation with leaded gas
32	I 170	Akustikpaket RDW Acoustic package RoW
32	I 171	Akustikpaket USA Acoustic package USA
32	I 172	Akustikpaket PAP, China, Korea Acoustic package PAP, China, Korea
32	I 176	Sportabgasanlage Sports exhaust system
32	I 182	Heißland Hot country
32	I 183	Superheißland Super-hot country
32	I 193	Japan-Ausführung Version for Japan
32	I 194	Batterie 60 Ah Battery, 60 Ah
32	I 195	Batterie 70 Ah Battery, 70 Ah
32	I 196	Batterie 80 Ah Battery, 80 Ah
32	I 197	Stärkere Batterie Stronger battery
32	I 198	Stärkerer Anlasser (1,7 kW)

32	I 199	Enhanced starter motor (1.7 kW) Batterietrennschalter Battery disconnect switch
32	I 200	Batterie 95 Ah 95 Ah battery
32	I 209	Kennzeichenhalter Ausführung 1 Licence plate holder version 1
32	I 210	Kennzeichenhalter Ausführung 2 Licence plate holder version 2
32	I 211	Kennzeichenhalter Ausführung 3 Licence plate holder version 3
32	I 215	Saudi-Arabien - Ausführung Version for Saudi Arabia
32	I 218	Kennzeichenhalter Ausführung 4 Licence plate holder version 4
32	I 219	Ausgleichsgetriebe Differential
32	I 220	Sperrdifferential 40 % Locking differential 40 %
32	I 225	Belgien-Ausführung Version for Belgium
32	I 250	PDK-Getriebe (Doppelkupplung) PDK transmission (dual clutch)
32	I 265	Automatisch abblendbarer Innenspiegel mit Regensensor Automatic anti-dazzle interior mirror with rain sensor
32	I 266	Automatisch abblendbarer Aussenspiegel Automatic anti-dazzle door mirror
32	I 267	Automatisch abblendbarer Innen und Aussenspiegel Automatically dimmable interior and door mirrors
32	I 268	Regensensor Rain sensor
32	I 270	Aussenspiegel für Fahrerseite -plan-, elektrisch verstell- und beheizbar Door mirrors -flat - driver's side, electrically adjustable and heatable
32	I 271	Aussenspiegel für Fahreseite -sphärisch-, elektrisch verstell- und beheizbar Door mirrors -aspherical - driver's side, electrically adjustable and heatable
32	I 273	Aussenspiegel, elektrisch verstell- und beheizbar Door mirrors, electrically adjustable and heatable
32	I 274	Make-Up Spiegel beleuchtet Vanity mirror, illuminated
32	I 277	Schweiz-Ausführung Version for Switzerland
32	I 288	Scheinwerfer-Reinigungsanlage Headlamp washer
32	I 301	Getriebeübersetzung lang Transmission ratio long
32	I 325	Südafrika/Neuseeland-Ausführung Version for South Africa/New Zealand
32	I 335	3-Punkt-Automatik-Gurte, hinten Automatic seat belt, 3-point, rear
32	I 338	Heck-Antrieb Rear-wheel drive
32	I 339	Allrad-Antrieb All-wheel drive
32	I 342	Sitzheizung, links u. rechts Seat heating system, left/right seat
32	I 345	Lenkradheizung Heated steering wheel
32	I 369	Basissitz links Standard seat, left
32	I 370	Basissitz rechts Standard seat, right
32	I 375	Sportsitz, Lehnschale, links Sports seat, backrest shell, left
32	I 376	Sportsitz, Lehnschale, rechts Sports seat, backrest shell, right

997-2_MXI KAT32. TXT

- 32 I 377 Sports seat, backrest shell, right
Sportsitz, Lehnenschale, links, elektrisch verstellbar
- 32 I 378 Sports seat, backrest shell, left, electrically adjustable
Sportsitz, Lehnenschale, rechts, elektrisch verstellbar
- 32 I 388 Sports seat, backrest shell, right, electrically adjustable
Sportschalensitz links
- 32 I 389 Sports bucket seat, left
Sportschalensitz rechts
- 32 I 392 Sports bucket seat, right
Carrera Rad 17"
- 32 I 393 17-inch Carrera wheel
Rad Boxster-2 17" (987)
- 32 I 397 17-inch Boxster II wheel (987)
Rad Boxster S 18" (987)
- 32 I 398 18-inch Boxster II wheel (987)
Cayman Rad 17"
- 32 I 401 17-in. Cayman wheel
Cayman S Rad 18"
- 32 I 402 18-in. Cayman S wheel
Carrera 3 Rad 18"
- 32 I 403 Carrera 3 wheel 18-inch
Carrera S Rad 19"
- 32 I 404 Carrera S wheel 19-inch
Turbo-1 Rad 19"
- 32 I 405 19" Turbo-1 wheel
Carrera Classic Rad 19"
- 32 I 406 Carrera Classic wheel 19-inch
Carrera GT Rad 19"/20"
- 32 I 407 Carrera GT wheel 19-inch/20-inch
Sport-Design Rad 19"
- 32 I 410 SportDesign wheel 19-inch
Turbo-2 Rad 18"
- 32 I 411 18-inch Turbo-2 wheel
Carrera-Rad 18"
- 32 I 414 18-inch Carrera wheel
Carrera Facelift Rad 18"
- 32 I 415 Carrera S Facelift 18" wheel
Turbo-Look-2 Rad 18"
- 32 I 416 18-inch Turbo-Look II wheel
Rad GT3 18"
- 32 I 418 18-inch GT3 wheel
Rad Turbo-2 18" GT-Silber
- 32 I 419 18-inch Turbo II wheel in GT Silver
Carrera S II Rad 19"
- 32 I 421 Carrera S Facelift 19" wheel
Turbo-2 Rad 19"
- 32 I 424 Turbo 2 wheel, 19"
CD-Ablage
- 32 I 425 Cd compartment
Heckscheibenwischer
- 32 I 426 Rear window wiper
Ohne Heckscheibenwischer
- 32 I 431 Without rear window wiper
Multi-funktionslenkrad, Touch & Feel
- 32 I 432 Multi-function steering wheel, touch + feel
Lenkrad mit Tiptronic-Bedi enung
- 32 I 435 Steering wheel with Tiptronic control
Sportlenkrad
- 32 I 436 Sports steering wheel
3-Speichen-Airbaglenkrad
- 32 I 437 3-spoke airbag steering wheel
Komfortsitz links, elektrisch verstellbar
- 32 I 438 Comfort seat, left, electrically adjustable
Komfortsitz rechts, elektrisch verstellbar
- 32 I 439 Comfort seat, right, electrically adjustable
Elektrische, Verdeckbetätigung
- 32 I 440 Electrical hood operation
Antennen-Diversität

997-2_MXI KAT32. TXT

- 32 I 441 Antenna di versi ty
Radio vorberei tung
Radio preparati on
- 32 I 444 Diebstahl si cherung, Radschrauben "THATCHAM"
Anti -theft lock, wheel bolts "THATCHAM"
- 32 I 446 Radzierdeckel konkav mi t farbi gem Wappen
Concave wheel centers wi th full -colour Porsche Crest
- 32 I 447 Notrad
Emergency wheel
- 32 I 448 Bremsbel ag; Sportausfö h rung
Brake pad; sport version
- 32 I 450 Keramik-Bremse (PCCB)
Ceramic brake (PCCB)
- 32 I 451 Multi funkti onslenkrad, makassar, Touch & Feel
Multi -functi on steering wheel , Makassar Ebony, touch + feel
- 32 I 452 Multi funkti onslenkrad, platane, Touch & Feel
Multi -functi on steering wheel , Sycamore, touch + feel
- 32 I 453 Multi funkti onslenkrad, carbon, Touch & Feel
Multi -functi on steering wheel , Carbon, touch + feel
- 32 I 454 Automati sche Geschwi ndi gkei tsregul ierung
Automatic speed control
- 32 I 459 3-Spei chen-Ai rbaglenkrad, Touch & Feel
3-spoke airbag steering wheel , touch + feel
- 32 I 460 Sportlenkrad, Touch & Feel
Sports steering wheel , touch + feel
- 32 I 461 Stabantenne
External antenna
- 32 I 465 Nebel schl ussleuchte links
Rear fog light, left
- 32 I 466 Nebel schl ussleuchte rechts
Rear fog light, right
- 32 I 475 Elektri sche Dämpferregel ung "PASM"
"PASM" electronic damper control
- 32 I 476 Porsche Stabi lity Management (PSM)
Porsche Stabi lity Management (PSM)
- 32 I 479 Australien - Ausfö h rung
Version for Australia
- 32 I 480 6-Gang Schal tgetrie be
6-speed manual transmi ssi on
- 32 I 482 Rei fendruckkontrolle, RDK 433 Mhz
Ti re Pressure Moni toring TPM, 433 MHz
- 32 I 483 Rei fendruckkontrolle, RDK 315 Mhz
315-MHz TPM, Ti re Pressure Moni toring
- 32 I 484 USA - Ausfö h rung
Version for USA
- 32 I 488 Beschri ftung deutsch
Inscrip ti ons in German language
- 32 I 490 Klangpaket "ASK"
Sound system "ASK"
- 32 I 492 Scheinwerfer für Linksverkehr
Headlights for left-hand traffi c
- 32 I 498 Entfall der Model lbezeichnung am Heck
Deletion of model designati on on rear end
- 32 I 499 Ausfö h rung für die Bundesrepubli k Deutschl and
Version for Germany
- 32 I 501 Car-Cover
Car cover
- 32 I 509 Feuerlö scher
Fire extingui sher
- 32 I 513 Lordosenstütze rechter Si tz
Lumbar support, right seat
- 32 I 521 Nei gungsgeber
Tilt sensor
- 32 I 524 Wegfahr si cherung, Zentral verri egel ung, 433 MHz
Immobili zer, central locki ng, 433 MHz
- 32 I 525 Wegfahr si cherung, Zentral verri egel ung, 315 MHz
Immobili zer, central locki ng, 315 MHz
- 32 I 532 Entfall Fernbedi enung Al armanl age

997-2_MXI KAT32. TXT

		Alarm system remote control omitted
32	I 533	Entfall Funkbetätigung Verdeck
		Radio convertible-top operation omitted
32	I 534	Diebstahlsicherungsanlage 433 Mhz
		Theft security system, 433 MHz
32	I 535	Diebstahlsicherungsanlage 315 Mhz
		Theft security system, 315 MHz
32	I 536	-07 Alarmsirene und Neigungsgeber 08- Alarmsirene
		-07 Alarm siren and tilt sensor 08- Alarm siren
32	I 537	Sitzpositions-Steuerung für Komfortsitz, links
		Seating position control for comfort seat, left
32	I 538	Sitzpositions-Steuerung für Komfortsitz, rechts
		Seating position control for comfort seat, right
32	I 539	Mechanische Sitzhöhenverstellung links
		Mechanical seat-height adjustment, left
32	I 540	Mechanische Sitzhöhenverstellung rechts
		Mechanical seat-height adjustment, right
32	I 541	Aktive Sitzbelüftung
		Active seat ventilation
32	I 542	Aktive Sitzbelüftung, vorn und hinten
		Active seat ventilation, front and rear
32	I 544	Diebstahlsicherung ohne Infrarot-Überwachung 433 MHz
		Anti-theft protection without infrared monitoring, 433 MHz
32	I 545	Diebstahlsicherung ohne Infrarot-Überwachung 315 MHz
		Anti-theft protection without infrared monitoring, 315 MHz
32	I 549	Dachtransportsystem
		Roof Transport System
32	I 550	Hardtop
		Hard top
32	I 551	Windstop
		Wind deflector
32	I 553	USA-Canada-Ausführung
		Version for USA, Canada
32	I 554	Bugspoilerlippe bei gelegt
		Front spoiler lip included
32	I 555	Sicherheitsgurte in Schwarz
		Black seat belts
32	I 560	Advanced Airbag
		Advanced airbag
32	I 562	Airbag Fahrer- und Beifahrerseite
		Airbag, driver's side and front passenger's side
32	I 563	Seitenairbag
		Side airbag
32	I 566	Nebelscheinwerfer weiss
		Front fog lights, white
32	I 567	Frontscheibe im oberen Bereich stark eingefärbt
		Windscreen tinted, upper part darker coloured
32	I 568	Windschutzscheibe ohne Bandfilter
		Windscreen without shade band
32	I 571	Aktivkohlefilter
		Activated charcoal filter
32	I 572	Klimaanlage manuell
		Manual air-conditioning system
32	I 573	Klima-Anlage
		Air conditioner
32	I 574	Ohne Klimaanlage
		Without air conditioner
32	I 575	Kofferraumkühlung
		Luggage compartment cooling system
32	I 581	Mittelkonsole vorn
		Centre console, front
32	I 584	Ablagebox auf Motordeckel
		Storage box on engine cover
32	I 586	Lordosenstütze linker Sitz
		Lumbar support, left seat
32	I 594	Himmel Alcantara
		Alcantara roof lining
32	I 601	Xenon-Licht

997-2_MXI KAT32. TXT

- 32 I 602 Xenon lighting system
Hochgesetzte Bremsleuchte
Raised stop lamp
- 32 I 603 Xenon plus dynamisches Kurvenlicht
Xenon plus dynamic cornering light
- 32 I 606 Tagfahrlicht
Daytime driving lights
- 32 I 607 Garagentoröffner "Homelink" 315Mhz
Garage door opener "Homelink", 315 MHz
- 32 I 608 Garagentoroeffner "Homelink" 433Mhz
Garage door opener "Homelink" 433 MHz
- 32 I 610 DVD Navigation "Paket Europa"
DVD navigation, "Europe package"
- 32 I 611 DVD Navigation Südafrika
DVD navigation South Africa
- 32 I 612 DVD Navigation mittlerer Osten
DVD navigation middle east
- 32 I 613 DVD Navigation Australien
DVD navigation australia
- 32 I 614 DVD Navigation Asien-Pazifik
DVD navigation asia-pacific
- 32 I 615 DVD Navigation, Nordamerika
DVD navigation system, North America
- 32 I 616 DVD, Navigation Russland
DVD, Navigation Russia
- 32 I 617 DVD Navigation Südamerika
DVD navigation South America
- 32 I 618 Telefonvorbereitung
Preparation for telephone installation
- 32 I 619 Handyvorbereitung (BLUETOOTH) ohne Konsole
Mobile phone preparation (BLUETOOTH) without console
- 32 I 621 12 Volt Steckdose, Bei fahrerseite, Fussraum
12-V socket, passenger's side, footwell
- 32 I 625 Porsche "entry and drive""KESSY"
"KESSY" Porsche Entry and Drive
- 32 I 635 Einparkhilfe
Parking assistant
- 32 I 639 Sport-Chrono-Paket
Sport Chrono package
- 32 I 640 Sport-Chrono-Paket plus
Sport Chrono package plus
- 32 I 641 elektronisches Fahrtenbuch
electronic logbook
- 32 I 650 Elektrisches Schiebedach
Electrical sliding roof
- 32 I 651 Elektrischer Fensterheber
Electric window opener
- 32 I 652 Ohne Schiebe-Hubdach
Without sliding/tilting roof
- 32 I 657 Servolenkung
Power assisted steering
- 32 I 659 Bordcomputer
On-board computer
- 32 I 660 OBD 2
OBD 2
- 32 I 661 Verschärftes Abgaskonzept
Stricter emission-control concept
- 32 I 663 Kraftstoffpumpensteuerung
Fuel pump activation
- 32 I 664 ORVR
ORVR
- 32 I 665 -2008 PCM 2, 2009- PCM 3 Grundmodul inklusive Radio
-2008 PCM 2, 2009- PCM 3 basic module incl. radio
- 32 I 666 -2008 PCM 2, 2009- PCM 3 Telefon (GSM)
-2008 PCM 2, 2009- PCM 3 telephone (GSM)
- 32 I 668 PCM2 Telefonbedienhoerer
PCM2 telephone handset
- 32 I 669 PCM 3 - Telefon Bedi enhörer (BLUETOOTH)

32	1670	PCM 3 - Telephone handset (BLUETOOTH) PCM2 Navigation PCM2 navigation
32	1671	Sprachbediensystem Voice control system
32	1672	-2008 PCM 2, 2009- PCM 3 Navigation Offroad -2008 PCM 2, 2009- PCM 3 Offroad navigation
32	1673	Vorbereitung Navigation China Navigation system preparation, China
32	1674	Vorrüstung "Vehicle Tracking System" "Vehicle Tracking System" preparation
32	1675	Ohne Radio Vorbereitung (Japan-Navi) Without radio preparation (Japan navigation system)
32	1676	TV-Tuner TV tuner
32	1677	"Drivercard" Antenne "Driver card" antenna
32	1678	Anbindung Alarmanlage Alarm system connection
32	1679	Wiederstartverhinderung Restart inhibitor
32	1680	Soundpaket BOSE BOSE sound package
32	1685	Geteilte Rücksitzanlage Rear seats, split
32	1686	SAT-Radioempfang XM (SDARS) SAT radio reception XM (SDARS)
32	1689	CD-Wechsler Vorbereitung Preparation for CD autochanger
32	1690	CD-Radio "Porsche Online Pro" CD radio "Porsche Online Pro"
32	1692	CD-Wechsler "Porsche" CD autochanger "Porsche"
32	1693	CD-/DVD-Wechsler integriert Integrated CD/DVD autochanger
32	1694	CD-Radio "PORSCHE CDR 24" CD radio "PORSCHE CDR 24"
32	1697	CD-Radio "Porsche CDR 23" CD radio "Porsche CDR-23"
32	1711	Entfall Unterbodenschutz Omission underbody protection
32	1751	PCCB, Vorderachse und Hinterachse 3K PCCB, front axle and rear axle 3K
32	1752	PCCB, Vorderachse MFF / Hinterachse 3K PCCB, front axle MFF / rear axle 3K
32	1756	Sondermodell "911 Sport Classic" Special model "911 Sport Classic"
32	1796	Ganzlederausstattung Naturlleder Full leather trim natural leather
32	1798	Ganzlederausstattung Sonderleder Full leather trim special leather
32	1799	Ganzlederausstattung nach Wahl Full leather trim by choice
32	1801	Holzpaket Makassar, dunkel seidenmatt Makassar Ebony wood package, dark (matt satin finish)
32	1802	Holzpaket Platane, hell seidenmatt Sycamore package, light (matt satin finish)
32	1803	Carbonpaket Carbon package
32	1804	Exterieur-Paket Carbon GT2 GT2 Carbon exterior package
32	1805	Lifestyle-Paket Lifestyle package
32	1810	Fussmatten Floor mats
32	1840	Sportlenkrad-PDK mit Paddle Sports steering wheel for PDK with paddle
32	1841	Basislenkrad Glattleder

997-2_MXI KAT32. TXT

32	1844	Basic steering wheel Smooth leather Multi-funktionslenkrad Glattleder
32	1845	Multi-function steering wheel Smooth leather Multi-funktionslenkrad Carbon
32	1847	Multi-function steering wheel Carbon Multi-funktionslenkrad Makassar
32	1870	Multi-function steering wheel Makassar Universale Multi-media-Schnittstelle
32	1911	Universal multimedia interface Modellbezeichnung 911
32	1912	*
32	1912	ohne Typschild without ID plate
32	1936	Sitzbezüge hinten, Leder Seat covers, rear, leather
32	1937	Sitzbezüge hinten, Kunstleder Seat covers, rear, leatherette
32	1939	Sitzbezüge hinten, Raffleder Seat covers, rear, draped leather
32	1946	Sitzbezüge vorne, Leder/Leder/Kunstleder Seat covers, front, leather/leather/leatherette
32	1950	Sitzbezüge vorne, Alcantara/Kunstleder/Kunstleder Alcantara seat covers, front
32	1951	Sitzbezüge vorne, Alcantara/Leder/Leder Seat covers front, Alcantara/leather/leather
32	1970	Innenaustattung zwei farbig Two-tone interior
32	1971	Naturleder mit "TORO"-Prägung "TORO" embossed leather
32	1981	Leder-Ausstattung, ohne Sitzbezug Leather equipment, without seat covers
32	1982	Sitzbezüge vorne, Raffleder/Leder/Leder Seat covers, front, draped leather/leather/leather
32	1983	Sitzbezüge vorne, Leder Seat covers, front, leather
32	1985	Sitzbezüge, Leder/Leder/Kunstleder, 2 Seat covers, leather/leather/leatherette, 2
32	1990	Sitzbezüge vorne, Stoff/Stoff/Kunstleder Seat covers, front, cloth/cloth/leatherette
32	1991	Airbagmodul in Leder Steering wheel airbag module in leather
32	1998	Leder, Natur Leather, natural
32	1999	Innenraumüberwachung Sensor für Lederfarbe nach Wahl Passenger compartment monitoring sensor for leather colour of choice

Model 997-2	Year 09	MG	SG	Illustration	VIN No.	Update 231	13:47	10.09.2008
----------------	------------	----	----	--------------	---------	---------------	-------	------------

EQUIPMENT BY COUNTRY REGULATIONS

=====

- (A) AUSTRIA
- (AG) ARABIAN GULF STATES
- (AUS) AUSTRALIA
- (B) BELGIUM
- (BR) BRAZIL
- (CDN) CANADA
- (CH) SWITZERLAND
- (CN) PEOPLE'S REPUBLIC OF CHINA
- (D) FEDERAL REPUBLIC OF GERMANY
- (DK) DENMARK
- (E) SPAIN
- (F) FRANCE
- (GB) GREAT BRITAIN
- (GR) GREECE
- (HK) HONGKONG

Model	Year	MG	SG	Illustration	VIN No.	Update		
997-2	09					231	13:47	10.09.2008

(I) ITALY

(J) JAPAN

(L) LUXEMBURG

(N) NORWAY

(NL) NETHERLANDS

(NZ) NEW ZEALAND

(P) PORTUGAL

(ROK) KOREA

(RC) TAIWAN

(THA) THAILAND

(S) SWEDEN

(SA) SAUDI ARABIA

(SF) FINLAND

(USA) UNITED STATES OF AMERICA

(ZA) SOUTH AFRICA

Model 997-2	Year 09	MG	SG	Illustration	VIN No.	Update 231	13:47	10.09.2008
----------------	------------	----	----	--------------	---------	---------------	-------	------------

IN COLUMN - A -

IDENTIFICATION LETTER FOR PERIOD OF INSTALLATION
 THAT IS REPEATED SEVERAL TIMES IN THE CATALOG GROUP.

EXPLANATION PLEASE FIND IN TEXT COLUMN OF THE CATALOG GROUP

IN COLUMN - QU - = NO. OF PIECES

- 1 NUMBER PER APPLICATION
- X NUMBER AS NEEDED
- * AVAILABLE ONLY IN RUNNING LENGTHS 1 = 1 METRE

IN COLUMN - MODEL/SYMBOL -

- M650 OPTIONAL EQUIPMENT - SEE M-NO. LIST
- 98 LIMITATION OF MODEL YEAR FOR INSTANCE: VALID UP TO
 END OF MODEL YEAR 1997
- /LL LHD
- /RL RHD
- +
- /V FRONT I

Model	Year	MG	SG	Illustration	VIN No.	Update		
997-2	09					231	13:47	10.09.2008

I
 /H REAR I
 I----> APPLIES TO
 /L LEFT I DIRECTION OF TRAVEL
 I
 /R RIGHT I
 -----+
 WW THE PART CAN BE USED INSTEAD OF THE
 PRECEDING ONE.

Model	Year	MG	SG	Illustration	VIN No.	Update		
997-2	09					231	13:47	10.09.2008

LEGENDS AND NOTICES

=====

IN COLUMN -S- STATUS

- N NEW ADDITION
- P PART ALREADY IN PROGRAMME, BUT NEW
AT THIS APPLICATION
- W DELETED AT THIS APPLICATION, BUT CONTINUED TO BE CARRIED
- K THIS PART MUST BE RE-ORDERED IF IT IS UNAVAILABLE WHEN THE
ORDER IS FIRST PLACED. ORDER BACKLOGS ARE NOT PROCESSED.
- A STOCK TO BE USED UP
- U DELETED WITHOUT REPLACEMENT
- * PART ALSO OR ONLY AVAILABLE
IN REPAIR KIT
- > ALSO AVAILABLE IN EXCHANGE

IN COLUMN - ILL. -

- 1 IDENTIFICATION NO. IN ILLUSTRATION
- (1) PART ONLY SIMILAR AS ILLUSTRATED

Model	Year	MG	SG	Illustration	VIN No.	Update	13:47	10.09.2008
997-2	09					231		

- PART IS NOT ILLUSTRATED

FIG.-NUMBERS FOR WHICH THERE IS SHOWN NO TEXT ARE
NOT VALID FOR THIS EDITION OF CATALOGUE

IN COLUMN -PART NUMBER/CODE-

000 000 000 00 PART NUMBER EQUALS ORDERING NO., IF A CODE IS
SHOWN, IT WILL HAVE TO BE PART OF ORDERING
NUMBER

01C COLOUR CODE

IN COLUMN -TEXT

INSTALLATION WITH ENGINE OR CHASSIS
NUMBER-RANGE

EXAMPLE:

M 66W 00389>> FROM ENGINE NO.

F >>99WS6 00889 UP TO CHASSIS NO.

Model	Year	MG	SG	Illustration	VIN No.	Update		
997-2	09					231	13:47	10.09.2008

VEHICLE TYPE	TYPE	MY	TRANSMISSION NO.	TECHNICAL DATA
997 CARRERA C2	G97.05	09 9	G9705 1 002001>999999	6-GANG
997 CARRERA PDK C2	CG1.00	09 9	CG100 1 002001>999999	7-GANG
997 CARRERA C4	G97.35	06 6	G9735 1 002001>999999	6-GANG
997 CARRERA PDK C4	CG1.30	06 6	CG130 1 002001>999999	7-GANG

Model	Year	MG	SG	Illustration	VIN No.	Update		
997-2	09					231	13:47	10.09.2008

EXPLANATION OF THE TRANSMISSION-NUMBERS USED IN THE CATALOGUE

=====

DIGIT: 1 2 3 4 5 6 7 8 9 10 11

EXAMPLE: G 9 7 0 1 1 0 0 5 4 3

= ===== = =====

! ! ! !

! ! ! !

TRANSMISSION TYPE-----+ ! !

! ! !

TRANSMISSION VERSION-----+ ! !

! !

INDEX OF VARIANTS-----+ !

!

SERIAL NUMBER-----+ !

Model	Year	MG	SG	Illustration	VIN No.	Update		
997-2	09					231	13:46	10.09.2008

ENGINE

VEHICLE TYPE	TYPE	MY	ENGINE NO.	TECHNICAL DATA
997 COUPE/CABRIO	MA1.02	09 9	__9 00501>99999	6ZYL/3,6L /253 KW
997 COUPE S/CABRIO S	MA1.01	09 9	__9 00501>99999	6ZYL/3,8L /283 KW

Model	Year	MG	SG	Illustration	VIN No.	Update	13:46	10.09.2008
997-2	09					231		

EXPLANATION OF THE MOTOR-NUMBERS USED IN THE CATALOGUE

=====

DIGIT: 1 2 3 4 5 6 7 8

EXAMPLE: 6 9 5 0 0 1 3 6

= = = =====

! ! ! !

ENGINE TYPE (6 = 6-CYL.-ENGINE)-----+ ! ! !

! ! !

ENGINE VERSION-----+ ! !

! !

MODEL YEAR-----+ !

!

SERIAL NUMBER-----+ !

Model	Year	MG	SG	Illustration	VIN No.	Update		
997-2	09					231	13:46	10.09.2008

VEHICLE TYPE	MY	VIN	ENGINE TYPE
997 COUPE	09 9	999S7 00061> 6000	MA1.02 253 KW
997 COUPE (USA.CDN.MEX.BR)	09 9	999S7 06061>10000	MA1.02 253 KW
997 COUPE S	09 9	999S7 10061>20000	MA1.01 283 KW
997 COUPE S (USA.CDN.MEX.BR)	09 9	999S7 20061>30000	MA1.01 283 KW
997 CABRIO	09 9	999S7 35061>40000	MA1.02 253 KW
997 CABRIO (USA.CDN.MEX.BR)	09 9	999S7 40061>45000	MA1.02 253 KW
997 CABRIO S	09 9	999S7 45061>54000	MA1.01 283 KW
997 CABRIO S (USA.CDN.MEX.BR)	09 9	999S7 54061>60000	MA1.01 283 KW

Model 997-2	Year 09	MG	SG	Illustration	VIN No.	Update 231	13:46	10.09.2008
----------------	------------	----	----	--------------	---------	---------------	-------	------------

EXPLANATION OF THE ABRIDGED VERSION OF THE VEHICLE IDENT. NUMBERS (VIN)

=====

USED IN THE CATALOGUE

=====

DIGIT: 1 2 3 4 5 6 7 8 9 10 11 12 13 14 15 16 17

EXAMPLE: W P 0 Z Z Z 9 9 Z 5 S 7 0 0 1 2 5

 === = = = =====

 ! ! ! ! !

VEHICLE TYPE 1ST+2ND DIGIT-----+ ! ! ! !

 ! ! ! !

MODEL YEAR-----+ ! ! !

 ! ! !

MANUFACTURING LOCATION-----+ ! !

 ! !

VEHICLE TYPE 3RD DIGIT-----+ !

 !

SERIAL NUMBER-----+ !

Model	Year	MG	SG	Illustration	VIN No.	Update		
997-2	09					231	13:46	10.09.2008

PET CONTAINS THE ORDERING DETAILS FOR ALL MODELS SHOWN IN THE MODEL OVERVIEW.

THE UPDATE SERVICE IS PERFORMED AUTOMATICALLY VIA INTERNET UPDATE.

THE VERSION IS SHOWN IN THE HEADER AS "UPDATE 123/12"

SEATS AND RELATED ITEMS FOR MODELS INTRODUCED BEFORE 1997 ARE SHOWN IN THE STZ CATALOGUE.

SEATS AND RELATED ITEMS FOR MODELS INTRODUCED AFTER 1997 ARE SHOWN IN THE CORRESPONDING VEHICLE CATALOGUES.

ALL ILLUSTRATIONS ARE NON-BINDING.

SUBJECT TO CHANGE.