



Model	Year	MG	SG	Illustration	Restrictions	UPD	23:01	24.01.2010	PORSCHE	PET	PORSCHE
997-1	2008	0	01	001-00		248					

Pos	Part Number	Description	Remark	Qty	Model	Pos	Part Number	Description	Remark	Qty	Model
-	997 722 709 00	support warning triangle		2	CARRERA 4/4S						
-	993 722 041 00	first-aid kit		1							

Model	Year	MG	SG	Illustration	Restrictions	UPD	23:01	24.01.2010
997-1	2008	0	01	001-05		248		

Pos	Part Number	Description	Remark	Qty	Model
		stickers			
		stickers emergency wheel		1	I447
-	996 361 701 20	sticker english	(AUS)	1	
-	997 361 701 00	sticker arabic		1	I215
-	928 701 150 00	sticker "MAX 80 KM/H"		1	
		stickers engine specifications			
2	996 006 108 00	sticker	05	1	I068
2	997 006 108 00	sticker	06-	1	I068
(2)	955 701 675 00	sticker expansion tank	08	1	I193
3	996 006 120 00	indication sticker expansion tank coolant	05	1	
4	997 006 544 00	sticker engine oil - MOBIL 1 -		1	
(4)	997 701 535 00	sticker engine-oil level	08	1	I193
		stickers type of fuel			
5	996 006 117 00	sticker 98 ROZ		1	
5	996 006 117 02	sticker 96 ROZ	(AUS)	1	
5	996 006 117 01	sticker 98 ROZ		1	I150
5	996 006 117 03	sticker 93 RON/MON/2		1	I193
5	955 701 676 15	sticker fuel	08	1	I193
5	955 701 676 10	sticker fuel filler flap	08	1	I193
		stickers airbag			

PORSCHE

PET

PORSCHE

Model	Year	MG	SG	Illustration	Restrictions	UPD	23:01	24.01.2010
997-1	2008	0	01	001-05		248		

Pos	Part Number	Description	Remark	Qty	Model
6	3B0 010 219 B	sticker child car seat		1	
6	8D0 010 141 Q	sticker child car seat	(AUS)	1	
6	997 701 430 00	sticker child car seat german		1	
6	997 701 430 01	sticker child car seat english		1	
6	997 701 430 02	sticker child car seat french		1	
6	997 701 430 03	sticker child car seat italian		1	
6	997 701 430 04	sticker child car seat swedish		1	
6	997 701 430 05	sticker child car seat spanish		1	
6	997 701 430 06	sticker child car seat arabic		1	
6	997 701 430 07	sticker child car seat chinese	06-	1	
(6)	955 701 675 10	sticker Recycling	08	1	I193
9	996 701 141 01	sticker air conditioner		1	
(9)	997 701 521 00	sticker air conditioner	08	1	I193
(9)	955 701 673 00	sticker battery	08	1	I193
10	997 701 170 00	sticker first-aid kit		1	
(10)	997 701 527 00	sticker headlamp	08	1	I193
(10)	955 701 675 05	sticker brake fluid	08	1	I193

PORSCHE


PET

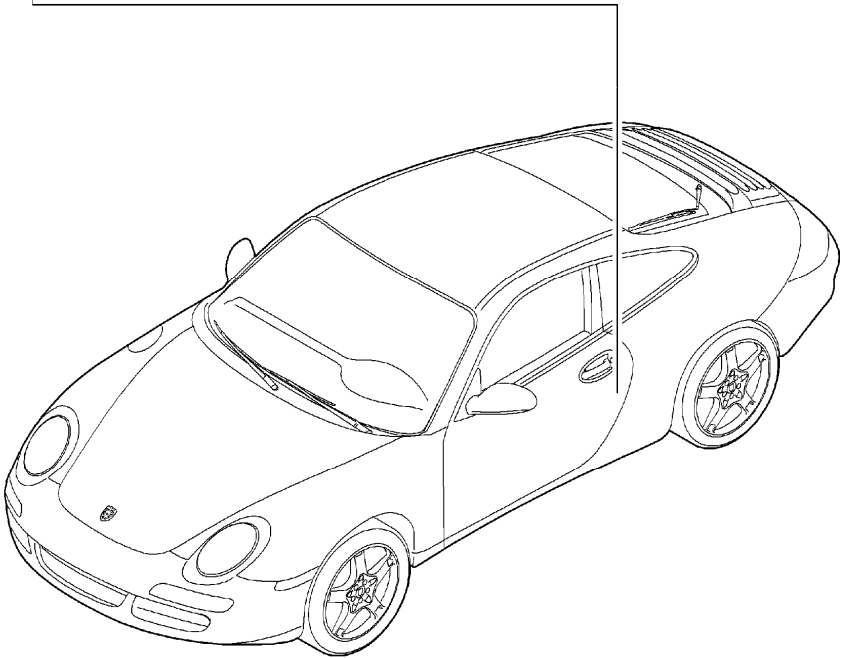
PORSCHE

Model	Year	MG	SG	Illustration	Restrictions	UPD	23:01	24.01.2010
997-1	2008	0	01	001-05		248		

Pos	Part Number	Description	Remark	Qty	Model
11	955 701 675 15	sticker import japan	08	1	I193
12	997 701 531 00	sticker airbag	08	1	I193
(12)	955 701 676 00	sticker warning light engine	08	1	I193
		stickers convertible top control see group 8/07/09			CABRIO

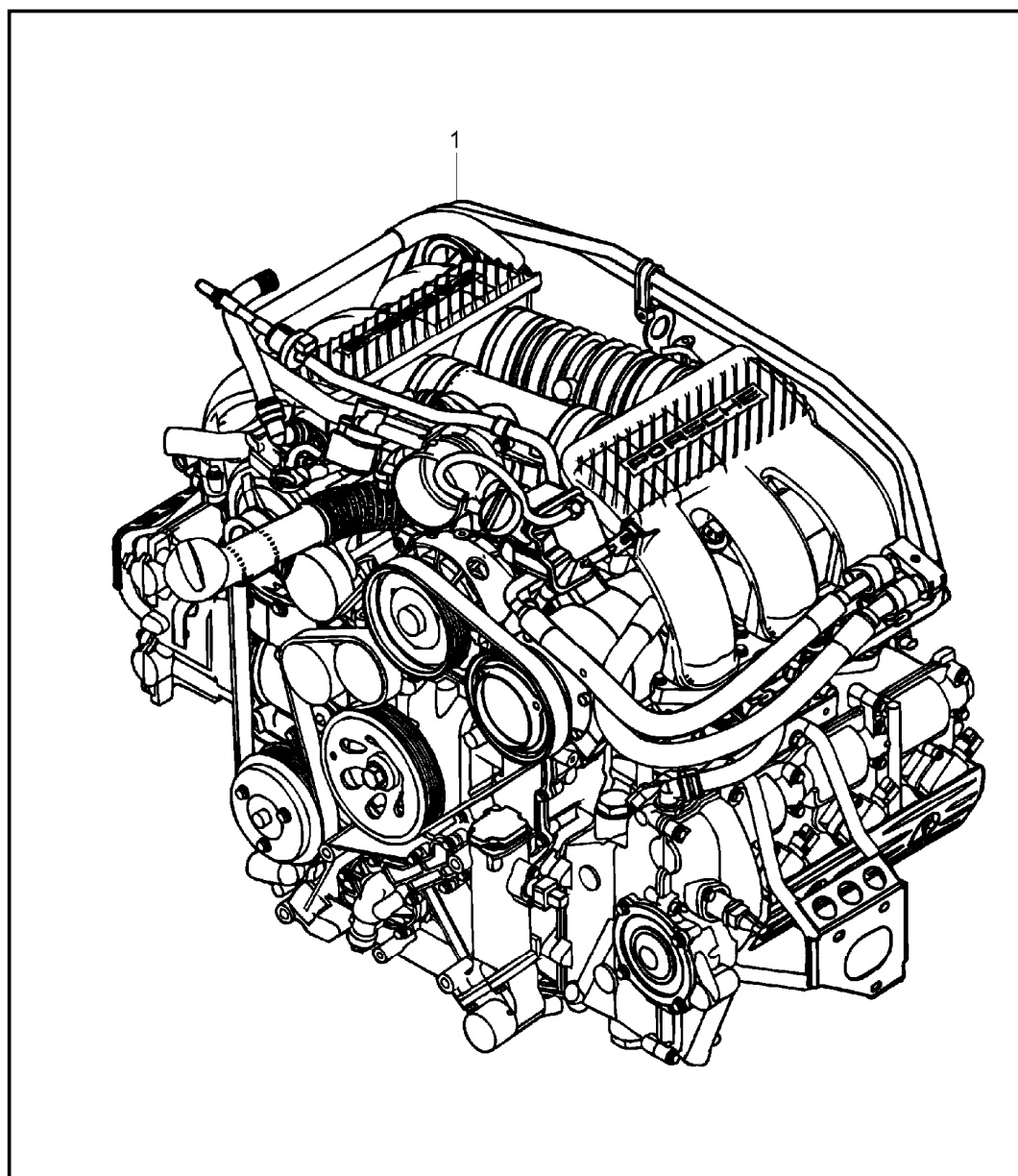
Model	Year	MG	SG	Illustration	Restrictions	UPD	23:01	24.01.2010	PORSCHE	PET	PORSCHE
997-1	2008	0	04	004-00		248					

Colour ZBH Label Turkis Metallic				[A] Made in Germany Reifentülldruck kalte Reifen (20°). Nur Porsche freigegebene Reifen verwenden. Bei Reifenpanne siehe Fahrzeug-Bedienungsanleitung. Cold tyre inflation pressure (20°). Use only tyres released by Porsche. In case of tyre trouble see Operating Instructions. Pression des pneus froids (20°). N'utilisez que des pneus autorisés par Porsche. En cas de crevaisson d'un pneu consultez les Instructions de service. Presión de neumáticos fríos (20°). Utilice únicamente neumáticos homologados por Porsche. En caso de pinchazo de neumático consulte las instrucciones de servicio del automóvil. Pressione pneumatici freddi (20°). Usare soltanto pneumatici omologati da Porsche. In caso di foratura vedere libretto uso e manutenzione.
		bar psi	bar psi	
	E	G J	★★	K M F
	S	G J	★★	K M T
	E	G J	★★	K M F
	S	G J	★★	K M T
	E	G J	★★	K M F
	S	G J	★★	K M T
	E	G J	★★	K M F
	S	G J	★★	K M T



Pos	Part Number	Description	Remark	Qty	Model
-	911 095 932 20	paint touch-up applicator lacquers		X	
	041	black			A 1
	80K	guards red			G 1
	B9A	carrara white			B 4
	12G	speed yellow			X 4
-	911 095 933 20	paint touch-up applicator set comprising: paint touch-up applicator primer paint touch-up applicator clear lacquer		X	
	92T	arctic silver metallic			X 1
	M3W	carmon red metallic			E 4
	M5W	lapis blue metallic			J 2
	M6W	lagoon green metallic			G 4
	C9Z	basalt black metallic			Z 4
	M7X	atlas grey metallic			E 7
	37W	midnight blue metallic			E 9
	6B5	seal grey metallic			Y 1
	22E	forest green metallic			53
	37U	cobalt blue metallic			56
	22D	slate grey metallic			59
	M7Z	gt silver metallic			U 2
	M6X	dark olive-metallic			7 G
	M7W	Meteor Grey Metallic	07-		9 Q
	8A7	ruby red metallic	08		L 2
	M8W	Macadamia Metallic	08		9 S
	2B5	Malachite Green Metallic	08		H 1
	M2Z	Nordic Gold Metallic	08		8 W

Model	Year	MG	SG	Illustration	Restrictions	UPD	23:01	24.01.2010	PORSCHE	PET	PORSCHE
997-1	2008	1	01	101-00		248					



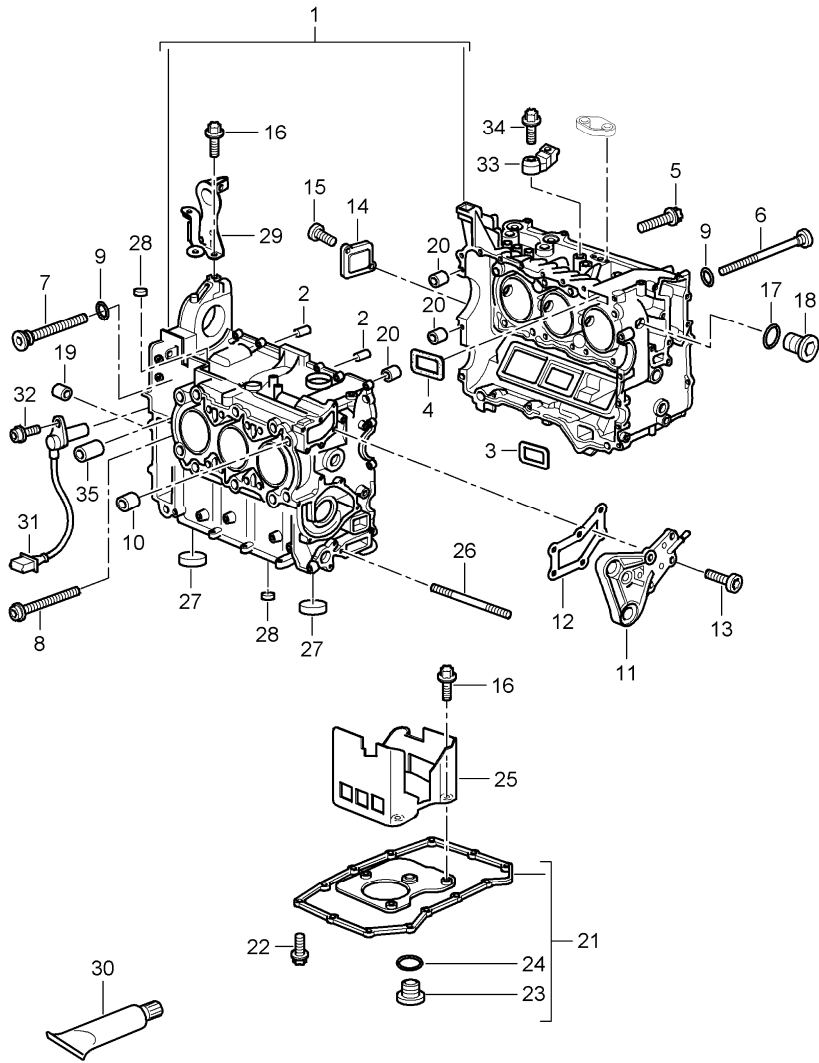
Pos	Part Number	Description	Remark	Qty	Model
		replacement engine			M97.01 M96.05
		without drive plate tiptronic without flywheel manual transmission without compressor			
1	> 997 100 997 00	replacement engine		05	1 M97.01 I480
1	> 997 100 997 02	replacement engine		06	1 M97.01 I480
1	> 997 100 997 04	replacement engine		07	1 M97.01 I480
1	> 997 100 997 06	replacement engine		08	1 M97.01 I480
1	> 997 100 997 40	replacement engine		06	1 M97.01 IX51/480
1	> 997 100 997 42	replacement engine		07	1 M97.01 IX51/480
1	> 997 100 997 44	replacement engine		08	1 M97.01 IX51/480
1	> 997 100 997 01	replacement engine		05	1 M97.01 I249
1	> 997 100 997 03	replacement engine		06	1 M97.01 I249
1	> 997 100 997 05	replacement engine		07	1 M97.01 I249
1	> 997 100 997 07	replacement engine		08	1 M97.01 I249
1	> 997 100 997 41	replacement engine		06	1 M97.01 IX51/249
1	> 997 100 997 43	replacement engine		07	1 M97.01 IX51/249
1	> 997 100 997 45	replacement engine		08	1 M97.01 IX51/249
		technical information Gruppe 1 Nr.4/04 attention			

Model	Year	MG	SG	Illustration	Restrictions	UPD	23:01	24.01.2010	PORSCHE	PET	PORSCHE
997-1	2008	1	01	101-00		248					

Pos	Part Number	Description	Remark	Qty	Model	Pos	Part Number	Description	Remark	Qty	Model
(1)	A 996 100 996 21	replacement engine		05	1 M96.05 I480						
(1)	A 996 100 996 31	replacement engine		05	1 M96.05 I480						
(1)	> 996 100 996 33	replacement engine until 01/05 use		05	1 M96.05 I480						
(1)	> 996 100 997 02	replacement engine  from 02/05 use		06	1 M96.05 I480						
(1)	> 996 100 997 04	replacement engine		07	1 M96.05 I480						
(1)	> 996 100 997 06	replacement engine		08	1 M96.05 I480						
(1)	A 996 100 996 22	replacement engine		05	1 M96.05 I249						
(1)	A 996 100 996 32	replacement engine		05	1 M96.05 I249						
(1)	> 996 100 996 34	replacement engine until 01/05 use		05	1 M96.05 I249						
(1)	> 996 100 997 03	replacement engine  from 02/05 use		06	1 M96.05 I249						
(1)	> 996 100 997 05	replacement engine		07	1 M96.05 I249						
(1)	> 996 100 997 07	replacement engine		08	1 M96.05 I249						



Model	Year	MG	SG	Illustration	Restrictions	UPD	23:02	24.01.2010	PORSCHE	PET	PORSCHE
997-1	2008	1	01	101-05		248					

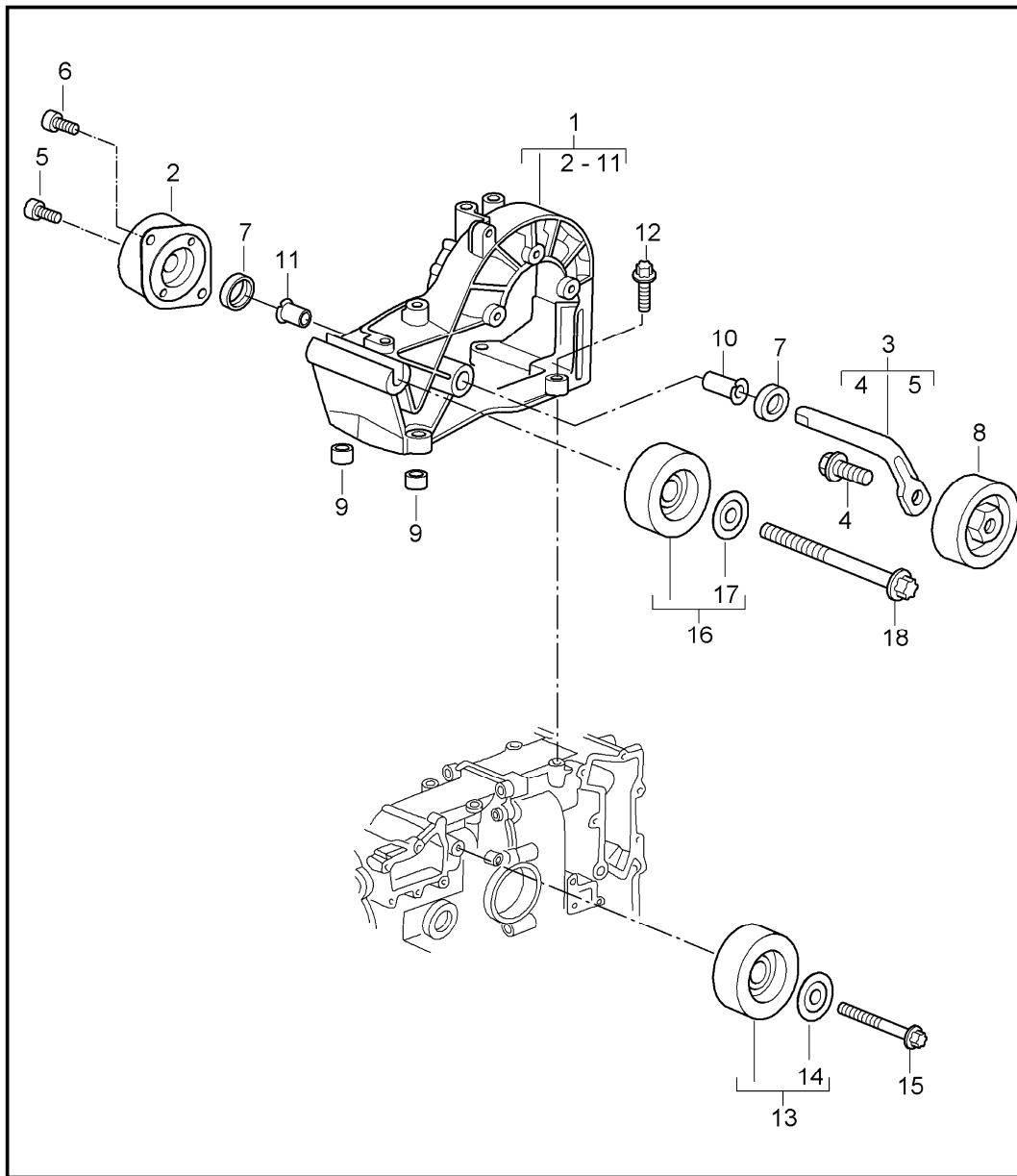


Pos	Part Number	Description	Remark	Qty	Model
		crankcase			M97.01 M96.05
1	997 101 001 06	crankcase		1	M97.01
(1)	996 101 901 07	crankcase		1	M96.05
2	996 101 253 00	dowel sleeve for bearing case		2	
3	996 101 361 51	gasket		1	
4	996 101 363 50	gasket		1	
5	900 385 270 04	torx screw M 6 X 35		19	
(5)	999 385 004 09	torx screw BM 6 X 35 blue coated	-07	4	
(5)	999 385 004 01	torx screw BM 6 X 35 white coated	08-	4	
6	996 101 219 52	screw 9 X 150		1	
7	996 101 229 00	screw M 9 X 94		1	
8	996 101 203 00	screw M 9 X 94		1	
9	999 701 789 40	o-ring 12 X 2 use also: grease 000.043.300.13		2	X
10	999 095 043 01	dowel sleeve 17P 6 X 18,5		4	
11	997 101 021 00	lid cyl. 1 - 3		1	
12	996 101 331 50	gasket		1	
13	900 378 103 01	hexagon-head bolt M 6 X 20		6	
14	996 101 016 00	lid cyl. 4 - 6		1	

Model	Year	MG	SG	Illustration	Restrictions	UPD	23:02	24.01.2010	PORSCHE	PET	PORSCHE
997-1	2008	1	01	101-05		248					

Pos	Part Number	Description	Remark	Qty	Model	Pos	Part Number	Description	Remark	Qty	Model
15	999 073 344 01	round head screw M 6 x 20		2		34	900 385 090 04	torx screw BM 8 X 35		2	
16	900 385 009 01	torx screw M 6 X 16		5		35	996 107 177 51	sleeve		1	
17	900 123 147 30	sealing ring A 27 X 32		1		36	... ..	see illustrations 1/08/05		X	
18	900 219 017 30	screw plug M 27 X 2		1							
19	014 301 153 B	dowel sleeve 13 X 16 X13,5		2							
20	996 101 253 52	dowel sleeve		3							
21 A	996 107 031 55	oil pan		1							
(21)	996 107 031 57	oil pan		1							
22	900 385 019 01	torx screw M 6 X 20		13							
23	900 219 009 30	screw plug M 18 X 1,5		1							
24	900 123 106 30	sealing ring A 18 X 24		1							
25	997 107 243 00	bulkhead		1							
26	999 218 110 09	stud M 10 X 102		4							
27	999 036 005 02	lid B 50		2							
28	900 036 029 02	lid B 16		2							
29	... ..	see illustrations 1/07/05		1							
30	000 043 203 73	sealing compound 30 ML		X							
(30)	000 043 204 35	sealing compound 50 ML		X							
31	986 606 112 03	pulse sender		1							
32	900 387 264 01	pan-head screw M 6 X 16		1							
33	997 606 121 00	knock sensor		2							

Model	Year	MG	SG	Illustration	Restrictions	UPD	23:02	24.01.2010	PORSCHE	PET	PORSCHE
997-1	2008	1	01	101-10		248					

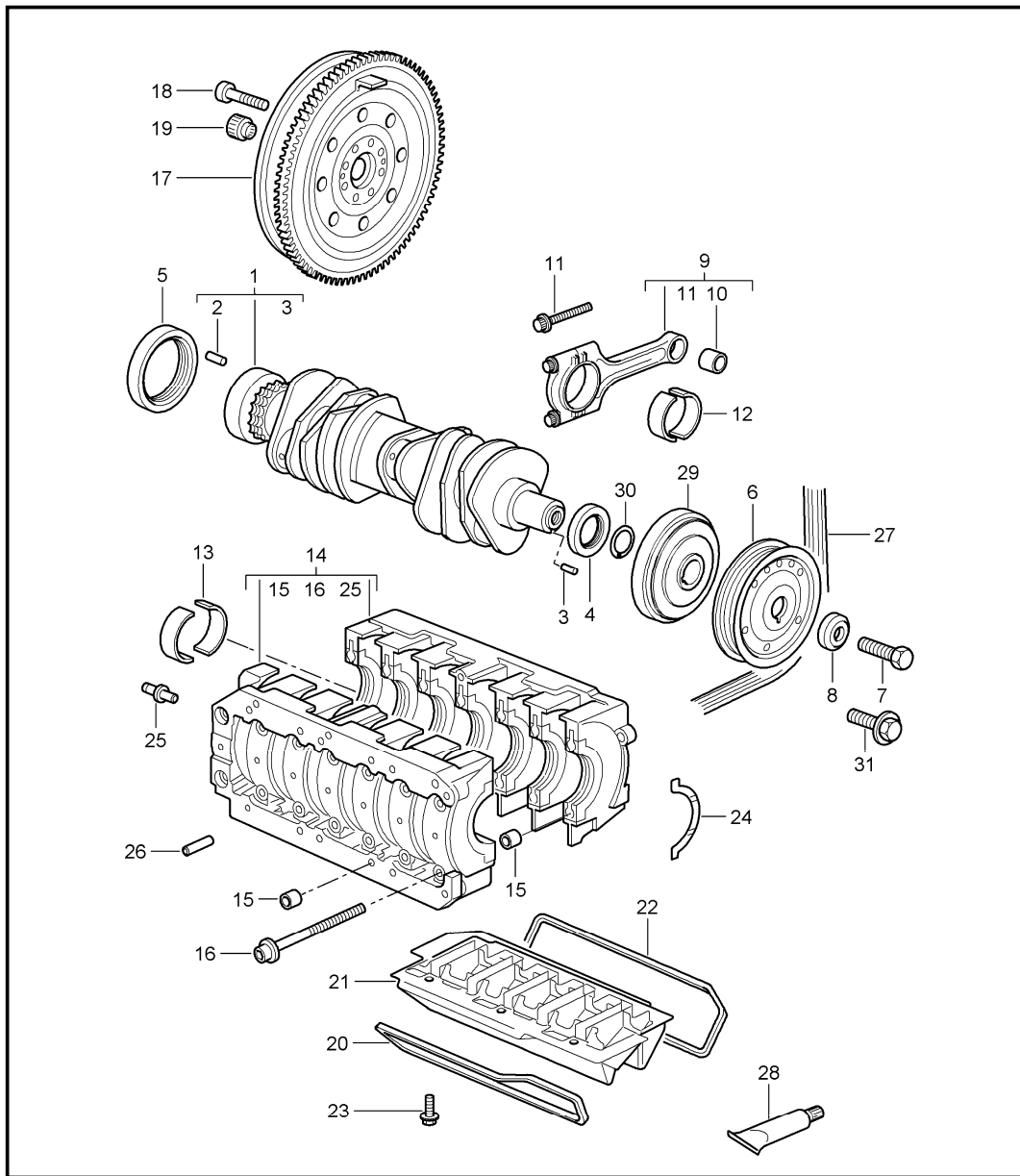


Pos	Part Number	Description	Remark	Qty	Model
		belt tensioner belt drive			M97.01 M96.05
1	997 102 016 00	bracket		1	M97.01
1	997 102 016 00	bracket		1	M96.05 I480
(1)	996 102 016 01	bracket		1	M96.05 I249
2	997 102 260 00	tensioner		1	
3	996 102 360 51	lever		1	
4	999 072 041 09	hexagon-head bolt M 10 X 30		1	
5	900 067 117 03	pan-head screw M 6 X 16		1	
6	999 067 045 09	pan-head screw M 8 X 22		2	
7	996 102 365 50	dust boot		2	
8	997 102 117 00	tensioning roller		1	M97.01
(8)	997 102 117 00	tensioning roller		1	M96.05 I480
(8)	996 102 117 57	tensioning roller		1	M96.05 I249
9	999 095 064 00	dowel sleeve 12 M 6 X 13		2	
10	997 102 167 00	bush		1	
11	997 102 165 00	bush		1	
12	900 385 006 01	torx screw BM 8 X 35		4	
13	997 102 119 00	deflection roller		1	M97.01
(13)	997 102 119 00	deflection roller		1	M96.05 I480
(13)	996 102 119 58	deflection roller		1	M96.05 I249
14	996 102 127 54	cover disc		1	M96.05 I249
15	900 385 091 04	torx screw BM 8 X 60		1	

Model	Year	MG	SG	Illustration	Restrictions	UPD	23:02	24.01.2010	PORSCHE	PET	PORSCHE
997-1	2008	1	01	101-10		248					

Pos	Part Number	Description	Remark	Qty	Model	Pos	Part Number	Description	Remark	Qty	Model
16	997 102 118 00	deflection roller		1	M97.01						
(16)	997 102 118 00	deflection roller		1	M96.05 I480						
(16)	996 102 118 56	deflection roller		1	M96.05 I249						
17	996 102 125 53	cover disc		1	M96.05 I249						
18	900 385 092 01	torx screw BM 10 X 145		1							

Model	Year	MG	SG	Illustration	Restrictions	UPD	23:02	24.01.2010	PORSCHE	PET	PORSCHE
997-1	2008	1	02	102-00		248					

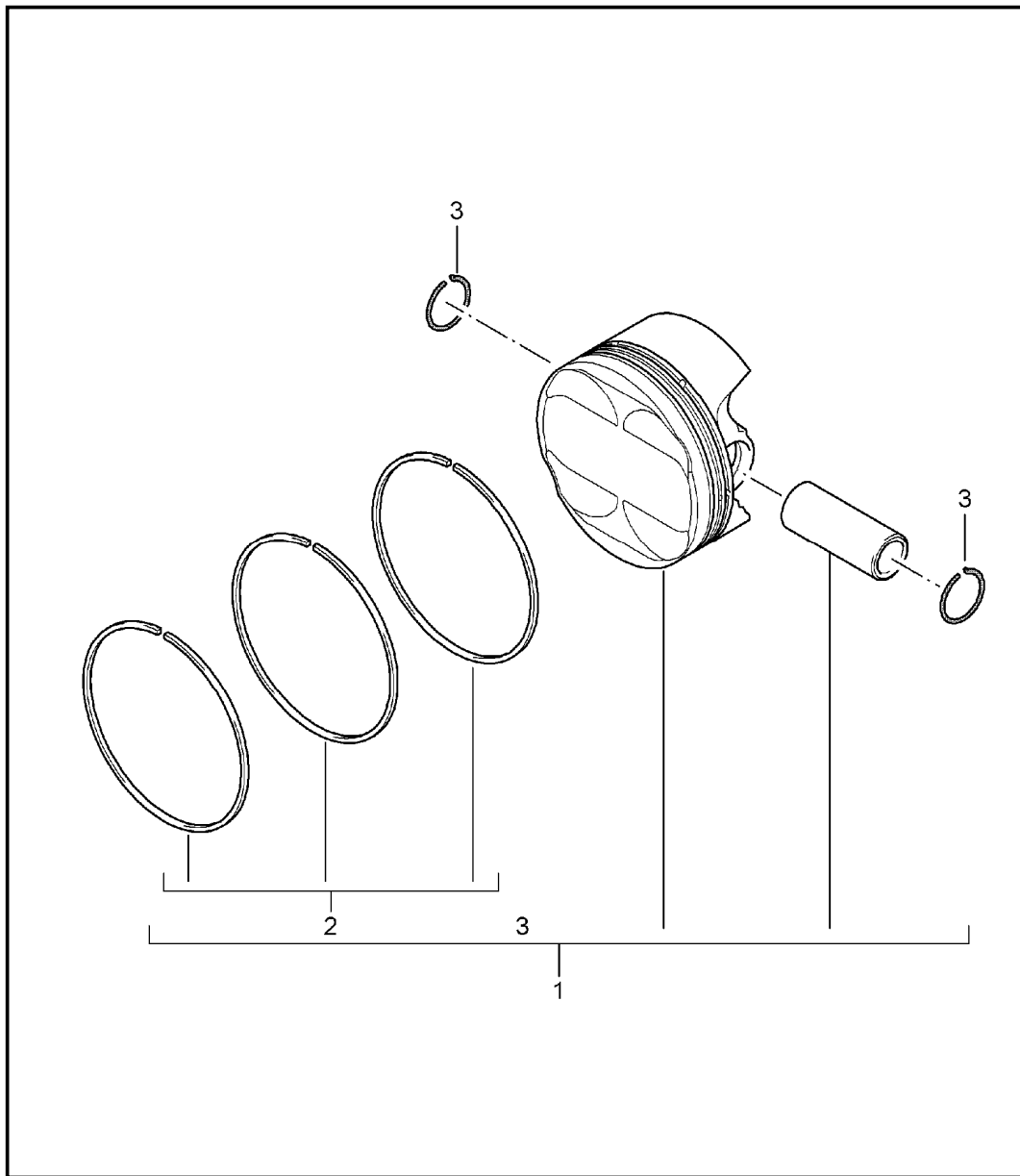


Pos	Part Number	Description	Remark	Qty	Model
		crankshaft			M97.01 M96.05
1	996 102 012 04	crankshaft		1	
2	900 095 031 01	roll pin 6,0 X 16		1	
3	900 302 021 00	straight pin A 4,0 X 10		1	
4	999 113 475 40	shaft sealing ring 40 X 62 X 10		1	
5	999 113 490 41	shaft sealing ring 85 X 105 X 11		1	
5	997 101 212 00	shaft sealing ring 85 x 105 x 11		1	
6	996 102 115 63	pulley		1	M96.05
7	900 082 085 09	hexagon-head bolt M 16 X 1,5 X 60		1	
8	996 102 315 51	thrust washer		1	M96.05
9	996 103 985 02	connecting rod connecting rods comprising: 6 connecting rods		1	
10	996 103 111 51	connecting rod bush		6	
11	997 103 115 01	connecting rod bolt		12	
12	996 103 121 62	connecting-rod bearing		12	
13	996 101 209 04	crankshaft bearing		14	
14	996 101 007 06	bearing case use also: 996 101 018 51		1 6	
15	999 095 064 00	dowel sleeve 12 M 6 X 13		3	
16	996 101 115 59	screw M 9 X 127		14	
17	997 114 012 00	double-mass flywheel M >> 688 01785		1	M97.01
17	997 114 012 01	double-mass flywheel M 688 01786 >>		1	M97.01

Model	Year	MG	SG	Illustration	Restrictions	UPD	23:02	24.01.2010	PORSCHE	PET	PORSCHE
997-1	2008	1	02	102-00		248					

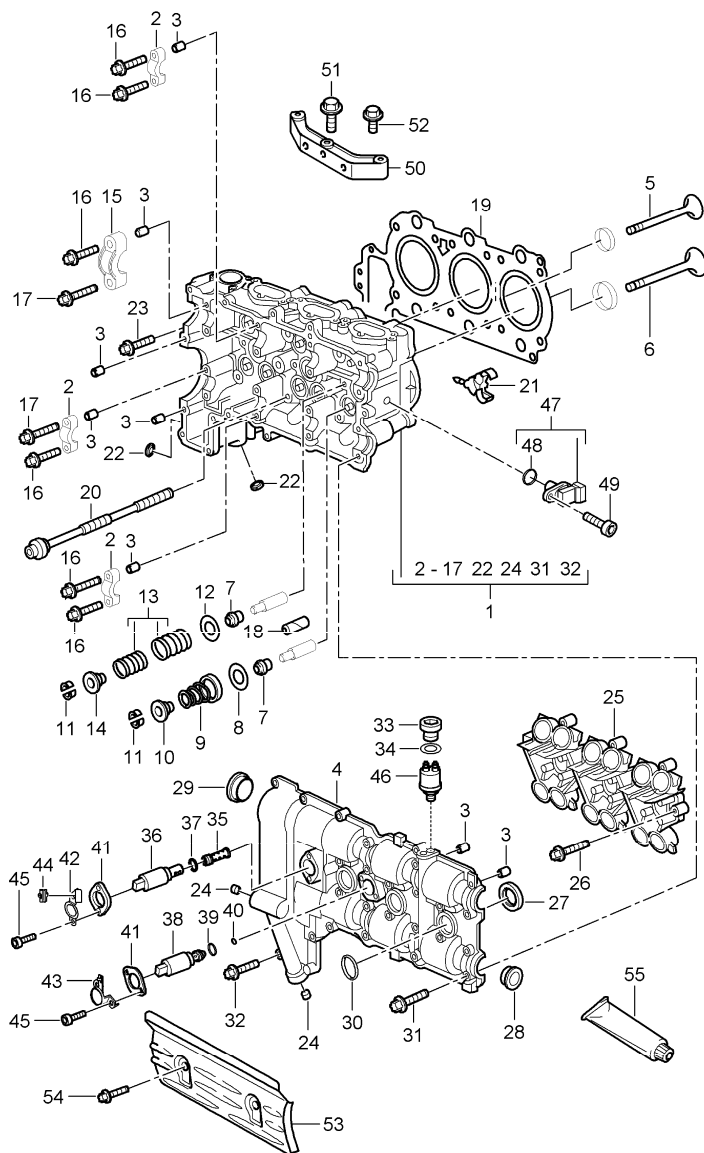
Pos	Part Number	Description	Remark	Qty	Model	Pos	Part Number	Description	Remark	Qty	Model
(17)	996 114 012 03	double-mass flywheel M >> 698 01020		1	M96.05						
(17)	996 114 012 04	double-mass flywheel M 698 01021 >>		1	M96.05						
18	A 999 073 092 09	pan-head screw M 10 X 1 X 50		8							
18	999 073 092 01	pan-head screw M 10 X 1 X 50		8							
19	999 052 210 00	deep-groove ball bearing 15 X 35 X 11		1							
20	996 101 241 51	gasket		1							
21	996 101 010 00	oil separator		1							
22	996 101 242 51	gasket		1							
23	900 385 050 01	hexagon socket head bolt M 6 X 16		6							
24	996 101 132 00	thrust washer		2							
25	996 101 117 54	straight pin		1							
26	996 101 018 51	splash valve		6							
27	996 102 151 66	poly-rib belt		1	I573						
28	000 043 204 17	extreme-pressure grease Otipit 100 GR.		X							
29	997 102 241 01	vibration damper		1	M97.01						
30	997 102 203 00	washer		1	M97.01						
31	997 102 202 00	combination screw		1	M97.01						

Model	Year	MG	SG	Illustration	Restrictions	UPD	23:02	24.01.2010	PORSCHE	PET	PORSCHE
997-1	2008	1	02	102-05		248					



Pos	Part Number	Description	Remark	Qty	Model
		piston			M97.01 M96.05
1	997 103 030 30	piston tolerance range X number plate - 536 - 542 G		6	M97.01
1	997 103 030 31	piston tolerance range X number plate + 542 - 548 G		6	M97.01
(1)	996 103 052 19	piston tolerance range X number plate - 525 - 530 G		6	M96.05
(1)	996 103 052 20	piston tolerance range X number plate + 531 - 536 G		6	M96.05
2	997 103 053 05	set of piston rings		6	M97.01
(2)	996 103 053 04	set of piston rings		6	M96.05
3	996 103 141 03	circlip		12	

Model	Year	MG	SG	Illustration	Restrictions	UPD	23:02	24.01.2010	PORSCHE	PET	PORSCHE
997-1	2008	1	03	103-00		248					



Pos	Part Number	Description	Remark	Qty	Model
		cylinder head			M97.01 M96.05
1	997 104 903 00	cylinder head cyl. 1 - 3		1	M97.01
1	997 104 901 00	cylinder head cyl. 1 - 3	06-	1	M97.01 IX51
(1)	996 104 913 00	cylinder head cyl. 1 - 3 M >> 695 08696		1	M96.05
(1)	987 104 913 00	cylinder head cyl. 1 - 3 M 695 08697 >>		1	M96.05
1	997 104 904 00	cylinder head cyl. 4 - 6		1	M97.01
1	997 104 902 00	cylinder head cyl. 4 - 6	06-	1	M97.01 IX51
(1)	996 104 914 00	cylinder head cyl. 4 - 6 M >> 695 08696		1	M96.05
(1)	987 104 914 00	cylinder head cyl. 4 - 6 M 695 08697 >>		1	M96.05
2	---	housing matching with: cylinder head		6	
3	996 104 117 50	dowel sleeve		28	
4	---	lid matching with: cylinder head		2	
5	996 105 271 00	intake valve		12	
6	996 105 273 03	exhaust valve		12	
(6)	997 105 112 40	exhaust valve		12	M97.01 IX51
7	996 105 115 52	valve stem seal		24	
8	996 105 117 51	concave washer		12	
9	996 105 118 01	valve spring		12	
10	996 105 121 54	concave washer		12	



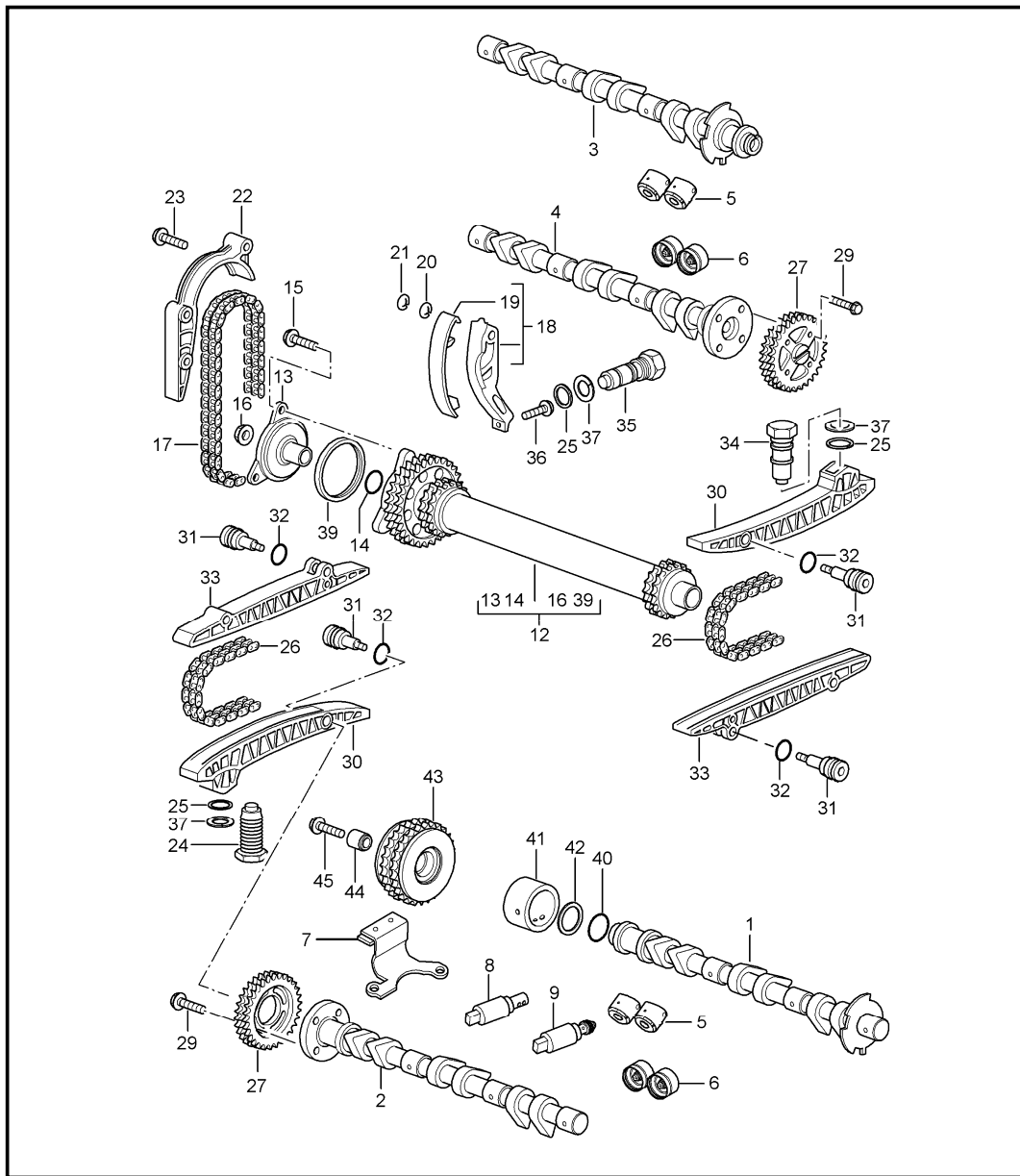
Model	Year	MG	SG	Illustration	Restrictions	UPD	23:02	24.01.2010	PORSCHE	PET	PORSCHE
997-1	2008	1	03	103-00		248					

Pos	Part Number	Description	Remark	Qty	Model	Pos	Part Number	Description	Remark	Qty	Model
11	996 105 123 51	valve collet		48		25	996 104 042 05	housing cam follower hydraulic		2	
12	996 105 147 00	concave washer lower intake		12				M >> 695 08637 M >> 685 11779 together with 996.105.301.03			M96.05 M97.01
13	996 105 939 00	set of valve springs set intake		12		(25)	997 104 043 00	housing cam follower hydraulic		2	
14	996 105 145 00	concave washer upper intake		12				M 695 08638 >> M 685 11780 >> together with 997.105.301.00			M96.05 M97.01
15	---	housing intake matching with: cylinder head		2		26	900 385 017 09	torx screw BM 6 X35		22	
16	900 385 017 09	torx screw BM 6 X 35		12		27	996 104 203 00	gasket		6	
17	A 900 385 025 09	torx screw BM 6 X 40		4		28	996 104 215 54	lid		4	
18	000 043 204 46	sleeve for valve stem seal		1		29	996 104 216 02	lid		2	
19	997 104 201 02	cylinder head gasket		2	M97.01	30	999 701 761 41	o-ring 28 X 2		6	
(19)	996 104 201 04	cylinder head gasket		2	M96.05	31	A 999 385 003 09	torx screw BM 6 X 30		16	
20	996 104 180 58	screw M 10 X 230		24		31	999 385 003 01	torx screw BM 6 X 30		16	
21	999 507 075 40	cable holder 3,0 - 12		2		32	900 385 048 04	torx screw BM 6 X 30		24	
22	999 036 026 02	lid 10 MM		4		33	900 219 018 30	screw plug M 14 X 1,5		1	
23	900 385 048 04	torx screw BM 6 X 30 mount cylinder head crankcase		8		34	900 123 104 30	sealing ring A 14 X 18		1	
24	900 036 023 02	lid B 18		4		35	997 105 701 00	oil strainer		2	
						36	996 105 303 05	actuator camshaft		2	
						37	996 105 903 05	o-ring actuator camshaft		2	
						38	996 105 301 03	actuator valve M >> 695 08637 M >> 685 11779		2	M96.05 M97.01

Model	Year	MG	SG	Illustration	Restrictions	UPD	23:02	24.01.2010	PORSCHE	PET	PORSCHE
997-1	2008	1	03	103-00		248					

Pos	Part Number	Description	Remark	Qty	Model	Pos	Part Number	Description	Remark	Qty	Model
38	997 105 301 00	actuator valve M 695 08638 >> M 685 11780 >>		2	M96.05 M97.01	(55)	000 043 024 00	extreme-pressure grease 1 tube 80 Gr. for camshaft		1	
39	999 707 479 40	o-ring 22 X 15		2							
40	999 707 441 40	o-ring 18 X 15		2							
41	996 105 244 03	lid actuator		4							
42	996 105 256 01	support		2							
43	996 105 310 03	support		2							
44	999 651 386 01	cable clamp 5,5 - 9,0		4							
45	A 900 387 006 09	pan-head screw M 6 X 20		8							
(45)	900 387 006 01	pan-head screw M 6 X 20		8							
46	996 606 203 01	oil pressure switch		1							
47	997 606 106 01	hall sender		2							
48	999 707 404 40	o-ring 17,05 X 1,78		2							
49	900 387 264 09	pan-head screw M 6 X 16		2							
50	996 104 126 01	bracket		2							
51	900 378 055 09	hexagon-head bolt AM 8 X 40		2							
52	900 378 022 09	hexagon-head bolt AM 8 X 25		4							
53	996 104 445 02	heat shield		2							
54	900 385 009 09	torx screw M 6 X 16		4							
55	000 043 204 35	sealing compound 50 ML		X							

Model	Year	MG	SG	Illustration	Restrictions	UPD	23:03	24.01.2010	PORSCHE	PET	PORSCHE
997-1	2008	1	03	103-10		248					



Pos	Part Number	Description	Remark	Qty	Model
1	U 997 105 947 00	camshaft driving mechanism		1	M97.01 M96.05
1	997 105 947 01	camshaft intake cyl. 1 - 3		1	M97.01
(1)	U 996 105 947 03	camshaft intake cyl. 1 - 3		1	M96.05
(1)	996 105 947 04	camshaft intake cyl. 1 - 3		1	M96.05
2	996 105 059 01	camshaft exhaust cyl. 1 - 3		1	
3	U 997 105 948 00	camshaft intake cyl. 4 - 6		1	M97.01
3	997 105 948 01	camshaft intake cyl. 4 - 6		1	M97.01
(3)	U 996 105 948 03	camshaft intake cyl. 4 - 6		1	M96.05
(3)	996 105 948 04	camshaft intake cyl. 4 - 6		1	M96.05
4	997 105 060 01	camshaft exhaust cyl. 4 - 6		1	
5	996 105 041 72	hydraulic valve tappet exhaust		12	
6	996 105 255 22	hydraulic valve tappet intake		12	
7	996 105 168 03	rail		2	
8	-----	actuator camshaft see illustrations 1/03/00		1	

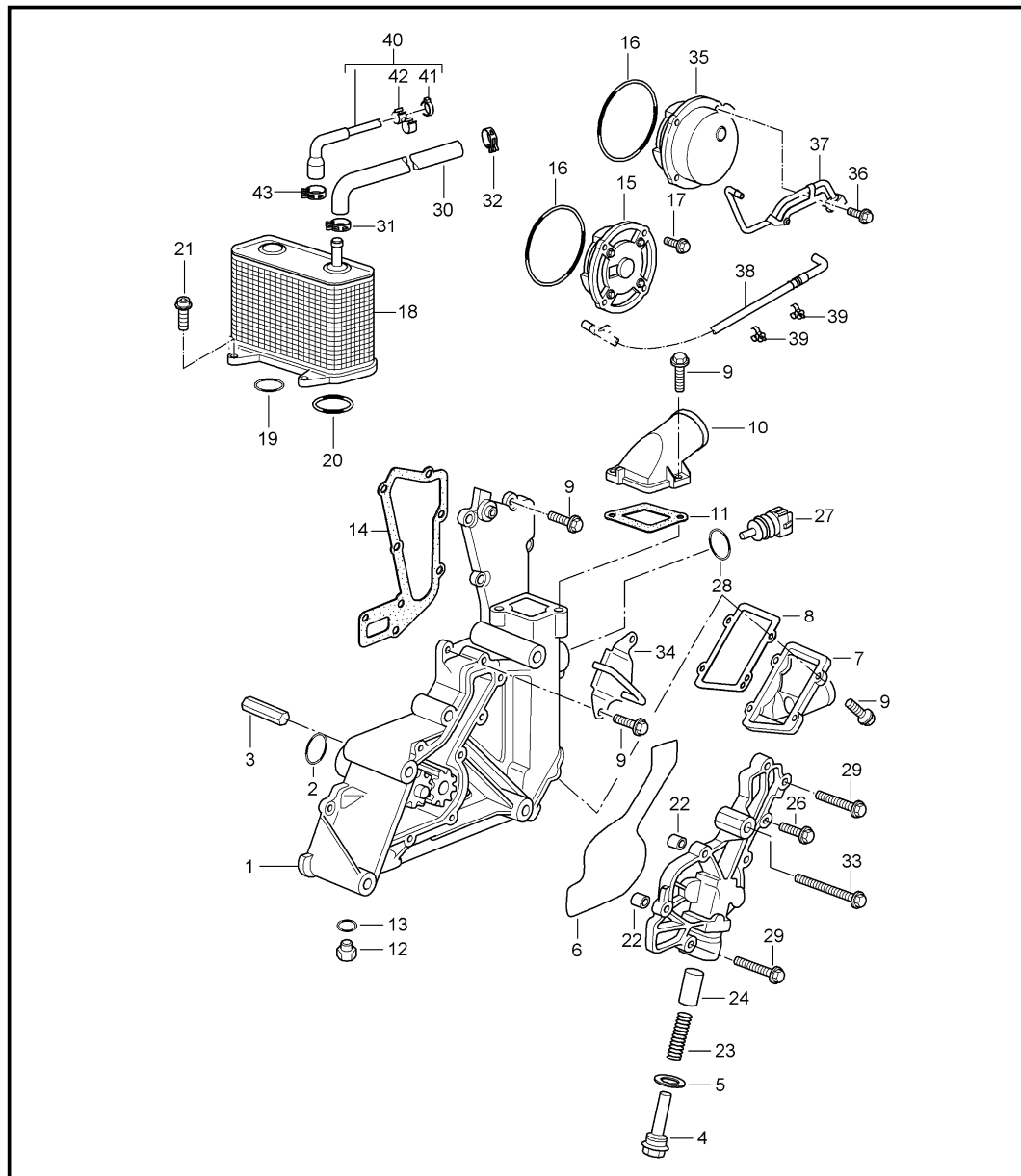
Model	Year	MG	SG	Illustration	Restrictions	UPD	23:03	24.01.2010	PORSCHE	PET	PORSCHE
997-1	2008	1	03	103-10		248					

Pos	Part Number	Description	Remark	Qty	Model	Pos	Part Number	Description	Remark	Qty	Model
9	---	actuator valve see illustrations 1/03/00		1		21	900 041 004 01	circlip 10 X 1		1	
12	U 996 105 901 02	intermediate shaft		1		22	996 105 166 51	guide rail		1	
12	996 105 901 04	intermediate shaft		1		23	900 075 486 01	combination screw M 6 X 40		3	
13	996 105 024 01	housing for intermediate shaft 996.105.901.02		1 10		24	996 105 186 01	chain adjuster		1	
13	996 105 024 06	housing for intermediate shaft 996.105.901.04		1		25	999 707 344 40	o-ring 18,77 X 1,78		4	
14	999 707 392 40	o-ring 7 X 2 for intermediate shaft 996.105.901.02		1		26	996 105 152 00	timing chain		2	
(14)	999 707 571 40	o-ring 18 x 2 for intermediate shaft 996.105.901.04		1		27	996 105 178 54	sprocket with driver		2	
15	900 385 093 09	hexagon-head bolt M 6 X 20		3		29	A 900 385 272 09	hexagon-head bolt M 6 X 12		8	
16	900 380 019 02	hexagon nut M 8 X 1 for housing 996.105.024.01		1		30	996 105 156 00	tensioner blade cylinder 1 - 3		1	
(16)	U 999 084 434 01	hexagon nut M 12 x 1,25		1		(30)	996 105 158 00	tensioner blade cylinder 4 - 6		1	
(16)	999 076 084 01	hexagon nut m 12 x 1,25 for housing 996.105.024.06		1		31	996 105 062 01	screw M 6		6	
17	996 105 171 56	timing chain		1		32	999 707 346 40	o-ring 15 X 3		6	
18	996 105 165 55	tensioner blade		1		33	996 105 054 01	guide rail cylinder 1 - 3		1	
19	996 105 195 00	pad		1		(33)	996 105 164 00	guide rail cylinder 4 - 6		1	
20	900 234 040 01	shim 10 X 16 X 1,2		1		34	996 105 188 01	chain adjuster		1	
						35	996 105 180 56	chain adjuster		1	
						36	996 105 197 00	pressure pin		1	
						37	900 123 147 30	sealing ring A 27 X 32		3	
						39	996 105 112 01	gasket		1	
						40	996 105 280 51	ring		4	

Model	Year	MG	SG	Illustration	Restrictions	UPD	23:03	24.01.2010	PORSCHE	PET	PORSCHE
997-1	2008	1	03	103-10		248					

Pos	Part Number	Description	Remark	Qty	Model	Pos	Part Number	Description	Remark	Qty	Model
41	996 104 205 07	bearing sleeve		2							
42	996 105 203 00	washer		2							
43	996 105 051 03	camshaft adjuster cyl. 1 - 3		1							
(43)	996 105 052 01	camshaft adjuster cyl. 4 - 6		1							
44	987 105 260 01	intermediate piece		2							
45	987 105 254 00	hexagon-head bolt M 12 X 1,5 X 130		2							
--	000 043 024 00	extreme-pressure grease 1 tube 80 Gr. for camshaft		1							

Model	Year	MG	SG	Illustration	Restrictions	UPD	23:03	24.01.2010	PORSCHE	PET	PORSCHE
997-1	2008	1	04	104-00		248					

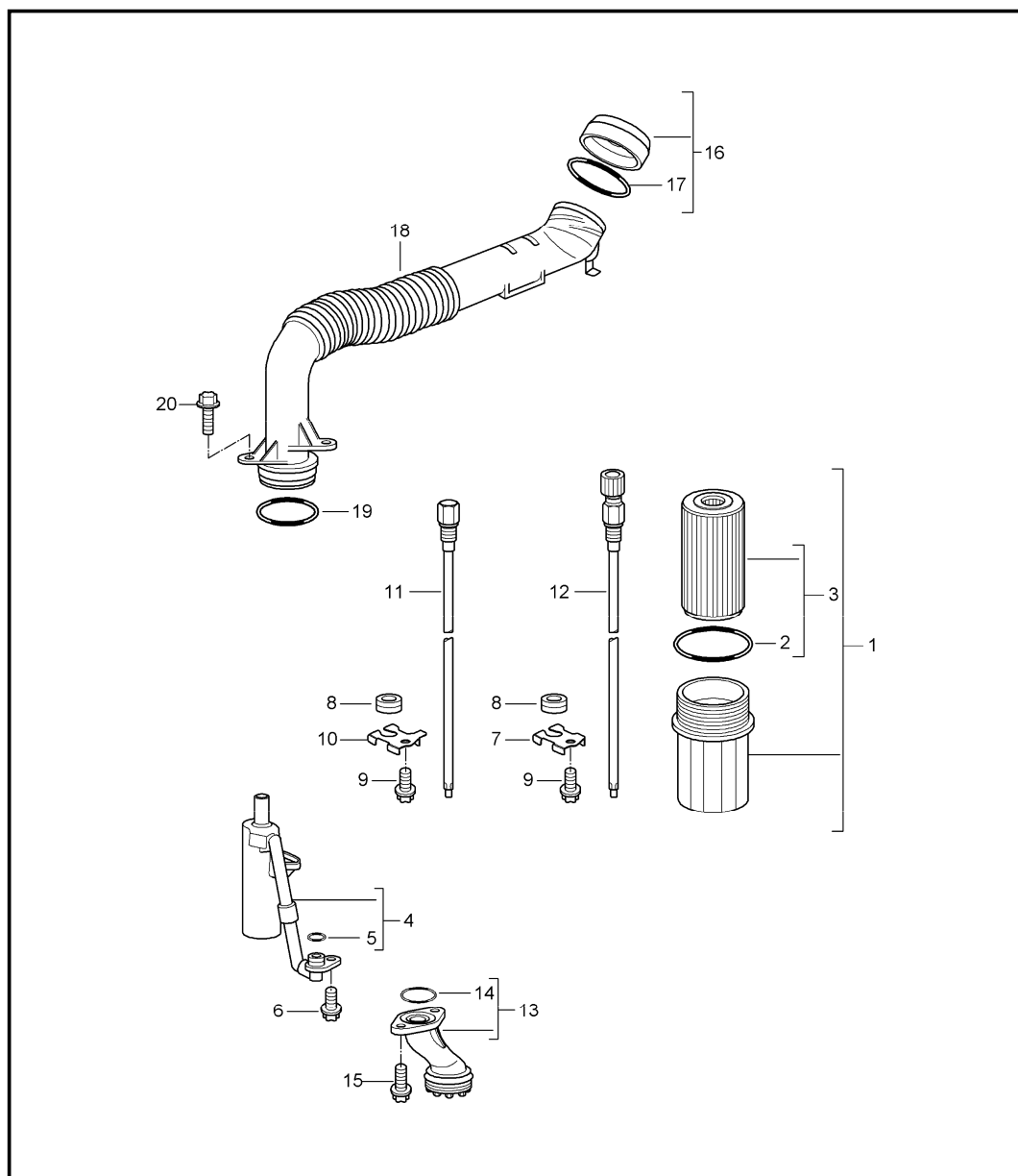


Pos	Part Number	Description	Remark	Qty	Model
		oil pump			M96.05
		tandem pump			M97.01
1	996 107 012 58	oil pump		1	
2	996 107 103 51	o-ring 29,1 X 2,55 use also: grease 000 043 300 13		2	
3	996 107 121 50	driver		1	
4	996 107 105 51	screw plug		1	
5	996 107 123 50	gasket		1	
6	996 107 261 50	sealing ring		1	
7	996 106 220 51	connection piece supply		1	
8	996 106 316 51	gasket		1	
9	900 378 030 09	hexagon-head bolt M 6 X 20		14	
10	997 106 216 00	connection piece		1	
11	996 106 321 50	gasket		1	
12	900 219 007 02	screw plug M 10 X 1		1	
13	900 123 144 30	sealing ring A 10 X 13,5		1	
14	996 107 337 50	gasket		1	
15	997 107 021 03	oil pump		1	
16	999 707 554 40	o-ring 95 X 2,5 use also: grease 000 043 300 13		2	
17	999 073 316 09	hexagon-head bolt M 6 X 20		4	
18	997 107 025 00	heat exchanger		1	M97.01
(18)	996 107 025 57	heat exchanger		1	M96.05
19	999 707 547 40	o-ring 28 X 3		2	

Model	Year	MG	SG	Illustration	Restrictions	UPD	23:03	24.01.2010	PORSCHE	PET	PORSCHE
997-1	2008	1	04	104-00		248					

Pos	Part Number	Description	Remark	Qty	Model	Pos	Part Number	Description	Remark	Qty	Model
20	999 707 389 40	o-ring 35 X 4		2		38	997 110 055 03	vacuum line pump brake		1	
21	900 387 264 09	pan-head screw M 6 X 16		4		39	999 507 968 41	clip for vacuum line pump brake		2	
22	996 106 103 50	dowel sleeve 8,2 X 7		2		40	997 106 023 03	vent line oil-water radiator		1	
23	996 107 127 53	spring		1		41	999 512 776 01	clamp 13,2-15,7		2	
24	997 107 125 01	piston		1		42	999 507 826 40	support 16,0/15,0		1	
25	996 107 212 53	lid for 996 107 012 56		1		43	999 512 650 09	hose clamp 28 X 12		1	
25	996 107 212 54	lid for 996 107 012 58		1							
26	900 385 019 09	torx screw BM 6 x 20		7							
27	996 606 410 00	temperature sensor		1							
28	---	sealing ring		1							
29	900 385 066 09	hexagon-head bolt M 6 X 80		2							
30	996 106 230 53	breather hose		1							
31	999 512 554 00	hose clamp 12 - 22 MM		1							
32	999 512 652 09	hose clamp 19 X 12		1							
33	900 385 004 09	hexagon-head bolt M 10 X 60		1							
34	996 102 235 01	clip		1	I249/573						
35	997 107 022 01	tandem pump		1							
36	999 073 317 09	round head screw M 6 X 30		4							
37	997 107 055 05	vacuum line for tandem pump		1							
--	999 701 789 40	o-ring 12 X 2 for vacuum line		2							

Model	Year	MG	SG	Illustration	Restrictions	UPD	23:03	24.01.2010	PORSCHE	PET	PORSCHE
997-1	2008	1	04	104-05		248					



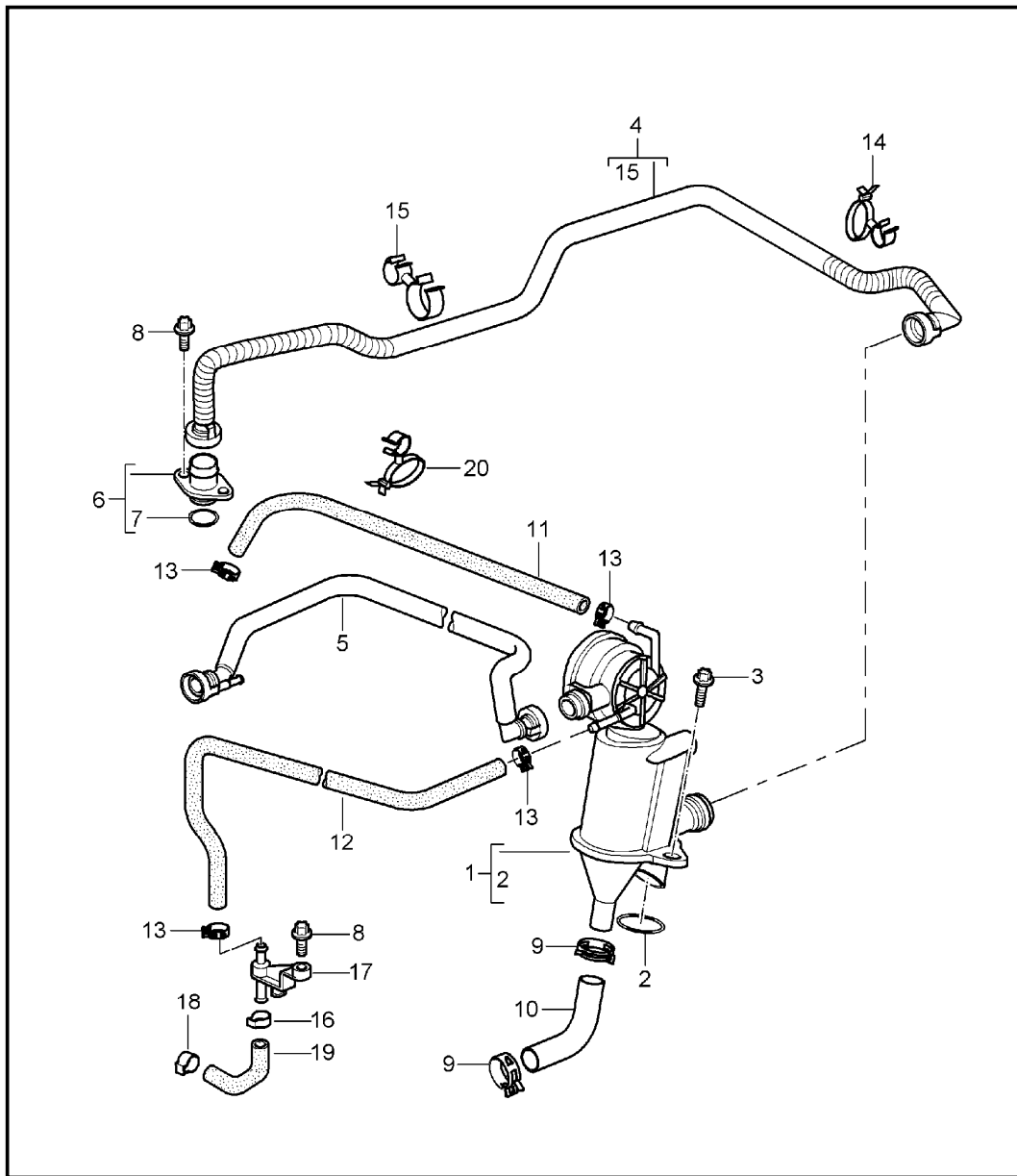
Pos	Part Number	Description	Remark	Qty	Model
		engine lubrication			M97.01 M96.05
1	996 107 020 55	oil filter		1	
2	996 107 313 51	sealing ring use also: grease 000.043.205.10		1	
3	996 107 225 53	filter element		1	
4	996 107 080 54	oil separator		2	
5	999 701 789 40	o-ring 12 X 2		2	
6	900 385 019 04	torx screw BM 6 X 20		4	
7	996 107 333 50	support oil-level sender		1	
8	999 702 206 50	grommet 9,5 X 18,0 X 1,2		2	
9	900 385 041 09	torx screw BM 6 X 12		2	
10	997 107 333 50	support return pipe		1	M97.01
11	997 107 638 02	return pipe engine oil		1	M97.01
12	996 606 150 00	oil-level sender		1	
13	996 107 075 57	suction tube		1	
14	999 707 375 40	o-ring 30 X 3		1	
15	900 385 275 09	torx screw BM 6 X 20		2	
16	996 107 035 52	lid		1	
17	996 107 336 00	gasket		1	
18	996 107 150 60	filler tube		1	
(18)	997 107 915 00	filler tube	06-	1	M97.01 IX51



Model	Year	MG	SG	Illustration	Restrictions	UPD	23:03	24.01.2010	PORSCHE	PET	PORSCHE
997-1	2008	1	04	104-05		248					

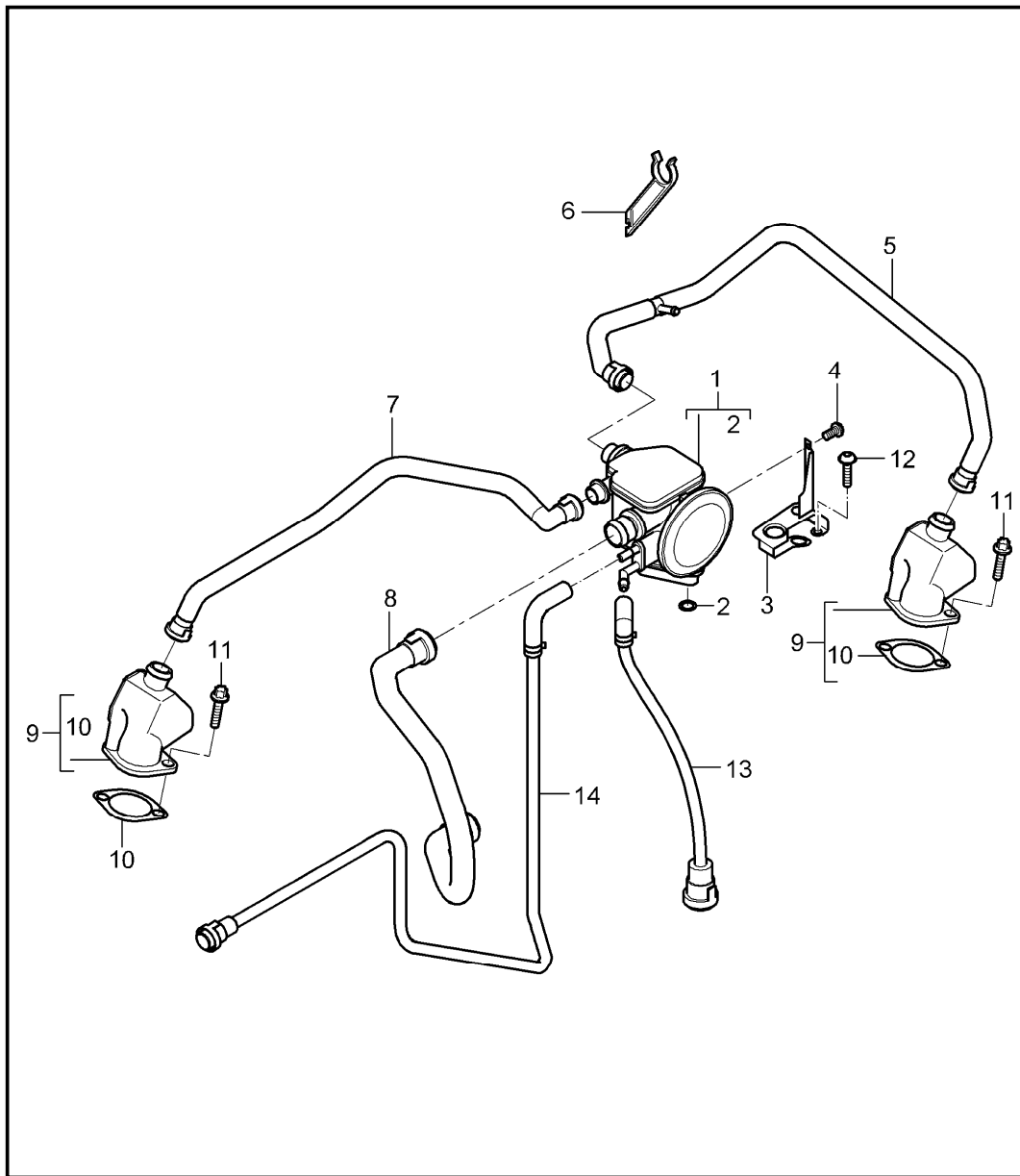
Pos	Part Number	Description	Remark	Qty	Model	Pos	Part Number	Description	Remark	Qty	Model
19	999 707 348 40	o-ring 42 X 4 use also: grease 000.043.300.13		1							
				X							
20	900 385 050 09	torx screw M 6 X 16		2							

Model	Year	MG	SG	Illustration	Restrictions	UPD	23:03	24.01.2010	PORSCHE	PET	PORSCHE
997-1	2008	1	04	104-10		248					



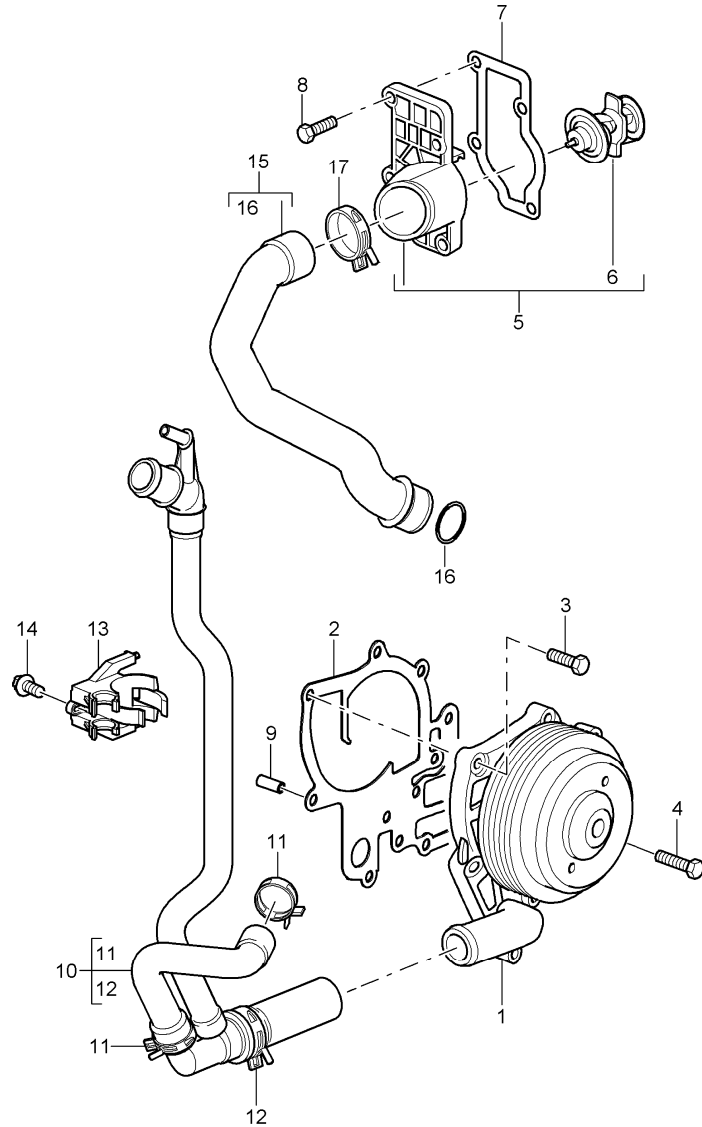
Pos	Part Number	Description	Remark	Qty	Model
		crankcase bleeding			M96.05
1	A 996 107 026 50	oil separator		1	
(1)	996 107 026 51	oil separator		1	
2	999 707 507 40	o-ring 29,74 X 2,95		1	
3	900 385 275 09	torx screw BM 6 X 20		2	
4	997 107 147 02	vent line		1	
5	996 107 145 30	vent line		1	
6	996 107 047 01	connection piece		1	
7	999 707 364 40	sealing ring 30 X 2,5		1	
8	900 385 050 09	torx screw BM 6 X 16		3	
9	999 512 683 09	clip 23 X 12		2	
10	996 107 175 50	oil hose		1	
11	996 106 208 50	hose		1	
12	997 106 223 00	hose		1	
13	999 512 650 09	hose clamp B 14 X 12		4	
14	999 507 097 40	hose holder 25 / 20		1	
15	999 507 816 40	hose holder 25 / 16		1	
16	999 512 568 02	clamp 13,9 - 16,1		1	
17	996 106 226 52	joining socket		1	
18	999 512 633 00	clamp 15,6 - 17,8		1	
19	996 106 223 52	hose		1	
20	999 507 644 40	hose holder 26 / 13		1	

Model	Year	MG	SG	Illustration	Restrictions	UPD	23:03	24.01.2010	PORSCHE	PET	PORSCHE
997-1	2008	1	04	104-11		248					



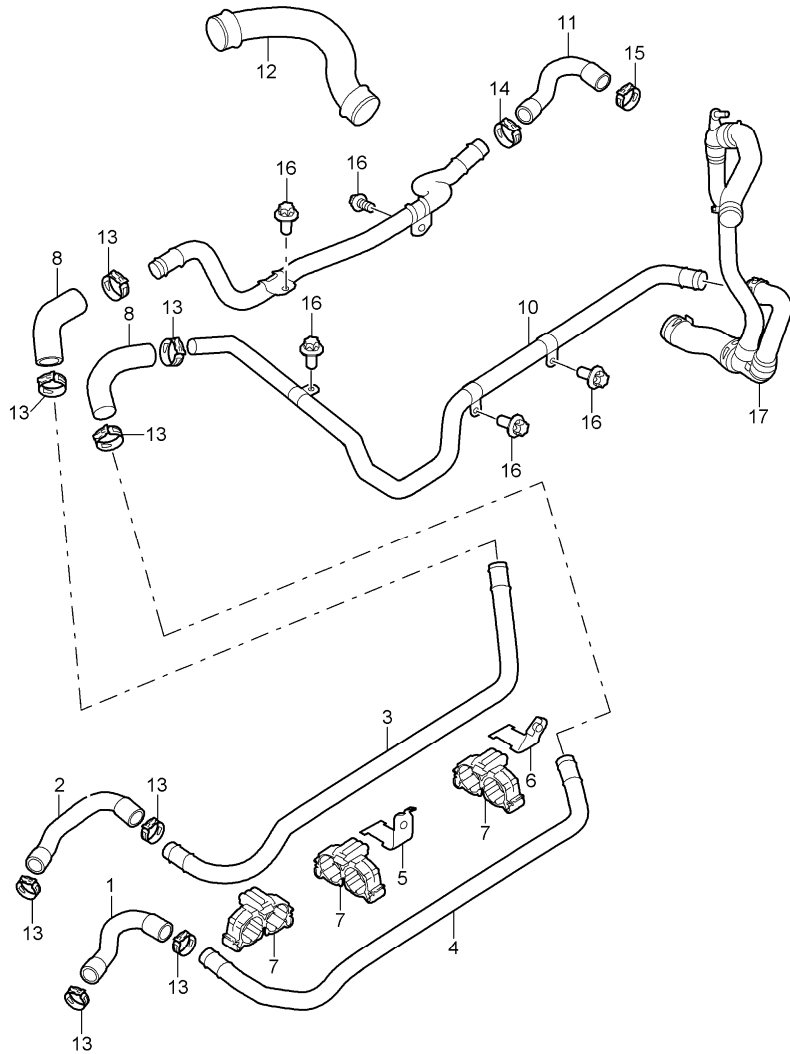
Pos	Part Number	Description	Remark	Qty	Model
		crankcase bleeding			M97.01
1	997 107 038 00	oil separator		1	
2	900 331 053 40	o-ring 12,37 X 2,62		2	
3	997 107 338 01	support oil separator		1	
4	999 919 121 09	oval-head screw 5 X 16		2	
5	997 107 146 03	vent line cyl. 4 - 6		1	
6	997 107 547 00	support		1	
7	997 107 143 01	vent line cyl. 1 - 3		1	
8	997 107 145 02	line distributor tube		1	
9	997 107 138 00	oil separator		2	
10	997 107 538 00	gasket		2	
11	900 385 023 04	torx screw BM 6 X 25		4	
12	---	see illustrations 1/08/05		2	
13	997 106 024 01	feed line oil separator		1	
14	997 106 028 01	return line oil separator		1	

Model	Year	MG	SG	Illustration	Restrictions	UPD	23:04	24.01.2010	PORSCHE	PET	PORSCHE
997-1	2008	1	05	105-00		248					



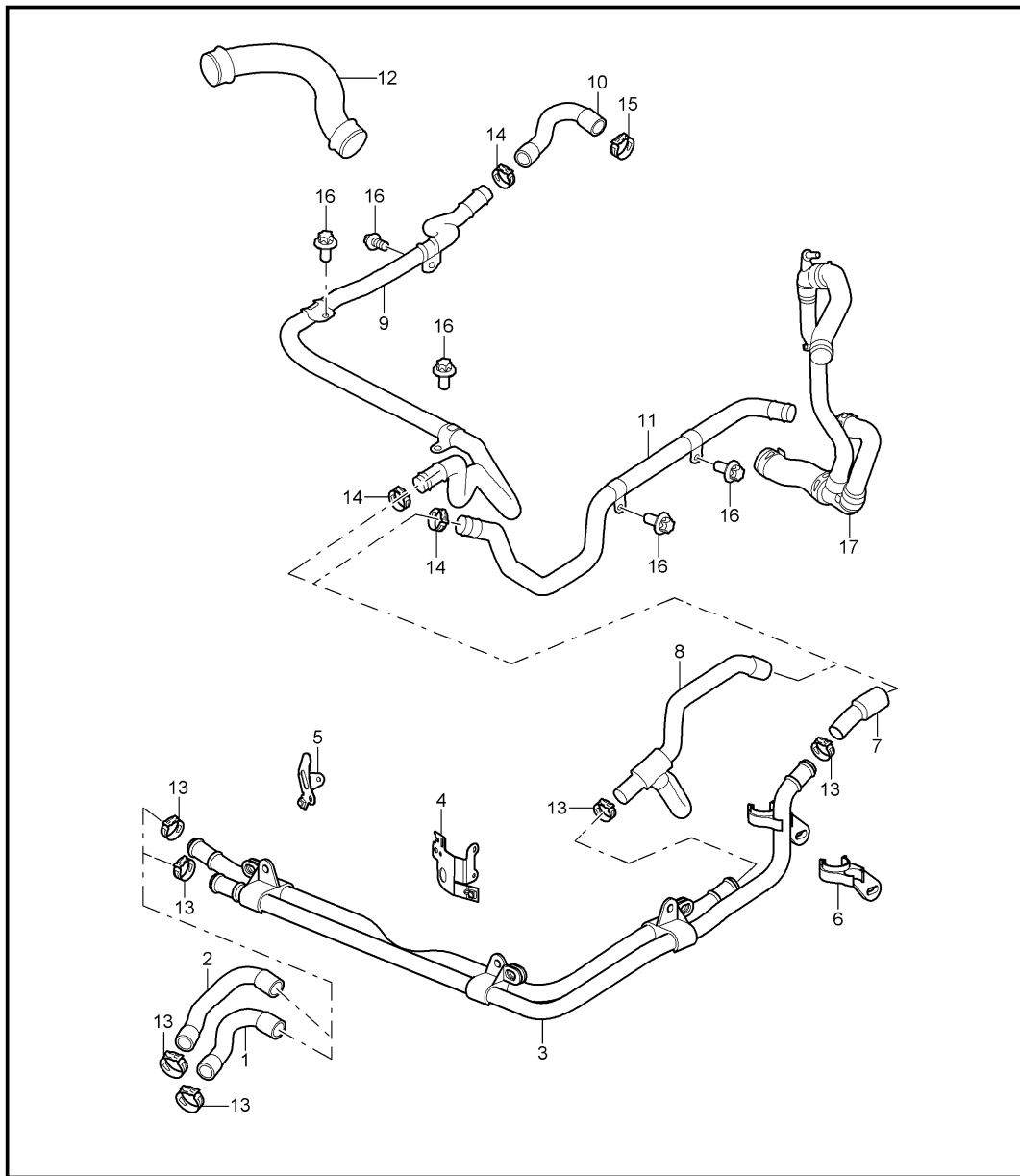
Pos	Part Number	Description	Remark	Qty	Model
		water pump thermostat housing			M97.01 M96.05
1	997 106 011 02	water pump		1	
2	996 106 340 54	gasket		1	
3	900 378 013 01	hexagon-head bolt M 6 X 25		5	
4	900 378 177 01	hexagon-head bolt M 6 X 30		2	
5	996 106 013 59	thermostat with thermostat insert		1	
6	996 106 125 53	thermostat insert		1	
7	996 106 326 50	gasket		1	
8	900 385 019 01	torx screw M 6 X 20		4	
9	996 106 103 50	dowel sleeve 8,2 X 7		2	
10	997 106 850 01	water hose		1	
11	999 512 662 09	hose clamp 32 X 12		1	
12	999 512 672 09	hose clamp 40 X 12		1	
13	997 106 550 00	support		1	
14	900 385 050 01	hexagon socket head bolt M 6 X 16		1	
15	997 106 832 01	water hose return line	05	1	
(15)	997 106 832 02	water hose return line		1	IX51
(15)	997 106 832 03	water hose return line	06-	1	
16	996 106 801 03	o-ring		1	
17	999 512 669 09	hose clamp 53 X 12		1	

Model	Year	MG	SG	Illustration	Restrictions	UPD	23:04	24.01.2010	PORSCHE	PET	PORSCHE
997-1	2008	1	05	105-03		248					



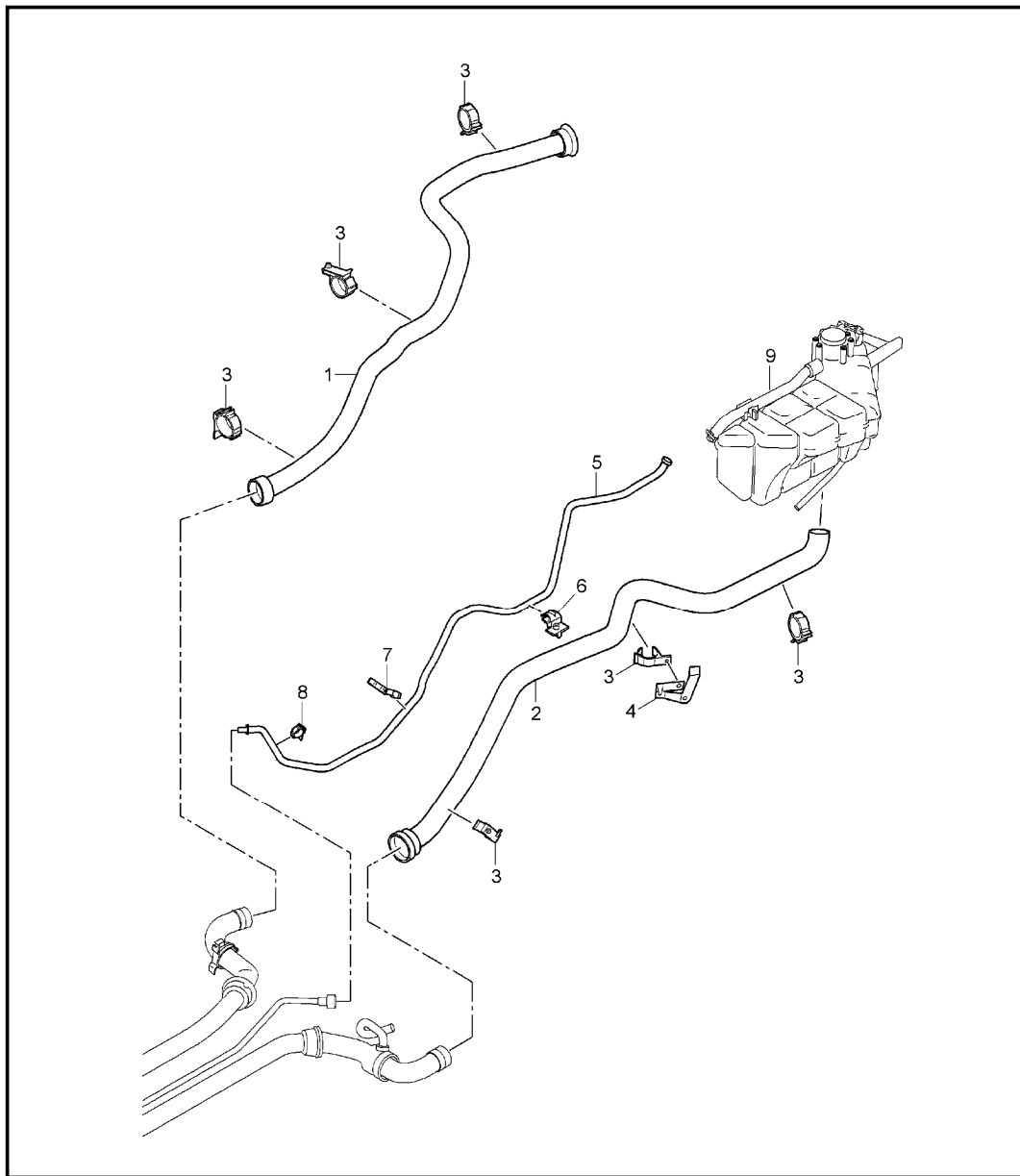
Pos	Part Number	Description	Remark	Qty	Model
		lines heating			M97.01 M96.05 I480
1	996 106 212 74	hose supply		1	
2	996 106 222 74	hose return line		1	
3	997 106 312 00	water tube supply		1	
4	997 106 322 00	water tube return line		1	
5	997 106 535 01	support		1	
6	997 106 536 00	support		1	
7	999 507 700 41	hose holder		3	
8	997 106 612 01	hose		2	
9	997 106 242 00	heater pipeline supply		1	
10	997 106 243 00	heater pipeline return line		1	
11	996 106 233 55	hose		1	
12	997 106 831 02	water hose		1	
13	999 512 657 09	hose clamp 26 X 12		8	
14	999 512 660 09	hose clamp 29 X 12		2	
15	999 512 662 09	hose clamp 32 X 12		1	
16	900 385 041 01	torx screw M 6 X 12		5	
17		see illustrations 1/05/00		1	

Model	Year	MG	SG	Illustration	Restrictions	UPD	23:04	24.01.2010	PORSCHE	PET	PORSCHE
997-1	2008	1	05	105-04		248					



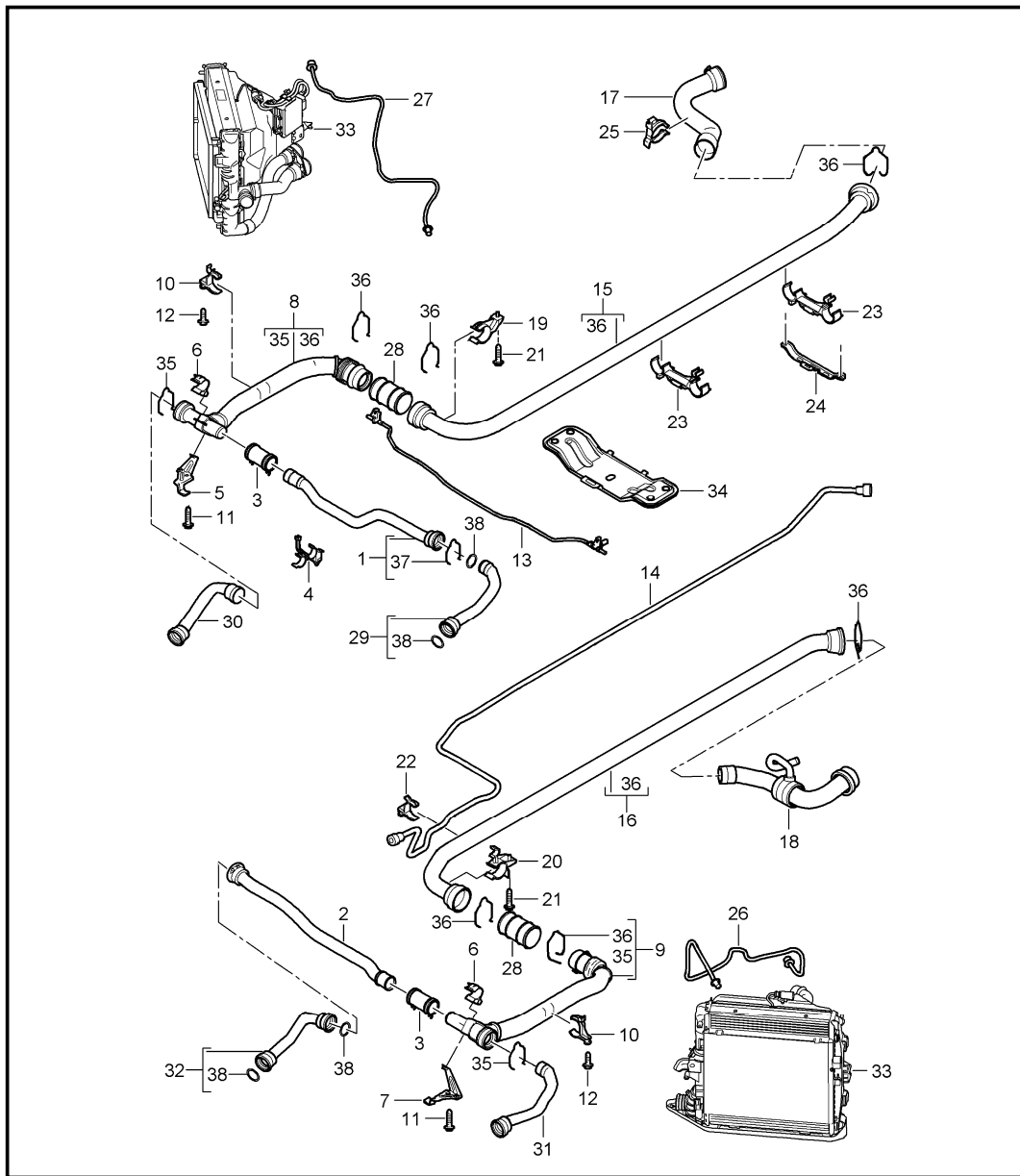
Pos	Part Number	Description	Remark	Qty	Model
		lines heating			M97.01 M96.05 I249
1	996 106 212 74	hose supply		1	
2	996 106 222 74	hose return line		1	
3	997 106 182 21	heater pipeline		1	
4	997 106 533 00	support		1	
5	997 106 534 00	support		1	
6	999 507 817 40	cable holder		1	
7	997 106 812 02	water hose supply		1	
8	996 106 822 03	water hose return line		1	
9	996 106 842 02	water tube supply		1	
10	996 106 233 55	hose supply		1	
11	996 106 843 01	cooling water tube return line		1	
12	997 106 831 02	water hose		1	
13	999 512 657 09	hose clamp 26 X 12		6	
14	999 512 660 09	hose clamp 29 X 12		4	
15	999 512 662 09	hose clamp 32 X 12		1	
16	900 385 041 01	torx screw M 6 X 12		5	
17		see illustrations 1/05/00		1	

Model	Year	MG	SG	Illustration	Restrictions	UPD	23:04	24.01.2010	PORSCHE	PET	PORSCHE
997-1	2008	1	05	105-05		248					



Pos	Part Number	Description	Remark	Qty	Model
		water cooling 1			M97.01 M96.05
1	A 997 106 610 00	cooling water tube supply right		1	
1	997 106 610 01	cooling water tube supply right		1	
2	997 106 809 00	cooling water tube return line left		1	
3	996 106 417 73	support cooling water tube		6	
4	997 106 609 00	support		1	
5	997 106 681 03	vent line	-06	1	
(5)	997 106 681 04	vent line	07-	1	
6	997 106 581 01	support vent line		1	
7	999 507 961 41	cable holder vent line		1	
8	999 507 743 40	cable holder vent line		1	
9	---	see illustrations 1/05/20		X	

Model	Year	MG	SG	Illustration	Restrictions	UPD	23:04	24.01.2010	PORSCHE	PET	PORSCHE
997-1	2008	1	05	105-10		248					



Pos	Part Number	Description	Remark	Qty	Model
		water cooling 2			M97.01 M96.05
1	997 106 711 01	water tube cross tube supply		1	
2	997 106 720 01	water tube cross tube return line		1	
3	997 106 723 04	water hose		2	
4	997 106 525 01	support water tube cross tube centre		1	
5	997 106 574 02	support distributor tube right		1	
6	997 106 526 01	support cross tube upper		2	
7	997 106 573 02	support distributor tube left		1	
8	997 106 752 03	distributor tube return line	-06	1	
(8)	997 106 752 04	distributor tube return line	07-	1	
9	997 106 751 03	distributor tube supply	-06	1	
(9)	997 106 751 04	distributor tube supply	07-	1	
10	997 106 413 01	support distributor tube		2	
(10)	997 106 414 00	support distributor tube	/R	1	I601
(10)	997 106 413 01	support distributor tube	/L	1	I601
11	900 378 013 09	hexagon-head bolt M6 X 25		2	
12	900 378 036 09	hexagon-head bolt M6 X 12		2	



Model	Year	MG	SG	Illustration	Restrictions	UPD	23:04	24.01.2010	PORSCHE	PET	PORSCHE
997-1	2008	1	05	105-10		248					

Pos	Part Number	Description	Remark	Qty	Model	Pos	Part Number	Description	Remark	Qty	Model
13	997 106 767 02	vent line transverse		1		29	997 106 623 03	water hose supply	/L	1	
14	997 106 227 02	vent line tunnel	-06	1		30	997 106 627 03	water hose supply	/R	1	
(14)	997 106 227 03	vent line tunnel	07-	1		31	997 106 728 03	water hose return line	/L	1	
15	997 106 651 02	water tube supply tunnel		1		32	997 106 624 03	water hose return line	/R	1	
16	997 106 652 02	return pipe tunnel		1		33	... ..	see illustrations 1/05/15		X	
17	997 106 740 04	water hose supply		1	I480	34	... ..	see illustrations 8/01/70		X	
(17)	997 106 740 05	water hose supply		1	I249	35	997 106 802 02	spring SCB 36		2	
18	997 106 741 04	water hose return line		1	I480	36	997 106 802 03	spring SCB 42		6	
(18)	997 106 742 03	water hose return line		1	I249	37	997 106 802 01	spring SCB 33		2	
19	997 106 520 02	support bulkhead right		1		38	996 106 801 02	o-ring		2	
20	997 106 521 01	support bulkhead left		1							
21	900 378 035 01	hexagon-head bolt M6 X 16		2							
22	997 106 512 03	connection piece vent line		1							
23	997 106 540 02	support tunnel		2							
24	997 106 515 02	bridge tunnel		1							
25	997 106 427 00	support heel plate		1							
26	997 106 765 02	line	/L	1							
27	997 106 766 02	line	/R	1							
28	997 106 551 03	sleeve		2							

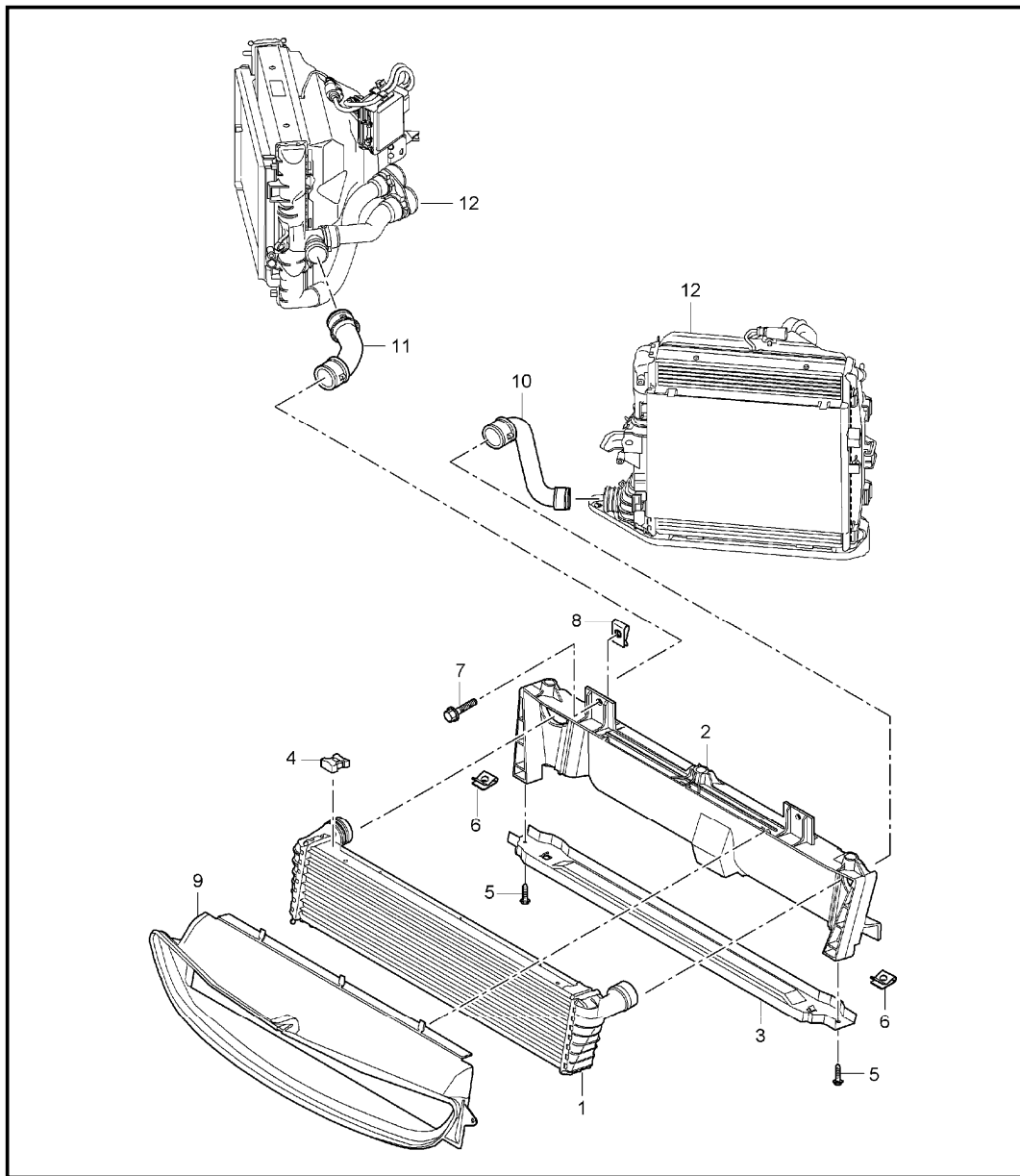
Model	Year	MG	SG	Illustration	Restrictions	UPD	23:05	24.01.2010	PORSCHE	PET	PORSCHE
997-1	2008	1	05	105-15		248					

Pos	Part Number	Description	Remark	Qty	Model
		water cooling 3			M97.01 M96.05
1	997 106 131 02	radiator	/L	1	
(1)	997 106 132 02	radiator	/R	1	
2	997 624 135 02	fan	/L	1	
(2)	997 624 136 02	fan	/R	1	
3	997 624 131 02	air box	/L	1	
(3)	997 624 132 02	air box	/R	1	
4	900 377 001 02	hexagon nut M 6		6	
5	900 146 116 09	screw M 5 X 16		6	
6	997 573 711 00	sealing frame		1	
7	999 919 125 09	hexagon-head bolt plastic material M 6 x 16		6	
8	997 106 155 01	bracket	/L	1	
(8)	997 106 156 01	bracket	/R	1	
9	997 106 625 03	water hose return line	/L	1	
(9)	997 106 626 03	water hose return line	/R	1	
10	997 106 621 03	water hose supply	/L	1	
(10)	997 106 622 03	water hose supply	/R	1	
11	997 106 255 02	connecting piece		2	
12	997 106 802 01	spring SCB 33		1	
13	997 106 802 02	spring SCB 36		1	
14	997 575 321 00	air duct	/L	1	
(14)	997 575 322 00	air duct	/R	1	
15	999 919 134 09	oval-head screw M 6 X 16		6	

Model	Year	MG	SG	Illustration	Restrictions	UPD	23:05	24.01.2010	PORSCHE	PET	PORSCHE
997-1	2008	1	05	105-15		248					

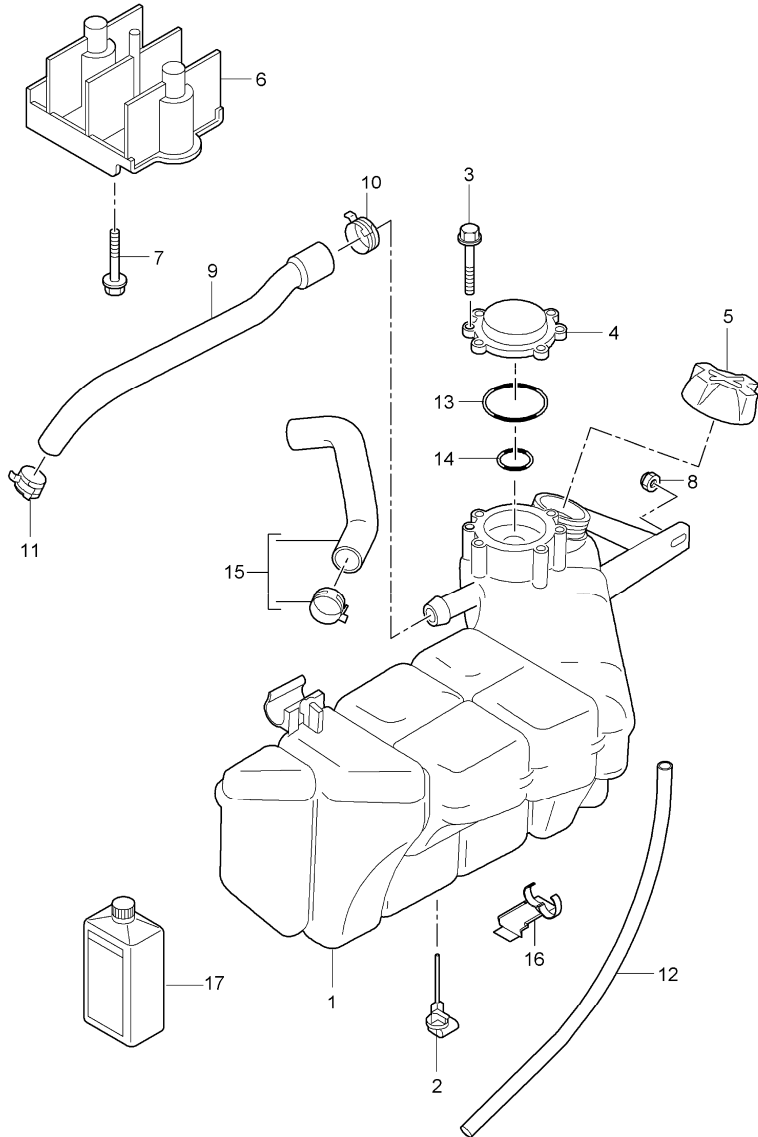
Pos	Part Number	Description	Remark	Qty	Model	Pos	Part Number	Description	Remark	Qty	Model
16	900 385 009 09	torx screw M 6 X 16		6							
17	999 703 494 40	rubber mounting 15 X 19,5		4							
18	999 025 255 02	washer		4							
19	999 166 083 09	tab washer B 25		4							
20	997 575 341 00	air duct	/L	1							
(20)	997 575 342 00	air duct	/R	1							
21	997 106 232 01	support outer		2							
22	997 106 455 00	support left		1							
23	999 591 350 02	speed nut ST 4,8		6							
24	997 106 231 02	support inner		2							
25	997 106 802 00	spring SCB 26		2							
26	997 106 901 00	clamp		2							
27	997 106 902 00	clamp		2							
28	999 919 125 09	hexagon-head bolt 6,0 X 16		1							
29	---	condenser see illustrations 8/13/25									
30	997 106 456 00	support right		1							
31	900 377 010 09	hexagon nut M 6		2							
32	---	control unit cooling air control see illustrations 9/01/03		1							
33	997 106 546 02	stopper		2							
34	999 591 329 01	speed nut ST 4,8		3							

Model	Year	MG	SG	Illustration	Restrictions	UPD	23:05	24.01.2010	PORSCHE	PET	PORSCHE
997-1	2008	1	05	105-17		248					



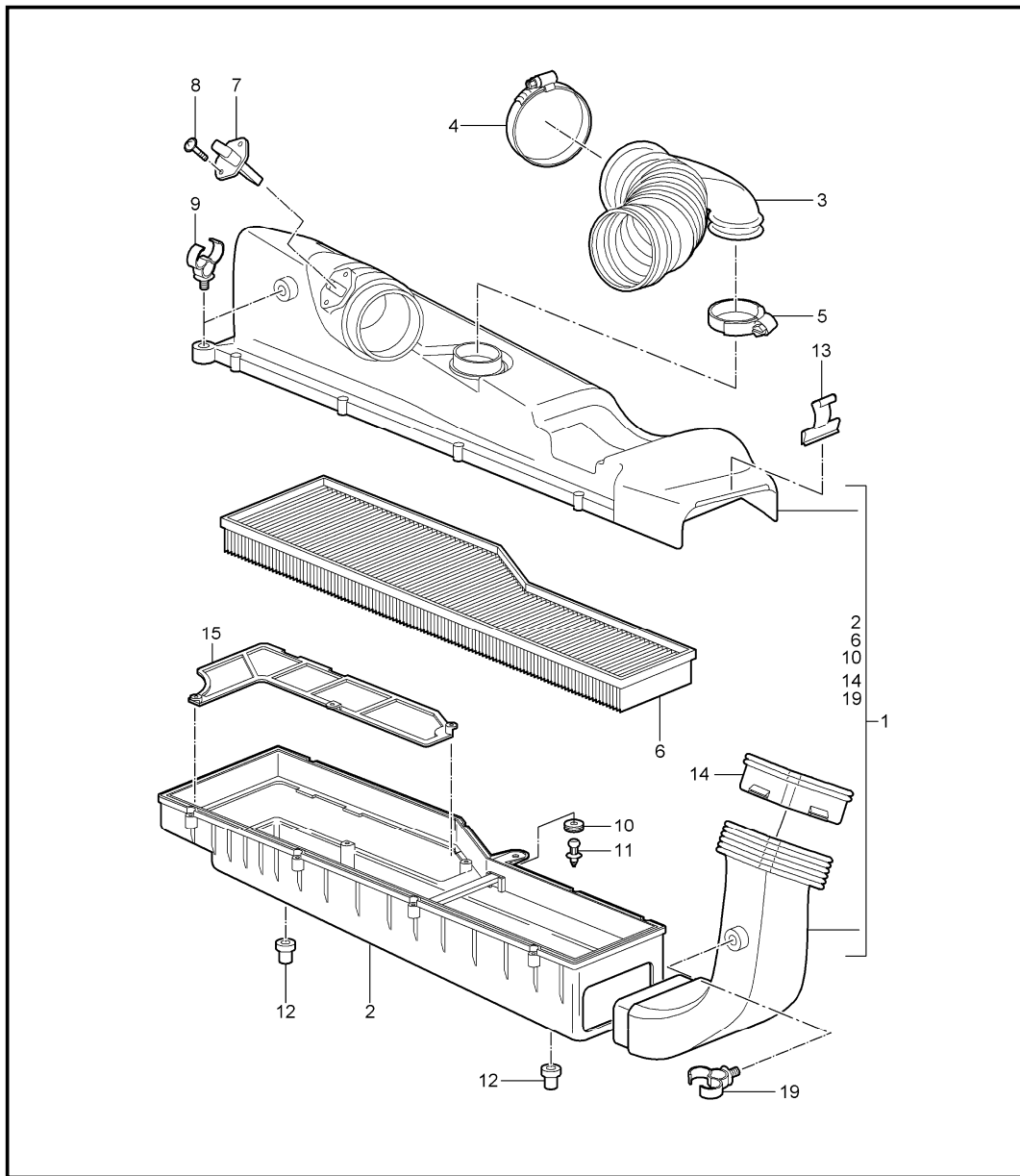
Pos	Part Number	Description	Remark	Qty	Model
		radiator	I 249		M97.01
		centre	I 249		M96.05
1	997 106 037 02	radiator		1	
2	997 504 487 00	retaining frame upper		1	
3	997 504 485 00	retaining frame lower		1	
4	997 106 437 00	rubber mounting		4	
5	900 378 035 01	hexagon-head bolt M 6 X 16		2	
6	999 591 882 02	speed nut M 6		2	
7	900 378 074 09	hexagon-head bolt M 8 X 16		4	
8	999 591 869 02	speed nut M 8		4	
9	997 575 141 00	air duct radiator centre		1	
10	997 106 639 03	water hose return line		1	
11	997 106 638 03	water hose supply		1	
12	... ..	see illustrations 1/05/15		X	

Model	Year	MG	SG	Illustration	Restrictions	UPD	23:05	24.01.2010	PORSCHE	PET	PORSCHE
997-1	2008	1	05	105-20		248					



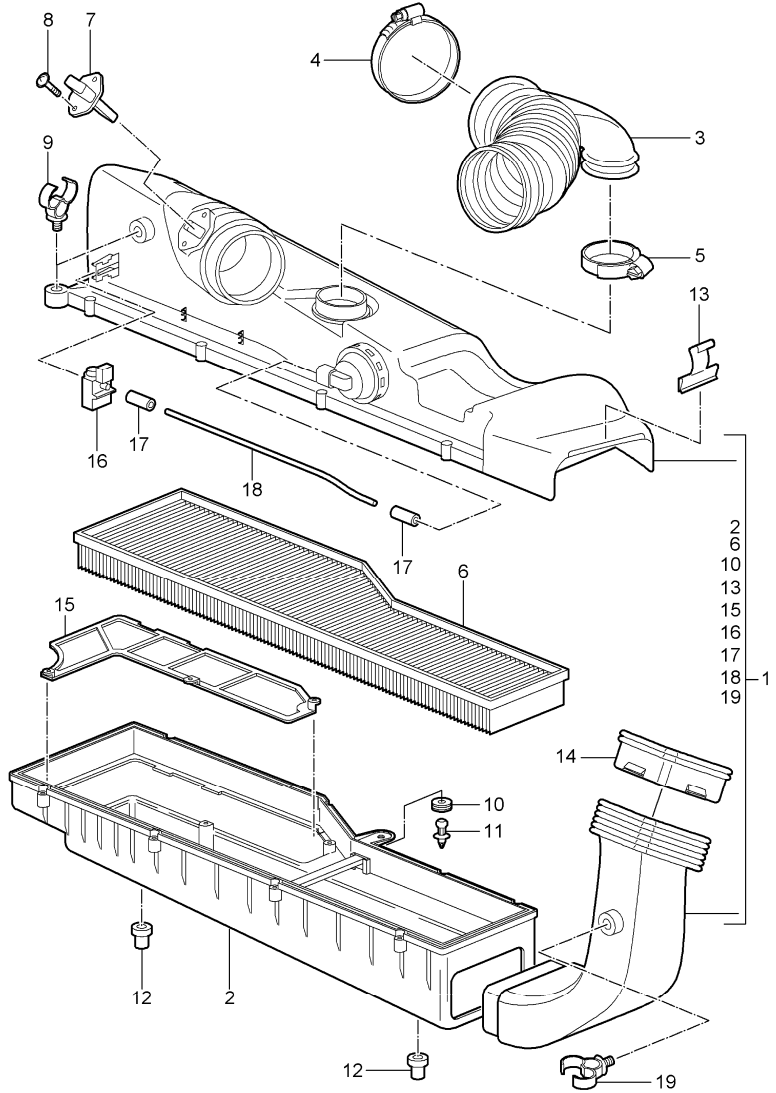
Pos	Part Number	Description	Remark	Qty	Model
		water cooling 4			M97.01 M96.05
1	996 106 157 03	water reservoir		1	
2	997 641 503 00	switch		1	
3	999 919 058 02	hexagon-head bolt 5,0 X 40		8	
4	996 106 347 02	bleeder valve		1	
5	996 106 447 01	lid see technical manual group 1 Nr.190101		1	
6	996 106 405 52	support		1	
7	900 378 141 09	hexagon-head bolt M 6 X 35		2	
8	999 076 071 02	hexagon nut M 6		1	
9	996 106 251 71	breather hose		1	
10	999 512 657 09	hose clamp 26 X 12		1	
11	999 512 653 09	hose clamp 20 X 12		1	
12	996 106 297 04	overflow hose		1	
13	999 707 370 40	o-ring 47 X 4		1	
14	999 707 371 40	o-ring 17 X 4		1	
15	997 106 851 01	water hose		1	
16	996 110 260 00	support		1	
17 A	000 043 203 78	antifreeze 1 LTR. container		X	
17	000 043 301 03	antifreeze 1 LTR. container		X	
(17)	000 043 301 04	antifreeze 20 LTR. container		X	

Model	Year	MG	SG	Illustration	Restrictions	UPD	23:05	24.01.2010	PORSCHE	PET	PORSCHE
997-1	2008	1	06	106-00		248					



Pos	Part Number	Description	Remark	Qty	Model
		air cleaner			M96.05
1	A 997 110 023 00	air cleaner complete		1	
(1)	997 110 923 01	air cleaner complete		1	
2	997 110 122 01	air cleaner lower part		1	
3	---	air box see illustrations 1/07/00		1	
4	999 512 016 00	hose clamp 80 - 100		1	
5	999 512 636 00	hose clamp 40 - 60		1	
6	996 110 131 52	air cleaner cartridge		1	
7	986 606 125 01	mass air flow meter		1	
8	999 919 160 07	oval-head screw M 5 X 20		2	
9	999 507 544 40	cable holder		2	
10	999 702 246 40	grommet 12 X 17		1	
11	997 110 137 01	clip		1	
12	999 703 478 40	bush		1	
13	997 110 237 00	clamp		1	
14	997 110 250 00	sealing bellows		1	
15	997 110 240 00	frame		1	
16	999 511 240 40	cable holder 11,0 - 18		1	

Model	Year	MG	SG	Illustration	Restrictions	UPD	23:05	24.01.2010	PORSCHE	PET	PORSCHE
997-1	2008	1	06	106-01		248					



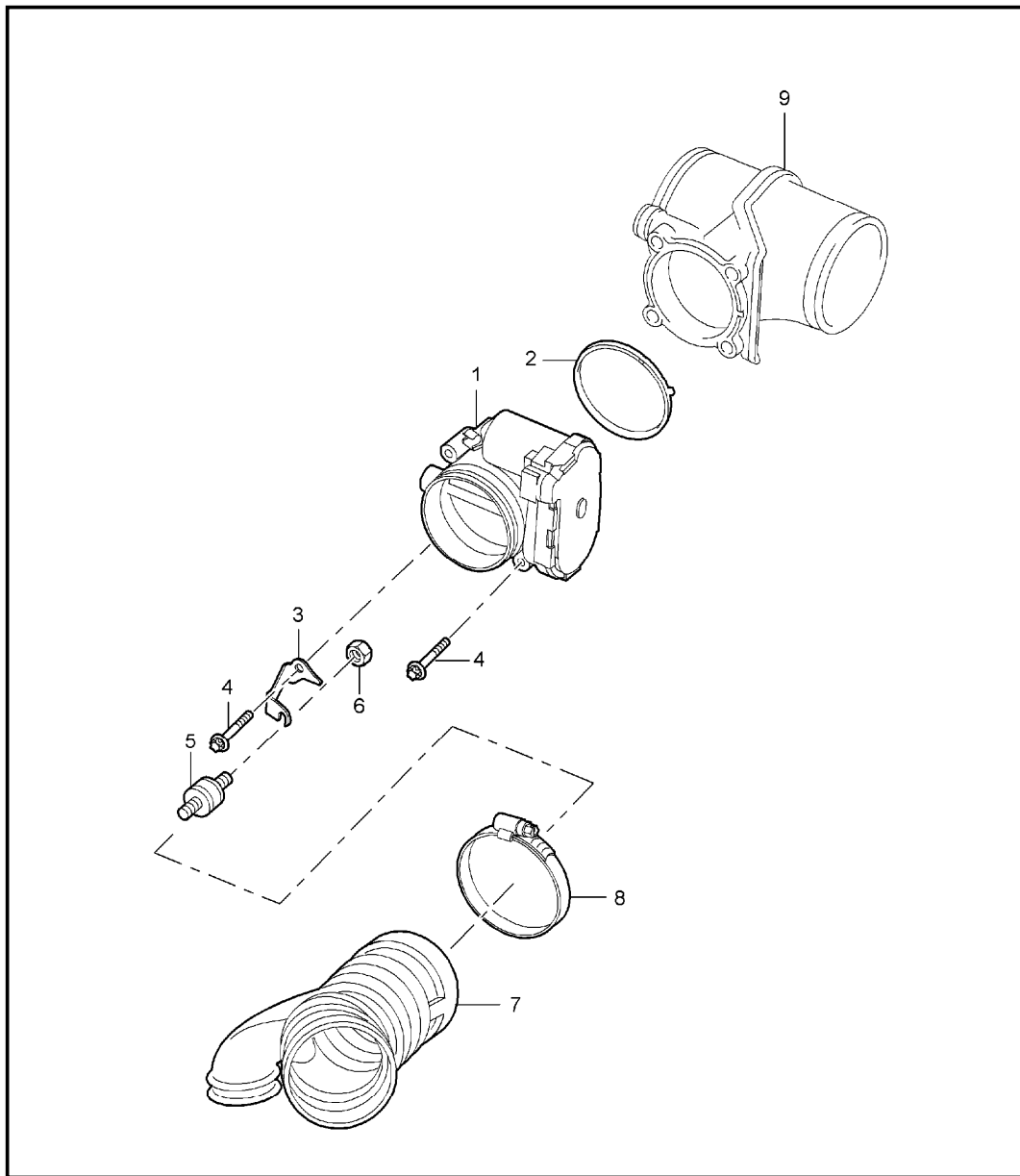
Pos	Part Number	Description	Remark	Qty	Model
		air cleaner			M97.01
1	997 110 021 00	air cleaner complete		1	
1	997 110 921 00	air cleaner complete without mass air flow meter		1	
(1)	997 110 921 01	air cleaner complete without mass air flow meter		1	
1	997 110 925 00	air cleaner complete without mass air flow meter	06-	1	M97.01 IX51
2	997 110 122 00	air cleaner lower part		1	
3	---	air box see illustrations 1/07/00			
4	999 512 016 00	hose clamp 80 - 100		1	
5	999 512 636 00	hose clamp 40 - 60		1	
6	996 110 131 52	air cleaner cartridge		1	
6	997 110 132 00	air cleaner cartridge	06-	2	M97.01 IX51
7	986 606 125 01	mass air flow meter		1	
8	999 919 160 07	oval-head screw M 5 X 20		2	
9	999 507 544 40	cable holder		2	
10	999 702 246 40	grommet 12 X 17		1	
11	997 110 137 01	clip		1	
12	999 703 478 40	bush		1	
13	997 110 237 00	clamp		1	
14	997 110 250 00	sealing bellows		1	

Model	Year	MG	SG	Illustration	Restrictions	UPD	23:06	24.01.2010	PORSCHE	PET	PORSCHE
997-1	2008	1	06	106-01		248					

Pos	Part Number	Description	Remark	Qty	Model	Pos	Part Number	Description	Remark	Qty	Model
(14)	997 110 252 00	sealing bellows right	06-	1	M97.01 IX51						
15	997 110 240 00	frame		1							
16	996 605 123 01	change-over valve		1							
17	999 239 040 40	connecting piece		2							
18	999 181 369 40	pipe		1							
19	999 511 240 40	cable holder		1							

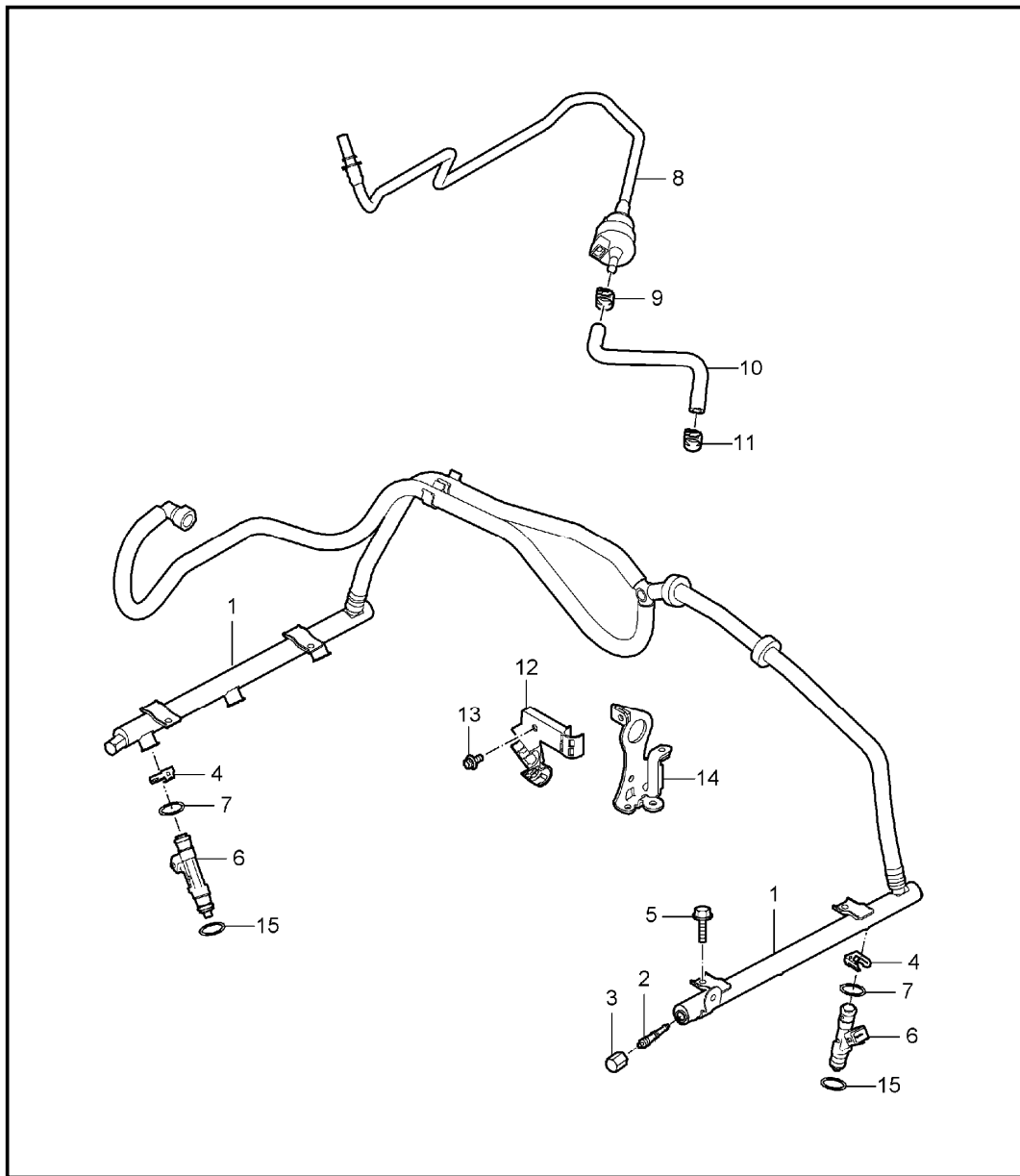


Model	Year	MG	SG	Illustration	Restrictions	UPD	23:06	24.01.2010	PORSCHE	PET	PORSCHE
997-1	2008	1	07	107-00		248					



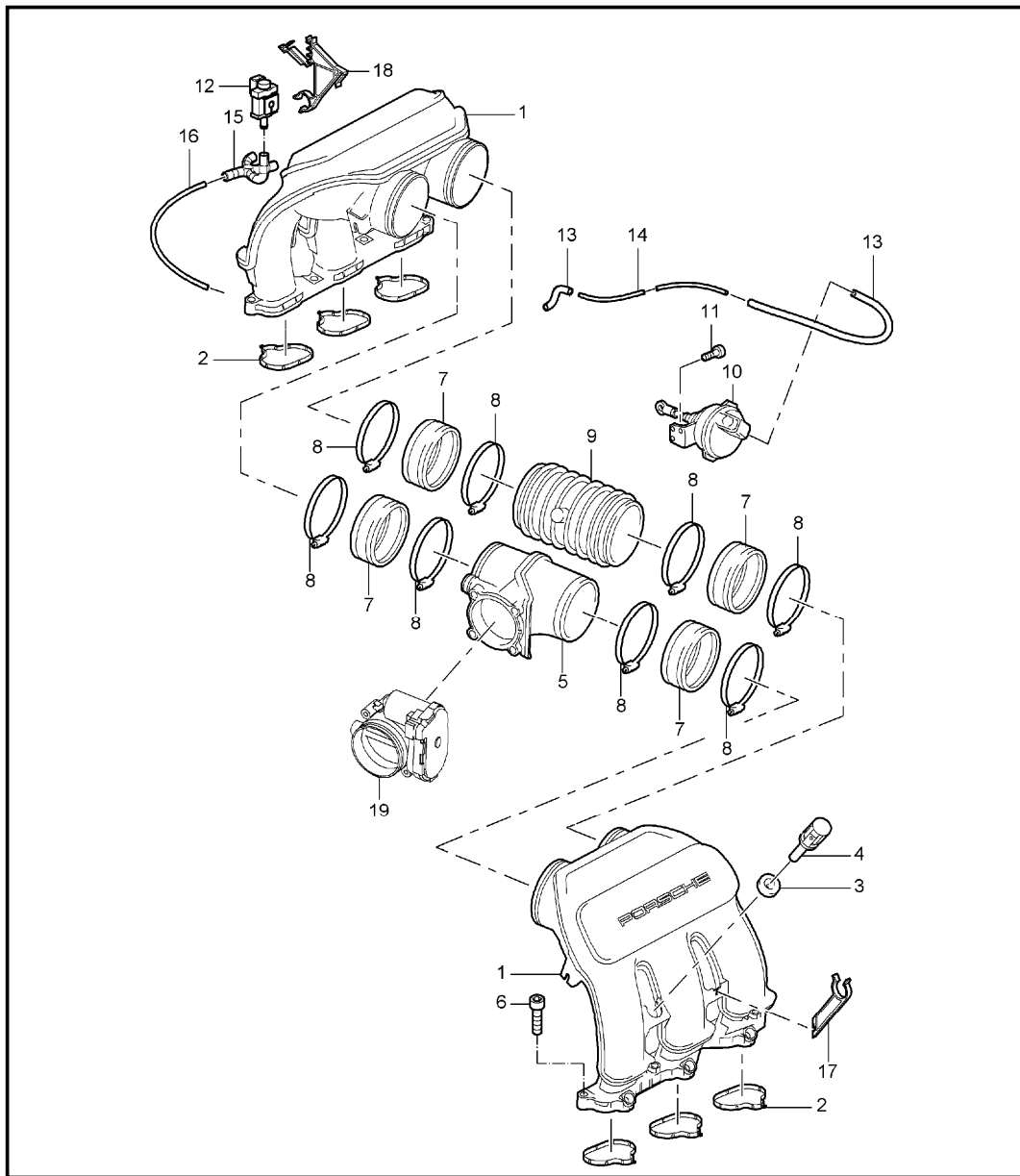
Pos	Part Number	Description	Remark	Qty	Model
		throttle body			M97.01 M96.05
1	996 605 115 01	throttle body	05	1	
(1)	997 605 115 00	throttle body	06-	1	
(1)	997 605 116 00	throttle body	06-	1	M97.01 IX51
2	997 110 319 00	gasket distributor tube		1	
(2)	997 110 319 40	gasket distributor tube	06-	1	M97.01 IX51
3	997 110 423 02	bracket		1	M97.01
(3)	996 110 223 32	bracket		1	M96.05
(3)	997 110 423 40	bracket	06-	1	M97.01 IX51
4	900 385 025 04	torx screw BM 6 X 40		4	
(4)	900 385 125 01	torx screw M 6 x 45	06-	4	M97.01 IX51
5	999 703 349 00	rubber mounting		1	
6	900 377 010 04	hexagon nut M 6	-07	1	
(6)	900 377 010 01	hexagon nut M 6	08-	1	
7	997 110 221 00	air box		1	M97.01
(7)	997 110 223 00	air box		1	M96.05
(7)	997 110 225 00	air box	06-	1	M97.01 IX51
8	999 512 016 00	hose clamp 80 - 100/12		1	
9	---	distributor tube see illustrations 1/07/10			

Model	Year	MG	SG	Illustration	Restrictions	UPD	23:06	24.01.2010	PORSCHE	PET	PORSCHE
997-1	2008	1	07	107-05		248					



Pos	Part Number	Description	Remark	Qty	Model
		fuel collection pipe			M97.01 M96.05
1	997 110 031 03	fuel collection pipe		1	
2	993 110 217 00	valve		2	
3	997 110 218 00	cap		2	
4	996 110 113 52	retaining clip		6	
5	900 385 041 09	torx screw M 6 X 12		4	
6	997 605 123 00	injector valve		6	
7	999 707 574 40	o-ring 7,52 X 3,51		6	
8	997 110 129 00	vent line		1	M97.01
(8)	997 110 129 40	vent line	06-	1	M97.01 IX51
8	997 110 128 01	vent line		1	M96.05
9	999 512 650 09	hose clamp		1	
10	997 110 127 00	hose		1	M96.05
11	999 512 651 09	hose clamp B 15 X 12		1	
12	996 101 223 00	support		1	
13	900 385 279 09	hexagon-head bolt M6 X 12 MK		1	
14	996 101 213 56	retaining bar		1	
15	999 707 573 40	o-ring 8,3 X 3,05		6	

Model	Year	MG	SG	Illustration	Restrictions	UPD	23:06	24.01.2010	PORSCHE	PET	PORSCHE
997-1	2008	1	07	107-10		248					

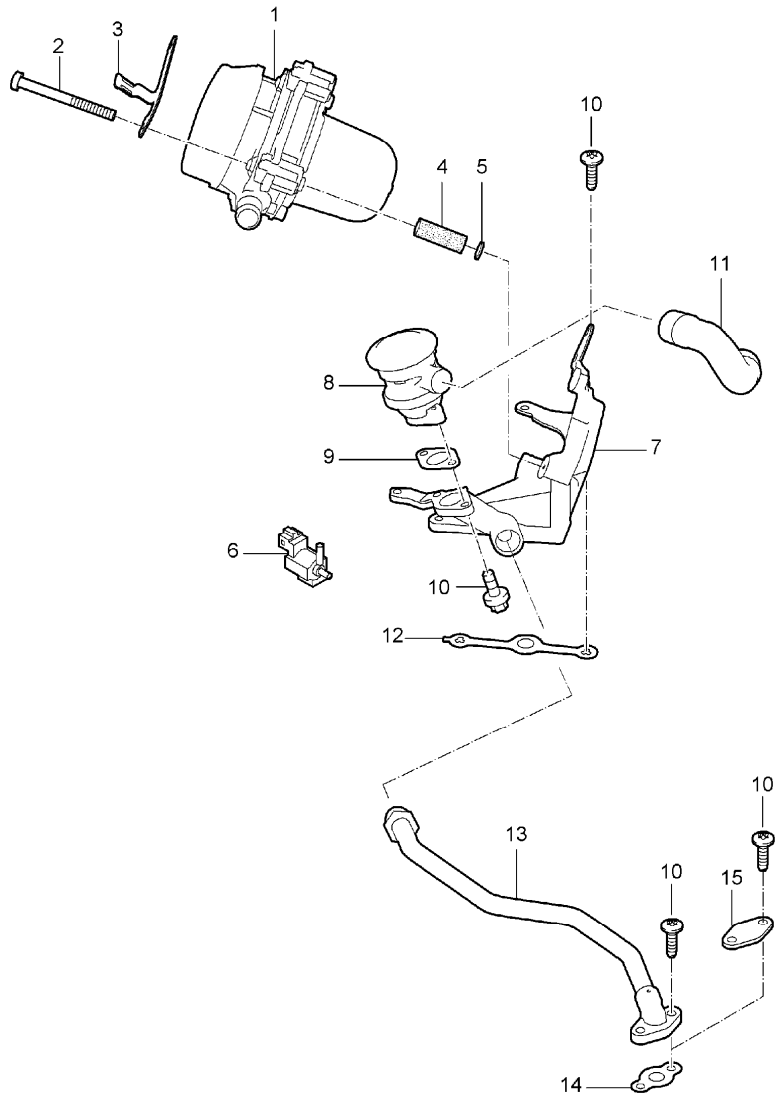


Pos	Part Number	Description	Remark	Qty	Model
		intake distributor			M97.01 M96.05
1	997 110 115 03	intake distributor		2	M97.01
(1)	996 110 015 55	intake distributor M >> 695 08696		2	M96.05
-	996 110 101 52	intake manifold		2	M96.05
(1)	997 110 036 01	intake distributor M 695 08697 >>		2	M96.05
(1)	997 110 115 40	intake distributor	06-	2	M97.01 IX51
2	997 110 247 01	gasket		6	
3	993 110 530 01	grommet		1	
4	997 606 213 00	temperature sensor		1	
5	997 110 416 03	distributor tube		1	M97.01
(5)	996 110 116 01	distributor tube		1	M96.05
(5)	997 110 416 40	distributor tube	06-	1	M97.01 IX51
6	900 385 017 04	torx screw M 6 X 35		8	
7	997 110 685 00	rubber sleeve		4	
7	997 110 685 40	rubber sleeve	06-	4	M97.01 IX51
8	999 512 539 00	hose clamp 90 - 110/9		8	
8	999 512 539 01	hose clamp 90 - 110/9		8	
9	996 110 120 53	resonance tube		1	
10	993 110 462 02	vacuum unit		1	
11	900 146 123 02	screw M 5 X 16		2	
12	996 605 123 01	change-over valve		1	
13	928 574 717 05	moulded hose		1	
--	000 043 205 01	pipe 4 X 1		*	

Model	Year	MG	SG	Illustration	Restrictions	UPD	23:06	24.01.2010	PORSCHE	PET	PORSCHE
997-1	2008	1	07	107-10		248					

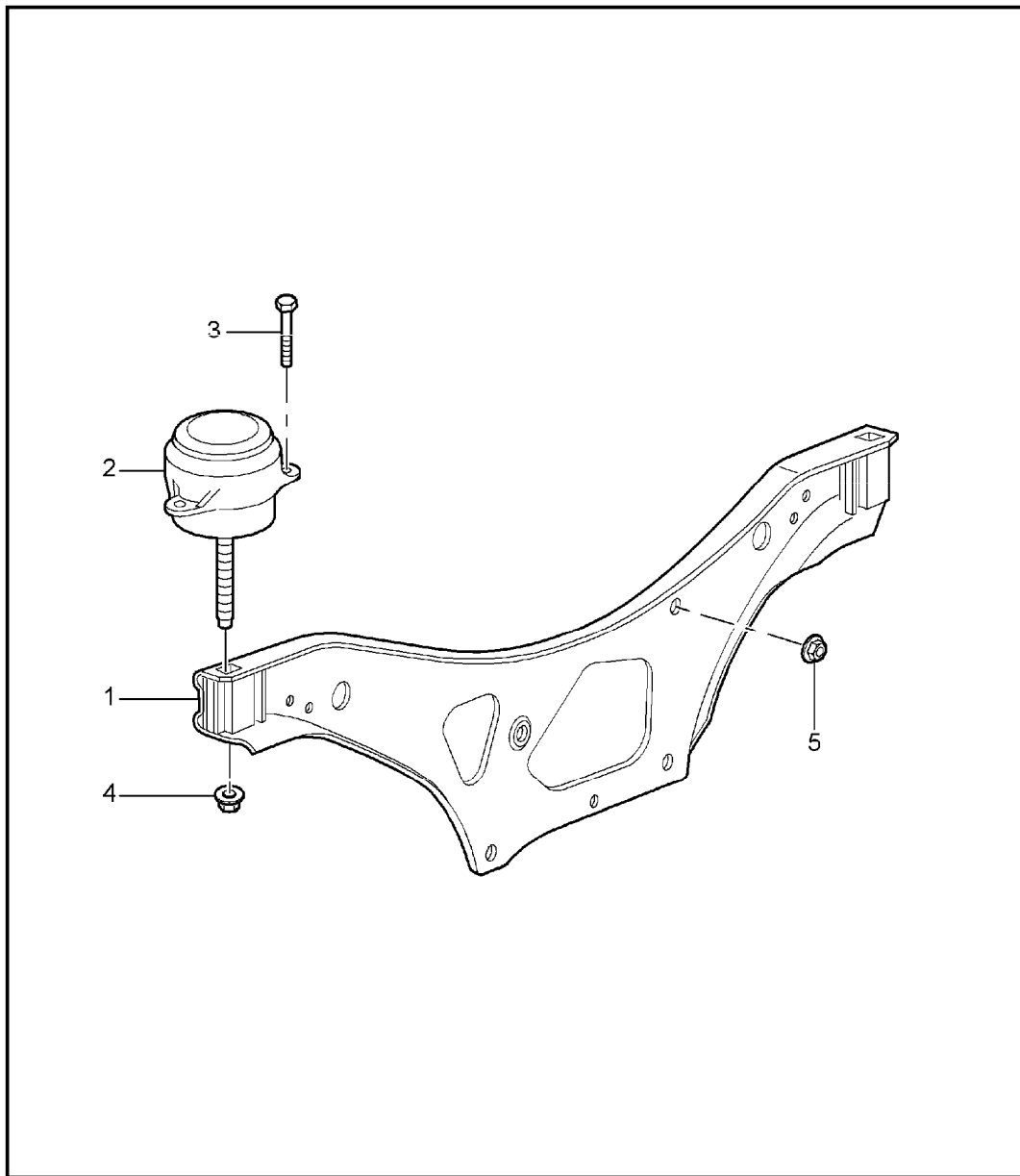
Pos	Part Number	Description	Remark	Qty	Model	Pos	Part Number	Description	Remark	Qty	Model
14	---	340 MM		1	M96.05						
(14)	---	420 MM		1	M97.01						
(14)	---	210 MM	06-	1	M97.01 IX51						
15	928 573 727 03	y-piece triple		1							
15	928 573 729 03	distributing piece fourfold		1							
(15)	928 574 717 05	moulded hose		1							
--	000 043 205 01	pipe 4 X 1		*							
16	---	270 MM		1	M96.05						
(16)	---	210 MM		1	M97.01						
(16)	---	210 MM	06-	1	M97.01 IX51						
(16)	---	1100 MM		1	M97.01						
(16)	---	1140 MM		1	I249						
17	...	see illustrations 1/04/11		1							
18	997 110 547 00	support lines		1	M97.01						
19	---	see illustrations 1/07/00									
--	997 110 433 40	support change-over valve	06-	2	M97.01 IX51						

Model	Year	MG	SG	Illustration	Restrictions	UPD	23:07	24.01.2010	PORSCHE	PET	PORSCHE
997-1	2008	1	08	108-05		248					



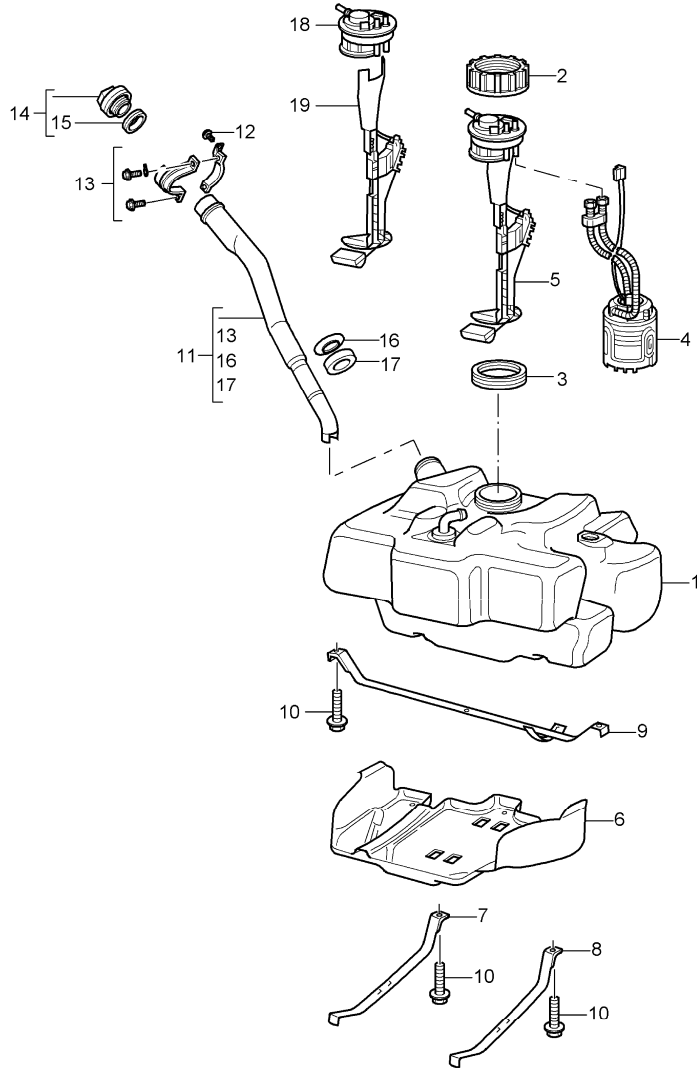
Pos	Part Number	Description	Remark	Qty	Model
		air injection			M97.01 M96.05
1	997 605 104 00	secondary pump	-07	1	I661
(1)	997 605 104 02	secondary pump	08-	1	I661
2	955 113 325 00	oval-head screw M 6 X 50		2	M97.01
(2)	955 113 325 00	oval-head screw M 6 X 50		3	I661
3	997 110 429 02	support tank ventilation		1	M97.01
(3)	997 110 429 40	support tank ventilation		1	M97.01 IX51
4	999 703 868 40	rubber mounting 8,76 X 33,3		3	I661
5	999 209 077 02	spacer sleeve 6,5 X 1		2	M97.01
(5)	999 209 077 02	spacer sleeve 6,5 X 1		3	I661
6	996 605 123 01	change-over valve		1	
7	997 113 137 01	bracket secondary pump		1	
8	948 113 203 51	valve		1	I661
9	993 113 258 51	gasket		1	I661
10	999 073 344 04	round head screw M 6 X 20		5	
(10)	999 073 344 04	round head screw M 6 X 20		7	I661
11	997 113 339 02	hose		1	I661
12	997 113 233 01	gasket bracket		1	I661
(12)	997 113 233 02	gasket bracket		1	
13	997 113 117 01	connecting line		1	I661
14	996 113 213 51	gasket		1	
15	997 113 340 00	lid		1	

Model	Year	MG	SG	Illustration	Restrictions	UPD	23:07	24.01.2010	PORSCHE	PET	PORSCHE
997-1	2008	1	09	109-00		248					



Pos	Part Number	Description	Remark	Qty	Model
		engine suspension			M97.01 M96.05
1	997 375 011 01	engine carrier		1	
2	997 375 049 03	hydraulic mount	-06	2	CABRIO
(2)	997 375 049 05	hydraulic mount	07-	2	CABRIO
(2)	997 375 049 04	hydraulic mount	-06	2	COUPE
(2)	997 375 049 06	hydraulic mount	07-	2	COUPE
3	900 378 055 09	hexagon-head bolt M 8 X 40		4	
4	999 084 215 09	hexagon nut M 12 X 1,5		2	
5	999 076 053 09	hexagon nut M 10		4	

Model	Year	MG	SG	Illustration	Restrictions	UPD	23:07	24.01.2010	PORSCHE	PET	PORSCHE
997-1	2008	2	01	201-00		248					



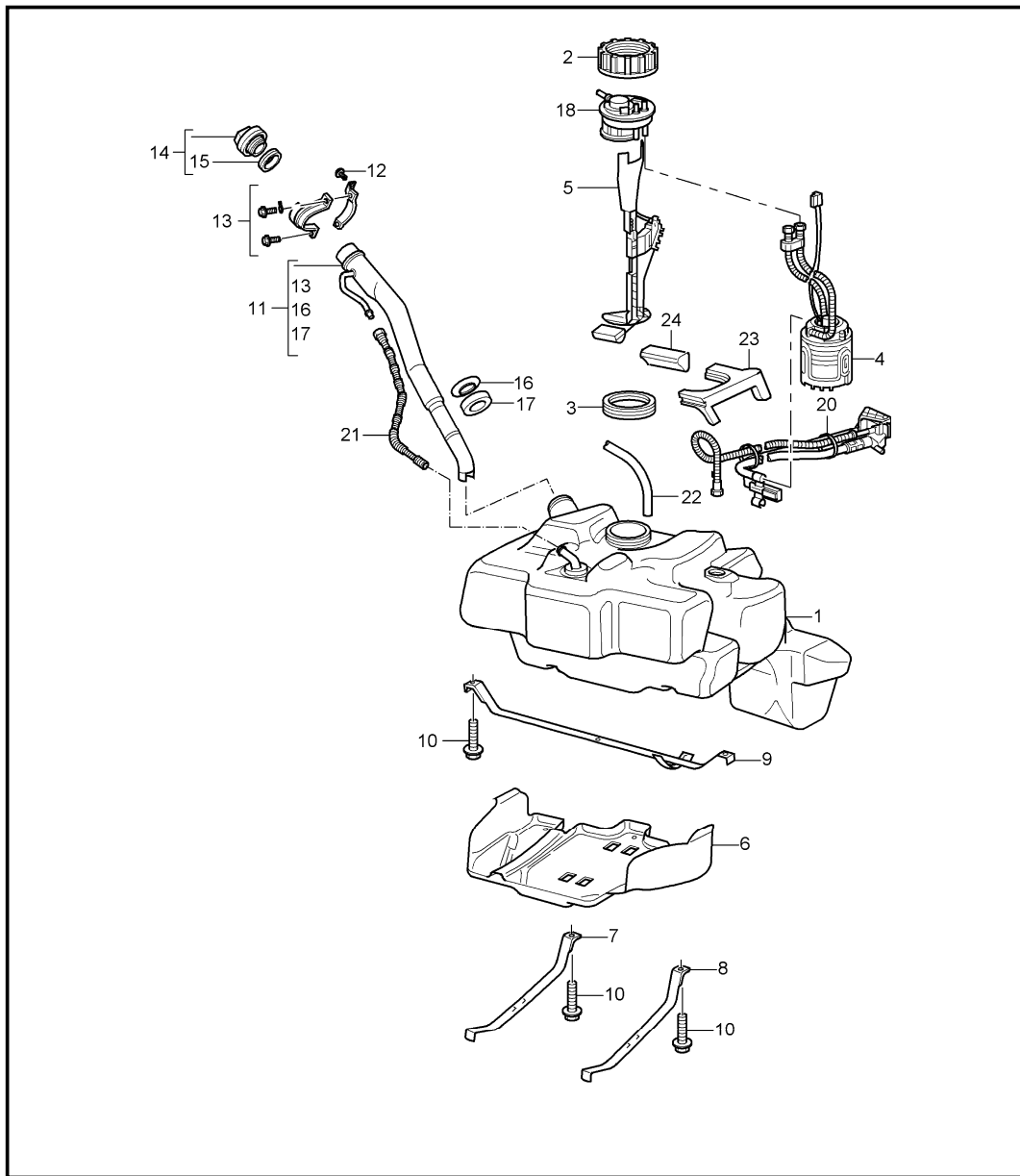
Pos	Part Number	Description	Remark	Qty	Model
		fuel tank			C2/C2S
1	996 201 021 05	fuel tank	/LL	1	
(1)	997 201 022 01	fuel tank	/RL	1	
2	996 201 623 00	union nut		1	
3	321 919 133	sealing ring		1	
4	996 620 132 00	fuel pump		1	C2
4	997 620 132 00	fuel pump		1	C2S
5	996 620 832 02	tank gauge with flange		1	
6	997 201 331 02	protective plate	/LL	1	
(6)	997 201 331 03	protective plate	/RL	1	
7	996 201 106 02	restraining strap right		1	
8	996 201 105 02	restraining strap left		1	
9	996 201 107 02	restraining strap	/LL	1	
(9)	996 201 108 00	restraining strap	/RL	1	
10	900 075 479 09	combination screw M 8 X 40		4	
11	997 201 043 00	filler neck F >>995S7 34723		1	
11	997 201 043 06	filler neck F 995S7 34724>>		1	
		use also:			
		F >>995S7 34723		1	
		997.201.951.00			
(11)	997 201 043 01	filler neck F >>995S7 16897		1	I150
		F >>995S7 03178			I193
(11)	997 201 043 07	filler neck F 995S7 16898>>		1	I150
		F 995S7 03179>>			I193
		use also:			
		F >>995S7 16897		1	I150
		F >>995S7 03178			I193
		997.201.951.00		1	

Model	Year	MG	SG	Illustration	Restrictions	UPD	23:07	24.01.2010	PORSCHE	PET	PORSCHE
997-1	2008	2	01	201-00		248					

Pos	Part Number	Description	Remark	Qty	Model	Pos	Part Number	Description	Remark	Qty	Model
12	999 015 025 09	lens-head screw M 6 X 12 F >>995S7 34723 F >>995S7 16897 F >>995S7 03178		1	I150 I193						
(12)	999 073 348 09	oval-head screw M 6 X 12 F 995S7 34724>> F 995S7 16898>> F 995S7 03179>>		1	I150 I193						
13	997 201 951 00	support complete F >>995S7 34723 F >>995S7 16897 F >>995S7 03178		1	I150 I193						
13	997 201 951 02	support complete F 995S7 34724>> F 995S7 16898>> F 995S7 03179>>		1	I150 I193						
14	996 201 241 03	fuel tank cap with clip		1							
-	999 507 499 40	expansion rivet		1							
15	191 201 557	gasket		1							
16	996 201 755 00	support washer		1							
17	996 201 753 00	gasket		1							
20	000 043 206 89	Additive fuel 100 ml Beh,lter	CHINA	1							



Model	Year	MG	SG	Illustration	Restrictions	UPD	23:07	24.01.2010	PORSCHE	PET	PORSCHE
997-1	2008	2	01	201-01		248					

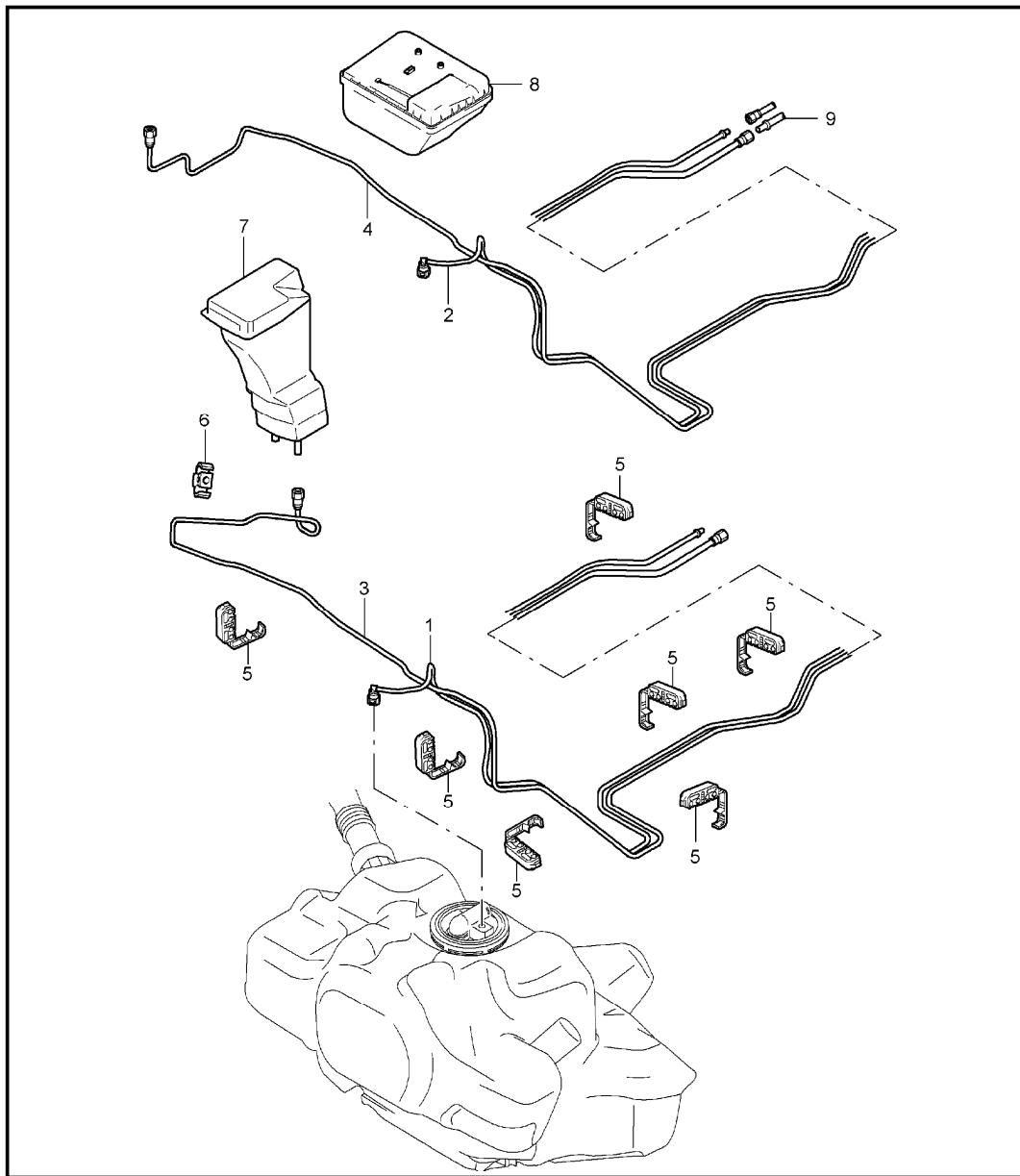


Pos	Part Number	Description	Remark	Qty	Model
		fuel tank			C4/C4S
1	997 201 021 01	fuel tank	/LL	1	
(1)	997 201 022 00	fuel tank	/RL	1	
2	997 201 623 00	union nut		1	
3	997 201 733 00	sealing ring		1	
4	997 620 133 00	fuel pump		1	
5	997 620 833 00	tank gauge without flange		1	
6	997 201 331 00	protective plate		1	
7	997 201 106 00	restraining strap right		1	
8	997 201 105 00	restraining strap left		1	
9	997 201 107 00	restraining strap		1	
10	900 075 479 09	combination screw M 8 X 40		4	
11	997 201 043 12	filler neck		1	
(11)	997 201 043 10	filler neck		1	I150/193
12	999 073 348 09	oval-head screw		1	
13	997 201 951 02	support		1	
14	996 201 241 03	fuel tank cap with clip		1	
-	999 507 499 40	expansion rivet		1	
15	191 201 557	gasket		1	
16	996 201 755 00	support washer		1	
17	996 201 753 00	gasket		1	
18	997 201 421 01	flange for tank gauge		1	
20	997 620 113 00	venturi tube		1	

Model	Year	MG	SG	Illustration	Restrictions	UPD	23:07	24.01.2010	PORSCHE	PET	PORSCHE
997-1	2008	2	01	201-01		248					

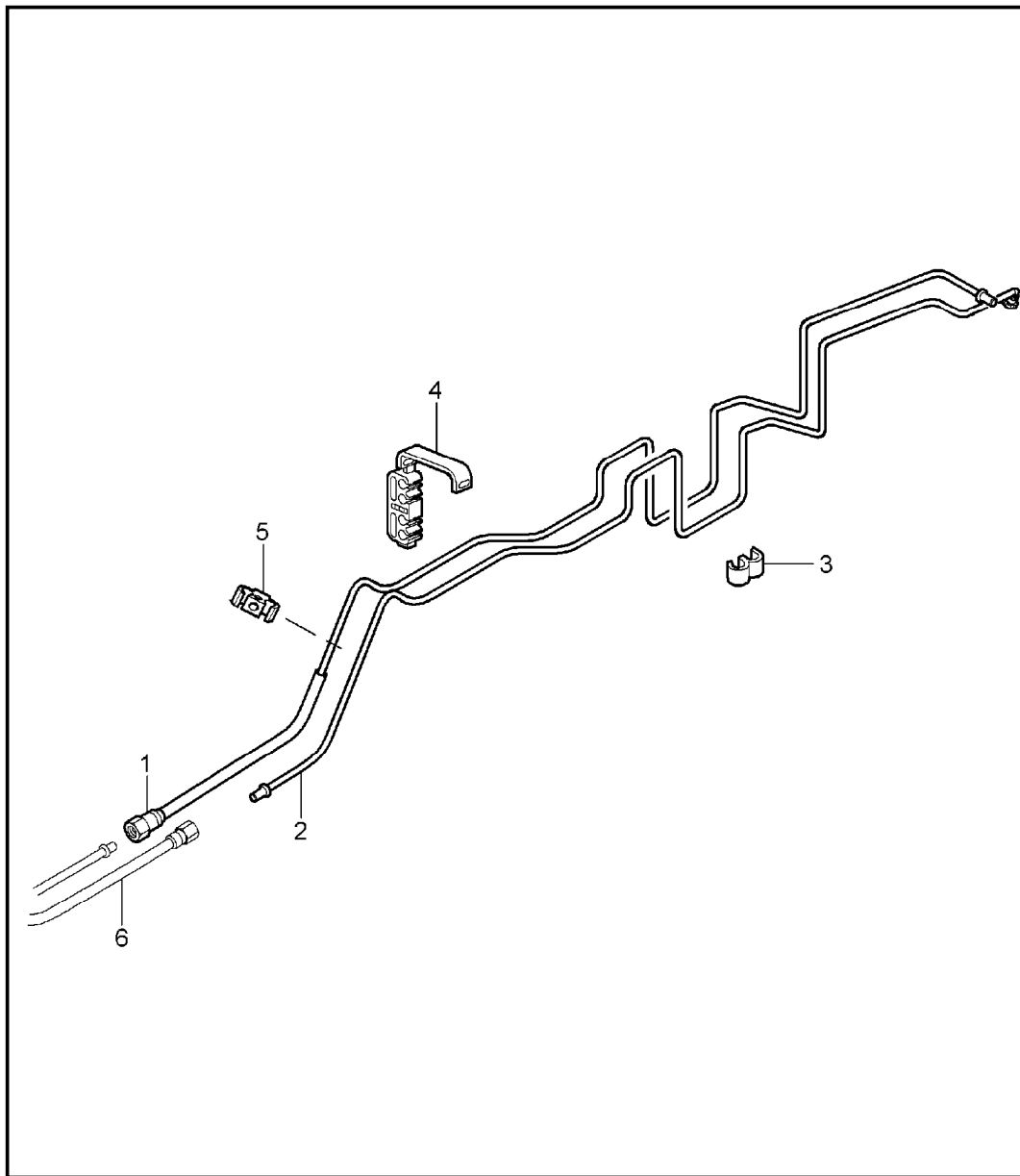
Pos	Part Number	Description	Remark	Qty	Model	Pos	Part Number	Description	Remark	Qty	Model
21	996 201 613 00	vent line fuel tank to filler neck	/RL	1							
(21)	997 201 711 00	vent line fuel tank to filler neck	/LL	1							
(22)	997 201 721 00	vent line in-tank fuel pump to inner pipe		1							
25	000 043 206 89	Additive fuel 100 ml Beh,lter	CHINA	1							

Model	Year	MG	SG	Illustration	Restrictions	UPD	23:07	24.01.2010	PORSCHE	PET	PORSCHE
997-1	2008	2	01	201-05		248					



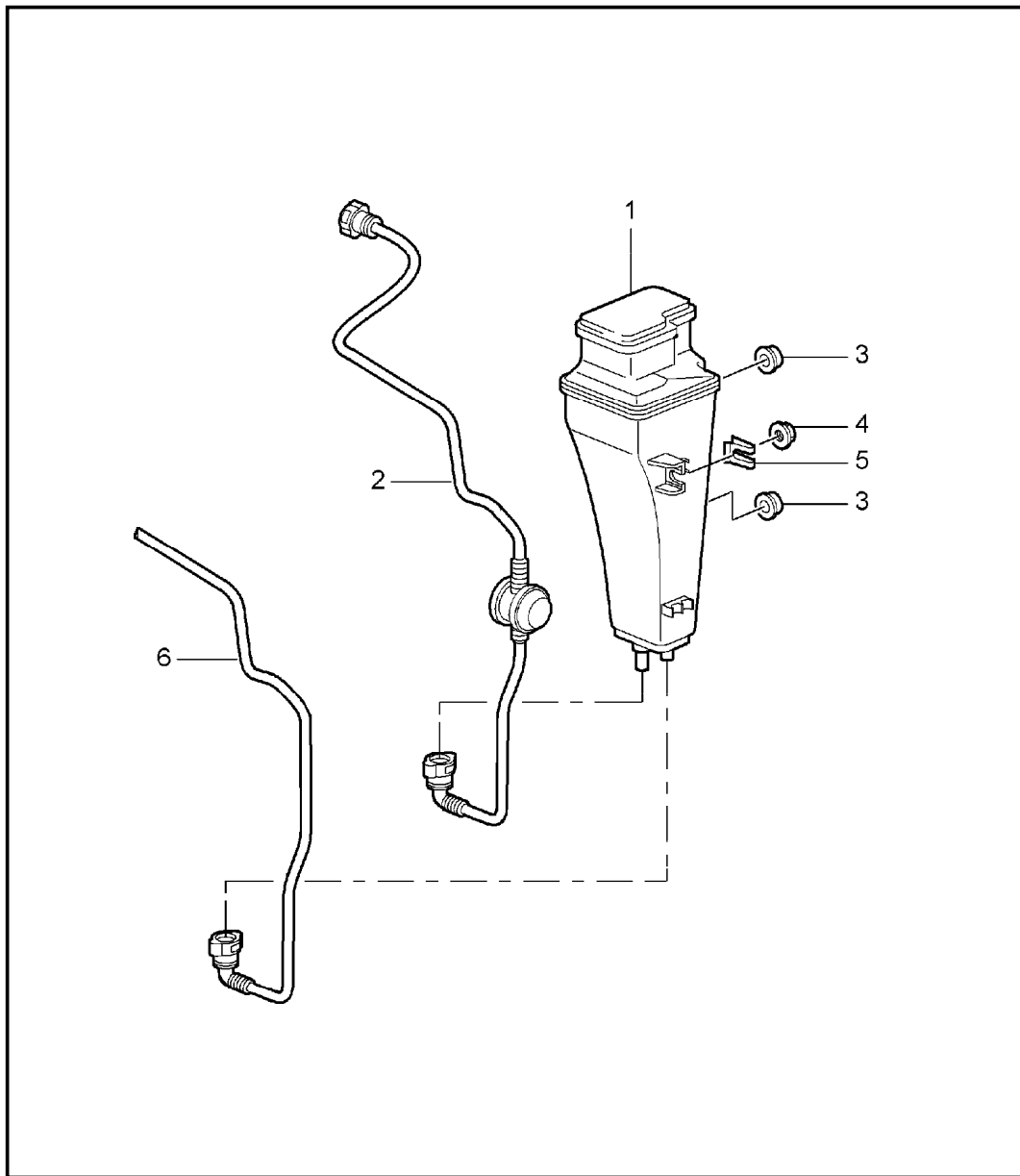
Pos	Part Number	Description	Remark	Qty	Model
1	997 201 261 02	fuel system front		1	C2/C2S
(1)	997 201 261 03	fuel line front		1	C4/C4S
3	997 201 351 02	fuel pump for engine		1	
3	997 201 351 02	purge-air line front carbon canister for engine		1	
5	999 507 521 40	cable holder 8,0/8/10		8	
6	999 507 727 40	cable holder 8,0/10,0		1	
-	999 507 488 40	cable holder 5,00/10,0		1	C2/C2S
7	...	carbon canister see illustrations 201-20		1	
9	...	lines rear see illustrations 201-10		1	

Model	Year	MG	SG	Illustration	Restrictions	UPD	23:08	24.01.2010	PORSCHE	PET	PORSCHE
997-1	2008	2	01	201-10		248					



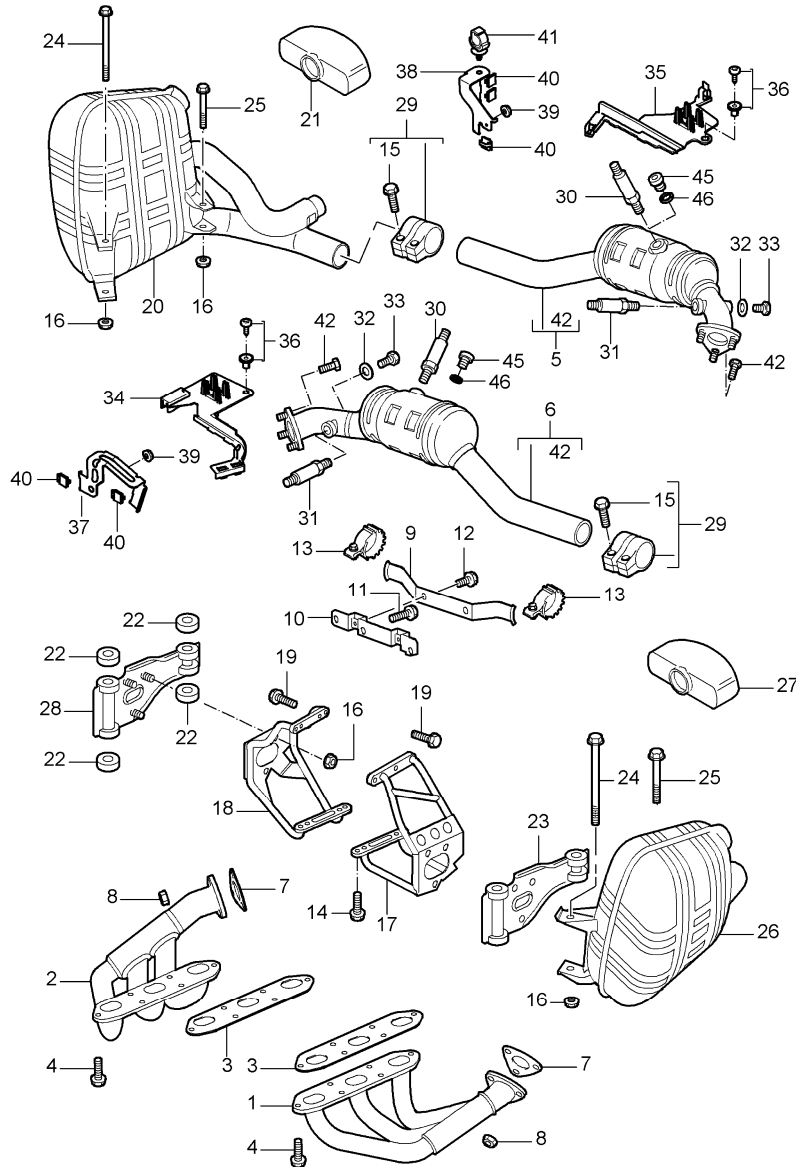
Pos	Part Number	Description	Remark	Qty	Model
		fuel system rear			
1	997 201 265 00	fuel line rear fuel pump for engine		1	
2	997 201 355 00	air tube rear carbon canister for engine		1	
(3)	999 507 488 40	cable holder 5,00/10,0		4	
(4)	999 507 521 40	cable holder 8,0/8/10		1	
(5)	999 507 727 40	cable holder 8,0/10,0		3	
6	... ..	lines front see illustrations 201-05		1	

Model	Year	MG	SG	Illustration	Restrictions	UPD	23:08	24.01.2010	PORSCHE	PET	PORSCHE
997-1	2008	2	01	201-20		248					



Pos	Part Number	Description	Remark	Qty	Model
		carbon canister			
1	997 201 221 01	carbon canister complete		1	
2	997 201 251 00	vent line fuel tank for carbon canister		1	I338
(2)	997 201 251 01	vent line fuel tank for carbon canister		1	I339
3	999 702 221 40	grommet		2	
4	999 084 629 09	hexagon nut M 6		1	
5	999 507 543 02	clamp 2,00 - 3,00		1	
6	---	purge-air line front		1	
-	---	see illustrations 201-05		X	

Model	Year	MG	SG	Illustration	Restrictions	UPD	23:08	24.01.2010	PORSCHE	PET	PORSCHE
997-1	2008	2	02	202-00		248					



Pos	Part Number	Description	Remark	Qty	Model
		exhaust system			M96.05
1	997 111 103 01	exhaust manifold cyl. 1 - 3		1	
2	997 111 104 01	exhaust manifold cyl. 4 - 6		1	
3	996 111 107 55	gasket exhaust manifold		2	
4	999 075 074 00	hexagon-head bolt M 8 X 26		12	
5	A 997 113 033 02	catalytic converter cyl. 1 - 3		1	
(5)	A 997 113 033 04	catalytic converter cyl. 1 - 3		1	
(5)	A 997 113 033 05	catalytic converter cyl. 1 - 3		1	
(5)	997 113 033 06	catalytic converter cyl. 1 - 3	-05	1	
(5)	A 997 113 035 00	catalytic converter cyl. 1 - 3		1	
(5)	A 997 113 035 01	catalytic converter cyl. 1 - 3		1	
(5)	A 997 113 035 03	catalytic converter cyl. 1 - 3		1	
(5)	997 113 035 04	catalytic converter cyl. 1 - 3	06-	1	
6	A 997 113 034 02	catalytic converter cyl. 4 - 6		1	
(6)	A 997 113 034 04	catalytic converter cyl. 4 - 6		1	
(6)	A 997 113 034 05	catalytic converter cyl. 4 - 6		1	
(6)	997 113 034 06	catalytic converter cyl. 4 - 6	-05	1	
(6)	A 997 113 036 00	catalytic converter cyl. 4 - 6		1	
(6)	A 997 113 036 01	catalytic converter cyl. 4 - 6		1	

Model	Year	MG	SG	Illustration	Restrictions	UPD	23:08	24.01.2010	PORSCHE	PET	PORSCHE
997-1	2008	2	02	202-00		248					

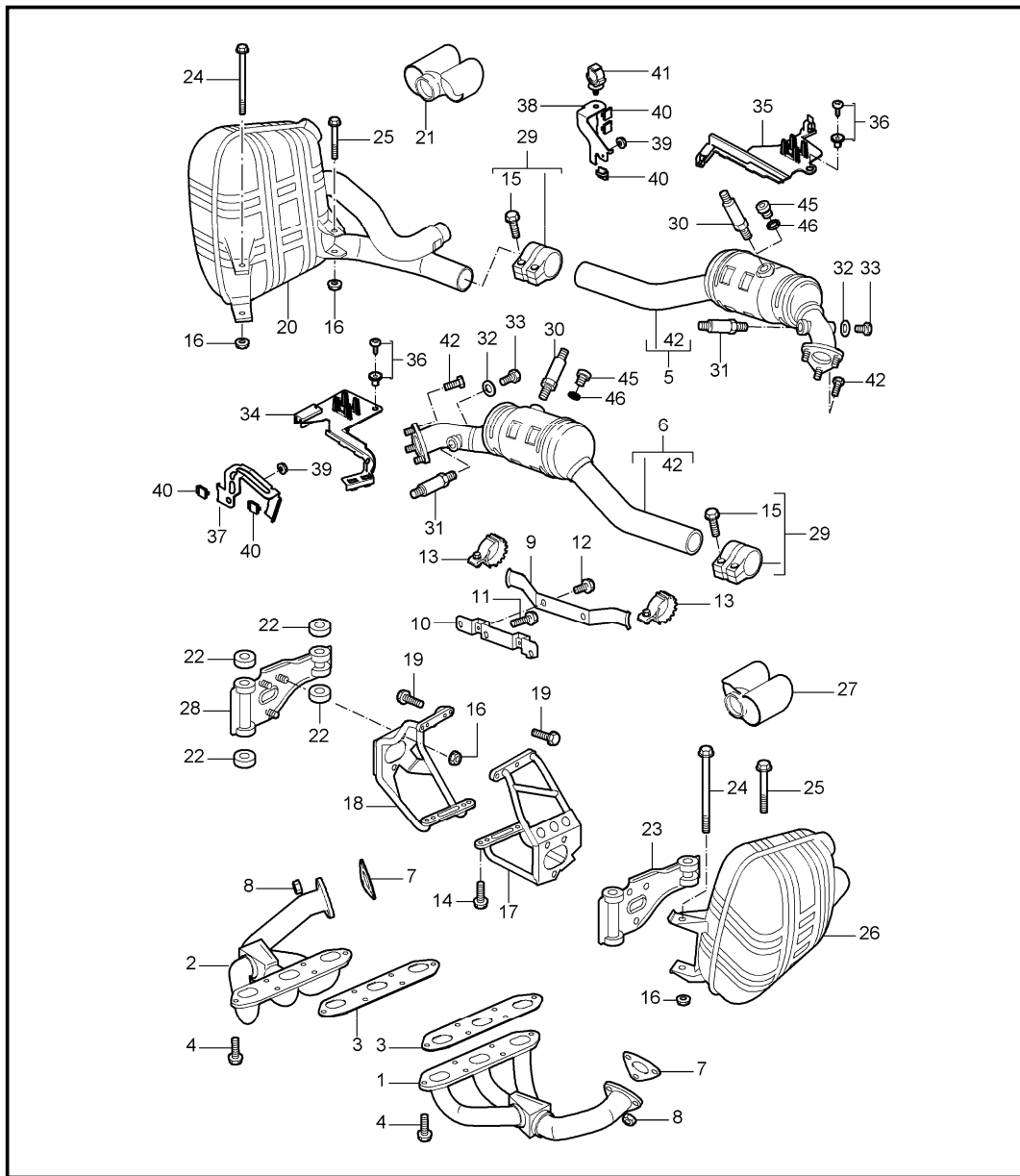
Pos	Part Number	Description	Remark	Qty	Model	Pos	Part Number	Description	Remark	Qty	Model
(6) A	997 113 036 03	catalytic converter cyl. 4 - 6		1		22	996 111 229 01	damping piece		8	
(6)	997 113 036 04	catalytic converter cyl. 4 - 6	06-	1		23	996 111 237 03	support		1	
7	997 111 113 00	gasket		2		24	900 378 183 09	hexagon-head bolt M 8 X 140		2	
8	999 084 046 02	lock nut M 8		6		25	900 378 105 09	hexagon-head bolt M 8 X 70		2	
9	996 113 123 55	support		1		26 A	997 111 212 02	muffler		1	
10	996 113 223 50	bracket		1		26	997 111 212 03	muffler		1	
11	900 385 019 04	torx screw M 6 X 20		1		26 A	997 111 232 02	muffler		1	I068/074 I193/479
12	900 378 123 09	hexagon-head bolt M 8 X 12		2		26	997 111 232 03	muffler		1	I068/074 I193/479
13	997 111 230 01	clamp		2		27 A	997 111 152 00	tail pipe	/L	1	
14	900 385 098 09	screw M 8 X 30		4		(27)	997 111 152 01	tail pipe	/L	1	
15	900 378 055 09	hexagon-head bolt M 8 X 40		4		28	996 111 238 03	support		1	
16	900 380 005 09	hexagon nut M 8		10		29	997 111 520 00	clamping sleeve		2	
17 A	996 111 127 60	support		1		30	996 606 178 01	oxygen sensor after catalytic converter	-05	2	
(17)	996 111 127 61	support		1		30	997 606 177 01	oxygen sensor after catalytic converter	06-	2	
18 A	996 111 128 57	support		1		31	996 606 168 01	oxygen sensor in front of catalytic converter	-05	2	
(18)	996 111 128 58	support		1		31	997 606 176 01	oxygen sensor in front of catalytic converter	06-	2	
19	900 385 096 09	screw M 8 X 30 upper		4		--	000 043 207 07	grease for oxygen sensor		1	
20 A	997 111 211 02	muffler		1		34	996 606 156 00	cable guide oxygen sensor	-05	1	
20	997 111 211 03	muffler		1		(34)	997 606 156 01	cable guide oxygen sensor	06-	1	
20 A	997 111 231 02	muffler		1	I068/074 I193/479	35	997 606 157 00	cable guide oxygen sensor	-05	1	
20	997 111 231 03	muffler		1	I068/074 I193/479						
21 A	997 111 151 00	tail pipe	/R	1							
(21)	997 111 151 01	tail pipe	/R	1							

Model	Year	MG	SG	Illustration	Restrictions	UPD	23:08	24.01.2010	PORSCHE	PET	PORSCHE
997-1	2008	2	02	202-00		248					

Pos	Part Number	Description	Remark	Qty	Model	Pos	Part Number	Description	Remark	Qty	Model
(35)	997 606 157 01	cable guide oxygen sensor	06-	1							
36	999 591 941 40	expansion rivet 4,2		4							
37	996 606 158 04	cable holder line oxygen sensor	-05	1							
(37)	997 606 148 01	support line oxygen sensor	06-	1							
38	996 606 157 07	cable holder line oxygen sensor	-05	1							
(38)	997 606 147 01	support line oxygen sensor	06-	1							
39	900 377 010 04	hexagon nut M 6	-07	2							
(39)	900 377 010 01	hexagon nut M 6	08-	2							
40	999 651 386 02	cable clamp	-05	6							
(40)	999 651 394 40	cable holder	06-	4							
41	999 511 239 40	cable holder	-05	1							
42	900 075 365 02	screw M 8 X 30		X							
45	900 219 015 00	screw plug M 18 X 1,5 deleted oxygen sensor after catalytic converter		2							
46	900 123 009 20	sealing ring 18 X 24 deleted oxygen sensor after catalytic converter		2							



Model	Year	MG	SG	Illustration	Restrictions	UPD	23:08	24.01.2010	PORSCHE	PET	PORSCHE
997-1	2008	2	02	202-01		248					



Pos	Part Number	Description	Remark	Qty	Model
		exhaust system			M97.01
1	997 111 101 02	exhaust manifold cyl. 1 - 3		1	
2	997 111 102 02	exhaust manifold cyl. 4 - 6		1	
3	996 111 107 55	gasket exhaust manifold		2	
4	999 075 074 00	hexagon-head bolt M 8 X 26		12	
5	A 997 113 033 02	catalytic converter cyl. 1 - 3		1	
(5) A	997 113 033 04	catalytic converter cyl. 1 - 3		1	
(5) A	997 113 033 05	catalytic converter cyl. 1 - 3		1	
(5)	997 113 033 06	catalytic converter cyl. 1 - 3	-05	1	
(5) A	997 113 035 00	catalytic converter cyl. 1 - 3		1	
(5) A	997 113 035 01	catalytic converter cyl. 1 - 3		1	
(5) A	997 113 035 03	catalytic converter cyl. 1 - 3		1	
(5)	997 113 035 04	catalytic converter cyl. 1 - 3	06-	1	
6	A 997 113 034 02	catalytic converter cyl. 4 - 6		1	
(6) A	997 113 034 04	catalytic converter cyl. 4 - 6		1	
(6) A	997 113 034 05	catalytic converter cyl. 4 - 6		1	
(6)	997 113 034 06	catalytic converter cyl. 4 - 6	-05	1	
(6) A	997 113 036 00	catalytic converter cyl. 4 - 6		1	
(6) A	997 113 036 01	catalytic converter cyl. 4 - 6		1	

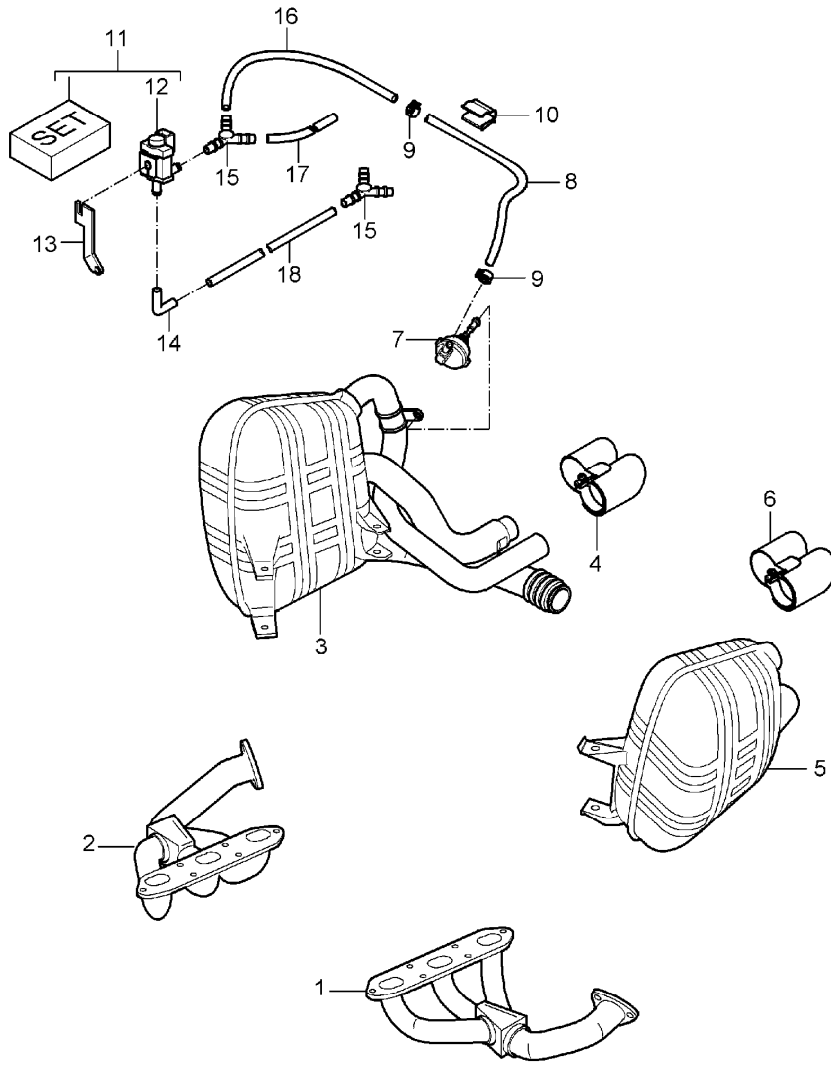
Model	Year	MG	SG	Illustration	Restrictions	UPD	23:08	24.01.2010	PORSCHE	PET	PORSCHE
997-1	2008	2	02	202-01		248					

Pos	Part Number	Description	Remark	Qty	Model	Pos	Part Number	Description	Remark	Qty	Model
(6) A	997 113 036 03	catalytic converter cyl. 4 - 6		1		(21) U	997 111 351 03	tail pipe	/R	1	
(6)	997 113 036 04	catalytic converter cyl. 4 - 6	06-	1		(21)	997 111 351 04	tail pipe	/R	1	
7	997 111 113 00	gasket		2		22	996 111 229 01	damping piece		8	
8	999 084 046 02	lock nut M 8		6		23	996 111 237 03	support		1	
9	996 113 123 55	support		1		24	900 378 183 09	hexagon-head bolt M 8 X 140		2	
10	996 113 223 50	bracket		1		25	900 378 105 09	hexagon-head bolt M 8 X 70		2	
11	900 385 019 04	torx screw M 6 X 20		1		26 A	997 111 412 03	muffler		1	
12	900 378 123 09	hexagon-head bolt M 8 X 12		2		26	997 111 412 04	muffler		1	
13	997 111 230 01	clamp		2		26 A	997 111 432 03	muffler		1	I068/074 I193/479
14	900 385 098 09	screw M 8 X 30		4		26	997 111 432 04	muffler		1	I068/074 I193/479
15	900 378 055 09	hexagon-head bolt M 8 X 40		4		27 A	997 111 352 01	tail pipe	/L	1	
16	900 380 005 09	hexagon nut M 8		10		(27) U	997 111 352 02	tail pipe	/L	1	
17 A	996 111 127 60	support		1		(27) U	997 111 352 03	tail pipe	/L	1	
(17)	996 111 127 61	support		1		(27)	997 111 352 04	tail pipe	/L	1	
18 A	996 111 128 57	support		1		28	996 111 238 03	support		1	
(18)	996 111 128 58	support		1		29	997 111 520 00	clamping sleeve		2	
19	900 385 096 09	screw M 8 X 30 upper		4		30	996 606 178 01	oxygen sensor after catalytic converter		2	
20 A	997 111 411 03	muffler		1		30	997 606 177 01	oxygen sensor after catalytic converter	06-	2	
20	997 111 411 04	muffler		1		31	996 606 168 01	oxygen sensor in front of catalytic converter	-05	2	
20 A	997 111 431 03	muffler		1	I068/074 I193/479	31	997 606 176 01	oxygen sensor in front of catalytic converter	06-	2	
20	997 111 431 04	muffler		1	I068/074 I193/479	--	000 043 207 07	grease for oxygen sensor		1	
21 A	997 111 351 01	tail pipe	/R	1		32	900 123 050 20	sealing ring 8 X 11,5		2	I660
(21) U	997 111 351 02	tail pipe	/R	1							

Model	Year	MG	SG	Illustration	Restrictions	UPD	23:08	24.01.2010	PORSCHE	PET	PORSCHE
997-1	2008	2	02	202-01		248					

Pos	Part Number	Description	Remark	Qty	Model	Pos	Part Number	Description	Remark	Qty	Model
33	900 124 021 05	screw plug M 8 X 1		2	I660	46	900 123 009 20	sealing ring 18 X 24		2	
34	996 606 156 00	cable guide oxygen sensor	-05	1				deleted oxygen sensor after catalytic converter			
(34)	997 606 156 01	cable guide oxygen sensor	06-	1							
35	997 606 157 00	cable guide oxygen sensor	-05	1							
(35)	997 606 157 01	cable guide oxygen sensor	06-	1							
36	999 591 941 40	expansion rivet 4,2		4							
37	996 606 158 04	cable holder line oxygen sensor	-05	1							
(37)	997 606 148 01	support line oxygen sensor	06-	1							
38	996 606 157 07	cable holder line oxygen sensor	-05	1							
(38)	997 606 147 01	support line oxygen sensor	06-	1							
39	900 377 010 04	hexagon nut M 6	-07	2							
(39)	900 377 010 01	hexagon nut M 6	08-	2							
40	999 651 386 02	cable clamp	-05	6							
(40)	999 651 394 40	cable holder	06-	4							
41	999 511 239 40	cable holder	-05	1							
42	900 075 365 02	screw M 8 X 30		X							
45	900 219 015 00	screw plug M 18 X 1,5 deleted oxygen sensor after catalytic converter		2							

Model	Year	MG	SG	Illustration	Restrictions	UPD	23:08	24.01.2010	PORSCHE	PET	PORSCHE
997-1	2008	2	02	202-03		248					

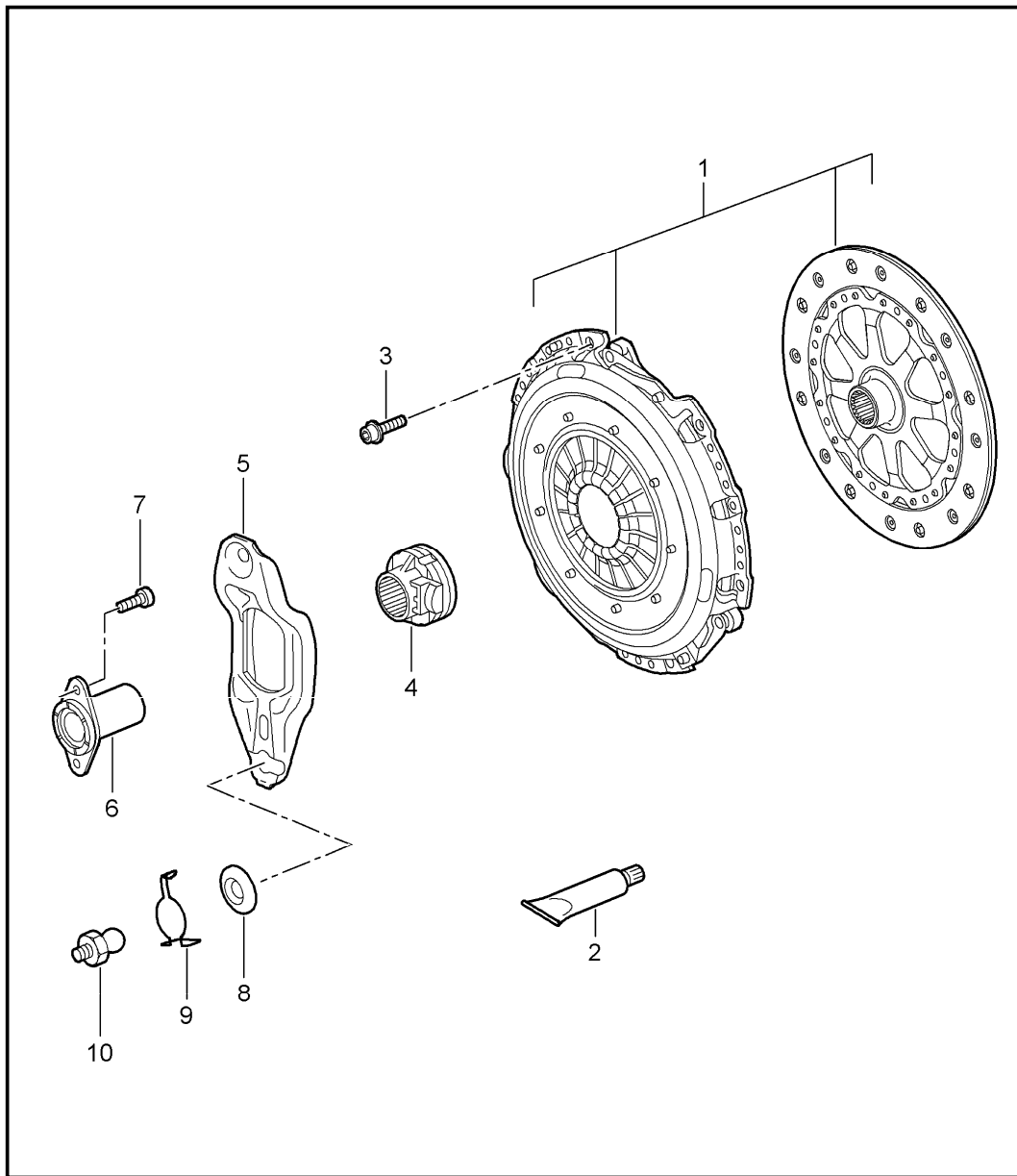


Pos	Part Number	Description	Remark	Qty	Model
		exhaust system exclusive programme single parts			M96.05 M97.01 IXLF IX54 M97.01 IX51
(1)	997 111 105 00	exhaust manifold cyl. 1 - 3		1	M97.01 IX51
(2)	997 111 106 00	exhaust manifold cyl. 4 - 6		1	M97.01 IX51
3 U	997 111 611 00	main exhaust muffler cyl. 1 - 3		1	M97.01 IXLF IX51 M96.05 IXLF
(3) A	997 111 611 02	main exhaust muffler cyl. 1 - 3		1	M97.01 IXLF IX51 M96.05 IXLF
(3)	997 111 611 03	main exhaust muffler cyl. 1 - 3		1	M97.01 IXLF IX51 M96.05 IXLF
4 A	997 111 981 20	tail pipe right		1	M97.01 IXLF IX51 M96.05 IXLF
4	997 111 981 21	tail pipe right		1	M97.01 IXLF IX51 M96.05 IXLF
(4)	997 111 981 10	tail pipe right		1	M96.05 IX54
(4) U	997 111 981 00	exhaust pipe right		1	M97.01 IX54
(4) U	997 111 981 01	exhaust pipe right		1	M97.01 IX54
(4)	997 111 981 02	exhaust pipe right		1	M97.01 IX54

Model	Year	MG	SG	Illustration	Restrictions	UPD	23:08	24.01.2010	PORSCHE	PET	PORSCHE
997-1	2008	2	02	202-03		248					

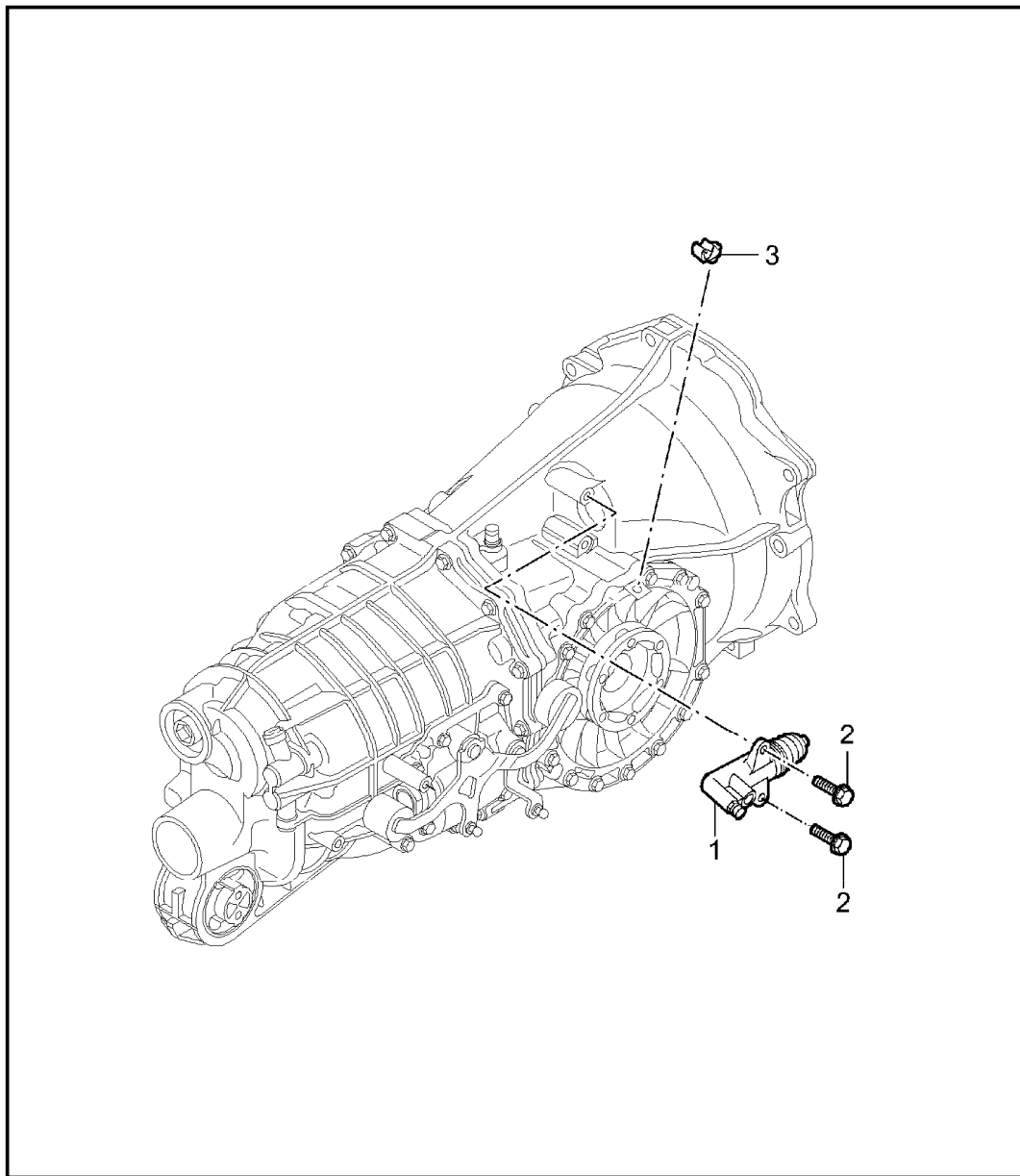
Pos	Part Number	Description	Remark	Qty	Model	Pos	Part Number	Description	Remark	Qty	Model
5	U 997 111 612 00	main exhaust muffler cyl. 4 - 6		1	M97.01 IXLF IX51 M96.05 IXLF	11	997 612 905 00	set  comprising: change-over valve wiring harness tie-wrap		1 3 12	IXLF
(5)	A 997 111 612 02	main exhaust muffler cyl. 4 - 6		1	M97.01 IXLF IX51 M96.05 IXLF	12	996 605 123 01	change-over valve		1	IXLF
(5)	997 111 612 03	main exhaust muffler cyl. 4 - 6		1	M97.01 IXLF IX51 M96.05 IXLF	13	996 111 989 00	retaining bracket for change-over valve		1	IXLF
6	997 111 982 20	tail pipe left		1	M97.01 IXLF IX51 M96.05 IXLF	14	A 928 574 717 03	moulded hose		1	IXLF
(6)	997 111 982 10	tail pipe left		1	M96.05 IX54	(14)	928 574 717 05	moulded hose		1	IXLF
(6)	U 997 111 982 00	exhaust pipe left		1	M97.01 IX54	15	928 573 727 03	y-piece distributing piece triple		2 1	IXLF/480 IXLF/249
(6)	U 997 111 982 01	exhaust pipe left		1	M97.01 IX54	(15)	928 573 729 03	distributing piece fourfold in line vacuum pump		1	IXLF/249
(6)	997 111 982 02	exhaust pipe left		1	M97.01 IX54	16	999 181 374 40	hose right 4 X 1 X 250		1	IXLF
7	997 111 680 00	vacuum unit with gear shift rod left and right		2	IXLF	17	999 181 424 40	hose left 4 X 1 X 800		1	IXLF
(7)	U 997 111 681 00	vacuum unit		1	IXLF	18	999 181 401 40	hose change-over valve to vacuum pump 4 X 1 X 580		1	IXLF
8	917 355 021 00	hose line 3 X 380		2	IXLF	-	... ..	tip switch see illustrations 903-05		1	IXLF
9	999 512 361 02	hose clamp 6 X 7		4	IXLF						
10	999 591 746 02	cable terminal 7,0 - 9,0		4	IXLF						
-	999 513 049 40	tie-wrap 8,0 - 30		2	IXLF						

Model	Year	MG	SG	Illustration	Restrictions	UPD	23:09	24.01.2010	PORSCHE	PET	PORSCHE
997-1	2008	3	01	301-00		248					



Pos	Part Number	Description	Remark	Qty	Model
		clutch			M97.01 M96.05
- U	997 116 027 12	pressure plate		1	M97.01
(1) A	997 116 913 13	clutch set use		1	M97.01
1	997 116 913 14	clutch set use		1	M97.01
- U	997 116 027 00	pressure plate		1	M96.05
(1) A	997 116 913 01	clutch set use		1	M96.05
(1)	997 116 913 02	clutch set use		1	M96.05
2	000 043 304 02	grease container 50 Gr.		1	
3	U 900 067 131 03	pan-head screw M 8 X 16		6	
(3)	999 073 458 01	screw M 8 X 16		6	
4	997 116 080 00	clutch release bearing	05	1	
4	997 116 080 01	clutch release bearing	06-	1	
5	997 116 712 00	clutch release lever		1	
6	996 116 087 01	guide sleeve		1	
7	N 903 663 01	pan-head screw M 8 X 22		2	
8	996 116 743 00	sealing ring		1	
9	996 116 741 00	clamp		1	
10	997 116 716 00	ball pin		1	

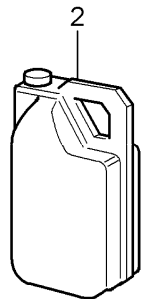
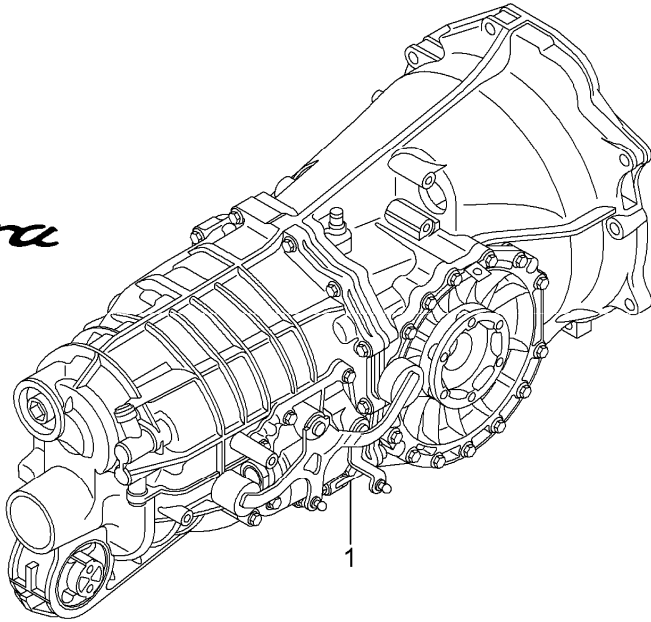
Model	Year	MG	SG	Illustration	Restrictions	UPD	23:09	24.01.2010	PORSCHE	PET	PORSCHE
997-1	2008	3	01	301-05		248					



Pos	Part Number	Description	Remark	Qty	Model
		clutch release clutch operating cylinder			G97.01 G97.31
1	997 116 237 03	clutch operating cylinder		1	
2	900 378 033 09	hexagon-head bolt M 8 X 30		2	
3	999 507 586 40	cable holder		1	

Model	Year	MG	SG	Illustration	Restrictions	UPD	23:09	24.01.2010	PORSCHE	PET	PORSCHE
997-1	2008	3	02	302-00		248					

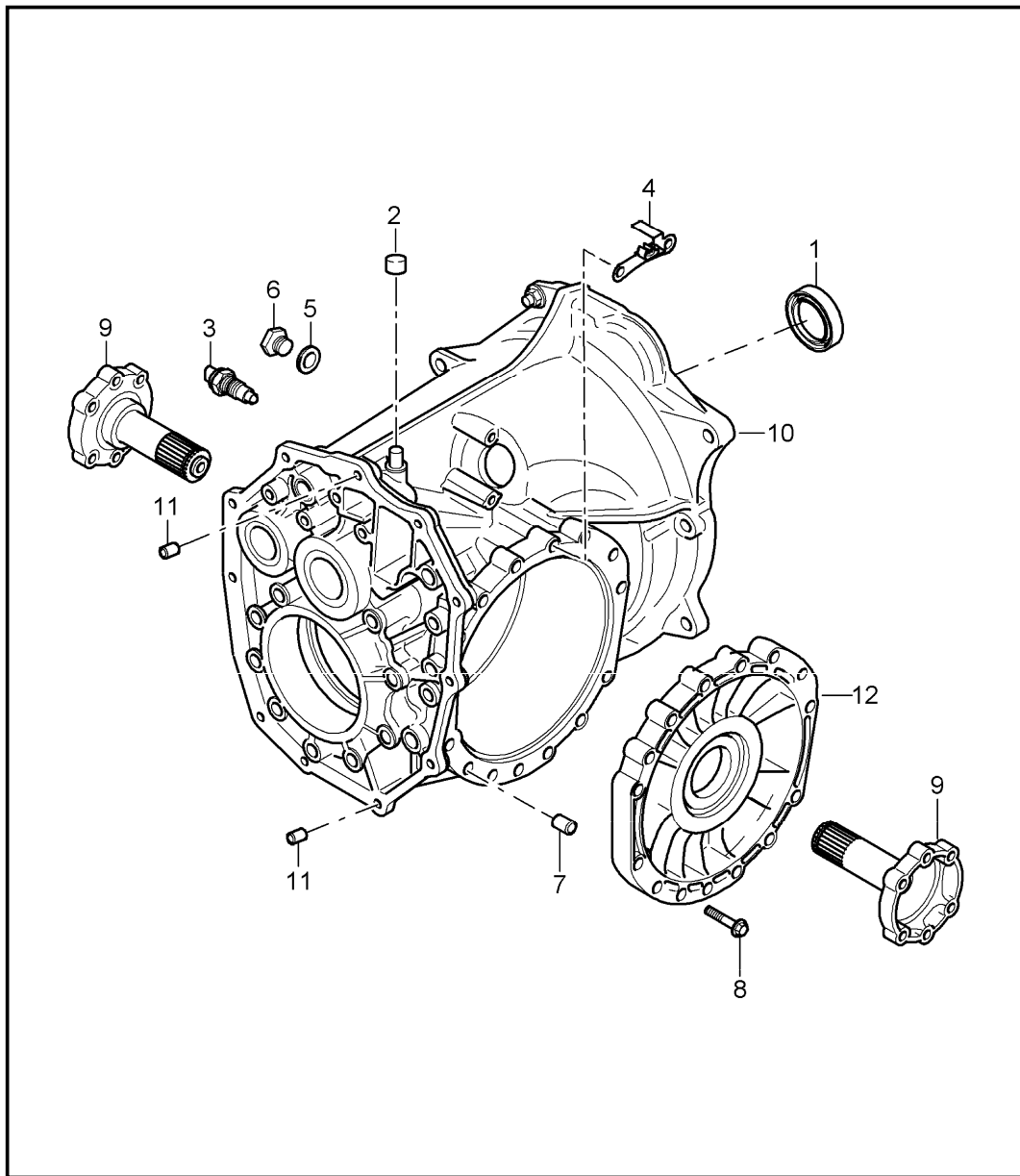
*Carrera*



Pos	Part Number	Description	Remark	Qty	Model
		manual transmission replacement transmission			G97.01 G97.31
1	> 997 300 010 01	transmission		1	G97.01 I219
1	> 997 300 010 31	transmission	06-	1	G97.31 I219
(1)	> 997 300 020 01	transmission with limited-slip differential		1	G97.01 I220
(1)	> 997 300 020 31	transmission with limited-slip differential	06-	1	G97.31 I220
2	000 043 204 19	transmission oil 20 LTR. container		X	

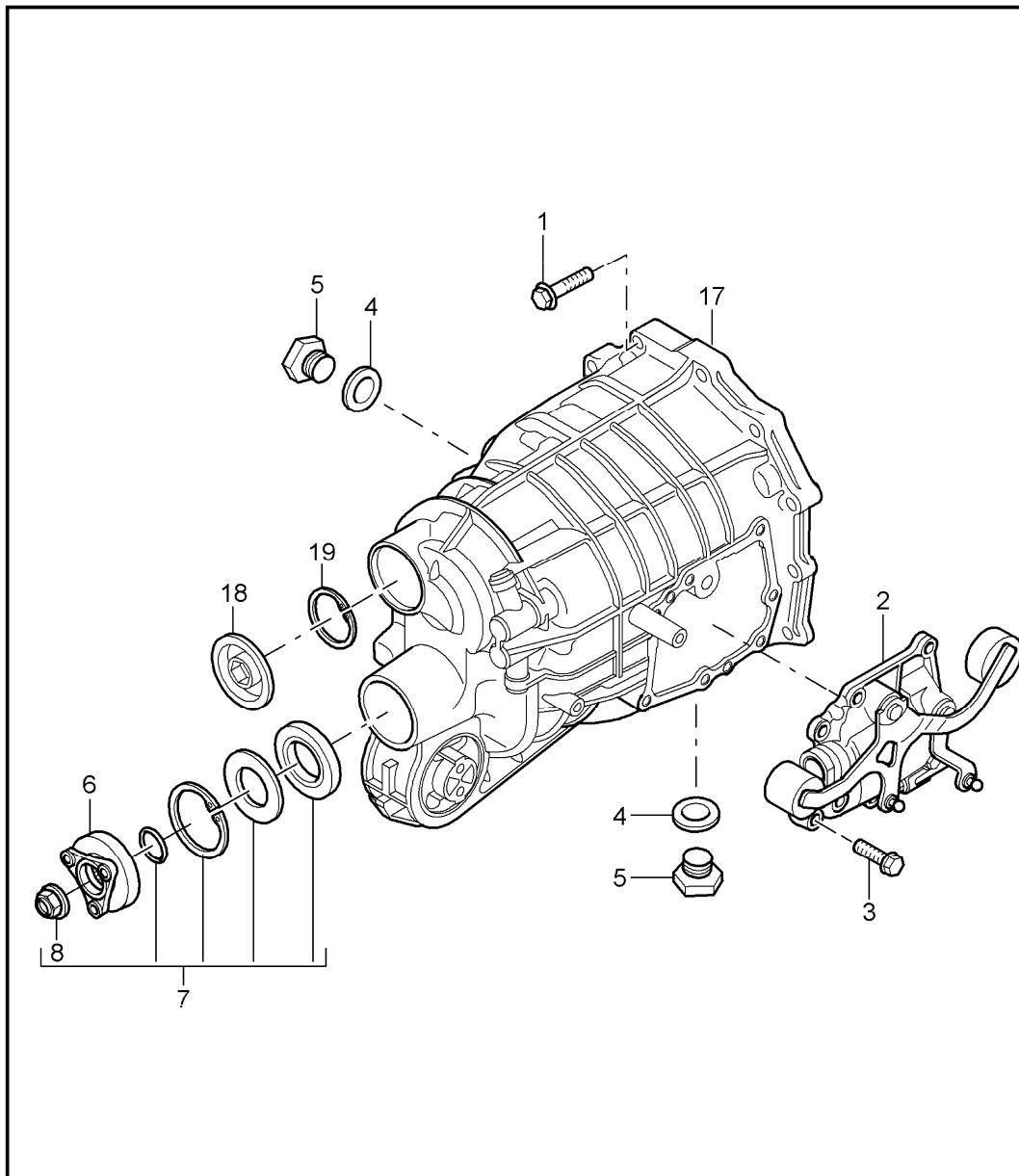


Model	Year	MG	SG	Illustration	Restrictions	UPD	23:09	24.01.2010	PORSCHE	PET	PORSCHE
997-1	2008	3	02	302-04		248					



Pos	Part Number	Description	Remark	Qty	Model
		manual transmission single parts transmission case vorne			G97.01 G97.31
1	997 302 807 00	shaft sealing ring		1	
2	997 301 071 00	bleeder		1	
3	U 997 613 180 00	back-up light switch		1	
3	997 613 180 01	back-up light switch		1	
4	997 423 777 00	support		1	
5	997 301 808 00	sealing ring		1	
6	997 301 807 00	screw plug		1	
7	997 301 802 00	straight pin		2	
8	997 301 804 00	hexagon-head bolt		14	
9		joint flange see illustrations 3/05/00 3/05/05			
10	997 301 010 00	transmission case front		1	
11	997 301 801 00	straight pin lower		2	
12	997 301 012 00	transmission cover		1	
13		shaft sealing ring see illustrations 3/05/00			

Model	Year	MG	SG	Illustration	Restrictions	UPD	23:09	24.01.2010	PORSCHE	PET	PORSCHE
997-1	2008	3	02	302-05		248					

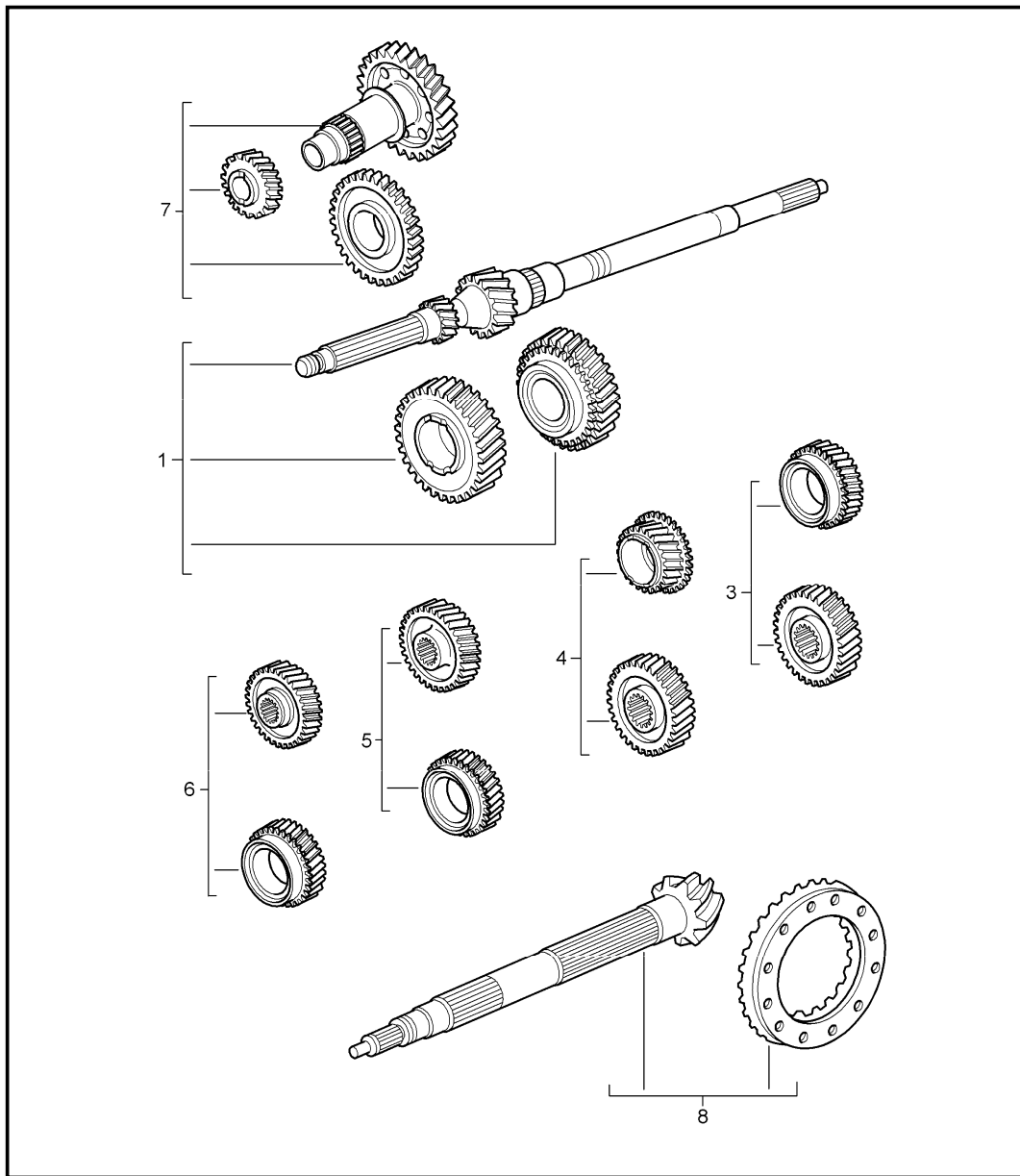


Pos	Part Number	Description	Remark	Qty	Model
		manual transmission single parts transmission case rear			G97.01 G97.31
1	997 301 803 00	hexagon-head bolt		12	
2	997 303 030 00	switching module		1	
3	997 303 808 00	hexagon-head bolt		7	
4	997 301 808 00	sealing ring		2	
5	997 301 807 00	screw plug		2	
6	997 301 903 00	output flange complete use also:		1	G97.31
7	997 301 911 05	repair kit output flange comprising: shaft sealing ring spacer ring circlip o-ring hexagon nut		1	G97.31
8	997 302 303 00	baffle plate		1	G97.31
9	997 302 813 00	o-ring		1	G97.31
10	997 301 810 00	circlip		1	G97.31
11	997 301 113 00	spacer ring		1	G97.31
12	997 301 809 00	shaft sealing ring		1	G97.31
13	997 302 319 00	hexagon nut		1	G97.31
14	997 302 119 00	Oil-conducting housing		1	G97.31
15	997 302 811 00	feather key		1	G97.31
16	997 302 812 05	o-ring		1	G97.31
17	997 301 013 00	transmission case rear		1	G97.01 I338
(17)	997 301 013 31	transmission case rear		1	G97.31 I339
18	997 301 805 00	lid transmission case rear		1	

Model	Year	MG	SG	Illustration	Restrictions	UPD	23:09	24.01.2010	PORSCHE	PET	PORSCHE
997-1	2008	3	02	302-05		248					

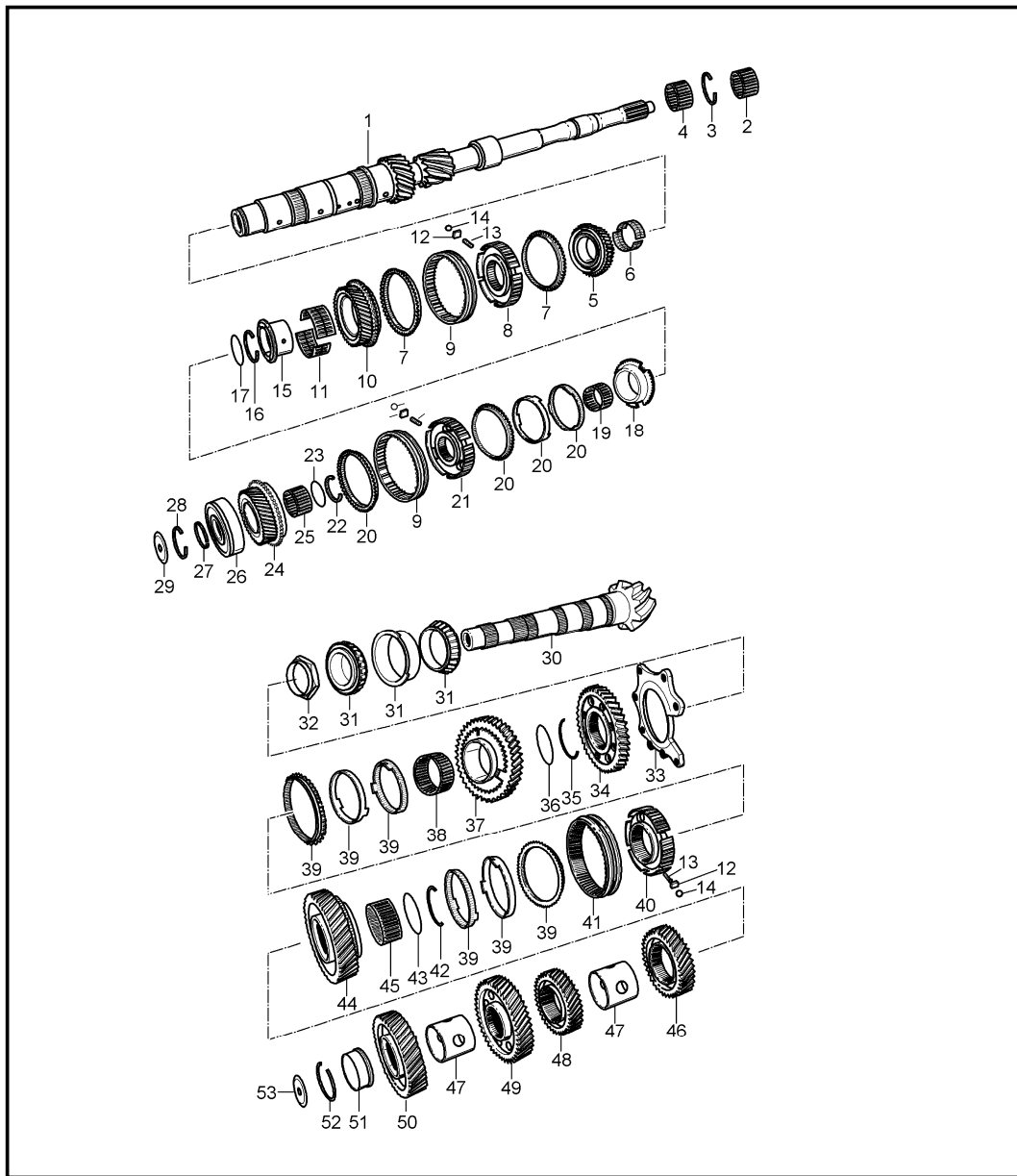
Pos	Part Number	Description	Remark	Qty	Model	Pos	Part Number	Description	Remark	Qty	Model
19	997 301 902 00	set circlip		1							

Model	Year	MG	SG	Illustration	Restrictions	UPD	23:10	24.01.2010	PORSCHE	PET	PORSCHE
997-1	2008	3	03	303-00		248					



Pos	Part Number	Description	Remark	Qty	Model
		gear wheel sets			G97.01 G97.31
1	997 302 901 00	Radsatz 1st/2nd gear		1	
3	997 302 903 00	Radsatz 3rd gear		1	
4	997 302 904 00	Radsatz 4th speed		1	
5	997 302 905 00	Radsatz 5th gear		1	
6	997 302 906 00	Radsatz 6th gear		1	
7	997 302 907 00	Radsatz reverse gear		1	
8	997 302 911 00	ring gear and pinion shaft		1	G97.01 I338
8	997 302 911 31	ring gear and pinion shaft		1	G97.31 I339

Model	Year	MG	SG	Illustration	Restrictions	UPD	23:10	24.01.2010	PORSCHE	PET	PORSCHE
997-1	2008	3	03	303-03		248					



Pos	Part Number	Description	Remark	Qty	Model
		gears and shafts			G97.01 G97.31
1		drive shaft see illustrations 3/03/00			
2	997 302 808 00	needle-roller bearing drive shaft		1	
3	997 302 931 00	set circlip		1	
4	997 302 801 00	cylindrical-roller bearing		1	
5		loose gear wheel 5th gear see illustrations 3/03/00			
6	997 302 925 00	set needle-roller bearing 5th gear		1	
7	997 304 211 02	synchroniser ring 4-speed 5-speed 6th gear		3	
8	997 304 221 01	guide sleeve 5th and 6th gear		1	
9	997 304 231 00	shift sleeve		2	
10		loose gear wheel 6th gear see illustrations 3/03/00			
11	997 302 926 00	set needle-roller bearing 6th gear		1	
12	997 304 251 00	driver		9	
13	997 304 261 00	compression spring		12	
14	997 304 271 00	ball		9	
15	997 302 266 00	inner ring 5th and 6th gear		1	
16	997 302 932 00	set circlip		1	
17	997 302 233 00	spacer ring 3rd gear		1	

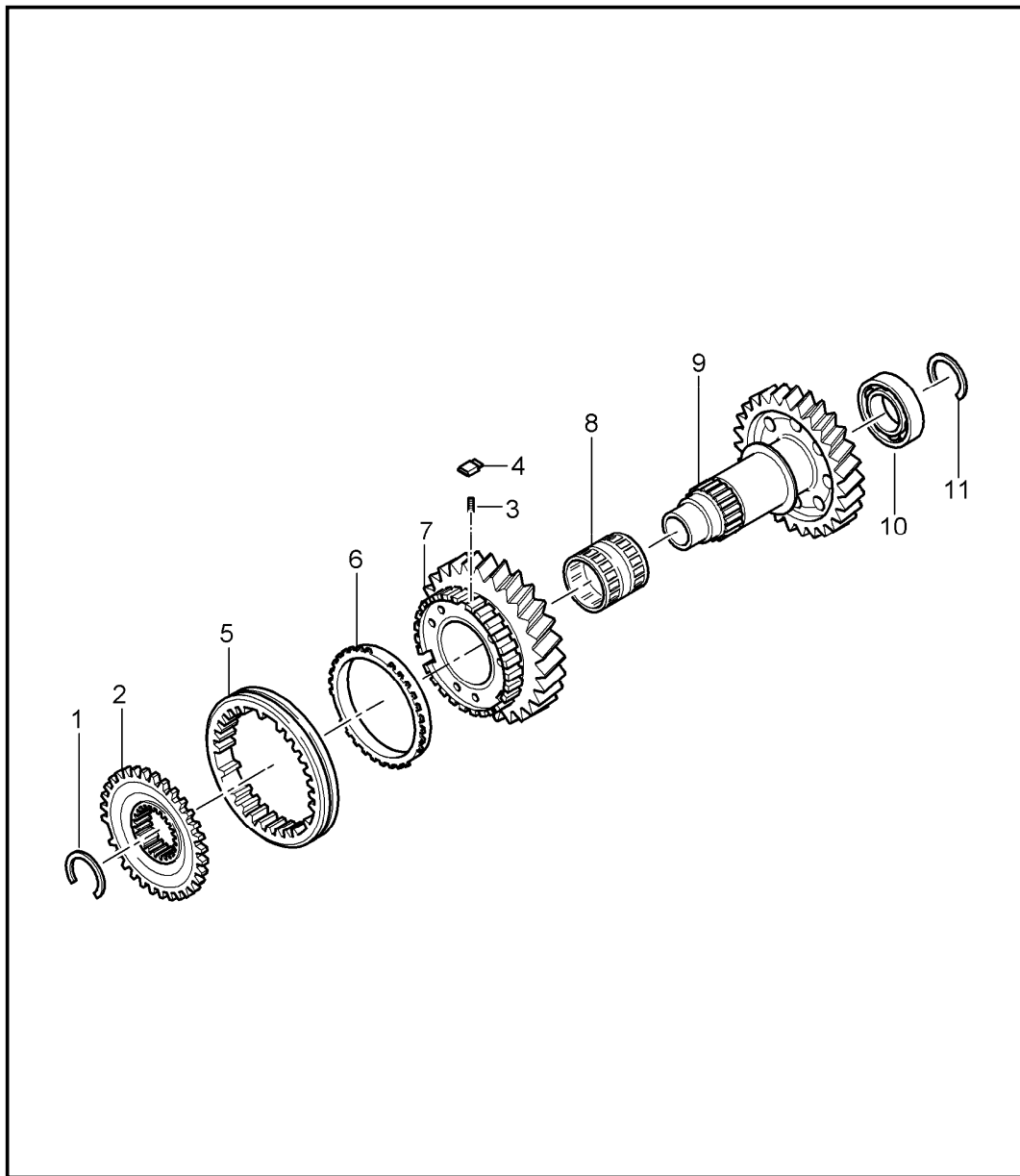
Model	Year	MG	SG	Illustration	Restrictions	UPD	23:10	24.01.2010	PORSCHE	PET	PORSCHE
997-1	2008	3	03	303-03		248					

Pos	Part Number	Description	Remark	Qty	Model	Pos	Part Number	Description	Remark	Qty	Model
18		loose gear wheel 3rd gear see illustrations 3/03/00				35	997 302 935 00	set circlip reverse gear		1	
19	997 302 923 00	set needle-roller bearing 3rd gear		1		36	997 302 231 00	spacer ring reverse gear		1	
20	997 304 611 05	set synchroniser ring 3. + 4.Gang		1		37		loose gear wheel 1st gear see illustrations 3/03/00			
21	997 304 221 00	guide sleeve 3. + 4.Gang		1		38	997 302 921 00	set needle-roller bearing 1st gear		1	
22	997 302 933 00	set circlip 4th speed		1		39	997 304 811 05	set synchroniser ring 1st/2nd gear		2	
23	997 302 234 00	spacer ring 4th speed		1		40	997 304 831 05	shift sleeve 1st/2nd gear		1	
24		loose gear wheel 4th speed see illustrations 3/03/00				41	997 304 821 05	guide sleeve 1st/2nd gear		1	
25	997 302 924 00	set needle-roller bearing 4th speed		1		42	997 302 939 00	set circlip 1st/2nd gear		1	
26	997 302 802 00	deep-groove ball bearing		1		43	997 302 232 00	spacer ring 2nd gear		1	
27	997 301 902 00	set circlip		1		44		loose gear wheel 2nd gear see illustrations 3/03/00			
28	997 302 934 00	set circlip		1		45	997 302 922 00	set Nadellager 2nd gear		1	
29	997 307 107 00	lid oil duct		1		46		fixed gear wheel 5th gear see illustrations 3/03/00			
30		pinion shaft see illustrations 3/03/00				47	997 302 267 00	spacer sleeve 5th and 6th gear		2	
31	997 302 803 00	taper roller bearing output shaft		1		48		fixed gear wheel 6th gear see illustrations 3/03/00			
32	997 302 317 00	hexagon nut		1							
33	997 302 121 00	retainer plate		1							
34		reversing fixed gear see illustrations 3/03/00									

Model	Year	MG	SG	Illustration	Restrictions	UPD	23:10	24.01.2010	PORSCHE	PET	PORSCHE
997-1	2008	3	03	303-03		248					

Pos	Part Number	Description	Remark	Qty	Model	Pos	Part Number	Description	Remark	Qty	Model
49		fixed gear wheel 3rd gear see illustrations 3/03/00									
50		fixed gear wheel 4th speed see illustrations 3/03/00									
51	997 302 804 00	cylindrical-roller bearing output shaft		1							
52	997 302 936 00	set circlip		1							
53	997 307 111 00	lid oil duct		1							

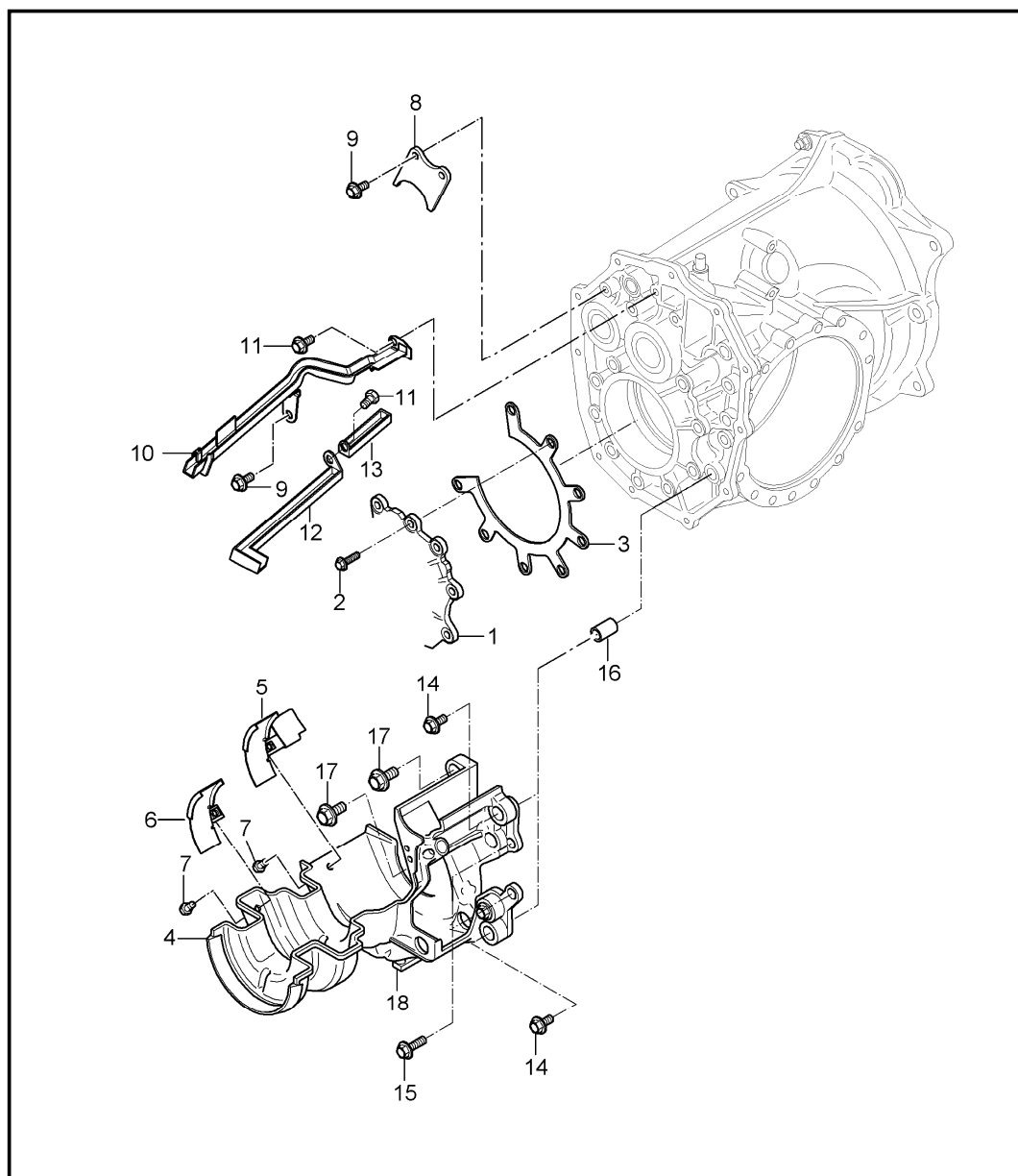
Model	Year	MG	SG	Illustration	Restrictions	UPD	23:10	24.01.2010	PORSCHE	PET	PORSCHE
997-1	2008	3	03	303-04		248					



Pos	Part Number	Description	Remark	Qty	Model
		reverse gear			G97.01 G97.31
1	997 302 938 00	set circlip reverse gear		1	
2	997 304 201 00	clutch hub reverse gear		1	
3	997 304 261 00	compression spring		12	
4	997 304 251 01	driver reverse gear		3	
5	997 304 231 01	shift sleeve reverse gear		1	
6	997 304 211 01	synchroniser ring reverse gear		1	
7		reversing gear see illustrations 3/03/00			
8	997 302 806 00	needle-roller bearing reverse idler gear shaft		1	
9		reverse idler gear shaft see illustrations 3/03/00			
10	997 302 805 00	deep-groove ball bearing reverse idler gear shaft		1	
11	997 302 937 00	set circlip reverse idler gear shaft		1	
12	997 301 060 00	bearing set reverse idler gear shaft		1	

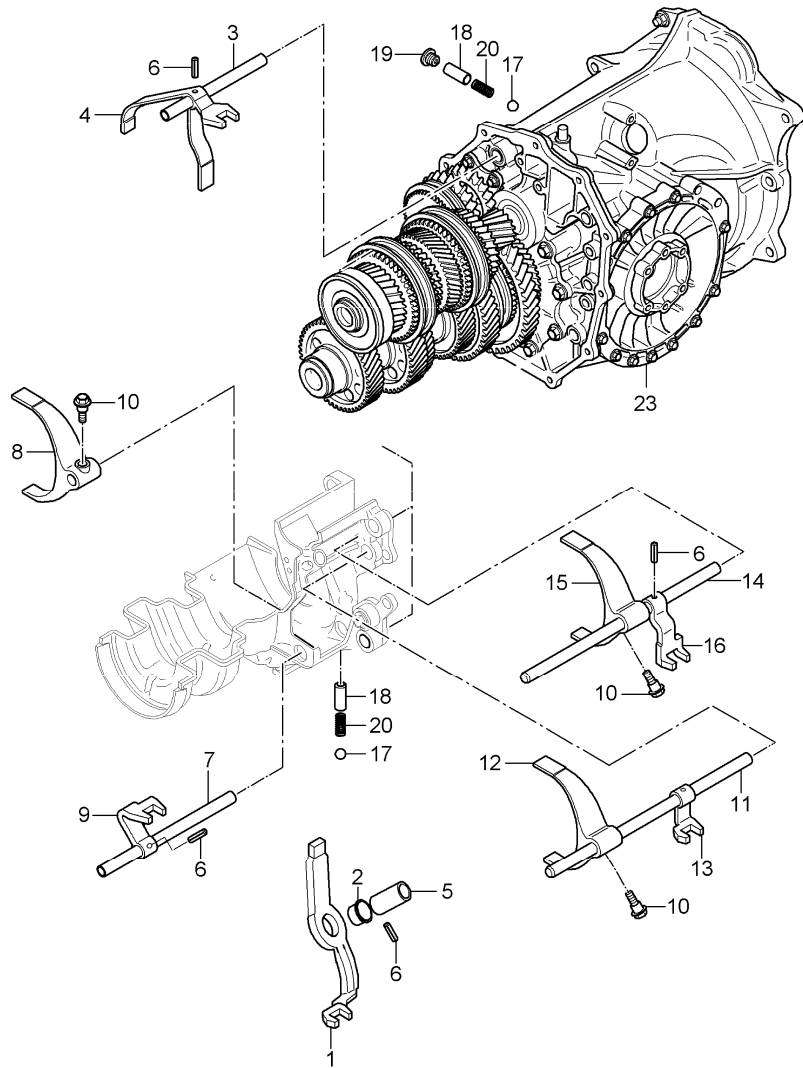


Model	Year	MG	SG	Illustration	Restrictions	UPD	23:10	24.01.2010	PORSCHE	PET	PORSCHE
997-1	2008	3	03	303-05		248					



Pos	Part Number	Description	Remark	Qty	Model
1		gears and shafts baffle plate  retainer plate see illustrations 3/03/03			
2	997 302 810 00	screw		8	
3	997 302 163 00	set adjusting shim retainer plate		1	
4	997 307 020 00	capsule gear set		1	
5	997 307 250 00	plate		1	
6	997 307 252 00	plate		1	
7	997 307 806 01	hexagon-head bolt		2	
8	997 302 236 00	tab washer		1	
9	997 302 237 00	screw		2	
10	997 307 010 00	baffle plate oil drive shaft		1	
11	997 307 801 00	hexagon-head bolt baffle plate		3	
12	997 307 101 00	baffle plate oil output shaft		1	
13	997 307 102 00	baffle plate oil		1	
14	997 307 804 05	hexagon-head bolt		2	
15	997 307 805 00	hexagon-head bolt		2	
16	997 307 802 00	dowel sleeve		2	
17	997 301 803 00	hexagon-head bolt		2	
18	997 307 030 00	magnet		1	

Model	Year	MG	SG	Illustration	Restrictions	UPD	23:11	24.01.2010	PORSCHE	PET	PORSCHE
997-1	2008	3	04	304-00		248					

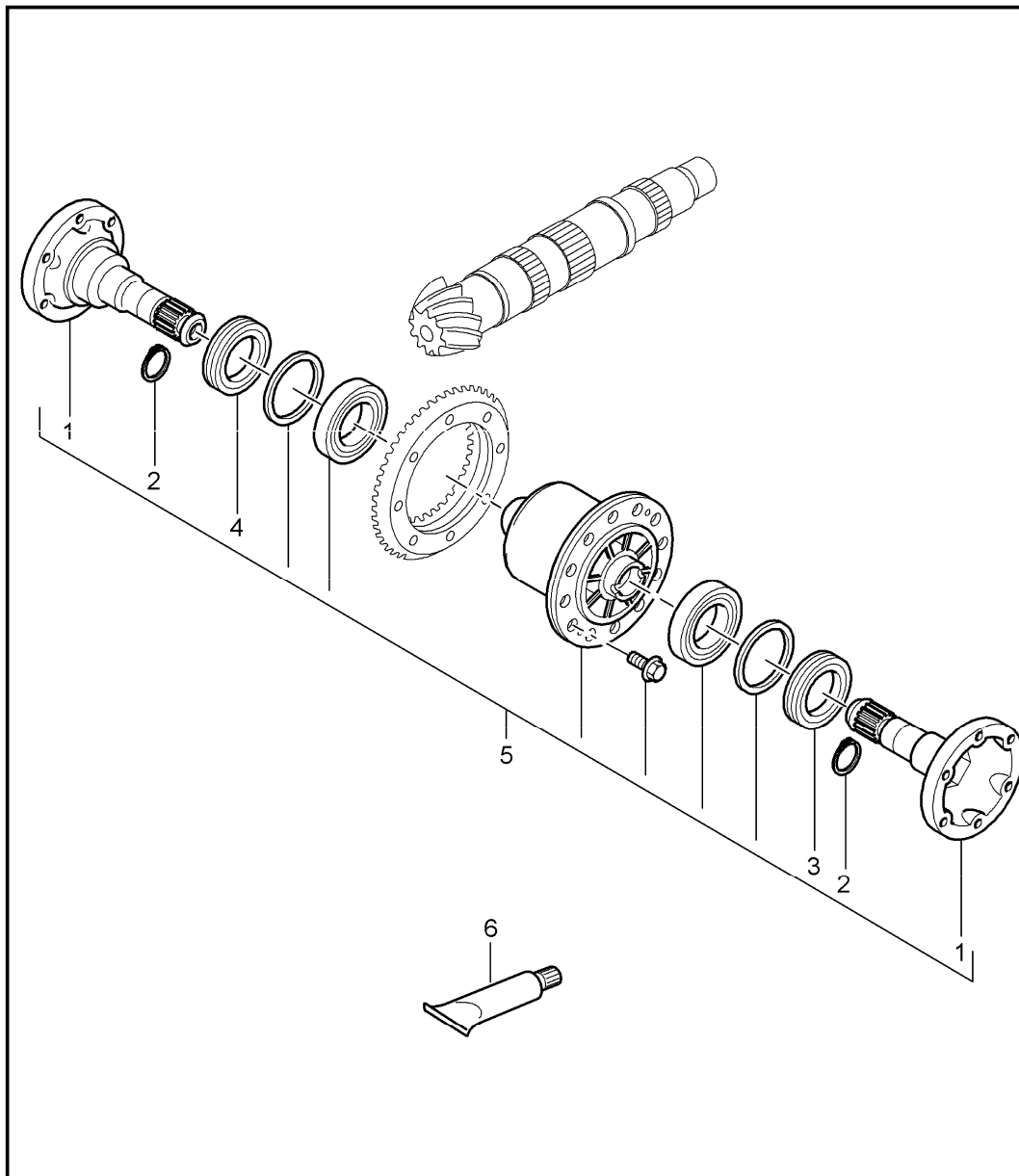


Pos	Part Number	Description	Remark	Qty	Model
1	997 303 127 00	gear shift rod shift rod shift fork reverse lever reverse gear		1	
2	997 303 137 00	axle reverse lever reverse gear		1	
3	997 303 107 00	gear shift rod reverse gear		1	
4	997 303 117 00	shift fork reverse gear		1	
5	997 303 801 00	needle-roller bearing reverse gear		25	
6	997 303 802 00	roll pin		5	
7	997 303 101 00	gear shift rod 1st/2nd gear		1	
8	997 303 111 00	shift fork 1st/2nd gear		1	
9	997 303 121 00	driver 1st/2nd gear		1	
10	997 303 805 00	hexagon-head bolt		3	
11	997 303 103 00	gear shift rod 3rd/4th gear		1	
12	997 303 113 00	shift fork 3rd/4th gear		1	
13	997 303 123 00	driver 3rd/4th gear		1	
14	997 303 105 00	gear shift rod 5. / 6. Gang		1	
15	997 303 115 00	shift fork 5. / 6. Gang		1	
16	997 303 125 00	driver 5. / 6. Gang		1	
17	997 303 241 00	ball		4	
18	997 303 243 00	sleeve		4	
19	997 303 245 00	stopper		3	

Model	Year	MG	SG	Illustration	Restrictions	UPD	23:11	24.01.2010	PORSCHE	PET	PORSCHE
997-1	2008	3	04	304-00		248					

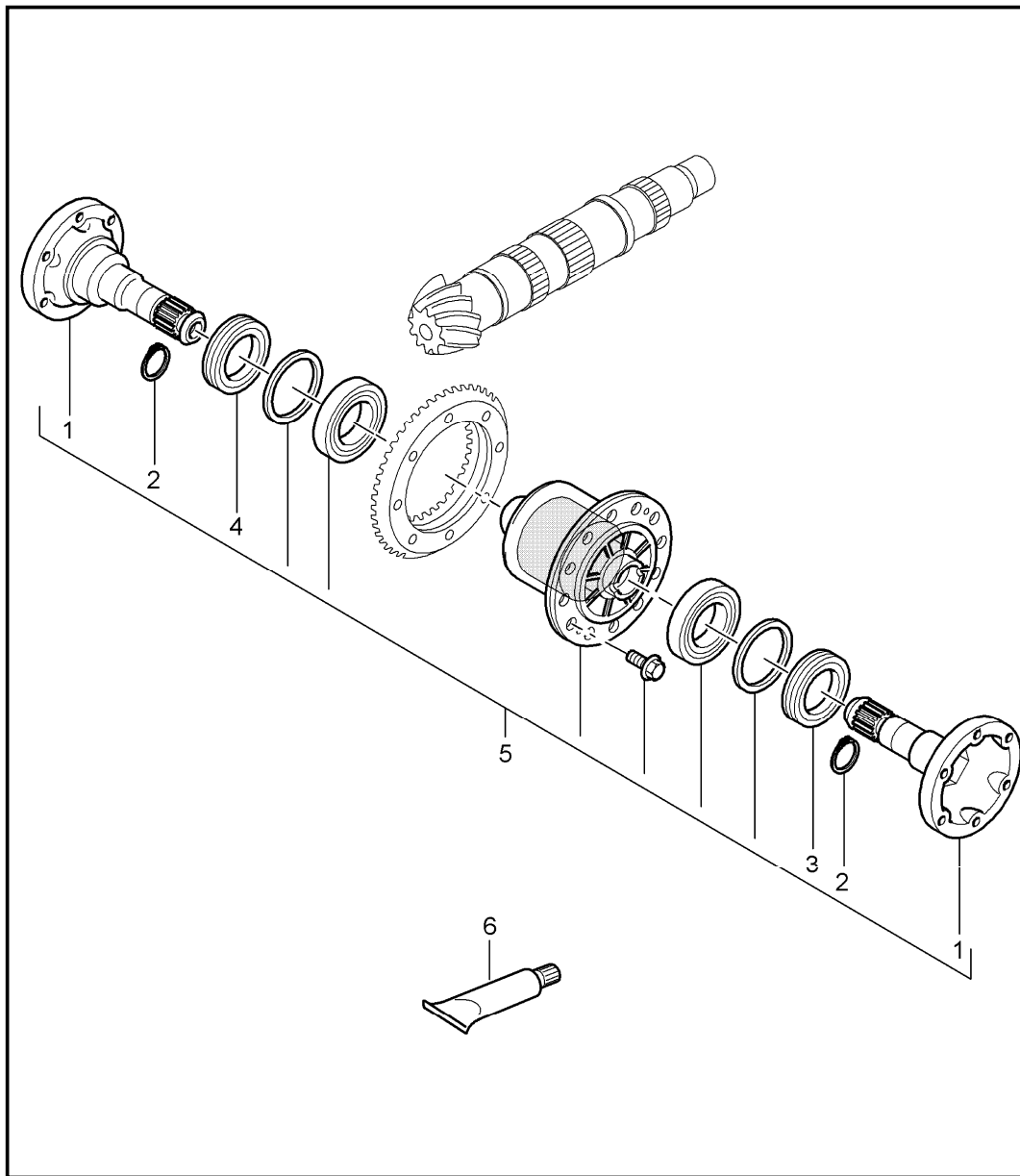
Pos	Part Number	Description	Remark	Qty	Model	Pos	Part Number	Description	Remark	Qty	Model
20	997 303 247 00	compression spring		4							
21	997 303 803 00	round socket		4							
22	997 303 804 00	round socket		4							

Model	Year	MG	SG	Illustration	Restrictions	UPD	23:11	24.01.2010	PORSCHE	PET	PORSCHE
997-1	2008	3	05	305-00		248					



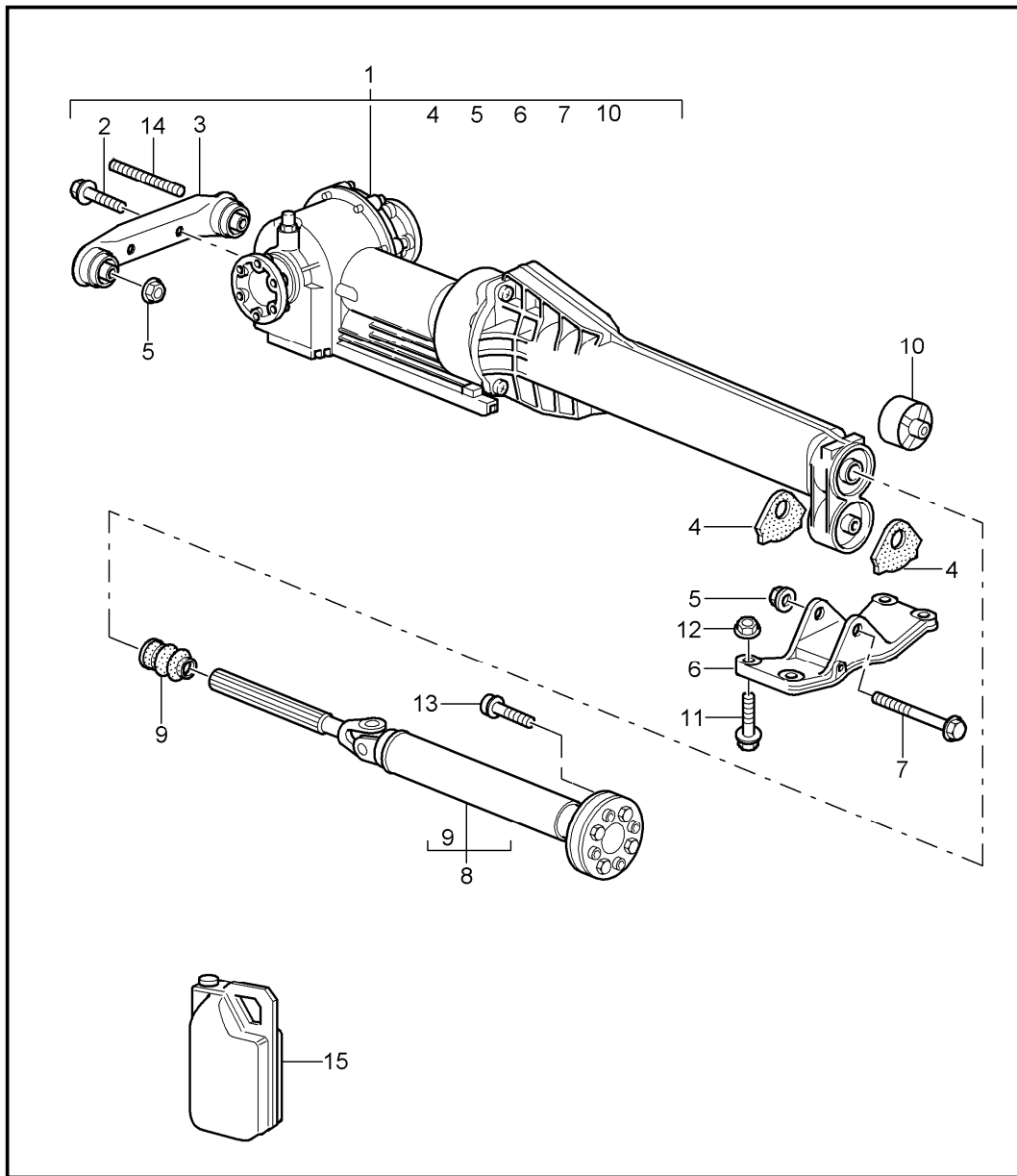
Pos	Part Number	Description	Remark	Qty	Model
		repair kit differential			G97.01 I219 G97.31 I219
		up to transmission number G97.01 1034656 G97.31 1034656 repair kit see workshop manual group 0 document 0830IN			
		from transmission number G97.01 1034657 G97.31 1034657 single parts use			
1	997 332 209 02	joint flange		2	
2	997 332 249 01	circlip		2	
3	997 332 804 01	shaft sealing ring transmission cover 68,2 mm		1	
4	997 332 803 01	shaft sealing ring 70 mm		1	
5	997 332 905 01	repair kit use also:		1	
6	000 043 010 00	loctite 574 50 Ml.		X	

Model	Year	MG	SG	Illustration	Restrictions	UPD	23:11	24.01.2010	PORSCHE	PET	PORSCHE
997-1	2008	3	05	305-05		248					



Pos	Part Number	Description	Remark	Qty	Model
		repair kit			G97.01
		limited-slip differential			I220
		up to transmission number			G97.31
		G97.01 1034656			I220
		G97.31 1034656			
		repair kit			
		see workshop manual			
		group 0			
		document			
		0830IN			
		from transmission number			
		G97.01 1034657			
		G97.31 1034657			
		single parts			
		use			
1	997 332 209 02	joint flange		2	
2	997 332 249 01	circlip		2	
3	997 332 804 01	shaft sealing ring 68,2 mm		1	
4	997 332 803 01	shaft sealing ring 70 mm		1	
5	997 332 908 01	repair kit		1	
		use also:			
6	000 043 010 00	loctite 574 50 Ml.		X	

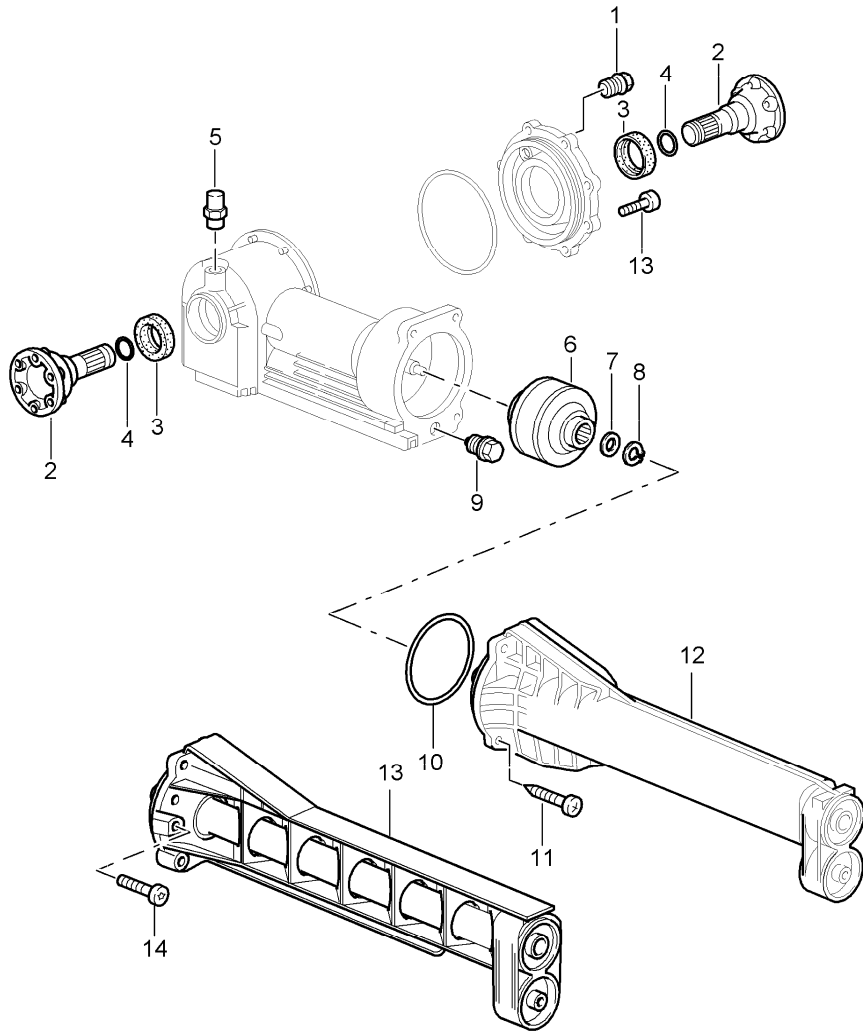
Model	Year	MG	SG	Illustration	Restrictions	UPD	23:11	24.01.2010	PORSCHE	PET	PORSCHE
997-1	2008	3	05	305-10		248					



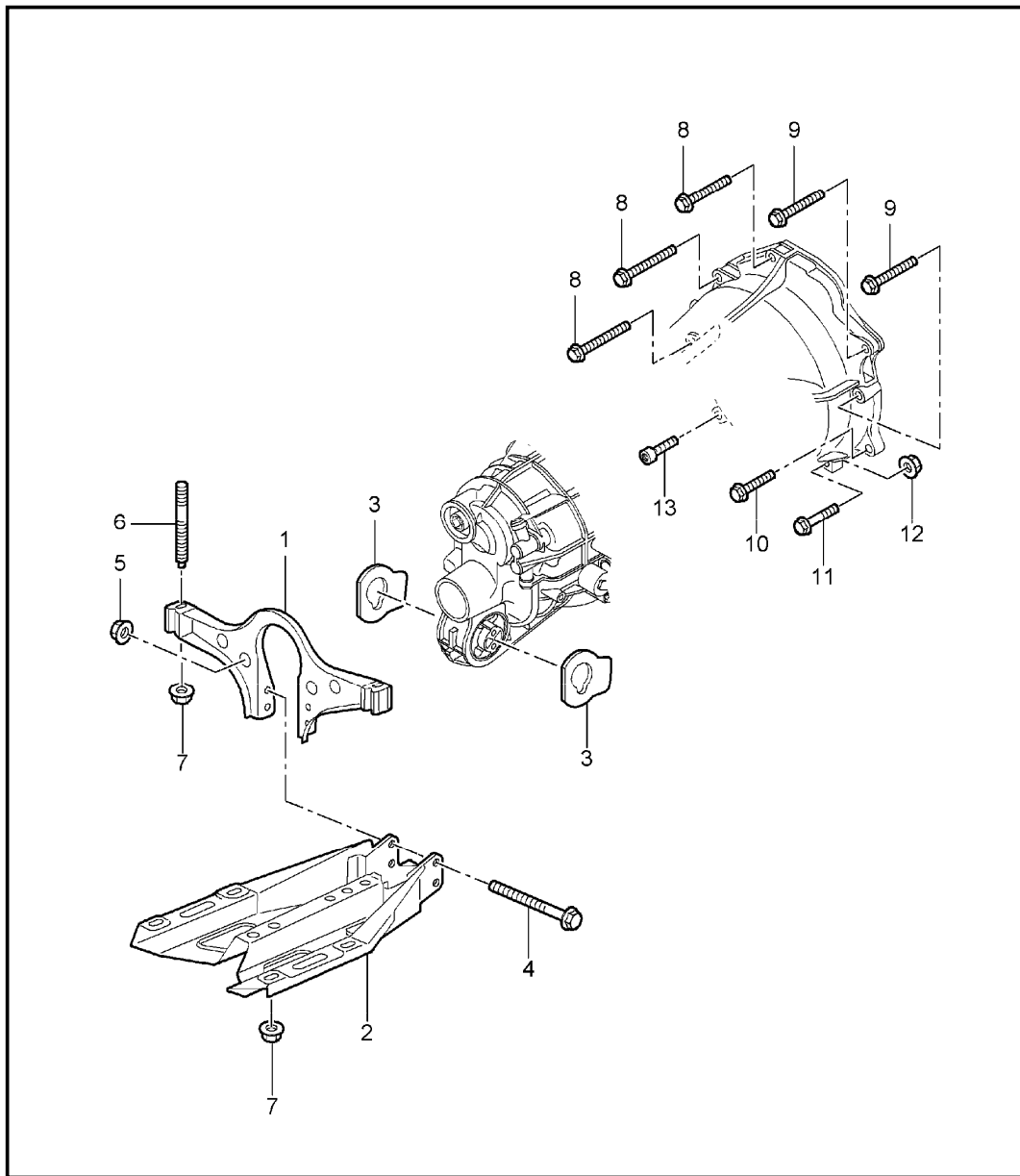
Pos	Part Number	Description	Remark	Qty	Model
		front-axle final drive cardan shaft			Z97.00 G97.31 A97.31
1	> 997 349 010 00	front-axle final drive ready for installation		1	
2	999 072 034 09	conical screw M 10 X 28		2	
3	997 375 934 00	transmission carrier front		1	
4	997 375 257 00	stop		2	
5	900 380 008 09	hexagon nut M 10		1	
6	997 375 343 00	transmission carrier rear		1	
7	900 378 142 09	hexagon-head bolt M 10 X 90		1	
8	A 996 421 020 50	cardan shaft		1	
8	997 421 020 00	cardan shaft		1	
9	996 421 145 01	boot		1	
10	996 375 054 02	transmission mounting rear		1	
11	900 385 123 01	combination screw M 10 X 25		4	
12	999 076 053 09	hexagon nut M 10		4	
13	900 385 097 01	torx screw M 10 X 35		3	
14	999 061 111 99	stud M 10 X 121		2	
15	000 043 204 20	transmission oil front-axle final drive MOBILUBE PTX 75 W 90 container 20 LTR.		X	

Model	Year	MG	SG	Illustration	Restrictions	UPD	23:11	24.01.2010	PORSCHE	PET	PORSCHE
997-1	2008	3	05	305-15		248					

Pos	Part Number	Description	Remark	Qty	Model
		front-axle final drive			Z97.00 G97.31 A97.31
1	N 016 161 1	screw plug M 18 X 1,5		1	
2	996 332 309 00	joint flange		2	
3	999 113 454 40	shaft sealing ring 40 X 60 X 9		2	
4	996 332 311 00	circlip 2,5 X 20		2	
5	996 301 071 00	bleeder 17 X 12		1	
6	996 339 021 02	viscous clutch		1	
7	900 234 174 00	support washer 20 X 28 X 2,0		1	
8	999 041 021 01	circlip 20 X 1,2		1	
9	900 124 025 02	screw plug M 18 X 1,5 PM		1	
10	999 707 455 40	o-ring 123 X 3		1	
11	N 903 660 01	torx screw M 8 X 36 only together with Position 12		4	
12	U	bracket cardan shaft  with use N_903.660.01		1	
13	997 337 041 00	bracket cardan shaft  with use 900.385.141.01		1	
14	900 385 141 01	torx screw M 8 x 40 only together with 997.337.041.00		4	



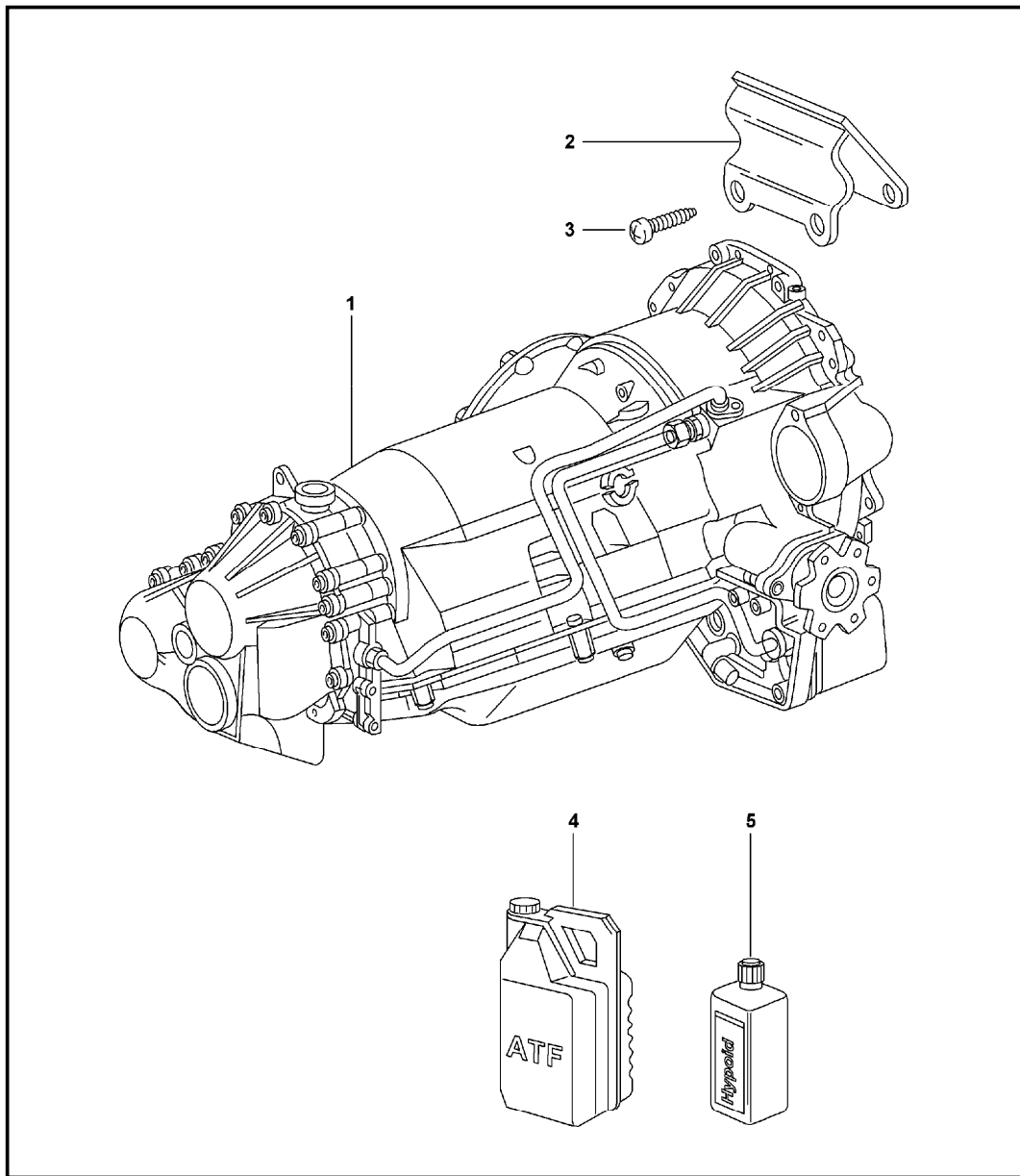
Model	Year	MG	SG	Illustration	Restrictions	UPD	23:12	24.01.2010	PORSCHE	PET	PORSCHE
997-1	2008	3	06	306-00		248					



Pos	Part Number	Description	Remark	Qty	Model
		manual transmission transmission suspension threaded joint engine			G97.01 G97.31
1	997 375 039 00	transmission carrier		1	
2	U 997 375 313 00	transmission carrier		1	
2	997 375 113 00	transmission carrier lengthways		1	
3	997 375 255 00	stop		2	
4	900 378 132 09	hexagon-head bolt  M 10 X 115		2	
5	900 380 008 09	hexagon nut M 10		2	
6	U 999 061 106 09	stud M 10 X 84		2	
6	999 061 115 01	stud M 10 x 80		2	
7	999 076 053 09	hexagon nut M 10		6	
8	999 072 010 09	hexagon-head bolt M 12 X 1,5 X 100		2	
9	999 072 008 09	hexagon-head bolt M 12 X 1,5 X 70		3	
10	900 378 061 09	hexagon-head bolt M 12 X 1,5 X 50		1	
11	900 378 076 09	hexagon-head bolt M 10 X 50		1	
12	900 377 011 09	hexagon nut M 10		1	
13	999 073 119 09	pan-head screw M 10 X 50		1	

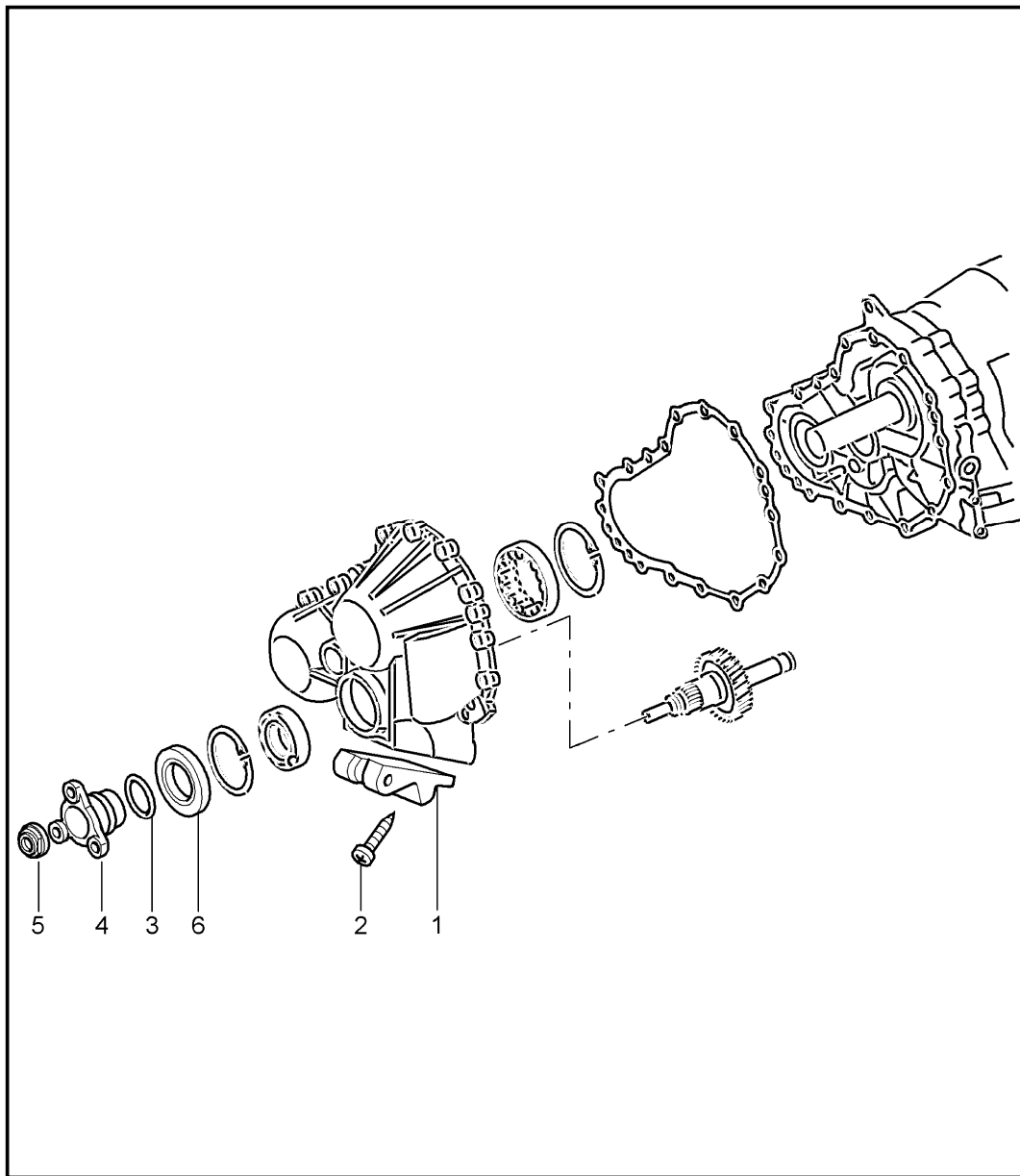


Model	Year	MG	SG	Illustration	Restrictions	UPD	23:12	24.01.2010	PORSCHE	PET	PORSCHE
997-1	2008	3	20	320-00		248					



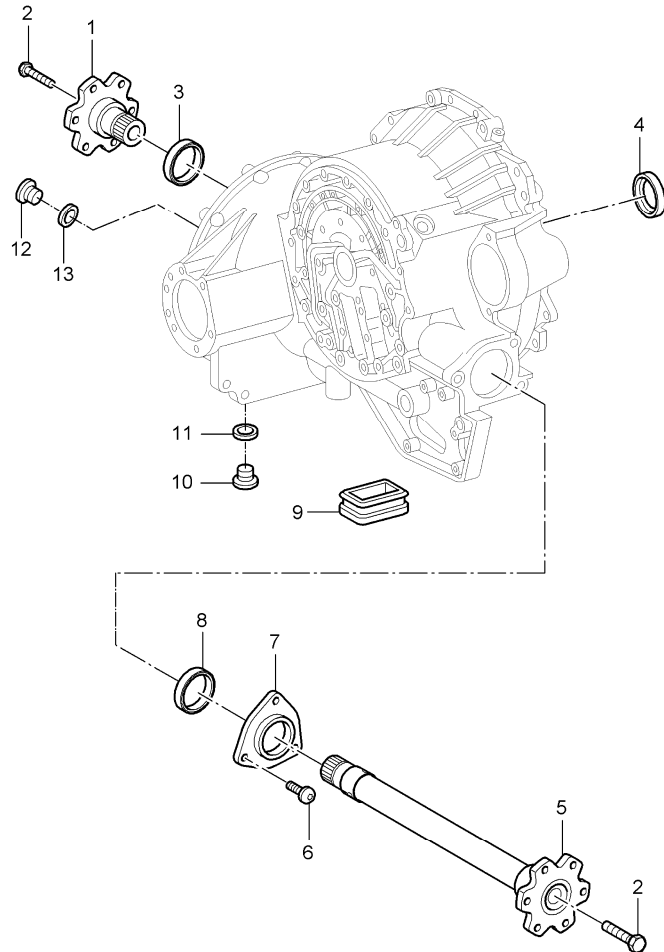
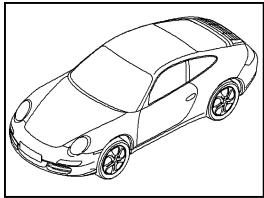
Pos	Part Number	Description	Remark	Qty	Model
		tiptronic			A97.01
		replacement transmission			A97.31
1	> 722 270 230 0	transmission		1	A97.01
1	> 722 270 240 0	transmission	06-	1	A97.31
2	U 996 449 101 50	hook		1	
2	997 449 101 50	hook		1	
3	999 073 190 09	oval-head screw M 8 X 60		2	
4	000 043 204 63	transmission oil ATF 20 LTR. container		X	
(4)	000 043 304 00	transmission oil ATF 1 LTR. container		X	
5	999 917 546 00	transmission oil 75 W 90 1 LTR. container		X	

Model	Year	MG	SG	Illustration	Restrictions	UPD	23:12	24.01.2010	PORSCHE	PET	PORSCHE
997-1	2008	3	20	320-01		248					



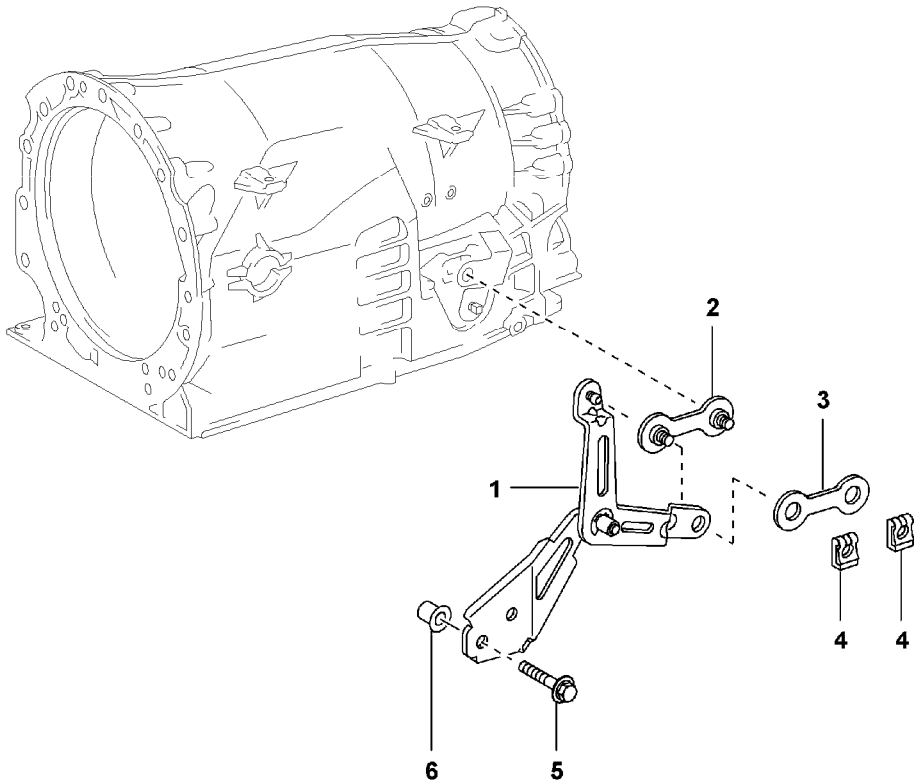
Pos	Part Number	Description	Remark	Qty	Model
		tiptronic all-wheel driving mechanism	06-		A97.31
1	722 260 006 2	bearing		1	
2	999 073 178 09	oval-head screw M 8 X 30		4	
3	168 997 004 5	o-ring 28 X 3		1	
4	722 270 022 0	flange		1	
5	140 990 115 0	collar nut M 26 X 1,5		1	
6	022 997 944 7	shaft sealing ring		1	

Model	Year	MG	SG	Illustration	Restrictions	UPD	23:12	24.01.2010	PORSCHE	PET	PORSCHE
997-1	2008	3	20	320-05		248					



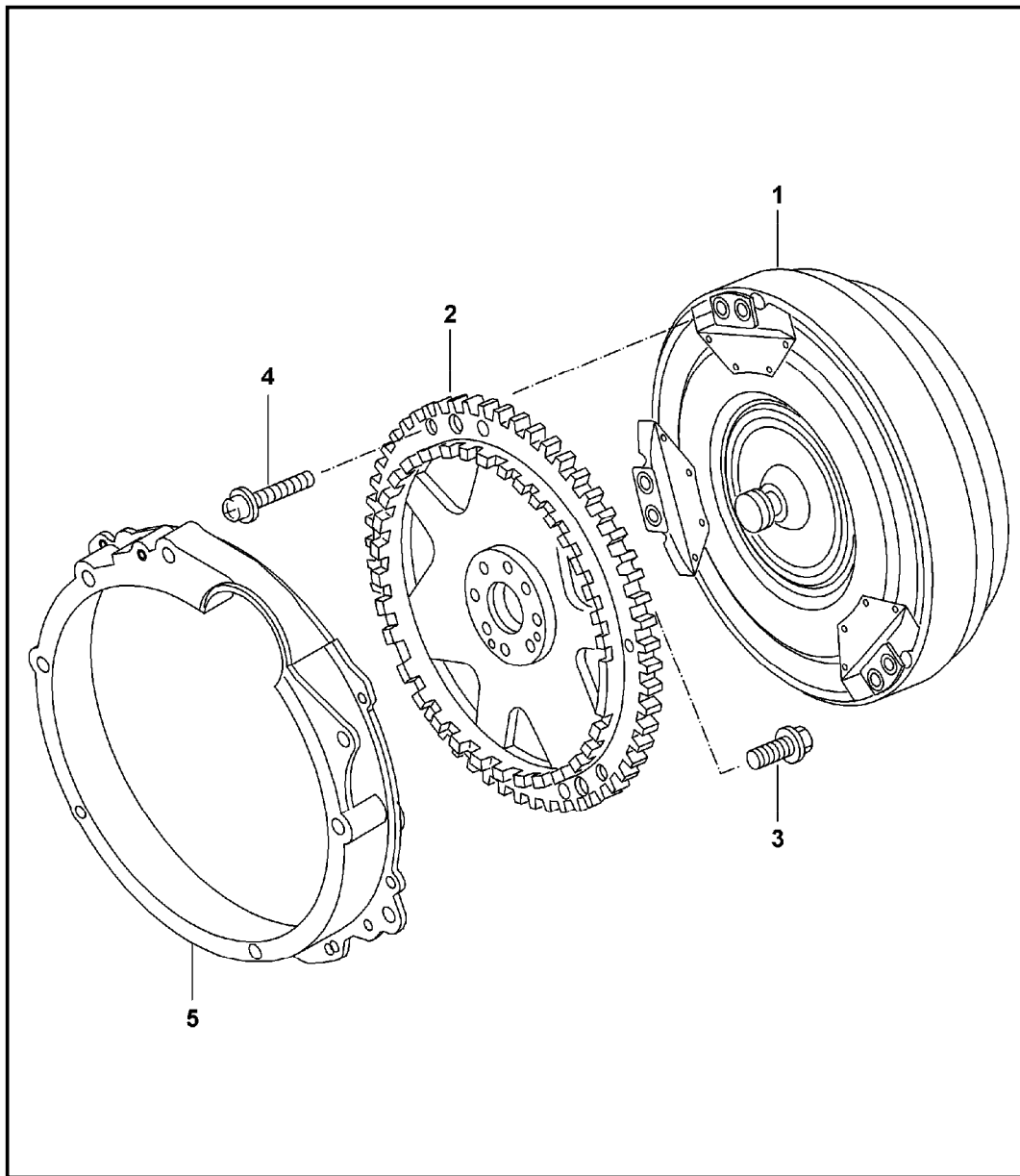
Pos	Part Number	Description	Remark	Qty	Model
		tiptronic differential			A97.01 A97.31
1	722 274 024 5	drive flange short		1	
2	900 074 192 09	hexagon-head bolt M 10 X 55		1	
3	022 997 924 7	shaft sealing ring		1	
4	018 997 044 7	sealing ring oil pump		1	
5	722 270 062 0	flange long		1	
6		hexagon-head bolt M 5 X 12		1	
7	722 353 070 6	lid		1	
8	999 113 484 40	shaft sealing ring for lid		1	
9	722 271 028 7	sealing rubber		1	
10	210 997 003 2	screw plug		1	
11	900 123 060 30	sealing ring 24 x 29		1	
12	900 219 009 01	screw plug M18 x 1,5		1	
13	900 123 044 30	sealing ring 18 x 22		1	

Model	Year	MG	SG	Illustration	Restrictions	UPD	23:12	24.01.2010	PORSCHE	PET	PORSCHE
997-1	2008	3	20	320-06		248					



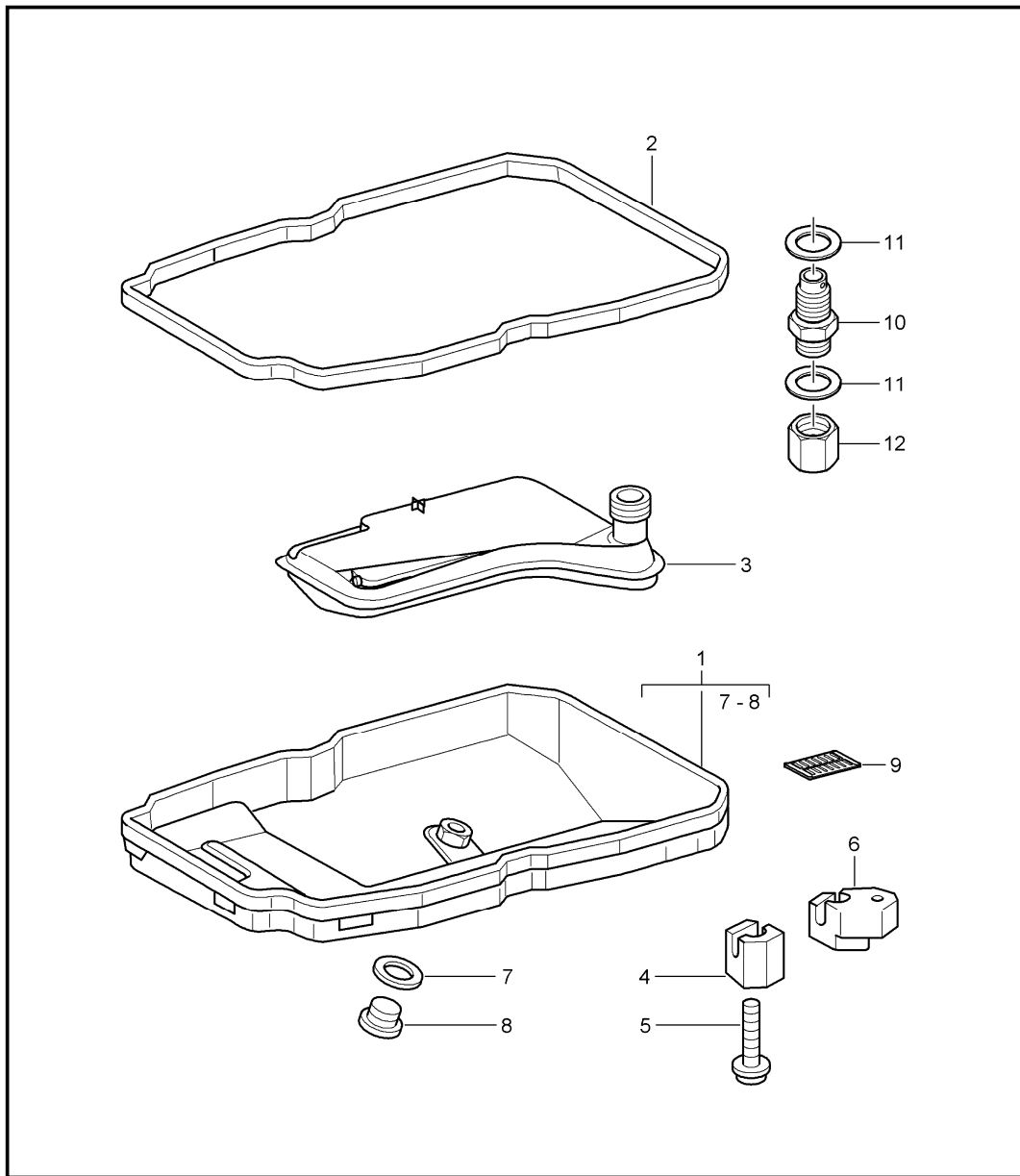
Pos	Part Number	Description	Remark	Qty	Model
		tiptronic			A97.01 A97.31
		selector lever			
1	722 270 011 0	selector lever		1	
2	722 270 025 9	lever		2	
3	722 278 032 0	lever		1	
4	999 166 079 02	lock washer		2	
5	999 073 095 01	round head screw M 8 X 30		2	
6	722 992 002 0	sleeve		1	
-	022 997 224 8	shaft sealing ring selector lever		1	

Model	Year	MG	SG	Illustration	Restrictions	UPD	23:13	24.01.2010	PORSCHE	PET	PORSCHE
997-1	2008	3	30	330-00		248					



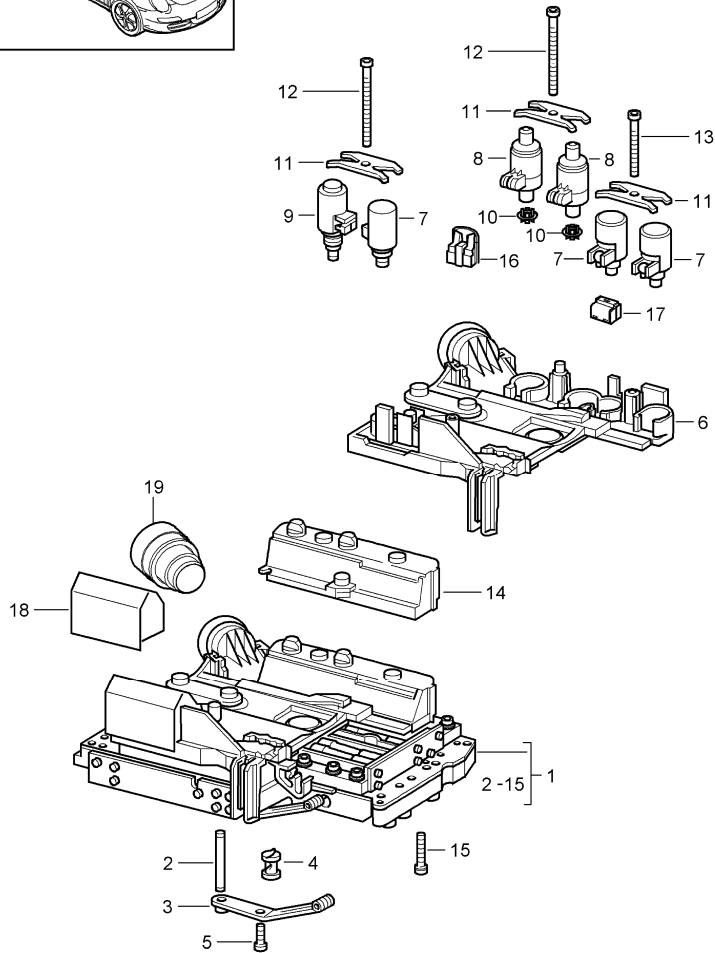
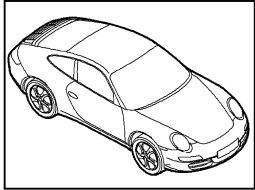
Pos	Part Number	Description	Remark	Qty	Model
		tiptronic			A97.01 A97.31
		torque converter drive plate			
1	722 250 120 2	torque converter		1	
2	996 116 075 16	drive plate		1	
3	999 073 091 09	pan-head screw M 10 X 1 X 25		8	
4	900 067 369 09	pan-head screw M 8 X 20		6	
5	996 116 101 10	intermediate housing engine and transmission		1	

Model	Year	MG	SG	Illustration	Restrictions	UPD	23:13	24.01.2010	PORSCHE	PET	PORSCHE
997-1	2008	3	40	340-00		248					



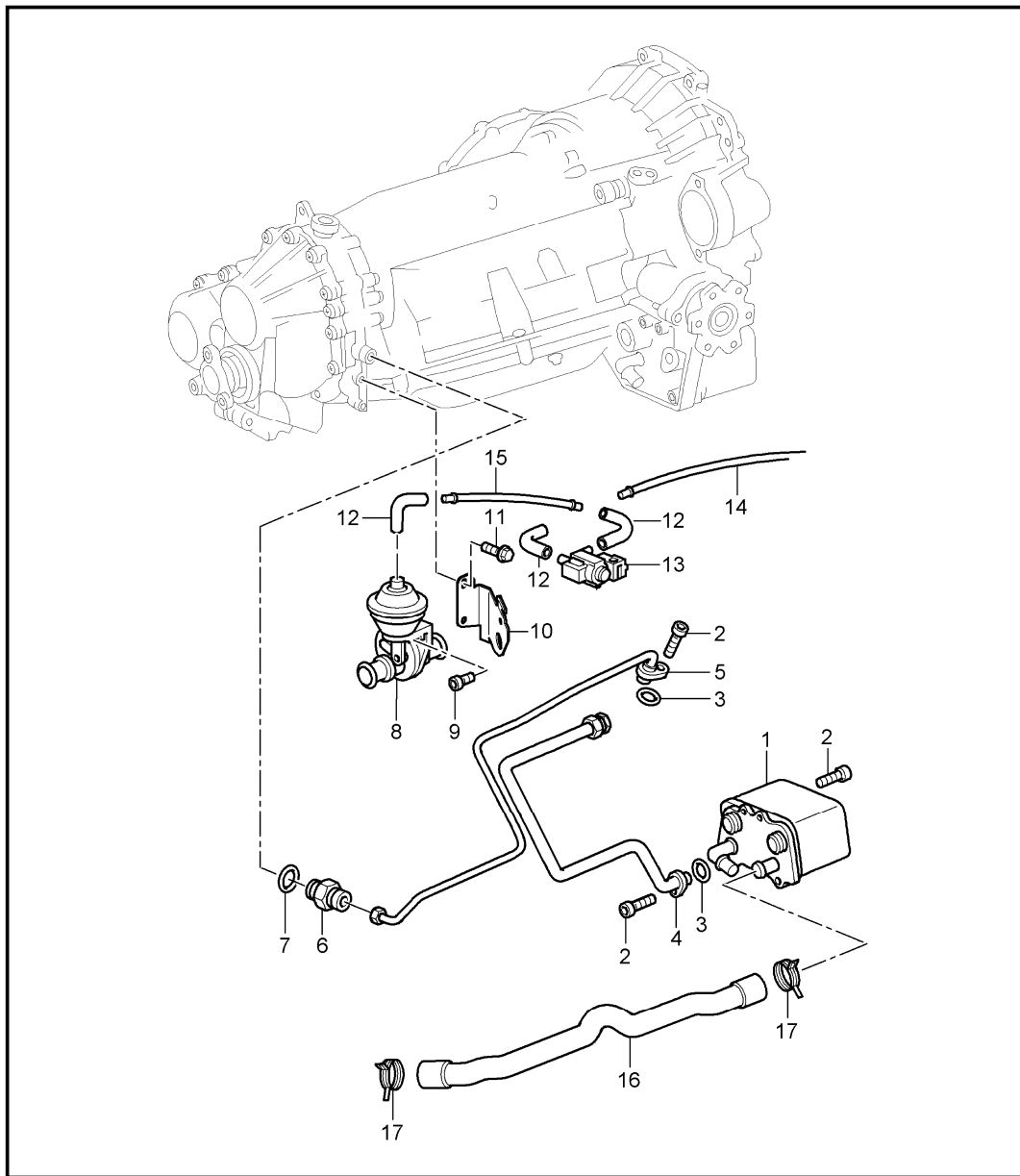
Pos	Part Number	Description	Remark	Qty	Model
		tiptronic			A97.01 A97.31
		oil filter			
		oil pan			
1	722 270 161 2	oil pan		1	
2	140 271 008 0	gasket		1	
3	722 277 009 5	oil filter		1	
4	140 271 006 8	clamping sleeve		6	
5	999 073 202 09	pan-head screw M 6 X 22		6	
6	140 271 016 8	clamping sleeve		X	
7	900 123 062 20	sealing ring		1	
8	900 219 007 02	screw plug		1	
9	220 271 009 8	magnet		1	
10	996 307 055 11	connection piece oil inlet		1	
11	900 123 007 30	sealing ring 14 x 18		2	
12	900 070 011 01	cap nut M 14 X 1,5		1	

Model	Year	MG	SG	Illustration	Restrictions	UPD	23:13	24.01.2010	PORSCHE	PET	PORSCHE
997-1	2008	3	40	340-05		248					



Pos	Part Number	Description	Remark	Qty	Model
		tiptronic			A97.01 A97.31
		switch unit solenoid valve pressure regulator			
1	722 270 020 6	switch unit		1	
2	140 277 007 5	pin		1	
3	140 270 017 8	spring		1	
4	140 270 029 8	filter		1	
5	170 990 012 0	screw		1	
6	140 270 056 1	cover plate		1	
7	240 270 028 9	valve		3	
8	203 270 008 9	solenoid valve		2	
9	140 277 043 5	solenoid valve		1	
10	140 270 049 8	filter		2	
11	140 276 000 3	spring plate		3	
12	140 277 107 1	screw		2	
13	140 277 117 10	screw		1	
14	140 271 078 2	cover		1	
15	140 277 067 1	screw		10	
16	240 271 008 2	cap		2	
17	240 271 018 2	cap		3	
18	140 271 088 2	cover		1	
19	000 043 207 28	cable guide		1	

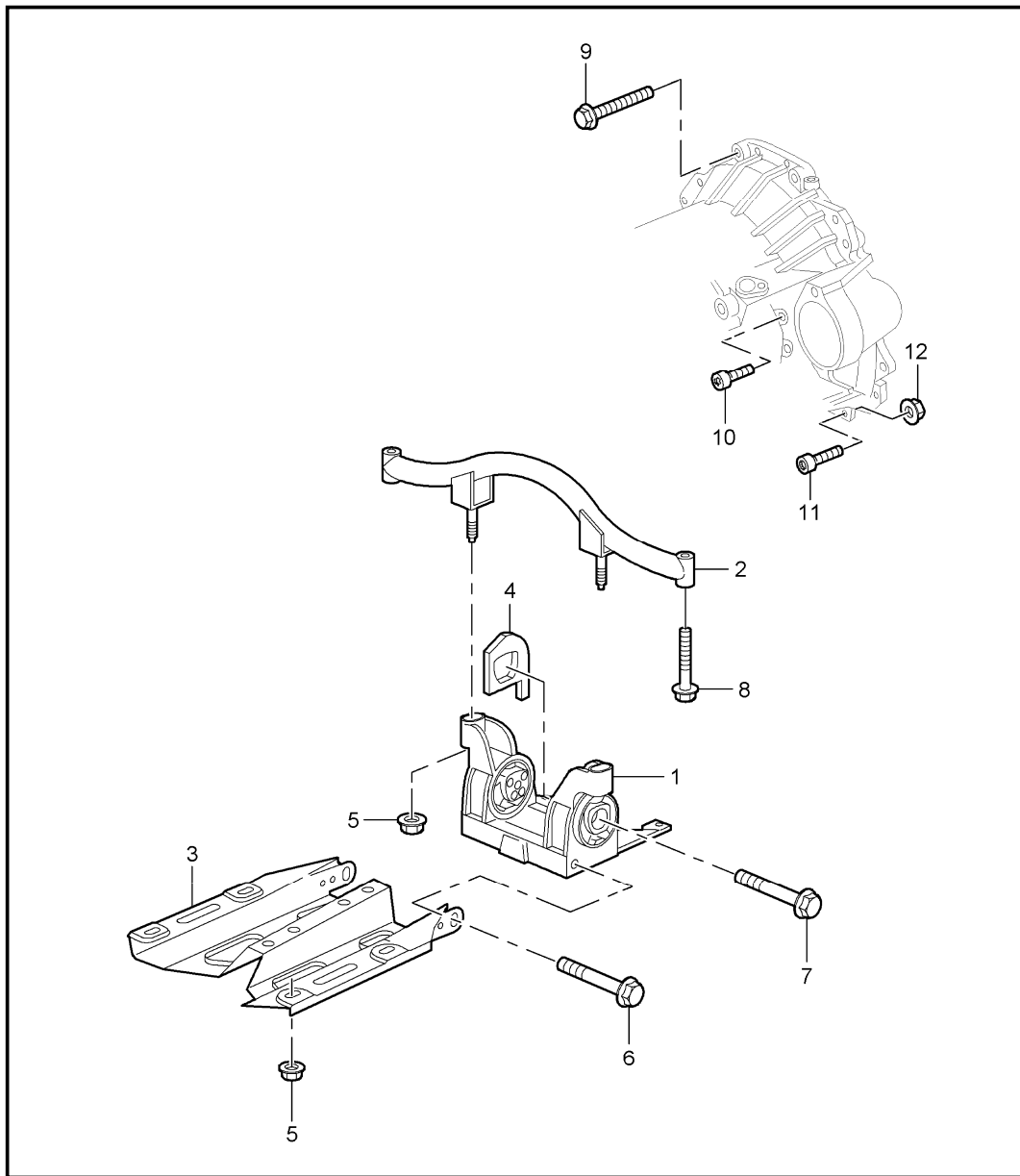
Model	Year	MG	SG	Illustration	Restrictions	UPD	23:13	24.01.2010	PORSCHE	PET	PORSCHE
997-1	2008	3	60	360-00		248					



Pos	Part Number	Description	Remark	Qty	Model
		tiptronic			A97.01 A97.31
		atf cooler			
		atf lines			
1	722 270 009 5	atf cooler		1	
(1)	722 270 049 5	atf cooler		1	
2	999 073 103 09	oval-head screw M 6 X 16		6	
3	029 997 184 8	sealing ring 12,37 X 2,62		2	
4	722 270 089 6	oil pipe		2	
5	722 270 079 6	oil pipe		1	
6	000 997 117 1	screw socket		1	
7	900 123 005 30	sealing ring A 12 X 16		1	
8	928 574 573 03	disc valve		1	
9	900 146 011 01	round head screw M 4 X 10		1	
10	997 106 533 00	support		1	
11	900 378 036 01	hexagon-head bolt M 6 X 12		2	
12	928 574 717 05	moulded hose		3	
13	996 605 123 01	change-over valve		1	
--	999 181 742 40	pipe 4,0 X 1,0		X	
14		950 mm		1	
15		75 mm		1	
16	996 307 711 12	water hose		1	
17	999 512 656 09	hose clamp 25 X 12		2	
18	999 707 388 40	o-ring		1	

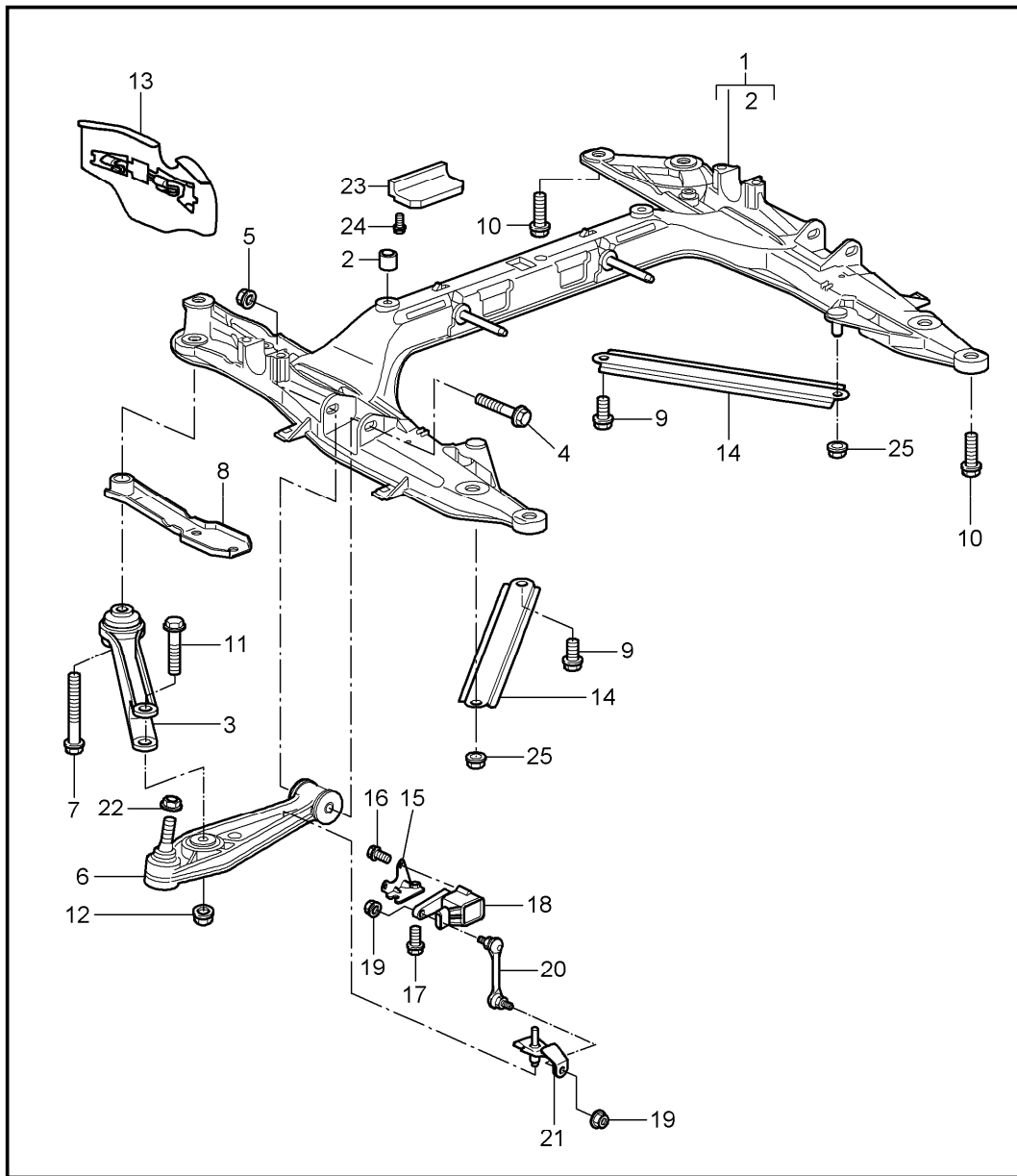


Model	Year	MG	SG	Illustration	Restrictions	UPD	23:13	24.01.2010	PORSCHE	PET	PORSCHE
997-1	2008	3	70	370-00		248					



Pos	Part Number	Description	Remark	Qty	Model
		tiptronic			A97.01 A97.31
		transmission suspension and mount intermediate flange			
1	997 375 033 03	transmission carrier		1	
2	996 375 317 06	bracket upper		1	
3	997 375 115 00	side member		1	
4	997 375 259 01	stop		2	
5	999 076 053 09	hexagon nut		6	
		M 10			
6	900 378 200 09	hexagon-head bolt		2	
		M 10 X 55			
7	900 378 208 09	hexagon-head bolt		2	
		M 12 X 1,5 X 75			
8	900 378 098 09	hexagon-head bolt		2	
		M 10 X 60			
9	999 072 008 01	hexagon-head bolt		6	
		M 12 X 1,5 X 70			
10	999 073 091 01	pan-head screw		8	
		M 10 X 1 X 25			
11	999 073 119 01	pan-head screw		2	
		M 10 X 50			
12	900 377 011 01	hexagon nut		2	
		M 10			

Model	Year	MG	SG	Illustration	Restrictions	UPD	23:14	24.01.2010	PORSCHE	PET	PORSCHE
997-1	2008	4	01	401-00		248					

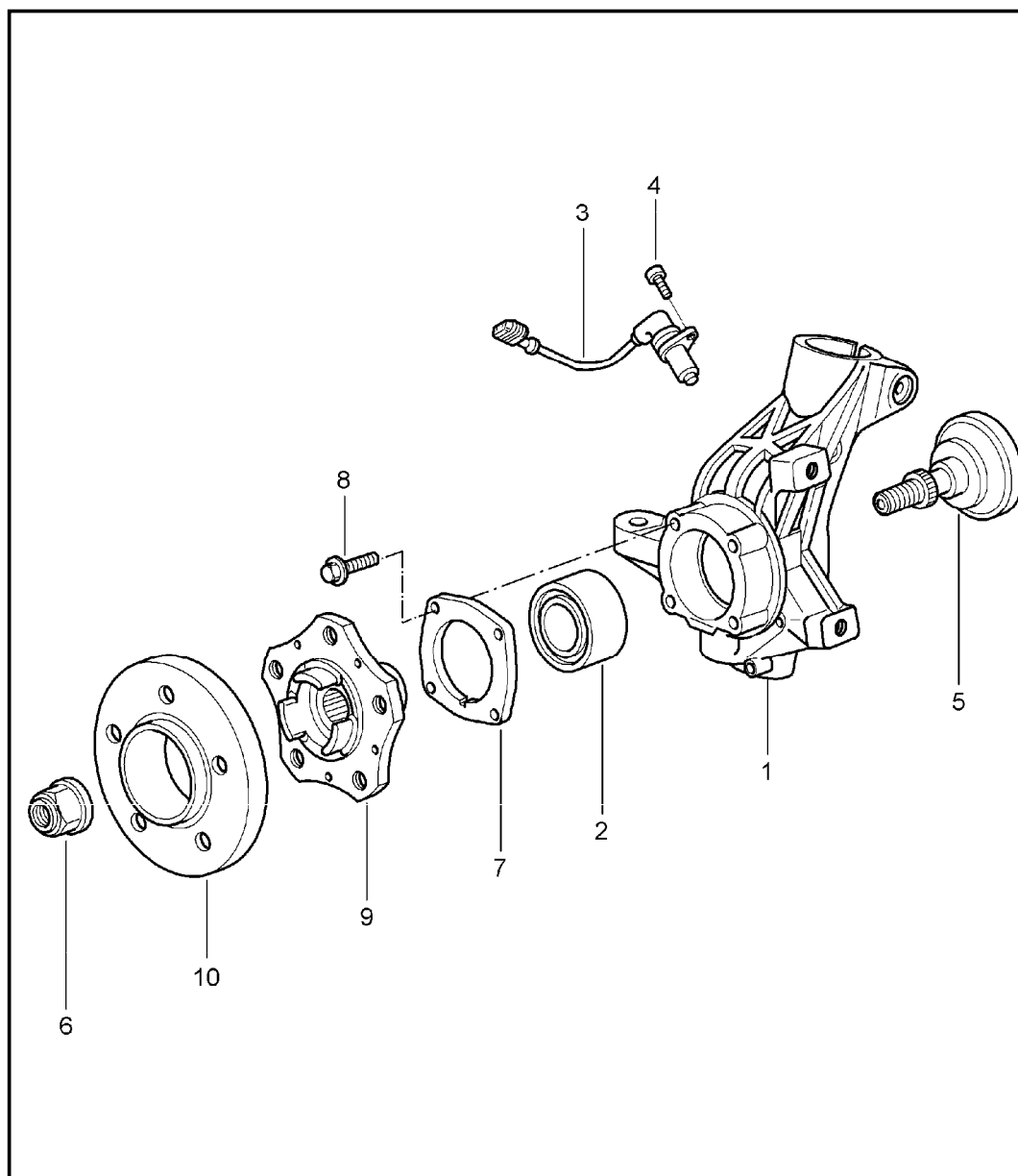


Pos	Part Number	Description	Remark	Qty	Model
1	A 997 341 081 04	cross member		1	CARRERA 2 CARRERA 2S
(1)	997 341 081 06	wishbone		1	CARRERA 2 CARRERA 2S
(1)	997 341 081 11	cross member	06-07-07-	1	CARRERA 4 CARRERA 4S TARGA TARGA S
2	900 197 070 00	roll pin 13 X 14		1	
3	997 341 043 00	control arm		2	
4	900 378 165 09	hexagon-head bolt M 12 X 1,5 X 95		2	
5	999 084 445 01	lock nut M 12 X 1,5		2	
6	A 997 341 053 00	wishbone	05	2	
(6)	997 341 053 03	wishbone		2	
7	A 900 378 241 09	hexagon-head bolt M 14 X 1,5 X 120		2	CARRERA 2 CARRERA 2S
(7)	999 072 050 09	hexagon-head bolt M 14 X 1,5 X 120	07-07-	2	CARRERA 4 CARRERA 4S TARGA TARGA S
8	A 997 341 145 01	plate		2	CARRERA 2 CARRERA 2S
(8)	997 341 145 05	plate	07-	2	CARRERA 4 CARRERA 4S TARGA TARGA S
9	A 999 072 047 09	hexagon-head bolt M 12 X 1,5 X 30		4	
(9)	999 072 047 01	hexagon-head bolt M 12 x 1,5 x 30		4	
10	A 900 378 192 09	hexagon-head bolt M 14 X 1,5 X 50		2	
(10)	900 378 192 01	hexagon-head bolt M 14 x 1,5 x 50		2	

Model	Year	MG	SG	Illustration	Restrictions	UPD	23:14	24.01.2010	PORSCHE	PET	PORSCHE
997-1	2008	4	01	401-00		248					

Pos	Part Number	Description	Remark	Qty	Model	Pos	Part Number	Description	Remark	Qty	Model
11	900 378 279 09	hexagon-head bolt M 14 X 1,5 X 95	-07	2		24	A 999 072 047 09	hexagon-head bolt M 12 X 1,5 X 30	07-	4	CARRERA 4
(11)	900 378 279 01	hexagon-head bolt M 14 X 1,5 X 95	08-	2					07-	4	CARRERA 4S
12	A 900 380 012 09	lock nut M 14 X 1,5		2		(24)	999 072 047 01	hexagon-head bolt m 12 x 1,5 x 30	07-	4	TARGA
12	900 380 012 01	lock nut M 14 X 1,5		2					07-	4	TARGA S
13	996 341 483 05	spoiler	/L	1		25	999 084 445 01	hexagon nut M 12 X 1,5		2	
(13)	996 341 484 05	spoiler	/R	1							
14	997 504 433 00	strut		2	CARRERA 2 CARRERA 2S						
(14)	997 504 433 01	strut		2	CARRERA 4 CARRERA 4S TARGA TARGA S						
15	... ..	support see illustrations 1/05/10 Pos.10		1	I601						
16	900 146 003 02	oval-head screw M 5 X 10		2	I601						
(16)	900 146 003 03	oval-head screw M 5 x 10		2	I601						
17	900 378 036 09	hexagon-head bolt M 6 X 12		1							
18	997 631 121 00	sensor		1	I601						
19	A 900 380 015 09	hexagon nut VM 6		2							
(19)	900 380 015 01	hexagon nut VM 6		2							
20	997 341 375 01	strut		1	I601						
21	996 341 371 03	support		1	I601						
22	999 084 449 09	hexagon nut M 12 X 1,5		2							
23	997 341 431 02	stop		1	CARRERA 4 CARRERA 4S						
			07-	1	TARGA						
			07-	1	TARGA S						

Model	Year	MG	SG	Illustration	Restrictions	UPD	23:14	24.01.2010	PORSCHE	PET	PORSCHE
997-1	2008	4	01	401-05		248					

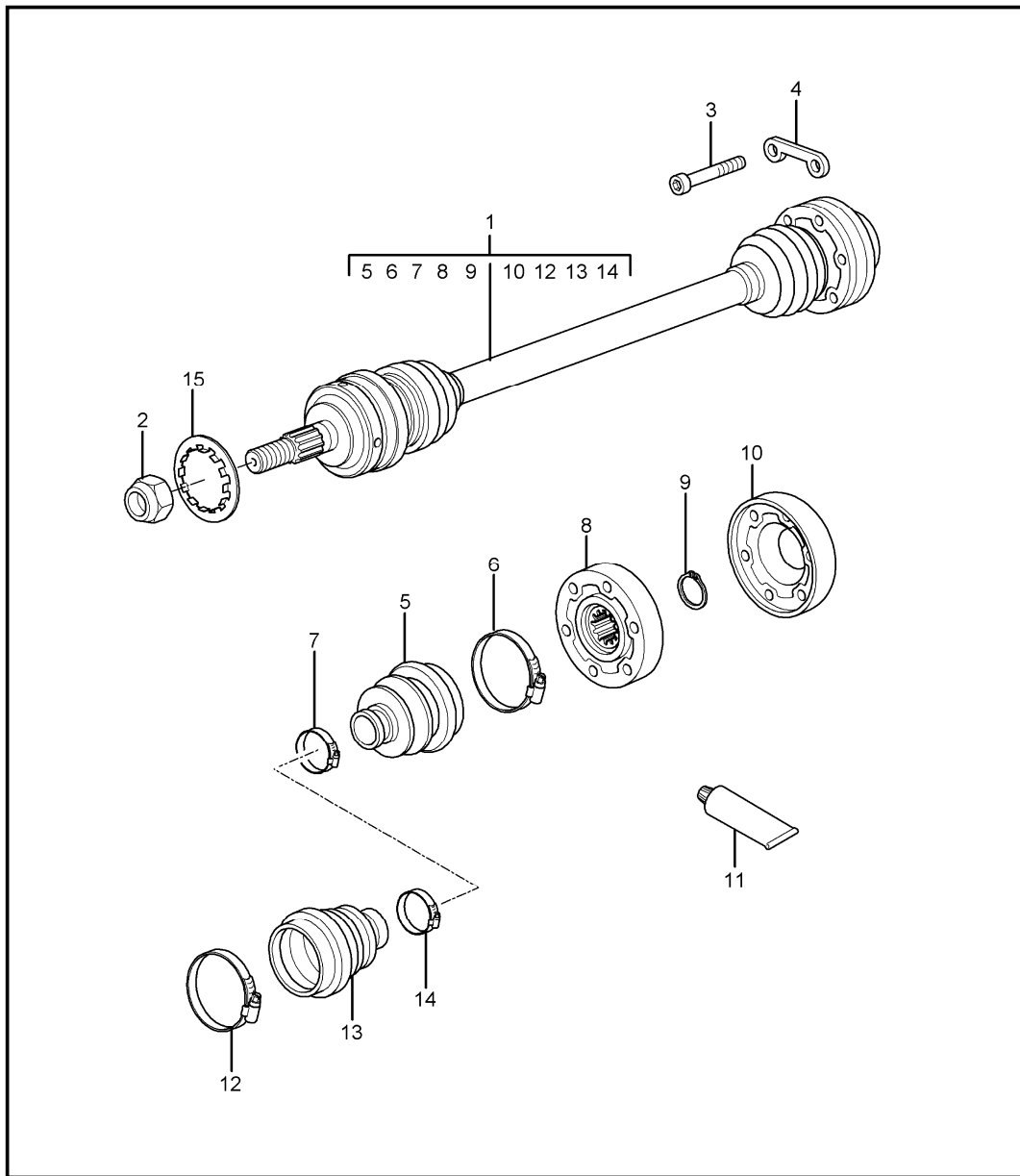


Pos	Part Number	Description	Remark	Qty	Model
		wheel carrier			
		wheel hub			
1	997 341 157 05	wheel carrier	/L	1	CARRERA 2
(1)	997 341 157 25	wheel carrier	/L	1	CARRERA 2S
(1)	997 341 157 25	wheel carrier	/L	1	CARRERA 2 I450
(1)	997 341 165 03	wheel carrier	/L	1	CARRERA 4
			/L	07-	TARGA
(1)	997 341 165 23	wheel carrier	/L	1	CARRERA 4 I450
			/L	07-	TARGA I450
(1)	997 341 165 23	wheel carrier	/L	1	CARRERA 4S
			/L	07-	TARGA S
(1)	997 341 158 05	wheel carrier	/R	1	CARRERA 2
(1)	997 341 158 25	wheel carrier	/R	1	CARRERA 2S
(1)	997 341 158 25	wheel carrier	/R	1	CARRERA 2 I450
(1)	997 341 166 03	wheel carrier	/R	1	CARRERA 4
			/R	07-	TARGA
(1)	997 341 166 23	wheel carrier	/R	1	CARRERA 4 I450
			/R	07-	TARGA I450
(1)	997 341 166 23	wheel carrier	/R	1	CARRERA 4S
			/R	07-	TARGA S
2	999 053 054 05	angular-contact bearing		2	
3	997 606 407 01	speed sensor		2	
4	900 067 117 09	pan-head screw M 6 X 16		2	
5	997 341 131 00	tension bolt		2	
6	999 084 641 02	lock nut M 22 X 1,5		2	
7	986 331 661 20	lid		2	
8	999 217 042 09	hexagon-head bolt M 8 X 35		8	
9	997 341 605 01	wheel hub		2	

Model	Year	MG	SG	Illustration	Restrictions	UPD	23:14	24.01.2010	PORSCHE	PET	PORSCHE
997-1	2008	4	01	401-05		248					

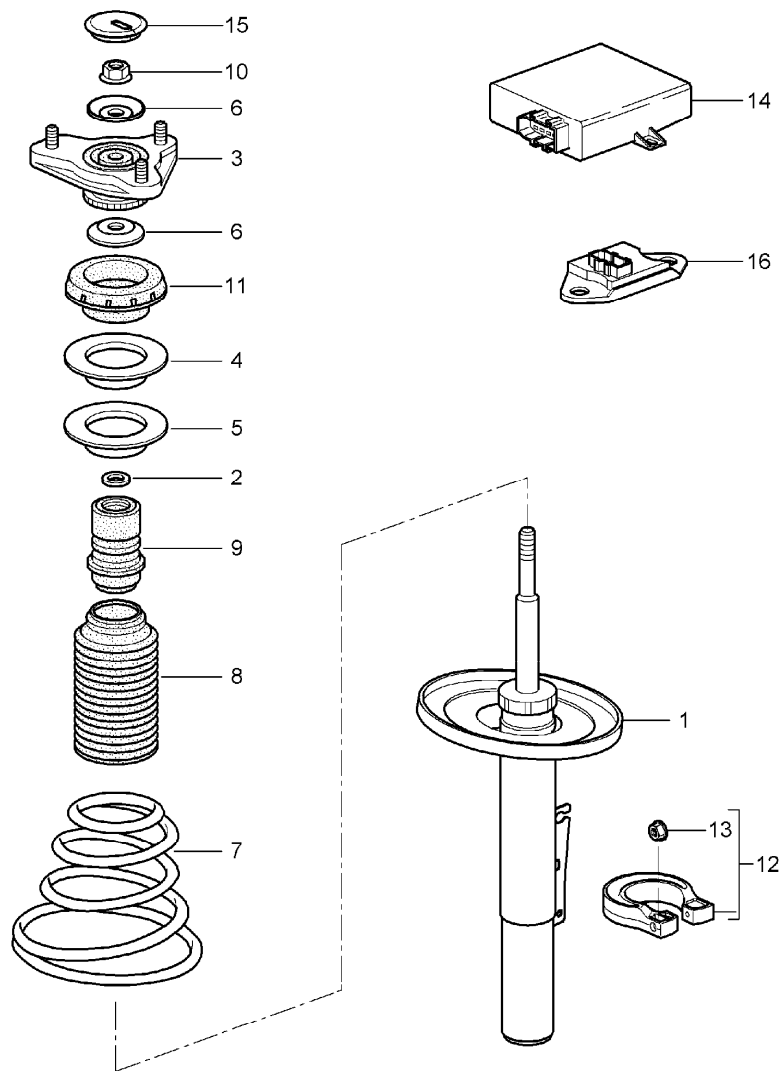
Pos	Part Number	Description	Remark	Qty	Model	Pos	Part Number	Description	Remark	Qty	Model
10	997 361 605 90	spacer ring 5 MM		2	IXRP						

Model	Year	MG	SG	Illustration	Restrictions	UPD	23:14	24.01.2010	PORSCHE	PET	PORSCHE
997-1	2008	4	01	401-10		248					



Pos	Part Number	Description	Remark	Qty	Model
		drive shaft			CARRERA 4 CARRERA 4S TARGA TARGA S
1	997 349 038 00	drive shaft	07-07-	05	2
(1)	997 349 038 01	drive shaft	06-	06-	2
(2)	999 084 641 02	lock nut M 22 X 1,5			2
3	A 900 067 073 09	pan-head screw M 8 X 45			12
(3)	900 067 073 02	pan-head screw M 8 x 45			12
(4)	996 349 191 01	plate			6
5	996 349 293 00	dust bellows			2
-	996 349 959 00	bellow support for dust bellows			2
7	996 349 257 03	clip			2
8	996 349 030 00	joint			2
9	900 041 011 01	circlip			2
10	996 349 267 00	lid			2
11	000 043 110 01	grease 1 100-gramme tube			X
(11)	000 043 205 36	sealing compound drive shaft 1 100-gramme tube			X
12	996 349 257 00	clip			2
13	996 349 291 00	dust bellows			2
14	996 349 257 01	clip			2
15	997 349 269 00	protective ring			2

Model	Year	MG	SG	Illustration	Restrictions	UPD	23:14	24.01.2010	PORSCHE	PET	PORSCHE
997-1	2008	4	02	402-00		248					



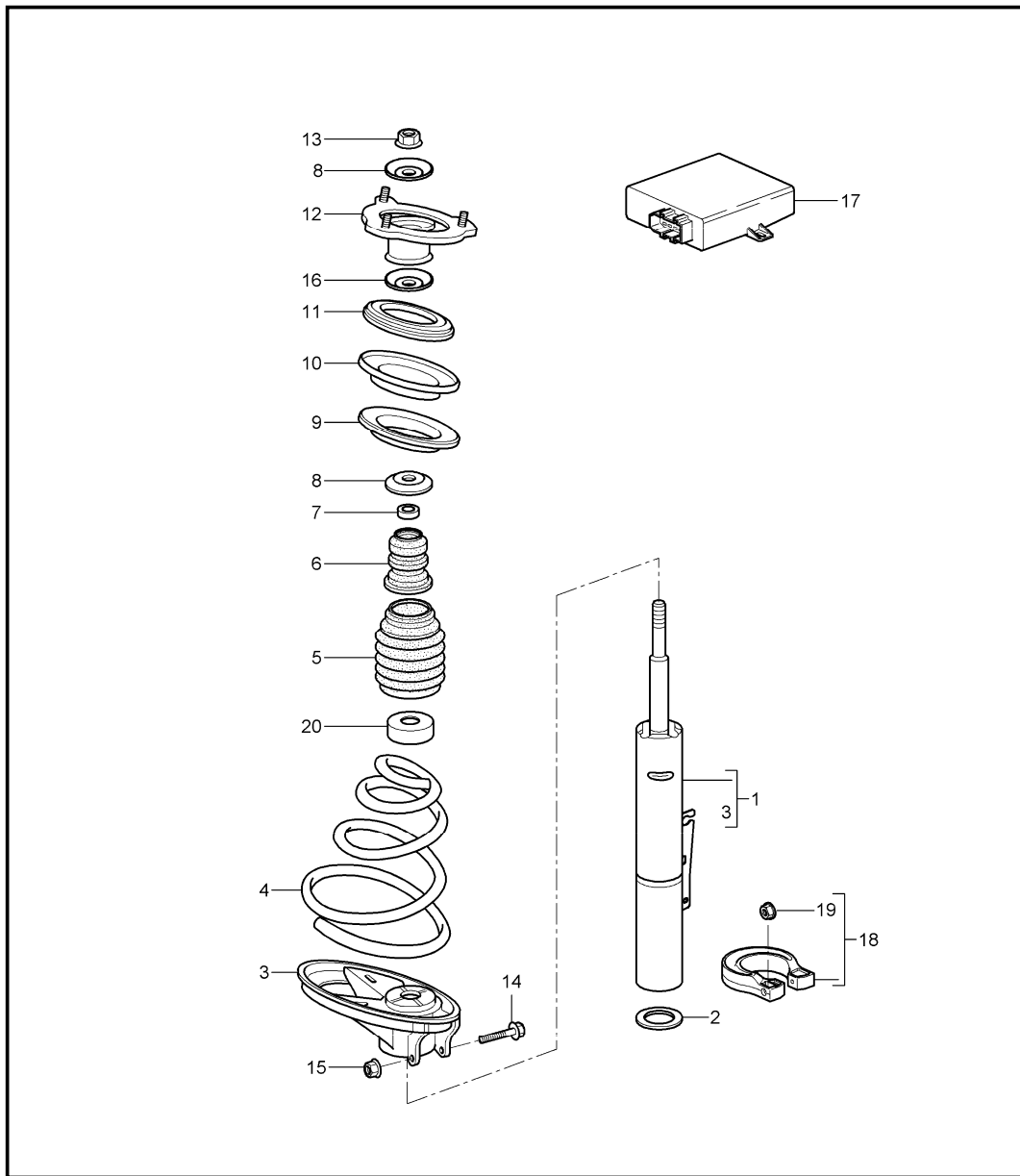
Pos	Part Number	Description	Remark	Qty	Model
		suspension shock absorber strut			CARRERA 2 CARRERA 2S
1	A 997 343 041 09	vibration damper		2	I029
(1)	A 997 343 041 11	vibration damper		2	I029
(1)	997 343 041 13	vibration damper		2	I029
(1)	A 997 343 041 10	vibration damper		2	I030/480
(1)	997 343 041 12	vibration damper		2	I030/480
(1)	A 997 343 045 13	vibration damper		2	I475
(1)	A 997 343 045 14	vibration damper		2	I475
(1)	997 343 045 16	vibration damper		2	I475
2	996 343 513 00	washer		2	
3	A 997 343 018 00	supporting mount		2	
3	997 343 018 01	supporting mount		2	
-	A 999 084 447 09	hexagon nut M 8		6	
-	999 084 447 01	hexagon nut M 8		6	
4	996 343 517 01	support ring		2	
5	996 343 511 00	compensating plate 3,0 MM		X	
(5)	996 343 511 01	compensating plate 6,5 MM		X	
6	997 343 107 01	stop plate		2	
(6)	997 343 107 00	stop plate upper		1	I475
6	997 343 107 01	stop plate lower		1	I475
					COUPE
(6)	997 343 272 00	washer		2	I030/480
7	997 343 531 22	coil spring		1	I029
				1	CABRIO
				1	CARRERA 2
				1	I249
					COUPE
					CARRERA 2
		1 set			

Model	Year	MG	SG	Illustration	Restrictions	UPD	23:14	24.01.2010	PORSCHE	PET	PORSCHE
997-1	2008	4	02	402-00		248					

Pos	Part Number	Description	Remark	Qty	Model	Pos	Part Number	Description	Remark	Qty	Model
	504	identification violet white				13	900 377 010 09	hexagon nut		2	CARRERA 2
(7)	997 343 531 23	coil spring		1	I029/480 COUPE CARRERA 2	-	900 378 111 09	hexagon-head bolt M 6 X 60		2	CARRERA 2
		1 set		1		14 A	997 618 105 03	control unit	05	1	CARRERA 2 CARRERA 2S
	504	identification violet red				(14)	997 618 105 04	control unit	05	1	CARRERA 2 CARRERA 2S
(7)	997 343 531 24	coil spring		1	I030/480 COUPE CARRERA 2 CARRERA 2 S	(14) A	997 618 105 05	control unit	06	1	CARRERA 2 CARRERA 2S
		1 set				(14)	997 618 105 06	control unit	07	1	CARRERA 2 CARRERA 2S
	504	identification silver silver				(14)	997 618 105 07	control unit	08-	1	CARRERA 2 CARRERA 2S
7	997 343 531 31	coil spring		1	I475 COUPE CARRERA 2 CARRERA 2 S	15	999 703 457 40	lid		2	
		1 set				16	997 606 111 01	acceleration sensor body		2	
	504	identification red green				17 A	997 606 212 00	support acceleration sensor	-06	1	
(7)	997 343 531 35	coil spring		1	I475 CABRIO CARRERA 2 CARRERA 2 S	(17)	997 606 212 01	support acceleration sensor	07-	1	
		1 set									
	504	identification red yellow									
8	996 343 505 00	bellows		2							
9	996 343 301 02	additional spring		2							
(9)	996 343 980 09	additional spring		2	I030/480						
(9)	996 343 301 02	additional spring		2	I475						
10 A	900 380 012 09	hexagon nut M 14 X 1,5		2							
10	900 380 012 01	hexagon nut M 14 X 1,5		2							
11	996 343 515 05	deep-groove ball bearing with housing		2							
12	997 343 569 00	clip		2	CARRERA 2						



Model	Year	MG	SG	Illustration	Restrictions	UPD	23:15	24.01.2010	PORSCHE	PET	PORSCHE
997-1	2008	4	02	402-01		248					



Pos	Part Number	Description	Remark	Qty	Model
		suspension shock absorber strut	07- 07-		CARRERA 4 CARRERA 4S TARGA TARGA S
1	A 997 343 043 02	shock absorber	/L	1	I029 CARRERA 4
(1)	A 997 343 043 04	shock absorber	/L	1	I029 CARRERA 4
(1)	997 343 043 06	shock absorber	/L	1	I029 CARRERA 4
(1)	A 997 343 044 02	shock absorber	/R	1	I029 CARRERA 4
(1)	A 997 343 044 04	shock absorber	/R	1	I029 CARRERA 4
(1)	997 343 044 06	shock absorber	/R	1	I029 CARRERA 4
(1)	A 997 343 043 03	shock absorber	/L	1	I030/480 CARRERA 4 CARRERA 4S
(1)	A 997 343 043 05	shock absorber	/L	1	I030/480 CARRERA 4 CARRERA 4S
(1)	997 343 043 07	shock absorber	/L	1	I030/480 CARRERA 4 CARRERA 4S
(1)	A 997 343 044 03	shock absorber	/R	1	I030/480 CARRERA 4 CARRERA 4S
(1)	A 997 343 044 05	shock absorber	/R	1	I030/480 CARRERA 4 CARRERA 4S
(1)	997 343 044 07	shock absorber	/R	1	I030/480 CARRERA 4 CARRERA 4S
(1)	A 997 343 047 08	shock absorber	/L	1	I475 CARRERA 4 CARRERA 4S
(1)	997 343 047 14	shock absorber	/L	1	I475 CARRERA 4 CARRERA 4S

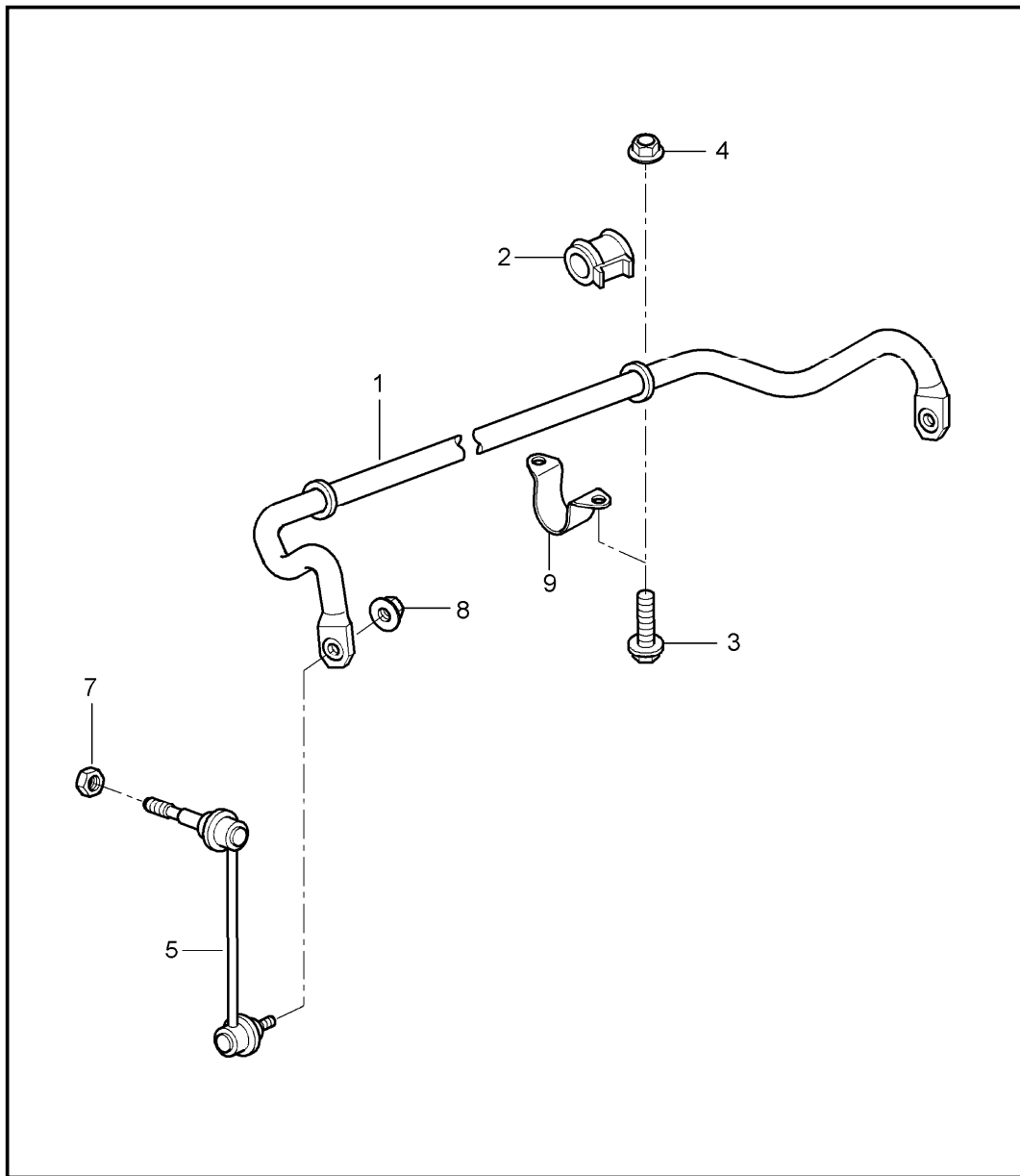
Model	Year	MG	SG	Illustration	Restrictions	UPD	23:15	24.01.2010	PORSCHE	PET	PORSCHE
997-1	2008	4	02	402-01		248					

Pos	Part Number	Description	Remark	Qty	Model	Pos	Part Number	Description	Remark	Qty	Model
(1)	A 997 343 048 08	shock absorber	/R	1	I475 CARRERA 4 CARRERA 4S		504	identification yellow white			
(1)	A 997 343 048 14	shock absorber	/R	1	I475 CARRERA 4 CARRERA 4S	(4)	997 343 533 23	coil spring	07-	1	I029
(1)	997 343 048 15	shock absorber	/R	1	I475 CARRERA 4 CARRERA 4S		504	1 set identification pink gold-coloured			TARGA
(1)	997 343 049 03	shock absorber	/L	07-	1 I029 TARGA	(4) A	997 343 533 24	coil spring 1 set	07-	1	I475 TARGA
(1)	997 343 050 03	shock absorber	/R	07-	1 I029 TARGA		504	identification blue silver	07- 07- 07-		TARGA S
(1)	997 343 051 03	shock absorber	/L	07-	1 I475 TARGA	(4)	997 343 533 42	coil spring 1 set	07-	1	I475 TARGA
(1)	997 343 052 03	shock absorber	/L	07-	1 I475 TARGA S		504	identification blue silver			TARGA S
(1)	997 343 052 03	shock absorber	/R	07-	1 I475 TARGA	5	996 343 509 01	bellows		2	
		mount shock absorber	/R	07-	1 I475 TARGA S	(6)	996 343 301 02	additional spring		2	I029 I475 CARRERA 4
-	900 378 138 01	hexagon-head bolt M 12 X 1,5 X 70		2		(6)	997 333 105 01	additional spring		2	I475 CARRERA 4 CARRERA 4 S
-	999 084 445 01	lock nut M 12 X 1,5		2		(6)	997 333 105 01	additional spring		2	I030 I475 CARRERA 4 CARRERA 4 S
2	996 343 521 01	concave washer		2							
(4)	997 343 533 00	coil spring 1 set		1	I029 I249/480	7	996 343 513 00	washer		2	
	504	identification brown white			COUPE CABRIO CARRERA 4	(8)	997 343 107 01	stop plate		4	
(4)	997 343 533 03	coil spring 1 set		1	I030 I480	8	997 343 107 01	stop plate		2	
	504	identification green white			COUPE CARRERA 4 CARRERA 4S	9	996 343 525 00	compensating plate 3,0 MM		2	
(4)	997 343 533 04	coil spring 1 set		1	I475	(9)	996 343 525 01	compensating plate 6,5 MM		2	
						10	996 343 523 00	support ring		2	
						11	996 343 501 00	angular-contact bearing		2	
						(12) A	997 343 015 01	supporting mount	/L	07	1

Model	Year	MG	SG	Illustration	Restrictions	UPD	23:15	24.01.2010	PORSCHE	PET	PORSCHE
997-1	2008	4	02	402-01		248					

Pos	Part Number	Description	Remark	Qty	Model	Pos	Part Number	Description	Remark	Qty	Model
(12)	997 343 015 02	supporting mount	/L	08-	1						
(12) A	997 343 016 01	supporting mount	/R	07	1						
(12)	997 343 016 02	supporting mount	/R	08-	1						
13 A	900 380 012 09	hexagon nut M 14 X 1,5			2						
13	900 380 012 01	hexagon nut M 14 X 1,5			2						
14	900 378 191 09	hexagon-head bolt M 6 X 55			2						
15	900 377 010 09	hexagon nut M 6			2						
(16)	997 343 107 01	stop plate			2						
16	997 343 107 00	stop plate			2	I475					
17	997 618 115 03	control unit		06	1						
(17)	997 618 115 04	control unit		07	1						
(17)	997 618 115 06	control unit		08-	1						
(17)	997 618 115 05	control unit		07	1	TARGA					
				07	1	TARGA S					
(17)	997 618 115 07	control unit		08-	1	TARGA					
				08-	1	TARGA S					
-	999 703 457 40	lid			2						
-	997 606 111 01	acceleration sensor body			1						
-	900 378 111 09	hexagon-head bolt M 6 X 60			2						
20	997 343 272 00	washer			2	I030					
21	997 606 111 01	acceleration sensor body			2						
(22)	997 606 212 01	support acceleration sensor		07-	1						

Model	Year	MG	SG	Illustration	Restrictions	UPD	23:15	24.01.2010	PORSCHE	PET	PORSCHE
997-1	2008	4	02	402-05		248					



Pos	Part Number	Description	Remark	Qty	Model
		stabiliser			
1	997 343 701 03	stabiliser		1	CARRERA 2 COUPE CABRIO I029/480
(1) A	997 343 701 04	stabiliser		1	CARRERA 2 COUPE I029/249
(1)	997 343 701 07	stabiliser		1	CARRERA 2 COUPE I029/249
(1)	997 343 701 05	stabiliser		1	CARRERA 2 CABRIO I029/249
(1) A	997 343 701 04	stabiliser		1	CARRERA 2 CARRERA 2S COUPE I030
(1)	997 343 701 07	stabiliser		1	CARRERA 2 CARRERA 2S COUPE I030
(1) A	997 343 701 04	stabiliser		1	CARRERA 2 COUPE I475
(1)	997 343 701 07	stabiliser		1	CARRERA 2 COUPE I475
(1)	997 343 701 05	stabiliser		1	CARRERA 2 CABRIO I475
(1) A	997 343 701 04	stabiliser		1	CARRERA 2S COUPE CABRIO I475
(1)	997 343 701 07	stabiliser		1	CARRERA 2S COUPE CABRIO I475
(1)	997 343 703 04	stabiliser		1	CARRERA 4 COUPE I030/480
				1	CARRERA 4S COUPE I030/480

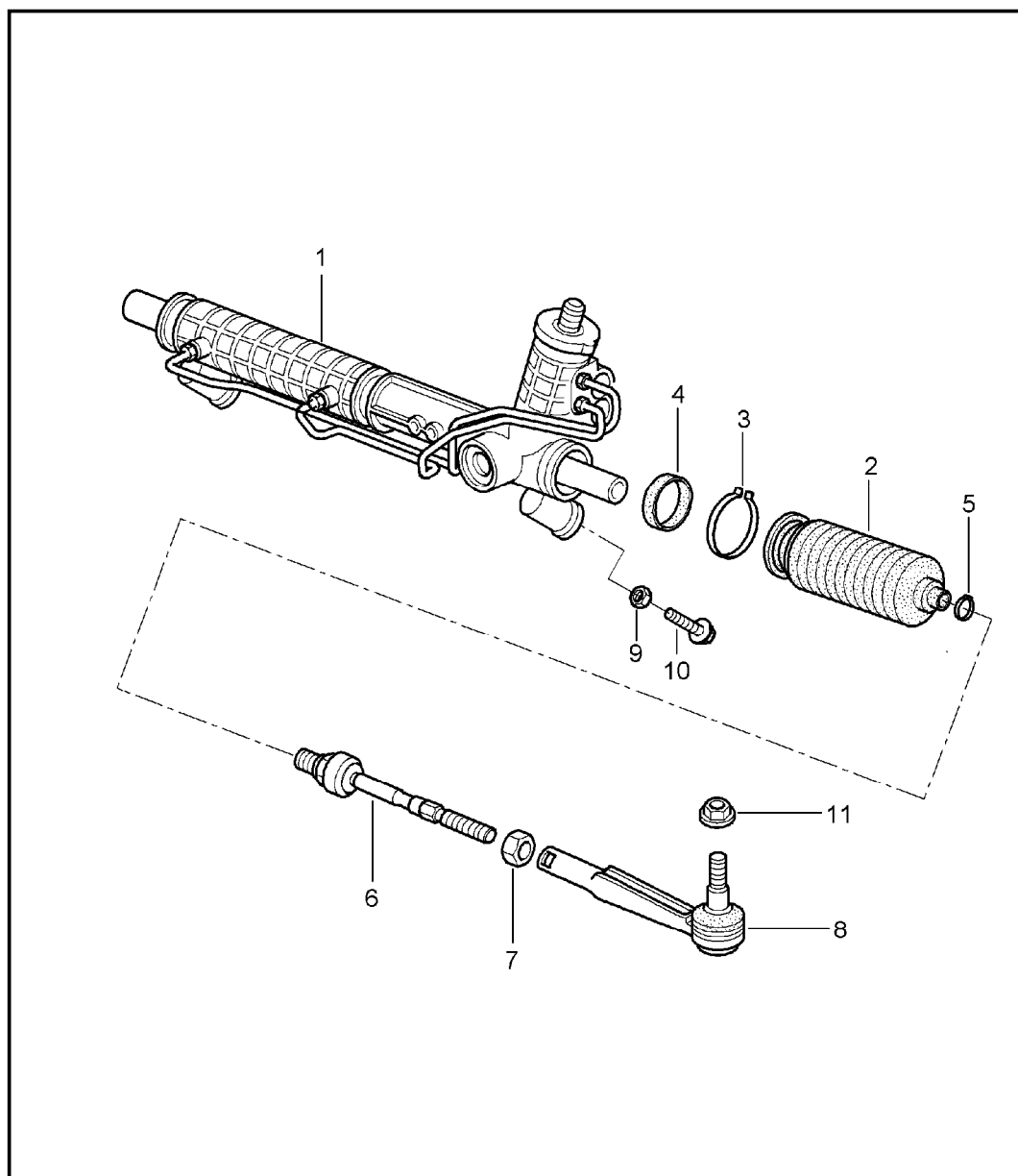
Model	Year	MG	SG	Illustration	Restrictions	UPD	23:15	24.01.2010	PORSCHE	PET	PORSCHE
997-1	2008	4	02	402-05		248					

Pos	Part Number	Description	Remark	Qty	Model	Pos	Part Number	Description	Remark	Qty	Model
(1)	A 997 343 703 05	stabiliser		1	CARRERA 4 COUPE I029	(2)	996 343 792 17	stabiliser mounting		2	CARRERA 2 I029/480
				1	CARRERA 4 CABRIO I029					2	CARRERA 2 COUPE CABRIO
(1)	997 343 703 08	stabiliser		1	CARRERA 4 COUPE I029					2	CARRERA 2 CARRERA 2S COUPE I030 CARRERA 2 CARRERA 2S COUPE CABRIO I475
				1	CARRERA 4 CABRIO I029						
(1)	A 997 343 703 06	stabiliser		1	CARRERA 4 COUPE I475	(2)	997 343 792 00	stabiliser mounting		2	CARRERA 4 COUPE I030/480
				1	CARRERA 4 CABRIO I475					2	CARRERA 4S COUPE I030/480
(1)	997 343 703 09	stabiliser		1	CARRERA 4 COUPE I475	(2)	996 343 792 11	stabiliser mounting		2	CARRERA 4 COUPE I029
				1	CARRERA 4 CABRIO I475					2	CARRERA 4 CABRIO I029
(1)	997 343 703 06	stabiliser		1	CARRERA 4S COUPE I475	(2)	996 343 792 12	stabiliser mounting		2	CARRERA 4 COUPE I475
				1	CARRERA 4S CABRIO I475					2	CARRERA 4 CABRIO I475
(1)	997 343 703 09	stabiliser	07-	1	TARGA I029 I475					2	CARRERA 4S COUPE I475
				1	TARGA S I475					2	CARRERA 4S CABRIO I475
2	996 343 792 12	stabiliser mounting		2	CARRERA 2 I029/480	(2)	996 343 792 12	stabiliser mounting	07-	2	TARGA I029 I475
						(2)	996 343 792 12	stabiliser mounting	07-	2	TARGA S I475
						3	900 378 098 09	hexagon-head bolt M 10 X 60		4	
						4	A 900 380 008 09	hexagon nut M 10	07-	4	CARRERA 4
									07-	4	CARRERA 4S
									07-	4	TARGA
									07-	4	TARGA S

Model	Year	MG	SG	Illustration	Restrictions	UPD	23:15	24.01.2010	PORSCHE	PET	PORSCHE
997-1	2008	4	02	402-05		248					

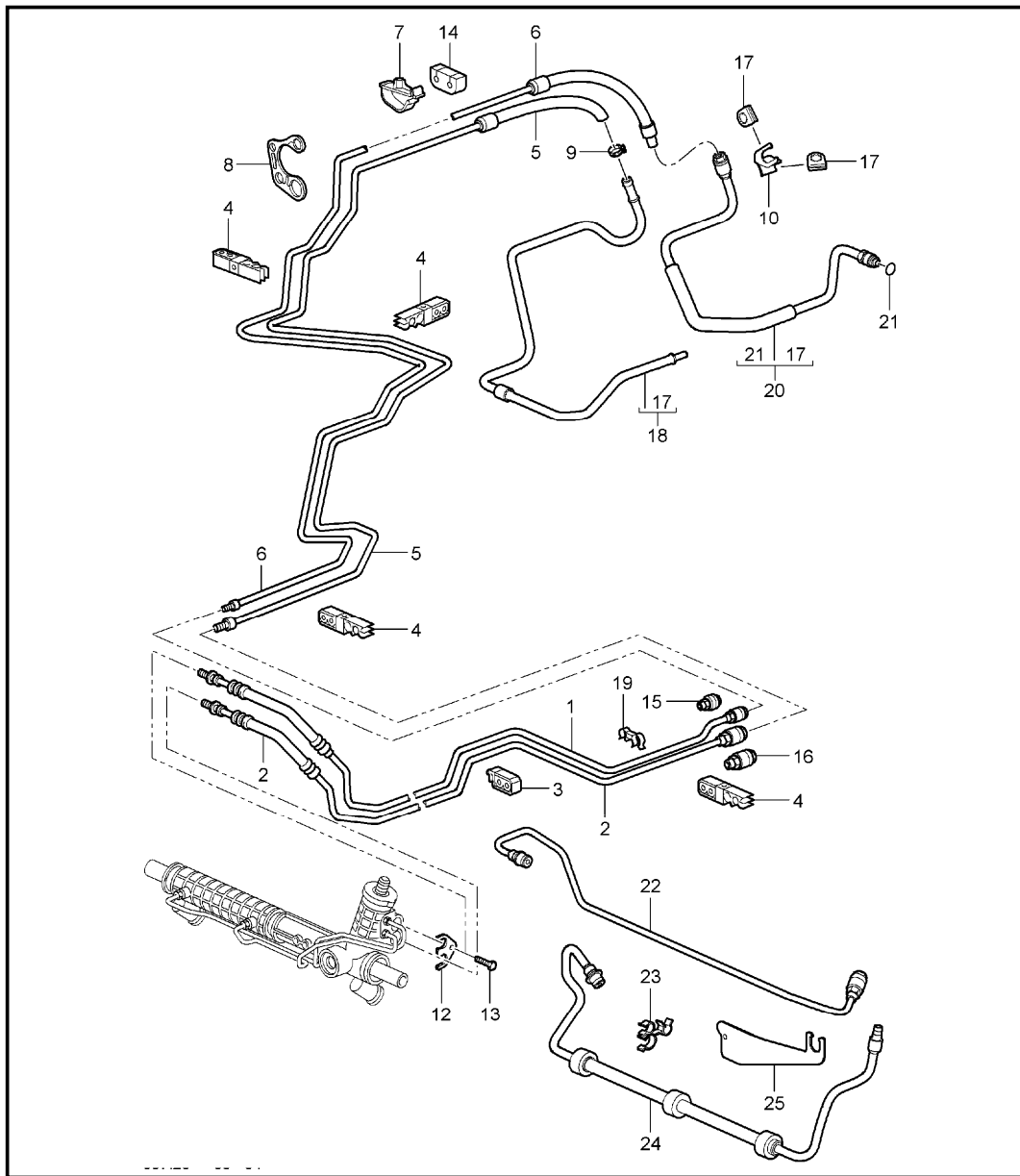
Pos	Part Number	Description	Remark	Qty	Model	Pos	Part Number	Description	Remark	Qty	Model
4	900 380 008 01	hexagon nut M 10		4	CARRERA 4	8	999 084 643 09	hexagon nut M10		2	CARRERA 2
				4	CARRERA 4S			see technical manual group 4		2	CARRERA 2S
				4	TARGA			NR.407819			
				4	TARGA S						
5	997 343 069 00	stabiliser mounting	/L	1	CARRERA 2	(8)	999 084 123 09	hexagon nut M 10		2	CARRERA 2
		see technical manual group 4 NR.407719	/L	1	CARRERA 2S			see technical manual group 4 NR.407819		2	CARRERA 2S
(5)	997 343 069 01	stabiliser mounting	/L	1	CARRERA 2	(8)	999 084 123 09	hexagon nut M 10		2	CARRERA 4
		see technical manual group 4 NR.407819	/L	1	CARRERA 2S				07-	2	CARRERA 4S
									07-	2	TARGA
									07-	2	TARGA S
(5)	997 343 073 02	stabiliser mounting	/L	1	CARRERA 4	9	997 343 777 01	clip		2	CARRERA 4
			/L	1	CARRERA 4S				07-	2	CARRERA 4S
			/L	1	TARGA				07-	2	TARGA
			/L	1	TARGA S				07-	2	TARGA S
(5)	997 343 070 00	stabiliser mounting	/R	1	CARRERA 2						
		see technical manual group 4 NR.407819		1	CARRERA 2S						
(5)	997 343 070 01	stabiliser mounting	/R	1	CARRERA 2						
		see technical manual group 4 NR.407819	/R	1	CARRERA 2S						
(5)	997 343 074 02	stabiliser mounting	/R	1	CARRERA 4						
			/R	1	CARRERA 4S				07-		
			/R	1	TARGA				07-		
			/R	1	TARGA S				07-		
7	999 084 445 01	lock nut M 12 X 1,5		2	CARRERA 2						
		see technical manual group 4 NR.407819		2	CARRERA 2S						
(7)	999 084 123 09	hexagon nut M 10		2	CARRERA 2						
		see technical manual group 4 NR.707819		2	CARRERA 2S						
(7)	999 084 445 01	hexagon nut M 12 x 1,5		2	CARRERA 4						
		see technical manual group 4 NR.407819		2	CARRERA 4S						

Model	Year	MG	SG	Illustration	Restrictions	UPD	23:15	24.01.2010	PORSCHE	PET	PORSCHE
997-1	2008	4	03	403-00		248					



Pos	Part Number	Description	Remark	Qty	Model
		power steering steering gear steering parts			
1	A 997 347 011 04	steering gear power steering	-07	1	I098
(1)	> 997 347 011 05	steering gear power steering	-07	1	I098
(1)	> 997 347 011 06	steering gear power steering	08-	1	I098
(1)	A 997 347 012 03	steering gear power steering	-07	1	I099
(1)	> 997 347 012 04	steering gear power steering	-07	1	I099
(1)	> 997 347 012 05	steering gear power steering	08-	1	I099
-	996 347 110 02	clip pinion steering gear only for 997.347.011.04 997.347.012.03		1	
2	997 347 191 00	bellows		2	
3	996 347 293 04	clamping ring		2	
4	997 347 373 00	sealing ring		2	
5	999 512 693 09	clamping ring		2	
6	997 347 322 00	joint	-07	2	
(6)	997 347 322 01	joint	08-	2	
7	999 034 037 09	hexagon nut M 14 X 1,5		2	
8	996 347 131 04	track rod		2	
9	-	see illustrations 4/01/00 POS.2			
10	900 378 100 01	hexagon-head bolt AM 10 X 45		2	
11	999 084 449 09	hexagon nut M 12 X 1,5		2	

Model	Year	MG	SG	Illustration	Restrictions	UPD	23:15	24.01.2010	PORSCHE	PET	PORSCHE
997-1	2008	4	03	403-01		248					



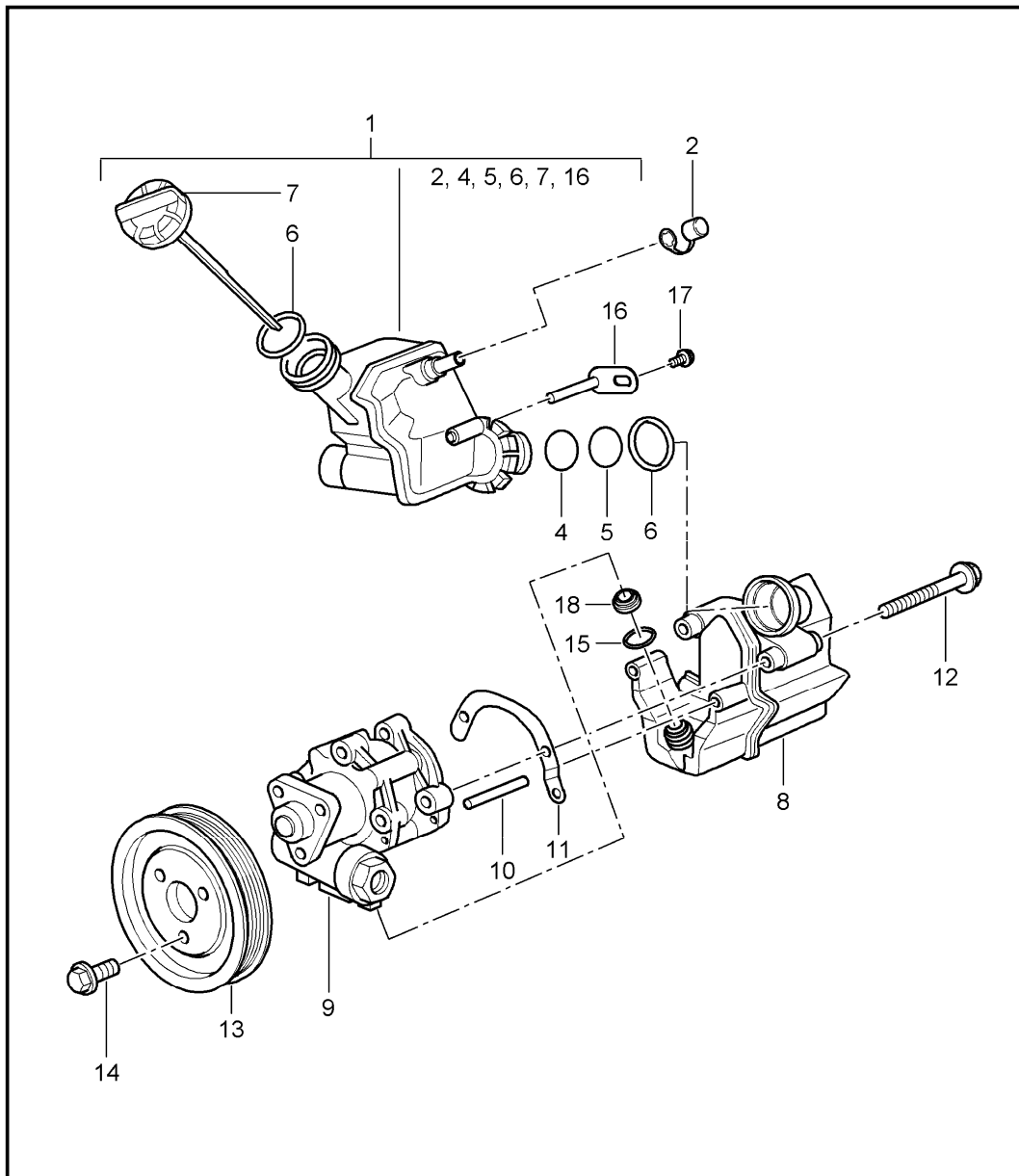
Pos	Part Number	Description	Remark	Qty	Model
		power steering lines			
1	A 997 347 451 02	pressure line	-06	1	I098
(1)	997 347 451 03	pressure line	07	1	I098
(1)	997 347 451 04	pressure line	08-	1	I098
(1)	997 347 452 02	pressure line		1	I099
2	A 997 347 449 02	return line		1	CARRERA 2 CARRERA 2S I098
(2)	987 347 449 00	return line		1	CARRERA 2 CARRERA 2S I098
(2)	987 347 449 00	return line		1	CARRERA 4 CARRERA 4S I098
(2)	987 347 449 03	return line	07-	1	TARGA I098
			07-	1	TARGA S I098
(2)	997 347 650 01	return line		1	CARRERA 2 CARRERA 2S I099
(2)	A 987 347 650 00	return line		1	CARRERA 4 CARRERA 4S I099
(2)	987 347 650 03	return line		1	CARRERA 4 CARRERA 4S I099
(2)	987 347 650 03	return line	07-	1	TARGA I099
			07-	1	TARGA S I099
3	996 347 543 00	cable holder		X	
4	996 355 543 00	support		1	
5	A 997 347 439 01	return line centre		1	CARRERA 2
				1	CARRERA 2S



Model	Year	MG	SG	Illustration	Restrictions	UPD	23:15	24.01.2010	PORSCHE	PET	PORSCHE
997-1	2008	4	03	403-01		248					

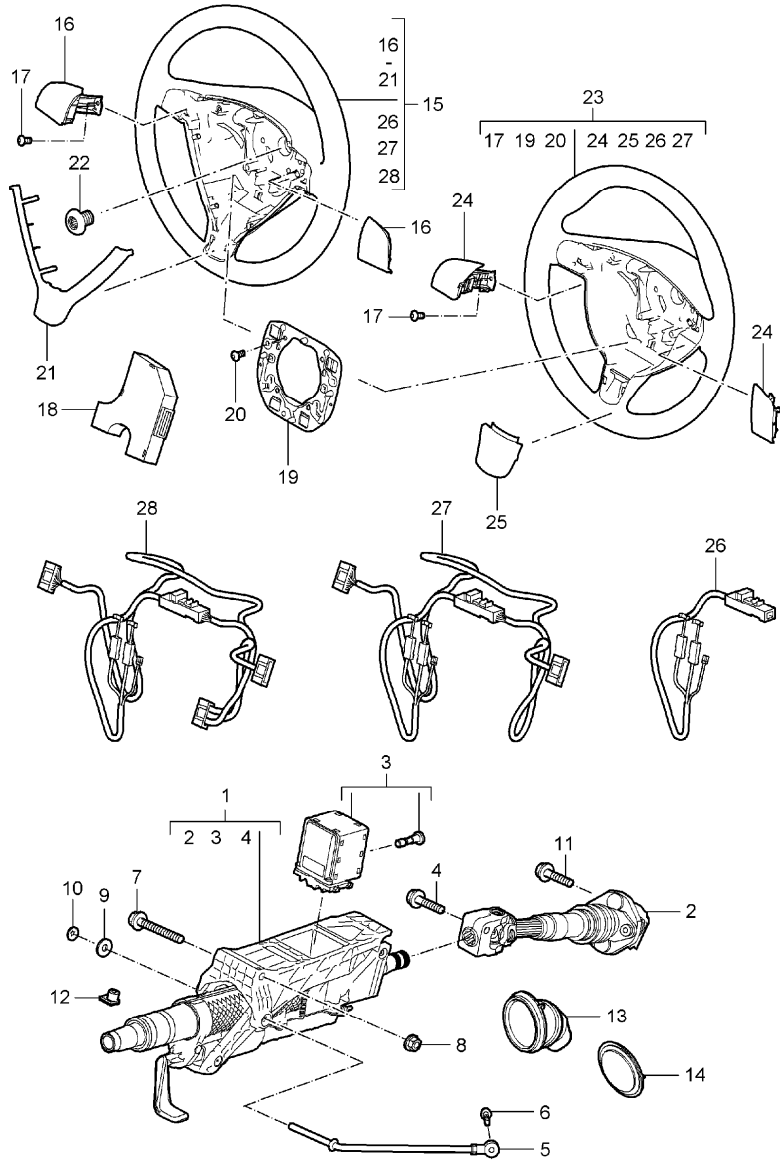
Pos	Part Number	Description	Remark	Qty	Model	Pos	Part Number	Description	Remark	Qty	Model
(5)	997 347 439 02	return line centre		1	CARRERA 2	(13)	900 067 063 03	pan-head screw M 10 x 20	08-	1	
				1	CARRERA 2S						
					CARRERA 4	14	996 347 551 01	retainer plate		1	
			07-		CARRERA 4S						
			07-	1	TARGA						
			07-	1	TARGA S	15	999 230 539 10	threaded joint		1	
6	997 347 445 01	pressure line centre F >>995S7 41101		1	CARRERA 2	16	999 230 540 10	threaded joint		1	
				1	CARRERA 2S	17	999 702 210 40	rubber sleeve		2	
(6)	997 347 445 02	pressure line centre F 995S7 41102>>		1	CARRERA 2	18	997 347 441 02	return line		1	
				1	CARRERA 2S	19	999 507 575 40	hose holder		1	
(6)	997 347 445 02	pressure line centre		1	CARRERA 4	20	997 347 443 00	pressure line	-07	1	
				1	CARRERA 4S	(20)	997 347 443 01	pressure line	08-	1	
			07-		TARGA						
			07-	1	TARGA S	21	999 707 503 40	sealing ring		1	
7	996 347 549 01	support		2		22	997 347 564 02	pressure line	-07	1	I099
8	997 347 544 00	support		1		(22)	997 347 564 03	pressure line	08-	1	I099
9	999 512 639 09	spring clamp		1		23	999 507 963 40	support		1	I099
-	999 707 503 40	sealing ring pressure line		1		24 A	997 347 462 01	return line	05	1	I099
-	999 230 551 10	threaded joint NW 10		1		(24)	997 347 462 02	return line	06	1	I099
-	999 230 552 10	threaded joint NW 6		1		(24)	997 347 462 03	return line	07-	1	I099
-	999 230 683 40	safety clip for threaded joint pressure line		1		25	997 347 560 00	support		1	I099
-	999 230 584 40	circlip for threaded joint return line		1	I098	26	999 230 543 40	repair kit gaskets		X	
-	999 230 584 40	circlip for threaded joint return line		2	I099	27	999 230 542 40	o-ring		X	
10	997 347 749 00	support		1							
12	996 347 769 01	tension shackle		1							
13	900 067 063 02	pan-head screw M 10 X 20	-07	1							

Model	Year	MG	SG	Illustration	Restrictions	UPD	23:15	24.01.2010	PORSCHE	PET	PORSCHE
997-1	2008	4	03	403-03		248					



Pos	Part Number	Description	Remark	Qty	Model
		power steering power-steering pump container			
1	997 314 225 00	expansion tank		1	
2	997 314 332 00	rubber cap		1	
4	999 707 362 40	sealing ring		1	
5	999 707 363 40	sealing ring		1	
6	999 701 154 40	sealing ring		2	
7	997 314 223 00	lid		1	
(8)	997 314 220 00	oil tank		1	
9	> 996 314 050 02	power-steering pump		1	
10	996 314 320 03	straight pin		2	
11	996 314 431 05	bracket		1	
12	900 378 105 09	hexagon-head bolt AM 8 X 70		2	
13	996 147 223 60	pulley		1	
14	900 378 123 01	hexagon-head bolt M 8 X 12		3	
15	999 707 204 40	sealing ring 12.5 X 2N		1	
16	996 314 551 00	bracket for container		1	
17	900 378 163 01	hexagon-head bolt see technical manual group 48 34 19 48 98 19		1	
-	000 043 203 33	pentosin 1000 ML		X	
18	996 314 427 00	guide		1	

Model	Year	MG	SG	Illustration	Restrictions	UPD	23:16	24.01.2010	PORSCHE	PET	PORSCHE
997-1	2008	4	03	403-05		248					



Pos	Part Number	Description	Remark	Qty	Model
1	A 997 347 007 05	steering outer tube steering shaft steering wheels		1	
(1)	A 997 347 007 07	steering column complete with steering shaft		1	
(1)	997 347 007 09	steering column complete with steering shaft		1	
2	A 997 347 023 02	intermed. steering shaft		1	
(2)	997 347 023 04	intermed. steering shaft		1	
3	A 997 618 158 03	control unit steering column with screw	-07	1	
(3)	997 618 158 04	control unit steering column with screw	08-	1	
4	999 217 042 09	hexagon-head bolt M 8 X 35		1	
5	997 347 243 00	support		1	
6	900 378 173 09	hexagon-head bolt AM 6 X 20		1	
7	900 378 095 09	hexagon-head bolt M 10 X 100		1	
8	A 900 380 008 09	hexagon nut M 10		1	
8	900 380 008 01	hexagon nut M 10		1	
9	900 151 006 09	washer		1	
10	999 507 217 07	clamping washer		1	
11	999 217 042 09	hexagon-head bolt M 8 X 35		1	

Model	Year	MG	SG	Illustration	Restrictions	UPD	23:16	24.01.2010	PORSCHE	PET	PORSCHE
997-1	2008	4	03	403-05		248					

Pos	Part Number	Description	Remark	Qty	Model	Pos	Part Number	Description	Remark	Qty	Model
12	999 920 019 40	plug-in nut 3,5 X 2,5 X 9		1			FOL	stone grey/stone grey			
13	986 347 037 01	bellows		1			FOM	sand beige/sand beige			
14	996 347 339 02	rubber seal bulkhead		1			FON	palmgreen/palmgreen			
15	997 347 804 03	steering wheel leather embossed		1	I436/480		FOO	sea blue/grey			
	FOA	black					FOP	terracotta/terracotta			
	FOB	stone grey					FOQ	cocoa/cocoa			
	FOC	sand beige					FOR	darkgrey natural/grey			
	FOD	palmgreen				(15)	FOS	brown nat./brown nat.			
	FOE	sea blue					997 347 804 11	steering wheel plain leather		1	I249/459
	FOF	terracotta					FOK	black/grey			
	FOG	cocoa					FOL	stone grey/stone grey			
	FOH	dark grey/natural					FOM	sand beige/sand beige			
	FOJ	brown/natural					FON	palmgreen/palmgreen			
(15)	997 347 804 04	steering wheel leather embossed		1	I249/436		FOO	sea blue/grey			
	FOA	black					FOP	terracotta/terracotta			
	FOB	stone grey					FOQ	cocoa/cocoa			
	FOC	sand beige					FOR	darkgrey natural/grey			
	FOD	palmgreen					FOS	brown nat./brown nat.			
	FOE	sea blue				(15)	997 347 804 05	steering wheel plain leather multi-function		1	I431/480
	FOF	terracotta					FOK	black/grey			
	FOG	cocoa					FOL	stone grey/stone grey			
	FOH	dark grey/natural					FOM	sand beige/sand beige			
	FOJ	brown/natural					FON	palmgreen/palmgreen			
(15)	997 347 804 01	steering wheel plain leather		1	I459/480		FOO	sea blue/grey			
	FOK	black/grey					FOP	terracotta/terracotta			
							FOQ	cocoa/cocoa			
							FOR	darkgrey natural/grey			

Model	Year	MG	SG	Illustration	Restrictions	UPD	23:16	24.01.2010	PORSCHE	PET	PORSCHE
997-1	2008	4	03	403-05		248					

Pos	Part Number	Description	Remark	Qty	Model	Pos	Part Number	Description	Remark	Qty	Model
		FOS brown nat./brown nat.					FON palmgreen/palmgreen				
(15)	997 347 804 06	steering wheel plain leather multi-function		1	I249/431		FOO sea blue/grey				
		FOK black/grey					FOP terracotta/terracotta				
		FOL stone grey/stone grey					FOQ cocoa/cocoa				
		FOM sand beige/sand beige					FOR darkgrey natural/grey				
		FON palmgreen/palmgreen				(15)	FOS brown nat./brown nat.				
		FOO sea blue/grey					997 347 804 23	steering wheel multi-function wood sycamore wood		1	I452/480
		FOP terracotta/terracotta					FOK black/grey				
		FOQ cocoa/cocoa					FOL stone grey/stone grey				
		FOR darkgrey natural/grey					FOM sand beige/sand beige				
		FOS brown nat./brown nat.					FON palmgreen/palmgreen				
(15)	997 347 804 22	steering wheel multi-function wood macassar		1	I451/480		FOO sea blue/grey				
		FOK black/grey					FOP terracotta/terracotta				
		FOL stone grey/stone grey					FOQ cocoa/cocoa				
		FOM sand beige/sand beige					FOR darkgrey natural/grey				
		FON palmgreen/palmgreen				(15)	FOS brown nat./brown nat.				
		FOO sea blue/grey					997 347 804 33	steering wheel multi-function wood sycamore wood		1	I249/452
		FOP terracotta/terracotta					FOK black/grey				
		FOQ cocoa/cocoa					FOL stone grey/stone grey				
		FOR darkgrey natural/grey					FOM sand beige/sand beige				
		FOS brown nat./brown nat.					FON palmgreen/palmgreen				
(15)	997 347 804 32	steering wheel multi-function wood macassar		1	I249/451		FOO sea blue/grey				
		FOK black/grey					FOP terracotta/terracotta				
		FOL stone grey/stone grey					FOQ cocoa/cocoa				
		FOM sand beige/sand beige					FOR darkgrey natural/grey				
							FOS brown nat./brown nat.				

Model	Year	MG	SG	Illustration	Restrictions	UPD	23:16	24.01.2010	PORSCHE	PET	PORSCHE
997-1	2008	4	03	403-05		248					

Pos	Part Number	Description	Remark	Qty	Model	Pos	Part Number	Description	Remark	Qty	Model	
(15)	997 347 804 24	steering wheel multi-function carbon		1	I453/480		M24	terracotta				
	FOK	black/grey					R24	cocoa				
	FOL	stone grey/stone grey					T24	sand beige				
	FOM	sand beige/sand beige				(15)	997 347 981 01	steering wheel multi-function aluminium look		1	IXPV/432	
	FON	palmgreen/palmgreen					T34	brown/natural				
	FOO	sea blue/grey					A34	black				
	FOP	terracotta/terracotta					B24	stone grey				
	FOQ	cocoa/cocoa					D14	dark grey/natural				
	FOR	darkgrey natural/grey					E24	sea blue				
	FOS	brown nat./brown nat.					J24	palmgreen				
(15)	997 347 804 34	steering wheel multi-function carbon		1	I249/453		M24	terracotta				
	FOK	black/grey					R24	cocoa				
	FOL	stone grey/stone grey					T24	sand beige				
	FOM	sand beige/sand beige				16	997 347 837 00	cover	/L	1	I480	
	FON	palmgreen/palmgreen					V04	galvano silver				
	FOO	sea blue/grey				(16)	997 347 838 00	cover	/R	1	I480	
	FOP	terracotta/terracotta					V04	galvano silver				
	FOQ	cocoa/cocoa				(16)	997 613 431 01	switching module with tiptronic lever	/L	05	1	I249
	FOR	darkgrey natural/grey					V04	galvano silver				
	FOS	brown nat./brown nat.				(16)	997 613 431 02	switching module with tiptronic lever	/L	06-	1	I249
(15)	997 347 981 00	steering wheel multi-function aluminium look		1	IXPV/480		V04	galvano silver				
	A34	black				(16)	997 613 432 01	switching module with tiptronic lever	/R	05	1	I249
	B24	stone grey					V04	galvano silver				
	D14	dark grey/natural										
	E24	sea blue										
	J24	palmgreen										

Model	Year	MG	SG	Illustration	Restrictions	UPD	23:16	24.01.2010	PORSCHE	PET	PORSCHE
997-1	2008	4	03	403-05		248					

Pos	Part Number	Description	Remark	Qty	Model	Pos	Part Number	Description	Remark	Qty	Model
(16)	997 613 432 02	V04 galvano silver switching module with tiptronic lever	/R 06-	1	I249			F >>997S7 40216 F >>997S7 50387 997.613.445.03 997.613.434.03 V04 see technical manual group 91 6119 91 7719			
(16)	997 613 433 01	V04 galvano silver switching module multi-function manual transmission	/L 05	1	I480	(16)	997 613 434 01	switching module multi-function manual transmission	/R 05	1	I480
(16)	997 613 433 02	V04 galvano silver switching module multi-function manual transmission	/L 06-	1	I480	(16)	997 613 434 02	V04 galvano silver switching module multi-function manual transmission	/R 06-	1	I480
(16)	997 613 433 03	V04 galvano silver F >>997S7 00655 F >>997S7 60378 F >>997S7 21682 F >>997S7 71098 F >>997S7 00654 F >>997S7 60376 F >>997S7 21678 F >>997S7 71095 F >>997S7 40216 F >>997S7 50387 switching module multi-function manual transmission	/L	1	I480	(16)	997 613 434 03	V04 galvano silver F >>997S7 00655 F >>997S7 60378 F >>997S7 21682 F >>997S7 71098 F >>997S7 00654 F >>997S7 60376 F >>997S7 21678 F >>997S7 71095 F >>997S7 40216 F >>997S7 50387 switching module multi-function manual transmission	/R	1	I480
		V04 galvano silver F 997S7 00656>> F 997S7 60379>> F 997S7 21683>> F 997S7 71099>> F 997S7 00655>> F 997S7 60377>> F 997S7 21679>> F 997S7 71096>> F 997S7 40217>> F 997S7 50388>> use also: F >>997S7 00655 F >>997S7 60378 F >>997S7 21682 F >>997S7 71098 F >>997S7 00654 F >>997S7 60376 F >>997S7 21678 F >>997S7 71095						V04 galvano silver F 997S7 00656>> F 997S7 60379>> F 997S7 21683>> F 997S7 71099>> F 997S7 00655>> F 997S7 60377>> F 997S7 21679>> F 997S7 71096>> F 997S7 40217>> F 997S7 50388>> use also: F >>997S7 00655 F >>997S7 60378 F >>997S7 21682 F >>997S7 71098 F >>997S7 00654 F >>997S7 60376 F >>997S7 21678 F >>997S7 71095			





Model	Year	MG	SG	Illustration	Restrictions	UPD	23:16	24.01.2010	PORSCHE	PET	PORSCHE
997-1	2008	4	03	403-05		248					

Pos	Part Number	Description	Remark	Qty	Model	Pos	Part Number	Description	Remark	Qty	Model	
(16)	997 613 436 03	switching module multi-function with tiptronic lever	/R	1	I249	(18)	997 613 445 03	electronic unit multi-function F 997S7 00656>> F 997S7 60379>> F 997S7 21683>> F 997S7 71099>> F 997S7 00655>> F 997S7 60377>> F 997S7 21679>> F 997S7 71096>> F 997S7 40217>> F 997S7 50388>> use also: F >>997S7 00655 F >>997S7 30378 F >>997S7 21682 F >>997S7 71098 F >>997S7 00655 F >>997S7 60376 F >>997S7 21678 F >>997S7 71095 F >>997S7 40216 F >>997S7 50387 997.613.445.03 997.613.435.03 V04 multi-function see technical manual group 91 6119 91 7719		1	I431/451 I452/453	
	V04	galvano silver F 997S7 00656>> F 997S7 60379>> F 997S7 21683>> F 997S7 71099>> F 997S7 00655>> F 997S7 60377>> F 997S7 21679>> F 997S7 71096>> F 997S7 40217>> F 997S7 50388>> use also: F >>997S7 00655 F >>997S7 30378 F >>997S7 21682 F >>997S7 71098 F >>997S7 00655 F >>997S7 60376 F >>997S7 21678 F >>997S7 71095 F >>997S7 40216 F >>997S7 50387 997.613.433.03 V04 997.613.434.03 V04 997.613.435.03 V04 997.613.436.03 V04 see technical manual group 91 6119 91 7719										
								use also: F >>997S7 00655 F >>997S7 60378 F >>997S7 21682 F >>997S7 71098 F >>997S7 00654 F >>997S7 60376 F >>997S7 21678 F >>997S7 71095 F >>997S7 40216 F >>997S7 50387				
								997.613.433.03 V04 997.613.434.03 V04 997.613.435.03 V04 997.613.436.03 V04 see technical manual group 91 6119 91 7719	/L /R /L /R	1 1 1 1	I480 I480 I249 I249	
						19	997 347 880 00	retaining frame		1		
						20	999 141 022 09	round head screw M 5 X 12,5		4		
17	999 073 318 09	half-round screw M 4 X 10		2		21	997 347 821 00	cover		1		
18	997 613 445 01	electronic unit multi-function		05	1 I431/451 I452/453		D07	volcano grey				
(18)	997 613 445 02	electronic unit multi-function F >>997S7 00655 F >>997S7 60378 F >>997S7 21682 F >>997S7 71098 F >>997S7 00654 F >>997S7 60376 F >>997S7 21678 F >>997S7 71095 F >>997S7 40216 F >>997S7 50387		06-	1 I431/451 I452/453	22	N 910 207 01	screw M 18 X 1,5 X 26		1		
						23	997 347 804 40	sports steering wheel leather embossed FOA black FOB stone grey FOC sand beige FOD palmgreen		1	I435/480	

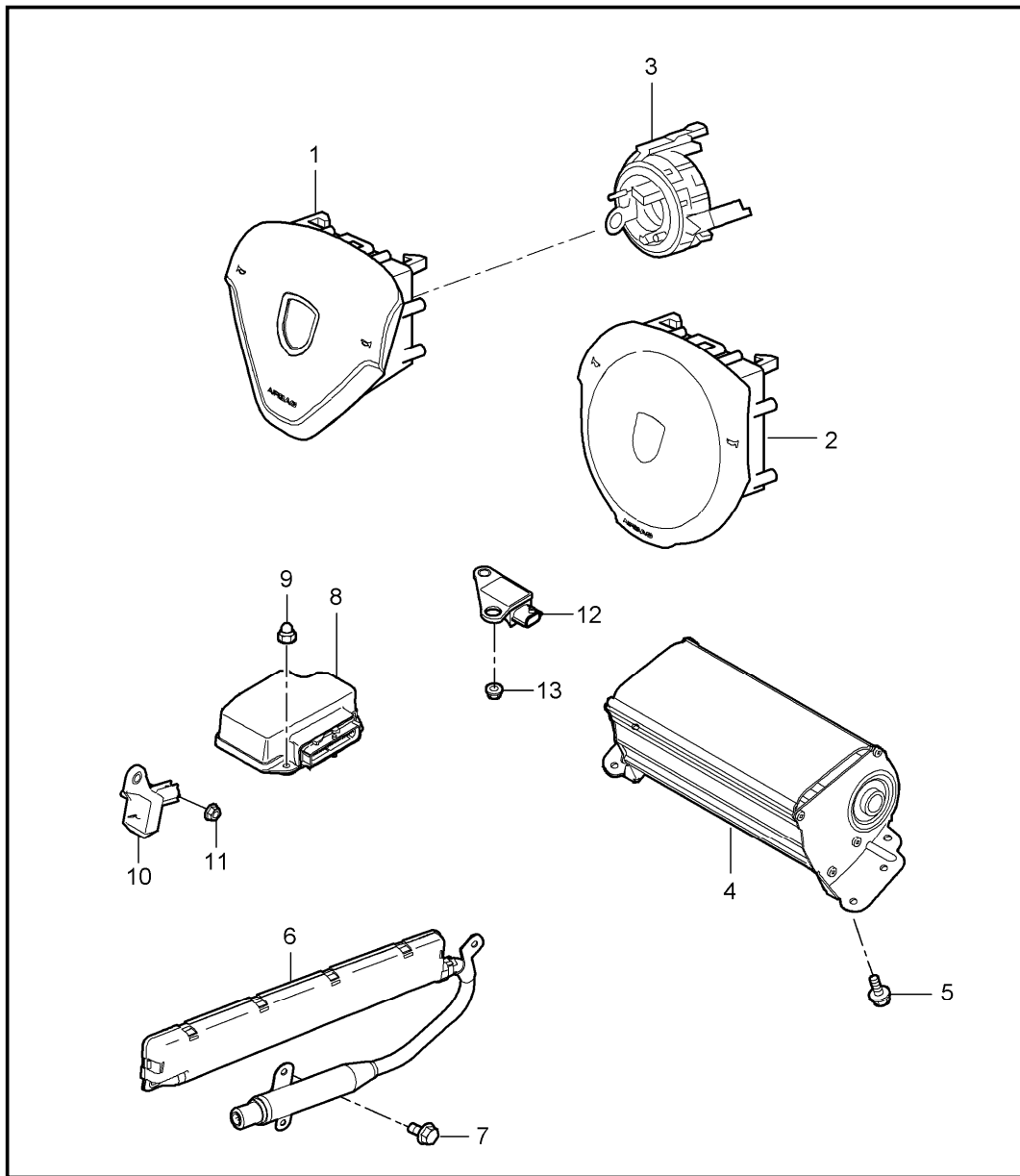
Model	Year	MG	SG	Illustration	Restrictions	UPD	23:16	24.01.2010	PORSCHE	PET	PORSCHE
997-1	2008	4	03	403-05		248					

Pos	Part Number	Description	Remark	Qty	Model	Pos	Part Number	Description	Remark	Qty	Model
	FOE	sea blue					FOL	stone grey/stone grey			
	FOF	terracotta					FOM	sand beige/sand beige			
	FOG	cocoa					FON	palmgreen/palmgreen			
	FOH	dark grey/natural					FOO	sea blue/grey			
	FOJ	brown/natural					FOP	terracotta/terracotta			
(23)	997 347 804 50	sports steering wheel leather embossed		1	I249/435		FOQ	cocoa/cocoa			
	FOA	black					FOR	darkgrey natural/grey			
	FOB	stone grey				(23)	997 347 980 00	sports steering wheel leather		1	IXPA/480
	FOC	sand beige					A34	black			
	FOD	palmgreen					B24	stone grey			
	FOE	sea blue					D14	dark grey/natural			
	FOF	terracotta					E24	sea blue			
	FOG	cocoa					J24	palmgreen			
	FOH	dark grey/natural					M24	terracotta			
	FOJ	brown/natural					R24	cocoa			
(23)	997 347 804 41	sports steering wheel plain leather		1	I460/480		T24	sand beige			
	FOK	black/grey					T34	brown/natural			
	FOL	stone grey/stone grey				(23)	997 347 980 01	sports steering wheel leather		1	IXPA/432
	FOM	sand beige/sand beige					A34	black			
	FON	palmgreen/palmgreen					B24	stone grey			
	FOO	sea blue/grey					D14	dark grey/natural			
	FOP	terracotta/terracotta					E24	sea blue			
	FOQ	cocoa/cocoa					J24	palmgreen			
	FOR	darkgrey natural/grey					M24	terracotta			
	FOS	brown nat./brown nat.					R24	cocoa			
(23)	997 347 804 51	sports steering wheel plain leather		1	I249/460		T24	sand beige			
	FOK	black/grey					T34	brown/natural			

Model	Year	MG	SG	Illustration	Restrictions	UPD	23:16	24.01.2010	PORSCHE	PET	PORSCHE
997-1	2008	4	03	403-05		248					

Pos	Part Number	Description	Remark	Qty	Model	Pos	Part Number	Description	Remark	Qty	Model
24	997 347 837 40	cover	/L	1	I480	28	997 612 673 00	wiring harness		1	I431/451
	V04	galvano silver						3-spoke steering wheel			I452/453
(24)	997 347 838 40	cover	/R	1	I480			with			
	V04	galvano silver						multi-function			
(24)	997 613 437 00	switching module	/L	05	I249			manual transmission			
		with						tiptronic			
		tiptronic						lever			
	V04	galvano silver									
(24)	997 613 437 02	switching module	/L	06-	I249						
		with									
		tiptronic									
		lever									
	V04	galvano silver									
(24)	997 613 438 00	switching module	/R	05	I249						
		with									
		tiptronic									
		lever									
	V04	galvano silver									
(24)	997 613 438 02	switching module	/R	06-	I249						
		with									
		tiptronic									
		lever									
	V04	galvano silver									
25	997 347 821 40	cover		1							
	V04	galvano silver									
26	997 612 672 00	wiring harness		1	I480						
		3-spoke steering wheel									
		sports steering wheel									
		without									
		multi-function									
		manual transmission									
27	997 612 674 00	wiring harness		1	I249						
		3-spoke steering wheel									
		sports steering wheel									
		without									
		multi-function									
		tiptronic									

Model	Year	MG	SG	Illustration	Restrictions	UPD	23:16	24.01.2010	PORSCHE	PET	PORSCHE
997-1	2008	4	03	403-06		248					

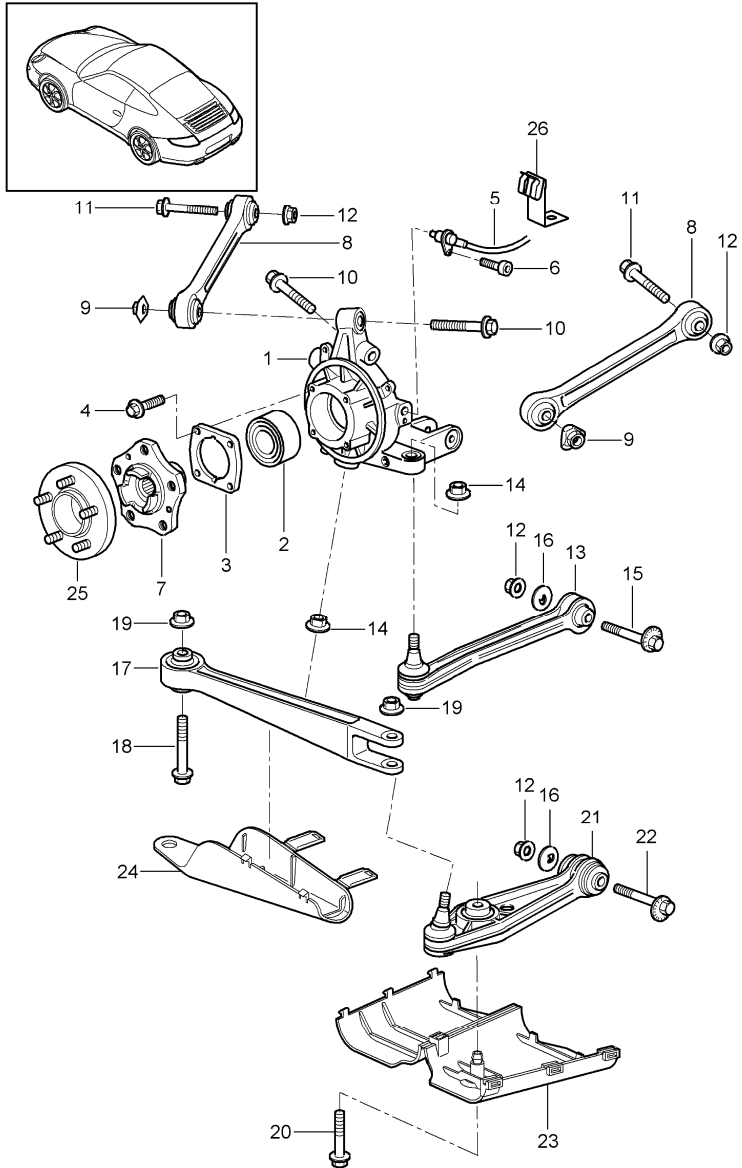


Pos	Part Number	Description	Remark	Qty	Model
1	997 803 089 05	airbag airbag unit 3-spoke steering wheel plastic material crest coloured  A32 black B22 stone grey T22 sand beige E22 sea blue J22 palmgreen M22 terracotta R32 cocoa T32 brown/natural		1	I436
(1)	997 803 089 06	airbag unit 3-spoke steering wheel leather crest coloured  A34 black B24 stone grey T24 sand beige E24 sea blue J24 palmgreen M24 terracotta R24 cocoa D14 dark grey/natural T34 brown/natural		1	I431/451 I452/453 I459/991
2	997 803 089 07	airbag unit sports steering wheel plastic material crest coloured  A32 black B22 stone grey		1	I435

Model	Year	MG	SG	Illustration	Restrictions	UPD	23:16	24.01.2010	PORSCHE	PET	PORSCHE
997-1	2008	4	03	403-06		248					

Pos	Part Number	Description	Remark	Qty	Model	Pos	Part Number	Description	Remark	Qty	Model
	T22	sand beige				(6)	997 803 092 03	side airbag for head airbag	/R	1	
	E22	sea blue									
	J22	palmgreen				7	900 378 035 01	hexagon-head bolt M 6 X 16		6	
	M22	terracotta									
	R32	cocoa				8 A	997 618 217 04	control unit		1	COUPE
	T32	brown/natural				(8) A	997 618 217 05	control unit		1	COUPE
(2)	997 803 089 08	airbag unit sports steering wheel leather crest coloured		1	I460/991	(8) A	997 618 217 07	control unit		1	COUPE
	A34	black				(8) A	997 618 217 08	control unit		1	
	B24	stone grey				(8) A	997 618 219 03	control unit		1	CABRIO
	T24	sand beige				(8)	997 618 219 05	control unit F >>995S7 50295 F >>995S7 60296		1	CABRIO
	E24	sea blue				(8)	997 618 219 07	control unit F 995S7 50296>> F 995S7 60297>>		1	CABRIO
	J24	palmgreen				(8)	997 618 219 08	control unit	06-	1	CABRIO
	M24	terracotta				9	999 070 015 02	cap nut M 6		3	
	R24	cocoa				10	997 618 221 00	sensor side airbag		2	
	D14	dark grey/natural				11	999 084 629 09	hexagon nut M 6		8	
	T34	brown/natural									
3	955 652 211 11	spring with steering-angle sensor		1		12	997 618 223 01	acceleration sensor airbag front		2	
4	A 997 803 071 04	airbag unit passenger's side		1		13	999 084 638 01	hexagon nut m 6 SB		2	
(4)	A 997 803 071 06	airbag unit passenger's side		1							
(4)	997 803 071 07	airbag unit passenger's side		1							
5	900 378 222 09	hexagon-head bolt M 6 X 16		4							
6	997 803 091 03	side airbag for head airbag	/L	1							

Model	Year	MG	SG	Illustration	Restrictions	UPD	23:16	24.01.2010	PORSCHE	PET	PORSCHE
997-1	2008	5	01	501-00		248					

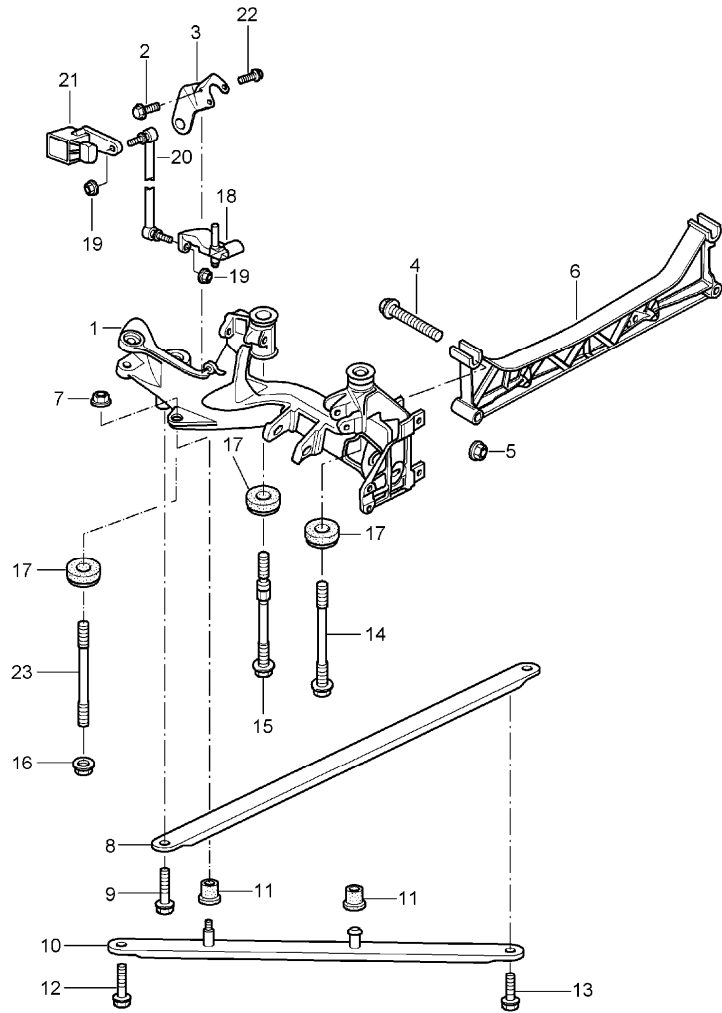


Pos	Part Number	Description	Remark	Qty	Model
		rear axle wheel carrier control arm wheel hub			
1	997 331 111 06	wheel carrier	/L /L	1 1	CARRERA 2 CARRERA 2S
(1)	997 331 111 07	wheel carrier	/L /L /L /L	1 1 1 1	CARRERA 4 CARRERA 4S TARGA TARGA S
(1)	997 331 112 06	wheel carrier	/R /R	1 1	CARRERA 2 CARRERA 2S
(1)	997 331 112 07	wheel carrier	/R /R /R /R	1 1 1 1	CARRERA 4 CARRERA 4S TARGA TARGA S
2	999 053 055 02	angular-contact bearing		2	
3	996 331 661 01	lid		2	
4	999 217 042 09	hexagon-head bolt M 8 X 35		8	
5	997 606 407 01	speed sensor		2	
6	900 067 117 09	pan-head screw M 6 X 16		2	
7	997 331 605 00	wheel hub		2	
(8) A	996 331 047 06	wishbone		2 2	CARRERA 2 CARRERA 2S
(8)	997 331 047 00	wishbone		2 2 2	CARRERA 4 CARRERA 4S TARGA TARGA S
9	999 084 445 01	lock nut M 12 X 1,5		4	
10 A	900 378 138 09	hexagon-head bolt M 12 X 70		4	
10	900 378 138 01	hexagon-head bolt M 12 X 70		4	
11	900 378 165 09	hexagon-head bolt M 12 X 95		4	
12	999 084 445 01	lock nut M 12 X 1,5		10	

Model	Year	MG	SG	Illustration	Restrictions	UPD	23:16	24.01.2010	PORSCHE	PET	PORSCHE
997-1	2008	5	01	501-00		248					

Pos	Part Number	Description	Remark	Qty	Model	Pos	Part Number	Description	Remark	Qty	Model
13	A 996 331 045 12	track rod	05	2		24	U 997 331 485 00	lining control arm	05	2	
(13)	997 331 045 04	track rod	06-	2		(25)	997 361 605 90	spacer ring 5 mm		X	IXRP
14	999 084 449 09	hexagon nut M 12 X 1,5		4		25	996 361 617 00	spacer ring 17 mm with wheel bolt	07- 07- 07-	2	IXRN CARRERA 4 CARRERA 4S TARGA TARGA S
15	996 331 217 02	eccentric screw M 12 X 83		2		26	999 507 530 00	cable holder speed sensor		2	
16	996 331 219 00	eccentric washer		2							
17	997 331 043 01	control arm		2							
18	900 378 051 09	hexagon-head bolt M 14 X 100		2							
19	A 900 380 012 09	hexagon nut M 14 X 1,5		4							
19	900 380 012 01	hexagon nut M 14 X 1,5		4							
20	A 900 378 135 09	hexagon-head bolt M 14 X 75		2							
(20)	900 378 135 01	hexagon-head bolt M 14 x 75		2							
21	996 341 053 17	wishbone F >>996S7 02239 F >>996S7 51332 F >>998G7 35222 F >>996S7 62833 F >>996S7 02240 F >>996S7 51333 F >>996S7 35223 F >>996S7 62837		2							
21	997 331 053 01	wishbone F 996S7 02240>> F 996S7 51333>> F 996S7 35223>> F 996S7 62834>> F 996S7 02241>> F 996S7 51334>> F 996S7 35224>> F 996S7 62838>>		2							
21	997 331 053 01	wishbone	07- 07-	2 2	TARGA TARGA S						
22	996 331 217 03	eccentric screw		2							
23	U 997 331 483 01	lining wishbone	05	2							

Model	Year	MG	SG	Illustration	Restrictions	UPD	23:16	24.01.2010	PORSCHE	PET	PORSCHE
997-1	2008	5	01	501-01		248					



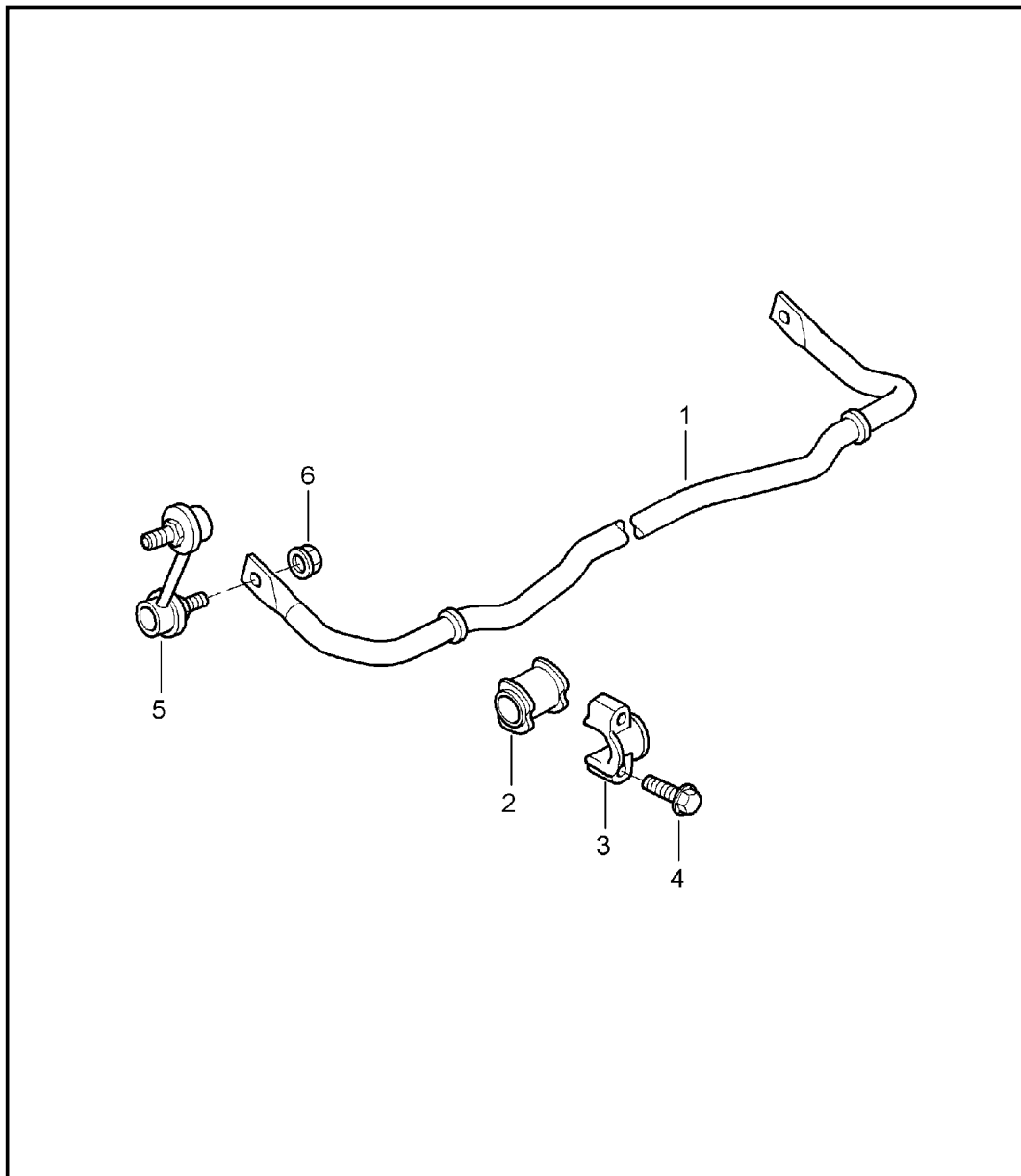
Pos	Part Number	Description	Remark	Qty	Model
		rear axle side section bracket			
(1)	997 331 051 04	side section F >>996S7 02032 F >>996S7 51185 F >>996S7 34605 F >>996S7 62460	/L	1	
(1)	997 331 051 05	side section F 996S7 02033>> F 996S7 51186>> F 996S7 34606>> F 996S7 62461>>	/L	1	
(1)	997 331 051 05	side section	/L 07- /L 07-	1	TARGA TARGA S
(1)	997 331 052 04	side section F >>996S7 02032 F >>996S7 51185 F >>996S7 34605 F >>996S7 62460	/R	1	
(1)	997 331 052 05	side section F 996S7 02033>> F 996S7 51186>> F 996S7 34606>> F 996S7 62461>>	/R	1	
(1)	997 331 052 05	side section	/R 07- /R 07-	1	TARGA TARGA S
2	900 067 117 09	pan-head screw M 6 X 16		2	
3	997 355 505 02	support for brake hose	/L	1	
(3)	997 355 506 02	support for brake hose	/R	1	
4	A 900 378 139 09	hexagon-head bolt M 12 X 1,5 x 80		4	
(4)	900 378 139 01	hexagon-head bolt M 12 x1,5 x 80		4	
5	999 084 445 01	lock nut M 12 X 1,5		4	
6	A 996 331 261 10	cross member		1	
(6)	997 331 261 02	cross member		1	



Model	Year	MG	SG	Illustration	Restrictions	UPD	23:16	24.01.2010	PORSCHE	PET	PORSCHE
997-1	2008	5	01	501-01		248					

Pos	Part Number	Description	Remark	Qty	Model	Pos	Part Number	Description	Remark	Qty	Model
7	999 076 053 09	hexagon nut M 10		2		(14)	900 178 010 01	hexagon-head bolt M 12 x 130		2	
8	996 331 171 03	transverse strut front		1	I480	15 A	900 178 010 09	hexagon-head bolt M 12 X 130		2	
(8) A	996 331 171 04	transverse strut front	-06	1	I249	(15)	900 178 010 01	hexagon-head bolt M 12 x 130		2	
(8)	997 331 171 00	transverse strut front		1	I249	16	999 084 445 01	lock nut M 12 X 1,5		2	
9	999 072 020 09	hexagon-head bolt M 10 X 40		2		17	996 331 291 02	washer	05	6	
10 A	997 331 081 01	strut	-05	2		(17)	997 331 291 00	washer	06-	6	
(10)	997 331 081 02	strut		2		18	996 341 371 03	support		1	I601
11	996 331 385 00	rubber mounting		6		19 A	900 380 015 09	hexagon nut VM 6		2	I601
(12)	999 072 031 01	hexagon-head bolt M 10 x 45 F >>998S7 70599 F >>998S7 20956 F >>998S7 40138 F >>998S7 60241 F >>998S7 00480 F >>998S7 70604 F >>998S7 60245 F >>998S7 20963 F >>998S7 50228 F >>998S7 00483		2		(19)	900 380 015 01	hexagon nut vm 6		2	I601
(12)	999 073 443 01	combination screw 12 x 1,5 x 40 F 9987S 70600>> F 9987S 20957>> F 998S7 40139>> F 998S7 60242>> F 998S7 00481>> F 9987S 70605>> F 998S7 60246>> F 998S7 20964>> F 998S7 50229>> F 998S7 00484>>		2		20 A	997 331 375 02	strut	-06	1	I601
13 A	900 378 072 09	hexagon-head bolt M 12 X 30		2		(20)	997 331 375 03	strut		1	I601
13	900 378 072 01	hexagon-head bolt M 12 X 30		2		21	997 631 121 00	sensor		1	I601
14 A	900 178 010 09	hexagon-head bolt M 12 X 130		2		22	N 014 129 12	oval-head screw		2	I601
						23 A	999 061 103 09	stud M 12 X 1,5 x 107,5		2	
						(23)	999 061 103 01	stud M 12 X 1,5 X 107,5		2	

Model	Year	MG	SG	Illustration	Restrictions	UPD	16:28	02.02.2010	PORSCHE	PET	PORSCHE
997-1	2008	5	01	501-03		248					

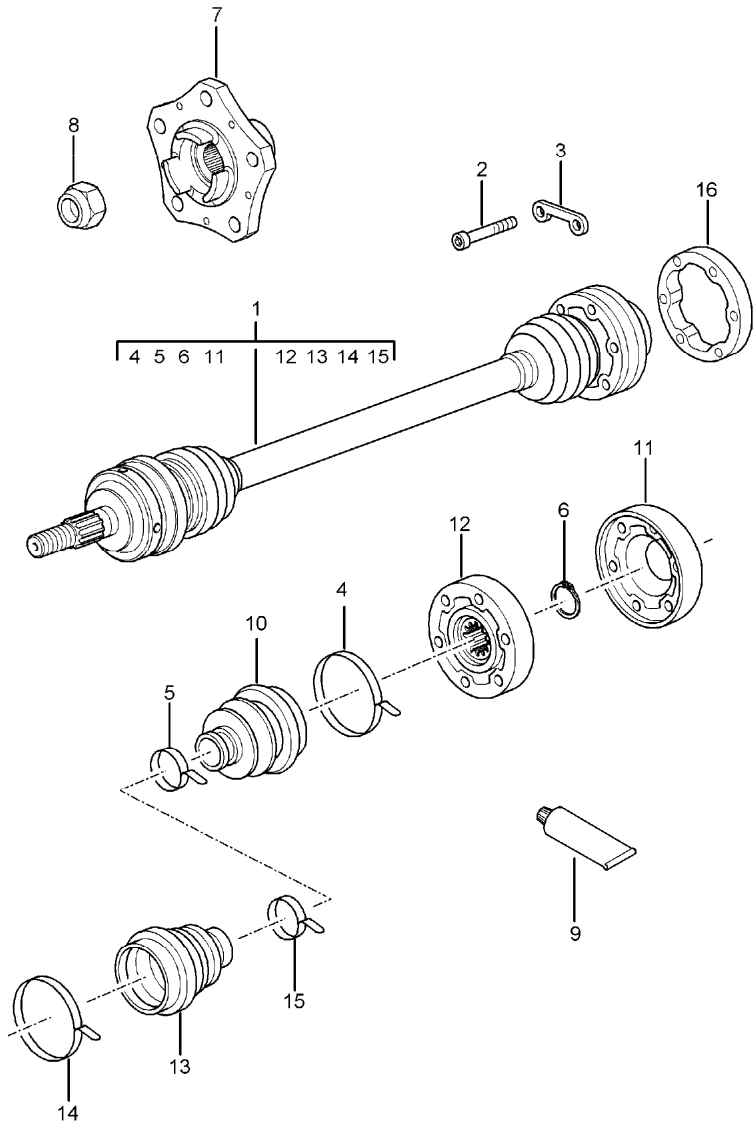


Pos	Part Number	Description	Remark	Qty	Model
		stabiliser			
1	997 333 701 14	stabiliser		1	I029 CARRERA 2
(1)	997 333 701 14	stabiliser		1	I475 CARRERA 2
(1)	997 333 701 14	stabiliser		1	/CABRIO I475 CARRERA 2S
(1)	997 333 701 15	stabiliser		1	/COUPE I030 CARRERA 2 CARRERA 2S
(1)	997 333 701 15	stabiliser		1	/COUPE I475 CARRERA 2S
(1)	997 333 701 14	stabiliser		1	CABRIO CARRERA 4 CARRERA 4S I249/475
(1)	997 333 701 15	stabiliser		1	COUPE CARRERA 4 CARRERA 4S I030/480
(1)	997 333 701 16	stabiliser		1	COUPE CARRERA 4 CARRERA 4S I475
(1)	997 333 701 15	stabiliser		1	CABRIO CARRERA 4 I480
(1) A	997 333 701 16	stabiliser		1	CABRIO CARRERA 4S I475/480
(1)	997 333 701 20	stabiliser		1	CABRIO CARRERA 4S I475/480
(1)	997 333 701 20	stabiliser		1	COUPE CARRERA 4 I029
(1)	997 333 701 21	stabiliser	07-	1	I029 TARGA

Model	Year	MG	SG	Illustration	Restrictions	UPD	16:28	02.02.2010	PORSCHE	PET	PORSCHE
997-1	2008	5	01	501-03		248					

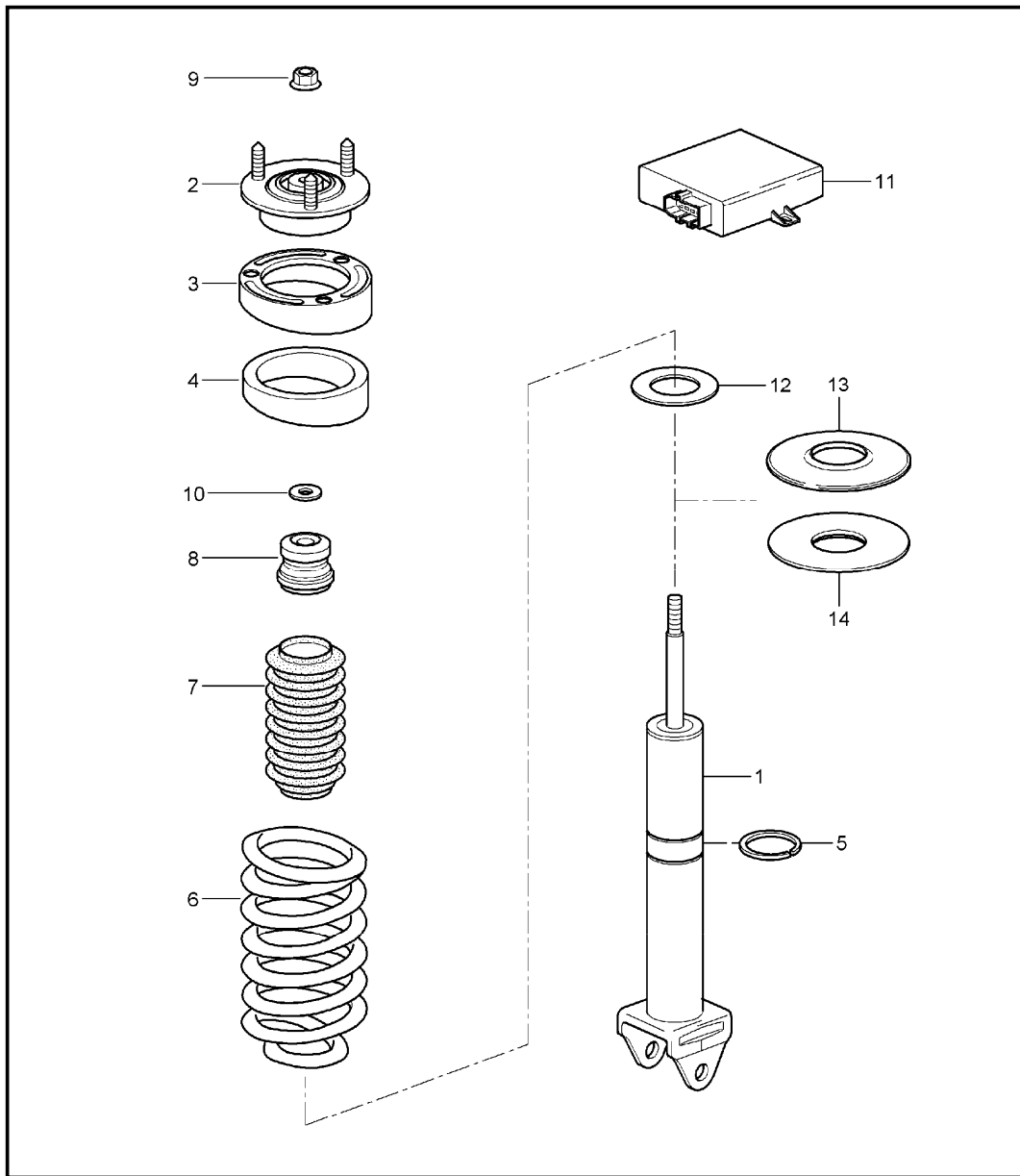
Pos	Part Number	Description	Remark	Qty	Model	Pos	Part Number	Description	Remark	Qty	Model
(1)	997 333 701 20	stabiliser		1	I475	3	996 333 777 01	bearing clamp		2	
			07- 07-	1	TARGA S TARGA S	4	900 378 055 01	hexagon-head bolt AM 8 X 40		4	
2	996 333 792 24	stabiliser mounting		2	I029 CARRERA 2	5 A	997 333 069 04	stabiliser mounting see technical manual group 4 NR.429019	/L	1	
(2)	996 333 792 24	stabiliser mounting		2	I475 CARRERA 2	(5)	997 333 069 05	stabiliser mounting see technical manual group 4 NR.429019	/L	1	
(2)	996 333 792 24	stabiliser mounting		2	/CABRIO I475 CARRERA 2S	(5)	997 333 069 05	stabiliser mounting	/L	1	
(2)	996 333 792 25	stabiliser mounting		2	/COUPE I030 CARRERA 2 CARRERA 2S	(5)	997 333 069 05	stabiliser mounting	/L /L	07- 07- 1	TARGA TARGA S
(2)	996 333 792 25	stabiliser mounting		2	/COUPE I475 CARRERA 2S	(5) A	997 333 070 04	stabiliser mounting see technical manual group 4 NR.429019	/R	1	
(1)	996 333 792 24	stabiliser mounting		2	CABRIO CARRERA 4 CARRERA 4S I249/475	(5)	997 333 070 05	stabiliser mounting see technical manual group 4 NR.429019	/R	1	
(1)	996 333 792 25	stabiliser mounting		2	COUPE CARRERA 4 CARRERA 4S I030/480	(5)	997 333 070 05	stabiliser mounting	/R (R)	07- 07- 1	TARGA TARGA S
(1)	996 333 792 26	stabiliser mounting		2	COUPE CARRERA 4 CARRERA 4S I475	6	999 084 643 09	hexagon nut M 10 see technical manual group 4 NR.429019		2	
(1)	996 333 792 26	stabiliser mounting		2	CABRIO CARRERA 4 I480	(6)	999 084 123 09	hexagon nut M 10 see technical manual group 4 NR.429019	07-	2	
(1)	996 333 792 26	stabiliser mounting		2	CABRIO CARRERA 4S I475/480	(6)	999 084 123 09	hexagon nut m 10	07- 07-	2 2	TARGA TARGA S
(1)	996 333 792 26	stabiliser mounting		2	COUPE CARRERA 4 I029						
(1)	996 333 792 29	stabiliser mounting		2	I029 TARGA				07-		
(1)	996 333 792 26	stabiliser mounting		2	I475 TARGA S TARGA S				07- 07-		

Model	Year	MG	SG	Illustration	Restrictions	UPD	23:17	24.01.2010	PORSCHE	PET	PORSCHE
997-1	2008	5	01	501-05		248					



Pos	Part Number	Description	Remark	Qty	Model
1	997 332 024 02	drive shaft		2	I480
(1)	997 332 024 03	drive shaft		2	I249
2	A 900 067 229 09	pan-head screw M 10 X 48,4		12	I480
(2)	900 067 229 01	pan-head screw M 10 X 48,4		12	I480
(2)	999 510 043 09	pan-head screw M 10 X 61		12	I249
(3)	996 332 191 00	plate		6	
4	911 332 257 00	clip 73 MM		2	
5	996 332 257 00	clip 34 MM		2	
6	900 041 014 00	circlip		2	
7	997 331 605 00	wheel hub		2	
8	999 084 641 02	lock nut M 22 X 1,5		2	
9	000 043 110 01	grease 1 100-gramme tube		X	
(9)	000 043 205 36	sealing compound 1 100-gramme tube		X	
10	996 332 293 00	dust bellows		2	
11	A 928 332 267 01	lid		2	
11	997 332 267 00	lid		2	
12	996 332 030 00	joint		2	
13	996 332 293 00	dust bellows		2	
14	911 332 257 00	clip		2	
15	996 332 257 00	clip		2	
(16)	996 332 229 01	spacer ring		2	

Model	Year	MG	SG	Illustration	Restrictions	UPD	23:17	24.01.2010	PORSCHE	PET	PORSCHE
997-1	2008	5	02	502-00		248					



Pos	Part Number	Description	Remark	Qty	Model
		shock absorber coil spring			CARRERA 2 CARRERA 2S
1	997 333 051 11	shock absorber		2	I029 COUPE/CABRIO CARRERA 2
(1)	997 333 051 09	shock absorber		2	I030/480 COUPE CARRERA 2 CARRERA 2S
(1) A	997 333 053 20	shock absorber	-06	2	I475 COUPE/CABRIO CARRERA 2 CARRERA 2S
(1)	997 333 053 25	shock absorber		2	I475 COUPE/CABRIO CARRERA 2 CARRERA 2S
		mount shock absorber			
- A	900 378 138 09	hexagon-head bolt M 12 X 1,5 X 70		2	
-	900 378 138 01	hexagon-head bolt M 12 X 1,5 X 70		2	
-	999 084 445 01	lock nut M 12 X 1,5		2	
2	997 333 061 00	supporting mount		2	I029 COUPE
(2)	997 333 061 01	supporting mount		2	I030/480 COUPE CARRERA 2
(2)	997 333 061 01	supporting mount		2	I475 COUPE CARRERA 2
(2)	997 333 061 01	supporting mount		2	I030/480 COUPE CARRERA 2S
(2)	997 333 061 03	supporting mount		2	I029 CABRIO CARRERA 2
(2)	997 333 061 01	supporting mount		2	I475 COUPE CARRERA 2S

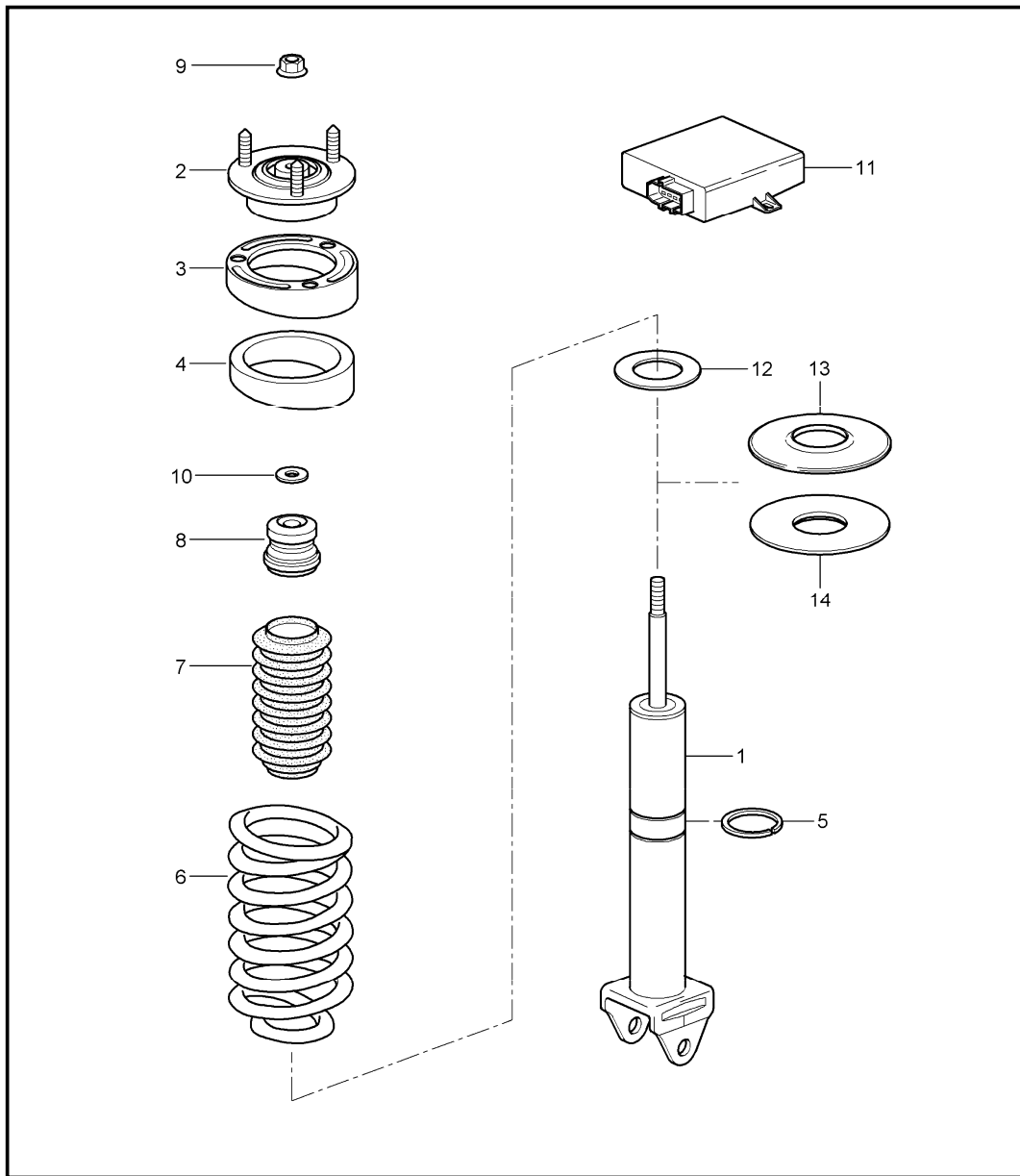
Model	Year	MG	SG	Illustration	Restrictions	UPD	23:17	24.01.2010	PORSCHE	PET	PORSCHE
997-1	2008	5	02	502-00		248					

Pos	Part Number	Description	Remark	Qty	Model	Pos	Part Number	Description	Remark	Qty	Model
(2)	997 333 061 02	supporting mount		2	I475 CABRIO CARRERA 2 CARRERA 2S					1	I475 COUPE CARRERA 2 CARRERA 2S
- A	900 380 008 09	hexagon nut M 10		6						1	I475/480 CABRIO CARRERA 2S
-	900 380 008 01	hexagon nut M 10		6		(6)	997 333 531 58	coil spring 1 set identification red white		1	I475 COUPE CARRERA 2
3	996 333 511 02	compensating plate 0,5 MM		X						1	I475/480 CABRIO CARRERA 2
(3)	996 333 511 03	compensating plate 4,0 MM		X						1	I475/480 CABRIO CARRERA 2
4	997 333 504 00	base		2		(6) A	997 333 531 43	coil spring 1 set		1	I249/475 CABRIO
5	999 152 163 00	circlip SW 52		2			504	identification red yellow		1	CARRERA 2 CARRERA 2S
6	997 333 531 37	coil spring 1 set		1	I029 COUPE	(6)	997 333 531 59	coil spring 1 set		1	I249/475 CABRIO
	504	identification violet white			CARRERA 2		504	identification red blue		1	CARRERA 2 CARRERA 2S
					I029/480 CABRIO CARRERA 2	(6)	997 333 531 49	coil spring 1 set		1	I030/480 COUPE
(6) A	997 333 531 39	coil spring 1 set		1	I029/249 CABRIO		504	identification silver blue		1	CARRERA 2
	504	identification violet yellow			CARRERA 2						I030/480 CABRIO CARRERA 2S
(6)	997 333 531 56	coil spring 1 set		1	I029/249 CABRIO	7	993 333 107 01	bellows		2	
	504	identification violet yellow			CARRERA 2	8	996 333 105 02	additional spring		2	I029
(6) A	997 333 531 41	coil spring 1 set		1	I475 COUPE	(8)	997 333 105 01	additional spring		2	I475
	504	identification red white			CARRERA 2	9	999 084 050 02	hexagon nut M 12 X 1		2	
					I475/480 CABRIO CARRERA 2	10	999 025 271 02	washer  mount shock absorber		2	

Model	Year	MG	SG	Illustration	Restrictions	UPD	23:17	24.01.2010	PORSCHE	PET	PORSCHE
997-1	2008	5	02	502-00		248					

Pos	Part Number	Description	Remark	Qty	Model	Pos	Part Number	Description	Remark	Qty	Model
-	A 900 378 138 09	hexagon-head bolt M 12 X 1,5 X 70		2							
-	900 378 138 01	hexagon-head bolt M 12 X 1,5 X 70		2							
-	999 084 445 01	lock nut M 12 X 1,5		2							
11	A 997 618 105 03	control unit	05	1	CARRERA 2						
				1	CARRERA 2S						
					I475						
(11)	997 618 105 04	control unit	05	1	CARRERA 2						
				1	CARRERA 2S						
					I475						
(11)	997 618 105 05	control unit	06	1	CARRERA 2						
				1	CARRERA 2S						
					I475						
(11)	997 618 105 06	control unit	07	1	CARRERA 2						
				1	CARRERA 2S						
					I475						
(11)	997 618 105 07	control unit	08-	1	CARRERA 2						
				1	CARRERA 2S						
					I475						
-	997 618 205 00	support for control unit		1	CARRERA 2						
				1	CARRERA 2S						
					I475						
-	997 606 111 01	acceleration sensor body		1	I475						
12	997 333 513 00	concave washer		2	I029						
					I475						
13	997 333 523 00	concave washer		2	I030						
14	997 333 513 01	concave washer		2	I030						
15	997 606 111 01	acceleration sensor body		1							
16	997 606 214 00	support acceleration sensor		1							

Model	Year	MG	SG	Illustration	Restrictions	UPD	23:17	24.01.2010	PORSCHE	PET	PORSCHE
997-1	2008	5	02	502-01		248					



Pos	Part Number	Description	Remark	Qty	Model
		shock absorber coil spring	07- 07-		CARRERA 4 CARRERA 4S TARGA TARGA S
(1)	997 333 051 11	shock absorber		2	I029 CARRERA 4
(1)	997 333 051 09	shock absorber		2	I030/480 CARRERA 4 CARRERA 4S
(1)	997 333 053 25	shock absorber		2	I475 CARRERA 4 CARRERA 4S
(1)	997 333 059 03	shock absorber	07-	2	I029 TARGA
(1)	997 333 049 03	shock absorber		2	I475 TARGA
		mount shock absorber		2	I475 TARGA S
- A	900 378 138 09	hexagon-head bolt M 12 X 1,5 X 70		2	
-	900 378 138 01	hexagon-head bolt M 12 X 1,5 X 70		2	
-	999 084 445 01	lock nut M 12 X 1,5		2	
(2)	997 333 061 00	supporting mount		2	I029 CARRERA 4 COUPE
(2)	997 333 061 01	supporting mount		2	I030/480 CARRERA 4 COUPE CARRERA 4S COUPE
(2)	997 333 061 01	supporting mount		2	I475 CARRERA 4 COUPE CARRERA 4S COUPE
(2)	997 333 061 02	supporting mount		2	I475 CARRERA 4 CARRERA 4S CABRIO



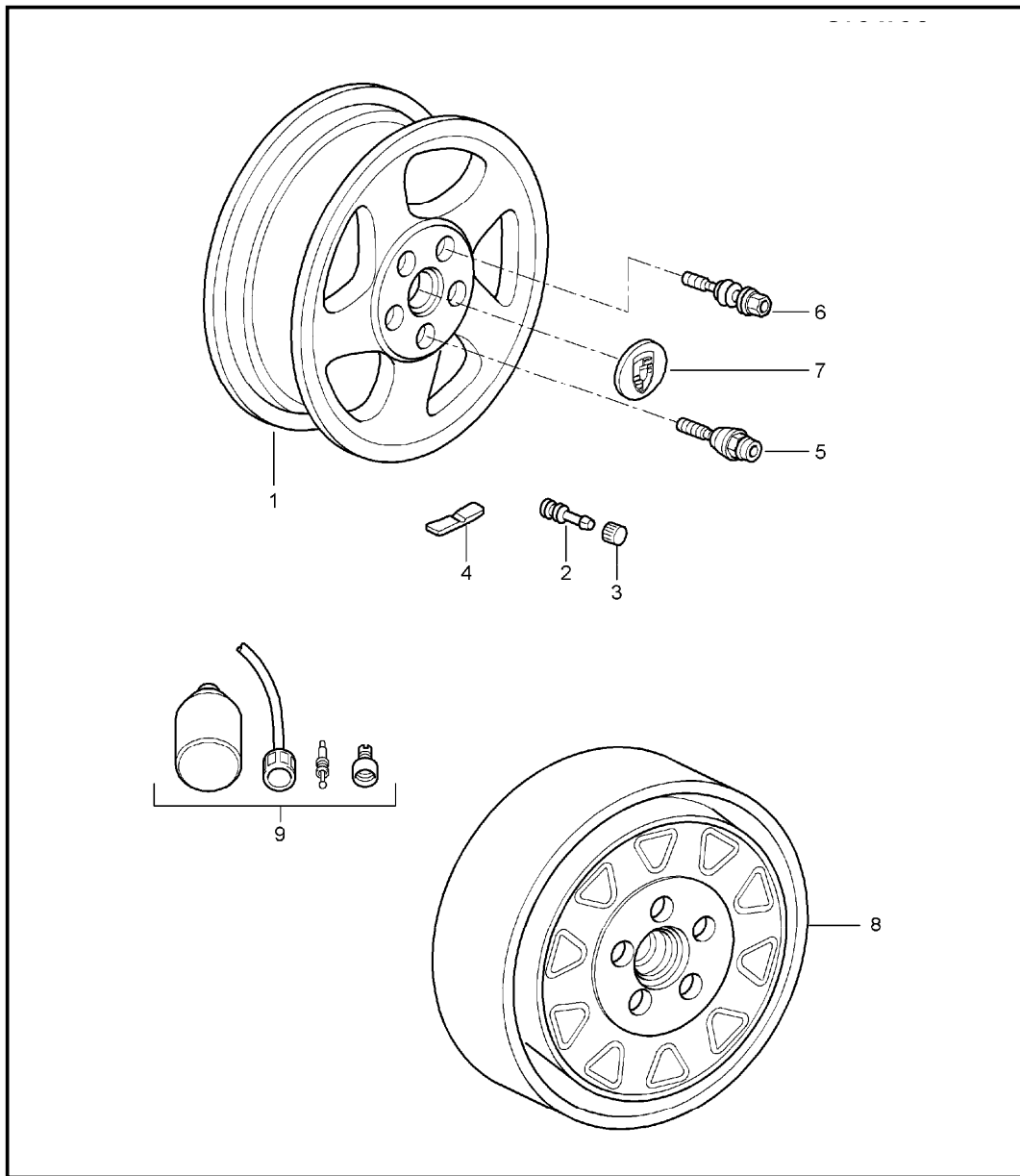
Model	Year	MG	SG	Illustration	Restrictions	UPD	23:17	24.01.2010	PORSCHE	PET	PORSCHE
997-1	2008	5	02	502-01		248					

Pos	Part Number	Description	Remark	Qty	Model	Pos	Part Number	Description	Remark	Qty	Model
(2)	997 333 061 03	supporting mount		2	I029 CARRERA 4 CABRIO		504	identification red white			COUPE  I475/480 CARRERA 4 CABRIO
(2)	997 333 061 00	supporting mount	07-	2	I029 TARGA					2	I475 CARRERA 4 S COUPE
(2)	997 333 061 01	supporting mount	07-	2	I475 TARGA TARGA S					2	I475/480 CARRERA 4 S CABRIO
- A	900 380 008 09	hexagon nut M 10		6						1	I249/475 CABRIO
-	900 380 008 01	hexagon nut M 10		6		(6) A	997 333 531 43	coil spring 1 set			CARRERA 4
3	996 333 511 02	compensating plate 0,5 MM		X			504	identification red yellow			I249/475 CABRIO CARRERA 4S
(3)	996 333 511 03	compensating plate 4,0 MM		X							
4	997 333 504 00	base		2		(6)	997 333 531 59	coil spring 1 set		1	I475 CABRIO
5	999 152 163 00	circlip SW 52		2			504	identification red blue			CARRERA 4  I249/475 CABRIO CARRERA 4S
(6)	997 333 531 37	coil spring 1 set		1	I029 COUPE						
		504 identification violet white			CARRERA 4  I029/480 CABRIO CARRERA 4	(6)	997 333 531 54	coil spring 1 set	07-	1	I029 TARGA
(6)	997 333 531 39	coil spring 1 set		1	I029/249 CABRIO		504	identification yellow brown			
		504 identification violet yellow			CARRERA 4	(6)	997 333 531 55	coil spring 1 set	07-	1	I475 TARGA
(6)	997 333 531 49	coil spring 1 set		1	I030/480 COUPE		504	identification pink green			TARGA S
		504 identification silver blue			CARRERA 4  I030/480 COUPE CARRERA 4S	7	993 333 107 01	bellows		2	
						8	996 333 105 02	additional spring		2	I029
						(8)	997 333 105 01	additional spring		2	I475
(6)	997 333 531 41	coil spring 1 set		1	I475 CARRERA 4	9	999 084 050 02	hexagon nut M 12 X 1		2	
						10	999 025 271 02	washer		2	

Model	Year	MG	SG	Illustration	Restrictions	UPD	23:17	24.01.2010	PORSCHE	PET	PORSCHE
997-1	2008	5	02	502-01		248					

Pos	Part Number	Description	Remark	Qty	Model	Pos	Part Number	Description	Remark	Qty	Model
		mount shock absorber									
-	A 900 378 138 09	hexagon-head bolt M 12 X 1,5 X 70		2							
-	900 378 138 01	hexagon-head bolt M 12 X 1,5 X 70		2							
-	999 084 445 01	lock nut M 12 X 1,5		2							
(11)	997 618 115 03	control unit	06	1	I475 CARRERA 4 CARRERA 4 S						
(11)	997 618 115 04	control unit	07-	1	I475 CARRERA 4 CARRERA 4 S						
(11)	997 618 115 05	control unit	-07	1	I475 TARGA						
(11)	997 618 115 07	control unit	08-	1	I475 TARGA						
-	997 618 205 00	support for control unit	07- 07- 07- 07-	1	I475 CARRERA 4 CARRERA 4S TARGA TARGA S						
-	997 606 111 01	acceleration sensor body		1	I475						
12	997 333 513 00	concave washer		2	I029 I475						
13	997 333 523 00	concave washer		2	I030						
14	997 333 513 01	concave washer		2	I030						
15	997 606 111 01	acceleration sensor body		1							
16	997 606 214 00	acceleration sensor body		1							

Model	Year	MG	SG	Illustration	Restrictions	UPD	23:18	24.01.2010	PORSCHE	PET	PORSCHE
997-1	2008	6	01	601-00		248					



Pos	Part Number	Description	Remark	Qty	Model
		wheels			
1	997 362 136 00	disc wheel 8 J X 18 ET 57 -BBS-	/V	2	I402
(1)	997 362 136 01	disc wheel 8 J X 18 ET 57 -LEMMERZ-	/V	2	I402
(1)	997 362 156 00	disc wheel -BBS- 8 J X 19 ET 57	/V	2	I403
(1)	997 362 156 06	disc wheel -RONAL- 8 J X 19 ET 57	/V	2	I403
(1)	997 362 156 01	disc wheel 8 J X 19 ET 57	/V	2	I403 CARRERA 4 CARRERA 4S
(1)	997 362 156 02	disc wheel 8 J x 19 Et 57	/V	2	I404
(1)	997 362 156 03	disc wheel 8 J X 19 ET 57	/V	2	I405
(1)	997 362 156 04	disc wheel 8 J X 19 ET 57	/V	2	I407
(1)	997 362 156 55	disc wheel 8,5 J x 19 Et 55	/V	2	IXRR
(1)	997 362 140 01	disc wheel 10 J X 18 ET 58 -BBS-	/H	2	I402
(1)	997 362 140 02	disc wheel 10 J X 18 ET 58 -LEMMERZ-	/H	2	I402
(1)	997 362 142 00	disc wheel 11 J X 18 ET 51 -BBS-	/H	2	I402

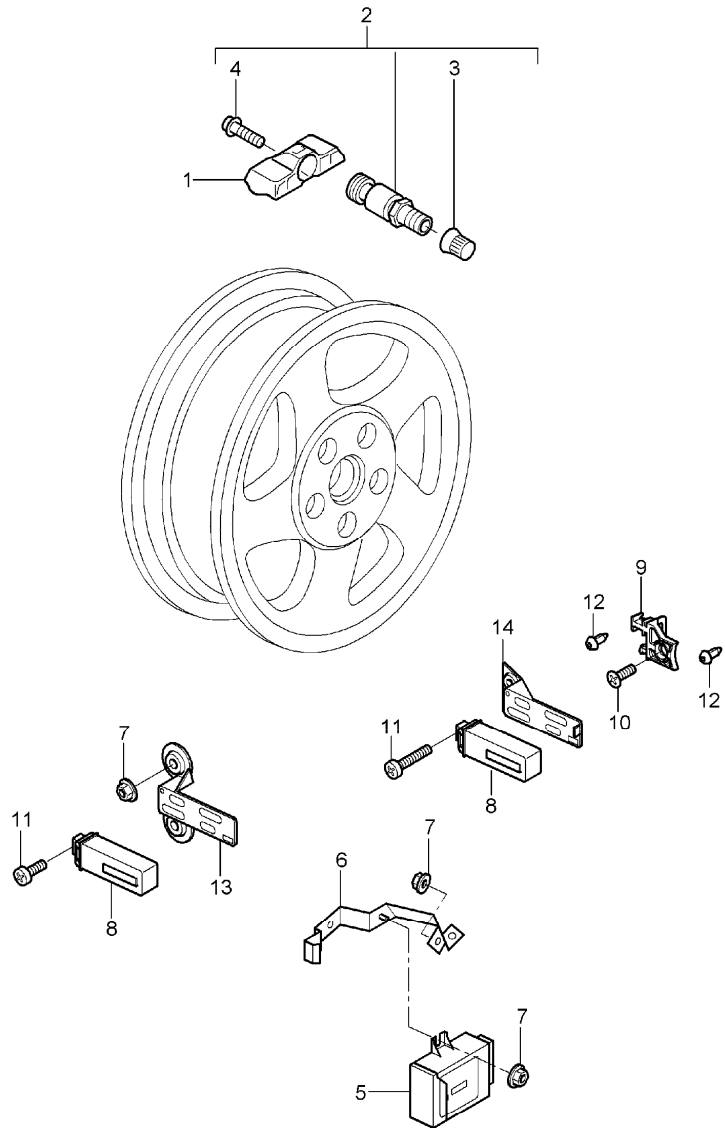
Model	Year	MG	SG	Illustration	Restrictions	UPD	23:18	24.01.2010	PORSCHE	PET	PORSCHE
997-1	2008	6	01	601-00		248					

Pos	Part Number	Description	Remark	Qty	Model	Pos	Part Number	Description	Remark	Qty	Model
(1)	997 362 162 01	disc wheel -BBS- 11 J X 19 ET 67	/H	2	I403	3	955 361 163 00	cap for rubber valve		4	
(1)	997 362 162 08	disc wheel -RONAL- 11 J X 19 ET 67	/H	2	I403	4	1K0 601 178 C	balance stick-on weight 5 G.	05	X	
(1)	997 362 162 00	disc wheel 11 J X 19 ET 51	/H	06-	2 I403 CARRERA 4 CARRERA 4S	(4)	997 361 405 00	balance stick-on weight 5.G.	06-	X	
(1)	997 362 162 04	disc wheel 11 J X 19 ET 67	/H	2	I405	(4)	1K0 601 179 C	balance stick-on weight 10 G.	05	X	
(1)	997 362 162 02	disc wheel 11 J x 19 Et 51	/H	07-	2 I404	(4)	997 361 410 00	balance stick-on weight 10 G.	06-	X	
(1)	997 362 162 03	disc wheel 11 J X 19 ET 51	/H	06-	2 I405 CARRERA 4 CARRERA 4S	(4)	1K0 601 181 C	balance stick-on weight 15 G.	05	X	
(1)	997 362 162 07	disc wheel 11 J X 19 ET 67	/H	2	I407 CARRERA 2 CARRERA 2S	(4)	997 361 415 00	balance stick-on weight 15 G.	06-	X	
(1)	997 362 162 06	disc wheel 11 J X 19 ET 51 -BBS-	/H	2	I407 CARRERA 4 CARRERA 4S	(4)	1K0 601 182 C	balance stick-on weight 20 G.	05	X	
(1)	997 362 162 09	disc wheel 11 J x 19 Et 67	/H	07-	2 I404 CARRERA 2 CARRERA 2S	(4)	997 361 420 00	balance stick-on weight 20 G.	06-	X	
(1)	997 362 162 55	disc wheel 11,5 J x 19 ET 67	/H	2	IXRR CARRERA 2 CARRERA 2S	(4)	1K0 601 183 C	balance stick-on weight 25 G.	05	X	
(1)	997 362 162 56	disc wheel 11,5 J X 19 ET 50	/H	08-	2 IXRR CARRERA 4 CARRERA 4S	(4)	997 361 425 00	balance stick-on weight 25 G.	06-	X	
2	900 265 001 50	rubber valve rubber		4		(4)	1K0 601 184 C	balance stick-on weight 30 G.	05	X	
(2)	... ..	valve tyre pressure monitoring see group 6/01/05		4	I482/483	(4)	997 361 430 00	balance stick-on weight 30 G.	06-	X	
						(4)	1K0 601 185 C	balance stick-on weight 35 G.	05	X	
						(4)	997 361 435 00	balance stick-on weight 35 G.	06-	X	
						(4)	1K0 601 186 C	balance stick-on weight 40 G.	05	X	
						(4)	997 361 440 00	balance stick-on weight 40 G.	06-	X	
						(4)	1K0 601 187 C	balance stick-on weight 45 G.	05	X	
						(4)	997 361 445 00	balance stick-on weight 45 G.	06-	X	

Model	Year	MG	SG	Illustration	Restrictions	UPD	23:18	24.01.2010	PORSCHE	PET	PORSCHE
997-1	2008	6	01	601-00		248					

Pos	Part Number	Description	Remark	Qty	Model	Pos	Part Number	Description	Remark	Qty	Model
(4)	1K0 601 188 C	balance stick-on weight 50 G.		05	X	(6)	996 361 980 00	wheel bolt		X	IXRP
(4)	997 361 450 00	balance stick-on weight 50 G.		06-	X	7	955 361 303 00	hub cap		4	
(4)	1K0 601 189 C	balance stick-on weight 55 G.		05	X		9A1	silver			
(4)	997 361 455 00	balance stick-on weight 55 G.		06-	X	(7)	955 361 303 05	hub cap		4	I444
(4)	1K0 601 190 C	balance stick-on weight 60 G.		05	X		9A1	silver			
(4)	997 361 460 00	balance stick-on weight 60 G.		06-	X	(7)	997 361 303 01	hub cap crest coloured silver		4	IXRR
(4)	997 361 465 00	balance stick-on weight 65 G.			X	(7)	997 361 305 00	hub cap	07-	4	I404
(4)	997 361 470 00	balance stick-on weight 70 G.			X	8	996 362 020 03	emergency wheel		1	I447
(4)	997 361 475 00	balance stick-on weight 75 G.			X	-	996 361 521 00	boot for emergency wheel		1	I447
(4)	997 361 480 00	balance stick-on weight 80 G.			X	-	999 914 001 40	plastic gloves		X	I447
(4)	997 361 485 00	balance stick-on weight 85 G.			X	9	955 722 631 00	compressed air bottle		1	
(4)	997 361 490 00	balance stick-on weight 90 G.			X	(9)	997 652 051 00	compressor for emergency wheel	-06	1	
5 A	996 361 057 02	set anti-theft protection 1 set		1		(9)	997 652 055 00	compressor for emergency wheel	07-	1	CARRERA 2 CARRERA 2 S
5	997 361 057 02	set anti-theft protection 1 set		1		(9)	997 652 057 00	compressor for compressor		1	CARRERA 4 CARRERA 4 S
(5) A	997 361 057 00	set anti-theft protection 1 set	(GB)	1	I444						
(5)	997 361 057 01	set anti-theft protection 1 set	(GB)	1	I444						
(5)	997 361 980 09	set anti-theft protection 1 set	(GB)	1	IXRP/444						
6	996 361 203 02	wheel bolt			X						

Model	Year	MG	SG	Illustration	Restrictions	UPD	23:18	24.01.2010	PORSCHE	PET	PORSCHE
997-1	2008	6	01	601-05		248					

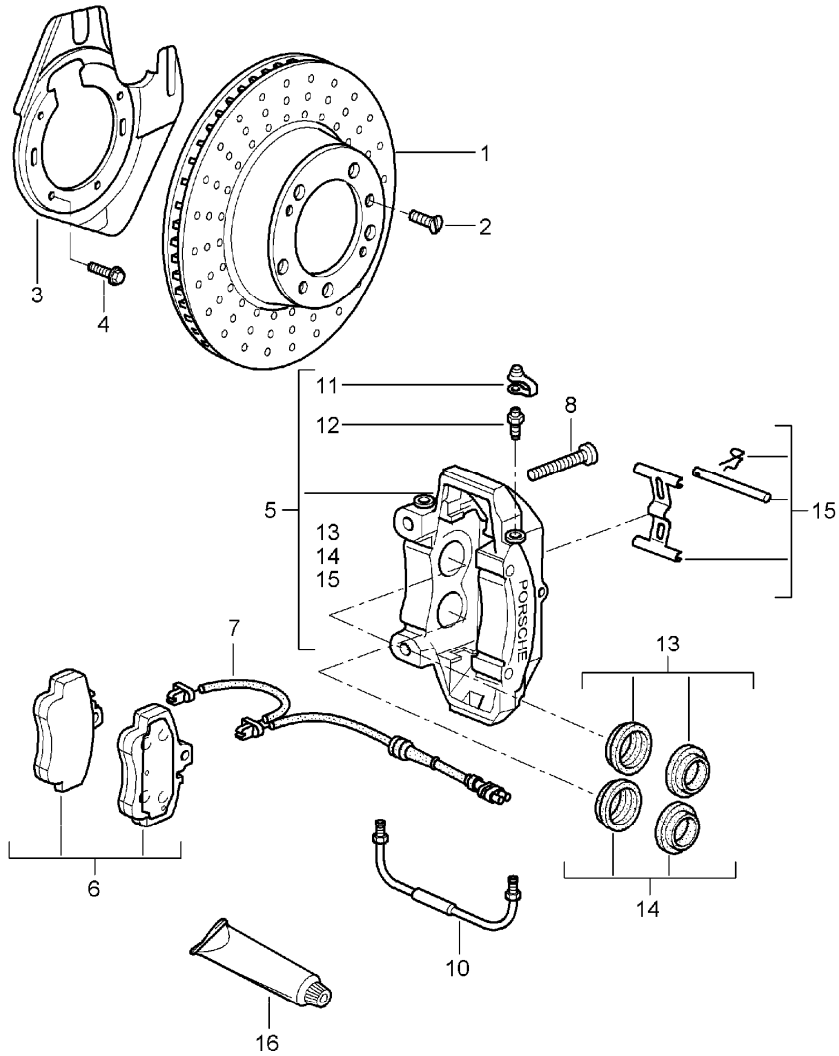


Pos	Part Number	Description	Remark	Qty	Model
		tyre pressure monitoring			I482/483
1	997 606 021 00	sensor tyre pressure monitoring use also: 955.361.053.00	-07	4	I482
(1)	997 606 021 01	sensor tyre pressure monitoring use also: 955.361.053.00	08-	4	I482
(1)	997 606 023 00	sensor tyre pressure monitoring use also: 955.361.053.00	-07	4	I483
(1)	997 606 023 01	sensor tyre pressure monitoring use also: 955.361.053.00	08-	4	I483
(1)	997 606 025 00	sensor tyre pressure monitoring use also: 955.361.053.00		4	I483 I074/193
2	955 361 053 00	valve aluminium		4	
3	N 908 729 01	cap		4	
4	4D0 601 365	fastening screw		4	
5	997 618 103 05	control unit F >>995S7 60077		1 1	CARRERA 2 CARRERA 2S
(5)	997 618 103 06	control unit F 995S7 60078>>		1 1	CARRERA 2 CARRERA 2S
(5)	997 618 103 06	control unit	07- 07- 07-	1 1 1	CARRERA 4 CARRERA 4S TARGA TARGA S
6	997 618 203 00	support control unit		1	
7	999 076 081 40	plastic nut T5 16 X 11, 2		7	

Model	Year	MG	SG	Illustration	Restrictions	UPD	23:18	24.01.2010	PORSCHE	PET	PORSCHE
997-1	2008	6	01	601-05		248					

Pos	Part Number	Description	Remark	Qty	Model	Pos	Part Number	Description	Remark	Qty	Model
8	997 606 101 00	antenna 433 MHZ use also: rear axle clip 997.606.225.00		4	I482						
(8)	997 606 103 00	antenna 315 MHZ use also: rear axle clip 997.606.225.00		4	I483						
9	997 606 225 00	clip for antenna rear axle		2							
10	999 919 121 09	oval-head screw M 5 X 16		2							
11	999 919 023 09	oval-head screw M 5 X 35		4							
12	N 105 168 01	expander nut ST 4,8		4							
13	997 606 141 00	support antenna front		2							
14	997 606 131 00	support antenna rear axle		2							
-	997 652 053 01	compressor for emergency wheel		1							

Model	Year	MG	SG	Illustration	Restrictions	UPD	23:18	24.01.2010	PORSCHE	PET	PORSCHE
997-1	2008	6	02	602-00		248					



Pos	Part Number	Description	Remark	Qty	Model
		disc brake front axle			CARRERA 2 CARRERA 2S
		brake disc			I450 I751/752
		only in pairs replace technical manual attention			
1	996 351 405 01	brake disc	/L	1	CARRERA 2
(1)	996 351 409 02	brake disc	/L	1	CARRERA 2S
(1) >	996 351 031 03	brake disc	/L	1	I450
(1)	996 351 406 01	brake disc	/R	1	CARRERA 2
(1)	996 351 410 02	brake disc	/R	1	CARRERA 2S
(1) >	996 351 032 03	brake disc	/R	1	I450
2 A	900 269 047 09	countersunk-head screw M 6 X 12		4	
2	900 269 047 01	countersunk-head screw M 6 X 12		4	
3	997 351 801 02	cover plate	/L	1	CARRERA 2
(3)	997 351 805 04	cover plate	/L	1	CARRERA 2S
(3)	997 351 805 05	cover plate	/L	1	I450
(3)	997 351 802 02	cover plate	/R	1	CARRERA 2
(3)	997 351 806 04	cover plate	/R	1	CARRERA 2S
(3)	997 351 806 05	cover plate	/R	1	I450
4	999 217 116 09	hexagon-head bolt M 6 X 16		X	
5	997 351 421 00	fixed calliper without pad	/L	1	CARRERA 2
(5)	996 351 429 10	fixed calliper without pad	/L	1	CARRERA 2S
(5)	996 351 431 30	fixed calliper without pad	/L	-07	1 I450
(5)	996 351 431 31	fixed calliper without pad	/L	08-	1 I450



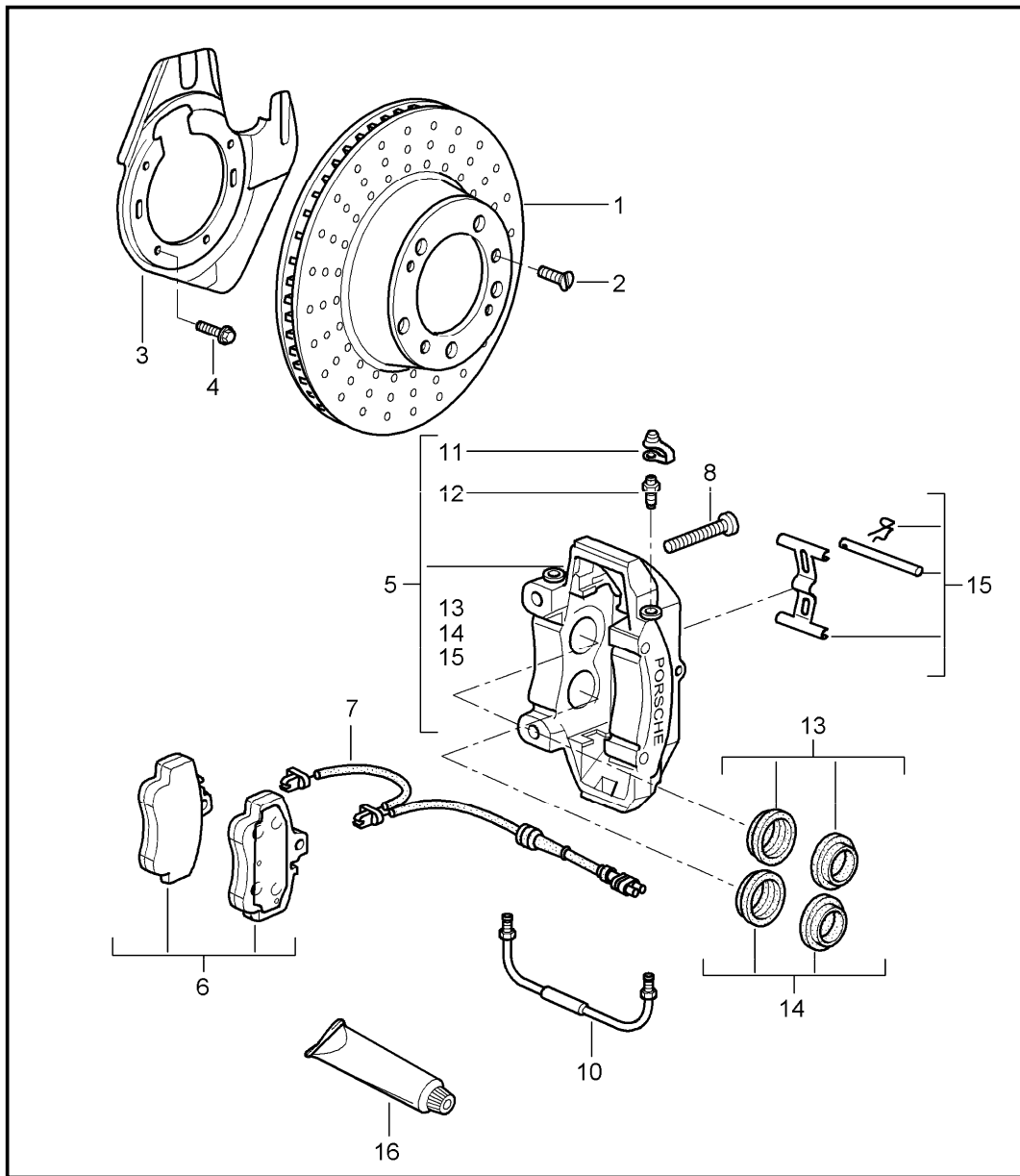
Model	Year	MG	SG	Illustration	Restrictions	UPD	23:18	24.01.2010	PORSCHE	PET	PORSCHE
997-1	2008	6	02	602-00		248					

Pos	Part Number	Description	Remark	Qty	Model	Pos	Part Number	Description	Remark	Qty	Model
(5)	997 351 422 00	fixed calliper without pad	/R	1	CARRERA 2	-	996 352 086 01	damping plate see technical manual		12	I450
(5)	996 351 430 10	fixed calliper without pad	/R	1	CARRERA 2S			group 46 34 20 F >>996S7 34958 F >>996S7 62734 F >>996S7 02380			
(5)	996 351 432 30	fixed calliper without pad	/R	-07	I450						
(5)	996 351 432 31	fixed calliper without pad	/R	08-	I450	(7)	997 612 756 00	warning contact	/L	1	CARRERA 2
(6)	997 351 939 03	brake pad repair set use also: mounting parts use also: 1 x 997.612.756.00 1 x 997.612.759.00		1	CARRERA 2	(7)	997 612 759 00	warning contact	/R	1	CARRERA 2
(6)	996 351 949 12	brake pad repair set use also: mounting parts use also: 1 x 997.612.757.00 1 x 997.612.678.00		1	CARRERA 2S	(7)	997 612 757 00	warning contact	/L	1	CARRERA 2S
(6)	A 996 351 947 01	brake pad repair set see technical manual group 46 34 20 use also: mounting parts use also: 1 x 997.612.675.01 1 x 997.612.679.00 F >>996S7 34958 F >>996S7 62734 F >>996S7 02380		1	I450	(7)	997 612 678 00	warning contact	/R	1	CARRERA 2S
(6)	997 351 948 01	brake pad repair set see technical manual group 46 34 20 use also: mounting parts use also: 1 x 997.612.675.01 1 x 997.612.679.00 F 996S7 34959>> F 996S7 62735>> F 996S7 02381>>		1	I450	(7)	997 612 675 01	warning contact	/L	1	I450
-	996 351 088 01	damping plate		4	CARRERA 2	(7)	997 612 679 00	warning contact	/R	1	I450
-	996 351 089 00	damping plate		4	CARRERA 2S	-	999 507 464 40	support		2	
						-	944 612 627 00	line bracket for warning contact		3	
						8	A 999 067 041 09	pan-head screw M 12 X 1,5 X 72		4	CARRERA 2
						8	999 067 041 01	pan-head screw M 12 X 1,5 X 72		4	CARRERA 2
						(8)	999 067 050 09	pan-head screw M 12 X 1,5 X 77		4	CARRERA 2S
						(8)	999 067 047 09	pan-head screw M 12 X 1,5 X 85		4	I450
						(10)	996 351 961 11	connecting line	/L	1	
						(10)	996 351 962 11	connecting line	/R	1	
						(10)	996 351 961 30	connecting line		2	I450
						11	930 351 927 00	dust boot		2	
						12	930 351 919 00	ventilation valve		2	
						13	951 351 917 01	repair kit protection caps 40 MM		X	CARRERA 2
						14	951 351 917 00	repair kit protection caps 36 MM		X	CARRERA 2

Model	Year	MG	SG	Illustration	Restrictions	UPD	23:18	24.01.2010	PORSCHE	PET	PORSCHE
997-1	2008	6	02	602-00		248					

Pos	Part Number	Description	Remark	Qty	Model	Pos	Part Number	Description	Remark	Qty	Model
(13)	928 351 917 00	repair kit protection caps 44 mm repair kit		X	CARRERA 2S						
					CARRERA 2S						
(14)	951 351 917 00	repair kit protection caps 36 mm		X							
-	996 351 915 01	repair kit protection caps 38 MM		X	I450						
-	996 351 915 00	repair kit protection caps 32 MM		X	I450						
-	951 352 917 00	repair kit protection caps 28 MM		X	I450						
(15)	955 352 960 00	repair kit mounting parts bolt expanding spring securing clip		X	CARRERA 2						
(15)	996 351 959 11	repair kit mounting parts bolt expanding spring securing clip		1	CARRERA 2S						
(15)	996 351 959 30	repair kit mounting parts bolt screw expanding spring		1	I450						
16	000 043 117 00	brake cylinder paste 50 G		X							
16	000 043 020 00	optimoly 100 G		X							

Model	Year	MG	SG	Illustration	Restrictions	UPD	23:18	24.01.2010	PORSCHE	PET	PORSCHE
997-1	2008	6	02	602-01		248					



Pos	Part Number	Description	Remark	Qty	Model
		disc brake front axle			CARRERA 4 CARRERA 4S TARGA TARGA S
		brake disc			I450 I751/752
		only in pairs replace technical manual attention			
1	996 351 405 01	brake disc	/L /L	07- 1	1 CARRERA 4 1 TARGA
(1)	996 351 409 02	brake disc	/L /L	07- 1	1 CARRERA 4S 1 TARGA S
(1) >	996 351 031 04	brake disc	/L	07	1 I450
(1)	997 351 031 00	brake disc	/L	08-	1 I450
(1)	996 351 406 01	brake disc	/R /R	07- 1	1 CARRERA 4 1 TARGA
(1)	996 351 410 02	brake disc	/R /R	07- 1	1 CARRERA 4S 1 TARGA S
(1) >	996 351 032 04	brake disc	/R	07	1 I450
(1)	997 351 032 00	brake disc	/R	08-	1 I450
2 A	900 269 047 09	countersunk-head screw M 6 X 12		4	
2	900 269 047 01	countersunk-head screw M 6 X 12		4	
(3)	997 351 805 00	cover plate	/L /L	07- 1	1 CARRERA 4 1 TARGA
(3)	997 351 805 04	cover plate	/L /L	07- 1	1 CARRERA 4S 1 TARGA S
(3)	997 351 805 05	cover plate	/L	1	1 I450
(3)	997 351 806 00	cover plate	/R /R	07- 1	1 CARRERA 4 1 TARGA
(3)	997 351 806 04	cover plate	/R /R	07- 1	1 CARRERA 4S 1 TARGA S
(3)	997 351 806 05	cover plate	/R	1	1 I450
4	999 217 116 09	hexagon-head bolt M 6 X 16		X	

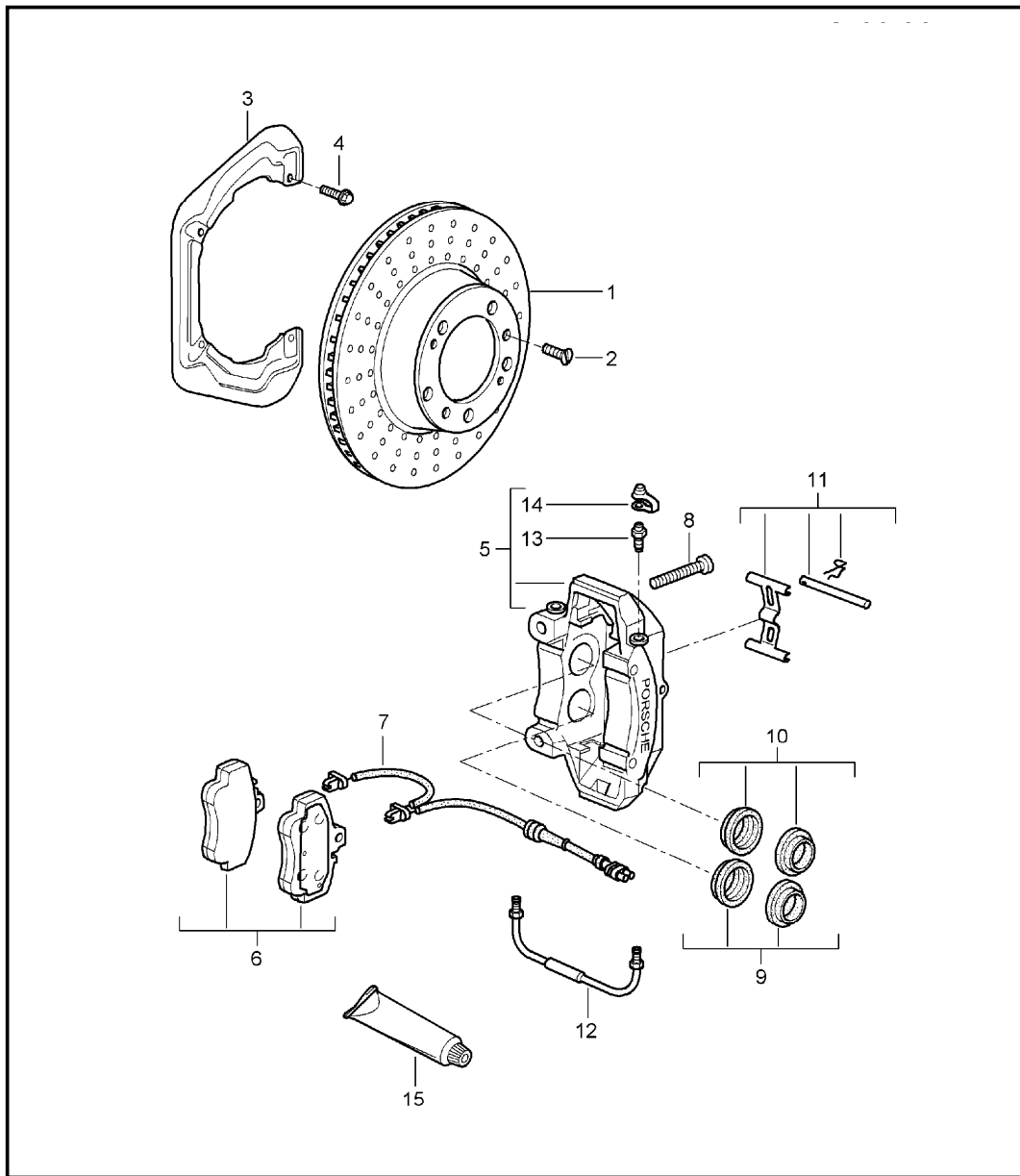
Model	Year	MG	SG	Illustration	Restrictions	UPD	23:18	24.01.2010	PORSCHE	PET	PORSCHE
997-1	2008	6	02	602-01		248					

Pos	Part Number	Description	Remark	Qty	Model	Pos	Part Number	Description	Remark	Qty	Model
5	997 351 421 00	fixed calliper without pad	/L /L	1 1	CARRERA 4 TARGA	-	996 352 086 01	damping plate see technical manual		12	I450
(5)	996 351 429 10	fixed calliper without pad	/L /L	1 1	CARRERA 4S TARGA S			group 46 36 19 F >>996S7 34934 F >>996S7 62658			
(5)	996 351 431 30	fixed calliper without pad	/L	-07	1 I450	7	997 612 677 00	warning contact	07-	2	CARRERA 4 TARGA
(5)	996 351 431 31	fixed calliper without pad	/R	08-	1 I450	(7)	997 612 680 00	warning contact	07-	2	CARRERA 4S TARGA S
(5)	997 351 422 00	fixed calliper without pad	/R /R	1 1	CARRERA 4 TARGA	(7)	997 612 677 00	warning contact		2	I450
(5)	996 351 430 10	fixed calliper without pad	/R /R	1 1	CARRERA 4S TARGA S	-	999 507 464 40	support		2	
(5)	996 351 432 30	fixed calliper without pad	/R	-07	1 I450	-	944 612 627 00	line bracket for warning contact		3	
(5)	996 351 432 31	fixed calliper without pad	/R	08-	1 I450	8 A	999 067 041 09	pan-head screw M 12 X 1,5 X 72	07-	4	CARRERA 4 TARGA
(6)	997 351 939 04	brake pad repair set use also: mounting parts		1 1	CARRERA 4 TARGA	8	999 067 041 01	pan-head screw M 12 X 1,5 X 72		4	CARRERA 4 TARGA
(6)	996 351 949 12	brake pad repair set use also: mounting parts		1 1	CARRERA 4S TARGA S	(8)	999 067 050 09	pan-head screw M 12 X 1,5 X 77	07-	4	CARRERA 4S TARGA S
(6) A	996 351 947 01	brake pad repair set see technical manual group 46 36 19 use also: mounting parts F >>996S7 34934 F >>996S7 62658		1	I450	(8)	999 067 047 09	pan-head screw M 12 X 1,5 X 85		4	I450
(6)	997 351 948 01	brake pad repair set see technical manual group 46 36 19 use also: mounting parts F 996S7 34940>> F 996S7 62659>>		1	I450	(10)	996 351 961 11	connecting line	/L	1	
-	996 351 088 01	damping plate		4 4	CARRERA 4 TARGA	(10)	996 351 962 11	connecting line	/R	1	
-	996 351 089 00	damping plate		4 4	CARRERA 4S TARGA S	(10)	996 351 961 30	connecting line		2	I450
						11	930 351 927 00	dust boot		2	
						12	930 351 919 00	ventilation valve		2	
						13	951 351 917 01	repair kit protection caps 40 MM		X X	CARRERA 4 TARGA
						14	951 351 917 00	repair kit protection caps 36 MM		X X	CARRERA 4 TARGA
						(13)	928 351 917 00	repair kit protection caps 44 mm		X X	CARRERA 4S TARGA S

Model	Year	MG	SG	Illustration	Restrictions	UPD	23:18	24.01.2010	PORSCHE	PET	PORSCHE
997-1	2008	6	02	602-01		248					

Pos	Part Number	Description	Remark	Qty	Model	Pos	Part Number	Description	Remark	Qty	Model
(14)	951 351 917 00	repair kit protection caps 36 mm		X X	CARRERA 4S TARGA S						
-	996 351 915 01	repair kit protection caps 38 MM		X	I450						
-	996 351 915 00	repair kit protection caps 32 MM		X	I450						
-	951 352 917 00	repair kit protection caps 28 MM		X	I450						
(15)	955 352 960 00	repair kit mounting parts bolt expanding spring securing clip		X X	CARRERA 4 TARGA						
(15)	996 351 959 11	repair kit mounting parts bolt expanding spring securing clip		1 1	CARRERA 4S TARGA S						
(15)	996 351 959 30	repair kit mounting parts bolt screw expanding spring		1	I450						
16	000 043 117 00	brake cylinder paste 50 G		X							
16	000 043 020 00	optimoly 100 G		X							

Model	Year	MG	SG	Illustration	Restrictions	UPD	23:19	24.01.2010	PORSCHE	PET	PORSCHE
997-1	2008	6	03	603-00		248					



Pos	Part Number	Description	Remark	Qty	Model
		disc brake rear axle			CARRERA 2 CARRERA 2S
		brake disc			I450 I751/752
		only in pairs replace technical manual attention			
(1)	996 352 401 04	brake disc		2	CARRERA 2
(1)	996 352 405 00	brake disc	/L	1	CARRERA 2S
(1) >	996 352 031 03	brake disc	/L -06	1	I450
(1) >	996 352 031 04	brake disc	/L 07	1	I450
(1)	997 352 031 00	brake disc	/L 08-	1	I450
(1)	996 352 406 00	brake disc	/R	1	CARRERA 2S
(1) >	996 352 032 03	brake disc	/R -06	1	I450
(1) >	996 352 032 04	brake disc	/R 07	1	I450
(1)	997 352 032 00	brake disc	/R 08-	1	I450
(2) A	900 269 047 09	countersunk-head screw M 6 X 12		4	
(2)	900 269 047 01	countersunk-head screw M 6 X 12		4	
(2)	900 269 106 01	countersunk-head screw M 6 x 16		4	IXRP
(3)	996 352 801 03	cover plate		2	
(3)	997 352 801 02	cover plate	/L	1	I450
(3)	997 352 802 02	cover plate	/R	1	I450
4	999 217 116 09	hexagon-head bolt M 6 X 16		X	
5	997 352 421 00	fixed calliper without pad	/L	1	CARRERA 2
(5)	996 352 425 60	fixed calliper without pad	/L	1	CARRERA 2S
(5)	996 352 423 30	fixed calliper without pad	/L -07	1	I450

Model	Year	MG	SG	Illustration	Restrictions	UPD	23:19	24.01.2010	PORSCHE	PET	PORSCHE
997-1	2008	6	03	603-00		248					

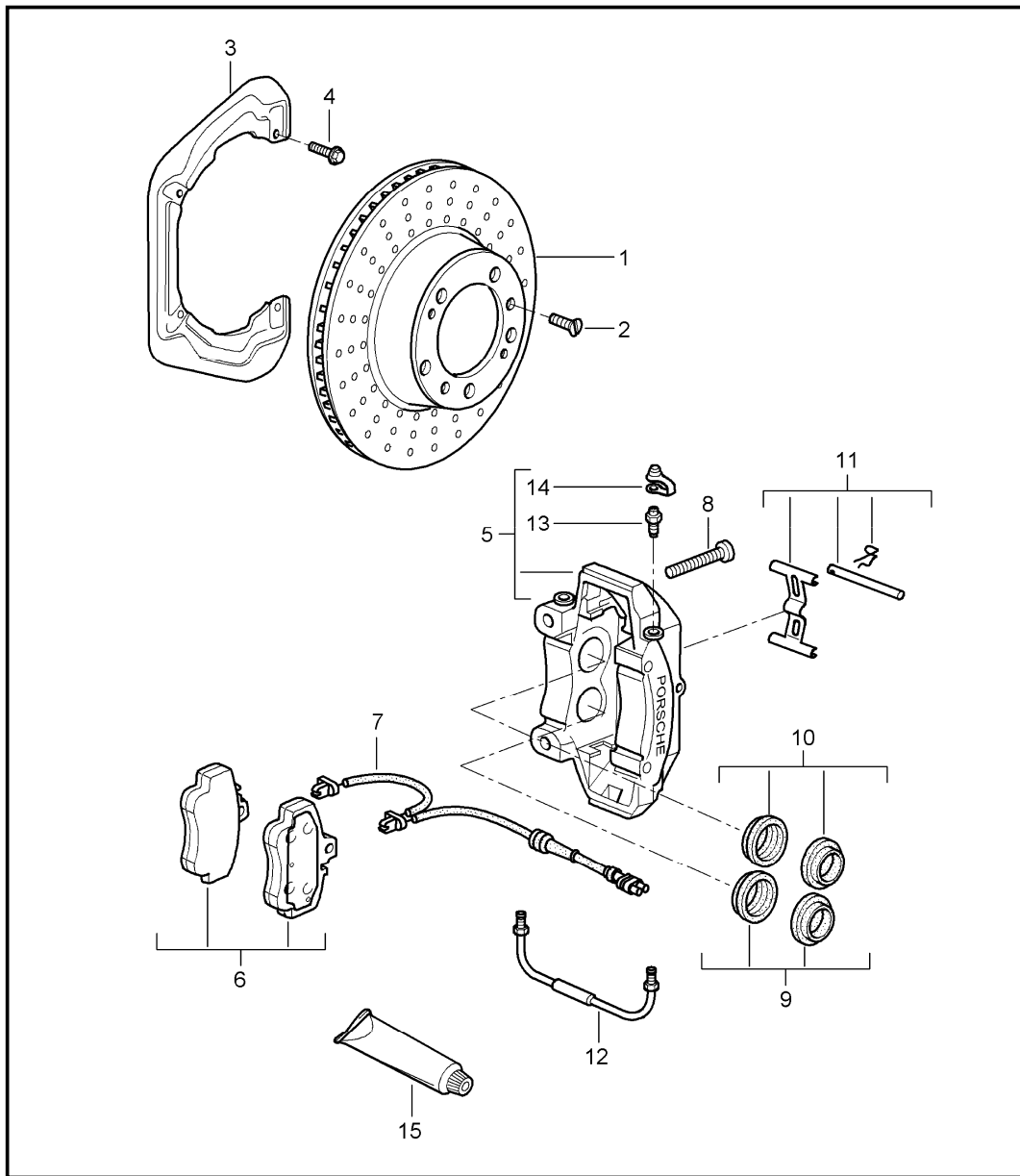
Pos	Part Number	Description	Remark	Qty	Model	Pos	Part Number	Description	Remark	Qty	Model
(5)	996 352 423 31	fixed calliper without pad	/L 08-	1	I450	-	964 352 096 00	damping plate 30 MM		X	CARRERA 2S
(5)	997 352 422 00	fixed calliper without pad	/R	1	CARRERA 2	-	996 352 086 01	damping plate 28 MM		X	CARRERA 2S
(5)	996 352 426 60	fixed calliper without pad	/R	1	CARRERA 2S	-	996 352 086 01	damping plate 28 MM		X	I450
(5)	996 352 424 30	fixed calliper without pad	/R -07	1	I450			see technical manual group 46 35 20			
(5)	996 352 424 31	fixed calliper without pad	/R 08-	1	I450			F >>996S7 34771 F >>996S7 62735 F >>996S7 02380			
(6)	986 352 939 10	brake pad repair set use also: mounting parts use also: 2 x 996.612.365.00		1	CARRERA 2	7	996 612 365 00	warning contact		2	CARRERA 2
						(7)	997 612 676 01	warning contact		2	CARRERA 2S
						(7)	997 612 676 01	warning contact		2	I450
(6)	997 351 939 03	brake pad repair set use also: mounting parts use also: 2 x 997.612.676.01		1	CARRERA 2S	(8) A	999 067 041 09	pan-head screw M 12 X 1,5 X 72		4	CARRERA 2
						(8)	999 067 041 01	pan-head screw M 12 X 1,5 X 72		4	CARRERA 2
(6)	996 352 947 01	brake pad repair set see technical manual group 46 35 20 use also: mounting parts use also: 2 x 997.612.676.01 F >>996S7 34771 F >>996S7 62735 F >>996S7 02380		1	I450	(8)	999 067 050 09	pan-head screw m 12 x 1,5 x 77		4	CARRERA 2S
						(8)	999 067 047 09	pan-head screw m 12 x 1,5 x 85		4	I450
						9	951 352 917 01	repair kit protection caps 30 MM		2	CARRERA 2
										2	CARRERA 2S
(6)	997 352 948 00	brake pad repair set see technical manual group 46 35 20 use also: mounting parts use also: 2 x 997.612.676.01 F 996S7 34772>> F 996S7 62736>> F 996S7 02381>>		1	I450	10	951 352 917 00	repair kit protection caps 28 MM		2	CARRERA 2
										2	CARRERA 2S
						(10)	951 352 917 00	repair kit protection caps 28 MM		X	I450
						(11)	996 352 959 01	repair kit mounting parts bolt expanding spring securing clip		1	CARRERA 2
										2	
										2	
										2	
-	964 352 096 00	damping plate 30 MM		X	CARRERA 2	(11)	955 352 960 00	repair kit mounting parts bolt expanding spring securing clip		1	CARRERA 2S
										2	
										2	
										2	
-	996 352 086 01	damping plate 28 MM		X	CARRERA 2						

Model	Year	MG	SG	Illustration	Restrictions	UPD	23:19	24.01.2010	PORSCHE	PET	PORSCHE
997-1	2008	6	03	603-00		248					

Pos	Part Number	Description	Remark	Qty	Model	Pos	Part Number	Description	Remark	Qty	Model
(11)	996 351 959 01	repair kit mounting parts bolt expanding spring securing clip		1 2 2 2	I450						
(12)	996 351 962 00	connecting line	/L	1	CARRERA 2S						
(12)	996 351 961 00	connecting line	/R	1	CARRERA 2S						
(12)	996 352 961 30	connecting line	/L	1	I450						
(12)	996 352 961 30	connecting line	/R	1	I450						
13	930 351 919 01	ventilation valve		4							
14	930 351 927 00	dust boot		4							
15	000 043 117 00	brake cylinder paste 50 G		X							
(15)	000 043 020 00	optimoly 100 G		X							



Model	Year	MG	SG	Illustration	Restrictions	UPD	23:19	24.01.2010	PORSCHE	PET	PORSCHE
997-1	2008	6	03	603-01		248					



Pos	Part Number	Description	Remark	Qty	Model
		disc brake rear axle			CARRERA 4 CARRERA 4S TARGA TARGA S
		brake disc			I450 I751/752
		only in pairs replace technical manual attention			
(1)	996 352 401 04	brake disc		2 07- 2	CARRERA 4 TARGA
(1)	996 352 405 00	brake disc	/L /L	1 07- 1	CARRERA 4S TARGA S
(1) >	996 352 031 04	brake disc	/L	-07	1 I450
(1)	997 352 031 00	brake disc	/L	08-	1 I450
(1)	996 352 406 00	brake disc	/R /R	1 07- 1	CARRERA 4S TARGA S
(1) >	996 352 032 04	brake disc	/R	-07	1 I450
(1)	997 352 032 00	brake disc	/R	08-	1 I450
(2) A	900 269 047 09	countersunk-head screw M 6 X 12		4 4	CARRERA 4 CARRERA 4S
(2)	900 269 047 01	countersunk-head screw M 6 X 12		4 4	CARRERA 4 CARRERA 4S
(2) A	900 269 106 09	countersunk-head screw M 6 x 16		4 07- 07-	IXRP TARGA TARGA S
(2)	900 269 106 01	countersunk-head screw M 6 x 16		4 07- 07-	IXRP TARGA TARGA S
(3)	996 352 801 03	cover plate		2	
(3)	997 352 801 02	cover plate	/L	1	I450
(3)	997 352 802 02	cover plate	/R	1	I450
4	999 217 116 09	hexagon-head bolt M 6 X 16		X	
5	997 352 421 00	fixed calliper without pad	/L /L	1 07- 1	CARRERA 4 TARGA

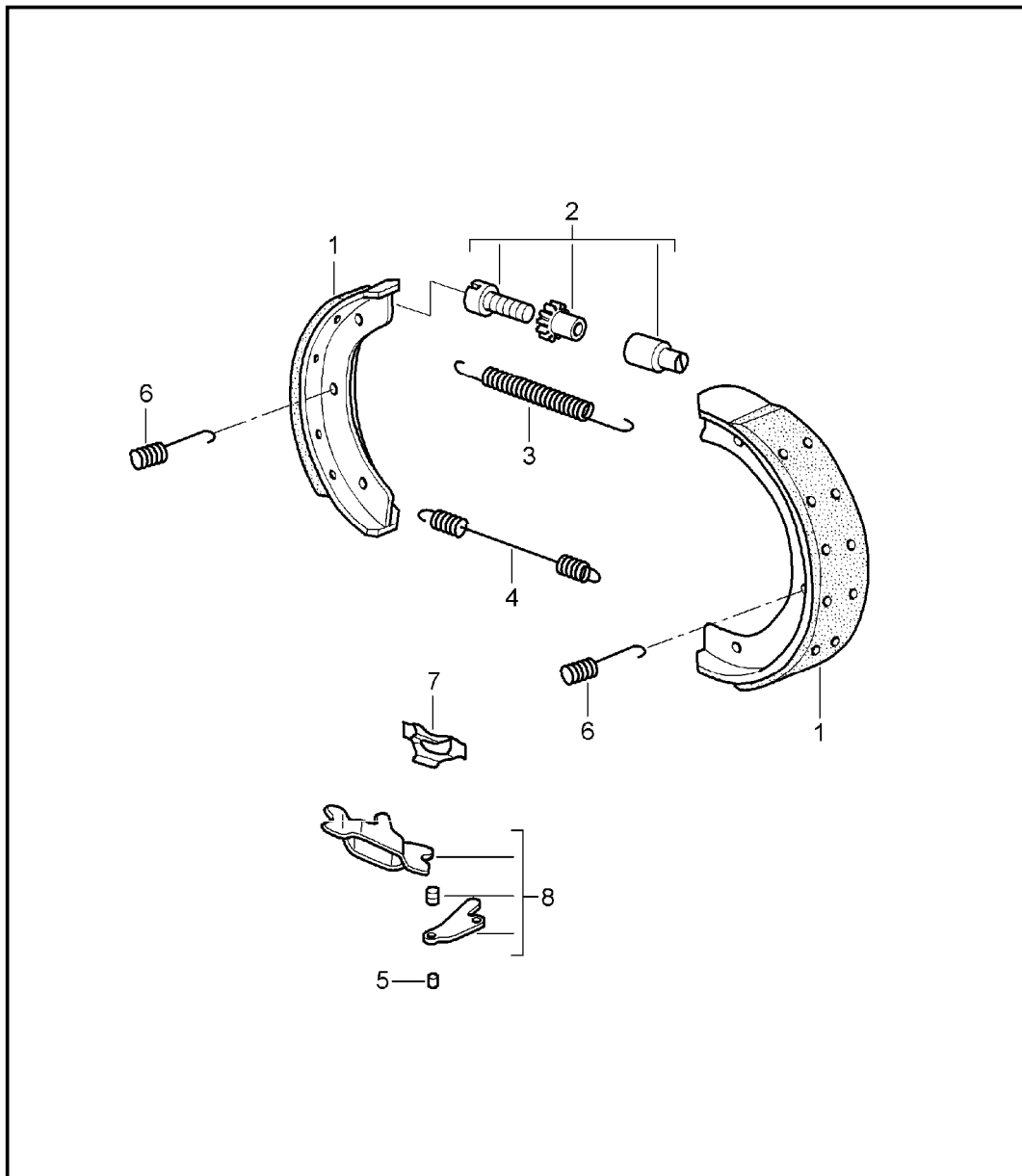
Model	Year	MG	SG	Illustration	Restrictions	UPD	23:19	24.01.2010	PORSCHE	PET	PORSCHE
997-1	2008	6	03	603-01		248					

Pos	Part Number	Description	Remark	Qty	Model	Pos	Part Number	Description	Remark	Qty	Model
(5)	996 352 425 60	fixed calliper without pad	/L /L 07-	1	CARRERA 4S TARGA S	-	996 352 086 01	damping plate 28 MM		X	CARRERA 4
(5)	996 352 423 30	fixed calliper without pad	/L -07	1	I450				07- 07- 07-	X X X	CARRERA 4S TARGA TARGA S
(5)	996 352 423 31	fixed calliper without pad	/L 08-	1	I450	-	996 352 086 01	damping plate 28 MM see technical manual group 46 38 19		X	I450
(5)	997 352 422 00	fixed calliper without pad	/R /R 07-	1	CARRERA 4 TARGA			F >>996S7 34772 F >>996S7 62574			
(5)	996 352 426 60	fixed calliper without pad	/R /R 07-	1	CARRERA 4S TARGA S	7	996 612 365 00	warning contact	07-	2	CARRERA 4 TARGA
(5)	996 352 424 30	fixed calliper without pad	/R -07	1	I450	(7)	997 612 676 01	warning contact	07-	2	CARRERA 4S TARGA S
(5)	996 352 424 31	fixed calliper without pad	/R 08-	1	I450	7	997 612 676 01	warning contact		2	I450
(6)	986 352 939 10	brake pad repair set use also: mounting parts		1	CARRERA 4 TARGA	(8) A	999 067 041 09	pan-head screw M 12 X 1,5 X 72	07-	4	CARRERA 4 TARGA
(6)	997 351 939 03	brake pad repair set use also: mounting parts		1	CARRERA 4S TARGA S	(8)	999 067 041 01	pan-head screw M 12 X 1,5 X 72		4	CARRERA 4 TARGA
(6)	996 352 947 01	brake pad repair set see technical manual group 46 38 19 use also: mounting parts F >>996S7 34772 F >>996S7 62574		1	I450	(8)	999 067 050 09	pan-head screw M 12 X 1,5 X 77	07-	4	CARRERA 4S TARGA S
(6)	997 352 948 00	brake pad repair set see technical manual group 46 38 19 use also: mounting parts F 996S7 34773>> F 996S7 62575>>		1	I450	(8)	999 067 047 09	pan-head screw M 12 X 1,5 X 85		4	I450
(6)	997 352 948 00	brake pad repair set	07-	1	I450 TARGA TARGA S	9	951 352 917 01	repair kit protection caps 30 MM	07- 07- 07-	2 2 2	CARRERA 4 CARRERA 4S TARGA TARGA S
-	964 352 096 00	damping plate 30 MM	07- 07- 07-	X X X	CARRERA 4 CARRERA 4S TARGA TARGA S	10	951 352 917 00	repair kit protection caps 28 MM	07- 07- 07-	2 2 2	CARRERA 4 CARRERA 4S TARGA TARGA S
						(10)	951 352 917 00	repair kit protection caps 28 MM		X	I450
						(11)	996 352 959 01	repair kit mounting parts bolt expanding spring securing clip		1 1 2 2	CARRERA 4 TARGA

Model	Year	MG	SG	Illustration	Restrictions	UPD	23:19	24.01.2010	PORSCHE	PET	PORSCHE
997-1	2008	6	03	603-01		248					

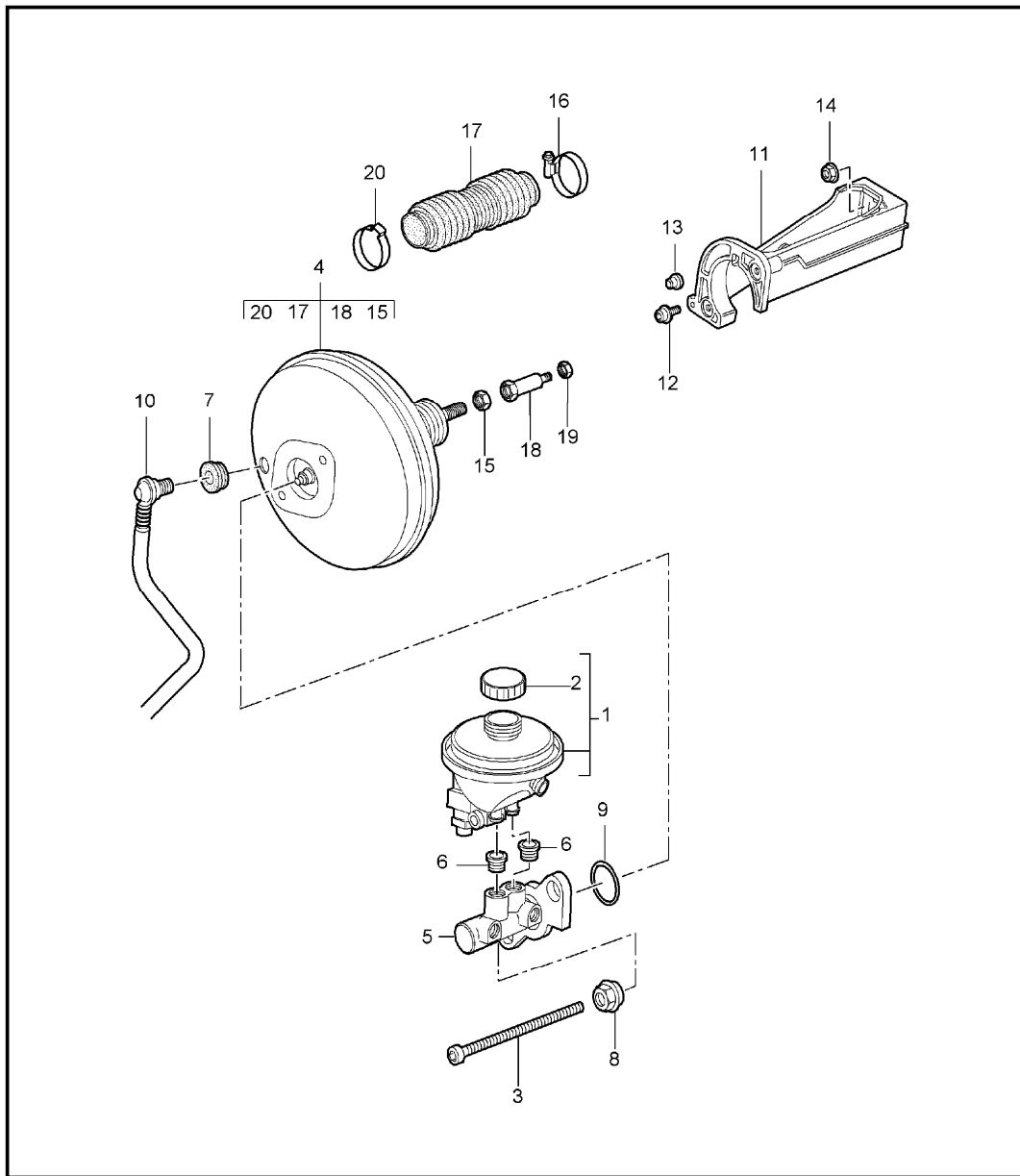
Pos	Part Number	Description	Remark	Qty	Model	Pos	Part Number	Description	Remark	Qty	Model
(11)	955 352 960 00	repair kit mounting parts bolt expanding spring securing clip		1 1 2 2 2	CARRERA 4S TARGA S						
(11)	996 351 959 01	repair kit mounting parts bolt expanding spring securing clip		1 2 2 2	I450						
12	996 351 962 00	connecting line	/L /L 07-	2 2	CARRERA 4 TARGA						
(12)	996 351 961 00	connecting line	/R /R 07-	2 2	CARRERA 4 TARGA						
(12)	996 351 962 00	connecting line	/L /L 07-	1 1	CARRERA 4S TARGA S						
(12)	996 351 961 00	connecting line	/R /R 07-	1 1	CARRERA 4S TARGA S						
(12)	996 352 961 30	connecting line	/L	1	I450						
(12)	996 352 961 30	connecting line	/R	1	I450						
13	930 351 919 01	ventilation valve		4							
14	930 351 927 00	dust boot		4							
15	000 043 117 00	brake cylinder paste 50 G		X							
(15)	000 043 020 00	optimoly 100 G		X							

Model	Year	MG	SG	Illustration	Restrictions	UPD	23:19	24.01.2010	PORSCHE	PET	PORSCHE
997-1	2008	6	03	603-05		248					



Pos	Part Number	Description	Remark	Qty	Model
		handbrake see technical manual group 46 83 20			
(1)	996 352 993 02	repair kit 1 set only together with compression spring 997.352.741.01		1	
2	993 352 071 00	adjusting screw		2	
3	997 352 721 01	tension spring short		2	
4	997 352 723 02	tension spring long		2	
5	993 352 737 00	bolt		2	
(6)	997 352 741 01	compression spring only together with brake shoe 996.352.993.00/01/02		4	
7	997 352 807 00	support panel		2	
8	993 352 073 00	push-button lock complete		2	

Model	Year	MG	SG	Illustration	Restrictions	UPD	23:19	24.01.2010	PORSCHE	PET	PORSCHE
997-1	2008	6	04	604-00		248					

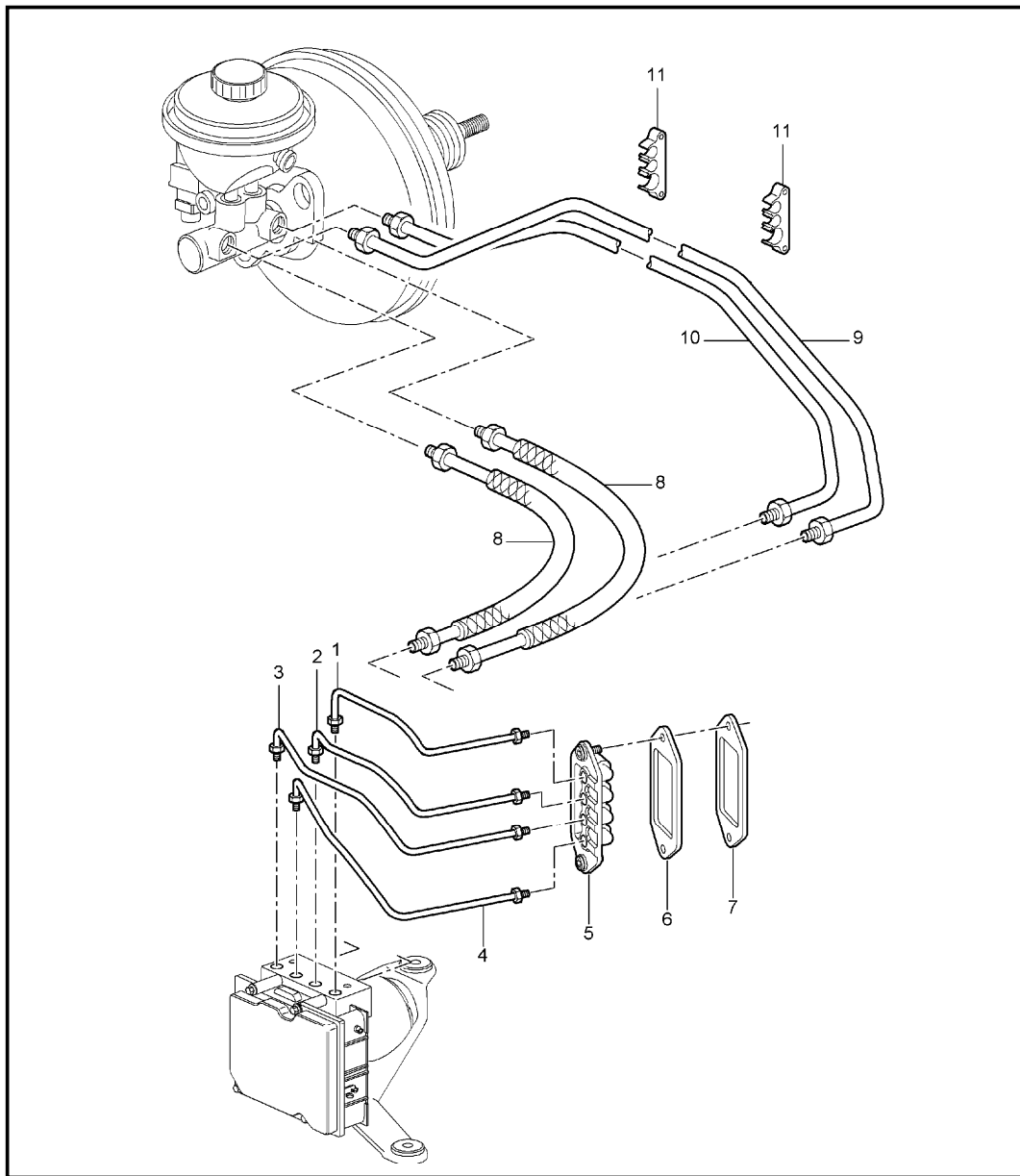


Pos	Part Number	Description	Remark	Qty	Model
-	000 043 203 66	brake master cylinder brake booster		X	
1	997 355 013 01	brake fluid DOT 4 1 Ltr.		1	I480
(1)	997 355 013 21	expansion tank		1	I249
2	996 355 119 01	catch		1	
-	997 355 125 00	support for contact for container		1	
3	999 073 124 09	pan-head screw M 8 X 154 X 80		2	CARRERA 2 CARRERA 2S
(3)	999 073 327 09	pan-head screw M 8 X 197 X 29		2	CARRERA 4 CARRERA 4S
			07- 07- 07-	2	TARGA TARGA S
4	997 355 923 00	brake booster		1	CARRERA 2 CARRERA 2S
(4)	997 355 923 20	brake booster		1	CARRERA 4 TARGA
			07-	1	
(4)	997 355 925 37	brake booster		1	I450 CARRERA 4
				1	CARRERA 4S
			07-	1	I450 TARGA
			07	1	TARGA S
-	996 355 137 01	catch threaded joint brake booster		1	
5	997 355 910 00	brake master cylinder		1	CARRERA 2
(5)	997 355 910 10	brake master cylinder		1	CARRERA 2S I450
(5)	997 355 910 10	brake master cylinder		1	CARRERA 2S
(5)	997 355 910 10	brake master cylinder		1	CARRERA 4 TARGA
			07-	1	
(5)	997 355 910 30	brake master cylinder		1	I450 CARRERA 4

Model	Year	MG	SG	Illustration	Restrictions	UPD	23:19	24.01.2010	PORSCHE	PET	PORSCHE
997-1	2008	6	04	604-00		248					

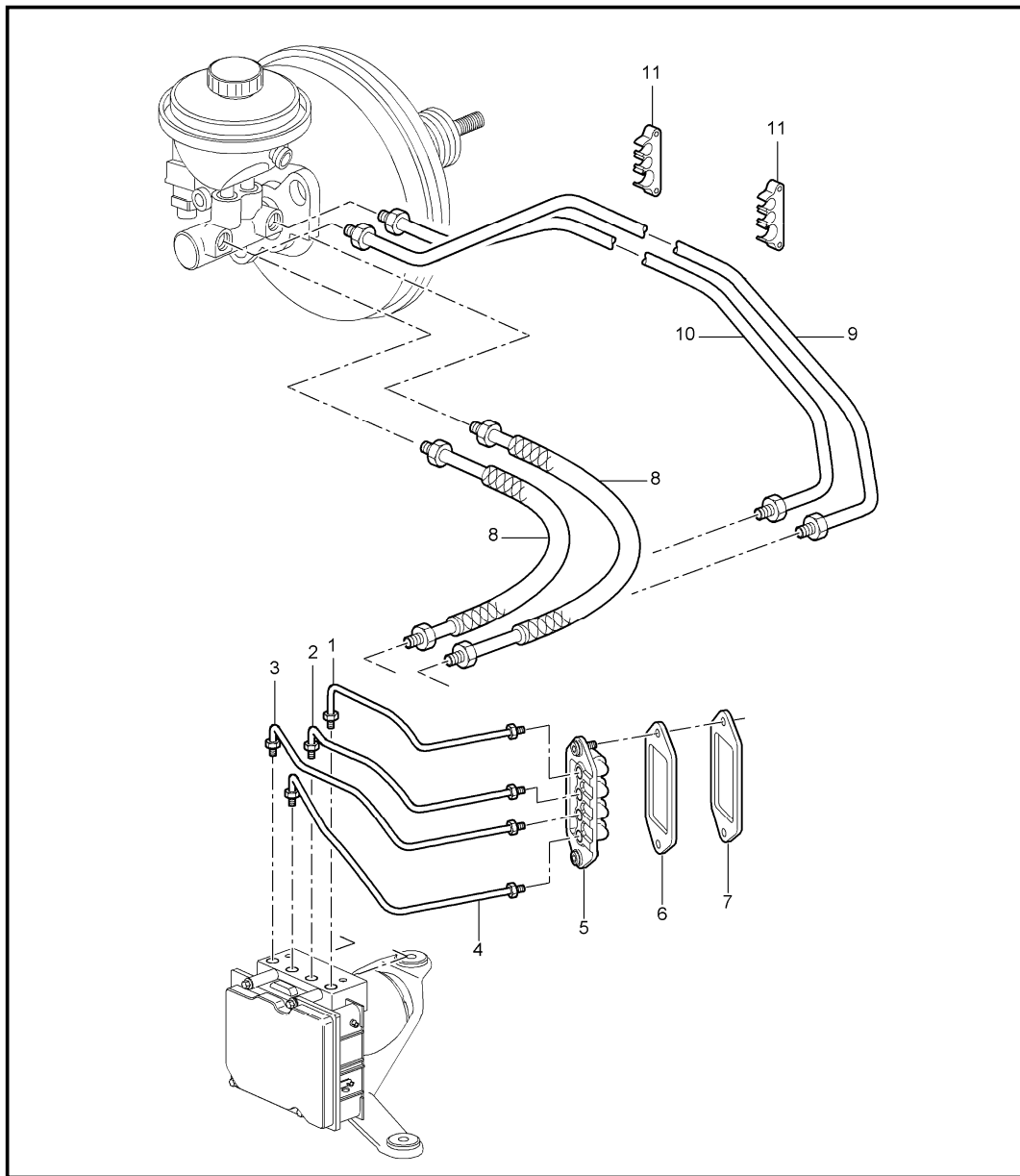
Pos	Part Number	Description	Remark	Qty	Model	Pos	Part Number	Description	Remark	Qty	Model
				1	CARRERA 4S	18	996 355 927 01	connecting piece		1	
			07-	1	TARGA S						
6	993 355 922 00	grommet		2		19	A 900 380 015 09	hexagon nut M 6		1	
7	999 702 182 40	rubber bush		1		(19)	900 380 015 01	hexagon nut M 6		1	
8	997 355 925 00	hexagon nut		2							
9	993 355 212 00	gasket		1		20	999 512 672 00	clamp		1	
10	997 355 577 00	vacuum line		1	CARRERA 2						
				1	CARRERA 2S						
				1	I098						
(10)	997 355 577 25	vacuum line		1	CARRERA 4						
				1	CARRERA 4S						
			07-	1	TARGA						
			07-	1	TARGA S						
				1	I098						
(10)	997 355 578 00	vacuum line		1	CARRERA 2						
				1	CARRERA 2S						
				1	I099						
(10)	997 355 578 25	vacuum line		1	CARRERA 4						
				1	CARRERA 4S						
			07-	1	TARGA						
			07-	1	TARGA S						
				1	I099						
11	997 423 251 00	intermediate piece		1							
12	999 073 189 01	round head screw M 6 X 12		2							
13	999 703 448 50	stopper	/R	1							
14	999 084 630 09	hexagon nut M 8		2							
15	900 183 015 02	hexagon nut M 12 X 1,5		1							
-	996 355 901 01	gasket brake booster bulkhead		1							
16	999 512 478 00	hose clamp		1							
17	996 423 269 05	bellows		1	CARRERA 2						
				1	CARRERA 2S						
(17)	997 355 969 00	bellows		1	CARRERA 4						
			07-	1	CARRERA 4S						
			07-	1	TARGA						
			07-	1	TARGA S						

Model	Year	MG	SG	Illustration	Restrictions	UPD	23:19	24.01.2010	PORSCHE	PET	PORSCHE
997-1	2008	6	04	604-05		248					



Pos	Part Number	Description	Remark	Qty	Model
		brake lines body front section			CARRERA 2 CARRERA 2S
1	997 355 315 00	brake line		1	
2	997 355 316 00	brake line		1	
3	997 355 327 00	brake line		1	
4	997 355 326 00	brake line		1	
5	997 355 650 00	intermediate piece		1	
6	997 355 752 00	gasket		1	
7	997 355 753 00	reinforcement		1	
8	997 355 311 00	pressure line		2	I098
9	997 355 312 00	pressure line		1	I099
10	997 355 314 00	pressure line		1	I099
11	999 507 632 40	cable holder		2	

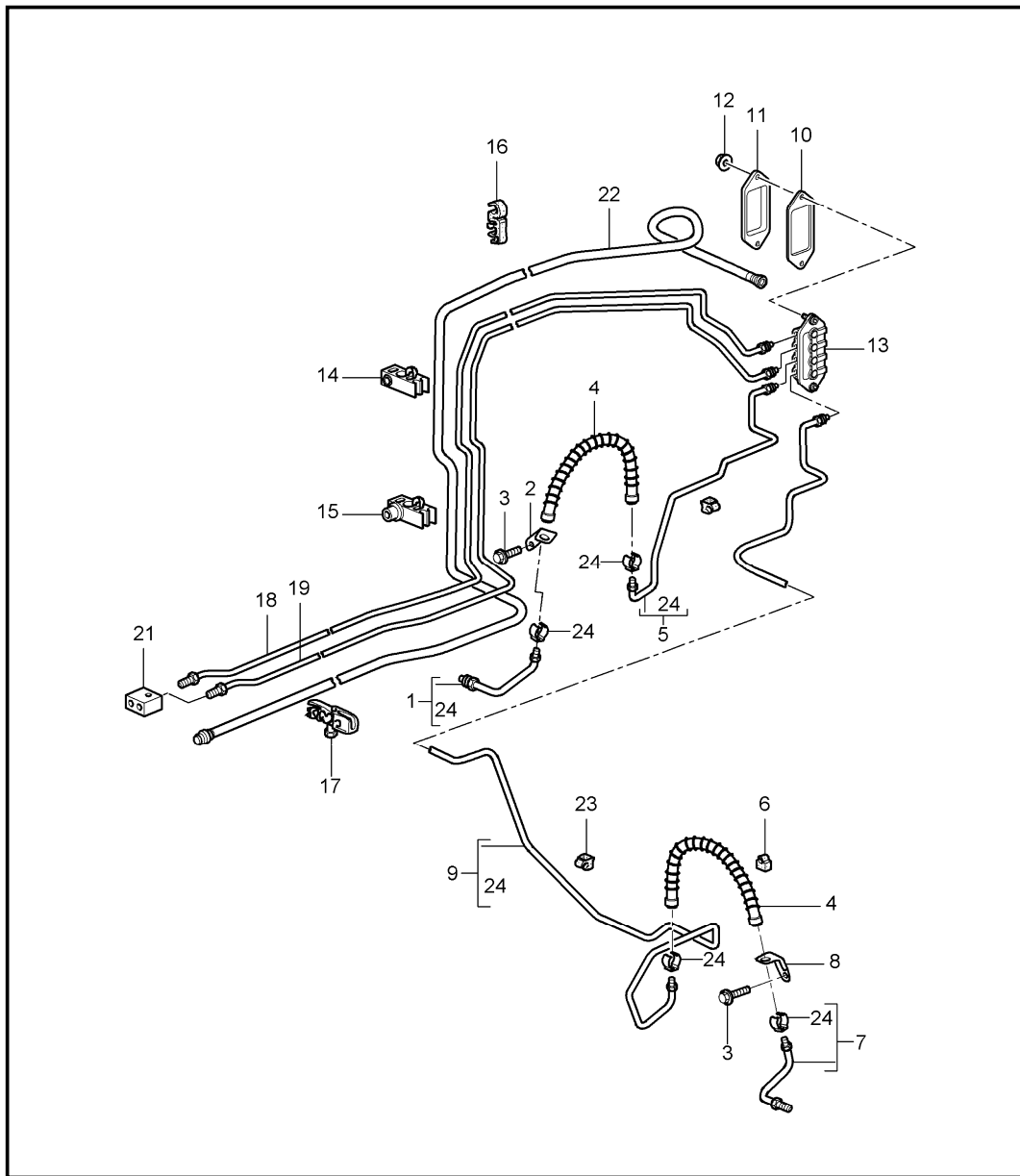
Model	Year	MG	SG	Illustration	Restrictions	UPD	23:20	24.01.2010	PORSCHE	PET	PORSCHE
997-1	2008	6	04	604-06		248					



Pos	Part Number	Description	Remark	Qty	Model
		brake lines body front section	07- 07-		CARRERA 4 CARRERA 4S TARGA TARGA S
(1)	997 355 315 26	brake line		1	I098
1	997 355 315 00	brake line		1	I099
(2)	997 355 316 26	brake line		1	I098
2	997 355 316 00	brake line		1	I099
(3)	997 355 327 27	brake line		1	I098
3	997 355 327 00	brake line		1	I099
(4)	997 355 326 27	brake line		1	I098
4	997 355 326 00	brake line		1	I099
5	997 355 650 00	intermediate piece		1	
6	997 355 752 00	gasket		1	
7	997 355 753 00	reinforcement		1	
8	997 355 311 00	pressure line		2	I098
9	997 355 312 25	pressure line		1	I099
10	997 355 314 25	pressure line		1	I099
11	999 507 632 40	cable holder		2	I099



Model	Year	MG	SG	Illustration	Restrictions	UPD	23:20	24.01.2010	PORSCHE	PET	PORSCHE
997-1	2008	6	04	604-10		248					

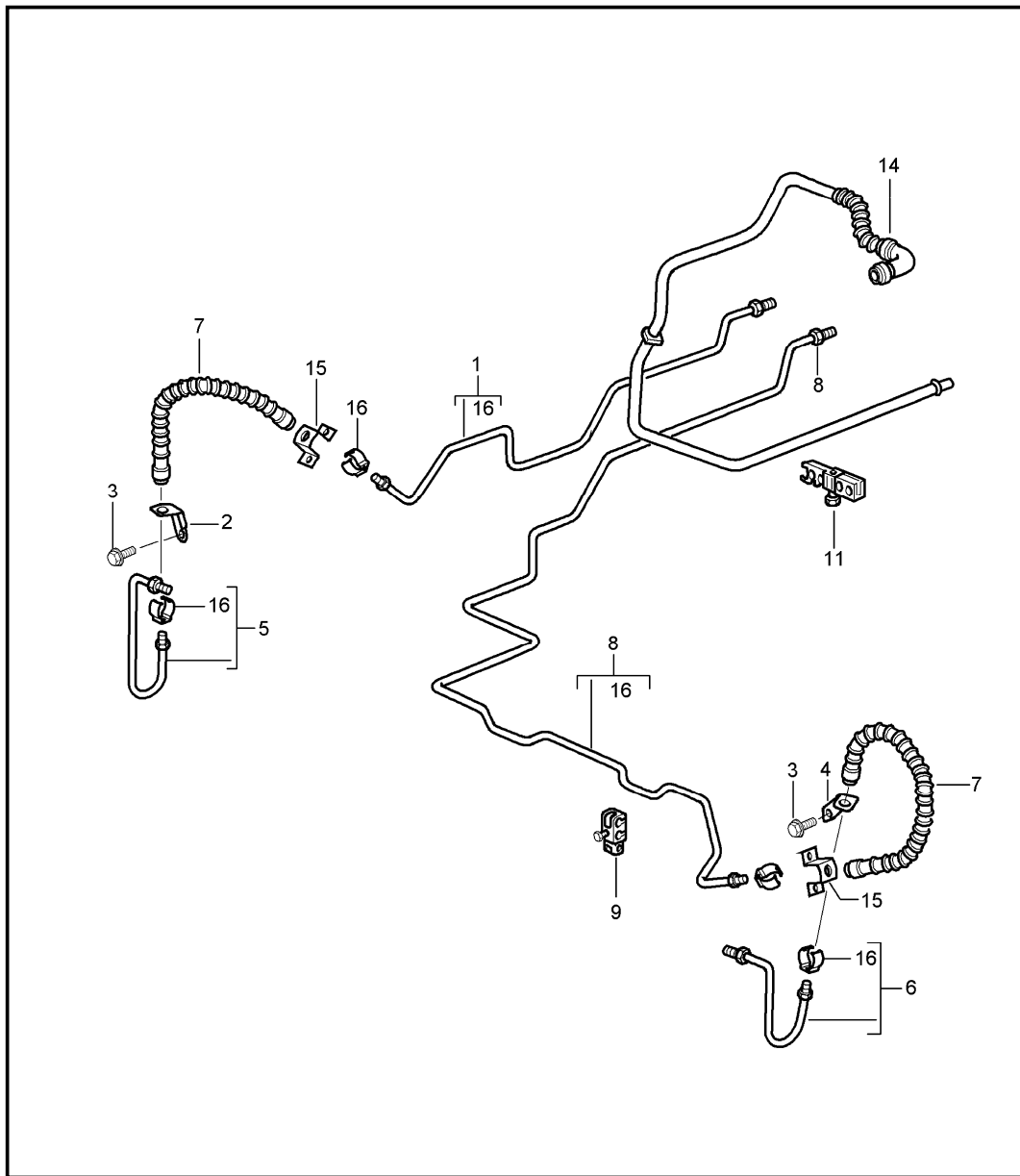


Pos	Part Number	Description	Remark	Qty	Model
1	996 355 581 06	brake line	/L	1	CARRERA 2
		brake lines	/L	1	CARRERA 2S
		underbody			
		vacuum line			
(1)	996 355 581 9B	brake line	/L	1	I450 CARRERA 2S
(1)	997 355 587 00	brake line	/L	1	CARRERA 4
			/L	1	CARRERA 4S
			/L	1	TARGA
			/L	1	TARGA S
(1)	997 355 587 01	brake line	/L	1	I450
			/L	1	CARRERA 4
			/L	1	CARRERA 4S
			/L	1	TARGA
			/L	1	TARGA S
2	996 355 501 06	brake hose bracket	/L	1	CARRERA 2
			/L	1	CARRERA 2S
(2)	996 355 507 05	brake hose bracket	/L	1	CARRERA 4
			/L	1	CARRERA 4S
			/L	1	TARGA
			/L	1	TARGA S
3	900 067 117 09	pan-head screw M 6 X 16		2	
4	996 355 139 01	brake hose		2	
5	997 355 175 02	brake line	/L	1	CARRERA 2
			/L	1	CARRERA 2S
(5)	997 355 175 26	brake line	/L	1	CARRERA 4
			/L	1	CARRERA 4S
			/L	1	TARGA
			/L	1	TARGA S
6	999 591 930 40	support		X	
7	996 355 584 06	brake line	/R	1	CARRERA 2
			/R	1	CARRERA 2S
(7)	996 355 584 9B	brake line	/R	1	I450 CARRERA 2S
(7)	997 355 588 00	brake line	/R	1	CARRERA 4
			/R	1	CARRERA 4S
			/R	1	TARGA
			/R	1	TARGA S

Model	Year	MG	SG	Illustration	Restrictions	UPD	23:20	24.01.2010	PORSCHE	PET	PORSCHE
997-1	2008	6	04	604-10		248					

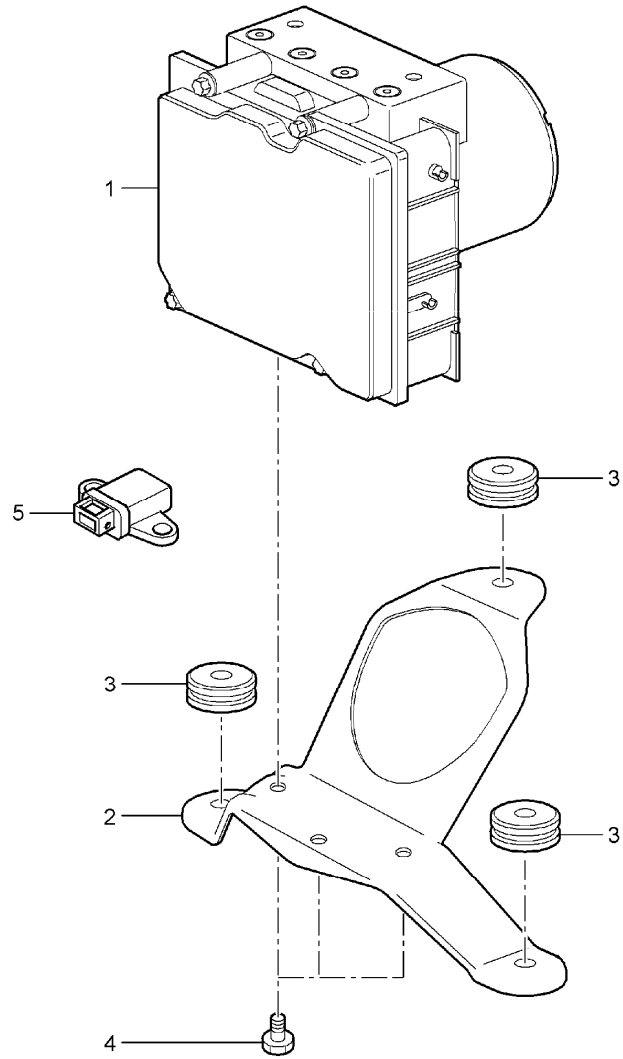
Pos	Part Number	Description	Remark	Qty	Model	Pos	Part Number	Description	Remark	Qty	Model
(7)	997 355 588 01	brake line	/R 07- /R /R 07- /R 07-	1	I450 CARRERA 4 CARRERA 4S TARGA TARGA S	24	997 355 331 00	retainer spring for brake hose		X	
8	996 355 502 06	brake hose bracket	/R /R	1	CARRERA 2 CARRERA 2S						
(8)	996 355 508 05	brake hose bracket	/R /R 07- /R 07- /R 07-	1	CARRERA 4 CARRERA 4S TARGA TARGA S						
9	997 355 176 02	brake line		1	CARRERA 2 CARRERA 2S						
(9)	997 355 176 27	brake line		1	CARRERA 4 CARRERA 4S TARGA TARGA S						
10	997 355 753 00	reinforcement		1							
11	997 355 752 00	gasket		1							
12 A	900 380 015 09	hexagon nut M 6		3							
(12)	900 380 015 01	hexagon nut M 6		3							
13	997 355 650 00	intermediate piece		1							
14	996 355 545 00	support		3							
15	996 355 549 00	support		1							
16	996 355 547 01	support		2							
17	996 355 543 00	support		1							
18	997 355 177 01	brake line		1							
19	997 355 179 01	brake line		1							
21	996 355 760 31	connecting piece		1							
22	997 355 571 01	vacuum line		1							
-	999 702 289 40	grommet wheel housing		1							
23	999 651 331 40	cable holder		5							

Model	Year	MG	SG	Illustration	Restrictions	UPD	23:20	24.01.2010	PORSCHE	PET	PORSCHE
997-1	2008	6	04	604-15		248					



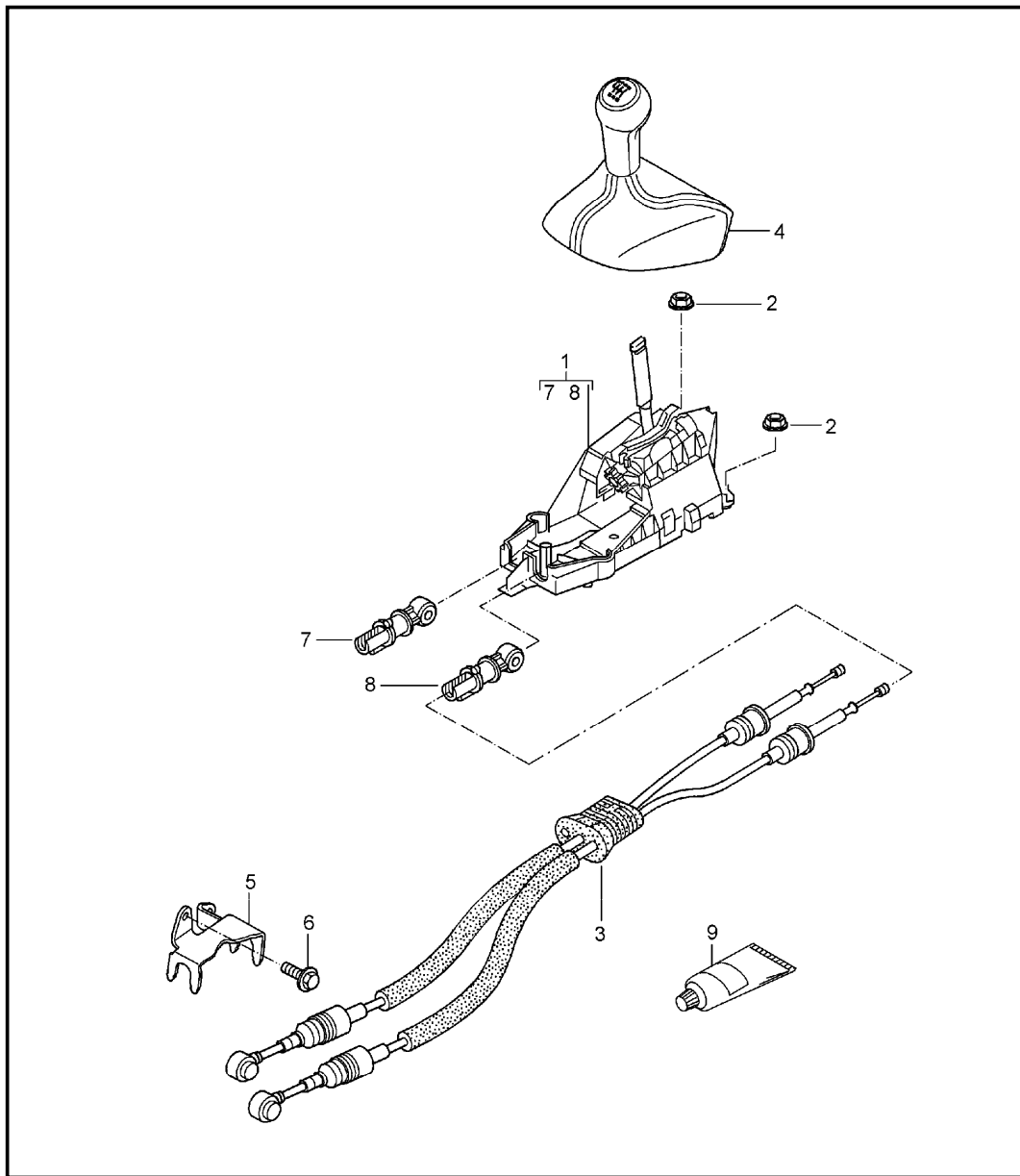
Pos	Part Number	Description	Remark	Qty	Model
		brake line underbody rear axle vacuum line			
1	997 355 189 00	brake line	/L	1	
2	996 355 503 00	brake hose bracket	/L	1	
(2)	997 355 503 10	support	/L	1	I450
3	900 067 117 09	pan-head screw M 6 X 16		2	
4	996 355 504 00	brake hose bracket	/R	1	
(4)	997 355 504 10	support	/R	1	I450
5	996 355 585 00	brake line	/L	1	
(5)	996 355 585 10	brake line	/L	1	I450
6	996 355 586 00	brake line	/R	1	
(6)	996 355 586 10	brake line	/R	1	I450
7	996 355 139 00	brake hose		2	
8	997 355 190 02	brake line		1	
9	996 347 543 00	cable holder		3	
11	996 355 543 00	support		1	
14	A 997 355 575 00	vacuum line		1	
(14)	997 355 575 01	vacuum line		1	
-	999 507 495 40	support		1	
(15)	996 501 815 02	support		2	
		GRV prime coated			
16	997 355 331 00	retainer spring for brake hose		X	

Model	Year	MG	SG	Illustration	Restrictions	UPD	23:24	24.01.2010	PORSCHE	PET	PORSCHE
997-1	2008	6	05	605-00		248					



Pos	Part Number	Description	Remark	Qty	Model
		hydraulic unit anti-lock brake system control			
1	A 997 355 955 05	hydraulic unit		1	CARRERA 2
				1	CARRERA 2S
(1)	997 355 955 06	hydraulic unit		1	CARRERA 2
				1	CARRERA 2S
(1)	A 997 355 955 28	hydraulic unit		1	CARRERA 4
				1	CARRERA 4S
(1)	997 355 955 30	hydraulic unit		1	CARRERA 4
			07-	1	CARRERA 4S
			07-	1	TARGA
			07-	1	TARGA S
2	997 355 033 00	support with rubber mounting		1	CARRERA 2
				1	CARRERA 2S
(2)	997 355 033 25	support with rubber mounting		1	CARRERA 4
				1	CARRERA 4S
			07-	1	TARGA
			07-	1	TARGA S
				1	I098
(2)	997 355 033 00	support with rubber mounting		1	CARRERA 4
				1	CARRERA 4S
			07-	1	TARGA
			07-	1	TARGA S
				1	I099
3	964 356 635 00	rubber mounting		3	
-	999 045 004 40	hexagon nut plastic material		3	
4	A 900 385 060 09	screw BM 6 X 10		3	
(4)	900 385 060 01	screw BM 6 x 10		3	
5	996 606 145 00	sensor		1	

Model	Year	MG	SG	Illustration	Restrictions	UPD	23:24	24.01.2010	PORSCHE	PET	PORSCHE
997-1	2008	7	01	701-00		248					



Pos	Part Number	Description	Remark	Qty	Model
		transmission control manual transmission			I480
1	997 424 010 00	gearshift bracket		1	
(1)	997 424 983 00	gearshift bracket		1	IXCZ
2	999 084 629 09	hexagon nut M 6SB		4	
3	U 997 424 041 00	cable transmission control		1	
(3)	997 424 041 01	cable transmission control		1	
4	997 424 075 00	gearshift knob leather shift pattern black	05	1	CARRERA
		FOT black/black			
		FOU stone grey/stone grey			
		FOV sand beige/sand beige			
		FOW sea blue/sea blue			
		FOX palmgreen/palmgreen			
		FPW terracotta/terracotta			
		FPX cocoa/cocoa			
		FOY dark grey/dark grey			
		FOZ brown nat./brown nat.			
(4)	997 424 075 01	gearshift knob gearshift knob leather shift pattern aluminium look	06- 1 07- 1 07- 1	1 1 1 1	CARRERA CARRERA S TARGA TARGA S
		FOT black/black			
		FOU stone grey/stone grey			
		FOV sand beige/sand beige			
		FOW sea blue/sea blue			
		FOX palmgreen/palmgreen			
		FPW terracotta/terracotta			

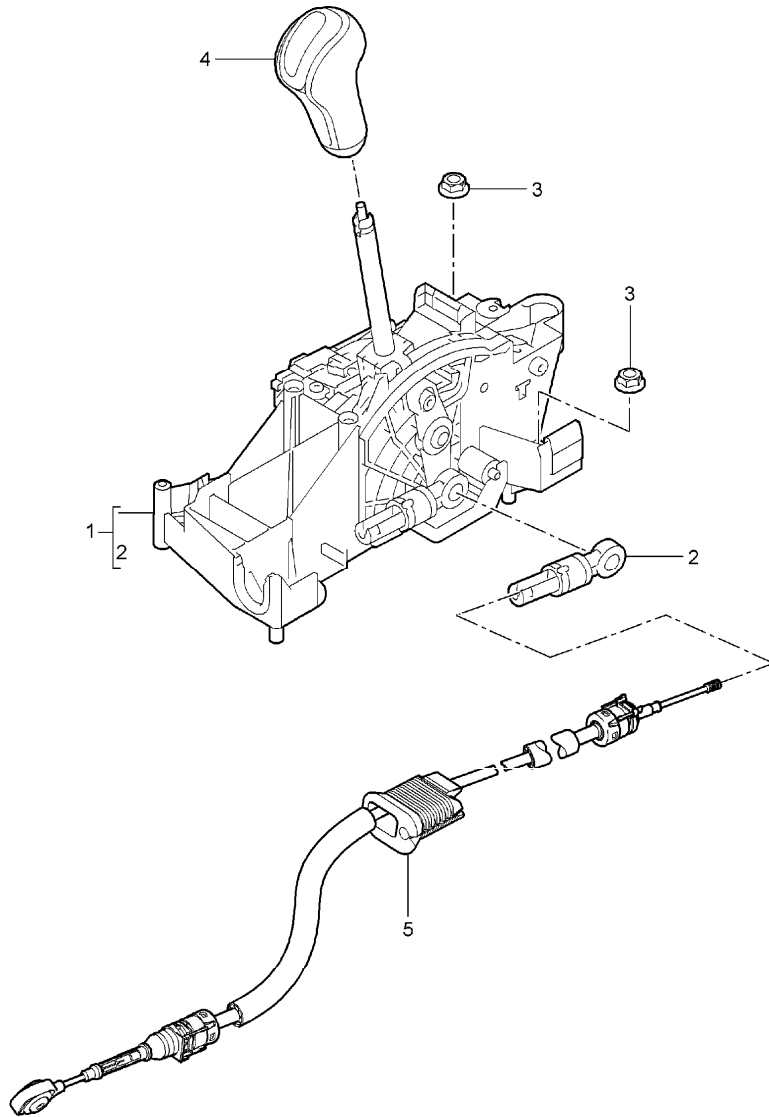
Model	Year	MG	SG	Illustration	Restrictions	UPD	23:24	24.01.2010	PORSCHE	PET	PORSCHE
997-1	2008	7	01	701-00		248					

Pos	Part Number	Description	Remark	Qty	Model	Pos	Part Number	Description	Remark	Qty	Model
		FPX cocoa/cocoa					FPH	black			
		FOY dark grey/dark grey					FPJ	stone grey			
		FOZ brown nat./brown nat.					FPK	sand beige			
(4)	997 424 075 03	gearshift knob carbon shift pattern aluminium look		1	I803		FPL	sea blue			
		FPF black					FPM	palmgreen			
		FPQ stone grey					FQA	terracotta			
		FPR sand beige					FQB	cocoa			
		FPS sea blue					FPN	dark grey/natural			
		FPT palmgreen				(4)	997 424 981 00	gearshift knob aluminium leather	06-	1	IX97
		FQC terracotta					8YR	black			
		FQD cocoa					5X5	stone grey			
		FPU dark grey/natural					8G1	sand beige			
		FPV brown/natural					3S8	sea blue			
(4)	997 424 075 04	gearshift knob macassar shift pattern aluminium look		1	I801		4P1	palmgreen			
		FPA black					9N2	terracotta			
		FPB stone grey					9Q3	cocoa			
		FPC sand beige					D11	dark grey/natural			
		FPD sea blue				-	996 424 445 00	clip for fastening part		X	
		FPE palmgreen				5	U 997 424 165 02	bearing bracket		1	
		FPY terracotta				(5)	997 424 165 04	bearing bracket		12	
		FPZ cocoa				6	900 378 017 09	hexagon-head bolt M 8 X 20		2	
		FPF dark grey/natural				7	996 424 145 01	fastening part for cable adjustable		1	
(4)	997 424 075 04	gearshift knob sycamore wood shift pattern aluminium look		1	I802						

Model	Year	MG	SG	Illustration	Restrictions	UPD	23:24	24.01.2010	PORSCHE	PET	PORSCHE
997-1	2008	7	01	701-00		248					

Pos	Part Number	Description	Remark	Qty	Model	Pos	Part Number	Description	Remark	Qty	Model
8	996 424 147 00	fastening part for cable adjustable		1							
9	000 043 205 93	grease 1 100-gramme tube		X							

Model	Year	MG	SG	Illustration	Restrictions	UPD	23:24	24.01.2010	PORSCHE	PET	PORSCHE
997-1	2008	7	01	701-01		248					



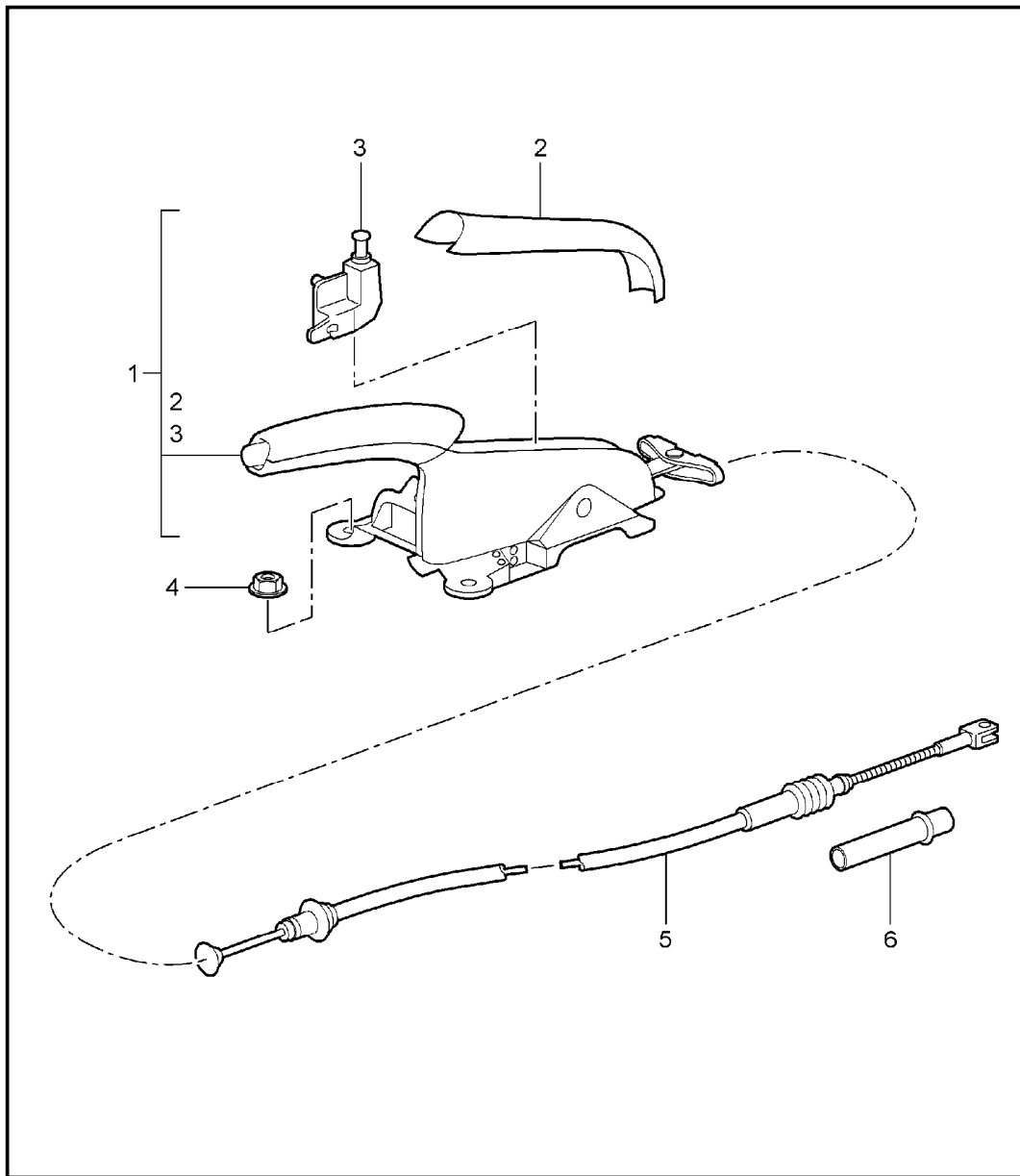
Pos	Part Number	Description	Remark	Qty	Model
		selector lever tiptronic			I249
1	A 997 426 011 01	support with housing	-06	1	
(1)	997 426 011 02	support with housing		1	
-	996 613 212 10	switch selector lever		1	
2	996 426 035 00	fastening part for cable adjustable		1	
3	999 084 629 09	hexagon nut M 6		4	
4	997 426 069 00	selector knob leather	-06	1	
		8YR black			
		5X5 stone grey			
		8G1 sand beige			
		3S8 sea blue			
		4P1 palmgreen			
		9N2 terracotta			
		9Q3 cocoa			
		D11 dark grey/natural			
		T11 brown/natural			
(4)	997 426 069 10	selector knob leather	07-	1	
		8YR black			
		5X5 stone grey			
		8G1 sand beige			
		3S8 sea blue			
		4P1 palmgreen			
		9N2 terracotta			



Model	Year	MG	SG	Illustration	Restrictions	UPD	23:24	24.01.2010	PORSCHE	PET	PORSCHE
997-1	2008	7	01	701-01		248					

Pos	Part Number	Description	Remark	Qty	Model	Pos	Part Number	Description	Remark	Qty	Model
	9Q3	cocoa									
	D11	dark grey/natural									
	T11	brown/natural									
(4)	997 426 069 03	selector knob	-06	1	I803						
	A35	carbon									
(4)	997 426 069 13	selector knob	07-	1	I803						
	A35	carbon									
(4)	997 426 069 04	selector knob	-06	1	I801						
	S61	macassar									
(4)	997 426 069 14	selector knob	07-	1	I801						
	S61	macassar									
(4)	997 426 069 04	selector knob	-06	1	I802						
	S62	sycamore wood									
(4)	997 426 069 14	selector knob	07-	1	I802						
	S62	sycamore wood									
-	997 426 275 00	key		1							
	V05	galvano silver									
5 U	997 426 033 00	cable		1							
(5)	997 426 033 01	cable		1							

Model	Year	MG	SG	Illustration	Restrictions	UPD	23:25	24.01.2010	PORSCHE	PET	PORSCHE
997-1	2008	7	01	701-05		248					



Pos	Part Number	Description	Remark	Qty	Model
		handbrake actuator			
1	997 424 031 42	parking-brake lever complete leather	-06	1	
	8YR	black			
	5X5	stone grey			
	8G1	sand beige			
	3S8	sea blue			
	4P1	palmgreen			
	9N2	terracotta			
	9Q3	cocoa			
	D11	dark grey/natural			
	T11	brown/natural			
(1)	997 424 031 52	parking-brake lever complete leather	07	1	
	8YR	black			
	5X5	stone grey			
	8G1	sand beige			
	3S8	sea blue			
	4P1	palmgreen			
	9N2	terracotta			
	9Q3	cocoa			
	D11	dark grey/natural			
	T11	brown/natural			
(1)	997 424 031 62	parking-brake lever complete leather	08-	1	
	8YR	black			
	5X5	stone grey			
	8G1	sand beige			

Model	Year	MG	SG	Illustration	Restrictions	UPD	23:25	24.01.2010	PORSCHE	PET	PORSCHE
997-1	2008	7	01	701-05		248					

Pos	Part Number	Description	Remark	Qty	Model	Pos	Part Number	Description	Remark	Qty	Model
	3S8	sea blue					T11	brown/natural			
	4P1	palmgreen				(1)	997 424 031 54	parking-brake lever complete sycamore wood	07	1	I802
	9N2	terracotta					8YR	black			
	9Q3	cocoa					5X5	stone grey			
	D11	dark grey/natural					8G1	sand beige			
	T11	brown/natural					3S8	sea blue			
	N11	carrera red	08-				4P1	palmgreen			
(1)	997 424 031 63	parking-brake lever complete macassar		1	I801		9N2	terracotta			
	8YR	black					9Q3	cocoa			
	5X5	stone grey					D11	dark grey/natural			
	8G1	sand beige					T11	brown/natural			
	3S8	sea blue				(1)	997 424 031 64	parking-brake lever complete sycamore wood	08-	1	I802
	4P1	palmgreen					8YR	black			
	9N2	terracotta					5X5	stone grey			
	9Q3	cocoa					8G1	sand beige			
	D11	dark grey/natural					3S8	sea blue			
	T11	brown/natural					4P1	palmgreen			
	N11	carrera red					9N2	terracotta			
(1)	997 424 031 44	parking-brake lever complete sycamore wood	-06	1	I802		9Q3	cocoa			
	8YR	black					D11	dark grey/natural			
	5X5	stone grey					T11	brown/natural			
	8G1	sand beige					N11	carrera red	08-		
	3S8	sea blue				(1)	997 424 031 45	parking-brake lever complete carbon	-06	1	I803
	4P1	palmgreen					8YR	black			
	9N2	terracotta					5X5	stone grey			
	9Q3	cocoa					8G1	sand beige			
	D11	dark grey/natural									

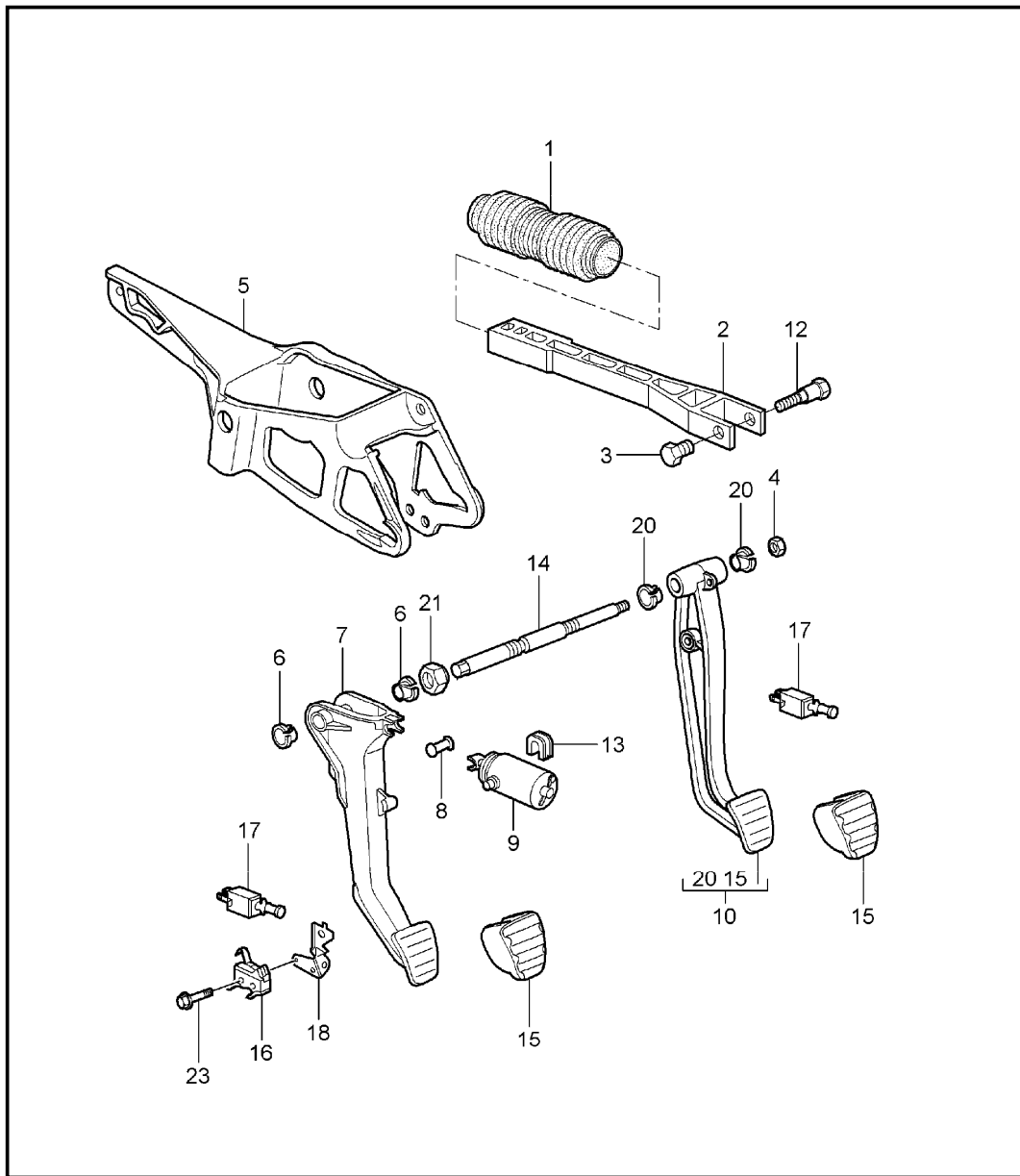
Model	Year	MG	SG	Illustration	Restrictions	UPD	23:25	24.01.2010	PORSCHE	PET	PORSCHE
997-1	2008	7	01	701-05		248					

Pos	Part Number	Description	Remark	Qty	Model	Pos	Part Number	Description	Remark	Qty	Model
	3S8	sea blue				(1)	997 424 980 00	parking-brake lever complete	I098 07-	1	IX98
	4P1	palmgreen					8YR	black			
	9N2	terracotta					5X5	stone grey			
	9Q3	cocoa					8G1	sand beige			
	D11	dark grey/natural					3S8	sea blue			
	T11	brown/natural					4P1	palmgreen			
(1)	997 424 031 55	parking-brake lever complete carbon	07	1	I803		9N2	terracotta			
	8YR	black					9Q3	cocoa			
	5X5	stone grey					D11	dark grey/natural			
	8G1	sand beige				(1)	997 424 980 01	parking-brake lever complete	I099 07-	1	IX98
	3S8	sea blue					8YR	black			
	4P1	palmgreen					5X5	stone grey			
	9N2	terracotta					8G1	sand beige			
	9Q3	cocoa					3S8	sea blue			
	D11	dark grey/natural					4P1	palmgreen			
	T11	brown/natural					9N2	terracotta			
(1)	997 424 031 65	parking-brake lever complete carbon	08-	1	I803		9Q3	cocoa			
	8YR	black					D11	dark grey/natural			
	5X5	stone grey					T11	brown/natural			
	8G1	sand beige				2	997 424 155 00	cover leather		1	
	3S8	sea blue					8YR	black			
	4P1	palmgreen					5X5	stone grey			
	9N2	terracotta					8G1	sand beige			
	9Q3	cocoa					3S8	sea blue			
	D11	dark grey/natural					4P1	palmgreen			
	T11	brown/natural					9N2	terracotta			
	N11	carrera red	08-								

Model	Year	MG	SG	Illustration	Restrictions	UPD	23:25	24.01.2010	PORSCHE	PET	PORSCHE
997-1	2008	7	01	701-05		248					

Pos	Part Number	Description	Remark	Qty	Model	Pos	Part Number	Description	Remark	Qty	Model
	9Q3	cocoa									
	D11	dark grey/natural									
	T11	brown/natural									
3	996 613 112 01	switch		1							
4	999 084 630 09	hexagon nut M 8		4							
5	A 997 424 141 05	parking-brake cable	-07	2							
(5)	997 424 141 06	parking-brake cable		2							
6	996 424 721 02	guide tube		2							

Model	Year	MG	SG	Illustration	Restrictions	UPD	23:25	24.01.2010	PORSCHE	PET	PORSCHE
997-1	2008	7	02	702-00		248					

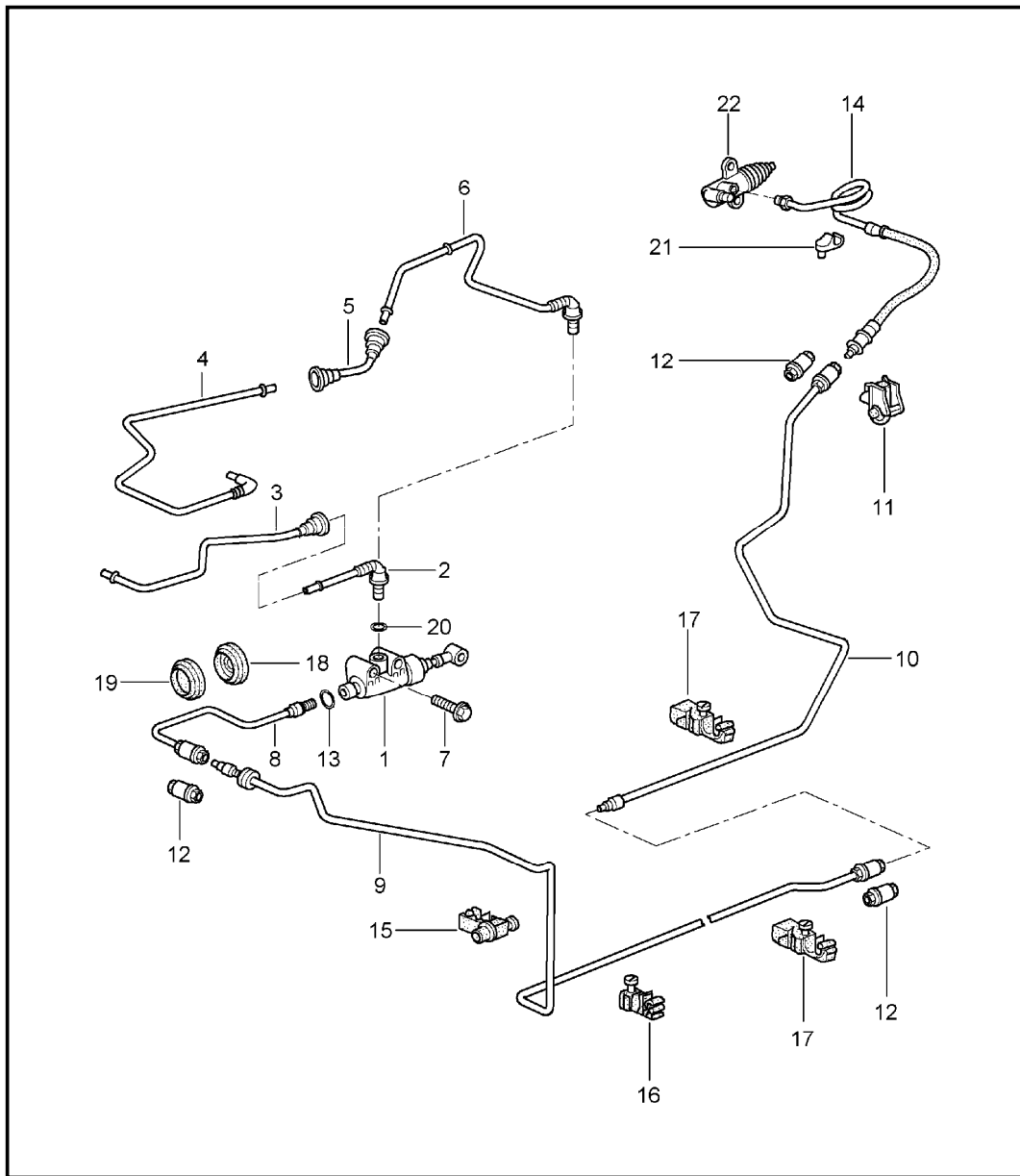


Pos	Part Number	Description	Remark	Qty	Model
-	000 043 206 17	grease l tube		X	
1	...	bellows see illustrations 6/04/00		1	
(2)	996 423 165 05	push rod		1	
3	996 423 307 00	sleeve		1	
4	900 380 005 09	hexagon nut M 8		3 2	
5	997 423 571 02	bracket for clutch power spring		1	I480
6	997 423 399 01	bush		2	I480
7	997 423 139 01	clutch pedal		1	I480
(8)	996 423 315 06	bolt		1	I480
-	999 166 022 02	kl-lock for bolt		1	I480
9 A	997 423 081 04	clutch power spring		1	CARRERA 2
(9)	997 423 081 06	clutch power spring		1	CARRERA 2
			07-	1	CARRERA 4
			07-	1	TARGA
(9)	997 423 081 05	clutch power spring		1	CARRERA 2S
			07-	1	CARRERA 4S
			07-	1	TARGA S
(10) A	997 423 091 03	brake pedal		1	I098/480
(10)	997 423 091 04	brake pedal		1	I098/480
(10) A	997 423 092 03	brake pedal		1	I099/480
(10)	997 423 092 04	brake pedal		1	I099/480
(10) A	997 423 093 03	brake pedal		1	I098/249
(10)	997 423 093 04	brake pedal		1	I098/249
10 A	997 423 094 03	brake pedal		1	I099/249
10	997 423 094 04	brake pedal		1	I099/249
12	996 423 308 00	bolt		1	

Model	Year	MG	SG	Illustration	Restrictions	UPD	23:25	24.01.2010	PORSCHE	PET	PORSCHE
997-1	2008	7	02	702-00		248					

Pos	Part Number	Description	Remark	Qty	Model	Pos	Part Number	Description	Remark	Qty	Model
13	997 423 581 00	bearing shell		1							
14	997 423 281 00	axle		1	I098/480						
(14)	997 423 284 00	axle		1	I099/480						
(14)	996 423 283 05	axle		1	I098/249						
(14)	996 423 286 05	axle		1	I099/249						
-	996 423 277 00	bearing sleeve brake pedal		1	I099						
15	997 423 910 00	pedal cap		2	I480						
(15)	997 423 912 00	pedal cap		1	I249						
16	997 613 109 00	switch		1	I480						
(17)	996 613 113 01	switch brake pedal		1							
(17)	996 613 114 01	switch clutch pedal		1	I480						
18	997 423 541 00	support		1							
20	997 423 401 00	bush		2	I098						
(20)	997 423 402 00	bush		2	I099						
21	997 423 275 01	screw plug		1							
22	A 900 378 273 09	hexagon-head bolt M 6 X 18		1							
(22)	900 378 273 01	hexagon-head bolt M 6 x 18		1							
23	900 146 159 02	round head screw M 3 X 20		1							
24	997 423 695 00	rubber stop		1							
25	997 423 697 00	rubber stop		1							

Model	Year	MG	SG	Illustration	Restrictions	UPD	23:25	24.01.2010	PORSCHE	PET	PORSCHE
997-1	2008	7	02	702-08		248					



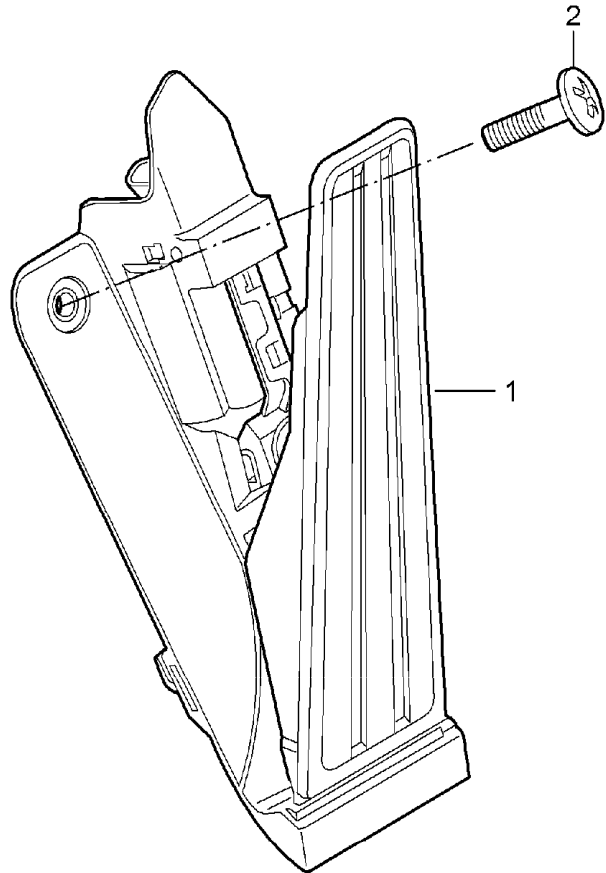
Pos	Part Number	Description	Remark	Qty	Model
		clutch actuation clutch master cylinder clutch pipeline			I480
1	997 423 171 01	clutch master cylinder		1	
-	996 423 614 00	circlip pressure line		1	
-	996 423 315 06	bolt		1	
-	999 166 022 02	kl-lock for bolt		1	
2	997 423 147 00	feed line		1	I098
3	997 423 137 00	feed line		1	I098
				1	CARRERA 2
				1	CARRERA 2S
(3)	997 423 137 25	feed line		1	I098
			07-		CARRERA 4
			07-		CARRERA 4S
			07-		TARGA
			07-		TARGA S
4	996 423 138 04	line		1	I099
					CARRERA 2
					CARRERA 2S
(4)	997 423 138 25	line		1	I099
			07-		CARRERA 4
			07-		CARRERA 4S
			07-		TARGA
			07-		TARGA S
5	996 423 140 02	line		1	I099
6	996 423 142 02	feed line		1	I099
-	999 703 421 40	grommet side section		1	I249
7	900 378 217 09	hexagon-head bolt M 6 X 40		2	
8	996 423 107 10	clutch pipeline		1	I098
(8)	997 423 108 00	clutch pipeline		1	I099
-	999 702 174 50	grommet		1	I098
9	997 423 109 00	clutch pipeline		1	
			-08		
10	997 423 113 00	clutch pipeline		1	



Model	Year	MG	SG	Illustration	Restrictions	UPD	23:25	24.01.2010	PORSCHE	PET	PORSCHE
997-1	2008	7	02	702-08		248					

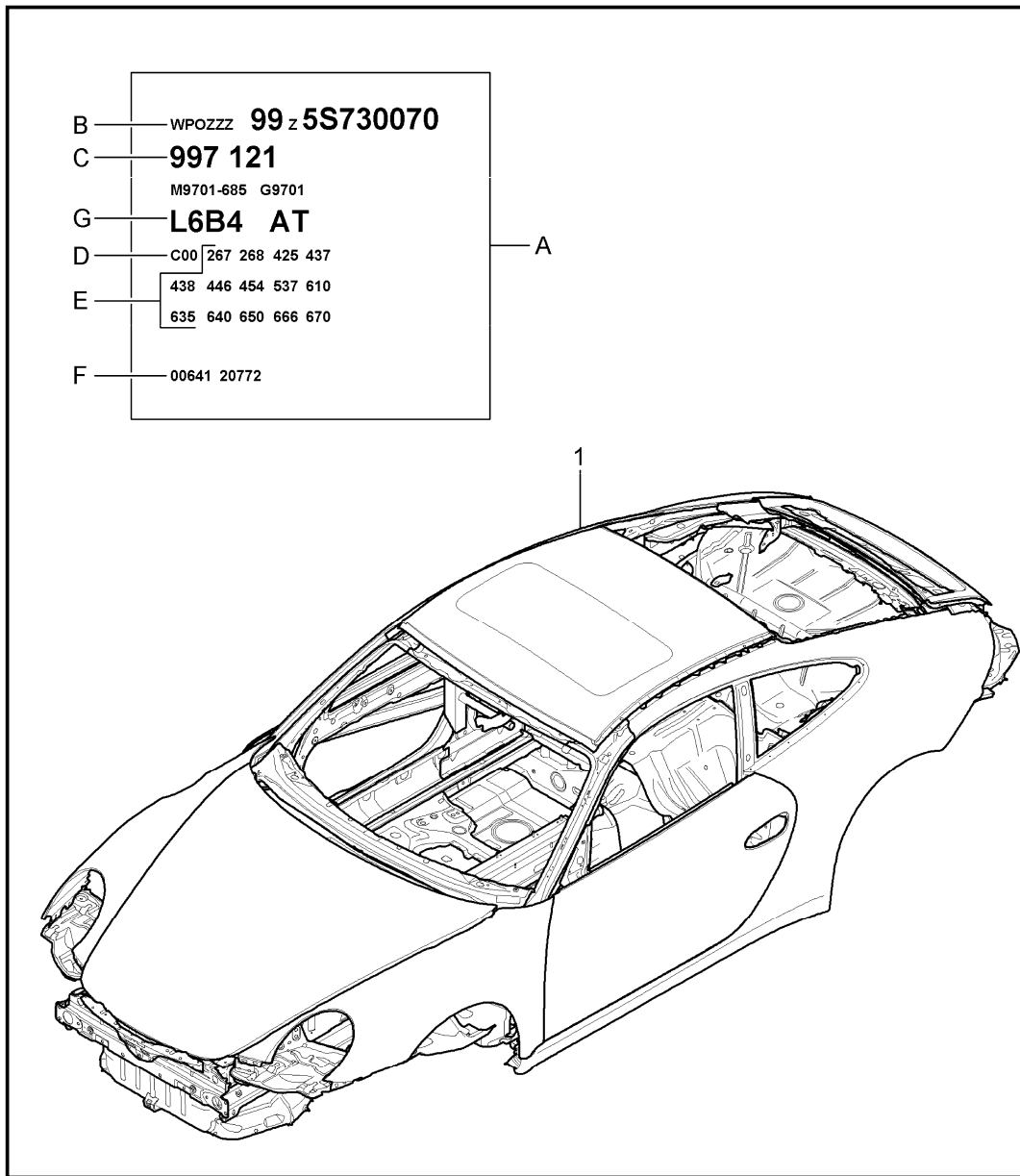
Pos	Part Number	Description	Remark	Qty	Model	Pos	Part Number	Description	Remark	Qty	Model
11	999 507 495 40	support		1							
12	999 230 541 10	threaded joint		3							
13	999 707 333 40	sealing ring		1							
14	997 423 377 00	clutch hose	-07	1							
(14)	997 423 377 01	clutch hose	08-	1							
15	996 355 549 00	support		1							
16	996 355 545 00	support		2							
17	996 355 543 00	support		4							
18	999 702 216 42	grommet		1							
19	999 702 217 41	grommet		1	I249						
-	999 507 586 40	cable holder		1							
20	999 707 333 40	sealing ring 6,07 X 1,78N		1							
21	999 507 586 40	cable holder		1							
22	997 116 237 01	clutch operating cylinder	-07	1							
(22)	997 116 237 02	clutch operating cylinder	08-	1							
-	900 378 033 01	hexagon-head bolt M 8 X 30		2							

Model	Year	MG	SG	Illustration	Restrictions	UPD	23:25	24.01.2010	PORSCHE	PET	PORSCHE
997-1	2008	7	02	702-10		248					



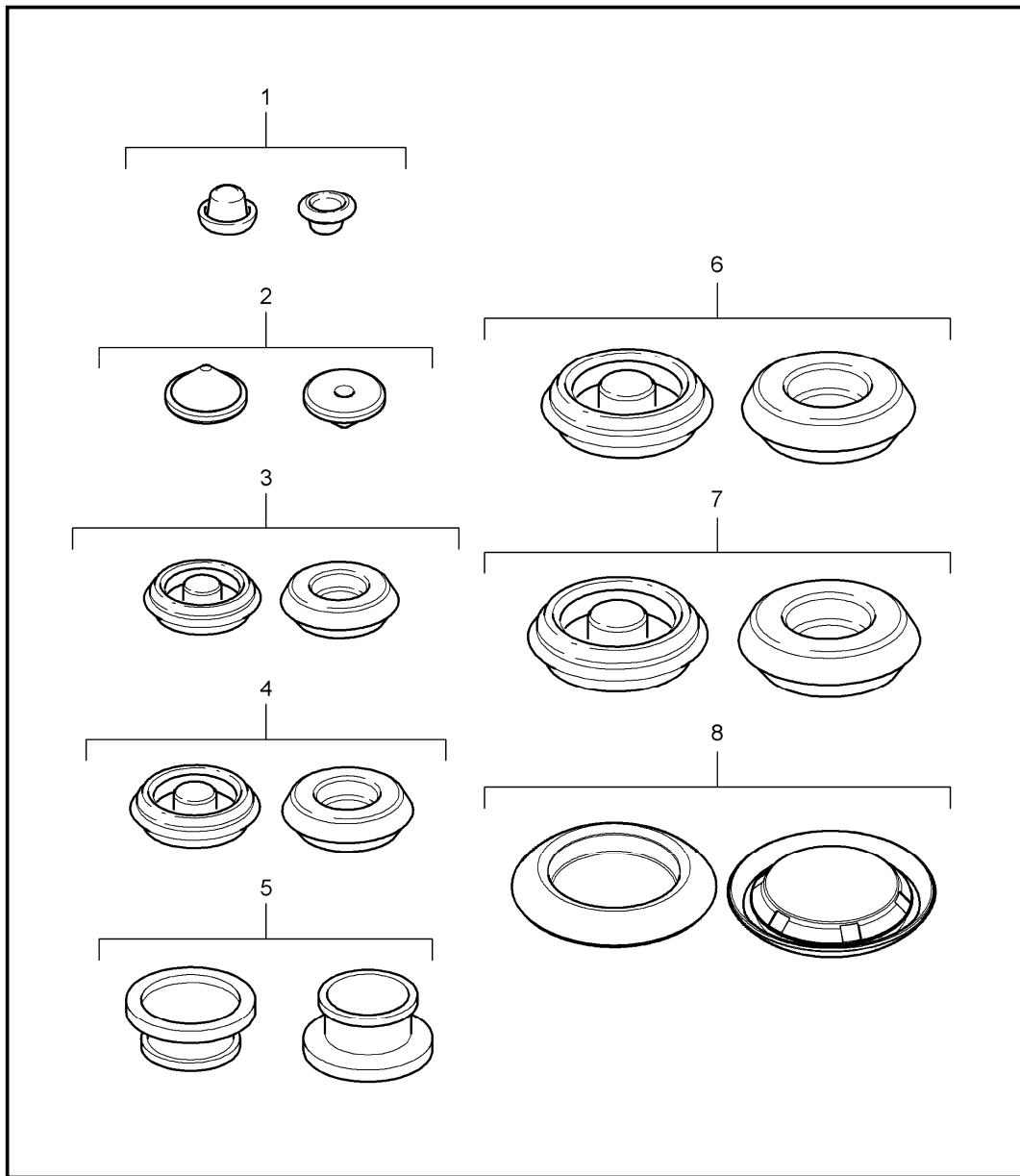
Pos	Part Number	Description	Remark	Qty	Model
		pedals accelerator control			
1	997 423 019 02	accelerator control		1	I480
(1)	997 423 021 02	accelerator control		1	I249
2	900 146 161 09	round head screw M 6 X 20		1	

Model	Year	MG	SG	Illustration	Restrictions	UPD	23:25	24.01.2010	PORSCHE	PET	PORSCHE
997-1	2008	8	01	801-00		248					



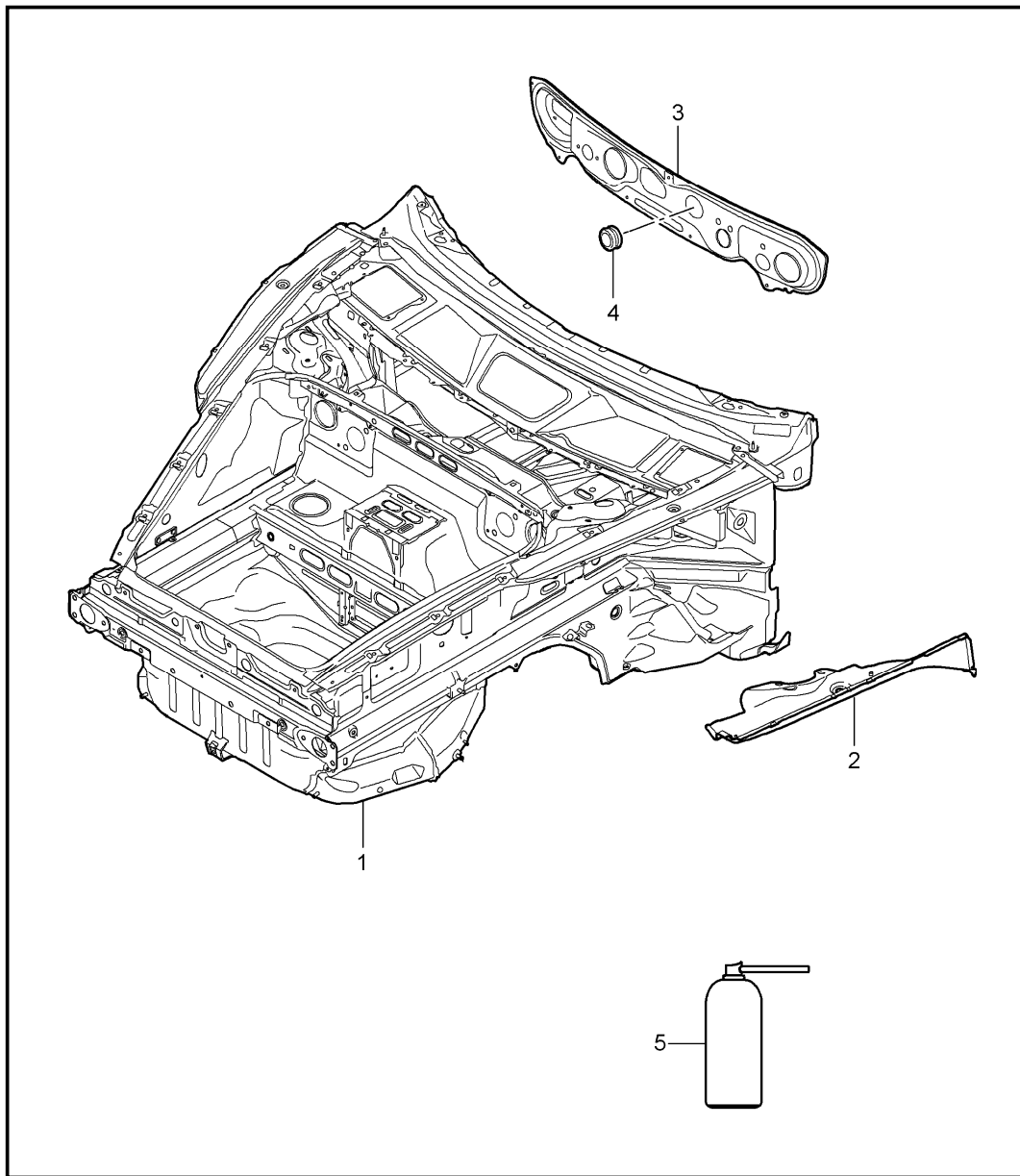
Pos	Part Number	Description	Remark	Qty	Model
		body in white prime coated sealed with underbody protection with doors/lids/wings			
		bodyshells can only only available from current model year available			
		the data required for your order can be found on the vehicle data carrier in on-board folder please indicate this data in your order			
A	-	vehicle data carrier			
B	-	vehicle identification no.			
C	-	order type			
D	-	country equipment			
E	-	optional extras			
F	-	additional applications			
G	-	indicate colour			
1	997 500 900 00 GRV	body in white prime coated		1	

Model	Year	MG	SG	Illustration	Restrictions	UPD	23:27	24.01.2010	PORSCHE	PET	PORSCHE
997-1	2008	8	01	801-02		248					



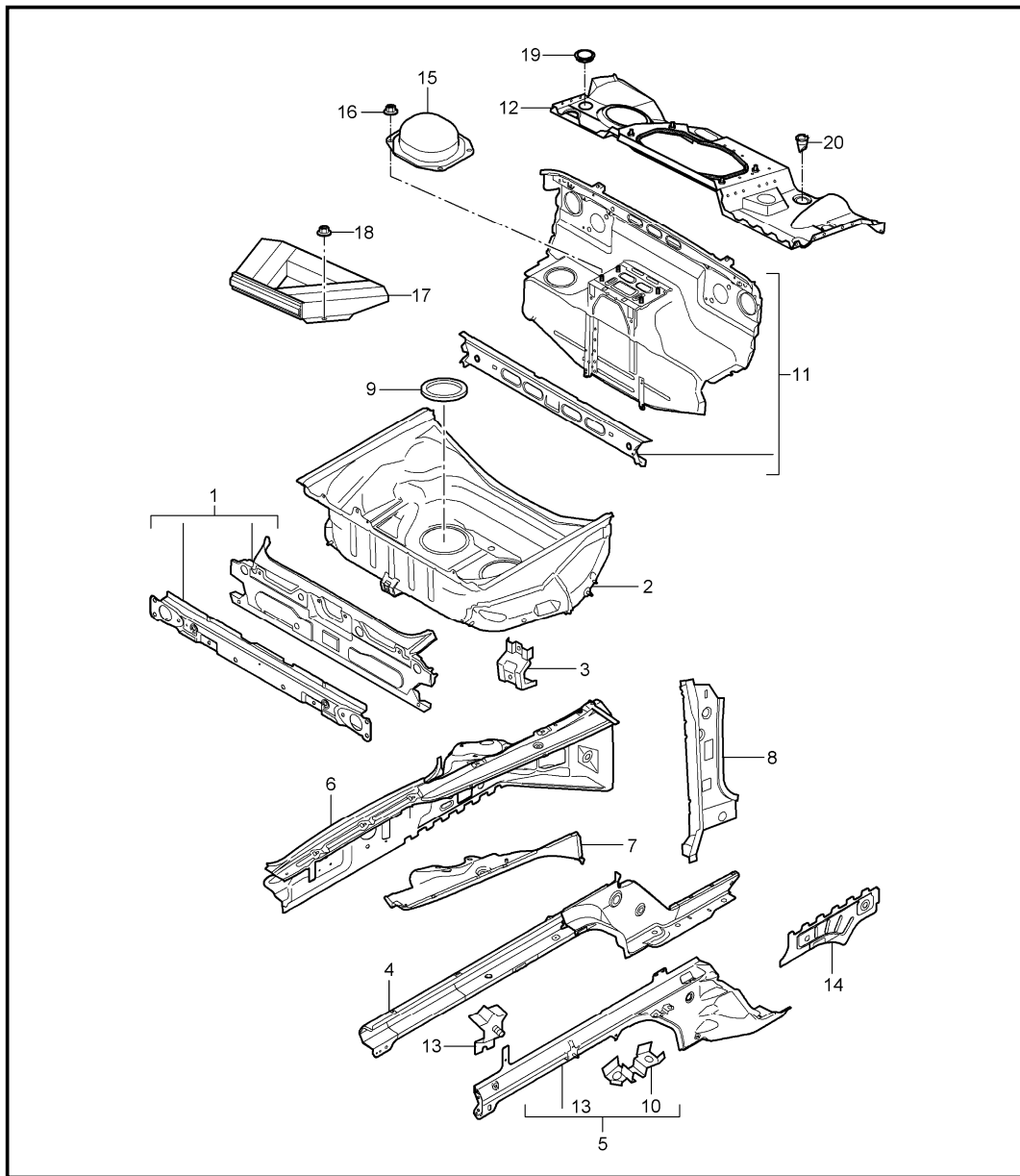
Pos	Part Number	Description	Remark	Qty	Model
		stopper plane see workshop manual			
1	999 703 462 40	lid 10 x 6,5		X	
2	999 703 421 40	grommet 15 mm		X	
4	803 803 583 A	lid 20 x 30		X	
5	999 703 420 40	stopper 20,3 x 30 x 11		X	
6	803 803 583	rubber sleeve 30 x 40		X	
7	999 703 433 40	stopper 30 x 42		X	
8	999 703 454 40	lid 55 x 70		X	

Model	Year	MG	SG	Illustration	Restrictions	UPD	23:27	24.01.2010	PORSCHE	PET	PORSCHE
997-1	2008	8	01	801-05		248					



Pos	Part Number	Description	Remark	Qty	Model
1	997 501 911 00	body front section		1	I338
	GRV	prime coated use also: sealing compound Pos. 5 processing instructions see technical manual			
1	997 501 911 01	body front section	/LL	1	I339
	GRV	prime coated use also: sealing compound Pos. 5 processing instructions see technical manual			
1	997 501 911 02	body front section	/RL	1	I339
	GRV	prime coated use also: sealing compound Pos. 5 processing instructions see technical manual			
2	997 501 945 00	lower part	/L	1	
	GRV	prime coated			
(2)	997 501 946 00	lower part	/R	1	
	GRV	prime coated			
3 A	997 504 121 00	lid	/LL	1	
(3)	997 504 121 01	lid	/RL	1	
		use also:			
--	000 043 300 94	adhesive set		1	
4	999 702 255 41	lid 62,5 X 72,6		1	
5	999 915 337 40	sealing compound		1	

Model	Year	MG	SG	Illustration	Restrictions	UPD	23:27	24.01.2010	PORSCHE	PET	PORSCHE
997-1	2008	8	01	801-10		248					

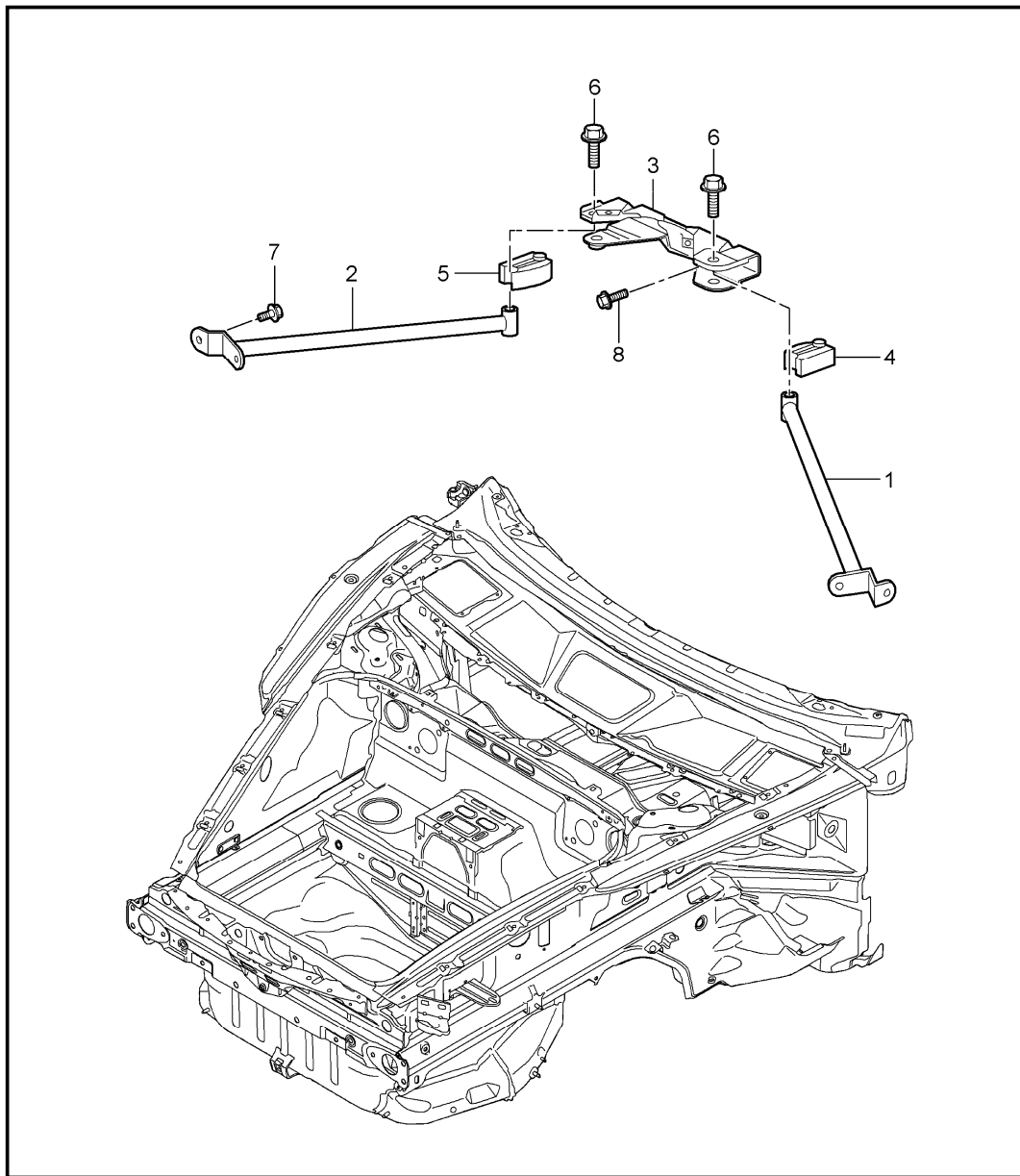


Pos	Part Number	Description	Remark	Qty	Model
		body front section single parts			
1	997 501 931 00	terminal piece		1	
	GRV	prime coated			
2	997 501 979 00	spare-wheel well		1	CARRERA S
	GRV	prime coated			
2	997 501 979 01	spare-wheel well		1	CARRERA 4/4S
	GRV	prime coated			
3	996 501 621 00	support		3	
	GRV	prime coated			
4	997 501 305 01	side member	/L	1	
	GRV	prime coated			
(4)	997 501 306 01	side member	/R	1	
	GRV	prime coated			
5	997 501 915 00	side member	/L	1	
	GRV	prime coated			
(5)	997 501 916 00	side member	/R	1	
	GRV	prime coated			
6	997 501 935 00	wheel housing	/L	1	
	GRV	prime coated			
(6)	997 501 936 01	wheel housing	/R	1	
	GRV	prime coated			
7	997 501 945 00	lower part	/L	1	
	GRV	prime coated			
(7) A	997 501 946 00	lower part	/R	1	
	GRV	prime coated			
(7)	997 501 946 01	lower part	/R	1	
	GRV	prime coated			
8	997 501 937 00	hinge pillar	/L	1	

Model	Year	MG	SG	Illustration	Restrictions	UPD	23:27	24.01.2010	PORSCHE	PET	PORSCHE
997-1	2008	8	01	801-10		248					

Pos	Part Number	Description	Remark	Qty	Model	Pos	Part Number	Description	Remark	Qty	Model
		GRV prime coated				18	803 803 583	rubber sleeve 30,0 X 40,0		1	
(8)	997 501 938 00	hinge pillar	/R	1		19	999 703 476 40	grommet 29,8 X 1,0		4	
		GRV prime coated									
9	996 504 201 01	lid \$ 145 MM		2							
10	996 501 815 02	support		2							
		GRV prime coated									
11	997 502 921 00	bulkhead		1	CARRERA S						
		GRV prime coated									
(11)	997 502 915 00	bulkhead	/LL 06-	1	CARRERA 4/4S						
		GRV prime coated									
(11)	997 502 915 01	bulkhead	/RL 06-	1	CARRERA 4/4S						
		GRV prime coated									
12	997 502 017 01	cross panel		1	CARRERA S						
		GRV prime coated									
(12)	997 502 017 00	cross panel		1	CARRERA 4/4S						
		GRV prime coated									
13	996 501 341 00	support		2							
		GRV prime coated									
14	997 501 665 01	separator	/L	1							
		GRV prime coated									
(14)	997 501 666 01	separator	/R	1							
		GRV prime coated									
15	997 504 471 00	lid bulkhead		1	CARRERA 4/4S						
16	900 380 015 09	hexagon nut M6		7							
17	997 504 403 00	insert spare-wheel well		1	CARRERA 4/4S						
18	999 084 638 09	hexagon nut m 6		3							

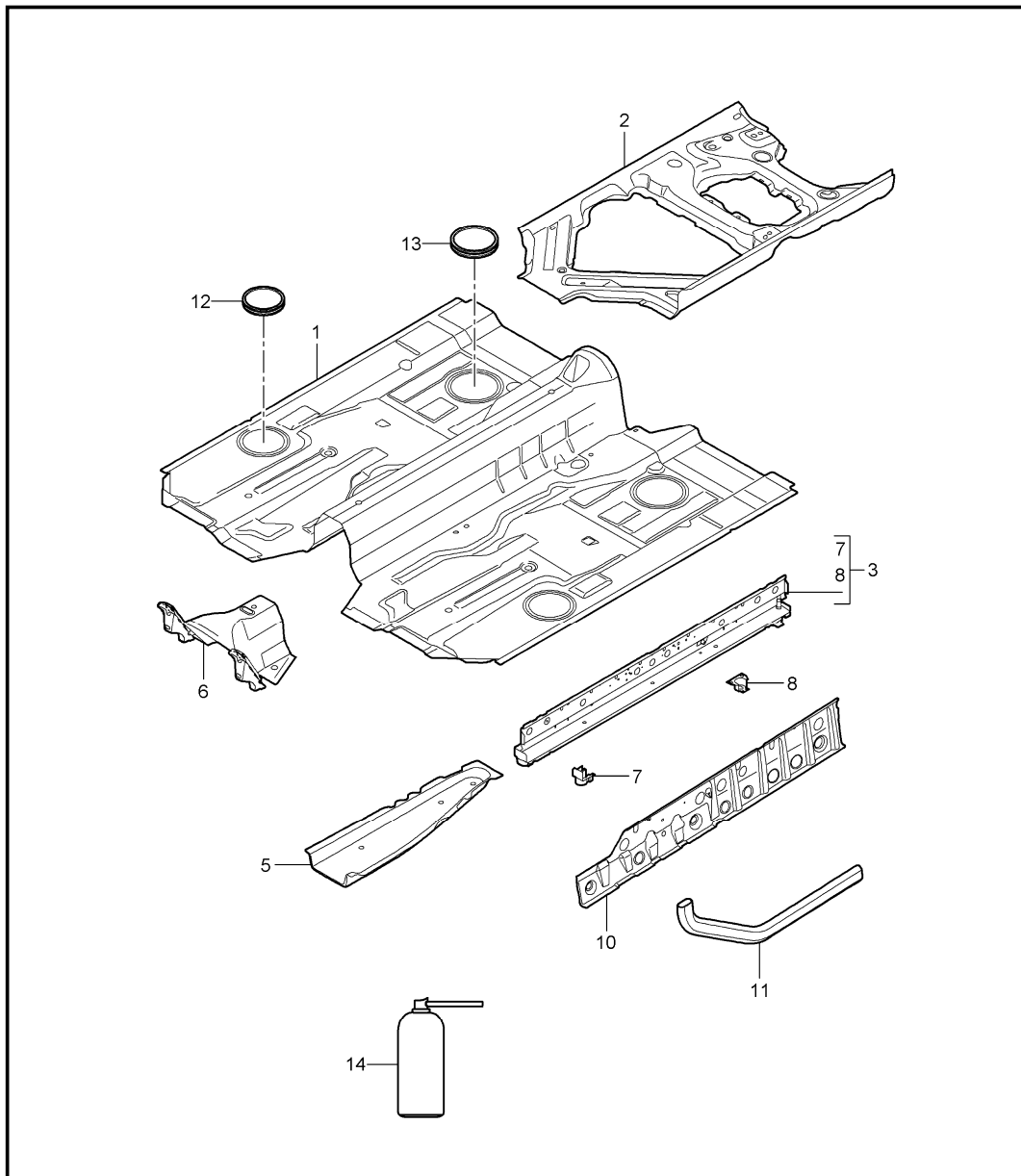
Model	Year	MG	SG	Illustration	Restrictions	UPD	23:27	24.01.2010	PORSCHE	PET	PORSCHE
997-1	2008	8	01	801-15		248					



Pos	Part Number	Description	Remark	Qty	Model
		dome strut			
1	996 504 233 01	dome strut	/L	1	
2	996 504 234 01	dome strut	/R	1	
3	997 504 359 00	bracket		1	
4	996 504 633 00	filler piece	/L	1	
5	996 504 634 00	filler piece	/R	1	
6	900 378 100 09	hexagon-head bolt AM 10 X 45		2	
7	900 075 010 09	hexagon-head bolt M 6 X 12		4	
8	900 378 173 01	hexagon-head bolt M 6 X 20		4	



Model	Year	MG	SG	Illustration	Restrictions	UPD	16:34	02.02.2010	PORSCHE	PET	PORSCHE
997-1	2008	8	01	801-20		248					

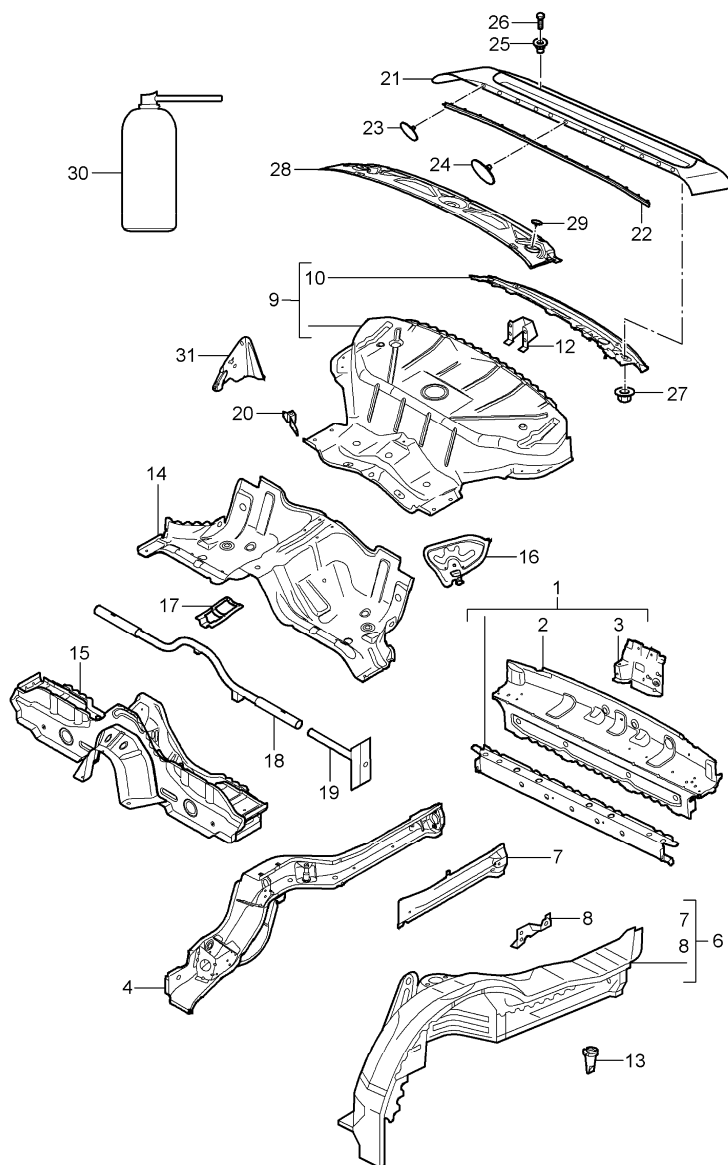


Pos	Part Number	Description	Remark	Qty	Model
-	000 043 206 29	floor centre adhesive set body comprising:		X	
-	000 043 206 30	adhesive		1	
-	000 043 206 31	tool		1	
-	000 043 206 32	tool		1	
-	000 043 206 33	activator		1	
1	997 501 551 00	floor		1	
	GRV	prime coated			
2	997 501 953 00	seat support	/L	1	
	GRV	prime coated			
3	997 501 157 00	side member	/L	1	
	GRV	prime coated			
(3)	997 501 158 00	side member	/R	1	
	GRV	prime coated			
5	997 501 525 00	side member	/L	1	
	GRV	prime coated			
(5)	997 501 526 00	side member	/R	1	
	GRV	prime coated			
6	996 501 751 00	extension		1	
	GRV	prime coated			
7	996 501 785 00	jacking point	/L/V	1	
	GRV	prime coated			
(7)	996 501 786 00	jacking point	/R/V	1	
	GRV	prime coated			
8	996 501 481 01	jacking point	/L/H	1	
	GRV	prime coated			
(8)	996 501 482 01	jacking point	/R/H	1	

Model	Year	MG	SG	Illustration	Restrictions	UPD	16:34	02.02.2010	PORSCHE	PET	PORSCHE
997-1	2008	8	01	801-20		248					

Pos	Part Number	Description	Remark	Qty	Model	Pos	Part Number	Description	Remark	Qty	Model
		GRV prime coated									
10	997 501 329 00	retaining bracket	/L	1							
		GRV prime coated									
(10)	997 501 330 00	retaining bracket	/R	1							
		GRV prime coated									
11	997 501 439 00	support tube		2							
		GRV prime coated									
		use also:									
		sealing compound									
		Pos. 14									
		processing instructions									
		see technical manual									
		51 49 55									
12	996 504 205 01	lid		2							
		\$ 125 MM									
13	996 504 201 01	lid		2							
		\$ 145 MM									
14	999 915 337 40	sealing compound		1							

Model	Year	MG	SG	Illustration	Restrictions	UPD	23:28	24.01.2010	PORSCHE	PET	PORSCHE
997-1	2008	8	01	801-35		248					



Pos	Part Number	Description	Remark	Qty	Model
1	997 501 973 00	rear end terminal piece		1	
	GRV	prime coated			
2	997 501 273 00	end plate		1	
	GRV	prime coated			
3	997 501 247 00	lock carrier		1	
	GRV	prime coated			
4	997 501 977 00	side member	/L	1	
	GRV	prime coated use also: sealing compound Pos. 30 processing instructions see technical manual 53 48 55			
(4)	997 501 978 00	side member	/R	1	
	GRV	prime coated use also: sealing compound Pos. 30 processing instructions see technical manual 53 48 55			
6	997 501 943 00	wheel housing	/L	1	
	GRV	prime coated it is necessary to rework see workshop manual			CABRIO
(6)	997 501 944 00	wheel housing	/R	1	
	GRV	prime coated it is necessary to rework see workshop manual			CABRIO
7	996 501 595 01	side member	/L	1	
	GRV	prime coated			
(7)	996 501 596 01	side member	/R	1	
	GRV	prime coated			
8	996 501 571 00	bracket	/L	1	CABRIO
	GRV	prime coated			

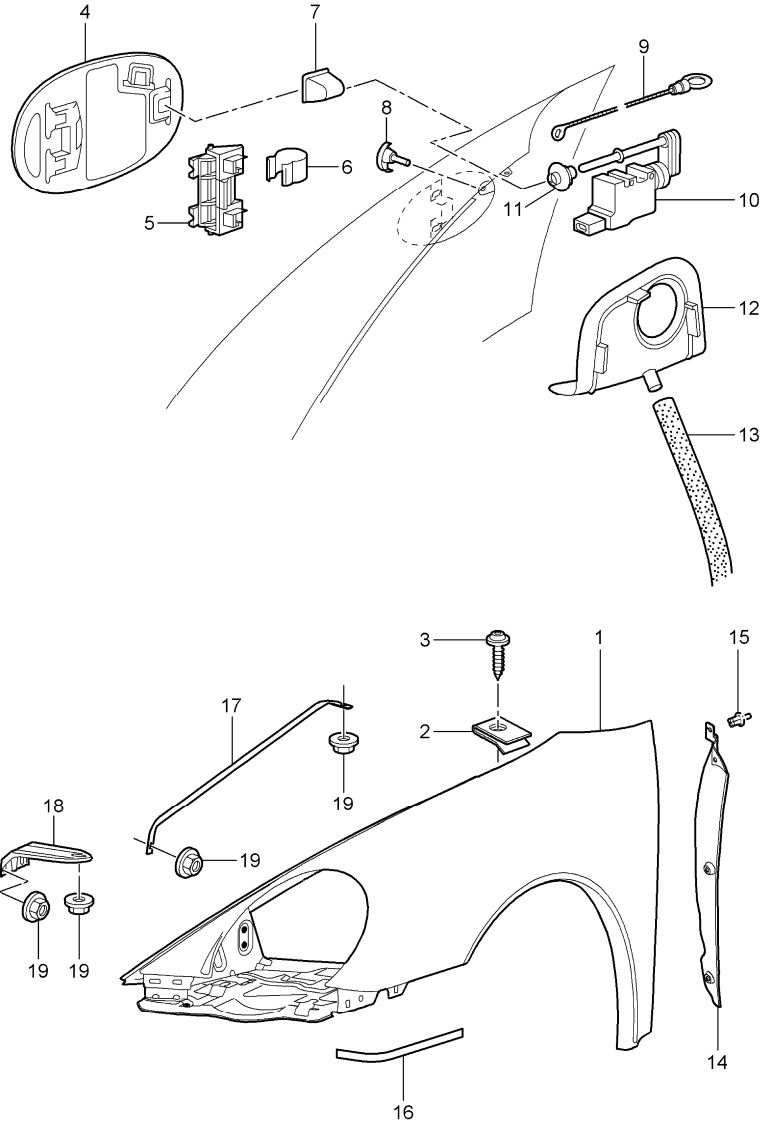
Model	Year	MG	SG	Illustration	Restrictions	UPD	23:28	24.01.2010	PORSCHE	PET	PORSCHE
997-1	2008	8	01	801-35		248					

Pos	Part Number	Description	Remark	Qty	Model	Pos	Part Number	Description	Remark	Qty	Model	
(8)	996 501 572 00	bracket	/R	1	CABRIO		GRV	prime coated				
	GRV	prime coated				(19)	996 501 415 00	sleeve		2		
9	997 502 911 00	rear wall		1			GRV	prime coated				
	GRV	prime coated order also: POS. 12 see workshop manual			CABRIO	20	997 501 611 00	mounting	/L	1	CABRIO	
	GRV	prime coated roll-over bar					GRV	prime coated roll-over bar				
10	997 502 373 00	cross member		1	COUPE	(20)	997 501 612 00	mounting	/R	1	CABRIO	
	GRV	prime coated					GRV	prime coated roll-over bar				
(10)	997 502 673 01	cross member		1	CABRIO	21 A	997 504 345 00	rear centre panel		-06	1	COUPE
	GRV	prime coated					GRV	prime coated				
(10)	997 502 373 01	cross member		1	TARGA	(21)	997 504 345 03	rear centre panel			1	COUPE
	GRV	prime coated					GRV	prime coated				
(10)	997 502 561 00	cross member		1	CABRIO	(21)	997 504 545 02	rear centre panel outer			1	TARGA
	GRV	prime coated upper part					GRV	prime coated				
12	997 502 525 00	bracket		1	CABRIO	22	997 504 612 00	gasket			1	COUPE
	GRV	prime coated				22	997 504 612 01	gasket rear centre panel prime coated			1	TARGA
13	996 561 825 00	water drain valve wheel housing rear		2		23	999 507 973 40	mount 2,8 X 6 X 30			2	COUPE
14	997 501 549 00	seat well		1		24	999 507 974 40	mount 2,8 X 6 X 50			10	COUPE
	GRV	prime coated				25	999 500 109 02	blind rivet nut M 6/0,8 - 3			3	COUPE
15	997 501 955 00	cross member		1		26	999 073 263 09	combination screw M 6 X 12			3	COUPE
	GRV	prime coated				27	999 076 029 02	hexagon nut M 6			2	
16	996 501 461 02	reinforcement	/L	1		28	997 502 409 01	filler plate			1	COUPE
	GRV	prime coated					GRV	prime coated rear centre panel use also:				
(16)	996 501 462 02	reinforcement	/R	1		(28)	997 502 409 02	filler plate			1	TARGA
	GRV	prime coated										
17	996 501 659 01	bracket		1								
	GRV	prime coated										
18	996 501 411 00	pipe		1								

Model	Year	MG	SG	Illustration	Restrictions	UPD	23:28	24.01.2010	PORSCHE	PET	PORSCHE
997-1	2008	8	01	801-35		248					

Pos	Part Number	Description	Remark	Qty	Model	Pos	Part Number	Description	Remark	Qty	Model
	GRV	prime coated rear centre panel use also:									
-	999 915 650 40	adhesive TEROMIX 6700		X							
-	000 043 300 48	tool use also:		X							
-	000 043 206 29	adhesive set body comprising:		X							
-	000 043 206 30	adhesive		1							
-	000 043 206 31	tool		1							
-	000 043 206 32	tool		1							
-	000 043 206 33	activator		1							
29	999 507 838 40	stopper 10,0 X 0,9		4	TARGA						
30	999 915 337 40	sealing compound		1							
(31)	997 504 797 00	bracket	/L	1							
	GRV	prime coated belt									
31	997 504 798 00	bracket	/R	1							
	GRV	prime coated belt									
32	996 502 653 01	connecting piece	/L	1	COUPE/TARGA						
	GRV	prime coated									
(32)	996 502 654 01	connecting piece	/R	1	COUPE/TARGA						
	GRV	prime coated									
(32)	997 502 553 00	connecting piece	/L	1	CABRIO						
	GRV	prime coated									
(32)	997 502 554 00	connecting piece	/R	1	CABRIO						
	GRV	prime coated									

Model	Year	MG	SG	Illustration	Restrictions	UPD	23:29	24.01.2010	PORSCHE	PET	PORSCHE
997-1	2008	8	01	801-40		248					

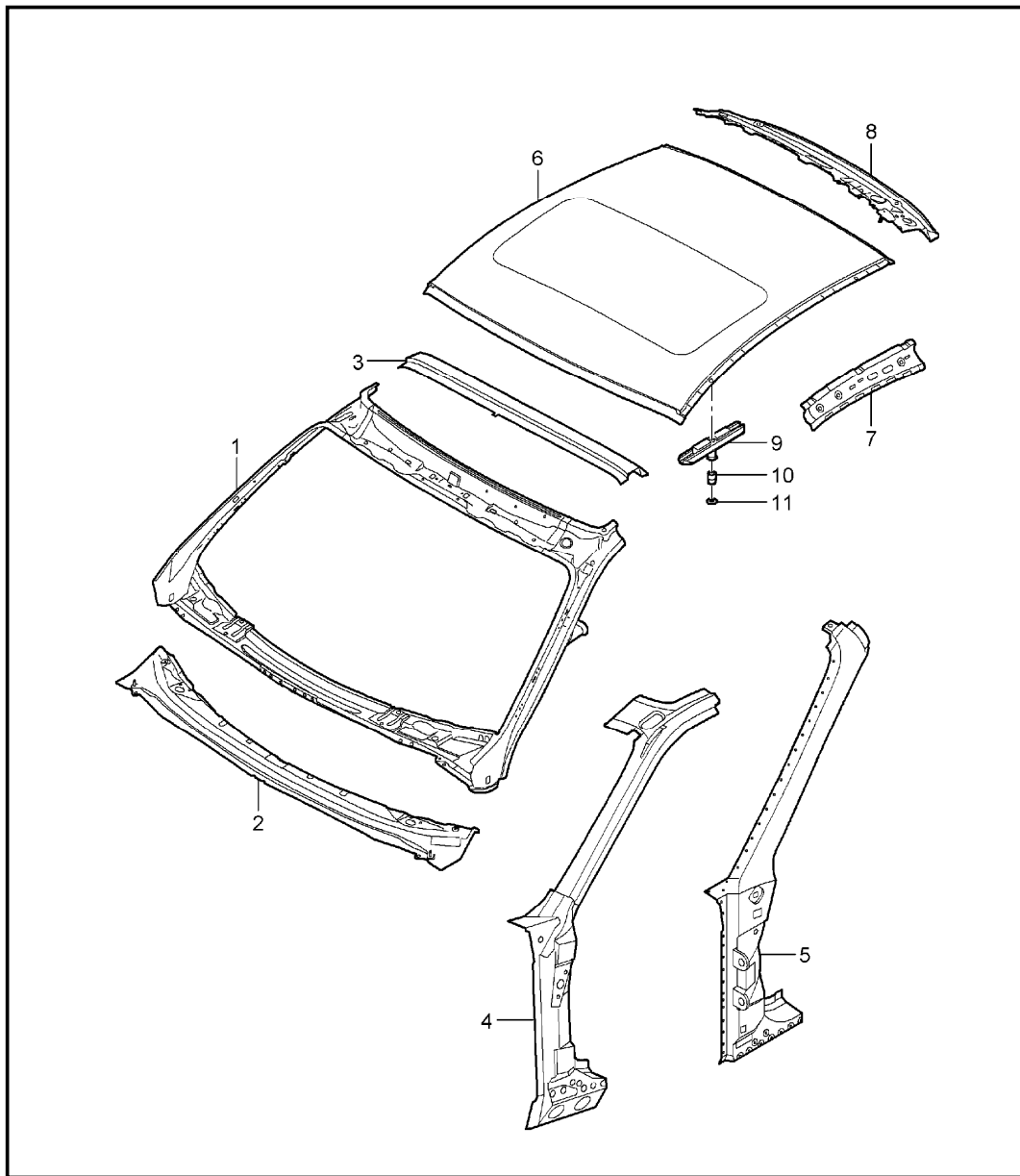


Pos	Part Number	Description	Remark	Qty	Model
1	997 503 031 00	wing	/L	1	
	GRV	prime coated			
(1) A	997 503 032 00	wing	/R	1	
	GRV	prime coated			
(1)	997 503 932 00	wing	/R	-05	1
	GRV	prime coated			
(1)	997 503 932 01	wing	/R	-05	1 I461
	GRV	prime coated			
(1)	997 503 032 03	wing	/R	06-	1 I461
	GRV	prime coated			
2	999 507 003 02	speed nut ST 6,3		22	
3	999 073 128 02	tapping screw ST 6,3 X 14		22	
4	997 504 134 00	fuel filler flap		1	
	GRV	prime coated			
5	996 201 063 00	hinge		1	
6	997 504 711 00	spring		1	
7	996 201 423 00	cap		1	
8	997 504 888 01	rubber stop		1	
9	996 201 493 00	emergency operation		1	
10	997 624 113 00	actuator		1	
11 A	996 624 505 02	guide rose		1	
11	997 624 505 00	guide rose		1	
12	996 201 667 01	sleeve	-05	1	
12	997 201 667 00	sleeve	06-	1	
13	996 201 153 00	hose		1	
14 A	997 504 641 01	cover	/L	1	
	01C	black			

Model	Year	MG	SG	Illustration	Restrictions	UPD	23:29	24.01.2010	PORSCHE	PET	PORSCHE
997-1	2008	8	01	801-40		248					

Pos	Part Number	Description	Remark	Qty	Model	Pos	Part Number	Description	Remark	Qty	Model
14	997 504 641 02	cover	/L	1							
	01C	black									
(14) A	997 504 642 01	cover	/R	1							
	01C	black									
(14)	997 504 642 02	cover	/R	1							
	01C	black									
15	999 591 712 40	expansion rivet A 6,0 X 12,0		6							
16	997 504 531 00	protective film	/L	1							
(16)	997 504 532 00	protective film	/R	1							
17	997 504 441 00	strut		2							
	GRV	prime coated									
18	997 504 555 00	bracket		2							
	GRV	prime coated									
19	900 377 010 09	hexagon nut M 6		X							

Model	Year	MG	SG	Illustration	Restrictions	UPD	23:29	24.01.2010	PORSCHE	PET	PORSCHE
997-1	2008	8	01	801-45		248					



Pos	Part Number	Description	Remark	Qty	Model
1	997 502 137 00	cowl		1	COUPE
	GRV	prime coated inner			
(1)	997 502 137 01	cowl		1	CABRIO
	GRV	prime coated inner			
(1)	997 502 137 02	cowl		1	TARGA
	GRV	prime coated inner			
2	997 502 437 00	cowl		1	
	GRV	prime coated outer			
3	996 502 529 00	cowl		1	CABRIO
	GRV	prime coated outer			
(3)	997 502 529 01	cowl		1	TARGA
	GRV	prime coated outer			
4	997 502 135 00	reinforcement	/L -06	1	COUPE
	GRV	prime coated inner use also:			
4	997 502 135 03	reinforcement	/L 07-	1	COUPE
	GRV	prime coated inner use also:			
(4)	997 502 136 00	reinforcement	/R -06	1	COUPE
	GRV	prime coated inner use also:			
(4)	997 502 136 03	reinforcement	/R 07-	1	COUPE
	GRV	prime coated inner use also:			
(4)	997 502 135 01	reinforcement	/L -06	1	CABRIO



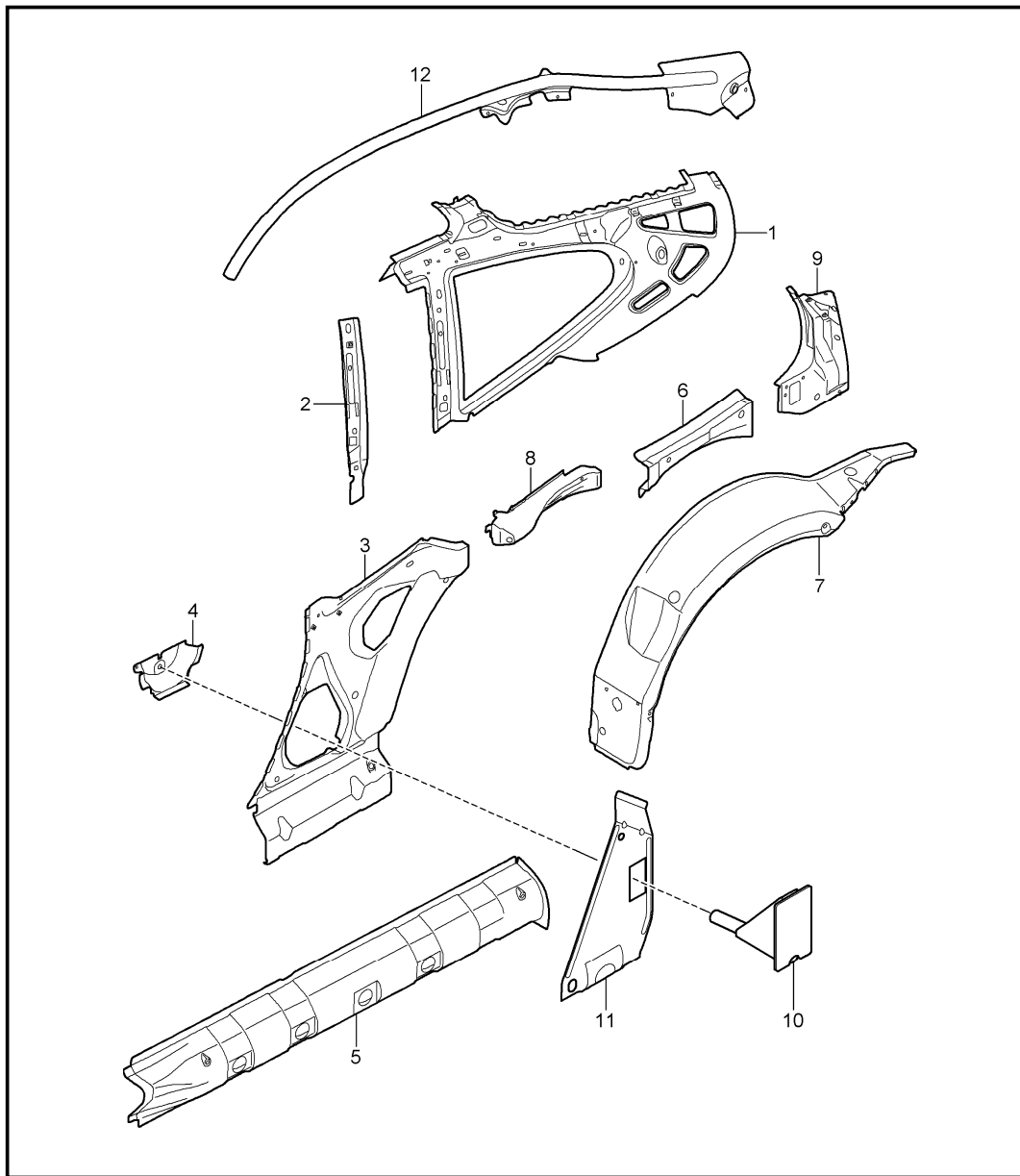
Model	Year	MG	SG	Illustration	Restrictions	UPD	23:29	24.01.2010	PORSCHE	PET	PORSCHE
997-1	2008	8	01	801-45		248					

Pos	Part Number	Description	Remark	Qty	Model	Pos	Part Number	Description	Remark	Qty	Model
	GRV	prime coated inner use also:				-	000 043 206 29	adhesive set body comprising:		X	
(4)	997 502 135 04	reinforcement	/L 07-	1	CABRIO	-	000 043 206 30	adhesive		1	
	GRV	prime coated inner use also:				-	000 043 206 31	tool		1	
(4)	997 502 136 01	reinforcement	/R -06	1	CABRIO	-	000 043 206 32	tool		1	
	GRV	prime coated inner use also:				-	000 043 206 33	activator		1	
(4)	997 502 136 04	reinforcement	/R 07-	1	CABRIO	(6)	996 503 501 00	outer roof panel		1	
	GRV	prime coated inner use also:					GRV	prime coated use also:			
(4)	997 502 136 05	reinforcement	/L	1	TARGA	(6)	997 503 501 00	outer roof panel		1	I461
	GRV	prime coated inner use also:					GRV	prime coated use also:			
(4)	997 502 135 05	reinforcement	/L	1	TARGA	6	996 503 087 03	outer roof panel		1	I650
	GRV	prime coated inner use also:					GRV	prime coated use also:			
(4)	997 502 136 05	reinforcement	/R	1	TARGA	6	997 503 087 00	outer roof panel		1	I461/650
	GRV	prime coated inner use also:					GRV	prime coated use also:			
-	000 043 206 29	adhesive set body comprising:		X		-	000 043 204 38	sealing material 70 ML processing instructions see technical manual		X	
-	000 043 206 30	adhesive		1		7	996 502 305 03	roof frame	/L	1	COUPE
-	000 043 206 31	tool		1			GRV	prime coated			
-	000 043 206 32	tool		1		(7)	996 502 306 03	roof frame	/R	1	COUPE
-	000 043 206 33	activator		1			GRV	prime coated			
5	997 502 335 00	hinge pillar	/L	1	CABRIO	(7)	996 502 205 01	roof frame	/L	1	TARGA
	GRV	prime coated use also:					GRV	prime coated			
(5)	997 502 336 00	hinge pillar	/R	1	CABRIO	(7)	996 502 206 01	roof frame	/R	1	TARGA
	GRV	prime coated use also:					GRV	prime coated			
						8	997 502 505 00	roof frame		1	
							GRV	prime coated			

Model	Year	MG	SG	Illustration	Restrictions	UPD	23:29	24.01.2010	PORSCHE	PET	PORSCHE
997-1	2008	8	01	801-45		248					

Pos	Part Number	Description	Remark	Qty	Model	Pos	Part Number	Description	Remark	Qty	Model
9	996 504 911 00	plate with threaded pin		X							
10	996 504 505 00	threaded bush		X							
11	900 025 008 09	washer A 10,5		X							

Model	Year	MG	SG	Illustration	Restrictions	UPD	23:29	24.01.2010	PORSCHE	PET	PORSCHE
997-1	2008	8	01	801-50		248					

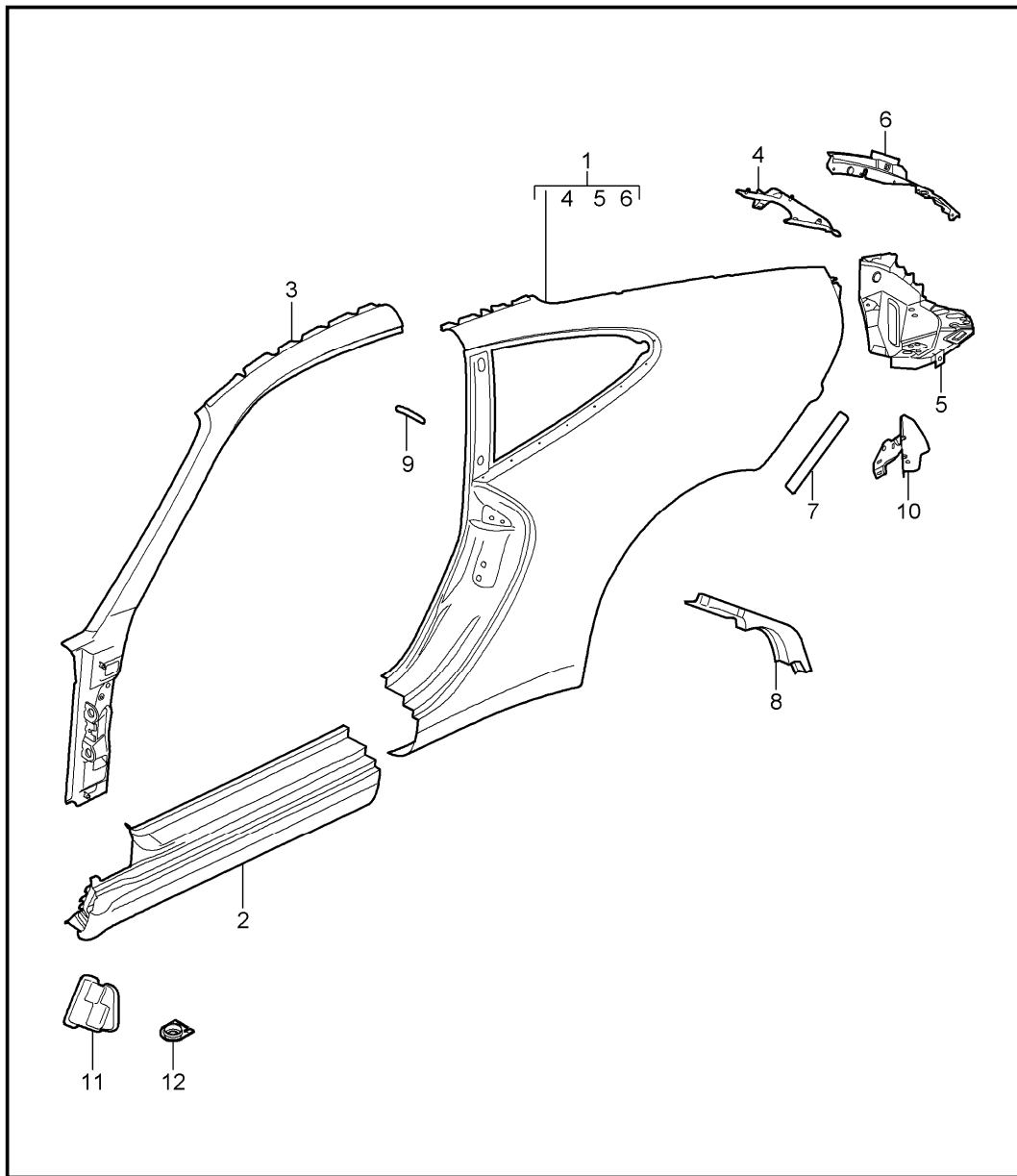


Pos	Part Number	Description	Remark	Qty	Model
		side section inner			COUPE/TARGA
1	997 502 153 00	side section	/L	1	COUPE
	GRV	prime coated			
(1)	997 502 154 00	side section	/R	1	COUPE
	GRV	prime coated			
(1)	996 502 153 04	side section	/L	1	TARGA
	GRV	prime coated			
(1)	996 502 154 04	side section	/R	1	TARGA
	GRV	prime coated			
2	997 502 423 00	reinforcement	/L	1	
	GRV	prime coated			
(2)	997 502 424 00	reinforcement	/R	1	
	GRV	prime coated			
3	996 502 083 02	side section	/L	1	
	GRV	prime coated			
(3)	996 502 084 02	side section	/R	1	
	GRV	prime coated			
4	996 502 383 01	bracket		2	
	GRV	prime coated			
5	996 502 733 01	reinforcement	/L	1	
	GRV	prime coated			
(5)	996 502 734 01	reinforcement	/R	1	
	GRV	prime coated			
		use also:			
-	000 043 206 29	adhesive set body comprising:		X	
-	000 043 206 30	adhesive		1	
-	000 043 206 31	tool		1	

Model	Year	MG	SG	Illustration	Restrictions	UPD	23:29	24.01.2010	PORSCHE	PET	PORSCHE
997-1	2008	8	01	801-50		248					

Pos	Part Number	Description	Remark	Qty	Model	Pos	Part Number	Description	Remark	Qty	Model
-	000 043 206 32	tool		1		(11)	997 502 746 00	reinforcement plate	/R	1	
-	000 043 206 33	activator		1			GRV	prime coated			
-	999 703 433 40	stopper 30 X 42 for POS. 5		10		12	997 502 619 00	pipe	/L	1	COUPE
							GRV	prime coated			
6	997 502 115 00	side section	/L	1		(12)	997 502 620 00	pipe	/R	1	COUPE
	GRV	prime coated					GRV	prime coated			
(6)	997 502 116 00	side section	/R	1		(12)	997 502 935 05	pipe	/L	1	TARGA
	GRV	prime coated					GRV	prime coated			
7	997 502 215 00	wheel housing	/L	1		(12)	997 502 936 05	pipe	/R	1	TARGA
	GRV	prime coated					GRV	prime coated			
(7)	997 502 216 00	wheel housing	/R	1							
	GRV	prime coated									
(7)	997 502 215 01	wheel housing	/L	06-	1						
	GRV	prime coated									
(7)	997 502 216 01	wheel housing	/R	06-	1						
	GRV	prime coated									
8	997 502 707 00	reinforcement	/L	1							
	GRV	prime coated									
(8)	997 502 708 00	reinforcement	/R	1							
	GRV	prime coated									
9	997 502 161 00	side section	/L	1							
	GRV	prime coated									
(9)	997 502 162 00	side section	/R	1							
	GRV	prime coated									
10	997 502 711 00	pipe		2							
	GRV	prime coated									
11	997 502 745 00	reinforcement plate	/L	1							
	GRV	prime coated									

Model	Year	MG	SG	Illustration	Restrictions	UPD	23:29	24.01.2010	PORSCHE	PET	PORSCHE
997-1	2008	8	01	801-55		248					

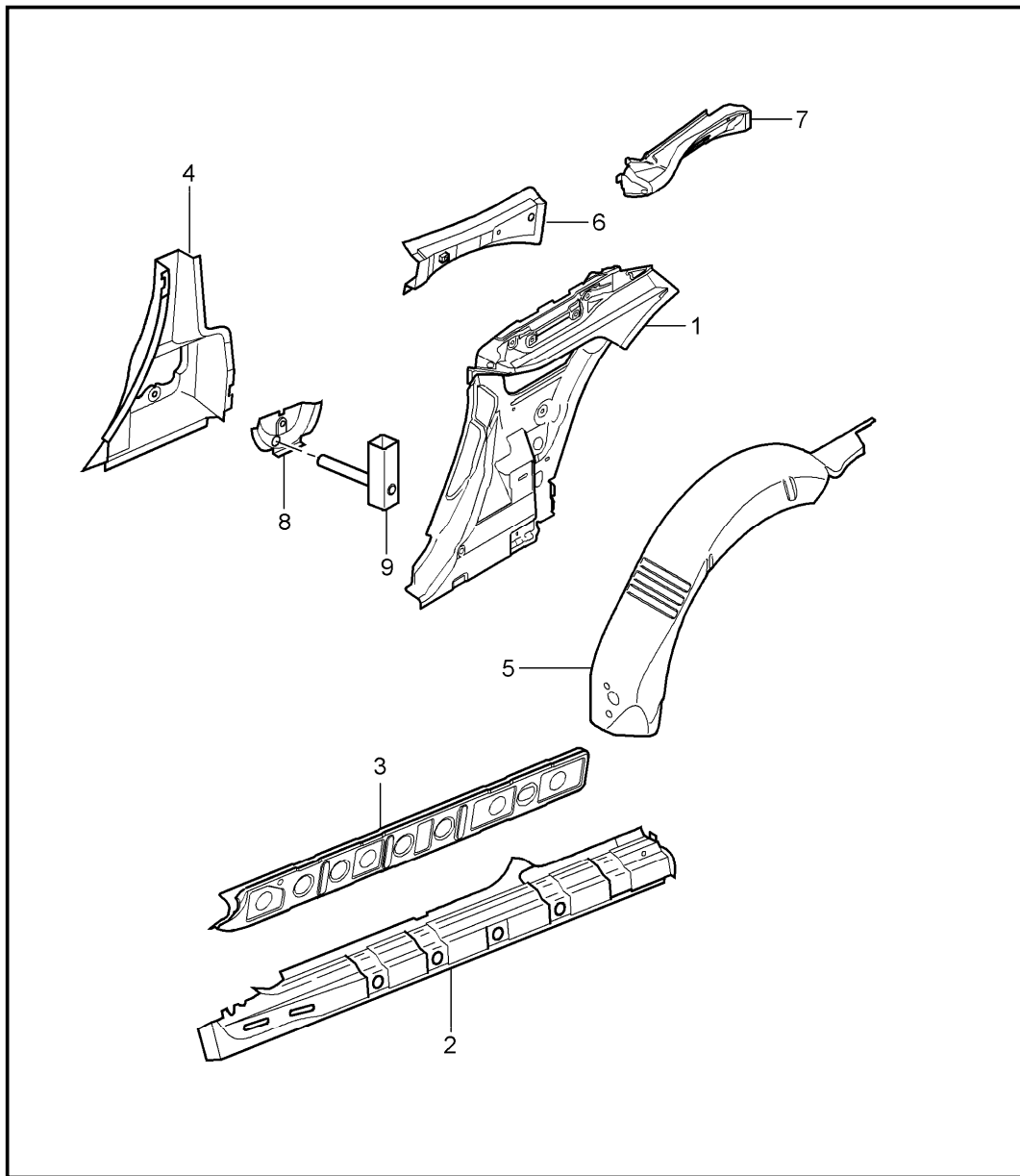


Pos	Part Number	Description	Remark	Qty	Model
		side section outer			COUPE
1	997 503 961 00	side section	/L	1	
	GRV	prime coated			
(1)	997 503 962 00	side section	/R	1	
	GRV	prime coated			
(1)	997 503 961 02	side section	/L	06-	CARRERA 4
	GRV	prime coated			
(1)	997 503 962 02	side section	/R	06-	CARRERA 4
	GRV	prime coated			
-	999 915 650 40	adhesive TEROMIX 6700		X	
-	000 043 300 48	tool see technical manual group 5 53 55 55		X	
2	997 503 963 00	door sill	/L	1	
	GRV	prime coated			
(2)	997 503 964 00	door sill	/R	1	
	GRV	prime coated			
(2)	997 503 963 02	door sill	/L	06-	CARRERA 4
	GRV	prime coated			
(2)	997 503 964 02	door sill	/R	06-	CARRERA 4
	GRV	prime coated			
3	997 503 965 00	roof frame	/L	1	
	GRV	prime coated			
(3)	997 503 966 00	roof frame	/R	1	
	GRV	prime coated			
(3)	997 503 965 02	roof frame	/L	06-	CARRERA 4
	GRV	prime coated			

Model	Year	MG	SG	Illustration	Restrictions	UPD	23:29	24.01.2010	PORSCHE	PET	PORSCHE
997-1	2008	8	01	801-55		248					

Pos	Part Number	Description	Remark	Qty	Model	Pos	Part Number	Description	Remark	Qty	Model
(3)	997 503 966 02	roof frame	/R 06-	1	CARRERA 4	11	997 572 311 00	water protection	/L	1	
	GRV	prime coated				(11)	997 572 312 00	water protection	/R	1	
4	997 502 365 00	sealing channel	/L	1		12	999 703 475 40	water drain sleeve door sill		2	
	GRV	prime coated									
(4)	997 502 366 00	sealing channel	/R	1							
	GRV	prime coated									
5	997 502 461 00	frame for light	/L	1							
	GRV	prime coated									
(5)	997 502 462 00	frame for light	/R	1							
	GRV	prime coated									
6	997 502 213 00	bracket	/L -06	1							
	GRV	prime coated									
(6)	997 502 214 00	bracket	/R -06	1							
	GRV	prime coated									
7	997 504 631 00	protective film		2							
8	997 504 907 00	seal see workshop manual		2							
9	996 537 237 00	protective film		2							
10	997 501 487 00	reinforcement	/L	1							
	GRV	prime coated use also:									
(10)	997 501 488 00	reinforcement	/R	1							
	GRV	prime coated use also:									
-	000 043 206 29	adhesive set body comprising:		X							
-	000 043 206 30	adhesive		1							
-	000 043 206 31	tool		1							
-	000 043 206 32	tool		1							
-	000 043 206 33	activator		1							

Model	Year	MG	SG	Illustration	Restrictions	UPD	23:29	24.01.2010	PORSCHE	PET	PORSCHE
997-1	2008	8	01	801-60		248					



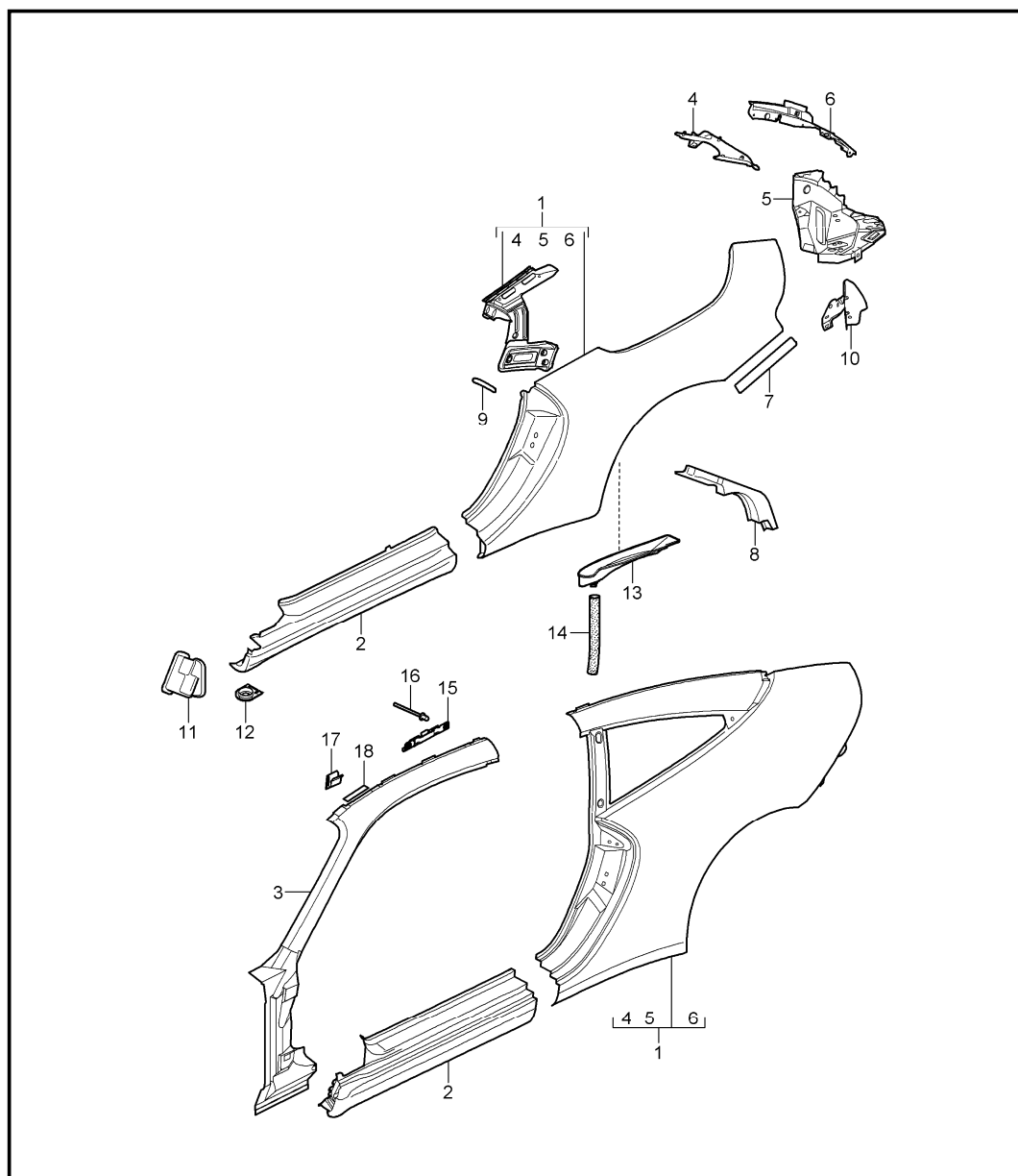
Pos	Part Number	Description	Remark	Qty	Model
		side section inner			CABRIO
1	997 502 073 01	side section	/L	1	
	GRV	prime coated			
(1)	997 502 074 01	side section	/R	1	
	GRV	prime coated			
2	997 502 663 00	reinforcement	/L	1	
	GRV	prime coated			
		use also:			
(2)	997 502 664 00	reinforcement	/R	1	
	GRV	prime coated			
		use also:			
-	000 043 206 29	adhesive set body comprising:		X	
-	000 043 206 30	adhesive		1	
-	000 043 206 31	tool		1	
-	000 043 206 32	tool		1	
-	000 043 206 33	activator		1	
3	996 502 683 01	separator	/L	1	
	GRV	prime coated			
(3)	996 502 684 01	separator	/R	1	
	GRV	prime coated			
4	996 502 415 01	b-pillar	/L	1	
	GRV	prime coated			
(4)	996 502 416 01	b-pillar	/R	1	
	GRV	prime coated			
5	997 502 215 00	wheel housing	/L	1	
	GRV	prime coated			
(5)	997 502 216 00	wheel housing	/R	1	
	GRV	prime coated			

Model	Year	MG	SG	Illustration	Restrictions	UPD	23:29	24.01.2010	PORSCHE	PET	PORSCHE
997-1	2008	8	01	801-60		248					

Pos	Part Number	Description	Remark	Qty	Model	Pos	Part Number	Description	Remark	Qty	Model
(5)	997 502 215 01	wheel housing	/L	06-	1	CARRERA 4					
	GRV	prime coated									
(5)	997 502 216 01	wheel housing	/R	06-	1	CARRERA 4					
	GRV	prime coated									
6	997 502 087 00	side section	/L		1						
	GRV	prime coated									
(6)	997 502 088 00	side section	/R		1						
	GRV	prime coated									
7	997 502 161 01	side section	/L		1						
	GRV	prime coated									
(7)	997 502 162 01	side section	/R		1						
	GRV	prime coated									
8	996 502 383 01	bracket			2						
	GRV	prime coated									
9	996 502 669 00	pipe		-05	2						
	GRV	prime coated									
9	997 502 711 01	pipe		06-	2						
	GRV	prime coated									



Model	Year	MG	SG	Illustration	Restrictions	UPD	23:30	24.01.2010	PORSCHE	PET	PORSCHE
997-1	2008	8	01	801-65		248					

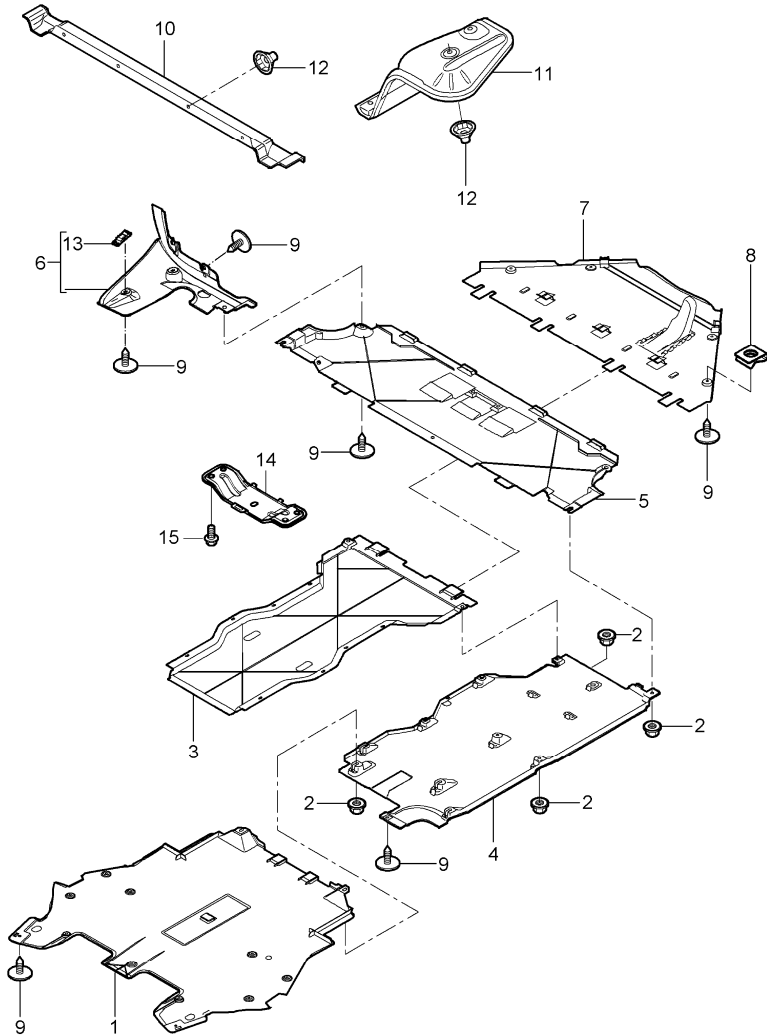


Pos	Part Number	Description	Remark	Qty	Model
1	997 503 961 01	side section outer			CABRIO/TARGA
	GRV	prime coated	/L	1	CABRIO
(1)	997 503 962 01	side section	/R	1	CABRIO
	GRV	prime coated			
(1)	997 503 961 03	side section	/L	06-	C4 CABRIO
	GRV	prime coated			
(1)	997 503 962 03	side section	/R	06-	C4 CABRIO
	GRV	prime coated			
(1)	997 503 961 05	side section	/L	1	TARGA
	GRV	prime coated			
(1)	997 503 962 05	side section	/R	1	TARGA
	GRV	prime coated			
-	999 915 650 40	adhesive TEROMIX 6700		X	
-	000 043 300 48	tool processing instructions see technical manual group 5 53 55 55		X	
2	997 503 963 01	door sill	/L	1	CABRIO
	GRV	prime coated			
(2)	997 503 964 01	door sill	/R	1	CABRIO
	GRV	prime coated			
(2)	997 503 963 03	door sill	/L	06-	C4 CABRIO
	GRV	prime coated			
(2)	997 503 964 03	door sill	/R	06-	C4 CABRIO
	GRV	prime coated			
(2)	997 503 963 02	door sill	/L	1	TARGA
	GRV	prime coated			

Model	Year	MG	SG	Illustration	Restrictions	UPD	23:30	24.01.2010	PORSCHE	PET	PORSCHE
997-1	2008	8	01	801-65		248					

Pos	Part Number	Description	Remark	Qty	Model	Pos	Part Number	Description	Remark	Qty	Model
(2)	997 503 964 02	door sill	/R	1	TARGA		GRV	prime coated			
	GRV	prime coated				11	997 572 311 00	water protection	/L	1	
3	997 503 965 05	roof frame	/L	1	TARGA	(11)	997 572 312 00	water protection	/R	1	
	GRV	prime coated				(11)	997 572 311 01	water protection	/L	1	TARGA
(3)	997 503 966 05	roof frame	/R	1	TARGA	(11)	997 572 312 01	water protection	/R	1	TARGA
	GRV	prime coated				12	999 703 475 40	water drain sleeve door sill		2	
4	997 502 365 01	sealing channel	/L	1	CABRIO	13	997 504 967 00	water drip pan	/L	1	CABRIO
	GRV	prime coated				(13)	997 504 968 00	water drip pan use also:	/R	1	CABRIO
(4)	997 502 366 01	sealing channel	/R	1	CABRIO	14	986 514 241 00	water drain hose see technical manual 53 55		2	CABRIO
	GRV	prime coated				15	3D5 853 707 B	retaining clip water drain strip		6	TARGA
(4)	997 502 365 00	sealing channel	/L	1	TARGA	16	N 907 878 02	rivet AK 3,2 X 6,5		12	TARGA
	GRV	prime coated				17	999 591 440 01	u-clamp 0,75 X 1,0		2	TARGA
(4)	997 502 366 00	sealing channel	/R	1	TARGA	18	999 911 725 40	adhesive tape 15 X 60 mm		2	TARGA
	GRV	prime coated									
5	997 502 461 00	frame for light	/L	1							
	GRV	prime coated									
(5)	997 502 462 00	frame for light	/R	1							
	GRV	prime coated									
6	997 502 213 00	bracket	/L	1							
	GRV	prime coated									
(6)	997 502 214 00	bracket	/R	1							
	GRV	prime coated									
7	997 504 631 00	protective film		2							
8	997 504 907 00	seal it is necessary to rework see workshop manual		2							
9	996 537 237 00	protective film		2							
10	997 501 487 00	reinforcement	/L	1							
	GRV	prime coated									
(10)	997 501 488 00	reinforcement	/R	1							

Model	Year	MG	SG	Illustration	Restrictions	UPD	23:30	24.01.2010	PORSCHE	PET	PORSCHE
997-1	2008	8	01	801-70		248					

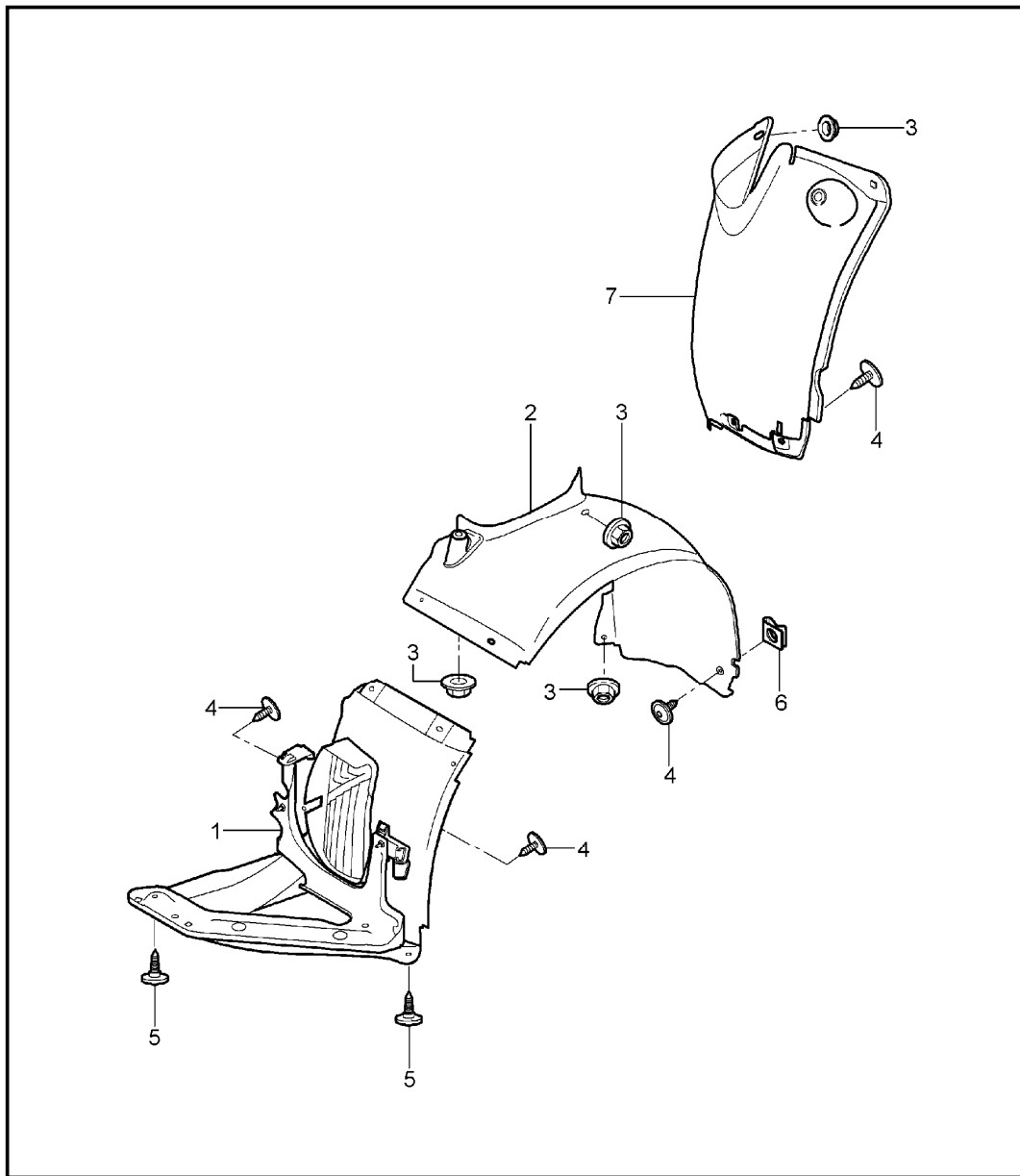


Pos	Part Number	Description	Remark	Qty	Model
1	997 504 527 02	linings underbody cover		1	CARRERA 2
(1)	997 504 527 01	cover front		1	CARRERA 4
2	999 049 028 40	plastic nut T 5		26	
3	997 504 043 00	cover centre		1	
4	997 504 343 02	cover centre	/L	1	
(4)	997 504 344 02	cover centre	/R	1	
5	997 504 629 00	cover rear		1	I480
(5)	997 504 629 01	cover rear		1	I249
(5)	997 504 629 04	cover rear		1	IX51/480
6	997 504 393 01	cover	/L	1	
	01C	satin black			
(6)	997 504 394 01	cover	/R	1	
	01C	satin black			
7	997 504 429 01	cover transmission		1	I480
8	999 507 795 09	speed nut ST 4,8		4	
9	999 073 231 09	tapping screw ST 4,8 X 16		X	
10	996 505 471 00	heat protection centre		1	
11	997 505 477 00	heat protection	/L	-06	1
11	997 505 477 02	heat protection	/L	07-	1
(11)	997 505 478 00	heat protection	/R	-06	1
(11)	997 505 478 02	heat protection	/R	07-	1

Model	Year	MG	SG	Illustration	Restrictions	UPD	23:30	24.01.2010	PORSCHE	PET	PORSCHE
997-1	2008	8	01	801-70		248					

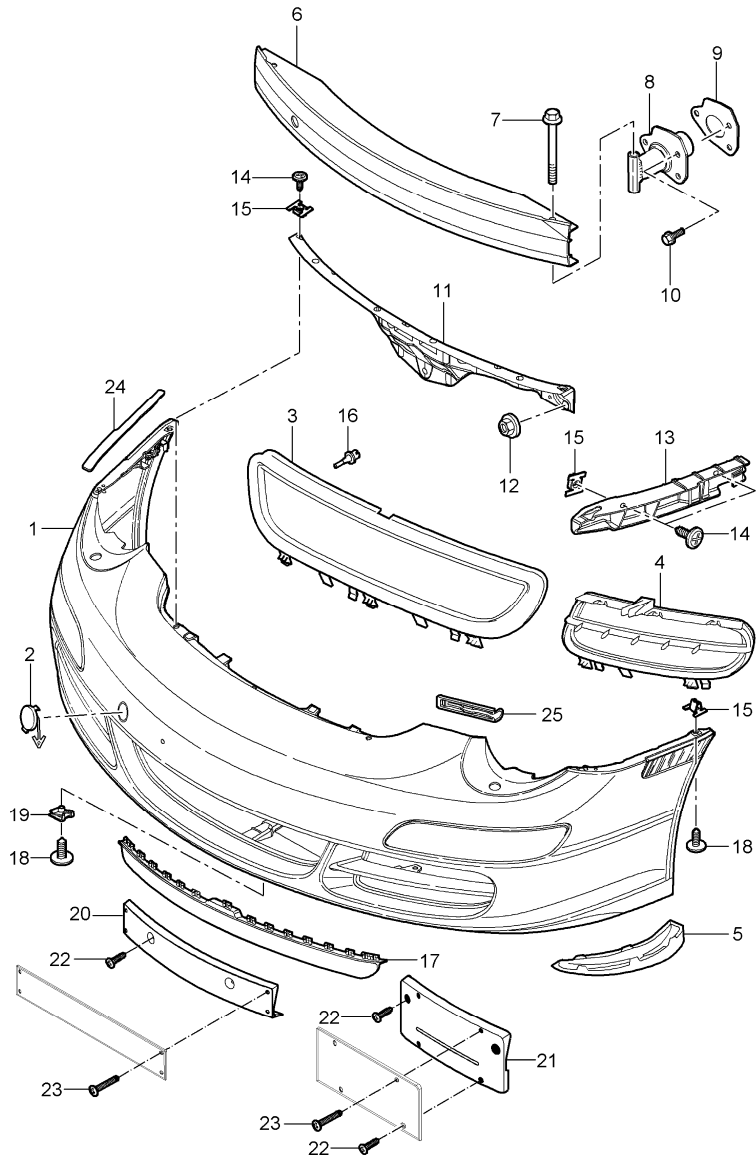
Pos	Part Number	Description	Remark	Qty	Model	Pos	Part Number	Description	Remark	Qty	Model
12	999 049 025 09	collar nut T 5		12							
13	997 504 635 00	clamp		2							
14	997 504 823 01	transverse strut tunnel		1							
15	900 075 475 09	combination screw M 10 x 25		4							
-	999 507 849 01	captive nut st 4,8		X							

Model	Year	MG	SG	Illustration	Restrictions	UPD	23:30	24.01.2010	PORSCHE	PET	PORSCHE
997-1	2008	8	01	801-75		248					



Pos	Part Number	Description	Remark	Qty	Model
		linings wheel housing			
1	997 504 123 00	wheel-housing liner front	/L/V	1	
(1)	997 504 124 00	wheel-housing liner front	/R/V	1	
2	997 504 203 00	wheel-housing liner front	/L/H	1	CARRERA 2
2	997 504 203 01	wheel-housing liner front	/L/H	06-	1 CARRERA 4
(2)	997 504 204 00	wheel-housing liner front	/R/H	1	CARRERA 2
(2)	997 504 204 01	wheel-housing liner front	/R/H	06-	1 CARRERA 4
3	999 049 028 40	plastic nut T5		12	
4	999 073 231 09	tapping screw ST 4,8 X 16		18	
5	999 073 227 09	tapping screw ST 4,8 X 19		4	
6	999 507 795 09	speed nut ST 4,8		2	
7	997 504 573 00	wheel-housing liner	/H/L	1	CARRERA 2
7	997 504 573 01	wheel-housing liner	/H/L	1	CARRERA 4
(7)	997 504 574 00	wheel-housing liner	/H/R	1	CARRERA 2
(7)	997 504 574 01	wheel-housing liner	/H/R	1	CARRERA 4

Model	Year	MG	SG	Illustration	Restrictions	UPD	23:30	24.01.2010	PORSCHE	PET	PORSCHE
997-1	2008	8	02	802-00		248					

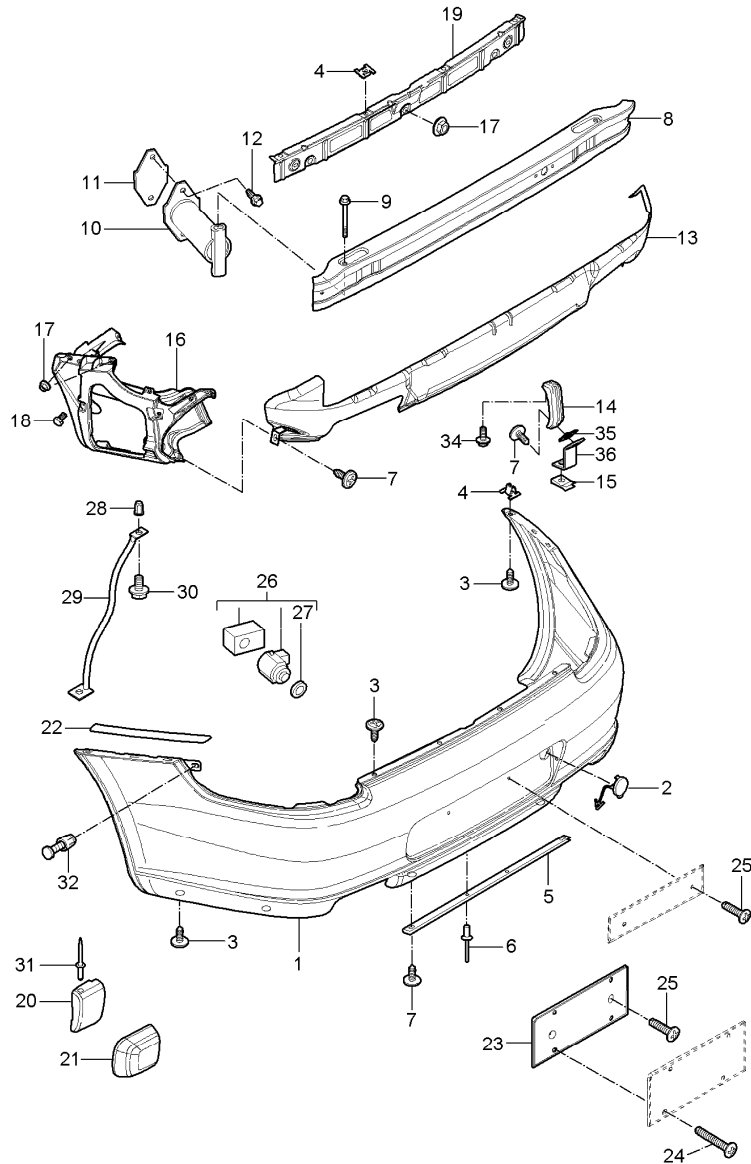


Pos	Part Number	Description	Remark	Qty	Model
1	997 505 901 00	bumper front		1	I480
	G2X	prime coated			
(1)	997 505 901 01	lining		1	I288/480
	G2X	prime coated			
(1)	997 505 901 02	lining		1	I249
	G2X	prime coated			
(1)	997 505 901 03	lining		1	I249/288
	G2X	prime coated			
(1)	997 505 961 00	lining		1	IXAA
(1)	997 505 961 01	lining		1	IXAA/288
2	997 505 703 00	cover		1	
	G2X	prime coated			
3	997 505 541 00	retaining frame		1	I480
	01C	satin black centre			
(3)	997 505 541 01	retaining frame		1	I249
	01C	satin black centre			
4	997 505 563 00	retaining frame	/L	1	
	01C	satin black			
(4)	997 505 564 00	retaining frame	/R	1	
	01C	satin black			
5	997 505 525 00	cover	/L	1	
	01C	satin black			
(5)	997 505 526 00	cover	/R	1	
	01C	satin black			
6	997 505 141 00	bumper reinforcement		1	
7	900 378 088 09	hexagon-head bolt M 12 X 100		2	

Model	Year	MG	SG	Illustration	Restrictions	UPD	23:30	24.01.2010	PORSCHE	PET	PORSCHE
997-1	2008	8	02	802-00		248					

Pos	Part Number	Description	Remark	Qty	Model	Pos	Part Number	Description	Remark	Qty	Model
8	997 505 319 00	impact absorber		2		(24)	997 504 531 00	protective film	/V/L	1	
9	997 505 751 02	seal impact absorber		2		24	997 504 532 00	protective film	/V/R	1	
10	900 378 267 09	combination screw M 8 X 30		6		25	997 505 719 00	fixing device		2	
11	997 505 531 00	retaining strip centre		1							
12	999 076 078 09	hexagon nut M 6		3							
13	997 505 535 00	retaining strip	/L	-05	1						
13	997 505 535 01	retaining strip	/L	06-	1						
(13)	997 505 536 00	retaining strip	/R	-05	1						
(13)	997 505 536 01	retaining strip	/R	06-	1						
14	999 073 314 09	tapping screw ST 4,8 X 16		4							
15	999 507 590 02	captive nut ST 4,8		9							
16	996 641 142 00	temperature sensor		1							
17	997 505 557 00	spoiler		1							
	01C	satin black									
(17)	997 505 983 01	spoiler aerokit		1	IXAA						
18	999 073 227 09	tapping screw ST 4,8 X 19		10							
19	999 591 699 02	speed nut ST 4,8		1							
20	997 701 105 00	support		1	I211						
	01C	black									
(20)	997 701 109 00	support number plate		1	I210						
	01C	black									
22	999 919 227 A2	screw		2	I210/211						
23	999 919 228 A2	screw 5,0 x 28		2							

Model	Year	MG	SG	Illustration	Restrictions	UPD	23:30	24.01.2010	PORSCHE	PET	PORSCHE
997-1	2008	8	02	802-05		248					



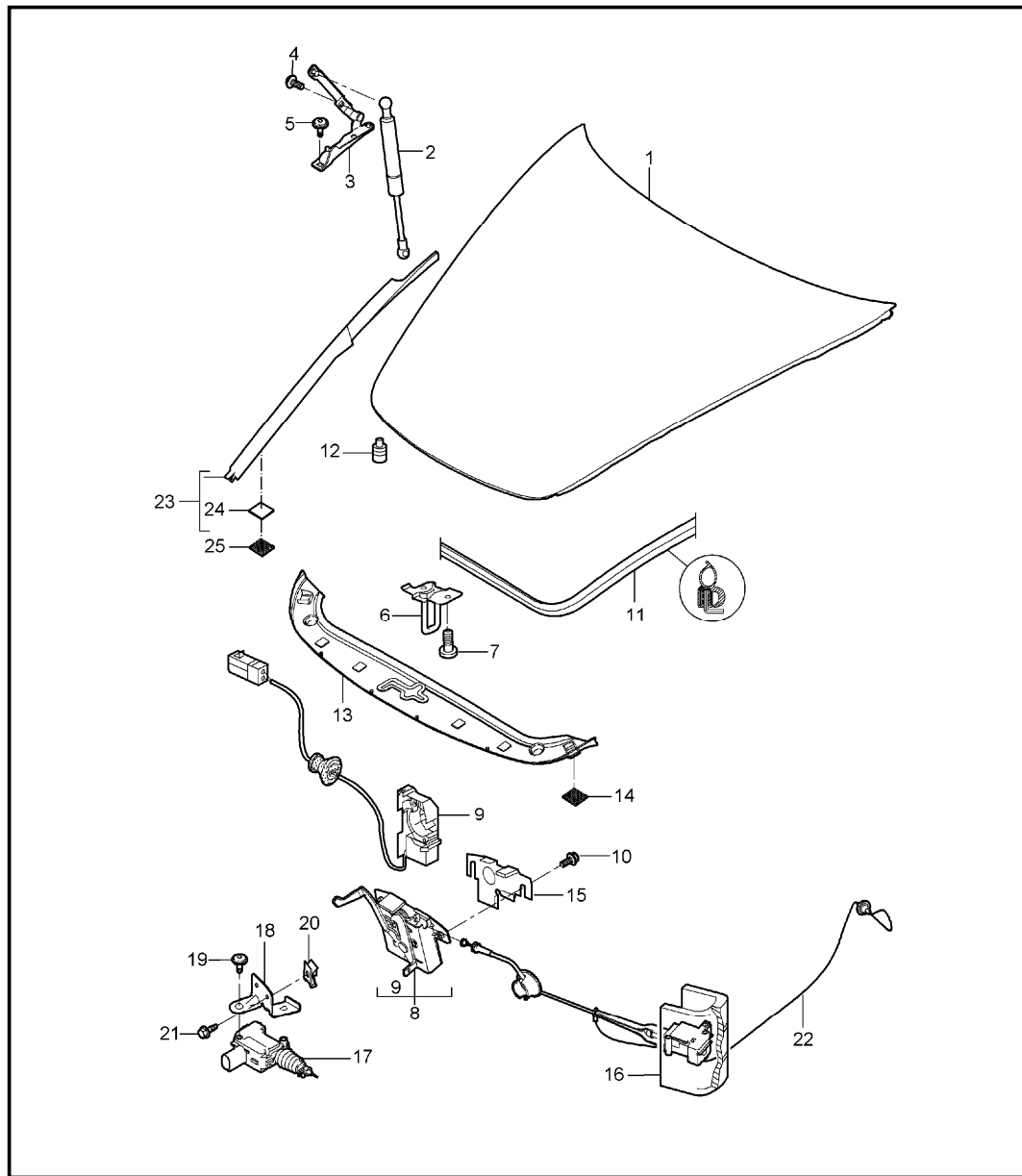
Pos	Part Number	Description	Remark	Qty	Model
1	997 505 411 00	bumper rear		1	
	G2X	prime coated			
1	997 505 911 00	lining		1	I635
	G2X	prime coated			
1	997 505 411 04	lining		1	CARRERA 4/4S
	G2X	prime coated			
1	997 505 911 02	lining		1	CARRERA 4/4S I635
	G2X	prime coated			
2	997 505 803 00	cover		1	
	G2X	prime coated			
3	999 073 227 09	tapping screw 4,8 X 16		10	
4	999 507 590 02	captive nut ST 4,8		6	
5	997 505 837 00	retaining strip		1	
6	999 190 104 30	blind rivet 3,2 X 7,9		2	
7	999 073 314 09	tapping screw ST 4,8 X 16		4	
8	997 505 121 00	bumper reinforcement including heat protection centre		1 1 1 1	
9	900 378 088 09	hexagon-head bolt M 12 X 100		2	
10	996 505 019 01	impact pipe		2	
11	996 505 775 00	desk pad impact absorber		2	
12	900 378 267 09	combination screw M 8 X 30		4	
13	997 505 475 00	heat protection centre		1	



Model	Year	MG	SG	Illustration	Restrictions	UPD	23:30	24.01.2010	PORSCHE	PET	PORSCHE
997-1	2008	8	02	802-05		248					

Pos	Part Number	Description	Remark	Qty	Model	Pos	Part Number	Description	Remark	Qty	Model
14	997 505 639 00	rear support		2		31	999 500 084 02	special nut		2	
15	999 507 795 09	speed nut		4				M6 / 0,5 - 3			
16	997 505 631 00	retaining frame	/L	1	CARRERA 2	32	999 591 941 40	expansion rivet		4	
(16)	997 505 631 01	retaining frame	/L	1	CARRERA 4			ST 4,2			
(16)	997 505 632 00	retaining frame	/R	1	CARRERA 2						
(16)	997 505 632 01	retaining frame	/R	1	CARRERA 4						
17	999 076 078 09	hexagon nut M 6		X							
18	900 075 459 09	combination screw M 6 X 12		2							
19 A	997 505 641 00	attachment strip		1							
19	997 505 641 01	attachment strip		-06	1						
19	997 505 641 02	attachment strip centre		07-	1						
22	997 504 631 00	protective film		2							
23	997 701 113 00	support number plate		1	I218						
	01C	black									
24	999 919 228 A2	screw support number plate 5 X 28		X							
25	999 919 227 A2	screw support number plate 5 X 13		X							
26	955 606 275 01	sensor ParkAssist		4	I635						
27	7L6 919 659	round seal		4	I635						
29 A	997 505 681 00	strut	/L	1							
29	997 505 681 01	strut	/L	1							
(29) A	997 505 682 00	strut	/R	1							
(29)	997 505 682 01	strut	/R	1							
30	900 378 035 09	hexagon-head bolt M6 X 16		2							

Model	Year	MG	SG	Illustration	Restrictions	UPD	23:31	24.01.2010	PORSCHE	PET	PORSCHE
997-1	2008	8	03	803-00		248					

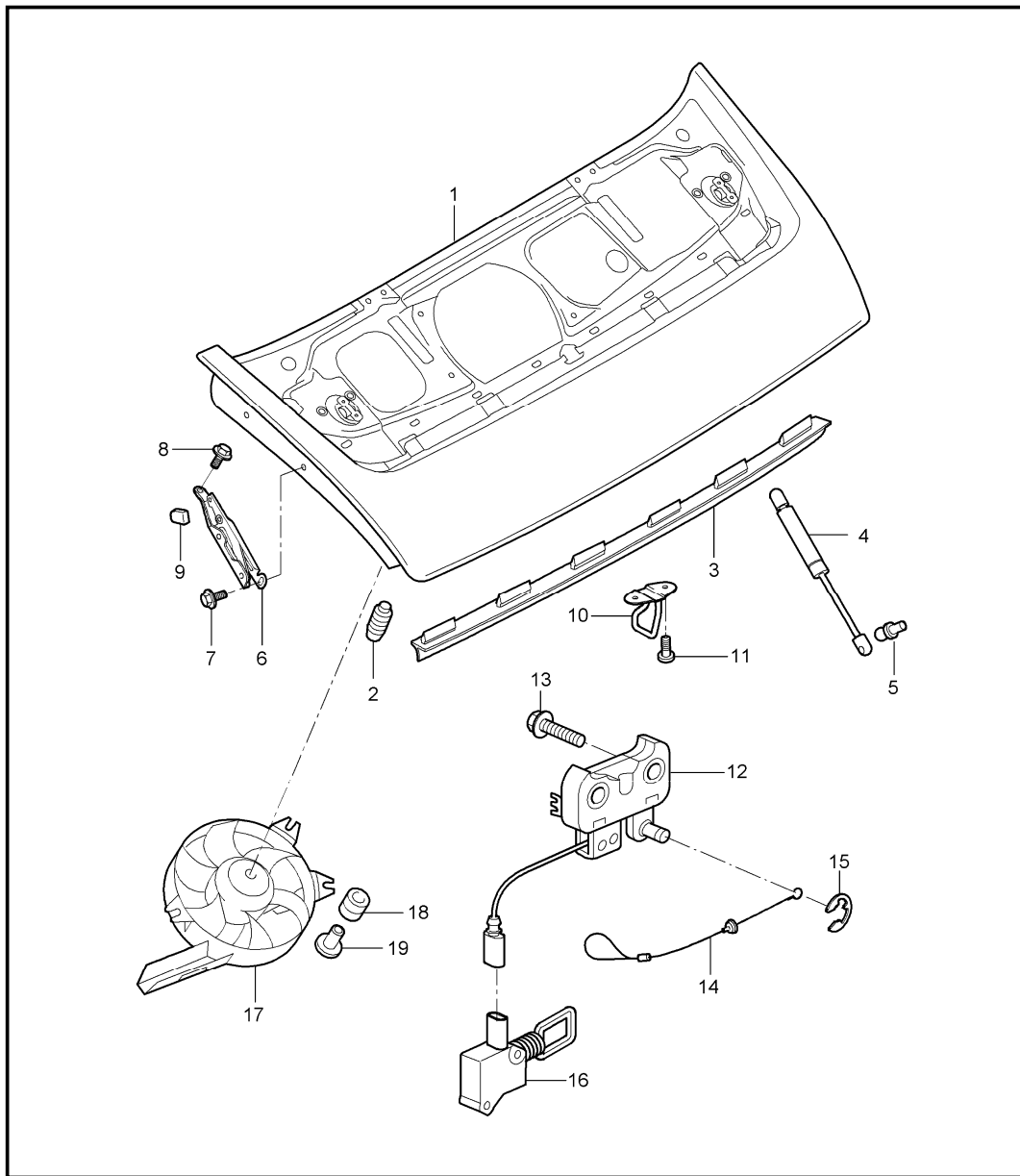


Pos	Part Number	Description	Remark	Qty	Model
		lid front			
1	997 511 011 00	lid		1	
		GRV prime coated			
2	997 511 551 01	gas-pressure spring		2	
3	A 997 511 151 00	hinge	/L	1	
3	997 511 151 01	hinge	/L	1	
(3)	A 997 511 152 00	hinge	/R	1	
(3)	997 511 152 01	hinge	/R	1	
4	999 073 357 09	oval-head screw M 6 X 12		4	
5	999 073 348 09	oval-head screw M 6 X 20		4	
6	997 511 051 00	lock upper part		1	
7	999 073 350 04	screw M 6 X 16		2	
8	997 511 053 00	lock lower part		1	
9	997 613 206 00	microswitch		1	
10	900 075 466 09	combination screw M 6 X 16		2	
11	997 511 611 00	gasket		1	
12	999 703 140 40	rubber buffer		2	
13	A 997 504 811 02	trim cover		1	
		FMT satin black			
13	997 504 811 03	trim cover		1	
		FMT satin black			
14	999 902 049 40	velcro fastener		4	
15	996 511 653 00	cover		1	
16	997 511 117 00	actuator		1	
(23)	997 572 465 02	trim cover	/L	1	
		02A black			

Model	Year	MG	SG	Illustration	Restrictions	UPD	23:31	24.01.2010	PORSCHE	PET	PORSCHE
997-1	2008	8	03	803-00		248					

Pos	Part Number	Description	Remark	Qty	Model	Pos	Part Number	Description	Remark	Qty	Model
23	997 572 466 02	trim cover wing	/R	1							
	02A	black									
24	999 902 052 40	velcro fastener cover 20 X 20		4							
25	999 902 051 40	velcro fastener wing 20 X 20		4							

Model	Year	MG	SG	Illustration	Restrictions	UPD	23:31	24.01.2010	PORSCHE	PET	PORSCHE
997-1	2008	8	03	803-05		248					

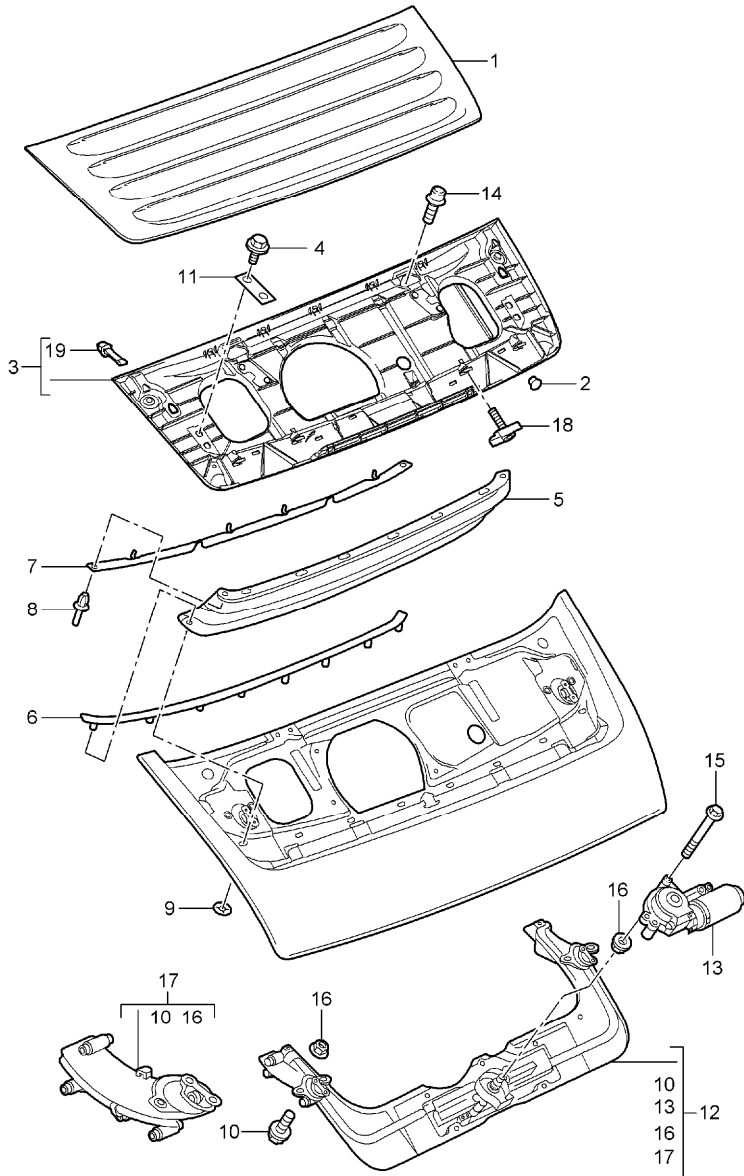


Pos	Part Number	Description	Remark	Qty	Model
1	997 512 011 00	lid rear		1	
	GRV	prime coated prime coated use also:			
-	000 043 204 38	sealing material		1	
2	999 703 140 40	rubber buffer		2	
3	997 512 611 00	gasket		1	
4	997 512 551 00	gas-pressure spring	/R	1	
5	999 167 051 02	ball pin		2	
6	997 512 151 00	hinge	/L	1	
(6)	997 512 152 00	hinge	/R	1	
7	900 378 155 09	hexagon-head bolt M 6 X 16		4	
8	900 075 466 09	combination screw M 6 X 16		6	
9	996 512 153 00	stop hinge		2	
10	997 512 213 01	lock upper part		1	
11	999 073 248 09	combination screw M 6 X 16		2	
12	997 512 053 00	lock lower part		1	
13	N 910 664 01	combination screw M 6 X 40		2	
14	997 512 521 00	cable emergency operation		1	
15	900 116 002 02	lock washer		1	
16	997 624 118 00	actuator		1	
17	997 624 046 00	blower		1	
17	997 624 056 01	blower		1	IXAA
18	999 703 451 40	rubber sleeve 9,0 x 14,0 x 1,5		3	

Model	Year	MG	SG	Illustration	Restrictions	UPD	23:31	24.01.2010	PORSCHE	PET	PORSCHE
997-1	2008	8	03	803-05		248					

Pos	Part Number	Description	Remark	Qty	Model	Pos	Part Number	Description	Remark	Qty	Model
19	999 209 093 01	spacer sleeve		3							

Model	Year	MG	SG	Illustration	Restrictions	UPD	16:48	02.02.2010	PORSCHE	PET	PORSCHE
997-1	2008	8	03	803-07		248					

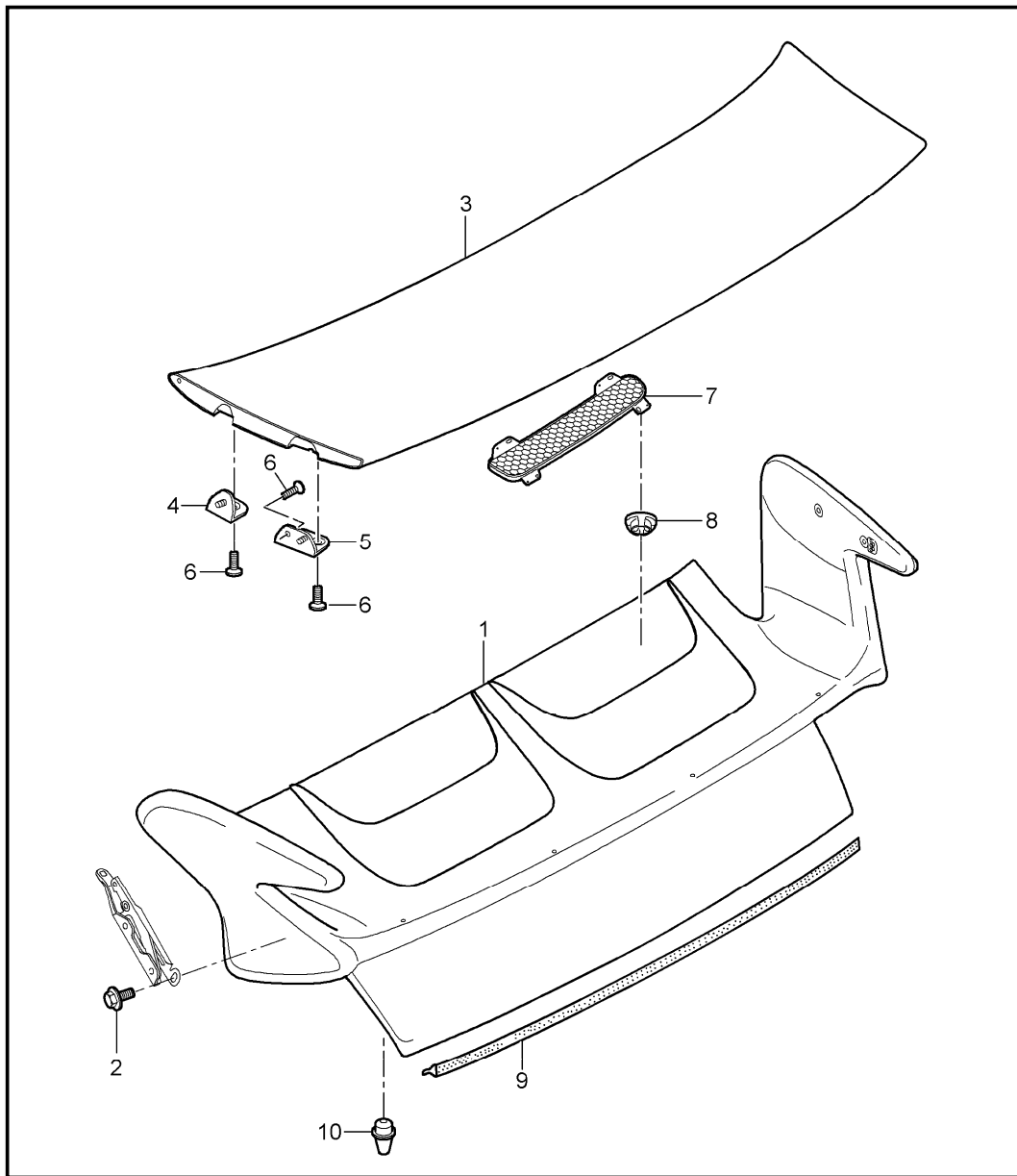


Pos	Part Number	Description	Remark	Qty	Model
		rear spoiler			
1	A 997 512 241 00	upper part spoiler		1	
		G2X prime coated			
1	997 512 241 01	upper part prime coated		1	
2	996 512 212 00	stopper		4	
3	A 997 512 205 00	spoiler		1	COUPE
(3)	997 512 205 04	spoiler	-08	1	COUPE
(3)	997 512 205 06	spoiler	-08	1	COUPE IX51
(3)	997 512 205 05	spoiler	-08	1	CABRIO/TARGA
(3)	997 512 205 07	spoiler	-08	1	IX51 CABRIO/TARGA
		lower part			
-	999 703 488 40	buffer 5,9 X 11,5 X 16		2	
4	900 075 490 09	hexagon-head bolt M 6 X 8		4	
5	996 512 250 00	rear wall		1	
6	996 512 163 00	rail lower		1	
7	996 512 164 00	rail upper		1	
8	999 591 712 40	expansion rivet 6,0 X 12,0		2	
9	999 591 974 07	clamping washer 5,0		8	
10	999 073 382 01	combination screw M 6 X 20		10	
11	996 512 757 00	desk pad		2	
12	997 512 109 00	driving mechanism		1	COUPE
(12)	997 512 109 02	driving mechanism		1	CABRIO/TARGA

Model	Year	MG	SG	Illustration	Restrictions	UPD	16:48	02.02.2010	PORSCHE	PET	PORSCHE
997-1	2008	8	03	803-07		248					

Pos	Part Number	Description	Remark	Qty	Model	Pos	Part Number	Description	Remark	Qty	Model
		driving mechanism with wiring harness use also: Pos. 19 + 20									
13	996 624 151 00	electric motor		1							
14	900 067 273 09	combination screw M 6 X 16		4							
15	900 074 364 02	hexagon-head bolt M 5 X 55		3							
16	900 377 009 01	hexagon nut		32							
17	997 512 911 00	hinge		1							
18	997 512 255 00	support		4							
19	999 911 738 40	adhesive film		2							
20	997 512 781 00	filler piece		1							

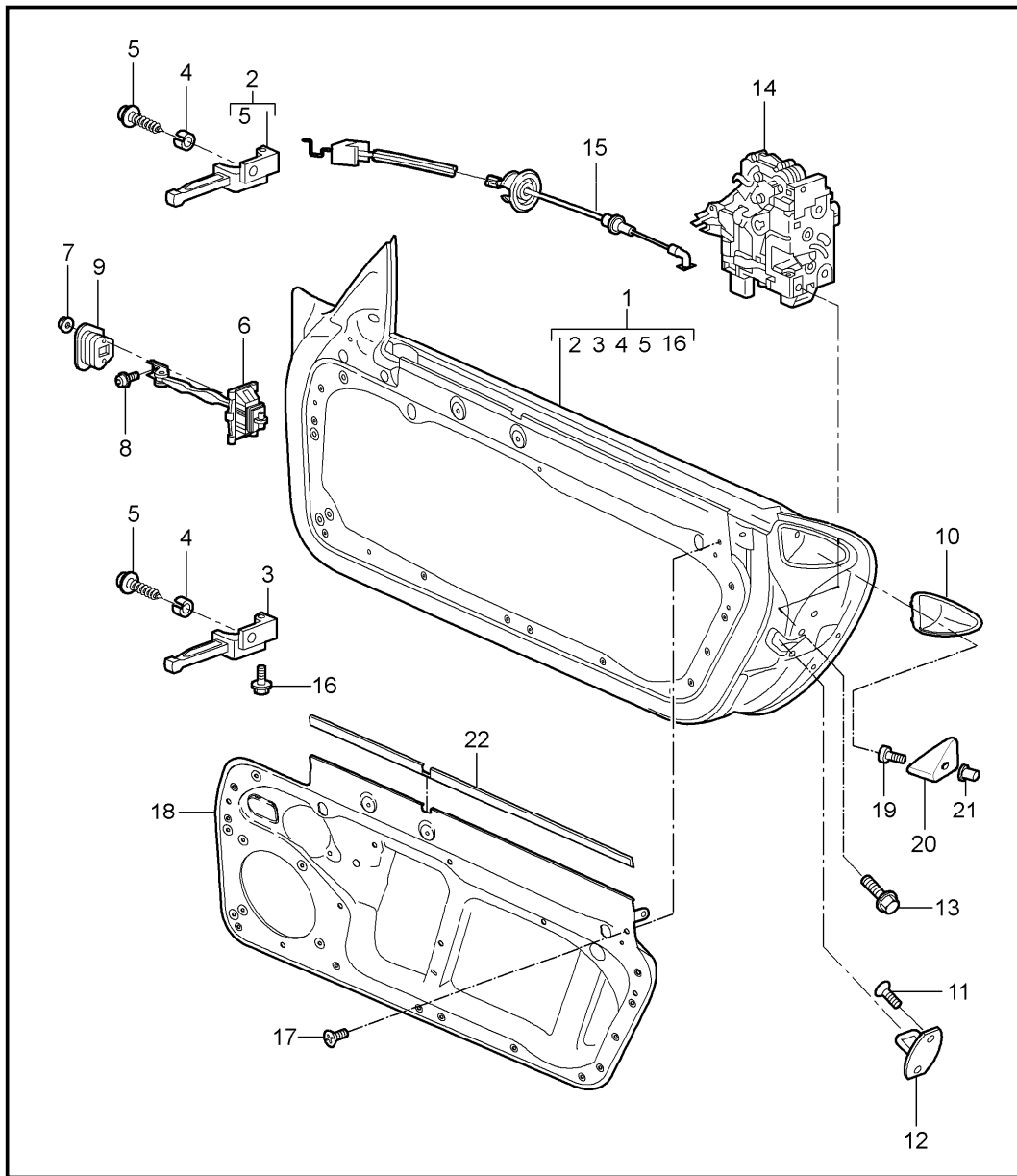
Model	Year	MG	SG	Illustration	Restrictions	UPD	23:32	24.01.2010	PORSCHE	PET	PORSCHE
997-1	2008	8	03	803-08		248					



Pos	Part Number	Description	Remark	Qty	Model
		lid rear aerokit			
1	997 512 225 03	lid		1	IXAA
(1)	997 512 925 01	lid prime coated		1	IXAA/X51
2	900 378 214 01	hexagon-head bolt M6 X 18		4	
3	997 512 265 02	spoiler prime coated		1	
4	997 512 633 01	fastening angle front		2	
5	997 512 635 01	fastening angle rear		2	
6	900 249 073 01	countersunk-head screw M6 X 20		8	
(7)	997 512 625 90	grille	/L	1	
7	997 512 626 90	grille	/R	1	
8	999 076 082 40	cap T5/16 X 7,00		8	
9	997 512 611 00	gasket		1	
10	996 512 987 00	adjusting screw		2	
-	997 612 670 71	wiring harness see group 9/02/20		1	



Model	Year	MG	SG	Illustration	Restrictions	UPD	23:32	24.01.2010	PORSCHE	PET	PORSCHE
997-1	2008	8	04	804-00		248					

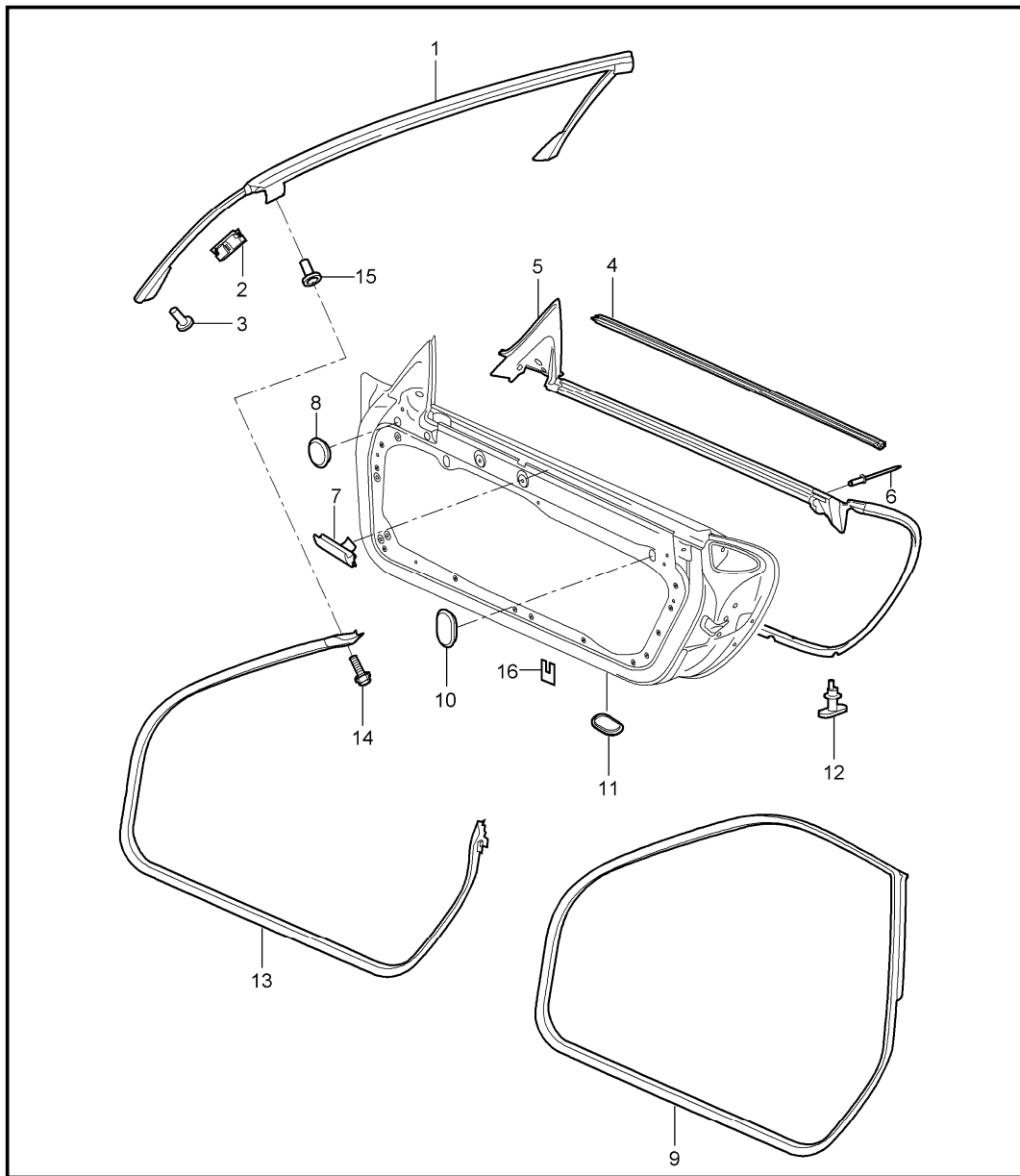


Pos	Part Number	Description	Remark	Qty	Model
(1)	997 531 011 04	door in white installation parts door lock			
		GRV	/L	1	
1	997 531 012 04	door			
		GRV	/R	1	
		prime coated			
		use also:			
-	000 043 204 38	sealing material		1	
(2)	997 531 321 00	hinge	/L	1	
2	997 531 322 00	hinge	/R	1	
		upper			
(3)	997 531 319 00	hinge	/L	1	
3	997 531 320 00	hinge	/R	1	
		lower			
4	996 531 831 00	sleeve		4	
5	900 067 291 01	combination screw M 8 X 16		2	
6	997 537 151 01	door arrester		2	
7	999 084 212 02	hexagon nut M 6		4	
8	999 073 138 09	screw M 8 X 25		2	
9	996 537 751 00	seal		2	
(10)	997 537 331 00	support	/L	1	
		01C			
10	997 537 332 00	support	/R	1	
		01C			
11	N 910 174 01	countersunk-head screw M 8 X 22		4	
12	3C0 837 767 A	closing element		2	

Model	Year	MG	SG	Illustration	Restrictions	UPD	23:32	24.01.2010	PORSCHE	PET	PORSCHE
997-1	2008	8	04	804-00		248					

Pos	Part Number	Description	Remark	Qty	Model	Pos	Part Number	Description	Remark	Qty	Model
13	WHT 000 439	combination screw M 8 X 20		2							
(14)	3D1 837 015	door lock	/LL/L	1	I098						
14	3D1 837 016	door lock	/LL/R	1	I098						
(14)	3D1 837 015 C	door lock	/L	1	I072						
(14)	3D1 837 016 C	door lock	/R	1	I072						
(14)	3D2 837 015	door lock	/RL/L	1	I099						
(14)	3D2 837 016	door lock	/RL/R	1	I099						
15	997 537 319 01	bowden cable		2							
16	999 072 043 09	hexagon-head bolt M 6 X 12 micro-self-locking		2							
17	999 073 333 09	oval-head screw M 6 X 16		8							
(18)	U 997 537 201 00	inner panel	/L	-05	1						
18	U 997 537 202 00	inner panel	/R	-05	1						
18	997 537 901 00	inner panel	/L	-05	1						
(18)	997 537 902 00	inner panel	/R	-05	1						
18	U 987 537 202 00	inner panel	/R	06-	1						
18	U 987 537 201 00	inner panel	/L	06-	1						
(18)	987 537 201 01	inner panel	/L	06-	1						
18	987 537 202 01	inner panel	/R	06-	1						
19	900 119 072 00	pan-head screw M8 X 16		2							
(20)	997 537 333 00	support G2X prime coated	/L	1							
20	997 537 334 00	support side section G2X prime coated	/R	1							
21	999 500 121 02	blind rivet nut M8 / 0,8 - 3		2							

Model	Year	MG	SG	Illustration	Restrictions	UPD	23:32	24.01.2010	PORSCHE	PET	PORSCHE
997-1	2008	8	04	804-10		248					

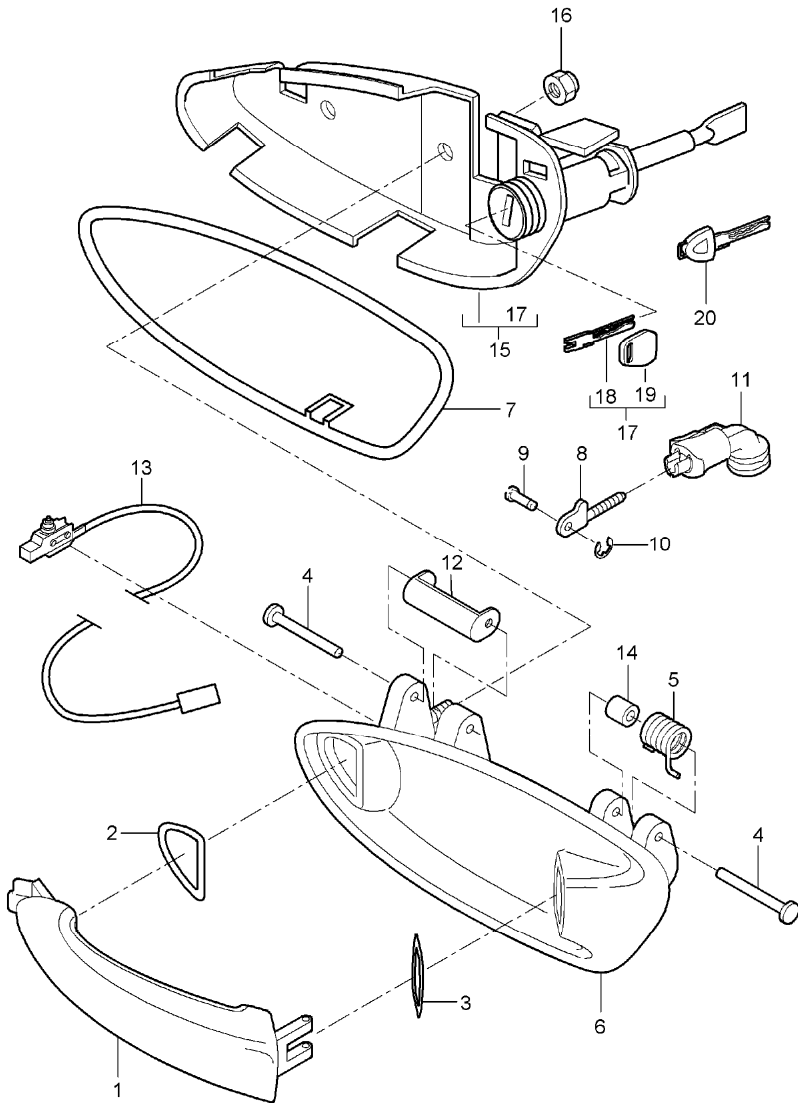


Pos	Part Number	Description	Remark	Qty	Model
		door seal gasket windscreen			
1	997 537 077 02	gasket windscreen		1	CABRIO
2	999 507 678 01	u-clamp 4,0-4,5	-06	1	CABRIO
3	999 190 445 37	blind rivet A 4,0 X 7,9		36	CABRIO
4	997 537 085 00	gasket outer	/L	1	
(4)	997 537 086 00	gasket outer	/R	1	
5 A	997 537 531 06	gasket inner	/L	-07	1
5	997 537 531 07	gasket inner	/L	08-	1
(5) A	997 537 532 06	gasket inner	/R	-07	1
(5)	997 537 532 07	gasket inner	/R	08-	1
7	997 537 495 00	gasket	-06	1	
8	803 803 583 A	lid 20,0 X 30,0		2	
(9) A	997 537 075 00	gasket	/L	-06	1 COUPE
(9) A	997 537 075 03	gasket	/L	-06	1 COUPE
(9)	997 537 075 05	gasket	/L		1 COUPE/TARGA
9 A	997 537 076 00	gasket	/R	-06	1 COUPE
9 A	997 537 076 03	gasket	/R	-06	1 COUPE
9	997 537 076 05	gasket	/R		1 COUPE/TARGA
10	999 703 541 40	lid 20 X 28 X 1		4	
11	999 703 542 40	lid 23,8 X 38,7		8	
12	999 507 578 40	clip gasket 5,0 X 3,7	-07	36	

Model	Year	MG	SG	Illustration	Restrictions	UPD	23:32	24.01.2010	PORSCHE	PET	PORSCHE
997-1	2008	8	04	804-10		248					

Pos	Part Number	Description	Remark	Qty	Model	Pos	Part Number	Description	Remark	Qty	Model
12	999 591 513 40	clip gasket 5,8 x 0,9	08-	36							
13	997 537 075 02	gasket	/L	1	CABRIO						
(13)	997 537 076 02	gasket	/R	1	CABRIO						
14	900 075 362 02	combination screw M 5 X 16		2	CABRIO						
15	999 500 093 02	nut M 5/0 - 3		2	CABRIO						
16	996 537 337 00	protective film		4							

Model	Year	MG	SG	Illustration	Restrictions	UPD	23:32	24.01.2010	PORSCHE	PET	PORSCHE
997-1	2008	8	04	804-20		248					

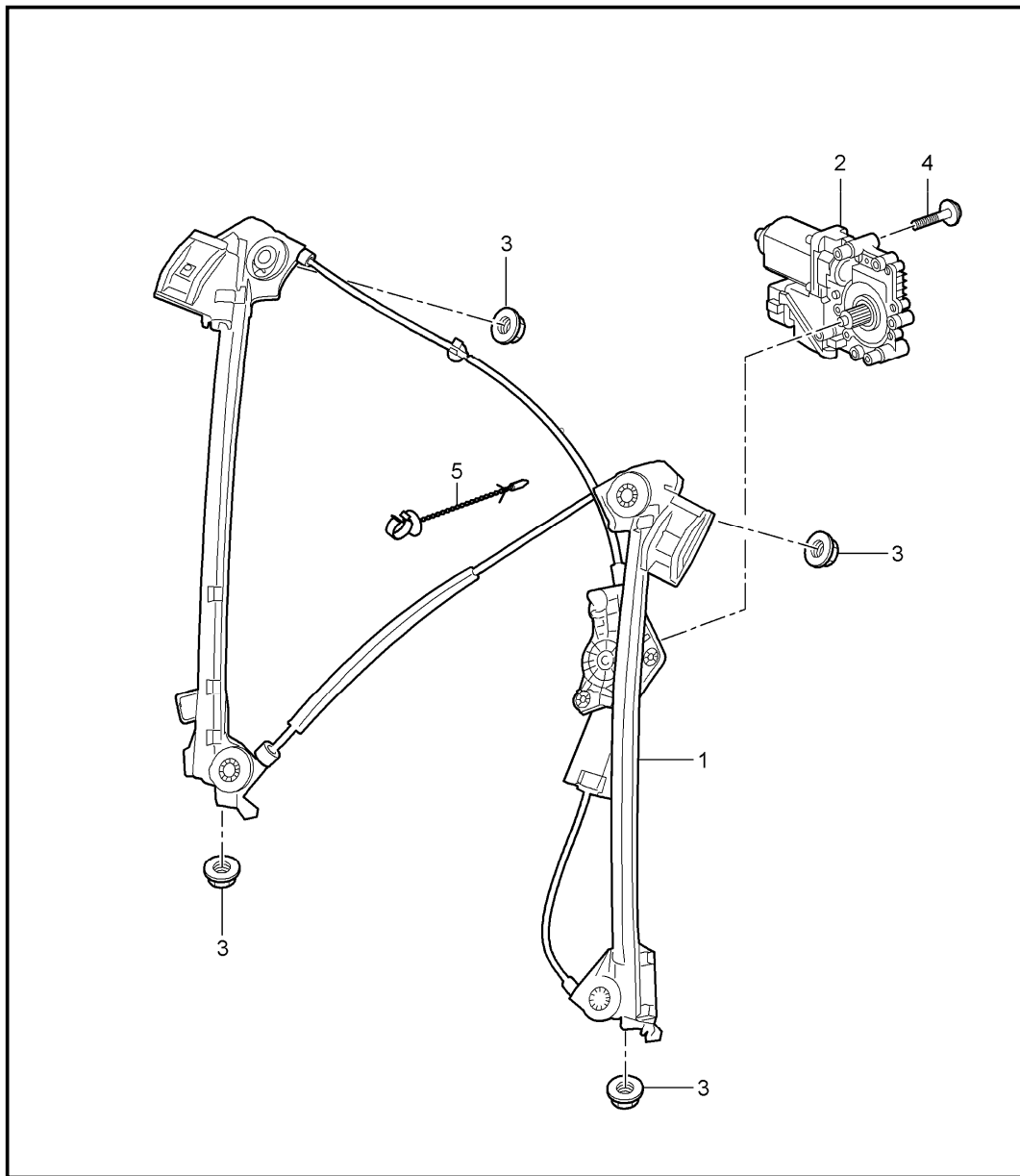


Pos	Part Number	Description	Remark	Qty	Model
1	997 537 613 00	door handle	/L	1	
	G2X	prime coated			
(1)	997 537 614 00	door handle	/R	1	
	G2X	prime coated			
2	997 537 623 00	buffer		2	
3	997 537 625 00	buffer		2	
4	997 537 621 00	axle		2	
5	997 537 611 00	return spring	/L	1	
(5)	997 537 612 00	return spring	/R	1	
6	997 537 645 00	handle liner	/LL/L	1	
	G2X	prime coated			
(6)	997 537 646 00	handle liner	/RL/R	1	
	G2X	prime coated			
(6)	997 537 645 01	handle liner	/RL/L	1	
	G2X	prime coated			
(6)	997 537 646 01	handle liner	/LL/R	1	
	G2X	prime coated			
7	997 537 637 00	desk pad	/L	1	
(7)	997 537 638 00	desk pad	/R	1	
8	997 537 627 00	operating rod		2	
9	997 537 629 00	bolt		2	
10	996 537 641 00	lock washer		2	
11	997 537 445 02	connecting piece	-05	2	
11	997 537 445 03	connecting piece	06-	2	
12	997 537 653 00	actuating lever	/L	1	
(12)	997 537 654 00	actuating lever	/R	1	
13	997 613 125 00	microswitch power windows		2	

Model	Year	MG	SG	Illustration	Restrictions	UPD	23:32	24.01.2010	PORSCHE	PET	PORSCHE
997-1	2008	8	04	804-20		248					

Pos	Part Number	Description	Remark	Qty	Model	Pos	Part Number	Description	Remark	Qty	Model
		power windows									
14	997 537 633 00	bush		2							
15	997 538 963 00	support with lock cylinder with stipulated lock number	/LL/L	1							
(15)	997 538 964 00	support with lock cylinder with stipulated lock number	/RL/R	1							
(15)	997 538 963 01	support with lock cylinder w/o stipulated lock number	/LL/L	1							
(15)	997 538 964 01	support with lock cylinder w/o stipulated lock number	/RL/R	1							
(15)	997 537 463 01	support without lock cylinder	/RL/L	1							
(15)	997 537 464 01	support without lock cylinder	/LL/R	1							
16	900 380 015 09	hexagon nut M 6		2							
17	997 538 931 00	replacement key with stipulated lock number state lock number  with stipulated lock number state lock number		X							
18	997 538 531 00	blank key		X							
19	944 538 431 00	key cap		X							
20	955 538 916 00	emergency key with stipulated lock number state lock number Information available		X							
(20)	955 538 216 00	emergency key w/o stipulated lock number		X							

Model	Year	MG	SG	Illustration	Restrictions	UPD	23:32	24.01.2010	PORSCHE	PET	PORSCHE
997-1	2008	8	04	804-30		248					



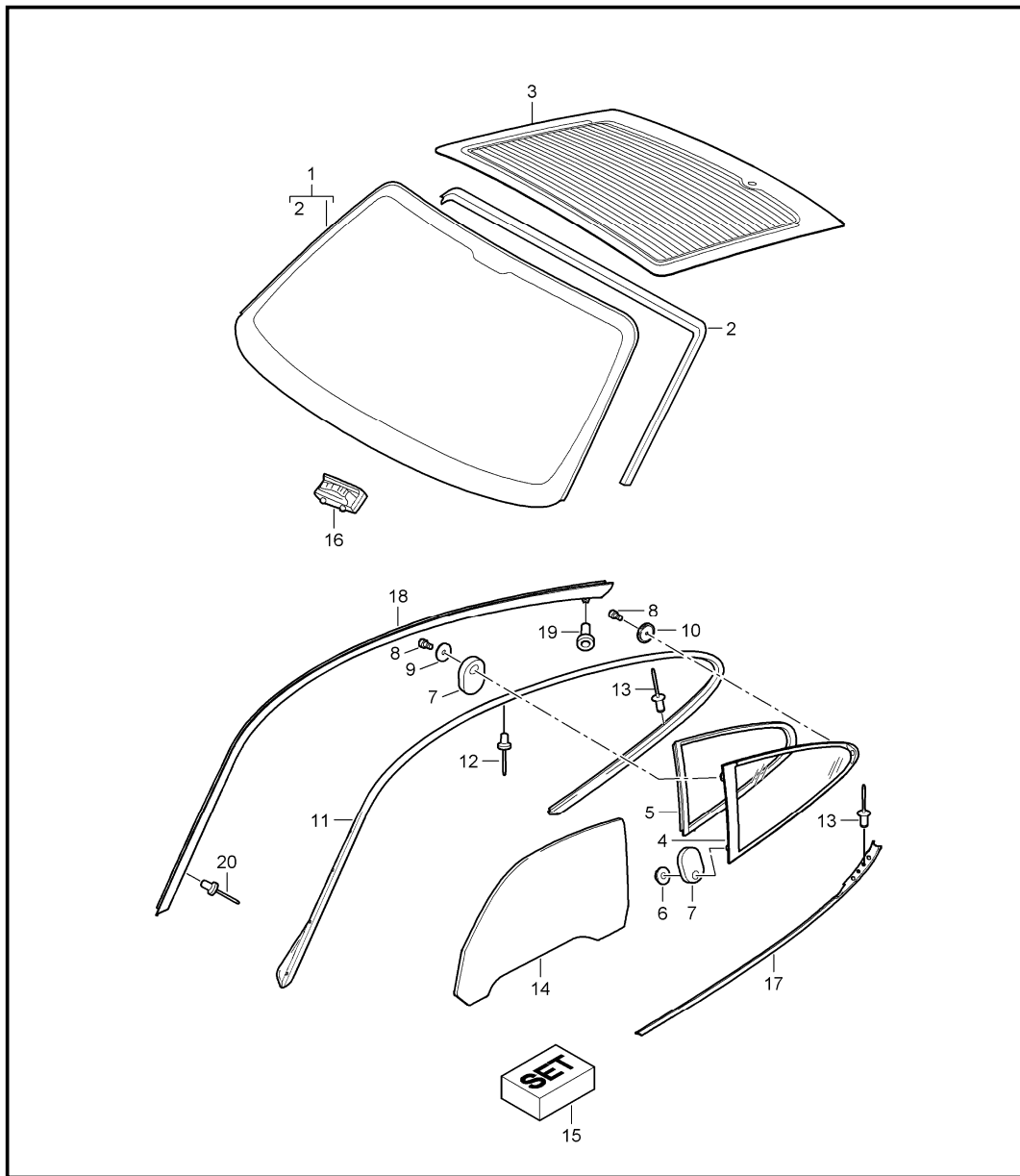
Pos	Part Number	Description	Remark	Qty	Model
		power windows			
1	A 997 542 075 00	power windows	/L	-05	1
1	987 542 075 00	power windows	/L	-05	1
1	987 542 075 01	power windows	/L	06-	1
(1)	A 997 542 076 00	power windows	/R	-05	1
(1)	987 542 076 00	power windows	/R	-05	1
(1)	987 542 076 01	power windows	/R	06-	1
(1)	997 542 075 02	power windows	/L	07-	1 COUPE/TARGA
(1)	997 542 076 02	power windows see technical manual	/R	07-	1 COUPE/TARGA
		FA. BROSE			
2	A 997 624 101 05	electric motor	/LL/L	-05	1 COUPE
2	A 997 624 101 06	electric motor	/LL/L	-05	1 COUPE
2	997 624 101 08	electric motor	/LL/L	-05	1 COUPE
(2)	A 997 624 104 05	electric motor	/LL/R	-05	1 COUPE
(2)	A 997 624 104 06	electric motor	/LL/R	-05	1 COUPE
(2)	997 624 104 08	electric motor	/LL/R	-05	1 COUPE
(2)	A 997 624 102 05	electric motor	/RL/R	-05	1 COUPE
(2)	A 997 624 102 06	electric motor	/RL/R	-05	1 COUPE
(2)	997 624 102 08	electric motor	/RL/R	-05	1 COUPE
(2)	A 997 624 103 05	electric motor	/RL/L	-05	1 COUPE
(2)	A 997 624 103 06	electric motor	/RL/L	-05	1 COUPE
(2)	997 624 103 08	electric motor	/RL/L	-05	1 COUPE
(2)	997 624 105 07	electric motor	/LL/L	-05	1 CABRIO
(2)	997 624 108 07	electric motor	/LL/R	-05	1 CABRIO
(2)	997 624 106 07	electric motor	/RL/R	-05	1 CABRIO
(2)	997 624 107 07	electric motor	/RL/L	-05	1 CABRIO
		FA. KUESTER			
(2)	A 997 624 181 03	electric motor	/LL/L	06	1

Model	Year	MG	SG	Illustration	Restrictions	UPD	23:32	24.01.2010	PORSCHE	PET	PORSCHE
997-1	2008	8	04	804-30		248					

Pos	Part Number	Description	Remark	Qty	Model	Pos	Part Number	Description	Remark	Qty	Model
(2)	997 624 181 04	electric motor	/LL/L	06	1						
(2) A	997 624 182 03	electric motor	/LL/R	06	1						
(2)	997 624 182 04	electric motor	/LL/R	06	1						
(2)	997 624 181 03	electric motor	/RL/R	06	1						
(2)	997 624 182 03	electric motor	/RL/L	06	1						
		Fa. Brose									
(2)	997 624 191 00	electric motor	/LL/L	07-	1						
(2) A	997 624 192 00	electric motor	/LL/R	07-	1						
(2)	997 624 162 00	electric motor	/LL/R	07-	1						
(2) A	997 624 192 00	electric motor	/RL/L	07-	1						
(2)	997 624 162 00	electric motor	/RL/L	07-	1						
(2)	997 624 191 00	electric motor	/RL/R	07-	1						
3	999 084 629 01	hexagon nut M6			4						
4	999 919 209 09	oval-head screw M 5 X 22			3						
5	987 542 941 00	clip bowden cable power windows			1						



Model	Year	MG	SG	Illustration	Restrictions	UPD	23:33	24.01.2010	PORSCHE	PET	PORSCHE
997-1	2008	8	05	805-00		248					

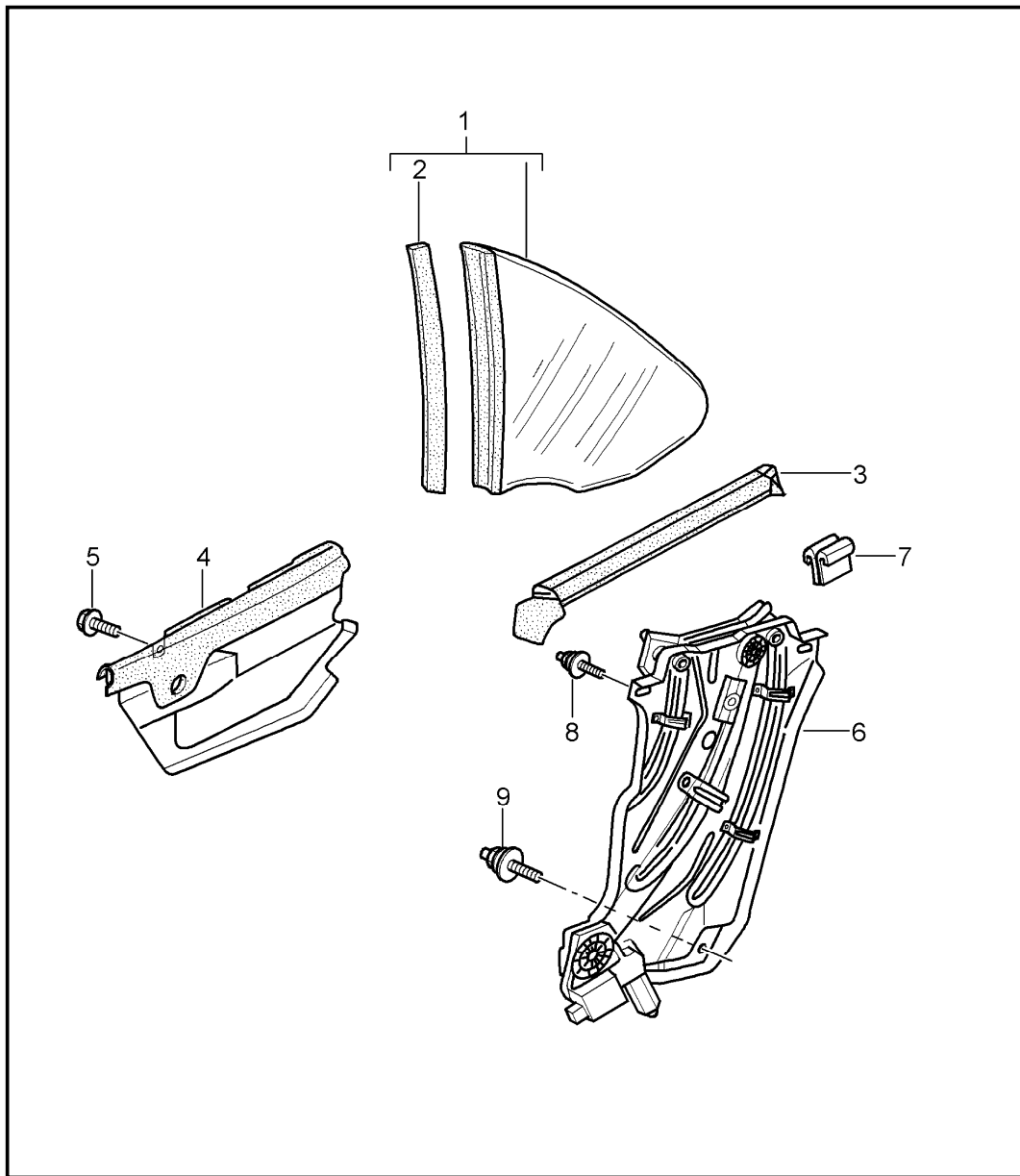


Pos	Part Number	Description	Remark	Qty	Model
1	997 541 911 00	window glazing windscreen tinted Information available		1	I440/568 COUPE/TARGA
(1)	997 541 911 02	windscreen tinted Information available		1	I440/568 CABRIO
(1) A	997 541 111 01	windscreen Information available		1	I440/567 I440/567
(1)	997 541 911 01	windscreen tinted Information available		1	I440/567 COUPE/TARGA
(1)	997 541 911 03	windscreen tinted Information available		1	I440/567 CABRIO
2	997 541 901 09	gasket windscreen		1	COUPE/TARGA
(2)	997 541 901 09	gasket windscreen		1	CABRIO
3	997 545 111 00	rear window Information available		1	/COUPE I426 I426
(3)	997 545 111 01	rear window Information available		1	/COUPE I425 I425
-	997 545 901 00	gasket rear window		1	
4	997 543 111 00	rear window	/L	1	COUPE
(4)	997 543 111 02	rear window	/L	1	TARGA
(4)	997 543 112 00	rear window	/R	1	COUPE
(4)	997 543 112 02	rear window	/R	1	TARGA
5	996 543 325 00	sealing frame	/L	1	COUPE
(5)	996 543 325 01	sealing frame	/L	1	TARGA
(5)	996 543 326 00	sealing frame	/R	1	COUPE
(5)	996 543 326 01	sealing frame rear window	/R	1	TARGA

Model	Year	MG	SG	Illustration	Restrictions	UPD	23:33	24.01.2010	PORSCHE	PET	PORSCHE
997-1	2008	8	05	805-00		248					

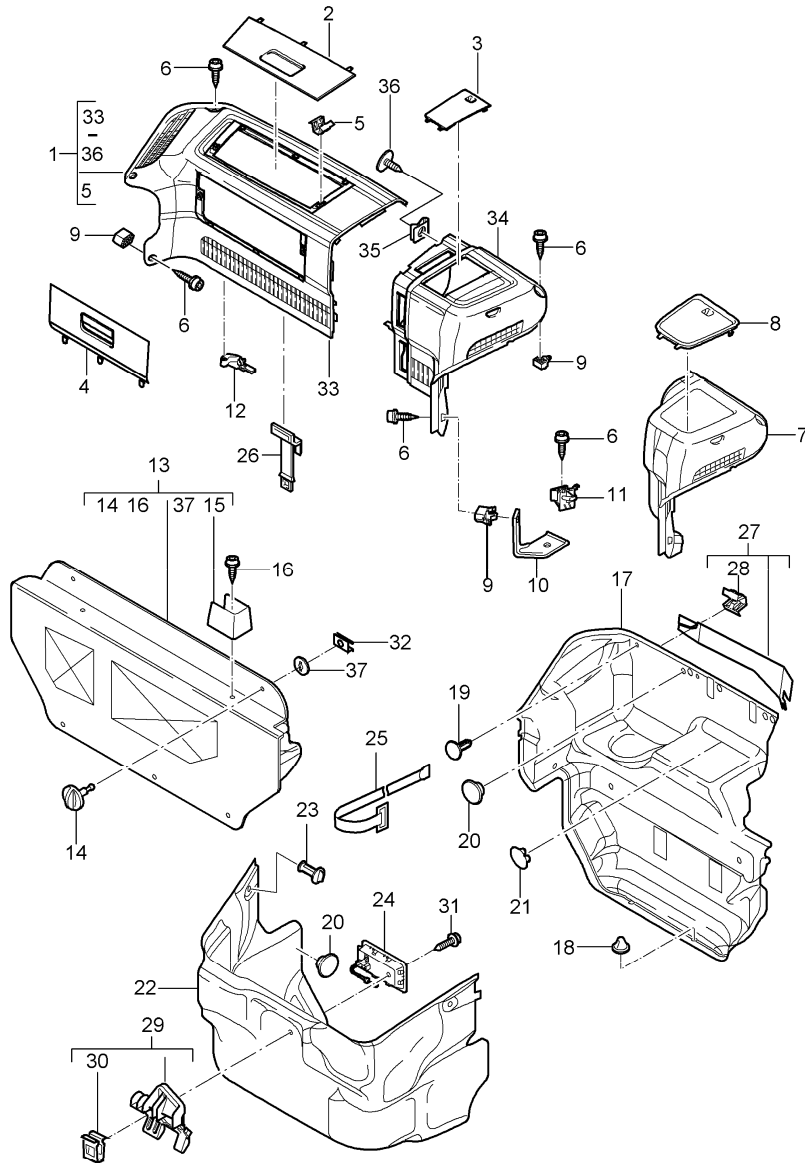
Pos	Part Number	Description	Remark	Qty	Model	Pos	Part Number	Description	Remark	Qty	Model
6	999 084 210 02	lock nut M 8		1	COUPE						
7	996 543 611 02	gasket		2	COUPE						
8	999 218 011 02	pan-head screw M 6 X 12		2	COUPE						
9	999 025 270 02	washer 6,4 X 30 X 1,5		1	COUPE						
10	996 543 625 00	sealing washer		1	COUPE						
11	997 537 481 00	roof frame seal	/L	1	COUPE						
(11)	997 537 482 00	roof frame seal	/R	1	COUPE						
12	999 190 445 37	blind rivet 4,0 X 7,9		X							
13	999 190 450 37	blind rivet 4,0 X 6,3		X							
14	997 542 511 00	door window glass	/L	1	COUPE/TARGA						
(14)	997 542 512 00	door window glass	/R	1	COUPE/TARGA						
(14)	997 542 511 01	door window glass	/L	1	CABRIO						
(14)	997 542 512 01	door window glass	/R	1	CABRIO						
15	000 043 300 94	adhesive set TEROSTAT 8593		1							
16	999 507 576 41	support		2							
17	997 543 485 00	gasket	/L	1	TARGA						
(17)	997 543 486 00	gasket rear window	/R	1	TARGA						
18	997 543 481 00	moulding	/L	1	TARGA						
(18)	997 543 482 00	moulding roof frame lateral	/R	1	TARGA						
19	999 190 464 30	blind rivet 3 X 3,5		X	TARGA						
20	999 190 185 30	blind rivet 3,9 X 9,5		X	TARGA						
-	000 043 206 47	car care set side window see technical manual		X							

Model	Year	MG	SG	Illustration	Restrictions	UPD	23:33	24.01.2010	PORSCHE	PET	PORSCHE
997-1	2008	8	05	805-05		248					



Pos	Part Number	Description	Remark	Qty	Model
		rear window			CABRIO
1	996 543 111 09	rear window	/L	1	
(1)	996 543 112 09	rear window	/R	1	
2	996 543 615 03	gasket	/L	1	
(2)	996 543 616 03	gasket	/R	1	
3	997 543 475 00	gasket outer	/L	1	
(3)	997 543 476 00	gasket outer	/R	1	
4	996 543 177 01	gasket inner	/L	1	
(4)	996 543 178 01	gasket inner	/R	1	
5	900 378 036 09	hexagon-head bolt M 6 X 12		4	
6	997 543 015 00	power windows Fa. Brose	/L -05	1	
6	997 543 015 02	power windows Fa. Kuester	/L 06-	1	
(6)	997 543 016 00	power windows Fa. Brose	/R -05	1	
(6)	997 543 016 02	power windows Fa. Kuester	/R 06-	1	

Model	Year	MG	SG	Illustration	Restrictions	UPD	23:33	24.01.2010	PORSCHE	PET	PORSCHE
997-1	2008	8	07	807-00		248					



Pos	Part Number	Description	Remark	Qty	Model
(1)	997 551 133 00	luggage compartment			CARRERA 2
		lining	/LL	1	I098/670
		luggage compartment complete			
		02A black			
(1)	997 551 133 00	lining	/LL	1	I098/672
		luggage compartment complete			
		02A black			
(1)	997 551 133 00	lining	/LL	1	I098/692
		luggage compartment complete			
		02A black			
(1)	997 551 133 01	lining	/RL	1	I099/670
		luggage compartment complete			
		02A black			
(1)	997 551 133 01	lining	/RL	1	I099/672
		luggage compartment complete			
		02A black			
(1)	997 551 133 01	lining	/RL	1	I099/692
		luggage compartment complete			
		02A black			
2	997 551 306 00	lid upper	/LL	1	I098/670
		02A black			
2	997 551 306 00	lid upper	/LL	1	I098/672
		02A black			
2	997 551 306 00	lid upper	/LL	1	I098/692
		02A black			
(2)	997 551 305 00	lid upper	/RL	1	I099
		02A black			

Model	Year	MG	SG	Illustration	Restrictions	UPD	23:33	24.01.2010	PORSCHE	PET	PORSCHE
997-1	2008	8	07	807-00		248					

Pos	Part Number	Description	Remark	Qty	Model	Pos	Part Number	Description	Remark	Qty	Model
3	997 551 301 00	lid brake booster	/LL	1	I098/670	9	999 507 734 40	support ST 3,5		X	
	02A	black				10	997 551 771 02	support lining luggage compartment		1	
3	997 551 301 00	lid brake booster	/LL	1	I098/672	11	999 507 512 40	support ST 3,5		X	
	02A	black				(12)	997 551 772 02	support lining		1	
3	997 551 301 00	lid brake booster	/LL	1	I098/692	13	997 551 123 02	lining tool carpet		1	
	02A	black					A31	black			
(3)	997 551 302 00	lid brake booster	/RL	1	I099	(13)	997 551 123 03	lining tool carpet		1	I193
	02A	black					A31	black			
4	997 551 308 00	lid lower	/LL	1	I098/670	14	997 551 803 00	catch lining tool		2	
	02A	black				15	997 551 801 00	support warning triangle	/L	1	
4	997 551 308 00	lid lower	/LL	1	I098/672		02A	black			
	02A	black				(15)	997 551 802 00	support warning triangle	/R	1	
4	997 551 308 00	lid lower	/LL	1	I098/692		02A	black			
	02A	black				16	999 073 362 09	tapping screw 4,8 X 22		2	
(4)	997 551 307 00	lid lower	/RL	1	I099	17	997 551 051 06	lining luggage compartment bulkhead valid up to: F >>995S7 03359 F >>995S7 35240 order also: position 22	/LL	1	I098/476
	02A	black					A31	black			
5	999 507 735 02	clamp 9 X 22/2,5		4							
6	900 187 501 01	tapping screw ST 3,5 X 16		X							
7	997 551 231 00	lining brake booster	/LL	1	I098						
	02A	black									
8	997 551 311 00	lid brake booster	/LL	1	I098						
	02A	black									

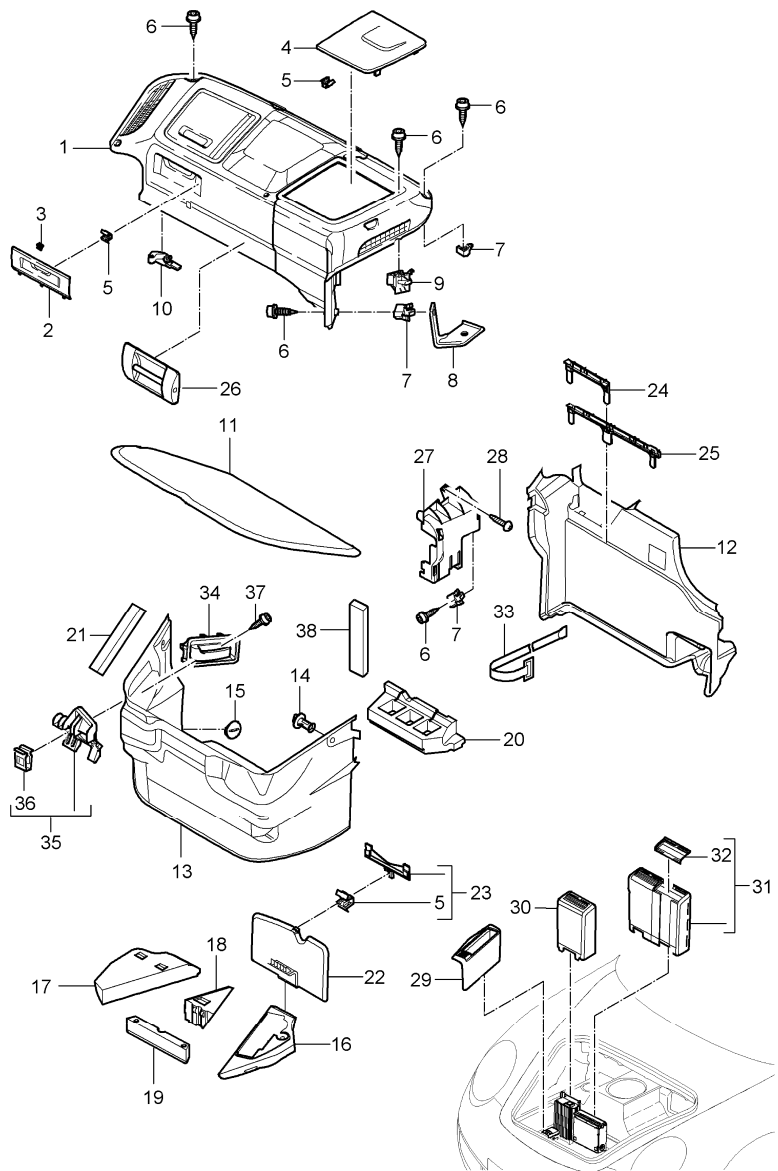
Model	Year	MG	SG	Illustration	Restrictions	UPD	23:33	24.01.2010	PORSCHE	PET	PORSCHE
997-1	2008	8	07	807-00		248					

Pos	Part Number	Description	Remark	Qty	Model	Pos	Part Number	Description	Remark	Qty	Model
(17)	997 551 051 08	lining luggage compartment bulkhead valid up to: F >>995S7 03359 F >>995S7 35240 order also: position 22 A31 black	/LL	1	I098/476/670	(17)	997 551 051 16	lining luggage compartment bulkhead carpet valid from: F 995S7 03360>> F 995S7 35241>> A31 black	/LL	1	I098/476/670
(17)	997 551 051 08	lining luggage compartment bulkhead valid up to: F >>995S7 03359 F >>995S7 35240 order also: position 22 A31 black	/LL	1	I098/476/692	(17)	997 551 051 16	lining luggage compartment bulkhead carpet valid from: F 995S7 03360>> F 995S7 35241>> A31 black	/LL	1	I098/476/692
(17)	997 551 051 10	lining luggage compartment bulkhead valid up to: F >>995S7 03359 F >>995S7 35240 order also: position 22 A31 black		1	I476/664	(17)	997 551 051 16	lining luggage compartment bulkhead carpet valid from: F 995S7 03360>> F 995S7 35241>> A31 black	/LL	1	I098/476/692
(17)	997 551 051 12	lining luggage compartment bulkhead valid up to: F >>995S7 03359 F >>995S7 35240 order also: position 22 A31 black	/RL	1	I099	(17)	997 551 051 18	lining luggage compartment bulkhead carpet valid from: F 995S7 03360>> F 995S7 35241>> A31 black	/RL	1	I099
(17)	997 551 051 15	lining luggage compartment bulkhead carpet valid from: F 995S7 03360>> F 995S7 35241>> A31 black	/LL	1	I098/476	18	999 049 004 40	plastic nut T5 / 32 X 20		2	
						19	999 703 432 40	stopper 8,2 X 18		2	
						20	999 703 455 41	lid 12,2 X 25		X	
						21	999 703 456 40	cap 49 X 26		1	

Model	Year	MG	SG	Illustration	Restrictions	UPD	23:33	24.01.2010	PORSCHE	PET	PORSCHE
997-1	2008	8	07	807-00		248					

Pos	Part Number	Description	Remark	Qty	Model	Pos	Part Number	Description	Remark	Qty	Model
22	997 551 045 00	lining luggage compartment liner carpet valid up to: F >>995S7 03359 F >>995S7 35240 order also: position 17 A31 black		1		33	997 551 634 00	lining luggage compartment FMU black/black	/LL	1	I098/692
						(33)	997 551 635 00	lining luggage compartment FMU black/black	/RL	1	I099
22	997 551 045 12	lining luggage compartment liner carpet valid from: F 995S7 03360>> F 995S7 35241>> A31 black		1		34	997 551 633 00	lining brake booster FMU black/black	/LL	1	I098/670
						34	997 551 633 00	lining brake booster FMU black/black	/LL	1	I098/672
23	999 049 006 40	plastic nut T5 /30 X 7,5		2		34	997 551 633 00	lining brake booster FMU black/black	/LL	1	I098/692
25	997 551 741 00	retaining strap first-aid kit		1	I024	(34)	997 551 632 00	lining brake booster FMU black/black		1	I099
(25)	997 551 741 00	retaining strap first-aid kit		1	I499						
26	997 551 805 00	fastening clip bag wind deflector 01C satin black		1	CABRIO	35	999 507 795 09	speed nut 4,8		3	
						36	999 073 231 09	tapping screw 4,8 X 16		3	
27	997 551 751 00	lining lines carpet A31 black		1	I099	37	999 025 236 40	washer lock for catch position 14		2	
28	999 507 116 01	u-clamp 23,0 - 23,5		2	I099						
32	999 590 055 01	fastening clamp 10,7 X 11,5		2							
33	997 551 634 00	lining luggage compartment FMU black/black	/LL	1	I098/670						
33	997 551 634 00	lining luggage compartment FMU black/black	/LL	1	I098/672						

Model	Year	MG	SG	Illustration	Restrictions	UPD	23:33	24.01.2010	PORSCHE	PET	PORSCHE
997-1	2008	8	07	807-01		248					



Pos	Part Number	Description	Remark	Qty	Model
		luggage compartment	06-		CARRERA 4
1	997 551 630 00	lining luggage compartment	/LL	1	I098
		FMU black/black			
1	997 551 630 01	lining luggage compartment	/RL	1	I099
		FMU black/black			
2	997 551 304 00	lid lining lower	/LL	1	I098
		02A black			
3	997 551 817 00	support hinge	/LL	2	I098
4	997 551 309 00	lid brake booster	/LL	1	I098
		02A black			
(4)	997 551 310 00	lid brake booster	/RL	1	I099
		02A black			
5	999 507 552 01	spring clamp 9 X 13/3,0		X	
6	999 073 048 02	tapping screw ST 3,5 X 13		X	
7	999 507 734 40	support ST 3,5		X	
8	997 551 771 02	support lining luggage compartment		1	
9	999 507 512 40	support ST 3,5		X	
10	997 551 772 02	support lining		1	
11	997 551 351 00	cover tool carpet		1	
		A31 black			



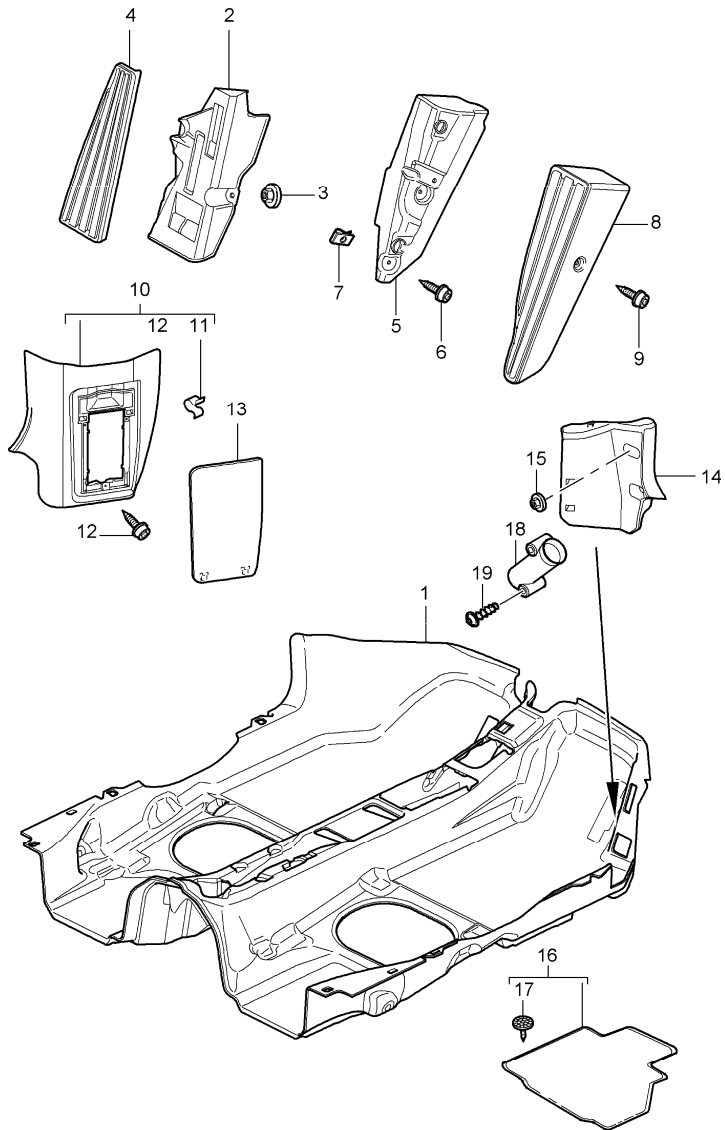
Model	Year	MG	SG	Illustration	Restrictions	UPD	23:33	24.01.2010	PORSCHE	PET	PORSCHE
997-1	2008	8	07	807-01		248					

Pos	Part Number	Description	Remark	Qty	Model	Pos	Part Number	Description	Remark	Qty	Model
(11)	997 551 351 04	cover tool carpet	/LL	1	I098/692	14	999 049 006 40	plastic nut T5 / 30 X 7,5		2	
	A31	black				15	997 551 807 00	cap nut		1	
(11)	997 551 351 06	cover tool carpet	/RL	1	I099/670/672	(15)	999 703 455 41	lid		1	I490/680
	A31	black				16	997 551 401 00	foam part tool	/LL/L	1	I098
(11)	997 551 351 07	cover tool carpet	/RL	1	I099/692	(16)	997 551 402 00	foam part tool	/RL/R	1	I099
	A31	black				17	997 551 408 00	foam part luggage compartment liner	/LL/R	1	I098
(11)	997 551 351 08	cover  tool carpet	/RL	1	I099/670/672 I692	(17)	997 551 407 00	foam part luggage compartment liner	/RL/L	1	I099
	A31	black				18	997 551 405 00	foam part compressor rear		1	
12	997 551 051 19	lining bulkhead carpet	/LL	1	I098/476	19	997 551 403 00	foam part compressor front		1	
	A31	black				20	997 551 412 01	foam part bulkhead		1	
(12)	997 551 051 22	lining bulkhead carpet	/RL	1	I099/476	21	997 551 414 00	foam part cd changer	/LL	1	I098/692
	A31	black				(21)	997 551 413 00	foam part cd changer	/RL	1	I099/692
(12)	997 551 051 23	lining  bulkhead carpet	/RL	1	I099/476/670 I672	22	997 551 501 00	cover compressed air bottle	/LL	1	I098
	A31	black					A31	black			
13	997 551 045 14	lining luggage compartment liner carpet	/LL	1	I098	(22)	997 551 502 00	cover compressed air bottle	/RL	1	I099
	A31	black					A31	black			
(13)	997 551 045 16	lining luggage compartment liner carpet	/RL	1	I099	23	997 551 415 00	adapter compressed air bottle		1	
	A31	black				26	997 551 805 01	eye luggage compartment front		1	
							02A	black			
						27	997 551 736 01	cover control unit		1	

Model	Year	MG	SG	Illustration	Restrictions	UPD	23:33	24.01.2010	PORSCHE	PET	PORSCHE
997-1	2008	8	07	807-01		248					

Pos	Part Number	Description	Remark	Qty	Model	Pos	Part Number	Description	Remark	Qty	Model
28	999 073 061 02	tapping screw ST 4,8 X 16		X							
29	997 551 104 00	lining cd changer	/LL	1	I098/692						
	02A	black									
(29)	997 551 103 00	lining cd changer	/RL	1	I099/692						
	02A	black									
30	997 551 108 00	lining booster		1	I664						
	02A	black									
(31)	997 551 105 00	lining dvd	/RL	1	I099/670/672						
	02A	black									
--	999 507 735 02	clamp mount lining dvd	/RL	2	I099/670/672						
(32)	997 551 811 00	lid lining dvd	/RL	1	I099/670/672						
	02A	black									
33	997 551 741 00	retaining strap		1	I024						
(33)	997 551 741 00	retaining strap first-aid kit		1	I499						
38	997 556 623 00	plastic foam strip		2	I670/672						

Model	Year	MG	SG	Illustration	Restrictions	UPD	23:34	24.01.2010	PORSCHE	PET	PORSCHE
997-1	2008	8	07	807-02		248					



Pos	Part Number	Description	Remark	Qty	Model
1	997 551 011 08	carpet linings carpet FLW black FLX stone grey FLY sand beige FLZ sea blue FMA palmgreen FMB terracotta FMC cocoa FMD dark grey/natural FME brown/natural FSV carrera red	/LL	1	COUPE I098
1	997 551 011 08	carpet FLW black FLX stone grey FLY sand beige FLZ sea blue FMA palmgreen FMB terracotta FMC cocoa FMD dark grey/natural FME brown/natural FSV carrera red	/LL	1	TARGA I098/490
(1)	997 551 011 09	carpet FLW black	/RL	1	COUPE I099

Model	Year	MG	SG	Illustration	Restrictions	UPD	23:34	24.01.2010	PORSCHE	PET	PORSCHE
997-1	2008	8	07	807-02		248					

Pos	Part Number	Description	Remark	Qty	Model	Pos	Part Number	Description	Remark	Qty	Model
		FLX stone grey					FMC cocoa				
		FLY sand beige					FMD dark grey/natural				
		FLZ sea blue					FME brown/natural				
		FMA palmgreen	-07				FSV carrera red	08-			
		FMB terracotta				(1)	997 551 011 11	carpet	/RL	1	CABRIO I099/490
		FMC cocoa					carpet				
		FMD dark grey/natural					FLW black				
		FME brown/natural					FLX stone grey				
		FSV carrera red	08-				FLY sand beige				
(1)	997 551 011 09	carpet	/RL	07-	1	TARGA I099/490	FLZ sea blue				
		carpet					FMA palmgreen	-07			
		FLW black					FMB terracotta				
		FLX stone grey					FMC cocoa				
		FLY sand beige					FMD dark grey/natural				
		FLZ sea blue					FME brown/natural				
		FMA palmgreen	-07				FSV carrera red	08-			
		FMB terracotta				(1)	997 551 011 12	carpet	/LL	1	CABRIO I098/680
		FMC cocoa					carpet				
		FMD dark grey/natural					FLW black				
		FME brown/natural					FLX stone grey				
		FSV carrera red	08-				FLY sand beige				
(1)	997 551 011 10	carpet	/LL	08-	1	CABRIO I098/490	FLZ sea blue				
		carpet					FMA palmgreen	-07			
		FLW black					FMB terracotta				
		FLX stone grey					FMC cocoa				
		FLY sand beige					FMD dark grey/natural				
		FLZ sea blue					FME brown/natural				
		FMA palmgreen	-07				FSV carrera red	08-			
		FMB terracotta									

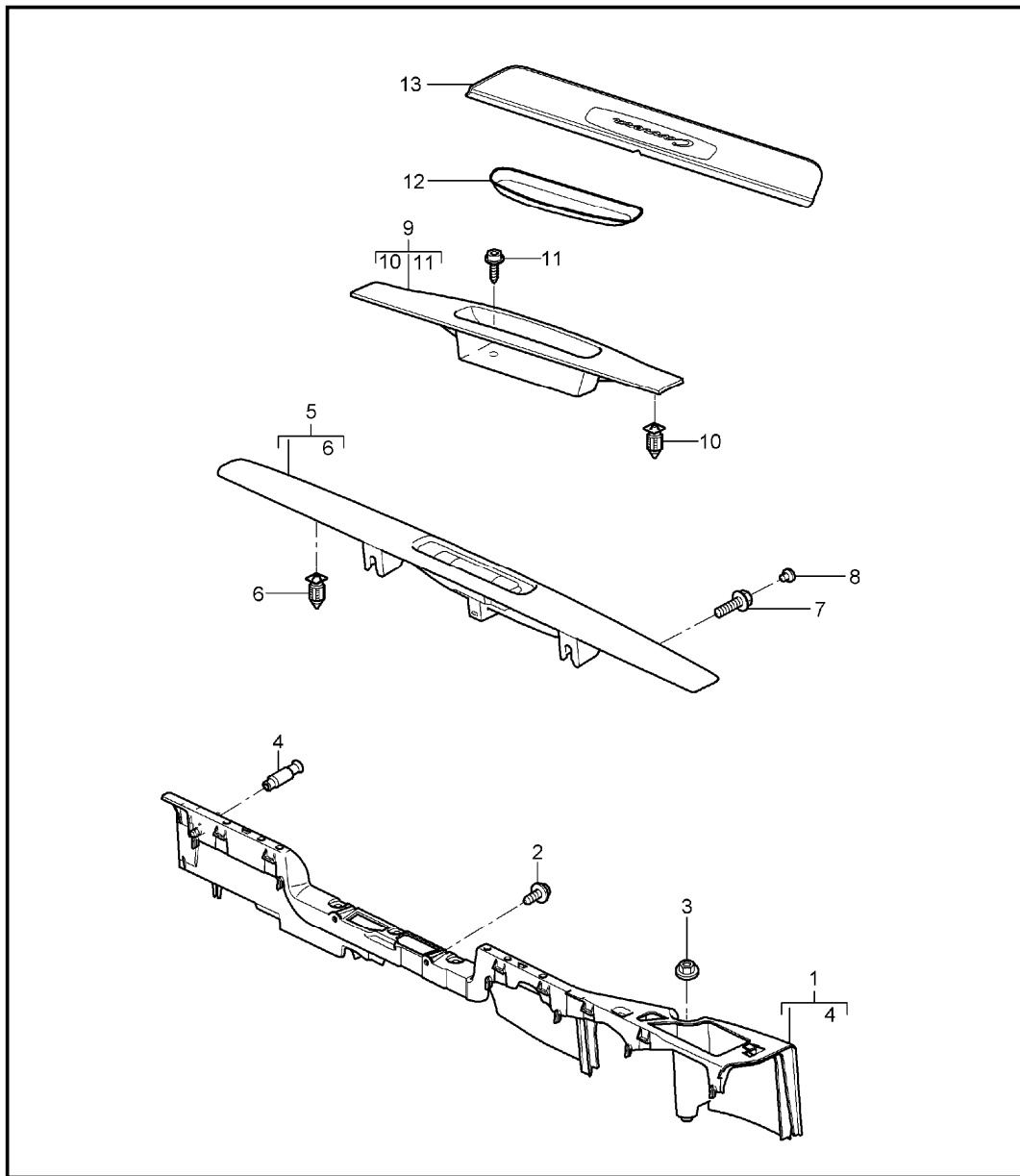
Model	Year	MG	SG	Illustration	Restrictions	UPD	23:34	24.01.2010	PORSCHE	PET	PORSCHE
997-1	2008	8	07	807-02		248					

Pos	Part Number	Description	Remark	Qty	Model	Pos	Part Number	Description	Remark	Qty	Model
(1)	997 551 011 13	carpet	/RL	1	CABRIO I099/680		FLZ	sea blue			
		carpet					FMA	palmgreen	07		
	FLW	black					FMB	terracotta			
	FLX	stone grey					FMC	cocoa			
	FLY	sand beige					FMD	dark grey/natural			
	FLZ	sea blue					FME	brown/natural			
	FMA	palmgreen	-07				FSV	carrera red	08-		
	FMB	terracotta				--	997 551 813 00	protective film carpet	/LL	-07	1
	FMC	cocoa				--	997 551 813 01	protective film carpet	/LL	08-	1
	FMD	dark grey/natural				--	997 551 815 00	protective film carpet	/RL		1
	FME	brown/natural									
	FSV	carrera red	08-			2	997 551 211 01	foot support	/LL		1
(1)	997 551 011 14	carpet	/LL	07-	1	TARGA I098/680	3	999 076 081 40	plastic nut T5/16 X 11,2 for mount foot support	/LL	2
		carpet									
	FLW	black									
	FLX	stone grey					4	997 551 611 00	cover foot support	/LL	1
	FLY	sand beige						01C	satin black		
	FLZ	sea blue				(4)	997 551 986 00	cover foot support	/LL	1	IXXZ/098
	FMA	palmgreen	07			5	997 551 212 00	foot support	/RL	1	
	FMB	terracotta				6	999 073 060 02	tapping screw ST 4,8 X 13	/RL	2	I099
	FMC	cocoa				7	999 591 485 01	speed nut ST 4,8 for mount foot support	/RL	2	
	FMD	dark grey/natural									
	FME	brown/natural									
	FSV	carrera red	08-								
(1)	997 551 011 15	carpet	/RL	07-	1	TARGA I099/680	8	997 551 612 00	cover foot support	/RL	1
		carpet						01C	satin black		
	FLW	black									
	FLX	stone grey									
	FLY	sand beige									

Model	Year	MG	SG	Illustration	Restrictions	UPD	23:34	24.01.2010	PORSCHE	PET	PORSCHE
997-1	2008	8	07	807-02		248					

Pos	Part Number	Description	Remark	Qty	Model	Pos	Part Number	Description	Remark	Qty	Model
9	999 919 188 09	oval-head screw 5,0 X 30 for mount cover foot support	/RL	1	I099	12	999 919 161 09	oval-head screw 5,0 X 18 for mount lining fusebox		3	
10	997 551 101 00	lining fusebox carpet	/LL	1	I098	13	997 551 621 00	lid lining fusebox	/LL	1	
	A10	black					01C	satin black			
	B10	stone grey				(13)	997 551 622 00	lid lining fusebox	/RL	1	
	T10	sand beige					01C	satin black			
	E10	sea blue				(14)	997 551 712 02	support carpet	/LL	1	I098
	J10	palmgreen	-07			(14)	997 551 711 02	support carpet	/RL	1	I099
	M10	terracotta				15	999 076 081 40	plastic nut T5/16 X 11,2 mount support carpet		2	
	R10	cocoa									
	D11	dark grey/natural									
	T11	brown/natural									
	N10	carrera red	08-			16	--- --- --- --	floor mats set see group TEG/8/07/06		1	
(10)	997 551 102 00	lining fusebox carpet	/RL	1	I099	17	999 902 054 40	fastening plate for floor mats		4	
	A10	black				18	964 551 751 00	support warning light	/RL	1	I099/193
	B10	stone grey				(18)	997 551 852 00	support warning light	/LL	1	I098/193
	T10	sand beige				19	999 919 254 01	oval-head screw 4,0 X 36,5		2	I193
	E10	sea blue									
	J10	palmgreen	-07								
	M10	terracotta									
	R10	cocoa									
	D11	dark grey/natural									
	T11	brown/natural									
	N10	carrera red	08-								
11	999 507 552 01	spring clamp 9,0 X 13/4,0		2							

Model	Year	MG	SG	Illustration	Restrictions	UPD	23:34	24.01.2010	PORSCHE	PET	PORSCHE
997-1	2008	8	07	807-03		248					



Pos	Part Number	Description	Remark	Qty	Model
1	997 551 619 02	lining door sill		1	
(1)	997 551 620 01	support door sill	/L	1	
2	900 143 082 01	support door sill	/R	1	
2	900 143 082 01	tapping screw ST 6,3 X 13 for mount support door sill		4	
3	999 076 081 40	plastic nut T5 16 X 11,2 for mount support door sill		2	
4	996 551 873 00	locating peg for mount support door sill		2	
5	997 551 019 04	lining door sill driver's side	/LL	1	COUPE/CABRIO I098
	A03	black			
(5)	997 551 019 05	lining door sill driver's side	/RL	1	COUPE/CABRIO I099
	A03	black			
(5)	997 551 019 06	lining door sill driver's side	/LL	07-	TARGA I098
	A03	black			
(5)	997 551 019 07	lining door sill driver's side	/RL	07-	TARGA I099
	A03	black			

Model	Year	MG	SG	Illustration	Restrictions	UPD	23:34	24.01.2010	PORSCHE	PET	PORSCHE
997-1	2008	8	07	807-03		248					

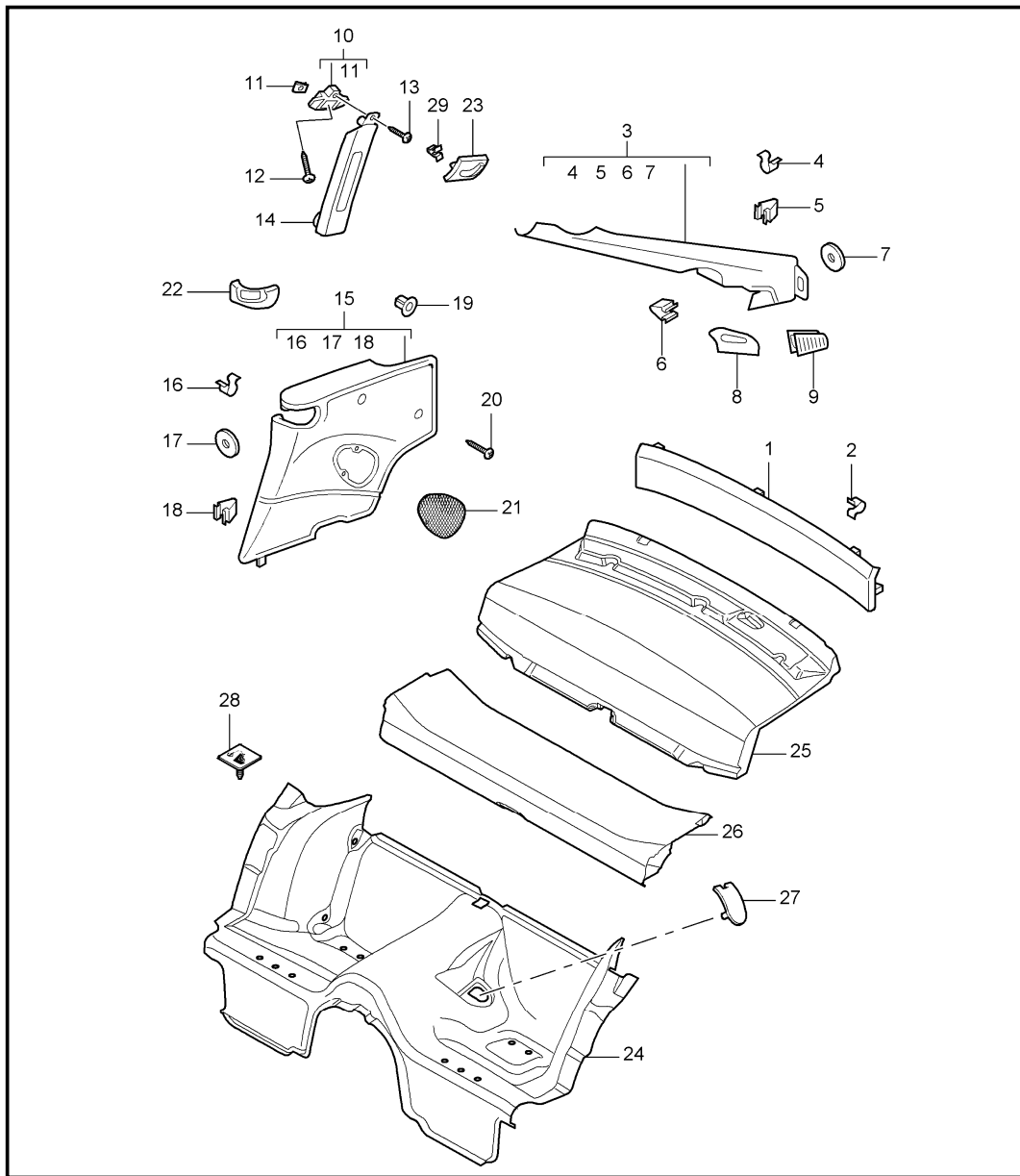
Pos	Part Number	Description	Remark	Qty	Model	Pos	Part Number	Description	Remark	Qty	Model	
5	997 551 982 00	lining door sill driver's side leather	/LL	1	COUPE/CABRIO IXTG/098		A11	black				
	A11	black					5X6	stone grey				
	5X6	stone grey					8G2	sand beige				
	8G2	sand beige					3S9	sea blue				
	3S9	sea blue					4P2	palmgreen	-07			
	4P2	palmgreen					9S5	terracotta				
	9S5	terracotta					9V6	cocoa				
	9V6	cocoa					D12	dark grey/natural				
	D12	dark grey/natural					T12	brown/natural				
	T12	brown/natural					N12	carrera red	08-			
	N12	carrera red				(5)	997 551 982 03	lining	/RL	07-	1	TARGA IXTG/099
								door sill driver's side leather				
(5)	997 551 982 01	lining door sill driver's side leather	/RL	1	COUPE/CABRIO IXTG/099		A11	black				
	A11	black					5X6	stone grey				
	5X6	stone grey					8G2	sand beige				
	8G2	sand beige					3S9	sea blue				
	3S9	sea blue					4P2	palmgreen	-07			
	4P2	palmgreen					9S5	terracotta				
	9S5	terracotta					9V6	cocoa				
	9V6	cocoa					D12	dark grey/natural				
	D12	dark grey/natural					T12	brown/natural				
	T12	brown/natural					N12	carrera red	08-			
	N12	carrera red				6	999 507 484 40	expander nut 9 X 22			6	
						7	999 067 046 01	combination screw M 6 X 20			2	
						8	999 703 443 40	stopper 8,0 X 11			2	
(5)	997 551 982 02	lining door sill driver's side leather	/LL	07-	1	TARGA IXTG/098		01C	satin black			



Model	Year	MG	SG	Illustration	Restrictions	UPD	23:34	24.01.2010	PORSCHE	PET	PORSCHE
997-1	2008	8	07	807-03		248					

Pos	Part Number	Description	Remark	Qty	Model	Pos	Part Number	Description	Remark	Qty	Model
9	997 551 120 01	lining door sill passenger's side		1		(13)	997 551 303 10	scuff plate lacquered	06-	2	CARRERA 4S -IX69/-IX70
	A03	black					A03	black			
(9)	997 551 983 00	lining door sill passenger's side leather		1	IXTG	(13)	997 551 303 12	scuff plate lacquered	07-	2	TARGA -IX69/-IX70
	A11	black					A03	black			
	5X6	stone grey				(13)	997 551 303 13	scuff plate lacquered	07-	2	TARGA 4S -IX69/-IX70
	8G2	sand beige					A03	black			
	3S9	sea blue						scuff plate exclusive see catalogue tequipment 8/07/06		1	
	4P2	palmgreen	-07							1	
	9S5	terracotta									
	9V6	cocoa									
	D12	dark grey/natural									
	T12	brown/natural									
	N12	carrera red	08-								
10	999 507 484 40	expander nut 9 X 22		6							
11	999 919 164 09	oval-head screw 5,0 X 12		1							
12	996 551 513 00	mat		1							
13	997 551 303 07	scuff plate lacquered		2	CARRERA -IX69/-IX70						
	A03	black									
(13)	997 551 303 08	scuff plate lacquered		2	CARRERA S -IX69/-IX70						
	A03	black									
(13)	997 551 303 09	scuff plate lacquered	06-	2	CARRERA 4 -IX69/-IX70						
	A03	black									

Model	Year	MG	SG	Illustration	Restrictions	UPD	23:34	24.01.2010	PORSCHE	PET	PORSCHE
997-1	2008	8	07	807-05		248					



Pos	Part Number	Description	Remark	Qty	Model
1	997 555 081 00	linings rear lining rear wall carpet A10 black B10 stone grey T10 sand beige E10 sea blue J10 palmgreen M10 terracotta R10 cocoa D11 dark grey/natural T11 brown/natural N10 carrera red	-07	1	COUPE I426
(1)	997 555 081 01	linings rear wall carpet A10 black B10 stone grey T10 sand beige E10 sea blue J10 palmgreen M10 terracotta R10 cocoa D11 dark grey/natural T11 brown/natural N10 carrera red	08-	1	I425
2	999 507 687 05	fixing clip 11,3		5	
3	997 555 187 00	lining c-pillar leatherette	/L	1	

Model	Year	MG	SG	Illustration	Restrictions	UPD	23:34	24.01.2010	PORSCHE	PET	PORSCHE
997-1	2008	8	07	807-05		248					

Pos	Part Number	Description	Remark	Qty	Model	Pos	Part Number	Description	Remark	Qty	Model
	1MZ	black					3S9	sea blue			
	1YP	stone grey					4P2	palmgreen	-07		
	1TK	sand beige					9S5	terracotta			
	1VM	sea blue					9V6	cocoa			
	1UL	palmgreen					D12	dark grey/natural			
(3)	997 555 188 00	lining c-pillar leatherette	/R	1			T12	brown/natural			
							N12	carrera red	08-		
	1MZ	black				4	999 507 533 02	clamp 8,0 X10,0/2,5 2,5/09		4	
	1YP	stone grey									
	1TK	sand beige				5	999 507 479 09	clamp 2,5/09		6	
	1VM	sea blue									
	1UL	palmgreen				(5)	999 507 676 09	clamp 2,5/2,2 18,0		2	
3	997 555 187 01	lining c-pillar leather	/L	1	I981	6	999 651 307 01	cable clamp 18,0		2	
	A11	black				7	999 551 609 40	plastic washer 8,0 X 23 X 3,0		7	
	5X6	stone grey									
	8G2	sand beige				8	996 555 545 01	rosette seat belt rear lacquered	/L	1	
	3S9	sea blue									
	4P2	palmgreen					A03	black			
	9S5	terracotta					5V7	stone grey			
	9V6	cocoa					5Z1	sand beige			
	D12	dark grey/natural					8W7	sea blue			
	T12	brown/natural					5Y2	palmgreen	-07		
	N12	carrera red					8X8	terracotta			
(3)	997 555 188 01	lining c-pillar leather	/R	1	I981		8P9	cocoa			
							T13	brown/natural			
	A11	black					N23	carrera red	08-		
	5X6	stone grey									
	8G2	sand beige									

Model	Year	MG	SG	Illustration	Restrictions	UPD	23:34	24.01.2010	PORSCHE	PET	PORSCHE
997-1	2008	8	07	807-05		248					

Pos	Part Number	Description	Remark	Qty	Model	Pos	Part Number	Description	Remark	Qty	Model
(8)	996 555 546 01	rosette seat belt rear lacquered	/R	1			5Y2	palmgreen	-07		
	A03	black					8X8	terracotta			
	5V7	stone grey					8P9	cocoa			
	5Z1	sand beige					T13	brown/natural			
	8W7	sea blue					N23	carrera red	08-		
	5Y2	palmgreen	-07			10	996 555 821 02	bracket coat hook	/L	1	
	8X8	terracotta				(10)	996 555 822 02	bracket coat hook	/R	1	
	8P9	cocoa				11	999 507 695 01	speed nut ST 4,8		2	
	T13	brown/natural				12	999 073 128 01	tapping screw 6,3 X14 mount bracket coat hook		2	
	N23	carrera red	08-			(12)	999 025 268 01	washer 6,4 X 18 mount bracket coat hook	07-	2	
9	996 555 645 00	grille bleeding lacquered	/L	1		13	999 073 060 02	tapping screw 4,8 X 13		2	
	A03	black				14	997 555 183 00	lining b-pillar leatherette	/L	1	
	5V7	stone grey					1MZ	black			
	5Z1	sand beige					1YP	stone grey			
	8W7	sea blue					1TK	sand beige			
	5Y2	palmgreen	-07				1VM	sea blue			
	8X8	terracotta					1UL	palmgreen	-07		
	8P9	cocoa					(14)	997 555 184 00	lining b-pillar leatherette	/R	1
	T13	brown/natural					1MZ	black			
	N23	carrera red	08-				1YP	stone grey			
(9)	996 555 646 00	grille bleeding lacquered	/R	1			1TK	sand beige			
	A03	black									
	5V7	stone grey									
	5Z1	sand beige									
	8W7	sea blue									

Model	Year	MG	SG	Illustration	Restrictions	UPD	23:34	24.01.2010	PORSCHE	PET	PORSCHE
997-1	2008	8	07	807-05		248					

Pos	Part Number	Description	Remark	Qty	Model	Pos	Part Number	Description	Remark	Qty	Model
	1VM	sea blue					1MZ	black			
	1UL	palmgreen	-07				1YP	stone grey			
14	997 555 183 01	lining b-pillar leather	/L	1	I981		1TK	sand beige			
	A11	black					1VM	sea blue			
	5X6	stone grey				(15)	997 555 072 00	side trim panel leatherette	/R	1	
	8G2	sand beige					1UL	palmgreen	-07		
	3S9	sea blue					1MZ	black			
	4P2	palmgreen	-07				1YP	stone grey			
	9S5	terracotta					1TK	sand beige			
	9V6	cocoa					1VM	sea blue			
	D12	dark grey/natural				15	997 555 071 01	side trim panel leather	/L	1	I981
	T12	brown/natural					1UL	palmgreen	-07		
	N12	carrera red	08-				FSA	black/grey			
(14)	997 555 184 01	lining b-pillar leather	/R	1	I981		FSB	stone grey/stone grey			
	A11	black					FSC	sand beige/sand beige			
	5X6	stone grey					FSD	sea blue/grey			
	8G2	sand beige					FSE	palmgreen/palmgreen	-07		
	3S9	sea blue					FSF	terracotta/terracotta			
	4P2	palmgreen	-07				FSG	cocoa/cocoa			
	9S5	terracotta					FSH	darkgrey natural/grey			
	9V6	cocoa					FSJ	brown nat./brown nat.			
	D12	dark grey/natural				(15)	997 555 072 01	side trim panel leather	/R	1	I981
	T12	brown/natural					FSA	black/grey			
	N12	carrera red	08-				FSB	stone grey/stone grey			
--	996 555 859 00	grommet b-pillar		2			FSC	sand beige/sand beige			
15	997 555 071 00	side trim panel leatherette	/L	1			FSD	sea blue/grey			

Model	Year	MG	SG	Illustration	Restrictions	UPD	23:34	24.01.2010	PORSCHE	PET	PORSCHE
997-1	2008	8	07	807-05		248					

Pos	Part Number	Description	Remark	Qty	Model	Pos	Part Number	Description	Remark	Qty	Model
	FSE	palmgreen/palmgreen	-07				5Y2	palmgreen	-07		
	FSF	terracotta/terracotta					8X8	terracotta			
	FSG	cocoa/cocoa					8P9	cocoa			
	FSH	darkgrey natural/grey					T13	brown/natural			
	FSJ	brown nat./brown nat.					N23	carrera red	08-		
	FSP	carrera red	08-			(21)	997 555 050 00	loudspeaker grille side trim panel lacquered	/R	1	
15	997 555 071 06	side trim panel two-colour	/L 06-	1	I970		A03	black			
	BCG	black/stone grey					5V7	stone grey			
	BCH	black/sand beige					5Z1	sand beige			
	BCJ	black/terracotta					8W7	sea blue			
(15)	997 555 072 06	side trim panel two-colour	/R 06-	1	I970		5Y2	palmgreen	-07		
	BCG	black/stone grey					8X8	terracotta			
	BCH	black/sand beige					8P9	cocoa			
	BCJ	black/terracotta					T13	brown/natural			
16	999 507 479 01	clamp 2,5/0,88		2			N23	carrera red	08-		
17	999 551 609 40	plastic washer 8,0 X 23 X 3,0		2		22	997 555 061 00	rosette seat belt lacquered	/L	1	
18	999 507 533 02	clamp 8.0 X 10 /2,5		1			A03	black			
19	999 507 050 40	expander nut ST 4,2		2			5V7	stone grey			
20	999 073 142 09	tapping screw ST 4,2 X 19		2			5Z1	sand beige			
21	997 555 049 00	loudspeaker grille side trim panel lacquered	/L	1			8W7	sea blue	-07		
	A03	black					5Y2	palmgreen			
	5V7	stone grey					8X8	terracotta			
	5Z1	sand beige					8P9	cocoa			
	8W7	sea blue					T13	brown/natural			
							N23	carrera red	08-		
						(22)	997 555 062 00	rosette seat belt lacquered	/R	1	

Model	Year	MG	SG	Illustration	Restrictions	UPD	23:34	24.01.2010	PORSCHE	PET	PORSCHE
997-1	2008	8	07	807-05		248					

Pos	Part Number	Description	Remark	Qty	Model	Pos	Part Number	Description	Remark	Qty	Model
	A03	black					N23	carrera red	08-		
	5V7	stone grey				24	997 551 017 02	adhesive carpet seat well		1	I685
	5Z1	sand beige					A10	black			
	8W7	sea blue					B10	stone grey			
	5Y2	palmgreen	-07				T10	sand beige			
	8X8	terracotta					E10	sea blue			
	8P9	cocoa					J10	palmgreen	-07		
	T13	brown/natural					M10	terracotta			
	N23	carrera red	08-				R10	cocoa			
23	997 555 573 00	coat hook lacquered	/L	1			D11	dark grey/natural			
	A03	black					T11	brown/natural			
	5V7	stone grey					N10	carrera red	08-		
	5Z1	sand beige				(25)	997 551 031 12	adhesive carpet rear wall carpet		1	I490
	8W7	sea blue					A10	black			
	5Y2	palmgreen	-07				B10	stone grey			
	8X8	terracotta					T10	sand beige			
	8P9	cocoa					E10	sea blue			
	T13	brown/natural					J10	palmgreen	-07		
	N23	carrera red	08-				M10	terracotta			
(23)	997 555 574 00	coat hook lacquered	/R	1			R10	cocoa			
	A03	black					D11	dark grey/natural			
	5V7	stone grey					T11	brown/natural			
	5Z1	sand beige					N10	carrera red	08-		
	8W7	sea blue				(25)	997 551 031 13	adhesive carpet rear wall carpet		1	I479/490
	5Y2	palmgreen	-07				A10	black			
	8X8	terracotta					B10	stone grey			
	8P9	cocoa									
	T13	brown/natural									

Model	Year	MG	SG	Illustration	Restrictions	UPD	23:34	24.01.2010	PORSCHE	PET	PORSCHE
997-1	2008	8	07	807-05		248					

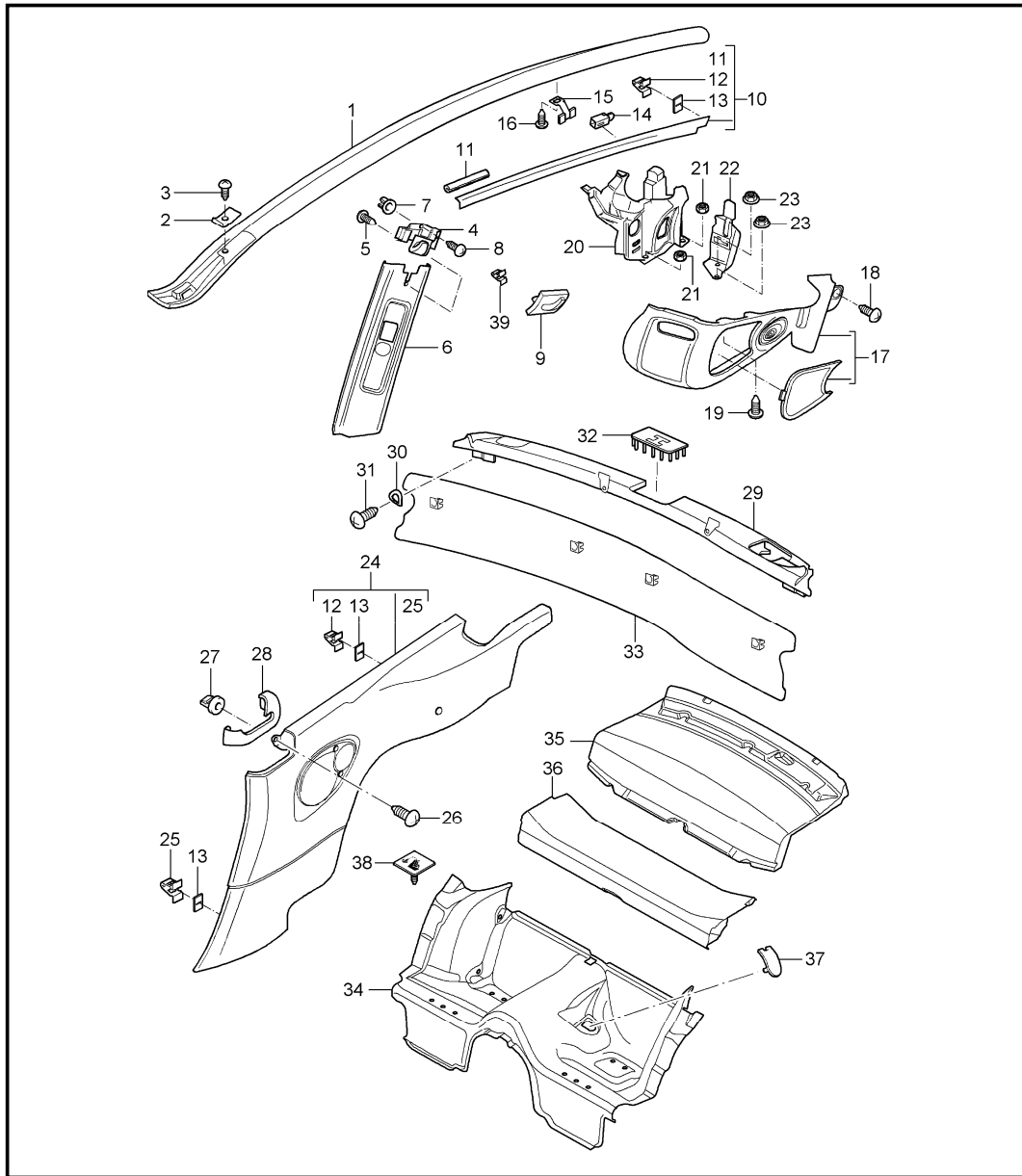
Pos	Part Number	Description	Remark	Qty	Model	Pos	Part Number	Description	Remark	Qty	Model
	T10	sand beige					D11	dark grey/natural			
	E10	sea blue					T11	brown/natural			
	J10	palmgreen	-07				N10	carrera red	08-		
	M10	terracotta				--	996 551 561 00	desk pad		1	I680
	R10	cocoa				26	997 551 033 00	lining control units carpet		1	
	D11	dark grey/natural					A10	black			
	T11	brown/natural					B10	stone grey			
	N10	carrera red	08-				T10	sand beige			
(25)	997 551 031 18	adhesive carpet rear wall carpet		1	I680		E10	sea blue			
	A10	black					J10	palmgreen	-07		
	B10	stone grey					M10	terracotta			
	T10	sand beige					R10	cocoa			
	E10	sea blue					D11	dark grey/natural			
	J10	palmgreen	-07				T11	brown/natural			
	M10	terracotta					N10	carrera red	08-		
	R10	cocoa				(26)	997 551 033 01	lining control units carpet		1	I680
	D11	dark grey/natural					A10	black			
	T11	brown/natural					B10	stone grey			
	N10	carrera red	08-				T10	sand beige			
(25)	997 551 031 19	adhesive carpet rear wall carpet		1	I479/680		E10	sea blue			
	A10	black					J10	palmgreen	-07		
	B10	stone grey					M10	terracotta			
	T10	sand beige					R10	cocoa			
	E10	sea blue					D11	dark grey/natural			
	J10	palmgreen	-07				T11	brown/natural			
	M10	terracotta					N10	carrera red	08-		
	R10	cocoa									



Model	Year	MG	SG	Illustration	Restrictions	UPD	23:34	24.01.2010	PORSCHE	PET	PORSCHE
997-1	2008	8	07	807-05		248					

Pos	Part Number	Description	Remark	Qty	Model	Pos	Part Number	Description	Remark	Qty	Model
27	997 551 525 00	cover seat-belt buckle	/L	1							
	01C	black									
(27)	997 551 526 00	cover seat-belt buckle	/R	1							
	01C	black									
29	999 507 476 01	clamp 8,0 x 10 / 2,5 mount coat hook		2							

Model	Year	MG	SG	Illustration	Restrictions	UPD	23:34	24.01.2010	PORSCHE	PET	PORSCHE
997-1	2008	8	07	807-06		248					



Pos	Part Number	Description	Remark	Qty	Model
(1)	997 555 195 00	linings rear	/L	1	TARGA
	5Q2	black			
	8X4	stone grey			
	5S4	sand beige			
	8W3	sea blue			
	5Y5	palmgreen	-07		
1	997 555 196 00	lining roof pillar leatherette	/R	1	
	5Q2	black			
	8X4	stone grey			
	5S4	sand beige			
	8W3	sea blue			
	5Y5	palmgreen	-07		
(1)	997 555 195 01	lining roof pillar leather	/L	1	I981
	A11	black			
	5X6	stone grey			
	8G2	sand beige			
	3S9	sea blue			
	4P2	palmgreen	-07		
	9S5	terracotta			
	9V6	cocoa			
	D12	dark grey/natural			
	T12	brown/natural			
	N12	carrera red	08-		

Model	Year	MG	SG	Illustration	Restrictions	UPD	23:34	24.01.2010	PORSCHE	PET	PORSCHE
997-1	2008	8	07	807-06		248					

Pos	Part Number	Description	Remark	Qty	Model	Pos	Part Number	Description	Remark	Qty	Model
1	997 555 196 01	lining roof pillar leather	/R	1	I981	4	997 555 574 01	coat hook lacquered	/R	1	
	A11	black					A03	black			
	5X6	stone grey					5V7	stone grey			
	8G2	sand beige					5Z1	sand beige			
	3S9	sea blue					8W7	sea blue			
	4P2	palmgreen		-07			5Y2	palmgreen		-07	
	9S5	terracotta					T13	brown/natural			
	9V6	cocoa					8P9	cocoa			
	D12	dark grey/natural					8X8	terracotta			
	T12	brown/natural					N23	carrera red		08-	
	N12	carrera red		08-		5	999 919 164 09	oval-head screw 5,0 X 12		2	
-	996 555 887 00	piping		2		(6)	997 555 183 02	lining b-pillar leatherette	/L	1	
(2)	997 555 779 00	cover	/L	1			1MZ	black			
	01C	satin black					1YP	stone grey			
2	997 555 780 00	cover	/R	1			1TK	sand beige			
	01C	satin black					1VM	sea blue			
3	999 073 218 01	tapping screw 4,2 X 16		2			1UL	palmgreen		-07	
(4)	997 555 573 01	coat hook lacquered	/L	1		6	997 555 184 02	lining b-pillar leatherette	/R	1	
	A03	black					1MZ	black			
	5V7	stone grey					1YP	stone grey			
	5Z1	sand beige					1TK	sand beige			
	8W7	sea blue					1VM	sea blue			
	5Y2	palmgreen		-07			1UL	palmgreen		-07	
	T13	brown/natural				(6)	997 555 183 03	lining b-pillar leather	/L	1	I981
	8P9	cocoa					A11	black			
	8X8	terracotta									
	N23	carrera red		08-							

Model	Year	MG	SG	Illustration	Restrictions	UPD	23:34	24.01.2010	PORSCHE	PET	PORSCHE
997-1	2008	8	07	807-06		248					

Pos	Part Number	Description	Remark	Qty	Model	Pos	Part Number	Description	Remark	Qty	Model
	5X6	stone grey					5Z1	sand beige			
	8G2	sand beige					8W7	sea blue			
	3S9	sea blue					5Y2	palmgreen	-07		
	4P2	palmgreen	-07				8X8	terracotta			
	9S5	terracotta					8P9	cocoa			
	9V6	cocoa					T13	brown/natural			
	D12	dark grey/natural					N23	carrera red	08-		
	T12	brown/natural				(9)	997 555 774 00	cover coat hook	/R	1	
	N12	carrera red	08-				A03	black			
6	997 555 184 03	lining b-pillar leather	/R	1	I981		5V7	stone grey			
	A11	black					5Z1	sand beige			
	5X6	stone grey					8W7	sea blue			
	8G2	sand beige					5Y2	palmgreen	-07		
	3S9	sea blue					8X8	terracotta			
	4P2	palmgreen	-07				8P9	cocoa			
	9S5	terracotta					T13	brown/natural			
	9V6	cocoa					N23	carrera red	08-		
	D12	dark grey/natural				(10)	997 555 187 04	lining c-pillar leatherette	/L	1	
	T12	brown/natural					1MZ	black			
	N12	carrera red	08-				1YP	stone grey			
--	996 555 859 00	grommet b-pillar		2			1TK	sand beige			
7	999 507 755 40	expander nut		2			1VM	sea blue			
8	999 073 064 02	tapping screw 4,8 X 25		2			1UL	palmgreen	-07		
9	997 555 773 00	cover coat hook	/L	1		10	997 555 188 04	lining c-pillar leatherette	/R	1	
	A03	black					1MZ	black			
	5V7	stone grey					1YP	stone grey			

Model	Year	MG	SG	Illustration	Restrictions	UPD	23:34	24.01.2010	PORSCHE	PET	PORSCHE
997-1	2008	8	07	807-06		248					

Pos	Part Number	Description	Remark	Qty	Model	Pos	Part Number	Description	Remark	Qty	Model
(10)	1TK	sand beige				12	999 507 681 01	clamp 2,5/3,0		3	
	1VM	sea blue				13	999 209 084 40	spacer 20 X 25 X 0,5		X	
	1UL	palmgreen	-07			14	996 555 581 00	mounting clip		10	
	997 555 187 05	lining c-pillar leather	/L	1	I981	15	996 555 875 00	clamp		4	
	A11	black				16	999 073 218 01	tapping screw 4,2 X 16		4	
	5X6	stone grey				(17)	997 555 245 00	cover seat belt lacquered	/L	1	
	8G2	sand beige					A03	black			
	3S9	sea blue					5V7	stone grey			
	4P2	palmgreen	-07				5Z1	sand beige			
	9S5	terracotta					8W7	sea blue			
	9V6	cocoa					5Y2	palmgreen	-07		
	D12	dark grey/natural					8X8	terracotta			
T12	brown/natural				8P9		cocoa				
N12	carrera red	08-			T13		brown/natural				
10	997 555 188 05	lining c-pillar leather	/R	1	I981		N23	carrera red	08-		
11	A11	black				17	997 555 246 00	cover seat belt lacquered	/R	1	
	5X6	stone grey				A03	black				
	8G2	sand beige				5V7	stone grey				
	3S9	sea blue				5Z1	sand beige				
	4P2	palmgreen	-07			8W7	sea blue				
	9S5	terracotta				5Y2	palmgreen	-07			
	9V6	cocoa				8X8	terracotta				
	D12	dark grey/natural				8P9	cocoa				
	T12	brown/natural				T13	brown/natural				
	N12	carrera red	08-			N23	carrera red	08-			
	999 911 441 40	tread 1,0 X 12			4						

Model	Year	MG	SG	Illustration	Restrictions	UPD	23:34	24.01.2010	PORSCHE	PET	PORSCHE
997-1	2008	8	07	807-06		248					

Pos	Part Number	Description	Remark	Qty	Model	Pos	Part Number	Description	Remark	Qty	Model
--	996 555 877 00	clamp		2			FSE	palmgreen	-07		
18	999 073 251 09	tapping screw 4,2 X 25		2			FSF	terracotta			
19	999 073 226 09	tapping screw 4,2 X 16		2			FSG	cocoa			
(20)	996 555 175 01	support	/L	1			FSH	dark grey/natural			
20	996 555 176 01	support	/R	1			FSJ	brown/natural			
21	999 084 629 01	hexagon nut M 6		4		24	FSP	carrera red	08-		
(22)	996 555 503 00	support	/L	1			FSA	black			
22	996 555 504 00	support	/R	1			FSD	sea blue			
23	999 049 007 40	plastic nut		4			FSE	palmgreen	-07		
(24)	997 555 071 04	side trim panel leatherette	/L	1			FSF	terracotta			
	1MZ	black					FSG	cocoa			
	1YP	stone grey					FSH	dark grey/natural			
	1TK	sand beige					FSJ	brown/natural			
	1VM	sea blue					FSP	carrera red	08-		
	1UL	palmgreen	-07				(24)	997 555 071 08	side trim panel two-colour	/L	1 I970
24	997 555 072 04	side trim panel leatherette	/R	1			BCG	black/stone grey			
	1MZ	black					BCH	black/sand beige			
	1YP	stone grey					BCJ	black/terracotta			
	1TK	sand beige					24	997 555 072 08	side trim panel two-colour	/R	1 I970
	1VM	sea blue					BCG	black/stone grey			
	1UL	palmgreen	-07				BCH	black/sand beige			
(24)	997 555 071 05	side trim panel leather	/L	1 I981			BCJ	black/terracotta			
	FSA	black					--	999 551 127 40	adhesive tape		1
	FSB	stone grey					25	999 507 479 09	clamp 2,5 X 0,9		1
	FSC	sand beige									
	FSD	sea blue									

Model	Year	MG	SG	Illustration	Restrictions	UPD	23:34	24.01.2010	PORSCHE	PET	PORSCHE
997-1	2008	8	07	807-06		248					

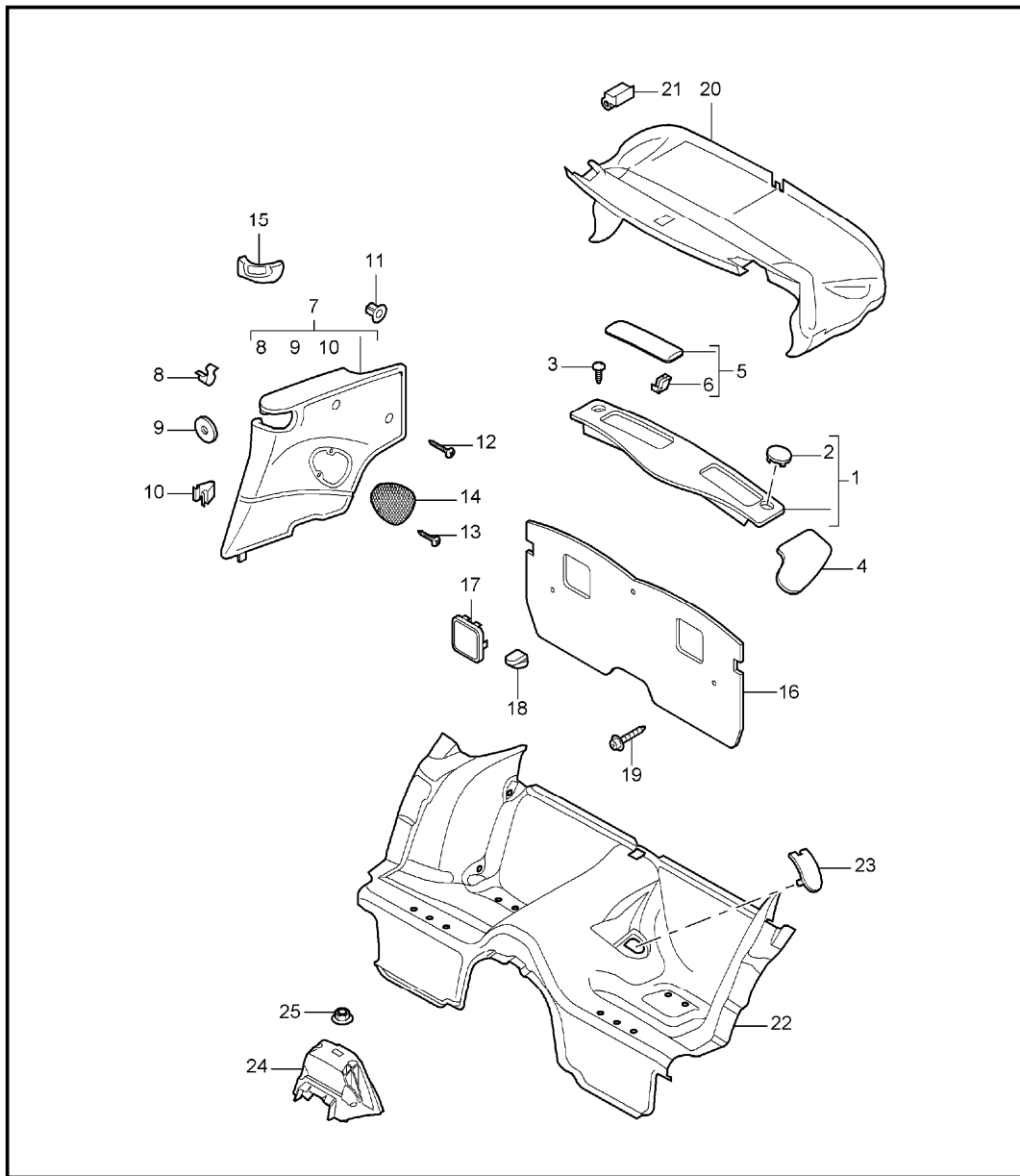
Pos	Part Number	Description	Remark	Qty	Model	Pos	Part Number	Description	Remark	Qty	Model
26	999 073 142 09	tapping screw 4,2 X 19		2			A03	black			
27	999 507 050 40	expander nut		2		30	999 507 782 01	spring washer 5,3 X 18		2	
(28)	997 555 061 00	rosette seat belt lacquered	/L	1		31	999 073 061 02	tapping screw		4	
	A03	black				32	996 555 885 00	rosette rear wall upper part		1	
	5V7	stone grey				33	996 555 081 08	lining rear wall carpet		1	
	5Z1	sand beige					A10	black			
	8W7	sea blue					B10	stone grey			
	5Y2	palmgreen	-07				T10	sand beige			
	8X8	terracotta					E10	sea blue			
	8P9	cocoa					J10	palmgreen	-07		
	T13	brown/natural					M10	terracotta			
	N23	carrera red	08-				R10	cocoa			
28	997 555 062 00	rosette seat belt lacquered	/R	1			D11	dark grey/natural			
	A03	black					T11	brown/natural			
	5V7	stone grey					N10	carrera red	08-		
	5Z1	sand beige				34	997 551 017 02	adhesive carpet seat well		1	I685
	8W7	sea blue					A10	black			
	5Y2	palmgreen	-07				B10	stone grey			
	8X8	terracotta					T10	sand beige			
	8P9	cocoa					E10	sea blue			
	T13	brown/natural					J10	palmgreen	-07		
	N23	carrera red	08-				M10	terracotta			
29	997 555 151 00	lining rear wall		1	I426		R10	cocoa			
	A03	black					D11	dark grey/natural			
(29)	997 555 151 01	lining rear wall		1	I425		T11	brown/natural			
							N10	carrera red	08-		

Model	Year	MG	SG	Illustration	Restrictions	UPD	23:34	24.01.2010	PORSCHE	PET	PORSCHE
997-1	2008	8	07	807-06		248					

Pos	Part Number	Description	Remark	Qty	Model	Pos	Part Number	Description	Remark	Qty	Model
35	997 551 031 15	adhesive carpet rear wall carpet		1			E10	sea blue			
	A10	black					J10	palmgreen	-07		
	B10	stone grey					M10	terracotta			
	T10	sand beige					R10	cocoa			
	E10	sea blue					D11	dark grey/natural			
	J10	palmgreen	-07				T11	brown/natural			
	M10	terracotta					N10	carrera red	08-		
	R10	cocoa				37	997 551 525 00	cover seat-belt buckle	/L	1	
	D11	dark grey/natural					01C	black			
	T11	brown/natural				(37)	997 551 526 00	cover seat-belt buckle	/R	1	
	N10	carrera red	08-				01C	black			
(35)	997 551 031 16	adhesive carpet rear wall carpet		1	I479	39	999 507 476 01	clamp 8,0 X 10 / 2,5 mount coat hook		2	
	A10	black									
	B10	stone grey									
	T10	sand beige									
	E10	sea blue									
	J10	palmgreen	-07								
	M10	terracotta									
	R10	cocoa									
	D11	dark grey/natural									
	T11	brown/natural									
	N10	carrera red	08-								
36	997 551 033 00	lining control units carpet		1							
	A10	black									
	B10	stone grey									
	T10	sand beige									



Model	Year	MG	SG	Illustration	Restrictions	UPD	23:34	24.01.2010	PORSCHE	PET	PORSCHE
997-1	2008	8	07	807-07		248					



Pos	Part Number	Description	Remark	Qty	Model
1	996 555 083 04	linings rear cover convertible top cloth		1	CABRIO
	EDK	black			
	FNX	stone grey			
	ERN	metropole blue			
	FNZ	brown			
2	996 555 457 00	lid hardtop mounting lacquered		2	
	A10	black			
	5V7	stone grey			
	G10	metropole blue			
	8P9	cocoa			
3	999 073 060 02	tapping screw 4,8 X 13 for mount cover convertible top		3	
4	996 555 263 03	flap convertible top cloth	/L	1	
	A07	black			
	C19	stone grey			
	G03	metropole blue			
	R18	brown			
(4)	996 555 264 03	flap convertible top cloth	/R	1	
	A07	black			
	C19	stone grey			
	G03	metropole blue			

Model	Year	MG	SG	Illustration	Restrictions	UPD	23:34	24.01.2010	PORSCHE	PET	PORSCHE
997-1	2008	8	07	807-07		248					

Pos	Part Number	Description	Remark	Qty	Model	Pos	Part Number	Description	Remark	Qty	Model
5	996 555 341 01	R18 brown flap cover	/L	1		(7)	997 555 072 11	side trim panel leatherette when required order also: 999.551.173.40 see tpi group 8 NR. 52	/R	1	
		A07 black					1MZ	black			
		C19 stone grey					1YP	stone grey			
		G03 metropole blue					1TK	sand beige			
(5)	996 555 342 01	R18 brown flap cover	/R	1			1VM	sea blue			
		A07 black					1UL	palmgreen		-07	
		C19 stone grey				7	997 555 071 12	side trim panel leather when required order also: 999.551.173.40 see tpi group 8 Nr. 52	/L	1	I981
		G03 metropole blue					FSA	black/grey			
6	996 555 355 00	R18 brown hinge outer		2			FSB	stone grey/stone grey			
(6)	996 555 356 00	hinge inner		2			FSC	sand beige/sand beige			
--	996 580 667 00	support		2			FSD	sea blue/grey			
--	999 591 489 02	speed nut 4,8		2			FSE	palmgreen/palmgreen		-07	
--	999 073 060 02	tapping screw 4,8 X 13		3			FSF	terracotta/terracotta			
7	997 555 071 11	side trim panel leatherette when required order also: 999.551.173.40 see tpi group 8 NR. 52	/L	1			FSG	cocoa/cocoa			
		1MZ black					FSH	darkgrey natural/grey			
		1YP stone grey					FSJ	brown nat./brown nat.			
		1TK sand beige					FSP	carrera red		08-	
		1VM sea blue				(7)	997 555 072 12	side trim panel leather when required order also: 999.551.173.40 see tpi group 8 Nr. 52	/R	1	I981
		1UL palmgreen		-07			FSA	black/grey			
							FSB	stone grey/stone grey			

Model	Year	MG	SG	Illustration	Restrictions	UPD	23:34	24.01.2010	PORSCHE	PET	PORSCHE
997-1	2008	8	07	807-07		248					

Pos	Part Number	Description	Remark	Qty	Model	Pos	Part Number	Description	Remark	Qty	Model
	FSC	sand beige/sand beige				11	999 507 050 40	expander nut ST 4,2		2	
	FSD	sea blue/grey				12	999 073 142 09	tapping screw ST 4,2 X 19		2	
	FSE	palmgreen/palmgreen	-07			13	999 073 048 02	tapping screw ST 3,5 X 13		2	
	FSF	terracotta/terracotta				14	997 555 049 00	loudspeaker grille side trim panel lacquered	/L	1	
	FSG	cocoa/cocoa					A03	black			
	FSH	darkgrey natural/grey					5V7	stone grey			
	FSJ	brown nat./brown nat.					5Z1	sand beige			
	FSP	carrera red	08-				8W7	sea blue			
7	997 555 071 13	side trim panel two-colour when required order also: 999.551.173.40 see tpi group 8 Nr. 52	/L	06-	1 I970		5Y2	palmgreen		-07	
	BCK	black/stone grey					8X8	terracotta			
	BCL	black/sand beige					8P9	cocoa			
	BCM	black/terracotta					T13	brown/natural			
(7)	997 555 072 13	side trim panel two-colour when required order also: 999.551.173.40 see tpi group 8 Nr. 52	/R	06-	1 I970	(14)	997 555 050 00	loudspeaker grille side trim panel lacquered	/R	1	
	BCK	black/stone grey					A03	black			
	BCL	black/sand beige					5V7	stone grey			
	BCM	black/terracotta					5Z1	sand beige			
--	999 551 173 40	felt strip 35 x 22 x 5			2		8W7	sea blue			
8	999 507 676 09	clamp 2,5/2,2			1		5Y2	palmgreen		-07	
9	999 551 609 40	plastic washer 8,0 X 23 X3,0			1		8X8	terracotta			
10	999 507 533 02	clamp 8,0 X 10 /2,5			2	(15)	8P9	cocoa			
							T13	brown/natural			
							N23	carrera red		08-	
							997 555 671 01	rosette seat belt	/L	1	
							A03	black			

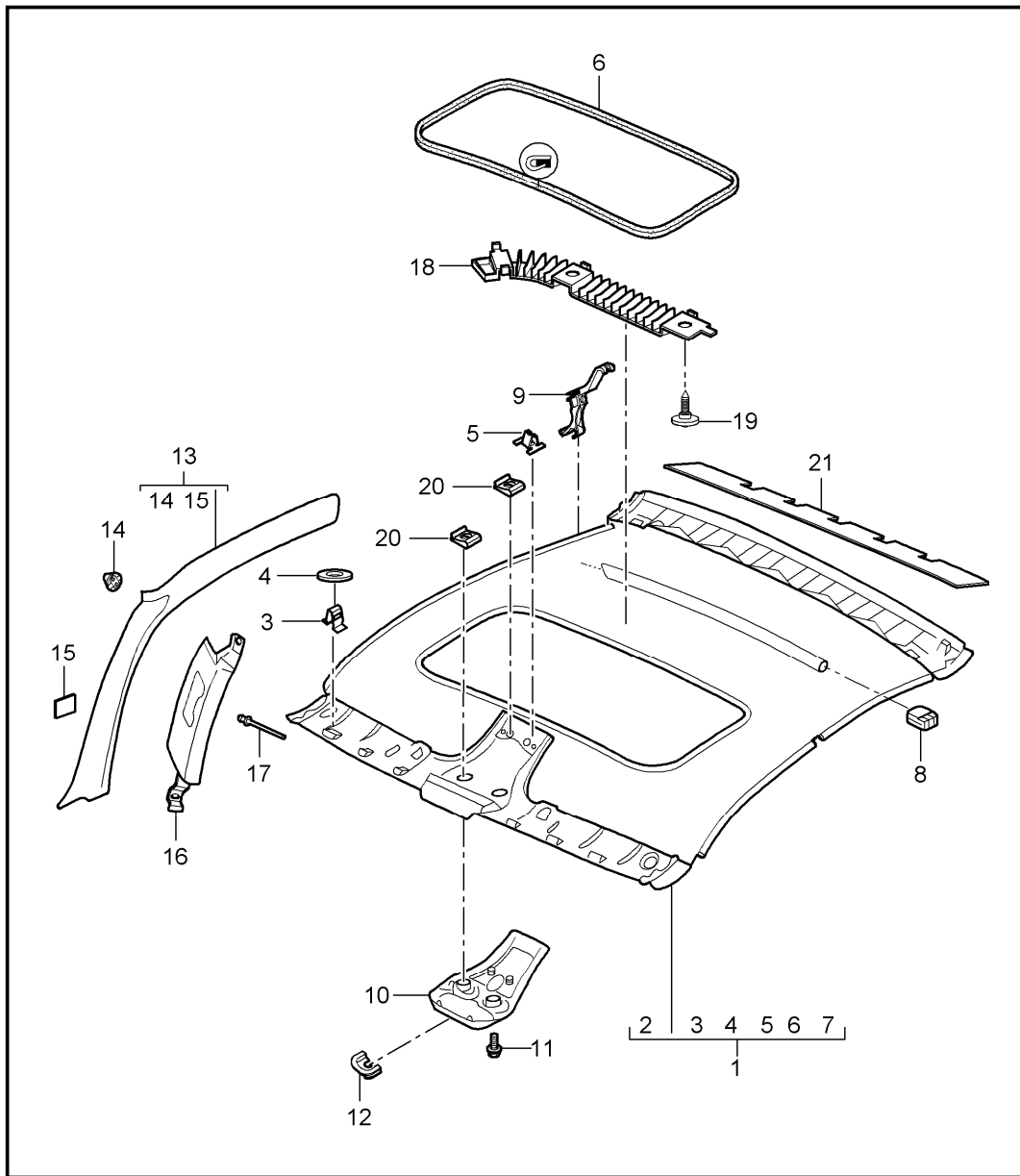
Model	Year	MG	SG	Illustration	Restrictions	UPD	23:34	24.01.2010	PORSCHE	PET	PORSCHE
997-1	2008	8	07	807-07		248					

Pos	Part Number	Description	Remark	Qty	Model	Pos	Part Number	Description	Remark	Qty	Model
(15)	5V7	stone grey				16	996 555 281 07	back wall lining carpet		1	I479
	5Z1	sand beige					A10	black			
	8W7	sea blue					B10	stone grey			
	5Y2	palmgreen	-07				E10	sea blue			
	8X8	terracotta					J10	palmgreen	-07		
	8P9	cocoa					M10	terracotta			
	T13	brown/natural					R10	cocoa			
	N23	carrera red	08-				D11	dark grey/natural			
	997 555 672 01	rosette seat belt	/R	1			T11	brown/natural			
	A03	black					N10	carrera red	08-		
(16)	5V7	stone grey				17	996 555 785 00	cover release carpet		2	I479
	5Z1	sand beige					EDA	black			
	8W7	sea blue					FNQ	stone grey			
	5Y2	palmgreen	-07				FNR	sand beige			
	8X8	terracotta					FNS	sea blue			
	8P9	cocoa					FNT	palmgreen	-07		
	T13	brown/natural					FNU	terracotta			
	N23	carrera red	08-				FNV	cocoa			
	996 555 281 06	back wall lining carpet		1			VSM	dark grey/natural			
	A10	black					VSN	brown/natural			
(18)	B10	stone grey					FSW	carrera red	-08		
	E10	sea blue				18	996 555 789 00	base wind deflector		1	
	J10	palmgreen	-07				01C	satin black			
	M10	terracotta				19	999 073 062 02	tapping screw 4,8 X 12		2	
	R10	cocoa				20	997 551 035 01	lining convertible top frame carpet		1	
	D11	dark grey/natural									
	T11	brown/natural									
	N10	carrera red	08-								

Model	Year	MG	SG	Illustration	Restrictions	UPD	23:34	24.01.2010	PORSCHE	PET	PORSCHE
997-1	2008	8	07	807-07		248					

Pos	Part Number	Description	Remark	Qty	Model	Pos	Part Number	Description	Remark	Qty	Model
	B04	dark grey									
21	999 703 432 40	stopper for mount lining convertible top frame		X							
22	997 551 017 03	adhesive carpet seat well carpet		1							
	A10	black									
	B10	stone grey									
	T10	sand beige									
	E10	sea blue									
	J10	palmgreen	-07								
	M10	terracotta									
	R10	cocoa									
	D11	dark grey/natural									
	T11	brown/natural									
	N10	carrera red	08-								
(23)	997 551 525 00	cover seat-belt buckle	/L	1							
	01C	satin black									
23	997 551 526 00	cover seat-belt buckle	/R	1							
	01C	satin black									
24	997 551 221 00	support seat well		1							
25	999 076 081 40	plastic nut T5 16 X 11,2		2							

Model	Year	MG	SG	Illustration	Restrictions	UPD	23:35	24.01.2010	PORSCHE	PET	PORSCHE
997-1	2008	8	07	807-08		248					



Pos	Part Number	Description	Remark	Qty	Model
1	996 555 091 06	rooflining a-pillar rooflining alcantara F >>995S7 01250 F >>99XS7 31577 A14 black B14 stone grey T44 stone grey G14 metropole blue J44 palmgreen		1	COUPE COUPE/TARGA COUPE I652
1	996 555 091 07	rooflining alcantara F >>995S7 01250 F >>99XS7 31577 A14 black B14 stone grey T44 stone grey G14 metropole blue J44 palmgreen		1	COUPE I650
1	997 555 091 02	rooflining alcantara when required order also: position 21 see technical manual 70 84 19 F 995S7 01251>> F 995S7 31578>> A14 black B14 stone grey T44 sand beige G14 metropole blue J44 palmgreen	-07	1	COUPE I652

Model	Year	MG	SG	Illustration	Restrictions	UPD	23:35	24.01.2010	PORSCHE	PET	PORSCHE
997-1	2008	8	07	807-08		248					

Pos	Part Number	Description	Remark	Qty	Model	Pos	Part Number	Description	Remark	Qty	Model
(1)	997 555 091 03	rooflining alcantara when required order also: position 21 see technical manual 70 84 19 F 995S7 01251>> F 995S7 31578>>		1	COUPE I650		4P2	palmgreen			
	A14	black					9S5	terracotta			
	B14	stone grey					9V6	cocoa			
	T44	sand beige					D12	dark grey/natural			
	G14	metropole blue					T12	brown/natural			
	J44	palmgreen	-07			(1)	997 555 980 02	rooflining when required order also: position 21 see technical manual 70 84 19 valid from: F 995S7 01251>> F 995S7 31578>>		1	IXMA/652
(1)	996 555 982 02	rooflining valid up to: F >>995S7 01250 F >>99X57 31577		1	IXMA/652		A11	black			
	A11	black					5X6	stone grey			
	5X6	stone grey					8G2	sand beige			
	8G2	sand beige					3S9	sea blue			
	3S9	sea blue					4P2	palmgreen	-07		
	4P2	palmgreen					9S5	terracotta			
	9S5	terracotta					9V6	cocoa			
	9V6	cocoa					D12	dark grey/natural			
	D12	dark grey/natural					T12	brown/natural			
	T12	brown/natural					N12	carrera red	08-		
						(1)	997 555 980 03	rooflining when required order also: position 21 see technical manual 70 84 19 valid from: F 995S7 01251>> F 995S7 31578>>		1	IXMA/650
(1)	996 555 982 03	rooflining valid up to: F >>995S7 01250 F >>99X57 31577		1	IXMA/650		A11	black			
	A11	black					5X6	stone grey			
	5X6	stone grey					8G2	sand beige			
	8G2	sand beige					3S9	sea blue			
	3S9	sea blue									

Model	Year	MG	SG	Illustration	Restrictions	UPD	23:35	24.01.2010	PORSCHE	PET	PORSCHE
997-1	2008	8	07	807-08		248					

Pos	Part Number	Description	Remark	Qty	Model	Pos	Part Number	Description	Remark	Qty	Model
	4P2	palmgreen	-07			(7)	U 996 555 155 06	cover		1	COUPE I652
	9S5	terracotta						rooflining rear			
	9V6	cocoa				7	U 996 555 155 07	cover		1	COUPE I650
	D12	dark grey/natural						rooflining rear			
	T12	brown/natural				8	997 555 823 00	support		2	COUPE I650
	N12	carrera red	08-					transverse strut			
(2)	U 996 555 553 08	cover		1	COUPE I652	9	996 555 691 02	clip mount rooflining		8	COUPE
		rooflining front				(10)	996 555 557 09	cover		1	COUPE I650
		valid up to:						interior light			
		F >>995S7 01250						A03 black			
		F >>995S7 31577						5V7 stone grey			
2	U 996 555 553 09	cover		1	COUPE I650			5Z1 sand beige			
		rooflining front						8W7 sea blue			
		valid up to:						5Y2 palmgreen	-07		
		F >>995S7 01250				10	996 555 557 11	cover		1	COUPE I652
		F >>995S7 31577						interior light			
(2)	U 997 555 591 00	cover		1	COUPE I652			A03 black			
		front						5V7 stone grey			
		valid from:						5Z1 sand beige			
		F 995S7 01251>>						8W7 sea blue			
		F 995S7 31578>>						5Y2 palmgreen	-07		
2	U 997 555 591 01	cover		1	COUPE I650	(10)	996 555 993 02	cover	06-	1	IXZD/650
		front						interior light			
		valid from:						leather			
		F 995S7 01251>>						A11 black			
		F 995S7 31578>>						5X6 stone grey			
3	999 507 479 09	clamp		6	COUPE			8G2 sand beige			
		2,5/0,9						3S9 sea blue			
4	999 551 609 40	plastic washer		6	COUPE						
		8,0 X 23 X 3,0									
5	999 507 533 02	clamp		2	COUPE I650						
		8 X 10/2,5									
6	996 564 231 02	pipng		1	COUPE I650						



Model	Year	MG	SG	Illustration	Restrictions	UPD	23:35	24.01.2010	PORSCHE	PET	PORSCHE
997-1	2008	8	07	807-08		248					

Pos	Part Number	Description	Remark	Qty	Model	Pos	Part Number	Description	Remark	Qty	Model
	4P2	palmgreen	-07			13	997 555 182 00	lining a-pillar leatherette	/R	05	1 COUPE
	9S5	terracotta									
	9V6	cocoa					1MZ	black			
	D12	dark grey/natural					1YP	stone grey			
	T12	brown/natural					1TK	sand beige			
	N12	carrera red	08-				1VM	sea blue			
(10)	996 555 993 03	cover interior light leather	06-	1	IXZD/652		1UL	palmgreen			
	A11	black				(13)	997 555 181 04	lining a-pillar leatherette	/L	06-	1 COUPE
	5X6	stone grey					1MZ	black			
	8G2	sand beige					1YP	stone grey			
	3S9	sea blue					1TK	sand beige			
	4P2	palmgreen	-07				1VM	sea blue			
	9S5	terracotta					1UL	palmgreen		-07	
	9V6	cocoa				(13)	997 555 182 04	lining a-pillar leatherette	/R	06-	1 COUPE
	D12	dark grey/natural					1MZ	black			
	T12	brown/natural					1YP	stone grey			
	N12	carrera red	08-				1TK	sand beige			
11	999 073 061 02	tapping screw 4,8 X 16		X			1VM	sea blue			
12	996 555 619 00	grommet wiring harness rain sensor		1			1UL	palmgreen		-07	
(13)	997 555 181 00	lining a-pillar leatherette	/L	05	1 COUPE	(13)	997 555 181 16	lining a-pillar leatherette	/L	07-	1 TARGA
	1MZ	black					1MZ	black			
	1YP	stone grey					1YP	stone grey			
	1TK	sand beige					1TK	sand beige			
	1VM	sea blue					1VM	sea blue			
	1UL	palmgreen					1UL	palmgreen		-07	

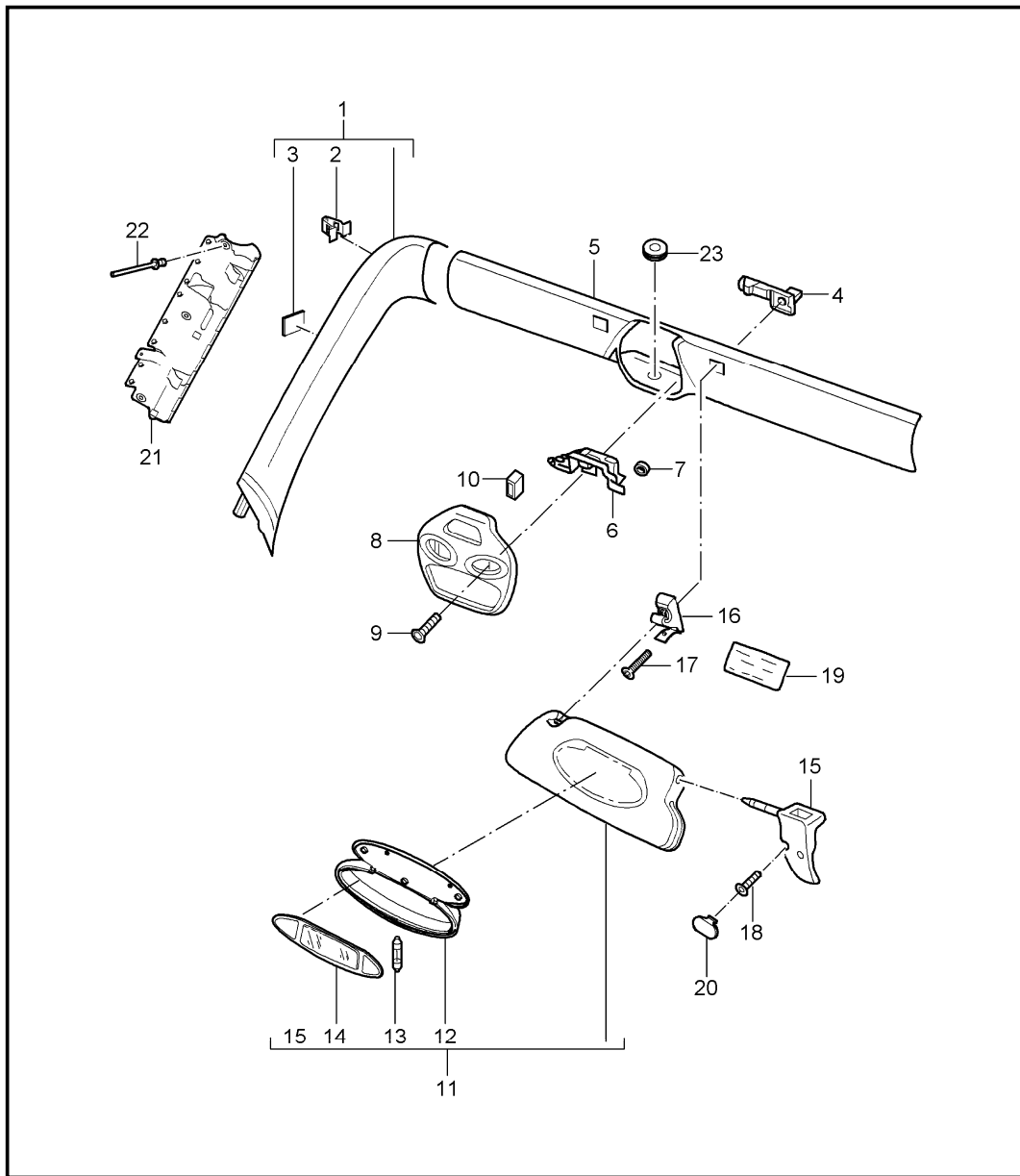
Model	Year	MG	SG	Illustration	Restrictions	UPD	23:35	24.01.2010	PORSCHE	PET	PORSCHE
997-1	2008	8	07	807-08		248					

Pos	Part Number	Description	Remark	Qty	Model	Pos	Part Number	Description	Remark	Qty	Model
(13)	997 555 182 16	lining a-pillar leatherette	/R 07-	1	TARGA		T12	brown/natural			
	1MZ	black				(13)	997 555 181 05	lining	/L 06-	1	COUPE I981
	1YP	stone grey						a-pillar leather			
	1TK	sand beige					A11	black			
	1VM	sea blue					5X6	stone grey			
	1UL	palmgreen	-07				8G2	sand beige			
(13)	997 555 181 01	lining	/L 05	1	COUPE I981		3S9	sea blue			
		a-pillar leather					4P2	palmgreen	-07		
	A11	black					9S5	terracotta			
	5X6	stone grey					9V6	cocoa			
	8G2	sand beige					D12	dark grey/natural			
	3S9	sea blue					T12	brown/natural			
	4P2	palmgreen				(13)	997 555 182 05	lining	/R 06-	1	COUPE I981
	9S5	terracotta						a-pillar leather			
	9V6	cocoa					A11	black			
	D12	dark grey/natural					5X6	stone grey			
	T12	brown/natural					8G2	sand beige			
(13)	997 555 182 01	lining	/R 05	1	COUPE I981		3S9	sea blue			
		a-pillar leather					4P2	palmgreen	-07		
	A11	black					9S5	terracotta			
	5X6	stone grey					9V6	cocoa			
	8G2	sand beige					D12	dark grey/natural			
	3S9	sea blue					T12	brown/natural			
	4P2	palmgreen					N12	carrera red	08-		
	9S5	terracotta				(13)	997 555 181 17	lining	/L 07-	1	TARGA I981
	9V6	cocoa						a-pillar leather			
	D12	dark grey/natural									

Model	Year	MG	SG	Illustration	Restrictions	UPD	23:35	24.01.2010	PORSCHE	PET	PORSCHE
997-1	2008	8	07	807-08		248					

Pos	Part Number	Description	Remark	Qty	Model	Pos	Part Number	Description	Remark	Qty	Model
	A11	black				(14)	999 507 047 09	clamp 3,6	07-	2	TARGA
	5X6	stone grey				(14)	999 209 084 40	spacer 20 X 25 X 0,5	07-	6	TARGA
	8G2	sand beige				15	999 551 134 40	adhesive tape 20 X 65		5	COUPE
	3S9	sea blue				(16)	996 555 291 00	deformation element a-pillar	/L	05	1
	4P2	palmgreen	-07			16	996 555 292 00	deformation element a-pillar	/R	05	1
	9S5	terracotta				17	999 190 184 01	blind rivet 4,0 X 8,5			8
	9V6	cocoa				20	999 591 348 01	speed nut St 4,8			X
(13)	997 555 182 17	lining	/R	07-	1 TARGA I981	21	997 556 603 00	sound absorber tensioner rear			1
		a-pillar leather				22	997 555 857 00	grommet a-pillar			x
	A11	black									
	5X6	stone grey									
	8G2	sand beige									
	3S9	sea blue									
	4P2	palmgreen	-07								
	9S5	terracotta									
	9V6	cocoa									
	D12	dark grey/natural									
	T12	brown/natural									
	N12	carrera red		08-							
14	999 507 681 01	clamp 2,5/3,0		05	5 COUPE						
(14)	999 507 839 01	clamp 3,5		06-	2 COUPE						
(14)	999 507 047 09	clamp 3,6		06-	3 COUPE						
14	999 507 681 01	clamp 2,5/3,0		07-	4 TARGA						

Model	Year	MG	SG	Illustration	Restrictions	UPD	23:35	24.01.2010	PORSCHE	PET	PORSCHE
997-1	2008	8	07	807-09		248					



Pos	Part Number	Description	Remark	Qty	Model
1	997 555 181 06	a-pillar windscreen frame windscreen frame sun visors sun visors lining a-pillar leatherette 1MZ black 1YP stone grey 1TK sand beige 1VM sea blue 1UL palmgreen	/L	1	CABRIO CABRIO TARGA COUPE/CABRIO TARGA CABRIO
(1)	997 555 182 06	lining a-pillar leatherette 1MZ black 1YP stone grey 1TK sand beige 1VM sea blue 1UL palmgreen	/R	1	CABRIO
1	997 555 181 07	lining a-pillar leather A11 black 5X6 stone grey 8G2 sand beige 3S9 sea blue 4P2 palmgreen 9S5 terracotta 9V6 cocoa D12 dark grey/natural T12 brown/natural	/L	1	CABRIO I981



Model	Year	MG	SG	Illustration	Restrictions	UPD	23:35	24.01.2010	PORSCHE	PET	PORSCHE
997-1	2008	8	07	807-09		248					

Pos	Part Number	Description	Remark	Qty	Model	Pos	Part Number	Description	Remark	Qty	Model
	D12	dark grey/natural					8W4	stone grey			
	T12	brown/natural					7E3	sand beige			
6	996 613 795 01	microswitch		1	CABRIO		8Z5	sea blue			
7	999 507 534 02	clamping washer 2,5		2	CABRIO		7W3	palmgreen			
8	996 561 635 00	cover interior light lacquered		1	CABRIO	(11)	996 731 032 15	sun visor valid up to: F >>995S7 01250 F >>995S7 31577 leatherette	/R	1	COUPE
	A09	rally black					A12	black			
(8)	996 555 557 07	cover interior light lacquered	07-	1	TARGA		8W4	stone grey			
	A03	black					7E3	sand beige			
	5V7	stone grey					8Z5	sea blue			
	5Z1	sand beige					7W3	palmgreen			
	8W7	sea blue				(11)	997 731 031 15	sun visor leatherette valid from: F 995S7 01251>> F 995S9 31578>>	/L	1	COUPE
	5Y2	palmgreen	07				A12	black			
	8X8	terracotta					8W4	stone grey			
	8P9	cocoa					7E3	sand beige			
	T13	brown/natural					8Z5	sea blue			
	N23	carrera red	08-				7W3	palmgreen		-07	
-	996 561 613 00	cover		1	CABRIO		997 731 032 15	sun visor leatherette valid from: F 995S7 01251>> F 995S9 31578>>	/R	1	COUPE
	01C	satin black					A12	black			
9	999 073 166 09	countersunk-head screw M 6 X 25		2	CABRIO	(11)	8W4	stone grey			
(9)	999 073 061 02	tapping screw 4,8 X 16	07-	2	TARGA		7E3	sand beige			
10	996 561 609 00	cap		1	CABRIO		8Z5	sea blue			
(11)	996 731 031 15	sun visor valid up to: F >>995S7 01250 F >>995S7 31577 leatherette	/L	1	COUPE		7W3	palmgreen		-07	
	A12	black									

Model	Year	MG	SG	Illustration	Restrictions	UPD	23:35	24.01.2010	PORSCHE	PET	PORSCHE
997-1	2008	8	07	807-09		248					

Pos	Part Number	Description	Remark	Qty	Model	Pos	Part Number	Description	Remark	Qty	Model
(11)	997 731 981 03	sun visor leather valid up to: F >>995S7 01250 F >>995S7 31577	/L	1	COUPE IXMP		A11	black			
		A11 black					5X6	stone grey			
		5X6 stone grey					8G2	sand beige			
		8G2 sand beige					3S9	sea blue			
		3S9 sea blue					4P2	palmgreen	-07		
		4P2 palmgreen					9S5	terracotta			
		9S5 terracotta					9V6	cocoa			
		9V6 cocoa					D12	dark grey/natural			
		D12 dark grey/natural					T12	brown/natural			
		T12 brown/natural					N12	carrera red	08-		
						(11)	997 731 982 00	sun visor leather valid from: F 995S7 01251>> F 995S7 31578>>	/R	1	COUPE IXMP
(11)	997 731 982 03	sun visor leather valid up to: F >>995S7 01250 F >>995S7 31577	/R	1	COUPE IXMP		A11	black			
		A11 black					5X6	stone grey			
		5X6 stone grey					8G2	sand beige			
		8G2 sand beige					3S9	sea blue			
		3S9 sea blue					4P2	palmgreen	-07		
		4P2 palmgreen					9S5	terracotta			
		9S5 terracotta					9V6	cocoa			
		9V6 cocoa					D12	dark grey/natural			
		D12 dark grey/natural					T12	brown/natural			
		T12 brown/natural					N12	carrera red	08-		
						(11)	997 731 031 18	sun visor leatherette	/L	1	CABRIO
(11)	997 731 981 00	sun visor leather valid from: F 995S7 01251>> F 995S7 31578>>	/L	1	COUPE IXMP		A12	black			
		A12 black					8W4	stone grey			
		8W4 stone grey					7E3	sand beige			
		7E3 sand beige					8Z5	sea blue			
		8Z5 sea blue									

Model	Year	MG	SG	Illustration	Restrictions	UPD	23:35	24.01.2010	PORSCHE	PET	PORSCHE
997-1	2008	8	07	807-09		248					

Pos	Part Number	Description	Remark	Qty	Model	Pos	Part Number	Description	Remark	Qty	Model
(11)	997 731 032 18	7W3 palmgreen sun visor leatherette	/R	1	CABRIO	(11)	997 731 031 12	D12 dark grey/natural T12 brown/natural N12 carrera red sun visor leatherette valid up to: F >>998S7 40207 F >>998S7 55253	08- /L 07-	1	TARGA
(11)	997 731 981 06	A12 black 8W4 stone grey 7E3 sand beige 8Z5 sea blue 7W3 palmgreen sun visor leather	/L	1	CABRIO IXMP	(11)	997 731 032 12	A12 black 8W4 stone grey 7E3 sand beige 8Z5 sea blue 7W3 palmgreen sun visor leatherette valid up to: F >>998S7 40207 F >>998S7 55253	07- /R 07-	1	TARGA
(11)	997 731 982 06	A11 black 5X6 stone grey 8G2 sand beige 3S9 sea blue 4P2 palmgreen 9S5 terracotta 9V6 cocoa D12 dark grey/natural T12 brown/natural N12 carrera red sun visor leather	/R	1	CABRIO IXMP	11	997 731 031 24	A12 black 8W4 stone grey 7E3 sand beige 8Z5 sea blue sun visor leatherette valid from: F 998s7 40208 F 998s7 55254	08- /L	1	TARGA
		A11 black 5X6 stone grey 8G2 sand beige 3S9 sea blue 4P2 palmgreen 9S5 terracotta 9V6 cocoa				11	997 731 032 24	A12 black 8W4 stone grey 7E3 sand beige 8Z5 sea blue sun visor leatherette valid from: F 998s7 40208 F 998s7 55254	-07 /R	1	TARGA



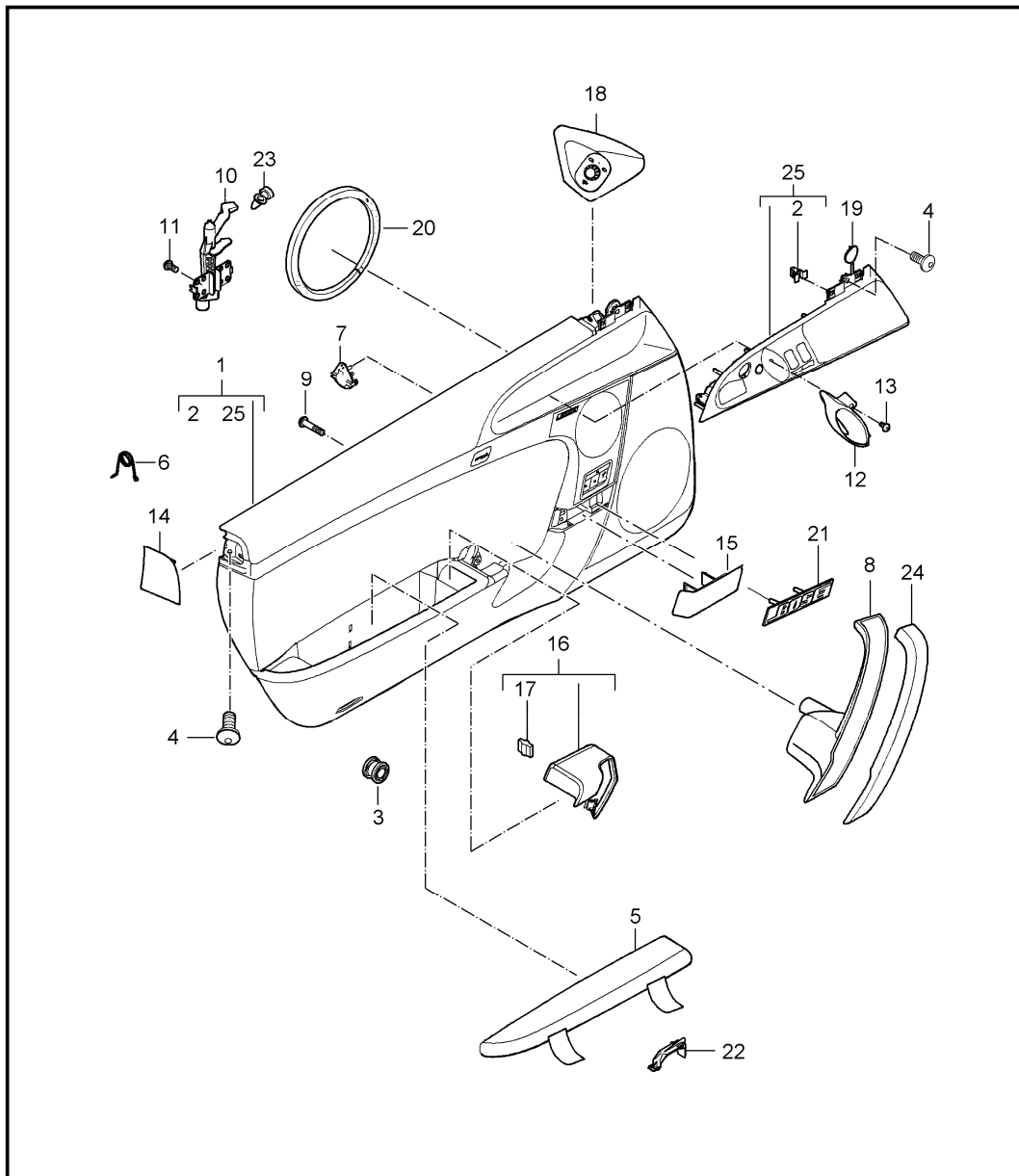
Model	Year	MG	SG	Illustration	Restrictions	UPD	23:35	24.01.2010	PORSCHE	PET	PORSCHE
997-1	2008	8	07	807-09		248					

Pos	Part Number	Description	Remark	Qty	Model	Pos	Part Number	Description	Remark	Qty	Model	
(11)	A12	black				(11)	5X6	stone grey				
	8W4	stone grey					8G2	sand beige				
	7E3	sand beige					3S9	sea blue				
	8Z5	sea blue					4P2	palmgreen		07		
	997 731 981 13	sun visor	/L	07	1		TARGA IXMP	9S5	terracotta			
		leather						9V6	cocoa			
	A11	black						D12	dark grey/natural			
	5X6	stone grey						T12	brown/natural			
	8G2	sand beige					997 731 982 16	sun visor	/R	08-	1	TARGA IXMP
	3S9	sea blue						leather				
	4P2	palmgreen		07				A11	black			
(11)	997 731 981 16	sun visor	/L	08-	1	TARGA IXMP	5X6	stone grey				
		leather					8G2	sand beige				
	A11	black					3S9	sea blue				
	5X6	stone grey					9S5	terracotta				
	8G2	sand beige					9V6	cocoa				
	3S9	sea blue					D12	dark grey/natural				
	9S5	terracotta					T12	brown/natural				
	9V6	cocoa					N12	carrera red		08-		
	D12	dark grey/natural				12	996 731 903 00	mirror housing with illumination			1	COUPE/CABRIO
	T12	brown/natural					01C	satin black				
	(11)	997 731 982 13	sun visor	/R	07	1	TARGA IXMP	13	999 631 147 90	bulb 3 W		4
		leather					14	996 731 531 01	mirror glass with frame		2	
A11		black					01C	satin black				
						(15) U	997 731 461 02	mounting	/L		1	CABRIO
							01C	satin black				

Model	Year	MG	SG	Illustration	Restrictions	UPD	23:35	24.01.2010	PORSCHE	PET	PORSCHE
997-1	2008	8	07	807-09		248					

Pos	Part Number	Description	Remark	Qty	Model	Pos	Part Number	Description	Remark	Qty	Model
15	U 997 731 462 02	mounting	/R	1	CABRIO	19	997 701 401 08	indication sticker convertible top control french		1	CABRIO
	01C	satin black									
(15)	U 997 731 461 01	mounting	/L	1	COUPE	19	997 701 401 09	indication sticker convertible top control italian		1	CABRIO
	01C	satin black									
(15)	U 997 731 462 01	mounting	/R	1	COUPE	19	997 701 401 10	indication sticker convertible top control spanish		1	CABRIO
	01C	satin black									
16	996 731 341 00	support sun visor	/L	1	COUPE/CABRIO	19	997 701 401 11	indication sticker convertible top control japanese		1	CABRIO
	01C	satin black									
(16)	996 731 342 00	support sun visor	/R	1	COUPE/CABRIO	20	996 561 613 00	cover mounting		2	CABRIO
	01C	satin black					01C	satin black			
17	999 919 120 09	oval-head screw 4,0 X 18		1	COUPE/CABRIO	23	996 555 619 00	grommet wiring harness rain sensor		1	
(17)	999 073 255 09	combination screw M 5 X 14 for mount sun visors		4	TARGA						
18	999 073 166 09	countersunk-head screw M 6 X 25		4	CABRIO						
18	999 073 139 01	oval-head screw M 5 X 25 valid up to: F >>995S7 01250 F >>995S7 31577		2	COUPE						
18	999 073 326 09	oval-head screw M 5 X 10 valid from: F 995S7 01251>> F 995S7 31578>>		2	COUPE						
(18)	999 500 093 02	nut M 5		2	COUPE						
19	997 701 401 06	indication sticker convertible top control german		1	CABRIO						
19	997 701 401 07	indication sticker convertible top control english		1	CABRIO						

Model	Year	MG	SG	Illustration	Restrictions	UPD	7:30	25.01.2010	PORSCHE	PET	PORSCHE
997-1	2008	8	07	807-10		248					



Pos	Part Number	Description	Remark	Qty	Model
1	997 555 201 04	door trim panel accessories slush technology	/LL/L	1	COUPE/TARGA I098/490
	9L4	black			
	9M5	stone grey			
	9C6	sand beige			
	9D7	sea blue			
	9E8	palmgreen			
(1)	997 555 201 06	door trim panel accessories slush technology	/LL/L	1	COUPE/TARGA I490/537
	9L4	black			
	9M5	stone grey			
	9C6	sand beige			
	9D7	sea blue			
	9E8	palmgreen			
(1)	997 555 201 08	door trim panel accessories slush technology	/LL/L	1	COUPE/TARGA I098/680
	9L4	black			
	9M5	stone grey			
	9C6	sand beige			
	9D7	sea blue			
	9E8	palmgreen			
(1)	997 555 201 10	door trim panel accessories slush technology	/LL/L	1	COUPE/TARGA I537/680
	9L4	black			
	9M5	stone grey			
	9C6	sand beige			
	9D7	sea blue			

Model	Year	MG	SG	Illustration	Restrictions	UPD	7:30	25.01.2010	PORSCHE	PET	PORSCHE
997-1	2008	8	07	807-10		248					

Pos	Part Number	Description	Remark	Qty	Model	Pos	Part Number	Description	Remark	Qty	Model
(1)	997 555 201 16	9E8 palmgreen door trim panel slush technology	/LL/L	1	CABRIO I098/490	(1)	997 555 202 26	door trim panel slush technology	/LL/R	1	I098/490
		9L4 black					9L4 black				
		9M5 stone grey					9M5 stone grey				
		9C6 sand beige					9C6 sand beige				
		9D7 sea blue					9D7 sea blue				
		9E8 palmgreen					9E8 palmgreen				
(1)	997 555 201 18	door trim panel slush technology	/LL/L	1	CABRIO I490/537	(1)	997 555 202 28	door trim panel slush technology	/LL/R	1	I098/680
		9L4 black					9L4 black				
		9M5 stone grey					9M5 stone grey				
		9C6 sand beige					9C6 sand beige				
		9D7 sea blue					9D7 sea blue				
		9E8 palmgreen					9E8 palmgreen				
(1)	997 555 201 20	door trim panel slush technology	/LL/L	1	CABRIO I098/680	(1)	997 555 202 04	door trim panel slush technology	/RL/R	1	COUPE/TARGA I099/490
		9L4 black					9L4 black				
		9M5 stone grey					9M5 stone grey				
		9C6 sand beige					9C6 sand beige				
		9D7 sea blue					9D7 sea blue				
		9E8 palmgreen					9E8 palmgreen		-07		
(1)	997 555 201 22	door trim panel slush technology	/LL/L	1	CABRIO I537/680	(1)	997 555 202 06	door trim panel slush technology	/RL/R	1	COUPE/TARGA I490/538
		9L4 black					9L4 black				
		9M5 stone grey					9M5 stone grey				
		9C6 sand beige					9C6 sand beige				
		9D7 sea blue					9D7 sea blue				
		9E8 palmgreen					9E8 palmgreen		-07		
(1)						(1)	997 555 202 08	door trim panel slush technology	/RL/R	1	COUPE/TARGA I099/680

Model	Year	MG	SG	Illustration	Restrictions	UPD	7:30	25.01.2010	PORSCHE	PET	PORSCHE
997-1	2008	8	07	807-10		248					

Pos	Part Number	Description	Remark	Qty	Model	Pos	Part Number	Description	Remark	Qty	Model
	9L4	black					9M5	stone grey			
	9M5	stone grey					9C6	sand beige			
	9C6	sand beige					9D7	sea blue			
	9D7	sea blue					9E8	palmgreen	-07		
(1)	997 555 202 10	door trim panel slush technology	/RL/R	1	COUPE/TARGA I538/680	(1)	997 555 202 22	door trim panel slush technology	/RL/R	1	CABRIO I538/680
	9L4	black					9L4	black			
	9M5	stone grey					9M5	stone grey			
	9C6	sand beige					9C6	sand beige			
	9D7	sea blue					9D7	sea blue			
	9E8	palmgreen	-07				9E8	palmgreen	-07		
(1)	997 555 202 16	door trim panel slush technology	/RL/R	1	CABRIO I099/490	(1)	997 555 201 26	door trim panel slush technology	/RL/L	1	I099/490
	9L4	black					9L4	black			
	9M5	stone grey					9M5	stone grey			
	9C6	sand beige					9C6	sand beige			
	9D7	sea blue					9D7	sea blue			
	9E8	palmgreen	-07				9E8	palmgreen	-07		
(1)	997 555 202 18	door trim panel slush technology	/RL/R	1	CABRIO I490/538	(1)	997 555 201 28	door trim panel slush technology	/RL/L	1	I099/680
	9L4	black					9L4	black			
	9M5	stone grey					9M5	stone grey			
	9C6	sand beige					9C6	sand beige			
	9D7	sea blue					9D7	sea blue			
	9E8	palmgreen	-07				9E8	palmgreen	-07		
(1)	997 555 202 20	door trim panel slush technology	/RL/R	1	CABRIO I099/680	(1)	997 555 201 05	door trim panel leather	/LL/L	1	COUPE/TARGA I098/490/981
	9L4	black					FSA	black			
							FSB	stone grey			
							FSC	sand beige			

Model	Year	MG	SG	Illustration	Restrictions	UPD	7:30	25.01.2010	PORSCHE	PET	PORSCHE
997-1	2008	8	07	807-10		248					

Pos	Part Number	Description	Remark	Qty	Model	Pos	Part Number	Description	Remark	Qty	Model
	FSD	sea blue					FSC	sand beige			
	FSE	palmgreen	-07				FSD	sea blue			
	FSF	terracotta					FSE	palmgreen	-07		
	FSG	cocoa					FSF	terracotta			
	FSH	dark grey/natural					FSG	cocoa			
	FSJ	brown/natural					FSH	dark grey/natural			
	BCD	black/stone grey	06-				FSJ	brown/natural			
	BCE	black/sand beige	06				BCD	black/stone grey	06-		
	BCF	black/terracotta	06-				BCE	black/sand beige	06		
	FSP	carrera red	08-				BCF	black/terracotta	06-		
(1)	997 555 201 07	door trim panel	/LL/L	1	COUPE/TARGA I490/537/981		FSP	carrera red	08-		
		leather				(1)	997 555 201 11	door trim panel	/LL/L	1	COUPE/TARGA I537/680/981
	FSA	black						leather			
	FSB	stone grey					FSA	black			
	FSC	sand beige					FSB	stone grey			
	FSD	sea blue					FSC	sand beige			
	FSE	palmgreen	-07				FSD	sea blue			
	FSF	terracotta					FSE	palmgreen	-07		
	FSG	cocoa					FSF	terracotta			
	FSH	dark grey/natural					FSG	cocoa			
	FSJ	brown/natural					FSH	dark grey/natural			
	BCD	black/stone grey	06-				FSJ	brown/natural			
	BCE	black/sand beige	06				BCD	black/stone grey	06-		
	BCF	black/terracotta	06-				BCE	black/sand beige	06		
	FSP	carrera red	08-				BCF	black/terracotta	06-		
(1)	997 555 201 09	door trim panel	/LL/L	1	COUPE/TARGA I098/680/981		FSP	carrera red	08-		
		leather				(1)	997 555 201 17	door trim panel	/LL/L	1	CABRIO I098/490/981
	FSA	black						leather			
	FSB	stone grey					FSA	black			

Model	Year	MG	SG	Illustration	Restrictions	UPD	7:30	25.01.2010	PORSCHE	PET	PORSCHE
997-1	2008	8	07	807-10		248					

Pos	Part Number	Description	Remark	Qty	Model	Pos	Part Number	Description	Remark	Qty	Model
		FSB stone grey					FSA black				
		FSC sand beige					FSB stone grey				
		FSD sea blue					FSC sand beige				
		FSE palmgreen	-07				FSD sea blue				
		FSF terracotta					FSE palmgreen	-07			
		FSG cocoa					FSF terracotta				
		FSH dark grey/natural					FSG cocoa				
		FSJ brown/natural					FSH dark grey/natural				
		BCD black/stone grey	06-				FSJ brown/natural				
		BCE black/sand beige	06				BCD black/stone grey	06-			
		BCF black/terracotta	06-				BCE black/sand beige	06			
		FSP carrera red	08-				BCF black/terracotta	06-			
(1)	997 555 201 19	door trim panel	/LL/L	1	CABRIO I490/537/981		FSP carrera red	08-			
		leather				(1)	997 555 201 23	door trim panel	/LL/L	1	CABRIO I537/680/981
		FSA black					leather				
		FSB stone grey					FSA black				
		FSC sand beige					FSB stone grey				
		FSD sea blue					FSC sand beige				
		FSE palmgreen	-07				FSD sea blue				
		FSF terracotta					FSE palmgreen	-07			
		FSG cocoa					FSF terracotta				
		FSH dark grey/natural					FSG cocoa				
		FSJ brown/natural					FSH dark grey/natural				
		BCD black/stone grey	06-				FSJ brown/natural				
		BCE black/sand beige	06				BCD black/stone grey	06-			
		BCF black/terracotta	06-				BCE black/sand beige	06			
		FSP carrera red	08-				BCF black/terracotta	06-			
(1)	997 555 201 21	door trim panel	/LL/L	1	CABRIO I098/680/981		FSP carrera red	08-			
		leather									

Model	Year	MG	SG	Illustration	Restrictions	UPD	7:30	25.01.2010	PORSCHE	PET	PORSCHE
997-1	2008	8	07	807-10		248					

Pos	Part Number	Description	Remark	Qty	Model	Pos	Part Number	Description	Remark	Qty	Model
(1)	997 555 202 27	door trim panel leather	/LL/R	1	I098/490/981	(1)	997 555 202 05	door trim panel leather	/RL/R	1	COUPE/TARGA I099/490/981
	FSA	black					FSA	black			
	FSB	stone grey					FSB	stone grey			
	FSC	sand beige					FSC	sand beige			
	FSD	sea blue					FSD	sea blue			
	FSE	palmgreen		-07			FSE	palmgreen		-07	
	FSF	terracotta					FSF	terracotta			
	FSG	cocoa					FSG	cocoa			
	FSH	dark grey/natural					FSH	dark grey/natural			
	FSJ	brown/natural					FSJ	brown/natural			
	BCD	black/stone grey		06-			BCD	black/stone grey		06-	
	BCE	black/sand beige		06			BCE	black/sand beige		06-	
	BCF	black/terracotta		06-			BCF	black/terracotta		06-	
	FSP	carrera red		08-			FSP	carrera red		08-	
(1)	997 555 202 29	door trim panel leather	/LL/R	1	I098/680/981	(1)	997 555 202 07	door trim panel leather	/RL/R	1	COUPE/TARGA I490/538/981
	FSA	black					FSA	black			
	FSB	stone grey					FSB	stone grey			
	FSC	sand beige					FSC	sand beige			
	FSD	sea blue					FSD	sea blue			
	FSE	palmgreen		-07			FSE	palmgreen		-07	
	FSF	terracotta					FSF	terracotta			
	FSG	cocoa					FSG	cocoa			
	FSH	dark grey/natural					FSH	dark grey/natural			
	FSJ	brown/natural					FSJ	brown/natural			
	BCD	black/stone grey		06-			BCD	black/stone grey		06-	
	BCE	black/sand beige		06			BCE	black/sand beige		06-	
	BCF	black/terracotta		06-			BCF	black/terracotta		06-	
	FSP	carrera red		08-			BCF	black/terracotta		06-	



Model	Year	MG	SG	Illustration	Restrictions	UPD	7:30	25.01.2010	PORSCHE	PET	PORSCHE
997-1	2008	8	07	807-10		248					

Pos	Part Number	Description	Remark	Qty	Model	Pos	Part Number	Description	Remark	Qty	Model
(1)	997 555 202 09	FSP carrera red door trim panel leather	08- /RL/R	1	COUPE/TARGA I099/680/981	(1)	997 555 202 17	BCF black/terracotta FSP carrera red door trim panel leather	06- 08- /RL/R	1	CABRIO I099/490/981
		FSA black						FSA black			
		FSB stone grey						FSB stone grey			
		FSC sand beige						FSC sand beige			
		FSD sea blue						FSD sea blue			
		FSE palmgreen	-07					FSE palmgreen	-07		
		FSF terracotta						FSF terracotta			
		FSG cocoa						FSG cocoa			
		FSH dark grey/natural						FSH dark grey/natural			
		FSJ brown/natural						FSJ brown/natural			
		BCD black/stone grey	06-					BCD black/stone grey	06-		
		BCE black/sand beige	06-					BCE black/sand beige	06-		
		BCF black/terracotta	06-					BCF black/terracotta	06-		
(1)	997 555 202 11	FSP carrera red door trim panel leather	08- /RL/R	1	COUPE/TARGA I538/680/981	(1)	997 555 202 19	FSP carrera red door trim panel leather	08- /RL/R	1	CABRIO I490/538/981
		FSA black						FSA black			
		FSB stone grey						FSB stone grey			
		FSC sand beige						FSC sand beige			
		FSD sea blue						FSD sea blue			
		FSE palmgreen	-07					FSE palmgreen	-07		
		FSF terracotta						FSF terracotta			
		FSG cocoa						FSG cocoa			
		FSH dark grey/natural						FSH dark grey/natural			
		FSJ brown/natural						FSJ brown/natural			
		BCD black/stone grey	06-					BCD black/stone grey	06-		
		BCE black/sand beige	06-					BCE black/sand beige	06-		

Model	Year	MG	SG	Illustration	Restrictions	UPD	7:30	25.01.2010	PORSCHE	PET	PORSCHE
997-1	2008	8	07	807-10		248					

Pos	Part Number	Description	Remark	Qty	Model	Pos	Part Number	Description	Remark	Qty	Model		
(1)	997 555 202 21	BCE	black/sand beige	06-	1	CABRIO I099/680/981	(1)	997 555 201 27	BCD	black/stone grey	06-	1	I099/490/981
		BCF	black/terracotta	06-					BCE	black/sand beige	06-		
		FSP	carrera red	08-					BCF	black/terracotta	06-		
		door trim panel	/RL/R	1					FSP	carrera red	08-		
		leather							door trim panel	/RL/L	1		
		FSA	black						leather				
		FSB	stone grey						FSA	black			
		FSC	sand beige						FSB	stone grey			
		FSD	sea blue						FSC	sand beige			
		FSE	palmgreen	-07					FSD	sea blue			
		FSF	terracotta						FSE	palmgreen	-07		
		FSG	cocoa						FSF	terracotta			
		FSH	dark grey/natural						FSG	cocoa			
		FSJ	brown/natural						FSH	dark grey/natural			
(1)	997 555 202 23	BCD	black/stone grey	06-	1	CABRIO I538/680/981	(1)	997 555 201 29	BCD	black/stone grey	06-	1	I099/680/981
		BCE	black/sand beige	06-					BCE	black/sand beige	06-		
		BCF	black/terracotta	06-					BCF	black/terracotta	06-		
		FSP	carrera red	08-					FSP	carrera red	08-		
		door trim panel	/RL/R	1					door trim panel	/RL/L	1		
		leather							leather				
		FSA	black						FSA	black			
		FSB	stone grey						FSB	stone grey			
		FSC	sand beige						FSC	sand beige			
		FSD	sea blue						FSD	sea blue			
		FSE	palmgreen	-07					FSE	palmgreen	-07		
		FSF	terracotta						FSF	terracotta			
		FSG	cocoa						FSG	cocoa			
		FSH	dark grey/natural						FSH	dark grey/natural			
FSJ	brown/natural		FSJ	brown/natural									

Model	Year	MG	SG	Illustration	Restrictions	UPD	7:30	25.01.2010	PORSCHE	PET	PORSCHE
997-1	2008	8	07	807-10		248					

Pos	Part Number	Description	Remark	Qty	Model	Pos	Part Number	Description	Remark	Qty	Model
	BCD	black/stone grey	06-				FSF	terracotta			
	BCE	black/sand beige	06-				FSG	cocoa			
	BCF	black/terracotta	06-				FSH	dark grey/natural			
	FSP	carrera red	08-				FSJ	brown/natural			
2	999 507 533 02	clamp 8,0X 10/2,5		2			FSP	carrera red	08-		
3	955 555 243 00	fixing clip for mount door trim panel		9		(5)	997 555 989 00	lid shelf carbon	/L	1	IXTL
4	999 073 322 02	oval-head screw M 6 X 20 for mount door trim panel		5		(5)	997 555 990 00	lid shelf carbon	/R	1	IXTL
5	997 555 221 01	lid shelf	/L	1		(5)	997 555 989 01	lid shelf	/L	-08	IXTU
	FSA	black					S62	sycamore wood			
	FSB	stone grey				(5)	997 555 990 01	lid shelf	/R	-08	IXTU
	FSC	sand beige					S62	sycamore wood			
	FSD	sea blue				(5)	997 555 989 02	lid shelf	/L	1	IXTT
	FSE	palmgreen	-07				S61	macassar			
	FSF	terracotta				(5)	997 555 990 02	lid shelf	/R	1	IXTT
	FSG	cocoa					S61	macassar			
	FSH	dark grey/natural				(5)	997 555 989 03	lid shelf	/L	1	IXTW
	FSJ	brown/natural					V04	galvano silver			
	FSP	carrera red	08-			(5)	997 555 990 03	lid shelf	/R	1	IXTW
(5)	997 555 222 01	lid shelf	/R	1			V04	galvano silver			
	FSA	black				6	997 555 833 00	steering knuckle spring for lid shelf	/L	1	
	FSB	stone grey									
	FSC	sand beige									
	FSD	sea blue									
	FSE	palmgreen	-07								

Model	Year	MG	SG	Illustration	Restrictions	UPD	7:30	25.01.2010	PORSCHE	PET	PORSCHE
997-1	2008	8	07	807-10		248					

Pos	Part Number	Description	Remark	Qty	Model	Pos	Part Number	Description	Remark	Qty	Model
(6)	997 555 834 00	steering knuckle spring for lid shelf	/R	1		9	999 919 229 02	oval-head screw 6,0 X 40,0 for mount handle		2	
7	997 555 841 00	damper shelf		1		10	997 555 381 02	axle bearing	/L	1	
(8)	997 555 261 01	handle lower part	/L	1		(10)	997 555 382 02	axle bearing	/R	1	
	A11	black				11	999 919 164 09	oval-head screw 5 X 12 for mount axle bearing		3	
	5X6	stone grey				12	997 555 461 01	lever door opener	/L	1	
	8G2	sand beige					V05	galvano silver			
	3S9	sea blue				(12)	997 555 462 01	lever door opener	/R	1	
	4P2	palmgreen		-07			V05	galvano silver			
	9S5	terracotta				13	999 919 164 09	oval-head screw 5 X 12 for mount lever door opener		1	
	9V6	cocoa				14	997 555 683 00	cap airbag	/L	1	
	D12	dark grey/natural					A03	black			
	T12	brown/natural					5V7	stone grey			
	N12	carrera red		08-			5Z1	sand beige			
(8)	997 555 262 01	handle lower part	/R	1			8W7	sea blue			
	A11	black					5Y2	palmgreen		-07	
	5X6	stone grey					8X8	terracotta			
	8G2	sand beige					8P9	cocoa			
	3S9	sea blue					T13	brown/natural			
	4P2	palmgreen		-07			N23	carrera red		08-	
	9S5	terracotta				(14)	997 555 684 00	cap airbag	/R	1	
	9V6	cocoa									
	D12	dark grey/natural									
	T12	brown/natural									
	N12	carrera red		08-							

Model	Year	MG	SG	Illustration	Restrictions	UPD	7:30	25.01.2010	PORSCHE	PET	PORSCHE
997-1	2008	8	07	807-10		248					

Pos	Part Number	Description	Remark	Qty	Model	Pos	Part Number	Description	Remark	Qty	Model
	A03	black					T13	brown/natural			
	5V7	stone grey					N23	carrera red	08-		
	5Z1	sand beige				16	997 555 431 01	cover door handle	/L	1	
	8W7	sea blue					FSA	black			
	5Y2	palmgreen	-07				FSB	stone grey			
	8X8	terracotta					FSC	sand beige			
	8P9	cocoa					FSD	sea blue			
	T13	brown/natural					FSE	palmgreen	-07		
	N23	carrera red	08-				FSF	terracotta			
15	997 555 643 01	cover front lacquered	/L	1			FSG	cocoa			
	A03	black					FSH	dark grey/natural			
	5V7	stone grey					FSJ	brown/natural			
	5Z1	sand beige					FSP	carrera red	08-		
	8W7	sea blue				(16)	997 555 432 01	cover door handle	/R	1	
	5Y2	palmgreen	-07				FSA	black			
	8X8	terracotta					FSB	stone grey			
	8P9	cocoa					FSC	sand beige			
	T13	brown/natural					FSD	sea blue			
	N23	carrera red	08-				FSE	palmgreen	-07		
(15)	997 555 644 01	cover front lacquered	/R	1			FSF	terracotta			
	A03	black					FSG	cocoa			
	5V7	stone grey					FSH	dark grey/natural			
	5Z1	sand beige					FSJ	brown/natural			
	8W7	sea blue					FSP	carrera red	08-		
	5Y2	palmgreen	-07			(16)	997 555 991 00	cover door handle carbon	/L	1	IXTL
	8X8	terracotta					A11	black			
	8P9	cocoa					5X6	stone grey			

Model	Year	MG	SG	Illustration	Restrictions	UPD	7:30	25.01.2010	PORSCHE	PET	PORSCHE
997-1	2008	8	07	807-10		248					

Pos	Part Number	Description	Remark	Qty	Model	Pos	Part Number	Description	Remark	Qty	Model
	8G2	sand beige					D12	dark grey/natural			
	3S9	sea blue					T12	brown/natural			
	4P2	palmgreen	-07				N12	carrera red	08-		
	9S5	terracotta				(16)	997 555 992 01	cover door handle sycamore wood	/R	-08	1 IXTU
	9V6	cocoa					A11	black			
	D12	dark grey/natural					5X6	stone grey			
	T12	brown/natural					8G2	sand beige			
	N12	carrera red	08-				3S9	sea blue			
(16)	997 555 992 00	cover door handle carbon	/R	1	IXTL		4P2	palmgreen	-07		
	A11	black					9S5	terracotta			
	5X6	stone grey					9V6	cocoa			
	8G2	sand beige					D12	dark grey/natural			
	3S9	sea blue					T12	brown/natural			
	4P2	palmgreen	-07				N12	carrera red	08-		
	9S5	terracotta				(16)	997 555 991 02	cover door handle macassar	/L		1 IXTT
	9V6	cocoa					A11	black			
	D12	dark grey/natural					5X6	stone grey			
	T12	brown/natural					8G2	sand beige			
	N12	carrera red	08-				3S9	sea blue			
(16)	997 555 991 01	cover door handle sycamore wood	/L	-08	1 IXTU		4P2	palmgreen	-07		
	A11	black					9S5	terracotta			
	5X6	stone grey					9V6	cocoa			
	8G2	sand beige					D12	dark grey/natural			
	3S9	sea blue					T12	brown/natural			
	4P2	palmgreen	-07				N12	carrera red	08-		
	9S5	terracotta				(16)	997 555 992 02	cover door handle macassar	/R		1 IXTT
	9V6	cocoa									

Model	Year	MG	SG	Illustration	Restrictions	UPD	7:30	25.01.2010	PORSCHE	PET	PORSCHE
997-1	2008	8	07	807-10		248					

Pos	Part Number	Description	Remark	Qty	Model	Pos	Part Number	Description	Remark	Qty	Model
	A11	black					9S5	terracotta			
	5X6	stone grey					9V6	cocoa			
	8G2	sand beige					D12	dark grey/natural			
	3S9	sea blue					T12	brown/natural			
	4P2	palmgreen	-07				N12	carrera red	08-		
	9S5	terracotta				17	999 591 380 01	cable clamp		4	
	9V6	cocoa				18	997 555 685 02	cover door mirror driver's side lacquered	/LL	1	I098
	D12	dark grey/natural					A03	black			
	T12	brown/natural					5V7	stone grey			
	N12	carrera red	08-				5Z1	sand beige			
(16)	997 555 991 03	cover door handle aluminium look	/L	1	IXTW		8W7	sea blue			
	A11	black					5Y2	palmgreen	-07		
	5X6	stone grey					8X8	terracotta			
	8G2	sand beige					8P9	cocoa			
	3S9	sea blue					T13	brown/natural			
	4P2	palmgreen	-07				N23	carrera red	08-		
	9S5	terracotta				(18)	997 555 686 03	cover door mirror driver's side lacquered	/RL	1	I099
	9V6	cocoa					A03	black			
	D12	dark grey/natural					5V7	stone grey			
	T12	brown/natural					5Z1	sand beige			
	N12	carrera red	08-				8W7	sea blue			
(16)	997 555 992 03	cover door handle aluminium look	/R	1	IXTW		5Y2	palmgreen	-07		
	A11	black					8X8	terracotta			
	5X6	stone grey					8P9	cocoa			
	8G2	sand beige					T13	brown/natural			
	3S9	sea blue					N23	carrera red	08-		
	4P2	palmgreen	-07								

Model	Year	MG	SG	Illustration	Restrictions	UPD	7:30	25.01.2010	PORSCHE	PET	PORSCHE
997-1	2008	8	07	807-10		248					

Pos	Part Number	Description	Remark	Qty	Model	Pos	Part Number	Description	Remark	Qty	Model
(18)	997 555 686 02	cover door mirror passenger's side lacquered	/LL	1	I098		8X8	terracotta			
	A03	black					8P9	cocoa			
	5V7	stone grey					T13	brown/natural			
	5Z1	sand beige					N23	carrera red	08-		
	8W7	sea blue				20	997 555 895 00	plastic foam strip for woofer		1	
	5Y2	palmgreen	-07			21	997 645 511 00	logo		2	I680
	8X8	terracotta				22	997 555 597 00	spacer lid hinge		2	
	8P9	cocoa				23	999 702 281 41	grommet axle bearing		1	
	T13	brown/natural				24	997 555 271 01	handle upper part	/L	1	
	N23	carrera red	08-				FSA	black			
(18)	997 555 685 03	cover door mirror passenger's side lacquered	/RL	1	I099		FSB	stone grey			
	A03	black					FSC	sand beige			
	5V7	stone grey					FSD	sea blue			
	5Z1	sand beige					FSE	palmgreen	-07		
	8W7	sea blue					FSF	terracotta			
	5Y2	palmgreen	-07				FSG	cocoa			
	8X8	terracotta					FSH	dark grey/natural			
	8P9	cocoa					FSJ	brown/natural			
	T13	brown/natural					FSP	carrera red	08-		
	N23	carrera red	08-			(24)	997 555 272 01	handle upper part	/R	1	
19	997 555 577 00	cap handle liner		1			FSA	black			
	A03	black					FSB	stone grey			
	5V7	stone grey					FSC	sand beige			
	8W7	sea blue					FSD	sea blue			
	5Y2	palmgreen	-07				FSE	palmgreen	-07		
							FSF	terracotta			



Model	Year	MG	SG	Illustration	Restrictions	UPD	7:30	25.01.2010	PORSCHE	PET	PORSCHE
997-1	2008	8	07	807-10		248					

Pos	Part Number	Description	Remark	Qty	Model	Pos	Part Number	Description	Remark	Qty	Model
	FSG	cocoa					5V7	stone grey			
	FSH	dark grey/natural					5Z1	sand beige			
	FSJ	brown/natural					8W7	sea blue			
	FSP	carrera red	08-				5Y2	palmgreen	-07		
(24)	997 555 987 00	handle upper part carbon	/L	1	IXTL		8X8	terracotta			
	A35	black					8P9	cocoa			
(24)	997 555 988 00	handle upper part carbon	/R	1	IXTL		T13	brown/natural			
	A35	black				(25)	997 555 352 03	insert	/RL/R	1	COUPE/TARGA I099
(24)	997 555 987 01	handle upper part	/L	-08	IXTU			handle liner lacquered			
	S62	sycamore wood					A03	black			
(24)	997 555 988 01	handle upper part	/R	-08	IXTU		5V7	stone grey			
	S62	sycamore wood					5Z1	sand beige			
(24)	997 555 987 02	handle upper part	/L	1	IXTT		8W7	sea blue			
	S61	macassar					5Y2	palmgreen	-07		
(24)	997 555 988 02	handle upper part	/R	1	IXTT		8X8	terracotta			
	S61	macassar					8P9	cocoa			
(24)	997 555 987 03	handle upper part	/L	1	IXTW	(25)	997 555 351 05	insert	/LL/L	1	CABRIO I098
	V04	galvano silver						handle liner lacquered			
(24)	997 555 988 03	handle upper part	/R	1	IXTW		A03	black			
	V04	galvano silver					5V7	stone grey			
25	997 555 351 03	insert	/LL/L	1	COUPE/TARGA I098		5Z1	sand beige			
	A03	black					8W7	sea blue			
		handle liner lacquered					5Y2	palmgreen	-07		
							8X8	terracotta			
							8P9	cocoa			

Model	Year	MG	SG	Illustration	Restrictions	UPD	7:30	25.01.2010	PORSCHE	PET	PORSCHE
997-1	2008	8	07	807-10		248					

Pos	Part Number	Description	Remark	Qty	Model	Pos	Part Number	Description	Remark	Qty	Model
	T13	brown/natural					5Z1	sand beige			
	N23	carrera red	08-				8W7	sea blue			
(25)	997 555 352 05	insert	/RL/R	1	CABRIO I099		5Y2	palmgreen	-07		
		handle liner lacquered					8X8	terracotta			
	A03	black					8P9	cocoa			
	5V7	stone grey					T13	brown/natural			
	5Z1	sand beige					N23	carrera red	08-		
	8W7	sea blue				25	997 555 985 00	insert	/LL/L	1	COUPE/TARGA IXTV/098
	5Y2	palmgreen	-07					handle liner leather			
	8X8	terracotta					A11	black			
	8P9	cocoa					5X6	stone grey			
	T13	brown/natural					8G2	sand beige			
	N23	carrera red	08-				3S9	sea blue			
(25)	997 555 352 04	insert	/LL/R	1	I098		4P2	palmgreen	-07		
		handle liner lacquered					9S5	terracotta			
	A03	black					9V6	cocoa			
	5V7	stone grey					D12	dark grey/natural			
	5Z1	sand beige					T12	brown/natural			
	8W7	sea blue					N12	carrera red	08-		
	5Y2	palmgreen	-07			(25)	997 555 986 01	insert	/RL/R	1	COUPE/TARGA IXTV/099
	8X8	terracotta						handle liner leather			
	8P9	cocoa					A11	black			
	T13	brown/natural					5X6	stone grey			
	N23	carrera red	08-				8G2	sand beige			
(25)	997 555 351 04	insert	/RL/L	1	I099		3S9	sea blue			
		handle liner lacquered					4P2	palmgreen	-07		
	A03	black					9S5	terracotta			
	5V7	stone grey					9V6	cocoa			

Model	Year	MG	SG	Illustration	Restrictions	UPD	7:30	25.01.2010	PORSCHE	PET	PORSCHE
997-1	2008	8	07	807-10		248					

Pos	Part Number	Description	Remark	Qty	Model	Pos	Part Number	Description	Remark	Qty	Model
(25)	997 555 985 01	D12 dark grey/natural	/LL/L	1	CABRIO IXTV/098	(25)	997 555 986 00	insert	/LL/R	1	IXTV/098
		T12 brown/natural						handle liner			
		N12 carrera red						leather			
		08-						A11 black			
		5X6 stone grey						5X6 stone grey			
		8G2 sand beige						8G2 sand beige			
		3S9 sea blue						3S9 sea blue			
		4P2 palmgreen						4P2 palmgreen			
		-07						9S5 terracotta			
		9V6 cocoa						9V6 cocoa			
		D12 dark grey/natural						D12 dark grey/natural			
		T12 brown/natural						T12 brown/natural			
N12 carrera red	N12 carrera red										
(25)	997 555 986 02	insert	/RL/R	1	CABRIO IXTV/099	(25)	997 555 985 02	insert	/RL/L	1	IXTV/099
		handle liner						handle liner			
		leather						leather			
		A11 black						A11 black			
		5X6 stone grey						5X6 stone grey			
		8G2 sand beige						8G2 sand beige			
		3S9 sea blue						3S9 sea blue			
		4P2 palmgreen						4P2 palmgreen			
		-07						9S5 terracotta			
		9V6 cocoa						9V6 cocoa			
		D12 dark grey/natural						D12 dark grey/natural			
		T12 brown/natural						T12 brown/natural			
N12 carrera red	N12 carrera red										
25	997 555 985 03	insert				25	997 555 985 03	insert	/LL/L	1	COUPE/TARGA IXTL/098
		handle liner						handle liner			
		carbon						carbon			
		A35 black						A35 black			
		08-						N12 carrera red			

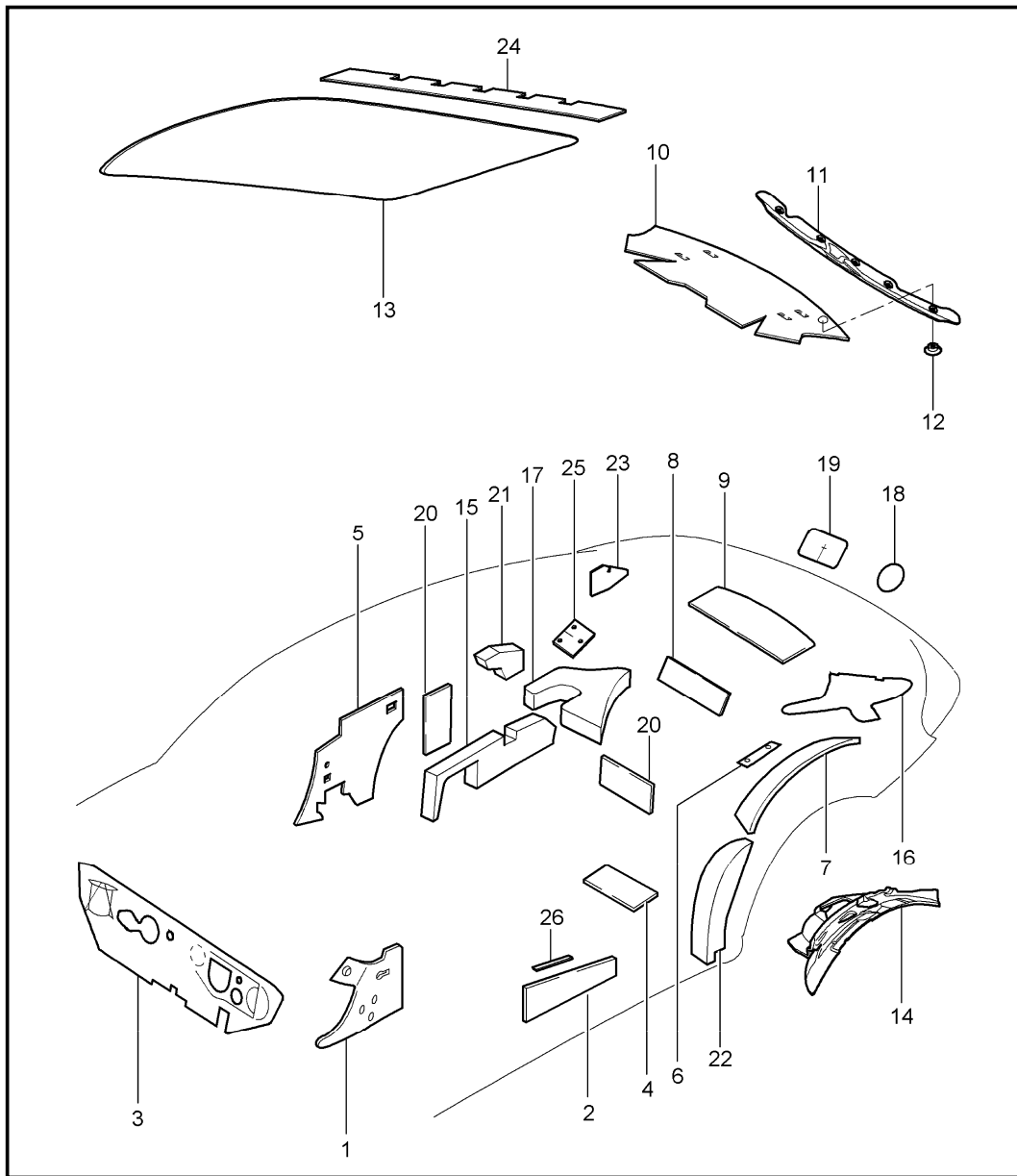
Model	Year	MG	SG	Illustration	Restrictions	UPD	7:30	25.01.2010	PORSCHE	PET	PORSCHE
997-1	2008	8	07	807-10		248					

Pos	Part Number	Description	Remark	Qty	Model	Pos	Part Number	Description	Remark	Qty	Model
(25)	997 555 986 04	insert handle liner carbon A35 black	/RL/R	1	COUPE/TARGA IXTL/099	(25)	997 555 986 06	insert handle liner S62 sycamore wood	/LL/R -08	1	IXTU/098
(25)	997 555 985 04	insert handle liner carbon A35 black	/LL/L	1	CABRIO IXTL/098	(25)	997 555 985 08	insert handle liner S62 sycamore wood	/RL/L -08	1	IXTU/099
(25)	997 555 986 05	insert handle liner carbon A35 black	/RL/R	1	CABRIO IXTL/098	25	997 555 985 09	insert handle liner S61 macassar	/LL/L	1	COUPE/TARGA IXTT/098
(25)	997 555 986 03	insert handle liner carbon A35 black	/LL/R	1	IXTL/098	(25)	997 555 986 10	insert handle liner S61 macassar	/RL/R	1	COUPE/TARGA IXTT/099
(25)	997 555 985 05	insert handle liner carbon A35 black	/RL/L	1	IXTL/099	(25)	997 555 985 10	insert handle liner S61 macassar	/LL/L	1	CABRIO IXTT/098
(25)	997 555 985 06	insert handle liner S62 sycamore wood	/LL/L -08	1	COUPE/TARGA IXTU/098	(25)	997 555 986 11	insert handle liner S61 macassar	/RL/R	1	CABRIO IXTT/099
(25)	997 555 986 07	insert handle liner S62 sycamore wood	/RL/R -08	1	COUPE/TARGA IXTU/099	(25)	997 555 986 09	insert handle liner S61 macassar	/LL/R	1	IXTT/098
(25)	997 555 985 07	insert handle liner S62 sycamore wood	/LL/L -08	1	CABRIO IXTU/098	25	997 555 985 11	insert handle liner S61 macassar	/RL/L	1	IXTT/099
(25)	997 555 986 08	insert handle liner S62 sycamore wood	/RL/R -08	1	CABRIO IXTU/099	25	997 555 985 12	insert handle liner V04 galvano silver	/LL/L	1	COUPE/TARGA IXTW/098
						(25)	997 555 986 13	insert handle liner V04 galvano silver	/RL/R	1	COUPE/TARGA IXTW/099

Model	Year	MG	SG	Illustration	Restrictions	UPD	7:30	25.01.2010	PORSCHE	PET	PORSCHE
997-1	2008	8	07	807-10		248					

Pos	Part Number	Description	Remark	Qty	Model	Pos	Part Number	Description	Remark	Qty	Model
(25)	997 555 985 13	insert handle liner V04 galvano silver	/LL/L	1	CABRIO IXTW/098						
(25)	997 555 986 14	insert handle liner V04 galvano silver	/RL/R	1	CABRIO IXTW/099						
(25)	997 555 986 12	insert handle liner V04 galvano silver	/LL/R	1	IXTW/098						
(25)	997 555 985 14	insert handle liner V04 galvano silver	/RL/L	1	IXTW/099						

Model	Year	MG	SG	Illustration	Restrictions	UPD	7:30	25.01.2010	PORSCHE	PET	PORSCHE
997-1	2008	8	07	807-15		248					

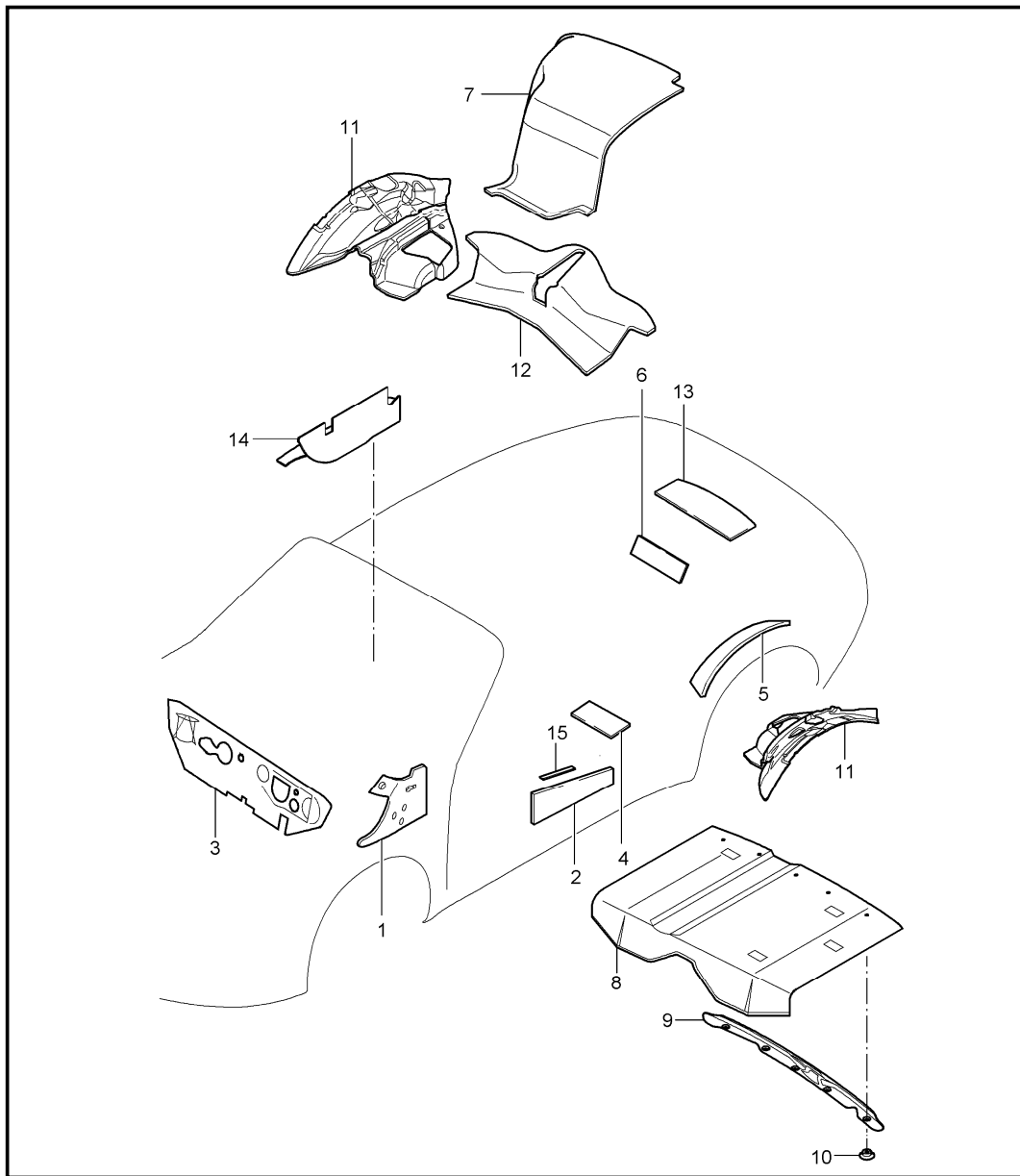


Pos	Part Number	Description	Remark	Qty	Model
1	997 556 605 00	body sound proofing 1			
		sound absorber wheel housing front	/L	1	COUPE/TARGA
(1)	997 556 606 00	sound absorber wheel housing front	/R	1	
2	997 556 531 00	insulation door		05	2
2	997 537 551 00	insulation door		06-	2
3	997 556 723 00	sound absorber firewall	/LL	1	I098
(3)	997 556 724 00	sound absorber firewall	/RL	1	I099
4	997 556 503 00	insulation floor		2	
5	997 556 655 00	sound absorber side trim panel	/L	1	
(5)	997 556 656 00	sound absorber side trim panel	/R	1	
6	997 556 523 00	insulation tray		2	
7	997 556 507 00	insulation wheel housing rear	/L	1	
(7)	997 556 508 00	insulation wheel housing rear	/R	1	
8	997 556 511 00	insulation rear wall lower		1	
9	997 556 521 00	insulation rear wall upper		1	
10	997 556 711 01	sound absorber	-05	1	
10	997 556 711 02	sound absorber	-07	1	
10	997 556 711 03	sound absorber engine compartment	08-	1	

Model	Year	MG	SG	Illustration	Restrictions	UPD	7:30	25.01.2010	PORSCHE	PET	PORSCHE
997-1	2008	8	07	807-15		248					

Pos	Part Number	Description	Remark	Qty	Model	Pos	Part Number	Description	Remark	Qty	Model
11	996 556 761 01	retaining strip engine compartment		1		23	997 556 619 00	sound absorber air duct	/L	1	
12	999 049 020 40	plastic nut T5/30 X 5,1		5		(23)	997 556 620 00	sound absorber air duct	/R	1	
13	997 556 647 00	sound absorber roof		1	I652	24	997 556 603 00	sound absorber tensioner rear		1	
14	997 556 657 00	sound absorber wheel-housing liner rear	/L	1		25	997 556 613 00	sound absorber mounting spring strut	/L	1	
(14)	997 556 658 00	sound absorber wheel-housing liner rear	/R	1		(25)	997 556 614 00	sound absorber mounting spring strut	/R	1	
15	997 556 571 01	sound absorber side trim panel		2		26	997 537 553 00	insulation reinforcement door	06-	4	
16	996 556 753 01	seal side section upper	/L	1		27	999 049 027 40	plastic nut 30 X 1,8		2	
(16)	996 556 754 01	seal side section upper	/R	1							
17	997 556 811 01	filler piece wheel housing	/L	1							
(17)	997 556 812 01	filler piece wheel housing	/R	1							
18	997 556 807 00	sound absorber 40,0 end plate rear end		2							
19	997 556 805 00	sound absorber 120 X 90 end plate rear end		1							
20	997 556 801 00	sound absorber seat well		4							
21	997 556 803 00	filler piece seat well		2							
22	997 556 513 00	sound absorber b-pillar		-05	2						
22	997 556 513 02	sound absorber b-pillar		06-	2						

Model	Year	MG	SG	Illustration	Restrictions	UPD	7:30	25.01.2010	PORSCHE	PET	PORSCHE
997-1	2008	8	07	807-16		248					



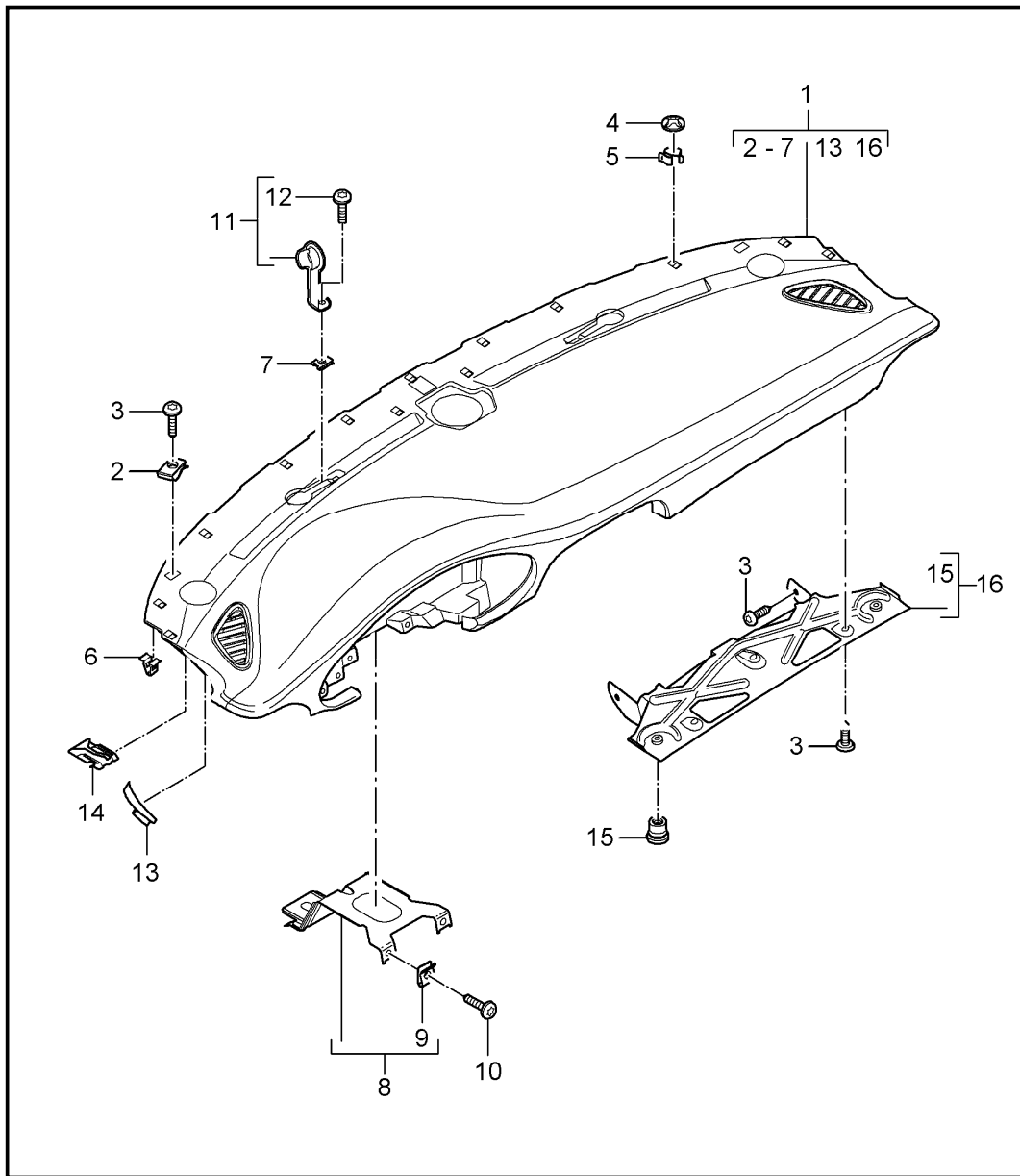
Pos	Part Number	Description	Remark	Qty	Model
1	997 556 605 00	body sound proofing 1 sound absorber wheel housing front	/L	1	CABRIO
(1)	997 556 606 00	sound absorber wheel housing front	/R	1	
2	997 556 531 00	insulation door		05	2
2	997 537 551 00	insulation door		06-	2
3	997 556 723 00	sound absorber firewall	/LL	1	I098
(3)	997 556 724 00	sound absorber firewall	/RL	1	I099
4	997 556 503 00	insulation floor		2	
5	997 556 507 01	insulation wheel housing rear	/L	1	
(5)	997 556 508 01	insulation wheel housing rear	/R	1	
6	997 556 511 00	insulation rear wall lower		1	
(7)	997 556 611 00	sound absorber convertible top tray	/L	1	
7	997 556 612 00	sound absorber convertible top tray	/R	1	
8	997 556 711 01	sound absorber engine compartment		-05	1
8	997 556 711 02	sound absorber engine compartment		-07	1
8	997 556 711 03	sound absorber engine compartment		08-	1
9	996 556 761 01	retaining strip engine compartment		1	



Model	Year	MG	SG	Illustration	Restrictions	UPD	7:30	25.01.2010	PORSCHE	PET	PORSCHE
997-1	2008	8	07	807-16		248					

Pos	Part Number	Description	Remark	Qty	Model	Pos	Part Number	Description	Remark	Qty	Model
10	999 049 020 40	plastic nut T5/30 X 5,1		5							
(11)	997 556 657 01	sound absorber wheel-housing liner rear	/L	1							
11	997 556 658 01	sound absorber wheel-housing liner rear	/R	1							
12	997 556 653 00	sound absorber control units		1							
13	997 556 521 00	insulation rear wall upper		1							
14	997 556 634 00	sound absorber subwoofer		1	I680						
15	997 537 553 00	insulation reinforcement door	06-	4							

Model	Year	MG	SG	Illustration	Restrictions	UPD	7:31	25.01.2010	PORSCHE	PET	PORSCHE
997-1	2008	8	09	809-00		248					



Pos	Part Number	Description	Remark	Qty	Model
		dashboard trim upper part with mounting parts			
		accessories see group 8/09/01			
1	997 552 101 06	dashboard upper part leatherette valid up to: F >>998S7 00391 F >>998S7 20790 F >>998S7 60203 F >>998S7 70471 F >>998S7 40119 F >>998S7 50193  9L4 black 9M5 stone grey 9C6 sand beige 9D7 sea blue 9E8 palmgreen	/LL	1	I098  COUPE COUPE S CABRIO CABRIO S TARGA TARGA S
(1)	997 552 102 06	dashboard upper part leatherette valid up to: F >>998S7 00391 F >>998S7 20790 F >>998S7 60203 F >>998S7 70471 F >>998S7 40119 F >>998S7 50193  9L4 black 9M5 stone grey 9C6 sand beige 9D7 sea blue 9E8 palmgreen	/RL	1	I099  COUPE COUPE S CABRIO CABRIO S TARGA TARGA S
			-07		
			-07		

Model	Year	MG	SG	Illustration	Restrictions	UPD	7:31	25.01.2010	PORSCHE	PET	PORSCHE
997-1	2008	8	09	809-00		248					

Pos	Part Number	Description	Remark	Qty	Model	Pos	Part Number	Description	Remark	Qty	Model
1	997 552 101 10	dashboard upper part leatherette valid from: F 998S7 00392>> F 998S7 20791>> F 998S7 60204>> F 998S7 70472>> F 998S7 40120>> F 998S7 50194>>	/LL	1	I098	1	997 552 102 08	dashboard upper part leatherette valid up to: F >>998S7 00391 F >>998S7 20790 F >>998S7 60203 F >>998S7 70471 F >>998S7 40119 F >>998S7 50193	-07	1	I099/639/640
	9L4	black					9L4	black			
	9M5	stone grey					9M5	stone grey			
	9C6	sand beige					9C6	sand beige			
	9D7	sea blue					9D7	sea blue			
(1)	997 552 102 10	dashboard upper part leatherette valid from: F 998S7 00392>> F 998S7 20791>> F 998S7 60204>> F 998S7 70472>> F 998S7 40120>> F 998S7 50194>>	/RL	1	I099	1	997 552 101 12	dashboard upper part leatherette valid from: F 998S7 00392>> F 998S7 20791>> F 998S7 60204>> F 998S7 70472>> F 998S7 40120>> F 998S7 50194>>	-07	1	I098/639/640
	9L4	black					9L4	black			
	9M5	stone grey					9M5	stone grey			
	9C6	sand beige					9C6	sand beige			
	9D7	sea blue					9D7	sea blue			
1	997 552 101 08	dashboard upper part leatherette valid up to: F >>998S7 00391 F >>998S7 20790 F >>998S7 60203 F >>998S7 70471 F >>998S7 40119 F >>998S7 50193	/LL	1	I098/639/640	1	997 552 102 12	dashboard upper part leatherette valid from: F 998S7 00392>> F 998S7 20791>> F 998S7 60204>> F 998S7 70472>> F 998S7 40120>> F 998S7 50194>>	/RL	1	I099/639/640
	9L4	black					9L4	black			
	9M5	stone grey					9M5	stone grey			
	9C6	sand beige					9C6	sand beige			
	9D7	sea blue					9D7	sea blue			

Model	Year	MG	SG	Illustration	Restrictions	UPD	7:31	25.01.2010	PORSCHE	PET	PORSCHE
997-1	2008	8	09	809-00		248					

Pos	Part Number	Description	Remark	Qty	Model	Pos	Part Number	Description	Remark	Qty	Model
	9C6	sand beige					FSG	cocoa			
	9D7	sea blue					FSH	dark grey/natural			
1	997 552 101 07	dashboard upper part leather valid up to: F >>998S7 00391 F >>998S7 20790 F >>998S7 60203 F >>998S7 70471 F >>998S7 40119 F >>998S7 50193	/LL	1	I098/981		FSJ	brown/natural			
	FSA	black					FSP	carrera red	08-		
	FSB	stone grey				1	997 552 101 11	dashboard upper part leather valid from: F 998S7 00392>> F 998S7 20791>> F 998S7 60204>> F 998S7 70472>> F 998S7 40120>> F 998S7 50194>>	/LL	1	I098/981
	FSC	sand beige					FSA	black			COUPE COUPE S CABRIO CABRIO S TARGA TARGA S
	FSD	sea blue					FSB	stone grey			
	FSE	palmgreen	-07				FSC	sand beige			
	FSF	terracotta					FSD	sea blue			
	FSG	cocoa					FSF	terracotta			
	FSH	dark grey/natural					FSG	cocoa			
	FSJ	brown/natural					FSH	dark grey/natural			
	FSP	carrera red	08-				FSJ	brown/natural			
(1)	997 552 102 07	dashboard upper part leather valid up to: F >>998S7 00391 F >>998S7 20790 F >>998S7 60203 F >>998S7 70471 F >>998S7 40119 F >>998S7 50193	/RL	1	I099/981		FSP	carrera red	08-		
	FSA	black				1	997 552 102 11	dashboard upper part leather valid from: F 998S7 00392>> F 998S7 20791>> F 998S7 60204>> F 998S7 70472>> F 998S7 40120>> F 998S7 50194>>	/RL	1	I099/981
	FSB	stone grey					FSA	black			COUPE COUPE S CABRIO CABRIO S TARGA TARGA S
	FSC	sand beige					FSB	stone grey			
	FSD	sea blue					FSC	sand beige			
	FSE	palmgreen	-07				FSD	sea blue			
	FSF	terracotta					FSF	terracotta			

Model	Year	MG	SG	Illustration	Restrictions	UPD	7:31	25.01.2010	PORSCHE	PET	PORSCHE
997-1	2008	8	09	809-00		248					

Pos	Part Number	Description	Remark	Qty	Model	Pos	Part Number	Description	Remark	Qty	Model
		FSG cocoa					FSD sea blue				
		FSH dark grey/natural					FSE palmgreen		-07		
		FSJ brown/natural					FSF terracotta				
		FSP carrera red		08-			FSG cocoa				
1	997 552 101 09	dashboard	/LL	1	I098/639/640 I981		FSH dark grey/natural				
		upper part leather valid up to:					FSJ brown/natural				
		F >>998S7 00391			COUPE		FSP carrera red		08-		
		F >>998S7 20790			COUPE S	1	997 552 101 13	dashboard	/LL	1	I098/639/640 I981
		F >>998S7 60203			CABRIO		upper part leather valid from:				
		F >>998S7 70471			CABRIO S		F 998S7 00392>>				COUPE
		F >>998S7 40119			TARGA		F 998S7 20791>>				COUPE S
		F >>998S7 50193			TARGA S		F 998S7 60204>>				CABRIO S
		FSA black					F 998S7 70472>>				TARGA
		FSB stone grey					F 998S7 40120>>				TARGA S
		FSC sand beige					F 998S7 50194>>				
		FSD sea blue					FSA black				
		FSE palmgreen		-07			FSB stone grey				
		FSF terracotta					FSC sand beige				
		FSG cocoa					FSD sea blue				
		FSH dark grey/natural					FSF terracotta				
		FSJ brown/natural					FSG cocoa				
		FSP carrera red		08-			FSH dark grey/natural				
(1)	997 552 102 09	dashboard	/RL	1	I099/639/640 I981		FSJ brown/natural				
		upper part leather valid up to:					FSP carrera red		08-		
		F >>998S7 00391			COUPE	(1)	997 552 102 13	dashboard	/RL	1	I099/639/640 I981
		F >>998S7 20790			COUPE S		upper part leather valid from:				
		F >>998S7 60203			CABRIO		F 998S7 00392>>				COUPE
		F >>998S7 70471			CABRIO S		F 998S7 20791>>				COUPE S
		F >>998S7 40119			TARGA		F 998S7 60204>>				CABRIO
		F >>998S7 50193			TARGA S		F 998S7 70472>>				CABRIO S
		FSA black					F 998S7 40120>>				TARGA
		FSB stone grey					F 998S7 50194>>				TARGA S
		FSC sand beige					FSA black				

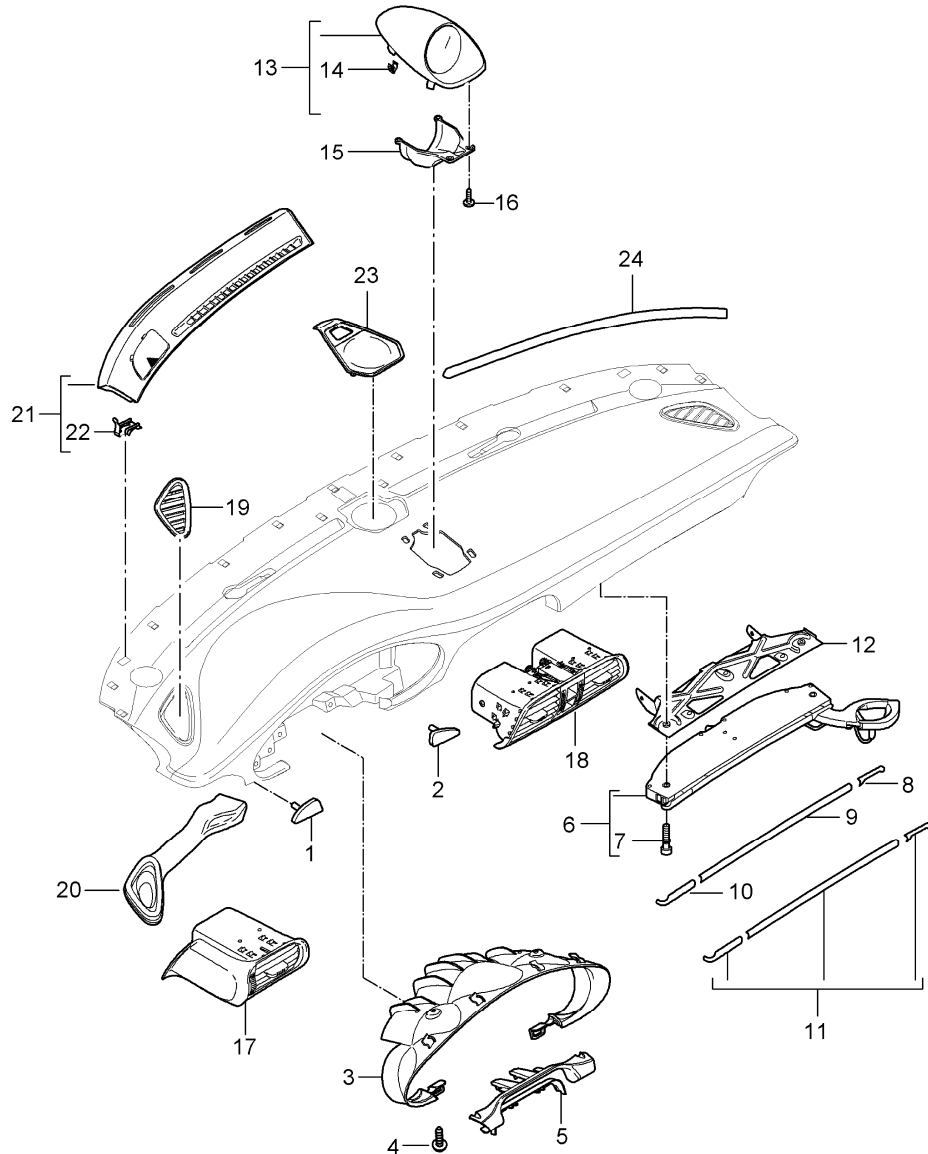
Model	Year	MG	SG	Illustration	Restrictions	UPD	7:31	25.01.2010	PORSCHE	PET	PORSCHE
997-1	2008	8	09	809-00		248					

Pos	Part Number	Description	Remark	Qty	Model	Pos	Part Number	Description	Remark	Qty	Model
	FSB	stone grey				9	999 507 020 01	speed nut ST 4,2		2	
	FSC	sand beige				10	999 073 155 09	tapping screw ST 4,2 X 13		2	
	FSD	sea blue				11	997 552 673 00	lid defroster trim		2	
	FSF	terracotta				12	999 073 226 09	tapping screw ST 4,2 X 16		2	
	FSG	cocoa				13	997 552 481 00	insert a-pillar	/L	1	
	FSH	dark grey/natural				(13)	997 552 482 00	insert a-pillar	/R	1	
	FSJ	brown/natural				14	999 507 921 01	clamp mount dashboard cowl panel		2	
	FSP	carrera red	08-			15	999 500 132 00	grooved nut M 5 valid up to: F >>998S7 00391 F >>998S7 20790 F >>998S7 60203 F >>998S7 70471 F >>998S7 40119 F >>998S7 50193		2	COUPE COUPE S CABRIO CABRIO S TARGA TARGA S
2	999 507 971 01	speed nut ST 4,2 for mount dashboard		X		(15)	999 507 319 01	captive nut M 5 valid from: F 998S7 00392>> F 998S7 20791>> F 998S7 60204>> F 998S7 70472>> F 998S7 40120>> F 998S7 50194>>		2	COUPE COUPE S CABRIO CABRIO S TARGA TARGA S
3	999 073 155 09	tapping screw ST 4,2 X 13 for mount dashboard		X		16	997 552 360 02	retaining bracket for beverages support valid up to: F >>998S7 00391 F >>998S7 20790 F >>998S7 60203 F >>998S7 70471 F >>998S7 40119 F >>998S7 50193	/LL	1	I098
4	999 507 106 02	clamping washer 8,0 for mount dashboard		X							
5	999 507 573 02	clamp 6,7 - 8,1 for mount dashboard		X							
6	999 507 732 01	clamp 8,0 X 12,0 /4,0 for mount dashboard		X							
7	999 507 020 01	speed nut ST 4,2 for mount dashboard		X							
8	997 552 617 01	support dashboard driver's side		1							

Model	Year	MG	SG	Illustration	Restrictions	UPD	7:31	25.01.2010	PORSCHE	PET	PORSCHE
997-1	2008	8	09	809-00		248					

Pos	Part Number	Description	Remark	Qty	Model	Pos	Part Number	Description	Remark	Qty	Model
(16)	997 552 359 02	retaining bracket for beverages support valid up to: F >>998S7 00391 F >>998S7 20790 F >>998S7 60203 F >>998S7 70471 F >>998S7 40119 F >>998S7 50193	/RL	1	I099  COUPE COUPE S CABRIO CABRIO S TARGA TARGA S						
(16)	997 552 360 03	retaining bracket for beverages support valid from: F 998S7 00392>> F 998S7 20791>> F 998S7 60204>> F 998S7 70472>> F 998S7 40120>> F 998S7 50194>>	/LL	1	I098  COUPE COUPE S CABRIO CABRIO S TARGA TARGA S						
(16)	997 552 359 03	retaining bracket for beverages support valid from: F 998S7 00392>> F 998S7 20791>> F 998S7 60204>> F 998S7 70472>> F 998S7 40120>> F 998S7 50194>>	/RL	1	I099  COUPE COUPE S CABRIO CABRIO S TARGA TARGA S						

Model	Year	MG	SG	Illustration	Restrictions	UPD	7:31	25.01.2010	PORSCHE	PET	PORSCHE
997-1	2008	8	09	809-01		248					



Pos	Part Number	Description	Remark	Qty	Model
		accessories dashboard trim upper part			
1	997 552 381 01	moulding driver's side outer	/LL	1	CARRERA I098
	D07	volcano grey			
(1)	997 552 382 01	moulding driver's side outer	/RL	1	CARRERA I099
	D07	volcano grey			
1	997 552 381 02	moulding driver's side outer	/LL	1	CARRERA S I098
	V04	galvano silver			
(1)	997 552 382 02	moulding driver's side outer	/RL	1	CARRERA S I099
	V04	galvano silver			
1	997 552 381 03	moulding driver's side outer	/LL	1	I098/801
	S61	macassar			
(1)	997 552 382 03	moulding driver's side outer	/RL	1	I098/801
	S61	macassar			
1	997 552 381 04	moulding driver's side outer	/LL	1	I098/802
	S62	sycamore wood			
(1)	997 552 382 04	moulding driver's side outer	/RL	1	I099/802
	S62	sycamore wood			



Model	Year	MG	SG	Illustration	Restrictions	UPD	7:31	25.01.2010	PORSCHE	PET	PORSCHE
997-1	2008	8	09	809-01		248					

Pos	Part Number	Description	Remark	Qty	Model	Pos	Part Number	Description	Remark	Qty	Model
1	997 552 381 05	moulding driver's side outer	/LL	1	I098/803		N12	carrera red	08-		
	A35	black				2	997 552 383 01	moulding driver's side centre	/LL	1	CARRERA I098
(1)	997 552 382 05	moulding driver's side outer	/RL	1	I098/803		D07	volcano grey			
	A35	black				(2)	997 552 384 01	moulding driver's side centre	/RL	1	CARRERA I099
1	997 552 986 00	moulding driver's side outer	/LL	1	IXVP/098		D07	volcano grey			
	A11	black				2	997 552 383 02	moulding driver's side centre	/LL	1	CARRERA S I098
	5X6	stone grey					V04	galvano silver			
	8G2	sand beige				(2)	997 552 384 02	moulding driver's side centre	/RL	1	CARRERA S I099
	3S9	sea blue					V04	galvano silver			
	4P2	palmgreen	-07			2	997 552 383 03	moulding driver's side centre	/LL	1	I098/801
	9S5	terracotta					S61	macassar			
	9V6	cocoa				(2)	997 552 384 03	moulding driver's side centre	/RL	1	I099/801
	D12	dark grey/natural					S61	macassar			
	T12	brown/natural				2	997 552 383 04	moulding driver's side centre	/LL	1	I098/802
	N12	carrera red	08-				S62	sycamore wood			
(1)	997 552 986 01	moulding driver's side outer	/RL	1	IXVP/099	(2)	997 552 384 04	moulding driver's side centre	/RL	1	I099/802
	A11	black					S62	sycamore wood			
	5X6	stone grey				2	997 552 383 05	moulding driver's side centre	/LL	1	I098/803
	8G2	sand beige									
	3S9	sea blue									
	4P2	palmgreen	-07								
	9S5	terracotta									
	9V6	cocoa									
	D12	dark grey/natural									
	T12	brown/natural									

Model	Year	MG	SG	Illustration	Restrictions	UPD	7:31	25.01.2010	PORSCHE	PET	PORSCHE
997-1	2008	8	09	809-01		248					

Pos	Part Number	Description	Remark	Qty	Model	Pos	Part Number	Description	Remark	Qty	Model
(2)	997 552 384 05	A35 black moulding driver's side centre	/RL	1	I099/803	3	997 552 325 01	cover instrument cluster	/LL	1	I098
2	997 552 987 00	A35 black moulding driver's side centre	/LL	1	IXVP/098		A03	black			
		A11 black					5V7	stone grey			
		5X6 stone grey					5Z1	sand beige			
		8G2 sand beige					8W7	sea blue			
		3S9 sea blue					5Y2	palmgreen	-07		
		4P2 palmgreen	-07				8X8	terracotta			
		9S5 terracotta					8P9	cocoa			
		9V6 cocoa					T13	brown/natural			
		D12 dark grey/natural					N23	carrera red	08-		
		T12 brown/natural				(3)	997 552 326 01	cover instrument cluster	/RL	1	I099
		N12 carrera red	08-				A03	black			
(2)	997 552 987 01	moulding driver's side centre	/RL	1	IXVP/099		5V7	stone grey			
		A11 black					5Z1	sand beige			
		5X6 stone grey					8W7	sea blue			
		8G2 sand beige					5Y2	palmgreen	-07		
		3S9 sea blue					8X8	terracotta			
		4P2 palmgreen	-07				8P9	cocoa			
		9S5 terracotta					T13	brown/natural			
		9V6 cocoa					N23	carrera red	08-		
		D12 dark grey/natural				3	997 552 989 00	cover instrument cluster	/LL	1	IXNG/098
		T12 brown/natural					A11	black			
		N12 carrera red	08-				5X6	stone grey			
							8G2	sand beige			
							3S9	sea blue			
							4P2	palmgreen	-07		
							9S5	terracotta			

Model	Year	MG	SG	Illustration	Restrictions	UPD	7:31	25.01.2010	PORSCHE	PET	PORSCHE
997-1	2008	8	09	809-01		248					

Pos	Part Number	Description	Remark	Qty	Model	Pos	Part Number	Description	Remark	Qty	Model
	9V6	cocoa					8P9	cocoa			
	D12	dark grey/natural					T13	brown/natural			
	T12	brown/natural					N23	carrera red	08-		
	N12	carrera red				5	997 552 978 00	bridge leather	06-	1	IXNS
(3)	997 552 989 01	cover instrument cluster	/RL	1	IXNG/099		A11	black			
	A11	black					5X6	stone grey			
	5X6	stone grey					8G2	sand beige			
	8G2	sand beige					3S9	sea blue			
	3S9	sea blue					4P2	palmgreen	-07		
	4P2	palmgreen					9S5	terracotta			
	9S5	terracotta					9V6	cocoa			
	9V6	cocoa					D12	dark grey/natural			
	D12	dark grey/natural					T12	brown/natural			
	T12	brown/natural					N12	carrera red	08-		
	N12	carrera red				6	997 552 294 03	support beverages	/LL	1	I098
3	997 552 989 02	cover instrument cluster	/LL	1	IXCL/098	6	997 552 293 04	support beverages	/RL	1	I099
	V04	galvano silver				(6)	997 552 988 00	support beverages with position 18/19/20	/LL	1	IXVP/098
(3)	997 552 989 03	cover instrument cluster	/RL	1	IXCL/099		A11	black			
	V04	galvano silver					5X6	stone grey			
4	999 073 155 09	tapping screw ST 4,2 X 13		2			8G2	sand beige			
5	997 552 271 01	bridge		1			3S9	sea blue			
	A03	black					4P2	palmgreen			
	5V7	stone grey					9S5	terracotta			
	5Z1	sand beige					9V6	cocoa			
	8W7	sea blue					D12	dark grey/natural			
	5Y2	palmgreen							-07		
	8X8	terracotta									

Model	Year	MG	SG	Illustration	Restrictions	UPD	7:31	25.01.2010	PORSCHE	PET	PORSCHE
997-1	2008	8	09	809-01		248					

Pos	Part Number	Description	Remark	Qty	Model	Pos	Part Number	Description	Remark	Qty	Model
	T12	brown/natural				(8)	997 552 395 05	cover	/RL/R	1	I099/803
(6)	997 552 988 01	support beverages with position 18/19/20	/RL	1	IXVP/099		A35	black			
	A11	black				8	997 552 993 00	cover	/LL/R	1	IXVP/098
	5X6	stone grey					A11	black			
	8G2	sand beige					5X6	stone grey			
	3S9	sea blue					8G2	sand beige			
	4P2	palmgreen					3S9	sea blue			
	9S5	terracotta					4P2	palmgreen	-07		
	9V6	cocoa					9S5	terracotta			
	D12	dark grey/natural					9V6	cocoa			
	T12	brown/natural					D12	dark grey/natural			
--	997 552 905 00	repair kit flap torsion spring for beverages support		1		(8)	997 552 993 01	cover	/RL/R	1	IXVP/099
7	900 067 416 01	pan-head screw M5 X 27		1			A11	black			
8	997 552 394 01	cover	/LL/R	1	CARRERA I098		5X6	stone grey			
	D07	volcano grey					8G2	sand beige			
(8)	997 552 393 01	cover	/RL/R	1	CARRERA I099		3S9	sea blue			
	D07	volcano grey					4P2	palmgreen	-07		
8	997 552 394 02	cover	/LL/R	1	CARRERA S		9S5	terracotta			
	V04	galvano silver					9V6	cocoa			
(8)	997 552 393 02	cover	/RL/R	1	CARRERA S		D12	dark grey/natural			
	V04	galvano silver					T12	brown/natural			
8	997 552 396 05	cover	/LL/R	1	I098/803		N12	carrera red	08-		
	A35	black				9	997 552 398 00	cover	/LL	1	CARRERA I098
								centre			
							D07	volcano grey			
						(9)	997 552 397 00	cover	/RL	1	CARRERA I099
								centre			

Model	Year	MG	SG	Illustration	Restrictions	UPD	7:31	25.01.2010	PORSCHE	PET	PORSCHE
997-1	2008	8	09	809-01		248					

Pos	Part Number	Description	Remark	Qty	Model	Pos	Part Number	Description	Remark	Qty	Model
	D07	volcano grey					4P2	palmgreen	-07		
9	997 552 398 01	cover centre	/LL	1	CARRERA S I098		9S5	terracotta			
	V04	galvano silver					9V6	cocoa			
(9)	997 552 397 01	cover centre	/RL	1	CARRERA S I099		D12	dark grey/natural			
	V04	galvano silver					T12	brown/natural			
							N12	carrera red	08-		
9	997 552 398 04	cover centre	/LL	1	I098/803	10	997 552 396 01	cover	/LL/L	1	CARRERA I098
	A35	black					D07	volcano grey			
(9)	997 552 397 04	cover centre	/RL	1	I099/803	(10)	997 552 395 01	cover	/RL/L	1	CARRERA I099
	A35	black					D07	volcano grey			
9	997 552 994 00	cover centre	/LL	1	IXVP/098	10	997 552 396 02	cover	/LL/L	1	CARRERA S I098
	A11	black				(10)	V04	galvano silver			
	5X6	stone grey					cover	/RL/L		1	CARRERA S I099
	8G2	sand beige					V04	galvano silver			
	3S9	sea blue				10	997 552 394 05	cover	/LL/L	1	I098/803
	4P2	palmgreen	-07				A35	black			
	9S5	terracotta				(10)	997 552 393 05	cover	/RL/L	1	I099/803
	9V6	cocoa					A35	black			
	D12	dark grey/natural				10	997 552 992 00	cover	/LL/L	1	IXVP/098
	T12	brown/natural					A11	black			
	N12	carrera red	08-				5X6	stone grey			
(9)	997 552 994 01	cover centre	/RL	1	IXVP/099		8G2	sand beige			
	A11	black					3S9	sea blue			
	5X6	stone grey					4P2	palmgreen	-07		
	8G2	sand beige					9S5	terracotta			
	3S9	sea blue					9V6	cocoa			
							D12	dark grey/natural			

Model	Year	MG	SG	Illustration	Restrictions	UPD	7:31	25.01.2010	PORSCHE	PET	PORSCHE
997-1	2008	8	09	809-01		248					

Pos	Part Number	Description	Remark	Qty	Model	Pos	Part Number	Description	Remark	Qty	Model
(10)	T12	brown/natural				13	997 552 371 00	air box upper part		1	I639/640
	N12	carrera red	08-				A03	black			
	997 552 992 01	cover	/RL/L	1	IXVP/099		5V7	stone grey			
	A11	black					5Z1	sand beige			
	5X6	stone grey					8W7	sea blue			
	8G2	sand beige					5Y2	palmgreen	-07		
	3S9	sea blue				(13)	997 552 371 01	air box upper part		1	I639/640/981
	4P2	palmgreen	-07				A11	black			
	9S5	terracotta					5X6	stone grey			
	9V6	cocoa					8G2	sand beige			
11	D12	dark grey/natural					3S9	sea blue			
	T12	brown/natural					4P2	palmgreen	-07		
	N12	carrera red	08-				9S5	terracotta			
(11)	997 552 904 00	set cover wood	/LL	1	I098/801		9V6	cocoa			
	S61	macassar					D12	dark grey/natural			
11	997 552 903 00	set cover wood	/RL	1	I099/801		T12	brown/natural			
	S61	macassar					N12	carrera red	08-		
11	997 552 904 01	set cover wood	/LL	1	I098/802	14	999 507 920 01	u-clamp 1,7-2,1		4	I639/640
	S62	sycamore wood				15	997 552 373 01	support for air box upper part		1	I639/640
11	997 552 903 01	set cover wood	/RL	1	I099/802	16	999 919 167 09	oval-head screw 3,0 X 10 for mount support air box		4	
	S62	sycamore wood									
12	--- --- --- --	retaining bracket for beverages support see group 8/09/00		1		17	997 552 131 05	side vent	/L	1	CARRERA
							D07	volcano grey			
						(17)	997 552 132 05	side vent	/R	1	CARRERA

Model	Year	MG	SG	Illustration	Restrictions	UPD	7:31	25.01.2010	PORSCHE	PET	PORSCHE
997-1	2008	8	09	809-01		248					

Pos	Part Number	Description	Remark	Qty	Model	Pos	Part Number	Description	Remark	Qty	Model
	D07	volcano grey					5X6	stone grey			
17	997 552 131 06	side vent	/L	1	CARRERA S		8G2	sand beige			
	V04	galvano silver					3S9	sea blue			
(17)	997 552 132 06	side vent	/R	06-	1 CARRERA S		4P2	palmgreen		-07	
	V04	galvano silver					9S5	terracotta			
17	997 552 981 00	side vent	/L	1	IXN3		9V6	cocoa			
	A11	black					D12	dark grey/natural			
	5X6	stone grey					T12	brown/natural			
	8G2	sand beige					N12	carrera red		08-	
	3S9	sea blue				(17)	997 552 982 01	side vent	/R	1	IXKD
	4P2	palmgreen		-07			A11	black			
	9S5	terracotta					5X6	stone grey			
	9V6	cocoa					8G2	sand beige			
	D12	dark grey/natural					3S9	sea blue			
	T12	brown/natural					4P2	palmgreen		-07	
	N12	carrera red		08-			9S5	terracotta			
(17)	997 552 982 00	side vent	/R	1	IXN3		9V6	cocoa			
	A11	black					D12	dark grey/natural			
	5X6	stone grey					T12	brown/natural			
	8G2	sand beige					N12	carrera red		08-	
	3S9	sea blue				17	997 552 981 02	side vent	/L	1	IXJM
	4P2	palmgreen		-07			A11	black			
	9S5	terracotta					5X6	stone grey			
	9V6	cocoa					8G2	sand beige			
	D12	dark grey/natural					3S9	sea blue			
	T12	brown/natural					4P2	palmgreen		-07	
	N12	carrera red		08-			9S5	terracotta			
17	997 552 981 01	side vent	/L	1	IXKD		9V6	cocoa			
	A11	black					D12	dark grey/natural			

Model	Year	MG	SG	Illustration	Restrictions	UPD	7:31	25.01.2010	PORSCHE	PET	PORSCHE
997-1	2008	8	09	809-01		248					

Pos	Part Number	Description	Remark	Qty	Model	Pos	Part Number	Description	Remark	Qty	Model
(17)	T12	brown/natural				17	4P2	palmgreen	-07		
	N12	carrera red	08-				9S5	terracotta			
	997 552 982 02	side vent	/R	1	IXJM		9V6	cocoa			
	A11	black					D12	dark grey/natural			
	5X6	stone grey					T12	brown/natural			
	8G2	sand beige					N12	carrera red	08-		
	3S9	sea blue					997 552 981 04	side vent	/L	1	IXCN
	4P2	palmgreen	-07				A11	black			
	9S5	terracotta					5X6	stone grey			
	9V6	cocoa					8G2	sand beige			
17	D12	dark grey/natural				3S9	sea blue				
	T12	brown/natural				4P2	palmgreen	-07			
	N12	carrera red	08-			9S5	terracotta				
	997 552 981 03	side vent	/L	1	IXJL	9V6	cocoa				
	A11	black				D12	dark grey/natural				
	5X6	stone grey				T12	brown/natural				
	8G2	sand beige				N12	carrera red	08-			
	3S9	sea blue				(17) 997 552 982 04	side vent	/R	1	IXCN	
	4P2	palmgreen	-07			A11	black				
	9S5	terracotta				5X6	stone grey				
(17)	9V6	cocoa				8G2	sand beige				
	D12	dark grey/natural				3S9	sea blue				
	T12	brown/natural				4P2	palmgreen	-07			
	N12	carrera red	08-			9S5	terracotta				
	997 552 982 03	side vent	/R	1	IXJL	9V6	cocoa				
	A11	black				D12	dark grey/natural				
	5X6	stone grey				T12	brown/natural				
	8G2	sand beige				N12	carrera red	08-			
	3S9	sea blue				18 997 552 141 05	centre nozzle	-07	1	CARRERA	



Model	Year	MG	SG	Illustration	Restrictions	UPD	7:31	25.01.2010	PORSCHE	PET	PORSCHE
997-1	2008	8	09	809-01		248					

Pos	Part Number	Description	Remark	Qty	Model	Pos	Part Number	Description	Remark	Qty	Model
	D07	volcano grey					5X6	stone grey			
18	997 552 141 07	centre nozzle	08-	1	CARRERA		8G2	sand beige			
	D07	volcano grey					3S9	sea blue			
(18)	997 552 141 06	centre nozzle	-07	1	CARRERA S		4P2	palmgreen	-07		
	V04	galvano silver					9S5	terracotta			
18	997 552 141 08	centre nozzle	08-	1	CARRERA S		9V6	cocoa			
	V04	galvano silver					D12	dark grey/natural			
(18)	997 552 980 00	centre nozzle	-07	1	IXVM		T12	brown/natural			
	A11	black				(18)	997 552 980 06	centre nozzle	08-	1	IXZB
	5X6	stone grey					A11	black			
	8G2	sand beige					5X6	stone grey			
	3S9	sea blue					8G2	sand beige			
	4P2	palmgreen	-07				3S9	sea blue			
	9S5	terracotta					9S5	terracotta			
	9V6	cocoa					9V6	cocoa			
	D12	dark grey/natural					D12	dark grey/natural			
	T12	brown/natural					T12	brown/natural			
(18)	997 552 980 05	centre nozzle	08-	1	IXVM		N12	carrera red	08-		
	A11	black				(18)	997 552 980 02	centre nozzle	-07	1	IXJP
	5X6	stone grey					A11	black			
	8G2	sand beige					5X6	stone grey			
	3S9	sea blue					8G2	sand beige			
	9S5	terracotta					3S9	sea blue			
	9V6	cocoa					4P2	palmgreen	-07		
	D12	dark grey/natural					9S5	terracotta			
	T12	brown/natural					9V6	cocoa			
	N12	carrera red	08-				D12	dark grey/natural			
(18)	997 552 980 01	centre nozzle	-07	1	IXZB		T12	brown/natural			
	A11	black				(18)	997 552 980 07	centre nozzle	08-	1	IXJP

Model	Year	MG	SG	Illustration	Restrictions	UPD	7:31	25.01.2010	PORSCHE	PET	PORSCHE
997-1	2008	8	09	809-01		248					

Pos	Part Number	Description	Remark	Qty	Model	Pos	Part Number	Description	Remark	Qty	Model
	A11	black				(18)	997 552 980 04	centre nozzle	-07	1	IXCY
	5X6	stone grey					A11	black			
	8G2	sand beige					5X6	stone grey			
	3S9	sea blue					8G2	sand beige			
	9S5	terracotta					3S9	sea blue			
	9V6	cocoa					4P2	palmgreen	-07		
	D12	dark grey/natural					9S5	terracotta			
	T12	brown/natural					9V6	cocoa			
	N12	carrera red	08-				D12	dark grey/natural			
(18)	997 552 980 03	centre nozzle	-07	1	IXJN		T12	brown/natural			
	A11	black				(18)	997 552 980 09	centre nozzle	08-	1	IXCY
	5X6	stone grey					A11	black			
	8G2	sand beige					5X6	stone grey			
	3S9	sea blue					8G2	sand beige			
	4P2	palmgreen	-07				3S9	sea blue			
	9S5	terracotta					9S5	terracotta			
	9V6	cocoa					9V6	cocoa			
	D12	dark grey/natural					D12	dark grey/natural			
	T12	brown/natural					T12	brown/natural			
(18)	997 552 980 08	centre nozzle	08-	1	IXJN		N12	carrera red	08-		
	A11	black				19	997 552 455 01	cover defroster vent	/L	1	
	5X6	stone grey					A03	black			
	8G2	sand beige					5V7	stone grey			
	3S9	sea blue					5Z1	sand beige			
	9S5	terracotta					8W7	sea blue			
	9V6	cocoa					5Y2	palmgreen	-07		
	D12	dark grey/natural					8X8	terracotta			
	T12	brown/natural					8P9	cocoa			
	N12	carrera red	08-								

Model	Year	MG	SG	Illustration	Restrictions	UPD	7:31	25.01.2010	PORSCHE	PET	PORSCHE
997-1	2008	8	09	809-01		248					

Pos	Part Number	Description	Remark	Qty	Model	Pos	Part Number	Description	Remark	Qty	Model
(19)	T13	brown/natural				21	5Z1	sand beige			
	N23	carrera red	08-				8W7	sea blue			
	997 552 456 01	cover defroster vent	/R	1			5Y2	palmgreen	-07		
	A03	black					8X8	terracotta			
	5V7	stone grey					8P9	cocoa			
	5Z1	sand beige					T13	brown/natural			
	8W7	sea blue					N23	carrera red	08-		
	5Y2	palmgreen	-07				997 552 983 00	defroster trim	/L	1	IXV1
	8X8	terracotta					A11	black			
	8P9	cocoa					5X6	stone grey			
20	T13	brown/natural				8G2	sand beige				
	N23	carrera red	08-			3S9	sea blue				
20	997 552 315 02	air duct lateral	/L	1		4P2	palmgreen	-07			
(20)	997 552 316 02	air duct lateral	/R	1		9S5	terracotta				
21	997 552 175 01	defroster trim	/L	1		9V6	cocoa				
	A03	black				D12	dark grey/natural				
	5V7	stone grey				T12	brown/natural				
	5Z1	sand beige				N12	carrera red	08-			
	8W7	sea blue			(21)	997 552 984 00	defroster trim	/R	1	IXV1	
	5Y2	palmgreen	-07			A11	black				
	8X8	terracotta				5X6	stone grey				
	8P9	cocoa				8G2	sand beige				
	T13	brown/natural				3S9	sea blue				
	N23	carrera red	08-			4P2	palmgreen	-07			
(21)	997 552 176 01	defroster trim	/R	1		9S5	terracotta				
	A03	black				9V6	cocoa				
	5V7	stone grey				D12	dark grey/natural				
						T12	brown/natural				
						N12	carrera red	08-			

Model	Year	MG	SG	Illustration	Restrictions	UPD	7:31	25.01.2010	PORSCHE	PET	PORSCHE
997-1	2008	8	09	809-01		248					

Pos	Part Number	Description	Remark	Qty	Model	Pos	Part Number	Description	Remark	Qty	Model
21	997 552 983 01	defroster trim	/L	1	IXKJ		9V6	cocoa			
	A11	black					D12	dark grey/natural			
	5X6	stone grey					T12	brown/natural			
	8G2	sand beige					N12	carrera red	08-		
	3S9	sea blue				(21)	997 552 984 02	defroster trim	/R	1	IXJS
	4P2	palmgreen	-07				A11	black			
	9S5	terracotta					5X6	stone grey			
	9V6	cocoa					8G2	sand beige			
	D12	dark grey/natural					3S9	sea blue			
	T12	brown/natural					4P2	palmgreen	-07		
	N12	carrera red	08-				9S5	terracotta			
(21)	997 552 984 01	defroster trim	/R	1	IXKJ		9V6	cocoa			
	A11	black					D12	dark grey/natural			
	5X6	stone grey					T12	brown/natural			
	8G2	sand beige					N12	carrera red	08-		
	3S9	sea blue				21	997 552 983 03	defroster trim	/L	1	IXJR
	4P2	palmgreen	-07				A11	black			
	9S5	terracotta					5X6	stone grey			
	9V6	cocoa					8G2	sand beige			
	D12	dark grey/natural					3S9	sea blue			
	T12	brown/natural					4P2	palmgreen	-07		
	N12	carrera red	08-				9S5	terracotta			
21	997 552 983 02	defroster trim	/L	1	IXJS		9V6	cocoa			
	A11	black					D12	dark grey/natural			
	5X6	stone grey					T12	brown/natural			
	8G2	sand beige					N12	carrera red	08-		
	3S9	sea blue				(21)	997 552 984 03	defroster trim	/R	1	IXJR
	4P2	palmgreen	-07				A11	black			
	9S5	terracotta					5X6	stone grey			

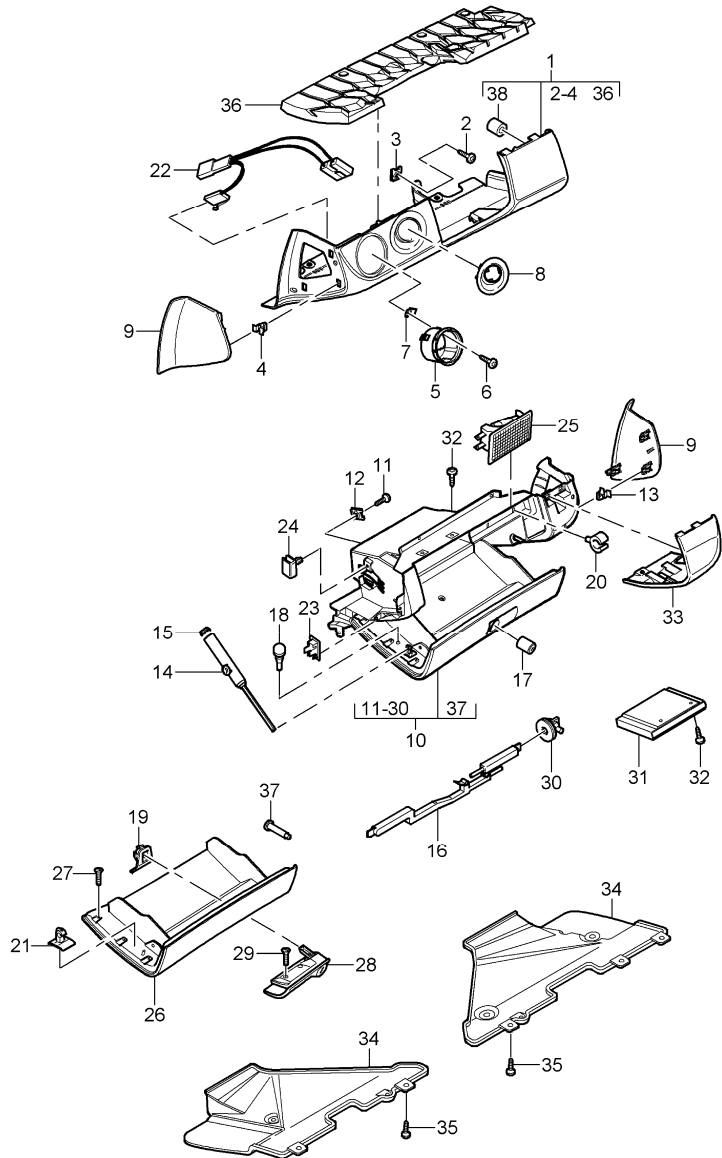
Model	Year	MG	SG	Illustration	Restrictions	UPD	7:31	25.01.2010	PORSCHE	PET	PORSCHE
997-1	2008	8	09	809-01		248					

Pos	Part Number	Description	Remark	Qty	Model	Pos	Part Number	Description	Remark	Qty	Model
	8G2	sand beige					D12	dark grey/natural			
	3S9	sea blue					T12	brown/natural			
	4P2	palmgreen	-07				N12	carrera red	08-		
	9S5	terracotta				(23)	997 552 985 00	cover centre		1	IXKJ
	9V6	cocoa					A11	black			
	D12	dark grey/natural					5X6	stone grey			
	T12	brown/natural					8G2	sand beige			
	N12	carrera red	08-				3S9	sea blue			
22	999 591 307 01	u-clamp mount defroster trim		2			4P2	palmgreen	-07		
23	997 552 351 01	cover centre		1			9S5	terracotta			
	A03	black					9V6	cocoa			
	5V7	stone grey					D12	dark grey/natural			
	5Z1	sand beige					T12	brown/natural			
	8W7	sea blue				(23)	997 552 985 00	cover centre	08-	1	IXJS
	5Y2	palmgreen	-07				N12	carrera red			
	8X8	terracotta					A11	black			
	8P9	cocoa					5X6	stone grey			
	T13	brown/natural					8G2	sand beige			
	N23	carrera red	08-				3S9	sea blue			
(23)	997 552 985 00	cover centre		1	IXV1		4P2	palmgreen	-07		
	A11	black					9S5	terracotta			
	5X6	stone grey					9V6	cocoa			
	8G2	sand beige					D12	dark grey/natural			
	3S9	sea blue					T12	brown/natural			
	4P2	palmgreen	-07			(23)	997 552 985 00	cover centre	08-	1	IXJR
	9S5	terracotta					N12	carrera red			
	9V6	cocoa					A11	black			

Model	Year	MG	SG	Illustration	Restrictions	UPD	7:31	25.01.2010	PORSCHE	PET	PORSCHE
997-1	2008	8	09	809-01		248					

Pos	Part Number	Description	Remark	Qty	Model	Pos	Part Number	Description	Remark	Qty	Model
		5X6 stone grey									
		8G2 sand beige									
		3S9 sea blue									
		4P2 palmgreen	-07								
		9S5 terracotta									
		9V6 cocoa									
		D12 dark grey/natural									
		T12 brown/natural									
		N12 carrera red	08-								
24	997 552 645 00	gasket cowl		1							

Model	Year	MG	SG	Illustration	Restrictions	UPD	7:31	25.01.2010	PORSCHE	PET	PORSCHE
997-1	2008	8	09	809-03		248					



Pos	Part Number	Description	Remark	Qty	Model
1	997 552 201 02	glove compartment lid and lining driver's side lining leatherette 1MZ black 1YP stone grey 1TK sand beige 1VM sea blue 1UL palmgreen	/LL	1	I098
(1)	997 552 202 02	lining leatherette 1MZ black 1YP stone grey 1TK sand beige 1VM sea blue 1UL palmgreen	/RL	1	I099
1	997 552 201 03	lining leather A11 black 5X6 stone grey 8G2 sand beige 3S9 sea blue 4P2 palmgreen 9S5 terracotta 9V6 cocoa D12 dark grey/natural T12 brown/natural N12 carrera red	/LL	1	I098/981
(1)	997 552 202 03	lining leather	/RL	1	I099/981

Model	Year	MG	SG	Illustration	Restrictions	UPD	7:31	25.01.2010	PORSCHE	PET	PORSCHE
997-1	2008	8	09	809-03		248					

Pos	Part Number	Description	Remark	Qty	Model	Pos	Part Number	Description	Remark	Qty	Model
	A11	black					N23	carrera red	08-		
	5X6	stone grey				6	999 073 155 09	tapping screw 4,2 X 13 for mount cover light switch		3	
	8G2	sand beige									
	3S9	sea blue									
	4P2	palmgreen	-07			7	999 507 971 01	speed nut 4,2 for mount cover light switch		3	
	9S5	terracotta									
	9V6	cocoa									
	D12	dark grey/natural									
	T12	brown/natural				8	997 552 425 01	cover ignition starter lock	/LL	1	I098
	N12	carrera red	08-								
2	999 073 155 09	tapping screw 4,2 X 13 for mount lining		8			A03	black			
							5V7	stone grey			
							5Z1	sand beige			
3	999 507 971 01	speed nut 4,2 for mount lining		8			8W7	sea blue			
							5Y2	palmgreen	-07		
							8X8	terracotta			
4	999 507 732 01	clamp 8 X 12/ 4 for mount lining		7			8P9	cocoa			
							T13	brown/natural			
5	997 552 427 01	cover light switch		1		(8)	997 552 426 01	cover ignition starter lock	/RL	1	I099
	A03	black									
	5V7	stone grey					A03	black			
	5Z1	sand beige					5V7	stone grey			
	8W7	sea blue					5Z1	sand beige			
	5Y2	palmgreen	-07				8W7	sea blue			
	8X8	terracotta					5Y2	palmgreen	-07		
	8P9	cocoa					8X8	terracotta			
	T13	brown/natural					8P9	cocoa			
							T13	brown/natural			
							N23	carrera red	08-		



Model	Year	MG	SG	Illustration	Restrictions	UPD	7:31	25.01.2010	PORSCHE	PET	PORSCHE
997-1	2008	8	09	809-03		248					

Pos	Part Number	Description	Remark	Qty	Model	Pos	Part Number	Description	Remark	Qty	Model
9	997 552 405 02	cover	/L	1			1TK	sand beige			
	A03	black					1VM	sea blue			
	5V7	stone grey					1UL	palmgreen	-07		
	5Z1	sand beige				(10)	997 552 203 04	glove compartment leatherette complete valid up to:	/RL	1	I099
	8W7	sea blue					F	>>998S7 00391			COUPE
	5Y2	palmgreen	-07				F	>>998S7 20790			COUPE S
	8X8	terracotta					F	>>998S7 60203			CABRIO
	8P9	cocoa					F	>>998S7 70471			CABRIO S
	T13	brown/natural					F	>>998S7 40119			TARGA
	N23	carrera red					F	>>998S7 50193			TARGA S
							1MZ	black			
(9)	997 552 406 02	cover lateral driver's side	/R	1			1YP	stone grey			
	A03	black					1TK	sand beige			
	5V7	stone grey					1VM	sea blue			
	5Z1	sand beige					1UL	palmgreen	-07		
	8W7	sea blue				10	997 552 204 06	glove compartment leatherette complete valid from:	/LL	1	I098
	5Y2	palmgreen	-07				F 998S7 00392>>				COUPE
	8X8	terracotta					F 998S7 20791>>				COUPE S
	8P9	cocoa					F 998S7 60204>>				CABRIO
	T13	brown/natural					F 998S7 70472>>				CABRIO S
	N23	carrera red					F 998S7 40120>>				TARGA
							F 998S7 50194>>				TARGA S
							1MZ	black			
							1YP	stone grey			
10	997 552 204 04	glove compartment leatherette complete valid up to:	/LL	1	I098		1TK	sand beige			
	F	>>998S7 00391					1VM	sea blue			
	F	>>998S7 20790				(10)	997 552 203 06	glove compartment leatherette complete valid from:	/RL	1	I099
	F	>>998S7 60203					F 998S7 00392>>				COUPE
	F	>>998S7 70471					F 998S7 20791>>				COUPE S
	F	>>998S7 40119					F 998S7 60204>>				CABRIO
	F	>>998S7 50193					F 998S7 70472>>				CABRIO S
	1MZ	black					F 998S7 40120>>				TARGA
	1YP	stone grey					F 998S7 50194>>				TARGA S

Model	Year	MG	SG	Illustration	Restrictions	UPD	7:31	25.01.2010	PORSCHE	PET	PORSCHE
997-1	2008	8	09	809-03		248					

Pos	Part Number	Description	Remark	Qty	Model	Pos	Part Number	Description	Remark	Qty	Model
	1MZ	black					4P2	palmgreen	-07		
	1YP	stone grey					9S5	terracotta			
	1TK	sand beige					9V6	cocoa			
	1VM	sea blue					D12	dark grey/natural			
10	997 552 204 05	glove compartment leather complete valid up to: F >>998S7 00391 F >>998S7 20790 F >>998S7 60203 F >>998S7 70471 F >>998S7 40119 F >>998S7 50193	/LL	1	I098/981		T12	brown/natural			
	A11	black					N12	carrera red	08-		
	5X6	stone grey				10	997 552 204 07	glove compartment leather complete valid from: F 998S7 00392>> F 998S7 20791>> F 998S7 60204>> F 998S7 70472>> F 998S7 40120>> F 998S7 50194>>	/LL	1	I098/981
	8G2	sand beige					A11	black			COUPE COUPE S CABRIO CABRIO S TARGA TARGA S
	3S9	sea blue					5X6	stone grey			
	4P2	palmgreen	-07				8G2	sand beige			
	9S5	terracotta					3S9	sea blue			
	9V6	cocoa					9S5	terracotta			
	D12	dark grey/natural					9V6	cocoa			
	T12	brown/natural					D12	dark grey/natural			
	N12	carrera red	08-				T12	brown/natural			
(10)	997 552 203 05	glove compartment leather complete valid up to: F >>998S7 00391 F >>998S7 20790 F >>998S7 60203 F >>998S7 70471 F >>998S7 40119 F >>998S7 50193	/RL	1	I099/981		N12	carrera red			
	A11	black				(10)	997 552 203 07	glove compartment leather complete valid from: F 998S7 00392>> F 998S7 20791>> F 998S7 60204>> F 998S7 70472>> F 998S7 40120>> F 998S7 50194>>	/RL	1	I099/981
	5X6	stone grey					A11	black			COUPE COUPE S CABRIO CABRIO S TARGA TARGA S
	8G2	sand beige					5X6	stone grey			
	3S9	sea blue					8G2	sand beige			

Model	Year	MG	SG	Illustration	Restrictions	UPD	7:31	25.01.2010	PORSCHE	PET	PORSCHE
997-1	2008	8	09	809-03		248					

Pos	Part Number	Description	Remark	Qty	Model	Pos	Part Number	Description	Remark	Qty	Model
	3S9	sea blue				18	999 703 068 40	buffer 3,7 x 10,3		2	
	9S5	terracotta						glove compartment F 996S7 00480>>			
	9V6	cocoa						F 996S7 00484>>			
	D12	dark grey/natural						F 996S7 30972>>			
	T12	brown/natural						F 996S7 30982>>			
	N12	carrera red						F 996S7 60451>>			
								F 996S7 60449>>			
11	999 073 155 09	tapping screw 4,2 X 13 for mount glove compartment		X		19	997 552 509 02	mounting closing element	/LL/L	1	I098
						(19)	997 552 510 02	mounting closing element	/LL/R	1	I098
						(19)	997 552 509 03	mounting closing element	/RL/L	1	I099
12	999 507 971 01	speed nut 4,2 for mount glove compartment		X		(19)	997 552 510 03	mounting closing element	/RL/R	1	I099
						20	996 552 813 00	support pin		2	
13	999 507 732 01	clamp 8 X 12 /4 for mount glove compartment		X		21	996 552 879 00	adapter for damper		2	
						22	997 612 651 00	wiring harness glove compartment light		1	
14	997 552 484 01	damper glove compartment		1		23	999 650 564 40	clip for wiring harness microswitch		1	
15	997 552 612 00	cover damper		1		24	999 650 565 40	clip for wiring harness		1	
16	997 552 410 01	release glove compartment	/LL	1	I098	25	997 632 071 00	glove compartment light		1	
(16)	997 552 409 01	release glove compartment	/RL	1	I099	26	997 552 252 02	glove compartment cover leatherette	/LL	1	I098
17	996 552 915 01	lock cylinder glove compartment vehicle identification no. indicate		1			1MZ	black			
18	997 555 533 01	stop glove compartment F >>996S7 00479 F >>996S7 00483 F >>996S7 30971 F >>996S7 30981 F >>996S7 60450 F >>996S7 60448		2			1YP	stone grey			
							1TK	sand beige			
							1VM	sea blue			
							1UL	palmgreen			
									-07		

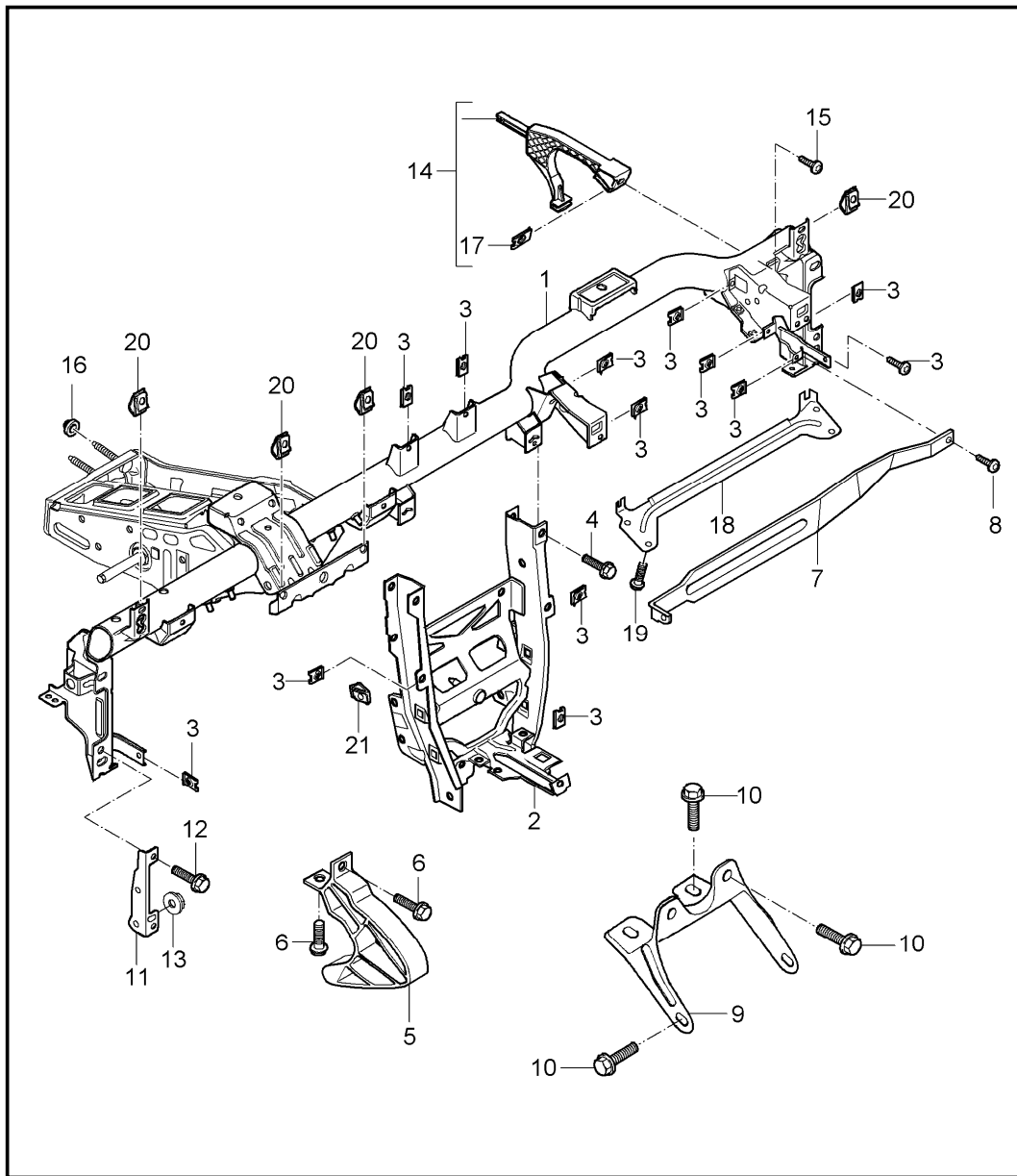
Model	Year	MG	SG	Illustration	Restrictions	UPD	7:31	25.01.2010	PORSCHE	PET	PORSCHE
997-1	2008	8	09	809-03		248					

Pos	Part Number	Description	Remark	Qty	Model	Pos	Part Number	Description	Remark	Qty	Model
(26)	997 552 251 02	glove compartment cover leatherette	/RL	1	I099		N12	carrera red	08-		
	1MZ	black				27	999 073 249 07	tapping screw 3.5 X 12 for mount glove compartment cover		11	
	1YP	stone grey									
	1TK	sand beige									
	1VM	sea blue				28	997 552 362 01	handle complete	/LL	1	I098
	1UL	palmgreen		-07			A03	black			
26	997 552 252 03	glove compartment cover leather	/LL	1	I098/981		5V7	stone grey			
	A11	black					5Z1	sand beige			
	5X6	stone grey					8W7	sea blue			
	8G2	sand beige					5Y2	palmgreen		-07	
	3S9	sea blue					8X8	terracotta			
	4P2	palmgreen		-07			8P9	cocoa			
	9S5	terracotta					T13	brown/natural			
	9V6	cocoa				(28)	997 552 361 01	handle complete	/RL	1	I099
	D12	dark grey/natural					A03	black			
	T12	brown/natural					5V7	stone grey			
	N12	carrera red		08-			5Z1	sand beige			
(26)	997 552 251 03	glove compartment cover leather	/RL	1	I099/981		8W7	sea blue			
	A11	black					5Y2	palmgreen		-07	
	5X6	stone grey					8X8	terracotta			
	8G2	sand beige					8P9	cocoa			
	3S9	sea blue					T13	brown/natural			
	4P2	palmgreen		-07			N23	carrera red		08-	
	9S5	terracotta				29	999 073 240 01	screw M 4 X 10 for mount handle		2	
	9V6	cocoa									
	D12	dark grey/natural									
	T12	brown/natural				30	997 552 448 00	stop		1	

Model	Year	MG	SG	Illustration	Restrictions	UPD	7:31	25.01.2010	PORSCHE	PET	PORSCHE
997-1	2008	8	09	809-03		248					

Pos	Part Number	Description	Remark	Qty	Model	Pos	Part Number	Description	Remark	Qty	Model
31	997 552 663 00	box for cds		1	I424		N12	carrera red	08-		
32	999 073 240 01	screw M 4 X 10 for mount box for cds		2		(33)	997 552 255 03	cover passenger's side leather	/RL	1	I099/981
33	997 552 256 02	cover passenger's side leatherette	/LL	1	I098		A11	black			
	1MZ	black					5X6	stone grey			
	1YP	stone grey					8G2	sand beige			
	1TK	sand beige					3S9	sea blue			
	1VM	sea blue					4P2	palmgreen	-07		
	1UL	palmgreen					9S5	terracotta			
(33)	997 552 255 02	cover passenger's side leatherette	/RL	1	I099		9V6	cocoa			
	1MZ	black					D12	dark grey/natural			
	1YP	stone grey					T12	brown/natural			
	1TK	sand beige					N12	carrera red	08-		
	1VM	sea blue				34	997 552 414 01	lining footwell passenger's side	/LL	1	I098
	1UL	palmgreen				(34)	997 552 413 01	lining footwell passenger's side	/RL	1	I099
33	997 552 256 03	cover passenger's side leather	/LL	1	I098/981	35	1H0 819 943	screw for mount lining footwell		X	
	A11	black				36	997 552 451 01	insert	/LL	1	I098
	5X6	stone grey				36	997 552 452 01	insert	/RL	1	I099
	8G2	sand beige				37	997 552 649 01	hinge bolt glove compartment		2	
	3S9	sea blue				38	997 552 821 00	grommet		3	
	4P2	palmgreen									
	9S5	terracotta									
	9V6	cocoa									
	D12	dark grey/natural									
	T12	brown/natural									

Model	Year	MG	SG	Illustration	Restrictions	UPD	7:31	25.01.2010	PORSCHE	PET	PORSCHE
997-1	2008	8	09	809-04		248					

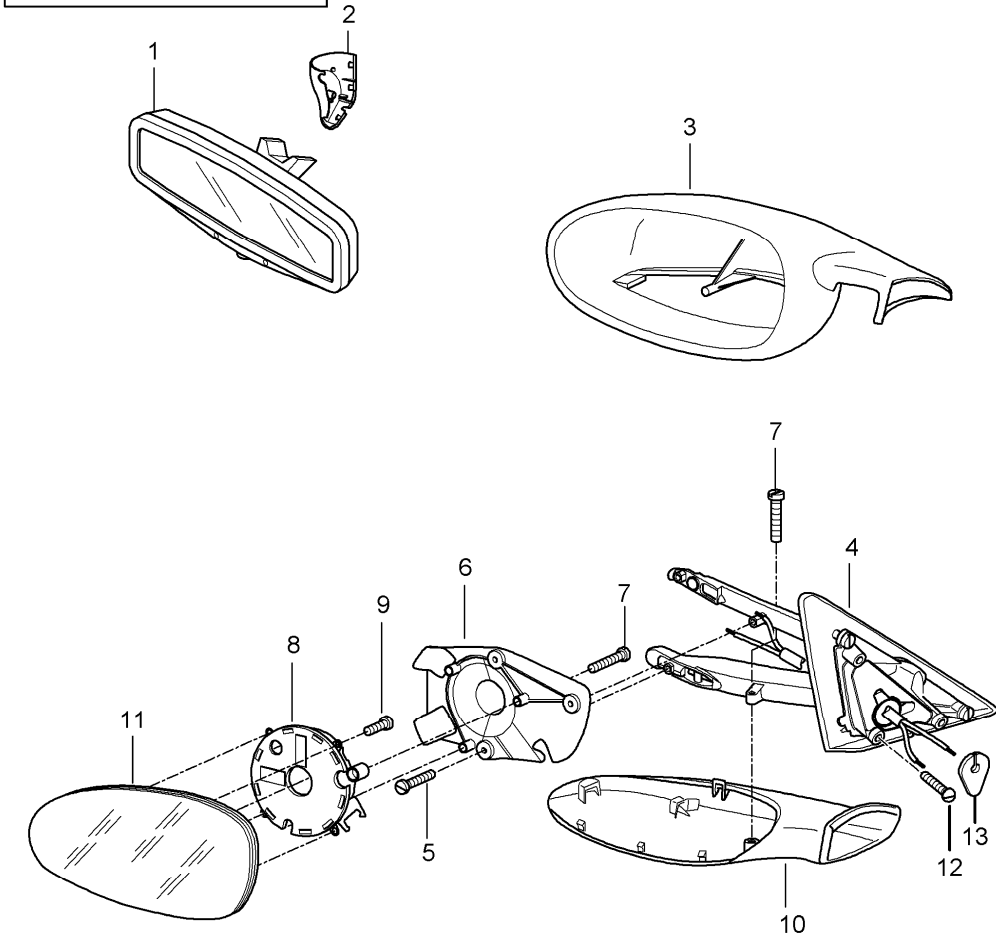
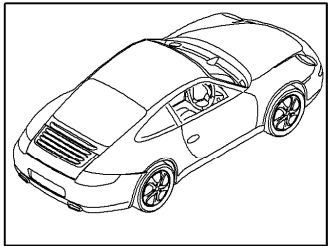


Pos	Part Number	Description	Remark	Qty	Model
1	997 552 063 03	retaining frame dashboard			
(1)	997 552 063 04	retaining frame	/LL	1	I098
(1)	997 552 063 06	retaining frame	/RL -07	1	I099
2	997 552 163 05	support tunnel	/LL 08-	1	I098
(2)	997 552 163 06	support tunnel	/RL	1	I099
3	999 507 020 01	speed nut ST 4,2		X	
4	900 378 305 01	hexagon-head bolt M 8 X 65 for mount support		2	
9	997 552 515 01	support tunnel		1	
10	999 073 442 01	screw M 6 X 25 for mount support tunnel		X	
11	997 552 407 01	support a-pillar	/L	1	
(11)	997 552 408 01	support a-pillar	/R	1	
12	900 378 176 01	hexagon-head bolt M 8 X 20 for mount support a-pillar		4	
13	999 084 630 09	hexagon nut M 8 for mount support a-pillar		4	
14	997 552 401 00	support heating		1	

Model	Year	MG	SG	Illustration	Restrictions	UPD	7:31	25.01.2010	PORSCHE	PET	PORSCHE
997-1	2008	8	09	809-04		248					

Pos	Part Number	Description	Remark	Qty	Model	Pos	Part Number	Description	Remark	Qty	Model
15	999 073 155 09	tapping screw ST 4,2 X 13 for mount support heating		1							
16	997 423 299 01	nut for adjustment retaining frame firewall		2							
17	999 507 971 01	speed nut ST 4,2 for mount support heating		1							
18	997 552 603 01	reinforcement plate support airbag		1							
19	900 378 222 09	hexagon-head bolt M 6 X 16		4							
20	999 591 850 01	speed nut ST 4,2  ST 4,2		X							

Model	Year	MG	SG	Illustration	Restrictions	UPD	7:32	25.01.2010	PORSCHE	PET	PORSCHE
997-1	2008	8	09	809-10		248					



Pos	Part Number	Description	Remark	Qty	Model
1	997 731 511 03	interior mirror		1	I267
(1)	997 731 511 02	interior mirror		1	
	01C	satin black			
2	997 731 811 00	cover	/L	1	
		interior mirror			
	01C	satin black			
(2)	997 731 812 00	cover	/R	1	
		interior mirror			
	01C	satin black			
3	997 731 619 00	housing	/L	1	
	G2L	prime coated			
(3)	997 731 620 00	housing	/R	1	
	G2L	prime coated			
4	997 731 219 00	mirror base	/LL/L	1	I098
	G2L	prime coated			
(4)	997 731 220 00	mirror base	/LL/R	1	I098
		door mirror			
	G2L	prime coated			
(4)	997 731 219 01	mirror base	/LL/L	1	I537
		door mirror			
	G2L	prime coated			
(4)	997 731 220 01	mirror base	/LL/R	1	I537
		door mirror			
	G2L	prime coated			
(4)	997 731 219 02	mirror base	/LL/L	1	I098/267
		door mirror			
	G2L	prime coated			
(4)	997 731 220 02	mirror base	/LL/R	1	I098/267
		door mirror			
	G2L	prime coated			



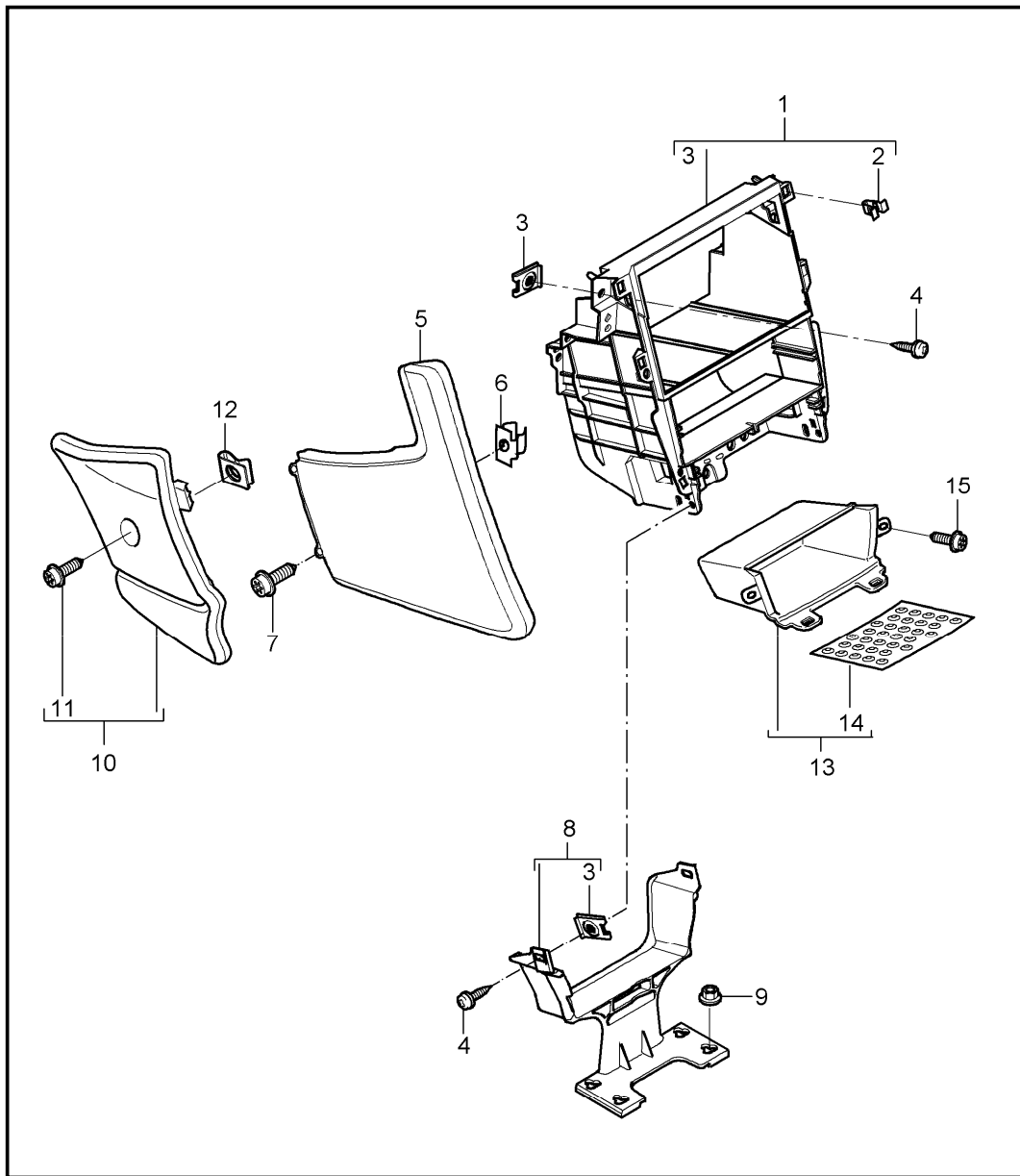
Model	Year	MG	SG	Illustration	Restrictions	UPD	7:32	25.01.2010	PORSCHE	PET	PORSCHE
997-1	2008	8	09	809-10		248					

Pos	Part Number	Description	Remark	Qty	Model	Pos	Part Number	Description	Remark	Qty	Model
(4)	997 731 219 03	mirror base door mirror	/LL/L	1	I267/537	(6)	997 731 520 00	plate door mirror	/R	1	
	G2L	prime coated				7	999 141 043 02	oval-head screw M 3 X 14		4	
(4)	997 731 220 03	mirror base door mirror	/LL/R	1	I267/537	8	997 624 047 00	adjusting motor		2	
	G2L	prime coated				(8)	997 624 048 00	adjusting motor		2	I537/538
(4)	997 731 219 04	mirror base door mirror	/RL/L	1	I099	9	999 141 043 02	oval-head screw M 3,0 X 14		3	
	G2L	prime coated				10	997 731 719 00	cover lower	/L	1	
(4)	997 731 220 04	mirror base door mirror	/RL/R	1	I099		G2L	prime coated			
	G2L	prime coated				(10)	997 731 720 00	cover lower	/R	1	
(4)	997 731 219 05	mirror base door mirror	/RL/L	1	I099/538		G2L	prime coated			
	G2L	prime coated				11	997 731 035 00	mirror glass plane	/LL/L	1	I098/270
(4)	997 731 220 05	mirror base door mirror	/RL/R	1	I099/538	(11)	997 731 035 01	mirror glass aspherical	/LL/L	1	I098/271
	G2L	prime coated				(11)	997 731 035 02	mirror glass plane dimmbable	/LL/L	-06	1 I098/267/270
(4)	997 731 219 06	mirror base door mirror	/RL/L	1	I099/267	(11)	997 731 035 04	mirror glass plane dimmbable	/LL/L	07-	1 I098/267/270
	G2L	prime coated				(11)	997 731 035 03	mirror glass aspherical dimmbable	/LL/L	-06	1 I098/267/271
(4)	997 731 220 06	mirror base door mirror	/RL/R	1	I099/267	(11)	997 731 035 05	mirror glass aspherical dimmbable	/LL/L	07-	1 I098/267/271
	G2L	prime coated				(11)	997 731 037 00	mirror glass convex	/RL/L	1	I099
(4)	997 731 219 07	mirror base door mirror	/L	1	I267/538	(11)	997 731 037 01	mirror glass convex dimmbable	/RL/L	-06	1 I099/267
	G2L	prime coated				(11)	997 731 037 02	mirror glass convex dimmbable	/RL/L	07-	1 I099/267
(4)	997 731 220 07	mirror base door mirror	/R	1	I267/538						
	G2L	prime coated									
5	999 919 024 09	oval-head screw 3,0 X 12		3							
6	997 731 519 00	plate door mirror	/L	1							

Model	Year	MG	SG	Illustration	Restrictions	UPD	7:32	25.01.2010	PORSCHE	PET	PORSCHE
997-1	2008	8	09	809-10		248					

Pos	Part Number	Description	Remark	Qty	Model	Pos	Part Number	Description	Remark	Qty	Model
(11)	997 731 038 00	mirror glass convex	/LL/R	1	I098	13	997 537 731 00	seal cable plug mirror base	-06	1	
(11)	997 731 038 01	mirror glass convex	/LL/R (ROK)	1		13	997 537 733 00	seal cable plug mirror base	07-	1	
(11)	997 731 038 02	mirror glass convex	/LL/R	1	I215						
(11)	997 731 038 03	mirror glass convex dimmable	/LL/R	-06	1	I098/267					
(11)	997 731 038 06	mirror glass convex dimmable	/LL/R	07-	1	I098/267					
(11)	997 731 038 04	mirror glass dimmable	/LL/R (ROK)	-06	1	I267					
(11)	997 731 038 07	mirror glass dimmable	/LL/R (ROK)	07-	1	I267					
(11)	997 731 038 05	mirror glass convex dimmable	/LL/R	-06	1	I215/267					
(11)	997 731 038 08	mirror glass convex dimmable	/LL/R	07-	1	I215/267					
(11)	997 731 036 00	mirror glass plane	/RL/R		1	I099/270					
(11)	997 731 036 01	mirror glass aspherical	/RL/R		1	I099/271					
(11)	997 731 036 02	mirror glass plane dimmable	/RL/R	-06	1	I099/267/270					
(11)	997 731 036 04	mirror glass plane dimmable	/RL/R	07-	1	I099/267/270					
(11)	997 731 036 03	mirror glass aspherical dimmable	/RL/R	-06	1	I099/267/271					
(11)	997 731 036 05	mirror glass aspherical dimmable	/RL/R	07-	1	I099/267/271					
12	999 073 345 09	lens-head screw M 5 X 18		3							

Model	Year	MG	SG	Illustration	Restrictions	UPD	7:32	25.01.2010	PORSCHE	PET	PORSCHE
997-1	2008	8	09	809-15		248					



Pos	Part Number	Description	Remark	Qty	Model
1	997 553 111 03	centre console front		1	
2	999 507 476 01	bracket centre console front		6	
3	999 507 971 01	clamp 8,0 X 10,0/2,5		X	
4	999 073 155 09	speed nut st 4,2		X	
5	997 553 117 05	tapping screw st 4,2 x 13		1	
		cover lateral leatherette	/L		
		9L4 black			
		9M5 stone grey			
		9C6 sand beige			
		9D7 sea blue			
		9E8 palmgreen	-07		
(5)	997 553 118 05	cover lateral leatherette	/R	1	
		9L4 black			
		9M5 stone grey			
		9C6 sand beige			
		9D7 sea blue			
		9E8 palmgreen	-07		
5	997 553 117 06	cover lateral leather	/L	1	I981
		FSA black/grey			
		FSB stone grey/stone grey			
		FSC sand beige/sand beige			
		FSD sea blue/grey			
		FSE palmgreen/palmgreen	-07		

Model	Year	MG	SG	Illustration	Restrictions	UPD	7:32	25.01.2010	PORSCHE	PET	PORSCHE
997-1	2008	8	09	809-15		248					

Pos	Part Number	Description	Remark	Qty	Model	Pos	Part Number	Description	Remark	Qty	Model		
(5)	997 553 118 06	FSF terracotta/terracotta	/R	1	I981	7	999 073 226 09	tapping screw ST 4,2 X 16 for mount cover lateral	/LL/L	-05	1	I098	
		FSG cocoa/cocoa											
		FSH darkgrey natural/grey											
		FSJ brown nat./brown nat.											
		FSP carrera red				08-	8	997 553 361 01					support centre
		cover lateral leather											
		FSA black/grey											
		FSB stone grey/stone grey											
		FSC sand beige/sand beige											
		FSD sea blue/grey											
		FSE palmgreen/palmgreen				-07							
		FSF terracotta/terracotta											
		FSG cocoa/cocoa											
		FSH darkgrey natural/grey											
		FSJ brown nat./brown nat.											
FSP carrera red	08-	1	(10)	997 553 132 01	cover footwell outlet vent carpet								
cover lateral with preparation for telephone see group 9/11/10													
6	999 591 508 02	captive nut ST 4,2 for mount cover lateral	-06	4		A10 black							
6	999 591 508 01	captive nut st 4,2 for mount cover lateral	07-	4		B10 stone grey							
						T10 sand beige							
						E10 sea blue							
						J10 palmgreen							
						M10 terracotta							
						R10 cocoa							
						D11 dark grey/natural							
						T11 brown/natural							

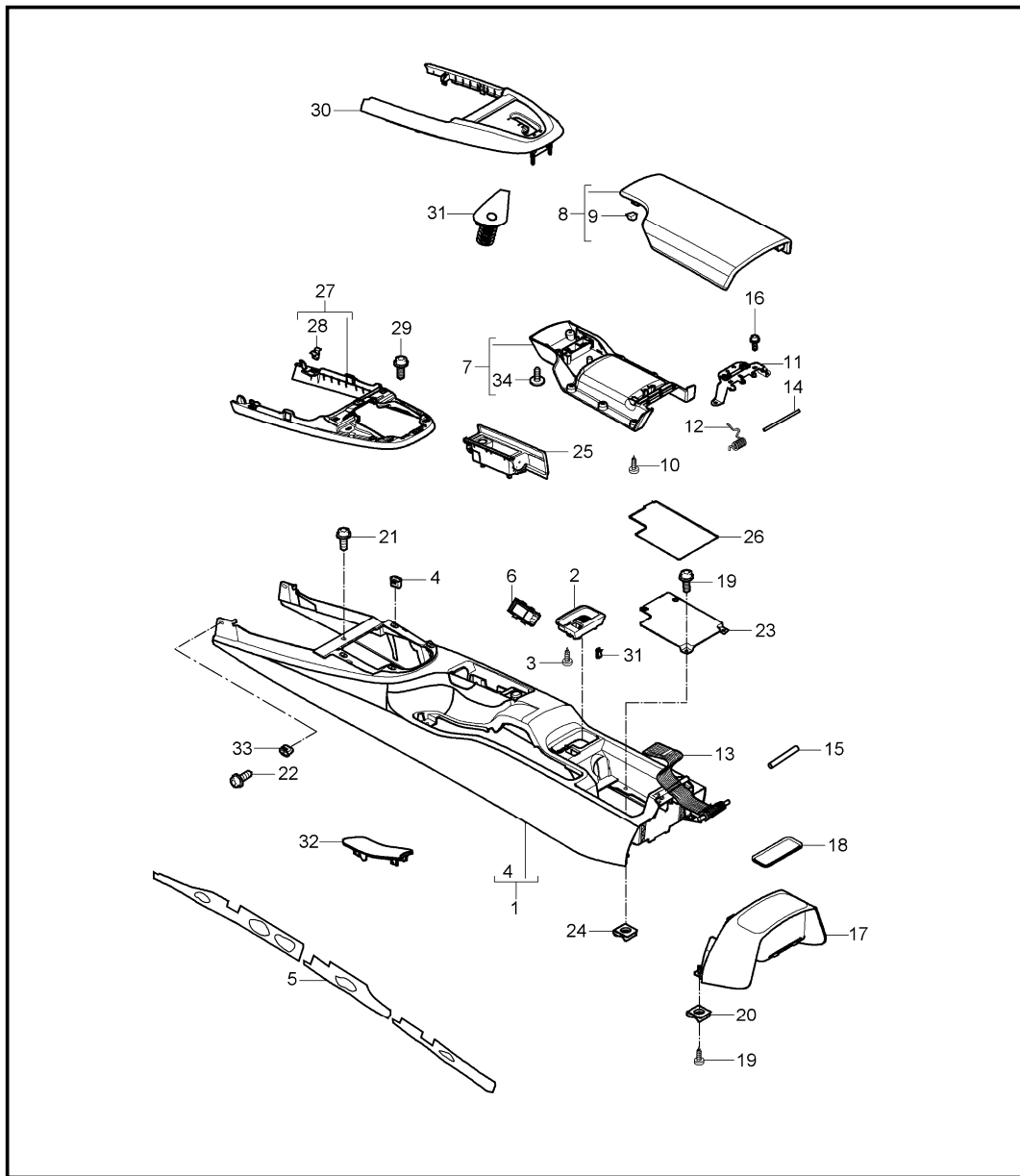
Model	Year	MG	SG	Illustration	Restrictions	UPD	7:32	25.01.2010	PORSCHE	PET	PORSCHE
997-1	2008	8	09	809-15		248					

Pos	Part Number	Description	Remark	Qty	Model	Pos	Part Number	Description	Remark	Qty	Model	
(10)	997 553 132 02	cover footwell outlet vent carpet	/RL/R	-05	1	I099		M10 terracotta				
	A10	black					R10	cocoa				
	B10	stone grey					D11	dark grey/natural				
	T10	sand beige					T11	brown/natural				
	E10	sea blue					N10	carrera red	08-			
	J10	palmgreen		-07		(10)	997 553 132 01	cover footwell outlet vent carpet	/LL/R	06-	1	I098/621
	M10	terracotta					A10	black				
	R10	cocoa					B10	stone grey				
	D11	dark grey/natural					T10	sand beige				
	T11	brown/natural					E10	sea blue				
(10)	997 553 131 02	cover footwell outlet vent carpet	/RL/L	-05	1	I099		J10	palmgreen	-07		
	A10	black					M10	terracotta				
	B10	stone grey					R10	cocoa				
	T10	sand beige					D11	dark grey/natural				
	E10	sea blue					T11	brown/natural				
	J10	palmgreen		-07		(10)	997 553 132 02	cover footwell outlet vent carpet	/R	06-	1	
	M10	terracotta					A10	black				
	R10	cocoa					B10	stone grey				
	D11	dark grey/natural					T10	sand beige				
	T11	brown/natural					E10	sea blue				
10	997 553 131 01	cover footwell outlet vent carpet	/L	06-	1		J10	palmgreen	-07			
	A10	black					M10	terracotta				
	B10	stone grey					R10	cocoa				
	T10	sand beige					D11	dark grey/natural				
	E10	sea blue					T11	brown/natural				
	J10	palmgreen		-07			N10	carrera red	08-			

Model	Year	MG	SG	Illustration	Restrictions	UPD	7:32	25.01.2010	PORSCHE	PET	PORSCHE
997-1	2008	8	09	809-15		248					

Pos	Part Number	Description	Remark	Qty	Model	Pos	Part Number	Description	Remark	Qty	Model
11	999 073 223 07	oval-head screw M 6 X 25	-07	2							
11	999 073 223 01	combination screw M 6 X 25	08-	2							
12	999 507 766 02	speed nut M 6 for mount cover footwell outlet vent		2							
13	997 553 143 01	shelf centre console front		1							
	D07	volcano grey									
14	997 553 543 01	insert shelf		1							
15	999 919 164 09	oval-head screw 5,0 X 12,0 for mount shelf		3							

Model	Year	MG	SG	Illustration	Restrictions	UPD	7:32	25.01.2010	PORSCHE	PET	PORSCHE
997-1	2008	8	09	809-20		248					



Pos	Part Number	Description	Remark	Qty	Model
1	997 553 901 00	centre console rear		1	COUPE
	A03	black			
	5V7	stone grey			
	5Z1	sand beige			
	8W7	sea blue			
	5Y2	palmgreen	-07		
	8X8	terracotta			
	8P9	cocoa			
	T13	brown/natural			
	N23	carrera red			
(1)	997 553 901 02	centre console when required order also: 997 613 141 10 A05		1	CABRIO
	A03	black			
	5V7	stone grey			
	5Z1	sand beige			
	8W7	sea blue			
	5Y2	palmgreen	-07		
	8X8	terracotta			
	8P9	cocoa			
	T13	brown/natural			
	N23	carrera red			
(1)	997 553 901 02	centre console when required order also: 997 613 119 10 A05		1	TARGA
	A03	black			
	5V7	stone grey			
	5Z1	sand beige			
	8W7	sea blue			

Model	Year	MG	SG	Illustration	Restrictions	UPD	7:32	25.01.2010	PORSCHE	PET	PORSCHE
997-1	2008	8	09	809-20		248					

Pos	Part Number	Description	Remark	Qty	Model	Pos	Part Number	Description	Remark	Qty	Model
	5Y2	palmgreen	-07				N12	carrera red	08-		
	8X8	terracotta				(1)	997 553 980 50	centre console leather when required order also: 997 613 119 10 A05		1	TARGA
	8P9	cocoa					A11	black			
	T13	brown/natural					5X6	stone grey			
(1)	997 553 980 48	centre console leather		1	COUPE IXMZ		8G2	sand beige			
	A11	black					3S9	sea blue			
	5X6	stone grey					4P2	palmgreen	-07		
	8G2	sand beige					9S5	terracotta			
	3S9	sea blue					9V6	cocoa			
	4P2	palmgreen	-07				D12	dark grey/natural			
	9S5	terracotta					T12	brown/natural			
	9V6	cocoa				(1)	997 553 980 52	centre console carbon	08-	1	COUPE IXMJ
	D12	dark grey/natural					A35	black			
(1)	997 553 980 50	centre console leather when required order also: 997 613 141 10 A05		1	CABRIO	(1)	997 553 980 13	centre console carbon when required order also: 997 613 141 10 A05	05	1	CABRIO IXMJ
	A11	black					A35	black			
	5X6	stone grey				(1)	997 553 980 54	centre console carbon when required order also: 997 613 141 10 A05	06-	1	CABRIO IXMJ
	8G2	sand beige					A35	black			
	3S9	sea blue				(1)	997 553 980 54	centre console carbon when required order also: 997 613 119 10 A05	06-	1	TARGA IXMJ
	4P2	palmgreen	-07				A35	black			
	9S5	terracotta									
	9V6	cocoa									
	D12	dark grey/natural									
	T12	brown/natural									



Model	Year	MG	SG	Illustration	Restrictions	UPD	7:32	25.01.2010	PORSCHE	PET	PORSCHE
997-1	2008	8	09	809-20		248					

Pos	Part Number	Description	Remark	Qty	Model	Pos	Part Number	Description	Remark	Qty	Model
(1)	997 553 980 02	centre console rear S62 sycamore wood	-08	1	COUPE IXJU/370	(1)	997 553 980 34	centre console rear S62 sycamore wood	-08	1	CABRIO/TARGA IXJU/389
(1)	997 553 980 02	centre console rear S62 sycamore wood	-08	1	COUPE IXJU/438	(1)	997 553 980 56	centre console S61 macassar		1	COUPE IXJT
(1)	997 553 980 32	centre console rear S62 sycamore wood	-08	1	COUPE IXJU/376	(1)	997 553 980 58	centre console rear when required order also: 997 613 141 10 A05 S61 macassar		1	CABRIO IXJT
(1)	997 553 980 32	centre console rear S62 sycamore wood	-08	1	COUPE IXJU/378	(1)	997 553 980 58	centre console rear when required order also: 997 613 119 10 A05 S61 macassar		1	TARGA IXJT
(1)	997 553 980 32	centre console rear S62 sycamore wood	-08	1	COUPE IXJU/389 IXJU/389	(1)	997 553 980 60	centre console rear V04 galvano silver		1	COUPE IXCK
(1)	997 553 980 14	centre console rear S62 sycamore wood	-08	1	CABRIO/TARGA IXJU/370	(1)	997 553 980 62	centre console rear when required order also: 997 613 141 10 A05 V04 galvano silver		1	CABRIO IXCK
(1)	997 553 980 14	centre console rear S62 sycamore wood	-08	1	CABRIO/TARGA IXJU/438	(1)	997 553 980 62	centre console rear when required order also: 997 613 119 10 A05 V04 galvano silver		1	TARGA IXCK
(1)	997 553 980 34	centre console rear S62 sycamore wood	-08	1	CABRIO/TARGA IXJU/376	(1)	997 553 980 05	centre console 041 black 84A guards red B9A carrara white	05	1	COUPE IXME

Model	Year	MG	SG	Illustration	Restrictions	UPD	7:32	25.01.2010	PORSCHE	PET	PORSCHE
997-1	2008	8	09	809-20		248					

Pos	Part Number	Description	Remark	Qty	Model	Pos	Part Number	Description	Remark	Qty	Model
	12H	speed yellow					2B4	forest green metallic			
	92U	arctic silver metallic					3C8	cobalt blue metallic			
	M3W	carmon red metallic	-07				23F	slate grey metallic			
	M5W	lapis blue metallic	-07				M7Z	gt silver metallic			
	M6W	lagoon green metallic	-07				M6X	dark olive-metallic			
	C9Z	basalt black metallic					M8W	Macadamia Metallic	08-		
	M7X	atlas grey metallic					8A7	ruby red metallic	08-		
	39C	midnight blue metallic					2B5	Malachite Green Metallic	08-		
	6B4	seal grey metallic	-06			(1)	997 553 980 66	centre console	08-	1	CABRIO
	2B4	forest green metallic						when required order also: 997 613 141 10 A05	08-		
	3C8	cobalt blue metallic					041	black			
	23F	slate grey metallic					84A	guards red			
	M7Z	gt silver metallic					B9A	carrara white			
	M6X	dark olive-metallic					12H	speed yellow			
(1)	997 553 980 64	centre console	06-	1	COUPE IXME		92U	arctic silver metallic			
	041	black					M3W	carmon red metallic	-07		
	84A	guards red					M5W	lapis blue metallic	-07		
	B9A	carrara white					M6W	lagoon green metallic	-07		
	12H	speed yellow					C9Z	basalt black metallic			
	92U	arctic silver metallic					M7X	atlas grey metallic			
	M3W	carmon red metallic	-07				39C	midnight blue metallic			
	M5W	lapis blue metallic	-07				6B4	seal grey metallic	-06		
	M6W	lagoon green metallic	-07				M7W	Meteor Grey Metallic	07-		
	C9Z	basalt black metallic					2B4	forest green metallic			
	M7X	atlas grey metallic					3C8	cobalt blue metallic			
	39C	midnight blue metallic					23F	slate grey metallic			
	6B4	seal grey metallic	-06				M7Z	gt silver metallic			
	M7W	Meteor Grey Metallic	07-				M6X	dark olive-metallic			
							M8W	Macadamia Metallic	08-		IXME

Model	Year	MG	SG	Illustration	Restrictions	UPD	7:32	25.01.2010	PORSCHE	PET	PORSCHE
997-1	2008	8	09	809-20		248					

Pos	Part Number	Description	Remark	Qty	Model	Pos	Part Number	Description	Remark	Qty	Model
	8A7	ruby red metallic	08-			2	997 553 575 02	insert locking device		1	
	2B5	Malachite Green Metallic	08-					centre console			
(1)	997 553 980 66	centre console when required order also: 997 613 119 10 A05	08- 08-	1	TARGA		01C	satin black			
	041	black				3	999 919 159 09	oval-head screw 4 X 12 for mount insert locking device		1	
	84A	guards red									
	B9A	carrara white				4	999 591 210 40	expander nut 4,2		4	
	12H	speed yellow				5	997 553 843 00	sound absorber	/L	1	
	92U	arctic silver metallic				(5)	997 553 844 00	sound absorber	/R	1	
	M3W	carmon red metallic	-07			6	997 553 579 00	cover lacquered		1	COUPE
	M5W	lapis blue metallic	-07				A03	black			
	M6W	lagoon green metallic	-07				5V7	stone grey			
	C9Z	basalt black metallic					5Z1	sand beige			
	M7X	atlas grey metallic					8W7	sea blue			
	39C	midnight blue metallic					5Y2	palmgreen		-07	
	6B4	seal grey metallic	-06				8X8	terracotta			
	M7W	Meteor Grey Metallic	07-				8P9	cocoa			
	2B4	forest green metallic					T13	brown/natural			
	3C8	cobalt blue metallic					N23	carrera red	08-		
	23F	slate grey metallic				7	997 553 433 01	lid inner		1	
	M7Z	gt silver metallic					01C	satin black			
	M6X	dark olive-metallic				8	997 553 231 01	lid outer leather		1	
	M8W	Macadamia Metallic	08-		IXME						
	8A7	ruby red metallic	08-				A11	black			
	2B5	Malachite Green Metallic	08-				5X6	stone grey			
(1)	997 553 997 01	protective film centre console see technical manual 681749		2			8G2	sand beige			
							3S9	sea blue			

Model	Year	MG	SG	Illustration	Restrictions	UPD	7:32	25.01.2010	PORSCHE	PET	PORSCHE
997-1	2008	8	09	809-20		248					

Pos	Part Number	Description	Remark	Qty	Model	Pos	Part Number	Description	Remark	Qty	Model
	4P2	palmgreen	-07				T13	brown/natural			
	9S5	terracotta					N23	carrera red	08-		
	9V6	cocoa				(17)	997 553 983 00	extension		1	COUPE/TARGA IXMZ
	D12	dark grey/natural						centre console leather			
	T12	brown/natural					A11	black			
	N12	carrera red	08-				5X6	stone grey			
9	999 507 972 01	speed nut 3,5 3,5 X 14 for mount lid outer		8			8G2	sand beige			
							3S9	sea blue			
							4P2	palmgreen	-07		
10	999 073 153 01	tapping screw 3,5 X 14 for mount lid outer		8			9S5	terracotta			
							9V6	cocoa			
							D12	dark grey/natural			
11	997 553 437 01	hinge		1			T12	brown/natural			
12	997 553 439 00	steering knuckle spring		1		(17)	997 553 983 01	extension		1	COUPE/TARGA IXMJ
13	997 553 441 00	belt		1				centre console leather			
14	997 553 447 00	axle		1			A11	black			
15	997 553 733 00	retaining pin		1			5X6	stone grey			
16	999 919 159 09	oval-head screw M4X12		X			8G2	sand beige			
17	997 553 221 01	extension centre console lacquered		1	COUPE/TARGA		3S9	sea blue			
	A03	black					4P2	palmgreen	-07		
	5V7	stone grey					9S5	terracotta			
	5Z1	sand beige					9V6	cocoa			
	8W7	sea blue					D12	dark grey/natural			
	5Y2	palmgreen	-07				T12	brown/natural			
	8X8	terracotta					N12	carrera red	08-		
	8P9	cocoa									

Model	Year	MG	SG	Illustration	Restrictions	UPD	7:32	25.01.2010	PORSCHE	PET	PORSCHE
997-1	2008	8	09	809-20		248					

Pos	Part Number	Description	Remark	Qty	Model	Pos	Part Number	Description	Remark	Qty	Model
(17)	997 553 983 02	extension centre console leather		1	COUPE/TARGA IXJU		5X6	stone grey			
	A11	black					8G2	sand beige			
	5X6	stone grey					3S9	sea blue			
	8G2	sand beige					4P2	palmgreen	-07		
	3S9	sea blue					9S5	terracotta			
	4P2	palmgreen	-07				9V6	cocoa			
	9S5	terracotta					D12	dark grey/natural			
	9V6	cocoa					T12	brown/natural			
	D12	dark grey/natural				(17)	997 553 983 05	extension		1	COUPE/TARGA IXME
	T12	brown/natural						centre console lacquered			
	N12	carrera red	08-				041	black			
(17)	997 553 983 03	extension centre console leather		1	COUPE/TARGA IXJT		84A	guards red			
	A11	black					B9A	carrara white			
	5X6	stone grey					12H	speed yellow			
	8G2	sand beige					92U	arctic silver metallic			
	3S9	sea blue					M3W	carmon red metallic	-07		
	4P2	palmgreen	-07				M5W	lapis blue metallic	-07		
	9S5	terracotta					M6W	lagoon green metallic	-07		
	9V6	cocoa					C9Z	basalt black metallic			
	D12	dark grey/natural					M7X	atlas grey metallic			
	T12	brown/natural					39C	midnight blue metallic			
	N12	carrera red	08-				6B4	seal grey metallic	-06		
(17)	997 553 983 04	extension centre console leather		1	COUPE/TARGA IXCK		M7W	Meteor Grey Metallic	07-		
	A11	black					2B4	forest green metallic			
							3C8	cobalt blue metallic			
							23F	slate grey metallic			
							M7Z	gt silver metallic			

Model	Year	MG	SG	Illustration	Restrictions	UPD	7:32	25.01.2010	PORSCHE	PET	PORSCHE
997-1	2008	8	09	809-20		248					

Pos	Part Number	Description	Remark	Qty	Model	Pos	Part Number	Description	Remark	Qty	Model
	M6X	dark olive-metallic					8W7	sea blue			
	M8W	Macadamia Metallic	08-				8X8	terracotta			
	8A7	ruby red metallic	08-				8P9	cocoa			
	2B5	Malachite Green Metallic	08-				T13	brown/natural			
18	997 553 625 01	insert extension		1	COUPE/TARGA		N23	carrera red			
19	999 073 226 09	tapping screw 4,2 X 16		X		(25)	997 553 982 00	ashtray leather		1	IXMZ
20	999 507 020 01	speed nut 4,2		X			A11	black			
21	999 919 121 09	oval-head screw 5 X 16		2			5X6	stone grey			
22	999 073 155 09	tapping screw 4,2 X 13		2			8G2	sand beige			
23	997 553 615 01	floor centre console		1			3S9	sea blue			
24	999 507 028 01	speed nut 4,2		X			4P2	palmgreen	-07		
25	997 553 141 02	ashtray lacquered	-07	1			9S5	terracotta			
	A03	black					9V6	cocoa			
	5V7	stone grey				(25)	D12	dark grey/natural			
	5Z1	sand beige					T12	brown/natural			
	8W7	sea blue					N12	carrera red	08-		
	5Y2	palmgreen	-07			(25)	997 553 982 01	ashtray carbon		1	IXMJ
	8X8	terracotta					A35	black			
	8P9	cocoa				(25)	997 553 982 02	ashtray		1	IXJU
	T13	brown/natural					S62	sycamore wood			
						(25)	997 553 982 03	ashtray		1	IXJT
							S61	macassar			
25	997 553 902 00	ashtray lacquered	08-	1		(25)	997 553 982 04	ashtray aluminium look		1	IXCK
	A03	black					V04	galvano silver			
	5V7	stone grey				(25)	997 553 982 05	ashtray lacquered		1	IXME
	5Z1	sand beige					041	black			
							84A	guards red			

Model	Year	MG	SG	Illustration	Restrictions	UPD	7:32	25.01.2010	PORSCHE	PET	PORSCHE
997-1	2008	8	09	809-20		248					

Pos	Part Number	Description	Remark	Qty	Model	Pos	Part Number	Description	Remark	Qty	Model
	B9A	carrara white				29	999 073 155 09	tapping screw 4,2 X 13 for mount frame		4	
	12H	speed yellow									
	92U	arctic silver metallic									
	M3W	carmon red metallic	-07			30	997 553 241 02	cover shift gate lacquered		1	I249
	M5W	coral metallic	-07								
	M6W	lagoon green metallic	-07				A03	black			
	C9Z	basalt black metallic					5V7	stone grey			
	M7X	atlas grey metallic					5Z1	sand beige			
	39C	midnight blue metallic					8W7	sea blue			
	6B4	seal grey metallic	-06				5Y2	palmgreen	-07		
	M7W	Meteor Grey Metallic	07-				8X8	terracotta			
	2B4	forest green metallic					8P9	cocoa			
	3C8	cobalt blue metallic					T13	brown/natural			
	23F	slate grey metallic					N23	carrera red	08-		
	M7Z	gt silver metallic				(30)	997 553 243 01	cover shift gate lacquered		1	I480
	M6X	dark olive-metallic									
	M8W	Macadamia Metallic	08-				A03	black			
	8A7	ruby red metallic	08-				5V7	stone grey			
	2B5	Malachite Green Metallic	08-				5Z1	sand beige			
26	997 553 611 01	insert		1			8W7	sea blue			
27	997 553 261 05	frame lacquered		1	CARRERA		5Y2	palmgreen	-07		
	D07	volcano grey					8X8	terracotta			
(27)	997 553 261 02	frame lacquered	-07	1	CARRERA S		8P9	cocoa			
	V04	galvano silver					T13	brown/natural			
(27)	997 553 261 06	frame lacquered	08-	1	CARRERA S	31	996 552 687 00	slide		1	I249
	V04	galvano silver					01C	satin black			
28	999 507 533 02	clamp 8,0 X 10,0/2,5		7		32	997 553 455 01	cover parking-brake lever lacquered	-07	1	

Model	Year	MG	SG	Illustration	Restrictions	UPD	7:32	25.01.2010	PORSCHE	PET	PORSCHE
997-1	2008	8	09	809-20		248					

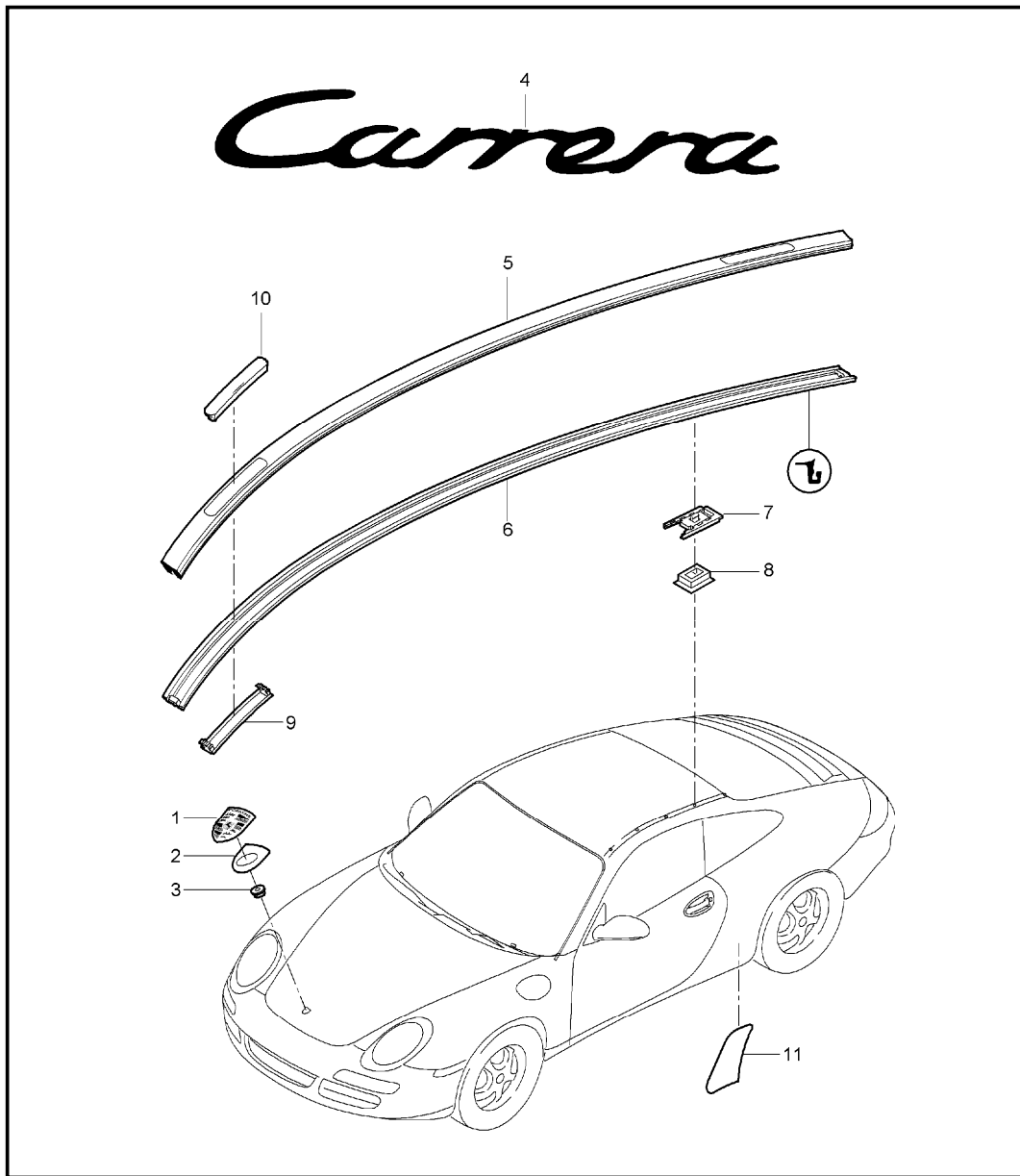
Pos	Part Number	Description	Remark	Qty	Model	Pos	Part Number	Description	Remark	Qty	Model
	A03	black					N12	carrera red	08-		
	5V7	stone grey				(32)	997 553 981 00	cover parking-brake lever		1	IXJT
	5Z1	sand beige					A11	black			
	8W7	sea blue					5X6	stone grey			
	5Y2	palmgreen	-07				8G2	sand beige			
	8X8	terracotta					3S9	sea blue			
	8P9	cocoa					4P2	palmgreen	-07		
	T13	brown/natural					9S5	terracotta			
32	997 553 903 00	cover parking-brake lever lacquered	08-	1			9V6	cocoa			
	A03	black					D12	dark grey/natural			
	5V7	stone grey					T12	brown/natural			
	5Z1	sand beige				(32)	N12	carrera red	08-		
	8W7	sea blue				997 553 981 00	cover parking-brake lever			1	IXJU
	8X8	terracotta					A11	black			
	8P9	cocoa					5X6	stone grey			
	T13	brown/natural					8G2	sand beige			
	N23	carrera red	08-				3S9	sea blue			
(32)	997 553 981 00	cover parking-brake lever		1	IXCK		4P2	palmgreen	-07		
	A11	black					9S5	terracotta			
	5X6	stone grey					9V6	cocoa			
	8G2	sand beige					D12	dark grey/natural			
	3S9	sea blue					T12	brown/natural			
	4P2	palmgreen	-07			(32)	N12	carrera red	08-		
	9S5	terracotta				997 553 981 00	cover parking-brake lever			1	IXME
	9V6	cocoa					A11	black			
	D12	dark grey/natural					5X6	stone grey			
	T12	brown/natural					8G2	sand beige			



Model	Year	MG	SG	Illustration	Restrictions	UPD	7:32	25.01.2010	PORSCHE	PET	PORSCHE
997-1	2008	8	09	809-20		248					

Pos	Part Number	Description	Remark	Qty	Model	Pos	Part Number	Description	Remark	Qty	Model
		3S9 sea blue					N12	carrera red	08-		
		4P2 palmgreen	-07			33	999 591 215 40	expander nut 4,2		2	
		9S5 terracotta				34	997 553 732 00	rubber buffer lid inner		2	
		9V6 cocoa									
		D12 dark grey/natural									
		T12 brown/natural									
		N12 carrera red	08-								
(32)	997 553 981 00	cover parking-brake lever		1	IXMJ						
		A11 black									
		5X6 stone grey									
		8G2 sand beige									
		3S9 sea blue									
		4P2 palmgreen	-07								
		9S5 terracotta									
		9V6 cocoa									
		D12 dark grey/natural									
		T12 brown/natural									
		N12 carrera red	08-								
(32)	997 553 981 06	cover parking-brake lever		1	IXMZ						
		A11 black									
		5X6 stone grey									
		8G2 sand beige									
		3S9 sea blue									
		4P2 palmgreen	-07								
		9S5 terracotta									
		9V6 cocoa									
		D12 dark grey/natural									
		T12 brown/natural									

Model	Year	MG	SG	Illustration	Restrictions	UPD	7:33	25.01.2010	PORSCHE	PET	PORSCHE
997-1	2008	8	10	810-00		248					

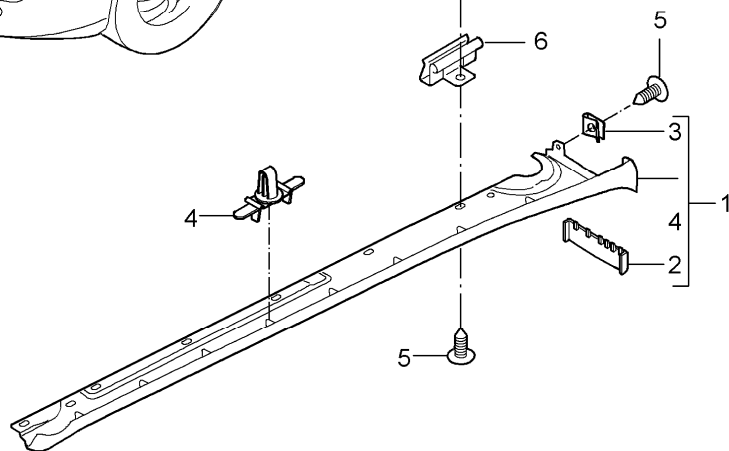
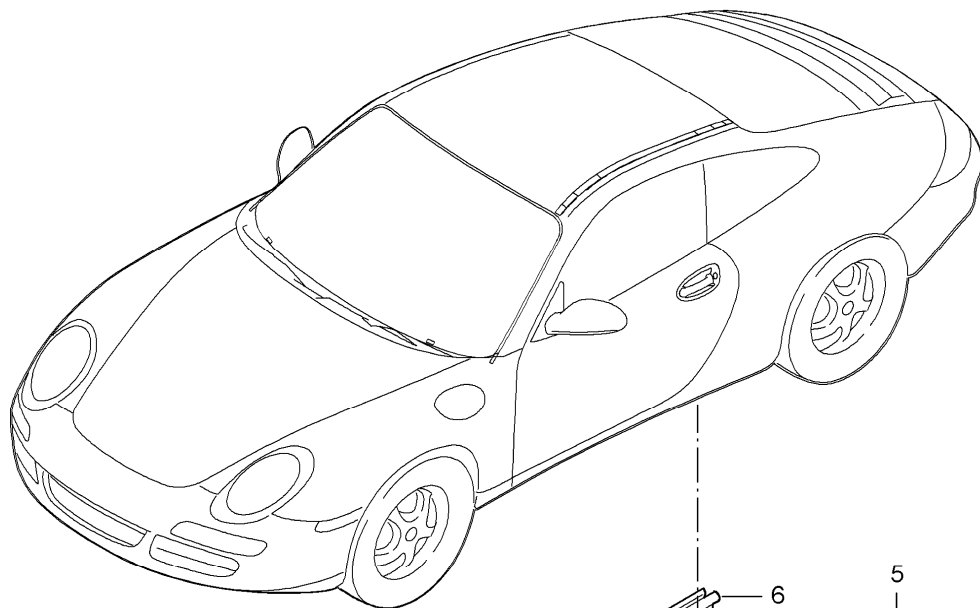


Pos	Part Number	Description	Remark	Qty	Model
		insignias decorative fittings stone guard film			
1	997 559 211 00	lid emblem Information available		1	
(1)	996 559 211 01	lid emblem Information available		1	
2	7L5 853 611 B	desk pad		1	
3	999 591 423 03	tapping nut		2	
4	997 559 237 00	logo *CARRERA* lacquered titanium		1	CARRERA
(4)	997 559 237 01	logo *CARRERA*		1	CARRERA S Carrera 4 S
(4)	997 559 237 04	logo *TARGA* lacquered titanium	07-	1	CARRERA 4
(4)	997 559 237 05	logo *TARGA* lacquered satin aluminium	07	1	CARRERA 4S
(4)	997 559 243 00	logo *S* lacquered		1	CARRERA S Carrera 4 s
(4)	997 559 241 00	logo lacquered titanium *4*		1	CARRERA 4
(4)	997 559 241 01	logo lacquered *4*		1	CARRERA 4S
5	997 559 401 00	roof edge strip G2X prime coated	/L	1	
(5)	997 559 402 00	roof edge strip G2X prime coated	/R	1	
6	997 559 721 00	gasket roof edge strip	/L	1	

Model	Year	MG	SG	Illustration	Restrictions	UPD	7:33	25.01.2010	PORSCHE	PET	PORSCHE
997-1	2008	8	10	810-00		248					

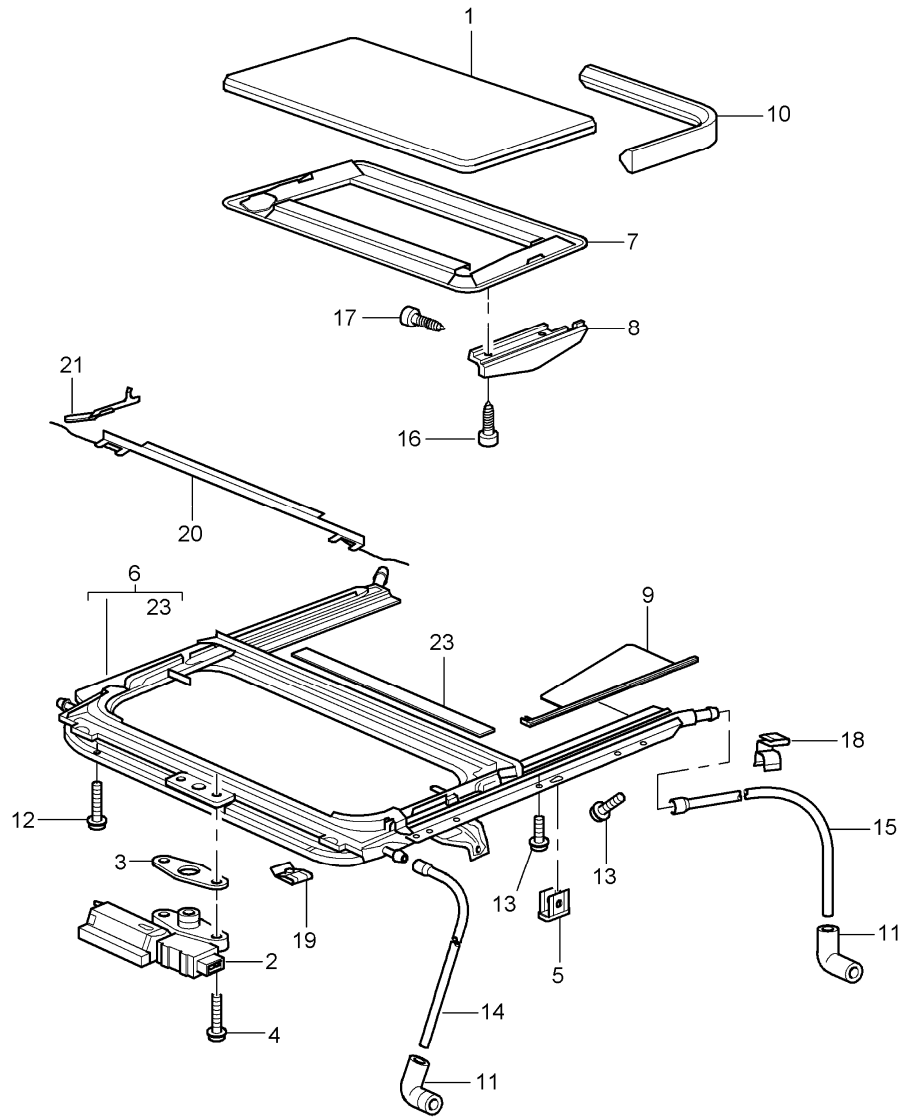
Pos	Part Number	Description	Remark	Qty	Model	Pos	Part Number	Description	Remark	Qty	Model
(6)	997 559 722 00	gasket roof edge strip	/R	1							
7	996 559 403 01	clip		10							
8	996 559 405 01	adapter		10							
9	996 559 729 00	bracket for flap		4							
10	996 559 501 00	flap front		2							
	G2X	prime coated									
(10)	996 559 503 00	flap rear		2							
	G2X	prime coated									
11	997 504 825 01	stone guard film side section	/L	1							
(11)	997 504 826 01	stone guard film side section	/R	1							

Model	Year	MG	SG	Illustration	Restrictions	UPD	7:33	25.01.2010	PORSCHE	PET	PORSCHE
997-1	2008	8	10	810-05		248					



Pos	Part Number	Description	Remark	Qty	Model
		sill cover			CARRERA 4 TARGA
1	997 504 363 00	sill cover	/L	1	
	01C	satin black			
(1)	997 504 364 00	sill cover	/R	1	
	01C	satin black			
1	997 504 981 00	sill cover	/L	1	IXAJ
	G2X	prime coated			
(1)	997 504 982 00	sill cover	/R	1	IXAJ
	G2X	prime coated			
2	997 504 863 00	rubber lip sill cover	/L	1	
	01C	satin black			
(2)	997 504 864 00	rubber lip sill cover	/R	1	
	01C	satin black			
3	999 507 795 09	speed nut ST 4,8		4	
4	999 507 986 40	fixing clip sill cover 9,0 x 1,5		18	
5	999 073 231 09	tapping screw st 4,8 x 16		24	
6	999 507 640 09	u-clamp		18	

Model	Year	MG	SG	Illustration	Restrictions	UPD	7:33	25.01.2010	PORSCHE	PET	PORSCHE
997-1	2008	8	11	811-00		248					

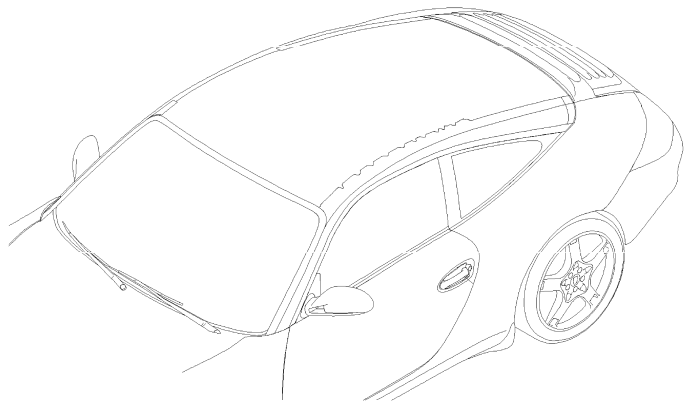
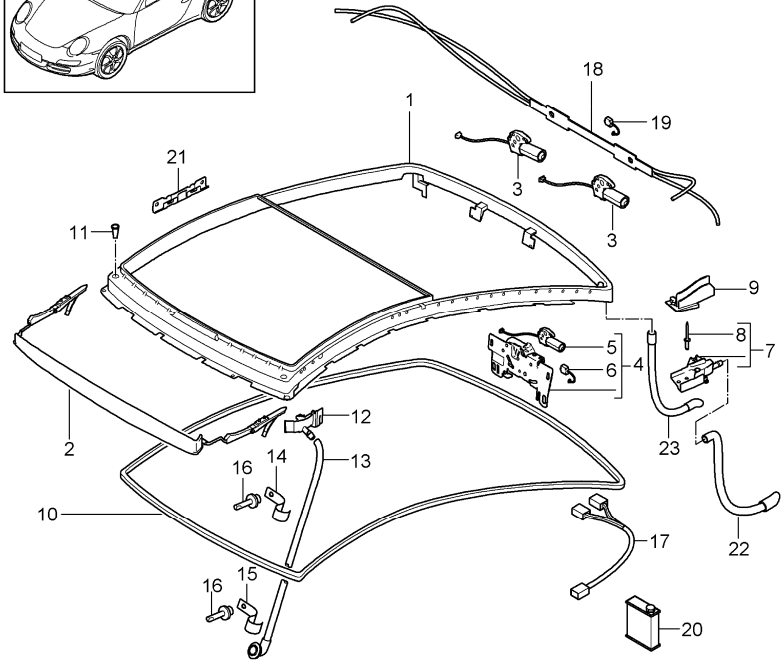
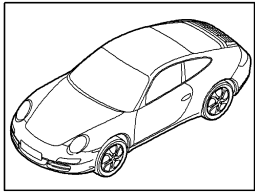


Pos	Part Number	Description	Remark	Qty	Model
		sunroof			I650
1	996 564 941 01	lid		1	
		GRV prime coated			
2	997 624 211 00	driving mechanism		1	
3	996 564 213 00	spacer		1	
4	999 073 135 07	countersunk-head screw		2	
5	999 703 258 42	clip		2	
6	997 564 911 00	frame without driving mechanism		1	
7	996 564 021 04	roofliner alcantara		1	
		A14 black			
		B14 stone grey			
		G14 metropole blue			
		T44 sand beige			
		J44 palmgreen			
(7)	996 564 983 00	roofliner leather		1	
		A11 black			
		5X6 stone grey			
		8G2 sand beige			
		3S9 sea blue			
		4P2 palmgreen			
		9S5 terracotta			
		D12 dark grey/natural			
		T12 natural brown			
		9V6 cocoa			
8	996 564 181 00	cover outer	/L	1	
		01C black			

Model	Year	MG	SG	Illustration	Restrictions	UPD	7:33	25.01.2010	PORSCHE	PET	PORSCHE
997-1	2008	8	11	811-00		248					

Pos	Part Number	Description	Remark	Qty	Model	Pos	Part Number	Description	Remark	Qty	Model
	M6X	dark olive-metallic				--	997 564 905 00	damping piece rear		2	
(8)	996 564 182 00	cover outer	/R	1							
	01C	black									
	M6X	dark olive-metallic									
9	996 564 241 00	interior lining inner	/L	1							
(9)	996 564 242 00	interior lining inner	/R	1							
10	997 564 211 00	gasket		1							
11	996 561 825 00	water drain valve		4							
12	999 073 366 02	oval-head screw M6X30		4							
13	999 073 130 02	oval-head screw M6X16		6							
14	996 564 207 00	water drain hose front		2							
15	996 564 205 01	water drain hose		2							
16	900 143 133 07	tapping screw		4							
17	996 564 245 00	combination screw		4							
18	999 507 631 02	cable holder		6							
19	999 591 348 02	speed nut		2							
20	997 564 161 00	air deflector		1							
21	996 564 521 01	hinge		1							
(21)	996 564 522 01	hinge		1							
--	996 564 950 00	sound absorber		1							
--	997 564 950 00	assembly kit for roofliner		1							
22	996 564 953 00	assembly kit Unterlegscheiben		1							
23	996 564 907 01	edge protection		1							
--	997 564 903 00	damping piece front		2							

Model	Year	MG	SG	Illustration	Restrictions	UPD	7:33	25.01.2010	PORSCHE	PET	PORSCHE
997-1	2008	8	11	811-01		248					



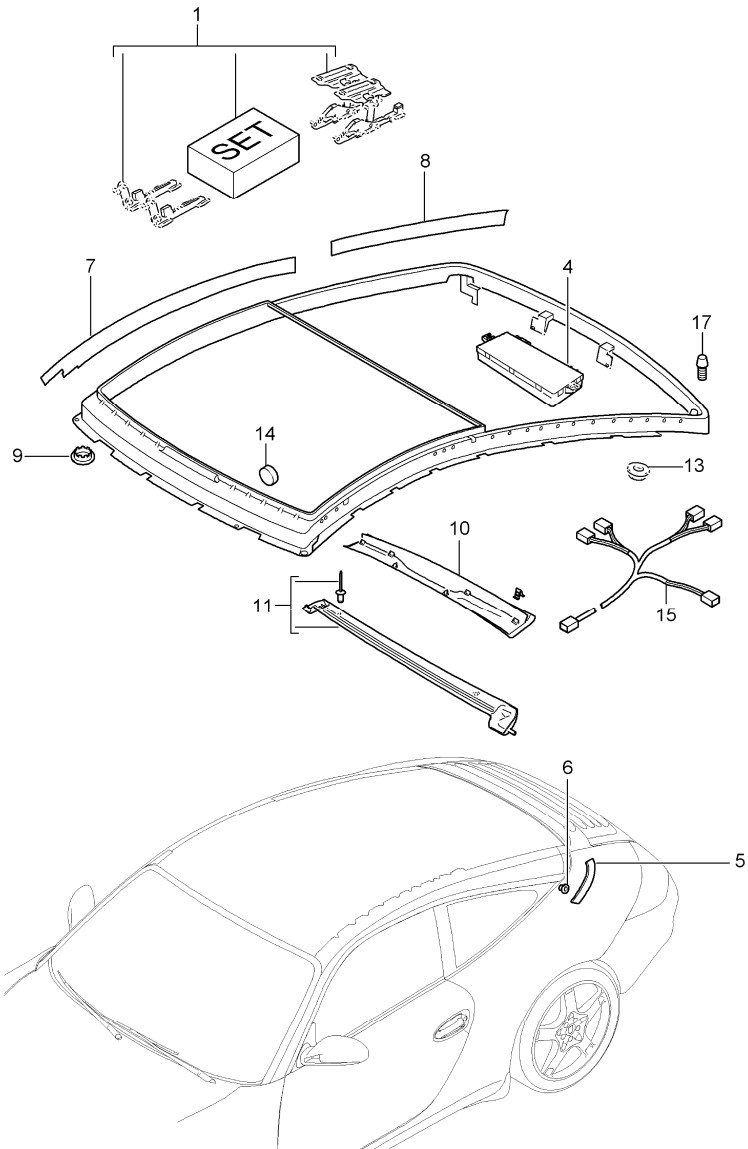
Pos	Part Number	Description	Remark	Qty	Model
		glass roof			TARGA
1	997 562 905 00	frame		1	
2	997 562 953 00	air deflector repair kit		1	
3	996 624 221 00	electric drive		2	
4	997 562 335 00	catch		1	
5	996 624 231 00	driving mechanism		1	
6	996 613 231 00	microswitch		1	
7	996 562 439 00	end piece guide rail	/L	1	
(7)	996 562 440 00	end piece guide rail	/R	1	
8	999 190 172 30	blind rivet		4	
9	996 562 437 00	lid	/L	1	
(9)	996 562 438 00	lid	/R	1	
10	996 562 425 00	sealing strap		1	
11	997 562 421 00	water drain sleeve		1	
12	996 562 401 00	water drain tube	/L	1	
(12)	996 562 402 00	water drain tube	/R	1	
13	996 562 203 01	water drain hose		2	
14	997 564 301 00	support upper		2	
15	997 564 303 00	support lower		2	
16	999 190 450 37	blind rivet		4	
17	996 612 344 00	wiring harness shade		1	
18	996 562 913 00	guide tube with drive shaft		1	
19	996 613 221 00	microswitch		1	
20	000 043 157 00	cleaning agent 30 ML		1	

Model	Year	MG	SG	Illustration	Restrictions	UPD	7:33	25.01.2010	PORSCHE	PET	PORSCHE
997-1	2008	8	11	811-01		248					

Pos	Part Number	Description	Remark	Qty	Model	Pos	Part Number	Description	Remark	Qty	Model
21	- - -	see illustrations 8 / 01 / 65		1							
22	996 562 205 01	water drain hose rear outer		2							
23	996 562 207 01	water drain hose rear inner		2							

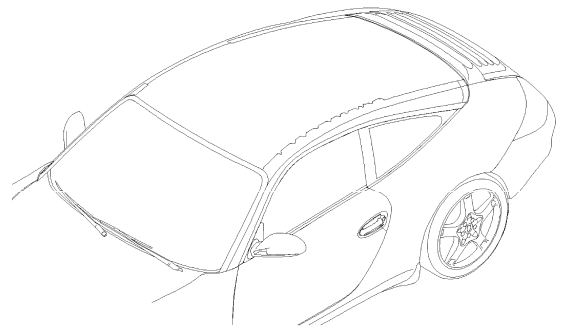
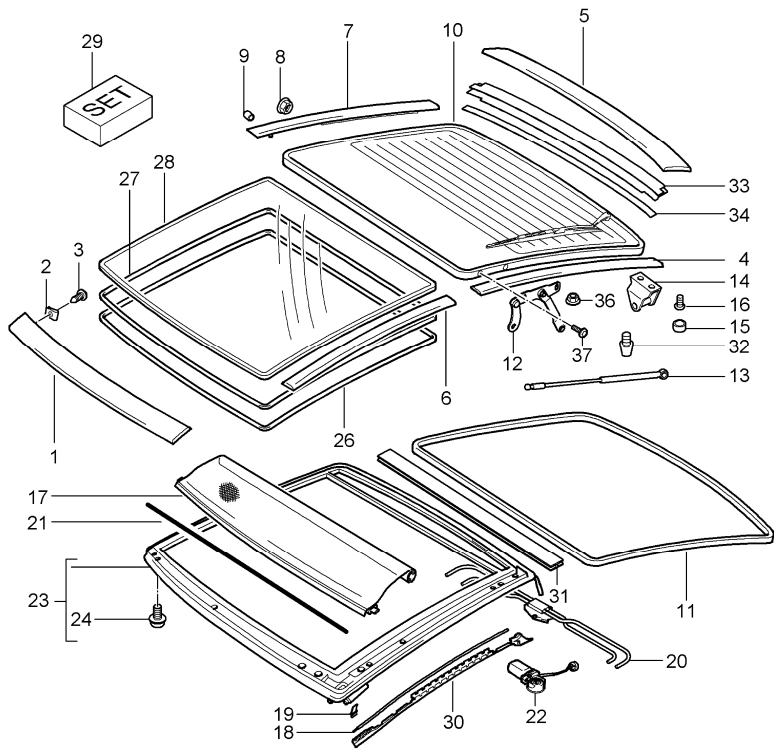


Model	Year	MG	SG	Illustration	Restrictions	UPD	7:33	25.01.2010	PORSCHE	PET	PORSCHE
997-1	2008	8	11	811-02		248					



Pos	Part Number	Description	Remark	Qty	Model
1	996 562 906 00	glass roof driving mechanism		1	TARGA
4	997 618 241 01	repair kit lifting mechanism with knock-out lever and mounting parts		1	
5	997 562 541 00	control unit	/L	1	
(5)	997 562 542 00	cover GRV prime coated	/R	1	
6	893 853 231 A	cover GRV prime coated		4	
7	996 562 407 00	clamping bush	/L	1	
(7)	996 562 408 00	cover	/R	1	
8	996 562 911 00	cover	/L	1	
(8)	996 562 404 00	cover	/R	1	
9	999 703 866 40	lid		3	
10	996 562 943 00	lining		1	
11	996 562 459 00	profile strip		1	
12	996 562 427 00	bracket		1	
13	999 084 456 09	nut		X	
14	999 703 134 40	buffer 40,0 x 11,0		2	
15	997 612 699 00	wiring harness		1	
16	999 507 778 02	clamp		6	
--	997 562 661 00	rubber buffer for gate guide see workshop manual 600649		4	
17	999 703 488 40	buffer for rear lid 5,9x11,5x16		2	

Model	Year	MG	SG	Illustration	Restrictions	UPD	7:38	25.01.2010	PORSCHE	PET	PORSCHE
997-1	2008	8	11	811-03		248					

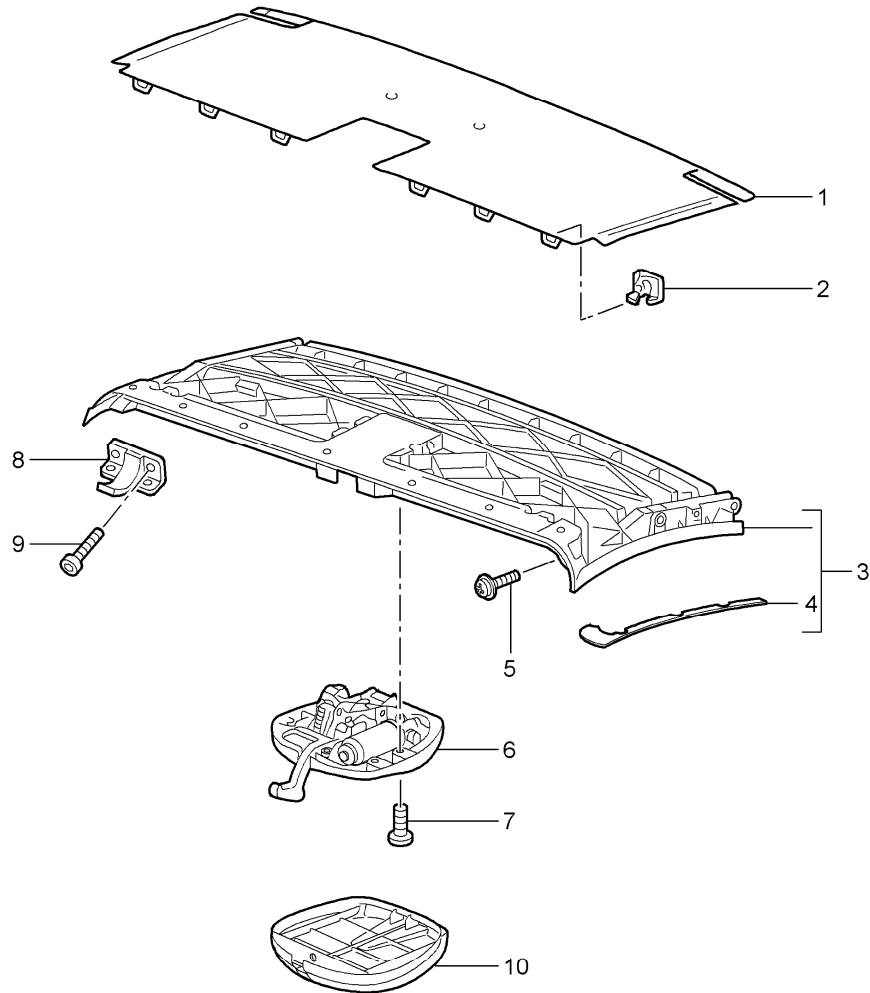


Pos	Part Number	Description	Remark	Qty	Model
		glass roof linings			TARGA
1	A 997 562 021 00	cover cowl		1	
1	997 562 021 02	cover cowl		1	
2	999 591 591 01	speed nut St 3,5		3	
3	999 919 162 09	oval-head screw M 4 x 8		3	
-	999 702 284 40	cover for oval-head screw		3	
4	996 562 651 00	cover roof pillar	/L	1	
(4)	996 562 652 00	cover roof pillar	/R	1	
5	997 562 653 00	cover centre part	/H	1	
6	997 562 303 00	cover strip glass roof	/L	1	
(6)	997 562 304 00	cover strip glass roof	/R	1	
7	997 562 341 00	cover rear lid lateral including gasket screw square nut	/L	1 6 6	
(7)	997 562 342 00	cover rear lid lateral including gasket screw square nut	/R	1 6 6	
8	999 076 073 07	hexagon nut		2	
9	900 228 017 09	threaded pin		2	

Model	Year	MG	SG	Illustration	Restrictions	UPD	7:38	25.01.2010	PORSCHE	PET	PORSCHE
997-1	2008	8	11	811-03		248					

Pos	Part Number	Description	Remark	Qty	Model	Pos	Part Number	Description	Remark	Qty	Model
10	997 562 323 00	rear lid		1		--	000 043 207 25	activator 1 Liter see workshop manual 600649		1	
10	997 562 323 01	rear lid		1	I425						
11	996 562 337 00	gasket		1							
12	996 562 319 00	hinge	/L	1		28	997 562 329 00	glass roof 4MM X 1600MM		1	
(12)	996 562 320 00	hinge	/R	1							
13	997 562 429 00	gas-pressure spring	/L	1		29	996 562 903 00	spacer set		1	
(13)	997 562 430 00	gas-pressure spring	/R	1		30	996 562 907 00	cover	/L	1	
14	996 562 325 00	clip		1		(30)	996 562 908 00	cover	/R	1	
15	996 562 461 00	cap		1		31	997 562 443 00	gasket centre piece		1	
16	900 228 017 09	threaded pin		2		32	999 703 100 40	buffer rear lid		2	
17	996 562 405 00	shade		1		33	997 562 441 00	cover rear window lower		1	
18	997 562 917 00	cable	/L	1							
(18)	997 562 918 00	cable shade	/R	1		34	996 562 415 00	strip clamping strip for cover		1	
19	997 562 915 00	sliding piece	/L	1		36	999 084 456 09	hexagon nut M6		3	
(19)	997 562 916 00	sliding piece shade	/R	1		37	999 073 264 09	lens-head screw M6x10		2	
20	996 562 910 00	guide cable		1							
21	996 562 901 00	roof strut		1							
22	996 624 241 00	electric motor		1							
23	996 562 933 01	repair kit retaining frame		1							
24	996 562 904 00	repair kit fastening screw retaining frame		1							
25	999 073 262 09	torx screw M 5X14		10							
26	996 562 455 01	gasket		1							
27	996 562 331 00	gasket use also:		1							

Model	Year	MG	SG	Illustration	Restrictions	UPD	7:38	25.01.2010	PORSCHE	PET	PORSCHE
997-1	2008	8	11	811-05		248					

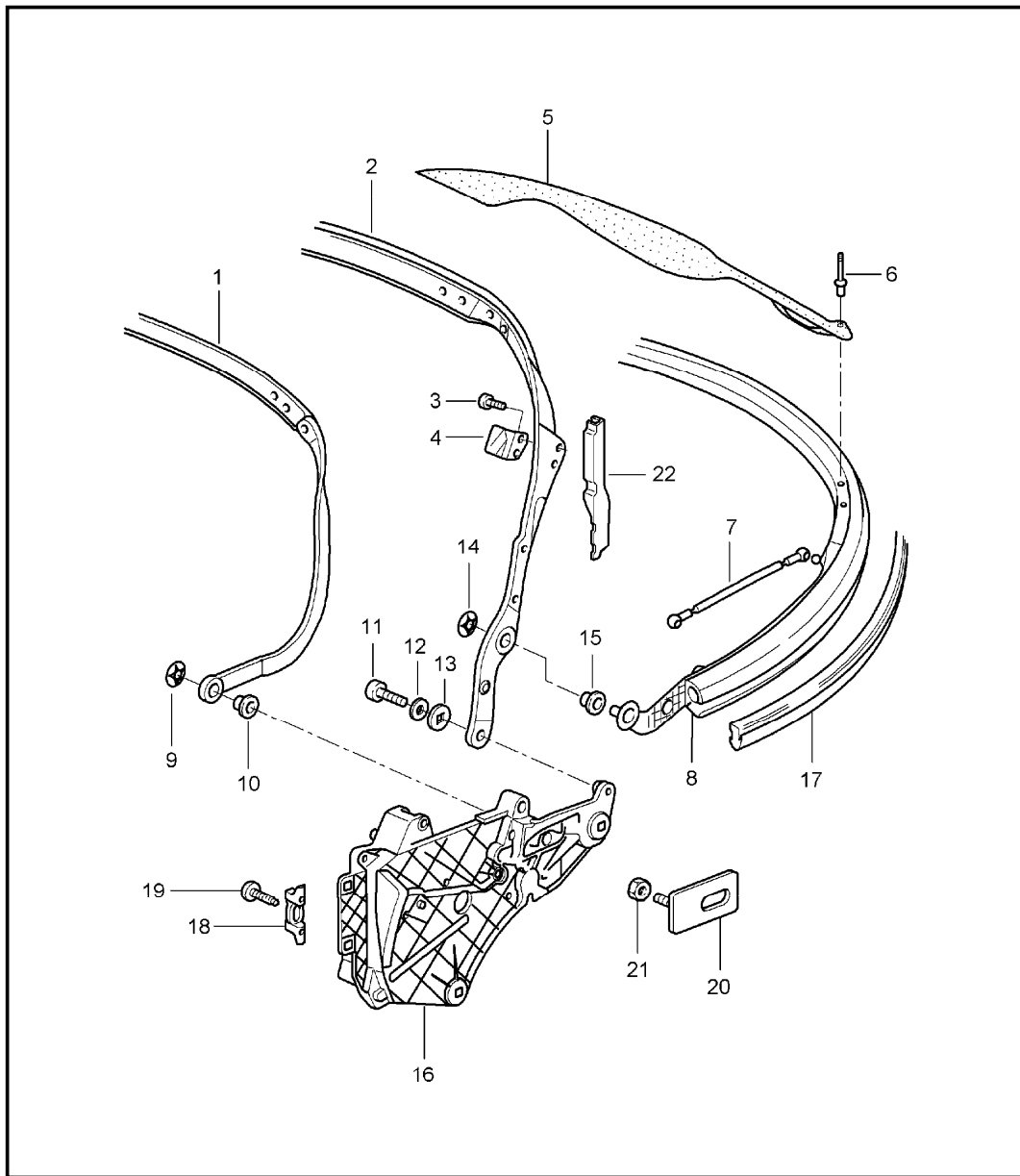


Pos	Part Number	Description	Remark	Qty	Model
		convertible top frame front roof frame catch			
1	996 561 963 00	base		1	
-	000 043 207 44	felt strip 30 mm x 5 Meter		1	
2	996 561 731 00	clip		6	
3	997 561 905 00	roof frame		1	
	A09	black			
		use also:			
-	997 561 509 00	felt strip 60 x 25 see tpi group 8 Nr. 53		1	
4	996 561 807 00	gasket roof frame plastic foam strip	/L	1	
4	996 561 808 00	gasket roof frame plastic foam strip	/R	1	
5	999 507 497 40	expansion rivet		6	
6 A	997 561 117 00	catch		1	
6	997 561 117 01	catch		1	
7	999 073 195 09	oval-head screw		4	
8	997 561 605 00	centring journal	/L	1	
(8)	997 561 606 00	centring journal	/R	1	
9	999 919 144 09	oval-head screw		4	
10	997 561 515 00	trim cover		1	
	01C	black			
-	000 043 206 65	grease Krytox 1 tube 56 Gramm		X	

Model	Year	MG	SG	Illustration	Restrictions	UPD	7:38	25.01.2010	PORSCHE	PET	PORSCHE
997-1	2008	8	11	811-05		248					

Pos	Part Number	Description	Remark	Qty	Model	Pos	Part Number	Description	Remark	Qty	Model
-	000 043 206 83	grease Optitemp LG2 1 tube 80 Gramm		X							
-	999 917 557 00	grease Osixo 30 ml		X							

Model	Year	MG	SG	Illustration	Restrictions	UPD	7:39	25.01.2010	PORSCHE	PET	PORSCHE
997-1	2008	8	11	811-06		248					

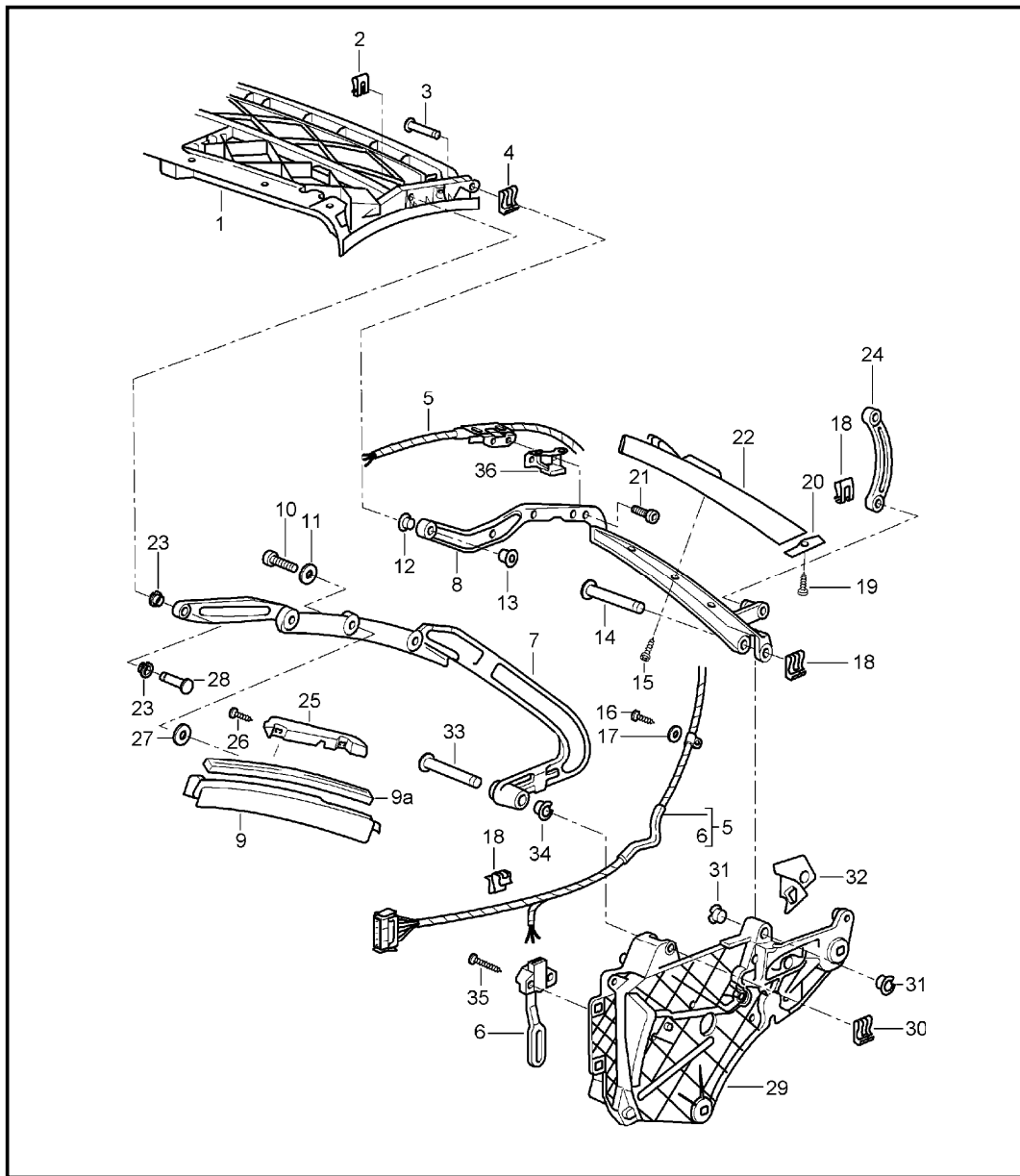


Pos	Part Number	Description	Remark	Qty	Model
		convertible top frame single parts			
1	996 561 042 01	roof strut		1	
2	996 561 037 00	main folding top bow		1	
3	900 146 003 02	oval-head screw		6	
4	996 561 959 00	thrust wedge		2	
5	997 561 089 01	restraining strap	/L	1	
(5)	997 561 090 01	restraining strap	/R	1	
6	999 190 446 30	blind rivet		X	
7	996 561 191 00	tension rope lower		2	
8	996 561 041 01	roof strut		1	
9	996 561 645 00	lock		4	
10	999 924 122 40	bush		4	
11	999 073 195 09	oval-head screw		2	
12	900 151 006 09	washer		2	
13	999 924 131 30	washer		2	
14	996 561 645 00	lock		4	
15	999 924 122 40	bush		X	
16	996 561 443 00	convertible top support	/L	1	
(16)	996 561 444 00	convertible top support mount convertible top support	/R	1	
-	999 075 065 09	hexagon-head bolt m 8 x 35		6	
17	996 561 693 00	additional gasket for roof strut POS.8		1	
18	996 561 735 02	adjusting shim		2	
19	999 073 138 09	screw		2	
20	996 561 715 00	support		2	

Model	Year	MG	SG	Illustration	Restrictions	UPD	7:39	25.01.2010	PORSCHE	PET	PORSCHE
997-1	2008	8	11	811-06		248					

Pos	Part Number	Description	Remark	Qty	Model	Pos	Part Number	Description	Remark	Qty	Model
21	999 084 630 09	hexagon nut		2							
22	996 561 259 00	gasket	/L	1							
(22)	996 561 260 00	gasket	/R	1							

Model	Year	MG	SG	Illustration	Restrictions	UPD	7:39	25.01.2010	PORSCHE	PET	PORSCHE
997-1	2008	8	11	811-07		248					



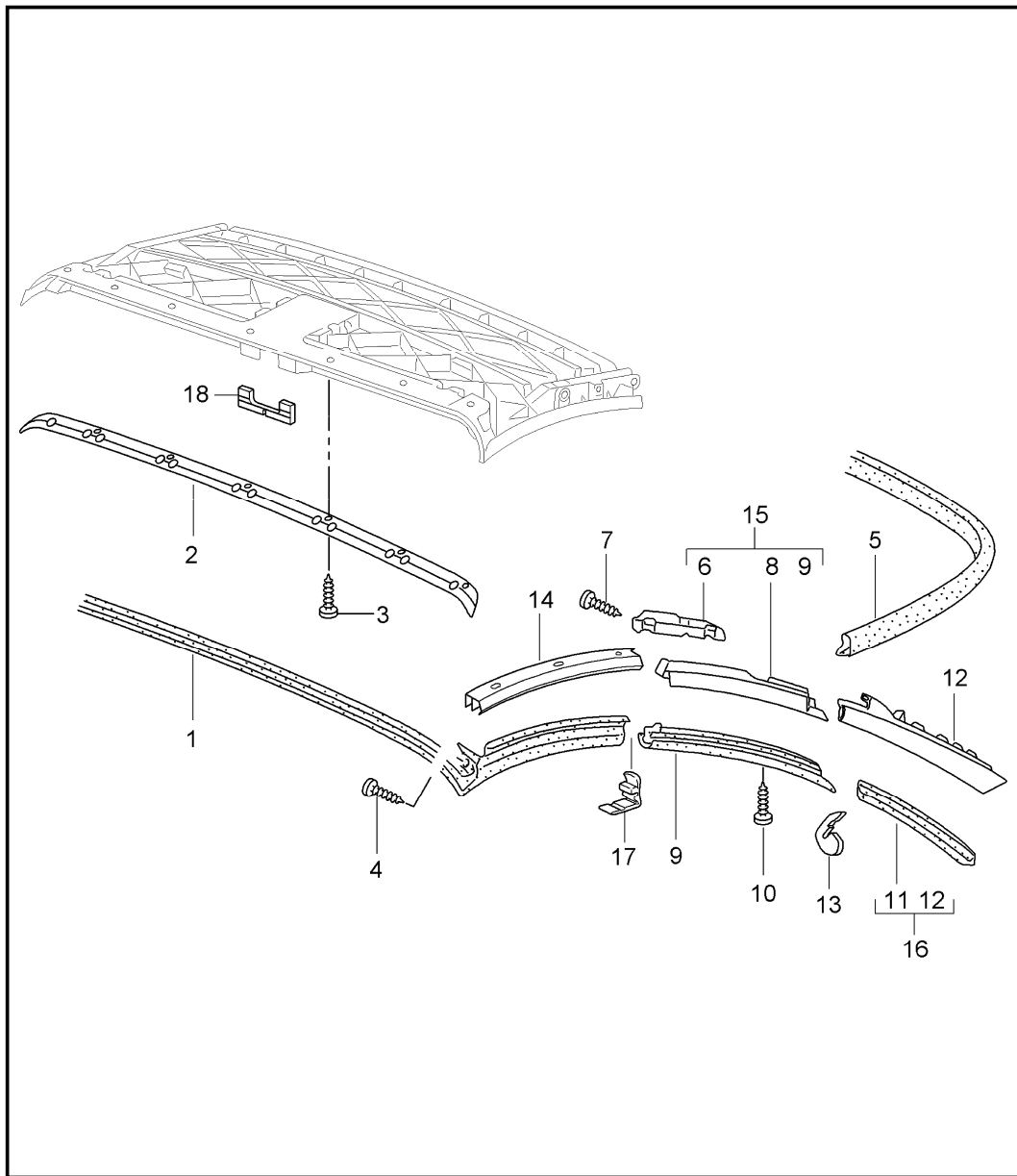
Pos	Part Number	Description	Remark	Qty	Model
1	997 561 905 00	convertible top frame single parts roof frame		1	
	A09	black			
		use also:			
-	997 561 509 00	felt strip 60 x 25 see tpi group 8 Nr. 53		1	
2	999 166 075 02	lock		X	
3	999 088 050 30	bolt 8X27,8		2	
-	997 561 909 00	repair kit bush bolt lock		1	
4	999 166 075 02	lock		X	
5	997 612 698 00	wiring harness		1	
-	997 561 965 00	protective tube		1	
6	996 613 313 02	potentiometer		1	
7	996 561 335 00	roof frame	/L	1	
(7)	996 561 336 00	roof frame	/R	1	
8	996 561 339 00	roof frame	/L	1	
(8)	996 561 340 00	roof frame	/R	1	
9	996 561 355 00	sealing frame	/L	1	
(9)	996 561 356 00	sealing frame	/R	1	
9A	996 561 219 00	gasket for sealing frame		2	
10	999 073 195 09	screw M 6X20		X	
11	900 151 006 09	washer		X	
12	999 924 086 40	bearing sleeve		4	
13	999 924 086 40	bearing sleeve		4	



Model	Year	MG	SG	Illustration	Restrictions	UPD	7:39	25.01.2010	PORSCHE	PET	PORSCHE
997-1	2008	8	11	811-07		248					

Pos	Part Number	Description	Remark	Qty	Model	Pos	Part Number	Description	Remark	Qty	Model
14	999 088 031 30	bolt		1		34	999 924 125 40	bush		4	
15	999 919 153 09	oval-head screw		X		35	999 919 152 09	oval-head screw 3,5X8		2	
16	900 144 101 02	tapping screw		X							
17	900 151 027 02	washer		8							
18	999 166 076 02	lock		X							
19	999 919 141 09	oval-head screw		4							
20	996 561 239 00	gasket	/L	1							
(20)	996 561 240 00	gasket	/R	1							
21	N 014 128 13	oval-head screw M5X8		4							
22	996 561 319 00	frame	/L	1							
	A09	black									
(22)	996 561 320 00	frame	/R	1							
	A09	black									
23	999 924 086 40	bearing sleeve		8							
24	996 561 051 01	lever	/L	1							
(24)	996 561 052 01	lever	/R	1							
25	996 561 535 00	guide	/L	1							
(25)	996 561 536 00	guide	/R	1							
26	999 919 141 09	oval-head screw		4							
27	999 025 267 09	washer		8							
28	999 088 049 30	bolt 8x32,8		2							
29	996 561 443 00	convertible top support	/L	1							
(29)	996 561 444 00	convertible top support	/R	1							
30	999 166 076 02	lock		6							
31	999 924 125 40	bush		4							
32	996 561 249 01	gasket	/L	1							
(32)	996 561 250 01	gasket	/R	1							
33	999 088 031 30	bolt		4							

Model	Year	MG	SG	Illustration	Restrictions	UPD	7:39	25.01.2010	PORSCHE	PET	PORSCHE
997-1	2008	8	11	811-09		248					



Pos	Part Number	Description	Remark	Qty	Model
1	997 561 327 00	convertible top seal		1	
2	997 561 501 00	roof frame seal		1	
3	999 919 139 09	retaining strip		7	
4	999 919 139 09	oval-head screw		2	
5	996 561 449 00	oval-head screw		1	
6	U 996 561 535 00	gasket		1	
		guide	/L	1	
		F >>996S7 56018			
		F >>996S7 66265			
		F >>996S7 50545			
		F >>996S7 60997			
		order			
		Pos. 15 + 16			
		F 996S7 56019>>			
		F 996S7 66266>>			
		F 996S7 50546>>			
		F 996S7 60998>>			
		order			
		Pos. 15			
(6)	U 996 561 536 00	gasket	/R	1	
		F >>996S7 56018			
		F >>996S7 66265			
		F >>996S7 50545			
		F >>996S7 60997			
		order			
		Pos. 15 + 16			
		F 996S7 56019>>			
		F 996S7 66266>>			
		F 996S7 50546>>			
		F 996S7 60998>>			
		order			
		Pos. 15			
7	999 919 152 09	guide		4	
7	999 919 152 09	oval-head screw		4	
8	U 996 561 355 00	frame	/L	1	
		F >>996S7 56018			
		F >>996S7 66265			
		F >>996S7 50545			
		F >>996S7 60997			
		order			
		Pos. 15+16			
		F 996S7 56019>>			
		F 996S7 66266>>			
		F 996S7 50546>>			
		F 996S7 60998>>			
		order			
		Pos. 15			

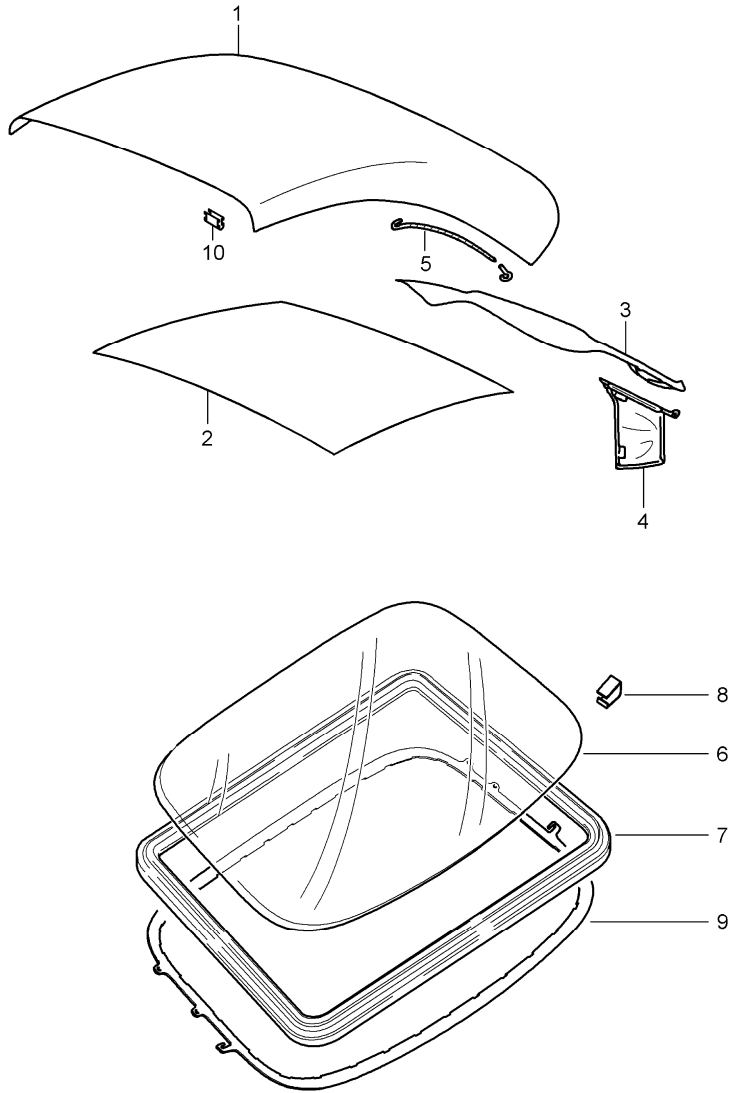
Model	Year	MG	SG	Illustration	Restrictions	UPD	7:39	25.01.2010	PORSCHE	PET	PORSCHE
997-1	2008	8	11	811-09		248					

Pos	Part Number	Description	Remark	Qty	Model	Pos	Part Number	Description	Remark	Qty	Model
(8)	U 996 561 356 00	frame F >>996S7 56018 F >>996S7 66265 F >>996S7 50545 F >>996S7 60997 order Pos. 15+16 F 996S7 56019>> F 996S7 66266>> F 996S7 50546>> F 996S7 60998>> order Pos. 15	/R	1		(11)	U 996 561 412 00	gasket F >>996S7 56018 F >>996S7 66265 F >>996S7 50545 F >>996S7 60997 order Pos. 15 + 16 F 996S7 56019>> F 996S7 66266>> F 996S7 50546>> F 996S7 60998>> order Pos. 16	/R	1	
9	U 996 561 413 00	gasket F >>996S7 56018 F >>996S7 66265 F >>996S7 50545 F >>996S7 60997 order Pos. 15 + 16 F 996S7 56019>> F 996S7 66266>> F 996S7 50546>> F 996S7 60998>> order Pos. 15	/L	1		12	U 996 561 319 00	frame black F >>996S7 56018 F >>996S7 66265 F >>996S7 50545 F >>996S7 60997 order Pos. 15 + 16 F 996S7 56019>> F 996S7 66266>> F 996S7 50546>> F 996S7 60998>> order Pos. 16	/L	1	
9	U 996 561 414 00	gasket F >>996S7 56018 F >>996S7 66265 F >>996S7 50545 F >>996S7 60997 order Pos. 15 + 16 F 996S7 56019>> F 996S7 66266>> F 996S7 50546>> F 996S7 60998>> order Pos. 15	/R	1		(12)	U 996 561 320 00	frame black F >>996S7 56018 F >>996S7 66265 F >>996S7 50545 F >>996S7 60997 order Pos. 15 + 16 F 996S7 56019>> F 996S7 66266>> F 996S7 50546>> F 996S7 60998>> order Pos. 16	/R	1	
10	999 919 152 09	oval-head screw		8							
11	U 996 561 411 00	gasket F >>996S7 56018 F >>996S7 66265 F >>996S7 50545 F >>996S7 60997 order Pos. 15 + 16 F 996S7 56019>> F 996S7 66266>> F 996S7 50546>> F 996S7 60998>> order Pos. 16	/L	1		13	996 561 935 00	filler piece set		2	
						15	997 561 913 02	gaskets	/L	1	
						(15)	997 561 914 02	gaskets assembly kit pos. 6,8,9 roof frame front	/R	1	
						16	997 561 923 00	gaskets	/L	1	

Model	Year	MG	SG	Illustration	Restrictions	UPD	7:39	25.01.2010	PORSCHE	PET	PORSCHE
997-1	2008	8	11	811-09		248					

Pos	Part Number	Description	Remark	Qty	Model	Pos	Part Number	Description	Remark	Qty	Model
(16)	997 561 924 00	gaskets assembly kit Pos. 11,12 roof frame rear	/R	1							
17	997 561 813 00	filler piece	/L	1							
17	997 561 814 00	filler piece	/R	1							
18	996 561 745 00	buffer	/R	1							

Model	Year	MG	SG	Illustration	Restrictions	UPD	7:39	25.01.2010	PORSCHE	PET	PORSCHE
997-1	2008	8	11	811-10		248					

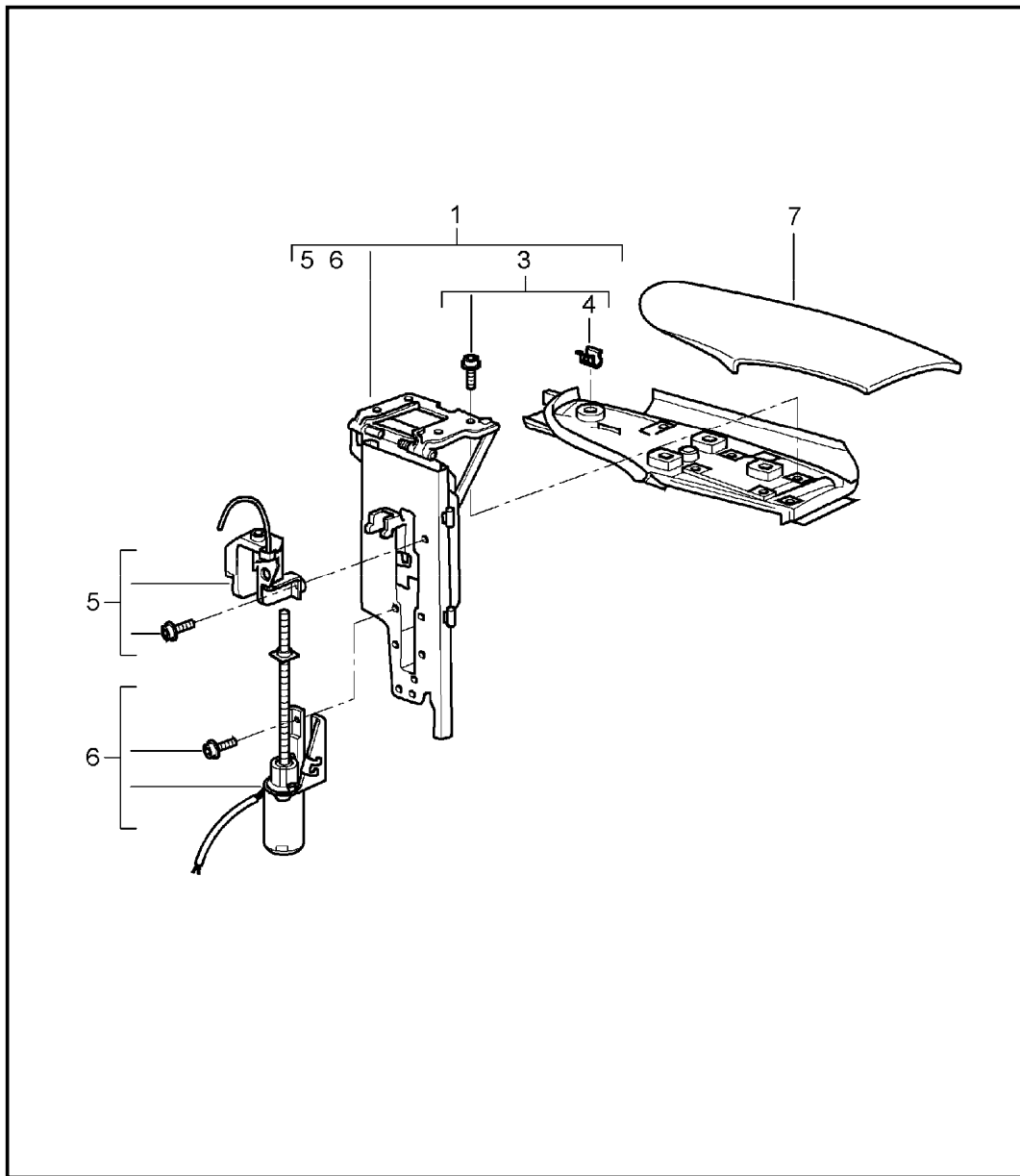


Pos	Part Number	Description	Remark	Qty	Model
1	A 997 561 901 00	convertible top covering roofliner		1	
	A10	black			
	C17	stone grey			
	G02	metropole blue			
	R17	brown			
1	997 561 901 01	convertible top covering without rear window		1	
	A10	black			
	C17	stone grey			
	G02	metropole blue			
	R17	brown			
2	997 561 085 01	roofliner		1	
	A21	black			
3	997 561 089 01	restraining strap	/L	1	
(3)	997 561 090 01	restraining strap	/R	1	
4	997 561 095 01	bag	/L	1	
	A20	black			
(4)	997 561 096 01	bag	/R	1	
	A20	black			
5	996 561 931 01	tension rope		2	
6	996 561 101 00	rear window		1	
7	996 561 331 00	gasket		1	
8	996 561 205 00	clamp		32	
9	996 561 203 00	frame order also: 997.561.929.00		1	
--	997 561 929 00	set of fastening parts		1	

Model	Year	MG	SG	Illustration	Restrictions	UPD	7:39	25.01.2010	PORSCHE	PET	PORSCHE
997-1	2008	8	11	811-10		248					

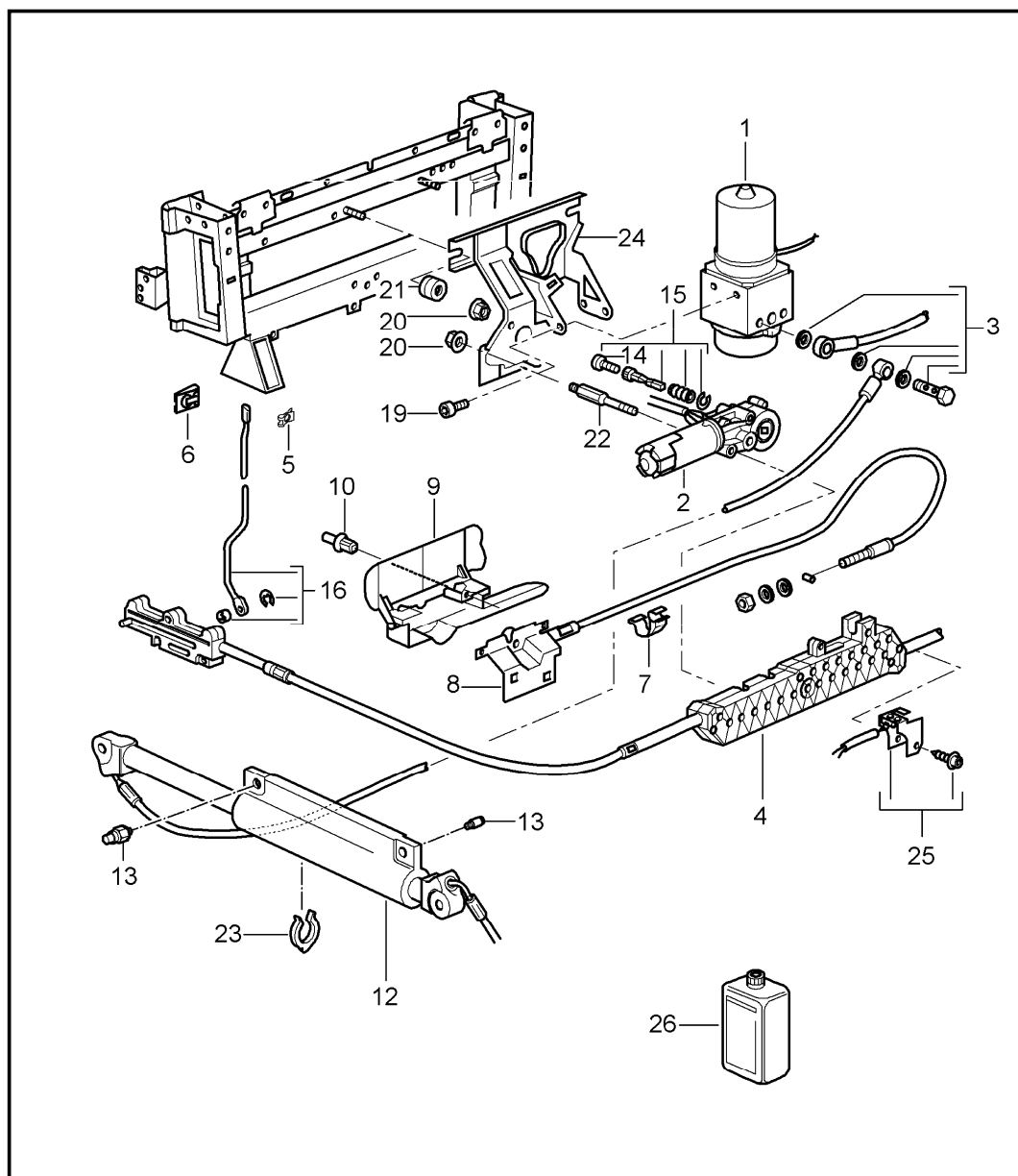
Pos	Part Number	Description	Remark	Qty	Model	Pos	Part Number	Description	Remark	Qty	Model
10	997 561 915 00	clamp assembly kit		1							

Model	Year	MG	SG	Illustration	Restrictions	UPD	7:39	25.01.2010	PORSCHE	PET	PORSCHE
997-1	2008	8	11	811-11		248					



Pos	Part Number	Description	Remark	Qty	Model
		flap lateral folding top			
1	996 561 175 01	flap	/L	1	
(1)	996 561 176 01	flap	/R	1	
3	996 561 625 00	flap	/L	1	
(3)	996 561 626 00	flap	/R	1	
4	999 507 533 02	clamp		X	
5	996 561 685 00	microswitch	/L	1	
(5)	996 561 686 00	microswitch	/R	1	
6	996 561 675 00	driving mechanism	/L	1	
(6)	996 561 676 00	driving mechanism	/R	1	
7	--- -- -- -- --	see illustrations 8/07/07	/R	1	

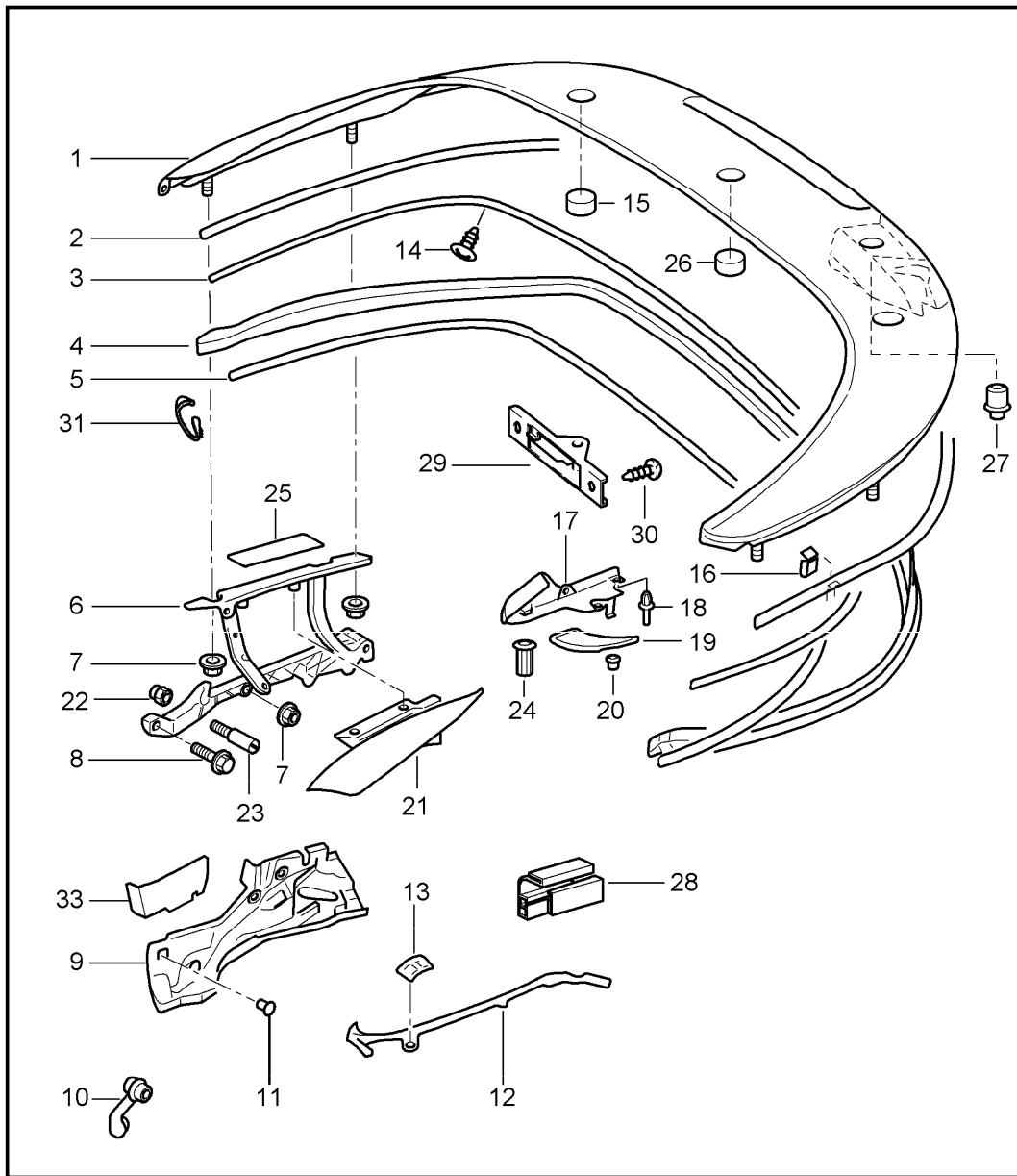
Model	Year	MG	SG	Illustration	Restrictions	UPD	7:40	25.01.2010	PORSCHE	PET	PORSCHE
997-1	2008	8	11	811-12		248					



Pos	Part Number	Description	Remark	Qty	Model
		convertible top driving mechanism hydraulic			
1	996 561 307 02	pump		1	
2	996 561 933 01	driving mechanism		1	
3	996 561 573 00	banjo bolt		2	
4	996 561 021 04	driving mechanism		1	
5	999 166 054 02	sl-lock		2	
6	999 703 235 01	bonded rubber buffer		2	
7	999 507 683 40	cable holder		X	
8	996 561 065 01	locking device		1	
9	996 561 265 03	lining		1	
10	999 591 941 40	expansion rivet		X	
12	996 561 945 02	cylinder		2	
13	996 561 245 00	bolt		1	
14	996 561 671 00	screw		1	
15	996 561 673 00	repair kit		1	
15	996 561 673 01	repair kit		1	
16	996 561 229 00	push rod	/L	1	
16	996 561 230 00	push rod	/R	1	
22	996 561 863 01	stud		3	
23	996 561 281 00	retainer		2	
24	996 561 207 01	bracket convertible top compartm. driving mechanism		1	
25	996 561 165 00	microswitch		1	
25	996 561 165 01	microswitch		1	
26	000 043 204 89	oil 250 ML		X	
27	996 561 221 00	knock-out lever	/L	1	
(27)	996 561 222 00	knock-out lever gate guide	/R	1	



Model	Year	MG	SG	Illustration	Restrictions	UPD	7:40	25.01.2010	PORSCHE	PET	PORSCHE
997-1	2008	8	11	811-13		248					

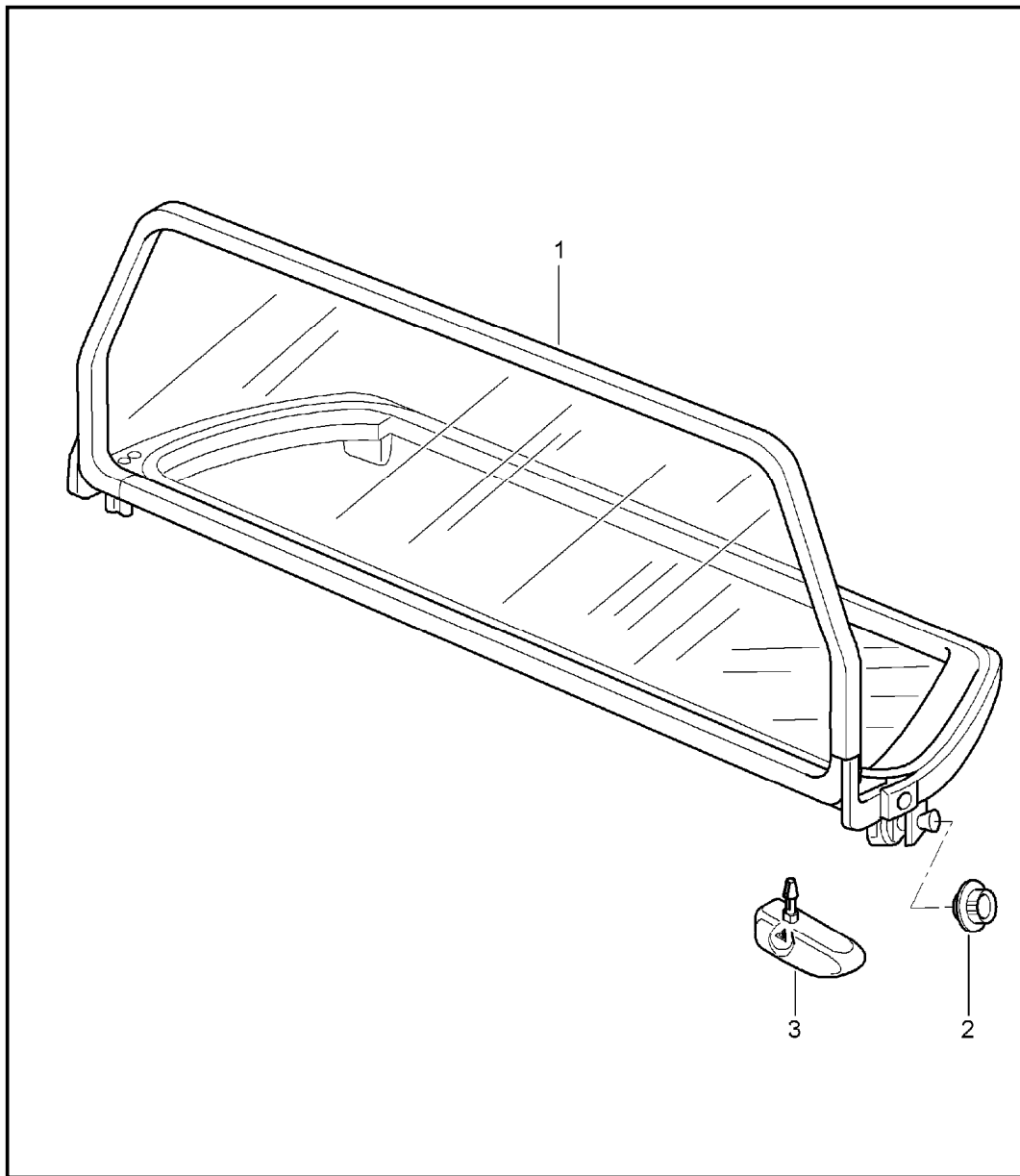


Pos	Part Number	Description	Remark	Qty	Model
1	997 514 011 00	convertible top compartm. lid gaskets		1	
2	996 514 631 00	GRV prime coated sealing strip	-05	1	
2	997 514 633 01	sealing strip use also:	06-	1	
-	000 043 207 26	adhesive tape		1	
3	996 514 731 00	gasket		1	
4	997 514 714 01	edge protection		1	
5	997 514 211 00	gasket		1	
6	996 561 907 02	hinge	/L	1	
6	996 561 908 02	hinge	/R	1	
7	900 377 003 02	hexagon nut		4	
8	900 378 180 09	hexagon-head bolt		2	
9	996 561 805 03	water drip pan	/L	1	
9	996 561 806 03	water drip pan	/R	1	
10	996 561 815 01	water drain hose	/L	1	
10	996 561 816 01	water drain hose	/R	1	
-	996 561 809 00	clamp for Pos. 10		2	
11	999 703 432 40	stopper		2	
12	996 561 755 01	water drain strip	/L	1	
(12)	996 561 756 01	water drain strip	/R	1	
13	999 507 647 02	tab washer		4	
14	999 073 047 02	tapping screw		2	
15	996 561 633 01	buffer		2	
16	999 507 600 09	u-clamp		2	
17	997 514 651 00	mounting	/L	1	

Model	Year	MG	SG	Illustration	Restrictions	UPD	7:40	25.01.2010	PORSCHE	PET	PORSCHE
997-1	2008	8	11	811-13		248					

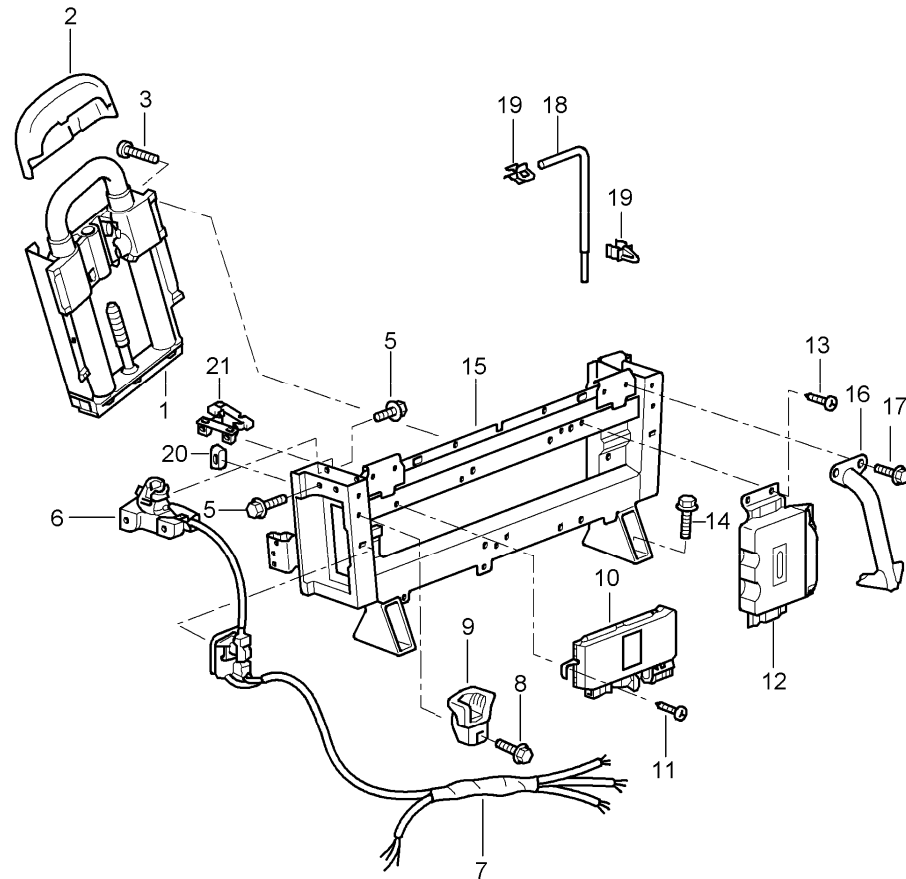
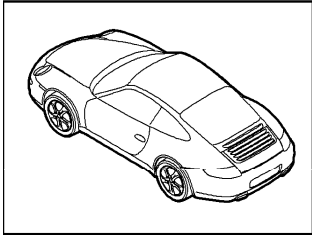
Pos	Part Number	Description	Remark	Qty	Model	Pos	Part Number	Description	Remark	Qty	Model
(17)	997 514 652 00	mounting	/R	1		34	999 703 117 40	stopper		1	CABRIO
18	999 591 712 40	expansion rivet		6		35	996 612 504 00	cable guide wiring harness brake light		1	CABRIO
19	996 504 861 00	cover	/L	1				8MM X 3000MM			
	GRV	prime coated									
(19)	996 504 862 00	cover	/R	1							
	GRV	prime coated									
21	996 561 061 02	flap	/L	1							
(21)	996 561 062 02	flap	/R	1							
22	999 500 086 02	blind rivet nut		4							
(24)	996 504 855 01	mounting		4							
25	996 561 904 00	gasket		X							
26	986 561 633 01	buffer		1							
27	999 703 140 40	rubber buffer		1							
28	996 561 401 00	stop	/L	1							
(28)	996 561 402 00	stop	/R	1							
29	996 561 465 00	clip		1							
30	999 073 130 02	oval-head screw		2							
31	996 514 511 00	clip		2							
32	997 561 801 00	stop -2MM		2							
32	997 561 801 01	stop -1MM		2							
32	997 561 801 02	stop +-0		2							
32	997 561 801 03	stop +1MM		2							
32	997 561 801 04	stop +2MM		2							
32	997 561 801 05	stop +3MM		2							
33	997 561 521 00	cover	/L	1							
(33)	997 561 522 00	cover	/R	1							

Model	Year	MG	SG	Illustration	Restrictions	UPD	7:40	25.01.2010	PORSCHE	PET	PORSCHE
997-1	2008	8	11	811-14		248					



Pos	Part Number	Description	Remark	Qty	Model
		wind deflector			
1	996 561 125 03	wind deflector		1	
	01C	black			
2	996 561 127 00	rosette	/L	1	
	01C	black			
2	996 561 128 00	rosette	/R	1	
	01C	black			
3	996 561 955 00	repair kit	/L	1	
(3)	996 561 956 00	repair kit	/R	1	
-	997 561 161 01	bag wind deflector		1	

Model	Year	MG	SG	Illustration	Restrictions	UPD	7:40	25.01.2010	PORSCHE	PET	PORSCHE
997-1	2008	8	11	811-15		248					

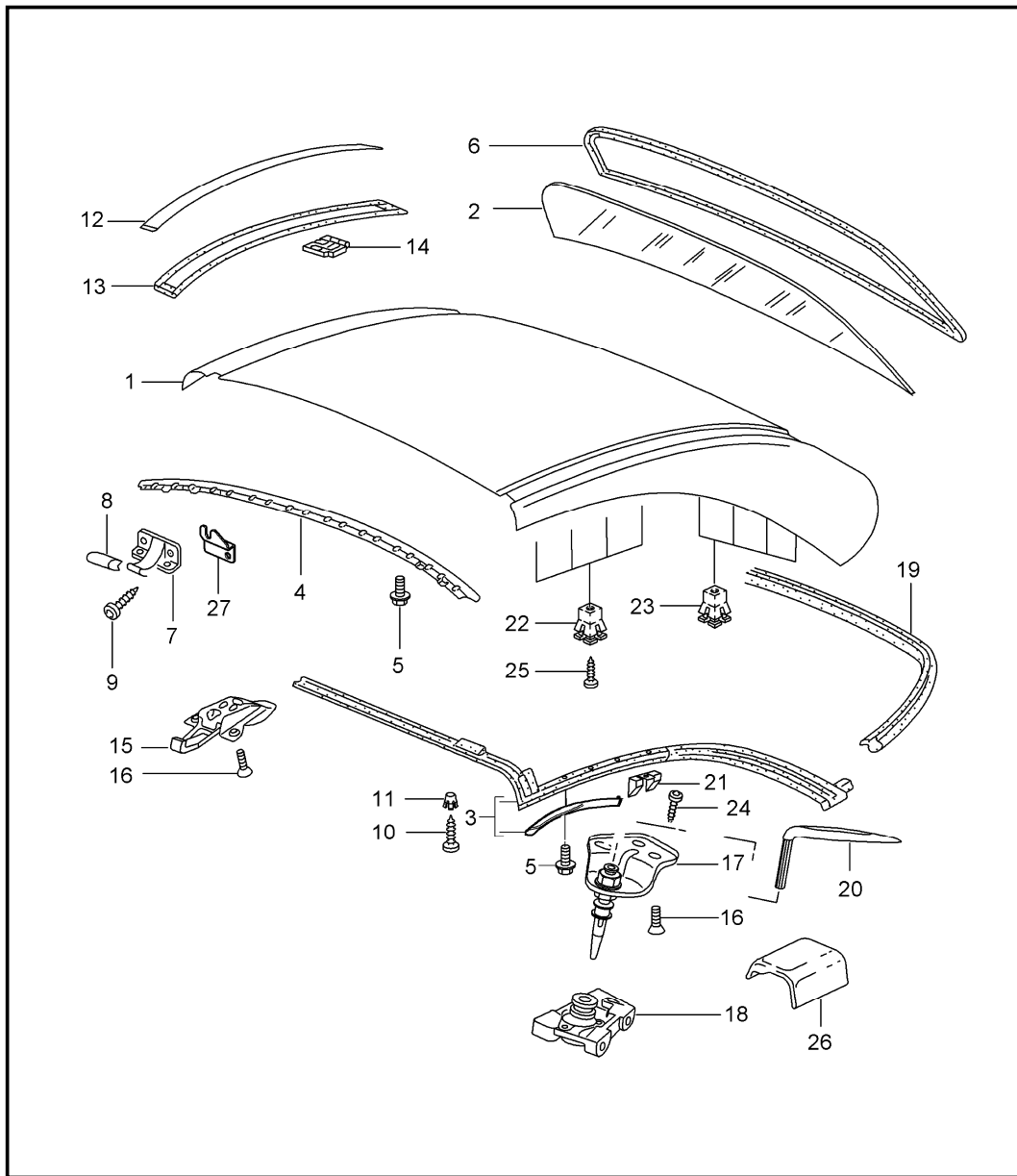


Pos	Part Number	Description	Remark	Qty	Model
		roll-over bar			CABRIO
1	997 580 021 01	roll-over bar F >>996S7 75280 F >>996S7 75282 F >>996S7 69549 F >>9966S 75792 F >>996S7 52046 F >>996S7 52047		2	
(1)	997 580 021 02	roll-over bar F 996S7 75281>> F 996S7 75283>> F 996S7 69550>> F 9966S 75793>> F 996S7 52046>> F99X6S 752048>>		2	
2	996 580 191 01	cover		2	
3	900 067 394 01	pan-head screw		12	
5	900 378 173 09	hexagon-head bolt		4	
-	999 084 635 02	shear-off nut		3	
6		mounting see illustrations 08/11/16		2	I550
7	997 612 696 00	wiring harness		1	
8	900 378 173 09	hexagon-head bolt		2	
9	996 561 463 02	guide	/L	1	
(9)	996 561 464 02	guide	/R	1	
10	997 618 111 02	control unit convertible top control		05	1
10	997 618 111 03	control unit convertible top control		06-	1
11	999 073 060 02	tapping screw		X	
12	---	control unit - dme - see group 9/01/03		X	
13	999 073 060 02	tapping screw		X	
14	999 072 033 09	hexagon-head bolt		4	

Model	Year	MG	SG	Illustration	Restrictions	UPD	7:40	25.01.2010	PORSCHE	PET	PORSCHE
997-1	2008	8	11	811-15		248					

Pos	Part Number	Description	Remark	Qty	Model	Pos	Part Number	Description	Remark	Qty	Model
15	997 580 311 02	auxiliary support F >>996S7 75280 F >>996S7 75281 F >>99767 69550 F >>99667 57925 F >>99867 52046 F >>99X67 52047		1							
(15)	997 580 311 03	auxiliary support F 996S7 75281>> F 996S7 75282>> F 99767 69551>> F 99667 57926>> F 99867 52047>> F 99X67 52047>>		1							
--	999 590 050 40	catch		4							
--	999 650 176 40	clip		3							
16	997 580 331 02	bracket	/L	1							
(16)	997 580 332 02	bracket	/R	1							
17	900 378 101 09	hexagon-head bolt		X							
18	999 571 079 03	angular screw driver		1							
19	999 507 633 40	retaining clip		2							
20	996 561 457 00	sleeve		2							
21	996 561 297 00	insert	/L	1							
(21)	996 561 298 00	insert	/R	1							
22	999 217 166 01	hexagon-head bolt M 10X55		2							

Model	Year	MG	SG	Illustration	Restrictions	UPD	7:40	25.01.2010	PORSCHE	PET	PORSCHE
997-1	2008	8	11	811-16		248					

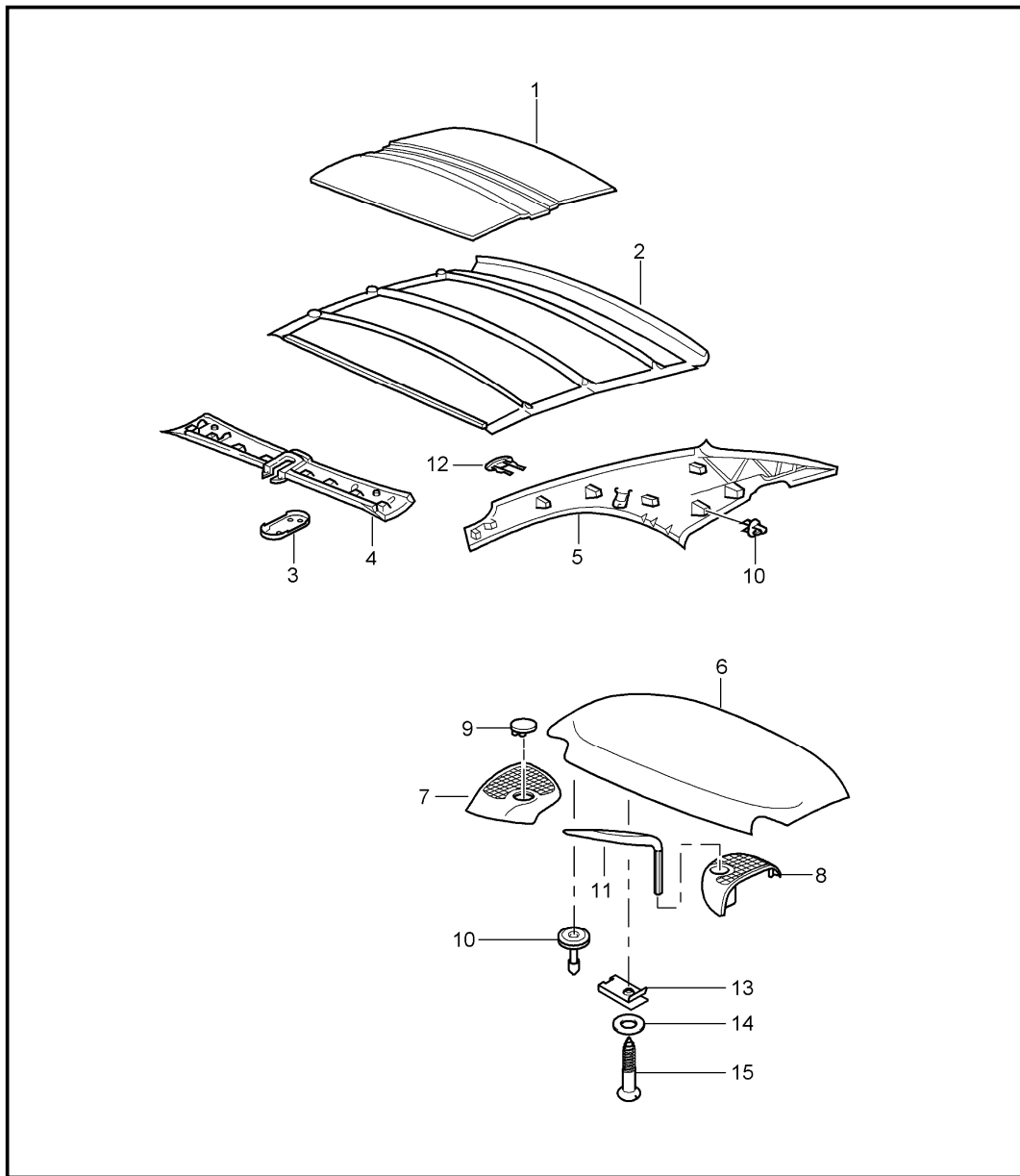


Pos	Part Number	Description	Remark	Qty	Model
		hardtop accessories gaskets			I550
1	996 563 911 00	hardtop		1	
	GRV	prime coated without accessories			
2	996 563 091 00	rear window ready for installation		1	
3	997 563 225 00	gasket with retaining strip rear when required order also:		1	
--	996 563 309 00	retaining strip front	/L	1	
--	996 563 310 00	retaining strip front	/R	1	
4	996 563 319 00	retaining strip		1	
5	999 073 049 02	fastening screw for retaining strip front transverse		8	
6	996 563 029 00	gasket		1	
7	996 563 405 00	centring journal	/L	1	
(7)	996 563 406 00	centring journal	/R	1	
8	996 563 705 01	cap	/L	1	
8	996 563 706 01	cap	/R	1	
9	999 919 144 09	oval-head screw		4	
10	999 073 049 02	tapping screw		14	
11	999 507 547 40	expander nut		8	
12	996 563 707 00	cover strip	/L	1	
	GRV	prime coated			
(12)	996 563 708 00	cover strip	/R	1	
	GRV	prime coated			

Model	Year	MG	SG	Illustration	Restrictions	UPD	7:40	25.01.2010	PORSCHE	PET	PORSCHE
997-1	2008	8	11	811-16		248					

Pos	Part Number	Description	Remark	Qty	Model	Pos	Part Number	Description	Remark	Qty	Model
13	996 563 361 00	gasket	/L	1		(27)	996 563 510 00	support for lining see group 8/11/17 POS. 5	/R	1	
(13)	996 563 362 00	gasket	/R	1							
14	986 563 721 00	clip		8							
15	996 563 401 00	catch		1							
16	900 249 055 09	countersunk-head screw M 6X20		3							
17	996 563 403 04	catch	/L	1							
(17)	996 563 404 04	catch	/R	1							
18	996 561 653 04	mounting	/L	1							
--	996 561 657 02	insert		1							
--	900 249 031 09	countersunk-head screw		6							
(18)	996 561 654 04	mounting	/R	1							
--	996 561 658 02	insert		1							
19	996 563 027 01	gasket		1							
20	996 563 413 01	tool		1							
21	996 563 125 00	thrust wedge		2							
22	999 507 923 40	expander nut green		8							
23	999 507 924 40	expander nut yellow		8							
24	999 450 008 09	tapping screw		2							
25	999 073 049 02	tapping screw		16							
26	996 563 421 01	protective tab		2							
--	999 507 659 40	expander nut hardtop support for contact	/L	1							
--	999 507 662 40	expander nut hardtop support for contact	/R	1							
27	996 563 509 00	support for lining see group 8/11/17 POS. 5	/L	1							

Model	Year	MG	SG	Illustration	Restrictions	UPD	7:41	25.01.2010	PORSCHE	PET	PORSCHE
997-1	2008	8	11	811-17		248					



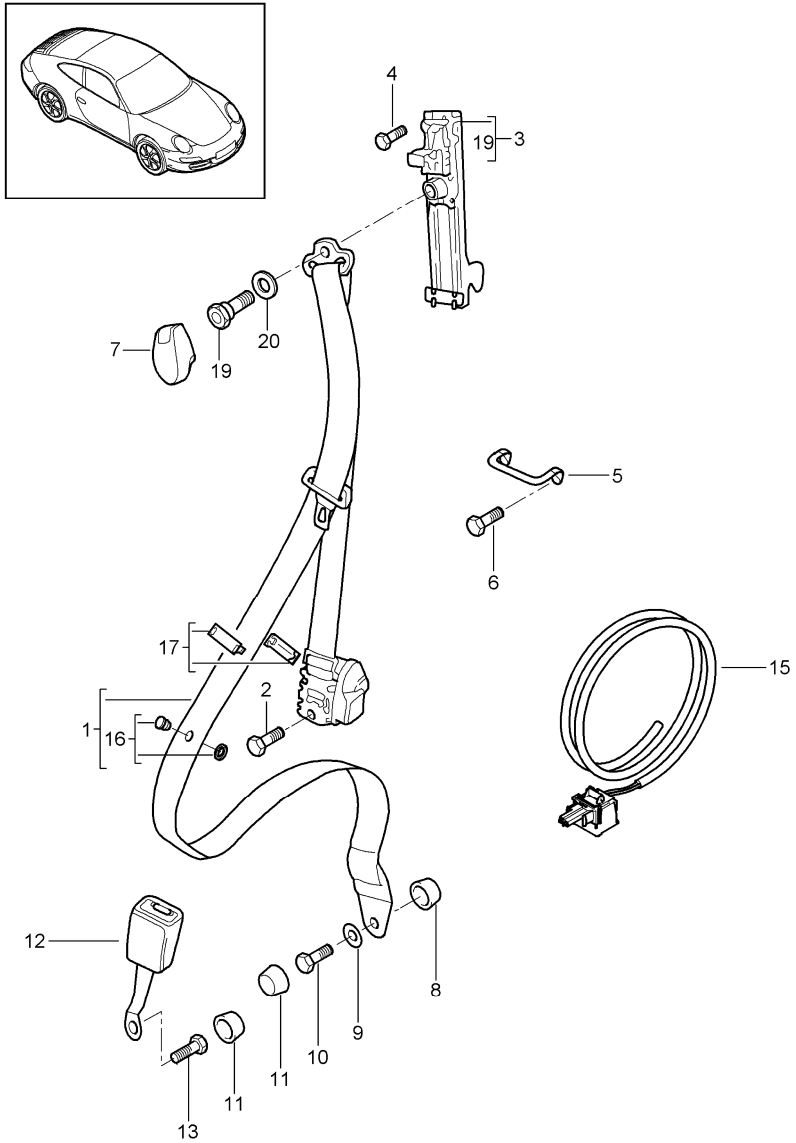
Pos	Part Number	Description	Remark	Qty	Model
		hardtop sound absorber			I550
1	996 563 523 00	sound absorber		1	
2	996 563 111 01	roofliner		1	
	A21	black			
3	997 563 551 00	trim cover		1	
	01C	black			
4	997 563 501 00	lining leatherette		1	
	1MZ	black			
	1TK	sand beige			
	1UL	palmgreen			
	1VM	sea blue			
	1YP	stone grey			
5	997 563 503 00	lining leatherette	/L	1	
	1MZ	black			
	1TK	sand beige			
	1UL	palmgreen			
	1VM	sea blue			
	1YP	stone grey			
(5)	997 563 504 00	lining leatherette	/R	1	
	1MZ	black			
	1TK	sand beige			
	1UL	palmgreen			
	1VM	sea blue			
	1YP	stone grey			
6	996 563 505 00	lining		1	
	A07	black			
	B07	space grey			



Model	Year	MG	SG	Illustration	Restrictions	UPD	7:41	25.01.2010	PORSCHE	PET	PORSCHE
997-1	2008	8	11	811-17		248					

Pos	Part Number	Description	Remark	Qty	Model	Pos	Part Number	Description	Remark	Qty	Model
	C07	graphite grey									
	G07	metropole blue									
7	996 563 554 00	lining	/R	1							
	A10	black									
	B50	space grey									
	C50	graphite grey									
	G10	metropole blue									
8	996 563 553 00	lining	/L	1							
	A10	black									
	B50	space grey									
	C50	graphite grey									
	G10	metropole blue									
9	996 555 457 00	lid		2							
	A10	black									
	C50	graphite grey									
	G10	metropole blue									
	B50	space grey									
10	999 507 764 40	clip		X							
11	996 563 413 01	tool		1							
12	996 563 561 00	rubber stop		2							
	01C	black for sun visors									
13	999 507 139 01	speed nut		X							
14	900 151 027 02	washer		2							
15	900 143 046 02	tapping screw		2							

Model	Year	MG	SG	Illustration	Restrictions	UPD	7:41	25.01.2010	PORSCHE	PET	PORSCHE
997-1	2008	8	12	812-00		248					

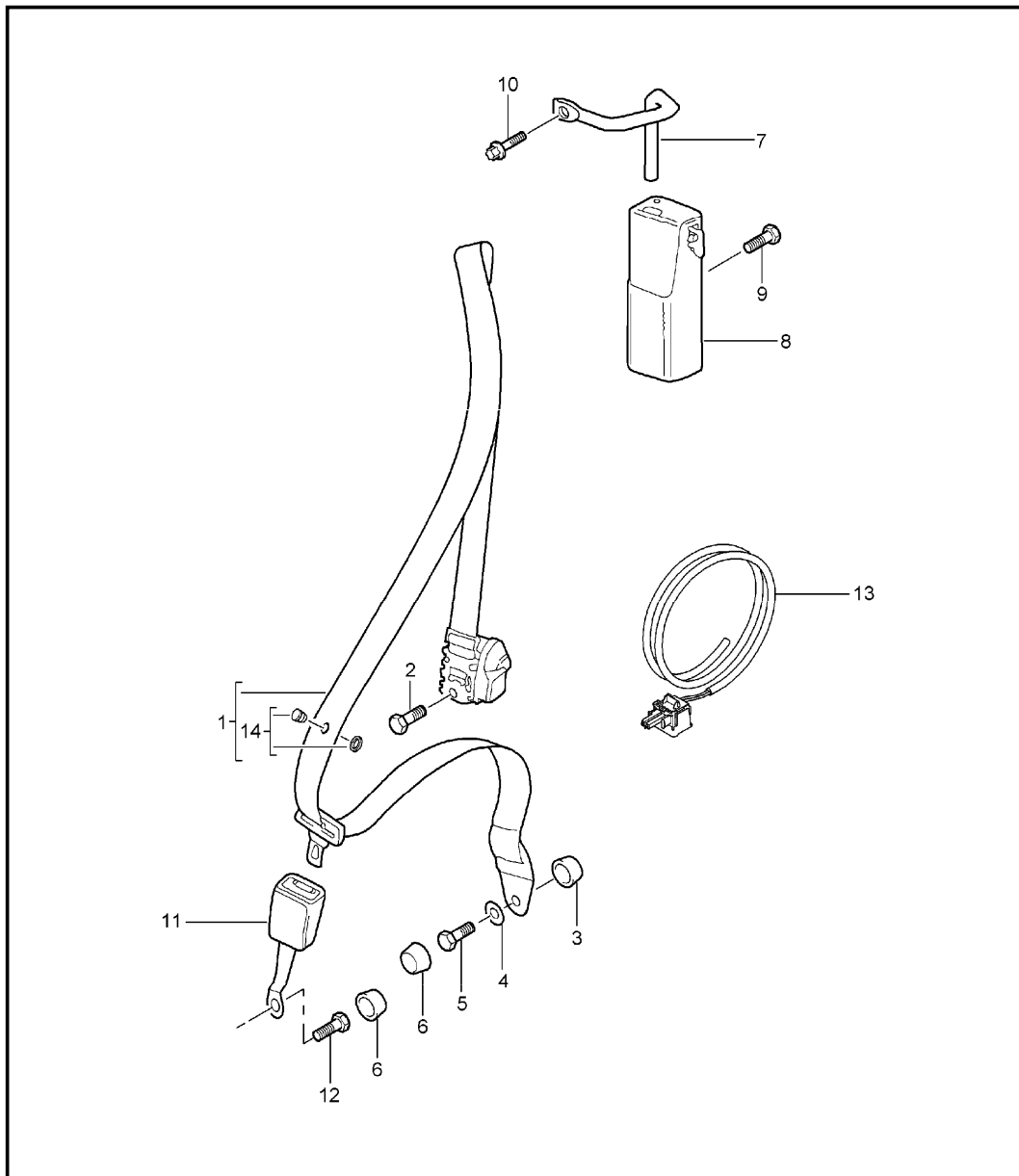


Pos	Part Number	Description	Remark	Qty	Model
1	997 803 033 02	seat belt front		1	COUPE TARGA
	A23	black	/L		I555
	N13	guards red			IXSX
	U01	silver			IXSH
	V02	speed yellow			IXSY
(1)	997 803 034 04	seat belt	/R	1	
	A23	black			I555
	N13	guards red			IXSX
	U01	silver			IXSH
	V02	speed yellow			IXSY
2	999 075 070 09	fastening screw		2	
3	997 803 231 01	height adjustment with fastening screw		2	
--	999 075 078 01	fastening screw		2	
4	900 067 131 02	pan-head screw		2	
5	996 803 825 01	relay lever		2	
6	900 378 036 09	hexagon-head bolt		4	
7	997 803 521 00	cover		2	
	A03	black			
8	999 924 064 02	spacer sleeve		2	
(8)	997 803 663 00	spacer sleeve	08-	1	I388/389
9	211 857 771	washer		2	
(9)	999 028 022 01	spring washer	08-	1	I388/389
--	999 025 275 A2	washer	08-	1	I388/389
10	999 075 073 09	screw		2	
(10)	999 075 072 A2	hexagon-head bolt	08-	2	I388/389
11	811 857 845	cap		2	

Model	Year	MG	SG	Illustration	Restrictions	UPD	7:41	25.01.2010	PORSCHE	PET	PORSCHE
997-1	2008	8	12	812-00		248					

Pos	Part Number	Description	Remark	Qty	Model	Pos	Part Number	Description	Remark	Qty	Model
	01C	black									
12	996 803 183 08	seat-belt buckle passenger's side		1							
(12)	997 803 183 01	seat-belt buckle driver's side		1							
12	997 803 183 04	seat-belt buckle driver's side	08-	1	I388						
(12)	997 803 183 04	seat-belt buckle driver's side	08-	1	I389						
(12)	997 803 183 05	seat-belt buckle passenger's side	08-	1	I389						
12	997 803 183 05	seat-belt buckle passenger's side	08-	1	I388						
13	999 218 101 02	fastening screw		2							
15	--- --- --- --	cable for seat-belt tensioner see group 9/02/10		X							
16	955 803 056 00	knob		2							
	HCP	black									
17	997 803 334 00	clamping piece		2							
	01C	black									
18	000 043 206 96	clamp see technical manual 693649		2							
19	999 075 078 01	hexagon-head bolt 7/16-20UNF		2							
20	999 031 052 40	adjusting shim 14,2X22,0		2							

Model	Year	MG	SG	Illustration	Restrictions	UPD	7:41	25.01.2010	PORSCHE	PET	PORSCHE
997-1	2008	8	12	812-01		248					

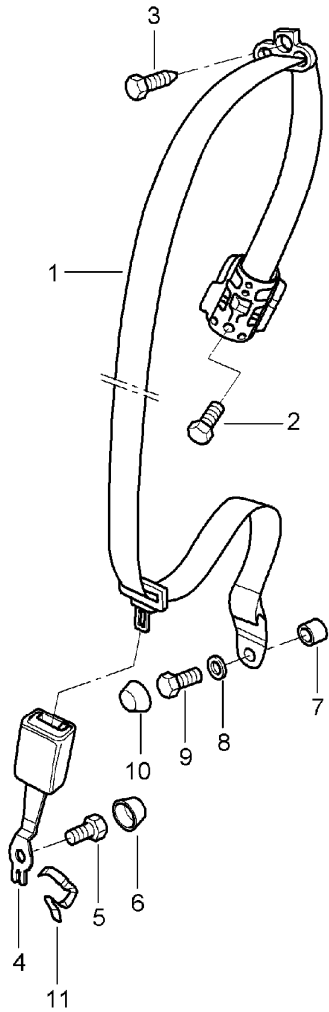


Pos	Part Number	Description	Remark	Qty	Model
1	997 803 033 03	seat belt front			CABRIO
	A23	black	/L	1	I555
	N13	guards red			IXSX
	V02	speed yellow			IXSY
	U01	silver			IXSH
(1)	997 803 034 05	seat belt	/R	1	
	A23	black			I555
	N13	guards red			IXSX
	V02	speed yellow			IXSY
	U01	silver			IXSH
2	999 075 070 09	fastening screw		2	
3	999 924 064 02	spacer sleeve		2	
(3)	997 803 663 00	spacer sleeve	08-	1	I388/389
4	211 857 771	washer		2	
(4)	999 028 022 01	spring washer	08-	1	I388/389
--	999 025 275 A2	washer	08-	1	I388/389
5	999 075 073 09	fastening screw		2	
(5)	999 075 072 A2	hexagon-head bolt	08-	2	I388/389
6	811 857 845	cap		2	
7	996 803 815 00	reverse lever	/L	1	
7	996 803 816 00	reverse lever	/R	1	
8	996 803 581 00	mounting	/L	1	
8	996 803 582 00	mounting	/R	1	
9	999 075 065 09	hexagon-head bolt M8x35		4	
10	900 378 017 09	fastening screw seat-belt buckle driver's side		2	

Model	Year	MG	SG	Illustration	Restrictions	UPD	7:41	25.01.2010	PORSCHE	PET	PORSCHE
997-1	2008	8	12	812-01		248					

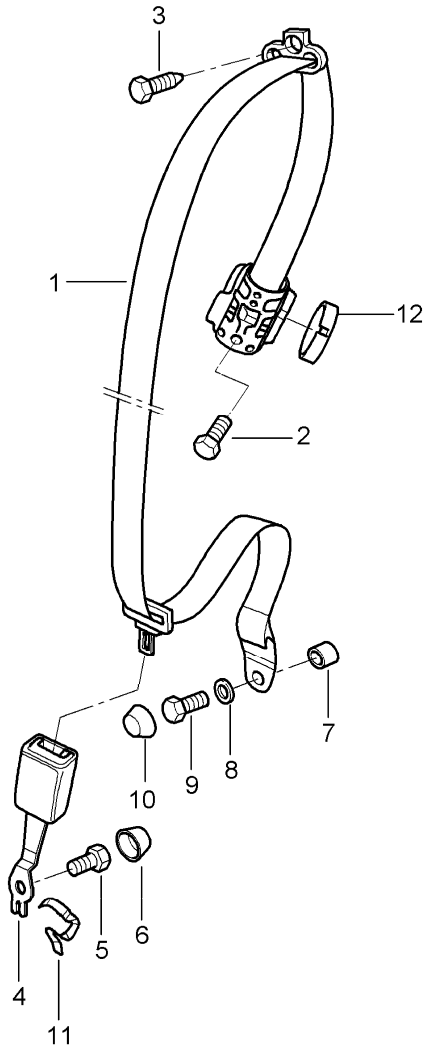
Pos	Part Number	Description	Remark	Qty	Model	Pos	Part Number	Description	Remark	Qty	Model
11	996 803 183 08	seat-belt buckle passenger's side		1							
(11)	997 803 183 01	seat-belt buckle driver's side		1							
11	997 803 183 04	seat-belt buckle driver's side	08-	1	I388						
(11)	997 803 183 04	seat-belt buckle driver's side	08-	1	I389						
(11)	997 803 183 05	seat-belt buckle passenger's side	08-	1	I389						
11	997 803 183 05	seat-belt buckle passenger's side	08-	1	I388						
12	999 218 101 02	fastening screw		2							
13	--- --- --- --	cable for seat-belt tensioner see group 9/02/10		X							
14	955 803 056 00	knob		2							
	HCP	black									
15	997 803 334 00	clamping piece		2							
	01C	black									

Model	Year	MG	SG	Illustration	Restrictions	UPD	7:41	25.01.2010	PORSCHE	PET	PORSCHE
997-1	2008	8	12	812-05		248					



Pos	Part Number	Description	Remark	Qty	Model
		seat belt rear			COUPE
1	997 803 035 02	seat belt	/L	1	
	V02	speed yellow			
	N13	guards red			
	U01	silver			
	A23	black			
(1)	997 803 036 02	seat belt	/R	1	
	V02	speed yellow			
	N13	guards red			
	U01	silver			
	A23	black			
2	999 075 070 09	fastening screw		2	
3	999 075 057 09	fastening screw		2	
4	996 803 165 01	seat-belt buckle	/L	1	
(4)	996 803 166 01	seat-belt buckle	/R	1	
5	999 075 070 09	fastening screw		2	
6	811 857 845	cap		2	
7	999 924 064 02	spacer sleeve		2	
8	211 857 771	washer		2	
9	999 075 073 09	screw		2	
10	811 857 845	cap		2	I193
11	996 551 745 00	clamp	/L	2	
(11)	996 551 746 00	clamp	/R	2	

Model	Year	MG	SG	Illustration	Restrictions	UPD	7:41	25.01.2010	PORSCHE	PET	PORSCHE
997-1	2008	8	12	812-06		248					



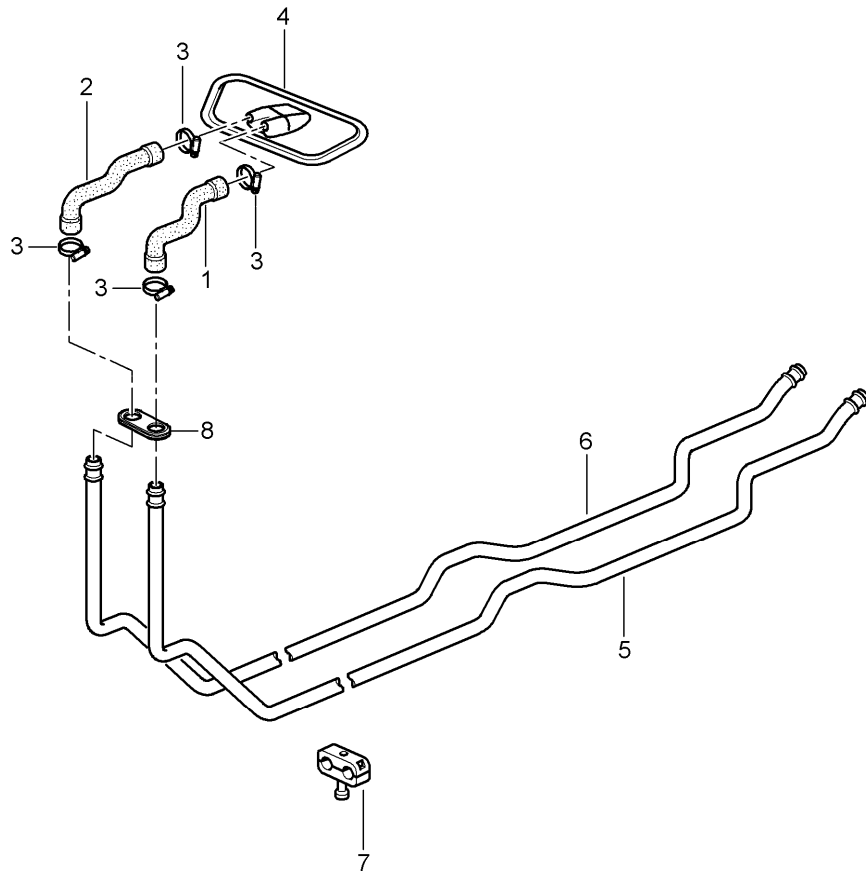
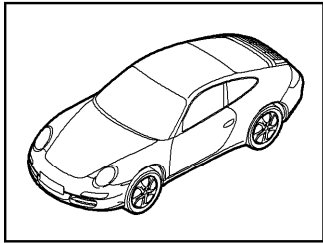
Pos	Part Number	Description	Remark	Qty	Model
1	997 803 035 00	seat belt rear		1	CABRIO TARGA
	V02	speed yellow	/L		CABRIO
	N13	guards red			
	U01	silver			
	A23	black			
1	997 803 035 04	seat belt	/L	1	TARGA
	V02	speed yellow			
	N13	guards red			
	U01	silver			
	A23	black			
(1)	997 803 036 00	seat belt	/R	1	CABRIO
	V02	speed yellow			
	N13	guards red			
	U01	silver			
	A23	black			
(1)	997 803 036 04	seat belt	/R	1	TARGA
	V02	speed yellow			
	N13	guards red			
	U01	silver			
	A23	black			
2	999 075 070 09	fastening screw		2	
3	999 075 057 09	fastening screw		2	
4	996 803 165 01	seat-belt buckle	/L	1	
(4)	996 803 166 01	seat-belt buckle	/R	1	
5	999 075 070 09	fastening screw		2	
6	811 857 845	cap		2	
7	999 924 064 02	spacer sleeve		2	

Model	Year	MG	SG	Illustration	Restrictions	UPD	7:41	25.01.2010	PORSCHE	PET	PORSCHE
997-1	2008	8	12	812-06		248					

Pos	Part Number	Description	Remark	Qty	Model	Pos	Part Number	Description	Remark	Qty	Model
8	211 857 771	washer		2							
9	999 075 073 09	fastening screw		2							
10	811 857 845	cap		2							
	01C	black									
11	996 551 745 00	clamp		2							

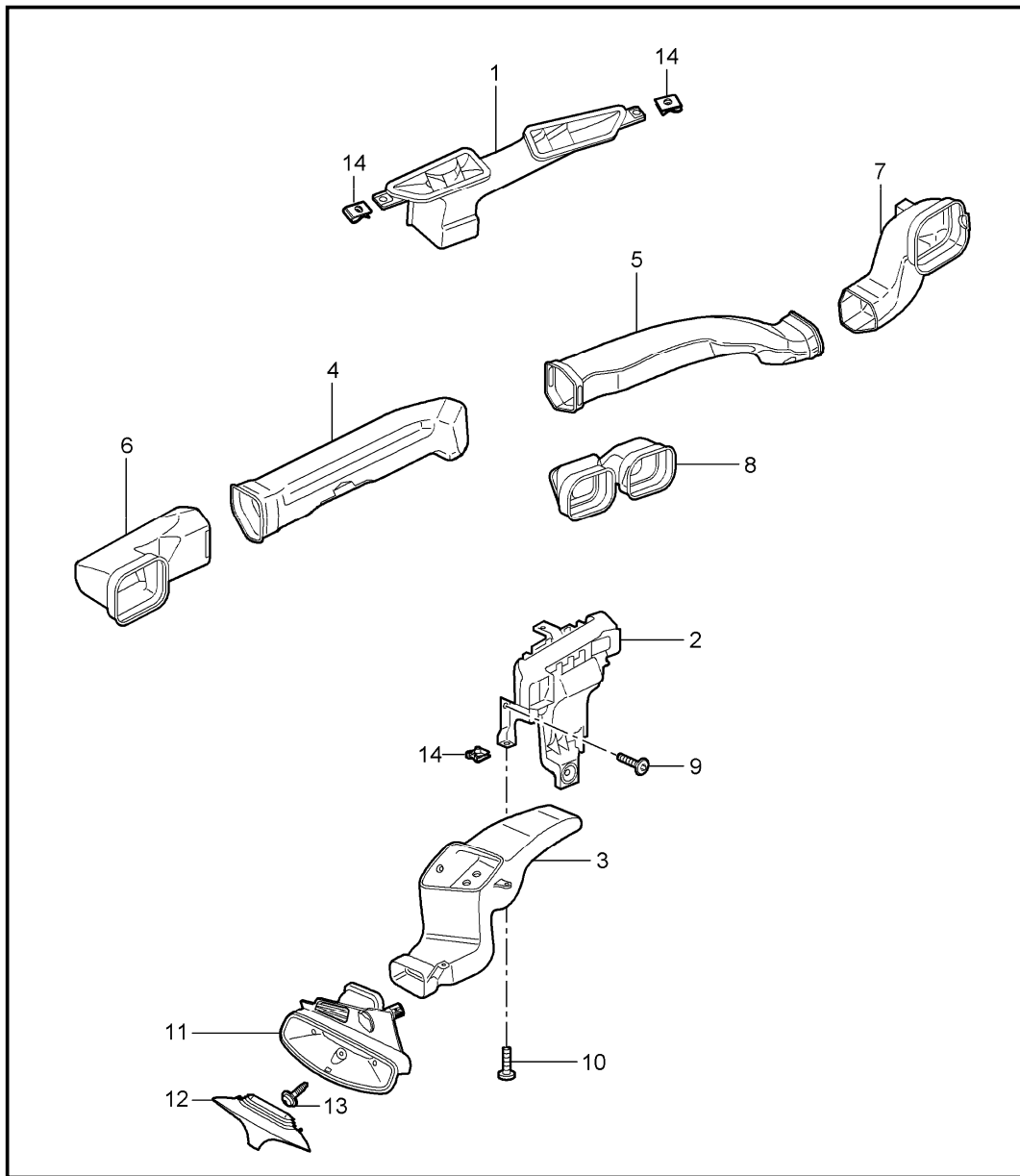


Model	Year	MG	SG	Illustration	Restrictions	UPD	7:42	25.01.2010	PORSCHE	PET	PORSCHE
997-1	2008	8	13	813-00		248					



Pos	Part Number	Description	Remark	Qty	Model
		heating system 1 feed line return line			
1	996 572 583 04	heater hose	/LL	1	
(1)	996 572 583 05	heater hose	/RL	1	
2	996 572 585 04	heater hose	/LL	1	
(2)	996 572 585 05	heater hose	/RL	1	
3	999 512 603 09	hose clamp		4	
4	996 572 263 02	gasket	/LL	1	
(4)	996 572 263 03	gasket	/RL	1	
5	997 572 681 00	heater pipeline supply		1	
6	997 572 683 00	heater pipeline return line		1	
--	996 572 785 00	connection piece		X	
7	999 511 230 40	cable holder		4	
--	999 511 232 41	rubber mounting		4	
8	996 572 765 02	grommet		1	

Model	Year	MG	SG	Illustration	Restrictions	UPD	7:42	25.01.2010	PORSCHE	PET	PORSCHE
997-1	2008	8	13	813-01		248					



Pos	Part Number	Description	Remark	Qty	Model
		air distributor passenger compartment			
1	997 572 631 00	defroster vent	/LL	1	I098
(1)	997 572 631 01	defroster vent	/RL	1	I099
2	997 572 171 00	air distributor	/LL	1	I098
(2)	997 572 171 01	air distributor	/RL	1	I099
3	997 572 793 00	footwell outlet vent	/LL	1	I098
(3)	997 572 793 02	footwell outlet vent	/LL	1	I098/680
(3)	997 572 793 01	footwell outlet vent	/RL	1	I099
(3)	997 572 793 03	footwell outlet vent	/RL	1	I099/680
4	997 572 463 00	air duct	/LL /L	1	I098
(4)	997 572 463 01	air duct	/RL /L	1	I099
5	997 572 464 00	air duct	/LL /R	1	I098
(5)	997 572 464 01	air duct	/RL /R	1	I099
6	997 572 767 00	air duct	/LL /L	1	I098
(6)	997 572 767 01	air duct	/RL /L	1	I099
7	997 572 768 00	air duct	/RL /R	1	I098
(7)	997 572 768 01	air duct	/LL /R	1	I099
8	997 572 769 00	air duct		1	
(8)	997 572 769 01	air duct		1	
9	999 919 118 09	oval-head screw		2	
10	999 073 339 09	tapping screw		2	
11	997 572 396 00	cover	/LL	05	CABRIO I098 I680
		01C satin black			
11	997 572 396 02	cover	/LL	06-	CABRIO I098 I680
		01C satin black			

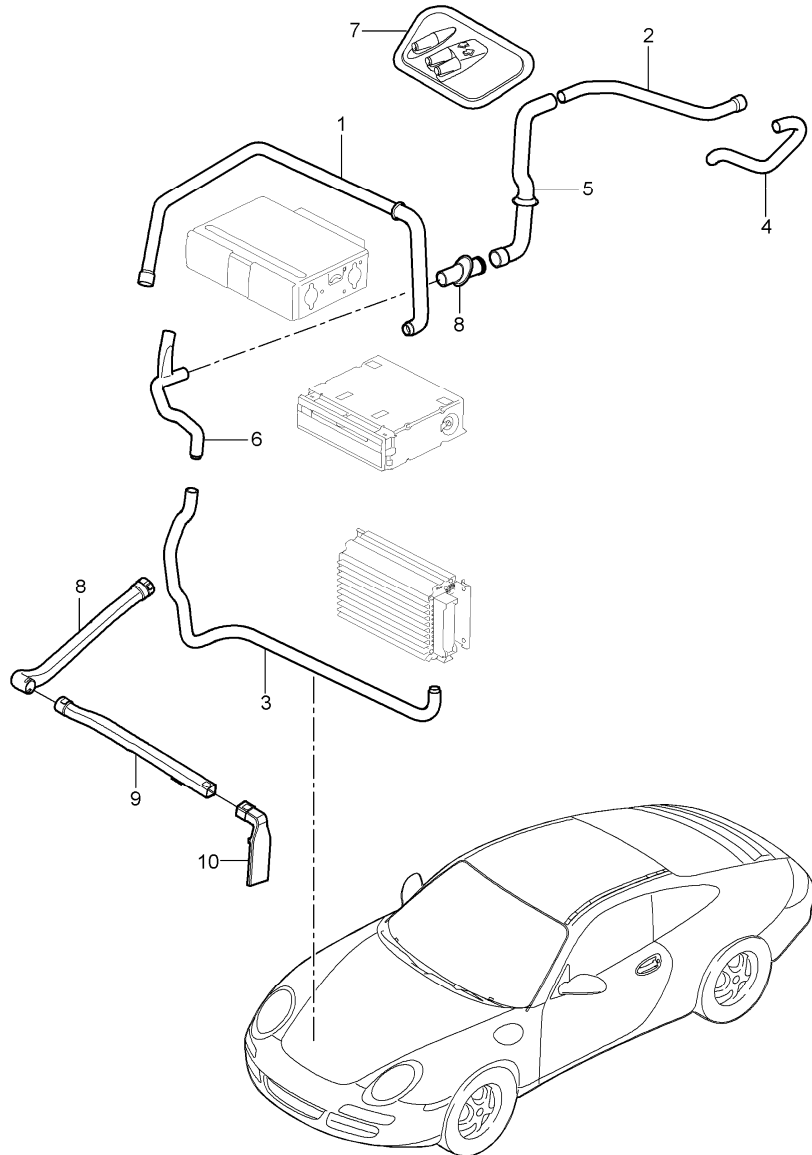
Model	Year	MG	SG	Illustration	Restrictions	UPD	7:42	25.01.2010	PORSCHE	PET	PORSCHE
997-1	2008	8	13	813-01		248					

Pos	Part Number	Description	Remark	Qty	Model	Pos	Part Number	Description	Remark	Qty	Model
11	997 572 395 00	cover	/RL	05	1 CABRIO I099 I680		5Y2	palmgreen			
	01C	satin black					5Z1	sand beige			
							8P9	cocoa			
11	997 572 395 02	cover	/RL	06-	1 CABRIO I099 I680		8W7	sea blue			
	01C	satin black					8X8	terracotta			
							T13	brown/natural			
11	997 572 396 01	cover	/LL	05	1 CABRIO I098 I680	11	997 572 395 03	cover	/RL	06-	1 CABRIO I099 I680
		lacquered						lacquered			
	5V7	stone grey					5V7	stone grey			
	5Y2	palmgreen					5Y2	palmgreen			
	5Z1	sand beige					5Z1	sand beige			
	8P9	cocoa					8P9	cocoa			
	8W7	sea blue					8W7	sea blue			
	8X8	terracotta					8X8	terracotta			
	T13	brown/natural					T13	brown/natural			
11	997 572 396 03	cover	/LL	06-	1 CABRIO I098 I680	12	997 572 798 02	cover	/LL		1 CABRIO I098 I680
		lacquered					01C	satin black			
	5V7	stone grey									
	5Y2	palmgreen				12	997 572 797 02	cover	/RL		1 CABRIO I099 I680
	5Z1	sand beige					01C	satin black			
	8P9	cocoa									
	8W7	sea blue				12	997 572 798 03	cover	/LL		1 CABRIO I098 I680
	8X8	terracotta						lacquered			
	T13	brown/natural					5V7	stone grey			
11	997 572 395 01	cover	/RL	05	1 CABRIO I099 I680		5Y2	palmgreen			
		lacquered					5Z1	sand beige			
	5V7	stone grey					8P9	cocoa			
							8W7	sea blue			

Model	Year	MG	SG	Illustration	Restrictions	UPD	7:42	25.01.2010	PORSCHE	PET	PORSCHE
997-1	2008	8	13	813-01		248					

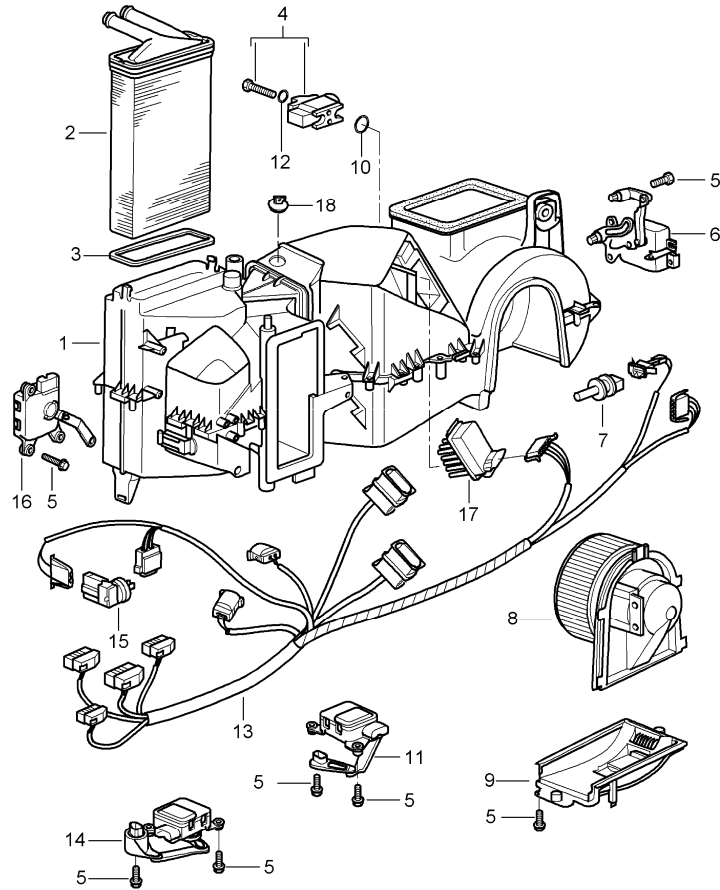
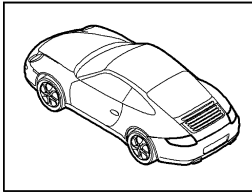
Pos	Part Number	Description	Remark	Qty	Model	Pos	Part Number	Description	Remark	Qty	Model
	8X8	terracotta									
	T13	brown/natural									
12	997 572 797 03	cover	/RL	1	CABRIO I099 I680						
		lacquered									
	5V7	stone grey									
	5Y2	palmgreen									
	5Z1	sand beige									
	8P9	cocoa									
	8W7	sea blue									
	8X8	terracotta									
	T13	brown/natural									
13	999 073 345 09	lens-head screw		1	CABRIO I680						
		M 5 x 18									
14	999 507 785 02	speed nut		3							
		ST 4,2									
14	999 507 785 01	speed nut		3							
		st 4,2									

Model	Year	MG	SG	Illustration	Restrictions	UPD	7:42	25.01.2010	PORSCHE	PET	PORSCHE
997-1	2008	8	13	813-02		248					



Pos	Part Number	Description	Remark	Qty	Model
		luggage compartment cooling			I575
1	997 572 588 00	air duct dvd		1	I072/215/670
(1)	997 572 588 01	air duct dvd		1	I664/670
2	997 572 582 00	air duct plenum panel		1	I072/215 I553/670
3	997 572 590 00	air duct booster		1	I072/215 I553/670
4	997 572 580 00	air duct air conditioner		1	I072/215 I553/670
5	997 572 584 03	air duct bulkhead		1	I072/215 I553/670
6	997 572 586 06	air duct booster		1	I072/215/670
(6)	997 572 586 02	air duct booster		1	CARRERA 4
7	997 572 263 00	gasket		1	
8	997 572 586 03	air duct booster		1	CARRERA 4 I575/664
9	997 572 586 04	air duct booster		1	CARRERA 4 I575/664
10	997 572 586 05	air duct booster		1	CARRERA 4 I575/664
--	997 572 593 01	connection piece		1	
--	999 703 009 40	stopper		1	

Model	Year	MG	SG	Illustration	Restrictions	UPD	16:57	02.02.2010	PORSCHE	PET	PORSCHE
997-1	2008	8	13	813-05		248					

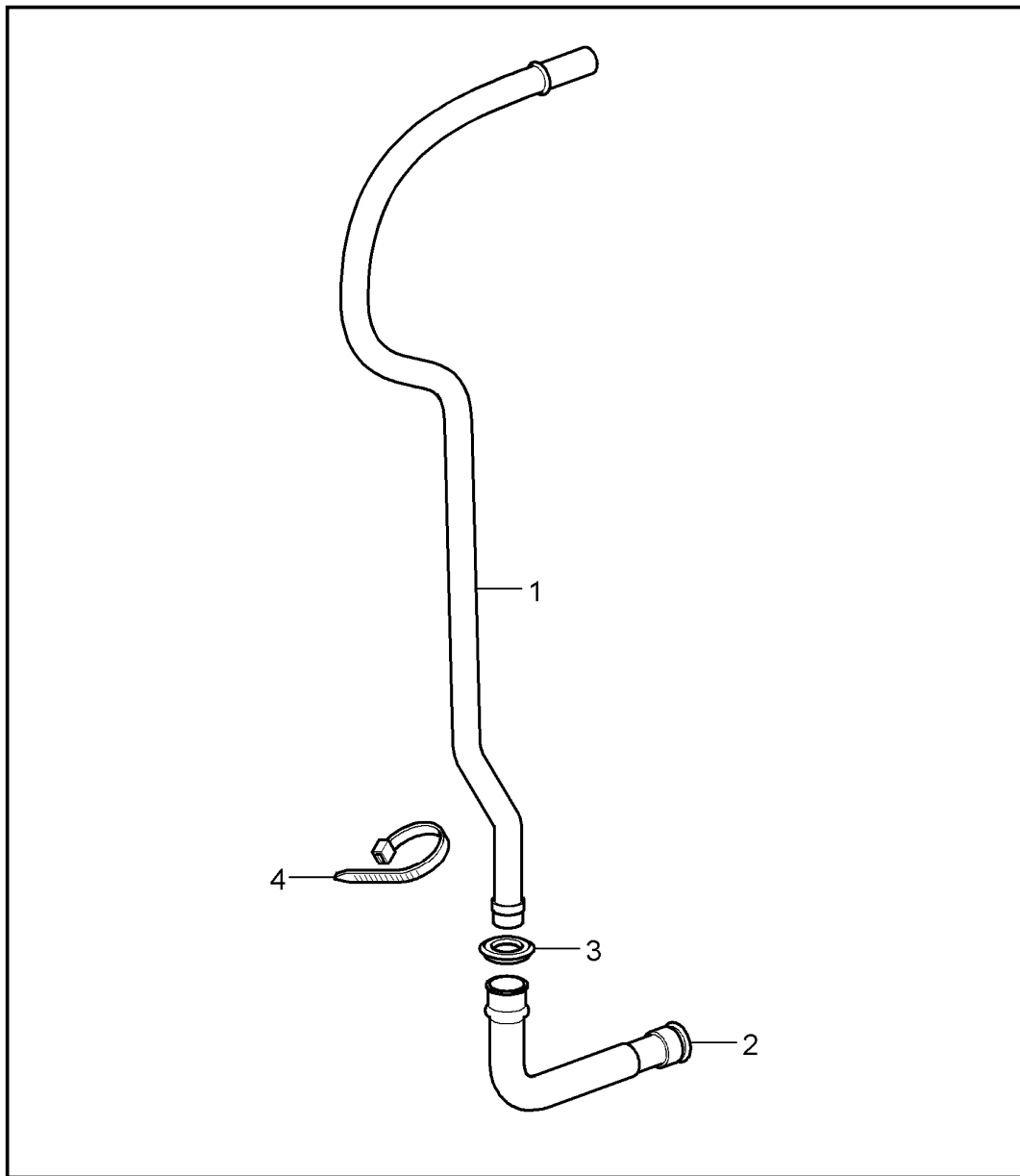


Pos	Part Number	Description	Remark	Qty	Model
		air conditioner single parts			
1	987 573 901 00	air conditioner without heat exchanger with evaporator	/LL	1	I098/572
1	997 573 901 00	air conditioner without heat exchanger with evaporator	/LL	1	I098/573
(1)	987 573 901 01	air conditioner without heat exchanger with evaporator	/RL	1	I099/572
(1)	996 573 901 01	air conditioner without heat exchanger with evaporator	/RL	1	I099/573
2	997 572 129 00	heat exchanger		1	
3	996 572 913 00	gasket		1	
4	996 573 929 01	expansion valve		1	
5	900 143 102 02	combination screw		X	
6	996 573 915 00	electric motor fresh-air flap identification black	/LL	1 1 1 1	I098/573
(6)	996 573 915 01	electric motor fresh-air flap identification black	/RL	1	I099/573
7	955 572 304 10	temperature sensor		1	
8	996 624 107 01	blower	/LL	1	I098
(8)	996 624 108 01	blower	/RL	1	I099
9	996 573 905 00	lid		1	
10	999 707 596 40	o-ring 14x1,82		1	

Model	Year	MG	SG	Illustration	Restrictions	UPD	16:57	02.02.2010	PORSCHE	PET	PORSCHE
997-1	2008	8	13	813-05		248					

Pos	Part Number	Description	Remark	Qty	Model	Pos	Part Number	Description	Remark	Qty	Model
11	996 573 919 02	electric motor temperature valve identification pink	/LL	1	I098						
(11)	996 573 919 03	electric motor temperature valve identification pink	/RL	1	I099						
12	999 707 534 41	o-ring 17x2,00		1							
13	997 612 655 02	wiring harness	/LL	1	I098/573						
(13)	997 612 656 02	wiring harness	/RL	-07	1	I099/573					
(13)	997 612 656 04	wiring harness	/RL	08-	1	I099/573					
(13)	987 612 655 00	wiring harness	/LL	-07	1	I098/572					
(13)	987 612 655 02	wiring harness	/LL	08-	1	I098/572					
(13)	987 612 656 01	wiring harness	/RL	-07	1	I099/572					
(13)	987 612 656 03	wiring harness	/RL	08-	1	I099/572					
14	996 573 921 02	electric motor defroster flap identification yellow	/LL	1	I098						
(14)	996 573 921 03	electric motor defroster flap identification yellow	/RL	1	I099						
15	1H0 907 543 A	temperature sensor		1							
16	996 573 917 02	electric motor central valve identification green	/LL	1	I098						
(16)	996 573 917 03	electric motor central valve identification green	/RL	1	I099						
17	996 573 923 00	resistor		1							
--	996 573 927 00	blower outlet sensor		1	I573						
--	1H0 819 943	screw		2							
18	997 573 935 00	stopper		1							

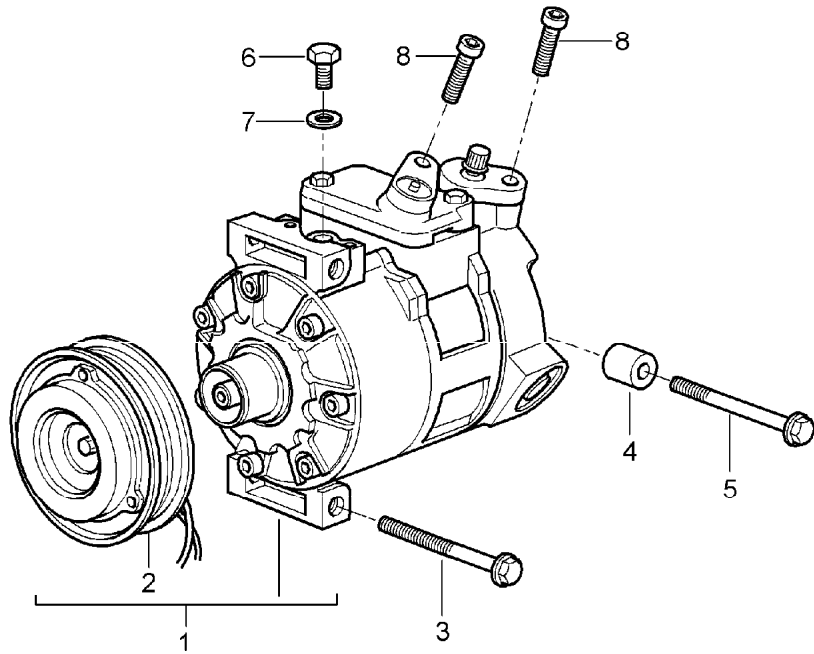
Model	Year	MG	SG	Illustration	Restrictions	UPD	7:43	25.01.2010	PORSCHE	PET	PORSCHE
997-1	2008	8	13	813-10		248					



Pos	Part Number	Description	Remark	Qty	Model
		water drain tube mount air conditioner			
1	996 573 793 01	water drain tube	/LL	1	I098
1	996 573 794 01	water drain tube	/RL	1	I099
2	996 573 797 02	connecting piece		1	
3	996 573 795 01	grommet		1	
4	999 513 049 40	tie-wrap		1	

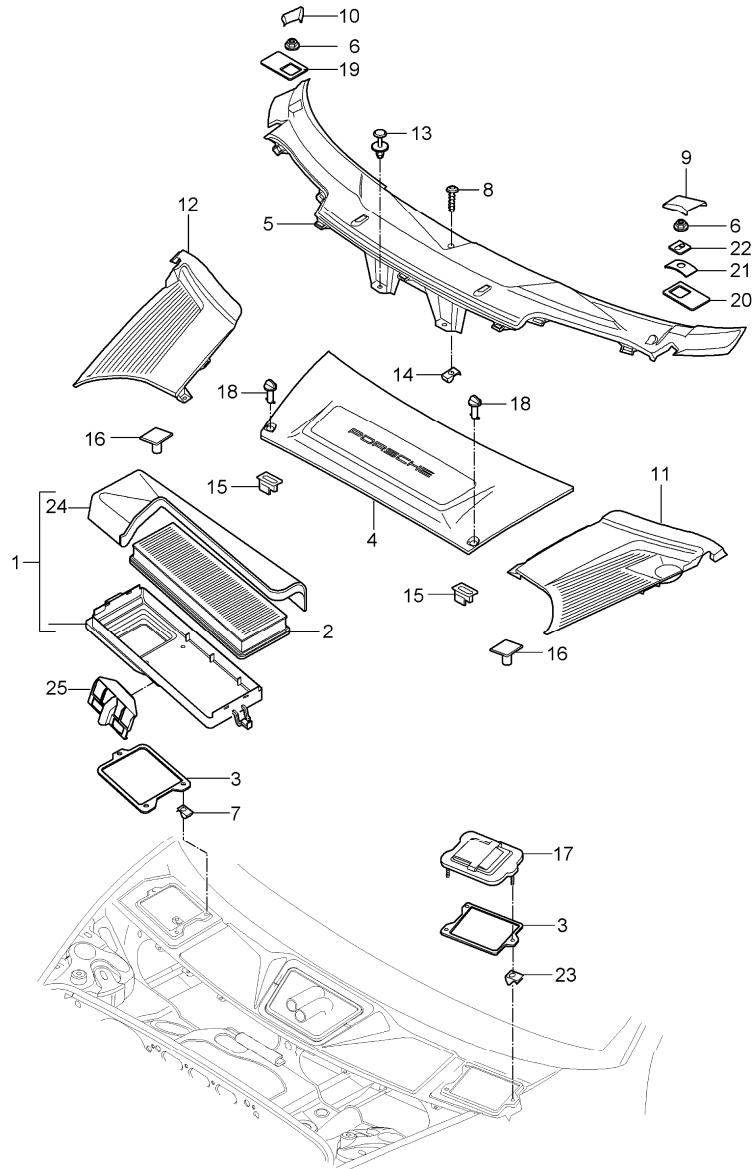


Model	Year	MG	SG	Illustration	Restrictions	UPD	7:43	25.01.2010	PORSCHE	PET	PORSCHE
997-1	2008	8	13	813-15		248					



Pos	Part Number	Description	Remark	Qty	Model
		compressor			
1	> 996 126 011 52	compressor		1	
2	996 573 926 00	magnetic clutch		1	
3	900 378 075 09	hexagon-head bolt M 8X90		1	
4	996 126 102 53	spacer sleeve		1	
5	900 378 136 09	hexagon-head bolt M 8X120		1	
6	996 573 926 01	hexagon-head bolt		1	
7	996 573 926 02	sealing ring		1	
8	900 067 252 02	hexagon socket head bolt		2	

Model	Year	MG	SG	Illustration	Restrictions	UPD	7:43	25.01.2010	PORSCHE	PET	PORSCHE
997-1	2008	8	13	813-20		248					

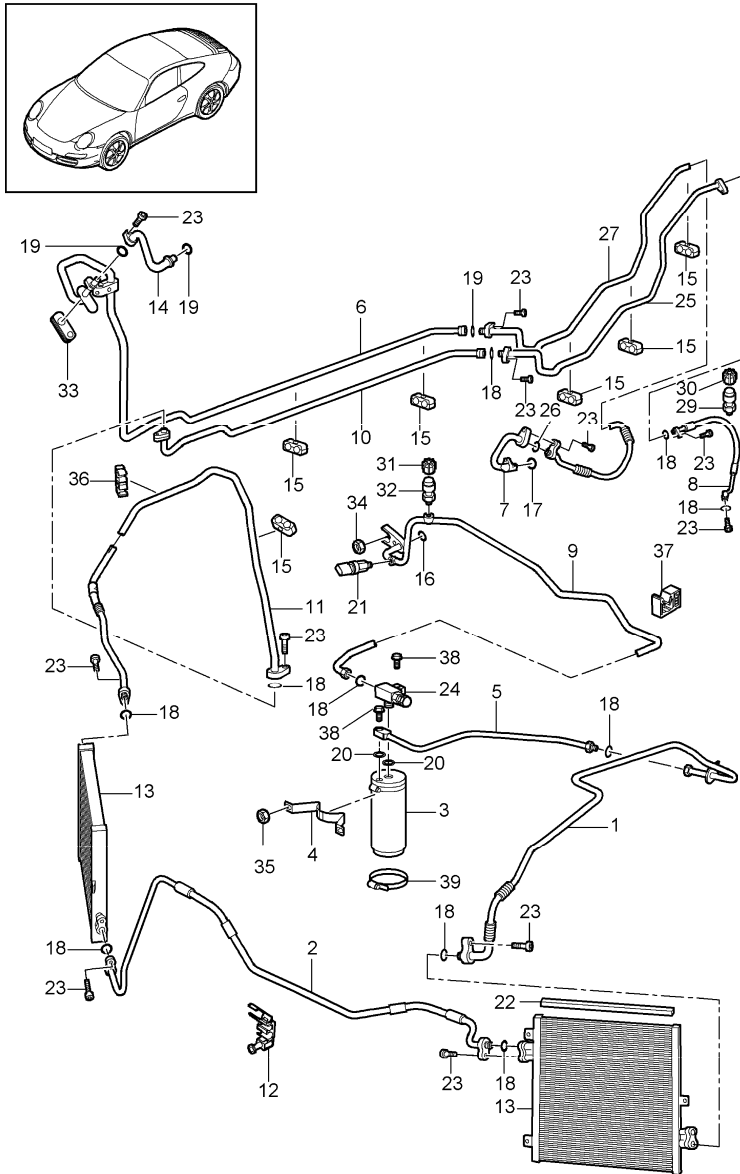


Pos	Part Number	Description	Remark	Qty	Model
1	997 572 019 04	particle filter housing	/LL	1	I098
1	997 572 019 05	particle filter housing	/RL	1	I099
2	997 571 219 01	particle filter		1	
3	997 572 221 00	gasket		2	
4	997 572 567 04	cover		1	
	FMT	black battery			
(4)	997 572 729 02	cover particle filter	/LL	1	I098
(4)	997 572 729 03	cover particle filter	/RL	1	I099
5	997 572 563 08	cover cowl	/LL	1	I098
	FMT	black			
5	997 572 563 05	cover	/RL	-05	1 I099
	FMT	black			
(5)	997 572 563 09	cover cowl	/RL	06-	1 I099
	FMT	black			
6	999 076 071 02	hexagon nut M6		2	
7	999 507 348 01	speed nut		3	
8	N 906 487 02	tapping screw		1	
9	997 572 569 04	cap	/L	2	I098
	FMT	black			
9	997 572 569 05	cap	/L	2	I099
	FMT	black			
10	997 572 570 04	cap	/R	1	I098
	FMT	black			
10	997 572 570 05	cap	/R	1	I099

Model	Year	MG	SG	Illustration	Restrictions	UPD	7:43	25.01.2010	PORSCHE	PET	PORSCHE
997-1	2008	8	13	813-20		248					

Pos	Part Number	Description	Remark	Qty	Model	Pos	Part Number	Description	Remark	Qty	Model
	FMT	black									
11	997 572 361 06	cover	/L	1							
	02A	black									
12	997 572 362 07	cover	/R	1							
	02A	black									
13	999 507 497 40	expansion rivet 8 X 14		2							
14	999 507 834 41	expander nut ST 4,8		1							
15	999 590 046 40	disc cam		2							
16	999 902 046 40	catch		1							
17	997 572 419 02	lid		2					-07		
17	997 572 419 03	lid		2					08		
18	997 572 867 00	locking bolt		2							
	02A	black									
--	997 572 763 00	cover		1							
19 A	997 572 842 00	pressure plate passenger's side		1					-06		
19	997 572 842 01	pressure plate passenger's side	/LL/R	1	I098				07-		
19	997 572 842 02	pressure plate passenger's side	/RL/L	1	I099				07-		
20	997 572 841 00	pressure plate driver's side		1							
21	997 572 837 00	spring plate driver's side		1							
22	997 572 533 00	retainer plate driver's side		1							
23	999 591 855 02	speed nut		3							
24	997 572 729 02	cover particle filter	/LL	1	I098						
(24)	997 572 729 03	cover particle filter	/RL	1	I099						
25	997 572 862 01	support		1							

Model	Year	MG	SG	Illustration	Restrictions	UPD	7:43	25.01.2010	PORSCHE	PET	PORSCHE
997-1	2008	8	13	813-25		248					

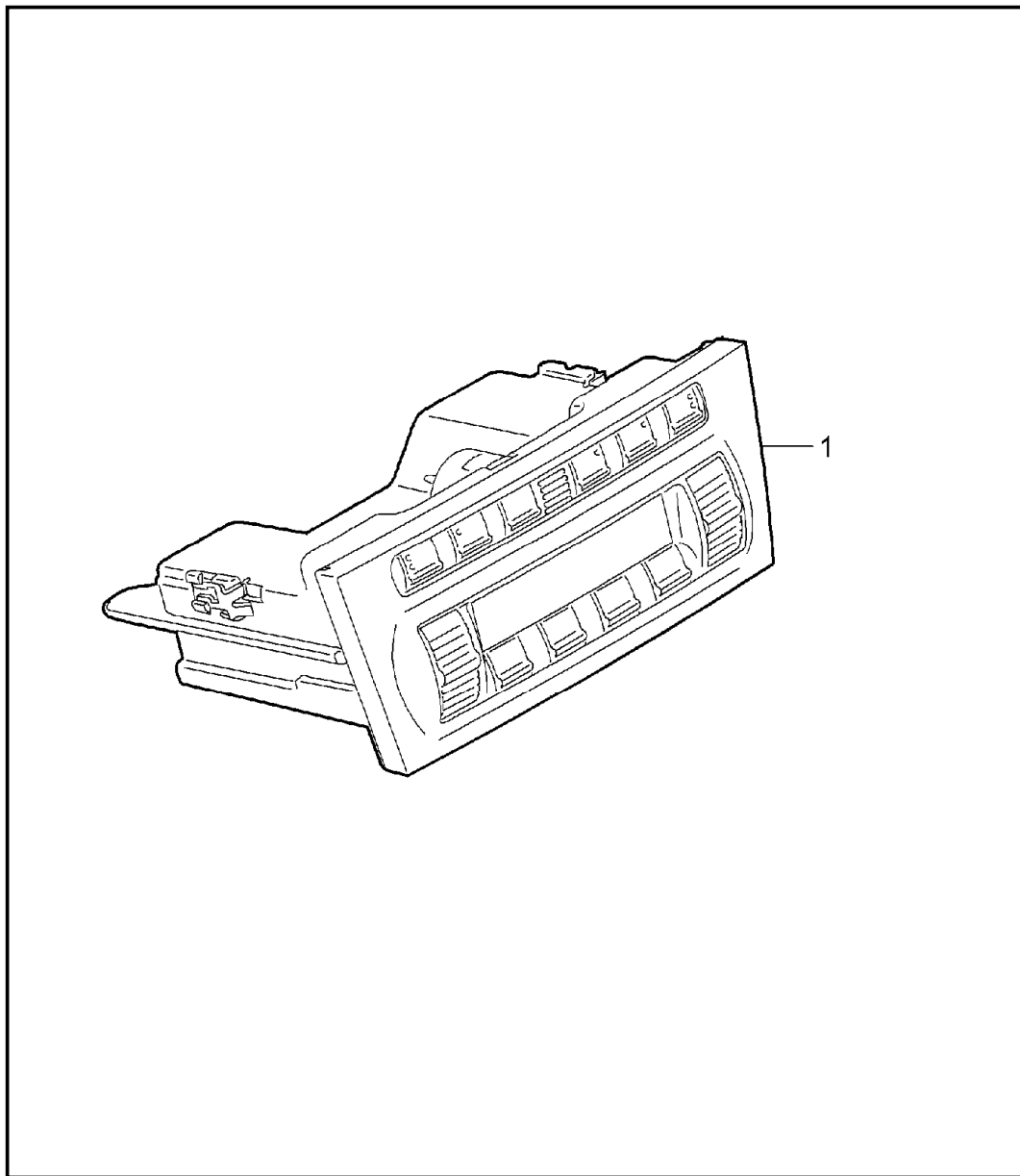


Pos	Part Number	Description	Remark	Qty	Model
		refrigerant circuit			
1	A 997 573 105 00	refrigerant line		1	
1	997 573 105 02	refrigerant line		1	
2	997 573 103 00	refrigerant line		1	
3	944 573 143 01	desiccator		1	
4	996 573 451 00	support		1	
5	996 573 106 00	refrigerant line		1	
6	996 573 091 01	refrigerant line		1	
7	997 573 099 01	refrigerant line		1	
8	A 997 573 097 00	pressure line		1	
8	997 573 097 02	pressure line		1	
9	997 573 108 02	pressure line	/LL	1	
(9)	997 573 108 01	pressure line	/RL	1	I099
10	996 573 092 02	pressure line		1	
11	997 573 094 00	refrigerant line		1	
12	996 347 543 00	cable holder		2	
13	996 573 111 03	condenser		2	
14	996 573 093 06	intake pipe	/LL	1	
14	996 573 093 07	intake pipe	/RL	1	
15	999 511 230 40	support use also:		X	
-	999 511 231 41	rubber mounting		X	
16	999 707 247 40	o-ring 7,5X2		2	
17	999 707 439 41	o-ring 23,8X2,4		8	
18	999 707 434 41	o-ring 10,6X2		8	
19	999 707 534 41	o-ring 17X2		3	
20	999 707 262 40	o-ring 6,7X1,8		X	

Model	Year	MG	SG	Illustration	Restrictions	UPD	7:43	25.01.2010	PORSCHE	PET	PORSCHE
997-1	2008	8	13	813-25		248					

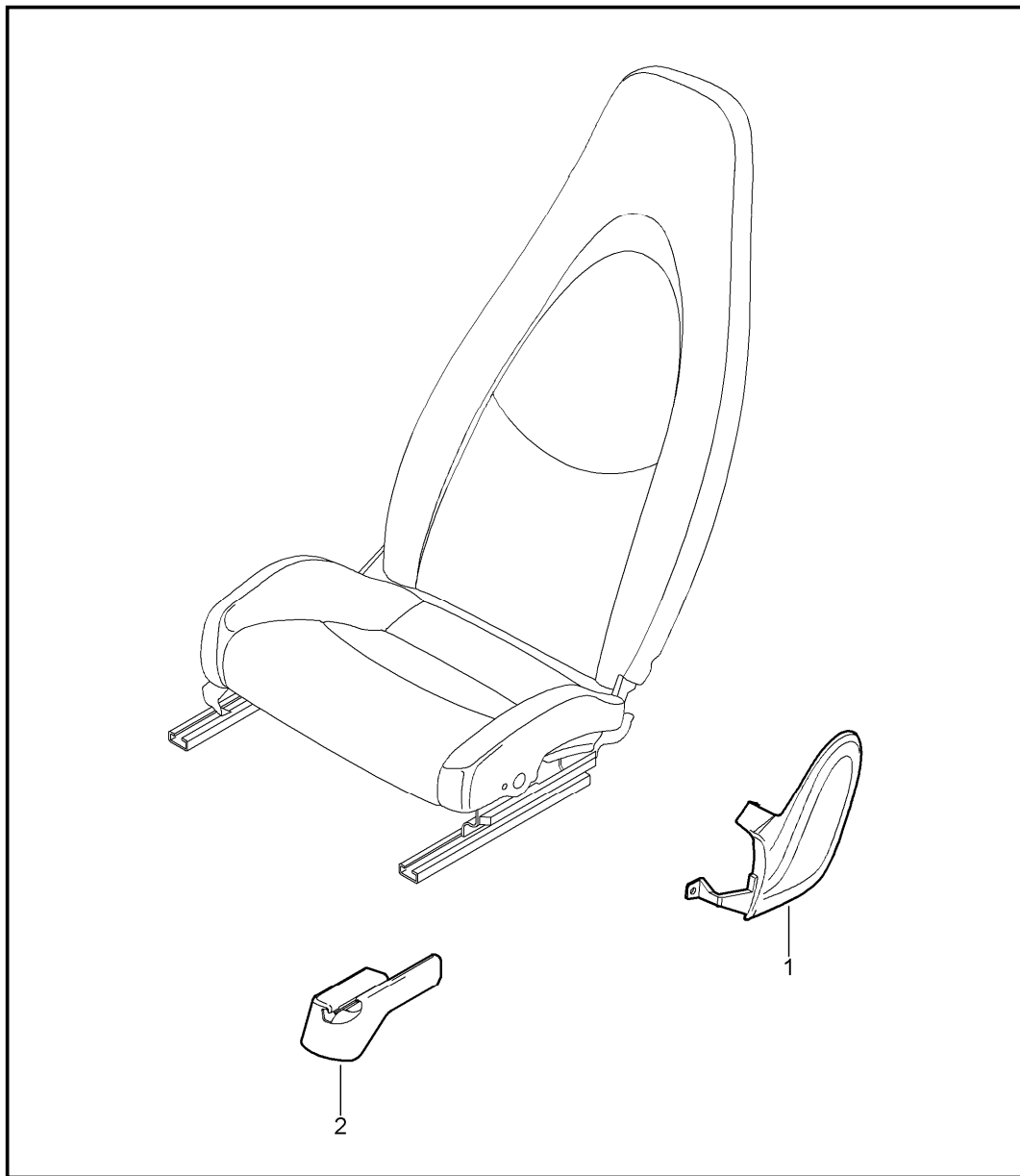
Pos	Part Number	Description	Remark	Qty	Model	Pos	Part Number	Description	Remark	Qty	Model
21	1K0 959 126 B	pressure sensor when required order also:		1							
-	999 707 555 41	o-ring 10,8 X 1,8		1							
22	996 573 711 00	cover strip		2							
23	900 067 019 03	pan-head screw		X							
24	993 573 243 00	distributing piece		1							
25	997 573 096 01	pressure line		1							
26	999 707 558 41	o-ring 13,7x2,5		X							
27	997 573 095 02	intake pipe		1							
29	996 573 465 00	valve		1							
30	944 573 663 01	valve cap		1							
31	944 573 663 02	valve cap		1							
32	996 573 465 00	valve		1							
33	996 573 769 01	grommet		1							
34	900 377 010 09	hexagon nut M 6		1							
35	900 380 015 09	hexagon nut M6		2							
36	996 355 547 01	line bracket		1							
37	999 591 922 40	cable holder		1							
38	900 075 340 01	combination screw		2							
39	999 512 349 01	hose clamp A50-70/9		1							

Model	Year	MG	SG	Illustration	Restrictions	UPD	7:43	25.01.2010	PORSCHE	PET	PORSCHE
997-1	2008	8	13	813-45		248					



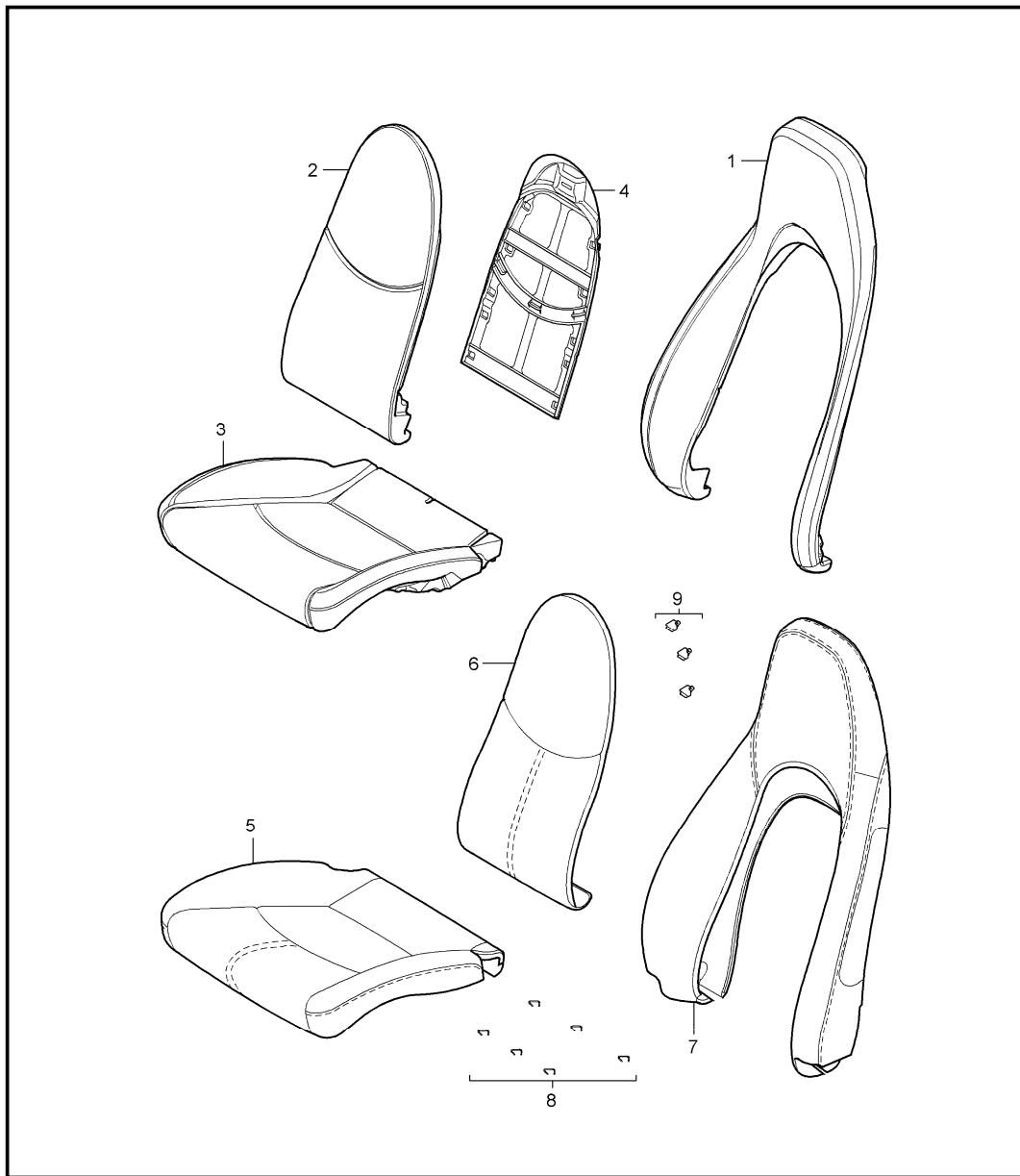
Pos	Part Number	Description	Remark	Qty	Model
		control switch			
1	997 653 101 09	control part	-07	1	I573
	FMH	volcano grey/black mat			
1	997 653 101 13	control part	08-	1	I573
	FMH	volcano grey/black mat			
1	997 653 111 09	control part	-07	1	I342/573
	FMH	volcano grey/black mat			
1	997 653 111 13	control part	08-	1	I342/573
	FMH	volcano grey/black mat			

Model	Year	MG	SG	Illustration	Restrictions	UPD	7:44	25.01.2010	PORSCHE	PET	PORSCHE
997-1	2008	8	17	817-00		248					



Pos	Part Number	Description	Remark	Qty	Model
		front seat complete not available comfort seat	05- 07-		CARRERA COUPE CABRIO TARGA
1	997 521 315 02	trim cover mounting component D07 volcano grey	/L	1	
(1)	997 521 316 02	trim cover mounting component D07 volcano grey	/R	1	
(1)	997 521 316 03	trim cover mounting component advanced airbag D07 volcano grey	/R	1	06- I370/376 I378/438/560
2	997 521 359 01	rail seat rail manually 01C satin black	/L	1	I369/375
(2)	997 521 360 01	rail seat rail manually 01C satin black	/R	1	I370/376
(2)	997 521 361 00	rail seat rail 01C satin black	/L	1	I370/376/377 I378/437/438
(2)	997 521 362 00	rail seat rail 01C satin black	/R	1	I369/375/377 I378/437/438

Model	Year	MG	SG	Illustration	Restrictions	UPD	7:44	25.01.2010	PORSCHE	PET	PORSCHE
997-1	2008	8	17	817-02		248					



Pos	Part Number	Description	Remark	Qty	Model
		foam part cover standard seat comfort seat	05- 07-		CARRERA COUPE CABRIO TARGA
1	997 521 535 00	foam part backrest outer		2	I369/370 I437/438
2	997 521 581 00	foam part backrest centre		2	I369/370 I437/438
3	997 521 571 00	foam part seat cushion with heating		1	I369/370 I437/438
(3)	997 521 571 03	foam part seat cushion advanced airbag		1	I370/438/560
4	997 521 551 00	cushion carrier backrest	-07	2	I369/370
4	997 521 551 00	cushion carrier backrest	-07	2	I437/438
4	997 521 551 01	cushion carrier backrest	08-	2	I369/370
4	997 521 551 01	cushion carrier backrest	08-	2	I437/438
5	997 521 161 00	cover for cushion		2	I369/370/946
		FLB black			
		FLE stone grey			
		FLH sand beige			
		FLL sea blue			
		FLO palmgreen			
(5)	997 521 161 01	cover for cushion		2	I369/370/983
		FLC black			
		FLF stone grey			
		FLJ sand beige			
		FLM sea blue			
		FLP palmgreen			



Model	Year	MG	SG	Illustration	Restrictions	UPD	7:44	25.01.2010	PORSCHE	PET	PORSCHE
997-1	2008	8	17	817-02		248					

Pos	Part Number	Description	Remark	Qty	Model	Pos	Part Number	Description	Remark	Qty	Model
	FLQ	terracotta					9N2	terracotta			
	FLR	cocoa					9Q3	cocoa			
	VAA	dark grey/natural					D11	dark grey/natural			
	VAB	brown/natural					T11	brown/natural			
	VAC	carrera red					N11	carrera red			
(5)	997 521 161 02	cover for cushion		2	I369/370/982	(6)	997 521 151 01	backrest cushion cover centre part		1	I437/438/982 I369/370
	FLC	black					8YR	black			
	FLF	stone grey					5X5	stone grey			
	FLJ	sand beige					8G1	sand beige			
	FLM	sea blue					3S8	sea blue			
	FLP	palmgreen					4P1	palmgreen			
	FLQ	terracotta					9N2	terracotta			
	FLR	cocoa					9Q3	cocoa			
	VAA	dark grey/natural					D11	dark grey/natural			
	VAB	brown/natural					T11	brown/natural			
	VAC	carrera red					N11	carrera red			
6	997 521 151 00	backrest cushion cover centre part		2	I946	7	997 521 141 00	backrest cover outer part	/L	-06	1 I369/437/946
	A08	black					FLB	black			
	5D6	stone grey					FLE	stone grey			
	T25	sand beige					FLH	sand beige			
	3W7	sea blue					FLL	sea blue			
	4Q2	palmgreen					FLO	palmgreen			
(6)	997 521 151 00	backrest cushion cover centre part		1	I983	(7)	997 521 142 00	backrest cover outer part	/R	-06	1 I370/438/946
	8YR	black					FLB	black			
	5X5	stone grey					FLE	stone grey			
	8G1	sand beige					FLH	sand beige			
	3S8	sea blue					FLL	sea blue			
	4P1	palmgreen									

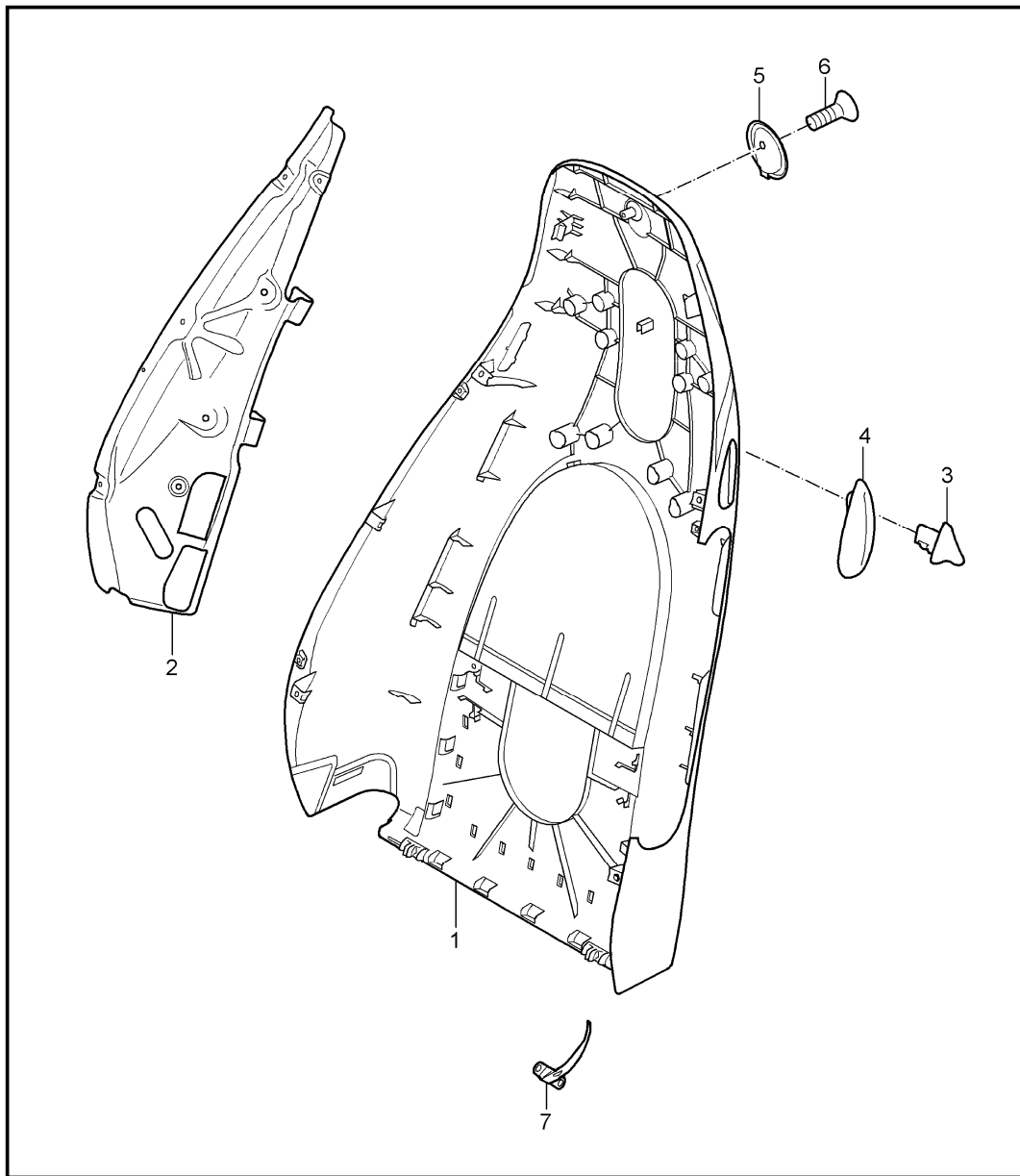
Model	Year	MG	SG	Illustration	Restrictions	UPD	7:44	25.01.2010	PORSCHE	PET	PORSCHE
997-1	2008	8	17	817-02		248					

Pos	Part Number	Description	Remark	Qty	Model	Pos	Part Number	Description	Remark	Qty	Model
(7)	997 521 141 01	FLO palmgreen backrest cover outer part	/L	1	I369/437 I982/983	(7)	997 521 142 03	FLL sea blue FLO palmgreen backrest cover outer part	/R 07-	1	I370/438/946
		FLC black						FLB black			
		FLF stone grey						FLE stone grey			
		FLJ sand beige						FLH sand beige			
		FLM sea blue						FLL sea blue			
		FLP palmgreen						FLO palmgreen			
		FLQ terracotta				(7)	997 521 941 00	backrest cover outer part	/L -07	1	IXSC/946
		FLR cocoa						A08 black			
		VAA dark grey/natural						5D6 stone grey			
		VAB brown/natural						3W7 sea blue			
(7)	997 521 142 01	backrest cover outer part	/R	1	I370/438 I982/983			4Q2 palmgreen	-07		
		FLC black						T25 sand beige			
		FLF stone grey				(7)	997 521 941 03	backrest cover outer part	/L 08-	1	IXSC/946
		FLJ sand beige						A08 black			
		FLM sea blue						5D6 stone grey			
		FLP palmgreen						3W7 sea blue			
		FLQ terracotta						T25 sand beige			
		FLR cocoa				(7)	997 521 942 00	backrest cover outer part	/R -07	1	IXSC/946
		VAA dark grey/natural						A08 black			
		VAB brown/natural						5D6 stone grey			
		VAC carrera red						3W7 sea blue			
(7)	997 521 141 03	backrest cover outer part	/L 07-	1	I369/437/946			4Q2 palmgreen	-07		
		FLB black						T25 sand beige			
		FLE stone grey				(7)	997 521 942 03	backrest cover outer part	/R 08-	1	IXSC/946
		FLH sand beige									

Model	Year	MG	SG	Illustration	Restrictions	UPD	7:44	25.01.2010	PORSCHE	PET	PORSCHE
997-1	2008	8	17	817-02		248					

Pos	Part Number	Description	Remark	Qty	Model	Pos	Part Number	Description	Remark	Qty	Model
	A08	black				9	997 521 897 00	clip backrest cover		5	
	5D6	stone grey									
	3W7	sea blue									
	T25	sand beige									
(7)	997 521 941 01	backrest cover	/L	1	IXSC/982/983						
	8YR	black									
	5X5	stone grey									
	8G1	sand beige									
	3S8	sea blue									
	4P1	palmgreen									
	9N2	terracotta									
	9Q3	cocoa									
	D11	dark grey/natural									
	T11	brown/natural									
	N11	carrera red									
(7)	997 521 942 01	backrest cover outer part	/R	1	IXSC/982/983						
	8YR	black									
	5X5	stone grey									
	8G1	sand beige									
	3S8	sea blue									
	4P1	palmgreen									
	9N2	terracotta									
	9Q3	cocoa									
	D11	dark grey/natural									
	T11	brown/natural									
	N11	carrera red									
8	997 521 837 00	clip padding seat		6							

Model	Year	MG	SG	Illustration	Restrictions	UPD	7:44	25.01.2010	PORSCHE	PET	PORSCHE
997-1	2008	8	17	817-04		248					

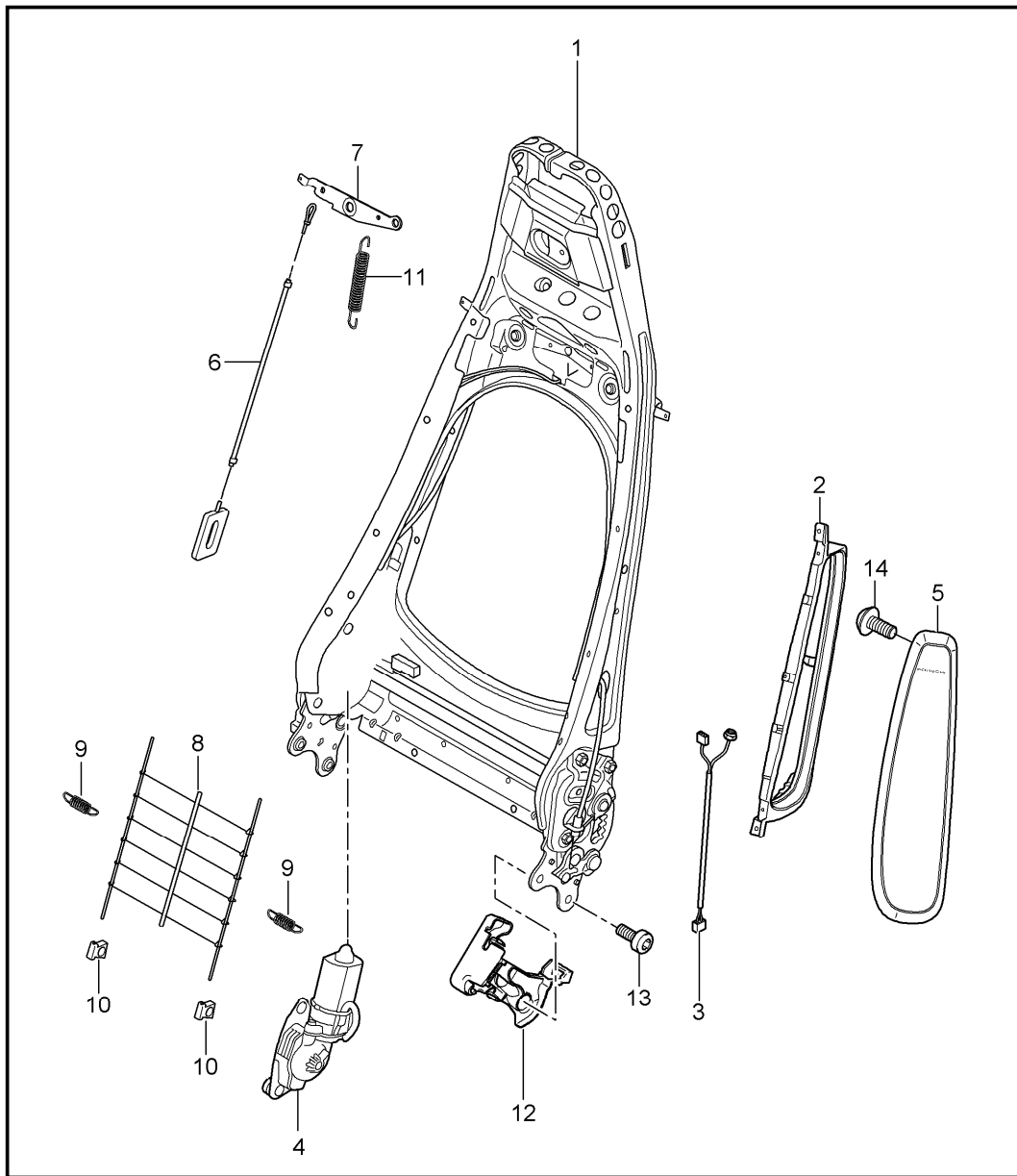


Pos	Part Number	Description	Remark	Qty	Model
		backrest shell standard seat comfort seat	05-		CARRERA COUPE CABRIO TARGA
1	997 521 303 09	backrest shell	/L	1	I369/437/946
	5Q2	black			
	8X4	stone grey			
	5S4	sand beige			
	8W3	sea blue			
	5Y5	palmgreen			
(1)	997 521 304 09	backrest shell	/R	1	I370/438/946
	5Q2	black			
	8X4	stone grey			
	5S4	sand beige			
	8W3	sea blue			
	5Y5	palmgreen			
(1)	997 521 303 10	backrest shell leather	/L	1	I369/437 I982/983
	A80	black			
	B80	stone grey			
	T80	sand beige			
	E80	sea blue			
	J80	palmgreen			
	M80	terracotta			
	R80	cocoa			
(1)	997 521 304 10	backrest shell leather	/R	1	I370/438 I982/983
	A80	black			
	B80	stone grey			
	T80	sand beige			
	E80	sea blue			

Model	Year	MG	SG	Illustration	Restrictions	UPD	7:44	25.01.2010	PORSCHE	PET	PORSCHE
997-1	2008	8	17	817-04		248					

Pos	Part Number	Description	Remark	Qty	Model	Pos	Part Number	Description	Remark	Qty	Model
	J80	palmgreen									
	M80	terracotta									
	R80	cocoa									
(1)	997 521 303 11	backrest shell	/L	1	I369/437/982						
	D11	dark grey/natural									
	T11	brown/natural									
	N11	carrera red									
(1)	997 521 304 11	backrest shell	/R	1	I370/438/982						
	D11	dark grey/natural									
	T11	brown/natural									
(2)	997 521 319 00	bracket	/L	1							
2	997 521 320 00	bracket backrest side bolster	/R	1							
3	997 521 623 02	control button backrest locking lever	/L	1							
	V05	galvano silver									
(3)	997 521 624 02	control button backrest locking lever	/R	1							
	V05	galvano silver									
4	997 521 621 02	rosette backrest locking lever	/L	1	I369/370 I437/438						
	D07	volcano grey									
(4)	997 521 622 02	rosette backrest locking lever	/R	1	I369/370 I437/438						
	D07	volcano grey									
5	997 521 373 01	coat hook		2							
	D07	volcano grey									
6	999 919 199 09	countersunk-head screw coat hook		1							
7	997 521 783 00	support panel	/L	1							
(7)	997 521 784 00	support panel backrest shell	/R	1							

Model	Year	MG	SG	Illustration	Restrictions	UPD	7:45	25.01.2010	PORSCHE	PET	PORSCHE
997-1	2008	8	17	817-06		248					

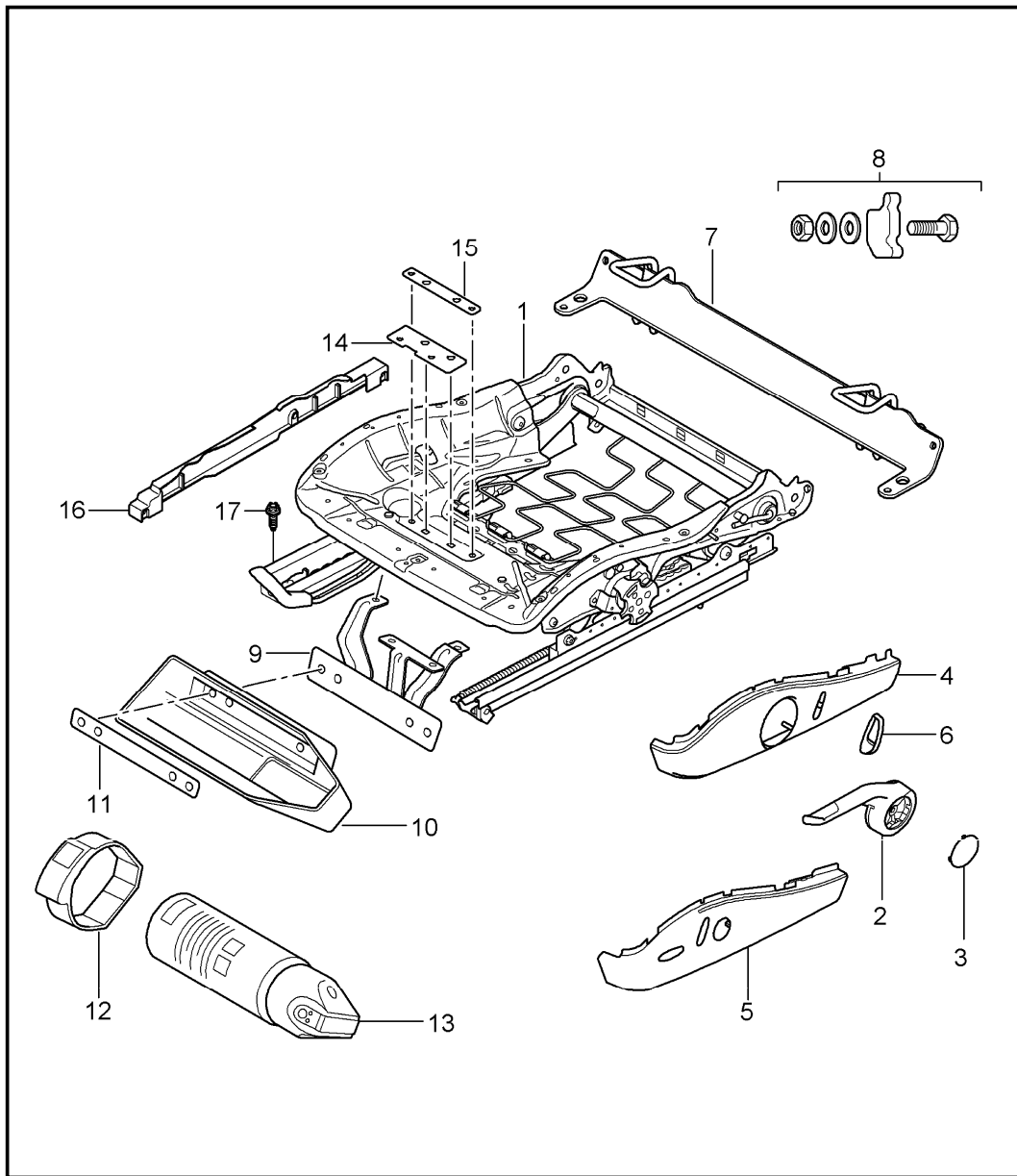


Pos	Part Number	Description	Remark	Qty	Model
		backrest frame standard seat comfort seat	05-		CARRERA COUPE CABRIO TARGA
1	997 521 329 00	backrest frame without memory	/L/R -07	2	I369/370 I437/438
(1)	997 521 329 02	backrest frame without memory	/L/R -08	2	I369/370 I437/438
(1)	997 521 329 01	backrest frame	/L/R -07	2	I537/538
(1)	997 521 329 03	backrest frame with memory	7L/R -08	2	I537/538
2	997 521 533 00	cushion carrier	/L	1	I369/437
(2)	997 521 534 00	cushion carrier side airbag	/R	1	I370/438
3	997 612 785 01	wiring harness	/L	1	I537
(3)	997 612 786 01	wiring harness side airbag	/R	1	I538
4	997 624 331 00	electric motor backrest frame memory		1	I537/538
(4)	997 624 321 00	electric motor backrest frame without memory		1	
5	997 803 081 01	side airbag	/L	1	I369/437
	A03	black			
	5V7	stone grey			
	5Z1	sand beige			
	8W7	sea blue			
	5Y2	palmgreen			
	8X8	terracotta			
	8P9	cocoa			
	T13	brown/natural			
	N23	carrera red	08-		

Model	Year	MG	SG	Illustration	Restrictions	UPD	7:45	25.01.2010	PORSCHE	PET	PORSCHE
997-1	2008	8	17	817-06		248					

Pos	Part Number	Description	Remark	Qty	Model	Pos	Part Number	Description	Remark	Qty	Model
(5)	997 803 082 01	side airbag	/R	1	I370/438	14	999 073 306 09	screw mount side airbag		2	
	A03	black									
	5V7	stone grey									
	5Z1	sand beige									
	8W7	sea blue									
	5Y2	palmgreen									
	8X8	terracotta									
	8P9	cocoa									
	T13	brown/natural									
	N23	carrera red	08-								
6	997 521 485 00	bowden cable backrest frame		2							
7	997 521 375 00	release backrest frame		1							
8	997 521 855 00	grille backrest frame		1							
9	997 521 893 00	tension spring inner spring		2							
10	997 521 895 00	clip inner spring		2							
11	997 521 797 00	tension spring release backrest		1							
12	997 521 335 01	cover mounting component inner	/L	1							
	D07	volcano grey									
(12)	997 521 336 01	cover mounting component inner	/R	1							
	D07	volcano grey									
13	999 073 375 09	screw mount backrest seat adjuster		4							

Model	Year	MG	SG	Illustration	Restrictions	UPD	7:45	25.01.2010	PORSCHE	PET	PORSCHE
997-1	2008	8	17	817-08		248					



Pos	Part Number	Description	Remark	Qty	Model
		seat adjuster standard seat comfort seat		05-	CARRERA COUPE CABRIO TARGA
1	997 521 201 00	seat adjuster	/LL/L	-06	1 I098/369/375
(1)	997 521 201 10	seat adjuster manually left-hand drive driver's side	/LL/L	07-	1 I098/369/375
(1)	997 521 202 00	seat adjuster manually right-hand drive driver's side	/R	-07	1 I099/370/376
(1)	997 521 202 19	seat adjuster manually right-hand drive driver's side	/R	08-	1 I099/370/376
(1)	997 521 201 04	seat adjuster	/L	-06	1 I377/437
(1)	997 521 201 12	seat adjuster	/L	07-	1 I377/437
(1)	997 521 202 10	seat adjuster	/R	-06	1 I378/438
(1)	997 521 202 21	seat adjuster electric without memory	/R	07-	1 I378/438
(1)	997 521 201 05	seat adjuster	/L	-06	1 I377/437/537
(1)	997 521 201 13	seat adjuster	/L	07-	1 I377/437/537
(1)	997 521 202 11	seat adjuster	/R	-06	1 I378/438/538
(1)	997 521 202 22	seat adjuster electric with memory	/R	07-	1 I378/438/538
(1)	997 521 201 03	seat adjuster	/RL/L	-06	1 I099/369/375
(1)	997 521 201 11	seat adjuster manually right-hand drive passenger's side	/RL/L	07-	1 I099/369/375
(1)	997 521 202 05	seat adjuster	/LL/R	-06	1 I098/370/376
(1)	997 521 202 20	seat adjuster manually left-hand drive passenger's side	/LL/R	07-	1 I098/370/376



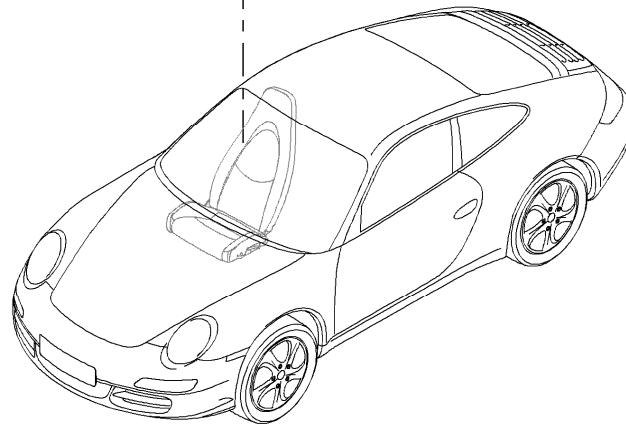
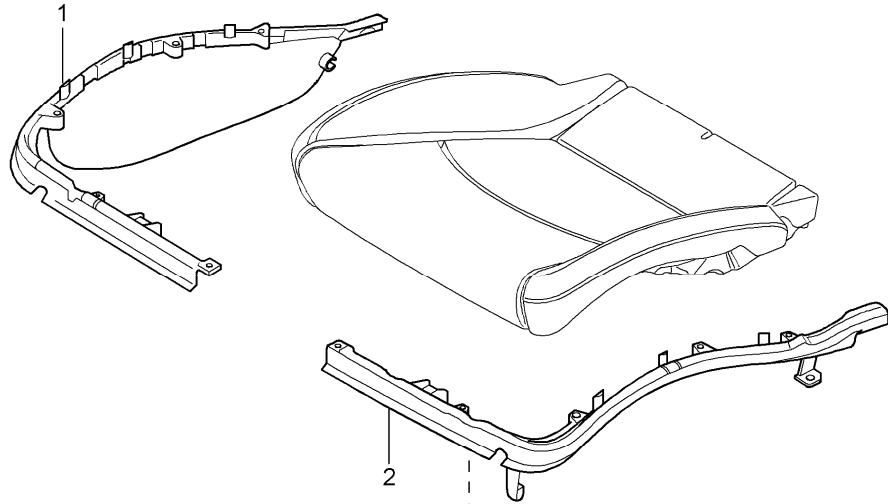
Model	Year	MG	SG	Illustration	Restrictions	UPD	7:45	25.01.2010	PORSCHE	PET	PORSCHE
997-1	2008	8	17	817-08		248					

Pos	Part Number	Description	Remark	Qty	Model	Pos	Part Number	Description	Remark	Qty	Model
(1)	997 521 202 06	seat adjuster	/R 06	1	I370/376/560	(5)	997 521 326 10	trim for switch advanced airbag	/R 06-	1	I438/560
(1)	997 521 202 23	seat adjuster manually seat occupancy detection	/R 07-	1	I370/376/560		D07	volcano grey			
(1)	997 521 202 12	seat adjuster	/R 06	1	I378/438/560	6	997 521 631 01	control button backrest		1	
(1)	997 521 202 24	seat adjuster electric seat occupancy detection	/R 07-	1	I378/438/560		V05	galvano silver			
2	997 521 627 01	actuating lever height adjustment	/L	1	I369/375	7	997 521 061 01	retaining bow child car seat ISOFIX not for AUSTRALIEN		1	
	V05	galvano silver									
(2)	997 521 628 01	actuating lever height adjustment	/R	1	I370/376	8	997 521 961 01	set of fastening parts retaining bow		1	
	V05	galvano silver				9	997 521 251 00	support fire extinguisher		1	I098/509
3	997 521 629 01	cap actuating lever	/L/R	2	I369/370 I375/376	(9)	997 521 252 00	support fire extinguisher		1	I099/509
	D07	volcano grey				10	997 521 607 00	cup fire extinguisher		1	I509
4	997 521 325 06	trim for switch	/L	1	I369/375	11	997 521 881 00	support cup fire extinguisher		1	I509
	D07	volcano grey without advanced airbag				12	997 521 851 00	restraining strap fire extinguisher		1	I509
(4)	997 521 326 06	trim for switch	/R	1	I370/376	13	996 722 115 00	fire extinguisher Information available Information available		1	I509
	D07	volcano grey without advanced airbag				14	997 521 841 00	reinforcement front		1	I509
5	997 521 325 07	trim for switch without advanced airbag	/L	1	I437	15	997 521 843 00	reinforcement rear		1	I509
	D07	volcano grey				16	997 521 427 01	cover sensor weight	/L 06-	1	I370/376/378 I438/560
(5)	997 521 326 07	trim for switch without advanced airbag	/R	1	I438		01C	satin black			
	D07	volcano grey				(16)	997 521 426 01	cover sensor weight	/R 06-	1	I370/376/378 I438/560
(5)	997 521 326 09	trim for switch advanced airbag	/R 06-	1	I370/376/560		01C	satin black			
	D07	volcano grey									

Model	Year	MG	SG	Illustration	Restrictions	UPD	7:45	25.01.2010	PORSCHE	PET	PORSCHE
997-1	2008	8	17	817-08		248					

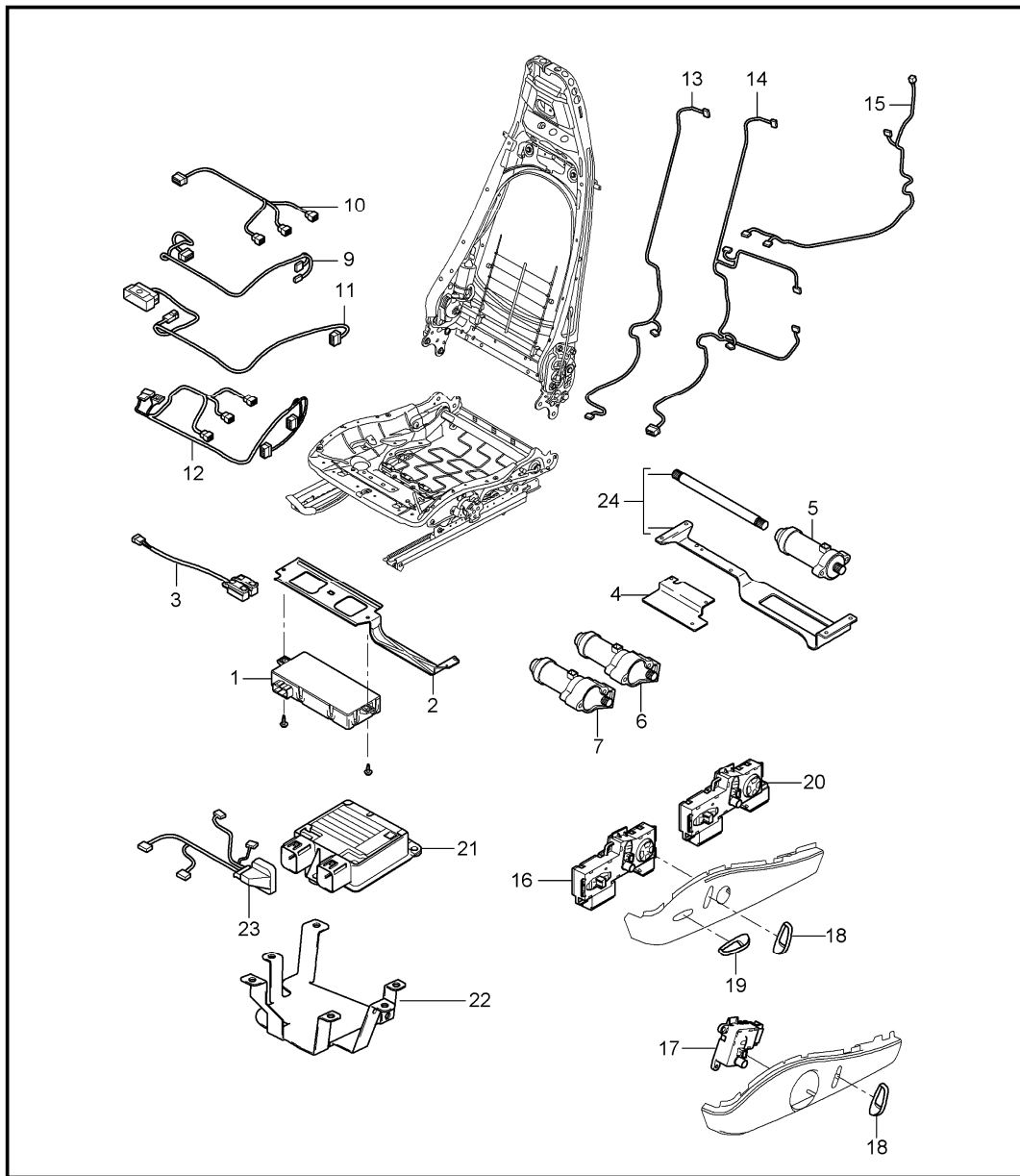
Pos	Part Number	Description	Remark	Qty	Model	Pos	Part Number	Description	Remark	Qty	Model
17	999 141 047 01	torx screw seat rail mount		4							

Model	Year	MG	SG	Illustration	Restrictions	UPD	17:00	02.02.2010	PORSCHE	PET	PORSCHE
997-1	2008	8	17	817-09		248					



Pos	Part Number	Description	Remark	Qty	Model
		cushion carrier frame seat surface	05-		CARRERA COUPE CABRIO TARGA
(1)	997 521 547 00	frame inner left	/L	1	I370/376 I378/438
1	997 521 548 00	frame inner right	/R	1	I369/375 I377/437
2	997 521 545 00	frame outer left without advanced airbag	/L	1	I369/375 I377/437
(2)	997 521 546 00	frame outer right without advanced airbag	/R	1	I370/376 I378/438
-	997 521 546 01	frame outer right with advanced airbag	/R	06-	1 I370/376/378 I438/560

Model	Year	MG	SG	Illustration	Restrictions	UPD	7:45	25.01.2010	PORSCHE	PET	PORSCHE
997-1	2008	8	17	817-10		248					

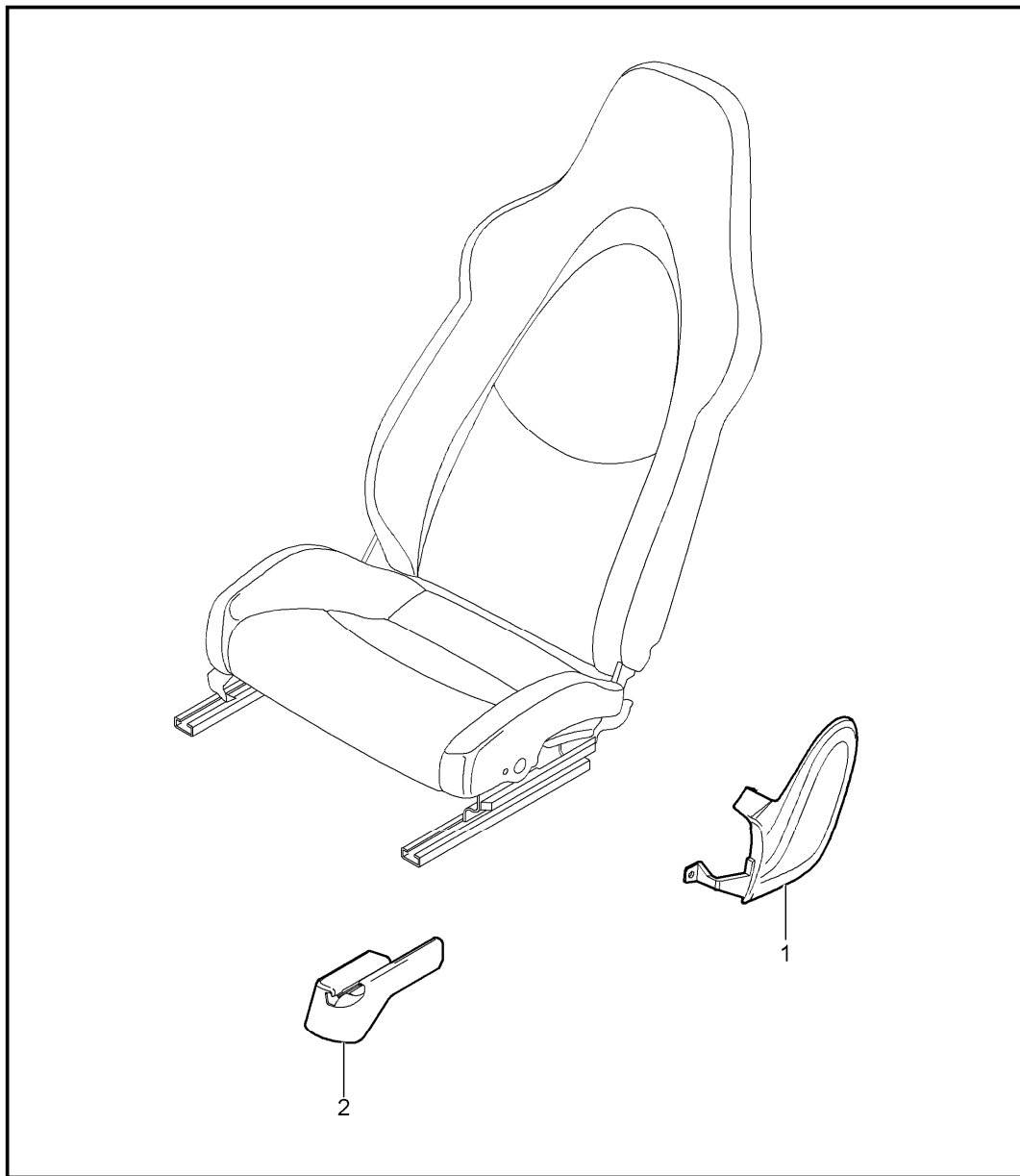


Pos	Part Number	Description	Remark	Qty	Model
		wiring harnesses	05-		CARRERA COUPE CABRIO TARGA
1	997 618 537 07	control unit seating position control		1	I537/538
2	997 521 643 00	support control unit seating position control		1	I537/538
3	997 613 725 00	switch seat adjuster	/L	1	I377
		V05 galvano silver			
(3)	997 613 726 00	switch seat adjuster	/R	1	I378
		V05 galvano silver			
4	997 521 343 00	support compressor		1	I377/378
5	997 624 322 00	electric motor seat adjuster lengthways without memory		1	I437/438
(5)	997 624 332 00	electric motor seat adjuster lengthways with memory		1	I537/538
6	997 624 322 00	electric motor seat adjuster height adjustment without memory		1	I437/438
(6)	997 624 332 00	electric motor seat adjuster height adjustment with memory		1	I537/538
7	997 624 323 00	electric motor seat adjuster tilt angle without memory		1	I437/438

Model	Year	MG	SG	Illustration	Restrictions	UPD	7:45	25.01.2010	PORSCHE	PET	PORSCHE
997-1	2008	8	17	817-10		248					

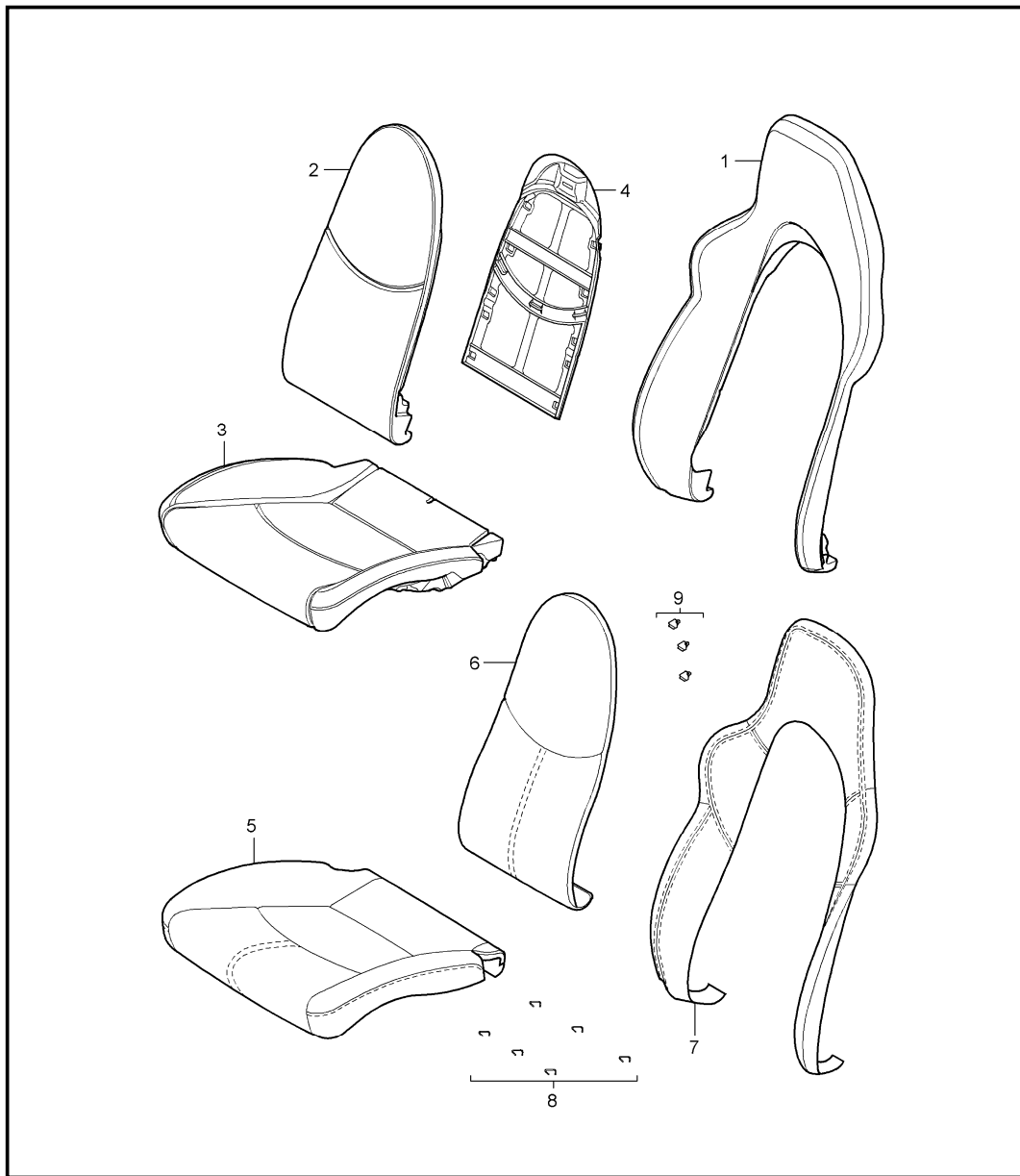
Pos	Part Number	Description	Remark	Qty	Model	Pos	Part Number	Description	Remark	Qty	Model
(7)	997 624 333 00	electric motor seat adjuster tilt angle with memory		1	I537/538	(17)	997 613 714 00	switch seat adjuster manually adjustable	/R	1	I370/376
9	997 612 684 00	wiring harness seat adjuster memory		1	I537/538	18	997 521 631 01	control button		1	I369/370
10	997 612 690 00	wiring harness lengthways height adjustment memory		1	I537/538		V05	galvano silver			
11	997 612 682 01	wiring harness switch seat adjuster		1	I369/370 I375/376	19	997 521 633 02	control button		1	I377/378
12	997 612 683 01	wiring harness switch seat adjuster without memory		1	I437/438		V05	galvano silver			
13	997 612 689 00	wiring harness lumbar support without memory		1	I377/378 I437/438	20	997 613 717 01	switch seat adjuster without memory	/L	1	I377/437
14	997 612 687 00	wiring harness lumbar backrest memory		1	I437/438 I537/538		V05	galvano silver			
15	997 612 685 01	wiring harness backrest	/L	1	I369/375 I377/437	(20)	997 613 718 01	switch seat adjuster without memory	/R	1	I378/438
(15)	997 612 686 01	wiring harness backrest	/R	1	I370/376 I378/438		V05	galvano silver			
16	997 613 721 01	switch seat adjuster memory switch	/L	1	I377/437/537	(21)	997 618 233 05	control unit seat occupancy detection	06-	1	I370/376/378 I438/560
	V05	galvano silver				(22)	997 521 646 00	support control unit seat occupancy detection	06-	1	I370/376/378 I438/560
(16)	997 613 722 01	switch seat adjuster memory switch	/R	1	I378/438/538	23	997 612 688 00	wiring harness seat occupancy detection	06-	1	I370/376/378 I438/560
	V05	galvano silver				24	000 043 207 06	pliable shaft adjusting motor lengthways		1	
17	997 613 713 00	switch	/L	1	I369/375	(24)	997 521 901 00	repair kit pliable shaft engine bracket		1	
						-	999 650 973 40	clip mount wiring harness seat occupancy detection		1	

Model	Year	MG	SG	Illustration	Restrictions	UPD	7:45	25.01.2010	PORSCHE	PET	PORSCHE
997-1	2008	8	17	817-15		248					



Pos	Part Number	Description	Remark	Qty	Model
		front seat complete not available sports seat	05-		CARRERA COUPE CABRIO TARGA
1	997 521 315 02	trim cover	/L	1	I375/377
	D07	volcano grey			
(1)	997 521 316 02	trim cover	/R	1	I376/378
	D07	volcano grey			
(1)	997 521 316 03	trim cover mounting component advanced airbag	/R	06-	1 I376/378/560
	D07	volcano grey			
2	997 521 359 01	rail seat rail manually	/L	1	I369/375
	01C	satin black			
(2)	997 521 360 01	rail seat rail manually	/R	1	I370/376
	01C	satin black			
(2)	997 521 361 00	rail seat rail	/L	1	
	01C	satin black			
(2)	997 521 362 00	rail seat rail	/R	1	
	01C	satin black			

Model	Year	MG	SG	Illustration	Restrictions	UPD	7:46	25.01.2010	PORSCHE	PET	PORSCHE
997-1	2008	8	17	817-17		248					



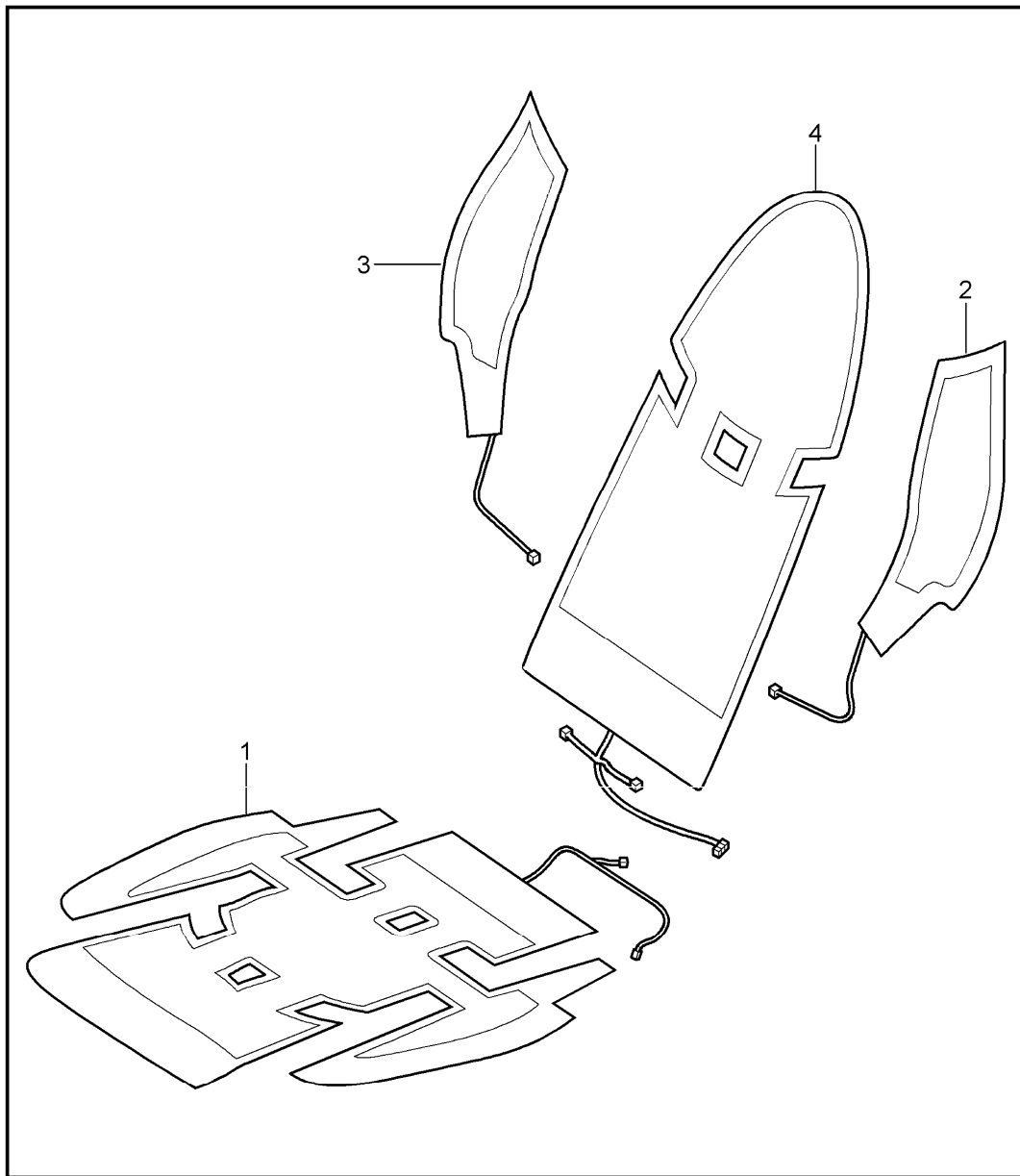
Pos	Part Number	Description	Remark	Qty	Model
		foam part cover sports seat	05-		CARRERA CABRIO COUPE TARGA
1	997 521 535 01	foam part backrest outer		2	I375/376
(1)	997 521 535 02	foam part backrest outer		2	I377/378
2	997 521 581 00	foam part backrest centre		2	
3	997 521 571 01	foam part seat cushion with heating		2	I375/376
(3)	997 521 571 02	foam part seat cushion with heating		2	I377/378
(3)	997 521 571 04	foam part seat cushion advanced airbag	06-	1	I376/560
(3)	997 521 571 05	foam part seat cushion advanced airbag	06-	1	I378/560
4	997 521 551 00	cushion carrier backrest	-07	2	
4	997 521 551 01	cushion carrier backrest	08-	2	
5	997 521 161 03	cover for cushion		2	I375/376/983
	FLC	black			
	FLF	stone grey			
	FLJ	sand beige			
	FLM	sea blue			
	FLP	palmgreen			
	FLQ	terracotta			
	FLR	cocoa			
	VAA	dark grey/natural			

Model	Year	MG	SG	Illustration	Restrictions	UPD	7:46	25.01.2010	PORSCHE	PET	PORSCHE
997-1	2008	8	17	817-17		248					

Pos	Part Number	Description	Remark	Qty	Model	Pos	Part Number	Description	Remark	Qty	Model
	VAB	brown/natural					T11	brown/natural			
	VAC	carrera red					N11	carrera red			
(5)	997 521 161 06	cover for cushion		2	I377/378/983	(7)	997 521 155 01	backrest cover outer part		2	I375/376/377 I378/983
	FLC	black					FLC	black			
	FLF	stone grey					FLF	stone grey			
	FLJ	sand beige					FLJ	sand beige			
	FLM	sea blue					FLM	sea blue			
	FLP	palmgreen					FLP	palmgreen			
	FLQ	terracotta					FLQ	terracotta			
	FLR	cocoa					FLR	cocoa			
	VAA	dark grey/natural					VAA	dark grey/natural			
	VAB	brown/natural					VAB	brown/natural			
	VAC	carrera red					VAC	carrera red			
6	997 521 151 00	backrest cushion cover centre part		2	I946	(7)	997 521 941 02	backrest cover outer part		1	IXSC/983
	A08	black					8YR	black			
	5D6	stone grey					5X5	stone grey			
	T25	sand beige					8G1	sand beige			
	3W7	sea blue					3S8	sea blue			
	4Q2	palmgreen					4P1	palmgreen			
(6)	997 521 151 00	backrest cushion cover centre part		1	I983		9N2	terracotta			
	8YR	black					9Q3	cocoa			
	5X5	stone grey					D11	dark grey/natural			
	8G1	sand beige					T11	brown/natural			
	3S8	sea blue					N11	carrera red			
	4P1	palmgreen				8	997 521 837 00	clip padding seat		6	
	9N2	terracotta				9	997 521 897 00	clip backrest cover		5	
	9Q3	cocoa									
	D11	dark grey/natural									

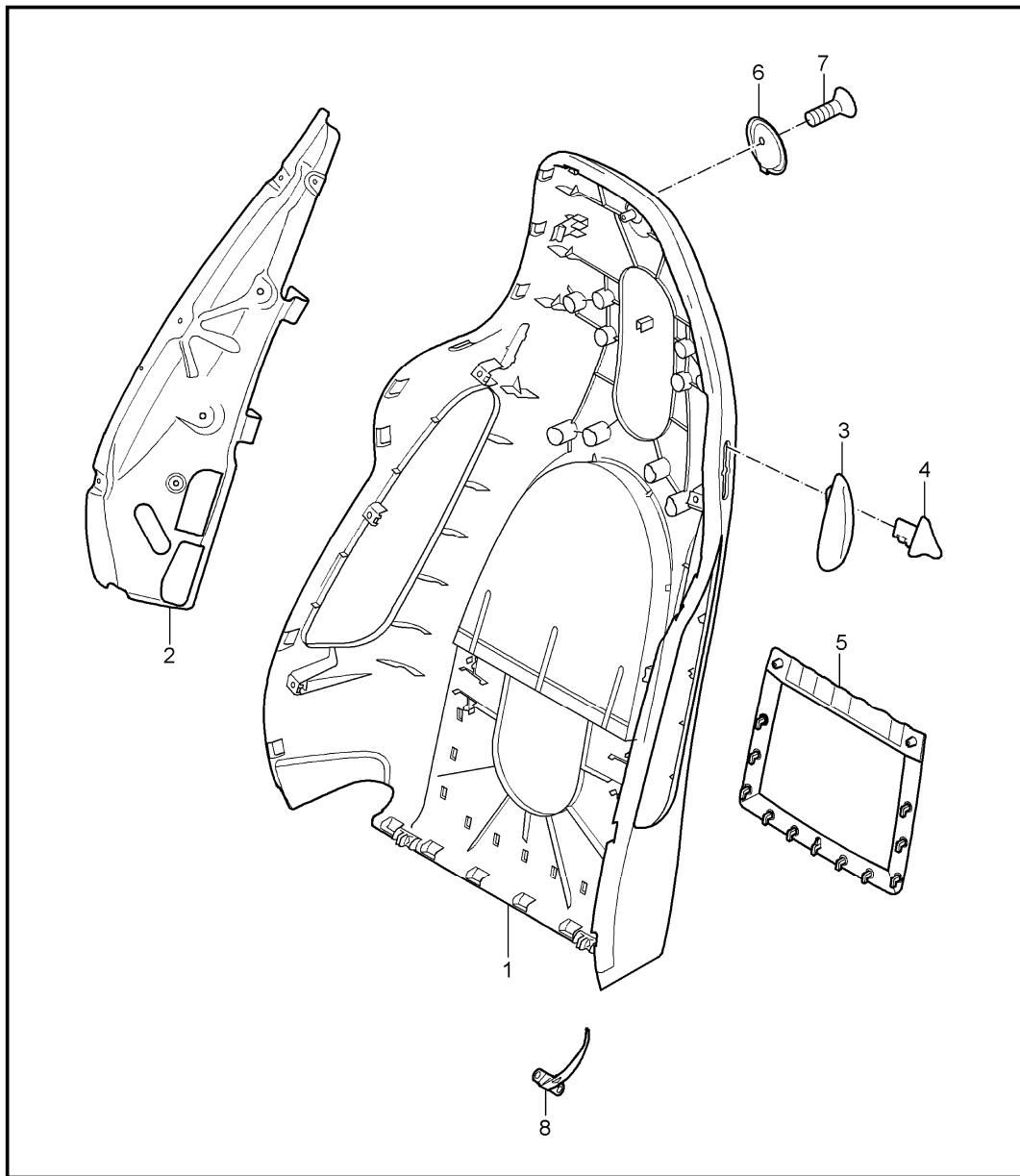


Model	Year	MG	SG	Illustration	Restrictions	UPD	7:46	25.01.2010	PORSCHE	PET	PORSCHE
997-1	2008	8	17	817-18		248					



Pos	Part Number	Description	Remark	Qty	Model
		heating front seat	05-		CARRERA CABRIO COUPE TARGA
1	997 653 105 02	heating element seat cushion standard seat comfort seat	/L/R	2	I342/369/370 I437/438
(1)	997 653 105 03	heating element seat cushion sports seat	/L/R	2	I342/375/376 I377/378
2	997 653 109 00	heating element backrest side bolster standard seat comfort seat	/L	1	I342/369/370 I437/438
(2)	997 653 109 01	heating element backrest side bolster sports seat	/L	1	I342/375/376 I377/378
3	997 653 110 00	heating element backrest side bolster standard seat comfort seat	/R	1	I342/369/370 I437/438
(3)	997 653 110 01	heating element backrest side bolster sports seat	/R	1	I342/375/376 I377/378
4	997 653 107 00	heating element backrest cushion	/L/R	2	I342

Model	Year	MG	SG	Illustration	Restrictions	UPD	7:46	25.01.2010	PORSCHE	PET	PORSCHE
997-1	2008	8	17	817-19		248					



Pos	Part Number	Description	Remark	Qty	Model
		backrest shell sports seat	05-		CARRERA COUPE CABRIO TARGA
1	997 521 303 12	backrest shell	/L	1	I375/377
	D07	volcano grey			
(1)	997 521 304 12	backrest shell	/R	1	I376/378
	D07	volcano grey			
(1)	997 521 303 13	backrest shell	/L	1	I375/377
	D07	volcano grey			
(1)	997 521 304 13	backrest shell	/R	1	I376/378
	D07	volcano grey			
(1)	997 521 981 00	backrest shell	/L	1	IXSA/375/377
	041	black			
	84A	guards red			
	12H	speed yellow			
	B9A	carrara white			
	92U	arctic silver metallic			
	M3W	carmon red metallic			
	M5W	lapis blue metallic			
	M6W	lagoon green metallic			
	C9Z	basalt black metallic			
	M7X	atlas grey metallic			
	39C	midnight blue metallic			
	6B4	seal grey metallic			
	2B4	forest green metallic			
	3C8	cobalt blue metallic			
	23F	slate grey metallic			
	M6X	dark olive-metallic			
	M7Z	gt silver metallic			

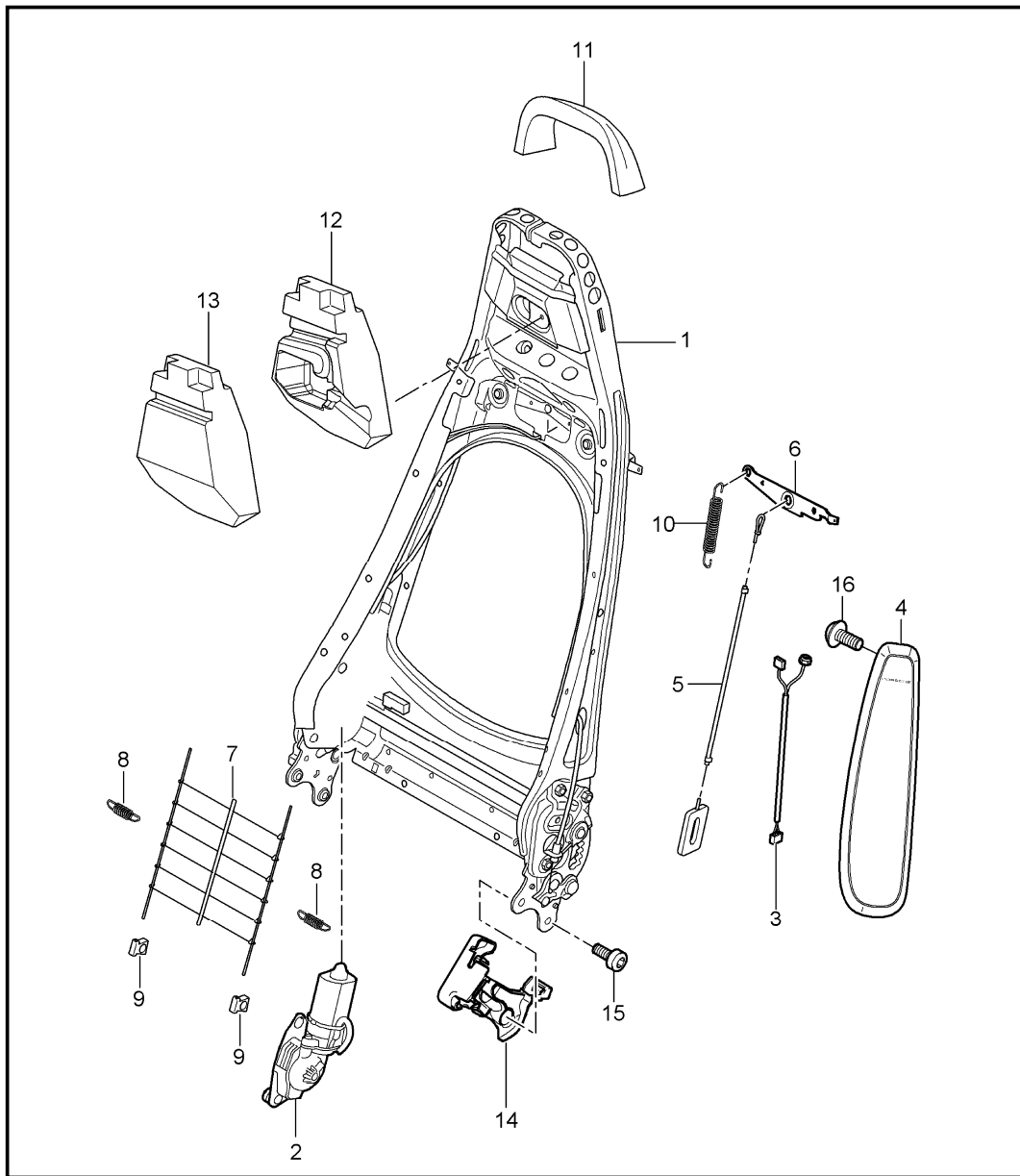
Model	Year	MG	SG	Illustration	Restrictions	UPD	7:46	25.01.2010	PORSCHE	PET	PORSCHE
997-1	2008	8	17	817-19		248					

Pos	Part Number	Description	Remark	Qty	Model	Pos	Part Number	Description	Remark	Qty	Model
(1)	997 521 982 00	backrest shell	/R 06-	1	IXSA/376/378		4P2	palmgreen			
	041	black					9S5	terracotta			
	84A	guards red					9V6	cocoa			
	12H	speed yellow					D12	dark grey/natural			
	B9A	carrara white					T12	brown/natural			
	92U	arctic silver metallic					N12	carrera red	08-		
	M3W	carmon red metallic				(1)	997 521 982 02	backrest shell	/R 06-	1	IXSB/376/378
	M5W	lapis blue metallic						leather			
	M6W	lagoon green metallic					A11	black			
	C9Z	basalt black metallic					5X6	stone grey			
	M7X	atlas grey metallic					8G2	sand beige			
	39C	midnight blue metallic					3S9	sea blue			
	6B4	seal grey metallic					4P2	palmgreen			
	2B4	forest green metallic					9S5	terracotta			
	3C8	cobalt blue metallic					9V6	cocoa			
	23F	slate grey metallic					D12	dark grey/natural			
	M6X	dark olive-metallic					T12	brown/natural			
	M7Z	gt silver metallic					N12	carrera red	08-		
(1)	997 521 981 01	backrest shell	/L 06-	1	IXCG/375/377	(2)	997 521 319 00	bracket	/L	1	
		aluminium look				2	997 521 320 00	bracket	/R	1	
	V04	galvano silver						backrest side bolster			
(1)	997 521 982 01	backrest shell	/R 06-	1	IXCG/376/378	3	997 521 621 03	rosette	/L	1	I375/376
		aluminium look						backrest locking lever			I377/378
	V04	galvano silver					D07	volcano grey			
(1)	997 521 981 02	backrest shell	/L 06-	1	IXSB/375/377	(3)	997 521 622 03	rosette	/R	1	I375/376
		leather						backrest locking lever			I377/378
	A11	black					D07	volcano grey			
	5X6	stone grey				4	997 521 623 02	control button	/L	1	
	8G2	sand beige						backrest locking lever			
	3S9	sea blue					V05	galvano silver			
						(4)	997 521 624 02	control button	/R	1	
								backrest locking lever			

Model	Year	MG	SG	Illustration	Restrictions	UPD	7:46	25.01.2010	PORSCHE	PET	PORSCHE
997-1	2008	8	17	817-19		248					

Pos	Part Number	Description	Remark	Qty	Model	Pos	Part Number	Description	Remark	Qty	Model
	V05	galvano silver									
5	997 521 313 01	bag backrest shell	05	2	I375/376 I377/378						
	8YR	black									
	5X5	stone grey									
	8G1	sand beige									
	3S8	sea blue									
	4P1	palmgreen									
	9N2	terracotta									
	9Q3	cocoa									
	D11	dark grey/natural									
	T11	brown/natural									
6	997 521 373 01	coat hook	05-	2							
	D07	volcano grey									
7	999 919 199 09	countersunk-head screw coat hook		1							
8	997 521 783 00	support panel	/L	1							
(8)	997 521 784 00	support panel backrest shell	/R	1							

Model	Year	MG	SG	Illustration	Restrictions	UPD	7:46	25.01.2010	PORSCHE	PET	PORSCHE
997-1	2008	8	17	817-21		248					



Pos	Part Number	Description	Remark	Qty	Model
		backrest frame sports seat	05-		CARRERA COUPE CABRIO TARGA
1	997 521 329 00	backrest frame without memory	/L/R -07	2	I375/376 I377/378
(1)	997 521 329 02	backrest frame without memory	/L/R -08	1	I375/376 I377/378
(1)	997 521 329 01	backrest frame	/L/R -07	2	I537/538
(1)	997 521 329 03	backrest frame with memory	/L/R -08	2	I537/538
2	997 624 331 00	electric motor backrest with memory	/L/R	1	I537/538
(2)	997 624 321 00	electric motor backrest without memory	/L/R	1	I375/376 378 I377
3	997 612 785 01	wiring harness	/L	1	I537
(3)	997 612 786 01	wiring harness side airbag	/R	1	I538
(3)	997 612 685 01	wiring harness	/L	1	
3	997 612 686 01	wiring harness side airbag without memory	/R	1	
4	997 803 081 01	side airbag	/L	1	I375/377
		D07 volcano grey			
(4)	997 803 082 01	side airbag	/R	1	I376/378
		D07 volcano grey			
(4)	997 803 981 00	side airbag	/L -07	1	IXSG/375/377
		A03 black			
		5V7 stone grey			
		5Z1 sand beige			

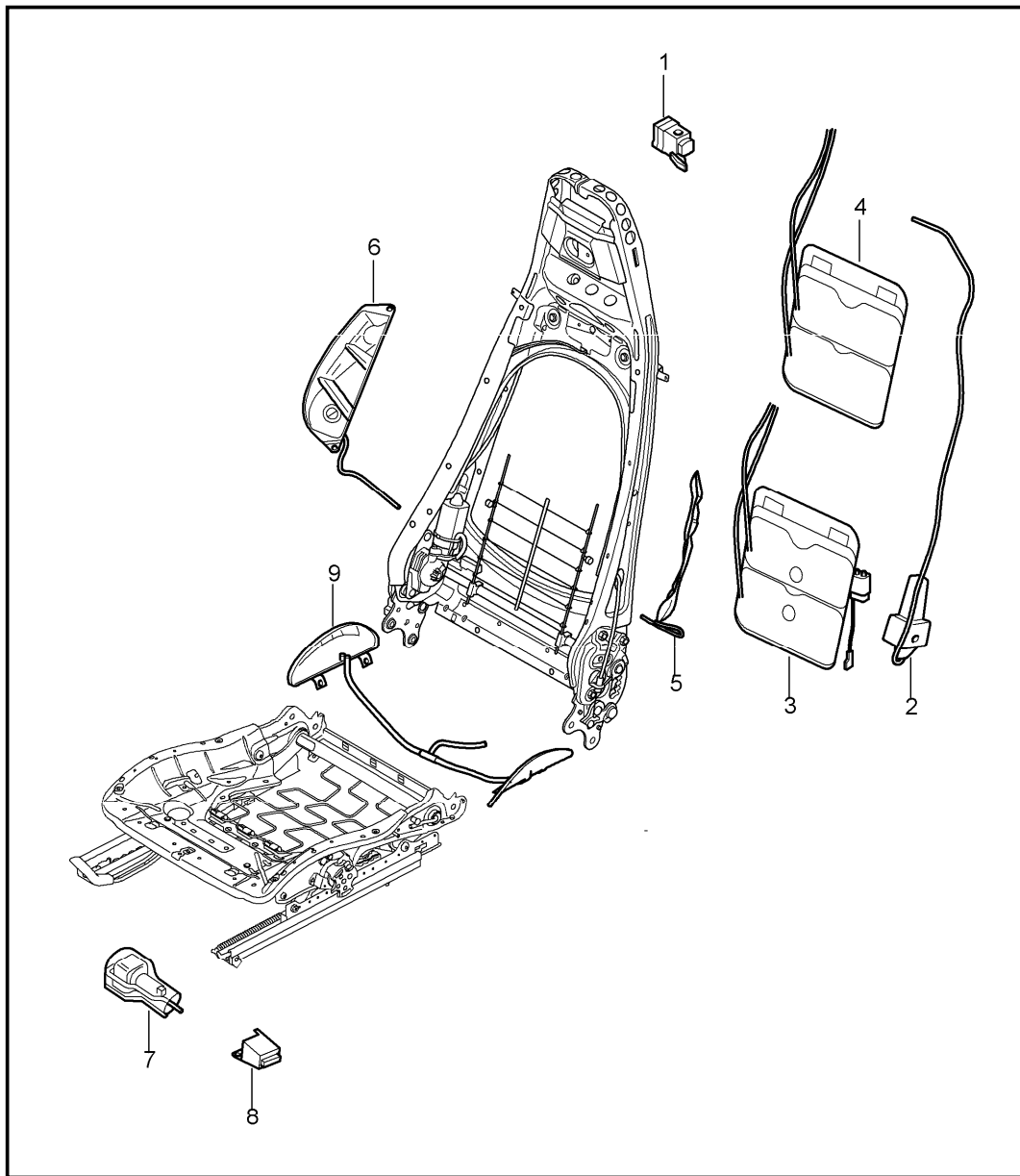
Model	Year	MG	SG	Illustration	Restrictions	UPD	7:46	25.01.2010	PORSCHE	PET	PORSCHE
997-1	2008	8	17	817-21		248					

Pos	Part Number	Description	Remark	Qty	Model	Pos	Part Number	Description	Remark	Qty	Model
	8W7	sea blue					5Z1	sand beige			
	5Y2	palmgreen	07				8W7	sea blue			
	8X8	terracotta					5Y2	palmgreen	07		
	8P9	cocoa					8X8	terracotta			
	T13	brown/natural					8P9	cocoa			
	N23	carrera red	08-				T13	brown/natural			
(4)	997 803 981 00	side airbag	/L	07-	1 IXSA/375/377		N23	carrera red	08-		
	A03	black				(4)	997 803 982 00	side airbag	/R	07-	1 IXSA/376/378
	5V7	stone grey					A03	black			
	5Z1	sand beige					5V7	stone grey			
	8W7	sea blue					5Z1	sand beige			
	5Y2	palmgreen	07				8W7	sea blue			
	8X8	terracotta					5Y2	palmgreen	07		
	8P9	cocoa					8X8	terracotta			
	T13	brown/natural					8P9	cocoa			
	N23	carrera red	08-				T13	brown/natural			
(4)	997 803 981 00	side airbag	/L	07-	1 IXSB/375/377		N23	carrera red	08-		
	A03	black				(4)	997 803 982 00	side airbag	/R	07-	1 IXSB/376/378
	5V7	stone grey					A03	black			
	5Z1	sand beige					5V7	stone grey			
	8W7	sea blue					5Z1	sand beige			
	5Y2	palmgreen	07				8W7	sea blue			
	8X8	terracotta					5Y2	palmgreen	07		
	8P9	cocoa					8X8	terracotta			
	T13	brown/natural					8P9	cocoa			
	N23	carrera red	08-				T13	brown/natural			
(4)	997 803 982 00	side airbag	/R	07-	1 IXSG/376/378		N23	carrera red	08-		
	A03	black				5	997 521 485 00	bowden cable			2
	5V7	stone grey						backrest frame			

Model	Year	MG	SG	Illustration	Restrictions	UPD	7:46	25.01.2010	PORSCHE	PET	PORSCHE
997-1	2008	8	17	817-21		248					

Pos	Part Number	Description	Remark	Qty	Model	Pos	Part Number	Description	Remark	Qty	Model
6	997 521 375 00	release backrest frame		1							
7	997 521 855 00	grille backrest frame		1							
8	997 521 893 00	tension spring inner spring		2							
9	997 521 895 00	clip inner spring		2							
10	997 521 797 00	tension spring release backrest		1							
11	997 521 885 00	foam part head rest upper		1	I375/376 I377/378						
12	997 521 887 01	foam part head rest centre electric		1	I377/378						
13	997 521 887 00	foam part head rest centre		1	I375/376						
14	997 521 335 01	cover mounting component inner	/L	1							
	D07	volcano grey									
(14)	997 521 336 01	cover mounting component inner	/R	1							
	D07	volcano grey									
15	999 073 375 09	screw mount backrest seat adjuster		4							
16	999 073 306 09	screw mount side airbag		2							

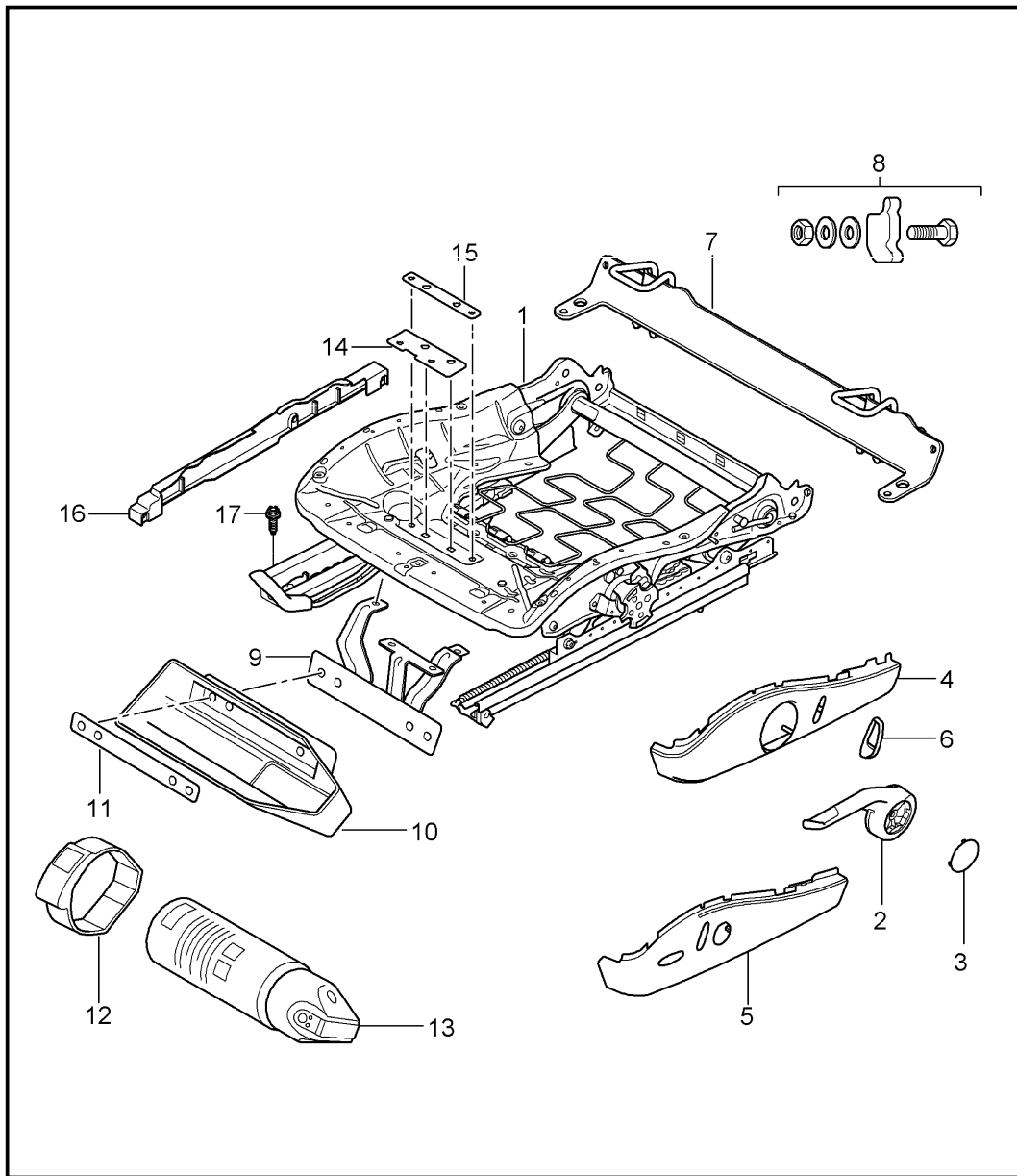
Model	Year	MG	SG	Illustration	Restrictions	UPD	7:46	25.01.2010	PORSCHE	PET	PORSCHE
997-1	2008	8	17	817-22		248					



Pos	Part Number	Description	Remark	Qty	Model
		lumbar support	05-		CARRERA COUPE CABRIO TARGA
1	997 617 725 00	valve lumbar support without memory		1	I377/378 I437/438
(1)	997 617 726 00	valve lumbar support memory		1	I537/538
2	997 620 725 00	compressor lumbar		1	I377/378 I437/438
3	997 521 709 01	lumbar support memory		1	I377/378/437 I438/537/538
4	997 521 709 00	lumbar support without memory		1	I377/378 I437/438
5	997 521 711 00	container air distributor backrest side bolster		1	I377/378
6	997 521 712 00	container air distributor backrest side bolster		1	I377/378
7	997 620 727 00	compressor adjustment seat side bolster		1	I377/378
8	997 617 727 00	valve adjustment seat wide		1	I377/378
9	997 521 713 01	container air distributor seat side bolster		1	I377/378



Model	Year	MG	SG	Illustration	Restrictions	UPD	7:47	25.01.2010	PORSCHE	PET	PORSCHE
997-1	2008	8	17	817-23		248					



Pos	Part Number	Description	Remark	Qty	Model
		seat adjuster sports seat		05-	CARRERA COUPE CABRIO TARGA
1	997 521 201 00	seat adjuster	/LL/L	-06	1 I098/369/375
(1)	997 521 201 10	seat adjuster manually left-hand drive driver's side	/LL/L	07-	1 I098/369/375
1	997 521 202 00	seat adjuster manually right-hand drive driver's side	/R	-07	1 I099/370/376
1	997 521 202 19	seat adjuster manually right-hand drive driver's side	/R	08-	1 I099/370/376
1	997 521 201 04	seat adjuster	/L	-06	1 I377/437
(1)	997 521 201 12	seat adjuster electric without memory	/L	07-	1 I377/437
(1)	997 521 201 05	seat adjuster	/L	-06	1 I377/437/537
(1)	997 521 201 13	seat adjuster electric memory	/L	07-	1 I377/437/537
(1)	997 521 202 10	seat adjuster	/R	-06	1 I378/438
(1)	997 521 202 21	seat adjuster electric without memory without advanced airbag	/R	07-	1 I378/438
(1)	997 521 202 11	seat adjuster	/R	-06	1 I378/438/538
(1)	997 521 202 22	seat adjuster electric memory	/R	07-	1 I378/438/538
(1)	997 521 201 03	seat adjuster	/RL/L	-06	1 I099/369/375
(1)	997 521 201 11	seat adjuster manually right-hand drive passenger's side		07-	1 I099/369/375

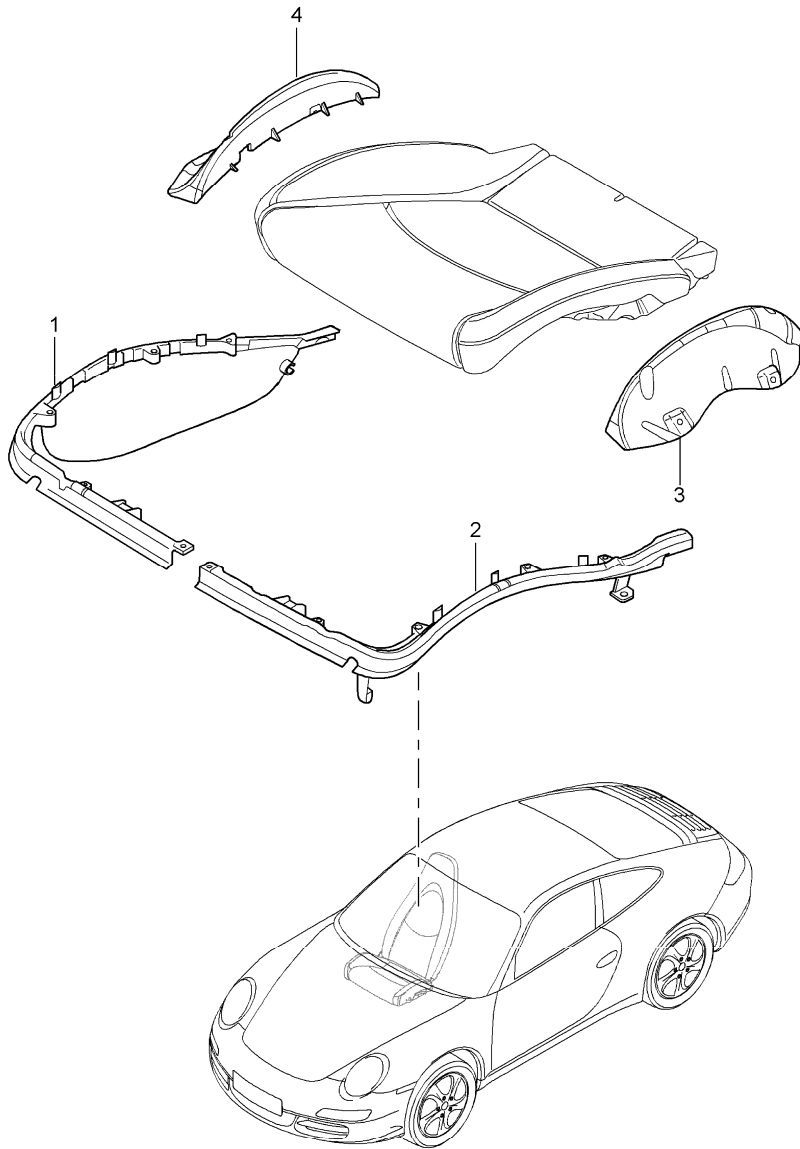
Model	Year	MG	SG	Illustration	Restrictions	UPD	7:47	25.01.2010	PORSCHE	PET	PORSCHE
997-1	2008	8	17	817-23		248					

Pos	Part Number	Description	Remark	Qty	Model	Pos	Part Number	Description	Remark	Qty	Model
(1)	997 521 202 05	seat adjuster	/LL/R -06	1	I098/370/376		V04	galvano silver			
(1)	997 521 202 20	seat adjuster manually left-hand drive passenger's side	/LL/R 07-	1	I098/370/376	(5)	997 521 326 09	trim for switch advanced airbag	/R 06-	1	I370/376/560
							D07	volcano grey			
(1)	997 521 202 06	seat adjuster	/R 06	1	I370/376/560	(5)	997 521 326 11	trim for switch advanced airbag	/R 06-	1	I378/560
(1)	997 521 202 23	seat adjuster manually seat occupancy detection	/R 07-	1	I370/376/560		D07	volcano grey			
(1)	997 521 202 12	seat adjuster	/R 06	1	I378/438/560	6	997 521 631 01	control button backrest		1	I375/376 I377/378
(1)	997 521 202 24	seat adjuster electric seat occupancy detection	/R 07-	1	I378/438/560		V05	galvano silver			
2	997 521 627 01	actuating lever height adjustment	/L	1	I369/375	7	997 521 061 01	retaining bow child car seat retaining bow not for AUSTRALIEN		1	
	V05	galvano silver									
(2)	997 521 628 01	actuating lever height adjustment	/R	1	I370/376	8	997 521 961 01	set of fastening parts retaining bow		1	
	V05	galvano silver									
3	997 521 629 01	cap height adjustment	/L/R	2	I369/370 I375/376	(9)	997 521 252 00	support fire extinguisher		1	I099/509
	D07	volcano grey									
4	997 521 325 06	trim for switch	/L	1	I369/375	10	997 521 607 00	cup fire extinguisher		1	I509
	D07	volcano grey without advanced airbag									
(4)	997 521 326 06	trim for switch	/R	1	I370/376	11	997 521 881 00	support cup fire extinguisher		1	I509
	D07	volcano grey without advanced airbag									
5	997 521 325 08	trim for switch elect. backrest adjustment	/L	1	I377	12	997 521 851 00	restraining strap fire extinguisher		1	I509
	D07	volcano grey									
	V04	galvano silver									
(5)	997 521 326 08	trim for switch elect. backrest adjustment	/R	1	I378	13	996 722 115 00	fire extinguisher Information available Information available		1	I509
	D07	volcano grey									
						14	997 521 841 00	reinforcement front		1	I509
						15	997 521 843 00	reinforcement rear		1	I509
						16	997 521 427 01	cover sensor weight	/L 06-	1	I376/378/560
							01C	satin black			

Model	Year	MG	SG	Illustration	Restrictions	UPD	7:47	25.01.2010	PORSCHE	PET	PORSCHE
997-1	2008	8	17	817-23		248					

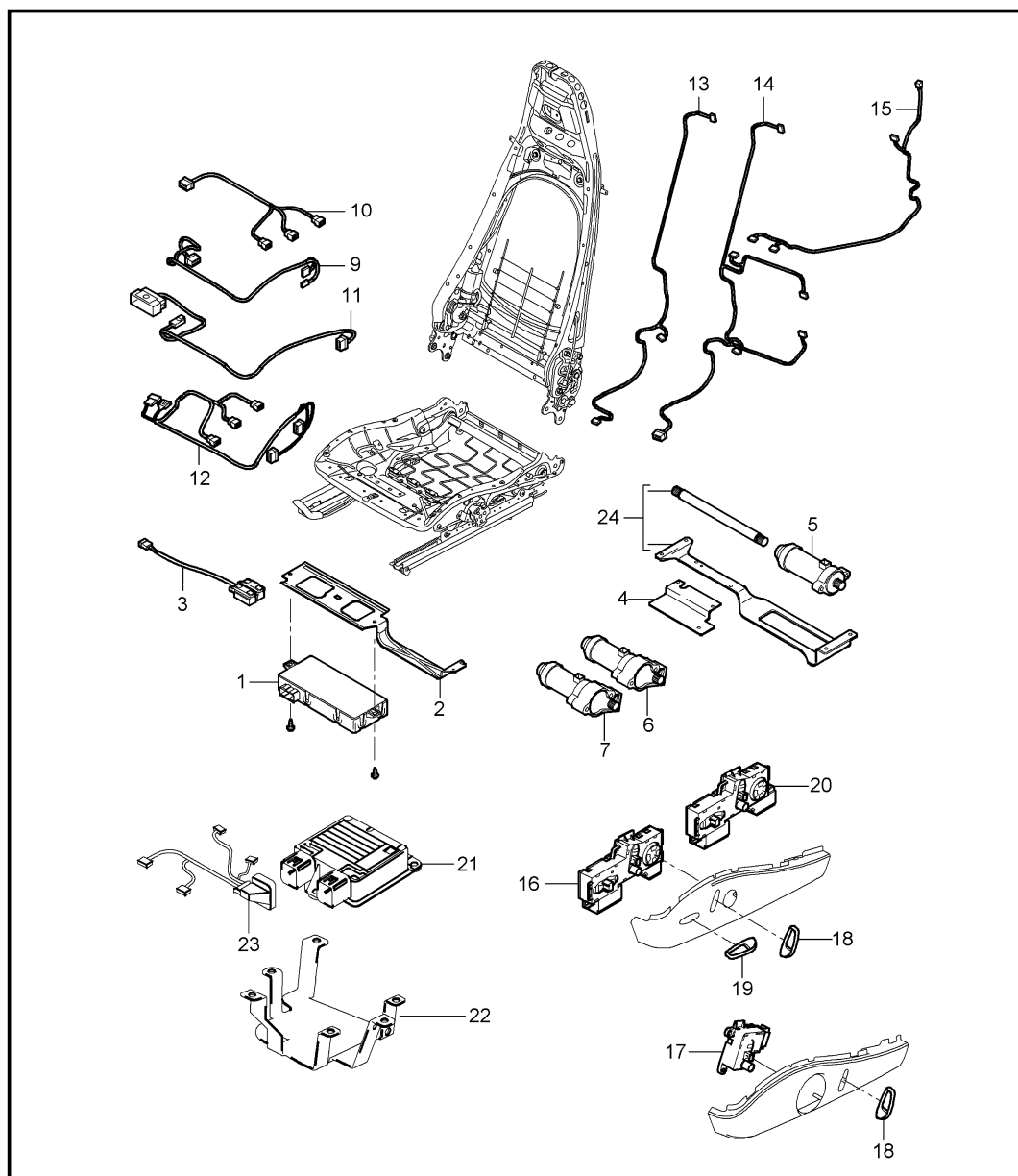
Pos	Part Number	Description	Remark	Qty	Model	Pos	Part Number	Description	Remark	Qty	Model
(16)	997 521 426 01	cover sensor weight	/R 06-	1	I376/378/560						
	01C	satin black									
17	999 141 047 01	torx screw seat rail mount		4							

Model	Year	MG	SG	Illustration	Restrictions	UPD	7:47	25.01.2010	PORSCHE	PET	PORSCHE
997-1	2008	8	17	817-24		248					



Pos	Part Number	Description	Remark	Qty	Model
		cushion carrier frame seat surface sports seat	05-		CARRERA COUPE CABRIO TARGA
1	997 521 547 00	frame inner left	/L	1	I376/378
(1)	997 521 548 00	frame inner right	/R	1	I375/377
2	997 521 545 00	frame outer left	/L	1	I375/377
(2)	997 521 546 00	frame outer right	/R	1	I376/378
3	997 521 519 00	supporting plate seat cushion	/L	1	I377/378
4	997 521 520 00	supporting plate seat cushion	/R	1	I377/378
-	997 521 546 01	frame outer with advanced airbag	/R	06-	I376/378/560

Model	Year	MG	SG	Illustration	Restrictions	UPD	7:47	25.01.2010	PORSCHE	PET	PORSCHE
997-1	2008	8	17	817-25		248					



Pos	Part Number	Description	Remark	Qty	Model
		wiring harnesses switch control unit electric motor sports seat	05-		CARRERA COUPE CABRIO TARGA
1	997 618 537 07	control unit seating position control		1	I537/538
2	997 521 643 00	support control unit seating position control		1	I537/538
3	997 613 725 00	switch seat adjuster		1	I377
		V05 galvano silver			
(3)	997 613 726 00	switch seat adjuster		1	I378
		V05 galvano silver			
4	997 521 343 00	support electric motor		1	I377/378
5	997 624 322 00	electric motor seat adjuster lengthways without memory		1	I377/378
(5)	997 624 332 00	electric motor seat adjuster lengthways with memory		1	I537/538
6	997 624 322 00	electric motor seat adjuster height adjustment without memory		1	I377/378
(6)	997 624 332 00	electric motor seat adjuster height adjustment with memory		1	I537/538
7	997 624 323 00	electric motor seat adjuster tilt angle without memory		1	I377/378

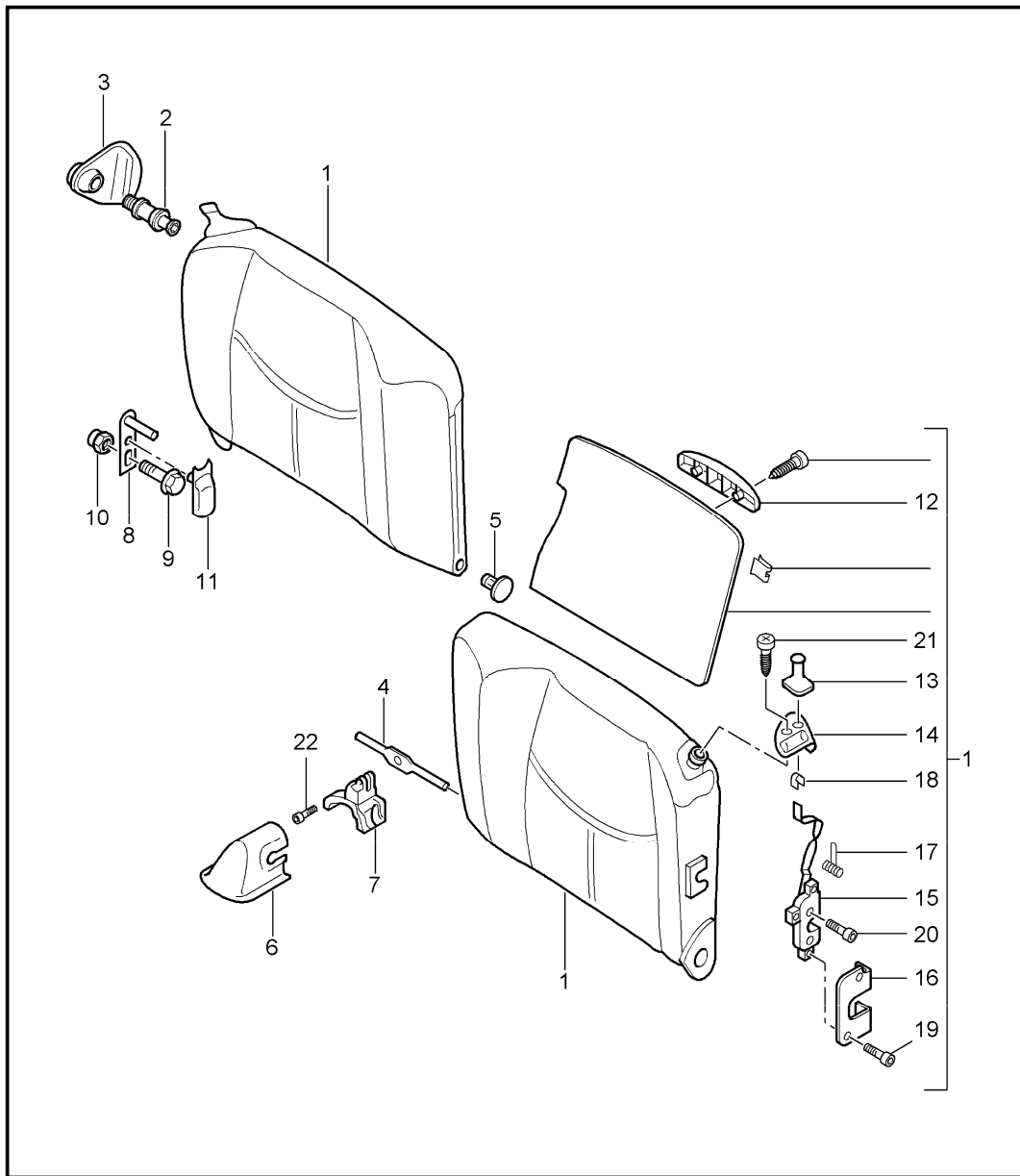
Model	Year	MG	SG	Illustration	Restrictions	UPD	7:47	25.01.2010	PORSCHE	PET	PORSCHE
997-1	2008	8	17	817-25		248					

Pos	Part Number	Description	Remark	Qty	Model	Pos	Part Number	Description	Remark	Qty	Model
(7)	997 624 333 00	electric motor seat adjuster tilt angle with memory		1	I537/538	15	997 612 685 01	wiring harness backrest without memory		1	I369/375 I377/437
9	997 612 684 00	wiring harness switch seat adjuster memory		1	I537/538	(15)	997 612 686 01	wiring harness backrest without memory		1	I370/376 I378/438
10	997 612 690 00	wiring harness lengthways height adjustment memory		1	I537/538	16	997 613 721 01	switch seat adjuster memory switch	/L	1	I377/437/537
11	997 612 682 01	wiring harness switch		1	I369/370 I375/376	(16)	997 613 722 01	switch seat adjuster memory switch	/R	1	I378/438/538
12	997 612 691 01	wiring harness switch without memory	-07	1	I377/378		V05	galvano silver			
12	997 612 691 02	wiring harness switch without memory	08-	1	I377/378	17	997 613 713 00	switch	/L	1	I369/375
13	997 612 689 00	wiring harness lumbar support without memory		1	I377/378 I437/438	(17)	997 613 714 00	switch seat adjuster manually adjustable	/R	1	I370/376
14	997 612 692 00	wiring harness backrest lumbar with memory	-07	1	I377/537	18	997 521 631 01	control button backrest		1	I375/376 I377/378
14	997 612 692 00	wiring harness backrest lumbar with memory	-07	1	I378/538		V05	galvano silver			
14	997 612 692 01	wiring harness backrest lumbar with memory	08-	1	I377/537	19	997 521 633 02	control button seat cushion		1	I377/378 I437/438
14	997 612 692 01	wiring harness backrest lumbar with memory	08-	1	I377/537		V05	galvano silver			
14	997 612 692 01	wiring harness backrest lumbar with memory	08-	1	I378/538	20	997 613 717 01	switch seat adjuster without memory	/L	1	I377/437
							V05	galvano silver			
						(20)	997 613 718 01	switch seat adjuster without memory	/R	1	I378/438
							V05	galvano silver			
						(21)	997 618 233 05	control unit seat occupancy detection	06-	1	I370/376/378 I438/560

Model	Year	MG	SG	Illustration	Restrictions	UPD	7:47	25.01.2010	PORSCHE	PET	PORSCHE
997-1	2008	8	17	817-25		248					

Pos	Part Number	Description	Remark	Qty	Model	Pos	Part Number	Description	Remark	Qty	Model
(22)	997 521 646 00	support control unit seat occupancy detection	06-	1	I370/376/378 I438/560						
23	997 612 688 00	wiring harness seat occupancy detection	06-	1	I370/376/378 I438/560						
24	000 043 207 06	pliable shaft adjusting motor lengthways		1							
(24)	997 521 901 00	repair kit pliable shaft engine bracket		1							
-	999 650 973 40	clip mount wiring harness seat occupancy detection		1							

Model	Year	MG	SG	Illustration	Restrictions	UPD	7:47	25.01.2010	PORSCHE	PET	PORSCHE
997-1	2008	8	17	817-40		248					



Pos	Part Number	Description	Remark	Qty	Model
		back seat backrest	05-		CARRERA COUPE TARGA
1	997 522 011 06	back seat backrest	/L	1	I685/937
	5Q2	black			
	8X4	stone grey			
	5S4	sand beige			
	8W3	sea blue			
	5Y5	palmgreen			
(1)	997 522 012 06	back seat backrest	/R	1	I685/937
	5Q2	black			
	8X4	stone grey			
	5S4	sand beige			
	8W3	sea blue			
	5Y5	palmgreen			
(1)	997 522 011 07	back seat backrest	/L	1	I685/936
	8YR	black			
	5X5	stone grey			
	8G1	sand beige			
	3S8	sea blue			
	4P1	palmgreen			
	9N2	terracotta			
	9Q3	cocoa			
	D11	dark grey/natural			
	T11	brown/natural			
	N11	carrera red	08-		
(1)	997 522 012 07	back seat backrest	/R	1	I685/936
	8YR	black			
	5X5	stone grey			
	8G1	sand beige			



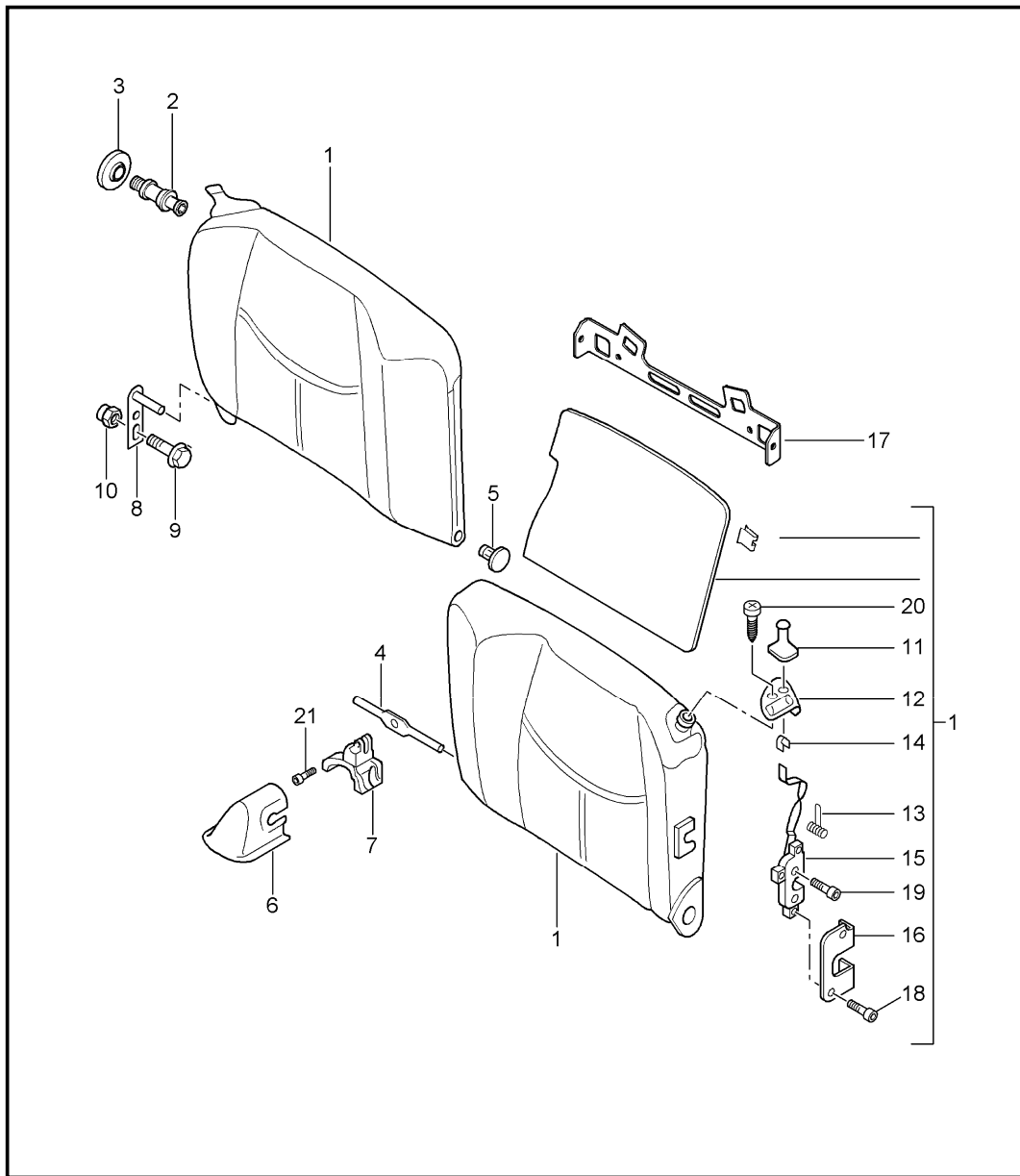
Model	Year	MG	SG	Illustration	Restrictions	UPD	7:47	25.01.2010	PORSCHE	PET	PORSCHE
997-1	2008	8	17	817-40		248					

Pos	Part Number	Description	Remark	Qty	Model	Pos	Part Number	Description	Remark	Qty	Model
	3S8	sea blue				2	996 522 267 06	bolt locking device		2	I685
	4P1	palmgreen				3	997 522 095 00	stop	/L	1	I685
	9N2	terracotta					01C	satin black			
	9Q3	cocoa				(3)	997 522 096 00	stop	/R	1	I685
	D11	dark grey/natural					01C	satin black			
	T11	brown/natural				(4)	997 522 615 00	bearing shaft	-07	1	I685
	N11	carrera red	08-			(4)	997 522 615 01	bearing shaft	08-	1	I685
(1)	997 522 011 08	back seat backrest	/L	1	I685/939	-	999 073 436 01	combination screw bearing shaft back seat backrest	08-	1	I685
	8YR	black				5	996 522 571 00	protection washer		1	I685
	5X5	stone grey					01C	satin black			
	8G1	sand beige				6	996 522 431 02	cover		1	I685
	3S8	sea blue					01C	satin black			
	4P1	palmgreen				7	996 522 333 00	bracket		1	I685
	9N2	terracotta				8	996 522 211 01	bearing outer	-07	2	I685
	9Q3	cocoa				(8)	997 522 211 00	bearing outer	08-	2	I685
	D11	dark grey/natural				9	999 073 138 01	screw M 8 X 25		2	
	T11	brown/natural				10	996 522 271 00	bush		2	I685
	N11	carrera red	08-			11	996 522 425 01	cover		1	I685
(1)	997 522 012 08	back seat backrest	/R	1	I685/939		01C	satin black			
	8YR	black				12	996 522 421 00	stop backrest		2	I685
	5X5	stone grey					01C	satin black			
	8G1	sand beige				13	997 522 321 00	actuating lever backrest	/L	1	I685
	3S8	sea blue					01C	satin black			
	4P1	palmgreen				(13)	997 522 322 00	actuating lever backrest	/R	1	I685
	9N2	terracotta									
	9Q3	cocoa									
	D11	dark grey/natural									
	T11	brown/natural									
	N11	carrera red	08-								

Model	Year	MG	SG	Illustration	Restrictions	UPD	7:47	25.01.2010	PORSCHE	PET	PORSCHE
997-1	2008	8	17	817-40		248					

Pos	Part Number	Description	Remark	Qty	Model	Pos	Part Number	Description	Remark	Qty	Model
	01C	satin black									
14	996 522 315 00	rosette control button	/L	1	I685						
	01C	satin black									
(14)	996 522 316 00	rosette control button	/R	1	I685						
	01C	satin black									
15	996 522 281 02	lock backrest	/L	1	I685						
(15)	996 522 282 02	lock backrest	/R	1	I685						
16	997 522 771 00	trim cover lock	/L	1	I685						
	01C	satin black									
(16)	997 522 772 00	trim cover lock	/R	1	I685						
	01C	satin black									
17	996 522 653 00	spring lock		2	I685						
18	999 507 630 01	clamp control button		2	I685						
19	999 073 049 02	tapping screw ST 3,5 X 16		4	I685						
20	900 269 028 03	countersunk-head screw M 8 X 30		4	I685						
21	900 145 041 07	tapping screw B 3,5 X 16		4	I685						
22	900 067 358 09	combination screw M 5 X 16		1	I685						

Model	Year	MG	SG	Illustration	Restrictions	UPD	7:47	25.01.2010	PORSCHE	PET	PORSCHE
997-1	2008	8	17	817-44		248					



Pos	Part Number	Description	Remark	Qty	Model
		back seat backrest	05-		CARRERA CABRIO
1	997 522 011 09	back seat backrest	/L	1	I685/937
	5Q2	black			
	8X4	stone grey			
	5S4	sand beige			
	8W3	sea blue			
	5Y5	palmgreen			
(1)	997 522 012 09	back seat backrest	/R	1	I685/937
	5Q2	black			
	8X4	stone grey			
	5S4	sand beige			
	8W3	sea blue			
	5Y5	palmgreen			
(1)	997 522 011 10	back seat backrest	/L	1	I685/936
	8YR	black			
	5X5	stone grey			
	8G1	sand beige			
	3S8	sea blue			
	4P1	palmgreen			
	9N2	terracotta			
	9Q3	cocoa			
	D11	dark grey/natural			
	T11	brown/natural			
	N11	carrera red	08-		
(1)	997 522 012 10	back seat backrest	/R	1	I685/936
	8YR	black			
	5X5	stone grey			
	8G1	sand beige			

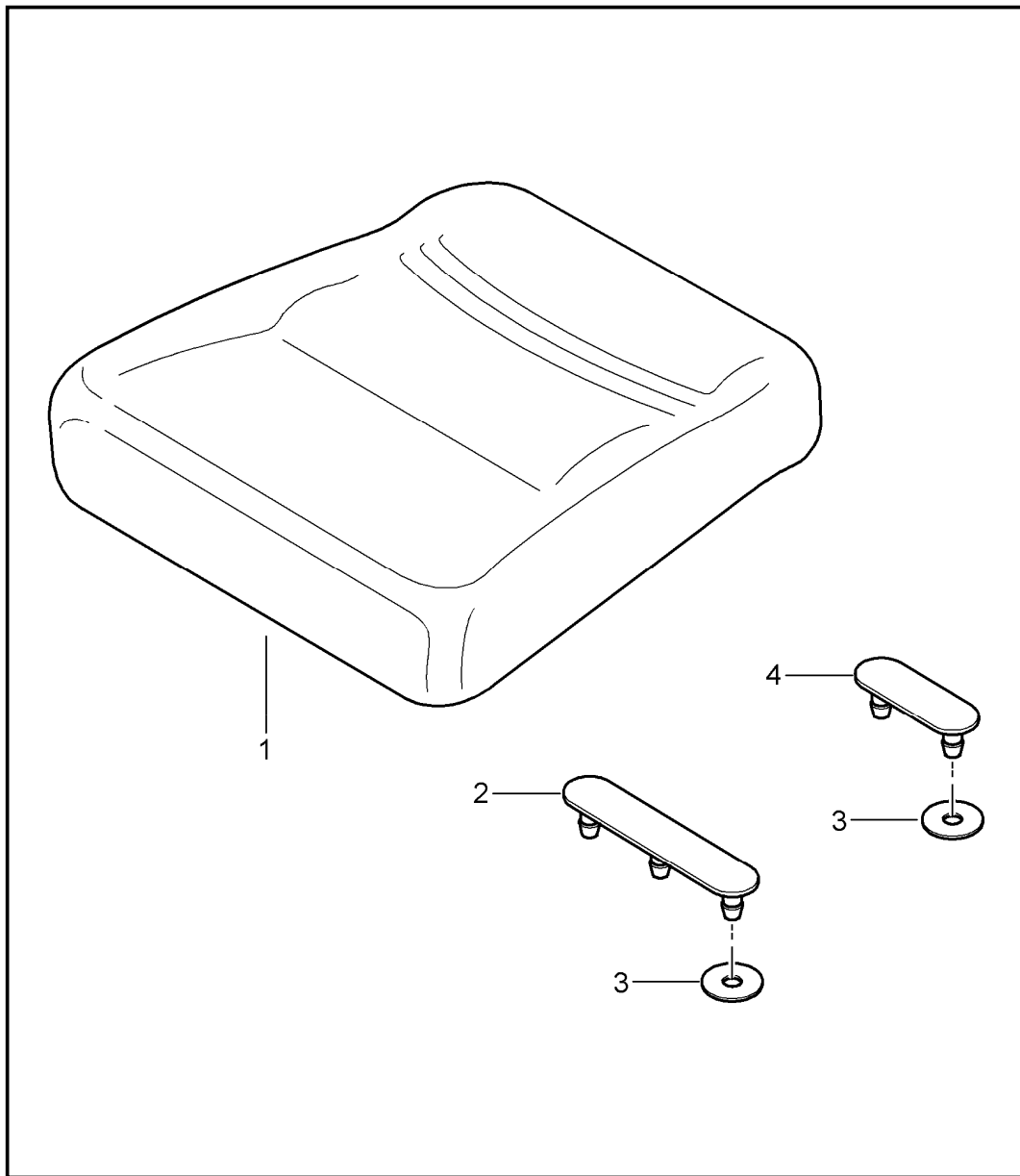
Model	Year	MG	SG	Illustration	Restrictions	UPD	7:47	25.01.2010	PORSCHE	PET	PORSCHE
997-1	2008	8	17	817-44		248					

Pos	Part Number	Description	Remark	Qty	Model	Pos	Part Number	Description	Remark	Qty	Model
	3S8	sea blue				2	996 522 267 07	bolt locking device		2	I685
	4P1	palmgreen				3	996 522 097 08	rosette		2	I685
	9N2	terracotta					01C	satin black			
	9Q3	cocoa				4	997 522 615 01	bearing shaft		1	I685
	D11	dark grey/natural				-	999 073 436 01	combination screw bearing shaft		1	I685
	T11	brown/natural				5	996 522 571 00	protection washer		1	I685
	N11	carrera red	08-				01C	satin black			
(1)	997 522 011 11	back seat backrest	/L	1	I685/939	6	996 522 431 02	cover		1	I685
	8YR	black					01C	satin black			
	5X5	stone grey				7	996 522 041 00	bearing		1	I685
	8G1	sand beige				8	996 522 211 01	bearing outer	-07	2	I685
	3S8	sea blue				(8)	997 522 211 00	bearing outer	08-	2	I685
	4P1	palmgreen				9	999 073 138 01	screw M 8 X 25		2	
	9N2	terracotta				10	996 522 271 00	bush		2	I685
	9Q3	cocoa				11	997 522 321 00	actuating lever	/L	1	I685
	D11	dark grey/natural					01C	satin black			
	T11	brown/natural				(11)	997 522 322 00	actuating lever	/R	1	I685
	N11	carrera red	08-				01C	satin black			
(1)	997 522 012 11	back seat backrest	/R	1	I685/939	12	996 522 315 00	rosette	/L	1	I685
	8YR	black					01C	satin black			
	5X5	stone grey					01C	satin black			
	8G1	sand beige				(12)	996 522 316 00	rosette	/R	1	I685
	3S8	sea blue					01C	satin black			
	4P1	palmgreen				13	996 522 653 00	spring lock		2	I685
	9N2	terracotta				14	999 507 630 01	clamp control button		2	I685
	9Q3	cocoa				15	996 522 281 02	lock backrest	/L	1	I685
	D11	dark grey/natural									
	T11	brown/natural									
	N11	carrera red	08-								

Model	Year	MG	SG	Illustration	Restrictions	UPD	7:47	25.01.2010	PORSCHE	PET	PORSCHE
997-1	2008	8	17	817-44		248					

Pos	Part Number	Description	Remark	Qty	Model	Pos	Part Number	Description	Remark	Qty	Model
(15)	996 522 282 02	lock backrest	/R	1	I685						
16	997 522 771 00	trim cover	/L	1	I685						
	01C	satin black									
(16)	997 522 772 00	trim cover	/R	1	I685						
	01C	satin black									
17	997 803 721 00	support child car seat filler plate back seat backrest		1	I335/479						
18	999 073 049 02	tapping screw ST 4,3 X 16		4	I685						
19	900 269 028 03	countersunk-head screw M 8 X 30		4	I685						
20	900 145 041 07	tapping screw B 3,5 X 16		4	I685						
21	900 067 358 09	combination screw M 5 X 16		1	I685						

Model	Year	MG	SG	Illustration	Restrictions	UPD	7:48	25.01.2010	PORSCHE	PET	PORSCHE
997-1	2008	8	17	817-50		248					

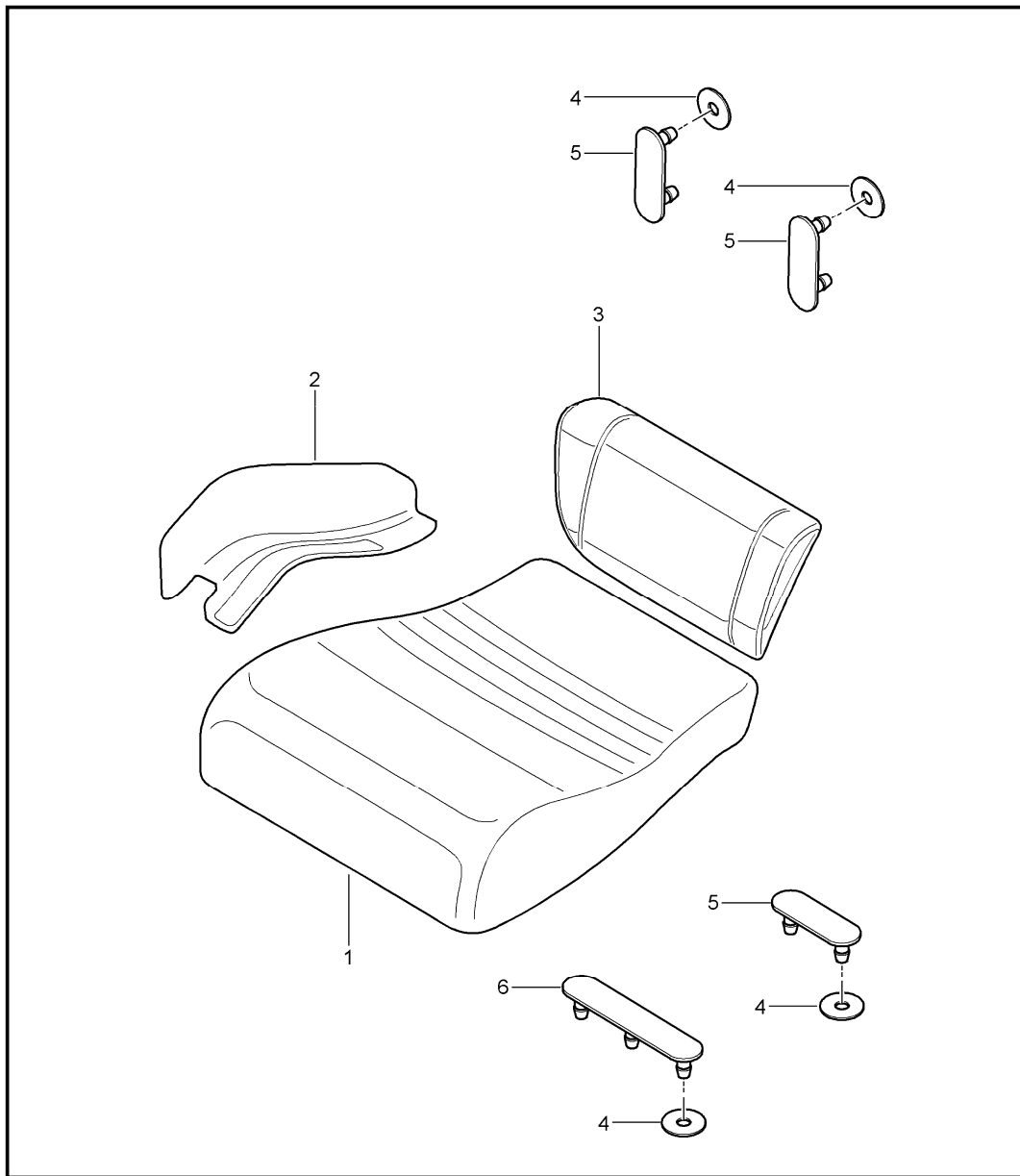


Pos	Part Number	Description	Remark	Qty	Model
		back seat cushion	05-		CARRERA COUPE TARGA
1	997 522 051 00	back seat cushion	/L	1	I685/937
	5Q2	black			
	8X4	stone grey			
	5S4	sand beige			
	8W3	sea blue			
	5Y5	palmgreen			
(1)	997 522 052 00	back seat cushion	/R	1	I685/937
	5Q2	black			
	8X4	stone grey			
	5S4	sand beige			
	8W3	sea blue			
	5Y5	palmgreen			
(1)	997 522 051 01	back seat cushion	/L	1	I685/936
	8YR	black			
	5X5	stone grey			
	8G1	sand beige			
	3S8	sea blue			
	4P1	palmgreen			
	9N2	terracotta			
	9Q3	cocoa			
	D11	dark grey/natural			
	T11	brown/natural			
	N11	carrera red	08-		
(1)	997 522 052 01	back seat cushion	/R	1	I685/936
	8YR	black			
	5X5	stone grey			
	8G1	sand beige			

Model	Year	MG	SG	Illustration	Restrictions	UPD	7:48	25.01.2010	PORSCHE	PET	PORSCHE
997-1	2008	8	17	817-50		248					

Pos	Part Number	Description	Remark	Qty	Model	Pos	Part Number	Description	Remark	Qty	Model
	3S8	sea blue				2	997 551 893 00	clip triple	-07	X	I685
	4P1	palmgreen				2	997 551 893 01	clip triple	08-	X	I685
	9N2	terracotta				(3)	997 551 897 01	lock washer		X	I685
	9Q3	cocoa				4	997 551 895 00	clip double	-07	X	I685
	D11	dark grey/natural				4	997 551 895 01	clip double	08-	X	I685
	T11	brown/natural									
	N11	carrera red	08-								
(1)	997 522 051 02	back seat cushion	/L	1	I685/939						
	8YR	black									
	5X5	stone grey									
	8G1	sand beige									
	3S8	sea blue									
	4P1	palmgreen									
	9N2	terracotta									
	9Q3	cocoa									
	D11	dark grey/natural									
	T11	brown/natural									
	N11	carrera red	08-								
(1)	997 522 052 02	back seat cushion	/R	1	I685/939						
	8YR	black									
	5X5	stone grey									
	8G1	sand beige									
	3S8	sea blue									
	4P1	palmgreen									
	9N2	terracotta									
	9Q3	cocoa									
	D11	dark grey/natural									
	T11	brown/natural									
	N11	carrera red	08-								

Model	Year	MG	SG	Illustration	Restrictions	UPD	7:48	25.01.2010	PORSCHE	PET	PORSCHE
997-1	2008	8	17	817-54		248					



Pos	Part Number	Description	Remark	Qty	Model
		back seat cushion	05-		CARRERA CABRIO
1	997 522 051 03	back seat cushion not for version for japan	/L -07	1	I685/937
	5Q2	black			
	8X4	stone grey			
	5S4	sand beige			
	8W3	sea blue			
	5Y5	palmgreen			
(1)	997 522 052 03	back seat cushion not for version for japan	/R -07	1	I685/937
	5Q2	black			
	8X4	stone grey			
	5S4	sand beige			
	8W3	sea blue			
	5Y5	palmgreen			
(1)	997 522 051 04	back seat cushion not for version for japan	/L -07	1	I685/936
	8YR	black			
	5X5	stone grey			
	8G1	sand beige			
	3S8	sea blue			
	4P1	palmgreen			
	9N2	terracotta			
	9Q3	cocoa			
	D11	dark grey/natural			
	T11	brown/natural			
(1)	997 522 052 04	back seat cushion not for version for japan	/R -07	1	I685/936



Model	Year	MG	SG	Illustration	Restrictions	UPD	7:48	25.01.2010	PORSCHE	PET	PORSCHE
997-1	2008	8	17	817-54		248					

Pos	Part Number	Description	Remark	Qty	Model	Pos	Part Number	Description	Remark	Qty	Model
	8YR	black					D11	dark grey/natural			
	5X5	stone grey					T11	brown/natural			
	8G1	sand beige				(1)	997 522 051 06	back seat cushion version for japan	/L	-07	1 I193/685/937
	3S8	sea blue					5Q2	black			
	4P1	palmgreen					8X4	stone grey			
	9N2	terracotta					5S4	sand beige			
	9Q3	cocoa					8W3	sea blue			
	D11	dark grey/natural					5Y5	palmgreen			
	T11	brown/natural				(1)	997 522 052 06	back seat cushion version for japan	/R	-07	1 I193/685/937
(1)	997 522 051 05	back seat cushion not for version for japan	/L	-07	1 I685/939		5Q2	black			
	8YR	black					8X4	stone grey			
	5X5	stone grey					5S4	sand beige			
	8G1	sand beige					8W3	sea blue			
	3S8	sea blue					5Y5	palmgreen			
	4P1	palmgreen				(1)	997 522 051 07	back seat cushion version for japan	/L	-07	1 I193/685/936
	9N2	terracotta					8YR	black			
	9Q3	cocoa					5X5	stone grey			
	D11	dark grey/natural					8G1	sand beige			
	T11	brown/natural					3S8	sea blue			
(1)	997 522 052 05	back seat cushion not for version for japan	/R	-07	1 I685/939		4P1	palmgreen			
	8YR	black					9N2	terracotta			
	5X5	stone grey					9Q3	cocoa			
	8G1	sand beige					D11	dark grey/natural			
	3S8	sea blue					T11	brown/natural			
	4P1	palmgreen				(1)	997 522 052 07	back seat cushion version for japan	/R	-07	1 I193/685/936
	9N2	terracotta					8YR	black			
	9Q3	cocoa					5X5	stone grey			

Model	Year	MG	SG	Illustration	Restrictions	UPD	7:48	25.01.2010	PORSCHE	PET	PORSCHE
997-1	2008	8	17	817-54		248					

Pos	Part Number	Description	Remark	Qty	Model	Pos	Part Number	Description	Remark	Qty	Model
		8G1 sand beige					5Q2 black				
		3S8 sea blue					8X4 stone grey				
		4P1 palmgreen					5S4 sand beige				
		9N2 terracotta					8W3 sea blue				
		9Q3 cocoa					5Y5 palmgreen				
		D11 dark grey/natural				(1)	997 522 052 09 back seat cushion	/R	08-	1	I685/937
		T11 brown/natural					5Q2 black				
(1)	997 522 051 08	back seat cushion version for japan	/L	-07	1	I193/685/939	8X4 stone grey				
		8YR black					5S4 sand beige				
		5X5 stone grey					8W3 sea blue				
		8G1 sand beige					5Y5 palmgreen				
		3S8 sea blue				(1)	997 522 051 10 back seat cushion	/L	08-	1	I685/936
		4P1 palmgreen					8YR black				
		9N2 terracotta					5X5 stone grey				
		9Q3 cocoa					8G1 sand beige				
		D11 dark grey/natural					3S8 sea blue				
		T11 brown/natural					4P1 palmgreen				
(1)	997 522 052 08	back seat cushion version for japan	/R	-07	1	I193/685/939	9N2 terracotta				
		8YR black					9Q3 cocoa				
		5X5 stone grey					D11 dark grey/natural				
		8G1 sand beige					T11 brown/natural				
		3S8 sea blue					N11 carrera red		08-		
		4P1 palmgreen				(1)	997 522 052 10 back seat cushion	/R	08-	1	I685/936
		9N2 terracotta					8YR black				
		9Q3 cocoa					5X5 stone grey				
		D11 dark grey/natural					8G1 sand beige				
		T11 brown/natural					3S8 sea blue				
(1)	997 522 051 09	back seat cushion	/L	08-	1	I685/937	4P1 palmgreen				
							9N2 terracotta				

Model	Year	MG	SG	Illustration	Restrictions	UPD	7:48	25.01.2010	PORSCHE	PET	PORSCHE
997-1	2008	8	17	817-54		248					

Pos	Part Number	Description	Remark	Qty	Model	Pos	Part Number	Description	Remark	Qty	Model
	9Q3	cocoa					8X4	stone grey			
	D11	dark grey/natural					5S4	sand beige			
	T11	brown/natural					8W3	sea blue			
	N11	carrera red	08-				5Y5	palmgreen			
(1)	997 522 051 11	back seat cushion	/L	08-	1 I685/939	(2)	997 522 066 00	extension seat cushion version for japan	/R	-07	1 I193/685/937
	8YR	black					5Q2	black			
	5X5	stone grey					8X4	stone grey			
	8G1	sand beige					5S4	sand beige			
	3S8	sea blue					8W3	sea blue			
	4P1	palmgreen					5Y5	palmgreen			
	9N2	terracotta				(2)	997 522 065 01	extension seat cushion version for japan	/L	-07	1 I193/936/939
	9Q3	cocoa					8YR	black			
	D11	dark grey/natural					5X5	stone grey			
	T11	brown/natural					8G1	sand beige			
	N11	carrera red	08-				3S8	sea blue			
(1)	997 522 052 11	back seat cushion	/R	08-	1 I685/939		4P1	palmgreen			
	8YR	black					9N2	terracotta			
	5X5	stone grey					9Q3	cocoa			
	8G1	sand beige					D11	dark grey/natural			
	3S8	sea blue					T11	brown/natural			
	4P1	palmgreen				(2)	997 522 066 01	extension seat cushion version for japan	/R	-07	1 I193/936/939
	9N2	terracotta					8YR	black			
	9Q3	cocoa					5X5	stone grey			
	D11	dark grey/natural					8G1	sand beige			
	T11	brown/natural					3S8	sea blue			
	N11	carrera red	08-				4P1	palmgreen			
2	997 522 065 00	extension seat cushion version for japan	/L	-07	1 I193/685/937						
	5Q2	black									

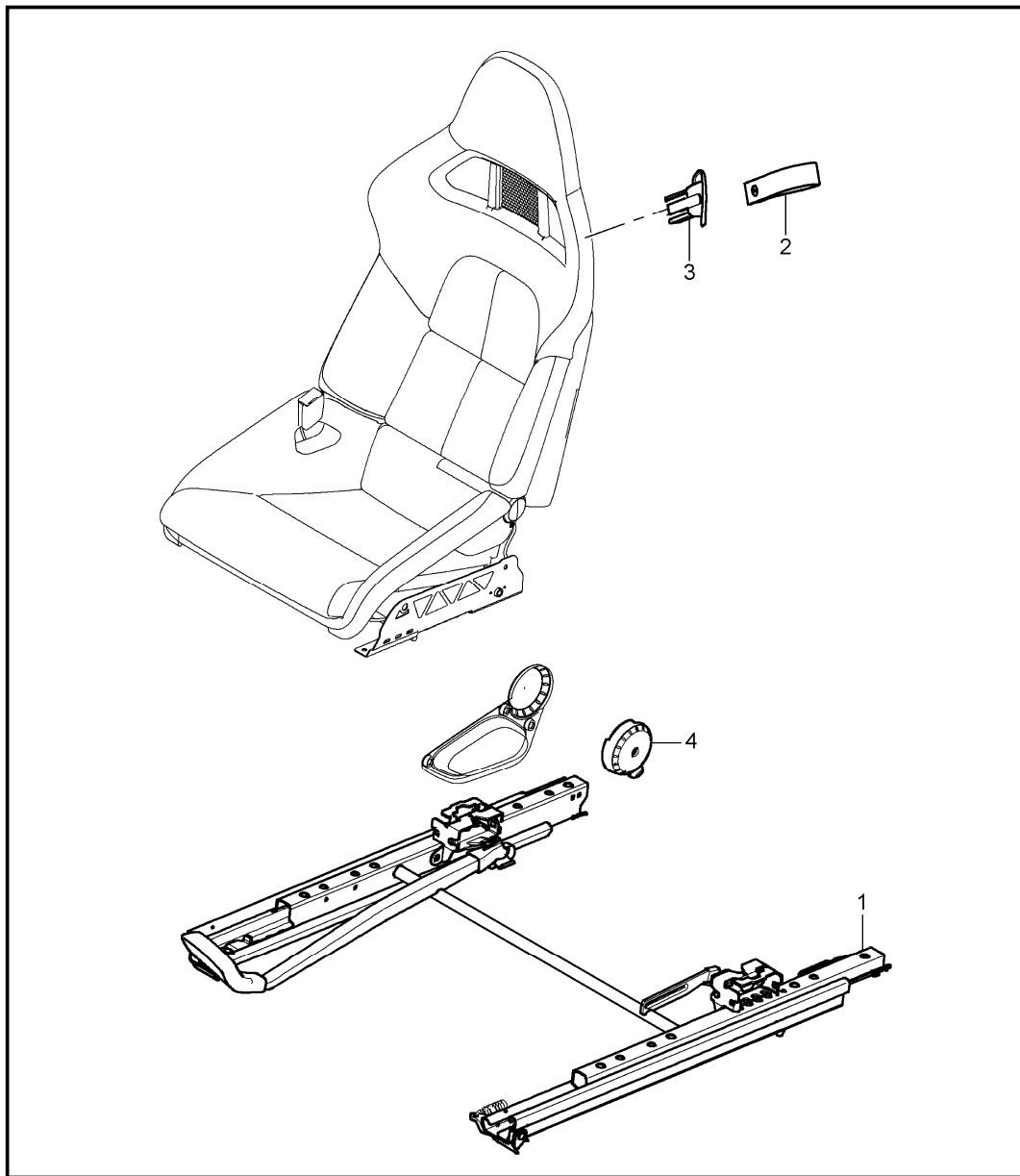
Model	Year	MG	SG	Illustration	Restrictions	UPD	7:48	25.01.2010	PORSCHE	PET	PORSCHE
997-1	2008	8	17	817-54		248					

Pos	Part Number	Description	Remark	Qty	Model	Pos	Part Number	Description	Remark	Qty	Model
	9N2	terracotta				(3)	997 522 236 01	centre part back seat backrest	/R	1	I685/936
	9Q3	cocoa					8YR	black			
	D11	dark grey/natural					5X5	stone grey			
	T11	brown/natural					8G1	sand beige			
3	997 522 235 00	centre part back seat backrest	/L	1	I685/937		3S8	sea blue			
	5Q2	black					4P1	palmgreen			
	8X4	stone grey					9N2	terracotta			
	5S4	sand beige					9Q3	cocoa			
	8W3	sea blue					D11	dark grey/natural			
	5Y5	palmgreen					T11	brown/natural			
(3)	997 522 236 00	centre part back seat backrest	/R	1	I685/937		N11	carrera red	08-		
	5Q2	black				(3)	997 522 235 02	centre part back seat backrest	/L	1	I685/939
	8X4	stone grey					8YR	black			
	5S4	sand beige					5X5	stone grey			
	8W3	sea blue					8G1	sand beige			
	5Y5	palmgreen					3S8	sea blue			
(3)	997 522 235 01	centre part back seat backrest	/L	1	I685/936		4P1	palmgreen			
	8YR	black					9N2	terracotta			
	5X5	stone grey					9Q3	cocoa			
	8G1	sand beige					D11	dark grey/natural			
	3S8	sea blue					T11	brown/natural			
	4P1	palmgreen					N11	carrera red	08-		
	9N2	terracotta				(3)	997 522 236 02	centre part back seat backrest	/R	1	I685/939
	9Q3	cocoa					8YR	black			
	D11	dark grey/natural					5X5	stone grey			
	T11	brown/natural					8G1	sand beige			
	N11	carrera red	08-				3S8	sea blue			

Model	Year	MG	SG	Illustration	Restrictions	UPD	7:48	25.01.2010	PORSCHE	PET	PORSCHE
997-1	2008	8	17	817-54		248					

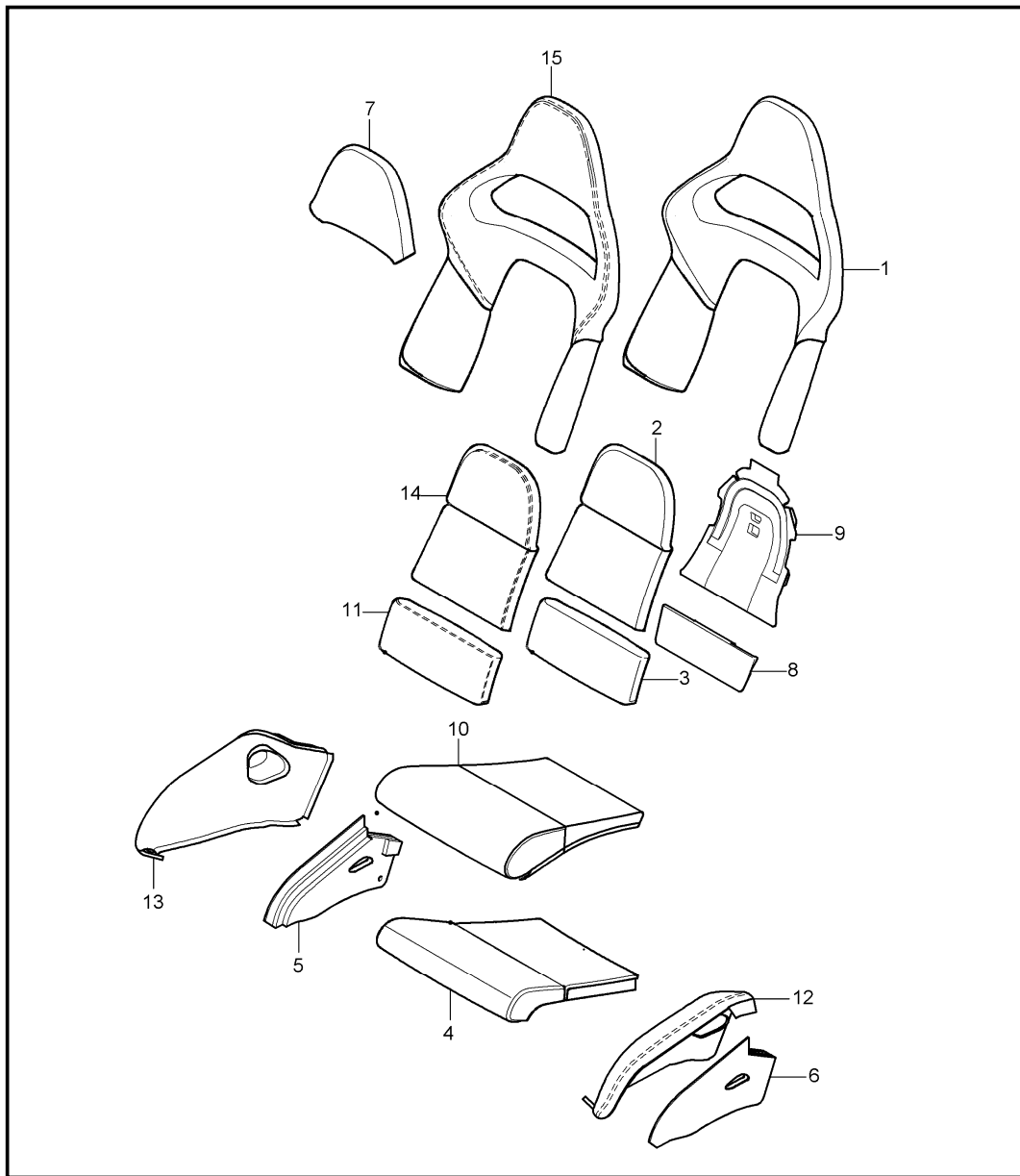
Pos	Part Number	Description	Remark	Qty	Model	Pos	Part Number	Description	Remark	Qty	Model
	4P1	palmgreen									
	9N2	terracotta									
	9Q3	cocoa									
	D11	dark grey/natural									
	T11	brown/natural									
	N11	carrera red	08-								
(4)	997 551 897 01	lock washer		X	I685						
5	997 551 895 00	clip double	-07	X	I685						
5	997 551 895 01	clip double	08-	X							
6	997 551 893 00	clip triple	-07	X	I685						
6	997 551 893 01	clip triple	08-	X	I685						

Model	Year	MG	SG	Illustration	Restrictions	UPD	7:48	25.01.2010	PORSCHE	PET	PORSCHE
997-1	2008	8	17	817-60		248					



Pos	Part Number	Description	Remark	Qty	Model
		bucket seat collapsible complete not available	08-		COUPE CABRIO TARGA CARRERA
1	997 521 429 01	set seat rail driver's side	/LL/L	1	I098/388
(1)	997 521 430 01	set seat rail passenger's side	/LL/R	1	I098/389
(1)	997 521 429 02	set seat rail passenger's side	/RL/L	1	I099/388
(1)	997 521 430 02	set seat rail driver's side	/RL/R	1	I099/389
2	997 521 539 00	traction noose backrest frame	/L	1	I388
	A80	black			
(2)	997 521 540 00	traction noose backrest frame	/R	1	I389
	A80	black			
3	997 521 538 00	rosette traction noose backrest frame	/R	1	I389
	01C	satin black			
(3)	997 521 537 00	rosette traction noose backrest frame	/L	1	I388
	01C	satin black			
4	997 521 563 00	cover hinge inner	/L	1	I388/389
	01C	satin black			
(4)	997 521 564 00	cover hinge inner	/R	1	I388/389
	01C	satin black			

Model	Year	MG	SG	Illustration	Restrictions	UPD	7:48	25.01.2010	PORSCHE	PET	PORSCHE
997-1	2008	8	17	817-62		248					



Pos	Part Number	Description	Remark	Qty	Model
		foam part cover seat and backrest surface bucket seat collapsible	08-		CARRERA TARGA CABRIO COUPE
1	997 521 447 00	foam part backrest outer part		2	I388/389
2	997 521 448 00	foam part backrest centre part		2	I388/389
3	997 521 441 00	foam part seat cushion rear		2	I388/389
4	997 521 440 00	foam part seat cushion front		2	I388/389
5	997 521 443 00	foam part seat cushion lateral outer left	/L	1	I388
(5)	997 521 444 00	foam part seat cushion lateral inner left		1	I388
6	997 521 446 00	foam part seat cushion lateral outer right		1	I389
(6)	997 521 445 00	foam part seat cushion lateral inner right		1	I389
7	997 521 458 00	foam part head rest		2	I388/389
8	997 521 456 00	foam part seat cushion rear		1	I388/389
9	997 521 457 00	foam part backrest		1	I388/389

Model	Year	MG	SG	Illustration	Restrictions	UPD	7:48	25.01.2010	PORSCHE	PET	PORSCHE
997-1	2008	8	17	817-62		248					

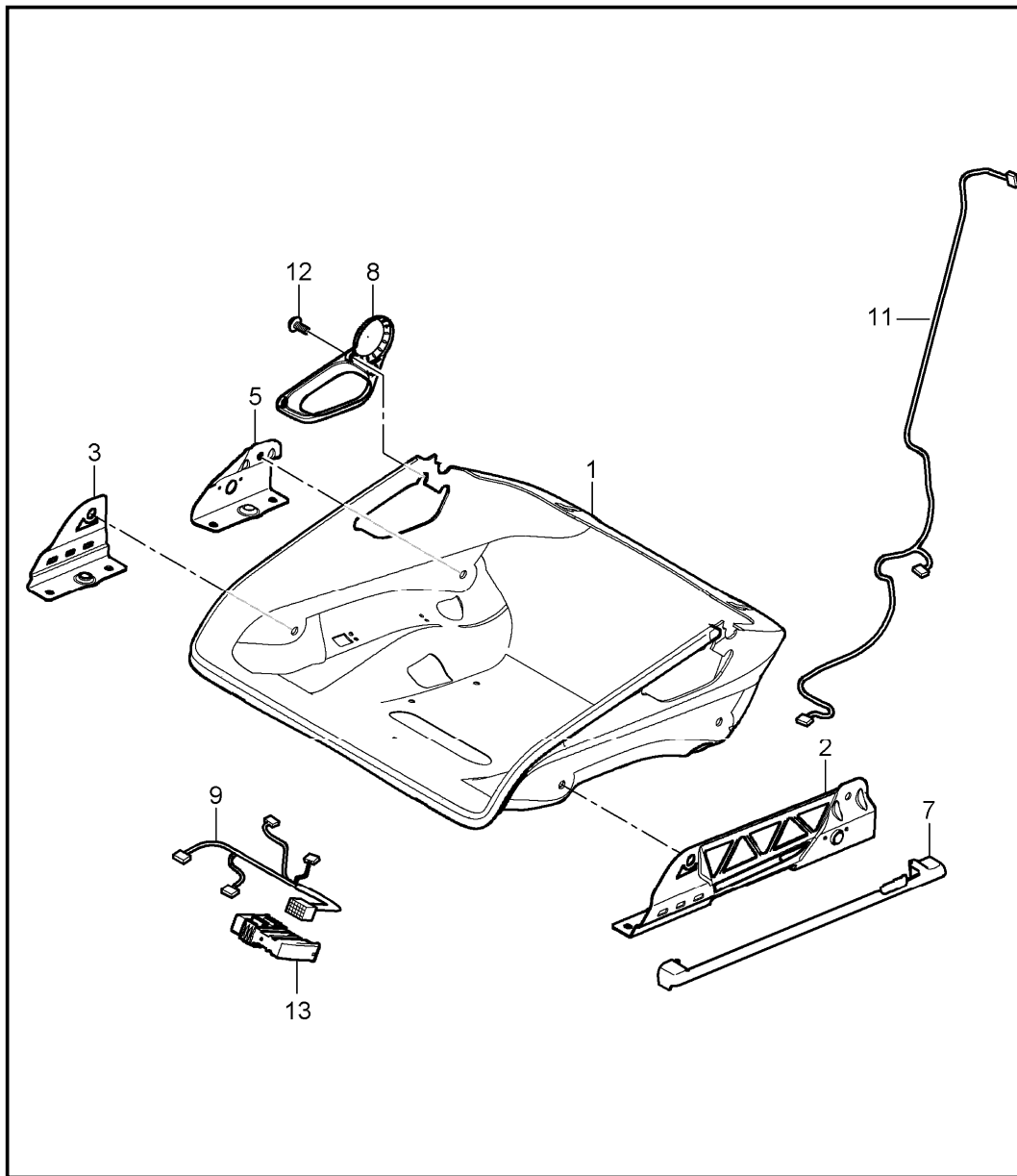
Pos	Part Number	Description	Remark	Qty	Model	Pos	Part Number	Description	Remark	Qty	Model
10	997 521 380 00	cover for cushion front	/L/R	1	I388/389/983		D11	dark grey/natural			
	8YR	black					T11	brown/natural			
	5X5	stone grey					N11	carrera red			
	8G1	sand beige				13	997 521 384 00	cover lateral inner	/L	1	I388/983
	3S8	sea blue					8YR	black			
	9N2	terracotta					5X5	stone grey			
	9Q3	cocoa					8G1	sand beige			
	D11	dark grey/natural					3S8	sea blue			
	T11	brown/natural					9N2	terracotta			
	N11	carrera red					9Q3	cocoa			
11	997 521 381 00	cover for cushion rear		1	I388/389/983		D11	dark grey/natural			
	8YR	black					T11	brown/natural			
	5X5	stone grey					N11	carrera red			
	8G1	sand beige				(13)	997 521 386 00	cover lateral outer	/R	1	I389/983
	3S8	sea blue					8YR	black			
	9N2	terracotta					5X5	stone grey			
	9Q3	cocoa					8G1	sand beige			
	D11	dark grey/natural					3S8	sea blue			
	T11	brown/natural					9N2	terracotta			
	N11	carrera red					9Q3	cocoa			
12	997 521 383 00	cover lateral outer	/L	1	I388/983		D11	dark grey/natural			
	8YR	black					T11	brown/natural			
	5X5	stone grey					N11	carrera red			
	8G1	sand beige				(13)	997 521 385 00	cover lateral inner	/R	1	I389/983
	3S8	sea blue					8YR	black			
	9N2	terracotta					5X5	stone grey			
	9Q3	cocoa									



Model	Year	MG	SG	Illustration	Restrictions	UPD	7:48	25.01.2010	PORSCHE	PET	PORSCHE
997-1	2008	8	17	817-62		248					

Pos	Part Number	Description	Remark	Qty	Model	Pos	Part Number	Description	Remark	Qty	Model
		8G1 sand beige									
		3S8 sea blue									
		9N2 terracotta									
		9Q3 cocoa									
		D11 dark grey/natural									
		T11 brown/natural									
		N11 carrera red									
14	997 521 387 00	cover centre part backrest		1	I388/389/983						
		8YR black									
		5X5 stone grey									
		8G1 sand beige									
		3S8 sea blue									
		9N2 terracotta									
		9Q3 cocoa									
		D11 dark grey/natural									
		T11 brown/natural									
		N11 carrera red									
15	997 521 388 00	cover backrest outer		1	I388/389/983						
		8YR black									
		5X5 stone grey									
		8G1 sand beige									
		3S8 sea blue									
		9N2 terracotta									
		9Q3 cocoa									
		D11 dark grey/natural									
		T11 brown/natural									
		N11 carrera red									

Model	Year	MG	SG	Illustration	Restrictions	UPD	7:48	25.01.2010	PORSCHE	PET	PORSCHE
997-1	2008	8	17	817-64		248					

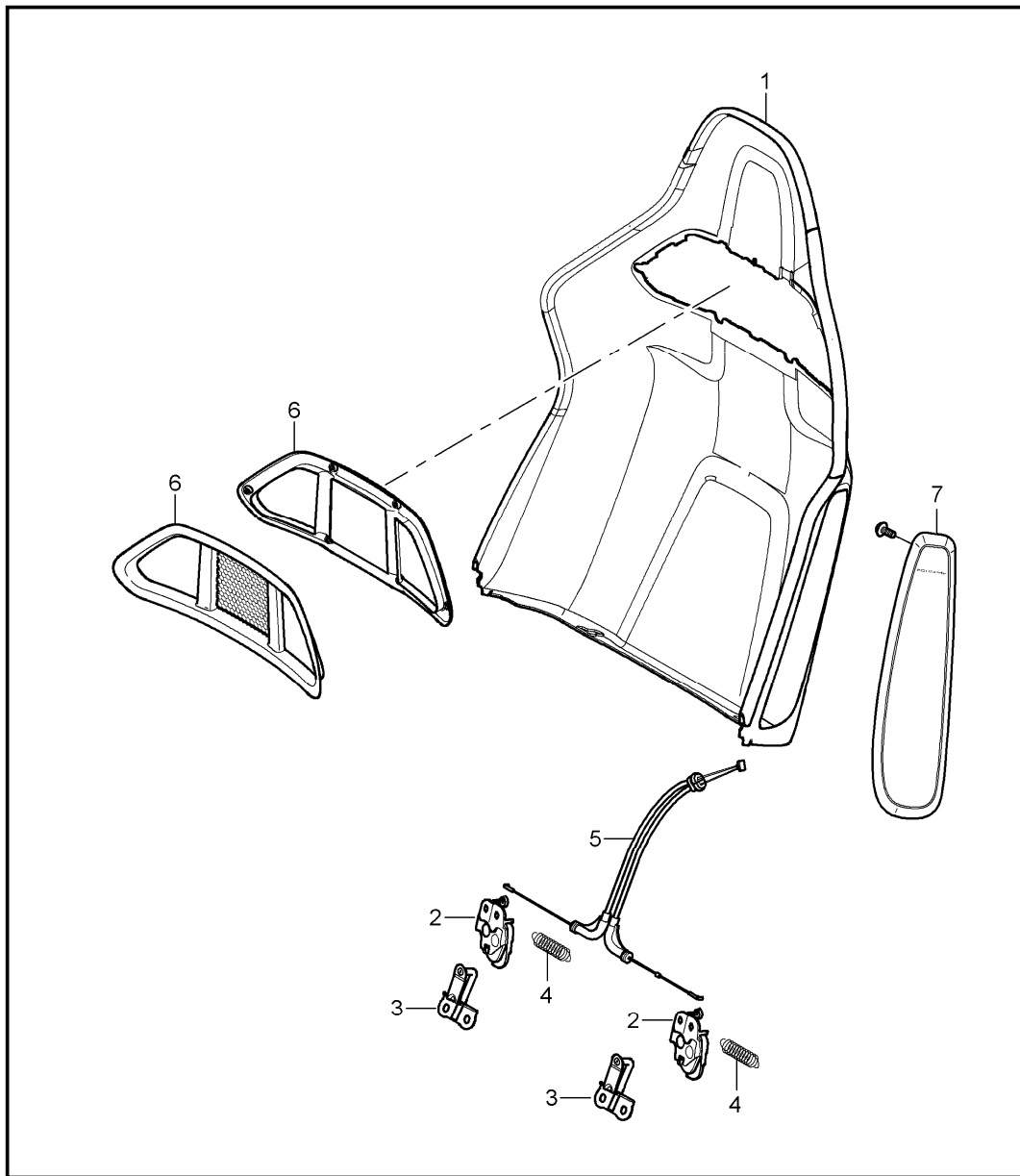


Pos	Part Number	Description	Remark	Qty	Model
		bucket seat collapsible seat adjuster accessories	08-		CARRERA TARGA COUPE CABRIO
1	997 521 281 00	cup seat adjuster without seat occupancy detection	/L/R	2	I388/389
(1)	997 521 182 00	cup seat adjuster with seat occupancy detection and seat rail	/R	1	I389/560
2	997 521 433 00	adapter seat adjuster outer left		1	I388
(2)	997 521 434 00	adapter seat adjuster outer right		1	I389
3	997 521 436 00	adapter seat adjuster inner front right		1	I388
4	997 521 435 00	adapter seat adjuster inner front left without seat occupancy detection		1	I389
5	997 521 438 00	adapter seat adjuster inner rear right		1	I388
6	997 521 437 00	adapter seat adjuster inner rear left without seat occupancy detection		1	I389
7	997 521 427 03	cover sensor seat occupancy detection	/L	1	I389/560
	01C	satin black			

Model	Year	MG	SG	Illustration	Restrictions	UPD	7:48	25.01.2010	PORSCHE	PET	PORSCHE
997-1	2008	8	17	817-64		248					

Pos	Part Number	Description	Remark	Qty	Model	Pos	Part Number	Description	Remark	Qty	Model
(7)	997 521 426 03	cover sensor seat occupancy detection	/R	1	I389/560						
	01C	satin black									
8	997 521 561 00	cover seat belt lower	/L	1	I388/389						
	01C	satin black									
(8)	997 521 562 00	cover seat belt lower	/R	1	I388/389						
	01C	satin black									
9	997 612 688 10	wiring harness seat occupancy detection		1	I389/560						
11	997 612 785 10	wiring harness side airbag	/R/L	1	I388/389						
12	999 141 049 01	lens-head screw mount cover belt seat cushion		3							
13	997 618 233 05	control unit seat occupancy detection		1	I560						

Model	Year	MG	SG	Illustration	Restrictions	UPD	7:49	25.01.2010	PORSCHE	PET	PORSCHE
997-1	2008	8	17	817-66		248					



Pos	Part Number	Description	Remark	Qty	Model
		backrest shell bucket seat collapsible accessories	08-		CARRERA TARGA COUPE CABRIO
1	997 521 271 00	backrest shell bucket seat collapsible	/L	1	I388
(1)	997 521 272 00	backrest shell bucket seat collapsible	/R	1	I389
2	997 521 651 00	lock backrest	/L	1	I388/389
(2)	997 521 652 00	lock backrest	/R	1	I388/389
3	997 521 660 00	closing element lock backrest shell	/L/R	1	I388/389
4	997 521 650 00	tension spring lock backrest	/L/R	1	I388/389
5	997 521 640 00	bowden cable release backrest	/L/R	1	I388/389
6	997 521 330 00	cover seat belt front		1	I388/389
		01C satin black			
(6)	997 521 531 00	cover seat belt rear		1	I388/389
		01C satin black			
7	997 803 081 01	side airbag	/L	1	I388
		A03 black			
(7)	997 803 082 01	side airbag front seat	/R	1	I389
		A03 schwarz			

PORSCHE

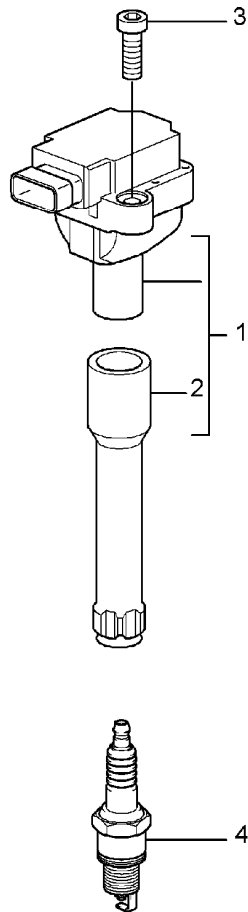
# PET

PORSCHE

Model	Year	MG	SG	Illustration	Restrictions	UPD	7:49	25.01.2010
997-1	2008	8	98	898-00R		248		

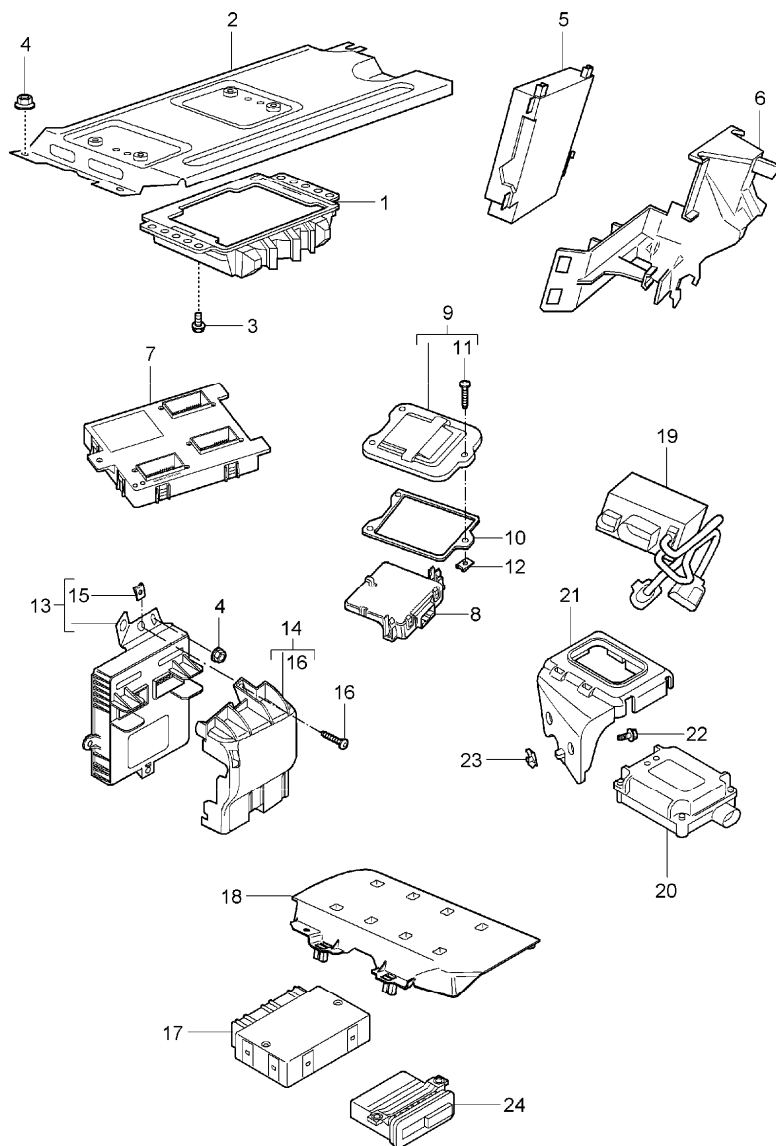
Pos	Part Number	Description	Remark	Qty	Model
		repair kits set of locks			
>>	>>997 538 011 00	set of locks		1	I098
>>	>>997 538 011 01	set of locks		1	I099

Model	Year	MG	SG	Illustration	Restrictions	UPD	7:49	25.01.2010	PORSCHE	PET	PORSCHE
997-1	2008	9	01	901-00		248					



Pos	Part Number	Description	Remark	Qty	Model
		ignition system			
1	997 602 104 00	ignition coil		6	
2	996 602 105 00	spark plug connector		6	
3	900 387 008 01	pan-head screw M 6 X 25		12	
4	999 170 223 90	spark plug FGR 5KQE0		6	M96.05 M97.01

Model	Year	MG	SG	Illustration	Restrictions	UPD	7:49	25.01.2010	PORSCHE	PET	PORSCHE
997-1	2008	9	01	901-03		248					



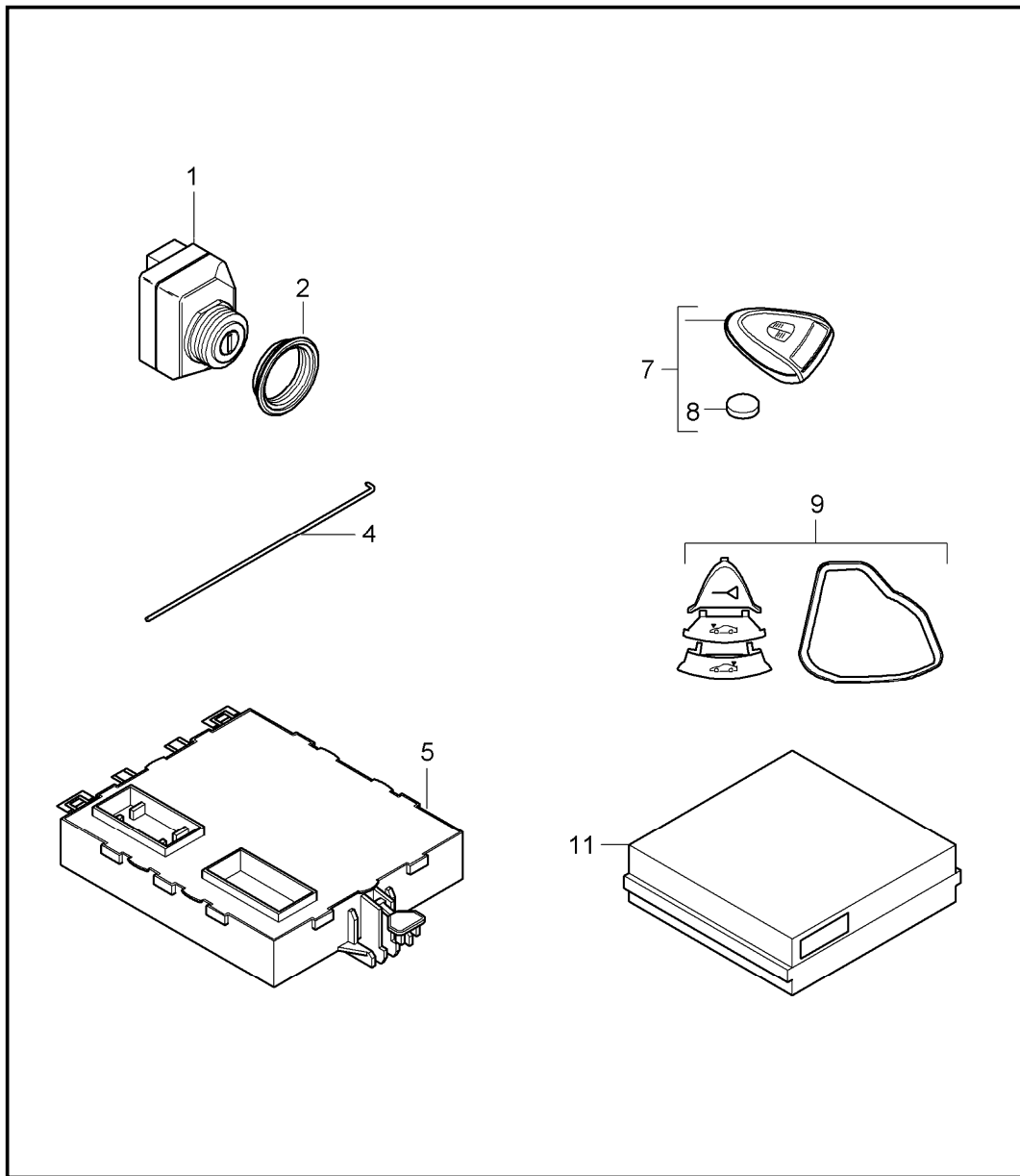
Pos	Part Number	Description	Remark	Qty	Model
		control units			
1	A 997 618 601 03	control unit - dme -	-06	1	
1	997 618 601 05	control unit - dme -		1	
1	A 997 618 603 03	control unit - dme -	06	1	I660
1	997 618 603 05	control unit - dme -		1	I660
(1)	996 618 150 01	control unit fuel pump		1	CARRERA 4/4S I664
-	999 919 125 09	hexagon-head bolt 6,0 X 16,0 for control unit fuel pump		2	CARRERA 4/4S I664
2	996 618 129 01	support control unit - dme -		1	COUPE/TARGA
(2)	996 618 131 00	support control unit - dme -		1	CABRIO
3	900 378 036 01	hexagon-head bolt M 6 X 12		4	COUPE/TARGA
(3)	999 073 228 09	tapping screw 4,8 X 13		X	CABRIO
4	999 084 629 01	hexagon nut M 6		3	COUPE/TARGA
5	A 997 618 180 08	control unit tiptronic	05	1	CARRERA S I249
5	A 997 618 180 12	control unit tiptronic	06	1	I249
5	A 997 618 180 13	control unit tiptronic	-07	1	I249
5	997 618 180 14	control unit tiptronic		1	I249
6	996 618 257 01	support control unit tiptronic		1	I249

Model	Year	MG	SG	Illustration	Restrictions	UPD	7:49	25.01.2010	PORSCHE	PET	PORSCHE
997-1	2008	9	01	901-03		248					

Pos	Part Number	Description	Remark	Qty	Model	Pos	Part Number	Description	Remark	Qty	Model
-	-	control unit targa roof see group 8/11/02		1	TARGA	20	997 618 225 03	control unit garage door opener		1	I608
-	-	control unit convertible top control see group 8/11/15		1	CABRIO	20 A	997 618 227 01	control unit garage door opener		1	I607
						20	997 618 227 02	control unit garage door opener		1	I607
7	U 997 610 102 06	control unit vehicle electrical system		1		21	997 618 257 00	support control unit garage door opener		1	
7	997 618 516 01	control unit vehicle electrical system		1		22	900 075 505 01	combination screw M 6 X 20		2	
8	997 610 107 03	control unit gateway		1		23	999 591 882 01	speed nut M 6		2	
9	A 997 572 419 01	lid	05	1		24	996 618 171 03	control unit ParkAssist		1	I635
9	997 572 419 03	lid		1				sensor see group 8/02/05			I635
10	997 572 221 00	gasket		1							
11	900 143 094 09	tapping screw ST 4,8 X 19		3							
12	999 591 855 02	speed nut ST 4,8		3							
13	997 610 106 11	control unit FRONT luggage compartment		1							
(13)	997 610 105 11	control unit FRONT luggage compartment		1	I601						
14	997 551 736 00	cover		1	CARRERA/S						
(14)	997 551 736 01	cover		1	CARRERA 4/4S						
15	999 507 462 09	speed nut 4,8		1							
16	999 073 061 02	tapping screw 4,8 X 16		1							
17	997 618 260 08	control unit rear end		1							
18	997 618 371 01	support		1							
19	U 997 618 436 01	control unit cooling air control		1							
19	997 618 436 02	control unit cooling air control		1							



Model	Year	MG	SG	Illustration	Restrictions	UPD	7:49	25.01.2010	PORSCHE	PET	PORSCHE
997-1	2008	9	01	901-04		248					



Pos	Part Number	Description	Remark	Qty	Model
		control units ignition starter switch PORSCHE ACCES SYSTEM			
1 A	997 618 159 03	control unit ignition starter switch		1	
1	997 618 159 04	control unit ignition starter switch		1	
2	997 618 759 00	nut		1	
-	997 618 361 00	cover release Handheld transmitter		1	
4	997 618 761 00	emergency operation release ignition starter switch		1	
5	997 618 171 12	control unit PORSCHE ACCESS SYSTEM Information available	-07	1	I534
5	997 618 171 14	control unit PORSCHE ACCESS SYSTEM	08	1	I534
5 A	997 618 172 09	control unit PORSCHE ACCESS SYSTEM F >>995S7 36876 F >>995S7 55488 see technical information GR. 9 , NR. 8/05		1	I535
5	997 618 172 12	control unit PORSCHE ACCESS SYSTEM F 995S7 36877>> F 995S7 55489>> Information available	-07	1	I535
5	997 618 172 14	control unit PORSCHE ACCESS SYSTEM	08	1	I535
5 A	997 618 173 06	control unit PORSCHE ACCESS SYSTEM F >>995S7 36876 F >>995S7 55488 see technical information GR. 9 , NR. 8/05	(J)	1	I535
5	997 618 173 09	control unit PORSCHE ACCESS SYSTEM F >>995S7 36876 F >>995S7 55488 see technical information GR. 9 , NR. 8/05	(J)	1	I535

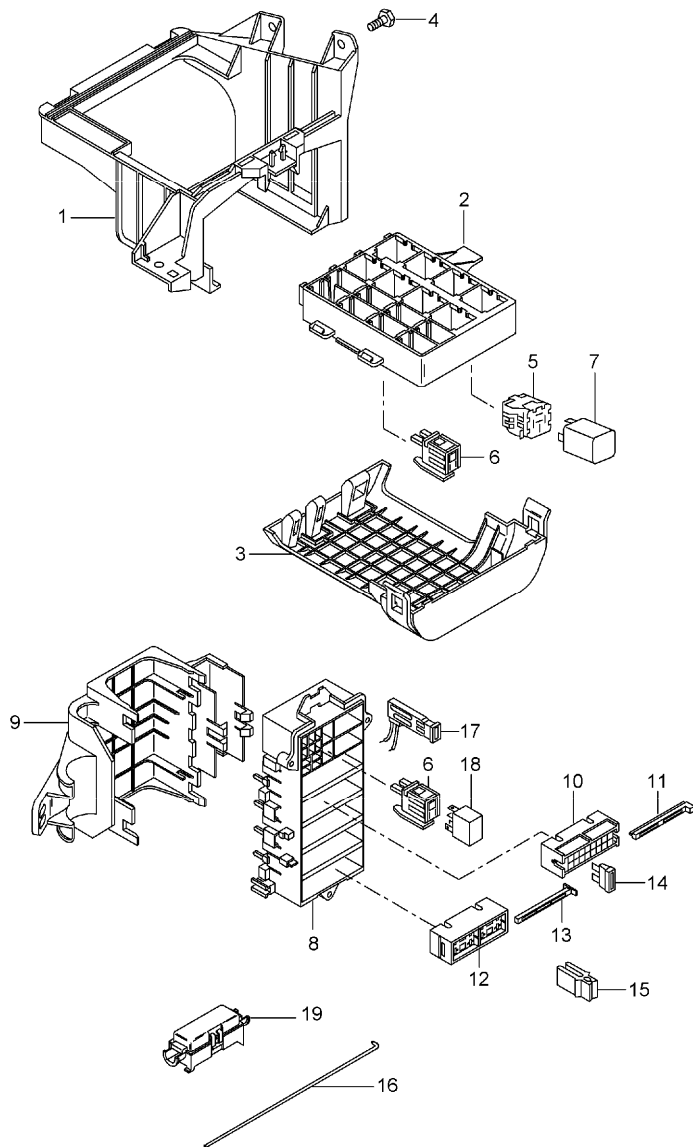
Model	Year	MG	SG	Illustration	Restrictions	UPD	7:49	25.01.2010	PORSCHE	PET	PORSCHE
997-1	2008	9	01	901-04		248					

Pos	Part Number	Description	Remark	Qty	Model	Pos	Part Number	Description	Remark	Qty	Model
5	997 618 172 12	control unit PORSCHE ACCESS SYSTEM F 995S7 36877>> F 995S7 55489>> Information available	(J) -07	1	I535	-	997 612 064 51	cable antenna VEHICLE TRACKING SYSTEM		1	I674
5	997 618 172 14	control unit PORSCHE ACCESS SYSTEM	(J) 08	1	I535	7 U	997 637 244 46	Handheld transmitter		1	COUPE I534
-	997 612 053 00	connecting line antenna booster control unit POS. 5 F >>995S7 04028 F >>995S7 50660 F >>995S7 36876 F >>995S7 55488	/LL	1	I098	7 U	997 637 244 46	Handheld transmitter		1	CABRIO I533 I534
-	997 612 054 00	connecting line antenna booster control unit POS. 5 F >>995S7 04028 F >>995S7 50660 F >>995S7 36876 F >>995S7 55488 Information available	/RL	1	I099	7	997 637 207 01	Handheld transmitter		1	COUPE I534
-	997 612 054 00	connecting line antenna booster control unit POS. 5 F >>995S7 04028 F >>995S7 50660 F >>995S7 36876 F >>995S7 55488 Information available	/RL	1	I099	7	997 637 244 44	Handheld transmitter Information available	-06	1	COUPE I535 I535
-	997 612 053 00	connecting line antenna booster control unit POS. 5 F 995S7 04029>> F 995S7 50661>>	/LL	1	I098/534	7	997 637 244 44	Handheld transmitter Information available	-06	1	CABRIO I533 I535 I535
-	997 612 053 00	connecting line antenna booster control unit POS. 5 F 995S7 04029>> F 995S7 50661>>	/LL	1	I098/534	7 U	997 637 244 47	Handheld transmitter	07-	1	COUPE I535
-	997 612 054 00	connecting line antenna booster control unit POS. 5 F 995S7 04029>> F 995S7 50661>> Information available	/RL	1	I099/534	7 U	997 637 244 47	Handheld transmitter	07-	1	CABRIO I533 I535
-	997 612 054 00	connecting line antenna booster control unit POS. 5 F 995S7 04029>> F 995S7 50661>> Information available	/RL	1	I099/534	7 A	997 637 209 01	Handheld transmitter	07-	1	COUPE I535
-	997 612 053 01	connecting line antenna booster control unit POS. 5 F 995S7 04029>> F 995S7 50661>>	/LL	1	I098/535	7	997 637 109 00	Handheld transmitter	07-	1	COUPE I535
-	997 612 053 01	connecting line antenna booster control unit POS. 5 F 995S7 04029>> F 995S7 50661>>	/LL	1	I098/535	7	997 637 109 00	Handheld transmitter	07-	1	CABRIO I533 I535
-	997 612 054 01	connecting line antenna booster control unit POS. 5 F 995S7 36877>> F 995S7 55489>> Information available	/RL	1	I099/535	7 U	997 637 244 25	Handheld transmitter	(J)	1	COUPE I535
-	997 612 054 01	connecting line antenna booster control unit POS. 5 F 995S7 36877>> F 995S7 55489>> Information available	/RL	1	I099/535	7	997 637 244 99	Handheld transmitter	(J) 05	1	COUPE I535
-	997 612 054 01	connecting line antenna booster control unit POS. 5 F 995S7 36877>> F 995S7 55489>> Information available	/RL	1	I099/535	7 A	997 637 244 45	Handheld transmitter	(J) 06	1	COUPE I535

Model	Year	MG	SG	Illustration	Restrictions	UPD	7:49	25.01.2010	PORSCHE	PET	PORSCHE
997-1	2008	9	01	901-04		248					

Pos	Part Number	Description	Remark	Qty	Model	Pos	Part Number	Description	Remark	Qty	Model
7	U 997 637 244 48	Handheld transmitter	(J) 06-	1	COUPE I535	9	000 043 400 14	repair kit key		1	
7	997 637 211 01	Handheld transmitter	(J) 06-	1	COUPE I535			Handheld transmitter see workshop manual KD-NR.: 966237			
(7)	U 997 637 244 36	Handheld transmitter		1	CABRIO I534	11	997 618 210 01	sensor interior monitoring		1	
(7)	U 997 637 244 36	Handheld transmitter		1	TARGA I534			alarm siren tilt sensor see group 9/03/00			I536 I521/536
(7)	997 637 201 01	Handheld transmitter		1	CABRIO I534						
(7)	997 637 201 01	Handheld transmitter		1	TARGA I534						
(7)	U 997 637 244 37	Handheld transmitter		1	CABRIO I535						
(7)	U 997 637 244 37	Handheld transmitter		1	TARGA I535						
(7)	A 997 637 203 01	Handheld transmitter		1	CABRIO I535						
(7)	997 637 103 00	Handheld transmitter		1	CABRIO I535						
(7)	A 997 637 203 01	Handheld transmitter		1	TARGA I535						
(7)	997 637 103 00	Handheld transmitter		1	TARGA I535						
(7)	997 637 244 98	Handheld transmitter	(J) 05	1	CABRIO I535						
(7)	U 997 637 244 38	Handheld transmitter	(J) 07-	1	CABRIO I535						
(7)	U 997 637 244 38	Handheld transmitter	(J) 07-	1	TARGA I535						
(7)	997 637 205 01	Handheld transmitter	(J) 06	1	CABRIO I535						
(7)	997 637 105 00	Handheld transmitter	(J) 07-	1	CABRIO I535						
(7)	997 637 205 01	Handheld transmitter	(J) 07-	1	TARGA I535						
8	999 611 108 00	battery		1							

Model	Year	MG	SG	Illustration	Restrictions	UPD	7:50	25.01.2010	PORSCHE	PET	PORSCHE
997-1	2008	9	02	902-00		248					

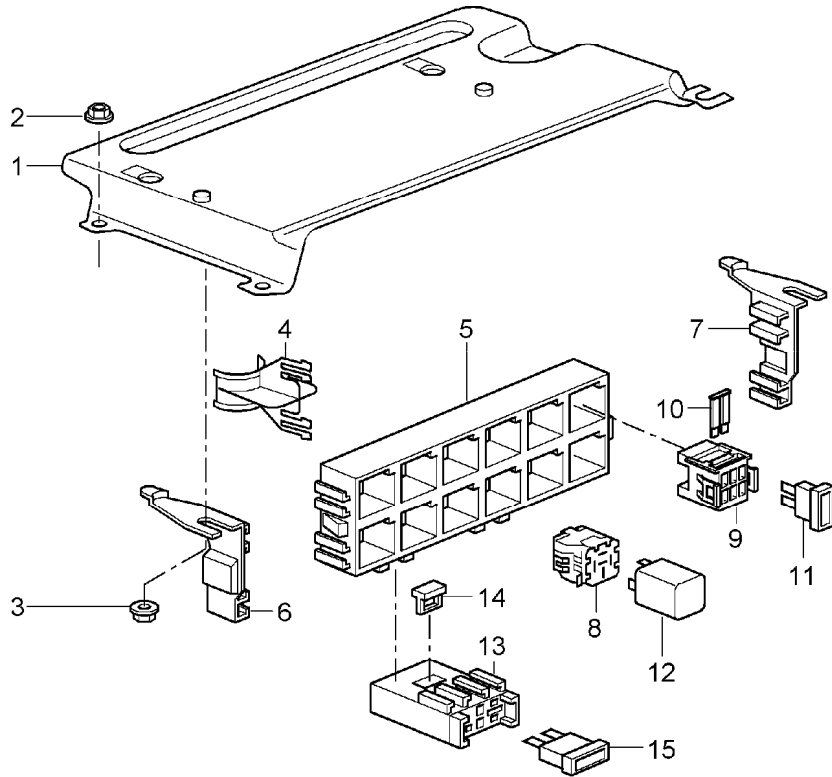


Pos	Part Number	Description	Remark	Qty	Model
		central electrical system dashboard			
1	997 610 117 01	support	/LL	1	I098
(1)	997 610 118 00	support	/RL	1	I099
2	997 610 110 01	relay carrier support frame		1	
3	997 610 112 00	cover support frame		1	
4	900 378 155 01	hexagon-head bolt M 6 X 16 ASP		2	
(4)	900 377 010 01	hexagon nut M 6		1	
5	928 610 511 00	relay carrier		X	
6	999 650 538 40	relay carrier		X	
7	-	relay			
S4 A	999 657 010 90	relay KL. X		1	
S4	999 657 014 90	relay KL. X		1	
S6 A	999 657 007 90	relay KL. 86S		1	
S6	999 657 015 90	relay KL. 86S		1	
S8 A	999 657 007 90	relay fuel pump		1	
S8	999 657 015 90	relay fuel pump		1	
S11 A	999 657 009 90	relay - dme -		1	
S11	999 657 013 90	relay - dme -		1	
S12 A	999 657 009 90	relay heating		1	
S12	999 657 013 90	relay heating		1	
S14 A	999 657 009 90	relay headlight washer system		1	I288

Model	Year	MG	SG	Illustration	Restrictions	UPD	7:50	25.01.2010	PORSCHE	PET	PORSCHE
997-1	2008	9	02	902-00		248					

Pos	Part Number	Description	Remark	Qty	Model	Pos	Part Number	Description	Remark	Qty	Model
S14	999 657 013 90	relay headlight washer system		1	I288	15	999 107 300 40	tool		X	
S15A	999 657 009 90	relay starter		1		-	997 610 995 00	assignment sticker fuse See workshop campaign: W 731	05	X	
S15	999 657 013 90	relay starter		1		- U	997 610 195 02	assignment sticker fuse		X	
S16A	999 657 009 90	relay KL. 15		1		- A	997 610 195 05	assignment sticker fuse	-06	X	
S16	999 657 013 90	relay KL. 15		1		-	997 610 195 07	assignment sticker fuse		X	
8	997 610 340 00	bracket		1		16	997 618 761 00	emergency operation release ignition starter switch		1	
9	997 610 341 00	cover		1				emergency operation lid			
10	999 650 209 40	fuse holder		4		17	996 610 240 00	terminal clamp		1	
11	999 650 210 40	slide		4		18 A	999 657 010 90	relay		1	
12	999 650 750 40	fuse holder		1		18	999 657 014 90	relay		1	
13	999 650 749 40	slide		1		19 U	999 650 026 99	fuse holder		1	
14	999 607 082 00	fuse 5 A		X		19	997 610 915 00	fuse holder with fuse 80 A for cooling air control		1	
(14)	999 607 083 00	fuse 7 , 5 A		X		-	-	cover for housing fuse see group 8 / 07 / 02		X	
(14)	999 607 084 00	fuse 10 A		X							
(14)	999 607 085 00	fuse 15 A		X							
(14)	999 607 087 00	fuse 25 A		X							
(14)	999 607 088 00	fuse 30 A		X							
(14)	999 607 072 00	fuse 30 A large		X							
(14)	999 607 073 00	fuse 40 A large		X							
(14)	997 610 917 00	fuse display specimen See workshop campaign: W 731	05	1							

Model	Year	MG	SG	Illustration	Restrictions	UPD	7:50	25.01.2010	PORSCHE	PET	PORSCHE
997-1	2008	9	02	902-01		248					

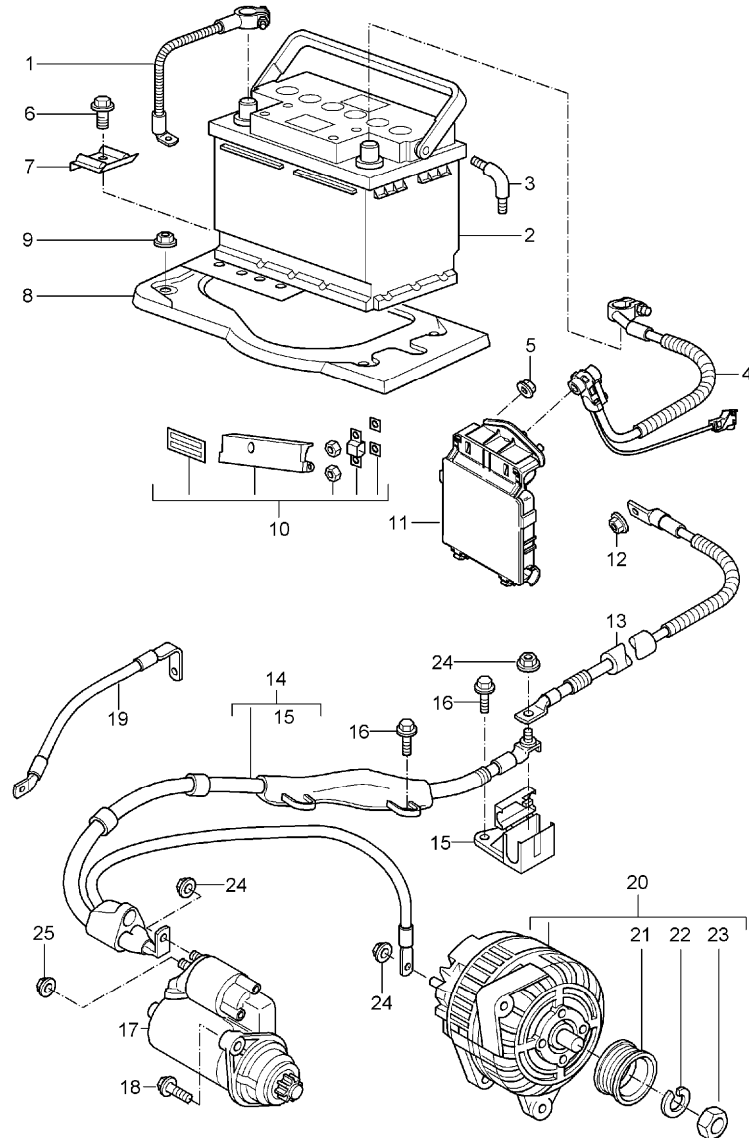


Pos	Part Number	Description	Remark	Qty	Model
		central electrical system rear end			
1	A 996 610 129 02	mounting plate F >>995S7 03675 F >>995S7 35994		1	COUPE CARRERA CARRERA S
(1)	996 610 229 03	mounting plate F 995S7 03676>> F 995S7 35995>>		1	COUPE/TARGA CARRERA CARRERA S
2	999 084 629 01	hexagon nut M 6		2	COUPE/TARGA
3	900 380 015 01	hexagon nut M 6 F >>995S7 03675 F >>995S7 35994		2	COUPE CARRERA CARRERA S
4	996 610 112 00	cable holder		1	COUPE/TARGA
(4)	996 610 115 00	cable holder		1	CABRIO
5	996 610 111 00	relay carrier support frame		X	
6	996 610 126 00	support F >>995S7 03675 F >>995S7 35994	/R	1	COUPE CARRERA CARRERA S
(6)	987 610 118 00	support F 995S7 03676>> F 995S7 35995>>	/R	1	COUPE CARRERA CARRERA S
6	996 610 126 00	support	/R	1	CABRIO
7	996 610 127 00	support F >>995S7 03675 F >>995S7 35994	/L	1	COUPE CARRERA CARRERA S
(7)	987 610 117 00	support F 995S7 03676>> F 995S7 35995>>	/L	1	COUPE CARRERA CARRERA S
7	996 610 127 00	support	/L	1	CABRIO
-	996 610 128 00	fixing clip		2	CABRIO
-	A 999 074 059 02	round head screw M 5		2	CABRIO
-	999 074 059 01	round head screw M 5		2	CABRIO
8	928 610 511 00	relay carrier		X	
9	999 650 747 40	fuse holder		1	

Model	Year	MG	SG	Illustration	Restrictions	UPD	7:50	25.01.2010	PORSCHE	PET	PORSCHE
997-1	2008	9	02	902-01		248					

Pos	Part Number	Description	Remark	Qty	Model	Pos	Part Number	Description	Remark	Qty	Model
10	999 650 748 40	locking device		1							
11	999 607 083 00	fuse 7,5 A		X							
11	999 607 085 00	fuse 15 A		X							
12	-	relay									
S1 A	999 657 009 90	relay rear window heating		1	COUPE						
S1	999 657 013 90	relay rear window heating		1	COUPE						
S2	996 615 112 00	relay rear window heating		1	CABRIO						
S3 A	964 615 215 00	relay air conditioner		1	I573						
S3	999 657 018 90	relay air conditioner		1	I573						
S8 A	999 657 011 90	relay blower engine compartment		1							
S8	999 657 016 90	relay blower engine compartment		1							
S9 A	999 657 008 90	relay secondary pump		1	I661						
S9	999 657 017 90	relay secondary pump		1							
13	999 650 193 40	fuse holder		3							
14	999 650 371 40	locking device		3							
15	999 607 073 00	fuse 40 A large		X	I661						

Model	Year	MG	SG	Illustration	Restrictions	UPD	7:50	25.01.2010	PORSCHE	PET	PORSCHE
997-1	2008	9	02	902-05		248					



Pos	Part Number	Description	Remark	Qty	Model
		battery power distributor starter generator			
1	997 611 090 00	ground strap	/LL	1	I098
(1)	997 611 091 00	ground strap when required order also:	/RL	1	I099
-	900 377 010 01	hexagon nut M 6		1	
(2)	999 611 070 20	battery 70 AH		1	
2	999 611 080 20	battery 80 AH		1	
(2)	999 611 095 20	battery 95 AH		1	I200
3	893 915 507	angled pipe		1	
4	997 612 993 00	repair kit wiring harness battery power distributor	/LL	1	I098
(4)	997 612 995 00	repair kit wiring harness battery power distributor	/RL	1	I099
5	900 380 005 01	hexagon nut VM 8		2	
6	900 378 017 01	hexagon-head bolt M 8 X 20		1	
7	996 611 209 00	rail battery		1	
8	996 504 151 00	carrier plate for battery	-07	1	CARRERA S
(8)	997 504 151 00	carrier plate for battery	08	1	CARRERA S I200
(8) A	996 504 151 02	carrier plate for battery	-07	1	CARRERA 4/4S
(8)	997 504 151 01	carrier plate for battery		1	CARRERA 4/4S
-	996 504 622 00	gasket carrier plate for battery		1	CARRERA S
-	996 504 622 01	gasket carrier plate for battery		1	CARRERA 4/4S



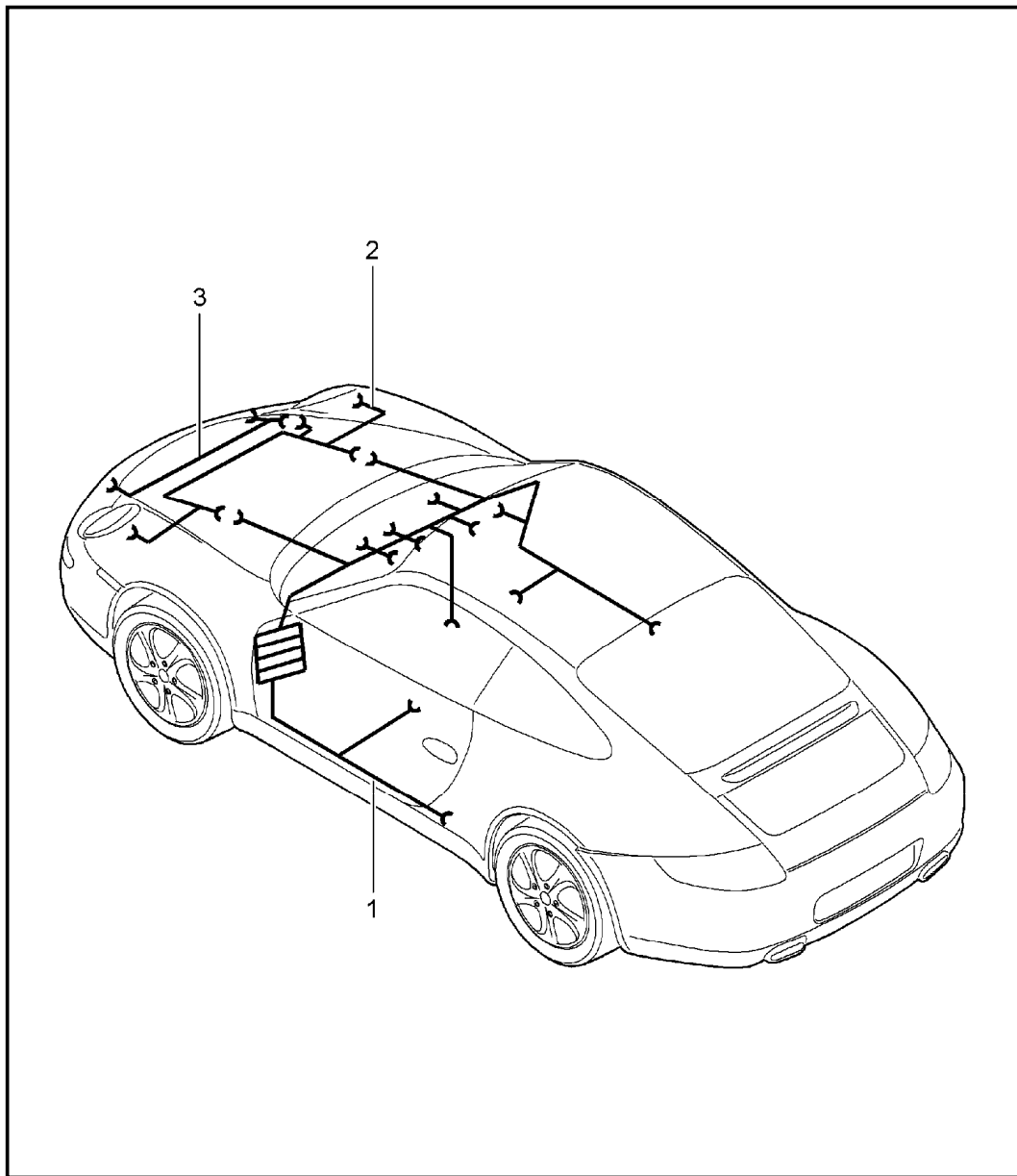
Model	Year	MG	SG	Illustration	Restrictions	UPD	7:50	25.01.2010	PORSCHE	PET	PORSCHE
997-1	2008	9	02	902-05		248					

Pos	Part Number	Description	Remark	Qty	Model	Pos	Part Number	Description	Remark	Qty	Model
9	999 084 630 01	hexagon nut VM 8 SB		4		-	-	hexagon nut M 8		3	
10	997 610 912 00	repair kit replacement fuse element comprising:		1		-	-	seal label red when required order also: POS. 12		1	
-	-	fuse element 50 AMPERE		1		12	900 084 123 02	hexagon nut M 8		1	
-	-	fuse element 80 AMPERE		1		13	997 612 090 00	cable power distributor connection point	/LL 05	1	I098/480
-	-	hexagon nut M 5		4		13	997 612 090 02	cable power distributor connection point	/LL 06-	1	I098/480
-	-	square washer		4							
-	-	cover blue		1		(13)	997 612 096 00	cable power distributor connection point	/RL	1	I099/480
-	-	seal label red		1		(13)	997 612 091 03	cable power distributor connection point	/LL	1	I098/249
(10)	997 610 913 00	repair kit replacement fuse element comprising:		1		(13)	997 612 097 00	cable power distributor connection point	/RL	1	I099/249
-	-	fuse element 150 AMPERE		1		-	999 084 629 01	hexagon nut M 6		1	I249
-	-	hexagon nut M 8		2		-	999 507 702 01	speed nut M 5		1	I249
-	-	square washer		2		-	900 075 497 01	combination screw M 5 X 10		1	I249
-	-	cover blue		1		14	997 607 019 02	wiring harness with connection point generator starter		1	I480
-	-	seal label red		1		(14) A	997 607 018 03	wiring harness with connection point generator starter		1	I249
11	997 610 911 00	repair kit replacement power distributor comprising:		1		(14)	997 607 018 04	wiring harness with connection point generator starter		1	I249
-	-	power distributor without fuse element		1							
-	-	hexagon nut M 5		8							

Model	Year	MG	SG	Illustration	Restrictions	UPD	7:50	25.01.2010	PORSCHE	PET	PORSCHE
997-1	2008	9	02	902-05		248					

Pos	Part Number	Description	Remark	Qty	Model	Pos	Part Number	Description	Remark	Qty	Model
15	997 607 201 00	connection point complete		1	I480	20	> 997 603 012 07	generator with pulley free wheel lock	-06	1	I480
(15)	997 607 301 00	connection point complete		1	I249						
16	900 385 009 01	torx screw BM 6 X 16		4	I480	20	A 997 603 022 01	generator with pulley free wheel lock	07	1	I480
				2	I249						
(16)	999 919 046 01	hexagon-head bolt 5 X 16		1	I249	20	> 997 603 022 03	generator with pulley free wheel lock	07-	1	I480
17	> 996 604 103 00	starter		1							
18	900 385 097 01	torx screw BM 10 X 35		2		21	996 603 151 55	pulley without free wheel lock		1	I249
19	996 607 030 00	ground strap		1		(21)	997 603 154 00	pulley with free wheel lock		1	I480
		engine body									
20	A 997 603 012 04	generator with pulley without free wheel lock	-06	1	I249	22	N 012 016 1	lock ring B 16		1	
20	> 997 603 012 06	generator with pulley without free wheel lock	-06	1	I249	23	900 034 013 01	hexagon nut M 16 X 1,5		1	
20	A 997 603 022 00	generator with pulley without free wheel lock	07	1	I249	-	996 603 113 00	protection cap		1	I249
20	> 997 603 022 02	generator with pulley without free wheel lock	07-	1	I249	-	996 603 153 50	protection cap		1	I480
20	W 997 603 012 01	generator with pulley free wheel lock	-06	1	I480			mounting parts generator			
20	A 997 603 012 05	generator with pulley free wheel lock	-06	1	I480	-	900 385 097 01	torx screw BM 10 X 35		1	
						-	900 385 092 04	torx screw BM 10 X 145		1	
						24	900 377 003 03	hexagon nut M 8		3	
						25	900 377 010 01	hexagon nut M 6		1	

Model	Year	MG	SG	Illustration	Restrictions	UPD	7:50	25.01.2010	PORSCHE	PET	PORSCHE
997-1	2008	9	02	902-10		248					

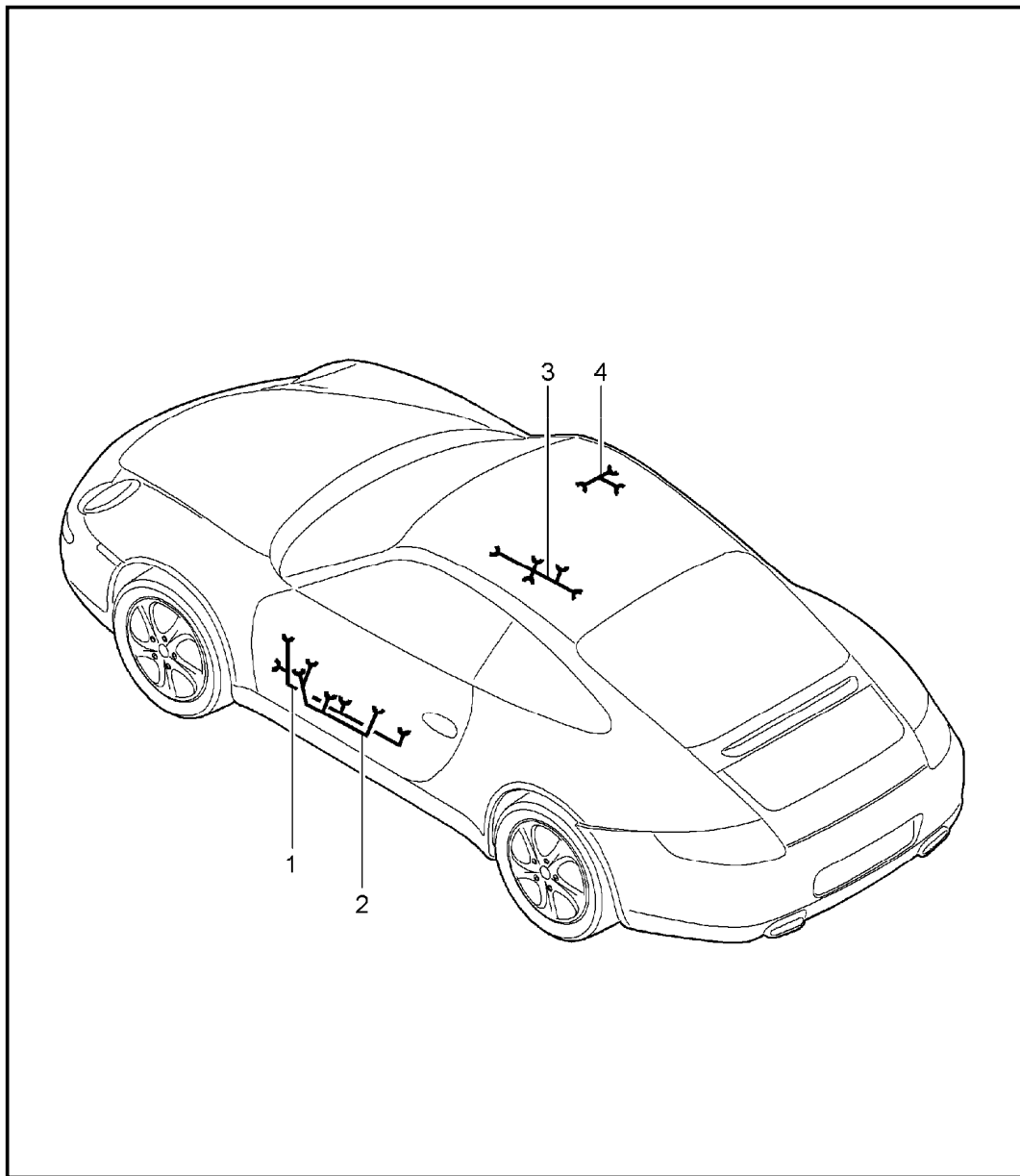


Pos	Part Number	Description	Remark	Qty	Model
		wiring harness passenger compartment FRONT luggage compartment lining front airbag seat-belt tensioner repair kits shock absorber anti-lock brake system brake pad wear indicator front axle			
1	997 612 903 00	wiring harness passenger compartment vehicle identification no. indicate		1	
-	996 610 120 01	support plug socket diagnostic connector		1	
-	999 651 302 40	fixing clip wiring harness passenger compartment door sill		X	
-	999 651 284 40	fixing clip wiring harness passenger compartment door sill		X	
2	U 997 612 520 10	wiring harness FRONT luggage compartment see workshop manual KD-NR.: 971619		06	1
2	997 612 520 11	wiring harness FRONT luggage compartment see workshop manual KD-NR.: 971619		1	
(2)	U 997 612 521 10	wiring harness FRONT luggage compartment see workshop manual KD-NR.: 971619		06	1 I601
(2)	997 612 521 11	wiring harness FRONT luggage compartment see workshop manual KD-NR.: 971619		1	I601
-	997 610 215 01	cable guide for sensor airbag		2	

Model	Year	MG	SG	Illustration	Restrictions	UPD	7:50	25.01.2010	PORSCHE	PET	PORSCHE
997-1	2008	9	02	902-10		248					

Pos	Part Number	Description	Remark	Qty	Model	Pos	Part Number	Description	Remark	Qty	Model
3	997 612 501 01	wiring harness lining front		1		-	997 612 961 00	repair kit wiring harness	/V/L	1	CARRERA S
-	997 612 781 00	wiring harness airbag passenger's side setting 1 connector green	-07	1		-	997 612 965 00	repair kit wiring harness	/V/L	1	CARRERA 4/4S
-	997 612 781 25	wiring harness airbag passenger's side setting 1 connector green	08	1		-	997 612 960 00	repair kit wiring harness	/V/R	1	CARRERA S
-	997 612 783 00	wiring harness airbag passenger's side setting2 connector yellow	-07	1		-	997 612 964 00	repair kit wiring harness when required order also:	/V/R	1	CARRERA 4/4S
-	997 612 783 25	wiring harness airbag passenger's side setting2 connector yellow	08	1		-	999 513 049 40	tie-wrap  repair kit wiring harness rear axle see group 9/02/20		4	
-	997 612 992 00	wiring harness control unit airbag connection point door  wiring harness airbag seat see group 8/17/06 8/17/21		2							
-	997 612 793 01	wiring harness seat-belt tensioner		2							
-	997 612 950 00	repair kit wiring harness shock absorber  repair kit wiring harness anti-lock brake system brake pad wear indicator front axle	/V	2	I475						

Model	Year	MG	SG	Illustration	Restrictions	UPD	7:50	25.01.2010	PORSCHE	PET	PORSCHE
997-1	2008	9	02	902-15		248					

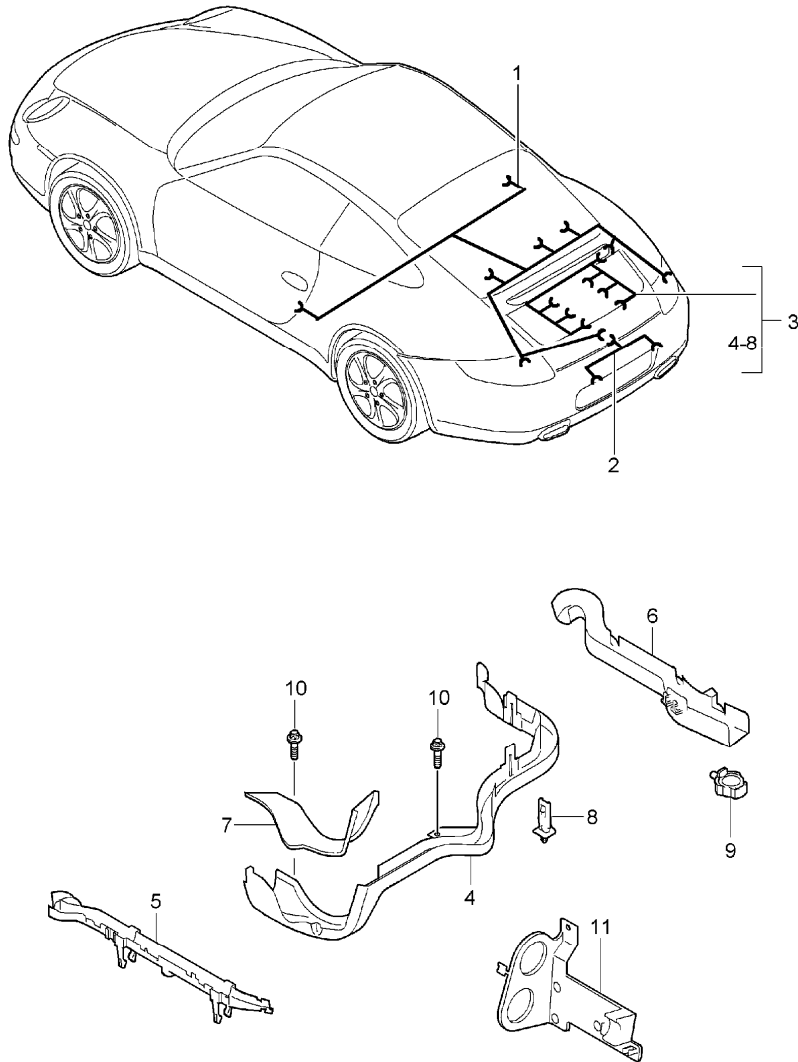


Pos	Part Number	Description	Remark	Qty	Model
		wiring harnesses doors airbag centre console glove compartment targa roof convertible top control auxiliary support			
1	997 612 642 00	wiring harness assembly frame driver's door	/LL	05	1 I098
1	997 612 642 05	wiring harness assembly frame driver's door	/LL	06	1 I098
1	997 612 642 07	wiring harness assembly frame driver's door	/LL	07-	1 I098
(1)	997 612 644 00	wiring harness assembly frame driver's door	/RL	05	1 I099
(1)	997 612 644 55	wiring harness assembly frame driver's door	/RL	06	1 I099
(1)	997 612 644 57	wiring harness assembly frame driver's door	/RL	07-	1 I099
(1)	997 612 643 00	wiring harness assembly frame passenger's door	/LL	05	1 I098
(1)	997 612 643 55	wiring harness assembly frame passenger's door	/LL	06	1 I098
(1)	997 612 643 57	wiring harness assembly frame passenger's door	/LL	07-	1 I098
(1)	997 612 645 00	wiring harness assembly frame passenger's door	/RL	05	1 I099
(1)	997 612 645 05	wiring harness assembly frame passenger's door	/RL	06	1 I099
(1)	997 612 645 07	wiring harness assembly frame passenger's door	/RL	07-	1 I099

Model	Year	MG	SG	Illustration	Restrictions	UPD	7:50	25.01.2010	PORSCHE	PET	PORSCHE
997-1	2008	9	02	902-15		248					

Pos	Part Number	Description	Remark	Qty	Model	Pos	Part Number	Description	Remark	Qty	Model
-	997 612 780 00	wiring harness airbag		05	2	(3)	997 612 652 75	wiring harness centre console	05- 06-	1	COUPE CABRIO
-	997 612 780 16	wiring harness airbag		06-	2	4	997 612 651 00	wiring harness glove compartment		1	
2	997 612 647 00	wiring harness door panel driver's door	/LL	05	1 I098	-	-	wiring harness targa roof see group 8/11/02		1	TARGA
2	997 612 647 05	wiring harness door panel driver's door	/LL	06	1 I098	-	-	wiring harness convertible top control see group 8/11/07		1	CABRIO
2	997 612 647 07	wiring harness door panel driver's door	/LL	07-	1 I098	-	-	wiring harness auxiliary support see group 8/11/15		1	CABRIO
(2)	997 612 650 00	wiring harness door panel driver's door	/RL	05	1 I099						
(2)	997 612 650 05	wiring harness door panel driver's door	/RL	06	1 I099						
(2)	997 612 650 07	wiring harness door panel driver's door	/RL	07-	1 I099						
(2)	997 612 648 00	wiring harness door panel passenger's door	/LL	05	1 I098						
(2)	997 612 648 05	wiring harness door panel passenger's door	/LL	06	1 I098						
(2)	997 612 648 07	wiring harness door panel passenger's door	/LL	07-	1 I098						
(2)	997 612 649 00	wiring harness door panel passenger's door	/RL	05	1 I099						
(2)	997 612 649 05	wiring harness door panel passenger's door	/RL	06	1 I099						
(2)	997 612 649 07	wiring harness door panel passenger's door	/RL	07-	1 I099						
(3)	997 612 652 50	wiring harness centre console		05	1 CABRIO						

Model	Year	MG	SG	Illustration	Restrictions	UPD	7:51	25.01.2010	PORSCHE	PET	PORSCHE
997-1	2008	9	02	902-20		248					



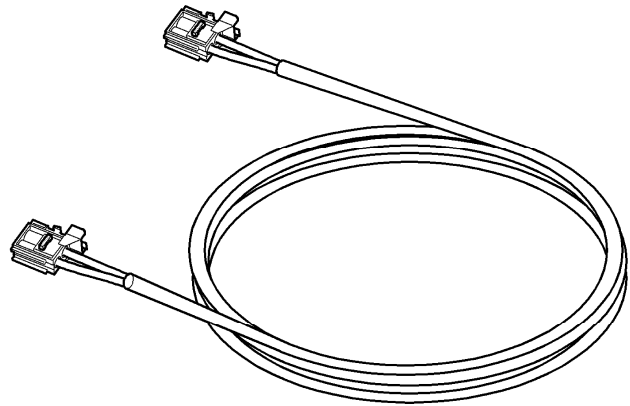
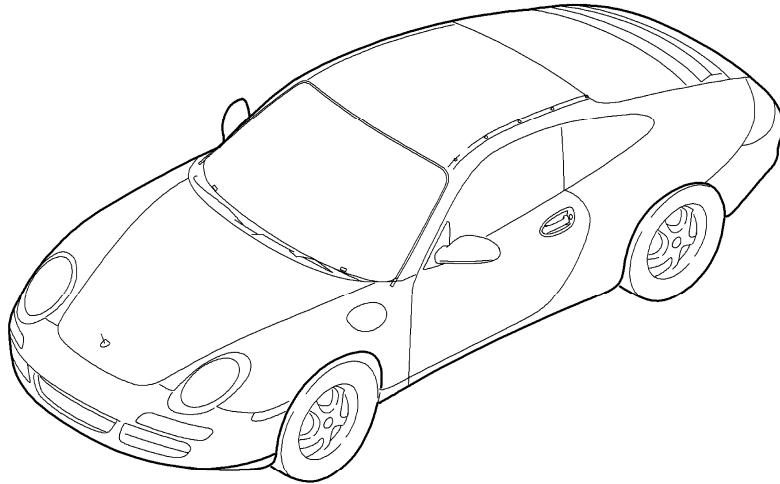
Pos	Part Number	Description	Remark	Qty	Model
		wiring harnesses rear end lid rear additional brake light license plate light engine transmission repair kits shock absorber anti-lock brake system brake pad wear indicator rear axle			
1	997 612 904 00	wiring harness rear end vehicle identification no. indicate		1	
-	997 612 670 71	wiring harness lid rear		1	IXAA
-	997 612 681 00	wiring harness additional brake light		1	CABRIO
-	996 423 101 00	protective tube for wiring harness		1	CABRIO
2	997 612 660 00	wiring harness license plate light		1	
(2)	997 612 661 00	wiring harness ParkAssist license plate light		1	I635
-	999 507 944 40	fixing clip for connection point POS.2		1	
3 A	997 607 010 04	wiring harness engine M >> 695 08791 M >> 685 12087	-06	1	M96.05 M97.01
3	997 607 010 05	wiring harness engine	-06 -06	1	M96.05 M97.01
3 A	997 607 010 06	wiring harness engine	07- 07-	1	M96.05 M97.01
3	997 607 010 07	wiring harness engine	07- 07-	1	M96.05 M97.01
		when required order also:			

Model	Year	MG	SG	Illustration	Restrictions	UPD	7:51	25.01.2010	PORSCHE	PET	PORSCHE
997-1	2008	9	02	902-20		248					

Pos	Part Number	Description	Remark	Qty	Model	Pos	Part Number	Description	Remark	Qty	Model
-	997 606 136 00	protective tube heat protection for temperature sensor water cooling		1		(11)	997 610 131 00	support connection point wiring harness engine		1	
-	997 607 130 00	connecting line	06	1	M97.01 IX51	-	997 622 663 00	wiring harness transmission		1	I249
		adapter for valve tank ventilation				-	999 507 752 40	cable holder for wiring harness transmission		1	I249
-	997 607 157 00	support		1	M97.01 IX51	-	999 591 746 02	cable holder for wiring harness transmission		4	I249
		wiring harness engine intake distributor cylinder 6				-	997 612 950 00	repair kit wiring harness shock absorber	/H	2	I475
-	997 612 905 01	set electrical components comprising: wiring harness change-over valve connector housing tie-wrap	06-	1	IXLF			repair kit wiring harness anti-lock brake system brake pad wear indicator rear axle			
				4							
				1							
				1							
				12							
4	997 607 110 00	cable guide crankcase		1		-	997 612 967 00	repair kit wiring harness	/H/L	1	
5	997 607 111 00	cable guide cyl. 1 - 3		1		-	997 612 966 00	repair kit wiring harness when required order also:	/H/R	1	
6	997 607 112 00	cable guide cyl. 4 - 6 for wiring harness 997.607.010.02		1		-	999 507 960 02	cable holder		4	
(6)	997 607 112 01	cable guide cyl. 4 - 6 for wiring harness 997.607.010.03/.04/.05/.06		1				repair kit wiring harness front axle see group 9/02/10			
7	997 607 113 00	lid cable guide		1							
8	997 607 114 00	support cable guide		1							
9	999 507 075 40	cable holder 3,0 - 12,0		1							
10	900 385 009 01	torx screw BM 6 X 16		2							



Model	Year	MG	SG	Illustration	Restrictions	UPD	7:51	25.01.2010	PORSCHE	PET	PORSCHE
997-1	2008	9	02	902-50		248					

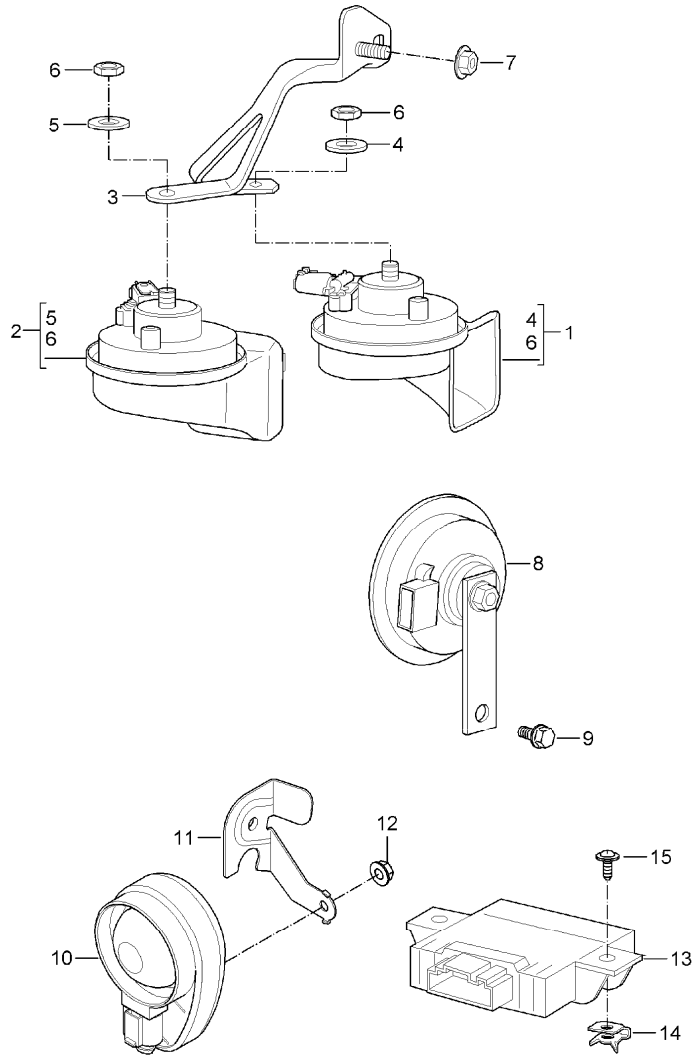


Pos	Part Number	Description	Remark	Qty	Model
		optical waveguide module passenger compartment			
-	997 622 701 00	optical waveguide module	/LL	1	I098/670/672 I680/689/692
-	997 622 701 50	optical waveguide module	/RL	1	I099/670/672 I680/689/692
-	997 622 702 00	optical waveguide module	/LL	1	I098/666/689
-	997 622 702 50	optical waveguide module	/RL	1	I099/666/689
-	997 622 703 00	optical waveguide module	/LL	1	I098/666/670 I672/680/692
-	997 622 703 50	optical waveguide module	/RL	1	I099/666/670 I672/680/692
		module FRONT luggage compartment C A R R E R A / S			
-	997 610 122 00	support connection point		1	
-	996 610 132 00	cable guide t-piece FRONT luggage compartment		X	
-	997 622 707 00	optical waveguide module	/LL	1	I098/670/672
-	997 622 707 50	optical waveguide module	/RL	1	I099/670/672
-	997 622 704 00	optical waveguide module	/LL	1	I098/680
-	997 622 704 50	optical waveguide module	/RL	1	I099/680
-	997 622 706 00	optical waveguide module	/LL	1	I098/692
-	997 622 706 50	optical waveguide module	/RL	1	I099/692
-	997 622 708 00	optical waveguide module	/LL	1	I098/664/692
-	997 622 710 00	optical waveguide module	/LL	1	I098/670/672 I680

Model	Year	MG	SG	Illustration	Restrictions	UPD	7:51	25.01.2010	PORSCHE	PET	PORSCHE
997-1	2008	9	02	902-50		248					

Pos	Part Number	Description	Remark	Qty	Model	Pos	Part Number	Description	Remark	Qty	Model
-	997 622 710 50	optical waveguide module	/RL	1	I099/670/672 I680	-	997 622 721 50	optical waveguide module	/RL	1	I099/692
-	997 622 714 00	optical waveguide module	/LL	1	I098/670/672 I692	-	997 622 722 00	optical waveguide module	/LL	1	I098/664/670 I672
-	997 622 714 50	optical waveguide module	/RL	1	I099/670/672 I692	-	997 622 726 00	optical waveguide module	/LL	1	I098/664/680
-	997 622 715 00	optical waveguide module	/LL	1	I098/664/670 I672/692	-	997 622 728 00	optical waveguide module	/LL	1	I098/664/692
-	997 622 709 00	optical waveguide module	/LL	1	I098/680/692	-	997 622 718 00	optical waveguide module	/LL	1	I098/670/672 I680
-	997 622 709 50	optical waveguide module	/RL	1	I099/680/692	-	997 622 718 50	optical waveguide module	/RL	1	I099/670/672 I680
-	997 622 712 00	optical waveguide module	/LL	1	I098/664/680 I692	-	997 622 717 00	optical waveguide module	/LL	1	I098/664/670 I672/680
-	997 622 711 00	optical waveguide module	/LL	1	I098/670/672 I680/692	-	997 622 724 00	optical waveguide module	/LL	1	I098/670/672 I692
-	997 622 711 50	optical waveguide module	/RL	1	I099/670/672 I680/692	-	997 622 724 50	optical waveguide module	/RL	1	I099/670/672 I692
-	997 622 713 00	optical waveguide module	/LL	1	I098/664/670 I672/680/692	-	997 622 725 00	optical waveguide module	/LL	1	I098/664/670 I672/692
-	997 610 122 00	support connection point		1		-	997 622 716 00	optical waveguide module	/LL	1	I098/680/692
-	996 610 132 00	cable guide t-piece FRONT luggage compartment		X		-	997 622 716 50	optical waveguide module	/RL	1	I099/680/692
-	997 622 723 00	optical waveguide module	/LL	1	I098/670/672	-	997 622 727 00	optical waveguide module	/LL	1	I098/664/680 I692
-	997 622 723 50	optical waveguide module	/RL	1	I099/670/672	-	997 622 719 00	optical waveguide module	/LL	1	I098/670/672 I680/692
-	997 622 705 00	optical waveguide module	/LL	1	I098/680	-	997 622 719 50	optical waveguide module	/RL	1	I099/670/672 I680/692
-	997 622 705 50	optical waveguide module	/RL	1	I099/680	-	997 622 720 00	optical waveguide module	/LL	1	I098/664/670 I672/680/692
-	997 622 721 00	optical waveguide module	/LL	1	I098/692						

Model	Year	MG	SG	Illustration	Restrictions	UPD	8:52	03.02.2010	PORSCHE	PET	PORSCHE
997-1	2008	9	03	903-00		248					

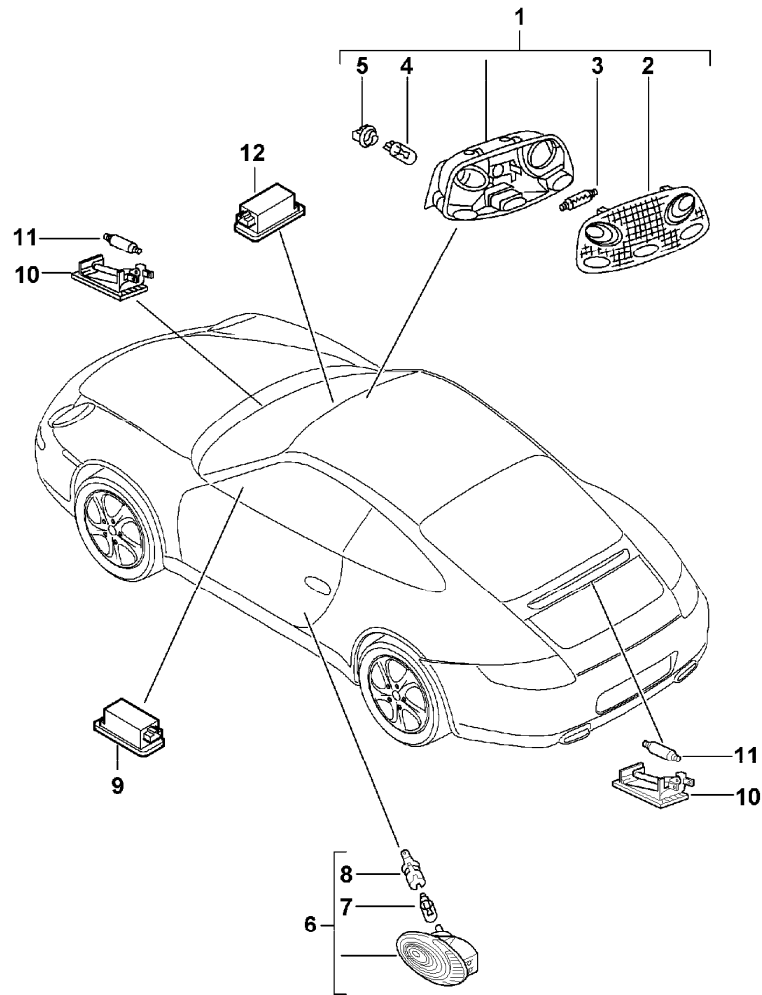


Pos	Part Number	Description	Remark	Qty	Model
		fanfare horn alarm system			
1	A 997 635 206 01	fanfare high-pitched	-07	1	
1	997 635 206 02	fanfare high-pitched	-07	1	
1	997 635 206 03	fanfare high-pitched	08	1	
2	A 997 635 205 01	fanfare low-pitched	-06	1	
2	997 635 205 02	fanfare low-pitched	-07	1	
2	997 635 205 03	fanfare low-pitched	08	1	
3	997 635 150 01	support	-06	1	
3	997 635 150 02	support	07	1	
3	997 635 150 03	support	08	1	
4	-	washer high-pitched		1	
5	-	washer low-pitched		1	
6	900 034 001 03	hexagon nut M 8	-07	2	
6	900 034 001 04	hexagon nut M 8	08	2	
7	900 377 003 03	hexagon nut M 8		1	
8	996 637 117 03	horn for alarm system		1	
9	900 075 459 01	combination screw M 6 X 12 Z2		1	
10	955 618 237 01	alarm siren		1	I536
11	997 637 419 01	support		1	I536
12	900 380 015 01	hexagon nut M 6		1	I536

Model	Year	MG	SG	Illustration	Restrictions	UPD	8:52	03.02.2010	PORSCHE	PET	PORSCHE
997-1	2008	9	03	903-00		248					

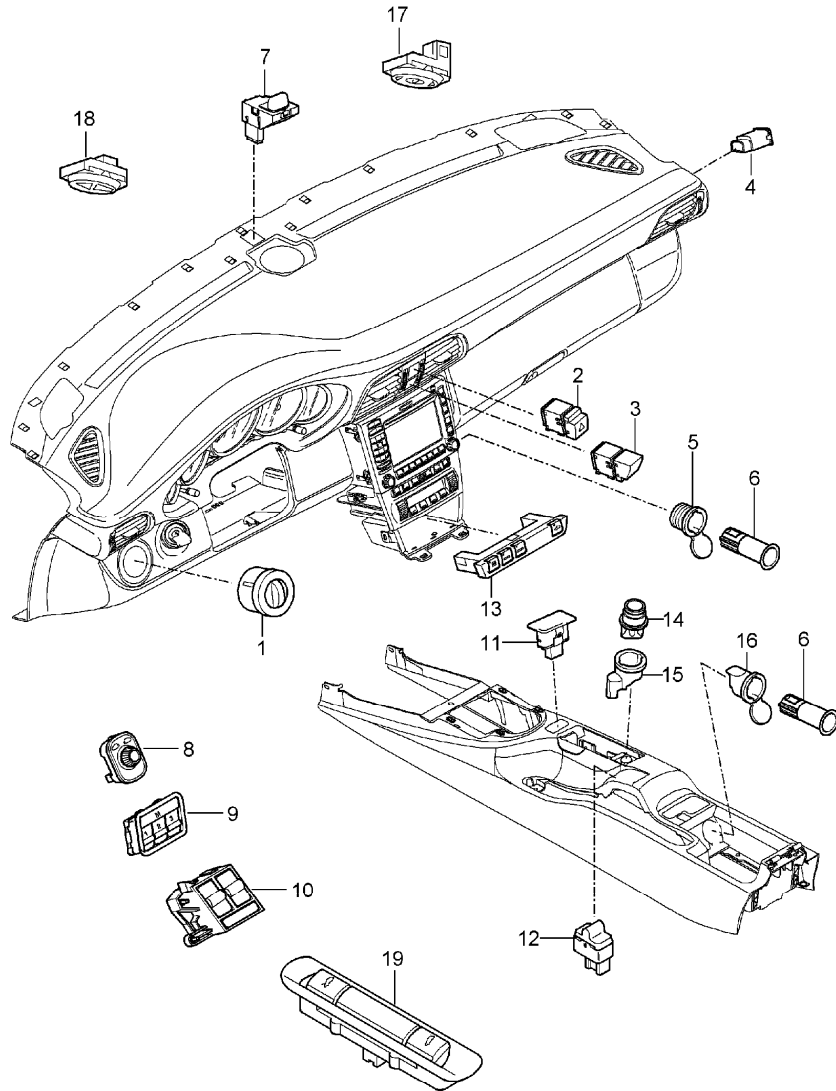
Pos	Part Number	Description	Remark	Qty	Model	Pos	Part Number	Description	Remark	Qty	Model
13	997 618 265 00	tilt sensor		1	I521/536						
14	999 591 742 01	speed nut 4,2		2	I521/536						
15	999 073 155 09	tapping screw 4,2 X 13		2	I521/536						

Model	Year	MG	SG	Illustration	Restrictions	UPD	7:51	25.01.2010	PORSCHE	PET	PORSCHE
997-1	2008	9	03	903-04		248					



Pos	Part Number	Description	Remark	Qty	Model
		interior lights luggage compartment lamp engine compartment lamp glove compartment light footwell light			
1	997 632 051 00	interior light		1	
2	996 632 151 00	lens		1	
3	900 631 106 90	bulb 10 W		1	
4	999 631 134 90	bulb 6 W		2	
5	999 632 018 00	bulb socket		2	
6	996 632 132 01	door guard light		2	
(6)	996 632 135 00	light tray luggage		2	TARGA
7	999 631 032 90	bulb 5 W		2	
8	161 949 111	bulb holder		2	
9	955 632 202 00	light footwell		2	
10	997 632 201 00	light engine compartment luggage compartment		2	
11	900 631 106 90	bulb 10 W		2	
12	997 632 071 00	glove compartment light		1	
-	999 631 147 90	bulb 3 W vanity mirror		4	

Model	Year	MG	SG	Illustration	Restrictions	UPD	7:52	25.01.2010	PORSCHE	PET	PORSCHE
997-1	2008	9	03	903-05		248					



Pos	Part Number	Description	Remark	Qty	Model
1	997 613 535 01	switch		1	
	A05	light switch			
2	997 613 120 02	black mat		1	
	A05	hazard warning light sw.			
3	997 613 143 00	black mat		1	
	A05	switch			
4	955 613 165 01	central locking system	05	1	
	B41	switch			
4	955 613 165 02	airbag	06-	1	
	9B9	switch			
5	997 652 103 00	airbag		1	
	9B9	clamping ring with lid			
6	955 652 107 00	plug socket		2	
7	997 653 251 00	sensor		1	I573
		air conditioner			
8	997 613 241 00	switch		1	
	A05	door mirror			
9	997 613 103 00	black mat	/L	1	I537
	A05	memory switch			
(9)	997 613 104 00	black mat	/R	1	I538
	A05	memory switch			
10	997 613 151 02	black mat	/LL	05	1
	A05	switch			COUPE I098
	A05	power windows driver's side			
	A05	black mat			

Model	Year	MG	SG	Illustration	Restrictions	UPD	7:52	25.01.2010	PORSCHE	PET	PORSCHE
997-1	2008	9	03	903-05		248					

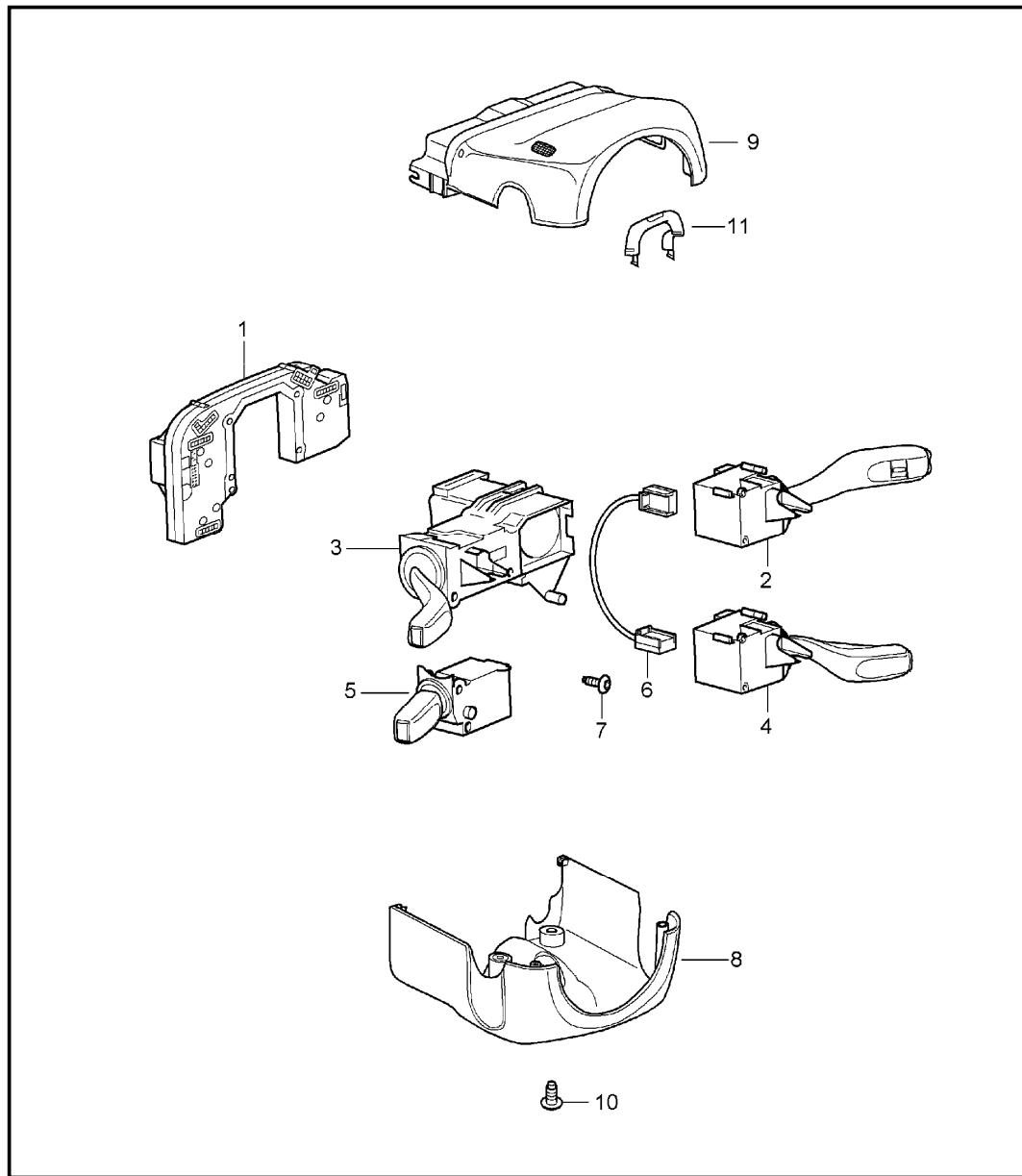
Pos	Part Number	Description	Remark	Qty	Model	Pos	Part Number	Description	Remark	Qty	Model	
10	A 997 613 151 03	switch power windows driver's side A05 black mat	/LL 06-07	1	COUPE/TARGA I098	(10)	A 997 613 154 03	switch power windows driver's side A05 black mat	/RL -06	1	CABRIO I099	
10	997 613 151 04	switch power windows driver's side A05 black mat	/LL 06-	1	COUPE/TARGA I098	(10)	997 613 154 04	switch power windows driver's side A05 black mat	/RL	1	CABRIO I099	
(10)	997 613 152 03	switch power windows driver's side A05 black mat	/RL -07	1	COUPE/TARGA I099	(10)	A 997 613 156 03	switch power windows passenger's side A05 black mat	/LL -07	1	I098	
(10)	997 613 152 04	switch power windows driver's side A05 black mat	/RL 08	1	COUPE/TARGA I099	(10)	997 613 156 04	switch power windows passenger's side A05 black mat	/LL	1	I098	
(10)	997 613 153 02	switch power windows driver's side A05 black mat	/LL 05	1	CABRIO I098	(10)	997 613 155 02	switch power windows passenger's side A05 black mat	/RL 05	1	I099	
(10)	997 613 153 03	switch power windows driver's side A05 black mat	/LL 06	1	CABRIO I098	(10)	997 613 155 03	switch power windows passenger's side A05 black mat	/RL 06	1	I099	
(10)	997 613 153 04	switch power windows driver's side A05 black mat	/LL 07-	1	CABRIO I098	(10)	997 613 155 04	switch power windows passenger's side A05 black mat	/RL 07-	1	I099	
(10)	A 997 613 154 02	switch power windows driver's side A05 black mat	/RL 05	1	CABRIO I099	11	997 641 165 00	indicator light airbag A05 black mat		1		
						12	997 613 141 01	switch convertible top control A05 black mat		1	CABRIO	
						(12)	997 613 119 00	switch glass roof shade		07	1	TARGA

Model	Year	MG	SG	Illustration	Restrictions	UPD	7:52	25.01.2010	PORSCHE	PET	PORSCHE
997-1	2008	9	03	903-05		248					

Pos	Part Number	Description	Remark	Qty	Model	Pos	Part Number	Description	Remark	Qty	Model
	A05	black mat				18	997 613 225 01	switch garage door opener	/L	1	I607/608
(12)	997 613 119 01	switch glass roof shade	08	1	TARGA		A05	black mat			
	A05	black mat				(18)	997 613 227 01	switch garage door opener	/R	1	I607/608
(12)	-	cover see group 8/09/20 POS.6			COUPE		A05	black mat			
13	997 613 139 00	combined switch		1	I475/476/639 I640	(18)	997 613 235 00	cover		2	
	FMH	volcano grey/black mat				19	A 997 613 105 00	switch lid front and rear	-07	1	COUPE/CABRIO
(13)	997 613 137 00	combined switch		1	I476/639/640		A05	black mat			
	FMH	volcano grey/black mat				19	997 613 105 01	switch lid front and rear		1	COUPE/CABRIO
(13)	997 613 135 00	combined switch		1	I475/476		A05	black mat			
	FMH	volcano grey/black mat				(19)	997 613 107 00	switch lid front and rear	-07	1	TARGA
(13)	997 613 131 00	combined switch		1	IXLF/475/476		A05	black mat			
	FMH	volcano grey/black mat				(19)	997 613 107 01	switch lid front and rear	08	1	TARGA
(13)	997 613 133 00	combined switch		1	I476		A05	black mat			
	FMH	volcano grey/black mat									
(13)	997 613 129 00	combined switch		1	IXLF/476						
	FMH	volcano grey/black mat									
14	A 996 652 101 10	cigarette lighter	-07	1							
	A05	black mat									
14	997 652 101 00	cigarette lighter		1							
	A05	black mat									
15	997 652 102 00	headlight unit		1							
16	997 652 104 00	clamping ring with lid		1							
17	997 613 147 00	switch sunroof		1	I650						
	A05	black mat									



Model	Year	MG	SG	Illustration	Restrictions	UPD	7:52	25.01.2010	PORSCHE	PET	PORSCHE
997-1	2008	9	03	903-10		248					

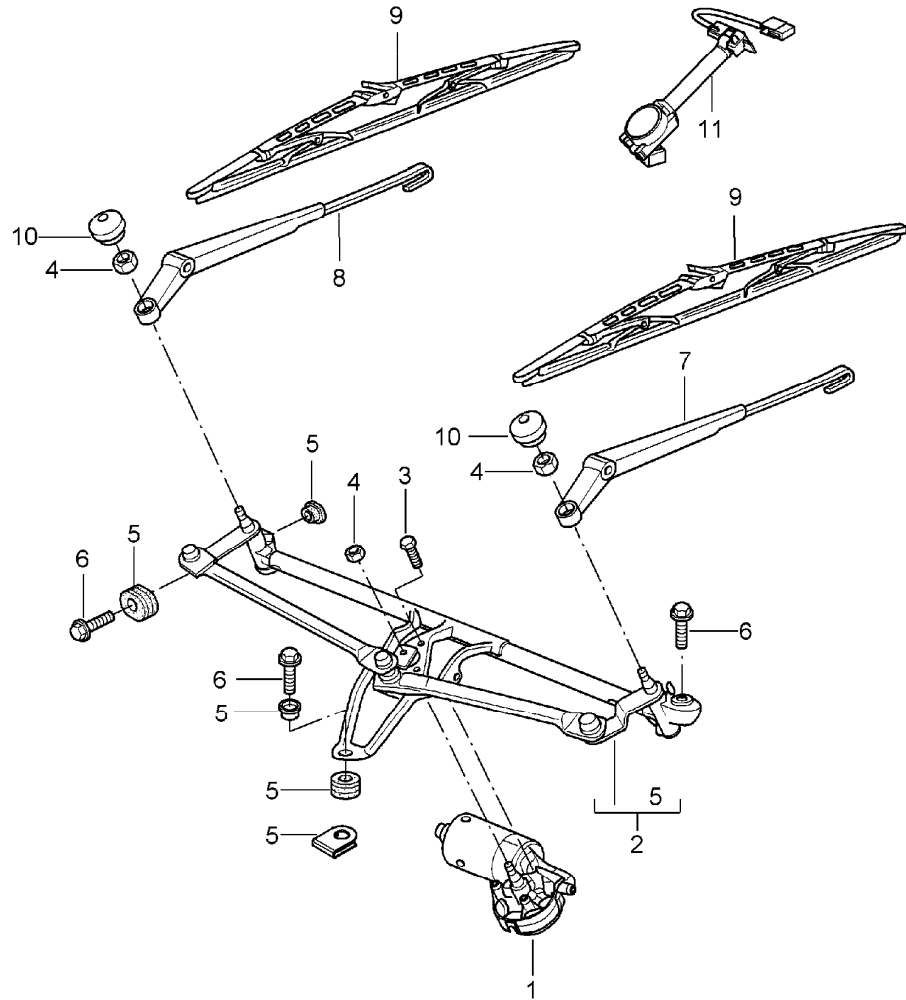


Pos	Part Number	Description	Remark	Qty	Model
		steering column switch			
1	A 997 613 291 02	electronic unit	-06	1	
1	A 997 613 297 01	electronic unit	07	1	
1	997 613 297 02	electronic unit		1	
2	997 613 251 00	wiper switch		1	
	01C	satin black			
(2)	997 613 253 00	wiper switch		1	I288
	01C	satin black			
(2)	997 613 255 00	wiper switch		1	I425
	01C	satin black			
(2)	997 613 257 00	wiper switch		1	I288/425
	01C	satin black			
3	997 613 245 00	direction indicator switch		1	
	01C	satin black			
4	> 997 613 261 00	switch cruise control		1	I454
	01C	satin black			
5	997 613 265 00	switch on-board computer		1	I659
	01C	satin black			
6	997 622 674 00	wiring harness cruise control		1	I454
7	N 909 068 01	torx screw M 2,5 X 2,6 X 43,5-D		X	
8	997 552 475 02	switch housing lower		1	
	A03	black			
(8)	997 552 475 03	switch housing lower		1	I454
	A03	black			
8	997 552 979 00	switch housing lower leather	06-	1	IXNS

Model	Year	MG	SG	Illustration	Restrictions	UPD	7:52	25.01.2010	PORSCHE	PET	PORSCHE
997-1	2008	9	03	903-10		248					

Pos	Part Number	Description	Remark	Qty	Model	Pos	Part Number	Description	Remark	Qty	Model
	A11	black					8G2	sand beige			
	5X6	stone grey					3S9	sea blue			
	8G2	sand beige					4P2	palmgreen			
	3S9	sea blue					9S5	terracotta			
	4P2	palmgreen					9V6	cocoa			
	9S5	terracotta					D12	dark grey/natural			
	9V6	cocoa					T12	brown/natural			
	D12	dark grey/natural					N12	carrera red			
	T12	brown/natural				10	A 999 919 136 02	oval-head screw 3,5 X 18	-06	3	
(8)	997 552 979 01	switch housing lower leather	06-	1	IXNS/454	10	999 919 136 01	oval-head screw 3,5 X 18		3	
	A11	black				11	997 610 206 00	cable guide		1	
	5X6	stone grey									
	8G2	sand beige									
	3S9	sea blue									
	4P2	palmgreen									
	9S5	terracotta									
	9V6	cocoa									
	D12	dark grey/natural									
	T12	brown/natural									
	N12	carrera red									
9	997 552 273 02	switch housing upper		1							
	A03	black									
9	997 552 997 00	switch housing upper leather	06-	1	IXNS						
	A11	black									
	5X6	stone grey									

Model	Year	MG	SG	Illustration	Restrictions	UPD	7:52	25.01.2010	PORSCHE	PET	PORSCHE
997-1	2008	9	04	904-00		248					

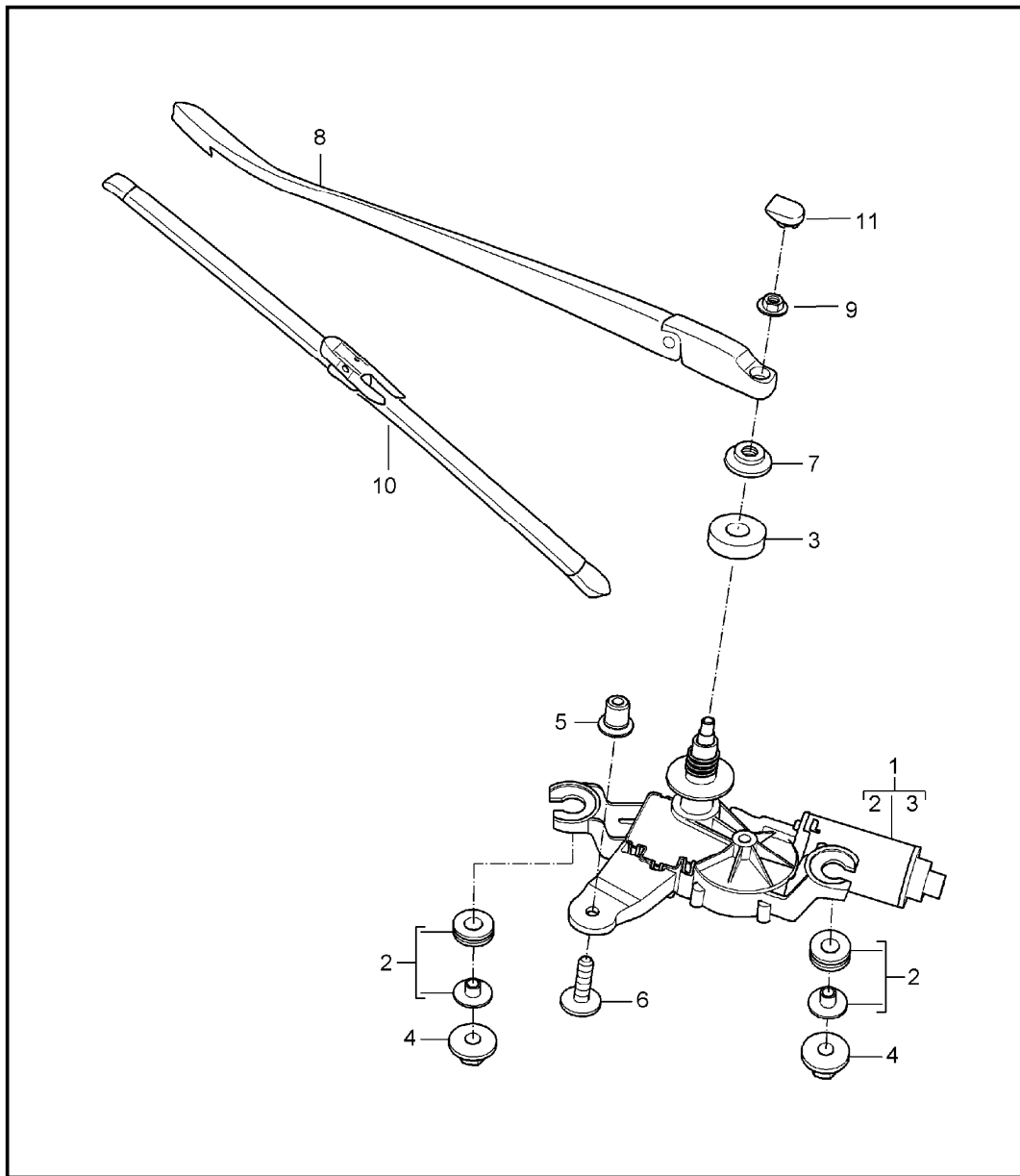


Pos	Part Number	Description	Remark	Qty	Model
		windscreen wiper system rain sensor			
1	A 997 624 105 00	wiper motor	/LL	-07	1 I098
1	997 624 105 01	wiper motor	/LL		1 I098
(1)	A 997 624 106 00	wiper motor	/RL	-07	1 I099
(1)	997 624 106 01	wiper motor	/RL		1 I099
2	997 628 235 00	crank drive	/LL	-07	1 I098
2	997 628 235 01	crank drive	/LL	08	1 I098
(2)	997 628 236 00	crank drive	/RL	-07	1 I099
(2)	997 628 236 01	crank drive	/RL	08	1 I099
3	999 073 152 02	torx screw M 6 X 18			3
4	900 076 064 02	hexagon nut M 8			3
5	997 628 928 00	repair kit comprising:			1
-	-	bearing sleeve			1
-	-	rubber bush			1
-	-	bearing sleeve			1
-	-	rubber bush			1
-	-	clamp			2
6	999 075 075 01	combination screw M 6 X 22 SC			3
7	A 996 628 028 00	wiper arm driver's side	/LL	-07	1 I098
7	997 628 027 00	wiper arm driver's side	/LL		1 I098
(7)	A 996 628 027 01	wiper arm passenger's side	/RL	-07	1 I099
(7)	997 628 030 00	wiper arm passenger's side	/RL		1 I099
8	A 996 628 028 01	wiper arm passenger's side	/LL	-07	1 I098

Model	Year	MG	SG	Illustration	Restrictions	UPD	7:52	25.01.2010	PORSCHE	PET	PORSCHE
997-1	2008	9	04	904-00		248					

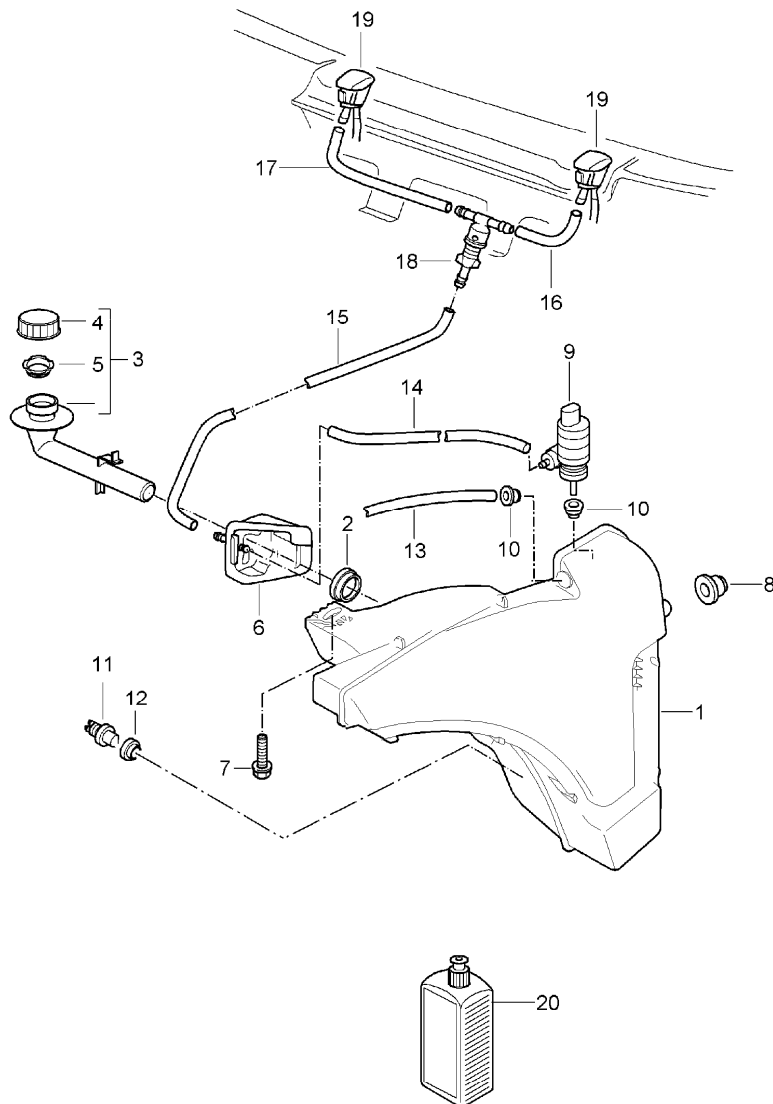
Pos	Part Number	Description	Remark	Qty	Model	Pos	Part Number	Description	Remark	Qty	Model
8	997 628 029 00	wiper arm passenger's side	/LL	1	I098	(11)	997 612 695 00	wiring harness with light for cars without rain sensor		1	COUPE
(8) A	996 628 027 00	wiper arm driver's side	/RL -07	1	I099						
(8)	997 628 028 00	wiper arm driver's side	/RL	1	I099	(11)	997 612 695 25	wiring harness with light for cars without rain sensor		1	CABRIO
9	996 628 901 08	wiper blade set driver's side passenger's side		1		(11)	997 612 695 50	wiring harness with light for cars without rain sensor		1	TARGA
10	944 628 305 01	cap		2							
11	997 612 693 00	rain sensor with wiring harness		1	COUPE I268						
(11)	997 612 693 25	rain sensor with wiring harness		1	CABRIO I268						
(11)	997 612 693 50	rain sensor with wiring harness		1	TARGA I268						
(11)	997 612 694 00	rain sensor with wiring harness		1	COUPE I267 I268						
(11)	997 612 694 25	rain sensor with wiring harness		1	CABRIO I267 I268						
(11)	997 612 694 50	rain sensor with wiring harness		1	TARGA I267 I268						
-	000 043 204 65	adhesive film for rain sensor		1							

Model	Year	MG	SG	Illustration	Restrictions	UPD	7:52	25.01.2010	PORSCHE	PET	PORSCHE
997-1	2008	9	04	904-05		248					



Pos	Part Number	Description	Remark	Qty	Model
		rear window wiper			I425
1	997 628 080 00	wiper motor		1	COUPE
(1)	996 628 090 01	wiper motor		1	TARGA
2	997 628 908 00	repair kit comprising:		1	
-	-	grommet		2	
-	-	bush		2	
3	997 628 910 00	sealing ring		1	
4	999 076 078 01	hexagon nut M 6		2	
5	999 500 078 00	sheetmetal press nut		1	
6	999 073 468 01	combination screw M 6 X 22 SC		1	
7	997 628 273 00	grommet		1	
8	997 628 169 00	wiper arm		1	COUPE
(8)	997 628 159 00	wiper arm		1	TARGA
9	900 377 003 03	hexagon nut		1	
10	997 628 189 00	wiper blade		1	
11	997 628 122 00	cap		1	

Model	Year	MG	SG	Illustration	Restrictions	UPD	7:52	25.01.2010	PORSCHE	PET	PORSCHE
997-1	2008	9	04	904-10		248					

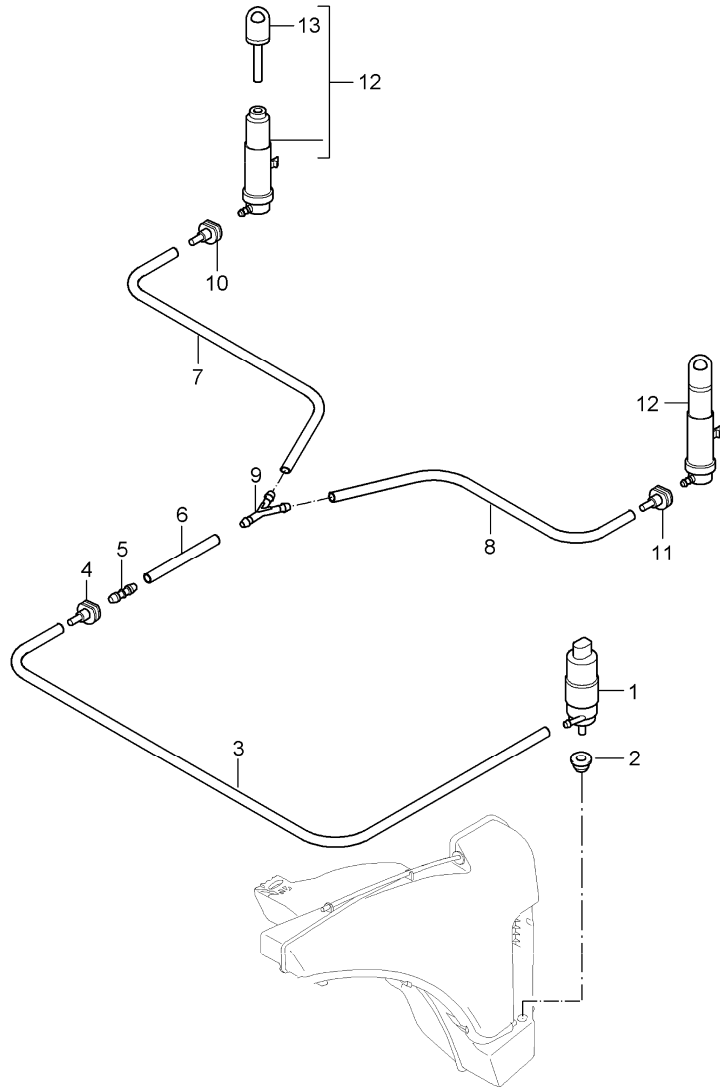


Pos	Part Number	Description	Remark	Qty	Model
		windscreen washer system			
1	997 528 701 01	water reservoir		1	I288
(1)	997 528 701 00	water reservoir		1	
2	996 528 711 00	gasket		1	
3	997 528 605 00	filler neck		1	
4	996 528 607 00	lid		1	
5	997 528 621 00	strainer		1	
6	996 528 615 01	bracket		1	
-	999 137 091 40	joining socket repair material for bracket 996.528.615.01		X	
7	900 378 154 01	hexagon-head bolt AM 8 X 35 SB		1	
8	999 702 221 40	grommet		2	
9	997 628 182 00	pump		1	
10	431 955 465 B	gasket		2	
11	955 628 105 00	tank gauge switch		1	
12	955 528 721 00	gasket		1	
13	999 181 347 40	breather pipe 273 MM		*	
-	999 181 815 40	hose 5,0 X 2,5		*	
14	-	375 MM		1	
15	-	650 MM		1	
16	-	97 MM		1	
17	-	347 MM		1	
(18)	999 137 005 40	t-piece		1	
19	996 628 077 03	nozzle when required order also:	-07	2	
19	997 628 077 00	nozzle when required order also:	08	2	

Model	Year	MG	SG	Illustration	Restrictions	UPD	7:52	25.01.2010	PORSCHE	PET	PORSCHE
997-1	2008	9	04	904-10		248					

Pos	Part Number	Description	Remark	Qty	Model	Pos	Part Number	Description	Remark	Qty	Model
-	997 612 976 00	repair kit wiring harness		2							
20	999 901 017 42	window cleaner 250 ML summer		X							
20	999 901 033 40	window cleaner 1000 ML winter		X							

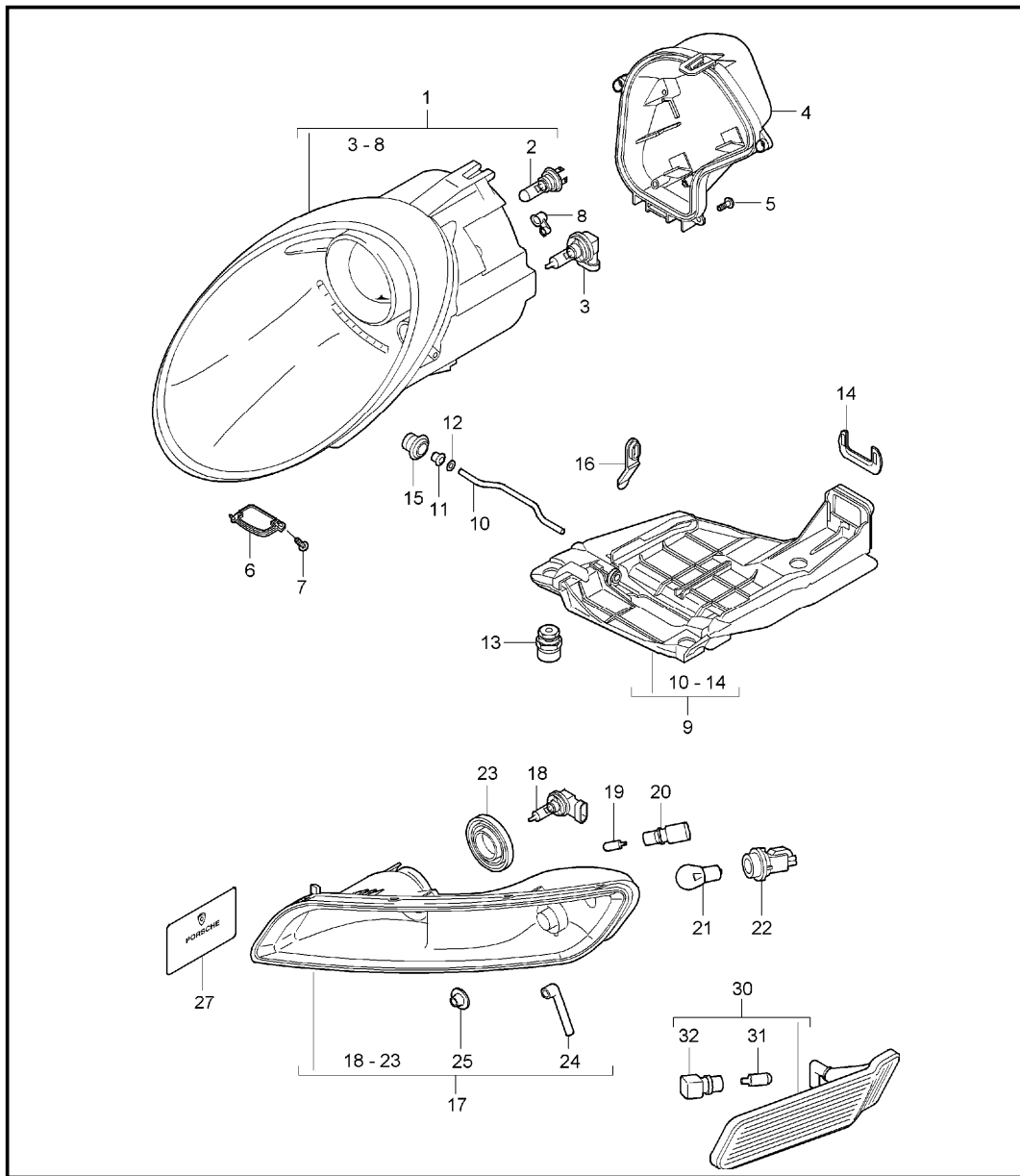
Model	Year	MG	SG	Illustration	Restrictions	UPD	8:54	03.02.2010	PORSCHE	PET	PORSCHE
997-1	2008	9	04	904-20		248					



Pos	Part Number	Description	Remark	Qty	Model
		headlight washer system			I288
1	997 624 502 00	pump		1	
2	928 628 193 00	gasket		1	
-	000 043 204 79	hose 8 X 3		*	
3	-	890 MM		1	
4	996 628 204 00	quick-connecting lock		1	
5	997 628 208 00	hose connection		1	
-	999 181 760 40	hose 10 X 3		*	
6	-	440 MM			
7	-	80 MM			
8	-	1850 MM			
9	999 137 093 40	y-piece		1	
10	997 628 204 00	quick-connecting lock		1	
11	997 628 205 00	quick-connecting lock		1	
12 A	997 628 133 00	nozzle	-07	2	
12	997 628 133 01	nozzle		2	
13	997 628 231 00	nozzle head		2	



Model	Year	MG	SG	Illustration	Restrictions	UPD	7:54	25.01.2010	PORSCHE	PET	PORSCHE
997-1	2008	9	05	905-00		248					

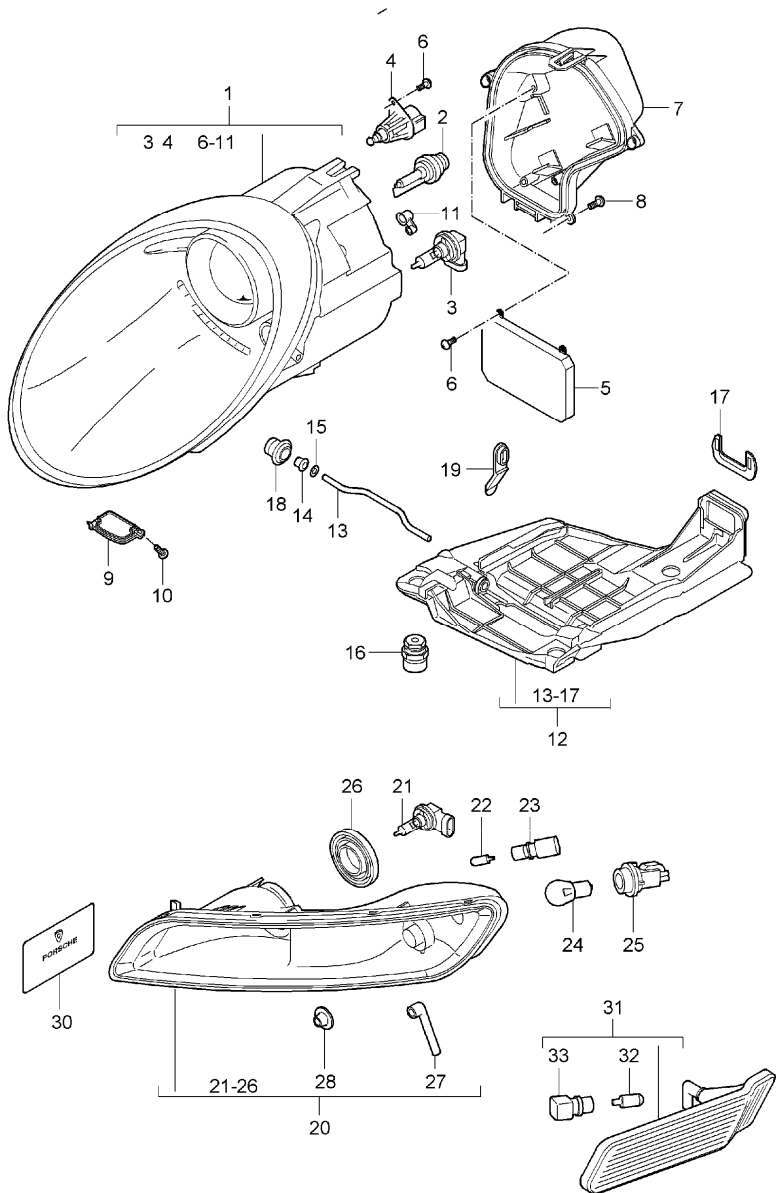


Pos	Part Number	Description	Remark	Qty	Model
		headlamp additional headlamp direction indicator light			
1	A 997 631 163 02	headlamp	/L	1	
1	997 631 163 03	headlamp	/L	1	
(1)	997 631 164 02	headlamp	/R	1	
1	997 631 163 12	headlamp	/L	1	I492
(1)	997 631 164 12	headlamp	/R	1	I492
2	999 631 133 91	halogen bulb H 7		2	
3	999 631 143 90	halogen bulb H 9		2	
4	997 631 101 00	protective cap	/L	1	
(4)	997 631 102 00	protective cap	/R	1	
5	997 631 191 00	screw		8	
6	997 631 149 00	ventilation component	/L	1	
(6)	997 631 150 00	ventilation component	/R	1	
7	997 631 153 00	screw		4	
8	997 631 249 00	breather adapter		2	
9	A 997 631 073 01	mounting	/L	1	
9	997 631 073 02	mounting	/L	1	
(9)	A 997 631 074 01	mounting	/R	1	
(9)	997 631 074 02	mounting	/R	1	
10	997 631 273 01	clamping bow		2	
11	997 631 272 00	bearing sleeve		2	
12	900 116 004 09	lock washer		2	
13	997 631 194 00	fastening part		6	
14	997 631 245 00	locking device connector housing		2	
15	999 703 413 40	stopper		2	
16	993 631 170 03	stopper		6	

Model	Year	MG	SG	Illustration	Restrictions	UPD	7:54	25.01.2010	PORSCHE	PET	PORSCHE
997-1	2008	9	05	905-00		248					

Pos	Part Number	Description	Remark	Qty	Model	Pos	Part Number	Description	Remark	Qty	Model
		additional headlamp				31	999 631 138 90	bulb 5 W yellow		2	
17	A 997 631 081 01	additional headlamp	/L	-07	1						
17	997 631 081 02	additional headlamp	/L	-07	1	32	997 631 133 00	bulb socket		2	
17	997 631 081 03	additional headlamp	/L	08-	1						
(17)	A 997 631 082 01	additional headlamp	/R	-07	1						
(17)	997 631 082 02	additional headlamp	/R	-07	1						
(17)	997 631 082 03	additional headlamp	/R	08-	1						
18	999 631 142 90	halogen bulb H 8			2						
19	999 631 033 90	bulb 5 W position light for additional headlamp 997.631.081/082.01/02			2						
19	999 631 040 90	bulb 5 W position light for additional headlamp 997.631.081/082.03			2						
20	997 631 137 00	bulb socket position light			2						
21	900 631 021 90	bulb 21 W direction indicator light			2						
22	997 631 139 00	bulb socket direction indicator light			2						
23	997 631 145 00	cap			2						
24	997 631 147 00	breather adapter			2						
25	997 631 293 00	cover			4						
27	997 631 231 00	card for release additional headlamp			1						
		direction indicator light									
30	997 631 033 01	direction indicator light	/L		1						
(30)	997 631 034 01	direction indicator light	/R		1						

Model	Year	MG	SG	Illustration	Restrictions	UPD	7:54	25.01.2010	PORSCHE	PET	PORSCHE
997-1	2008	9	05	905-01		248					



Pos	Part Number	Description	Remark	Qty	Model
		headlamp additional headlamp direction indicator light			I601
		headlamp without control unit and bulb XENON			
1	997 631 157 02	headlamp F >>998S7 01799 F >>998S7 24121 F >>998S7 40417 F >>998S7 50908 F >>998S7 61098 F >>998S7 72756	/L	1	
1	997 631 157 07	headlamp F 998S7 01800>> F 998S7 24122>> F 998S7 40418>> F 998S7 50909>> F 998S7 61099>> F 998S7 72757>>	/L	1	
(1)	997 631 158 02	headlamp F >>998S7 01799 F >>998S7 24121 F >>998S7 40417 F >>998S7 50908 F >>998S7 61098 F >>998S7 72756	/R	1	
(1)	997 631 158 07	headlamp F 998S7 01800>> F 998S7 24122>> F 998S7 40418>> F 998S7 50909>> F 998S7 61099>> F 998S7 72757>>	/R	1	
1	997 631 157 12	headlamp F >>998S7 01783 F >>998S7 24053 F >>998S7 40404 F >>998S7 50864 F >>998S7 61064 F >>998S7 72791	/L	1	I492

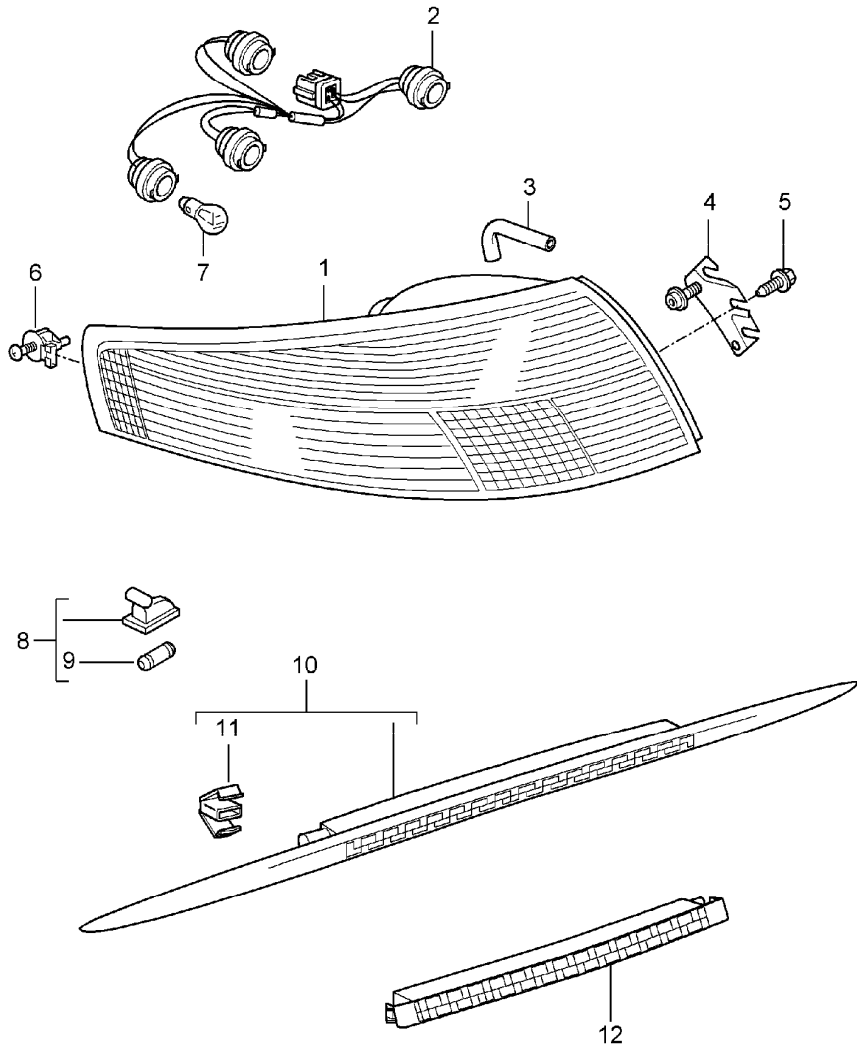
Model	Year	MG	SG	Illustration	Restrictions	UPD	7:54	25.01.2010	PORSCHE	PET	PORSCHE
997-1	2008	9	05	905-01		248					

Pos	Part Number	Description	Remark	Qty	Model	Pos	Part Number	Description	Remark	Qty	Model
1	997 631 157 17	headlamp F 998S7 01784>> F 998S7 24054>> F 998S7 40405>> F 998S7 50865>> F 998S7 61065>> F 998S7 72792>>	/L	1	I492	5	997 631 183 00	control unit F >>998S7 01799 F >>998S7 01783 F >>998S7 24121 F >>998S7 24053 F >>998S7 40417 F >>998S7 40404 F >>998S7 50908 F >>998S7 50864 F >>998S7 61098 F >>998S7 61064 F >>998S7 72756 F >>998S7 72791		2	I492
(1)	997 631 158 12	headlamp F >>998S7 01783 F >>998S7 24053 F >>998S7 40404 F >>998S7 50864 F >>998S7 61064 F >>998S7 72791	/R	1	I492						
(1)	997 631 158 17	headlamp F 998S7 01784>> F 998S7 24054>> F 998S7 40405>> F 998S7 50865>> F 998S7 61065>> F 998S7 72792>>	/R	1	I492	5	997 631 283 01	control unit F 998S7 01800>> F 998S7 01784>> F 998S7 24122>> F 998S7 24054>> F 998S7 40418>> F 998S7 40405>> F 998S7 50909>> F 998S7 50865>> F 998S7 61099>> F 998S7 61065>> F 998S7 72757>> F 998S7 72792>>		2	I492
2	999 631 036 90	bulb - PHILIPS -		2							
3	999 631 144 91	halogen bulb H 11		2							
4	997 631 125 01	electric motor headlight levelling system F >>995S7 60873 F >>995S7 37045	/L	1	I492	6	997 631 199 00	screw		6	
(4)	997 631 126 01	electric motor headlight levelling system F >>995S7 60873 F >>995S7 37045	/R	1	I492	7	997 631 101 00	protective cap	/L	1	
4	997 631 141 00	electric motor headlight levelling system F 995S7 60874>> F 995S7 37046>>  when required order also:		2	I492	(7)	997 631 102 00	protective cap	/R	1	
-	997 631 941 00	cable adapter		2		8	997 631 191 00	screw		8	
						9	997 631 149 00	ventilation component	/L	1	
						(9)	997 631 150 00	ventilation component	/R	1	
						10	997 631 153 00	screw		4	
						11	997 631 249 00	breather adapter		2	
						12	A 997 631 073 01	mounting	/L	1	
						12	997 631 073 02	mounting	/L	1	
						(12)	A 997 631 074 01	mounting	/R	1	
						(12)	997 631 074 02	mounting	/R	1	
						13	997 631 273 01	clamping bow		2	
						14	997 631 272 00	bearing sleeve		2	
						15	900 116 004 09	lock washer		2	

Model	Year	MG	SG	Illustration	Restrictions	UPD	7:54	25.01.2010	PORSCHE	PET	PORSCHE
997-1	2008	9	05	905-01		248					

Pos	Part Number	Description	Remark	Qty	Model	Pos	Part Number	Description	Remark	Qty	Model
16	997 631 194 00	fastening part		6		30	997 631 231 00	card for release additional headlamp		1	
17	997 631 245 00	locking device connector housing		2				direction indicator light			
18	999 703 413 40	stopper		2				direction indicator light	/L	1	
19	993 631 170 03	stopper		6		(31)	997 631 033 01	direction indicator light	/R	1	
		additional headlamp						direction indicator light			
20	A 997 631 081 01	additional headlamp	/L	-07	1	32	999 631 138 90	bulb 5 W yellow		2	
20	997 631 081 02	additional headlamp	/L	-07	1			bulb socket		2	
20	997 631 081 03	additional headlamp	/L	08-	1	33	997 631 133 00	bulb socket			
(20)	A 997 631 082 01	additional headlamp	/R	-07	1						
(20)	997 631 082 02	additional headlamp	/R	-07	1						
(20)	997 631 082 03	additional headlamp	/R	08-	1						
21	999 631 142 90	halogen bulb H 8		2							
22	999 631 033 90	bulb 5 W position light for additional headlamp 997.631.081/082.01/02		2							
22	999 631 040 90	bulb 5 W position light for additional headlamp 997.631.081/082.03		2							
23	997 631 137 00	bulb socket position light		2							
24	900 631 021 90	bulb 21 W direction indicator light		2							
25	997 631 139 00	bulb socket direction indicator light		2							
26	997 631 145 00	cap		2							
27	997 631 147 00	breather adapter		2							
28	997 631 293 00	cover		4							

Model	Year	MG	SG	Illustration	Restrictions	UPD	7:54	25.01.2010	PORSCHE	PET	PORSCHE
997-1	2008	9	05	905-05		248					

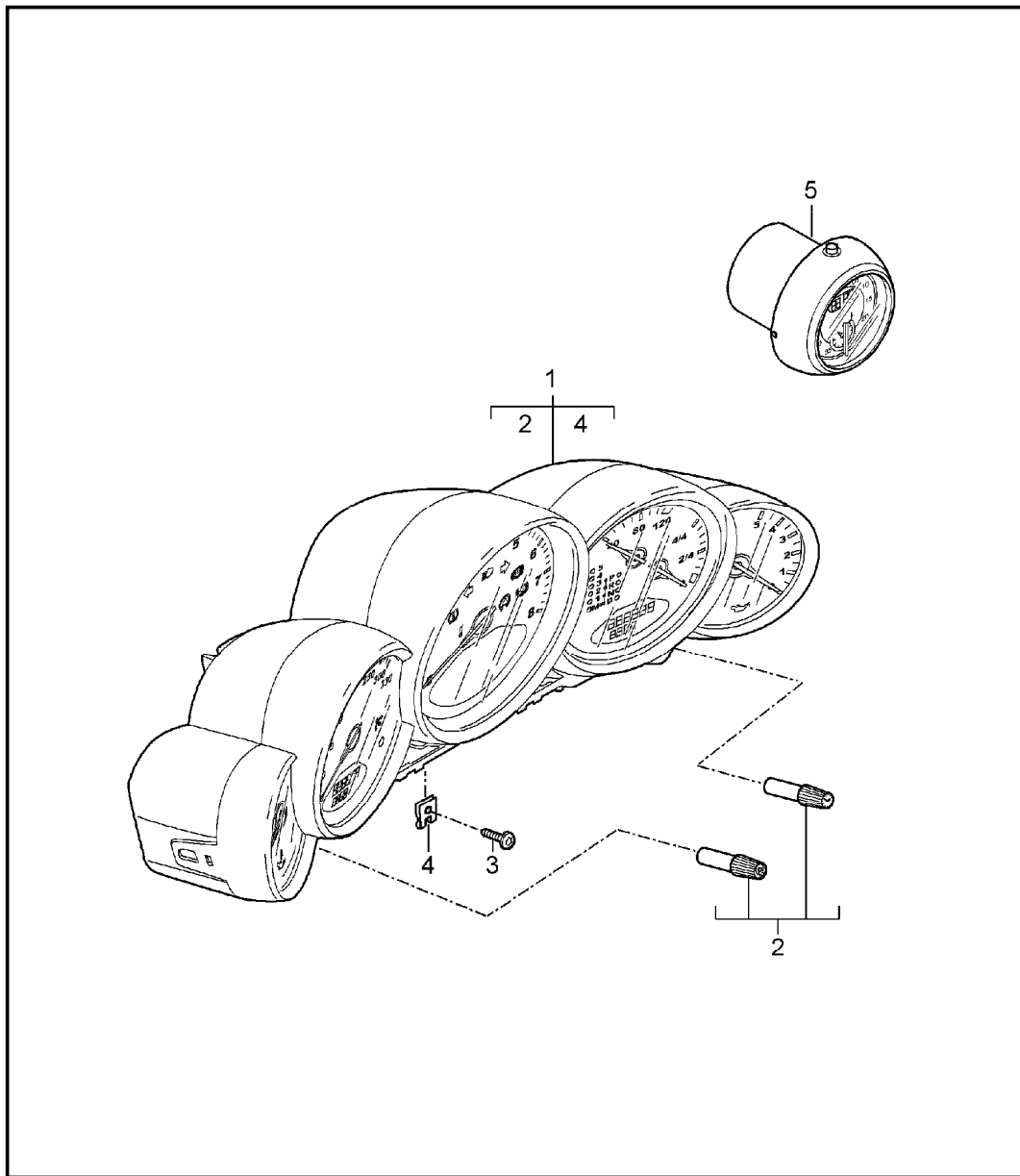


Pos	Part Number	Description	Remark	Qty	Model
		rear light license plate light additional brake light			
1	997 631 485 03	tail light housing	/L	1	
(1)	997 631 486 03	tail light housing	/R	1	
(1)	997 631 981 00	rear light complete	/L	08	1 IXXF
(1)	997 631 982 00	rear light complete	/R	08	1 IXXF
2	997 631 436 00	wiring harness		2	
3	997 631 451 00	breather adapter		4	
4	997 631 463 01	support	/L	1	
(4)	997 631 464 01	support	/R	1	
5	900 146 075 09	screw M 6 X 12		2	
6	997 631 471 00	mounting		2	
7	900 631 018 90	bulb 21 W white back-up light		1	
7	900 631 021 90	bulb 21 W yellow direction indicator light		1	
7	900 631 022 90	bulb 21/5 W Tail light		1	
7	900 631 017 90	bulb 21/4 W rear fog light Tail light		1	
7	900 631 017 91	bulb 21/4 W Brake light Tail light		1	
8	997 631 620 00	license plate light		2	
9	900 631 025 90	bulb 12V 5W		2	
10	A 997 631 050 03	additional brake light		1	COUPE/TARGA

Model	Year	MG	SG	Illustration	Restrictions	UPD	7:54	25.01.2010	PORSCHE	PET	PORSCHE
997-1	2008	9	05	905-05		248					

Pos	Part Number	Description	Remark	Qty	Model	Pos	Part Number	Description	Remark	Qty	Model
10	997 631 050 04	additional brake light		1	COUPE/TARGA						
(10) A	997 631 054 02	additional brake light		1	CABRIO						
(10)	997 631 054 03	additional brake light		1	CABRIO						
11	997 631 203 00	clip		6	COUPE/TARGA						
12	U 997 631 051 01	additional brake light in spoiler see technical information GR. 9 , NR. 8/04		1							
12	U 997 631 051 02	additional brake light in spoiler		1							
12	997 631 051 03	additional brake light in spoiler		1							

Model	Year	MG	SG	Illustration	Restrictions	UPD	7:54	25.01.2010	PORSCHE	PET	PORSCHE
997-1	2008	9	06	906-01		248					



Pos	Part Number	Description	Remark	Qty	Model
		instruments stopwatch			
		see technical information GR. 9 NR. 5/09 KD - NR. 9025			
(1) A	997 641 105 30	instrument cluster complete	-06	1	I022/480
		D07 volcano grey			
(1) A	997 641 105 31	instrument cluster complete	07	1	I022/480
		D07 volcano grey			
(1)	997 641 105 33	instrument cluster complete		1	I022/480
		D07 volcano grey			
1	997 641 106 31	instrument cluster complete	-07	1	I022/249
		D07 volcano grey			
1	997 641 106 33	instrument cluster complete	08	1	I022/249
		D07 volcano grey			
(1) A	997 641 107 21	instrument cluster complete	(GB) -06	1	I022 I480
		D07 volcano grey			
(1)	997 641 107 31	instrument cluster complete	(GB) -07	1	I022 I480
		D07 volcano grey			
(1)	997 641 107 33	instrument cluster complete	(GB) 08	1	I022 I480
		D07 volcano grey			
1	997 641 108 30	instrument cluster complete	(GB) -06	1	I022 I249
		D07 volcano grey			



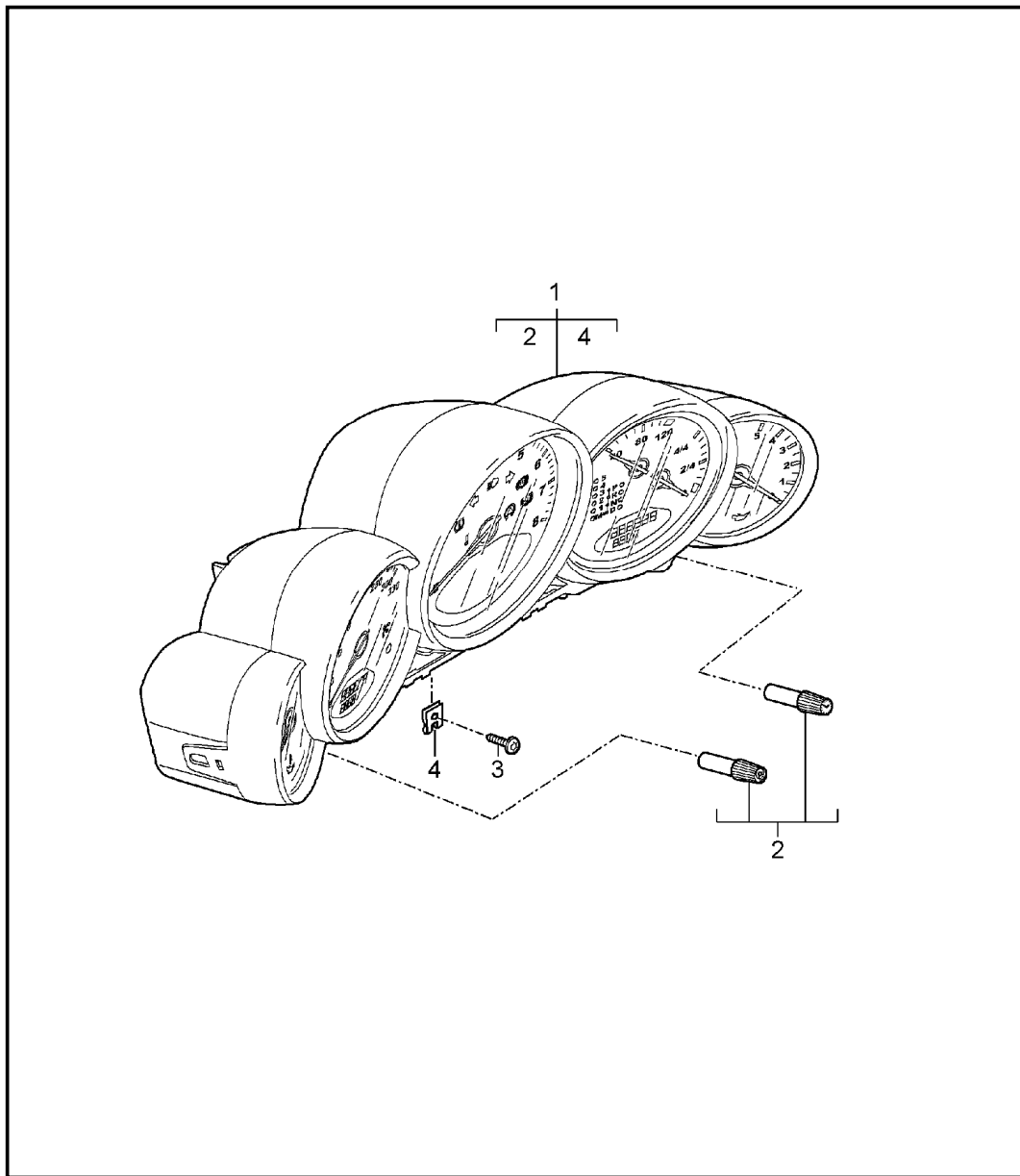
Model	Year	MG	SG	Illustration	Restrictions	UPD	7:54	25.01.2010	PORSCHE	PET	PORSCHE
997-1	2008	9	06	906-01		248					

Pos	Part Number	Description	Remark	Qty	Model	Pos	Part Number	Description	Remark	Qty	Model
1	997 641 108 31	instrument cluster complete D07 volcano grey	(GB) 07	1	I022 I249	(2)	997 641 911 00	knob actuator trip meter and clock		1	
1	997 641 108 33	instrument cluster complete D07 volcano grey	(GB) 08	1	I022 I249	3	999 073 155 09	tapping screw 4,2 X 19		2	
(1) A	997 641 115 30	instrument cluster complete D07 volcano grey	-06	1	I023/480	4	999 507 403 02	u-clamp  stopwatch		2	
(1)	997 641 115 33	instrument cluster complete D07 volcano grey		1	I023/480	5 A	997 641 301 20	stopwatch  V05 galvano silver for vehicles up to F >>995S7 32280 use also:	05	1	I025/639/640
1	997 641 116 33	instrument cluster complete D07 volcano grey		1	I023/249	5 A	997 641 301 21	stopwatch  V05 galvano silver for vehicles up to F >>995S7 32280 use also:	06	1	I025/639/640
(1) A	997 641 117 21	instrument cluster complete D07 volcano grey	(GB) -06	1	I023 I480	5	997 641 301 22	stopwatch  V05 galvano silver for vehicles up to F >>995S7 32280 use also:	-07	1	I025/639/640
(1)	997 641 117 31	instrument cluster complete D07 volcano grey	(GB) -07	1	I023 I480	5	997 641 301 24	stopwatch  V05 galvano silver for vehicles up to F >>995S7 32280 use also:	08	1	I025/639/640
(1)	997 641 117 33	instrument cluster complete D07 volcano grey	(GB) 08	1	I023 I480	-	997 552 373 01	support		1	
1	997 641 118 31	instrument cluster complete D07 volcano grey	(GB) -07	1	I023 I249	(5) A	997 641 311 20	stopwatch  V05 galvano silver for vehicles up to F >>995S7 32280 use also:	-06	1	I026/639/640
1	997 641 118 33	instrument cluster complete D07 volcano grey	(GB) 08	1	I023 I249	(5) A	997 641 311 21	stopwatch  V05 galvano silver for vehicles up to F >>995S7 32280 use also:	07	1	I026/639/640

Model	Year	MG	SG	Illustration	Restrictions	UPD	7:54	25.01.2010	PORSCHE	PET	PORSCHE
997-1	2008	9	06	906-01		248					

Pos	Part Number	Description	Remark	Qty	Model	Pos	Part Number	Description	Remark	Qty	Model
(5)	997 641 311 24	stopwatch		1	I026/639/640						
	V05	galvano silver for vehicles up to F >>995S7 32280 use also:									
-	997 552 373 01	support		1							

Model	Year	MG	SG	Illustration	Restrictions	UPD	7:55	25.01.2010	PORSCHE	PET	PORSCHE
997-1	2008	9	06	906-02		248					



Pos	Part Number	Description	Remark	Qty	Model
		instruments exclusive programme  see technical information GR. 9 NR. 5/09 KD - NR. 9025			
(1) A	997 641 980 45	instrument cluster  complete dial lacquered  5Z1 sand beige 8X8 terracotta T13 brown/natural 84A guards red 12H speed yellow B9A carrara white	-07	1	CARRERA I480
(1)	997 641 980 65	instrument cluster  complete dial lacquered  5Z1 sand beige 8X8 terracotta T13 brown/natural 84A guards red 12H speed yellow B9A carrara white		1	CARRERA I480
1 A	997 641 980 46	instrument cluster  complete dial lacquered  5Z1 sand beige 8X8 terracotta T13 brown/natural 84A guards red	-07	1	CARRERA I249

Model	Year	MG	SG	Illustration	Restrictions	UPD	7:55	25.01.2010	PORSCHE	PET	PORSCHE
997-1	2008	9	06	906-02		248					

Pos	Part Number	Description	Remark	Qty	Model	Pos	Part Number	Description	Remark	Qty	Model	
	12H	speed yellow				1	A 997 641 980 48	instrument cluster	(GB)	-07	1	CARRERA I249
	B9A	carrara white						complete dial lacquered				
1	997 641 980 66	instrument cluster		1	CARRERA I249			5Z1 sand beige				
		complete dial lacquered						8X8 terracotta				
	5Z1	sand beige						T13 brown/natural				
	8X8	terracotta						84A guards red				
	T13	brown/natural						12H speed yellow				
	84A	guards red						B9A carrara white				
	12H	speed yellow				1	997 641 980 68	instrument cluster	(GB)		1	CARRERA I249
	B9A	carrara white						complete dial lacquered				
(1)	A 997 641 980 47	instrument cluster	(GB)	-07	1	CARRERA I480		5Z1 sand beige				
		complete dial lacquered						8X8 terracotta				
	5Z1	sand beige						T13 brown/natural				
	8X8	terracotta						84A guards red				
	T13	brown/natural						12H speed yellow				
	84A	guards red						B9A carrara white				
	12H	speed yellow				(1)	A 997 641 980 55	instrument cluster		-07	1	CARRERA S I480
	B9A	carrara white						complete dial lacquered				
(1)	997 641 980 67	instrument cluster	(GB)		1	CARRERA I480		5Z1 sand beige				
		complete dial lacquered						8X8 terracotta				
	5Z1	sand beige						T13 brown/natural				
	8X8	terracotta						84A guards red				
	T13	brown/natural						12H speed yellow				
	84A	guards red						B9A carrara white				
	12H	speed yellow										
	B9A	carrara white										

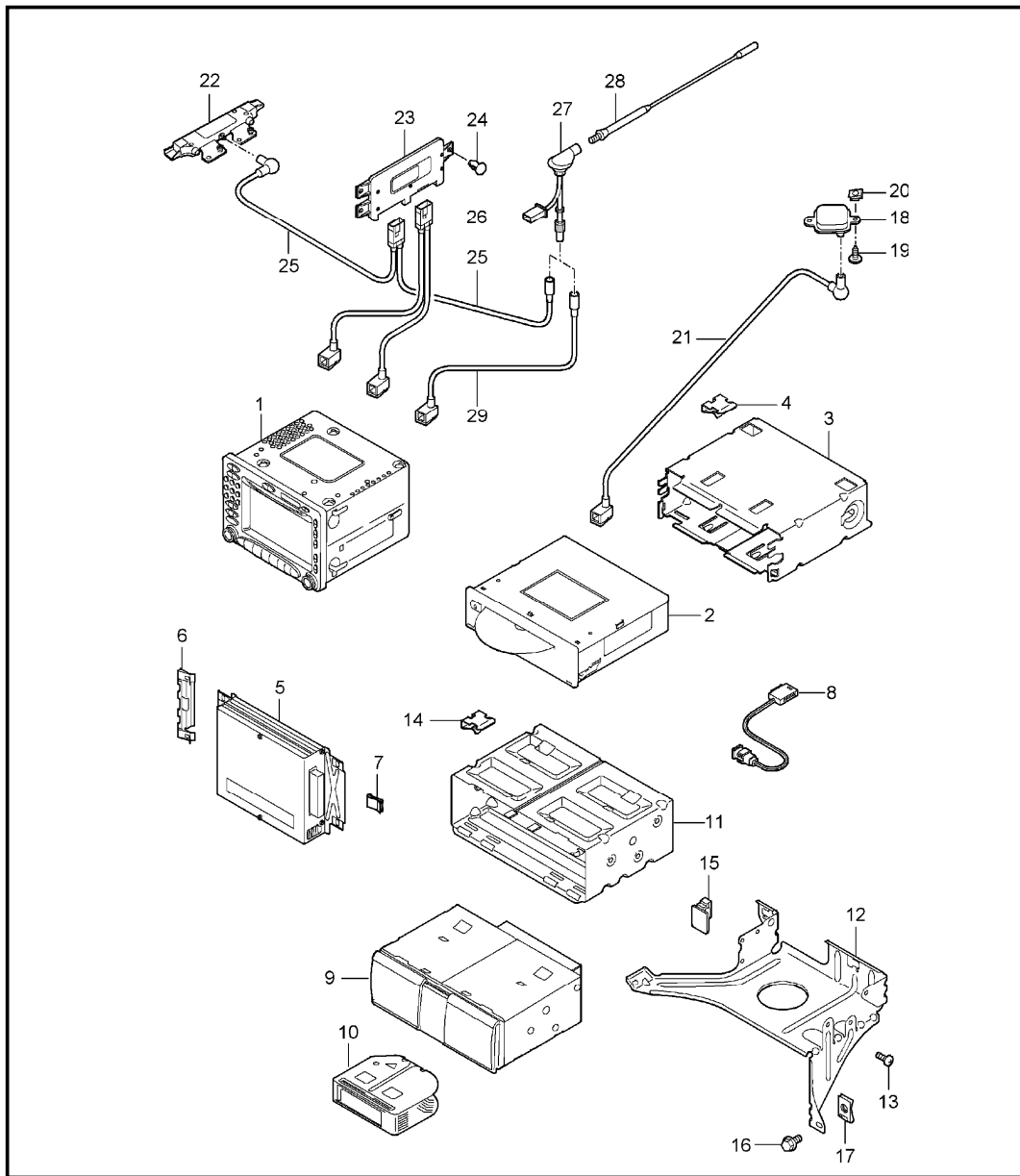
Model	Year	MG	SG	Illustration	Restrictions	UPD	7:55	25.01.2010	PORSCHE	PET	PORSCHE
997-1	2008	9	06	906-02		248					

Pos	Part Number	Description	Remark	Qty	Model	Pos	Part Number	Description	Remark	Qty	Model
(1)	997 641 980 75	instrument cluster complete dial lacquered 5Z1 sand beige 8X8 terracotta T13 brown/natural 84A guards red 12H speed yellow B9A carrara white		1	CARRERA S I480	(1) A	997 641 980 57	instrument cluster complete dial lacquered 5Z1 sand beige 8X8 terracotta T13 brown/natural 84A guards red 12H speed yellow B9A carrara white	(GB) -07	1	CARRERA S I480
1 A	997 641 980 56	instrument cluster complete dial lacquered 5Z1 sand beige 8X8 terracotta T13 brown/natural 84A guards red 12H speed yellow B9A carrara white	-07	1	CARRERA S I249	(1)	997 641 980 77	instrument cluster complete dial lacquered 5Z1 sand beige 8X8 terracotta T13 brown/natural 84A guards red 12H speed yellow B9A carrara white	(GB)	1	CARRERA S I480
1	997 641 980 76	instrument cluster complete dial lacquered 5Z1 sand beige 8X8 terracotta T13 brown/natural 84A guards red 12H speed yellow B9A carrara white		1	CARRERA S I249	1 A	997 641 980 58	instrument cluster complete dial lacquered 5Z1 sand beige 8X8 terracotta T13 brown/natural 84A guards red 12H speed yellow B9A carrara white	(GB) -07	1	CARRERA S I249

Model	Year	MG	SG	Illustration	Restrictions	UPD	7:55	25.01.2010	PORSCHE	PET	PORSCHE
997-1	2008	9	06	906-02		248					

Pos	Part Number	Description	Remark	Qty	Model	Pos	Part Number	Description	Remark	Qty	Model
1	997 641 980 78	instrument cluster complete dial lacquered 5Z1 sand beige 8X8 terracotta T13 brown/natural 84A guards red 12H speed yellow B9A carrara white	(GB)	1	CARRERA S I249						
(2)	997 641 911 00	knob actuator trip meter and clock		1							
3	999 073 155 09	tapping screw 4,2 X 19		2							
4	999 507 403 02	u-clamp		2							

Model	Year	MG	SG	Illustration	Restrictions	UPD	7:55	25.01.2010	PORSCHE	PET	PORSCHE
997-1	2008	9	11	911-00		248					



Pos	Part Number	Description	Remark	Qty	Model
		radio control part navigation system booster			CARRERA /S
		radio see catalogue T E Q U I P M E N T			
1	A 997 642 101 05	control part		1	I665
	FMH	volcano grey/black mat F >>995S7 01791 F >>995S7 32290 see technical information GR. 9 , NR. 7/04			
1	A 997 642 101 06	control part		1	I665
	FMH	volcano grey/black mat F >>995S7 01791 F >>995S7 32290 see technical information GR. 9 , NR. 7/04			
(1)	A 997 642 103 05	control part		1	I665/680
	FMH	volcano grey/black mat F >>995S7 01788 F >>995S7 32293 see technical information GR. 9 , NR. 7/04			
(1)	A 997 642 103 06	control part		1	I665/680
	FMH	volcano grey/black mat F >>995S7 01788 F >>995S7 32293 see technical information GR. 9 , NR. 7/04			
1	> 997 642 101 11	control part		1	I665
	FMH	volcano grey/black mat F >>995S7 50848 F >>995S7 37431 F 995S7 16151>>995S7 17613 F 995S7 41125>>995S7 61191			
1	> 997 642 103 11	control part		1	I665/680
	FMH	volcano grey/black mat F 995S7 01789>>995S7 50848 F 995S7 32294>>995S7 37431 F 995S7 16131>>995S7 17613 F 995S7 41124>>995S7 61191			

Model	Year	MG	SG	Illustration	Restrictions	UPD	7:55	25.01.2010	PORSCHE	PET	PORSCHE
997-1	2008	9	11	911-00		248					

Pos	Part Number	Description	Remark	Qty	Model	Pos	Part Number	Description	Remark	Qty	Model
1	A 997 642 141 02	control part		1	I665		FMH	volcano grey/black mat F 996S7 51981>> F 996S7 38111>> F 996S7 17269>> F 996S7 75015>> F 996S7 03171>> F 996S7 57897>> F 996S7 43974>>			
	FMH	volcano grey/black mat F 995S7 50849>>996S7 51980 F 995S7 37432>>996S7 38110 F 995S7 17614>>996S7 17268 F 995S7 61192>>996S7 75014 F >>996S7 03170 F >>996S7 57896 F >>996S7 43973 see technical information GR. 9 , NR. 28/05				1	> 997 642 143 10	control part		1	I665/680
	FMH	volcano grey/black mat F 996S7 51981>> F 996S7 38111>> F 996S7 17269>> F 996S7 75015>> F 996S7 03171>> F 996S7 57897>> F 996S7 43974>>					FMH	volcano grey/black mat F 996S7 51981>> F 996S7 38111>> F 996S7 17269>> F 996S7 75015>> F 996S7 03171>> F 996S7 57897>> F 996S7 43974>>			
1	997 642 141 03	control part		1	I665						
	FMH	volcano grey/black mat F 995S7 50849>>996S7 51980 F 995S7 37432>>996S7 38110 F 995S7 17614>>996S7 17268 F 995S7 61192>>996S7 75014 F >>996S7 03170 F >>996S7 57896 F >>996S7 43973 see technical information GR. 9 , NR. 28/05				-	997 642 201 00	rotary knob	/L	1	
	FMH	volcano grey/black mat F 996S7 51981>> F 996S7 38111>> F 996S7 17269>> F 996S7 75015>> F 996S7 03171>> F 996S7 57897>> F 996S7 43974>>					A05	black mat for control part see technical information GR. 9 , NR. 6/04			
1	A 997 642 143 02	control part		1	I665/680						
	FMH	volcano grey/black mat F 995S7 50849>>996S7 51980 F 995S7 37432>>996S7 38110 F 995S7 17614>>996S7 17268 F 995S7 61192>>996S7 75014 F >>996S7 03170 F >>996S7 57896 F >>996S7 43973 see technical information GR. 9 , NR. 28/05				-	997 642 202 00	rotary knob	/R	1	
	FMH	volcano grey/black mat F 996S7 51981>> F 996S7 38111>> F 996S7 17269>> F 996S7 75015>> F 996S7 03171>> F 996S7 57897>> F 996S7 43974>>					A05	black mat for control part see technical information GR. 9 , NR. 6/04			
1	997 642 143 03	control part		1	I665/680						
	FMH	volcano grey/black mat F 995S7 50849>>996S7 51980 F 995S7 37432>>996S7 38110 F 995S7 17614>>996S7 17268 F 995S7 61192>>996S7 75014 F >>996S7 03170 F >>996S7 57896 F >>996S7 43973 see technical information GR. 9 , NR. 28/05				-	997 642 941 00	cover Drawer SIM card for control part		1	
	FMH	volcano grey/black mat F 996S7 51981>> F 996S7 38111>> F 996S7 17269>> F 996S7 75015>> F 996S7 03171>> F 996S7 57897>> F 996S7 43974>>					900 187 038 02	tapping screw ST4,2 X 19 for mount radio and control part centre console		1	
1	> 997 642 141 10	control part		1	I665	2	A 997 642 135 03	dvd device navigation system F >>995S7 01788 F >>995S7 32291		1	I670



Model	Year	MG	SG	Illustration	Restrictions	UPD	7:55	25.01.2010	PORSCHE	PET	PORSCHE
997-1	2008	9	11	911-00		248					

Pos	Part Number	Description	Remark	Qty	Model	Pos	Part Number	Description	Remark	Qty	Model
2	> 997 642 135 04	dvd device navigation system F >>995S7 50848 F >>995S7 37431 F >>995S7 17613 F >>995S7 61191		1	I670	-	997 642 239 03	dvd navigation system F 995S7 01789>>995S7 50848 F 995S7 32292>>995S7 37431 F >>995S7 61191		1	I611
2	> 997 642 137 02	dvd device navigation system F 995S7 50849>>996S7 51980 F 995S7 37432>>996S7 38110 F 995S7 17614>>996S7 17268 F 995S7 61192>>996S7 75014 F >>996S7 03170 F >>996S7 57896 F >>996S7 43973		1	I670/672	-	997 642 241 03	dvd navigation system F 995S7 01789>>995S7 50848 F 995S7 32292>>995S7 37431 F >>995S7 61191		1	I612
2	> 997 642 157 00	dvd device navigation system F 996S7 51981>> F 996S7 38111>> F 996S7 17269>> F 996S7 75015>> F 996S7 03171>> F 996S7 57897>> F 996S7 43974>>		1	I670/672	-	997 642 243 03	dvd navigation system F 995S7 01789>>995S7 50848 F 995S7 32292>>995S7 37431 F >>995S7 61191		1	I613
-	A 997 642 235 02	dvd navigation system F >>995S7 01788 F >>995S7 32291		1	I610	-	997 642 245 03	dvd navigation system F 995S7 01789>>995S7 50848 F 995S7 32292>>995S7 37431 F >>995S7 61191		1	I614
-	A 997 642 239 02	dvd navigation system F >>995S7 01788 F >>995S7 32291		1	I611	-	997 642 255 03	dvd navigation system F 995S7 50849>>996S7 51980 F 995S7 37432>>996S7 38110 F 995S7 61192>>996S7 17268 F 995S7 17614>>996S7 75014 F >>996S7 03170 F >>996S7 57896 F >>996S7 43973		1	I610
-	A 997 642 241 02	dvd navigation system F >>995S7 01788 F >>995S7 32291		1	I612	-	997 642 259 02	dvd navigation system F 995S7 50849>>996S7 51980 F 995S7 37432>>996S7 38110 F 995S7 61192>>996S7 17268 F 995S7 17614>>996S7 75014 F >>996S7 03170 F >>996S7 57896 F >>996S7 43973		1	I611
-	997 642 243 02	dvd navigation system F >>995S7 01788 F >>995S7 32291		1	I613	-	997 642 261 02	dvd navigation system F 995S7 50849>>996S7 51980 F 995S7 37432>>996S7 38110 F 995S7 61192>>996S7 17268 F 995S7 17614>>996S7 75014 F >>996S7 03170 F >>996S7 57896 F >>996S7 43973		1	I612
-	997 642 245 02	dvd navigation system F >>995S7 01788 F >>995S7 32291		1	I614						
-	997 642 235 03	dvd navigation system F 995S7 01789>>995S7 50848 F 995S7 32292>>995S7 37431 F >>995S7 61191		1	I610						

Model	Year	MG	SG	Illustration	Restrictions	UPD	7:55	25.01.2010	PORSCHE	PET	PORSCHE
997-1	2008	9	11	911-00		248					

Pos	Part Number	Description	Remark	Qty	Model	Pos	Part Number	Description	Remark	Qty	Model
-	997 642 263 02	dvd navigation system F 995S7 50849>>996S7 51980 F 995S7 37432>>996S7 38110 F 995S7 61192>>996S7 17268 F 995S7 17614>>996S7 75014 F >>996S7 03170 F >>996S7 57896 F >>996S7 43973		1	I613	-	997 642 261 03	dvd navigation system F 996S7 51981>> F 996S7 38111>> F 996S7 17614>> F 996S7 75015>> F 996S7 03171>> F 996S7 57897>> F 996S7 43974>>	-06	1	I612
-	A 997 642 265 02	dvd navigation system F 995S7 50849>>996S7 51980 F 995S7 37432>>996S7 38110 F 995S7 61192>>996S7 17268 F 995S7 17614>>996S7 75014 F >>996S7 03170 F >>996S7 57896 F >>996S7 43973		1	I614	-	997 642 263 03	dvd navigation system F 996S7 51981>> F 996S7 38111>> F 996S7 17614>> F 996S7 75015>> F 996S7 03171>> F 996S7 57897>> F 996S7 43974>>	-06	1	I613
-	997 642 265 03	dvd navigation system F 995S7 50849>>996S7 51980 F 995S7 37432>>996S7 38110 F 995S7 61192>>996S7 17268 F 995S7 17614>>996S7 75014 F >>996S7 03170 F >>996S7 57896 F >>996S7 43973		1	I614	-	997 642 265 04	dvd navigation system F 996S7 51981>> F 996S7 38111>> F 996S7 17614>> F 996S7 75015>> F 996S7 03171>> F 996S7 57897>> F 996S7 43974>>	-06	1	I614
-	997 642 255 04	dvd navigation system F 996S7 51981>> F 996S7 38111>> F 996S7 17614>> F 996S7 75015>> F 996S7 03171>> F 996S7 57897>> F 996S7 43974>>	-06	1	I610	-	997 642 267 03	dvd navigation system F 996S7 51981>> F 996S7 38111>> F 996S7 17614>> F 996S7 75015>> F 996S7 03171>> F 996S7 57897>> F 996S7 43974>>	-06	1	I616
-	997 642 259 03	dvd navigation system F 996S7 51981>> F 996S7 38111>> F 996S7 17614>> F 996S7 75015>> F 996S7 03171>> F 996S7 57897>> F 996S7 43974>>	-06	1	I611	-	997 642 255 05	dvd navigation system	07	1	I610
						-	997 642 255 06	dvd navigation system	08	1	I610
						-	997 642 259 04	dvd navigation system	07	1	I611
						-	997 642 259 05	dvd navigation system	08	1	I611
						-	997 642 261 04	dvd navigation system	07	1	I612
						-	997 642 261 05	dvd navigation system	08	1	I612

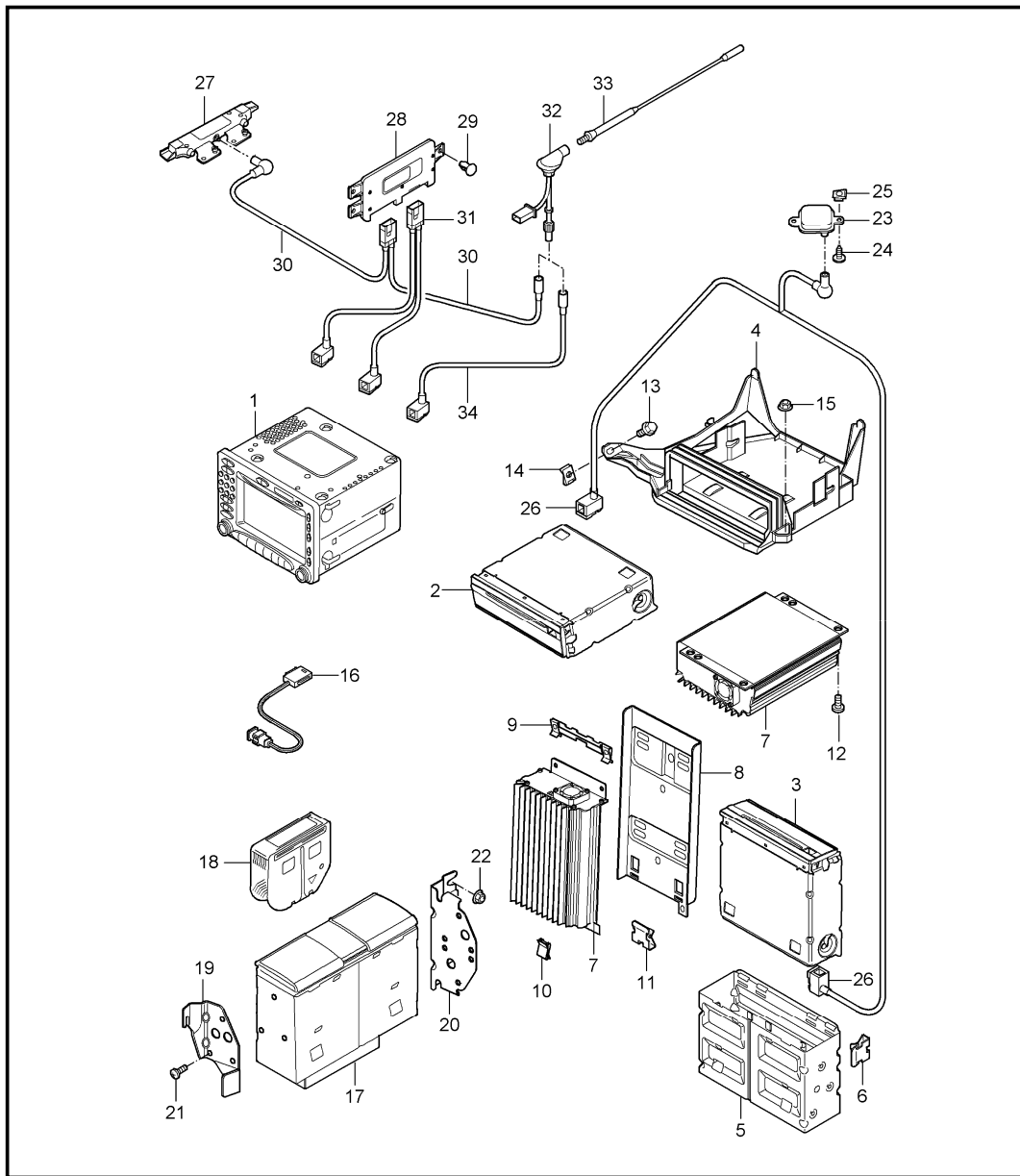
Model	Year	MG	SG	Illustration	Restrictions	UPD	7:55	25.01.2010	PORSCHE	PET	PORSCHE
997-1	2008	9	11	911-00		248					

Pos	Part Number	Description	Remark	Qty	Model	Pos	Part Number	Description	Remark	Qty	Model
-	997 642 263 04	dvd navigation system	07	1	I613	8	997 646 307 02	microphone		1	I680
-	997 642 263 05	dvd navigation system	08	1	I613	(8)	997 646 307 01	microphone		1	I618/666/680
-	997 642 265 05	dvd navigation system	07	1	I614	-	997 610 233 00	cable guide microphone	-07	1	
-	997 642 265 06	dvd navigation system	08	1	I614	-	997 610 233 01	cable guide microphone	08	1	
-	997 642 267 04	dvd navigation system	07	1	I616	9 >	997 645 140 03	cd changer CDC 4 adjustment installation attention		1	I692
-	997 642 267 05	dvd navigation system	08	1	I616	10	996 645 113 00	magazine cd changer		1	I692
-	997 642 148 02	cd-rom logbook	06-	1	I641	11	997 645 222 00	support		1	I692
3	997 642 231 00	support dvd device		1	I670/672	12	997 645 221 00	support		1	I664/692
4	997 645 342 01	u-clamp		4		13	900 146 024 01	round head screw M 5 X 8		6	I692
5	997 645 331 01	booster		1	COUPE I490	14	997 645 342 01	u-clamp		4	I692
5	997 645 332 00	booster		1	CABRIO I490	15	999 703 501 40	fastening part		2	I664/692
(5) U	997 645 333 04	booster see technical information GR. 9 , NR. 4/04		1	COUPE I680	16	900 378 179 09	hexagon-head bolt M 6 X 16		2	I664/692
(5)	997 645 333 06	booster F >>995S7 01788 F >>995S7 32293 see technical information GR. 9 , NR. 7/04 GR. 9 , NR. 13/04		1	COUPE I680 CARRERA CARRERA S	17	999 507 766 02	speed nut M 6		2	I664/692
(5)	997 645 334 22	booster note coding F 995S7 01789>> F 995S7 32294>>	05	1	I680 CARRERA CARRERA S	18	997 642 105 00	antenna GPS		1	I670/672
(5) >	997 645 334 33	booster note coding	06-	1	I680	19	999 073 210 00	tapping screw 4,8 X 13		1	I670/672
6	997 645 340 00	fastening clamp		1	I490/680	20	999 507 441 01	speed nut 4,8		1	I670/672
7	999 507 532 01	u-clamp		2	I490/680	21	997 612 060 25	connecting line antenna dvd device navigation system		1	I670/672
						22	997 647 117 00	antenna booster	/L	1	I440
						(22)	997 647 118 00	antenna booster	/R	1	I440
						23	997 647 124 00	control unit		1	I440
						24	999 591 904 40	fastening part		2	I440

Model	Year	MG	SG	Illustration	Restrictions	UPD	7:55	25.01.2010	PORSCHE	PET	PORSCHE
997-1	2008	9	11	911-00		248					

Pos	Part Number	Description	Remark	Qty	Model	Pos	Part Number	Description	Remark	Qty	Model
25	997 612 069 00	connecting line antenna booster control unit	/LL	1	COUPE I098/461/665	(29)	997 612 068 00	connecting line antenna base radio	/LL	1	CABRIO I098/461/694
25	997 612 069 50	connecting line antenna booster control unit	/RL	1	COUPE I099/461/665	(29)	997 612 068 50	connecting line antenna base radio	/RL	1	CABRIO I099/461/694
25	997 612 066 00	connecting line antenna booster control unit	/LL	1	CABRIO I098/461/665	(29)	997 612 067 01	connecting line antenna base Power supply		1	CABRIO I461
25	997 612 066 50	connecting line antenna booster control unit	/RL	1	CABRIO I099/461/665						
(25)	997 612 055 00	connecting line antenna booster control unit	/LL	1	I098/665						
(25)	997 612 056 00	connecting line antenna booster control unit	/RL	1	I099/665						
(25)	997 612 062 50	connecting line antenna booster control unit		1	I694						
26	997 612 058 00	connecting line control unit control part		1	I665						
(26)	997 612 052 00	connecting line control unit radio		1	I694						
27	997 647 231 00	antenna base		1	COUPE I461						
(27)	997 647 221 00	antenna base		1	CABRIO I461						
28	997 647 233 00	antenna rod		1	COUPE I461						
(28)	997 647 223 00	antenna rod		1	CABRIO I461						
(29)	997 612 070 00	connecting line antenna base radio		1	COUPE I461/694						

Model	Year	MG	SG	Illustration	Restrictions	UPD	7:55	25.01.2010	PORSCHE	PET	PORSCHE
997-1	2008	9	11	911-01		248					



Pos	Part Number	Description	Remark	Qty	Model
		radio control part navigation system booster			CARRERA 4/4S
1	A 997 642 141 02	radio see catalogue T E Q U I P M E N T control part		1	I665
		FMH volcano grey/black mat F >>996S7 03171 F >>996S7 38109 F >>996S7 51981 F >>996S7 75016 see technical information GR. 9 , NR. 28/05			
1	997 642 141 03	control part		1	I665
		FMH volcano grey/black mat F >>996S7 03171 F >>996S7 38109 F >>996S7 51981 F >>996S7 75016 see technical information GR. 9 , NR. 28/05			
1	A 997 642 143 02	control part		1	I665/680
		FMH volcano grey/black mat F >>996S7 03171 F >>996S7 38109 F >>996S7 51981 F >>996S7 75016 see technical information GR. 9 , NR. 28/05			
1	997 642 143 03	control part		1	I665/680
		FMH volcano grey/black mat F >>996S7 03171 F >>996S7 38109 F >>996S7 51981 F >>996S7 75016 see technical information GR. 9 , NR. 28/05			
1	> 997 642 141 10	control part		1	I665
		FMH volcano grey/black mat F 996S7 03172>> F 996S7 38110>> F 996S7 51982>> F 996S7 75017>>			

Model	Year	MG	SG	Illustration	Restrictions	UPD	7:55	25.01.2010	PORSCHE	PET	PORSCHE
997-1	2008	9	11	911-01		248					

Pos	Part Number	Description	Remark	Qty	Model	Pos	Part Number	Description	Remark	Qty	Model
1	> 997 642 143 10	control part		1	I665/680	3	> 997 642 139 02	dvd device navigation system F >>996S7 03171 F >>996S7 38109 F >>996S7 51981 F >>996S7 75016	/RL	1	I099/670/672
	FMH	volcano grey/black mat F 996S7 03172>> F 996S7 38110>> F 996S7 51982>> F 996S7 75017>>									
-	997 642 201 00	rotary knob	/L	1		3	> 997 642 139 02	dvd device navigation system F >>996S7 03171 F >>996S7 38109 F >>996S7 51981 F >>996S7 75016		1	I664/670/672
	A05	black mat for control part see technical information GR. 9 , NR. 6/04									
-	997 642 202 00	rotary knob	/R	1		3	A 997 642 159 00	dvd device navigation system F 996S7 03172>> F 996S7 38110>> F 996S7 51982>> F 996S7 75017>>	/RL	1	I099/670/672
	A05	black mat for control part see technical information GR. 9 , NR. 6/04									
-	997 642 941 00	cover Drawer SIM card for control part		1		3	> 997 642 159 01	dvd device navigation system F 996S7 03172>> F 996S7 38110>> F 996S7 51982>> F 996S7 75017>>	/RL	1	I099/670/672
-	900 187 038 02	tapping screw ST4,2 X 19 for mount radio and control part centre console		1		3	A 997 642 159 00	dvd device navigation system F 996S7 03172>> F 996S7 38110>> F 996S7 51982>> F 996S7 75017>>		1	I664/670/672
2	> 997 642 137 02	dvd device navigation system F >>996S7 03171 F >>996S7 38109 F >>996S7 51981 F >>996S7 75016	/LL	1	I098/670/672	3	> 997 642 159 01	dvd device navigation system F 996S7 03172>> F 996S7 38110>> F 996S7 51982>> F 996S7 75017>>		1	I664/670/672
2	> 997 642 157 00	dvd device navigation system F 996S7 03172>> F 996S7 38110>> F 996S7 51982>> F 996S7 75017>>	/LL	1	I098/670/672	-	997 642 255 03	dvd navigation system F >>996S7 03171 F >>996S7 38109 F >>996S7 51981 F >>996S7 75016		1	I610
						-	997 642 259 02	dvd navigation system F >>996S7 03171 F >>996S7 38109 F >>996S7 51981 F >>996S7 75016		1	I611

Model	Year	MG	SG	Illustration	Restrictions	UPD	7:55	25.01.2010	PORSCHE	PET	PORSCHE
997-1	2008	9	11	911-01		248					

Pos	Part Number	Description	Remark	Qty	Model	Pos	Part Number	Description	Remark	Qty	Model
-	997 642 261 02	dvd navigation system F >>996S7 03171 F >>996S7 38109 F >>996S7 51981 F >>996S7 75016		1	I612	-	997 642 267 03	dvd navigation system F 996S7 03172>> F 996S7 38110>> F 996S7 51982>> F 996S7 75017>>	-06	1	I616
-	997 642 263 02	dvd navigation system F >>996S7 03171 F >>996S7 38109 F >>996S7 51981 F >>996S7 75016		1	I613	-	997 642 255 05	dvd navigation system	07	1	I610
-	997 642 265 03	dvd navigation system F >>996S7 03171 F >>996S7 38109 F >>996S7 51981 F >>996S7 75016		1	I614	-	997 642 255 06	dvd navigation system	08	1	I610
-	997 642 265 03	dvd navigation system F >>996S7 03171 F >>996S7 38109 F >>996S7 51981 F >>996S7 75016		1	I614	-	997 642 259 04	dvd navigation system	07	1	I611
-	997 642 259 05	dvd navigation system		1	I611	-	997 642 259 05	dvd navigation system	08	1	I611
-	997 642 255 04	dvd navigation system F 996S7 03172>> F 996S7 38110>> F 996S7 51982>> F 996S7 75017>>	-06	1	I610	-	997 642 261 04	dvd navigation system	07	1	I612
-	997 642 255 04	dvd navigation system F 996S7 03172>> F 996S7 38110>> F 996S7 51982>> F 996S7 75017>>	-06	1	I610	-	997 642 261 05	dvd navigation system	08	1	I612
-	997 642 259 03	dvd navigation system F 996S7 03172>> F 996S7 38110>> F 996S7 51982>> F 996S7 75017>>	-06	1	I611	-	997 642 263 04	dvd navigation system	07	1	I613
-	997 642 259 03	dvd navigation system F 996S7 03172>> F 996S7 38110>> F 996S7 51982>> F 996S7 75017>>	-06	1	I611	-	997 642 263 05	dvd navigation system	08	1	I613
-	997 642 261 03	dvd navigation system F 996S7 03172>> F 996S7 38110>> F 996S7 51982>> F 996S7 75017>>	-06	1	I612	-	997 642 265 05	dvd navigation system	07	1	I614
-	997 642 261 03	dvd navigation system F 996S7 03172>> F 996S7 38110>> F 996S7 51982>> F 996S7 75017>>	-06	1	I612	-	997 642 265 06	dvd navigation system	08	1	I614
-	997 642 263 03	dvd navigation system F 996S7 03172>> F 996S7 38110>> F 996S7 51982>> F 996S7 75017>>	-06	1	I613	-	997 642 267 04	dvd navigation system	07	1	I616
-	997 642 263 03	dvd navigation system F 996S7 03172>> F 996S7 38110>> F 996S7 51982>> F 996S7 75017>>	-06	1	I613	-	997 642 267 05	dvd navigation system	08	1	I616
-	997 642 265 04	dvd navigation system F 996S7 03172>> F 996S7 38110>> F 996S7 51982>> F 996S7 75017>>	-06	1	I614	-	997 642 148 02	cd-rom logbook		1	I641
-	997 642 265 04	dvd navigation system F 996S7 03172>> F 996S7 38110>> F 996S7 51982>> F 996S7 75017>>	-06	1	I614	4	997 645 351 00	support dvd device and booster	/LL	1	I098/490/670 I672/680
-	997 642 265 04	dvd navigation system F 996S7 03172>> F 996S7 38110>> F 996S7 51982>> F 996S7 75017>>	-06	1	I614	5	997 642 231 00	support dvd device		1	I664/670/672
-	997 642 265 04	dvd navigation system F 996S7 03172>> F 996S7 38110>> F 996S7 51982>> F 996S7 75017>>	-06	1	I614	(5)	997 642 335 00	support dvd device	/RL	1	I099/670/672

Model	Year	MG	SG	Illustration	Restrictions	UPD	7:55	25.01.2010	PORSCHE	PET	PORSCHE
997-1	2008	9	11	911-01		248					

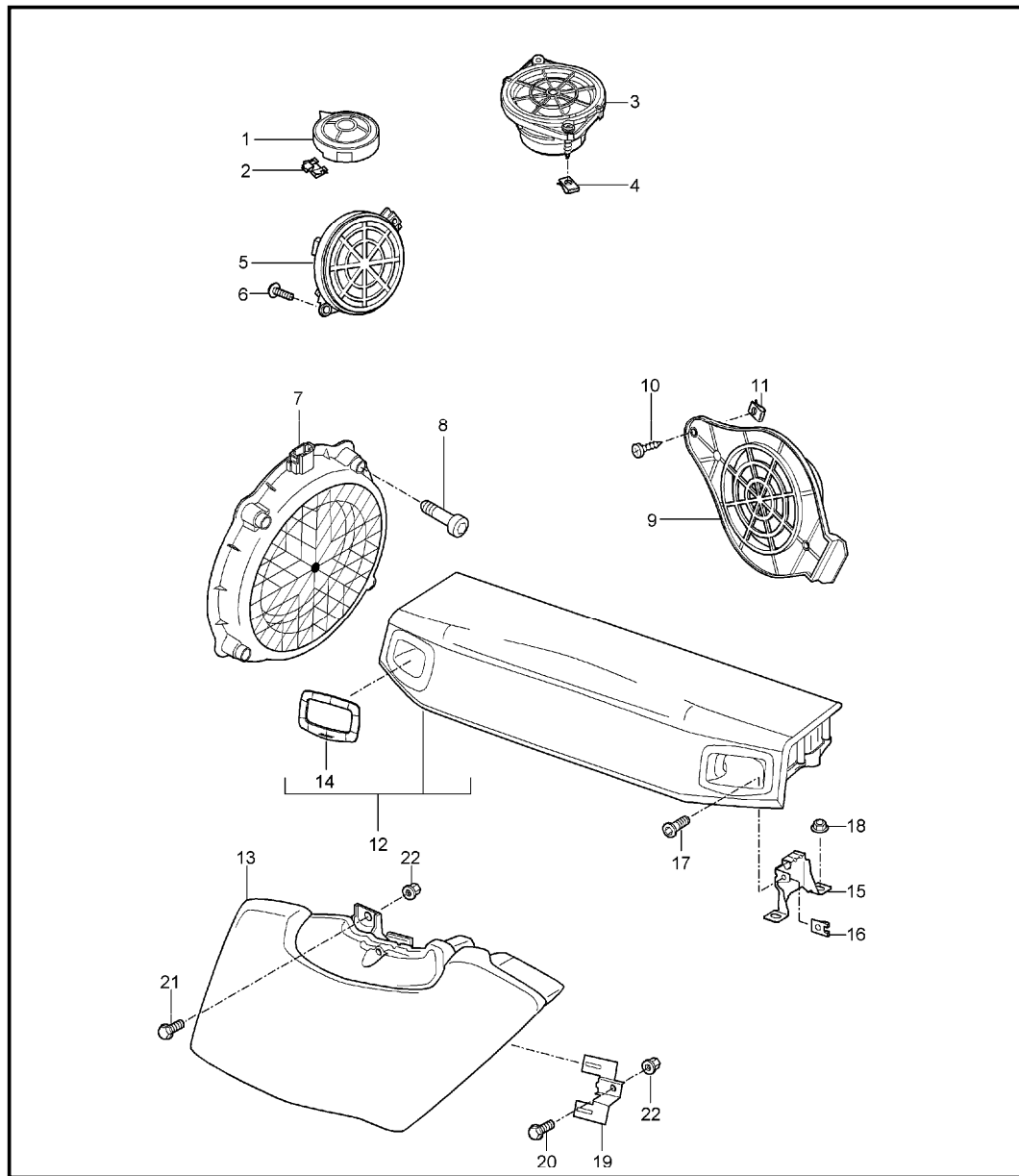
Pos	Part Number	Description	Remark	Qty	Model	Pos	Part Number	Description	Remark	Qty	Model
6	997 645 342 01	u-clamp		4	I664/670/672	20	997 645 235 00	support		1	I692
(7)	997 645 331 01	booster		1	COUPE/TARGA I490	21	900 146 024 01	round head screw M 5 X 8		6	I692
(7)	997 645 332 00	booster		1	CABRIO I490	22	999 084 638 01	hexagon nut M 6		3	I692
7 >	997 645 334 33	booster note coding		1	I680	23	997 642 105 00	antenna GPS		1	I670/672
8	997 645 341 01	support		1	I490/664/680	24	999 073 210 00	tapping screw 4,8 X 13		1	I670/672
9	997 645 340 00	fastening clamp		1	I490/664/680	25	999 507 441 01	speed nut 4,8		1	I670/672
9	997 645 340 00	fastening clamp	/RL	1	I099/490/680	26	997 612 060 25	connecting line antenna dvd device navigation system		1	I670/672
10	999 507 532 01	u-clamp		2	I490/664/680	27	997 647 117 00	antenna booster	/L	1	I440
10	999 507 532 01	u-clamp	/RL	2	I099/490/680	(27)	997 647 118 00	antenna booster	/R	1	I440
11	997 645 342 01	u-clamp		4	I490/664/680	28	997 647 124 00	control unit		1	I440
12	999 919 164 09	oval-head screw 5,0 X 12,0	/LL	X	I098/490/680	29	999 591 904 40	fastening part		2	I440
13	900 378 179 09	hexagon-head bolt M 6 X 16	/LL	1	I098/490/670 I680	30	997 612 069 00	connecting line	/LL	1	COUPE I098/461/665
14	999 507 766 02	speed nut M 6	/LL	1	I098/490/670 I680	30	997 612 069 50	connecting line	/RL	1	COUPE I099/461/665
15	999 084 638 01	hexagon nut M 6	/LL	1	I098/490/670 I680	30	997 612 066 00	connecting line	/LL	1	CABRIO/TARGA I098/461/665
16	997 646 307 02	microphone		1	I680	30	997 612 066 50	connecting line	/RL	1	CABRIO/TARGA I099/461/665
(16)	997 646 307 01	microphone		1	I618/666/680	30	997 612 055 00	connecting line antenna booster control unit	/LL	1	I098/665
-	997 610 233 00	cable guide microphone	-07	1		(30)	997 612 056 00	connecting line antenna booster control unit	/RL	1	I099/665
-	997 610 233 01	cable guide microphone	08	1							
17 >	997 645 140 03	cd changer CDC 4 adjustment installation attention		1	I692						
18	996 645 113 00	magazine cd changer		1	I692						
19	997 645 233 00	support	/LL	1	I098/692						
(19)	997 645 234 00	support	/RL	1	I099/692						



Model	Year	MG	SG	Illustration	Restrictions	UPD	7:55	25.01.2010	PORSCHE	PET	PORSCHE
997-1	2008	9	11	911-01		248					

Pos	Part Number	Description	Remark	Qty	Model	Pos	Part Number	Description	Remark	Qty	Model
(30)	997 612 062 50	connecting line antenna booster control unit		1	I694						
31	997 612 058 00	connecting line control unit control part		1	I665						
(31)	997 612 052 00	connecting line control unit radio		1	I694						
32	997 647 231 00	antenna base		1	COUPE I461						
(32)	997 647 221 00	antenna base		1	CABRIO/TARGA I461						
33	997 647 233 00	antenna rod		1	COUPE I461						
(33)	997 647 223 00	antenna rod		1	CABRIO/TARGA I461						
34	997 612 070 00	connecting line antenna base radio		1	COUPE I461/694						
(34)	997 612 068 00	connecting line antenna base radio	/LL	1	CABRIO/TARGA I098/461/694						
(34)	997 612 068 50	connecting line antenna base radio	/RL	1	CABRIO/TARGA I099/461/694						
(34)	997 612 067 01	connecting line antenna base Power supply		1	CABRIO I461						

Model	Year	MG	SG	Illustration	Restrictions	UPD	7:55	25.01.2010	PORSCHE	PET	PORSCHE
997-1	2008	9	11	911-05		248					

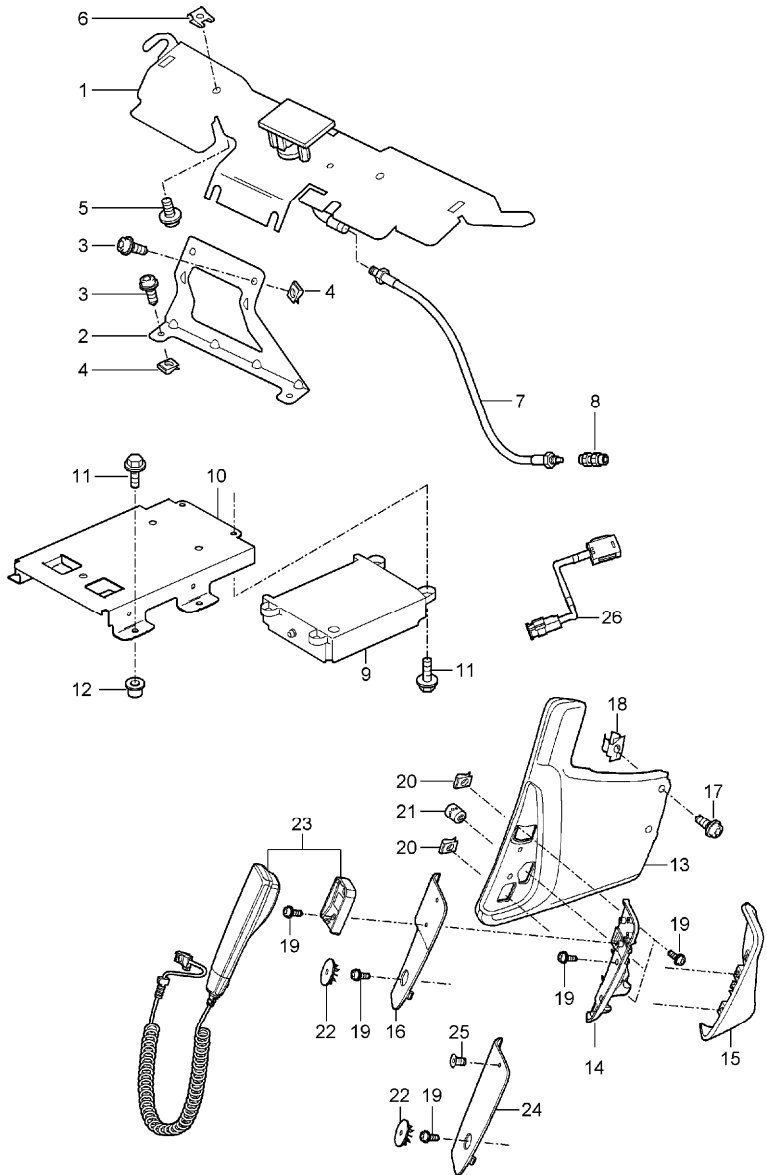


Pos	Part Number	Description	Remark	Qty	Model
1	997 645 021 00	loudspeaker tweeter dashboard		2	I490
(1)	997 645 025 00	tweeter dashboard		2	I680
2	999 591 303 01	u-clamp		4	
3	997 645 033 00	loudspeaker dashboard centre		1	I490
(3)	997 645 035 00	loudspeaker dashboard centre		1	I680
4	999 507 971 01	speed nut 4,2		4	
5	997 645 543 00	mid-range loudspeaker door		2	I490
(5)	997 645 545 00	mid-range loudspeaker door		2	I680
6	999 919 164 09	oval-head screw 5,0 X 12		4	
7	997 645 553 00	woofer		2	I490
(7)	997 645 555 00	woofer		2	I680
8	900 067 012 03	pan-head screw M 6 X 30		8	
9	997 645 041 01	loudspeaker rear		2	I490
(9)	997 645 045 01	loudspeaker rear		2	I680
10	999 073 225 09	tapping screw 4,8 X 16		2	
11	999 507 441 09	speed nut 4,8		2	
12	997 645 564 00	subwoofer		1	COUPE I680
	FMF	black			
	FMG	stone grey			

Model	Year	MG	SG	Illustration	Restrictions	UPD	7:55	25.01.2010	PORSCHE	PET	PORSCHE
997-1	2008	9	11	911-05		248					

Pos	Part Number	Description	Remark	Qty	Model	Pos	Part Number	Description	Remark	Qty	Model
	FMM	sand beige					T11	brown/natural			
	FMN	sea blue					N10	carrera red			
	FMO	palmgreen				14	996 645 568 00	rosette		2	COUPE I680
	FMP	terracotta					A03	black			
	FMQ	cocoa					5V7	stone grey			
	FMR	dark grey/natural					5Z1	sand beige			
	FMS	brown/natural					8W7	sea blue			
	FTA	carrera red					5Y2	palmgreen			
13	997 645 566 00	subwoofer	/LL	1	CABRIO/TARGA I098/680		8X8	terracotta			
	A10	black					8P9	cocoa			
	B10	stone grey					T13	brown/natural			
	T10	sand beige					N23	carrera red			
	E10	sea blue				(15)	996 645 245 00	support	/L	1	COUPE I680
	J10	palmgreen				15	996 645 246 00	support	/R	1	COUPE I680
	M10	terracotta				16	999 507 766 02	speed nut		2	COUPE I680
	R10	cocoa					M 6				
	D11	dark grey/natural				17	999 073 113 09	oval-head screw		2	COUPE I680
	T11	brown/natural					M 6,0 X 50 ASP				
	N10	carrera red				18	900 380 015 01	hexagon nut		4	COUPE I680
(13)	997 645 567 00	subwoofer	/RL	1	CABRIO/TARGA I099/680		VM 6				
	A10	black				19	997 645 569 00	support		2	CABRIO/TARGA I680
	B10	stone grey				20	900 378 035 01	hexagon-head bolt		2	CABRIO/TARGA I680
	T10	sand beige					M 6 X 16				
	E10	sea blue				21	999 073 223 01	combination screw		1	CABRIO/TARGA I680
	J10	palmgreen					M 6 X 25				
	M10	terracotta				22	999 500 069 01	blind rivet nut		3	CABRIO/TARGA I680
	R10	cocoa					M 6				
	D11	dark grey/natural									

Model	Year	MG	SG	Illustration	Restrictions	UPD	7:55	25.01.2010	PORSCHE	PET	PORSCHE
997-1	2008	9	11	911-10		248					



Pos	Part Number	Description	Remark	Qty	Model
		telephone			I618/666
1	997 647 125 01	antenna	/LL	1	I098
(1)	997 647 126 01	antenna	/RL	1	I099
2	997 647 127 00	support	/LL	1	I098
(2)	997 647 128 00	support	/RL	1	I099
3	999 073 236 0A	oval-head screw M 6 X 10		4	
4	999 507 550 01	speed nut M 6		4	
5	999 073 210 00	tapping screw 4,8 X 13		2	
6	999 507 441 01	speed nut 4,8		2	
7	997 612 061 00	connecting line		1	I618
(7)	997 612 065 00	connecting line		1	COUPE I666
(7) A	997 612 065 05	connecting line for control unit 997.646.207.01/02		1	I666
(7)	997 612 989 05	connecting line for control unit 997.646.208.04/13 997.646.209.00		1	I666
(7)	997 612 989 00	connecting line adapter for connecting line 997.612.065.00 to control unit 997.646.208.04/13		1	
8	964 646 318 00	adapter plug		1	I618
9 A	997 646 207 01	control unit  telephone MOTOROLA		1	COUPE I666

Model	Year	MG	SG	Illustration	Restrictions	UPD	7:55	25.01.2010	PORSCHE	PET	PORSCHE
997-1	2008	9	11	911-10		248					

Pos	Part Number	Description	Remark	Qty	Model	Pos	Part Number	Description	Remark	Qty	Model
9	> 997 646 207 02	control unit telephone MOTOROLA F >>995S7 01788 F >>995S7 32291 see technical information GR. 9 , NR. 18/05		1	COUPE I666	12	999 500 078 00	speed nut M 6	-06	2	I618/666
						(12)	999 507 766 02	speed nut M 6	07-	2	I618/666
						13	997 553 118 07	cover lateral	/LL	1	I098
9	A 997 646 208 04	control unit telephone HARMAN - BECKER F 995S7 01789>>995S7 50848 F 995S7 32292>>995S7 37431 F >>995S7 61191 see technical information GR. 9 , NR. 18/05 when required order also:		1	I666		FSA	black/grey			
							FSB	stone grey/stone grey			
							FSC	sand beige/sand beige			
							FSD	sea blue/grey			
							FSE	palmgreen/palmgreen			
-	997 612 989 00	connecting line adapter for control unit 997.646.208.04		1			FSF	terracotta/terracotta			
							FSG	cocoa/cocoa			
							FSH	darkgrey natural/grey			
9	> 997 646 208 13	control unit telephone F 995S7 50849>>996S7 51980 F 995S7 37432>>996S7 38110 F 995S7 61192>>996S7 17268 F 995S7 17614>>996S7 75014 F >>996S7 03170 F >>996S7 38109 F >>996S7 75016 see technical information GR. 9 , NR. 18/05 when required order also:		1	I666		FSJ	brown nat./brown nat.			
						(13)	997 553 117 07	cover lateral	/RL	1	I099
							FSA	black/grey			
							FSB	stone grey/stone grey			
							FSC	sand beige/sand beige			
							FSD	sea blue/grey			
							FSE	palmgreen/palmgreen			
							FSF	terracotta/terracotta			
							FSG	cocoa/cocoa			
							FSH	darkgrey natural/grey			
							FSJ	brown nat./brown nat.			
							FSP	Carrera Red/Carrera Red			
10	997 642 216 00	support		1	I618/666						
11	900 378 035 01	hexagon-head bolt M 6 X 16		4	I618/666	14	997 553 520 00	adapter	/LL	1	I098
						(14)	997 553 519 00	adapter	/RL	1	I099
						15	997 553 418 01	cover	/LL	1	I098

Model	Year	MG	SG	Illustration	Restrictions	UPD	7:55	25.01.2010	PORSCHE	PET	PORSCHE
997-1	2008	9	11	911-10		248					

Pos	Part Number	Description	Remark	Qty	Model	Pos	Part Number	Description	Remark	Qty	Model
	A11	black					8G2	sand beige			
	5X6	stone grey					3S9	sea blue			
	8G2	sand beige					4P2	palmgreen			
	3S9	sea blue					9S5	terracotta			
	4P2	palmgreen					9V6	cocoa			
	9S5	terracotta					D12	dark grey/natural			
	9V6	cocoa					T12	brown/natural			
	D12	dark grey/natural					N12	carrera red			
	T12	brown/natural				(16)	997 553 985 00	mounting plate leather	/RL	06-	1 IXEA/099/668
	N12	carrera red					A11	black			
(15)	997 553 417 01	cover	/RL	1	I099		5X6	stone grey			
	A11	black					8G2	sand beige			
	5X6	stone grey					3S9	sea blue			
	8G2	sand beige					4P2	palmgreen			
	3S9	sea blue					9S5	terracotta			
	4P2	palmgreen					9V6	cocoa			
	9S5	terracotta					D12	dark grey/natural			
	9V6	cocoa					T12	brown/natural			
	D12	dark grey/natural					N12	carrera red			
	T12	brown/natural				17	999 073 226 09	tapping screw 4,2 X 16			2
	N12	carrera red				18	999 591 508 01	captive nut 4,2			2
16	997 553 522 00	mounting plate	/LL	1	I098/668	19	999 073 155 09	tapping screw 4,2 X 13			7
	01C	satin black				20	999 507 028 01	speed nut 4,2			2
(16)	997 553 521 00	mounting plate	/RL	1	I099/668	21	999 507 645 02	threaded piece 4,2			1
	01C	satin black				22	997 553 751 00	cap			1
16	997 553 986 00	mounting plate leather	/LL	06-	1 IXEA/098/668		01C	satin black			
	A11	black									
	5X6	stone grey									

Model	Year	MG	SG	Illustration	Restrictions	UPD	7:55	25.01.2010	PORSCHE	PET	PORSCHE
997-1	2008	9	11	911-10		248					

Pos	Part Number	Description	Remark	Qty	Model	Pos	Part Number	Description	Remark	Qty	Model
22	997 553 984 00	cap leather	06-	1	IXEA	25	999 919 230 00	countersunk-head screw 3 X 10		1	I618
	A11	black				26	997 646 307 00	microphone		1	I618/666
	5X6	stone grey				(26)	997 646 307 01	microphone		1	I618/666 I680
	8G2	sand beige				(26)	997 646 309 00	microphone	08	1	I675
	3S9	sea blue				-	997 610 233 00	cable guide microphone	-07	1	
	4P2	palmgreen				-	997 610 233 01	cable guide microphone	08	1	
	9S5	terracotta									
	9V6	cocoa									
	D12	dark grey/natural									
	T12	brown/natural									
	N12	carrera red									
23	996 642 212 02	receiver telephone		1	I668						
23	996 642 980 15	receiver telephone leather	06-	1	IXEA/668						
	A11	black									
	5X6	stone grey									
	8G2	sand beige									
	3S9	sea blue									
	4P2	palmgreen									
	9S5	terracotta									
	9V6	cocoa									
	D12	dark grey/natural									
	T12	brown/natural									
	N12	carrera red									
24	997 553 522 01	mounting plate	/LL	1	I098/618						
	01C	satin black									
(24)	997 553 521 01	mounting plate	/RL	1	I099/618						
	01C	satin black									

997-1\_MXI KAT26. TXT

KAT.	M-X-I -NR	BENENNUNG-Deutsch BENENNUNG-Engl i sch
		+-----+ ! I -Nummern-Uebersi cht ! +-----+ +-----+ ! Summary of optional extras "I"! +-----+
26	I BOD	Bauteil esatz USA Component set for USA
26	I CD3	Turbo Rad-2 18" (8 X 18 ET 57) 18-inch Turbo wheel -2 (8 X 18 R0 57)
26	I XAA	Aeroki t Cup Aeroki t Cup
26	I XAF	Aeroki t Turbo Turbo aeroki t
26	I XAG	Carrera - Heckspoiler Carrera - rear spoiler
26	I XAH	Aeroki t Carrera 4S Carrera 4S aeroki t
26	I XAJ	Schwellerblenden lackiert Painted sill covers
26	I XCA	Nutleiste (3-teilig) Sportsilber Dashboard trim strip (3-part) sports seats
26	I XCB	Instrumentenabdeckung Unterteil Sportsilber Instrument surround sports seats
26	I XCC	Seitendüsen Sportsilber Side air vents sports seats
26	I XCD	Mitteldüsenträger Sportsilber Center air vent bracket sports seats
26	I XCE	Mittelkonsole hinten Sportsilber Rear center console sports seats
26	I XCG	Sportsitzrückenlehne Alu-Optik Sports seat backrest in Alumi ni um Look fi ni sh
26	I XCH	Seiten-/Mitteldüsenlamellen Sportsilber Side/centre air vent slats, sports seats
26	I XCK	Mittelkonsole hinten Galvanosilber Rear center console in Galvano Sil ver
26	I XCL	Instrumentenabdeckung Unterteil Galvanosilber Instrument surround in Galvano Sil ver
26	I XCM	Überrollbügel in Galvanosilber Roll-over bar in Galvano Sil ver
26	I XCN	Seitendüsen in Alu-Optik (997) Side air vents in Alumi ni um Look fi ni sh (997)
26	I XCY	Mitteldüse Alu-Optik Center air vent in Alumi ni um Look fi ni sh
26	I XCZ	Schalwegverkürzung Short shifter
26	I XD9	Felgenstern in Wagenfarbe lackiert Wheel painted in body colour
26	I XEA	Passivhörer in Leder Passive handset in leather
26	I XE8	Schaltnopf Alu/Wurzelholz Dunkel/Leder Gear lever knob alumi ni um/dark burr mapl e/I eather
26	I XE9	Handbremshebel Alu/Wurzelholz Dunkel/Leder Handbrake lever alumi ni um/dark burr mapl e/I eather
26	I XFD	Instrumenten-Zifferblatt lackiert in sandbeige Instrument dials in Sand Beige
26	I XFE	Instrumenten-Zifferblatt lackiert in terrakotta Instrument dials in Terracotta
26	I XFF	Instrumenten-Zifferblatt lackiert in braun/natur Instrument dials in Brown/Natural
26	I XFG	Instrumenten-Zifferblatt lackiert in indischrot Instrument dials in Guards Red
26	I XFH	Instrumenten-Zifferblatt lackiert in speedgelb



997-1\_MXI KAT26. TXT

26	I XFJ	Instrument dials in Speed Yellow Instrumenten-Zifferblatt lackiert in carrerawei ss
26	I XGB	Zierblende Schalttafel, Carbon Decorative dashboard trim, carbon
26	I XGC	Schalthebel Carbon/Alcantara Dashboard carbon/Alcantara
26	I XGD	Handbremshebel Carbon/Alcantara Parking brake handle carbon/Alcantara
26	I XGE	Einsatz Griffmulde, Carbon Handle recess insert, carbon
26	I XJL	Luftseitendüse Makassar Makassar Ebony side air vent
26	I XJM	Luftseitendüse Platane Sycamore side air vent
26	I XJN	Mitteldüse Makassar Makassar Ebony center air vent
26	I XJP	Mitteldüse Platane Sycamore center air vent
26	I XJR	Defrosterblende Makassar Makassar Ebony windscreen defroster panel
26	I XJS	Defrosterblende Platane Sycamore windscreen defroster panel
26	I XJT	Mittelkonsole hinten Makassar Makassar Ebony rear center console
26	I XJU	Mittelkonsole hinten Platane Sycamore rear center console
26	I XJ4	Rosette für Zündschloss lederbezogen Leather cover for ignition lock surround
26	I XKB	Luftseitendüse Wurzelholz/Ahorn hell Side air vent in light burr maple
26	I XKC	Luftseitendüse Wurzelholz/Ahorn dunkel Side air vent in dark burr maple
26	I XKD	Luftseitendüse carbon Side air vent in Carbon
26	I XKG	Defrosterblende Wurzelholz/Ahorn hell, Leder "Defroster trim in light burr maple; leather"
26	I XKH	Defrosterblende Wurzelholz/Ahorn dunkel, Leder "Defroster trim in dark burr maple; leather"
26	I XKJ	Defrosterblende Carbon/Leder Defroster trim in Carbon/leather
26	I XKL	Lautsprecherabdeckungen in Leder Leather speaker covers
26	I XKM	Lautsprecherabdeckungen Wurzelholz/Ahorn hell Speaker covers in light burr maple
26	I XKN	Lautsprecherabdeckungen Wurzelholz/Ahorn dunkel Speaker covers in dark burr maple
26	I XKP	Lautsprecherabdeckungen in Carbon Carbon speaker covers
26	I XKR	Mitteldüsenträger Wurzelholz/Ahorn hell Center air vent bracket in light burr maple
26	I XKS	Mitteldüsenträger Wurzelholz/Ahorn dunkel Center air vent bracket in dark burr maple
26	I XLA	Boxster-Endrohr Boxster tail pipe
26	I XLF	Sportabgasanlage Sports exhaust system
26	I XMA	Himmel mit Leder bezogen Rooflining in leather
26	I XME	Mittelkonsole hinten lackiert Rear section of centre console painted
26	I XMF	Mittelkonsole vorn inklusive 2 Ablagen, Leder Front center console including 2 storage bins, leather
26	I XMJ	Mittelkonsole hinten Carbon Rear section of centre console in Carbon
26	I XMK	Überrollbügel in Exterieurfarbe Roll-over bar in exterior color
26	I XML	Mittelkonsole hinten Wurzelholz Ahorn hell

## 997-1\_MXI KAT26.TXT

26	I XMP	Rear center console in light burr maple Sonnenblende Leder, 2 Make-up-Spiegel beleuchtet
26	I XMR	Leather sun visor, 2 illuminated vanity mirrors Sonnenblende Leder, 2 Make-Up-Spiegel beleuchtet Leder
26	I XMZ	Sun visor in leather, 2 illuminated vanity mirrors Mittelkonsole hinten Leder
26	I XNB	Rear section of centre console in leather Mittelkonsole hinten Wurzelholz/Ahorn dunkel
26	I XNG	Rear center console in dark burr maple Instrumentenabdeckung Unterteil Leder
26	I XNN	Instrument surround in leather Mitteldüsenträger in Leder
26	I XNR	Center air vent bracket in leather Mitteldüsenträger Carbon
26	I XNS	Carbon center air vent bracket Lenkstock-Verkleidung 4-teilig Leder
26	I XNU	Leather steering column trim, 4-part Zierleiste (Nut) in Leder
26	I XNV	Leather trim strip (dashboard) Zierleiste (Nut) Wurzelholz/Ahorn hell
26	I XNW	Trim strip (dashboard) in light burr maple Zierleiste (Nut) Wurzelholz/Ahorn dunkel
26	I XNX	Trim strip (dashboard) in dark burr maple Zierleiste (Nut) in Carbon
26	I XN3	Carbon trim strip (dashboard) Luftseitentdüse Armaturenbrett Leder
26	I XPA	Dashboard side air vent in leather 3-Speichen Sportlenkrad, Leder Interieurfarbe
26	I XPB	3-spoke sports steering wheel in leather interior color 3-Speichen Sportlenkrad, Wurzelholz/Ahorn hell, Leder
26	I XPC	3-spoke sports steering wheel, light burr maple, leather 3-Speichen Sportlenkrad, Wurzelholz/Ahorn dunkel, Leder
26	I XPD	3-spoke sports steering wheel, dark burr maple, leather 3-Speichen Sportlenkrad, Carbon/Leder
26	I XPG	3-spoke sports steering wheel, Carbon/leather 3-Speichen Sportlenkrad, Sportsilber
26	I XPV	3-spoke sports steering wheel, sports seats Multi functions-Lenkrad Galvanosilber
26	I XPW	Multi-function steering wheel, Galvano Silber Instrumentenabdeckung Unterteil Wurzelholz/Ahorn Hell
26	I XPX	Instrument surround in light burr maple Instrumentenabdeckung Unterteil Wurzelholz/Ahorn Dunkel
26	I XPY	Instrument surround in dark burr maple Instrumentenabdeckung Unterteil Carbon
26	I XRB	Carbon instrument surround Sport-Classic-2 Rad 18"
26	I XRC	18-inch Sport Classic II wheel Sport-Techno Rad 18"
26	I XRL	18-inch SportTechno wheel Sport-Design-Rad 18"
26	I XRN	18-inch SportDesign wheel Distanzscheiben 17 mm, hinten
26	I XRP	17-mm spacers, rear Distanzscheiben 5 mm, vorn/hinten
26	I XRR	5-mm spacers, front/rear Carrera Sport Rad 19"
26	I XSA	19-in. Carrera Sport wheel Sportsitzrückenlehne lackiert
26	I XSB	Painted sports seat backrest Sportsitzrückenlehne in Leder
26	I XSC	Leather sports seat backrest Porsche Wappen geprägt in Kopfstütze
26	I XSD	Porsche Crest embossed in headrest Sitzbedienelemente in Leder
26	I XSE	Front seat controls in leather Schalensitz links
26	I XSF	Bucket seat, left Schalensitz rechts

997-1\_MXI KAT26. TXT

26	I XSG	Bucket seat, right Rennschalensitz links
26	I XSH	Racing bucket seat, left Sicherheitsgurte in Silber
26	I XSJ	Silver seat belts 6-Punkt-Gurte
26	I XSL	6-point harness 6-Punkt-Sicherheitsbügel
26	I XSM	6-point safety catch Rennsport-Sicherheitskäfig
26	I XSN	Racing safety cage Entfall hintere Sitzanlage
26	I XSR	Omission of rear seats Schalensitz rechts, Rückseite Carbon
26	I XSS	Carbon back for bucket seat, right Schalensitz links, Rückseite Carbon
26	I XSU	Carbon back for bucket seat, left Abgepolsterter Sitz
26	I XSW	Upholstered seat Sicherheitsgurte in Maritimblau
26	I XSX	Seat belts in Maritime Blue Sicherheitsgurte in Indischrot
26	I XSY	Seat belts in Guards Red Sicherheitsgurte in Speedgelb
26	I XTG	Seat belts in Speed Yellow Schwellerabdeckung innen Leder
26	I XTJ	Inner door sills in leather Türtafelteile Wurzelholz/Ahorn hell
26	I XTK	Door panel parts in light burr maple Türtafelteile Wurzelholz/Ahorn dunkel
26	I XTL	Door panel parts in dark burr maple Türtafelteile Carbon
26	I XTR	Door panel parts in Carbon Türtafelteile Alu-Optik
26	I XTT	Door panel parts in Aluminium Look finish Türtafelteile Makassar
26	I XTU	Makassar Ebony door panel parts Türtafelteile Platane
26	I XTV	Sycamore door panel parts Türtafelteile Leder
26	I XTW	Leather door panel parts Türtafelteile Galvanosilber
26	I XVM	Door panel parts in Galvano Silver Mitteldüse in Leder
26	I XVP	Leather center air vent Zierleiste inklusive Abdeckung Cupholder in Leder
26	I XVR	Trim strip including cupholder cover in leather Seiten-/Mitteldüsen in Leder
26	I XV1	Side/centre air vent in leather Defrosterblende Lederbezogen
26	I XXF	Defroster trim in leather Rote Heckleuchten
26	I XXZ	Red tail lights Fussstütze
26	I XX1	Footrest Fussmatten, Schriftzug, Leder eingefasst
26	I XX2	Floor mats, logo, leather border Fussraumbelichtung
26	I XY5	Illuminated footwell Kulisse Tiptronic-Wählhebel in Leder
26	I XZB	Tiptronic gear selector gate in leather Mitteldüse in Carbon
26	I XZD	Carbon centre air vent Abdeckung Innenleuchte in Leder
26	I X45	Interior light surround in leather Instrumenten-Zifferblatt lackiert in Interieurfarbe
26	I X46	Instrument dial in interior color Tiptronic-Wählhebel in Alu/Leder

997-1\_MXI KAT26. TXT

26	I X47	Tiptronic selector lever in aluminium/leather Schaltknopf Carbon/Alu/Leder
26	I X48	Gear lever knob in Carbon/leather Tiptronic-Wählhebel in Carbon/Alu
26	I X50	Tiptronic selector lever in Carbon/aluminium Leistungssteigerung 331/340 kW
26	I X51	Powerkit 331/340 kW Leistungssteigerung
26	I X54	Powerkit 250 kW Edelstahlendrohre
26	I X58	Stainless steel tail pipes Handbremshebel Carb/Alu/Leder
26	I X65	Handbrake lever in Carbon/leather Tiptronic-Wählhebel Wurzelholz Hell/Alu
26	I X66	Tiptronic selector lever in light burr maple/aluminium Tiptronic-Wählhebel Wurzelholz Dunkel/Alu
26	I X69	Tiptronic selector lever in dark burr maple/aluminium Einstiegsblenden Carbon, Schrifzug
26	I X70	Door entry guards in Carbon with logo Einstiegsblenden Edelstahl, Schrifzug
26	I X71	Door entry guards in stainless steel with logo Instrumenten-Zifferblatt Lackiert/Alufarbe
26	I X72	Instrument dial painted/aluminium Look finish Schaltknopf Alu/Wurzelholz Hell/Leder
26	I X73	Gear lever knob aluminium/light burr maple/leather Sportfahrwerk Turbo
26	I X74	Turbo sports suspension Sportfahrwerk (exclusiv)
26	I X75	Sports suspension (exclusiv) Sperrdifferential (exclusiv)
26	I X76	Differential lock (exclusiv) Schwellerverkleidungen links/rechts
26	I X91	Inner door sill guard, left/right Handbremshebel Alu/Wurzelholz Hell/Leder
26	I X97	Handbrake lever aluminium/light burr maple/leather Schaltknopf Alu/Leder
26	I X98	Gear lever knob in aluminium/leather Handbremshebel Alu/Leder
26	I X99	Handbrake lever in aluminium/leather Naturleder
26	I 022	Natural leather Zifferblätter Kombiinstrument in schwarz
26	I 023	Black-coloured instrument dials, instrument cluster Zifferblätter Kombiinstrument in silber
26	I 024	Silver-coloured instrument dials, instrument cluster Griechenland-Ausführung
26	I 025	Version for Greece Zifferblätter Stoppuhr in schwarz
26	I 026	Black-coloured instrument dials, stopwatch Zifferblätter Stoppuhr in silber
26	I 029	Silver-coloured instrument dials, stopwatch Seriensfahrwerk
26	I 030	Standard chassis Sportfahrwerk
26	I 032	Sport-type chassis Langstreckenfahrwerk
26	I 034	Touring suspension Italien - Ausführung
26	I 058	Version for Italy Pralldämpfer vorn und hinten
26	I 061	Impact absorbers, front and rear Grossbritannien-Ausführung
26	I 062	Version for Great Britain Schweden-ausführung
26	I 063	Version for Sweden Luxemburg-Ausführung
26	I 064	Version Luxemburg Niederlande-Ausführung

26	I 065	Version for Netherlands Dänemark-Ausführung
26	I 066	Version for Denmark Norwegen-Ausführung
26	I 067	Version for Norway Finnland-Ausführung
26	I 068	Version for Finland PAP Rechtslenker-Ausführung
26	I 069	PAP right-hand drive version Sonstige-Länderausführung
26	I 071	Other country version EU-Länderausführung
26	I 072	EU country version Mexico-Ausführung
26	I 073	Version for Mexico Russland-Ausführung
26	I 074	Version for Russia PAP Linkslenker-Ausführung
26	I 075	PAP left-hand drive version China-Ausführung
26	I 098	China version Linkslenker-Ausführung
26	I 099	Left-hand drive version Rechtslenker-Ausführung
26	I 111	Right-hand drive version Österreich-Ausführung
26	I 113	Version for Austria Kanada - Ausführung
26	I 114	Version for Canada Taiwan - Ausführung
26	I 119	Version for Taiwan Spanien - Ausführung
26	I 124	Version for Spain Frankreich - Ausführung
26	I 126	Version for France Beschreibung französisch
26	I 127	Control and indications in French lettering Beschreibung schwedisch
26	I 130	Control and indications in Swedish lettering Beschreibung englisch
26	I 150	Control and indications in English lettering Betrieb mit verbleitem Kraftstoff
26	I 159	Operation with leaded gas Leistungsreduzierter Motor 155 kW/211 PS
26	I 193	Curbed engine, 155 kW/211 bhp Japan-Ausführung
26	I 194	Version for Japan Batterie 60 Ah
26	I 195	Battery, 60 Ah Batterie 70 Ah
26	I 196	Battery, 70 Ah Batterie 80 Ah
26	I 197	Battery, 80 Ah Stärkere Batterie
26	I 198	Stronger battery Stärkerer Anlasser (1,7 kW)
26	I 199	Enhanced starter motor (1.7 kW) Batterietrennschalter
26	I 200	Battery disconnection switch Batterie 95 Ah
26	I 210	95 Ah battery Kennzeichenhalter Ausführung 2
26	I 211	Licence plate holder version 2 Kennzeichenhalter Ausführung 3
26	I 215	Licence plate holder version 3 Saudi-Arabien - Ausführung
26	I 218	Version for Saudi Arabia Kennzeichenhalter Ausführung 4

26	I 219	Licence plate holder version 4 Ausgleichsgetriebe Differential
26	I 220	Sperrdifferential 40 % Locking differential 40 %
26	I 225	Belgien-Ausführung Version for Belgium
26	I 249	Tiptronic-Getriebe Tiptronic transmission
26	I 265	Automatisch abblendbarer Innenspiegel mit Regensensor Automatic anti-dazzle interior mirror with rain sensor
26	I 266	Automatisch abblendbarer Aussenspiegel Automatic anti-dazzle door mirror
26	I 267	Automatisch abblendbarer Innen- und Aussenspiegel Automatically dimmable interior and door mirrors
26	I 268	Regensensor Rain sensor
26	I 270	Aussenspiegel für Fahrerseite -plan-, elektrisch verstell- und beheizbar Door mirrors -flat - driver's side, electrically adjustable and heatable
26	I 271	Aussenspiegel für Fahreseite -sphärisch-, elektrisch verstell- und beheizbar Door mirrors -aspherical - driver's side electrically adjustable and heatable
26	I 273	Aussenspiegel, elektrisch verstell- und beheizbar Door mirrors, electrically adjustable and heatable
26	I 274	Make-Up Spiegel beleuchtet Vanity mirror, illuminated
26	I 277	Schweiz-Ausführung Version for Switzerland
26	I 288	Scheinwerfer-Reinigungsanlage Headlamp washer
26	I 301	Getriebeübersetzung lang Transmission ratio long
26	I 325	Südafrika/Neuseeland-Ausführung Version for South Africa/New Zealand
26	I 335	3-Punkt-Automatik-Gurte, hinten Automatic seat belt, 3-point, rear
26	I 338	Heck-Antrieb Rear-wheel drive
26	I 339	Allrad-Antrieb All-wheel drive
26	I 342	Sitzheizung, links u. rechts Seat heating system, left/right seat
26	I 369	Basissitz links Standard seat, left
26	I 370	Basissitz rechts Standard seat, right
26	I 375	Sportsitz, Lehnenschale, links Sports seat, backrest shell, left
26	I 376	Sportsitz, Lehnenschale, rechts Sports seat, backrest shell, right
26	I 377	Sportsitz, Lehnenschale, links, elektrisch verstellbar Sports seat, backrest shell, left, electrically adjustable
26	I 378	Sportsitz, Lehnenschale, rechts, elektrisch verstellbar Sports seat, backrest shell, right, electrically adjustable
26	I 388	Sportschalensitz links Sports bucket seat, left
26	I 389	Sportschalensitz rechts Sports bucket seat, right
26	I 392	Carrera Rad 17" 17-inch Carrera wheel
26	I 393	Rad Boxster-2 17" (987) 17-inch Boxster II wheel (987)
26	I 397	Rad Boxster S 18" (987) 18-inch Boxster II wheel (987)
26	I 398	Cayman Rad 17"

997-1\_MXI KAT26. TXT

- 26 I 401 17-in. Cayman wheel  
Cayman S Rad 18"
- 26 I 402 18-in. Cayman S wheel  
Carrera 3 Rad 18"
- 26 I 403 Carrera 3 wheel 18-inch  
Carrera S Rad 19"
- 26 I 404 Carrera S wheel 19-inch  
Turbo-1 Rad 19"
- 26 I 405 19" Turbo-1 wheel  
Carrera Classic Rad 19"
- 26 I 406 Carrera Classic wheel 19-inch  
Carrera GT Rad 19"/20"
- 26 I 407 Carrera GT wheel 19-inch/20-inch  
Sport-Design Rad 19"
- 26 I 410 SportDesign wheel 19-inch  
Turbo-2 Rad 18"
- 26 I 411 18-inch Turbo-2 wheel  
Carrera-Rad 18"
- 26 I 415 18-inch Carrera wheel  
Turbo-Look-2 Rad 18"
- 26 I 416 18-inch Turbo-Look II wheel  
Rad GT3 18"
- 26 I 418 18-inch GT3 wheel  
Rad Turbo-2 18" GT-Silber
- 26 I 424 18-inch Turbo II wheel in GT Silver  
CD-Ablage
- 26 I 425 Cd compartment  
Heckscheibenwischer
- 26 I 426 Rear window wiper  
Ohne Heckscheibenwischer
- 26 I 431 Without rear window wiper  
Multifunktionslenkrad, Touch & Feel
- 26 I 432 Multifunction steering wheel, touch + feel  
Lenkrad mit Tiptronic-Bedienung
- 26 I 435 Steering wheel with Tiptronic control  
Sportlenkrad
- 26 I 436 Sports steering wheel  
3-Speichen-Airbaglenkrad
- 26 I 437 3-spoke airbag steering wheel  
Komfortsitze links, elektrisch verstellbar
- 26 I 438 Comfort seat, left, electrically adjustable  
Komfortsitze rechts, elektrisch verstellbar
- 26 I 439 Comfort seat, right, electrically adjustable  
Elektrische Verdeckbetätigung
- 26 I 440 Electrical hood operation  
Antennen-Diversität
- 26 I 441 Antenna diversity  
Radiozubereitung
- 26 I 444 Diebstahlsicherung, Radschrauben "THATCHAM"  
Anti-theft lock, wheel bolts "THATCHAM"
- 26 I 446 Radzierdeckel konkav mit farbigem Wappen  
Concave wheel centers with full-colour Porsche Crest
- 26 I 447 Notrad  
Emergency wheel
- 26 I 448 Bremsbelag; Sportausführung  
Brake pad; sport version
- 26 I 450 Keramik-Bremse (PCCB)  
Ceramic brake (PCCB)
- 26 I 451 Multifunktionslenkrad, makassar, Touch & Feel  
Multifunction steering wheel, Makassar Ebony, touch + feel
- 26 I 452 Multifunktionslenkrad, platane, Touch & Feel  
Multifunction steering wheel, Sycamore, touch + feel
- 26 I 453 Multifunktionslenkrad, carbon, Touch & Feel  
Multifunction steering wheel, Carbon, touch + feel
- 26 I 454 Automatische Geschwindigkeitsregulierung  
Automatic speed control
- 26 I 459 3-Speichen-Airbaglenkrad, Touch & Feel

997-1\_MXI KAT26. TXT

26	I 460	3-spoke airbag steering wheel, touch + feel Sportlenkrad, Touch & Feel
26	I 461	Sports steering wheel, touch + feel Stabantenne
26	I 465	External antenna Nebelschleuchte links
26	I 466	Rear fog light, left Nebelschleuchte rechts
26	I 475	Rear fog light, right Elektrische Dämpferregelung "PASM"
26	I 476	"PASM" electronic damper control Porsche Stability Management (PSM)
26	I 479	Porsche Stability Management (PSM) Australien - Ausführung
26	I 480	Version for Australia 6-Gang Schaltgetriebe
26	I 482	6-speed manual transmission Reifendruckkontrolle, RDK 433 Mhz
26	I 483	Tire Pressure Monitoring TPM, 433 MHz Reifendruckkontrolle, RDK 315 Mhz
26	I 484	315-MHz TPM, Tire Pressure Monitoring USA - Ausführung
26	I 488	Version for USA Beschriftung deutsch
26	I 490	Inscriptions in German language Klangpaket "ASK"
26	I 492	Sound system "ASK" Scheinwerfer für Linksverkehr
26	I 498	Headlights for left-hand traffic Entfall der Modellbezeichnung am Heck
26	I 499	Deletion of model designation on rear end Ausführung für die Bundesrepublik Deutschland
26	I 501	Version for Germany Car-Cover
26	I 509	Car cover Feuerlöscher
26	I 513	Fire extinguisher Lordosenstütze rechter Sitz
26	I 521	Lumbar support, right seat Neigungsgeber
26	I 524	Tilt sensor Wegfahrsicherung, Zentralverriegelung, 433 MHz
26	I 525	Immobilizer, central locking, 433 MHz Wegfahrsicherung, Zentralverriegelung, 315 MHz
26	I 532	Immobilizer, central locking, 315 MHz Entfall Fernbedienung Alarmanlage
26	I 533	Alarm system remote control omitted Entfall Funkbetätigung Verdeck
26	I 534	Radio convertible-top operation omitted Diebstahlsicherungsanlage 433 Mhz
26	I 535	Theft security system, 433 MHz Diebstahlsicherungsanlage 315 Mhz
26	I 536	Theft security system, 315 MHz -07 Alarmsirene und Neigungsgeber 08- Alarmsirene
26	I 537	-07 Alarm siren and tilt sensor 08- Alarm siren Sitzpositions-Steuerung für Komfortsitz, links
26	I 538	Seating position control for comfort seat, left Sitzpositions-Steuerung für Komfortsitz, rechts
26	I 539	Seating position control for comfort seat, right Mechanische Sitzhöhenverstellung links
26	I 540	Mechanical seat-height adjustment, left Mechanische Sitzhöhenverstellung rechts
26	I 544	Mechanical seat-height adjustment, right Diebstahlsicherung ohne Infrarot-Überwachung 433 MHz
26	I 545	Anti-theft protection without infrared monitoring, 433 MHz Diebstahlsicherung ohne Infrarot-Überwachung 315 MHz
26	I 549	Anti-theft protection without infrared monitoring, 315 MHz Dachtransportsystem



26	1550	Roof Transport System Hardtop
26	1551	Windstop Wind deflector
26	1553	USA-Canada-Ausführung Version for USA, Canada
26	1554	Bugspoilerlippe beigelegt Front spoiler lip included
26	1555	Sicherheitsgurte in Schwarz Black seat belts
26	1560	Advanced Airbag Advanced airbag
26	1562	Airbag Fahrer- und Beifahrerseite Airbag, driver's side and front passenger's side
26	1563	Seitenairbag Side airbag
26	1566	Nebelscheinwerfer weiss Front fog lights, white
26	1567	Frontscheibe im oberen Bereich stark eingefärbt Windscreen tinted, upper part darker coloured
26	1568	Windschutzscheibe ohne Bandfilter Windscreen without shade band
26	1571	Aktivkohlefilter Activated charcoal filter
26	1572	Klimaanlage manuell Manual air-conditioning system
26	1573	Klima-Anlage Air conditioner
26	1574	Ohne Klimaanlage Without air conditioner
26	1575	Kofferraumkühlung Luggage compartment cooling system
26	1581	Mittelkonsole vorn Centre console, front
26	1584	Ablagebox auf Motordeckel Storage box on engine cover
26	1586	Lordosenstütze linker Sitz Lumbar support, left seat
26	1594	Himmel Alcantara Alcantara roof lining
26	1601	Xenon-Licht Xenon lighting system
26	1602	Hochgesetzte Bremsleuchte Raised stop lamp
26	1606	Tagfahrlicht Daytime driving lights
26	1607	Garagentoröffner "Homelink" 315Mhz Garage door opener "Homelink", 315 MHz
26	1608	Garagentoroeffner "Homelink" 433Mhz Garage door opener "Homelink" 433 MHz
26	1610	DVD Navigation "Paket Europa" DVD navigation, "Europe package"
26	1611	DVD Navigation Südafrika DVD navigation South Africa
26	1612	DVD Navigation mittlerer Osten DVD navigation middle east
26	1613	DVD Navigation Australien DVD navigation australia
26	1614	DVD Navigation Asien-Pazifik DVD navigation asia-pacific
26	1615	DVD Navigation, Nordamerika DVD navigation system, North America
26	1616	DVD, Navigation Russland DVD, Navigation Russia
26	1617	DVD Navigation Südamerika DVD navigation South America
26	1618	Telefonvorbereitung

997-1\_MXI KAT26. TXT

26	1620	Preparation for telephone installation E-Gas
26	1621	Electronic accelerator 12 Volt Steckdose, Bei fahrerseite, Fussraum
26	1625	12-V socket, passenger's side, footwell Porsche "entry and drive""KESSY" "KESSY" Porsche Entry and Drive
26	1635	Einparkhilfe Parking assistant
26	1639	Sport-Chrono-Paket Sport Chrono package
26	1640	Sport-Chrono-Paket plus Sport Chrono package plus
26	1641	elektronisches Fahrtenbuch electronic logbook
26	1650	Elektrisches Schiebedach Electrical sliding roof
26	1651	Elektrischer Fensterheber Electric window opener
26	1652	Ohne Schiebe-Hubdach Without sliding/tilting roof
26	1657	Servolenkung Power assisted steering
26	1659	Bordcomputer On-board computer
26	1660	OBD 2 OBD 2
26	1661	Verschärftes Abgaskonzept Stricter emission-control concept
26	1664	ORVR ORVR
26	1665	-2008 PCM 2, 2009- PCM 3 Grundmodul inklusive Radio -2008 PCM 2, 2009- PCM 3 basic module incl. radio
26	1666	-2008 PCM 2, 2009- PCM 3 Telefon (GSM) -2008 PCM 2, 2009- PCM 3 telephone (GSM)
26	1668	PCM2 Telefonbedienhoerer PCM2 telephone handset
26	1670	PCM2 Navigation PCM2 navigation
26	1672	-2008 PCM 2, 2009- PCM 3 Navigation Offroad -2008 PCM 2, 2009- PCM 3 Offroad navigation
26	1674	Vorrüstung "Vehicle Tracking System" "Vehicle Tracking System" preparation
26	1675	Ohne Radio Vorbereitung (Japan-Navi) Without radio preparation (Japan navigation system)
26	1677	"Drivercard" Antenne "Driver card" antenna
26	1678	Anbindung Alarmanlage Alarm system connection
26	1679	Wiederstartverhinderung Restart inhibitor
26	1680	Soundpaket BOSE BOSE sound package
26	1685	Geteilte Rücksitzanlage Rear seats, split
26	1689	CD-Wechsler Vorbereitung Preperation for CD autochanger
26	1690	CD-Radio "Porsche Online Pro" CD radio "Porsche Online Pro"
26	1692	CD-Wechsler "Porsche" CD autochanger "Porsche"
26	1694	CD-Radio "PORSCHE CDR 24" CD radio "PORSCHE CDR 24"
26	1697	CD-Radio "Porsche CDR 23" CD radio "Porsche CDR-23"
26	1711	Entfall Unterbodenschutz Omission underbody protection
26	1751	PCCB, Vorderachse und Hinterachse 3K

997-1\_MXI KAT26. TXT

26	1752	PCCB, front axle and rear axle 3K PCCB, Vorderachse MFF / Hinterachse 3K
26	1796	PCCB, front axle MFF / rear axle 3K Ganzlederausstattung Naturlleder
26	1798	Full leather trim natural leather Ganzlederausstattung Sonderleder
26	1799	Full leather trim special leather Ganzlederausstattung nach Wahl
26	1801	Full leather trim by choice Holzpaket Makassar, dunkel seidenmatt
26	1802	Makassar Ebony wood package, dark (matt satin finish) Holzpaket Platane, hell seidenmatt
26	1803	Sycamore package, light (matt satin finish) Carbonpaket
26	1804	Carbon package Exterieur-Paket Carbon GT2
26	1805	GT2 Carbon exterior package Lifestyle-Paket
26	1810	Lifestyle package Fussmatten
26	1912	Floor mats ohne Typschild
26	1936	without ID plate Sitzbezüge hinten, Leder
26	1937	Seat covers, rear, leather Sitzbezüge hinten, Kunstleder
26	1939	Seat covers, rear, leatherette Sitzbezüge hinten, Raffleder
26	1946	Seat covers, rear, draped leather Sitzbezüge vorne, Leder/Leder/Kunstleder
26	1950	Seat covers, front, leather/leather/leatherette Sitzbezüge vorne, Alcantara/Kunstleder/Kunstleder
26	1951	Alcantara seat covers, front Sitzbezüge vorne, Alcantara/Leder/Leder
26	1970	Seat covers front, Alcantara/leather/leather Innenaustattung zwei farbig
26	1971	Two-tone interior Naturlleder mit "TORO"-Prägung
26	1981	"TORO" embossed leather Leder-Ausstattung, ohne Sitzbezug
26	1982	Leather equipment, without seat covers Sitzbezüge vorne, Raffleder/Leder/Leder
26	1983	Seat covers, front, draped leather/leather/leather Sitzbezüge vorne, Leder
26	1985	Seat covers, front, leather Sitzbezüge, Leder/Leder/Kunstleder, 2
26	1990	Seat covers, leather/leather/leatherette, 2 Sitzbezüge vorne, Stoff/Stoff/Kunstleder
26	1991	Seat covers, front, cloth/cloth/leatherette Airbagmodul in Leder
26	1998	Steering wheel airbag module in leather Leder, Natur
26	1999	Leather, natural Innenraumüberwachung Sensor
		für Lederfarbe nach Wahl Passenger compartment monitoring sensor
		for leather colour of choice

Model	Year	MG	SG	Illustration	VIN No.	Update		
997-1	08	0	01	001-00		230	8:51	13.08.2008

## EQUIPMENT BY COUNTRY REGULATIONS

=====

- (A) AUSTRIA
- (AG) ARABIAN GULF STATES
- (AUS) AUSTRALIA
- (B) BELGIUM
- (BR) BRAZIL
- (CDN) CANADA
- (CH) SWITZERLAND
- (CN) PEOPLE'S REPUBLIC OF CHINA
- (D) FEDERAL REPUBLIC OF GERMANY
- (DK) DENMARK
- (E) SPAIN
- (F) FRANCE
- (GB) GREAT BRITAIN
- (GR) GREECE
- (HK) HONGKONG

Model	Year	MG	SG	Illustration	VIN No.	Update		
997-1	08	0	01	001-00		230	8:51	13.08.2008

(I) ITALY

(J) JAPAN

(L) LUXEMBURG

(N) NORWAY

(NL) NETHERLANDS

(NZ) NEW ZEALAND

(P) PORTUGAL

(ROK) KOREA

(RC) TAIWAN

(THA) THAILAND

(S) SWEDEN

(SA) SAUDI ARABIA

(SF) FINLAND

(USA) UNITED STATES OF AMERICA

(ZA) SOUTH AFRICA

Model	Year	MG	SG	Illustration	VIN No.	Update	8:51	13.08.2008
997-1	08	0	01	001-00		230		

IN COLUMN - A -

-----

IDENTIFICATION LETTER FOR PERIOD OF INSTALLATION  
 THAT IS REPEATED SEVERAL TIMES IN THE CATALOG GROUP.

EXPLANATION PLEASE FIND IN TEXT COLUMN OF THE CATALOG GROUP

IN COLUMN - QU - = NO. OF PIECES

-----

- 1 NUMBER PER APPLICATION
- X NUMBER AS NEEDED
- \* AVAILABLE ONLY IN RUNNING LENGTHS 1 = 1 METRE

IN COLUMN - MODEL/SYMBOL -

-----

- M650 OPTIONAL EQUIPMENT - SEE M-NO. LIST
- 98 LIMITATION OF MODEL YEAR FOR INSTANCE: VALID UP TO  
 END OF MODEL YEAR 1997
- /LL LHD
- /RL RHD
- +
- /V FRONT I

Model	Year	MG	SG	Illustration	VIN No.	Update		
997-1	08	0	01	001-00		230	8:51	13.08.2008

I  
 /H REAR I  
 I----> APPLIES TO  
 /L LEFT I DIRECTION OF TRAVEL  
 I  
 /R RIGHT I  
 -----+  
 WW THE PART CAN BE USED INSTEAD OF THE  
 PRECEDING ONE.

Model	Year	MG	SG	Illustration	VIN No.	Update	8:51	13.08.2008
997-1	08	0	01	001-00		230		

LEGENDS AND NOTICES

=====

IN COLUMN -S- STATUS

-----

- N NEW ADDITION
- P PART ALREADY IN PROGRAMME, BUT NEW  
AT THIS APPLICATION
- W DELETED AT THIS APPLICATION, BUT CONTINUED  
TO BE CARRIED
- A STOCK TO BE USED UP
- U DELETED WITHOUT REPLACEMENT
- \* PART ALSO OR ONLY AVAILABLE  
IN REPAIR KIT
- > ALSO AVAILABLE IN EXCHANGE

IN COLUMN - ILL. -

-----

- 1 IDENTIFICATION NO. IN ILLUSTRATION
- (1) PART ONLY SIMILAR AS ILLUSTRATED
- PART IS NOT ILLUSTRATED



Model	Year	MG	SG	Illustration	VIN No.	Update	8:51	13.08.2008
997-1	08	0	01	001-00		230		

FIG.-NUMBERS FOR WHICH THERE IS SHOWN NO TEXT ARE  
NOT VALID FOR THIS EDITION OF CATALOGUE

IN COLUMN -PART NUMBER/CODE-

-----

000 000 000 00 PART NUMBER EQUALS ORDERING NO., IF A CODE IS  
SHOWN, IT WILL HAVE TO BE PART OF ORDERING  
NUMBER

01C COLOUR CODE

IN COLUMN -TEXT

-----

INSTALLATION WITH ENGINE OR CHASSIS  
NUMBER-RANGE

EXAMPLE:

M 695 00389>> FROM ENGINE NO.

F >>995S7 00889 UP TO CHASSIS NO.

Model	Year	MG	SG	Illustration	VIN No.	Update	8:51	13.08.2008
997-1	08	0	01	001-00		230		

VEHICLE TYPE	TYPE	MY	TRANSMISSION NO.	TECHNICAL DATA
997 CARRERA	G97.01	05 5	G9701 1 002001>999999	6-GANG
997 CARRERA TIPTRONIC	A97.01	05 5	A9701 1 002001>999999	5-GANG
997 CARRERA C2	G97.01	06 6	G9701 1 002001>999999	6-GANG
997 CARRERA TIP C2	A97.01	06 6	A9701 1 002001>999999	5-GANG
997 CARRERA C4	G97.31	06 6	G9731 1 002001>999999	6-GANG
997 CARRERA TIP C4	A97.31	06 6	A9731 1 002001>999999	5-GANG
997 CARRERA C2	G97.01	07 7	G9701 1 002001>999999	6-GANG
997 CARRERA TIP C2	A97.01	07 7	A9701 1 002001>999999	5-GANG
997 CARRERA C4	G97.31	07 7	G9731 1 002001>999999	6-GANG
997 CARRERA TIP C4	A97.31	07 7	A9731 1 002001>999999	5-GANG
997 CARRERA C2	G97.01	08 8	G9701 1 002001>999999	6-GANG
997 CARRERA TIP C2	A97.01	08 8	A9701 1 002001>999999	5-GANG
997 CARRERA C4	G97.31	08 8	G9731 1 002001>999999	6-GANG
997 CARRERA TIP C4	A97.31	08 8	A9731 1 002001>999999	5-GANG



Model	Year	MG	SG	Illustration	VIN No.	Update		
997-1	08	0	01	001-00		230	8:50	13.08.2008

ENGINE

VEHICLE TYPE	TYPE	MY	ENGINE NO.	TECHNICAL DATA
997 COUPE/CABRIO	M96.05	05 5	695 00501>20000	6ZYL/3,6L /239 KW
997 COUPE S/CABRIO S	M97.01	05 5	685 00501>60000	6ZYL/3,8L /261 KW
997 COUPE/CABRIO	M96.05	06 6	696 00501>20000	6ZYL/3,6L /239 KW
997 COUPE S/CABRIO S	M97.01	06 6	686 00501>60000	6ZYL/3,8L /261 KW
997 COUPE/CABRIO	M96.05	07 7	697 00501>20000	6ZYL/3,6L /239 KW
997 COUPE S/CABRIO S	M97.01	07 7	687 00501>40000	6ZYL/3,8L /261 KW
997 COUPE S/CABRIO S KIT X51	M97.01S	07 7	687 40501>60000	6ZYL/3,8L /280 KW
997 COUPE/CABRIO	M96.05	08 8	698 00501>20000	6ZYL/3,6L /239 KW
997 COUPE S/CABRIO S	M97.01	08 8	688 00501>40000	6ZYL/3,8L /261 KW
997 COUPE S/CABRIO S KIT X51	M97.01S	08 8	688 40501>60000	6ZYL/3,8L /280 KW

Model	Year	MG	SG	Illustration	VIN No.	Update		
997-1	08	0	01	001-00		230	8:50	13.08.2008

EXPLANATION OF THE MOTOR-NUMBERS USED IN THE CATALOGUE

=====

DIGIT:		1	2	3		4	5	6	7	8
EXAMPLE:		6	9	5		0	0	1	3	6
		=	=	=		=	=	=	=	=
		!	!	!		!				
ENGINE TYPE (6 = 6-CYL.-ENGINE)	-----+ !	!				!				
		!	!			!				
ENGINE VERSION	-----+ !	!				!				
		!				!				
MODEL YEAR	-----+ !									
										!
SERIAL NUMBER	-----+ !									

Model	Year	MG	SG	Illustration	VIN No.	Update	8:50	13.08.2008
997-1	08	0	01	001-00		230		

VEHICLE TYPE	MY	VIN	ENGINE TYPE
997 COUPE	05 5	995S7 00061>10000	M96.05 235 KW
997 COUPE (USA.CDN.MEX.BR)	05 5	995S7 15061>30000	M96.05 235 KW
997 COUPE S	05 5	995S7 30061>40000	M97.01 261 KW
997 COUPE S (USA.CDN.MEX.BR)	05 5	995S7 40061>50000	M97.01 261 KW
997 CABRIO	05 5	995S7 50061>55000	M96.05 235 KW
997 CABRIO (USA.CDN.MEX.BR)	05 5	995S7 55061>60000	M96.05 235 KW
997 CABRIO S	05 5	995S7 60061>65000	M97.01 261 KW
997 CABRIO S (USA.CDN.MEX.BR)	05 5	995S7 65061>70000	M97.01 261 KW
997 COUPE	06 6	996S7 00061>10000	M96.05 239 KW
997 COUPE (USA.CDN.MEX.BR)	06 6	996S7 15061>30000	M96.05 239 KW
997 COUPE S	06 6	996S7 30061>40000	M97.01 261 KW
997 COUPE S (USA.CDN.MEX.BR)	06 6	996S7 40061>50000	M97.01 261 KW
997 CABRIO	06 6	996S7 50061>55000	M96.05 239 KW
997 CABRIO (USA.CDN.MEX.BR)	06 6	996S7 55061>60000	M96.05 239 KW
997 CABRIO S (RDW-1)	06 6	996S7 60061>65000	M97.01 261 KW
997 CABRIO S (USA.CDN.MEX.BR)	06 6	996S7 65061>71000	M97.01 261 KW
997 CABRIO S (RDW-2)	06 6	996S7 75000>80000	M97.01 261 KW
997 COUPE	07 7	997S7 00061>10000	M96.05 239 KW
997 COUPE (USA.CDN.MEX.BR)	07 7	997S7 10061>20000	M96.05 239 KW
997 COUPE S	07 7	997S7 20061>30000	M97.01 261 KW
997 COUPE S (USA.CDN.MEX.BR)	07 7	997S7 30061>40000	M97.01 261 KW
997 TARGA	07 7	997S7 40061>45000	M96.05 239 KW
997 TARGA (USA.CDN.MEX.BR)	07 7	997S7 45061>50000	M96.05 239 KW
997 TARGA S	07 7	997S7 50061>55000	M97.01 261 KW
997 TARGA S (USA.CDN.MEX.BR)	07 7	997S7 55061>60000	M97.01 261 KW
997 CABRIO	07 7	997S7 60061>65000	M96.05 239 KW
997 CABRIO (USA.CDN.MEX.BR)	07 7	997S7 65061>70000	M96.05 239 KW
997 CABRIO S	07 7	997S7 70061>75000	M97.01 261 KW

Model	Year	MG	SG	Illustration	VIN No.	Update		
997-1	08	0	01	001-00		230	8:50	13.08.2008

997 CABRIO S				07 7 997S7	95001>96000	M97.01	261	KW
997 CABRIO S (USA, CDN, MEX, BR)				07 7 997S7	75061>80000	M97.01	261	KW
997 COUPE				08 8 998S7	00061>10000	M96.05	239	KW
997 COUPE (USA, CN, CDN, MEX, BR)				08 8 998S7	10061>20000	M96.05	239	KW
997 COUPE S				08 8 968S7	20061>30000	M97.01	261	KW
997 COUPE S (USA, CN, CDN, MEX, BR)				08 8 998S7	30061>40000	M97.01	261	KW
997 TARGA				08 8 998S7	40061>45000	M96.05	239	KW
997 TARGA (USA, CN, CDN, MEX, BR)				08 8 998S7	45061>50000	M96.05	239	KW
997 TARGA S				08 8 968S7	50061>55000	M97.01	261	KW
997 TARGA S (USA, CN, CDN, MEX, BR)				08 8 998S7	55061>60000	M97.01	261	KW
997 CABRIO				08 8 998S7	60061>65000	M96.05	239	KW
997 CABRIO (USA, CN, CDN, MEX, BR)				08 8 998S7	65061>70000	M96.05	239	KW
997 CABRIO S				08 8 998S7	70061>75000	M97.01	261	KW
997 CABRIO S				08 8 998S7	75061>80000	M97.01	261	KW
(USA, CN, CDN, MEX, BR)								





Model	Year	MG	SG	Illustration	VIN No.	Update		
997-1	08	0	01	001-00		230	8:45	13.08.2008

THIS PARTS CATALOGUE CONTAINS ALL ORDER INFORMATION OF  
TYPE 997 FROM MODEL YEAR 2005

IT IS AVAILABLE IN TWO EDITIONS IN THE FOLLOWING LANGUAGES:

EDITION

USA, CANADA - \*

EDITION

ALL OTHER COUNTRIES - GERMAN

\* - ENGLISH

- FRENCH

- ITALIAN

- SPANISH

UPDATING IS BEING PERFORMED BY CHANGING OF UPDATE.

THE EDITION CAN BE RECOGNIZED BY THE CURRENT NO.

IN THE BOTTOM LINE OF SUBJECT UPDATE.

THE PREVIOUS UPDATE SHOULD NO LONGER BE USED.

ALL ILLUSTRATIONS ARE SUBJECT TO CHANGE WITHOUT OBLIGATION.

PORSCHE

# V-Pages

PORSCHE

Model	Year	MG	SG	Illustration	VIN No.	Update		
997-1	08	0	01	001-00		230	8:45	13.08.2008

THE SEATS FOR EACH MODEL ARE AVAILABLE IN THE PARTS CATALOGUE

"SEATS (STZ 19)".