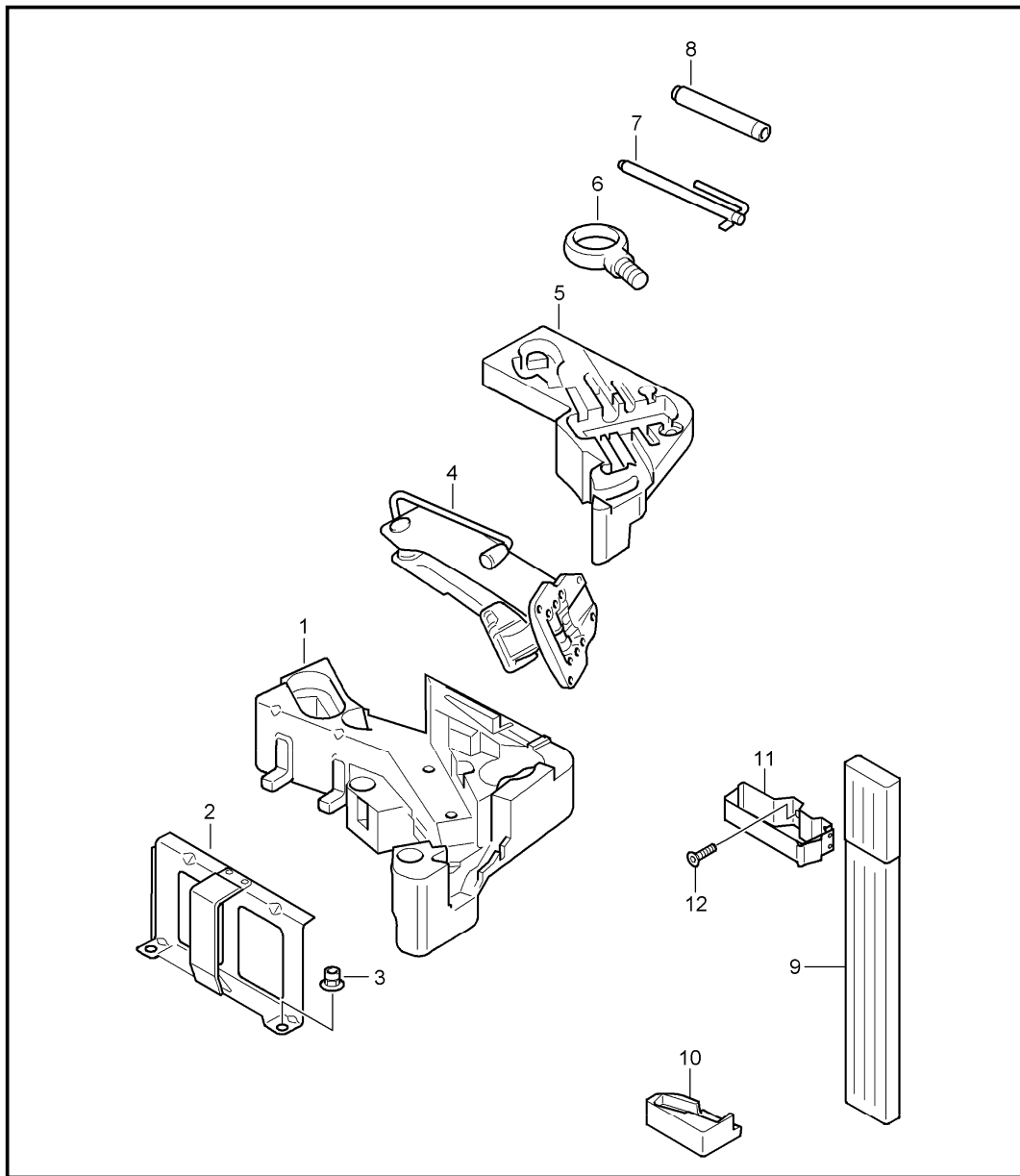
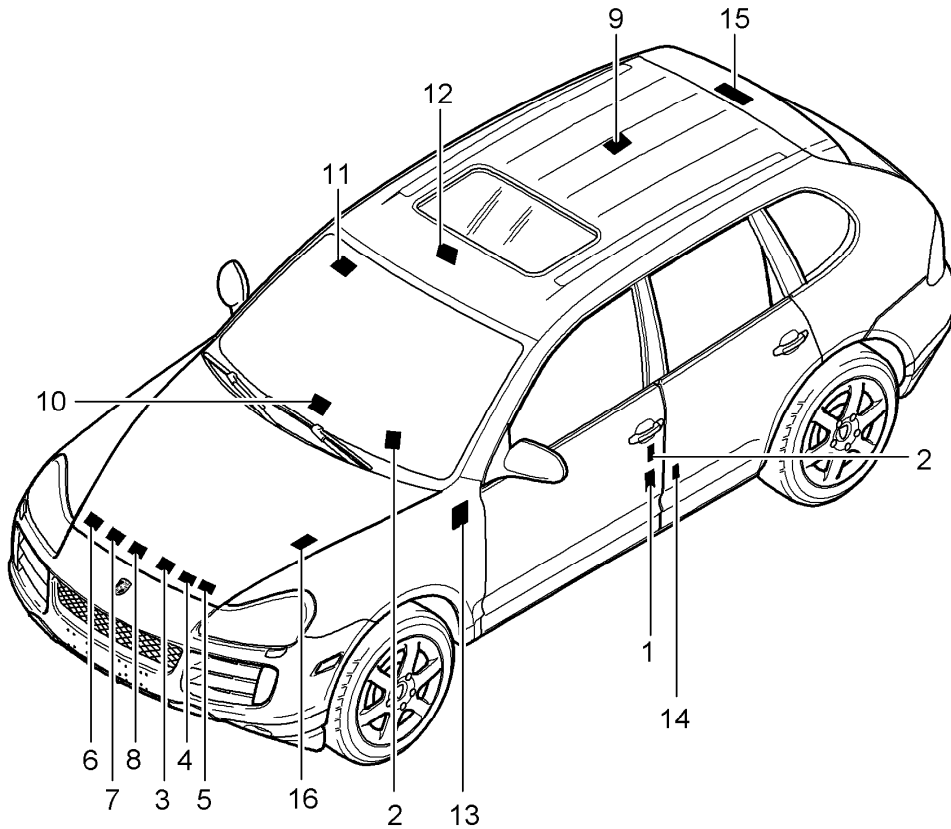


Model	Year	MG	SG	Illustration	Restrictions	UPD	13:28	21.01.2010	PORSCHE	PET	PORSCHE
9PA1	2010	0	01	001-00		247					



Pos	Part Number	Description	Remark	Qty	Model
1	955 721 101 00	tool jack		1	
2	955 721 111 00	mounting jack		1	
3	N 102 058 02	support		2	
4	955 721 211 01	hexagon nut M 6		1	
5	955 721 102 00	jack		1	
6	955 721 151 00	mounting tool		1	
-	955 721 153 00	towing lug		1	
7	955 721 135 01	extractor for hub cap		1	
8	955 721 135 01	socket wrench release headlamp rear light		1	
8	999 571 074 30	assembly aux. material for wheels		1	
-	955 721 135 02	rim wrench		1	
-	955 721 135 03	double-end spanner 10 X 13		1	
-	955 721 135 04	screwdriver		1	
9	000 722 722 05	warning triangle		1	
10	955 721 723 00	mounting warning triangle		1	
11	955 721 724 00	support warning triangle		1	
12	N 908 183 01	pan-head screw M 6 X 9		2	
-	993 722 041 00	first-aid kit		1	
-	955 721 725 00	base wedge		2	

Model	Year	MG	SG	Illustration	Restrictions	UPD	13:29	21.01.2010	PORSCHE	PET	PORSCHE
9PA1	2010	0	01	001-05		247					



Pos	Part Number	Description	Remark	Qty	Model
		stickers			
		stickers			
		tyre pressure			
1	955 701 297 00	sticker tyre pressure		1	IB0A/B0M/D5X IB0N/B0R/B1C IB1D/B1P/B2G IB1Q
1	955 701 297 00	sticker tyre pressure		1	IB0A/B0M/D50 IB0N/B0R/B1C IB1D/B1P/B2G IB1Q
(1)	955 701 297 05	sticker tyre pressure		1	IB0A/B0M/D5V IB0N/B1C/B2G IB1D/B1P/B1Q
(1)	955 701 297 10	sticker tyre pressure	-08	1	IB0A/B0M/D5Z IB0N/B1C/B2G IB1D/B1P/B1Q
(1)	955 701 297 11	sticker tyre pressure	09-	1	IB0A/B0M/D5Z IB0N/B1C/B2G IB1D/B1P/B1Q
(1)	955 701 299 00	sticker tyre pressure		1	IB0L/D5X
(1)	955 701 299 05	sticker tyre pressure		1	IB0L/D5V
(1)	955 701 299 10	sticker tyre pressure	-08	1	IB0L/D5Z
(1)	955 701 299 15	sticker tyre pressure	09-	1	IB0L/D5Z
(1)	955 701 298 50	sticker tyre pressure		1	IB0R/D5X
(1)	955 701 298 55	sticker tyre pressure		1	IB0R/D5V
(1)	955 701 298 60	sticker tyre pressure		1	IB0R/D5Z
(1)	955 701 298 75	sticker Comfort air pressure		1	IB0A/B0E/B2G IB0M/B0N/B0R IB1C/B1D/B1P IB1Q
(1)	955 701 298 80	sticker Comfort air pressure		1	IB0L

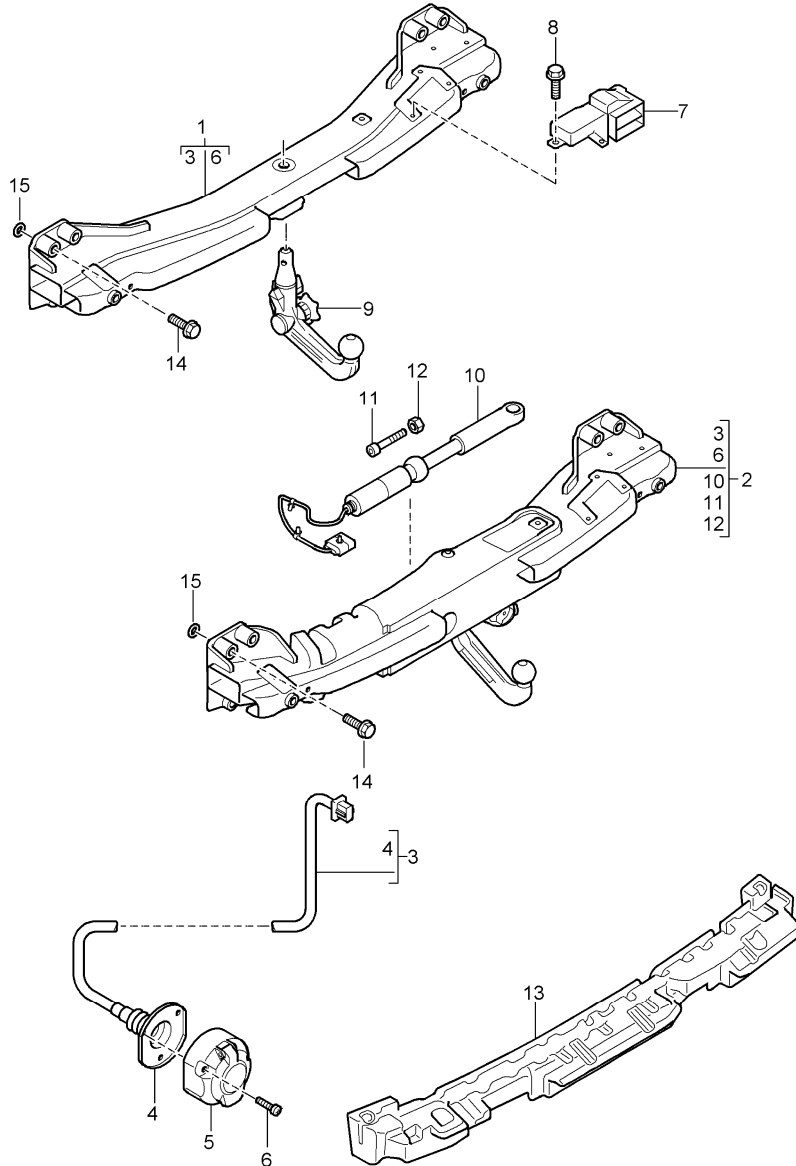
Model	Year	MG	SG	Illustration	Restrictions	UPD	13:29	21.01.2010	PORSCHE	PET	PORSCHE
9PA1	2010	0	01	001-05		247					

Pos	Part Number	Description	Remark	Qty	Model	Pos	Part Number	Description	Remark	Qty	Model
(1)	955 701 290 00	indication sticker tyre pressure monitoring	/LL	1		9	955 006 117 10	sticker type of fuel 98/95 ROZBleifrei		1	
(1)	955 701 291 00	indication sticker tyre pressure monitoring	/RL	1		(9)	955 006 117 30	sticker type of fuel 95/98 ROZ		1	
2	955 701 387 00	sticker top speed 240 Km/h		1		(9)	955 701 676 10	sticker fuel filler flap		1	IB0L
(2)	955 701 387 10	sticker top speed 190 Km/h		1		(9)	955 701 676 15	sticker fuel		1	IB0L
(2)	955 701 387 20	sticker top speed 210 Km/h		1		(9)	955 701 676 20	sticker type of fuel		1	ID50
(2)	955 701 388 00	sticker top speed 120 Mph / 190 Km/h stickers engine specifications		1		(9)	955 701 119 00	sticker auxiliary heater stickers airbag		1	I7VE/7VL
(3)	955 006 108 00	sticker exhaust gas		08	(THA) ID5V ID5X/D5Z	11	955 701 435 00	warning sign airbag		1	IB0A/B0D/B0E IB0L/B0N/B1C IB2G
(3)	955 006 108 10	sticker exhaust gas		09-	(THA) ID5V ID5X/D5Z	(11)	955 701 435 10	warning sign airbag		1	IB1P
4	955 006 150 00	sticker assembly v-belt		1	ID5V/D5Z	(11)	955 701 435 20	warning sign airbag		1	IB0M
4	955 006 150 10	sticker assembly v-belt		1	IB0L	(11)	955 701 435 30	warning sign airbag		1	IB0R
(4)	955 006 675 00	sticker motor fan		1	IB0L	(11)	955 701 675 20	sticker airbag		1	IB0L
(4)	955 701 676 25	sticker air conditioner		1	IB0L	(11)	955 701 676 00	sticker warning light engine		1	IB0L
6	955 701 141 00	sticker air conditioner		1		12	955 701 675 10	sticker Recycling		1	IB0L
8	997 006 544 00	sticker engine oil - MOBILLOEL -		1		13	955 701 433 00	warning sign driver's side		1	IB0L
8	955 006 544 00	sticker engine oil - MOBILLOEL -		1	ID50	(13)	955 701 432 00	warning sign passenger's side		1	IB0L
						15	955 701 289 00	sticker emergency wheel	-08	1	IB0R/1G1/1G6

Model	Year	MG	SG	Illustration	Restrictions	UPD	13:29	21.01.2010	PORSCHE	PET	PORSCHE
9PA1	2010	0	01	001-05		247					

Pos	Part Number	Description	Remark	Qty	Model	Pos	Part Number	Description	Remark	Qty	Model
(15)	955 701 289 00	sticker emergency wheel	09-	1	IB0R/D5V/D5X ID50 I1G1						
(15)	955 701 298 70	sticker emergency wheel	09-	1	IB0R/D5Z/1G4						
(15)	955 701 292 00	sticker emergency wheel	-08	1	IB0M/1G1/1G6						
(15)	955 701 292 00	sticker emergency wheel	09-	1	IB0M/D5V/D5X I1G1						
(15)	955 701 292 10	sticker emergency wheel	09-	1	IB0M/D5Z/1G4						
(15)	955 701 293 00	sticker emergency wheel	-08	1	IB1P/1G1						
(15)	955 701 293 00	sticker emergency wheel	09-	1	IB1P/D5V/D5X I1G1						
(15)	955 701 293 10	sticker emergency wheel	09-	1	IB1P/D5Z/1G4						
(15)	955 701 294 00	sticker emergency wheel	-08	1	I1G1/1G6						
(15)	955 701 294 00	sticker emergency wheel	09-	1	ID5V/D5X/1G1						
(15)	955 701 294 10	sticker emergency wheel	09-	1	ID5Z/1G4						
(15)	955 701 675 15	sticker import japan		1	IB0L						
16	955 701 160 00	sticker window cleaner		1							
16	955 701 160 10	sticker window cleaner		1	IB0L						
16	955 701 675 00	sticker expansion tank		1	IB0L						
(16)	955 701 675 05	sticker brake fluid		1	IB0L						
-	955 701 673 00	sticker battery		1	IB0L						

Model	Year	MG	SG	Illustration	Restrictions	UPD	13:29	21.01.2010	PORSCHE	PET	PORSCHE
9PA1	2010	0	02	002-00		247					

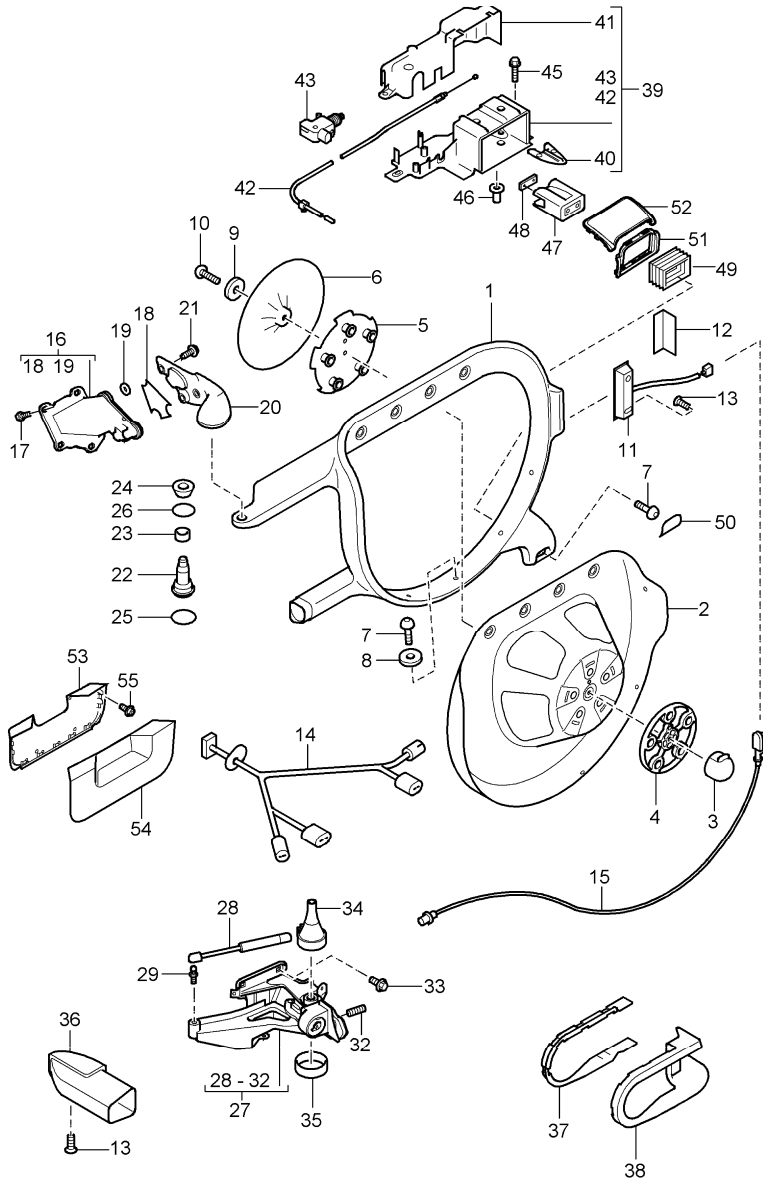


Pos	Part Number	Description	Remark	Qty	Model
1	955 722 003 01	trailer coupling		1	I1D2
		trailer coupling with wiring harness			
(1)	955 722 006 00	trailer coupling with wiring harness	(AUS)	1	I1D6
2	955 722 005 02	trailer coupling with wiring harness	-08	1	I1D9
2	955 722 005 03	trailer coupling with wiring harness	09-	1	I1D9
3	955 612 505 01	wiring harness		1	I1D2
(3)	955 612 507 01	wiring harness		1	I1D9
(3)	955 612 508 00	wiring harness	(AUS)	1	I1D6
4	955 612 520 01	grommet		1	
5	955 612 533 01	plug socket		1	I1D2/1D9
(5)	999 650 893 40	plug socket	(AUS)	1	I1D6
6	N 014 156 5	screw M 5 X 30		3	
7	-	locking device support spare wheel see group 0/02/05			I1G3
8	-	hexagon-head bolt see group 0/02/05			I1G3
9	955 722 023 00	ball head		1	I1D2
10	955 624 010 00	electric motor trailer coupling		1	I1D9
11	999 218 069 02	pan-head screw M 5 X 40		3	
12	900 910 007 02	nut M 5		3	
13	955 722 025 10	foam part		1	I1D2/1D6
(13)	955 722 026 10	foam part		1	I1D9

Model	Year	MG	SG	Illustration	Restrictions	UPD	13:29	21.01.2010	PORSCHE	PET	PORSCHE
9PA1	2010	0	02	002-00		247					

Pos	Part Number	Description	Remark	Qty	Model	Pos	Part Number	Description	Remark	Qty	Model
14	N 910 292 02	hexagon-head bolt BM 12 x 1,5 x 100		8							

Model	Year	MG	SG	Illustration	Restrictions	UPD	13:29	21.01.2010	PORSCHE	PET	PORSCHE
9PA1	2010	0	02	002-05		247					



Pos	Part Number	Description	Remark	Qty	Model
1	955 722 010 00	bracket spare wheel outer		1	
2	955 722 012 00	retaining frame spare wheel outer		1	
	4W9	satin aluminium			
2	955 722 012 00	spring support spare wheel		1	
	03C	rally black			
3	955 722 013 00	centring aid spare wheel		1	
4	955 722 075 00	spacer		1	
5	955 722 014 00	threaded plate		1	
6	955 722 015 00	cap wheel bolts		1	
	01C	satin black			
7	N 910 489 01	oval-head screw M 8 X 28		12	
8	955 722 401 00	spacer		3	
(8)	955 722 402 00	spacer		2	
(8)	955 722 403 00	spacer		1	
9	N 910 651 01	washer 8,4 X 28 X 2,5		1	
10	N 103 156 03	hexagon-head bolt AM 8 X 40		1	
11	955 613 271 01	tip switch		1	
12	955 722 017 00	protection cap tip switch		1	
	4W9	satin aluminium			
13	N 104 272 02	countersunk-head screw M 5 X 12		3	
14	955 612 812 01	wiring harness		1	
15	955 612 813 00	wiring harness		1	

Model	Year	MG	SG	Illustration	Restrictions	UPD	13:29	21.01.2010	PORSCHE	PET	PORSCHE
9PA1	2010	0	02	002-05		247					

Pos	Part Number	Description	Remark	Qty	Model	Pos	Part Number	Description	Remark	Qty	Model
16	955 722 020 02	mounting upper inner		1		38	A 955 722 205 10	cover bearing lower		1	
17	N 101 277 07	hexagon-head bolt M 8 X 26		4			4W9	satin aluminium			
18	955 722 404 00	spacer		1		38	955 722 205 11	cover bearing lower		1	
19	955 722 405 00	sealing ring		3			4W9	satin aluminium			
20	955 722 121 00	mounting upper		1		39	955 722 031 02	locking device support spare wheel	-09	1	
	4W9	satin aluminium									
21	N 910 460 02	screw M 8 X 35		3		39	955 722 031 03	locking device support spare wheel	10-	1	
22	955 722 406 00	bolt		1		40	955 722 032 11	rubber stop upper		1	
23	955 722 407 00	articulated support		1		(40)	955 722 032 01	rubber stop lower		1	
24	955 722 408 00	spacer		1		41	955 722 035 01	cover locking device		1	
25	955 722 409 00	circlip		1		42	955 722 525 00	emergency operation		1	
26	955 722 410 00	circlip		1		43	955 624 521 00	electric motor	-09	1	
27	955 722 201 03	bearing lower		1		43	955 624 521 01	electric motor	10-	1	
28	955 722 411 00	gas-pressure spring		1		-	955 624 523 00	connecting piece		1	
29	955 722 413 00	ball pin		2		-	955 624 525 00	end piece		1	
32	N 106 086 02	threaded pin M 16 X 25		2		45	N 014 156 5	screw M 6 X 25		4	
33	N 106 266 01	hexagon-head bolt M 8 X 30		4		46	N 908 179 02	blind rivet nut M 6		4	
34	955 722 255 10	cap upper		1		47	955 722 251 00	retaining bar		1	
35	955 722 256 00	cap lower		1		48	955 722 252 00	counterplate retaining bar		1	
36	955 722 203 00	cover bearing lower		1		49	955 722 253 00	bellows		1	
	4W9	satin aluminium					01C	satin black			
37	955 722 204 10	frame bearing lower		1		50	955 722 254 00	cap		1	
							4W9	satin aluminium			

Model	Year	MG	SG	Illustration	Restrictions	UPD	13:29	21.01.2010	PORSCHE	PET	PORSCHE
9PA1	2010	0	02	002-05		247					

Pos	Part Number	Description	Remark	Qty	Model	Pos	Part Number	Description	Remark	Qty	Model
51	955 722 142 00	covering frame		1							
52	955 722 277 00	cap for lining rear		1							
53	955 722 261 00	spring support		1							
	01C	satin black									
54	955 722 262 00	cover		1							
	B41	satin black									
55	N 101 319 03	hexagon-head bolt M 6 X 14		4							

Model	Year	MG	SG	Illustration	Restrictions	UPD	13:29	21.01.2010	PORSCHE	PET	PORSCHE
9PA1	2010	0	04	004-00		247					

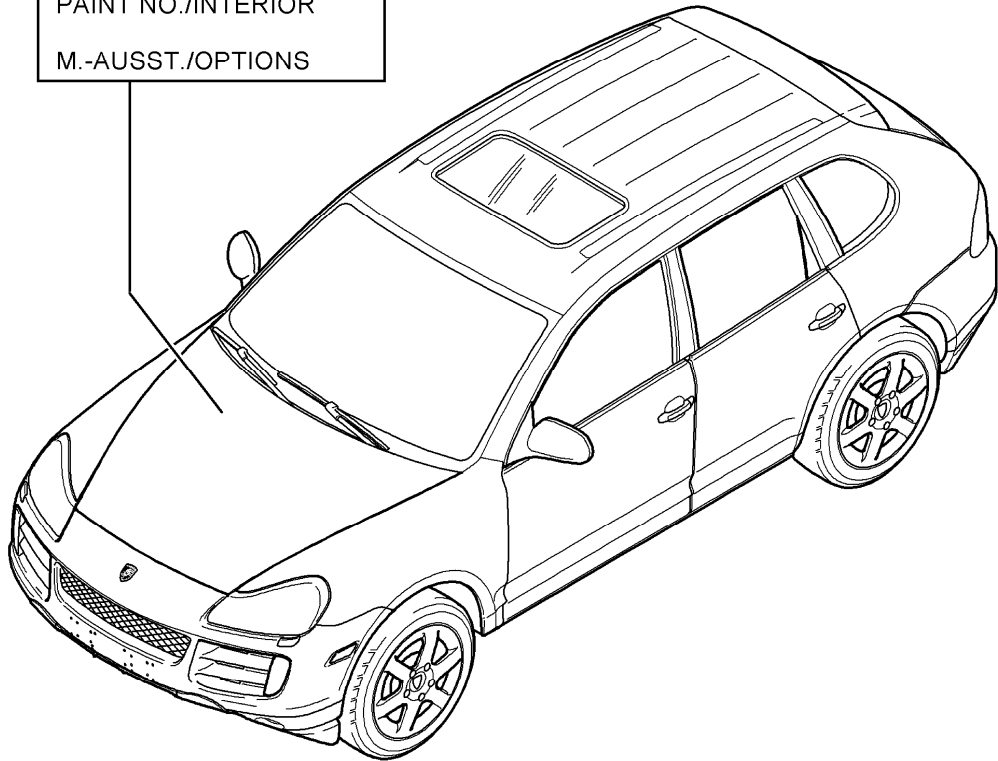
FAHRZG.-IDENT-NR.
VEHICLE.-IDENT-NO.

TYP/TYPER

MOTORKB./GETR.KB.
ENG.CODE/TRANS.CODE

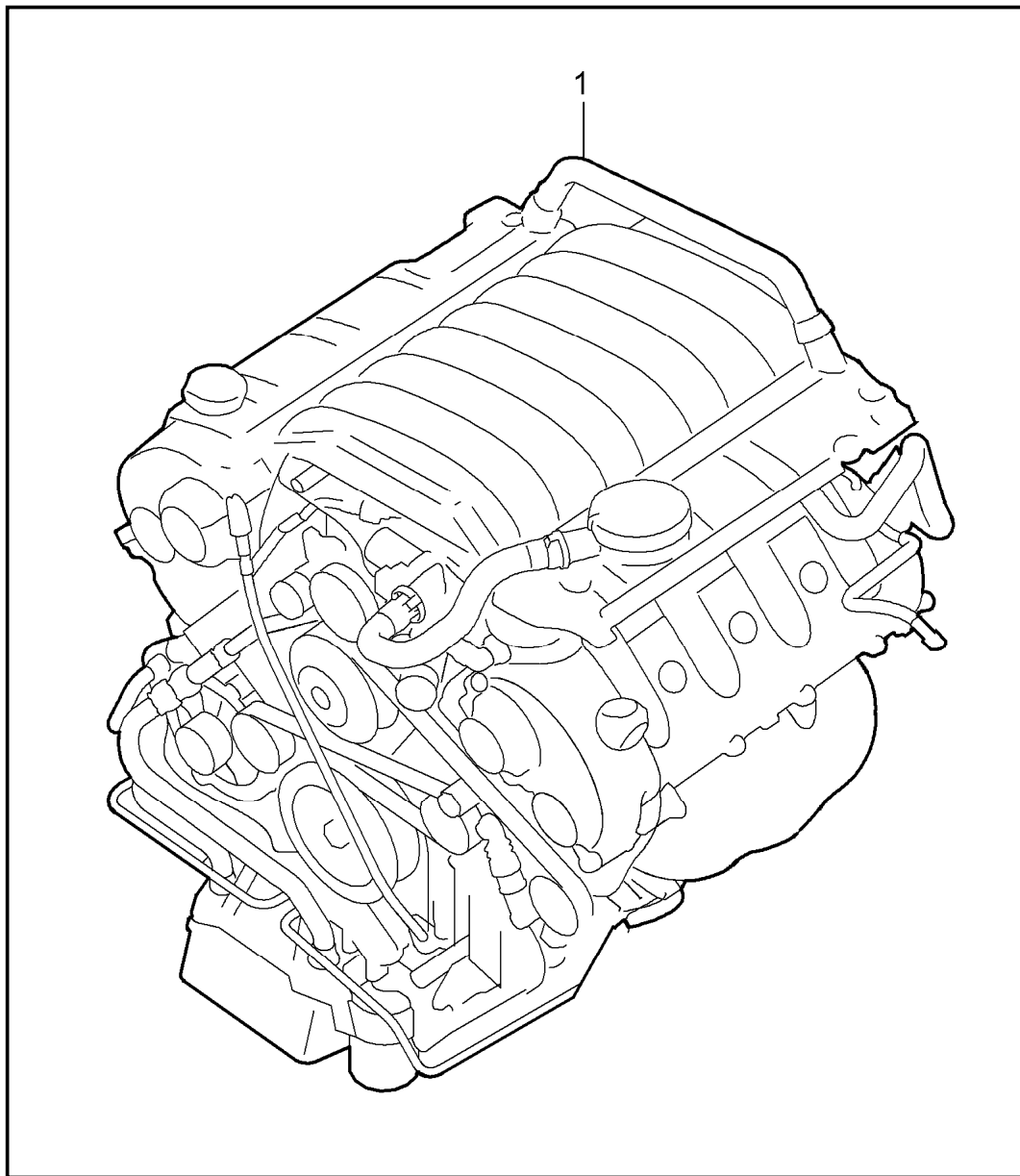
LACKNR./INNENAUSST.
PAINT NO./INTERIOR

M.-AUSST./OPTIONS



Pos	Part Number	Description	Remark	Qty	Model
-	911 095 932 20	paint touch-up applicator lacquers		X	
	041	black			A 1
	R9A	ivory white			R 6
	M3E	GTS Red			Z 6
-	911 095 933 20	paint touch-up applicator set comprising: paint touch-up applicator primer paint touch-up applicator clear lacquer		X	
	M3W	carmon red metallic			E 4
	M1W	jarama beige metallic			D 5
	A7W	crystal silver metallic			8 E
	C9Z	basalt black metallic			Z 4
	4W9	satin aluminium			
	M6X	dark olive-metallic			7 G
	D5Q	marine blue metallic			P 6
	M6U	Olive Green Metallic			D 4
	M7W	Meteor Grey Metallic			9 Q
	M2Z	Nordic Gold Metallic			8 W
	M8W	Macadamia Metallic			9 S
	R7M	Lava Grey Metallic			9 B

Model	Year	MG	SG	Illustration	Restrictions	UPD	13:29	21.01.2010	PORSCHE	PET	PORSCHE
9PA1	2010	1	01	101-00		247					



Pos	Part Number	Description	Remark	Qty	Model
		replacement engine without drive plate tiptronic without flywheel manual transmission without compressor			M48.01/51
1	A 948 100 948 04	replacement engine not ready for installation M >> 838 20207		1	M48.01
(1)	A 948 100 948 DX	replacement engine not ready for installation M >> 838 20207		1	M48.01
(1)	> 948 100 948 06	replacement engine not ready for installation M 838 20208 >> for vehicles up to M >> 838 20207 use also: piwis tester software update V19.020	-08	1	M48.01
(1)	948 100 948 FX	replacement engine not ready for installation M 838 20208 >> for vehicles up to M >> 838 20207 use also: piwis tester software update V19.020	-08	1	M48.01
(1)	> 948 100 948 08	replacement engine not ready for installation M >> 9 05540	09-	1	M48.01
(1)	948 100 948 HX	replacement engine not ready for installation M >> 9 05540	09-	1	M48.01

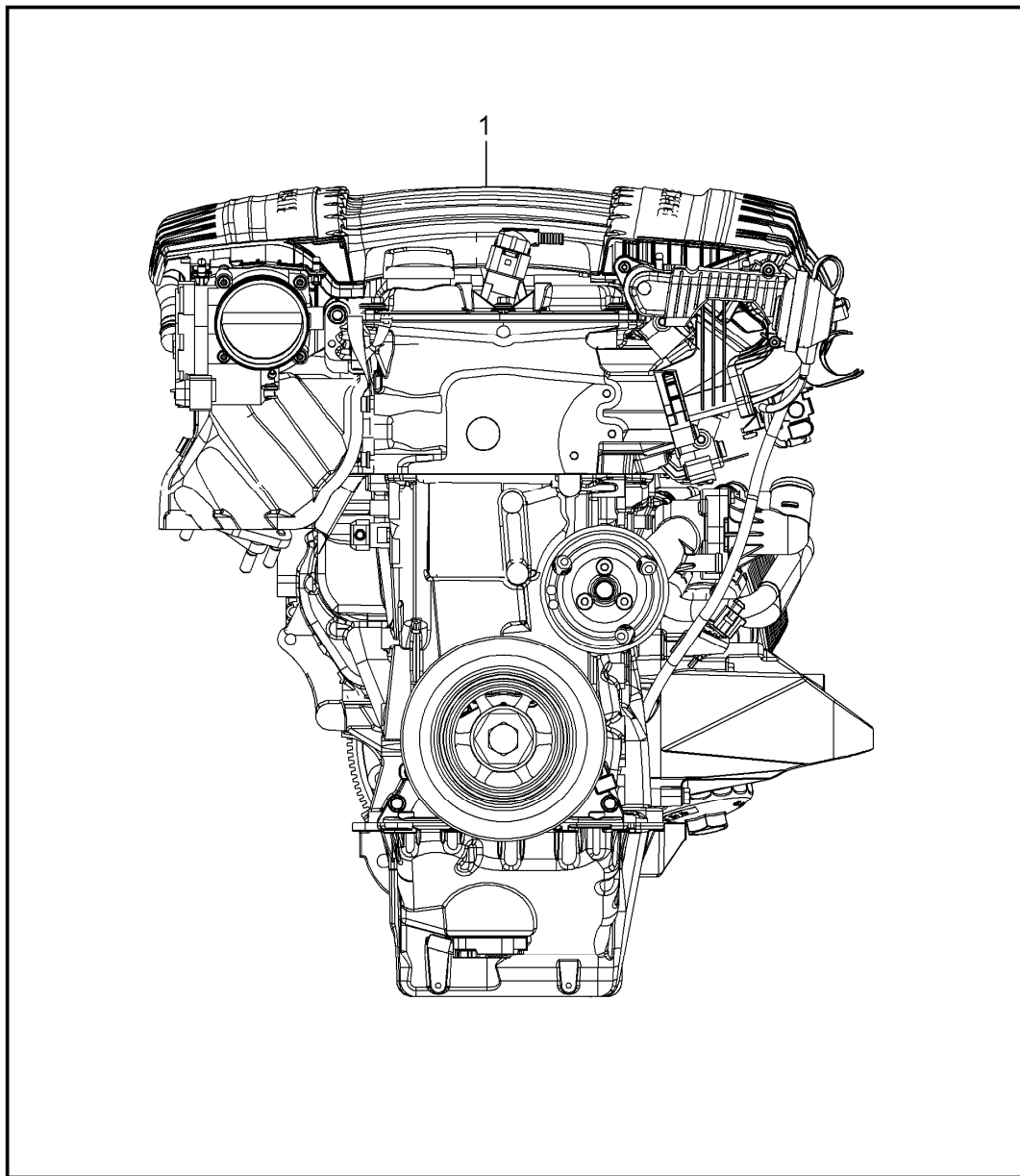
Model	Year	MG	SG	Illustration	Restrictions	UPD	13:29	21.01.2010	PORSCHE	PET	PORSCHE
9PA1	2010	1	01	101-00		247					

Pos	Part Number	Description	Remark	Qty	Model	Pos	Part Number	Description	Remark	Qty	Model
(1)	> 948 100 948 10	replacement engine not ready for installation M 9 05541 >>	-09	1	M48.01	(1)	948 100 948 NX	replacement engine not ready for installation	10-	1	M48.01 IE0W/E1T/E2D
(1)	948 100 948 KX	replacement engine not ready for installation M 9 05541 >>	-09	1	M48.01	(1)	> 948 100 950 42	replacement engine not ready for installation M >> 848 09397		1	M48.51
(1)	> 948 100 948 12	replacement engine not ready for installation	10-	1	M48.01	(1)	948 100 950 1X	replacement engine not ready for installation M >> 848 09397		1	M48.51
(1)	948 100 948 MX	replacement engine not ready for installation	10-	1	M48.01	(1)	> 948 100 950 44	replacement engine not ready for installation M 848 09398 >> for vehicles up to M >> 848 09397 use also: piwis tester software update V19.020	-08	1	M48.51
(1)	> 948 100 948 07	replacement engine not ready for installation	08	1	M48.01 IE0W	(1)	948 100 950 3X	replacement engine not ready for installation M 848 09398 >> for vehicles up to M >> 848 09397 use also: piwis tester software update V19.020	-08	1	M48.51
(1)	948 100 948 GX	replacement engine not ready for installation	08	1	M48.01 IE0W	(1)	> 948 100 950 46	replacement engine not ready for installation M >> 9 01688	09-	1	M48.51
(1)	> 948 100 948 09	replacement engine not ready for installation M >> G 9 04964	09-	1	M48.01 IE0W	(1)	948 100 950 5X	replacement engine not ready for installation M >> 9 01688	09-	1	M48.51
(1)	948 100 948 JX	replacement engine not ready for installation M >> G 9 04964	09-	1	M48.01 IE0W	(1)	> 948 100 950 49	replacement engine not ready for installation M 9 01689 >>	-09	1	M48.51
(1)	> 948 100 948 11	replacement engine not ready for installation M G 9 04965 >>	-09	1	M48.01 IE0W/E2D						
(1)	948 100 948 LX	replacement engine not ready for installation M G 9 04965 >>	-09	1	M48.01 IE0W/E2D						
(1)	> 948 100 948 13	replacement engine not ready for installation	10-	1	M48.01 IE0W/E1T/E2D						

Model	Year	MG	SG	Illustration	Restrictions	UPD	13:29	21.01.2010	PORSCHE	PET	PORSCHE
9PA1	2010	1	01	101-00		247					

Pos	Part Number	Description	Remark	Qty	Model	Pos	Part Number	Description	Remark	Qty	Model
(1)	948 100 950 8X	replacement engine not ready for installation M 9 01689 >>	-09	1	M48.51	(1) >	948 100 950 48	replacement engine not ready for installation M >> T 9 01787	09-	1	M48.51 IE8A
(1) >	948 100 950 52	replacement engine not ready for installation	10-	1	M48.51	(1)	948 100 950 7X	replacement engine not ready for installation M >> T 9 01787	09-	1	M48.51 IE8A
(1)	948 100 951 AX	replacement engine not ready for installation	10-	1	M48.51	(1) >	948 100 950 51	replacement engine not ready for installation M T 9 01788 >>	-09	1	M48.51 IE8A
(1) >	948 100 950 45	replacement engine not ready for installation	08	1	M48.51 IE81	(1)	948 100 951 X	replacement engine not ready for installation M T 9 01788 >>	-09	1	M48.51 IE8A
(1)	948 100 950 4X	replacement engine not ready for installation	08	1	M48.51 IE81	(1) >	948 100 950 54	replacement engine not ready for installation	10-	1	M48.51 IE8A
(1) >	948 100 950 47	replacement engine not ready for installation M >> S 9 00561	09-	1	M48.51 IE81	(1)	948 100 951 CX	replacement engine not ready for installation	10-	1	M48.51 IE8A
(1)	948 100 950 6X	replacement engine not ready for installation M >> S 9 00561	09-	1	M48.51 IE81						
(1) >	948 100 950 50	replacement engine not ready for installation M S 9 00562 >>	-09	1	M48.51 IE81						
(1)	948 100 950 9X	replacement engine not ready for installation M S 9 00562 >>	-09	1	M48.51 IE81						
(1) >	948 100 950 53	replacement engine not ready for installation	10-	1	M48.51 IE81						
(1)	948 100 951 BX	replacement engine not ready for installation	10-	1	M48.51 IE81						

Model	Year	MG	SG	Illustration	Restrictions	UPD	13:30	21.01.2010	PORSCHE	PET	PORSCHE
9PA1	2010	1	01	101-10		247					



Pos	Part Number	Description	Remark	Qty	Model
		replacement engine			M55.01
1 >	955 100 955 02	replacement engine together with manual transmission not ready for installation	-08	1	IGOL
(1)	955 100 955 BX	replacement engine together with manual transmission not ready for installation	-08	1	IGOL
(1) >	955 100 955 04	replacement engine together with manual transmission not ready for installation M >> 639 10538	09-	1	IGOL
(1)	955 100 955 DX	replacement engine together with manual transmission not ready for installation M >> 639 10538	09-	1	IGOL
(1) >	955 100 955 06	replacement engine together with manual transmission not ready for installation M 639 10539 >>	-09	1	IGOL
(1)	955 100 955 FX	replacement engine together with manual transmission not ready for installation M 639 10539 >>	-09	1	IGOL
(1) >	955 100 955 08	replacement engine together with manual transmission not ready for installation M >> 63A 05019 see technical information service group 1 KD-NR. 1373 19/09	10-	1	IGOL

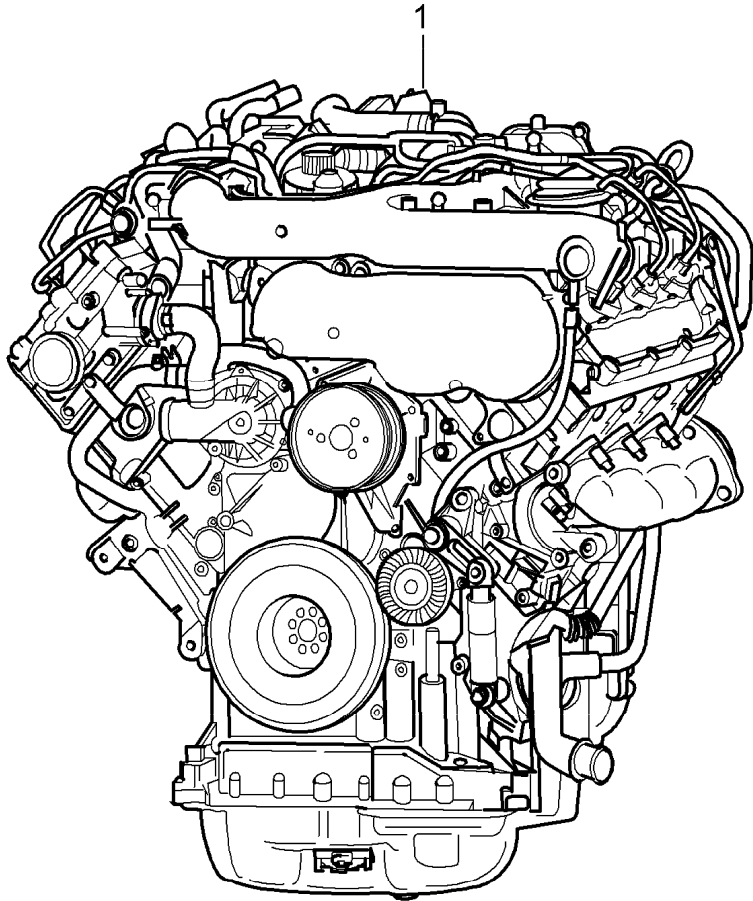
Model	Year	MG	SG	Illustration	Restrictions	UPD	13:30	21.01.2010	PORSCHE	PET	PORSCHE
9PA1	2010	1	01	101-10		247					

Pos	Part Number	Description	Remark	Qty	Model	Pos	Part Number	Description	Remark	Qty	Model
(1)	955 100 955 HX	replacement engine together with manual transmission not ready for installation M >> 63A 05019 see technical information service group 1 KD-NR. 1373 19/09	10-	1	IG0L	(1)	955 100 955 CX	replacement engine together with tiptronic not ready for installation M 638 08943 >>	-08	1	IG0R
(1) >	955 100 955 10	replacement engine together with manual transmission not ready for installation M 63A 05020 >> see technical information service group 1 KD-NR. 1373 19/09		1	IG0L	(1) >	955 100 955 05	replacement engine together with tiptronic not ready for installation M >> 639 10017	09-	1	IG0R
(1)	955 100 955 KX	replacement engine together with manual transmission not ready for installation M 63A 05020 >> see technical information service group 1 KD-NR. 1373 19/09		1	IG0L	(1)	955 100 955 EX	replacement engine together with tiptronic not ready for installation M >> 639 10017	09-	1	IG0R
(1) >	955 100 955 01	replacement engine together with tiptronic not ready for installation M >> 638 08942		1	IG0R	(1) >	955 100 955 07	replacement engine together with tiptronic not ready for installation M 639 10018 >>	-09	1	IG0R
(1)	955 100 955 AX	replacement engine together with tiptronic not ready for installation M >> 638 08942		1	IG0R	(1)	955 100 955 GX	replacement engine together with tiptronic not ready for installation M 639 10018 >>	-09	1	IG0R
(1) >	955 100 955 03	replacement engine together with tiptronic not ready for installation M 638 08943 >>	-08	1	IG0R	(1) >	955 100 955 09	replacement engine together with tiptronic not ready for installation M >> 63A 03026 see technical information service group 1 KD-NR. 1373 19/09	10-	1	IG0R

Model	Year	MG	SG	Illustration	Restrictions	UPD	13:30	21.01.2010	PORSCHE	PET	PORSCHE
9PA1	2010	1	01	101-10		247					

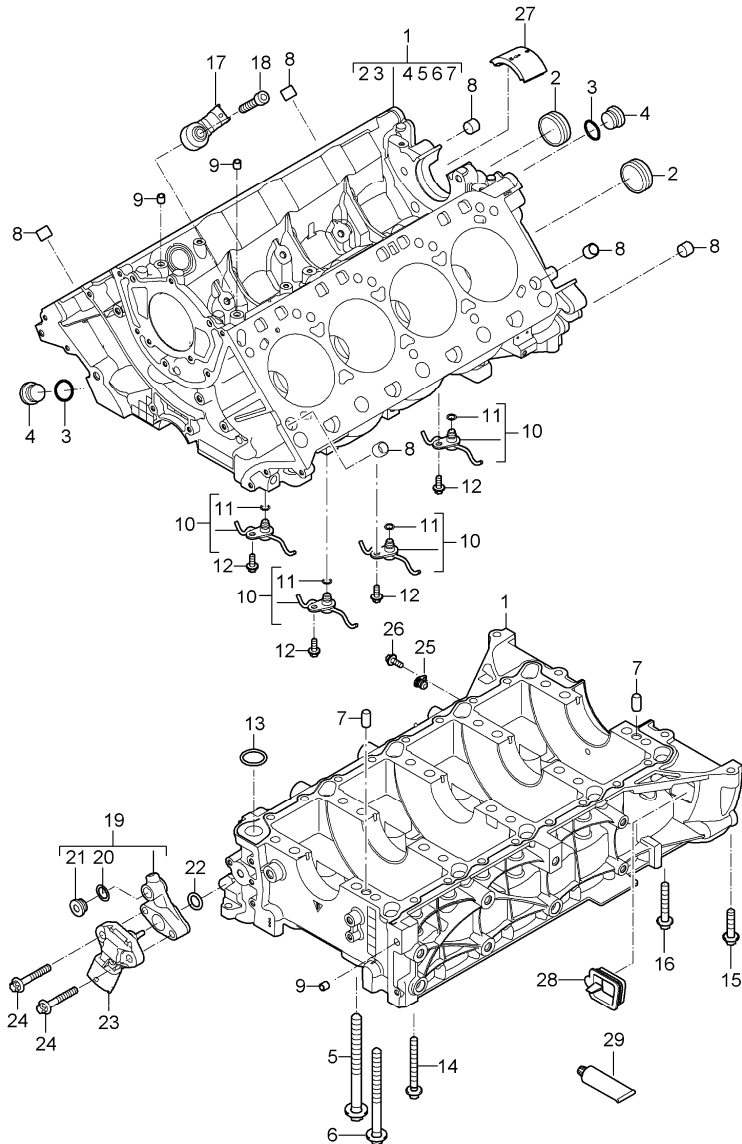
Pos	Part Number	Description	Remark	Qty	Model	Pos	Part Number	Description	Remark	Qty	Model
(1)	955 100 955 JX	replacement engine together with tiptronic not ready for installation M >> 63A 03026 see technical information service group 1 KD-NR. 1373 19/09	10-	1	IGOR						
(1) >	955 100 955 11	replacement engine together with tiptronic not ready for installation M 63A 03027 >> see technical information service group 1 KD-NR. 1373 19/09		1	IGOR						
(1)	955 100 955 LX	replacement engine together with tiptronic not ready for installation M 63A 03027 >> see technical information service group 1 KD-NR. 1373 19/09		1	IGOR						

Model	Year	MG	SG	Illustration	Restrictions	UPD	13:30	21.01.2010	PORSCHE	PET	PORSCHE
9PA1	2010	1	01	101-20		247					



Pos	Part Number	Description	Remark	Qty	Model
		replacement engine			M05.9D
1 >	955 100 959 00	replacement engine together with tiptronic not ready for installation	-09	1	IG0R/8GH
(1)	955 100 959 X	replacement engine together with tiptronic not ready for installation	-09	1	IG0R/8GH
(1) >	955 100 959 01	replacement engine together with tiptronic not ready for installation	10-	1	IG0R/9G1
(1)	955 100 959 AX	replacement engine together with tiptronic not ready for installation	10-	1	IG0R/9G1

Model	Year	MG	SG	Illustration	Restrictions	UPD	13:30	21.01.2010	PORSCHE	PET	PORSCHE
9PA1	2010	1	01	101-30		247					



Pos	Part Number	Description	Remark	Qty	Model
1	A 948 101 001 10	crankcase single parts crankcase without piston use also: piston 014.301.153.B 996.106.103.50 948.101.017.11 900.385.009.01 999.707.481.40 M >> 838 14318 M >> 848 06878		1	M48.01/51
(1)	A 948 101 001 12	crankcase without piston use also: piston 014.301.153.B 996.106.103.50 948.101.017.11 900.385.009.01 999.707.481.40 M 838 14319 >> 838 21622 M 848 06879 >> 848 10450		1	
(1)	948 101 001 13	crankcase without piston use also: piston 014.301.153.B 996.106.103.50 948.101.017.11 900.385.009.01 999.707.481.40 M 838 21623 >> 9 05540 M 858 03145 >> G 9 04964 M 848 10451 >> 9 01688 M >> T 9 01787 M >> S 9 00561		1	M48.01 M48.01 IE0W M48.51 M48.51 IE8A M48.51 IE81

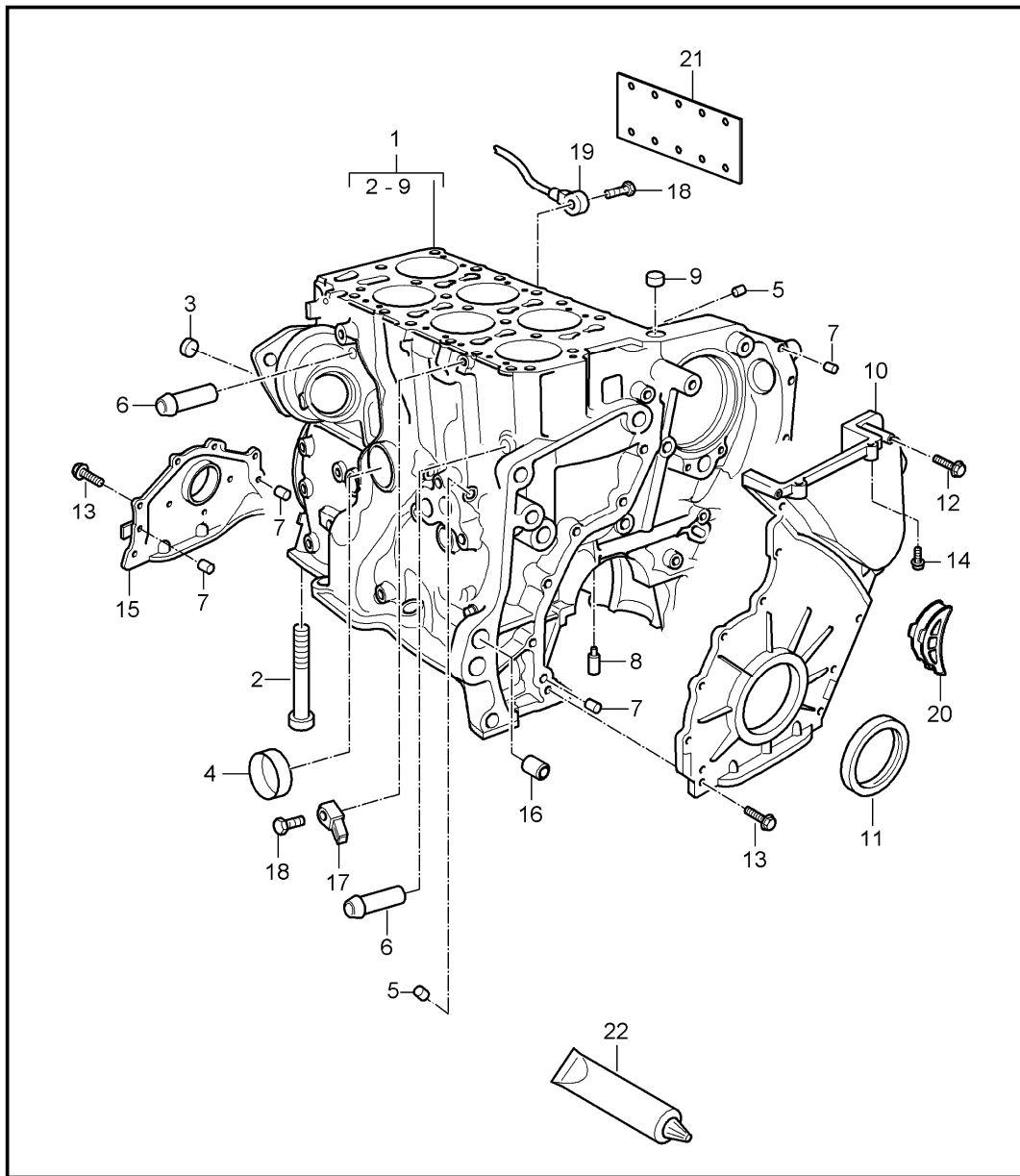
Model	Year	MG	SG	Illustration	Restrictions	UPD	13:30	21.01.2010	PORSCHE	PET	PORSCHE
9PA1	2010	1	01	101-30		247					

Pos	Part Number	Description	Remark	Qty	Model	Pos	Part Number	Description	Remark	Qty	Model	
(1)	948 101 001 20	crankcase without piston use also: piston 014.301.153.B 996.106.103.50 948.101.017.11 900.385.009.01 999.707.481.40 M 9 05541 >> M G 9 04965 >> M 9 01689 >> M T 9 01788 >> M S 9 00562 >>		1			13	999 707 481 40	o-ring 24 X 3		1	
				8		14	900 385 029 01	torx screw CM 8 X 70 M >> 9 05540 M >> G 9 04964 M >> 9 01688 M >> T 9 01787 M >> S 9 00561		16	M48.01 M48.01 IEOW M48.51 M48.51 IE8A M48.51 IE81	
				6	M48.01	(14)	999 073 915 30	oval-head screw M 8 X 70 M 9 05541 >> M G 9 04965 >>		16	M48.01 M48.01 IEOW M48.51 M48.51 IE8A M48.51 IE81	
				3	M48.51			M 9 01689 >> M T 9 01788 >>				
				4	IE8A			M S 9 00562 >>				
				4	M48.51							
				1	IE81							
2	948 101 216 00	lid		2				M 9 01689 >> M T 9 01788 >>				
3	900 123 118 30	sealing ring A 22 X 27		2				M S 9 00562 >>				
4	999 063 024 30	screw plug M 22 X 1,5		2								
5	948 101 190 01	screw M 11 X 1,5 X 130		10		15	900 385 042 01	torx screw BM 8 X 35		2		
6	948 101 191 01	screw M 10 X 1,5 X 117		10		16	900 385 071 01	torx screw BM 8 X 50		2		
7	999 012 051 00	straight pin BM 10 X 18		2		17	997 606 121 00	knock sensor		4		
8	014 301 153 B	dowel sleeve 13 X 16 X 13,5		6		18	900 067 102 02	pan-head screw M 8 X 35		4		
9	996 106 103 50	dowel sleeve 8,2 X 7		3		19	948 107 314 01	adapter	-08	1		
10	948 101 017 10	spray nozzle M >> 838 14266 M >> 848 06850		4		(19)	948 107 314 02	adapter M >> 9 05540 M >> G 9 04964 M >> 9 01688 M >> T 9 01787 M >> S 9 00561	09-	1	M48.01 M48.01 IEOW M48.51 M48.51 IE8A M48.51 IE81	
(10)	948 101 017 11	spray nozzle M 838 14267 >> M 848 06851 >>		4		(19)	948 107 314 03	adapter M 9 05541 >> M G 9 04965 >> M 9 01689 >> M T 9 01788 >> M S 9 00562 >>		1	M48.01 M48.01 IEOW M48.51 M48.51 IE8A M48.51 IE81	
11	999 707 509 40	o-ring 8,55 X 2		4								
12	900 385 009 01	torx screw BM 6 X 16		4								

Model	Year	MG	SG	Illustration	Restrictions	UPD	13:30	21.01.2010	PORSCHE	PET	PORSCHE
9PA1	2010	1	01	101-30		247					

Pos	Part Number	Description	Remark	Qty	Model	Pos	Part Number	Description	Remark	Qty	Model
20	900 123 144 30	sealing ring A 10 X 13,5		1		(29)	999 915 573 43	sealing compound 1 tube 75 ml for crankcase lower part		X	
21	900 219 023 01	screw plug M 10 X 1		1				M 9 05541 >> M G 9 04965 >>			M48.01 M48.01 IEOW
22	999 707 575 40	o-ring 20 X 3		1				M 9 01689 >> M T 9 01788 >>			M48.51 M48.51 IE8A
23	997 606 203 01	oil pressure sender		1				M S 9 00562 >>			M48.51 IE81
24	900 385 045 01	torx screw BM 6 X 40		2							
25	948 107 260 00	lid		1	M48.01						
26	900 385 041 01	torx screw BM 6 X 12		1	M48.01						
27	955 101 730 00	lid M >> 9 05540 M >> G 9 04964 M >> 9 01688 M >> T 9 01787 M >> S 9 00561		1	M48.01 M48.01 IEOW M48.51 M48.51 IE8A M48.51 IE81						
(27)	7P5 103 113	lid M 9 05541 >> M G 9 04965 >> M 9 01689 >> M T 9 01788 >> M S 9 00562 >>		1	M48.01 M48.01 IEOW M48.51 M48.51 IE8A M48.51 IE81						
28	955 301 729 10	stopper		1							
29	000 043 204 58	sealing compound 1 tube 30 gr. for crankcase lower part M >> 9 05540 M >> G 9 04964 M >> 9 01688 M >> T 9 01787 M >> S 9 00561		X	M48.01 M48.01 IEOW M48.51 M48.51 IE8A M48.51 IE81						

Model	Year	MG	SG	Illustration	Restrictions	UPD	13:30	21.01.2010	PORSCHE	PET	PORSCHE
9PA1	2010	1	01	101-40		247					

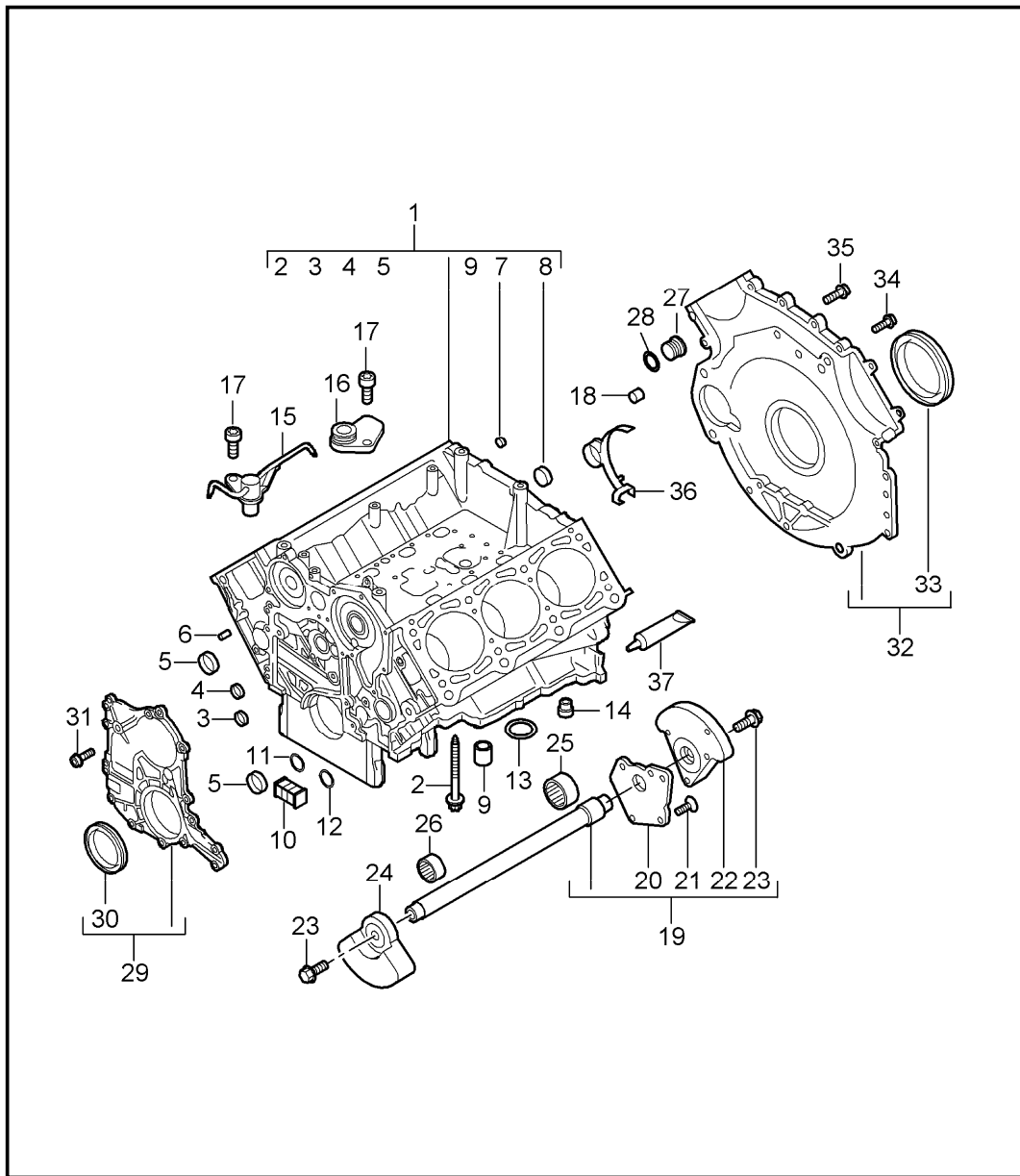


Pos	Part Number	Description	Remark	Qty	Model
1	---	crankcase single parts crankcase not available		1	M55.01
2	N 903 658 01	pan-head screw AM 10 X 78		14	
3	N 102 186 03	lid 15 MM		2	
4	955 101 215 00	lid 36,6 MM		1	
5	955 101 115 00	stopper B 7,3 X 9,3	-08	4	
(5)	955 101 115 01	stopper B 7,3 X 9,3	09-	4	
6	955 101 382 01	connecting piece		2	
7	N 910 170 01	straight pin 8 X 18		4	
8	955 101 157 00	spray nozzle engine oil		6	
9	N 905 026 01	tensioning sleeve 14 X 12		2	
10	955 101 173 01	control box cover lower		1	IG0L
(10)	955 101 173 11	control box cover lower		1	IG0R
11	955 101 051 00	shaft sealing ring 85 X 105 X 11		1	
12	N 101 160 03	combination screw M 6 X 58		2	
13	N 100 829 11	combination screw M 6 X 16		20	
14	N 903 559 03	combination screw M 8 X 30		2	
15	955 101 151 02	joint flange front		1	
16	955 101 139 01	dowel sleeve 16 X 13,5		2	
17	955 606 125 00	knock sensor		1	

Model	Year	MG	SG	Illustration	Restrictions	UPD	13:30	21.01.2010	PORSCHE	PET	PORSCHE
9PA1	2010	1	01	101-40		247					

Pos	Part Number	Description	Remark	Qty	Model	Pos	Part Number	Description	Remark	Qty	Model
18	N 010 272 5	hexagon-head bolt M 8 X 26		2							
19	955 606 125 20	knock sensor M >> 639 04557		1							
(19)	955 606 125 21	knock sensor M 639 04558 >>		1							
20	955 101 732 00	cap		1							
21	955 606 461 00	heat protection M 639 04558 >>		1							
22	000 043 300 39	sealing compound 1 tube 50 ml. for joint flange front and control box cover lower		X							

Model	Year	MG	SG	Illustration	Restrictions	UPD	13:30	21.01.2010	PORSCHE	PET	PORSCHE
9PA1	2010	1	01	101-50		247					

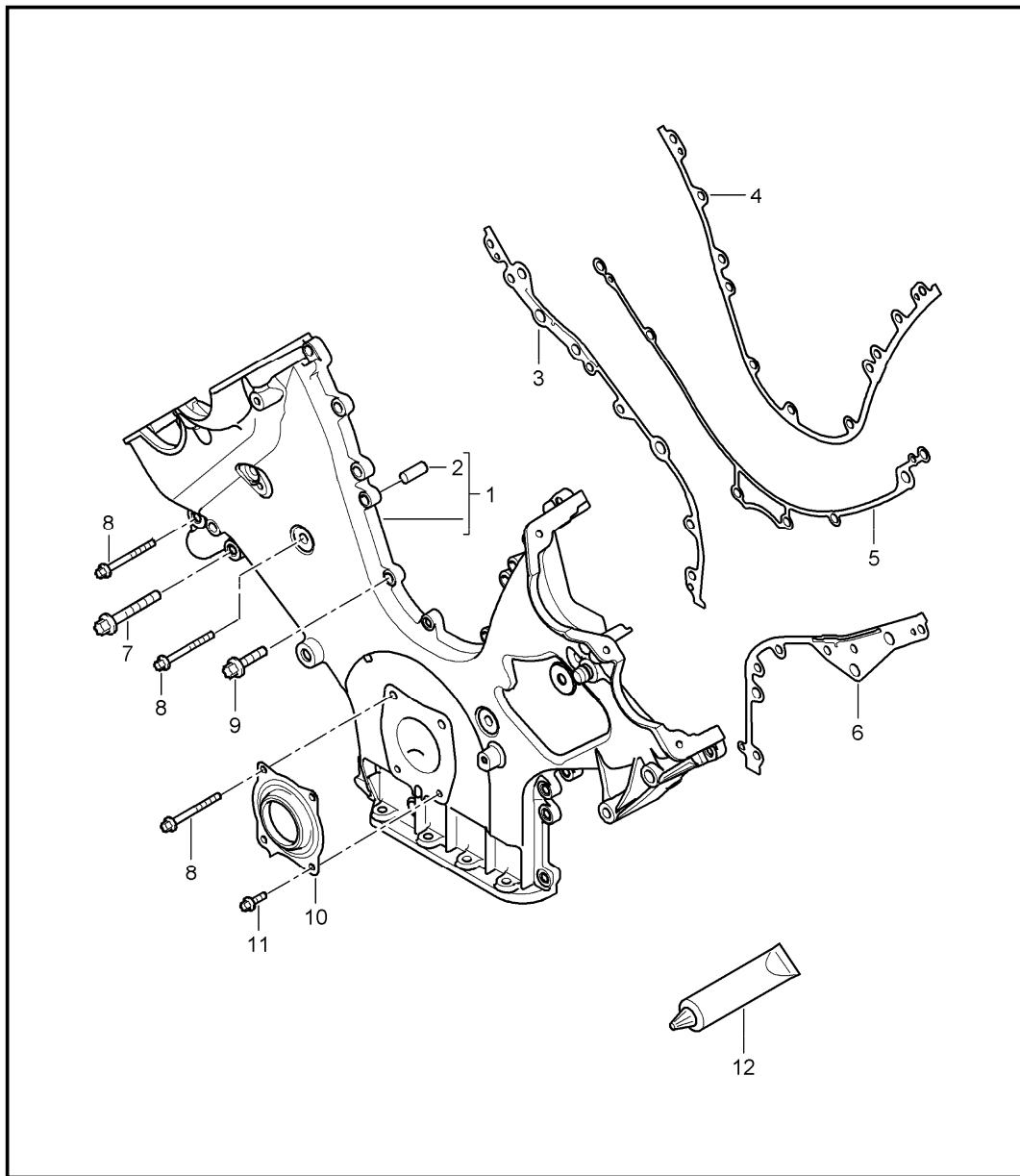


Pos	Part Number	Description	Remark	Qty	Model
		crankcase single parts			M05.9D
1	955 101 011 00	crankcase use also: piston		1 6	
2	955 101 190 00	bearing screw M 11 X 112		16	
3	N 011 903 4	lid A 16		1	
4	N 011 904 7	lid 18		1	
5	N 011 908 5	lid 28		2	
6	N 106 678 01	straight pin 6 X 16		2	
7	N 910 818 01	lid 8		3	
8	N 011 914 10	lid 24		1	
9	955 101 139 10	dowel sleeve		2	
10	955 101 147 00	gasket joint flange front and rear		4	
11	N 903 649 01	o-ring 7 X 2		1	
12	N 904 054 02	o-ring 11 X 2,5		1	
13	N 013 832 6	sealing ring 18 X 22		1	
14	N 016 029 3	screw plug M 18 X 1,5		1	
15	955 101 017 00	spray nozzle engine oil		3	
16	955 101 765 00	valve		1	
17	N 910 547 01	fit bolt M 6 X 6 X 12		4	
18	955 101 139 01	dowel sleeve 16 X 13,5		2	

Model	Year	MG	SG	Illustration	Restrictions	UPD	13:30	21.01.2010	PORSCHE	PET	PORSCHE
9PA1	2010	1	01	101-50		247					

Pos	Part Number	Description	Remark	Qty	Model	Pos	Part Number	Description	Remark	Qty	Model
19	955 101 025 00	balance shaft		1		37	000 043 207 49	sealing compound 1 tube 80 ml		x	
20	955 101 407 00	lid		1							
21	N 104 560 04	countersunk-head screw M 6 X 12		4							
22	955 101 331 00	balance weight rear		1							
23	N 908 932 02	hexagon-head bolt M 10 X 20		2							
24	955 101 332 00	balance weight front		1							
25	955 101 869 00	needle-roller bearing Durchm. 25 MM		1							
26	955 101 869 10	needle-roller bearing Durchm. 22 MM		1							
27	955 101 189 00	lid 20		1							
28	955 107 124 00	round seal 15 X 2,5		1							
29	955 101 150 00	joint flange front use also: o-ring N .903.649.01 N .904.054.02		1 1 1							
30	955 101 052 00	shaft sealing ring		1							
31	N 101 243 06	oval-head screw M 6 X 20		12							
(31)	N 910 048 02	stud M 6 X 22 / M 6 X 12		1							
32	955 101 071 00	joint flange rear		1							
33	955 101 053 00	shaft sealing ring		1							
34	N 101 562 06	oval-head screw M 6 X 30		21							
35	N 102 258 02	pan-head screw M 8 X 32		7							
36	955 101 565 01	cover		1							

Model	Year	MG	SG	Illustration	Restrictions	UPD	13:31	21.01.2010	PORSCHE	PET	PORSCHE
9PA1	2010	1	01	101-60		247					



Pos	Part Number	Description	Remark	Qty	Model
1	948 101 022 02	control box cover joint flange		1	M48.01/51
		M >> 9 05540			M48.01
		M >> G 9 04964			M48.01
		M >> 9 01688			IE0W
		M >> T 9 01787			M48.51
		M >> S 9 00561			M48.51
(1)	948 101 022 04	control box cover		1	M48.01
		M 9 05541 >>			M48.01
		M G 9 04965 >>			IE0W
		M 9 01689 >>			M48.51
		M T 9 01788 >>			M48.51
		M S 9 00562 >>			IE8A
					M48.51
					IE81
2	900 012 204 00	straight pin 6 X 16		8	M48.01
		M >> 9 05540			M48.01
		M >> G 9 04964			IE0W
		M >> 9 01688			M48.51
		M >> T 9 01787			M48.51
		M >> S 9 00561			IE8A
					M48.51
					IE81
(2)	900 012 204 30	straight pin 6 X 16		8	M48.01
		M 9 05541 >>			M48.01
		M G 9 04965 >>			IE0W
		M 9 01689 >>			M48.51
		M T 9 01788 >>			M48.51
		M S 9 00562 >>			IE8A
					M48.51
					IE81
3	948 101 130 12	gasket version steel		1	
		M >> 9 08051			
		M >> G 9 07711			
		M >> T 9 02453			

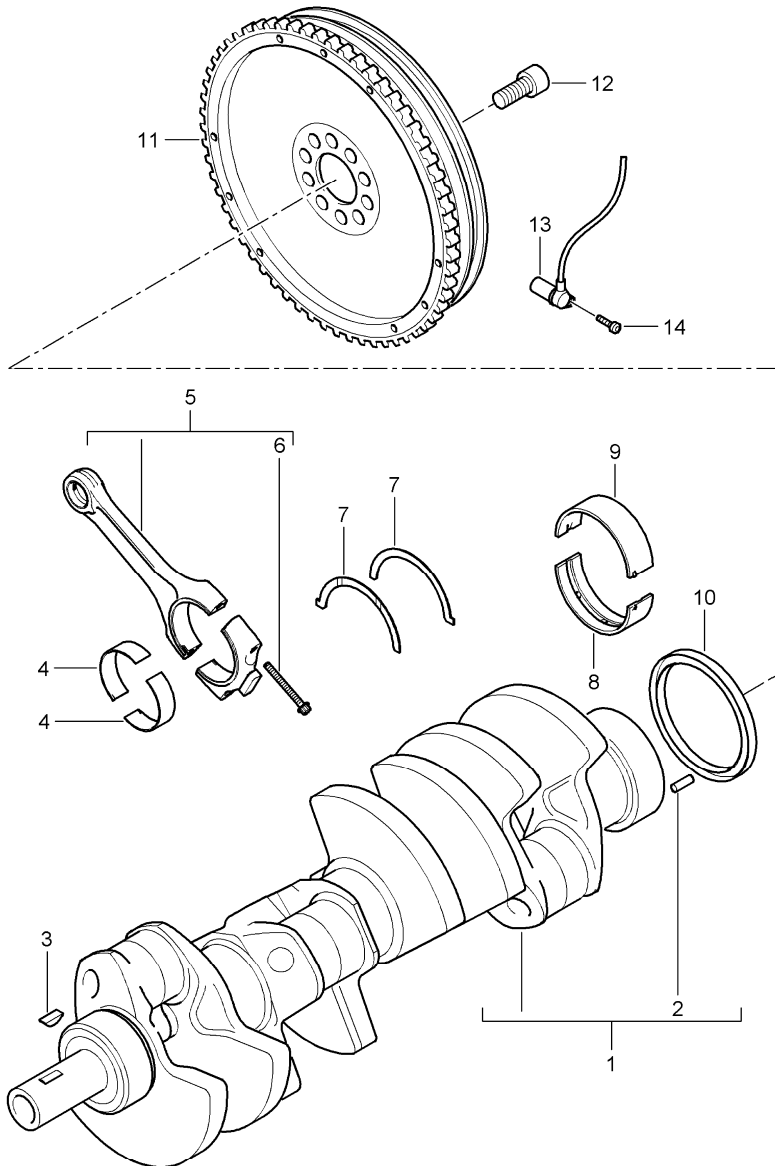
Model	Year	MG	SG	Illustration	Restrictions	UPD	13:31	21.01.2010	PORSCHE	PET	PORSCHE
9PA1	2010	1	01	101-60		247					

Pos	Part Number	Description	Remark	Qty	Model	Pos	Part Number	Description	Remark	Qty	Model
(3)	948 101 130 20	gasket version aluminium M 9 08052 >> M G 9 07712 >> M T 9 02454 >>		1		7	900 385 071 01	torx screw BM 8 X 50 M >> 9 05540 M >> G 9 04964 M >> 9 01688 M >> T 9 01787 M >> S 9 00561		2	M48.01 M48.01 IE0W M48.51 M48.51 IE8A M48.51 IE81
4	948 101 125 10	gasket version steel M >> 9 08051 M >> G 9 07711 M >> T 9 02453		1		(7)	999 073 913 30	oval-head screw M 8 X 55 M 9 05541 >> M G 9 04965 >> M 9 01689 >> M T 9 01788 >> M S 9 00562 >>		2	M48.01 M48.01 IE0W M48.51 M48.51 IE8A M48.51 IE81
(4)	948 101 125 20	gasket version aluminium M 9 08052 >> M G 9 07712 >> M T 9 02454 >>		1		8	900 385 070 01	torx screw BM 6 X 50 M >> 9 05540 M >> G 9 04964 M >> 9 01688 M >> T 9 01787 M >> S 9 00561		7	M48.01 M48.01 IE0W M48.51 M48.51 IE8A M48.51 IE81
5 A	948 101 127 10	gasket		1		(8)	999 073 914 30	oval-head screw M 6 X 55 M 9 05541 >> M G 9 04965 >> M 9 01689 >> M T 9 01788 >> M S 9 00562 >>		7	M48.01 M48.01 IE0W M48.51 M48.51 IE8A M48.51 IE81
(5)	948 101 127 11	gasket	-08	1		9	900 385 072 01	torx screw BM 6 X 25 M >> 9 05540 M >> G 9 04964 M >> 9 01688 M >> T 9 01787 M >> S 9 00561		23	M48.01 M48.01 IE0W M48.51 M48.51 IE8A M48.51 IE81
(5)	948 101 127 20	gasket version aluminium M 9 08052 >> M G 9 07712 >> M T 9 02454 >>		1							
6	948 101 129 12	gasket version steel M >> 9 08051 M >> G 9 07711 M >> T 9 02453		1							
(6)	948 101 129 20	gasket version aluminium M 9 08052 >> M G 9 07712 >> M T 9 02454 >>		1							

Model	Year	MG	SG	Illustration	Restrictions	UPD	13:31	21.01.2010	PORSCHE	PET	PORSCHE
9PA1	2010	1	01	101-60		247					

Pos	Part Number	Description	Remark	Qty	Model	Pos	Part Number	Description	Remark	Qty	Model
(9)	999 073 905 30	oval-head screw M 6 X 30 M 9 05541 >> M G 9 04965 >> M 9 01689 >> M T 9 01788 >> M S 9 00562 >>		23	M48.01 M48.01 IEOW M48.51 M48.51 IE8A M48.51 IE81						
10	948 101 910 04	joint flange with assembly sleeve		1							
11	900 385 041 01	torx screw BM 6 X 12 M >> 9 05540 M >> G 9 04964 M >> 9 01688 M >> T 9 01787 M >> S 9 00561		2	M48.01 M48.01 IEOW M48.51 M48.51 IE8A M48.51 IE81						
(11)	999 073 903 30	oval-head screw M 6 X 20 M 9 05541 >> M G 9 04965 >> M 9 01689 >> M T 9 01788 >> M S 9 00562 >>		2	M48.01 M48.01 IEOW M48.51 M48.51 IE8A M48.51 IE81						
12	000 043 204 35	sealing compound 1 tube 50 ml. for control box cover		X							

Model	Year	MG	SG	Illustration	Restrictions	UPD	13:31	21.01.2010	PORSCHE	PET	PORSCHE
9PA1	2010	1	02	102-00		247					



Pos	Part Number	Description	Remark	Qty	Model
1	948 102 011 11	crankshaft connecting rod crankshaft see workshop manual group 1 KD-NR. 134819 M >> 9 05540 M >> G 9 04964 M >> 9 01688 M >> T 9 01787 M >> S 9 00561		1	M48.01/51 M48.01 IE0W M48.51 M48.51 IE8A M48.51 IE81
(1)	948 102 011 12	crankshaft only together with main bearing shell 948.101.241.00/01/02/03 and 948.101.242.00/01/02/03 see workshop manual group 1 KD-NR. 134819 M 9 05541 >> M G 9 04965 >> M 9 01689 >> M T 9 01788 >> M S 9 00562 >>		1	M48.01 M48.01 IE0W M48.51 M48.51 IE8A M48.51 IE81
2	900 302 049 00	straight pin 6 X 20		1	
3	N 012 713 1	woodruff key 5,0 X 6,5		1	
4	948 103 210 10	connecting-rod bearing identification red		16	
(4)	948 103 210 11	connecting-rod bearing identification yellow		16	
(4)	948 103 210 12	connecting-rod bearing identification blue		16	
5 A	948 103 975 13	connecting rod set comprising: connecting rod		1 8	

Model	Year	MG	SG	Illustration	Restrictions	UPD	13:31	21.01.2010	PORSCHE	PET	PORSCHE
9PA1	2010	1	02	102-00		247					

Pos	Part Number	Description	Remark	Qty	Model	Pos	Part Number	Description	Remark	Qty	Model
(5)	948 103 010 13	connecting rod complete		8		(8)	948 101 241 01	main bearing shell lower identification yellow M 9 05541 >> M G 9 04965 >>		5	M48.01 M48.01 IEOW
6	997 103 115 01	connecting rod bolt		16							
7	948 101 215 10	thrust washer		2							
8	948 101 208 13	main bearing shell lower identification red only together with crankshaft 948.102.011.11 M >> 9 05540 M >> G 9 04964 M >> 9 01688 M >> T 9 01787 M >> S 9 00561		5	M48.01 M48.01 IEOW M48.51 M48.51 IE8A M48.51 IE81	(8)	948 101 208 15	main bearing shell lower identification blue only together with crankshaft 948.102.011.11 M >> 9 05540 M >> G 9 04964 M >> 9 01688 M >> T 9 01787 M >> S 9 00561		5	M48.01 M48.01 IEOW M48.51 M48.51 IE8A M48.51 IE81
(8)	948 101 241 00	main bearing shell lower identification red M 9 05541 >> M G 9 04965 >> M 9 01689 >> M T 9 01788 >> M S 9 00562 >>		5	M48.01 M48.01 IEOW M48.51 M48.51 IE8A M48.51 IE81	(8)	948 101 241 02	main bearing shell lower identification blue M 9 05541 >> M G 9 04965 >> M 9 01689 >> M T 9 01788 >> M S 9 00562 >>		5	M48.01 M48.01 IEOW M48.51 M48.51 IE8A M48.51 IE81
(8)	948 101 208 14	main bearing shell lower identification yellow only together with crankshaft 948.102.011.11 M >> 9 05540 M >> G 9 04964 M >> 9 01688 M >> T 9 01787 M >> S 9 00561		5	M48.01 M48.01 IEOW M48.51 M48.51 IE8A M48.51 IE81	(8)	948 101 241 03	main bearing shell lower identification green M 9 05541 >> M G 9 04965 >> M 9 01689 >> M T 9 01788 >> M S 9 00562 >>		5	M48.01 M48.01 IEOW M48.51 M48.51 IE8A M48.51 IE81

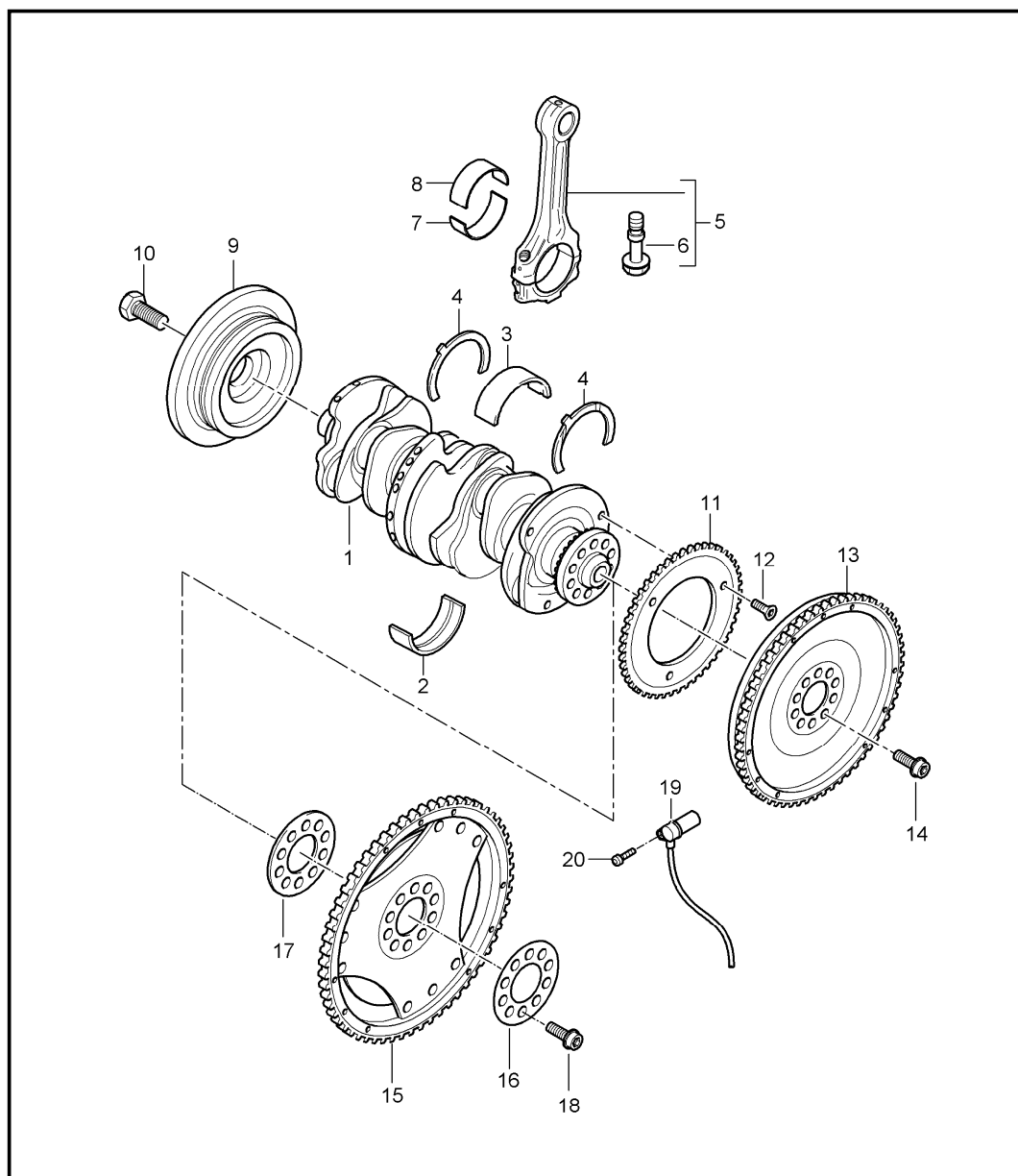
Model	Year	MG	SG	Illustration	Restrictions	UPD	13:31	21.01.2010	PORSCHE	PET	PORSCHE
9PA1	2010	1	02	102-00		247					

Pos	Part Number	Description	Remark	Qty	Model	Pos	Part Number	Description	Remark	Qty	Model
9	948 101 213 13	main bearing shell upper identification red only together with crankshaft 948.102.011.11 M >> 9 05540 M >> G 9 04964 M >> 9 01688 M >> T 9 01787 M >> S 9 00561		5	M48.01 M48.01 IEOW M48.51 M48.51 IE8A M48.51 IE81	(9)	948 101 213 15	main bearing shell upper identification blue only together with crankshaft 948.102.011.11 M >> 9 05540 M >> G 9 04964 M >> 9 01688 M >> T 9 01787 M >> S 9 00561		5	M48.01 M48.01 IEOW M48.51 M48.51 IE8A M48.51 IE81
(9)	948 101 242 00	main bearing shell upper identification red M 9 05541 >> M G 9 04965 >> M 9 01689 >> M T 9 01788 >> M S 9 00562 >>		5	M48.01 M48.01 IEOW M48.51 M48.51 IE8A M48.51 IE81	(9)	948 101 242 02	main bearing shell upper identification blue M 9 05541 >> M G 9 04965 >> M 9 01689 >> M T 9 01788 >> M S 9 00562 >>		5	M48.01 M48.01 IEOW M48.51 M48.51 IE8A M48.51 IE81
(9)	948 101 213 14	main bearing shell upper identification yellow only together with crankshaft 948.102.011.11 M >> 9 05540 M >> G 9 04964 M >> 9 01688 M >> T 9 01787 M >> S 9 00561		5	M48.01 M48.01 IEOW M48.51 M48.51 IE8A M48.51 IE81	(9)	948 101 242 03	main bearing shell upper identification green M 9 05541 >> M G 9 04965 >> M 9 01689 >> M T 9 01788 >> M S 9 00562 >>		5	M48.01 M48.01 IEOW M48.51 M48.51 IE8A M48.51 IE81
(9)	948 101 242 01	main bearing shell upper identification yellow M 9 05541 >> M G 9 04965 >> M 9 01689 >> M T 9 01788 >> M S 9 00562 >>		5	M48.01 M48.01 IEOW M48.51 M48.51 IE8A M48.51 IE81	10	948 101 212 02	shaft sealing ring M >> 838 22988 M >> 858 05357 M >> 848 11308 M >> 868 00694		1	
						(10)	997 101 212 01	shaft sealing ring M 838 22989 >> M 858 05358 >> M 848 11309 >> M 868 00695 >>		1	
						11	955 114 012 01	double-mass flywheel		1	ID5V/GOL

Model	Year	MG	SG	Illustration	Restrictions	UPD	13:31	21.01.2010	PORSCHE	PET	PORSCHE
9PA1	2010	1	02	102-00		247					

Pos	Part Number	Description	Remark	Qty	Model	Pos	Part Number	Description	Remark	Qty	Model
12	N 906 651 01	pan-head screw M 10 X 1 X 29		10	ID5V/G0L						
13	955 606 381 10	inductive transmitter		1							
14	N 014 701 11	pan-head screw M 6 X 12		1							

Model	Year	MG	SG	Illustration	Restrictions	UPD	13:31	21.01.2010	PORSCHE	PET	PORSCHE
9PA1	2010	1	02	102-10		247					

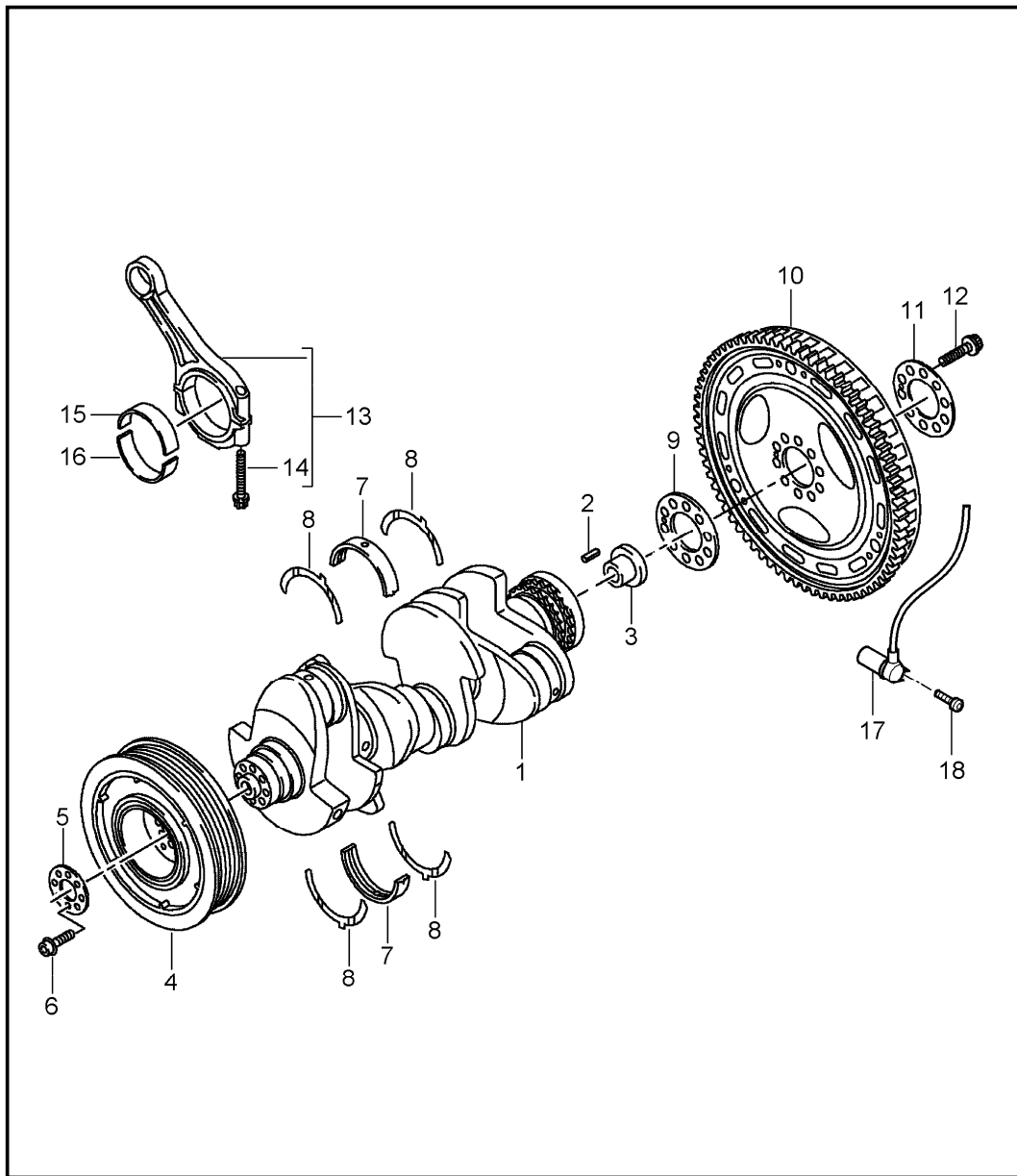


Pos	Part Number	Description	Remark	Qty	Model
		crankshaft connecting rod			M55.01
1	955 102 011 00	crankshaft		1	
2	955 102 591 00	bearing shell crankshaft lower identification yellow		7	
3	955 102 561 00	bearing shell crankshaft upper identification yellow		7	
4	955 102 635 01	thrust washer		2	
5	955 103 975 00	connecting rod set comprising: connecting rod	-08	1	
(5)	955 103 975 01	connecting rod set comprising: connecting rod	09-	1	
6	955 102 425 00	connecting rod bolt		12	
7 A	955 103 210 00	conrod bearing shell lower identification yellow		6	
(7)	955 103 210 02	conrod bearing shell lower identification yellow		6	
8 A	955 103 210 01	conrod bearing shell upper identification red		6	
(8)	955 103 210 03	conrod bearing shell upper identification red		6	
9	955 102 241 00	vibration damper	-08	1	
(9)	955 102 241 01	vibration damper	09-	1	
10	N 010 087 6	hexagon-head bolt M 18 X 1,5 X 40		1	

Model	Year	MG	SG	Illustration	Restrictions	UPD	13:31	21.01.2010	PORSCHE	PET	PORSCHE
9PA1	2010	1	02	102-10		247					

Pos	Part Number	Description	Remark	Qty	Model	Pos	Part Number	Description	Remark	Qty	Model
11	955 102 189 00	drive plate inductive transmitter		1							
12	955 102 229 00	countersunk-head screw M 6 X 13		3							
13	955 114 012 10	double-mass flywheel		1	IG0L						
14	N 906 651 01	pan-head screw M 10 X 1 X 29		10	IG0L						
15	955 102 327 00	drive plate		1	IG0R						
16	955 102 301 00	washer		1	IG0R						
17	955 102 303 20	shim 1,2 MM		X	IG0R						
18	N 905 398 01	pan-head screw M 10 X 1 X 19		10	IG0R						
19	955 606 147 00	pulse sender		1							
20	N 103 352 06	round head screw M 6 X 12		1							

Model	Year	MG	SG	Illustration	Restrictions	UPD	13:31	21.01.2010	PORSCHE	PET	PORSCHE
9PA1	2010	1	02	102-20		247					

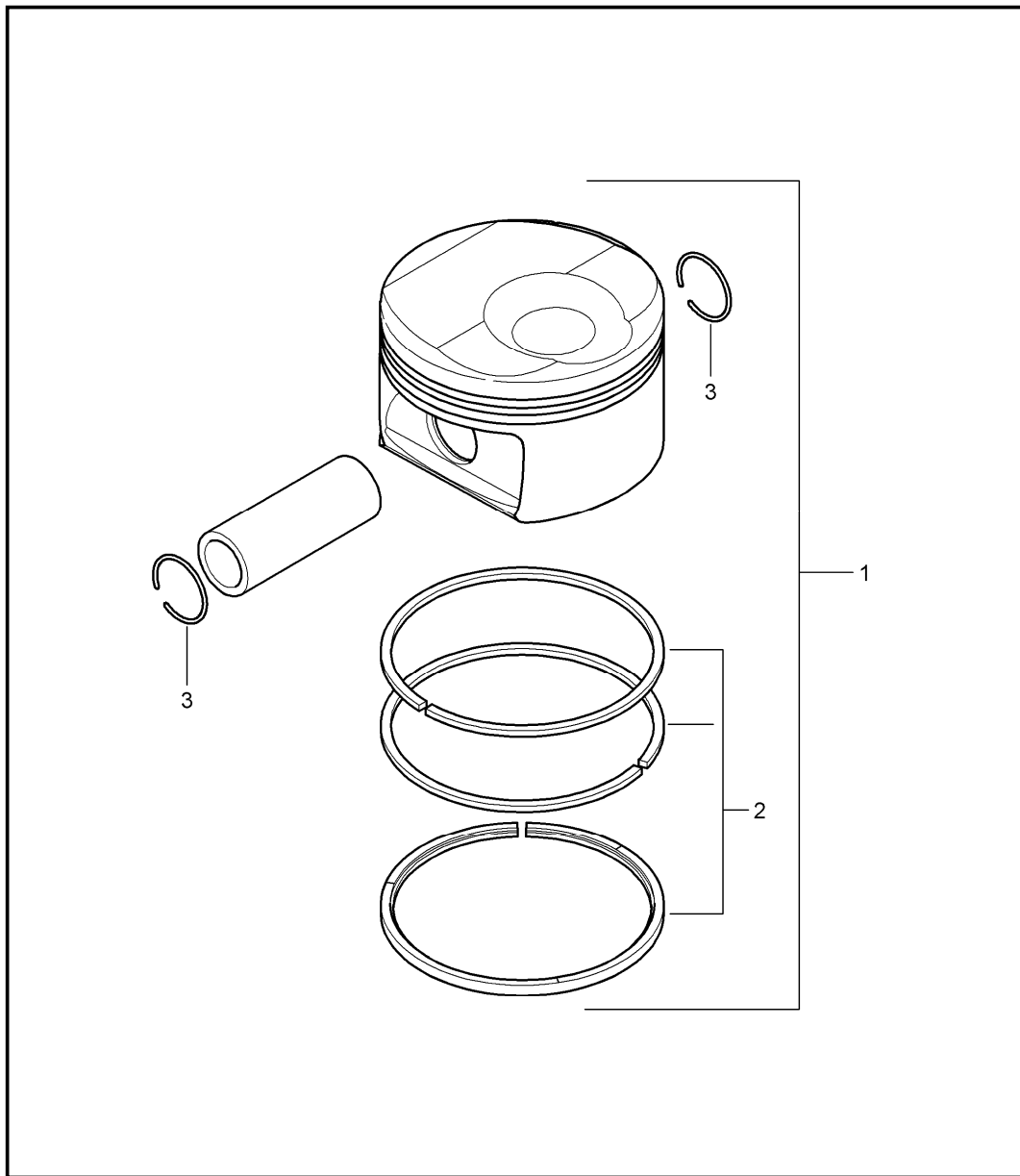


Pos	Part Number	Description	Remark	Qty	Model
		crankshaft connecting rod			M05.9D
1	955 102 011 10	crankshaft use also: N .013.333.1 955.102.329.00		1	
2	N 013 333 1	tensioning sleeve 6 X 14		1	
3	955 102 329 00	bush		1	
4	955 102 241 10	vibration damper		1	
5	WHT 003 351	shim 24,5 X 60,5 X 1,5		1	
6	N 910 059 02	pan-head screw M 8 X 25		8	
7	955 102 901 00	bearing set crankshaft comprising: bearing shell lower bearing shell upper		4	
8	955 102 902 00	thrust washer set comprising: thrust washer lower thrust washer upper		1	
9	955 102 303 60	shim 1,5 MM		2	
10	955 102 327 10	drive plate		2	
11	955 102 303 70	shim 3,4 MM		1	
12	N 905 398 01	pan-head screw M 10 X 1 X 19		10	
13	955 103 975 10	connecting rod set comprising: connecting rod		1	
14	955 102 425 10	connecting rod bolt M 8 X 1 X 50		6	
				12	

Model	Year	MG	SG	Illustration	Restrictions	UPD	13:31	21.01.2010	PORSCHE	PET	PORSCHE
9PA1	2010	1	02	102-20		247					

Pos	Part Number	Description	Remark	Qty	Model	Pos	Part Number	Description	Remark	Qty	Model
15	955 103 210 10	conrod bearing shell upper identification yellow		6							
16	955 103 210 20	conrod bearing shell lower identification yellow		6							
17	955 606 381 20	inductive transmitter		1							
18	N 106 536 01	pan-head screw M 6 X 20		1							

Model	Year	MG	SG	Illustration	Restrictions	UPD	13:31	21.01.2010	PORSCHE	PET	PORSCHE
9PA1	2010	1	02	102-30		247					



Pos	Part Number	Description	Remark	Qty	Model
		piston piston rings			M48.01/51
1	U 948 103 046 09	piston tolerance range X number plate - 556,5 G cylinders 1 - 4		4	M48.01
(1)	948 103 046 14	piston tolerance range X number plate - 556,5 G cylinders 1 - 4 M >> G A 09234		4	M48.01
(1)	948 103 048 21	piston tolerance range X number plate - 556,5 G cylinders 1 - 4 M G A 09235 >>		4	M48.01
(1)	U 948 103 046 10	piston tolerance range X number plate + 562,5 G cylinders 1 - 4		4	M48.01
(1)	948 103 046 15	piston tolerance range X number plate + 562,5 G cylinders 1 - 4 M >> G A 09234		4	M48.01
(1)	948 103 048 22	piston tolerance range X number plate + 562,5 G cylinders 1 - 4 M G A 09235 >>		4	M48.01

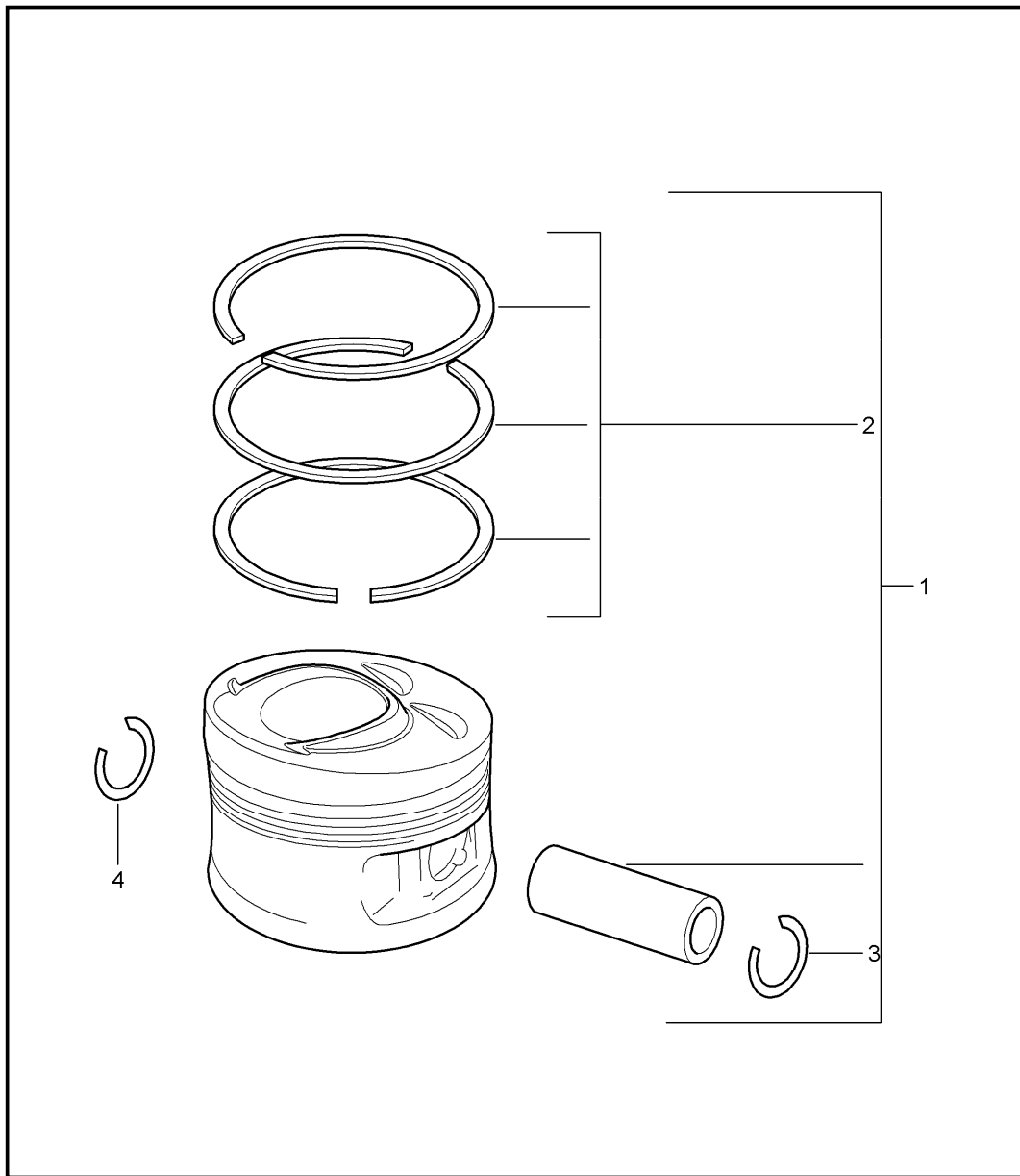
Model	Year	MG	SG	Illustration	Restrictions	UPD	13:31	21.01.2010	PORSCHE	PET	PORSCHE
9PA1	2010	1	02	102-30		247					

Pos	Part Number	Description	Remark	Qty	Model	Pos	Part Number	Description	Remark	Qty	Model
(1)	U 948 103 045 09	piston tolerance range X number plate - 556,5 G cylinders 5 - 8		4	M48.01	(1)	U 948 103 046 59	piston tolerance range X number plate - 563,5 G cylinders 1 - 4		4	M48.51
(1)	948 103 045 14	piston tolerance range X number plate - 556,5 G cylinders 5 - 8 M >> G A 09234		4	M48.01	(1)	948 103 046 64	piston tolerance range X number plate - 563,5 G cylinders 1 - 4		4	M48.51
(1)	948 103 047 21	piston tolerance range X number plate - 556,5 G cylinders 5 - 8 M G A 09235 >>		4	M48.01	(1)	U 948 103 046 60	piston tolerance range X number plate + 569,5 G cylinders 1 - 4		4	M48.51
(1)	U 948 103 045 10	piston tolerance range X number plate + 562,5 G cylinders 5 - 8		4	M48.01	(1)	948 103 046 65	piston tolerance range X number plate + 569,5 G cylinders 1 - 4		4	M48.51
(1)	948 103 045 15	piston tolerance range X number plate + 562,5 G cylinders 5 - 8 M >> G A 09234		4	M48.01	(1)	U 948 103 045 59	piston tolerance range X number plate - 563,5 G cylinders 5 - 8		4	M48.51
(1)	948 103 047 22	piston tolerance range X number plate + 562,5 G cylinders 5 - 8 M G A 09235 >>		4	M48.01	(1)	948 103 045 64	piston tolerance range X number plate - 563,5 G cylinders 5 - 8		4	M48.51
						(1)	U 948 103 045 60	piston tolerance range X number plate + 569,5 G cylinders 5 - 8		4	M48.51

Model	Year	MG	SG	Illustration	Restrictions	UPD	13:31	21.01.2010	PORSCHE	PET	PORSCHE
9PA1	2010	1	02	102-30		247					

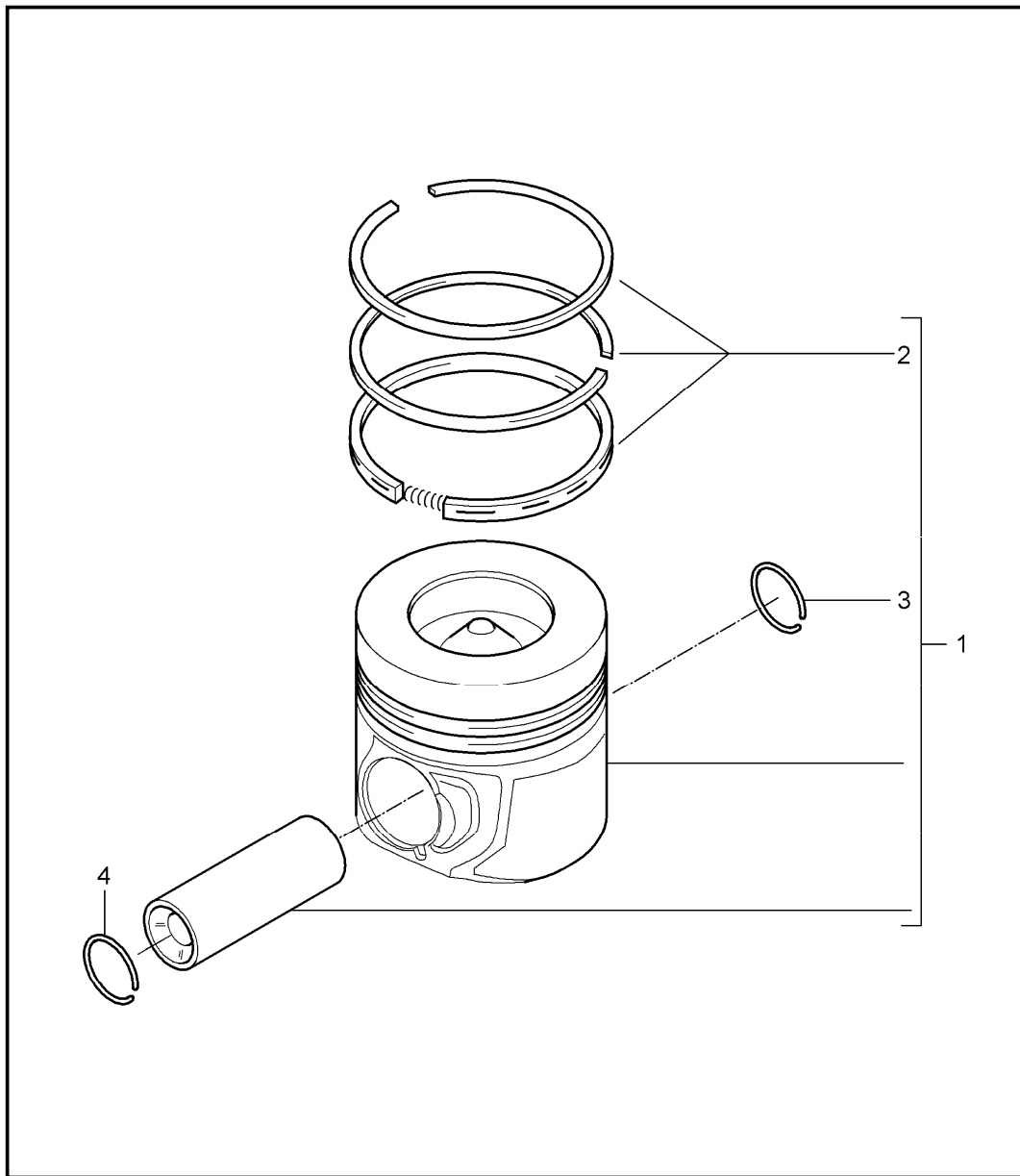
Pos	Part Number	Description	Remark	Qty	Model	Pos	Part Number	Description	Remark	Qty	Model
(1)	948 103 045 65	piston tolerance range X number plate + 569,5 G cylinders 5 - 8		4	M48.51						
2	U 948 103 931 14	set of piston rings		8							
(2)	948 103 931 15	set of piston rings		8							
3	948 103 341 00	circlip		16							

Model	Year	MG	SG	Illustration	Restrictions	UPD	13:31	21.01.2010	PORSCHE	PET	PORSCHE
9PA1	2010	1	02	102-40		247					



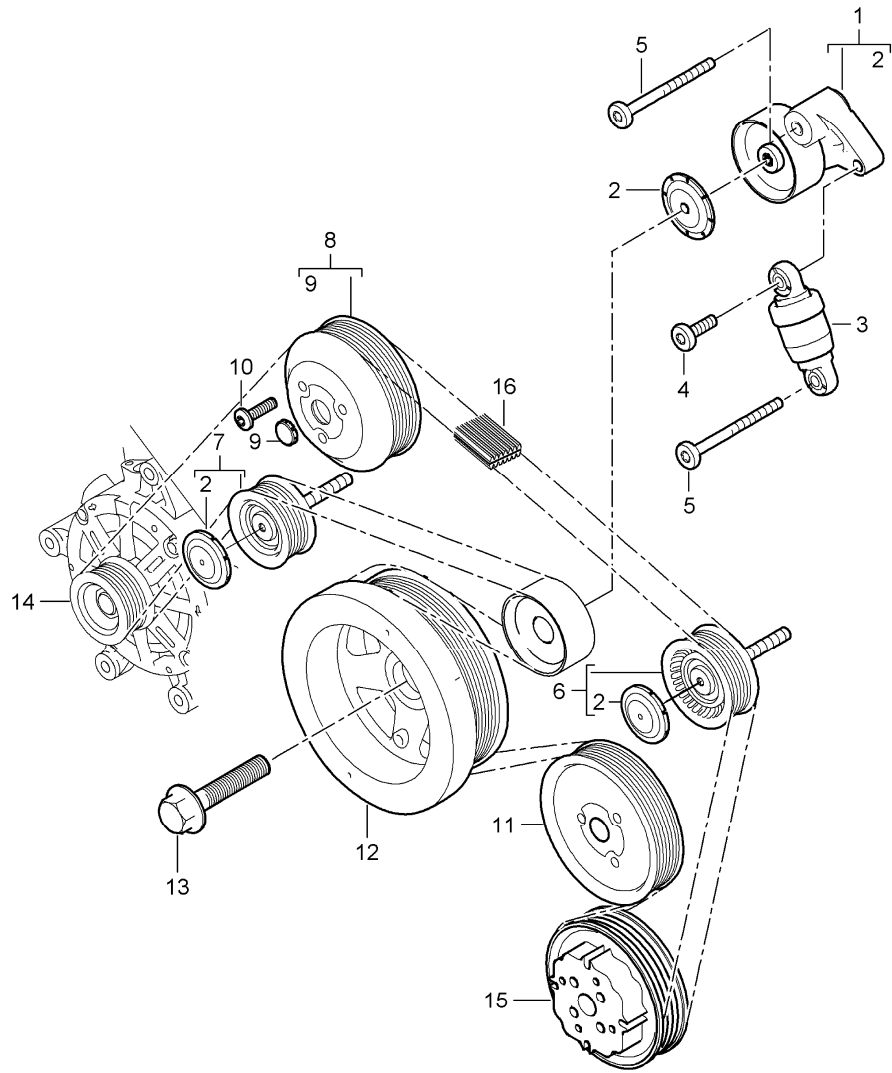
Pos	Part Number	Description	Remark	Qty	Model
		piston piston rings			M55.01
1	955 103 032 00	piston complete cylinder 1 / 3 / 5		3	
(1)	955 103 033 00	piston complete cylinder 2 / 4 / 6		3	
2	955 103 926 00	set of piston rings		6	
3	N 012 273 1	circlip C 20 X 1,5		6	
4	N 012 273 1	circlip C 20 X 1,5		6	

Model	Year	MG	SG	Illustration	Restrictions	UPD	13:32	21.01.2010	PORSCHE	PET	PORSCHE
9PA1	2010	1	02	102-50		247					



Pos	Part Number	Description	Remark	Qty	Model
		piston piston rings			M05.9D
1	955 103 034 00	piston complete		6	
2	955 103 927 00	set of piston rings		6	
3	955 103 441 00	circlip 30 X 2		6	
4	955 103 441 00	circlip 30 X 2		6	

Model	Year	MG	SG	Illustration	Restrictions	UPD	13:32	21.01.2010	PORSCHE	PET	PORSCHE
9PA1	2010	1	02	102-60		247					

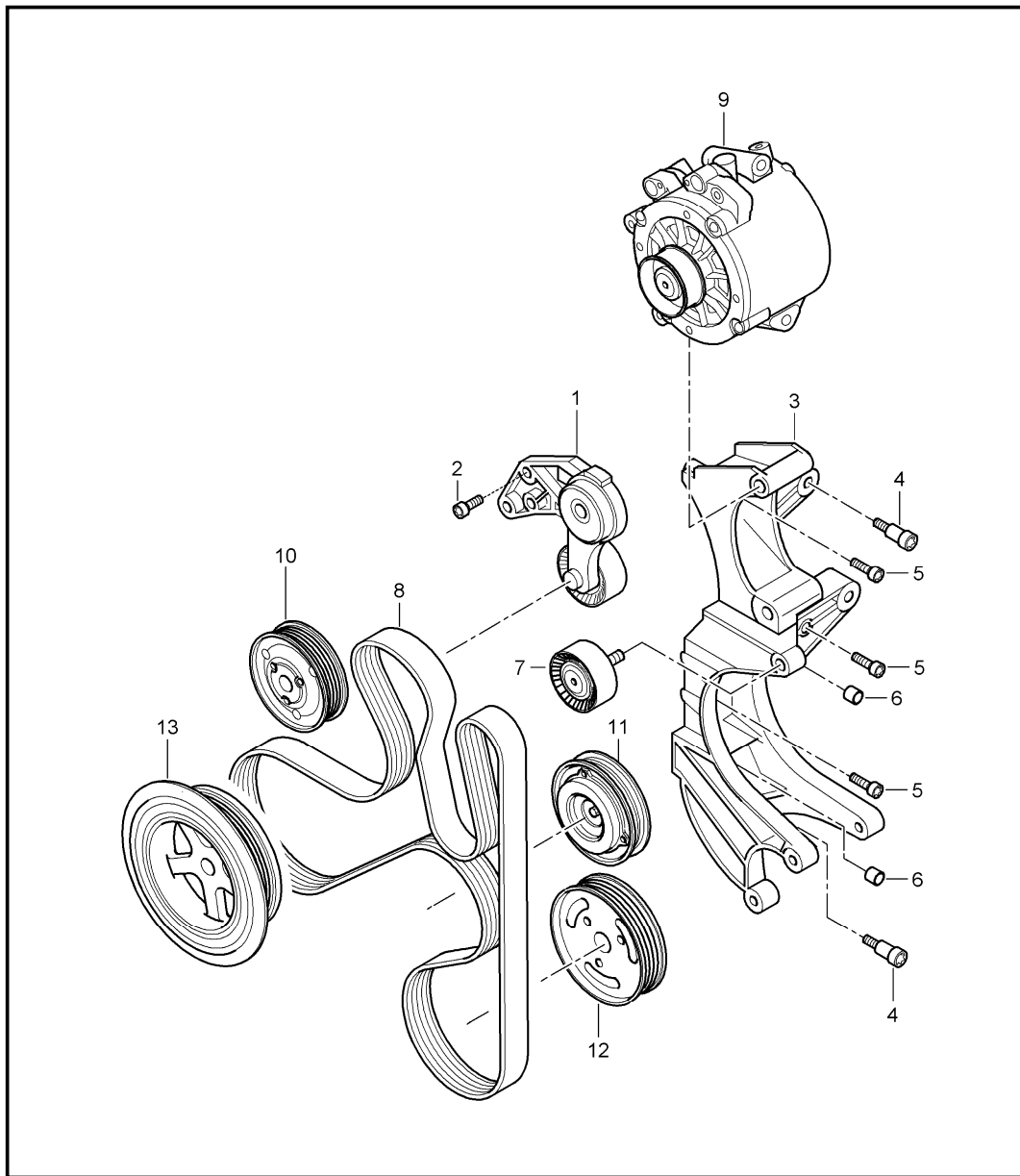


Pos	Part Number	Description	Remark	Qty	Model
1	948 102 403 00	belt tensioner belt drive lever with tensioning roller M >> 9 05540 M >> G 9 04964 M >> 9 01688 M >> T 9 01787 M >> S 9 00561		1	M48.01/51 M48.01 M48.01 IE0W M48.51 M48.51 IE8A M48.51 IE81
(1)	948 102 403 21	lever with tensioning roller M 9 05541 >> M G 9 04965 >> M 9 01689 >> M T 9 01788 >> M S 9 00562 >>		1	M48.01 M48.01 IE0W M48.51 M48.51 IE8A M48.51 IE81
2	948 102 839 00	protection cap		3	
3	948 102 261 21	tensioner hydraulic M 9 05541 >> M G 9 04965 >> M 9 01689 >> M T 9 01788 >> M S 9 00562 >> use also: up to engine number M >> 9 05540 M >> G 9 04964 M >> 9 01688 M >> T 9 01787 M >> S 9 00561		1	M48.01 M48.01 IE0W M48.51 M48.51 IE8A M48.51 IE81
		948.102.403.21		1	
4	999 073 246 09	torx screw M 8 X 33		1	
5	999 073 329 09	torx screw M 8 X 96		2	

Model	Year	MG	SG	Illustration	Restrictions	UPD	13:32	21.01.2010	PORSCHE	PET	PORSCHE
9PA1	2010	1	02	102-60		247					

Pos	Part Number	Description	Remark	Qty	Model	Pos	Part Number	Description	Remark	Qty	Model
6	A 948 102 119 10	deflection roller with fastening screw and protection cap		1		(7)	948 102 118 20	deflection roller with fastening screw and protection cap		1	
(6)	955 102 119 10	deflection roller with fastening screw and protection cap M >> 9 05540 M >> G 9 04964 M >> 9 01688 M >> T 9 01787 M >> S 9 00561		1	M48.01 M48.01 IEOW M48.51 M48.51 IE8A M48.51 IE81	8	948 106 091 00	pulley water pump		1	M48.01 M48.01 IEOW M48.51 M48.51 IE8A M48.51 IE81
(6)	7PP 145 276	deflection roller with fastening screw and protection cap M 9 05541 >> M G 9 04965 >> M 9 01689 >> M T 9 01788 >> M S 9 00562 >>		1	M48.01 M48.01 IEOW M48.51 M48.51 IE8A M48.51 IE81	9	948 106 419 00	lid		1	
						10	999 073 104 01	torx screw M 8 X 16		3	
						11		pulley power-steering pump tandem pump see group 4/03/03		1	
						12	948 102 241 61	vibration damper crankshaft		1	
						13	948 102 202 10	hexagon-head bolt M 18 X 1,5 X 72,1		1	
7	948 102 118 00	deflection roller with fastening screw and protection cap M >> 9 05540 M >> G 9 04964 M >> 9 01688 M >> T 9 01787 M >> S 9 00561		1	M48.01 M48.01 IEOW M48.51 M48.51 IE8A M48.51 IE81	14		pulley generator see group 9/02/05		1	
						15		compressor see group 8/13/70		1	
						16	955 102 251 00	v-belt 7 DPK 2880		1	

Model	Year	MG	SG	Illustration	Restrictions	UPD	13:32	21.01.2010	PORSCHE	PET	PORSCHE
9PA1	2010	1	02	102-70		247					

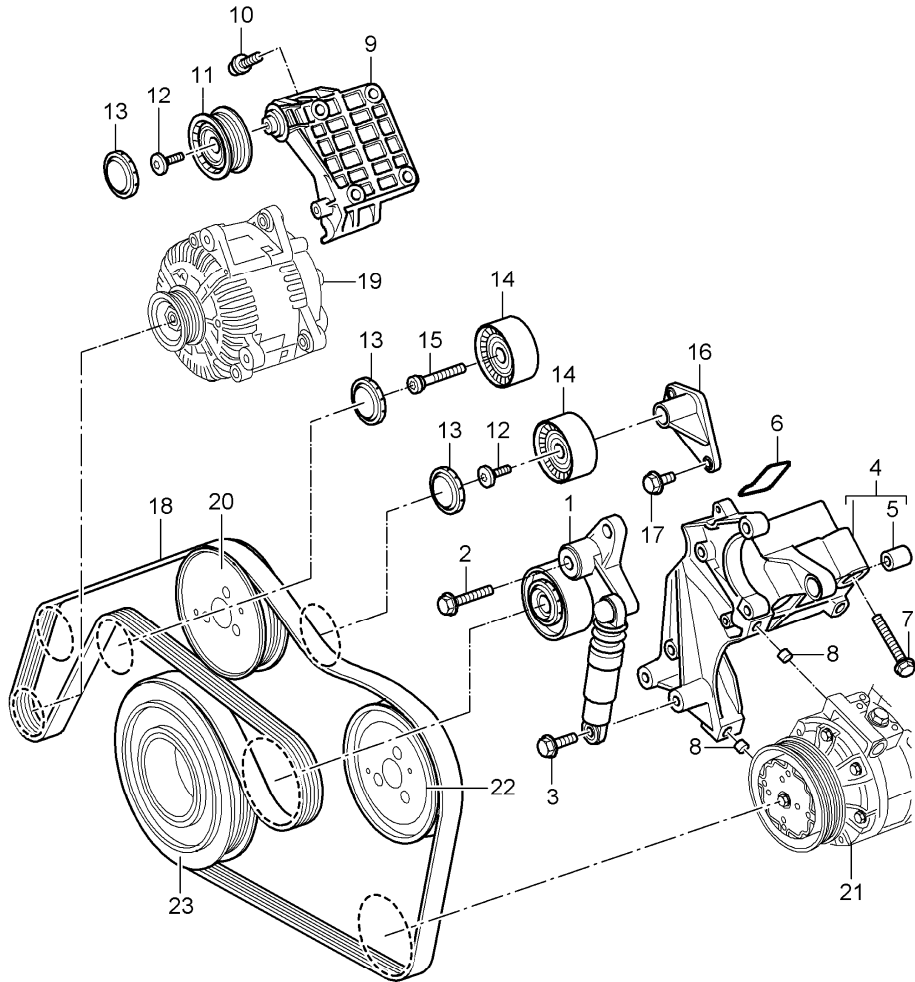


Pos	Part Number	Description	Remark	Qty	Model
		belt tensioner belt drive			M55.01
1	955 102 299 00	belt tensioner M >> 638 08942		1	
(1)	955 102 361 00	belt tensioner M 638 08943 >>	-08	1	
(1)	955 102 361 01	belt tensioner M >> 63A 03026 M >> 63A 05019 see technical information service group 1 KD-NR. 1373 19/09	09-	1	
(1)	955 102 299 00	belt tensioner M 63A 03027 >> M 63A 05020 >> see technical information service group 1 KD-NR. 1373 19/09		1	
2	N 910 766 01	pan-head screw M 8 X 30		3	
3	955 147 151 00	bracket		1	IOAB
(3)	955 147 151 10	bracket		1	IOAW
4	N 911 519 01	fit bolt M 8 X 28		2	
5	N 106 730 01	pan-head screw M 8 X 40		3	
6	955 147 501 01	dowel sleeve 11,15 X 6,5		2	
7	955 102 276 00	deflection roller with fastening screw M >> 638 08942		1	

Model	Year	MG	SG	Illustration	Restrictions	UPD	13:32	21.01.2010	PORSCHE	PET	PORSCHE
9PA1	2010	1	02	102-70		247					

Pos	Part Number	Description	Remark	Qty	Model	Pos	Part Number	Description	Remark	Qty	Model
(7)	955 102 119 00	deflection roller with fastening screw M 638 08943 >> 63A 03026 M >> 63A 05019 see technical information service group 1 KD-NR. 1373 19/09		1							
(7)	955 102 276 00	deflection roller with fastening screw M 63A 03027 >> M 63A 05020 >> see technical information service group 1 KD-NR. 1373 19/09		1							
8	955 102 933 00	poly-rib belt 7DPK 24,92 X 2074 MM		1							
9		generator see group 9/02/05		1							
10		pulley water pump see group 1/05/05		1							
11		compressor air conditioner see group 8/13/70		1							
12		pulley power-steering pump tandem pump see group 4/03/03		1							
13		vibration damper crankshaft see group 1/02/02		1							

Model	Year	MG	SG	Illustration	Restrictions	UPD	13:32	21.01.2010	PORSCHE	PET	PORSCHE
9PA1	2010	1	02	102-80		247					

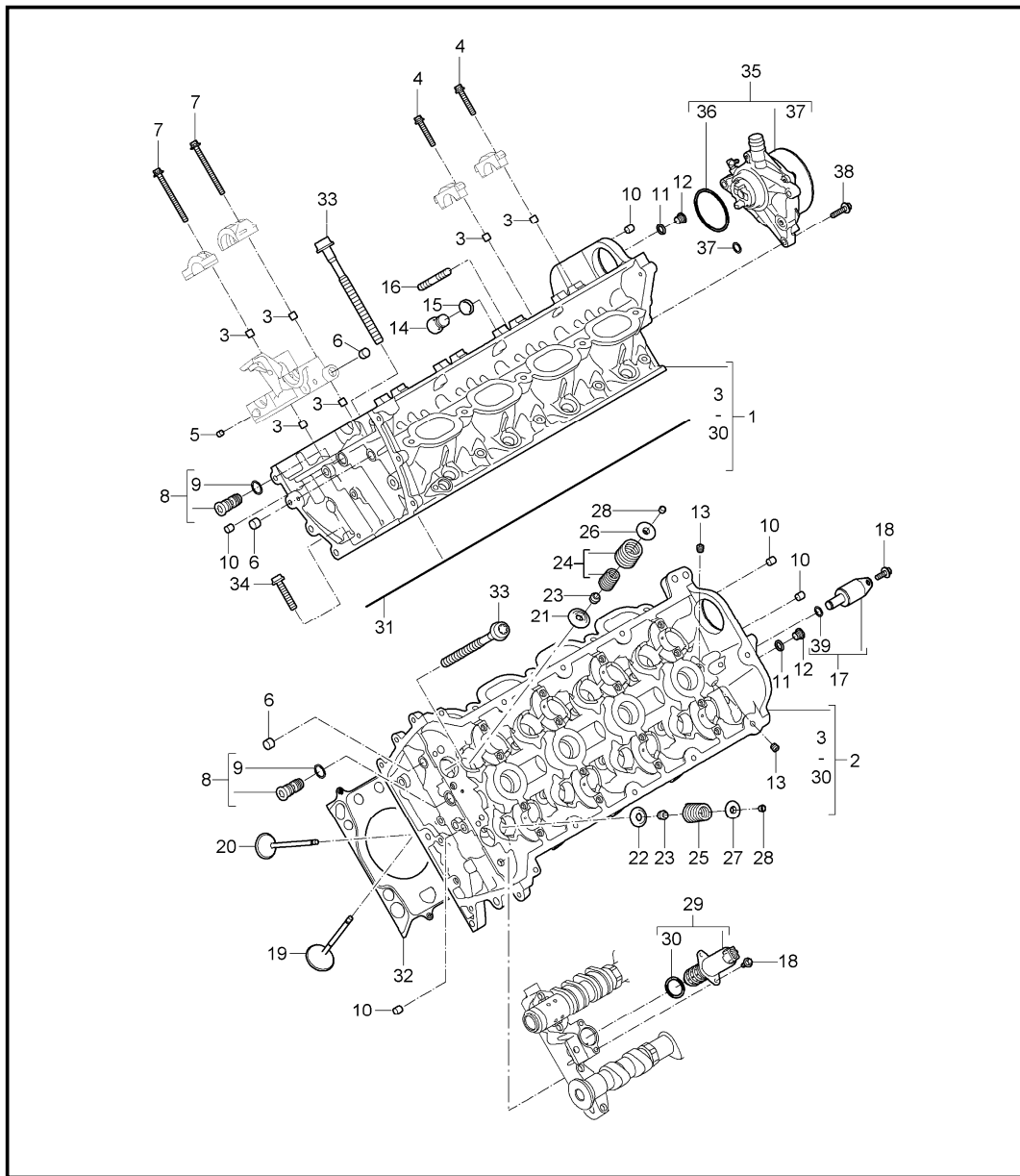


Pos	Part Number	Description	Remark	Qty	Model
		belt tensioner belt drive			M05.9D
1	955 102 361 10	belt tensioner		1	
2	N 105 797 02	hexagon-head bolt AM 10 X 76		1	
3	N 904 400 03	combination screw M 8 X 35		1	
4	955 147 151 20	bracket power-steering pump compressor		1	
5	955 147 410 00	bush 8,4 X 18 X 19,5		1	
6	955 147 661 00	gasket		1	
7	N 102 862 05	hexagon-head bolt AM 10 X 60		4	
8	955 147 501 10	dowel sleeve 11,15 X 6,5		2	
9	955 603 252 00	bracket generator	-09	1	
(9)	955 603 252 01	bracket generator	10-	1	
10	N 910 264 02	pan-head screw M 10 X 35	-09	4	
(10)	N 910 413 01	pan-head screw M 10 X 30	10-	4	
11	955 102 118 00	deflection roller		1	
12	N 907 663 02	fit bolt M 8 X 10 X 25		2	
13	955 102 839 00	protection cap		3	
14	955 102 119 20	deflection roller		2	
15	N 911 241 01	fit bolt M 8 X 16,9 X 65		1	
16	955 102 423 00	support deflection roller		1	
17	N 105 454 02	combination screw M 8 X 25		3	

Model	Year	MG	SG	Illustration	Restrictions	UPD	13:32	21.01.2010	PORSCHE	PET	PORSCHE
9PA1	2010	1	02	102-80		247					

Pos	Part Number	Description	Remark	Qty	Model	Pos	Part Number	Description	Remark	Qty	Model
18	955 102 934 00	poly-rib belt 6 PK 21,18 X 2480		1							
19		generator see group 9/02/05		1							
20		pulley water pump see group 1/05/07		1							
21		compressor air conditioner see group 8/13/70		1							
22		pulley power-steering pump see group 4/03/03		1							
23		vibration damper crankshaft see group 1/02/20		1							

Model	Year	MG	SG	Illustration	Restrictions	UPD	13:32	21.01.2010	PORSCHE	PET	PORSCHE
9PA1	2010	1	03	103-00		247					



Pos	Part Number	Description	Remark	Qty	Model
		cylinder head vacuum pump			M48.01/51
1	948 104 015 03	cylinder head with spark plug cylinders 1 - 4 M >> 9 05540 M >> G 9 04964		1	M48.01
(1)	948 104 015 04	cylinder head with spark plug cylinders 1 - 4 M 9 05541 >> M G 9 04965 >>		1	M48.01
(1)	948 104 015 53	cylinder head with spark plug cylinders 1 - 4 M >> 9 01688 M >> T 9 01787 M >> S 9 00561		1	M48.51
(1)	948 104 015 54	cylinder head with spark plug cylinders 1 - 4 M 9 01689 >> M T 9 01788 >> M S 9 00562 >>		1	M48.51
2	948 104 016 03	cylinder head with spark plug cylinders 5 - 8 M >> 9 05540 M >> G 9 04964		1	M48.01
(2)	948 104 016 04	cylinder head with spark plug cylinders 5 - 8 M 9 05541 >> M G 9 04965 >>		1	M48.01
(2)	948 104 016 53	cylinder head with spark plug cylinders 5 - 8 M >> 9 01688 M >> T 9 01787 M >> S 9 00561		1	M48.51

Model	Year	MG	SG	Illustration	Restrictions	UPD	13:32	21.01.2010	PORSCHE	PET	PORSCHE
9PA1	2010	1	03	103-00		247					

Pos	Part Number	Description	Remark	Qty	Model	Pos	Part Number	Description	Remark	Qty	Model
(2)	948 104 016 54	cylinder head with spark plug cylinders 5 - 8 M 9 01689 >> M T 9 01788 >> M S 9 00562 >>		1	M48.51	(16)	900 191 002 02	threaded bolt MFS 8 X 40 M >> 9 01688 M >> T 9 01787 M >> S 9 00561		24	M48.51
3	944 104 361 00	dowel sleeve		44		(16)	900 191 005 01	threaded bolt MFS 8 X 42 M 9 01689 >> M T 9 01788 >> M S 9 00562 >>		24	M48.51
4	999 073 363 01	torx screw M 6 X 35		32		17	948 105 308 02	actuator valve		2	
5	999 501 023 30	stopper 6,7		2		18	900 385 112 01	torx screw BM 5 X 12		8	
6	999 501 024 30	stopper 11,2		4		19	948 105 321 02	intake valve		16	
7	900 385 027 01	torx screw BM 6 X 70		8		20	948 105 322 02	exhaust valve		16	M48.01
8	948 104 250 01	restrictor		2		(20)	948 105 322 52	exhaust valve		16	M48.51
9	999 707 577 40	o-ring 10,0 X 2,5		2		21	948 105 151 01	concave washer lower intake		16	
10	999 501 028 30	stopper 8,7		5		22	948 105 153 01	concave washer lower exhaust		16	M48.01
11	900 123 144 30	sealing ring A 10 X 13,5		2		(22)	948 105 153 51	concave washer lower exhaust		16	M48.51
12	900 219 023 01	screw plug M 10 X 1		2		23	996 105 115 52	valve stem seal		32	
13	900 063 010 00	screw plug M 8 X 1		4		24	948 105 094 00	set of valve springs intake		16	
14	900 219 024 01	screw plug M 14 X 1,5		2	M48.01	25	948 105 420 01	valve spring exhaust		16	M48.01
15	900 123 007 30	sealing ring A 14 X 18		2	M48.01	(25)	948 105 095 50	set of valve springs exhaust		16	M48.51
16	900 191 003 01	threaded bolt MFS 8 X 33 M >> 9 05540 M >> G 9 04964		24	M48.01	26	948 105 150 01	concave washer upper intake		16	
(16)	900 191 003 02	threaded bolt MFS 8 X 33 M 9 05541 >> M G 9 04965 >>		24	M48.01	27	996 105 121 54	concave washer upper exhaust		16	M48.01

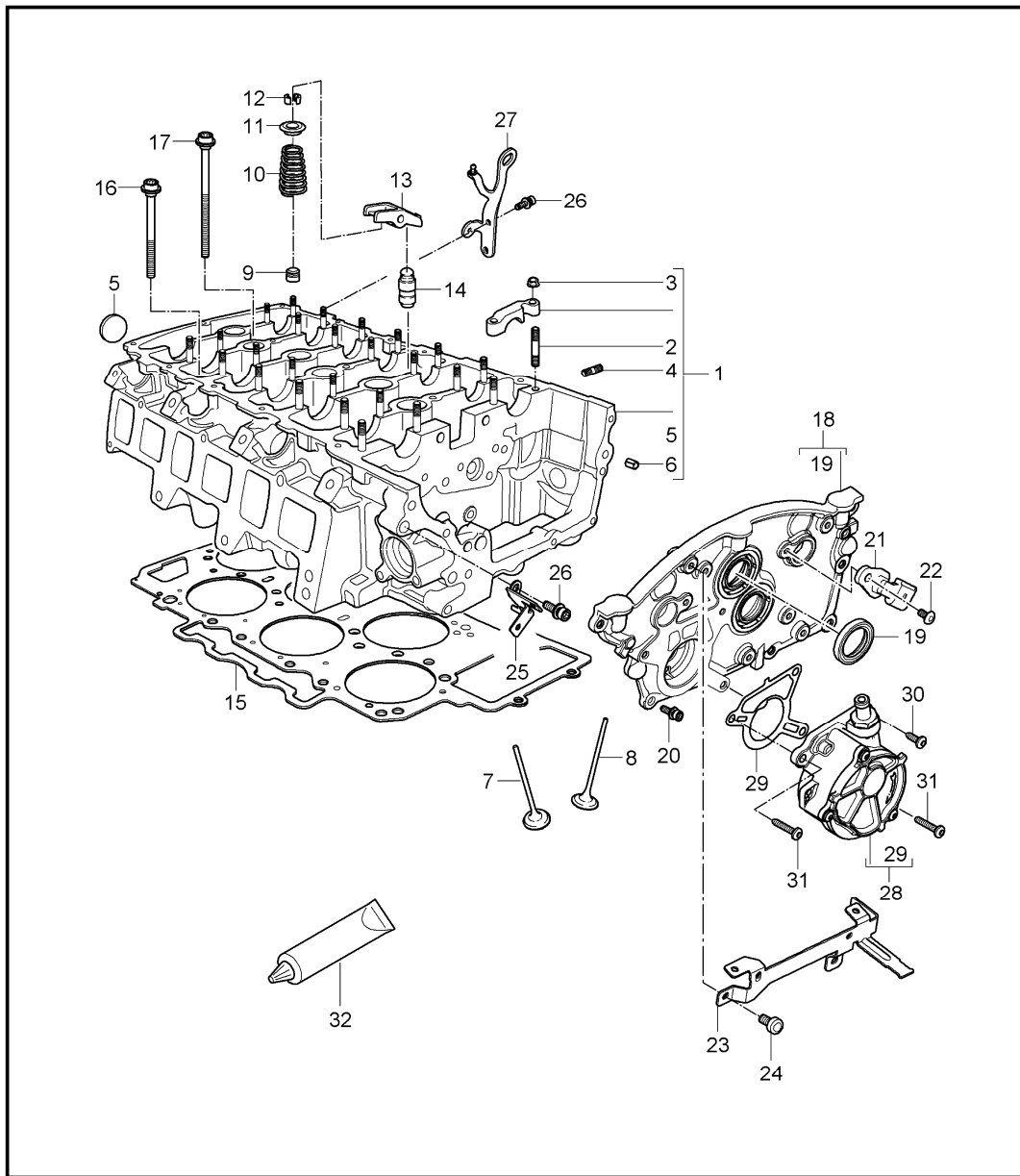
Model	Year	MG	SG	Illustration	Restrictions	UPD	13:32	21.01.2010	PORSCHE	PET	PORSCHE
9PA1	2010	1	03	103-00		247					

Pos	Part Number	Description	Remark	Qty	Model	Pos	Part Number	Description	Remark	Qty	Model
(27)	948 105 152 51	concave washer upper exhaust		16	M48.51	35	948 110 050 03	vacuum pump M >> 838 21546 M >> 858 03011 M >> 848 10396 M >> 868 00598		1	
28	996 105 123 52	valve collet		64							
29	948 105 304 04	actuator camshaft M >> 9 05540 M >> G 9 04964 M >> 9 01688 M >> T 9 01787 M >> S 9 00561		2	M48.01 M48.01 IEOW M48.51 M48.51 IE8A M48.51 IE81	(35)	948 110 050 04	vacuum pump M 838 21547 >> 905540 M 858 03012 >> G 904964 M 848 10397 >> 901688 M 868 00599 >> S 900561 M >> T 9 01787		1	M48.01 M48.01 IEOW M48.51 M48.51 IE81 M48.51 IE8A
(29)	948 105 304 05	actuator camshaft M 9 05541 >> M G 9 04965 >> M 9 01689 >> M T 9 01788 >> M S 9 00562 >>		2	M48.01 M48.01 IEOW M48.51 M48.51 IE8A M48.51 IE81	(35)	948 110 050 05	vacuum pump M 9 05541 >> M G 9 04965 >> M 9 01689 >> M T 9 01788 >> M S 9 00562 >>		1	M48.01 M48.01 IEOW M48.51 M48.51 IE8A M48.51 IE81
30	999 707 446 40	o-ring 18 X 2,5		2		36	999 707 581 40	o-ring 54 X 3 M >> 9 05540 M >> G 9 04964		1	M48.01 M48.01 IEOW M48.51 M48.51 IE8A M48.51 IE81
31	948 104 173 02	cylinder head gasket cylinders 1 - 4	-08	1				M >> 9 01688 M >> T 9 01787			M48.51 M48.51 IE8A M48.51 IE81
(31)	948 104 173 03	cylinder head gasket cylinders 1 - 4	09	1				M >> S 9 00561			M48.51 IE81
(31)	948 104 173 04	cylinder head gasket cylinders 1 - 4	10-	1		(36)	999 707 581 41	o-ring 54 X 3 M 9 05541 >> M G 9 04965 >> M 9 01689 >> M T 9 01788 >> M S 9 00562 >>		1	M48.01 M48.01 IEOW M48.51 M48.51 IE8A M48.51 IE81
32	948 104 174 02	cylinder head gasket cylinders 5 - 8	-08	1							
(32)	948 104 174 03	cylinder head gasket cylinders 5 - 8	09	1							
(32)	948 104 174 04	cylinder head gasket cylinders 5 - 8	10-	1							
33	948 104 181 10	pan-head screw M 11 X 1,5 X 140		20							
34	999 219 044 01	pan-head screw M 8 X 40		1							

Model	Year	MG	SG	Illustration	Restrictions	UPD	13:32	21.01.2010	PORSCHE	PET	PORSCHE
9PA1	2010	1	03	103-00		247					

Pos	Part Number	Description	Remark	Qty	Model	Pos	Part Number	Description	Remark	Qty	Model
37	999 707 582 40	o-ring 13 X 3 M >> 9 05540 M >> G 9 04964 M >> 9 01688 M >> T 9 01787 M >> S 9 00561		1	M48.01 M48.01 IEOW M48.51 M48.51 IE8A M48.51 IE81						
(37)	999 707 582 41	o-ring 13 X 3 M 9 05541 >> M G 9 04965 >> M 9 01689 >> M T 9 01788 >> M S 9 00562 >>		1	M48.01 M48.01 IEOW M48.51 M48.51 IE8A M48.51 IE81						
38	900 385 072 01	torx screw M 6 X 25		3							
39	999 701 582 40	o-ring 11,5 X 1,8		2							

Model	Year	MG	SG	Illustration	Restrictions	UPD	13:33	21.01.2010	PORSCHE	PET	PORSCHE
9PA1	2010	1	03	103-02		247					

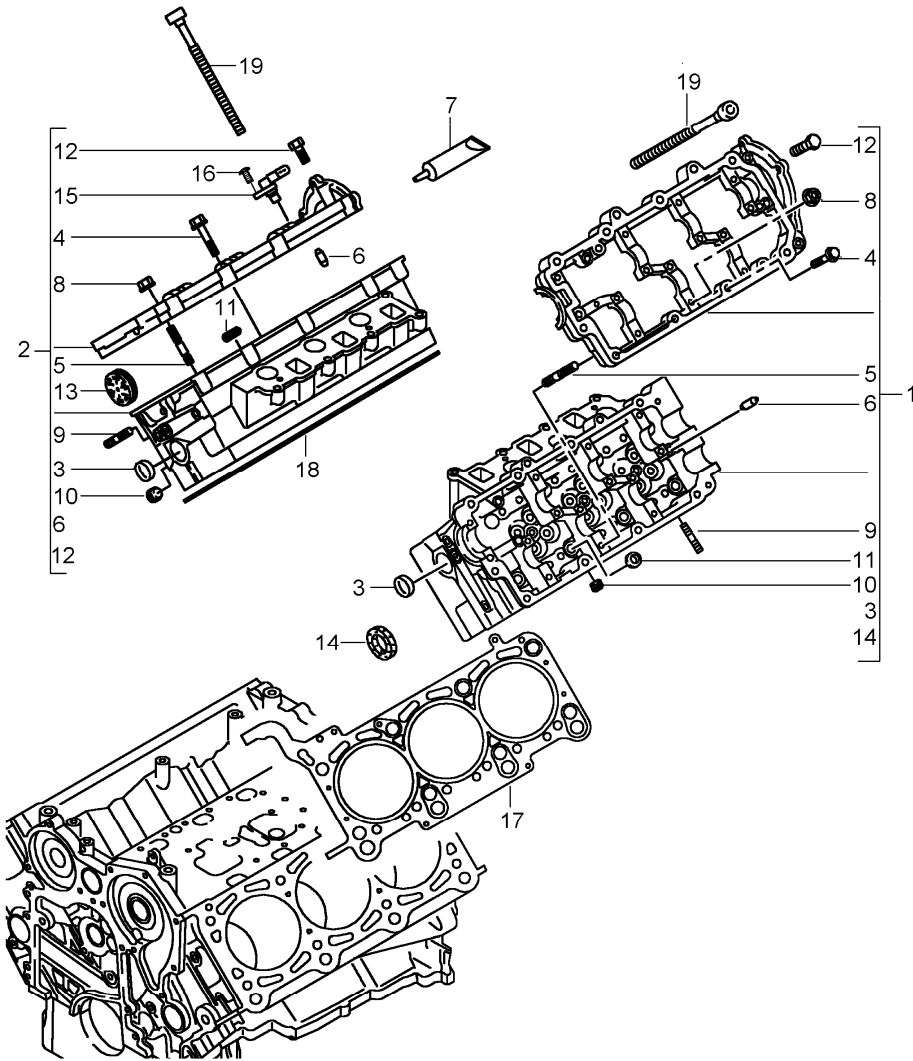


Pos	Part Number	Description	Remark	Qty	Model
		cylinder head vacuum pump			M55.01
1	955 104 901 10	cylinder head without valves		1	
2	955 104 397 00	stud M 7 X 45		28	
3	N 902 790 06	hexagon nut M 7		28	
4	N 044 408 7	stud M 8 X 25		12	
5	N 908 982 02	lid B 30		1	
6	N 903 327 01	roll pin 9 X 11,8		4	
7	955 105 601 00	intake valve short		6	
(7)	955 105 601 10	intake valve long		6	
8	955 105 312 00	exhaust valve short		6	
(8)	955 105 312 10	exhaust valve long		6	
9	996 105 115 52	valve stem seal		24	
-	000 043 204 46	sleeve for repair valve stem seal		1	
10	955 105 119 00	valve spring		24	
11	955 105 641 00	concave washer		24	
12	955 105 651 00	valve collet		48	
13	955 105 417 10	valve lever		24	
14	955 105 423 01	differential housing hydraulic		24	
15	955 104 171 00	cylinder head gasket M >> 638 08942		1	
(15)	955 104 171 01	cylinder head gasket M 638 08943 >>		1	

Model	Year	MG	SG	Illustration	Restrictions	UPD	13:33	21.01.2010	PORSCHE	PET	PORSCHE
9PA1	2010	1	03	103-02		247					

Pos	Part Number	Description	Remark	Qty	Model	Pos	Part Number	Description	Remark	Qty	Model
16	WHT 000 497 A	pan-head screw M 9 X 1,5 X 111		13		(32)	000 043 207 54	sealing compound 1 tube 125 GR. for control box cover valve cover		X	
17	WHT 000 789 A	pan-head screw M 9 X 1,5 X 141		7							
18	955 104 122 10	control box cover		1							
19	955 104 091 10	gasket		2							
20	N 101 244 08	torx screw M 6 X 20		6							
21	955 606 106 10	pulse sender camshaft		2							
22	N 911 322 01	oval-head screw M 6 X 16		2							
23	955 607 501 00	support		1							
24	N 103 352 06	round head screw M 6 X 12		2							
25	955 607 502 00	support		1							
26	N 910 842 01	screw M 8 X 25		3							
27	955 104 305 00	shackle for transportation		1							
28	955 110 050 02	vacuum pump M >> 638 28868		1							
(28)	955 110 050 03	vacuum pump M 638 28869 >>		1							
29	955 110 581 00	gasket		1							
30	N 101 243 06	oval-head screw M 6 X 20		1							
31	N 105 821 03	oval-head screw M 6 X 40		2							
32	000 043 300 39	sealing compound 1 tube 50 ml. for control box cover cylinder head		X							

Model	Year	MG	SG	Illustration	Restrictions	UPD	13:33	21.01.2010	PORSCHE	PET	PORSCHE
9PA1	2010	1	03	103-03		247					

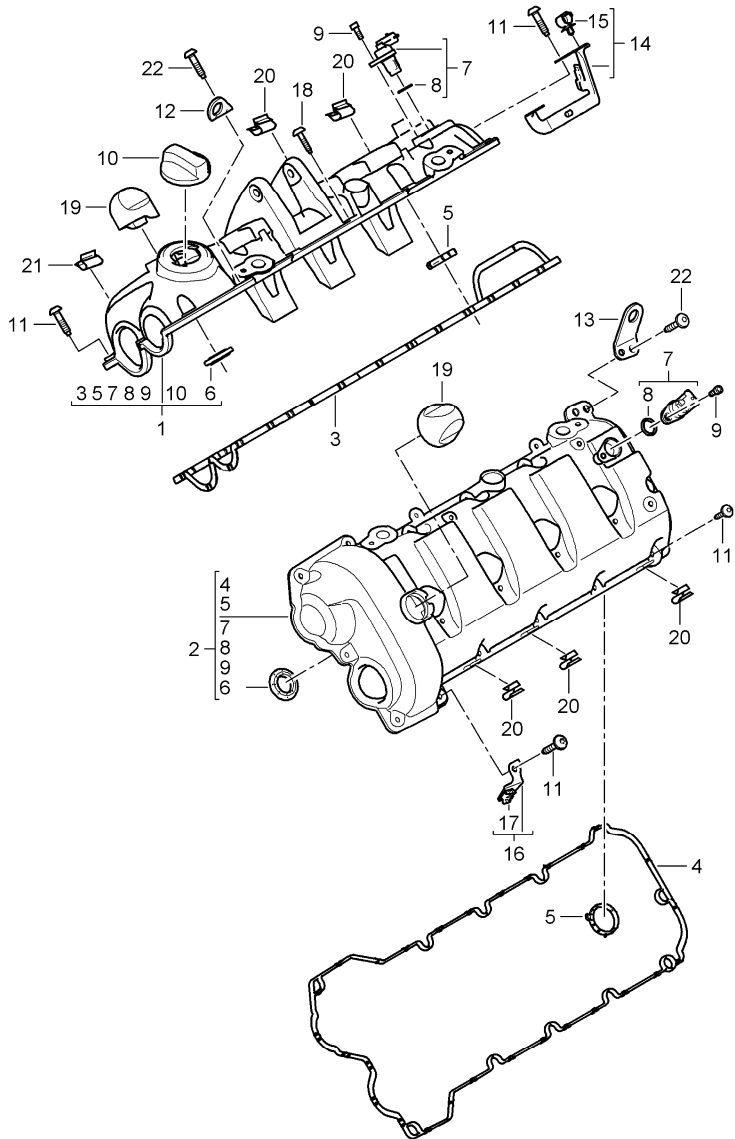


Pos	Part Number	Description	Remark	Qty	Model
		cylinder head			M05.9D
1	955 104 016 00	cylinder head complete cyl. 4 - 6		1	
2	955 104 015 00	cylinder head complete cyl. 1 - 3		1	
3	N 011 908 5	lid 28		4	
4	N 102 056 04	hexagon-head bolt M 6 X 32		24	
5	955 104 399 00	stud		12	
6	955 104 251 00	dowel sleeve 8 M 6 X 32		4	
7	000 043 207 49	sealing compound 1 tube 80 ml		x	
8	N 904 465 02	hexagon nut M 6		12	
9	N 044 441 5	stud M 8 X 40		12	
10	N 102 833 04	screw plug M 8 X 1		2	
11	955 104 377 00	washer 12,6 X 22,4 X 4,5		16	
12	N 911 315 01	screw plug M 10 X 1 X 8		2	
13	955 104 113 00	lid		1	
14	955 104 185 00	shaft sealing ring		1	
15	955 606 106 20	pulse sender camshaft		1	
16	N 101 961 03	oval-head screw M 6 X 18		1	
17	955 104 174 00	cylinder head gasket 1,1 MM 1 Loch M	>> CAS095240	X	

Model	Year	MG	SG	Illustration	Restrictions	UPD	13:33	21.01.2010	PORSCHE	PET	PORSCHE
9PA1	2010	1	03	103-03		247					

Pos	Part Number	Description	Remark	Qty	Model	Pos	Part Number	Description	Remark	Qty	Model
(17)	N 955 104 174 01	cylinder head gasket 1,1 MM 1 Loch M CAS095241 >>		X							
(17)	955 104 174 10	cylinder head gasket 1,15 MM 2 Loecher M >> CAS095240		X							
(17)	N 955 104 174 11	cylinder head gasket 1,15 MM 2 Loecher M CAS095421 >>		X							
(17)	955 104 174 20	cylinder head gasket 1,2 MM 3 Loecher M >> CAS095240		X							
(17)	N 955 104 174 21	cylinder head gasket 1,2 MM 3 Loecher M CAS095241 >>		X							
18	955 104 173 00	cylinder head gasket 1,1 MM 1 Loch M >> CAS095240		X							
(18)	N 955 104 173 01	cylinder head gasket 1,1 MM 1 Loch M CAS095241 >>		X							
(18)	955 104 173 10	cylinder head gasket 1,15 MM 2 Loecher M >> CAS095240		X							
(18)	N 955 104 173 11	cylinder head gasket 1,15 MM 2 Loecher M CAS095241 >>		X							
(18)	955 104 173 20	cylinder head gasket 1,2 MM 3 Loecher M >> CAS095240		X							
(18)	N 955 104 173 21	cylinder head gasket 1,2 MM 3 Loecher M CAS095241 >>		X							
19	955 104 181 00	pan-head screw M 12 X 1,5 X 159,5		16							

Model	Year	MG	SG	Illustration	Restrictions	UPD	13:33	21.01.2010	PORSCHE	PET	PORSCHE
9PA1	2010	1	03	103-04		247					



Pos	Part Number	Description	Remark	Qty	Model
1	948 105 135 02	valve cover cylinders 1 - 4 M >> 9 05540 M >> G 9 04964 M >> 9 01688 M >> T 9 01787 M >> S 9 00561		1	M48.01/51 M48.01 M48.01 IE0W M48.51 M48.51 IE8A M48.51 IE81
(1)	948 105 135 03	valve cover cylinders 1 - 4 M 9 05541 >> M G 9 04965 >> M 9 01689 >> M T 9 01788 >> M S 9 00562 >>		1	M48.01 M48.01 IE0W M48.51 M48.51 IE8A M48.51 IE81
2	948 105 136 03	valve cover cylinders 5 - 8 M >> 9 05540 M >> G 9 04964 M >> 9 01688 M >> T 9 01787 M >> S 9 00561		1	M48.01 M48.01 IE0W M48.51 M48.51 IE8A M48.51 IE81
(2)	948 105 136 04	valve cover cylinders 5 - 8 M 9 05541 >> M G 9 04965 >> M 9 01689 >> M T 9 01788 >> M S 9 00562 >>		1	M48.01 M48.01 IE0W M48.51 M48.51 IE8A M48.51 IE81
3	948 105 935 01	gasket cylinders 1 - 4		1	
4	948 105 936 01	gasket cylinders 5 - 8		1	
5	948 105 937 02	gasket inner		8	

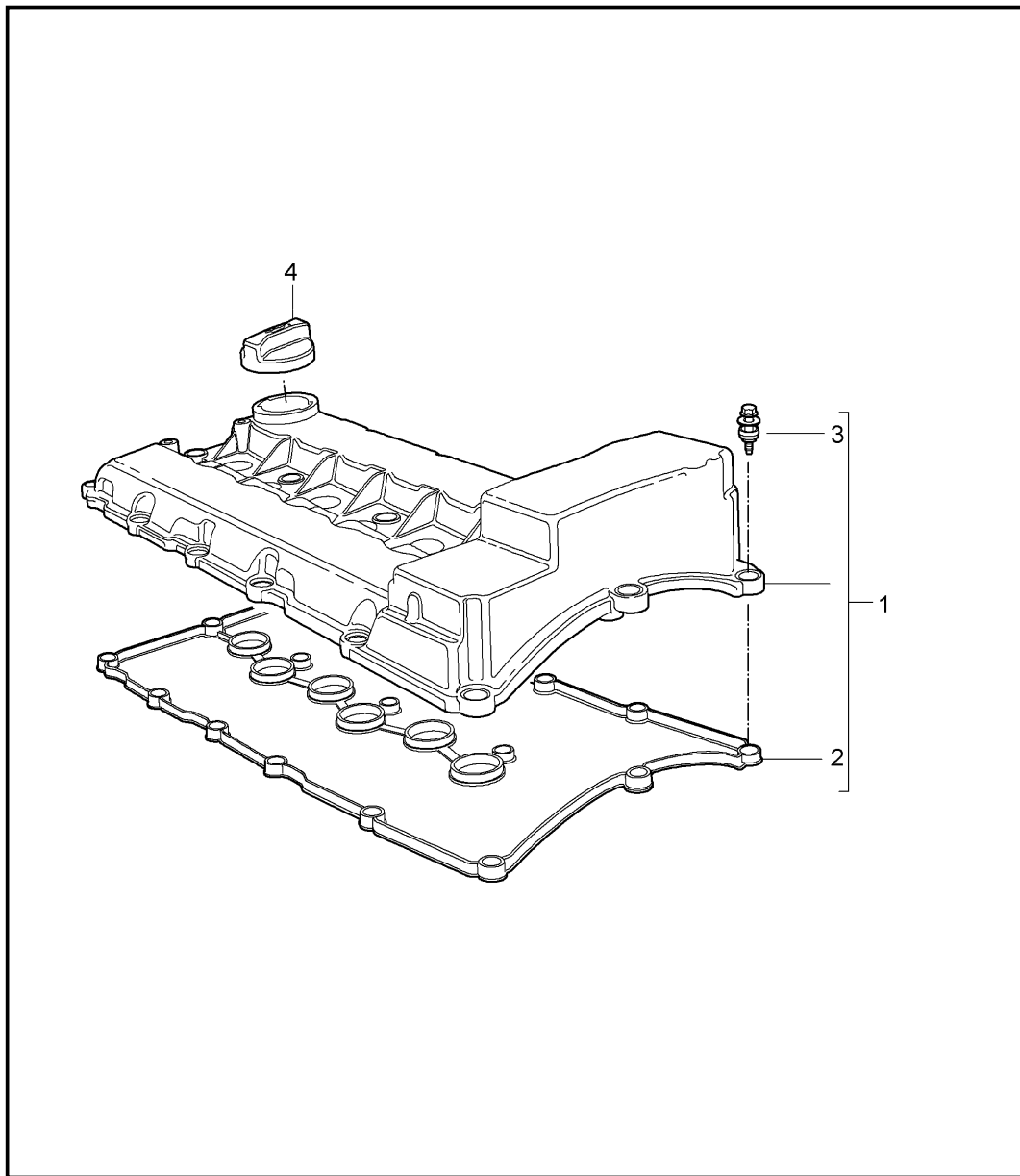
Model	Year	MG	SG	Illustration	Restrictions	UPD	13:33	21.01.2010	PORSCHE	PET	PORSCHE
9PA1	2010	1	03	103-04		247					

Pos	Part Number	Description	Remark	Qty	Model	Pos	Part Number	Description	Remark	Qty	Model
6	948 105 938 00	gasket actuator camshaft		2		11	999 073 341 01	round head screw M 6 X 30 M >> 9 05540 M >> G 9 04964		24	M48.01 M48.01 IEOW
7	997 606 106 01	hall sender M >> 9 05540 M >> G 9 04964 M >> 9 01688 M >> T 9 01787 M >> S 9 00561		2	M48.01 M48.01 IEOW M48.51 M48.51 IE8A M48.51 IE81			M >> 9 01688 M >> T 9 01787 M >> S 9 00561			M48.51 M48.51 IE8A M48.51 IE81
(7)	948 606 106 00	hall sender M 9 05541 >> M G 9 04965 >> M 9 01689 >> M T 9 01788 >> M S 9 00562 >>		2	M48.01 M48.01 IEOW M48.51 M48.51 IE8A M48.51 IE81	(11)	999 073 905 30	oval-head screw M 6 X 30 cylinders 1 - 4 M 9 05541 >> M G 9 04965 >> M 9 01689 >> M T 9 01788 >> M S 9 00562 >>		10	M48.01 M48.01 IEOW M48.51 M48.51 IE8A M48.51 IE81
8	999 707 404 40	o-ring 17,05 X 1,78		2		(11)	999 073 905 30	oval-head screw M 6 X 30 cylinders 5 - 8 M 9 05541 >> M G 9 04965 >> M 9 01689 >> M T 9 01788 >> M S 9 00562 >>		13	M48.01 M48.01 IEOW M48.51 M48.51 IE8A M48.51 IE81
9	900 387 264 01	pan-head screw M 6 X 16 M >> 9 05540 M >> G 9 04964 M >> 9 01688 M >> T 9 01787 M >> S 9 00561		2	M48.01 M48.01 IEOW M48.51 M48.51 IE8A M48.51 IE81	12	948 104 305 00	shackle for transportation	-08	1	
(9)	999 073 903 30	oval-head screw M 6 X 20 M 9 05541 >> M G 9 04965 >> M 9 01689 >> M T 9 01788 >> M S 9 00562 >>		2	M48.01 M48.01 IEOW M48.51 M48.51 IE8A M48.51 IE81	(12)	948 104 305 20	shackle for transportation	09-	1	
						13	948 104 306 00	shackle for transportation	-08	1	
						(13)	948 104 306 20	shackle for transportation	09-	1	
						14	948 607 136 01	support		1	
						15	999 507 603 40	cable holder		1	
						16	948 606 151 00	support		1	
10	955 104 485 00	lid		1		17	999 507 808 09	cable holder		1	

Model	Year	MG	SG	Illustration	Restrictions	UPD	13:33	21.01.2010	PORSCHE	PET	PORSCHE
9PA1	2010	1	03	103-04		247					

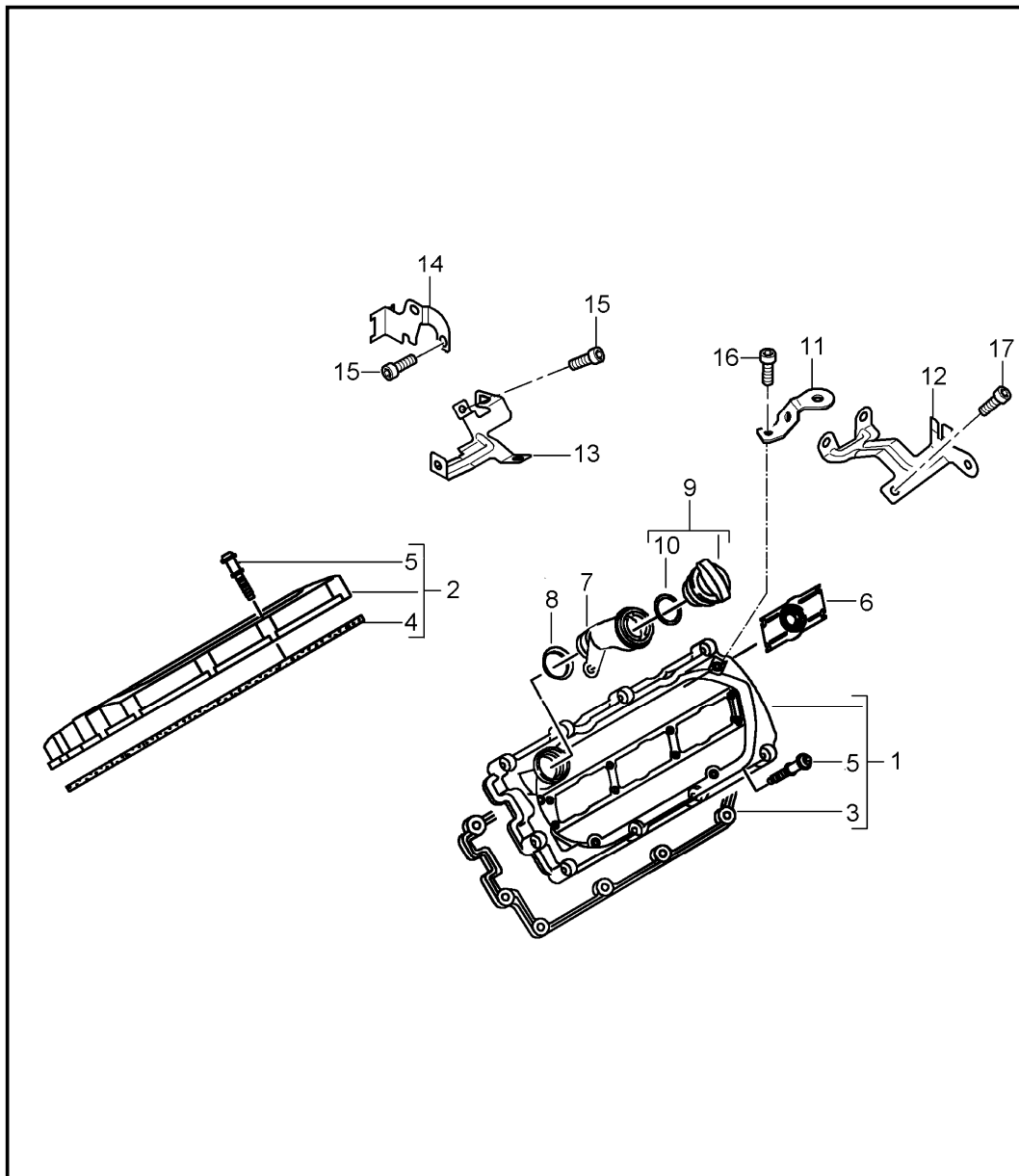
Pos	Part Number	Description	Remark	Qty	Model	Pos	Part Number	Description	Remark	Qty	Model
18	999 073 377 01	round head screw M 8 X 35 cylinders 1 - 4 M >> 9 05540 M >> G 9 04964 M >> 9 01688 M >> T 9 01787 M >> S 9 00561		2	M48.01 M48.01 IEOW M48.51 M48.51 IE8A M48.51 IE81	22	999 073 377 01	round head screw M 8 X 35 M >> 9 05540 M >> G 9 04964 M >> 9 01688 M >> T 9 01787 M >> S 9 00561		4	M48.01 M48.01 IEOW M48.51 M48.51 IE8A M48.51 IE81
(18)	999 073 908 30	oval-head screw M 8 X 35 cylinders 1 - 4 M 9 05541 >> M G 9 04965 >> M 9 01689 >> M T 9 01788 >> M S 9 00562 >>		3	M48.01 M48.01 IEOW M48.51 M48.51 IE8A M48.51 IE81	(22)	900 385 042 01	torx screw M 8 X 35 M 9 05541 >> M G 9 04965 >> M 9 01689 >> M T 9 01788 >> M S 9 00562 >>		4	M48.01 M48.01 IEOW M48.51 M48.51 IE8A M48.51 IE81
19	948 607 240 00	cap M >> 9 05540 M >> G 9 04964 M >> 9 01688 M >> T 9 01787 M >> S 9 00561		2	M48.01 M48.01 IEOW M48.51 M48.51 IE8A M48.51 IE81						
(19)	948 607 241 00	cap M 9 05541 >> M G 9 04965 >> M 9 01689 >> M T 9 01788 >> M S 9 00562 >>		2	M48.01 M48.01 IEOW M48.51 M48.51 IE8A M48.51 IE81						
20	999 652 326 03	cable clamp 3,5 - 4,0		5	M48.01						
(20)	999 652 326 03	cable clamp 3,5 - 4,0		2	M48.51						
21	999 507 798 09	cable clamp 5,1		1	M48.01						

Model	Year	MG	SG	Illustration	Restrictions	UPD	13:33	21.01.2010	PORSCHE	PET	PORSCHE
9PA1	2010	1	03	103-06		247					



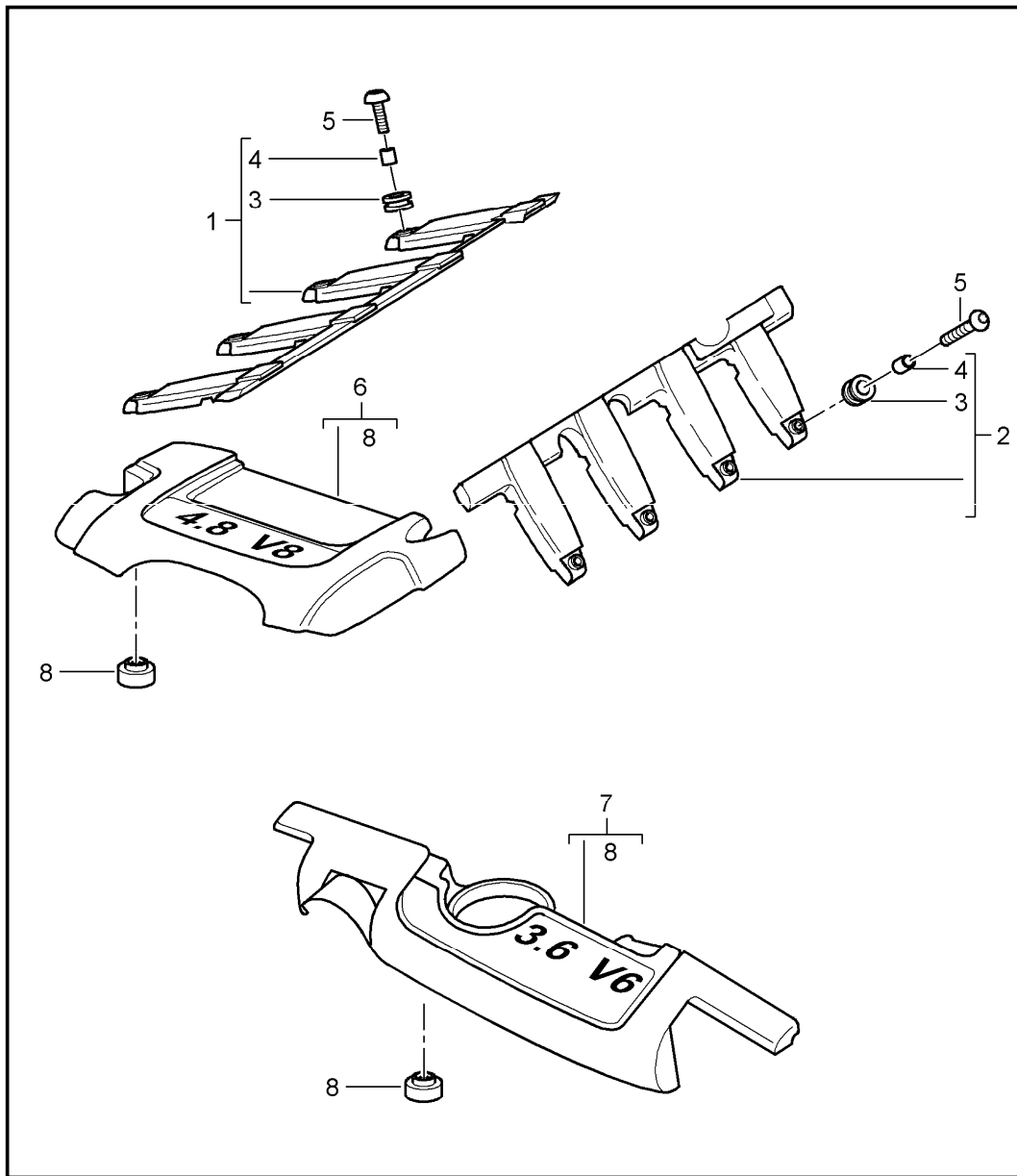
Pos	Part Number	Description	Remark	Qty	Model
		valve cover			M55.01
1	955 105 135 00	valve cover	-08	1	
(1)	955 105 135 01	valve cover	09-	1	
2	955 105 231 00	gasket		1	
3	955 105 343 00	hexagon-head bolt with guide sleeve		17	
4	955 104 485 00	lid		1	

Model	Year	MG	SG	Illustration	Restrictions	UPD	13:33	21.01.2010	PORSCHE	PET	PORSCHE
9PA1	2010	1	03	103-07		247					



Pos	Part Number	Description	Remark	Qty	Model
		valve cover			M05.9D
1	955 105 135 10	valve cover cyl. 4 - 6		1	
2	955 105 136 10	valve cover cyl. 1 - 3		1	
3	955 105 231 10	gasket cyl. 4 - 6		1	
4	955 105 232 10	gasket cyl. 1 - 3		1	
5	955 105 343 10	round head screw with guide sleeve		18	
6		lid see illustrations 1/07/08		6	
7	955 107 115 00	filler neck engine oil		1	
8	955 107 287 00	sealing ring		1	
9	955 104 485 10	lid		1	
10	955 107 336 00	gasket		1	
11	955 606 845 00	support		1	
12	955 606 846 00	support		1	
13	955 606 502 00	support		1	
14	955 606 503 00	support		1	
15	N 103 352 06	round head screw M 6 X 12		2	
16	N 101 703 02	oval-head screw M 6 X 10		1	
17	N 103 469 04	pan-head screw M 6 X 12		1	

Model	Year	MG	SG	Illustration	Restrictions	UPD	13:34	21.01.2010	PORSCHE	PET	PORSCHE
9PA1	2010	1	03	103-08		247					

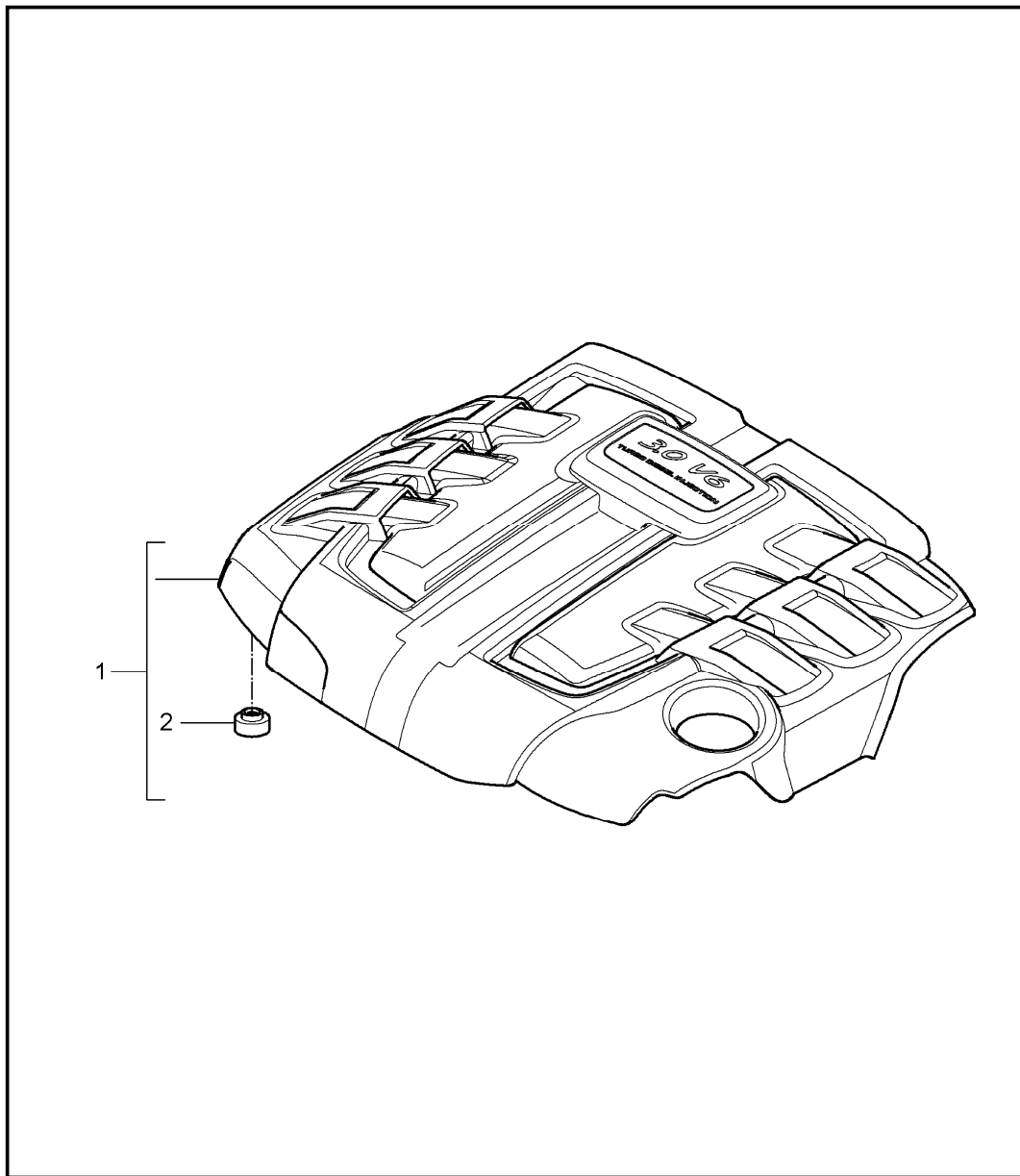


Pos	Part Number	Description	Remark	Qty	Model
		engine cover			M48.01/51 M55.01
1	955 105 141 10	cover ignition coil cylinders 1 - 4 silver	-08	1	M48.01/51
(1)	955 105 141 10	cover ignition coil cylinders 1 - 4 silver	08	1	M48.51 IE81
(1)	955 105 141 11	cover ignition coil cylinders 1 - 4 black	09-	1	M48.01/51
(1)	955 105 141 10	cover ignition coil cylinders 1 - 4 silver	09-	1	M48.51 IE81 IE8A
2	955 105 142 10	cover ignition coil cylinders 5 - 8 silver	-08	1	M48.01/51
(2)	955 105 142 10	cover ignition coil cylinders 5 - 8 silver	08	1	M48.51 IE81
(2)	955 105 142 11	cover ignition coil cylinders 5 - 8 black	09-	1	M48.01/51
(2)	955 105 142 10	cover ignition coil cylinders 5 - 8 silver	09-	1	M48.51 IE81 IE8A
3	955 110 638 00	grommet		8	M48.01/51
4	955 110 825 00	sleeve		8	M48.01/51
5	955 105 255 00	torx screw M 5 X 16	-08	8	M48.01/51
(5)	WHT 003 425	torx screw M 5 X 16	09-	8	M48.01/51

Model	Year	MG	SG	Illustration	Restrictions	UPD	13:34	21.01.2010	PORSCHE	PET	PORSCHE
9PA1	2010	1	03	103-08		247					

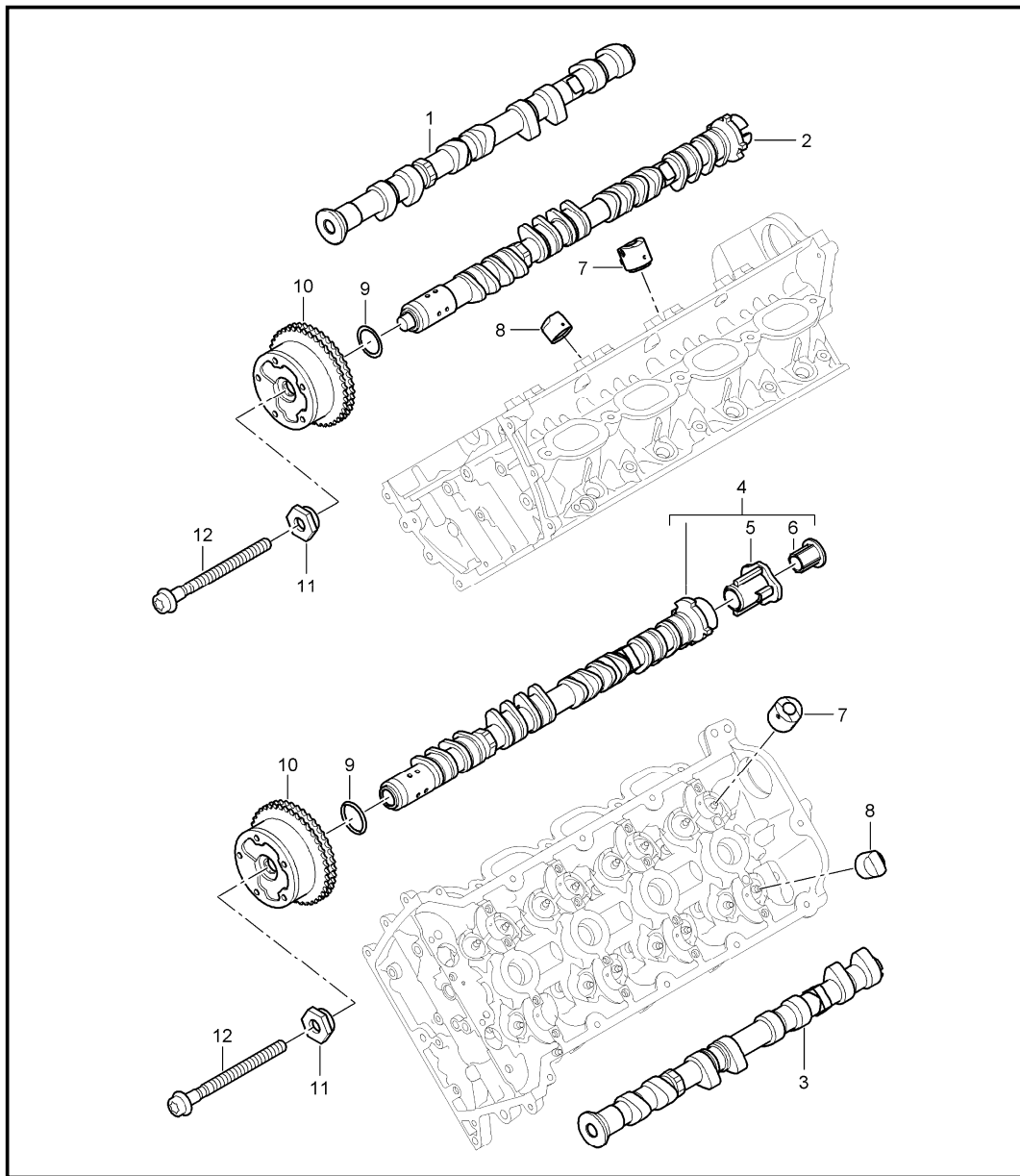
Pos	Part Number	Description	Remark	Qty	Model	Pos	Part Number	Description	Remark	Qty	Model
6	955 110 213 20	engine cover silver	-08	1	M48.01/51						
(6)	955 110 213 21	engine cover black	09-	1	M48.01/51						
(6)	955 110 213 50	engine cover	08	1	M48.51 IE81						
(6)	955 110 213 50	engine cover	09-	1	M48.51 IE81 IE8A						
7	U 955 110 213 30	engine cover		1	M55.01						
(7)	955 110 213 31	engine cover silver	-08	1	M55.01						
(7)	955 110 213 32	engine cover black	09-	1	M55.01						
8	955 110 236 10	ball socket		2	M48.01/51						
(8)	955 110 236 10	ball socket		5	M55.01						

Model	Year	MG	SG	Illustration	Restrictions	UPD	13:34	21.01.2010	PORSCHE	PET	PORSCHE
9PA1	2010	1	03	103-09		247					



Pos	Part Number	Description	Remark	Qty	Model
		engine cover			M05.9D
1	955 110 213 40	engine cover		1	
2	955 110 236 20	ball socket		4	

Model	Year	MG	SG	Illustration	Restrictions	UPD	13:34	21.01.2010	PORSCHE	PET	PORSCHE
9PA1	2010	1	03	103-10		247					

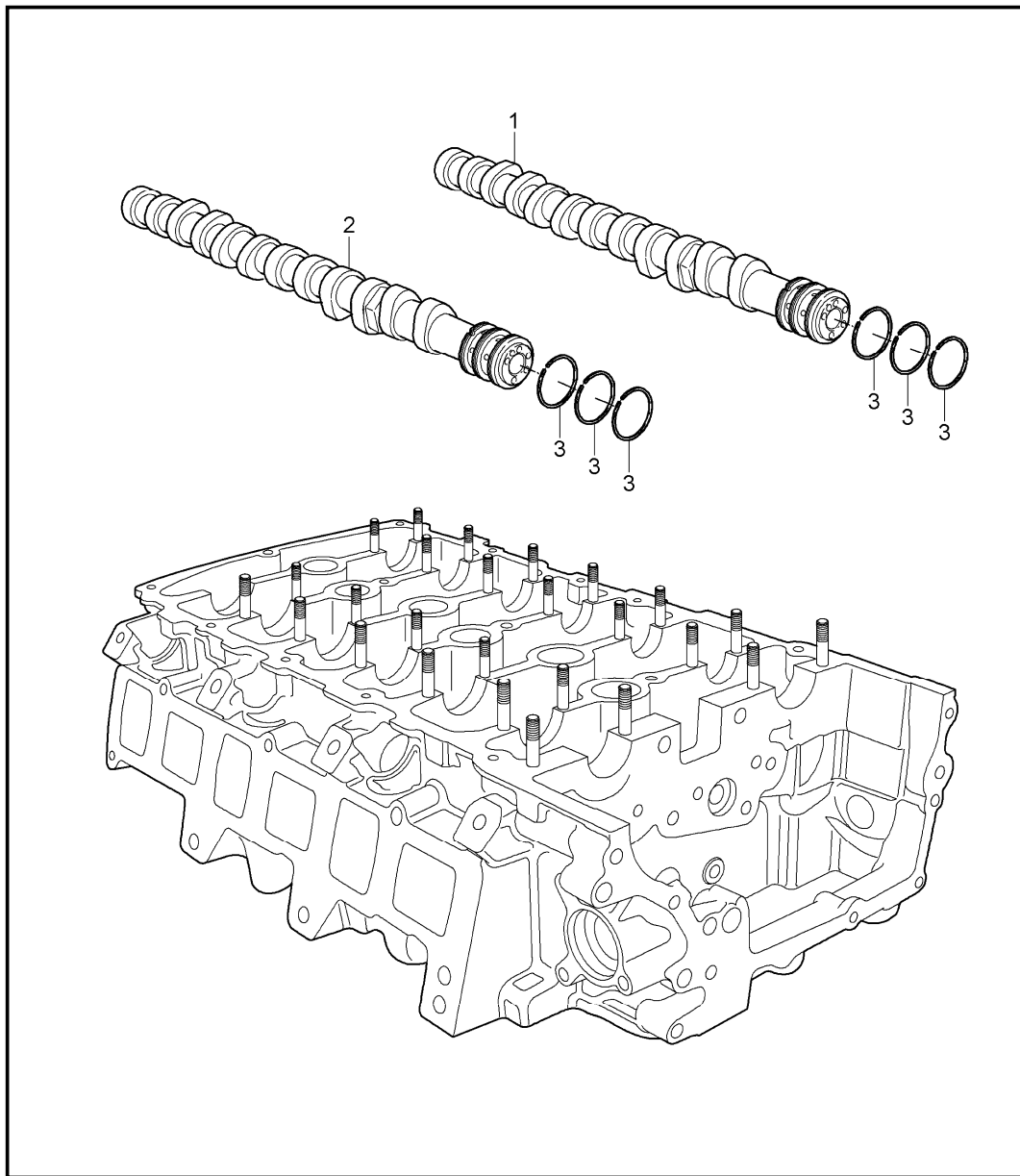


Pos	Part Number	Description	Remark	Qty	Model
1	948 105 242 03	camshaft exhaust cylinders 1 - 4 M >> 9 05540 M >> G 9 04964 M >> 9 01688 M >> T 9 01787 M >> S 9 00561		1	M48.01/51 M48.01 M48.01 IEOW M48.51 M48.51 IE8A M48.51 IE81
(1)	948 105 242 20	camshaft exhaust cylinders 1 - 4 M 9 05541 >> M G 9 04965 >> M 9 01689 >> M T 9 01788 >> M S 9 00562 >>		1	M48.01 M48.01 IEOW M48.51 M48.51 IE8A M48.51 IE81
2	948 105 041 03	camshaft intake cylinders 1 - 4 M >> 9 05540 M >> G 9 04964		1	M48.01
(2)	948 105 041 04	camshaft intake cylinders 1 - 4 M 9 05541 >> M G 9 04965 >>		1	M48.01
(2)	948 105 041 53	camshaft intake cylinders 1 - 4 M >> 9 01688 M >> T 9 01787 M >> S 9 00561		1	M48.51
(2)	948 105 041 54	camshaft intake cylinders 1 - 4 M 9 01689 >> M T 9 01788 >> M S 9 00562 >>		1	M48.51

Model	Year	MG	SG	Illustration	Restrictions	UPD	13:34	21.01.2010	PORSCHE	PET	PORSCHE
9PA1	2010	1	03	103-10		247					

Pos	Part Number	Description	Remark	Qty	Model	Pos	Part Number	Description	Remark	Qty	Model
3	948 105 244 03	camshaft exhaust cylinders 5 - 8 M >> 9 05540 M >> G 9 04964 M >> 9 01688 M >> T 9 01787 M >> S 9 00561		1	M48.01 M48.01 IEOW M48.51 M48.51 IE8A M48.51 IE81	7	948 105 070 04	hydraulic valve tappet M >> 9 03566 M >> 9 01198		16	M48.01 M48.51
(3)	948 105 244 20	camshaft exhaust cylinders 5 - 8 M 9 05541 >> M G 9 04965 >> M 9 01689 >> M T 9 01788 >> M S 9 00562 >>		1	M48.01 M48.01 IEOW M48.51 M48.51 IE8A M48.51 IE81	(7)	948 105 070 05	hydraulic valve tappet M 9 03567 >> M 9 01199 >>	-09	16	M48.01 M48.51
4	948 105 043 03	camshaft intake cylinders 5 - 8 M >> 9 05540 M >> G 9 04964		1	M48.01	(7)	9A1 105 070 03	hydraulic valve tappet	10-	16	
(4)	948 105 043 04	camshaft intake cylinders 5 - 8 M 9 05541 >> M G 9 04965 >>		1	M48.01	8	948 105 071 02	hydraulic valve tappet M >> 9 03566 M >> 9 01198		16	M48.01 M48.51
(4)	948 105 043 53	camshaft intake cylinders 5 - 8 M >> 9 01688 M >> T 9 01787 M >> S 9 00561		1	M48.51	(8)	948 105 071 03	hydraulic valve tappet M 9 03567 >> M 9 01199 >>	-09	16	M48.01 M48.51
(4)	948 105 043 54	camshaft intake cylinders 5 - 8 M 9 01689 >> M T 9 01788 >> M S 9 00562 >>		1	M48.51	(8)	9A1 105 071 00	hydraulic valve tappet	10-	16	
5	948 105 113 01	clutch high-pressure pump		1		9	996 105 203 00	washer		2	
6	948 105 114 00	stopper clutch high-pressure pump		1		10 A	948 105 051 13	camshaft adjuster		2	
						(10)	948 105 051 14	camshaft adjuster		2	
						11	948 105 218 01	sleeve M >> A 08634 M >> T A 02603		2	M48.01 M48.51
						(11)	9A1 105 245 00	sleeve M A 08635 >> M T A 02604 >>		2	M48.01 M48.51
						12	948 104 181 01	screw M 12 X 1,5 X 140 M >> 9 05540 M >> G 9 04964 M >> 9 01688 M >> T 9 01787 M >> S 9 00561		2	M48.01 M48.01 IEOW M48.51 M48.51 IE8A M48.51 IE81
						(12)	948 105 254 00	Outer hexagon round screw M 12 X 1,5 X 110 M 9 05541 >> M G 9 04965 >>		2	M48.01 M48.01 IEOW M48.51 IE8A M48.51 IE81

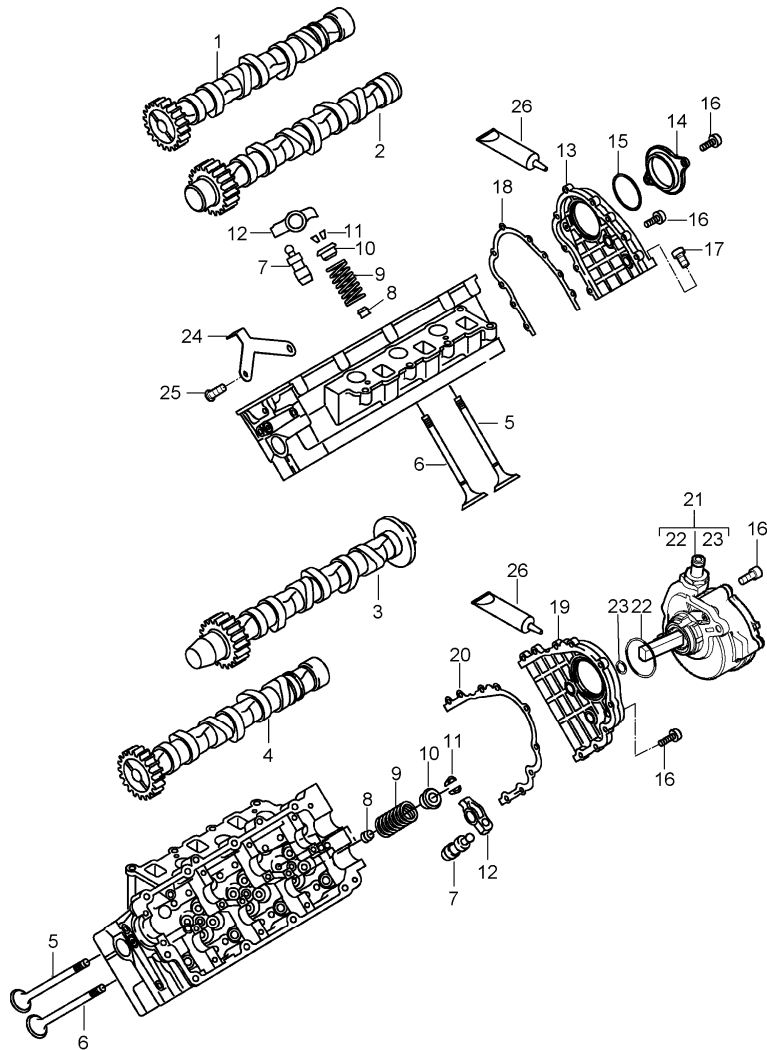
Model	Year	MG	SG	Illustration	Restrictions	UPD	13:34	21.01.2010	PORSCHE	PET	PORSCHE
9PA1	2010	1	03	103-12		247					



Pos	Part Number	Description	Remark	Qty	Model
		camshaft			M55.01
1	955 105 242 00	camshaft exhaust M >> 639 10538 M >> 639 10017		1	
(1)	955 105 242 01	camshaft exhaust M 639 10539 >> M 639 10018 >>		1	
2	955 105 241 00	camshaft intake M >> 639 10538 M >> 639 10017		1	
(2)	955 105 241 01	camshaft intake M 639 10539 >> M 639 10018 >>		1	
3	955 105 345 01	sealing ring 40 X 1,5		6	

Model	Year	MG	SG	Illustration	Restrictions	UPD	13:34	21.01.2010	PORSCHE	PET	PORSCHE
9PA1	2010	1	03	103-13		247					

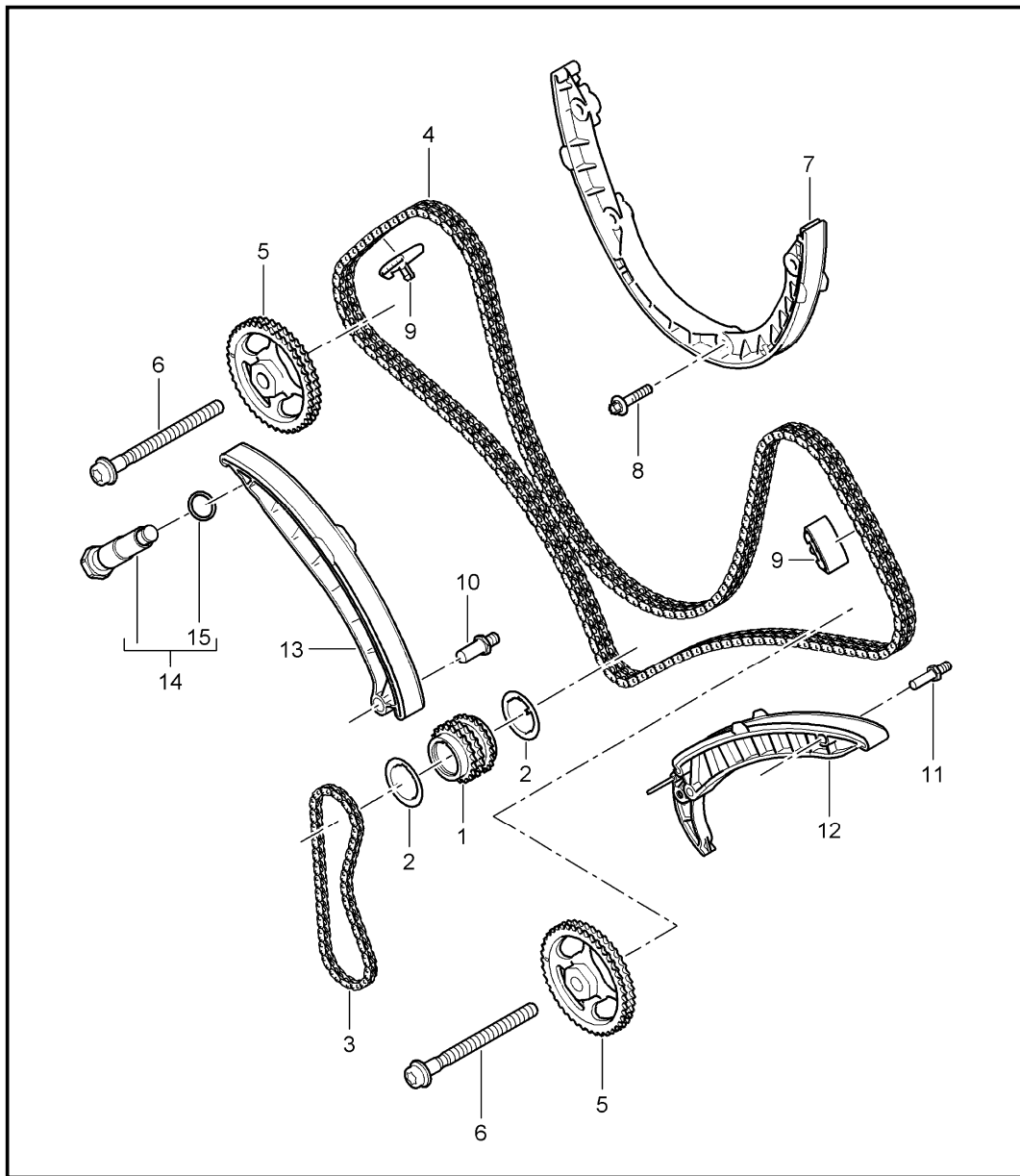
Pos	Part Number	Description	Remark	Qty	Model
		camshaft valves vacuum pump			M05.9D
1	955 105 041 00	camshaft intake cyl. 1 - 3		1	
2	955 105 242 10	camshaft exhaust cyl. 1 - 3		1	
3	955 105 043 00	camshaft intake cyl. 4 - 6		1	
4	955 105 244 10	camshaft exhaust cyl. 4 - 6		1	
5	955 105 601 20	intake valve		12	
6	955 105 312 20	exhaust valve		12	
7	955 105 423 10	differential housing hydraulic		24	
8	955 105 115 10	valve stem seal 6 MM use also: sleeve 955.105.501.00		24	
-	955 105 501 00	sleeve for repair valve stem seal 6 X 20		x	
9	955 105 119 10	valve spring		24	
10	955 105 641 10	concave washer upper		24	
11	955 105 651 20	valve collet		48	
12	955 105 417 20	valve lever		24	
13	955 105 130 00	cover cyl. 1 - 3		1	
14	955 105 153 00	lid cyl. 1 - 3		1	
15	WHT 001 801	o-ring 63 X 2,5		1	



Model	Year	MG	SG	Illustration	Restrictions	UPD	13:34	21.01.2010	PORSCHE	PET	PORSCHE
9PA1	2010	1	03	103-13		247					

Pos	Part Number	Description	Remark	Qty	Model	Pos	Part Number	Description	Remark	Qty	Model
16	N 101 243 06	oval-head screw M 6 X 20		22							
17	N 101 562 06	oval-head screw M 6 X 30		4							
18	955 105 292 00	gasket cyl. 1 - 3		1							
19	955 105 129 00	cover cyl. 4 - 6		1							
20	955 105 291 00	gasket cyl. 4 - 6		1							
21	955 110 050 10	vacuum pump		1							
22	WHT 001 801	o-ring 63 X 2,5		1							
23	955 110 117 00	o-ring 4,7 X 1,5		1							
24	955 110 764 00	support		1							
25	N 104 056 04	oval-head screw M 6 X 14		2							
26	000 043 207 49	sealing compound 1 tube 80 ml		x							

Model	Year	MG	SG	Illustration	Restrictions	UPD	13:35	21.01.2010	PORSCHE	PET	PORSCHE
9PA1	2010	1	03	103-15		247					

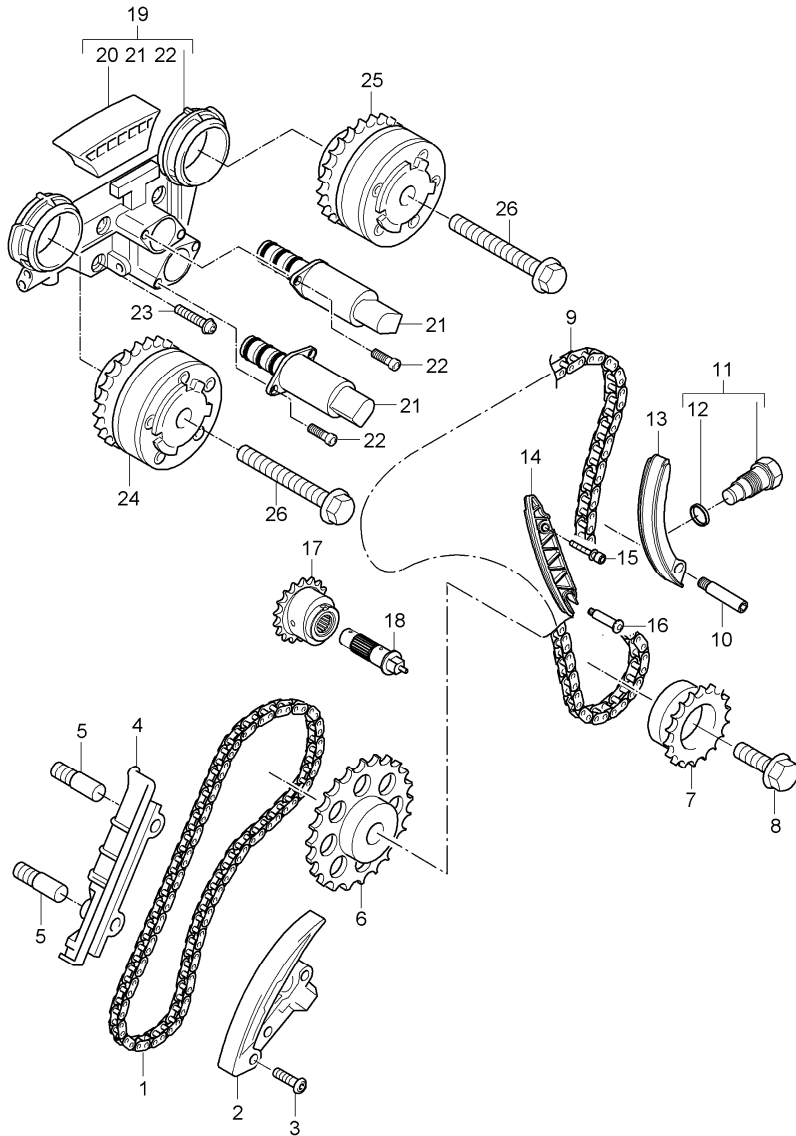


Pos	Part Number	Description	Remark	Qty	Model
		valve control			M48.01/51
1	948 102 231 11	sprocket crankshaft		1	
2	948 102 230 00	washer		2	
3		chain oil pump see illustrations 1/04/00		1	
4	948 105 169 10	chain		1	
5	948 105 181 11	sprocket camshaft exhaust		2	
6	948 104 181 01	screw M 12 X 1,5 X 140 M >> 9 05540 M >> G 9 04964 M >> 9 01688 M >> T 9 01787 M >> S 9 00561		2	M48.01 M48.01 IE0W M48.51 M48.51 IE8A M48.51 IE81
(6)	948 105 254 00	Outer hexagon round screw M 12 X 1,5 X 110 M 9 05541 >> M G 9 04965 >> M 9 01689 >> M T 9 01788 >> M S 9 00562 >>		2	M48.01 M48.01 IE0W M48.51 M48.51 IE8A M48.51 IE81
7	948 105 023 12	guide rail		1	
8	900 385 042 01	torx screw BM 8 X 35		4	
9	948 105 166 12	guide rail		2	
10	999 015 022 01	threaded bolt M 10 X 25		1	
11	999 015 021 01	threaded bolt M 8 X 25		2	
12	948 105 068 11	guide rail camshaft crankshaft		1	

Model	Year	MG	SG	Illustration	Restrictions	UPD	13:35	21.01.2010	PORSCHE	PET	PORSCHE
9PA1	2010	1	03	103-15		247					

Pos	Part Number	Description	Remark	Qty	Model	Pos	Part Number	Description	Remark	Qty	Model
13	948 105 065 10	tensioner blade		1							
14	948 105 180 10	chain adjuster		1							
		M >> 9 05540			M48.01						
		M >> G 9 04964			M48.01						
		M >> 9 01688			IE0W						
		M >> T 9 01787			M48.51						
		M >> S 9 00561			M48.51						
					IE8A						
					M48.51						
					IE81						
(14)	948 105 180 11	chain adjuster		1							
		M 9 05541 >>			M48.01						
		M G 9 04965 >>			M48.01						
		M 9 01689 >>			IE0W						
		M T 9 01788 >>			M48.51						
		M S 9 00562 >>			M48.51						
					IE8A						
					M48.51						
					IE81						
15	900 123 118 30	sealing ring		1							
		A 22 X 27									

Model	Year	MG	SG	Illustration	Restrictions	UPD	13:35	21.01.2010	PORSCHE	PET	PORSCHE
9PA1	2010	1	03	103-20		247					

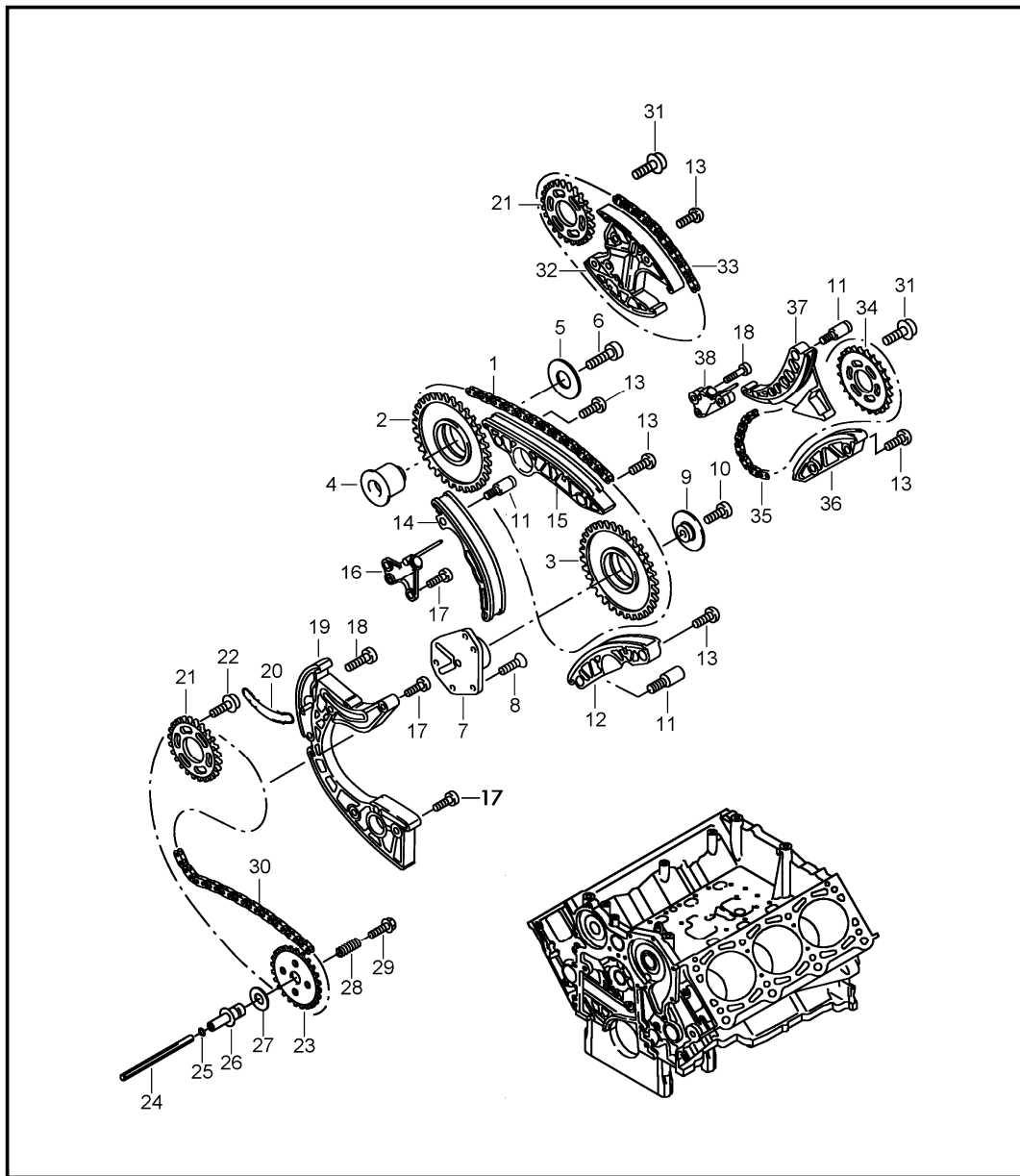


Pos	Part Number	Description	Remark	Qty	Model
		valve control			M55.01
1	955 105 465 01	timing chain		1	
2	955 105 467 00	chain adjuster		1	
3	N 909 238 01	oval-head screw M 6 X 24		2	
4	955 105 469 00	guide rail		1	
5	955 105 471 00	bolt		2	
6	955 105 221 00	sprocket		1	
7	955 105 570 01	sprocket		1	
8	N 104 044 04	hexagon-head bolt M 10 X 40		1	
9	955 105 169 00	timing chain		1	
10	955 105 511 00	bolt		1	
11	955 105 507 02	chain adjuster		1	
12	N 013 827 1	sealing ring A 22 X 27		1	
13	955 105 065 00	tensioner blade	-08	1	
(13)	955 105 065 01	tensioner blade	09-	1	
14	955 105 066 00	guide rail		1	
15	N 106 139 01	combination screw M 8 X 45		2	
16	955 105 515 00	bolt		1	
17	955 105 232 00	sprocket		1	
18	955 105 107 00	drive shaft M >> 638 28868		1	
(18)	955 105 107 01	drive shaft M 638 28869 >>		1	
19	955 105 215 00	timing chain housing with control valve	-08	1	
(19)	955 105 215 01	timing chain housing with control valve	09-	1	
20	955 105 514 00	guide rail		1	

Model	Year	MG	SG	Illustration	Restrictions	UPD	13:35	21.01.2010	PORSCHE	PET	PORSCHE
9PA1	2010	1	03	103-20		247					

Pos	Part Number	Description	Remark	Qty	Model	Pos	Part Number	Description	Remark	Qty	Model
21	A 955 105 303 00	control valve		2							
(21)	955 105 303 01	control valve		2							
22	N 904 552 05	pan-head screw M 4 X 10		4							
23	N 909 658 02	pan-head screw M 6 X 30		4							
24	955 105 051 00	camshaft adjuster intake M >> 639 10538 M >> 639 10017		1							
(24)	955 105 051 01	camshaft adjuster intake M 639 10539 >> M 639 10018 >>		1							
25	955 105 052 00	camshaft adjuster exhaust M >> 639 10538 M >> 639 10017		1							
(25)	955 105 052 01	camshaft adjuster exhaust M 639 10539 >> M 639 10018 >>		1							
26	N 911 180 01	hexagon-head bolt M 12 X 1,5 X 85		2							

Model	Year	MG	SG	Illustration	Restrictions	UPD	13:35	21.01.2010	PORSCHE	PET	PORSCHE
9PA1	2010	1	03	103-25		247					

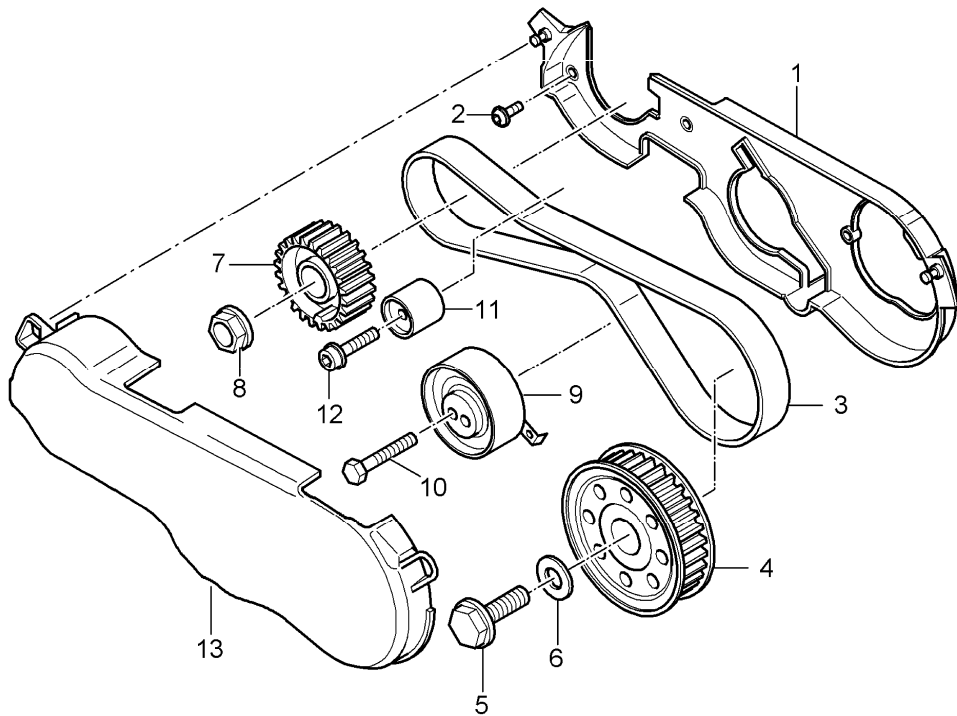


Pos	Part Number	Description	Remark	Qty	Model
		valve control			M05.9D
1	955 105 169 10	timing chain		1	
2	955 105 077 00	sprocket Z = 19		1	
3	955 105 077 10	sprocket Z = 28		1	
4	955 105 224 00	bearing pin		1	
5	WHT 000 124	washer 18 X 50 X 2,23		1	
6	N 106 609 01	pan-head screw M 10 X 40		1	
7	955 105 334 00	bearing pin		1	
8	N 909 549 05	countersunk-head screw M 6 X 18		3	
9	955 105 435 00	thrust washer		1	
10	N 104 514 09	pan-head screw M 6 X 16		1	
11	WHT 000 265	pan-head screw M 6 X 35		3	
12	955 105 469 10	guide rail		1	
13	N 101 562 05	oval-head screw M 6 X 30		8	
14	955 105 065 10	guide rail		1	
15	955 105 514 10	guide rail		1	
16	955 105 567 00	chain adjuster		1	
17	N 101 243 06	oval-head screw M 6 X 20		5	
18	N 105 540 05	oval-head screw M 6 X 35		3	
19	955 105 507 10	chain adjuster		1	
20	955 105 139 00	gasket		1	
21	955 105 222 00	sprocket Z = 25		2	
22	N 910 488 02	pan-head screw M 8 X 20		3	

Model	Year	MG	SG	Illustration	Restrictions	UPD	13:35	21.01.2010	PORSCHE	PET	PORSCHE
9PA1	2010	1	03	103-25		247					

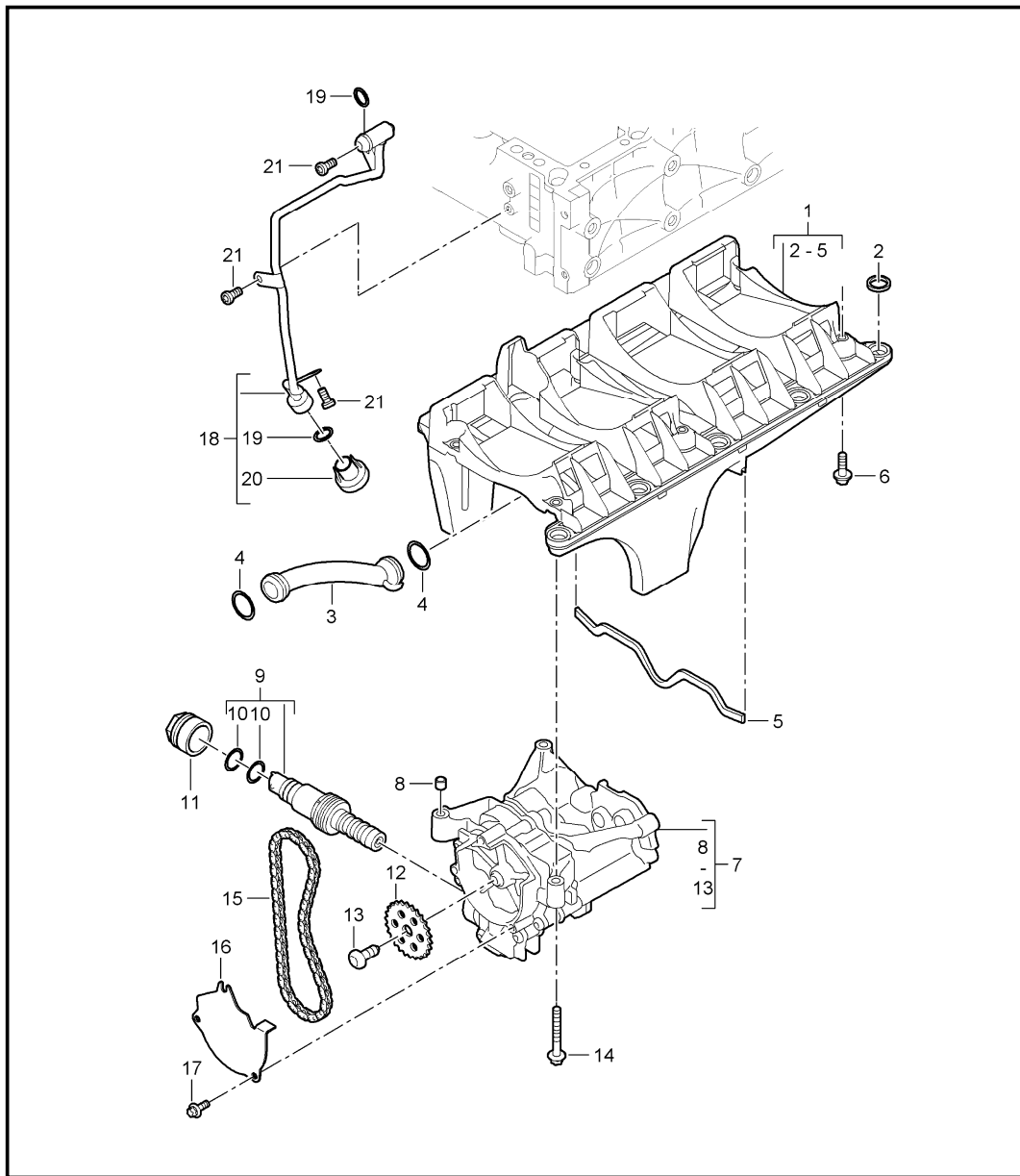
Pos	Part Number	Description	Remark	Qty	Model	Pos	Part Number	Description	Remark	Qty	Model
23	955 107 114 00	sprocket Z = 25 oil pump		1							
24	955 107 320 00	drive shaft oil pump		1							
25	N 900 154 01	circlip 8		1							
26	955 105 341 00	drive shaft when required order also: 955.107.320.00 N .900.154.01		1 1 1							
27	955 105 537 00	thrust washer		1							
28	955 105 481 00	compression spring		1							
29	N 908 932 02	hexagon-head bolt M 10 X 20		1							
30	955 105 465 10	timing chain		1							
31	N 910 522 01	pan-head screw M 8 X 12		10							
32	955 105 218 00	chain adjuster		1							
33	955 105 229 00	timing chain		1							
34	955 105 223 00	sprocket Z = 35		1							
35	955 105 229 10	timing chain		1							
36	955 105 513 10	guide rail		1							
37	955 105 510 00	tensioner blade		1							
38	955 105 217 00	chain adjuster		1							

Model	Year	MG	SG	Illustration	Restrictions	UPD	13:35	21.01.2010	PORSCHE	PET	PORSCHE
9PA1	2010	1	03	103-30		247					



Pos	Part Number	Description	Remark	Qty	Model
		toothed belt cover for toothed belt			M05.9D
1	955 105 033 00	toothed belt covering		1	
2	N 104 514 05	round head screw M 6 X 16		4	
3	955 102 219 00	toothed belt		1	
4	955 105 151 00	toothed belt pulley		1	
5	N 902 562 02	hexagon-head bolt M 10 X 1,25 X 30		1	
6	N 909 717 02	washer 10,5 X 30 X 4		1	
7		toothed belt pulley see illustrations 1/07/09		1	
8		hexagon nut see illustrations 1/07/09		1	
9	955 105 243 00	tensioning roller		1	
10	N 900 637 06	hexagon-head bolt M 8 X 50		1	
11	955 105 244 00	deflection roller		1	
12	N 910 266 02	pan-head screw M 8 X 35		1	
13	955 105 035 00	cover for toothed belt		1	

Model	Year	MG	SG	Illustration	Restrictions	UPD	13:49	21.01.2010	PORSCHE	PET	PORSCHE
9PA1	2010	1	04	104-00		247					

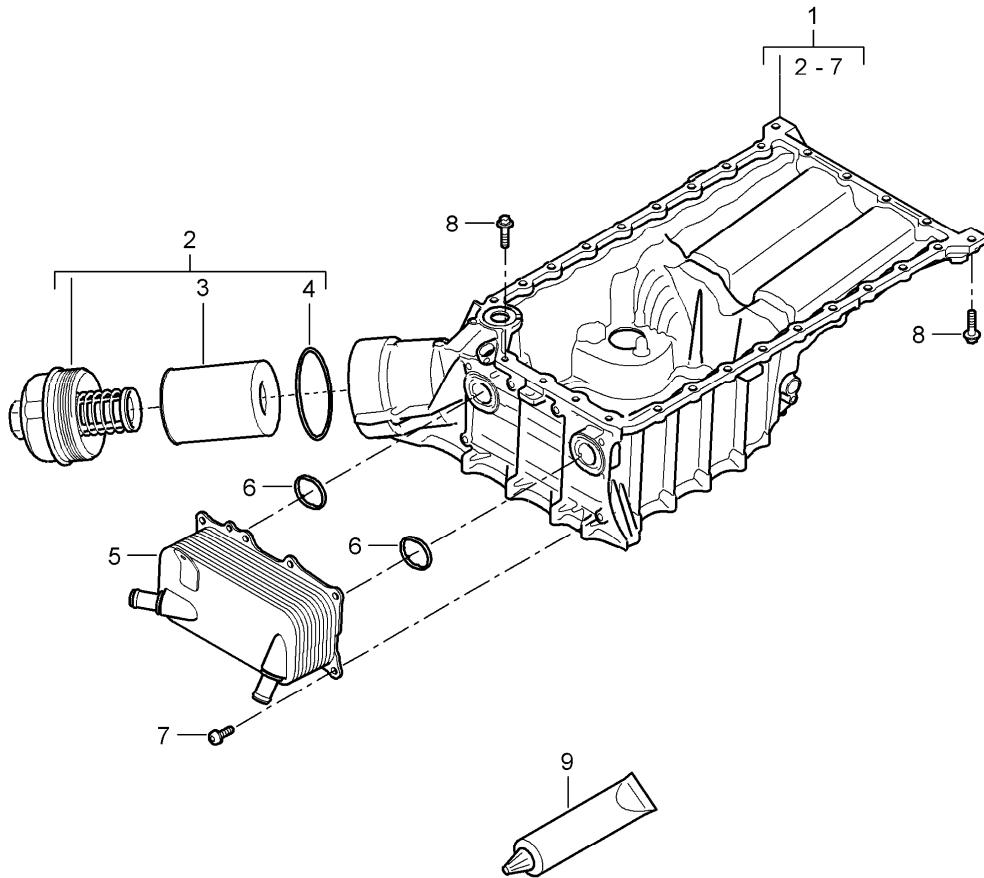


Pos	Part Number	Description	Remark	Qty	Model
		Oil return circuit oil pump vent line			M48.01/51
1	A 948 107 085 01	Oil return circuit		1	
(1)	948 107 085 02	Oil return circuit		1	
2	948 107 286 00	gasket Oil return circuit		9	
3	948 107 285 01	joining socket intake manifold		1	
4	999 707 496 40	o-ring 23 X 3		2	
5	948 107 287 00	gasket bulkhead		1	
6	900 385 019 01	torx screw BM 6 X 20		6	
7	948 107 013 01	oil pump M	>> 838 07293	1	M48.01
(7)	948 107 013 02	oil pump M 838 07294	>>	-09 1	M48.01
(7)	948 107 013 03	oil pump		10- 1	M48.01
(7)	948 107 013 51	oil pump M	>> 848 05084	1	M48.51
(7)	948 107 013 52	oil pump M 848 05085	>>	-09 1	M48.51
(7)	948 107 013 53	oil pump		10- 1	M48.51
8	996 106 103 50	dowel sleeve 8,2 X 7		2	
9	948 107 113 01	solenoid valve		-09 1	
(9)	948 107 113 02	solenoid valve		10- 1	
10	999 707 567 40	o-ring 17 X 3		2	
11	999 261 023 01	union nut M 36 X 1,5 M M	>> 838 07293 >> 848 05084	1	

Model	Year	MG	SG	Illustration	Restrictions	UPD	13:49	21.01.2010	PORSCHE	PET	PORSCHE
9PA1	2010	1	04	104-00		247					

Pos	Part Number	Description	Remark	Qty	Model	Pos	Part Number	Description	Remark	Qty	Model
(11)	999 261 024 01	union nut M 36 X 1,0 M 838 07294 >> M 848 05085 >>		1							
12	948 107 114 00	sprocket	-09	1							
(12)	948 107 114 01	sprocket	10-	1							
13	999 073 380 01	torx screw M 8 X 22		1							
14	900 385 125 01	torx screw BM 6 X 45		3							
15	948 107 252 11	chain		1							
16	948 107 254 01	cover		1							
17	900 385 009 01	torx screw BM 6 X 16		3							
18	948 105 207 03	vent line		1							
19	999 707 568 40	o-ring 12 X 3		2							
20	948 105 307 01	check valve		1							
21	999 073 189 01	round head screw M 6 X 12		3							

Model	Year	MG	SG	Illustration	Restrictions	UPD	13:49	21.01.2010	PORSCHE	PET	PORSCHE
9PA1	2010	1	04	104-02		247					

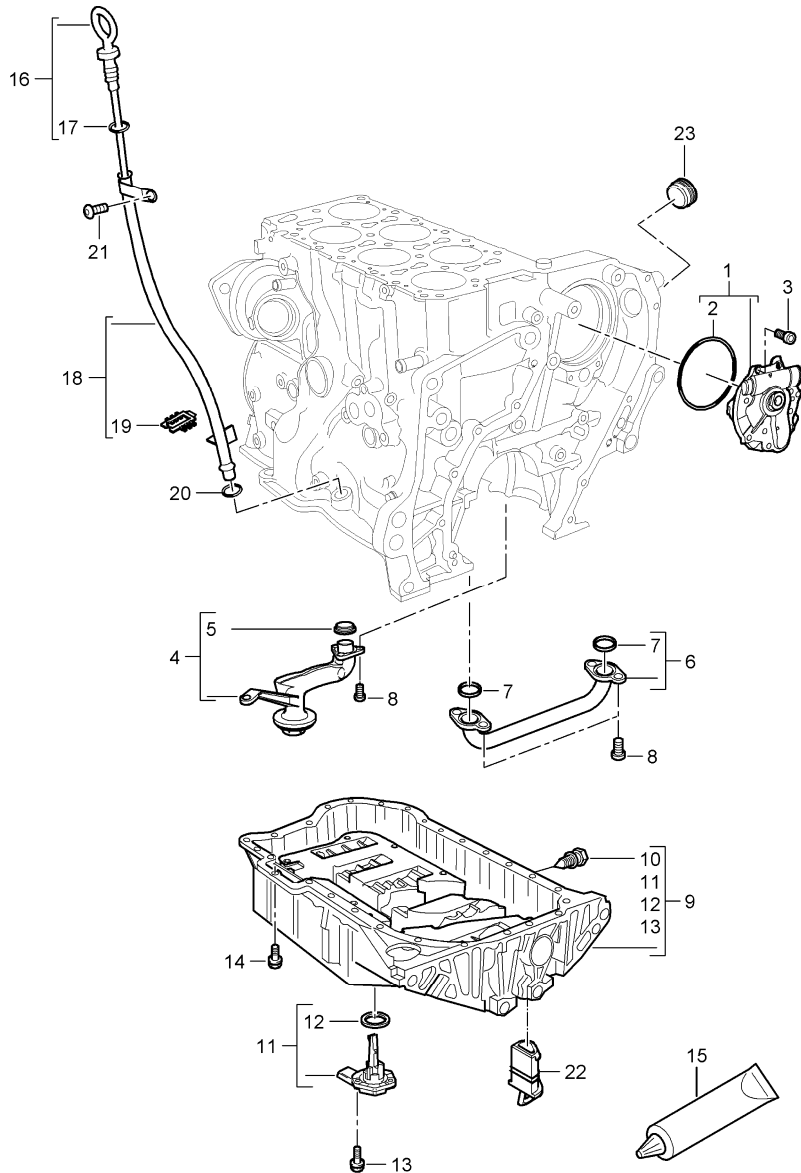


Pos	Part Number	Description	Remark	Qty	Model
		Oil-conducting housing oil filter heat exchanger			M48.01/51
1	948 107 071 02	Oil-conducting housing	-08	1	M48.01
(1)	948 107 071 03	Oil-conducting housing M >> 9 05540 M >> G 9 04964	09-	1	M48.01
(1)	948 107 071 04	Oil-conducting housing M 9 05541 >> M G 9 04965 >>		1	M48.01
(1)	948 107 071 52	Oil-conducting housing	-08	1	M48.51
(1)	948 107 071 53	Oil-conducting housing M >> 9 01688 M >> T 9 01787 M >> S 9 00561	09-	1	M48.51
(1)	948 107 071 54	Oil-conducting housing M 9 01689 >> M T 9 01788 >> M S 9 00562 >>		1	M48.51
2	948 107 022 00	oil filter		1	
3	948 107 222 00	filter element use also: sealing ring 948.107.322.00		1	
4	948 107 322 00	sealing ring		1	
5	948 107 271 02	heat exchanger	-08	1	
(5)	948 107 271 03	heat exchanger	09-	1	
6	948 107 175 00	gasket		2	
7	999 073 416 01	combination screw M 6 X 20		6	
8	900 385 072 01	torx screw BM 6 X 25 M >> 9 05540 M >> G 9 04964 M >> 9 01688 M >> T 9 01787 M >> S 9 00561		29	M48.01 M48.01 IE0W M48.51 M48.51 IE8A M48.51 IE81

Model	Year	MG	SG	Illustration	Restrictions	UPD	13:49	21.01.2010	PORSCHE	PET	PORSCHE
9PA1	2010	1	04	104-02		247					

Pos	Part Number	Description	Remark	Qty	Model	Pos	Part Number	Description	Remark	Qty	Model
(8)	999 073 905 30	oval-head screw M 6 X 30 M 9 05541 >> M G 9 04965 >> M 9 01689 >> M T 9 01788 >> M S 9 00562 >>		29	M48.01 M48.01 IEOW M48.51 M48.51 IE8A M48.51 IE81						
9	000 043 204 58	sealing compound 1 tube 30 Gr. M >> 9 05540 M >> G 9 04964 M >> 9 01688 M >> T 9 01787 M >> S 9 00561		X	M48.01 M48.01 IEOW M48.51 M48.51 IE8A M48.51 IE81						
(9)	999 915 573 43	sealing compound 1 tube 75 ml M 9 05541 >> M G 9 04965 >> M 9 01689 >> M T 9 01788 >> M S 9 00562 >>		X	M48.01 M48.01 IEOW M48.51 M48.51 IE8A M48.51 IE81						

Model	Year	MG	SG	Illustration	Restrictions	UPD	13:49	21.01.2010	PORSCHE	PET	PORSCHE
9PA1	2010	1	04	104-05		247					

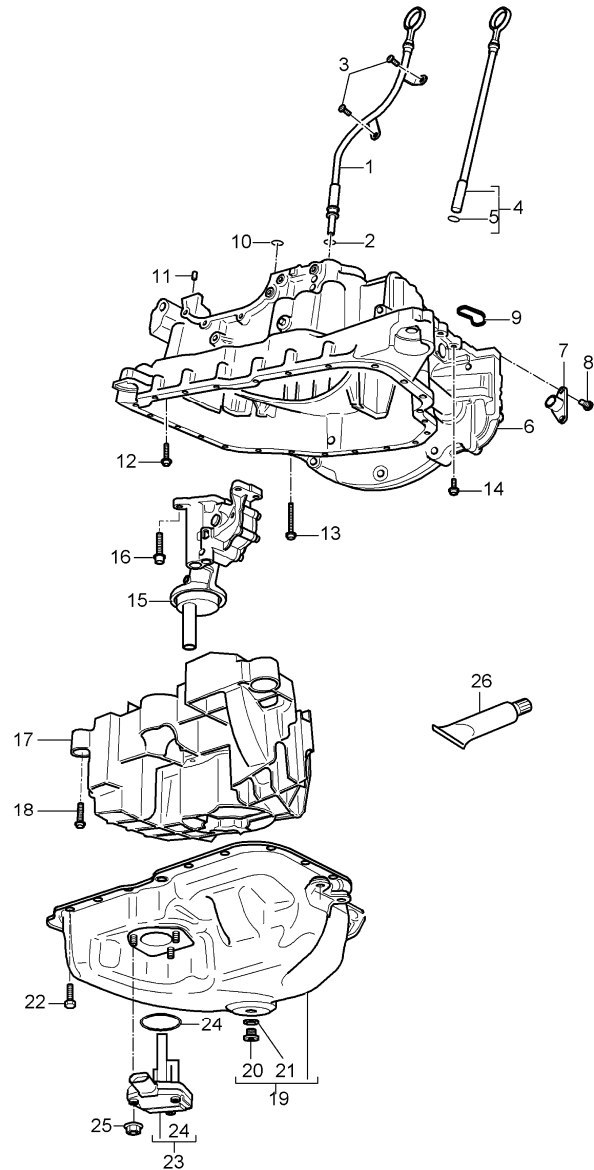


Pos	Part Number	Description	Remark	Qty	Model
		oil pump suction tube oil level dipstick oil pan			M55.01
1	955 107 013 00	oil pump		1	
2	WHT 002 780	round seal 82,22 X 2,62		1	
3	N 102 278 01	hexagon socket head bolt M 6 X 20		6	
4	955 107 030 00	suction tube		1	
5	955 107 567 00	sealing ring		1	
6	955 107 031 00	oil tube		1	
7	955 107 444 00	sealing ring		2	
8	N 100 292 05	torx screw M 6 X 15		8	
9	955 107 055 01	oil pan with oil-level sender		1	
10	N 911 014 01	drain plug with captive washer M 14 X 1,5 X 22		1	
11	948 606 140 00	oil-level sender		1	
12	948 606 240 00	gasket		1	
13	N 104 720 03	pan-head screw M 6 X 28		3	
14	N 106 211 01	combination screw M 6 X 20		25	
15	000 043 300 39	sealing compound 1 tube 50 ml. for oil pan		X	
16	955 107 068 00	oil level dipstick		1	
17	N 908 138 02	o-ring 5 X 1,9		1	
18	955 107 066 00	guide tube		1	

Model	Year	MG	SG	Illustration	Restrictions	UPD	13:49	21.01.2010	PORSCHE	PET	PORSCHE
9PA1	2010	1	04	104-05		247					

Pos	Part Number	Description	Remark	Qty	Model	Pos	Part Number	Description	Remark	Qty	Model
19	955 612 530 00	support for connector housing		1							
20	N 900 672 02	round seal 9,5 X 2,5		1							
21	N 909 899 01	oval-head screw K 6 X 18		1							
22	955 101 731 00	cap seal engine and transmission		3							
23	WHT 000 914	screw plug M 36 X 1,5		1							

Model	Year	MG	SG	Illustration	Restrictions	UPD	13:49	21.01.2010	PORSCHE	PET	PORSCHE
9PA1	2010	1	04	104-07		247					

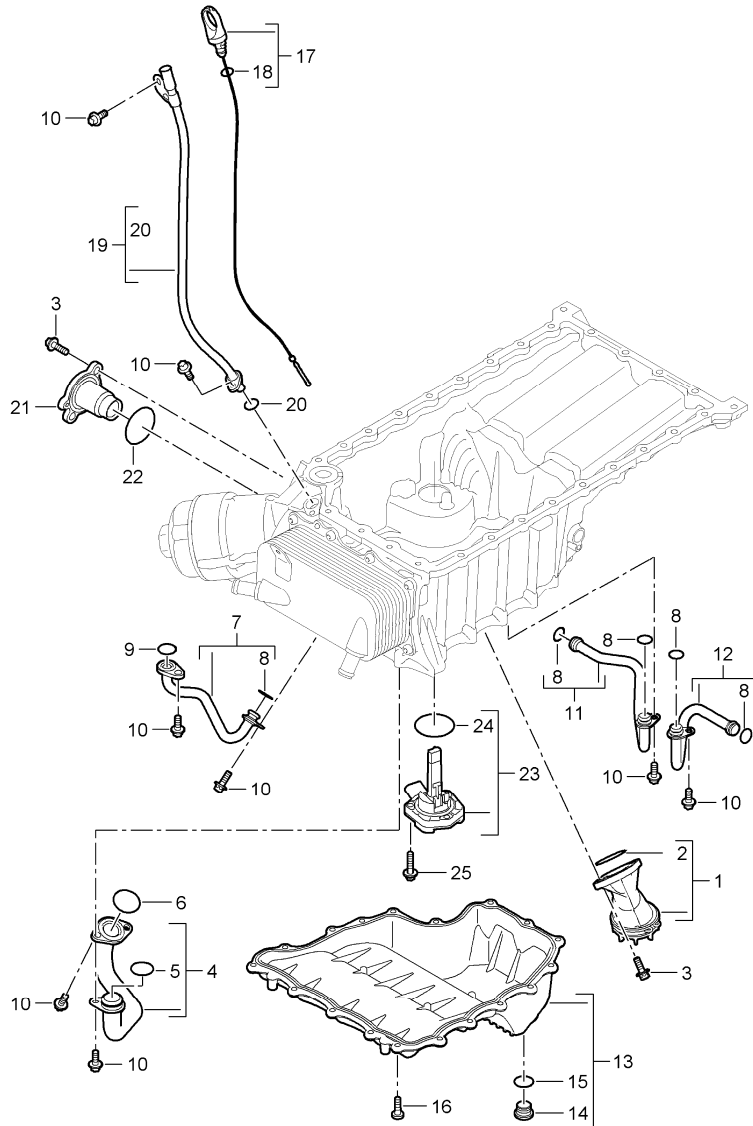


Pos	Part Number	Description	Remark	Qty	Model
		oil level dipstick Oil-conducting housing oil pump oil pan			M05.9D
1	955 107 066 10	guide tube use also: 955.107.427.00		1	
2	955 107 427 00	round seal 12 X 2		1	
3	N 104 056 04	oval-head screw M 6 X 14		2	
4	955 107 068 10	oil level dipstick		1	
5	N 908 138 02	o-ring 5 X 1,9		1	
6	955 107 071 00	Oil-conducting housing		1	
7	955 105 361 00	mounting plate		1	
8	N 907 809 04	oval-head screw M 6 X 16		2	
9	955 107 609 00	gasket		1	
10	955 107 609 10	gasket		1	
11	955 102 277 00	roll pin 6,2 X 22		6	
12	N 908 539 03	pan-head screw M 7 X 50		8	
13	N 910 094 02	pan-head screw M 7 X 105 X 39		3	
14	N 908 538 02	pan-head screw M 7 X 20		3	
15	955 107 013 10	oil pump		1	
16	N 106 128 01	pan-head screw M 8 X 30		3	
17	955 107 138 00	insert for oil sump		1	
18	N 910 717 01	round head screw M 6 X 25		4	
19	955 107 055 10	oil pan		1	
20	N 016 027 6	screw plug M 14 X 1,5		1	

Model	Year	MG	SG	Illustration	Restrictions	UPD	13:49	21.01.2010	PORSCHE	PET	PORSCHE
9PA1	2010	1	04	104-07		247					

Pos	Part Number	Description	Remark	Qty	Model	Pos	Part Number	Description	Remark	Qty	Model
21	N 013 815 7	sealing ring 14 X 20		1							
22	N 010 217 25	hexagon-head bolt M 6 X 20		23							
23	948 606 150 00	oil-level sender		1							
24	948 606 240 00	gasket		1							
25	N 015 082 13	hexagon nut M 6		3							
26	000 043 207 49	sealing compound 1 tube 80 ml		x							

Model	Year	MG	SG	Illustration	Restrictions	UPD	13:49	21.01.2010	PORSCHE	PET	PORSCHE
9PA1	2010	1	04	104-10		247					

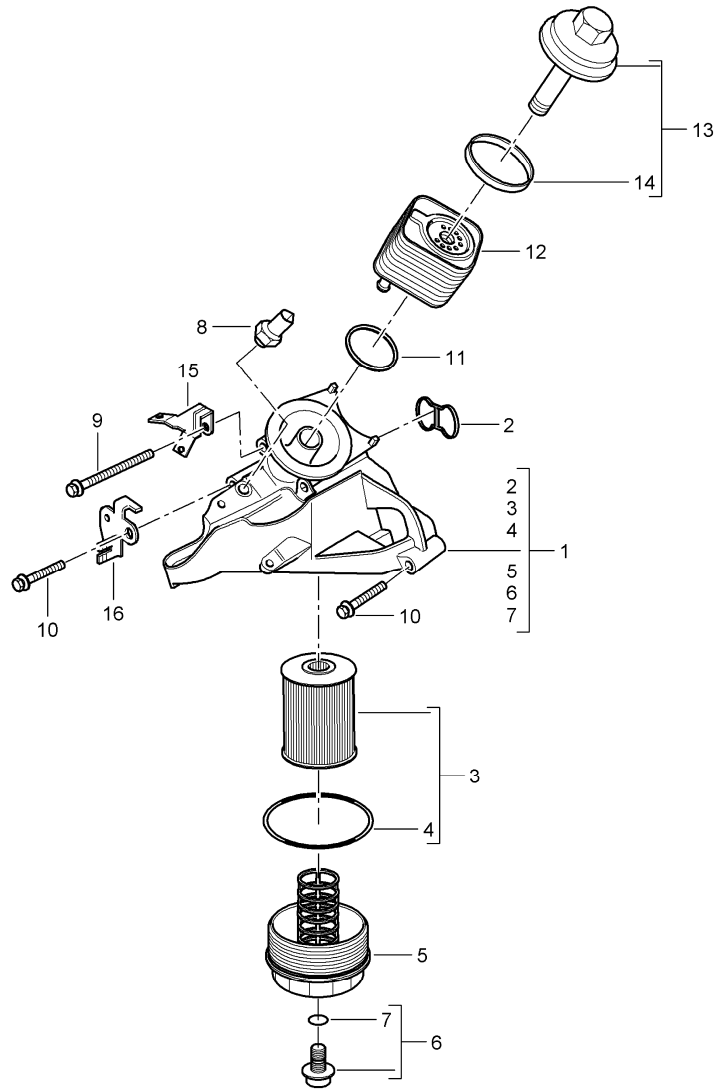


Pos	Part Number	Description	Remark	Qty	Model
		suction tube oil level dipstick oil pan			M48.01/51
1	948 107 030 01	suction tube		1	
2	999 707 530 40	o-ring 34,52 X 3,53		1	
3	900 385 019 01	torx screw M 6 X 20		4	
4	948 107 031 01	oil tube		1	
5	999 707 585 40	o-ring 22 X 3		1	
6	999 707 547 40	o-ring 28 X 3		1	
7	948 107 033 01	oil pipe		1	
8	999 707 603 40	o-ring 10 X 3		1	M48.01
(8)	999 707 603 40	o-ring 10 X 3		5	M48.51
9	999 707 567 40	o-ring 17 X 3		1	
10	900 385 009 01	torx screw M 6 X 16		7	M48.01
(10)	900 385 009 01	torx screw M 6 X 16		9	M48.51
11	948 107 037 51	oil pipe turbocharger cylinders 1 - 4		1	M48.51
12	948 107 038 51	oil pipe turbocharger cylinders 5 - 8		1	M48.51
13	948 107 055 01	oil pan		1	
14	900 219 020 31	screw plug M 18 X 1,5		1	
15	900 123 106 30	sealing ring A 18 X 24		1	
16	999 073 195 01	round head screw M 6 X 20		18	
		M	>> 838 21307		
		M	>> 848 10235		

Model	Year	MG	SG	Illustration	Restrictions	UPD	13:49	21.01.2010	PORSCHE	PET	PORSCHE
9PA1	2010	1	04	104-10		247					

Pos	Part Number	Description	Remark	Qty	Model	Pos	Part Number	Description	Remark	Qty	Model
(16)	999 073 344 01	round head screw M 6 X 20 M 838 21308 >> M 848 10236 >>		18							
17	948 107 068 01	oil level dipstick		1							
18	999 707 402 40	o-ring 8,0 X 2,0		1							
19	948 107 066 01	guide tube		1							
20	999 707 360 40	o-ring 11,2 X 2,65		1							
21	948 107 313 01	flange	-08	1							
(21)	948 107 313 02	flange M >> 9 05540 M >> G 9 04964 M >> 9 01688 M >> T 9 01787 M >> S 9 00561	09-	1	M48.01 M48.01 IEOW M48.51 M48.51 IE8A M48.51 IE81						
(21)	948 107 313 20	flange M 9 05541 >> M G 9 04965 >> M 9 01689 >> M T 9 01788 >> M S 9 00562 >>		1	M48.01 M48.01 IEOW M48.51 M48.51 IE8A M48.51 IE81						
22	999 707 570 40	o-ring 44,0 X 3,0		1							
23	948 606 150 00	oil-level sender		1							
24	948 606 240 00	gasket		1							
25	900 385 072 01	torx screw BM 6 X 25		3							

Model	Year	MG	SG	Illustration	Restrictions	UPD	13:50	21.01.2010	PORSCHE	PET	PORSCHE
9PA1	2010	1	04	104-15		247					

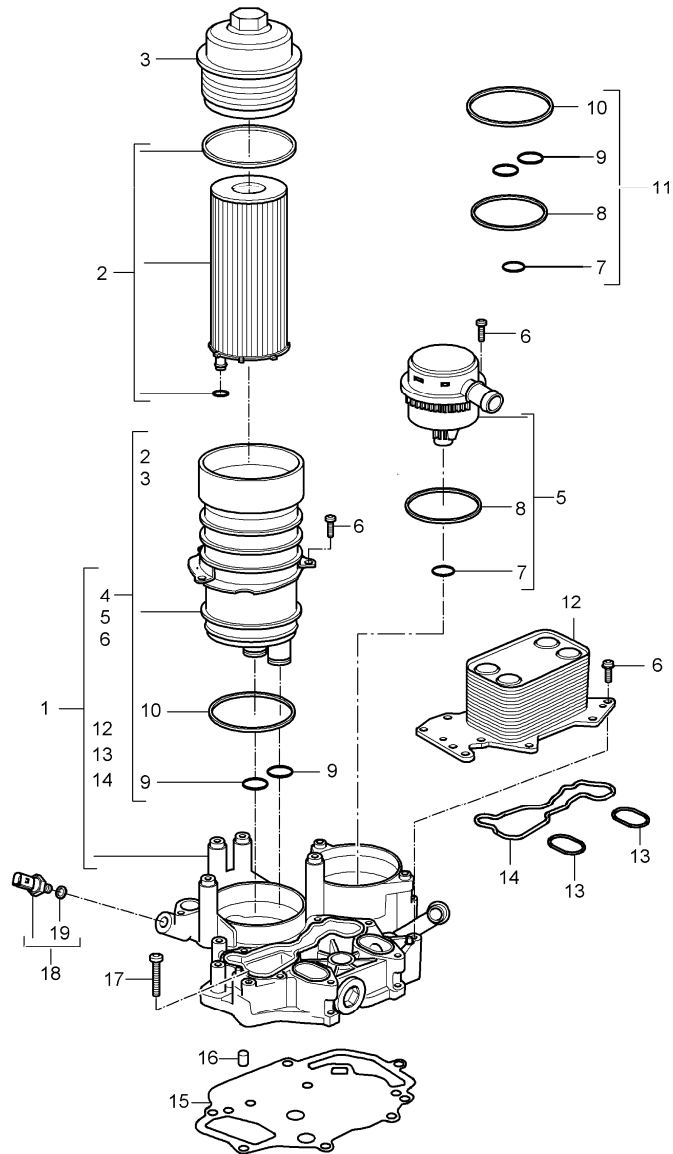


Pos	Part Number	Description	Remark	Qty	Model
		oil filter bracket oil cooler			M55.01
1	955 107 403 01	bracket with oil filter	-08	1	
(1)	955 107 403 02	bracket with oil filter	09-	1	
2	955 107 111 00	gasket		1	
3	955 107 561 00	filter element with sealing ring		1	
4	955 107 313 00	sealing ring		1	
5	955 107 433 00	housing filter element	-08	1	
(5)	955 107 433 01	housing filter element	09-	1	
6	955 107 434 00	screw plug with sealing ring	-08	1	
(6)	WHT 000 897 A	screw plug with sealing ring	09-	1	
7	N 904 054 02	o-ring 11 X 2,5		1	
8 A	955 606 091 01	oil pressure switch		1	
(8)	955 606 091 02	oil pressure switch		1	
-	N 013 811 5	sealing ring 10 X 13,5 for oil pressure switch		1	
9	N 100 362 03	combination screw M 8 X 105		3	
10	N 902 120 04	combination screw M 8 X 65		2	
11	955 107 070 01	sealing ring		1	
12	U 955 107 021 00	oil cooler		1	
(12)	955 107 021 01	oil cooler	-09	1	

Model	Year	MG	SG	Illustration	Restrictions	UPD	13:50	21.01.2010	PORSCHE	PET	PORSCHE
9PA1	2010	1	04	104-15		247					

Pos	Part Number	Description	Remark	Qty	Model	Pos	Part Number	Description	Remark	Qty	Model
(12)	955 107 021 02	oil cooler	10-	1							
13	955 107 061 01	lid with gasket		1							
14	955 107 172 00	gasket		1							
15	955 607 208 30	support		1							
16	955 607 208 40	support		1							

Model	Year	MG	SG	Illustration	Restrictions	UPD	13:50	21.01.2010	PORSCHE	PET	PORSCHE
9PA1	2010	1	04	104-20		247					

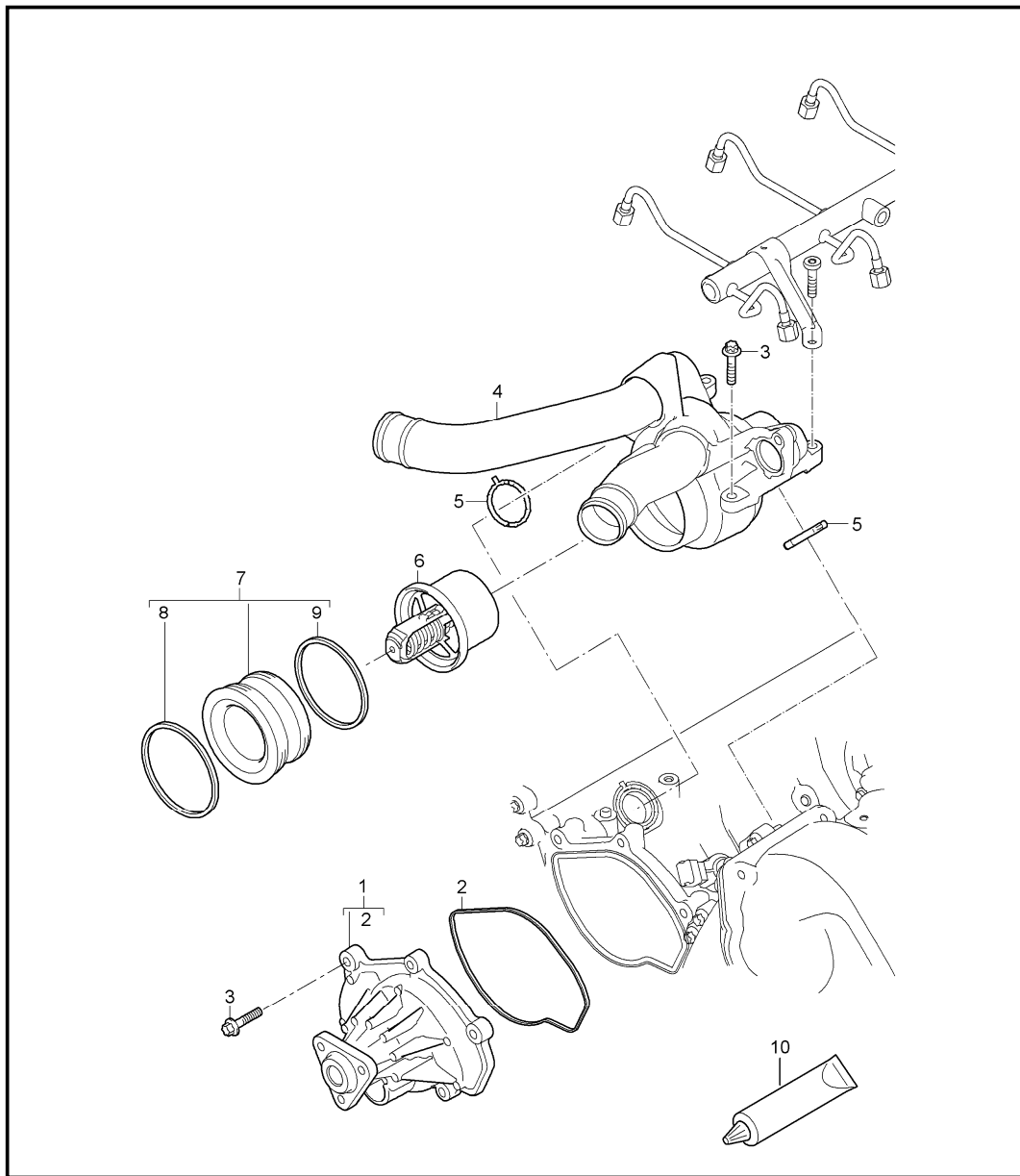


Pos	Part Number	Description	Remark	Qty	Model
1	955 107 010 00	oil filter bracket oil cooler		1	M05.9D
2	955 107 222 00	bracket oil filter complete		1	
3	955 107 122 00	filter element with gasket		1	
4	955 107 073 00	lid		1	
5	955 107 040 00	oil tank complete		1	
6	955 107 040 00	oil separator with gasket		1	
6	N 101 243 06	oval-head screw M 6 X 20		10	
7		gasket oil separator use Pos.11		1	
8		gasket oil separator use Pos.11		1	
9		gasket oil tank use Pos.11		2	
10		gasket oil tank use Pos.11		1	
11	U 955 107 901 00	gasket set oil separator oil tank		1	
(11)	955 107 901 01	gasket set oil separator oil tank		1	
12	955 107 271 00	oil cooler		1	
13	955 107 175 00	sealing ring		2	
14	955 107 176 00	gasket		1	

Model	Year	MG	SG	Illustration	Restrictions	UPD	13:50	21.01.2010	PORSCHE	PET	PORSCHE
9PA1	2010	1	04	104-20		247					

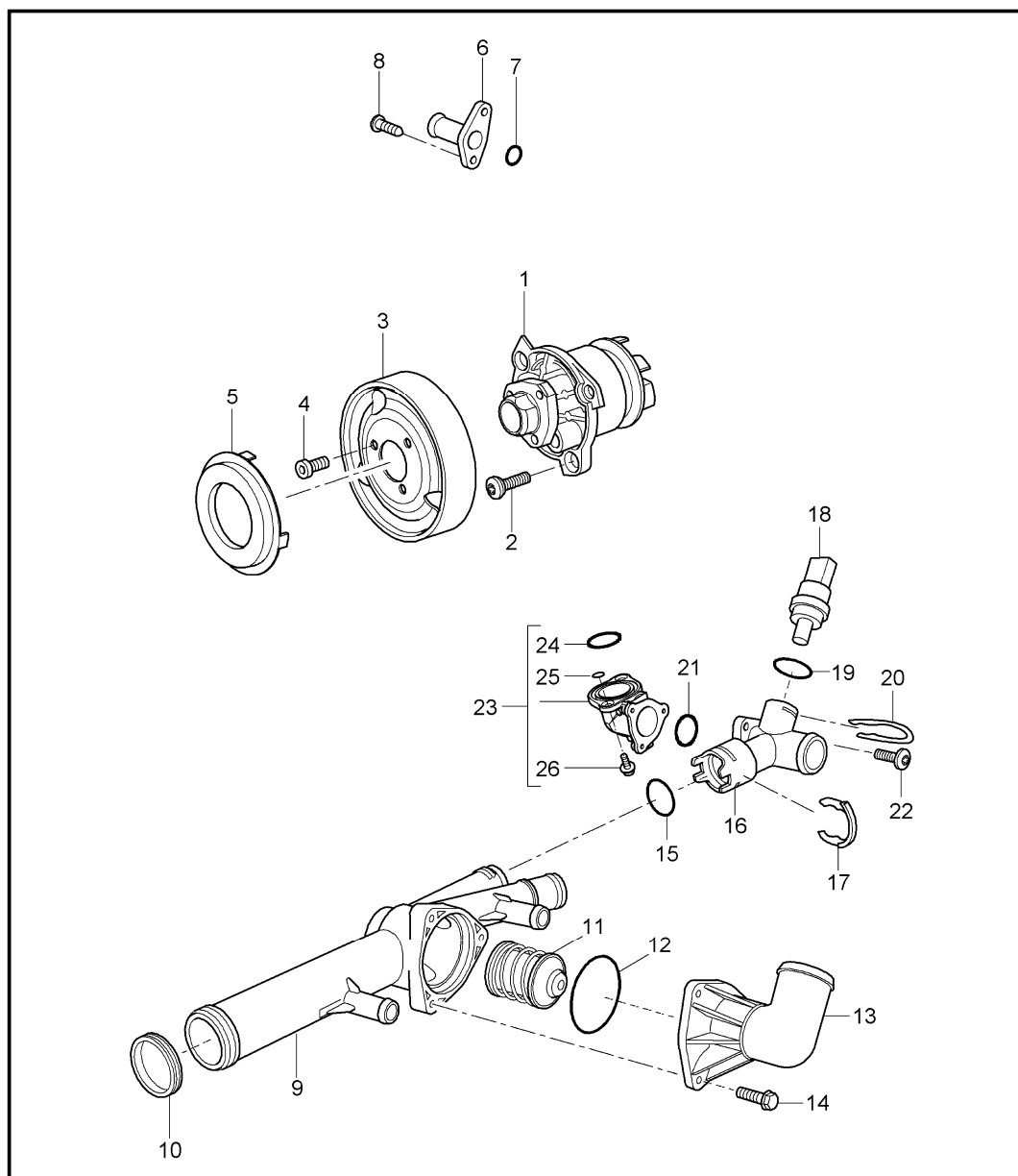
Pos	Part Number	Description	Remark	Qty	Model	Pos	Part Number	Description	Remark	Qty	Model
15	955 107 111 20	gasket		1							
16	N 106 678 01	straight pin 6 H 8 X 16		1							
17	N 106 165 01	oval-head screw M 6 X 56		8							
18	955 606 091 10	oil pressure switch		1							
19	N 013 811 5	sealing ring 10 X 13,5		1							

Model	Year	MG	SG	Illustration	Restrictions	UPD	13:50	21.01.2010	PORSCHE	PET	PORSCHE
9PA1	2010	1	05	105-00		247					



Pos	Part Number	Description	Remark	Qty	Model
		water pump thermostat housing			M48.01/51
1	948 106 033 01	water pump		1	
2	948 106 533 00	gasket		1	
3	900 385 072 01	torx screw BM 6 X 25		8	
4	948 106 060 05	thermostat housing		1	
5	948 106 124 01	gasket		2	
6	948 106 125 01	thermostat insert		1	
7 A	948 106 101 01	intake socket		1	
(7) U	948 106 101 02	intake socket		1	
(7)	948 106 101 03	intake socket		1	
8 U	948 106 510 00	sealing ring 66,4 X 6,3		1	
(8)	999 707 649 40	o-ring 62,86 X 5,33		1	
9 U	948 106 511 00	sealing ring 63,8 X 6,3		1	
(9)	999 707 649 40	o-ring 62,86 X 5,33		1	
10	000 043 205 93	grease 1 100-gramme tube to use for sealing ring intake socket		X	

Model	Year	MG	SG	Illustration	Restrictions	UPD	13:50	21.01.2010	PORSCHE	PET	PORSCHE
9PA1	2010	1	05	105-05		247					

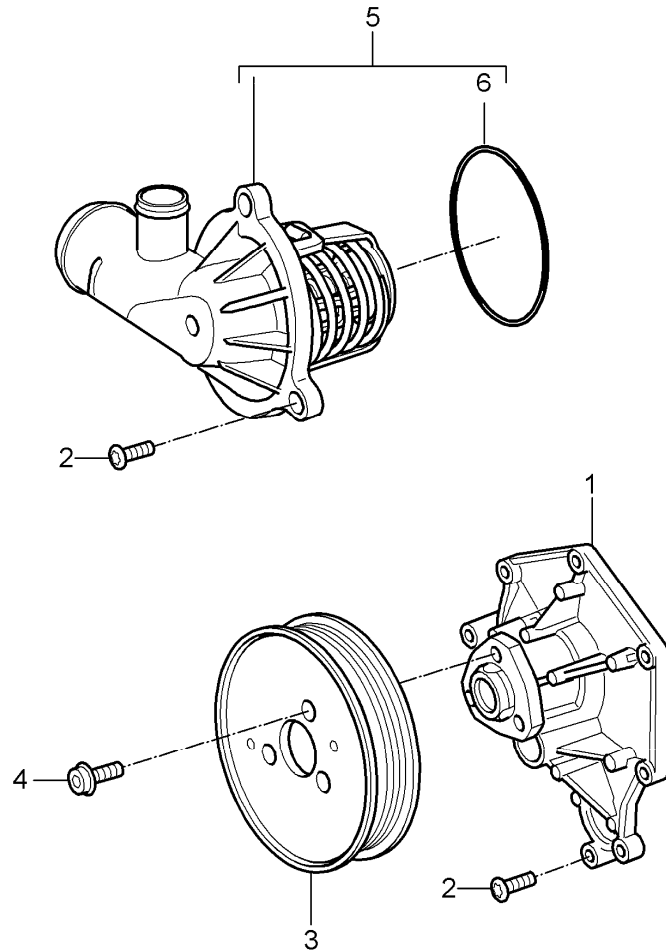


Pos	Part Number	Description	Remark	Qty	Model
1	955 106 033 00	water pump thermostat housing		1	M55.01
2	N 105 268 02	water pump with gasket		3	
3	955 106 031 01	oval-head screw M 6 X 18		1	
(3)	955 106 091 00	pulley M >> 638 08942		1	
(3)	955 106 031 01	pulley M 638 08943 >> 63A 03026 M >> 63A 05019 see technical information service group 1 KD-NR. 1373 19/09		1	
(3)	955 106 031 01	pulley M 63A 03027 >> M 63A 05020 >> see technical information service group 1 KD-NR. 1373 19/09		1	
4	N 905 442 03	pan-head screw M 8 X 11 M >> 638 08942		3	
(4)	N 911 361 01	pan-head screw M 8 X 14 M 638 08943 >> 63A 03026 M >> 63A 05019 see technical information service group 1 KD-NR. 1373 19/09		3	
(4)	N 905 442 03	pan-head screw M 8 X 11 M 63A 03027 >> M 63A 05020 >> see technical information service group 1 KD-NR. 1373 19/09		3	
5	955 106 419 00	cover pulley	-08	1	

Model	Year	MG	SG	Illustration	Restrictions	UPD	13:50	21.01.2010	PORSCHE	PET	PORSCHE
9PA1	2010	1	05	105-05		247					

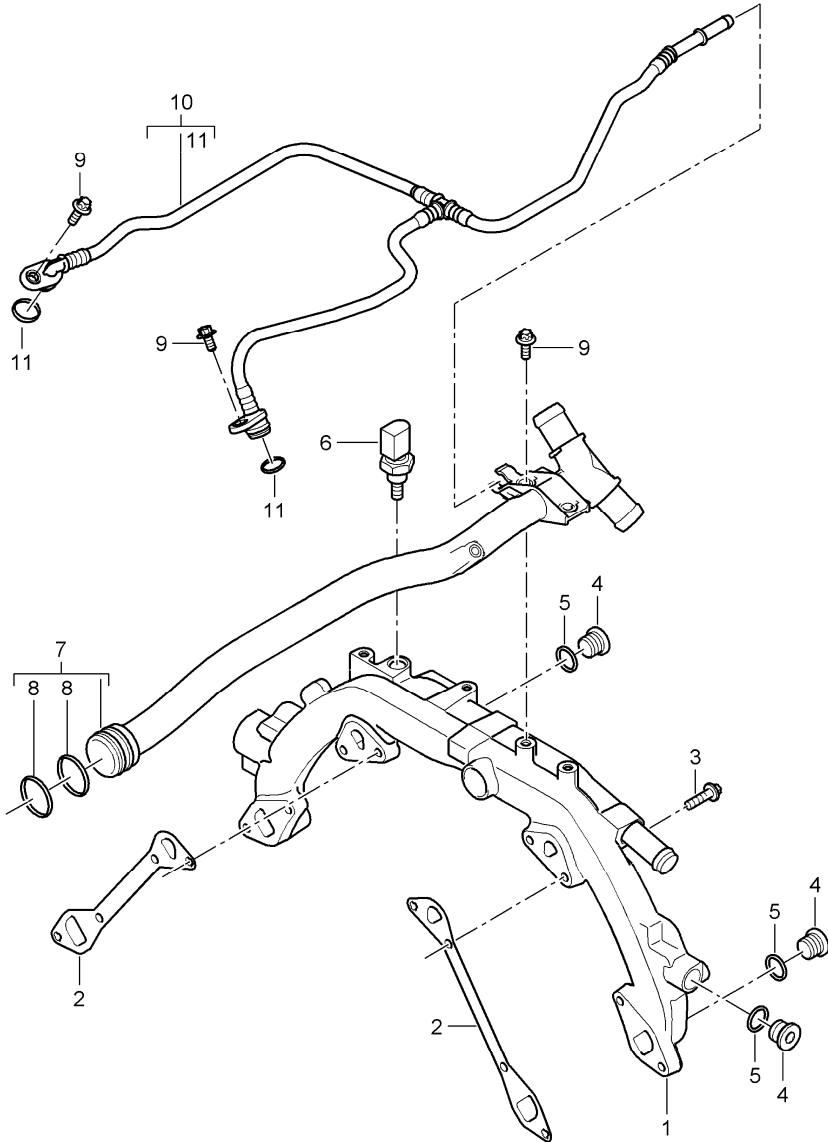
Pos	Part Number	Description	Remark	Qty	Model	Pos	Part Number	Description	Remark	Qty	Model
6	955 106 231 00	flange socket		1							
7	955 106 431 00	sealing ring		1							
8	N 910 717 01	round head screw M 6 X 25		2							
9	955 106 060 00	thermostat housing		1							
10	955 106 124 00	sealing ring 37,5 X 4,0	-09	1							
(10)	WHT 005 190	sealing ring 37,5 X 3,9	10-	1							
11	955 106 126 00	thermostat insert		1							
12	WHT 000 863	sealing ring 56,2 X 3,0		1							
13	955 106 131 00	lid thermostat insert		1							
14	N 905 330 03	hexagon-head bolt M 6 X 20		3							
15	WHT 000 862	sealing ring 29 X 3,5		1							
16	955 106 132 00	cooling water socket		1							
17	955 106 344 00	retainer spring		1							
18	955 106 125 01	temperature sensor		1							
19	N 903 168 01	round seal 19,6 X 3,65		1							
20	955 106 143 00	retainer spring		1							
21	955 106 509 00	sealing ring		1							
22	N 910 541 01	oval-head screw M 6 X 25		3							
23	955 106 134 00	cooling water socket cylinder head		1							
24	955 106 511 00	sealing ring		1							
25	955 106 586 00	o-ring 7 X 2		2							
26	N 902 929 03	pan-head screw M 8 X 25		2							

Model	Year	MG	SG	Illustration	Restrictions	UPD	13:50	21.01.2010	PORSCHE	PET	PORSCHE
9PA1	2010	1	05	105-07		247					



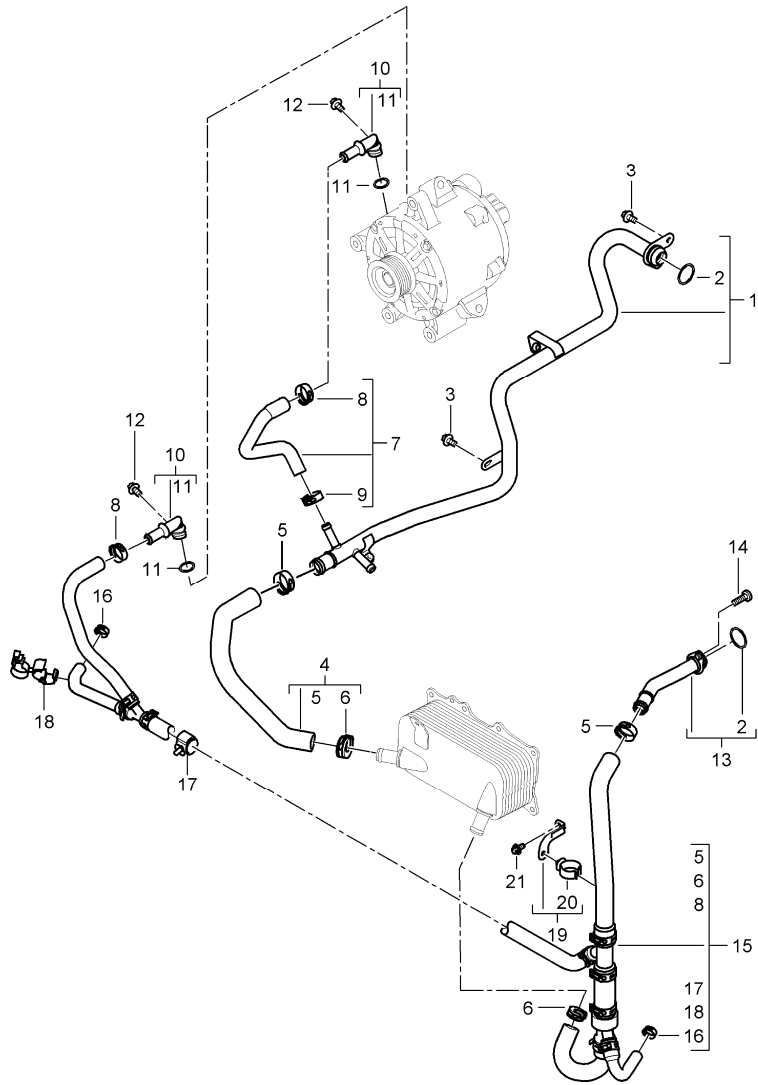
Pos	Part Number	Description	Remark	Qty	Model
		water pump thermostat housing			M05.9D
1	955 106 033 10	water pump with gasket	-09	1	
(1)	955 106 033 11	water pump with gasket	10-	1	
2	N 101 961 05	oval-head screw M 6 X 18		10	
3	955 106 091 10	pulley		1	
4	N 910 522 01	pan-head screw M 8 X 12		3	
5	955 106 032 00	thermostat housing with thermostat insert		1	
6	955 106 123 00	gasket 75,6 X 3,1		1	

Model	Year	MG	SG	Illustration	Restrictions	UPD	13:51	21.01.2010	PORSCHE	PET	PORSCHE
9PA1	2010	1	05	105-10		247					



Pos	Part Number	Description	Remark	Qty	Model
		water cooling 1			M48.01/51
1	948 106 061 03	distributor tube		1	M48.01
		M >> 9 05540			M48.01
		M >> G 9 04964			IE0W
		M >> 9 01688			M48.51
		M >> T 9 01787			M48.51
		M >> S 9 00561			IE8A
					M48.51
					IE81
(1)	948 106 061 04	distributor tube		1	M48.01
		M 9 05541 >>			M48.01
		M G 9 04965 >>			IE0W
		M 9 01689 >>			M48.51
		M T 9 01788 >>			M48.51
		M S 9 00562 >>			IE8A
					M48.51
					IE81
2	948 106 154 01	gasket		2	
3	900 385 072 01	torx screw BM 6 X 25		8	
4	900 219 004 01	screw plug M 16 X 1,5		3	M48.01
(4)	900 219 004 01	screw plug M 16 X 1,5		2	M48.51
5	900 123 131 30	sealing ring A 16 X 20		3	M48.01
(5)	900 123 131 30	sealing ring A 16 X 20		2	M48.51
6	997 606 420 00	temperature sensor		1	
7	948 106 069 03	cooling water tube heating		1	
8	999 707 518 41	o-ring 28 X 3		2	
9	900 385 009 01	torx screw BM 6 X 16		4	
10	948 106 026 03	vent line		1	
11	999 707 586 40	o-ring 11 X 2,5		2	

Model	Year	MG	SG	Illustration	Restrictions	UPD	13:51	21.01.2010	PORSCHE	PET	PORSCHE
9PA1	2010	1	05	105-15		247					

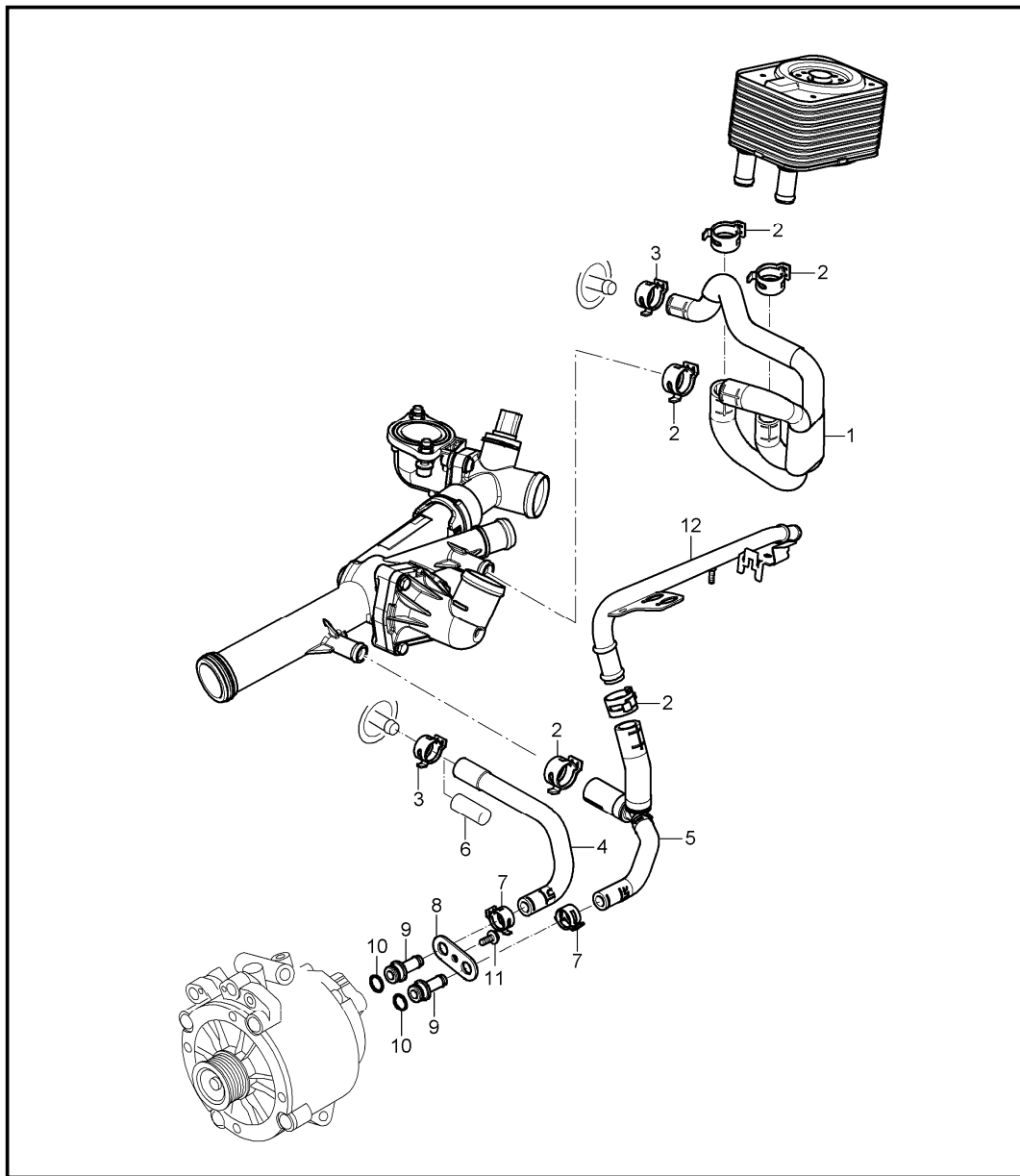


Pos	Part Number	Description	Remark	Qty	Model
		water cooling 2			M48.01/51
1	948 106 022 52	cooling water tube supply		1	M48.51
(1)	948 106 022 02	cooling water tube supply		1	M48.01
2	999 701 825 40	o-ring 19,6 X 3,53		2	
3	900 385 041 01	torx screw BM 6 X 12		2	
4	A 948 106 457 01	water hose supply		1	
(4)	948 106 457 02	water hose supply		1	
5	999 512 658 09	hose clamp 27 X 12		2	
6	999 512 656 09	hose clamp 25 X 12		2	
7	948 106 355 05	water hose supply		1	
8	999 512 652 09	hose clamp 19 X 12		2	
9	999 512 686 09	hose clamp 17 X 12		1	
10	948 106 462 00	connection piece generator		2	
11	999 707 514 40	o-ring 12,37 X 2,62		2	
12	900 385 009 01	torx screw BM 6 X 16		2	
13	948 106 421 04	cooling water tube return line		1	
14	999 073 195 01	round head screw M 6 X 20	M >> 838 21307 M >> 848 10235	1	
(14)	999 073 344 01	round head screw M 6 X 20	M 838 21308 >> M 848 10236 >>	1	

Model	Year	MG	SG	Illustration	Restrictions	UPD	13:51	21.01.2010	PORSCHE	PET	PORSCHE
9PA1	2010	1	05	105-15		247					

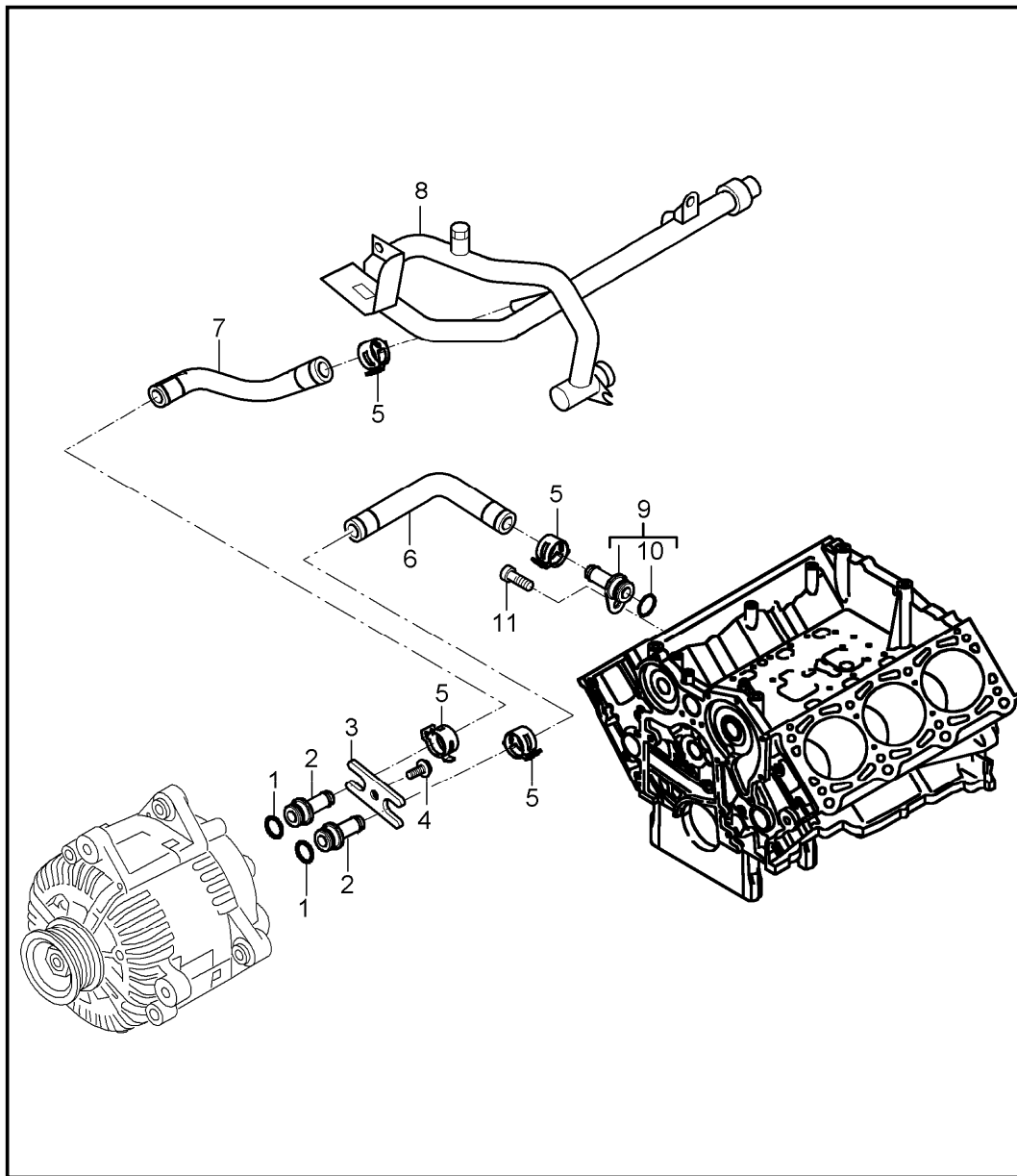
Pos	Part Number	Description	Remark	Qty	Model	Pos	Part Number	Description	Remark	Qty	Model
15	948 106 051 51	water hose complete return line		1	M48.51	(21)	999 073 902 30	oval-head screw M 6 X 16 M 9 05541 >> M G 9 04965 >>		1	M48.01 M48.01 IEOW
(15)	948 106 051 01	water hose complete return line		1	M48.01			M 9 01689 >> M T 9 01788 >>			M48.51 M48.51 IE8A
16	999 512 686 09	hose clamp B 17 X 12		2	M48.51			M S 9 00562 >>			M48.51 IE81
17	999 507 793 40	hose holder		1	M48.51						
(17)	999 507 127 40	hose holder		1	M48.01						
18	999 507 860 40	hose holder		1	M48.51						
19	955 106 503 00	support		1							
		M >> 9 05540			M48.01						
		M >> G 9 04964			M48.01						
		M >> 9 01688			IEOW						
		M >> T 9 01787			M48.51						
		M >> S 9 00561			M48.51						
					IE8A						
					M48.51						
					IE81						
(19)	7PP 121 232	support		1							
		M 9 05541 >>			M48.01						
		M G 9 04965 >>			M48.01						
		M 9 01689 >>			IEOW						
		M T 9 01788 >>			M48.51						
		M S 9 00562 >>			M48.51						
					IE8A						
					M48.51						
					IE81						
20	999 511 244 40	cable holder		1							
21	N 101 563 07	hexagon-head bolt M 6 X 12		1							
		M >> 9 05540			M48.01						
		M >> G 9 04964			M48.01						
		M >> 9 01688			IEOW						
		M >> T 9 01787			M48.51						
		M >> S 9 00561			M48.51						
					IE8A						
					M48.51						
					IE81						

Model	Year	MG	SG	Illustration	Restrictions	UPD	13:51	21.01.2010	PORSCHE	PET	PORSCHE
9PA1	2010	1	05	105-20		247					



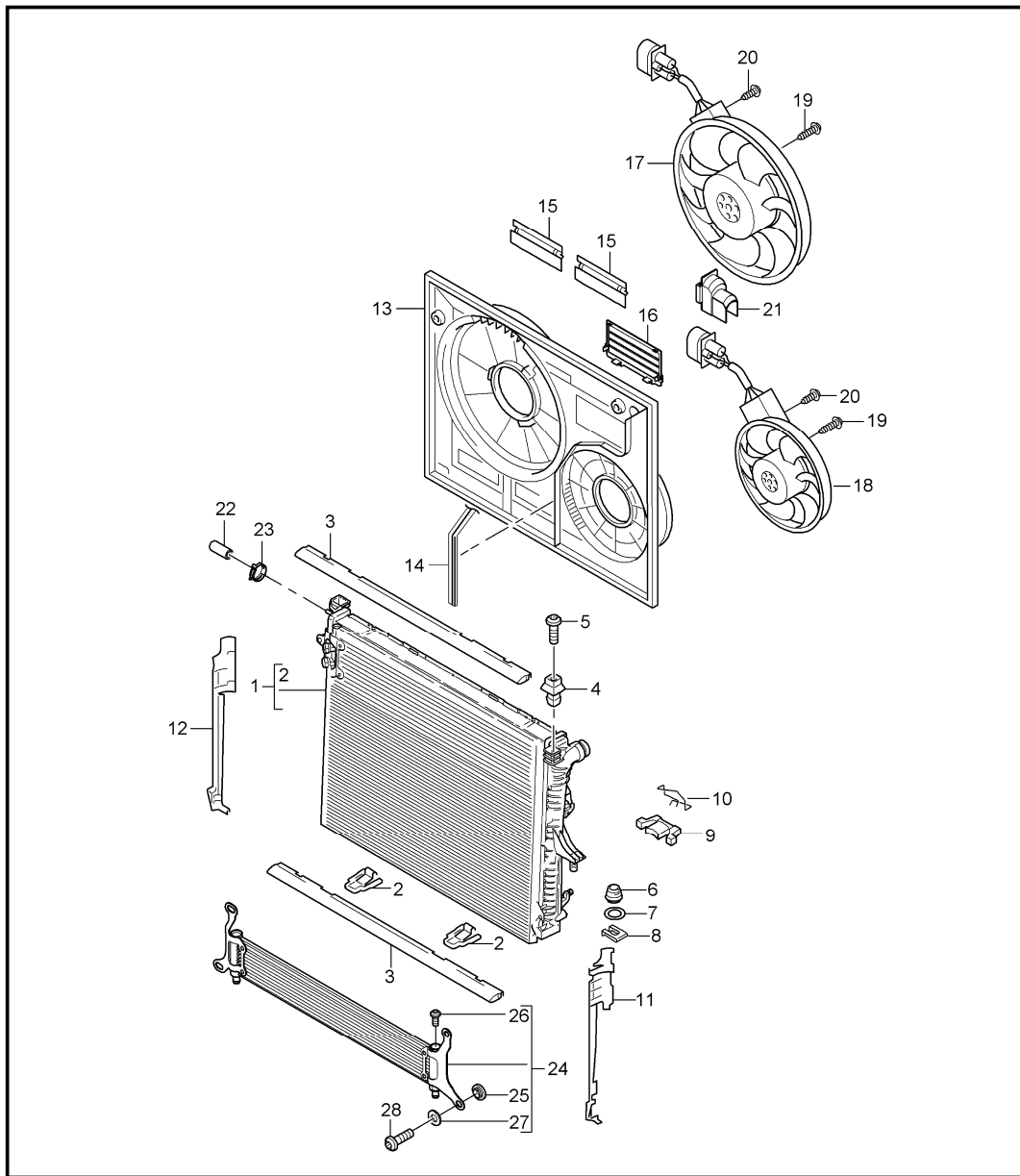
Pos	Part Number	Description	Remark	Qty	Model
		water cooling 2			M55.01
1	955 106 052 00	water hose		1	
2	N 906 869 01	hose clamp B 23 X 12		5	
3	N 909 264 01	hose clamp B 19 X 12		2	
4	955 106 356 10	water hose	-09	1	I8GH
5	955 106 355 10	water hose	-09	1	I8GH
(5)	955 106 355 20	water hose	-09	1	I8GV
(5)	955 106 355 20	water hose	10-	1	
6	955 106 099 00	stopper crankcase	-09	1	I8GV
(6)	955 106 099 01	stopper crankcase	10-	1	
7	N 907 702 01	hose clamp B 17 X 12	-09	2	I8GH
8	955 106 361 00	retaining bracket	-09	1	I8GH
9	955 106 362 02	adapter	-09	2	I8GH
10	N 907 834 02	o-ring 13,1 X 1,6	-09	2	I8GH
11	N 106 137 01	pan-head screw M 6 X 28	-09	1	I8GH
12		water tube see illustrations 1/05/35		1	

Model	Year	MG	SG	Illustration	Restrictions	UPD	13:51	21.01.2010	PORSCHE	PET	PORSCHE
9PA1	2010	1	05	105-21		247					



Pos	Part Number	Description	Remark	Qty	Model
		water cooling 2			M05.9D
1	N 907 834 02	o-ring 13,1 X 1,6	-09	2	
2	955 106 362 02	adapter	-09	2	
3	955 106 361 10	retaining bracket	-09	1	
4	N 101 562 06	oval-head screw M 6 X 30	-09	1	
5	N 907 702 01	hose clamp B 17 X 12	-09	4	
6	955 106 355 30	water hose supply	-09	1	
7	955 106 356 30	water hose return line	-09	1	
8		water tube see illustrations 1/05/42		1	
9	955 106 155 00	adapter crankcase	-09	1	
(9)	955 106 155 01	lid crankcase	10-	1	
10	N 910 084 01	o-ring 19,6 X 3		1	
11	N 101 703 02	oval-head screw M 6 X 10		1	

Model	Year	MG	SG	Illustration	Restrictions	UPD	13:51	21.01.2010	PORSCHE	PET	PORSCHE
9PA1	2010	1	05	105-25		247					

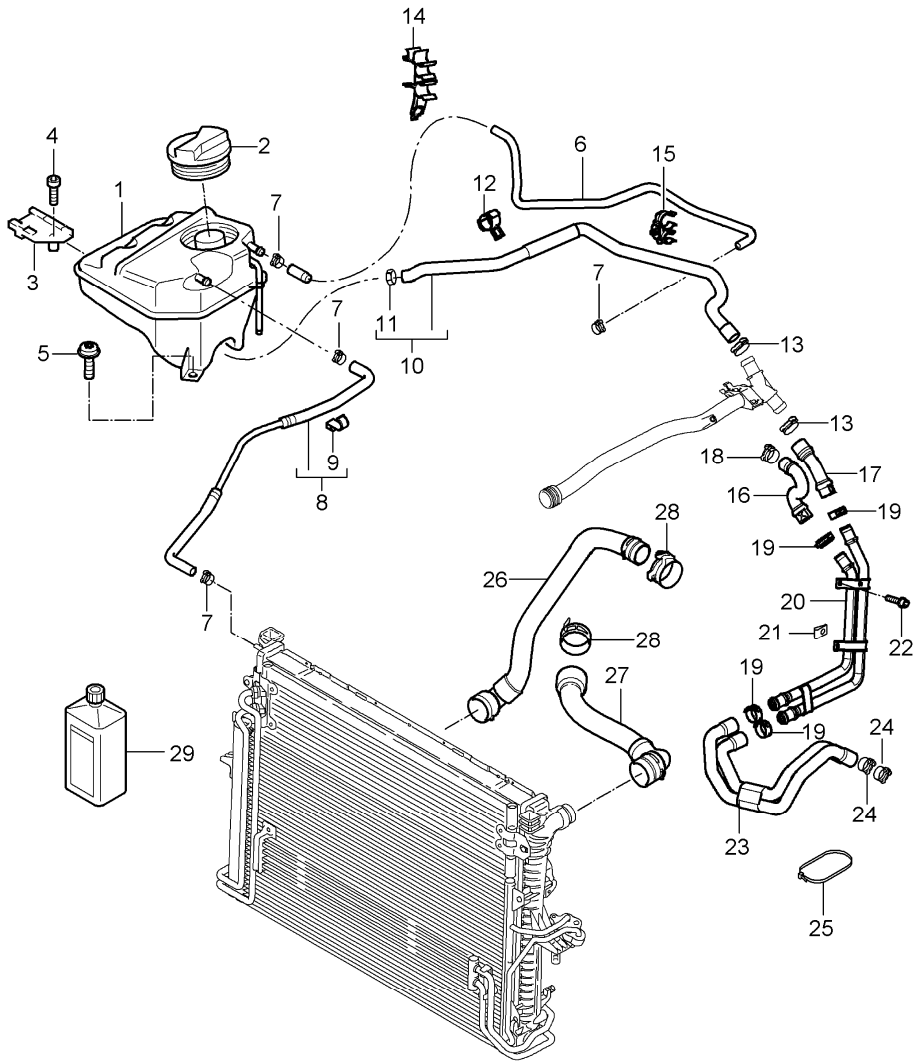


Pos	Part Number	Description	Remark	Qty	Model
1	955 106 142 01	water cooling 3 radiator		1	
(1)	955 106 142 01	radiator		1	ID50
		use also: stopper 955.106.599.00 hose clamp N .906.867.01		1	
2	955 106 079 00	support		2	
3	955 106 379 00	pipng		2	
4	955 106 191 00	buffer		2	
5	N 910 252 01	screw 6.0 X 30		2	
6	955 106 175 00	rubber mounting		2	
7	N 904 485 01	washer 16.2 X 34.2 X 3.0		2	
8	955 106 174 00	clamp		2	
9	955 106 176 00	support rubber mounting		2	
10	955 106 173 00	clamp support		2	
11	955 106 346 01	seal	/L	1	ID5V/D5X
(11)	955 106 346 01	seal	/L	1	ID50
(11)	955 106 346 10	seal	/L	1	ID5Z
12	955 106 347 01	seal	/R	1	
13	955 106 258 10	cooling air duct		1	ID5X
(13)	955 106 258 10	cooling air duct		1	ID5V/0Y1/0Y3
(13)	955 106 258 00	cooling air duct		1	ID5V/0Y2
(13)	955 106 258 00	cooling air duct		1	ID5Z
(13)	955 106 258 00	cooling air duct		1	ID50
14	955 106 271 00	pipng cooling air duct		1	
15	955 106 259 00	flap lower		2	

Model	Year	MG	SG	Illustration	Restrictions	UPD	13:51	21.01.2010	PORSCHE	PET	PORSCHE
9PA1	2010	1	05	105-25		247					

Pos	Part Number	Description	Remark	Qty	Model	Pos	Part Number	Description	Remark	Qty	Model
16	955 106 259 10	flap upper		1		(20)	955 106 953 20	screw 4 X 25		8	ID5V/OY1/OY3
17	955 624 136 00	fan - DC -	-08	1	ID5X	(20)	955 106 953 20	screw 4 X 25		4	ID5V/OY2
(17)	955 624 136 01	fan - DC -	09-	1	ID5X	(20)	955 106 953 20	screw 4 X 25		4	ID5Z
(17)	955 624 136 00	fan - DC -	-08	1	ID5V/OY1/OY3	(20)	955 106 953 20	screw 4 X 25		4	ID50
(17)	955 624 136 01	fan - DC -	09-	1	ID5V/OY1/OY3	21	955 504 750 00	cover connector electric fan		1	
(17)	955 624 135 00	fan - EC -		1	ID5V/OY2	22	955 106 599 00	stopper connection piece radiator		1	ID50
(17)	955 624 135 00	fan - EC -		1	ID5Z	23	N 906 867 01	hose clamp B 14 X 12		1	ID50
(17)	955 624 135 00	fan - EC -		1	ID50	24	955 106 212 00	radiator		1	ID50
18	955 624 134 00	fan - DC -	-08	1		25	867 129 669	grommet		4	ID50
(18)	955 624 134 01	fan - DC -	09-	1		26	955 106 354 00	drain plug		1	ID50
19	955 106 953 10	screw M 5 X 16		6	ID5X	27	6N0 129 734	spacer		4	ID50
(19)	955 106 953 10	screw M 5 X 16		6	ID5V/OY1/OY3	28	N 910 252 01	screw 6 X 30		4	ID50
(19)	955 106 953 10	screw M 5 X 16		3	ID5V/OY2						
(19)	955 106 953 10	screw M 5 X 16		3	ID5Z						
(19)	955 106 953 10	screw M 5 X 16		3	ID50						
(19)	955 106 953 00	screw M 5 X 12		3	ID5V/OY2						
(19)	955 106 953 00	screw M 5 X 12		3	ID5Z						
(19)	955 106 953 00	screw M 5 X 12		3	ID50						
20	955 106 953 20	screw 4 X 25		8	ID5X						

Model	Year	MG	SG	Illustration	Restrictions	UPD	13:51	21.01.2010	PORSCHE	PET	PORSCHE
9PA1	2010	1	05	105-30		247					

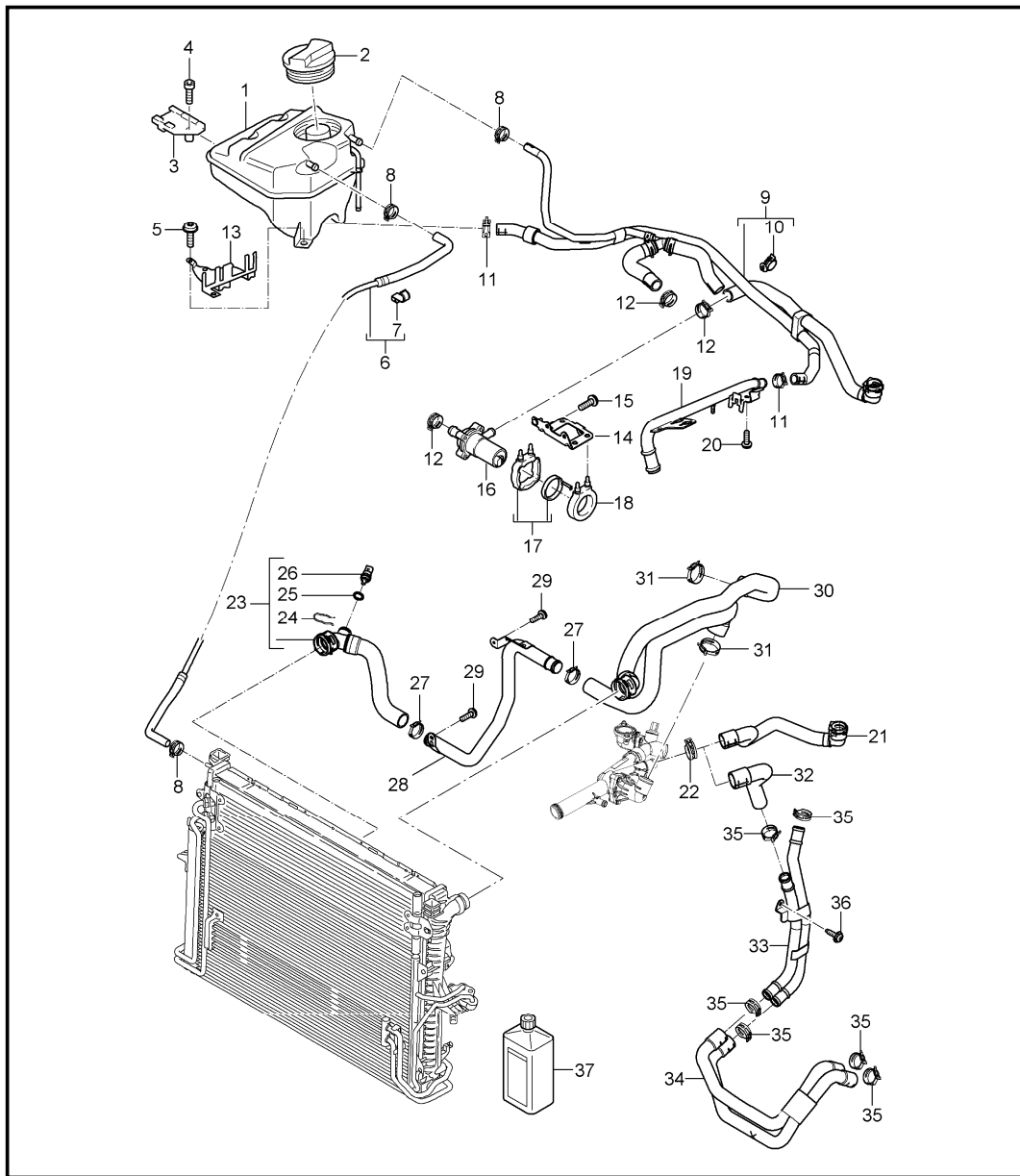


Pos	Part Number	Description	Remark	Qty	Model
		water cooling 4 water reservoir			ID5V/D5Z
1	955 106 147 22	water reservoir		1	
2	955 106 447 20	lid		1	
3	955 106 405 01	support		1	
4	N 101 244 08	torx screw M 6 X 20		1	
5	N 908 913 02	combination screw M 6 X 20		1	
6	955 106 251 00	breather hose		1	
7	N 906 867 01	hose clamp B 14 X 12		4	
8	955 106 277 10	water hose		1	
9	955 106 525 00	hose holder		1	
10	955 106 261 00	water hose		1	
11	955 106 410 00	hose clamp		1	
12	955 106 527 00	support		1	
13	955 512 405 00	clip		2	
14	955 110 325 00	line bracket		1	
15	955 106 510 00	line bracket		1	
16	955 106 322 10	water hose		1	
17	955 106 323 10	water hose		1	
18	955 512 407 00	clip		1	
19	N 906 870 01	hose clamp B 27 x 12		4	
20	955 106 310 00	cooling water tube		1	
21	955 971 847 00	cable clamp		1	
22	N 910 073 01	pan-head screw M 6 X 15		2	
23	955 106 073 00	water hose		1	
24	N 906 870 01	hose clamp B 27 X 12		2	

Model	Year	MG	SG	Illustration	Restrictions	UPD	13:51	21.01.2010	PORSCHE	PET	PORSCHE
9PA1	2010	1	05	105-30		247					

Pos	Part Number	Description	Remark	Qty	Model	Pos	Part Number	Description	Remark	Qty	Model
25	955 106 409 00	tie-wrap		1							
26	955 106 632 00	water hose supply		1	ID5V/0Y1/0Y3						
(26)	955 106 632 10	water hose supply		1	ID5V/0Y2						
(26)	955 106 632 10	water hose supply		1	ID5Z						
27	955 106 633 00	water hose return line		1							
28	N 909 265 01	hose clamp B 47 X 12		2							
29	000 043 301 03	antifreeze 1 LITER container		X							
(29)	000 043 301 04	antifreeze 20 LITER container		X							
(29)	000 043 204 39	cleaning agent 20 LITER container see technical information service group 1 KD-NR.1901 8/08		X							

Model	Year	MG	SG	Illustration	Restrictions	UPD	13:52	21.01.2010	PORSCHE	PET	PORSCHE
9PA1	2010	1	05	105-35		247					

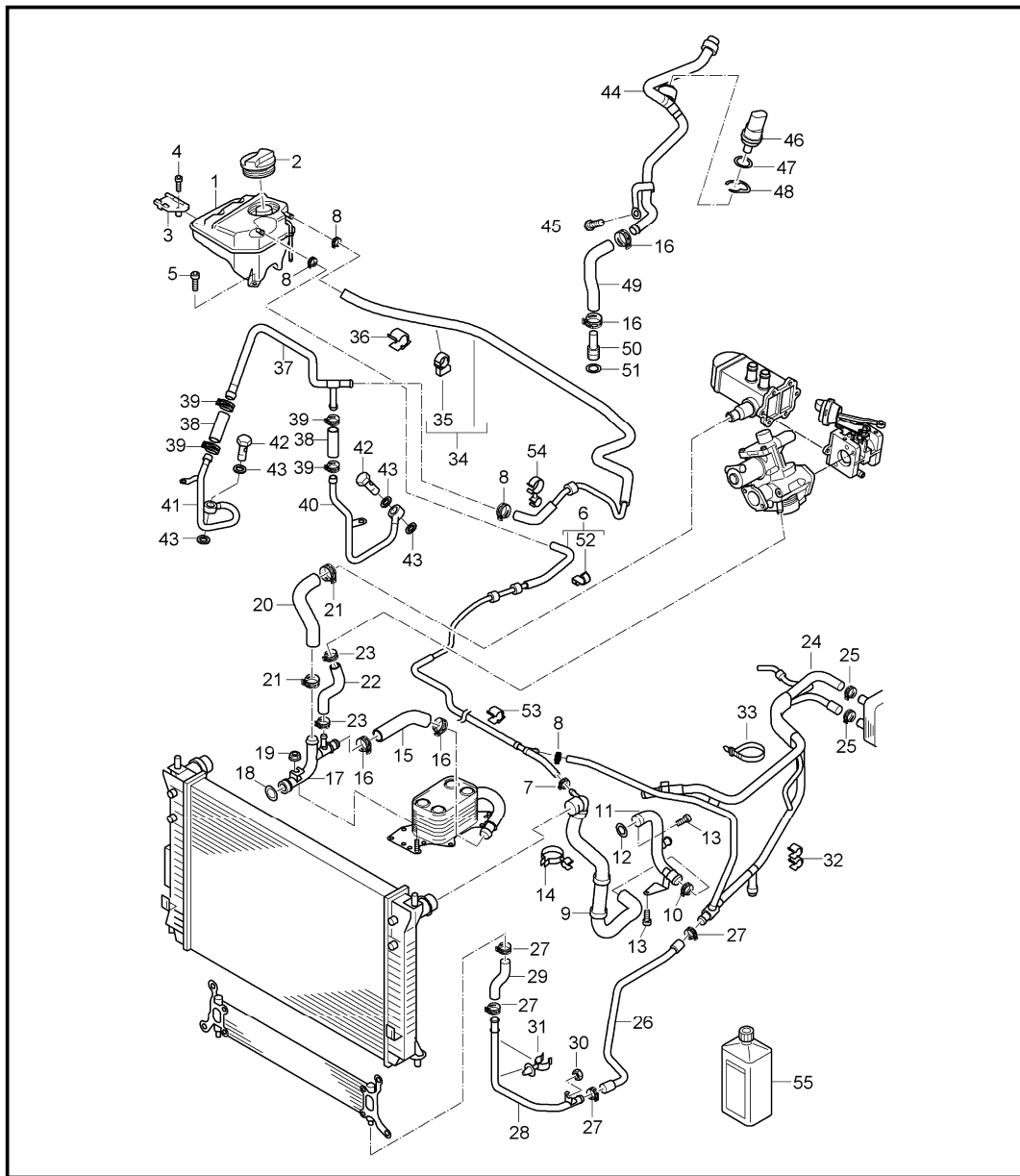


Pos	Part Number	Description	Remark	Qty	Model
		water cooling 4 water reservoir			ID5X
1	955 106 147 22	water reservoir		1	
2	955 106 447 20	lid		1	
3	955 106 405 01	support		1	
4	N 101 244 08	torx screw M 6 X 20		1	
5	N 908 913 02	combination screw M 6 X 20		1	
6	955 106 277 20	water hose		1	
7	955 106 525 00	hose holder		1	
8	N 906 867 01	hose clamp B 14 X 12		3	
9	955 106 061 00	water hose complete		1	I9AB/9AD
(9)	955 106 061 10	water hose complete		1	I9AH
(9)	955 106 061 10	water hose complete		1	I7VE/7VL
10	N 104 244 01	hose holder C 8 X 23		1	
11	N 906 555 01	hose clamp A 23 X 12		2	
12	N 906 870 01	hose clamp B 27 X 12		3	
13		support oxygen sensor see illustrations 2/02/10		1	
14	955 106 470 30	support appendix water pump		1	
15	N 107 188 01	hexagon-head bolt M 6 X 16		2	
16	955 106 561 01	water pump appendix		1	

Model	Year	MG	SG	Illustration	Restrictions	UPD	13:52	21.01.2010	PORSCHE	PET	PORSCHE
9PA1	2010	1	05	105-35		247					

Pos	Part Number	Description	Remark	Qty	Model	Pos	Part Number	Description	Remark	Qty	Model
17	955 106 209 00	rubber mounting with locking lug		1		36	N 910 073 01	pan-head screw M 6 X 15		2	I9AH
18	955 106 209 10	rubber mounting		1		(36)	N 910 073 01	pan-head screw M 6 X 15		2	I7VE/7VL
19	955 106 022 30	water tube		1		37	000 043 301 03	antifreeze 1 LITER container	-09	X	
20	N 909 899 01	oval-head screw KA 6 X 18		1		(37)	000 043 301 04	antifreeze 20 LITER container	-09	X	
21	955 106 062 00	water hose		1	I9AB/9AD	(37)	000 043 301 12	antifreeze 1 LITER container	10-	X	
22	N 906 871 01	hose clamp B 32 X 12		1		(37)	000 043 301 13	antifreeze 20 LITER container	10-	X	
23	955 106 632 20	water hose		1		(37)	000 043 301 13	antifreeze 20 LITER container	10-	X	
24	955 106 143 00	retainer spring		1		(37)	000 043 204 39	cleaning agent 20 LITER container see technical information group 1 KD-NR.1901 8/08		X	
25	N 903 168 01	round seal 19,6 X 3,65		1							
26	955 106 125 01	temperature sensor		1							
27	N 906 872 01	hose clamp B 40 X 12		2							
28	955 106 165 00	water tube		1							
29	N 907 315 03	oval-head screw 6 X 25		2							
30	955 106 633 20	water hose complete		1							
31	N 909 265 01	hose clamp B 47 X 12		2							
32	955 106 062 10	water hose		1	I9AH						
(32)	955 106 062 10	water hose		1	I7VE/7VL						
33	955 106 066 10	cooling water tube		1	I9AH						
(33)	955 106 066 10	cooling water tube		1	I7VE/7VL						
34	955 106 074 00	water hose		1	I9AH						
(34)	955 106 074 00	water hose		1	I7VE/7VL						
35	N 906 870 01	hose clamp B 27 X 12		6	I9AH						
(35)	N 906 870 01	hose clamp B 27 X 12		6	I7VE/7VL						

Model	Year	MG	SG	Illustration	Restrictions	UPD	13:52	21.01.2010	PORSCHE	PET	PORSCHE
9PA1	2010	1	05	105-40		247					

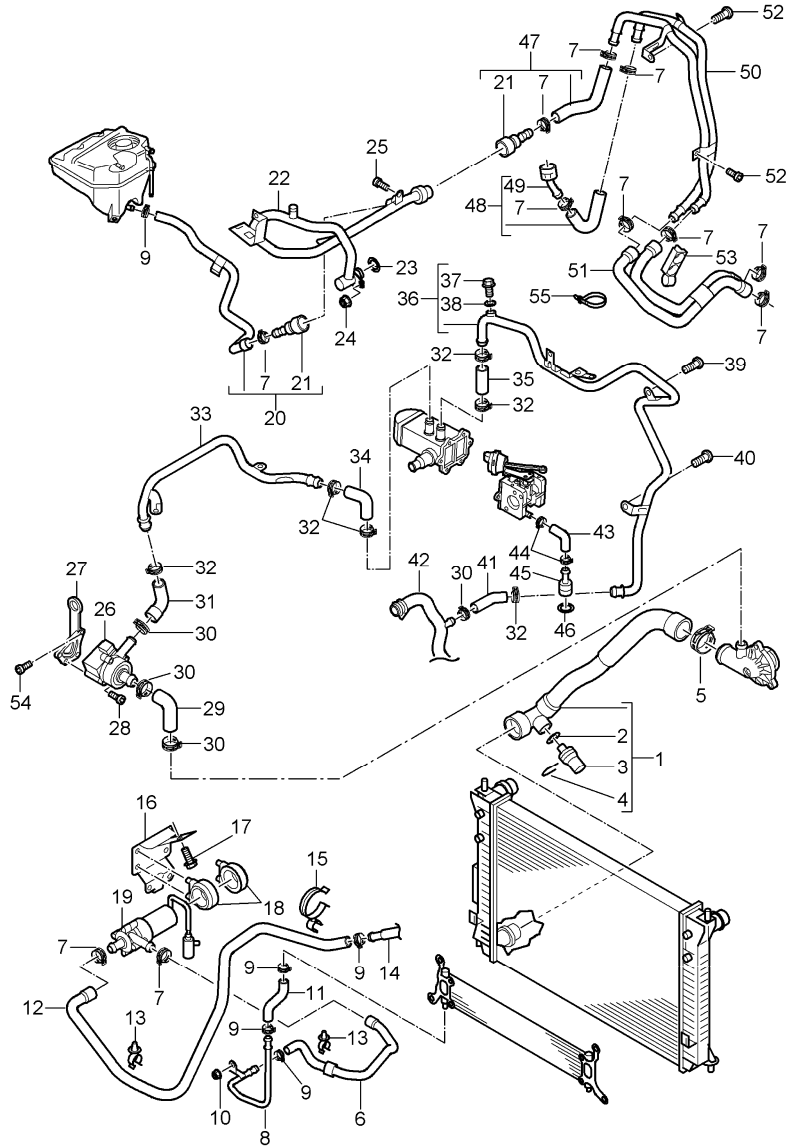


Pos	Part Number	Description	Remark	Qty	Model
		water cooling 4 water reservoir flow-side cooling			ID50
1	955 106 147 22	water reservoir		1	
2	955 106 447 20	lid		1	
3	955 106 405 01	support		1	
4	N 101 244 08	torx screw M 6 X 20		1	
5	N 908 913 02	combination screw M 6 X 20		1	
6	A 955 106 277 30	water hose		1	
(6)	955 106 277 31	water hose		1	
7	N 907 702 01	hose clamp B 17 X 12		1	
8	N 906 867 01	hose clamp B 14 X 12		4	
9	955 106 632 30	water hose		1	
10	N 906 872 01	hose clamp B 40 X 12		1	
11	955 106 071 00	cooling water tube		1	
12	N 902 753 02	o-ring 32 X 3		1	
13	N 104 514 05	round head screw M 6 X 16		3	
14	U N 106 668 01	hose holder 14 - 22 / 19 - 33		1	
(14)	N 106 668 02	hose holder 14 - 22 / 19 - 33		1	
15	955 106 373 00	water hose		1	
16	N 102 020 01	hose clamp 24,1 X 7 X 0,6		4	
17	955 106 063 00	cooling water tube		1	
18	N 903 653 04	o-ring 20 X 3		1	
19	N 904 880 05	hexagon nut M 6		1	

Model	Year	MG	SG	Illustration	Restrictions	UPD	13:52	21.01.2010	PORSCHE	PET	PORSCHE
9PA1	2010	1	05	105-40		247					

Pos	Part Number	Description	Remark	Qty	Model	Pos	Part Number	Description	Remark	Qty	Model
20	955 106 103 00	water hose		1		43	N 013 807 6	sealing ring A 8 X 11,5		4	
21	N 904 095 01	hose clamp 28,6 X 7 X 0,6		2		44	955 106 465 00	cooling water tube heating		1	
22	955 106 104 00	water hose		1		45	N 104 056 04	oval-head screw M 6 X 14		1	
23	N 102 334 01	hose clamp 16,2 X 7 X 0,6		2		46	955 106 125 01	temperature sensor		1	
24	955 106 396 00	water hose		1		47	N 903 168 01	round seal 19,6 X 3,65		1	
25	N 909 264 01	hose clamp B 19 X 12		2		48	955 106 143 00	retainer spring		1	
26	955 106 396 10	water hose		1		49	955 106 473 00	water hose heating		1	
27	N 906 869 01	hose clamp B 23 X 12		4		50	955 106 133 00	adapter heating		1	
28	955 106 265 00	cooling water tube		1		51	N 908 091 02	o-ring 16 X 2		1	
29	955 106 396 20	water hose		1		52	955 106 525 00	hose holder		1	
30	N 011 006 36	hexagon nut M 6		1		53	955 106 495 10	clamp		4	
31	955 628 261 00	hose holder 13 - 16 X 6,5		2		54	955 106 694 00	line bracket		1	
32	955 106 422 00	line bracket		1		55	000 043 301 12	antifreeze 1 LITER container		X	
33	955 606 838 00	tie-wrap 4,5 X 200		1		(55)	000 043 301 13	antifreeze 20 LITER container		X	
34	955 106 061 20	water hose		1		(55)	000 043 204 39	cleaning agent 20 LITER container see technical information service group 1 KD-NR.1901 8/08		X	
35	955 110 423 00	line bracket		1							
36	N 908 493 01	cable holder 13 X 18 X 0,5		1							
37	955 106 286 00	water hose		1							
38	955 106 255 00	water hose		2							
39	N 102 334 01	hose clamp 16,2 X 7 X 0,6		4							
40	955 106 398 00	cooling water tube		1							
41	955 106 399 00	cooling water tube		1							
42	N 910 438 01	banjo bolt 8		2							

Model	Year	MG	SG	Illustration	Restrictions	UPD	13:52	21.01.2010	PORSCHE	PET	PORSCHE
9PA1	2010	1	05	105-42		247					

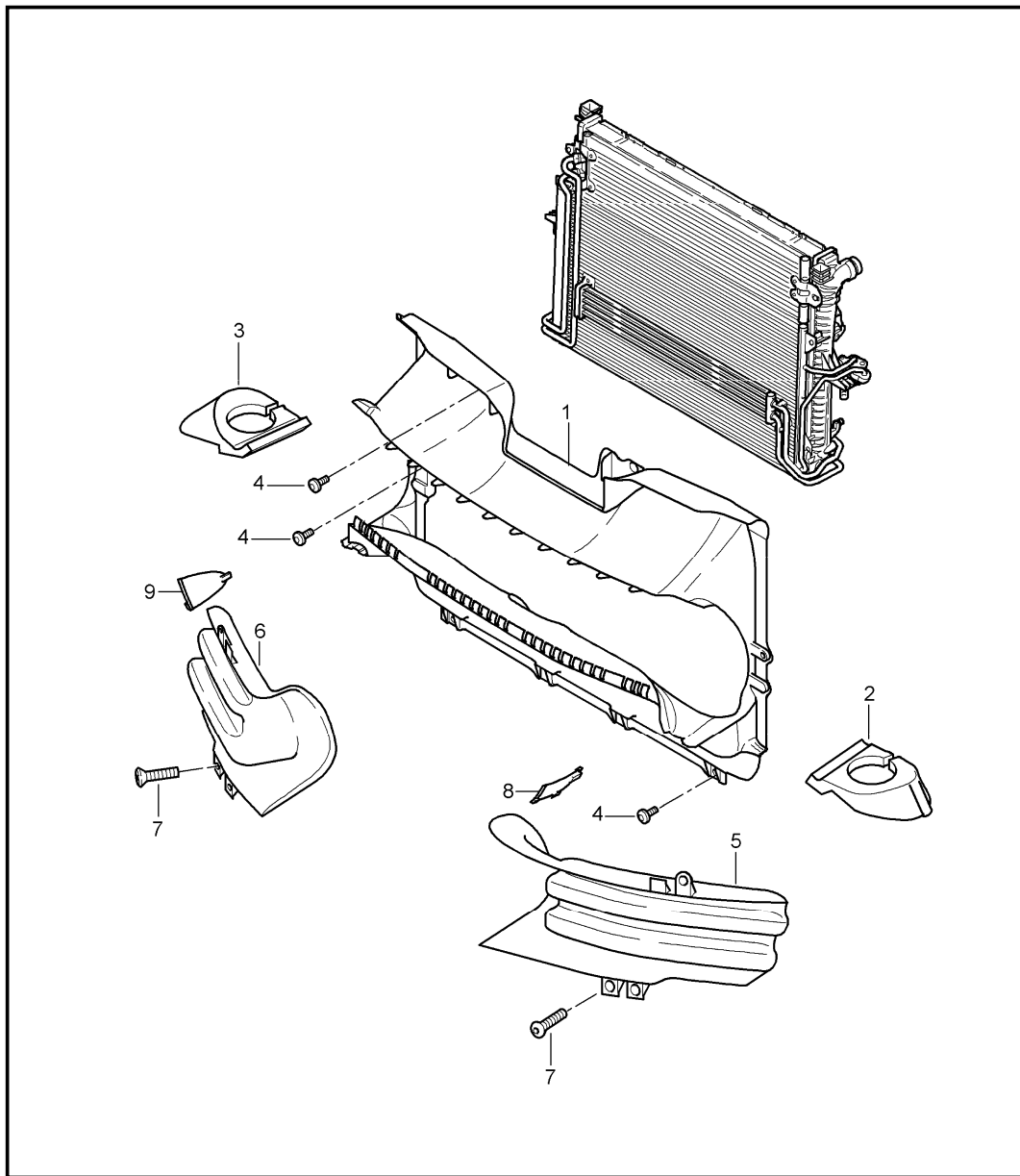


Pos	Part Number	Description	Remark	Qty	Model
		water cooling 4 return-side cooling			ID50
1	955 106 633 30	water hose		1	
2	N 903 168 01	round seal 19,6 X 3,6		1	
3	955 106 125 01	temperature sensor		1	
4	955 106 143 00	retainer spring		1	
5	N 909 265 01	hose clamp B 47 X 12		1	
6	955 106 358 00	water hose		1	
7	N 906 870 01	hose clamp B 27 X 12		11	
8	955 106 266 00	cooling water tube		1	
9	N 906 869 01	hose clamp B 23 X 12		5	
10	N 011 006 36	hexagon nut M 6		1	
11	955 106 396 30	water hose		1	
12	955 106 359 00	water hose		1	
13	955 628 261 00	hose holder 13 - 16 X 6,5		2	
14		water hose see illustrations 1/05/40 Pos.24		1	
15	N 106 894 01	hose holder A 14-22 X C01-48		1	
16	955 106 579 00	support water pump		1	
17	N 019 526 9	hexagon-head bolt M 8 X 22		1	
18	955 106 209 00	rubber mounting		2	
19	955 106 561 10	water pump appendix		1	
20	955 106 261 10	water hose		1	
21	955 106 291 00	adapter		2	

Model	Year	MG	SG	Illustration	Restrictions	UPD	13:52	21.01.2010	PORSCHE	PET	PORSCHE
9PA1	2010	1	05	105-42		247					

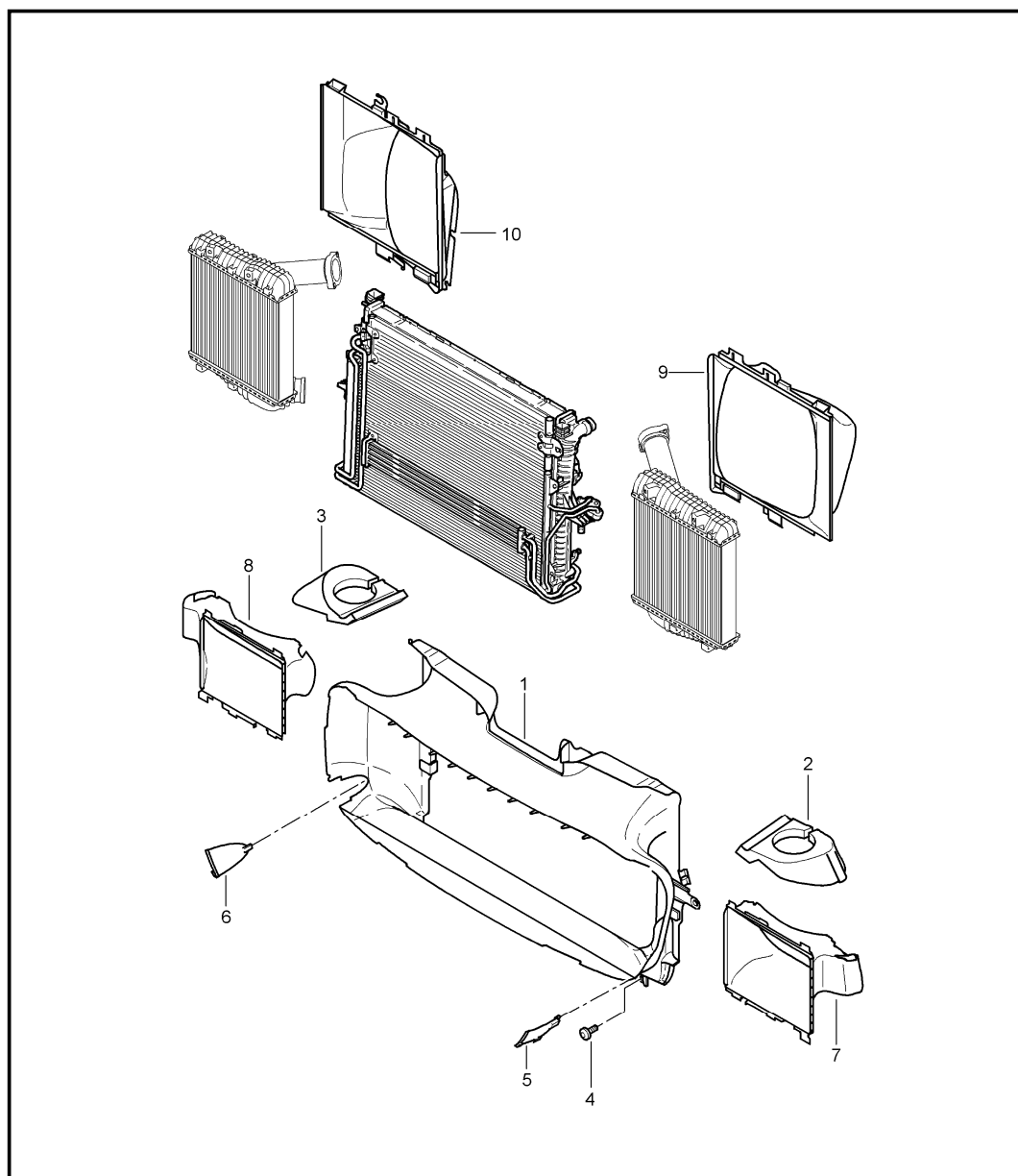
Pos	Part Number	Description	Remark	Qty	Model	Pos	Part Number	Description	Remark	Qty	Model
22	955 106 475 00	cooling water tube	-09	1		42		cooling water tube see illustrations 1/05/40 Pos.11		1	
(22)	955 106 475 01	cooling water tube	10-	1							
23	N 904 650 03	o-ring 23 X 2,6		1		43	955 106 308 00	water hose		1	
24	N 904 880 05	hexagon nut M 6		1		44	N 102 334 01	hose clamp 16,2 X 7 X 0,6		2	
25	N 101 703 02	oval-head screw M 6 X 10		1		45	955 106 218 00	adapter		1	
26	955 106 312 00	water pump appendix		1		46	N 904 520 03	o-ring 11 X 3		1	
27	955 104 305 20	shackle for transportation		1		47	955 106 573 00	water hose		1	
28	WHT 002 306	round head screw 3,5 X 12		3		48	955 106 574 00	water hose		1	
29	955 106 302 00	water hose		1		49	955 106 291 10	adapter		1	
30	N 904 095 01	hose clamp 28,6 X 7 X 0,6		4		50	955 106 310 10	cooling water tube		1	
31	955 106 304 00	water hose		1		51	955 106 074 10	water hose		1	
32	N 102 020 01	hose clamp 24,1 X 7 X 0,6		6		52	N 910 073 01	pan-head screw M 6 X 15		2	
33	955 106 564 00	cooling water tube		1		53	955 106 629 00	hose holder		1	
34	955 106 305 00	water hose		1		54	N 105 173 04	pan-head screw M 8 X 22		2	
35	955 106 306 00	water hose		1		55	N 909 377 02	tie-wrap 4,6 X 193		1	
36	955 106 507 00	cooling water tube		1							
37	N 904 832 04	hexagon-head bolt M 6 X 8		1							
38	N 013 804 2	sealing ring A 6 X 10		1							
39	N 106 320 02	oval-head screw M 6 X 16		1							
40	N 101 703 02	oval-head screw M 6 X 10		1							
41	955 106 307 00	water hose with check valve		1							

Model	Year	MG	SG	Illustration	Restrictions	UPD	13:52	21.01.2010	PORSCHE	PET	PORSCHE
9PA1	2010	1	05	105-45		247					



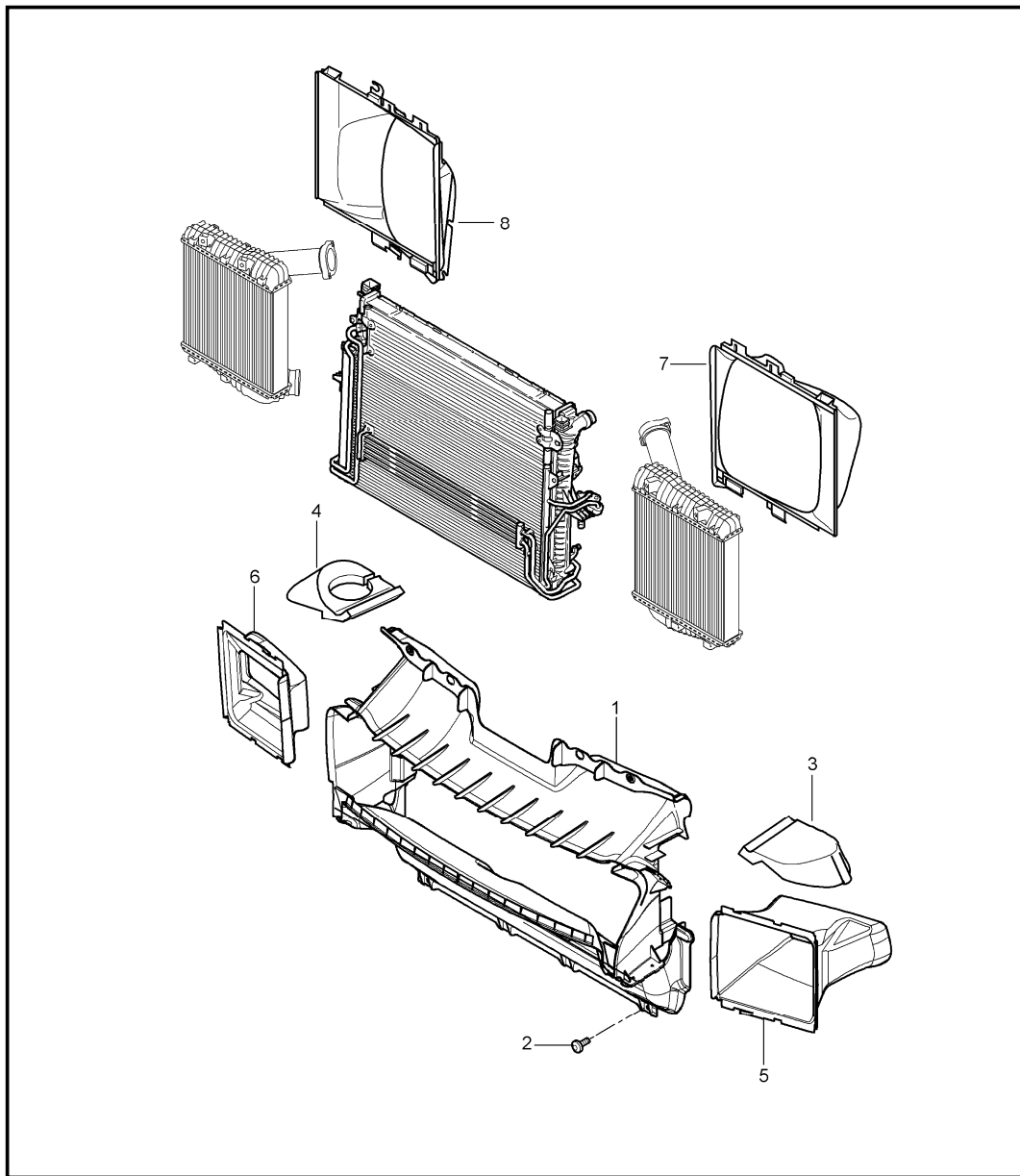
Pos	Part Number	Description	Remark	Qty	Model
		cooling air duct			ID5V/D5X
1	955 575 325 00	air duct front		1	ID5V/D5X
(1)	955 575 325 00	air duct front		1	ID5V/E2D
(1)	955 575 325 50	air duct front		1	ID5V/E0W/E1T
2	955 110 145 00	boot	/L	1	ID5V
(2)	955 110 145 50	boot	/L	1	ID5V/E0W/E1T
3	955 110 146 00	boot	/R	1	ID5V
(3)	955 110 146 50	boot	/R	1	ID5V/E0W/E1T
(3)	955 110 146 10	boot	/R	1	ID5X
4	N 910 343 01	oval-head screw M 6 X 20		6	
5	955 575 333 10	air duct lateral	/L	1	
6	955 575 334 10	air duct lateral	/R	1	
7	N 908 082 01	oval-head screw 6 X 18,5		2	
8	955 575 423 50	lid air duct front	/L	1	ID5V/E0W/E1T
9	955 575 424 50	lid air duct front	/R	1	ID5V/E0W/E1T

Model	Year	MG	SG	Illustration	Restrictions	UPD	13:52	21.01.2010	PORSCHE	PET	PORSCHE
9PA1	2010	1	05	105-50		247					



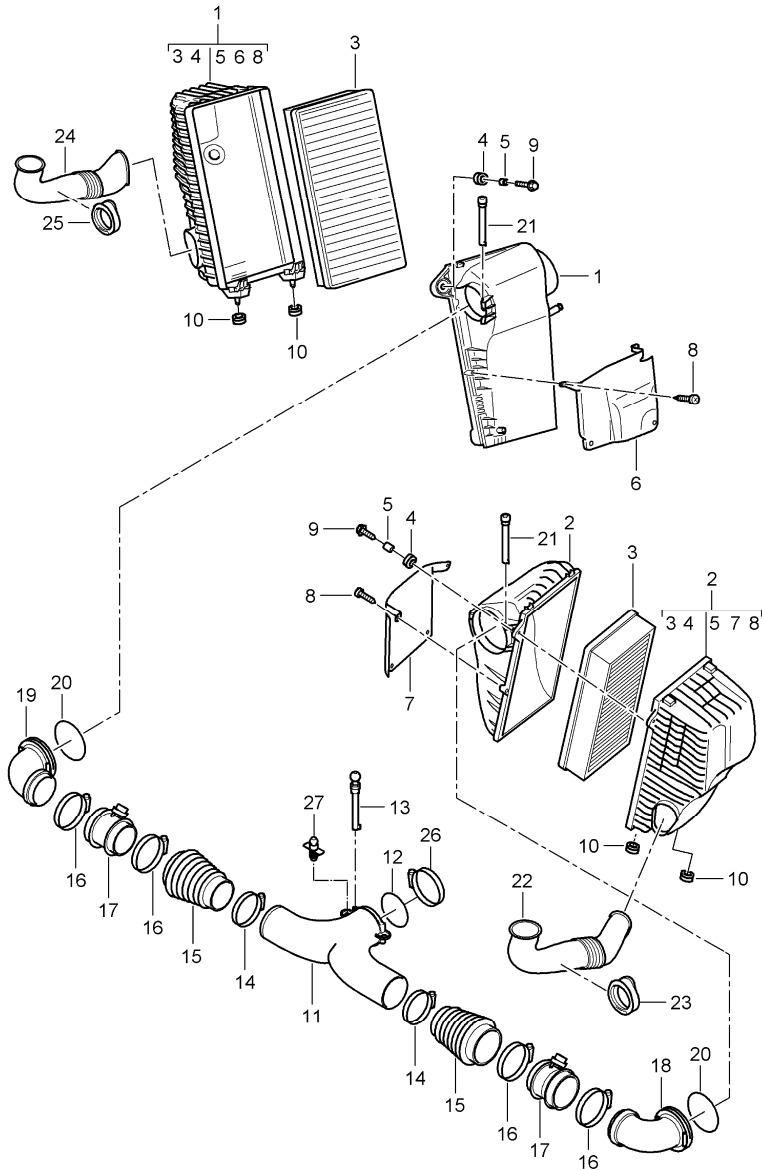
Pos	Part Number	Description	Remark	Qty	Model
		cooling air duct			ID5Z
1	955 575 325 50	air duct front		1	
2	955 110 145 50	boot	/L	1	
3	955 110 146 50	boot	/R	1	
4	N 910 343 01	oval-head screw 6 X 20		6	
5	955 575 423 50	lid	/L	1	
6	955 575 424 50	lid	/R	1	
7	955 575 571 50	air duct	/L	1	
8	955 575 572 50	air duct	/R	1	
9	955 575 339 50	air duct	/L	1	
10	955 575 340 50	air duct	/R	1	

Model	Year	MG	SG	Illustration	Restrictions	UPD	13:53	21.01.2010	PORSCHE	PET	PORSCHE
9PA1	2010	1	05	105-55		247					



Pos	Part Number	Description	Remark	Qty	Model
		cooling air duct			ID50
1	955 575 325 60	air duct front		1	
2	N 910 343 01	oval-head screw 6 X 20		4	
3	955 110 145 60	boot	/L	1	
4	955 110 146 00	boot	/R	1	
5	955 575 571 60	air duct	/L	1	
6	955 575 572 60	air duct	/R	1	
7	955 575 339 00	air duct	/L	1	
8	955 575 340 00	air duct	/R	1	

Model	Year	MG	SG	Illustration	Restrictions	UPD	13:53	21.01.2010	PORSCHE	PET	PORSCHE
9PA1	2010	1	06	106-00		247					

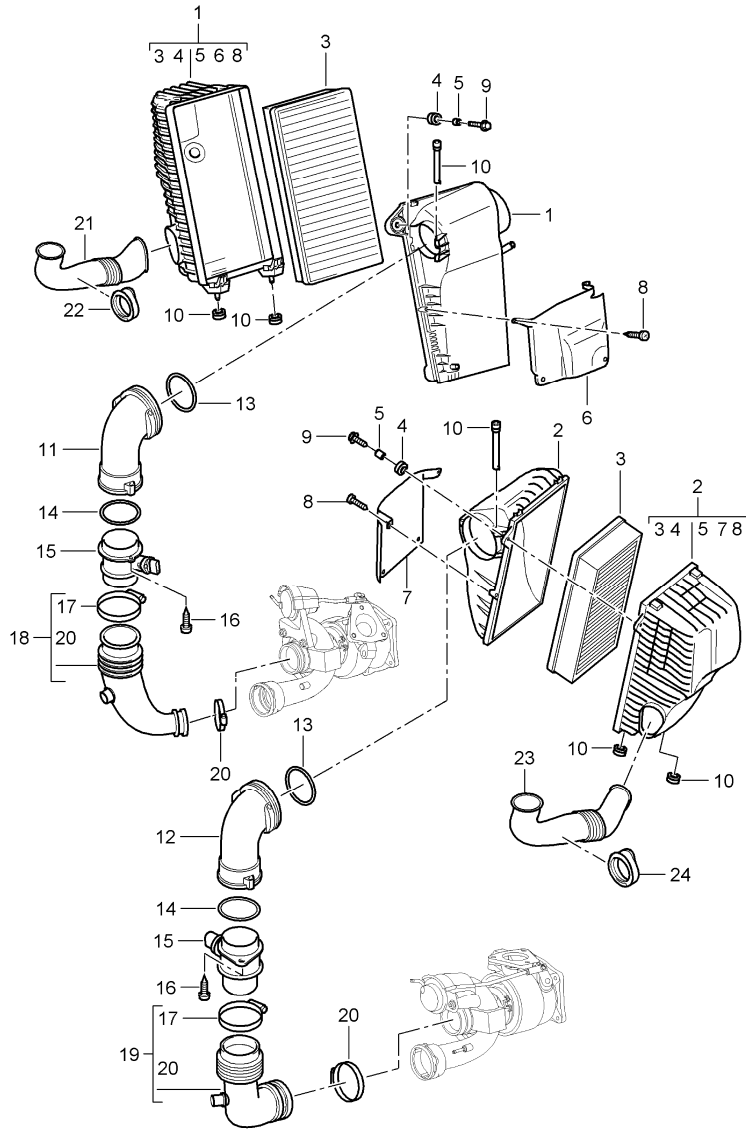


Pos	Part Number	Description	Remark	Qty	Model
		air cleaner system			ID5V
1	955 110 022 10	air cleaner	/R	1	I1L0
(1)	955 110 022 00	air cleaner	/R	1	I1L2
2	955 110 021 10	air cleaner	/L	1	I1L0
(2)	955 110 021 00	air cleaner	/L	1	I1L2
3	955 110 131 00	air cleaner cartridge		2	I1L0
(3)	955 110 131 10	air cleaner cartridge		2	I1L2
4	955 110 669 00	grommet		2	
5	955 110 734 00	spacer sleeve		2	
6	955 110 208 00	heat shield	/R	1	
7	955 110 207 00	heat shield	/L	1	
8	N 909 855 01	oval-head screw KA 50 X 12		8	
9	N 101 602 05	screw M 6 X 25		2	
10	955 110 669 00	grommet		4	
11	955 110 046 10	intake distributor		1	
(11)	955 110 046 20	intake distributor use also: 955.110.725.00		2	IE0W/E1T/E2D
12	N 910 171 01	round seal 87 X 4		1	IE0A
13	U 955 110 671 00	bolt locking device		2	IE0A
(13)	955 110 671 01	bolt locking device		2	IE0A
14	N 024 523 2	hose clamp A-50-70 X 13 X 0,5		2	
15	955 110 191 10	bellows		2	
16	N 024 526 4	hose clamp A-70-90 X 13 X 0,5		4	
17	955 606 123 40	mass air flow meter		2	
18	955 110 533 20	intake manifold	/L	1	

Model	Year	MG	SG	Illustration	Restrictions	UPD	13:53	21.01.2010	PORSCHE	PET	PORSCHE
9PA1	2010	1	06	106-00		247					

Pos	Part Number	Description	Remark	Qty	Model	Pos	Part Number	Description	Remark	Qty	Model
19	955 110 534 20	intake manifold	/R	1							
20	N 909 643 01	round seal 91 X 6		2							
21	955 110 269 00	bolt locking device		4							
22	955 110 103 10	intake manifold	/L	1							
23	955 110 347 10	support ring	/L	1							
24	955 110 104 00	intake manifold	/R	1							
25	955 110 348 00	support ring	/R	1							
26	N 024 508 5	hose clamp A 80 - 100		1	IE0W/E1T/E2D						
27	955 110 725 00	bolt		2	IE0W/E1T/E2D						

Model	Year	MG	SG	Illustration	Restrictions	UPD	13:53	21.01.2010	PORSCHE	PET	PORSCHE
9PA1	2010	1	06	106-05		247					

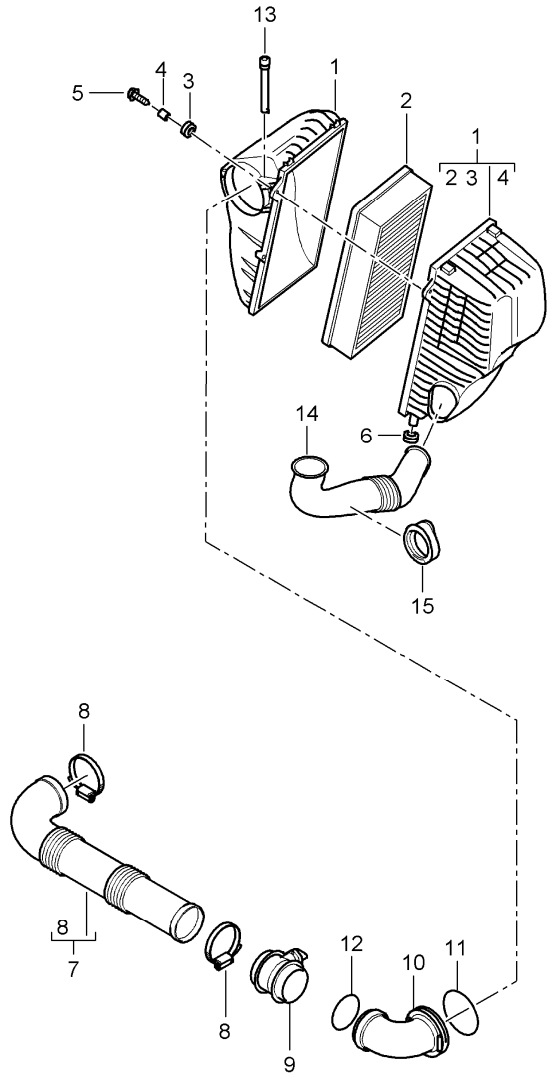


Pos	Part Number	Description	Remark	Qty	Model
		air cleaner system			ID5Z
1	955 110 022 55	air cleaner	/R	1	I1L0
(1)	955 110 022 50	air cleaner	/R	1	I1L2
2	955 110 021 55	air cleaner	/L	1	I1L0
(2)	955 110 021 50	air cleaner	/L	1	I1L2
3	955 110 131 00	air cleaner cartridge		2	I1L0
(3)	955 110 131 10	air cleaner cartridge		2	I1L2
4	955 110 669 00	grommet		2	
5	955 110 734 00	spacer sleeve		2	
6	955 110 208 00	heat shield	/R	1	
7	955 110 207 00	heat shield	/L	1	
8	N 909 855 01	oval-head screw KA 50 X 12		8	
9	N 101 602 05	screw M 6 X 25		2	
10	955 110 269 00	bolt locking device		4	
11	955 110 102 00	intake manifold	/R	1	
12	955 110 101 00	intake manifold	/L	1	
13	N 909 643 01	round seal 91 X 6		2	
14	955 110 646 10	round seal 79 X 6		2	
15	997 606 125 00	mass air flow meter		2	
16	N 104 197 02	oval-head screw 6 X 22		4	
17	N 024 526 4	hose clamp A-70-90 X 13 X 0.5		2	
18	955 110 222 30	suction hose	/R	1	
19	955 110 221 30	suction hose	/L	1	
20	N 024 523 2	hose clamp A-50-70 X 13 X 0.5		2	
21	955 110 104 00	intake manifold	/R	1	

Model	Year	MG	SG	Illustration	Restrictions	UPD	13:53	21.01.2010	PORSCHE	PET	PORSCHE
9PA1	2010	1	06	106-05		247					

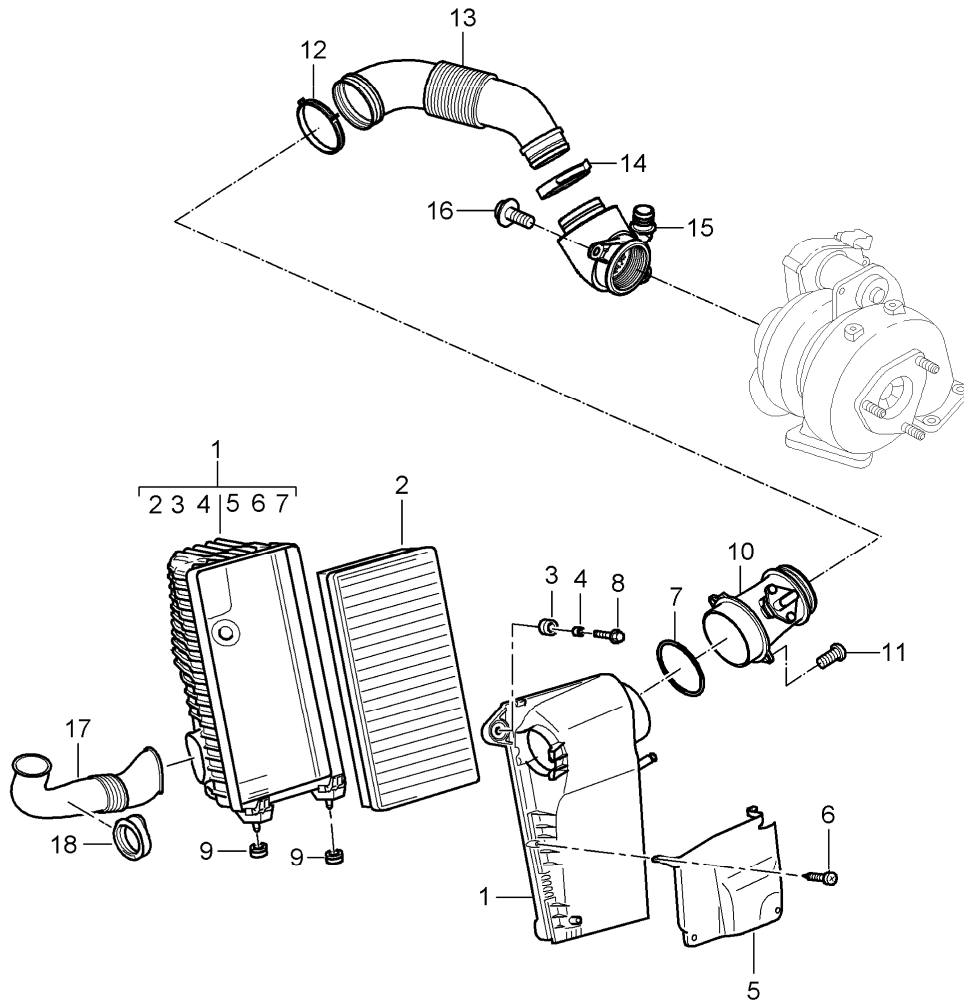
Pos	Part Number	Description	Remark	Qty	Model	Pos	Part Number	Description	Remark	Qty	Model
22	955 110 348 00	support ring	/R	1							
23	955 110 103 10	intake manifold	/L	1							
24	955 110 347 10	support ring	/L	1							

Model	Year	MG	SG	Illustration	Restrictions	UPD	13:53	21.01.2010	PORSCHE	PET	PORSCHE
9PA1	2010	1	06	106-10		247					



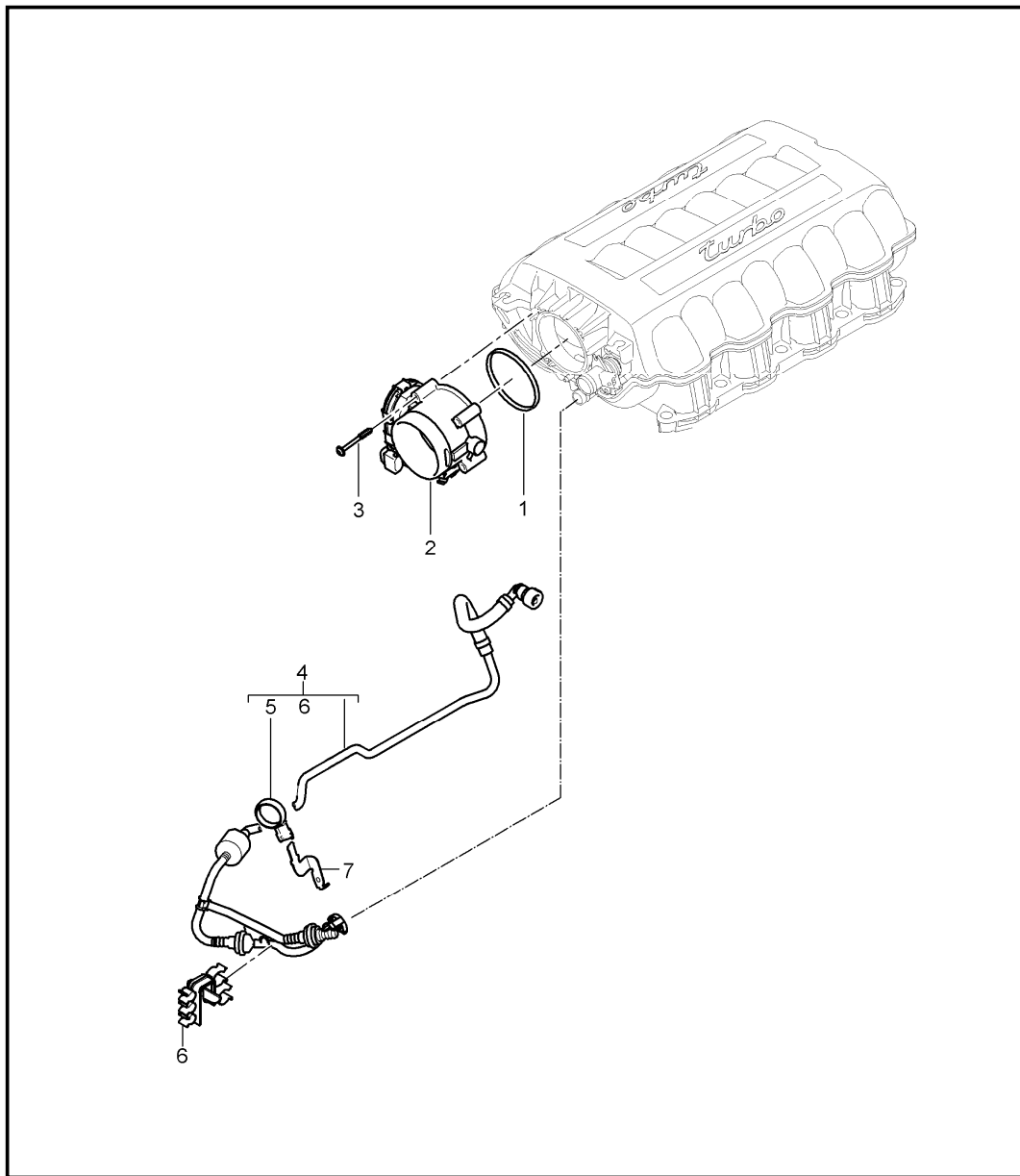
Pos	Part Number	Description	Remark	Qty	Model
		air cleaner system simple			ID5X
1	955 110 021 30	air cleaner		1	I1L0
(1)	955 110 021 20	air cleaner		1	I1L2
2	955 110 131 00	air cleaner cartridge		1	I1L0
(2)	955 110 131 10	air cleaner cartridge		1	I1L2
3	955 110 669 00	grommet		1	
4	955 110 734 00	spacer sleeve		1	
5	N 101 602 05	screw M 6 X 25		1	
6	955 110 669 00	grommet		2	
7	955 110 223 00	connecting tube		1	
8	N 024 518 4	hose clamp A-70-90 X 9 X 0,5		2	
9	955 606 123 35	mass air flow meter		1	
10	955 110 533 10	intake manifold		1	
11	N 909 643 01	round seal 91 X 6		1	
12	N 909 219 01	round seal 85 X 6		1	
13	955 110 269 00	bolt locking device		2	
14	955 110 103 10	intake manifold		1	
15	955 110 347 10	support ring		1	

Model	Year	MG	SG	Illustration	Restrictions	UPD	13:53	21.01.2010	PORSCHE	PET	PORSCHE
9PA1	2010	1	06	106-15		247					



Pos	Part Number	Description	Remark	Qty	Model
		air cleaner system simple			ID50
1	955 110 022 20	air cleaner		1	I1L0
(1)	955 110 022 30	air cleaner		1	I1L2
2	955 110 131 00	air cleaner cartridge		1	I1L0
(2)	955 110 131 10	air cleaner cartridge		1	I1L2
3	955 110 669 00	grommet		1	
4	955 110 734 00	spacer sleeve		1	
5	955 110 208 00	heat shield		1	
6	N 909 855 01	oval-head screw KA 50 X 12		4	
7	N 909 643 01	round seal 91 X 6		1	
8	N 101 602 05	screw M 6 X 25		1	
9	955 110 669 00	grommet		2	
10	955 606 123 50	mass air flow meter		1	
11	N 104 197 02	oval-head screw 6 X 22		2	
12	N 906 564 01	hose clamp A 80 X 12		1	
13	955 110 324 00	suction hose		1	
14	N 907 816 01	hose clamp A 60 X 12		1	
15	955 110 055 10	Pulsation damper		1	
16	N 909 589 02	combination screw M 6 X 16		2	
17	955 110 104 00	intake manifold		1	
18	955 110 348 00	support ring		1	

Model	Year	MG	SG	Illustration	Restrictions	UPD	13:54	21.01.2010	PORSCHE	PET	PORSCHE
9PA1	2010	1	07	107-00		247					

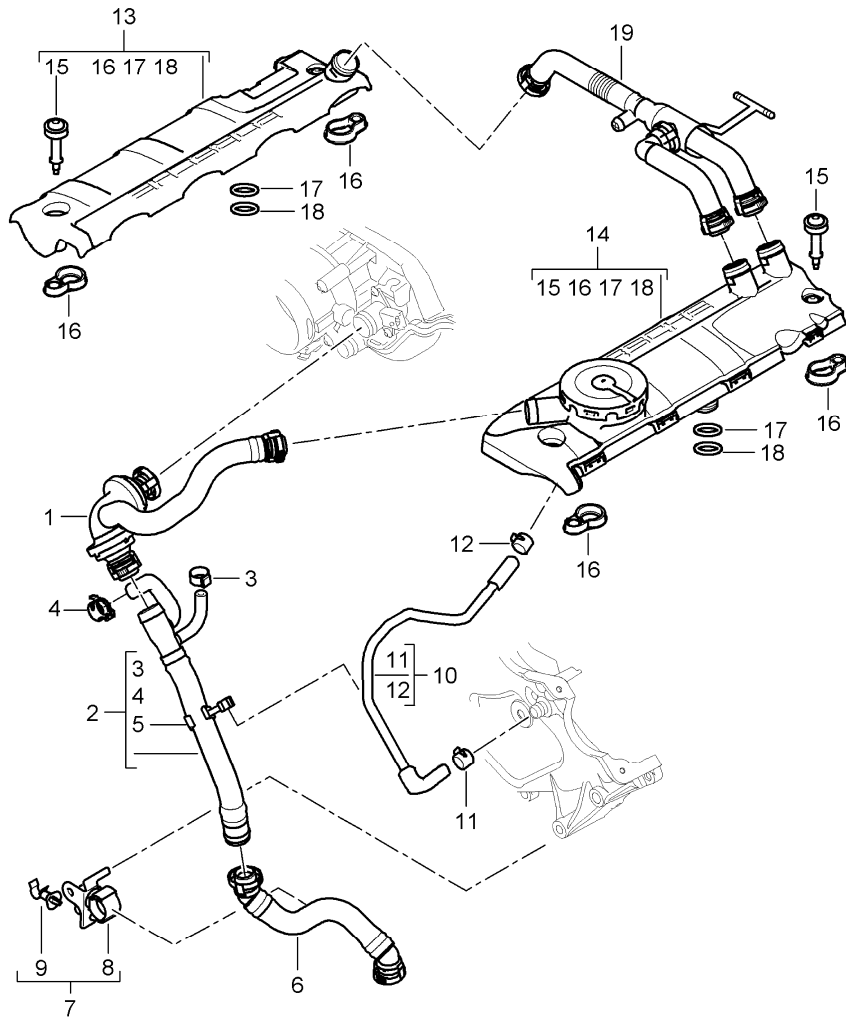


Pos	Part Number	Description	Remark	Qty	Model
		throttle body tank ventilation			M48.01/51
1	948 110 144 02	gasket		1	M48.01/51 IE0A
(1)	948 110 144 20	gasket		1	M48.01 IE0W/E1T/E2D
(1)	948 110 144 20	gasket		1	M48.51 IE8A/E81
2	948 605 115 03	throttle body		1	M48.01/51 IE0A
(2)	997 605 116 01	throttle body		1	M48.01 IE0W/E1T/E2D
(2)	948 605 116 00	throttle body		1	M48.51 IE8A/E81
3	999 919 005 01	oval-head screw 6 X 50		4	M48.01
(3)	999 919 005 01	oval-head screw 6 X 50		4	M48.51 IE0A
(3)	948 110 411 00	oval-head screw 6 X 60		4	M48.51 IE8A/E81
4	A 948 110 020 52	vent line tank ventilation		1	M48.51
(4)	948 110 020 54	vent line tank ventilation		1	M48.51
(4) A	948 110 020 02	vent line tank ventilation		1	M48.01
(4)	948 110 020 03	vent line tank ventilation		1	M48.01
5	948 110 221 00	support ring		1	
6	948 110 030 50	line bracket tank ventilation		1	M48.51
7	948 110 027 50	support vent line mount control box cover	-09	1	

Model	Year	MG	SG	Illustration	Restrictions	UPD	13:54	21.01.2010	PORSCHE	PET	PORSCHE
9PA1	2010	1	07	107-00		247					

Pos	Part Number	Description	Remark	Qty	Model	Pos	Part Number	Description	Remark	Qty	Model
(7)	948 110 027 51	support vent line mount control box cover	10-	1							

Model	Year	MG	SG	Illustration	Restrictions	UPD	13:54	21.01.2010	PORSCHE	PET	PORSCHE
9PA1	2010	1	07	107-01		247					

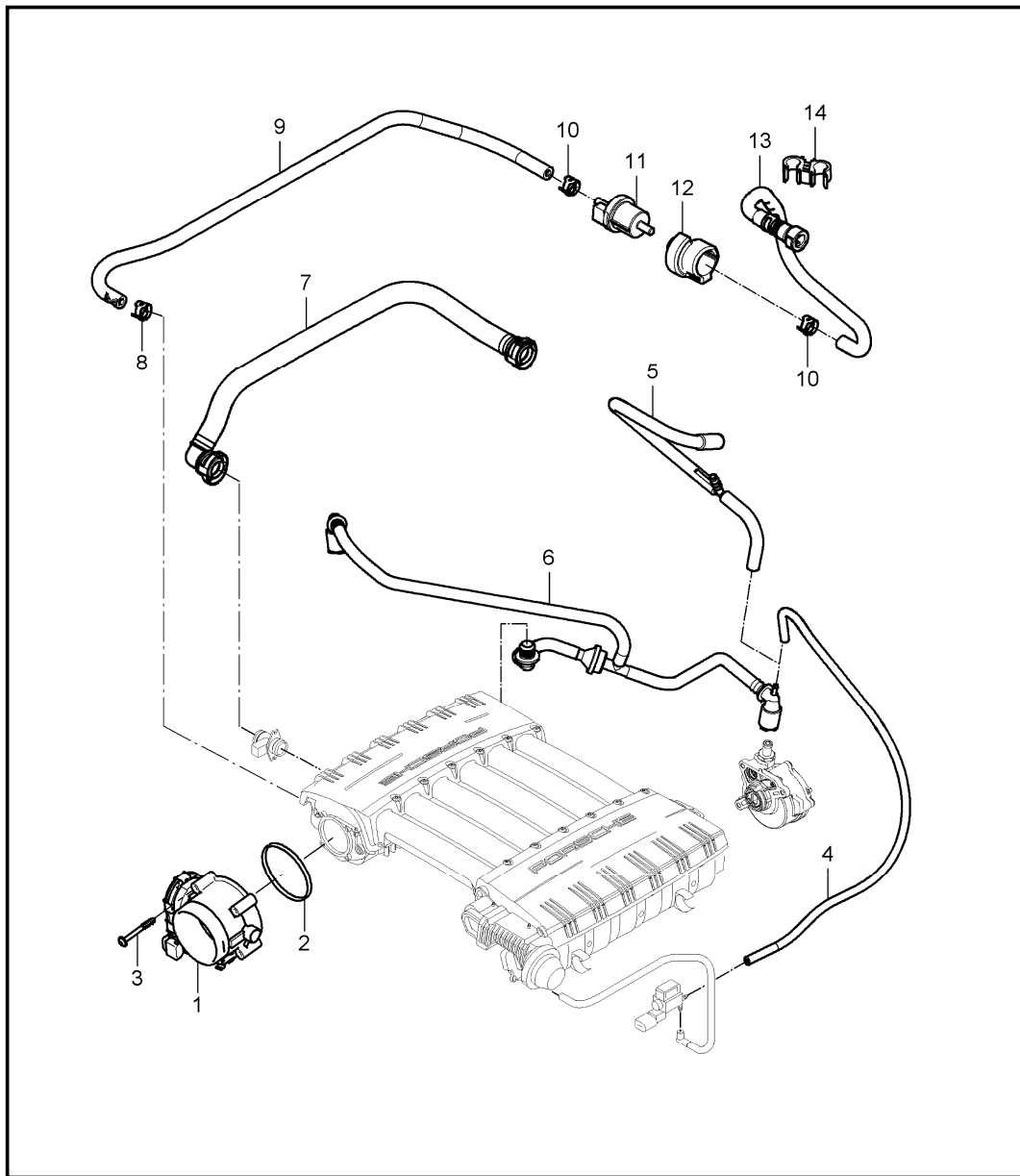


Pos	Part Number	Description	Remark	Qty	Model
		crankcase bleeding			M48.01/51
1	948 107 229 51	check valve		1	M48.51
(1)	948 107 247 02	vent line crankcase		1	M48.01
2	948 107 249 53	vent line crankcase		1	M48.51
3	999 512 688 00	hose clamp 10,5 X 11,5		1	M48.51
4	999 512 651 09	hose clamp B 15 X 12		1	M48.51
5	999 507 108 40	line bracket 24,5 X 10,5		1	M48.51
6	955 107 251 50	vent line crankcase		1	M48.51
7	948 107 029 52	support vent line		1	M48.51
(7) U	948 107 029 53	support vent line		1	M48.51
8	999 507 370 40	hose holder 23 - A		1	M48.51
9	999 507 611 40	hose holder 6,0 - 6,5		1	M48.51
10	948 105 245 51	vent line		1	M48.51
(10)	948 105 245 04	vent line		1	M48.01
11	999 512 654 09	hose clamp B 21 X 12		1	
12	999 512 652 09	hose clamp B 19 X 12		1	M48.51
13	948 107 235 52	air/oil separator	-08	1	M48.51 IE0A
		cylinders 1 - 4 silver			
(13)	948 107 235 52	air/oil separator	08	1	M48.51 IE81
		cylinders 1 - 4 silver			

Model	Year	MG	SG	Illustration	Restrictions	UPD	13:54	21.01.2010	PORSCHE	PET	PORSCHE
9PA1	2010	1	07	107-01		247					

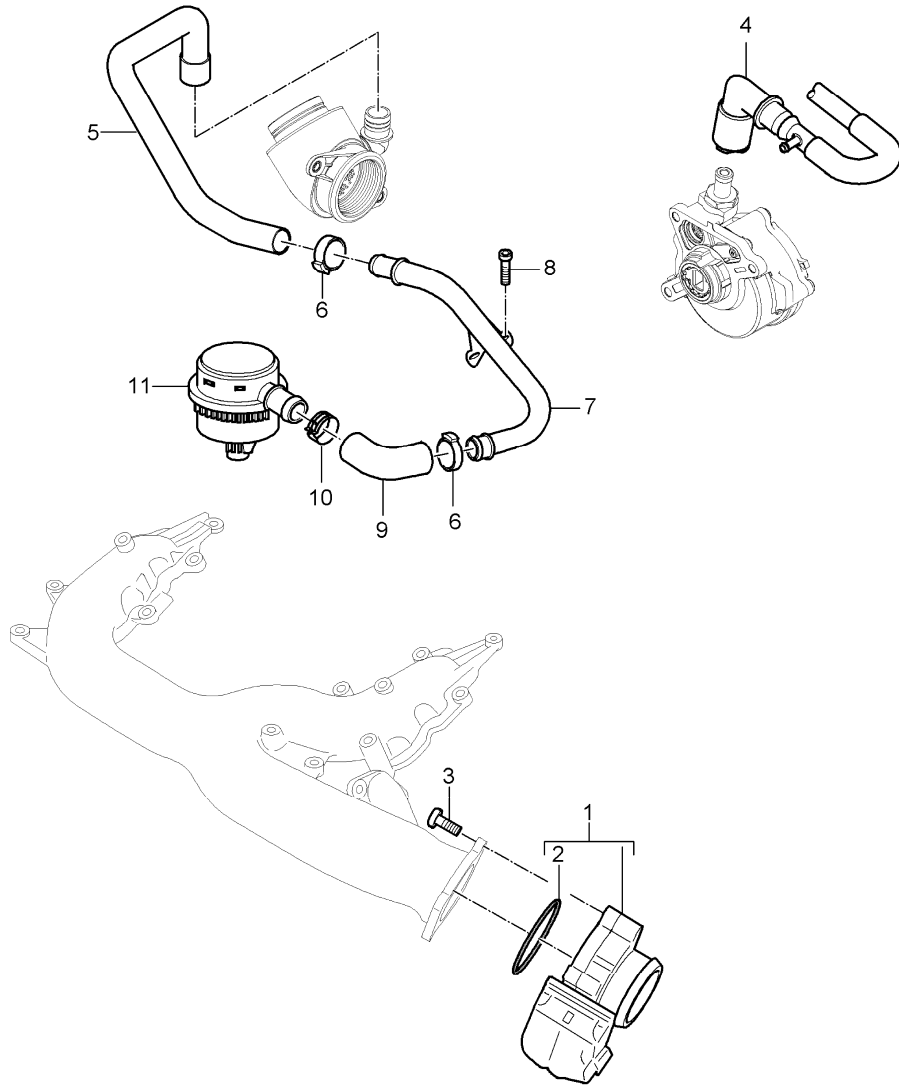
Pos	Part Number	Description	Remark	Qty	Model	Pos	Part Number	Description	Remark	Qty	Model
(13)	948 107 235 53	air/oil separator cylinders 1 - 4 black	09-	1	M48.51 IE0A	17	948 107 439 50	o-ring 20 X 4		2	M48.51
(13)	948 107 235 52	air/oil separator cylinders 1 - 4 silver	09-	1	M48.51 IE8A/E81	(17)	948 107 439 00	o-ring 20 X 3,8		2	M48.01
(13)	948 107 235 01	air/oil separator cylinders 1 - 4 silver	-08	1	M48.01	18	948 107 439 60	o-ring 20 X 4		2	M48.51
(13)	948 107 235 02	air/oil separator cylinders 1 - 4 black	09-	1	M48.01	(18)	948 107 439 10	o-ring 20 X 3,8		2	M48.01
14	948 107 236 52	air/oil separator cylinders 5 - 8 silver	-08	1	M48.51 IE0A	19	948 107 245 53	vent line		1	M48.51
(14)	948 107 236 52	air/oil separator cylinders 5 - 8 silver	08	1	M48.51 IE81	(19)	948 107 245 02	vent line		1	M48.01
(14)	948 107 236 53	air/oil separator cylinders 5 - 8 black	09-	1	M48.51 IE0A						
(14)	948 107 236 52	air/oil separator cylinders 5 - 8 silver	09-	1	M48.51 IE8A/E81						
(14) A	948 107 236 01	air/oil separator cylinders 5 - 8 silver		1	M48.01						
(14)	948 107 236 02	air/oil separator cylinders 5 - 8 silver	-08	1	M48.01						
(14)	948 107 236 03	air/oil separator cylinders 5 - 8 black	09-	1	M48.01						
15	948 107 435 50	fastening part		4	M48.51						
(15)	948 107 435 00	fastening part		4	M48.01						
16	948 107 437 50	gasket		4	M48.51						
(16)	948 107 437 00	gasket		4	M48.01						

Model	Year	MG	SG	Illustration	Restrictions	UPD	13:54	21.01.2010	PORSCHE	PET	PORSCHE
9PA1	2010	1	07	107-02		247					



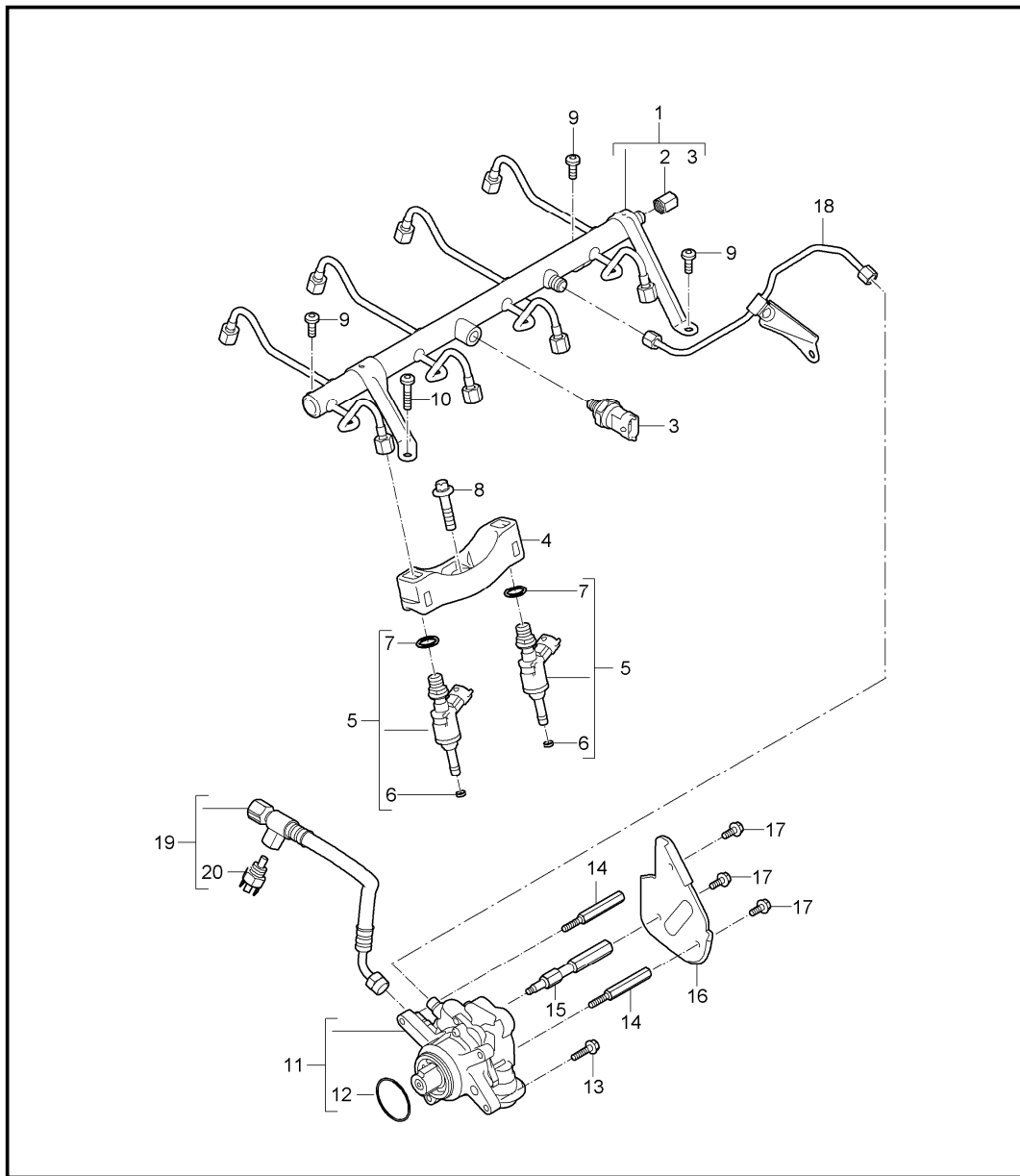
Pos	Part Number	Description	Remark	Qty	Model
		throttle body tank ventilation vent line crankcase			M55.01
1	997 605 115 01	throttle body		1	
2	997 110 319 00	gasket		1	
3	999 919 005 01	oval-head screw 6 X 50		4	
4	955 110 358 00	vacuum line		1	
6	vacuum line see illustrations 6/04/00 Pos.12		1	
7	955 107 247 00	vent line crankcase		1	
8	999 512 651 09	hose clamp B 15 X 12		1	
9	955 110 220 00	connecting hose		1	
10	N 906 867 01	hose clamp B 14 X 12		2	
11	955 605 241 00	valve		1	
12	955 110 321 00	support ring		1	
13	955 110 225 00	connecting hose		1	
14	955 110 423 00	line bracket		1	

Model	Year	MG	SG	Illustration	Restrictions	UPD	13:54	21.01.2010	PORSCHE	PET	PORSCHE
9PA1	2010	1	07	107-03		247					



Pos	Part Number	Description	Remark	Qty	Model
		throttle body vent line crankcase			M05.9D
1	955 605 115 20	throttle body	-09	1	
(1)	955 605 115 21	throttle body	10-	1	
2	955 110 144 00	gasket		1	
3	N 910 717 01	round head screw M 6 X 25		3	
4		vacuum line see illustrations 6/04/00 Pos.12		1	
5	955 107 221 01	breather hose		1	
6	A N 904 119 01	hose clamp 27,1 X 7 X 0,6		2	
(6)	999 512 455 00	hose clamp 27,1 X 7 X 0,6		2	
7	955 107 227 00	breather pipe		1	
8	N 101 148 07	combination screw M 6 X 15		2	
9	955 107 493 00	air hose		1	
10	N 906 870 01	hose clamp B 27 X 12		1	
11		oil separator see illustrations 1/04/20		1	

Model	Year	MG	SG	Illustration	Restrictions	UPD	13:54	21.01.2010	PORSCHE	PET	PORSCHE
9PA1	2010	1	07	107-05		247					



Pos	Part Number	Description	Remark	Qty	Model
		fuel collection pipe high-pressure injector high-pressure pump			M48.01/51
1	U 948 110 115 02	fuel collection pipe		1	M48.01
(1)	A 948 110 115 03	fuel collection pipe		1	M48.01
(1)	948 110 115 04	fuel collection pipe	-08	1	M48.01
(1)	948 110 115 05	fuel collection pipe	09	1	M48.01
(1)	948 110 115 06	fuel collection pipe	10-	1	M48.01
(1)	U 948 110 115 52	fuel collection pipe		1	M48.51
(1)	A 948 110 115 53	fuel collection pipe		1	M48.51
(1)	948 110 115 54	fuel collection pipe	-08	1	M48.51
(1)	948 110 115 55	fuel collection pipe	09	1	M48.51
(1)	948 110 115 56	fuel collection pipe	10-	1	M48.51
2	948 110 225 00	stopper		1	
3	A 948 606 230 00	pressure sensor		1	
(3)	948 606 230 01	pressure sensor		1	
4	948 110 515 01	support		4	
5	> 948 605 230 01	high-pressure injector		8	M48.01 IE0A
		identification blue M >> 838 12236 nach Aufbrauch 948.110.128.30 / AX use see technical information service group 2 KD-NR.2440 30/07		4	

Model	Year	MG	SG	Illustration	Restrictions	UPD	13:54	21.01.2010	PORSCHE	PET	PORSCHE
9PA1	2010	1	07	107-05		247					

Pos	Part Number	Description	Remark	Qty	Model	Pos	Part Number	Description	Remark	Qty	Model
(5)	948 605 230 AX	high-pressure injector identification blue M >> 838 12236 nach Aufbrauch 948.110.128.AX use see technical information service group 2 KD-NR.2440 30/07		8	M48.01 IE0A	(5)	948 110 128 X	high-pressure injector identification blue see technical information service group 2 KD-NR.2440 30/07 M 9 01857 >> M G 9 01963 >> Information available		8	M48.01 IE0A IE0W IE0W
(5) >	948 605 230 02	high-pressure injector identification blue M 838 12237 >> 9 01856 M 858 00501 >> G 9 01962 nach Aufbrauch 948.110.128.30 / AX use see technical information service group 2 KD-NR.2440 30/07		4	M48.01 IE0A IE0W	(5) >	948 110 128 30	high-pressure injector identification blue see technical information service group 2 KD-NR.2440 30/07 M 9 01857 >> M G 9 01963 >> Information available		8	M48.01 IE0A IE0W IE0W
(5)	948 605 230 BX	high-pressure injector identification blue M 838 12237 >> 9 01856 M 858 00501 >> G 9 01962 nach Aufbrauch 948.110.128.AX use see technical information service group 2 KD-NR.2440 30/07		4	M48.01 IE0A IE0W	(5)	948 110 128 AX	high-pressure injector identification blue see technical information service group 2 KD-NR.2440 30/07 M 9 01857 >> M G 9 01963 >> Information available		8	M48.01 IE0A IE0W IE0W
(5) >	948 110 128 20	high-pressure injector identification blue see technical information service group 2 KD-NR.2440 30/07 M 9 01857 >> M G 9 01963 >> Information available		8	M48.01 IE0A IE0W IE0W	(5) A	948 605 231 01	high-pressure injector identification yellow M >> 848 06031 nach Aufbrauch 948.110.128.80 / CX use see technical information service group 2 KD-NR.2440 30/07		4	M48.51

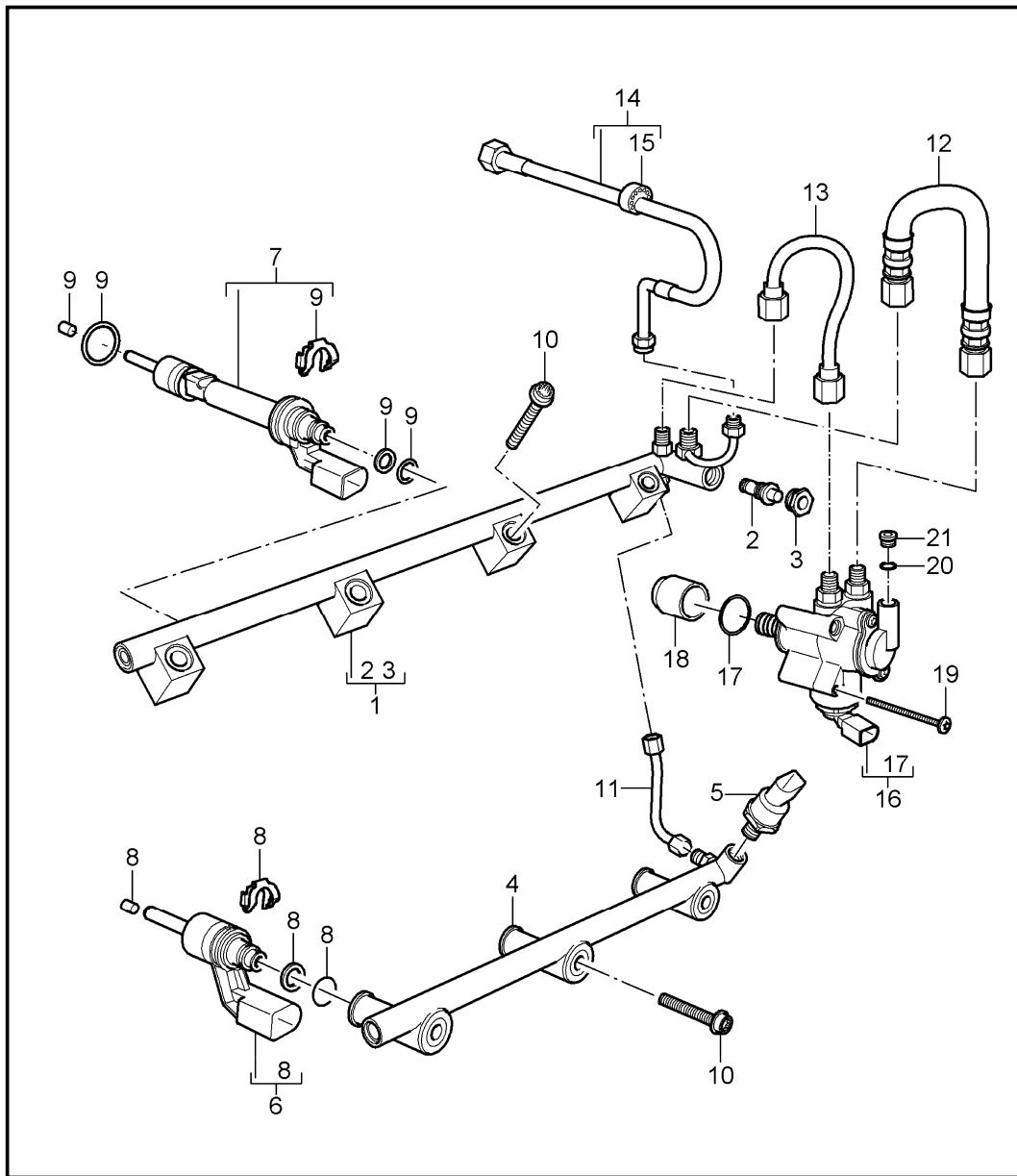
Model	Year	MG	SG	Illustration	Restrictions	UPD	13:54	21.01.2010	PORSCHE	PET	PORSCHE
9PA1	2010	1	07	107-05		247					

Pos	Part Number	Description	Remark	Qty	Model	Pos	Part Number	Description	Remark	Qty	Model
(5)	A 948 605 231 AX	high-pressure injector identification yellow M >> 848 06031 nach Aufbrauch 948.110.128.CX use see technical information service group 2 KD-NR.2440 30/07		8	M48.51	(5)	948 110 128 BX	high-pressure injector identification yellow see technical information service group 2 KD-NR.2440 30/07 M T 9 00755 >> Information available		8	M48.51
(5)	> 948 605 231 02	high-pressure injector identification yellow M 848 06032 >> T 9 00754 nach Aufbrauch 948.110.128.80 / CX use see technical information service group 2 KD-NR.2440 30/07		4	M48.51	(5)	> 948 110 128 80	high-pressure injector identification yellow see technical information service group 2 KD-NR.2440 30/07 M T 9 00755 >> Information available		8	M48.51
(5)	948 605 231 BX	high-pressure injector identification yellow M 848 06032 >> T 9 00754 nach Aufbrauch 948.110.128.CX use see technical information service group 2 KD-NR.2440 30/07		4	M48.51	(5)	948 110 128 CX	high-pressure injector identification yellow see technical information service group 2 KD-NR.2440 30/07 M T 9 00755 >> Information available		8	M48.51
(5)	> 948 110 128 70	high-pressure injector identification yellow see technical information service group 2 KD-NR.2440 30/07 M T 9 00755 >> Information available		8	M48.51	6	999 704 020 90	sealing ring 6,3 X 2,8		8	
						7	999 707 606 40	o-ring 12 X 3		8	
						8	900 385 116 01	torx screw BM 8 X 30		4	
						9	999 073 103 02	round head screw M 6 X 16		3	
						10	999 073 102 02	round head screw M 6 X 25		1	
						11	> 948 110 315 02	high-pressure pump M >> 9 07800 M >> G 9 07095		1	M48.01
						(11)	948 110 315 BX	high-pressure pump M >> 9 07800 M >> G 9 07095		1	M48.01

Model	Year	MG	SG	Illustration	Restrictions	UPD	13:54	21.01.2010	PORSCHE	PET	PORSCHE
9PA1	2010	1	07	107-05		247					

Pos	Part Number	Description	Remark	Qty	Model	Pos	Part Number	Description	Remark	Qty	Model
(11)	> 948 110 315 03	high-pressure pump M 9 07801 >> M G 9 07096 >> G A 09204		1	M48.01						
(11)	948 110 315 CX	high-pressure pump M 9 07801 >> M G 9 07096 >> G A 09204		1	M48.01						
(11)	> 948 110 315 04	high-pressure pump M G A 09205 >>		1	M48.01						
(11)	948 110 315 DX	high-pressure pump M G A 09205 >>		1	M48.01						
(11)	> 948 110 315 52	high-pressure pump		1	M48.51						
(11)	948 110 315 2X	high-pressure pump		1	M48.51						
12	948 110 615 00	o-ring 45,7 X 2,62		1							
13	900 378 013 01	hexagon-head bolt AM 6 X 25		1							
14	948 110 417 01	screw socket M 6	-09	2							
(14)	948 110 417 02	screw socket M 6	10-	2							
15	948 110 419 02	screw socket M 8		1							
16	955 110 415 00	protective plate		1	M48.01						
(16)	955 110 415 50	protective plate		1	M48.51						
17	N 106 533 02	hexagon-head bolt M 6 X 20		3							
18	948 110 125 01	fuel line		1	M48.01						
(18)	948 110 125 51	fuel line		1	M48.51						
19	U 948 110 235 01	fuel line		1							
(19)	948 110 235 00	fuel line		1							
20	U 948 606 221 00	sensor		1							

Model	Year	MG	SG	Illustration	Restrictions	UPD	14:00	21.01.2010	PORSCHE	PET	PORSCHE
9PA1	2010	1	07	107-07		247					

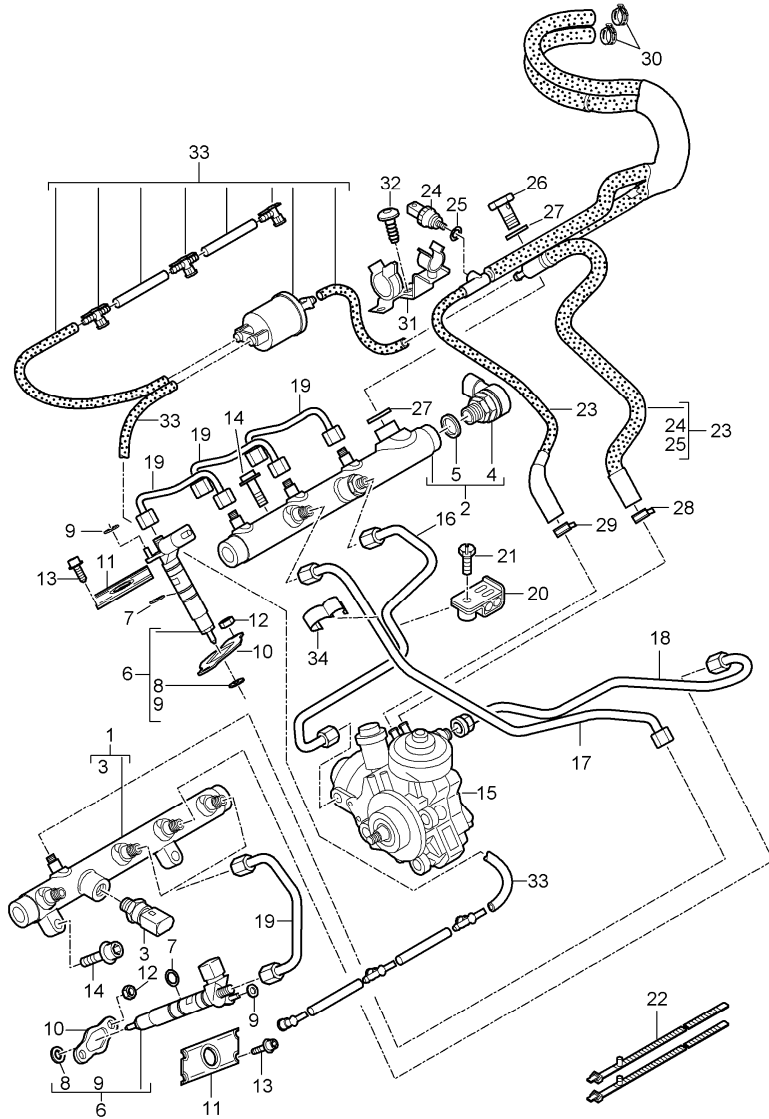


Pos	Part Number	Description	Remark	Qty	Model
		fuel collection pipe high-pressure injector high-pressure pump			M55.01
1	955 110 115 00	fuel collection pipe upper		1	
2	955 110 217 00	pressure valve		1	
3	WHT 000 435	banjo bolt M 16 X 1		1	
4	955 110 115 10	fuel collection pipe lower		1	
5	955 606 230 00	pressure sensor		1	
6	955 605 232 00	high-pressure injector lower		3	
7	955 605 233 00	high-pressure injector upper		3	
8	955 110 910 00	gasket set high-pressure injector lower		3	
9	955 110 911 00	gasket set high-pressure injector upper		3	
10	N 105 449 03	pan-head screw M 8 X 55		7	
11	955 110 314 00	fuel line		1	
12	955 110 125 00	fuel line		1	
13	955 110 126 00	fuel line		1	
14	955 110 235 00	fuel line		1	
(14)	955 110 235 01	fuel line		1	
15	955 110 722 30	spacer ring		1	
16	955 110 316 00	high-pressure pump M >> 638 08942		1	
(16)	955 110 316 01	high-pressure pump M 638 08943 >> 638 24762		1	
(16)	955 110 316 00	high-pressure pump M 638 24763 >>		1	
17	955 110 615 00	o-ring 31,5 X 2		1	

Model	Year	MG	SG	Illustration	Restrictions	UPD	14:00	21.01.2010	PORSCHE	PET	PORSCHE
9PA1	2010	1	07	107-07		247					

Pos	Part Number	Description	Remark	Qty	Model	Pos	Part Number	Description	Remark	Qty	Model
18	955 110 301 00	cam follower		1							
19	N 106 221 01	oval-head screw AM 6 X 65		3							
20	N 013 806 4	sealing ring A 10 X 14 M 638 08943 >> 638 24762		1							
21	N 911 194 01	screw plug M 10 X 1 X 10 M 638 08943 >> 638 24762		1							

Model	Year	MG	SG	Illustration	Restrictions	UPD	14:00	21.01.2010	PORSCHE	PET	PORSCHE
9PA1	2010	1	07	107-08		247					

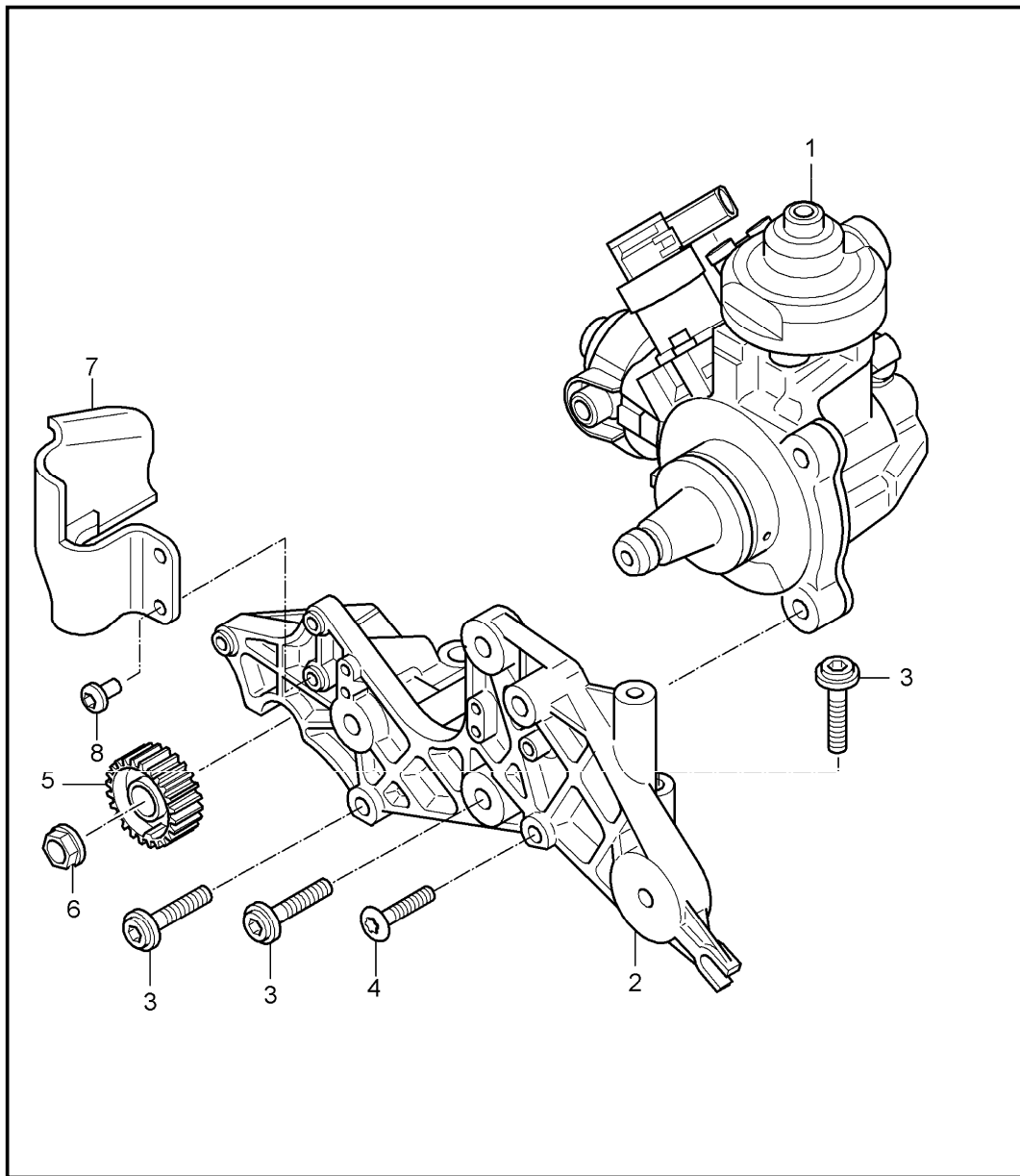


Pos	Part Number	Description	Remark	Qty	Model
		fuel collection pipe fuel line high-pressure injector			M05.9D
1	955 110 115 40	fuel collection pipe left		1	
2	955 110 116 40	fuel collection pipe right		1	
3	955 606 230 40	pressure sensor		1	
4	955 606 240 00	pressure regulator use also: o-ring 955.110.319.00		1	
5	955 110 319 00	o-ring		1	
6	955 110 035 00	high-pressure injector complete	-09	6	
(6)	955 110 035 01	high-pressure injector complete	10-	6	
7	WHT 000 884	o-ring 16,2 X 1,5		6	
8	955 110 519 00	sealing ring high-pressure injector		6	
9	955 110 619 00	o-ring 2,8 X 1,5		6	
10	955 110 216 00	tensioning plate		6	
11	955 105 313 00	lid		6	
12	N 904 465 02	hexagon nut M 6		12	
13	N 904 275 02	pan-head screw M 5 X 12		16	
14	N 107 059 01	pan-head screw M 8 X 60		4	
15		high-pressure pump see illustrations 1/07/09		1	
16	955 110 320 00	fuel line		1	
17	955 110 330 00	fuel line		1	
18	955 110 340 00	fuel line		1	

Model	Year	MG	SG	Illustration	Restrictions	UPD	14:00	21.01.2010	PORSCHE	PET	PORSCHE
9PA1	2010	1	07	107-08		247					

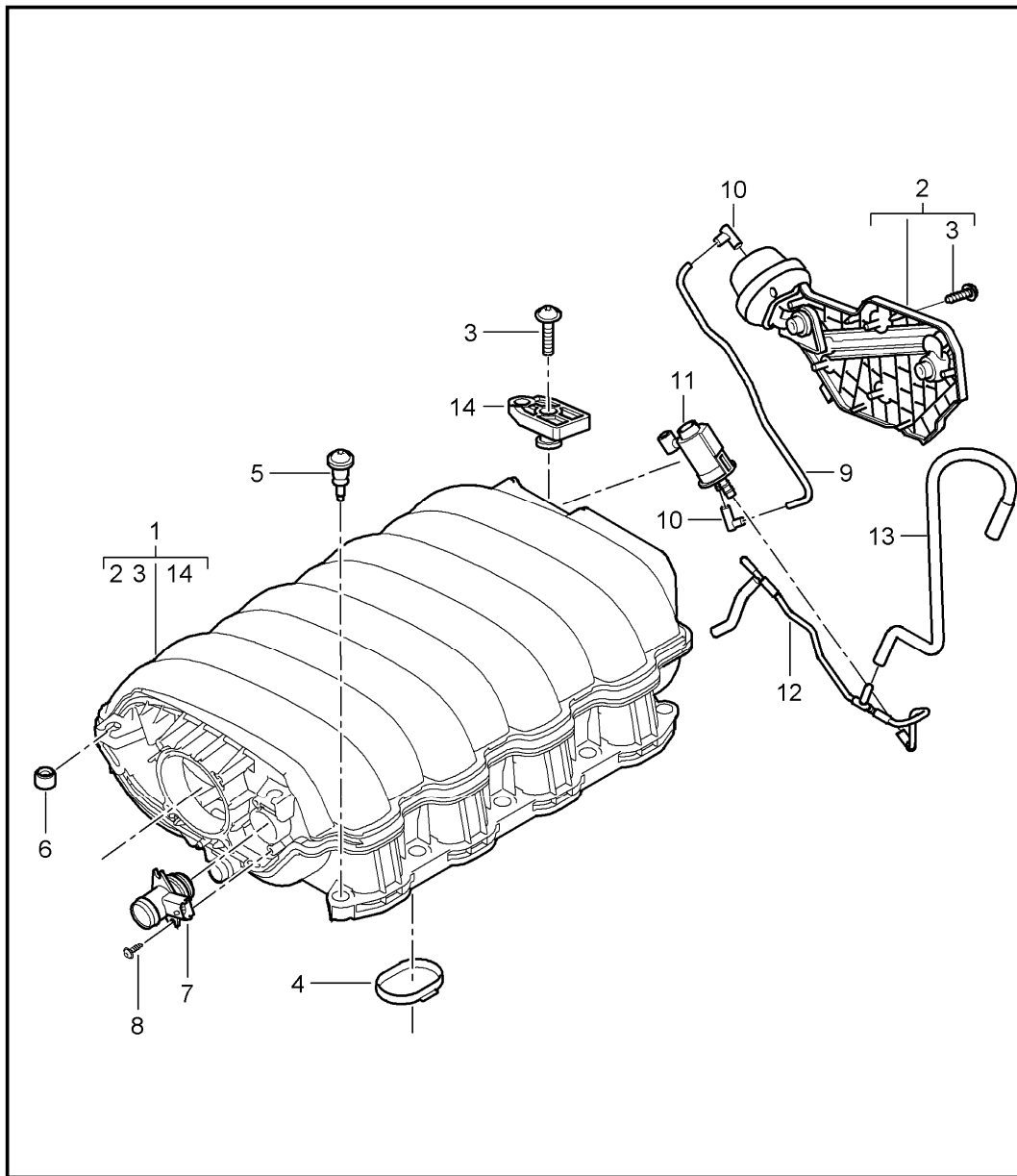
Pos	Part Number	Description	Remark	Qty	Model	Pos	Part Number	Description	Remark	Qty	Model
19	955 110 241 00	fuel line		6							
20	955 110 411 00	support fuel line		2							
21	N 104 514 05	round head screw M 6 X 16		2							
22	955 111 820 00	tie-wrap		x							
23	955 110 030 00	fuel line set		1							
24	955 606 221 00	temperature sensor		1							
25	WHT 002 287 C	o-ring 5,6 X 2		1							
26	N 021 071 7	banjo bolt 8		1							
27	N 013 813 3	sealing ring A 12 X 17		2							
28	N 907 702 01	hose clamp B 17 X 12		1							
29	N 909 264 01	hose clamp B 19 X 12		1							
30	955 201 479 00	hose clamp 16 X 12		2							
31	955 110 531 00	support fuel line		1							
32	N 103 352 06	round head screw M 6 X 12		2							
33	955 110 218 00	fuel hose complete		1							
34	955 111 694 10	clip 6 - 7 / 8 - 9		4							

Model	Year	MG	SG	Illustration	Restrictions	UPD	14:00	21.01.2010	PORSCHE	PET	PORSCHE
9PA1	2010	1	07	107-09		247					



Pos	Part Number	Description	Remark	Qty	Model
		high-pressure pump			M05.9D
1	955 110 316 20	high-pressure pump		1	
2	955 110 150 00	bracket		1	
3	N 910 266 02	pan-head screw M 8 X 35		6	
4	N 910 680 01	oval-head screw M 6 X 28		1	
5	955 110 111 00	toothed belt pulley		1	
6	WHT 002 244	hexagon nut M 18 X 1,5		1	
7	955 110 380 00	protective plate		1	
8	N 104 514 05	round head screw M 6 X 16		3	

Model	Year	MG	SG	Illustration	Restrictions	UPD	14:00	21.01.2010	PORSCHE	PET	PORSCHE
9PA1	2010	1	07	107-10		247					

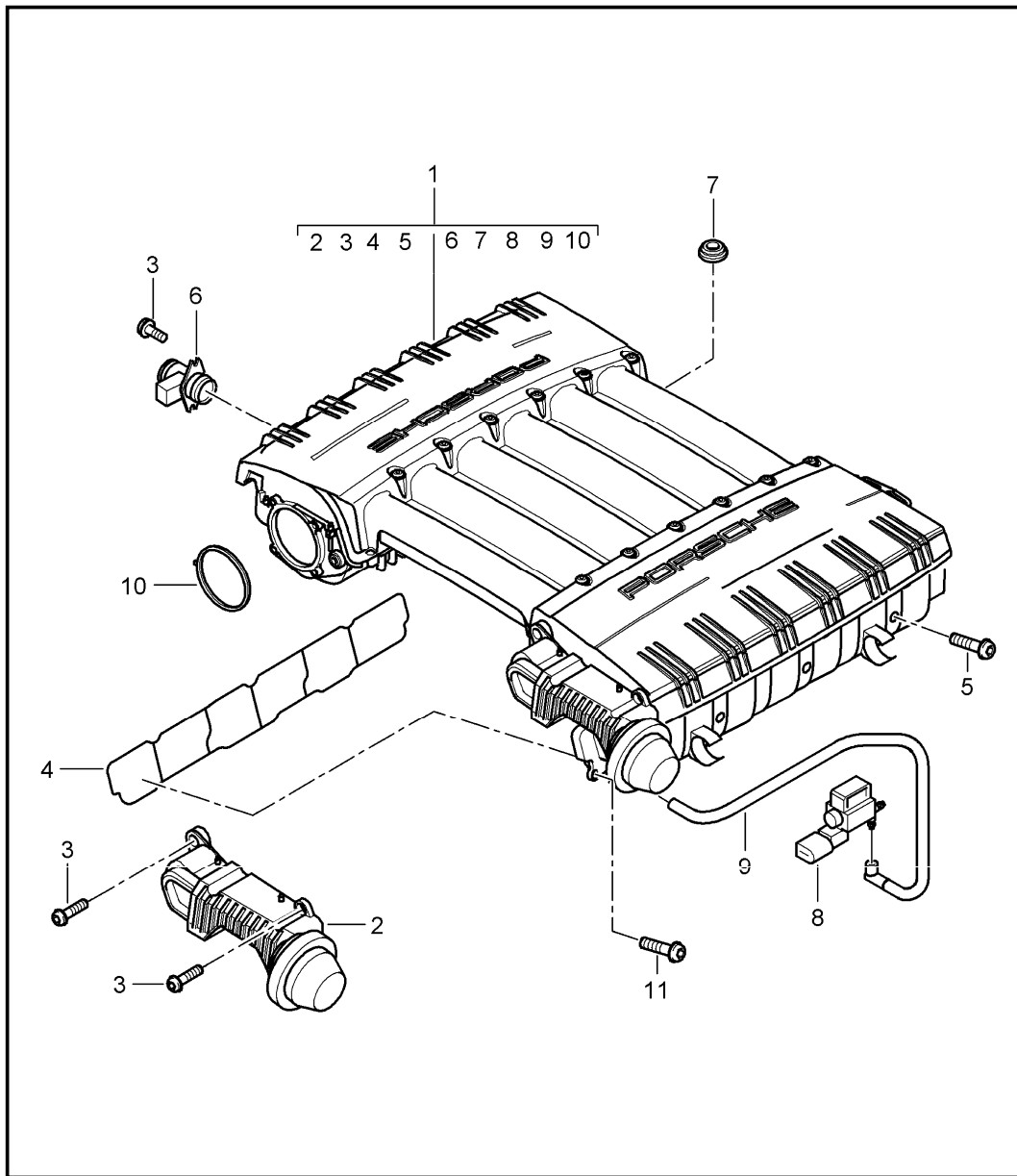


Pos	Part Number	Description	Remark	Qty	Model
		intake distributor			M48.01/51
1	A 948 110 016 02	intake distributor		1	M48.01 IE0A
(1)	948 110 016 03	intake distributor		1	M48.01 IE0A
		M >> 9 06821			
(1)	948 110 016 04	intake distributor		1	M48.01 IE0A
		M 9 06822 >>			
(1)	948 110 016 20	intake distributor		1	M48.01 IE0W
		M >> 858 01209			
(1)	948 110 016 21	intake distributor		1	M48.01 IE0W
		M 858 01210 >> G 9 06075			
(1)	948 110 016 22	intake distributor		1	M48.01 IE0W/E1T/E2D
		M G 9 06076 >>			
(1)	948 110 016 52	intake distributor		1	M48.51 IE0A
		M >> 9 01688			
(1)	948 110 016 53	intake distributor		1	M48.51 IE0A
		M 9 01689 >>			
(1)	948 110 016 60	intake distributor		-08	M48.51 IE81
(1)	948 110 016 60	intake distributor		09-	M48.51 IE8A/E81
		M >> T 9 02242			
		M >> S 9 00561			
(1)	948 110 016 61	intake distributor		1	M48.51 IE8A/E81
		M T 9 02243 >>			
		M S 9 00562 >>			
2	948 110 116 02	repair kit actuator		1	M48.01
		M >> 9 05540			
		M >> G 9 04964			
(2)	948 110 116 20	repair kit actuator		1	M48.01
		M 9 05541 >>			
		M G 9 04965 >>			

Model	Year	MG	SG	Illustration	Restrictions	UPD	14:00	21.01.2010	PORSCHE	PET	PORSCHE
9PA1	2010	1	07	107-10		247					

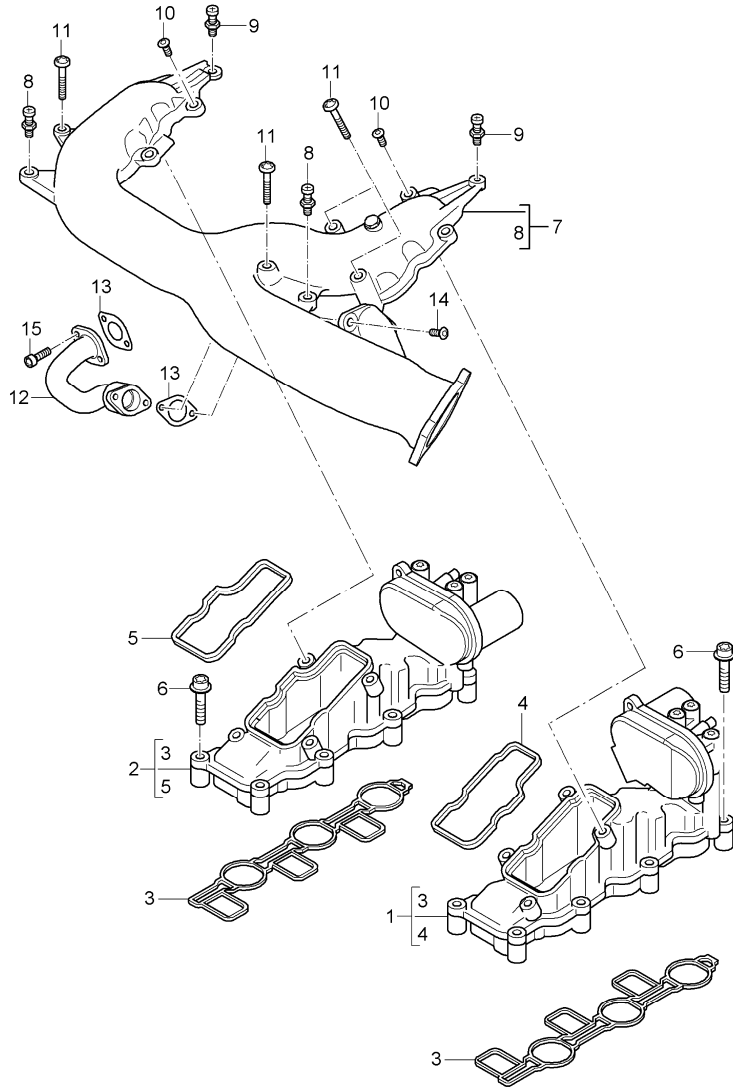
Pos	Part Number	Description	Remark	Qty	Model	Pos	Part Number	Description	Remark	Qty	Model
3	999 919 006 01	oval-head screw 5 X 16 M >> 9 05540 M >> G 9 04964		5	M48.01						
(3)	999 919 006 01	oval-head screw 5 X 16 M 9 05541 >> M G 9 04965 >>		6	M48.01						
(3)	999 919 006 01	oval-head screw 5 X 16 M 9 01689 >> M T 9 02243 >> M S 9 00562 >>		1	M48.51						
4	948 110 146 01	gasket		8							
5	948 110 142 01	fastening part		10							
6	955 110 236 00	ball socket		2							
7	948 605 139 00	t-socket heated		1							
8	999 919 006 01	oval-head screw 5 X 16		2							
9	948 110 136 00	pipe		1	M48.01						
10	948 110 126 00	connecting piece		2	M48.01						
11	996 605 123 01	change-over valve		1	M48.01						
12	948 110 358 00	vacuum line		1	M48.01						
14	948 110 256 00	lid with o-ring M 9 06822 >> M G 9 06076 >> M 9 01689 >> M T 9 02243 >> M S 9 00562 >>		1	M48.01 IE0A M48.01 IE0W/E1T/E2D M48.51 IE0A M48.51 IE8A M48.51 IE81						

Model	Year	MG	SG	Illustration	Restrictions	UPD	14:00	21.01.2010	PORSCHE	PET	PORSCHE
9PA1	2010	1	07	107-15		247					



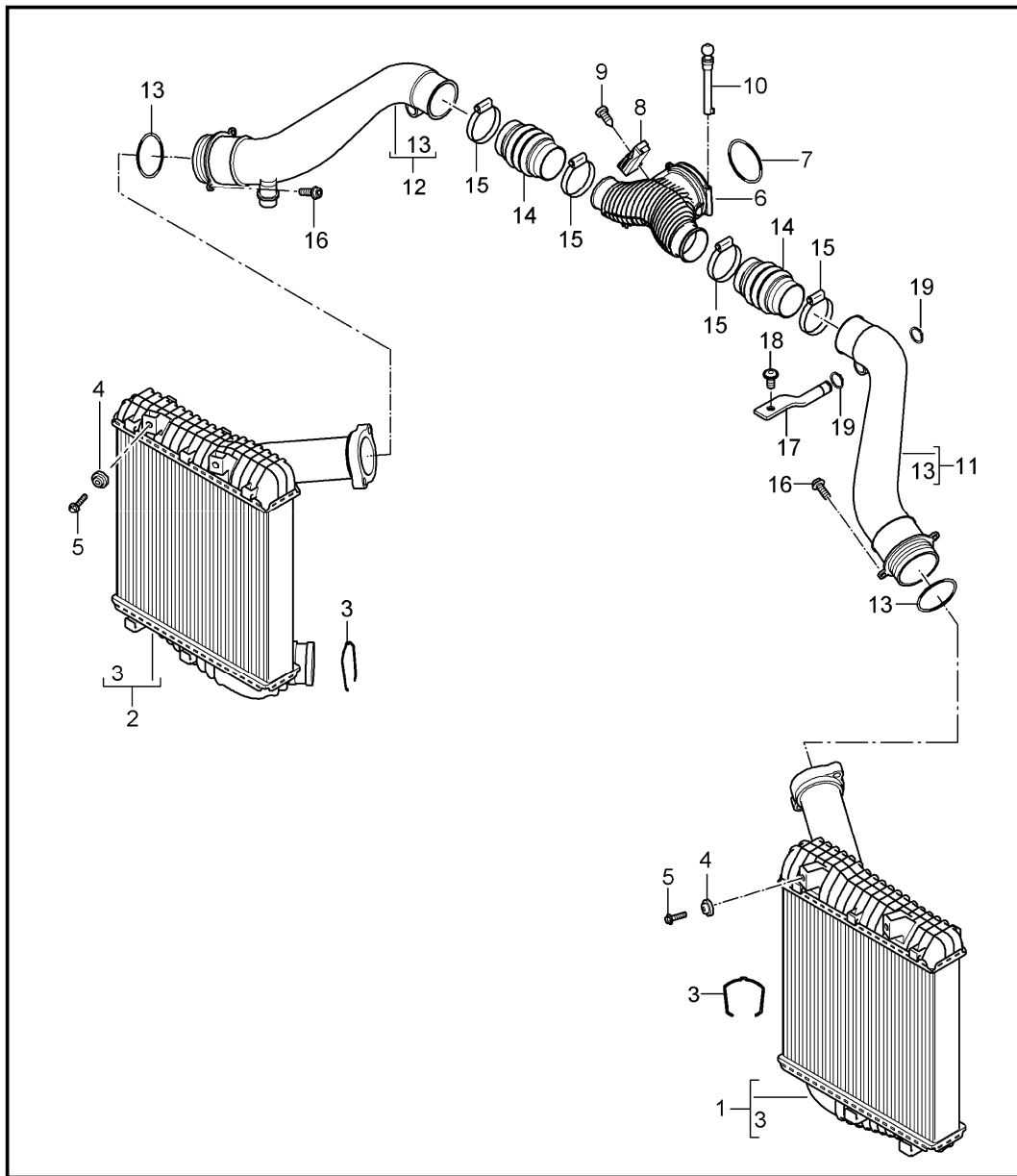
Pos	Part Number	Description	Remark	Qty	Model
		intake manifold			M55.01
1	955 110 006 00	intake manifold black/silver	-08	1	
(1)	955 110 006 01	intake manifold black/black	09-	1	
2	955 110 116 00	actuator		1	
3	999 919 006 01	oval-head screw 5 X 16		5	
4	955 110 147 00	gasket		1	
5	N 910 972 01	round head screw M 6 X 35 see technical manual group 2 24-46		3	
6	948 605 139 00	t-socket heated		1	
7	955 355 448 00	sealing plug		1	
8	955 605 123 30	change-over valve		1	
9	955 110 136 00	vacuum line		1	
10	...	gasket throttle body see illustrations 1/07/02		1	
11	N 910 972 01	round head screw M 6 X 35		1	

Model	Year	MG	SG	Illustration	Restrictions	UPD	14:01	21.01.2010	PORSCHE	PET	PORSCHE
9PA1	2010	1	07	107-17		247					



Pos	Part Number	Description	Remark	Qty	Model
		intake manifold pressure pipe			M05.9D
1	955 110 011 01	intake manifold	/L	1	
2	955 110 012 01	intake manifold	/R	1	
3	955 110 247 00	gasket		2	
4	955 110 147 10	gasket	/L	1	
5	955 110 148 10	gasket	/R	1	
6	N 103 008 05	pan-head screw AM 6 X 45		16	
7	955 110 062 00	pressure pipe		1	
8	WHT 000 351	ball pin		2	
9	WHT 000 508	ball pin		2	
10	N 910 540 01	combination screw M 6 X 22		5	
11	N 106 268 01	oval-head screw AM 6 X 70		4	
12	955 111 053 00	connecting tube		1	
13	955 111 149 00	gasket		2	
14	N 101 243 06	oval-head screw M 6 X 20		2	
15	N 106 131 01	pan-head screw M 6 X 20		2	

Model	Year	MG	SG	Illustration	Restrictions	UPD	14:01	21.01.2010	PORSCHE	PET	PORSCHE
9PA1	2010	1	07	107-20		247					

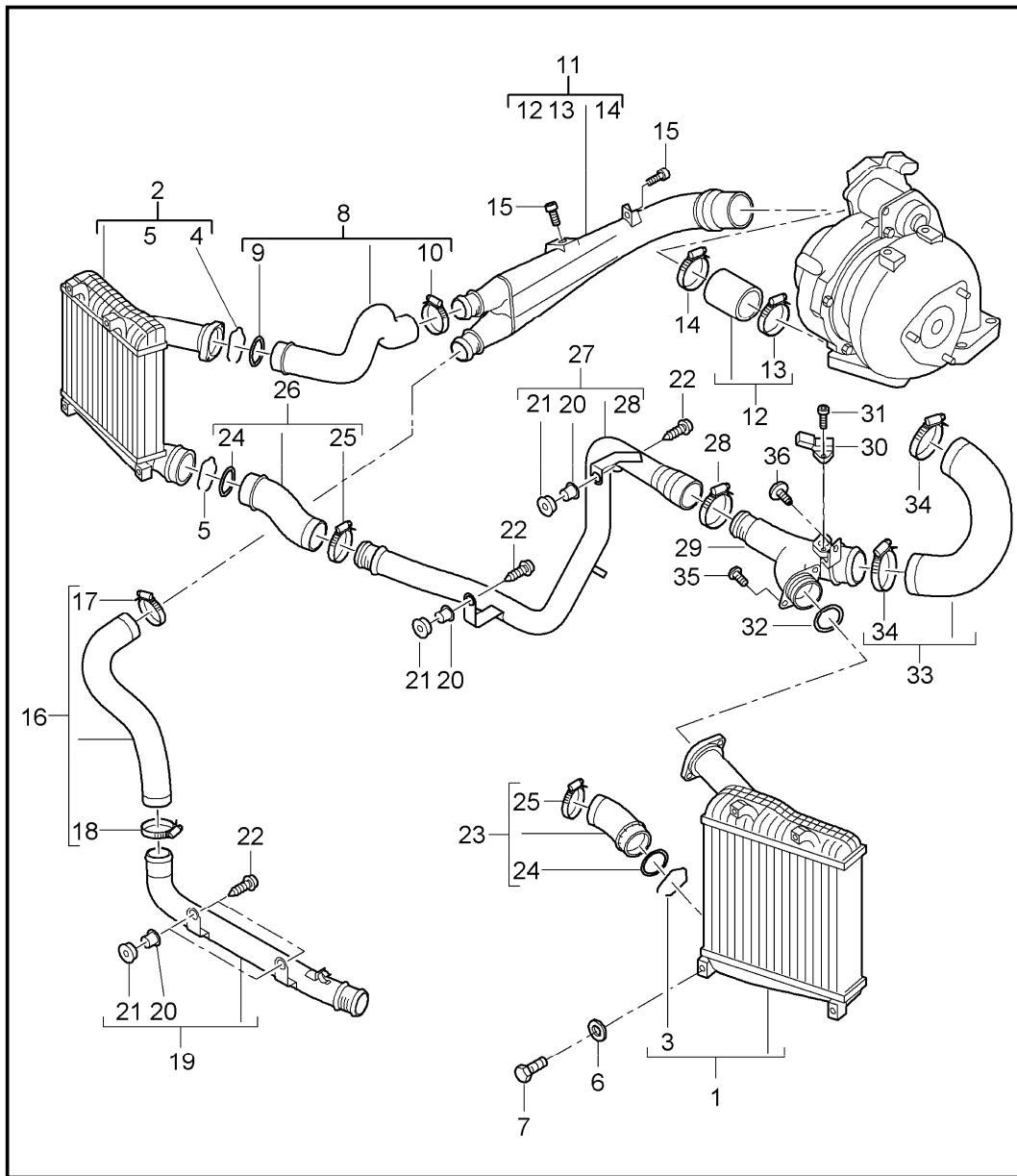


Pos	Part Number	Description	Remark	Qty	Model
1	955 110 639 00	charge air cooler pressure pipe			ID5Z
1	955 110 639 00	charge air cooler	/L	1	
2	955 110 640 00	charge air cooler	/R	1	
3	955 110 513 00	retainer spring		1	
4	955 110 268 01	spacer sleeve		6	
5	N 910 538 01	hexagon-head bolt M 6 X 20		6	
6	955 110 646 50	pressure pipe		1	IE0A
(6)	955 110 646 60	pressure pipe use also: 955.110.725.00	-09	1	IE8A/E81
				2	
(6)	955 110 646 61	pressure pipe use also: 955.110.725.00	10-	1	IE8A/E81
				2	
7	N 910 171 01	round seal 87 X 4		1	IE0A
(7)	WHT 003 803	o-ring 90 X 5		1	IE8A/E81
8	996 606 180 00	sensor boost pressure		1	
9	N 106 839 01	oval-head screw 6 X 12		1	
10	U 955 110 671 00	bolt locking device		2	IE0A
(10)	955 110 671 01	bolt locking device		2	IE0A
11	955 110 623 01	pressure pipe	/L	1	
12	955 110 624 10	pressure pipe	/R	1	
13	WHT 001 018	o-ring 57 X 4		2	
14	U 955 110 107 00	bellows		2	
(14)	955 110 107 02	bellows		2	
15	N 105 188 01	hose clamp 40 - 60 X 12	-08	4	

Model	Year	MG	SG	Illustration	Restrictions	UPD	14:01	21.01.2010	PORSCHE	PET	PORSCHE
9PA1	2010	1	07	107-20		247					

Pos	Part Number	Description	Remark	Qty	Model	Pos	Part Number	Description	Remark	Qty	Model
(15)	N 106 198 01	hose clamp 45 - 65 X 12	09-	4							
16	N 103 231 03	pan-head screw M 6 X 20		4							
17	955 110 383 00	support for pressure pipe		2							
18	N 906 462 01	oval-head screw M 6 X 12		2							
19	900 041 004 01	circlip 10 X 1		4							
20	955 110 725 00	bolt		2	IE8A/E81						

Model	Year	MG	SG	Illustration	Restrictions	UPD	14:01	21.01.2010	PORSCHE	PET	PORSCHE
9PA1	2010	1	07	107-22		247					

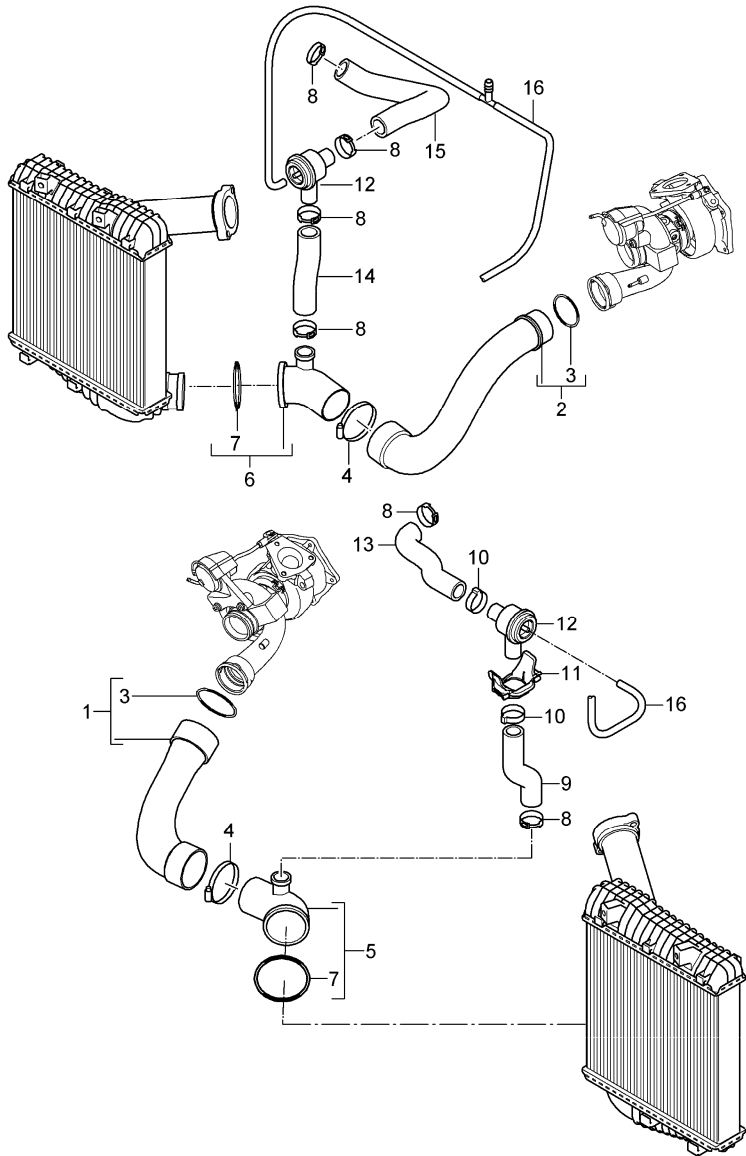


Pos	Part Number	Description	Remark	Qty	Model
		charge air cooler pressure pipe			ID50
1	955 110 639 10	charge air cooler	/L	1	
2	955 110 640 10	charge air cooler	/R	1	
3	955 110 513 10	retainer spring		1	
4	955 110 513 20	retainer spring		1	
5	955 106 802 00	retainer spring		1	
6	955 110 268 01	spacer sleeve		6	
7	N 910 538 01	hexagon-head bolt M 6 X 20		6	
8	955 110 738 00	pressure hose		1	
9	955 110 517 00	sealing ring		1	
10	N 105 188 01	hose clamp 40 - 60 X 12		1	
11	955 110 741 00	pressure pipe		1	
12	955 110 832 00	pressure hose		1	
13	N 107 350 01	hose clamp B 50 - 70 X 12		1	
14	N 106 198 01	hose clamp A 45 - 65 X 12		1	
15	N 103 352 02	oval-head screw M 6 X 12		2	
16	955 110 737 00	pressure hose F >>9PALA 25281		1	
(16)	N 955 110 737 01	pressure hose F 9PALA 25282>>		1	
17	N 105 188 01	hose clamp 40 - 60 X 12 F >>9PALA 25281		1	
(17)	N N 107 355 01	hose clamp 40 - 60 X 12 F 9PALA 25282>>		1	
18	N 106 198 01	hose clamp A 45 - 65 X 12 F >>9PALA 25281		1	

Model	Year	MG	SG	Illustration	Restrictions	UPD	14:01	21.01.2010	PORSCHE	PET	PORSCHE
9PA1	2010	1	07	107-22		247					

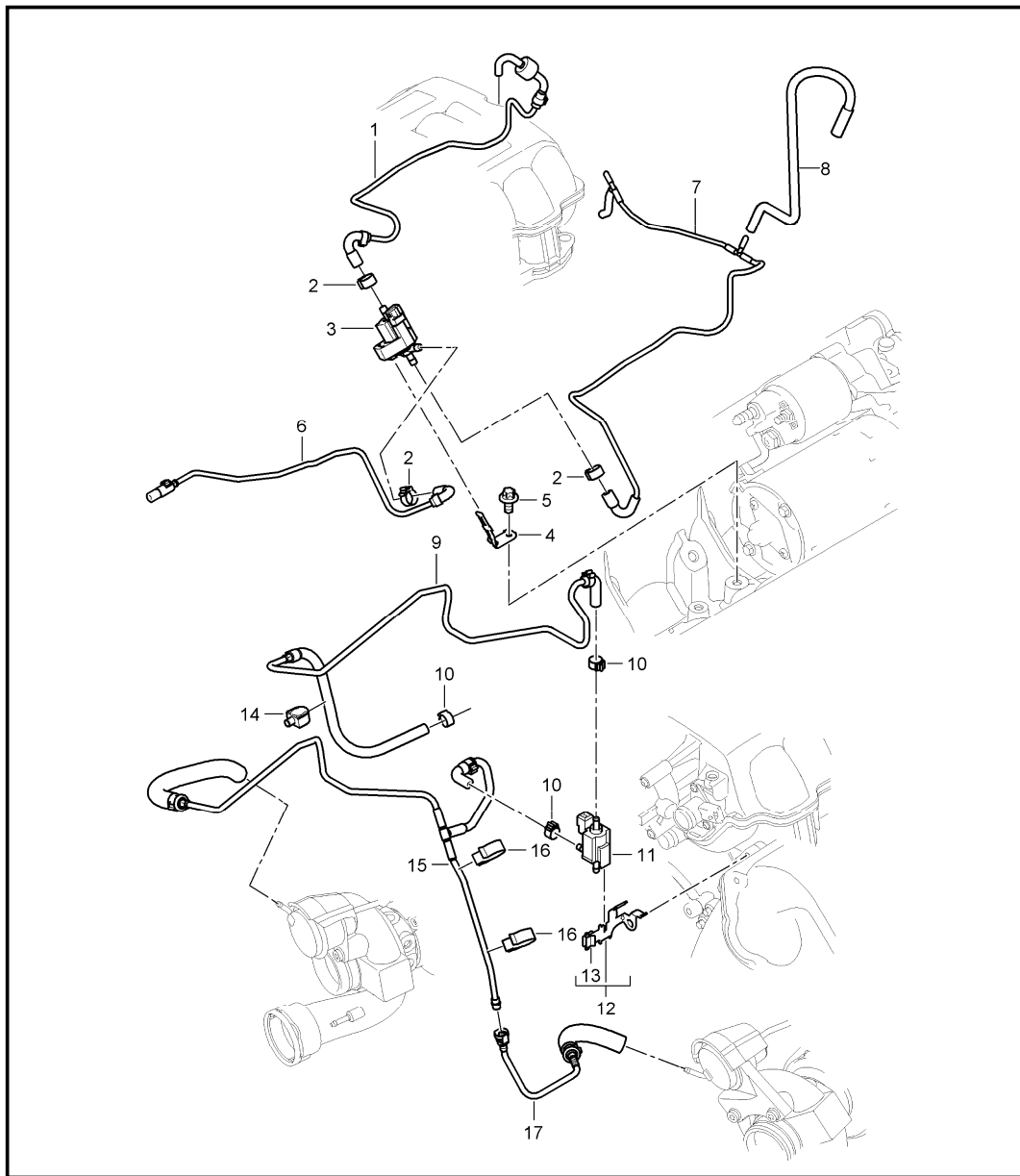
Pos	Part Number	Description	Remark	Qty	Model	Pos	Part Number	Description	Remark	Qty	Model
(18)	N N 107 356 01	hose clamp 45 - 65 X 12 F 9PALA 25282>>		1							
19	955 110 790 00	pressure pipe		1							
20	6N0 129 734	spacer		2							
21	867 129 669	grommet		2							
22	N 907 315 03	oval-head screw 6 X 25		4							
23	955 110 843 00	pressure hose		1							
24	955 110 517 10	sealing ring		2							
25	N 106 198 01	hose clamp A 45 - 65 X 12		2							
26	955 110 708 00	pressure hose		1							
27	955 110 795 00	pressure pipe		1							
28	N 105 444 01	hose clamp 60 - 80 X 12		1							
29	955 110 796 00	pressure pipe		1							
30	955 606 180 10	pressure sensor		1							
31	N 902 886 06	oval-head screw 5 X 17		2							
32	WHT 003 156	o-ring 57 X 3,5		1							
33	955 110 772 00	pressure hose		1							
34	N 105 444 01	hose clamp 60 - 80 X 12		2							
35	N 101 244 08	torx screw M 6 X 20		2							
36	N 909 004 01	oval-head screw M 6 X 20		1							

Model	Year	MG	SG	Illustration	Restrictions	UPD	14:01	21.01.2010	PORSCHE	PET	PORSCHE
9PA1	2010	1	07	107-25		247					



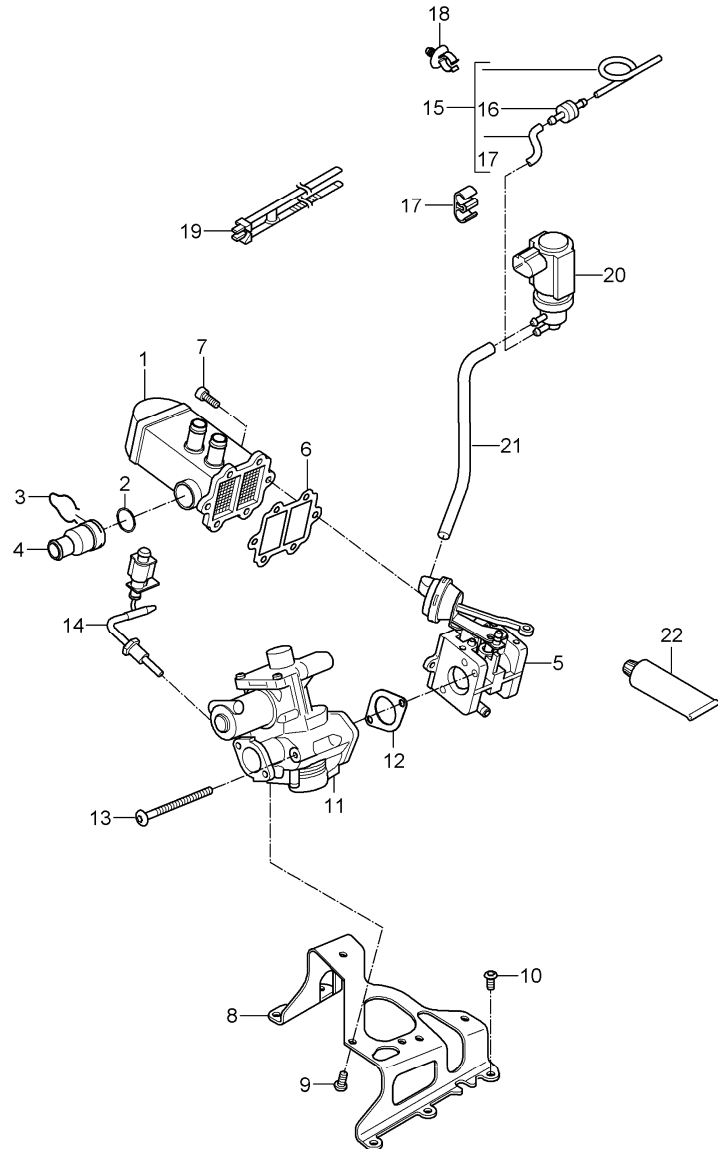
Pos	Part Number	Description	Remark	Qty	Model
		supercharging 1 pressure pipe			ID5Z
1	955 110 837 10	pressure hose	/L	1	
2	955 110 838 10	pressure hose	/R	1	
3	955 110 720 00	round seal 43,95 X 3,5		2	
4	N 024 505 6	hose clamp A 50-70 X 9,0		2	
5	955 110 367 10	pressure pipe	/L	1	
6	955 110 368 10	pressure pipe	/R	1	
7	955 110 722 00	sealing ring 53,95 X 3,55		2	
8	955 110 917 00	hose clamp B 34 X 12		6	
9	955 110 743 30	hose		1	
10	N 102 077 01	hose clamp A 34,6 X 7 X 0,6		2	
11	955 110 263 00	support		1	
12	955 110 710 01	shut-off valve		2	
13	955 110 743 20	hose		1	
14	955 110 742 00	hose		1	
15	955 110 742 10	hose		1	
16	955 110 693 10	air hose		1	

Model	Year	MG	SG	Illustration	Restrictions	UPD	14:01	21.01.2010	PORSCHE	PET	PORSCHE
9PA1	2010	1	07	107-30		247					



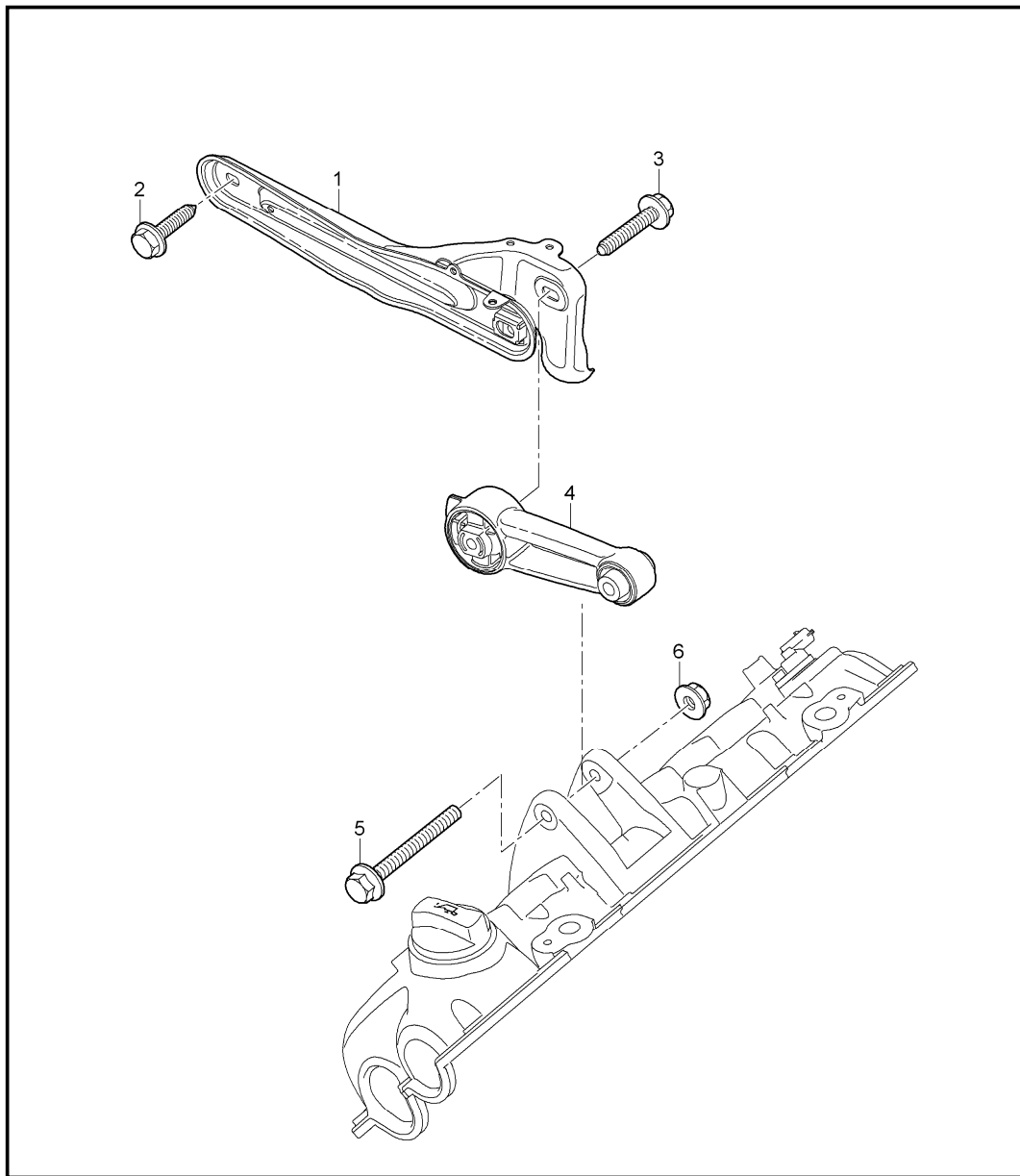
Pos	Part Number	Description	Remark	Qty	Model
		supercharging 2 control line pressure line			M48.51
1	948 110 324 53	pressure line		1	
2	999 512 689 00	hose clamp 12,5 - 14,0		3	
3	948 605 125 01	change-over valve		1	
-	948 605 167 01	rubber holder for change-over valve		1	
4	948 110 360 51	support		1	
5	900 385 041 01	torx screw BM 6 X 12		1	
6	948 110 394 52	control line		1	
7	948 110 358 52	vacuum line		1	
9	948 110 240 54	pressure line		1	
10	999 512 688 00	hose clamp 10,5 - 11,5		3	
11	996 605 155 00	cycle valve		1	
12	948 110 370 51	support		1	
13	955 971 847 00	cable clamp		1	
14	999 507 813 40	cable holder 11,5 - 12,7		1	
15	948 110 666 54	control line		1	
16	999 507 800 40	hose holder 6,5 / 24,5		2	
17	948 110 668 53	control line	-08	1	
(17)	948 110 668 54	control line M >> 9 01471	09-	1	
(17)	948 110 668 55	control line M 9 01472 >>		1	

Model	Year	MG	SG	Illustration	Restrictions	UPD	14:01	21.01.2010	PORSCHE	PET	PORSCHE
9PA1	2010	1	08	108-00		247					



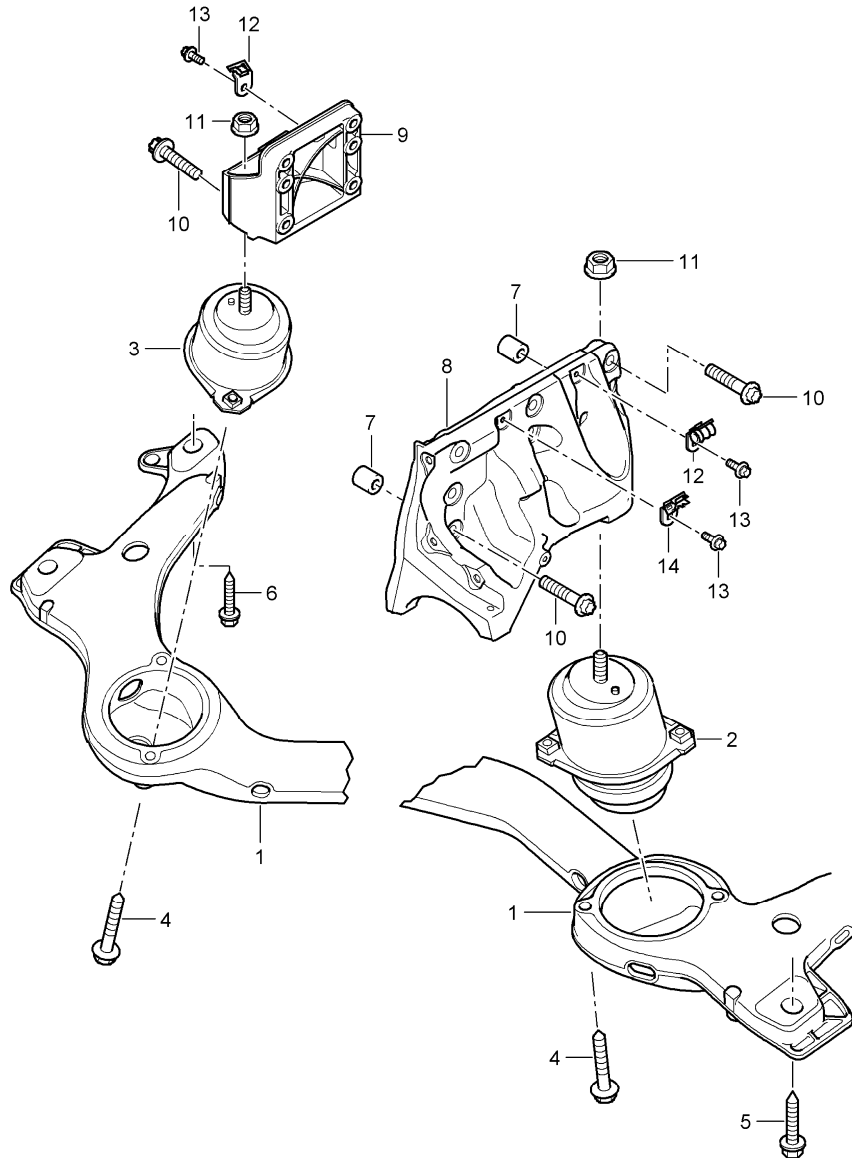
Pos	Part Number	Description	Remark	Qty	Model
		exhaust gas recirculation vacuum system			M05.9D
1	955 111 011 00	heat dissipator exhaust gas recirculation		1	
2	WHT 003 368	o-ring 26 X 2		1	
3	955 111 342 00	retainer spring		1	
4	955 106 313 00	thermostat		1	
5	955 111 063 00	governor exhaust gas recirculation		1	
6	955 111 147 00	gasket		1	
7	N 106 131 01	pan-head screw M 6 X 20		6	
8	955 111 135 00	support		1	
9	N 010 215 33	hexagon-head bolt M 6 X 15		3	
10	N 100 292 06	oval-head screw M 6 X 15		5	
11	955 111 051 00	egr valve		1	
12	955 107 120 00	gasket		1	
13	N 104 251 03	oval-head screw BM 8 X 100 X 41		2	
14	955 606 688 00	temperature sensor exhaust gas		1	
15	955 111 551 00	vacuum line		1	
16	955 606 291 00	check valve		1	
17	955 111 694 00	clip		X	
18	955 111 531 00	support		1	
19	955 111 820 00	tie-wrap		X	
20	955 605 283 10	change-over valve		1	
21	955 111 552 00	vacuum line		1	
22	000 043 207 47	grease 1 tube 170 Gr.		X	

Model	Year	MG	SG	Illustration	Restrictions	UPD	14:02	21.01.2010	PORSCHE	PET	PORSCHE
9PA1	2010	1	09	109-00		247					



Pos	Part Number	Description	Remark	Qty	Model
		engine suspension upper			ID5V/D5Z
1	955 375 112 10	bracket		1	
2	N 908 932 02	hexagon-head bolt M 10 X 20		1	
3	N 102 902 06	hexagon-head bolt AM 10 X 70		1	
4	U 955 375 101 12	bracket		1	
(4)	955 375 101 13	bracket		1	
5	N 102 961 05	hexagon-head bolt AM 10 X 90		1	
6	N 102 861 10	hexagon nut M 10		1	

Model	Year	MG	SG	Illustration	Restrictions	UPD	14:02	21.01.2010	PORSCHE	PET	PORSCHE
9PA1	2010	1	09	109-05		247					

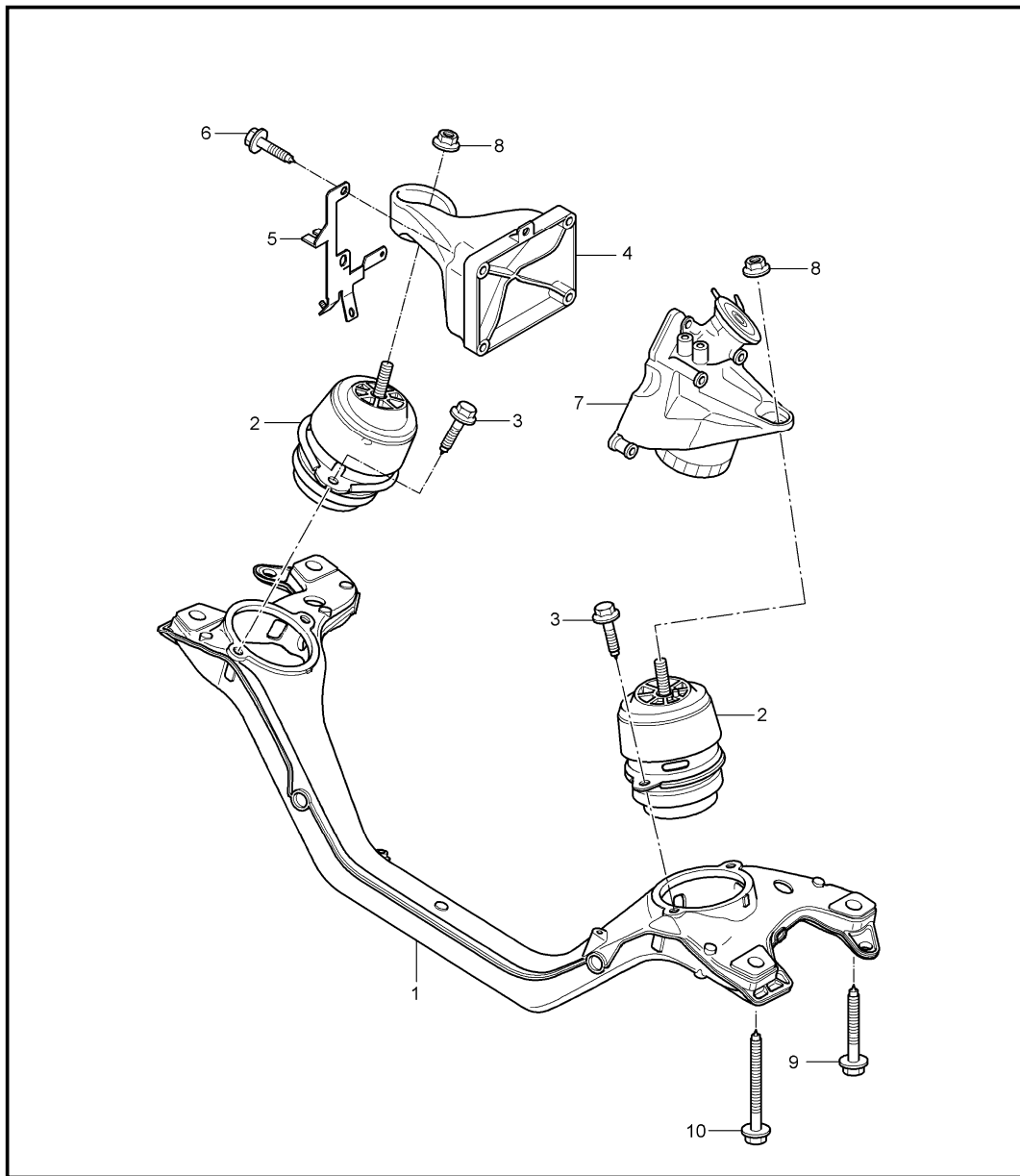


Pos	Part Number	Description	Remark	Qty	Model
		engine suspension lower			M48.01/51
1	948 375 309 03	engine carrier		1	
2	948 375 049 01	engine mounting	/L	1	
3	948 375 050 01	engine mounting	/R	1	
4	900 378 004 01	hexagon-head bolt BM 10 x 65		4	
5		see illustrations 4/01/00 Pos.3		2	
6	N 910 144 02	combination screw AM 14 X 1,5 X 100		2	
7	999 095 066 00	dowel sleeve 14 X 15		2	
8	948 102 215 01	bracket		1	
9	948 115 201 03	bracket		1	
10	900 385 011 01	torx screw BM 10 X 45		15	
		M >> 9 05540			M48.01
		M >> G 9 04964			M48.01
		M >> 9 01688			IE0W
		M >> T 9 01787			M48.51
		M >> S 9 00561			M48.51
					IE8A
					M48.51
					IE81
(10)	999 073 460 01	round head screw M 10 X 45		15	
		M 9 05541 >>			M48.01
		M G 9 04965 >>			M48.01
		M 9 01689 >>			IE0W
		M T 9 01788 >>			M48.51
		M S 9 00562 >>			M48.51
					IE8A
					M48.51
					IE81
11	999 084 445 01	lock nut M 12 X 1,5		2	
12	948 606 113 02	support line oxygen sensor		2	M48.01
--	999 651 392 07	cable holder 9,5 - 10,5		2	M48.01

Model	Year	MG	SG	Illustration	Restrictions	UPD	14:02	21.01.2010	PORSCHE	PET	PORSCHE
9PA1	2010	1	09	109-05		247					

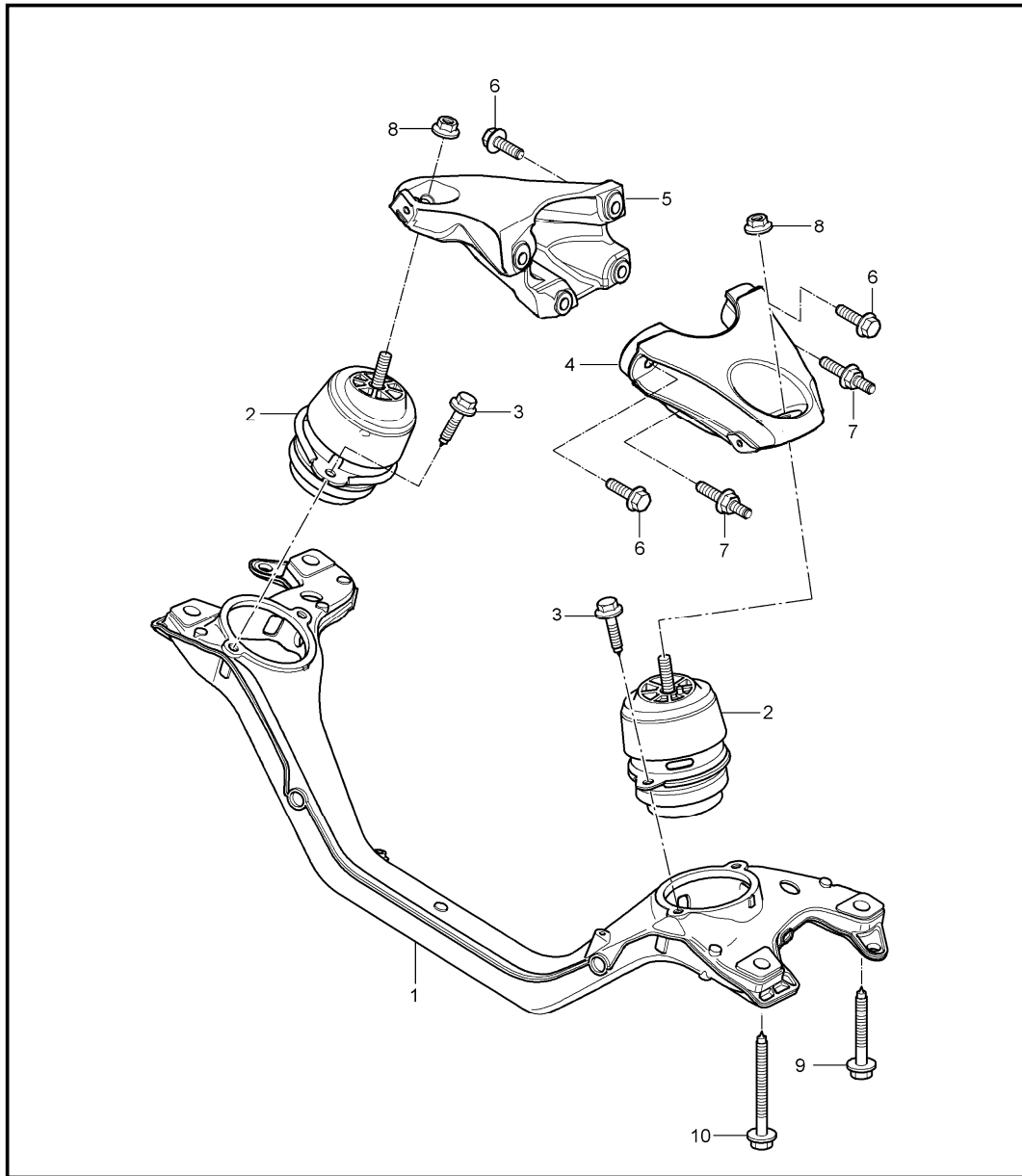
Pos	Part Number	Description	Remark	Qty	Model	Pos	Part Number	Description	Remark	Qty	Model
13	900 385 041 01	torx screw BM 6 X 12		3	M48.01						
14	948 606 161 00	support line oxygen sensor		1	M48.01						
--	999 507 808 09	cable holder 6,0		1	M48.01						

Model	Year	MG	SG	Illustration	Restrictions	UPD	14:02	21.01.2010	PORSCHE	PET	PORSCHE
9PA1	2010	1	09	109-10		247					



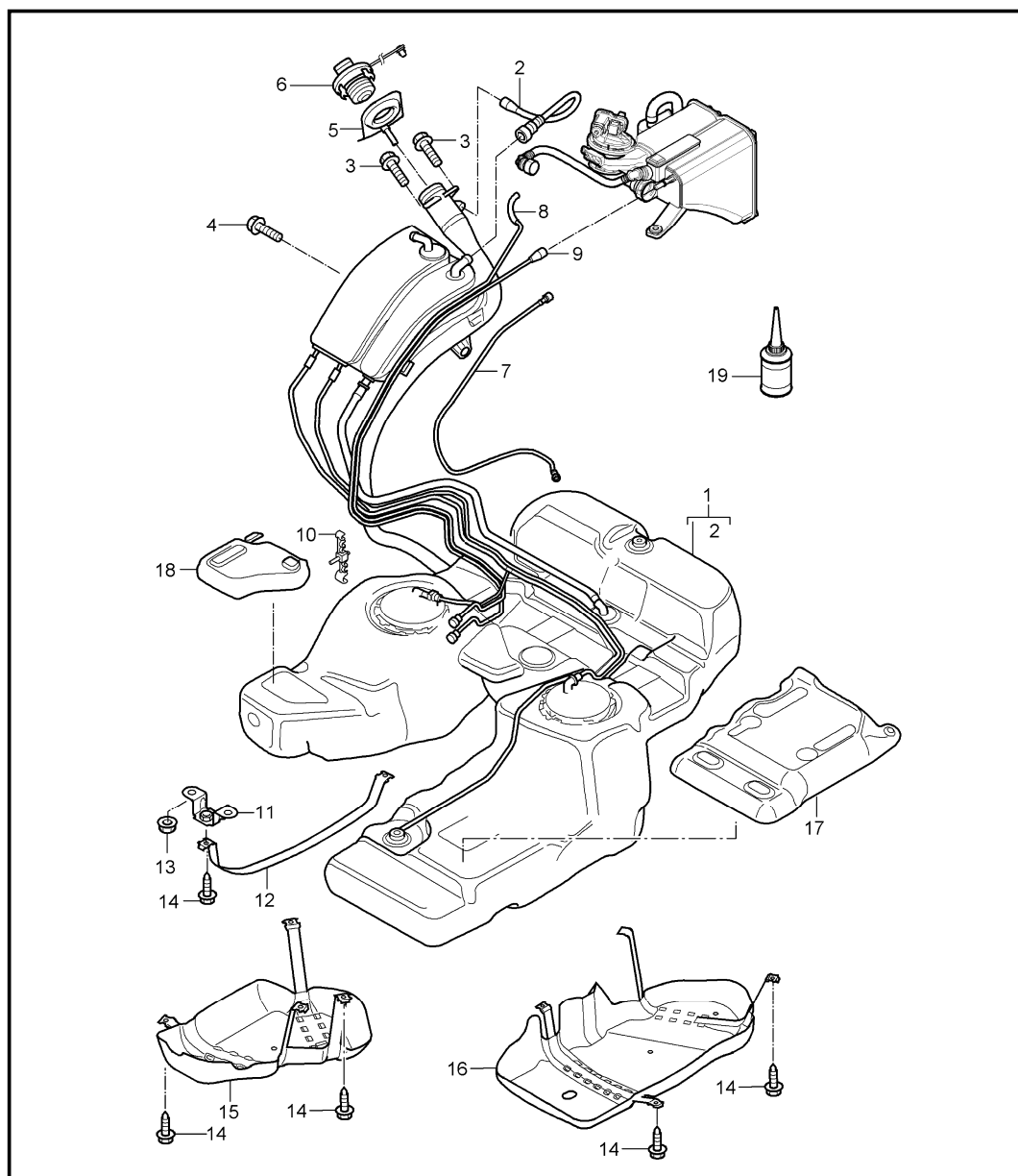
Pos	Part Number	Description	Remark	Qty	Model
		engine suspension lower			M55.01
1	955 375 309 01	engine carrier		1	
2	955 375 049 00	hydraulic mount		2	
3	N 105 167 02	hexagon-head bolt AM 10 X 55		4	
4	955 115 201 00	engine bracket		1	
5	955 607 208 10	support F	>>9P9LA 03156	1	
(5)	955 607 208 11	support F 9P9LA 03157>>		1	
6	N 909 784 04	hexagon-head bolt M 10 X 35		4	
7	...	see illustrations 1/04/11		1	
8	N 104 029 04	hexagon nut M 12 X 1,5		2	
9	N 910 144 02	combination screw AM 14 X 1,5 X 100		2	
10	...	see illustrations 4/01/00 POS.3		2	

Model	Year	MG	SG	Illustration	Restrictions	UPD	14:02	21.01.2010	PORSCHE	PET	PORSCHE
9PA1	2010	1	09	109-20		247					



Pos	Part Number	Description	Remark	Qty	Model
		engine suspension lower			M05.9D
1	955 375 309 10	engine carrier		1	
2	955 375 049 10	hydraulic mount		2	
3	N 105 167 02	hexagon-head bolt AM 10 X 55		4	
4	955 102 215 00	engine bracket		1	
5	955 115 201 10	engine bracket		1	
6	N 104 043 06	hexagon-head bolt M 10 X 30		6	
7	N 910 941 01	stud M 10 X 30 / M 8 X 12		2	
8	N 104 029 04	hexagon nut M 12 X 1,5		2	
9	N 910 144 02	combination screw AM 14 X 1,5 X 100		2	
10		see illustrations 4/01/00 POS.3		2	

Model	Year	MG	SG	Illustration	Restrictions	UPD	14:02	21.01.2010	PORSCHE	PET	PORSCHE
9PA1	2010	2	01	201-00		247					

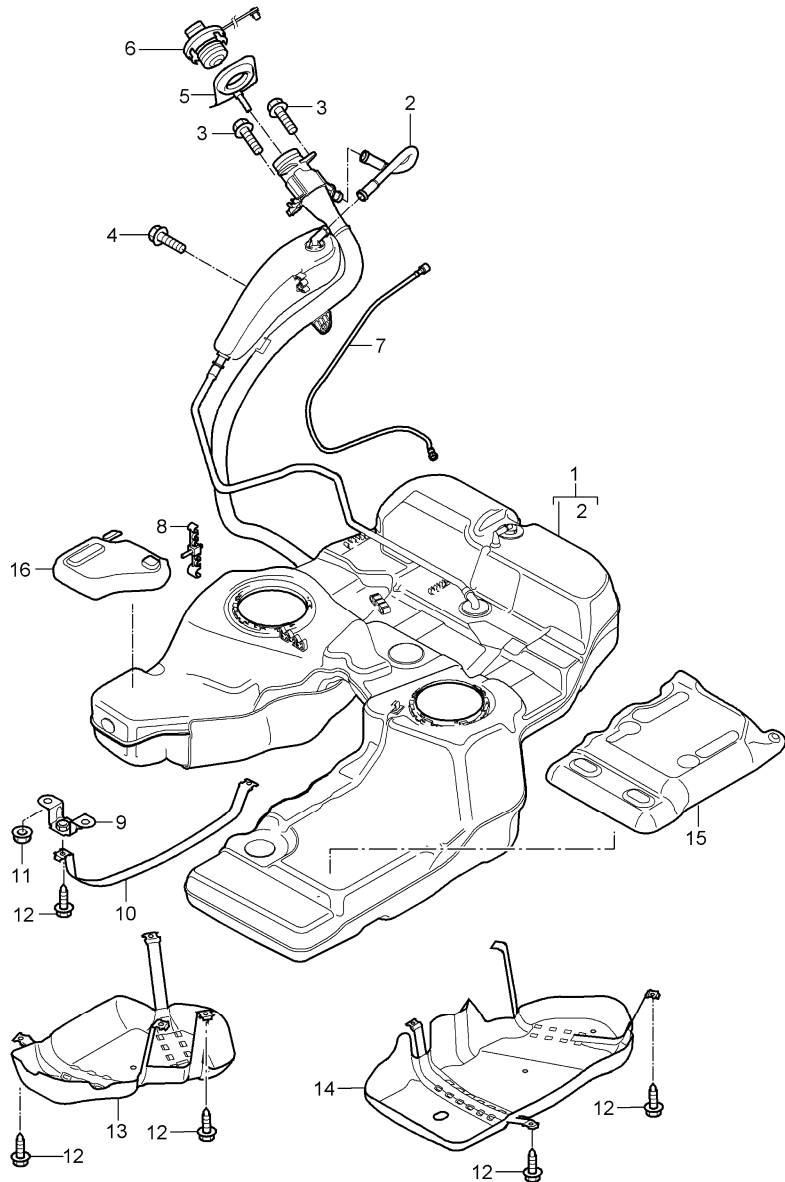


Pos	Part Number	Description	Remark	Qty	Model
1	955 201 075 04	fuel tank with accessories		1	I2G1
(1)	955 201 075 27	fuel tank	(BR)	1	I2G6
2	955 201 266 00	breather pipe		1	I2G1
(2)	955 201 266 00	breather pipe	(BR)	1	I2G6
3	N 100 092 07	combination screw M 6 X 20		3	
4	N 910 345 01	combination screw M 6 x 20		1	
5	955 201 251 00	filler neck		1	
6	955 201 241 12	lid with retaining strap		1	I2G1
(6)	955 201 241 12	lid with retaining strap	(BR)	1	I2G6
7	955 201 255 04	breather pipe		1	
9	955 201 851 00	purge-air line		1	
10	955 201 897 00	fixing clip		1	
11	955 201 751 01	support		2	
12	955 201 107 00	restraining strap centre		1	
13	N 023 003 14	hexagon nut M 8		4	
14	N 019 530 8	hexagon-head bolt M 8 X 25		10	
15	955 201 331 00	cover with restraining strap		1	I6EA/6EP/6EQ
(15)	955 201 331 10	cover with restraining strap		1	I6EB/6ES
16	955 201 332 01	cover with restraining strap		1	I6EA/6EP/6EQ

Model	Year	MG	SG	Illustration	Restrictions	UPD	14:02	21.01.2010	PORSCHE	PET	PORSCHE
9PA1	2010	2	01	201-00		247					

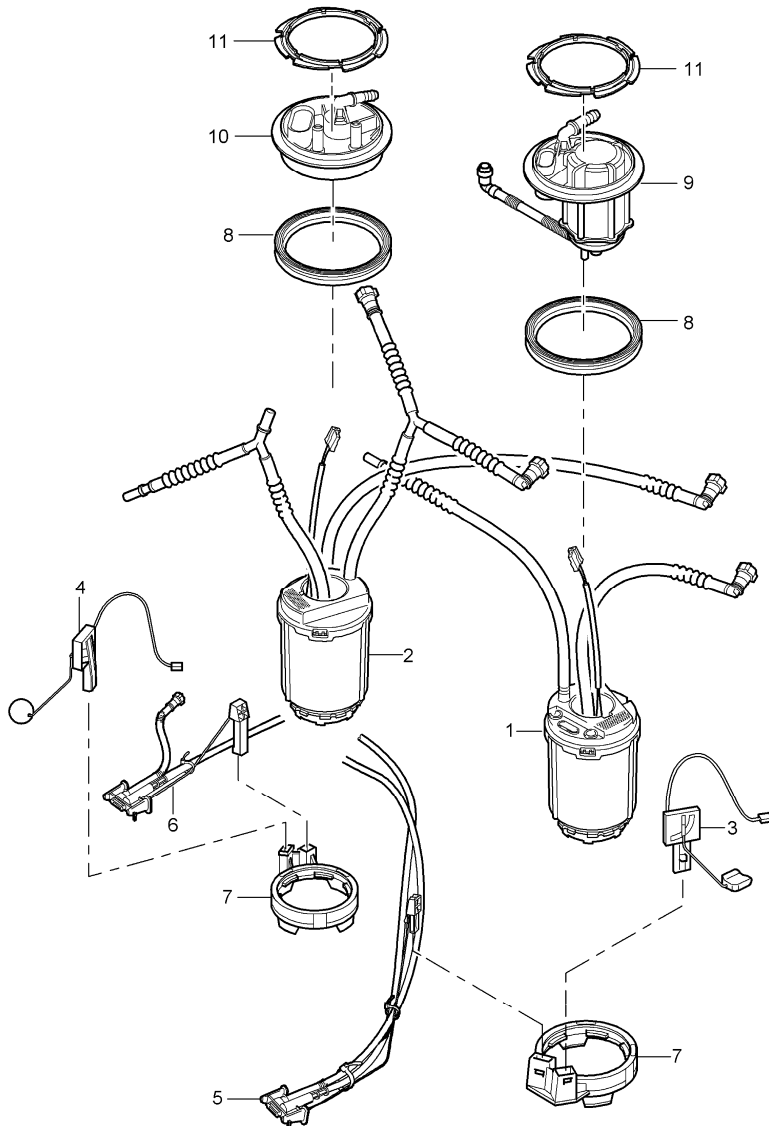
Pos	Part Number	Description	Remark	Qty	Model	Pos	Part Number	Description	Remark	Qty	Model
(16)	955 201 332 10	cover with restraining strap		1	I6EB/6ES						
17	955 201 333 00	cover upper left		1							
18	955 201 334 00	cover upper right		1							
19	000 043 206 89	Additive fuel 100 ML container	CHINA	X							

Model	Year	MG	SG	Illustration	Restrictions	UPD	14:03	21.01.2010	PORSCHE	PET	PORSCHE
9PA1	2010	2	01	201-02		247					



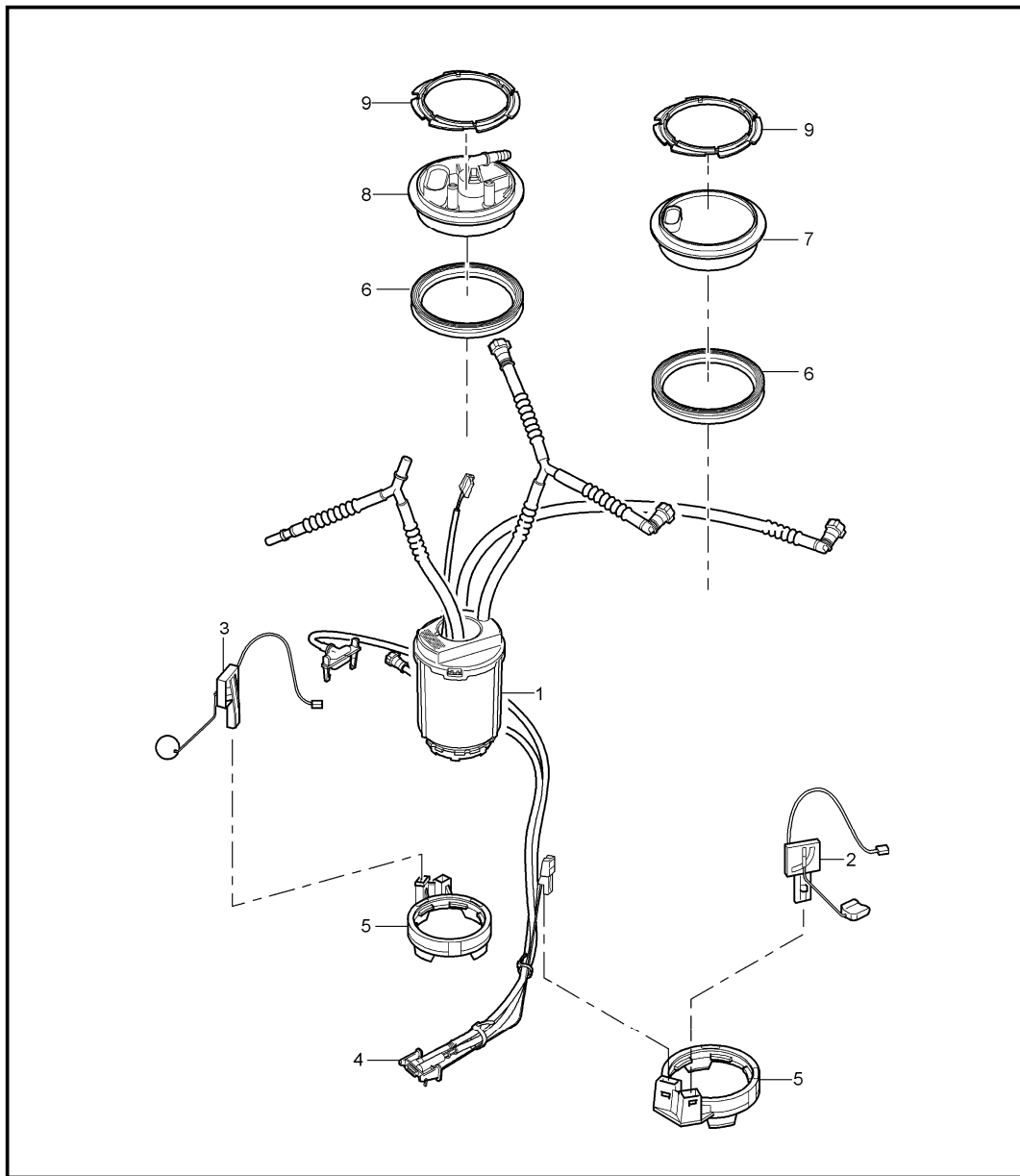
Pos	Part Number	Description	Remark	Qty	Model
		fuel tank with accessories			ID50
1	955 201 075 40	fuel tank		1	
2	955 201 266 00	breather pipe		1	
3	N 100 092 07	combination screw M 6 X 20		2	
4	N 910 345 01	combination screw M 6 x 20		1	
5	955 201 251 00	filler neck		1	
6	U 955 201 241 40	lid with retaining strap		1	
(6)	955 201 241 41	lid with retaining strap		1	
7	955 201 255 04	breather pipe		1	
8	955 201 897 00	fixing clip		1	
9	955 201 751 01	support		2	
10	955 201 107 00	restraining strap centre		1	
11	N 023 003 14	hexagon nut M 8		4	
12	N 019 530 8	hexagon-head bolt M 8 X 25		10	
13	955 201 331 00	cover with restraining strap		1	I6EA/6EP/6EQ
14	955 201 332 01	cover with restraining strap		1	I6EA/6EP/6EQ
15	955 201 333 00	cover upper left		1	
16	955 201 334 00	cover upper right		1	

Model	Year	MG	SG	Illustration	Restrictions	UPD	14:03	21.01.2010	PORSCHE	PET	PORSCHE
9PA1	2010	2	01	201-05		247					



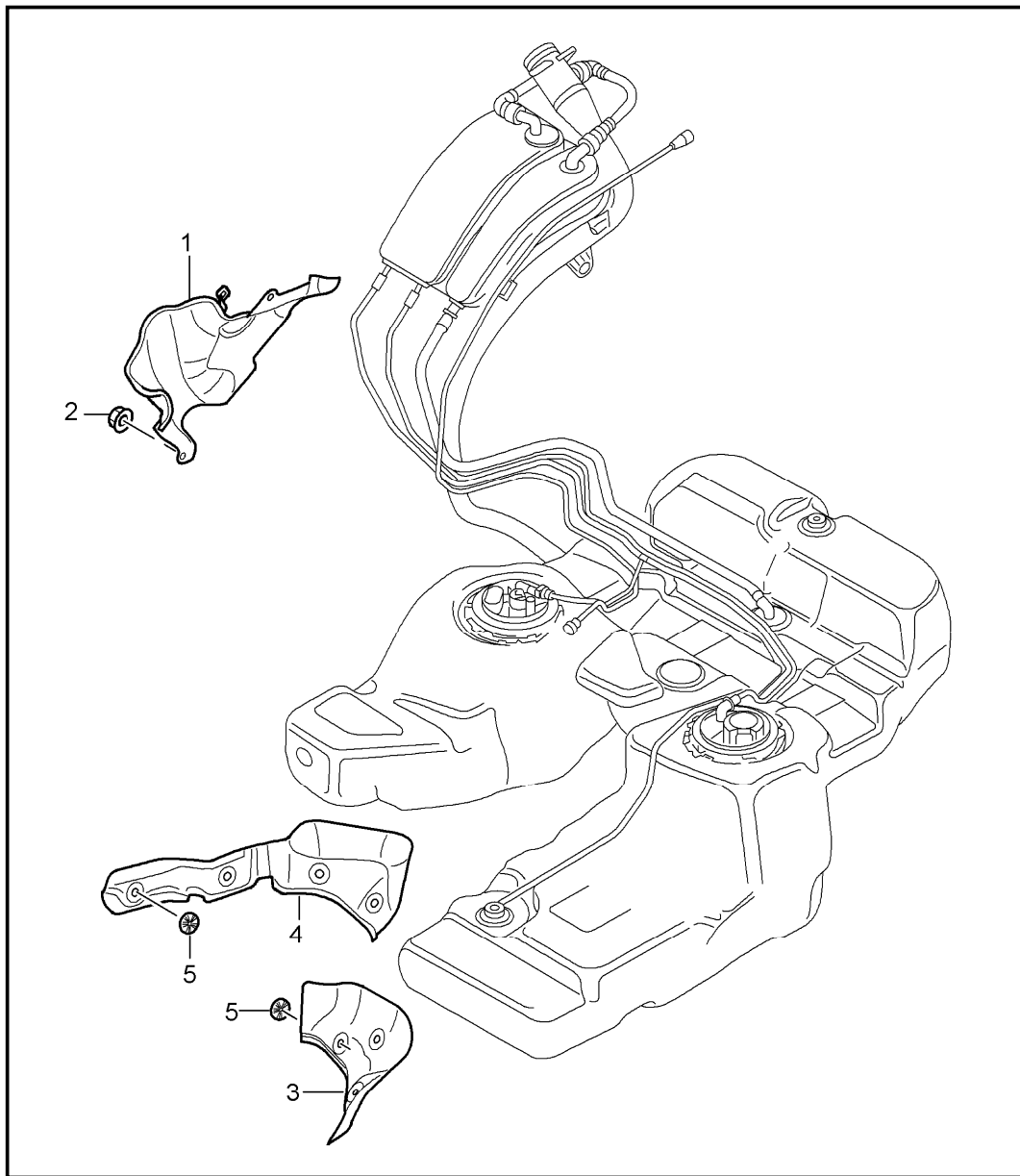
Pos	Part Number	Description	Remark	Qty	Model
		fuel tank fuel pump venturi tube			
1	955 620 131 00	fuel pump	/L	1	
(1)	955 620 131 20	fuel pump	/L (BR)	1	I2G6
(1)	955 620 931 01	fuel pump	/L (PME)	1	
2	955 620 132 10	fuel pump	/R	1	
(2)	955 620 132 30	fuel pump	/R (BR)	1	I2G6
(2)	955 620 932 01	fuel pump	/R (PME)	1	
3	955 620 805 00	sender fuel-level indicator	/L	1	
4	955 620 806 01	sender fuel-level indicator	/R	1	
5	955 620 231 00	venturi tube	/L	1	
6	955 620 232 10	venturi tube	/R	1	
7		catch fuel pump not available fuel tank use		2	
8	955 201 133 01	sealing ring		2	
9	955 620 421 00	flange with fuel filter	/L	1	
10	955 620 422 10	flange with pressure regulator	/R	1	
(10)	955 620 422 20	flange with pressure regulator	/R	1	I7VE/7VL
11	955 201 623 01	union nut		2	

Model	Year	MG	SG	Illustration	Restrictions	UPD	14:03	21.01.2010	PORSCHE	PET	PORSCHE
9PA1	2010	2	01	201-07		247					



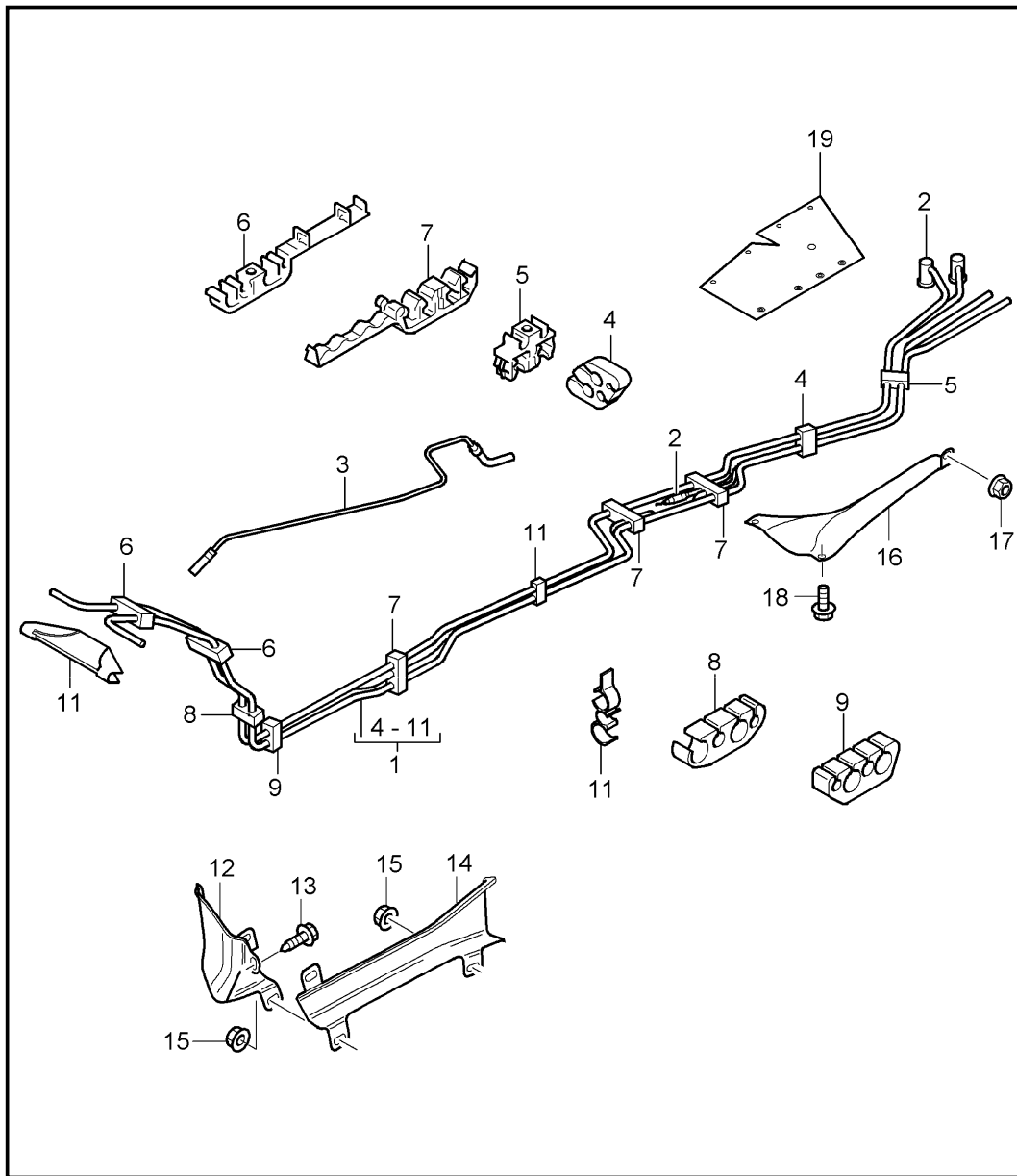
Pos	Part Number	Description	Remark	Qty	Model
		fuel tank fuel pump venturi tube			ID50
1	955 620 132 40	fuel pump	/R	1	
2	955 620 805 00	sender fuel-level indicator	/L	1	
3	955 620 806 01	sender fuel-level indicator	/R	1	
4	955 620 231 40	venturi tube	/L	1	
5		catch fuel pump not available fuel tank use		2	
6	955 201 133 10	sealing ring		2	
7	955 620 421 40	flange	/L	1	
8	955 620 422 40	flange	/R	1	
9	955 201 623 01	union nut		2	

Model	Year	MG	SG	Illustration	Restrictions	UPD	14:03	21.01.2010	PORSCHE	PET	PORSCHE
9PA1	2010	2	01	201-10		247					



Pos	Part Number	Description	Remark	Qty	Model
		fuel tank accessories			
1	955 201 206 02	protective plate		1	
2	N 904 560 02	hexagon nut M 6		3	
3	955 201 209 00	heat shield left		1	
4	955 201 210 10	heat shield right		1	
5	N 903 350 05	clamping washer 5 X 30		7	

Model	Year	MG	SG	Illustration	Restrictions	UPD	14:03	21.01.2010	PORSCHE	PET	PORSCHE
9PA1	2010	2	01	201-15		247					

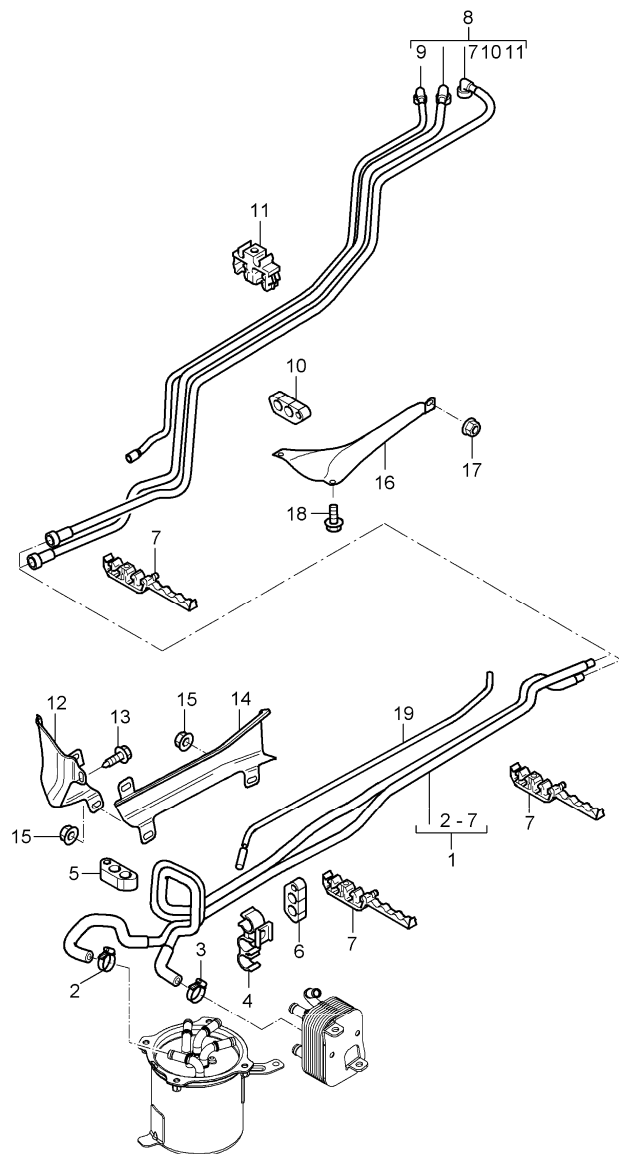


Pos	Part Number	Description	Remark	Qty	Model
		fuel system fuel line underbody			
1	955 201 080 05	fuel line 1 set	-08	1	I2G1
(1)	955 201 080 06	fuel line 1 set	09-	1	I2G1
(1)	955 201 080 05	fuel line 1 set	(BR) -08	1	I2G6
(1)	955 201 080 06	fuel line 1 set	(BR) 09-	1	I2G6
2	955 201 355 01	fuel line auxiliary heater		1	I7VE/7VL
-	N 101 981 01	hose clamp 11,8 x 5 x 0,5 mount fuel line fuel pump		1	I7VE/7VL
3		fuel line auxiliary heater see group 8/13/80		1	I7VE/7VL
4	955 201 561 00	line bracket		1	
5	955 201 401 00	retaining clip		1	
6	955 201 402 01	line bracket		2	
7	955 201 449 01	line bracket		3	
(7)	955 201 449 02	line bracket		3	
8	955 201 531 00	support		1	
9	955 201 532 00	support		1	
10	955 201 562 00	line bracket		1	
11	955 201 450 00	fastening clamp		1	
12	955 201 205 10	protective plate	-08	1	ID5X
(12)	955 201 205 11	protective plate	09-	1	ID5X
(12)	955 201 205 20	protective plate	-08	1	ID5V/D5Z
(12)	955 201 205 21	protective plate	09-	1	ID5V/D5Z

Model	Year	MG	SG	Illustration	Restrictions	UPD	14:03	21.01.2010	PORSCHE	PET	PORSCHE
9PA1	2010	2	01	201-15		247					

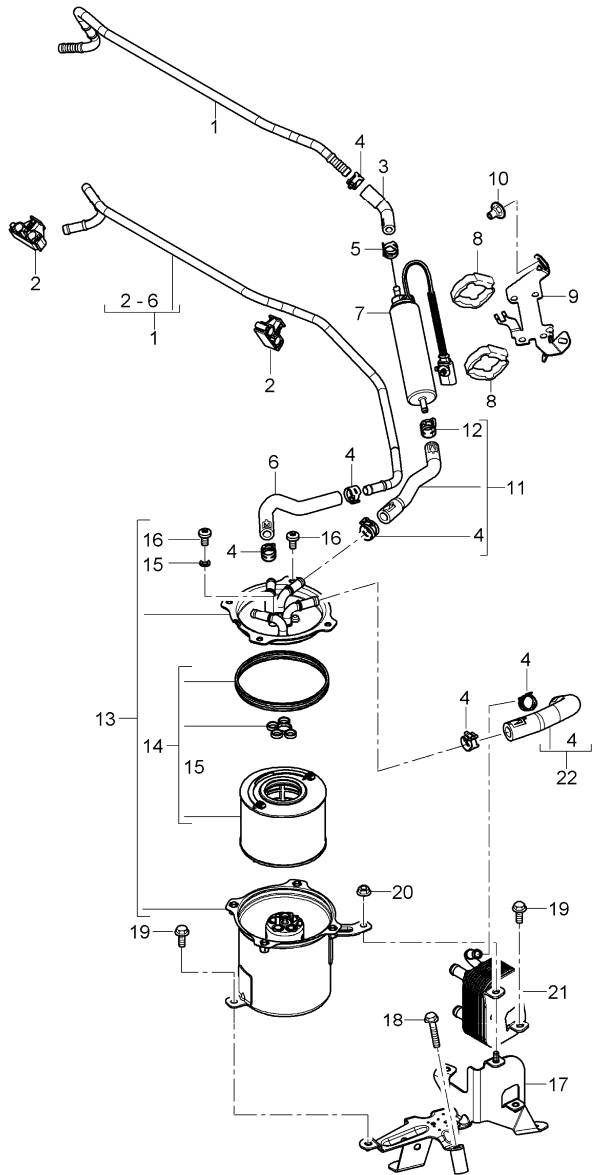
Pos	Part Number	Description	Remark	Qty	Model	Pos	Part Number	Description	Remark	Qty	Model
13	N 100 092 07	combination screw M 6 X 20		1							
14	955 201 207 00	protective plate		1							
15	N 908 786 02	nut M 6		3							
16	955 201 208 02	protective plate		1							
17	N 902 891 05	hexagon nut M 8		1							
18	N 100 091 10	combination screw M 6 X 12		2							
19	955 201 963 00	heat protection fuel line		1	ID5X						

Model	Year	MG	SG	Illustration	Restrictions	UPD	14:04	21.01.2010	PORSCHE	PET	PORSCHE
9PA1	2010	2	01	201-17		247					



Pos	Part Number	Description	Remark	Qty	Model
		fuel system fuel line underbody			ID50
1	955 201 080 30	fuel line 1 set		1	
2	955 201 479 00	hose clamp 16 X 12		1	
3	N 907 702 01	hose clamp B 17 X 12		1	
4	955 201 233 00	line bracket		1	
5	955 201 631 00	line bracket		1	
6	955 201 632 00	line bracket		1	
7	955 201 449 02	line bracket		3	
8	955 201 082 30	fuel line 1 set		1	
9	955 201 355 01	fuel line		1	
10	955 201 561 10	line bracket		1	
11	955 201 401 00	retaining clip		1	
12	955 201 205 00	protective plate		1	
13	N 100 092 07	combination screw M 6 X 20		1	
14	955 201 207 00	protective plate		1	
15	N 908 786 02	nut M 6		3	
16	955 201 208 02	protective plate		1	
17	N 902 891 05	hexagon nut M 8		1	
18	N 100 091 10	combination screw M 6 X 12		2	
19		fuel line auxiliary heater see illustrations 8/13/80		1	

Model	Year	MG	SG	Illustration	Restrictions	UPD	14:04	21.01.2010	PORSCHE	PET	PORSCHE
9PA1	2010	2	01	201-18		247					

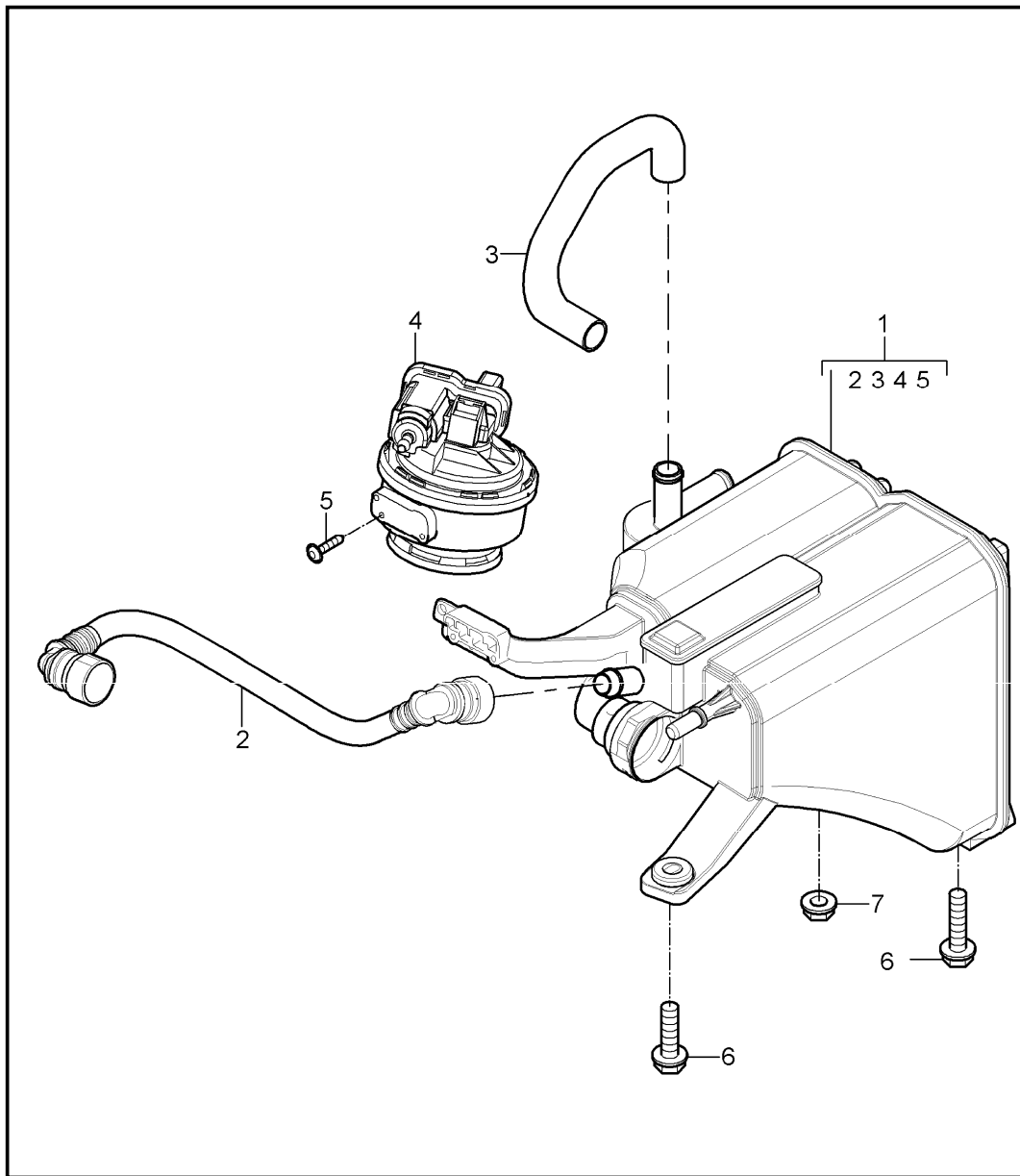


Pos	Part Number	Description	Remark	Qty	Model
		fuel system fuel line fuel filter fuel cooler			ID50
1	955 110 038 00	fuel line 1 set		1	
2	955 110 233 01	line bracket		2	
3	955 110 395 00	fuel hose supply		1	
4	955 201 479 00	hose clamp 16 X 12		6	
5	N 909 865 01	hose clamp B 14,5 X 12		1	
6	955 110 395 10	fuel hose return line		1	
7	955 620 089 01	fuel pump		1	
8	955 106 209 10	rubber mounting		2	
9	955 606 407 00	support fuel pump		1	
10	955 111 548 03	speed nut 4,2		3	
11	955 110 395 20	fuel hose supply		1	
(11)	955 110 395 21	fuel hose supply		1	
12	N 906 867 01	hose clamp B 14 X 12		1	
13	955 110 041 00	fuel filter complete		1	
14	955 110 134 00	filter element with gasket		1	
15	955 110 113 00	sealing ring A 6,2 X 9,7		1	
16	N 103 352 06	round head screw M 6 X 12		5	
17	955 110 224 00	support fuel filter		1	

Model	Year	MG	SG	Illustration	Restrictions	UPD	14:04	21.01.2010	PORSCHE	PET	PORSCHE
9PA1	2010	2	01	201-18		247					

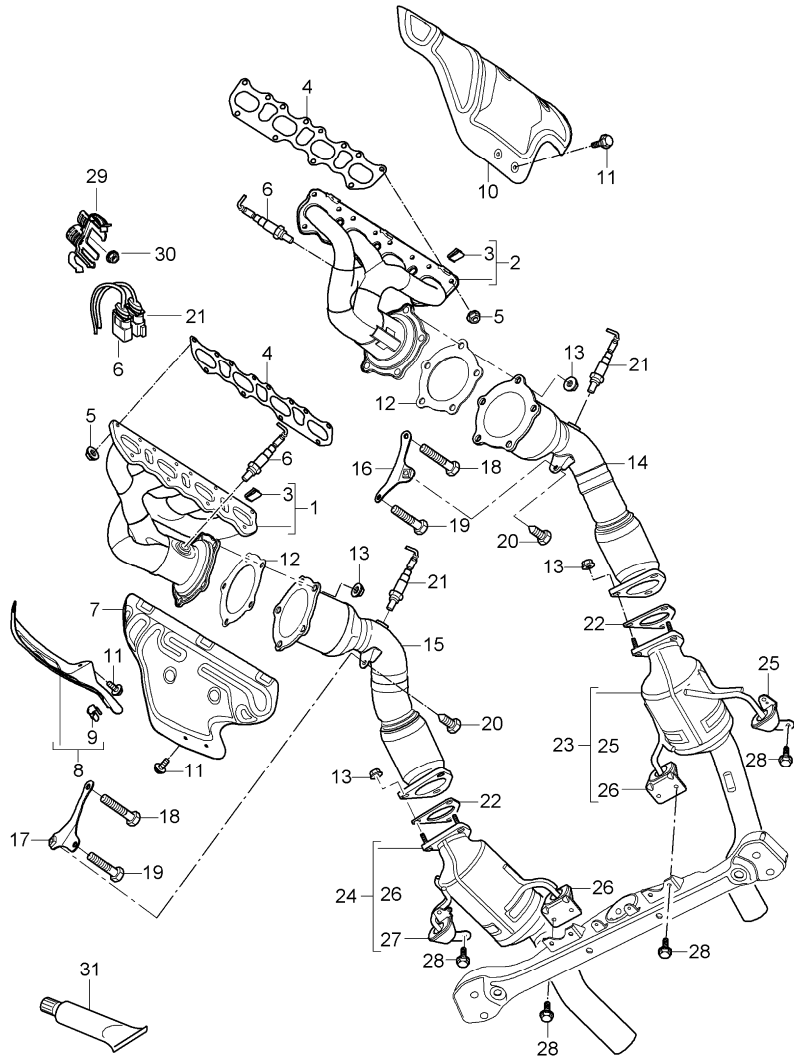
Pos	Part Number	Description	Remark	Qty	Model	Pos	Part Number	Description	Remark	Qty	Model
18	N 101 161 03	combination screw M 6 X 55		1							
19	N 904 407 06	hexagon-head bolt M 6 X 15		3							
20	N 015 082 13	hexagon nut M 6		1							
21	955 201 091 04	fuel cooler		1							
22	955 110 395 30	fuel hose return line		1							

Model	Year	MG	SG	Illustration	Restrictions	UPD	14:04	21.01.2010	PORSCHE	PET	PORSCHE
9PA1	2010	2	01	201-20		247					



Pos	Part Number	Description	Remark	Qty	Model
		carbon canister			
1	955 201 081 14	carbon canister ready for installation		1	I2G1
1	955 201 081 14	carbon canister ready for installation	(BR)	1	I2G6
2	955 201 254 00	pressure line		1	
3	955 201 255 12	breather hose		1	I2G1
3	955 201 255 12	breather hose	(BR)	1	I2G6
6	N 105 284 02	hexagon-head bolt M 6 X 30		2	
7	N 904 560 02	hexagon nut M 6		1	

Model	Year	MG	SG	Illustration	Restrictions	UPD	14:04	21.01.2010	PORSCHE	PET	PORSCHE
9PA1	2010	2	02	202-00		247					

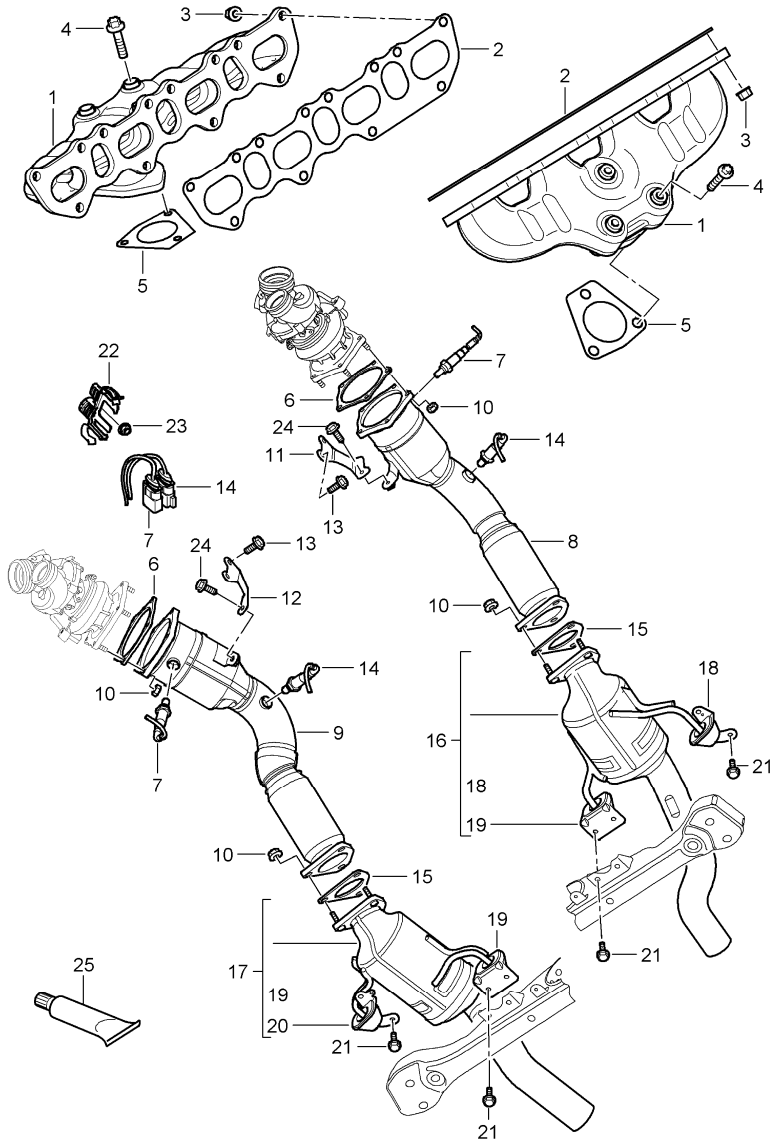


Pos	Part Number	Description	Remark	Qty	Model
		exhaust system exhaust manifold catalytic converter			ID5V
1	948 111 129 00	exhaust manifold cylinders 1 - 4		1	
2	948 111 130 00	exhaust manifold cylinders 5 - 8		1	
3	948 111 213 00	clamp		6	
4	948 111 181 01	gasket exhaust manifold		2	
5	999 084 642 02	hexagon nut M 8		24	
6 A	948 606 131 00	oxygen sensor in front of catalytic converter		2	
(6)	948 606 131 01	oxygen sensor in front of catalytic converter M >> 9 06475 M >> G 9 05627		2	
(6)	948 606 131 02	oxygen sensor in front of catalytic converter M 9 06476 >> M G 9 05628 >>		2	
7 U	955 111 212 00	heat shield exhaust manifold cylinders 1 - 4		1	
(7)	955 111 212 01	heat shield exhaust manifold cylinders 1 - 4		1	
8	955 111 242 00	heat shield exhaust manifold generator		1	
9	955 111 513 00	clamp		1	
10 U	955 111 213 00	heat shield exhaust manifold cylinders 5 - 8		1	
(10)	955 111 213 01	heat shield exhaust manifold cylinders 5 - 8		1	

Model	Year	MG	SG	Illustration	Restrictions	UPD	14:04	21.01.2010	PORSCHE	PET	PORSCHE
9PA1	2010	2	02	202-00		247					

Pos	Part Number	Description	Remark	Qty	Model	Pos	Part Number	Description	Remark	Qty	Model
11	N 101 563 07	hexagon-head bolt M 6 X 12		6		31	000 043 207 07	grease for oxygen sensor		1	
12	955 111 113 60	gasket		2							
13	N 908 946 02	hexagon nut M 8		16							
14	955 113 021 30	exhaust pipe with catalytic converter cylinders 5 - 8		1							
15	955 113 022 30	exhaust pipe with catalytic converter cylinders 1 - 4		1							
16	955 111 161 30	support	/L	1							
17	955 111 162 30	support	/R	1							
18	WHT 002 782	hexagon-head bolt AM 12 X 1,5 X 75		2							
19	N 910 181 02	hexagon-head bolt AM 12 X 1,5 X 70		2							
20	N 019 530 7	hexagon-head bolt M 8 X 25		2							
21	955 606 178 00	oxygen sensor after catalytic converter		2							
22	955 111 113 10	gasket		2							
23	955 113 023 40	catalytic converter	/L	1							
24	955 113 024 40	catalytic converter	/R	1							
25	955 111 227 10	support	/L	1							
26	955 111 227 20	support		2							
27	955 111 228 00	support	/R	1							
28	N 908 797 02	hexagon-head bolt M 8 X 25		8							
29	955 606 114 20	support connector oxygen sensor plenum panel		2							
30	N 100 151 01	plastic nut A 5		2							

Model	Year	MG	SG	Illustration	Restrictions	UPD	14:04	21.01.2010	PORSCHE	PET	PORSCHE
9PA1	2010	2	02	202-05		247					

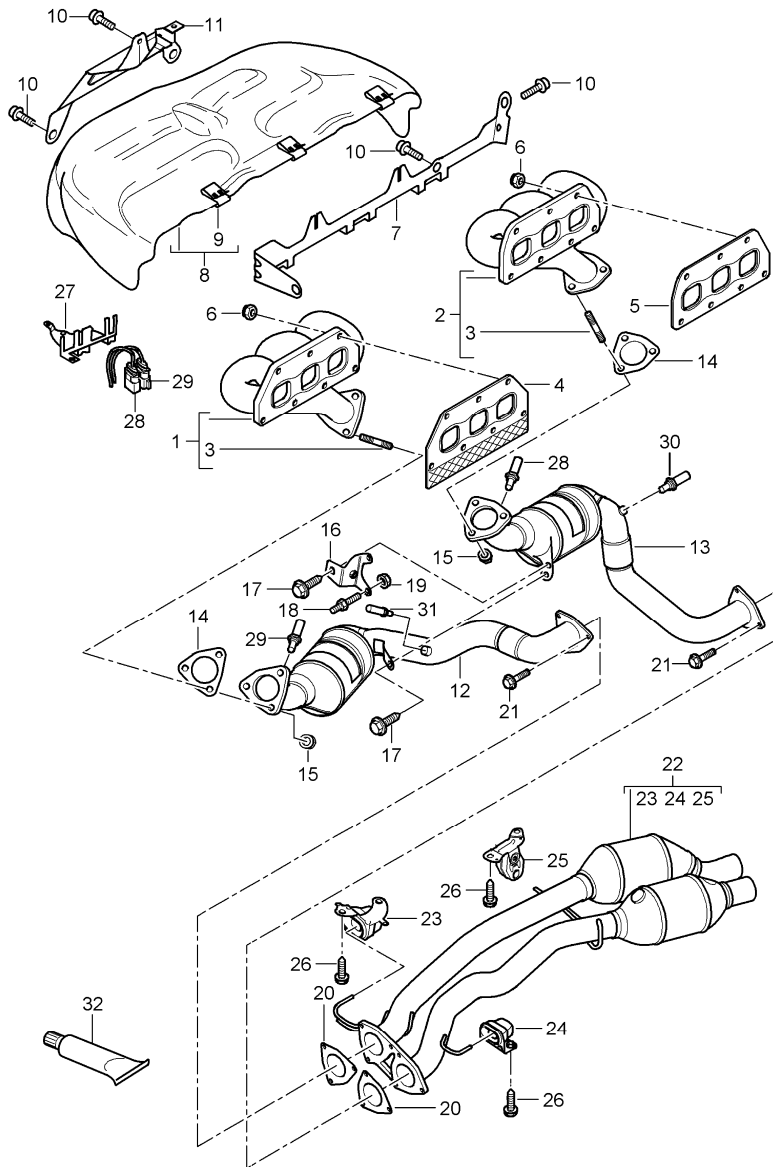


Pos	Part Number	Description	Remark	Qty	Model
		exhaust system exhaust manifold catalytic converter			ID5Z
1	948 111 129 51	exhaust manifold		2	
2	948 111 181 01	gasket exhaust manifold		2	
3	999 084 642 02	hexagon nut M 8		24	
4	999 073 271 01	torx screw BM 8 X 75		6	
5	948 123 203 52	gasket turbocharger		2	
6	955 111 113 20	gasket exhaust pipe		2	
7	955 606 168 00	oxygen sensor in front of catalytic converter		2	
8 A	955 113 021 40	exhaust pipe with catalytic converter cylinders 5 - 8		1	
(8)	955 113 021 50	exhaust pipe with catalytic converter cylinders 5 - 8		1	
9 A	955 113 022 40	exhaust pipe with catalytic converter cylinders 1 - 4		1	
(9)	955 113 022 50	exhaust pipe with catalytic converter cylinders 1 - 4		1	
10	N 908 946 02	hexagon nut M 8		16	
11	955 111 161 20	support M >> 9 01688 M >> T 9 01787 M >> S 9 00561	/L	1	
(11)	955 111 161 10	support M 9 01689 >> M T 9 01788 >> M S 9 00562 >>	/L	1	

Model	Year	MG	SG	Illustration	Restrictions	UPD	14:04	21.01.2010	PORSCHE	PET	PORSCHE
9PA1	2010	2	02	202-05		247					

Pos	Part Number	Description	Remark	Qty	Model	Pos	Part Number	Description	Remark	Qty	Model
12	955 111 162 20	support M >> 9 01688 M >> T 9 01787 M >> S 9 00561	/R	1							
(12)	955 111 162 00	support M 9 01689 >> M T 9 01788 >> M S 9 00562 >>	/R	1							
13	N 101 559 06	hexagon-head bolt M 8 X 20 M >> 9 01688 M >> T 9 01787 M >> S 9 00561		4							
(13)	N 107 141 01	hexagon-head bolt M 10 X 25 M 9 01689 >> M T 9 01788 >> M S 9 00562 >>		4							
14	955 606 178 00	oxygen sensor after catalytic converter		2							
15	955 111 113 10	gasket		2							
16	955 113 023 50	catalytic converter	/L	1							
17	955 113 024 50	catalytic converter	/R	1							
18	955 111 227 10	support	/L	1							
19	955 111 227 20	support		2							
20	955 111 228 00	support	/R	1							
21	N 908 797 02	hexagon-head bolt M 8 X 25		8							
22	955 606 114 20	support connector oxygen sensor plenum panel		2							
23	N 100 151 01	plastic nut A 5		2							
24	N 019 530 7	hexagon-head bolt M 8 X 25		2							
25	000 043 207 07	grease for oxygen sensor		1							

Model	Year	MG	SG	Illustration	Restrictions	UPD	14:05	21.01.2010	PORSCHE	PET	PORSCHE
9PA1	2010	2	02	202-10		247					

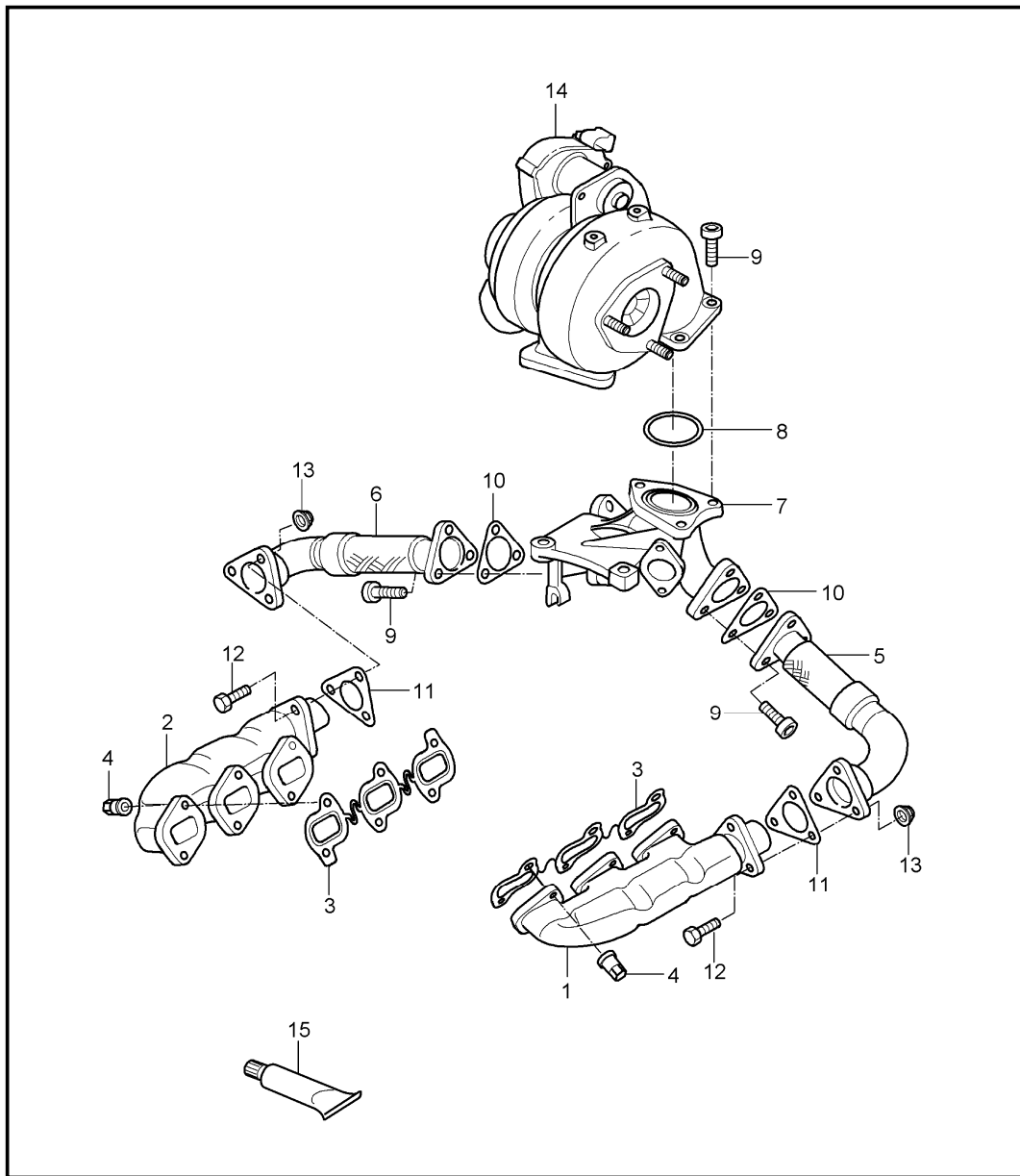


Pos	Part Number	Description	Remark	Qty	Model
		exhaust system exhaust manifold catalytic converter			ID5X
1	955 111 019 00	exhaust manifold cyl. 1 - 3		1	
2	955 111 020 00	exhaust manifold cyl. 4 - 6		1	
3	N 044 517 7	stud M 10 X 25		6	
4	955 111 171 00	gasket cyl. 1 - 3		1	
5	955 111 172 00	gasket cyl. 4 - 6		1	
6	N 908 946 01	hexagon nut M 8		14	
7	955 110 228 10	support		1	
8	955 111 215 00	heat shield		1	
9	955 111 513 10	clamp		3	
10	N 106 649 01	screw M 8 X 16		7	
11	955 111 149 10	support		1	
12	955 113 033 01	exhaust pipe with catalytic converter cyl. 1 - 3		-09 1	I0GG
(12)	955 113 033 02	exhaust pipe with catalytic converter cyl. 1 - 3		10-	I0GG
12	955 113 033 01	exhaust pipe with catalytic converter cyl. 1 - 3	(MEX)	-09 1	I0GG
(12)	955 113 033 02	exhaust pipe with catalytic converter cyl. 1 - 3	(MEX)	10-	I0GG
13	955 113 034 01	exhaust pipe with catalytic converter cyl. 4 - 6		-09 1	I0GG

Model	Year	MG	SG	Illustration	Restrictions	UPD	14:05	21.01.2010	PORSCHE	PET	PORSCHE
9PA1	2010	2	02	202-10		247					

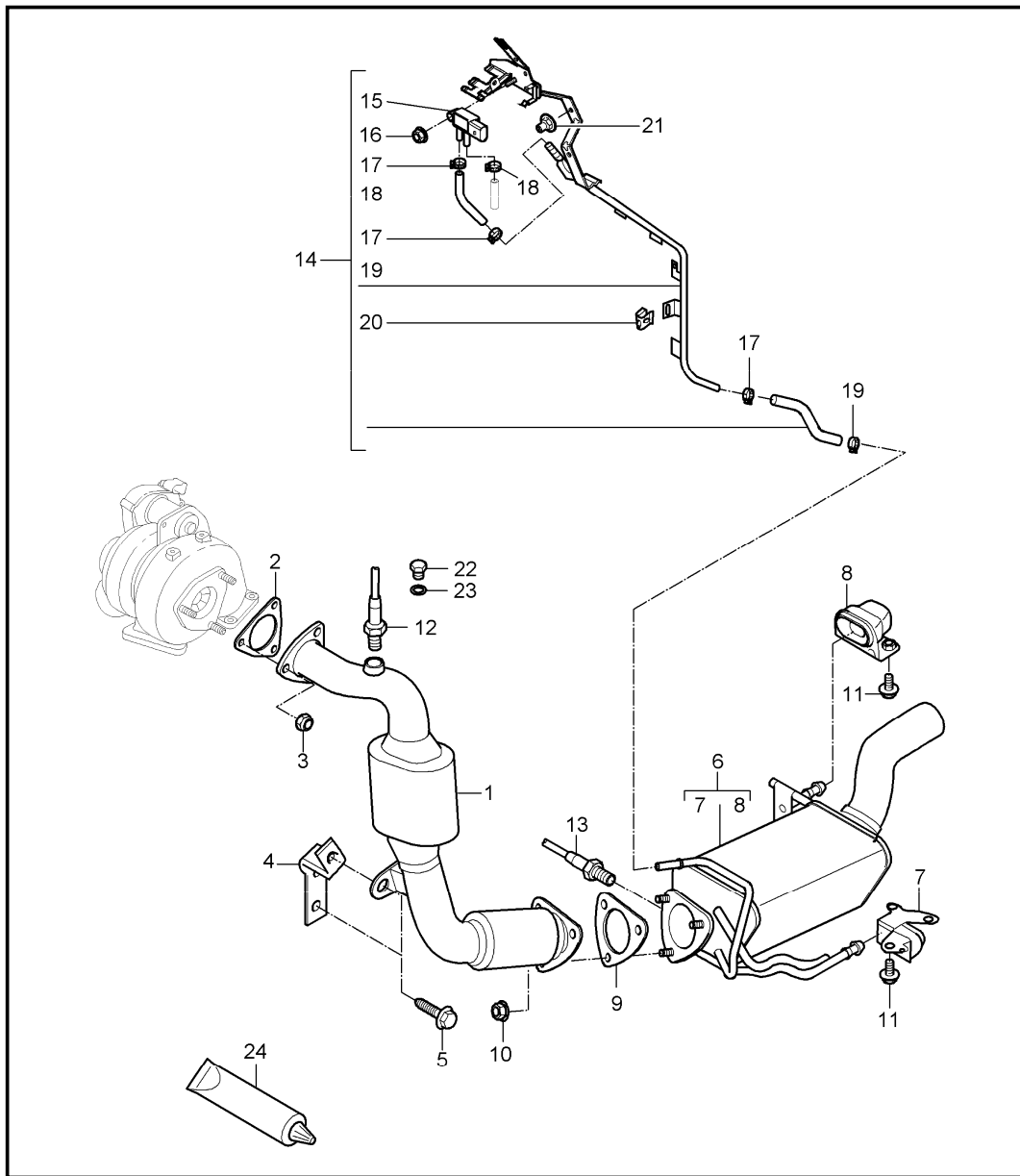
Pos	Part Number	Description	Remark	Qty	Model	Pos	Part Number	Description	Remark	Qty	Model	
(13)	955 113 034 02	exhaust pipe with catalytic converter cyl. 4 - 6		10-	1	I0GG	28	955 606 129 30	oxygen sensor in front of catalytic converter cyl. 4 - 6		1	
13	955 113 034 01	exhaust pipe with catalytic converter cyl. 4 - 6	(MEX)	-09	1	I0GG	29	955 606 128 30	oxygen sensor in front of catalytic converter cyl. 1 - 3		1	
(13)	955 113 034 02	exhaust pipe with catalytic converter cyl. 4 - 6	(MEX)	10-	1	I0GG	30	955 606 137 30	oxygen sensor after catalytic converter cyl. 4 - 6		1	
14	955 111 113 40	gasket			2		31	955 606 136 30	oxygen sensor after catalytic converter cyl. 1 - 3		1	
15	N 102 090 07	lock nut M 10			6							
16	955 111 047 00	support panel		-09	1		32	000 043 207 07	grease for oxygen sensor		1	
(16)	955 111 047 01	support panel		10-	1							
17	N 019 530 7	hexagon-head bolt M 8 X 25			2							
18		screw see illustrations 3/20/05			2							
19	N 908 946 02	hexagon nut M 8		-09	2							
20	955 111 113 50	gasket			2							
21	N 101 281 10	hexagon-head bolt M 8 X 30			6							
22	A 955 113 023 30	catalytic converter			1							
(22)	955 113 023 31	catalytic converter			1							
23	955 111 228 00	support			1							
24	955 111 227 20	support			1							
25	955 111 227 30	support			1							
26	N 908 797 02	hexagon-head bolt M 8 X 25			6							
27	955 606 114 30	support connector oxygen sensor			1							

Model	Year	MG	SG	Illustration	Restrictions	UPD	14:05	21.01.2010	PORSCHE	PET	PORSCHE
9PA1	2010	2	02	202-12		247					



Pos	Part Number	Description	Remark	Qty	Model
		exhaust system exhaust manifold			M05.9D
1	955 111 019 10	exhaust manifold	/L	1	
2	955 111 020 10	exhaust manifold	/R	1	
3	955 111 171 10	gasket		2	
4	955 111 529 00	hexagon nut M 8		12	
5	955 111 089 00	exhaust pipe	/L	1	
6	955 111 090 00	exhaust pipe	/R	1	
7	955 111 079 00	connecting piece		1	
8	955 111 205 00	sealing ring		1	
9	N 910 461 01	pan-head screw M 8 X 22		9	
10	955 111 113 70	gasket		2	
11	955 111 113 90	gasket		2	
12	N 010 244 26	hexagon-head bolt M 8 X 30		6	
13	N 911 308 01	hexagon nut M 8		6	
14		turbocharger see illustrations 2/02/40		1	
15	000 043 207 47	grease 1 tube 170 Gr.		1	

Model	Year	MG	SG	Illustration	Restrictions	UPD	14:05	21.01.2010	PORSCHE	PET	PORSCHE
9PA1	2010	2	02	202-14		247					

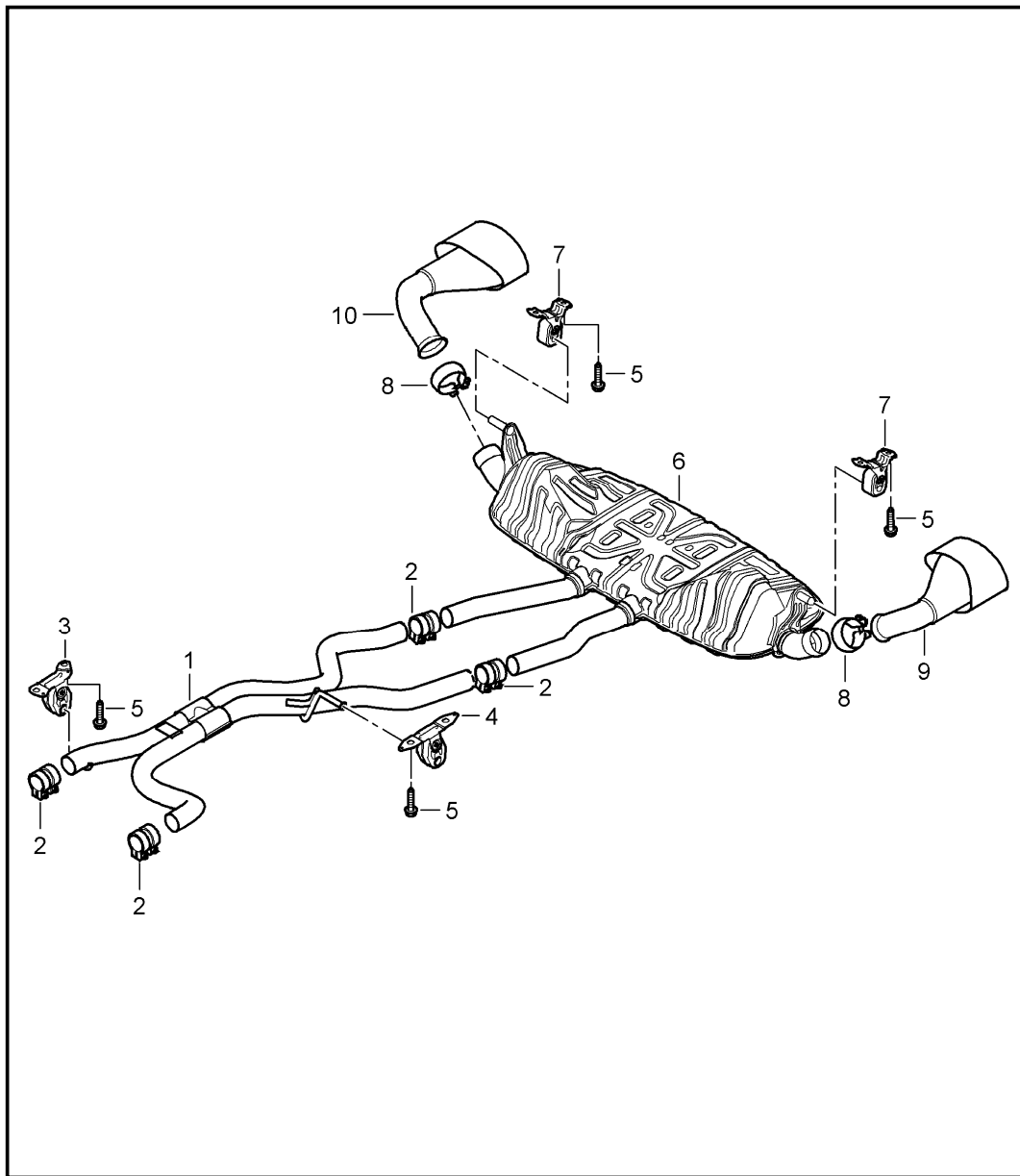


Pos	Part Number	Description	Remark	Qty	Model
		exhaust system exhaust pipe with catalytic converter Diesel particle filter control line			ID50
1	955 113 037 00	exhaust pipe with catalytic converter		1	I7GG
(1)	955 113 037 10	exhaust pipe with catalytic converter order also: screw plug N .029.704.2 sealing ring N .013.832.6		1	I0GZ
				1	
				1	
2	955 111 113 80	gasket		1	
3	N 908 946 01	hexagon nut M 8		3	
4	955 111 047 10	support panel		1	
5	N 019 533 10	hexagon-head bolt M 8 X 20		3	
6	955 113 023 60	Diesel particle filter		1	I7GG
(6)	955 113 023 70	catalytic converter		1	I0GZ
7	955 111 228 10	support		1	
8	955 111 228 20	support		1	
9	955 111 113 10	gasket		1	
10	N 908 946 02	hexagon nut M 8		3	
11	N 908 797 02	hexagon-head bolt M 8 X 25		3	
12	955 606 168 10	oxygen sensor		1	I7GG
13	955 606 288 00	temperature sensor exhaust gas		1	I7GG
14	955 111 060 00	control line		1	I7GG
(14)	955 111 649 00	support connector temperature sensor		1	I0GZ

Model	Year	MG	SG	Illustration	Restrictions	UPD	14:05	21.01.2010	PORSCHE	PET	PORSCHE
9PA1	2010	2	02	202-14		247					

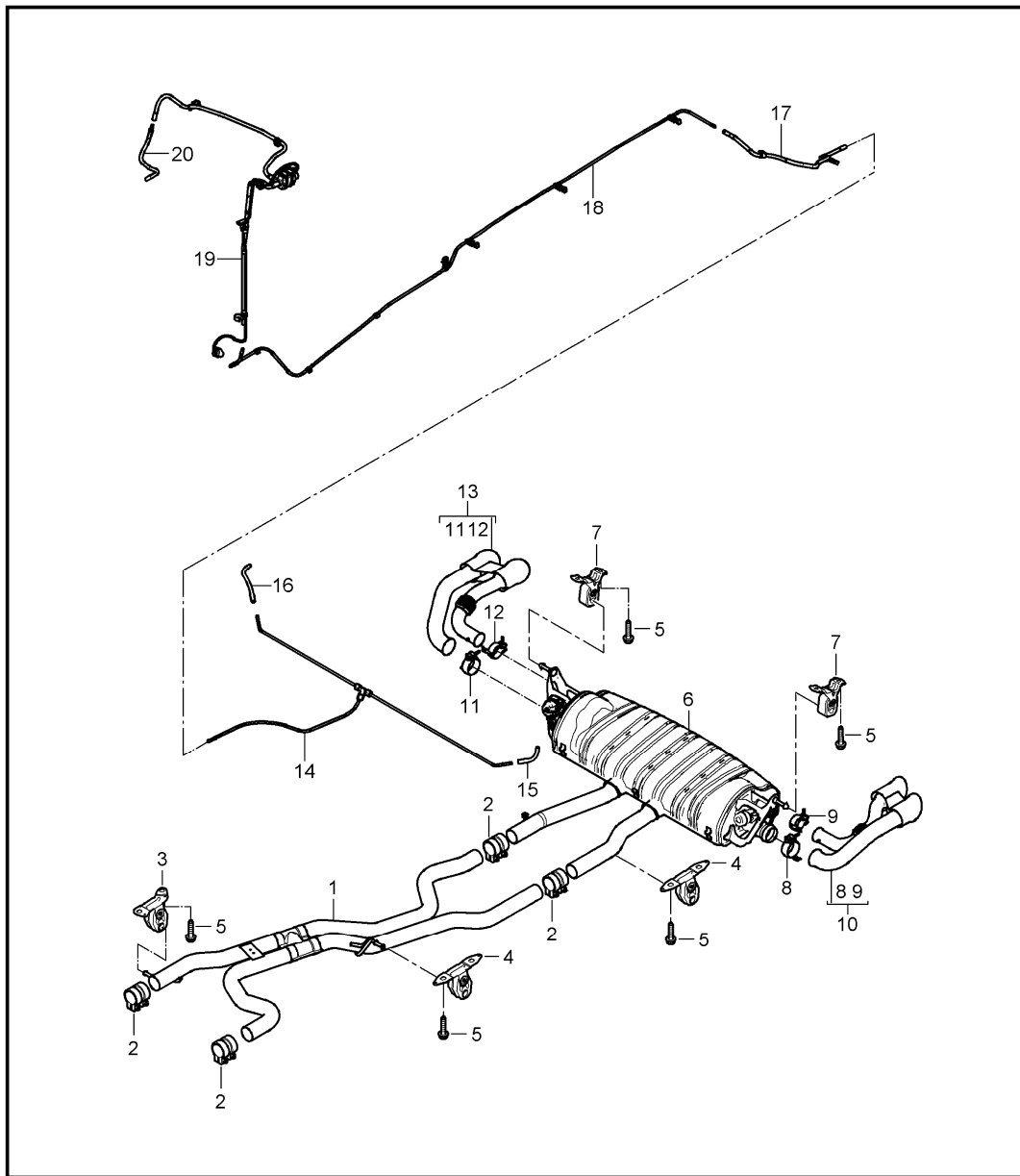
Pos	Part Number	Description	Remark	Qty	Model	Pos	Part Number	Description	Remark	Qty	Model
15	955 606 151 00	pressure sensor		1	I7GG						
16	N 023 002 12	hexagon nut M 6		1	I7GG						
17	N 906 867 01	hose clamp B 14 X 12		3	I7GG						
18	955 111 483 00	clamp B 11,5 X 8		1	I7GG						
19	N 907 702 01	hose clamp B 17 X 12		1	I7GG						
20	955 606 525 00	cable terminal		4	I7GG						
21	955 111 548 03	speed nut 4,2		3	I7GG						
(21)	955 111 548 03	speed nut 4,2		2	I0GZ						
22	N 029 704 2	screw plug M 18 X 1,5		1	I0GZ						
23	N 013 832 6	sealing ring A 18 X 22		1	I0GZ						
24	000 043 207 47	grease 1 tube 170 Gr.		1							

Model	Year	MG	SG	Illustration	Restrictions	UPD	14:05	21.01.2010	PORSCHE	PET	PORSCHE
9PA1	2010	2	02	202-15		247					



Pos	Part Number	Description	Remark	Qty	Model
		exhaust system front muffler rear muffler tail pipe			ID5V/OP0/OP3
1	955 111 096 40	front muffler		1	
2	955 111 220 12	clamping sleeve		4	
3	955 111 227 30	support with rubber		1	
4	955 111 227 40	support with rubber		1	
5	N 908 797 02	hexagon-head bolt M 8 X 25		8	
6	955 111 121 60	rear muffler		1	
6	955 111 121 60	rear muffler	(CN) (MEX)	1	
7	955 111 227 50	support with rubber		2	
8	955 111 108 30	clamp		2	
9	955 111 251 40	tail pipe	/L	1	IOP0
(9)	955 111 251 71	tail pipe	/L	1	IOP3
10	955 111 252 40	tail pipe	/R	1	IOP0
(10)	955 111 252 71	tail pipe	/R	1	IOP3

Model	Year	MG	SG	Illustration	Restrictions	UPD	14:05	21.01.2010	PORSCHE	PET	PORSCHE
9PA1	2010	2	02	202-17		247					

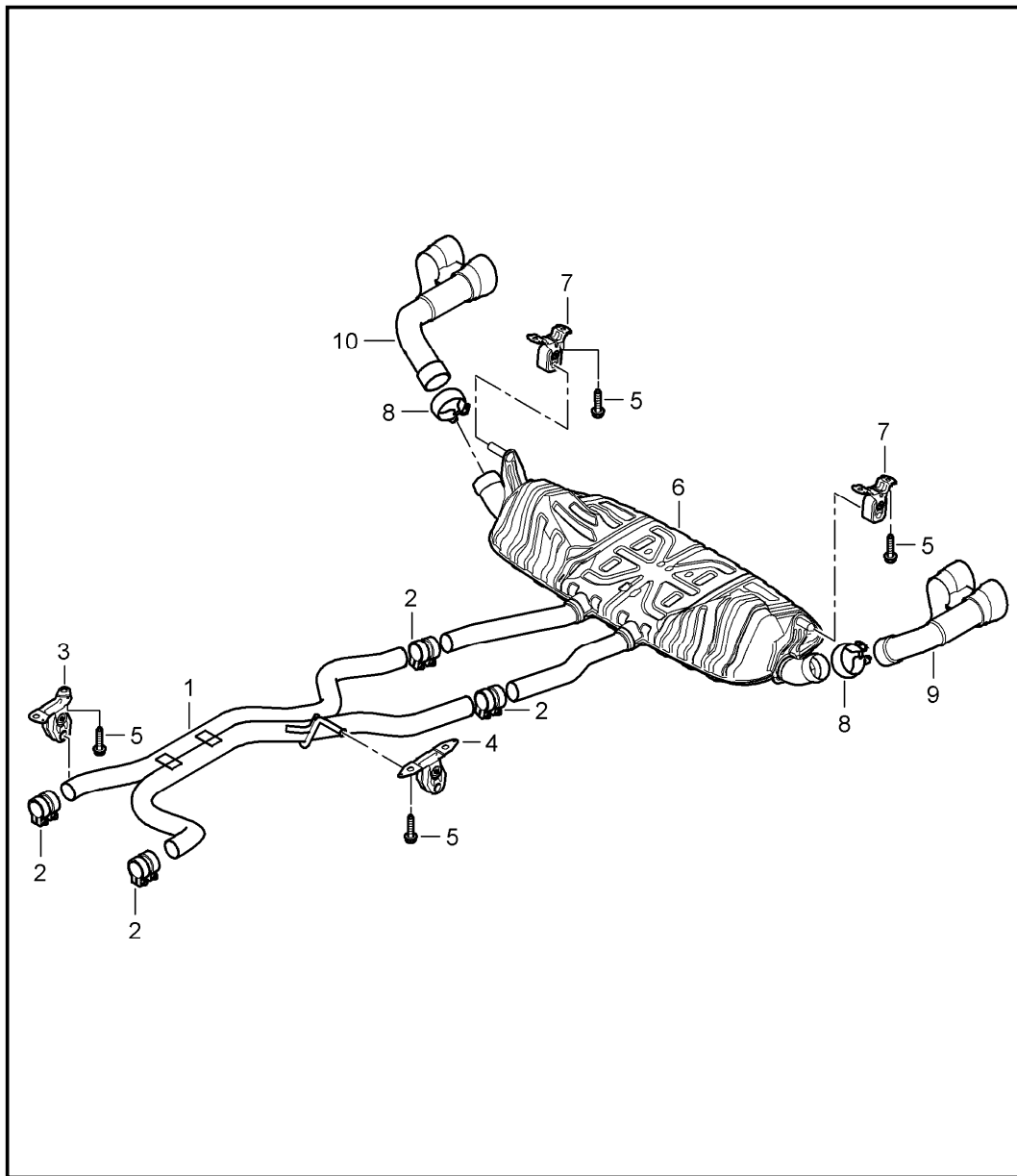


Pos	Part Number	Description	Remark	Qty	Model
		exhaust system sport version front muffler rear muffler tail pipe			ID5V/0P8
1	955 111 096 40	front muffler		1	
2	955 111 220 12	clamping sleeve		4	
3	955 111 227 30	support with rubber		1	
4	955 111 227 40	support with rubber		1	
5	N 908 797 02	hexagon-head bolt M 8 X 25		8	
6	955 111 121 80	rear muffler		1	
7	955 111 227 50	support with rubber		2	
8	955 111 108 50	clamp 60 MM	/L	1	
9	955 111 108 40	clamp 50 MM	/L	1	
10	955 111 251 60	tail pipe	/L	1	
11	955 111 108 70	clamp 60 MM	/R	1	
12	955 111 108 60	clamp 50 MM	/R	1	
13	955 111 252 60	tail pipe	/R	1	
14	955 111 160 40	control line complete		1	
15	955 111 709 00	vacuum hose	/L	1	
16	955 111 710 00	vacuum hose	/R	1	
17	955 111 160 30	vacuum line rear axle		1	
18	955 111 160 20	vacuum line door sill		1	

Model	Year	MG	SG	Illustration	Restrictions	UPD	14:05	21.01.2010	PORSCHE	PET	PORSCHE
9PA1	2010	2	02	202-17		247					

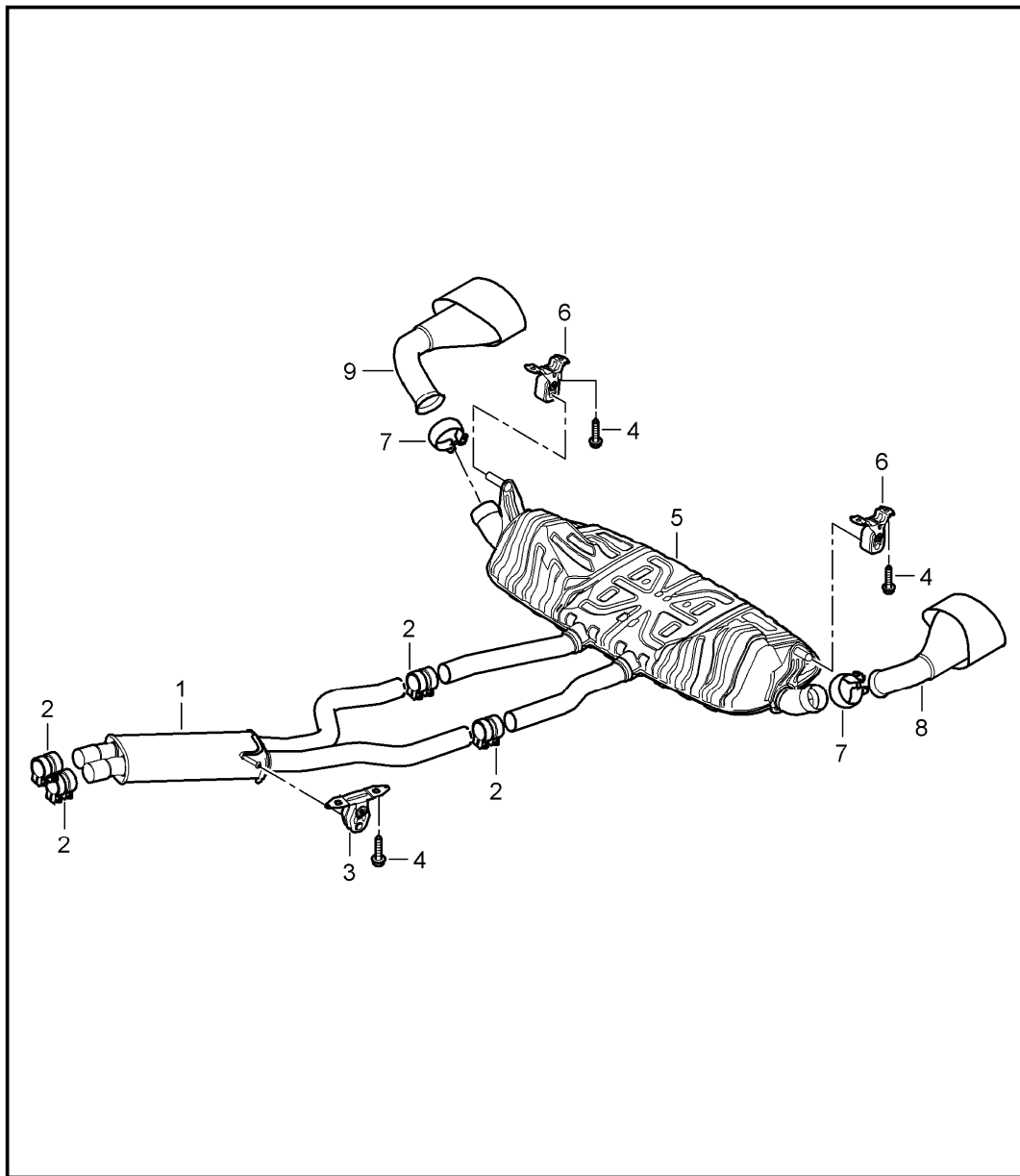
Pos	Part Number	Description	Remark	Qty	Model	Pos	Part Number	Description	Remark	Qty	Model
19	955 111 160 10	vacuum line wheel housing		1							
20	955 111 160 00	vacuum line engine compartment		1							

Model	Year	MG	SG	Illustration	Restrictions	UPD	14:06	21.01.2010	PORSCHE	PET	PORSCHE
9PA1	2010	2	02	202-20		247					



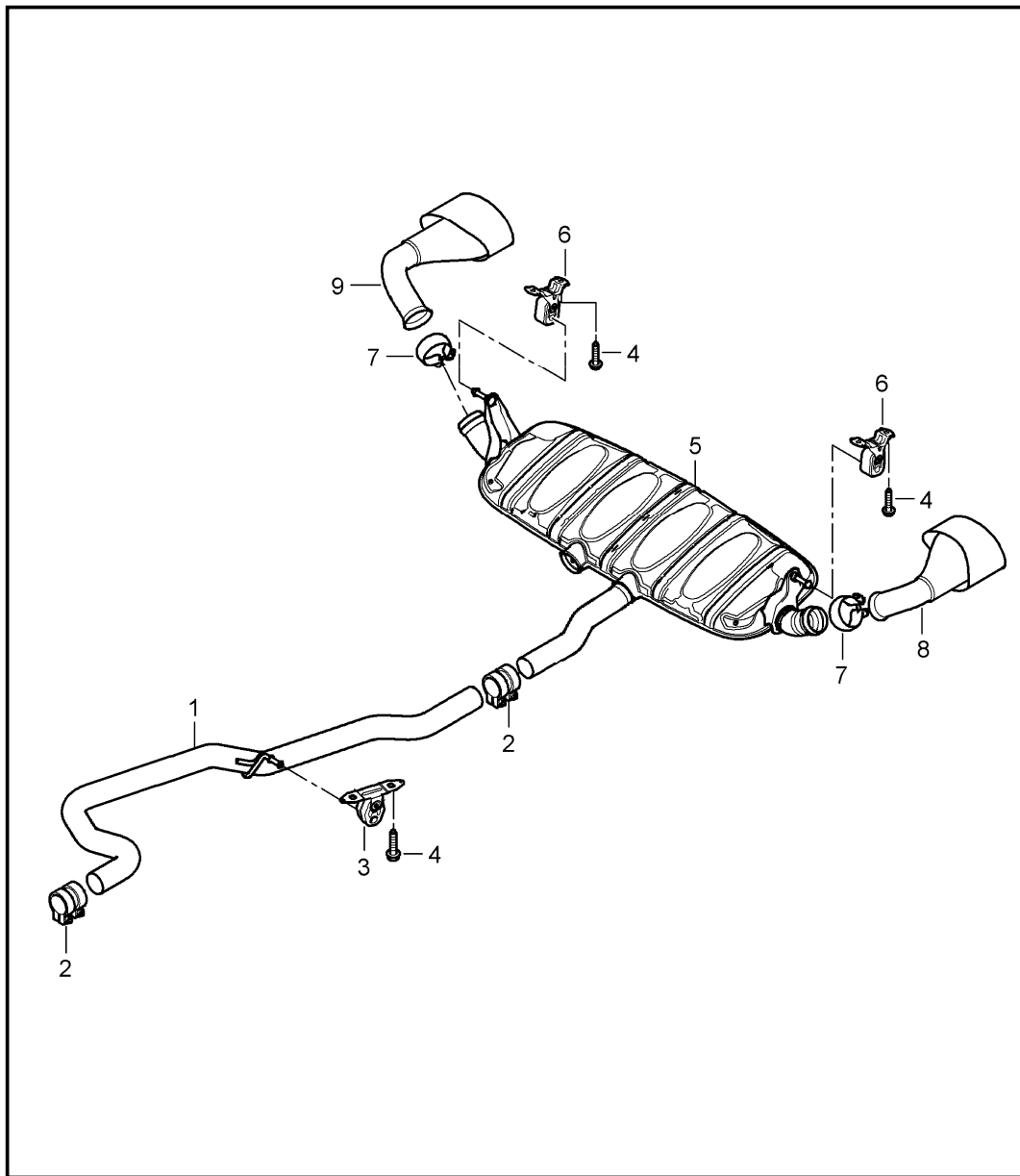
Pos	Part Number	Description	Remark	Qty	Model
		exhaust system front muffler rear muffler tail pipe			ID5Z/0P0/0P3
1	955 111 096 50	front muffler		1	
2	955 111 220 21	clamping sleeve		4	
3	955 111 227 30	support with rubber		1	
4	955 111 227 40	support with rubber		1	
5	N 908 797 02	hexagon-head bolt M 8 X 25		8	
6	955 111 121 70	rear muffler		1	
7	955 111 227 50	support with rubber		2	
8	955 111 108 30	clamp		2	
9	955 111 251 50	tail pipe	/L	1	IOP0
(9)	955 111 251 71	tail pipe	/L	1	IOP3
10	955 111 252 50	tail pipe	/R	1	IOP0
(10)	955 111 252 71	tail pipe	/R	1	IOP3

Model	Year	MG	SG	Illustration	Restrictions	UPD	14:06	21.01.2010	PORSCHE	PET	PORSCHE
9PA1	2010	2	02	202-25		247					



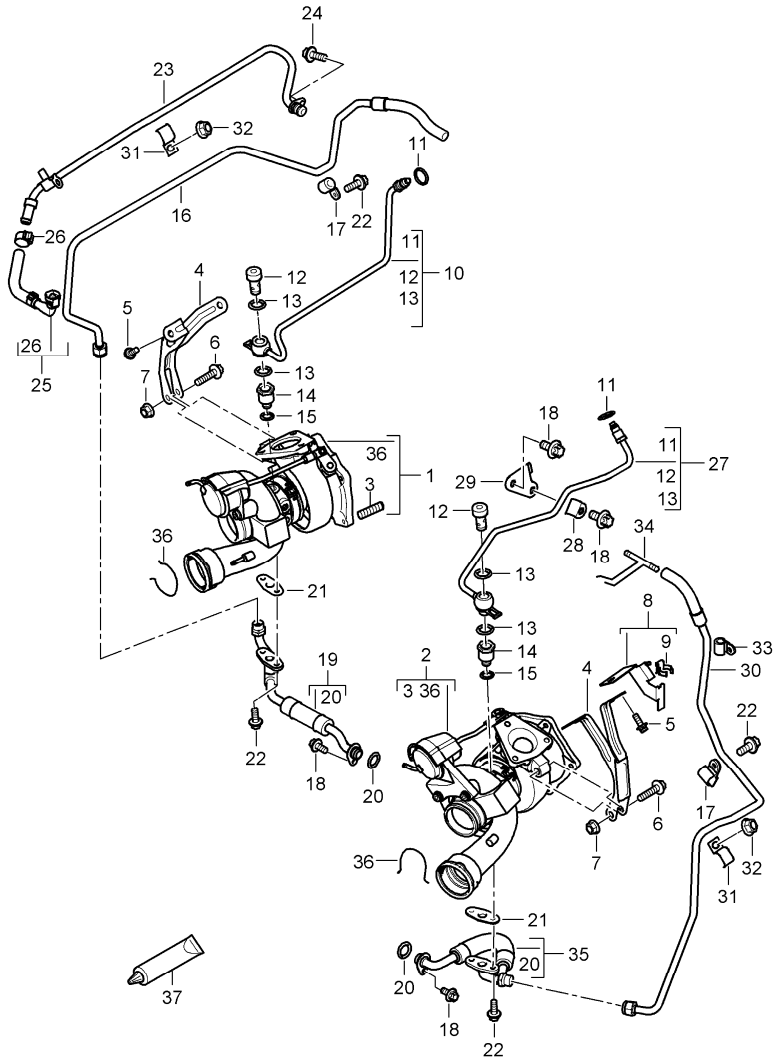
Pos	Part Number	Description	Remark	Qty	Model
		exhaust system front muffler rear muffler tail pipe			ID5X/OP0/OP3
1	955 111 096 30	front muffler		1	
2	955 111 220 30	clamping sleeve		4	
3	955 111 227 40	support with rubber		1	
4	N 908 797 02	hexagon-head bolt M 8 X 25		6	
5	955 111 121 50	rear muffler		1	
6	955 111 227 50	support with rubber		2	
7	955 111 108 30	clamp		2	
8	955 111 251 30	tail pipe	/L	1	IOP0
(8)	955 111 251 71	tail pipe	/L	1	IOP3
9	955 111 252 30	tail pipe	/R	1	IOP0
(9)	955 111 252 71	tail pipe	/R	1	IOP3

Model	Year	MG	SG	Illustration	Restrictions	UPD	14:06	21.01.2010	PORSCHE	PET	PORSCHE
9PA1	2010	2	02	202-27		247					



Pos	Part Number	Description	Remark	Qty	Model
		exhaust system exhaust pipe rear muffler tail pipe			ID50/OP0/OP3
1	955 111 096 60	exhaust pipe		1	
2	955 111 220 21	clamping sleeve		1	
3	955 111 227 40	support with rubber		1	
4	N 908 797 02	hexagon-head bolt M 8 X 25		6	
5	955 111 121 90	rear muffler		1	
6	955 111 227 50	support with rubber		2	
7	955 111 108 30	clamp		2	
8	955 111 251 30	tail pipe	/L	1	IOP0
(8)	955 111 251 71	tail pipe	/L	1	IOP3
9	955 111 252 30	tail pipe	/R	1	IOP0
(9)	955 111 252 71	tail pipe	/R	1	IOP3

Model	Year	MG	SG	Illustration	Restrictions	UPD	14:06	21.01.2010	PORSCHE	PET	PORSCHE
9PA1	2010	2	02	202-30		247					

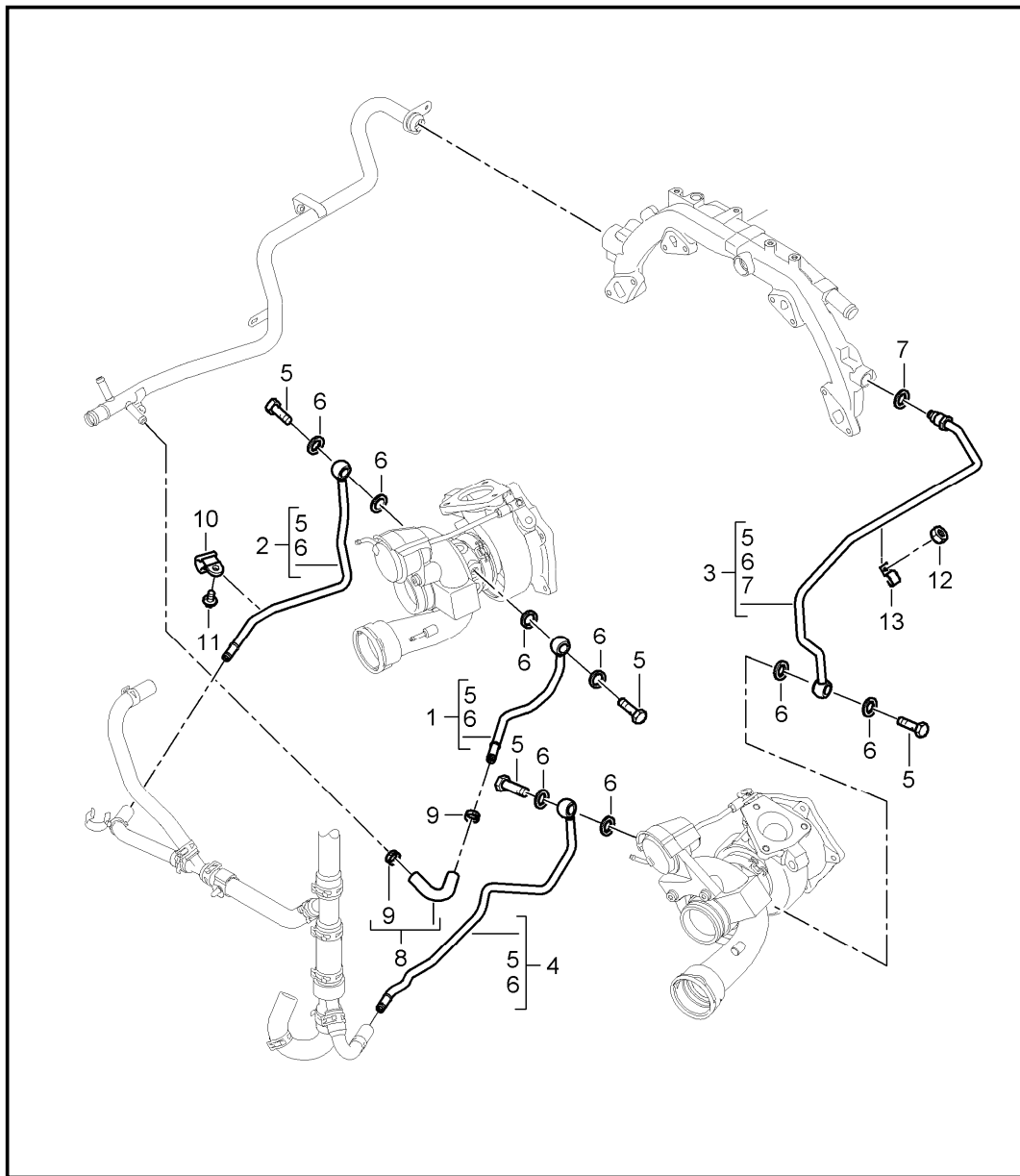


Pos	Part Number	Description	Remark	Qty	Model
		turbocharger oil pipe for turbocharger			M48.51
1	948 123 025 52	turbocharger cylinders 1 - 4	-08	1	
(1)	948 123 025 53	turbocharger cylinders 1 - 4	09-	1	
2	948 123 026 52	turbocharger cylinders 5 - 8	-08	1	
(2)	948 123 026 53	turbocharger cylinders 5 - 8	09-	1	
3	948 123 323 50	stud		10	
4	948 123 121 50	bracket turbocharger		2	
5	U 900 385 001 01	torx screw BM 8 X 20		4	
(5)	900 385 044 01	torx screw BM 8 X 16		4	
6	900 385 035 01	torx screw BM 8 X 40		2	
7	999 084 642 02	hexagon nut M 8		2	
8	948 606 117 00	support line oxygen sensor	/L	1	
(8)	948 606 118 00	support line oxygen sensor	/R	1	
9	999 651 392 07	cable holder 9,5 - 10,5		2	
10	948 107 086 51	pressure line cylinders 1 - 4		1	
11	999 707 763 40	o-ring 5,8 X 1,7		2	
12	948 107 011 52	check valve		2	
13	900 123 131 30	sealing ring A 16 X 20		4	

Model	Year	MG	SG	Illustration	Restrictions	UPD	14:06	21.01.2010	PORSCHE	PET	PORSCHE
9PA1	2010	2	02	202-30		247					

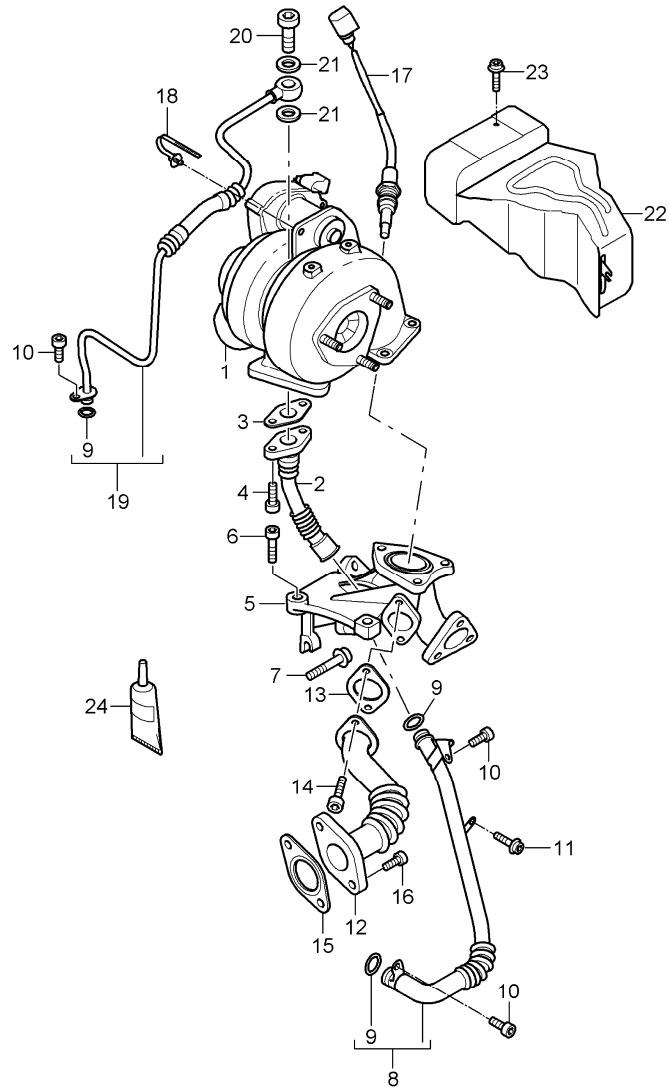
Pos	Part Number	Description	Remark	Qty	Model	Pos	Part Number	Description	Remark	Qty	Model
14	999 136 053 02	connection piece M 12 X 1,5		2		32	900 377 010 01	hexagon nut M 6		2	
15	900 123 005 30	sealing ring A 12 X 16		2		33	N 020 651 5	clamp 10 X 15 M 848 07211 >>	-08	1	
16	A 948 107 090 52	vent line cylinders 1 - 4		1		(33)	N 020 651 7	clamp 10 X 15	09-	1	
(16)	948 107 090 53	vent line cylinders 1 - 4		1		34		vent line see group 1/07/01 Pos.19		1	
17	999 511 116 03	clamp 10 X 15		2		35	948 107 089 53	oil pipe cylinders 5 - 8		1	
18	900 385 041 01	torx screw BM 6 X 12		4		36	948 123 324 50	retainer spring		2	
19	948 107 088 54	oil pipe cylinders 1 - 4		1		37	000 043 206 95	grease 1 tube 10 Gr. Microgleit LP 475 for stud turbocharger		X	
20	999 707 568 40	o-ring 12 X 3		2							
21	948 107 123 50	gasket		2							
22	900 385 009 01	torx screw BM 6 X 16		6							
23	948 107 260 51	ventilation pipe		1							
24	900 385 041 01	torx screw BM 6 X 12		1							
25	955 107 265 50	vent hose		1							
26	N 907 702 01	hose clamp B 17 X 12		1							
27	948 107 087 51	pressure line cylinders 5 - 8		1							
28	999 511 741 00	clamp 8 X 15		1							
29	948 107 209 51	support		1							
30	948 107 091 52	vent line cylinders 5 - 8 M >> 848 07210		1							
(30)	948 107 091 53	vent line cylinders 5 - 8 M 848 07211 >>		1							
31	999 511 253 00	clamp 10 - 10 X 15		2							

Model	Year	MG	SG	Illustration	Restrictions	UPD	14:06	21.01.2010	PORSCHE	PET	PORSCHE
9PA1	2010	2	02	202-35		247					



Pos	Part Number	Description	Remark	Qty	Model
		turbocharger water cooling			M48.51
1	948 106 027 52	cooling water tube supply cylinders 1 - 4		1	
2	948 106 235 51	cooling water tube return line cylinders 1 - 4		1	
3	948 106 237 53	cooling water tube supply cylinders 5 - 8	-08	1	
(3)	948 106 237 54	cooling water tube supply cylinders 5 - 8	09-	1	
4	948 106 239 52	cooling water tube return line cylinders 5 - 8		1	
5	999 134 047 01	banjo bolt M 12 X 1,25 X 24		4	
6	900 123 005 30	sealing ring A 12 X 16		8	
7	999 707 503 40	sealing ring 7,8 X 1,7		1	
8	948 106 383 50	water hose		1	
9	999 512 686 09	hose clamp B 17 X 12		2	
10	999 511 116 03	clamp 10 X 15		1	
11	900 385 041 01	torx screw BM 6 X 12		1	
12	900 377 010 01	hexagon nut M 6		1	
13	999 511 253 00	clamp 10 - 10 X 15		1	

Model	Year	MG	SG	Illustration	Restrictions	UPD	14:06	21.01.2010	PORSCHE	PET	PORSCHE
9PA1	2010	2	02	202-40		247					

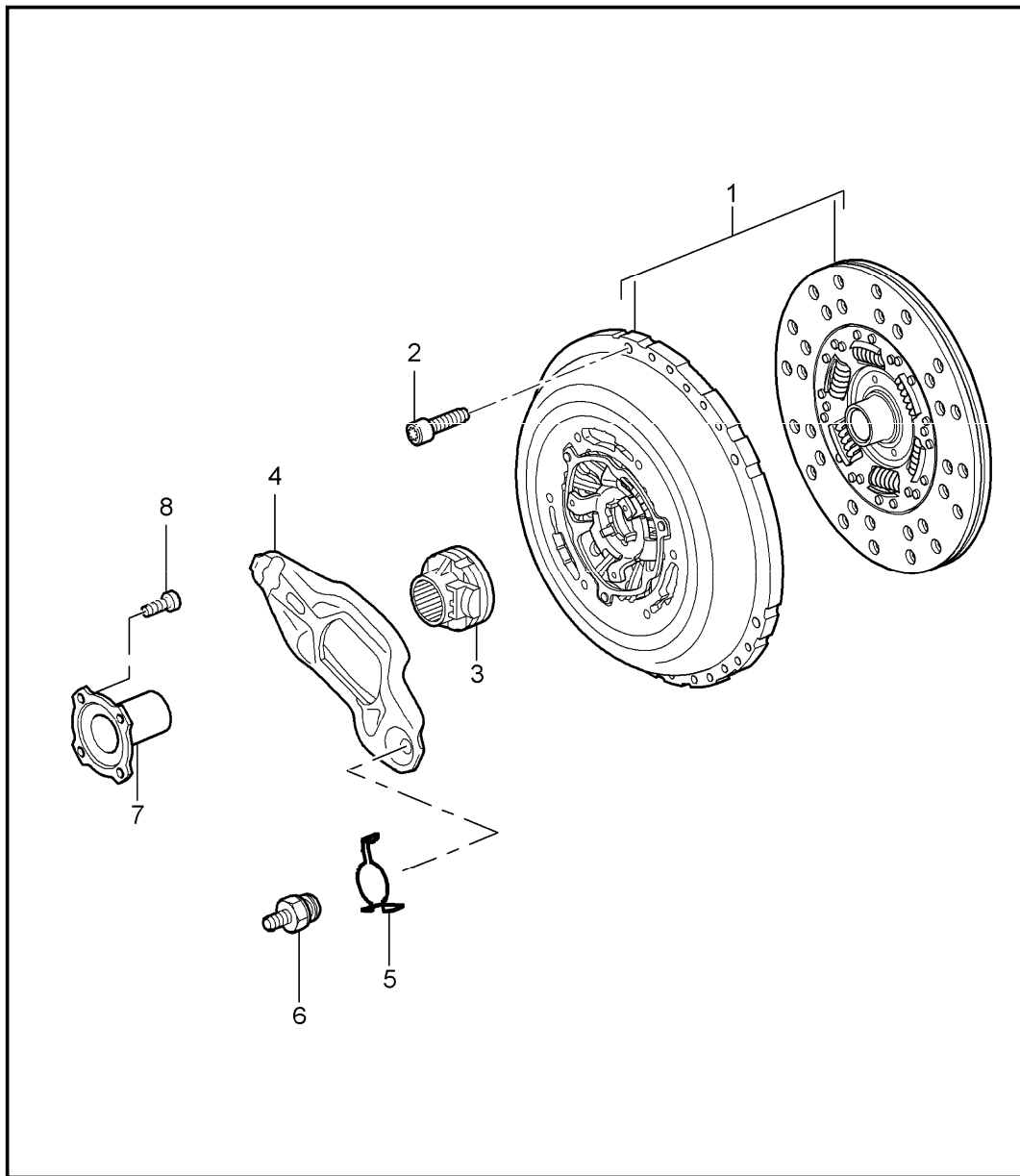


Pos	Part Number	Description	Remark	Qty	Model
		turbocharger oil pipe			M05.9D
1	955 123 025 00	turbocharger		1	
2	955 107 088 00	oil pipe return line		1	
3	955 107 123 00	gasket		1	
4	N 104 514 05	round head screw M 6 X 16		2	
5		connecting piece see illustrations 2/02/12		1	
6	N 105 521 02	pan-head screw M 8 X 28		2	
7	N 105 449 03	pan-head screw M 8 X 55		1	
8	955 107 089 00	oil pipe return line		1	
9	955 107 124 00	round seal 15 X 2,5		3	
10	N 104 056 04	oval-head screw M 6 X 14		3	
11	N 101 703 02	oval-head screw M 6 X 10		1	
12	955 107 525 00	connecting tube		1	
13	955 107 358 00	gasket		1	
14	N 106 174 01	pan-head screw M 6 X 16		1	
15	955 107 120 00	gasket		1	
16	N 910 215 01	pan-head screw M 8 X 25		2	
17	U 955 606 688 00	temperature sensor exhaust gas		1	
17	955 606 688 10	temperature sensor exhaust gas		1	
18	955 606 838 00	tie-wrap 4,5 X 200		1	

Model	Year	MG	SG	Illustration	Restrictions	UPD	14:06	21.01.2010	PORSCHE	PET	PORSCHE
9PA1	2010	2	02	202-40		247					

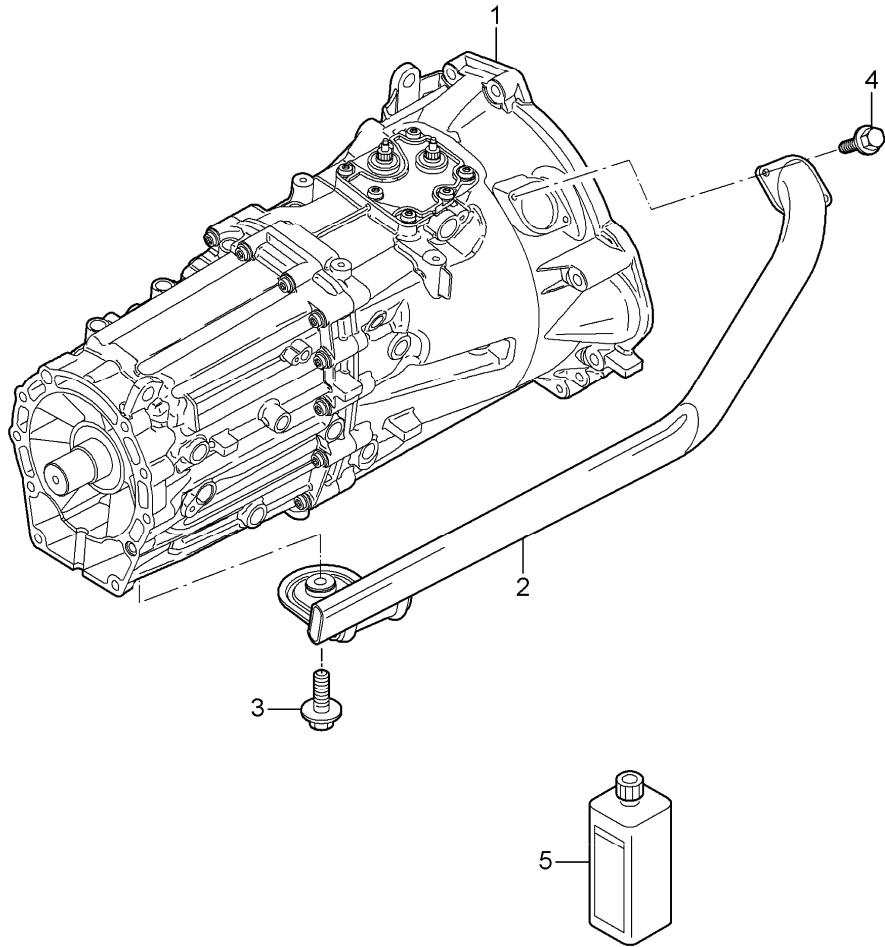
Pos	Part Number	Description	Remark	Qty	Model	Pos	Part Number	Description	Remark	Qty	Model
19	955 107 087 00	oil pipe supply		1							
20	955 107 148 00	banjo bolt M 10 X 1		1							
21	N 013 811 5	sealing ring A 10 X 13,5		2							
22	955 123 325 00	heat shield turbocharger		1							
23	N 103 352 06	round head screw M 6 X 12		3							
24	000 043 207 47	grease 1 tube 170 Gr.		x							

Model	Year	MG	SG	Illustration	Restrictions	UPD	14:07	21.01.2010	PORSCHE	PET	PORSCHE
9PA1	2010	3	01	301-00		247					



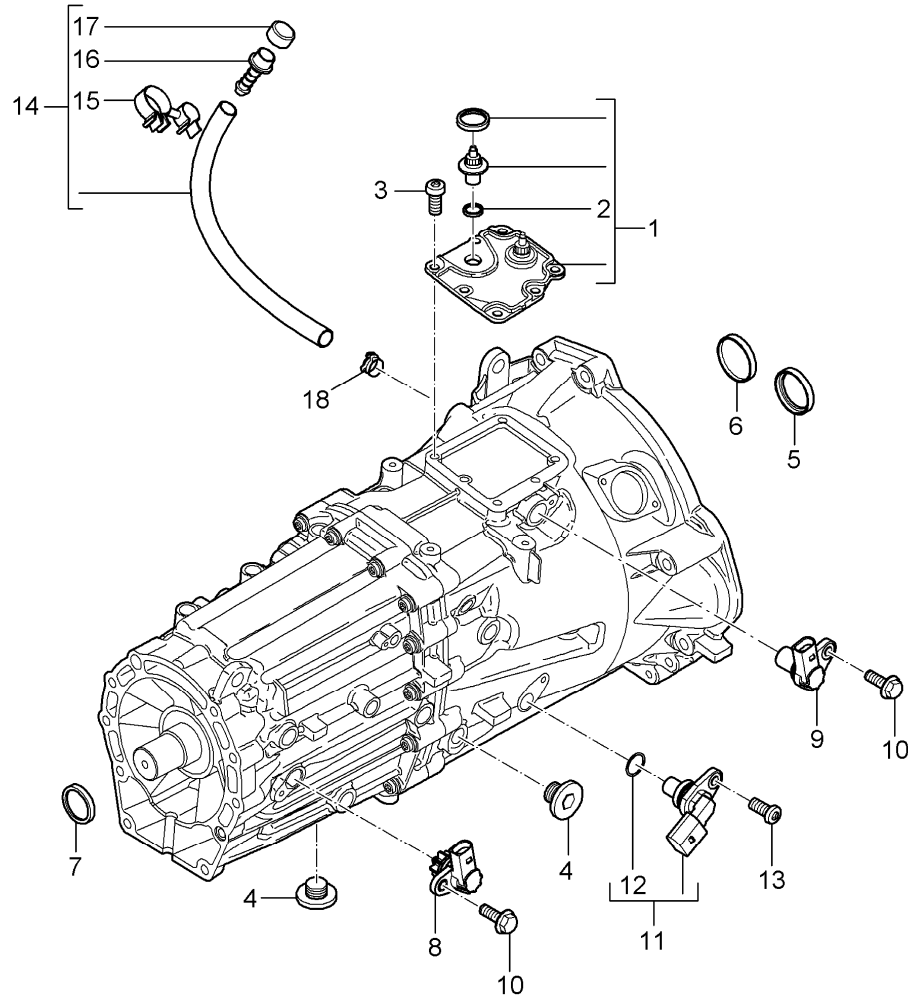
Pos	Part Number	Description	Remark	Qty	Model
		clutch			IGOL
1	955 116 015 01	repair kit comprising: drive plate pressure plate		1	M48.01
(1)	955 116 915 01	repair kit comprising: drive plate pressure plate		1	M55.01
2	N 911 361 02	pan-head screw M 8 X 14 M >> 639 10538 M >> G 9 05538 see workshop manual group 3 document 305019		6	
(2)	999 073 458 01	screw BM 8 X 16 M 639 10539 >> M G 9 05539 >> see workshop manual group 3 document 305019		6	
3	955 116 080 00	clutch release bearing		1	
4	955 116 719 00	clutch release lever		1	
5	012 141 741	retaining spring		1	
6	955 116 716 00	ball pin		1	
7	955 301 181 00	guide tube		1	
8	N 910 905 01	torx screw M 6 X 12		4	

Model	Year	MG	SG	Illustration	Restrictions	UPD	14:07	21.01.2010	PORSCHE	PET	PORSCHE
9PA1	2010	3	02	302-00		247					



Pos	Part Number	Description	Remark	Qty	Model
		replacement transmission manual transmission ready for installation			IG0L
1	> 955 300 010 22	replacement transmission classification letter HPD		1	ID5V
1	955 300 010 1X	replacement transmission classification letter HPD		1	ID5V
(1)	> 955 300 010 23	replacement transmission classification letter HPC		1	ID5X
(1)	955 300 010 2X	replacement transmission classification letter HPC		1	ID5X
2	955 116 047 00	air duct		1	ID5V
3	N 105 653 02	combination screw M 10 X 45		1	ID5V
4	N 100 829 11	combination screw M 6 X 16		2	ID5V
5	000 043 300 38	transmission oil container 1 LITER		X	

Model	Year	MG	SG	Illustration	Restrictions	UPD	14:07	21.01.2010	PORSCHE	PET	PORSCHE
9PA1	2010	3	02	302-05		247					

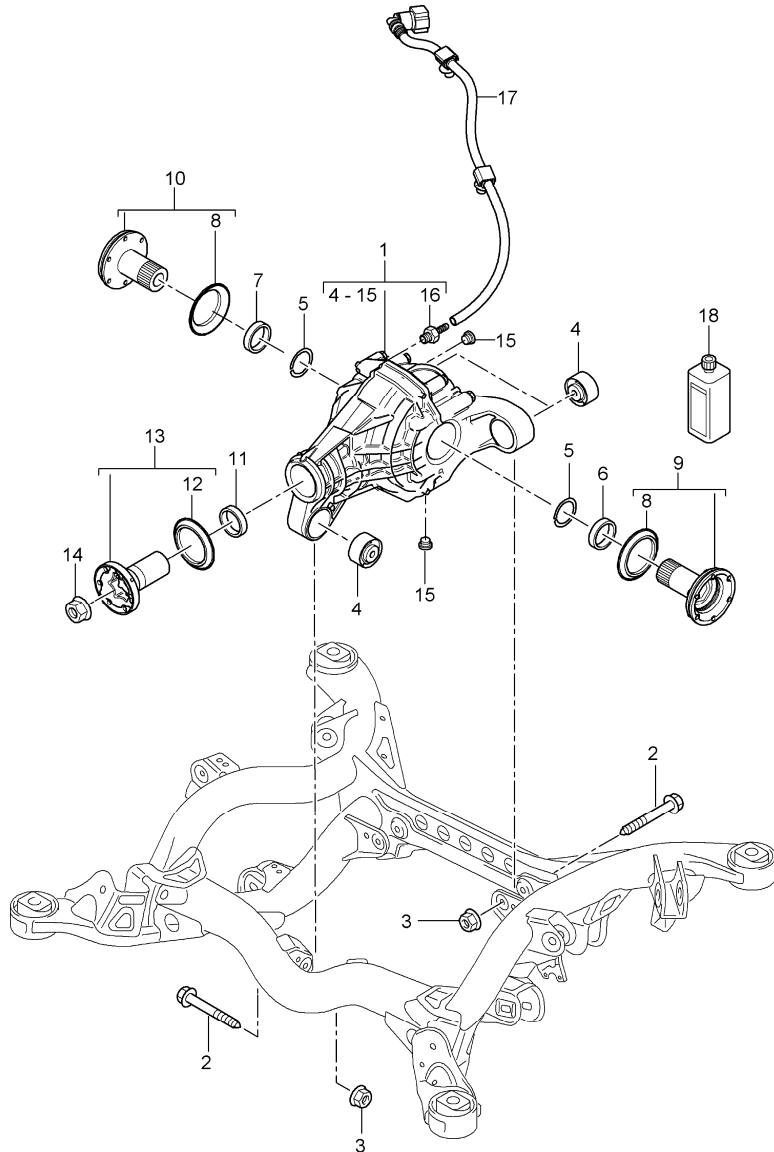


Pos	Part Number	Description	Remark	Qty	Model
		replacement transmission manual transmission single parts			IGOL
1	955 301 230 10	switching module		1	
2	955 301 227 00	shaft sealing ring 15 X 21 X 7		1	
3	N 910 903 01	pan-head screw M 8 X 28		7	
-	000 043 010 00	loctite 574 50 ML. surface sealing switching module		X	
4	WHT 000 514	screw plug M 18 X 1,5		2	
5	955 301 109 00	radial shaft seal 39,9 X 70 X 9 for drive shaft		1	
6	955 301 125 00	lid		1	
7	955 301 189 00	radial shaft seal 41 X 72 X 9 for output shaft		1	
8	955 606 420 00	back-up light switch		1	
9	955 606 827 00	switch idle speed		1	
10	N 901 678 05	hexagon-head bolt M 7 X 1,25 X 19		2	
11	955 606 601 05	pulse sender		1	ID5V
12	955 606 701 00	o-ring 18,1 X 1,6		1	ID5V
13	N 104 514 05	round head screw M 6 X 16		1	ID5V
14	955 301 047 00	bleeder 1360 MM it is necessary to rework 230 MM use also: support N .105.679.01		1	

Model	Year	MG	SG	Illustration	Restrictions	UPD	14:07	21.01.2010	PORSCHE	PET	PORSCHE
9PA1	2010	3	02	302-05		247					

Pos	Part Number	Description	Remark	Qty	Model	Pos	Part Number	Description	Remark	Qty	Model
15	N 105 679 01	support A01-13 X C05-22		1							
16	955 301 090 00	connection piece		1							
17	014 301 485	cap		1							
18	N 906 867 01	hose clamp B 14 X 12		1							

Model	Year	MG	SG	Illustration	Restrictions	UPD	14:07	21.01.2010	PORSCHE	PET	PORSCHE
9PA1	2010	3	05	305-00		247					



Pos	Part Number	Description	Remark	Qty	Model
		rear axle differential ready for installation without limited-slip differential			
1	> 955 332 010 10	rear axle differential ready for installation I = 3,55 classification letter JVR		1	ID5V/G0L
1	955 332 010 TX	rear axle differential ready for installation I = 3,55 classification letter JVR		1	ID5V/G0L
(1)	> 955 332 010 03	rear axle differential ready for installation I = 3.55 classification letter JVS		1	ID5V/G0R
(1)	955 332 010 LX	rear axle differential ready for installation I = 3.55 classification letter JVS		1	ID5V/G0R
(1)	> 955 332 010 53	rear axle differential ready for installation I = 3,27 classification letter JLP		1	ID5Z
(1)	955 332 010 NX	rear axle differential ready for installation I = 3,27 classification letter JLP		1	ID5Z
(1)	> 955 332 010 21	rear axle differential ready for installation I = 4,3 classification letter HMB		1	ID5X/G0R
(1)	955 332 010 KX	rear axle differential ready for installation I = 4,3 classification letter HMB		1	ID5X/G0R

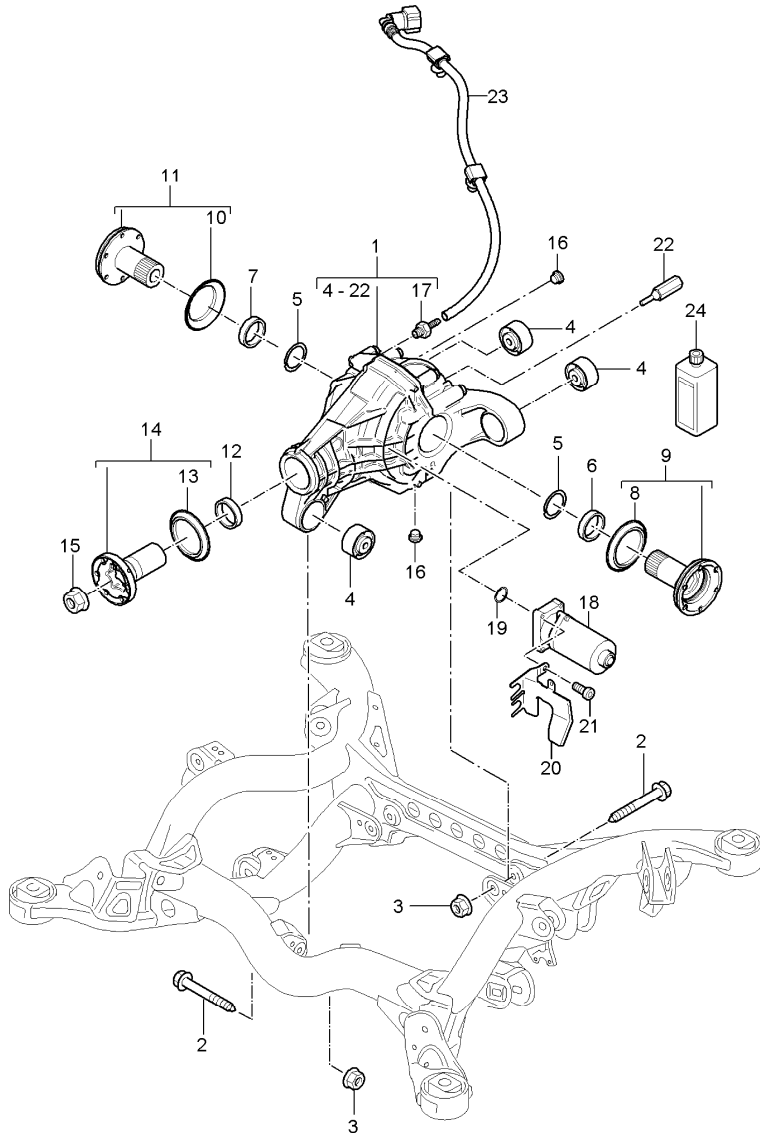
Model	Year	MG	SG	Illustration	Restrictions	UPD	14:07	21.01.2010	PORSCHE	PET	PORSCHE
9PA1	2010	3	05	305-00		247					

Pos	Part Number	Description	Remark	Qty	Model	Pos	Part Number	Description	Remark	Qty	Model
(1) >	955 332 010 31	rear axle differential ready for installation I = 3,7 classification letter HMA		1	ID5X/G0L	(1)	955 332 010 BX	rear axle differential ready for installation I = 4,1 classification letter HUC	09-	1	ID5V/E2D/G0R
(1)	955 332 010 VX	rear axle differential ready for installation I = 3,7 classification letter HMA		1	ID5X/G0L	(1) >	955 332 010 40	rear axle differential ready for installation I = 3,9 classification letter FKU	09-	1	ID50/G0R
(1) >	955 332 010 01	rear axle differential ready for installation I = 4,1 classification letter GLU	08-	1	ID5V/E0W/G0L	(1)	955 332 010 WX	rear axle differential ready for installation I = 3,9 classification letter FKU	09-	1	ID50/G0R
(1)	955 332 010 AX	rear axle differential ready for installation I = 4,1 classification letter GLU	08-	1	ID5V/E0W/G0L	2	N 102 112 02	hexagon-head bolt AM 12 X 1,5 X 90		3	
(1) >	955 332 010 02	rear axle differential ready for installation I = 4,1 classification letter HUC	08-	1	ID5V/E0W/G0R	3	N 104 029 04	hexagon nut M 12 X 1,5		3	
(1)	955 332 010 BX	rear axle differential ready for installation I = 4,1 classification letter HUC	08-	1	ID5V/E0W/G0R	4	955 332 337 00	rubber mounting		3	ID5V/D5X
(1) >	955 332 010 01	rear axle differential ready for installation I = 4,1 classification letter GLU	09-	1	ID5V/E2D/G0L	(4)	955 332 337 00	rubber mounting	09-	3	ID50
(1)	955 332 010 AX	rear axle differential ready for installation I = 4,1 classification letter GLU	09-	1	ID5V/E2D/G0L	(4)	955 332 337 10	rubber mounting		3	ID5Z
(1) >	955 332 010 02	rear axle differential ready for installation I = 4,1 classification letter HUC	09-	1	ID5V/E2D/G0R	5	955 332 125 00	circlip		2	
						6	955 332 596 10	shaft sealing ring 72 X 50 X 9		1	
						7	955 332 596 00	shaft sealing ring 82 X 50 X 9		1	
						8	955 332 375 00	protective ring		2	
						9	955 332 283 20	output flange long 152,5 MM		1	ID5V/G0L
						9	955 332 283 20	output flange long 152,5 MM		1	ID5Z
						(9)	955 332 284 20	output flange short 142 MM		1	ID5V/G0R
						(9)	955 332 284 20	output flange short 142 MM		1	ID5X

Model	Year	MG	SG	Illustration	Restrictions	UPD	14:07	21.01.2010	PORSCHE	PET	PORSCHE
9PA1	2010	3	05	305-00		247					

Pos	Part Number	Description	Remark	Qty	Model	Pos	Part Number	Description	Remark	Qty	Model
(9)	955 332 284 20	output flange short 142 MM	09-	1	ID50						
10	955 332 283 20	output flange long 152,5 MM		1	ID5V/G0L						
10	955 332 283 20	output flange long 152,5 MM		1	ID5Z						
(10)	955 332 284 20	output flange short 142 MM		1	ID5V/G0R						
(10)	955 332 284 20	output flange short 142 MM		1	ID5X						
(10)	955 332 284 20	output flange short 142 MM	09-	1	ID50						
11	955 332 596 20	shaft sealing ring 80 x 55 x 8		1							
12	955 332 375 20	protective ring		1							
13	955 332 127 00	drive flange		1							
14	955 332 427 00	collar nut M 22 X 1,5		1							
15	955 332 057 00	screw plug M 16 X 1,5		2							
16	955 332 065 20	breather adapter		1							
17	955 201 255 05	breather pipe		1							
18	000 043 205 30	transmission oil 75 W 90 1 LITER container		X							

Model	Year	MG	SG	Illustration	Restrictions	UPD	14:07	21.01.2010	PORSCHE	PET	PORSCHE
9PA1	2010	3	05	305-05		247					

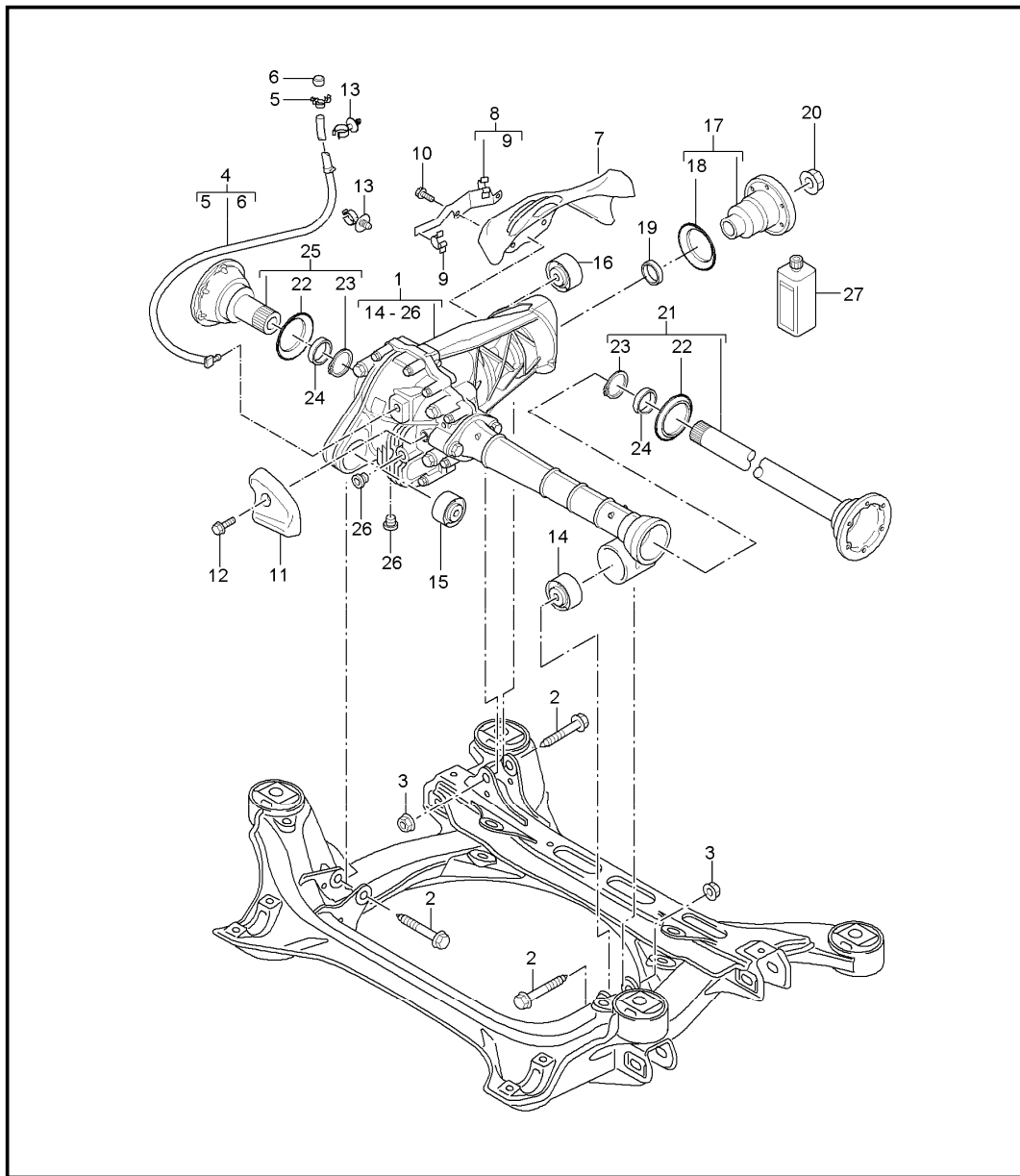


Pos	Part Number	Description	Remark	Qty	Model
		rear axle differential ready for installation with limited-slip differential electric			I1Y1
1	> 955 332 020 02	rear axle differential ready for installation I = 3,55 classification letter JVX		1	ID5V
(1)	955 332 020 MX	rear axle differential ready for installation I = 3,55 classification letter JVX		1	ID5V
(1)	> 955 332 020 01	rear axle differential ready for installation I = 4,1 classification letter HLX	09-	1	ID5V/E2D
(1)	955 332 020 AX	rear axle differential ready for installation I = 4,1 classification letter HLX	09-	1	ID5V/E2D
(1)	> 955 332 020 53	rear axle differential ready for installation I = 3,27 classification letter KFJ		1	ID5Z
(1)	955 332 020 SX	rear axle differential ready for installation I = 3,27 classification letter KFJ		1	ID5Z
(1)	> 955 332 020 22	rear axle differential ready for installation I = 3,7 classification letter JVU		1	ID5X/G0L
(1)	955 332 020 PX	rear axle differential ready for installation I = 3,7 classification letter JVU		1	ID5X/G0L

Model	Year	MG	SG	Illustration	Restrictions	UPD	14:07	21.01.2010	PORSCHE	PET	PORSCHE
9PA1	2010	3	05	305-05		247					

Pos	Part Number	Description	Remark	Qty	Model	Pos	Part Number	Description	Remark	Qty	Model
(1)	> 955 332 020 31	rear axle differential ready for installation I = 4,3 classification letter JVV		1	ID5X/G0R	14	955 332 127 00	drive flange		1	
(1)	955 332 020 RX	rear axle differential ready for installation I = 4,3 classification letter JVV		1	ID5X/G0R	15	955 332 427 00	collar nut M 22 X 1,5		1	
(1)	> 955 332 020 40	rear axle differential ready for installation I = 3,9 classification letter HLW	09-	1	ID50/G0R	16	955 332 057 00	screw plug M 16 X 1,5		2	
(1)	955 332 020 TX	rear axle differential ready for installation I = 3,9 classification letter HLW	09-	1	ID50/G0R	17	955 332 065 20	breather adapter		1	
2	N 102 112 02	hexagon-head bolt AM 12 X 1,5 X 90		3		18	955 624 904 01	electric motor for limited-slip differential use also: o-ring 955.332.649.00		1	
3	N 104 029 04	hexagon nut M 12 X 1,5		3		19	955 332 649 00	o-ring 25 X 2		1	
4	955 332 337 00	rubber mounting		3	ID5V/D5X	20	955 332 037 00	retaining bracket		1	
(4)	955 332 337 00	rubber mounting	09-	3	ID50	21	955 332 147 00	pan-head screw M 6 X 30		4	
(4)	955 332 337 10	rubber mounting		3	ID5Z	22	955 332 169 00	damper with o-ring		1	
5	955 332 125 00	circlip		2		23	955 201 255 05	breather pipe		1	
6	955 332 596 30	shaft sealing ring 100 X 80 X 10		1		24	000 043 300 37	transmission oil 75 W 90 1 LITER container		X	ID5V/D5X/D5Z
7	955 332 596 00	shaft sealing ring 82 X 50 X 9		1		(24)	000 043 300 37	transmission oil 75 W 90 1 LITER container workshop manual attention		X	ID50
8	955 332 375 10	protective ring		1							
9	955 332 284 30	output flange		1							
10	955 332 375 00	protective ring		1							
11	955 332 283 30	output flange		1							
12	955 332 596 20	shaft sealing ring 80 X 55 X 8		1							
13	955 332 375 20	protective ring		1							

Model	Year	MG	SG	Illustration	Restrictions	UPD	14:08	21.01.2010	PORSCHE	PET	PORSCHE
9PA1	2010	3	05	305-10		247					

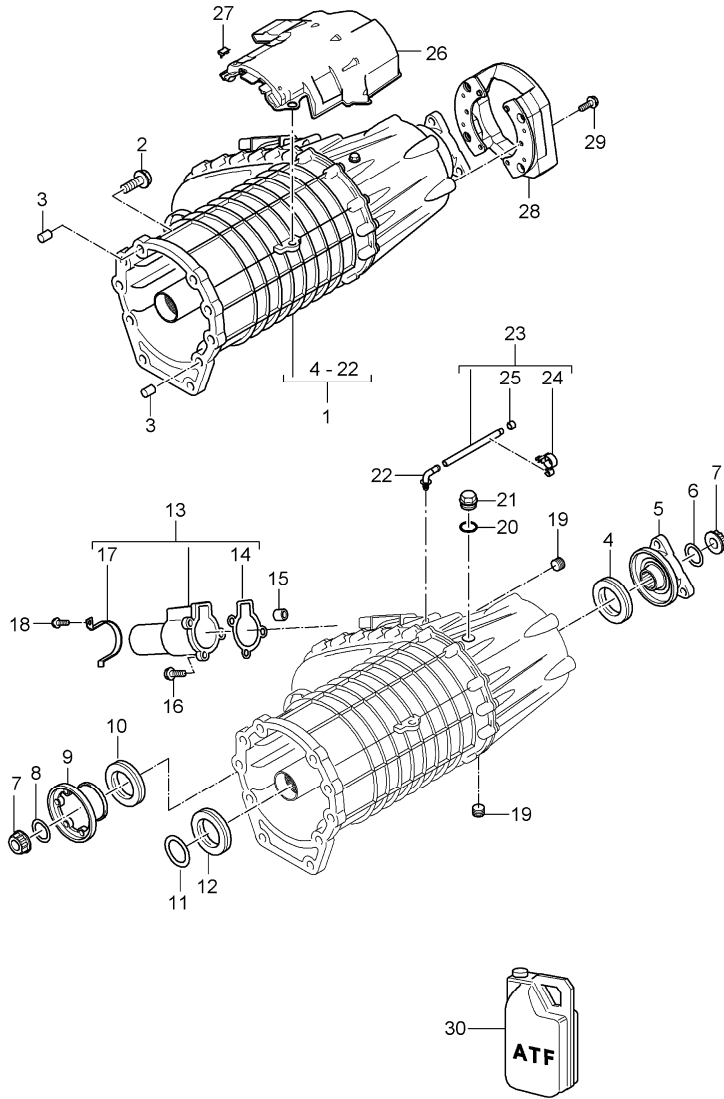


Pos	Part Number	Description	Remark	Qty	Model
		front-axle final drive ready for installation			
1	> 955 349 010 10	front-axle final drive ready for installation I = 3,55 classification letter JVM		1	ID5V/E0A
1	955 349 010 BX	front-axle final drive ready for installation I = 3,55 classification letter JVM		1	ID5V/E0A
(1)	> 955 349 010 52	front-axle final drive ready for installation I = 3,27 classification letter KHJ		1	ID5Z
(1)	955 349 010 CX	front-axle final drive ready for installation I = 3,27 classification letter KHJ		1	ID5Z
(1)	> 955 349 010 21	front-axle final drive ready for installation I = 4,3 classification letter JTJ		1	ID5X/G0R
(1)	955 349 010 DX	front-axle final drive ready for installation I = 4,3 classification letter JTJ		1	ID5X/G0R
(1)	> 955 349 010 01	front-axle final drive ready for installation I = 3,7 classification letter JTE		1	ID5X/G0L
(1)	955 349 010 FX	front-axle final drive ready for installation I = 3,7 classification letter JTE		1	ID5X/G0L
(1)	> 955 349 010 02	front-axle final drive ready for installation I = 4,1 classification letter KBS		1	ID5V/E0W/E1T IE2D

Model	Year	MG	SG	Illustration	Restrictions	UPD	14:08	21.01.2010	PORSCHE	PET	PORSCHE
9PA1	2010	3	05	305-10		247					

Pos	Part Number	Description	Remark	Qty	Model	Pos	Part Number	Description	Remark	Qty	Model
(1)	955 349 010 AX	front-axle final drive ready for installation I = 4,1 classification letter KBS		1	ID5V/E0W/E1T IE2D	11	955 349 346 00	heat shield		1	ID5V/D5Z
(1)	> 955 349 010 40	front-axle final drive ready for installation I = 3,9 classification letter JTG	09-	1	ID50/G0R	12	N 106 507 01	screw M 6 X 12		1	ID5V/D5Z
(1)	955 349 010 GX	front-axle final drive ready for installation I = 3,9 classification letter JTG	09-	1	ID50/G0R	13	N 104 705 01	hose holder A02-13 X C13-6,5		2	ID5X
2	N 102 112 02	hexagon-head bolt AM 12 X 1,5 X 90		3		14	955 349 337 00	rubber mounting		1	ID5V/D5X
3	N 104 029 04	hexagon nut M 12 X 1,5		2		(14)	955 332 337 10	rubber mounting		1	ID5Z
4	955 349 047 01	vent line		1	ID5V/D5Z	(14)	955 349 337 00	rubber mounting	09-	1	ID50
(4)	955 349 047 02	vent line		1	ID5X	15	955 349 337 00	rubber mounting		1	ID5V/D5X
(4)	955 349 047 03	vent line	09-	1	ID50	(15)	955 332 337 10	rubber mounting		1	ID5Z
5	N 105 280 02	hose holder	09-	1	ID50	(15)	955 349 337 00	rubber mounting	09-	1	ID50
(5)	N 104 265 01	hose holder	09-	1	ID50	16	955 349 337 00	rubber mounting		1	ID5V/D5X
6	014 301 485	cap		1		(16)	955 332 337 10	rubber mounting		1	ID5Z
-	955 301 565 01	clip vent line		1	ID5V/D5Z	(16)	955 332 337 10	rubber mounting	09-	1	ID50
7	955 349 445 00	heat shield		1	I0AB	17	955 349 127 00	drive flange		1	
(7)	955 349 445 01	heat shield		1	I0AW	18	955 332 375 20	protective ring		1	
8	955 349 447 01	support		1	ID5V/D5Z	19	955 349 189 00	shaft sealing ring 80 X 50		1	
(8)	955 349 447 02	support	09-	1	ID50	20	955 332 427 00	collar nut M 22 X 1,5		1	
9	955 349 543 03	fixing clip		2	ID5V/D5Z	21	955 349 271 20	output flange		1	
(9)	955 349 543 04	fixing clip	09-	2	ID50	22	955 332 375 30	protective ring		2	
10	N 106 533 01	hexagon-head bolt M 6 X 20		3		23	955 349 413 00	circlip		2	
(10)	N 106 533 01	hexagon-head bolt M6 X 20	09-	2	ID50	24	955 349 189 10	shaft sealing ring		2	
						25	955 349 272 20	output flange		1	
						26	955 332 057 00	screw plug M 16 X 1,5		2	
						27	000 043 205 30	transmission oil 75 W 90 1 LITER container		X	

Model	Year	MG	SG	Illustration	Restrictions	UPD	14:08	21.01.2010	PORSCHE	PET	PORSCHE
9PA1	2010	3	05	305-15		247					



Pos	Part Number	Description	Remark	Qty	Model
		transfer box ready for installation			
1	> 955 341 040 53	transfer box ready for installation classification letter JXK	-08	1	ID5V/G0R
(1)	955 341 040 JX	transfer box ready for installation classification letter JXK	-08	1	ID5V/G0R
(1)	> 955 341 040 55	transfer box ready for installation classification letter LLD	09-	1	ID5V/G0R
(1)	955 341 040 KX	transfer box ready for installation classification letter LLD	09-	1	ID5V/G0R
(1)	> 955 341 040 03	transfer box ready for installation classification letter JXL	-08	1	ID5V/G0L
(1)	955 341 040 DX	transfer box ready for installation classification letter JXL	-08	1	ID5V/G0L
(1)	> 955 341 040 05	transfer box ready for installation classification letter LLE	09-	1	ID5V/G0L
(1)	955 341 040 LX	transfer box ready for installation classification letter LLE	09-	1	ID5V/G0L
(1)	> 955 341 040 53	transfer box ready for installation classification letter JXK	-08	1	ID5Z
(1)	955 341 040 JX	transfer box ready for installation classification letter JXK	-08	1	ID5Z
(1)	> 955 341 040 55	transfer box ready for installation classification letter LLD	09-	1	ID5Z

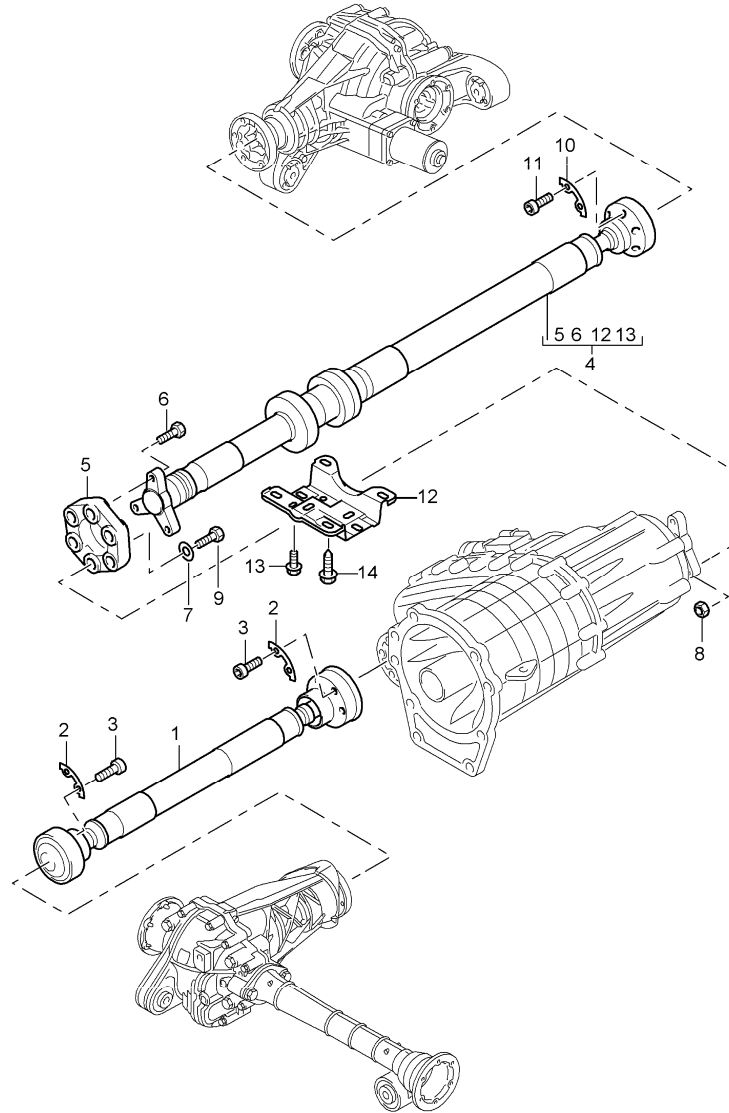
Model	Year	MG	SG	Illustration	Restrictions	UPD	14:08	21.01.2010	PORSCHE	PET	PORSCHE
9PA1	2010	3	05	305-15		247					

Pos	Part Number	Description	Remark	Qty	Model	Pos	Part Number	Description	Remark	Qty	Model
(1)	955 341 040 KX	transfer box ready for installation classification letter LLD	09-	1	ID5Z	3	955 341 139 01	dowel sleeve 14,57 X 10,5		2	
(1) >	955 341 040 22	transfer box ready for installation classification letter JXM	-08	1	ID5X/G0L	4	955 321 199 00	radial shaft seal 90 X 52 X 15		1	
(1)	955 341 040 8X	transfer box ready for installation classification letter JXM	-08	1	ID5X/G0L	5	955 341 271 10	output flange		1	
(1) >	955 341 040 24	transfer box ready for installation classification letter LLG	09-	1	ID5X/G0L	6	955 341 323 00	round seal 29,74 X 3,53		1	
(1)	955 341 040 MX	transfer box ready for installation classification letter LLG	09-	1	ID5X/G0L	7	WHT 000 204 A	lock nut M 30 X 2		2	
(1) >	955 341 040 12	transfer box ready for installation classification letter JXN	-08	1	ID5X/G0R	8	955 301 323 00	round seal 37,69 X 3,53		1	
(1)	955 341 040 7X	transfer box ready for installation classification letter JXN	-08	1	ID5X/G0R	9	955 341 271 00	output flange		1	
(1) >	955 341 040 14	transfer box ready for installation classification letter LLH	09-	1	ID5X/G0R	10	955 321 199 21	radial shaft seal 80 X 60 X 15		1	
(1)	955 341 040 NX	transfer box ready for installation classification letter LLH	09-	1	ID5X/G0R	11	955 341 323 10	round seal 41,3 X 3,1		1	
(1) >	955 341 040 30	transfer box ready for installation classification letter LLF	09-	1	ID50/G0R	12	955 321 199 10	radial shaft seal 71 X 50 X 10		1	
(1)	955 341 040 PX	transfer box ready for installation classification letter LLF	09-	1	ID50/G0R	13	955 624 601 01	electric motor		1	
2	N 103 145 05	hexagon-head bolt AM 10 X 50		10		14	955 341 131 01	gasket electric motor		1	
						15	955 341 992 00	dowel sleeve		3	
						16	N 105 184 03	pan-head screw M 8 X 30		3	
						17		support electric motor not available		1	
						18	N 905 330 05	hexagon-head bolt M 6 X 20		2	
						19	955 301 115 01	screw plug 17,5 X 12		1	
						20	N 013 816 5	sealing ring A 18 X 24		1	
						21	N 029 704 2	screw plug M 18 X 1,5 X 12		1	
						22	955 301 474 01	breather pipe		1	
						23	955 301 047 01	bleeder		1	ID5X/G0R

Model	Year	MG	SG	Illustration	Restrictions	UPD	14:08	21.01.2010	PORSCHE	PET	PORSCHE
9PA1	2010	3	05	305-15		247					

Pos	Part Number	Description	Remark	Qty	Model	Pos	Part Number	Description	Remark	Qty	Model
(23)	955 301 047 01	bleeder it is necessary to rework deleted support		1	ID5V/D5Z/G0R						
(23)	955 301 047 01	bleeder it is necessary to rework deleted support use also: N .107.548.01		1	ID50/G0R						
(23)	955 301 047 00	bleeder 1360 MM it is necessary to rework 1270 MM		1	ID5V/D5X/G0L						
24	N 103 283 01	support A1 - 13 X C05 - 25		1	ID5X/G0R						
(24)	N 103 283 01	support A1 -13 X C05 - 25		1	ID5V/D5X/G0L						
(24)	N 107 548 01	support A08 - 13,5 X C12 - 13,5		1	ID50/G0R						
25	014 301 485	cap		1							
-	955 301 565 01	clip bleeder		x							
26	955 341 235 00	heat shield transfer box not for cayenne gts cayenne kit cayenne turbo s		1	ID5V/D5X/D5Z						
27	955 341 236 00	fixing clip heat shield		4	ID5V/D5X/D5Z						
28	955 341 581 04	vibration damper	09-	1	ID50						
29	N 900 639 05	hexagon-head bolt M 8 X 18	09-	6	ID50						
30	000 043 301 36	transmission oil ATF 1 LITER container		x							

Model	Year	MG	SG	Illustration	Restrictions	UPD	14:08	21.01.2010	PORSCHE	PET	PORSCHE
9PA1	2010	3	05	305-20		247					

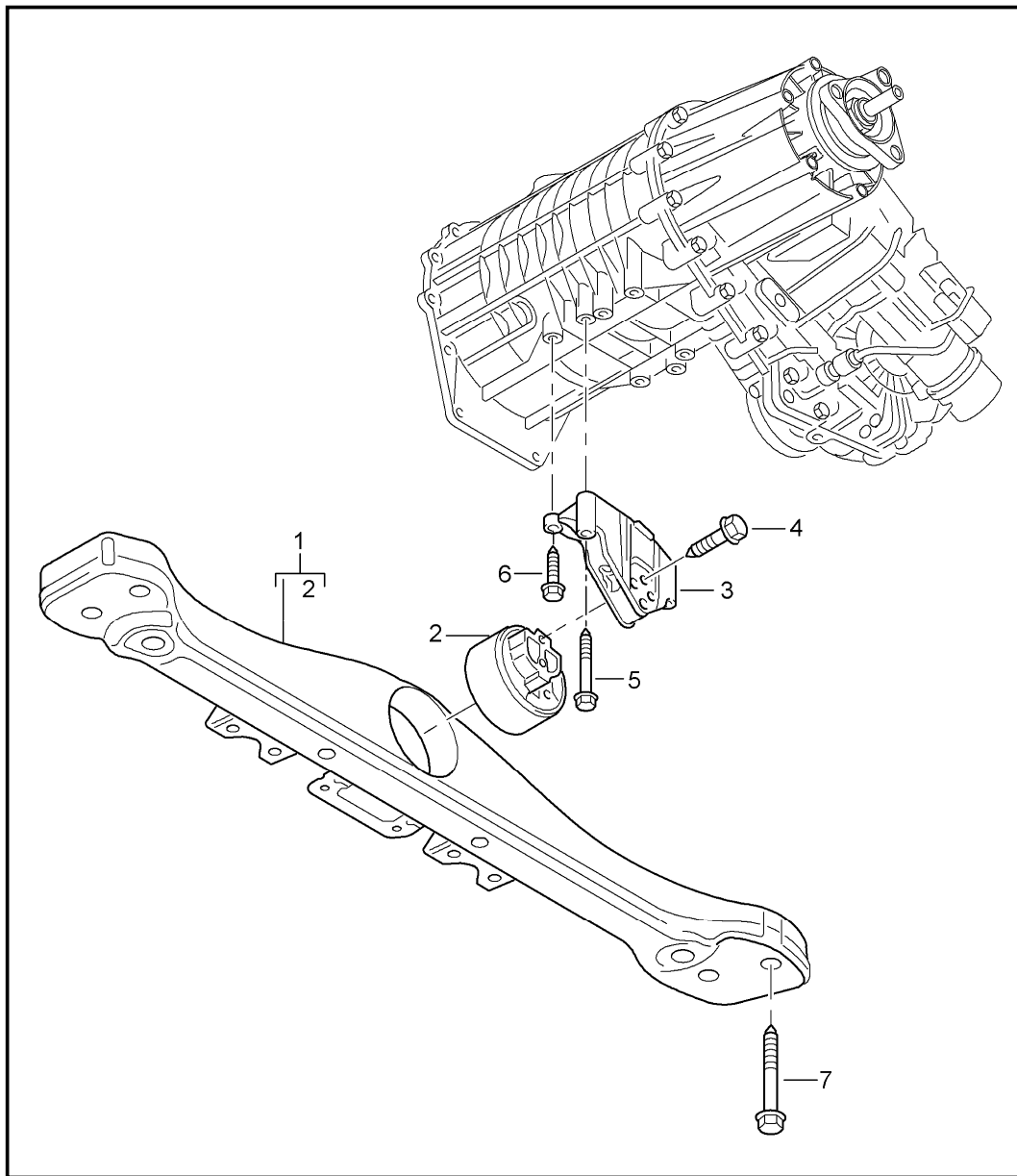


Pos	Part Number	Description	Remark	Qty	Model
1	955 421 020 03	cardan shaft	-09	1	ID5V/D5X/D5Z
(1)	955 421 020 04	cardan shaft	10-	1	ID5V/D5X/D5Z
(1)	955 421 020 30	cardan shaft	-09	1	ID50
(1)	955 421 020 31	cardan shaft	10-	1	ID50
2	955 349 191 21	plate		6	
3	N 909 417 03	pan-head screw M 10 X 45		12	
4	955 421 020 13	cardan shaft	-08	1	ID5V/D5X
(4)	955 421 020 13	cardan shaft	-08	1	ID5Z/E0A
(4)	955 421 020 14	cardan shaft	09	1	ID5V/D5X
(4)	955 421 020 14	cardan shaft	09	1	ID5Z/E0A
(4)	955 421 020 14	cardan shaft	09	1	ID50
(4)	955 421 020 15	cardan shaft	10-	1	ID5V/D5X
(4)	955 421 020 15	cardan shaft	10-	1	ID5Z/E0A
(4)	955 421 020 15	cardan shaft	10-	1	ID50
(4)	955 421 020 24	cardan shaft	-09	1	ID5Z/E8A/E81
(4)	955 421 020 25	cardan shaft	10-	1	ID5Z/E8A/E81
5	U 955 421 010 00	articulated piece not available to use cardan shaft see workshop manual group 3 document 393519		1	
6	U N 101 713 03	hexagon-head bolt M 12 X 1,5 X 70 not available to use cardan shaft see workshop manual group 3 document 393519		3	

Model	Year	MG	SG	Illustration	Restrictions	UPD	14:08	21.01.2010	PORSCHE	PET	PORSCHE
9PA1	2010	3	05	305-20		247					

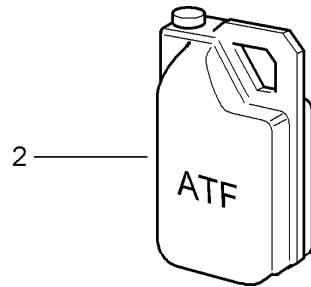
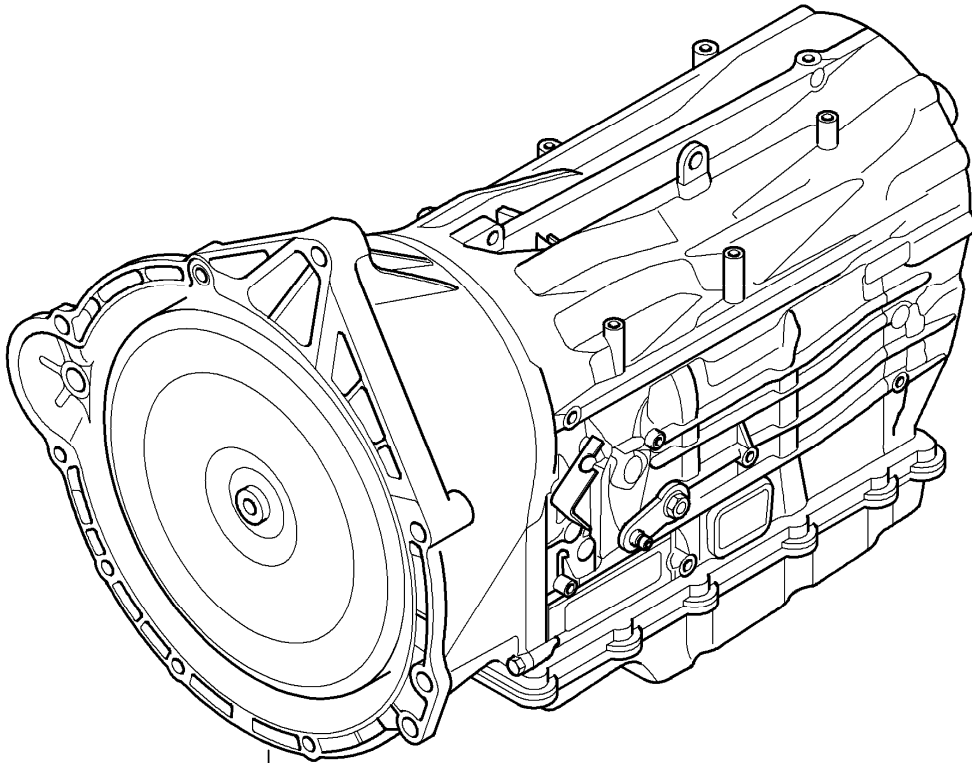
Pos	Part Number	Description	Remark	Qty	Model	Pos	Part Number	Description	Remark	Qty	Model
7	N 011 531 19	washer A 13		3							
8	N 100 289 10	hexagon nut M 12 X 1,5		3							
9	N 105 262 02	hexagon-head bolt M 12 X 1,5 X 65		3							
10	955 349 191 21	plate		3							
11	N 909 417 03	pan-head screw M 10 X 45		6							
12	955 349 340 00	support		1							
13	N 104 032 03	hexagon-head bolt M 8 X 16		2							
14	N 106 978 01	hexagon-head bolt M 10 x 30		6							

Model	Year	MG	SG	Illustration	Restrictions	UPD	14:08	21.01.2010	PORSCHE	PET	PORSCHE
9PA1	2010	3	07	307-00		247					



Pos	Part Number	Description	Remark	Qty	Model
		transfer box transmission suspension			
1	955 341 225 00	transmission carrier		1	ID5V/D5Z
(1)	955 341 225 10	transmission carrier		1	ID5X
(1)	955 341 225 20	transmission carrier		1	ID50
2	955 375 057 30	transmission mounting		1	ID5V/D5Z
(2)	955 375 057 20	transmission mounting		1	ID5X
(2)	955 375 057 20	transmission mounting		1	ID50
3	955 341 649 03	transmission bracket		1	ID5V/D5Z
(3)	955 341 649 02	transmission bracket		1	ID5X
(3)	955 341 649 10	transmission bracket		1	ID50
4	N 105 167 02	hexagon-head bolt M 10 X 55		2	
5	N 100 155 07	hexagon-head bolt BM 8 X 70		2	
6	N 019 503 8	hexagon-head bolt M 8 X 35		2	
7	N 909 913 02	hexagon-head bolt AM 10 X 80		4	

Model	Year	MG	SG	Illustration	Restrictions	UPD	14:08	21.01.2010	PORSCHE	PET	PORSCHE
9PA1	2010	3	20	320-00		247					

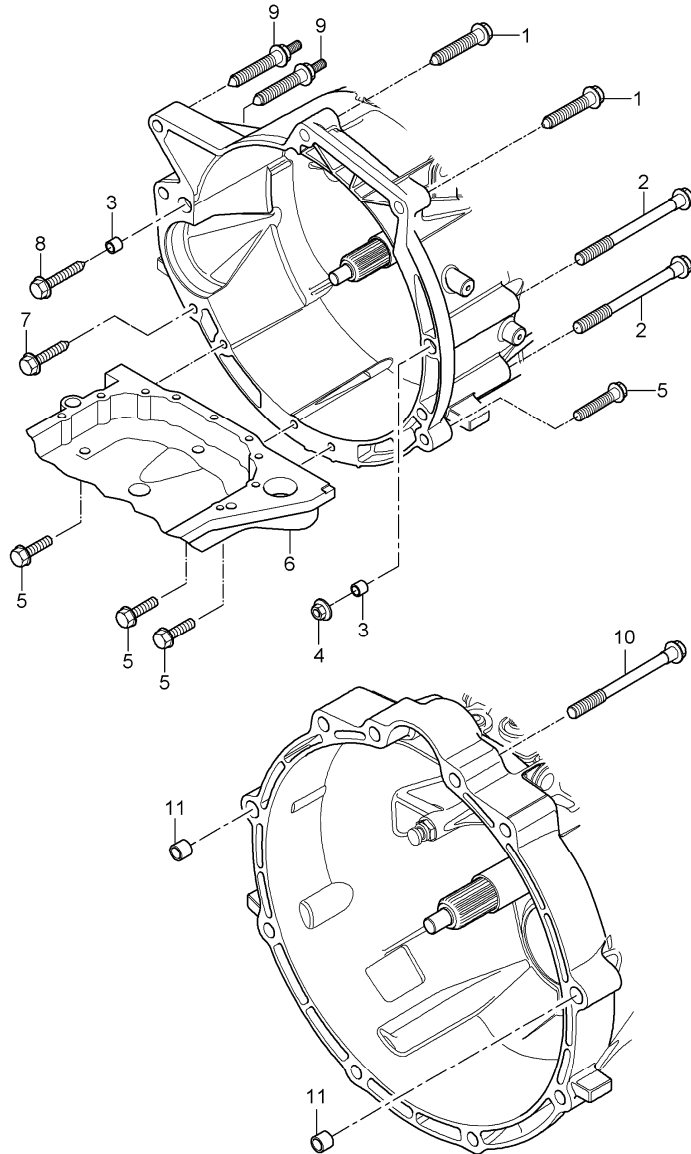


Pos	Part Number	Description	Remark	Qty	Model
		tiptronic replacement transmission			IGOR
1	> 955 300 011 03	replacement transmission classification letter JSN F >>9P8LA 26516 F >>9P8LA 26515		1	ID5X
1	955 300 012 X	replacement transmission classification letter JSN F >>9P8LA 26516 F >>9P8LA 26515		1	ID5X
(1)	> 955 300 011 04	replacement transmission classification letter KML F 9P8LA 26517>> F 9P8LA 26516>>		1	ID5X
(1)	955 300 012 DX	replacement transmission classification letter KML F 9P8LA 26517>> F 9P8LA 26516>>		1	ID5X
(1)	> 955 300 011 40	replacement transmission classification letter KMB		1	ID50
(1)	955 300 012 GX	replacement transmission classification letter KMB		1	ID50
(1)	> 955 300 011 28	replacement transmission classification letter JFD F >>9P8LA 48433 F >>9P8LA 48437		1	ID5V
(1)	955 300 012 AX	replacement transmission classification letter JFD F >>9P8LA 48433 F >>9P8LA 48437		1	ID5V
(1)	> 955 300 011 29	replacement transmission classification letter KQW F 9P8LA 48434>>9P8LA 52982 F 9P8LA 70061>>9P8LA 73576 F 9P8LA 48438>>9P8LA 52988 F 9P8LA 70092>>9P8LA 73577		1	ID5V

Model	Year	MG	SG	Illustration	Restrictions	UPD	14:08	21.01.2010	PORSCHE	PET	PORSCHE
9PA1	2010	3	20	320-00		247					

Pos	Part Number	Description	Remark	Qty	Model	Pos	Part Number	Description	Remark	Qty	Model
(1)	955 300 012 CX	replacement transmission classification letter KQW F 9P8LA 48434>>9P8LA 52982 F 9P8LA 70061>>9P8LA 73576 F 9P8LA 48438>>9P8LA 52988 F 9P8LA 70092>>9P8LA 73577		1	ID5V	(1) >	955 300 011 53	replacement transmission classification letter KMN F 9P8LA 96404>> F 9P8LA 96437>>		1	ID5Z
(1) >	955 300 011 30	replacement transmission classification letter KMM F 9P8LA 52983>> F 9P8LA 73577>> F 9P8LA 52989>> F 9P8LA 73578>> for vehicles up to F >>9P8LA 52982 F >>9P8LA 73576 F >>9P8LA 52988 F >>9P8LA 73577 use also: control unit 955.618.121.04 955.618.121.11		1	ID5V ID5V/EOW	(1)	955 300 012 FX	replacement transmission classification letter KMN F 9P8LA 96404>> F 9P8LA 96437>>		1	ID5Z
(1)	955 300 012 EX	replacement transmission classification letter KMM F 9P8LA 52983>> F 9P8LA 73577>> F 9P8LA 52989>> F 9P8LA 73578>> for vehicles up to F >>9P8LA 52982 F >>9P8LA 73576 F >>9P8LA 52988 F >>9P8LA 73577 use also: control unit 955.618.121.04 955.618.121.11		1	ID5V ID5V/EOW	2	000 043 205 28	transmission oil ATF 1 LTR. container		X	
(1) >	955 300 011 52	replacement transmission classification letter JFE F >>9P8LA 96403 F >>9P8LA 96436		1	ID5Z	(2)	000 043 205 29	transmission oil ATF 20 LTR. container		X	
(1)	955 300 012 BX	replacement transmission classification letter JFE F >>9P8LA 96403 F >>9P8LA 96436		1	ID5Z						

Model	Year	MG	SG	Illustration	Restrictions	UPD	14:09	21.01.2010	PORSCHE	PET	PORSCHE
9PA1	2010	3	20	320-05		247					

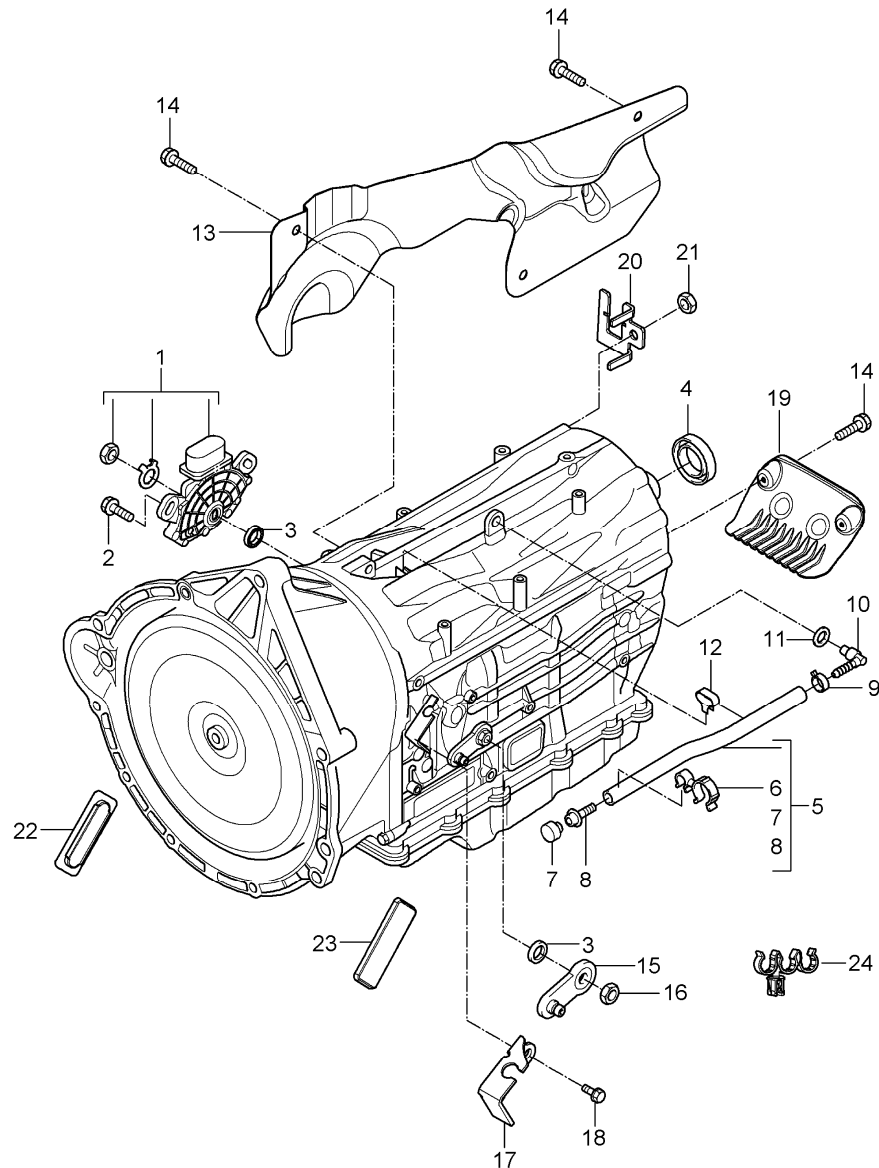


Pos	Part Number	Description	Remark	Qty	Model
		threaded joint engine transmission for cayenne			
1	N 102 171 03	hexagon-head bolt BM 12 X 60 X 48		3	ID5X
(1)	N 911 063 01	hexagon-head bolt M 12 X 80		2	ID50
2	N 105 923 02	hexagon-head bolt BM 12 X 140 X 49		2	ID5X
(2)	N 910 301 02	hexagon-head bolt M 12 X 70		1	ID50
3		dowel sleeve see illustrations 1/01/40 Pos.16		2	ID5X
3		dowel sleeve see illustrations 1/01/50 Pos.		2	ID50
4	N 104 748 03	collar nut M 12 X 1,5		1	ID5X
5	N 103 145 05	hexagon-head bolt AM 10 X 50		4	ID5X
(5)	N 911 063 01	hexagon-head bolt M 12 X 80		1	ID50
(5)	N 102 902 06	hexagon-head bolt M 10 X 70		3	ID50
6		oil pan see illustrations 1/04/05 Pos.9		1	ID5X
(6)		oil pan see illustrations 1/04/07 Pos.		1	ID50
7		mount starter see illustrations 9/02/05 Pos.2		1	
8	N 104 091 04	hexagon-head bolt AM 12 X 70		1	ID5X
(8)	N 911 063 01	hexagon-head bolt M 12 X 80		1	ID50

Model	Year	MG	SG	Illustration	Restrictions	UPD	14:09	21.01.2010	PORSCHE	PET	PORSCHE
9PA1	2010	3	20	320-05		247					

Pos	Part Number	Description	Remark	Qty	Model	Pos	Part Number	Description	Remark	Qty	Model
9	N 907 682 02	stud AM 12 X 60 / M 8 X 16	-09	2	ID5X						
(9)	N 102 171 03	hexagon-head bolt BM 12 X 60 X 48 for cayenne s and cayenne turbo	10-	2	ID5X						
10	N 910 181 02	hexagon-head bolt AM 12 X 1,5 X 70		8	ID5V						
(10)	N 910 181 02	hexagon-head bolt AM 12 X 1,5 X 70		10	ID5Z						
(10)	WHT 002 782	hexagon-head bolt AM 12 X 1,5 X 75		2	ID5V						
11		see illustrations 1/01/30 Pos.8		2							

Model	Year	MG	SG	Illustration	Restrictions	UPD	14:09	21.01.2010	PORSCHE	PET	PORSCHE
9PA1	2010	3	20	320-10		247					

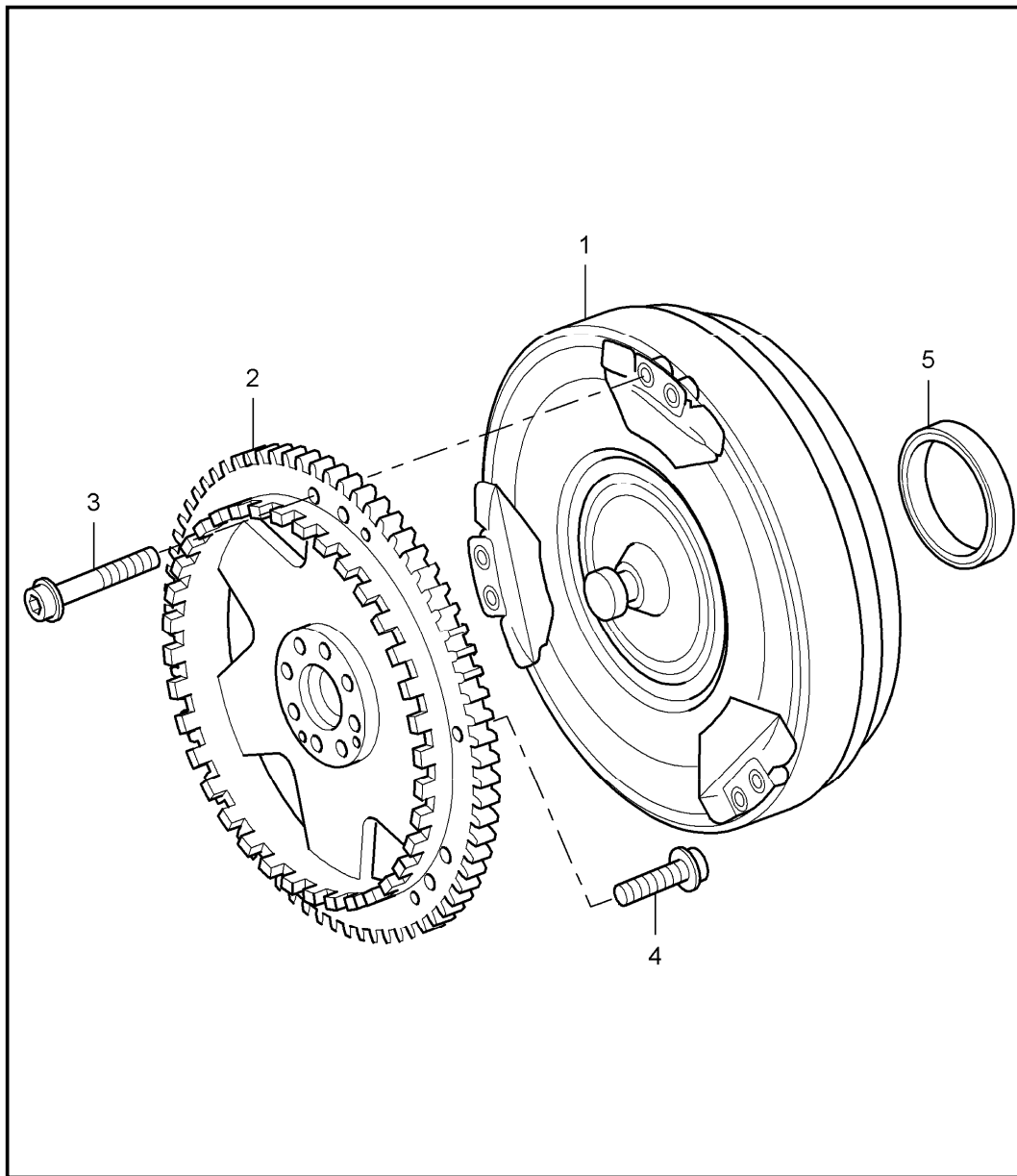


Pos	Part Number	Description	Remark	Qty	Model
		tiptronic selector switch accessories			IGOR
1	955 325 612 01	selector switch		1	
2	WHT 000 325 A	hexagon-head bolt M 6 X 20		2	
3	955 321 199 30	radial shaft seal 11 X 22 X 7		2	
4	955 321 189 00	radial shaft seal 41 X 72 X 11		1	
5	955 301 047 00	bleeder 1360 MM it is necessary to rework 445 MM 540 MM use also: support N .105.679.01		1	ID5X ID5V/D5Z
6	N 103 283 01	support A01-13 X C05-25		1	ID5X
(6)	N 105 679 01	support A01-13 X C05-22		1	ID5V/D5Z
7	014 301 485	cap		1	
8	955 301 090 00	connection piece		1	
9	955 317 063 01	clip		1	
10	955 301 381 00	connection piece		1	
11	955 301 577 00	o-ring 8,2 X 1,9		1	
12	955 301 565 01	clip		1	
13	955 301 328 01	heat shield right	/R	1	
(13)	955 301 327 20	heat shield left	/L	1	ID50
14	N 100 829 11	combination screw M 6 X 16		5	
(14)	N 100 091 10	combination screw M 6 X 12 mount heat shield left		4	ID50

Model	Year	MG	SG	Illustration	Restrictions	UPD	14:09	21.01.2010	PORSCHE	PET	PORSCHE
9PA1	2010	3	20	320-10		247					

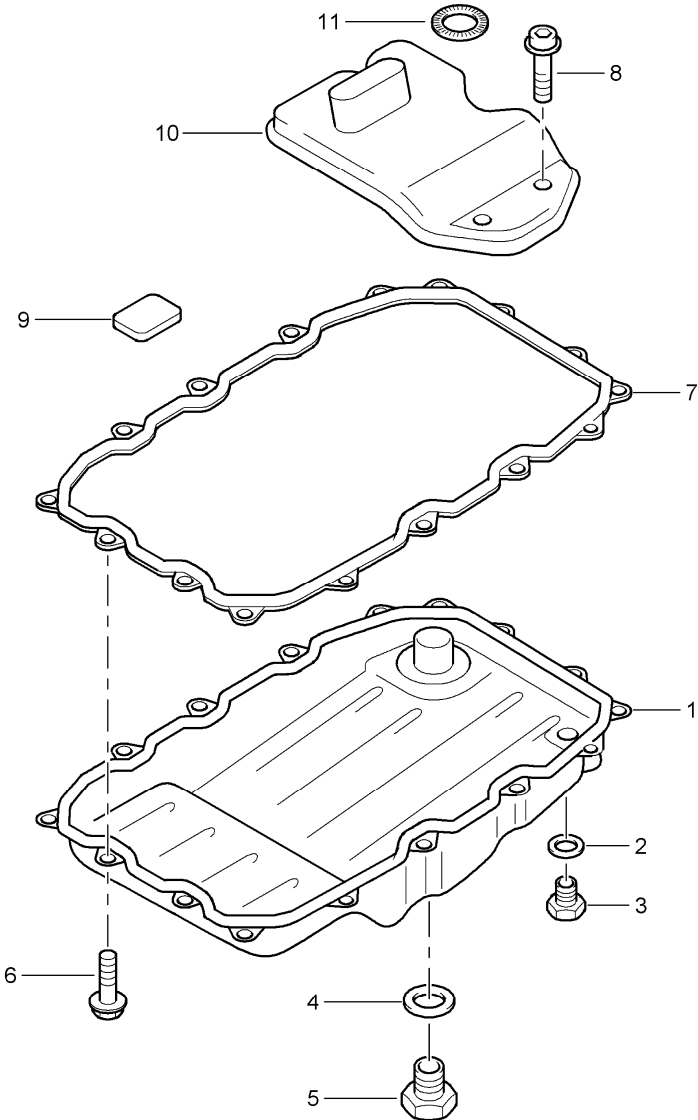
Pos	Part Number	Description	Remark	Qty	Model	Pos	Part Number	Description	Remark	Qty	Model
15	955 301 266 20	selector lever		1							
(15)	955 301 266 30	selector lever		1	ID50						
16	N 902 891 05	hexagon nut		1							
17	955 301 165 20	support		1							
(17)	955 301 165 30	support		1	ID50						
18	900 378 017 01	hexagon-head bolt M 8 X 20		2							
19	955 301 307 00	heat shield		1	ID5V/D5Z						
20	955 301 502 00	support for wiring harness		1							
21	N 011 006 32	hexagon nut M 6		1							
22	955 301 210 00	lid right	/R	1	ID5V/D5Z						
(22)	955 301 212 10	lid right	/R	1	ID5X						
(22)	955 301 212 20	lid right	/R	1	ID50						
23	955 301 210 00	lid left	/L	1	ID5V/D5Z						
(23)	955 301 212 00	lid left	/L	1	ID5X						
24	955 301 351 00	support bleeding		1	ID5V/D5Z						

Model	Year	MG	SG	Illustration	Restrictions	UPD	14:09	21.01.2010	PORSCHE	PET	PORSCHE
9PA1	2010	3	30	330-00		247					



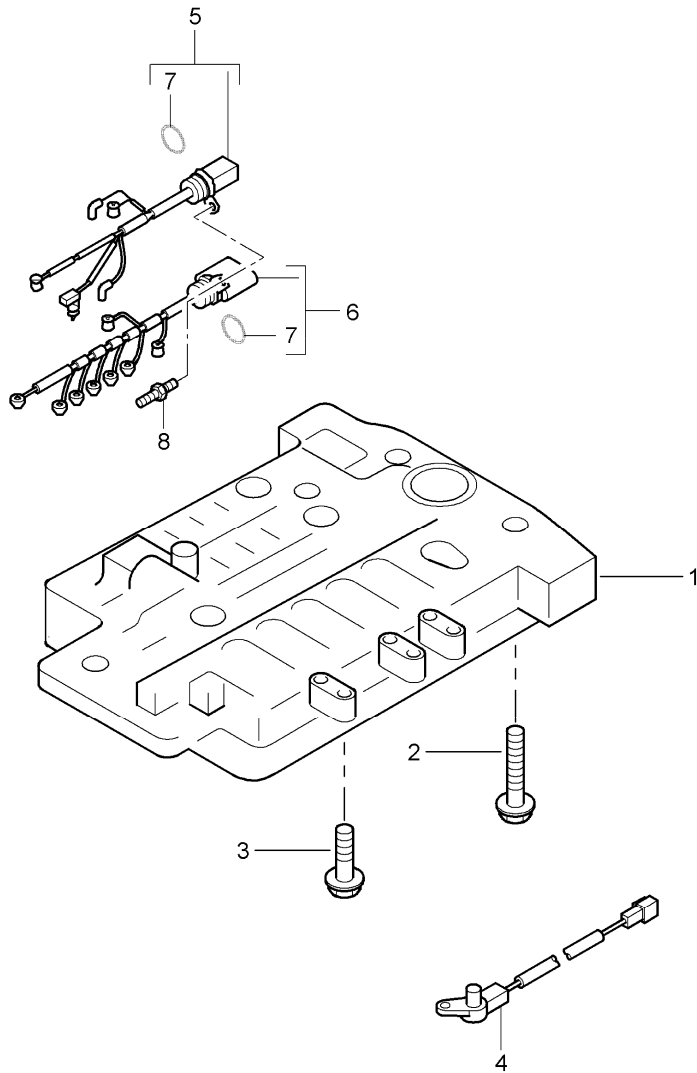
Pos	Part Number	Description	Remark	Qty	Model
		tiptronic torque converter drive plate			IGOR
1	955 316 001 03	torque converter		1	ID5V
(1)	955 316 001 52	torque converter		1	ID5Z
(1)	955 316 001 21	torque converter		1	ID5X
(1)	955 316 001 40	torque converter		1	ID50
2	955 116 075 52	drive plate		1	ID5V/D5Z
(2)		drive plate see illustrations 1/02/10		1	ID5X
(2)		drive plate see illustrations 1/02/20		1	ID50
3	N 910 425 01	pan-head screw M 10 X 1 X 23		6	ID5V/D5Z
(3)	N 906 916 01	pan-head screw M 10 X 1 X 17		3	ID5X
(3)	N 906 916 01	pan-head screw M 10 X 1 X 17		6	ID50
4	N 909 869 01	pan-head screw M 10 X 1 X 22		10	ID5V/D5Z
(4)		pan-head screw M 10 X 1 X 19 see illustrations 1/02/10		10	ID5X
(4)		pan-head screw M 10 X 1 X 19 see illustrations 1/02/20		10	ID50
5	955 321 243 02	radial shaft seal 43,65 x 62,1 x 7,7		1	

Model	Year	MG	SG	Illustration	Restrictions	UPD	14:09	21.01.2010	PORSCHE	PET	PORSCHE
9PA1	2010	3	40	340-01		247					



Pos	Part Number	Description	Remark	Qty	Model
		tiptronic oil filter oil pan			IGOR
1	955 321 025 01	oil pan		1	
2	955 321 181 01	sealing ring 16,7 X 11,9		1	
3	WHT 000 206 A	drain plug M 10 X 9		1	
4	955 321 379 00	sealing ring		1	
5	WHT 000 323 A	screw plug M 24 X 1,5 X 14		1	
6	WHT 000 326 A	hexagon-head bolt M 6 X 25		16	
7	955 397 016 00	oil sump gasket		1	
8	WHT 000 322	screw M 6 X 12		3	
9	955 321 368 00	magnet for oil pan		1	
10	955 307 403 01	oil filter		1	
11	955 325 443 00	gasket		1	

Model	Year	MG	SG	Illustration	Restrictions	UPD	14:16	21.01.2010	PORSCHE	PET	PORSCHE
9PA1	2010	3	40	340-02		247					

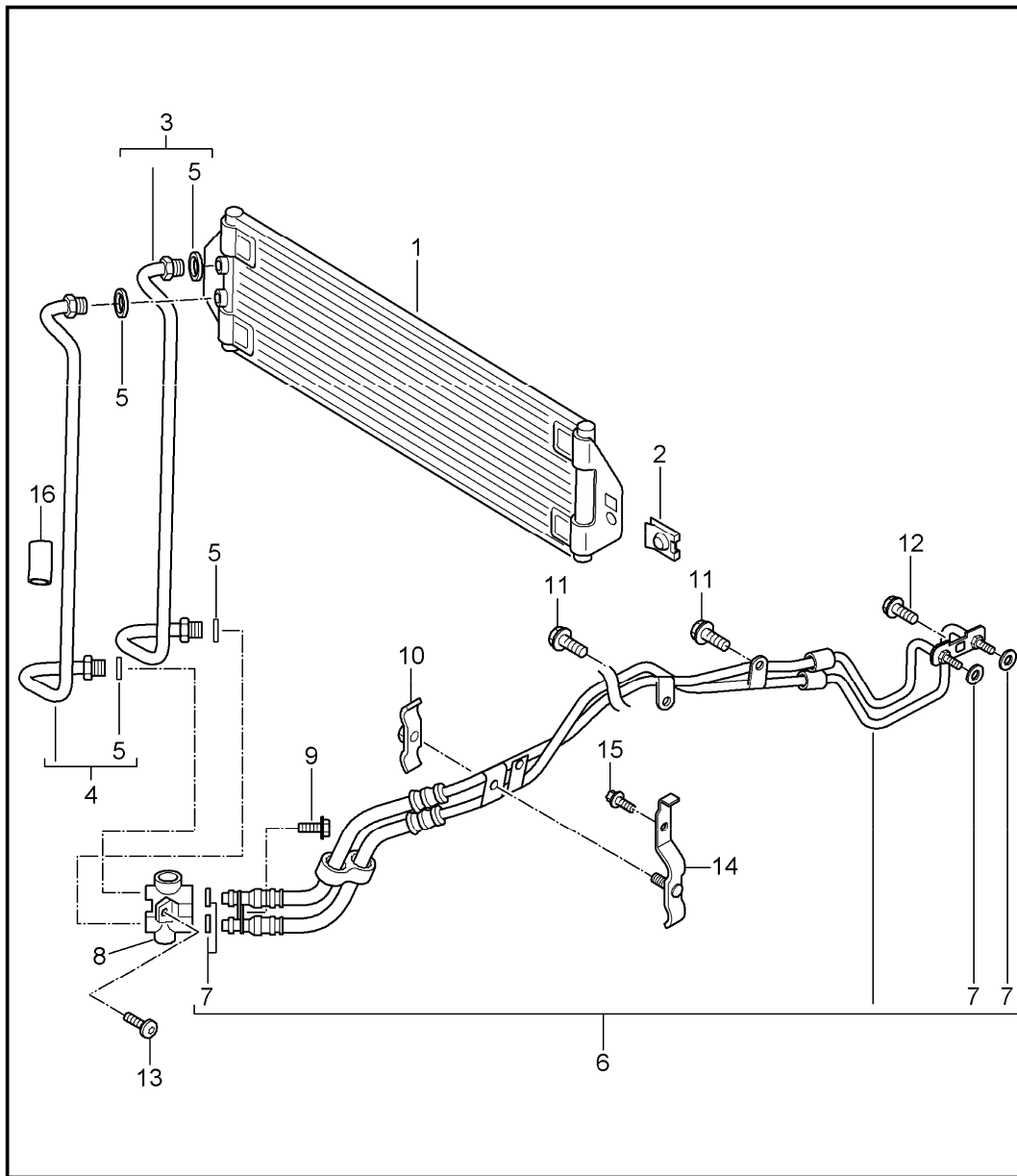


Pos	Part Number	Description	Remark	Qty	Model
		tiptronic switch unit			IGOR
1	955 325 039 12	switch unit for transmission classification letter JSN F >>9P8LA 26516 F >>9P8LA 26515		1	ID5X
(1)	955 325 039 13	switch unit for transmission classification letter KML F 9P8LA 26517>> F 9P8LA 26516>>		1	ID5X
(1)	955 325 039 20	switch unit for transmission classification letter KMB		1	ID50
(1)	955 325 039 15	switch unit for transmission classification letter JFD / KQW F >>9P8LA 52982 F >>9P8LA 73576 F >>9P8LA 52988 F >>9P8LA 73577		1	ID5V
(1)	955 325 039 20	switch unit for transmission classification letter KMM F 9P8LA 52983>> F 9P8LA 73577>> F 9P8LA 52989>> F 9P8LA 73578>>		1	ID5V
(1)	955 325 039 51	switch unit for transmission classification letter JFE F >>9P8LA 96403 F >>9P8LA 96436		1	ID5Z

Model	Year	MG	SG	Illustration	Restrictions	UPD	14:16	21.01.2010	PORSCHE	PET	PORSCHE
9PA1	2010	3	40	340-02		247					

Pos	Part Number	Description	Remark	Qty	Model	Pos	Part Number	Description	Remark	Qty	Model
(1)	955 325 039 52	switch unit for transmission classification letter KMN F 9P8LA 96404>> F 9P8LA 96437>>		1	ID5Z	(5)	955 325 363 03	wiring harness 6-pole F 9P8LA 26517>> F 9P8LA 26516>> F 9P8LA 52983>> F 9P8LA 73577>> F 9P8LA 52989>> F 9P8LA 73578>> F 9P8LA 96404>> F 9P8LA 96437>>		1	
2	WHT 000 321	hexagon-head bolt M 6 X 40		3							
3	WHT 000 324	screw M 6 X 28		11		6	955 325 363 12	wiring harness 14-pole		1	
4	955 606 321 01	inductive transmitter for output speed F >>9P8LA 26516 F >>9P8LA 26515 F >>9P8LA 52982 F >>9P8LA 73576 F >>9P8LA 52988 F >>9P8LA 73577 F >>9P8LA 96403 F >>9P8LA 96436		1		7	955 325 364 00	sealing ring 21,8 X 2,4		2	
(4)	955 606 321 02	inductive transmitter for output speed F 9P8LA 26517>> F 9P8LA 26516>> F 9P8LA 52983>> F 9P8LA 73577>> F 9P8LA 52989>> F 9P8LA 73578>> F 9P8LA 96404>> F 9P8LA 96437>>		1		8	WHT 000 320 A	hexagon-head bolt M 6 X 18 / M 6 X 10		1	
5	955 325 363 02	wiring harness 6-pole F >>9P8LA 26516 F >>9P8LA 26515 F >>9P8LA 52982 F >>9P8LA 73576 F >>9P8LA 52988 F >>9P8LA 73577 F >>9P8LA 96403 F >>9P8LA 96436		1							

Model	Year	MG	SG	Illustration	Restrictions	UPD	14:16	21.01.2010	PORSCHE	PET	PORSCHE
9PA1	2010	3	60	360-00		247					

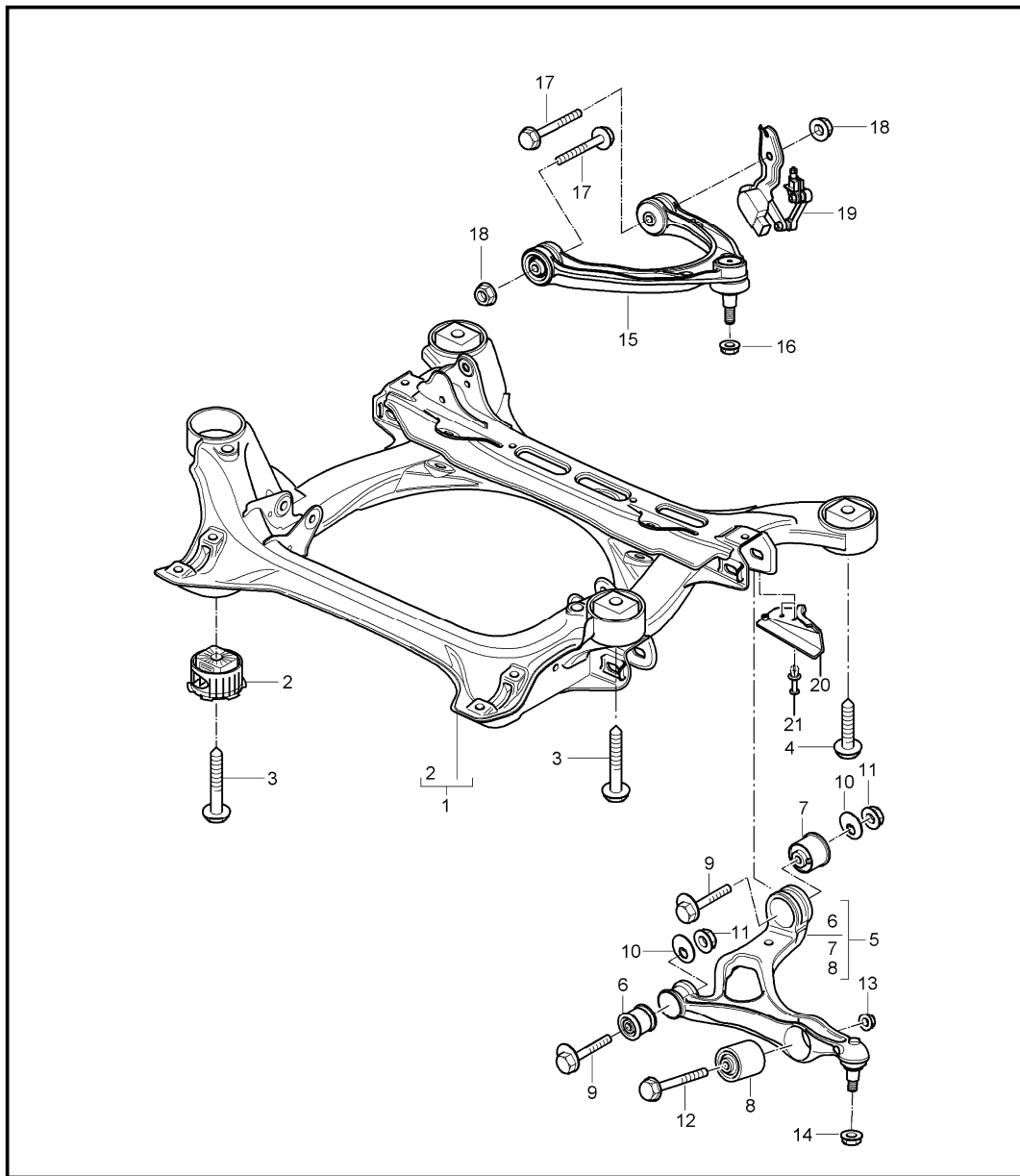


Pos	Part Number	Description	Remark	Qty	Model
		tiptronic atf cooler atf lines			IGOR
(1) A	955 307 017 02	atf cooler complete		1	ID5V/D5X
1	955 307 017 00	atf cooler		1	ID5V/D5X
(1)	955 307 017 01	atf cooler		1	ID5Z
(1)	955 307 017 00	atf cooler		1	ID50
2	N 012 648 3	lock washer 8		2	
3	955 307 172 02	oil pipe return line		1	ID5V/D5X
(3)	955 307 172 50	oil pipe return line		1	ID5Z
(3)	955 307 172 01	oil pipe return line		1	ID50
4	955 307 171 02	oil pipe supply		1	ID5V/D5X
(4)	955 307 171 50	oil pipe supply		1	ID5Z
(4)	955 307 171 01	oil pipe supply		1	ID50
5	955 307 292 00	o-ring 11,1 X 1,78		4	
6	955 307 073 21	oil pipe complete		1	ID5X
(6)	955 307 801 50	oil pipe supply		1	ID5V/D5Z
(6)	955 307 801 51	oil pipe return line		1	ID5V/D5Z
(6)	955 307 073 30	oil pipe complete		1	ID50
7	N 906 660 01	o-ring 11,5 X 3		4	
8	955 307 027 01	thermostat		1	ID5V/D5X
(8)	955 307 027 02	thermostat		1	ID5Z
(8)	955 307 027 01	thermostat		1	ID50

Model	Year	MG	SG	Illustration	Restrictions	UPD	14:16	21.01.2010	PORSCHE	PET	PORSCHE
9PA1	2010	3	60	360-00		247					

Pos	Part Number	Description	Remark	Qty	Model	Pos	Part Number	Description	Remark	Qty	Model
9	N 908 424 02	combination screw M 6 X 22		1							
10	955 307 211 01	support		1	ID5V/D5Z						
11	N 100 829 11	combination screw M 6 X 16		2	ID5X						
11	N 100 829 11	combination screw M 6 X 16		2	ID50						
(11)	N 100 829 11	combination screw M 6 X 16		1	ID5V/D5Z						
12	N 105 454 02	combination screw M 8 X 25		1							
13	N 104 514 04	lens-head screw M 6 X 16		1							
14	948 307 147 11	support		1	ID5V/D5Z						
15	900 385 041 01	torx screw BM 6 X 12		1	ID5V/D5Z						
16	N 107 225 01	spacer		1	ID50						

Model	Year	MG	SG	Illustration	Restrictions	UPD	14:16	21.01.2010	PORSCHE	PET	PORSCHE
9PA1	2010	4	01	401-00		247					



Pos	Part Number	Description	Remark	Qty	Model
		suspension subframe			
		wishbone			
		headlight levelling system		1	I1BA/1BW/8Q3
		self-levelling sensor		2	I1BH/1BK
1	955 341 030 18	suspension subframe F >>9P8LA 51871 F >>9P8LA 71822 F >>9P8LA 95514		1	I0AB
(1)	955 341 030 19	suspension subframe F 9P8LA 51872>> F 9P8LA 71823>> F 9P8LA 95515>>		1	I0AB
(1)	955 341 030 30	suspension subframe F >>9P8LA 51871 F >>9P8LA 71822 F >>9P8LA 95514		1	I0AW
(1)	955 341 030 31	suspension subframe F 9P8LA 51872>> F 9P8LA 71823>> F 9P8LA 95515>>		1	I0AW
2	955 341 133 01	bonded rubber mounting		4	
3	N 909 987 02	hexagon-head bolt M 14 X 1,5 X 150		2	
4	N 910 093 02	hexagon-head bolt M 14 X 1,5 X 120		2	
5	955 341 017 33	wishbone lower	/L	-08	1 I1LK
(5)	955 341 017 33	wishbone lower F >>9P8LA 34847	/L		1 IB0D/B0E/1LL IB0L/B0N/B0R IB0W/B1C/B1D IB1P/B1Q/B2G
(5)	955 341 017 61	wishbone lower F >>9P8LA 34847	/L		1 IB0M/1LL
(5)	955 341 017 61	wishbone lower F 9P8LA 34848>>	/L	-08	1 I1LL
(5)	955 341 017 61	wishbone lower	/L	-08	1 I1LP
(5)	955 341 017 61	wishbone lower	/L	-08	1 IE0W/1LM
(5)	955 341 017 61	wishbone lower	/L	-08	1 IE81/1LH

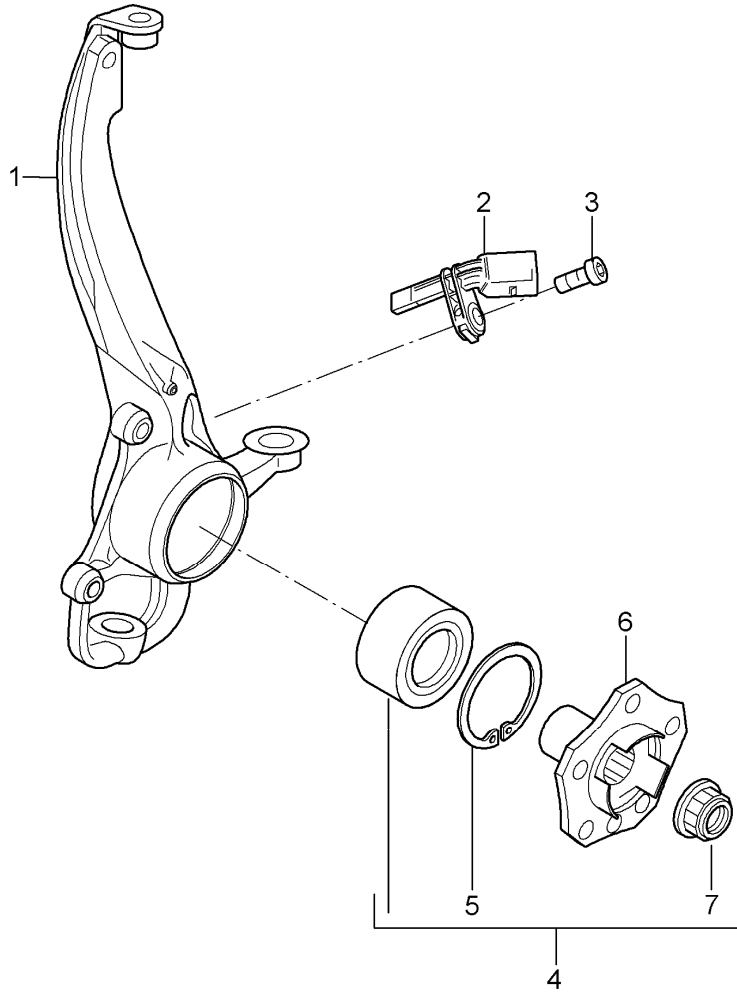
Model	Year	MG	SG	Illustration	Restrictions	UPD	14:16	21.01.2010	PORSCHE	PET	PORSCHE
9PA1	2010	4	01	401-00		247					

Pos	Part Number	Description	Remark	Qty	Model	Pos	Part Number	Description	Remark	Qty	Model
(5)	955 341 017 61	wishbone lower	/L 09-	1		(7)	955 341 242 61	hydraulic mount use for 955.341.017./018.61	-08	2	I1LP
(5)	955 341 018 33	wishbone lower	/R -08	1	I1LK						
(5)	955 341 018 33	wishbone lower F >>9P8LA 34847	/R	1	IB0D/B0E/1LL IB0L/B0N/B0R IB0W/B1C/B1D IB1P/B1Q/B2G	(7)	955 341 242 61	hydraulic mount use for 955.341.017./018.61	-08	2	IE0W/1LM
(5)	955 341 018 61	wishbone lower F >>9P8LA 34847	/R	1	IB0M/1LL	(7)	955 341 242 61	hydraulic mount use for 955.341.017./018.61	-08	2	IE81/1LH
(5)	955 341 018 61	wishbone lower F 9P8LA 34848>>	/R -08	1	I1LL	(7)	955 341 242 61	hydraulic mount use for 955.341.017./018.61	09-	2	
(5)	955 341 018 61	wishbone lower	/R -08	1	I1LP	8	955 343 243 01	suspension strut mounting		2	
(5)	955 341 018 61	wishbone lower	/R -08	1	IE0W/1LM	9	WHT 001 833	eccentric screw M 14 X 1,5 X 102		4	
(5)	955 341 018 61	wishbone lower	/R -08	1	IE81/1LH	10	WHT 001 796 A	eccentric washer		4	
(5)	955 341 018 61	wishbone lower	/R 09-	1		11	WHT 001 938	lock nut M 14 X 1,5		4	
6	955 341 588 10	link bearing		2		12	N 105 326 02	hexagon-head bolt M 14 X 1,5 X 102		2	
7	955 341 242 04	hydraulic mount use for 955.341.017./018.33	-08	2	I1LK	13	N 103 353 04	hexagon nut M 14 X 1,5		2	
(7)	955 341 242 04	hydraulic mount F >>9P8LA 34847 use for 955.341.017./018.33		2	IB0D/B0E/1LL IB0L/B0N/B0R IB0W/B1C/B1D IB1P/B1Q/B2G	14	N 909 771 01	hexagon nut M 14 X 1,5		2	
(7)	955 341 242 61	hydraulic mount F >>9P8LA 34847 use for 955.341.017./18.61		2	IB0M/1LL	15	955 341 027 02	wishbone upper		2	
(7)	955 341 242 61	hydraulic mount F 9P8LA 34848>> use for 955.341.017./018.61	-08	2	I1LL	16	N 909 413 01	hexagon nut M 12 X 1,5		2	
						17	N 102 902 06	hexagon-head bolt M 10 X 70		4	
						18	N 102 861 10	hexagon nut M 10		4	

Model	Year	MG	SG	Illustration	Restrictions	UPD	14:16	21.01.2010	PORSCHE	PET	PORSCHE
9PA1	2010	4	01	401-00		247					

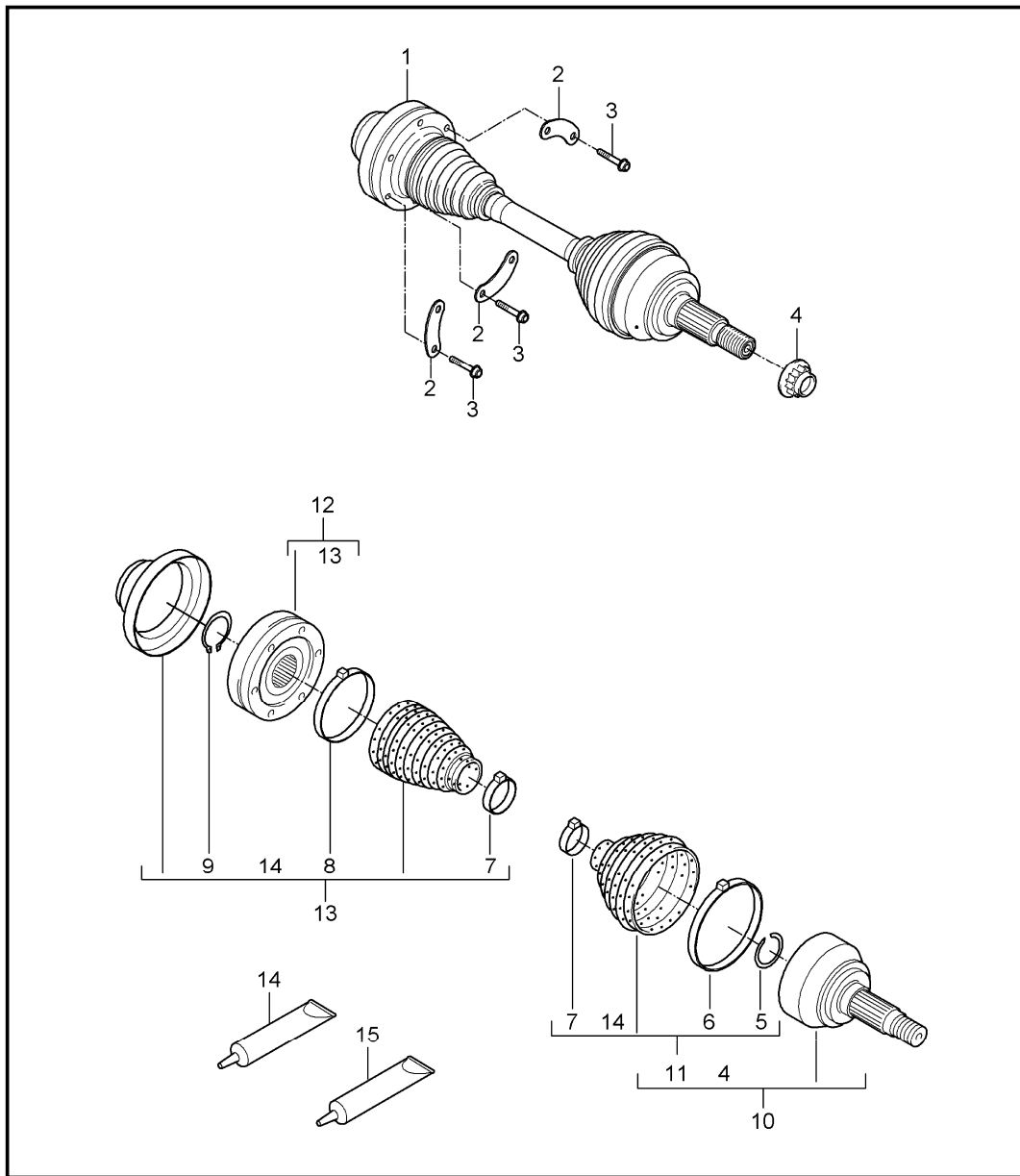
Pos	Part Number	Description	Remark	Qty	Model	Pos	Part Number	Description	Remark	Qty	Model
19	955 341 075 21	self-levelling sensor with linkage attention see technical manual 947801	/L	1	I1BA/1BW/8Q3						
(19)	955 341 075 21	self-levelling sensor with linkage	/L	1	I1BK						
(19)	955 341 075 21	self-levelling sensor with linkage beachten see technical manual 947801	/L	1	I1BH						
(19)	955 341 076 21	self-levelling sensor with linkage	/R	1	I1BK						
(19)	955 341 076 21	self-levelling sensor with linkage	/R	1	I1BH						
20	955 341 483 00	spoiler F 9P8LA 51872>> F 9P8LA 71823>> F 9P8LA 95515>>	/L	1	ID5V/D5Z						
(20)	955 341 484 00	spoiler F 9P8LA 51872>> F 9P8LA 71823>> F 9P8LA 95515>>	/R	1	ID5V/D5Z						
21	N 107 009 01	expansion rivet BD 4,5 X 11,5 F 9P8LA 51872>> F 9P8LA 71823>> F 9P8LA 95515>>		4	ID5V/D5Z						

Model	Year	MG	SG	Illustration	Restrictions	UPD	14:16	21.01.2010	PORSCHE	PET	PORSCHE
9PA1	2010	4	01	401-05		247					



Pos	Part Number	Description	Remark	Qty	Model
		pivot bearing wheel hub			
1	955 341 155 10	pivot bearing	/L	1	
(1)	955 341 156 10	pivot bearing	/R	1	
2	955 606 405 11	speed sensor	/L	1	
(2)	955 606 406 11	speed sensor	/R	1	
3	N 014 740 11	pan-head screw M 6 X 16		2	
4	955 341 901 00	repair kit angular-contact bearing use also: N .105.234.02 for mount drive shaft		2	
5	N 105 320 01	circlip 95 X 3		2	
6	955 341 605 11	wheel hub		2	
7	955 341 640 00	lock nut M 24		2	
-	000 043 204 21	grease spraying can 25 ML		1	

Model	Year	MG	SG	Illustration	Restrictions	UPD	14:16	21.01.2010	PORSCHE	PET	PORSCHE
9PA1	2010	4	01	401-10		247					

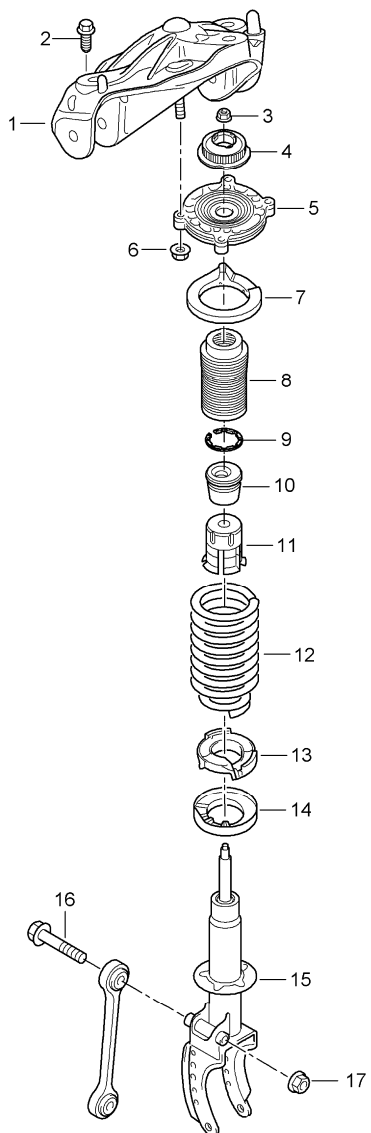


Pos	Part Number	Description	Remark	Qty	Model
1	955 349 038 12	drive shaft see Quick Information: 14/08		2	
(1)	955 349 038 13	drive shaft F 9P9LA 11921 F 9P9LA 20134 F 9PALA 30060 F 9P9LA 46803 F 9P9LA 66198 F 9P9LA 83403		2	
2	955 349 191 11	plate		6	
3	N 105 234 02	pan-head screw AM 10 X 52		12	
4	955 341 640 00	lock nut M 24 X 1,5		2	
5	N 909 908 01	circlip 27,5 X 2 F 9P9LA 11921 F 9P9LA 20134 F 9PALA 30060 F 9P9LA 46803 F 9P9LA 66198 F 9P9LA 83403		2	
(5)	N 910 923 01	circlip 29,5 X 2 F 9P9LA 11922>> F 9P9LA 20135>> F 9PALA 30061>> F 9P9LA 46804>> F 9P9LA 66199>> F 9P9LA 83404>>		2	
6	N 910 235 01	hose clamp 104,5 X 10 X 1		2	
7	N 908 240 01	hose clamp 34,5 X 10 X 0,8		4	
8	N 106 015 01	clamp 74,5 X 10 X 1		2	
9	N 012 374 1	circlip 28 X 1,5		2	

Model	Year	MG	SG	Illustration	Restrictions	UPD	14:16	21.01.2010	PORSCHE	PET	PORSCHE
9PA1	2010	4	01	401-10		247					

Pos	Part Number	Description	Remark	Qty	Model	Pos	Part Number	Description	Remark	Qty	Model
10	955 349 901 02	repair kit joint flange F >>9P9LA 11921 F >>9P9LA 20134 F >>9PALA 30060 F >>9P9LA 46803 F >>9P9LA 66198 F >>9P9LA 83403		2							
(10)	955 349 901 03	repair kit joint flange F 9P9LA 11922>> F 9P9LA 20135>> F 9PALA 30061>> F 9P9LA 46804>> F 9P9LA 66199>> F 9P9LA 83404>>		2							
11	955 349 904 00	repair kit dust bellows		2							
12	955 349 902 01	repair kit joint		2							
13	955 349 903 01	repair kit dust bellows		2							
14	955 349 110 00	grease drive shaft 1 tube 120 GR.		X							
15	000 043 020 00	optimoly 1 100-gramme tube		X							
(15)	000 043 205 36	sealing compound drive shaft 1 100-gramme tube		X							

Model	Year	MG	SG	Illustration	Restrictions	UPD	14:16	21.01.2010	PORSCHE	PET	PORSCHE
9PA1	2010	4	02	402-00		247					



Pos	Part Number	Description	Remark	Qty	Model
		suspension shock absorber strut bearing bracket			I1BA/1BH/1BW
1	955 343 015 21	bearing bracket		2	
2	N 910 400 02	combination screw AM 10 X 37		6	
3	N 909 664 02	hexagon nut M 12 X 1,5		2	
4	955 343 018 00	supporting mount		2	I1BA
(4)	955 333 019 00	supporting mount		2	I1BW
(4)	955 333 019 00	supporting mount		2	I1BH
5	955 343 071 10	concave support		2	
6	N 104 355 06	hexagon nut M 8		8	
7	955 343 528 00	concave washer upper		2	
8	955 343 505 00	boot		2	I1BA/1BW
(8)	955 343 505 20	boot		2	I1BH
9	955 343 535 00	retaining ring		2	I1BH
10	955 343 301 00	rubber stop		2	I1BA/1BW
(10)	955 343 301 30	rubber stop		2	I1BH
11	955 343 503 10	cap		2	I1BA/1BW
12	955 343 533 10	coil spring 1 set	-09	1	ID5X/0JA/1BA
	504	identification pure white Deer Brown			
(12)	955 343 533 11	coil spring 1 set	10-	1	ID5X/0JA/1BA
	504	identification Azure Blue pale orange pale orange			
(12)	955 343 533 20	coil spring 1 set	-09	1	ID5X/0JB/0JC IOJD/0JE/1BA

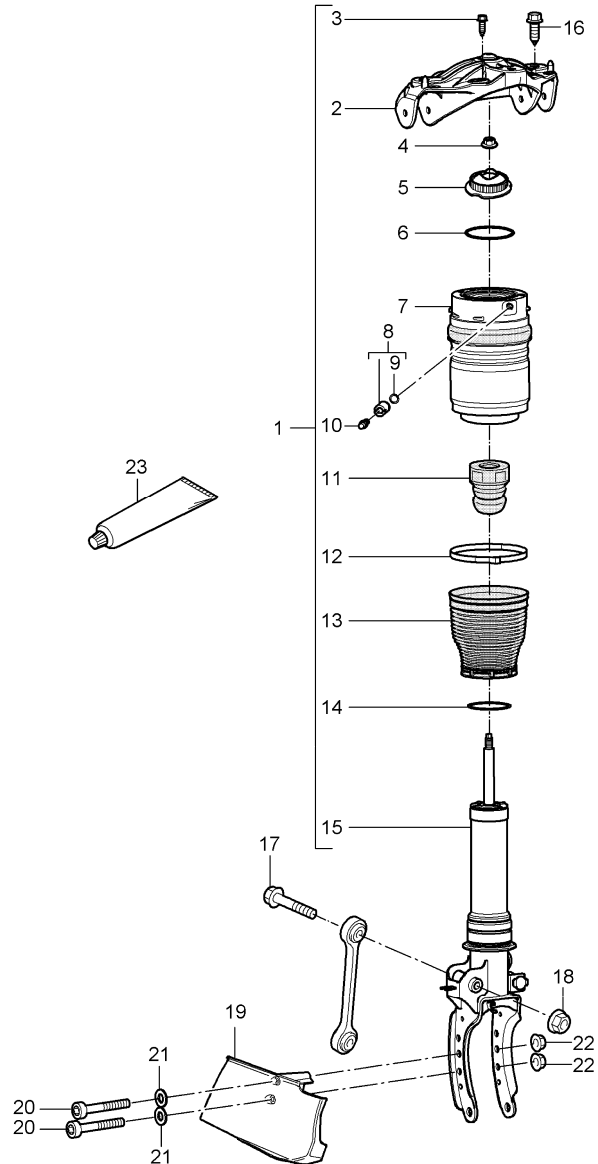
Model	Year	MG	SG	Illustration	Restrictions	UPD	14:16	21.01.2010	PORSCHE	PET	PORSCHE
9PA1	2010	4	02	402-00		247					

Pos	Part Number	Description	Remark	Qty	Model	Pos	Part Number	Description	Remark	Qty	Model
	504	identification pure white Deer Brown Deer Brown				(12)	955 343 533 41	coil spring 1 set	10-	1	ID5X/OJB/OJC I0JD/OJE/1BW
(12)	955 343 533 21	coil spring 1 set	10-	1	ID5X/OJB/OJC I0JD/OJE/1BA		504	identification Azure Blue yellow yellow			
	504	identification Azure Blue pale orange pale orange pale orange				(12)	955 343 533 50	coil spring 1 set	-09	1	ID5V/OJC/OJD I0JE/OJF/1BA
(12)	955 343 533 20	coil spring 1 set	-09	1	ID50/OJB/OJC I0JD/1BA		504	identification pure white Opal Green			
	504	identification pure white Deer Brown Deer Brown				(12)	955 343 533 51	coil spring 1 set	10-	1	ID5V/OJC/OJD I0JE/OJF/1BA
(12)	955 343 533 21	coil spring 1 set	10-	1	ID50/OJB/OJC I0JD/1BA		504	identification Azure Blue Fire Red			
	504	identification Azure Blue pale orange pale orange pale orange				(12)	955 343 533 60	coil spring 1 set	-09	1	ID5V/OJG/1BA
(12)	955 343 533 30	coil spring 1 set	-09	1	ID5X/OJA/1BW		504	identification pure white Opal Green Opal Green			
	504	identification pure white yellow-green				(12)	955 343 533 61	coil spring 1 set	10-	1	ID5V/OJG/1BA
(12)	955 343 533 31	coil spring 1 set	10-	1	ID5X/OJA/1BW		504	identification Azure Blue Fire Red Fire Red			
	504	identification Azure Blue yellow				(12)	955 343 533 70	coil spring 1 set	-09	1	ID5V/OJC/OJD I0JE/OJF/1BW
(12)	955 343 533 40	coil spring 1 set	-09	1	ID5X/OJB/OJC I0JD/OJE/1BW		504	identification pure white Fire Red			
	504	identification pure white yellow-green yellow-green				(12)	955 343 533 71	coil spring 1 set	10-	1	ID5V/OJC/OJD I0JE/OJF/1BW

Model	Year	MG	SG	Illustration	Restrictions	UPD	14:16	21.01.2010	PORSCHE	PET	PORSCHE
9PA1	2010	4	02	402-00		247					

Pos	Part Number	Description	Remark	Qty	Model	Pos	Part Number	Description	Remark	Qty	Model
	504	identification Azure Blue yellow yellow yellow				(14)	955 343 525 30	compensating plate lower black		2	I1BH
(12)	955 343 533 80	coil spring 1 set	-09	1	ID5V/0JG/1BW	(14)	955 343 525 10	compensating plate lower blue		2	I1BA/1BW
	504	identification pure white Fire Red Fire Red				(14)	955 343 525 40	compensating plate lower blue		2	I1BH
(12)	955 343 533 81	coil spring 1 set	10-	1	ID5V/0JG/1BW	(14)	955 343 525 20	compensating plate lower beige		2	I1BA/1BW
	504	identification Azure Blue pale orange				(14)	955 343 525 50	compensating plate lower beige		2	I1BH
(12)	955 343 533 90	coil spring 1 set		1	ID5V/0JC/0JD I0JE/0JF/1BH	15	955 343 043 40	shock absorber	/L	1	ID5V/D5X/1BA
	504	identification Zinc Yellow				(15)	955 343 043 40	shock absorber	/L	1	ID50/1BA
(12)	955 343 533 95	coil spring 1 set		1	ID5V/0JG/1BH	(15)	955 343 043 50	shock absorber	/L	1	ID5V/D5X/1BW
	504	identification Zinc Yellow Zinc Yellow				(15)	955 343 043 70	shock absorber	/L	1	ID5V/1BH
(12)	955 343 534 00	coil spring 1 set		1	ID50/0JE/0JF I0JG/1BA	(15)	955 343 044 40	shock absorber	/R	1	ID5V/D5X/1BA
	504	identification pure white Opal Green Opal Green Opal Green				(15)	955 343 044 40	shock absorber	/R	1	ID50/1BA
13	955 343 527 00	concave washer lower		2	I1BA/1BW	(15)	955 343 044 50	shock absorber	/R	1	ID5V/D5X/1BW
(13)	955 343 528 00	concave washer lower		2	I1BH	(15)	955 343 044 70	shock absorber	/R	1	ID5V/1BH
14	955 343 525 00	compensating plate lower black		2	I1BA/1BW	16	N 105 760 02	hexagon-head bolt M 12 X 1,5 X 125		2	
						17	N 104 029 04	hexagon nut M 12 X 1,5		2	

Model	Year	MG	SG	Illustration	Restrictions	UPD	14:17	21.01.2010	PORSCHE	PET	PORSCHE
9PA1	2010	4	02	402-02		247					



Pos	Part Number	Description	Remark	Qty	Model
		suspension spring strut			I1BK
1	A 955 358 039 00	spring strut complete see workshop manual group 4 43-01	/L	1	ID5X
(1)	955 358 039 01	spring strut complete see workshop manual group 4 43-01	/L	1	ID5X
(1)	955 358 039 01	spring strut complete see workshop manual group 4 43-01	/L	1	ID50
(1)	A 955 358 039 10	spring strut complete see workshop manual group 4 43-01	/L	1	ID5V/D5Z
(1)	955 358 039 11	spring strut complete see workshop manual group 4 43-01	/L	1	ID5V/D5Z
(1)	A 955 358 040 00	spring strut complete see workshop manual group 4 43-01	/R	1	ID5X
(1)	955 358 040 01	spring strut complete see workshop manual group 4 43-01	/R	1	ID5X
(1)	955 358 040 01	spring strut complete see workshop manual group 4 43-01	/R	1	ID50
(1)	A 955 358 040 10	spring strut complete see workshop manual group 4 43-01	/R	1	ID5V/D5Z

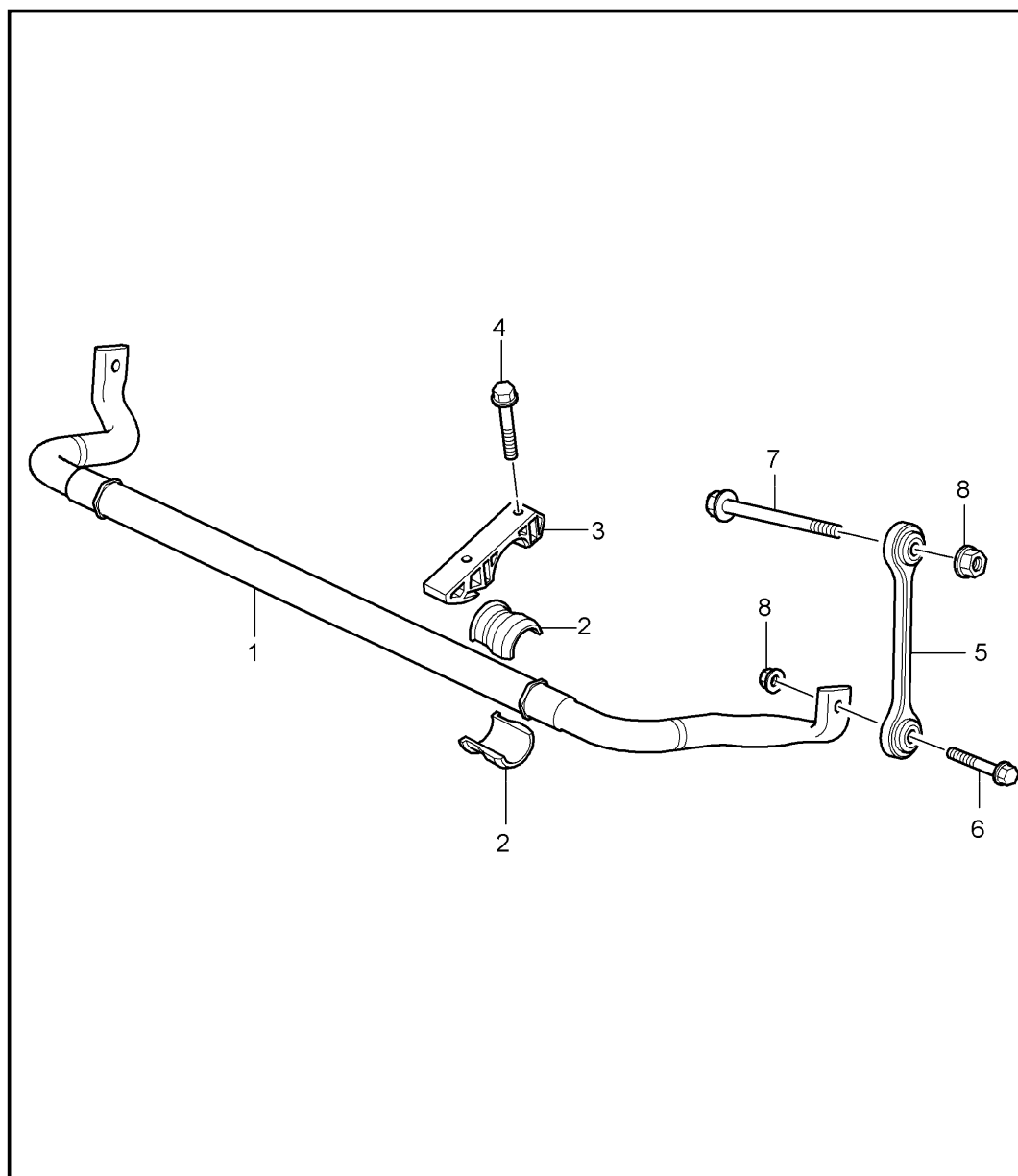
Model	Year	MG	SG	Illustration	Restrictions	UPD	14:17	21.01.2010	PORSCHE	PET	PORSCHE
9PA1	2010	4	02	402-02		247					

Pos	Part Number	Description	Remark	Qty	Model	Pos	Part Number	Description	Remark	Qty	Model	
(1)	955 358 040 11	spring strut complete see workshop manual group 4 43-01	/R	1	ID5V/D5Z	-	N 904 142 01	screw plug M 10 X 1 see workshop manual group 4 43-36		X		
2	955 343 015 31	bearing bracket		2		-	000 043 300 57	cleaning agent see workshop manual group 4 43-36		X		
3	N 101 277 07	hexagon-head bolt M 8 X 26		8								
4	N 909 664 02	hexagon nut M 12 X 1,5		2		-	000 043 300 58	Preservative see workshop manual group 4 43-36		X		
5	955 343 018 10	supporting mount		2								
6	N 910 956 01	sealing ring 96 x 4		2		9	955 358 722 00	sealing ring 8 x 1,5		2		
7	955 358 403 20	air spring	/L	-08	1	10	955 358 541 00	push-on connector air tube		2		
(7)	955 358 403 21	air spring	/L	09-	1	11	955 343 301 10	rubber stop		2		
(7)	955 358 403 21	air spring	/L		1	12	955 358 725 00	clamp		2		
(7) A	955 358 403 30	air spring	/L		1	13	955 343 505 10	bellows		2		
(7)	955 358 403 31	air spring	/L		1	14	N 904 324 02	sealing ring 70 x 4		2		
(7)	955 358 404 20	air spring	/R	-08	1	15	955 343 043 60	shock absorber	/L	1		
(7)	955 358 404 21	air spring	/R	09-	1	(15)	955 343 044 60	shock absorber	/R	1		
(7) A	955 358 404 30	air spring	/R		1	16	N 910 400 02	combination screw AM 10 x 37		6		
(7)	955 358 404 31	air spring	/R		1	17	N 105 760 02	hexagon-head bolt M 12 X 1,5 X 125		2		
8 A	955 358 720 00	pressure holding valve with sealing ring see workshop manual group 4 43-36		2		18	N 104 029 04	hexagon nut M 12 X 1,5		2		
(8)	955 358 720 02	pressure holding valve with sealing ring see workshop manual group 4 43-36		2		19	955 351 117 00	air duct	/L	-08	1	I1LP
						19	955 351 117 00	air duct	/L	-08	1	IE81/1LH
						(19)	955 351 117 00	air duct	/L	09-	1	I1LH/1LX
						(19)	955 351 118 00	air duct	/R	-08	1	I1LP
						(19)	955 351 118 00	air duct	/R	-08	1	IE81/1LH
						(19)	955 351 118 00	air duct	/R	09-	1	I1LH/1LX

Model	Year	MG	SG	Illustration	Restrictions	UPD	14:17	21.01.2010	PORSCHE	PET	PORSCHE
9PA1	2010	4	02	402-02		247					

Pos	Part Number	Description	Remark	Qty	Model	Pos	Part Number	Description	Remark	Qty	Model
20	N 105 475 02	torx screw BM 6 X 80 X 37	-08	4	I1LP						
(20)	N 105 475 02	torx screw BM 6 X 80 X 37	-08	4	IE81/1LH						
(20)	N 105 475 02	torx screw BM 6 X 80 X 37	09-	4	I1LH/1LX						
21	N 104 048 06	washer 6,4 X 12 X 1,6	-08	4	I1LP						
(21)	N 104 048 06	washer 6,4 X 12 X 1,6	-08	4	IE81/1LH						
(21)	N 104 048 06	washer 6,4 X 12 X 1,6	09-	4	I1LH/1LX						
22	N 102 058 02	hexagon nut M 6	-08	4	I1LP						
(22)	N 102 058 02	hexagon nut M 6	-08	4	IE81/1LH						
(22)	N 102 058 02	hexagon nut M 6	09-	4	I1LH/1LX						
23	000 043 204 68	grease Syntheso Glep 1 1 50-g tube		1							

Model	Year	MG	SG	Illustration	Restrictions	UPD	14:17	21.01.2010	PORSCHE	PET	PORSCHE
9PA1	2010	4	02	402-05		247					

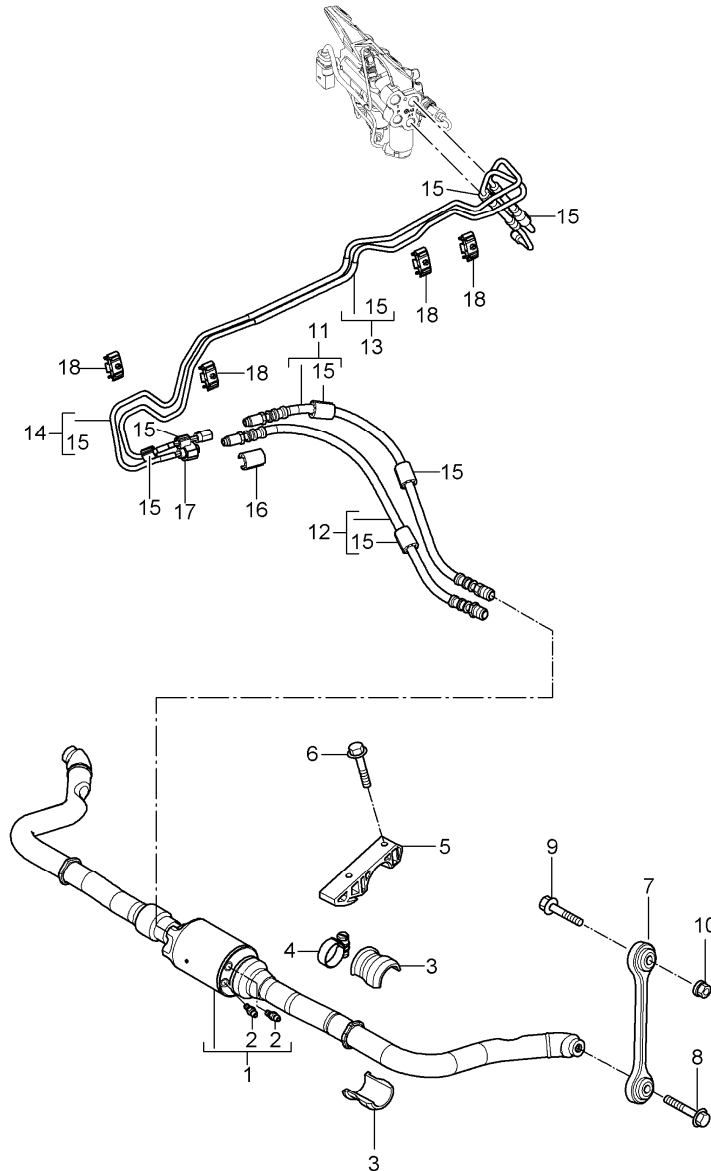


Pos	Part Number	Description	Remark	Qty	Model
		stabiliser			I0AB
1	955 343 701 50	stabiliser 37,00 MM identification yellow		1	ID5V/D5Z/1BK
(1)	955 343 701 60	stabiliser 38,00 MM identification orange		1	ID5V/E0W/E1T I1BK
(1)	955 343 701 60	stabiliser 38,00 MM identification orange		1	ID5X/1BA/1BK
(1)	955 343 701 70	stabiliser 38,00 MM identification green		1	ID5X/1BW
(1)	955 343 701 70	stabiliser 38,00 MM identification green		1	ID5V/1BA/1BW
(1)	955 343 701 70	stabiliser 38,00 MM identification green		1	ID50
(1)	955 343 701 80	stabiliser 38,00 MM identification brown		1	ID5V/1BH
2	955 343 792 50	stabiliser mounting 35,90 MM identification yellow		4	ID5V/D5Z/1BK
(2)	955 343 792 61	stabiliser mounting 36,80 MM identification orange green brown		4	ID5V/E0W/E1T I1BK
(2)	955 343 792 61	stabiliser mounting 36,80 MM identification orange green brown		4	ID5X

Model	Year	MG	SG	Illustration	Restrictions	UPD	14:17	21.01.2010	PORSCHE	PET	PORSCHE
9PA1	2010	4	02	402-05		247					

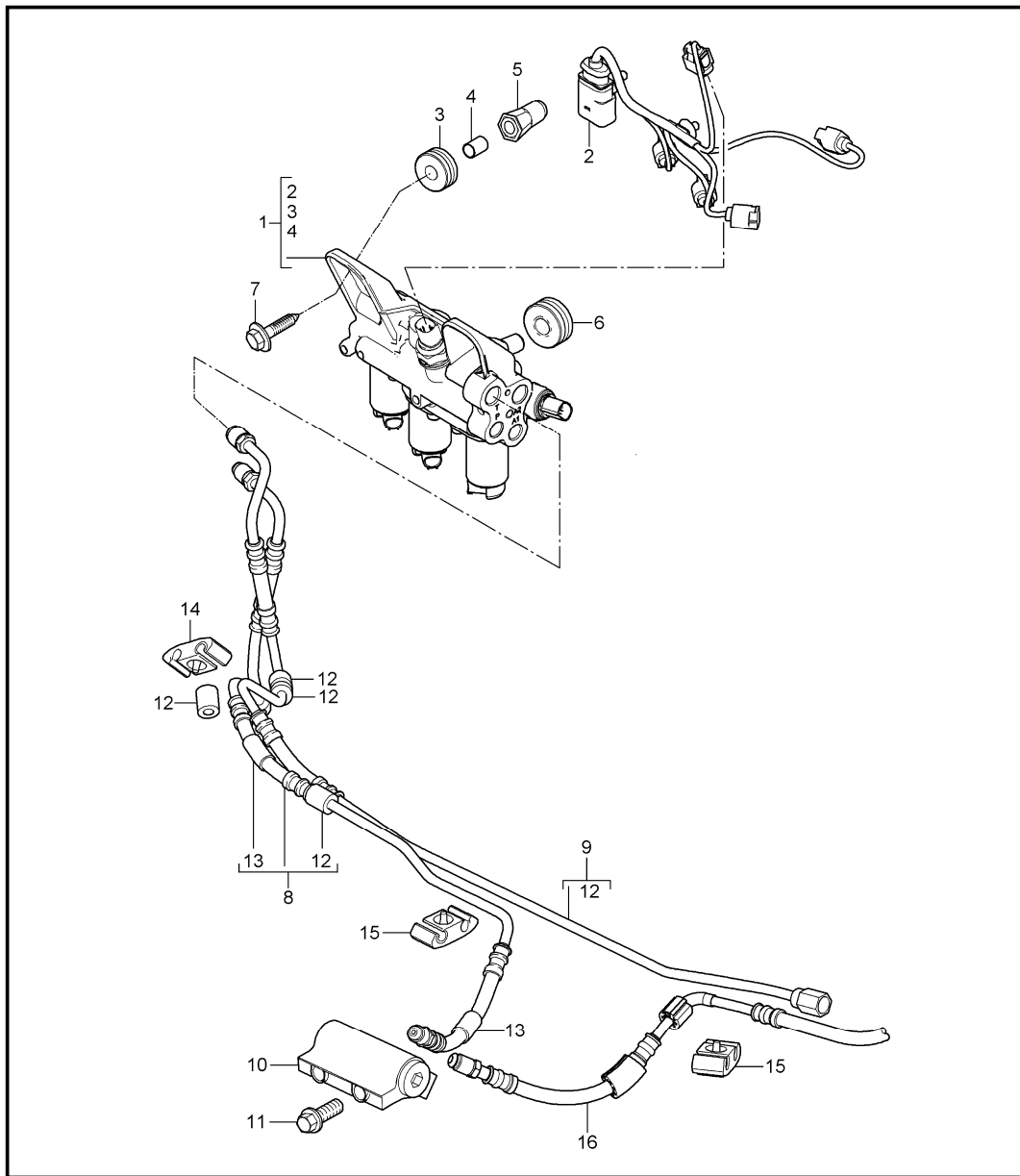
Pos	Part Number	Description	Remark	Qty	Model	Pos	Part Number	Description	Remark	Qty	Model
(2)	955 343 792 61	stabiliser mounting 36,80 MM identification orange green brown		4	ID5V/1BA/1BW						
(2)	955 343 792 61	stabiliser mounting 36,80 MM identification orange green brown		4	ID50						
(2)	955 343 792 61	stabiliser mounting 36,80 MM orange green brown		4	ID5V/1BH						
3	955 343 777 11	clip		2							
4	N 104 253 02	hexagon-head bolt M 10 X 62 X 45		4							
5	955 343 069 00	stabiliser mounting		2							
6	N 105 668 03	hexagon-head bolt M 12 X 1,5 X 60		2							
7	N 105 760 02	hexagon-head bolt M 12 X 1,5 X 125		2							
8	N 104 029 04	hexagon nut M 12 X 1,5		4							

Model	Year	MG	SG	Illustration	Restrictions	UPD	14:17	21.01.2010	PORSCHE	PET	PORSCHE
9PA1	2010	4	02	402-06		247					



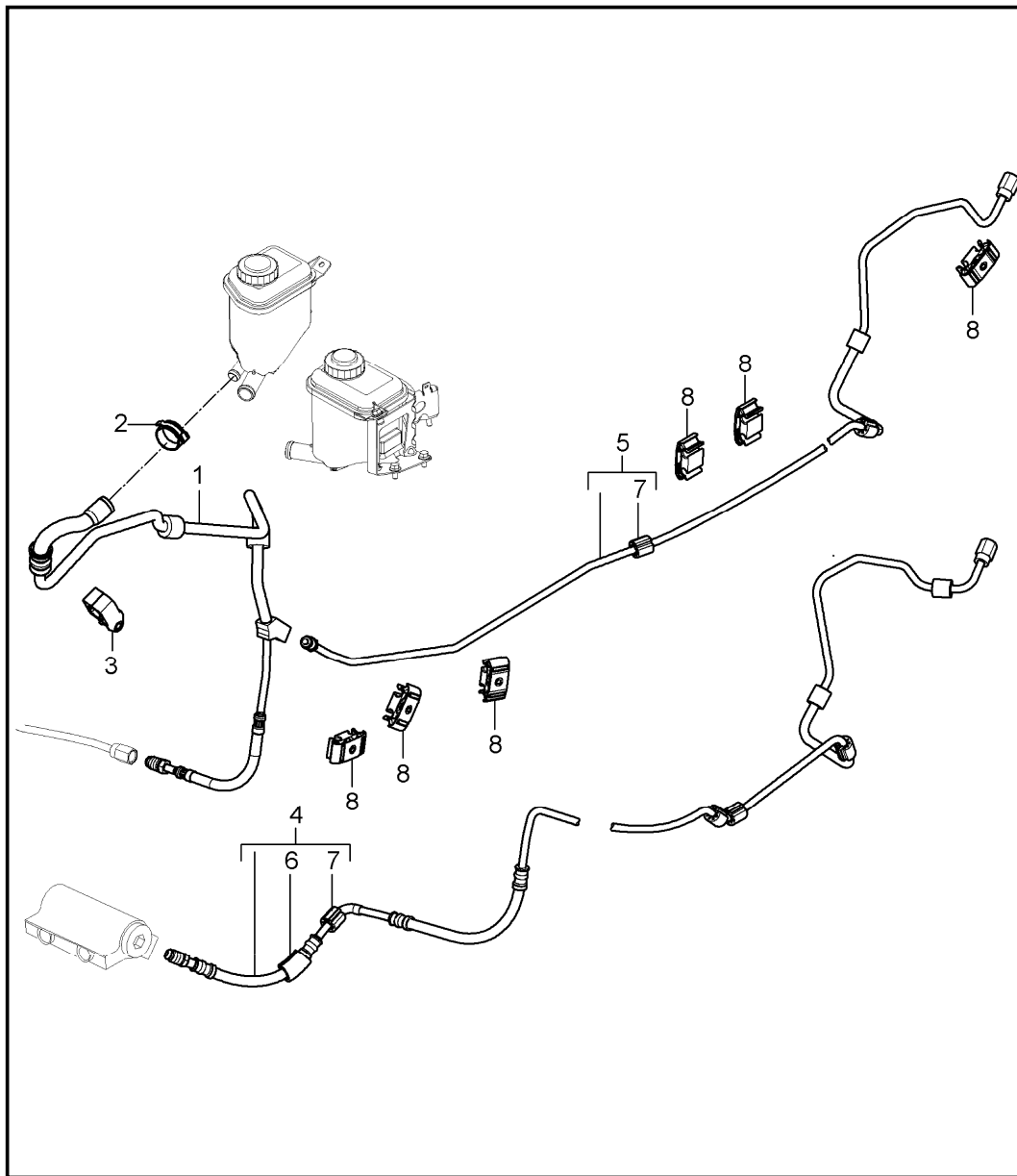
Pos	Part Number	Description	Remark	Qty	Model
		stabiliser			IOAW
1	955 343 703 00	stabiliser		1	
2	955 343 902 00	ventilation valve		2	
3	955 343 793 00	stabiliser mounting		4	
4	N 107 168 01	hose clamp B1 55 X 20		2	
5	955 343 777 11	clip		2	
6	N 104 253 02	hexagon-head bolt M 10 X 62 X 45		4	
7	955 343 069 10	stabiliser mounting		2	
8	N 106 121 02	hexagon-head bolt M 12 X 1,5 X 50		2	
9	N 105 760 02	hexagon-head bolt M 12 X 1,5 X 125		2	
10	N 104 029 04	hexagon nut M 12 X 1,5		2	
11	A 955 359 111 00	hose line		1	
(11)	A 955 359 111 01	hose line		1	
(11)	U 955 359 111 02	hose line		1	
(11)	955 359 111 03	hose line		1	
12	A 955 359 112 00	hose line		1	
(12)	955 359 112 01	hose line	-08	1	
(12)	955 359 112 02	hose line	09-	1	
13	955 359 113 00	hose line	-08	1	
(13)	955 359 113 01	hose line	09-	1	
14	955 359 114 00	hose line	-08	1	
(14)	955 359 114 01	hose line	09-	1	
15	N 107 225 01	spacer		7	
16	N 107 225 01	spacer		1	
17	N 107 278 01	spacer		1	
18	955 359 510 00	line bracket		4	

Model	Year	MG	SG	Illustration	Restrictions	UPD	14:17	21.01.2010	PORSCHE	PET	PORSCHE
9PA1	2010	4	02	402-07		247					



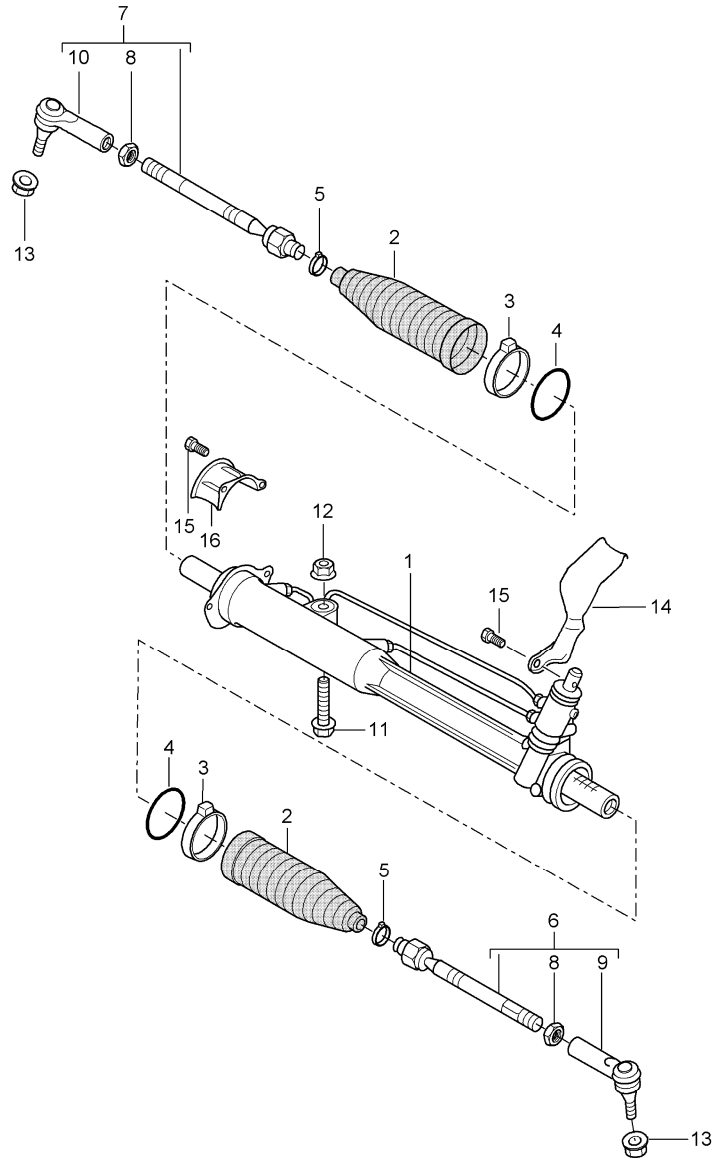
Pos	Part Number	Description	Remark	Qty	Model
		stabiliser Valve block distributor pressure line			IOAW
1	U 955 359 030 00	Valve block		1	
(1)	955 359 030 01	Valve block		1	
2	955 612 214 00	wiring harness		1	
3	964 356 635 00	rubber mounting		2	
4	955 343 633 00	bearing sleeve		2	
5	N 902 631 04	blind rivet nut M 6		2	
6	964 356 635 00	rubber mounting		1	
7	N 106 998 01	hexagon-head bolt M 6 X 35		2	
8	955 359 115 00	pressure line	-08	1	
(8)	955 359 115 01	pressure line	09-	1	
9	955 359 116 00	return line	-08	1	
(9)	955 359 116 01	return line	09-	1	
10	U 955 359 231 00	distributor to use 955.359.231.01 955.359.125.02 955.359.125.12	-08	1	
(10)	955 359 231 01	distributor	09-	1	ID5X ID5V/D5Z
11	N 904 407 06	hexagon-head bolt M 6 X 15		2	
12	N 107 224 01	spacer		4	
13	N 107 225 01	spacer		2	
14	955 359 510 00	line bracket		1	
15	955 359 513 00	line bracket		2	
16		pressure line see illustrations 4/02/08		1	

Model	Year	MG	SG	Illustration	Restrictions	UPD	14:17	21.01.2010	PORSCHE	PET	PORSCHE
9PA1	2010	4	02	402-08		247					



Pos	Part Number	Description	Remark	Qty	Model
		stabiliser pressure line return line underbody			IOAW
1	955 359 117 00	return line		1	
2	955 347 569 00	hose clamp 21 X 12		1	
3	955 359 509 00	line bracket		1	
4	A 955 359 119 00	pressure line		1	
(4)	955 359 119 01	pressure line		1	
5	A 955 359 120 00	return line		1	
(5)	955 359 120 01	return line		1	
6	N 107 225 01	spacer		1	
7	N 107 224 01	spacer		15	
8	955 359 510 00	line bracket		6	

Model	Year	MG	SG	Illustration	Restrictions	UPD	14:18	21.01.2010	PORSCHE	PET	PORSCHE
9PA1	2010	4	03	403-00		247					

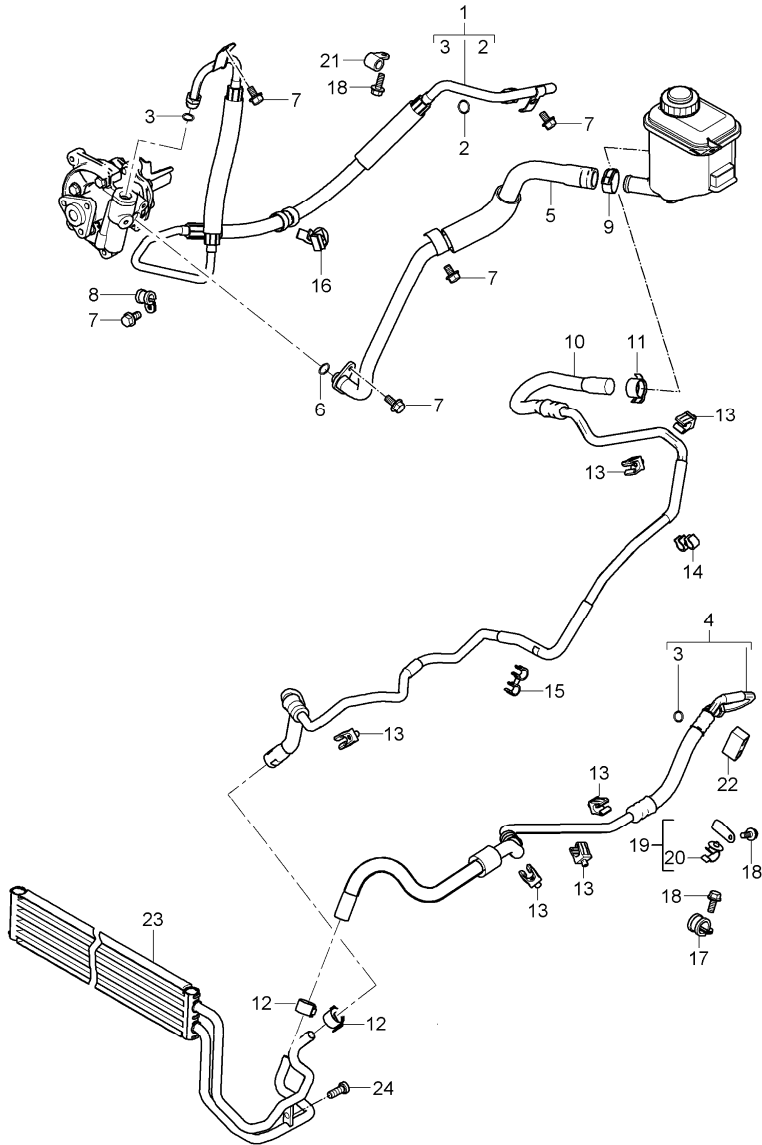


Pos	Part Number	Description	Remark	Qty	Model
1	955 347 011 14	power steering steering gear steering parts	/LL	-08	I1N1
(1)	955 347 011 20	steering gear power steering	/LL	09-	I1N1
(1)	955 347 011 17	steering gear servotronic	/LL	-08	I1N3
(1)	955 347 011 30	steering gear servotronic	/LL	09-	I1N3
(1)	955 347 012 16	steering gear power steering	/RL	-08	I1N1
(1)	955 347 012 20	steering gear power steering	/RL	09-	I1N1
(1)	955 347 012 19	steering gear servotronic	/RL	-08	I1N3
(1)	955 347 012 30	steering gear servotronic	/RL	09-	I1N3
2	955 347 191 10	bellows		2	
3	N 105 517 01	hose clamp		2	
4	N 901 809 02	o-ring		2	
5	955 347 645 00	clip		2	
6	955 347 031 22	tie rod with ball joint	/L	-08	1
(6)	955 347 031 22	tie rod with ball joint	/L	09-	ID5V/D5X
(6)	955 347 031 22	tie rod with ball joint	/L	09-	ID50
(6)	955 347 031 50	tie rod with ball joint	/L	-08	IE81
(6)	955 347 031 50	tie rod with ball joint	/L	09-	ID5Z

Model	Year	MG	SG	Illustration	Restrictions	UPD	14:18	21.01.2010	PORSCHE	PET	PORSCHE
9PA1	2010	4	03	403-00		247					

Pos	Part Number	Description	Remark	Qty	Model	Pos	Part Number	Description	Remark	Qty	Model
7	955 347 032 22	tie rod with ball joint	/R	-08	1	16	955 347 203 00	heat protection bellows		1	
(7)	955 347 032 22	tie rod with ball joint	/R	09-	1	ID5V/D5X					
(7)	955 347 032 22	tie rod with ball joint	/R	09-	1	ID50					
(7)	955 347 032 50	tie rod with ball joint	/R	-08	1	IE81					
(7)	955 347 032 50	tie rod with ball joint	/R	09-	1	ID5Z					
8	N 011 164 18	hexagon nut M 16 X 1,5		-08	2						
(8)	N 011 164 18	hexagon nut M 16 X 1,5		09-	2	ID5V/D5X					
(8)	N 011 164 18	hexagon nut M 16 X 1,5		09-	2	ID50					
(8)	955 347 341 00	hexagon nut M 16 X 1,5		-08	2	IE81					
(8)	955 347 341 00	hexagon nut M 16 X 1,5		09-	2	ID5Z					
9	955 347 131 22	ball joint	/L		1						
10	955 347 132 22	ball joint	/R		1						
11	N 104 280 02	hexagon-head bolt M 12 X 1,5 X 80			2						
12	N 104 029 04	hexagon nut M 12 X 1,5			2						
13	N 909 771 01	hexagon nut M 14 X 1,5			2						
14	955 347 201 01	heat protection	/LL		1	ID5V/D5Z					
(14)	955 347 201 01	heat protection	/LL	09-	1	ID50					
(14)	955 347 202 10	heat protection	/RL		1						
15	N 106 532 01	hexagon-head bolt M 6 X 16			4						

Model	Year	MG	SG	Illustration	Restrictions	UPD	14:18	21.01.2010	PORSCHE	PET	PORSCHE
9PA1	2010	4	03	403-01		247					

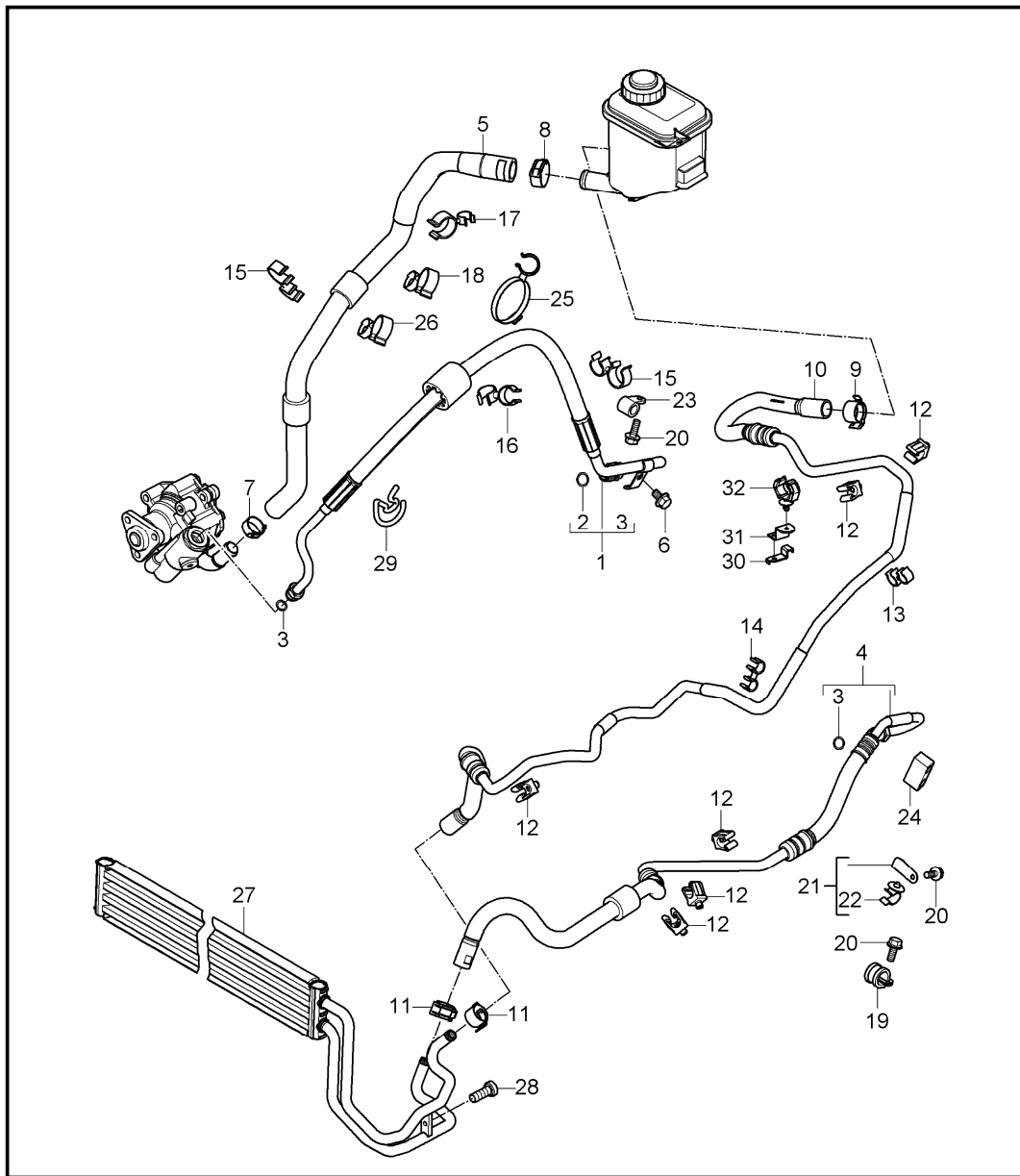


Pos	Part Number	Description	Remark	Qty	Model
		power steering lines oil cooler differing parts for -PDCC- see illustrations 4/03/10			ID5V/D5Z
1	955 347 451 20	pressure line steering gear power-steering pump	/LL	1	IOAB
(1)	955 347 452 20	pressure line steering gear power-steering pump	/RL	1	IOAB
2	955 347 542 00	o-ring 9,25 X 1,78		1	IOAB
3	955 347 543 00	o-ring 7,65 X 1,63		1	IOAB
4	955 347 449 00	return line steering gear oil cooler	/LL	1	
(4)	955 347 450 10	return line steering gear oil cooler	/RL	1	
5	955 347 442 10	intake pipe oil tank power-steering pump		1	IOAB
6	N 909 816 01	o-ring 15,8 X 2,4		1	IOAB
7	N 101 563 07	hexagon-head bolt M 6 X 12		6	IOAB
8	N 020 651 5	clamp 10 X 15	-08	1	
(8)	N 020 651 7	clamp 10 X 15	09-	1	
9	N 906 870 01	hose clamp B 27 X 12		1	
10	955 347 439 10	return line oil tank oil cooler		1	
11	955 347 569 00	hose clamp 21 X 12		1	

Model	Year	MG	SG	Illustration	Restrictions	UPD	14:18	21.01.2010	PORSCHE	PET	PORSCHE
9PA1	2010	4	03	403-01		247					

Pos	Part Number	Description	Remark	Qty	Model	Pos	Part Number	Description	Remark	Qty	Model
12	N 909 264 01	hose clamp B 19 X 12		2							
13	N 909 435 01	hose holder 12 MM		6							
14	955 347 575 00	line bracket return line refrigerant line		1							
15	955 347 577 00	line bracket return line refrigerant line		1							
16	955 347 576 00	line bracket pressure line front-axle final drive	/LL	1	I0AB						
(16)	N 106 367 01	hose holder pressure line front-axle final drive	/RL	1	I0AB						
17	N 020 640 5	clamp 18 X 15	/RL	1							
18	N 904 407 06	hexagon-head bolt M 6 X 15	/RL	3							
19	955 347 423 00	support	/RL	1							
20	N 106 491 01	line bracket	/RL	1							
21	N 020 601 4	clamp 12 X 15	/RL	-08	1						
(21)	N 020 601 5	clamp 12 X 15	/RL	09-	1						
22	N 107 197 01	line bracket C 12 X 12	/RL	1							
23	955 347 069 03	oil cooler power steering		1							
24	N 104 514 04	lens-head screw M 6 X 16		1							

Model	Year	MG	SG	Illustration	Restrictions	UPD	14:18	21.01.2010	PORSCHE	PET	PORSCHE
9PA1	2010	4	03	403-02		247					

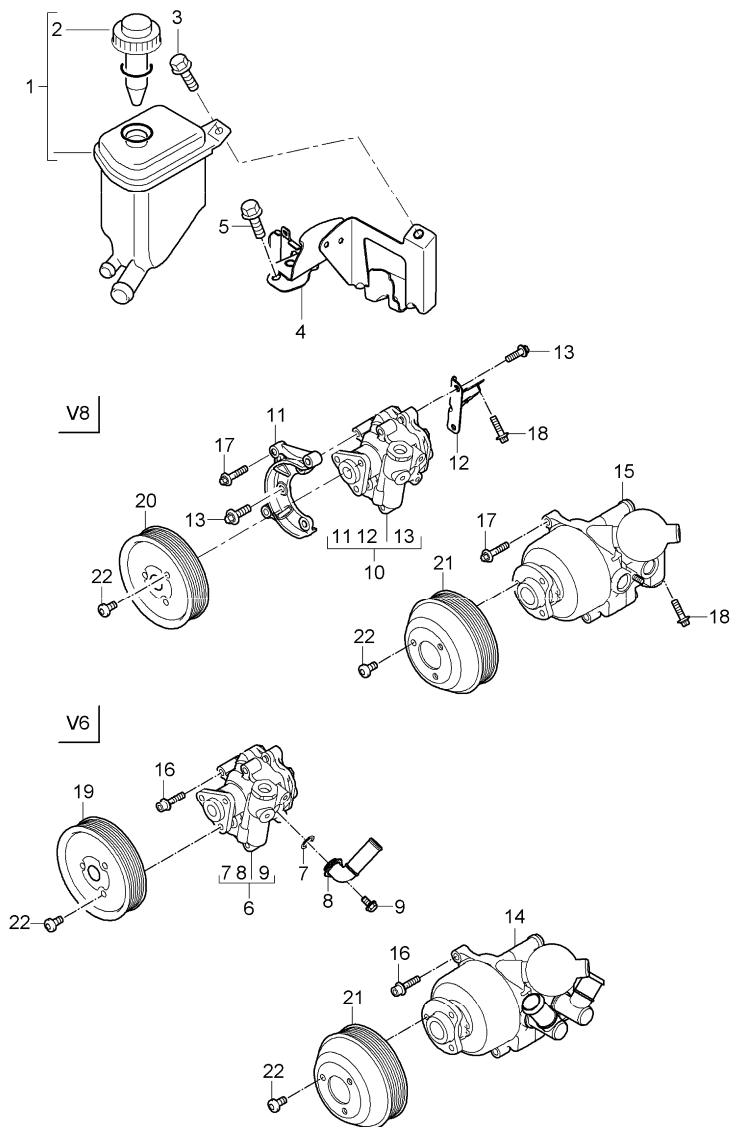


Pos	Part Number	Description	Remark	Qty	Model
		power steering lines oil cooler differing parts for -PDCC- see illustrations 4/03/15			ID5X/D50
1	955 347 451 12	pressure line steering gear power-steering pump	/LL	1	I0AB
(1)	955 347 452 30	pressure line steering gear power-steering pump	/RL	1	I0AB
(1)	955 347 451 70	pressure line steering gear power-steering pump	/LL	1	ID50/0AB
(1)	955 347 452 70	pressure line steering gear power-steering pump	/RL	1	ID50/0AB
2	955 347 542 00	o-ring 9,25 X 1,78		1	I0AB
3	955 347 543 00	o-ring 7,65 X 1,63		1	I0AB
(3)	WHT 002 666	o-ring 9,8 X 2,5		1	ID50/0AB
-	N 107 188 01	hexagon-head bolt M 6 X 16 mount pressure line steering gear power-steering pump		2	ID50/0AB
4	955 347 449 00	return line steering gear oil cooler	/LL	1	
(4)	955 347 449 10	return line steering gear oil cooler	/LL	1	ID50/0AB
(4)	955 347 450 10	return line steering gear oil cooler	/RL	1	
(4)	955 347 450 20	return line steering gear oil cooler	/RL	1	ID50/0AB

Model	Year	MG	SG	Illustration	Restrictions	UPD	14:18	21.01.2010	PORSCHE	PET	PORSCHE
9PA1	2010	4	03	403-02		247					

Pos	Part Number	Description	Remark	Qty	Model	Pos	Part Number	Description	Remark	Qty	Model
5	955 347 443 03	suction hose oil tank power-steering pump		1	I0AB	19	N 020 640 5	clamp 18 X 15	/RL	1	
(5)	955 347 443 20	suction hose oil tank power-steering pump		1	ID50/0AB	(19)	N 020 651 7	clamp 10 X 15	/RL	1	ID50/0AB
6	N 101 563 07	hexagon-head bolt M 6 X 12	/LL	1	I0AB	20	N 904 407 06	hexagon-head bolt M 6 X 15	/RL	3	
7	N 906 869 01	hose clamp B 23 X 12		1	I0AB	21	955 347 423 00	support	/RL	1	
8	N 906 870 01	hose clamp B 27 X 12		1		22	N 106 491 01	line bracket	/RL	1	
9	955 347 569 00	hose clamp 21 X 12		1		22	N 106 368 01	hose holder	/RL	1	ID50/0AB
(9)	N 909 264 01	hose clamp 19 X 12		1	ID50/0AB	23	N 020 601 4	clamp 12 X 15	/RL	-08 1	
10	955 347 439 10	return line oil tank oil cooler		1		(23)	N 020 601 5	clamp 12 X 15	/RL	09- 1	
(10)	955 347 439 20	return line oil tank oil cooler		1	ID50/0AB	24	N 107 197 01	line bracket C 12 X 12	/RL	1	
11	N 909 264 01	hose clamp B 19 X 12		2		25	N 106 367 01	hose holder	/RL	1	
12	N 909 435 01	hose holder 12 MM		6		26	N 106 842 01	line bracket	/RL	1	
13	955 347 575 00	line bracket return line refrigerant line		1	I9AH	27	955 347 069 03	oil cooler power steering		1	ID5X
14	955 347 577 00	line bracket return line refrigerant line		1	I9AH	(27)	955 347 069 10	oil cooler power steering		1	ID50
15	N 104 421 01	hose holder	/LL	2	I0AB	28	N 104 514 04	lens-head screw M 6 X 16		1	
(15)	N 909 435 01	hose holder 12 MM	/RL	1	ID50/0AB	29	955 347 526 00	support		1	ID50/0AB
16	N 104 711 01	hose holder	/LL	1	I0AB	30	955 106 479 00	support		1	ID50/0AB
17	N 102 752 01	line bracket		1	I0AB/9AB/9AD	31	955 347 464 00	support		1	ID50/0AB
18	N 106 816 01	line bracket		1	I9AH	32	955 347 687 00	line bracket		1	ID50/0AB

Model	Year	MG	SG	Illustration	Restrictions	UPD	14:18	21.01.2010	PORSCHE	PET	PORSCHE
9PA1	2010	4	03	403-03		247					

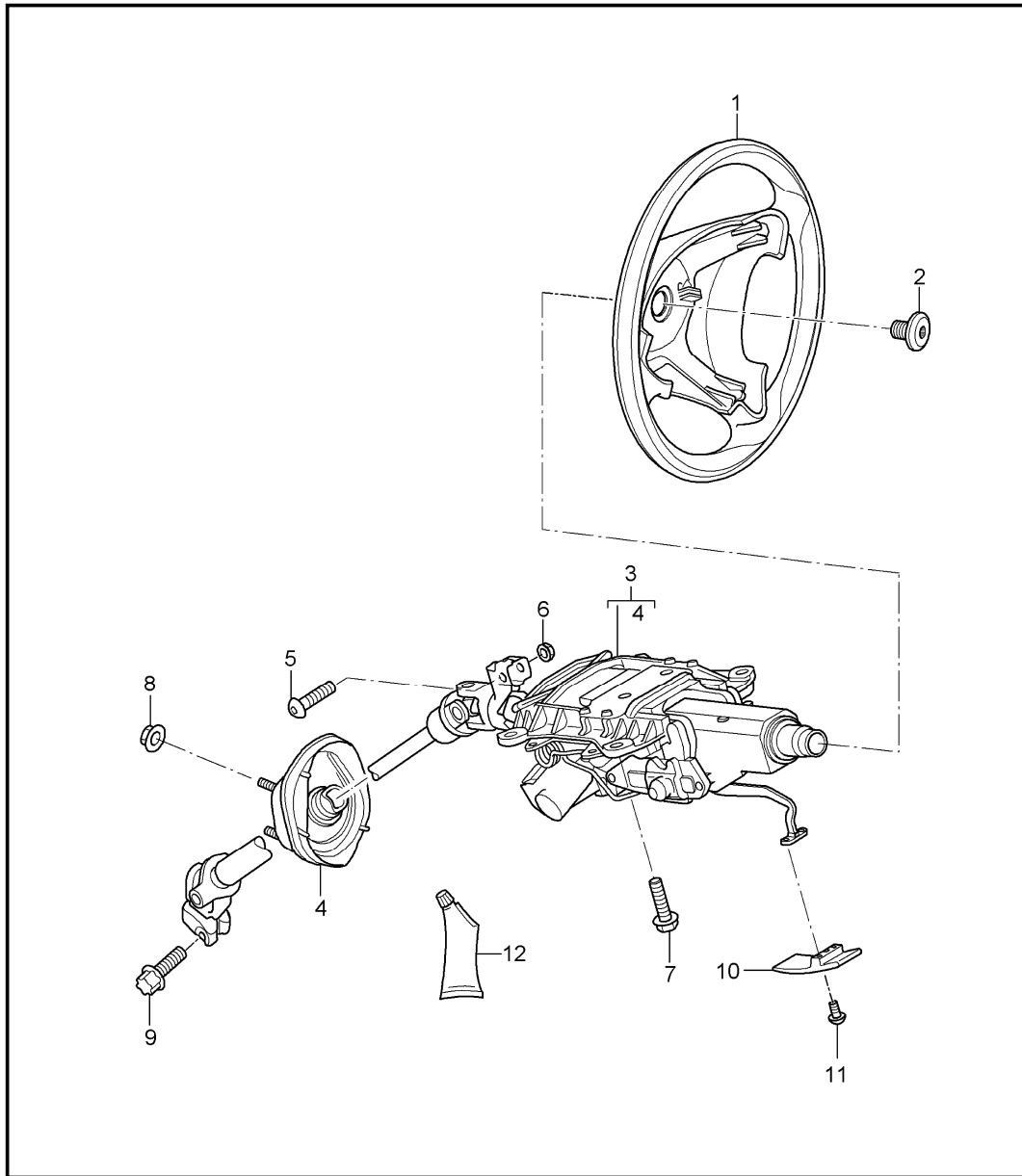


Pos	Part Number	Description	Remark	Qty	Model
		power steering power-steering pump tandem pump oil tank			I0AB I0AW
1	955 314 015 20	oil tank power steering		1	
(1)	955 314 015 30	oil tank power steering		1	ID50
2	955 314 145 00	threaded cover oil tank		1	
3	N 101 563 10	hexagon-head bolt M 6 X 12		1	
4	955 314 210 20	support		1	
5	N 101 563 07	hexagon-head bolt M 6 X 12		3	
6	955 314 050 04	power-steering pump	-08	1	ID5X/0AB
(6)	955 314 050 05	power-steering pump	09-	1	ID5X/0AB
(6)	955 314 050 20	power-steering pump		1	ID50
7	N 909 816 01	o-ring 15,8 X 2,4		1	ID5X/0AB
8	955 314 157 00	intake connection		1	ID5X/0AB
9	N 101 563 07	hexagon-head bolt M 6 X 12		1	ID5X/0AB
10	955 314 050 10	power-steering pump	-08	1	ID5V/D5Z/0AB
(10)	955 314 050 11	power-steering pump	09-	1	ID5V/D5Z/0AB
11	955 314 431 00	adapter		1	ID5V/D5Z/0AB
12	955 314 363 00	support	-08	1	ID5V/D5Z/0AB
(12)	955 314 363 01	support	09-	1	ID5V/D5Z/0AB
13	900 385 098 01	torx screw BM 8 X 25		5	ID5V/D5Z/0AB
14	A 955 314 022 00	tandem pump		1	ID5X/0AW
(14)	955 314 022 01	tandem pump		1	ID5X/0AW
15	955 314 022 11	tandem pump F >>9P8LA 53012 F >>9P8LA 73883 F >>9P8LA 96526		1	ID5V/D5Z/0AW

Model	Year	MG	SG	Illustration	Restrictions	UPD	14:18	21.01.2010	PORSCHE	PET	PORSCHE
9PA1	2010	4	03	403-03		247					

Pos	Part Number	Description	Remark	Qty	Model	Pos	Part Number	Description	Remark	Qty	Model
(15)	955 314 022 12	tandem pump F 9P8LA 53013>> F 9P8LA 73884>> F 9P8LA 96527>>		1	ID5V/D5Z/0AW						
16	N 106 730 01	pan-head screw M 8 X 40		3	ID5X						
(16)	N 911 287 01	pan-head screw M 8 X 32		3	ID50						
17	900 385 042 01	torx screw BM 8 X 35		3	ID5V/D5Z						
18	900 385 001 01	torx screw BM 8 X 20		1	ID5V/D5Z						
19	955 147 219 00	pulley		1	ID5X/0AB						
(19)	955 147 219 10	pulley		1	ID50						
20	948 147 019 01	pulley		1	ID5V/D5Z/0AB						
21	955 147 219 20	pulley		1	I0AW						
22	999 073 104 01	torx screw M 8 X 16		3							
(22)	N 910 522 01	pan-head screw M 8 X 12		3	ID50						
-	000 043 206 56	pentosin CHF 202 1 LITER		X							

Model	Year	MG	SG	Illustration	Restrictions	UPD	14:18	21.01.2010	PORSCHE	PET	PORSCHE
9PA1	2010	4	03	403-05		247					



Pos	Part Number	Description	Remark	Qty	Model
		steering wheels steering column steering shaft			
1	955 347 804 01	steering wheel leather		1	I2PM
	5Z3	black			
	6P1	stone grey			
	6Q2	havanna			
	4P8	sand beige			
(1)	955 347 804 90	steering wheel leather	08	1	IEOW/2PM
	5Z3	black			
	6P1	stone grey			
	6Q2	havanna			
	4P8	sand beige			
(1)	955 347 804 90	steering wheel leather	09-	1	I1MV
	5Z3	black			
	6P1	stone grey			
	6Q2	havanna			
	4P8	sand beige			
(1)	955 347 804 11	steering wheel leather heated		1	I2PH
	5Z3	black			
	6P1	stone grey			
	6Q2	havanna			
	4P8	sand beige			
(1)	955 347 804 70	steering wheel leather heated	08	1	IEOW/2PH
	5Z3	black			
	6P1	stone grey			

Model	Year	MG	SG	Illustration	Restrictions	UPD	14:18	21.01.2010	PORSCHE	PET	PORSCHE
9PA1	2010	4	03	403-05		247					

Pos	Part Number	Description	Remark	Qty	Model	Pos	Part Number	Description	Remark	Qty	Model
	6Q2	havanna					6Q2	havanna			
	4P8	sand beige					4P8	sand beige			
(1)	955 347 804 70	steering wheel leather heated	09-	1	I1MW	(1)	955 347 804 95	steering wheel leather multi-function	09-	1	I1MV/4LC
	5Z3	black					5Z3	black			
	6P1	stone grey					6P1	stone grey			
	6Q2	havanna					6Q2	havanna			
	4P8	sand beige					4P8	sand beige			
(1)	955 347 805 00	steering wheel leather two-colour heated	09-	1	I1MD	(1)	955 347 805 10	steering wheel leather two-colour heated multi-function	09-	1	I1MD/4LC
	ZMA	Black/Havanna					ZMA	Black/Havanna			
	ZMB	Black/Steel Grey					ZMB	Black/Steel Grey			
(1)	955 347 804 21	steering wheel leather multi-function	-08	1	I2PM/4LB/4LC	(1)	955 347 804 31	steering wheel leather heated multi-function	-08	1	I2PH/4LB/4LC
	5Z3	black					5Z3	black			
	6P1	stone grey					6P1	stone grey			
	6Q2	havanna					6Q2	havanna			
	4P8	sand beige					4P8	sand beige			
(1)	955 347 804 21	steering wheel leather multi-function	09-	1	I2PM/4LC	(1)	955 347 804 31	steering wheel leather heated multi-function	09-	1	I2PH/4LC
	5Z3	black					5Z3	black			
	6P1	stone grey					6P1	stone grey			
	6Q2	havanna					6Q2	havanna			
	4P8	sand beige					4P8	sand beige			
(1)	955 347 804 95	steering wheel leather multi-function	08	1	I2PM/4LB/4LC IEOW	(1)	955 347 804 80	steering wheel leather heated multi-function	08	1	I2PH/4LB/4LC IEOW
	5Z3	black									
	6P1	stone grey									

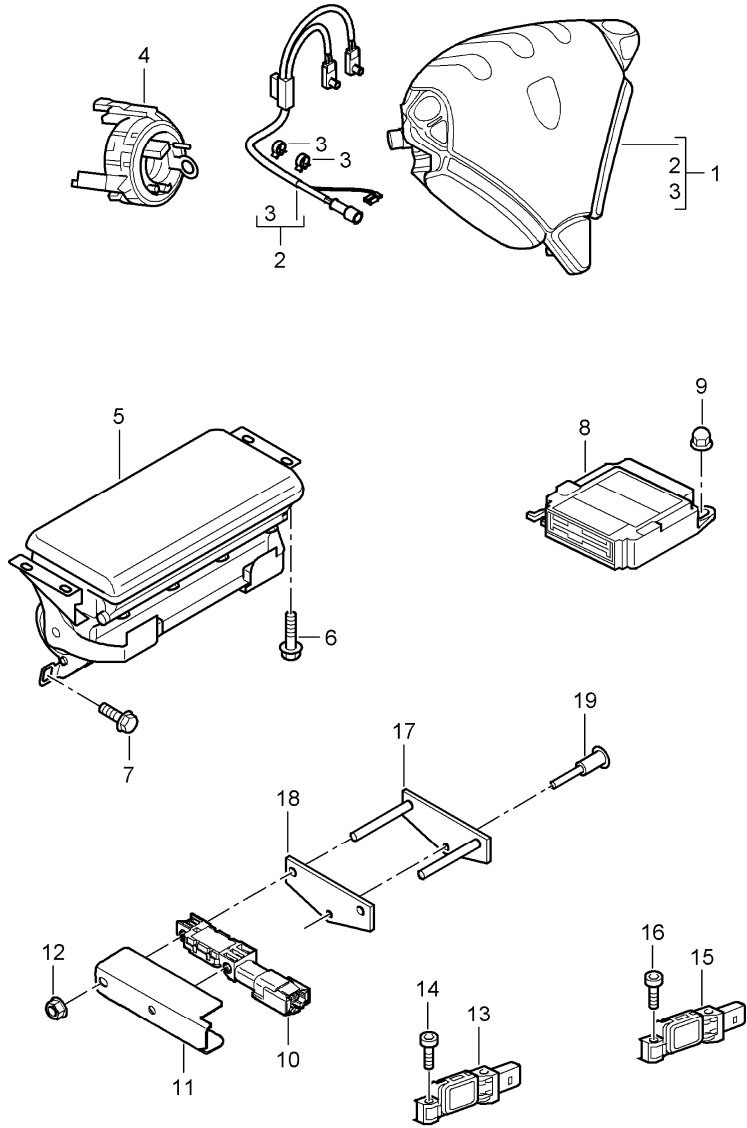
Model	Year	MG	SG	Illustration	Restrictions	UPD	14:18	21.01.2010	PORSCHE	PET	PORSCHE
9PA1	2010	4	03	403-05		247					

Pos	Part Number	Description	Remark	Qty	Model	Pos	Part Number	Description	Remark	Qty	Model
	5Z3	black					TXA	sand beige			
	6P1	stone grey				(1)	955 347 804 51	steering wheel olive grain light multi-function	09-	1	I1XK/4LC
	6Q2	havanna					PBE	black			
	4P8	sand beige					PBF	stone grey			
(1)	955 347 804 80	steering wheel leather heated multi-function	09-	1	I1MW/4LC		PBH	havanna			
	5Z3	black					TXA	sand beige			
	6P1	stone grey				(1)	955 347 805 22	steering wheel alcantara heated multi-function		1	I2PR/4LC/6FI
	6Q2	havanna					5E6	black			
	4P8	sand beige				(1)	955 347 805 20	steering wheel alcantara multi-function		1	I2PW/4LC/6FI
(1)	955 347 804 41	steering wheel rootwood dark multi-function	-08	1	I1XJ/4LB/4LC		5E6	black			
	PBA	black				(1)	955 347 805 23	steering wheel alcantara heated		1	I2PR/4LA/6FI
	PBB	stone grey					5E6	black			
	PBD	havanna				(1)	955 347 805 21	steering wheel alcantara		1	I2PW/4LA/6FI
	TXB	sand beige					5E6	black			
(1)	955 347 804 41	steering wheel rootwood dark multi-function	09-	1	I1XJ/4LC	(1)	955 347 805 26	steering wheel alcantara heated multi-function		1	I2PR/4LC/6FM I6FP
	PBA	black					5E6	black			
	PBB	stone grey				(1)	955 347 805 24	steering wheel alcantara multi-function		1	I2PW/4LC/6FM I6FP
	PBD	havanna					5E6	black			
	TXB	sand beige				(1)	955 347 805 24	steering wheel alcantara multi-function		1	I2PW/4LC/6FM I6FP
(1)	955 347 804 51	steering wheel olive grain light multi-function	-08	1	I1XK/4LB/4LC		5E6	black			
	PBE	black									
	PBF	stone grey									
	PBH	havanna									

Model	Year	MG	SG	Illustration	Restrictions	UPD	14:18	21.01.2010	PORSCHE	PET	PORSCHE
9PA1	2010	4	03	403-05		247					

Pos	Part Number	Description	Remark	Qty	Model	Pos	Part Number	Description	Remark	Qty	Model
(1)	955 347 805 27	steering wheel alcantara heated 5E6 black		1	I2PR/4LA/6FM I6FP	(3)	955 347 008 09	steering column complete with steering shaft	/RL 09-	1	ID5V/D5X/D5Z I2C5
(1)	955 347 805 25	steering wheel alcantara 5E6 black		1	I2PW/4LA/6FM I6FP	(3)	955 347 008 09	steering column complete with steering shaft vehicle identification no. indicate	/RL 09-	1	ID50/2C5
2	N 910 207 01	screw M 18 X 1,5 X 26		1		(3)	955 347 008 17	steering column complete with steering shaft	/RL -08	1	I2C4
3	955 347 007 08	steering column complete with steering shaft	/LL -08	1	I2C5	(3)	955 347 008 18	steering column complete with steering shaft	/RL 09-	1	ID5V/D5X/D5Z I2C4
(3)	955 347 007 09	steering column complete with steering shaft	/LL 09-	1	ID5V/D5X/D5Z I2C5	(3)	955 347 008 18	steering column complete with steering shaft vehicle identification no. indicate	/RL 09-	1	ID50/2C4
(3)	955 347 007 09	steering column complete with steering shaft vehicle identification no. indicate	/LL 09-	1	ID50/2C5	4	955 347 037 03	sealing sleeve		1	
(3)	955 347 007 17	steering column complete with steering shaft	/LL -08	1	I2C4	5	N 909 890 02	fit bolt M 8 X 10 X 45		1	
(3)	955 347 007 18	steering column complete with steering shaft	/LL 09-	1	ID5V/D5X/D5Z I2C4	6	N 023 003 13	hexagon nut M 8		1	
(3)	955 347 007 18	steering column complete with steering shaft vehicle identification no. indicate	/LL 09-	1	ID50/2C4	7	N 906 823 02	hexagon-head bolt M 8 X 28		4	
(3)	955 347 008 08	steering column complete with steering shaft	/RL -08	1	I2C5	8	N 908 877 02	hexagon nut M 6		3	
						9	WHT 002 446	torx screw M 10 X 35		1	
						10	955 347 234 20	handle		1	I2C5
						11	N 104 066 02	oval-head screw M 5 X 8		2	
						12	000 043 205 44	grease 1 tube 10 GR.		X	

Model	Year	MG	SG	Illustration	Restrictions	UPD	14:19	21.01.2010	PORSCHE	PET	PORSCHE
9PA1	2010	4	03	403-06		247					



Pos	Part Number	Description	Remark	Qty	Model
1	955 803 074 02	airbag unit plastic material	-08	1	IGOL/2PM/4N1
	2Y7	black			
	2Z1	stone grey			
	3U9	havanna			
(1)	955 803 074 02	airbag unit plastic material	09-	1	IGOL/1MV/2PM I4N1
	2Y7	black			
	2Z1	stone grey			
	3U9	havanna			
(1)	955 803 074 02	airbag unit plastic material	09-	1	IGOL/2PW/4N1
	2Y7	black			
(1)	955 803 074 12	airbag unit plastic material	-08	1	IGOR/2PM/4N1
	2Y7	black			
	2Z1	stone grey			
	3U9	havanna			
(1)	955 803 074 12	airbag unit plastic material	09-	1	IGOR/1MV/2PM I4N1
	2Y7	black			
	2Z1	stone grey			
	3U9	havanna			
(1)	955 803 074 12	airbag unit plastic material	09-	1	IGOR/2PW/4N1
	2Y7	black			
(1)	955 803 074 22	airbag unit plastic material	-08	1	IGOL/2PH/4N1
	2Y7	black			
	2Z1	stone grey			

Model	Year	MG	SG	Illustration	Restrictions	UPD	14:19	21.01.2010	PORSCHE	PET	PORSCHE
9PA1	2010	4	03	403-06		247					

Pos	Part Number	Description	Remark	Qty	Model	Pos	Part Number	Description	Remark	Qty	Model
	3U9	havanna					6P1	stone grey			
(1)	955 803 074 22	airbag unit	09-	1	IG0L/1MW/2PH I4N1		6Q2	havanna			
		plastic material					4P8	sand beige			
	2Y7	black				(1)	955 803 075 02	airbag unit leather	09-	1	IG0L/2PW/4N8
	2Z1	stone grey					5Z3	black			
	3U9	havanna				(1)	955 803 075 12	airbag unit leather	-08	1	IG0R/2PM/4N8
(1)	955 803 074 22	airbag unit	09-	1	IG0L/2PR/4N1		5Z3	black			
		plastic material					6P1	stone grey			
	2Y7	black					6Q2	havanna			
(1)	955 803 074 32	airbag unit	-08	1	IG0R/2PH/4N1		4P8	sand beige			
		plastic material				(1)	955 803 075 12	airbag unit leather	09-	1	IG0R/1MV/2PM I4N8
	2Y7	black					5Z3	black			
	2Z1	stone grey					6P1	stone grey			
	3U9	havanna					6Q2	havanna			
(1)	955 803 074 32	airbag unit	09-	1	IG0R/1MW/2PH I4N1		4P8	sand beige			
		plastic material				(1)	955 803 075 12	airbag unit leather	09-	1	IG0R/2PW/4N8
	2Y7	black					5Z3	black			
	2Z1	stone grey				(1)	955 803 075 22	airbag unit leather	08-	1	IG0L/2PH/4N8
	3U9	havanna					5Z3	black			
(1)	955 803 074 32	airbag unit	09-	1	IG0R/2PR/4N1		6P1	stone grey			
		plastic material					6Q2	havanna			
	2Y7	black					4P8	sand beige			
	2Z1	stone grey				(1)	955 803 075 22	airbag unit leather	09-	1	IG0L/1MW/2PH I4N8
	3U9	havanna					5Z3	black			
(1)	955 803 075 02	airbag unit	-08	1	IG0L/2PM/4N8		6P1	stone grey			
		leather					6Q2	havanna			
	5Z3	black					4P8	sand beige			
	6P1	stone grey				(1)	955 803 075 22	airbag unit leather	09-	1	IG0L/1MW/2PH I4N8
	6Q2	havanna					5Z3	black			
	4P8	sand beige					6P1	stone grey			
(1)	955 803 075 02	airbag unit	09-	1	IG0L/1MV/2PM I4N8						
		leather									
	5Z3	black									

Model	Year	MG	SG	Illustration	Restrictions	UPD	14:19	21.01.2010	PORSCHE	PET	PORSCHE
9PA1	2010	4	03	403-06		247					

Pos	Part Number	Description	Remark	Qty	Model	Pos	Part Number	Description	Remark	Qty	Model
	6Q2	havanna					2Z1	stone grey			
	4P8	sand beige					3U9	havanna			
(1)	955 803 075 22	airbag unit leather	09-	1	IG0L/2PR/4N8	(1)	955 803 076 23	airbag unit	-08	1	IG0L/2PH/4LB I4N1
	5Z3	black						plastic material multi-function radio			
(1)	955 803 075 32	airbag unit leather	-08	1	IG0R/2PH/4N8		2Y7	black			
	5Z3	black					2Z1	stone grey			
	6P1	stone grey					3U9	havanna			
	6Q2	havanna				(1)	955 803 076 33	airbag unit	-08	1	IG0R/2PH/4LB I4N1
	4P8	sand beige						plastic material multi-function radio			
(1)	955 803 075 32	airbag unit leather	09-	1	IG0R/1MD/1MW I2PH/4N3/4N8		2Y7	black			
	5Z3	black					2Z1	stone grey			
	6P1	stone grey					3U9	havanna			
	6Q2	havanna				(1)	955 803 077 04	airbag unit	-08	1	IG0L/1XJ/1XK I2PM/4LC/4N1
	4P8	sand beige						plastic material multi-function radio telephone			
(1)	955 803 075 32	airbag unit leather	09-	1	IG0R/2PR/4N3 I4N8		2Y7	black			
	5Z3	black					2Z1	stone grey			
(1)	955 803 076 03	airbag unit	-08	1	IG0L/1XJ/1XK I2PM/4LB/4N1	(1)	955 803 077 04	airbag unit	09-	1	IG0L/1MV/1XJ I1XK/2PM/4LC I4N1
		plastic material multi-function radio						plastic material multi-function radio telephone			
	2Y7	black					2Y7	black			
	2Z1	stone grey					2Z1	stone grey			
	3U9	havanna					3U9	havanna			
(1)	955 803 076 13	airbag unit	-08	1	IG0R/1XJ/1XK I2PM/4LB/4N1		2Y7	black			
		plastic material multi-function radio					2Z1	stone grey			
	2Y7	black					3U9	havanna			

Model	Year	MG	SG	Illustration	Restrictions	UPD	14:19	21.01.2010	PORSCHE	PET	PORSCHE
9PA1	2010	4	03	403-06		247					

Pos	Part Number	Description	Remark	Qty	Model	Pos	Part Number	Description	Remark	Qty	Model
(1)	955 803 077 04	airbag unit plastic material multi-function radio telephone 2Y7 black	09-	1	IG0L/2PW/4LC I4N1	(1)	955 803 077 24	airbag unit plastic material multi-function radio telephone 2Y7 black	09-	1	IG0L/1MW/2PH I4LC/4N1
(1)	955 803 077 14	airbag unit plastic material multi-function radio telephone 2Y7 black 2Z1 stone grey 3U9 havanna	-08	1	IG0R/1XJ/1XK I2PM/4LC/4N1	(1)	955 803 077 24	airbag unit plastic material multi-function radio telephone 2Y7 black	09-	1	IG0L/2PR/4LC I4N1
(1)	955 803 077 14	airbag unit plastic material multi-function radio telephone 2Y7 black 2Z1 stone grey 3U9 havanna	09-	1	IG0R/1MV/1XJ I1XK/2PM/4LC I4N1	(1)	955 803 077 34	airbag unit plastic material multi-function radio telephone 2Y7 black 2Z1 stone grey 3U9 havanna	-08	1	IG0R/2PH/4LC I4N1
(1)	955 803 077 14	airbag unit plastic material multi-function radio telephone 2Y7 black	09-	1	IG0R/2PW/4LC I4N1	(1)	955 803 077 34	airbag unit plastic material multi-function radio telephone 2Y7 black 2Z1 stone grey 3U9 havanna	09-	1	IG0R/1MW/2PH I4LC/4N1
(1)	955 803 077 24	airbag unit plastic material multi-function radio telephone 2Y7 black 2Z1 stone grey 3U9 havanna	-08	1	IG0L/2PH/4LC I4N1	(1)	955 803 077 34	airbag unit plastic material multi-function radio telephone 2Y7 black	09-	1	IG0R/2PR/4LC I4N1

Model	Year	MG	SG	Illustration	Restrictions	UPD	14:19	21.01.2010	PORSCHE	PET	PORSCHE
9PA1	2010	4	03	403-06		247					

Pos	Part Number	Description	Remark	Qty	Model	Pos	Part Number	Description	Remark	Qty	Model
(1)	955 803 078 03	airbag unit leather multi-function radio 5Z3 black 6P1 stone grey 6Q2 havanna 4P8 sand beige	-08	1	IG0L/1XJ/1XK I2PM/4LB/4N8	(1)	955 803 079 04	airbag unit leather multi-function radio telephone 5Z3 black 6P1 stone grey 6Q2 havanna 4P8 sand beige	-08	1	IG0L/1XJ/1XK I2PM/4LC/4N8
(1)	955 803 078 13	airbag unit leather multi-function radio 5Z3 black 6P1 stone grey 6Q2 havanna 4P8 sand beige	-08	1	IG0R/1XJ/1XK I2PM/4LB/4N8	(1)	955 803 079 04	airbag unit leather multi-function radio telephone 5Z3 black 6P1 stone grey 6Q2 havanna 4P8 sand beige	09-	1	IG0L/1MV/1XJ I1XK/2PM/4LC I4N8
(1)	955 803 078 23	airbag unit leather multi-function radio 5Z3 black 6P1 stone grey 6Q2 havanna 4P8 sand beige	-08	1	IG0L/2PH/4LB I4N8	(1)	955 803 079 04	airbag unit leather multi-function radio telephone 5Z3 black	09-	1	IG0L/2PW/4LC I4N8
(1)	955 803 078 33	airbag unit leather multi-function radio 5Z3 black 6P1 stone grey 6Q2 havanna 4P8 sand beige	-08	1	IG0R/2PH/4LB I4N8	(1)	955 803 079 14	airbag unit leather multi-function radio telephone 5Z3 black 6P1 stone grey 6Q2 havanna 4P8 sand beige	-08	1	IG0R/1XJ/1XK I2PM/4LC/4N8

Model	Year	MG	SG	Illustration	Restrictions	UPD	14:19	21.01.2010	PORSCHE	PET	PORSCHE
9PA1	2010	4	03	403-06		247					

Pos	Part Number	Description	Remark	Qty	Model	Pos	Part Number	Description	Remark	Qty	Model
(1)	955 803 079 14	airbag unit leather multi-function radio telephone 5Z3 black 6P1 stone grey 6Q2 havanna 4P8 sand beige	09-	1	IG0R/1MV/1XJ I1XK/2PM/4LC I4N3/4N8	(1)	955 803 079 24	airbag unit leather multi-function radio telephone 5Z3 black	09-	1	IG0L/2PR/4LC I4N8
(1)	955 803 079 14	airbag unit leather multi-function radio telephone 5Z3 black	09-	1	IG0R/2PW/4LC I4N3/4N8	(1)	955 803 079 34	airbag unit leather multi-function radio telephone 5Z3 black 6P1 stone grey 6Q2 havanna 4P8 sand beige	-08	1	IG0R/2PH/4LC I4N8
(1)	955 803 079 24	airbag unit leather multi-function radio telephone 5Z3 black 6P1 stone grey 6Q2 havanna 4P8 sand beige	-08	1	IG0L/2PH/4LC I4N8	(1)	955 803 079 34	airbag unit leather multi-function radio telephone 5Z3 black 6P1 stone grey 6Q2 havanna 4P8 sand beige	09-	1	IG0R/1MD/1MW I2PH/4LC/4N3 I4N8
(1)	955 803 079 24	airbag unit leather multi-function radio telephone 5Z3 black 6P1 stone grey 6Q2 havanna 4P8 sand beige	09-	1	IG0L/1MW/2PH I4LC/4N8	(1)	955 803 079 34	airbag unit leather multi-function radio telephone 5Z3 black	09-	1	IG0R/2PR/4LC I4N3/4N8
						2	955 612 672 00	wiring harness	-08	1	IG0L/2PM
						(2)	955 612 672 00	wiring harness	09-	1	IG0L/1MV/2PM I2PW
						(2)	955 612 670 00	wiring harness	-08	1	IG0R/2PM

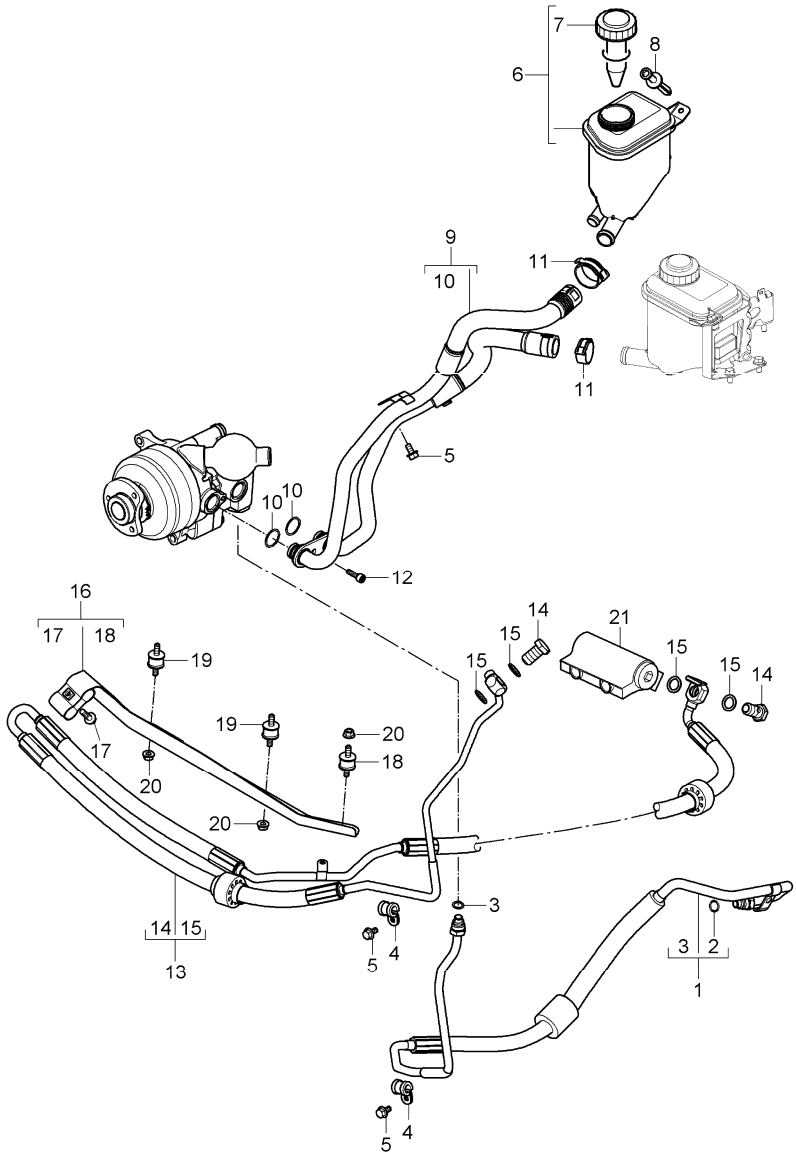
Model	Year	MG	SG	Illustration	Restrictions	UPD	14:19	21.01.2010	PORSCHE	PET	PORSCHE
9PA1	2010	4	03	403-06		247					

Pos	Part Number	Description	Remark	Qty	Model	Pos	Part Number	Description	Remark	Qty	Model
(2)	955 612 670 00	wiring harness	09-	1	IG0R/1MV/2PM I2PW	(4)	955 652 211 11	spring	-08	1	I1XJ/1XK/2PM I4LB/4LC
(2)	955 612 670 00	wiring harness	-08	1	I1XJ/1XK/2PM IG0L/4LB/4LC IG0R			with steering-angle sensor			
(2)	955 612 670 00	wiring harness	09-	1	IG0L/G0R/1MV I1XJ/1XK/2PM I2PW/4LC	(4)	955 652 211 11	spring	09-	1	I1MV/1XJ/1XK I2PM/2PW/4LC
(2)	955 612 673 00	wiring harness	-08	1	IG0L/2PH	(4)	955 652 211 21	spring with steering-angle sensor	-08	1	I2PH/4LB/4LC
(2)	955 612 673 00	wiring harness	09-	1	IG0L/1MD/1MW I2PH/2PR	(4)	955 652 211 21	spring	09-	1	I1MD/1MW/2PH I2PR/4LC
(2)	955 612 671 00	wiring harness	-08	1	IG0R/2PH			with steering-angle sensor			
(2)	955 612 671 00	wiring harness	09-	1	IG0R/1MD/1MW I2PH/2PR	5	955 803 071 01	airbag unit passenger's side		1	
(2)	955 612 671 00	wiring harness	-08	1	I2PH/4LB/4LC IG0L/G0R			F >>9P8LA 00838 F >>9P8LA 30724 F >>9P8LA 80658			
(2)	955 612 671 00	wiring harness	09-	1	IG0L/G0R/1MD I1MW/2PH/2PR I4LC	(5)	955 803 071 02	airbag unit passenger's side		1	
3	955 803 521 00	clip wiring harness		2				F 9P8LA 00839>>9P8LA 18169 F 9P8LA 30725>>9P8LA 48433 F 9P8LA 80659>>9P8LA 93488			
4	955 652 211 01	spring with steering-angle sensor	-08	1	IG0L/2PM	(5)	955 803 071 03	airbag unit passenger's side	-09	1	
(4)	955 652 211 01	spring	09-	1	IG0L/1MV/2PM I2PW			F 9P8LA 18170>> F 9P8LA 48434>> F 9P8LA 70079>> F 9P8LA 93489>>			
(4)	955 652 211 11	spring with steering-angle sensor	-08	1	IG0R/2PM	(5)	955 803 071 04	airbag unit passenger's side	10-	1	
(4)	955 652 211 11	spring	09-	1	IG0R/1MV/2PM I2PW	6	N 101 586 05	hexagon-head bolt M 6 X 20		4	
(4)	955 652 211 21	spring with steering-angle sensor	-08	1	I2PH	7	N 901 671 04	combination screw M 6 X 15		2	
(4)	955 652 211 21	spring	09-	1	I1MD/1MW/2PH I2PR	8	955 618 219 10	control unit airbag	-09	1	
(4)	955 652 211 21	spring with steering-angle sensor	09-	1	I1MD/1MW/2PH I2PR	(8)	955 618 219 11	control unit airbag	10-	1	
						9	955 618 419 21	cap nut M 6		3	

Model	Year	MG	SG	Illustration	Restrictions	UPD	14:19	21.01.2010	PORSCHE	PET	PORSCHE
9PA1	2010	4	03	403-06		247					

Pos	Part Number	Description	Remark	Qty	Model	Pos	Part Number	Description	Remark	Qty	Model
10	955 618 220 12	front sensor airbag		2							
12	N 015 082 10	hexagon nut M 6		4							
13	955 618 221 01	sensor side airbag b-pillar		2							
14	N 906 381 04	torx screw M 6 X 12		4							
15	955 618 222 31	sensor side airbag c-pillar		2							
16	N 105 181 02	torx screw M 6 X 40		4							
17	955 618 542 10	support		2							
18	955 618 543 00	support		2							
19	N 016 199 2	blind rivet 3,2 X 10		2							
--		side airbag see group 8/17/20		X							
--		head airbag see group 8/07/30		X							

Model	Year	MG	SG	Illustration	Restrictions	UPD	14:19	21.01.2010	PORSCHE	PET	PORSCHE
9PA1	2010	4	03	403-10		247					

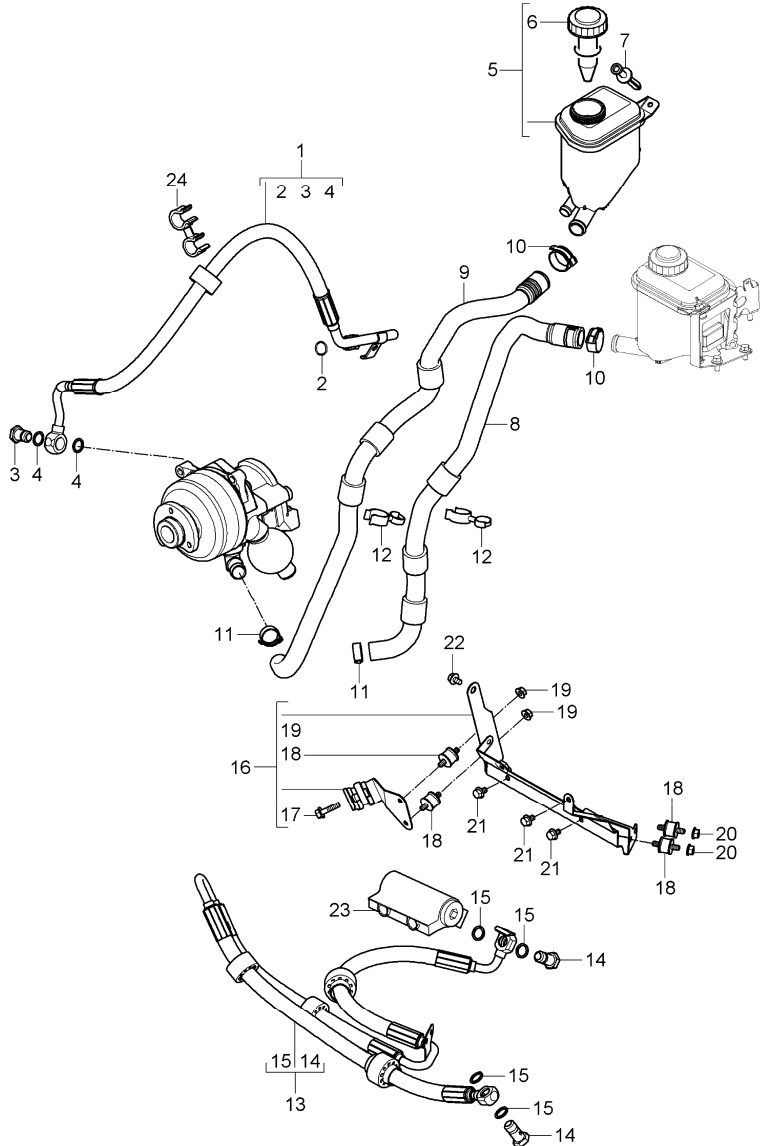


Pos	Part Number	Description	Remark	Qty	Model
		power steering lines oil tank parts not listed see illustrations 4/03/01			ID5V/D5Z/0AW I0AW
1	955 347 451 30	pressure line steering gear tandem pump	/LL	1	
(1)	955 347 452 40	pressure line steering gear tandem pump	/RL	1	
-	N 107 278 01	spacer for pressure line	/RL	1	ID5Z
2	955 347 542 00	o-ring 9,25 X 1,78		1	
3	955 347 543 00	o-ring 7,65 X 1,63		1	
4	N 020 651 5	clamp 10 X 15	-08	2	
(4)	N 020 651 7	clamp 10 X 15	09-	2	
5	N 101 563 07	hexagon-head bolt M 6 X 12		3	
6	955 314 015 20	oil tank		1	
7	955 314 145 00	threaded cover		1	
8	955 359 740 00	expansion rivet		1	
9	955 359 118 50	intake pipe complete oil tank tandem pump F >>9P8LA 53012 F >>9P8LA 73883 F >>9P8LA 96526		1	
(9)	955 359 118 52	intake pipe complete oil tank tandem pump F 9P8LA 53013>> F 9P8LA 73884>> F 9P8LA 96527>>	-09	1	

Model	Year	MG	SG	Illustration	Restrictions	UPD	14:19	21.01.2010	PORSCHE	PET	PORSCHE
9PA1	2010	4	03	403-10		247					

Pos	Part Number	Description	Remark	Qty	Model	Pos	Part Number	Description	Remark	Qty	Model
(9)	955 359 118 51	intake pipe complete oil tank tandem pump	10-	1		20	N 015 082 13	hexagon nut M 6		3	
10	WHT 003 695	o-ring 16 X 2		2		21		distributor see illustrations 4/02/07		1	
11	N 906 870 01	hose clamp B 27 X 12		2							
12	N 908 424 02	combination screw M 6 X 22 F >>9P8LA 53012 F >>9P8LA 73883 F >>9P8LA 96526		1							
(12)	N 022 148 12	lock nut M 6 F 9P8LA 53013>> F 9P8LA 73884>> F 9P8LA 96527>>		1							
13	U 955 359 125 10	pressure line tandem pump distributor		1							
(13)	955 359 125 11	pressure line tandem pump distributor	-08	1							
(13)	955 359 125 12	pressure line tandem pump distributor	09	1							
(13)	955 359 125 13	pressure line tandem pump distributor	10-	1							
14	N 021 074 7	banjo bolt M 14 X 1,5		2							
15	U N 013 849 4	sealing ring A 14 X 20		4							
(15)	N 013 849 5	sealing ring A 14 X 20		4							
16	955 359 310 10	support		1							
17	N 102 856 02	hexagon-head bolt M 6 X 25		1							
18	955 343 638 10	bonded rubber buffer		1							
19	955 343 638 10	bonded rubber buffer		2							

Model	Year	MG	SG	Illustration	Restrictions	UPD	14:19	21.01.2010	PORSCHE	PET	PORSCHE
9PA1	2010	4	03	403-15		247					

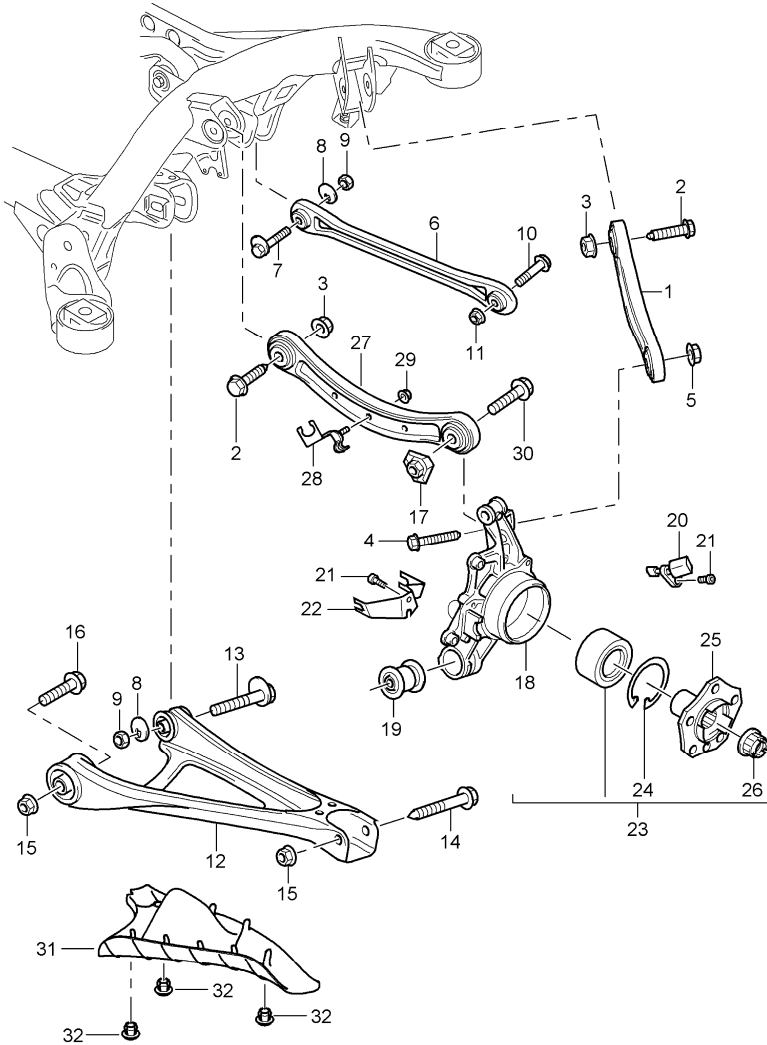


Pos	Part Number	Description	Remark	Qty	Model
		power steering lines oil tank parts not listed see illustrations 4/03/02			ID5X/0AW I0AW
1	955 347 451 40	pressure line steering gear tandem pump	/LL	1	
(1)	955 347 452 50	pressure line steering gear tandem pump	/RL	1	
2	955 347 542 00	o-ring 9,25 X 1,78		1	
3	WHT 001 878	banjo bolt M 16 X 1,5		1	
4	N 013 848 6	sealing ring A 16 X 22		2	
5	955 314 015 20	oil tank		1	
6	955 314 145 00	threaded cover		1	
7	955 359 740 00	expansion rivet		1	
8	955 347 443 10	suction hose oil tank power steering tandem pump		1	
9	955 359 118 00	suction hose oil tank -PDCC- tandem pump		1	
10	N 906 870 01	hose clamp B 27 X 12		2	
11	999 512 656 09	hose clamp B 25 X 12		2	
12	N 106 816 01	line bracket suction hose refrigerant line		2	
13	U 955 359 125 00	pressure line tandem pump distributor		1	
(13)	955 359 125 01	pressure line tandem pump distributor	-08	1	

Model	Year	MG	SG	Illustration	Restrictions	UPD	14:19	21.01.2010	PORSCHE	PET	PORSCHE
9PA1	2010	4	03	403-15		247					

Pos	Part Number	Description	Remark	Qty	Model	Pos	Part Number	Description	Remark	Qty	Model
(13)	955 359 125 02	pressure line tandem pump distributor	09	1							
(13)	955 359 125 03	pressure line tandem pump distributor	10-	1							
14	N 021 074 7	banjo bolt M 14 X 1,5		2							
15	U N 013 849 4	sealing ring A 14 X 20		4							
(15)	N 013 849 5	sealing ring A 14 X 20		4							
16	955 359 310 00	support		1							
17	N 102 856 02	hexagon-head bolt M 6 X 25		1							
18	955 343 638 10	bonded rubber buffer		4							
19	N 015 082 13	hexagon nut M 6		2							
20	N 015 082 13	hexagon nut M 6		2							
21	N 101 563 07	hexagon-head bolt M 6 X 12		3							
22	N 101 563 07	hexagon-head bolt M 6 X 12		1	IG0L						
23		distributor see illustrations 4/02/07		1							
24	N 104 421 01	hose holder A01-18 X C01-22 pressure line wiring harness engine	/LL	1							

Model	Year	MG	SG	Illustration	Restrictions	UPD	14:19	21.01.2010	PORSCHE	PET	PORSCHE
9PA1	2010	5	01	501-00		247					

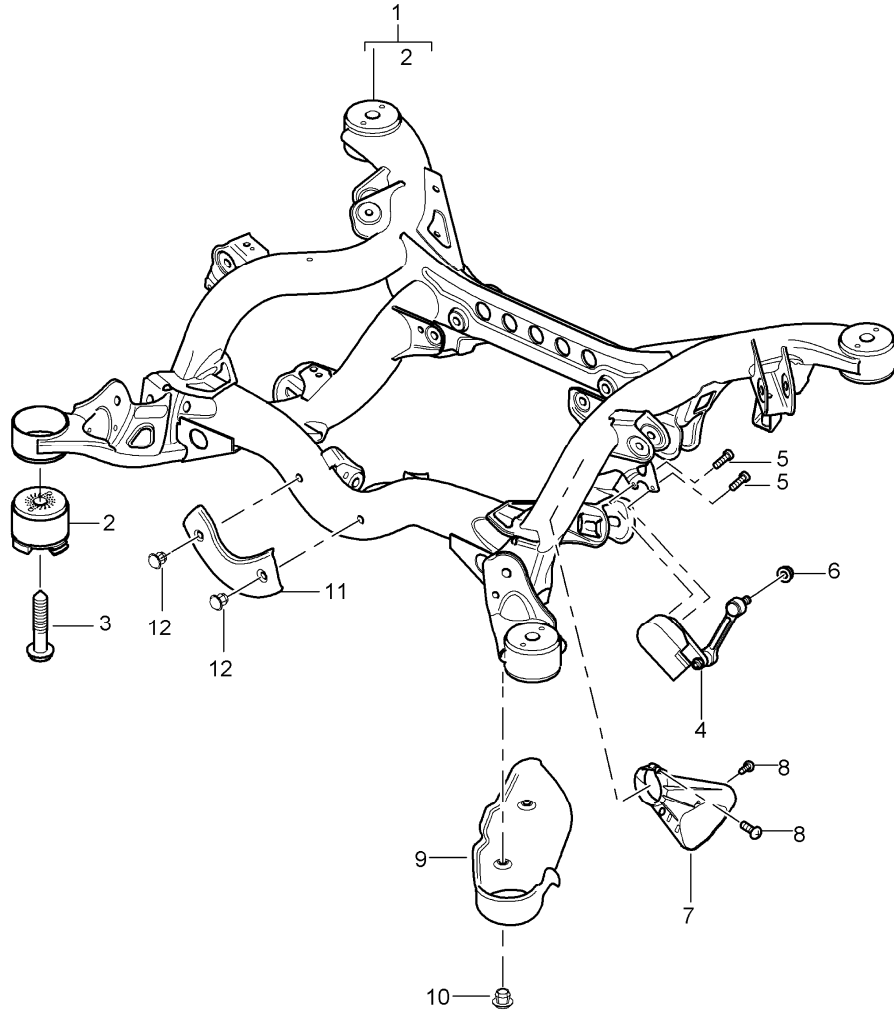


Pos	Part Number	Description	Remark	Qty	Model
		rear axle wheel carrier wishbone track rod wheel hub stone guard			
1	955 331 049 00	wishbone upper rear	/L	1	
(1)	955 331 050 00	wishbone upper rear	/R	1	
2	N 105 524 02	hexagon-head bolt M 12 X 1,5 X 70		4	
3	N 104 029 04	hexagon nut M 12 X 1,5		4	
4	N 105 869 02	hexagon-head bolt M 16 X 1,5 X 110		2	
5	N 910 204 02	combined nut M 16 X 1,5		2	
6	955 331 045 32	track rod		2	
7	WHT 001 834	eccentric screw M 14 X 1,5 X 82		2	
8	WHT 001 796 A	eccentric washer		4	
9	WHT 001 938	lock nut M 14 X 1,5		4	
10	N 910 205 02	combination screw M 16 X 1,5 X 125		2	
11	N 105 868 02	hexagon nut M 16 X 1,5		2	
12	955 331 017 11	wishbone lower	/L	1	
(12)	955 331 018 11	wishbone lower	/R	1	
13	WHT 001 833	eccentric screw M 14 X 1,5 X 102		2	
14	N 105 230 02	hexagon-head bolt M 14 X 1,5 X 100		2	
15	N 103 353 04	hexagon nut M 14 X 1,5		4	

Model	Year	MG	SG	Illustration	Restrictions	UPD	14:19	21.01.2010	PORSCHE	PET	PORSCHE
9PA1	2010	5	01	501-00		247					

Pos	Part Number	Description	Remark	Qty	Model	Pos	Part Number	Description	Remark	Qty	Model
16	N 105 326 02	hexagon-head bolt BM 14 X 1,5 X 102		2		32	N 106 085 01	expansion rivet		6	I6EB/6ES
17	WHT 001 872	combined nut M 14 X 1,5		2		-	000 043 204 21	grease spraying can 25 ML		1	
18	955 331 611 20	wheel carrier	/L	1							
(18)	955 331 612 20	wheel carrier	/R	1							
19	955 341 588 10	link bearing		2							
20	955 606 405 11	speed sensor	/L	1							
(20)	955 606 406 11	speed sensor	/R	1							
21	N 014 740 11	pan-head screw M 6 X 16		4							
22	955 331 321 10	support	/L	1							
(22)	955 331 322 30	support	/R	1							
23	955 341 901 00	repair kit angular-contact bearing use also: N .105.234.02 for mount drive shaft		2 6							
24	N 105 320 01	circlip 95 X 3		2							
25	955 341 605 11	wheel hub		2							
26	955 341 640 00	lock nut M 24		2							
27	955 331 047 10	wishbone upper front		2							
28	955 331 322 40	support for line speed sensor		2							
29	N 023 002 12	hexagon nut M 6		2							
30	N 105 326 02	hexagon-head bolt BM 14 X 1,5 X 102		2							
31	955 331 315 02	stone guard	/L	1	I6EB/6ES						
(31)	955 331 316 02	stone guard	/R	1	I6EB/6ES						

Model	Year	MG	SG	Illustration	Restrictions	UPD	14:19	21.01.2010	PORSCHE	PET	PORSCHE
9PA1	2010	5	01	501-01		247					

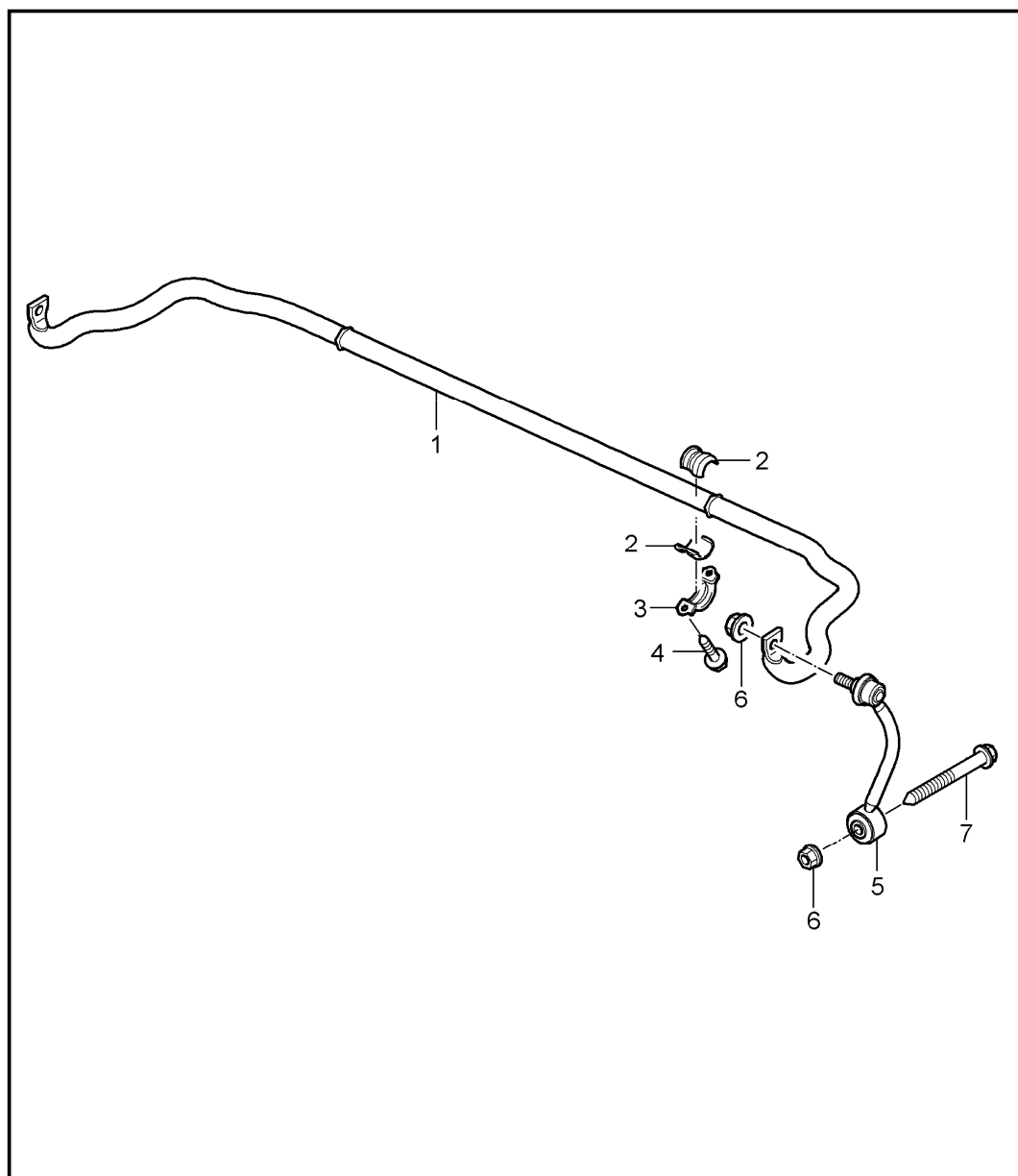


Pos	Part Number	Description	Remark	Qty	Model
		rear axle suspension subframe		1	I1BA/1BW/8Q3
		headlight levelling system		2	I1BH/1BK
		self-levelling sensor			
		stone guard			
1	955 331 031 00	suspension subframe	-09	1	I0AB
(1)	955 331 031 01	suspension subframe	10-	1	I0AB
(1)	955 331 031 10	suspension subframe	-09	1	I0AW
(1)	955 331 031 11	suspension subframe	10-	1	I0AW
2	955 331 135 00	hydraulic mount		4	
3	N 909 987 02	hexagon-head bolt M 14 X 1,5 X 150		4	
(3)	N 909 763 02	hexagon-head bolt M 14 X 1,5 X 135 only for repair threaded bush use see workshop manual group 5 document 518941		4	
4	955 331 077 21	self-levelling sensor with linkage	/L	1	I1BA/1BW/8Q3
(4)	955 331 077 21	self-levelling sensor with linkage		2	I1BK
(4)	955 331 077 21	self-levelling sensor with linkage		2	I1BH
5	N 104 343 01	pan-head screw M 5 X 10		2	I1BA/1BW/8Q3
(5)	N 104 343 01	pan-head screw M 5 X 10		4	I1BK
(5)	N 104 343 01	pan-head screw M 5 X 10		4	I1BH
6	N 023 002 12	hexagon nut M 6		1	I1BA/1BW/8Q3
(6)	N 023 002 12	hexagon nut M 6		2	I1BK

Model	Year	MG	SG	Illustration	Restrictions	UPD	14:19	21.01.2010	PORSCHE	PET	PORSCHE
9PA1	2010	5	01	501-01		247					

Pos	Part Number	Description	Remark	Qty	Model	Pos	Part Number	Description	Remark	Qty	Model
(6)	N 023 002 12	hexagon nut M 6		2	I1BH						
7	955 331 325 01	stone guard	/L	1	I6EB/6ES						
(7)	955 331 325 01	stone guard	/L	1	I1Y1						
(7)	955 331 326 01	stone guard	/R	1	I6EB/6ES						
8	N 106 115 02	oval-head screw 4 X 25		4	I6EB/6ES						
(8)	N 106 115 02	oval-head screw 4 X 25		2	I1Y1						
9	955 331 313 01	stone guard	/L	1	I6EB/6ES						
(9)	955 331 314 01	stone guard	/R	1	I6EB/6ES						
10	N 106 084 01	expansion rivet		4	I6EB/6ES						
11	955 331 317 01	stone guard		1	I6EB/6ES						
12	N 106 085 01	expansion rivet		2	I6EB/6ES						

Model	Year	MG	SG	Illustration	Restrictions	UPD	14:20	21.01.2010	PORSCHE	PET	PORSCHE
9PA1	2010	5	01	501-03		247					

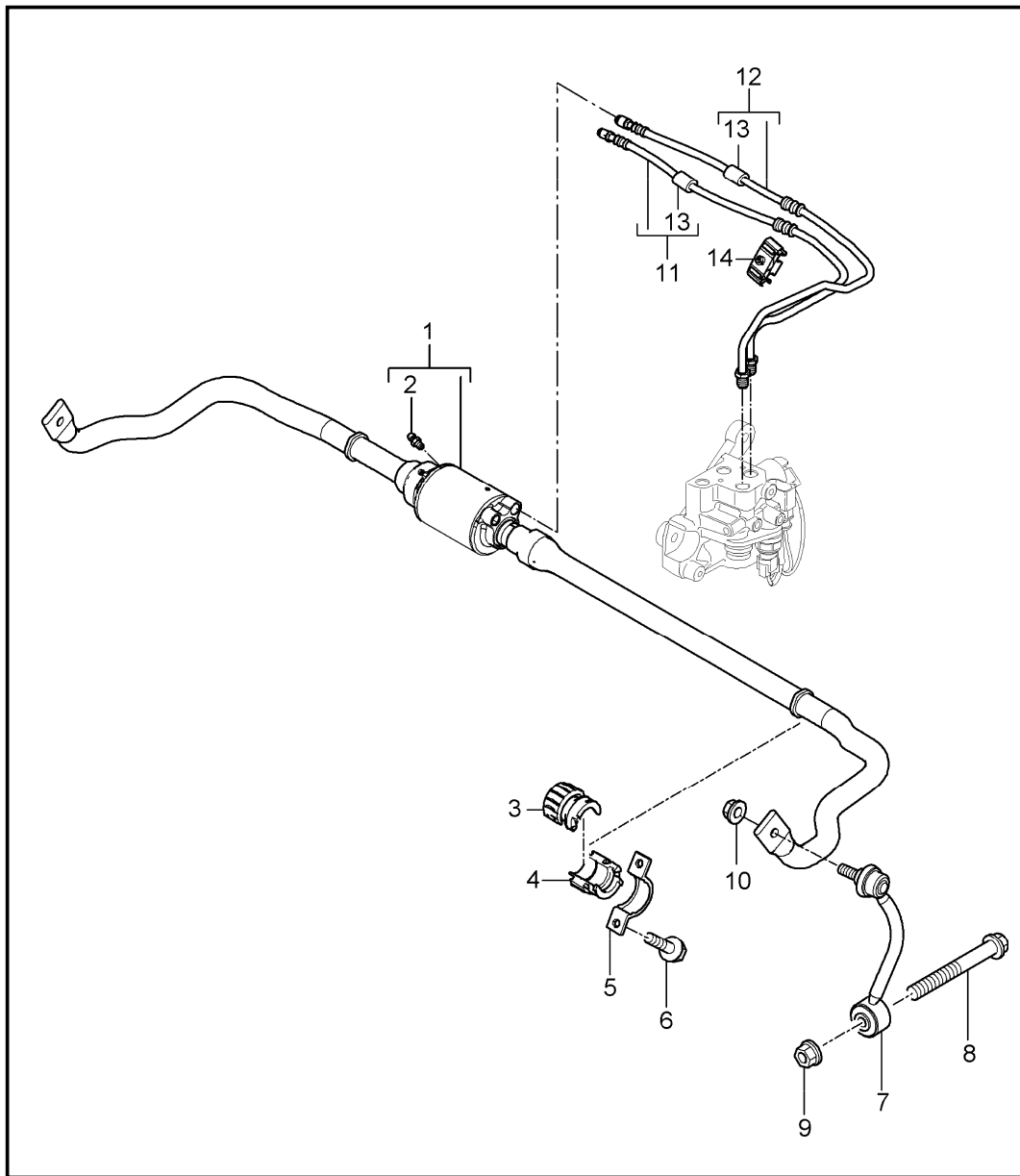


Pos	Part Number	Description	Remark	Qty	Model
		stabiliser			I0AB
1	955 333 701 00	stabiliser 25,00 MM identification green		1	ID5V/1BA/1BW
(1)	955 333 701 00	stabiliser 25,00 MM identification green		1	ID5X/1BK
(1)	955 333 701 00	stabiliser 25,00 MM identification green		1	ID50/1BK
(1)	955 333 701 20	stabiliser 24,60 MM identification lilac		1	ID5X/1BA/1BW
(1)	955 333 701 20	stabiliser 24,60 MM identification lilac		1	ID50/1BA/1BW
(1)	955 333 701 20	stabiliser 24,60 MM identification lilac		1	ID5V/1BH
(1)	955 333 701 30	stabiliser 25,60 MM identification yellow		1	ID5V/D5Z/1BK
2	955 333 792 40	stabiliser mounting 24,10 MM identification green		4	ID5V/1BA/1BW
(2)	955 333 792 40	stabiliser mounting 24,10 MM identification green		4	ID5X/1BK
(2)	955 333 792 40	stabiliser mounting 24,10 MM identification green		4	ID50/1BK
(2)	955 333 792 50	stabiliser mounting 23,70 MM identification lilac		4	ID5X/1BA/1BW

Model	Year	MG	SG	Illustration	Restrictions	UPD	14:20	21.01.2010	PORSCHE	PET	PORSCHE
9PA1	2010	5	01	501-03		247					

Pos	Part Number	Description	Remark	Qty	Model	Pos	Part Number	Description	Remark	Qty	Model
(2)	955 333 792 50	stabiliser mounting 23,70 MM identification lilac		4	ID50/1BA/1BW						
(2)	955 333 792 50	stabiliser mounting 23,70 MM identification lilac		4	ID5V/1BH						
(2)	955 333 792 30	stabiliser mounting 24,70 MM identification yellow		4	ID5V/D5Z/1BK						
3	955 333 777 01	clip		2							
4	N 106 978 01	hexagon-head bolt M 10 X 30		4							
5	955 333 069 21	stabiliser mounting	/L	1							
(5)	955 333 070 21	stabiliser mounting	/R	1							
6	N 104 029 04	hexagon nut M 12 X 1,5		4							
7	N 105 924 02	hexagon-head bolt M 12 X 1,5 X 120		2							

Model	Year	MG	SG	Illustration	Restrictions	UPD	14:20	21.01.2010	PORSCHE	PET	PORSCHE
9PA1	2010	5	01	501-04		247					

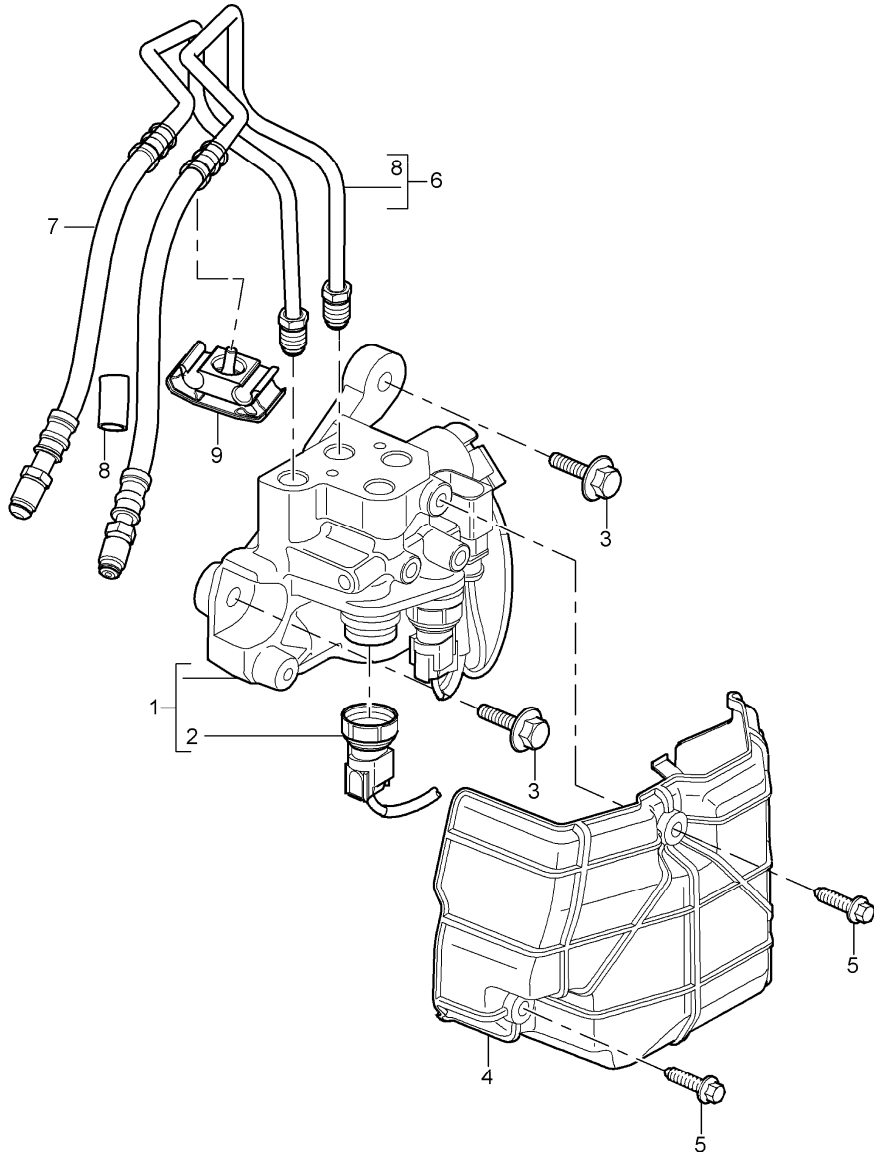


Pos	Part Number	Description	Remark	Qty	Model
		stabiliser hose line			IOAW
1	955 333 703 00	stabiliser		1	
2	955 343 902 00	ventilation valve		2	
3	955 333 793 00	stabiliser mounting upper part		2	
4	955 333 794 00	stabiliser mounting lower part		2	
5	955 333 777 01	clip		2	
6	N 106 978 01	hexagon-head bolt M 10 X 30		4	
7	955 333 069 11	stabiliser mounting F >>9PALA 60912	/L	1	
(7)	955 333 069 21	stabiliser mounting F 9PALA 60913>>	/L	1	
(7)	955 333 070 11	stabiliser mounting F >>9PALA 60912	/R	1	
(7)	955 333 070 21	stabiliser mounting F 9PALA 60913>>	/R	1	
8	N 105 924 02	hexagon-head bolt M 12 X 1,5 X 120		2	
9	N 104 029 04	hexagon nut M 12 X 1,5		2	
10	WHT 003 218	combined nut M 12 X 1,5 only together with stabiliser mounting 955.333.069.11 955.333.070.11 F >>9PALA 60912		2	
(10)	N 104 029 04	hexagon nut M 12 X 1,5 only together with stabiliser mounting 955.333.069.21 955.333.070.21 F 9PALA 60913>>		2	
11	955 359 121 00	hose line	-08	1	
(11)	955 359 121 01	hose line	09-	1	
12	955 359 122 00	hose line	-08	1	

Model	Year	MG	SG	Illustration	Restrictions	UPD	14:20	21.01.2010	PORSCHE	PET	PORSCHE
9PA1	2010	5	01	501-04		247					

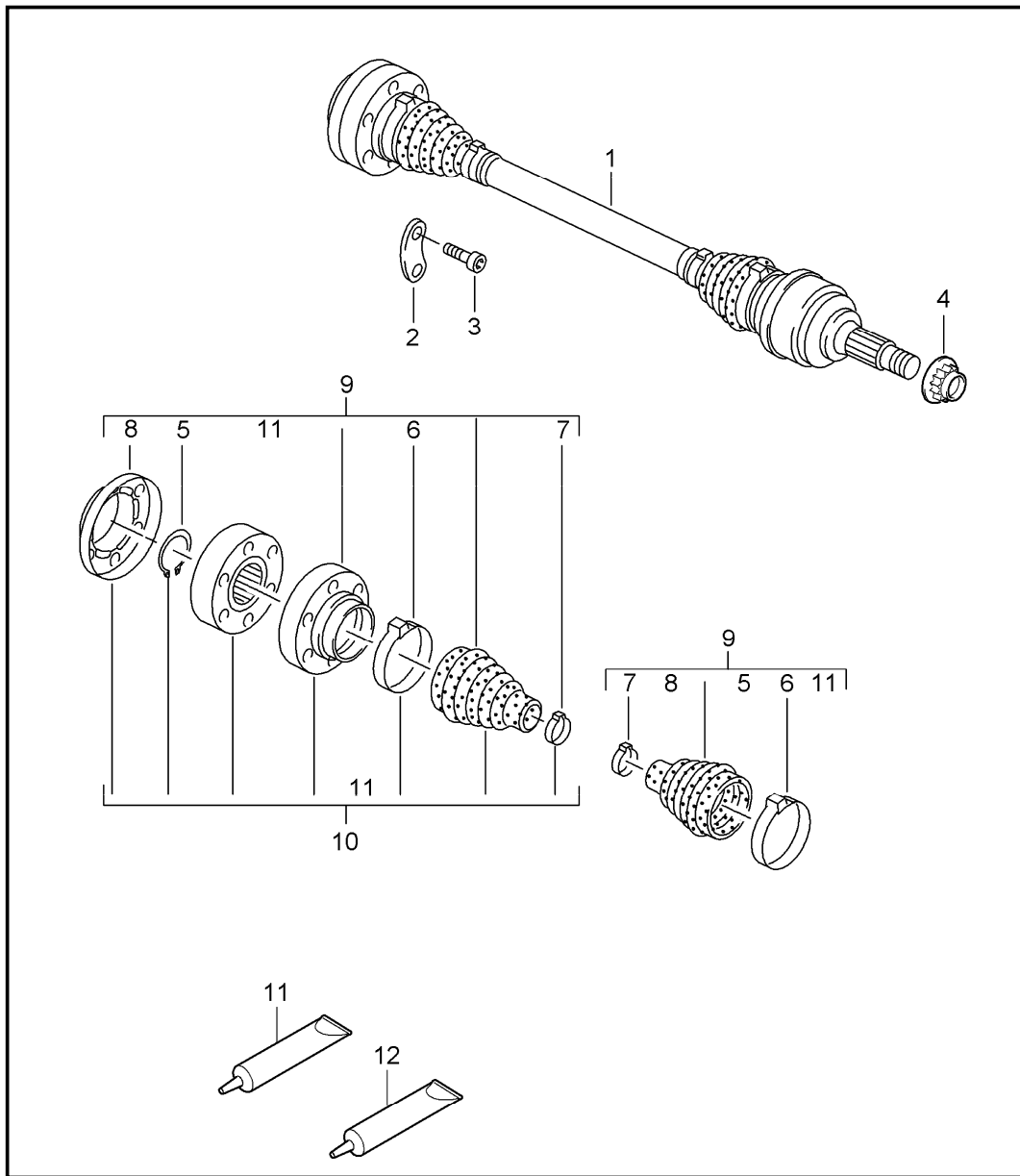
Pos	Part Number	Description	Remark	Qty	Model	Pos	Part Number	Description	Remark	Qty	Model
(12)	955 359 122 01	hose line	09-	1							
13	N 107 225 01	spacer		2							
14	955 359 513 00	line bracket		1							

Model	Year	MG	SG	Illustration	Restrictions	UPD	14:20	21.01.2010	PORSCHE	PET	PORSCHE
9PA1	2010	5	01	501-05		247					



Pos	Part Number	Description	Remark	Qty	Model
		stabiliser Valve block pressure line return line			IOAW
1	U 955 359 040 00	Valve block		1	
(1)	955 359 040 01	Valve block		1	
2	955 612 215 00	wiring harness		1	
3	N 101 560 09	hexagon-head bolt M 8 X 25		2	
4	955 359 325 00	cover		1	
5	N 101 602 05	screw M 6 X 25		2	
6	955 359 123 00	pressure line	-08	1	
(6)	955 359 123 01	pressure line	09-	1	
7	955 359 124 00	return line	08-	1	
(7)	955 359 124 01	return line	09-	1	
8	N 107 225 01	spacer		1	
9	955 359 513 00	line bracket		1	

Model	Year	MG	SG	Illustration	Restrictions	UPD	14:20	21.01.2010	PORSCHE	PET	PORSCHE
9PA1	2010	5	01	501-10		247					



Pos	Part Number	Description	Remark	Qty	Model
		drive shaft			
1	955 332 024 01	drive shaft		2	ID5X
1	955 332 024 01	drive shaft		2	ID50
(1)	955 332 024 01	drive shaft		2	ID5V/G0R
(1)	955 332 024 11	drive shaft		2	ID5X/1Y1
(1)	955 332 024 11	drive shaft		2	ID50/1Y1
(1)	955 332 024 11	drive shaft		2	ID5V/G0L
(1)	955 332 024 11	drive shaft		2	ID5V/1Y1
(1)	955 332 024 11	drive shaft		2	ID5Z
2	955 332 191 31	plate		6	ID5X
2	955 332 191 31	plate		6	ID50
(2)	955 332 191 31	plate		6	ID5V/G0R
(2)	955 332 191 21	plate		6	ID5X/1Y1
(2)	955 332 191 21	plate		6	ID50/1Y1
(2)	955 332 191 21	plate		6	ID5V/G0L
(2)	955 332 191 21	plate		6	ID5V/1Y1
(2)	955 332 191 21	plate		6	ID5Z
3	N 105 234 02	pan-head screw AM 10 X 52		12	
4	955 341 640 00	lock nut M 24 X 1,5		2	
5	N 012 374 1	circlip 28 X 1,5		2	ID5X
(5)	N 012 374 1	circlip 28 X 1,5		2	ID50
(5)	N 012 374 1	circlip 28 X 1,5		2	ID5V/G0R
(5)	N 012 375 1	circlip 30 X 1,5		2	ID5X/1Y1
(5)	N 012 375 1	circlip 30 X 1,5		2	ID50/1Y1
(5)	N 012 375 1	circlip 30 X 1,5		2	ID5V/G0L

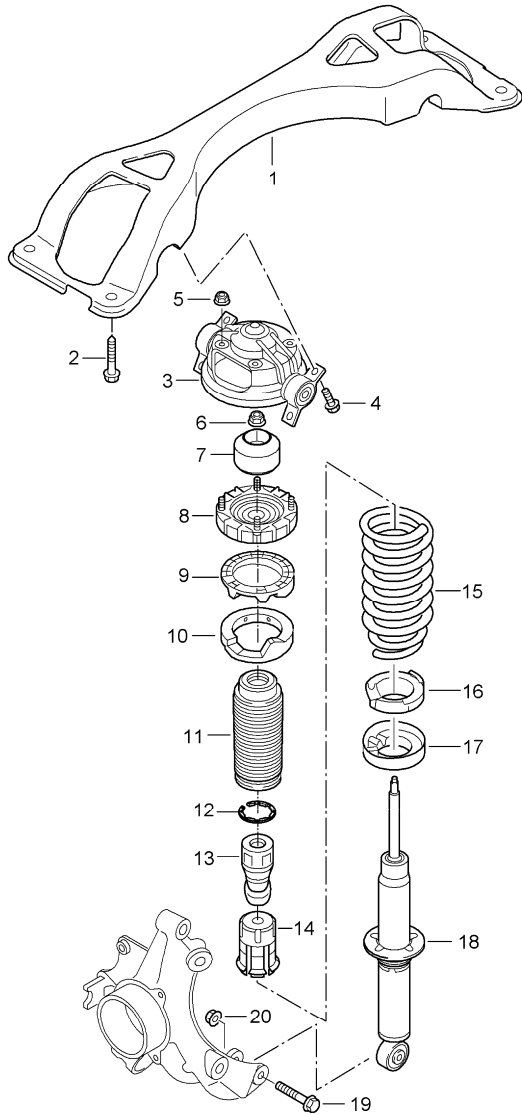
Model	Year	MG	SG	Illustration	Restrictions	UPD	14:20	21.01.2010	PORSCHE	PET	PORSCHE
9PA1	2010	5	01	501-10		247					

Pos	Part Number	Description	Remark	Qty	Model	Pos	Part Number	Description	Remark	Qty	Model
(5)	N 012 375 1	circlip 30 X 1,5		2	ID5V/1Y1	9	955 332 901 00	repair kit dust bellows		4	ID5X
(5)	N 012 375 1	circlip 30 X 1,5		2	ID5Z	(9)	955 332 901 00	repair kit dust bellows		4	ID50
6	N 909 906 01	clamp 69 X 10 X 1		4	ID5X	(9)	955 332 901 00	repair kit dust bellows		4	ID5V/G0R
(6)	N 909 906 01	clamp 69 X 10 X 1		4	ID50	(9)	955 332 901 10	repair kit dust bellows		4	ID5X/1Y1
(6)	N 909 906 01	clamp 69 X 10 X 1		4	ID5V/G0R	(9)	955 332 901 10	repair kit dust bellows		4	ID50/1Y1
(6)	N 909 473 01	clamp 75 X 10 X 1		4	ID5X/1Y1	(9)	955 332 901 10	repair kit dust bellows		4	ID5V/G0L
(6)	N 909 473 01	clamp 75 X 10 X 1		4	ID50/1Y1	(9)	955 332 901 10	repair kit dust bellows		4	ID5V/1Y1
(6)	N 909 473 01	clamp 75 X 10 X 1		4	ID5V/G0L	(9)	955 332 901 10	repair kit dust bellows		4	ID5Z
(6)	N 909 473 01	clamp 75 X 10 X 1		4	ID5V/1Y1	10	955 332 902 00	repair kit joint		2	ID5X
(6)	N 909 473 01	clamp 75 X 10 X 1		4	ID5Z	(10)	955 332 902 00	repair kit joint		2	ID50
7	N 908 240 01	hose clamp 34,5 X 10 X 0,8		4	ID5X	(10)	955 332 902 00	repair kit joint		2	ID5V/G0R
(7)	N 908 240 01	hose clamp 34,5 X 10 X 0,8		4	ID50	(10)	955 332 902 10	repair kit joint		2	ID5X/1Y1
(7)	N 908 240 01	hose clamp 34,5 X 10 X 0,8		4	ID5V/G0R	(10)	955 332 902 10	repair kit joint		2	ID50/1Y1
(7)	N 909 342 01	clamp 37,5 X 10 X 0,8		4	ID5X/1Y1	(10)	955 332 902 10	repair kit joint		2	ID5V/G0L
(7)	N 909 342 01	clamp 37,5 X 10 X 0,8		4	ID50/1Y1	(10)	955 332 902 10	repair kit joint		2	ID5V/1Y1
(7)	N 909 342 01	clamp 37,5 X 10 X 0,8		4	ID5V/G0L	(10)	955 332 902 10	repair kit joint		2	ID5Z
(7)	N 909 342 01	clamp 37,5 X 10 X 0,8		4	ID5V/1Y1	11	955 349 110 00	grease drive shaft 1 tube 120 GR.		X	
(7)	N 909 342 01	clamp 37,5 X 10 X 0,8		4	ID5Z	12	000 043 020 00	optimoly 1 100-gramme tube		X	
8		lid		X							

Model	Year	MG	SG	Illustration	Restrictions	UPD	14:20	21.01.2010	PORSCHE	PET	PORSCHE
9PA1	2010	5	01	501-10		247					

Pos	Part Number	Description	Remark	Qty	Model	Pos	Part Number	Description	Remark	Qty	Model
(12)	000 043 205 36	sealing compound drive shaft 1 100-gramme tube		X							

Model	Year	MG	SG	Illustration	Restrictions	UPD	14:20	21.01.2010	PORSCHE	PET	PORSCHE
9PA1	2010	5	02	502-00		247					



Pos	Part Number	Description	Remark	Qty	Model
		suspension cross member shock absorber strut			I1BA/1BH/1BW
1	955 333 321 20	cross member		1	
2	N 105 056 02	hexagon-head bolt AM 12 X 1,5 X 80		4	
3	955 333 015 20	bearing bracket		2	
4	N 908 476 02	hexagon-head bolt M 10 X 25		8	
5	N 104 355 06	hexagon nut M 8		8	
6	N 909 664 02	hexagon nut M 12 X 1,5		2	
7	955 333 019 00	supporting mount		2	
8	955 333 071 00	concave support		2	
9	955 333 524 00	base upper		2	
10	955 333 504 00	concave washer upper		2	
11	955 343 505 00	boot		2	I1BA/1BW
(11)	955 343 505 20	boot		2	I1BH
12	955 343 535 00	retaining ring		2	I1BH
13	955 333 105 20	rubber stop		2	I1BA/1BW
(13)	955 333 105 40	rubber stop		2	I1BH
14	955 343 503 10	cap		2	I1BA/1BW
15	955 333 531 10	coil spring		1	ID5X/0YA/0YB I1BA
		1 set			
	504	identification White Green yellow			
(15)	955 333 531 10	coil spring		1	ID50/0YA/0YB I1BA
		1 set			
	504	identification White Green yellow			

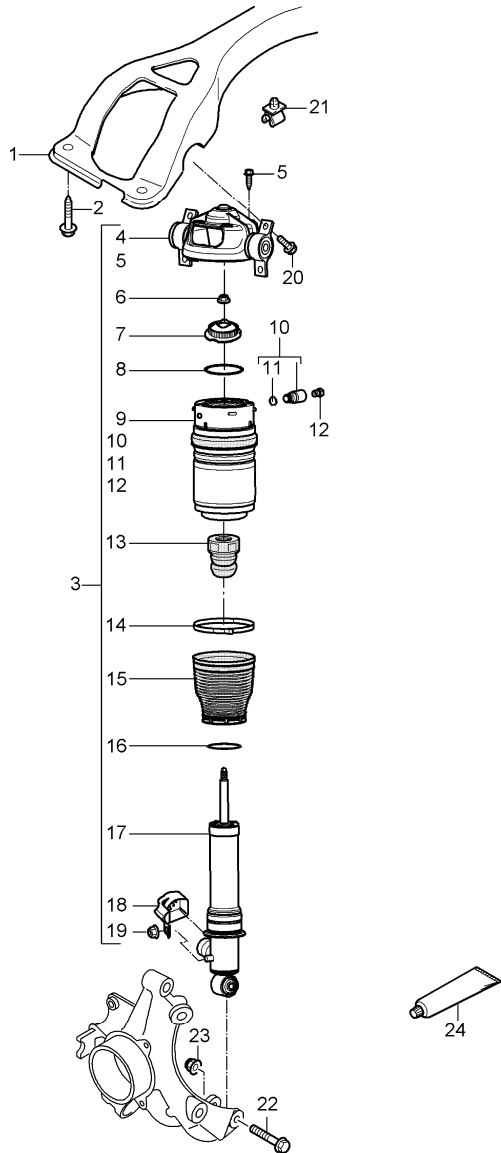
Model	Year	MG	SG	Illustration	Restrictions	UPD	14:20	21.01.2010	PORSCHE	PET	PORSCHE
9PA1	2010	5	02	502-00		247					

Pos	Part Number	Description	Remark	Qty	Model	Pos	Part Number	Description	Remark	Qty	Model
(15)	955 333 531 10	coil spring 1 set		1	I0YA/OYB/1BW	(15)	955 333 531 21	coil spring 1 set	10-	1	ID5V/OYA/OYB I1BH
	504	identification White Green yellow					504	identification Squirrel Grey			
(15)	955 333 531 11	coil spring 1 set		1	ID5X/OYC/OYD I0YE/OYF/1BA	(15)	955 333 531 30	coil spring 1 set	-09	1	ID5V/OYC/OYD I0YE/OYF/1BH
	504	identification White Green yellow yellow					504	identification pure white pure white			
(15)	955 333 531 11	coil spring 1 set		1	ID50/OYC/OYD I0YE/OYF/1BA	(15)	955 333 531 31	coil spring 1 set	10-	1	ID5V/OYC/OYD I0YE/OYF/1BH
	504	identification White Green yellow yellow					504	identification Squirrel Grey Squirrel Grey			
(15)	955 333 531 11	coil spring 1 set		1	I0YC/OYD/OYE I0YF/1BW	16	955 343 527 00	concave washer lower		2	I1BA/1BW
	504	identification White Green yellow yellow				(16)	955 343 528 00	concave washer lower		2	I1BH
(15)	955 333 531 12	coil spring 1 set		1	ID5V/OYA/OYB I1BA	17	955 343 525 00	compensating plate lower black		2	I1BA/1BW
	504	identification White Green pale orange				(17)	955 343 525 10	compensating plate lower blue		2	I1BA/1BW
(15)	955 333 531 13	coil spring 1 set		1	ID5V/OYC/OYD I0YE/OYF/1BA	(17)	955 343 525 20	compensating plate lower beige		2	I1BA/1BW
	504	identification White Green pale orange pale orange				(17)	955 343 525 50	compensating plate lower beige		2	I1BH
(15)	955 333 531 20	coil spring 1 set	-09	1	ID5V/OYA/OYB I1BH	18 A	955 333 051 30	shock absorber		2	ID5X/1BA
	504	identification pure white				(18)	955 333 051 31	shock absorber		2	ID5X/1BA
						(18)	955 333 051 31	shock absorber		2	ID50/1BA
						(18) A	955 333 051 40	shock absorber		2	ID5V/1BA
						(18)	955 333 051 41	shock absorber		2	ID5V/1BA
						18 A	955 333 051 50	shock absorber		2	ID5V/D5X/1BW

Model	Year	MG	SG	Illustration	Restrictions	UPD	14:20	21.01.2010	PORSCHE	PET	PORSCHE
9PA1	2010	5	02	502-00		247					

Pos	Part Number	Description	Remark	Qty	Model	Pos	Part Number	Description	Remark	Qty	Model
(18)	955 333 051 51	shock absorber		2	ID5V/D5X/1BW						
(18)	955 333 051 70	shock absorber	/L	1	ID5V/1BH						
(18)	955 333 052 70	shock absorber	/R	1	ID5V/1BH						
19	N 105 924 02	hexagon-head bolt M 12 X 1,5 X 120		2							
20	N 104 029 04	hexagon nut M 12 X 1,5		2							

Model	Year	MG	SG	Illustration	Restrictions	UPD	14:20	21.01.2010	PORSCHE	PET	PORSCHE
9PA1	2010	5	02	502-05		247					

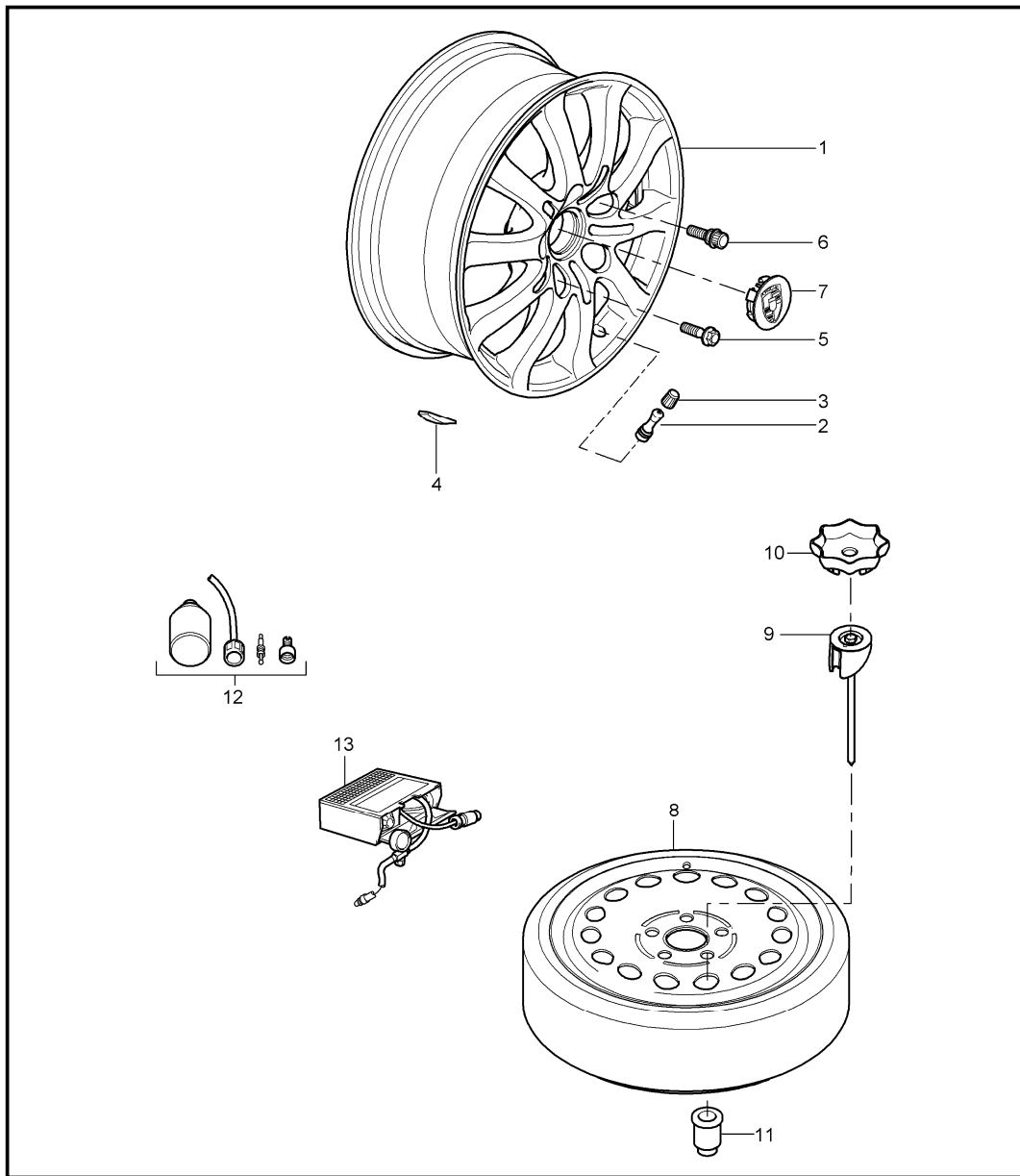


Pos	Part Number	Description	Remark	Qty	Model
		suspension cross member spring strut			I1BK
1	955 333 321 20	cross member		1	
2	N 105 056 02	hexagon-head bolt AM 12 X 1,5 X 80		4	
3	955 358 019 00	spring strut complete see workshop manual group 4 43-01	/L -08	1	ID5X
(3)	955 358 019 01	spring strut complete see workshop manual group 4 43-01	/L 09-	1	ID5X/1BK
(3)	955 358 019 01	spring strut complete see workshop manual group 4 43-01	/L	1	ID50/1BK
(3) A	955 358 019 10	spring strut complete see workshop manual group 4 43-01	/L	1	ID5V/D5Z
(3)	955 358 019 11	spring strut complete see workshop manual group 4 43-01	/L	1	ID5V/D5Z
(3)	955 358 019 20	spring strut complete see workshop manual group 4 43-01	/L	1	ID5V/E0W/E1T
(3)	955 358 020 00	spring strut complete see workshop manual group 4 43-01	/R -08	1	ID5X
(3)	955 358 020 01	spring strut complete see workshop manual group 4 43-01	/R 09-	1	ID5X/1BK

Model	Year	MG	SG	Illustration	Restrictions	UPD	14:20	21.01.2010	PORSCHE	PET	PORSCHE
9PA1	2010	5	02	502-05		247					

Pos	Part Number	Description	Remark	Qty	Model	Pos	Part Number	Description	Remark	Qty	Model
(3)	955 358 020 01	spring strut complete see workshop manual group 4 43-01	/R	1	ID50/1BK	11	955 358 722 00	sealing ring 8 x 1,5		2	
(3) A	955 358 020 10	spring strut complete see workshop manual group 4 43-01	/R	1	ID5V/D5Z	12	955 358 541 00	push-on connector lines		2	
(3)	955 358 020 11	spring strut complete see workshop manual group 4 43-01	/R	1	ID5V/D5Z	13	955 333 105 30	rubber stop		2	
(3)	955 358 020 20	spring strut complete see workshop manual group 4 43-01	/R	1	ID5V/E0W/E1T	(13)	955 343 301 10	rubber stop		2	ID5V/E0W/E1T
4	955 333 015 30	bearing bracket		2		14	955 358 725 00	clamp		2	
5	N 101 277 07	hexagon-head bolt M 8 x 26		8		15	955 343 505 10	bellows		2	
6	N 909 664 02	hexagon nut M 12 x 1,5		2		16	N 904 324 02	sealing ring 70 x 4		2	
7	955 343 018 10	supporting mount		2		17	955 333 051 60	shock absorber	/L	1	
8	N 910 956 01	sealing ring 96 x 4		2		(17)	955 333 052 60	shock absorber	/R	1	
9	955 358 503 20	air spring	-08	2	ID5X	18	955 333 421 01	protection cap	/L	1	
(9)	955 358 503 21	air spring	09-	2	ID5X/1BK	(18)	955 333 422 01	protection cap	/R	1	
(9)	955 358 503 21	air spring		2	ID50/1BK	19	N 023 002 12	hexagon nut M 6		2	
(9)	955 358 503 30	air spring	-08	2	ID5V/D5Z	20	N 908 476 02	hexagon-head bolt M 10 X 25		8	
(9)	955 358 503 31	air spring	09-	2	ID5V/D5Z	21	955 511 645 00	clip		4	
(9)	955 358 503 40	air spring		2	ID5V/E0W/E1T	22	N 105 924 02	hexagon-head bolt M 12 X 1,5 X 120		2	
10 A	955 358 730 00	pressure holding valve with sealing ring		2		23	N 104 029 04	hexagon nut M 12 X 1,5		2	
(10)	955 358 730 02	pressure holding valve with sealing ring		2		24	000 043 204 68	grease Syntheso Glep 1 1 50-g tube		1	

Model	Year	MG	SG	Illustration	Restrictions	UPD	14:21	21.01.2010	PORSCHE	PET	PORSCHE
9PA1	2010	6	01	601-00		247					



Pos	Part Number	Description	Remark	Qty	Model
		wheels			
1	955 362 126 01	disc wheel 7,5 J X 17 ET 53		4	ICJ1
	9A1	silver			
1	955 362 126 01	disc wheel 7,5 J X 17 ET 53		5	ICJ1/1G3
	9A1	silver			
(1)	955 362 138 30	disc wheel 9 J X 19 ET 60		4	ICJ3/D5X
	9A1	silver Information available			
(1)	955 362 138 30	disc wheel 9 J X 19 ET 60		4	ICJ3/D50
	9A1	silver Information available			
(1)	955 362 138 30	disc wheel 9 J X 19 ET 60		5	ICJ3/D5X/1G3
	9A1	silver Information available			
(1)	955 362 138 30	disc wheel 9 J X 19 ET 60		5	ICJ3/D50/1G3
	9A1	silver Information available			
(1)	955 362 140 70	disc wheel 9 J X 20 ET 60		4	ICS5/D5X
	9A1	silver Information available			
(1)	955 362 140 70	disc wheel 9 J X 20 ET 60		4	ICS5/D50
	9A1	silver Information available			

Model	Year	MG	SG	Illustration	Restrictions	UPD	14:21	21.01.2010	PORSCHE	PET	PORSCHE
9PA1	2010	6	01	601-00		247					

Pos	Part Number	Description	Remark	Qty	Model	Pos	Part Number	Description	Remark	Qty	Model
(1)	955 362 140 70	disc wheel 9 J X 20 ET 60		5	IC55/D5X/1G3	(1)	955 362 136 40	disc wheel 8 J X 18 ET 57 it is necessary to rework paint		4	IC2R/E2D/6FI
	9A1	silver Information available					9A1	silver			
(1)	955 362 140 70	disc wheel 9 J X 20 ET 60		5	IC55/D50/1G3	(1)	955 362 136 40	disc wheel 8 J X 18 ET 57 it is necessary to rework paint		5	IC2R/E2D/1G3 I6FI
	9A1	silver Information available					9A1	silver			
(1)	955 362 136 40	disc wheel 8 J X 18 ET 57		4	IC2R		9A1	silver			
	9A1	silver				(1)	955 362 136 40	disc wheel 8 J X 18 ET 57 it is necessary to rework paint		4	IC2R/E2D/6FP
(1)	955 362 136 40	disc wheel 8 J X 18 ET 57		5	IC2R/1G3		9A1	silver			
	9A1	silver				(1)	955 362 136 40	disc wheel 8 J X 18 ET 57 it is necessary to rework paint		5	IC2R/E2D/1G3 I6FP
(1)	955 362 136 40	disc wheel 8 J X 18 ET 57		4	IC2R/E2D		9A1	silver			
	9A1	silver				(1)	955 362 136 50	disc wheel 8 J X 18 ET 57		4	ICD3
(1)	955 362 136 40	disc wheel 8 J X 18 ET 57		5	IC2R/E2D/1G3		9A1	silver			
	9A1	silver				(1)	955 362 136 50	disc wheel 8 J X 18 ET 57		5	ICD3/1G3
(1)	955 362 136 40	disc wheel 8 J X 18 ET 57 it is necessary to rework paint		4	IC2R/E2D/6FM		9A1	silver			
	9A1	silver				(1)	955 362 138 20	disc wheel 9 J x 19 ET 60		4	ICJ3/D5V/D5Z
(1)	955 362 136 40	disc wheel 8 J X 18 ET 57 it is necessary to rework paint		5	IC2R/E2D/1G3 I6FM		9A1	silver Information available			
	9A1	silver				(1)	955 362 138 20	disc wheel 9 J x 19 ET 60		5	ICJ3/D5V/D5Z I1G3

Model	Year	MG	SG	Illustration	Restrictions	UPD	14:21	21.01.2010	PORSCHE	PET	PORSCHE
9PA1	2010	6	01	601-00		247					

Pos	Part Number	Description	Remark	Qty	Model	Pos	Part Number	Description	Remark	Qty	Model
(1)	955 362 140 80	disc wheel 9 J X 20 ET 60		4	ICS5/D5V/D5Z	(1)	955 362 158 00	disc wheel 10 J X 21 ET 50	/V	2	IC9N
	9A1	silver Information available					9A1	silver			
(1)	955 362 140 80	disc wheel 9 J X 20 ET 60		5	ICS5/D5V/D5Z I1G3	(1)	955 362 158 00	disc wheel 10 J X 21 ET 50 it is necessary to rework paint	/V	2	IC9S
	9A1	silver Information available					9A1	silver			
(1)	955 362 140 90	disc wheel 9 J X 20 ET 60	/V	2	ICY3	(1)	955 362 158 00	disc wheel 10 J X 21 ET 50 it is necessary to rework paint	/V	2	IC4I/C4P/E2D
	9A1	silver					9A1	silver			
(1)	955 362 140 90	disc wheel 9 J X 20 ET 60 it is necessary to rework paint	/V	2	ICY4	(1)	955 362 162 00	disc wheel 10 J X 21 ET 45	/H	2	IC9N
	9A1	silver					9A1	silver			
(1)	955 362 142 00	disc wheel 10 J X 20 ET 55	/H	2	ICY3	(1)	955 362 162 00	disc wheel 10 J X 21 ET 45 it is necessary to rework paint	/H	2	IC9S
	9A1	silver					9A1	silver			
(1)	955 362 142 00	disc wheel 10 J X 20 ET 55 it is necessary to rework paint	/H	2	ICY4	(1)	955 362 162 00	disc wheel 10 J X 21 ET 45 it is necessary to rework paint	/H	2	IC4I/C4P/E2D
	9A1	silver					9A1	silver			
(1)	955 362 156 00	disc wheel 10 J X 21 ET 50		4	ICY2	2	900 265 001 50	rubber valve		4	
	9A1	silver				(2)	900 265 001 50	rubber valve		5	I1G3
(1)	955 362 156 00	disc wheel 10 J X 21 ET 50		5	ICY2/I1G3	(2)	...	valve tyre pressure monitoring see group 6/01/05		4	I7K3/7K4
	9A1	silver				3	955 361 163 00	cap		4	
	9A1	silver				(3)	955 361 163 00	cap		5	I1G3

Model	Year	MG	SG	Illustration	Restrictions	UPD	14:21	21.01.2010	PORSCHE	PET	PORSCHE
9PA1	2010	6	01	601-00		247					

Pos	Part Number	Description	Remark	Qty	Model	Pos	Part Number	Description	Remark	Qty	Model
4	997 361 405 00	balance stick-on weight 5 G.		X		(6)	955 361 057 30	wheel bolt anti-theft protection 1 set comprising: wheel bolt adapter	(GB)	1	IB0N/1G3
(4)	997 361 410 00	balance stick-on weight 10 G.		X						5	
(4)	997 361 415 00	balance stick-on weight 15 G.		X						1	
(4)	997 361 420 00	balance stick-on weight 20 G.		X		(6)	955 361 957 10	wheel bolt anti-theft protection 1 set comprising: wheel bolt adapter note coding		1	
(4)	997 361 425 00	balance stick-on weight 25 G.		X						1	
(4)	997 361 430 00	balance stick-on weight 30 G.		X			050	coding			
(4)	997 361 435 00	balance stick-on weight 35 G.		X			051	coding			
(4)	997 361 440 00	balance stick-on weight 40 G.		X			052	coding			
(4)	997 361 445 00	balance stick-on weight 45 G.		X			053	coding			
(4)	997 361 450 00	balance stick-on weight 50 G.		X			054	coding			
(4)	997 361 455 00	balance stick-on weight 55 G.		X			055	coding			
(4)	997 361 450 00	balance stick-on weight 50 G.		X			056	coding			
(4)	997 361 455 00	balance stick-on weight 55 G.		X			057	coding			
(4)	997 361 460 00	balance stick-on weight 60 G.		X			058	coding			
(4)	997 361 460 00	balance stick-on weight 60 G.		X			059	coding			
5	WHT 001 693	wheel bolt		16			060	coding			
5	WHT 001 693	wheel bolt		20	I1G3		061	coding			
6	955 361 057 10	wheel bolt anti-theft protection 1 set comprising: wheel bolt adapter		1			062	coding			
(6)	955 361 057 20	wheel bolt anti-theft protection 1 set comprising: wheel bolt adapter	(GB)	1	IB0N		063	coding			
				4			064	coding			
				1			065	coding			
				4			066	coding			
				1			067	coding			
				4			068	coding			
				1			069	coding			

Model	Year	MG	SG	Illustration	Restrictions	UPD	14:21	21.01.2010	PORSCHE	PET	PORSCHE
9PA1	2010	6	01	601-00		247					

Pos	Part Number	Description	Remark	Qty	Model	Pos	Part Number	Description	Remark	Qty	Model
(6)	U 955 361 957 20	wheel bolt anti-theft protection 1 set comprising: wheel bolt adapter note coding	(GB)	1	IB0N		072	coding			
		070 coding					073	coding			
		071 coding		1			074	coding			
		072 coding		1			075	coding			
		073 coding					076	coding			
		074 coding					077	coding			
		075 coding					078	coding			
		076 coding					079	coding			
		077 coding					080	coding			
		078 coding					081	coding			
		079 coding				7	955 361 303 00	hub cap round concave crest black		4	ICD3/CJ1/C2R
		080 coding					9A1	silver			
		081 coding				7	955 361 303 00	hub cap round concave crest black		4	ICY2/CY3
		082 coding					9A1	silver			
		083 coding				7	955 361 303 00	hub cap		5	ICD3/CJ1/C2R I1G3
		084 coding						round concave crest black			
		085 coding					9A1	silver			
		086 coding				(7)	955 361 303 02	hub cap star shaped crest black		4	ICJ3/CS5
		087 coding					9A1	silver			
		088 coding				(7)	955 361 303 02	hub cap star shaped crest black		5	ICJ3/CS5/1G3
		089 coding									
(6)	955 361 209 00	adapter for wheel bolt anti-theft protection note coding	(GB)	1	IB0N						
		070 coding									
		071 coding									

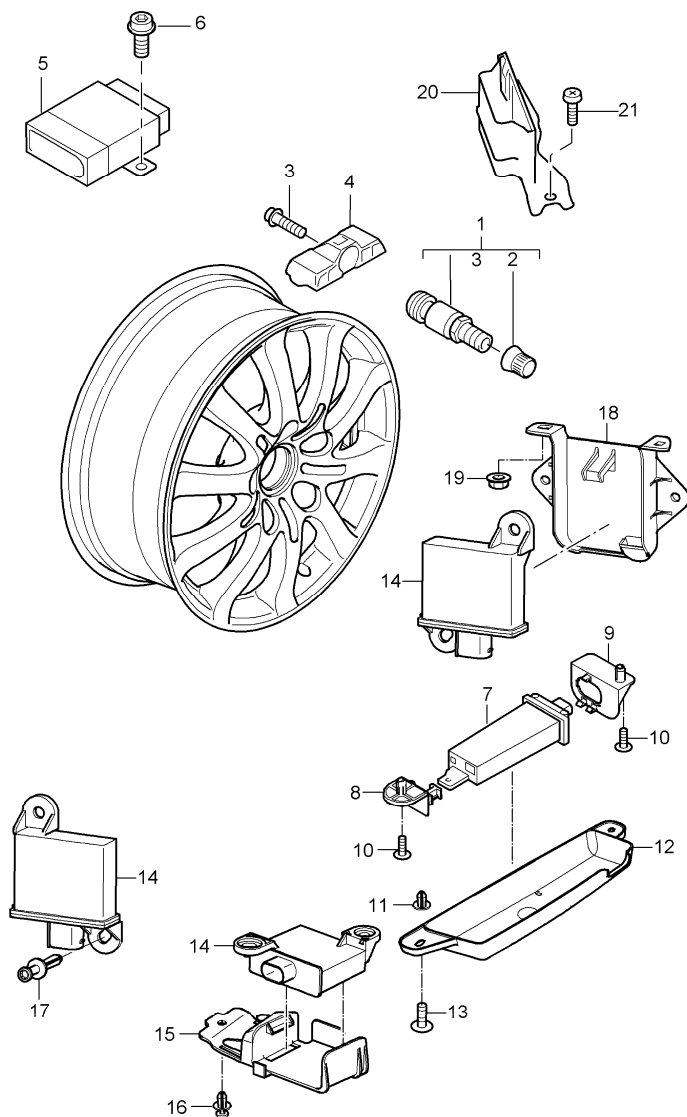
Model	Year	MG	SG	Illustration	Restrictions	UPD	14:21	21.01.2010	PORSCHE	PET	PORSCHE
9PA1	2010	6	01	601-00		247					

Pos	Part Number	Description	Remark	Qty	Model	Pos	Part Number	Description	Remark	Qty	Model
(7)	955 361 303 05	9A1 silver hub cap round concave crest coloured		4	ICD3/CJ1/C2R	(7)	955 361 303 20	9A1 silver hub cap round concave crest coloured it is necessary to rework paint		4	IC2R/E2D/6FI I6FP
(7)	955 361 303 05	9A1 silver hub cap round concave crest coloured		4	ICY2/CY3/CY4	(7)	955 361 303 20	9A1 silver hub cap round concave crest coloured it is necessary to rework paint		5	IC2R/E2D/1G3 I6FI/6FP
(7)	955 361 303 05	9A1 silver hub cap round concave crest coloured		4	IC9N	(7)	955 361 303 20	9A1 silver hub cap round concave crest coloured it is necessary to rework paint		4	ICD3/CJ1/CY2 ICY3/CY4/C2R IC9N
(7)	955 361 303 05	9A1 silver hub cap round concave crest coloured		5	ICD3/CJ1/C2R I1G3	(7)	955 361 303 20	9A1 silver hub cap round concave crest coloured		5	ICD3/CJ1/CY2 ICY3/CY4/C2R IC9N/1G3
(7)	955 361 303 20	9A1 silver hub cap round concave crest coloured it is necessary to rework paint		4	IC9S	(7)	955 361 303 20	9A1 silver hub cap round concave crest coloured it is necessary to rework paint		4	ICD3/CY2/E2D
(7)	955 361 303 20	9A1 silver hub cap round concave crest coloured it is necessary to rework paint		4	IC4I/C4P	(7)	955 361 303 20	9A1 silver hub cap round concave crest coloured it is necessary to rework paint			
	9A1	silver									

Model	Year	MG	SG	Illustration	Restrictions	UPD	14:21	21.01.2010	PORSCHE	PET	PORSCHE
9PA1	2010	6	01	601-00		247					

Pos	Part Number	Description	Remark	Qty	Model	Pos	Part Number	Description	Remark	Qty	Model
(7)	955 361 303 20	hub cap round concave crest coloured it is necessary to rework paint 9A1 silver		4	IC2R/E2D/6FI I6FM/6FP	9	955 362 533 11	fastening part		1	I1G1
						(9)	955 362 533 20	fastening part	09-	1	I1G4
						10	955 362 645 10	handle	-08	1	I1G1
						(10)	955 362 645 10	handle	09-	1	I1G1/1G4
						11	N 904 085 04	blind rivet nut AM 8	-08	1	I1G1
(7)	955 361 303 20	hub cap round concave crest coloured it is necessary to rework paint 9A1 silver		5	ICD3/CY2/E2D I1G3	(11)	N 904 085 04	blind rivet nut AM 8	09-	1	I1G1/1G4
						12	955 722 631 00	compressed air bottle with sealing compound		1	I1G8
						13	955 652 053 01	compressor		1	I1BA/1BW/1G1 I1G6/1G8
(7)	955 361 303 20	hub cap round concave crest coloured it is necessary to rework paint 9A1 silver		5	IC2R/E2D/1G3 I6FI/6FM/6FP						
(7)	955 361 303 30	hub cap star shaped crest coloured 9A1 silver		4	ICJ3/CS5						
(7)	955 361 303 30	hub cap star shaped crest coloured 9A1 silver		5	ICJ3/CS5/1G3						
8	955 362 050 11	emergency wheel with collapsible tire 6,5 J X 18 ET 53		1	I1G1						
(8)	955 362 050 20	emergency wheel with collapsible tire 6,5 B X 19 ET 43,5	09-	1	I1G4						

Model	Year	MG	SG	Illustration	Restrictions	UPD	14:21	21.01.2010	PORSCHE	PET	PORSCHE
9PA1	2010	6	01	601-05		247					

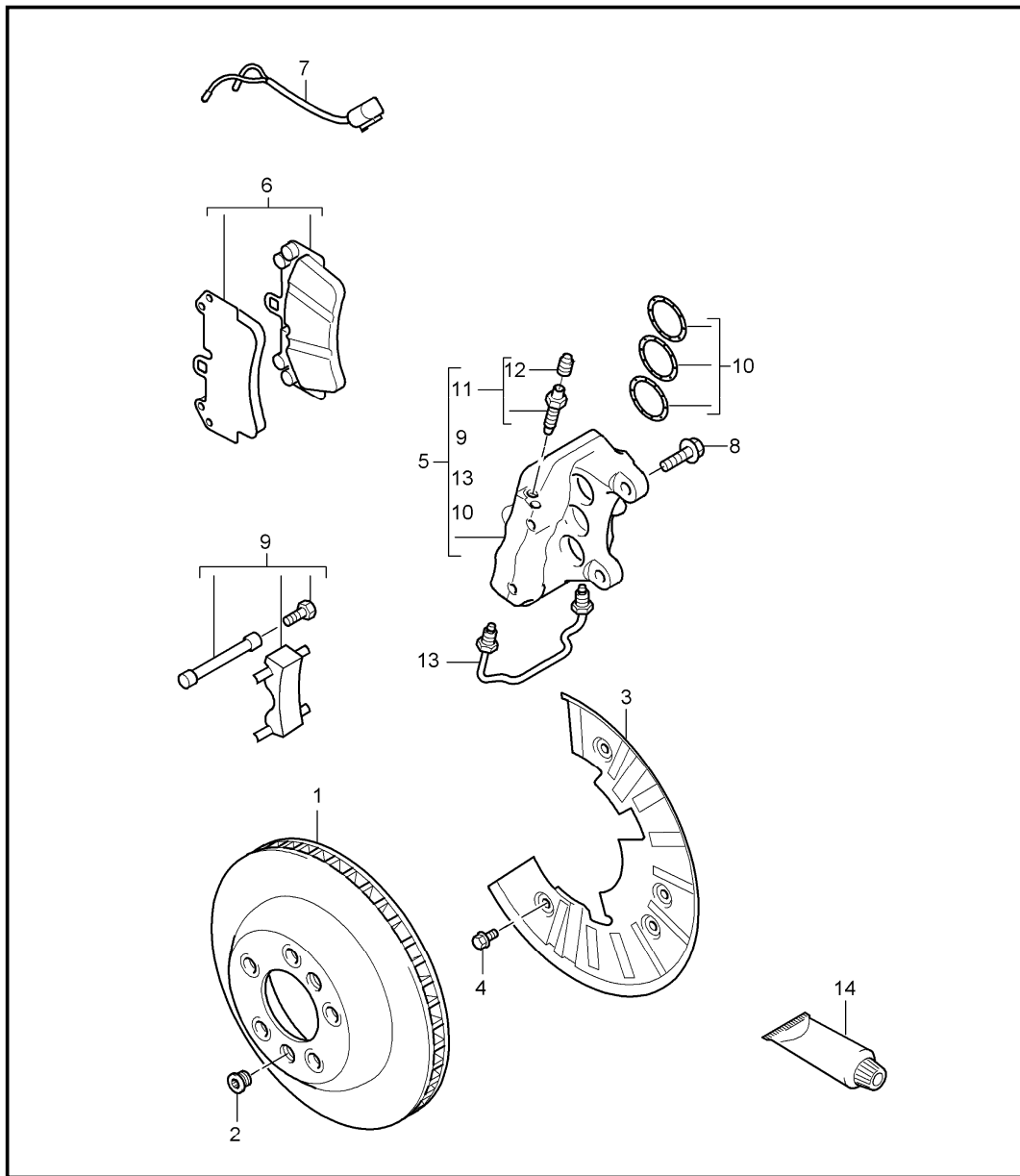


Pos	Part Number	Description	Remark	Qty	Model
		tyre pressure monitoring			I7K3/7K4
1	955 361 053 00	valve aluminium		4	
2	N 908 729 01	cap		4	
3	4D0 601 365	fastening screw		4	
4	955 606 021 00	sensor use also: 955.361.053.00		4	I7K3 X
(4)	955 606 023 00	sensor use also: 955.361.053.00	-09	4	I7K4 X
(4)	955 606 023 01	sensor use also: 955.361.053.00	10-	4	I7K4 X
5	955 618 103 00	control unit tyre pressure monitoring		1	
6	N 102 480 03	pan-head screw M 6 X 14		2	
7	955 606 101 00	antenna		1	I7K3
(7)	955 606 103 00	antenna		1	I7K4
8	955 606 225 00	clip		1	
9	955 606 427 00	support		1	
10	955 606 226 00	fastening screw		2	
11	WHT 002 110	expander nut 6,0		2	IVR1/6EP/6ES
12	955 606 520 00	cap		1	IVR1/6EP/6ES
13	N 908 082 01	oval-head screw 6 X 18,5		2	IVR1/6EP/6ES
14	955 618 113 00	transmitter		4	
15	955 606 141 00	support front	/L	1	
16	999 591 941 40	expansion rivet		1	
17	955 606 428 00	expansion rivet		2	
18	955 606 131 00	support rear		2	

Model	Year	MG	SG	Illustration	Restrictions	UPD	14:21	21.01.2010	PORSCHE	PET	PORSCHE
9PA1	2010	6	01	601-05		247					

Pos	Part Number	Description	Remark	Qty	Model	Pos	Part Number	Description	Remark	Qty	Model
19	N 904 953 01	hexagon nut D 5		4							
20	955 618 165 00	support control unit tyre pressure monitoring	/RL	1							
-	999 591 941 40	expansion rivet mount control unit tyre pressure monitoring	/RL	1							
21	955 423 157 10	screw DG 6 X 18	/RL	1							

Model	Year	MG	SG	Illustration	Restrictions	UPD	14:21	21.01.2010	PORSCHE	PET	PORSCHE
9PA1	2010	6	02	602-00		247					



Pos	Part Number	Description	Remark	Qty	Model
1	955 351 401 41	disc brake front axle			
		brake disc	/L	1	I1LK
		use also: hexagon-head bolt N .906.854.03		2	
(1)	955 351 402 41	brake disc	/R	1	I1LK
		use also: hexagon-head bolt N .906.854.03		2	
(1)	955 351 401 51	brake disc	/L	1	I1LL
		use also: hexagon-head bolt N .906.854.03		2	
(1)	955 351 402 51	brake disc	/R	1	I1LL
		use also: hexagon-head bolt N .906.854.03		2	
(1)	955 351 403 00	brake disc		2	I1LP
		use also: hexagon-head bolt N .906.854.03	-08	4	
(1)	955 351 401 51	brake disc	/L	1	IEOW/1LM
		use also: hexagon-head bolt N .906.854.03		2	
(1)	955 351 402 51	brake disc	/R	1	IEOW/1LM
		use also: hexagon-head bolt N .906.854.03		2	
(1)	955 351 401 61	brake disc	/L	1	IE81/1LH
		use also: hexagon-head bolt N .906.854.03	-08	2	
(1)	955 351 402 61	brake disc	/R	1	IE81/1LH
		use also: hexagon-head bolt N .906.854.03	-08	2	
(1)	955 351 401 61	brake disc	/L	1	I1LH
		use also: hexagon-head bolt N .906.854.03	09-	2	
(1)	955 351 402 61	brake disc	/R	1	I1LH
		use also: hexagon-head bolt N .906.854.03	09-	2	

Model	Year	MG	SG	Illustration	Restrictions	UPD	14:21	21.01.2010	PORSCHE	PET	PORSCHE
9PA1	2010	6	02	602-00		247					

Pos	Part Number	Description	Remark	Qty	Model	Pos	Part Number	Description	Remark	Qty	Model
(1)	955 351 031 00	brake disc use also: hexagon-head bolt N .906.854.03	/L 09-	1	I1LX	(5)	955 351 422 53	fixed calliper without pad silver lacquered use also: hexagon-head bolt N .906.854.03	/R	1	I1LL
(1)	955 351 032 00	brake disc use also: hexagon-head bolt N .906.854.03	/R 09-	1	I1LX					2	
2	N 910 282 02	fit bolt M 12 X 1,5 X 19,3		2		(5)	955 351 421 70	fixed calliper without pad red lacquered use also: hexagon-head bolt N .906.854.03 spring 955.351.959.10	/L -08	1	I1LP
3	955 351 801 20	cover plate		2	I1LK/1LL					2	
(3)	955 351 801 51	cover plate	-08	2	I1LP					1	
(3)	955 351 801 20	cover plate		2	IE0W/1LM					1	
(3)	955 351 801 51	cover plate	-08	2	IE81/1LH	(5)	955 351 422 70	fixed calliper without pad red lacquered use also: hexagon-head bolt N .906.854.03 spring 955.351.959.10	/R -08	1	I1LP
(3)	955 351 801 51	cover plate	09-	2	I1LH					2	
(3)	955 351 801 60	cover plate	/L 09-	1	I1LX					1	
(3)	955 351 802 60	cover plate	/R 09-	1	I1LX	(5)	955 351 421 22	fixed calliper without pad red lacquered use also: hexagon-head bolt N .906.854.03	/L	1	IE0W/1LM
4	N 010 237 14	hexagon-head bolt M 8 X 12		6						2	
5	955 351 421 33	fixed calliper without pad black anodised use also: hexagon-head bolt N .906.854.03	/L	1	I1LK	(5)	955 351 422 22	fixed calliper without pad red lacquered use also: hexagon-head bolt N .906.854.03	/R	1	IE0W/1LM
(5)	955 351 422 33	fixed calliper without pad black anodised use also: hexagon-head bolt N .906.854.03	/R	1	I1LK					2	
(5)	955 351 421 53	fixed calliper without pad silver lacquered use also: hexagon-head bolt N .906.854.03	/L	1	I1LL	(5)	955 351 421 61	fixed calliper without pad red lacquered use also: hexagon-head bolt N .906.854.03	/L -08	1	IE81/1LH
				2						2	

Model	Year	MG	SG	Illustration	Restrictions	UPD	14:21	21.01.2010	PORSCHE	PET	PORSCHE
9PA1	2010	6	02	602-00		247					

Pos	Part Number	Description	Remark	Qty	Model	Pos	Part Number	Description	Remark	Qty	Model	
(5)	955 351 422 61	fixed calliper without pad red lacquered use also: hexagon-head bolt N .906.854.03	/R	-08	1	IE81/1LH	(6)	955 351 939 14	brake pad repair set comprising: brake pad use also: mounting parts	-09	1	I1LL
				2						4		
(5)	955 351 421 61	fixed calliper without pad red lacquered use also: hexagon-head bolt N .906.854.03	/L	09-	1	I1LH	(6)	955 351 939 15	brake pad repair set comprising: brake pad use also: mounting parts	10-	1	I1LL
				2						4		
(5)	955 351 422 61	fixed calliper without pad red lacquered use also: hexagon-head bolt N .906.854.03	/R	09-	1	I1LH	(6) U	955 351 939 61	brake pad repair set comprising: brake pad use also: hexagon-head bolt N .906.854.03 spring 955.351.959.10		1	I1LP
				2						4		
(5)	955 351 421 80	fixed calliper without pad yellow lacquered use also: hexagon-head bolt N .906.854.03 spring 955.351.959.10	/L	09-	1	I1LX	(6)	955 351 939 62	brake pad repair set comprising: brake pad use also: hexagon-head bolt N .906.854.03 spring 955.351.959.10 support 955.351.933.00	-08	1	I1LP
				2						4		
				1						4		
				2						2		
				1						2		
(5)	955 351 422 80	fixed calliper without pad yellow lacquered use also: hexagon-head bolt N .906.854.03 spring 955.351.959.10	/R	09-	1	I1LX	(6)	955 351 939 14	brake pad repair set comprising: brake pad use also: mounting parts	-09	1	IE0W/1LM
				2						4		
				1						4		
				1						4		
				1						4		
6	955 351 939 04	brake pad repair set comprising: brake pad use also: mounting parts		-09	1	I1LK	(6)	955 351 939 15	brake pad repair set comprising: brake pad use also: mounting parts	10-	1	IE0W/1LM
				4						4		
				4						4		
(6)	955 351 939 05	brake pad repair set comprising: brake pad use also: mounting parts		10-	1	I1LK	(6)	955 351 939 50	brake pad repair set comprising: brake pad use also: mounting parts	09	1	I1LH
				4						4		
				4						4		

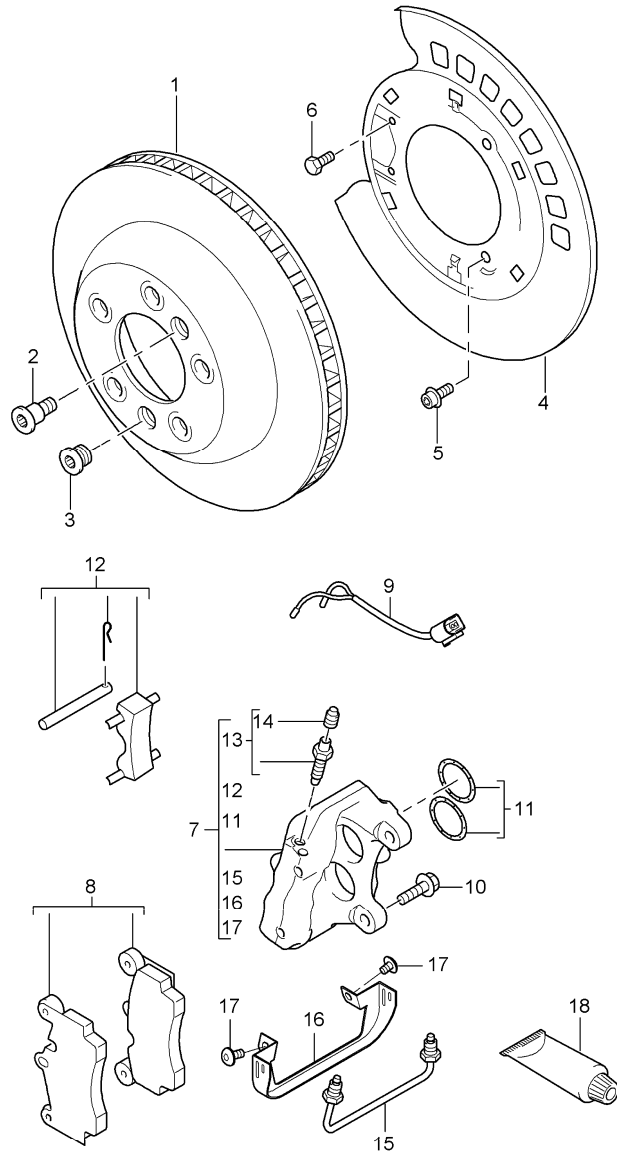
Model	Year	MG	SG	Illustration	Restrictions	UPD	14:21	21.01.2010	PORSCHE	PET	PORSCHE
9PA1	2010	6	02	602-00		247					

Pos	Part Number	Description	Remark	Qty	Model	Pos	Part Number	Description	Remark	Qty	Model
(6)	955 351 939 51	brake pad repair set comprising: brake pad use also: mounting parts	10-	1	I1LH	(9)	955 351 959 10	repair kit spring comprising: spring for fixed calliper	-08	2	I1LP
				4						2	
(6)	955 351 939 70	brake pad repair set comprising: brake pad use also: hexagon-head bolt N .906.854.03 spring 955.351.959.10 support 955.351.933.00	09-	1	I1LX	(9)	955 351 959 10	repair kit spring comprising: spring for fixed calliper	09-	2	I1LX
				4						2	
				2						1	
				2		(9)	955 351 933 00	support cable guide brake pad wear indicator fixed calliper	-08	2	I1LP
7	955 612 365 00	warning contact		2	I1LK/1LL						
(7)	955 612 365 60	warning contact when required order also: support 955.351.933.00	-08	2	I1LP	(9)	955 351 933 00	support cable guide brake pad wear indicator fixed calliper	09-	2	I1LX
				2							
(7)	955 612 365 00	warning contact		2	IE0W/1LM	(9)	955 351 959 00	repair kit mounting parts comprising: tension strut spring locking screw		1	IE0W/1LM
(7)	955 612 365 50	warning contact	-08	2	IE81/1LH					2	
(7)	955 612 365 50	warning contact	09-	2	I1LH					2	
(7)	955 612 365 80	warning contact when required order also: support 955.351.933.00	09-	2	I1LX	(9)	955 351 959 50	repair kit mounting parts comprising: tension strut spring locking screw	-08	1	IE81/1LH
				2						2	
-	944 612 627 00	line bracket for warning contact	-08	2	I1LP					2	
						(9)	955 351 959 50	repair kit mounting parts comprising: tension strut spring locking screw	09-	1	I1LH
-	944 612 627 00	line bracket for warning contact	-08	2	IE81/1LH					2	
										2	
-	944 612 627 00	line bracket for warning contact	09-	2	I1LH					2	
8	N 906 854 03	hexagon-head bolt M 16 X 1,5 X 48		4		10	955 351 915 01	repair kit protection caps 34/36/38 MM for fixed calliper		2	I1LK
9	955 351 959 00	repair kit mounting parts comprising: tension strut spring locking screw		1	I1LK/1LL	(10)	955 351 915 10	repair kit protection caps 30/34/38 MM for fixed calliper		2	I1LL
				2						1	
				2							
				2							

Model	Year	MG	SG	Illustration	Restrictions	UPD	14:21	21.01.2010	PORSCHE	PET	PORSCHE
9PA1	2010	6	02	602-00		247					

Pos	Part Number	Description	Remark	Qty	Model	Pos	Part Number	Description	Remark	Qty	Model
(10)	955 351 915 20	repair kit protection caps 36 MM for fixed calliper	-08	2	I1LP						
(10)	955 351 915 20	repair kit protection caps 36 MM for fixed calliper	09-	2	I1LX						
(10)	955 351 915 10	repair kit protection caps 30/34/38 MM for fixed calliper		2	IE0W/1LM						
(10)	955 351 915 50	repair kit protection caps 32/36/38 MM for fixed calliper	-08	2	IE81/1LH						
(10)	955 351 915 50	repair kit protection caps 32/36/38 MM for fixed calliper	09-	2	I1LH						
11	930 351 919 00	ventilation valve with dust boot		4							
12	930 351 927 00	dust boot		4							
13	955 351 961 00	connecting line		2	I1LK						
(13)	955 351 961 10	connecting line		2	I1LL						
(13)	955 351 961 20	connecting line	-08	2	I1LP						
(13)	955 351 961 10	connecting line		2	IE0W/1LM						
(13)	955 351 961 50	connecting line	-08	2	IE81/1LH						
(13)	955 351 961 50	connecting line	09-	2	I1LH						
(13)	970 351 961 10	connecting line	/L	09-	1	I1LX					
(13)	970 351 962 10	connecting line	/R	09-	1	I1LX					
14	000 043 117 00	brake cylinder paste 1 50-g tube		X							
(14)	000 043 020 00	optimoly 1 100-gramme tube		X							

Model	Year	MG	SG	Illustration	Restrictions	UPD	14:21	21.01.2010	PORSCHE	PET	PORSCHE
9PA1	2010	6	03	603-00		247					



Pos	Part Number	Description	Remark	Qty	Model
1	955 352 401 31	disc brake rear axle		2	I1KW/1KY
		brake disc		4	
		use also: pan-head screw N .105.556.02			
(1)	955 352 403 00	brake disc		2	I1KP
		use also: pan-head screw N .105.556.02		4	
(1)	955 352 401 31	brake disc		2	IE0W/1KZ
		use also: pan-head screw N .105.556.02		4	
(1)	955 352 031 00	brake disc	/L 09-	1	I2EH
		use also: pan-head screw N .105.556.02		2	
(1)	955 352 032 00	brake disc	/R 09-	1	I2EH
		use also: pan-head screw N .105.556.02		2	
2	N 910 282 02	fit bolt M 12 X 1,5 X 19,3		2	
3	N 910 380 02	screw plug M 12 X 1,5 X 5,0		2	
4	955 352 801 20	brake mounting plate	/L	1	I1KW/1KY
(4)	955 352 802 20	brake mounting plate	/R	1	I1KW/1KY
(4)	955 352 801 60	brake mounting plate	/L	1	I1KP
(4)	955 352 802 60	brake mounting plate	/R	1	I1KP
(4)	955 352 801 20	brake mounting plate	/L	1	IE0W/1KZ
(4)	955 352 802 20	brake mounting plate	/R	1	IE0W/1KZ
(4)	955 352 801 70	brake mounting plate	/L 09-	1	I2EH
(4)	955 352 802 70	brake mounting plate	/R 09-	1	I2EH
5	N 105 724 03	pan-head screw M 8 X 16		4	
6	N 909 768 02	hexagon-head bolt M 6 X 12		4	

Model	Year	MG	SG	Illustration	Restrictions	UPD	14:21	21.01.2010	PORSCHE	PET	PORSCHE
9PA1	2010	6	03	603-00		247					

Pos	Part Number	Description	Remark	Qty	Model	Pos	Part Number	Description	Remark	Qty	Model
7	955 352 421 32	fixed calliper without pad black anodised use also: pan-head screw N .105.556.02	/L	1	I1KW	(7)	955 352 421 51	fixed calliper without pad red lacquered use also: pan-head screw N .105.556.02	/L	1	IE0W/1KZ
				2						2	
(7)	955 352 422 32	fixed calliper without pad black anodised use also: pan-head screw N .105.556.02	/R	1	I1KW	(7)	955 352 422 51	fixed calliper without pad red lacquered use also: pan-head screw N .105.556.02	/R	1	IE0W/1KZ
				2						2	
(7)	955 352 421 42	fixed calliper without pad silver lacquered use also: pan-head screw N .105.556.02	/L	1	I1KY	(7)	955 352 421 80	fixed calliper without pad yellow lacquered use also: pan-head screw N .105.556.02	/L	09-	I2EH
				2						2	
(7)	955 352 422 42	fixed calliper without pad silver lacquered use also: pan-head screw N .105.556.02	/R	1	I1KY	(7)	955 352 422 80	fixed calliper without pad yellow lacquered use also: pan-head screw N .105.556.02	/R	09-	I2EH
				2						2	
(7)	955 352 421 70	fixed calliper without pad red lacquered use also: pan-head screw N .105.556.02 spring 955.352.959.10	/L	1	I1KP	(8)	955 352 939 02	brake pad repair set comprising: brake pad use also: mounting parts		-09	I1KW/1KY
				2						4	
				1						1	
(7)	955 352 422 70	fixed calliper without pad red lacquered use also: pan-head screw N .105.556.02 spring 955.352.959.10	/R	1	I1KP	(8)	955 352 939 03	brake pad repair set comprising: brake pad use also: mounting parts		10-	I1KW/1KY
				2						4	
				1						1	
				2						4	
				1		(8) U	955 352 939 61	brake pad repair set comprising: brake pad use also: pan-head screw N .105.556.02 spring 955.352.959.10		2	I1KP
				2						4	
				1						4	
				2						2	

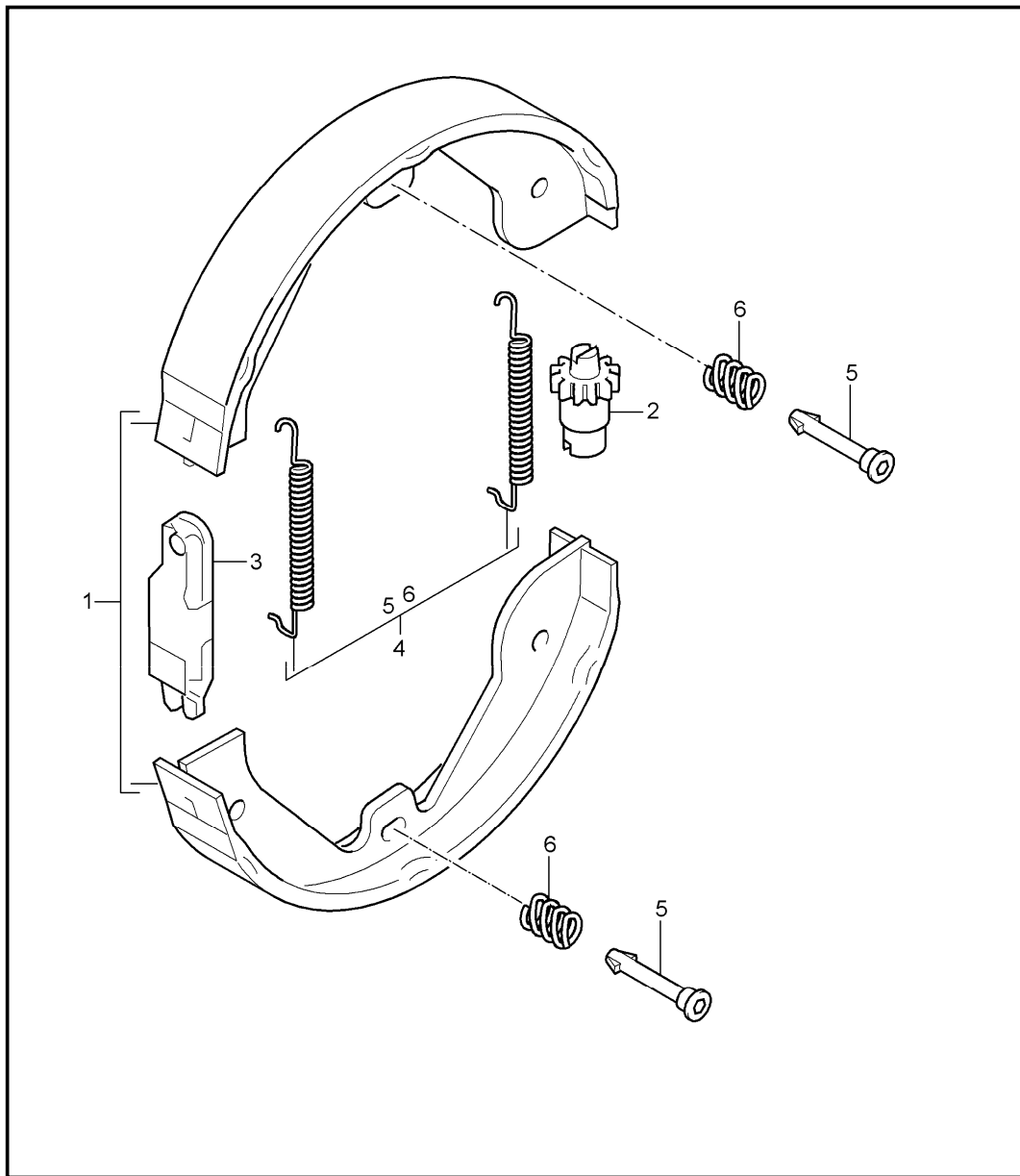
Model	Year	MG	SG	Illustration	Restrictions	UPD	14:21	21.01.2010	PORSCHE	PET	PORSCHE
9PA1	2010	6	03	603-00		247					

Pos	Part Number	Description	Remark	Qty	Model	Pos	Part Number	Description	Remark	Qty	Model
(8)	955 352 939 62	brake pad repair set comprising: brake pad use also: pan-head screw N .105.556.02 spring 955.352.959.10	-09	1	I1KP	(11)	955 352 915 10	repair kit protection caps 30/30 MM for fixed calliper		2	I1KP
				4						1	
				4		(11)	955 352 915 00	repair kit protection caps 28/30 MM for fixed calliper		2	IE0W/1KZ
				2						1	
(8)	955 352 939 63	brake pad repair set comprising: brake pad use also: pan-head screw N .105.556.02 spring 955.352.959.10	10-	1	I1KP	(11)	996 351 915 00	repair kit protection caps 32 MM for fixed calliper	09-	2	I2EH
				4						1	
				4						1	
				2						2	
(8)	955 352 939 02	brake pad repair set comprising: brake pad use also: mounting parts	-09	1	IE0W/1KZ	12	955 352 960 00	repair kit mounting parts retaining pin spring retaining spring		1	I1KW/1KY
				4						2	
				4						2	
				2						2	
(8)	955 352 939 03	brake pad repair set comprising: brake pad use also: mounting parts	10-	1	IE0W/1KZ	(12)	955 352 959 10	spring		2	I1KP
				4		(12)	955 352 960 00	repair kit mounting parts retaining pin spring retaining spring		1	IE0W/1KZ
				4						2	
				2						2	
				2						2	
(8)	955 352 939 70	brake pad repair set comprising: brake pad use also: pan-head screw N .105.556.02 spring 970.352.959.00	09-	1	I2EH	(12)	970 352 959 00	spring	09-	2	I2EH
				4						4	
				4		13	930 351 919 00	ventilation valve with dust boot		4	
				2		14	930 351 927 00	dust boot		4	
9	955 612 365 30	warning contact		2	I1KW/1KY	15	955 352 961 20	connecting line		2	I1KW/1KY
(9)	955 612 365 70	warning contact		2	I1KP	(15)	955 352 961 20	connecting line		2	IE0W/1KZ
(9)	955 612 365 30	warning contact		2	IE0W/1KZ	(15)	970 352 961 00	connecting line	09-	2	I2EH
(9)	955 612 365 70	warning contact	09-	2	I2EH	16	955 352 963 00	protective plate connecting line		2	I1KW/1KY
10	N 105 556 02	pan-head screw M 14 X 1,5 X 40		4		(16)	955 352 963 00	protective plate connecting line		2	IE0W/1KZ
11	955 352 915 00	repair kit protection caps 28/30 MM for fixed calliper		2	I1KW/1KY	17	N 104 056 04	oval-head screw M 6 X 14		4	I1KW/1KY
				1		(17)	N 104 056 04	oval-head screw M 6 X 14		4	IE0W/1KZ

Model	Year	MG	SG	Illustration	Restrictions	UPD	14:21	21.01.2010	PORSCHE	PET	PORSCHE
9PA1	2010	6	03	603-00		247					

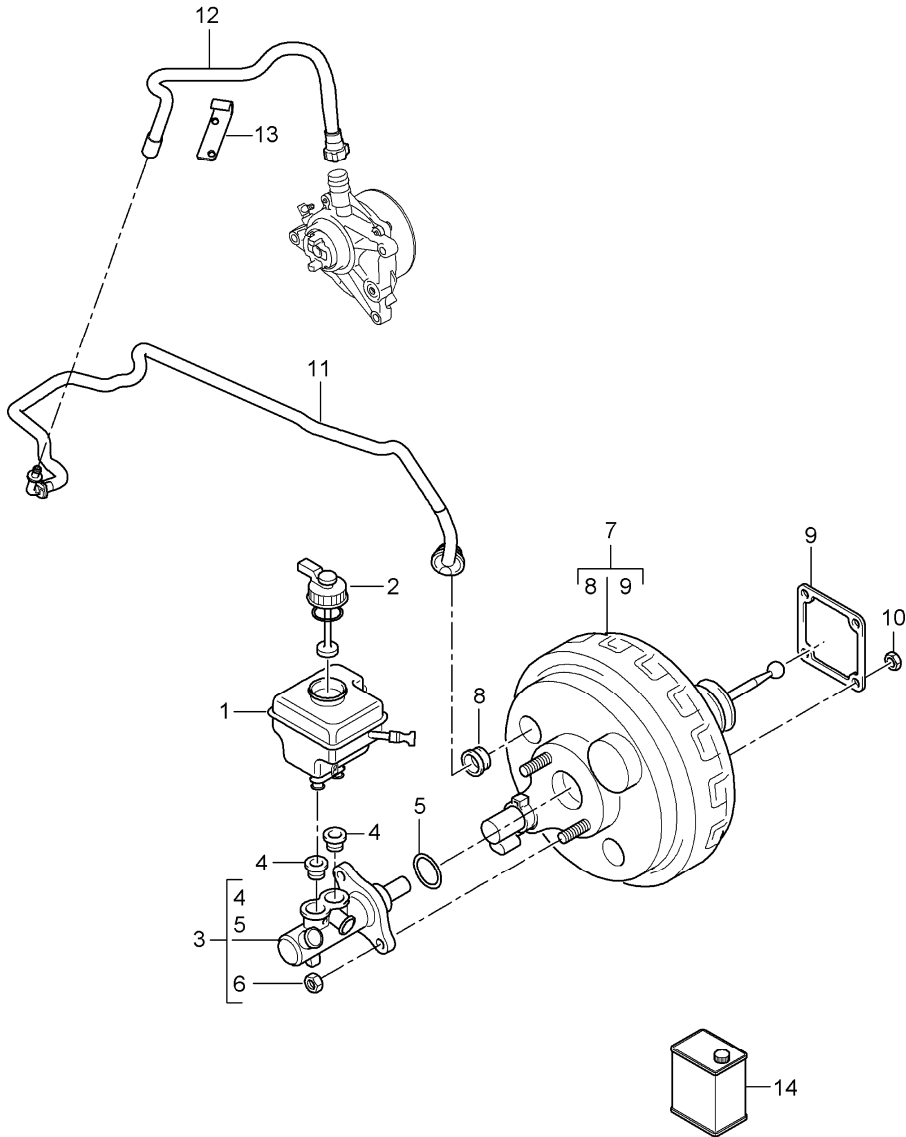
Pos	Part Number	Description	Remark	Qty	Model	Pos	Part Number	Description	Remark	Qty	Model
18	000 043 117 00	brake cylinder paste 1 50-g tube		X							
(18)	000 043 020 00	optimoly 1 100-gramme tube		X							

Model	Year	MG	SG	Illustration	Restrictions	UPD	14:21	21.01.2010	PORSCHE	PET	PORSCHE
9PA1	2010	6	03	603-05		247					



Pos	Part Number	Description	Remark	Qty	Model
		foot-operat. parking brake			
1	955 352 925 00	brake shoe repair kit comprising: brake shoe use also: mounting parts		1	
				4	
2	955 352 098 00	adjusting nut complete		2	
3	955 352 073 00	expanding-lock complete		2	
4	955 352 945 01	repair kit mount brake shoe comprising: tension spring long tension spring short roll pin compression spring		2	
				1	
				1	
				2	
				2	
5	955 352 959 01	roll pin		4	
6	955 352 957 00	compression spring		4	

Model	Year	MG	SG	Illustration	Restrictions	UPD	14:22	21.01.2010	PORSCHE	PET	PORSCHE
9PA1	2010	6	04	604-00		247					

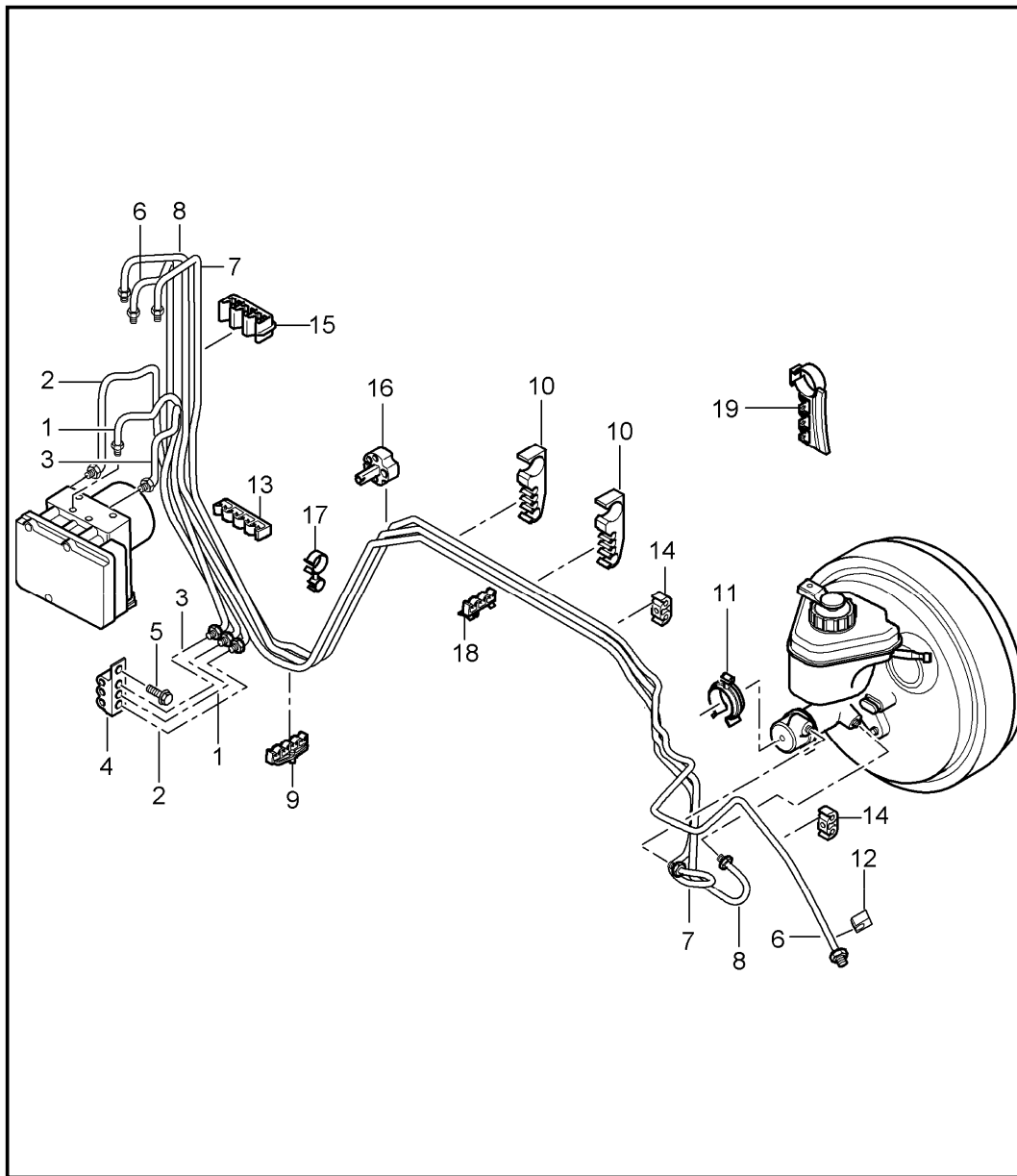


Pos	Part Number	Description	Remark	Qty	Model	
		brake master cylinder brake booster vacuum line				
1	955 355 113 00	brake fluid reservoir		1		
2	955 355 351 00	lid		1		
3	A 955 355 015 10	brake master cylinder	/LL	1		
(3)	955 355 015 20	brake master cylinder	/LL	1		
(3)	955 355 016 10	brake master cylinder	/RL	1		
(3)	955 355 016 20	brake master cylinder	/RL	1		
4	993 355 922 01	rubber seal		2		
5	955 355 912 00	sealing ring		1		
6	N 900 744 04	lock nut M 8		2		
7	955 355 923 10	brake booster	/LL	1	ID5V/D5X	
(7)	955 355 923 10	brake booster	/LL	1	ID50	
(7)	955 355 923 20	brake booster	/LL	-08	1	ID5Z
(7)	955 355 923 21	brake booster	/LL	09-	1	ID5Z
(7)	955 355 924 10	brake booster	/RL	1	ID5V/D5X	
(7)	955 355 924 10	brake booster	/RL	1	ID50	
(7)	955 355 924 20	brake booster	/RL	-08	1	ID5Z
(7)	955 355 924 21	brake booster	/RL	09-	1	ID5Z
8	955 355 921 00	sealing plug		1		
9	955 355 901 00	gasket		1		
10	N 023 003 14	hexagon nut M 8		4		
11	A 955 355 577 03	vacuum line	/LL	1		
(11)	955 355 577 04	vacuum line	/LL	1		
(11)	955 355 578 05	vacuum line	/RL	1		
12	955 355 579 30	vacuum line		1	ID5V/D5Z	
(12)	955 355 579 40	vacuum line	-08	1	ID5X	
(12)	955 355 579 41	vacuum line	09-	1	ID5X	

Model	Year	MG	SG	Illustration	Restrictions	UPD	14:22	21.01.2010	PORSCHE	PET	PORSCHE
9PA1	2010	6	04	604-00		247					

Pos	Part Number	Description	Remark	Qty	Model	Pos	Part Number	Description	Remark	Qty	Model
(12)	955 355 579 60	vacuum line		1	ID50						
13	955 355 797 00	support		1	ID50						
14	000 043 203 66	brake fluid SUPER DOT 4 1 LTR. container		X							

Model	Year	MG	SG	Illustration	Restrictions	UPD	14:22	21.01.2010	PORSCHE	PET	PORSCHE
9PA1	2010	6	04	604-05		247					

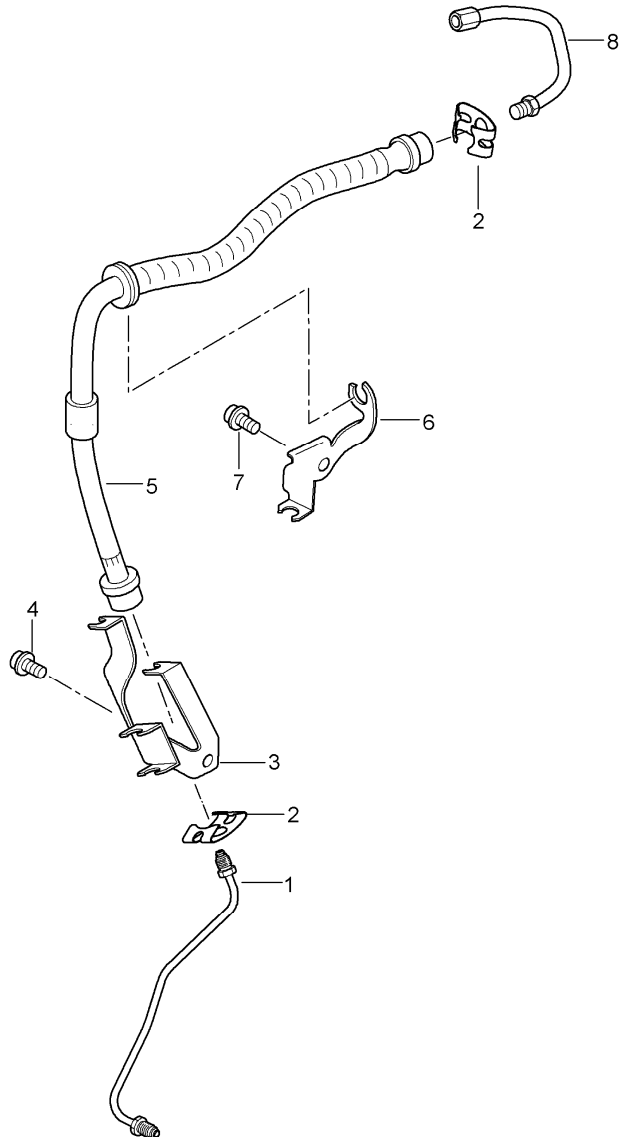


Pos	Part Number	Description	Remark	Qty	Model
		brake lines body front section			
1	U 955 355 316 20	pressure line		1	
(1)	955 355 316 21	pressure line	/LL	1	
(1)	955 355 316 30	pressure line	/RL	1	
2	955 355 315 20	pressure line	/LL	1	
(2)	955 355 315 30	pressure line	/RL	1	
3	U 955 355 327 20	pressure line		1	
(3)	955 355 327 21	pressure line	/LL	1	
(3)	955 355 327 30	pressure line	/RL	1	
4	A 955 355 650 30	intermediate piece		1	
(4)	955 355 650 31	intermediate piece		1	
5	N 101 586 05	hexagon-head bolt M 6 X 20		1	
6	U 955 355 325 50	pressure line	/LL	1	
(6)	U 955 355 325 51	pressure line	/LL	1	
(6)	955 355 325 52	pressure line	/LL	1	
(6)	U 955 355 326 50	pressure line	/RL	1	
(6)	955 355 326 51	pressure line	/RL	-08 1	
(6)	955 355 326 52	pressure line	/RL	09- 1	
7	U 955 355 309 40	pressure line	/LL	1	
(7)	U 955 355 309 41	pressure line	/LL	1	
(7)	955 355 309 42	pressure line	/LL	1	
(7)	955 355 310 40	pressure line	/RL	1	
8	U 955 355 313 40	pressure line	/LL	1	
(8)	955 355 313 41	pressure line	/LL	1	
(8)	955 355 314 40	pressure line	/RL	1	
9	955 355 540 40	line bracket	/LL	1	
(9)	955 355 540 40	line bracket	/RL	1	I1BK
10	955 355 541 10	support		2	

Model	Year	MG	SG	Illustration	Restrictions	UPD	14:22	21.01.2010	PORSCHE	PET	PORSCHE
9PA1	2010	6	04	604-05		247					

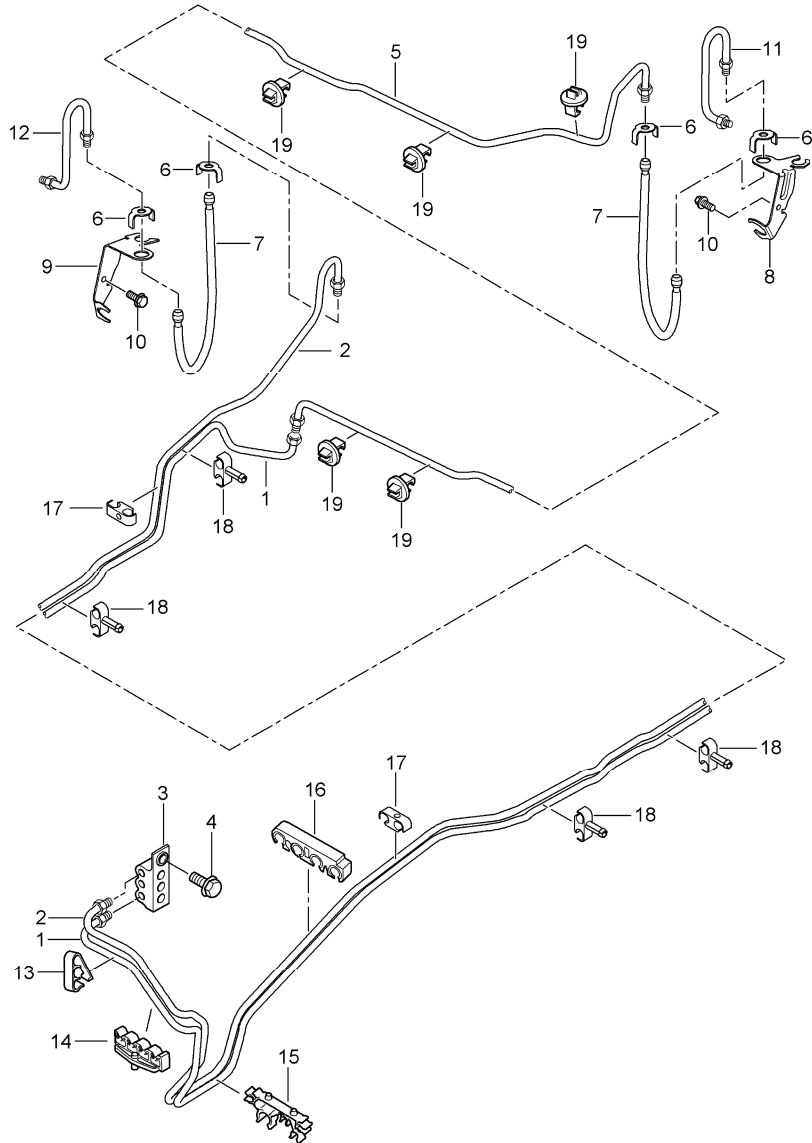
Pos	Part Number	Description	Remark	Qty	Model	Pos	Part Number	Description	Remark	Qty	Model
11	N 105 993 01	support		1							
12	999 651 331 40	cable holder	/LL	1							
13	955 355 540 00	support		1							
14	955 355 543 00	support	/RL	2							
15	955 355 542 10	support	/RL	1							
16	955 355 550 00	connection piece	/RL	1							
17	955 355 532 00	line bracket pressure line vacuum line		1							
18	955 355 542 30	line bracket	/LL	1							
19	955 355 540 31	line bracket	/LL	1							

Model	Year	MG	SG	Illustration	Restrictions	UPD	14:22	21.01.2010	PORSCHE	PET	PORSCHE
9PA1	2010	6	04	604-10		247					



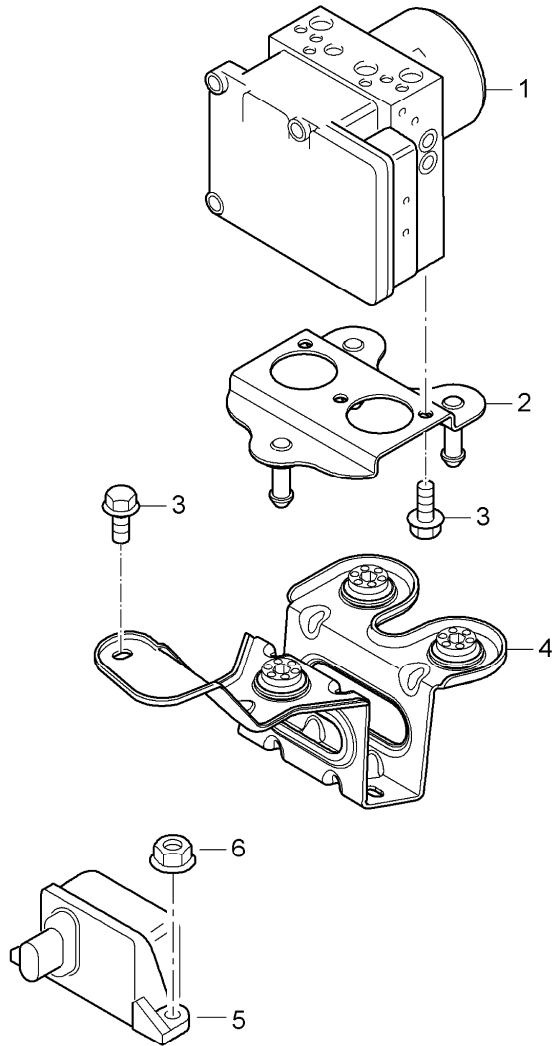
Pos	Part Number	Description	Remark	Qty	Model
		brake lines front axle			
1	955 355 581 01	brake line	/L	1	
(1)	955 355 581 50	brake line	/L -08	1	IE81/1LH
(1)	955 355 581 50	brake line	/L 09-	1	I1LH
(1)	955 355 582 01	brake line	/R	1	
(1)	955 355 582 50	brake line	/R -08	1	IE81/1LH
(1)	955 355 582 50	brake line	/R 09-	1	I1LH
2	955 355 325 00	retainer spring		4	
3	955 355 501 10	support	/L	1	
(3)	955 355 501 50	support	/L -08	1	I1LP
(3)	955 355 501 50	support	/L 09-	1	I1LX
(3)	955 355 502 10	support	/R	1	
(3)	955 355 502 50	support	/R -08	1	I1LP
(3)	955 355 502 50	support	/R 09-	1	I1LX
4	N 903 086 07	pan-head screw M 8 X 14		2	
5	955 355 139 13	brake hose		2	
(5)	955 355 139 20	brake hose	-08	2	I1LP
(5)	955 355 139 30	brake hose	09-	2	I1LX
6	955 355 503 10	support	/L	1	
(6)	955 355 504 10	support	/R	1	
7	N 103 352 06	round head screw M 6 X 12		2	
(8)	955 355 175 22	brake line	/L	1	
(8)	955 355 176 12	brake line	/R	1	

Model	Year	MG	SG	Illustration	Restrictions	UPD	14:22	21.01.2010	PORSCHE	PET	PORSCHE
9PA1	2010	6	04	604-15		247					



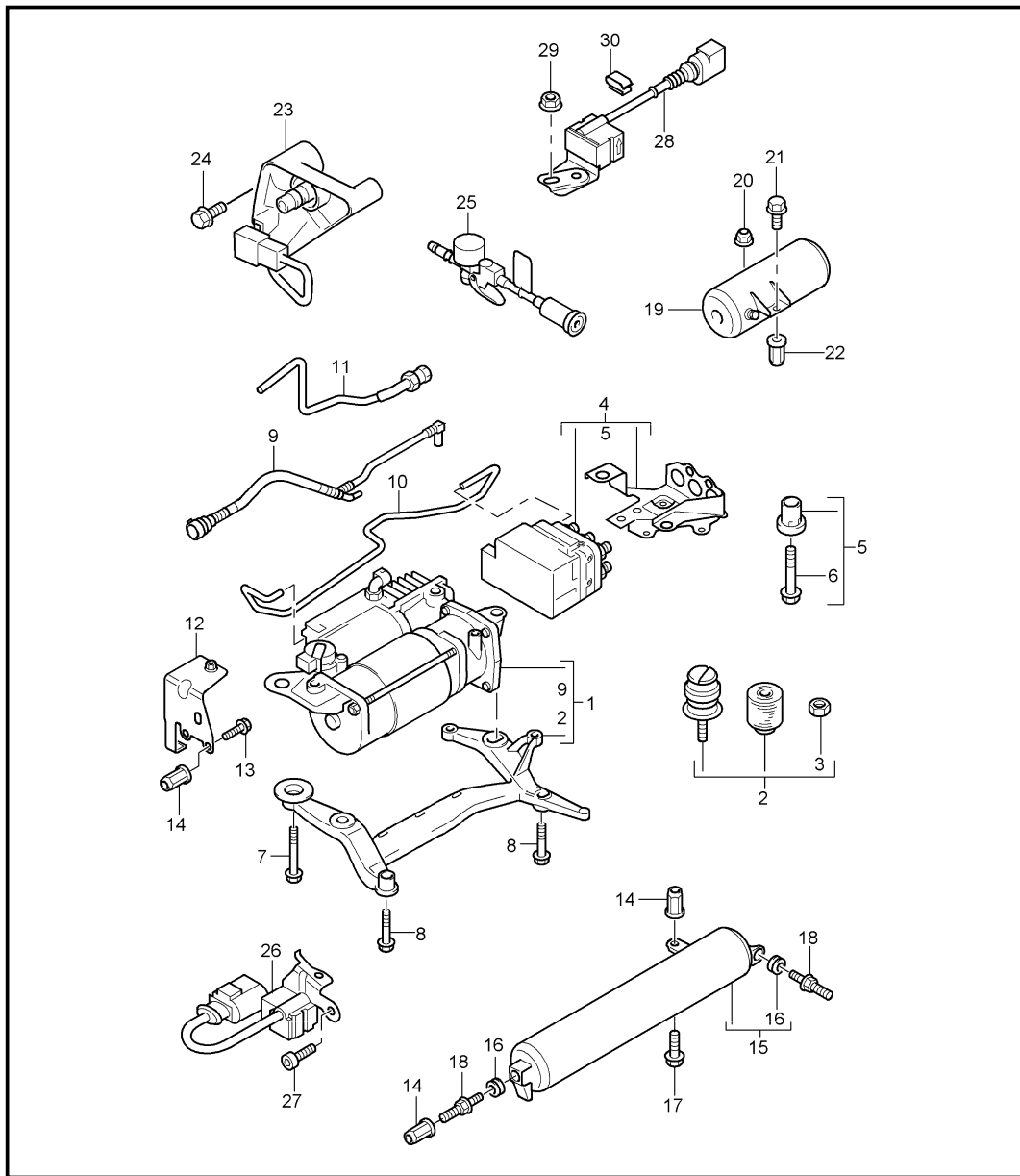
Pos	Part Number	Description	Remark	Qty	Model
		brake lines underbody rear axle			
1	955 355 177 12	brake line	/L	1	I0AB/OBB
(1)	955 355 177 20	brake line	/L	1	I0AW
2	955 355 178 11	brake line	/R	1	I0AB/OBB
(2)	955 355 178 20	brake line	/R	1	I0AW
3	A 955 355 650 30	intermediate piece		1	
(3)	955 355 650 31	intermediate piece		1	
4	N 101 586 05	hexagon-head bolt M 6 X 20		1	
5	955 355 189 13	brake line	/L	1	
6	955 355 325 00	retainer spring		4	
7	955 355 060 01	brake hose		2	
8	955 355 505 10	support	/L	1	
9	955 355 506 10	support	/R	1	
10	N 101 563 07	hexagon-head bolt M 6 X 12		2	
11	955 355 583 01	brake line	/L	1	
12	955 355 584 01	brake line	/R	1	
13	955 355 548 01	line bracket		1	
14	955 355 540 40	line bracket		1	
15	955 355 545 10	support		1	
16	955 355 543 20	support		1	
17	955 355 543 00	support		2	
18	955 355 546 01	support		4	
19	955 355 547 20	line bracket		5	

Model	Year	MG	SG	Illustration	Restrictions	UPD	14:22	21.01.2010	PORSCHE	PET	PORSCHE
9PA1	2010	6	05	605-00		247					



Pos	Part Number	Description	Remark	Qty	Model
		hydraulic unit anti-lock brake system control			
1	955 355 955 10	hydraulic unit F >>9P8LA 18169 F >>9P8LA 48433 F >>9P8LA 93488		1	
(1)	955 355 955 11	hydraulic unit F 9P8LA 18170>> F 9P8LA 48434>> F 9P8LA 70079>> F 9P8LA 93489>>	-08	1	
(1)	955 355 955 12	hydraulic unit	09-	1	ID5V/D5X/D5Z
(1)	955 355 955 20	hydraulic unit		1	ID50
(1)	955 355 955 20	hydraulic unit		1	IE2D
2	955 355 233 00	support		1	
3	N 902 452 05	hexagon-head bolt M 6 X 10		6	
4 U	955 355 033 00	support		1	
(4)	955 355 033 01	support		1	
5	955 606 145 10	sensor		1	
6	N 015 082 10	hexagon nut M 6		2	

Model	Year	MG	SG	Illustration	Restrictions	UPD	14:23	21.01.2010	PORSCHE	PET	PORSCHE
9PA1	2010	6	06	606-00		247					

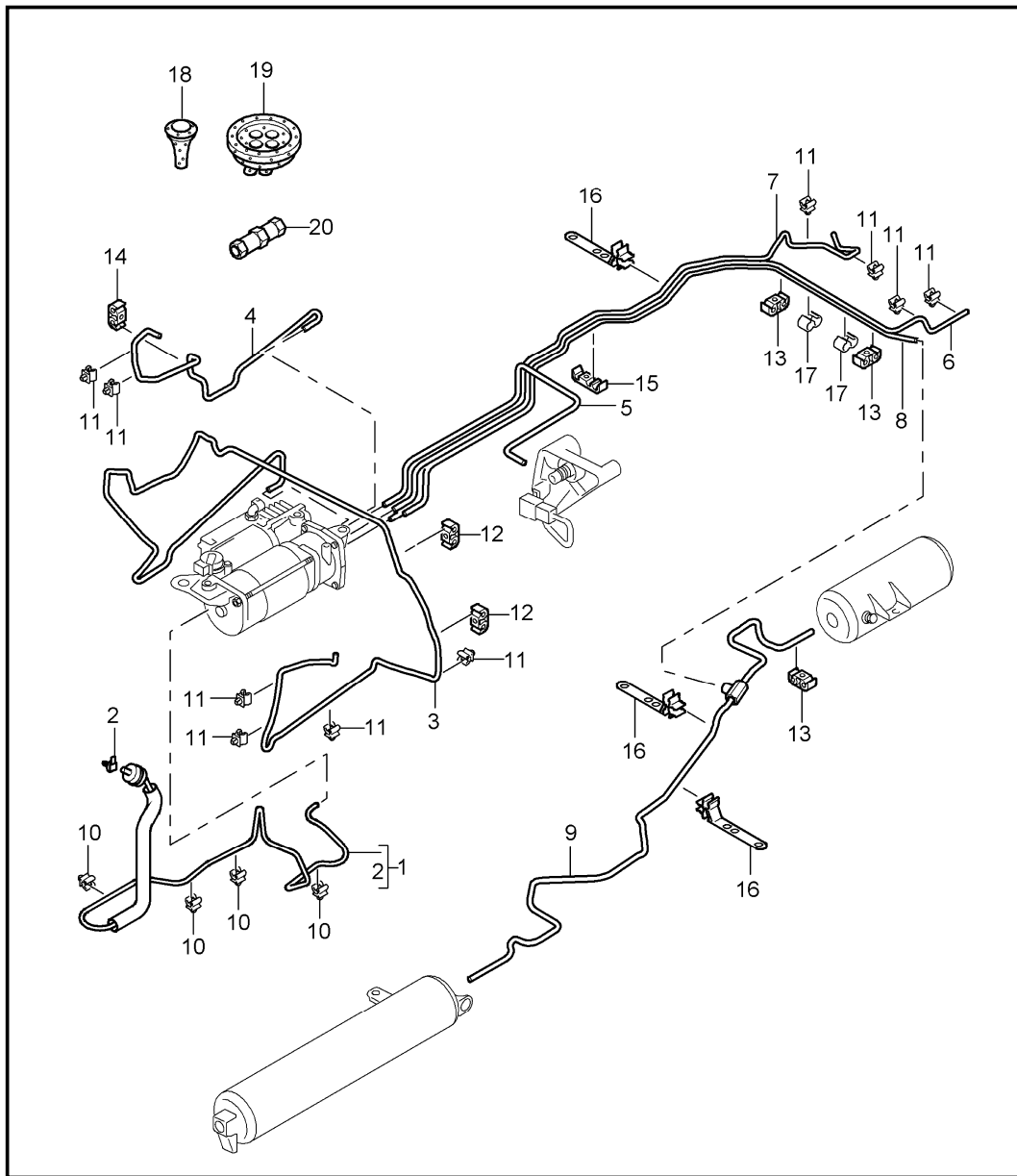


Pos	Part Number	Description	Remark	Qty	Model
		level adjustment compressor pressure accumulator acceleration sensor			I1BK
1	955 358 901 01	compressor with bracket F >>9P8LA 35908		1	
(1)	955 358 901 02	compressor with bracket F 9P8LA 35909>>	-08	1	
(1) U	955 358 901 03	compressor with bracket		1	
(1)	955 358 901 04	compressor with bracket	09-	1	
2	955 358 902 01	set of fastening parts for compressor		1	
(2) U	955 358 902 03	set of fastening parts for compressor		1	
3	N 023 002 12	hexagon nut M 6		2	
4	955 358 903 00	control mechanism with support		1	
-	955 358 541 00	push-on connector control mechanism line		6	
5	955 358 904 00	set of fastening parts for control mechanism		1	
6	N 106 554 01	hexagon-head bolt M 6 X 40		3	
7	N 103 183 02	hexagon-head bolt M 8 X 70 X 41		1	
8	N 105 728 02	hexagon-head bolt AM 8 X 50		2	

Model	Year	MG	SG	Illustration	Restrictions	UPD	14:23	21.01.2010	PORSCHE	PET	PORSCHE
9PA1	2010	6	06	606-00		247					

Pos	Part Number	Description	Remark	Qty	Model	Pos	Part Number	Description	Remark	Qty	Model
9		intake pipe compressor not available Pos. 1 use		1		20	N 023 002 12	hexagon nut M 6		1	
10	955 358 050 00	pressure line compressor control mechanism		1		21	N 103 389 03	hexagon-head bolt M 6 X 16		1	
11	955 358 055 00	pressure line compressor air tube air connection F >>9P8LA 35908		1		22	N 106 185 01	blind rivet nut M 6		1	
(11)	955 358 055 01	pressure line compressor air tube air connection F 9P8LA 35909>>		1		23	955 358 275 00	air connection		1	
12	955 358 210 01	support		1		24	N 103 389 03	hexagon-head bolt M 6 X 16		1	
13	N 909 210 02	hexagon-head bolt M 8 X 22		3		25	955 358 710 02	hose with bag		1	
14	N 904 085 04	blind rivet nut M 8		5		26	955 606 077 02	acceleration sensor body front	/L	1	
15	955 358 043 00	pressure accumulator front	-08	1		(26)	955 606 078 02	acceleration sensor body front	/R	1	
(15)	955 358 043 01	pressure accumulator front	09-	1		27	N 014 701 11	pan-head screw M 6 x 12		2	
-	955 358 540 00	push-on connector pressure accumulator line		1		28	955 606 079 01	acceleration sensor body rear centre		1	
16	955 358 320 00	rubber mounting		2		29	N 015 082 10	hexagon nut M 6		1	
17	N 104 032 03	hexagon-head bolt M 8 X 16		1		30	955 606 302 00	clip for cable acceleration sensor		1	
18	WHT 001 832	screw M 8		2		31		hose clamp see illustrations 6/06/05 Pos.21 F 9P8LA 35909>>		1	
19	A 955 358 044 00	pressure accumulator rear		1							
(19)	955 358 044 01	pressure accumulator rear		1							
-	955 358 540 00	push-on connector pressure accumulator line		1							

Model	Year	MG	SG	Illustration	Restrictions	UPD	14:23	21.01.2010	PORSCHE	PET	PORSCHE
9PA1	2010	6	06	606-05		247					

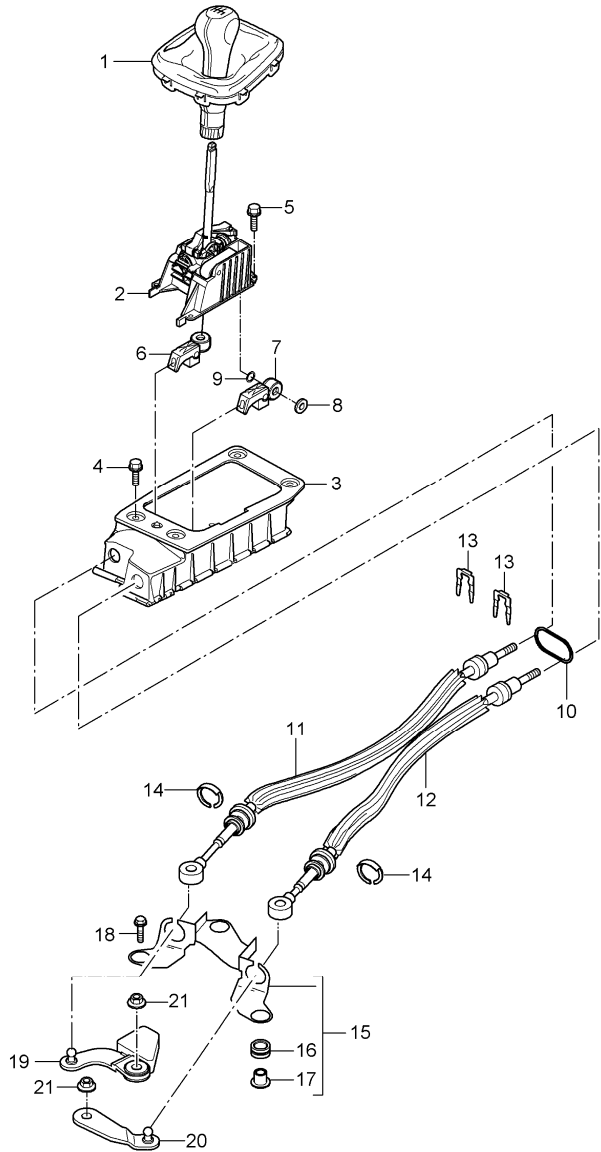


Pos	Part Number	Description	Remark	Qty	Model
		level adjustment lines			I1BK
1	U 955 358 045 10	intake pipe air cleaner compressor		1	ID5X
(1)	955 358 045 11	intake pipe air cleaner compressor		1	ID5X
(1)	955 358 045 20	intake pipe air cleaner compressor		1	ID5V/D5Z
2	955 358 521 00	fixing clip		1	ID5X
3	955 358 051 01	air tube violet front left	/LLL	1	
(3)	955 358 052 01	air tube violet front left	/RLL	1	
4	955 358 054 10	air tube green front right	/R	1	
5	955 358 056 00	air tube brown air connection		1	
6	955 358 061 00	air tube red rear left	/L	1	
7	955 358 062 00	air tube yellow rear right	/R	1	
8	955 358 066 00	air tube blue compressor		1	
9	955 358 067 00	air tube blue pressure accumulator		1	
-	955 358 541 00	push-on connector air tube pressure accumulator		1	

Model	Year	MG	SG	Illustration	Restrictions	UPD	14:23	21.01.2010	PORSCHE	PET	PORSCHE
9PA1	2010	6	06	606-05		247					

Pos	Part Number	Description	Remark	Qty	Model	Pos	Part Number	Description	Remark	Qty	Model
10	N 909 435 01	hose holder 12 MM		4							
11	955 511 645 00	clip		10							
(12)	955 355 543 00	support	/LL	1							
12	955 355 543 00	support	/RL	2							
13	955 355 543 00	support		3							
14	955 610 232 00	support		1							
15	955 355 543 10	support		1							
16	955 358 546 00	support		3							
17	955 358 547 00	support		2							
18	955 358 548 00	grommet		X							
19	955 358 549 00	grommet		X							
20	955 358 910 00	push-on connector repair kit air tube		X							
21	999 512 457 00	clamp 21 X 7 X 0,6 F 9P8LA 35909>>		1							

Model	Year	MG	SG	Illustration	Restrictions	UPD	14:23	21.01.2010	PORSCHE	PET	PORSCHE
9PA1	2010	7	01	701-00		247					

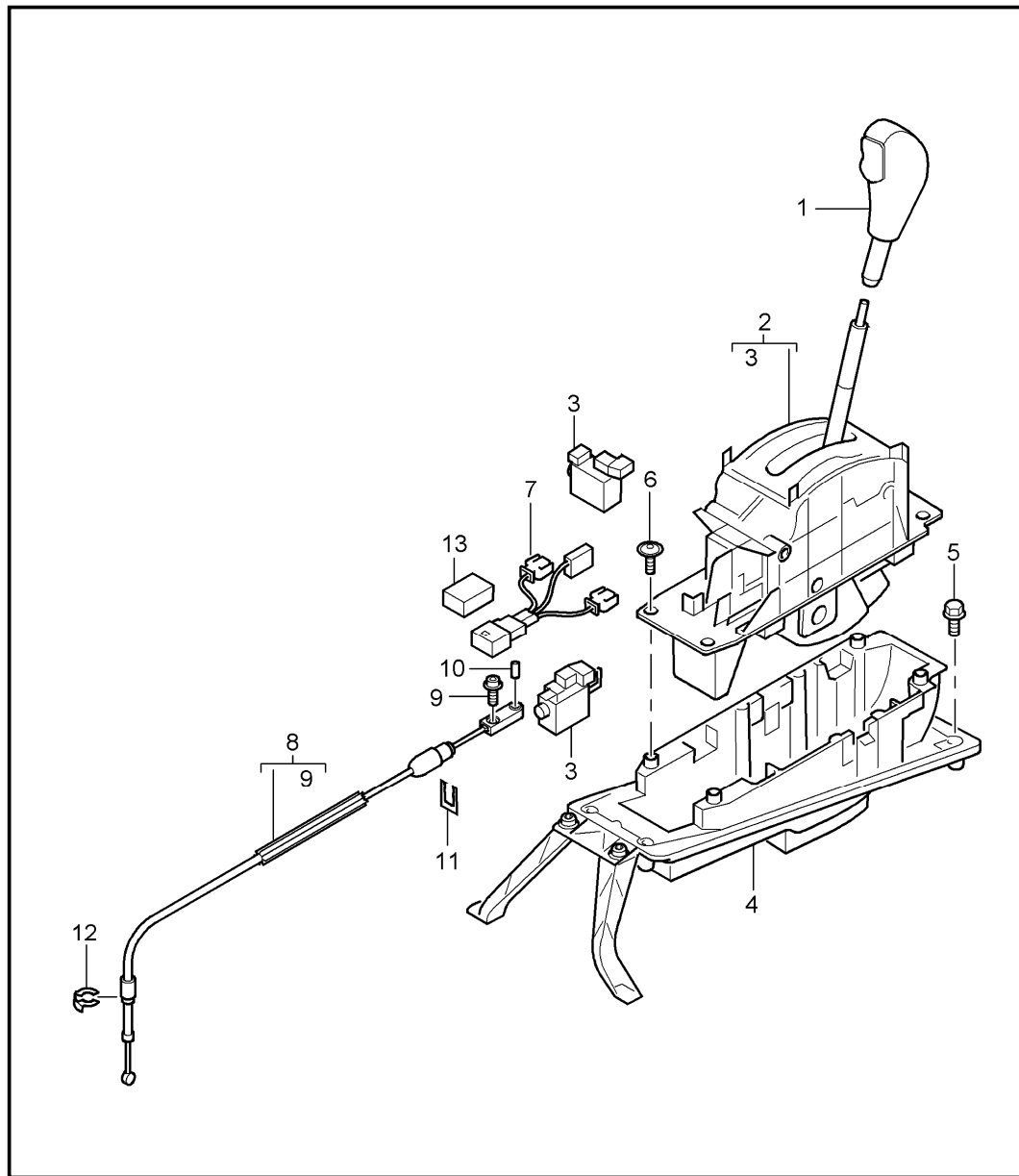


Pos	Part Number	Description	Remark	Qty	Model
		transmission control manual transmission			IGOL
1	955 424 075 00	gearshift knob leather		1	ID5V/D5X
	PCN	black silver mat chrome			
	PCP	stone grey silver mat chrome			
	PCQ	havanna silver mat chrome			
	RLU	sand beige silver mat chrome			
	WPJ	chestnut brown silver mat chrome			
(1)	955 424 075 10	gearshift knob alcantara		1	ID5V/E0W
	XVJ	black			
	XVK	sand beige			
	XVL	steel grey			
(1)	955 424 075 10	gearshift knob alcantara		1	ID5V/E2D
	XVJ	black			
	XVK	sand beige			
	XVL	steel grey			
2	955 424 010 00	gearshift bracket		1	
3	955 424 031 00	mounting piece gearshift bracket		1	
4	N 019 530 7	hexagon-head bolt M 8 X 25		4	
5	955 424 335 00	locking screw M 6 X 30		4	
6	955 424 145 00	fastening part for cable adjustable		1	

Model	Year	MG	SG	Illustration	Restrictions	UPD	14:23	21.01.2010	PORSCHE	PET	PORSCHE
9PA1	2010	7	01	701-00		247					

Pos	Part Number	Description	Remark	Qty	Model	Pos	Part Number	Description	Remark	Qty	Model
7	955 424 147 00	fastening part for cable adjustable		1							
8	WHT 002 082	spacer 12,5 X 28		1	ID5X						
9	WHT 001 825	o-ring 19 X 1,5		1	ID5X						
10	WHT 001 826	o-ring 25 X 3		1	ID5X						
11	955 424 041 02	cable		1	ID5V						
(11)	955 424 041 12	cable		1	ID5X						
12	955 424 042 02	cable		1	ID5V						
(12)	955 424 042 12	cable		1	ID5X						
13	955 424 241 00	securing clip		2							
14	955 424 411 01	securing clip		2							
15	955 424 160 01	support		1							
16	955 424 711 00	rubber mounting for support		3							
17	955 424 710 01	bush for support		3							
18	N 101 069 05	combination screw M 8 X 32		3							
19	955 424 150 01	gearshift lever		1							
20	955 424 155 01	selector lever		1							
21	N 907 611 02	lock nut M 8		2							

Model	Year	MG	SG	Illustration	Restrictions	UPD	14:23	21.01.2010	PORSCHE	PET	PORSCHE
9PA1	2010	7	01	701-01		247					

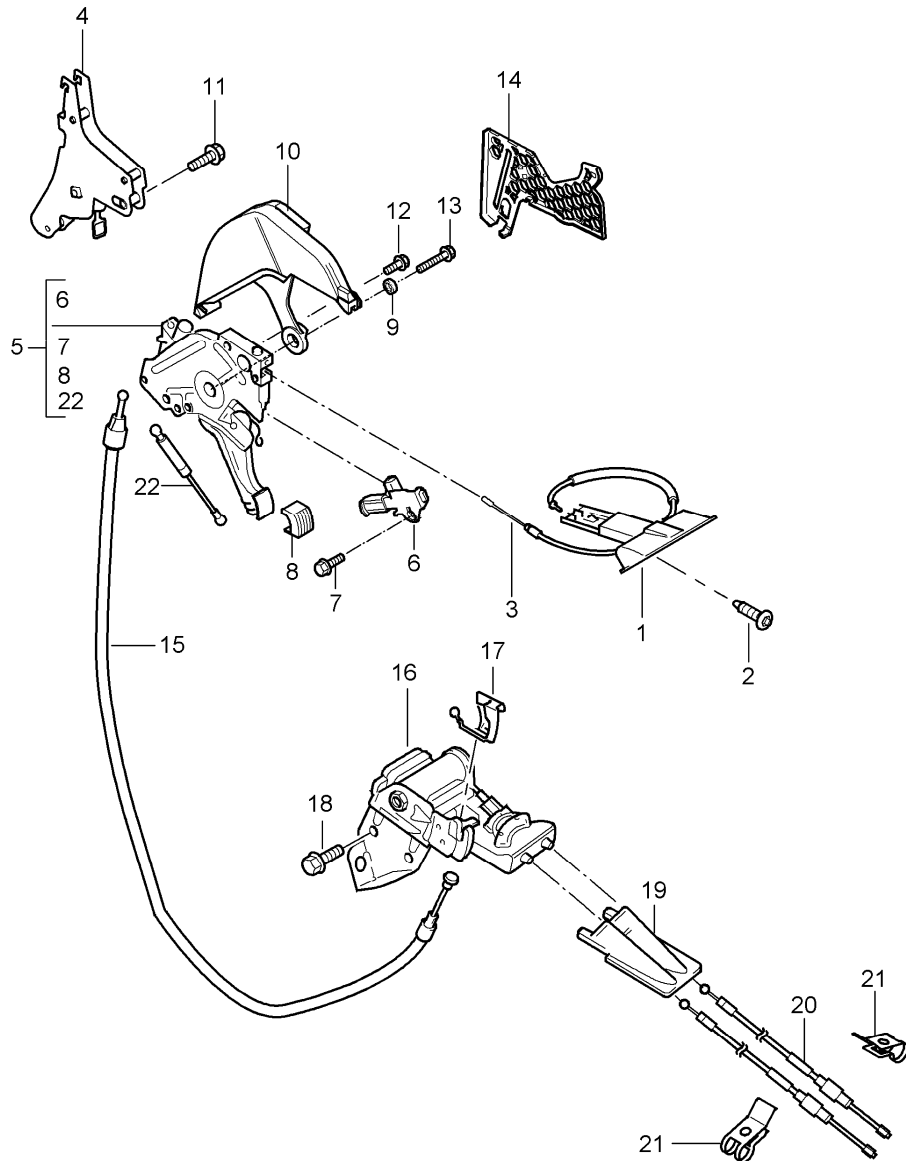


Pos	Part Number	Description	Remark	Qty	Model
		selector lever tiptronic			IGOR
1	955 426 069 00	gearshift knob leather		1	I6Q2
	PCS	black satin aluminium			
	PCT	stone grey satin aluminium			
	PCU	havanna satin aluminium			
	RLT	sand beige satin aluminium			
	WPK	chestnut brown satin aluminium			
(1)	955 426 069 10	gearshift knob		1	I6Q8
	4X2	rootwood dark			
(1)	955 426 069 30	gearshift knob		1	I7F7
	4V8	olive grain light high gloss			
2	955 426 011 01	selector lever with housing		1	
3	955 624 170 01	electromagnet		2	
4	955 426 031 00	mounting piece		1	
5	N 019 530 7	hexagon-head bolt M 8 X 25		4	
6	999 919 204 09	oval-head screw 7 X 22		4	
7	955 613 043 00	microswitch		1	
8	955 426 033 01	cable		1	ID5X
(8)	955 426 033 11	cable		1	ID5V/D5Z
(8)	955 426 033 20	cable		1	ID50
9	WHT 000 140 A	screw M 6 X 12		1	

Model	Year	MG	SG	Illustration	Restrictions	UPD	14:23	21.01.2010	PORSCHE	PET	PORSCHE
9PA1	2010	7	01	701-01		247					

Pos	Part Number	Description	Remark	Qty	Model	Pos	Part Number	Description	Remark	Qty	Model
10	955 426 149 00	bolt		1							
11	955 426 335 00	securing clip		1							
12	N 012 322 5	securing clip		1							
13	955 426 240 00	protective tube connector microswitch		1							

Model	Year	MG	SG	Illustration	Restrictions	UPD	14:23	21.01.2010	PORSCHE	PET	PORSCHE
9PA1	2010	7	01	701-05		247					

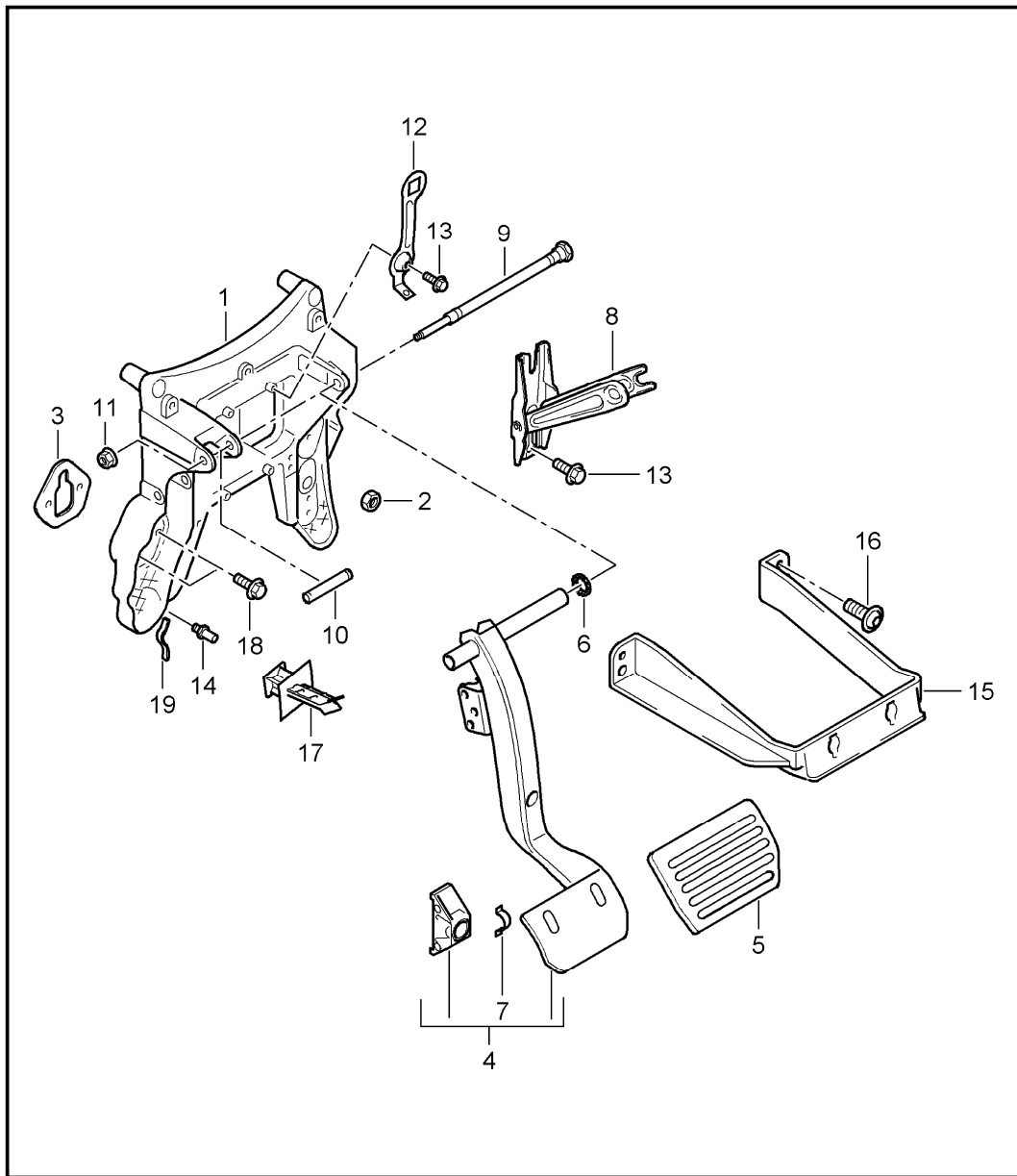


Pos	Part Number	Description	Remark	Qty	Model
1	955 424 153 01	foot-operat. parking brake actuator		1	
	A03	black			
	7BA	steel grey			
	5Z1	sand beige			
2	N 906 986 01	tapping screw ST 4,2 X 16		1	
-	N 906 988 01	speed nut ST 4,2 X 16 X 12		1	
3	955 424 140 02	cable release	/LL	1	
(3)	955 424 140 11	cable release	/RL	1	
4	955 423 462 00	support foot-operat. parking brake	/RL	1	
-	955 355 580 00	edge protection for support foot-operat. parking brake	/RL	1	
5	955 423 052 06	foot-operat. parking brake		1	IGOR
(5)	955 423 052 14	foot-operat. parking brake		1	IGOL
6	955 613 112 00	contact switch		1	IGOR
(6)	955 613 112 12	contact switch		1	IGOL
7	N 102 156 03	combination screw M 5 X 8		1	IGOR
(7)	N 010 264 9	hexagon-head bolt M 5 X 20		1	IGOL
8	955 423 214 00	pedal cap		1	
9	955 423 605 00	spacer	/LL	1	
10	955 423 409 00	cover upper foot-operat. parking brake	/LL	1	
(10)	955 423 410 00	cover upper foot-operat. parking brake	/RL	1	

Model	Year	MG	SG	Illustration	Restrictions	UPD	14:23	21.01.2010	PORSCHE	PET	PORSCHE
9PA1	2010	7	01	701-05		247					

Pos	Part Number	Description	Remark	Qty	Model	Pos	Part Number	Description	Remark	Qty	Model
11	N 104 544 04	hexagon-head bolt AM 8 X 55	/RL	1		--	000 043 204 21	grease spraying can 25 ML for cable foot-operat. parking brake rear		X	
12	N 104 032 03	hexagon-head bolt M 8 X 16		1							
13	N 103 156 05	hexagon-head bolt AM 8 X 40		1							
14	955 423 524 01	cover lateral foot-operat. parking brake	/LL	1							
15	955 423 141 01	cable foot-operat. parking brake front	/LL	1							
(15)	955 423 141 11	cable foot-operat. parking brake front	/RL	1							
16	955 424 161 00	bracket complete foot-operat. parking brake	/LL	1							
(16)	955 424 162 00	bracket complete foot-operat. parking brake	/RL	1							
17	955 424 165 00	securing clip		1							
18	N 104 032 03	hexagon-head bolt M 8 X 16		4							
19	955 424 721 10	guide cable		1							
20	955 424 141 10	cable foot-operat. parking brake rear		2							
(20)	955 424 141 11	cable foot-operat. parking brake rear		2							
21	955 424 521 01	fixing clip cable rear		2							
22	955 423 389 00	shock absorber foot-operat. parking brake		1							

Model	Year	MG	SG	Illustration	Restrictions	UPD	14:24	21.01.2010	PORSCHE	PET	PORSCHE
9PA1	2010	7	02	702-00		247					

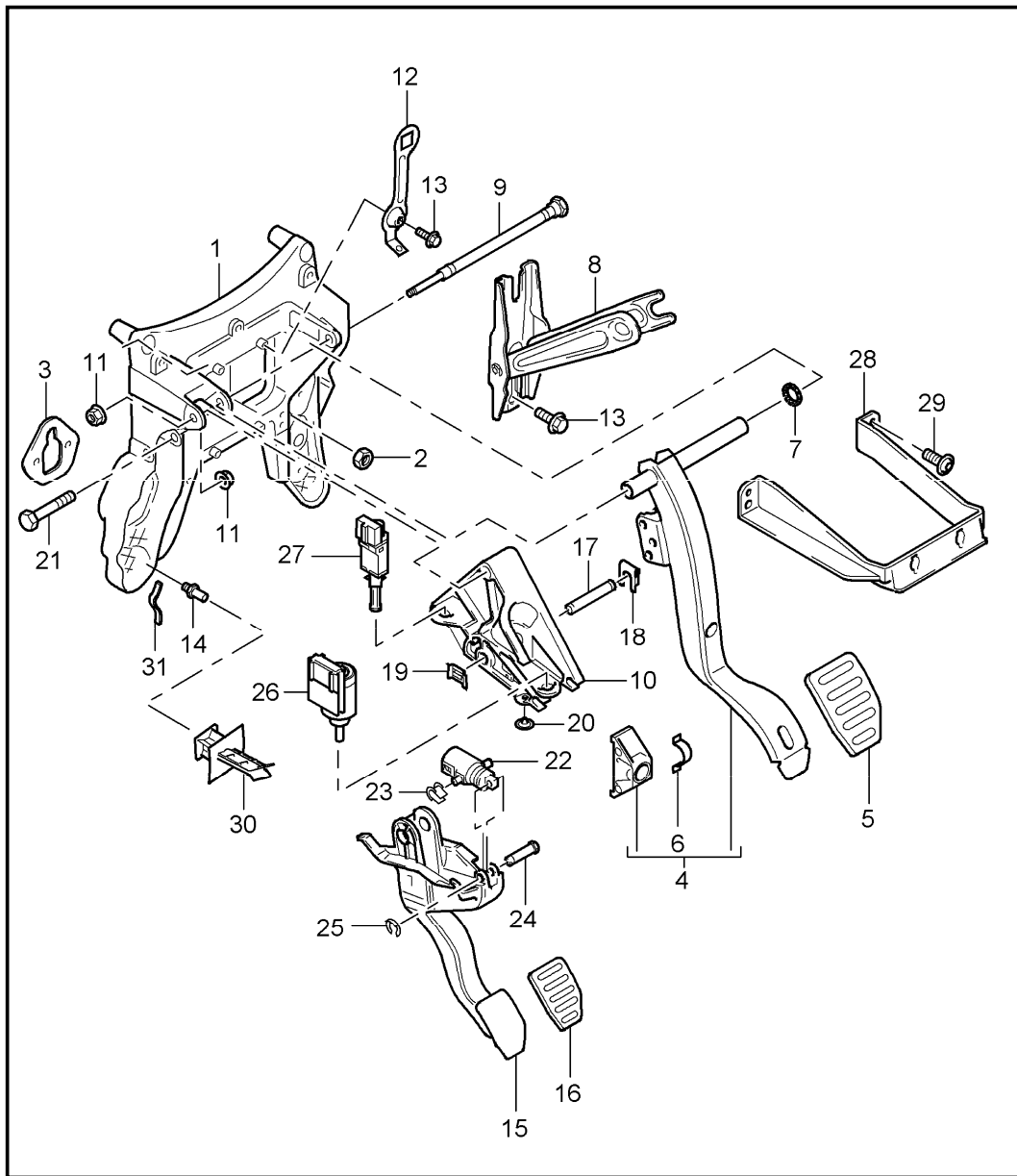


Pos	Part Number	Description	Remark	Qty	Model
		pedals tiptronic			IGOR
1	955 423 065 00	bearing bracket	/LL	1	
(1)	955 423 066 10	bearing bracket	/RL	1	
2		see illustrations 6/04/00 Pos.12		4	
3	955 423 368 01	gasket		1	
4	955 423 093 01	brake pedal	/LL	-08	1
(4)	955 423 093 02	brake pedal	/LL	09-	1
(4)	955 423 094 11	brake pedal	/RL	-08	1
(4)	955 423 094 12	brake pedal	/RL	09-	1
5	955 423 212 00	pedal cap		1	ID5X
(5)	955 423 212 00	pedal cap		1	ID50
(5)	955 423 212 10	pedal cap		1	ID5V/D5Z
6	U 955 423 371 00	cup spring to use		1	
		brake pedal 955.423.093.02	/LL	1	
		955.423.094.12	/RL	1	
		bearing pin WHT.002.278		1	
7	955 423 341 00	bearing shell		1	
8	955 423 165 10	bracket upper	/LL	-08	1
(8)	955 423 165 11	bracket upper	/LL	09-	1
(8)	955 423 166 20	bracket upper	/RL	-08	1
(8)	955 423 166 21	bracket upper	/RL	09-	1
9	WHT 002 278	bearing pin		1	
10	955 423 381 00	spacer tube		1	
11	N 023 003 13	hexagon nut M 8		1	

Model	Year	MG	SG	Illustration	Restrictions	UPD	14:24	21.01.2010	PORSCHE	PET	PORSCHE
9PA1	2010	7	02	702-00		247					

Pos	Part Number	Description	Remark	Qty	Model	Pos	Part Number	Description	Remark	Qty	Model
12	955 423 175 00	support	/LL	1							
(12)	955 423 176 10	support	/RL	1							
13	955 423 158 00	fastening screw		3							
14	955 423 159 00	stud	/LL	1							
15	955 613 545 02	clip		1							
16	955 423 157 10	screw		2							
17	955 573 318 00	fastening angle	/LL	1							
18	N 102 856 01	hexagon-head bolt M 6 X 25		2							
19	955 423 594 00	edge protection bearing bracket	/RL	1							

Model	Year	MG	SG	Illustration	Restrictions	UPD	14:24	21.01.2010	PORSCHE	PET	PORSCHE
9PA1	2010	7	02	702-05		247					

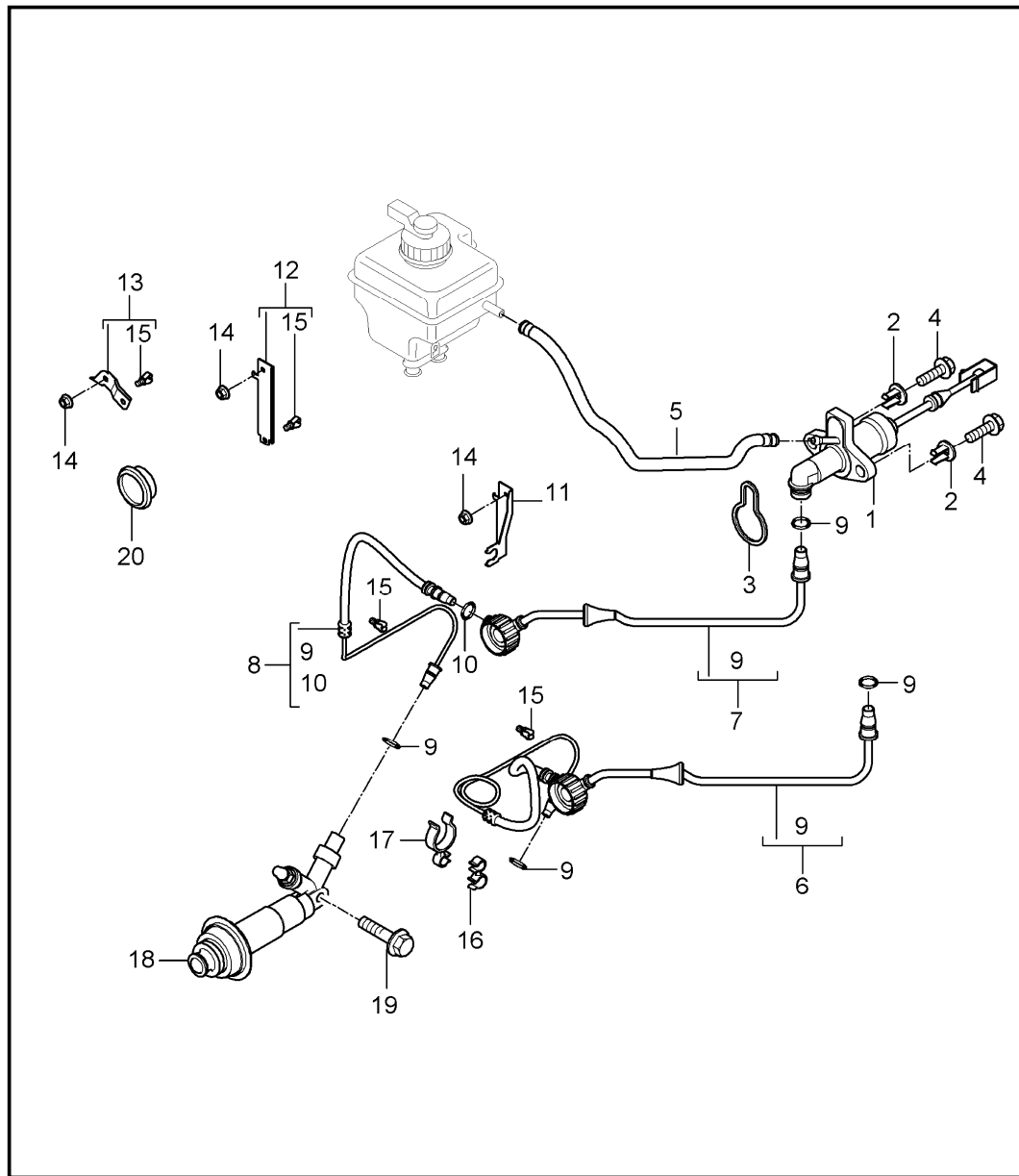


Pos	Part Number	Description	Remark	Qty	Model
		pedals manual transmission			IG0L
1	955 423 063 00	bearing bracket	/LL	1	
(1)	955 423 064 10	bearing bracket	/RL	1	
2		see illustrations 6/04/00 Pos.12		4	
3	955 423 368 01	gasket		1	
4	955 423 091 01	brake pedal	/LL	-08	1
(4)	955 423 091 02	brake pedal	/LL	09-	1
(4)	955 423 092 11	brake pedal	/RL	-08	1
(4)	955 423 092 12	brake pedal	/RL	09-	1
5	955 423 211 00	pedal cap		1	ID5X
(5)	955 423 211 10	pedal cap		1	ID5V
6	955 423 341 00	bearing shell		1	
7	U 955 423 371 00	cup spring to use		1	
		brake pedal 955.423.091.02	/LL	1	
		955.423.092.12	/RL	1	
		bearing pin WHT.002.278		1	
8	955 423 165 10	bracket upper	/LL	-08	1
(8)	955 423 165 11	bracket upper	/LL	09-	1
(8)	955 423 166 20	bracket upper	/RL	-08	1
(8)	955 423 166 21	bracket upper	/RL	09-	1
9	WHT 002 278	bearing pin		1	
10	955 423 030 00	bearing bracket clutch pedal		1	
11	N 023 003 14	hexagon nut M 8		2	
12	955 423 175 00	support	/LL	1	

Model	Year	MG	SG	Illustration	Restrictions	UPD	14:24	21.01.2010	PORSCHE	PET	PORSCHE
9PA1	2010	7	02	702-05		247					

Pos	Part Number	Description	Remark	Qty	Model	Pos	Part Number	Description	Remark	Qty	Model
(12)	955 423 176 10	support	/RL	1							
13	955 423 158 00	fastening screw		3							
14	955 423 159 00	stud	/LL	1							
15	955 423 139 00	clutch pedal	/LL	1							
(15)	955 423 140 10	clutch pedal	/RL	1							
16	955 423 213 00	pedal cap		1	ID5X						
(16)	955 423 213 10	pedal cap		1	ID5V						
17	WHT 002 280	bearing pin		1							
18	N 902 362 01	lock		1							
19	955 423 577 00	lock		1							
20	955 423 720 00	rubber stop		2							
21	N 010 370 16	hexagon-head bolt M 8 X 70		1							
22	955 423 081 12	clutch power spring		1	ID5X						
(22)	955 423 081 20	clutch power spring		1	ID5V						
23	955 423 581 00	bearing shell		2							
24	WHT 002 279	bearing pin		1							
25	999 166 022 02	kl-lock		1							
26	955 613 111 02	switch		1							
27	955 613 113 01	switch		1							
28	955 613 545 02	clip		1							
29	955 423 157 10	screw		2							
30	955 573 318 00	fastening angle	/LL	1							
31	955 423 594 00	edge protection bearing bracket	/RL	1							

Model	Year	MG	SG	Illustration	Restrictions	UPD	14:24	21.01.2010	PORSCHE	PET	PORSCHE
9PA1	2010	7	02	702-08		247					

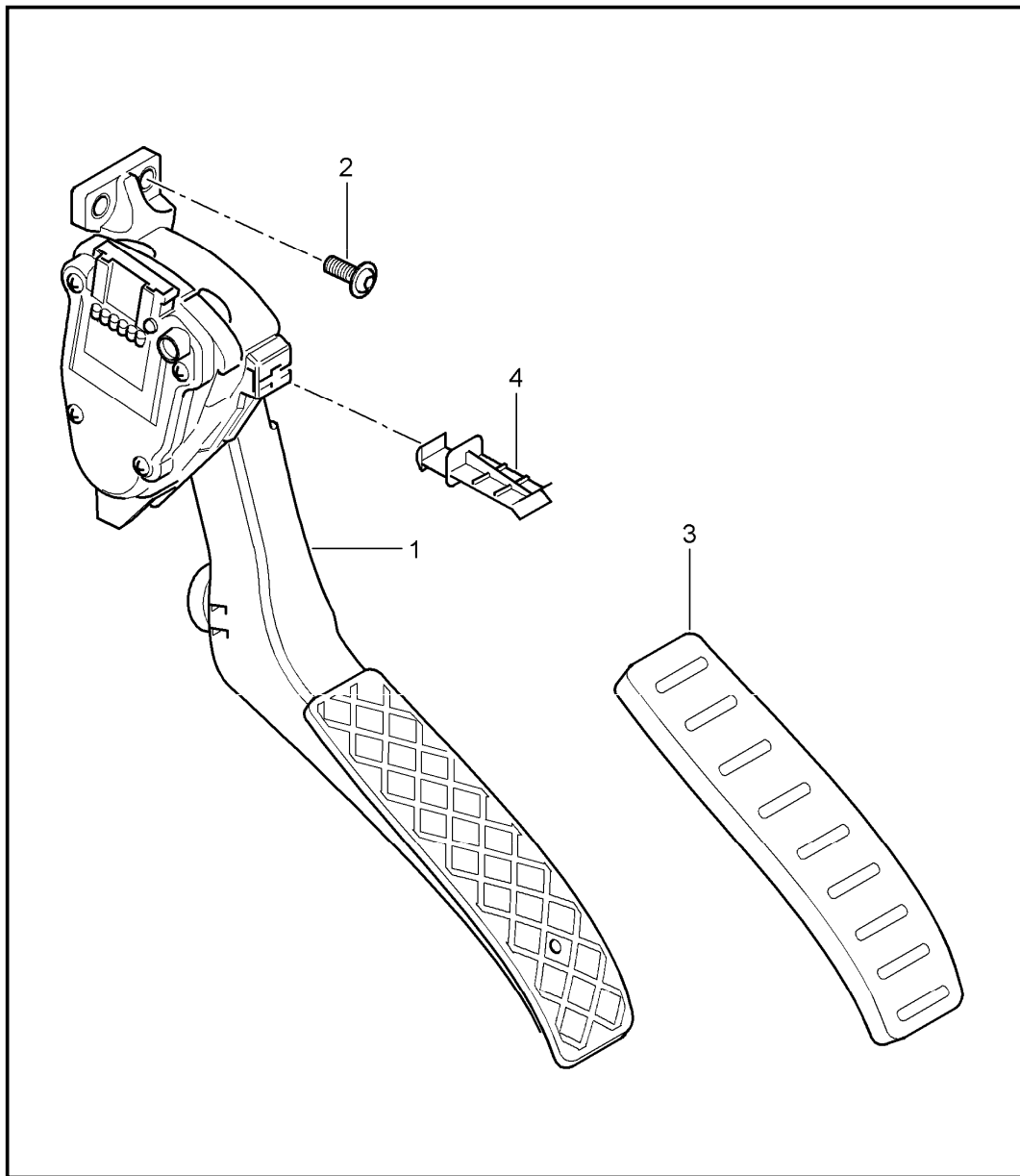


Pos	Part Number	Description	Remark	Qty	Model
		clutch actuation clutch master cylinder clutch pipeline			IGOL
1	955 423 171 01	clutch master cylinder	-08	1	
(1)	955 423 171 02	clutch master cylinder	09-	1	
2	955 423 670 00	fixing clip		2	
3	955 423 312 01	gasket		1	
4	N 102 856 01	hexagon-head bolt M 6 X 25		2	
5	955 423 137 00	line	/LL	1	
(5)	955 423 138 00	line	/RL	1	
6	955 423 107 20	clutch pipeline	/LL	1	ID5X
(6)	955 423 108 02	clutch pipeline	/RL -08	1	ID5X
(6)	955 423 108 03	clutch pipeline	/RL 09	1	ID5X
(6)	955 423 108 04	clutch pipeline	/RL 10-	1	ID5X
7	955 423 107 10	clutch pipeline	/LL	1	ID5V
(7)	955 423 108 11	clutch pipeline	/RL -08	1	ID5V
(7)	955 423 108 12	clutch pipeline	/RL 09	1	ID5V
(7)	955 423 108 13	clutch pipeline	/RL 10-	1	ID5V
8	955 423 109 20	clutch pipeline	/LL	1	ID5V
(8)	955 423 110 10	clutch pipeline	/RL	1	ID5V
9	955 423 224 00	sealing ring clutch pipeline		X	
10	955 423 225 00	sealing ring clutch pipeline		X	
11	955 423 351 00	support clutch pipeline	/LL	1	
12	955 423 361 00	support clutch pipeline	/RL	1	
13	955 423 362 00	support clutch pipeline	/RL	1	
14		see illustrations 8/13/90 Pos.8		X	

Model	Year	MG	SG	Illustration	Restrictions	UPD	14:24	21.01.2010	PORSCHE	PET	PORSCHE
9PA1	2010	7	02	702-08		247					

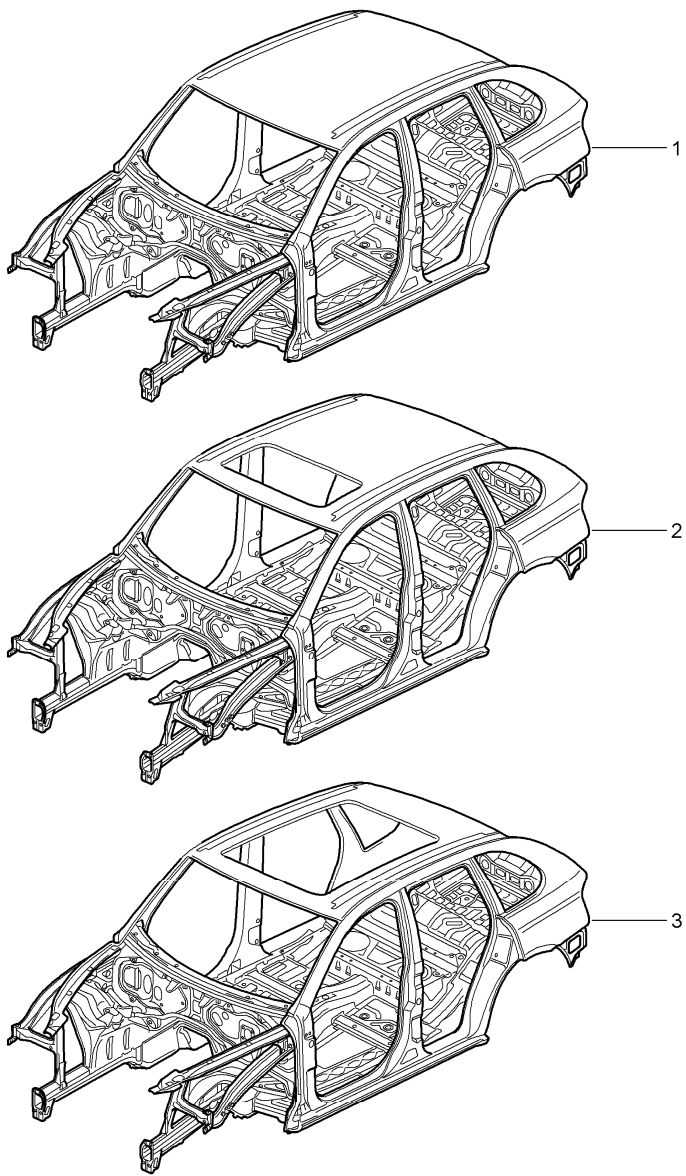
Pos	Part Number	Description	Remark	Qty	Model	Pos	Part Number	Description	Remark	Qty	Model
15	N 910 523 01	line bracket 6		3							
16	N 102 627 01	line bracket A01-11 X C01-14	/RL	1	ID5X/9AB/9AD						
17	955 423 775 00	line bracket	/RL	1	ID5X/9AH						
(17)	955 423 775 00	line bracket	/RL	1	ID5X/7VE/7VL						
18	955 116 237 01	clutch operating cylinder		1							
19	N 101 560 09	hexagon-head bolt M 8 X 25		1							
20	N 101 245 01	lid		1	IG0L						
(20)	N 101 245 01	lid		2	IG0R						

Model	Year	MG	SG	Illustration	Restrictions	UPD	14:24	21.01.2010	PORSCHE	PET	PORSCHE
9PA1	2010	7	02	702-10		247					



Pos	Part Number	Description	Remark	Qty	Model
		pedals accelerator control			
1	955 423 021 40	accelerator control	/LL	1	IG0L
(1)	955 423 022 50	accelerator control	/RL	1	IG0L
1	955 423 023 40	accelerator control	/LL	1	IG0R
(1)	955 423 024 50	accelerator control	/RL	1	IG0R
2	955 423 157 10	screw DG 6 X 18		3	
3	955 423 210 00	pedal cap		1	ID5X
(3)	955 423 210 00	pedal cap		1	ID50
(3)	955 423 210 10	pedal cap		1	ID5V/D5Z
4	955 573 317 00	fastening angle		1	

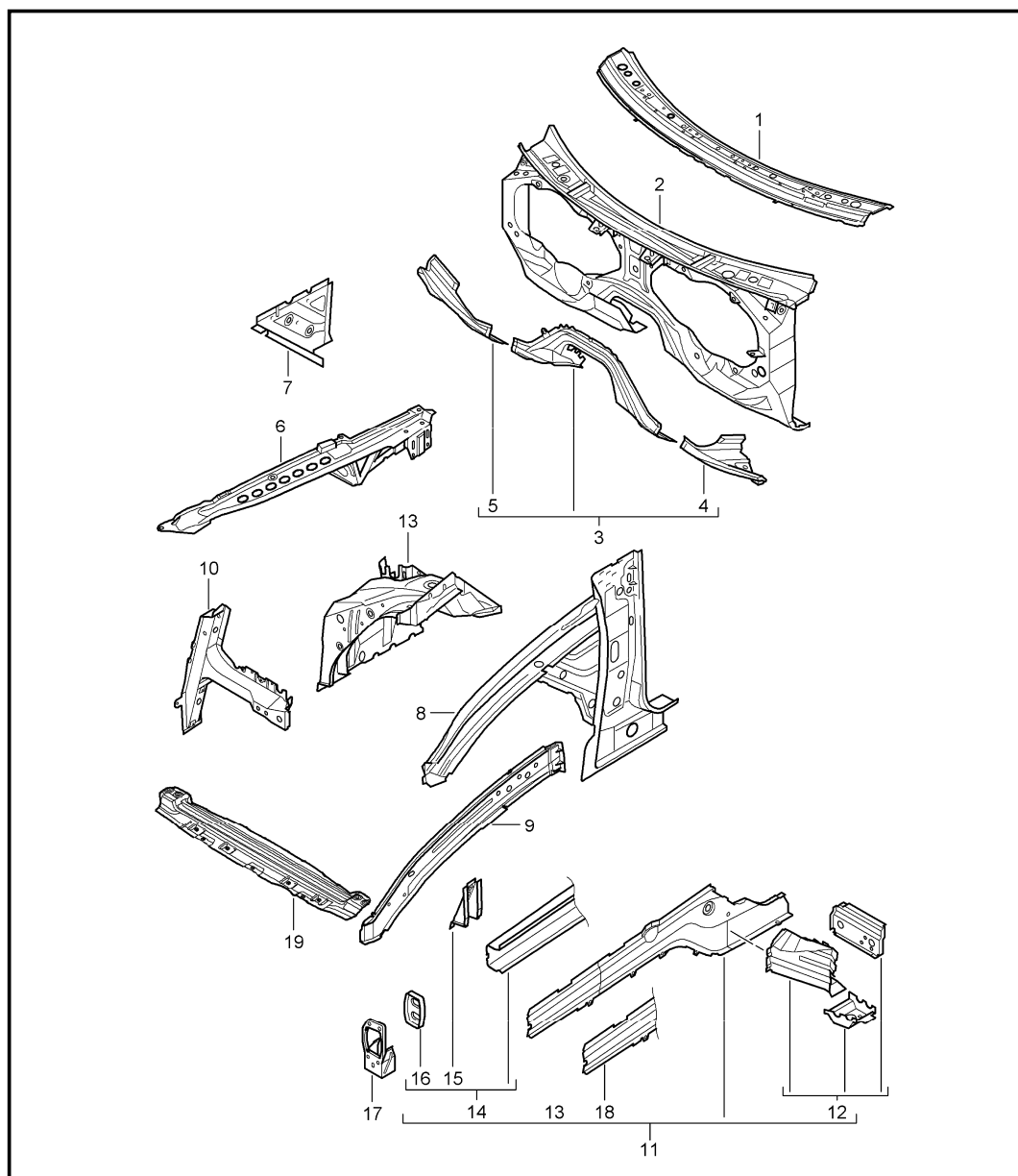
Model	Year	MG	SG	Illustration	Restrictions	UPD	14:24	21.01.2010	PORSCHE	PET	PORSCHE
9PA1	2010	8	01	801-00		247					

				Pos	Part Number	Description	Remark	Qty	Model
						body in white prime coated sealed with underbody protection without doors/lids/wings bodyshells can only only available from current model year available the data required for your order can be found on the vehicle data carrier please indicate this data in your order			
				A	-	vehicle data carrier			
				B	-	vehicle identification no.			
				C	-	order type			
				D	-	country equipment			
				E	-	optional extras			
				F	-	additional applications			
1	955 500 900 00	body in white GRV prime coated		1					
2	955 500 900 01	body in white GRV prime coated		1	I3FE				
3	955 500 900 02	body in white GRV prime coated		1	I3FU				

Model	Year	MG	SG	Illustration	Restrictions	UPD	14:24	21.01.2010	PORSCHE	PET	PORSCHE
9PA1	2010	8	01	801-02		247					

Pos	Part Number	Description	Remark	Qty	Model
		stopper plane see workshop manual			
1	955 504 281 00	stopper 10 mm		1	
2	955 504 182 00	stopper 20 mm		1	
3	955 504 183 00	stopper 30 mm		1	
4	955 504 184 00	stopper 20 x 25		1	
5	955 504 185 00	stopper 15 x 20		1	
6	955 504 187 00	stopper 20 mm		1	
7	955 512 188 00	water drain valve 20 mm		1	
8	999 703 462 40	lid 10 mm		1	
9	N 102 267 01	lid 20 mm		1	
10	N 102 265 01	lid 30 mm		1	
11	955 511 196 00	stopper 15 mm		1	

Model	Year	MG	SG	Illustration	Restrictions	UPD	14:25	21.01.2010	PORSCHE	PET	PORSCHE
9PA1	2010	8	01	801-10		247					



Pos	Part Number	Description	Remark	Qty	Model
		body front section single parts			
1	955 502 713 01	cowl		1	
	GRV	prime coated			
2	955 502 147 01	firewall		1	
	GRV	prime coated			
-	000 043 206 82	sealing compound see technical manual		X	
3	955 502 469 01	cross member		1	
	GRV	prime coated			
4	955 502 273 00	cross member	/L	1	
	GRV	prime coated			
5	955 502 274 01	cross member	/R	1	
	GRV	prime coated			
6	955 501 091 02	bracket	/L	1	
	GRV	prime coated			
(6)	955 501 092 02	bracket	/R	1	
	GRV	prime coated			
7	955 501 361 01	closing element	/L	1	
	GRV	prime coated			
(7)	955 501 362 01	closing element	/R	1	
	GRV	prime coated			
8	955 501 191 03	a-pillar	/L	1	
	GRV	prime coated			
(8)	955 501 192 03	a-pillar	/R	1	
	GRV	prime coated			
9	955 501 111 03	side member	/L	1	
	GRV	prime coated			
(9)	955 501 112 03	side member	/R	1	
	GRV	prime coated			

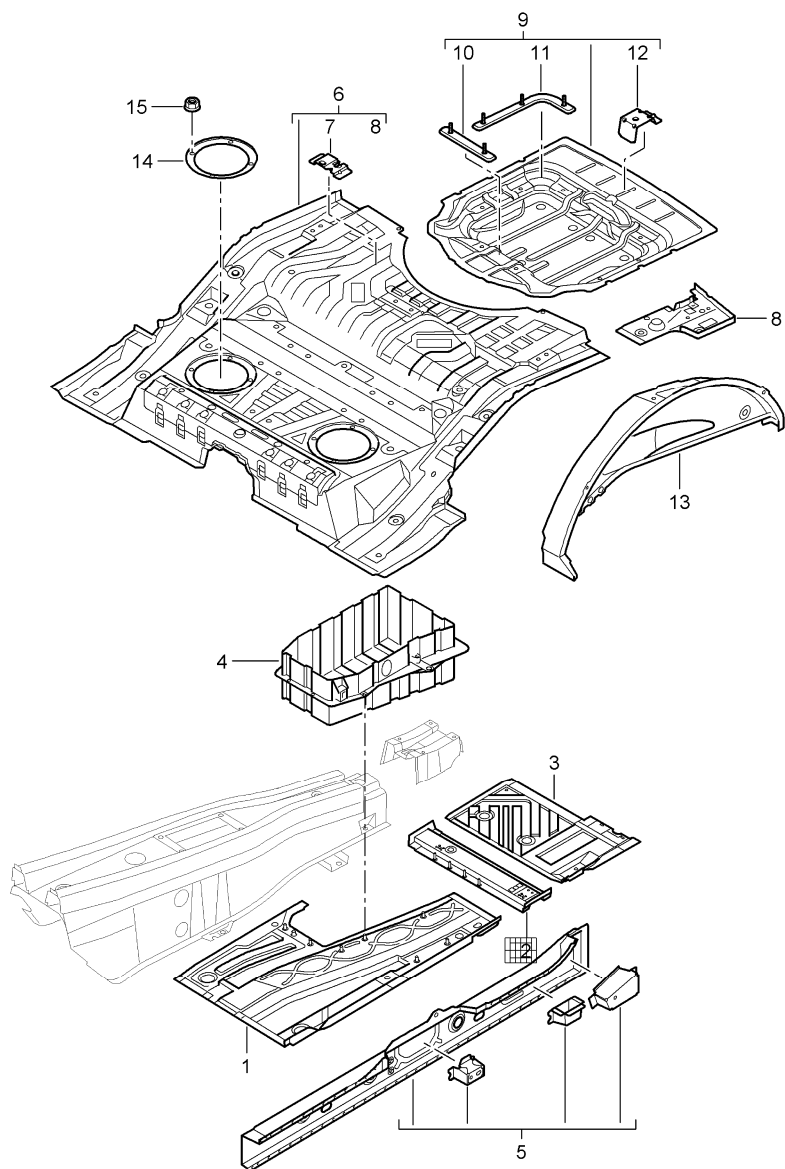
Model	Year	MG	SG	Illustration	Restrictions	UPD	14:25	21.01.2010	PORSCHE	PET	PORSCHE
9PA1	2010	8	01	801-10		247					

Pos	Part Number	Description	Remark	Qty	Model	Pos	Part Number	Description	Remark	Qty	Model
10	955 501 457 03	support	/L	1		-	000 043 206 29	adhesive set body comprising:		X	
	GRV	prime coated									
(10)	955 501 458 04	support	/R	1		-	000 043 206 30	adhesive		1	
	GRV	prime coated				-	000 043 206 31	tool		1	
11	955 501 991 04	side member	/L	1		-	000 043 206 32	tool		1	
	GRV	prime coated				-	000 043 206 33	activator		1	
(11)	955 501 992 03	side member	/R	1		-	955 501 199 00	support	/R	1	
	GRV	prime coated					GRV	prime coated			
-	000 043 207 57	blind rivet KB 2-4,5		X		14	955 501 905 03	side member	/L	1	
							GRV	prime coated inner			
-	000 043 207 58	blind rivet KB 3-6,5		X		(14)	955 501 906 02	side member	/R	1	
							GRV	prime coated inner			
-	000 043 206 29	adhesive set body comprising:		X		15	955 501 669 00	bracket	/L	1	
							GRV	prime coated			
-	000 043 206 30	adhesive		1		(15)	955 501 670 00	bracket	/R	1	
-	000 043 206 31	tool		1			GRV	prime coated			
-	000 043 206 32	tool		1		16	955 501 409 00	separator	/L	1	
-	000 043 206 33	activator		1			GRV	prime coated			
12	955 501 975 00	gusset plate	/L	1		(16)	955 501 410 00	separator	/R	1	
	GRV	prime coated					GRV	prime coated			
(12)	955 501 976 01	gusset plate	/R	1			GRV	prime coated			
	GRV	prime coated				17	955 501 377 00	mounting	/L	1	
13	955 501 941 04	mounting	/L	1			GRV	prime coated			
	GRV	prime coated use also:				(17)	955 501 378 00	mounting	/R	1	
(13)	955 501 942 04	mounting	/R	1			GRV	prime coated			
	GRV	prime coated use also:				18	955 501 907 01	side member	/L	1	
-	000 043 207 57	blind rivet KB 2-4,5		X			GRV	prime coated			
-	000 043 207 58	blind rivet KB 3-6,5		X		(18)	955 501 908 01	side member	/R	1	
							GRV	prime coated			

Model	Year	MG	SG	Illustration	Restrictions	UPD	14:25	21.01.2010	PORSCHE	PET	PORSCHE
9PA1	2010	8	01	801-10		247					

Pos	Part Number	Description	Remark	Qty	Model	Pos	Part Number	Description	Remark	Qty	Model
-	000 043 207 60	torx screw M6x20		X							
-	000 043 206 29	adhesive set body comprising:		X							
-	000 043 206 30	adhesive		1							
-	000 043 206 31	tool		1							
-	000 043 206 32	tool		1							
-	000 043 206 33	activator		1							
19	955 505 549 00	cross member		1							
	GRV	prime coated									
20	N 104 032 03	hexagon-head bolt M 8 X 16		4							
-	000 043 204 85	cavity preservation 400 ML		X							

Model	Year	MG	SG	Illustration	Restrictions	UPD	14:25	21.01.2010	PORSCHE	PET	PORSCHE
9PA1	2010	8	01	801-20		247					

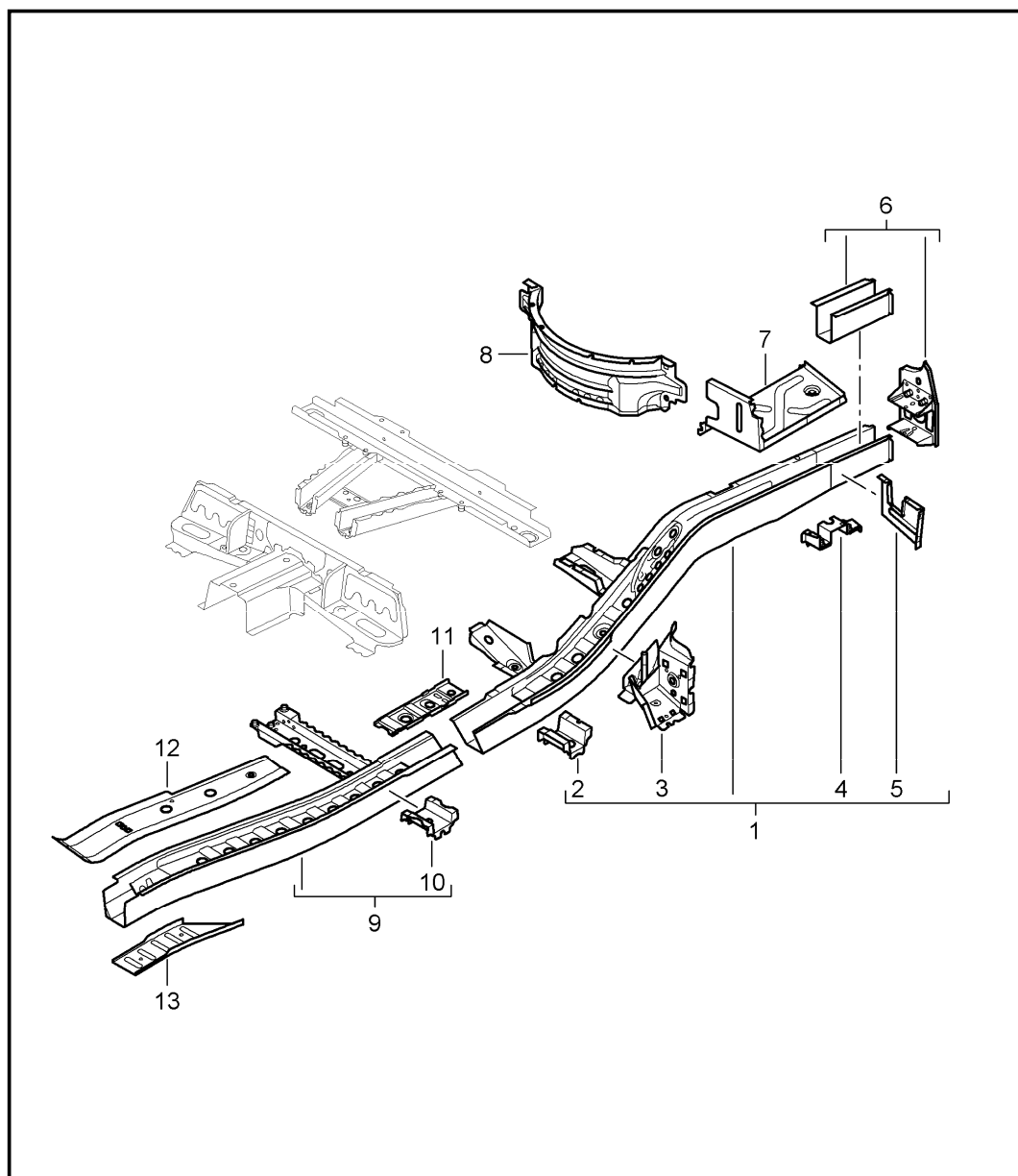


Pos	Part Number	Description	Remark	Qty	Model
		floor			
1	955 502 015 00	floorpan	/L	1	
		GRV prime coated			
(1)	955 502 016 00	floorpan	/R	1	
		GRV prime coated			
2	955 502 301 00	seat support	/L	1	
		GRV prime coated			
(2)	955 502 302 00	seat support	/R	1	
		GRV prime coated			
3	955 502 205 00	floorpan	/L	1	
		GRV prime coated			
(3)	955 502 206 00	floorpan	/R	1	
		GRV prime coated			
4	-	battery box see group 9/02/05		1	
5	955 502 251 01	door sill	/L	1	
		GRV prime coated			
(5)	955 502 252 01	door sill	/R	1	
		GRV prime coated			
-	955 504 187 00	stopper 20 MM		X	
6	955 501 011 00	floorpan		1	
		GRV prime coated			
7	955 502 755 00	support	/L	1	
		GRV prime coated			
(7)	955 502 756 00	support	/R	1	
		GRV prime coated			
8	955 501 569 00	floor section	/L	1	
		GRV prime coated			

Model	Year	MG	SG	Illustration	Restrictions	UPD	14:25	21.01.2010	PORSCHE	PET	PORSCHE
9PA1	2010	8	01	801-20		247					

Pos	Part Number	Description	Remark	Qty	Model	Pos	Part Number	Description	Remark	Qty	Model
(8)	955 501 570 00	floor section	/R	1							
	GRV	prime coated									
9	955 501 261 00	spare-wheel well		1							
	GRV	prime coated									
10	955 502 373 00	support		1							
	GRV	prime coated									
11	955 502 367 00	support	/L	1							
	GRV	prime coated									
(11)	955 502 368 00	support	/R	1							
	GRV	prime coated									
12	955 502 717 00	support		1							
	GRV	prime coated									
13	955 502 425 00	wheel housing	/L	1							
	GRV	prime coated									
(13)	955 502 426 00	wheel housing	/R	1							
	GRV	prime coated									
-	000 043 204 85	cavity preservation 400 ML		X							
14	955 501 959 00	lid sender fuel tank		2							
15	N 904 560 02	nut M 6		8							

Model	Year	MG	SG	Illustration	Restrictions	UPD	14:25	21.01.2010	PORSCHE	PET	PORSCHE
9PA1	2010	8	01	801-25		247					

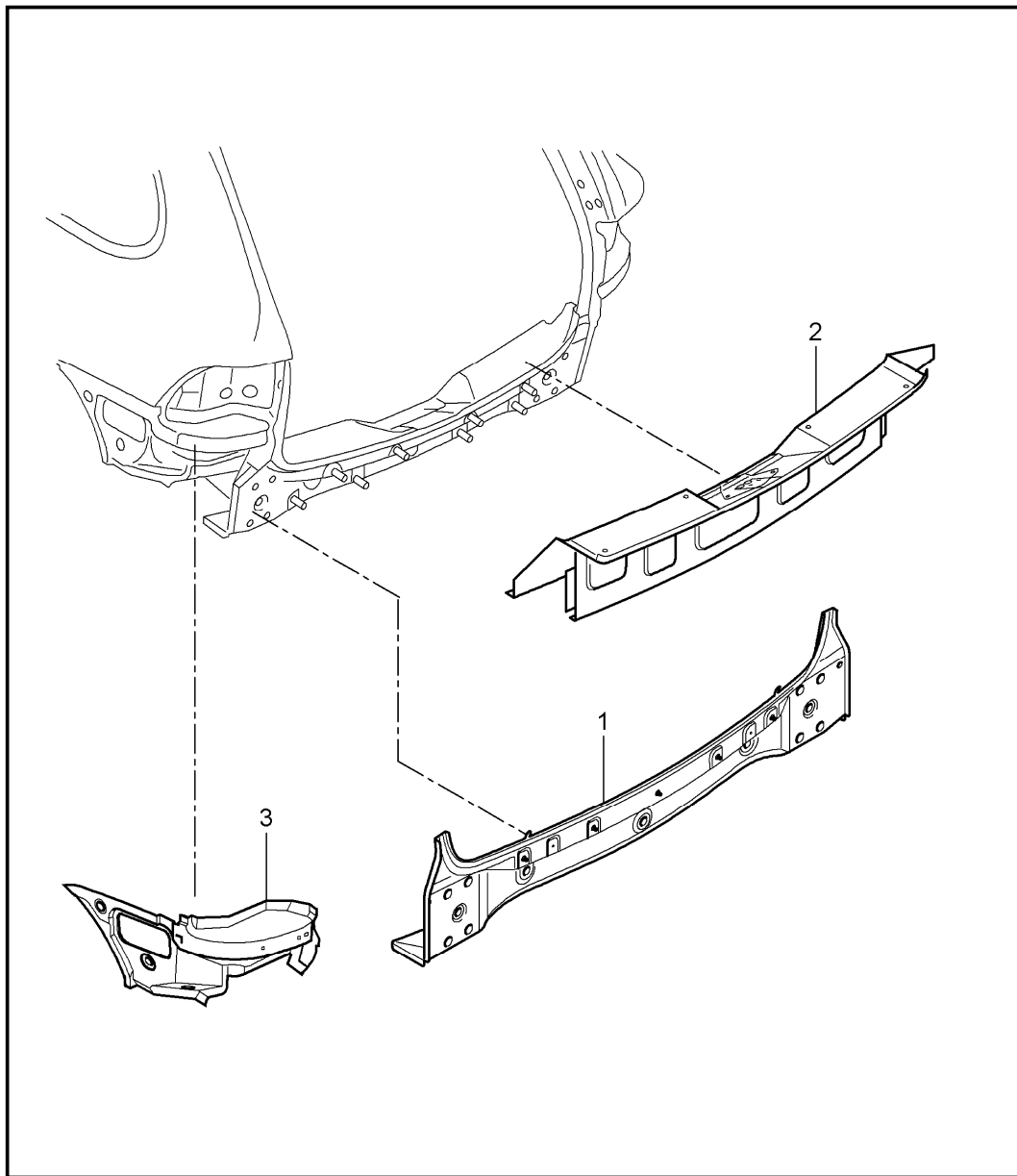


Pos	Part Number	Description	Remark	Qty	Model
		frame			
1	955 501 401 02	side member	/L	1	
	GRV	prime coated			
(1)	955 501 402 02	side member	/R	1	
	GRV	prime coated			
2	955 501 227 00	mounting	/L	1	
	GRV	prime coated			
(2)	955 501 228 00	mounting	/R	1	
	GRV	prime coated			
3	955 501 717 00	closing element	/L	1	
	GRV	prime coated			
(3)	955 501 718 00	closing element	/R	1	
	GRV	prime coated			
4	955 501 381 00	support	/L	1	
	GRV	prime coated			
(4)	955 501 382 00	support	/R	1	
	GRV	prime coated			
5	955 501 537 00	closing element	/L	1	
	GRV	prime coated			
(5)	955 501 538 00	closing element	/R	1	
	GRV	prime coated			
6	955 501 933 00	side member	/L	1	
	GRV	prime coated			
(6)	955 501 934 00	side member	/R	1	
	GRV	prime coated			
7	955 501 089 00	floor section	/L	1	
	GRV	prime coated			
(7)	955 501 090 00	floor section	/R	1	
	GRV	prime coated			

Model	Year	MG	SG	Illustration	Restrictions	UPD	14:25	21.01.2010	PORSCHE	PET	PORSCHE
9PA1	2010	8	01	801-25		247					

Pos	Part Number	Description	Remark	Qty	Model	Pos	Part Number	Description	Remark	Qty	Model
8	955 501 533 00	cross member		1							
	GRV	prime coated									
9	955 501 019 00	side member	/L	1							
	GRV	prime coated									
(9)	955 501 020 00	side member	/R	1							
	GRV	prime coated									
10	955 501 757 00	extension		2							
	GRV	prime coated									
11	955 502 699 00	reinforcement		2							
	GRV	prime coated									
12	955 502 075 00	reinforcement	/L	1							
	GRV	prime coated									
(12)	955 502 076 00	reinforcement	/R	1							
	GRV	prime coated									
13	955 502 871 00	reinforcement	/L	1							
	GRV	prime coated									
(13)	955 502 872 00	reinforcement	/R	1							
	GRV	prime coated									
-	000 043 204 85	cavity preservation 400 ML		X							

Model	Year	MG	SG	Illustration	Restrictions	UPD	14:25	21.01.2010	PORSCHE	PET	PORSCHE
9PA1	2010	8	01	801-30		247					

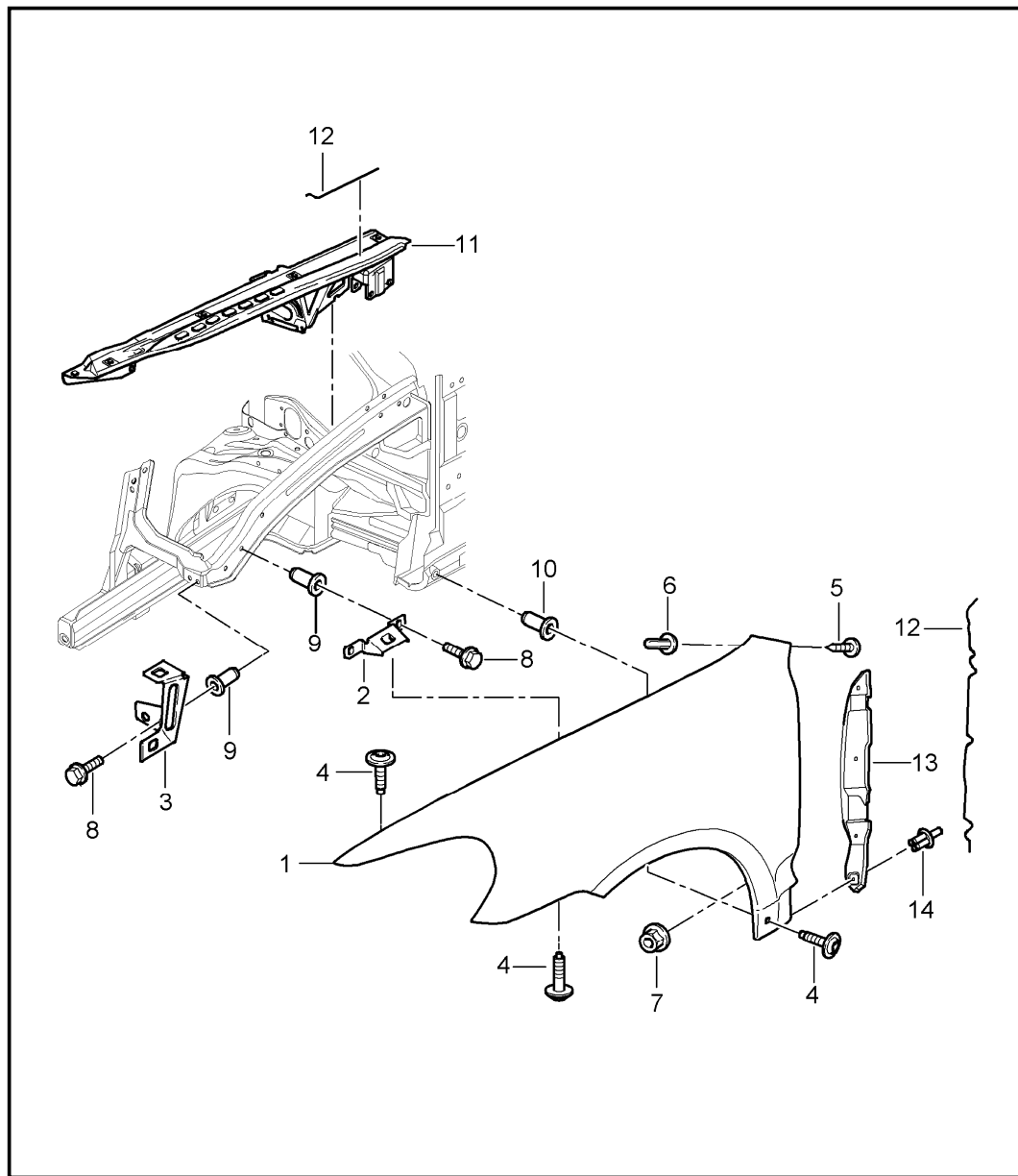


Pos	Part Number	Description	Remark	Qty	Model
		rear end			
1	955 501 303 01	terminal piece		1	
	GRV	prime coated			
-	000 043 207 59	blind rivet KB 3,8-5,8		X	
-	000 043 206 29	adhesive set body comprising:		X	
-	000 043 206 30	adhesive		1	
-	000 043 206 31	tool		1	
-	000 043 206 32	tool		1	
-	000 043 206 33	activator		1	
2	955 501 311 02	lock carrier		1	
	GRV	prime coated			
3	955 502 745 00	support	/L	1	
	GRV	prime coated			
(3)	955 502 746 00	support	/R	1	
	GRV	prime coated			
-	000 043 207 59	blind rivet KB 3,8-5,8		X	
-	000 043 206 29	adhesive set body comprising:		X	
-	000 043 206 30	adhesive		1	
-	000 043 206 31	tool		1	
-	000 043 206 32	tool		1	
-	000 043 206 33	activator		1	
-	000 043 204 85	cavity preservation 400 ML		X	
-	955 504 187 00	stopper 20 MM		X	
-	955 512 188 00	water drain valve 20 MM		X	

Model	Year	MG	SG	Illustration	Restrictions	UPD	14:25	21.01.2010	PORSCHE	PET	PORSCHE
9PA1	2010	8	01	801-30		247					

Pos	Part Number	Description	Remark	Qty	Model	Pos	Part Number	Description	Remark	Qty	Model
-	955 504 182 00	stopper 20 MM		X							

Model	Year	MG	SG	Illustration	Restrictions	UPD	14:25	21.01.2010	PORSCHE	PET	PORSCHE
9PA1	2010	8	01	801-40		247					

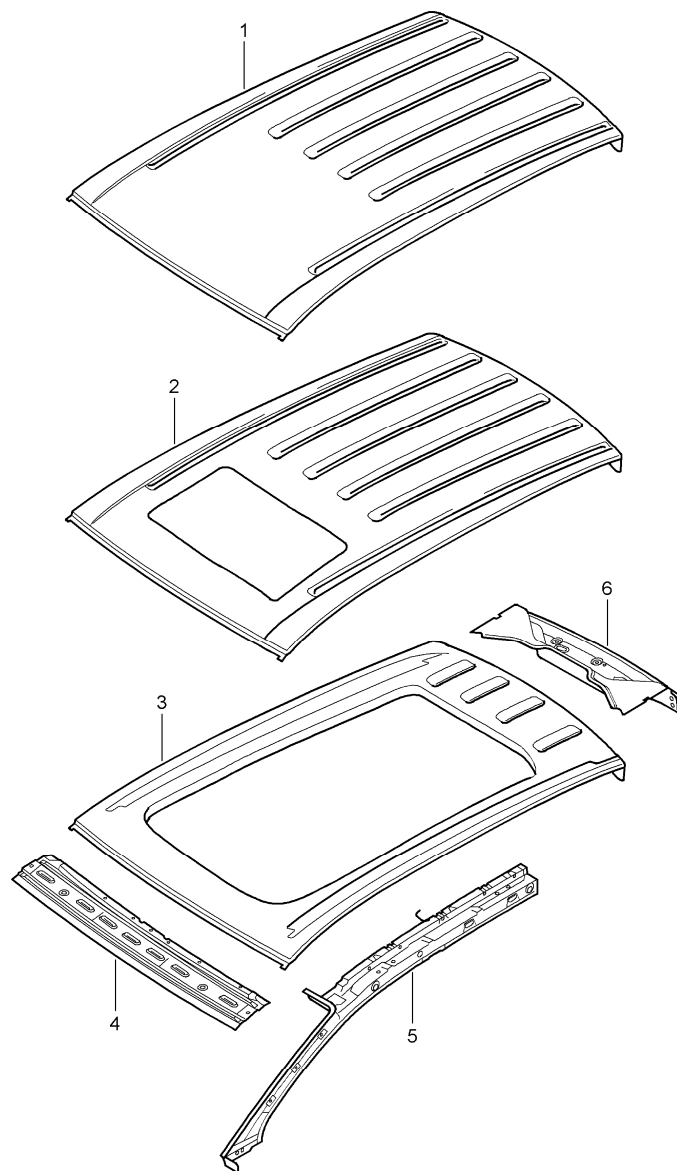


Pos	Part Number	Description	Remark	Qty	Model
1	955 503 031 02	wing	/L	1	
	GRV	prime coated			
(1)	955 503 032 02	wing	/R	1	
	GRV	prime coated			
2	955 503 161 00	support		2	
	GRV	prime coated			
3	955 501 609 01	support	/L	1	
	GRV	prime coated			
(3)	955 501 610 01	support	/R	1	
	GRV	prime coated			
4	N 910 432 01	lens-head screw M 6 X 14		16	
5	N 906 381 01	torx screw M 6 X 12		X	
6	N 908 051 02	blind rivet nut M 6		X	
7	N 908 877 02	hexagon nut M 6		X	
(8)	N 901 671 04	combination screw M 6 X 15		X	
9	N 909 350 02	blind rivet nut M6/0,75-3,50-AV		X	
10	N 908 051 02	blind rivet nut M6/0,80-3,00-BV		X	
11	-	wing strut see group 8/01/10 Pos.6			
12	955 503 159 01	seal		1	
13	N 906 487 02	tapping screw ST 4,8 X 16		8	
13	955 504 777 01	cover	/L	1	
	01C	satin black			

Model	Year	MG	SG	Illustration	Restrictions	UPD	14:25	21.01.2010	PORSCHE	PET	PORSCHE
9PA1	2010	8	01	801-40		247					

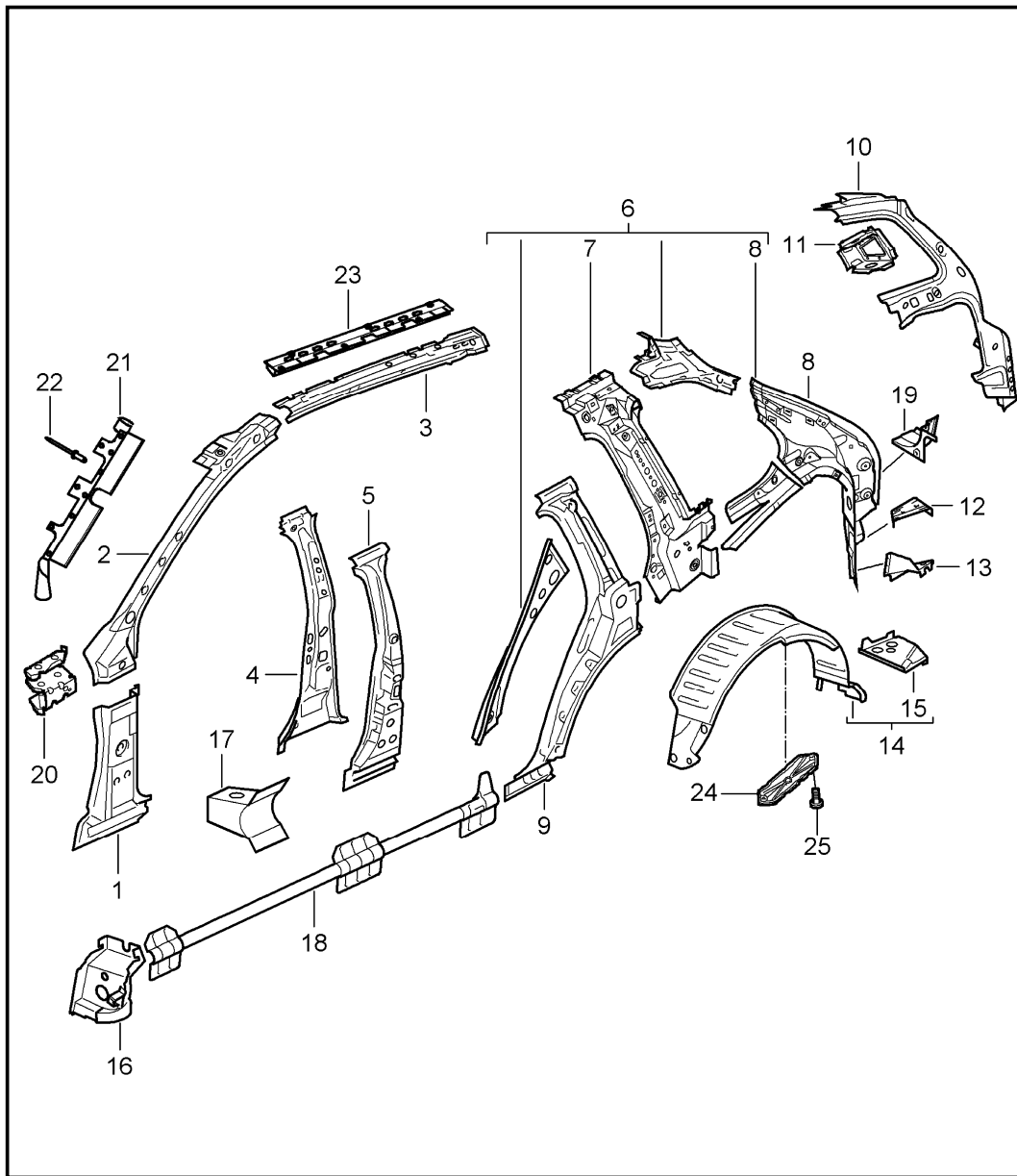
Pos	Part Number	Description	Remark	Qty	Model	Pos	Part Number	Description	Remark	Qty	Model
(13)	955 504 778 01	cover	/R	1							
	01C	satin black									
14	N 038 501 2	expansion rivet A 6 X 12		8							

Model	Year	MG	SG	Illustration	Restrictions	UPD	14:26	21.01.2010	PORSCHE	PET	PORSCHE
9PA1	2010	8	01	801-45		247					



Pos	Part Number	Description	Remark	Qty	Model
1	955 503 101 00	roof cowl GRV prime coated		1	
2	955 503 101 01	roof GRV prime coated for sliding roof		1	
3	955 503 101 02	roof GRV prime coated use also:		1	I3FU
-	000 043 300 98	connection piece see workshop manual group 51		3	
-	000 043 300 95	adhesive set roof TEROKAL 5045		X	
-	000 043 205 37	mixing tube supplement set		X	
4	955 502 122 01	cross member GRV prime coated		1	
5	955 502 287 00	cross member GRV prime coated	/L	1	
(5)	955 502 288 00	cross member GRV prime coated	/R	1	
6	955 502 161 02	roof frame GRV prime coated		1	
-	000 043 204 85	cavity preservation 400 ML		X	

Model	Year	MG	SG	Illustration	Restrictions	UPD	14:26	21.01.2010	PORSCHE	PET	PORSCHE
9PA1	2010	8	01	801-50		247					



Pos	Part Number	Description	Remark	Qty	Model
		side section inner			
1	955 502 203 00	reinforcement	/L	1	
	GRV	prime coated			
(1)	955 502 204 00	reinforcement	/R	1	
	GRV	prime coated			
2	955 502 193 01	reinforcement	/L	1	
	GRV	prime coated			
(2)	955 502 194 01	reinforcement	/R	1	
	GRV	prime coated			
3	955 502 249 00	reinforcement	/L	1	
	GRV	prime coated			
(3)	955 502 250 01	reinforcement	/R	1	
	GRV	prime coated			
4	955 502 443 02	b-pillar	/L	1	
	GRV	prime coated inner			
(4)	955 502 444 03	b-pillar	/R	1	
	GRV	prime coated inner			
5	955 502 607 00	b-pillar	/L	1	
	GRV	prime coated outer			
(5)	955 502 608 00	b-pillar	/R	1	
	GRV	prime coated outer			
-	000 043 207 58	blind rivet KB 3,0-6,5		X	
-	000 043 206 29	adhesive set body comprising:		X	
-	000 043 206 30	adhesive		1	
-	000 043 206 31	tool		1	

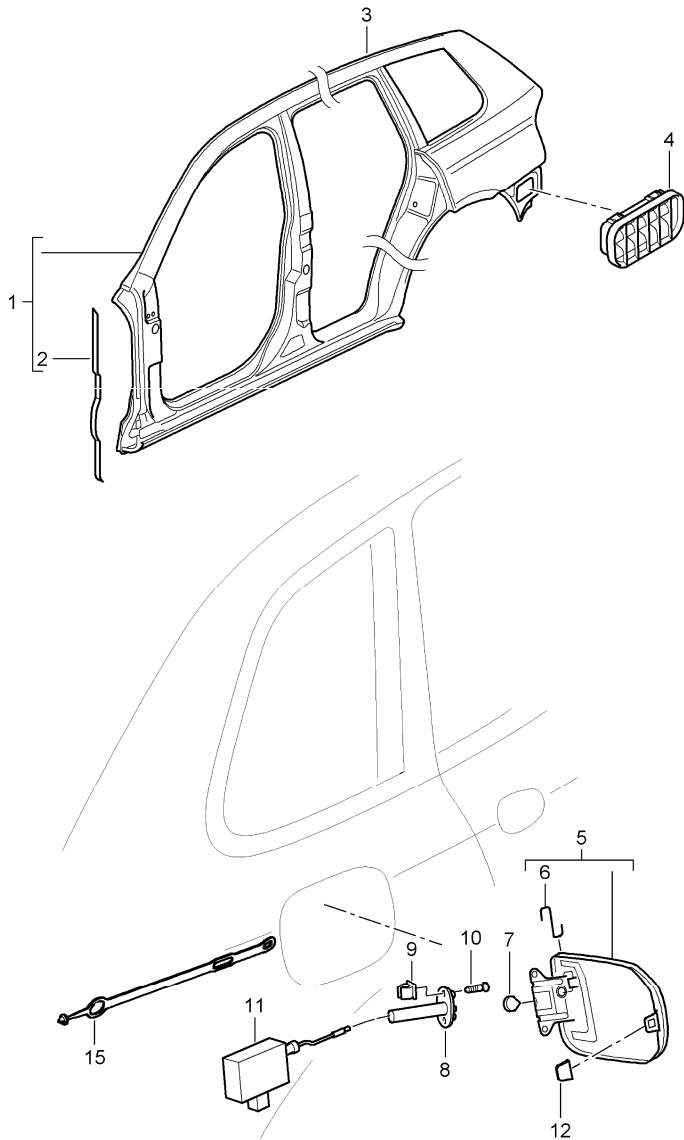
Model	Year	MG	SG	Illustration	Restrictions	UPD	14:26	21.01.2010	PORSCHE	PET	PORSCHE
9PA1	2010	8	01	801-50		247					

Pos	Part Number	Description	Remark	Qty	Model	Pos	Part Number	Description	Remark	Qty	Model
-	000 043 206 32	tool		1		12	955 502 259 00	corner piece d-pillar	/L	1	
-	000 043 206 33	activator		1			GRV	prime coated			
6	955 502 403 03	side section	/L	1		(12)	955 502 260 00	corner piece d-pillar	/R	1	
	GRV	prime coated					GRV	prime coated			
(6)	955 502 404 04	side section	/R	1		13	955 502 677 01	corner piece	/L	1	
	GRV	prime coated					GRV	prime coated			
7	955 502 545 00	c-pillar	/L	1		(13)	955 502 678 01	corner piece	/R	1	
	GRV	prime coated inner					GRV	prime coated			
(7)	955 502 546 00	c-pillar	/R	1		14	955 502 409 02	wheel housing	/L	1	
	GRV	prime coated inner					GRV	prime coated			
8	955 502 289 00	d-pillar	/L	1		(14)	955 502 410 02	wheel housing	/R	1	
	GRV	prime coated inner					GRV	prime coated			
(8)	955 502 290 02	d-pillar	/R	1		15	955 502 307 02	corner piece	/L	1	
	GRV	prime coated inner					GRV	prime coated			
9	955 502 263 00	c-pillar	/L	1		(15)	955 502 308 00	corner piece	/R	1	
	GRV	prime coated outer					GRV	prime coated			
(9)	955 502 264 00	c-pillar	/R	1		16	955 502 221 01	closing element	/L	1	
	GRV	prime coated outer					GRV	prime coated			
10	955 502 299 00	d-pillar	/L	1		17	955 502 693 00	support		2	
	GRV	prime coated outer					GRV	prime coated			
(10)	955 502 300 00	d-pillar	/R	1		18	955 502 839 01	reinforcement	/L	1	
	GRV	prime coated outer					GRV	prime coated			
11	955 502 549 01	reinforcement		1		(18)	955 502 840 01	reinforcement	/R	1	
	GRV	prime coated					GRV	prime coated			
						19	955 502 505 00	gusset plate	/L	1	
							GRV	prime coated			

Model	Year	MG	SG	Illustration	Restrictions	UPD	14:26	21.01.2010	PORSCHE	PET	PORSCHE
9PA1	2010	8	01	801-50		247					

Pos	Part Number	Description	Remark	Qty	Model	Pos	Part Number	Description	Remark	Qty	Model
(19)	955 502 506 00	gusset plate	/R	1							
	GRV	prime coated									
-	000 043 204 85	cavity preservation 400 ML		X							
20	955 502 623 01	hinge reinforcement	/L	1							
	GRV	prime coated a-pillar									
(20)	955 502 624 01	hinge reinforcement	/R	1							
	GRV	prime coated a-pillar									
21	955 503 561 00	deformation element	/L	1							
	GRV	prime coated a-pillar									
(21)	955 503 562 00	deformation element	/R	1							
	GRV	prime coated a-pillar									
24	955 572 077 00	joint flange		1	I9AB/9AD						
25	N 102 070 02	torx screw M6 X 15		2							

Model	Year	MG	SG	Illustration	Restrictions	UPD	14:26	21.01.2010	PORSCHE	PET	PORSCHE
9PA1	2010	8	01	801-55		247					

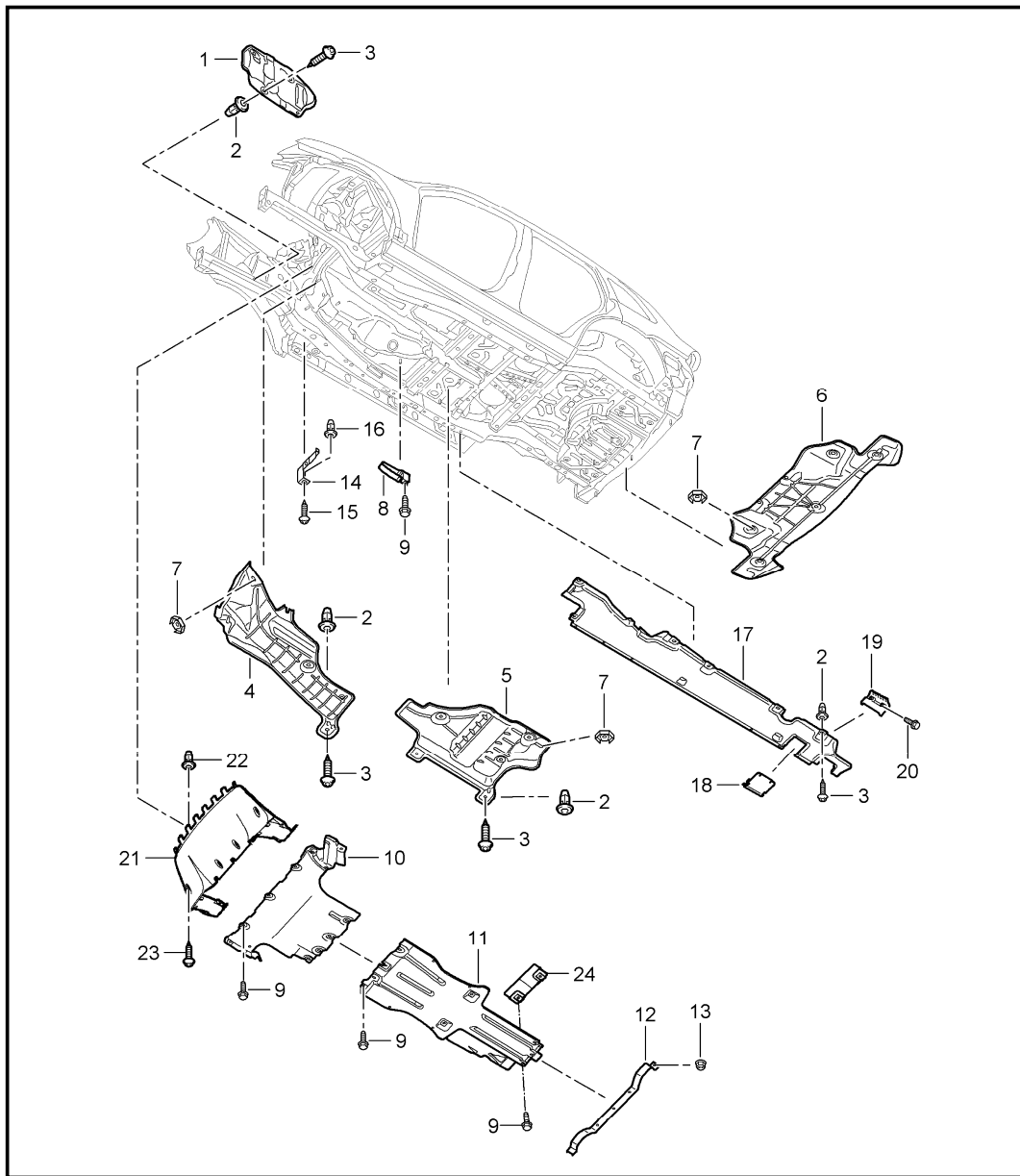


Pos	Part Number	Description	Remark	Qty	Model
		side section outer			
1	955 503 935 01	side section	/L	1	
	GRV	prime coated			
(1)	955 503 936 01	side section	/R	1	
	GRV	prime coated			
2	955 502 573 01	rail	/L	1	
	GRV	prime coated			
(2)	955 502 574 01	rail	/R	1	
	GRV	prime coated			
3	955 503 943 01	side section	/L	1	
	GRV	prime coated			
(3)	955 503 944 00	side section	/R	1	
	GRV	prime coated			
4	955 504 181 02	frame		2	
5	955 504 133 03	fuel filler flap		1	
	GRV	prime coated			
6	955 504 131 00	spring		1	
7	N 903 598 01	buffer		1	
8	955 504 899 02	guide sleeve		1	
9	999 591 762 40	special nut		2	
10	900 145 041 07	tapping screw ST 3,5 X 16		2	
11	955 624 773 02	actuator		1	
-	000 043 204 85	cavity preservation 400 ML		X	
12	955 504 910 00	guide for fuel filler flap		1	
13	955 504 986 00	Opener for fuel filler flap		1	

Model	Year	MG	SG	Illustration	Restrictions	UPD	14:26	21.01.2010	PORSCHE	PET	PORSCHE
9PA1	2010	8	01	801-55		247					

Pos	Part Number	Description	Remark	Qty	Model	Pos	Part Number	Description	Remark	Qty	Model
14	N 101 703 01	round head screw M6 X 10		2							
15	955 504 165 00	emergency operation fuel filler flap		1							

Model	Year	MG	SG	Illustration	Restrictions	UPD	14:26	21.01.2010	PORSCHE	PET	PORSCHE
9PA1	2010	8	01	801-70		247					

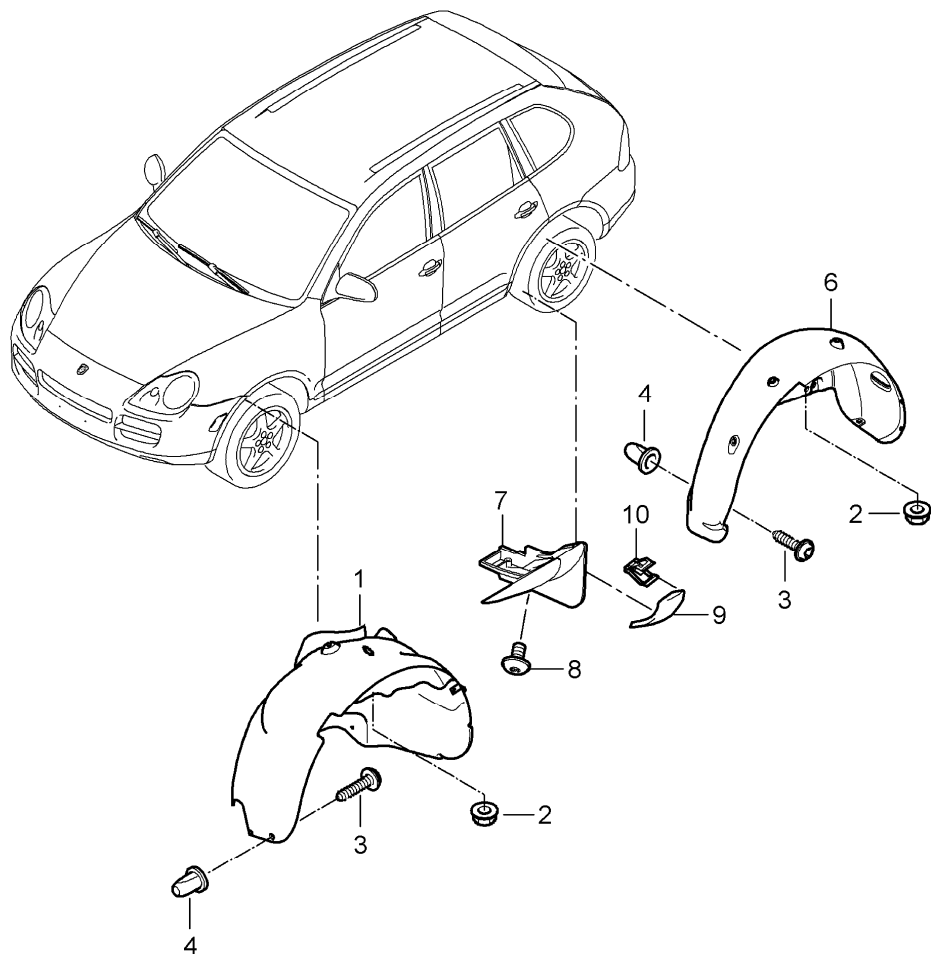


Pos	Part Number	Description	Remark	Qty	Model
		lining underbody heat protection			
1	955 504 615 01	heat protection	/L	1	
(1)	955 504 616 01	heat protection engine compartment	/R	1	
2	N 910 190 01	expander nut D-7 X 20		X	
		6,0			
3	N 908 082 01	oval-head screw M6 X 18,5		X	
4	955 504 661 01	heat protection	/L	1	
(4)	955 504 662 01	heat protection tunnel front	/R	1	
5	955 504 681 02	heat protection tunnel centre		1	
6	955 504 711 03	heat protection for rear muffler		1	
7	N 906 431 01	speed nut		X	
8	955 504 263 00	clip heat shield rear		2	
9	N 910 345 01	combination screw M6 X 10		X	
10	955 504 285 01	underbody protection front		1	I6EA/6EQ I6ET
(10)	955 504 235 01	underbody protection front		1	I6EP/6ES I6GE/6GF
11	955 504 231 01	underbody protection		1	ID5X
(11)	955 504 231 01	underbody protection		1	ID5V/G0R
(11)	955 504 231 02	underbody protection		1	ID5V/G0L
(11)	955 504 231 03	underbody protection rear		1	ID5Z

Model	Year	MG	SG	Illustration	Restrictions	UPD	14:26	21.01.2010	PORSCHE	PET	PORSCHE
9PA1	2010	8	01	801-70		247					

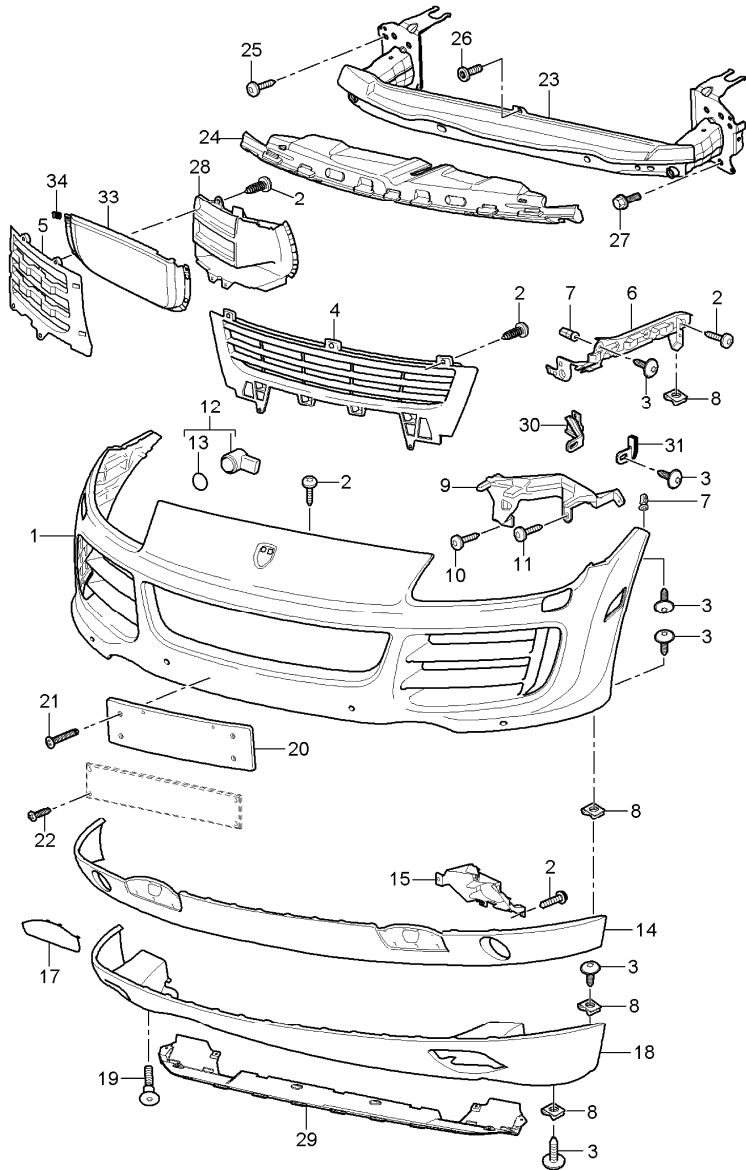
Pos	Part Number	Description	Remark	Qty	Model	Pos	Part Number	Description	Remark	Qty	Model
(11)	955 504 231 04	underbody protection rear		1	ID5V/E0W/E2D IG0L	24	955 504 199 00	support transmission carrier		1	
(11)	955 504 231 05	underbody protection rear		1	ID5V/E0W/E2D IG0R						
(11)	955 504 231 06	underbody protection rear		1	ID50						
12	955 504 955 00	bracket		1	IG0R						
12	955 504 955 01	bracket rear		1	IG0L						
13	N 908 877 01	hexagon nut M6		2							
14	955 504 241 00	support	/L	1							
(14)	955 504 242 00	support	/R	1							
15	N 909 210 01	hexagon-head bolt		1							
16	N 904 085 02	blind rivet nut M8/0,5-3,0		1							
17	955 504 211 01	lining underbody	/L	1							
(17)	955 504 212 01	lining underbody	/R	1							
18	955 504 271 00	cover jacking point	/L	1							
(18)	955 504 272 00	cover jacking point	/R	1							
19	955 504 123 01	mounting plate jacking point		2							
20	N 904 121 02	combination screw M6 X 25 mounting plate jack		4							
21	955 504 901 00 9B9	front spoiler satin black		1	I2D1						
22	N 908 338 01	expander nut 4,8 X 12,0		X							
23	N 906 487 01	tapping screw ST 4,8 X 16		X							

Model	Year	MG	SG	Illustration	Restrictions	UPD	14:26	21.01.2010	PORSCHE	PET	PORSCHE
9PA1	2010	8	01	801-75		247					



Pos	Part Number	Description	Remark	Qty	Model
		lining wheel housing			
1	955 504 961 04	wheel-housing liner	/L	1	ID5V/D5X
(1)	955 504 962 04	wheel-housing liner front	/R	1	ID5V/D5X
(1)	955 504 961 05	wheel-housing liner	/L	1	ID5Z/D50
(1)	955 504 962 05	wheel-housing liner front	/R	1	ID5Z/D50
2	N 903 521 01	hexagon nut B 5		X	
3	N 906 487 01	tapping screw ST4,8 X 16		X	
4	N 103 180 01	expander nut 4,8 X 15,5		X	
6	955 504 971 04	wheel-housing liner	/L	1	
(6)	955 504 972 04	wheel-housing liner rear	/R	1	
7	955 505 547 01	spoiler	/L	1	
(7)	955 505 548 01	spoiler	/R	1	
8	N 907 750 01	tapping screw st 4,8 x 16		X	
9	955 504 167 00	cover	/L	1	
(9)	955 504 168 00	cover	/R	1	
10	955 504 137 00	clamp		4	

Model	Year	MG	SG	Illustration	Restrictions	UPD	14:27	21.01.2010	PORSCHE	PET	PORSCHE
9PA1	2010	8	02	802-00		247					



Pos	Part Number	Description	Remark	Qty	Model
1	955 505 311 10	lining front		1	ID5V/D5X/D50
		G2X prime coated			
(1)	955 505 311 11	lining		1	ID5V/D5X/D50 I7X2
		G2X prime coated			
(1)	955 505 311 12	lining		1	ID5V/D5X I8X1
		G2X prime coated			
(1)	955 505 311 13	lining		1	ID5V/D5X/7X8 I7X2/8X1
		G2X prime coated			
(1)	955 505 311 14	lining		1	IE0W
		G2X prime coated			
(1)	955 505 311 14	lining		1	ID5Z
		G2X prime coated			
(1)	955 505 311 17	lining		1	ID5V/E0W/7X0 I8X0
		G2X prime coated			
2	N 908 082 01	oval-head screw 6,0 X 18		X	
3	N 907 750 01	tapping screw ST 4,8 X 16		X	
4	955 505 683 10	ventilation grille		1	ID5V/D5X/D50
		9B9 satin black			
(4)	955 505 683 11	ventilation grille centre		1	ID5Z
		9B9 satin black			
(4)	955 505 683 11	ventilation grille centre		1	IE0W
		9B9 satin black			
(5)	955 505 681 10	ventilation grille	/L	1	ID5V/D5X

Model	Year	MG	SG	Illustration	Restrictions	UPD	14:27	21.01.2010	PORSCHE	PET	PORSCHE
9PA1	2010	8	02	802-00		247					

Pos	Part Number	Description	Remark	Qty	Model	Pos	Part Number	Description	Remark	Qty	Model
	9B9	satin black				-	955 505 854 00	decorative film	/R	1	IE2D
(5)	955 505 681 13	ventilation grille	/L	1	ID50		M7W	Meteor Grey Metallic for disc upper right			
	9B9	satin black				-	955 505 854 00	decorative film	/R	1	IE2D
(5)	955 505 681 12	ventilation grille	/L	1	IE0W		A7W	silver metallic for disc upper right			
	9B9	satin black				-	955 505 855 00	decorative film	/L	1	IE2D
(5)	955 505 681 12	ventilation grille	/L	1	ID5Z		8C6	orange for disc lower left			
5	955 505 682 10	ventilation grille	/R	1	ID5V/D5X	-	955 505 855 00	decorative film	/L	1	IE2D
	9B9	satin black				-	955 505 855 00	decorative film	/L	1	IE2D
(5)	955 505 682 13	ventilation grille	/R	1	ID50		M7W	Meteor Grey Metallic for disc lower left			
	9B9	satin black				-	955 505 856 00	decorative film	/R	1	IE2D
(5)	955 505 682 12	ventilation grille	/R	1	IE0W		8C6	orange for disc lower right			
	9B9	satin black				-	955 505 856 00	decorative film	/R	1	IE2D
(5)	955 505 682 12	ventilation grille	/R	1	ID5Z		M7W	Meteor Grey Metallic for disc upper left			
	9B9	satin black				-	955 505 853 00	decorative film	/L	1	IE2D
-	955 505 853 00	decorative film	/L	1	IE2D		A7W	silver metallic for disc lower left			
	8C6	orange for disc upper left				-	955 505 853 00	decorative film	/L	1	IE2D
-	955 505 853 00	decorative film	/L	1	IE2D		8C6	orange for disc lower right			
	M7W	Meteor Grey Metallic for disc upper left				-	955 505 856 00	decorative film	/R	1	IE2D
-	955 505 853 00	decorative film	/L	1	IE2D		M7W	Meteor Grey Metallic for disc upper right			
	A7W	silver metallic for disc upper left				-	955 505 856 00	decorative film	/R	1	IE2D
-	955 505 854 00	decorative film	/R	1	IE2D		M7W	Meteor Grey Metallic for disc lower right			
	8C6	orange for disc upper right				-	955 505 856 00	decorative film	/R	1	IE2D

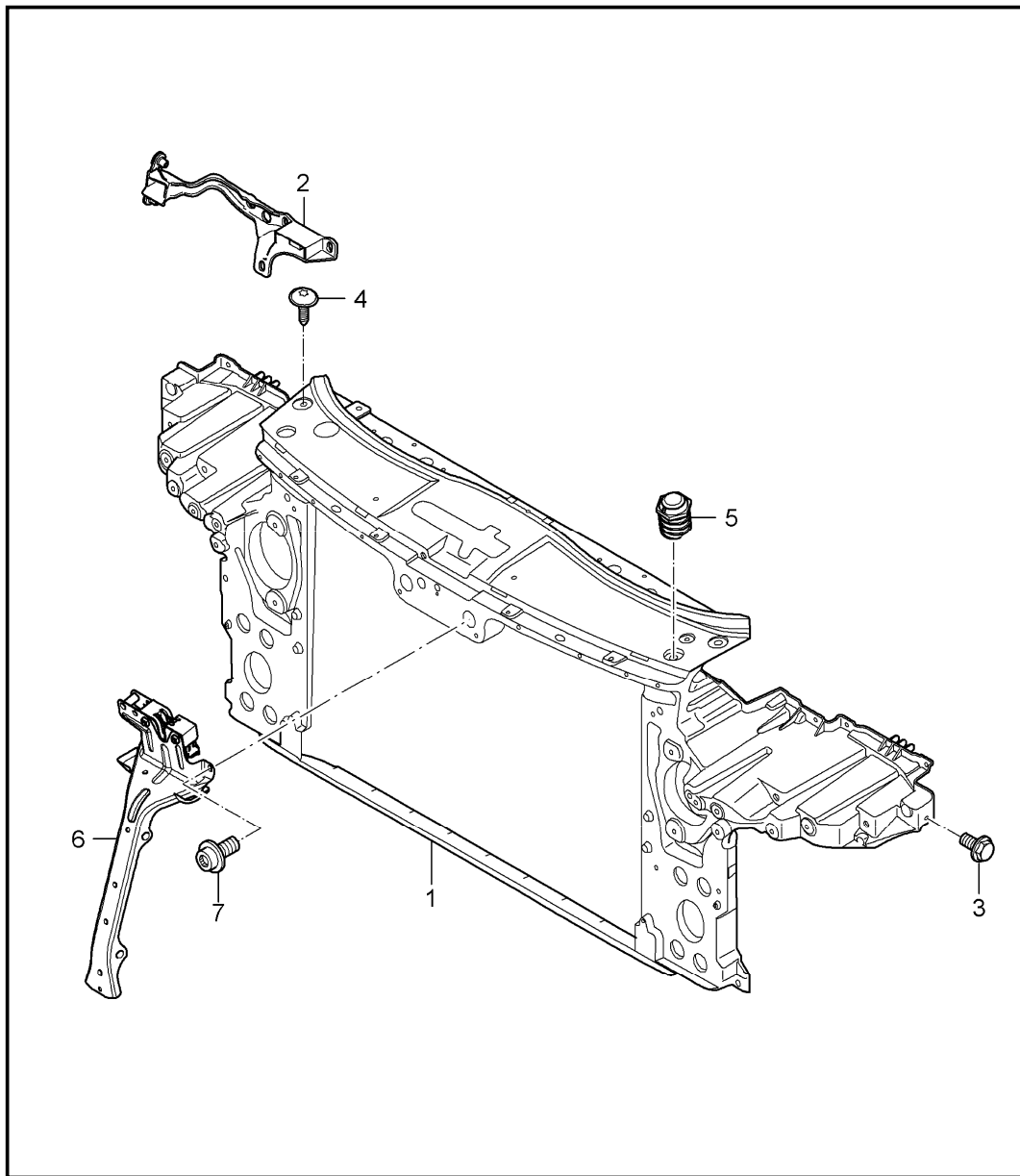
Model	Year	MG	SG	Illustration	Restrictions	UPD	14:27	21.01.2010	PORSCHE	PET	PORSCHE
9PA1	2010	8	02	802-00		247					

Pos	Part Number	Description	Remark	Qty	Model	Pos	Part Number	Description	Remark	Qty	Model
	A7W	silver metallic for disc lower right				9	955 505 889 00	guide	/L	1	
						(9)	955 505 890 00	guide	/R	1	
-	955 505 857 00	decorative film	/L	1	IE2D	10	N 907 750 01	tapping screw ST 4,8 X 16		X	
	8C6	orange front apron lateral left				11	N 910 343 01	oval-head screw 6,0 X 20		X	
-	955 505 857 00	decorative film	/L	1	IE2D	12	955 606 275 03	sensor ParkAssist		6	I7X2/7X8
	M7W	Meteor Grey Metallic front apron lateral left				13	955 606 659 01	ring		6	I7X2/7X8
-	955 505 857 00	decorative film	/L	1	IE2D	14	955 505 061 10	front spoiler upper part		1	
	A7W	silver metallic front apron lateral left					G2X	prime coated			
-	955 505 858 00	decorative film	/R	1	IE2D	15	955 505 593 10	support	/L	1	
	8C6	orange front apron lateral right				(15)	955 505 594 10	support fog headlamp	/R	1	
-	955 505 858 00	decorative film	/R	1	IE2D	(17)	955 505 155 10	cap	/L	1	I2JB/2JL
	M7W	Meteor Grey Metallic front apron lateral right					G2X	prime coated			
-	955 505 858 00	decorative film	/R	1	IE2D	17	955 505 156 10	cap	/R	1	I2JB/2JL
	A7W	silver metallic front apron lateral right					G2X	prime coated			
-	955 505 858 00	decorative film	/R	1	IE2D	(17)	955 505 155 11	cap	/L	1	I2JC/2JX
	M7W	Meteor Grey Metallic front apron lateral right				(17)	955 505 156 11	cap stainless steel	/R	1	I2JC/2JX
-	955 505 858 00	decorative film	/R	1	IE2D	-	N 911 381 01	clamping washer large		13	
	A7W	silver metallic front apron lateral right				-	N 901 162 02	clamping washer small		2	
6	955 505 049 10	guide rail	/L	1		18	955 505 513 10	front spoiler		1	I2D0/2D3
(6)	955 505 050 10	guide rail	/R	1		(18)	955 505 513 11	front spoiler lower part		1	I2D1/2D2/2D4
7	955 505 966 00	expander nut		X			G2X	prime coated			
8	N 900 942 02	speed nut ST 4,8 X 16,5 X 11		X		19	6N0 807 199	screw M6		X	
						20	955 701 105 06	bracket		1	ID5V/D5X/6W1

Model	Year	MG	SG	Illustration	Restrictions	UPD	14:27	21.01.2010	PORSCHE	PET	PORSCHE
9PA1	2010	8	02	802-00		247					

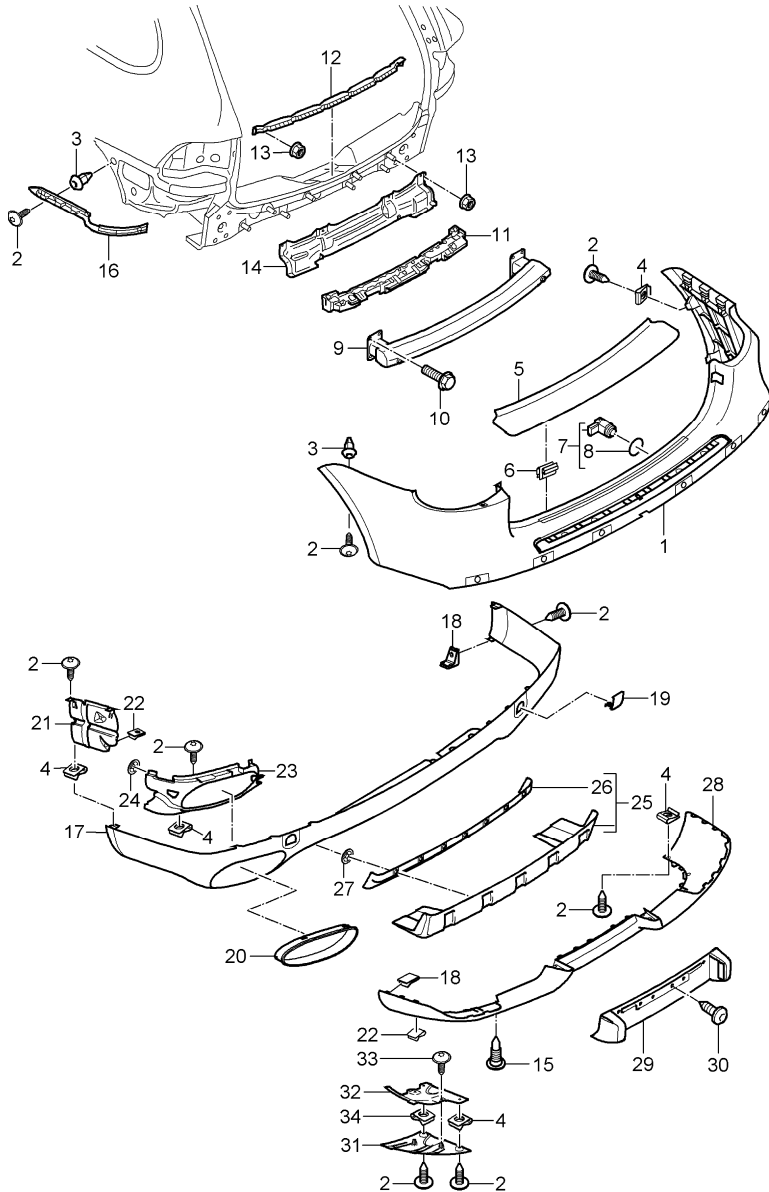
Pos	Part Number	Description	Remark	Qty	Model	Pos	Part Number	Description	Remark	Qty	Model
	G2X	prime coated				(33)	955 505 824 00	cover air inlet	/R	1	IE0W
(20)	955 701 105 11	bracket		1	ID5V/D5X/6W2	34	955 505 887 00	stopper		2	
	01C	satin black				-	955 505 850 00	cover		2	E0W
(20)	955 701 105 08	bracket		1	ID5Z/E0W/6W2	-	955 505 850 20	mounting plate		2	E0W
	01C	satin black				-	N 908 082 01	oval-head screw w/o headlight washer system		10	E0W
(20)	955 701 105 07	bracket		1	ID5Z/E0W/6W1	-	N 908 082 01	oval-head screw w/o headlight washer system		10	E0W
	01C	satin black									
(21)	N 905 624 01	oval-head screw support 3,5 X 10,0-Q		2	ID5V/D5X/6W2	35	955 505 915 10	cover strip		1	ID5V/D5Z/E0A IE0W/E1T
(21)	N 911 235 01	tapping screw		X	ID5V/D5X/6W1	(35)	955 505 915 20	cover strip		1	ID5V/D5X/D50 IE0A/E2D
22	N 106 568 02	tapping screw number plate ST 4,8 X 9,5		X							
(22)	N 038 549 4	expansion rivet 8,0 x 12,0		2							
23	955 505 109 00	bumper reinforcement		1							
24	955 505 550 10	plastic foam strip		1							
25	7L6 807 199	screw 6 X 20		X							
26	N 103 469 02	torx screw M6		X							
27	N 105 956 01	combination screw M10 X 35		X							
28	--- --- --- ---	air duct see group 1/05/45		1							
29	--- --- --- ---	front spoiler see group 8/01/70		1							
30	955 505 055 00	support	/L	1							
(30)	955 505 056 00	support	/R	1							
31	955 505 997 00	support	/L/R	2							
-	955 641 379 00	temperature sensor		1							
33	955 505 823 00	cover	/L	1	IE0W						

Model	Year	MG	SG	Illustration	Restrictions	UPD	14:27	21.01.2010	PORSCHE	PET	PORSCHE
9PA1	2010	8	02	802-02		247					



Pos	Part Number	Description	Remark	Qty	Model
		bracket radiator			
1	955 505 594 02	bracket		1	
(2)	955 505 733 00	support		1	
2	955 505 734 00	support		1	
3	N 908 463 01	combination screw		X	
4	N 910 145 01	screw		X	
5	955 511 500 00	rubber buffer		2	
6	955 505 799 01	bracket		1	
7	N 105 918 01	torx screw M6 X 12		3	

Model	Year	MG	SG	Illustration	Restrictions	UPD	14:27	21.01.2010	PORSCHE	PET	PORSCHE
9PA1	2010	8	02	802-05		247					



Pos	Part Number	Description	Remark	Qty	Model
1	955 505 411 10	lining rear		1	I1G1/1G8/7X0 I7X9
(1)	955 505 411 11	lining prime coated G2X		1	I1G1/1G8/7X2 I7X8
(1)	955 505 411 12	lining prime coated G2X		1	I1G3/7X0/7X9
(1)	955 505 411 13	lining prime coated G2X		1	I1G3/7X8
(1)	955 505 411 13	lining prime coated G2X		1	I1G3/7X2
2	N 907 750 01	tapping screw ST 4,8 X 16		X	
3	WHT 001 829	special nut		X	
4	N 015 437 4	speed nut ST 4,8 X 16,5 X 11		X	
5	955 505 787 10	cover		1	I1G1/1G8
(5)	955 505 787 11	cover		1	I1G3
6	955 505 807 00	clamp		X	
7	955 606 275 03	sensor ParkAssist		6	I7X2/7X8
8	955 606 659 01	ring		6	I7X2/7X8
9	955 505 313 10	bumper reinforcement		1	I1D0/1G1/1G6
-	955 505 859 00	decorative film left for rear apron	/1	1	IE2D
-	955 505 859 00	decorative film left for rear apron	/1	1	IE2D

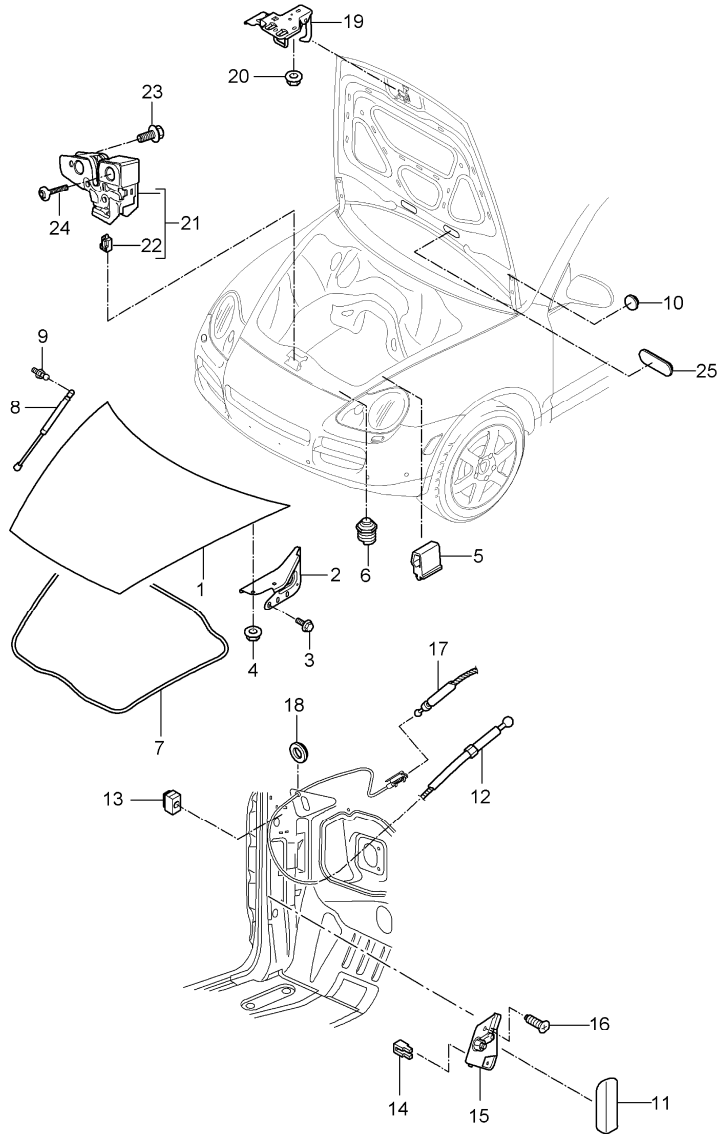
Model	Year	MG	SG	Illustration	Restrictions	UPD	14:27	21.01.2010	PORSCHE	PET	PORSCHE
9PA1	2010	8	02	802-05		247					

Pos	Part Number	Description	Remark	Qty	Model	Pos	Part Number	Description	Remark	Qty	Model
	M7W	Meteor Grey Metallic				16	955 505 393 02	retaining strip	/L	1	
-	955 505 859 00	decorative film left for rear apron	/L	1	IE2D	(16)	955 505 394 02	retaining strip lateral	/R	1	
	A7W	silver metallic				17	955 505 521 07	spoiler		1	ID5V/D5X/0P8
-	955 505 860 50	decorative film right for rear apron	/R	1	IE2D	(17)	G2X 955 505 521 07	prime coated spoiler		1	ID5Z/0P0
	8C6	orange				(17)	G2X 955 505 521 10	prime coated spoiler		1	ID5V/D5X/D50 I0P0
-	955 505 860 50	decorative film right for rear apron	/R	1	IE2D		G2X	prime coated upper part			
	M7W	Meteor Grey Metallic				18	955 505 535 00	retaining clip		2	
-	955 505 860 50	decorative film right for rear apron	/R	1	IE2D	(19)	955 505 449 10	cap	/L	1	
	A7W	silver metallic					G2X	prime coated			
9	955 505 313 10	bumper reinforcement		1	I1D0/1G1/1G6						
(9)	955 505 313 11	bumper reinforcement		1	I1D0/1D7/1D8 I1G1/1G8/6P1	20	955 505 837 01	cover	/L	1	ID5V/D5X/0P0
(9)	955 505 313 12	bumper reinforcement		1	I1D0/1D7 I1D8/1G3	(20)	955 505 838 01	cover	/R	1	ID5V/D5X/0P0
10	N 911 038 02	hexagon-head bolt M12 X 1,5 X 50		8			U90	titanium metallic			
11	955 505 252 03	foam part		1	I1D0/1D7/1D8 I1G1/1G8	(20)	955 505 837 00	cover	/L	1	ID5Z/0P0
(11)	955 505 252 04	foam part		1	I1D0/1D7 I1D8/1G3	(20)	955 505 838 00	cover	/R	1	ID5Z/0P0
12	955 505 863 02	attachment strip centre		1		(20)	955 505 837 00	cover	/L	1	I0P3/0P8
13	N 902 158 04	hexagon nut M6		X		(20)	U90	titanium metallic			
14	955 505 587 03	cover		1		(20)	955 505 838 00	cover exhaust system	/R	1	I0P3/0P8
15	6N0 807 199	screw M6		X		(21)	U90 955 505 515 10	titanium metallic heat protection	/L	1	

Model	Year	MG	SG	Illustration	Restrictions	UPD	14:27	21.01.2010	PORSCHE	PET	PORSCHE
9PA1	2010	8	02	802-05		247					

Pos	Part Number	Description	Remark	Qty	Model	Pos	Part Number	Description	Remark	Qty	Model
21	955 505 516 10	heat protection	/R	1							
22	955 505 180 00	clamp		X							
23	955 505 961 01	frame	/L	1	ID5V/D5X/0P0						
(23)	955 505 962 01	frame	/R	1	ID5V/D5X/0P0						
(23)	955 505 961 00	frame	/L	1	ID5Z/0P0						
(23)	955 505 962 00	frame	/R	1	ID5Z/0P0						
(23)	955 505 961 00	frame	/L	1	I0P3/0P8						
(23)	955 505 962 00	frame heat protection	/R	1	I0P3/0P8						
25	955 505 834 00	cover		1	I1G1/1G8 I2JL/2JX						
26	955 505 255 00	spacer cover		1	I1G1/1G8 I2JL/2JX						
27	N 901 162 02	clamping washer 4,0 X 11,8		X							
28	955 505 875 10	spoiler		1	I2D0/2D3						
(28)	955 505 875 11	spoiler lower part		1	I2D1/2D2/2D4						
	G2X	prime coated									
29	955 505 847 00	support		1	I1G3/6P1						
30	N 910 907 01	screw 5,0 X 20		X							
31	955 505 085 00	cover	/L	1							
(31)	955 505 086 00	cover	/R	1							
32	955 505 747 00	heat protection	/L	1							
(32)	955 505 748 00	heat protection cover	/R	1							
33	N 908 298 02	tapping screw 5,0 X 14,5		X							
34	N 900 942 01	speed nut		X							

Model	Year	MG	SG	Illustration	Restrictions	UPD	14:27	21.01.2010	PORSCHE	PET	PORSCHE
9PA1	2010	8	03	803-00		247					

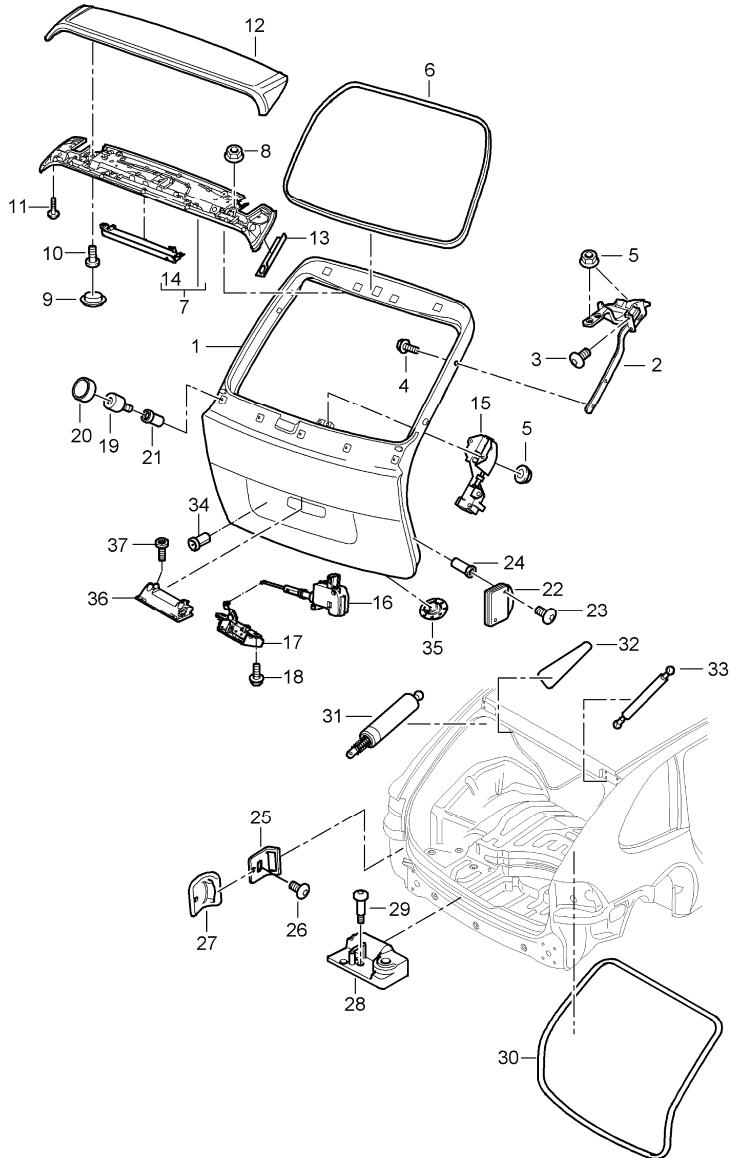


Pos	Part Number	Description	Remark	Qty	Model
1	955 511 011 00	lid front		1	ID5V/D5X
	GRV	prime coated			
(1)	955 511 011 02	lid		1	ID5Z
	GRV	prime coated			
2	955 511 301 00	hinge	/L	1	
(2)	955 511 302 00	hinge	/R	1	
3	N 908 079 02	combination screw M8 X 20		4	
4	N 905 115 05	combined nut M 8		4	
5	955 511 493 00	guide piece		2	
6	955 511 500 00	rubber buffer		2	
7	955 511 707 01	gasket		1	
8	955 511 359 00	damper		1	
9	955 511 439 00	ball pin M8		1	
10	N 909 087 01	stopper A12,5 X 3		2	
11	955 511 533 00	actuating lever	/LL	1	
	01C	satin black			
	6C6	sand beige			
	6H8	palmgreen			
	7A8	steel grey			
(11)	955 511 533 01	actuating lever	/RL	1	
	01C	satin black			
	6C6	sand beige			
	6H8	palmgreen			
	7A8	steel grey			
12	955 511 535 01	bowden cable rear		1	

Model	Year	MG	SG	Illustration	Restrictions	UPD	14:27	21.01.2010	PORSCHE	PET	PORSCHE
9PA1	2010	8	03	803-00		247					

Pos	Part Number	Description	Remark	Qty	Model	Pos	Part Number	Description	Remark	Qty	Model
13	955 511 645 00	clip bowden cable		2							
14	N 909 946 01	expander nut 4,8 X 10 bearing bracket		2							
15	955 511 633 03	bearing bracket	/LL	1							
(15)	955 511 633 04	bearing bracket	/RL	1							
16	N 905 488 03	rais. counters. h. tap. s. ST 4,8 X 19		2							
17	955 511 530 00	bowden cable	/LL	1							
(17)	955 511 530 10	bowden cable emergency operation front	/RL	1							
18	955 511 196 00	stopper		3							
19	955 511 480 01	hook		1							
20	N 908 877 02	hexagon nut M6		3							
21	955 511 509 02	lock		1							
22	955 624 236 01	microswitch		1							
23	N 910 664 01	combination screw M 6 X 40		2							
24	N 100 829 08	combination screw M 6 X 16		1							
25	955 511 440 00	lid		2							

Model	Year	MG	SG	Illustration	Restrictions	UPD	14:27	21.01.2010	PORSCHE	PET	PORSCHE
9PA1	2010	8	03	803-05		247					

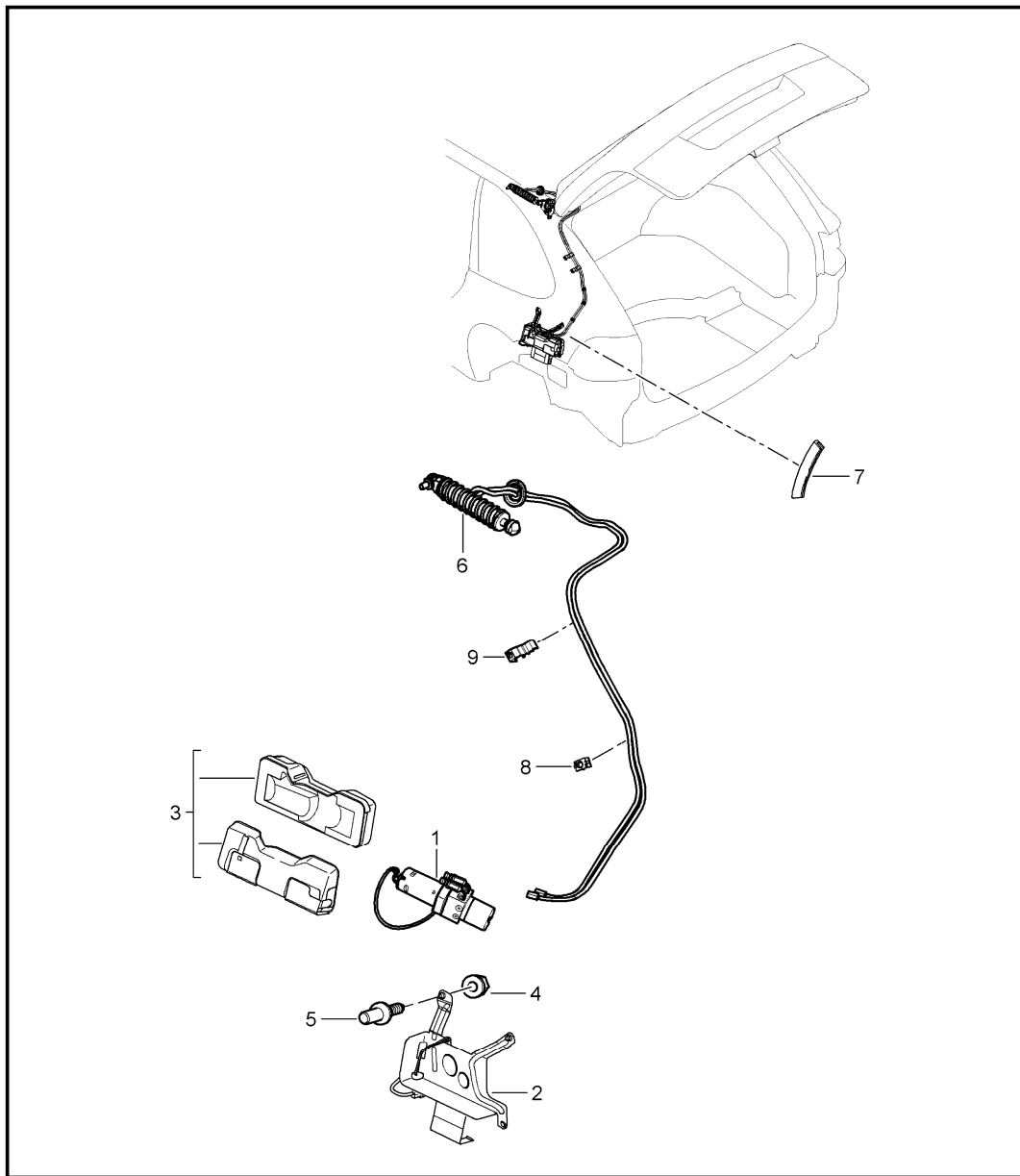


Pos	Part Number	Description	Remark	Qty	Model
1	955 512 011 10	rear lid		1	I6P1
		GRV			
		prime coated			
(1)	955 512 011 11	rear lid		1	I6P2
		GRV			
		prime coated			
(2)	955 512 301 01	hinge	/L	1	I4E0
(2)	955 512 301 02	hinge	/L	1	I4E7
2	955 512 302 00	hinge	/R	1	
3	N 908 962 01	lens-head screw M 8 X 20		8	
4	N 909 891 01	pan-head screw M 8 X 16		4	
5	N 902 158 04	hexagon nut M 6		X	
6	955 512 521 01	gasket rear window		1	
7	955 512 933 03	rear spoiler lower part		1	
8	N 911 488 01	combined nut M 5		X	
9	955 512 975 00	cap		3	
		01C			
		satin black			
10	WHT 001 984	round head screw M 6 X 16		X	
11	N 909 868 02	tapping screw ST 4,2 X 13		2	
12	955 512 939 05	rear spoiler		1	I2D0/2D3/2D4
		G2X			
		prime coated			
(12)	955 512 939 06	rear spoiler		1	I2D1/2D2
		G2X			
		prime coated			
(13)	955 512 965 03	gasket	/L	1	

Model	Year	MG	SG	Illustration	Restrictions	UPD	14:27	21.01.2010	PORSCHE	PET	PORSCHE
9PA1	2010	8	03	803-05		247					

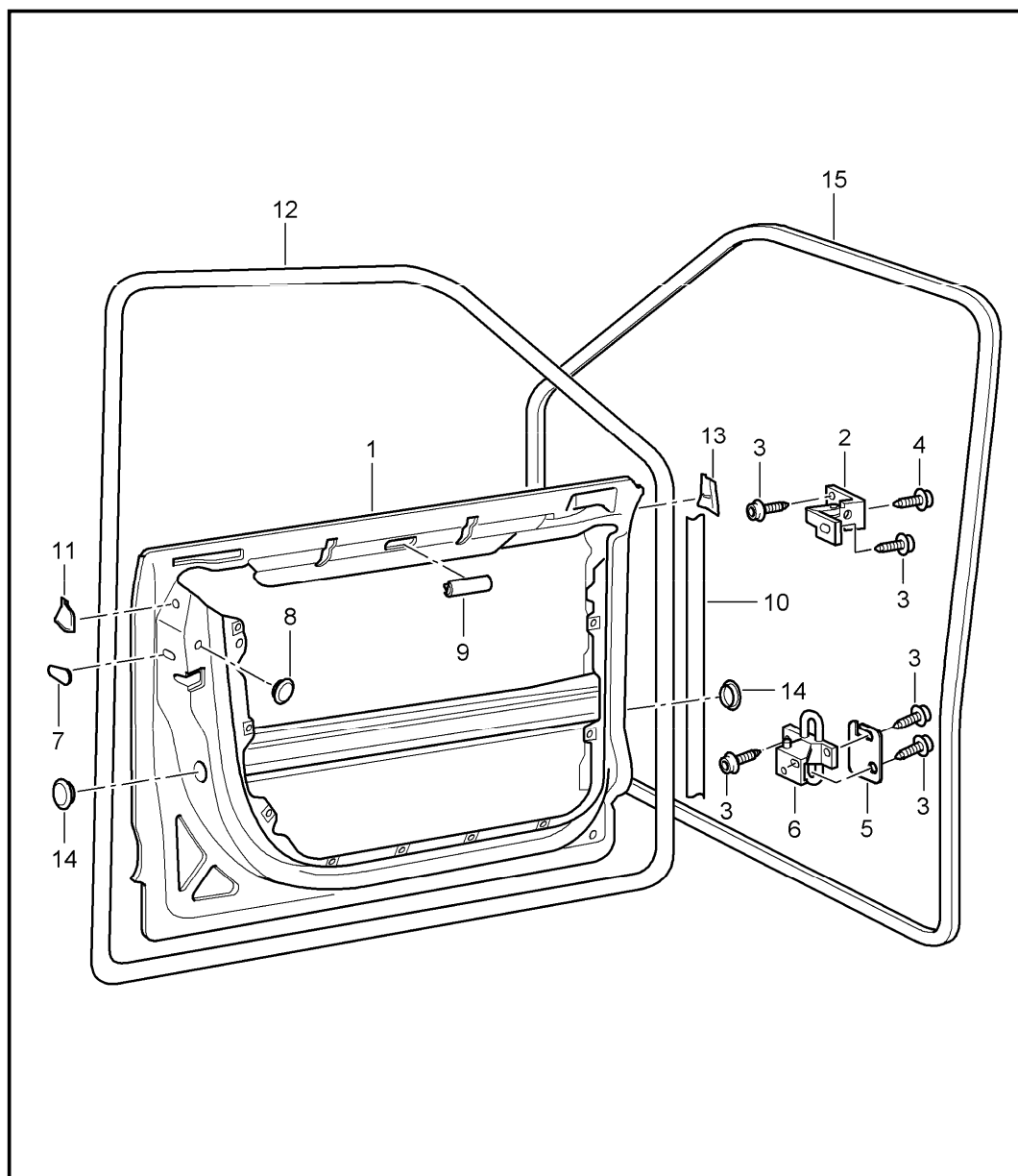
Pos	Part Number	Description	Remark	Qty	Model	Pos	Part Number	Description	Remark	Qty	Model
13	955 512 966 03	gasket rear spoiler	/R	1		29	N 908 047 02	countersunk-head screw M 8 X 22		2	IGY1
-	955 512 472 00	set protective film rear spoiler	/L /R	1	I2D0/2D3 I2D0/2D3	30	955 512 705 00	gasket rear lid		1	
-	955 512 472 01	set protective film rear spoiler	/L /R	1	I2D1/2D2 I2D1/2D2	31	955 512 550 04	gas-pressure spring	/R	1	
14	-	brake light see group 9/05/05		1		(31)	955 512 550 05	gas-pressure spring rear lid	/L	1	
15	955 512 506 03	lock rear window		1		-	WHT 001 333	ball pin M 8/13 x 16		X	
16	955 512 761 00	actuator lock rear lid		1		32	955 512 583 02	trim cover	/L	1	
17	955 512 505 02	lock upper part rear lid		1		(32)	955 512 584 02	trim cover damper	/R	1	
18	N 906 405 02	round head screw M 8 X 22		2		-	000 043 204 38	sealing material		X	
19	955 512 471 01	buffer rear window		2		33	955 512 528 00	gas-pressure spring rear window		2	
20	-	cap buffer see group 8/07/35		2		-	N 909 662 02	ball pin M 8/10 x 13		X	
21	N 908 051 02	blind rivet nut M6		2		34	N 907 667 02	blind rivet nut M 6 number plate		X	
22	955 512 679 00	guide wedge		2		35	955 512 188 00	water drain valve		2	
23	N 910 505 01	screw M 6 X 28		4		36	955 613 271 01	tip switch rear lid		1	
24	N 909 182 01	blind rivet nut M 6		4		37	N 104 840 02	round head screw M5 X 7,0		2	
25	955 512 683 00	guide		2							
26	N 906 381 03	screw M 6 X 12		2							
27	955 512 681 01	stop		2							
28	955 512 511 01	lock lower part		1	IGY1						

Model	Year	MG	SG	Illustration	Restrictions	UPD	14:28	21.01.2010	PORSCHE	PET	PORSCHE
9PA1	2010	8	03	803-07		247					



Pos	Part Number	Description	Remark	Qty	Model
		rear lid Powerlift			I4E7
1	955 512 449 00	pump		1	
2	955 512 389 00	support		1	
3	955 512 830 00	sound absorber		1	
-	000 043 207 22	velcro strip 30 x 1050 mm		1	
4	N 904 465 04	hexagon nut M 6		3	
5	N 908 971 01	blind rivet M 6 X 6,5		3	
6	955 512 383 00	cylinder rear lid		1	
-	WHT 001 670	ball pin M 10		X	
7	955 512 869 00	piping		1	
8	N 106 948 01	support		X	
9	955 512 200 00	support		X	
--	000 043 207 15	refilling bottle comprising: oil and screw plug		1	

Model	Year	MG	SG	Illustration	Restrictions	UPD	14:28	21.01.2010	PORSCHE	PET	PORSCHE
9PA1	2010	8	04	804-00		247					

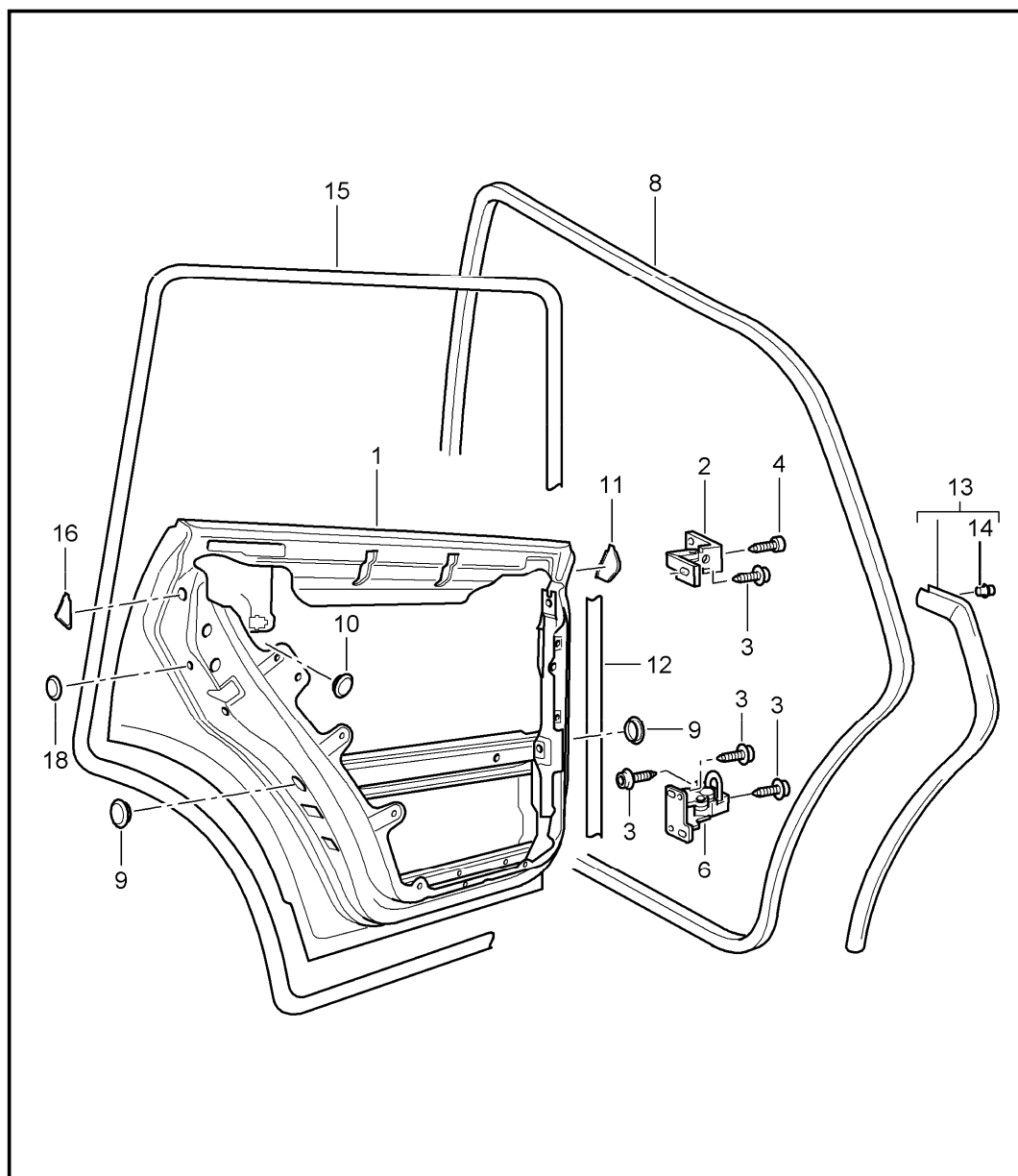


Pos	Part Number	Description	Remark	Qty	Model
		bare door shell front gaskets			
1	955 531 011 06	bare door shell	/L	1	
	GRV	prime coated			
(1)	955 531 012 07	bare door shell	/R	1	
	GRV	prime coated			
(2)	955 531 401 01	hinge upper	/L	1	
2	955 531 402 01	hinge upper	/R	1	
3	N 908 232 05	pan-head screw M 8 X 28		12	
4	N 907 870 01	pan-head screw M 8 X 22		2	
-	N 904 030 03	cap 13 X 14		2	
5	955 531 483 00	washer hinge lower repair work see technical manual	/L/R	X	
(6)	955 531 411 01	hinge lower	/L	1	
6	955 531 412 01	hinge lower	/R	1	
-	A 000 043 206 35	grease door arrester 10 Gr.		X	
-	000 043 300 13	grease door arrester 80 Gr.		1	
7	955 531 111 00	stopper 16/12		2	
8	955 531 112 00	stopper 16		2	
9	955 531 311 00	rubber stop		2	
(10)	955 537 717 01	door seal front	/L	1	

Model	Year	MG	SG	Illustration	Restrictions	UPD	14:28	21.01.2010	PORSCHE	PET	PORSCHE
9PA1	2010	8	04	804-00		247					

Pos	Part Number	Description	Remark	Qty	Model	Pos	Part Number	Description	Remark	Qty	Model
10	955 537 718 01	door seal front	/R	1							
(11)	955 531 915 01	cover	/L	1							
	B41	satin black									
11	955 531 916 01	cover	/R	1							
	B41	satin black									
12	955 537 911 02	door seal outer		2							
(13)	955 531 865 00	cover	/L	1							
	01C	black									
13	955 531 866 00	cover	/R	1							
	01C	black									
14	955 531 935 00	cap 30		4							
15	955 537 365 02	door seal inner		2							
-	955 531 015 00	door lock	/LL/L	1	I4K3						
-	955 531 016 00	door lock	/LL/R	1	I4K3						
-	955 531 015 01	door lock	/LL/L	1	I4K0						
-	955 531 016 01	door lock	/LL/R	1	I4K0						
-	955 531 015 02	door lock	/LL/L	1	I4F2						
-	955 531 016 02	door lock	/LL/R	1	I4F2						
-	955 531 015 03	door lock	/LL/L	1	I4F6						
-	955 531 016 03	door lock	/LL/R	1	I4F6						
-	955 531 015 04	door lock	/RL/L	1	I4K3						
-	955 531 016 04	door lock	/RL/R	1	I4K3						
-	955 531 015 05	door lock	/RL/L	1	I4F2						
-	955 531 016 05	door lock	/RL/R	1	I4F2						

Model	Year	MG	SG	Illustration	Restrictions	UPD	14:28	21.01.2010	PORSCHE	PET	PORSCHE
9PA1	2010	8	04	804-05		247					

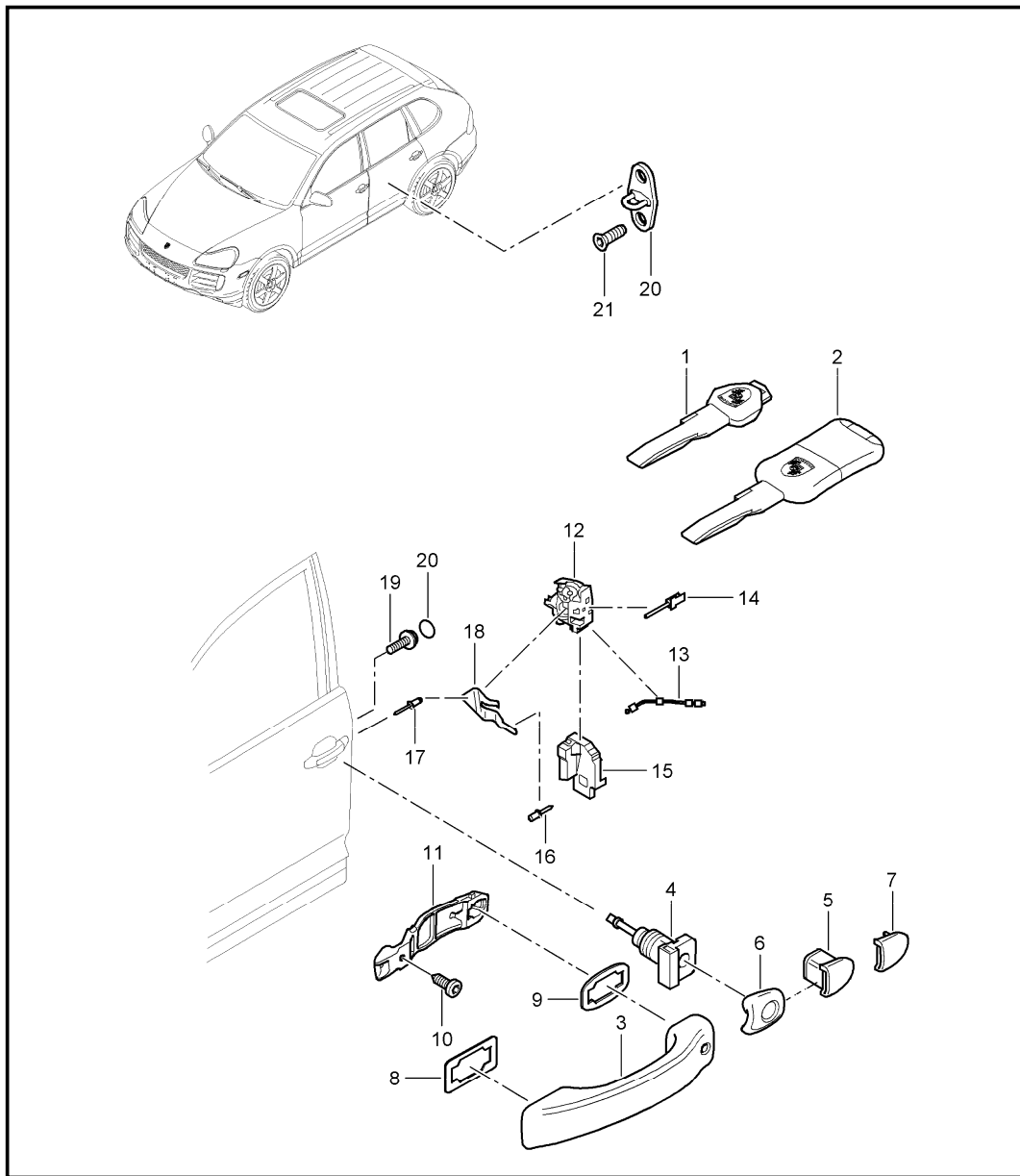


Pos	Part Number	Description	Remark	Qty	Model
1	955 533 011 05	door in white rear gaskets			
		GRV prime coated	/L	1	
(1)	955 533 012 05	bare door shell	/R	1	
		GRV prime coated			
(2)	955 533 401 01	hinge upper	/L	1	
2	955 533 402 01	hinge upper	/R	1	
3	N 908 232 05	pan-head screw M 8 X 28		10	
4	N 907 870 01	pan-head screw M 8 X 22		4	
5	N 904 030 03	cap 13 X 14		2	
(6)	955 533 411 01	hinge lower	/L	1	
6	955 533 412 01	hinge lower	/R	1	
-	A 000 043 206 35	grease door arrester 10 Gr.		X	
-	000 043 300 13	grease door arrester 80 Gr.		1	
8	955 539 367 02	door seal outer		2	
9	955 531 935 00	cap 30		4	
10	955 531 112 00	stopper 16		2	
(11)	955 531 349 00	cover	/L	1	
11	955 531 350 00	cover	/R	1	
(12)	955 533 717 00	door seal front	/L	1	

Model	Year	MG	SG	Illustration	Restrictions	UPD	14:28	21.01.2010	PORSCHE	PET	PORSCHE
9PA1	2010	8	04	804-05		247					

Pos	Part Number	Description	Remark	Qty	Model	Pos	Part Number	Description	Remark	Qty	Model
12	955 533 718 00	door seal front	/R	1							
(13)	955 533 761 01	door seal outer rear	/L	1							
13	955 533 762 01	door seal outer rear	/R	1							
14	955 533 723 00	clip		2							
15	955 533 911 02	door seal outer		2							
(16)	955 533 915 00	cover	/L	1							
16	955 533 916 00	cover	/R	1							
18	955 531 111 10	cap 16		2							
-	955 532 015 00	door lock	/L	1	I4K3						
-	955 532 016 00	door lock	/R	1	I4K3						
-	955 532 015 01	door lock	/L	1	I4K0						
-	955 532 016 01	door lock	/R	1	I4K0						
-	955 532 015 02	door lock	/L	1	I4F2						
-	955 532 016 02	door lock	/R	1	I4F2						
-	955 532 015 03	door lock	/L	1	I4F6						
-	955 532 016 03	door lock	/R	1	I4F6						

Model	Year	MG	SG	Illustration	Restrictions	UPD	14:28	21.01.2010	PORSCHE	PET	PORSCHE
9PA1	2010	8	04	804-10		247					

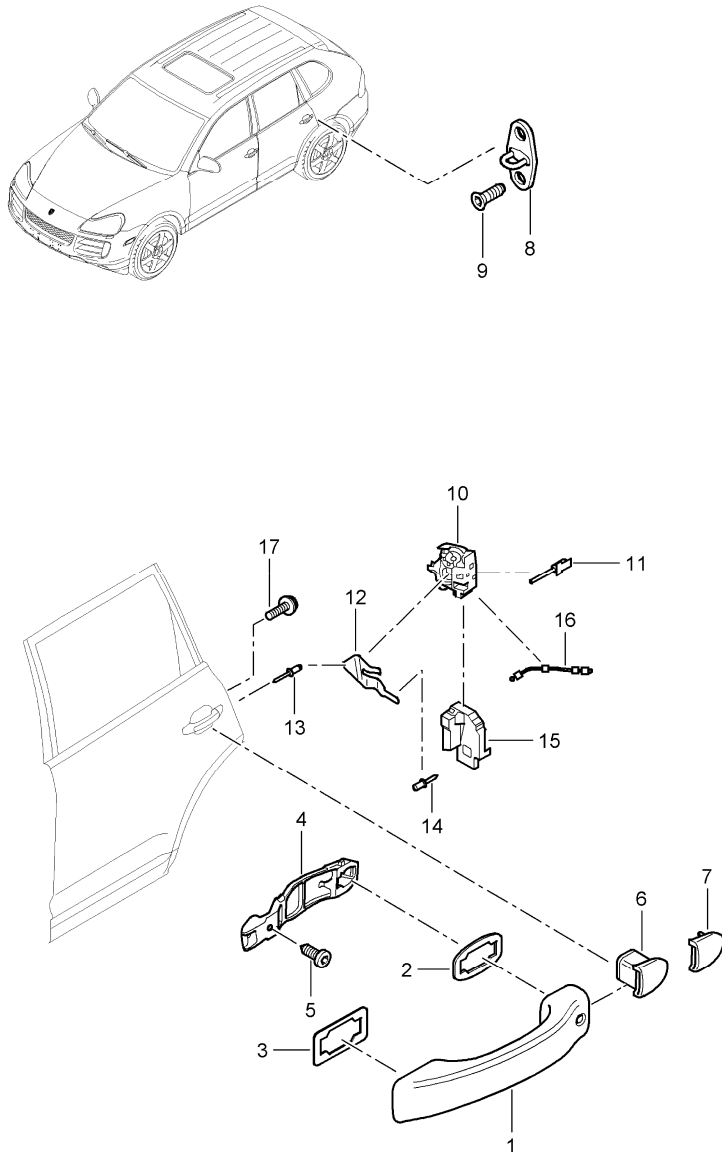


Pos	Part Number	Description	Remark	Qty	Model
2	-----	door handle door lock front Handheld transmitter see group 9/01/04		1	
3	955 531 030 00	door handle G2X prime coated satin aluminium		X	I4F2/4F6
(3)	955 531 030 01	door handle G2X prime coated black		X	IQJ4/4F2/4F6
(3)	955 531 032 00	door handle G2X prime coated satin aluminium		X	I4K0/4K3
(3)	955 531 032 01	door handle G2X prime coated black		X	IQJ4/4K0/4K3
-	000 043 206 17	grease 10 GRAMM 1 tube door handle lock cylinder		X	
4	955 531 034 00	lock cylinder driver's door state lock number	/LL	1	
(4)	955 531 035 00	lock cylinder driver's door state lock number	/RL	1	
5	955 531 036 00	housing satin aluminium		1	
(5)	955 531 036 01	housing black		1	
6	955 531 037 00	cap 4W9 satin aluminium VV1 black housing driver's door		1	
7	955 531 038 00	cap		1	

Model	Year	MG	SG	Illustration	Restrictions	UPD	14:28	21.01.2010	PORSCHE	PET	PORSCHE
9PA1	2010	8	04	804-10		247					

Pos	Part Number	Description	Remark	Qty	Model	Pos	Part Number	Description	Remark	Qty	Model
	4W9	satin aluminium				15	955 531 089 01	cover	/L	1	
	VV1	black housing passenger's door				(15)	955 531 090 01	cover door lock	/R	1	
8	955 531 039 00	desk pad door handle front		1		16	N 908 258 01	blind rivet A4 X 13		1	
9	955 531 040 00	desk pad door handle rear		1		17	N 907 657 01	blind rivet A4,8 X 15		1	
10	N 908 976 02	oval-head screw for supporting bow		1		18	955 533 867 00	retaining bracket	/L	1	
11	955 531 041 02	supporting bow	/RL/L	1		(18)	955 533 868 00	retaining bracket for door lock	/R	1	
(11)	955 531 042 02	supporting bow door handle	/LL/R	1		19	N 908 005 01	oval-head screw for door lock		2	
(11)	955 531 043 02	supporting bow	/LL/L	1		20	3B0 837 033 P	door lock striker		1	
(11)	955 531 044 02	supporting bow door handle	/RL/R	1		21	N 908 047 02	countersunk-head screw M8 X 22		2	
12	955 531 015 00	door lock	/LL/L	1	I4K3	22	955 531 935 00	cap		2	
(12)	955 531 016 00	door lock	/LL/R	1	I4K3						
(12)	955 531 015 01	door lock	/LL/L	1	I4K0						
(12)	955 531 016 01	door lock	/LL/R	1	I4K0						
(12)	955 531 015 02	door lock	/LL/L	1	I4F2						
(12)	955 531 016 02	door lock	/LL/R	1	I4F2						
(12)	955 531 015 03	door lock		1	I4F6						
(12)	955 531 016 03	door lock	/LL/R	1	I4F6						
(12)	955 531 015 04	door lock	/RL/L	1	I4K3						
(12)	955 531 016 04	door lock	/RL/R	1	I4K3						
(12)	955 531 015 05	door lock	/RL/L	1	I4F2						
(12)	955 531 016 05	door lock	/RL/R	1	I4F2						
13	955 531 024 00	bowden cable		1							
14	955 531 069 00	clip		1							
(14)	955 531 070 00	clip		1							

Model	Year	MG	SG	Illustration	Restrictions	UPD	14:28	21.01.2010	PORSCHE	PET	PORSCHE
9PA1	2010	8	04	804-20		247					

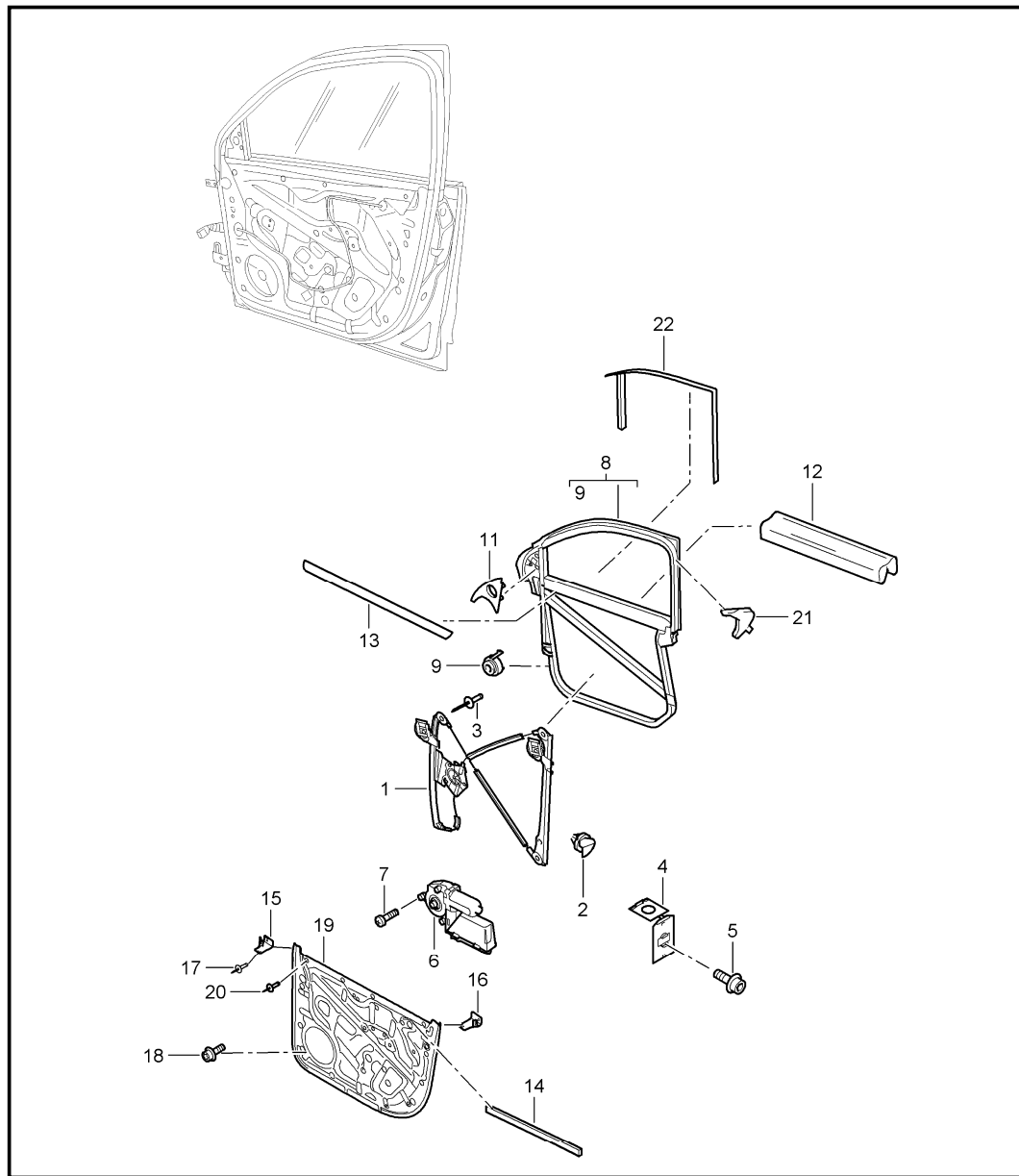


Pos	Part Number	Description	Remark	Qty	Model
1	955 532 010 00	door handle door lock rear		X	I4F2/4F6
	G2X	prime coated satin aluminium			
(1)	955 532 010 01	door handle		X	IQJ4/4F2/4F6
	G2X	prime coated black			
(1)	955 531 032 00	door handle		X	I4K0/4K3
	G2X	prime coated satin aluminium			
(1)	955 531 032 01	door handle		X	IQJ4/4K0/4K3
	G2X	prime coated black			
-	000 043 206 17	grease 10 GRAMM 1 tube door handle lock cylinder		X	
2	955 531 040 00	desk pad rear		1	
3	955 531 039 00	desk pad front		1	
4	955 532 885 02	supporting bow	/L	1	
(4)	955 532 886 02	supporting bow door handle	/R	1	
5	N 908 976 02	oval-head screw for supporting bow		1	
6	955 531 036 00	housing satin aluminium		1	
(6)	955 531 036 01	housing black		1	
7	955 531 038 00	cap		1	
	4W9	satin aluminium			
	VV1	black			

Model	Year	MG	SG	Illustration	Restrictions	UPD	14:28	21.01.2010	PORSCHE	PET	PORSCHE
9PA1	2010	8	04	804-20		247					

Pos	Part Number	Description	Remark	Qty	Model	Pos	Part Number	Description	Remark	Qty	Model
8	3B0 837 033 P	door lock striker		1							
9	N 908 047 02	countersunk-head screw M8 X 22		2							
10	955 532 015 00	door lock	/L	1	I4K3						
(10)	955 532 016 00	door lock	/R	1	I4K3						
(10)	955 532 015 01	door lock	/L	1	I4K0						
(10)	955 532 016 01	door lock	/R	1	I4K0						
(10)	955 532 015 02	door lock	/L	1	I4F2						
(10)	955 532 016 02	door lock	/R	1	I4F2						
(10)	955 532 015 03	door lock	/L	1	I4F6						
(10)	955 532 016 03	door lock	/R	1	I4F6						
11	955 533 059 00	clip	/L	1							
(11)	955 533 060 00	clip	/R	1							
12	955 533 867 00	retaining bracket	/L	1							
(12)	955 533 868 00	retaining bracket	/R	1							
13	N 907 657 01	blind rivet A4 X 15		1							
14	N 908 258 01	blind rivet A4 X 13		1							
15	955 533 089 02	cover	/L	1							
(15)	955 533 090 02	cover door lock	/R	1							
16	955 533 085 00	bowden cable		1							
17	N 908 005 01	oval-head screw door lock		2							

Model	Year	MG	SG	Illustration	Restrictions	UPD	14:48	25.01.2010	PORSCHE	PET	PORSCHE
9PA1	2010	8	04	804-30		247					

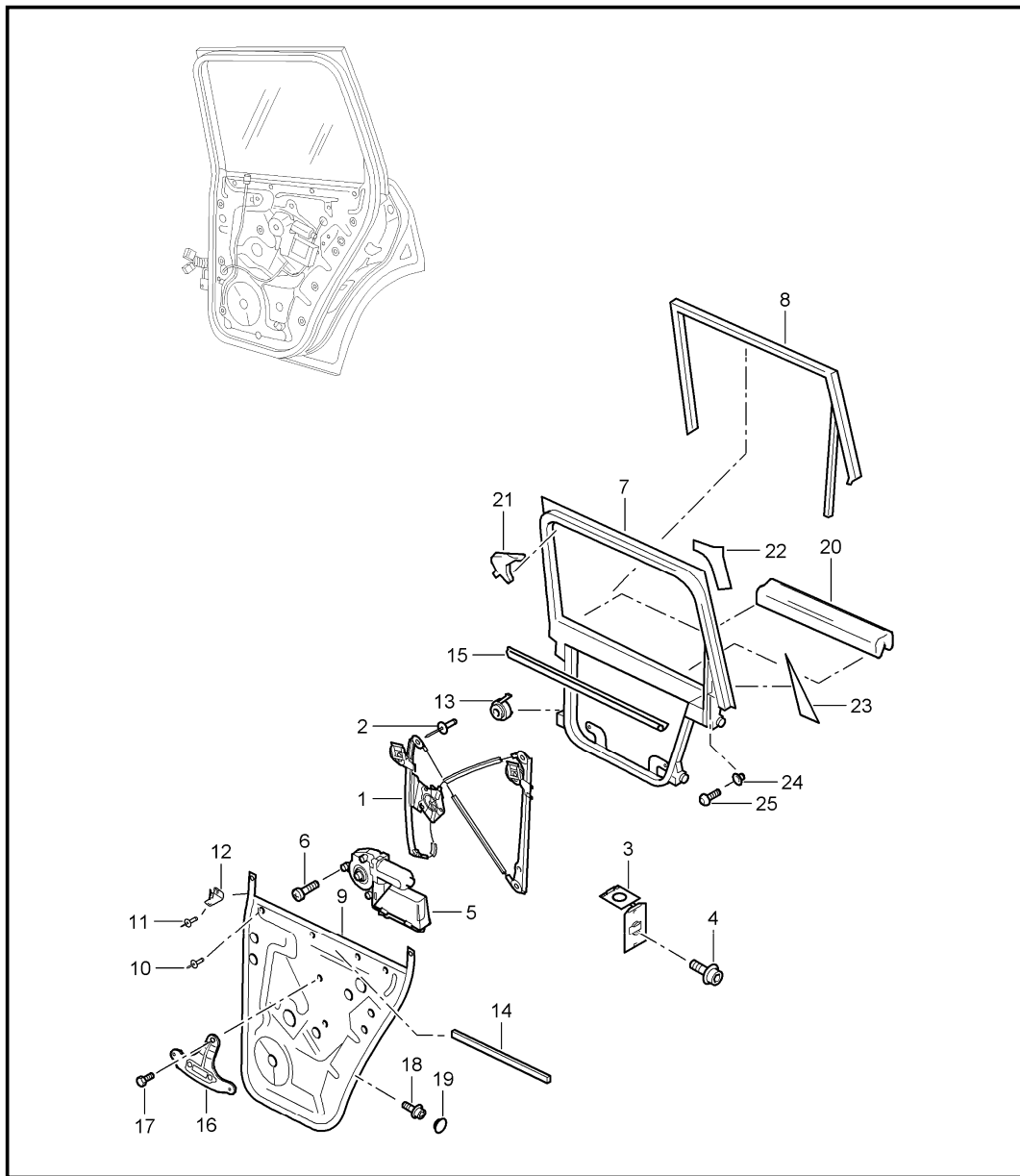


Pos	Part Number	Description	Remark	Qty	Model
		power windows front			
1	955 542 461 04	power windows	/L	1	
(1)	955 542 462 04	power windows	/R	1	
2	955 542 200 00	clip		2	
3	N 907 764 02	blind rivet A4 X 20		4	
4	955 542 421 00	support for power windows		2	
4	955 542 421 01	support for power windows		2	IQL3/QL5
5	955 533 692 00	screw plastic material M6 X 14		2	
6	955 624 701 02	control unit power windows	/LL/L	1	
(6)	955 624 702 02	control unit power windows	/LL/R	1	
(6)	955 624 702 03	control unit power windows	/RL/L	1	
(6)	955 624 701 03	control unit power windows	/RL/R	1	
7	955 533 691 10	repair kit screw washer for window opener engine		1	
8	955 531 353 02	door frame	/L	1	
(8)	955 531 354 02	door frame	/R	1	
9	955 531 346 01	compensating socket for door frame		3	
10	955 533 837 00	grommet for trim cover		1	
11	-	trim cover see group 8/07/10		1	

Model	Year	MG	SG	Illustration	Restrictions	UPD	14:48	25.01.2010	PORSCHE	PET	PORSCHE
9PA1	2010	8	04	804-30		247					

Pos	Part Number	Description	Remark	Qty	Model	Pos	Part Number	Description	Remark	Qty	Model
12	955 531 477 00	sealing for door slot outer	/L	1							
(12)	955 531 478 00	sealing for door slot outer	/R	1							
13	955 531 471 00	sealing for door slot inner	/L	1							
(13)	955 531 472 00	sealing for door slot inner	/R	1							
14	955 531 735 00	plastic foam strip		1							
15	955 531 901 01	cover a-pillar	/L	1							
(15)	955 531 902 01	cover a-pillar	/R	1							
16	955 533 801 02	cover b-pillar	/L	1							
(16)	955 533 802 02	cover b-pillar	/R	1							
17	N 909 311 02	blind rivet A3,2 X 8		2							
18	955 531 643 00	pan-head screw M8 X 42,5		4							
(19)	955 531 729 06	bracket	/L	1							
(19)	955 531 730 06	bracket	/R	1							
20	N 910 177 01	blind rivet A4,8 X 7		4							
-	N 910 113 01	screw for bracket		X							
21	955 531 457 01	cover window guide	/L	1							
(21)	955 531 458 01	cover window guide	/R	1							
22	955 531 431 01	window guide	/L	1	IQL3/QL5						
(22)	955 531 432 01	window guide	/R	1							

Model	Year	MG	SG	Illustration	Restrictions	UPD	14:42	21.01.2010	PORSCHE	PET	PORSCHE
9PA1	2010	8	04	804-40		247					

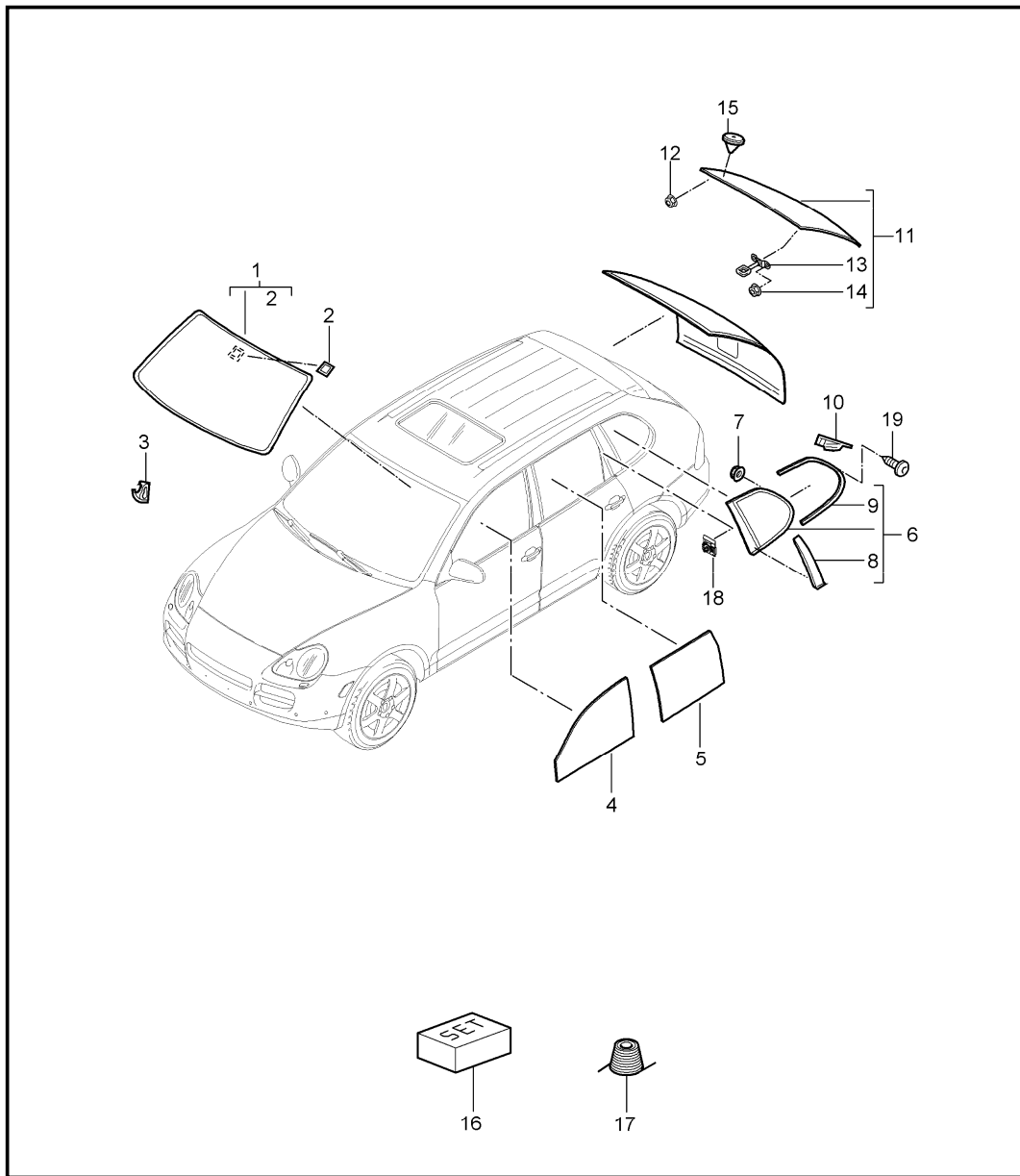


Pos	Part Number	Description	Remark	Qty	Model
		power windows rear			
1	955 533 461 03	power windows	/L	1	
(1)	955 533 462 03	power windows	/R	1	
2	N 907 764 02	blind rivet A4,8 X 20		4	
3	955 542 421 00	support for window opener		1	
3	955 542 421 01	support for window opener		1	IQL3/QL5
4	955 533 692 00	screw plastic material M6 X 14		2	
5	955 624 703 01	control unit power windows	/L	1	
(5)	955 624 704 01	control unit power windows	/R	1	
6	955 533 691 10	repair kit screw washer for window opener engine		1	
7	955 533 353 07	door frame	/L	1	
(7)	955 533 354 07	door frame	/R	1	
(7)	955 533 353 06	door frame	/L	1	I3Y3
(7)	955 533 354 06	door frame	/R	1	I3Y3
8	955 533 431 00	window guide	/L	1	
(8)	955 533 432 00	window guide	/R	1	
(8)	955 533 431 01	window guide	/L	1	IQL6
(8)	955 533 432 01	window guide	/R	1	IQL6
(9)	955 533 729 02	bracket	/L	1	
(9)	955 533 730 02	bracket	/R	1	
10	N 910 177 01	blind rivet A4,8 X 7		2	
11	N 909 311 02	blind rivet A3,2 X 8		2	

Model	Year	MG	SG	Illustration	Restrictions	UPD	14:42	21.01.2010	PORSCHE	PET	PORSCHE
9PA1	2010	8	04	804-40		247					

Pos	Part Number	Description	Remark	Qty	Model	Pos	Part Number	Description	Remark	Qty	Model
12	955 533 801 00	cover	/L	1		23	955 533 267 05	cover outer	/L	1	IQJ4
(12)	955 533 802 00	cover	/R	1			XX2	black mat			
13	955 531 346 00	compensating socket for bracket		3		(23)	955 533 268 03	cover outer	/R	1	IQJ2/QJ5
14	955 531 735 00	plastic foam strip		1			4W9	gloss black			
15	955 533 471 00	sealing rubber	/L	1		(23)	955 533 268 05	cover outer	/R	1	IQJ4
(15)	955 533 472 00	sealing rubber inner	/R	1			XX2	black mat			
16	955 533 361 01	bracket		1		24	955 533 837 00	grommet for mount cover		1	
17	N 902 452 04	hexagon-head bolt M6 X 10		3		25	N 910 017 01	screw M5 X 14		1	
18	955 531 643 00	pan-head screw M8 X 42,5		4		-	955 533 739 00	foam part	/L	1	
19	955 531 935 00	cap		2		-	955 533 740 00	foam part	/R	1	
20	955 533 477 00	sealing strip	/L	1							
(20)	955 533 478 00	sealing strip door channel outer	/R	1							
21	955 533 151 00	cover	/L	1							
	B41	satin black b-pillar									
(21)	955 533 152 00	cover	/R	1							
	B41	satin black b-pillar									
22	955 533 527 00	cover	/L	1							
	B41	satin black c-pillar									
(22)	955 533 528 00	cover	/R	1							
	B41	satin black c-pillar									
23	955 533 267 03	cover outer	/L	1	IQJ2/QJ5						
	4W9	gloss black									

Model	Year	MG	SG	Illustration	Restrictions	UPD	14:42	21.01.2010	PORSCHE	PET	PORSCHE
9PA1	2010	8	05	805-00		247					



Pos	Part Number	Description	Remark	Qty	Model
		window glazing			
1	955 541 111 10	windscreen		1	I4GF
(1)	955 541 111 11	windscreen		1	I4GY
(1)	955 541 111 12	windscreen	09-	1	I0F9/4GF
(1)	955 541 111 13	windscreen	09-	1	I0F9/4GY
3	955 541 530 00	spacer windscreen		2	
4	955 542 511 10	door window glass	/L	1	IQL3/QL5
(4)	955 542 511 12	door window glass front	/L	1	IQL6
(4)	955 542 512 10	door window glass	/R	1	IQL3/QL5
(4)	955 542 512 12	door window glass front	/R	1	IQL6
5	955 542 611 10	door window glass	/L	1	IQL3
(5)	955 542 611 11	door window glass	/L	1	IQL5
(5)	955 542 611 05	door window glass rear	/L	1	IQL6
(5)	955 542 612 10	door window glass	/R	1	IQL3
(5)	955 542 612 11	door window glass	/R	1	IQL5
(5)	955 542 612 05	door window glass rear	/R	1	IQL6
6	955 543 111 19	side window	/L/H	1	IQJ2/QL3 IQV0/QV4/QV8
(6)	955 543 112 19	side window	/R/H	1	IQJ2/QL3 IQV0/QV4/QV8
(6)	955 543 111 23	side window	/L/H	1	IQJ4/QL3 IQV0/QV4/QV8
(6)	955 543 112 23	side window	/R/H	1	IQJ4/QL3 IQV0/QV4/QV8
(6)	955 543 111 21	side window	/L/H	1	IQJ2/QL3 IQV1/8L6
(6)	955 543 112 21	side window	/R/H	1	IQJ2/QL3 IQV1/8L6
(6)	955 543 111 22	side window	/L/H	1	IQJ4/QL3 IQV1/8L6

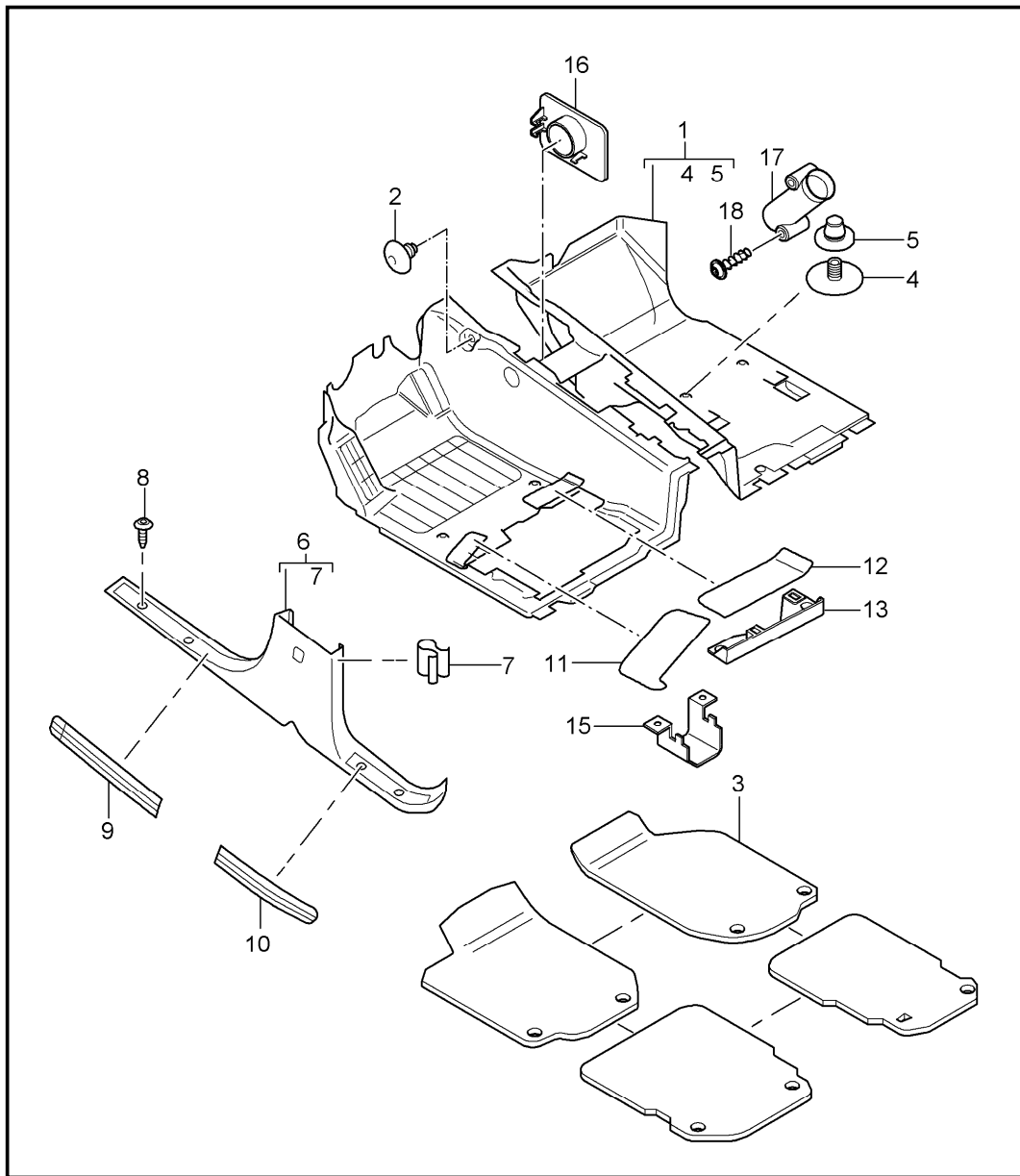
Model	Year	MG	SG	Illustration	Restrictions	UPD	14:42	21.01.2010	PORSCHE	PET	PORSCHE
9PA1	2010	8	05	805-00		247					

Pos	Part Number	Description	Remark	Qty	Model	Pos	Part Number	Description	Remark	Qty	Model
(6)	955 543 112 22	side window	/R/H	1	IQJ4/QL3 IQV1/8L6	7	N 908 802 04	hexagon nut		14	
(6)	955 543 111 20	side window	/L/H	1	IQJ2/QL5 IQV0/QV4/QV8	8	955 543 381 00	cover c-pillar	/L	1	IQJ2
(6)	955 543 112 20	side window	/R/H	1	IQJ2/QV4 IQV0/QV4/QV8		4W9	satin aluminium			
(6)	955 543 111 24	side window	/L/H	1	IQJ4/QL5 IQV0/QV4/QV8		XX2	black mat titanium			
(6)	955 543 112 24	side window	/R/H	1	IQJ4/QL5 IQV0/QV4/QV8	(8)	955 543 381 00	cover c-pillar	/L	1	IQJ4
(6)	955 543 111 25	side window	/L/H	1	IQJ2/QL5 IQV1/8L6		4W9	satin aluminium			
(6)	955 543 111 25	side window	/L/H	1	IQJ2/QL5 IQV0/7Q4/8L6	(8)	955 543 382 00	cover c-pillar	/R	1	IQJ2
(6)	955 543 112 25	side window	/R/H	1	IQJ2/QL5 IQV1/8L6		4W9	satin aluminium			
(6)	955 543 112 25	side window	/R/H	1	IQJ2/QL5 IQV0/7Q4/8L6		XX2	black mat titanium			
(6)	955 543 111 26	side window	/L/H	1	IQJ4/QL5 IQV1/8L6	(8)	955 543 382 00	cover c-pillar	/R	1	IQJ4
(6)	955 543 112 26	side window	/R/H	1	IQJ4/QL5 IQV1/8L6		4W9	satin aluminium			
(6)	955 543 111 18	side window	/L/H	1	IQJ2/QL6 IQV0/QV4/QV8		XX2	black mat titanium			
(6)	955 543 112 18	side window	/R/H	1	IQJ2/QL6 IQV0/QV4/QV8	9	955 559 195 00	moulding	/L	1	IQJ2
(6)	955 543 111 27	side window	/L/H	1	IQJ4/QL6 IQV0/QV4/QV8		4W9	satin aluminium			
(6)	955 543 112 27	side window	/R/H	1	IQJ4/QL6 IQV0/QV4/QV8	(9)	955 559 195 00	moulding	/L	1	IQJ4
(6)	955 543 111 28	side window	/L/H	1	IQJ2/QL6 IQV1/8L6		4W9	satin aluminium			
(6)	955 543 112 28	side window	/R/H	1	IQJ2/QL6 IQV1/8L6	(9)	955 559 196 00	moulding	/R	1	IQJ2
(6)	955 543 111 29	side window	/L/H	1	IQJ4/QL6 IQV1/8L6		4W9	satin aluminium			
(6)	955 543 112 29	side window	/R/H -	1	IQJ4/QL6 IQV1/8L6	(9)	955 559 196 00	moulding	/R	1	IQJ4
							4W9	satin aluminium			
							XX2	black mat			

Model	Year	MG	SG	Illustration	Restrictions	UPD	14:42	21.01.2010	PORSCHE	PET	PORSCHE
9PA1	2010	8	05	805-00		247					

Pos	Part Number	Description	Remark	Qty	Model	Pos	Part Number	Description	Remark	Qty	Model
10	955 543 519 00	clip	/L	1							
(10)	955 543 520 00	clip	/R	1							
(11)	955 545 011 12	rear window		1	IQL3/8ZM						
(11)	955 545 011 20	rear window		1	IQL3/8ZM						
(11)	955 545 011 13	rear window		1	IQL5/8ZM						
(11)	955 545 011 21	rear window		1	IQL5/8ZM						
(11)	955 545 011 14	rear window		1	IQL6/8ZM						
(11)	955 545 011 22	rear window		1	IQL6/8ZM						
(11)	955 545 011 15	rear window		1	IQL3/8L6						
(11)	955 545 011 23	rear window		1	IQL3/8L6						
(11)	955 545 011 16	rear window		1	IQL5/8L6						
(11)	955 545 011 24	rear window		1	IQL5/8L6						
(11)	955 545 011 17	rear window		1	IQL6/8L6						
(11)	955 545 011 25	rear window		1	IQL6/8L6						
12	N 903 484 11	combined nut M 8 hinge rear window		4							
13	955 545 532 01	lock lower part		1							
14	N 902 158 04	hexagon nut lock lower part		2							
15	955 545 540 00	grommet		2							
16	000 043 300 94	adhesive set TEROSTAT 8593		1							
17	000 043 300 96	wire		X							
18	955 543 573 00	clip lining c-pillar		X							
19	900 143 065 07	tapping screw 2,9 X 9,5		7							
-	000 043 205 37	mixing tube supplement set		X							

Model	Year	MG	SG	Illustration	Restrictions	UPD	14:42	21.01.2010	PORSCHE	PET	PORSCHE
9PA1	2010	8	07	807-00		247					



Pos	Part Number	Description	Remark	Qty	Model
1	955 551 021 07	carpet front accessories carpet front tufting velour 7H1 black 7J2 steel grey 7K3 sand beige AV1 chestnut brown	/LL	1	ID5X/L0L/3ME I9AB/9AD
(1)	955 551 021 08	carpet front tufting velour 7H1 black 7J2 steel grey 7K3 sand beige AV1 chestnut brown	/LL	1	ID5V/D5Z/L0L I3ME/9AB/9AD
(1)	955 551 021 08	carpet front tufting velour 7H1 black 7J2 steel grey 7K3 sand beige AV1 chestnut brown	/LL	1	ID50/L0L/3ME I9AB/9AD
(1)	955 551 023 07	carpet front tufting velour 7H1 black 7J2 steel grey 7K3 sand beige AV1 chestnut brown	/LL	1	ID5X/L0L/3ME I9AH

Model	Year	MG	SG	Illustration	Restrictions	UPD	14:42	21.01.2010	PORSCHE	PET	PORSCHE
9PA1	2010	8	07	807-00		247					

Pos	Part Number	Description	Remark	Qty	Model	Pos	Part Number	Description	Remark	Qty	Model	
(1)	955 551 023 08	carpet front tufting velour	/LL	1	ID5V/D5Z/L0L I3ME/9AH		7H1	black				
		7H1 black					7J2	steel grey				
		7J2 steel grey					7K3	sand beige				
		7K3 sand beige					AV1	chestnut brown				
		AV1 chestnut brown	09-			(1)	955 551 027 07	carpet front tufting velour	/RL	1	ID5X/L0R/3ME I9AH	
(1)	955 551 023 08	carpet front tufting velour	/LL	09-	1	ID50/L0L/3ME I9AH	7H1	black				
		7H1 black					7J2	steel grey				
		7J2 steel grey					7K3	sand beige				
		7K3 sand beige					AV1	chestnut brown	09-			
		AV1 chestnut brown				(1)	955 551 027 08	carpet front tufting velour	/RL	1	ID5V/D5Z/L0R I3ME/9AH	
(1)	955 551 025 07	carpet front tufting velour	/RL	1	ID5X/L0R/3ME I9AB/9AD		7H1	black				
		7H1 black					7J2	steel grey				
		7J2 steel grey					7K3	sand beige				
		7K3 sand beige					AV1	chestnut brown	09-			
		AV1 chestnut brown	09-			(1)	955 551 027 08	carpet front tufting velour	/RL	09-	1	ID50/L0R/3ME I9AH
(1)	955 551 025 08	carpet front tufting velour	/RL	1	ID5V/D5Z/L0R I3ME/9AB/9AD		7H1	black				
		7H1 black					7J2	steel grey				
		7J2 steel grey					7K3	sand beige				
		7K3 sand beige					AV1	chestnut brown				
		AV1 chestnut brown	09-			1	955 551 029 07	carpet front perlon velour	/LL	-08	1	ID5X/L0L/3MT I9AB/9AD
(1)	955 551 025 08	carpet front tufting velour	/RL	09-	1	ID50/L0R/3ME I9AB/9AD	L63	chestnut brown				
		7H1 black					8B2	black				
		7J2 steel grey					8C3	steel grey				
		7K3 sand beige										
		AV1 chestnut brown	09-									

Model	Year	MG	SG	Illustration	Restrictions	UPD	14:42	21.01.2010	PORSCHE	PET	PORSCHE
9PA1	2010	8	07	807-00		247					

Pos	Part Number	Description	Remark	Qty	Model	Pos	Part Number	Description	Remark	Qty	Model
	8D4	sand beige				(1)	955 551 030 08	carpet	/RL -08	1	ID5V/D5Z/L0R I3MT/9AB/9AD
1	955 551 029 08	carpet	/LL -08	1	ID5V/D5Z/L0L I3MT/9AB/9AD			front perlon velour			
	L63	chestnut brown					L63	chestnut brown			
	8B2	black					8B2	black			
	8C3	steel grey					8C3	steel grey			
	8D4	sand beige					8D4	sand beige			
1	955 551 031 07	carpet	/LL -08	1	ID5X/L0L/3MT I9AH	(1)	955 551 032 07	carpet	/RL -08	1	ID5X/L0R/3MT I9AH
		front perlon velour						front perlon velour			
	L63	chestnut brown					L63	chestnut brown			
	8B2	black					8B2	black			
	8C3	steel grey					8C3	steel grey			
	8D4	sand beige					8D4	sand beige			
(1)	955 551 031 08	carpet	/LL -08	1	ID5V/D5Z/L0L I3MT/9AH	(1)	955 551 032 08	carpet	/RL -08	1	ID5V/D5Z/L0R I3MT/9AH
		front perlon velour						front perlon velour			
	L63	chestnut brown					L63	chestnut brown			
	8B2	black					8B2	black			
	8C3	steel grey					8C3	steel grey			
	8D4	sand beige					8D4	sand beige			
(1)	955 551 030 07	carpet	/RL -08	1	ID5X/L0R/3MT I9AB/9AD	2	N 906 246 01	push button		2	
		front perlon velour				3	---	floor mats set see group TEG2/8/07/00		1	
	L63	chestnut brown				4	955 551 227 02	support carpet		4	
	8B2	black				5	955 551 229 02	cap		4	
	8C3	steel grey					9B9	satin black			
	8D4	sand beige					6C6	sand beige			
							7A8	steel grey			

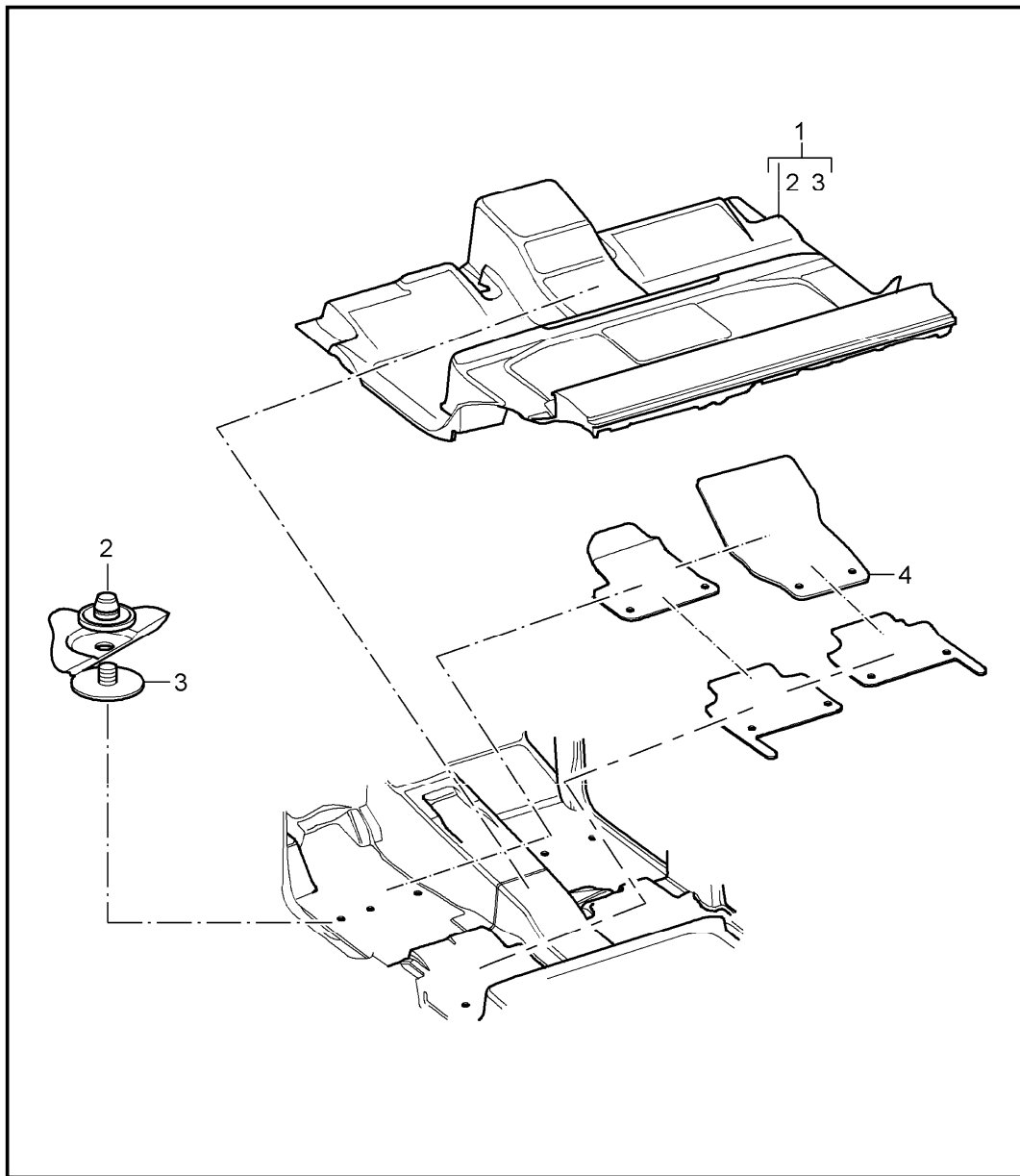
Model	Year	MG	SG	Illustration	Restrictions	UPD	14:42	21.01.2010	PORSCHE	PET	PORSCHE
9PA1	2010	8	07	807-00		247					

Pos	Part Number	Description	Remark	Qty	Model	Pos	Part Number	Description	Remark	Qty	Model
	K40	chestnut brown					9B9	satin black			
6	955 551 379 02	scuff plate inner	/L	1	I7AC/7AK/7AL		6C6	sand beige			
	9B9	satin black					7A8	steel grey			
	7A8	steel grey				9	955 551 657 01	cover scuff plate front	/L	1	I7M1
	6C6	sand beige					4P7	stainless steel			
6	955 551 381 02	scuff plate inner	/L	-08	1 I7AH/7AU	(9)	955 551 658 01	cover scuff plate front	/R	1	I7M1
	9B9	satin black					4P7	stainless steel			
	7A8	steel grey				9	955 551 657 10	cover scuff plate front	/L	08-	1 IE0W/7M1
	6C6	sand beige					4P7	stainless steel			
6	955 551 381 03	scuff plate inner	/L	08-	1 I7AH/7AU	(9)	955 551 658 10	cover scuff plate front	/R	08-	1 IE0W/7M1
	9B9	satin black					4P7	stainless steel			
	7A8	steel grey				(9)	955 551 657 11	cover scuff plate front	/L	09-	1 IE2D/7M1
	6C6	sand beige					4P7	stainless steel			
(6)	955 551 380 02	scuff plate inner	/R	1		(9)	955 551 658 11	cover scuff plate front	/R	09-	1 IE2D/7M1
	9B9	satin black					4P7	stainless steel			
	7A8	steel grey					4P7	stainless steel			
	6C6	sand beige					4P7	stainless steel			
7	955 551 276 00	clip		7			4P7	stainless steel			
8	N 104 472 01	lens-head screw mount scuff plate		4		9	955 551 663 01	cover scuff plate front	/L	09-	1 IE8A/7M1
9	955 551 655 01	cover scuff plate front	/L	1	I7M0		6M7	stainless steel			
	9B9	satin black				(9)	955 551 664 01	cover scuff plate front	/R	09-	1 IE8A/7M1
	6C6	sand beige					6M7	stainless steel			
	7A8	steel grey					6M7	stainless steel			
(9)	955 551 656 01	cover scuff plate front	/R	1	I7M0	10	955 551 659 01	cover scuff plate rear	/L	1	I7M0

Model	Year	MG	SG	Illustration	Restrictions	UPD	14:42	21.01.2010	PORSCHE	PET	PORSCHE
9PA1	2010	8	07	807-00		247					

Pos	Part Number	Description	Remark	Qty	Model	Pos	Part Number	Description	Remark	Qty	Model
	9B9	satin black				13	955 551 456 00	rail for cover		1	
	6C6	sand beige									
	7A8	steel grey				15	955 551 499 00	fastening part cover carpet		1	
(10)	955 551 660 01	cover scuff plate rear	/R	1	I7M0	16	955 551 285 00	frame for adjusting screw retaining frame	/L	1	
	9B9	satin black									
	6C6	sand beige				(16)	955 551 286 00	frame for adjusting screw retaining frame	/R	1	
10	955 551 661 01	cover scuff plate rear	/L	1	I7M1	17	955 551 852 00	support warning light		1	IB0L
	4P7	stainless steel				18	999 919 254 01	oval-head screw 4,0 X 36,5		2	IB0L
(10)	955 551 662 01	cover scuff plate rear	/R	1	I7M1						
	4P7	stainless steel									
11	955 551 357 00	cover carpet front		1							
	9B9	satin black									
	6C6	sand beige									
	7A8	steel grey									
	K40	chestnut brown									
12	955 551 298 00	cover carpet front		1							
	9B9	satin black									
	6C6	sand beige									
	7A8	steel grey									
	K40	chestnut brown									
--	955 555 279 00	fixing clip cover carpet		2							

Model	Year	MG	SG	Illustration	Restrictions	UPD	14:43	21.01.2010	PORSCHE	PET	PORSCHE
9PA1	2010	8	07	807-05		247					

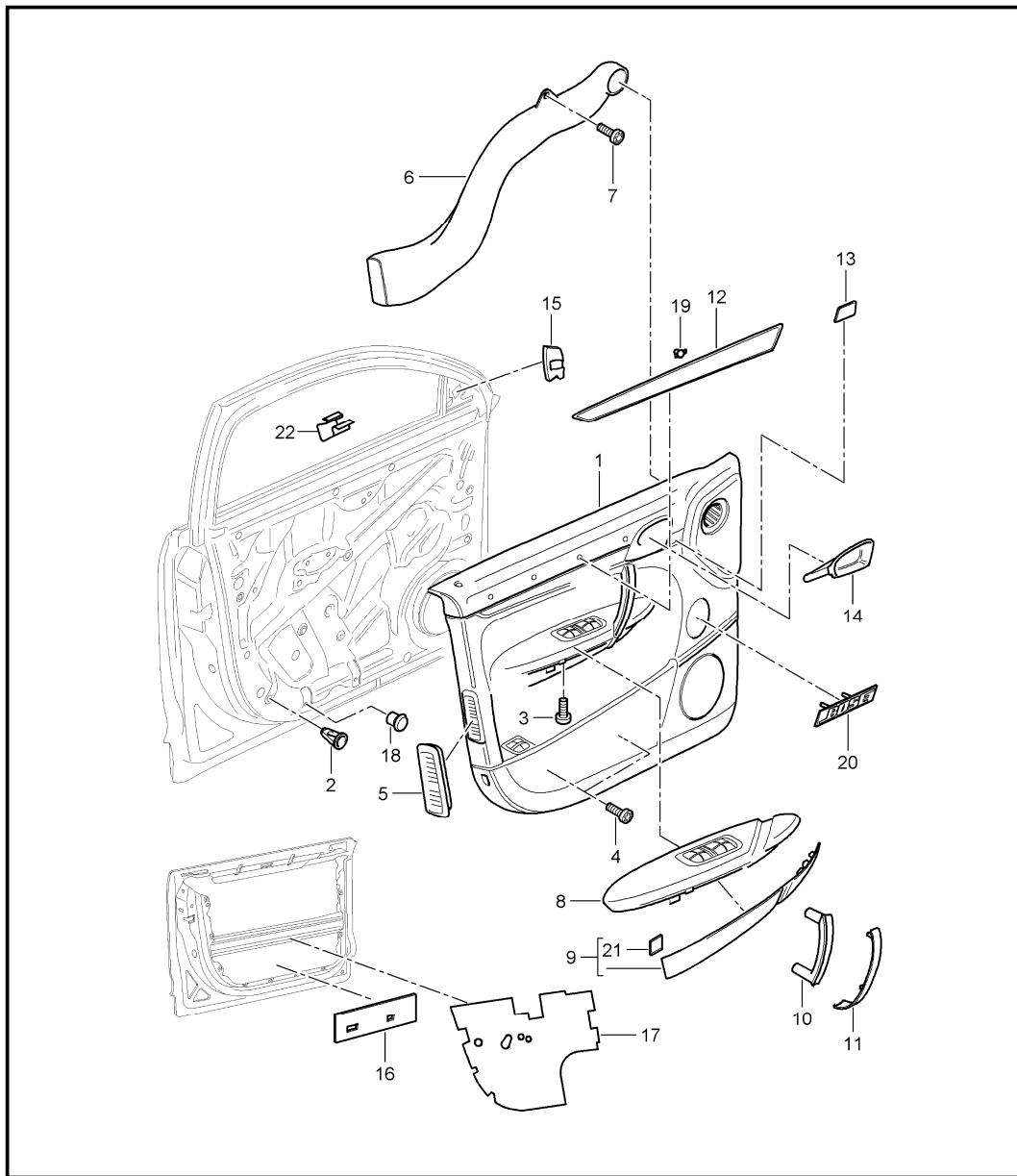


Pos	Part Number	Description	Remark	Qty	Model
1	955 551 175 02	carpet rear accessories carpet rear valid up to: F >>9P8LA 10004 F >>9P8LA 40005 F >>9P8LA 90018 tufting velour 7H1 black 7J2 steel grey 7K3 sand beige		1	I3ME/9AB/9AD
(1)	955 551 176 02	carpet rear valid up to: F >>9P8LA 10004 F >>9P8LA 40005 F >>9P8LA 90018 tufting velour 7H1 black 7J2 steel grey 7K3 sand beige		1	I3ME/9AH
(1)	955 551 175 04	carpet rear valid from: F 9P8LA 10005>> F 9P8LA 40006>> F 9P8LA 90019>> F 9P8LA 70061>> tufting velour 7H1 black 7J2 steel grey 7K3 sand beige AV1 chestnut brown	09-	1	I3ME/9AB/9AD
(1)	955 551 176 04	carpet rear valid from: F 9P8LA 10005>> F 9P8LA 40006>> F 9P8LA 90019>> F 9P8LA 70061>> tufting velour		1	I3ME/9AH

Model	Year	MG	SG	Illustration	Restrictions	UPD	14:43	21.01.2010	PORSCHE	PET	PORSCHE
9PA1	2010	8	07	807-05		247					

Pos	Part Number	Description	Remark	Qty	Model	Pos	Part Number	Description	Remark	Qty	Model
	7H1	black				(1)	955 551 173 08	carpet carpet rear valid from: F 9P8LA 01048>> F 9P8LA 70061>> perlon velour	-08	1	I3MT/9AH
	7J2	steel grey					L63	chestnut brown			
	7K3	sand beige					8B2	black			
	AV1	chestnut brown	09-				8C3	steel grey			
(1)	955 551 171 05	carpet carpet rear valid up to: F >>9P8LA 01047 pearl velour		1	I3MT/9AB/9AD		8D4	sand beige			
	L63	chestnut brown				2	955 551 229 02	cap carpet		4	
	8B2	black					9B9	satin black			
	8C3	steel grey					6C6	sand beige			
	8D4	sand beige					7A8	steel grey			
(1)	955 551 173 06	carpet carpet rear valid up to: F >>9P8LA 01047 pearl velour		1	I3MT/9AH		K40	chestnut brown			
	L63	chestnut brown				(3)	955 551 227 02	support carpet		4	
	8B2	black				4	---	floor mats set see group teg2/8/07/00		1	
	8C3	steel grey									
	8D4	sand beige									
1	955 551 171 07	carpet carpet rear valid from: F 9P8LA 01048>> F 9P8LA 70061>> perlon velour	-08	1	I3MT/9AB/9AD						
	L63	chestnut brown									
	8B2	black									
	8C3	steel grey									
	8D4	sand beige									

Model	Year	MG	SG	Illustration	Restrictions	UPD	14:43	21.01.2010	PORSCHE	PET	PORSCHE
9PA1	2010	8	07	807-10		247					



Pos	Part Number	Description	Remark	Qty	Model
		door trim panel with insulation front			
1	955 555 123 04	door trim panel leatherette PBJ black PBK stone grey/steel grey PBL havanna/sand beige	/LL/L	1	IL0L/3LD/4E0 I9AB/9AD
(1)	955 555 123 05	door trim panel leatherette PBJ black PBK stone grey/steel grey PBL havanna/sand beige	/LL/L	1	IL0L/3LD/4E7 I9AB/9AD
(1)	955 555 124 03	door trim panel leatherette PBJ black PBK stone grey/steel grey PBL havanna/sand beige	/LL/R	1	IL0L/3LD/9AB I9AD
1	955 555 125 04	door trim panel PBJ black PBK stone grey/steel grey PBL havanna/sand beige	/LL/L	1	IL0L/3LD/4E0 I9AH
1	955 555 125 05	door trim panel PBJ black PBK stone grey/steel grey PBL havanna/sand beige	/LL/L	1	IL0L/3LD/4E7 I9AH
(1)	955 555 126 03	door trim panel leatherette PBJ black	/LL/R	1	IL0L/3LD/9AH

Model	Year	MG	SG	Illustration	Restrictions	UPD	14:43	21.01.2010	PORSCHE	PET	PORSCHE
9PA1	2010	8	07	807-10		247					

Pos	Part Number	Description	Remark	Qty	Model	Pos	Part Number	Description	Remark	Qty	Model
		PBK stone grey/steel grey						PBK stone grey/steel grey			
		PBL havanna/sand beige						PBL havanna/sand beige			
1	955 555 127 03	door trim panel	/RL/L	1	IL0R/3LD/9AB I9AD	1	955 555 111 05	door trim panel	/LL/L -08	1	IL0L/3LH/4E0 I9AB/9AD
		leatherette						leather			
		PBJ black						PBS black			
		PBK stone grey/steel grey						PBT stone grey/steel grey			
		PBL havanna/sand beige						PBU havanna/sand beige			
(1)	955 555 128 04	door trim panel	/RL/R	1	IL0R/3LD/4E0 I9AB/9AD	(1)	955 555 111 06	door trim panel	/LL/L -08	1	IL0L/3LH/4E7 I9AB/9AD
		leatherette						leather			
		PBJ black						PBS black			
		PBK stone grey/steel grey						PBT stone grey/steel grey			
		PBL havanna/sand beige						PBU havanna/sand beige			
(1)	955 555 128 05	door trim panel	/RL/R	1	IL0R/3LD/4E7 I9AB/9AD			RKR sand beige/sand beige			
		leatherette									
		PBJ black				(1)	955 555 112 04	door trim panel	/LL/R -08	1	IL0L/3LH/9AB I9AD
		PBK stone grey/steel grey						leather			
		PBL havanna/sand beige						PBS black			
1	955 555 129 03	door trim panel	/RL/L	1	IL0R/3LD/9AH			PBT stone grey/steel grey			
		leatherette						PBU havanna/sand beige			
		PBJ black						RKR sand beige/sand beige			
		PBK stone grey/steel grey									
		PBL havanna/sand beige				1	955 555 111 07	door trim panel	/LL/L 09-	1	IL0L/3LH/4E0 I9AB/9AD
(1)	955 555 130 04	door trim panel	/RL/R	1	IL0R/3LD/4E0 I9AH			leather			
		leatherette						ZPT black			
		PBJ black						ZPU stone grey/steel grey			
		PBK stone grey/steel grey						ZPV havanna/sand beige			
		PBL havanna/sand beige						ZPW sand beige/sand beige			
(1)	955 555 130 05	door trim panel	/RL/R	1	IL0R/3LD/4E7 I9AH	(1)	955 555 111 08	door trim panel	/LL/L 09-	1	IL0L/3LH/4E7 I9AB/9AD
		leatherette						leather			
		PBJ black						ZPT black			

Model	Year	MG	SG	Illustration	Restrictions	UPD	14:43	21.01.2010	PORSCHE	PET	PORSCHE
9PA1	2010	8	07	807-10		247					

Pos	Part Number	Description	Remark	Qty	Model	Pos	Part Number	Description	Remark	Qty	Model
		ZPU stone grey/steel grey					ZPT black				
		ZPV havanna/sand beige					ZPU stone grey/steel grey				
		ZPW sand beige/sand beige					ZPV havanna/sand beige				
(1)	955 555 112 05	door trim panel	/LL/R	09-	1 IL0L/3LH/9AB I9AD		ZPW sand beige/sand beige				
		leather				(1)	955 555 115 08	door trim panel	/LL/L	09-	1 IL0L/3LH/4E7 I9AH
		ZPT black					leather				
		ZPU stone grey/steel grey					ZPT black				
		ZPV havanna/sand beige					ZPU stone grey/steel grey				
		ZPW sand beige/sand beige					ZPV havanna/sand beige				
1	955 555 115 05	door trim panel	/LL/L	-08	1 IL0L/3LH/4E0 I9AH		ZPW sand beige/sand beige				
		leather				(1)	955 555 116 05	door trim panel	/LL/R	09-	1 IL0L/3LH/9AH
		PBS black					leather				
		PBT stone grey/steel grey					ZPT black				
		PBU havanna/sand beige					ZPU stone grey/steel grey				
		RKR sand beige/sand beige					ZPV havanna/sand beige				
(1)	955 555 115 06	door trim panel	/LL/L	-08	1 IL0L/3LH/4E7 I9AH		ZPW sand beige/sand beige				
		leather				1	955 555 117 04	door trim panel	/RL/L	-08	1 IL0R/3LH/9AB I9AD
		PBS black					leather				
		PBT stone grey/steel grey					PBS black				
		PBU havanna/sand beige					PBT stone grey/steel grey				
		RKR sand beige/sand beige					PBU havanna/sand beige				
(1)	955 555 116 04	door trim panel	/LL/R	-08	1 IL0L/3LH/9AH		RKR sand beige/sand beige				
		leather				(1)	955 555 118 05	door trim panel	/RL/R	-08	1 IL0R/3LH/4E0 I9AB/9AD
		PBS black					leather				
		PBT stone grey/steel grey					PBS black				
		PBU havanna/sand beige					PBT stone grey/steel grey				
		RKR sand beige/sand beige					PBU havanna/sand beige				
1	955 555 115 07	door trim panel	/LL/L	09-	1 IL0L/3LH/4E0 I9AH		RKR sand beige/sand beige				
		leather									

Model	Year	MG	SG	Illustration	Restrictions	UPD	14:43	21.01.2010	PORSCHE	PET	PORSCHE
9PA1	2010	8	07	807-10		247					

Pos	Part Number	Description	Remark	Qty	Model	Pos	Part Number	Description	Remark	Qty	Model
(1)	955 555 118 06	door trim panel leather PBS black PBT stone grey/steel grey PBU havanna/sand beige RKR sand beige/sand beige	/RL/R -08	1	IL0R/3LH/4E7 I9AB/9AD	(1)	RKR	sand beige/sand beige			
1	955 555 117 05	door trim panel leather ZPT black ZPU stone grey/steel grey ZPV havanna/sand beige ZPW sand beige/sand beige	/RL/L 09-	1	IL0R/3LH/9AB I9AD	(1)	955 555 120 05	door trim panel leather PBS black PBT stone grey/steel grey PBU havanna/sand beige RKR sand beige/sand beige	/RL/R -08	1	IL0R/3LH/4E0 I9AH
(1)	955 555 118 07	door trim panel leather ZPT black ZPU stone grey/steel grey ZPV havanna/sand beige ZPW sand beige/sand beige	/RL/R 09-	1	IL0R/3LH/4E0 I9AB/9AD	1	955 555 120 06	door trim panel leather PBS black PBT stone grey/steel grey PBU havanna/sand beige RKR sand beige/sand beige	/RL/R -08	1	IL0R/3LH/4E7 I9AH
(1)	955 555 118 08	door trim panel leather ZPT black ZPU stone grey/steel grey ZPV havanna/sand beige ZPW sand beige/sand beige	/RL/R 09-	1	IL0R/3LH/4E7 I9AB/9AD	(1)	955 555 119 05	door trim panel leather ZPT black ZPU stone grey/steel grey ZPV havanna/sand beige ZPW sand beige/sand beige	/RL/L 09-	1	IL0R/3LH/9AH
1	955 555 119 04	door trim panel leather PBS black PBT stone grey/steel grey PBU havanna/sand beige	/RL/L -08	1	IL0R/3LH/9AH	(1)	955 555 120 07	door trim panel leather ZPT black ZPU stone grey/steel grey ZPV havanna/sand beige ZPW sand beige/sand beige	/RL/R 09-	1	IL0R/3LH/4E0 I9AH
						(1)	955 555 120 08	door trim panel leather ZPT black ZPU stone grey/steel grey	/RL/R 09-	1	IL0R/3LH/4E7 I9AH

Model	Year	MG	SG	Illustration	Restrictions	UPD	14:43	21.01.2010	PORSCHE	PET	PORSCHE
9PA1	2010	8	07	807-10		247					

Pos	Part Number	Description	Remark	Qty	Model	Pos	Part Number	Description	Remark	Qty	Model
	ZPV	havanna/sand beige					WPH	chestnut brown			
	ZPW	sand beige/sand beige				(1)	955 555 134 10	door trim panel leather/ nature	/LL/R -08	1	IL0L/3LM/9AH
1	955 555 131 10	door trim panel leather/ nature	/LL/L -08	1	IL0L/3LM/4E0 I9AB/9AD		WPH	chestnut brown			
	WPH	chestnut brown				1	955 555 133 12	door trim panel leather/ nature	/LL/L 09-	1	IL0L/3LM/4E0 I9AH
(1)	955 555 131 11	door trim panel leather/ nature	/LL/L -08	1	IL0L/3LM/4E7 I9AB/9AD		ZPR	chestnut brown			
	WPH	chestnut brown				(1)	955 555 133 13	door trim panel leather/ nature	/LL/L 09-	1	IL0L/3LM/4E7 I9AH
(1)	955 555 132 10	door trim panel leather/ nature	/LL/R -08	1	IL0L/3LM/9AB I9AD		ZPR	chestnut brown			
	WPH	chestnut brown				(1)	955 555 134 11	door trim panel leather/ nature	/LL/L 09-	1	IL0L/3LM/9AH
1	955 555 131 12	door trim panel leather/ nature	/LL/L 09-	1	IL0L/3LM/4E0 I9AB/9AD		ZPR	chestnut brown			
	ZPR	chestnut brown				1	955 555 135 10	door trim panel leather/ nature	/RL/L -08	1	IL0R/3LM/9AB I9AD
(1)	955 555 131 13	door trim panel leather/ nature	/LL/L 09-	1	IL0L/3LM/4E7 I9AB/9AD		WPH	chestnut brown			
	ZPR	chestnut brown				(1)	955 555 136 10	door trim panel leather/ nature	/RL/R -08	1	IL0R/3LM/4E0 I9AB/9AD
(1)	955 555 132 11	door trim panel leather/ nature	/LL/R 09-	1	IL0L/3LM/9AB I9AD		WPH	chestnut brown			
	ZPR	chestnut brown				(1)	955 555 136 11	door trim panel leather/ nature	/RL/R -08	1	IL0R/3LM/4E7 I9AB/9AD
1	955 555 133 10	door trim panel leather/ nature	/LL/L -08	1	IL0L/3LM/4E0 I9AH		WPH	chestnut brown			
	WPH	chestnut brown				1	955 555 135 11	door trim panel leather/ nature	/RL/L 09-	1	IL0R/3LM/9AB I9AD
(1)	955 555 133 11	door trim panel leather/ nature	/LL/L -08	1	IL0L/3LM/4E7 I9AH		ZPR	chestnut brown			

Model	Year	MG	SG	Illustration	Restrictions	UPD	14:43	21.01.2010	PORSCHE	PET	PORSCHE
9PA1	2010	8	07	807-10		247					

Pos	Part Number	Description	Remark	Qty	Model	Pos	Part Number	Description	Remark	Qty	Model		
(1)	955 555 136 12	door trim panel leather/ nature ZPR chestnut brown	/RL/R	09-	1	IL0R/3LM/4E0 I9AB/9AD	1	955 555 131 20	door trim panel leather/ alcantara XKU black	/LL/L	08	1	IL0L/3LS/4E0 I9AB/9AD
(1)	955 555 136 13	door trim panel leather/ nature ZPR chestnut brown	/RL/R	09-	1	IL0R/3LM/4E7 I9AB/9AD		XKV sand beige/sand beige XKW steel grey/steel grey XPV havanna/sand beige					
1	955 555 137 10	door trim panel leather/ nature WPH chestnut brown	/RL/L	-08	1	IL0R/9AH/9AH	(1)	955 555 131 21	door trim panel leather/ alcantara XKU black	/LL/L	08	1	IL0L/3LS/4E7 I9AB/9AD
(1)	955 555 138 10	door trim panel leather/ nature WPH chestnut brown	/RL/R	-08	1	IL0R/3LM/4E0 I9AH		XKV sand beige/sand beige XKW steel grey/steel grey XPV havanna/sand beige					
(1)	955 555 138 11	door trim panel leather/ nature WPH chestnut brown	/RL/R	-08	1	IL0R/3LM/4E7 I9AH	(1)	955 555 132 20	door trim panel leather/ alcantara XKU black	/LL/R	08	1	IL0L/3LS/4E0 I4E7/9AB/9AD
1	955 555 137 11	door trim panel leather/ nature ZPR chestnut brown	/RL/L	09-	1	IL0R/3LM/9AH		XKV sand beige/sand beige XKW steel grey/steel grey XPV havanna/sand beige					
(1)	955 555 138 12	door trim panel leather/ nature ZPR chestnut brown	/RL/R	09-	1	IL0R/3LM/4E0 I9AH	1	955 555 131 22	door trim panel leather/ alcantara XKU black	/LL/L	09-	1	IL0L/3LS/4E0 I9AB/9AD
(1)	955 555 138 13	door trim panel leather/ nature ZPR chestnut brown	/RL/R	09-	1	IL0R/3LM/4E7 I9AH		XKV sand beige/sand beige XKW steel grey/steel grey XPV havanna/sand beige					
							(1)	955 555 131 23	door trim panel leather/ alcantara	/LL/L	09-	1	IL0L/3LS/4E7 I9AB/9AD

Model	Year	MG	SG	Illustration	Restrictions	UPD	14:43	21.01.2010	PORSCHE	PET	PORSCHE
9PA1	2010	8	07	807-10		247					

Pos	Part Number	Description	Remark	Qty	Model	Pos	Part Number	Description	Remark	Qty	Model
	XKU	black					XPV	havanna/sand beige			
	XKV	sand beige/sand beige				1	955 555 133 22	door trim panel	/LL/L	09-	1 IL0L/3LS/4E0 I9AH
	XKW	steel grey/steel grey						leather/ alcantara			
	XPV	havanna/sand beige					XKU	black			
(1)	955 555 132 21	door trim panel	/LL/R	09-	1 IL0L/3LS/4E0 I4E7/9AB/9AD		XKV	sand beige/sand beige			
		leather/ alcantara					XKW	steel grey/steel grey			
	XKU	black					XPV	havanna/sand beige			
	XKV	sand beige/sand beige				(1)	955 555 133 23	door trim panel	/LL/L	09-	1 IL0L/3LS/4E7 I9AH
	XKW	steel grey/steel grey						leather/ alcantara			
	XPV	havanna/sand beige					XKU	black			
1	955 555 133 20	door trim panel	/LL/L	08	1 IL0L/3LS/4E0 I9AH		XKV	sand beige/sand beige			
		leather/ alcantara					XKW	steel grey/steel grey			
	XKU	black					XPV	havanna/sand beige			
	XKV	sand beige/sand beige				(1)	955 555 134 21	door trim panel	/LL/R	09-	1 IL0L/3LS/4E0 I4E7/9AH
	XKW	steel grey/steel grey						leather/ alcantara			
	XPV	havanna/sand beige					XKU	black			
1	955 555 133 21	door trim panel	/LL/L	08	1 IL0L/3LS/4E7 I9AH		XKV	sand beige/sand beige			
		leather/ alcantara					XKW	steel grey/steel grey			
	XKU	black					XPV	havanna/sand beige			
	XKV	sand beige/sand beige				1	955 555 135 20	door trim panel	/RL/L	08	1 IL0R/3LS/4E0 I4E7/9AB/9AD
	XKW	steel grey/steel grey						leather/ alcantara			
	XPV	havanna/sand beige					XKU	black			
1	955 555 134 20	door trim panel	/LL/R	08	1 IL0L/3LS/4E0 I4E7/9AH		XKV	sand beige/sand beige			
		leather/ alcantara					XKW	steel grey/steel grey			
	XKU	black					XPV	havanna/sand beige			
	XKV	sand beige/sand beige									
	XKW	steel grey/steel grey									

Model	Year	MG	SG	Illustration	Restrictions	UPD	14:43	21.01.2010	PORSCHE	PET	PORSCHE
9PA1	2010	8	07	807-10		247					

Pos	Part Number	Description	Remark	Qty	Model	Pos	Part Number	Description	Remark	Qty	Model
(1)	955 555 136 20	door trim panel leather/ alcantara	/RL/R	08	1 IL0R/3LS/4E0 I9AB/9AD		XKU	black			
		XKV sand beige/sand beige					XKV	sand beige/sand beige			
		XKW steel grey/steel grey					XKW	steel grey/steel grey			
		XPV havanna/sand beige					XPV	havanna/sand beige			
						1	955 555 137 20	door trim panel leather/ alcantara	/RL/L	08	1 IL0R/3LS/4E0 I4E7/9AH
(1)	955 555 136 21	door trim panel leather/ alcantara	/RL/R	08	1 IL0R/3LS/4E7 I9AB/9AD		XKU	black			
		XKV sand beige/sand beige					XKV	sand beige/sand beige			
		XKW steel grey/steel grey					XKW	steel grey/steel grey			
		XPV havanna/sand beige					XPV	havanna/sand beige			
1	955 555 135 21	door trim panel leather/ alcantara	/RL/L	09-	1 IL0R/3LS/4E0 I4E7/9AB/9AD		XKU	black			
		XKV sand beige/sand beige					XKV	sand beige/sand beige			
		XKW steel grey/steel grey					XKW	steel grey/steel grey			
		XPV havanna/sand beige					XPV	havanna/sand beige			
(1)	955 555 136 22	door trim panel leather/ alcantara	/RL/R	09-	1 IL0R/3LS/4E0 I9AB/9AD		XKU	black			
		XKV sand beige/sand beige					XKV	sand beige/sand beige			
		XKW steel grey/steel grey					XKW	steel grey/steel grey			
		XPV havanna/sand beige					XPV	havanna/sand beige			
(1)	955 555 136 23	door trim panel leather/ alcantara	/RL/R	09-	1 IL0R/3LS/4E7 I9AB/9AD		XKU	black			
							XKV	sand beige/sand beige			
							XKW	steel grey/steel grey			
						1	955 555 137 21	door trim panel leather/ alcantara	/RL/L	09-	1 IL0R/3LS/4E0 I4E7/9AH

Model	Year	MG	SG	Illustration	Restrictions	UPD	14:43	21.01.2010	PORSCHE	PET	PORSCHE
9PA1	2010	8	07	807-10		247					

Pos	Part Number	Description	Remark	Qty	Model	Pos	Part Number	Description	Remark	Qty	Model
(1)	955 555 138 22	XPV havanna/sand beige door trim panel leather/ alcantara	/RL/R 09-	1	IL0R/3LS/4E0 I9AH	1	955 555 133 30	door trim panel leather/ two-colour ZJA Black/Havanna ZJC Black/Steel Grey	/LL/L 09-	1	IL0L/3LT/4E0 I9AH
		XKU black									
		XKV sand beige/sand beige				(1)	955 555 133 31	door trim panel leather/ two-colour ZJA Black/Havanna ZJC Black/Steel Grey	/LL/L 09-	1	IL0L/3LT/4E7 I9AH
		XKW steel grey/steel grey									
(1)	955 555 138 23	XPV havanna/sand beige door trim panel leather/ alcantara	/RL/R 09-	1	IL0R/3LS/4E7 I9AH	(1)	955 555 134 30	door trim panel leather/ two-colour ZJA Black/Havanna ZJC Black/Steel Grey	/LL/R 09-	1	IL0L/3LT/9AH
		XKU black									
		XKV sand beige/sand beige									
		XKW steel grey/steel grey									
1	955 555 131 30	XPV havanna/sand beige door trim panel leather/ two-colour ZJA Black/Havanna ZJC Black/Steel Grey	/LL/L 09-	1	IL0L/3LT/4E0 I9AB/9AD	1	955 555 135 30	door trim panel leather/ two-colour ZJA Black/Havanna ZJC Black/Steel Grey	/RL/L 09-	1	IL0R/3LT/9AB I9AD
(1)	955 555 131 31	door trim panel leather/ two-colour ZJA Black/Havanna ZJC Black/Steel Grey	/LL/L 09-	1	IL0L/3LT/4E7 I9AB/9AD	(1)	955 555 136 30	door trim panel leather/ two-colour ZJA Black/Havanna ZJC Black/Steel Grey	/RL/R 09-	1	IL0R/3LT/4E0 I9AB/9AD
(1)	955 555 132 30	door trim panel leather/ two-colour ZJA Black/Havanna ZJC Black/Steel Grey	/LL/R 09-	1	IL0L/3LT/9AB I9AD	(1)	955 555 136 31	door trim panel leather/ two-colour ZJA Black/Havanna ZJC Black/Steel Grey	/RL/R 09-	1	IL0R/3LT/4E7 I9AB/9AD
		ZJA Black/Havanna				1	955 555 137 30	door trim panel leather/ two-colour	/RL/L 09-	1	IL0R/3LT/9AH

Model	Year	MG	SG	Illustration	Restrictions	UPD	14:43	21.01.2010	PORSCHE	PET	PORSCHE
9PA1	2010	8	07	807-10		247					

Pos	Part Number	Description	Remark	Qty	Model	Pos	Part Number	Description	Remark	Qty	Model
	ZJA	Black/Havanna				(6)	955 555 464 00	air duct	/R	1	I9AB/9AD
	ZJC	Black/Steel Grey				7	N 903 474 06	combination screw 4,0 X 12 mount air duct		X	
1	955 555 138 30	door trim panel leather/ two-colour	/RL/R 09-	1	IL0R/3LT/4E0 I9AH	8	955 555 229 00	armrest	/LL/L	1	IL0L/3LD
	ZJA	Black/Havanna					A08	black			
	ZJC	Black/Steel Grey					T25	sand beige			
(1)	955 555 138 31	door trim panel leather/ two-colour	/RL/R 09-	1	IL0R/3LT/4E7 I9AH	(8)	955 555 230 00	armrest	/LL/R	1	IL0L/3LD
	ZJA	Black/Havanna					A08	black			
	ZJC	Black/Steel Grey					T25	sand beige			
2	955 555 243 00	fixing clip door trim panel		6			6E1	steel grey			
3	N 103 346 04	screw M 6 X 20 mount door trim panel		4		8	955 555 231 00	armrest	/RL/L	1	IL0R/3LD
							A08	black			
							T25	sand beige			
4	N 907 397 04	screw 5 X 22 mount door trim panel lower		2		(8)	955 555 232 00	armrest	/RL/R	1	IL0R/3LD
							A08	black			
							T25	sand beige			
5	955 555 885 01	ventilation grille lateral	/L	1	I9AB/9AD		6E1	steel grey			
	9B9	satin black				8	955 555 233 00	armrest	/LL/L	1	IL0L/3LH/3LS I3LT
(5)	955 555 886 01	ventilation grille lateral	/R	1	I9AB/9AD			leather			
	9B9	satin black					6B7	steel grey			
--	955 555 271 00	sealing ring 3,5 X 80 for ventilation grille		1	I9AB/9AD		8G1	sand beige			
							8YR	black			
--	955 555 271 01	sealing ring 4,5 X 80 for ventilation grille		1	I9AB/9AD	(8)	955 555 234 00	armrest	/LL/R	1	IL0L/3LH/3LS I3LT
								leather			
							6B7	steel grey			
6	955 555 463 00	air duct	/L	1	I9AB/9AD		8G1	sand beige			

Model	Year	MG	SG	Illustration	Restrictions	UPD	14:43	21.01.2010	PORSCHE	PET	PORSCHE
9PA1	2010	8	07	807-10		247					

Pos	Part Number	Description	Remark	Qty	Model	Pos	Part Number	Description	Remark	Qty	Model
8	955 555 235 00	8YR black armrest leather	/RL/L	1	IL0R/3LH/3LS I3LT	9	955 555 226 10	trim cover armrest	/L	1	I3LM
		6B7 steel grey					J69	chestnut brown			
		8G1 sand beige				9	955 555 227 00	trim cover armrest	/L	1	I3LD/3LH/3LS I3LT
		8YR black					5Q2	black			
(8)	955 555 236 00	armrest leather	/RL/R	1	IL0R/3LH/3LS I3LT		5R3	steel grey			
		6B7 steel grey				(9)	955 555 228 00	trim cover armrest	/R	1	I3LD/3LH/3LS I3LT
		8G1 sand beige					5Q2	black			
		8YR black					5R3	steel grey			
8	955 555 233 10	armrest leather/ nature	/LL/L	1	IL0L/3LM		5S4	sand beige			
		J69 chestnut brown				10	955 555 259 00	handle leather	/L	1	I3LH/3LT
(8)	955 555 234 10	armrest leather/ nature	/LL/R	1	IL0L/3LM		6B7	steel grey			
		J69 chestnut brown					8G1	sand beige			
8	955 555 235 10	armrest leather/ nature	/RL/L	1	IL0R/3LM	(10)	955 555 260 00	handle leather	/R	1	I3LH/3LT
		J69 chestnut brown					6B7	steel grey			
(8)	955 555 236 10	armrest leather/ nature	/RL/R	1	IL0R/3LM		8G1	sand beige			
		J69 chestnut brown				10	955 555 259 10	handle leather/ nature	/L	1	I3LM
--	N 906 487 02	tapping screw 4,8 X 16 for mount armrest		11			J69	chestnut brown			
9	955 555 225 10	trim cover armrest	/L	1	I3LM	(10)	955 555 260 10	handle leather/ nature	/R	1	I3LM
		J69 chestnut brown					J69	chestnut brown			
		J69 chestnut brown				10	955 555 261 00	handle	/L	1	I3LD

Model	Year	MG	SG	Illustration	Restrictions	UPD	14:43	21.01.2010	PORSCHE	PET	PORSCHE
9PA1	2010	8	07	807-10		247					

Pos	Part Number	Description	Remark	Qty	Model	Pos	Part Number	Description	Remark	Qty	Model
	A08	black					8YR	black			
	T25	sand beige				(11)	955 555 540 01	trim cover handle leather	/R	1	I3LH/3LS/3LT
	6E1	steel grey					6B7	steel grey			
(10)	955 555 262 00	handle	/R	1	I3LD		8G1	sand beige			
	A08	black					8YR	black			
	T25	sand beige				11	955 555 539 10	trim cover handle leather/ nature	/L	1	I3LM
10	955 555 263 00	handle alcantara	/L	08	I3LS		J69	chestnut brown			
	6B7	steel grey				(11)	955 555 540 10	trim cover handle leather/ nature	/R	1	I3LM
	8G1	sand beige					J69	chestnut brown			
(10)	955 555 264 00	handle alcantara	/R	08	I3LS	12	955 555 087 00	moulding long plastic material lacquered	/L	-09	I5MA
	8YR	black					5X2	silver mat chrome			
	6B7	steel grey				12	955 555 087 00	moulding long plastic material lacquered	/L	09-	I5MA/6FA
11	955 555 537 00	trim cover handle	/L	1	I3LD		5X2	silver mat chrome			
	A08	black				12	955 555 087 00	moulding long plastic material lacquered	/L	09-	IE2D/5MA/6FI
	T25	sand beige					8C6	orange			
	6E1	steel grey				(12)	955 555 088 00	moulding long plastic material lacquered	/R	-09	I5MA
(11)	955 555 538 00	trim cover handle	/R	1	I3LD		5X2	silver mat chrome			
	A08	black									
	T25	sand beige									
	6E1	steel grey									
11	955 555 539 01	trim cover handle leather	/L	1	I3LH/3LS/3LT						
	6B7	steel grey									
	8G1	sand beige									

Model	Year	MG	SG	Illustration	Restrictions	UPD	14:43	21.01.2010	PORSCHE	PET	PORSCHE
9PA1	2010	8	07	807-10		247					

Pos	Part Number	Description	Remark	Qty	Model	Pos	Part Number	Description	Remark	Qty	Model
(12)	955 555 088 00	moulding long plastic material lacquered	/R 09-	1	I5MA/6FA	(12)	955 555 094 00	moulding long	/R -08	1	I5TF
	5X2	silver mat chrome					4V8	High-gloss olive ash burl			
(12)	955 555 088 00	moulding long plastic material lacquered	/R 09-	1	IE2D/5MA/6FI	(12)	955 555 094 01	moulding long	/R 09-	1	I5TF
	8C6	orange					4V8	High-gloss olive ash burl			
12	955 555 089 00	moulding long	/L	1	I5TE	12	955 555 063 00	moulding long	/L -08	1	I5TK
	62W	satin aluminium matte					9Z4	Super-matt olive ash burl			
(12)	955 555 090 00	moulding long	/R	1	I5TE	(12)	955 555 064 00	moulding long	/R -08	1	I5TK
	62W	satin aluminium matte					9Z4	Super-matt olive ash burl			
12	955 555 091 00	moulding long	/L -08	1	I5MG	12	955 555 063 02	moulding long carbon	/L 09-	1	I5MH
	4X2	rootwood					CS3	black			
12	955 555 091 01	moulding long	/L 09-	1	I5MG	(12)	955 555 064 02	moulding long carbon	/R 09-	1	I5MH
	4X2	rootwood					CS3	black			
(12)	955 555 092 00	moulding long	/R -08	1	I5MG	13	955 555 095 00	moulding short plastic material lacquered	/L -09	1	I5MA
	4X2	rootwood					5X2	silver mat chrome			
(12)	955 555 092 01	moulding long	/R 09-	1	I5MG	13	955 555 095 00	moulding short plastic material lacquered	/L 09-	1	I5MA/6FA
	4X2	rootwood					5X2	silver mat chrome			
12	955 555 093 00	moulding long	/L -08	1	I5TF	13	955 555 095 00	moulding short plastic material lacquered	/L 09-	1	IE2D/5MA/6FI
	4V8	High-gloss olive ash burl					8C6	orange			
12	955 555 093 01	moulding long	/L 09-	1	I5TF	(13)	955 555 096 00	moulding short plastic material lacquered	/R -09	1	I5MA
	4V8	High-gloss olive ash burl									

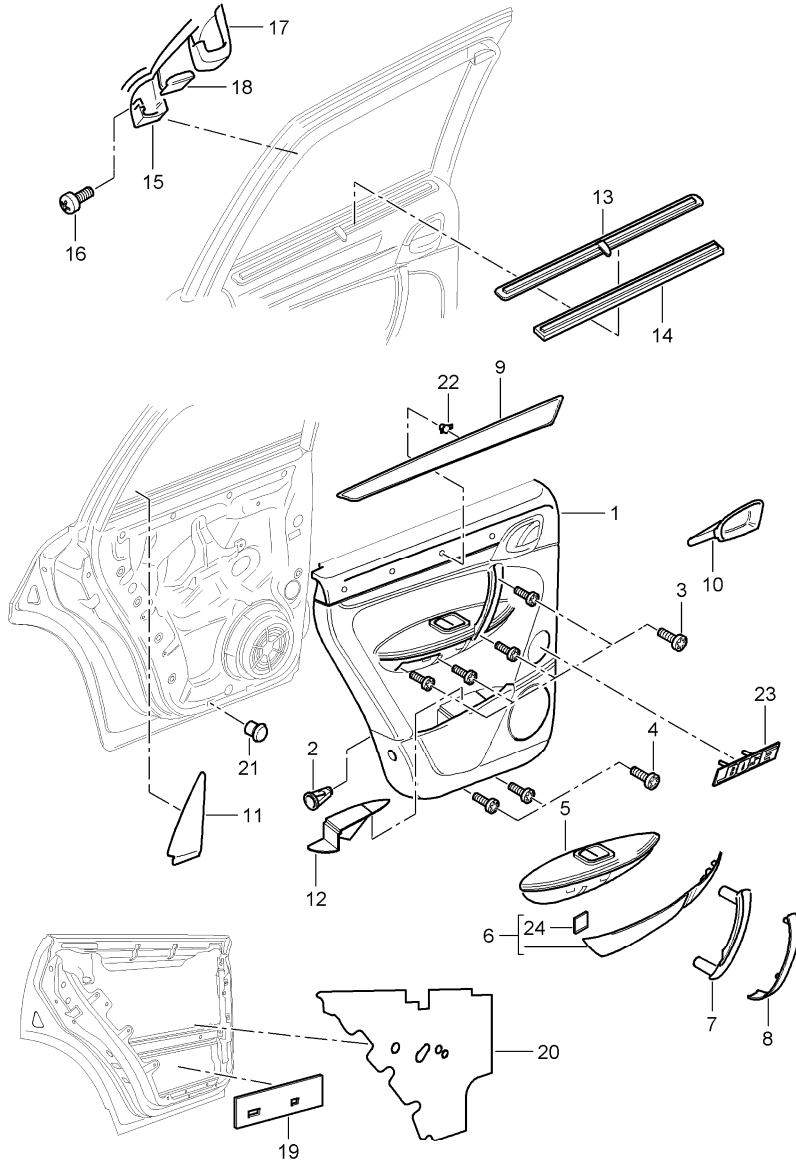
Model	Year	MG	SG	Illustration	Restrictions	UPD	14:43	21.01.2010	PORSCHE	PET	PORSCHE
9PA1	2010	8	07	807-10		247					

Pos	Part Number	Description	Remark	Qty	Model	Pos	Part Number	Description	Remark	Qty	Model
	5X2	silver mat chrome					4V8	High-gloss olive ash burl			
(13)	955 555 096 00	moulding short plastic material lacquered	/R	09-	1 I5MA/6FA	13	955 555 203 00	moulding short	/L	-08	1 I5TK
	5X2	silver mat chrome					9Z4	Super-matt olive ash burl			
(13)	955 555 096 00	moulding short plastic material lacquered	/R	09-	1 IE2D/5MA/6FI	(13)	955 555 204 00	moulding short	/R	-08	1 I5TK
	8C6	orange					9Z4	Super-matt olive ash burl			
13	955 555 097 00	moulding short	/L		1 I5TE	13	955 555 203 02	moulding short carbon	/L	09-	1 I5MH
	62W	satin aluminium matte					CS3	black			
(13)	955 555 098 00	moulding short	/R		1 I5TE	(13)	955 555 204 02	moulding short carbon	/R	09-	1 I5MH
	62W	satin aluminium matte					CS3	black			
13	955 555 099 00	moulding short	/L	-08	1 I5MG	14	955 555 113 00	inner door release complete	/L		1
	4X2	rootwood					A03	black			
13	955 555 099 01	moulding short	/L	09-	1 I5MG		5V7	stone grey			
	4X2	rootwood					5Y9	havanna			
(13)	955 555 100 00	moulding short	/R	-08	1 I5MG		5Z1	sand beige			
	4X2	rootwood				(14)	955 555 114 00	inner door release complete	/R		1
(13)	955 555 100 01	moulding short	/R	09-	1 I5MG		A03	black			
	4X2	rootwood					5V7	stone grey			
(13)	955 555 101 01	moulding short wood	/L		1 I5TF		5Y9	havanna			
	4X2	rootwood				(15)	955 555 103 03	cover mirror changeover switch	/LL/L		1 IL0L
13	955 555 101 01	moulding short wood	/L		1 I5TF		6N3	black mat			
	4V8	High-gloss olive ash burl				(15)	955 555 104 03	cover mirror changeover switch	/LL/R		1 IL0L
(13)	955 555 102 01	moulding short wood	/R		1 I5TF		6N3	black mat			

Model	Year	MG	SG	Illustration	Restrictions	UPD	14:43	21.01.2010	PORSCHE	PET	PORSCHE
9PA1	2010	8	07	807-10		247					

Pos	Part Number	Description	Remark	Qty	Model	Pos	Part Number	Description	Remark	Qty	Model
(15)	955 555 105 03	cover mirror changeover switch	/RL/L	1	IL0R						
	6N3	black mat									
(15)	955 555 106 03	cover mirror changeover switch	/RL/R	1	IL0R						
	6N3	black mat									
--	955 533 837 00	grommet mount cover mirror changeover switch		1							
16	955 556 821 01	insulation door		2							
17	955 556 879 01	insulation	/L	1							
(17)	955 556 880 01	insulation	/R	1							
18	N 105 168 01	expander nut door trim panel		2							
19	955 555 033 00	fixing clip moulding		5							
20	955 645 511 00	logo bose		1	I9VL						
21	N 907 468 01	u-clamp		7							
22	955 555 059 00	clamp		6	I3LD						
23	N	light door see group 9pa/9/03/04 pos 11		X	I9MB						

Model	Year	MG	SG	Illustration	Restrictions	UPD	14:43	21.01.2010	PORSCHE	PET	PORSCHE
9PA1	2010	8	07	807-15		247					



Pos	Part Number	Description	Remark	Qty	Model
1	955 555 141 04	door trim panel with insulation rear	/L	1	I3LD/3Y0/9JA
	PBJ	black			
	PBK	stone grey/steel grey			
	PBL	havanna/sand beige			
(1)	955 555 142 04	door trim panel leatherette	/R	1	I3LD/3Y0/9JA
	PBJ	black			
	PBK	stone grey/steel grey			
	PBL	havanna/sand beige			
1	955 555 143 04	door trim panel leatherette	/L	1	I3LD/3Y4/9JA
	PBJ	black			
	PBK	stone grey/steel grey			
	PBL	havanna/sand beige			
(1)	955 555 144 04	door trim panel leatherette	/R	1	I3LD/3Y4/9JA
	PBJ	black			
	PBK	stone grey/steel grey			
	PBL	havanna/sand beige			
1	955 555 145 04	door trim panel leatherette	/L	1	I3LD/3Y0/9JB
	PBJ	black			
	PBK	stone grey/steel grey			
	PBL	havanna/sand beige			
(1)	955 555 146 04	door trim panel leatherette	/R	1	I3LD/3Y0/9JB
	PBJ	black			
	PBK	stone grey/steel grey			

Model	Year	MG	SG	Illustration	Restrictions	UPD	14:43	21.01.2010	PORSCHE	PET	PORSCHE
9PA1	2010	8	07	807-15		247					

Pos	Part Number	Description	Remark	Qty	Model	Pos	Part Number	Description	Remark	Qty	Model
1	PBL 955 555 147 04	havanna/sand beige door trim panel leatherette	/L	1	I3LD/3Y4/9JB	1	955 555 153 12	door trim panel leather/ nature	/L 09-	1	I3LM/3Y4/9JA
	PBJ	black					ZPR	chestnut brown			
	PBK	stone grey/steel grey				1	955 555 154 12	door trim panel leather/ nature	/R 09-	1	I3LM/3Y4/9JA
	PBL	havanna/sand beige					ZPR	chestnut brown			
(1)	PBL 955 555 148 04	havanna/sand beige door trim panel leatherette	/R	1	I3LD/3Y4/9JB	1	955 555 155 11	door trim panel leather/ nature	/L -08	1	I3LM/3Y0/9JB
	PBJ	black					WPH	chestnut brown			
	PBK	stone grey/steel grey				(1)	955 555 156 11	door trim panel leather/ nature	/R -08	1	I3LM/3Y0/9JB
	PBL	havanna/sand beige					WPH	chestnut brown			
1	PBL 955 555 151 11	havanna/sand beige door trim panel leather/ nature	/L -08	1	I3LM/3Y0/9JA	1	955 555 155 12	door trim panel leather/ nature	/L 09-	1	I3LM/3Y0/9JB
	WPH	chestnut brown					ZPR	chestnut brown			
(1)	PBL 955 555 152 11	havanna/sand beige door trim panel leather/ nature	/R -08	1	I3LM/3Y0/9JA	1	955 555 156 12	door trim panel leather/ nature	/R 09-	1	I3LM/3Y0/9JB
	WPH	chestnut brown				(1)	955 555 156 12	door trim panel leather/ nature	/R 09-	1	I3LM/3Y0/9JB
1	PBL 955 555 151 12	havanna/sand beige door trim panel leather/ nature	/L 09-	1	I3LM/3Y0/9JA		ZPR	chestnut brown			
	ZPR	chestnut brown				1	955 555 159 11	door trim panel leather/ nature	/L -08	1	I3LM/3Y4/9JB
(1)	PBL 955 555 152 12	havanna/sand beige door trim panel leather/ nature	/R 09-	1	I3LM/3Y0/9JA		WPH	chestnut brown			
	ZPR	chestnut brown				(1)	955 555 160 11	door trim panel leather/ nature	/R -08	1	I3LM/3Y4/9JB
1	PBL 955 555 153 11	havanna/sand beige door trim panel leather/ nature	/L -08	1	I3LM/3Y4/9JA		WPH	chestnut brown			
	WPH	chestnut brown				1	955 555 159 12	door trim panel leather/ nature	/L 09-	1	I3LM/3Y4/9JB
(1)	PBL 955 555 154 11	havanna/sand beige door trim panel leather/ nature	/R -08	1	I3LM/3Y4/9JA		ZPR	chestnut brown			
	WPH	chestnut brown				1	955 555 160 12	door trim panel leather/ nature	/R 09-	1	I3LM/3Y4/9JB

Model	Year	MG	SG	Illustration	Restrictions	UPD	14:43	21.01.2010	PORSCHE	PET	PORSCHE
9PA1	2010	8	07	807-15		247					

Pos	Part Number	Description	Remark	Qty	Model	Pos	Part Number	Description	Remark	Qty	Model
1	ZPR	chestnut brown				(1)	955 555 168 04	door trim panel leather	/R	-08	1 I3LH/3Y4/9JA
	955 555 163 05	door trim panel leather	/L	-08	1 I3LH/3Y0/9JA		PBS	black			
	PBS	black					PBT	stone grey/steel grey			
	PBT	stone grey/steel grey					PBU	havanna/sand beige			
	PBU	havanna/sand beige					RKR	sand beige/sand beige			
	RKR	sand beige/sand beige				1	955 555 167 05	door trim panel leather	/L	09-	1 I3LH/3Y4/9JA
(1)	955 555 164 05	door trim panel leather	/R	-08	1 I3LH/3Y0/9JA		ZPT	black			
	PBS	black					ZPU	stone grey/steel grey			
	PBT	stone grey/steel grey					ZPV	havanna/sand beige			
	PBU	havanna/sand beige					ZPW	sand beige/sand beige			
	RKR	sand beige/sand beige				(1)	955 555 168 05	door trim panel leather	/R	09-	1 I3LH/3Y4/9JA
1	955 555 163 06	door trim panel leather	/L	09-	1 I3LH/3Y0/9JA		ZPT	black			
	ZPT	black					ZPU	stone grey/steel grey			
	ZPU	stone grey/steel grey					ZPV	havanna/sand beige			
	ZPV	havanna/sand beige					ZPW	sand beige/sand beige			
	ZPW	sand beige/sand beige				1	955 555 169 05	door trim panel leather	/L	-08	1 I3LH/3Y0/9JB
(1)	955 555 164 06	door trim panel leather	/R	09-	1 I3LH/3Y0/9JA		PBS	black			
	ZPT	black					PBT	stone grey/steel grey			
	ZPU	stone grey/steel grey					PBU	havanna/sand beige			
	ZPV	havanna/sand beige					RKR	sand beige/sand beige			
	ZPW	sand beige/sand beige				(1)	955 555 170 05	door trim panel leather	/R	-08	1 I3LH/3Y0/9JB
1	955 555 167 04	door trim panel leather	/L	-08	1 I3LH/3Y4/9JA		PBS	black			
	PBS	black					PBT	stone grey/steel grey			
	PBT	stone grey/steel grey					PBU	havanna/sand beige			
	PBU	havanna/sand beige					RKR	sand beige/sand beige			
	RKR	sand beige/sand beige				1	955 555 169 06	door trim panel leather	/L	09-	1 I3LH/3Y0/9JB

Model	Year	MG	SG	Illustration	Restrictions	UPD	14:43	21.01.2010	PORSCHE	PET	PORSCHE
9PA1	2010	8	07	807-15		247					

Pos	Part Number	Description	Remark	Qty	Model	Pos	Part Number	Description	Remark	Qty	Model
		ZPT black					ZPU stone grey/steel grey				
		ZPU stone grey/steel grey					ZPV havanna/sand beige				
		ZPV havanna/sand beige					ZPW sand beige/sand beige				
(1)	955 555 170 06	door trim panel leather	/R 09-	1	I3LH/3Y0/9JB	(1)	955 555 163 10	door trim panel leather/alcantara	/L 08	1	I3LS/3Y0/9JA
		ZPT black					XKU black				
		ZPU stone grey/steel grey					XKV sand beige/sand beige				
		ZPV havanna/sand beige					XKW steel grey/steel grey				
		ZPW sand beige/sand beige					XPV havanna/sand beige				
1	955 555 171 04	door trim panel leather	/L -08	1	I3LH/3Y4/9JB	(1)	955 555 164 10	door trim panel leather/alcantara	/R 08	1	I3LS/3Y0/9JA
		PBS black					XKU black				
		PBT stone grey/steel grey					XKV sand beige/sand beige				
		PBU havanna/sand beige					XKW steel grey/steel grey				
		RKR sand beige/sand beige					XPV havanna/sand beige				
(1)	955 555 172 04	door trim panel leather	/R -08	1	I3LH/3Y4/9JB	1	955 555 163 11	door trim panel leather/alcantara	/L 09-	1	I3LS/3Y0/9JA
		PBS black					XKU black				
		PBT stone grey/steel grey					XKV sand beige/sand beige				
		PBU havanna/sand beige					XKW steel grey/steel grey				
		RKR sand beige/sand beige					XPV havanna/sand beige				
1	955 555 171 05	door trim panel leather	/L 09-	1	I3LH/3Y4/9JB	(1)	955 555 164 11	door trim panel leather/alcantara	/R 09-	1	I3LS/3Y0/9JA
		ZPT black					XKU black				
		ZPU stone grey/steel grey					XKV sand beige/sand beige				
		ZPV havanna/sand beige					XKW steel grey/steel grey				
		ZPW sand beige/sand beige					XPV havanna/sand beige				
(1)	955 555 172 05	door trim panel leather	/R 09-	1	I3LH/3Y4/9JB	(1)	955 555 167 10	door trim panel leather/alcantara	/L 08	1	I3LS/3Y4/9JA
		ZPT black									

Model	Year	MG	SG	Illustration	Restrictions	UPD	14:43	21.01.2010	PORSCHE	PET	PORSCHE
9PA1	2010	8	07	807-15		247					

Pos	Part Number	Description	Remark	Qty	Model	Pos	Part Number	Description	Remark	Qty	Model
(1)	955 555 168 10	door trim panel leather/ alcantara	/R	08	I3LS/3Y4/9JA	(1)	955 555 170 10	door trim panel leather/ alcantara	/R	08	I3LS/3Y0/9JB
	XKV	sand beige/sand beige					XKV	sand beige/sand beige			
	XKW	steel grey/steel grey					XKW	steel grey/steel grey			
	XPV	havanna/sand beige					XPV	havanna/sand beige			
	XKV	sand beige/sand beige					XKV	sand beige/sand beige			
	XKW	steel grey/steel grey					XKW	steel grey/steel grey			
	XPV	havanna/sand beige					XPV	havanna/sand beige			
1	955 555 167 11	door trim panel leather/ alcantara	/L	09-	I3LS/3Y4/9JA	1	955 555 169 11	door trim panel leather/ alcantara	/L	09-	I3LS/3Y0/9JB
	XKV	sand beige/sand beige					XKV	sand beige/sand beige			
	XKW	steel grey/steel grey					XKW	steel grey/steel grey			
	XPV	havanna/sand beige					XPV	havanna/sand beige			
	XKV	sand beige/sand beige					XKV	sand beige/sand beige			
	XKW	steel grey/steel grey					XKW	steel grey/steel grey			
	XPV	havanna/sand beige					XPV	havanna/sand beige			
(1)	955 555 168 11	door trim panel leather/ alcantara	/R	09-	I3LS/3Y4/9JA	(1)	955 555 170 11	door trim panel leather/ alcantara	/R	09-	I3LS/3Y0/9JB
	XKV	sand beige/sand beige					XKV	sand beige/sand beige			
	XKW	steel grey/steel grey					XKW	steel grey/steel grey			
	XPV	havanna/sand beige					XPV	havanna/sand beige			
	XKV	sand beige/sand beige					XKV	sand beige/sand beige			
	XKW	steel grey/steel grey					XKW	steel grey/steel grey			
	XPV	havanna/sand beige					XPV	havanna/sand beige			
(1)	955 555 169 10	door trim panel leather/ alcantara	/L	08	I3LS/3Y0/9JB	(1)	955 555 171 10	door trim panel leather/ alcantara	/L	08	I3LS/3Y4/9JB
	XKV	sand beige/sand beige					XKV	sand beige/sand beige			
	XKW	steel grey/steel grey					XKW	steel grey/steel grey			
	XPV	havanna/sand beige					XPV	havanna/sand beige			
	XKV	sand beige/sand beige					XKV	sand beige/sand beige			
	XKW	steel grey/steel grey					XKW	steel grey/steel grey			
	XPV	havanna/sand beige					XPV	havanna/sand beige			
(1)	955 555 169 10	door trim panel leather/ alcantara	/L	08	I3LS/3Y0/9JB	(1)	955 555 172 10	door trim panel leather/ alcantara	/R	08	I3LS/3Y4/9JB
	XKV	sand beige/sand beige					XKV	sand beige/sand beige			
	XKW	steel grey/steel grey					XKW	steel grey/steel grey			
	XPV	havanna/sand beige					XPV	havanna/sand beige			
	XKV	sand beige/sand beige					XKV	sand beige/sand beige			
	XKW	steel grey/steel grey					XKW	steel grey/steel grey			

Model	Year	MG	SG	Illustration	Restrictions	UPD	14:43	21.01.2010	PORSCHE	PET	PORSCHE
9PA1	2010	8	07	807-15		247					

Pos	Part Number	Description	Remark	Qty	Model	Pos	Part Number	Description	Remark	Qty	Model
		XPV havanna/sand beige				(1)	955 555 169 20	door trim panel leather/ two-colour	/L 09-	1	I3LT/3Y0/9JB
1	955 555 171 11	door trim panel leather/ alcantara	/L 09-	1	I3LS/3Y4/9JB		ZJA	Black/Havanna			
		XKU black					ZJC	Black/Steel Grey			
		XKV sand beige/sand beige				(1)	955 555 170 20	door trim panel leather/ two-colour	/R 09-	1	I3LT/3Y0/9JB
		XKW steel grey/steel grey					ZJA	Black/Havanna			
(1)	955 555 172 11	door trim panel leather/ alcantara	/R 09-	1	I3LS/3Y4/9JB		ZJC	Black/Steel Grey			
		XKU black				(1)	955 555 171 20	door trim panel leather/ two-colour	/L 09-	1	I3LT/3Y4/9JB
		XKV sand beige/sand beige					ZJA	Black/Havanna			
		XKW steel grey/steel grey					ZJC	Black/Steel Grey			
(1)	955 555 163 20	door trim panel leather/ two-colour	/L 09-	1	I3LT/3Y0/9JA	(1)	955 555 172 20	door trim panel leather/ two-colour	/R 09-	1	I3LT/3Y4/9JB
		ZJA Black/Havanna					ZJA	Black/Havanna			
		ZJC Black/Steel Grey					ZJC	Black/Steel Grey			
(1)	955 555 164 20	door trim panel leather/ two-colour	/R 09-	1	I3LT/3Y0/9JA	2	955 555 243 00	fixing clip door trim panel		7	
		ZJA Black/Havanna				3	N 103 346 04	screw M 6 X 20 mount door trim panel		4	
		ZJC Black/Steel Grey				4	N 907 397 04	screw M 5 X 22 mount door trim panel lower		2	
(1)	955 555 167 20	door trim panel leather/ two-colour	/L 09-	1	I3LT/3Y4/9JA	5	955 555 173 00	armrest	/L	1	I3LD
		ZJA Black/Havanna					A08	black			
		ZJC Black/Steel Grey					T25	sand beige			
(1)	955 555 168 20	door trim panel leather/ two-colour	/R 09-	1	I3LT/3Y4/9JA		6E1	steel grey			
		ZJA Black/Havanna				(5)	955 555 174 00	armrest	/R	1	I3LD
		ZJC Black/Steel Grey					A08	black			

Model	Year	MG	SG	Illustration	Restrictions	UPD	14:43	21.01.2010	PORSCHE	PET	PORSCHE
9PA1	2010	8	07	807-15		247					

Pos	Part Number	Description	Remark	Qty	Model	Pos	Part Number	Description	Remark	Qty	Model
	T25	sand beige					5S4	sand beige			
	6E1	steel grey				6	955 555 177 01	trim cover	/L	1	I3LD/3LH/3LS I3LT/9WM
5	955 555 175 00	armrest leather	/L	1	I3LH/3LS/3LT			armrest			
	6B7	steel grey					5Q2	black			
	8G1	sand beige					5R3	steel grey			
	8YR	black					5S4	sand beige			
(5)	955 555 176 00	armrest leather	/R	1	I3LH/3LS/3LT	(6)	955 555 178 01	trim cover	/R	1	I3LD/3LH/3LS I3LT/9WM
	6B7	steel grey						armrest			
	8G1	sand beige					5Q2	black			
	8YR	black					5R3	steel grey			
5	955 555 175 10	armrest leather/ nature	/L	1	I3LM	6	955 555 179 10	trim cover armrest	/L	1	I3LM/9WC
	J69	chestnut brown					J69	chestnut brown			
(5)	955 555 176 10	armrest leather/ nature	/R	1	I3LM	(6)	955 555 180 10	trim cover armrest	/R	1	I3LM/9WC
	J69	chestnut brown					J69	chestnut brown			
--	N 906 487 02	tapping screw 4,8 X 16 for mount armrest		7		(6)	955 555 179 11	trim cover armrest	/L	1	I3LM/9WM
6	955 555 177 00	trim cover armrest	/L	1	I3LD/3LH/3LS I3LT/9WC	(6)	955 555 180 11	trim cover armrest	/R	1	I3LM/9WM
	5Q2	black					J69	chestnut brown			
	5R3	steel grey				7	955 555 259 00	handle leather	/L	1	I3LH/3LT
	5S4	sand beige					6B7	steel grey			
(6)	955 555 178 00	trim cover armrest	/R	1	I3LD/3LH/3LS I3LT/9WC		8G1	sand beige			
	5Q2	black					8YR	black			
	5R3	steel grey				(7)	955 555 260 00	handle leather	/R	1	I3LH/3LT
							6B7	steel grey			
							8G1	sand beige			

Model	Year	MG	SG	Illustration	Restrictions	UPD	14:43	21.01.2010	PORSCHE	PET	PORSCHE
9PA1	2010	8	07	807-15		247					

Pos	Part Number	Description	Remark	Qty	Model	Pos	Part Number	Description	Remark	Qty	Model
7	955 555 259 10	8YR black handle leather/ nature	/L	1	I3LM	(8)	955 555 538 00	trim cover handle	/R	1	I3LD
(7)	955 555 260 10	J69 chestnut brown handle leather/ nature	/R	1	I3LM	8	955 555 539 01	A08 black T25 sand beige 6E1 steel grey trim cover handle leather	/L	1	I3LH/3LS/3LT
7	955 555 261 00	J69 chestnut brown handle	/L	1	I3LD	(8)	955 555 540 01	6B7 steel grey 8G1 sand beige 8YR black trim cover handle leather	/R	1	I3LH/3LS/3LT
(7)	955 555 262 00	A08 black T25 sand beige 6E1 steel grey handle	/R	1	I3LD	8	955 555 539 10	6B7 steel grey 8G1 sand beige 8YR black trim cover handle leather/ nature	/L	1	I3LM
7	955 555 263 00	A08 black T25 sand beige 6E1 steel grey handle alcantara	/L	08-	I3LS	(8)	955 555 540 10	J69 chestnut brown trim cover handle leather/ nature	/R	1	I3LM
(7)	955 555 264 00	6B7 steel grey 8G1 sand beige 8YR black handle alcantara	/L	08-	I3LS	9	955 555 087 00	J69 chestnut brown moulding plastic material lacquered	/L	1	I5MA
8	955 555 537 00	6B7 steel grey 8G1 sand beige 8YR black trim cover handle	/L	1	I3LD	9	955 555 087 00	5X2 silver mat chrome moulding plastic material lacquered	/L	09-	I5MA/6FA
		A08 black T25 sand beige 6E1 steel grey						5X2 silver mat chrome			

Model	Year	MG	SG	Illustration	Restrictions	UPD	14:43	21.01.2010	PORSCHE	PET	PORSCHE
9PA1	2010	8	07	807-15		247					

Pos	Part Number	Description	Remark	Qty	Model	Pos	Part Number	Description	Remark	Qty	Model
9	955 555 087 00	moulding plastic material lacquered	/L 09-	1	IE2D/5MA/6FI	(9)	955 555 094 00	moulding	/R -08	1	I5TF
	8C6	orange	09-				4V8	High-gloss olive ash burl			
(9)	955 555 088 00	moulding plastic material lacquered	/R	1	I5MA	(9)	955 555 094 01	moulding	/R 09-	1	I5TF
	5X2	silver mat chrome	-09				4V8	High-gloss olive ash burl			
(9)	955 555 088 00	moulding plastic material lacquered	/R 09-	1	I5MA/6FA	9	955 555 063 00	moulding	/L -08	1	I5TK
	5X2	silver mat chrome					9Z4	Super-matt olive ash burl			
(9)	955 555 088 00	moulding plastic material lacquered	/R 09-	1	I5MA/6FA	(9)	955 555 064 00	moulding	/R -08	1	I5TK
	5X2	silver mat chrome					9Z4	Super-matt olive ash burl			
(9)	955 555 088 00	moulding plastic material lacquered	/R 09-	1	IE2D/5MA/6FI	9	955 555 063 02	moulding carbon	/L 09-	1	I5MH
	8C6	orange	09-				CS3	black			
9	955 555 089 00	moulding	/L	1	I5TE	(9)	955 555 064 02	moulding carbon	/R 09-	1	I5MH
	62W	satin aluminium matte					CS3	black			
(9)	955 555 090 00	moulding	/R	1	I5TE	10	955 555 113 00	inner door release complete	/L	1	
	62W	satin aluminium matte					A03	black			
9	955 555 091 00	moulding	/L -08	1	I5MG		5V7	stone grey			
	4X2	rootwood					5Y9	havanna			
9	955 555 091 01	moulding	/L 09-	1	I5MG		5Z1	sand beige			
	4X2	rootwood				(10)	955 555 114 00	inner door release complete	/R	1	
(9)	955 555 092 00	moulding	/R -08	1	I5MG		A03	black			
	4X2	rootwood					5V7	stone grey			
(9)	955 555 092 01	moulding	/R 09-	1	I5MG		5Y9	havanna			
	4X2	rootwood					5Z1	sand beige			
9	955 555 093 00	moulding	/L -08	1	I5TF	11	955 555 883 03	cover	/L	1	
	4V8	High-gloss olive ash burl				(11)	955 555 884 03	cover	/R	1	
9	955 555 093 01	moulding	/L 09-	1	I5TF	12	955 555 851 00	ashtray	/L	1	I9JB
	4V8	High-gloss olive ash burl					A03	black			
							7BA	steel grey			

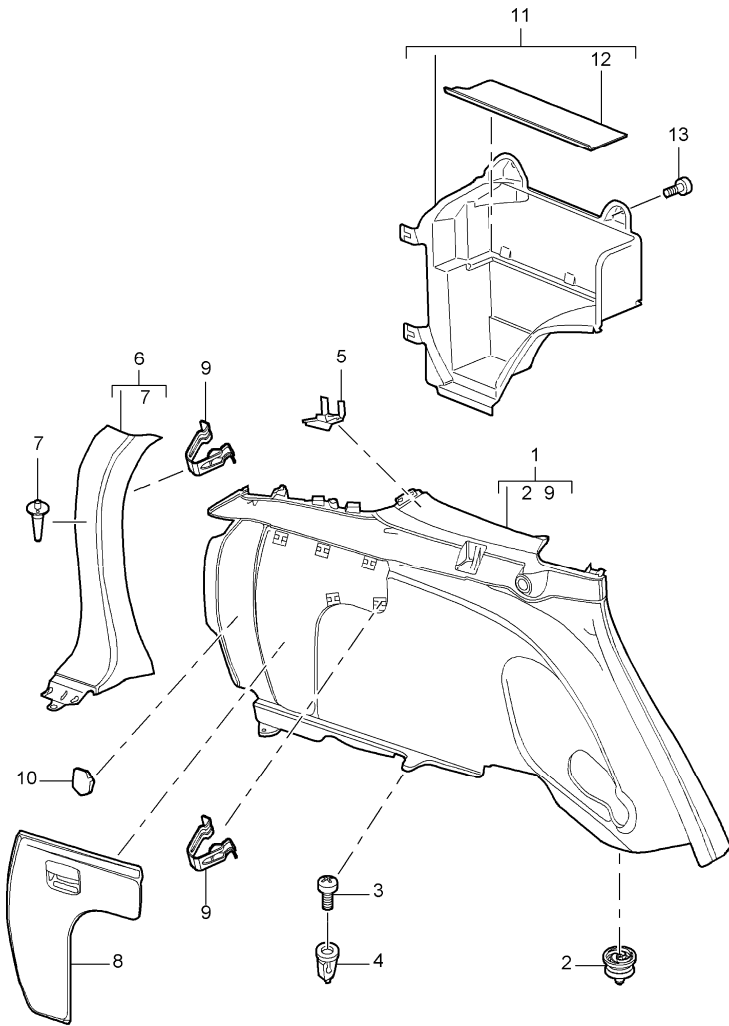
Model	Year	MG	SG	Illustration	Restrictions	UPD	14:43	21.01.2010	PORSCHE	PET	PORSCHE
9PA1	2010	8	07	807-15		247					

Pos	Part Number	Description	Remark	Qty	Model	Pos	Part Number	Description	Remark	Qty	Model
	5Z1	sand beige					9B9	satin black			
	L58	chestnut brown				(15)	955 731 323 00	support shade rear	/L	1	I3Y4
(12)	955 555 852 00	ashtray	/R	1	I9JB		9B9	satin black			
	A03	black				(15)	955 731 324 00	support shade rear	/R	1	I3Y4
	7BA	steel grey					9B9	satin black			
	5Z1	sand beige				16	N 104 472 01	lens-head screw ST 4,8 X 13		4	
13	955 731 317 02	shade door window glass	/L	1	I3Y4	17	955 731 325 01	cap support front	/L	1	I3Y4
	3W4	black					9B9	satin black			
(13)	955 731 318 02	shade door window glass	/R	1	I3Y4	(17)	955 731 326 01	cap support front	/R	1	I3Y4
	3W4	black					9B9	satin black			
14	955 731 319 00	cover shade lacquered	/L	1	I3Y4	(17)	955 731 327 01	cap support rear	/L	1	I3Y4
	A03	black					9B9	black			
	5V7	stone grey				(17)	955 731 328 01	cap support rear	/R	1	I3Y4
	5Y9	havanna					9B9	black			
	5Z1	sand beige				(17)	955 731 330 00	plate shade		2	I3Y4
(14)	955 731 320 00	cover shade lacquered	/R	1	I3Y4		9B9	satin black			
	A03	black				19	955 556 821 01	insulation door		2	
	5V7	stone grey				20	955 556 881 01	insulation	/L	1	
	5Y9	havanna				(20)	955 556 882 01	insulation	/R	1	
	5Z1	sand beige				21	N 105 168 01	expander nut door trim panel		2	
15	955 731 321 00	support shade front	/L	1	I3Y4						
	9B9	satin black									
(15)	955 731 322 00	support shade front	/R	1	I3Y4						

Model	Year	MG	SG	Illustration	Restrictions	UPD	14:43	21.01.2010	PORSCHE	PET	PORSCHE
9PA1	2010	8	07	807-15		247					

Pos	Part Number	Description	Remark	Qty	Model	Pos	Part Number	Description	Remark	Qty	Model
22	955 555 033 00	fixing clip moulding		4							
23	955 645 511 00	logo bose		1	I9VL						
24	N 907 468 01	u-clamp		7							
25	N	light door see group 9pa/9/03/04 pos 11		X	I9MB						

Model	Year	MG	SG	Illustration	Restrictions	UPD	14:43	21.01.2010	PORSCHE	PET	PORSCHE
9PA1	2010	8	07	807-20		247					



Pos	Part Number	Description	Remark	Qty	Model
1	955 555 037 02	side trim panel rear tufting velour PCE black/black PCF stone grey/steel grey PCG havanna/sand beige	/L	-08	I3LD/9AB/9AD
1	955 555 037 02	side trim panel rear tufting velour PCE black/black PCF stone grey/steel grey PCG havanna/sand beige ZPQ chestnut brown ZPS sand beige/sand beige	/L	09-	I9AB/9AD
1	955 555 038 02	side trim panel rear tufting velour PCE black/black PCF stone grey/steel grey PCG havanna/sand beige	/R	-08	I1D0/1D2/1D6 I1D7/1D8/3LD
1	955 555 038 02	side trim panel rear tufting velour PCE black/black PCF stone grey/steel grey PCG havanna/sand beige ZPQ chestnut brown ZPS sand beige/sand beige	/R	09-	I1D0/1D2/1D6 I1D7/1D8
(1)	955 555 041 01	side trim panel rear tufting velour	/L	-08	I3LD/9AH

Model	Year	MG	SG	Illustration	Restrictions	UPD	14:43	21.01.2010	PORSCHE	PET	PORSCHE
9PA1	2010	8	07	807-20		247					

Pos	Part Number	Description	Remark	Qty	Model	Pos	Part Number	Description	Remark	Qty	Model	
	PCE	black/black					WPG	chestnut brown				
	PCF	stone grey/steel grey				(1)	955 555 042 02	side trim panel	/R	1	I1D0/1D2/1D6 I1D7/1D8/3LH I3LM/3LS/3LT	
	PCG	havanna/sand beige						rear pearl velour				
(1)	955 555 041 01	side trim panel rear tufting velour	/L	09-	1	I9AH		PCJ	black/black			
	PCE	black/black					PCK	stone grey/steel grey				
	PCF	stone grey/steel grey					PCL	havanna/sand beige				
	PCG	havanna/sand beige					RKS	sand beige/sand beige				
	ZPQ	chestnut brown		09-			WPG	chestnut brown				
	ZPS	sand beige/sand beige		09-								
(1)	955 555 040 02	side trim panel rear tufting velour	/R	-08	1	I1D9/3LD	1	955 555 043 01	side trim panel	/L	1	I3LH/3LM/3LS I3LT/9AH
	PCE	black/black						rear pearl velour				
	PCF	stone grey/steel grey					PCJ	black/black				
	PCG	havanna/sand beige					PCK	stone grey/steel grey				
(1)	955 555 040 02	side trim panel rear tufting velour	/R	09-	1	I1D9		PCL	havanna/sand beige			
	PCE	black/black					RKS	sand beige/sand beige				
	PCF	stone grey/steel grey					WPG	chestnut brown				
	PCG	havanna/sand beige					(1)	955 555 044 02	side trim panel	/R	1	I1D9/3LH/3LM I3LS/3LT
	ZPQ	chestnut brown		09-				rear pearl velour				
	ZPS	sand beige/sand beige		09-			PCJ	black/black				
1	955 555 039 02	side trim panel rear pearl velour	/L		1	I3LH/3LM/3LS I3LT/9AB/9AD		PCK	stone grey/steel grey			
	PCJ	black/black					PCL	havanna/sand beige				
	PCK	stone grey/steel grey					RKS	sand beige/sand beige				
	PCL	havanna/sand beige					WPG	chestnut brown				
	RKS	sand beige/sand beige					2	955 555 245 00	clip for mount side trim panel		X	
							3	N 908 195 01	lens-head screw ST 4,8 X 13 mount side trim panel		4	

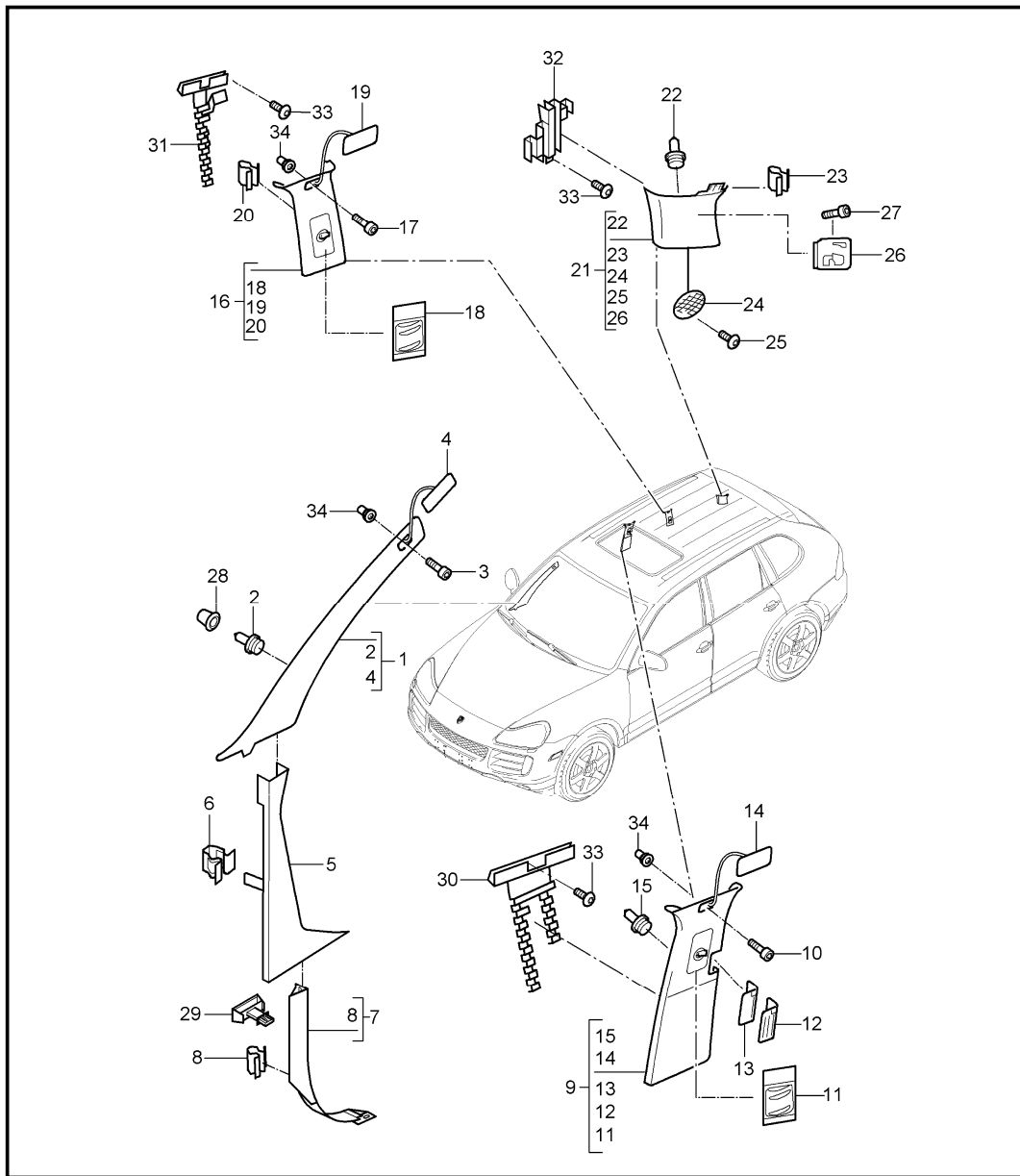
Model	Year	MG	SG	Illustration	Restrictions	UPD	14:43	21.01.2010	PORSCHE	PET	PORSCHE
9PA1	2010	8	07	807-20		247					

Pos	Part Number	Description	Remark	Qty	Model	Pos	Part Number	Description	Remark	Qty	Model	
4	N 105 168 01	expander nut F 5X 14,4 mount side trim panel side member		4			7H1	black				
(4)	N 909 274 01	expander nut CST 4,8 X 10 mount side trim panel c-pillar		4		(8)	955 555 461 00	lid side trim panel	/L 09-	1	I9AB/9AD	
5	955 555 387 00	clamp for mount side trim panel		2			7J2	steel grey				
6	955 555 447 03	border strip side trim panel rear	/L	07-	1		7K3	sand beige				
	9B9	satin black		04-			PCE	black/black				
	6C6	sand beige					PCF	stone grey/steel grey				
	7A8	steel grey					PCG	havanna/sand beige				
(6)	955 555 448 03	border strip side trim panel rear	/R	07-	1	(8)	955 555 462 01	lid side trim panel	/R 09-	1		
	9B9	satin black		04-			PCE	black/black				
	6C6	sand beige					PCF	stone grey/steel grey				
	7A8	steel grey					PCG	havanna/sand beige				
7	955 555 276 00	clip mount for border strip rear		3		8	955 555 471 00	lid side trim panel pearl velour	/L -08	1	I3LH/3LM/3LS I3LT/9AB/9AD	
8	955 555 461 00	lid side trim panel tufting velour	/L	-08	1	I3LD/9AB/9AD	L63	chestnut brown				
	7H1	black					8B2	black				
	7J2	steel grey					8C3	steel grey				
	7K3	sand beige					8D4	sand beige				
(8)	955 555 462 01	lid side trim panel tufting velour	/R	-08	1	I3LD	(8)	955 555 472 01	lid side trim panel pearl velour	/R -08	1	I3LH/3LM/3LS I3LT
							L63	chestnut brown				
							8B2	black				
							8C3	steel grey				
							8D4	sand beige				

Model	Year	MG	SG	Illustration	Restrictions	UPD	14:43	21.01.2010	PORSCHE	PET	PORSCHE
9PA1	2010	8	07	807-20		247					

Pos	Part Number	Description	Remark	Qty	Model	Pos	Part Number	Description	Remark	Qty	Model
9	955 555 388 00	clamp side trim panel mount lid		5	I9AB/9AD						
(9)	955 555 389 00	clamp side trim panel mount lid		5	I9AH						
10	--- --- --- --	plug socket side trim panel see group 9/03/05		1							
11	955 555 705 00	package box side trim panel	/L	1	I9AB/9AD						
12	955 555 652 00	insert package box		1	I9AB/9AD						
13	N 906 841 02	oval-head screw M 6 X 20 for mount package box		2							
(13)	N 106 185 01	blind rivet nut M 6/0,5 - 3,0 for mount package box		2							

Model	Year	MG	SG	Illustration	Restrictions	UPD	14:54	21.01.2010	PORSCHE	PET	PORSCHE
9PA1	2010	8	07	807-25		247					



Pos	Part Number	Description	Remark	Qty	Model
1	955 555 181 03	linings a-pillar until d-pillar	/L	1	ID5V/D5X/D5Z I6NJ/6NL/6NQ
		lining			
		a-pillar upper cloth black			
	K90	black			
	6K1	sand beige			
	6L2	steel grey			
(1)	955 555 182 03	linings	/R	1	ID5V/D5X/D5Z I6NJ/6NL/6NQ
		a-pillar upper cloth black			
	K90	black			
	6K1	sand beige			
	6L2	steel grey			
(1)	955 555 181 04	linings	/L	09-	ID50/6NJ/6NL I6NQ
		a-pillar upper cloth black			
	K90	black			
	6K1	sand beige			
	6L2	steel grey			
(1)	955 555 182 04	linings	/R	09-	ID50/6NJ/6NL I6NQ
		a-pillar upper cloth black			
	K90	black			
	6K1	sand beige			
	6L2	steel grey			

Model	Year	MG	SG	Illustration	Restrictions	UPD	14:54	21.01.2010	PORSCHE	PET	PORSCHE
9PA1	2010	8	07	807-25		247					

Pos	Part Number	Description	Remark	Qty	Model	Pos	Part Number	Description	Remark	Qty	Model
1	955 555 183 04	lining a-pillar upper alcantara	/L	1	ID5V/D5X/D5Z I6NA/6NF/6NN	3	N 106 768 01	screw M 5 X 25 mount a-pillar upper		2	
	5E5	steel grey				4	955 555 437 00	sticker airbag		2	
	5E6	black					9B9	satin black			
	5G6	sand beige					6C6	sand beige			
(1)	955 555 184 04	lining a-pillar upper alcantara	/R	1	ID5V/D5X/D5Z I6NA/6NF/6NN		7A8	steel grey			
	5E5	steel grey				5	955 555 239 00	lining a-pillar centre	/L	1	
	5E6	black					9B9	satin black			
	5G6	sand beige					6C6	sand beige			
(1)	955 555 183 05	lining a-pillar upper alcantara	/L	09-	1 ID50/6NA/6NF I6NN		7A8	steel grey			
	5E5	steel grey				(5)	955 555 240 00	lining a-pillar centre	/R	1	
	5E6	black					9B9	satin black			
	5G6	sand beige					6C6	sand beige			
(1)	955 555 184 05	lining a-pillar upper alcantara	/R	09-	1 ID50/6NA/6NF I6NN	6	955 552 208 00	clamp mount a-pillar centre		2	
	5E5	steel grey				7	955 555 485 00	lining a-pillar lower	/LL/L	1	IL0L
	5E6	black					9B9	satin black			
	5G6	sand beige					6C6	sand beige			
2	955 555 333 00	clip mount lining a-pillar upper		2			7A8	steel grey			
						(7)	955 555 486 00	lining a-pillar lower	/LL/R	1	IL0L
							9B9	satin black			
							6C6	sand beige			

Model	Year	MG	SG	Illustration	Restrictions	UPD	14:54	21.01.2010	PORSCHE	PET	PORSCHE
9PA1	2010	8	07	807-25		247					

Pos	Part Number	Description	Remark	Qty	Model	Pos	Part Number	Description	Remark	Qty	Model
	7A8	steel grey					QGB	steel grey/steel grey			
(7)	955 555 487 00	lining a-pillar lower	/RL/L	1	IL0R		QGC	sand beige/sand beige			
	9B9	satin black				(9)	955 555 188 03	lining	/R	1	I3QT/6NJ/6NL I6NQ/9AH
	7A8	steel grey						b-pillar cloth			
	6C6	sand beige					QGA	satin black/steel grey			
(7)	955 555 488 00	lining a-pillar lower	/RL/R	1	IL0R		QGB	steel grey/steel grey			
	9B9	satin black					QGC	sand beige/sand beige			
	7A8	steel grey					WPR	satin black/black			
	6C6	sand beige				(9)	955 555 189 04	lining	/L	1	I4QF/6NJ/6NL I6NQ/9AB/9AD
8	955 555 279 00	fixing clip		2				b-pillar cloth			
(9)	955 555 185 04	lining	/L	1	I3QT/6NJ/6NL I6NQ/9AB/9AD		QGA	satin black/steel grey			
		b-pillar cloth					QGB	steel grey/steel grey			
	QGA	satin black/steel grey					QGC	sand beige/sand beige			
	QGB	steel grey/steel grey					WPR	satin black/black			
	QGC	sand beige/sand beige				(9)	955 555 190 04	lining	/R	1	I4QF/6NJ/6NL I6NQ/9AB/9AD
	WPR	satin black/black						b-pillar cloth			
(9)	955 555 186 04	lining	/R	1	I3QT/6NJ/6NL I6NQ/9AB/9AD		QGA	satin black/steel grey			
		b-pillar cloth					QGB	steel grey/steel grey			
	QGA	satin black/steel grey					QGC	sand beige/sand beige			
	QGB	steel grey/steel grey					WPR	satin black/black			
	QGC	sand beige/sand beige				9	955 555 191 03	lining	/L	1	I4QF/6NJ/6NL I6NQ/9AH
	WPR	satin black/black						b-pillar cloth			
9	955 555 187 03	lining	/L	1	I3QT/6NJ/6NL I6NQ/9AH		QGA	satin black/steel grey			
		b-pillar cloth					QGB	steel grey/steel grey			
	QGA	satin black/steel grey					QGC	sand beige/sand beige			
							WPR	satin black/black			

Model	Year	MG	SG	Illustration	Restrictions	UPD	14:54	21.01.2010	PORSCHE	PET	PORSCHE
9PA1	2010	8	07	807-25		247					

Pos	Part Number	Description	Remark	Qty	Model	Pos	Part Number	Description	Remark	Qty	Model
(9)	955 555 192 03	lining b-pillar cloth QGA satin black/steel grey QGB steel grey/steel grey QGC sand beige/sand beige WPR satin black/black	/R	1	I4QF/6NJ/6NL I6NQ/9AH	9	955 555 197 04	lining b-pillar alcantara QGE satin black/black QGF steel grey/steel grey QGG sand beige/sand beige	/L	1	I4QF/6NA/6NF I6NN/9AB/9AD
9	955 555 193 04	lining b-pillar alcantara QGE satin black/black QGF steel grey/steel grey QGG sand beige/sand beige	/L	1	I3QT/6NA/6NF I6NN/9AB/9AD	(9)	955 555 198 04	lining b-pillar alcantara QGE satin black/black QGF steel grey/steel grey QGG sand beige/sand beige	/R	1	I4QF/6NA/6NF I6NN/9AB/9AD
(9)	955 555 194 04	lining b-pillar alcantara QGE satin black/black QGF steel grey/steel grey QGG sand beige/sand beige	/R	1	I3QT/6NA/6NF I6NN/9AB/9AD	9	955 555 199 03	lining b-pillar alcantara QGE satin black/black QGF steel grey/steel grey QGG sand beige/sand beige	/L	1	I4QF/6NA/6NF I6NN/9AH
9	955 555 195 03	lining b-pillar alcantara QGE satin black/black QGF steel grey/steel grey QGG sand beige/sand beige	/L	1	I3QT/6NA/6NF I6NN/9AH	(9)	955 555 200 03	lining b-pillar alcantara QGE satin black/black QGF steel grey/steel grey QGG sand beige/sand beige	/R	1	I4QF/6NA/6NF I6NN/9AH
(9)	955 555 196 03	lining b-pillar alcantara QGE satin black/black QGF steel grey/steel grey QGG sand beige/sand beige	/R	1	I3QT/6NA/6NF I6NN/9AH	10	N 106 768 01	screw M 5 X 25 mount b-pillar		2	
						11	955 555 311 02	slide lining b-pillar upper 9B9 satin black 6C6 sand beige	/L	1	I3QT

Model	Year	MG	SG	Illustration	Restrictions	UPD	14:54	21.01.2010	PORSCHE	PET	PORSCHE
9PA1	2010	8	07	807-25		247					

Pos	Part Number	Description	Remark	Qty	Model	Pos	Part Number	Description	Remark	Qty	Model
(11)	955 555 312 02	7A8 steel grey slide lining b-pillar upper	/R	1	I3QT	(12)	955 555 215 00	side vent lining b-pillar upper	/L	1	I9AB/9AD
	9B9	satin black					5Z1	sand beige			
	6C6	sand beige					6N3	black mat			
	7A8	steel grey					7BA	steel grey			
11	955 555 313 02	7A8 steel grey slide lining b-pillar upper	/L	1	I4QF	(12)	955 555 216 00	side vent lining b-pillar upper	/R	1	I9AB/9AD
	9B9	satin black					5Z1	sand beige			
	6C6	sand beige					6N3	black mat			
	7A8	steel grey					7BA	steel grey			
(11)	955 555 314 02	7A8 steel grey slide lining b-pillar upper	/R	1	I4QF	13	955 555 297 00	gasket air inlet lining b-pillar	/L	1	I9AB/9AD
	9B9	satin black					9B9	satin black			
	6C6	sand beige					6C6	sand beige			
	7A8	steel grey					7A8	steel grey			
12	955 555 209 00	7A8 steel grey side vent lining b-pillar upper	/L	1	I9AH	(13)	955 555 298 00	gasket air inlet lining b-pillar	/R	1	I9AB/9AD
	5Z1	sand beige					9B9	satin black			
	6N3	black mat					6C6	sand beige			
	7BA	steel grey					7A8	steel grey			
(12)	955 555 210 00	7A8 steel grey side vent lining b-pillar upper	/R	1	I9AH	14	955 555 437 00	sticker airbag		2	
	5Z1	sand beige					9B9	satin black			
	6N3	black mat					6C6	sand beige			
	7BA	steel grey					7A8	steel grey			
						15	955 555 276 00	clip mount lining b-pillar		8	

Model	Year	MG	SG	Illustration	Restrictions	UPD	14:54	21.01.2010	PORSCHE	PET	PORSCHE
9PA1	2010	8	07	807-25		247					

Pos	Part Number	Description	Remark	Qty	Model	Pos	Part Number	Description	Remark	Qty	Model
16	955 555 221 03	lining c-pillar upper cloth	/L	1	I6NJ/6NL/6NQ	(18)	955 555 316 02	slide lining c-pillar upper	/R	1	
	6K1	sand beige					9B9	satin black			
	6L2	steel grey					6C6	sand beige			
(16)	955 555 222 03	lining c-pillar upper cloth	/R	1	I6NJ/6NL/6NQ		7A8	steel grey			
	6K1	sand beige				19	955 555 437 00	sticker airbag		2	
	6L2	steel grey					9B9	satin black			
							6C6	sand beige			
16	955 555 223 03	lining c-pillar upper alcantara	/L	1	I6NA/6NF/6NN		7A8	steel grey			
	5E5	steel grey				20	955 555 277 00	clip mount lining c-pillar upper		2	
	5E6	black									
	5G6	sand beige				21	955 555 251 04	lining d-pillar alcantara	/L	1	I6NA/6NF/6NN I8RV
(16)	955 555 224 03	lining c-pillar upper alcantara	/R	1	I6NA/6NF/6NN		5E5	steel grey			
	5E5	steel grey					5E6	black			
	5E6	black					5G6	sand beige			
	5G6	sand beige				(21)	955 555 252 04	lining d-pillar alcantara	/R	1	I6NA/6NF/6NN I8RV
17	N 106 768 01	screw M 5 X 25 mount c-pillar upper		2			5E5	steel grey			
							5E6	black			
18	955 555 315 02	slide lining c-pillar upper	/L	1			5G6	sand beige			
	9B9	satin black				21	955 555 253 04	lining d-pillar alcantara	/L	1	I6NA/6NF/6NN I9VL
	6C6	sand beige					5E5	steel grey			
	7A8	steel grey					5E6	black			

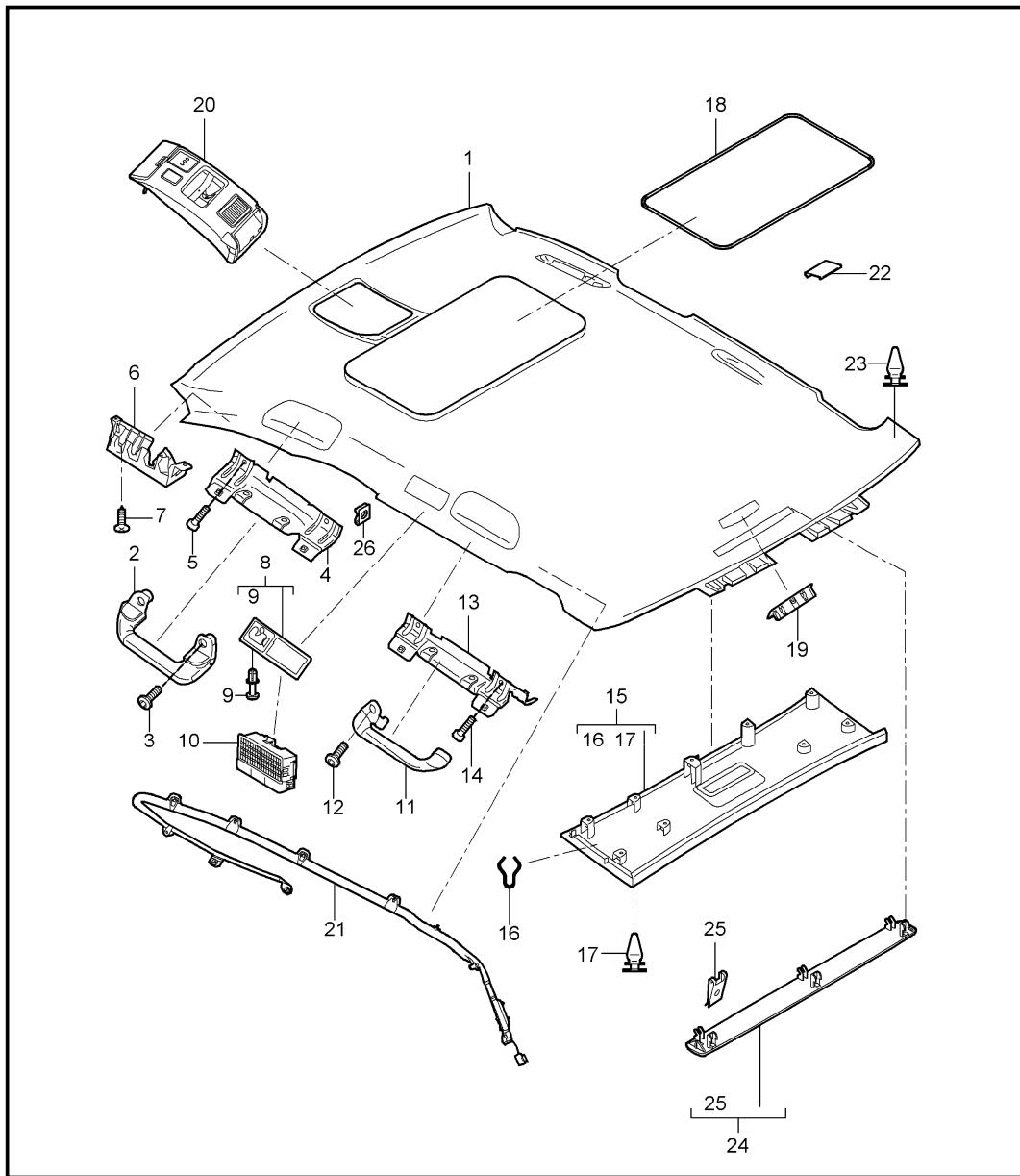
Model	Year	MG	SG	Illustration	Restrictions	UPD	14:54	21.01.2010	PORSCHE	PET	PORSCHE
9PA1	2010	8	07	807-25		247					

Pos	Part Number	Description	Remark	Qty	Model	Pos	Part Number	Description	Remark	Qty	Model
	5G6	sand beige				22	955 555 276 00	clip mount lining d-pillar		7	
(21)	955 555 254 04	lining	/R	1	I6NA/6NF/6NN I9VL						
		d-pillar alcantara				23	955 555 277 00	clip mount lining d-pillar		4	
	5E5	steel grey									
	5E6	black									
	5G6	sand beige				24	955 555 149 00	loudspeaker grille lining d-pillar	/L	1	I9VL
21	955 555 255 04	lining	/L	1	I6NJ/6NL/6NQ I8RV		7BA	steel grey			
		d-pillar cloth					5Z1	sand beige			
	K90	black					6N3	black mat			
	6K1	sand beige				(24)	955 555 150 00	loudspeaker grille lining d-pillar	/R	1	I9VL
	6L2	steel grey					7BA	steel grey			
(21)	955 555 256 04	lining	/R	1	I6NJ/6NL/6NQ I8RV		5Z1	sand beige			
		d-pillar cloth					6N3	black mat			
	K90	black				25	N 106 021 01	oval-head screw 4,0 X 10 mount loudspeaker grille		4	I9VL
	6K1	sand beige									
	6L2	steel grey				21	955 555 257 04	lining	/L	1	
		d-pillar cloth						d-pillar for luggage net			
	K90	black					9B9	satin black			
	6K1	sand beige					6C6	sand beige			
	6L2	steel grey					7A8	steel grey			
(21)	955 555 258 04	lining	/R	1	I6NJ/6NL/6NQ I9VL	(26)	955 555 688 02	eye d-pillar for luggage net	/R	1	
		d-pillar cloth					9B9	satin black			
	K90	black					6C6	sand beige			
	6K1	sand beige					7A8	steel grey			
	6L2	steel grey									

Model	Year	MG	SG	Illustration	Restrictions	UPD	14:54	21.01.2010	PORSCHE	PET	PORSCHE
9PA1	2010	8	07	807-25		247					

Pos	Part Number	Description	Remark	Qty	Model	Pos	Part Number	Description	Remark	Qty	Model
27	N 908 429 03	screw M 6 X 12 mount eye for luggage net		2							
28	955 555 334 00	bush lining a-pillar		4							
29	955 551 787 01	retaining clip a-pillar lower		2							
30	955 555 771 00	deformation element b-pillar	/L	1	I3FA/3FE						
(30)	955 555 772 00	deformation element b-pillar	/R	1	I3FA/3FE						
(30)	955 555 773 00	deformation element b-pillar	/L	1	I3FU						
(30)	955 555 774 00	deformation element b-pillar	/R	1	I3FU						
31	955 555 775 00	deformation element c-pillar	/L	1	I3FA/3FE						
(31)	955 555 776 00	deformation element c-pillar	/R	1	I3FA/3FE						
(31)	955 555 777 00	deformation element c-pillar	/L	1	I3FU						
(31)	955 555 778 00	deformation element c-pillar	/R	1	I3FU						
32	955 555 779 00	deformation element d-pillar	/L	1							
(32)	955 555 780 00	deformation element d-pillar	/R	1							
33	N 908 195 01	lens-head screw ST 4,8 X 13		X							
34	N 911 215 01	blind rivet nut M5		X							

Model	Year	MG	SG	Illustration	Restrictions	UPD	14:54	21.01.2010	PORSCHE	PET	PORSCHE
9PA1	2010	8	07	807-30		247					



Pos	Part Number	Description	Remark	Qty	Model
(1)	955 555 011 01	rooflining accessories cloth K90 black 6K1 sand beige 6L2 steel grey		1	I3FA/6NJ/7X0 I7X9
(1)	955 555 012 01	rooflining cloth K90 black 6K1 sand beige 6L2 steel grey		1	I3FA/6NJ/7X2 I7X8
(1)	955 555 013 01	rooflining cloth K90 black 6K1 sand beige 6L2 steel grey		1	I3FE/7X0/7X9
(1)	955 555 014 01	rooflining cloth K90 black 6K1 sand beige 6L2 steel grey		1	I3FE/7X2/7X8
(1)	955 555 015 01	rooflining cloth K90 black 6K1 sand beige 6L2 steel grey		1	I3FU/6NJ/7X0 I7X9
(1)	955 555 016 01	rooflining cloth K90 black		1	I3FU/6NJ/7X2 I7X8

Model	Year	MG	SG	Illustration	Restrictions	UPD	14:54	21.01.2010	PORSCHE	PET	PORSCHE
9PA1	2010	8	07	807-30		247					

Pos	Part Number	Description	Remark	Qty	Model	Pos	Part Number	Description	Remark	Qty	Model
	6K1	sand beige					5E6	black			
	6L2	steel grey					5G6	sand beige			
(1)	955 555 017 01	rooflining alcantara		1	I3FA/6NN/7X0 I7X9	2	955 555 607 00	grab handle front	/L	1	
	5E5	steel grey					9B9	satin black			
	5E6	black					6C6	sand beige			
	5G6	sand beige					7A8	steel grey			
(1)	955 555 018 01	rooflining alcantara		1	I3FA/6NN/7X2 I7X8	(2)	955 555 608 00	grab handle front	/R	1	
	5E5	steel grey					9B9	satin black			
	5E6	black					6C6	sand beige			
	5G6	sand beige					7A8	steel grey			
(1)	955 555 019 01	rooflining alcantara		1	I3FE/7X0/7X9	3	N 105 963 02	screw M 5 X 25		4	
	5E5	steel grey				4	955 555 421 00	support front	/L	1	I3FA/3FE
	5E6	black				(4)	955 555 422 00	support front	/R	1	I3FA/3FE
	5G6	sand beige				(4)	955 555 423 00	support front	/L	1	I3FU
(1)	955 555 020 01	rooflining alcantara		1	I3FE/7X2/7X8	(4)	955 555 424 00	support front	/R	1	I3FU
	5E5	steel grey				5	N 104 514 04	lens-head screw M 6 X 16		8	
	5E6	black				6	955 555 695 00	deformation element front	/L	1	I3FE/3FU
(1)	955 555 021 01	rooflining alcantara		1	I3FU/6NN/7X0 I7X9	(6)	955 555 696 00	deformation element front	/R	1	I3FE/3FU
	5E5	steel grey				6	955 555 697 00	deformation element front	/L	1	I3FA
	5E6	black				(6)	955 555 698 00	deformation element front	/R	1	I3FA
	5G6	sand beige				7	N 102 473 02	tapping screw ST 4,8 X 16		4	
(1)	955 555 022 01	rooflining alcantara		1	I3FU/6NN/7X2 I7X8	8	955 555 677 00	eye	/L	1	I3FA/3FE
	5E5	steel grey									

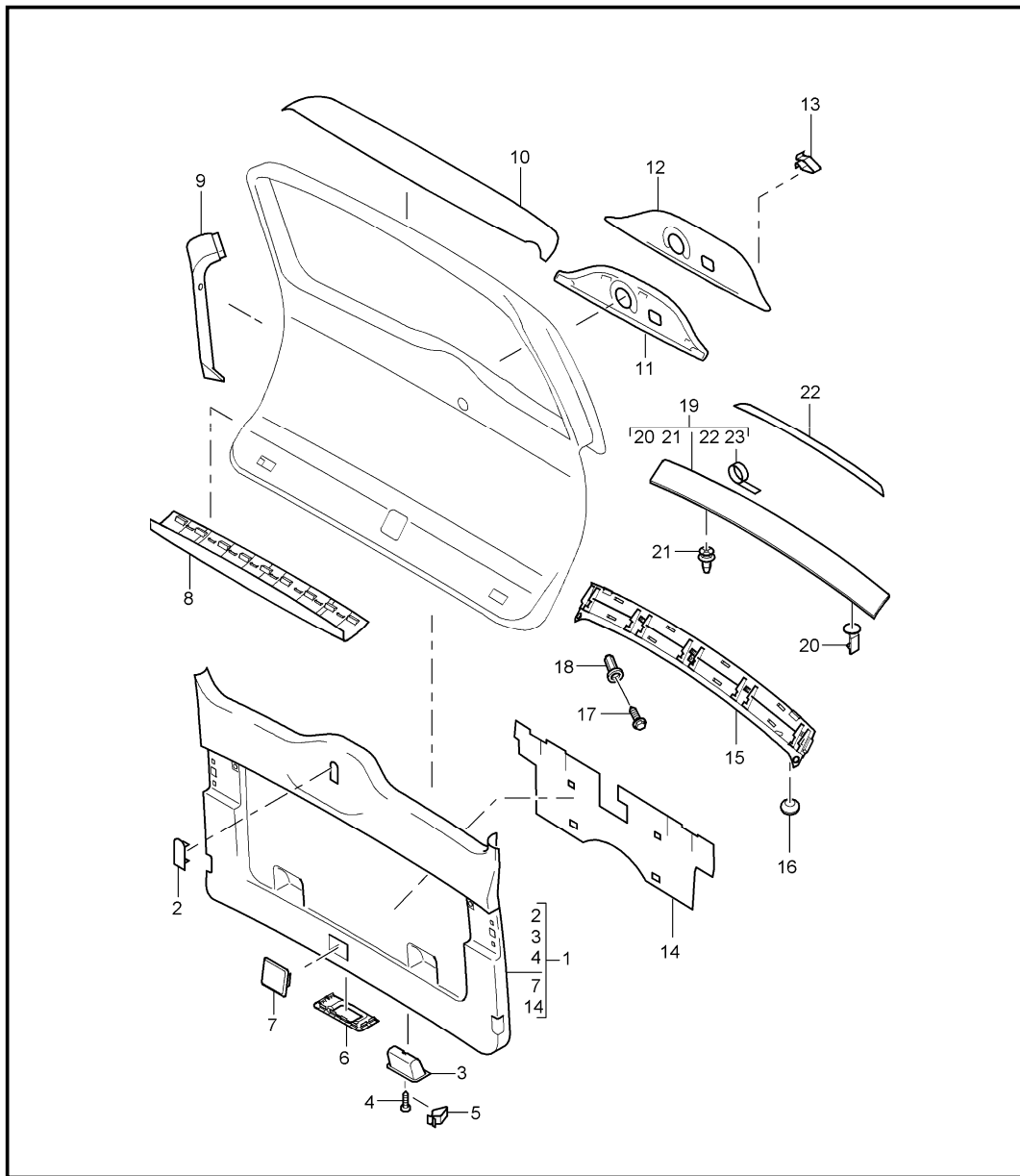
Model	Year	MG	SG	Illustration	Restrictions	UPD	14:54	21.01.2010	PORSCHE	PET	PORSCHE
9PA1	2010	8	07	807-30		247					

Pos	Part Number	Description	Remark	Qty	Model	Pos	Part Number	Description	Remark	Qty	Model
	9B9	satin black				12	N 105 963 02	screw M 5 X 25		4	
	6C6	sand beige				13	955 555 425 01	support rear	/L	1	I3FA/3FE
	7A8	steel grey				(13)	955 555 426 01	support rear	/R	1	I3FA/3FE
(8)	955 555 678 00	eye	/R	1	I3FA/3FE	(13)	955 555 427 00	support rear	/L	1	I3FU
	9B9	satin black				(13)	955 555 428 00	support rear	/R	1	I3FU
	6C6	sand beige				14	N 104 514 04	lens-head screw M 6 X 16		8	
	7A8	steel grey				15	955 555 617 02	border strip rear cloth		1	I6NJ/6NL/6NQ
(8)	955 555 781 00	eye	/L	1	I3FU		K90	black			
	9B9	satin black					6K1	sand beige			
	6C6	sand beige					6L2	steel grey			
	7A8	steel grey				(15)	955 555 618 03	border strip rear alcantara		1	I6NA/6NF/6NN
(8)	955 555 782 00	eye	/R	1	I3FU		5E5	steel grey			
	9B9	satin black					5E6	black			
	6C6	sand beige					5G6	sand beige			
	7A8	steel grey				16	955 555 277 00	clip		2	
9	955 555 784 00	expansion rivet mount eye		1		17	955 551 276 00	clip		9	
10	--- --- --- --	reading light rear see group 9/03/04		1		18	955 555 561 00	covering frame		1	I3FE
11	955 555 605 00	grab handle rear	/L	1			01C	satin black			
	9B9	satin black				(18)	955 555 563 01	covering frame		2	I3FU
	6C6	sand beige					A03	black			
	7A8	steel grey				19	--- --- --- --	ParkAssist rear see group 9/06/00		1	
(11)	955 555 606 00	grab handle rear	/R	1							
	9B9	satin black									
	6C6	sand beige									
	7A8	steel grey									

Model	Year	MG	SG	Illustration	Restrictions	UPD	14:54	21.01.2010	PORSCHE	PET	PORSCHE
9PA1	2010	8	07	807-30		247					

Pos	Part Number	Description	Remark	Qty	Model	Pos	Part Number	Description	Remark	Qty	Model
20	--- --- --- --	bracket roof see group 9/03/06		1							
21	955 803 069 02	airbag unit	/L	1							
21	955 803 070 02	airbag unit	/R	1							
--	N 908 074 07	oval-head screw M 5 X 18 for mount airbag unit		X							
(22)	955 555 525 02	clamp		15	I3FE						
22	955 555 615 00	clamp covering frame		2	I3FU						
23	955 555 663 00	clip mount rooflining		2							
24	955 555 071 00	cover control part		1	I3FU						
	9B9	satin black									
	6C6	sand beige									
	7A8	steel grey									
25	955 555 283 01	clamp for mount cover control part		1	I3FU						
26	955 555 633 00	clamp mount rooflining		23	I3FU						

Model	Year	MG	SG	Illustration	Restrictions	UPD	14:55	21.01.2010	PORSCHE	PET	PORSCHE
9PA1	2010	8	07	807-35		247					



Pos	Part Number	Description	Remark	Qty	Model
1	955 555 602 01	linings rear lid tufting velour PCE black/black PCF stone grey/steel grey PCG havanna/sand beige	-08	1	I3LD/4E0
1	955 555 602 02	lining rear lid tufting velour PCE black/black PCF stone grey/steel grey PCG havanna/sand beige	-08	1	I3LD/4E7
1	955 555 602 01	lining PCE black/black PCF stone grey/steel grey PCG havanna/sand beige ZPQ chestnut brown ZPS sand beige/sand beige	09-	1	I4E0
1	955 555 602 02	lining rear lid PCE black/black PCF stone grey/steel grey PCG havanna/sand beige ZPQ chestnut brown ZPS sand beige/sand beige	09-	1	I4E7
(1)	955 555 603 01	lining rear lid pearl velour PCJ black/black PCK stone grey/steel grey	-08	1	I3LH/3LM/3LS I4E0

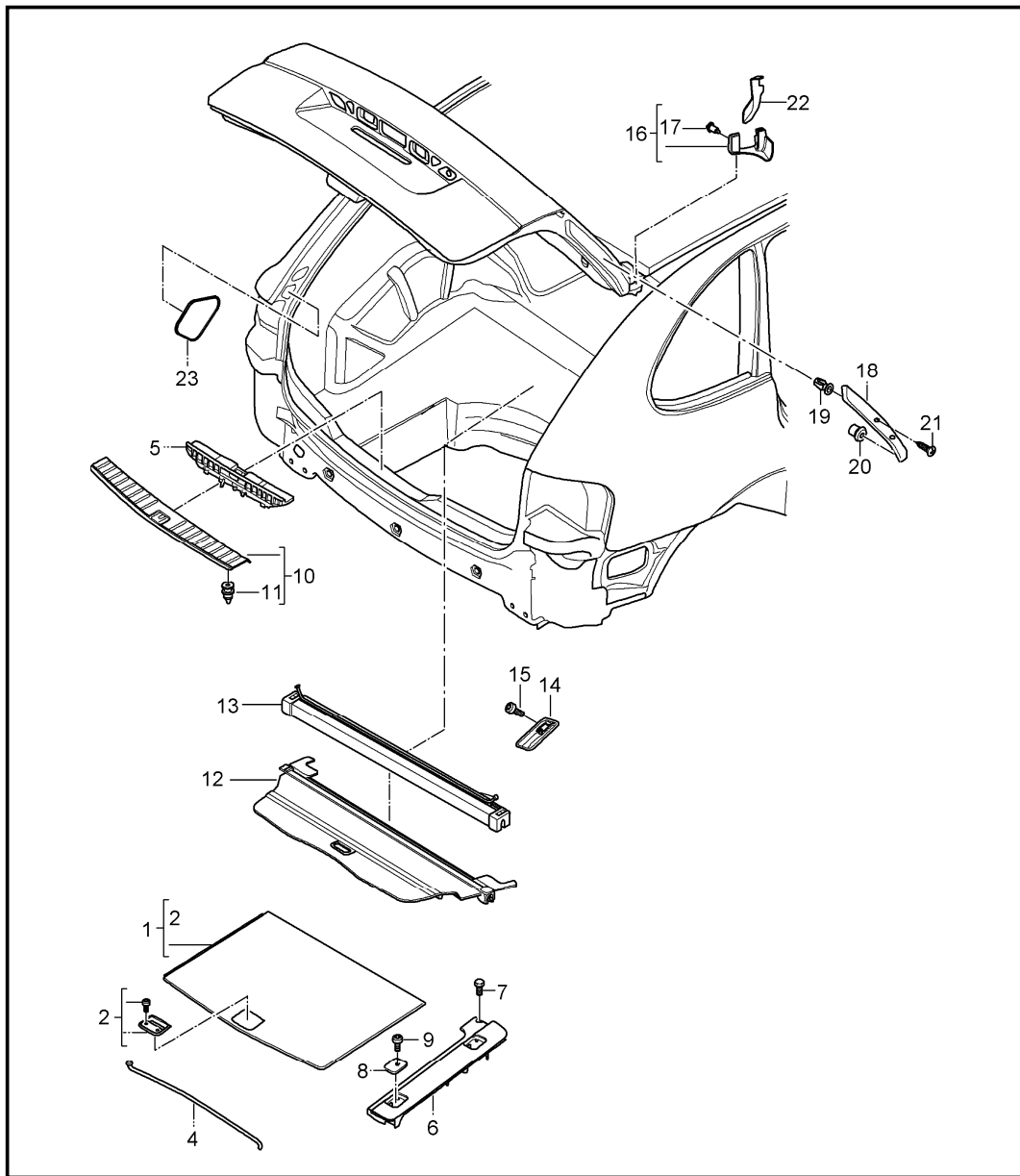
Model	Year	MG	SG	Illustration	Restrictions	UPD	14:55	21.01.2010	PORSCHE	PET	PORSCHE
9PA1	2010	8	07	807-35		247					

Pos	Part Number	Description	Remark	Qty	Model	Pos	Part Number	Description	Remark	Qty	Model
	PCL	havanna/sand beige				6	955 555 520 00	covering for lock rear lid lock		1	
	RKS	sand beige/sand beige					9B9	satin black			
	WPG	chestnut brown									
(1)	955 555 603 02	lining	-08	1	I3LH/3LM/3LS I4E7	7	955 555 747 00	lid emergency operation		1	
		rear lid pearl velour					9B9	satin black			
	PCJ	black/black					6C6	sand beige			
	PCK	stone grey/steel grey					7A8	steel grey			
	PCL	havanna/sand beige				8	955 555 685 01	lining rear lid upper inner		1	
	RKS	sand beige/sand beige					A03	black			
	WPG	chestnut brown					7BA	steel grey			
--	955 555 278 00	clip mount rear lid		8			5Z1	sand beige			
--	955 555 279 00	fixing clip mount rear lid		3		9	955 555 671 01	lining rear lid lateral inner	/L	1	
--	955 555 208 00	clamp mount rear lid		4			A03	black			
2	955 555 140 00	cap emergency operation		1			7BA	steel grey			
	A03	black					5Z1	sand beige			
	5V7	stone grey				(9)	955 555 672 01	lining rear lid lateral inner	/R	1	
	5Y9	havanna					A03	black			
	5Z1	sand beige					7BA	steel grey			
3	955 555 593 00	finger plate		1			5Z1	sand beige			
	9B9	satin black				--	955 555 276 00	clip for mount lining rear lid lateral		2	
4	N 104 571 01	combination screw ST 4,2 X 13,0 mount finger plate		3							
5	N 905 410 01	expander nut CST 4,2 X 7,3 mount finger plate		3							

Model	Year	MG	SG	Illustration	Restrictions	UPD	14:55	21.01.2010	PORSCHE	PET	PORSCHE
9PA1	2010	8	07	807-35		247					

Pos	Part Number	Description	Remark	Qty	Model	Pos	Part Number	Description	Remark	Qty	Model
--	955 555 208 00	clamp for mount lining rear lid lateral		2			9B9	satin black			
						17	N 908 479 03	hexagon-head bolt M 6 X 15		5	
						18	N 908 051 02	blind rivet nut for support moulding rear lid		5	
10	955 555 609 02	lining rear lid upper outer		1							
	9B9	black				19	955 555 365 01	moulding		1	I1G1/1G8/7X0 I7X2
11	955 555 827 00	cover wiper motor		1				rear lid high gloss black			
	A03	black				(19)	955 555 366 01	moulding rear lid high gloss black		1	I1G3/7X0/7X2
	5V7	stone grey									
	5Y9	havanna				(19)	955 555 367 00	moulding rear lid complete high gloss black		1	I7X8/7X9
	5Z1	sand beige									
12	955 555 829 00	trim cover rear window wiper		1							
	A03	black				20	955 555 825 00	clip anti-theft protection moulding rear lid	/L	1	I7X0/7X2
	5V7	stone grey									
	5Y9	havanna				(20)	955 555 826 00	clip anti-theft protection moulding rear lid	/R	1	I7X0/7X2
	5Z1	sand beige									
13	955 555 646 00	fixing clip cover wiper motor		2							
14	955 556 591 00	insulation rear lid		1		21	955 555 794 00	clip mount moulding rear lid		6	
15	955 555 843 03	support moulding		1	I7X0/7X2	(22)	955 555 910 01	moulding		1	I1QJ4/7X0/7X2 I7X8/7X9
	9B9	satin black						upper part high gloss black			
(15)	955 555 844 00	support moulding		1	I7X8/7X9	23	955 555 045 00	adhesive tape double sided		2	I7X2/7X8/7X9
	9B9	satin black									
16	955 559 363 01	cap for rear window		2							

Model	Year	MG	SG	Illustration	Restrictions	UPD	14:55	21.01.2010	PORSCHE	PET	PORSCHE
9PA1	2010	8	07	807-40		247					



Pos	Part Number	Description	Remark	Qty	Model
		linings luggage compartment accessories			
1	955 551 146 01	spare wheel covering tufting velour 7H1 black 7J2 steel grey 7K3 sand beige AV1 chestnut brown	-08	1	I3GE/3GN/3ME I9AB/9AD
(1)	955 551 148 01	spare wheel covering tufting velour 7H1 black 7J2 steel grey 7K3 sand beige AV1 chestnut brown	-08	1	I3GE/3GN/3ME I9AH
(1)	955 551 146 02	spare wheel covering tufting velour 7H1 black 7J2 steel grey 7K3 sand beige AV1 chestnut brown	09-	1	I1G1/1G3/1G8 I3GE/3GN/3ME I9AB/9AD
(1)	955 551 146 03	spare wheel covering tufting velour 7H1 black 7J2 steel grey 7K3 sand beige AV1 chestnut brown	09-	1	I1G4/3GE/3GN I3ME/9AB/9AD
(1)	955 551 148 02	spare wheel covering tufting velour	09-	1	I1G1/1G3/1G8 I3GE/3GN/3ME I9AH

Model	Year	MG	SG	Illustration	Restrictions	UPD	14:55	21.01.2010	PORSCHE	PET	PORSCHE
9PA1	2010	8	07	807-40		247					

Pos	Part Number	Description	Remark	Qty	Model	Pos	Part Number	Description	Remark	Qty	Model
		7H1 black				5	955 551 225 01	support for locking device spare wheel covering		1	
		7J2 steel grey									
		7K3 sand beige									
		AV1 chestnut brown				6	955 551 527 00	base	/L	1	I3GE/3ME/9AB I9AD
(1)	955 551 148 03	spare wheel covering tufting velour	09-	1	I1G4/3GE/3GN I3ME/9AH			luggage compartment tufting velour			
		7H1 black						7H1 black			
		7J2 steel grey						7J2 steel grey			
		7K3 sand beige						7K3 sand beige			
		AV1 chestnut brown						AV1 chestnut brown	09-		
(1)	955 551 147 01	spare wheel covering pearl velour	-08	1	I3GE/3GN/3MT I9AB/9AD	(6)	955 551 531 00	base luggage compartment tufting velour	/L	1	I3GE/3ME/9AH
		L63 chestnut brown						7H1 black			
		8B2 black						7J2 steel grey			
		8C3 steel grey						7K3 sand beige			
		8D4 sand beige						AV1 chestnut brown	09-		
(1)	955 551 149 01	spare wheel covering pearl velour	-08	1	I3GE/3GN/3MT I9AH	(6)	955 551 528 00	base luggage compartment tufting velour	/R	1	I3GE/3ME
		L63 chestnut brown						7H1 black			
		8B2 black						7J2 steel grey			
		8C3 steel grey						7K3 sand beige			
		8D4 sand beige						AV1 chestnut brown	09-		
2	955 551 115 00	handle spare wheel covering complete		1		(6)	955 551 529 00	base luggage compartment pearl velour	/L	1	I3GE/3MT/9AB I9AD
		9B9 satin black						L63 chestnut brown			
		6C6 sand beige						8B2 black			
		7A8 steel grey						8C3 steel grey			
4	955 551 195 00	hood stay for spare wheel covering		1	I1G1/1G3/1G8			8D4 sand beige			

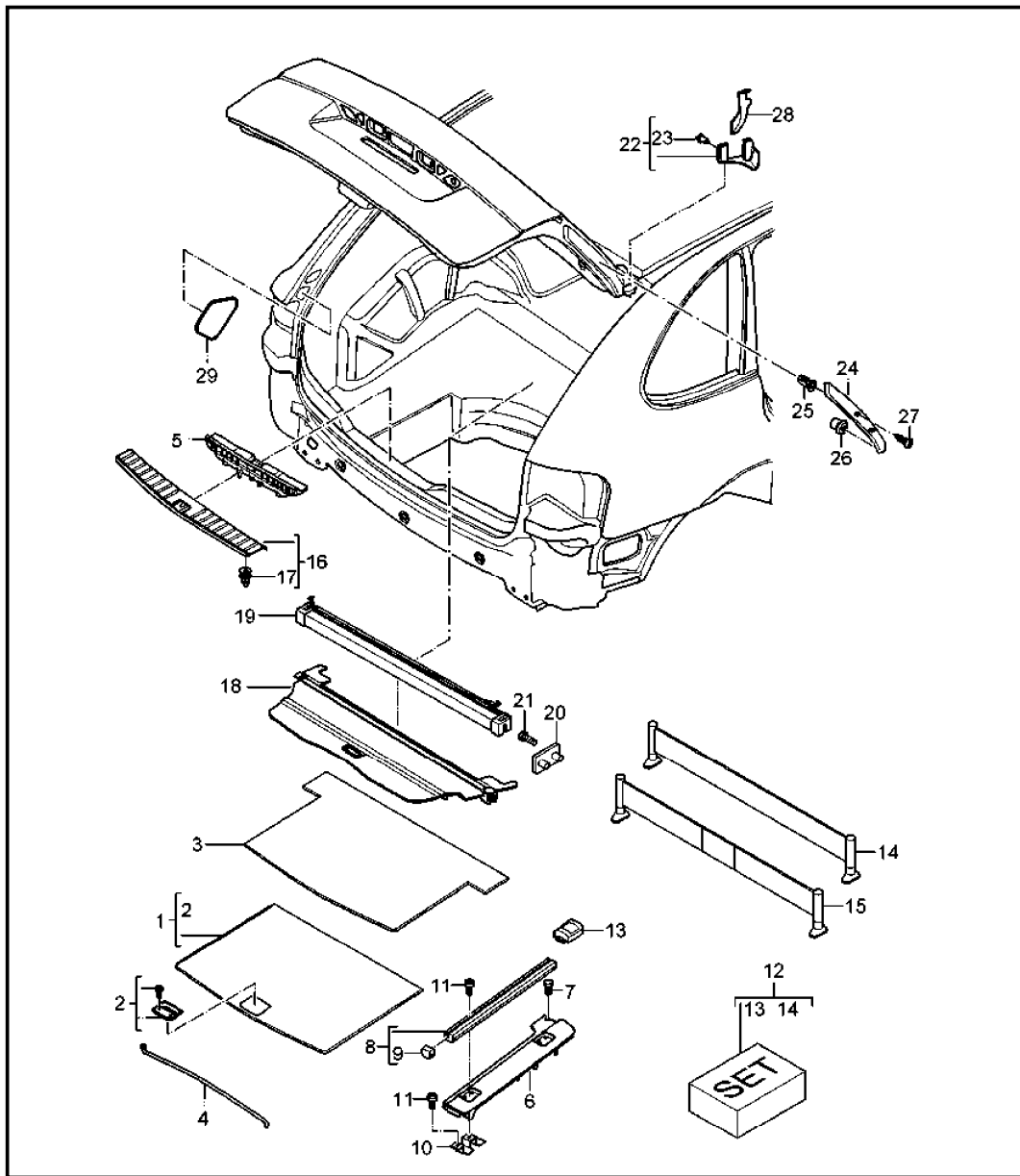
Model	Year	MG	SG	Illustration	Restrictions	UPD	14:55	21.01.2010	PORSCHE	PET	PORSCHE
9PA1	2010	8	07	807-40		247					

Pos	Part Number	Description	Remark	Qty	Model	Pos	Part Number	Description	Remark	Qty	Model
(6)	955 551 533 00	base luggage compartment pearl velour	/L -08	1	I3GE/3MT/9AH		9ET	black			
	L63	chestnut brown				(12)	955 551 774 00	luggage compartment cover		1	I3CA
	8B2	black					6R5	havanna			
	8C3	steel grey					6S4	stone grey			
	8D4	sand beige					9ET	black			
(6)	955 551 530 00	base luggage compartment pearl velour	/R -08	1	I3GE/3MT		4R9	sand beige			
	L63	chestnut brown				13	955 551 691 03	net luggage compartment		1	I3CX
	8B2	black					3W4	black			
	8C3	steel grey				14	955 551 812 00	mounting piece net		2	
	8D4	sand beige				15	N 106 068 02	countersunk-head screw M6 X 25 for mount mounting piece net		4	
7	N 090 232 4	combination screw M 6 X 10 mount base luggage compartment		2		16	955 551 627 01	lining hinge cover	/L	1	
8	955 551 203 00	eye luggage compartment		4	I3GE		9B9	satin black			
	2ZZ	chrome				(16)	955 551 628 00	lining hinge cover	/R	1	
9	N 105 559 02	countersunk-head screw M 6 X 40 mount eye luggage compartment		8			9B9	satin black			
10	955 551 459 03	cover lock carrier		1		17	955 551 207 00	fixing clip lining hinge cover		2	
	6M7	stainless steel					9B9	satin black			
11	955 551 689 02	fixing clip for cover lock carrier		4		18	955 551 711 01	lining hinge cable cover	/L	1	
12	955 551 773 05	luggage compartment cover		1	I3CX		9B9	satin black			
	6R5	havanna				(18)	955 551 712 01	lining hinge cable cover	/R	1	
	6S4	stone grey									

Model	Year	MG	SG	Illustration	Restrictions	UPD	14:55	21.01.2010	PORSCHE	PET	PORSCHE
9PA1	2010	8	07	807-40		247					

Pos	Part Number	Description	Remark	Qty	Model	Pos	Part Number	Description	Remark	Qty	Model
	9B9	satin black									
19	N 105 168 01	expander nut F 5 X 14,4 mount cable cover outer		4							
20	955 551 741 01	clamping piece for cable cover outer		2							
21	N 104 472 01	lens-head screw ST 4,8 X13 mount cable cover outer		4							
22	955 551 713 00	lining hinge cable cover inner	/L	1							
(22)	955 551 714 00	lining hinge cable cover inner	/R	1							
	9B9	satin black									
23	955 551 353 01	cover sealing channel		1	I1G1/1G8						
	9B9	satin black									
(23)	955 551 335 01	adhesive plate		3	I1G1/1G8						

Model	Year	MG	SG	Illustration	Restrictions	UPD	14:55	21.01.2010	PORSCHE	PET	PORSCHE
9PA1	2010	8	07	807-41		247					



Pos	Part Number	Description	Remark	Qty	Model
		linings luggage compartment accessories with loadspace system			
1	955 551 146 01	spare wheel covering tufting velour 7H1 black 7J2 steel grey 7K3 sand beige	-08	1	I3GE/3GN/3ME I9AB/9AD
(1)	955 551 148 01	spare wheel covering tufting velour 7H1 black 7J2 steel grey 7K3 sand beige	-08	1	I3GE/3GN/3ME I9AH
(1)	955 551 146 02	spare wheel covering tufting velour 7H1 black 7J2 steel grey 7K3 sand beige AV1 chestnut brown	09-	1	I1G1/1G3/1G8 I3GE/3GN/3ME I9AB/9AD
(1)	955 551 146 03	spare wheel covering tufting velour 7H1 black 7J2 steel grey 7K3 sand beige AV1 chestnut brown	09-	1	I1G4/3GE/3GN I3ME/9AB/9AD
(1)	955 551 148 02	spare wheel covering tufting velour 7H1 black	09-	1	I1G1/1G3/1G8 I3GE/3GN/3ME I9AH

Model	Year	MG	SG	Illustration	Restrictions	UPD	14:55	21.01.2010	PORSCHE	PET	PORSCHE
9PA1	2010	8	07	807-41		247					

Pos	Part Number	Description	Remark	Qty	Model	Pos	Part Number	Description	Remark	Qty	Model						
(1)	955 551 148 03	7J2 steel grey 7K3 sand beige AV1 chestnut brown spare wheel covering tufting velour	09-	1	I1G4/3GE/3GN I3ME/9AH	3	955 551 145 02	8B2 black 8C3 steel grey 8D4 sand beige insert carpet	09	1	I3GN						
	(1)	955 551 147 01	7H1 black 7J2 steel grey 7K3 sand beige AV1 chestnut brown spare wheel covering pearl velour	-08	1		I3GE/3GN/3MT I9AB/9AD	3	955 551 145 02	CR1 steel grey CS2 sand beige CT3 chestnut brown CU4 black insert carpet	10-	1	IE0A/E0W/E2D IE8A/E81/3GN				
		(1)	955 551 149 01	L63 chestnut brown 8B2 black 8C3 steel grey 8D4 sand beige spare wheel covering pearl velour	-08		1		I3GE/3GN/3MT I9AH	3	955 551 146 00	CR1 steel grey CS2 sand beige CT3 chestnut brown CU4 black insert carpet	10-	1	IE1T/3GN		
			2	955 551 115 00	L63 chestnut brown 8B2 black 8C3 steel grey 8D4 sand beige handle spare wheel covering complete				1			4	955 551 195 00	L0D black hood stay for spare wheel covering		1	I1G1/1G3/1G8
				3	955 551 145 00		9B9 satin black 6C6 sand beige 7A8 steel grey insert carpet		-08		1		I3GN	5	955 551 225 01	support for locking device spare wheel covering	
			3		955 551 145 00		L63 chestnut brown insert carpet		-08		1	I3GN	6		955 551 527 03	base luggage compartment tufting velour	/L
		3			955 551 145 00		7H1 black 7J2 steel grey 7K3 sand beige AV1 chestnut brown		-08	1	I3GN					09-	

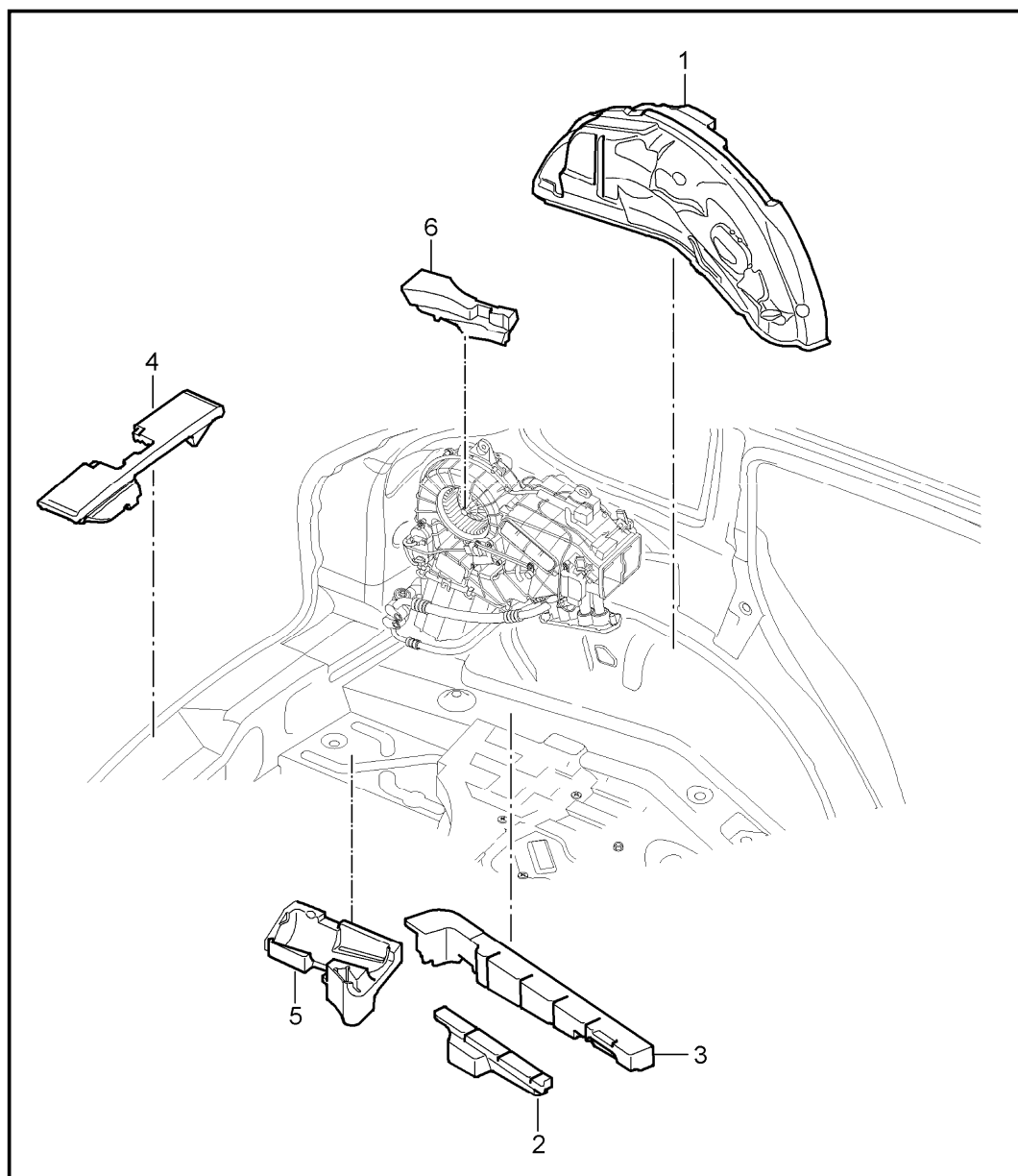
Model	Year	MG	SG	Illustration	Restrictions	UPD	14:55	21.01.2010	PORSCHE	PET	PORSCHE
9PA1	2010	8	07	807-41		247					

Pos	Part Number	Description	Remark	Qty	Model	Pos	Part Number	Description	Remark	Qty	Model
(6)	955 551 531 03	base luggage compartment tufting velour	/L	1	I3GN/3ME/9AH		8C3	steel grey			
	7H1	black					8D4	sand beige			
	7J2	steel grey				7	N 090 232 4	combination screw M 6 X 10 mount base luggage compartment		2	
	7K3	sand beige									
	AV1	chestnut brown	09-			8	955 551 555 01	retaining strip	/L	14	I3GN
(6)	955 551 528 04	base luggage compartment tufting velour	/R	1	I3GN/3ME	(8)	955 551 556 01	retaining strip loadspace system	/R	14	I3GN
	7H1	black				9	955 551 509 00	cap retaining strip front	/L	1	I3GN
	7J2	steel grey					01C	satin black			
	7K3	sand beige				(9)	955 551 510 00	cap retaining strip front	/R	18	I3GN
	AV1	chestnut brown	09-				01C	satin black			
(6)	955 551 529 03	base luggage compartment pearl velour	/L	-08	1 I3GN/3MT/9AB I9AD	(9)	955 551 521 01	cap retaining strip rear	/L	1	I3GN
	L63	chestnut brown					01C	satin black			
	8B2	black				(9)	955 551 522 01	cap retaining strip rear	/R	1	I3GN
	8C3	steel grey									
	8D4	sand beige									
(6)	955 551 533 03	base luggage compartment pearl velour	/L	-08	1 I3GN/3MT/9AH	10	955 551 615 00	support retaining strip		2	I3GN
	L63	chestnut brown				11	N 106 174 02	pan-head screw M6 X 16		X	I3GN
	8B2	black				12	955 551 504 00	bag loadspace system		1	I3GN
	8C3	steel grey				13	955 551 539 00	eye luggage compartment		4	I3GN
	8D4	sand beige				14	955 551 378 01	shade		1	I3GN
(6)	955 551 530 04	base luggage compartment pearl velour	/R	-08	1 I3GN/3MT	15	955 551 377 00	telescopic rod		1	I3GN
	L63	chestnut brown				16	955 551 459 03	cover lock carrier		1	
	8B2	black									

Model	Year	MG	SG	Illustration	Restrictions	UPD	14:55	21.01.2010	PORSCHE	PET	PORSCHE
9PA1	2010	8	07	807-41		247					

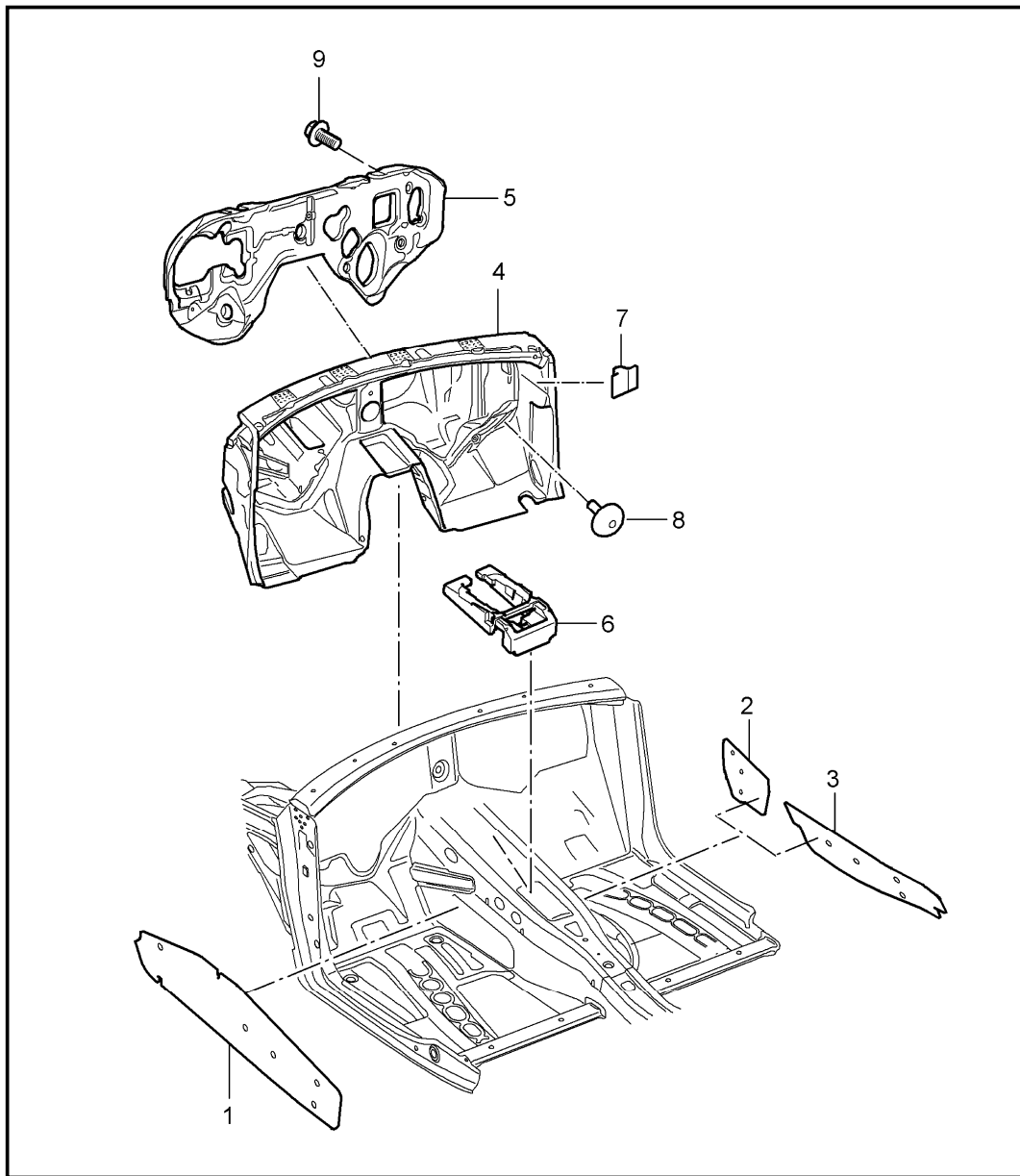
Pos	Part Number	Description	Remark	Qty	Model	Pos	Part Number	Description	Remark	Qty	Model
	6M7	stainless steel				23	955 551 207 00	fixing clip lining hinge cover		2	
17	955 551 689 02	fixing clip for cover lock carrier		4			9B9	satin black			
18	955 551 773 05	luggage compartment cover		1	I3CX	24	955 551 711 01	lining hinge cable cover	/L	1	
	6R5	havanna					9B9	satin black			
	6S4	stone grey				(24)	955 551 712 01	lining hinge cable cover	/R	1	
	9ET	black					9B9	satin black			
	4R9	sand beige									
(18)	955 551 774 00	luggage compartment cover		1	I3CA	25	N 105 168 01	expander nut F 5 X 14,4 mount cable cover outer		4	
	6R5	havanna									
	6S4	stone grey									
	9ET	black									
	4R9	sand beige				26	955 551 741 01	clamping piece for cable cover outer		2	
19	955 551 691 03	net luggage compartment		1	I3CX	27	N 104 472 01	lens-head screw ST 4,8 X13 mount cable cover outer		4	
	3W4	black									
20	955 551 812 00	mounting piece net		2		28	955 551 713 00	lining hinge cable cover inner	/L	1	
21	N 106 068 02	countersunk-head screw M6 X 25 for mount mounting piece net		4			9B9	satin black			
22	955 551 627 01	lining hinge cover	/L	1		(28)	955 551 714 00	lining hinge cable cover inner	/R	1	
	9B9	satin black					9B9	satin black			
(22)	955 551 628 00	lining hinge cover	/R	1		29	955 551 353 01	cover sealing channel		1	I1G1/1G8
	9B9	satin black					9B9	satin black			
						(29)	955 551 335 01	adhesive plate		3	I1G1/1G8

Model	Year	MG	SG	Illustration	Restrictions	UPD	14:55	21.01.2010	PORSCHE	PET	PORSCHE
9PA1	2010	8	07	807-45		247					



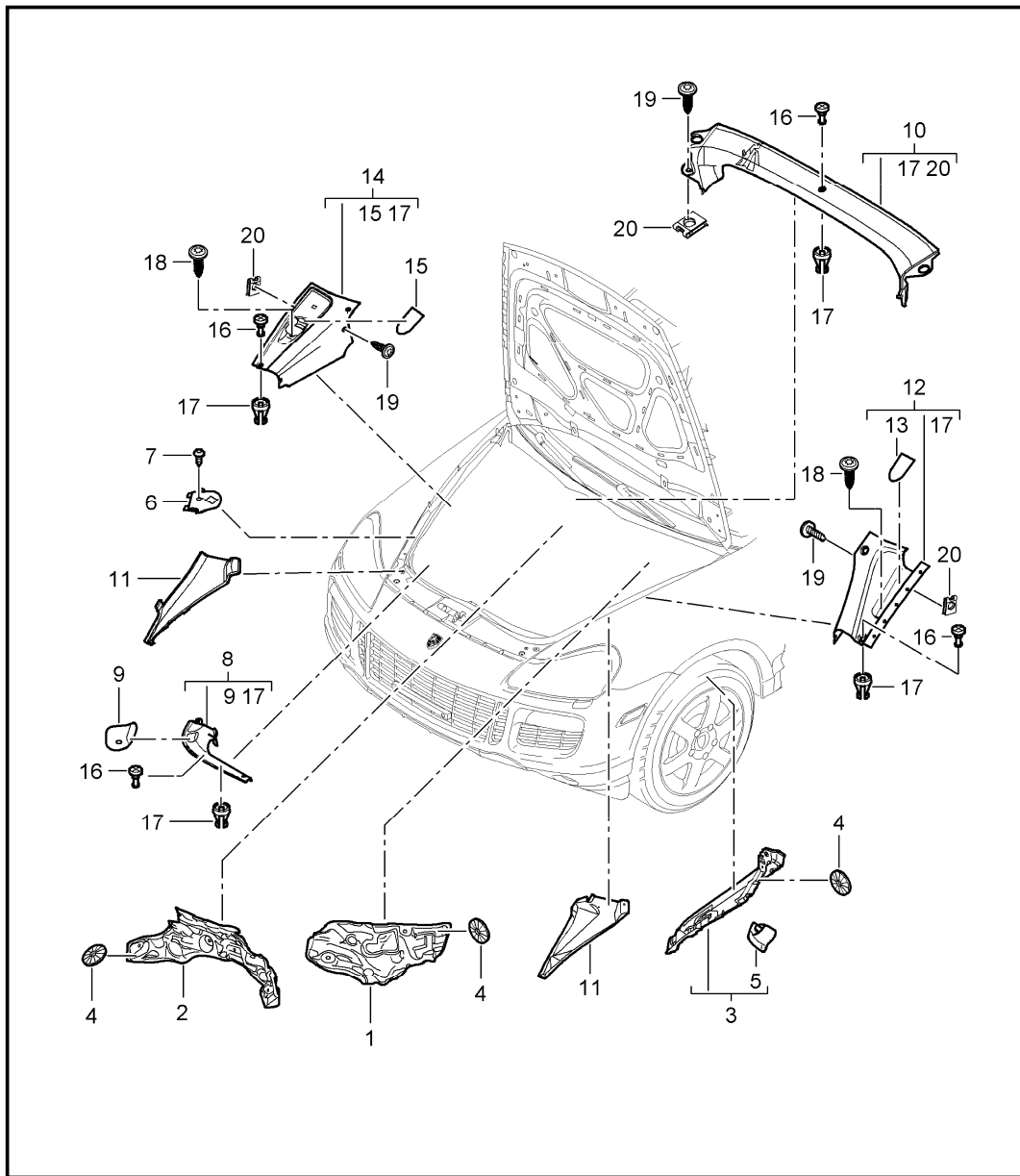
Pos	Part Number	Description	Remark	Qty	Model
1	955 556 607 03	sound absorber luggage compartment wheel housing	/L	1	I9AH
(1)	955 556 611 02	insulation wheel housing	/L	1	I9AB/9AD
(1)	955 556 608 02	insulation wheel housing	/R	1	I3W4/3W7
2	955 556 743 01	insulation luggage compartment floor inner	/L	1	I3GE
(2)	955 556 744 01	insulation luggage compartment floor inner	/R	1	I3GE
3	955 556 801 01	insulation luggage compartment floor outer	/L	1	I3GE
(3)	955 556 802 01	insulation luggage compartment floor outer	/R	1	I3GE
(3)	955 556 421 00	insulation luggage compartment floor outer		1	I3GN
4	955 556 809 00	insulation cross member		1	
5	955 556 895 02	insulation spare-wheel well	/L	1	
6	955 556 233 01	insulation for heat exchanger	/L	1	I9AH

Model	Year	MG	SG	Illustration	Restrictions	UPD	14:55	21.01.2010	PORSCHE	PET	PORSCHE
9PA1	2010	8	07	807-50		247					



Pos	Part Number	Description	Remark	Qty	Model
		sound absorber passenger compartment			
1	955 556 815 00	sound absorber tunnel	/L	1	
2	955 556 816 00	sound absorber tunnel front	/R	1	
3	955 556 818 00	sound absorber tunnel rear	/R	1	
(4)	955 556 623 02	insulation firewall	/LL	1	
(4)	955 556 624 02	insulation firewall	/RL	1	
5	955 556 595 01	insulation with assembly plate	/LL	1	
(5)	955 556 596 01	insulation with assembly plate	/RL	1	
6	955 556 531 01	insulation shift gate		1	IGOL
(6)	955 556 532 01	insulation shift gate		1	IGOR
7	955 556 761 00	support insulation		X	
		01C satin black			
8	955 556 760 00	clip mount insulation firewall		X	
		01C satin black			
9	N 905 483 05	hexagon-head bolt M 8 x 20 for mount insulation assembly plate		X	

Model	Year	MG	SG	Illustration	Restrictions	UPD	14:55	21.01.2010	PORSCHE	PET	PORSCHE
9PA1	2010	8	07	807-55		247					



Pos	Part Number	Description	Remark	Qty	Model
1	955 556 715 01	sound absorber lining engine compartment	/L	1	
(1)	955 556 716 00	insulation plenum panel engine compartment	/R	1	
(1)	955 556 711 00	insulation bonnet		1	ID50
2	955 556 720 01	insulation plenum panel engine compartment centre		1	
3	955 556 725 02	insulation tunnel engine compartment	/L	1	
(3)	955 556 726 00	insulation tunnel engine compartment	/R	1	ID5V/D5Z/D50
(3)	955 556 726 01	insulation tunnel engine compartment	/R	1	ID5X
4	N 903 350 05	clamping washer 5 X 30 mount insulation engine compartment		X	
5	955 556 761 00	support insulation		X	
	01C	satin black			
6	955 504 115 00	support cover	/L	1	
(6)	955 504 116 00	support cover	/R	1	
7	N 909 855 01	oval-head screw 5 X 12 mount support cover engine compartment		1	

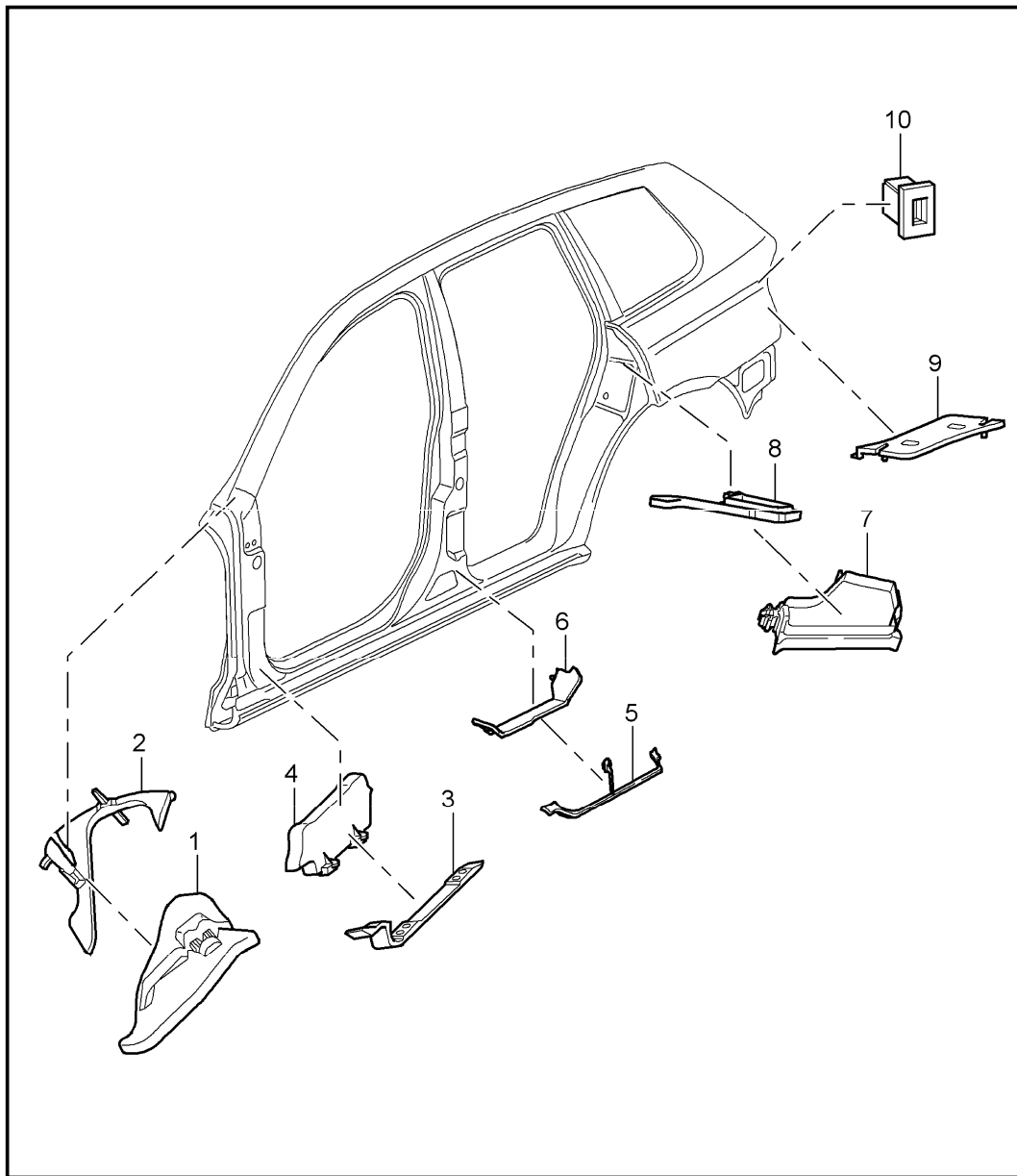
Model	Year	MG	SG	Illustration	Restrictions	UPD	14:55	21.01.2010	PORSCHE	PET	PORSCHE
9PA1	2010	8	07	807-55		247					

Pos	Part Number	Description	Remark	Qty	Model	Pos	Part Number	Description	Remark	Qty	Model
8	955 504 283 00	cover front	/L	1	ID5V/D5X	12	955 504 441 02	cover rear	/L	1	ID5V/D5Z/0AB
	9B9	satin black					01C	satin black			
8	955 504 285 00	cover front	/L	1	ID5Z	(12)	955 504 445 01	cover rear	/L	1	ID5X/0AB
	9B9	satin black					01C	satin black			
(8)	955 504 284 00	cover front	/R	1	ID5V	(12)	955 504 445 01	cover rear	/L	1	I0AW
	9B9	satin black					01C	satin black			
(8)	955 504 286 00	cover front	/R	1	ID5X/D5Z	13	955 504 099 01	cover rear for oil tank power steering	/L	1	
	9B9	satin black					01C	satin black			
9	955 504 311 00	lid lateral adjustment headlamp	/L	1	ID5V/D5X		01C	satin black			
(9)	955 504 312 00	lid lateral adjustment headlamp	/R	1	ID5V	14	955 504 442 02	cover rear	/R	1	ID5X
							01C	satin black			
(9)	955 504 313 00	lid lateral adjustment headlamp	/L	1	ID5Z	(14)	955 504 444 02	cover rear	/R	1	ID5V/D5Z
							01C	satin black			
(9)	955 504 314 00	lid lateral adjustment headlamp	/R	1	ID5X/D5Z	15	955 504 100 00	cover rear for filling container coolant	/R	1	
							01C	satin black			
10	955 504 503 01	cover rear centre		1		16	955 572 710 00	fastening plug mount cover		X	
	01C	satin black									
11	955 504 331 01	cover front lateral	/L	1		17	N 908 475 01	spring clamp 12 X 10,4 mount cover		X	
	01C	satin black									
(11)	955 504 332 01	cover front lateral	/R	1		18	N 906 986 06	tapping screw 4,2 X 16		1	
	01C	satin black				19	N 906 487 01	tapping screw 4,8 X 16 mount cover		X	

Model	Year	MG	SG	Illustration	Restrictions	UPD	14:55	21.01.2010	PORSCHE	PET	PORSCHE
9PA1	2010	8	07	807-55		247					

Pos	Part Number	Description	Remark	Qty	Model	Pos	Part Number	Description	Remark	Qty	Model
20	N 900 942 01	speed nut 16,5 X 10,4 mount cover		X							

Model	Year	MG	SG	Illustration	Restrictions	UPD	14:56	21.01.2010	PORSCHE	PET	PORSCHE
9PA1	2010	8	07	807-60		247					

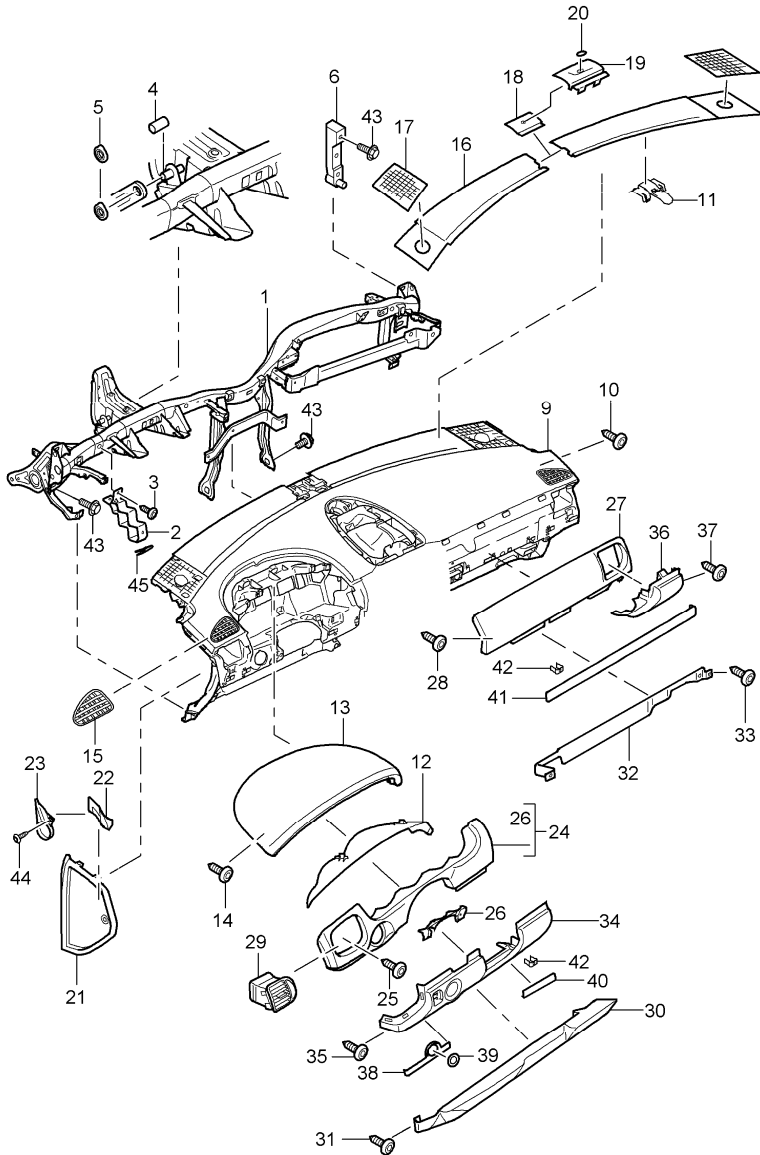


Pos	Part Number	Description	Remark	Qty	Model
1	955 556 425 01	sound absorber a-pillar until d-pillar	/L	1	
(1)	955 556 426 01	sound absorber a-pillar upper inner	/R	1	
2	955 556 427 00	sound absorber a-pillar upper outer	/L	1	
(2)	955 556 428 00	sound absorber a-pillar upper outer	/R	1	
3	955 556 429 01	sound absorber a-pillar lower outer		2	
4	955 556 431 01	sound absorber a-pillar lower inner	/L	1	
(4)	955 556 432 01	sound absorber a-pillar lower inner	/R	1	
5	955 556 433 01	sound absorber b-pillar lower outer	/L	1	
(5)	955 556 434 01	sound absorber b-pillar lower outer	/R	1	
6	955 556 435 01	sound absorber b-pillar lower inner	/L	1	

Model	Year	MG	SG	Illustration	Restrictions	UPD	14:56	21.01.2010	PORSCHE	PET	PORSCHE
9PA1	2010	8	07	807-60		247					

Pos	Part Number	Description	Remark	Qty	Model	Pos	Part Number	Description	Remark	Qty	Model
(6)	955 556 436 01	sound absorber b-pillar lower inner	/R	1							
7	955 556 441 00	sound absorber c-pillar lower inner	/L	1							
(7)	955 556 442 00	sound absorber c-pillar lower inner	/R	1							
8	955 556 443 00	sound absorber c-pillar lower outer	/L	1							
(8)	955 556 444 00	sound absorber c-pillar lower outer	/R	1							
9	955 556 449 00	sound absorber d-pillar lower	/L	1							
(9)	955 556 450 00	sound absorber d-pillar lower	/R	1							
10	955 556 807 00	insulation d-pillar		2							

Model	Year	MG	SG	Illustration	Restrictions	UPD	14:56	21.01.2010	PORSCHE	PET	PORSCHE
9PA1	2010	8	09	809-00		247					



Pos	Part Number	Description	Remark	Qty	Model
1	955 552 061 04	dashboard trim accessories			
1	955 552 061 04	retaining frame for dashboard	/LL	-08	1 IL0L
1	955 552 061 05	retaining frame for dashboard	/LL	09-	1 IL0L
(1)	955 552 062 05	retaining frame for dashboard	/RL	-08	1 IL0R
(1)	955 552 062 06	retaining frame for dashboard	/RL	09-	1 IL0R
4	955 552 049 00	bearing sleeve for retaining frame		1	
5	N 905 770 01	clamping washer 12 X 25,5 retaining frame		1	
6	955 552 051 01	mounting for retaining frame	/L	1	
(6)	955 552 052 01	mounting for retaining frame	/R	1	
9	955 552 109 04	dashboard trim leatherette	/LL	1	IL0L/4N1
		6B9 black			
		6D5 stone grey			
		6E7 havanna			
(9)	955 552 110 04	dashboard trim leatherette	/RL	1	IL0R/4N1
		6B9 black			
		6D5 stone grey			
		6E7 havanna			
9	955 552 101 04	dashboard trim leather	/LL	1	IL0L/4N3/4N8
		A11 black			

Model	Year	MG	SG	Illustration	Restrictions	UPD	14:56	21.01.2010	PORSCHE	PET	PORSCHE
9PA1	2010	8	09	809-00		247					

Pos	Part Number	Description	Remark	Qty	Model	Pos	Part Number	Description	Remark	Qty	Model	
	5X6	stone grey					6D5	stone grey				
	7A3	havanna					6E7	havanna				
	8G2	sand beige				13	955 552 295 01	instrument box leather	/LL	1	IL0L/4N8	
	L0C	*		10-			A11	black				
(9)	955 552 102 04	dashboard trim leather	/RL	1	IL0R/4N3/4N8		5X6	stone grey				
	A11	black					7A3	havanna				
	5X6	stone grey					8G2	sand beige				
	7A3	havanna					L0C	*		10-		
	8G2	sand beige				(13)	955 552 296 01	instrument box leather	/RL	1	IL0R/4N8	
	L0C	*		10-			A11	black				
10	N 906 986 01	tapping screw ST 4,2 X 16 mount dashboard trim		9			5X6	stone grey				
	11	955 552 054 00	clamp cowl for mount dashboard trim	4			7A3	havanna				
	12	955 552 065 00	dashboard trim upper lacquered	1	IL0L		8G2	sand beige				
	6N3	black mat					L0C	*		10-		
(12)	955 552 066 00	dashboard trim upper lacquered	/RL	1	IL0R	(13)	955 552 295 10	instrument box leather/two-colour	/LL	09-	1	IL0L/4N3
	6N3	black mat					ZJE	Black/Havanna				
	13	955 552 293 01	instrument box leatherette	1	IL0L/4N1		ZJF	Black/Steel Grey				
	6B9	black					955 552 296 10	instrument box leather/two-colour	/RL	09-	1	IL0R/4N3
	6D5	stone grey					ZJE	Black/Havanna				
	6E7	havanna					ZJF	Black/Steel Grey				
(13)	955 552 294 01	instrument box leatherette	/RL	1	IL0R/4N1	14	N 906 986 01	tapping screw ST 4,2 X 16 mounting instrument box		4		
	6B9	black					955 552 219 00	air vent dashboard trim lateral upper lacquered	/L	1		
	6D5	stone grey					A03	black				

Model	Year	MG	SG	Illustration	Restrictions	UPD	14:56	21.01.2010	PORSCHE	PET	PORSCHE
9PA1	2010	8	09	809-00		247					

Pos	Part Number	Description	Remark	Qty	Model	Pos	Part Number	Description	Remark	Qty	Model
(15)	955 552 220 00	5V7 stone grey 5Y9 havanna 5Z1 sand beige air vent dashboard trim lateral upper lacquered	/R	1		18	955 552 073 00	A03 black 5V7 stone grey 5Y9 havanna 5Z1 sand beige cover centre defroster trim lacquered		1	I7X0/7X9/9AB
	955 552 185 01	5V7 stone grey 5Y9 havanna 5Z1 sand beige defroster trim front lacquered	/L	1			955 552 074 01	5V7 stone grey 5Y9 havanna 5Z1 sand beige cover centre defroster trim lacquered		1	I7X0/7X9/9AD I9AH
	955 552 186 01	A03 black 5V7 stone grey 5Y9 havanna 5Z1 sand beige defroster trim front lacquered	/R	1			955 552 655 01	A03 black 5V7 stone grey 5Y9 havanna 5Z1 sand beige housing ParkAssist lacquered		1	I7X2/7X8
	955 552 793 00	A03 black 5V7 stone grey 5Y9 havanna 5Z1 sand beige loudspeaker grille lacquered	/L	1			955 552 187 00	A03 black 5V7 stone grey 5Y9 havanna 5Z1 sand beige cover		1	I7X2/9AB
	955 552 794 00	A03 black 5V7 stone grey 5Y9 havanna 5Z1 sand beige loudspeaker grille lacquered	/R	1			955 552 175 02	9B9 satin black closing element lateral A03 black	/LL/L	1	IL0L/4UE/9AB I9AD

Model	Year	MG	SG	Illustration	Restrictions	UPD	14:56	21.01.2010	PORSCHE	PET	PORSCHE
9PA1	2010	8	09	809-00		247					

Pos	Part Number	Description	Remark	Qty	Model	Pos	Part Number	Description	Remark	Qty	Model
	5Z1	sand beige					A03	black			
	7BA	steel grey					5Z1	sand beige			
21	955 552 175 02	closing element lateral	/L	1	I4UB/4UD/9AB I9AD	(21)	955 552 175 03	closing element lateral	/L	1	I4UB/4UD/9AH
	A03	black					A03	black			
	5Z1	sand beige					5Z1	sand beige			
	7BA	steel grey					7BA	steel grey			
(21)	955 552 176 02	closing element lateral	/RL/R	1	IL0R/4UE/9AB I9AD	(21)	955 552 176 03	closing element lateral	/RL/R	1	IL0R/4UE/9AH
	A03	black					A03	black			
	5Z1	sand beige					5Z1	sand beige			
	7BA	steel grey					7BA	steel grey			
(21)	955 552 176 02	closing element lateral	/R	1	I4UB/4UD/9AB I9AD	(21)	955 552 176 03	closing element lateral	/R	1	I4UB/4UD/9AH
	A03	black					A03	black			
	5Z1	sand beige					5Z1	sand beige			
	7BA	steel grey					7BA	steel grey			
(21)	955 552 179 01	closing element lateral	/RL/L	1	IL0R/4UE/9AB I9AD	(21)	955 552 181 01	closing element lateral	/RL/L	1	IL0R/4UE/9AH
	A03	black					A03	black			
	5Z1	sand beige					5Z1	sand beige			
	7BA	steel grey					7BA	steel grey			
(21)	955 552 180 02	closing element lateral	/LL/R	1	IL0L/4UE/9AB I9AD	(21)	955 552 182 02	closing element lateral	/LL/R	1	IL0L/4UE/9AH
	A03	black					A03	black			
	5Z1	sand beige					5Z1	sand beige			
	7BA	steel grey					7BA	steel grey			
(21)	955 552 175 03	closing element lateral	/LL/L	1	IL0L/4UE/9AH	22	955 552 013 00	cover dashboard trim lateral	/L	1	I9AH

Model	Year	MG	SG	Illustration	Restrictions	UPD	14:56	21.01.2010	PORSCHE	PET	PORSCHE
9PA1	2010	8	09	809-00		247					

Pos	Part Number	Description	Remark	Qty	Model	Pos	Part Number	Description	Remark	Qty	Model
(22)	955 552 014 00	cover dashboard trim lateral	/R	1	I9AH	24	955 552 567 10	cover driver's side leather/two-colour	/LL 09-	1	IL0L/4N3
23	955 552 015 00	air duct dashboard trim lateral	/L	1	I9AB/9AD		ZJE	Black/Havanna			
(23)	955 552 016 00	air duct dashboard trim lateral	/R	1	I9AB/9AD	(24)	955 552 568 10	cover driver's side leather/two-colour	/RL 09-	1	IL0R/4N3
24	955 552 565 00	cover driver's side	/LL	1	IL0L/4N1		ZJE	Black/Havanna			
	6B9	black					ZJF	Black/Steel Grey			
	6D5	stone grey				25	N 906 986 01	tapping screw ST 4,2 X 16 mount cover driver's side		3	
	6E7	havanna									
(24)	955 552 566 00	cover driver's side	/RL	1	IL0R/4N1	26	955 552 569 00	trim cover dashboard trim lacquered	/LL	1	IL0L
	6B9	black					A03	black			
	6D5	stone grey					5V7	stone grey			
	6E7	havanna					5Y9	havanna			
24	955 552 567 01	cover driver's side leather	/LL	1	IL0L/4N8		5Z1	sand beige			
	A11	black				(26)	955 552 570 00	trim cover dashboard trim lacquered	/RL	1	IL0R
	5X6	stone grey					A03	black			
	7A3	havanna					5V7	stone grey			
	8G2	sand beige					5Y9	havanna			
	L0C	*		10-			5Z1	sand beige			
(24)	955 552 568 01	cover driver's side leather	/RL	1	IL0R/4N8	27	955 552 561 00	cover passenger's side	/LL	1	IL0L/4N1
	A11	black					6B9	black			
	5X6	stone grey					6D5	stone grey			
	7A3	havanna					6E7	havanna			
	8G2	sand beige									
	L0C	*		10-							

Model	Year	MG	SG	Illustration	Restrictions	UPD	14:56	21.01.2010	PORSCHE	PET	PORSCHE
9PA1	2010	8	09	809-00		247					

Pos	Part Number	Description	Remark	Qty	Model	Pos	Part Number	Description	Remark	Qty	Model
(27)	955 552 562 00	cover passenger's side	/RL	1	IL0R/4N1	28	N 906 986 01	tapping screw ST 4,2 X 16 mount cover passenger's side		6	
	6B9	black									
	6D5	stone grey									
	6E7	havanna				29	955 552 225 02	side vent lacquered	/L	1	
27	955 552 563 01	cover passenger's side leather	/LL	1	IL0L/4N8		A03	black			
	A11	black					5V7	stone grey			
	5X6	stone grey					5Y9	havanna			
	7A3	havanna					5Z1	sand beige			
	8G2	sand beige				(29)	955 552 228 02	side vent lacquered	/R	1	
	L0C	*		10-			A03	black			
(27)	955 552 564 01	cover passenger's side leather	/RL	1	IL0R/4N8		5V7	stone grey			
	A11	black					5Y9	havanna			
	5X6	stone grey					5Z1	sand beige			
	7A3	havanna				32	955 552 048 01	reinforcement for knee protection trim passenger's side lower	/LL	1	IL0L
	8G2	sand beige									
	L0C	*		10-		34	955 552 503 01	lining driver's side lower leatherette	/LL	1	IL0L/3D1/3D3 I3D5/4N1
27	955 552 563 10	cover passenger's side two-colour	/LL	09-	1	IL0L/4N3					
	ZJE	Black/Havanna					5Q2	black			
	ZJF	Black/Steel Grey					5R3	steel grey			
(27)	955 552 564 10	cover passenger's side two-colour	/RL	09-	1	IL0R/4N3					
	ZJE	Black/Havanna				(34)	955 552 504 01	lining driver's side lower leatherette	/RL	1	IL0R/3D1/3D3 I3D5/4N1
	ZJF	Black/Steel Grey					5Q2	black			
							5R3	steel grey			
							5S4	sand beige			

Model	Year	MG	SG	Illustration	Restrictions	UPD	14:56	21.01.2010	PORSCHE	PET	PORSCHE
9PA1	2010	8	09	809-00		247					

Pos	Part Number	Description	Remark	Qty	Model	Pos	Part Number	Description	Remark	Qty	Model
34	955 552 505 01	lining driver's side lower leather	/LL -08	1	IL0L/3D1/3D3 I3D8/4N8	(34)	955 552 506 01	black lining driver's side lower leather	/RL -08	1	IL0R/3D3/3D5 I3D8/4N8
	6B7	steel grey					6B7	steel grey			
	8G1	sand beige					8G1	sand beige			
	8YR	black					8YR	black			
34	955 552 505 01	lining driver's side lower leather	/LL -08	1	IL0L/3D3/3D5 I3D8/4N8	(34)	955 552 506 01	black lining driver's side lower leather	/RL 09-	1	IL0R/3D5/3D8 I4N8
	6B7	steel grey					6B7	steel grey			
	8G1	sand beige					8G1	sand beige			
	8YR	black					8YR	black			
34	955 552 505 01	lining driver's side lower leather	/LL 09-	1	IL0L/3D5/3D8 I4N8	(34)	955 552 506 01	black lining driver's side lower leather	/RL 09-	1	IL0R/3D5/3D8 I4N3
	6B7	steel grey					6B7	steel grey			
	8G1	sand beige					8G1	sand beige			
	8YR	black					8YR	black			
34	955 552 505 01	lining driver's side lower leather	/LL 09-	1	IL0L/3D5/3D8 I4N3	34	955 552 507 00	black lining driver's side lower leather/ nature	/LL	1	IL0L/3D4/4N8
	6B7	steel grey					J69	chestnut brown			
	8G1	sand beige									
	8YR	black									
(34)	955 552 506 01	lining driver's side lower leather	/RL -08	1	IL0R/3D1/3D3 I3D8/4N8	(34)	955 552 508 00	black lining driver's side lower leather/ nature	/RL	1	IL0R/3D4/4N8
	6B7	steel grey					J69	chestnut brown			
	8G1	sand beige									

Model	Year	MG	SG	Illustration	Restrictions	UPD	14:56	21.01.2010	PORSCHE	PET	PORSCHE
9PA1	2010	8	09	809-00		247					

Pos	Part Number	Description	Remark	Qty	Model	Pos	Part Number	Description	Remark	Qty	Model
35	N 906 986 01	tapping screw ST 4,2 X 16 mount lining driver's side lower		7		36	955 552 513 01	lining passenger's side lower leather	/LL 09-	1	IL0L/3D5/3D8 I4N3/4N8
36	955 552 511 01	lining passenger's side lower leatherette	/LL	1	IL0L/3D1/3D3 I3D5/4N1		6B7	steel grey			
	5Q2	black					8G1	sand beige			
	5R3	steel grey					8YR	black			
	5S4	sand beige				(36)	955 552 514 01	lining passenger's side lower leather	/RL -08	1	IL0R/3D1/3D3 I3D8/4N8
(36)	955 552 512 01	lining passenger's side lower leatherette	/RL	1	IL0R/3D1/3D3 I3D5/4N1		6B7	steel grey			
	5Q2	black					8G1	sand beige			
	5R3	steel grey					8YR	black			
	5S4	sand beige				(36)	955 552 514 01	lining passenger's side lower leather	/RL -08	1	IL0R/3D3/3D5 I3D8/4N8
36	955 552 513 01	lining passenger's side lower leather	/LL -08	1	IL0L/3D1/3D3 I3D8/4N8		6B7	steel grey			
	6B7	steel grey					8G1	sand beige			
	8G1	sand beige					8YR	black			
	8YR	black				(36)	955 552 514 01	lining passenger's side lower leather	/RL 09-	1	IL0R/3D5/3D8 I4N8
36	955 552 513 01	lining passenger's side lower leather	/LL -08	1	IL0L/3D3/3D5 I3D8/4N8		6B7	steel grey			
	6B7	steel grey					8G1	sand beige			
	8G1	sand beige					8YR	black			
	8YR	black				(36)	955 552 514 01	lining passenger's side lower leather	/RL 09-	1	IL0R/3D5/3D8 I4N3
	6B7	steel grey					6B7	steel grey			
	8G1	sand beige					8G1	sand beige			

Model	Year	MG	SG	Illustration	Restrictions	UPD	14:56	21.01.2010	PORSCHE	PET	PORSCHE
9PA1	2010	8	09	809-00		247					

Pos	Part Number	Description	Remark	Qty	Model	Pos	Part Number	Description	Remark	Qty	Model
	8YR	black				(38)	955 552 668 00	cover ignition starter lock silver mat chrome	/RL	1	IL0R/5MA
36	955 552 515 00	lining passenger's side lower leather/ nature	/LL	1	IL0L/3D4/4N8		QHA	black			
	J69	chestnut brown					QHB	stone grey			
(36)	955 552 516 00	lining passenger's side lower leather/ nature	/RL	1	IL0R/3D4/4N8		QHC	havanna			
	J69	chestnut brown					RKT	sand beige			
37	N 906 986 01	tapping screw ST 4,2 X 16 mount lining passenger's side lower		3		(38)	955 552 668 00	cover ignition starter lock silver mat chrome	/RL	09-	1 IL0R/5MA/6FA
	J69	chestnut brown					QHA	black			
38	955 552 667 00	cover ignition starter lock silver mat chrome	/LL	1	IL0L/5MA		QHB	stone grey			
	QHA	black					QHC	havanna			
	QHB	stone grey					RKT	sand beige			
	QHC	havanna				(38)	955 552 668 00	cover ignition starter lock black	/RL	09-	1 IE2D/L0R/5MA I6FI
	RKT	sand beige					FZR	orange			
38	955 552 667 00	cover ignition starter lock silver mat chrome	/LL	09-	1 IL0L/5MA/6FA	38	955 552 669 00	cover ignition starter lock satin aluminium	/LL	1	IL0L/5TE
	QHA	black					TLP	black			
	QHB	stone grey					TLQ	stone grey			
	QHC	havanna					TLR	havanna			
	RKT	sand beige					TLT	sand beige			
38	955 552 667 00	cover ignition starter lock black	/LL	09-	1 IE2D/L0L/5MA I6FI	(38)	955 552 670 00	cover ignition starter lock satin aluminium	/RL	1	IL0R/5TE
	FZR	orange					TLP	black			
	J69	chestnut brown					TLQ	stone grey			
	J69	chestnut brown					TLR	havanna			
	J69	chestnut brown					TLT	sand beige			

Model	Year	MG	SG	Illustration	Restrictions	UPD	14:56	21.01.2010	PORSCHE	PET	PORSCHE
9PA1	2010	8	09	809-00		247					

Pos	Part Number	Description	Remark	Qty	Model	Pos	Part Number	Description	Remark	Qty	Model
38	955 552 671 00	cover ignition starter lock olive grain	/LL	1	IL0L/5TF		RWM	sand beige			
	QHN	black				(38)	955 552 676 00	cover ignition starter lock ash wood	/RL	-08	1 IL0R/5TK
	QHP	stone grey					RWE	black			
	QHQ	havanna					RWF	stone grey			
	RKV	sand beige					RWG	havanna			
(38)	955 552 672 00	cover ignition starter lock olive grain	/RL	1	IL0R/5TF		RWM	sand beige			
	QHN	black				38	955 552 675 01	cover ignition starter lock carbon	/LL	09-	1 IL0L/5MH
	QHP	stone grey					CHF	black			
	QHQ	havanna					WNM	sand beige			
	RKV	sand beige				(38)	955 552 676 01	cover ignition starter lock carbon	/RL	09-	1 IL0R/5MH
38	955 552 673 00	cover ignition starter lock rootwood	/LL	1	IL0L/5MG		CHF	black			
	QHJ	black					WNM	sand beige			
	QHK	stone grey				39	955 552 677 00	rosette ignition starter lock			1
	QHL	havanna					9B9	satin black			
	RKW	sand beige				40	955 552 427 00	moulding driver's side plastic material	/LL		1 IL0L/5MA
(38)	955 552 674 00	cover ignition starter lock rootwood	/RL	1	IL0R/5MG		5X2	silver mat chrome			
	QHJ	black				40	955 552 427 00	moulding driver's side plastic material	/LL	09-	1 IL0L/5MA/6FA
	QHK	stone grey					5X2	silver mat chrome			
	QHL	havanna				40	955 552 427 00	moulding driver's side plastic material	/LL	09-	1 IE2D/L0L/5MA I6FI
	RKW	sand beige					8C6	orange			
38	955 552 675 00	cover ignition starter lock ash wood	/LL	-08	1 IL0L/5TK						
	RWE	black				(40)	955 552 428 00	moulding driver's side plastic material	/RL		1 IL0R/5MA
	RWF	stone grey									
	RWG	havanna									

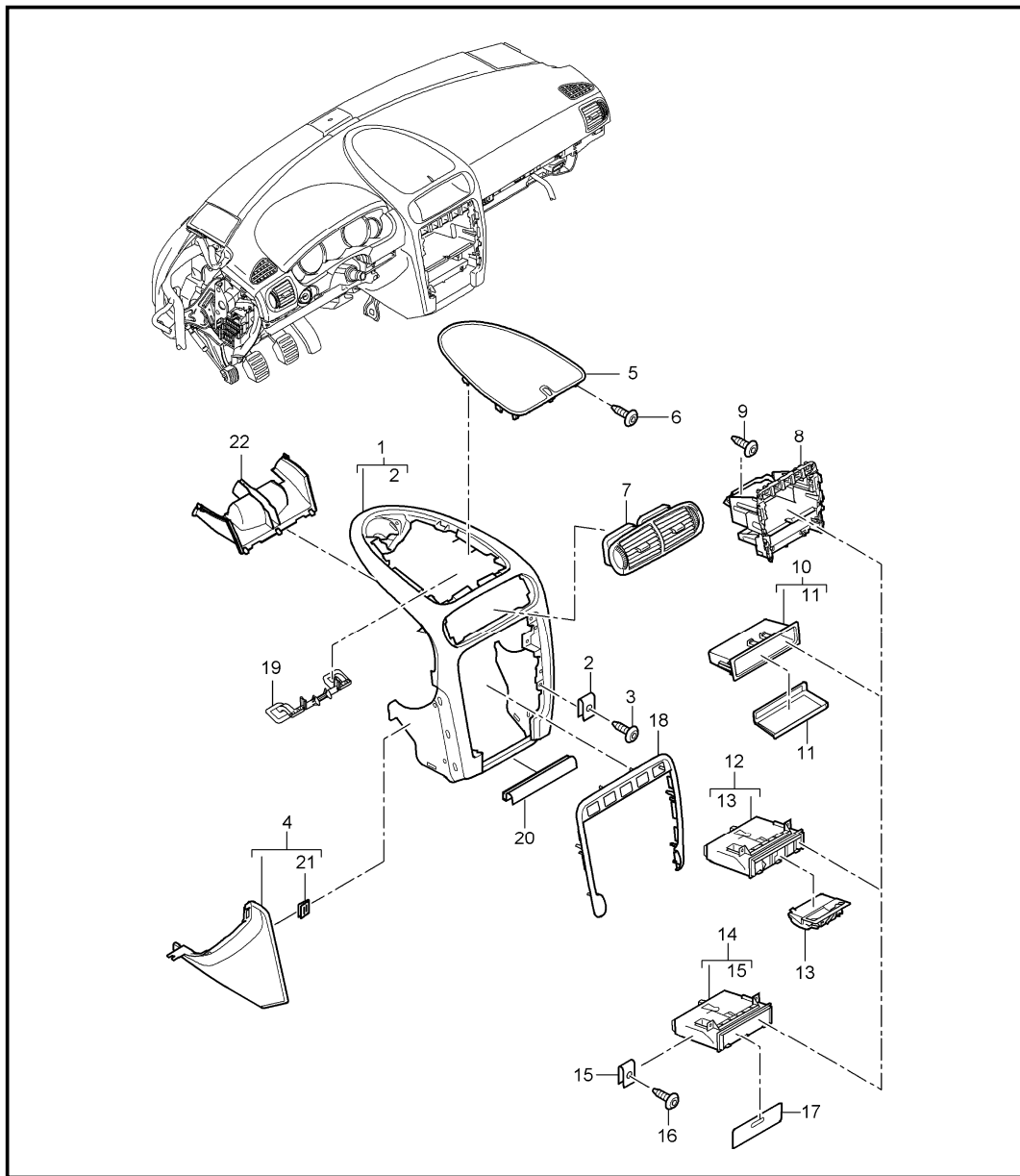
Model	Year	MG	SG	Illustration	Restrictions	UPD	14:56	21.01.2010	PORSCHE	PET	PORSCHE
9PA1	2010	8	09	809-00		247					

Pos	Part Number	Description	Remark	Qty	Model	Pos	Part Number	Description	Remark	Qty	Model
	5X2	silver mat chrome				40	955 552 425 00	moulding driver's side	/LL	-08	1 IL0L/5TK
(40)	955 552 428 00	moulding driver's side plastic material	/RL	09-	1 IL0R/5MA/6FA		9Z4	Super-matt olive ash burl			
	5X2	silver mat chrome				(40)	955 552 426 00	moulding driver's side	/RL	-08	1 IL0R/5TK
(40)	955 552 428 00	moulding driver's side plastic material	/RL	09-	1 IE2D/L0R/5MA I6FI		9Z4	Super-matt olive ash burl			
	8C6	orange				40	955 552 425 02	moulding driver's side carbon	/LL	09-	1 IL0L/5MH
40	955 552 429 00	moulding driver's side	/LL		1 IL0L/5TE		CS3	black			
	62W	satin aluminium				40	955 552 426 02	moulding driver's side carbon	/RL	09-	1 IL0R/5MH
(40)	955 552 430 00	moulding driver's side	/RL		1 IL0R/5TE		CS3	black			
	62W	satin aluminium				41	955 552 435 00	moulding passenger's side plastic material	/LL		1 IL0L/5MA
40	955 552 431 01	moulding driver's side wood	/LL		1 IL0L/5TF		5X2	silver mat chrome			
	4V8	High-gloss olive ash burl				41	955 552 435 00	moulding passenger's side plastic material	/LL	09-	1 IL0L/5MA/6FA
(40)	955 552 432 01	moulding driver's side wood	/RL		1 IL0R/5TF		5X2	silver mat chrome			
	4V8	High-gloss olive ash burl				41	955 552 435 00	moulding passenger's side plastic material	/LL	09-	1 IE2D/L0L/5MA I6FI
40	955 552 433 00	moulding driver's side	/LL	-08	1 IL0L/5MG		8C6	orange			
	4X2	rootwood				(41)	955 552 436 00	moulding passenger's side plastic material	/RL		1 IL0R/5MA
40	955 552 433 01	moulding driver's side	/LL	09-	1 IL0L/5MG		5X2	silver mat chrome			
	4X2	rootwood				(41)	955 552 436 00	moulding passenger's side plastic material	/RL	09-	1 IL0R/5MA/6FA
(40)	955 552 434 00	moulding driver's side	/RL	-08	1 IL0R/5MG		5X2	silver mat chrome			
	4X2	rootwood				(41)	955 552 436 00	moulding passenger's side plastic material	/RL	09-	1 IE2D/L0R/5MA I6FI
(40)	955 552 434 01	moulding driver's side	/RL	09-	1 IL0R/5MG		5X2	silver mat chrome			
	4X2	rootwood				(41)	955 552 436 00	moulding passenger's side plastic material	/RL	09-	1

Model	Year	MG	SG	Illustration	Restrictions	UPD	14:56	21.01.2010	PORSCHE	PET	PORSCHE
9PA1	2010	8	09	809-00		247					

Pos	Part Number	Description	Remark	Qty	Model	Pos	Part Number	Description	Remark	Qty	Model
	8C6	orange					CS3	black			
41	955 552 443 00	moulding passenger's side	/LL	1	IL0L/5TE	(41)	955 552 452 02	moulding passenger's side carbon	/RL 09-	1	IL0R/5MH
	62W	satin aluminium					CS3	black			
(41)	955 552 444 00	moulding passenger's side	/RL	1	IL0R/5TE	42	955 552 107 00	fixing clip for moulding driver's side passenger's side		X	
	62W	satin aluminium									
41	955 552 445 01	moulding passenger's side wood	/LL	1	IL0L/5TF	43	N 909 192 02	hexagon-head bolt M 8 X 20 mount retaining frame		X	
	4V8	High-gloss olive ash burl									
(41)	955 552 446 01	moulding passenger's side wood	/RL	1	IL0R/5TF	44	N 102 473 02	tapping screw 4,2 X 16 mount air duct lateral		2	I9AB/9AD
	4V8	High-gloss olive ash burl									
41	955 552 447 00	moulding passenger's side	/LL	-08	1	IL0L/5MG					
	4X2	rootwood									
41	955 552 447 01	moulding passenger's side	/LL	09-	1	IL0L/5MG					
	4X2	rootwood									
(41)	955 552 448 00	moulding passenger's side	/RL	-08	1	IL0R/5MG					
	4X2	rootwood									
(41)	955 552 448 01	moulding passenger's side	/RL	09-	1	IL0R/5MG					
	4X2	rootwood									
41	955 552 451 00	moulding passenger's side	/LL	-08	1	IL0L/5TK					
	9Z4	Super-matt olive ash burl									
(41)	955 552 452 00	moulding passenger's side	/RL	-08	1	IL0R/5TK					
	9Z4	Super-matt olive ash burl									
41	955 552 451 02	moulding passenger's side carbon	/LL	09-	1	IL0L/5MH					

Model	Year	MG	SG	Illustration	Restrictions	UPD	14:56	21.01.2010	PORSCHE	PET	PORSCHE
9PA1	2010	8	09	809-05		247					



Pos	Part Number	Description	Remark	Qty	Model
1	955 552 086 01	dashboard trim centre part accessories		1	I4N1
	6B9	black			
	6D5	stone grey			
	6E7	havanna			
(1)	955 552 087 01	centre part dashboard trim leather		1	I4N8
	A11	black			
	5X6	stone grey			
	7A3	havanna			
	8G2	sand beige			
	L0C	*	10-		
(1)	955 552 088 00	centre part dashboard trim leather/ two-colour	09-	1	I4N3
	ZJE	schwarz/havanna			
	ZJF	Black/Steel Grey			
2	N 906 988 01	speed nut ST 4,2 X 16 X 12 mount centre part		10	
3	N 906 986 01	tapping screw ST 4,2 X 16 mount centre part		2	
4	955 552 113 01	cover centre part leatherette	/L	1	I3D1/3D5/4N1
	5Q2	black			
	5R3	steel grey			
	5S4	sand beige			

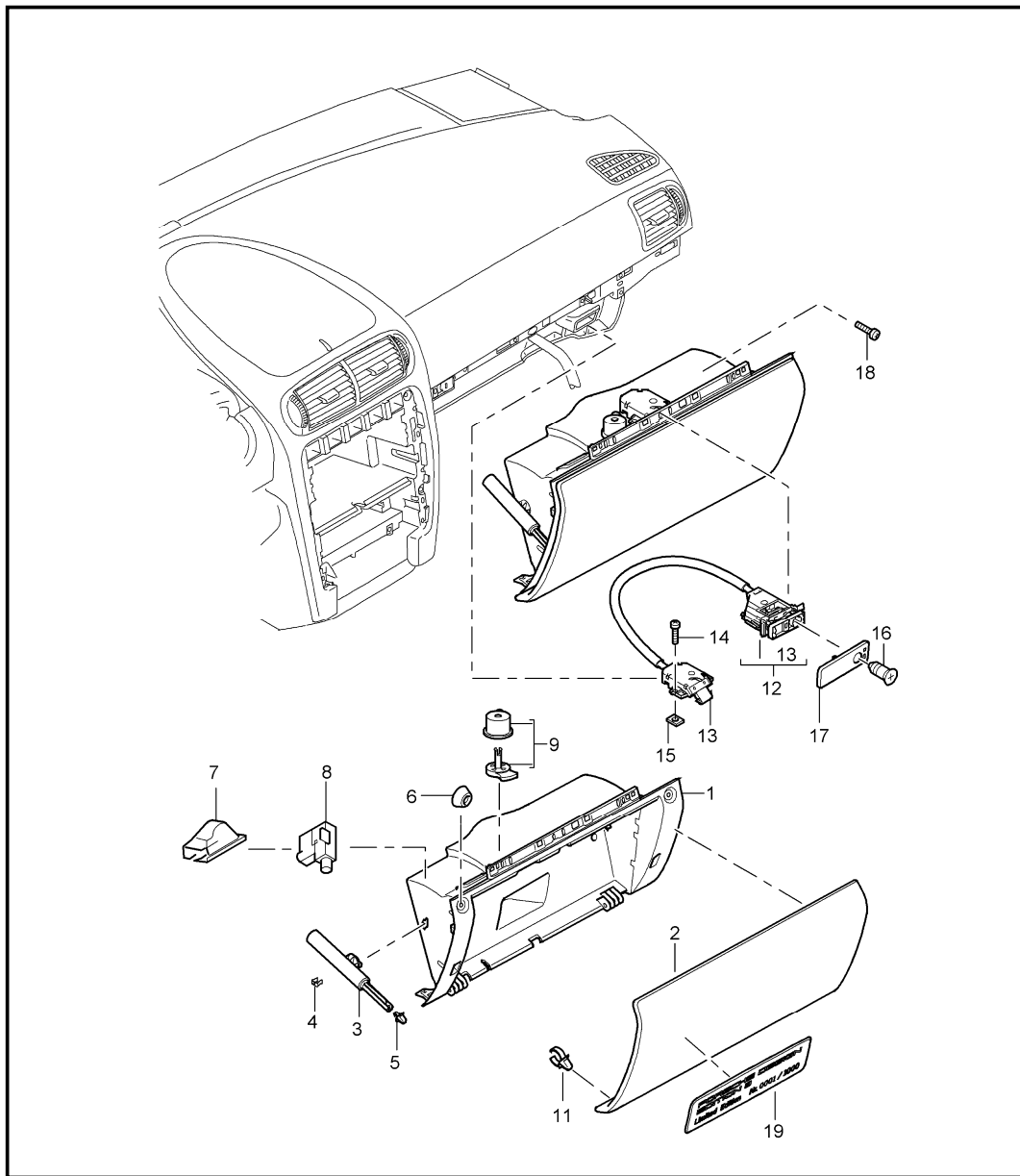
Model	Year	MG	SG	Illustration	Restrictions	UPD	14:56	21.01.2010	PORSCHE	PET	PORSCHE
9PA1	2010	8	09	809-05		247					

Pos	Part Number	Description	Remark	Qty	Model	Pos	Part Number	Description	Remark	Qty	Model
(4)	955 552 114 01	cover centre part leatherette	/R	1	I3D1/3D5/4N1	4	955 552 115 03	cover centre part leather/ nature	/L	1	I3D4/4N8
	5Q2	black					J69	chestnut brown			
	5R3	steel grey				(4)	955 552 116 03	cover centre part leather/ nature	/R	1	I3D4/4N8
	5S4	sand beige					J69	chestnut brown			
4	955 552 115 02	cover centre part leather	/L	-08	1 I3D1/3D3/3D5 I3D8/4N8	5	955 552 189 00	cover centre part upper lacquered		1	
	8YR	black					5V7	stone grey			
	6B7	steel grey					5Y9	havanna			
	8G1	sand beige					A03	black			
4	955 552 115 02	cover centre part leather	/L	09-	1 I3D3/3D5/3D8 I4N3/4N8		5Z1	sand beige			
	8YR	black				6	N 906 986 01	tapping screw ST 4,2 X 16 mount cover centre part		2	
	6B7	steel grey				7	955 552 263 03	centre nozzle lacquered		1	
	8G1	sand beige					A03	black			
(4)	955 552 116 02	cover centre part leather	/R	-08	1 I3D1/3D3/3D5 I3D8/4N8		5V7	stone grey			
	8YR	black					5Y9	havanna			
	6B7	steel grey					5Z1	sand beige			
	8G1	sand beige				(8)	955 552 093 04	package box dashboard trim centre part	-08	1	
(4)	955 552 116 02	cover centre part leather	/R	09-	1 I3D3/3D5/3D8 I4N3/4N8	(8)	955 552 093 04	package box dashboard trim centre part	09-	1	I7Q0/7Q2/7T1 I7T7
	8YR	black				(8)	955 552 093 05	package box dashboard trim centre part	09-	1	I7Q4
	6B7	steel grey									
	8G1	sand beige									

Model	Year	MG	SG	Illustration	Restrictions	UPD	14:56	21.01.2010	PORSCHE	PET	PORSCHE
9PA1	2010	8	09	809-05		247					

Pos	Part Number	Description	Remark	Qty	Model	Pos	Part Number	Description	Remark	Qty	Model
9	N 906 986 01	tapping screw ST 4,2 X16 mount package box centre part		8		(17)	955 552 249 00	cover ashtray shelf lacquered		1	I4N3/4N8
10	955 552 243 01 A03	package box centre part black	-08	1	I7Q0/8DU		A03	black			
							5V7	stone grey			
							5Y9	havanna			
11	955 552 244 00	mat for package box	-08	1	I7Q0/8DU		5Z1	sand beige			
12	955 552 245 02	ashtray dashboard trim centre part		1	I9JB	(18)	955 552 380 00	cover centre part lacquered		1	I4A0/5MA
13	955 552 246 00	insert ashtray dashboard trim centre part		1	I9JB	(18)	955 552 381 00	cover centre part		1	I4A0/5MG/5MH I5TE/5TF
14	955 552 247 01 A03	shelf dashboard trim centre part lacquered black		1	I9JA	(18)	955 552 382 00	cover centre part lacquered		1	I4A3/4A4/5MA
15	N 906 988 01	speed nut ST 4,2 X 16 X 12 mount ashtray shelf		2		(18)	955 552 383 01	cover centre part		1	I4A3/4A4/5MG I5MH/5TE/5TF
16	N 906 986 01	tapping screw ST 4,2 X 16 mount ashtray shelf		2		19	955 552 222 00	flap movable centre part upper		1	
17	955 552 248 00 A03 5V7 5Y9	cover ashtray shelf lacquered black stone grey havanna		1	I4N1	20	955 552 517 00	cover strip centre part		1	
						21	955 552 137 00	clamp for cover centre part		4	
						22	955 552 235 01	cover air duct centre part		1	I9AB/9AD
						(22)	955 552 236 00	cover air duct centre part		1	I9AH

Model	Year	MG	SG	Illustration	Restrictions	UPD	14:56	21.01.2010	PORSCHE	PET	PORSCHE
9PA1	2010	8	09	809-10		247					

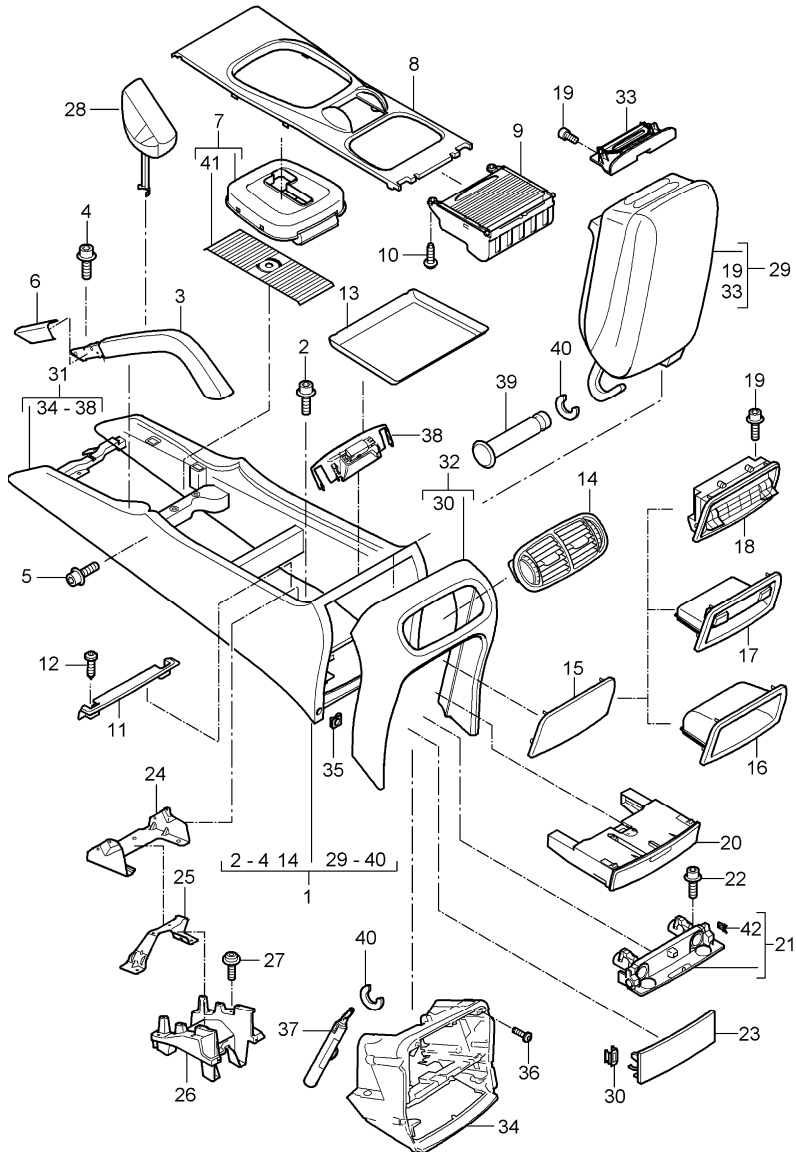


Pos	Part Number	Description	Remark	Qty	Model
		glove compartment			
(1)	955 552 118 01	frame tray glove compartment		1	
	A03	black			
2	955 552 120 00	glove compartment cover with flap leatherette		1	I3D1/4N1
	5Q2	black			
	5R3	steel grey			
	5S4	sand beige			
(2)	955 552 121 00	glove compartment cover	-08	1	I3D1/3D3/3D5 I3D8/4N8
	6B7	steel grey			
	8G1	sand beige			
	8YR	black			
(2)	955 552 121 00	glove compartment cover with flap	09-	1	I3D3/3D5/3D8 I4N3/4N8
	6B7	steel grey			
	8G1	sand beige			
	8YR	black			
(2)	955 552 121 10	glove compartment cover with flap		1	I3D4/4N8
	J69	chestnut brown			
3	955 552 122 00	damper glove compartment		2	
4	955 552 107 00	fixing clip damper		2	
5	955 552 123 00	stop damper		2	
6	955 552 124 00	buffer glove compartment		2	

Model	Year	MG	SG	Illustration	Restrictions	UPD	14:56	21.01.2010	PORSCHE	PET	PORSCHE
9PA1	2010	8	09	809-10		247					

Pos	Part Number	Description	Remark	Qty	Model	Pos	Part Number	Description	Remark	Qty	Model
7	---	glove compartment light see group 9/03/04		1		18	N 906 986 01	tapping screw ST 4,2 X 16 mount glove compartment		7	
8	---	contact switch for glove compartment light see group 9/03/04		1							
9	955 570 701 00	air vent glove compartment lower		1							
11	955 552 126 00	support fountain pen glove compartment cover		1							
12	955 552 127 01	housing glove compartment lock		1							
13	955 552 128 00	catch glove compartment		1							
14	N 906 986 01	tapping screw ST 4,2 X 16 mount catch		2							
15	N 906 988 01	speed nut mount 4,2 X 16 X12 catch		2							
16	996 552 915 01	lock cylinder glove compartment vehicle identification no. indicate		1							
17	955 552 449 00	cover glove compartment lock plastic material lacquered		1	I5MA						
	5X2	silver mat chrome									
(17)	955 552 450 00	cover glove compartment lock	-08	1	I5MG/5TE/5TF I5TK						
	62W	satin aluminium									
(17)	955 552 450 00	cover glove compartment lock	09-	1	I5MG/5MH/5TE I5TF						
	62W	satin aluminium									

Model	Year	MG	SG	Illustration	Restrictions	UPD	14:56	21.01.2010	PORSCHE	PET	PORSCHE
9PA1	2010	8	09	809-15		247					



Pos	Part Number	Description	Remark	Qty	Model
		centre console	-08		
1	955 552 201 05	centre console		1	I3D1/6E3/9AH I9W0/9W1/9ZF I9ZT
		front leatherette			
	5Q2	black			
	5R3	steel grey			
	5S4	sand beige			
(1)	955 552 205 04	centre console		1	I3D1/6E3/9AB I9AD/9W0/9W1 I9ZF/9ZT
		front leatherette			
	5Q2	black			
	5R3	steel grey			
	5S4	sand beige			
(1)	955 552 204 06	centre console		1	I3D1/6E3/9AH I9ZP
		front leatherette			
	5Q2	black			
	5R3	steel grey			
	5S4	sand beige			
(1)	955 552 202 05	centre console		1	I3D1/6E3/9AB I9AD/9ZP
		front leatherette			
	5Q2	black			
	5R3	steel grey			
	5S4	sand beige			
(1)	955 552 206 04	centre console		1	I3D3/6E7/9AB I9AD/9W0/9W1 I9ZF/9ZT
		front partial leather			
	5Q2	black			
	5R3	steel grey			

Model	Year	MG	SG	Illustration	Restrictions	UPD	14:56	21.01.2010	PORSCHE	PET	PORSCHE
9PA1	2010	8	09	809-15		247					

Pos	Part Number	Description	Remark	Qty	Model	Pos	Part Number	Description	Remark	Qty	Model
(1)	955 552 206 04	5S4 sand beige centre console front partial leather	08	1	IE0W/3D3/6E7 I9AB/9AD/9W0 I9W1/9ZF/9ZT	(1)	955 552 210 06	5S4 sand beige centre console front partial leather		1	I3D3/6E7/9AH I9ZP
(1)	955 552 207 05	5Q2 black 5R3 steel grey 5S4 sand beige centre console front partial leather		1	I3D3/6E7/9AH I9W0/9W1/9ZF I9ZT	(1)	955 552 210 06	5Q2 black 5R3 steel grey 5S4 sand beige centre console front partial leather	08	1	IE0W/3D3/6E7 I9AH/9ZP
(1)	955 552 207 05	5Q2 black 5R3 steel grey 5S4 sand beige centre console front partial leather	08	1	IE0W/3D3/6E7 I9AH/9W0/9W1 I9ZF/9ZT	(1)	955 552 211 04	5Q2 black 5R3 steel grey 5S4 sand beige centre console front leather		1	I3D8/6E6/9AB I9AD/9W0/9W1 I9ZF/9ZT
(1)	955 552 209 05	5Q2 black 5R3 steel grey 5S4 sand beige centre console front partial leather		1	I3D3/6E7/9AB I9AD/9ZP	(1)	955 552 212 05	6B7 steel grey 8G1 sand beige 8YR black centre console front leather		1	I3D8/6E6/9AH I9W0/9W1/9ZF I9ZT
(1)	955 552 209 05	5Q2 black 5R3 steel grey 5S4 sand beige centre console front partial leather	08	1	IE0W/3D3/6E7 I9AB/9AD/9ZP	(1)	955 552 213 05	6B7 steel grey 8G1 sand beige 8YR black centre console front leather		1	I3D8/6E6/9AB I9AD/9ZP
		5Q2 black 5R3 steel grey						6B7 steel grey 8G1 sand beige			

Model	Year	MG	SG	Illustration	Restrictions	UPD	14:56	21.01.2010	PORSCHE	PET	PORSCHE
9PA1	2010	8	09	809-15		247					

Pos	Part Number	Description	Remark	Qty	Model	Pos	Part Number	Description	Remark	Qty	Model
(1)	955 552 214 06	8YR black centre console front leather		1	I3D8/6E6/9AH I9ZP	(1)	955 552 216 10	centre console front alcantara 5E5 steel grey 5E6 black 5G6 sand beige		08	1 IE0W/3D5/6E4 I9AH/9W0/9W1 I9ZF/9ZT
(1)	955 552 215 01	8YR black centre console front leather/ nature		1	I3D4/9AB/9AD I9W0/9W1/9ZF I9ZT	(1)	955 552 217 10	centre console front alcantara 5E5 steel grey 5E6 black 5G6 sand beige		08	1 IE0W/3D5/6E4 I9AB/9AD/9ZP
(1)	955 552 216 01	J69 chestnut brown centre console front leather/ nature		1	I3D4/9AH/9W0 I9W1/9ZF/9ZT	(1)	955 552 218 10	centre console front alcantara 5E5 steel grey 5E6 black 5G6 sand beige		08	1 IE0W/6E4/6E4 I9AH/9ZP
(1)	955 552 217 01	J69 chestnut brown centre console front leather/ nature		1	I3D4/9AB/9AD I9ZP	2	N 103 472 04	combination screw mount centre console front		18	
(1)	955 552 218 01	J69 chestnut brown centre console front leather/ nature		1	I3D4/9AH/9ZP	(3)	955 552 645 01	grab handle centre console leather	/L	1	I3D8
1	955 552 215 10	J69 chestnut brown centre console front alcantara 5E5 steel grey 5E6 black 5G6 sand beige	08	1	IE0W/3D5/6E4 I9AB/9AD/9W0 I9W1/9ZF/9ZT	(3)	955 552 646 01	grab handle centre console leather 6B7 steel grey 8G1 sand beige 8YR black	/R	1	I3D8
								6B7 steel grey 8G1 sand beige			

Model	Year	MG	SG	Illustration	Restrictions	UPD	14:56	21.01.2010	PORSCHE	PET	PORSCHE
9PA1	2010	8	09	809-15		247					

Pos	Part Number	Description	Remark	Qty	Model	Pos	Part Number	Description	Remark	Qty	Model
(3)	955 552 647 01	8YR black grab handle centre console leatherette	/L	1	I3D1/3D3	(6)	955 552 634 01	L58 chestnut brown 5Z1 sand beige cap grab handle centre console lacquered	/R	1	
(3)	955 552 648 01	A08 black T25 sand beige 6E1 steel grey grab handle centre console leatherette	/R	1	I3D1/3D3	7	955 552 261 01	A03 black 7BA steel grey L58 chestnut brown 5Z1 sand beige shift gate	/LL	1	IGOR/L0L
(3)	955 552 649 00	A08 black T25 sand beige 6E1 steel grey grab handle centre console leather/ nature	/L	1	I3D4	(7)	955 552 262 01	62W satin aluminium shift gate 62W satin aluminium	/RL	1	IGOR/L0R
(3)	955 552 650 00	J69 chestnut brown grab handle centre console leather/ nature	/R	1	I3D4	8	955 552 279 03	trim cover lacquered A03 black 7BA steel grey L58 chestnut brown 5Z1 sand beige		1	ID5X/5MA
4	N 103 472 04	J69 chestnut brown combination screw M 6 X 25 mount grab handle front		2		(8)	955 552 280 03	trim cover lacquered A03 black 7BA steel grey L58 chestnut brown 5Z1 sand beige		1	ID5V/D5Z/5MA I5TE
5	N 101 112 03	pan-head screw M 8 X 85 mount grab handle rear		2		(8)	955 552 292 02	4V8 High-gloss olive ash burl trim cover centre console		1	I5TF
6	955 552 633 01	cap grab handle centre console lacquered	/L	1		(8)	955 552 297 02	4V8 High-gloss olive ash burl trim cover centre console 4X2 rootwood		1	I5MG
	A03	black									
	7BA	steel grey									

Model	Year	MG	SG	Illustration	Restrictions	UPD	14:56	21.01.2010	PORSCHE	PET	PORSCHE
9PA1	2010	8	09	809-15		247					

Pos	Part Number	Description	Remark	Qty	Model	Pos	Part Number	Description	Remark	Qty	Model
(8)	955 552 301 02	trim cover centre console		1	I5TK		A03	black			
	9Z4	Super-matt olive ash burl					7BA	steel grey			
9	955 552 283 02	support beverages lacquered		1	I3D5/5MA/5TE	15	955 552 338 00	trim cover		1	ID5X/4A0/4A3 I5MA/9AB/9AD
	L58	chestnut brown						centre console rear lacquered			
	A03	black					A03	black			
	7BA	steel grey					7BA	steel grey			
	5Z1	sand beige					L58	chestnut brown			
(9)	955 552 284 02	support beverages		1	I5TF		5Z1	sand beige			
	4V8	High-gloss olive ash burl				16	955 552 438 01	tray		1	ID5V/4A0 I4A3/5MA I9AB/9AD
(9)	955 552 285 02	support beverages		1	I5MG			centre console rear lacquered			
	4X2	rootwood					A03	black			
(9)	955 552 290 02	support beverages		1	I5TK	(16)	955 552 340 01	tray		1	I4A0/4A3 I5MG/9AB/9AD
	9Z4	Super-matt olive ash burl						centre console			
--	955 552 105 00	heat shield		1			62W	satin aluminium			
10	N 106 514 01	combination screw M 4 X 10 mount beverages support		2		(16)	955 552 340 01	tray		1	I4A0/4A3 I5TE/9AB/9AD
							62W	satin aluminium			
11	955 552 083 00	cover closing element lacquered		1		(16)	955 552 340 01	tray		1	I4A0/4A3 I5TF/9AB/9AD
	A03	black					62W	satin aluminium			
12	000 043 205 85	hexagon socket head bolt M 4 X 10 mount cover closing element		2		(16)	955 552 340 01	tray		1	I4A0/4A3 I5TK/9AB/9AD
							62W	satin aluminium			
13	955 552 328 00	mat		1		17	955 552 148 00	cover		1	I4A4/5MA I9AB/9AD
14	955 552 203 02	centre nozzle lacquered		1				seat heater lacquered			

Model	Year	MG	SG	Illustration	Restrictions	UPD	14:56	21.01.2010	PORSCHE	PET	PORSCHE
9PA1	2010	8	09	809-15		247					

Pos	Part Number	Description	Remark	Qty	Model	Pos	Part Number	Description	Remark	Qty	Model
	A03	black				19	N 104 561 01	pan-head screw M 4 X 10		2	
(17)	955 552 149 00	cover		1	I4A4/5MG I9AB/9AD	(20)	955 552 286 03	support beverages rear lacquered		1	I5MA/5TE
	62W	satin aluminium					A03	black			
(17)	955 552 149 00	cover		1	I4A4/5TE I9AB/9AD		7BA	steel grey			
	62W	satin aluminium					L58	chestnut brown			
(17)	955 552 149 00	cover		1	I4A4/5TF I9AB/9AD		5Z1	sand beige			
	62W	satin aluminium				(20)	955 552 287 03	support beverages rear		1	I5MG
(17)	955 552 149 00	cover		1	I4A4/5TK I9AB/9AD		4X2	rootwood			
	62W	satin aluminium				(20)	955 552 288 03	support beverages rear		1	I5TF
18	955 552 153 00	cover centre console lacquered		1	I5MA/9AH		4V8	High-gloss olive ash burl			
	A03	black				(20)	955 552 298 02	support beverages		1	I5TK
(18)	955 552 154 00	cover control part air conditioner		1	I5MG/9AH		9Z4	Super-matt olive ash burl			
	62W	satin aluminium				21	955 552 160 01	cover		1	I5MA/5TE/7B6 I7B7
(18)	955 552 154 00	cover control part air conditioner		1	I5TE/9AH			connector housing 2 hole lacquered valid up to: F >>9P8LA 18170 F >>9P8LA 48440 F >>9P8LA 93520			
	62W	satin aluminium					A03	black			
(18)	955 552 154 00	cover control part air conditioner		1	I5TF/9AH		7BA	steel grey			
	62W	satin aluminium					L58	chestnut brown			
(18)	955 552 154 00	cover control part air conditioner		1	I5TK/9AH		5Z1	sand beige			
	62W	satin aluminium									

Model	Year	MG	SG	Illustration	Restrictions	UPD	14:56	21.01.2010	PORSCHE	PET	PORSCHE
9PA1	2010	8	09	809-15		247					

Pos	Part Number	Description	Remark	Qty	Model	Pos	Part Number	Description	Remark	Qty	Model
(21)	955 552 161 01	cover connector housing 1 hole lacquered valid up to: F >>9P8LA 18170 F >>9P8LA 48440 F >>9P8LA 93520 A03 black 7BA steel grey L58 chestnut brown 5Z1 sand beige		1	I5MA/5TE/7B2 I7B3	(21)	955 552 165 00	cover connector housing 1 hole valid up to: F >>9P8LA 18170 F >>9P8LA 48440 F >>9P8LA 93520 4X2 rootwood		1	I5MG/7B2/7B3
(21)	955 552 162 00	cover connector housing 2 hole valid up to: F >>9P8LA 18170 F >>9P8LA 48440 F >>9P8LA 93520 4V8 High-gloss olive ash burl		1	I5TF/7B6/7B7	(21)	955 552 169 00	cover connector housing 2 hole valid up to: F >>9P8LA 18170 F >>9P8LA 48440 F >>9P8LA 93520 9Z4 Super-matt olive ash burl		1	I5TK/7B6/7B7
(21)	955 552 163 00	cover connector housing 1 hole valid up to: F >>9P8LA 18170 F >>9P8LA 48440 F >>9P8LA 93520 4V8 High-gloss olive ash burl		1	I5TF/7B2/7B3	(21)	955 552 170 00	cover connector housing 1 hole valid up to: F >>9P8LA 18170 F >>9P8LA 48440 F >>9P8LA 93520 9Z4 Super-matt olive ash burl		1	I5TK/7B2/7B3
(21)	955 552 164 00	cover connector housing 2 hole valid up to: F >>9P8LA 18170 F >>9P8LA 48440 F >>9P8LA 93520 4X2 rootwood		1	I5MG/7B6/7B7	(21)	955 552 160 02	cover connector housing 2 hole valid from: F 9P8LA 18171>> F 9P8LA 48441>> F 9P8LA 93521>> lacquered A03 black		1	I5MA/7B6/7B7 I9JA/9JB
						(21)	955 552 161 02	cover connector housing 1 hole valid from: F 9P8LA 18171>> F 9P8LA 48441>> F 9P8LA 93521>> lacquered		1	I5MA/7B2/7B3 I9JA/9JB

Model	Year	MG	SG	Illustration	Restrictions	UPD	14:56	21.01.2010	PORSCHE	PET	PORSCHE
9PA1	2010	8	09	809-15		247					

Pos	Part Number	Description	Remark	Qty	Model	Pos	Part Number	Description	Remark	Qty	Model
	A03	black				24	955 552 849 00	support front		1	
(21)	955 552 162 01	cover		1	I5MG/5TE/5TF I5TK/7B6/7B7 I9JA/9JB	25	955 552 253 00	support centre		1	
		connector housing 2 hole valid from: F 9P8LA 18171>> F 9P8LA 48441>> F 9P8LA 93521>>				26	955 552 345 00	support rear		1	
	4W9	satin aluminium				27	N 103 472 04	combination screw M 6 X 25		X	
(21)	955 552 163 01	cover		1	I5MG/5TE/5TF I5TK/7B2/7B3 I9JA/9JB	28	955 552 715 01	support mobile phone complete	/LL	1	IL0L/9ZF/9ZT
		connector housing 1 hole valid from: F 9P8LA 18171>> F 9P8LA 48441>> F 9P8LA 93521>>				(28)	955 552 716 01	support mobile phone complete	/RL	1	IL0R/9ZF/9ZT
	4W9	satin aluminium				29	955 552 307 01	armrest		1	I6E3/9W0 I9W1/9ZF/9ZT
22	N 904 552 05	pan-head screw M 4 X 10 mount cover connector housing		2			5Q2	black			
							5R3	steel grey			
							5S4	sand beige			
23	955 552 166 00	cover		1	I5MA/5TE I9AB/9AD	(29)	955 552 308 01	armrest centre console leatherette		1	I6E3/9ZH/9ZP
		lacquered					5Q2	black			
	A03	black					5R3	steel grey			
	7BA	steel grey					5S4	sand beige			
	L58	chestnut brown				29	955 552 309 01	armrest		1	I6E6/9W0 I9W1/9ZF/9ZT
	5Z1	sand beige						centre console plain leather			
(23)	955 552 167 00	cover		1	I5MG/9AB/9AD		6B7	steel grey			
	4X2	rootwood					8G1	sand beige			
(23)	955 552 168 00	cover		1	I5TF/9AB/9AD		8YR	black			
	4V8	High-gloss olive ash burl				(29)	955 552 310 01	armrest centre console plain leather		1	I6E6/9ZH/9ZP
(23)	955 552 171 00	cover		1	I5TK/9AB/9AD		6B7	steel grey			
	9Z4	Super-matt olive ash burl									

Model	Year	MG	SG	Illustration	Restrictions	UPD	14:56	21.01.2010	PORSCHE	PET	PORSCHE
9PA1	2010	8	09	809-15		247					

Pos	Part Number	Description	Remark	Qty	Model	Pos	Part Number	Description	Remark	Qty	Model
	8G1	sand beige				(29)	955 552 314 00	armrest centre console leather/ nature		1	I6E2/9ZH/9ZP
	8YR	black					J69	chestnut brown			
29	955 552 311 01	armrest centre console leather embossed		1	I6E7/9W0 I9W1/9ZF/9ZT	29	955 552 315 00	armrest centre console alcantara	08	1	IE0W/6E4/9W0 I9W1/9ZF/9ZT
	A08	black					5E5	steel grey			
	T25	sand beige					5E6	black			
29	955 552 311 01	armrest centre console leather embossed	08	1	IE0W/6E7/9W0 I9W1/9ZF/9ZT	(29)	955 552 316 00	armrest centre console alcantara	08	1	IE0W/6E4/9ZP
	A08	black					5E5	steel grey			
	T25	sand beige					5E6	black			
(29)	955 552 312 01	armrest centre console leather embossed		1	I6E7/9ZH/9ZP	30	955 552 107 00	fixing clip centre console		X	
	A08	black				31	955 552 321 01	centre console		1	I3D1/3D3 I9AB/9AD
	T25	sand beige					5Q2	black			
	6E1	steel grey					5R3	steel grey			
(29)	955 552 312 01	armrest centre console leather embossed	08	1	IE0W/6E7/9ZP	31	955 552 321 01	centre console	08	1	IE0W/3D1/3D3 I9AB/9AD
	A08	black					5S4	sand beige			
	T25	sand beige					5S4	sand beige			
29	955 552 313 00	armrest centre console leather/ nature		1	I6E2/9W0/9W1 I9ZF/9ZT	(31)	955 552 322 01	centre console		1	I3D1/3D3/9AH
	J69	chestnut brown					5Q2	black			
							5R3	steel grey			
							5S4	sand beige			

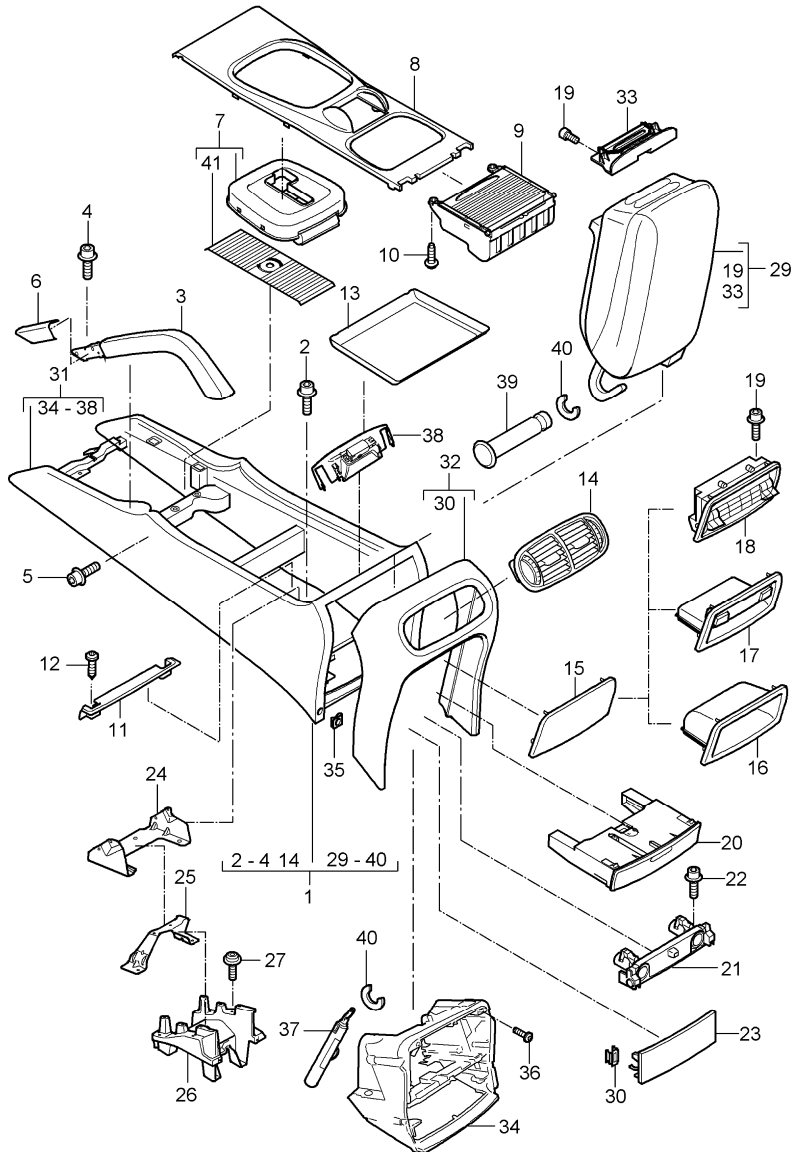
Model	Year	MG	SG	Illustration	Restrictions	UPD	14:56	21.01.2010	PORSCHE	PET	PORSCHE
9PA1	2010	8	09	809-15		247					

Pos	Part Number	Description	Remark	Qty	Model	Pos	Part Number	Description	Remark	Qty	Model
(31)	955 552 322 01	centre console	08	1	IE0W/3D1/3D3 I9AH		5Q2	black			
	5Q2	black					5R3	steel grey			
	5R3	steel grey					5S4	sand beige			
	5S4	sand beige				32	955 552 497 00	cap	08	1	IE0W/3D1/3D3 I9AB/9AD
(31)	955 552 323 01	centre console leather		1	I3D8/9AB/9AD			centre console			
	6B7	steel grey					5Q2	black			
	8G1	sand beige					5R3	steel grey			
	8YR	black				(32)	955 552 498 00	cap centre console		1	I3D1/3D3/9AH
(31)	955 552 324 01	centre console leather		1	I3D8/9AH			5Q2	black		
	6B7	steel grey					5R3	steel grey			
	8G1	sand beige					5S4	sand beige			
	8YR	black				(32)	955 552 498 00	cap	08	1	IE0W/3D1/3D3 I9AH
(31)	955 552 325 01	centre console		1	I3D4/9AB/9AD			centre console			
(31)	955 552 326 01	centre console leather/ nature		1	I3D4/9AH			5Q2	black		
	J69	chestnut brown					5R3	steel grey			
							5S4	sand beige			
(31)	955 552 325 10	centre console alcantara	08	1	IE0W/3D5/9AB I9AD	(32)	955 552 499 00	cap centre console leather		1	I3D8/9AB/9AD
	5E5	steel grey					6B7	steel grey			
	5E6	black					8G1	sand beige			
	5G6	sand beige					8YR	black			
(31)	955 552 326 10	centre console alcantara	08	1	IE0W/3D5/9AH	(32)	955 552 500 00	cap centre console leather		1	I3D8/9AH
	5E5	steel grey					6B7	steel grey			
	5E6	black					8G1	sand beige			
	5G6	sand beige					8YR	black			
32	955 552 497 00	cap centre console		1	I3D1/3D3/9AB I9AD						

Model	Year	MG	SG	Illustration	Restrictions	UPD	14:56	21.01.2010	PORSCHE	PET	PORSCHE
9PA1	2010	8	09	809-15		247					

Pos	Part Number	Description	Remark	Qty	Model	Pos	Part Number	Description	Remark	Qty	Model
(32)	955 552 501 00	cap centre console leather/ nature		1	I3D4/9AB/9AD	37	955 552 861 00	damper centre console		2	
	J69	chestnut brown				38	955 552 591 00	cover for illumination centre console		1	
(32)	955 552 502 00	cap centre console leather/ nature		1	I3D4/9AH	39	N 911 382 01	hinge bolt centre console		2	
	J69	chestnut brown				40	N 012 325 7	lock washer		2	
32	955 552 501 10	cap centre console	GTS	08	1 IE0W/3D5/9AB I9AD	41	955 552 265 00	shade cover shift gate		1	IGOR
	6B7	steel grey				42	955 553 901 00	damper insert connector housing valid up to: F >>9P8LA 18170 F >>9P8LA 48440 F >>9P8LA 93520		1	
	8G1	sand beige									
	8YR	black									
(32)	955 552 502 10	cap centre console	GTS	08	1 IE0W/3D5/9AH						
	6B7	steel grey									
	8G1	sand beige									
	8YR	black									
33	955 552 698 00	release armrest		1							
	A03	black									
	7BA	steel grey									
	L58	chestnut brown									
	5Z1	sand beige									
34	955 552 089 00	bracket cap		1	I9AB/9AD						
(34)	955 552 090 00	bracket cap		1	I9AH						
35	N 906 988 01	speed nut ST 4,2 X 16 X 12		X							
36	N 906 986 01	tapping screw ST 4,2 X 16		X							

Model	Year	MG	SG	Illustration	Restrictions	UPD	14:57	21.01.2010	PORSCHE	PET	PORSCHE
9PA1	2010	8	09	809-16		247					



Pos	Part Number	Description	Remark	Qty	Model
		centre console	09-		
1	955 553 211 00	centre console		1	IUF0/3D1/6E3 I9AB/9AD/9W0 I9W1
		front leatherette			
	5Q2	black			
	5R3	steel grey			
	5S4	sand beige			
(1)	955 553 211 01	centre console		1	IUF0/3D1/6E3 I9AH/9W0/9W1
		front leatherette			
	5Q2	black			
	5R3	steel grey			
	5S4	sand beige			
(1)	955 553 211 02	centre console		1	IUF0/3D1/6E3 I9AB/9AD/9ZP
		front leatherette			
	5Q2	black			
	5R3	steel grey			
	5S4	sand beige			
(1)	955 553 211 03	centre console		1	IUF0/3D1/6E3 I9AH/9ZP
		front leatherette			
	5Q2	black			
	5R3	steel grey			
	5S4	sand beige			
(1)	955 553 211 04	centre console		1	IUF0/3D1/6E3 I9AB/9AD/9W5
		front leatherette			
	5Q2	black			
	5R3	steel grey			
	5S4	sand beige			

Model	Year	MG	SG	Illustration	Restrictions	UPD	14:57	21.01.2010	PORSCHE	PET	PORSCHE
9PA1	2010	8	09	809-16		247					

Pos	Part Number	Description	Remark	Qty	Model	Pos	Part Number	Description	Remark	Qty	Model
(1)	955 553 211 05	centre console front leatherette 5Q2 black 5R3 steel grey 5S4 sand beige		1	IUF0/3D1/6E3 I9AH/9W5	(1)	955 553 211 10	centre console front leatherette 5Q2 black 5R3 steel grey 5S4 sand beige		1	IUF1/3D1/6E3 I9AB/9AD/9W5
(1)	955 553 211 06	centre console front leatherette 5Q2 black 5R3 steel grey 5S4 sand beige		1	IUF1/3D1/6E3 I9AB/9AD/9W0 I9W1	(1)	955 553 211 11	centre console front leatherette 5Q2 black 5R3 steel grey 5S4 sand beige		1	IUF1/3D1/6E3 I9AH/9W5
(1)	955 553 211 07	centre console front leatherette 5Q2 black 5R3 steel grey 5S4 sand beige		1	IUF1/3D1/6E3 I9AH/9W0/9W1	(1)	955 553 212 00	centre console front partial leather 5Q2 black 5R3 steel grey 5S4 sand beige		1	IUF0/3D3/6E7 I9AB/9AD/9W0 I9W1
(1)	955 553 211 08	centre console front leatherette 5Q2 black 5R3 steel grey 5S4 sand beige		1	IUF1/3D1/6E3 I9AB/9AD/9ZP	(1)	955 553 212 00	centre console front partial leather 5Q2 black 5R3 steel grey 5S4 sand beige		1	GTS IE0W/UF0/3D3 I6E7/9AB/9AD I9W0/9W1
(1)	955 553 211 09	centre console front leatherette 5Q2 black 5R3 steel grey 5S4 sand beige		1	IUF1/3D1/6E3 I9AH/9ZP	(1)	955 553 212 01	centre console front partial leather 5Q2 black 5R3 steel grey 5S4 sand beige		1	IUF0/3D3/6E7 I9AH/9W0/9W1

Model	Year	MG	SG	Illustration	Restrictions	UPD	14:57	21.01.2010	PORSCHE	PET	PORSCHE
9PA1	2010	8	09	809-16		247					

Pos	Part Number	Description	Remark	Qty	Model	Pos	Part Number	Description	Remark	Qty	Model
(1)	955 553 212 01	centre console front partial leather 5Q2 black 5R3 steel grey 5S4 sand beige		1	GTS IE0W/UF0/3D3 I6E7/9AH/9W0 I9W1	(1)	955 553 212 04	centre console front partial leather 5Q2 black 5R3 steel grey 5S4 sand beige		1	IUF0/3D3/6E7 I9AB/9AD/9W5
(1)	955 553 212 02	centre console front partial leather 5Q2 black 5R3 steel grey 5S4 sand beige		1	IUF0/3D3/6E7 I9AB/9AD/9ZP	(1)	955 553 212 04	centre console front partial leather 5Q2 black 5R3 steel grey 5S4 sand beige		1	GTS IE0W/UF0/3D3 I6E7/9AB/9AD I9W5
(1)	955 553 212 02	centre console front partial leather 5Q2 black 5R3 steel grey 5S4 sand beige		1	GTS IE0W/UF0/3D3 I6E7/9AB/9AD I9ZP	(1)	955 553 212 05	centre console front partial leather 5Q2 black 5R3 steel grey 5S4 sand beige		1	IUF0/3D3/6E7 I9AH/9W5
(1)	955 553 212 03	centre console front partial leather 5Q2 black 5R3 steel grey 5S4 sand beige		1	IUF0/3D3/6E7 I9AH/9ZP	(1)	955 553 212 05	centre console front partial leather 5Q2 black 5R3 steel grey 5S4 sand beige		1	GTS IE0W/UF0/3D3 I6E7/9AH/9W5
(1)	955 553 212 03	centre console front partial leather 5Q2 black 5R3 steel grey		1	GTS IE0W/UF0/3D3 I6E7/9AH/9ZP	(1)	955 553 212 06	centre console front partial leather 5Q2 black		1	IUF1/3D3/6E7 I9AB/9AD/9W0 I9W1

Model	Year	MG	SG	Illustration	Restrictions	UPD	14:57	21.01.2010	PORSCHE	PET	PORSCHE
9PA1	2010	8	09	809-16		247					

Pos	Part Number	Description	Remark	Qty	Model	Pos	Part Number	Description	Remark	Qty	Model
		5R3 steel grey				(1)	955 553 212 08	centre console		1	GTS IE0W/UF1/3D3 I6E7/9AB/9AD I9ZP
		5S4 sand beige						front partial leather			
(1)	955 553 212 06	centre console		1	GTS IE0W/UF1/3D3 I6E7/9AB/9AD I9W0/9W1			5Q2 black			
		front partial leather						5R3 steel grey			
		5Q2 black						5S4 sand beige			
		5R3 steel grey				(1)	955 553 212 09	centre console		1	IUF1/3D3/6E7 I9AH/9ZP
		5S4 sand beige						front partial leather			
(1)	955 553 212 07	centre console		1	IUF1/3D3/6E7 I9AH/9W0/9W1			5Q2 black			
		front partial leather						5R3 steel grey			
		5Q2 black						5S4 sand beige			
		5R3 steel grey				(1)	955 553 212 09	centre console		1	GTS IE0W/UF1/3D3 I6E7/9AH/9ZP
		5S4 sand beige						front partial leather			
(1)	955 553 212 07	centre console		1	GTS IE0W/UF1/3D3 I6E7/9AH/9W0 I9W1			5Q2 black			
		front partial leather						5R3 steel grey			
		5Q2 black						5S4 sand beige			
		5R3 steel grey				(1)	955 553 212 10	centre console		1	IUF1/3D3/6E7 I9AB/9AD/9W5
		5S4 sand beige						front partial leather			
(1)	955 553 212 08	centre console		1	IUF1/3D3/6E7 I9AB/9AD/9ZP			5Q2 black			
		front partial leather						5R3 steel grey			
		5Q2 black						5S4 sand beige			
		5R3 steel grey				(1)	955 553 212 10	centre console		1	GTS IE0W/UF1/3D3 I6E7/9AB/9AD I9W5
		5S4 sand beige						front partial leather			
		5Q2 black						5Q2 black			
		5R3 steel grey						5R3 steel grey			

Model	Year	MG	SG	Illustration	Restrictions	UPD	14:57	21.01.2010	PORSCHE	PET	PORSCHE
9PA1	2010	8	09	809-16		247					

Pos	Part Number	Description	Remark	Qty	Model	Pos	Part Number	Description	Remark	Qty	Model
	5S4	sand beige					8YR	black			
(1)	955 553 212 11	centre console front partial leather		1	IUF1/3D3/6E7 I9AH/9W5	(1)	955 553 213 03	centre console front leather		1	IUF0/3D8/6E6 I9AH/9ZP
	5Q2	black					6B7	steel grey			
	5R3	steel grey					8G1	sand beige			
	5S4	sand beige					8YR	black			
(1)	955 553 212 11	centre console front partial leather		1	GTS IEOW/UF1/3D3 I6E7/9AH/9W5	(1)	955 553 213 04	centre console front leather		1	IUF0/3D8/6E6 I9AB/9AD/9W5
	5Q2	black					6B7	steel grey			
	5R3	steel grey					8G1	sand beige			
	5S4	sand beige					8YR	black			
(1)	955 553 213 00	centre console front leather		1	IUF0/3D8/6E6 I9AB/9AD/9W0 I9W1	(1)	955 553 213 05	centre console front leather		1	IUF0/3D8/6E6 I9AH/9W5
	6B7	steel grey					6B7	steel grey			
	8G1	sand beige					8G1	sand beige			
	8YR	black					8YR	black			
(1)	955 553 213 01	centre console front leather		1	IUF0/3D8/6E6 I9AH/9W0/9W1	(1)	955 553 213 06	centre console front leather		1	IUF1/3D8/6E6 I9AB/9AD/9W0 I9W1
	6B7	steel grey					6B7	steel grey			
	8G1	sand beige					8G1	sand beige			
	8YR	black					8YR	black			
(1)	955 553 213 02	centre console front leather		1	IUF0/3D8/6E6 I9AB/9AD/9ZP	(1)	955 553 213 07	centre console front leather		1	IUF1/3D8/6E6 I9AH/9W0/9W1
	6B7	steel grey					6B7	steel grey			
	8G1	sand beige					8G1	sand beige			
							8YR	black			

Model	Year	MG	SG	Illustration	Restrictions	UPD	14:57	21.01.2010	PORSCHE	PET	PORSCHE
9PA1	2010	8	09	809-16		247					

Pos	Part Number	Description	Remark	Qty	Model	Pos	Part Number	Description	Remark	Qty	Model
(1)	955 553 213 08	centre console front leather 6B7 steel grey 8G1 sand beige 8YR black		1	IUF1/3D8/6E6 I9AB/9AD/9ZP	(1)	955 553 214 01	centre console front leather/ nature J69 chestnut brown		1	IUF0/3D4/6E2 I9AH/9W0/9W1
(1)	955 553 213 09	centre console front leather 6B7 steel grey 8G1 sand beige 8YR black		1	IUF1/3D8/6E6 I9AH/9ZP	(1)	955 553 214 02	centre console front leather/ nature J69 chestnut brown		1	IUF0/3D4/6E2 I9AB/9AD/9ZP
(1)	955 553 213 10	centre console front leather 6B7 steel grey 8G1 sand beige 8YR black		1	IUF1/3D8/6E6 I9AB/9AD/9W5	(1)	955 553 214 03	centre console front leather/ nature J69 chestnut brown		1	IUF0/3D4/6E2 I9AH/9ZP
(1)	955 553 213 11	centre console front leather 6B7 steel grey 8G1 sand beige 8YR black		1	IUF1/3D8/6E6 I9AH/9W5	(1)	955 553 214 04	centre console front leather/ nature J69 chestnut brown		1	IUF0/3D4/6E2 I9AB/9AD/9W5
(1)	955 553 213 11	centre console front leather 6B7 steel grey 8G1 sand beige 8YR black		1	IUF1/3D8/6E6 I9AH/9W5	(1)	955 553 214 05	centre console front leather/ nature J69 chestnut brown		1	IUF0/3D4/6E2 I9AH/9W5
(1)	955 553 214 00	centre console front leather/ nature J69 chestnut brown		1	IUF0/3D4/6E2 I9AB/9AD/9W0 I9W1	(1)	955 553 214 06	centre console front leather/ nature J69 chestnut brown		1	IUF1/3D4/6E2 I9AB/9AD/9W0 I9W1
						(1)	955 553 214 07	centre console front leather/ nature J69 chestnut brown		1	IUF1/3D4/6E2 I9AH/9W0/9W1

Model	Year	MG	SG	Illustration	Restrictions	UPD	14:57	21.01.2010	PORSCHE	PET	PORSCHE
9PA1	2010	8	09	809-16		247					

Pos	Part Number	Description	Remark	Qty	Model	Pos	Part Number	Description	Remark	Qty	Model
(1)	955 553 214 08	centre console front leather/ nature J69 chestnut brown		1	IUF1/3D4/6E2 I9AB/9AD/9ZP	(1)	955 553 215 02	centre console front alcantara 5E5 steel grey		1	IE0W/E1T/E2D IUF0/3D5/6E4 I9AB/9AD/9ZP
(1)	955 553 214 09	centre console front leather/ nature J69 chestnut brown		1	IUF1/3D4/6E2 I9AH/9ZP		5E6 black 5G6 sand beige				
(1)	955 553 214 10	centre console front leather/ nature J69 chestnut brown		1	IUF1/3D4/6E2 I9AB/9W5	(1)	955 553 215 03	centre console front alcantara 5E5 steel grey 5E6 black 5G6 sand beige		1	IE0W/E1T/E2D IUF0/3D5/6E4 I9AH/9ZP
(1)	955 553 214 11	centre console front leather/ nature J69 chestnut brown		1	IUF1/3D4/6E2 I9AH/9W5	(1)	955 553 215 04	centre console front alcantara 5E5 steel grey 5E6 black 5G6 sand beige		1	IE0W/E1T/E2D IUF0/3D5/6E4 I9AB/9AD/9W5
1	955 553 215 00	centre console front alcantara 5E5 steel grey 5E6 black 5G6 sand beige		1	IE0W/E1T/E2D IUF0/3D5/6E4 I9AB/9AD/9W0 I9W1	(1)	955 553 215 05	centre console front alcantara 5E5 steel grey 5E6 black 5G6 sand beige		1	IE0W/E1T/E2D IUF0/3D5/6E4 I9AH/9W5
(1)	955 553 215 01	centre console front alcantara 5E5 steel grey 5E6 black 5G6 sand beige		1	IE0W/E1T/E2D IUF0/3D5/6E4 I9AH/9W0/9W1	(1)	955 553 215 06	centre console front alcantara 5E5 steel grey		1	IE0W/E1T/E2D IUF1/3D5/6E4 I9AB/9AD/9W0 I9W1

Model	Year	MG	SG	Illustration	Restrictions	UPD	14:57	21.01.2010	PORSCHE	PET	PORSCHE
9PA1	2010	8	09	809-16		247					

Pos	Part Number	Description	Remark	Qty	Model	Pos	Part Number	Description	Remark	Qty	Model		
(1)	955 553 215 07	5E6 black 5G6 sand beige centre console front alcantara		1	IE0W/E1T/E2D IUF1/3D5/6E4 I9AH/9W0/9W1	2	N 103 472 04	5E5 steel grey 5E6 black 5G6 sand beige centre console		18			
	(1)	955 553 215 08	5E5 steel grey 5E6 black 5G6 sand beige centre console front alcantara		1		IE0W/E1T/E2D IUF1/3D5/6E4 I9AB/9AD/9ZP	(3) 955 552 645 01	6B7 steel grey 8G1 sand beige 8YR black	/L	1	I3D8	
		(1)	955 553 215 09	5E5 steel grey 5E6 black 5G6 sand beige centre console front alcantara			1	IE0W/E1T/E2D IUF1/3D5/6E4 I9AH/9ZP	(3) 955 552 646 01	6B7 steel grey 8G1 sand beige 8YR black	/R	1	I3D8
			(1)	955 553 215 10	5E5 steel grey 5E6 black 5G6 sand beige centre console front alcantara			1	IE0W/E1T/E2D IUF1/3D5/6E4 I9AB/9AD/9W5	(3) 955 552 647 01	A08 black T25 sand beige 6E1 steel grey	/L	1
	(1)	955 553 215 11		5E5 steel grey 5E6 black 5G6 sand beige centre console front alcantara			1	IE0W/E1T/E2D IUF1/3D5/9AH I9AH/9W5	(3) 955 552 648 01	6E1 steel grey grab handle centre console leatherette	/R	1	I3D1/3D3
(1)		955 553 215 11	5E5 steel grey 5E6 black 5G6 sand beige centre console front alcantara	1	IE0W/E1T/E2D IUF1/3D5/9AH I9AH/9W5	(3)	955 552 649 00	A08 black T25 sand beige 6E1 steel grey	/L	1	I3D4		
								J69 chestnut brown					

Model	Year	MG	SG	Illustration	Restrictions	UPD	14:57	21.01.2010	PORSCHE	PET	PORSCHE
9PA1	2010	8	09	809-16		247					

Pos	Part Number	Description	Remark	Qty	Model	Pos	Part Number	Description	Remark	Qty	Model
(3)	955 552 650 00	grab handle centre console leather/ nature	/R	1	I3D4		7BA	steel grey			
	J69	chestnut brown					L58	chestnut brown			
							5Z1	sand beige			
4	N 103 472 04	combination screw M 6 X 25 mount grab handle front		2		(8)	955 552 280 03	trim cover lacquered		1	ID5V/D5Z/5MA I5MH/5TE
							A03	black			
							7BA	steel grey			
5	N 101 112 03	pan-head screw M 8 X 85 mount grab handle rear		2			L58	chestnut brown			
							5Z1	sand beige			
6	955 552 633 01	cap grab handle centre console lacquered	/L	1		(8)	955 552 292 02	trim cover centre console		1	I5TF
	A03	black					4V8	High-gloss olive ash burl			
	7BA	steel grey				(8)	955 552 297 02	trim cover centre console		1	I5MG
	L58	chestnut brown					4X2	rootwood			
	5Z1	sand beige				9	955 552 283 02	support		1	I3D5/5MA/5MH I5TE
(6)	955 552 634 01	cap grab handle centre console lacquered	/R	1			L58	chestnut brown			
	A03	black					A03	black			
	7BA	steel grey					7BA	steel grey			
	L58	chestnut brown					5Z1	sand beige			
	5Z1	sand beige				(9)	955 552 284 02	support beverages		1	I5TF
7	955 552 261 01	shift gate	/LL	1	IG0R/L0L		4V8	High-gloss olive ash burl			
	62W	satin aluminium				(9)	955 552 285 02	support beverages		1	I5MG
(7)	955 552 262 01	shift gate	/RL	1	IG0R/L0R		4X2	rootwood			
	62W	satin aluminium				--	955 552 105 00	heat shield		1	
8	955 552 279 03	trim cover lacquered		1	ID5X/5MA						
	A03	black									

Model	Year	MG	SG	Illustration	Restrictions	UPD	14:57	21.01.2010	PORSCHE	PET	PORSCHE
9PA1	2010	8	09	809-16		247					

Pos	Part Number	Description	Remark	Qty	Model	Pos	Part Number	Description	Remark	Qty	Model
10	N 106 514 01	combination screw M 4 X 10 mount beverages support		2			5Z1	sand beige			
11	955 552 083 00	cover closing element lacquered		1		16	955 552 438 01	tray		1	ID5V/4A0/4A3 I5MA/9AB/9AD
	A03	black					A03	black			
12	000 043 205 85	hexagon socket head bolt M 4 X 10 mount cover closing element		2		(16)	955 552 340 01	tray		1	I4A0/4A3/5MG I9AB/9AD
13	955 552 328 00	mat		1	IUF0		62W	satin aluminium			
(13)	955 553 329 00	mat	09-	1	IUF1	(16)	955 552 340 01	tray		1	I4A0/4A3/5MH I5TE/9AB/9AD
14	955 552 203 02	centre nozzle lacquered		1		(16)	955 552 340 01	tray		1	I4A0/4A3/5TF I9AB/9AD
	A03	black					62W	satin aluminium			
	7BA	steel grey				17	955 552 148 00	cover		1	I4A4/5MA/9AB I9AD
	5Z1	sand beige						seat heater lacquered			
15	955 552 338 00	trim cover		1	ID5X/4A0/4A3 I5MA/9AB/9AD	(17)	955 552 149 00	cover		1	I4A4/5MG/9AB I9AD
		centre console rear lacquered					A03	black			
	A03	black				(17)	955 552 149 00	cover		1	I4A4/5MH/5TE I9AB/9AD
	7BA	steel grey					62W	satin aluminium			
	L58	chestnut brown				(17)	955 552 149 00	cover		1	I4A4/5MH/5TE I9AB/9AD
	5Z1	sand beige						seat heater			
15	955 552 338 00	trim cover		1	ID50/4A0/4A3 I5MA/9AB/9AD	(17)	955 552 149 00	cover		1	I4A4/5TF/9AB I9AD
		centre console rear lacquered					62W	satin aluminium			
	A03	black					62W	satin aluminium			
	7BA	steel grey				18	955 552 153 00	cover centre console lacquered		1	I5MA/9AH
	L58	chestnut brown									

Model	Year	MG	SG	Illustration	Restrictions	UPD	14:57	21.01.2010	PORSCHE	PET	PORSCHE
9PA1	2010	8	09	809-16		247					

Pos	Part Number	Description	Remark	Qty	Model	Pos	Part Number	Description	Remark	Qty	Model
(18)	955 552 154 00	cover control part air conditioner		1	I5MG/9AH	(21)	955 552 161 02	cover connector housing 1 hole lacquered		1	I5MA/7B2/7B3 I9JA/9JB
(18)	955 552 154 00	cover control part air conditioner		1	I5MH/5TE/9AH	(21)	955 552 162 01	cover connector housing 2 hole		1	I5MG/5MH/5TE I5TF/7B6/7B7 I9JA/9JB
(18)	955 552 154 00	cover control part air conditioner		1	I5TF/9AH	(21)	955 552 163 01	cover connector housing 1 hole		1	I5MG/5MH/5TE I5TF/7B2/7B3 I9JA/9JB
19	N 104 561 01	pan-head screw M 4 X 10		2		22	N 904 552 05	pan-head screw M 4 X 10 mount cover connector housing		2	
(20)	955 552 286 03	support beverages rear lacquered		1	I5MA/5MH/5TE	23	955 552 166 00	cover lacquered		1	I5MA/5MH/5TE I9AB/9AD
(20)	955 552 287 03	support beverages rear		1	I5MG	(23)	955 552 167 00	cover rootwood		1	I5MG/9AB/9AD
(20)	955 552 288 03	support beverages rear		1	I5TF	(23)	955 552 168 00	cover olive grain		1	I5TF/9AB/9AD
(21)	955 552 160 02	cover connector housing 2 hole lacquered		1	I5MA/7B6/7B7 I9JA/9JB	24	955 552 849 00	support front		1	
	955 552 154 00	cover control part air conditioner		1	I5MG/9AH						
	955 552 154 00	cover control part air conditioner		1	I5MH/5TE/9AH						
	955 552 154 00	cover control part air conditioner		1	I5TF/9AH						
	955 552 286 03	support beverages rear lacquered		1	I5MA/5MH/5TE						
	955 552 287 03	support beverages rear		1	I5MG						
	955 552 288 03	support beverages rear		1	I5TF						
	955 552 160 02	cover connector housing 2 hole lacquered		1	I5MA/7B6/7B7 I9JA/9JB						

Model	Year	MG	SG	Illustration	Restrictions	UPD	14:57	21.01.2010	PORSCHE	PET	PORSCHE
9PA1	2010	8	09	809-16		247					

Pos	Part Number	Description	Remark	Qty	Model	Pos	Part Number	Description	Remark	Qty	Model
25	955 552 253 00	support centre		1			8YR	black			
26	955 552 345 00	support rear		1		(29)	955 553 308 02	armrest centre console plain leather		1	I6E6/9W5
27	N 103 472 04	combination screw M 6 X 25		X			6B7	steel grey			
29	955 553 307 00	armrest centre console leatherette		1	I6E3/9W0/9W1		8G1	sand beige			
	5Q2	black				29	955 553 309 00	armrest centre console leather embossed		1	I6E7/9W0/9W1
	5R3	steel grey					A08	black			
	5S4	sand beige					T25	sand beige			
(29)	955 553 307 01	armrest centre console leatherette		1	I6E3/9ZP		6E1	steel grey			
	5Q2	black				(29)	955 553 309 00	armrest centre console leather embossed		1	GTS IE0W/6E7/9W0 I9W1
	5R3	steel grey					A08	black			
	5S4	sand beige					T25	sand beige			
(29)	955 553 307 02	armrest centre console leatherette		1	I6E3/9W5		6E1	steel grey			
	5Q2	black				(29)	955 553 309 01	armrest centre console leather embossed		1	I6E7/9ZP
	5R3	steel grey					A08	black			
	5S4	sand beige					T25	sand beige			
29	955 553 308 00	armrest centre console plain leather		1	I6E6/9W0/9W1		6E1	steel grey			
	6B7	steel grey				(29)	955 553 309 01	armrest centre console leather embossed		1	GTS IE0W/6E7/9ZP
	8G1	sand beige					A08	black			
	8YR	black					T25	sand beige			
(29)	955 553 308 01	armrest centre console plain leather		1	I6E6/9ZP		6E1	steel grey			
	6B7	steel grey					A08	black			
	8G1	sand beige					T25	sand beige			

Model	Year	MG	SG	Illustration	Restrictions	UPD	14:57	21.01.2010	PORSCHE	PET	PORSCHE
9PA1	2010	8	09	809-16		247					

Pos	Part Number	Description	Remark	Qty	Model	Pos	Part Number	Description	Remark	Qty	Model
	6E1	steel grey				(29)	955 553 311 01	armrest		1	GTS IE0W/E1T/6E4 I9ZP
(29)	955 553 309 02	armrest centre console leather embossed		1	I6E7/9W5			centre console alcantara			
	A08	black					5E5	steel grey			
	T25	sand beige					5E6	black			
	6E1	steel grey					5G6	sand beige			
(29)	955 553 309 02	armrest		1	GTS IE0W/6E7/9W5	(29)	955 553 311 02	armrest		1	GTS IE0W/E1T/6E4 I9W5
		centre console leather embossed						centre console alcantara			
	A08	black					5E5	steel grey			
	T25	sand beige					5E6	black			
	6E1	steel grey					5G6	sand beige			
(29)	955 553 310 00	armrest		1	I6E2/9W0/9W1	30	955 552 107 00	fixing clip centre console		X	
		centre console leather/ nature				31	955 553 243 00	centre console		1	IUF0/3D1/3D3 I9AB/9AD
	J69	chestnut brown					5Q2	black			
(29)	955 553 310 01	armrest		1	I6E2/9ZP		5R3	steel grey			
		centre console leather/ nature					5S4	sand beige			
	J69	chestnut brown				31	955 553 243 00	centre console		1	GTS IE0W/UF0/3D1 I3D3/9AB/9AD
(29)	955 553 310 02	armrest		1	I6E2/9W5		5Q2	black			
		centre console leather/ nature					5R3	steel grey			
	J69	chestnut brown					5S4	sand beige			
(29)	955 553 311 00	armrest		1	GTS IE0W/E1T/6E4 I9W0/9W1	(31)	955 553 243 01	centre console		1	IUF0/3D1/3D3 I9AH
		centre console alcantara					5Q2	black			
	5E5	steel grey					5R3	steel grey			
	5E6	black					5S4	sand beige			
	5G6	sand beige									

Model	Year	MG	SG	Illustration	Restrictions	UPD	14:57	21.01.2010	PORSCHE	PET	PORSCHE
9PA1	2010	8	09	809-16		247					

Pos	Part Number	Description	Remark	Qty	Model	Pos	Part Number	Description	Remark	Qty	Model
(31)	955 553 243 01	centre console		1	GTS IE0W/UF0/3D1 I3D3/9AH	(31)	955 553 244 01	centre console leather		1	IUF0/3D8/9AH
	5Q2	black					6B7	steel grey			
	5R3	steel grey					8G1	sand beige			
	5S4	sand beige					8YR	black			
(31)	955 553 243 02	centre console		1	IUF1/3D1/3D3 I9AB/9AD	(31)	955 553 244 02	centre console leather		1	IUF1/3D8/9AB I9AD
	5Q2	black					6B7	steel grey			
	5R3	steel grey					8G1	sand beige			
	5S4	sand beige					8YR	black			
(31)	955 553 243 02	centre console		1	GTS IE0W/UF1/3D1 I3D3/9AB/9AD	(31)	955 553 244 03	centre console leather		1	IUF1/3D8/9AH
	5Q2	black					6B7	steel grey			
	5R3	steel grey					8G1	sand beige			
	5S4	sand beige					8YR	black			
(31)	955 553 243 03	centre console		1	IUF1/3D1/3D3 I9AH	(31)	955 553 245 00	centre console leather/ nature		1	IUF0/3D4/9AB I9AD
	5Q2	black					J69	chestnut brown			
	5R3	steel grey				(31)	955 553 245 01	centre console leather/ nature		1	IUF0/3D4/9AH
	5S4	sand beige					J69	chestnut brown			
(31)	955 553 243 03	centre console		1	GTS IE0W/UF1/3D1 I3D3/9AH	(31)	955 553 245 02	centre console leather/ nature		1	IUF1/3D4/9AB I9AD
	5Q2	black					J69	chestnut brown			
	5R3	steel grey				(31)	955 553 245 03	centre console leather/ nature		1	IUF1/3D4/9AH
	5S4	sand beige					J69	chestnut brown			
(31)	955 553 244 00	centre console		1	IUF0/3D8/9AB I9AD	(31)	955 553 245 03	centre console leather/ nature		1	IUF1/3D4/9AH
	6B7	steel grey					J69	chestnut brown			
	8G1	sand beige									
	8YR	black									

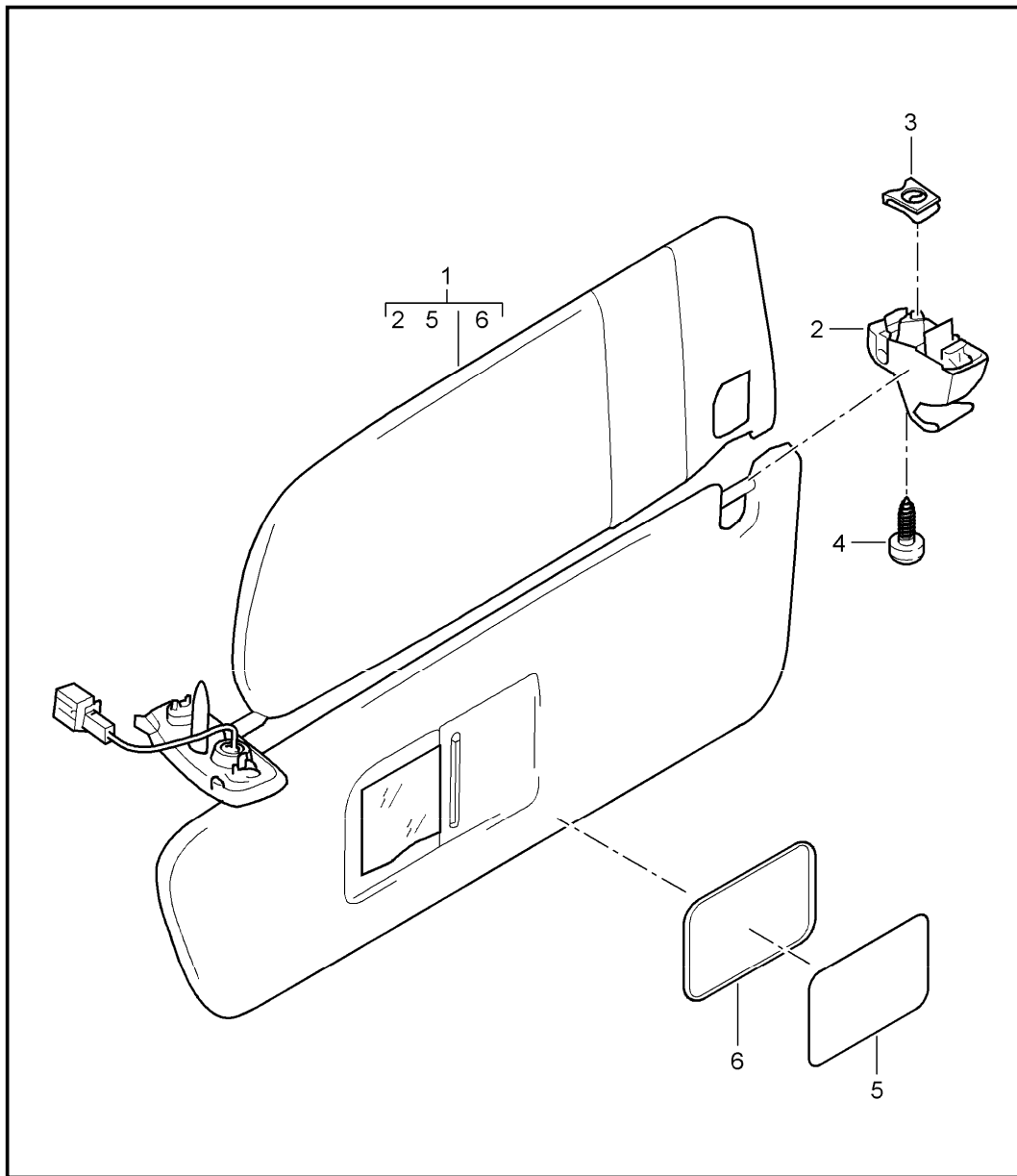
Model	Year	MG	SG	Illustration	Restrictions	UPD	14:57	21.01.2010	PORSCHE	PET	PORSCHE
9PA1	2010	8	09	809-16		247					

Pos	Part Number	Description	Remark	Qty	Model	Pos	Part Number	Description	Remark	Qty	Model
(31)	955 553 246 00	centre console		1	IE0W/E1T/E2D IUF0/3D5/9AB I9AD		5Q2	black			
		alcantara					5R3	steel grey			
	5E5	steel grey					5S4	sand beige			
	5E6	black				(32)	955 552 498 00	cap centre console		1	I3D1/3D3/9AH
	5G6	sand beige					5Q2	black			
(31)	955 553 246 01	centre console		1	IE0W/E1T/E2D IUF0/3D5/9AH		5R3	steel grey			
		alcantara					5S4	sand beige			
	5E5	steel grey				(32)	955 552 498 00	cap centre console		1	GTS IE0W/3D1/3D3 I9AH
	5E6	black					5Q2	black			
	5G6	sand beige					5R3	steel grey			
(31)	955 553 246 02	centre console		1	IE0W/E1T/E2D IUF1/3D5/9AB I9AD		5S4	sand beige			
		alcantara				(32)	955 552 499 00	cap centre console leather		1	I3D8/9AB/9AD
	5E5	steel grey					6B7	steel grey			
	5E6	black					8G1	sand beige			
	5G6	sand beige					8YR	black			
(31)	955 553 246 03	centre console		1	IE0W/E1T/UF1 IUF1/3D5/9AH		8G1	sand beige			
		alcantara				(32)	955 552 500 00	cap centre console leather		1	I3D8/9AH
	5E5	steel grey					6B7	steel grey			
	5E6	black					8G1	sand beige			
	5G6	sand beige					8YR	black			
32	955 552 497 00	cap		1	I3D1/3D3/9AB I9AD		8YR	black			
		centre console				(32)	955 552 501 00	cap centre console leather/ nature		1	I3D4/9AB/9AD
	5Q2	black					J69	chestnut brown			
	5R3	steel grey					8G1	sand beige			
	5S4	sand beige				(32)	955 552 502 00	cap centre console leather/ nature		1	I3D4/9AH
32	955 552 497 00	cap		1	GTS IE0W/3D1/3D3 I9AB/9AD						
		centre console									

Model	Year	MG	SG	Illustration	Restrictions	UPD	14:57	21.01.2010	PORSCHE	PET	PORSCHE
9PA1	2010	8	09	809-16		247					

Pos	Part Number	Description	Remark	Qty	Model	Pos	Part Number	Description	Remark	Qty	Model
	J69	chestnut brown				41	955 552 265 00	shade cover shift gate		1	IGOR
32	955 552 501 10	cap centre console	GTS	1	IE0W/E1T/3D5 I9AB/9AD						
	6B7	steel grey									
	8G1	sand beige									
	8YR	black									
(32)	955 552 502 10	cap centre console	GTS	1	IE0W/E1T/3D5 I9AH						
	6B7	steel grey									
	8G1	sand beige									
	8YR	black									
33	955 552 698 00	release armrest		1							
	A03	black									
	7BA	steel grey									
	L58	chestnut brown									
	5Z1	sand beige									
34	955 552 089 00	bracket cap		1	I9AB/9AD						
(34)	955 552 090 00	bracket cap		1	I9AH						
35	N 906 988 01	speed nut ST 4,2 X 16 X 12		X							
36	N 906 986 01	tapping screw ST 4,2 X 16		X							
37	955 552 861 00	damper centre console		2							
38	955 552 591 00	cover for illumination centre console		1							
39	N 911 382 01	hinge bolt centre console		2							
40	N 012 325 7	lock washer		2							

Model	Year	MG	SG	Illustration	Restrictions	UPD	14:57	21.01.2010	PORSCHE	PET	PORSCHE
9PA1	2010	8	09	809-25		247					

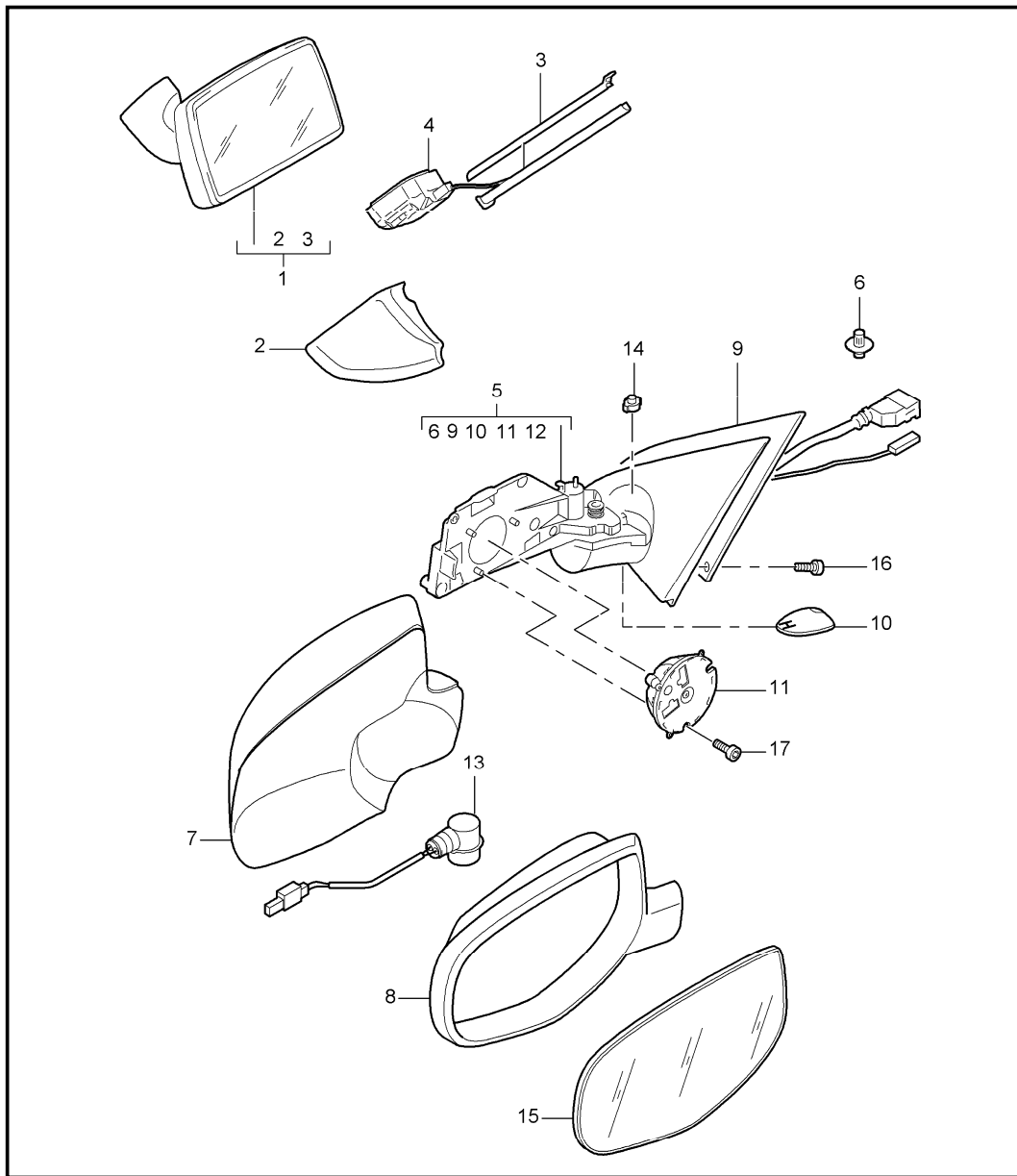


Pos	Part Number	Description	Remark	Qty	Model
1	955 731 135 03	sun visors sun visor leatherette	/L	1	I3FA/3FE/6NJ
	A12	black			
	7E3	sand beige			
	7V4	steel grey			
1	955 731 136 03	sun visor leatherette	/R	1	I3FA/3FE/6NJ
	A12	black			
	7E3	sand beige			
	7V4	steel grey			
(1)	955 731 141 02	sun visor leatherette	/L	1	I3FU/6NJ
	A12	black			
	7E3	sand beige			
	7V4	steel grey			
(1)	955 731 142 02	sun visor leatherette	/R	1	I3FU/6NJ
	A12	black			
	7E3	sand beige			
	7V4	steel grey			
(1)	955 731 147 03	sun visor alcantara	/L	1	I3FA/3FE/6NN
	5E5	steel grey			
	5E6	black			
	5G6	sand beige			
(1)	955 731 148 03	sun visor alcantara	/R	1	I3FA/3FE/6NN
	5E5	steel grey			
	5E6	black			
	5G6	sand beige			

Model	Year	MG	SG	Illustration	Restrictions	UPD	14:57	21.01.2010	PORSCHE	PET	PORSCHE
9PA1	2010	8	09	809-25		247					

Pos	Part Number	Description	Remark	Qty	Model	Pos	Part Number	Description	Remark	Qty	Model
1	955 731 153 01	sun visor alcantara	/L	1	I3FU/6NN	3	N 907 798 02	speed nut for mounting sun visor		X	
	5E5	steel grey									
	5E6	black				4	N 105 665 01	tapping screw ST 4,8 X 25 for mount mounting sun visor		X	
	5G6	sand beige									
(1)	955 731 154 01	sun visor alcantara	/R	1	I3FU/6NN	5	955 731 567 01	vanity mirror		1	
	5E5	steel grey				6	955 731 643 01	frame vanity mirror		1	
	5E6	black									
	5G6	sand beige									
2	955 731 827 00	mounting sun visor	/L	1	I3FA/3FE						
	9B9	satin black									
	6C6	sand beige									
	7A8	steel grey									
(2)	955 731 828 00	mounting sun visor	/R	1	I3FA/3FE						
	9B9	satin black									
	6C6	sand beige									
	7A8	steel grey									
(2)	955 731 829 00	mounting sun visor	/L	1	I3FU						
	9B9	satin black									
	6C6	sand beige									
	7A8	steel grey									
(2)	955 731 830 00	mounting sun visor	/R	1	I3FU						
	9B9	satin black									
	6C6	sand beige									
	7A8	steel grey									

Model	Year	MG	SG	Illustration	Restrictions	UPD	14:57	21.01.2010	PORSCHE	PET	PORSCHE
9PA1	2010	8	09	809-30		247					



Pos	Part Number	Description	Remark	Qty	Model
1	955 731 512 04	rear-view mirror door mirror accessories interior mirror		1	I4L2/5RQ/5RR I5RT/5RV/5SG I5SJ/5SL
		manually dimmable			
	01C	satın black			
(1)	955 731 513 01	interior mirror		1	I4L2/5RP/5SG I5SJ/5SL
		manually dimmable			
	01C	satın black			
(1)	955 731 513 01	interior mirror		1	I4L2/5RQ/5RR I5RT/5RV/5SU I5SL
		manually dimmable			
	01C	satın black			
(1)	955 731 514 01	interior mirror automatic dimmable		1	I4L6
		manually dimmable			
	01C	satın black			
2	955 731 517 00	cap rear-view mirror	/L	1	I4L2/4L6
		manually dimmable			
	01C	satın black			
(2)	955 731 518 00	cap rear-view mirror	/R	1	I4L2/4L6
		manually dimmable			
	01C	satın black			
3	955 731 519 00	cover rear-view mirror upper part		1	I4L2/4L6
		manually dimmable			
	01C	satın black			
(3)	955 731 520 00	cover rear-view mirror lower part		1	I4L2/4L6
		manually dimmable			
	01C	satın black			

Model	Year	MG	SG	Illustration	Restrictions	UPD	14:57	21.01.2010	PORSCHE	PET	PORSCHE
9PA1	2010	8	09	809-30		247					

Pos	Part Number	Description	Remark	Qty	Model	Pos	Part Number	Description	Remark	Qty	Model
4	---	rain sensor rear-view mirror see group 9/04/00		1			01C	satin black			
5	955 731 221 02	mirror base door mirror	/LL/L	1	I6XP/9TH	5	955 731 229 02	mirror base door mirror	/LL/L	1	I6XT
	01C	satin black					01C	satin black			
(5)	955 731 222 02	mirror base door mirror	/LL/R	1	I6XP/9TH	(5)	955 731 230 02	mirror base door mirror	/LL/R	1	I6XT
	01C	satin black					01C	satin black			
(5)	955 731 242 00	mirror base door mirror	/LL/R	1	I5RP/6XP/9TH	(5)	955 731 231 02	mirror base door mirror	/RL/L	1	I6XP/9TH
	01C	satin black					01C	satin black			
5	955 731 223 02	mirror base door mirror	/LL/L	1	I6XP/9TF	(5)	955 731 241 00	mirror base door mirror	/RL/L	1	I5SU/6XP/9TH
	01C	satin black					01C	satin black			
(5)	955 731 224 02	mirror base door mirror	/LL/R	1	I6XP/9TF	(5)	955 731 232 02	mirror base door mirror	/RL/R	1	I6XP/9TH
	01C	satin black					01C	satin black			
(5)	955 731 244 00	mirror base door mirror	/LL/R	1	I5RP/6XP/9TF	(5)	955 731 233 02	mirror base door mirror	/RL/L	1	I6XP/9TF
	01C	satin black					01C	satin black			
5	955 731 225 02	mirror base door mirror	/LL/L	1	I6XQ	(5)	955 731 243 00	mirror base door mirror	/RL/L	1	I5SU/6XP/9TF
	01C	satin black					01C	satin black			
(5)	955 731 226 02	mirror base door mirror	/LL/R	1	I6XQ	(5)	955 731 234 02	mirror base door mirror	/RL/R	1	I6XP/9TF
	01C	satin black					01C	satin black			
(5)	955 731 246 00	mirror base door mirror	/LL/R	1	I5RP/6XQ	(5)	955 731 235 02	mirror base door mirror	/RL/L	1	I6XQ
	01C	satin black					01C	satin black			
5	955 731 227 02	mirror base door mirror	/LL/L	1	I6XW	(5)	955 731 245 00	mirror base door mirror	/RL/L	1	I5SU/6XQ
	01C	satin black					01C	satin black			
(5)	955 731 228 02	mirror base door mirror	/LL/R	1	I6XW	(5)	955 731 236 02	mirror base door mirror	/RL/R	1	I6XQ
							01C	satin black			

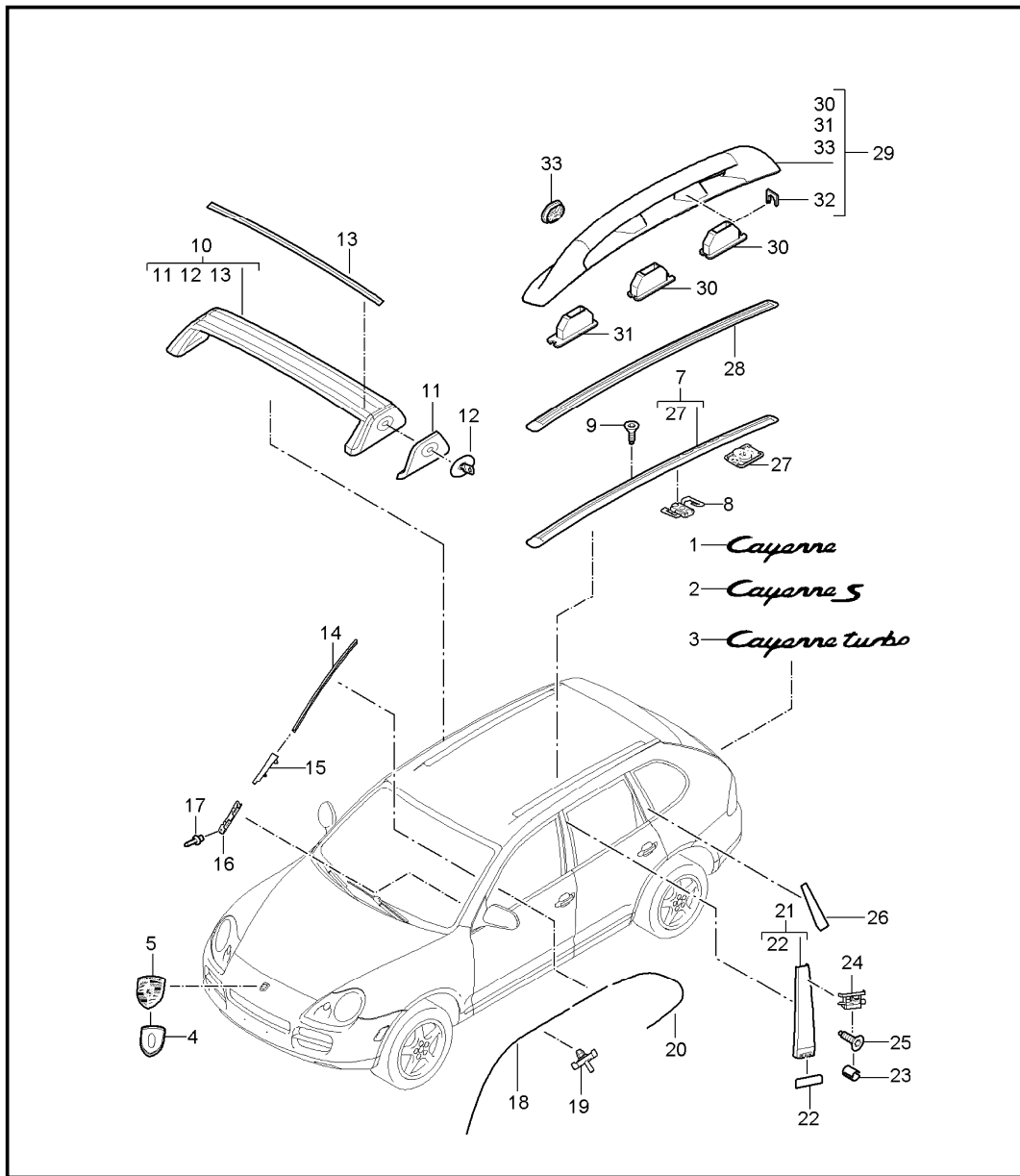
Model	Year	MG	SG	Illustration	Restrictions	UPD	14:57	21.01.2010	PORSCHE	PET	PORSCHE
9PA1	2010	8	09	809-30		247					

Pos	Part Number	Description	Remark	Qty	Model	Pos	Part Number	Description	Remark	Qty	Model
(5)	955 731 237 02	mirror base door mirror	/RL/L	1	I6XW	9	955 731 833 02	insulation mirror base	/L	1	
	01C	satin black				(9)	955 731 834 02	insulation mirror base	/R	1	
(5)	955 731 238 02	mirror base door mirror	/RL/R	1	I6XW	10	955 731 085 01	cap mirror base		1	I5SG/5SJ/5SL
	01C	satin black					G2X	prime coated			
(5)	955 731 239 02	mirror base door mirror	/RL/L	1	I6XT	(10)	--- --- --- --	retaining frame camera see group 9/11/00		1	I5RP/5SU
	01C	satin black				11	955 624 047 01	adjusting motor		2	I6XP/6XW
(5)	955 731 240 02	mirror base door mirror	/RL/R	1	I6XT	(11)	955 624 048 01	adjusting motor		2	I6XQ/6XT
	01C	satin black				17	N 106 755 01	screw M 3 x 16 for adjusting motor		8	
6	955 731 843 00	cable holder wiring harness mirror base		2		12	N 903 539 01	screw M 3 x 10		7	
7	955 731 625 00	mirror housing door mirror	/L	1	I9TH	13	--- --- --- --	light door mirror see group 9/03/04		1	
	G2X	prime coated				14	955 731 215 00	clip mirror base		2	
(7)	955 731 626 00	mirror housing door mirror	/R	1	I9TH	15	955 731 037 02	mirror glass plane	/L	1	I5SG/6XP/6XQ
	G2X	prime coated				(15)	955 731 043 02	mirror glass plane	/L	1	I5SG/6XT/6XW
(7)	955 731 627 00	mirror housing door mirror	/L	1	I9TF	(15)	955 731 039 02	mirror glass aspherical	/L	1	I5SL/6XP/6XQ
	G2X	prime coated				(15)	955 731 045 02	mirror glass aspherical	/L	1	I5SL/6XT/6XW
(7)	955 731 628 00	mirror housing door mirror	/R	1	I9TF	(15)	955 731 041 02	mirror glass	/L	1	I5SJ/6XP/6XQ
	G2X	prime coated				(15)	955 731 041 02	mirror glass	/L	1	I5SU/6XP/6XQ
8	955 731 523 01	frame door mirror mirror housing	/L	1		(15)	955 731 047 02	mirror glass	/L	1	I5SJ/6XT/6XW
	G2X	prime coated				(15)	955 731 047 02	mirror glass convex	/L	1	I5SU/6XT/6XW
(8)	955 731 524 01	frame door mirror mirror housing	/R	1							
	G2X	prime coated									

Model	Year	MG	SG	Illustration	Restrictions	UPD	14:57	21.01.2010	PORSCHE	PET	PORSCHE
9PA1	2010	8	09	809-30		247					

Pos	Part Number	Description	Remark	Qty	Model	Pos	Part Number	Description	Remark	Qty	Model
(15)	955 731 052 02	mirror glass	/R	1	I5RV/6XP/6XQ						
(15)	955 731 056 02	mirror glass aspherical	/R	1	I5RV/6XT/6XW						
(15)	955 731 038 02	mirror glass	/R	1	I5RQ/6XP/6XQ						
(15)	955 731 038 02	mirror glass	/R	1	I5RP/6XP/6XQ						
(15)	955 731 046 02	mirror glass	/R	1	I5RQ/6XT/6XW						
(15)	955 731 046 02	mirror glass convex	/R	1	I5RP/6XT/6XW						
(15)	955 731 042 02	mirror glass convex	/R	1	(SA) I5RT I6XP/6XQ						
(15)	955 731 044 02	mirror glass convex	/R	1	(SA) I5RT I6XT/6XW						
16	N 908 163 01	oval-head screw M 6 X 18 for mount mirror base		3							

Model	Year	MG	SG	Illustration	Restrictions	UPD	14:57	21.01.2010	PORSCHE	PET	PORSCHE
9PA1	2010	8	10	810-00		247					



Pos	Part Number	Description	Remark	Qty	Model
1	955 559 237 00	insignias decorative fittings upper outer logo cayenne		1	ID5X/0NB
2	955 559 037 01	03C rally black logo cayenne s		1	ID5V/0NB
3	955 559 038 01	4W9 satin aluminium logo cayenne turbo		1	ID5Z/0NB
(3)	955 559 039 00	4W9 satin aluminium logo cayenne gts	GTS 09-	1	ID5V/E0W/0NB
(3)	955 559 040 00	03C rally black and red logo Cayenne gts	10-	1	ID5V/E1T/0NB
(3)	955 559 039 00	logo cayenne cayenne turbo s	Turbo S 09-	1	ID5Z/E8A/0NB
4	955 559 795 00	mounting plate porsche crest		1	
5	955 559 600 00	porsche crest		1	
7	955 559 151 01	guide rail	/L	1	ID5Z/QJ4/3FA I3FE
7	955 559 151 01	guide rail	/L	1	ID5V/D5X/3FA I3FE
(7)	955 559 152 01	guide rail	/R	1	ID5Z/QJ4/3FA I3FE
(7)	955 559 152 01	guide rail	/R	1	ID5V/D5X/3FA I3FE
7	955 559 153 01	guide rail	/L	1	ID5Z/QJ2/3FA I3FE

Model	Year	MG	SG	Illustration	Restrictions	UPD	14:57	21.01.2010	PORSCHE	PET	PORSCHE
9PA1	2010	8	10	810-00		247					

Pos	Part Number	Description	Remark	Qty	Model	Pos	Part Number	Description	Remark	Qty	Model	
(7)	955 559 154 01	guide rail	/R	1	ID5Z/QJ2/3FA I3FE	12	955 538 050 00	set of locks roof rack front and rear		2	I3S8	
(7)	955 559 155 03	guide rail	/L	1	ID5Z/QJ4/3FU							
(7)	955 559 155 03	guide rail	/L	1	ID5V/D5X/3FU	13	955 801 385 00	protective rubber roof rack front and rear		2	I3S8	
(7)	955 559 156 03	guide rail	/R	1	ID5Z/QJ4/3FU							
(7)	955 559 156 03	guide rail	/R	1	ID5V/D5X/3FU	14	955 559 327 00	water drain strip	/L	1		
(7)	955 559 157 03	guide rail	/L	1	ID5Z/QJ2/3FU		03C	rally black				
(7)	955 559 158 03	guide rail	/R	1	ID5Z/QJ2/3FU	(14)	955 559 328 00	water drain strip	/R	1		
8	955 559 091 00	nut mount guide rail		8			03C	rally black				
9	955 559 139 00	screw plug mount guide rail		X	ID5Z/QJ4/3FU	15	955 559 587 00	support water drain strip	/L	1		
9	955 559 139 00	screw plug mount guide rail		X	ID5V/D5X/3FU	(15)	955 559 588 00	support water drain strip	/R	1		
9	955 559 139 00	screw plug mount guide rail		X	ID5Z/QJ4/3FA I3FE	16	955 559 707 00	retaining clip for water drain strip		8		
9	955 559 139 00	screw plug mount guide rail		X	ID5V/D5X/3FA I3FE	17	N 907 878 02	rivet AK 3,2 X 6,5 mount for retaining clip water drain strip		16		
(9)	955 559 140 00	screw plug mount guide rail		X	ID5Z/QJ2/3FU	18	955 559 485 00	roof edge strip front	/L	1	IQJ2	
(9)	955 559 140 00	screw plug mount guide rail		X	ID5Z/QJ2/3FA I3FE	(18)	4W9	satin aluminium				
		front and rear see group TEQ2 08/01/02				18	955 559 486 00	roof edge strip front	/R	1	IQJ2	
11	955 801 225 01	cap outer silver	/L	2	I3S8		4W9	satin aluminium				
(11)	955 801 226 00	cap outer silver	/R	2	I3S8	(18)	955 559 485 00	roof edge strip front	/L	05-	1	IQJ4
							XX2	black mat				
							955 559 486 00	roof edge strip front	/R	05-	1	IQJ4
							XX2	black mat				

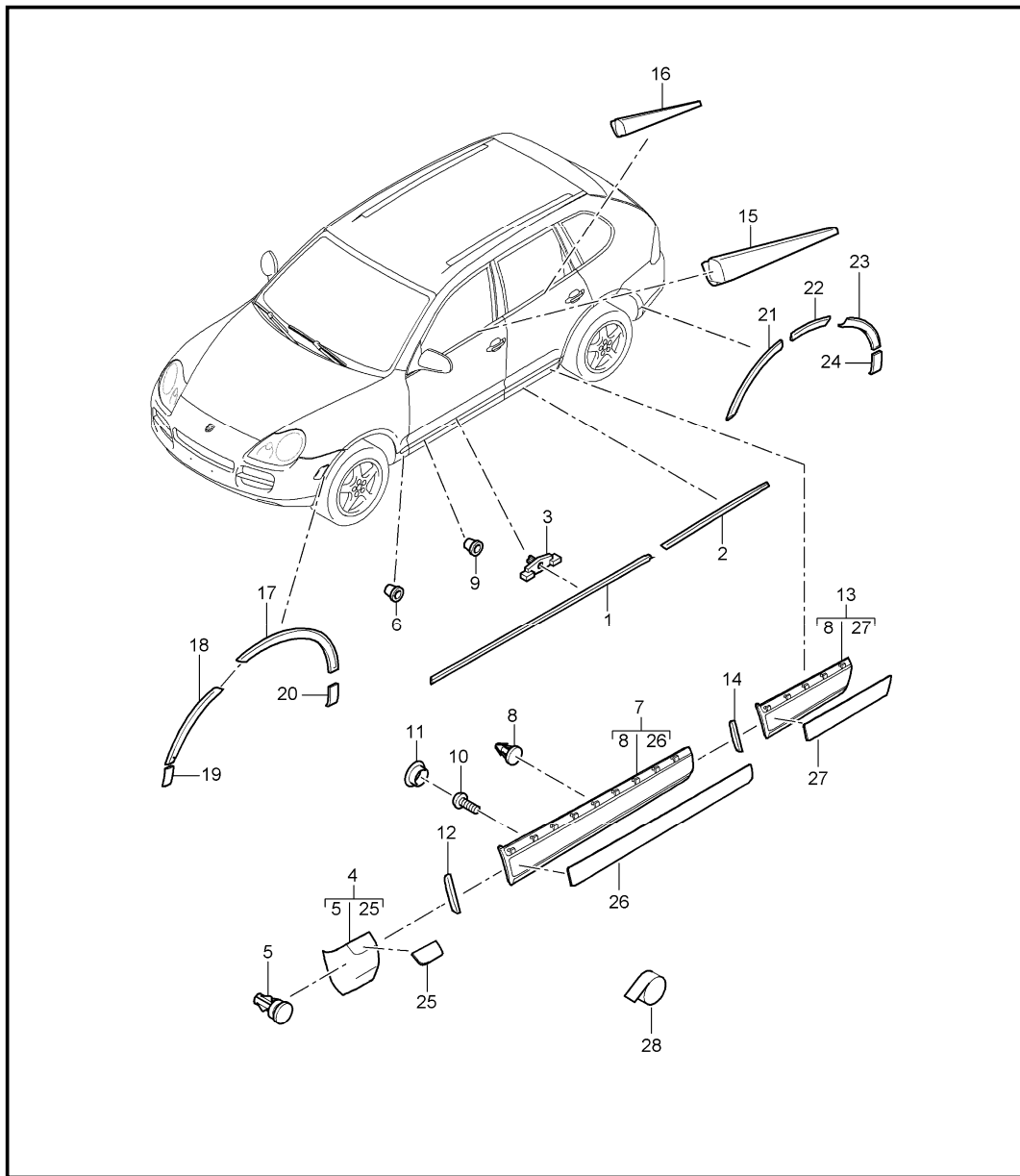
Model	Year	MG	SG	Illustration	Restrictions	UPD	14:57	21.01.2010	PORSCHE	PET	PORSCHE
9PA1	2010	8	10	810-00		247					

Pos	Part Number	Description	Remark	Qty	Model	Pos	Part Number	Description	Remark	Qty	Model
19	955 559 585 00	clip mount roof edge strip front		28		(24)	955 559 338 00	support cover b-pillar	/R	1	
20	--- --- --- ---	moulding side window glass rear see group 8/05/00		1			B41	satin black			
21	955 559 317 01	cover b-pillar	/L	1	IQJ2	25	N 909 868 02	tapping screw ST 4,2 X 13 for mount cover b-pillar		8	
	4W9	satin aluminium				26	--- --- --- ---	cover c-pillar see group 8/05/00		1	
(21)	955 559 318 01	cover b-pillar	/R	1	IQJ2	27	955 559 089 00	desk pad guide rail		6	
	4W9	satin aluminium				28	955 559 465 00	protective strip roof		4	
21	955 559 319 00	cover b-pillar	/L	1	IQJ4		4W9	satin aluminium			
	XX2	black mat					XX2	black mat			
(21)	955 559 320 00	cover b-pillar	/R	1	IQJ4	29	955 559 021 02	roof rail complete	/L	1	
	XX2	black mat					4W9	satin aluminium			
22	955 559 455 00	cap cover b-pillar	/L	1			XX2	black mat			
	B41	satin black				(29)	955 559 022 02	roof rail complete	/R	1	
(22)	955 559 456 00	cap cover b-pillar	/R	1			4W9	satin aluminium			
	B41	satin black					XX2	black mat			
23	N 904 325 02	expander nut DST 4,2 X 1,7 for mount cover b-pillar		8		30	955 559 377 00	bracket front	/L	1	
24	955 559 337 00	support cover b-pillar	/L	1		31	955 559 378 00	bracket centre	/L	1	
	B41	satin black				31	955 559 378 00	bracket rear	/L	1	
						31	955 559 378 00	bracket front	/R	1	
						30	955 559 377 00	bracket centre	/R	1	

Model	Year	MG	SG	Illustration	Restrictions	UPD	14:57	21.01.2010	PORSCHE	PET	PORSCHE
9PA1	2010	8	10	810-00		247					

Pos	Part Number	Description	Remark	Qty	Model	Pos	Part Number	Description	Remark	Qty	Model
30	955 559 377 00	bracket rear	/R	1			M7W	meteor metallic doors Transsyberia			
32	955 559 381 01	threaded pin M 10 for fixing device bracket		3		-	955 559 436 01	logo	/R	1	IE2D/6FP
33	955 559 339 00	stopper front		1			M7W	meteor metallic doors Transsyberia			
	4W9	satin aluminium				-	955 559 758 00	logo complete for lateral right	/R	1	IE1T
	XX2	black mat									
(33)	955 559 341 00	stopper centre		1		-	955 559 757 00	logo complete for lateral left	/L	1	IE1T
	4W9	satin aluminium									
	XX2	black mat									
(33)	955 559 340 00	stopper rear		1		-	955 559 770 00	logo lid front		1	IE1T
	4W9	satin aluminium									
	XX2	black mat									
-	955 559 435 01	logo	/L	1	IE2D/6FM						
	A7W	crystal silver metallic doors Transsyberia									
-	955 559 436 01	logo	/R	1	IE2D/6FM						
	A7W	crystal silver metallic doors Transsyberia									
-	955 559 435 01	logo	/L	1	IE2D/6FI						
	8C6	orange doors Transsyberia									
-	955 559 436 01	logo	/R	1	IE2D/6FI						
	8C6	orange doors Transsyberia									
-	955 559 435 01	logo	/L	1	IE2D/6FP						

Model	Year	MG	SG	Illustration	Restrictions	UPD	14:57	21.01.2010	PORSCHE	PET	PORSCHE
9PA1	2010	8	10	810-05		247					



Pos	Part Number	Description	Remark	Qty	Model
		decorative fittings lower outer			
1	955 559 303 01	door sill rail front	/L	1	
	01C	satin black			
(1)	955 559 304 00	door sill rail front	/R	1	
	01C	satin black			
2	955 559 305 00	door sill rail rear	/L	1	
	01C	satin black			
(2)	955 559 306 00	door sill rail rear	/R	1	
	01C	satin black			
3	955 559 547 00	clip mount door sill rail front and rear		16	
4	955 559 641 02	cover wing	/L	1	IQJ2
	G2X	prime coated			
(4)	955 559 642 02	cover wing	/R	1	IQJ2
	G2X	prime coated			
4	955 559 647 02	cover wing	/L	1	IQJ4
	G2X	prime coated			
(4)	955 559 648 02	cover wing	/R	1	IQJ4
	G2X	prime coated			
5	955 559 719 00	clip		X	
6	955 559 586 00	grommet mount cover wing		8	

Model	Year	MG	SG	Illustration	Restrictions	UPD	14:57	21.01.2010	PORSCHE	PET	PORSCHE
9PA1	2010	8	10	810-05		247					

Pos	Part Number	Description	Remark	Qty	Model	Pos	Part Number	Description	Remark	Qty	Model
7	955 559 665 01	strip door front	/L	1	IQJ2	(12)	955 559 190 00	cover front	/R	1	
	G2X	prime coated silver					B41	satin black	-07		
							9B9	satin black	08-		
(7)	955 559 666 01	strip door front	/R	1	IQJ2	13	955 559 681 01	strip door rear	/L	1	IQ2J/2D1/2D3
	G2X	prime coated silver					G2X	prime coated			
7	955 559 673 01	strip door front	/L	1	IQJ4	(13)	955 559 682 01	strip door rear	/R	1	IQJ2/2D1/2D3
	G2X	prime coated black					G2X	prime coated			
(7)	955 559 674 01	strip door front	/R	1	IQJ4	(13)	955 559 681 02	strip door rear	/L	1	IQJ2/2D0/2D2
	G2X	prime coated black					G2X	prime coated			
						(13)	955 559 682 02	strip door rear	/R	1	IQJ2/2D0/2D2
8	955 559 069 00	clip		X			G2X	prime coated			
9	955 559 586 00	grommet mount strip door seal front and rear		24		13	955 559 687 01	strip door rear	/L	1	IQJ4/2D1/2D3
							G2X	prime coated			
10	N 906 448 05	screw M 5 X 9,0 mount strip door seal front and rear		4		(13)	955 559 688 01	strip door rear	/R	1	IQJ4/2D1/2D3
							G2X	prime coated			
11	955 559 108 00	stopper for strip door seal front and rear		4		(13)	955 559 687 02	strip door rear	/L	1	IQJ4/2D0/2D2
							G2X	prime coated			
12	955 559 189 00	cover front	/L	1		(13)	955 559 688 02	strip door rear	/R	1	IQJ4/2D0/2D2
	B41	satin black					G2X	prime coated			
	9B9	satin black									
						14	955 559 191 00	cover rear	/L	1	

Model	Year	MG	SG	Illustration	Restrictions	UPD	14:57	21.01.2010	PORSCHE	PET	PORSCHE
9PA1	2010	8	10	810-05		247					

Pos	Part Number	Description	Remark	Qty	Model	Pos	Part Number	Description	Remark	Qty	Model
	B41	satin black	-07				XX2	black mat			
	B41	satin black	08-			17	955 559 717 02	wheel cover wing front	/L	1	I6GE/6GF/6GG
(14)	955 559 192 00	cover rear	/R	1			7E9	black			
	B41	satin black	-07				G2X	prime coated			
	B41	satin black	08-			(17)	955 559 717 02	wheel cover wing front		1	I6GH/6GJ/6GK
15	955 559 475 01	cover side window front	/L	1	IQJ2		7E9	black			
	4W9	satin aluminium					G2X	prime coated			
(15)	955 559 476 01	cover side window front	/R	1	IQJ2	(17)	955 559 718 02	wheel cover wing front	/R	1	I6GE/6GF/6GG
	4W9	satin aluminium					7E9	black			
15	955 559 479 00	cover side window front	/L	1	IQJ4		G2X	prime coated			
	XX2	black mat				(17)	955 559 718 02	wheel cover wing front	/R	1	I6GH/6GJ/6GK
15	955 559 480 00	cover side window front	/R	1	IQJ4		7E9	black			
	XX2	black mat					G2X	prime coated			
16	955 559 477 01	cover side window rear	/L	1	IQJ2	18	955 559 727 01	wheel cover bumper front	/L	1	I6GE/6GF
	4W9	satin aluminium					7E9	black			
(16)	955 559 478 01	cover side window rear	/R	1	IQJ2		G2X	prime coated			
	4W9	satin aluminium				18	955 559 727 01	wheel cover bumper front	/L	1	I6GJ/6GK
16	955 559 481 00	cover side window rear	/L	1	IQJ4		7E9	black			
	XX2	black mat				(18)	955 559 728 01	wheel cover bumper front	/R	1	I6GE/6GF
(16)	955 559 482 00	cover side window rear	/R	1	IQJ4		7E9	black			
							G2X	prime coated			

Model	Year	MG	SG	Illustration	Restrictions	UPD	14:57	21.01.2010	PORSCHE	PET	PORSCHE
9PA1	2010	8	10	810-05		247					

Pos	Part Number	Description	Remark	Qty	Model	Pos	Part Number	Description	Remark	Qty	Model
(18)	955 559 728 01	wheel cover bumper front	/R	1	I6GJ/6GK	(20)	955 559 732 01	wheel cover wing lower	/R	1	I6GE/6GF/6GG
	7E9	black					7E9	black			
	G2X	prime coated					G2X	prime coated			
19	955 559 851 00	wheel cover spoiler front	/L	1	I6GE/6GF/6GG	(20)	955 559 732 01	wheel cover wing lower	/R	1	I6GH/6GJ/6GK
	7E9	black					7E9	black			
	G2X	prime coated					G2X	prime coated			
19	955 559 851 00	wheel cover spoiler front	/L	1	I6GH/6GJ/6GK	21	955 559 737 01	wheel cover door rear	/L	1	I2D0/2D2/6GE I6GF/6GG
	7E9	black					7E9	black			
	G2X	prime coated					G2X	prime coated			
19	955 559 852 00	wheel cover spoiler front	/R	1	I6GE/6GF/6GG	21	955 559 737 01	wheel cover door rear	/L	1	I2D0/2D2/6GH I6GJ/6GK
	7E9	black					7E9	black			
	G2X	prime coated					G2X	prime coated			
19	955 559 852 00	wheel cover spoiler front	/R	1	I6GH/6GJ/6GK	(21)	955 559 738 01	wheel cover door rear	/R	1	I2D0/2D2/6GE I6GF/6GG
	7E9	black					7E9	black			
	G2X	prime coated					G2X	prime coated			
20	955 559 731 01	wheel cover wing lower	/L	1	I6GE/6GF/6GG	(21)	955 559 738 01	wheel cover door rear	/R	1	I2D0/2D2/6GH I6GJ/6GK
	7E9	black					7E9	black			
	G2X	prime coated					G2X	prime coated			
20	955 559 731 01	wheel cover wing lower	/L	1	I6GH/6GJ/6GK	(21)	955 559 739 00	wheel cover door rear	/L	1	I2D1/2D3/6GE I6GF/6GG
	7E9	black					7E9	black			
	G2X	prime coated					G2X	prime coated			

Model	Year	MG	SG	Illustration	Restrictions	UPD	14:57	21.01.2010	PORSCHE	PET	PORSCHE
9PA1	2010	8	10	810-05		247					

Pos	Part Number	Description	Remark	Qty	Model	Pos	Part Number	Description	Remark	Qty	Model
	7E9	black				(22)	955 559 722 01	wheel cover side section rear	/R	1	I6GH/6GJ/6GK
	G2X	prime coated					7E9	black			
(21)	955 559 739 00	wheel cover	/L	1	I2D1/2D3/6GH I6GJ/6GK		G2X	prime coated			
		door rear				23	955 559 747 01	wheel cover bumper rear	/L	1	I6GF/6GG
	7E9	black					7E9	black			
	G2X	prime coated					G2X	prime coated			
(21)	955 559 740 00	wheel cover	/R	1	I2D1/2D3 I6GE/6GF/6GG		7E9	black			
		door rear				23	955 559 747 01	wheel cover bumper rear	/L	1	I6GH/6GJ
	7E9	black					7E9	black			
	G2X	prime coated					G2X	prime coated			
(21)	955 559 740 00	wheel cover	/R	1	I2D1/2D3/6GH I6GJ/6GK	(23)	955 559 748 01	wheel cover bumper rear	/R	1	I6GF/6GG
		door rear					7E9	black			
	7E9	black					G2X	prime coated			
	G2X	prime coated					7E9	black			
22	955 559 721 01	wheel cover side section rear	/L	1	I6GE/6GF/6GG	(23)	955 559 748 01	wheel cover bumper rear	/R	1	I6GH/6GJ
		door rear					7E9	black			
	7E9	black					G2X	prime coated			
	G2X	prime coated					7E9	black			
22	955 559 721 01	wheel cover side section rear	/L	1	I6GH/6GJ/6GK	(23)	955 559 749 02	wheel cover bumper rear	/L (AUS)	1	I6GE
		door rear					7E9	black			
	7E9	black					G2X	prime coated			
	G2X	prime coated					7E9	black			
(22)	955 559 722 01	wheel cover side section rear	/R	1	I6GE/6GF/6GG	(23)	955 559 749 02	wheel cover bumper rear	/L (AUS)	1	I6GK
		door rear					7E9	black			
	7E9	black					G2X	prime coated			
	G2X	prime coated					7E9	black			

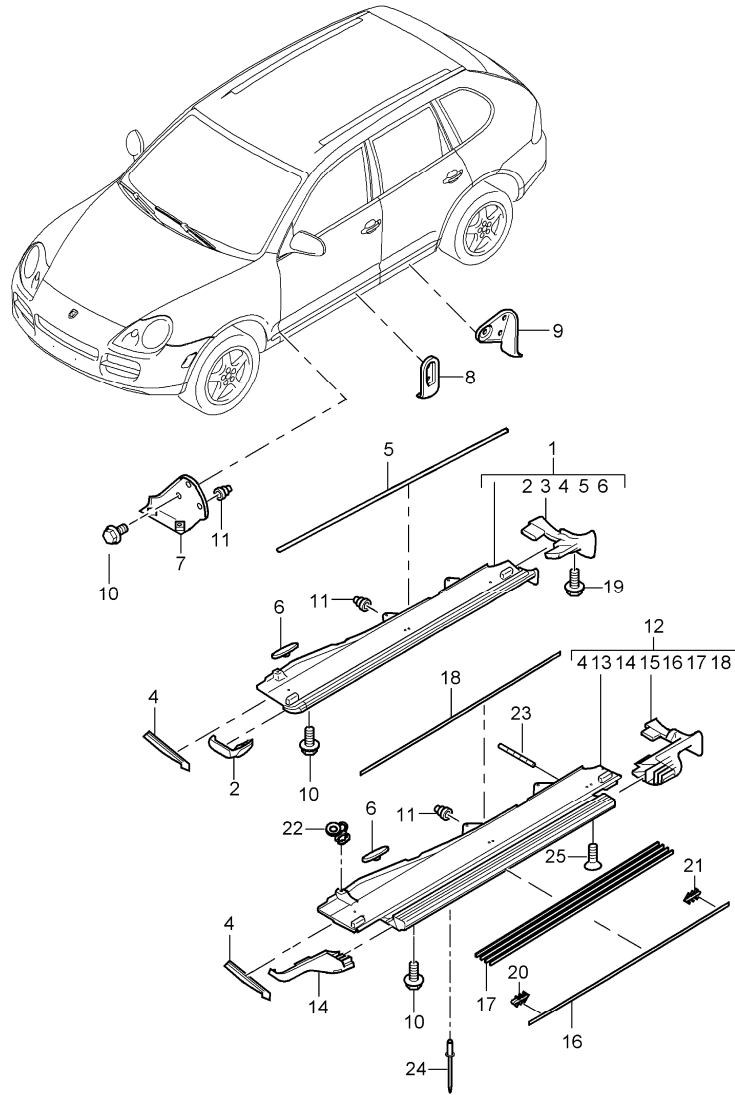
Model	Year	MG	SG	Illustration	Restrictions	UPD	14:57	21.01.2010	PORSCHE	PET	PORSCHE
9PA1	2010	8	10	810-05		247					

Pos	Part Number	Description	Remark	Qty	Model	Pos	Part Number	Description	Remark	Qty	Model
(23)	955 559 750 02	wheel cover bumper rear	/R (AUS)	1	I6GE		G2X	prime coated			
	7E9	black				24	955 559 815 00	wheel cover spoiler rear	/L	1	I6GH/6GJ
	G2X	prime coated					7E9	black			
(23)	955 559 750 02	wheel cover bumper rear	/R (AUS)	1	I6GK		G2X	prime coated			
	7E9	black				(24)	955 559 816 00	wheel cover spoiler rear	/R	1	I6GF/6GG
	G2X	prime coated					7E9	black			
(23)	955 559 751 01	wheel cover bumper rear	/L (AUS)	1	I6GA I2D0		G2X	prime coated			
	7E9	black				(24)	955 559 816 00	wheel cover spoiler rear	/R	1	I6GH/6GJ
	G2X	prime coated					7E9	black			
(23)	955 559 751 01	wheel cover bumper rear	/L (AUS)	1	I6GA I2D1/2D2/2D3		G2X	prime coated			
	7E9	black				(24)	955 559 819 00	wheel cover spoiler rear	/L (AUS)	1	
	G2X	prime coated					7E9	black			
(23)	955 559 752 00	wheel cover bumper rear	/R (AUS)	1	I6GA I2D0		G2X	prime coated			
	7E9	black				(24)	955 559 820 00	wheel cover spoiler rear	/R (AUS)	1	
	G2X	prime coated					7E9	black			
(23)	955 559 752 00	wheel cover bumper rear	/R (AUS)	1	I6GA I2D1/2D2/2D3		G2X	prime coated			
	7E9	black				25	955 559 457 03	moulding cover wing	/L	1	IQJ2
	G2X	prime coated					4W9	satin aluminium			
24	955 559 815 00	wheel cover spoiler rear	/L	1	I6GF/6GG	(25)	955 559 458 03	moulding cover wing	/R	1	IQJ2
	7E9	black					4W9	satin aluminium			
						25	955 559 459 02	moulding cover wing	/L	1	IQJ4

Model	Year	MG	SG	Illustration	Restrictions	UPD	14:57	21.01.2010	PORSCHE	PET	PORSCHE
9PA1	2010	8	10	810-05		247					

Pos	Part Number	Description	Remark	Qty	Model	Pos	Part Number	Description	Remark	Qty	Model
	XX2	black mat				28	000 043 206 04	adhesive tape mount moulding		1	
(25)	955 559 460 02	moulding cover wing	/R	1	IQJ4						
	XX2	black mat									
26	955 559 283 02	moulding door front	/L	1	IQJ2						
	4W9	satin aluminium									
(26)	955 559 284 02	moulding door front	/R	1	IQJ2						
	4W9	satin aluminium									
26	955 559 287 01	moulding door front	/L	1	IQJ4						
	XX2	black mat									
(26)	955 559 288 01	moulding door front	/R	1	IQJ4						
	XX2	black mat									
27	955 559 285 02	moulding door rear	/L	1	IQJ2						
	4W9	satin aluminium									
(27)	955 559 286 02	moulding door rear	/R	1	IQJ2						
	4W9	satin aluminium									
27	955 559 289 01	moulding door rear	/L	1	IQJ4						
	XX2	black mat									
(27)	955 559 290 01	moulding door rear	/R	1	IQJ4						
	XX2	black mat									

Model	Year	MG	SG	Illustration	Restrictions	UPD	14:58	21.01.2010	PORSCHE	PET	PORSCHE
9PA1	2010	8	10	810-10		247					

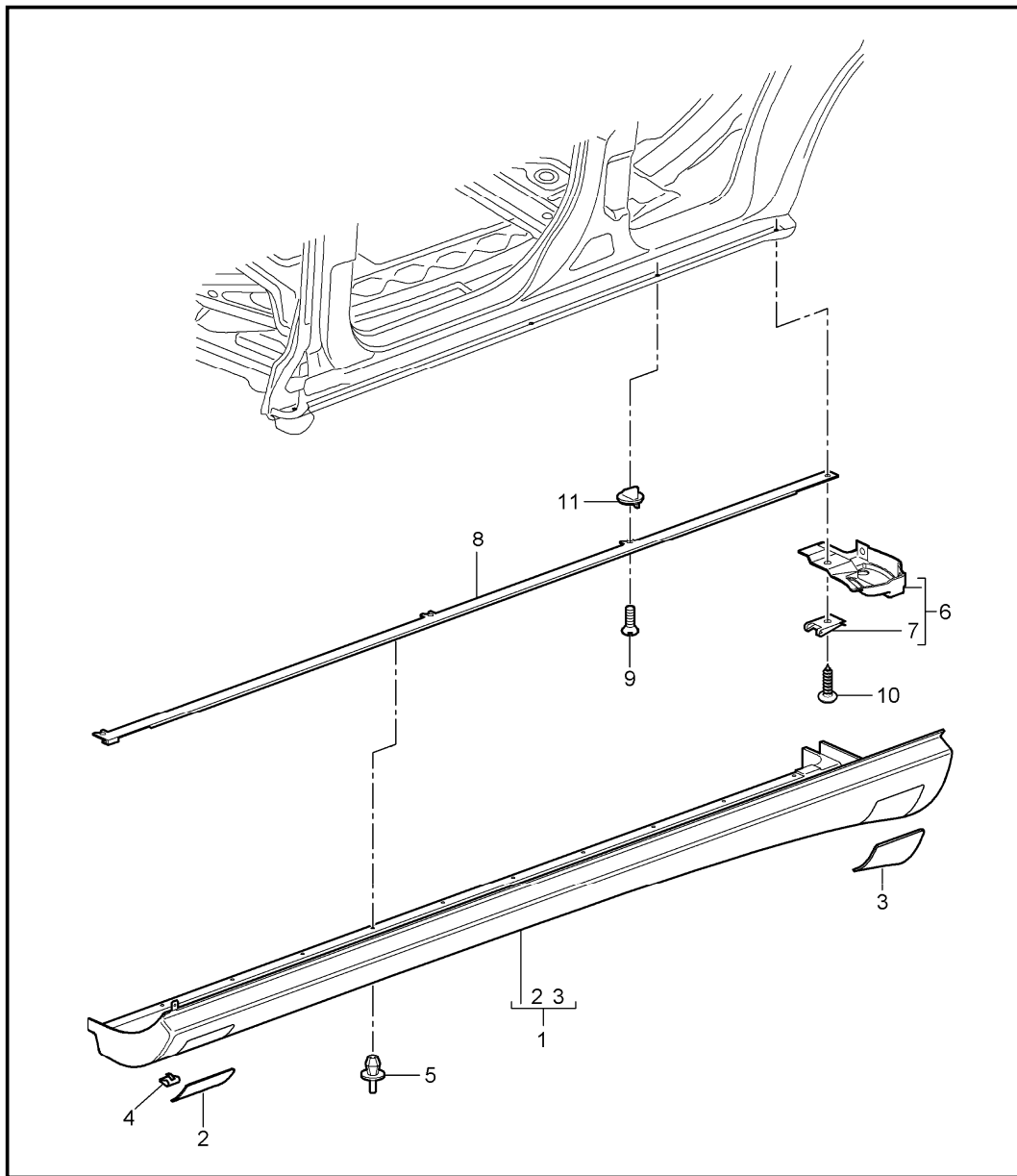


Pos	Part Number	Description	Remark	Qty	Model
		linings accessories door sill			
1	955 559 553 04	door sill rail complete 4W9 satin aluminium	/L	1	I2D0/2D2 I6EP/6ES
(1)	955 559 554 04	door sill rail complete 4W9 satin aluminium	/R	1	I2D0/2D2 I6EP/6ES
2	955 559 691 00	cover door sill front 01C satin black	/L	1	I2D0/2D2 I6EP/6ES
(2)	955 559 692 00	cover door sill front 01C satin black	/R	1	I2D0/2D2 I6EP/6ES
3	955 559 697 03	cover rear 01C satin black	/L	1	I2D0/2D2 I6EP/6ES
(3)	955 559 698 03	cover door sill rear 01C satin black	/R	1	I2D0/2D2 I6EP/6ES
4	955 559 711 00	end piece front 01C satin black	/L	1	
(4)	955 559 712 00	end piece front 01C satin black	/R	1	
5	955 559 860 00	gasket door sill		1	I2D0/2D2 I6EP/6ES

Model	Year	MG	SG	Illustration	Restrictions	UPD	14:58	21.01.2010	PORSCHE	PET	PORSCHE
9PA1	2010	8	10	810-10		247					

Pos	Part Number	Description	Remark	Qty	Model	Pos	Part Number	Description	Remark	Qty	Model
	01C	satin black					01C	satin black			
6	955 559 817 00	spacer		11		(15)	955 559 704 01	cover impact protection rear	/R	1	IVR1
7	955 559 487 00	support front	/L	1			01C	satin black			
7	955 559 488 00	support front	/R	1		16	955 559 589 00	protective strip impact protection black		1	IVR1
8	955 559 467 00	support centre		2		17	955 559 859 00	profile strip impact protection black		1	IVR1
9	955 559 489 00	support rear	/L	1		18	955 559 862 00	gasket impact protection black		1	IVR1
(9)	955 559 490 00	support rear	/R	1		19	N 908 794 02	oval-head screw 5 X 16		2	
10	N 909 210 02	hexagon-head bolt M 8 X 22		X		20	955 559 590 00	expanding spring	/V	1	
11	N 904 085 04	blind rivet nut M 8		X		21	955 559 591 00	expanding spring	/H	1	
12	955 559 847 02	impact protection	/L	1	IVR1	22	955 559 630 00	spacer ring		1	
	4W9	satin aluminium				23	955 559 640 00	bolt		2	
(12)	955 559 848 02	impact protection	/R	1	IVR1	24	955 559 850 00	rivet set		1	
	4W9	satin aluminium				25	955 559 840 00	screw		4	
13	955 559 619 01	running board	/L	1	IVR1						
	4W9	satin aluminium									
(13)	955 559 620 01	running board	/R	1	IVR1						
	4W9	satin aluminium									
14	955 559 693 00	cover impact protection front	/L	1	IVR1						
	01C	satin black									
(14)	955 559 694 00	cover impact protection front	/R	1	IVR1						
	01C	satin black									
15	955 559 703 01	cover impact protection rear	/L	1	IVR1						

Model	Year	MG	SG	Illustration	Restrictions	UPD	14:58	21.01.2010	PORSCHE	PET	PORSCHE
9PA1	2010	8	10	810-11		247					

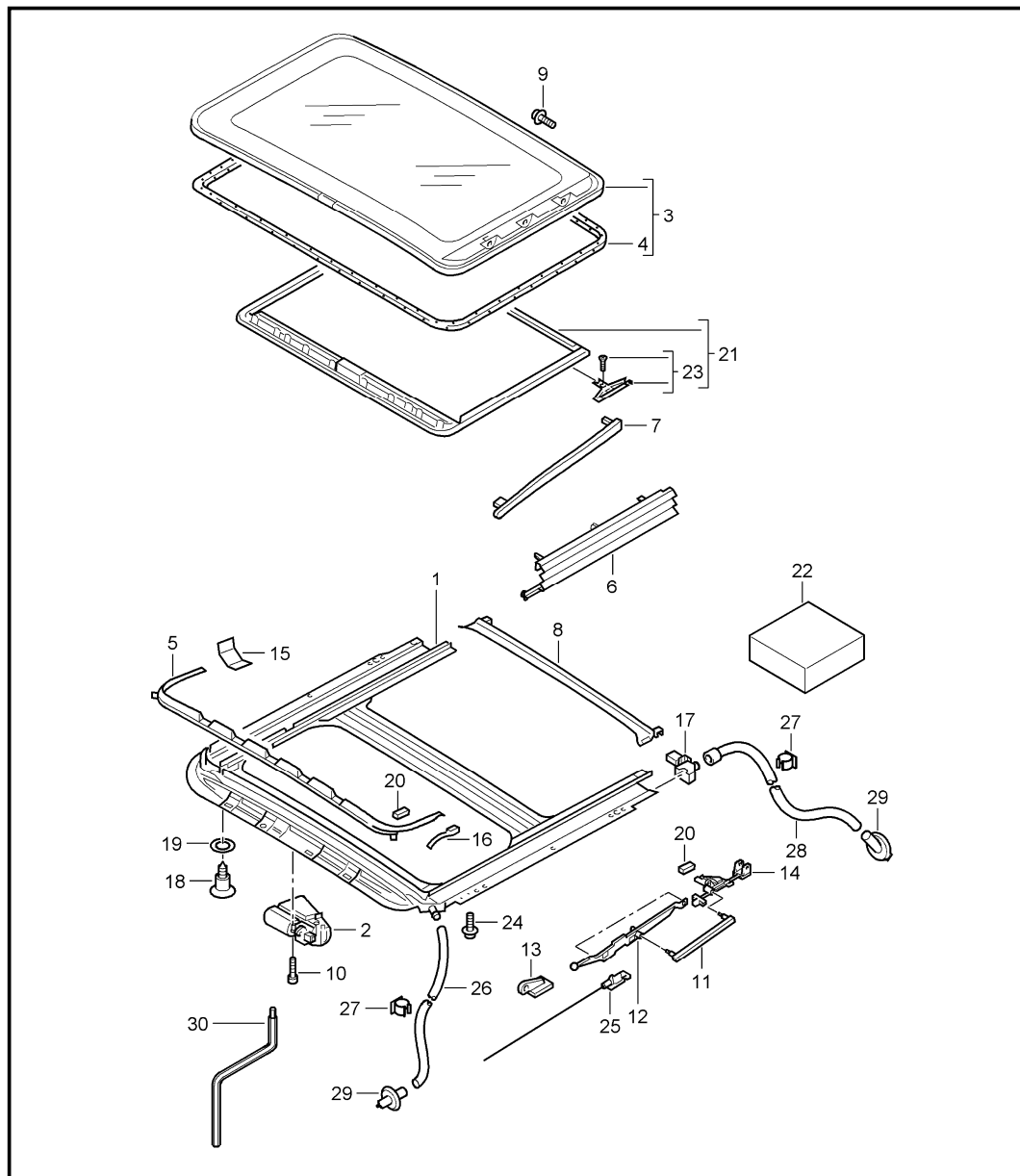


Pos	Part Number	Description	Remark	Qty	Model
		linings accessories door sill			
1	955 559 887 01	sill cover complete	/L	1	I2D1/2D3
	G2X	prime coated			
1	955 559 887 01	sill cover complete	/L	08-	I2D1/2D3/2D4
	G2X	prime coated			
(1)	955 559 888 01	sill cover complete	/R	1	I2D1/2D3
	G2X	prime coated			
(1)	955 559 888 01	sill cover complete	/R	08-	I2D1/2D3/2D4
	G2X	prime coated			
-	000 043 207 55	adhesive tape double sided for sill cover	/R	1	
2	955 559 827 00	flap jack front	/L	1	I2D1/2D3
	G2X	prime coated			
(2)	955 559 828 00	flap jack front	/R	1	I2D1/2D3
	G2X	prime coated			
3	955 559 837 00	flap jack rear	/L	1	I2D1/2D3
	G2X	prime coated			
(3)	955 559 838 00	flap jack rear	/R	1	I2D1/2D3
	G2X	prime coated			
4	3D0 857 340	retaining clip flap jacking point		4	

Model	Year	MG	SG	Illustration	Restrictions	UPD	14:58	21.01.2010	PORSCHE	PET	PORSCHE
9PA1	2010	8	10	810-11		247					

Pos	Part Number	Description	Remark	Qty	Model	Pos	Part Number	Description	Remark	Qty	Model
5	N 909 275 01	expansion rivet 8,0 X 3,5		10	I2D1/2D3						
6	955 559 603 01	support sill cover	/L	1	I2D1/2D3						
6	955 559 604 01	support sill cover	/R	1	I2D1/2D3						
7	N 908 343 01	speed nut 4,8		2							
8	955 559 883 01	retaining strip sill cover	/L	1	I2D1/2D3						
(8)	955 559 884 01	retaining strip sill cover	/R	1	I2D1/2D3						
9	N 104 485 04	countersunk-head screw M 6 X 16		3	I2D1/2D3						
10	N 910 447 01	tapping screw 4,8 X 13		2	I2D1/2D3						
11	955 559 821 00	fixing clip sill cover		3	I2D1/2D3						

Model	Year	MG	SG	Illustration	Restrictions	UPD	14:58	21.01.2010	PORSCHE	PET	PORSCHE
9PA1	2010	8	11	811-00		247					

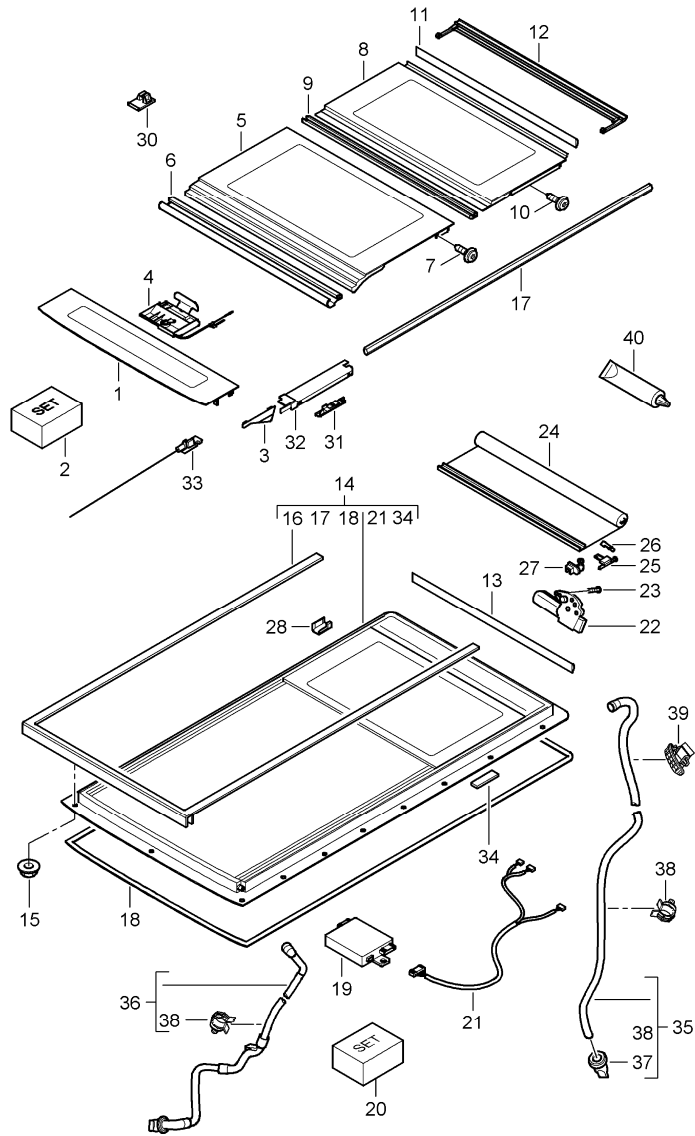


Pos	Part Number	Description	Remark	Qty	Model
1	955 564 025 00	sunroof frame complete		1	
2	955 564 001 10	driving mechanism		1	
3	955 564 002 10	glass roof		1	
4	955 564 003 00	gasket		1	
5	955 564 004 10	air deflector		1	
6	955 564 005 00	bellows	/L	1	
(6)	955 564 006 00	bellows	/R	1	
7	955 564 007 00	filler piece		2	
8	955 564 008 00	water drain strip		1	
9	955 564 009 10	fastening screw glass roof M5		6	
10	955 564 010 00	fastening screw driving mechanism		1	
11	955 564 011 00	connection piece		1	
12	955 564 012 10	gate guide	/R	1	
(12)	955 564 013 10	gate guide	/L	1	
13	955 564 014 00	guide	/R	1	
(13)	955 564 015 00	guide	/L	1	
14	955 564 016 00	locking segment	/R	1	
(14)	955 564 017 00	locking segment	/L	1	
15	955 564 018 00	parts kit air deflector		1	
16	955 564 019 00	leaf spring		1	
17	955 564 020 00	parts kit corner piece		1	
18	955 564 021 00	clamping screw		4	
19	955 564 022 00	washer		1	
20	A 955 564 023 00	damper		1	
20	955 564 023 01	damper		1	

Model	Year	MG	SG	Illustration	Restrictions	UPD	14:58	21.01.2010	PORSCHE	PET	PORSCHE
9PA1	2010	8	11	811-00		247					

Pos	Part Number	Description	Remark	Qty	Model	Pos	Part Number	Description	Remark	Qty	Model
21	955 564 024 01	roofliner frame		1							
	6L2	steel grey									
	6K1	sand beige									
	K90	black									
(21)	955 564 024 01	roofliner frame alcantara		1							
	5E6	black									
	5E5	steel grey									
	5G6	sand beige									
22	955 564 026 00	sealing cord		1							
23	955 564 027 00	slide		1							
24	N 907 498 03	fastening screw lateral M6		6							
25	955 564 029 00	guide with cable		2							
(26) A	955 564 031 00	water drain hose front	/L	1							
26	955 562 201 02	water drain hose front	/L	1							
(26) A	955 564 030 00	water drain hose front	/R	1							
(26)	955 562 202 02	water drain hose front	/R	1							
27	955 628 260 00	hose holder		X							
28	955 564 032 00	water drain hose rear	/L	1							
(28)	955 564 038 00	water drain hose rear	/R	1							
29	955 564 035 00	water drain sleeve		2							
30	955 564 036 00	tool emergency operation		1							
--	000 043 207 56	grease 50 ml Polylub GLY 151		1							

Model	Year	MG	SG	Illustration	Restrictions	UPD	14:58	21.01.2010	PORSCHE	PET	PORSCHE
9PA1	2010	8	11	811-05		247					

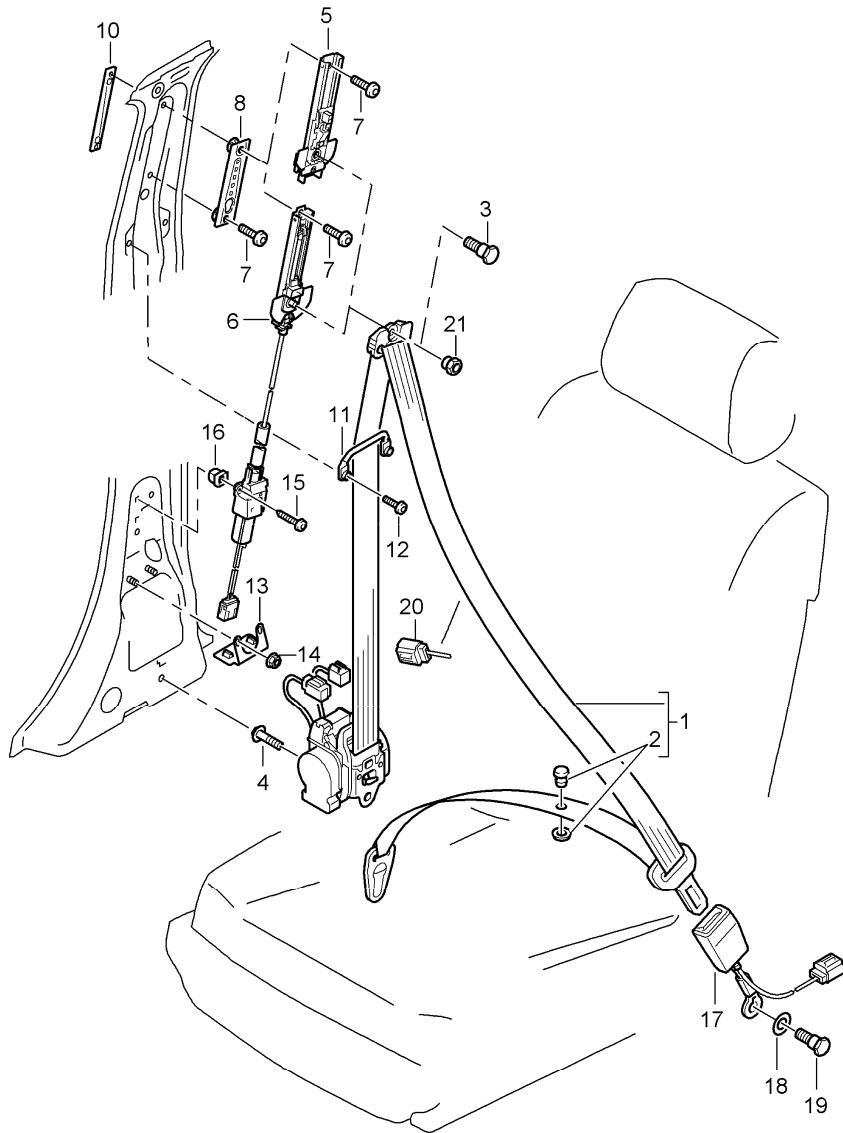


Pos	Part Number	Description	Remark	Qty	Model
		glass roof			I3FU
1	955 562 004 00	air deflector		1	
2	955 562 916 00	set of fastening parts air deflector		1	
3	955 562 906 00	cover air deflector	/L/R	1	
-	955 562 900 01	gate guide air deflector see workshop manual group 6 60-3555		1	
4	955 562 907 00	cassette	/L/R	1	
5	955 564 002 00	lid front		1	
6	955 562 913 00	gasket		1	
7	955 562 721 00	screw M5 X 12,5		6	
8	955 562 056 00	lid centre		1	
9	955 562 914 00	gasket		1	
10	955 562 722 01	screw		6	
11	955 562 915 00	gasket		1	
12	955 562 519 00	water drain tube		1	
13	955 562 439 00	gasket		1	
14	955 562 450 00	frame with lid fixed use also: sealing compound 000.043.206.76		1	
15	N 908 786 01	nut M6		X	
16	955 562 423 00	gasket outer		1	
17	955 562 440 00	gasket inner		1	

Model	Year	MG	SG	Illustration	Restrictions	UPD	14:58	21.01.2010	PORSCHE	PET	PORSCHE
9PA1	2010	8	11	811-05		247					

Pos	Part Number	Description	Remark	Qty	Model	Pos	Part Number	Description	Remark	Qty	Model
18	955 562 459 00	gasket All the way round use also: sealing compound 000.043.206.76		1		33	955 562 905 00	drive shaft	/L/R	1	
				1		34	955 562 917 00	set sealing strip		1	
--	000 043 206 76	sealing compound		1		--	000 043 300 49	activator 113 ML		1	
19	955 618 485 01	control unit		1		35	955 562 029 00	water drain hose	/L	1	
(19)	000 043 400 12	control unit F 9P7LA 00061>> F >>9P7LA 80064 F 9P8LA 00038>> F >>9P8LA 82262		1		(35)	955 562 030 00	water drain hose rear	/R	1	
20	955 562 912 00	set of fastening parts control unit		1		36	955 562 201 03	water drain hose front		1	
21	955 612 025 01	wiring harness		1		(36)	955 562 202 03	water drain hose front		1	
22	955 624 713 00	driving mechanism		3		37	955 564 035 00	water drain sleeve		2	
23	955 562 912 00	set of fastening parts M5 X 30		6		38	955 628 260 00	hose holder		X	
24	955 562 716 01	shade		1		39	N 904 761 01	tie-wrap		X	
		3H0 sand beige				40	000 043 207 56	grease 50 ml Polylub GLY 151		1	
		2G0 steel grey									
		1F0 black									
(24)	955 562 716 00	shade		1							
		3Y7 palmgreen									
25	955 562 908 00	sliding piece shade	/L/R	1							
26	955 562 919 00	pressure piece	/L	1							
(26)	955 562 918 00	pressure piece	/R	1							
27	955 562 909 00	corner piece	/L/R	1							
28	955 562 413 00	locking segment		4							
30	955 562 903 00	driving mechanism gate guide	/L/R	1							
31	955 562 904 00	hinge air deflector	/L/R	1							
32	955 562 910 00	cover hinge	/L/R	1							

Model	Year	MG	SG	Illustration	Restrictions	UPD	14:58	21.01.2010	PORSCHE	PET	PORSCHE
9PA1	2010	8	12	812-00		247					

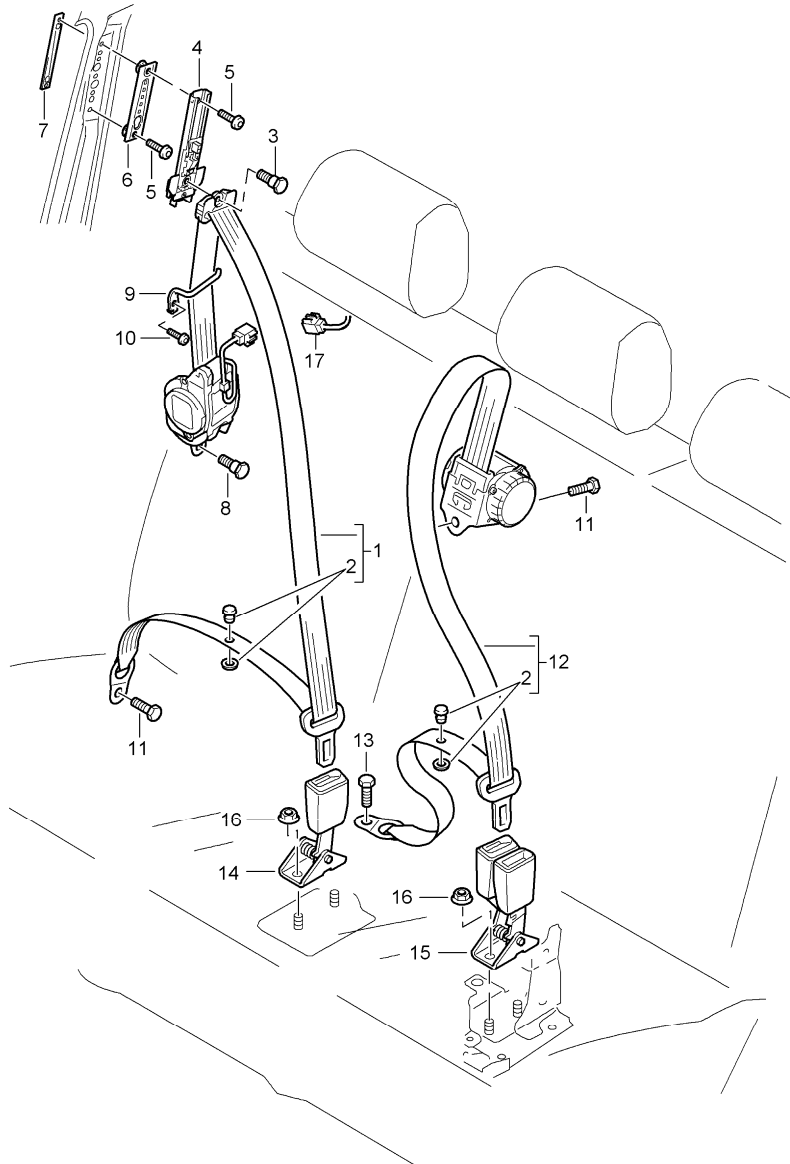


Pos	Part Number	Description	Remark	Qty	Model
1	955 803 001 20	seat belt front	/LL/L	1	
	HCP	black			
	YKQ	guards red	08-		
	YKR	silver	08-		
	YKU	sand beige	08-		
	FZC	orange	09-		IE2D/FZ4
(1)	955 803 002 20	seat belt	/LL/R	1	
	HCP	black			
	YKQ	guards red	08-		
	YKR	silver	08-		
	YKU	sand beige	08-		
	FZC	orange	09-		IE2D/FZ4
(1)	955 803 001 20	seat belt	/RL/L	1	
	HCP	black			
	YKQ	guards red	08-		
	YKR	silver	08-		
	YKU	sand beige	08-		
	FZC	orange	09-		IE2D/FZ4
(1)	955 803 002 20	seat belt	/RL/R	1	
	HCP	black			
	YKQ	guards red	08-		
	YKR	silver	08-		
	YKU	sand beige	08-		
	FZC	orange	09-		IE2D/FZ4
--	955 803 012 00	guide		2	
2	955 803 056 01	knob		1	
	HCP	black			

Model	Year	MG	SG	Illustration	Restrictions	UPD	14:58	21.01.2010	PORSCHE	PET	PORSCHE
9PA1	2010	8	12	812-00		247					

Pos	Part Number	Description	Remark	Qty	Model	Pos	Part Number	Description	Remark	Qty	Model
3	WHT 001 279	hexagon-head bolt		2							
4	3B0 857 799	screw		2							
5	955 803 003 01	mounting height adjustment mechanical		2							
6	955 803 008 02	elect. vertical adjustment		2	I4QF						
7	N 014 717 6	pan-head screw		2							
8	955 803 058 02	bracket		2							
(8)	955 803 009 02	bracket		2	I4QF						
10	955 803 059 01	fastening angle		2							
11	955 803 012 00	guide		2							
12	N 102 913 02	pan-head screw		2							
13	955 803 013 00	retaining bracket	/L	2							
(13)	955 803 014 00	retaining bracket	/R	2							
14	N 015 082 5	hexagon nut		2							
15	900 143 047 07	tapping screw		2							
16	955 803 115 00	nut		2							
17	955 803 017 00	seat-belt buckle	/L	1							
	HCP	black									
(17)	955 803 016 00	seat-belt buckle	/R	1							
	HCP	black									
18	N 905 013 01	spring washer		2							
19	N 989 235 01	hexagon-head bolt		2							
20	955 612 904 10	cable		2							
21	N 910 106 01	nut		2	I4QF						

Model	Year	MG	SG	Illustration	Restrictions	UPD	14:59	21.01.2010	PORSCHE	PET	PORSCHE
9PA1	2010	8	12	812-05		247					

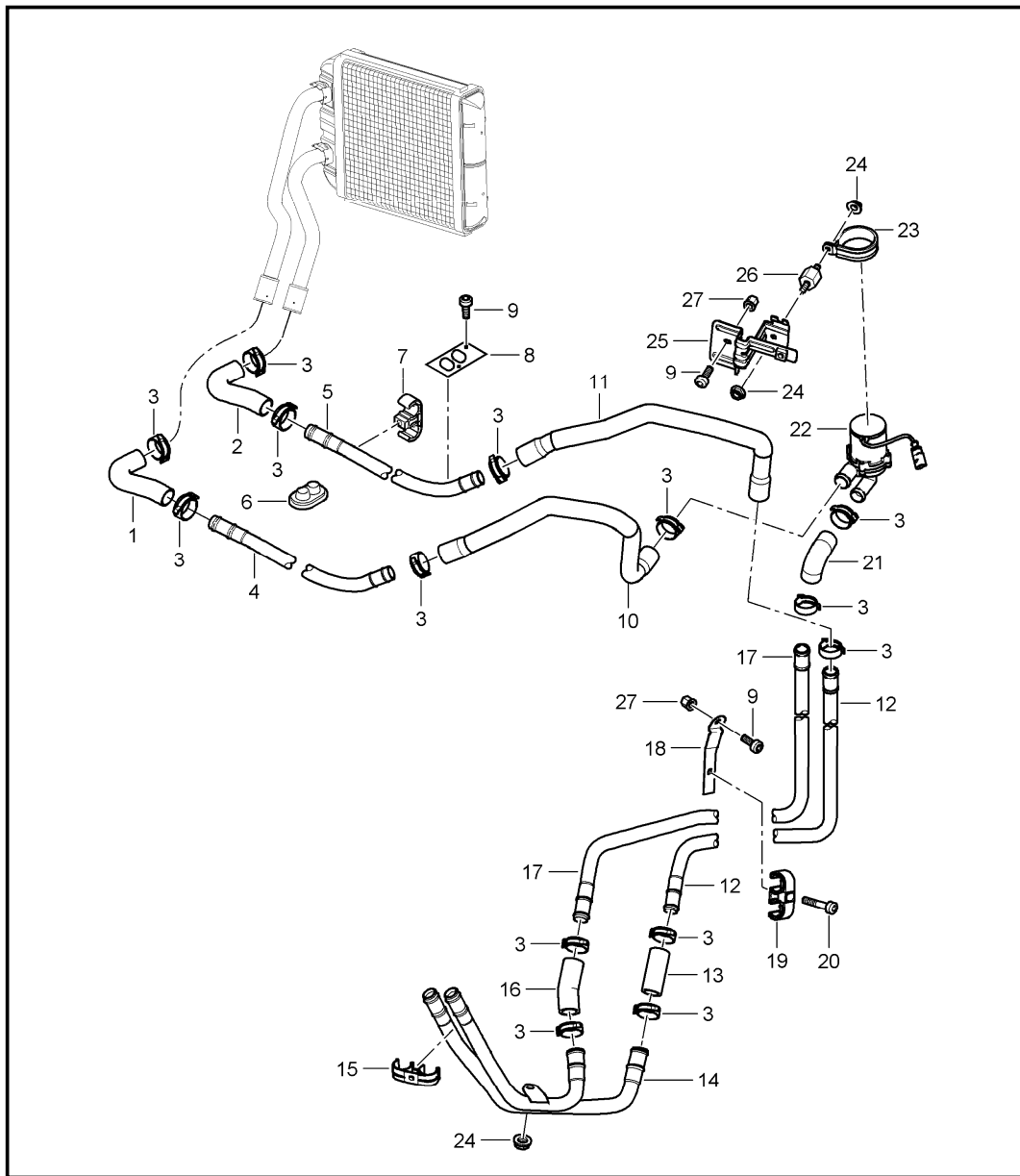


Pos	Part Number	Description	Remark	Qty	Model
1	955 803 050 10	seat belt rear	/R	1	
	HCP	black			
	YKQ	guards red	08-		
	YKR	silver	08-		
	YKU	sand beige	08-		
	FZC	orange	09-		IE2D/FZ4
(1)	955 803 051 10	seat belt	/L	1	
	HCP	black			
	YKQ	guards red	08-		
	YKR	silver	08-		
	YKU	sand beige	08-		
	FZC	orange	09-		IE2D/FZ4
2	955 803 056 01	knob		X	
	HCP	black			
3	N 989 242 01	hexagon-head bolt		2	
4	955 803 003 00	mounting		2	
5	N 014 717 6	pan-head screw		4	
6	955 803 058 00	bracket		2	
7	955 803 059 01	fastening angle		2	
8	3B0 857 799	screw		2	
9	955 803 061 00	reverse lever	/L	1	
(9)	955 803 060 00	reverse lever	/R	1	
10	N 102 913 02	pan-head screw		2	
11	N 989 077 01	hexagon-head bolt		3	
12	955 803 053 10	seat belt		1	
	HCP	black			
	YKQ	guards red	08-		

Model	Year	MG	SG	Illustration	Restrictions	UPD	14:59	21.01.2010	PORSCHE	PET	PORSCHE
9PA1	2010	8	12	812-05		247					

Pos	Part Number	Description	Remark	Qty	Model	Pos	Part Number	Description	Remark	Qty	Model
		YKR silver		08-							
		YKU sand beige		08-							
(12)	955 803 053 12	seat belt		08-	1 IQ1J						
		HCP black									
		YKQ guards red		08-							
		YKR silver		08-							
		YKU sand beige		08-							
		FZC orange		09-	IE2D/FZ4						
13	N 904 411 02	pan-head screw			1						
14	A 955 803 055 00	seat-belt buckle	/R		1						
		HCP black									
14	955 803 055 10	seat-belt buckle	/R		1						
		HCP black									
15	A 955 803 054 00	seat-belt buckle			1						
		HCP black									
15	955 803 054 10	seat-belt buckle			1						
		HCP black									
16	N 989 234 01	hexagon nut			4						
17	955 612 904 10	cable for seat-belt tensioner			3						

Model	Year	MG	SG	Illustration	Restrictions	UPD	14:59	21.01.2010	PORSCHE	PET	PORSCHE
9PA1	2010	8	13	813-00		247					

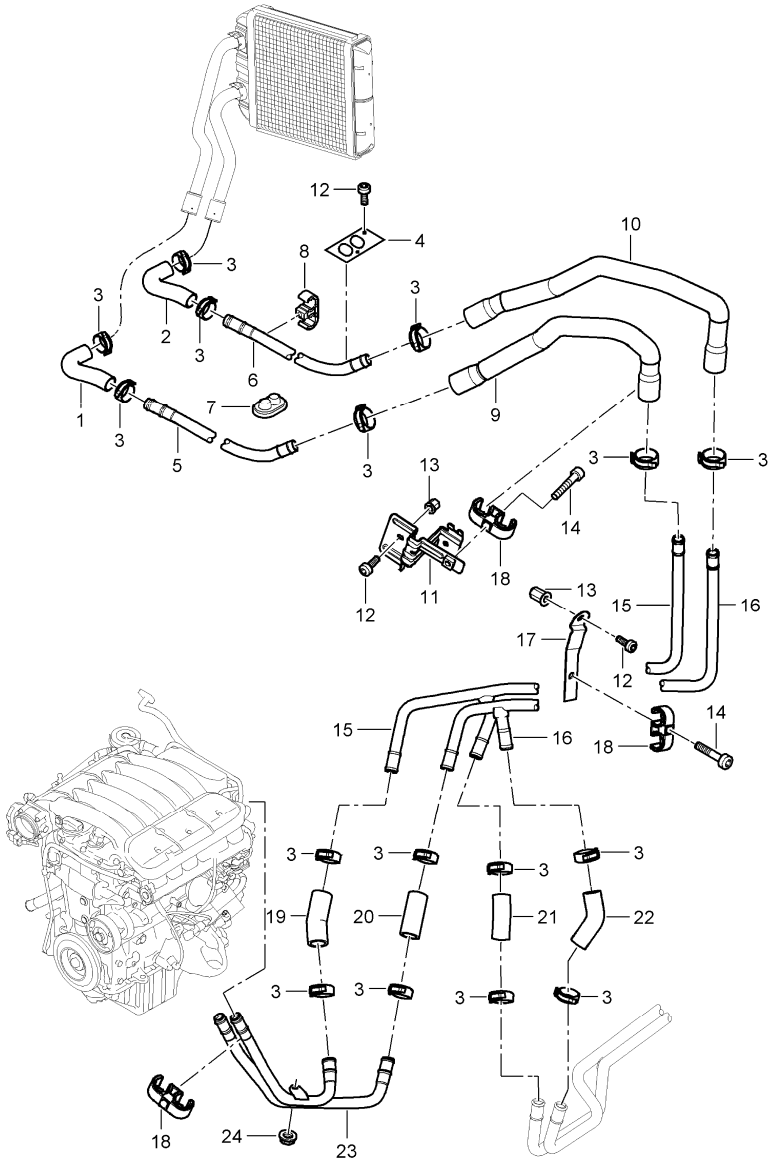


Pos	Part Number	Description	Remark	Qty	Model
		heating feed line return line			ID5V/D5X/D5Z
(1)	955 572 982 00	heater hose	/LL	1	ID5X
(1)	955 572 581 01	heater hose	/RL	1	ID5X
1	955 572 581 00	heater hose	/LL	1	ID5V/D5Z
(1)	955 572 581 01	heater hose heat exchanger	/RL	1	ID5V/D5Z
(2)	955 572 981 00	heater hose	/LL	1	ID5X
(2)	955 572 581 00	heater hose	/RL	1	ID5X
(2)	955 572 983 00	heater hose	/LL	1	ID5V/D5Z
2	955 572 581 00	heater hose heat exchanger	/RL	1	ID5V/D5Z
3	N 906 870 01	hose clamp B 27 X 12		X	
(4)	955 572 925 08	hot air duct	/LL	1	ID5X
4	955 572 680 01	hot air duct	/RL	1	ID5X
(4)	955 572 682 00	hot air duct	/LL	1	ID5V/D5Z
(4)	955 572 682 01	hot air duct heat exchanger	/RL	1	ID5V/D5Z
(5)	955 572 926 04	hot air duct	/LL	1	ID5X
(5)	955 572 681 01	hot air duct	/RL	1	ID5X
5	955 572 683 00	hot air duct	/LL	1	ID5V/D5Z
(5)	955 572 683 01	hot air duct heat exchanger	/RL	1	ID5V/D5Z
6	955 572 781 01	grommet		1	ID5X
(6)	955 572 781 00	grommet		1	ID5V/D5Z
7	955 572 055 00	clip	/RL	X	ID5X
(7)	955 572 145 00	clip hot air duct	/RL	X	ID5V/D5Z
8	955 572 758 00	sealing strip wheel housing	/LL	1	ID5V/D5Z
9	N 104 514 04	lens-head screw M 6 X 16		2	

Model	Year	MG	SG	Illustration	Restrictions	UPD	14:59	21.01.2010	PORSCHE	PET	PORSCHE
9PA1	2010	8	13	813-00		247					

Pos	Part Number	Description	Remark	Qty	Model	Pos	Part Number	Description	Remark	Qty	Model
10	955 572 784 05	heater hose		1	ID5V/D5Z						
11	955 572 994 00	heater hose		1	ID5V/D5Z						
12	955 572 926 00	hot air duct		1	ID5V/D5Z						
13	955 572 784 00	heater hose		1	ID5V/D5Z						
(13)	955 572 159 86	heater hose		1	ID50						
(13)	955 572 191 96	heater hose		1	ID50						
14	955 572 698 01	heating tube		1	ID5V/D5Z						
15	955 572 055 01	clip		X							
16	955 572 589 00	heater hose		1							
17	955 572 925 00	hot air duct		1	ID5V/D5Z						
18	955 572 823 01	support heating tube		1							
19	955 572 055 01	clip		X							
20	N 106 209 01	pan-head screw M6 X 30		X							
21	955 572 791 05	heater hose water pump		1	ID5V/D5Z						
22	955 572 150 06	water pump		1	ID5V/D5Z						
23	N 909 423 01	clip 48 X 15		1							
24	N 015 082 9	hexagon nut M 6		1							
25	955 572 545 00	support water pump		1							
26	955 572 567 00	rubber buffer		1							
27	N 902 631 01	blind rivet nut M6		X							
28	--- --- --- --	water hose engine see illustrations 1/05/30 - 35		1							

Model	Year	MG	SG	Illustration	Restrictions	UPD	14:59	21.01.2010	PORSCHE	PET	PORSCHE
9PA1	2010	8	13	813-05		247					

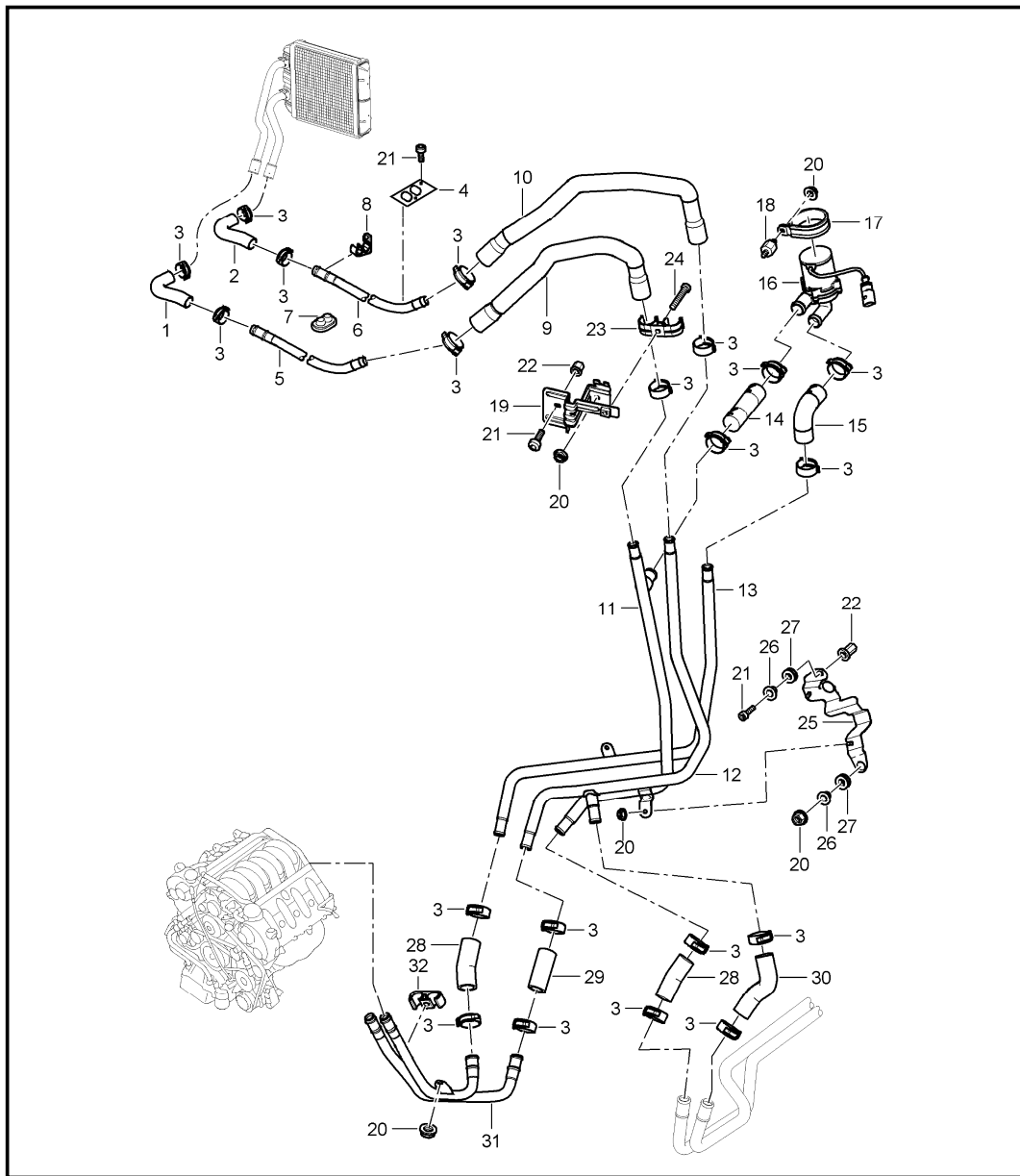


Pos	Part Number	Description	Remark	Qty	Model
		heating with auxiliary air conditioner feed line return line			ID5X/9AH
1	955 572 982 00	heater hose heat exchanger	/LL	1	
(1)	955 572 581 01	heater hose heat exchanger	/RL	1	
2	955 572 981 00	heater hose heat exchanger	/LL	1	
(2)	955 572 581 00	heater hose heat exchanger	/RL	1	
3	N 906 870 01	hose clamp B 27 X 12		X	
4	955 572 758 00	sealing strip		1	
5	955 572 682 00	hot air duct	/LL	1	
(5)	955 572 682 01	hot air duct	/RL	1	
6	955 572 683 00	hot air duct	/LL	1	
(6)	955 572 683 01	hot air duct	/RL	1	
7	955 572 781 01	grommet		1	
8	955 572 145 00	clip	/RL	2	
9	955 572 374 00	heater hose		1	
10	955 572 994 00	heater hose		1	
11	955 572 545 00	support		1	
12	N 104 514 04	lens-head screw M6 X 16		X	
13	N 902 631 01	blind rivet nut M6		X	
14	N 106 209 01	pan-head screw M6 X 30		X	
15	955 572 925 05	hot air duct		1	
16	955 572 926 02	hot air duct		1	
17	955 572 823 01	support hot air duct		1	

Model	Year	MG	SG	Illustration	Restrictions	UPD	14:59	21.01.2010	PORSCHE	PET	PORSCHE
9PA1	2010	8	13	813-05		247					

Pos	Part Number	Description	Remark	Qty	Model	Pos	Part Number	Description	Remark	Qty	Model
18	955 572 055 01	clip		1							
19	955 572 589 00	heater hose		1							
20	955 572 784 00	heater hose		1							
21	955 572 583 00	heater hose		1							
22	955 572 584 00	heater hose		1							
23	955 572 698 00	heating tube engine		1							
(24)	N 015 082 9	hexagon nut M 6		X							
25	--- --- --- ---	water hose engine see illustrations 1/05/35		1							

Model	Year	MG	SG	Illustration	Restrictions	UPD	14:59	21.01.2010	PORSCHE	PET	PORSCHE
9PA1	2010	8	13	813-10		247					

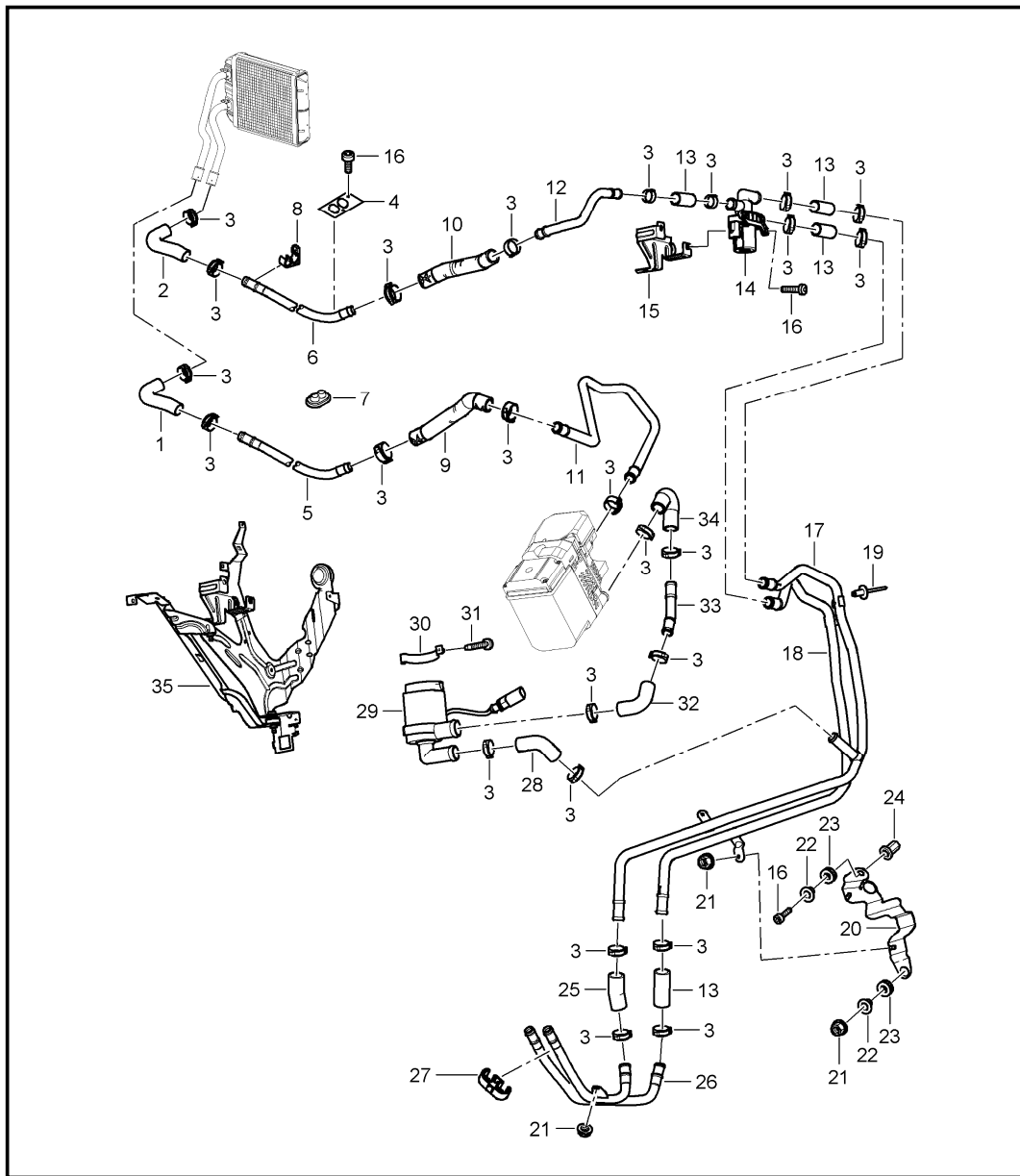


Pos	Part Number	Description	Remark	Qty	Model
		heating with auxiliary air conditioner feed line return line			ID5V/D5Z/9AH
1	955 572 581 00	heater hose	/LL	1	
(1)	955 572 581 01	heater hose heat exchanger	/RL	1	
2	955 572 983 00	heater hose	/LL	1	
(2)	955 572 581 00	heater hose heat exchanger	/RL	1	
3	N 906 870 01	hose clamp B 27 X 12		X	
4	955 572 758 00	sealing strip		1	
5	955 572 682 00	hot air duct	/LL	1	
(5)	955 572 682 01	hot air duct supply	/RL	1	
6	955 572 683 00	hot air duct	/LL	1	
(6)	955 572 683 01	hot air duct return line	/RL	1	
7	955 572 781 00	grommet		1	
8	955 572 145 00	clip	/RL	1	
9	955 572 374 00	heater hose		1	
10	955 572 994 00	heater hose		1	
11	955 572 858 00	hot air duct		1	
12	955 572 926 05	hot air duct		1	
13	955 572 925 07	hot air duct		1	
14	955 572 373 00	heater hose		1	
15	955 572 791 05	heater hose		1	
16	955 572 150 06	water pump		1	
17	N 909 423 01	clip		1	
18	955 572 567 00	rubber buffer		1	
19	955 572 545 01	support water pump		1	

Model	Year	MG	SG	Illustration	Restrictions	UPD	14:59	21.01.2010	PORSCHE	PET	PORSCHE
9PA1	2010	8	13	813-10		247					

Pos	Part Number	Description	Remark	Qty	Model	Pos	Part Number	Description	Remark	Qty	Model
20	N 015 082 9	hexagon nut M6		X							
21	N 104 514 04	lens-head screw M6 X 16		X							
22	N 902 631 04	blind rivet nut M6		X							
23	955 572 055 01	clip		X							
24	N 106 209 01	pan-head screw M6 X 30		X							
25	955 572 950 01	support hot air duct		1							
26	955 572 121 00	bush		2							
27	955 572 095 00	rubber sleeve		2							
28	955 572 589 00	heater hose		2							
29	955 572 784 00	heater hose		1							
30	955 572 793 00	heater hose		1							
31	955 572 698 01	heating tube		1							
32	955 572 055 03	clip		1							
33	--- --- --- --	water hose engine see illustrations 1/05/30		1							

Model	Year	MG	SG	Illustration	Restrictions	UPD	14:59	21.01.2010	PORSCHE	PET	PORSCHE
9PA1	2010	8	13	813-15		247					

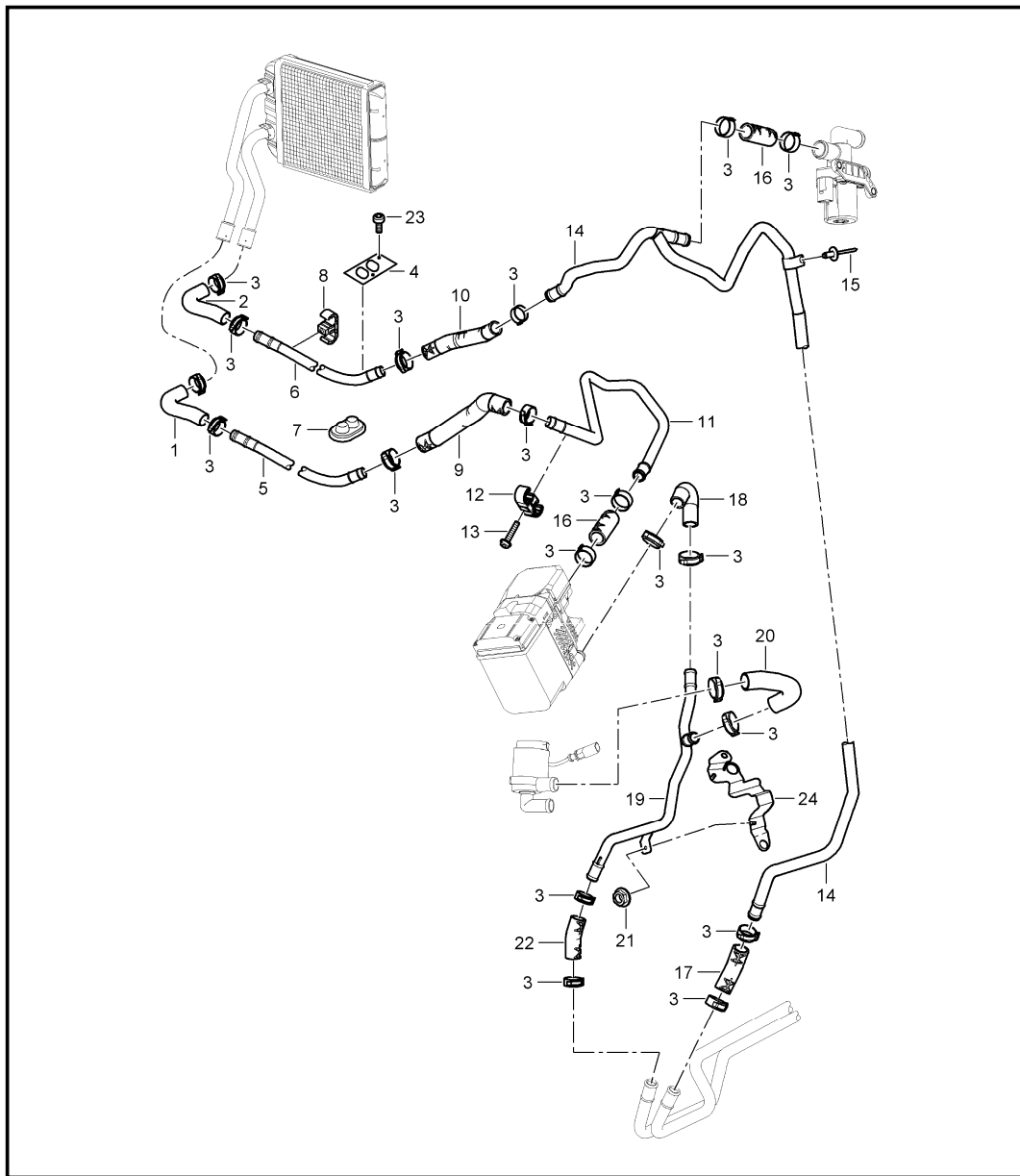


Pos	Part Number	Description	Remark	Qty	Model
		heating with auxiliary heater feed line return line			I7VE/7VL
1	955 572 581 00	heater hose	/LL	1	
(1)	955 572 581 01	heater hose heat exchanger	/RL	1	
2	955 572 983 00	heater hose	/LL	1	
(2)	955 572 581 00	heater hose heat exchanger	/RL	1	
3	N 906 870 01	hose clamp B 27 X 12		X	
4	955 572 758 00	sealing strip		1	
5	955 572 682 00	hot air duct	/LL	1	
(5)	955 572 682 01	hot air duct	/RL	1	
6	955 572 683 00	hot air duct	/LL	1	
(6)	955 572 683 01	hot air duct	/RL	1	
7	955 572 781 00	grommet		1	
(8)	955 572 055 03	clip	/RL	1	ID5X
8	955 572 145 00	clip	/RL	1	ID5V/D5Z
9	955 572 785 01	heater hose		1	
10	955 572 786 02	heater hose		1	
11	955 572 690 01	hot air duct		1	
12	955 572 690 02	hot air duct		1	
13	955 572 784 00	heater hose		4	
14	955 572 824 03	valve		1	
15	955 572 826 01	support solenoid valve		1	
16	N 104 514 04	lens-head screw M6 X 16		X	
17	955 572 925 06	hot air duct		1	
18	955 572 926 03	hot air duct		1	

Model	Year	MG	SG	Illustration	Restrictions	UPD	14:59	21.01.2010	PORSCHE	PET	PORSCHE
9PA1	2010	8	13	813-15		247					

Pos	Part Number	Description	Remark	Qty	Model	Pos	Part Number	Description	Remark	Qty	Model
19	N 902 876 01	blind rivet A 4,8 X 10		2							
20	955 572 950 01	support hot air duct		1							
21	N 015 082 9	hexagon nut M6		X							
22	955 572 121 00	bush		2							
23	955 572 095 00	rubber sleeve		2							
24	N 902 631 01	blind rivet nut M6		X							
25	955 572 589 00	heater hose		1							
26	955 572 698 01	heating tube		1							
27	955 572 055 03	clip		X							
28	955 572 585 03	heater hose		1							
29	955 572 150 07	water pump		2							
30	955 572 703 00	clip		1							
31	N 909 117 01	screw		1							
32	955 572 791 05	heater hose		1							
33	955 572 857 00	hot air duct		1							
34	955 572 588 02	heater hose		1							
35	--- --- --- --	support see group 8/13/85		1							
36	--- --- --- --	water hose engine see illustrations 1/05/30 - 35		1							

Model	Year	MG	SG	Illustration	Restrictions	UPD	14:59	21.01.2010	PORSCHE	PET	PORSCHE
9PA1	2010	8	13	813-20		247					

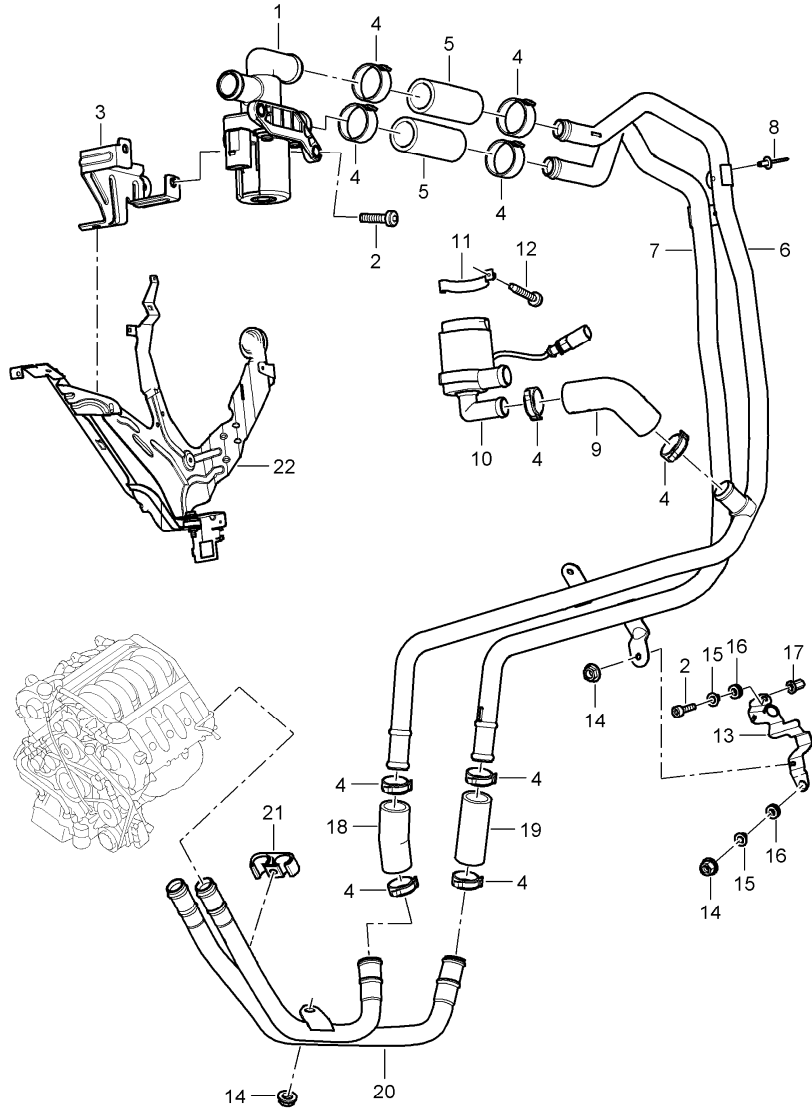


Pos	Part Number	Description	Remark	Qty	Model
		heating with auxiliary air conditioner and auxiliary heater feed line return line heat exchanger until hot air duct rear			I7VE/7VL/9AH
1	955 572 581 00	heater hose	/LL	1	
(1)	955 572 581 01	heater hose heat exchanger	/RL	1	
2	955 572 983 00	heater hose	/LL	1	
(2)	955 572 581 00	heater hose heat exchanger	/RL	1	
3	N 906 870 01	hose clamp B 27 X 12		X	
4	955 572 758 00	sealing strip		1	
5	955 572 682 00	hot air duct	/LL	1	
(5)	955 572 682 01	hot air duct	/RL	1	
6	955 572 683 00	hot air duct	/LL	1	
(6)	955 572 683 01	hot air duct	/RL	1	
7	955 572 781 00	grommet		1	
8	955 572 055 03	clip	/RL	1	ID5X
(8)	955 572 145 00	clip	/RL	1	ID5V/D5Z
9	955 572 785 01	heater hose		1	
10	955 572 786 02	heater hose		1	
11	955 572 690 01	hot air duct		1	
12	955 572 055 01	clip		X	
13	N 106 209 01	pan-head screw M6 X 30		X	
14	955 572 927 01	hot air duct		1	
15	N 902 876 01	blind rivet A4,8 X 10		2	

Model	Year	MG	SG	Illustration	Restrictions	UPD	14:59	21.01.2010	PORSCHE	PET	PORSCHE
9PA1	2010	8	13	813-20		247					

Pos	Part Number	Description	Remark	Qty	Model	Pos	Part Number	Description	Remark	Qty	Model
16	955 572 784 00	heater hose		2							
17	955 572 371 00	heater hose		1							
18	955 572 588 02	heater hose		1							
19	955 572 912 00	hot air duct		1							
20	955 572 587 02	heater hose		1							
21	N 015 082 9	hexagon nut M6		X							
22	955 572 589 00	heater hose		1							
23	N 104 514 04	lens-head screw M6 X 16		X							
24	955 572 950 00	support		X							

Model	Year	MG	SG	Illustration	Restrictions	UPD	15:00	21.01.2010	PORSCHE	PET	PORSCHE
9PA1	2010	8	13	813-23		247					

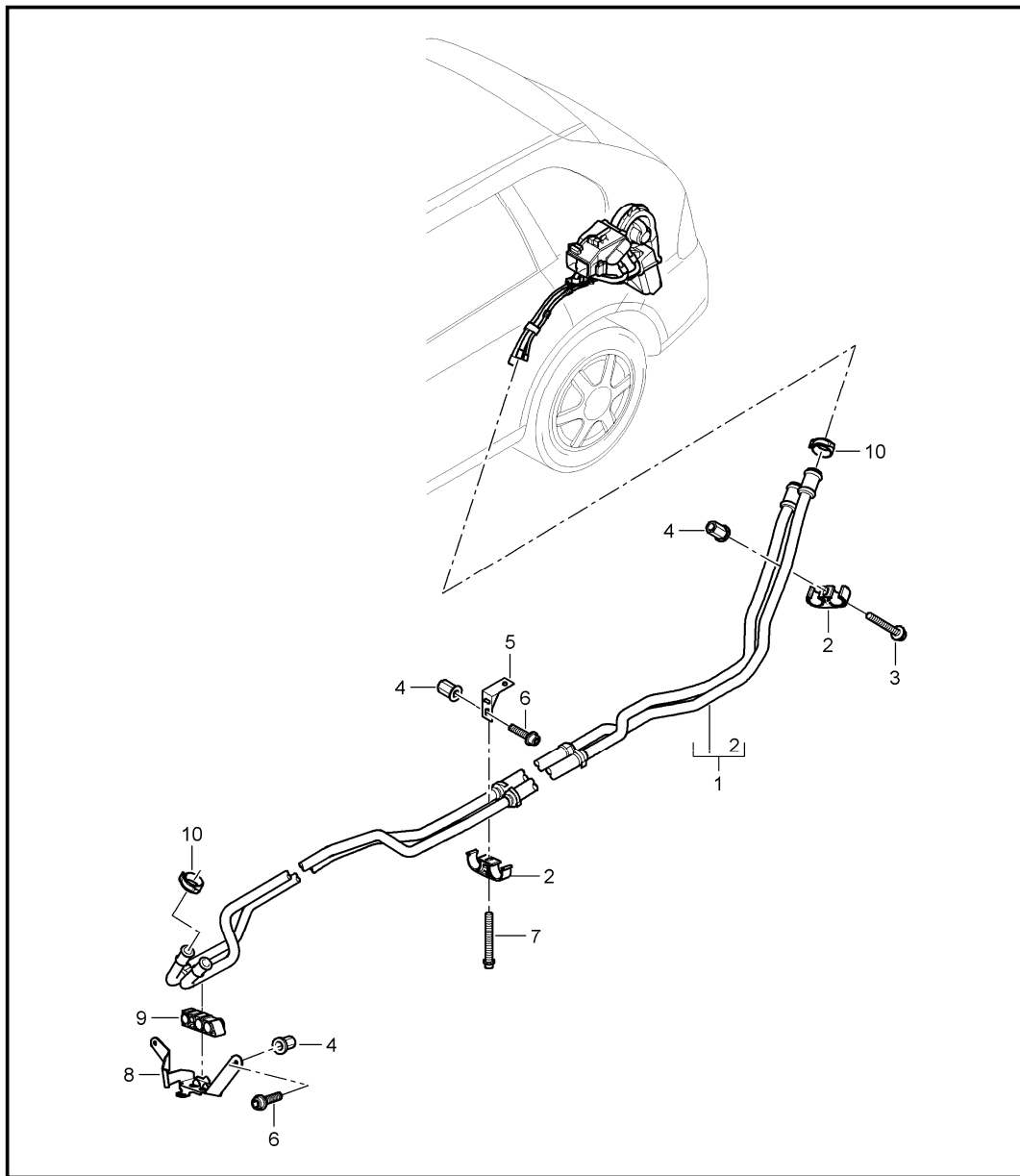


Pos	Part Number	Description	Remark	Qty	Model
		heating with auxiliary air conditioner and auxiliary heater feed line return line valve until engine			I7VE/7VL/9AH
1	955 572 824 03	valve		1	
2	N 104 514 04	lens-head screw M6 X 16		X	
3	955 572 826 01	support		1	
4	N 906 870 01	hose clamp B 27 X 12		X	
5	955 572 784 00	heater hose		2	
6	955 572 925 06	hot air duct		1	
7	955 572 926 03	hot air duct		1	
8	N 902 876 01	blind rivet A 4,8 X 10		2	
9	955 572 585 03	heater hose		1	
10	955 572 150 05	water pump		1	
11	955 572 703 00	clip		1	
12	N 909 117 01	screw M4 X 16		1	
13	955 572 950 01	support		1	
14	N 015 082 9	hexagon nut M6		X	
15	955 572 121 00	bush		2	
16	955 572 095 00	rubber sleeve		2	
17	N 902 631 04	blind rivet nut M6		X	
18	955 572 589 00	heater hose		1	
19	955 572 784 00	heater hose		1	
20	955 572 698 00	heating tube		1	

Model	Year	MG	SG	Illustration	Restrictions	UPD	15:00	21.01.2010	PORSCHE	PET	PORSCHE
9PA1	2010	8	13	813-23		247					

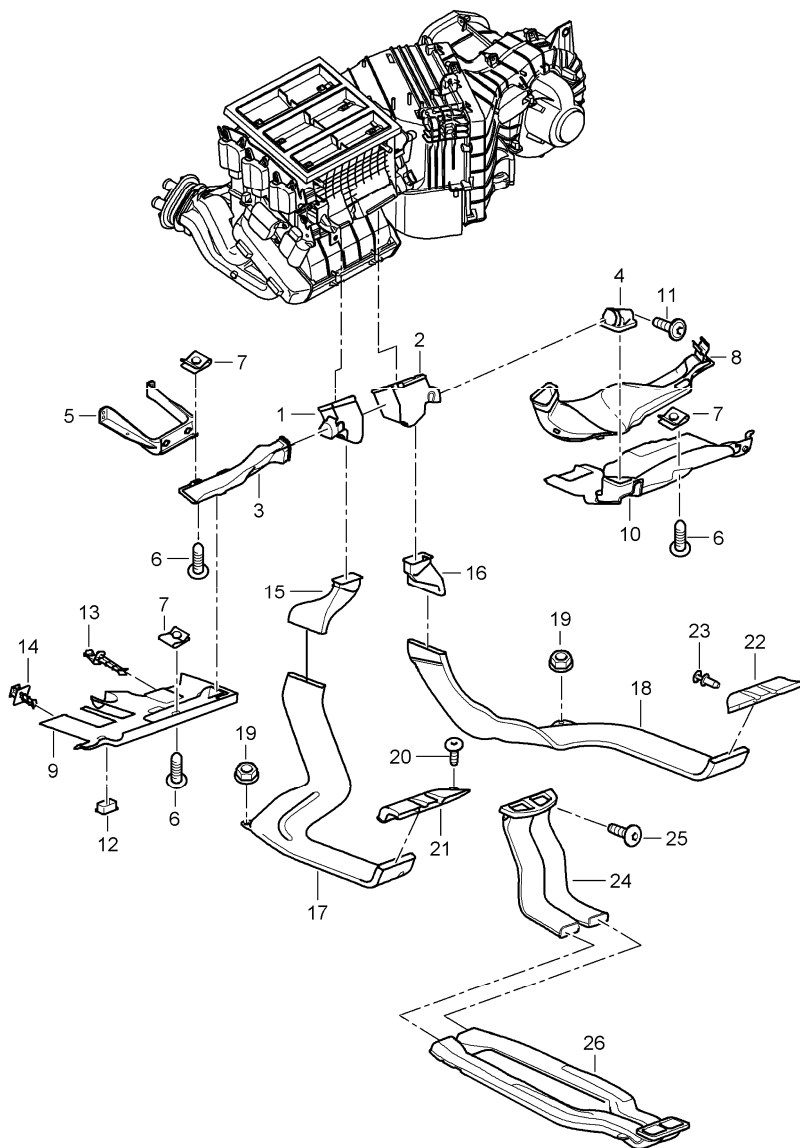
Pos	Part Number	Description	Remark	Qty	Model	Pos	Part Number	Description	Remark	Qty	Model
21	955 572 055 03	clip		X							
22	--- --- --- ---	support see group 8/13/85		X							
23	--- --- --- ---	water hose engine see illustrations 1/05/30 - 35		1							

Model	Year	MG	SG	Illustration	Restrictions	UPD	15:00	21.01.2010	PORSCHE	PET	PORSCHE
9PA1	2010	8	13	813-25		247					



Pos	Part Number	Description	Remark	Qty	Model
		hot air duct auxiliary air conditioner rear			I9AH
1	955 572 885 00	hot air duct		1	
2	955 572 787 00	clip		2	
3	N 105 084 02	hexagon socket head bolt M6 X 35		1	
4	N 902 631 04	blind rivet nut M6		X	
5	955 572 495 00	support		2	
6	N 104 514 04	lens-head screw M6 X 16		X	
7	N 104 677 02	hexagon socket head bolt M6 X 70		2	
8	955 573 605 00	support		1	
9	955 572 757 05	spacer		1	
10	N 906 870 01	hose clamp		X	

Model	Year	MG	SG	Illustration	Restrictions	UPD	15:00	21.01.2010	PORSCHE	PET	PORSCHE
9PA1	2010	8	13	813-30		247					

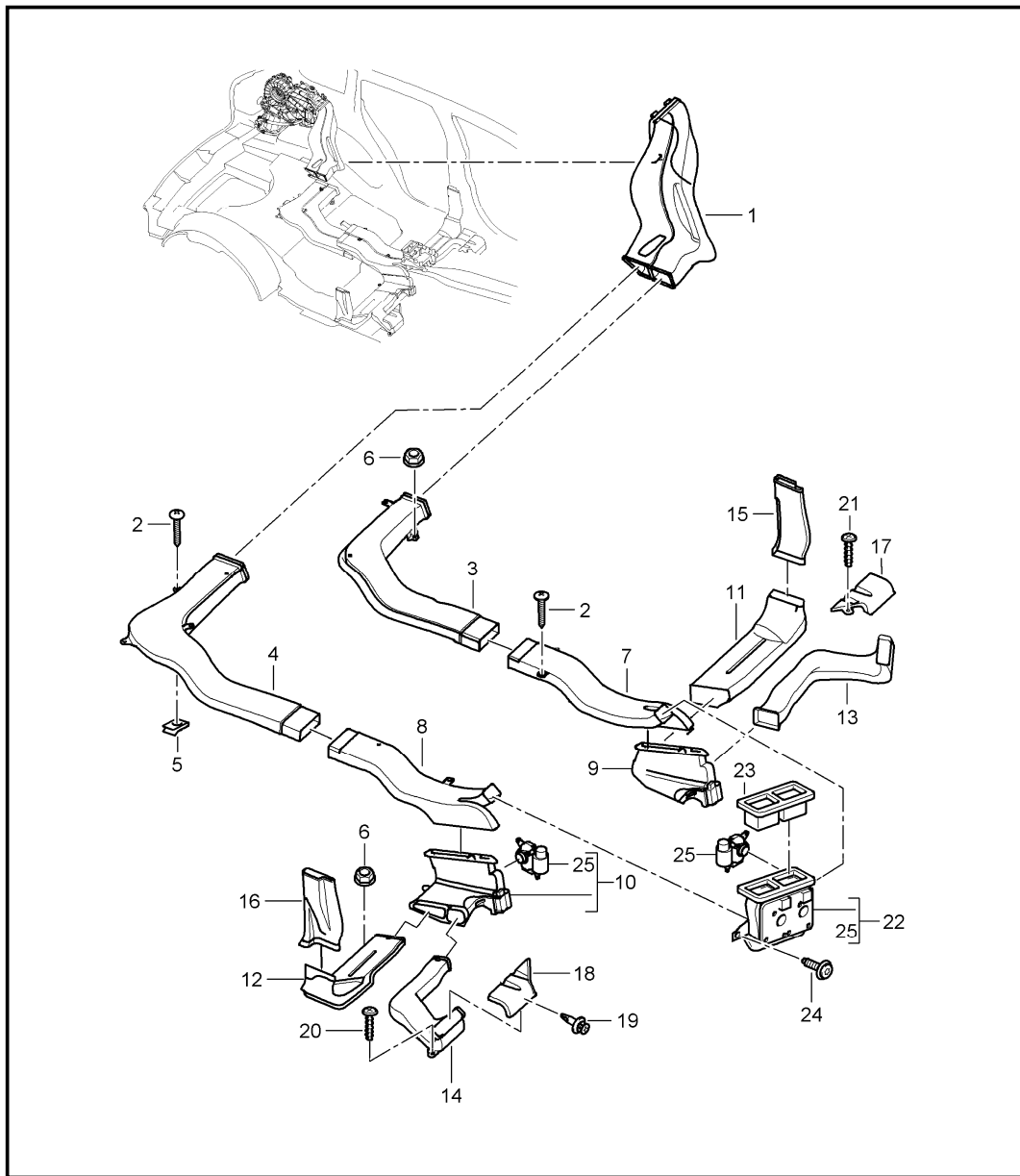


Pos	Part Number	Description	Remark	Qty	Model
		air distributor			
1	955 573 383 00	housing	/LL/L	1	I9AB
(1)	955 573 385 00	housing	/LL/L	1	I9AD
(1)	955 573 387 00	housing	/LL/L	1	I9AH
(1)	955 573 303 00	housing	/RL/L	1	I9AB
(1)	955 573 381 00	housing	/RL/L	1	I9AD
(1)	955 573 301 00	housing	/RL/L	1	I9AH
2	955 573 384 00	housing	/LL/R	1	I9AB
(2)	955 573 386 00	housing	/LL/R	1	I9AD
(2)	955 573 388 00	housing	/LL/R	1	I9AH
(2)	955 573 303 00	housing	/RL/L	1	I9AB
(2)	955 573 381 00	housing	/RL/L	1	I9AD
(2)	955 573 301 00	housing	/RL/L	1	I9AH
3	955 573 305 02	intermediate piece	/LL/L	1	
(3)	955 573 305 01	intermediate piece	/RL/L	1	
4	955 573 306 02	intermediate piece	/LL/R	1	
(4)	955 573 306 01	intermediate piece	/RL/R	1	
5	955 613 545 02	clip intermediate piece		1	
6	N 906 986 01	tapping screw ST 4,2 X 16		X	
(7)	955 552 137 00	clamp		X	
7	N 906 988 01	speed nut ST 4,2 X 16		X	
8	955 573 306 11	air duct	/LL/R	1	
9	955 573 308 09	footwell outlet vent	/LL/L	1	
(9)	955 573 308 10	footwell outlet vent	/RL/L	1	
10	955 573 308 03	footwell outlet vent	/LL/R	1	
(10)	955 573 308 01	footwell outlet vent	/RL/R	1	
11	N 908 494 02	tapping screw 3,5 X 13		X	

Model	Year	MG	SG	Illustration	Restrictions	UPD	15:00	21.01.2010	PORSCHE	PET	PORSCHE
9PA1	2010	8	13	813-30		247					

Pos	Part Number	Description	Remark	Qty	Model	Pos	Part Number	Description	Remark	Qty	Model
12	955 612 161 00	cover mounting diagnostic connector		1							
	01C	black									
13	955 573 317 00	fastening angle		2							
14	955 573 318 00	fastening angle		2							
15	955 573 309 01	intermediate piece	/L	1							
16	955 573 409 00	intermediate piece	/R	1							
17	955 573 311 00	air duct	/L	1							
18	955 573 310 01	air duct	/R	1							
19	N 907 579 01	nut		X							
20	N 906 487 02	tapping screw		X							
21	955 573 313 01	footwell outlet vent	/L	1							
22	955 573 314 03	footwell outlet vent	/R	1							
23	N 905 584 01	expansion rivet		1							
24	955 573 315 00	air duct		1							
25	N 104 648 02	oval-head screw		X							
26	955 573 316 01	air duct		1	I9AB/9AD						

Model	Year	MG	SG	Illustration	Restrictions	UPD	15:00	21.01.2010	PORSCHE	PET	PORSCHE
9PA1	2010	8	13	813-35		247					

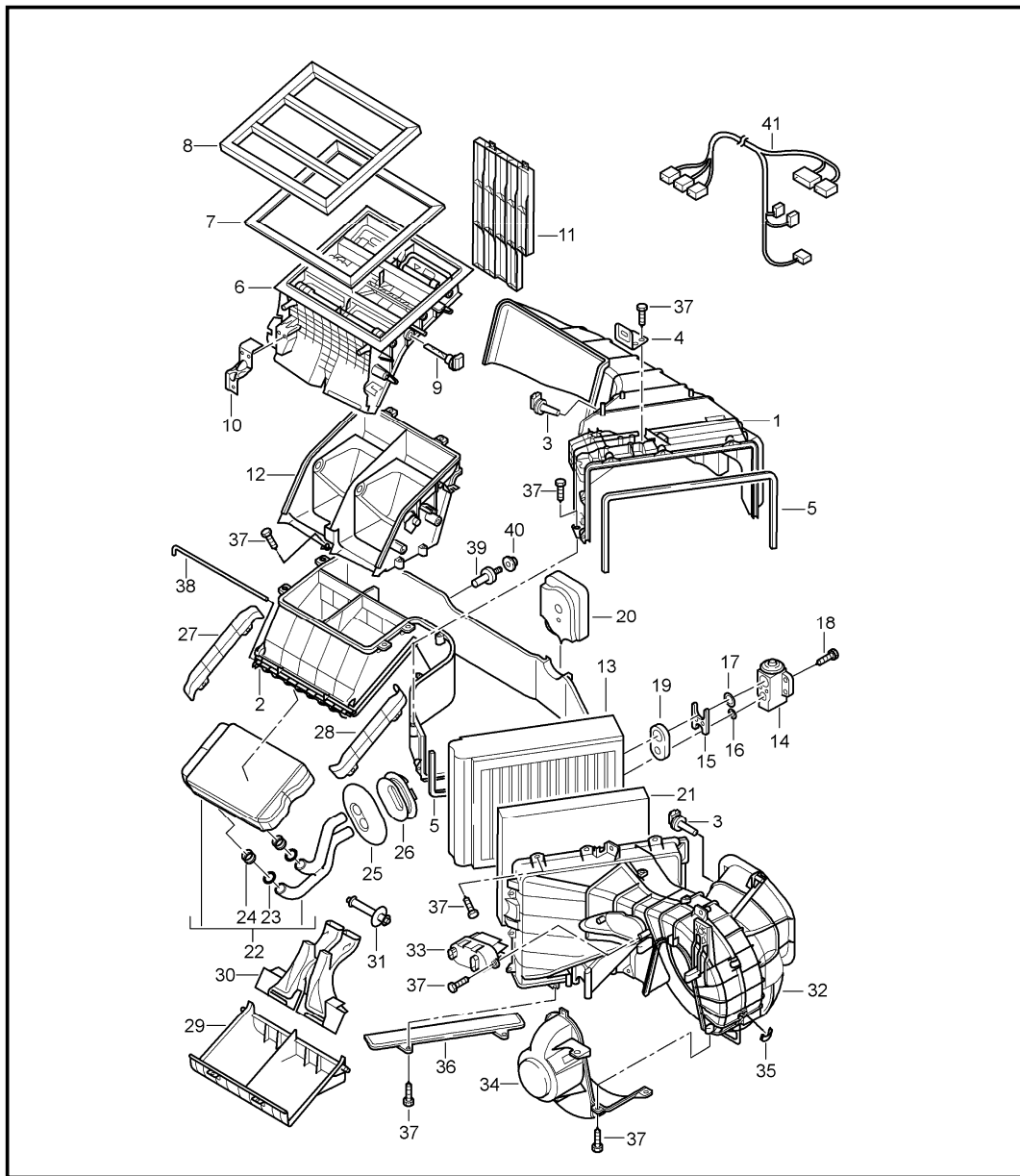


Pos	Part Number	Description	Remark	Qty	Model
		air distributor auxiliary air conditioner			I9AH
1	955 573 333 00	air duct air conditioner		1	
2	N 013 958 1	tapping screw		X	
3	955 573 329 00	air duct	/L	1	
4	955 573 330 00	air duct	/R	1	
5	N 900 488 02	speed nut ST 3,5 X 9,55 X 8,25		X	
6	N 907 579 01	nut T5 22 X 11		X	
7	955 573 327 00	air duct	/L	1	
8	955 573 328 00	air duct	/R	1	
9	955 573 325 00	air distributor with electric motor	/L	1	
10	955 573 326 00	air distributor with electric motor	/R	1	
11	955 573 321 01	air duct	/L	1	
12	955 573 322 01	air duct	/R	1	
13	955 573 323 00	air duct	/L	1	
14	955 573 324 01	air duct	/R	1	
15	955 573 319 00	air duct	/L	1	
16	955 573 320 00	air duct	/R	1	
17	955 573 313 01	footwell outlet vent	/L	1	
18	955 573 314 03	footwell outlet vent	/R	1	
19	N 905 584 01	expansion rivet B 8,0 X 14,0		1	
20	N 104 648 02	oval-head screw 4,0 X 12		X	
21	N 906 487 02	tapping screw 4,8 X 16		X	

Model	Year	MG	SG	Illustration	Restrictions	UPD	15:00	21.01.2010	PORSCHE	PET	PORSCHE
9PA1	2010	8	13	813-35		247					

Pos	Part Number	Description	Remark	Qty	Model	Pos	Part Number	Description	Remark	Qty	Model
22	955 573 332 03	distributor housing with electric motor		1							
23	955 573 331 00	adapter distributor housing		1							
24	N 907 357 01	screw distributor housing		X							
25	955 624 920 00	electric motor air distributor		X							

Model	Year	MG	SG	Illustration	Restrictions	UPD	15:00	21.01.2010	PORSCHE	PET	PORSCHE
9PA1	2010	8	13	813-40		247					

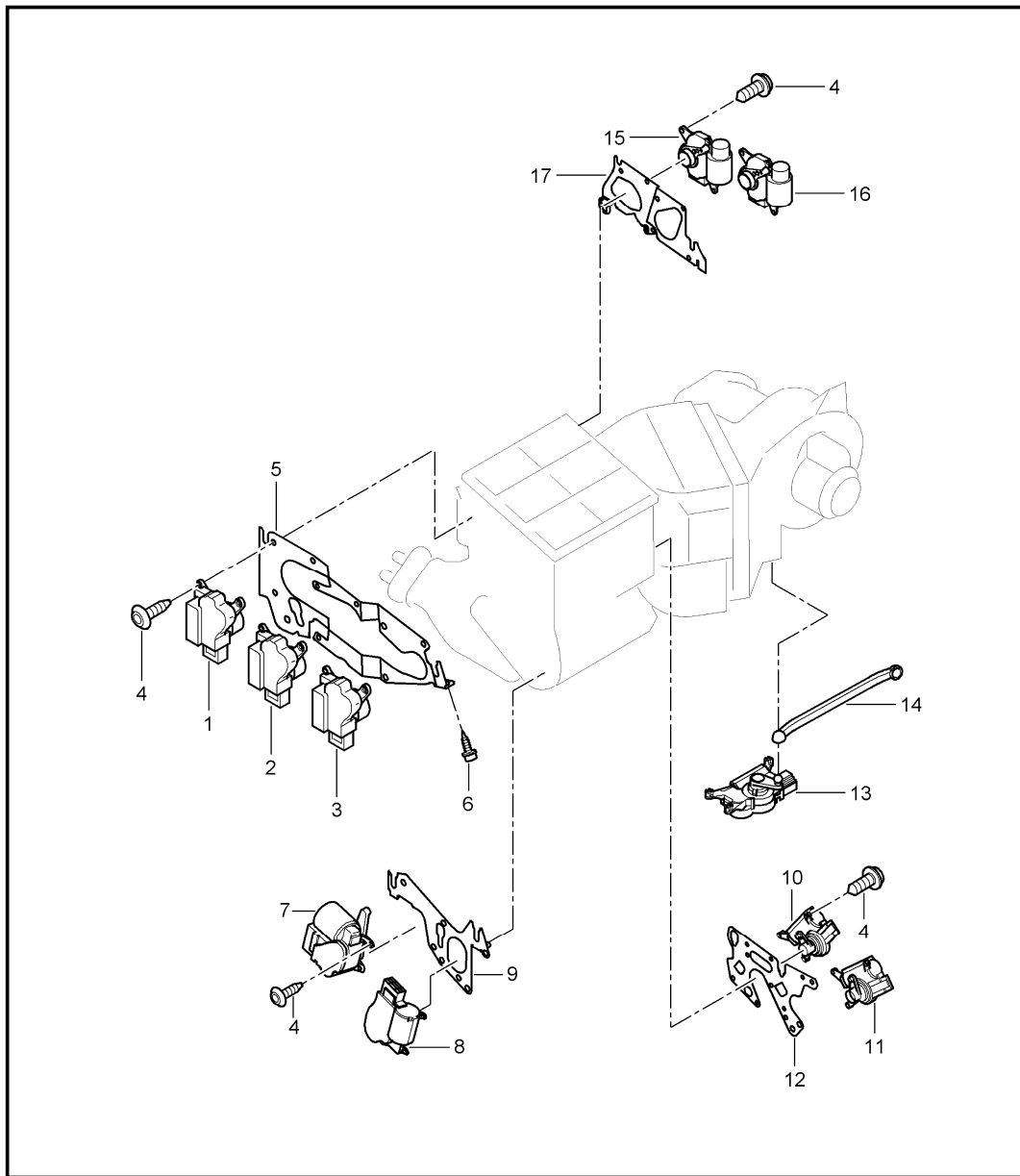


Pos	Part Number	Description	Remark	Qty	Model
		air conditioner front single parts			
1	955 572 300 00	housing	/LL	1	
(1)	955 572 301 00	housing	/RL	1	
2	955 572 302 00	housing	/LL	1	
(2)	955 572 303 00	housing	/RL	1	
3	955 572 304 00	temperature sensor	HELLA	1	I9AD/9AH
(3)	955 572 304 10	temperature sensor after evaporator	VALEO	1	I9AB/9AD/9AH
4	955 572 305 00	support		1	
5	955 572 306 00	sealing cord		1	
6	955 572 307 01	air distributor	/LL	1	I9AB
(6)	955 572 307 02	air distributor	/RL	1	I9AB
(6)	955 572 308 01	air distributor	/LL	1	I9AD
(6)	955 572 308 02	air distributor	/RL	1	I9AD
(6)	955 572 309 01	air distributor	/LL	1	I9AH
(6)	955 572 309 02	air distributor	/RL	1	I9AH
7	955 572 310 10	gasket		1	
8	955 572 310 01	gasket		1	
9	955 572 311 00	temperature sensor		2	I9AD/9AH
10	955 572 312 00	support		1	
11	955 572 313 00	air duct	/LL	1	
(11)	955 572 314 00	air duct	/RL	1	
12	955 572 315 00	distributor housing		1	I9AB
(12)	955 572 316 00	distributor housing		1	I9AD/9AH
13	955 572 317 10	evaporator	/LL	1	
(13)	955 572 318 10	evaporator	/RL	1	
14	955 572 319 02	expansion valve		1	
15	955 572 064 00	support		1	

Model	Year	MG	SG	Illustration	Restrictions	UPD	15:00	21.01.2010	PORSCHE	PET	PORSCHE
9PA1	2010	8	13	813-40		247					

Pos	Part Number	Description	Remark	Qty	Model	Pos	Part Number	Description	Remark	Qty	Model
16	955 572 324 00	round seal 10,8 X 1,82		1		36	955 572 345 00	lid		1	
17	955 572 325 10	sealing ring 16,7 X 1,82		1		37	N 104 241 02	hexagon-head bolt M4 X 16		X	
18	N 104 763 01	pan-head screw M5 X 40		X		38	955 572 346 00	guiding rod		1	
19	955 572 347 00	gasket		1		39	955 572 348 00	rubber mounting		1	
20	955 572 321 00	gasket	/LL	1		40	N 902 173 03	hexagon nut		2	
(20)	955 572 322 00	gasket	/RL	1		41	955 612 350 01	wiring harness	/LL	1	I9AD
21	955 572 219 10	particle filter		1		(41)	955 612 351 01	wiring harness	/RL	1	I9AD
22	955 572 326 00	heat exchanger	/LL	1		(41)	955 612 352 01	wiring harness	/LL	1	I9AH
(22)	955 572 327 00	heat exchanger	/RL	1		(41)	955 612 353 01	wiring harness	/RL	1	I9AH
23	N 909 732 01	round seal		2							
24	955 572 328 00	clamping spring		2							
25	955 572 349 01	gasket		1							
26	955 572 350 10	grommet		1							
27	955 572 329 00	cover	/LL	1							
(27)	955 572 330 00	cover	/RL	1							
28	955 572 331 00	cover		1							
29	955 572 332 01	lid		1							
30	955 572 320 00	air duct		1							
31	955 572 333 01	water drain sleeve		1							
32	955 572 336 00	housing	/LL	1	I9AB						
(32)	955 572 337 00	housing	/RL	1	I9AB						
(32)	955 572 338 00	housing	/LL	1	I9AD/9AH						
(32)	955 572 339 00	housing	/RL	1	I9AD/9AH						
33	955 572 341 01	regulator		1							
34	955 572 342 01	blower	/LL	1							
(34)	955 572 343 01	blower	/RL	1							
35	955 572 344 00	clamp		12							

Model	Year	MG	SG	Illustration	Restrictions	UPD	15:01	21.01.2010	PORSCHE	PET	PORSCHE
9PA1	2010	8	13	813-45		247					

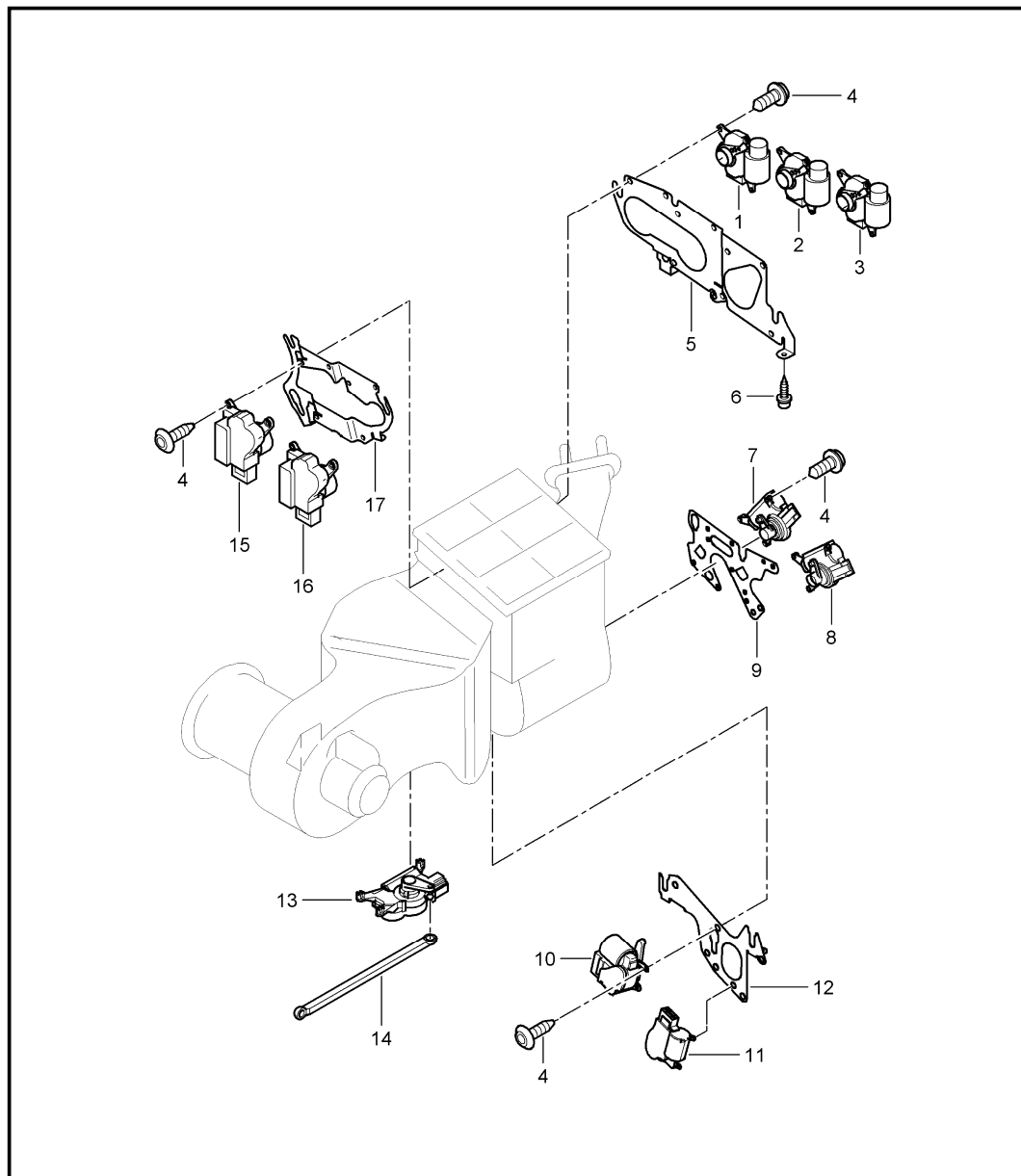


Pos	Part Number	Description	Remark	Qty	Model
		electric motor air conditioner left-hand drive front			IL0L
1	955 624 901 01	electric motor defroster flap		1	
2	955 624 905 01	electric motor air exhaust lateral left		1	
3	955 624 902 01	electric motor air exhaust centre left		1	I9AD/9AH
4	N 106 216 01	round head screw M4 X 12		X	
5	955 624 123 00	retainer plate		1	
6	N 104 241 02	hexagon-head bolt M4 X 16		X	
7	955 624 907 01	electric motor temperature mixing flap left		1	I9AD/9AH
8	955 624 906 01	electric motor footwell flap left		1	I9AD/9AH
9	955 624 123 02	retainer plate		1	I9AD/9AH
10	955 624 908 01	electric motor temperature mixing flap right		1	I9AD/9AH
11	955 624 909 01	electric motor footwell flap right		1	I9AH
12	955 624 123 04	retainer plate		1	
13	955 624 910 01	electric motor		1	I9AB
(13)	955 624 915 01	electric motor fresh-air intake system		1	I9AD/9AH
14	955 572 901 00	connecting rod		1	
15	955 624 913 01	electric motor air exhaust lateral right		1	I9AH

Model	Year	MG	SG	Illustration	Restrictions	UPD	15:01	21.01.2010	PORSCHE	PET	PORSCHE
9PA1	2010	8	13	813-45		247					

Pos	Part Number	Description	Remark	Qty	Model	Pos	Part Number	Description	Remark	Qty	Model
16	955 624 912 01	electric motor air exhaust centre right		1	I9AH						
17	955 624 123 05	retainer plate		1	I9AH						

Model	Year	MG	SG	Illustration	Restrictions	UPD	15:01	21.01.2010	PORSCHE	PET	PORSCHE
9PA1	2010	8	13	813-47		247					

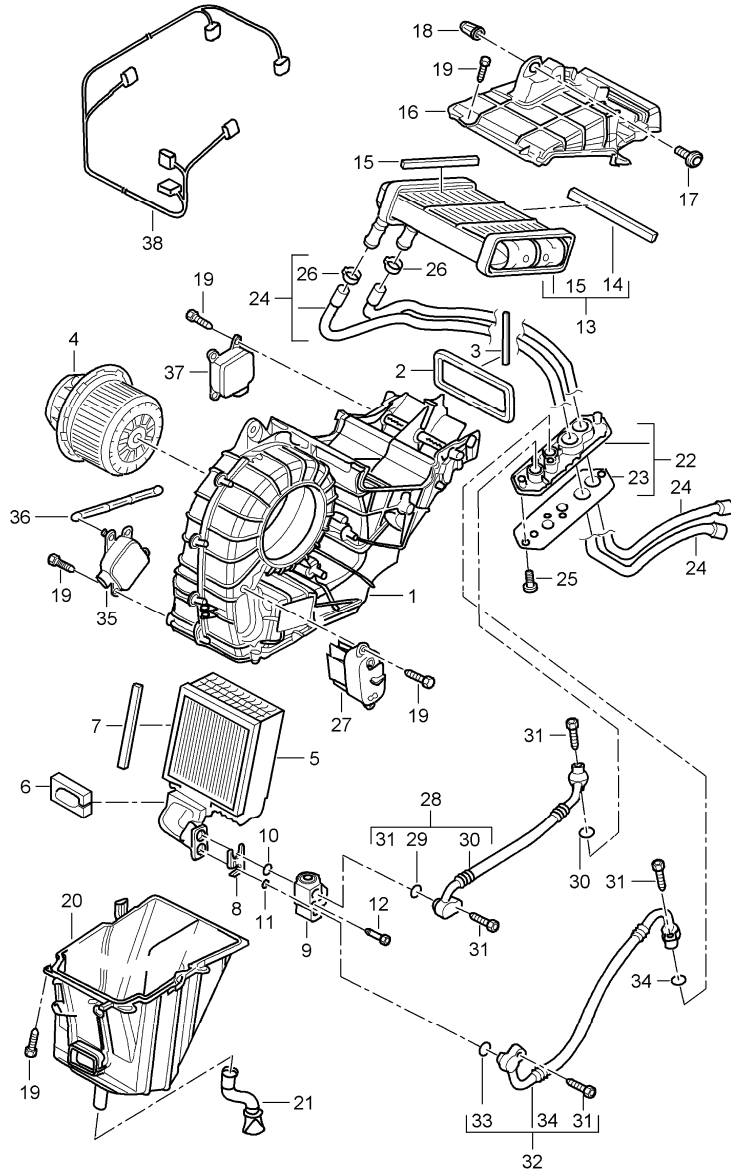


Pos	Part Number	Description	Remark	Qty	Model
		electric motor air conditioner front right-hand drive			IL0R
1	955 624 911 01	electric motor defroster flap right		1	
2	955 624 913 01	electric motor air exhaust lateral right		1	I9AH
3	955 624 912 01	electric motor air exhaust centre right		1	I9AH
4	N 106 216 01	round head screw M4 X 12		X	
5	955 624 123 01	retainer plate		1	
6	N 104 241 02	hexagon-head bolt M4 X 16		X	
7	955 624 908 01	electric motor temperature mixing flap right		1 1	I9AD/9AH
8	955 624 909 01	electric motor footwell flap right		1	I9AH
9	955 624 123 04	retainer plate		1	I9AD/9AH
10	955 624 907 01	electric motor temperature mixing flap left		1	I9AD/9AH
11	955 624 906 01	electric motor footwell flap left		1	I9AD/9AH
12	955 624 123 02	retainer plate		1	I9AD/9AH
13	955 624 914 01	electric motor		1	I9AB
(13)	955 624 903 01	electric motor fresh-air intake system		1	I9AD/9AH
14	955 572 901 00	connecting rod		1	

Model	Year	MG	SG	Illustration	Restrictions	UPD	15:01	21.01.2010	PORSCHE	PET	PORSCHE
9PA1	2010	8	13	813-47		247					

Pos	Part Number	Description	Remark	Qty	Model	Pos	Part Number	Description	Remark	Qty	Model
15	955 624 905 01	electric motor air exhaust lateral left		1							
16	955 624 902 01	electric motor air exhaust centre left		1	I9AD/9AH						
17	955 624 123 03	retainer plate		1							

Model	Year	MG	SG	Illustration	Restrictions	UPD	15:01	21.01.2010	PORSCHE	PET	PORSCHE
9PA1	2010	8	13	813-50		247					

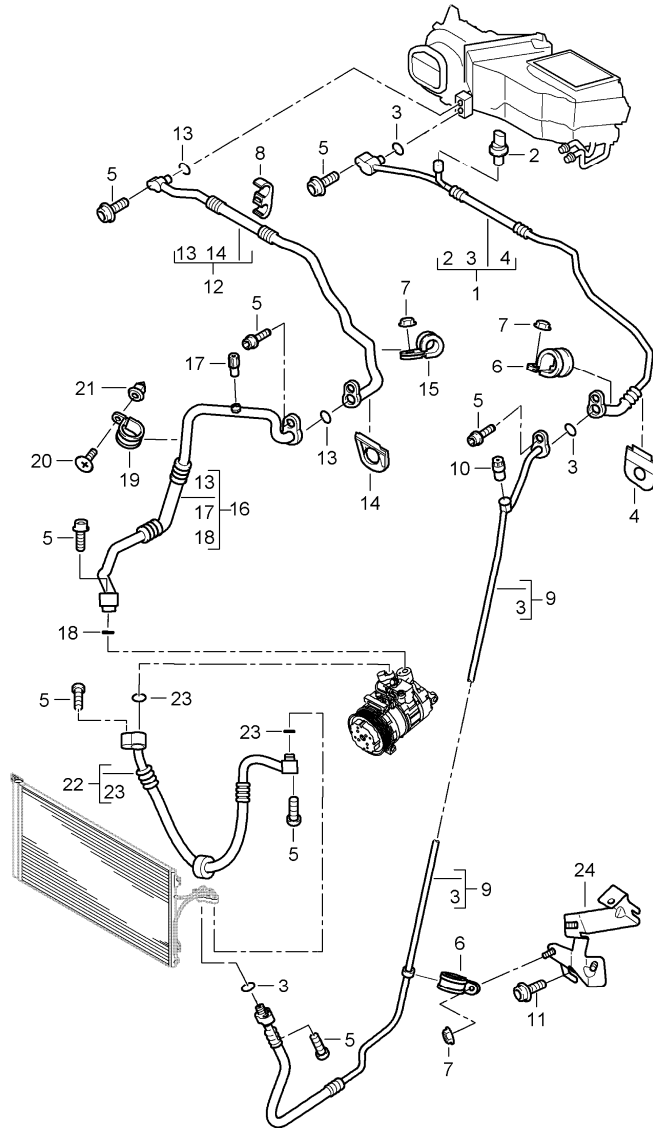


Pos	Part Number	Description	Remark	Qty	Model
		air conditioner rear single parts			I9AH
1	955 572 060 00	housing		1	
2	955 572 092 00	gasket air exhaust		1	
3	955 572 093 00	gasket centre web		1	
4	955 572 061 00	blower		1	
5	955 572 062 01	evaporator		1	
6	955 572 063 00	gasket		1	
7	955 572 066 00	gasket		1	
8	955 572 064 00	support expansion valve		1	
9	955 572 319 10	expansion valve		1	
10	955 572 325 10	sealing ring exhaust		1	
11	955 572 324 00	round seal intake		3	
12	N 104 763 01	pan-head screw M5 X 40		2	
13	955 572 070 01	heat exchanger		1	
14	955 572 071 00	gasket		1	
15	955 572 072 00	gasket		1	
16	955 572 073 00	lid		1	
17	N 906 841 04	oval-head screw M6 X 20		X	
18	N 106 185 01	blind rivet nut M6		X	
19	N 104 241 02	hexagon-head bolt 4 X 16		X	
20	955 572 074 00	housing		1	
21	955 572 091 00	water drain sleeve		1	
22	955 572 076 00	plate		1	

Model	Year	MG	SG	Illustration	Restrictions	UPD	15:01	21.01.2010	PORSCHE	PET	PORSCHE
9PA1	2010	8	13	813-50		247					

Pos	Part Number	Description	Remark	Qty	Model	Pos	Part Number	Description	Remark	Qty	Model
23	955 572 190 00	gasket plate		1							
24	N 102 070 02	torx screw M6 X 15		X							
25	955 572 078 01	water hose supply return line		1							
26	N 105 587 01	hose clamp		2							
27	955 572 341 01	regulator		1							
28	955 572 080 01	refrigerant hose		1							
29	955 572 082 00	round seal 14,3 X 2,4		X							
30	955 573 103 00	o-ring 13,7 X 2,5		X							
31	N 104 144 02	pan-head screw M8 X 28		X							
32	955 572 081 00	refrigerant hose		1							
33	955 572 324 00	round seal 10,8 X 1,82		X							
34	955 572 110 00	o-ring 9,5 X 2,5		X							
(35)	955 572 083 01	electric motor	/L	1							
35	955 572 084 01	electric motor temperature valve	/R	1							
36	955 572 069 00	guiding rod		1							
(37)	955 572 085 01	electric motor	/L	1							
37	955 572 085 03	electric motor air distributor	/R	1							
38	955 612 354 00	wiring harness		1							

Model	Year	MG	SG	Illustration	Restrictions	UPD	15:01	21.01.2010	PORSCHE	PET	PORSCHE
9PA1	2010	8	13	813-60		247					

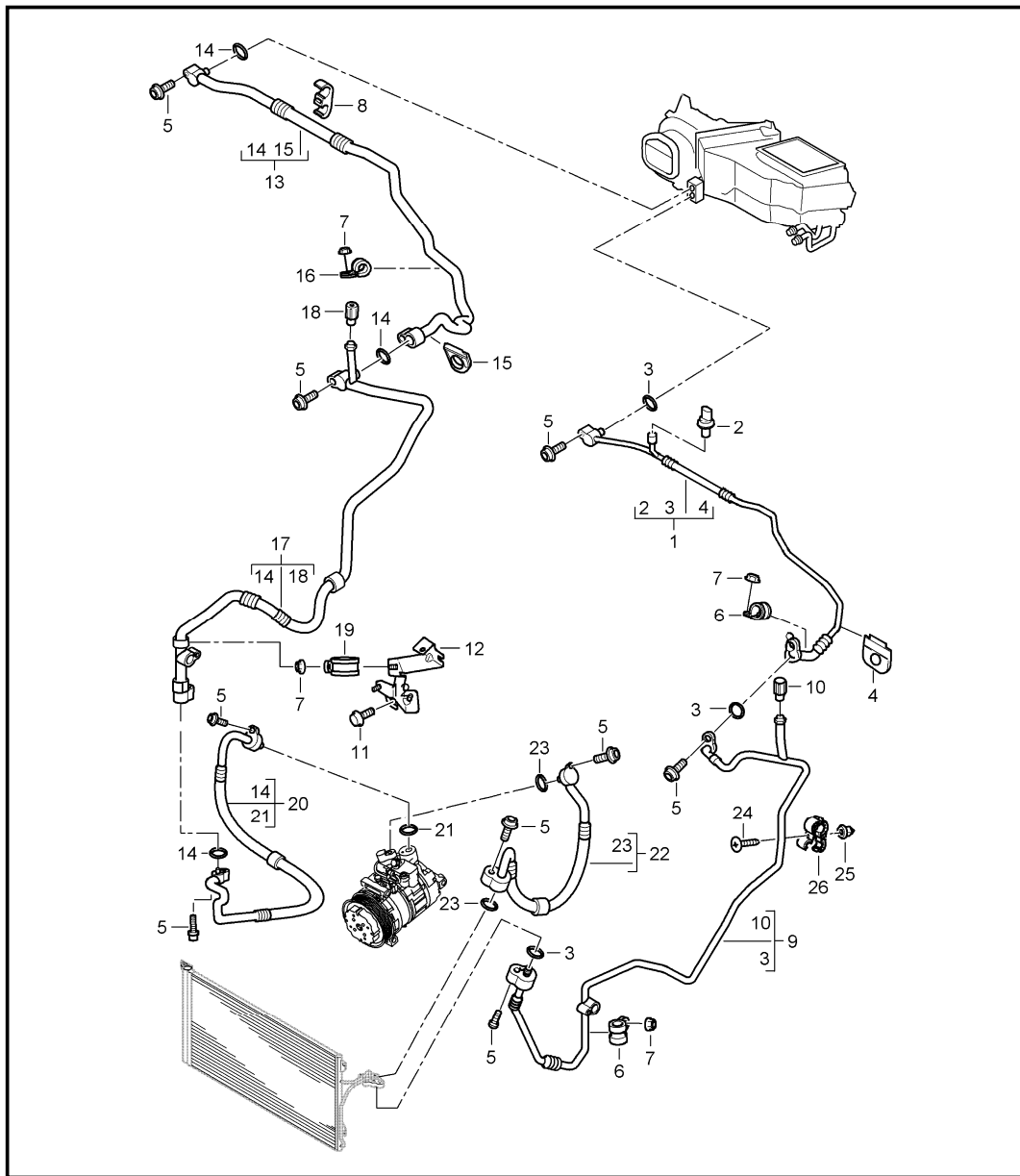


Pos	Part Number	Description	Remark	Qty	Model
1	955 573 741 03	refrigerant circuit front pressure line	/LL	1	ID5X/9AB/9AD
(1)	955 573 741 04	connection point expansion valve pressure line connection point expansion valve	/RL	1	
2	955 613 137 01	pressure switch		1	
3	955 573 749 00	o-ring 9,5 X 2,5		X	
4	955 573 668 01	grommet pressure line		1	
5	N 104 144 02	pan-head screw M8 X 28		X	
6	N 020 651 7	clamp 10 X 15		X	
7	N 015 082 5	hexagon nut M6		X	
8	955 573 759 00	support	/LL	1	
9	955 573 750 00	pressure line condenser		1	
10	955 573 100 00	valve with cap		1	
11	N 104 514 04	lens-head screw M6 X 16		1	
12	955 573 743 02	intake pipe	/LL	1	
(12)	955 573 743 03	intake pipe connection point expansion valve	/RL	1	
13	955 573 749 02	o-ring 13,7 X 2,5		X	
14	955 572 780 00	grommet intake pipe		1	

Model	Year	MG	SG	Illustration	Restrictions	UPD	15:01	21.01.2010	PORSCHE	PET	PORSCHE
9PA1	2010	8	13	813-60		247					

Pos	Part Number	Description	Remark	Qty	Model	Pos	Part Number	Description	Remark	Qty	Model
15	N 020 640 5	clamp D1 - 18 X 15		X							
16	955 573 744 00	intake pipe compressor		1							
17	955 573 101 00	valve		1							
18	955 573 749 03	o-ring 23,8 X 2,4		X							
19	N 020 647 3	clamp D1 - 24 X 15		X							
20	N 908 494 02	tapping screw ST 3,5 X 13		X							
21	N 105 168 01	expander nut F 5,0 X 14,4		1							
22	955 573 721 00	pressure line compressor condenser		1							
23	955 573 749 01	o-ring 11,0 X 2,5		X							
24	955 573 891 01	support		X							

Model	Year	MG	SG	Illustration	Restrictions	UPD	15:01	21.01.2010	PORSCHE	PET	PORSCHE
9PA1	2010	8	13	813-61		247					

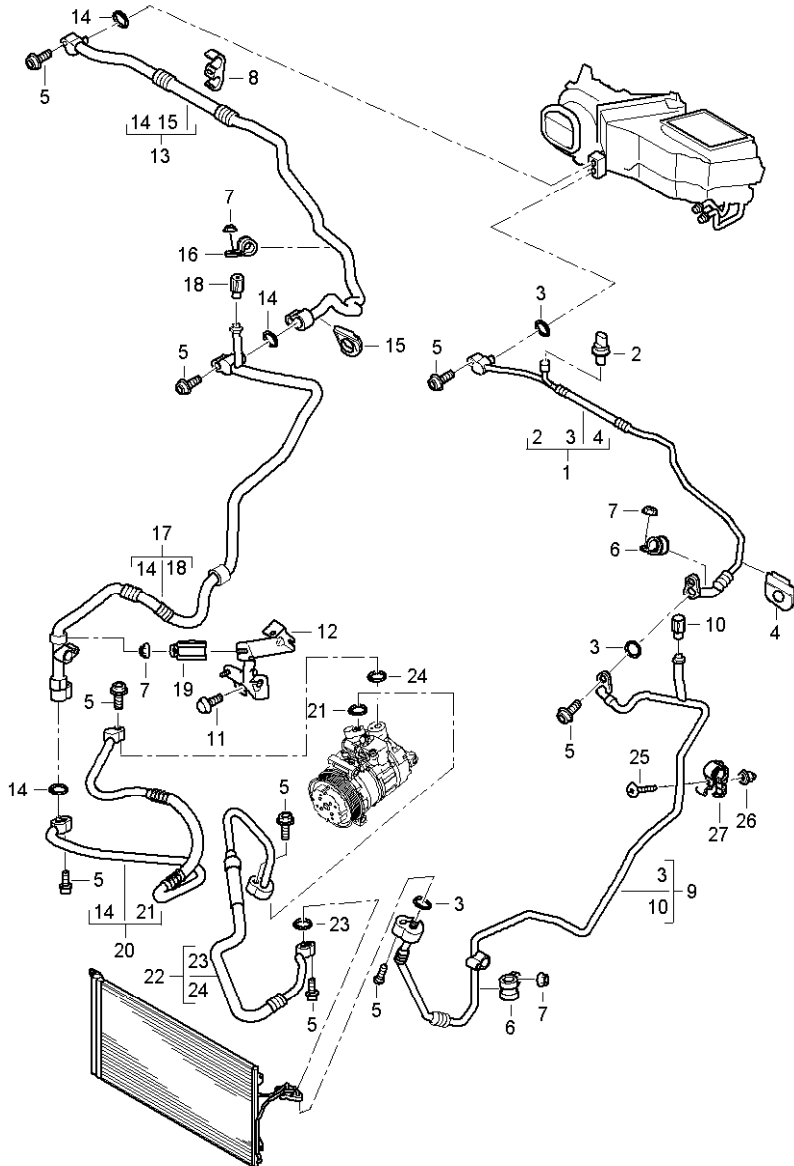


Pos	Part Number	Description	Remark	Qty	Model
		refrigerant circuit front with auxiliary air conditioner			ID5X/9AH
1	955 573 741 03	pressure line	/LL	1	
(1)	955 573 741 04	pressure line connection point expansion valve	/RL	1	
2	955 613 137 01	pressure switch		1	
3	955 573 749 00	o-ring 9,5 X 2,5		X	
4	955 573 668 01	grommet pressure line		1	
5	N 104 144 02	pan-head screw M8 X 28		X	
6	N 020 651 7	clamp 10 X 15		X	
7	N 015 082 5	hexagon nut M6		X	
8	955 573 759 00	support	/LL	1	
(9)	955 573 750 01	pressure line		1	
9	955 573 750 02	pressure line connection point condenser		1	I9AH
10	955 573 100 00	valve with cap		1	
11	N 104 514 04	lens-head screw M6 X 16		1	
12	955 573 891 01	support		1	
13	955 573 743 02	intake pipe	/LL	1	
(13)	955 573 743 03	intake pipe connection point expansion valve	/RL	1	
14	955 573 749 02	o-ring 13,7 X 2,5		X	
15	955 572 780 00	grommet intake pipe		1	

Model	Year	MG	SG	Illustration	Restrictions	UPD	15:01	21.01.2010	PORSCHE	PET	PORSCHE
9PA1	2010	8	13	813-61		247					

Pos	Part Number	Description	Remark	Qty	Model	Pos	Part Number	Description	Remark	Qty	Model
16	N 020 640 5	clamp D1 - 18 X 15		X							
(17)	955 573 017 00	intake pipe		1	I9AB/9AD						
17	955 573 017 01	intake pipe		1	I9AH						
18	955 573 101 00	valve		1							
19	N 020 647 3	clamp D1 - 24 X 15		X							
20	955 573 744 02	intake pipe connection point compressor		1							
21	955 573 749 03	o-ring 23,8 X 2,4		X							
22	955 573 721 00	pressure line compressor condenser		1							
23	955 573 749 01	o-ring 11,0 X 2,5		X							
24	N 908 494 02	tapping screw ST 3,5 X 13		X							
25	N 105 168 01	expander nut F 5,0 X 14,4		1							
26	955 573 104 00	dual clip side member		X							

Model	Year	MG	SG	Illustration	Restrictions	UPD	15:02	21.01.2010	PORSCHE	PET	PORSCHE
9PA1	2010	8	13	813-63		247					

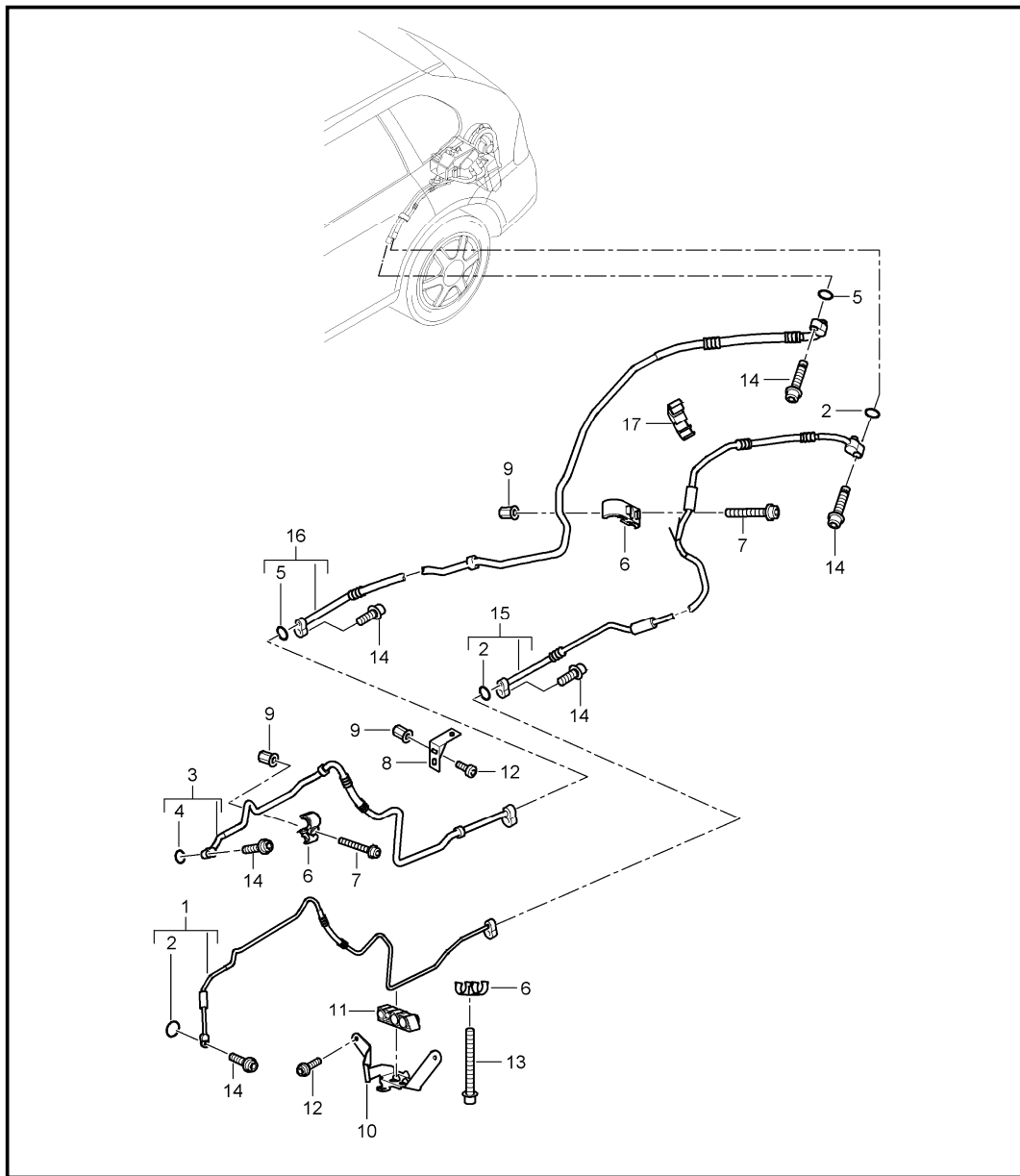


Pos	Part Number	Description	Remark	Qty	Model
		refrigerant circuit front			ID5V/D5Z/D50 I9AB/9AD/9AH
1	955 573 741 03	pressure line	/LL	1	
(1)	955 573 741 04	pressure line connection point expansion valve	/RL	1	
(1)	955 573 741 10	pressure line connection point expansion valve		1	ID50
2	955 613 137 01	pressure switch siehe technical information group 8 Nummer 4/09		1	
3	955 573 749 00	o-ring 9,5 X 2,5		X	
4	955 573 668 01	grommet pressure line		1	
5	N 104 144 02	pan-head screw M8 X 28		X	
6	N 020 651 7	clamp 10 X 15		X	
7	N 015 082 5	hexagon nut M6		X	
8	955 573 759 00	support	/LL	1	
(9)	955 573 750 01	pressure line		1	
(9)	955 573 750 10	pressure line condenser		1	ID50
9	955 573 750 02	pressure line condenser		1	I9AH
10	955 573 100 00	valve with cap		1	
11	N 104 514 04	lens-head screw M6 X 16		1	
12	955 573 891 01	support		1	
13	955 573 743 02	intake pipe	/LL	1	
(13)	955 573 743 03	intake pipe	/RL	1	

Model	Year	MG	SG	Illustration	Restrictions	UPD	15:02	21.01.2010	PORSCHE	PET	PORSCHE
9PA1	2010	8	13	813-63		247					

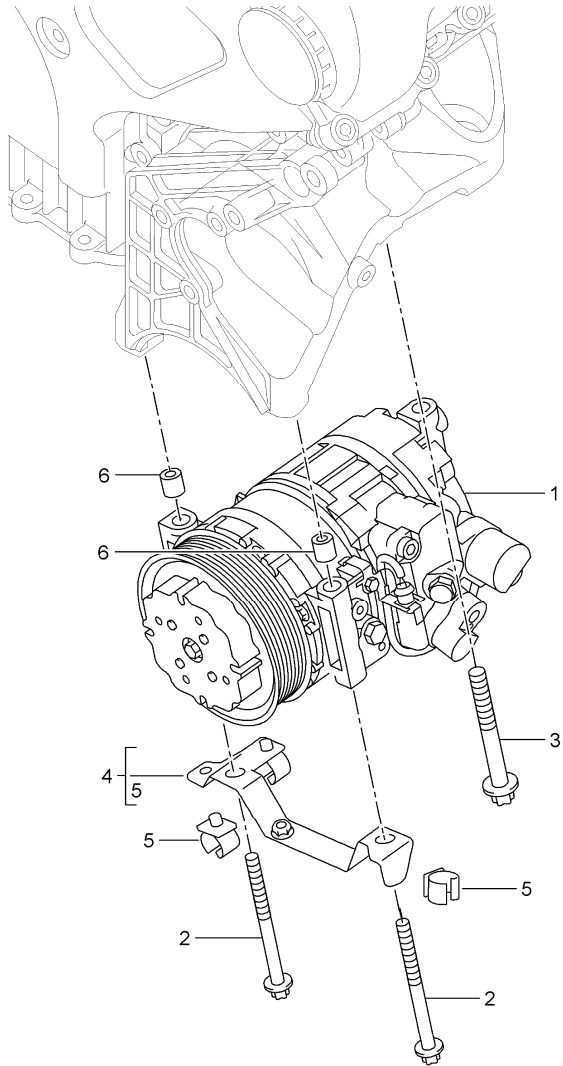
Pos	Part Number	Description	Remark	Qty	Model	Pos	Part Number	Description	Remark	Qty	Model
		connection point expansion valve				25	N 908 494 02	tapping screw ST 3,5 X 13		X	
(13)	955 573 743 10	intake pipe connection point expansion valve		1	ID50	26	N 105 168 01	expander nut F 5,0 X 14,4		1	
14	955 573 749 02	o-ring 13,7 X 2,5		X		27	955 573 104 00	dual clip side member		X	
15	955 572 780 00	grommet intake pipe		1							
16	N 020 640 5	clamp D1 - 18 X 15		X							
(17)	955 573 017 00	intake pipe		1							
17	955 573 017 01	intake pipe compressor		1	I9AH						
(17)	955 573 017 10	intake pipe compressor		1	ID50/9AH						
(17)	955 573 017 11	intake pipe compressor		1	ID50/9AB/9AD						
18	955 573 101 00	valve		1							
19	N 020 647 3	clamp D1 - 24 X 15		X							
20	955 573 744 20	intake pipe compressor		1	ID50						
(20)	955 573 744 05	intake pipe compressor		1							
21	955 573 749 04	o-ring 10,8 X 1,8		X							
22	955 573 721 01	pressure line compressor condenser		1							
(22)	955 573 721 10	pressure line compressor condenser		1	ID50						
23	955 573 749 01	o-ring 11,0 X 2,5		X							
24	955 573 749 03	o-ring 23,8 X 2,4		X							

Model	Year	MG	SG	Illustration	Restrictions	UPD	15:02	21.01.2010	PORSCHE	PET	PORSCHE
9PA1	2010	8	13	813-65		247					



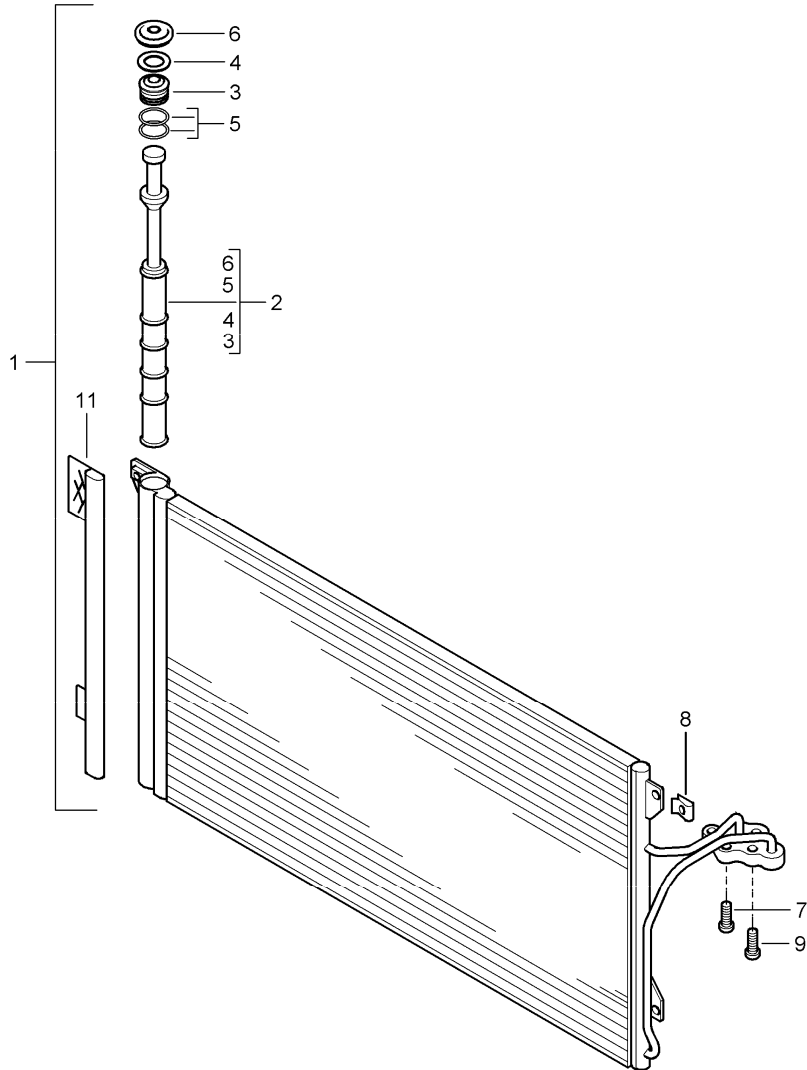
Pos	Part Number	Description	Remark	Qty	Model
		refrigerant circuit auxiliary air conditioner rear			I9AH
1	955 573 722 00	pressure line		1	
2	955 573 749 00	o-ring		X	
3	955 573 729 00	intake pipe		1	
4	955 573 749 01	o-ring		X	
5	955 573 749 02	o-ring		X	
6	955 572 180 00	dual clip		X	
7	N 105 084 02	hexagon socket head bolt M6 X 35		4	
8	955 572 495 00	support		2	
9	N 902 631 04	blind rivet nut M6		X	
10	955 573 605 00	support		1	
11	955 572 757 05	spacer		1	
12	N 104 514 04	lens-head screw M6 X 16		2	
13	N 104 677 02	hexagon socket head bolt M6 X 70		2	
14	N 104 144 02	pan-head screw M8 X 28		2	
15	955 573 725 00	pressure line		1	
16	955 573 727 00	intake pipe		1	
17	955 573 763 00	spacer		1	

Model	Year	MG	SG	Illustration	Restrictions	UPD	15:02	21.01.2010	PORSCHE	PET	PORSCHE
9PA1	2010	8	13	813-70		247					



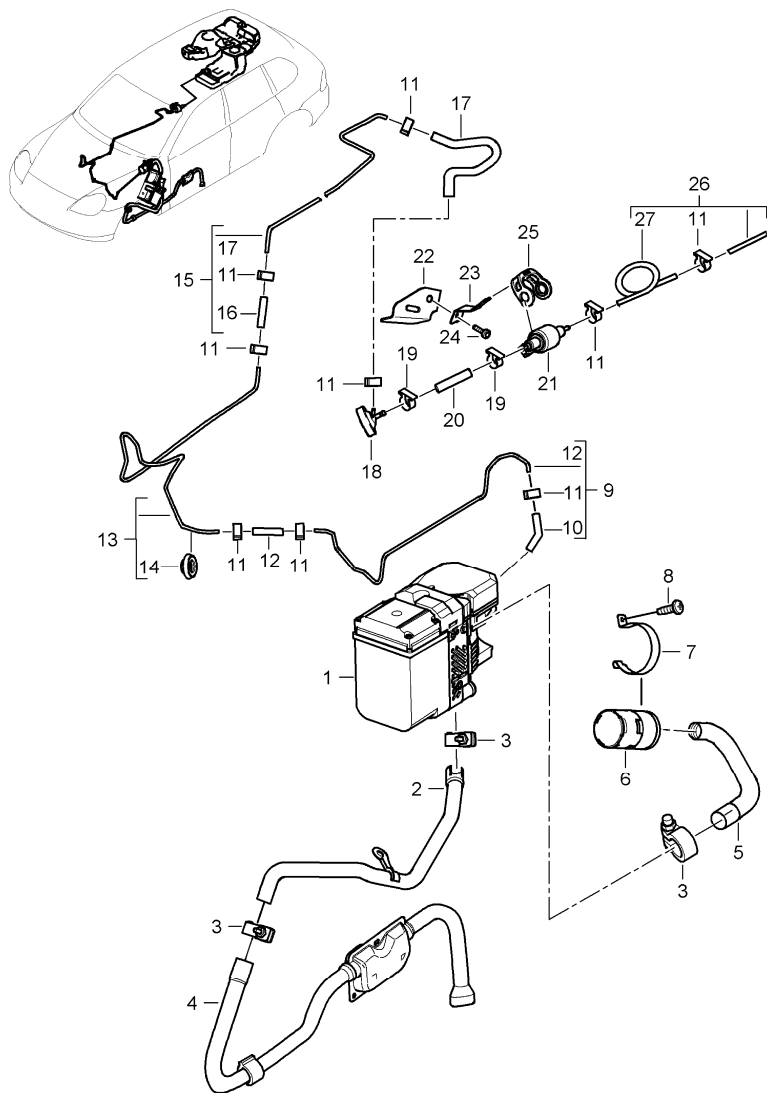
Pos	Part Number	Description	Remark	Qty	Model
		compressor air conditioner			
1	> 955 126 011 04	compressor		1	ID5X
1	> 955 126 011 DX	compressor		1	ID5X
(1)	> 955 126 011 10	compressor		1	ID5V/D5Z
(1)	> 955 126 011 1X	compressor		1	ID5V/D5Z
(1)	955 126 011 12	compressor		1	ID50
2	N 907 075 02	combination screw M 8 X 100		2	
3	N 106 727 01	hexagon-head bolt M 10 X 100		1	
4	955 126 012 00	support	/LL	1	ID5X
(4)	955 126 012 10	support	/RL	1	ID5X
(4)	955 126 012 11	support		1	ID5V/D5Z
5	4D0 616 823	clamp		1	ID5X
(5)	4D0 616 823	clamp		4	ID5V/D5Z
6	955 147 501 01	dowel sleeve 6,5 X 11,15		2	ID5X
(6)	955 126 501 02	dowel sleeve 11M6 X 10		2	ID5V/D5Z
--	000 043 200 04	oil for compressor 250 ml		1	

Model	Year	MG	SG	Illustration	Restrictions	UPD	15:02	21.01.2010	PORSCHE	PET	PORSCHE
9PA1	2010	8	13	813-75		247					



Pos	Part Number	Description	Remark	Qty	Model
		condenser air conditioner			
1	955 573 111 05	condenser		1	
1	955 573 111 04	condenser		1	ID50
2	955 573 143 01	desiccator		1	
3	955 573 115 00	cap		1	
4	N 909 939 01	circlip		1	
5	N 909 870 01	o-ring		1	
6	955 573 116 00	cover		1	
7	N 104 514 04	lens-head screw M 6 X 16		2	
8	999 166 034 02	sl-lock		2	
9	N 104 144 02	pan-head screw M 8 X 28		X	
10	N 902 547 01	retaining clip		4	
(11)	955 573 117 00	sealing strip	/L	1	
11	955 573 118 00	sealing strip	/R	1	

Model	Year	MG	SG	Illustration	Restrictions	UPD	15:02	21.01.2010	PORSCHE	PET	PORSCHE
9PA1	2010	8	13	813-80		247					

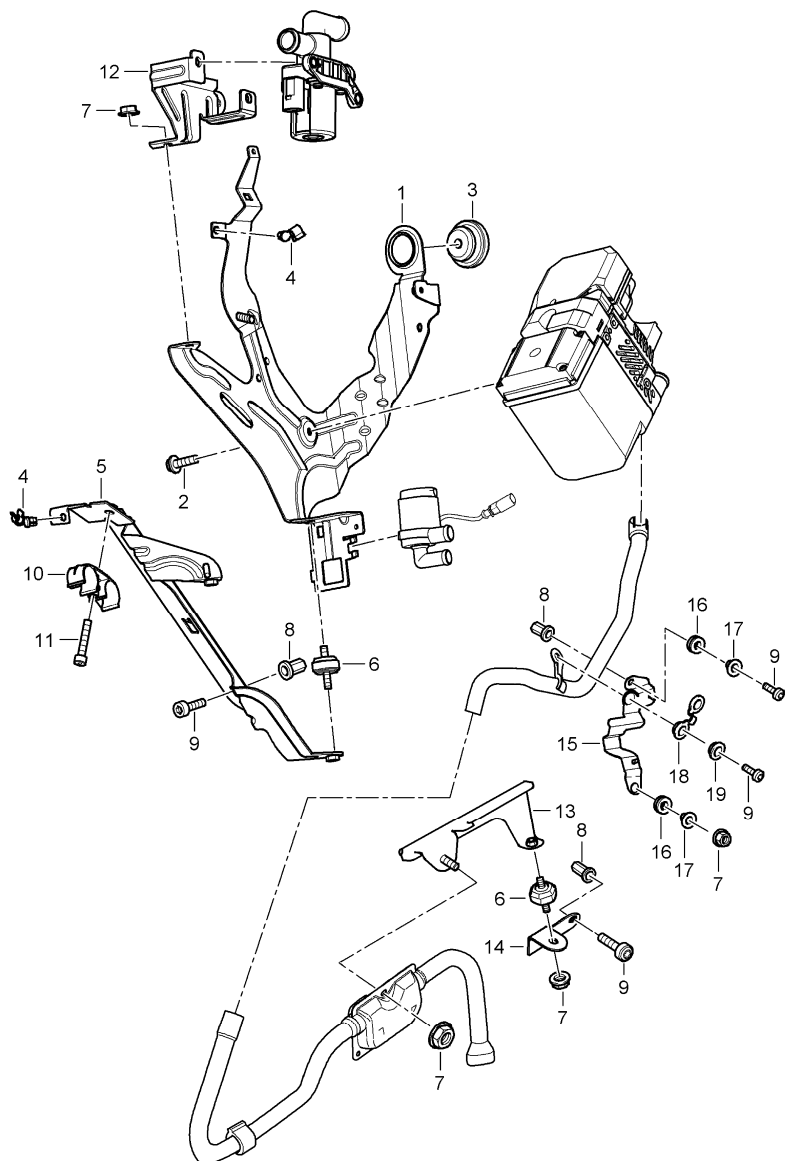


Pos	Part Number	Description	Remark	Qty	Model
		auxiliary heater support see group 8/13/85			I7VE/7VL
1	955 572 801 04	auxiliary heater		1	
(1)	955 572 801 10	auxiliary heater		1	ID50/9M5
(1)	955 572 801 20	auxiliary heater		1	ID50
2	955 572 806 02	exhaust pipe		1	
3	N 106 182 01	clip 22 X 15		X	
4	955 572 807 02	exhaust silencer		1	
5	955 572 811 02	intake manifold		1	
6	955 572 812 00	muffler		1	
7	955 572 597 00	clip muffler		1	
8	N 909 117 01	screw M 4 X 16		1	
9	955 572 490 00	fuel line heater wheel housing		1	
10	955 572 514 00	moulded hose		1	
11	N 101 981 01	hose clamp		X	
12	955 572 517 00	fuel hose		X	
13	955 572 492 00	fuel line tunnel		1	
14	311 949 149 B	grommet		1	
15	955 201 355 12	fuel line pump		1	
16	955 572 815 00	fuel hose		1	
17	955 572 513 00	hose damper		1	
18	955 572 618 00	damper		1	
19	N 102 035 01	hose clamp 11,3 X 5 X 0,5		1	
20	955 572 238 00	hose		1	

Model	Year	MG	SG	Illustration	Restrictions	UPD	15:02	21.01.2010	PORSCHE	PET	PORSCHE
9PA1	2010	8	13	813-80		247					

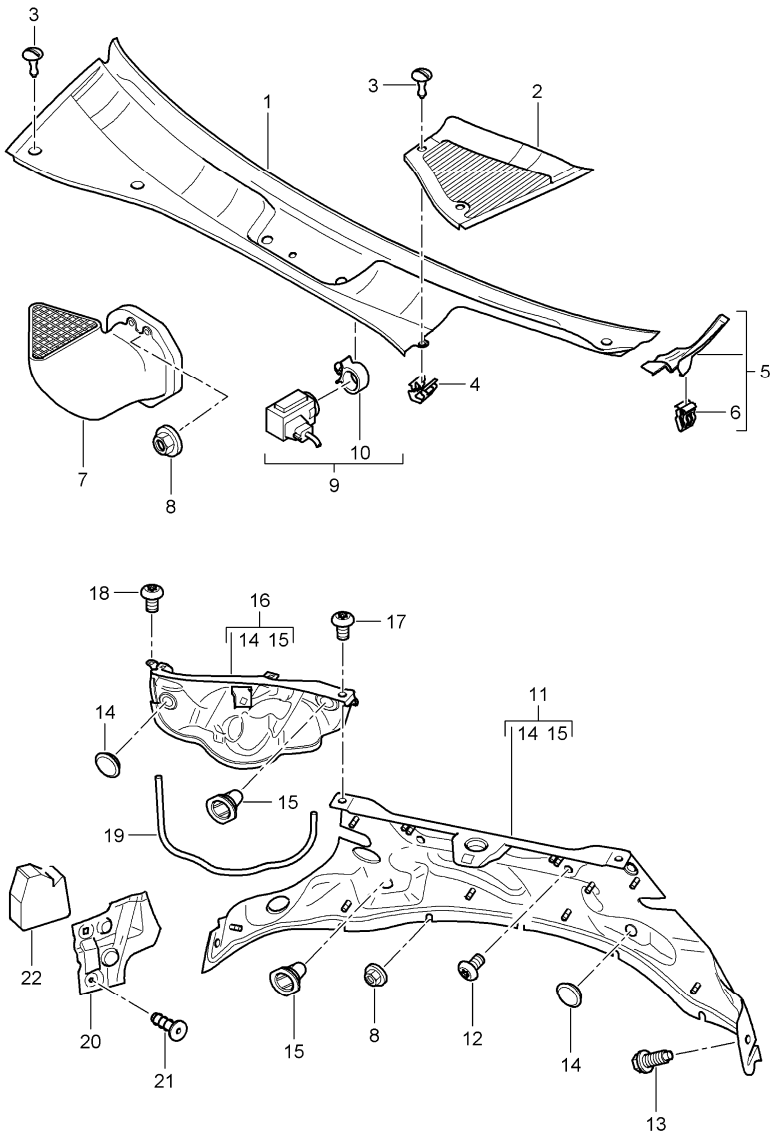
Pos	Part Number	Description	Remark	Qty	Model	Pos	Part Number	Description	Remark	Qty	Model
21	955 572 820 01	fuel pump		1							
22	955 572 829 00	support fuel pump		1							
23	N 106 507 01	screw M6 X 12		1							
24	955 572 947 00	rubber holder fuel pump		1							
25	955 201 355 01	fuel line pump fuel tank		1							
26	955 572 757 00	hose		1							

Model	Year	MG	SG	Illustration	Restrictions	UPD	15:03	21.01.2010	PORSCHE	PET	PORSCHE
9PA1	2010	8	13	813-85		247					



Pos	Part Number	Description	Remark	Qty	Model
1	955 572 803 02	support auxiliary heater		1	
2	955 572 802 00	support heater		1	
3	955 572 261 00	hexagon-head bolt M6 X 18		3	
4	955 572 788 00	rubber mounting		1	
5	955 572 805 01	clip		2	
6	955 572 833 00	support		1	
7	955 572 800 01	bonded rubber mounting		2	
8	N 015 082 10	hexagon nut M 6		9	
9	N 902 631 04	blind rivet nut M6		2	
10	N 104 514 04	lens-head screw M6 X 16		2	
11	955 572 055 01	clip		X	
12	N 106 209 01	pan-head screw M6 X 30		1	
13	955 572 826 01	support valve		1	
14	955 572 808 02	support exhaust system		1	
15	955 572 809 00	support exhaust system		1	
16	955 572 950 01	support exhaust pipe		1	
17	955 572 095 00	rubber sleeve		X	
18	955 572 121 00	bush		X	
19	955 572 828 00	bearing exhaust pipe		1	
20	955 572 827 01	bush		X	

Model	Year	MG	SG	Illustration	Restrictions	UPD	15:03	21.01.2010	PORSCHE	PET	PORSCHE
9PA1	2010	8	13	813-90		247					

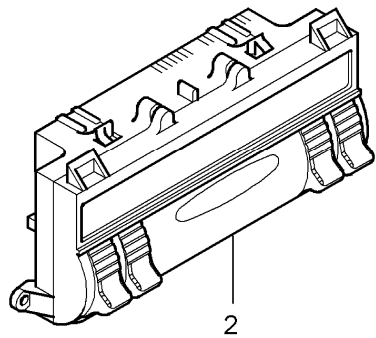
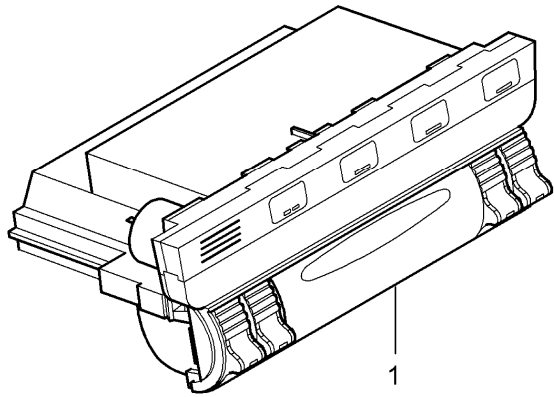


Pos	Part Number	Description	Remark	Qty	Model
		cover plenum panel fresh-air intake system			
1	955 572 563 04	cover 01C satin black	/LL	1	
(1)	955 572 564 05	cover plenum panel 01C satin black	/RL	1	
2	955 572 729 00	flap 01C satin black	/LL/L	1	
(2)	955 572 729 01	flap 01C satin black	/RL/L	1	
(2)	955 572 730 00	flap 01C satin black	/RL/R	1	
3	955 572 710 00	fastening plug		4	
4	955 572 711 00	clamp		X	
5	955 572 569 01	cover	/L	1	
(5)	955 572 568 01	cover	/R	1	
6	955 572 712 00	clamp		X	
7	955 572 029 00	housing	/LL	1	
(7)	955 572 030 00	housing fresh-air intake system	/RL	1	
8	N 015 082 10	hexagon nut M 6		2	
9	955 618 550 02	sensor		1	I9AD/9AH
10	955 618 556 00	clip		1	
11	955 572 570 03	plenum panel firewall		1	
11	955 572 570 04	plenum panel firewall		1	ID50
12	955 628 035 00	screw M6 X 10		2	

Model	Year	MG	SG	Illustration	Restrictions	UPD	15:03	21.01.2010	PORSCHE	PET	PORSCHE
9PA1	2010	8	13	813-90		247					

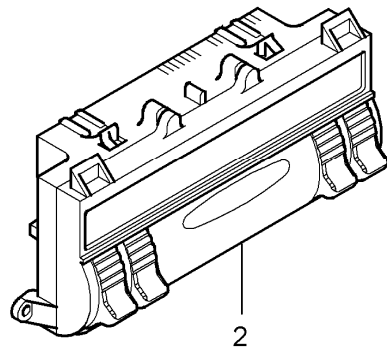
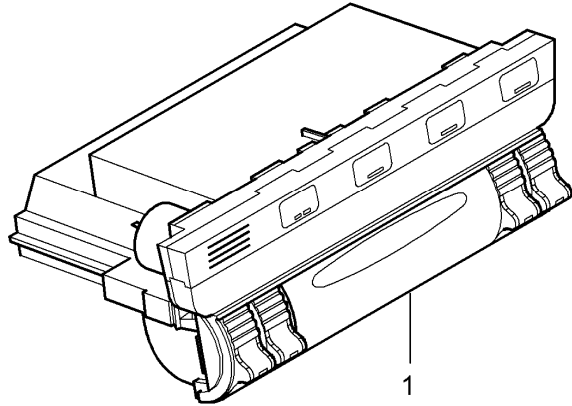
Pos	Part Number	Description	Remark	Qty	Model	Pos	Part Number	Description	Remark	Qty	Model
13	N 101 563 02	hexagon-head bolt M6 X 12		2							
14	N 020 024 01	stopper		X							
15	955 572 598 00	stopper		X							
(16)	955 572 573 02	plenum panel	/L	1							
(16)	955 572 573 03	plenum panel	/L	1	ID50						
16	955 572 571 02	plenum panel	/R	1							
(16)	955 572 571 03	plenum panel	/R	1	ID50						
17	N 906 381 04	torx screw M6 X 12		X							
18	N 105 918 01	torx screw M6 X 12		X							
(19)	955 572 573 00	gasket	/L	1							
19	955 572 574 00	gasket	/R	1							
20	955 572 575 00	cover	/L	1							
(20)	955 572 576 00	cover plenum panel lateral	/R	1							
21	N 905 841 01	stopper		X							
22	955 572 531 00	gasket		2							

Model	Year	MG	SG	Illustration	Restrictions	UPD	15:03	21.01.2010	PORSCHE	PET	PORSCHE
9PA1	2010	8	13	813-95		247					



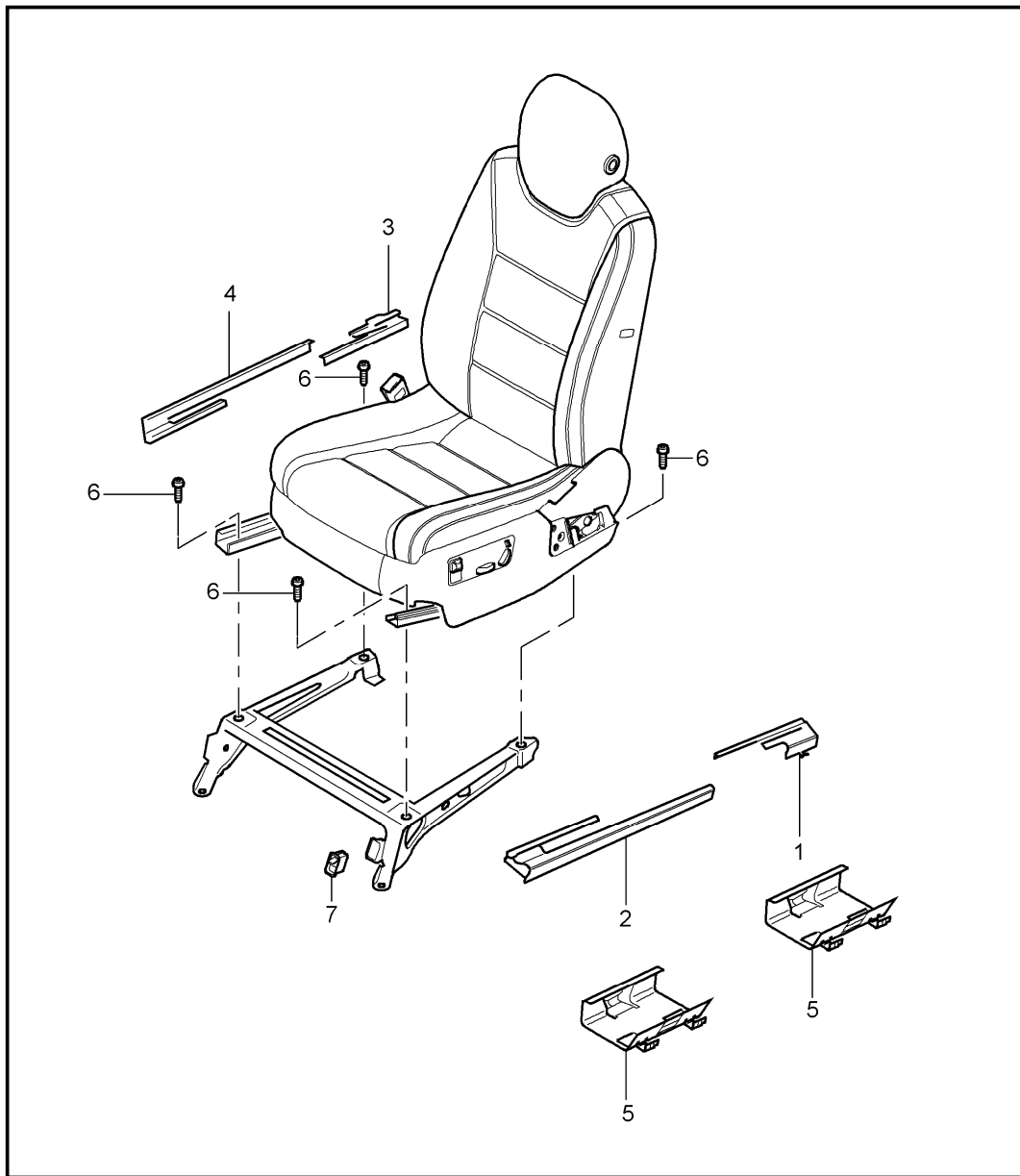
Pos	Part Number	Description	Remark	Qty	Model
		control part cayenne			ID5X
1	955 653 101 20	control part		1	I5MA/9AB/9M0
1	955 653 102 20	control part		1	I7VE/7VL/9AB
1	955 653 103 20	control part		1	ID50/5MA/9AD I9M0
1	955 653 103 21	control part		1	ID50/5MA/9AD I9M0
1	955 653 104 20	control part		1	ID50/7VE/7VL I9AD
1	955 653 104 21	control part		1	ID50/7VE/7VL I9AD
(1)	955 653 105 20	control part		1	ID50/9AH
1	955 653 105 21	control part		1	ID50/9AH
(1)	955 653 106 20	control part		1	ID50/7VE/7VL I9AH
1	955 653 106 21	control part		1	ID50/7VE/7VL I9AH
(1)	955 653 104 30	control part		1	I7VE/7VL/9AD I5TF
(1)	955 653 113 20	control part		1	I9AH
(1)	955 653 114 20	control part		1	I7VE/7VL/9AH
1	955 653 114 21	control part		1	
(1)	955 653 115 20	control part		1	I5MG/9AB/9M0 I5TE/5TF/5TK
(1)	955 653 116 20	control part		1	I7VE/7VL/9AB
2	955 653 201 10	control part		1	ID50/4A0/4A3 I9AH
(2)	955 653 202 10	control part		1	ID50/4A4/9AH
(2)	955 653 203 10	control part		1	I4A3/9AH
(2)	955 653 204 10	control part		1	I4A4/9AH

Model	Year	MG	SG	Illustration	Restrictions	UPD	15:03	21.01.2010	PORSCHE	PET	PORSCHE
9PA1	2010	8	13	813-97		247					



Pos	Part Number	Description	Remark	Qty	Model
		control part cayenne s cayenne turbo			ID5V/D5Z
(1)	955 653 104 30	control part		1	I7VE/7VL/9AD
(1)	955 653 104 80	control part		1	IE0W/7VE/7VL I9AD
(1)	955 653 113 20	control part		1	I9AH
(1)	955 653 113 80	control part		1	IE0W/9AH
(1)	955 653 114 20	control part		1	I7VE/7VL/9AH
(1)	955 653 114 80	control part		1	I7VE/7VL/9AH IE0W
(1) E	955 653 103 30	control part		1	I9AD/9M0
1 N	955 653 103 31	control part		1	I9AD/9M0
(1)	955 653 103 80	control part		1	IE0W/9AD
(2)	955 653 203 10	control part		1	I4A3
(2)	955 653 203 11	control part		1	IE0W
(2)	955 653 204 10	control part		1	I4A4/9AH

Model	Year	MG	SG	Illustration	Restrictions	UPD	15:03	21.01.2010	PORSCHE	PET	PORSCHE
9PA1	2010	8	17	817-00		247					

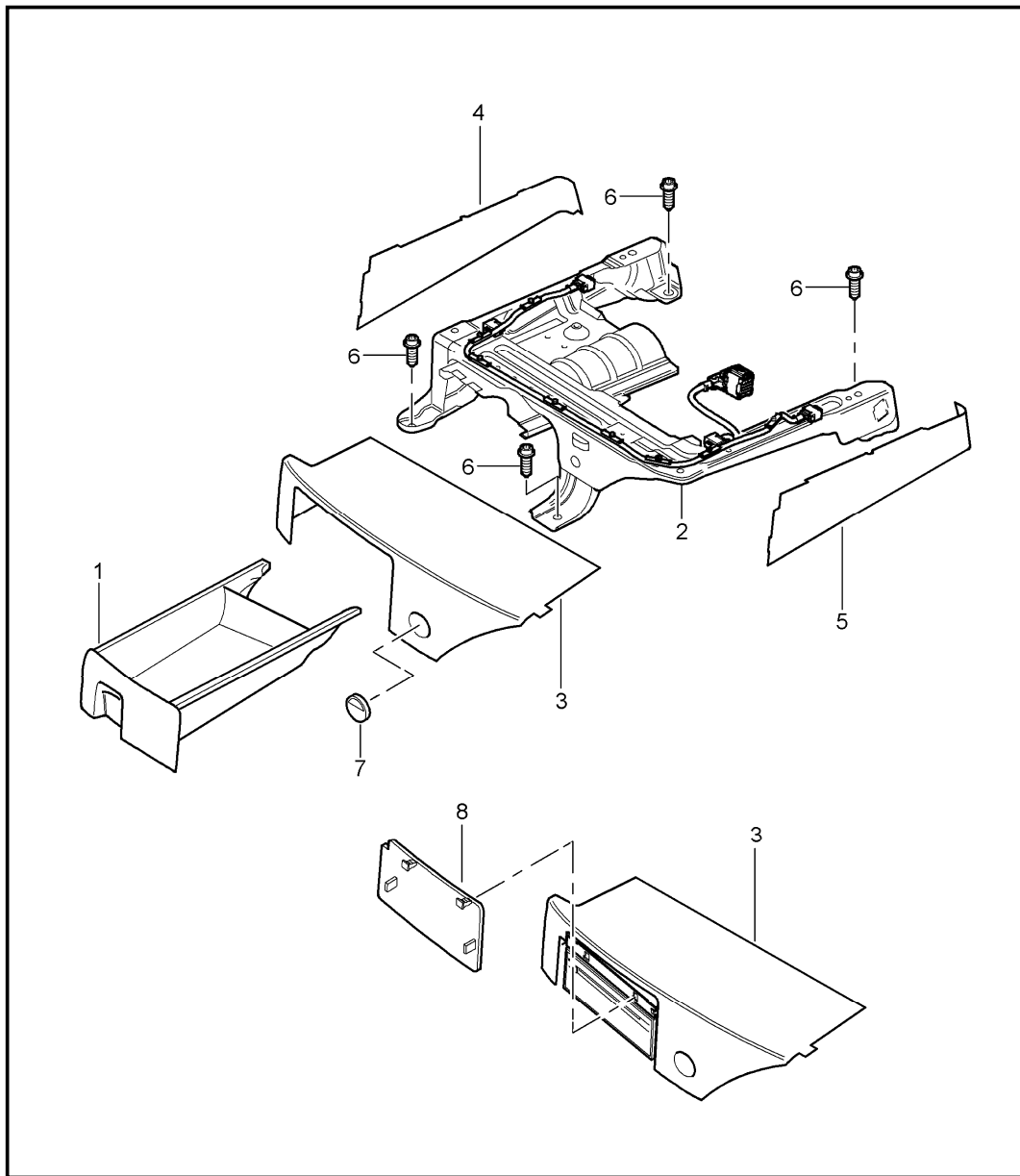


Pos	Part Number	Description	Remark	Qty	Model
		front seat			
		front seat complete			
		not available			
1	955 521 337 01	cover seat rail front seat	/L/R	1	I3L4/3L5/3PN I4UB/4UD/4UE
		01C satin black			
		6C6 sand beige			
		7A8 steel grey			
		K40 chestnut brown	08-		
(1)	955 521 356 00	cover seat rail front seat		1	I3L4/3L5 I3PN/4UQ
		01C satin black			
		6C6 sand beige			
		7A8 steel grey			
		K40 chestnut brown	08-		
2	955 521 332 04	cover seat rail driver's side	/L	1	I3L4/3L5/3PN
		9B9 satin black			
		6C6 sand beige			
		7A8 steel grey			
		K40 chestnut brown	08-		
(2)	955 521 342 04	cover seat rail passenger's side	/L	1	I3L4/3L5 I3PN/4UQ
		01C satin black			
		6C6 sand beige			
		7A8 steel grey			
		K40 chestnut brown	08-		

Model	Year	MG	SG	Illustration	Restrictions	UPD	15:03	21.01.2010	PORSCHE	PET	PORSCHE
9PA1	2010	8	17	817-00		247					

Pos	Part Number	Description	Remark	Qty	Model	Pos	Part Number	Description	Remark	Qty	Model
(2)	955 521 343 00	cover seat rail passenger's side	/L	1	I3L4/3L5 I3PN/4UB/4UD I4UE		7A8	steel grey			
	9B9	satin black					K40	chestnut brown	08-		
	6C6	sand beige				5	955 521 353 00	clamp seat rail		4	I3L4/3L5/3PN
	7A8	steel grey				6	N 909 650 01	screw M 10 X 30 seat rail		4	
	K40	chestnut brown				7	955 521 370 00	fixing clip		2	
3	955 521 338 01	cover seat rail front seat	/L/R	1	I3L4/3L5/3PN I4UB/4UD/4UE						
	01C	satin black									
	6C6	sand beige									
	7A8	steel grey									
	K40	chestnut brown									
(3)	955 521 358 00	cover seat rail front seat		1	I3L4/3L5 I3PN/4UQ						
	01C	satin black									
	6C6	sand beige									
	7A8	steel grey									
	K40	chestnut brown									
(4)	955 521 351 03	cap seat rail driver's side	/R	1	I3L4/3L5/3PN						
	9B9	satin black									
	6C6	sand beige									
	7A8	steel grey									
	K40	chestnut brown									
4	955 521 355 04	cover seat rail passenger's side	/R	1	I3L4/3L5 I3PN/4UQ						
	01C	satin black									
	6C6	sand beige									

Model	Year	MG	SG	Illustration	Restrictions	UPD	15:04	21.01.2010	PORSCHE	PET	PORSCHE
9PA1	2010	8	17	817-05		247					



Pos	Part Number	Description	Remark	Qty	Model
		frame lining			
1	955 521 400 02	drawer passenger's side without fire extinguisher	-08	1	I4UB/4UD/4UE I8DQ/8DR/8DV I6A0/8YZ
	01C	satin black			
	6C6	sand beige			
	7A8	steel grey			
1	955 521 400 02	drawer passenger's side without fire extinguisher	09-	1	I4UD/4UE/6A0 I6A7/7T7
	01C	satin black			
	6C6	sand beige			
	7A8	steel grey			
(1)	955 521 401 03	drawer passenger's side without fire extinguisher	09-	1	I4UD/4UE/6A5 I7T7
	01C	satin black			
	6C6	sand beige			
	7A8	steel grey			
(1)	955 521 401 03	drawer passenger's side with fire extinguisher	-08	1	I4UB/4UD/4UE I6A4/6A5
	01C	satin black			
	6C6	sand beige			
	7A8	steel grey			
(1)	955 521 402 02	drawer passenger's side with fire extinguisher		1	I4UQ/6A5
	01C	satin black			

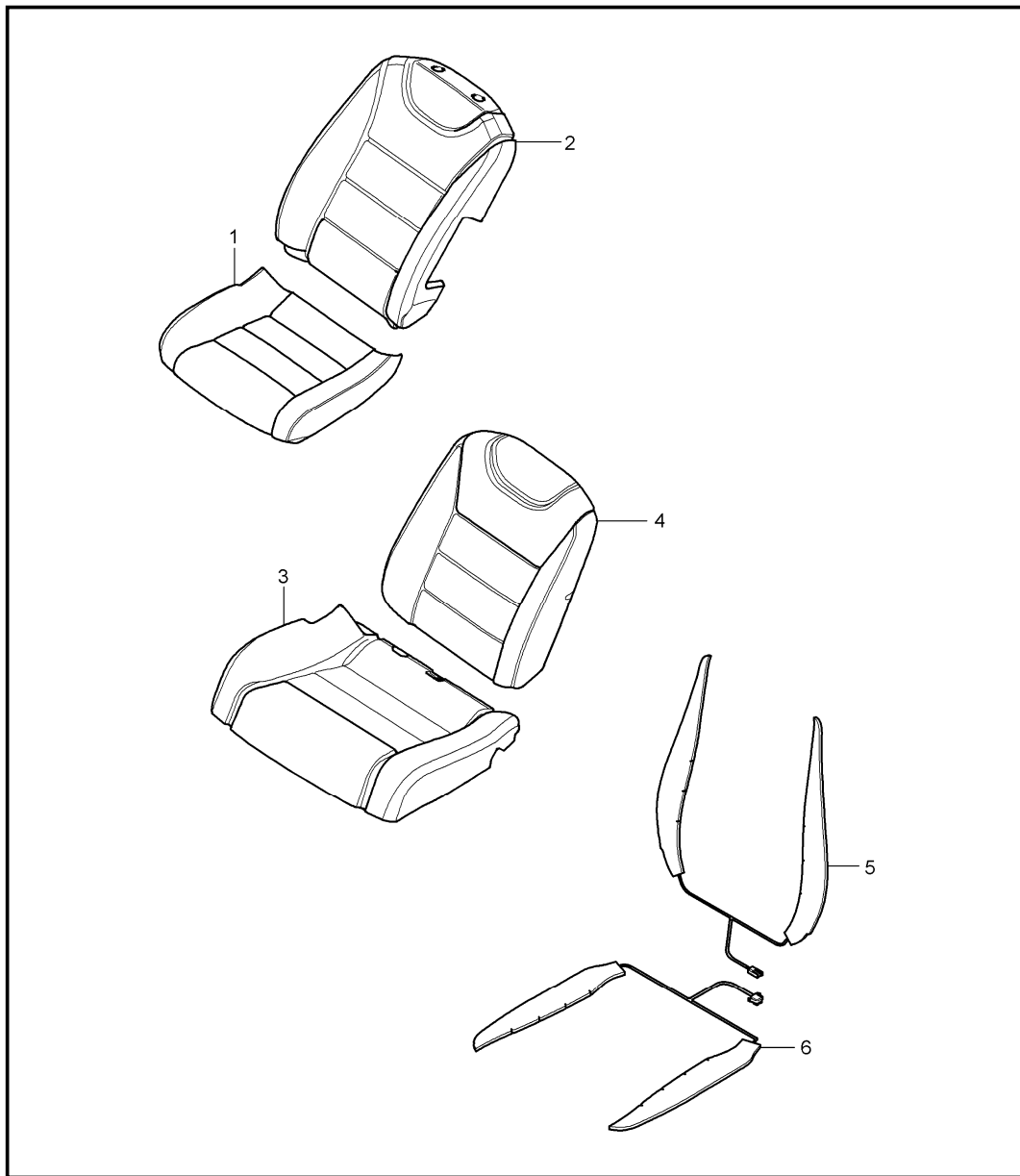
Model	Year	MG	SG	Illustration	Restrictions	UPD	15:04	21.01.2010	PORSCHE	PET	PORSCHE
9PA1	2010	8	17	817-05		247					

Pos	Part Number	Description	Remark	Qty	Model	Pos	Part Number	Description	Remark	Qty	Model
(1)	6C6	sand beige				(3)	955 521 419 02	lining frame driver's side	/L	1	I3L4/3L5 I3ME/3PN
	7A8	steel grey					7H1	black			
	955 521 404 02	drawer passenger's side without fire extinguisher		1	I4UQ/6A0/8DU		7J2	steel grey			
	01C	satin black					7K3	sand beige			
	6C6	sand beige					(3)	955 521 420 02	lining frame passenger's side	/R	1
7A8	steel grey				8B2	black					
2	955 521 410 02	frame seat passenger's side	/R	1	I4UB/4UD/4UE	8C3		steel grey			
(2)	955 521 411 01	frame seat driver's side	/L	1		8D4		sand beige			
						L63		chestnut brown			
3	955 521 418 00	lining frame passenger's side tufting velour	/R	1	I3L4/3L5/3PN I3ME/4UQ	(3)	955 521 422 00	lining frame passenger's side	/R	1	I3L4/3L5/3PN I3MT/4UQ
	7H1	black					8B2	black			
	7K3	sand beige					8C3	steel grey			
	7J2	steel grey					8D4	sand beige			
	(3)	955 521 416 02	lining frame passenger's side tufting velour	/R	1		I3L4/3L5/3PN I3ME/4UB/4UD I4UE	4	955 521 432 01	lining frame passenger's side pearl velour	/R
7H1		black				8B2	black				
7K3		sand beige				8C3	steel grey				
7J2		steel grey				8D4	sand beige				
(3)		955 521 417 03	lining frame driver's side	/L	1	I3L4/3L5 I3MT/3PN	(4)	955 521 436 00	lining frame passenger's side pearl velour		1
	8B2	black				8B2		black			
	8D4	sand beige				8C3		steel grey			
	8C3	steel grey				8D4		sand beige			
	L63	chestnut brown									

Model	Year	MG	SG	Illustration	Restrictions	UPD	15:04	21.01.2010	PORSCHE	PET	PORSCHE
9PA1	2010	8	17	817-05		247					

Pos	Part Number	Description	Remark	Qty	Model	Pos	Part Number	Description	Remark	Qty	Model
(4)	955 521 434 01	lining frame passenger's side tufting velour	/R	1	I3L4/3L5/3PN I3ME/4UB/4UD I4UE		7A8	steel grey			
	7H1	black					K40	chestnut brown			
	7J2	steel grey				8	955 521 550 00	cover dvd device	-08	1	I4UB/8DQ/8DV I4UD/4UE
	7K3	sand beige					01C	satin black			
							6C6	sand beige			
(4)	955 521 438 00	lining frame passenger's side tufting velour	/R	1	I3L4/3L5/3PN I3ME/4UQ		7A8	steel grey			
	7H1	black					K40	chestnut brown			
	7J2	steel grey				8	955 521 550 00	cover dvd device	09-	1	I4UB/7T7 I4UD/4UE
	7K3	sand beige					01C	satin black			
							6C6	sand beige			
5	955 521 443 01	lining frame driver's side		1	I3L4/3L5 I3MT/3PN		7A8	steel grey			
	8B2	black					K40	chestnut brown			
	8C3	steel grey				(8)	955 521 551 01	cover dvd device	-08	1	I4UQ/8DQ/8DV
	8D4	sand beige					01C	satin black			
	L63	chestnut brown					6C6	sand beige			
(5)	955 521 445 01	lining frame driver's side		1	I3L4/3L5 I3ME/3PN		7A8	steel grey			
	7H1	black					K40	chestnut brown			
	7J2	steel grey									
	7K3	sand beige									
6	N 910 192 02	screw mount frame M 10 x 25		4							
7	955 521 480 00	cap lining seat		1							
	01C	satin black									
	6C6	sand beige									

Model	Year	MG	SG	Illustration	Restrictions	UPD	15:04	21.01.2010	PORSCHE	PET	PORSCHE
9PA1	2010	8	17	817-10		247					



Pos	Part Number	Description	Remark	Qty	Model
1	955 521 141 08	cover foam part front seat	/L	1	IN1P/Q2J/4A0
(1)	955 521 142 08	cover comfort seat without heating WAG chestnut brown/	/R	1	IN1P/Q2J/4A0
(1)	955 521 141 05	cover comfort seat without heating PBW sand beige PBX steel grey PBY black	/L	1	IN1X/Q2J/4A0
(1)	955 521 142 05	cover comfort seat without heating PBW sand beige PBX steel grey PBY black	/R	1	IN1X/Q2J/4A0
(1)	955 521 165 05	cover comfort seat with heating PBW sand beige PBX steel grey PBY black	/L	1	IN1X/4A3/4A4 IQ2J
(1)	955 521 164 05	cover comfort seat with heating PBW sand beige PBX steel grey PBY black	/R	1	IN1X/4A3/4A4 IQ2J

Model	Year	MG	SG	Illustration	Restrictions	UPD	15:04	21.01.2010	PORSCHE	PET	PORSCHE
9PA1	2010	8	17	817-10		247					

Pos	Part Number	Description	Remark	Qty	Model	Pos	Part Number	Description	Remark	Qty	Model
(1)	955 521 153 05	cover comfort seat without heating	/L	1	IN7F/Q2J/4A0		PCB	steel grey			
	PBW	sand beige					PCC	black			
	PBX	steel grey				(1)	955 521 149 00	cover sports seat without heating	/L	1	IN5U/Q1D/4A0
	PBY	black					PCA	sand beige			
(1)	955 521 144 05	cover comfort seat without heating	/R	1	IN7F/Q2J/4A0		PCB	steel grey			
	PBW	sand beige					PCC	black			
	PBX	steel grey				(1)	955 521 148 00	cover sports seat without heating	/R	1	IN5U/Q1D/4A0
	PBY	black					PCA	sand beige			
(1)	955 521 167 05	cover comfort seat with heating	/L	1	IN7F/4A3/4A4		PCB	steel grey			
	PBW	sand beige					PCC	black			
	PBX	steel grey				(1)	955 521 151 05	cover comfort seat without heating	/L	1	IN5U/Q2J/4A0
	PBY	black					PCA	sand beige			
(1)	955 521 166 05	cover comfort seat with heating	/R	1	IN7F/4A3/4A4		PCB	steel grey			
	PBW	sand beige					PCC	black			
	PBX	steel grey				(1)	955 521 152 05	cover comfort seat without heating	/R	1	IN5U/Q2J/4A0
	PBY	black					PCA	sand beige			
(1)	955 521 161 06	cover sports seat with heating	/L	1	IN5U/Q1D/4A3 I4A4		PCB	steel grey			
	PCA	sand beige					PCC	black			
	PCB	steel grey				(1)	955 521 168 05	cover comfort seat with heating	/R	1	IN5U/4A3/4A4
	PCC	black					PCA	sand beige			
(1)	955 521 146 06	cover sports seat with heating	/R	1	IN5U/Q1D/4A3 I4A4		PCB	steel grey			
	PCA	sand beige					PCC	black			
						(1)	955 521 169 05	cover comfort seat with heating	/L	1	IN5U/4A3/4A4

Model	Year	MG	SG	Illustration	Restrictions	UPD	15:04	21.01.2010	PORSCHE	PET	PORSCHE
9PA1	2010	8	17	817-10		247					

Pos	Part Number	Description	Remark	Qty	Model	Pos	Part Number	Description	Remark	Qty	Model
	PCA	sand beige				(1)	955 521 169 08	cover comfort seat with heating	/L	1	IN5Y/4A3/4A4
	PCB	steel grey									
	PCC	black					WAG	chestnut brown/			
(1)	955 521 163 05	cover comfort seat without heating	/L	1	IN7D/Q2J/4A0	(1)	955 521 168 08	cover comfort seat with heating	/R	1	IN5Y/4A3/4A4
	PCA	sand beige									
	PCB	steel grey					WAG	chestnut brown/			
(1)	955 521 162 05	cover comfort seat without heating	/R	1	IN7D/Q2J/4A0	(1)	955 521 149 08	cover seat surface sports seat without heating	/L	1	IN1P/Q1D/4A0
	PCA	sand beige									
	PCB	steel grey					WAG	chestnut brown/			
(1)	955 521 155 05	cover comfort seat with heating	/L	1	IN7D/4A3/4A4	(1)	955 521 148 08	cover seat surface sports seat without heating	/R	1	IN1P/Q1D/4A0
	PCA	sand beige									
	PCB	steel grey					WAG	chestnut brown/			
(1)	955 521 154 05	cover comfort seat with heating	/R	1	IN7D/4A3/4A4	(1)	955 521 161 09	cover sports seat seat surface with heating	/L	1	IN1P/Q1D/4A3 I4A4
	PCA	sand beige									
	PCB	steel grey					WAG	chestnut brown/			
(1)	955 521 153 08	cover comfort seat without heating	/L	1	IN5Y/Q2J/4A0	(1)	955 521 146 09	cover sports seat seat surface with heating	/R	1	IN1P/Q1D/4A3 I4A4
	PCA	sand beige									
	PCB	steel grey					WAG	chestnut brown/			
(1)	955 521 144 08	cover comfort seat without heating	/R	1	IN5Y/Q2J/4A0	(1)	955 521 155 08	cover comfort seat seat surface with heating	/L	1	IN1P/4A3/4A4
	PCA	sand beige									
	PCB	steel grey					WAG	chestnut brown			
(1)	955 521 144 08	cover comfort seat without heating	/R	1	IN5Y/Q2J/4A0	(1)	955 521 154 08	cover comfort seat seat surface with heating	/R	1	IN1P/4A3/4A4
	PCA	sand beige									
	PCB	steel grey					WAG	chestnut brown			

Model	Year	MG	SG	Illustration	Restrictions	UPD	15:04	21.01.2010	PORSCHE	PET	PORSCHE
9PA1	2010	8	17	817-10		247					

Pos	Part Number	Description	Remark	Qty	Model	Pos	Part Number	Description	Remark	Qty	Model
(1)	955 521 143 01	cover sports seat alcantara without heating	/L 08-	1	IN2S/Q1J/4A0	(1)	955 521 150 00	cover sports seat with heating	/L 09-	1	IN1P/Q1J/4A3 I4A4
	XKR	black					WAG	chestnut brown			
	XKS	sand beige				(1)	955 521 156 00	cover sports seat with heating	/R 09-	1	IN1P/Q1J/4A3 I4A4
	XKT	steel grey					WAG	chestnut brown			
(1)	955 521 144 11	cover sports seat alcantara without heating	/R 08-	1	IN2S/Q1J/4A0	(1)	955 521 157 00	cover without heating sports seat turbo	/L 09-	1	IN1M/Q1J/4A0
	XKR	black					ZBX	Black/Havanna			
	XKS	sand beige					ZBY	Black/Steel Grey			
	XKT	steel grey				(1)	955 521 158 00	cover without heating sports seat turbo	/R 09-	1	IN1M/Q1J/4A0
(1)	955 521 145 11	cover sports seat alcantara with heating	/L 08-	1	IN2S/Q1J/4A3		ZBX	Black/Havanna			
	XKR	black					ZBY	Black/Steel Grey			
	XKS	sand beige				(1)	955 521 159 00	cover with heating sports seat turbo	/L 09-	1	IN1M/Q1J/4A3 I4A4
	XKT	steel grey					ZBX	Black/Havanna			
(1)	955 521 146 11	cover sports seat alcantara with heating	/R 08-	1	IN2S/Q1J/4A3		ZBY	Black/Steel Grey			
	XKR	black				(1)	955 521 160 00	cover with heating sports seat turbo	/R 09-	1	IN1M/Q1J/4A3 I4A4
	XKS	sand beige					ZBX	Black/Havanna			
	XKT	steel grey					ZBY	Black/Steel Grey			
(1)	955 521 147 00	cover sports seat without heating	/L 09-	1	IN1P/Q1J/4A0						
	WAG	chestnut brown				(1)	955 521 171 08	backrest cover without heating	/L	1	IN1P/Q2J/4A0
(1)	955 521 138 00	cover sports seat without heating	/L 09-	1	IN1P/Q1J/4A0		WAG	chestnut brown/			
	WAG	chestnut brown									

Model	Year	MG	SG	Illustration	Restrictions	UPD	15:04	21.01.2010	PORSCHE	PET	PORSCHE
9PA1	2010	8	17	817-10		247					

Pos	Part Number	Description	Remark	Qty	Model	Pos	Part Number	Description	Remark	Qty	Model
(2)	955 521 170 08	backrest cover without heating	/R	1	IN1P/Q2J/4A0		PBW	sand beige			
	WAG	chestnut brown/					PBX	steel grey			
							PBY	black			
(2)	955 521 178 08	backrest cover comfort seat with heating	/L	1	IN1P/4A3/4A4	(2)	955 521 171 06	backrest cover comfort seat without heating	/L	1	IN7F/Q2J/4A0
	WAG	chestnut brown/					PBW	sand beige			
(2)	955 521 186 08	backrest cover comfort seat with heating	/R	1	IN1P/4A3/4A4		PBX	steel grey			
	WAG	chestnut brown/					PBY	black			
(2)	955 521 191 08	backrest cover without heating sports seat	/L	1	IN1P/Q1D/4A0	(2)	955 521 170 06	backrest cover comfort seat without heating	/R	1	IN7F/Q2J/4A0
	WAG	chestnut brown/					PBW	sand beige			
(2)	955 521 192 08	backrest cover without heating sports seat	/R	1	IN1P/Q1D/4A0		PBX	steel grey			
	WAG	chestnut brown/				(2)	955 521 176 06	backrest cover comfort seat without heating	/L	1	IN5U/Q2J/4A0
(2)	955 521 173 09	backrest cover sports seat with heating	/L	1	IN1P/Q1D/4A3 I4A4		PCA	sand beige			
	WAG	chestnut brown/					PCB	steel grey			
							PCC	black			
(2)	955 521 172 09	backrest cover sports seat with heating	/R	1	IN1P/Q1D/4A3 I4A4	(2)	955 521 182 06	backrest cover comfort seat without heating	/R	1	IN5U/Q2J/4A0
	WAG	chestnut brown/					PCA	sand beige			
(2)	955 521 175 06	backrest cover comfort seat without heating	/L	1	IN1X/Q2J/4A0		PCB	steel grey			
	PBW	sand beige					PCC	black			
	PBX	steel grey				(2)	955 521 177 06	backrest cover comfort seat without heating	/L	1	IN7D/Q2J/4A0
	PBY	black					PCA	sand beige			
(2)	955 521 181 06	backrest cover comfort seat without heating	/R	1	IN1X/Q2J/4A0		PCB	steel grey			
							PCC	black			

Model	Year	MG	SG	Illustration	Restrictions	UPD	15:04	21.01.2010	PORSCHE	PET	PORSCHE
9PA1	2010	8	17	817-10		247					

Pos	Part Number	Description	Remark	Qty	Model	Pos	Part Number	Description	Remark	Qty	Model
(2)	955 521 174 06	backrest cover comfort seat without heating	/R	1	IN7F/Q2J/4A0		PCB	steel grey			
	PCA	sand beige					PCC	black			
	PCB	steel grey				(2)	955 521 185 07	backrest cover comfort seat with heating	/R	1	IN7D/4A3/4A4
	PCC	black					PCA	sand beige			
(2)	955 521 173 07	backrest cover sports seat with heating	/L	1	IN5U/Q1D/4A3 I4A4		PCB	steel grey			
	PCA	sand beige					PCC	black			
	PCB	steel grey				(2)	955 521 178 07	backrest cover comfort seat with heating	/L	1	IN5U/4A3/4A4
	PCC	black					PCA	sand beige			
(2)	955 521 172 07	backrest cover sports seat with heating	/R	1	IN5U/Q1D/4A3 I4A4		PCB	steel grey			
	PCA	sand beige					PCC	black			
	PCB	steel grey				(2)	955 521 186 07	backrest cover comfort seat with heating	/R	1	IN5U/4A3/4A4
	PCC	black					PCA	sand beige			
(2)	955 521 191 06	backrest cover sports seat without heating	/L	1	IN5U/Q1D/4A0		PCB	steel grey			
	PCA	sand beige					PCC	black			
	PCB	steel grey				(2)	955 521 179 07	backrest cover comfort seat with heating	/L	1	IN1X/4A3/4A4
	PCC	black					PBW	sand beige			
(2)	955 521 192 06	backrest cover sports seat without heating	/R	1	IN5U/Q1D/4A0		PBX	steel grey			
	PCA	sand beige					PBY	black			
	PCB	steel grey				(2)	955 521 183 07	backrest cover comfort seat with heating	/R	1	IN1X/4A3/4A4
	PCC	black					PBW	sand beige			
(2)	955 521 187 07	backrest cover comfort seat with heating	/L	1	IN7D/4A3/4A4		PBX	steel grey			
	PCA	sand beige					PBY	black			
						(2)	955 521 180 07	backrest cover comfort seat with heating	/L	1	IN7F/4A3/4A4

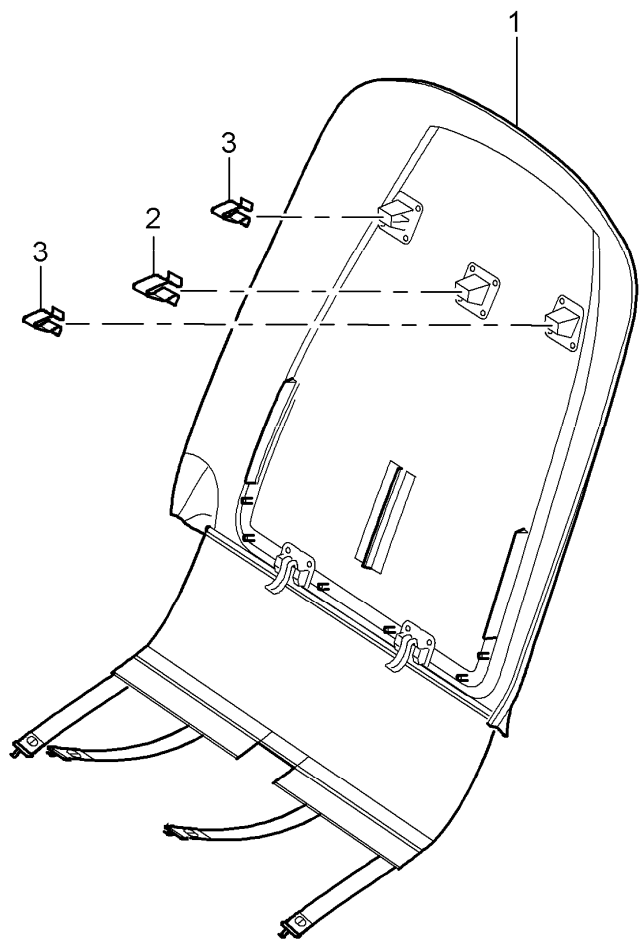
Model	Year	MG	SG	Illustration	Restrictions	UPD	15:04	21.01.2010	PORSCHE	PET	PORSCHE
9PA1	2010	8	17	817-10		247					

Pos	Part Number	Description	Remark	Qty	Model	Pos	Part Number	Description	Remark	Qty	Model
	PBW	sand beige					XKS	sand beige			
	PBX	steel grey					XKT	steel grey			
	PBY	black				(2)	955 521 195 01	backrest cover	/L	08-	1 IN2S/Q1J/4A3 I4A4 IE0W
(2)	955 521 184 07	backrest cover comfort seat with heating	/R	1	IN7F/4A3/4A4			sports seat alcantara with heating			
	PBW	sand beige					XKR	black			
	PBX	steel grey					XKS	sand beige			
	PBY	black					XKT	steel grey			
(2)	955 521 171 09	backrest cover comfort seat without heating	/L	1	IN5Y/Q2J/4A0	(2)	955 521 196 01	backrest cover	/R	08-	1 IN2S/Q1J/4A3 I4A4 IE0W
	WAG	chestnut brown/						sports seat alcantara with heating			
(2)	955 521 170 09	backrest cover comfort seat without heating	/R	1	IN5Y/Q2J/4A0		XKR	black			
	WAG	chestnut brown/					XKS	sand beige			
(2)	955 521 171 10	backrest cover comfort seat with heating	/L	1	IN5Y/4A3/4A4	(2)	955 521 197 00	backrest cover sports seat	/R	08-	1 IN1M/Q1J/4A3 I4A4
	WAG	chestnut brown/						two-colour with heating			
(2)	955 521 170 10	backrest cover comfort seat with heating	/R	1	IN5Y/4A3/4A4		ZBX	Black/Havanna			
	WAG	chestnut brown/					ZBY	Black/Steel Grey			
(2)	955 521 193 01	backrest cover sports seat alcantara without heating	/L	08-	1 IN2S/Q1J/4A0	(2)	955 521 198 00	backrest cover sports seat	/L	08-	1 IN1M/Q1J/4A3 I4A4
	XKR	black						two-colour with heating			
	XKS	sand beige					ZBX	Black/Havanna			
	XKT	steel grey					ZBY	Black/Steel Grey			
(2)	955 521 194 01	backrest cover sports seat alcantara without heating	/R	08-	1 IN2S/Q1J/4A0	(2)	955 521 199 00	backrest cover sports seat two-colour without heating	/L	08-	1 IN1M/Q1J/4A0
	XKR	black						two-colour without heating			
							ZBX	Black/Havanna			
							ZBY	Black/Steel Grey			

Model	Year	MG	SG	Illustration	Restrictions	UPD	15:04	21.01.2010	PORSCHE	PET	PORSCHE
9PA1	2010	8	17	817-10		247					

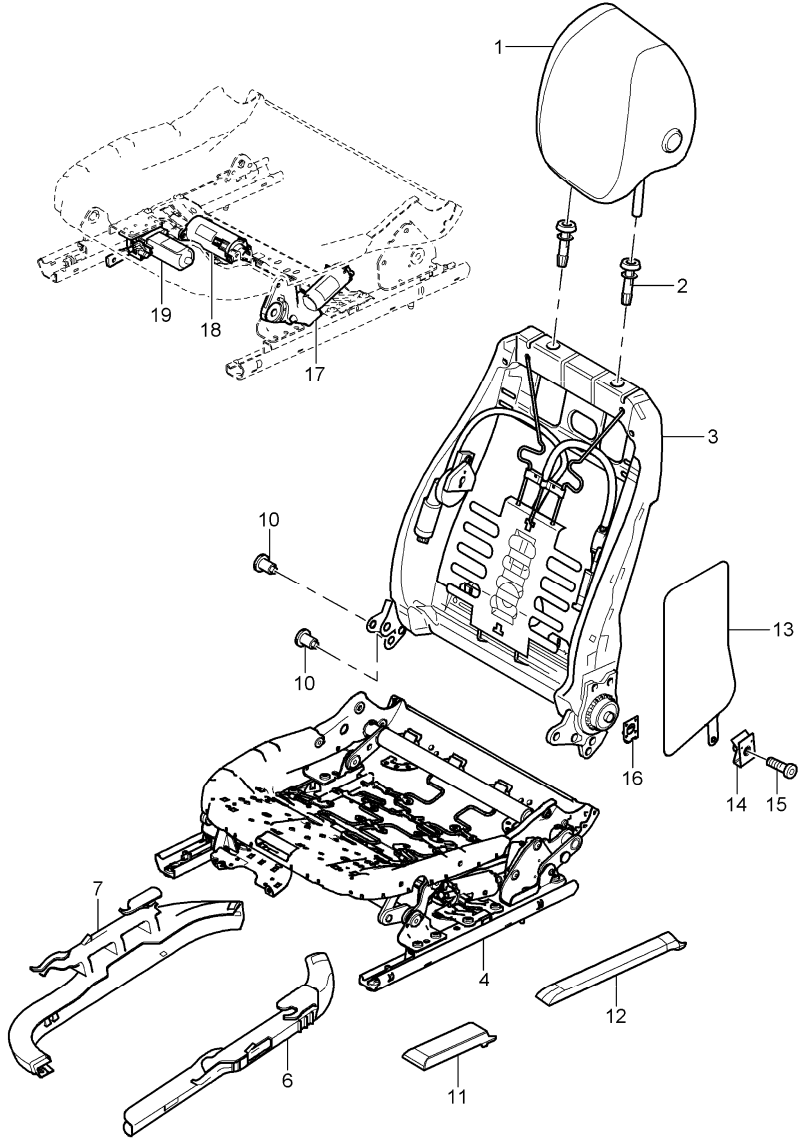
Pos	Part Number	Description	Remark	Qty	Model	Pos	Part Number	Description	Remark	Qty	Model
(2)	955 521 200 00	backrest cover sports seat two-colour without heating	/R 08-	1	IN1M/Q1J/4A0	(4)	955 521 580 01	foam part backrest comfort seat	/R	1	IQ2J/9WC
	ZBX	Black/Havanna				(4)	955 521 581 00	foam part	/L 08-	1	IQ2J/9WM
	ZBY	Black/Steel Grey				(4)	955 521 582 00	foam part backrest comfort seat	/R 08-	1	IQ2J/9WM
(2)	955 521 201 00	backrest cover sports seat	/L 08-	1	IN1P/Q1J/4A0	(4)	955 521 583 00	foam part	/L 08-	1	IQ1J/9WC
	WAG	chestnut brown				(4)	955 521 584 00	foam part backrest sports seat	/R 08-	1	IQ1J/9WC
(2)	955 521 202 00	backrest cover sports seat	/R 08-	1	IN1P/Q1J/4A0	(4)	955 521 585 00	foam part	/L 08-	1	IQ1J/9WM
	WAG	chestnut brown				(4)	955 521 586 00	foam part backrest sports seat	/R 08-	1	IQ1J/9WM
(2)	955 521 203 00	backrest cover sports seat	/L 08-	1	IN1P/Q1J/4A3 I4A4	5	955 653 521 00	heating element backrest side bolster front		1	IQ2J/4A3/4A4
	WAG	chestnut brown				(5)	955 653 521 01	heating element backrest side bolster front		1	IQ1D/4A3/4A4
(2)	955 521 204 00	backrest cover sports seat	/R 08-	1	IN1P/Q1J/4A3 I4A4	(5)	955 653 521 02	heating element backrest side bolster front	08-	1	IQ1J/4A3/4A4
	WAG	chestnut brown				6	955 653 522 00	heating element seat side bolster front	/L	1	IQ2J/4A3/4A4
3	955 521 523 01	foam part	/L	1	IQ1D	(6)	955 653 522 01	heating element seat side bolster front	/L	1	IQ1D/4A3/4A4
(3)	955 521 524 01	foam part seat cushion sports seat	/R	1	IQ1D	(6)	955 653 522 02	heating element seat side bolster front	/L 08-	1	IQ1J/4A3/4A4
(3)	955 521 529 00	foam part	/L 08-	1	IQ1J	(6)	955 653 523 00	heating element seat side bolster front	/R	1	IQ2J/4A3/4A4
(3)	955 521 530 00	foam part seat cushion sports seat	/R 08-	1	IQ1J	(6)	955 653 523 01	heating element seat side bolster front	/R	1	IQ1D
(3)	955 521 527 01	foam part	/L	1	IQ2J	(6)	955 653 523 02	heating element seat side bolster front	/R 08-	1	IQ1J/4A3/4A4
(3)	955 521 528 01	foam part seat cushion comfort seat	/R	1	IQ2J						
4	955 521 575 03	foam part	/L	1	IQ1D						
(4)	955 521 576 03	foam part backrest sports seat	/R	1	IQ1D						
(4)	955 521 579 01	foam part	/L	1	IQ2J/9WC						

Model	Year	MG	SG	Illustration	Restrictions	UPD	15:04	21.01.2010	PORSCHE	PET	PORSCHE
9PA1	2010	8	17	817-15		247					



Pos	Part Number	Description	Remark	Qty	Model
		cover backrest shell			
1	955 521 081 02	cover 5Q2 black 5R3 steel grey 5S4 sand beige K68 chestnut brown	/L/R -07	1	IQ2J
(1)	955 521 081 03	cover backrest shell 5Q2 black 5R3 steel grey 5S4 sand beige K68 chestnut brown	/L/R 08-	1	IQ1J/Q2J
(1)	955 521 087 02	cover backrest shell 5Q2 black 5R3 steel grey 5S4 sand beige K68 chestnut brown	/L/R -07	1	IQ1D
(1)	955 521 087 03	cover backrest shell 5Q2 black 5R3 steel grey 5S4 sand beige K68 chestnut brown	/L/R 08-	1	IQ1D
2	000 043 207 17	clamp centre backrest shell		1	
3	000 043 207 18	clamp outer backrest shell		2	

Model	Year	MG	SG	Illustration	Restrictions	UPD	15:04	21.01.2010	PORSCHE	PET	PORSCHE
9PA1	2010	8	17	817-20		247					



Pos	Part Number	Description	Remark	Qty	Model
		backrest frame seat frame			
1	955 521 815 06	head rest	/L	1	IN1X/N7F/3J4
	SXG	black/black			
	SXH	steel grey/steel grey			
	SXJ	sand beige/sand beige			
(1)	955 521 816 06	head rest	/R	1	IN1X/N7F/3J4
	SXG	black/black			
	SXH	steel grey/steel grey			
	SXJ	sand beige/sand beige			
(1)	955 521 819 00	head rest	/L	1	IN1X/N7F/3J7
	SXG	black-black			
	SXH	steel grey/steel grey			
	SXJ	sand beige/sand beige			
(1)	955 521 820 00	head rest porsche crest	/R	1	IN1X/N7F/3J7
	SXG	black-black			
	SXH	steel grey/steel grey			
	SXJ	sand beige/sand beige			
(1)	955 521 817 06	head rest	/L	1	IN1M/N2S/N5U IN7D/3J4
	SXL	black-black			
	SXM	steel grey/steel grey			
	SXN	sand beige/sand beige			
(1)	955 521 818 06	head rest	/R	1	IN1M/N2S/N5U IN7D/3J4
	SXL	black-black			
	SXM	steel grey/steel grey			
	SXN	sand beige/sand beige			
(1)	955 521 821 00	head rest	/L	1	IN1M/N2S/N5U IN7D/3J7

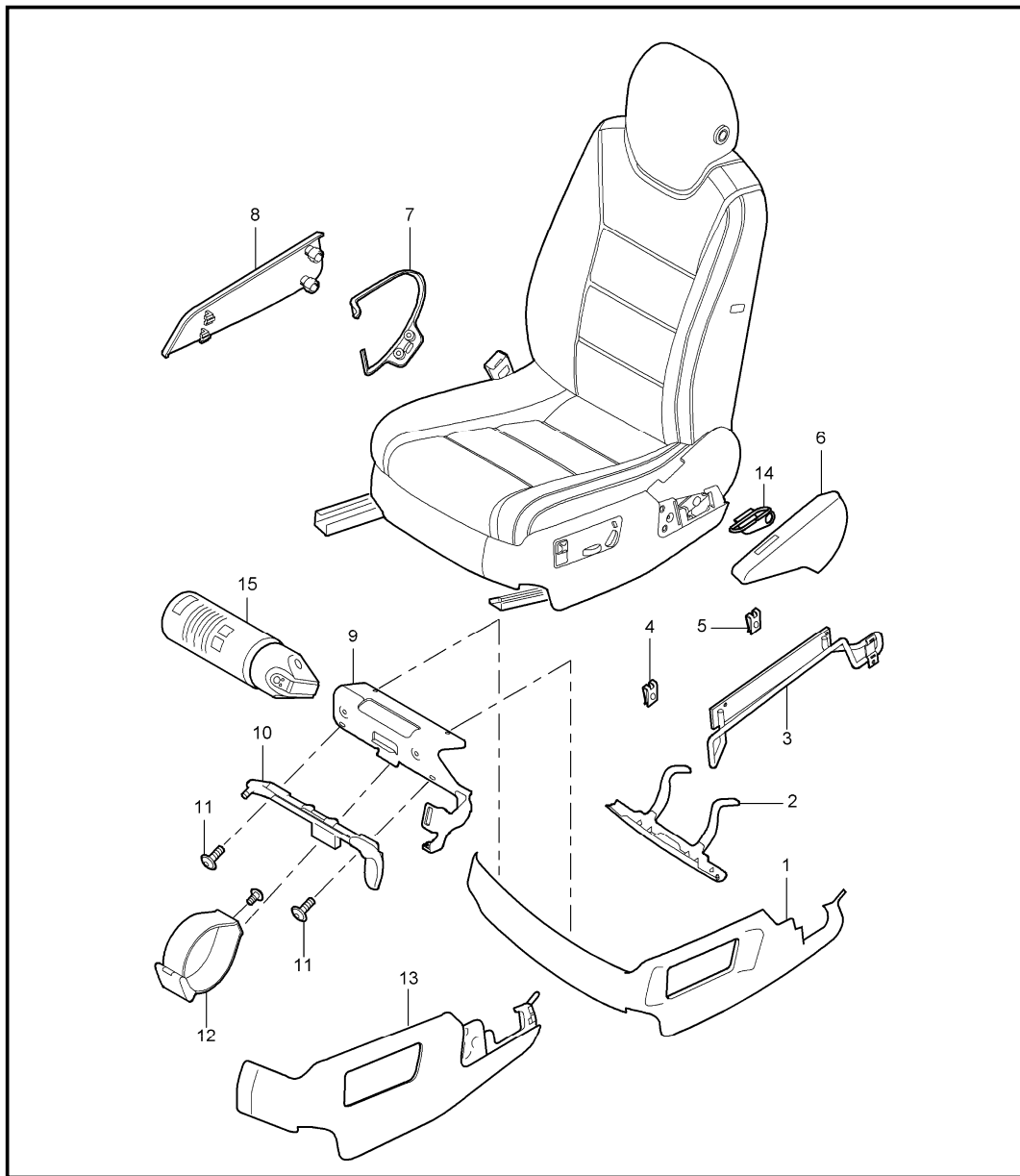
Model	Year	MG	SG	Illustration	Restrictions	UPD	15:04	21.01.2010	PORSCHE	PET	PORSCHE
9PA1	2010	8	17	817-20		247					

Pos	Part Number	Description	Remark	Qty	Model	Pos	Part Number	Description	Remark	Qty	Model
	SXL	black-black					7A8	steel grey			
	SXM	steel grey/steel grey					K40	chestnut brown			
	SXN	sand beige/sand beige porsche crest				3	955 521 835 01	backrest frame	/L	1	IL0R/3L4
(1)	955 521 822 00	head rest porsche crest	/R	1	IN1M/N2S/N5U IN7D/3J7	(3)	955 521 835 01	backrest frame electric	/L	1	I3L5
	SXL	black-black				(3)	955 521 836 01	backrest frame	/R	1	IL0L/3L4
	SXM	steel grey/steel grey				(3)	955 521 836 01	backrest frame electric	/R	1	I3L5
	SXN	sand beige/sand beige				(3)	955 521 841 02	backrest frame	/L	1	IL0L/3L4
(1)	955 521 823 00	head rest	/L	1	IN1P/N5Y/3J4	(3)	955 521 841 02	backrest frame electric	/L	1	I3PN
	WAG	chestnut brown				(3)	955 521 842 02	backrest frame electric	RL/R	1	I3L4
(1)	955 521 824 00	head rest	/R	1	IN1P/N5Y/3J4	(3)	955 521 842 02	backrest frame electric	/R	1	I3PN
	WAG	chestnut brown				(3)	955 521 843 00	backrest frame electric	/L	08-	IQ1J/3PN
(1)	955 521 823 10	head rest porsche crest	/L	1	IN1P/N5Y/3J7	(3)	955 521 844 00	backrest frame electric	/R	08-	IQ1J/3PN
	WAG	chestnut brown									
(1)	955 521 824 10	head rest porsche crest	/R	1	IN1P/N5Y/3J7	4	955 521 851 06	seat frame electric memory	/L	1	I3PN
	WAG	chestnut brown									
2	955 521 825 01	guide sleeve head rest without key		1		4	955 521 851 06	seat frame electric memory	/LL/L	1	I3L4
	9B9	satin black				(4)	955 521 852 06	seat frame	/R	1	I3PN/4UD/4UE I4UQ
	6C6	sand beige				(4)	955 521 852 06	seat frame electric memory	/RL/R	1	I3L4
	7A8	steel grey				(4)	955 521 853 06	seat frame electric	/L	1	I3L5
	K40	chestnut brown				(4)	955 521 853 06	seat frame electric	/RL/L	1	I3L4
(2)	955 521 826 01	guide sleeve head rest with key		1		(4)	955 521 854 06	seat frame	/R	1	I3L5/4UD/4UE I4UQ
	9B9	satin black				(4)	955 521 854 06	seat frame electric	/RL/R	1	I3L4/4UD/4UE I4UQ
	6C6	sand beige									

Model	Year	MG	SG	Illustration	Restrictions	UPD	15:04	21.01.2010	PORSCHE	PET	PORSCHE
9PA1	2010	8	17	817-20		247					

Pos	Part Number	Description	Remark	Qty	Model	Pos	Part Number	Description	Remark	Qty	Model
6	955 521 911 00	cable guide	/L	1		16	955 521 860 00	clip securing clip backrest		1	
7	955 521 913 01	cable guide	/R	1	I3L4/3L5/3PN						
10	N 910 146 01	fit bolt mount backrest		4		17	955 624 322 00	electric motor seat adjuster height adjustment	/R	1	
11	955 521 887 04	cover spiral seat adjuster	/L	1	I3L4/3L5/3PN	(17)	955 624 321 00	electric motor seat adjuster height adjustment	/L	1	
	9B9	satin black				18	955 624 325 00	electric motor seat adjuster lengthways	/L	1	
	6C6	sand beige				(18)	955 624 326 00	electric motor seat adjuster lengthways	/R	1	
	7A8	steel grey									
	K40	chestnut brown									
(11)	955 521 888 04	cover spiral seat adjuster	/R	1	I3L4/3L5/3PN	19	955 624 324 00	electric motor seat adjuster tilt angle	/R	1	
	9B9	satin black				(19)	955 624 323 00	electric motor seat adjuster tilt angle	/L	1	
	6C6	sand beige									
	7A8	steel grey									
	K40	chestnut brown									
12	955 521 889 01	cover spiral seat adjuster long	/R	1	I3L4/3L5/3PN						
	01C	satin black									
	6C6	sand beige									
	7A8	steel grey									
13	955 521 901 04	side airbag	/L	1							
(13)	955 521 902 05	side airbag	/R	1	I4UB/4UD/4UE I4UQ						
(13)	955 521 903 01	side airbag	/R	1							
14	N 903 682 03	speed nut mount airbag		1							
15	N 106 094 01	screw mount airbag		1							

Model	Year	MG	SG	Illustration	Restrictions	UPD	15:04	21.01.2010	PORSCHE	PET	PORSCHE
9PA1	2010	8	17	817-25		247					

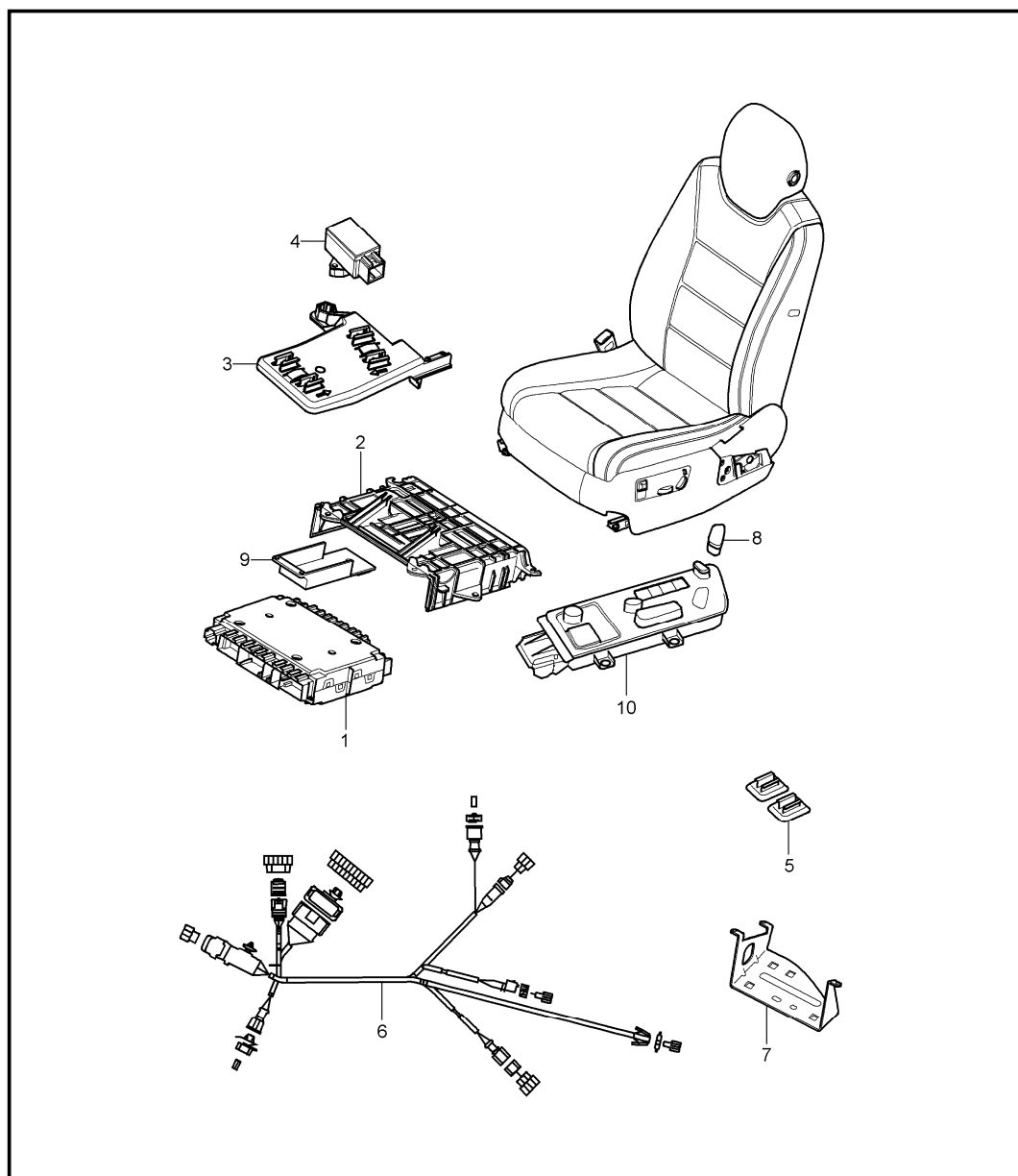


Pos	Part Number	Description	Remark	Qty	Model
1	955 521 317 07	linings cover front seat cover driver's side	/L 07-	1	I3L4/3L5/3PN I6A0/6A4/6A5
	K40	chestnut brown			
	9B9	satin black			
	6C6	sand beige			
	7A8	steel grey			
(1)	955 521 318 07	cover passenger's side front seat	/R	1	I3L4/3L5/3PN
	K40	chestnut brown			
	9B9	satin black			
	6C6	sand beige			
	7A8	steel grey			
2	955 521 225 00	support cover front		1	I6A0/6A4/6A5
-	N 902 876 01	blind rivet support front		4	
3	955 521 327 01	support cover lateral	/L	1	I3L4/3L5/3PN
(3)	955 521 327 02	support cover lateral	/R	1	I3L4/3L5/3PN
4	N 903 682 03	speed nut M 5		1	
5	N 910 558 02	speed nut support cover M 5		1	I3L4/3L5/3PN
6	955 521 383 00	cover backrest	/L	1	I3L4/3L5/3PN
	K40	chestnut brown			
	01C	satin black			

Model	Year	MG	SG	Illustration	Restrictions	UPD	15:04	21.01.2010	PORSCHE	PET	PORSCHE
9PA1	2010	8	17	817-25		247					

Pos	Part Number	Description	Remark	Qty	Model	Pos	Part Number	Description	Remark	Qty	Model
	6C6	sand beige					7A8	steel grey			
	7A8	steel grey				9	955 521 390 01	support cover front		1	I6A7
(6)	955 521 387 00	cover backrest tunnel	/R	1		10	955 521 392 00	mounting fire extinguisher		1	I6A7
	K40	chestnut brown				11	N 907 809 01	round head screw mount support fire extinguisher		2	I6A7
	6C6	sand beige				12	955 521 394 03	restraining strap fire extinguisher		1	I6A7
7	955 521 386 00	cover backrest	/R	1	I3L4/3L5/3PN	13	955 521 319 07	cover	/L	1	I3L4/3L5/3PN I6A7
	01C	satin black						driver's side front seat			
	K40	chestnut brown					K40	chestnut brown			
	6C6	sand beige					9B9	satin black			
(7)	955 521 380 00	cover backrest	/L	1			6C6	sand beige			
	7A8	steel grey					7A8	steel grey			
	K40	chestnut brown				14	955 521 311 00	belt hook guide belt	/L	1	I3L4/3L5/3PN
	01C	satin black				(14)	955 521 312 00	belt hook guide belt	/R	1	I3L4/3L5/3PN
	6C6	sand beige				15	955 860 277 00	fire extinguisher Information available Information available		1	
8	955 521 347 00	cap belt	/L	1	I3L4/3L5/3PN						
	01C	satin black									
	K40	chestnut brown									
	6C6	sand beige									
	7A8	steel grey									
(8)	955 521 348 00	cap belt	/R	1	I3L4/3L5/3PN						
	K40	chestnut brown									
	01C	satin black									
	6C6	sand beige									

Model	Year	MG	SG	Illustration	Restrictions	UPD	15:04	21.01.2010	PORSCHE	PET	PORSCHE
9PA1	2010	8	17	817-30		247					

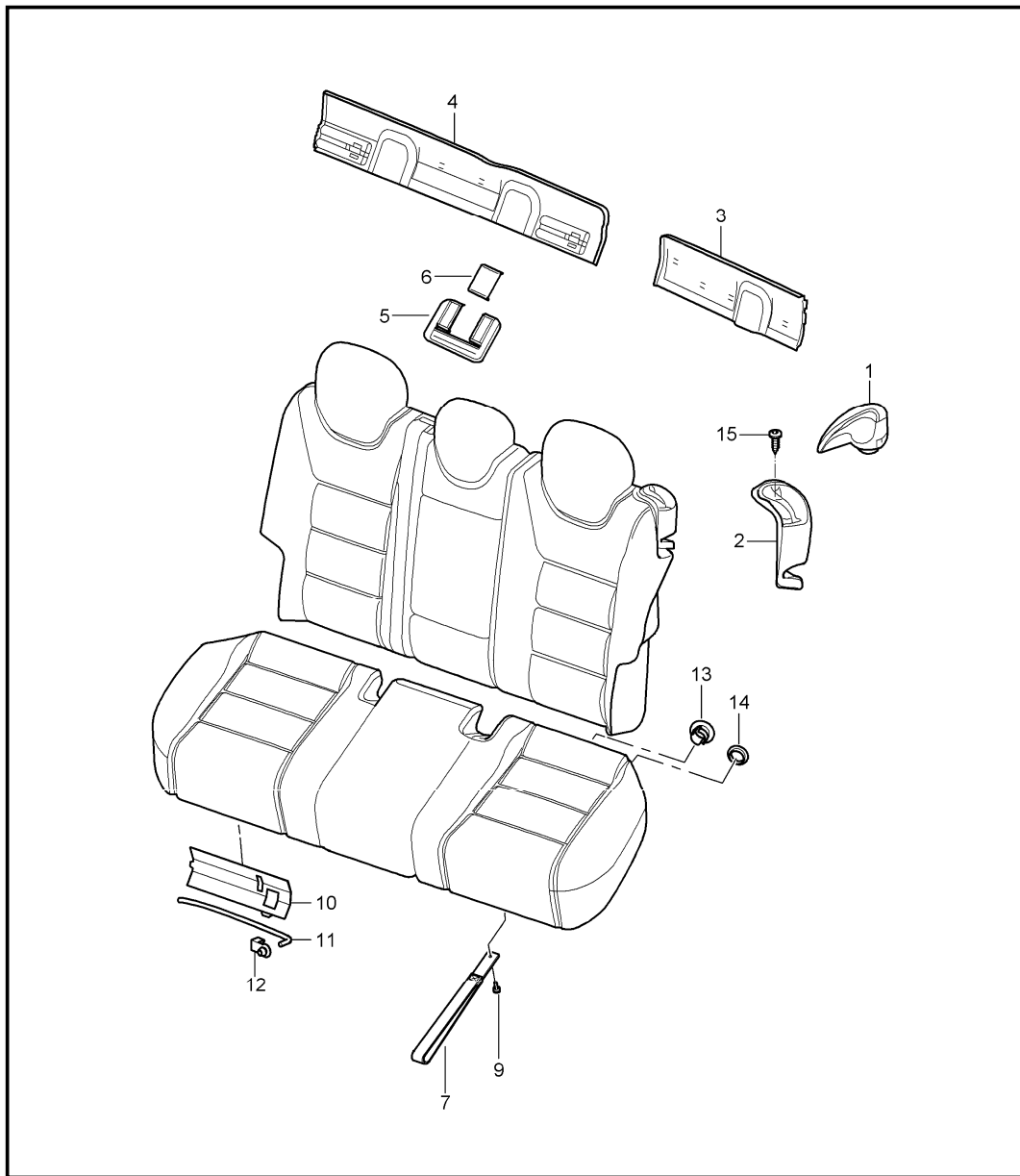


Pos	Part Number	Description	Remark	Qty	Model
1	955 618 750 03	switch seat adjuster wiring harnesses		1	I4UQ
(1)	955 618 740 00	control unit seating position control		1	I3L4/3PN
2	955 521 683 00	support control unit seat occupancy detection		1	I4UQ
3	955 521 732 00	support control unit heating		1	IL0L/4A3/4A4
4	955 618 742 03	control unit seat heater	-07	1	I4A3/4A4
(4)	955 618 742 04	control unit seat heater	08-	1	I4A3/4A4
5	955 618 735 00	adapter plug control unit		1	IG0L
6	955 612 754 04	wiring harness seat adjuster memory	/L	1	IL0L/4A0 I3L4/3PN
(6)	955 612 755 04	wiring harness seat adjuster memory		1	IL0L/3L4/3PN I4A3/4A4
(6)	955 612 756 02	wiring harness seat adjuster backrest		1	I3PN/4UB/4UD IL0L/3L4/4UE
(6)	955 612 757 04	wiring harness seat adjuster		1	IL0L/3PN/4A0
(6)	955 612 758 04	wiring harness seat adjuster		1	IL0L/3PN/4A3 I4A4
(6)	955 612 761 04	wiring harness seat adjuster seat surface		1	IL0R/3L4/4A3 I3L5/4A4
(6)	955 612 763 04	wiring harness seat adjuster	/L/R	1	IL0R/3L4 I3L5/4A0
(6)	955 612 764 04	wiring harness seat adjuster	/L/R	1	IL0L/3L4/4A3 I3L5/4A4

Model	Year	MG	SG	Illustration	Restrictions	UPD	15:04	21.01.2010	PORSCHE	PET	PORSCHE
9PA1	2010	8	17	817-30		247					

Pos	Part Number	Description	Remark	Qty	Model	Pos	Part Number	Description	Remark	Qty	Model
(6)	955 612 766 04	wiring harness seat adjuster	/L/R	1	IL0L/3L4 I3L5/4A0		01C	satin black			
(6)	955 612 771 03	wiring harness seat adjuster		1	IL0R/3PN/4A0	9	955 521 731 00	cover control unit seat occupancy detection		1	I4UQ
(6)	955 612 773 03	wiring harness seat adjuster	/L	1	IL0R/3PN I4A3/4A4	10	955 613 713 00	switch seat adjuster	/L /RL/L	1	I3L5 IL0R/3L4
(6)	955 612 772 03	wiring harness seat adjuster	/R	1	IL0R/3L4/3PN I4A3/4A4		01C	satin black			
(6)	955 612 774 03	wiring harness seat adjuster	/R	1	IL0R/3L4/3PN I4A0	(10)	955 613 714 00	switch seat adjuster	/R /LL/L	1	I3L5 IL0L/3L4
(6)	955 612 768 02	wiring harness backrest	/R/L	1	IL0R/3L4 I3L5	(10)	955 613 715 00	switch seat adjuster memory	/L	1	I3PN
(6)	955 612 768 06	wiring harness backrest	/R	1	I3PN/4UB/4UD IL0R/3L4/4UE		01C	satin black			
(6)	955 612 779 00	wiring harness seat occupancy detection		1	IL0L/4UQ	(10)	955 613 716 00	switch seat adjuster memory	/R	1	I3PN
(6)	955 612 762 00	wiring harness adapter plug side airbag	/R	1			01C	satin black			
(6)	955 612 765 00	wiring harness adapter plug side airbag	/L	1		(10)	955 613 717 00	switch seat adjuster		1	IL0L/3L4
(6)	955 612 767 00	wiring harness adapter plug side airbag		1	IL0L	(10)	955 613 718 00	switch seat adjuster		1	IL0R/3L4
(6)	955 612 770 00	wiring harness backrest video audio		1	IL0R/9WM		01C	satin black			
(6)	955 612 769 00	wiring harness backrest video audio		1	IL0R/9WM						
7	955 521 665 05	retaining bracket push-on connector electric		1	I3L4/3L5/3PN						
(7)	955 521 668 05	retaining bracket push-on connector electric		1	I3L4/3L5						
8	955 613 713 10	knob adjustment lumbar		1							

Model	Year	MG	SG	Illustration	Restrictions	UPD	15:05	21.01.2010	PORSCHE	PET	PORSCHE
9PA1	2010	8	17	817-35		247					

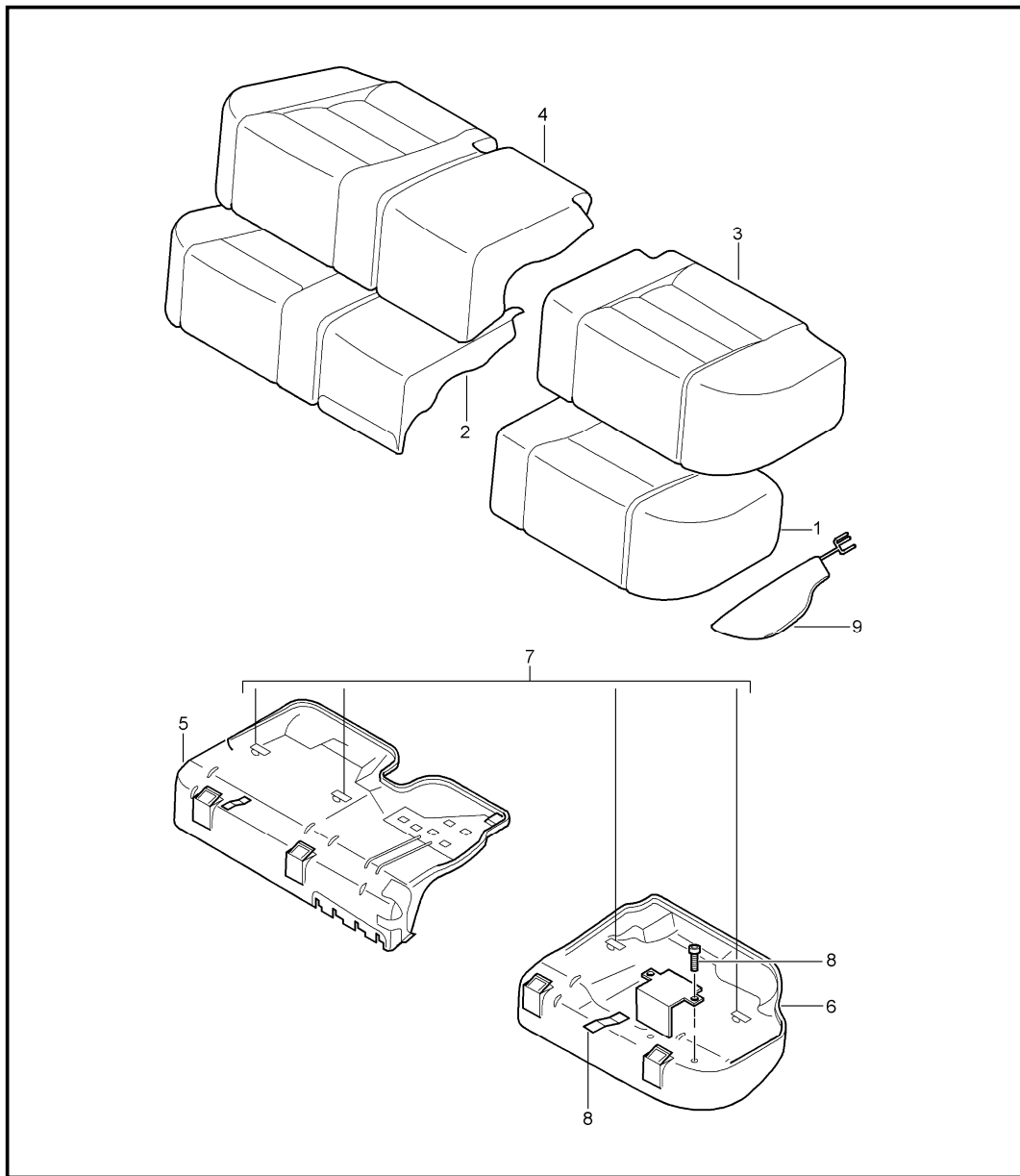


Pos	Part Number	Description	Remark	Qty	Model
1	955 522 651 09	back seat backrest accessories actuating lever backrest locking lever	/L	1	
	9B9	satin black			
	6C6	sand beige			
	7A8	steel grey			
(1)	955 522 652 09	actuating lever backrest locking lever	/R	1	
	9B9	satin black			
	6C6	sand beige			
	7A8	steel grey			
2	955 522 673 09	cover actuating lever	/L	1	
	9B9	satin black			
	6C6	sand beige			
	7A8	steel grey			
(2)	955 522 672 09	cover actuating lever	/R	1	
	9B9	satin black			
	6C6	sand beige			
	7A8	steel grey			
3	955 522 681 00	cover upper part backrest	/L	1	
	9B9	satin black			
	6C6	sand beige			
	7A8	steel grey			
4	955 522 680 00	cover upper part backrest	/R	1	
	01C	satin black			
	6C6	sand beige			

Model	Year	MG	SG	Illustration	Restrictions	UPD	15:05	21.01.2010	PORSCHE	PET	PORSCHE
9PA1	2010	8	17	817-35		247					

Pos	Part Number	Description	Remark	Qty	Model	Pos	Part Number	Description	Remark	Qty	Model
	7A8	steel grey									
5	955 522 661 00	cover frame seat belt		1							
	K40	chestnut brown									
	01C	satin black									
	6C6	sand beige									
	7A8	steel grey									
6	955 522 660 00	cover frame seat belt		1							
	K40	chestnut brown									
	01C	satin black									
	6C6	sand beige									
	7A8	steel grey									
9	N 902 876 01	blind rivet traction noose		2							
10	955 522 670 00	trim cover	/L	1							
(10)	955 522 670 02	trim cover release	/R	1							
11	955 522 670 04	pull-type release seat cushion		1							
12	955 522 670 06	fixing clip release		1							
13	955 522 697 01	flat connector upper part mounting		1	IQAO						
	B41	black									
14	955 522 698 01	circlip lower part mounting head rest		1							
	B41	black									
15	N 106 166 01	screw mount cover actuating lever		1							

Model	Year	MG	SG	Illustration	Restrictions	UPD	15:05	21.01.2010	PORSCHE	PET	PORSCHE
9PA1	2010	8	17	817-40		247					



Pos	Part Number	Description	Remark	Qty	Model
		foam part seat surface cover			
1	955 522 055 01	foam part seat cushion	/L	1	IQ1D
(1)	955 522 161 01	foam part seat cushion	/L	1	IQ2J
2	955 522 160 01	foam part seat cushion	/R	1	IQ2J/9AB/9AD
(2)	955 522 162 01	foam part seat cushion	/R	1	IQ2J/9AH
(2)	955 522 040 01	foam part seat cushion	/R	1	IQ1D
(2)	955 522 042 01	foam part seat cushion	/R	1	IQ1D/9AH
3	955 522 317 07	cover for cushion comfort seat	/L	1	IN1X/4A0/4A3
	PBW	sand beige			
	PBX	steel grey			
	PBY	black			
(3)	955 522 303 07	cover for cushion comfort seat	/L	1	/74A3 IN7F/4A0
	PBW	sand beige			
	PBX	steel grey			
	PBY	black			
(3)	955 522 315 07	cover for cushion comfort seat	/L	1	IN5U/4A0/4A3
	PCA	sand beige			
	PCB	steel grey			
	PCC	black			
(3)	955 522 311 07	cover for cushion comfort seat	/L	1	IN7D/4A0/4A3
	PCA	sand beige			
	PCB	steel grey			

Model	Year	MG	SG	Illustration	Restrictions	UPD	15:05	21.01.2010	PORSCHE	PET	PORSCHE
9PA1	2010	8	17	817-40		247					

Pos	Part Number	Description	Remark	Qty	Model	Pos	Part Number	Description	Remark	Qty	Model
(3)	PCC	black				(3)	955 522 319 07	cover for cushion sports seat without heating	/L	1	IN5U/4A0/4A3
(3)	955 522 301 08	cover for cushion comfort seat	/L	1	IN1P/4A0/4A3		PCA	sand beige			
	WAG	chestnut brown					PCB	steel grey			
(3)	955 522 303 01	cover for cushion comfort seat	/L	1	IN5Y/4A0/4A3		PCC	black			
	WAG	chestnut brown				(3)	955 522 309 08	cover for cushion sports seat	/L	1	IN1P/4A0/4A3
(3)	955 522 305 07	cover for cushion comfort seat	/L	1	IN7F/4A4		WAG	chestnut brown			
	PBW	sand beige				(3)	955 522 307 07	cover for cushion sports seat	/L	1	IN5U/Q1D/4A4
	PBX	steel grey					PCA	sand beige			
	PBY	black					PCB	steel grey			
(3)	955 522 313 07	cover for cushion comfort seat	/L	1	IN7D/4A4		PCC	black			
	PCA	sand beige				(3)	955 522 329 08	cover for cushion sports seat	/L	1	IN1P/Q1D/4A4
	PCB	steel grey					WAG	chestnut brown			
	PCC	black				4	955 522 334 06	cover for cushion comfort seat	/R	1	IN1X/4A0/4A3 I9AB/9AD
(3)	955 522 309 07	cover for cushion comfort seat	/L	1	IN5U/4A4		PBW	sand beige			
	PCA	sand beige					PBX	steel grey			
	PCB	steel grey					PBY	black			
	PCC	black				(4)	955 522 302 06	cover for cushion comfort seat	/R	1	IN1X/4A0/4A3 I9AH
(3)	955 522 301 07	cover for cushion comfort seat	/L	1	IN1X/4A4		PBW	sand beige			
	PBW	sand beige					PBX	steel grey			
	PBX	steel grey					PBY	black			
	PBY	black				(4)	955 522 306 06	cover for cushion comfort seat	/R	1	IN7F/4A0/4A3 I9AB/9AD
(3)	955 522 303 08	cover for cushion comfort seat	/L	1	IN1P/4A4		PBW	sand beige			
	WAG	chestnut brown					PBX	steel grey			
(3)	955 522 303 09	cover for cushion comfort seat	/L	1	IN5Y/4A4		PBY	black			
	WAG	chestnut brown									

Model	Year	MG	SG	Illustration	Restrictions	UPD	15:05	21.01.2010	PORSCHE	PET	PORSCHE
9PA1	2010	8	17	817-40		247					

Pos	Part Number	Description	Remark	Qty	Model	Pos	Part Number	Description	Remark	Qty	Model
(4)	955 522 310 06	cover for cushion comfort seat	/R	1	IN7F/4A0/4A3 I9AH	(4)	955 522 302 09	cover for cushion comfort seat	/R	1	IN1P/4A0/4A3 I9AB/9AD
	PBW	sand beige					WAG	chestnut brown			
	PBX	steel grey				(4)	955 522 304 02	cover for cushion comfort seat	/R	1	IN1P/4A0/4A3 I9AH
	PBY	black					WAG	chestnut brown			
(4)	955 522 312 06	cover for cushion comfort seat	/R	1	IN7F/4A4/9AH	(4)	955 522 304 03	cover for cushion comfort seat	/R	1	IN5Y/4A0/4A3 I9AB/9AD
	PBW	sand beige					WAG	chestnut brown			
	PBX	steel grey				(4)	955 522 304 04	cover for cushion comfort seat	/R	1	IN5Y/4A0/4A3 I9AH
	PBY	black					WAG	chestnut brown			
(4)	955 522 332 06	cover for cushion comfort seat	/R	1	IN5U/4A0/4A3 I9AB/9AD	(4)	955 522 308 06	cover for cushion comfort seat	/R	1	IN7F/4A4 I9AB/9AD
	PCA	sand beige					PBW	sand beige			
	PCB	steel grey					PBX	steel grey			
	PCC	black					PBY	black			
(4)	955 522 320 06	cover for cushion comfort seat	/R	1	IN5U/4A0/4A3 I9AH	(4)	955 522 326 06	cover for cushion comfort seat	/R	1	IN7D/4A4 I9AB/9AD
	PCA	sand beige					PCA	sand beige			
	PCB	steel grey					PCB	steel grey			
	PCC	black					PCC	black			
(4)	955 522 300 06	cover for cushion comfort seat	/R	1	IN1X/4A0/4A3 I9AB/9AD	(4)	955 522 330 06	cover for cushion comfort seat	/R	1	IN7D/4A4/9AH
	PBW	sand beige/sand beige					PCA	sand beige			
	PBX	steel grey/steel grey					PCB	steel grey			
	PBY	black-black					PCC	black			
	WRN	black/grey				(4)	955 522 318 06	cover for cushion comfort seat	/R	1	IN5U/4A4 I9AB/9AD
	WRP	black/sand beige					PCA	sand beige			
(4)	955 522 328 06	cover for cushion comfort seat	/R	1	IN7D/4A0/4A3 I9AH		PCB	steel grey			
	PCA	sand beige					PCC	black			
	PCB	steel grey									
	PCC	black									

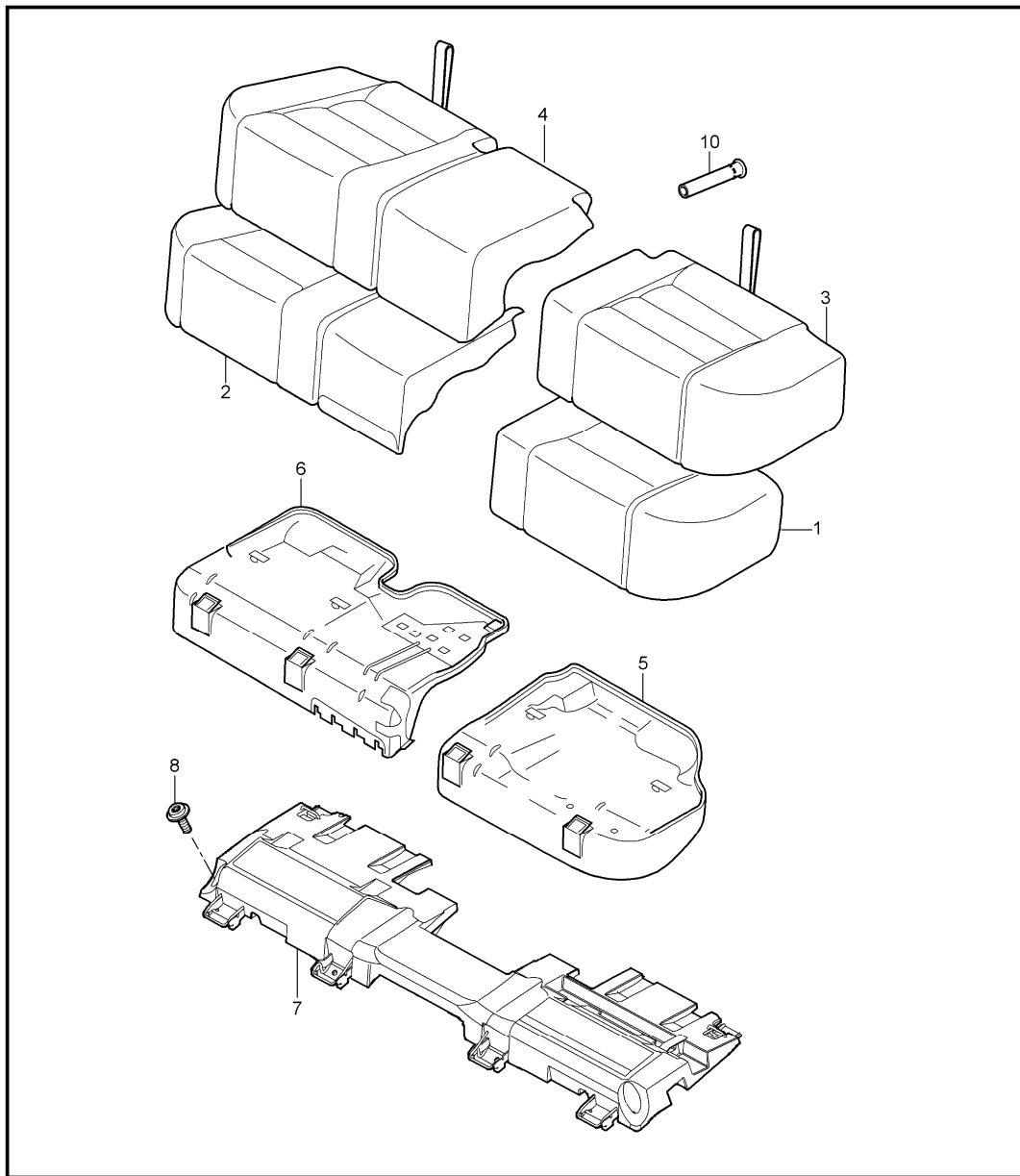
Model	Year	MG	SG	Illustration	Restrictions	UPD	15:05	21.01.2010	PORSCHE	PET	PORSCHE
9PA1	2010	8	17	817-40		247					

Pos	Part Number	Description	Remark	Qty	Model	Pos	Part Number	Description	Remark	Qty	Model
(4)	955 522 322 06	cover for cushion comfort seat	/R	1	IN5U/4A4/9AH	(4)	955 522 336 06	cover for cushion sports seat	/R	1	IN5U/9AH I4A0/4A3
	PCA	sand beige					PCA	sand beige			
	PCB	steel grey					PCB	steel grey			
	PCC	black					PCC	black			
(4)	955 522 324 06	cover for cushion comfort seat	/R	1	IN7D/4A0 I4A3/9AB/9AD	(4)	955 522 336 08	cover for cushion sports seat	/R	1	IN1P/4A0/4A3 I9AB/9AD
	PCA	sand beige					WAG	chestnut brown			
	PCB	steel grey				(4)	955 522 338 08	cover for cushion sports seat	/R	1	IN1P/4A0/4A3 I9AH
	PCC	black					WAG	chestnut brown			
(4)	955 522 304 06	cover for cushion comfort seat	/R	1	IN1X/4A4/9AH	(4)	955 522 314 06	cover for cushion sports seat	/R	1	IN5U/Q1D/4A4 I9AB/9AD
	PBW	sand beige					PCA	sand beige			
	PBX	steel grey					PCB	steel grey			
	PBY	black					PCC	black			
(4)	955 522 308 02	cover for cushion comfort seat	/R	1	IN1P/4A4 I9AB/9AD	(4)	955 522 316 06	cover for cushion sports seat	/R	1	IN5U/4A4/9AH
	WAG	chestnut brown					PCA	sand beige			
(4)	955 522 308 03	cover for cushion comfort seat	/R	1	IN1P/4A4/9AH		PCB	steel grey			
	WAG	chestnut brown					PCC	black			
(4)	955 522 308 04	cover for cushion comfort seat	/R	1	IN5Y/4A4 I9AB/9AD	(4)	955 522 334 08	cover for cushion sports seat	/R	1	IN1P/Q1D/4A4 I9AB/9AD
	WAG	chestnut brown					WAG	chestnut brown			
(4)	955 522 308 09	cover for cushion comfort seat	/R	1	IN5Y/4A4/9AH	(4)	955 522 316 07	cover for cushion sports seat	/R	1	IN1P/Q1D/4A4 I9AH
	WAG	chestnut brown					WAG	chestnut brown			
(4)	955 522 338 06	cover for cushion sports seat	/R	1	IN5U/4A0/4A3 I9AB/9AD	5	955 522 382 05	seat frame rear	/R	1	IQA0/9AB/9AD
	PCA	sand beige				(5)	955 522 382 06	seat frame rear	/R	1	IQA0/9AH
	PCB	steel grey				6	955 522 385 03	seat frame rear	/L	1	IQA0
	PCC	black									

Model	Year	MG	SG	Illustration	Restrictions	UPD	15:05	21.01.2010	PORSCHE	PET	PORSCHE
9PA1	2010	8	17	817-40		247					

Pos	Part Number	Description	Remark	Qty	Model	Pos	Part Number	Description	Remark	Qty	Model
7	955 522 399 01	cap hook		4							
8	N 910 260 03	screw mount seat frame body in white		8	I3NW						
9	955 653 043 00	heating element seat side bolster rear	/L	1	IQ2J/4A4						
(9)	955 653 043 01	heating element seat side bolster rear	/L	1	IQ1D/4A4						
(9)	955 653 043 02	heating element seat side bolster rear	/L	08-	1	IQ1J/4A4					
(9)	955 653 044 00	heating element seat side bolster rear	/R	1	IQ2J/4A4						
(9)	955 653 044 01	heating element seat side bolster rear	/R	1	IQ1D/4A4						
(9)	955 653 044 02	heating element seat side bolster rear	/R	1	IQ1J/4A4						

Model	Year	MG	SG	Illustration	Restrictions	UPD	15:05	21.01.2010	PORSCHE	PET	PORSCHE
9PA1	2010	8	17	817-42		247					



Pos	Part Number	Description	Remark	Qty	Model
1	955 522 055 08	seat rear plastic material seat frame foam part seat cushion	/L	1	IQ1D
(1)	955 522 057 00	foam part seat cushion sports seat	/L 08-	1	IQ1J
(1)	955 522 161 08	foam part seat cushion	/L	1	IQ2J
2	955 522 164 08	foam part seat cushion	/R	1	IQ2J
(2)	955 522 040 08	foam part seat cushion	/R	1	IQ1D
(2)	955 522 044 00	foam part seat cushion sports seat	/R 08-	1	IQ1J
(3)	955 522 317 09	cover for cushion comfort seat PBW sand beige/sand beige PBX steel grey/steel grey PBY black/black	/L	1	IN1X/Q2J/4A0 I4A3
(3)	955 522 303 11	cover for cushion comfort seat PBW sand beige/sand beige PBX steel grey/steel grey PBY black/black	/L	1	IN7F/Q2J/4A0 I4A3
(3)	955 522 315 09	cover for cushion comfort seat PCA sand beige/sand beige PCB steel grey/steel grey PCC black/black	/L	1	IN5U/Q2J/4A0 I4A3

Model	Year	MG	SG	Illustration	Restrictions	UPD	15:05	21.01.2010	PORSCHE	PET	PORSCHE
9PA1	2010	8	17	817-42		247					

Pos	Part Number	Description	Remark	Qty	Model	Pos	Part Number	Description	Remark	Qty	Model	
(3)	955 522 311 09	cover for cushion comfort seat PCA sand beige/sand beige PCB steel grey/steel grey PCC black/black	/L	1	IN7D/Q2J/4A0 I4A3	(3)	955 522 303 13	cover for cushion comfort seat WAG chestnut brown	/L	1	IN1P/Q2J/4A4	
(3)	955 522 301 10	cover for cushion comfort seat WAG chestnut brown/	/L	1	IN1P/Q2J/4A0 I4A3	(3)	955 522 303 15	cover for cushion comfort seat WAG chestnut brown	/L	1	IN5Y/Q2J/4A4	
(3)	955 522 303 14	cover for cushion comfort seat WAG chestnut brown/	/L	1	IN5Y/Q2J/4A0 I4A3	(3)	955 522 309 14	cover for cushion sports seat WAG chestnut brown	/L	1	IN1P/Q1D/4A0 I4A3	
(3)	955 522 305 09	cover for cushion comfort seat PBW sand beige/sand beige PBX steel grey/steel grey PBY black/black	/L	1	IN7F/Q2J/4A4	(3)	955 522 319 09	cover for cushion sports seat without heating PCA sand beige/sand beige PCB steel grey/steel grey PCC black/black	/L	1	IN5U/Q1D/4A0 I4A3	
(3)	955 522 313 09	cover for cushion comfort seat PCA sand beige/sand beige PCB steel grey/steel grey PCC black/black	/L	1	IN7D/Q2J/4A4	(3)	955 522 307 10	cover for cushion sports seat PCA sand beige/sand beige PCB steel grey/steel grey PCC black/black	/L	1	IN5U/Q1D/4A4	
(3)	955 522 309 11	cover for cushion comfort seat PCA sand beige/sand beige PCB steel grey/steel grey PCC black/black	/L	1	IN5U/Q2J/4A4	(3)	955 522 329 11	cover for cushion sports seat WAG chestnut brown	/L	1	IN1P/Q1D/4A4	
(3)	955 522 301 11	cover for cushion comfort seat PBW sand beige/sand beige PBX steel grey/steel grey PBY black/black	/L	1	IN1X/Q2J/4A4	(3)	955 522 327 01	cover for cushion sports seat alcantara XKR black XKS sand beige XKT steel grey	/L	08-	1	IN2S/Q1J I4A0/4A3
						(3)	955 522 329 13	cover for cushion sports seat alcantara with heating	/L	08-	1	IN2S/Q1J/4A4

Model	Year	MG	SG	Illustration	Restrictions	UPD	15:05	21.01.2010	PORSCHE	PET	PORSCHE
9PA1	2010	8	17	817-42		247					

Pos	Part Number	Description	Remark	Qty	Model	Pos	Part Number	Description	Remark	Qty	Model
4	955 522 334 10	XKR black	/R	1	IN1X/Q2J/4A0 I4A3 I9AB/9AD	(4)	955 522 332 09	cover for cushion	/R	1	IN5U/Q2J/4A0 I4A3 I9AB/9AD
		comfort seat									
		PCA sand beige/sand beige									
(4)	955 522 302 09	PBW sand beige/sand beige	/R	1	IN1X/Q2J/4A0 I4A3 I9AH	(4)	955 522 320 09	cover for cushion	/R	1	IN5U/Q2J/4A0 I4A3 I9AH
		comfort seat									
		PCA sand beige/sand beige									
(4)	955 522 306 09	PBX steel grey/steel grey	/R	1	IN7F/Q2J/4A0 I4A3 I9AB/9AD	(4)	955 522 328 09	cover for cushion	/R	1	IN7D/Q2J/4A0 I4A3/9AH
		comfort seat									
		PCA sand beige/sand beige									
(4)	955 522 310 09	PBY black/black	/R	1	IN7F/Q2J/4A0 I4A3/9AH	(4)	955 522 302 11	cover for cushion	/R	1	IN1P/Q2J/4A0 I4A3 I9AB/9AD
		comfort seat									
		WAG chestnut brown/									
(4)	955 522 312 09	PBW sand beige/sand beige	/R	1	IN7F/Q2J/4A0 I4A3/9AH	(4)	955 522 304 11	cover for cushion	/R	1	IN1P/Q2J/4A0 I4A3 I9AH
		comfort seat									
		WAG chestnut brown/									
(4)	955 522 304 12	PBX steel grey/steel grey	/R	1	IN7F/Q2J/4A0 I4A3/9AH	(4)	955 522 304 12	cover for cushion	/R	1	IN5Y/Q2J/4A0 I4A3 I9AB/9AD
		comfort seat									
		WAG chestnut brown/									
(4)	955 522 304 13	PBY black/black	/R	1	IN7F/Q2J/4A0 I4A3/9AH	(4)	955 522 304 13	cover for cushion	/R	1	IN5Y/Q2J/4A0 I4A3 I9AH
		comfort seat									
		WAG chestnut brown/									
(4)	955 522 300 09	PBW sand beige/sand beige	/R	1	IN1X/Q2J/4A4 I9AB/9AD	(4)	955 522 300 09	cover for cushion	/R	1	IN1X/Q2J/4A4 I9AB/9AD
		comfort seat									
		PBX steel grey/steel grey						PBW sand beige/sand beige			
		PBY black/black									

Model	Year	MG	SG	Illustration	Restrictions	UPD	15:05	21.01.2010	PORSCHE	PET	PORSCHE
9PA1	2010	8	17	817-42		247					

Pos	Part Number	Description	Remark	Qty	Model	Pos	Part Number	Description	Remark	Qty	Model
		PBX steel grey/steel grey					PCB steel grey/steel grey				
		PBY black/black					PCC black/black				
(4)	955 522 308 09	cover for cushion comfort seat	/R	1	IN7F/Q2J/4A4 I9AB/9AD	(4)	955 522 304 13	cover for cushion comfort seat	/R	1	IN1X/Q2J/4A4 I9AH
		PBW sand beige/sand beige					PBW sand beige/sand beige				
		PBX steel grey/steel grey					PBX steel grey/steel grey				
		PBY black/black					PBY black/black				
(4)	955 522 326 09	cover for cushion comfort seat	/R	1	IN7D/Q2J/4A4 I9AB/9AD	(4)	955 522 308 13	cover for cushion comfort seat	/R	1	IN1P/Q2J/4A4 I9AB/9AD
		PCA sand beige/sand beige					WAG chestnut brown/				
		PCB steel grey/steel grey				(4)	955 522 308 08	cover for cushion comfort seat	/R	1	IN1P/Q2J/4A4 I9AH
		PCC black/black					WAG chestnut brown/				
(4)	955 522 330 09	cover for cushion comfort seat	/R	1	IN7D/Q2J/4A4 I9AH	(4)	955 522 308 14	cover for cushion comfort seat	/R	1	IN5Y/Q2J/4A4 I9AB/9AD
		PCA sand beige/sand beige					WAG chestnut brown/				
		PCB steel grey/steel grey				(4)	955 522 308 15	cover for cushion comfort seat	/R	1	IN5Y/Q2J/4A4 I9AH
		PCC black/black					WAG chestnut brown/				
(4)	955 522 318 09	cover for cushion comfort seat	/R	1	IN5U/Q2J/4A4 I9AB/9AD	(4)	955 522 338 10	cover for cushion sports seat		1	IN5U/Q1D/4A0 I4A3 I9AB/9AD
		PCA sand beige/sand beige					PCA sand beige/sand beige				
		PCB steel grey/steel grey					PCB steel grey/steel grey				
		PCC black/black					PCC black/black				
(4)	955 522 322 09	cover for cushion comfort seat	/R	1	IN5U/Q2J/4A4 I9AH	(4)	955 522 336 10	cover for cushion sports seat	/R	1	IN5U/Q1D/4A0 I4A3 I9AH
		PCA sand beige/sand beige					PCA sand beige/sand beige				
		PCB steel grey/steel grey					PCB steel grey/steel grey				
		PCC black/black					PCC black/black				
(4)	955 522 324 09	cover for cushion comfort seat	/R	1	IN7D/Q2J/4A0 I4A3 I9AB/9AD						
		PCA sand beige/sand beige									

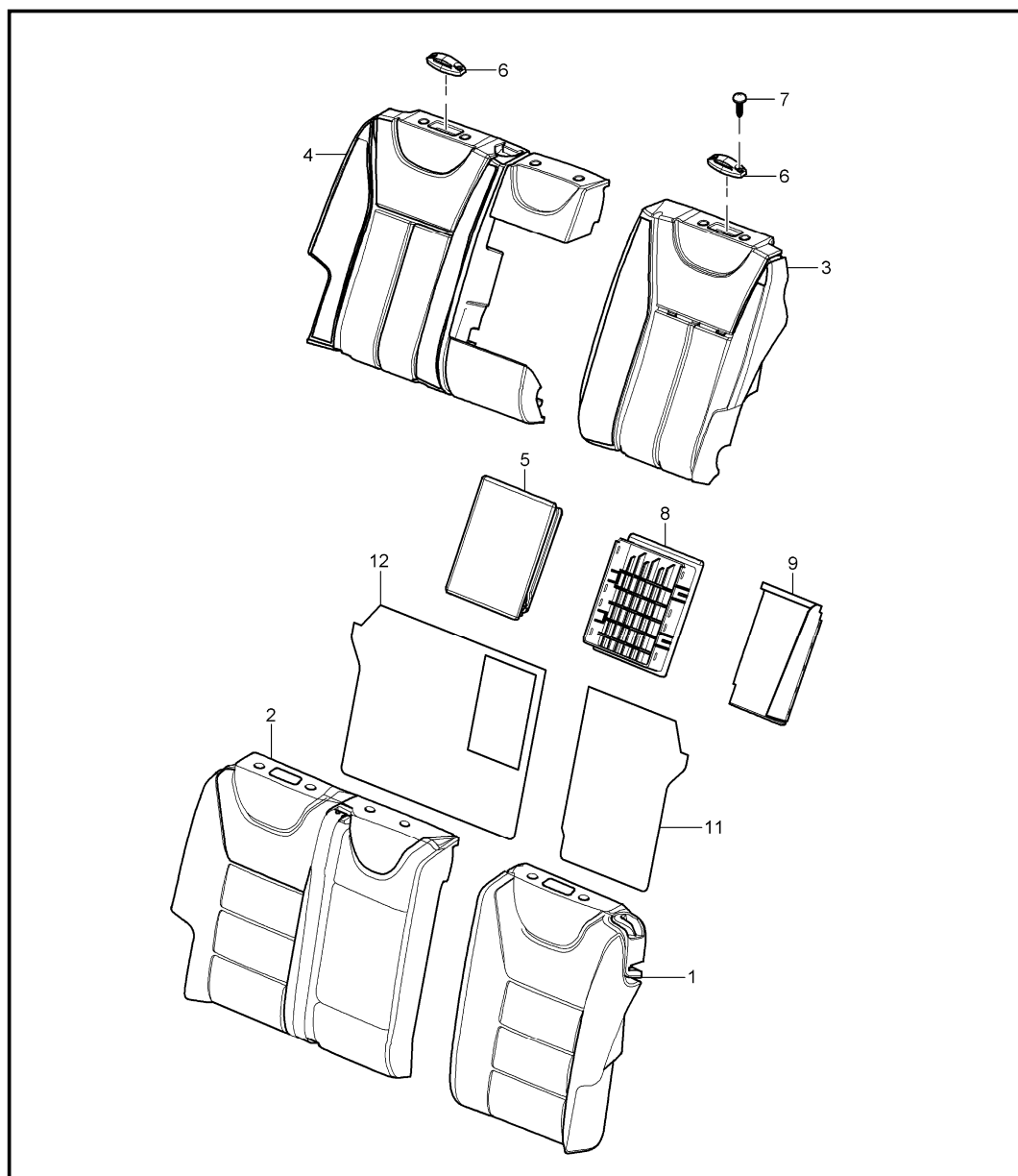
Model	Year	MG	SG	Illustration	Restrictions	UPD	15:05	21.01.2010	PORSCHE	PET	PORSCHE
9PA1	2010	8	17	817-42		247					

Pos	Part Number	Description	Remark	Qty	Model	Pos	Part Number	Description	Remark	Qty	Model
(4)	955 522 336 11	cover for cushion sports seat WAG chestnut brown/	/R	1	IN1P/Q1D/4A0 I4A3 I9AB/9AD	(4)	955 522 342 01	cover for cushion sports seat alcantara XKR black	/R 08-	1	IN2S/Q1J/4A4 I9AB/9AD
(4)	955 522 338 11	cover for cushion sports seat WAG chestnut brown/	/R	1	IN1P/Q1D/4A0 I4A3 I9AH		XKS sand beige XKT steel grey				
(4)	955 522 314 10	cover for cushion sports seat PCA sand beige/sand beige PCB steel grey/steel grey PCC black/black	/R	1	IN5U/Q1D/4A4 I9AB I9AD	(4)	955 522 344 01	cover for cushion sports seat alcantara XKR black XKS sand beige XKT steel grey	/R 08-	1	IN2S/Q1J/4A0 I4A3/9AH
(4)	955 522 316 10	cover for cushion sports seat PCA sand beige/sand beige PCB steel grey/steel grey PCC black/black	/R	1	IN5U/Q1D/4A4 I9AH	(4)	955 522 346 01	cover for cushion sports seat alcantara XKR black XKS sand beige XKT steel grey	/R 08-	1	IN2S/Q1J I4A4/9AH
(4)	955 522 334 11	cover for cushion sports seat WAG chestnut brown	/R	1	IN1P/Q1D/4A4 I9AB I9AD	5	955 522 887 00	bracket seat cushion	/L	1	IQ1J/3NW
(4)	955 522 316 12	cover for cushion sports seat WAG chestnut brown/	/R	1	IN1P/Q1D/4A4 I9AH	(5)	955 522 885 00	bracket seat cushion	/L	1	I3NW
(4)	955 522 340 01	cover for cushion sports seat alcantara XKR black XKS sand beige XKT steel grey	/R 08-	1	IN2S/Q1D/Q1J I4A0 I4A3/9AB/9AD	6	955 522 354 00	bracket seat cushion	/R	1	IQ1D/Q2J/3NW I9AB/9AD
						(6)	955 522 360 00	bracket seat cushion	/R	1	IQ1D/Q2J/3NW I9AH
						(6)	955 522 358 00	bracket seat cushion	/R	1	IQ1J/3NW/9AB I9AD
						(6)	955 522 356 00	bracket seat cushion	/R	1	IQ1J/3NW/9AH
						7	955 522 259 01	bracket plastic moulding set		1	IQ1D/Q2J
						(7)	955 522 258 00	bracket plastic moulding set	08-	1	IQ1J

Model	Year	MG	SG	Illustration	Restrictions	UPD	15:05	21.01.2010	PORSCHE	PET	PORSCHE
9PA1	2010	8	17	817-42		247					

Pos	Part Number	Description	Remark	Qty	Model	Pos	Part Number	Description	Remark	Qty	Model
8	N 910 260 03	screw mount bracket		6	I3NW						
10	955 522 830 00	guide sleeve head rest mounting	/L/R	6							
	9B9	satin black									
11	955 522 227 00	mounting hinge seat		1	I3NW						
12	955 522 229 00	retaining strap bracket back seat cushion		1	IQ1J						
13	955 653 043 00	heating element seat side bolster rear	/L	1	IQ2J/4A4						
(13)	955 653 043 01	heating element seat side bolster rear	/L	1	IQ1D/4A4						
(13)	955 653 043 02	heating element seat side bolster rear	/L	08-	1	IQ1J/4A4					
(13)	955 653 044 00	heating element seat side bolster rear	/R	1	IQ2J/4A4						
(13)	955 653 044 01	heating element seat side bolster rear	/R	1	IQ1D/4A4						
(13)	955 653 044 02	heating element seat side bolster rear	/R	1	IQ1J/4A4						

Model	Year	MG	SG	Illustration	Restrictions	UPD	15:05	21.01.2010	PORSCHE	PET	PORSCHE
9PA1	2010	8	17	817-45		247					



Pos	Part Number	Description	Remark	Qty	Model
		foam part back seat backrest cover			
1	955 522 011 02	backrest cover sports seat	/L	1	IN5U/Q1D I4A0/4A3
	PCA	sand beige			
	PCB	steel grey			
	PCC	black			
(1)	955 522 011 03	backrest cover sports seat	/L	1	IN1P/4A0/4A3
	WAG	chestnut brown			
(1)	955 522 011 04	backrest cover sports seat	/L	1	IN5U/Q1D/4A4
	PCA	sand beige			
	PCB	steel grey			
	PCC	black			
(1)	955 522 011 06	backrest cover sports seat	/L	1	IN1P/Q1D/4A4
	WAG	chestnut brown			
(1)	955 522 011 07	backrest cover comfort seat	/L	1	IN1X/4A0/4A3
	PBW	sand beige			
	PBX	steel grey			
	PBY	black			
(1)	955 522 011 08	backrest cover comfort seat	/L	1	IN7F/4A0/4A3
	PBW	sand beige			
	PBX	steel grey			
	PBY	black			
(1)	955 522 011 09	backrest cover comfort seat	/L	1	IN5U/4A0/4A3
	PCA	sand beige			
	PCB	steel grey			

Model	Year	MG	SG	Illustration	Restrictions	UPD	15:05	21.01.2010	PORSCHE	PET	PORSCHE
9PA1	2010	8	17	817-45		247					

Pos	Part Number	Description	Remark	Qty	Model	Pos	Part Number	Description	Remark	Qty	Model
(1)	955 522 013 02	PCC black backrest cover comfort seat	/L	1	IN7D/4A0/4A3	(1)	955 522 015 02	backrest cover comfort seat	/L	1	IN1P/4A4
		PCA sand beige				(1)	955 522 015 03	backrest cover comfort seat	/L	1	IN5Y/4A4
		PCB steel grey						WAG chestnut brown			
(1)	955 522 013 03	PCC black backrest cover comfort seat	/L	1	IN1P/4A0/4A3	(1)	955 522 014 10	backrest cover sports seat	/L	08-	1 IN2S/Q1J I4A0/4A3
		WAG chestnut brown						XKR black			
(1)	955 522 013 04	backrest cover comfort seat	/L	1	IN5Y/4A0/4A3			XKS sand beige			
		WAG chestnut brown				(1)	955 522 014 12	backrest cover sports seat	/L	08-	1 IN2S/Q1J/4A4 IE0W
(1)	955 522 013 06	backrest cover comfort seat	/L	1	IN1X/4A4			XKR black			
		PBW sand beige						XKS sand beige			
		PBX steel grey						XKT steel grey			
(1)	955 522 013 07	PBY black backrest cover comfort seat	/L	1	IN7F/4A4	2	955 522 016 02	backrest cover sports seat	/R	1	IN5U/4A0/4A3
		PBW sand beige						PCA sand beige			
		PBX steel grey						PCB steel grey			
		PBY black				(2)	955 522 016 04	backrest cover sports seat	/R	1	IN1P/4A0/4A3
(1)	955 522 013 08	backrest cover comfort seat	/L	1	IN5U/4A4			WAG chestnut brown			
		PCA sand beige				(2)	955 522 016 06	backrest cover sports seat	/R	1	IN5U/Q1D/4A4
		PCB steel grey						PCA sand beige			
		PCC black						PCB steel grey			
(1)	955 522 013 09	backrest cover comfort seat	/L	1	IN7D/4A4			PCC black			
		PCA sand beige				(2)	955 522 016 08	backrest cover sports seat	/R	1	IN1P/Q1D/4A4
		PCB steel grey						WAG chestnut brown			
		PCC black									

Model	Year	MG	SG	Illustration	Restrictions	UPD	15:05	21.01.2010	PORSCHE	PET	PORSCHE
9PA1	2010	8	17	817-45		247					

Pos	Part Number	Description	Remark	Qty	Model	Pos	Part Number	Description	Remark	Qty	Model
(2)	955 522 018 02	backrest cover comfort seat	/R	1	IN1X/4A0/4A3		PCA	sand beige			
	PBW	sand beige					PCB	steel grey			
	PBX	steel grey					PCC	black			
	PBY	black				(2)	955 522 022 02	backrest cover comfort seat	/R	1	IN5U/Q2J/4A4
(2)	955 522 018 04	backrest cover comfort seat	/R	1	IN7F/4A0/4A3		PCA	sand beige			
	PBW	sand beige					PCB	steel grey			
	PBX	steel grey					PCC	black			
	PBY	black				(2)	955 522 022 04	backrest cover comfort seat	/R	1	IN1X/Q2J/4A4
(2)	955 522 018 06	backrest cover comfort seat	/R	1	IN5U/4A0/4A3		PBW	sand beige			
	PCA	sand beige					PBX	steel grey			
	PCB	steel grey					PBY	black			
	PCC	black				(2)	955 522 022 06	backrest cover comfort seat	/R	1	IN1P/Q2J/4A4
(2)	955 522 018 08	backrest cover comfort seat	/R	1	IN7D/4A0/4A3		WAG	chestnut brown			
	PCA	sand beige				(2)	955 522 022 08	backrest cover comfort seat	/R	1	IN5Y/Q2J/4A4
	PCB	steel grey					WAG	chestnut brown			
	PCC	black				(2)	955 522 024 10	backrest cover sports seat	/R	08-	1 IN2S/Q1J I4A0/4A3
(2)	955 522 020 02	backrest cover comfort seat	/R	1	IN1P/4A0/4A3		XKR	black			
	WAG	chestnut brown					XKS	sand beige			
(2)	955 522 020 04	backrest cover comfort seat	/R	1	IN5Y/4A0/4A3		XKT	steel grey			
	WAG	chestnut brown				(2)	955 522 024 14	backrest cover sports seat	/R	08-	1 IN2S/Q1J/4A4 IE0W
(2)	955 522 020 06	backrest cover comfort seat	/R	1	IN7F/Q2J/4A4		XKR	black			
	PBW	sand beige					XKS	sand beige			
	PBX	steel grey					XKT	steel grey			
	PBY	black				3	955 522 075 02	foam part backrest	/L	1	IQ2J
(2)	955 522 020 08	backrest cover comfort seat	/R	1	IN7D/Q2J/4A4	(3)	955 522 077 07	foam part backrest	/L	1	IQ1D

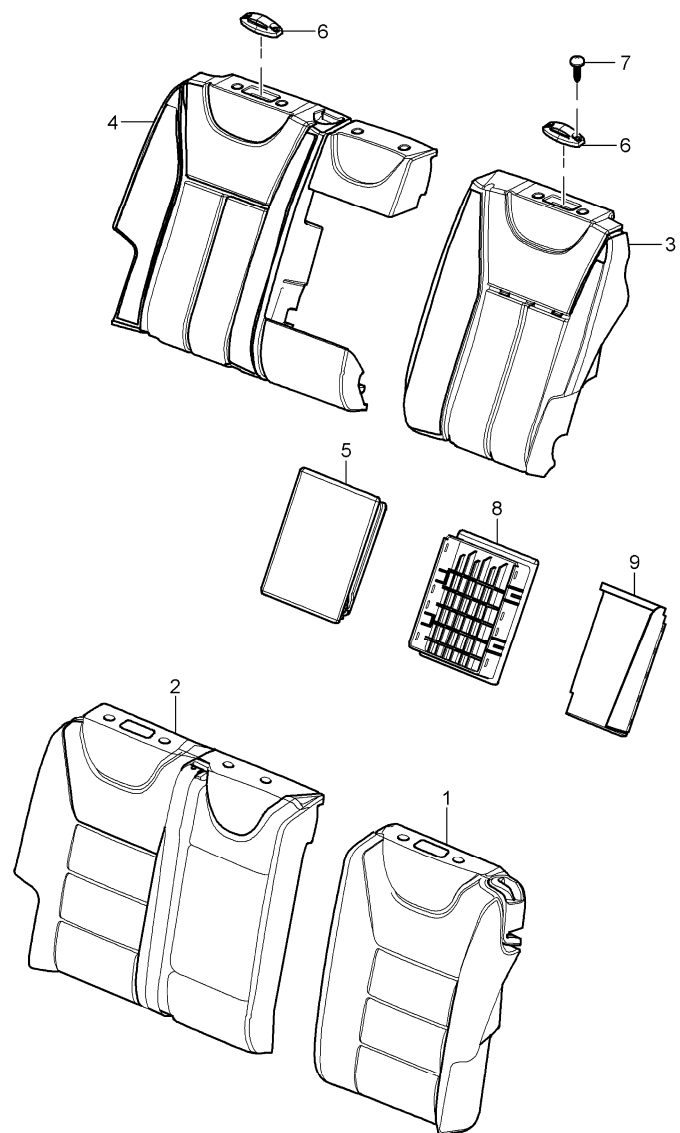
Model	Year	MG	SG	Illustration	Restrictions	UPD	15:05	21.01.2010	PORSCHE	PET	PORSCHE
9PA1	2010	8	17	817-45		247					

Pos	Part Number	Description	Remark	Qty	Model	Pos	Part Number	Description	Remark	Qty	Model	
4	955 522 076 07	foam part backrest	/R	1	IQ2J		K40	chestnut brown				
(4)	955 522 078 07	foam part backrest	/R	1	IQ1D		6C6	sand beige				
5	955 522 090 02	armrest centre back seat backrest		1	IN1X/N7F		7A8	steel grey				
	A08	black				7	N 106 573 02	satin black				
	T25	sand beige						lens-head screw mount support		2	I3NW	
	6E1	steel grey				8	955 522 088 00	lid without ski bag		1	I3NW/3X0	
(5)	955 522 091 02	armrest centre back seat backrest		1	IN5U/N7D	9	955 522 089 00	cover without ski bag	07-	1	I3NW/3X0	
	6B7	steel grey					K40	chestnut brown				
	8G1	sand beige					7AB	steel grey				
	8YR	black				10	955 653 041 00	heating element backrest side bolster rear	/L	1	IQ2J/4A4	
(5)	955 522 092 09	armrest centre back seat backrest		1	IN1P/N5Y	(10)	955 653 041 01	heating element backrest side bolster rear	/L	1	IQ1D/4A4	
	J69	chestnut brown				(10)	955 653 041 02	heating element backrest side bolster rear	/L	08-	1	IQ1J/4A4
6	955 522 080 01	support back seat backrest		-07	1	(10)	955 653 042 00	heating element backrest side bolster rear	/R	1	IQ2J/4A4	
	K40	chestnut brown				(10)	955 653 042 01	heating element backrest side bolster rear	/R	1	IQ1D/4A4	
	6C6	sand beige				(10)	955 653 042 02	heating element backrest side bolster rear	/R	08-	1	IQ1J/4A4
	7A8	steel grey				11	955 522 041 00	back wall lining without ski bag tufting velour	/L	1	I3ME/3X0	
	9B9	satin black					AV1	chestnut brown				
(6)	955 522 080 02	support back seat backrest	08-	1	IQ1D/Q2J		7H1	black				
	K40	chestnut brown										
	6C6	sand beige										
	7A8	steel grey										
	9B9	satin black										
(6)	955 522 080 03	support back seat backrest	08-	1	IQ1J							

Model	Year	MG	SG	Illustration	Restrictions	UPD	15:05	21.01.2010	PORSCHE	PET	PORSCHE
9PA1	2010	8	17	817-45		247					

Pos	Part Number	Description	Remark	Qty	Model	Pos	Part Number	Description	Remark	Qty	Model
(11)	955 522 043 00	7J2 steel grey 7K3 sand beige back wall lining pearl velour	/L	1	I3MT	(12)	955 522 048 01	back wall lining pearl velour without ski bag	/R	1	I3MT/3X0
		L63 chestnut brown					L63	chestnut brown			
		8B2 black					8B2	black			
		8C3 steel grey					8C3	steel grey			
		8D4 sand beige					8D4	sand beige			
(12)	955 522 038 00	back wall lining tufting velour with ski bag	/R	1	I3ME/3X1						
		AV1 chestnut brown									
		7H1 black									
		7J2 steel grey									
		7K3 sand beige									
(12)	955 522 044 01	back wall lining pearl velour with ski bag	/R	1	I3MT/3X1						
		L63 chestnut brown									
		8B2 black									
		8C3 steel grey									
		8D4 sand beige									
(12)	955 522 046 01	back wall lining tufting velour without ski bag	/R	1	I3ME/3X0						
		AV1 chestnut brown									
		7H1 black									
		7J2 steel grey									
		7K3 sand beige									

Model	Year	MG	SG	Illustration	Restrictions	UPD	15:05	21.01.2010	PORSCHE	PET	PORSCHE
9PA1	2010	8	17	817-47		247					



Pos	Part Number	Description	Remark	Qty	Model
(1)	955 522 011 07	backrest cover with plastic material seat frame cover foam part backrest cover comfort seat PBW sand beige/sand beige PBX steel grey/steel grey PBY black/black	/L	1	IN1X/4A0/4A3
(1)	955 522 011 08	backrest cover comfort seat PBW sand beige/sand beige PBX steel grey/steel grey PBY black/black	/L	1	IN7F/4A0/4A3
(1)	955 522 011 09	backrest cover comfort seat PCA sand beige/sand beige PCB steel grey/steel grey PCC black/black	/L	1	IN5U/4A0/4A3
(1)	955 522 013 02	backrest cover comfort seat PCA sand beige/sand beige PCB steel grey/steel grey PCC black/black	/L	1	IN7D/4A0/4A3
(1)	955 522 013 03	backrest cover comfort seat WAG chestnut brown	/L	1	IN1P/4A0/4A3
(1)	955 522 013 04	backrest cover comfort seat WAG chestnut brown	/L	1	IN5Y/4A0/4A3
(1)	955 522 013 10	backrest cover comfort seat PBW sand beige/sand beige	/L	1	IN1X/4A4

Model	Year	MG	SG	Illustration	Restrictions	UPD	15:05	21.01.2010	PORSCHE	PET	PORSCHE
9PA1	2010	8	17	817-47		247					

Pos	Part Number	Description	Remark	Qty	Model	Pos	Part Number	Description	Remark	Qty	Model
		PBX steel grey/steel grey						PCA sand beige/sand beige			
		PBY black/black						PCB steel grey/steel grey			
(1)	955 522 013 11	backrest cover comfort seat	/L	1	IN7F/4A4	(1)	955 522 011 03	backrest cover sports seat	/L	1	IN1P/4A0/4A3
		PBW sand beige/sand beige						WAG chestnut brown			
		PBX steel grey/steel grey				2	955 522 022 10	backrest cover comfort seat	/R	1	IN1X/4A4
		PBY black/black						PBW sand beige/sand beige			
(1)	955 522 013 12	backrest cover comfort seat	/L	1	IN5U/4A4			PBX steel grey/steel grey			
		PCA sand beige/sand beige						PBY black/black			
		PCB steel grey/steel grey				(2)	955 522 020 10	backrest cover comfort seat	/R	1	IN7F/4A4
		PCC black/black						PBW sand beige/sand beige			
(1)	955 522 013 13	backrest cover comfort seat	/L	1	IN7D/4A4			PBX steel grey/steel grey			
		PCA sand beige/sand beige						PBY black/black			
		PCB steel grey/steel grey				(2)	955 522 022 12	backrest cover comfort seat	/R	1	IN5U/4A4
		PCC black/black						PCA sand beige/sand beige			
(1)	955 522 015 04	backrest cover comfort seat	/L	1	IN1P/4A4			PCB steel grey/steel grey			
		WAG chestnut brown						PCC black/black			
(1)	955 522 015 07	backrest cover comfort seat	/L	1	IN5Y/4A4	(2)	955 522 020 12	backrest cover comfort seat	/R	1	IN7D/4A4
		WAG chestnut brown						PCA sand beige/sand beige			
(1)	955 522 011 12	backrest cover sports seat	/L	1	IN5U/4A4			PCB steel grey/steel grey			
		PCA sand beige/sand beige						PCC black/black			
		PCB steel grey/steel grey				(2)	955 522 022 14	backrest cover comfort seat	/R	1	IN1P/4A4
		PCC black/black						WAG chestnut brown			
(1)	955 522 011 14	backrest cover sports seat	/L	1	IN1P/4A4	(2)	955 522 022 16	backrest cover comfort seat	/R	1	IN5Y/4A4
		WAG chestnut brown						WAG chestnut brown			
(1)	955 522 011 02	backrest cover sports seat	/L	1	IN5U/4A0/4A3						

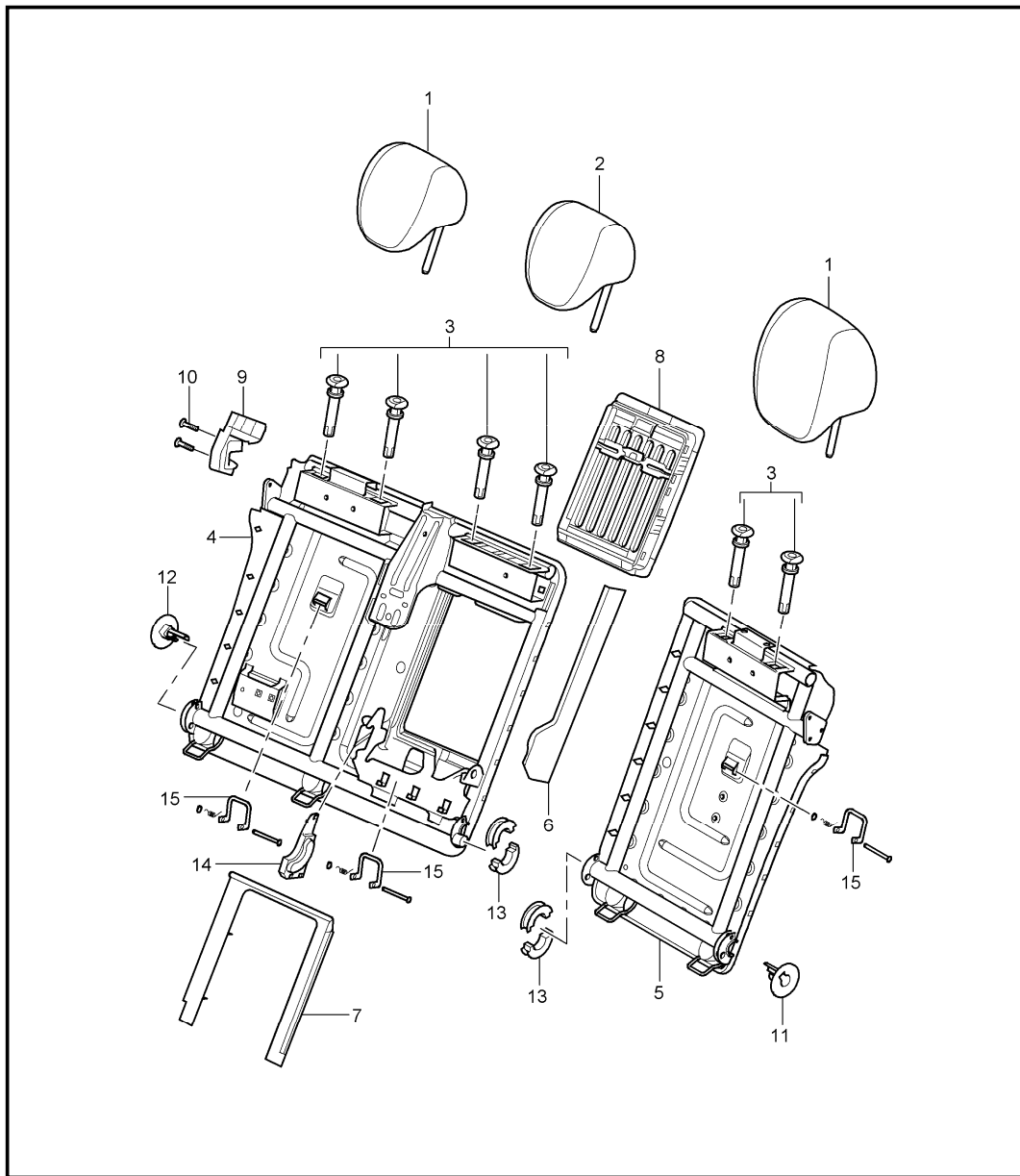
Model	Year	MG	SG	Illustration	Restrictions	UPD	15:05	21.01.2010	PORSCHE	PET	PORSCHE
9PA1	2010	8	17	817-47		247					

Pos	Part Number	Description	Remark	Qty	Model	Pos	Part Number	Description	Remark	Qty	Model
(2)	955 522 018 02	backrest cover comfort seat	/R	1	IN1X/4A0/4A3		WAG	chestnut brown			
	PBW	sand beige/sand beige				(2)	955 522 016 10	backrest cover sports seat	/R	1	IN1P/4A4
	PBX	steel grey/steel grey					PCA	sand beige/sand beige			
	PBY	black/black					PCB	steel grey/steel grey			
(2)	955 522 018 04	backrest cover comfort seat	/R	1	IN7F/4A0/4A3		PCC	black/black			
	PBW	sand beige/sand beige				(2)	955 522 016 12	backrest cover sports seat	/R	1	IN1P/4A4
	PBX	steel grey/steel grey					WAG	chestnut brown			
	PBY	black/black				3	955 522 075 02	foam part backrest comfort seat	/L	1	
(2)	955 522 018 06	backrest cover comfort seat	/R	1	IN5U/4A0/4A3	(3)	955 522 077 07	foam part backrest sports seat	/L	1	
	PCA	sand beige/sand beige				(3)	955 522 079 00	foam part backrest sports seat	/L	08-	1 IQ1J
	PCB	steel grey/steel grey				4	955 522 076 07	foam part backrest comfort seat	/R	1	
	PCC	black/black				(4)	955 522 078 07	foam part backrest sports seat	/R	1	
(2)	955 522 018 08	backrest cover comfort seat	/R	1	IN7D/4A0/4A3	(4)	955 522 080 00	foam part backrest sports seat	/R	08-	1 IQ1J
	PCA	sand beige/sand beige				5	955 522 090 03	armrest centre back seat backrest		1	IN1X/N7F
	PCB	steel grey/steel grey					A08	black			
	PCC	black/black					T25	sand beige			
(2)	955 522 020 02	backrest cover comfort seat	/R	1	IN1P/4A0/4A3		6E1	steel grey			
	WAG	chestnut brown				(5)	955 522 091 03	armrest centre back seat backrest		1	IN2S/N5U/N7D
(2)	955 522 020 04	backrest cover comfort seat	/R	1	IN5Y/4A0/4A3		6B7	steel grey			
	WAG	chestnut brown					8G1	sand beige			
(2)	955 522 016 02	backrest cover sports seat	/R	1	IN5U/4A0/4A3						
	PCA	sand beige/sand beige									
	PCB	steel grey/steel grey									
	PCC	black/black									
(2)	955 522 016 04	backrest cover sports seat	/R	1	IN1P/4A0/4A3						

Model	Year	MG	SG	Illustration	Restrictions	UPD	15:05	21.01.2010	PORSCHE	PET	PORSCHE
9PA1	2010	8	17	817-47		247					

Pos	Part Number	Description	Remark	Qty	Model	Pos	Part Number	Description	Remark	Qty	Model
	8YR	black				(10)	955 653 041 02	heating element backrest side bolster rear	/L 08-	1	IQ1J/4A4
(5)	955 522 092 09	armrest centre back seat backrest		1	IN1P/N5Y	(10)	955 653 042 00	heating element backrest side bolster rear	/R	1	IQ2J/4A4
	J69	chestnut brown									
6	955 522 080 02	support back seat backrest		2	IQ1D/Q2J	(10)	955 653 042 01	heating element backrest side bolster rear	/R	1	IQ1D/4A4
	K40	chestnut brown				(10)	955 653 042 02	heating element backrest side bolster rear	/R 08-	1	IQ1J/4A4
	7A8	steel grey									
	6C6	sand beige									
	9B9	satin black									
(6)	955 522 080 03	support back seat backrest		2	IQ1J						
	K40	chestnut brown									
	7A8	steel grey									
	6C6	sand beige									
	9B9	satin black									
7	N 106 573 02	lens-head screw mount support		2	I3NW						
8	955 522 088 00	lid without ski bag		1							
9	955 522 089 00	cover without ski bag		1	I3NW/3X0						
	K40	chestnut brown									
	7A8	steel grey									
	6C6	sand beige									
10	955 653 041 00	heating element backrest side bolster rear	/L	1	IQ2J/4A4						
(10)	955 653 041 01	heating element backrest side bolster rear	/L	1	IQ1D/4A4						

Model	Year	MG	SG	Illustration	Restrictions	UPD	15:06	21.01.2010	PORSCHE	PET	PORSCHE
9PA1	2010	8	17	817-50		247					



Pos	Part Number	Description	Remark	Qty	Model
1	955 522 811 06	head rest accessories backrest frame ski bag	/L	1	IN1X/N7F
	SXG	black			
	SXH	steel grey			
	SXJ	sand beige			
(1)	955 522 812 07	head rest	/L	1	IN1P/N5Y
	WAG	chestnut brown			
(1)	955 522 813 06	head rest	/L	1	IN1M/N2S/N5U IN7D
	SXL	black			
	SXM	steel grey			
	SXN	sand beige			
(1)	955 522 814 06	head rest	/R	1	IN1M/N2S/N5U IN7D
	SXL	black			
	SXM	steel grey			
	SXN	sand beige			
(1)	955 522 812 06	head rest	/R	1	IN1X/N7F
	SXG	black			
	SXH	steel grey			
	SXJ	sand beige			
(1)	955 522 800 07	head rest	/R	1	IN1P/N5Y
	WAG	chestnut brown			
2	955 522 818 05	head rest centre		1	IN5U/N7D/Q1D IQ2J
	SXL	black			
	SXM	steel grey			
	SXN	sand beige			

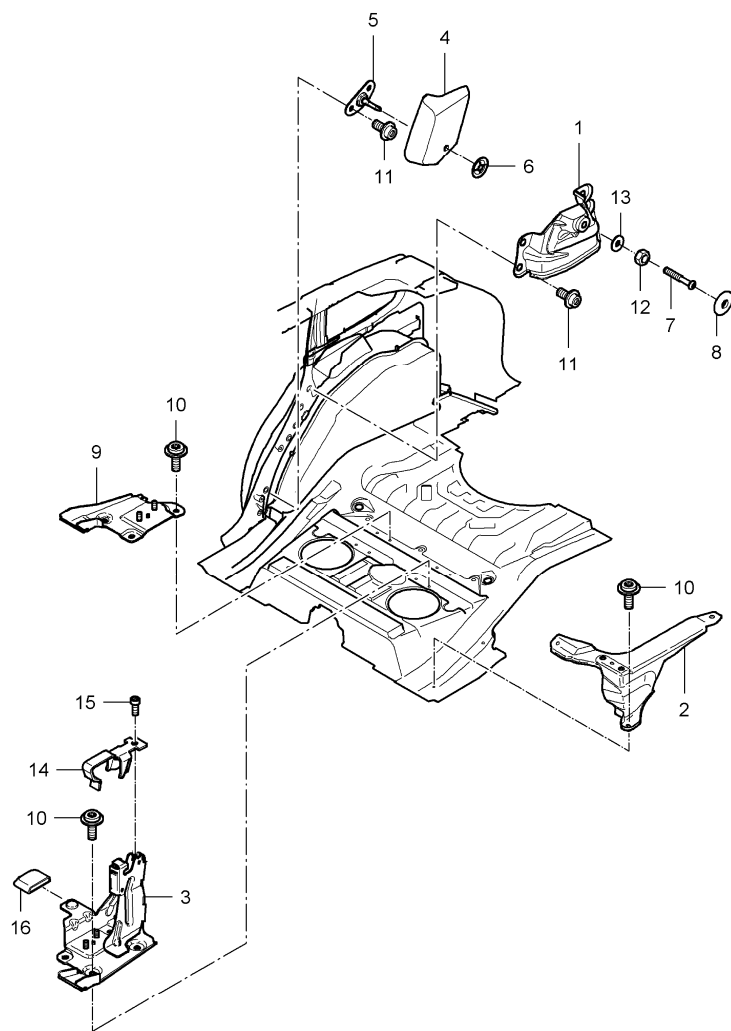
Model	Year	MG	SG	Illustration	Restrictions	UPD	15:06	21.01.2010	PORSCHE	PET	PORSCHE
9PA1	2010	8	17	817-50		247					

Pos	Part Number	Description	Remark	Qty	Model	Pos	Part Number	Description	Remark	Qty	Model
(2)	955 522 816 00	head rest centre		1	IN1M/N2S/Q1J	5	955 522 877 01	backrest frame bodyshell	/L	1	
	SXL	black				6	955 522 943 01	cover armrest back seat backrest		1	
	SXM	steel grey					01C	satin black			
	SXN	sand beige					6C6	sand beige			
(2)	955 522 801 07	head rest centre back seat backrest		1	IN1P/N5Y/Q1D IQ2J		7A8	steel grey			
	WAG	chestnut brown					K40	chestnut brown			
(2)	955 522 817 00	head rest centre back seat backrest		1	IN1P/Q1J	7	955 522 950 01	frame ski bag		1	
	WAG	chestnut brown					01C	satin black			
(2)	955 522 819 05	head rest centre		1	IN1X/N7F/Q1D IQ2J		6C6	sand beige			
	SXG	black					7A8	steel grey			
	SXH	steel grey					K40	chestnut brown			
	SXJ	sand beige				8	955 522 955 01	ski bag velour		1	I3MT/3X1
	9B9	satin black					8B2	black			
3	955 521 825 00	guide sleeve head rest		1			8C3	steel grey			
	9B9	satin black					8D4	sand beige			
	6C6	sand beige					L63	chestnut brown			
	7A8	steel grey				(8)	955 522 956 01	ski bag tufting velour		1	I3ME/3X1
	K40	chestnut brown					7H1	black			
(3)	955 521 826 00	guide sleeve key head rest		1			7J2	steel grey			
	9B9	satin black					7K3	sand beige			
	6C6	sand beige					AV1	chestnut brown			
	7A8	steel grey				9 A	955 522 931 01	release back seat backrest	/L	-07	1
	K40	chestnut brown				(9)	955 522 931 02	release back seat backrest	/L	08-	1
4	955 522 875 03	backrest frame bodyshell	/R	1		(9) A	955 522 932 01	release back seat backrest	/R	-07	1

Model	Year	MG	SG	Illustration	Restrictions	UPD	15:06	21.01.2010	PORSCHE	PET	PORSCHE
9PA1	2010	8	17	817-50		247					

Pos	Part Number	Description	Remark	Qty	Model	Pos	Part Number	Description	Remark	Qty	Model
(9)	955 522 932 02	release back seat backrest	/R 08-	1							
10	N 106 101 01	countersunk-head screw mount release		2							
11	955 522 781 00	bearing sleeve backrest outer	/L	1							
12	955 522 782 00	bearing sleeve backrest outer	/R	1							
13	955 522 785 00	bearing backrest inner		1							
14	955 522 787 00	cap securing clip armrest		1	I3NW						
15	955 522 789 00	bracket rear wall		3							

Model	Year	MG	SG	Illustration	Restrictions	UPD	15:06	21.01.2010	PORSCHE	PET	PORSCHE
9PA1	2010	8	17	817-55		247					



Pos	Part Number	Description	Remark	Qty	Model
		seat support support mounting parts			
1	955 522 701 00	support	/L	1	
(1)	955 522 702 00	support back seat backrest	/R	1	
2	955 522 708 00	bracket	/L	1	I3NW
(2)	955 522 708 02	bracket	/L	1	I3NW
(2)	955 522 709 02	bracket	/R	1	I3NW
(2)	955 522 709 04	bracket bracket	/R	1	I3NW
3	955 522 712 03	support		1	I3NW
(3)	955 522 712 05	support seat Mittellager Dreierbank		-08 1	I3NW
(3)	955 522 712 06	support seat Mittellager Dreierbank		09- 1	I3NW
4	955 522 721 07	cushion side section back seat backrest	/L	1	IN1P/N5Y/Q1D IQ2J
		J69 chestnut brown			
4	955 522 727 00	cushion side section back seat backrest	/L	1	IN1P/Q1J
		J69 chestnut brown			
(4)	955 522 722 07	cushion side section back seat backrest	/R	1	IN1P/N5Y/Q1D IQ2J
		J69 chestnut brown			
(4)	955 522 728 00	cushion side section back seat backrest	/R	1	IN1P/Q1J
		J69 chestnut brown			

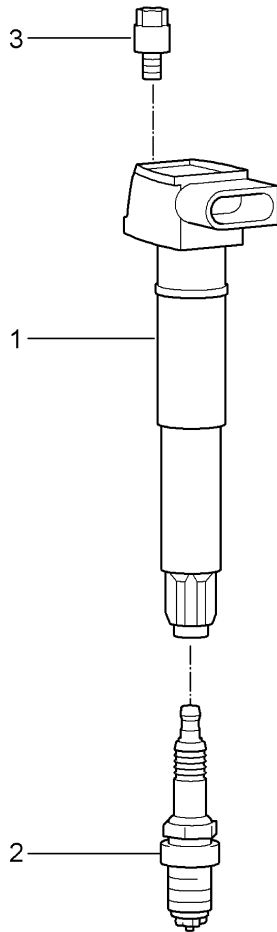
Model	Year	MG	SG	Illustration	Restrictions	UPD	15:06	21.01.2010	PORSCHE	PET	PORSCHE
9PA1	2010	8	17	817-55		247					

Pos	Part Number	Description	Remark	Qty	Model	Pos	Part Number	Description	Remark	Qty	Model
(4)	955 522 721 01	cushion lateral back seat backrest A08 black T25 sand beige 6E1 steel grey		1	IN1X/N7F/Q1D IQ2J		J69	chestnut brown			
							6B7	steel grey			
							8G1	sand beige			
							8YR	black			
						5	955 522 735 00	bearing	/L	1	I3NW
(4)	955 522 722 01	cushion lateral back seat backrest A08 black T25 sand beige 6E1 steel grey		1	IN1X/N7F/Q1D IQ2J	(5)	955 522 734 00	bearing backrest	/R	1	I3NW
						(6)	955 522 741 00	clamping washer mount padding	/L/R	2	
						7	955 522 750 00	lock pin locking device backrest	/L/R	2	
(4)	955 522 723 01	cushion lateral 6B7 steel grey 8G1 sand beige 8YR black		1	IN5U/N7D/Q1D IQ2J	8	955 522 755 01	trim cover lock pin support	/L/R	2	
						9	955 522 760 01	bracket seat-belt buckle rear		1	I3NW
(4)	955 522 724 01	cushion lateral 6B7 steel grey 8G1 sand beige 8YR black		1	IN5U/N7D/Q1D IQ2J	10	N 910 260 03	screw mount bracket		X	
						11	N 907 870 03	screw mount support		X	
(4)	955 522 725 00	cushion lateral sports seat J69 chestnut brown 6B7 steel grey 8G1 sand beige 8YR black	/L 08-	1	IN2S IN1M/Q1J	12	N 021 281 6	nut lock pin		2	I3NW
						13	N 907 771 03	washer lock pin		2	I3NW
						14	955 522 770 02	support bearing bracket		1	I3NW
(4)	955 522 726 00	cushion lateral sports seat	/R 08-	1	IN2S IN1M/Q1J	15	N 103 122 01	screw support bearing bracket		1	
						16	955 522 714 00	buffer support bearing bracket		1	

Model	Year	MG	SG	Illustration	Restrictions	UPD	15:06	21.01.2010
9PA1	2010	8	98	898-00R		247		

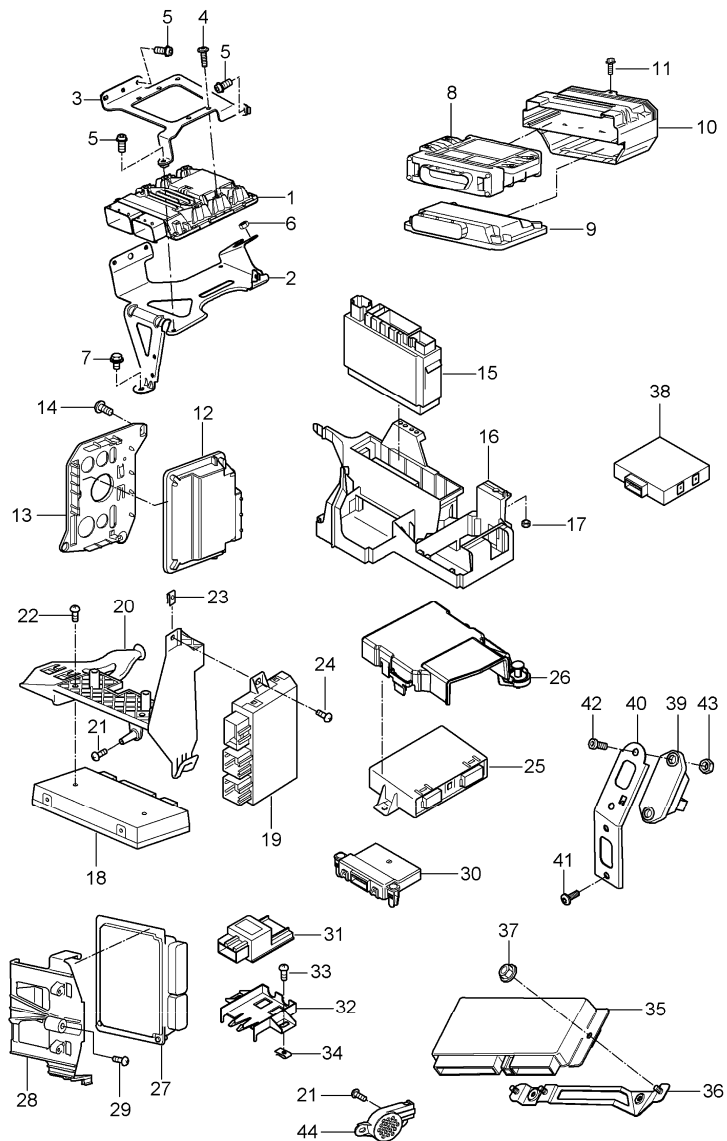
Pos	Part Number	Description	Remark	Qty	Model
		repair kits set of locks			
--	955 538 002 71	set of locks	/LL	1	I4K0/4K3 I5D1/5D9
--	955 538 002 76	set of locks	/LL	1	I4F2/4F6 I5D1/5D9
--	955 538 002 73	set of locks	/RL	1	I4K0/4K3 I5D1/5D9
--	955 538 002 78	set of locks	/RL	1	I4F2/4F6 I5D1/5D9
--	955 538 002 74	set of locks	/RL	1	I4K0/4K3/5D3
--	955 538 002 75	set of locks	/LL	1	I4K0/4K3/5D3
--	955 538 002 79	set of locks	/RL	1	I4F2/4F6/5D3
--	955 538 002 80	set of locks	/LL	1	I4F2/4F6/5D3
--	955 538 902 81	set of locks	/LL	1	ID50/4F2/4F6 I5D1/5D9
		VIN indicate			
--	955 538 902 82	set of locks	/RL	1	ID50/4F2/4F6 I5D1/5D9
		VIN indicate			

Model	Year	MG	SG	Illustration	Restrictions	UPD	15:06	21.01.2010	PORSCHE	PET	PORSCHE
9PA1	2010	9	01	901-00		247					



Pos	Part Number	Description	Remark	Qty	Model
		ignition system			
1	A 948 602 104 02	ignition coil	-08	8	M48.01 M48.51
1	948 602 104 06	ignition coil	-08	8	M48.01 M48.51
1	948 602 104 04	ignition coil	09-	8	M48.01 M48.51
(1)	955 602 101 05	ignition coil		6	ID5X
2	955 170 220 90	spark plug ILZKR7A		6	ID5X
2	955 170 320 90	Glow plug		6	ID50
(2)	999 170 122 90	spark plug FGR 5NQE0 M >> 9 05540 M >> G 9 04964		8	M48.01
(2)	999 170 130 90	spark plug FGR 5NQE M 9 05541 >> M G 9 04965 >>		8	M48.01
(2)	999 170 229 90	spark plug 14F-5MPUR03	-08	8	M48.51
(2)	999 170 228 90	spark plug FR6 NPP	09-	8	M48.51
3	948 105 145 02	screw M >> 9 05540 M >> G 9 04964		8	M48.01/51
3	948 105 146 00	screw M 9 05541 >> M G 9 04965 >>		8	M48.01/51

Model	Year	MG	SG	Illustration	Restrictions	UPD	15:06	21.01.2010	PORSCHE	PET	PORSCHE
9PA1	2010	9	01	901-03		247					



Pos	Part Number	Description	Remark	Qty	Model
1	955 618 603 00	control units control unit - dme -	-08	1	ID5X
(1)	955 618 603 01	control unit - dme -	09-	1	ID5X
(1)	955 618 603 10	control unit - dme - see technical information GR. 9 NR. 3/09 KD -NR. 2470		1	ID50/7GG
(1)	955 618 603 20	control unit - dme - see technical information GR. 9 NR. 3/09 KD - NR 2470		1	ID50/0GZ
(1)	955 618 604 01	control unit - dme -	-08	1	ID5V/D5Z
(1)	955 618 604 02	control unit - dme -	09	1	ID5V/D5Z
(1)	955 618 604 03	control unit - dme -	10-	1	ID5V/D5Z
2	955 618 233 00	support		1	ID5V/D5Z
3	955 618 234 00	support		1	ID5V/D5Z
(3)	955 618 133 02	support		1	ID5X
(3)	955 618 133 02	support		1	ID50
-	955 618 150 00	clip lateral		2	ID5X
-	955 618 151 00	clip rear		1	ID5X
4	N 105 215 03	screw M 6 X 16		5	ID5V/D5Z
5	N 102 480 03	pan-head screw M 6 X 14		4	ID5V/D5Z
6	N 015 082 9	hexagon nut M 6		2	
7	N 101 563 07	hexagon-head bolt M 6 X 12		1	

Model	Year	MG	SG	Illustration	Restrictions	UPD	15:06	21.01.2010	PORSCHE	PET	PORSCHE
9PA1	2010	9	01	901-03		247					

Pos	Part Number	Description	Remark	Qty	Model	Pos	Part Number	Description	Remark	Qty	Model
8	A 955 618 120 02	control unit automatic transmission F >>9P8LA 26516 F >>9P8LA 26515		1	ID5X/G0R	(8)	955 618 122 02	control unit automatic transmission F >>9P8LA 96403 F >>9P8LA 96436		1	ID5Z/G0R
8	955 618 120 03	control unit automatic transmission F >>9P8LA 26516 F >>9P8LA 26515		1	ID5X/G0R	(8)	955 618 122 04	control unit automatic transmission F 9P8LA 96404>> F 9P8LA 96437>>	-09	1	ID5Z/G0R
8	955 618 120 04	control unit automatic transmission F 9P8LA 26517>> F 9P8LA 26516>>	-08	1	ID5X/G0R	(8)	955 618 122 05	control unit automatic transmission	10-	1	ID5Z/G0R
8	955 618 120 05	control unit automatic transmission	09	1	ID5X/G0R	(8)	955 618 122 10	control unit automatic transmission F >>9P8LA 96403 F >>9P8LA 96436		1	IE81/G0R
8	955 618 120 06	control unit automatic transmission	10-	1	ID5X/G0R	(8)	955 618 122 11	control unit automatic transmission F 9P8LA 96404>> F 9P8LA 96437>>	-09	1	IE81/G0R
8	955 618 120 10	control unit automatic transmission	09	1	ID50/G0R	(8)	955 618 122 12	control unit automatic transmission	10-	1	IE81/G0R
8	955 618 120 11	control unit automatic transmission	10-	1	ID50/G0R	(8)	955 618 122 11	control unit automatic transmission	09	1	IE8A/G0R
(8)	955 618 121 02	control unit automatic transmission F >>9P8LA 52982 F >>9P8LA 52988		1	ID5V/G0R	(8)	955 618 122 12	control unit automatic transmission	10-	1	IE8A/G0R
(8)	955 618 121 04	control unit automatic transmission F 9P8LA 52983>> F 9P8LA 52989>>	-09	1	ID5V/G0R	9	955 618 025 01	control unit lock control lengthways	-08	1	IG0R
(8)	955 618 121 05	control unit automatic transmission	10-	1	ID5V/G0R	9	955 618 025 02	control unit lock control lengthways	09-	1	IG0R
(8)	955 618 121 10	control unit automatic transmission F >>9P8LA 73576 F >>9P8LA 73577		1	ID5V/E0W/G0R	(9)	955 618 025 21	control unit lock control lengthways	-08	1	IG0L
(8)	955 618 121 11	control unit automatic transmission F 9P8LA 73577>> F 9P8LA 73578>>	-09	1	ID5V/E0W/E2D IG0R	(9)	955 618 025 22	control unit lock control lengthways	09-	1	IG0L
(8)	955 618 121 12	control unit automatic transmission	10-	1	ID5V/E0W/E1T IE2D/G0R	10	955 618 129 01	support		1	
						11	N 101 711 05	hexagon-head bolt M 6 X 16		1	
						12	955 618 024 03	control unit lock control transverse	-08	1	I1Y1

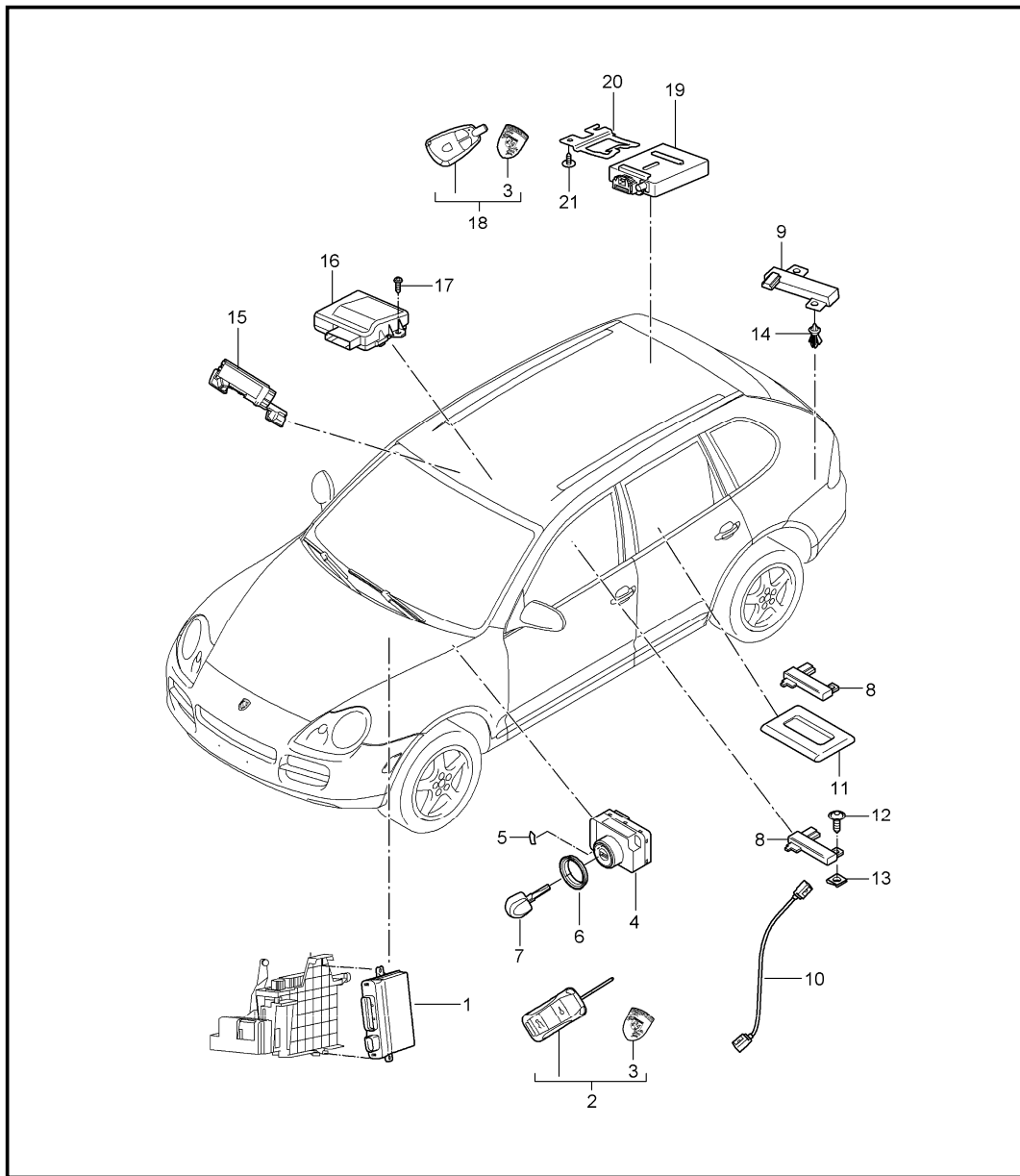
Model	Year	MG	SG	Illustration	Restrictions	UPD	15:06	21.01.2010	PORSCHE	PET	PORSCHE
9PA1	2010	9	01	901-03		247					

Pos	Part Number	Description	Remark	Qty	Model	Pos	Part Number	Description	Remark	Qty	Model
12	955 618 024 04	control unit lock control transverse	09-	1	I1Y1	27	955 618 304 01	control unit level adjustment	09-	1	I1BK
13	955 618 130 00	support		1	I1Y1	27	955 618 304 01	control unit level adjustment		1	ID50/1BK
14	N 104 734 01	oval-head screw 6 X 20		3	I1Y1	(27)	955 618 304 10	control unit level adjustment		1	IE0W/E1T/1BH I1BK
15	955 618 127 00	control unit vehicle electrical system		1	IJ0L/J0Z/J1U	28	955 618 215 00	support		1	
16	955 618 131 01	support	/LL	1		29	N 104 159 03	oval-head screw 4 X 12		2	
(16)	955 618 132 00	support	/RL	1		30	955 610 127 00	control unit gateway	-08	1	
17	N 102 058 02	hexagon nut M 6		1		30	955 610 127 01	control unit gateway	09	1	
18	955 618 059 00	control unit rear end	-08	1		30	955 610 127 02	control unit gateway	10-	1	
18	955 618 059 01	control unit rear end	09-	1		31	955 618 045 00	control unit reversing camera		1	I7X8/7X9
19	955 618 040 10	control unit trailer coupling	08	1		32	955 618 050 00	support		1	I7X8/7X9
19	955 618 040 12	control unit trailer coupling	09-	1		33	N 908 195 01	lens-head screw ST 4,8 X 13		2	I7X8/7X9
20	955 618 137 00	support		1		34	N 106 697 01	speed nut ST 4,8		2	I7X8/7X9
21	N 104 648 02	oval-head screw 4 X 12		3		35	U 955 618 068 00	control unit - PDCC -		1	I0AW/1BK
22	N 104 592 01	pan-head screw M 5 X 12		2		35	U 955 618 068 01	control unit - PDCC -		1	I0AW/1BK
23	N 904 759 03	speed nut M 5 X 13,6 X 11,5		1		35	955 618 068 02	control unit - PDCC -		1	I0AW/1BK
24	N 103 383 02	hexagon-head bolt M 5 X 12		1		35	U 955 618 068 10	control unit - PDCC -		1	IE0W/0AW/1BK
25	955 618 042 00	control unit ParkAssist	-08	1		35	955 618 068 11	control unit - PDCC -		1	IE0W/0AW/1BK
25	955 618 042 01	control unit ParkAssist	09-	1		35	955 618 068 12	control unit - PDCC -		1	IE1T/0AW/1BK
26	955 618 136 00	support		1		36	955 618 070 00	support		1	I0AW
27	955 618 304 00	control unit level adjustment	-08	1	I1BK	37	N 015 082 10	hexagon nut M 6		2	I0AW

Model	Year	MG	SG	Illustration	Restrictions	UPD	15:06	21.01.2010	PORSCHE	PET	PORSCHE
9PA1	2010	9	01	901-03		247					

Pos	Part Number	Description	Remark	Qty	Model	Pos	Part Number	Description	Remark	Qty	Model
38	955 618 080 00	control unit rear lid		1	I4E7						
-	-	support see group 8 / 03 / 07		1	I4E7						
39	955 618 082 00	acceleration sensor		1	I4E7						
40	955 618 084 00	support		1	I4E7						
41	N 905 988 04	screw M 6 x 12		2	I4E7						
42	900 119 091 02	pan-head screw M 6 X 16		2	I4E7						
43	900 084 031 02	hexagon nut M 6		2	I4E7						
44	955 641 230 00	buzzer warning function alarm siren control unit tilt sensor see group 9/03/00		1	I4E7						

Model	Year	MG	SG	Illustration	Restrictions	UPD	15:07	21.01.2010	PORSCHE	PET	PORSCHE
9PA1	2010	9	01	901-04		247					

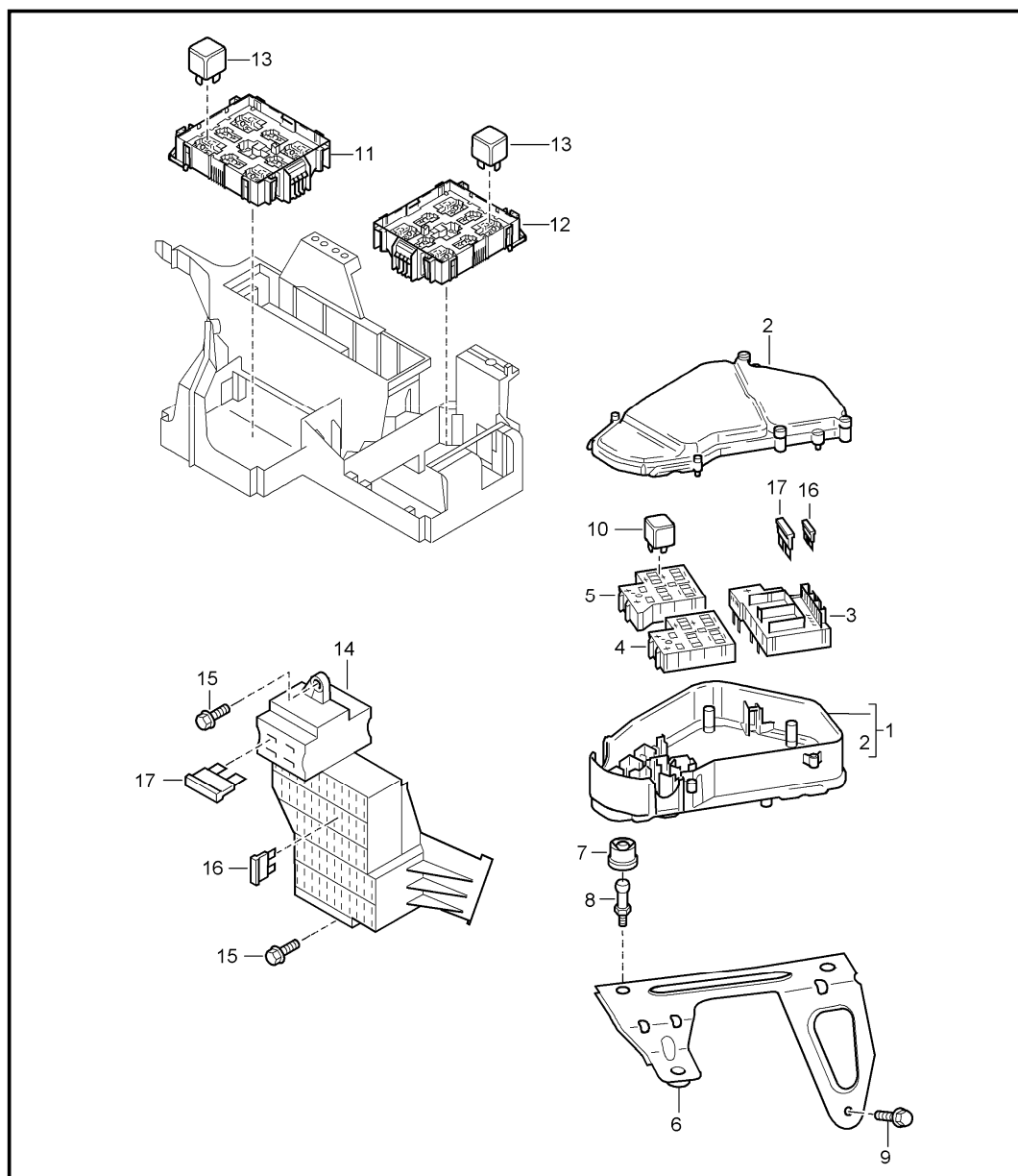


Pos	Part Number	Description	Remark	Qty	Model
(1)	955 618 036 04	control units ignition starter switch garage door opener receiving part auxiliary heater antenna		1	I5D2/5D3
(1)	955 618 036 05	control unit immobiliser central locking system alarm system	-08	1	I5D2/5D3
(1)	955 618 035 07	control unit immobiliser central locking system alarm system	09-	1	I5D1
(1)	955 618 035 08	control unit immobiliser central locking system alarm system	-08	1	I5D1
(1)	955 618 035 08	control unit immobiliser central locking system alarm system	09-	1	I5D1
2	955 637 945 12	Handheld transmitter with stipulated lock number state lock number		1	ID5V/D5X/D5Z I4F2/4K3/5D3
	01C	satin black			
(2)	955 637 945 22	Handheld transmitter with stipulated lock number state lock number		1	ID5V/D5X/D5Z I4F2/4K3/5D1
	01C	satin black			
2	955 637 945 50	Handheld transmitter vehicle identification no. indicate		1	ID50/4F2/5D1 I4K3
	01C	satin black			
-	999 611 108 00	battery Handheld transmitter		1	

Model	Year	MG	SG	Illustration	Restrictions	UPD	15:07	21.01.2010	PORSCHE	PET	PORSCHE
9PA1	2010	9	01	901-04		247					

Pos	Part Number	Description	Remark	Qty	Model	Pos	Part Number	Description	Remark	Qty	Model
3	996 637 443 00	crest coloured for Handheld transmitter		1		-	999 611 105 00	battery Handheld transmitter auxiliary heater		2	
4	955 613 200 02	ignition starter switch	-08	1		19	955 646 247 10	receiving part auxiliary heater		1	I7VL
	01C	satin black				20	955 646 160 00	support		1	I7VL
4	955 613 200 20	ignition starter switch	09-	1		21	N 102 473 02	rais. counters. h. tap. s. ST 4,8 X 16		2	I7VL
	01C	satin black						alarm siren control unit tilt sensor see group 9/03/00			
6	955 613 201 00	nut		1							
7	955 637 241 01	control part		1	I4F2/4F6						
8	955 647 101 00	antenna inner		3	I4F2/4F6						
9	955 647 102 00	antenna outer		2	I4F2/4F6						
10	955 647 210 01	cable antenna control unit immobiliser to support roof		1							
11	955 647 151 00	support for antenna		1	I4F2/4F6/9AD						
(11)	955 647 152 00	support for antenna		1	I4F2/4F6/9AH						
12	N 908 095 01	combination screw M 5 X 10		2	I4F2/4F6						
13	N 904 559 02	speed nut M 5		2	I4F2/4F6						
14	955 647 153 00	clip		2	I1G3/4F2/4F6						
15	955 618 210 00	sensor interior monitoring		1	I7AH/7AL/7AT						
16	955 618 039 00	control unit garage door opener	-08	1	IVC1/9MB						
16	955 618 039 01	control unit garage door opener	09-	1	IVC1/9MB						
17	N 909 151 01	screw 2,2 X 8		2							
18	955 646 245 10	Handheld transmitter auxiliary heater		1	I7VL						

Model	Year	MG	SG	Illustration	Restrictions	UPD	15:07	21.01.2010	PORSCHE	PET	PORSCHE
9PA1	2010	9	02	902-00		247					



Pos	Part Number	Description	Remark	Qty	Model
1	955 610 105 02	central electrical system fusebox		1	
(1)	955 610 106 02	central electrical system plenum panel	/LL	1	
2	955 610 111 01	central electrical system plenum panel	/RL	1	
2	955 610 111 01	lid central electrical system		1	
-	N 909 722 01	lens-head screw 6,0 X 25,0 for mount POS. 2		4	
-	955 610 317 00	assignment sticker lid central electrical system		1	
3	955 610 219 00	mounting plate fuse central electrical system		1	
4	955 610 109 00	relay carrier 1 central electrical system		1	
4	955 610 109 10	relay carrier 1 central electrical system		1	ID50
5	955 610 110 00	relay carrier 2 central electrical system		1	
6	955 610 150 00	support		1	
7	955 610 122 00	rubber bush		3	
8	955 610 153 00	screw bolt		3	
9	N 103 469 04	pan-head screw M 6 X 12		1	
10	-	relay		X	
SRT1	955 618 028 00	control unit Glow plug		1	ID50
S1/2	955 615 029 00	relay		1	ID50
S1/3	955 615 025 10	relay		1	
S1/5	999 657 014 90	relay water pump		1	ID5X/D5Z

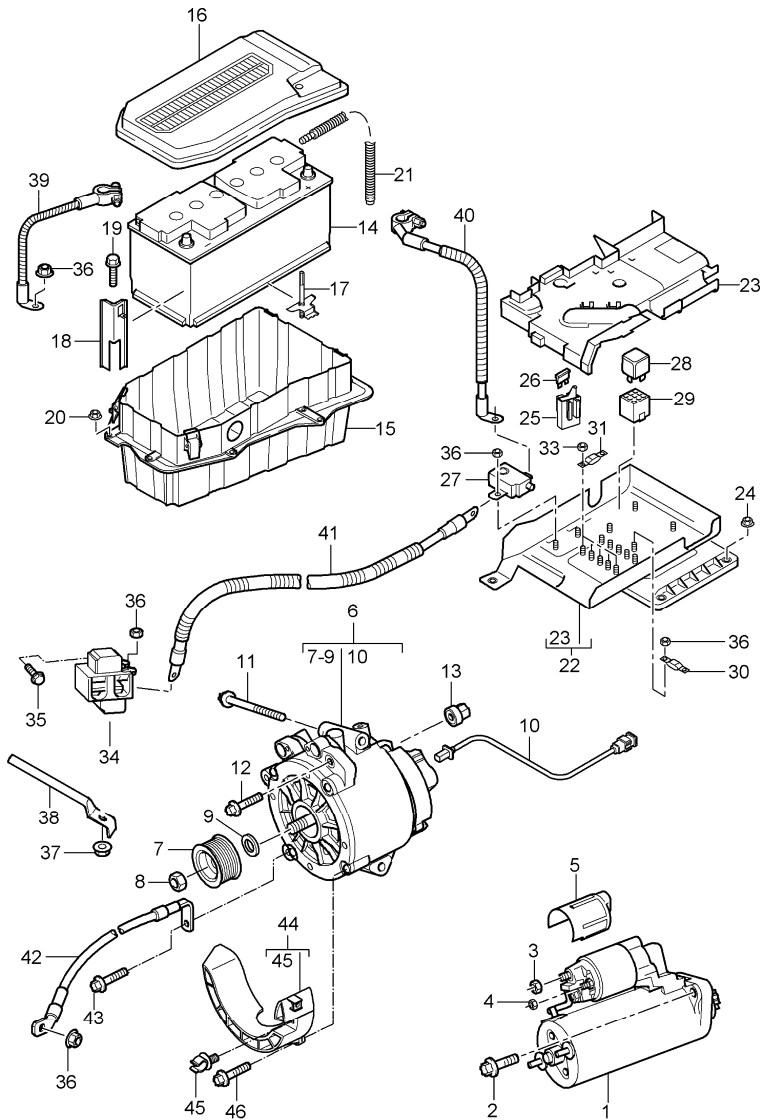
Model	Year	MG	SG	Illustration	Restrictions	UPD	15:07	21.01.2010	PORSCHE	PET	PORSCHE
9PA1	2010	9	02	902-00		247					

Pos	Part Number	Description	Remark	Qty	Model	Pos	Part Number	Description	Remark	Qty	Model
S1/5	999 657 015 90	relay water pump		1	ID50	SL7	141 951 253 B	relay rear window heating		1	
S1/6	999 657 014 90	relay fuel pump left		1		SL8	999 657 014 90	relay water pump auxiliary heater		1	ID5X
S1/6	999 657 015 90	relay pump fuel cooler		1	ID50	SR2	999 657 014 90	relay release spare wheel	/LL	1	
S2/2	141 951 253 B	relay fuel pump		1	ID50	SR7	141 951 253 B	relay headlight washer system	/LL	1	I8X1
S2/6	999 657 015 90	relay fuel pump engine compartment		1	ID50	SR8	999 657 014 90	relay residual warmth	/LL	1	
S19	999 657 014 90	relay fuel pump right		1		SR9	141 951 253 B	relay headlamp	/LL	1	I8BC/8BZ/8JD
S19	999 657 015 90	relay fuel pump		1	ID50/7VE/7VL	S2/1	999 657 014 90	relay residual warmth	/RL	1	
S20	955 615 027 00	relay starter		1		S2/2	999 657 014 90	relay release spare wheel	/RL	1	I1G3
11	955 610 117 00	relay carrier left	/LL	1		S3	141 951 253 B	relay headlamp	/RL	1	I8BC/8BZ
(11)	955 610 117 00	relay carrier	/RL	1		S6	141 951 253 B	relay headlight washer system	/RL	1	I8X1
12	955 610 117 00	relay carrier right	/LL	1				support relay carrier left right see group 9/01/03			
13	-	relay		X							
SL1A	955 618 047 02	control unit servotronic		1	I1N3	14	955 610 211 00	fusebox	/LL/L	1	
SL1	955 618 047 03	control unit servotronic		1	I1N3	14	955 610 211 10	fusebox	/RL/L	1	
SL2	999 657 014 90	relay lock rear lid		1	IGY1	-	955 610 319 00	assignment sticker fusebox	/L	1	
SL3	955 615 010 01	relay compressor level adjustment		1	I1BK	-	955 610 314 00	tool for fuse		2	
SL4	999 657 014 90	relay release fuel filler flap		1		(14)	955 610 212 00	fusebox	/R	1	
						-	955 610 320 00	assignment sticker fusebox	/R	1	

Model	Year	MG	SG	Illustration	Restrictions	UPD	15:07	21.01.2010	PORSCHE	PET	PORSCHE
9PA1	2010	9	02	902-00		247					

Pos	Part Number	Description	Remark	Qty	Model	Pos	Part Number	Description	Remark	Qty	Model
15	955 610 154 00	screw upper M 5 X 50		2							
(15)	N 909 961 02	hexagon-head bolt lower M 5 X 25		2							
16	999 607 082 00	fuse 5 A		X							
(16)	999 607 083 00	fuse 7,5 A		X							
(16)	999 607 084 00	fuse 10 A		X							
(16)	999 607 085 00	fuse 15 A		X							
(16)	N 017 131 13	fuse 20 A		X							
(16)	999 607 087 00	fuse 25 A		X							
(16)	999 607 088 00	fuse 30 A		X							
17	N 102 519 03	fuse E30 A		X							
(17)	999 607 073 00	fuse E40 A		X							
(17)	999 607 077 00	fuse E60 A		X							

Model	Year	MG	SG	Illustration	Restrictions	UPD	15:07	21.01.2010	PORSCHE	PET	PORSCHE
9PA1	2010	9	02	902-05		247					



Pos	Part Number	Description	Remark	Qty	Model
		starter generator battery power distributor			
1	> 948 604 206 00	starter M >> 9 05540 M >> G 9 04964 M >> 9 01688 M >> T 9 01787 M >> S 9 00561		1	ID5V/D5Z
1	948 604 206 X	starter M >> 9 05540 M >> G 9 04964 M >> 9 01688 M >> T 9 01787 M >> S 9 00561		1	ID5V/D5Z
1	> 948 604 206 01	starter M 9 05541 >> M G 9 04965 >> M 9 01689 >> M T 9 01788 >> M S 9 00562 >>		1	ID5V/D5Z
1	948 604 206 AX	starter M 9 05541 >> M G 9 04965 >> M 9 01689 >> M T 9 01788 >> M S 9 00562 >>		1	ID5V/D5Z
(1)	> 955 604 107 00	starter		1	ID5X
(1)	955 604 107 X	starter		1	ID5X
(1)	> 955 604 107 10	starter with safety contact		1	ID5X
(1)	A 955 604 107 AX	starter with safety contact		1	ID5X
(1)	955 604 107 BX	starter with safety contact		1	ID5X
(1)	> 955 604 108 00	starter		1	ID50
(1)	955 604 108 X	starter		1	ID50
2	900 385 011 01	torx screw BM 10 X 45		2	ID5V/D5Z

Model	Year	MG	SG	Illustration	Restrictions	UPD	15:07	21.01.2010	PORSCHE	PET	PORSCHE
9PA1	2010	9	02	902-05		247					

Pos	Part Number	Description	Remark	Qty	Model	Pos	Part Number	Description	Remark	Qty	Model
(2)	N 102 171 03	hexagon-head bolt BM 12 X 60 X 48		1	ID5X	(6)	955 603 120 X	generator	10-	1	ID50/9G1
(2)	N 907 682 02	stud AM 12 X 60 - M 8 X 16		1	ID5X	7	948 603 125 00	pulley		1	ID5V/D5Z
(2)	N 102 902 06	hexagon-head bolt AM 10 X 70		2	ID50	8	948 603 127 00	hexagon nut M 16 X 1,5		1	ID5V/D5Z
3	900 377 003 01	hexagon nut M 8		1		9	948 603 129 00	spacer		1	ID5V/D5Z
4	900 377 010 02	hexagon nut M 6 for starter 948.604.206.00/.01 955.604.107.00		1		10	948 603 070 00	wiring harness generator		1	ID5V/D5Z
5	948 604 117 01	heat protection Magnetschalter M >> 9 05540 M >> G 9 04964 M >> 9 01688 M >> T 9 01787 M >> S 9 00561		1	ID5V/D5Z	11	900 385 014 01	torx screw BM 8 X 95		2	ID5V/D5Z
5	948 604 119 00	heat protection Magnetschalter M 9 05541 >> M G 9 04965 >> M 9 01689 >> M T 9 01788 >> M S 9 00562 >>		1	ID5V/D5Z	(11)	N 106 100 01	hexagon-head bolt AM 8 X 90		2	ID5X
6 >	948 603 025 00	generator		1	ID5V/D5Z	(11)	N 106 100 01	hexagon-head bolt AM 8 X 90		2	ID50
6	948 603 025 X	generator		1	ID5V/D5Z	12	900 385 042 01	torx screw BM 8 X 35		1	ID5V/D5Z
(6) >	955 603 116 00	generator	-09	1	ID5X/8GH	13	999 070 016 00	cap nut M 8		1	ID5V/D5Z
(6)	955 603 116 X	generator	-09	1	ID5X/8GH	14	999 611 070 20	battery 70 AH		1	IJ0L
(6) >	955 603 117 00	generator	-09	1	ID5X/8GV	(14)	999 611 095 20	battery 95 AH		1	IJ1U
(6)	955 603 117 X	generator	-09	1	ID5X/8GV	(14)	955 611 110 20	battery 110 AH		1	IJ0Z
(6) >	955 603 119 00	generator	10-	1	ID5X/9G1	15	955 504 151 00	battery box		1	
(6)	955 603 119 X	generator	10-	1	ID5X/9G1	16	955 504 152 00	cover for housing		1	
(6) >	955 603 118 00	generator	-09	1	ID50/8GH	17	955 611 209 02	clamping piece		1	
(6)	955 603 118 X	generator	-09	1	ID50/8GH	18	955 611 210 01	reinforcement bracket battery	-08	1	
(6) >	955 603 120 00	generator	10-	1	ID50/9G1	18	955 611 210 02	reinforcement bracket battery	09-	1	
						19	N 100 829 08	combination screw M 6 X 16		1	
						20	N 015 082 10	hexagon nut M 6		X	
						21	955 611 311 00	breather pipe		1	
						22	955 610 308 01	power distributor		1	

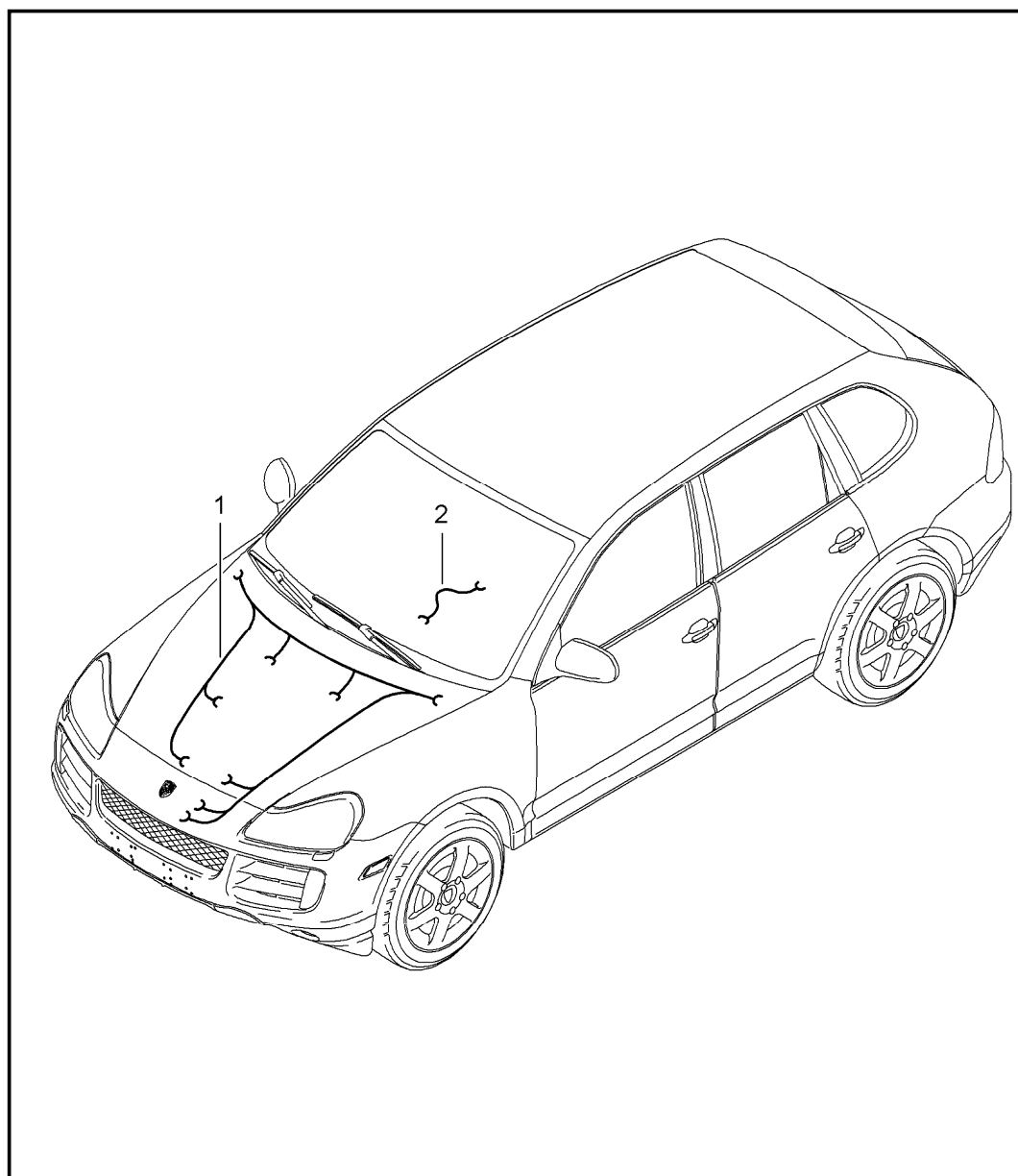
Model	Year	MG	SG	Illustration	Restrictions	UPD	15:07	21.01.2010	PORSCHE	PET	PORSCHE
9PA1	2010	9	02	902-05		247					

Pos	Part Number	Description	Remark	Qty	Model	Pos	Part Number	Description	Remark	Qty	Model
23	955 610 309 10	lid power distributor		1		37	N 902 955 02	hexagon nut M 8		1	
24	N 904 465 04	hexagon nut M 6		3		38	955 611 203 00	cable shoe ground strap		1	
25	-	fuse holder		X		39	955 611 090 00	ground strap battery body		1	
F9	955 610 207 00	fuse holder		1		40	955 612 090 00	cable battery power distributor		1	IJ0L/J1U
F14	955 610 209 00	fuse holder		1		(40)	955 612 090 10	cable battery power distributor		1	IJ0Z
F14	955 610 208 00	fuse holder		1		41	955 612 091 10	cable power distributor connection point engine compartment		1	
26	999 607 082 00	fuse 5 A		X		41	955 612 091 20	cable power distributor connection point engine compartment		1	ID50
(26)	999 607 073 00	fuse E 40 A		X		42	955 611 195 00	ground strap generator body		1	ID5V/D5Z
27	955 611 205 00	switch unit battery main switch		1		(42)	955 611 196 00	ground strap engine body		1	ID5X
28	955 615 027 00	relay		1		43	N 101 559 06	hexagon-head bolt M 8 X 20		1	ID5V/D5Z
29	955 610 307 00	relay holder		1		(43)	N 903 516 02	pan-head screw M 10 X 20		1	ID5X
30	N 105 256 07	fuse 250 A		1		44	948 115 204 01	bracket generator		1	
31	N 105 255 08	fuse 150 A		2		45	999 507 930 40	hose holder 23,0		1	
(31)	N 105 255 03	fuse 60 A		2		46	900 385 042 01	torx screw BM 8 X 35		2	ID5V/D5Z
(31)	N 105 255 01	fuse 40 A		2				M >> 9 05540 M >> G 9 04964 M >> 9 01688 M >> T 9 01787 M >> S 9 00561			
33	N 011 005 18	hexagon nut M 5		X							
34	955 611 202 10	connection point cable engine compartment		1							
35	N 106 131 01	pan-head screw M 6 X 20		1							
36	N 902 955 02	hexagon nut M 8		X							
(36)	955 611 206 00	hexagon nut terminal clamp emergency starting		1							

Model	Year	MG	SG	Illustration	Restrictions	UPD	15:07	21.01.2010	PORSCHE	PET	PORSCHE
9PA1	2010	9	02	902-05		247					

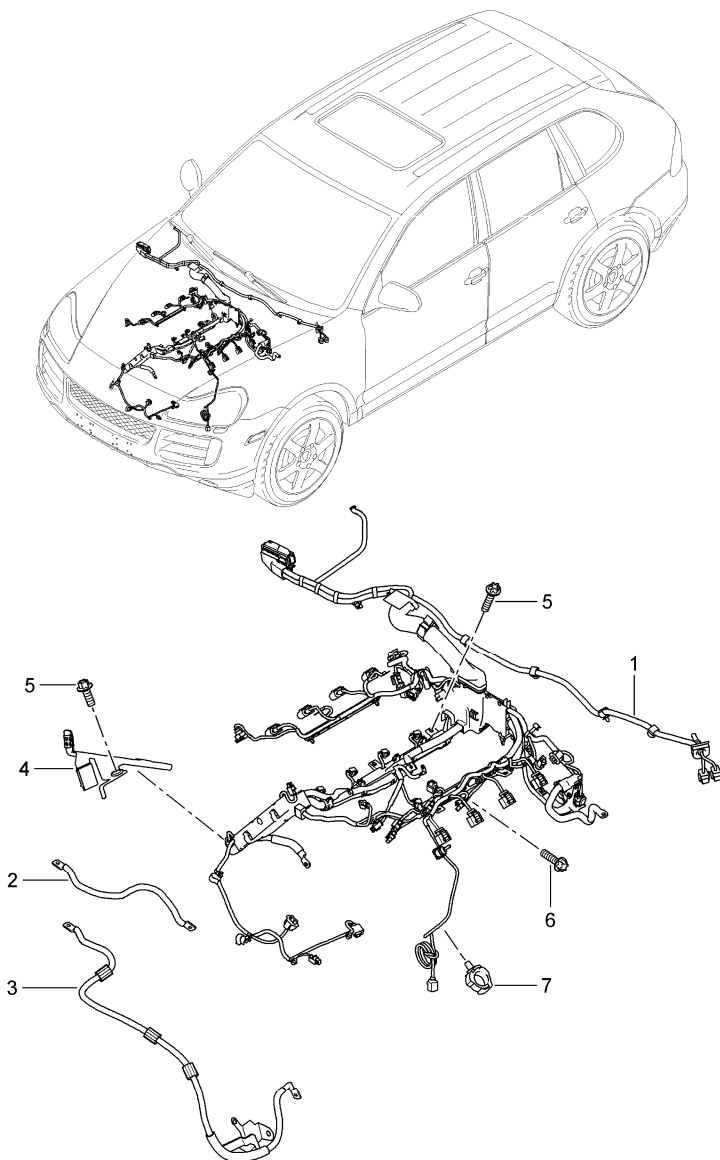
Pos	Part Number	Description	Remark	Qty	Model	Pos	Part Number	Description	Remark	Qty	Model
46	999 073 908 30	oval-head screw M 8 X 35 M 9 05541 >> M G 9 04965 >> M 9 01689 >> M T 9 01788 >> M S 9 00562 >>		2	ID5V/D5Z						

Model	Year	MG	SG	Illustration	Restrictions	UPD	15:07	21.01.2010	PORSCHE	PET	PORSCHE
9PA1	2010	9	02	902-07		247					



Pos	Part Number	Description	Remark	Qty	Model
		wiring harness engine compartment transmission			
1	955 612 019 00	wiring harness engine compartment	/LL	1	ID5Z
(1)	955 612 019 10	wiring harness engine compartment	/RL	1	ID5Z
(1)	955 612 019 20	wiring harness engine compartment	/LL	1	ID5V
(1)	955 612 019 30	wiring harness engine compartment	/RL	1	ID5V
(1)	955 612 019 40	wiring harness engine compartment	/LL	1	ID5X
(1)	955 612 019 60	wiring harness engine compartment	/LL	1	ID50/7GG
(1)	955 612 019 65	wiring harness engine compartment	/LL	1	ID50/0GZ
(1)	955 612 019 50	wiring harness engine compartment	/RL	1	ID5X
(1)	955 612 019 70	wiring harness engine compartment	/RL	1	ID50/7GG
(1)	955 612 019 75	wiring harness engine compartment	/RL	1	ID50/0GZ
2	955 612 401 11	wiring harness automatic transmission		1	IG0R
(2)	955 612 402 01	wiring harness manual transmission		1	IG0L

Model	Year	MG	SG	Illustration	Restrictions	UPD	15:07	21.01.2010	PORSCHE	PET	PORSCHE
9PA1	2010	9	02	902-08		247					

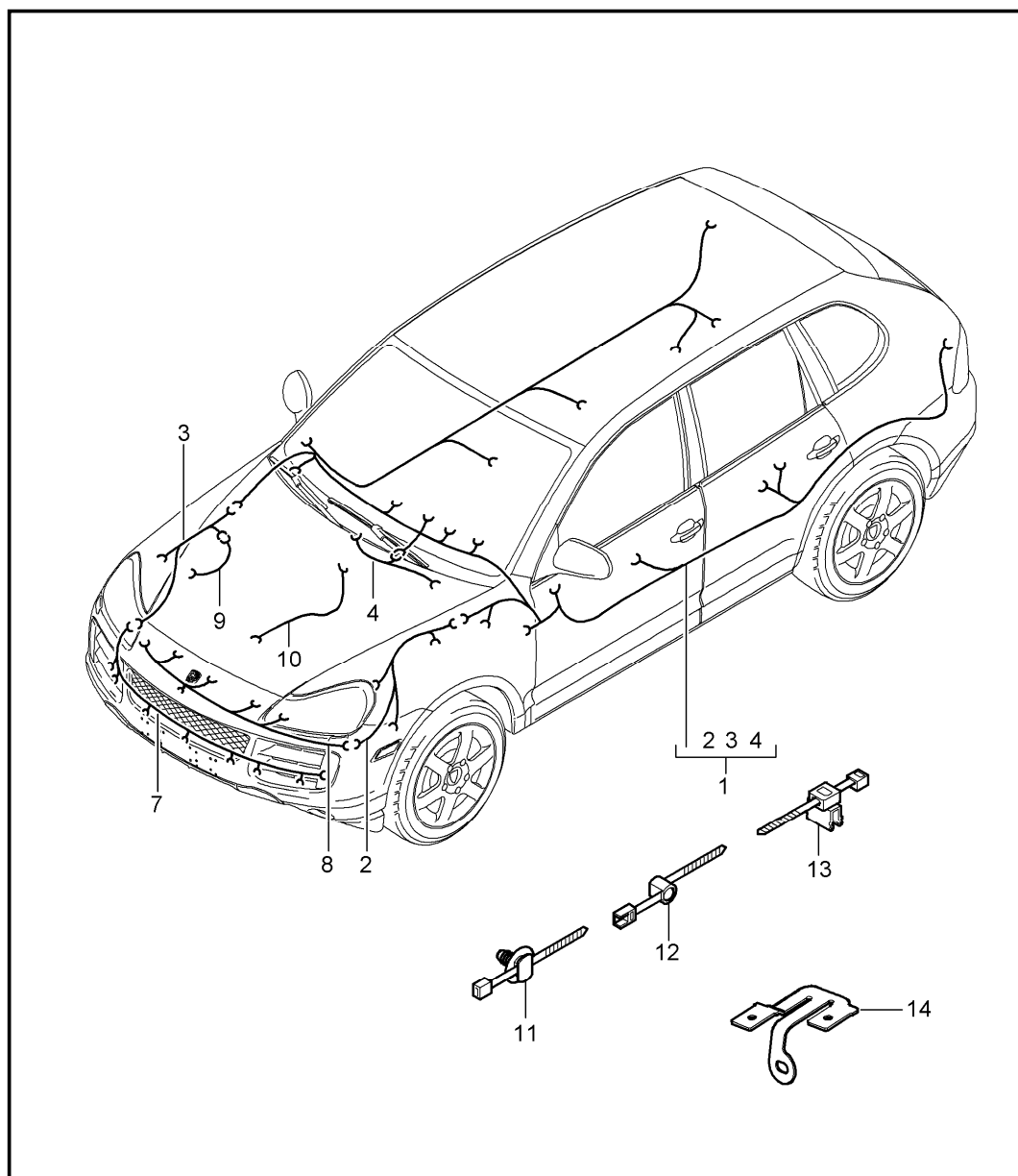


Pos	Part Number	Description	Remark	Qty	Model
		wiring harnesses engine			
1	A 948 607 003 02	wiring harness engine		1	ID5V
1	948 607 003 03	wiring harness engine M >> 838 19927		1	ID5V
1	948 607 003 04	wiring harness engine M 838 19928 >>		1	ID5V
(1)	A 948 607 003 52	wiring harness engine		1	ID5Z
(1)	948 607 003 53	wiring harness engine M >> 848 09289		1	ID5Z
(1)	948 607 003 54	wiring harness engine M 848 09290 >>		1	ID5Z
(1)	955 607 010 30	wiring harness engine		1	ID5X
(1)	955 607 010 31	wiring harness engine for starter with safety contact		1	ID5X
(1)	955 607 010 40	wiring harness engine	-09	1	ID50/8GH
(1)	955 607 010 45	wiring harness engine	10-	1	ID50/9G1
2	955 612 192 00	cable generator		1	ID5X
3	A 955 612 122 01	cable starter	-09	1	ID5X
3	955 612 122 02	cable starter	-09	1	ID5X
3	955 612 122 03	cable starter	10-	1	ID5X
3	955 612 122 05	cable starter generator	-09	1	ID50/8GH

Model	Year	MG	SG	Illustration	Restrictions	UPD	15:07	21.01.2010	PORSCHE	PET	PORSCHE
9PA1	2010	9	02	902-08		247					

Pos	Part Number	Description	Remark	Qty	Model	Pos	Part Number	Description	Remark	Qty	Model
3	955 612 122 11	cable starter generator	10-	1	ID50/9G1						
4	948 607 145 00	heat protection cable generator		1	ID5V/D5Z						
5	900 385 009 01	torx screw BM 6 X 16		X	ID5V/D5Z						
6	900 385 041 01	torx screw BM 6 X 12 mount ground cable valve cover		4	ID5V/D5Z						
7	999 507 075 40	cable holder		X	ID5V/D5Z						
(7)	955 607 103 50	cable holder for rubber boot wiring harness engine plenum panel		1	ID5V/D5Z						

Model	Year	MG	SG	Illustration	Restrictions	UPD	15:08	21.01.2010	PORSCHE	PET	PORSCHE
9PA1	2010	9	02	902-10		247					

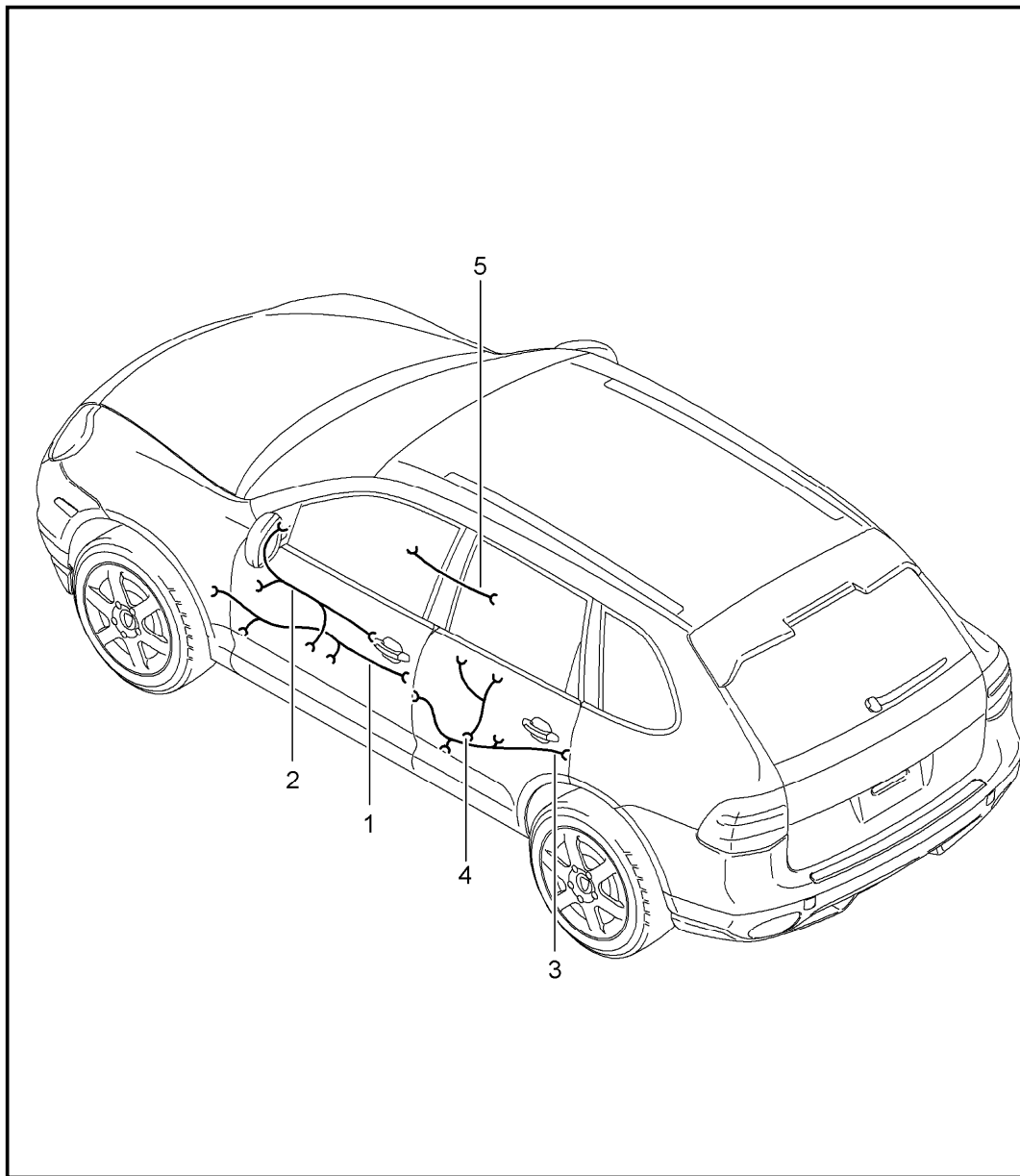


Pos	Part Number	Description	Remark	Qty	Model
		wiring harness passenger compartment bumper FRONT luggage compartment anti-lock brake system brake pad wear indicator front axle			
1	955 612 901 00	wiring harness passenger compartment vehicle identification no. indicate		1	
2	955 612 913 10	wiring harness sub-part front it is necessary to rework	/L	1	I8BB/8BF/8BR
(2)	955 612 915 10	wiring harness sub-part front it is necessary to rework	/L	1	I8BC/8BZ/8JD
3	955 612 914 10	wiring harness sub-part front it is necessary to rework	/R	1	I8BB/8BF/8BR
(3)	955 612 916 10	wiring harness sub-part front it is necessary to rework	/R	1	I8BC/8BZ/8JD
4	955 612 912 00	wiring harness sub-part brake booster		1	
7	955 612 331 00	wiring harness bumper front		1	ID5Z/7X2/7X8
7	955 612 331 00	wiring harness bumper front		1	IE0W/7X2/7X8
7	955 612 331 00	wiring harness bumper front		1	IE1T/7X2/7X8
(7)	955 612 331 10	wiring harness bumper front		1	IE0W/E1T/7X0 I7X9

Model	Year	MG	SG	Illustration	Restrictions	UPD	15:08	21.01.2010	PORSCHE	PET	PORSCHE
9PA1	2010	9	02	902-10		247					

Pos	Part Number	Description	Remark	Qty	Model	Pos	Part Number	Description	Remark	Qty	Model
(7)	955 612 332 00	wiring harness bumper front		1	ID5V/D5X I7X2/7X8			tie-wrap for repair work			
(7)	955 612 332 00	wiring harness bumper front		1	ID50/7X2/7X8	11	N 906 661 01	tie-wrap 4,6 X 200		X	
(7)	955 612 333 00	wiring harness bumper front		1	ID5V/D5X I7X0/7X9	12	N 904 449 01	tie-wrap 5 X 230		X	
(7)	955 612 333 00	wiring harness bumper front		1	ID50/7X0/7X9	13	955 612 931 00	cable clamp 193 X 4 - 45		X	
(7)	955 612 333 00	wiring harness bumper front		1	ID50/7X0/7X9	14	955 612 932 00	cable holder flat		X	
8	955 612 360 00	wiring harness FRONT luggage compartment		1	ID5Z/E0W/E1T I7AL	(14)	955 612 933 00	cable holder high		X	
(8)	955 612 360 30	wiring harness FRONT luggage compartment		1	ID5Z/E0W/E1T I7AC/7AH/7AK I7AU						
(8)	955 612 360 10	wiring harness FRONT luggage compartment		1	ID5V/D5X I7AL						
(8)	955 612 360 40	wiring harness FRONT luggage compartment		1	ID50/7AL						
(8)	955 612 360 20	wiring harness FRONT luggage compartment		1	ID5V/D5X I7AC/7AH/7AK I7AU						
(8)	955 612 360 50	wiring harness FRONT luggage compartment wiring harnesses anti-lock brake system brake pad wear indicator front axle		1	ID50/7AC/7AH I7AK/7AU						
9	955 612 321 00	wiring harness	/V	2	I1BA/1BW						
(9)	955 612 322 10	wiring harness	/V	2	I1BK						
-	955 612 330 00	protection cap self-levelling sensor		X							
10	955 612 325 11	wiring harness bonnet		1							

Model	Year	MG	SG	Illustration	Restrictions	UPD	15:08	21.01.2010	PORSCHE	PET	PORSCHE
9PA1	2010	9	02	902-15		247					

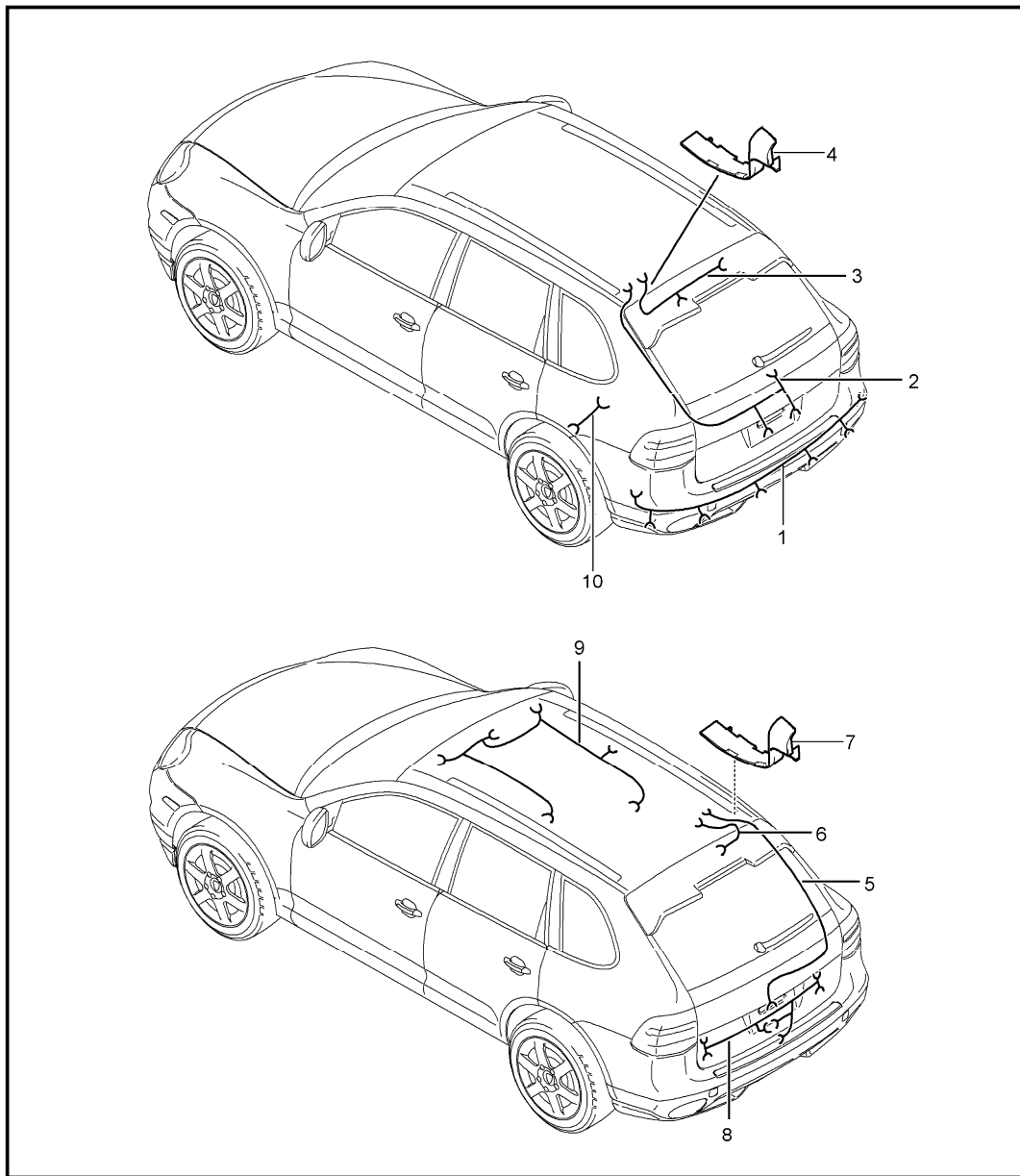


Pos	Part Number	Description	Remark	Qty	Model
		wiring harness doors centre console			
1	955 612 610 00	wiring harness assembly frame front	-08	2	I4K0/4K3
1	955 612 610 10	wiring harness assembly frame front	09-	2	I4K0/4K3
(1)	955 612 610 01	wiring harness assembly frame front	-08	2	I4K0/4K3/5RP I5SU
(1)	955 612 610 11	wiring harness assembly frame front	09-	2	I4K0/4K3/5RP I5SU
(1)	955 612 611 00	wiring harness assembly frame front	-08	2	I4F2/4F6
(1)	955 612 611 10	wiring harness assembly frame front	09-	2	I4F2/4F6
(1)	955 612 611 01	wiring harness assembly frame front	-08	2	I4F2/4F6/5RP I5SU
(1)	955 612 611 11	wiring harness assembly frame front	09-	2	I4F2/4F6/5RP I5SU
-	955 612 545 00	support connection point wiring harness passenger compartment door		X	
2	955 612 620 10	wiring harness door panel driver's door		1	I4E0
(2)	955 612 620 20	wiring harness door panel driver's door		1	I4E7
(2)	955 612 621 00	wiring harness door panel passenger's door	-08	1	

Model	Year	MG	SG	Illustration	Restrictions	UPD	15:08	21.01.2010	PORSCHE	PET	PORSCHE
9PA1	2010	9	02	902-15		247					

Pos	Part Number	Description	Remark	Qty	Model	Pos	Part Number	Description	Remark	Qty	Model
(2)	955 612 621 01	wiring harness door panel passenger's door	09-	1							
3	955 612 630 00	wiring harness assembly frame rear	-08	2	I4K0/4K3						
3	955 612 630 10	wiring harness assembly frame rear	09-	2	I4K0/4K3						
(3)	955 612 631 00	wiring harness assembly frame rear	-08	2	I4F2/4F6						
(3)	955 612 631 10	wiring harness assembly frame rear	09-	2	I4F2/4F6						
-	955 612 545 00	support connection point wiring harness passenger compartment door		X							
4	955 612 640 00	wiring harness	-08	2							
4	955 612 640 01	wiring harness door panel rear	09-	2							
5	955 612 645 00	wiring harness centre console tie-wrap for repair work see group GR. 9/02/10		1							

Model	Year	MG	SG	Illustration	Restrictions	UPD	15:08	21.01.2010	PORSCHE	PET	PORSCHE
9PA1	2010	9	02	902-20		247					

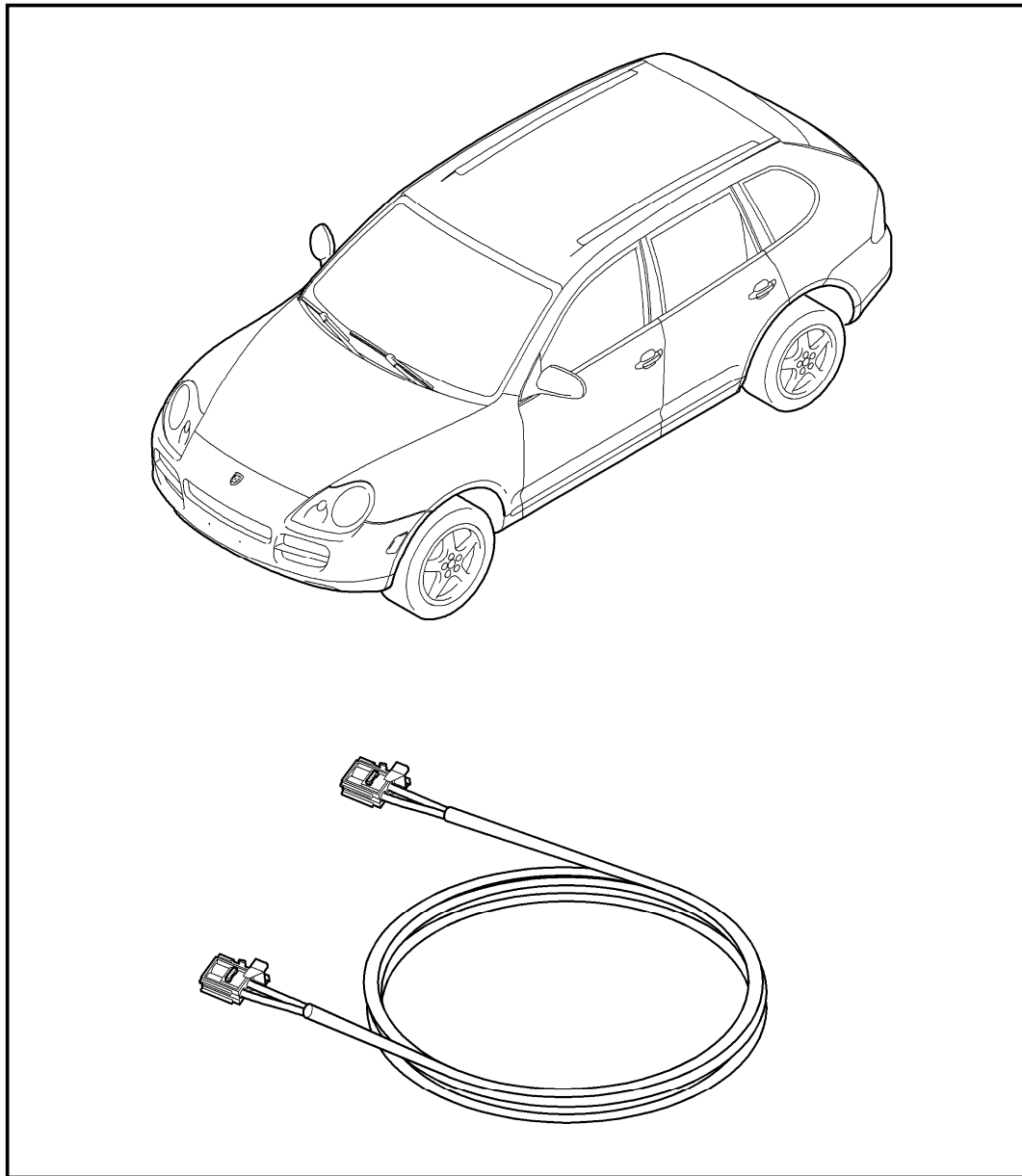


Pos	Part Number	Description	Remark	Qty	Model
		wiring harnesses rear end rooflining anti-lock brake system brake pad wear indicator rear axle			
1	955 612 831 00	wiring harness bumper		1	I7X2/7X8
(1)	955 612 832 00	wiring harness bumper		1	I7X0/7X9
2	955 612 803 00	wiring harness rear lid left		1	I4E0
(2)	955 612 803 10	wiring harness rear lid left		1	I4E7
3	955 612 805 02	wiring harness rear window left	-08	1	I7Q2/7T1/7VL I8L6/9W1/9ZF I9ZP
3	955 612 805 10	wiring harness rear window left	09-	1	I7VL/8DQ/8DV I8L6/9W1/9ZF IQV1/9ZP
(3)	955 612 815 01	wiring harness rear window left	-08	1	IQV1/7Q2/7T1 I7VL/8L6/9W1 I9ZF/9ZP
(3)	955 612 815 10	wiring harness rear window left	09-	1	I7Q4/7VL/8L6
4	955 612 849 00	cable guide rear lid left		1	
(4)	955 612 851 00	cable guide rear window left		1	
5	955 612 814 00	wiring harness rear lid right		1	I4E0/7X8/7X9
(5)	955 612 814 10	wiring harness rear lid right		1	I4E7/7X8/7X9
(5)	955 612 814 20	wiring harness rear lid right	09-	1	I4E0/7Q4

Model	Year	MG	SG	Illustration	Restrictions	UPD	15:08	21.01.2010	PORSCHE	PET	PORSCHE
9PA1	2010	9	02	902-20		247					

Pos	Part Number	Description	Remark	Qty	Model	Pos	Part Number	Description	Remark	Qty	Model
(5)	955 612 814 30	wiring harness rear lid right	09-	1	I4E7/7Q4			wiring harness bracket spare wheel outer see group 0/02/05			
6	955 612 806 11	wiring harness rear window right	-08	1	I5D1			tie-wrap for repair work see group 9/02/10			
(6)	955 612 807 11	wiring harness rear window right	-08	1	I5D2/5D3						
(6)	955 612 807 20	wiring harness rear window right	09-	1	I8L6/8ZM						
7	955 612 850 00	cable guide rear lid right		1							
(7)	955 612 852 00	cable guide rear window right		1							
8	955 612 820 00	wiring harness lining rear lid		1	I4E0						
(8)	955 612 823 00	wiring harness lining rear lid		1	I4E7						
9	955 612 808 00	wiring harness rooflining		1	I3FE/7X1/7X2						
(9)	955 612 809 00	wiring harness rooflining		1	I3FU/7X1/7X2						
(9) A	955 612 025 00	wiring harness control unit switch		1	I3FU						
(9)	955 612 025 01	wiring harness control unit switch		1	I3FU						
		wiring harnesses anti-lock brake system brake pad wear indicator rear axle									
10	955 612 821 00	wiring harness	/H	2	I1BA/1BW						
(10)	955 612 822 00	wiring harness	/H	2	I1BK						

Model	Year	MG	SG	Illustration	Restrictions	UPD	15:08	21.01.2010	PORSCHE	PET	PORSCHE
9PA1	2010	9	02	902-50		247					

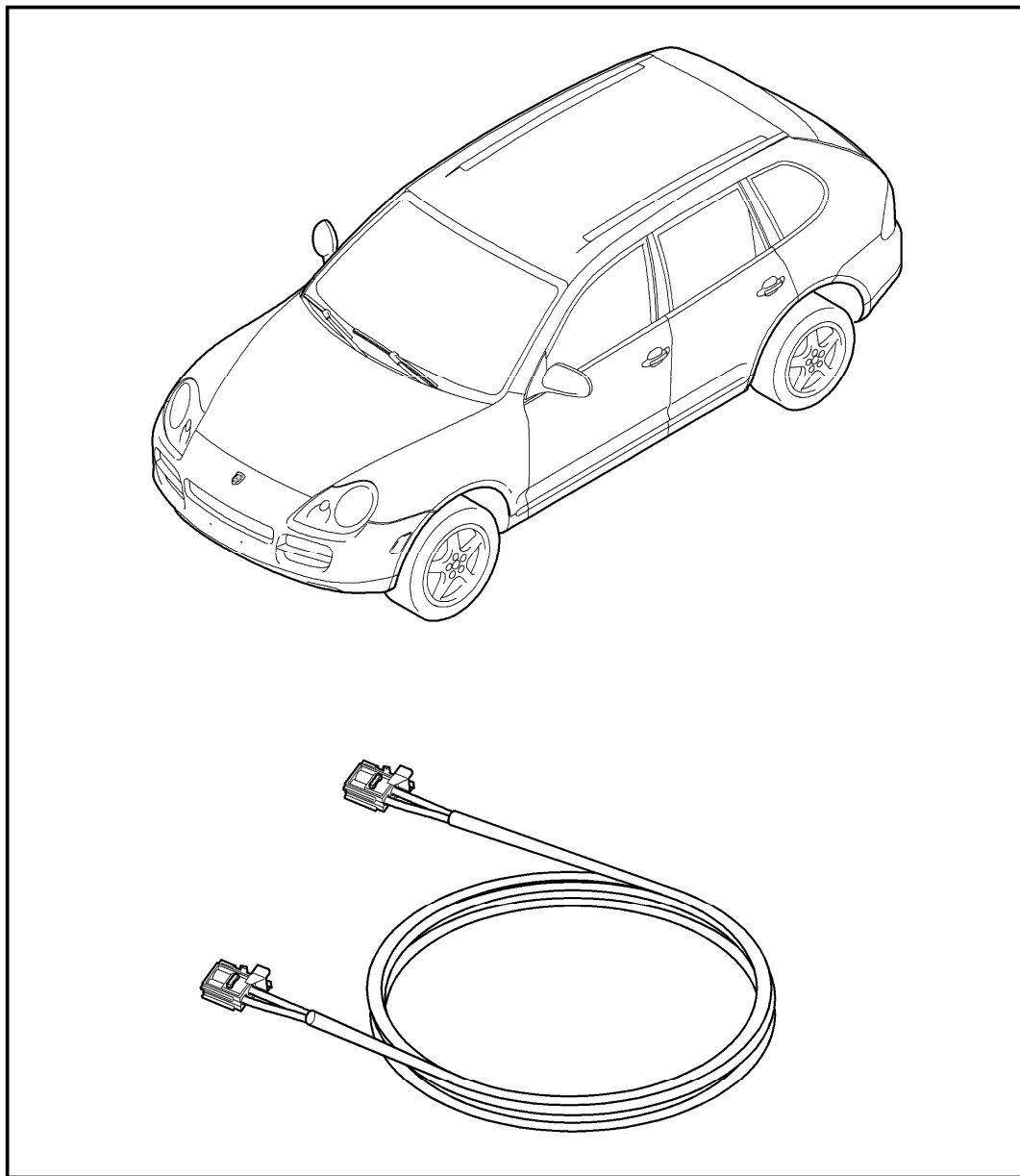


Pos	Part Number	Description	Remark	Qty	Model
-	955 622 300 00	optical waveguide module radio cd changer	-08	1	I7A2/8DU/8RV
-	955 622 301 00	optical waveguide module radio cd changer booster		1	I7A2/8DU/9VL
-	955 622 302 00	optical waveguide module control part navigation system cd changer		1	I8DQ/8DV/8RV IQV0/9ZF/9ZT I9W0
-	955 622 303 00	optical waveguide module control part navigation system cd changer booster		1	I8DQ/8DV/9VL IQV0/9ZF/9ZT I9W0
-	955 622 304 00	optical waveguide module control part navigation system telephone cd changer		1	I8DQ/8DV/8RV IQV0/9W1/9ZP
-	955 622 305 00	optical waveguide module control part navigation system telephone cd changer booster		1	I8DQ/8DV/9VL IQV0/9W1/9ZP
-	955 622 306 00	optical waveguide module control part navigation system tv cd changer		1	I7A2/8DV/8RV IQV1/9ZF/9ZT I9W0
-	955 622 307 00	optical waveguide module control part navigation system cd changer booster		1	IQV1/8DV/9VL I9W0/9ZF/9ZT

Model	Year	MG	SG	Illustration	Restrictions	UPD	15:08	21.01.2010	PORSCHE	PET	PORSCHE
9PA1	2010	9	02	902-50		247					

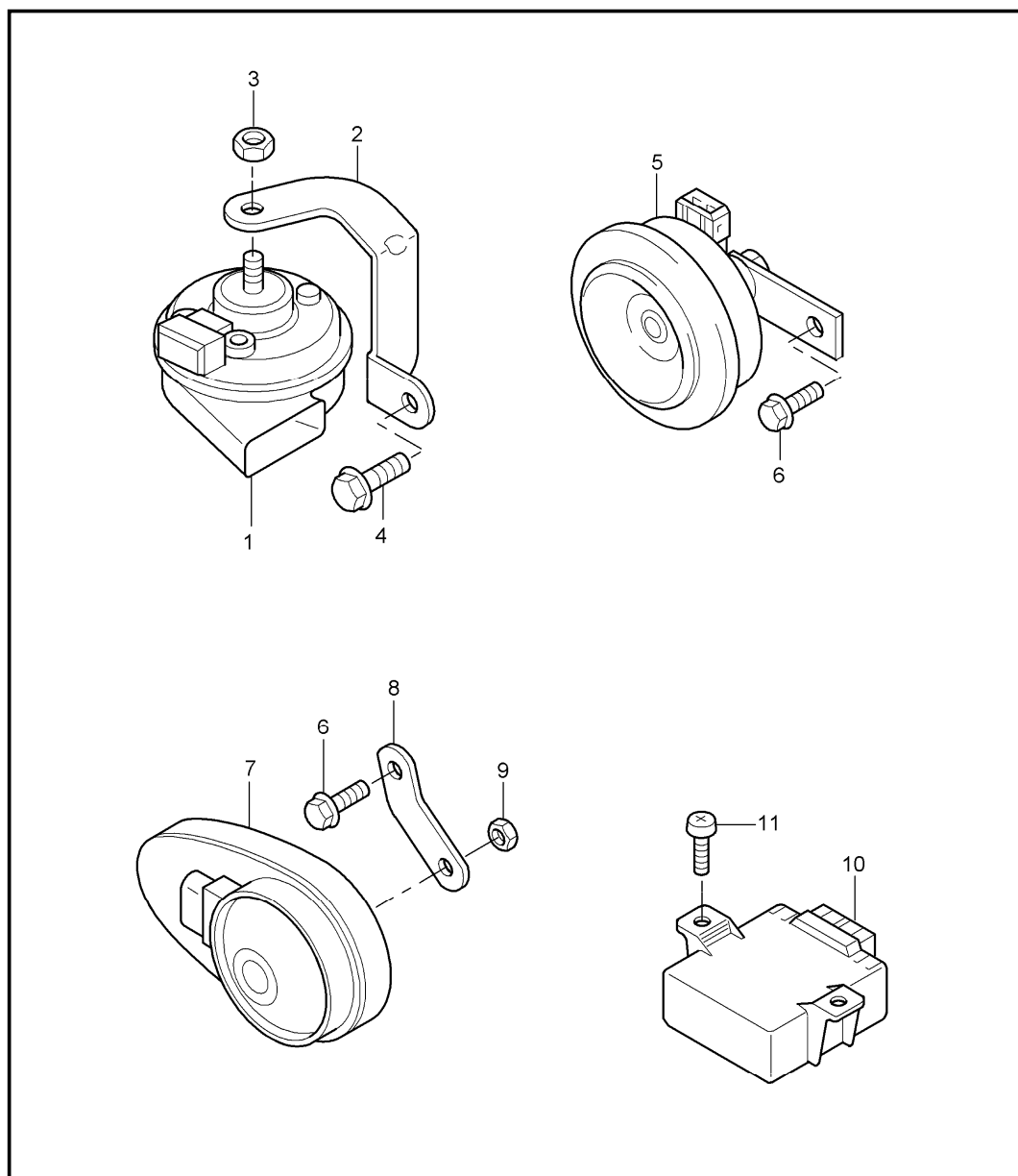
Pos	Part Number	Description	Remark	Qty	Model	Pos	Part Number	Description	Remark	Qty	Model
-	955 622 308 00	optical waveguide module control part navigation system telephone tv cd changer		1	I8DQ/8DV/9VL IQV1/9W1/9ZP						
-	955 622 309 00	optical waveguide module control part navigation system telephone tv cd changer booster		1	IQV1/8DV/9VL I9W1/9ZP						
-	999 650 039 40	connector housing optical waveguide		X							
-	999 650 091 40	plug bridge optical waveguide		X							

Model	Year	MG	SG	Illustration	Restrictions	UPD	15:08	21.01.2010	PORSCHE	PET	PORSCHE
9PA1	2010	9	02	902-51		247					



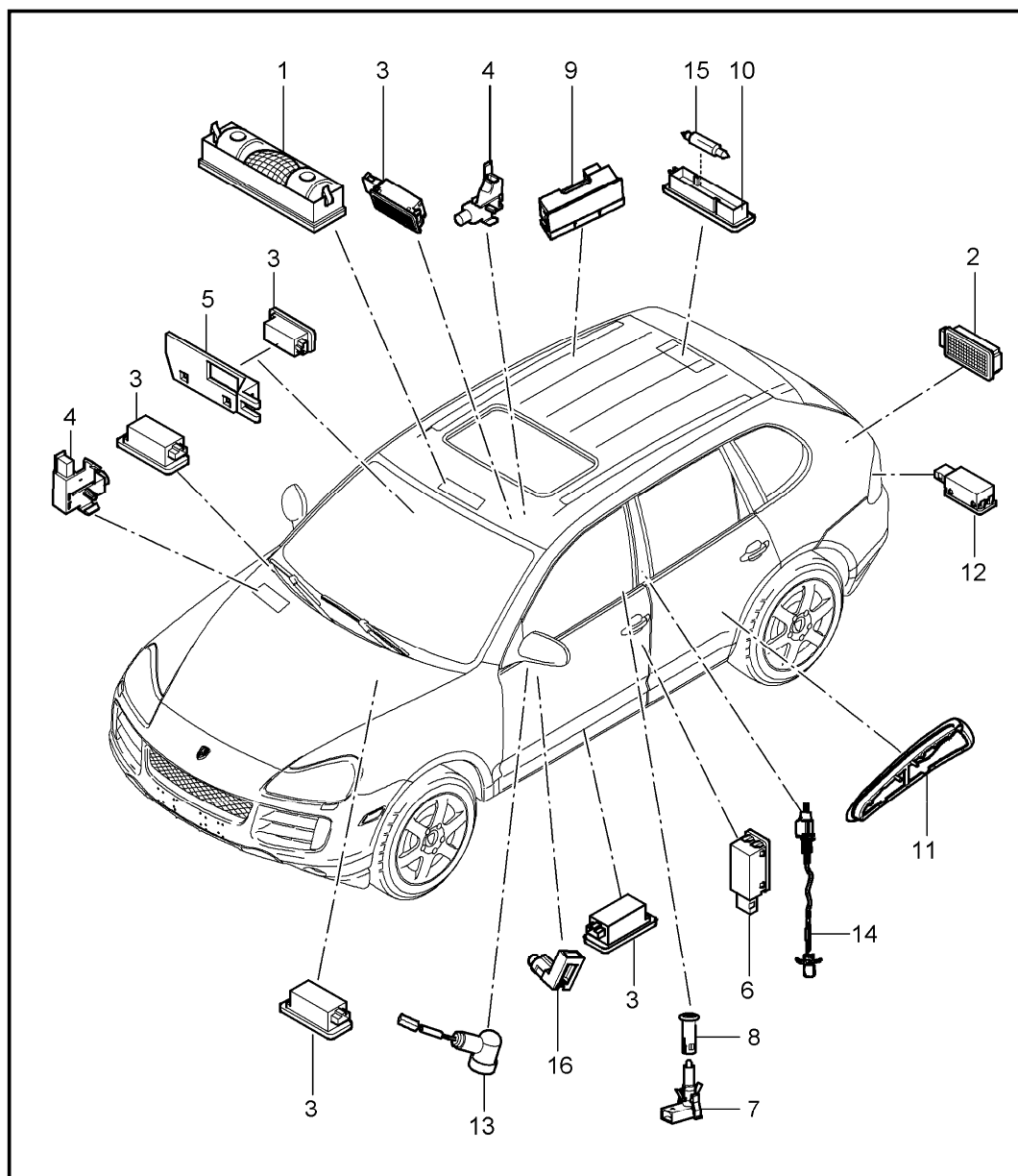
Pos	Part Number	Description	Remark	Qty	Model
		optical waveguide	09-		
-	955 622 401 00	optical waveguide module		1	IQV0/QV4/8DQ I8DR/8DV/9VL
-	955 622 402 00	optical waveguide module		1	IQV1/8DQ/8DV I8RV
-	955 622 403 00	optical waveguide module		1	IQV1/8DQ/8DV I9VL

Model	Year	MG	SG	Illustration	Restrictions	UPD	15:08	21.01.2010	PORSCHE	PET	PORSCHE
9PA1	2010	9	03	903-00		247					



Pos	Part Number	Description	Remark	Qty	Model
		fanfare horn alarm siren			
1	U 955 635 205 01	fanfare low-pitched	/L	1	
1	955 635 205 02	fanfare low-pitched	/L	1	
(1)	U 955 635 206 01	fanfare high-pitched	/R	1	
(1)	955 635 206 02	fanfare high-pitched	/R	1	
2	955 635 161 01	support	/L	1	
(2)	955 635 160 00	support	/R	1	
3	N 011 006 36	hexagon nut M 6		2	
4	N 019 519 5	hexagon-head bolt M 8 X 16		2	
5	955 637 117 02	horn		1	I7AC/7AK
6	N 102 252 02	combination screw M 8 X 12		1	
7	955 618 237 01	alarm siren		1	I7AH/7AU
8	955 637 150 01	support		1	
9	N 011 184 10	clamping nut M 8		1	
10	955 618 265 01	control unit tilt sensor		1	I7AK/7AL/7AU
11	N 104 648 02	oval-head screw 4,0 X 12		2	

Model	Year	MG	SG	Illustration	Restrictions	UPD	15:09	21.01.2010	PORSCHE	PET	PORSCHE
9PA1	2010	9	03	903-04		247					

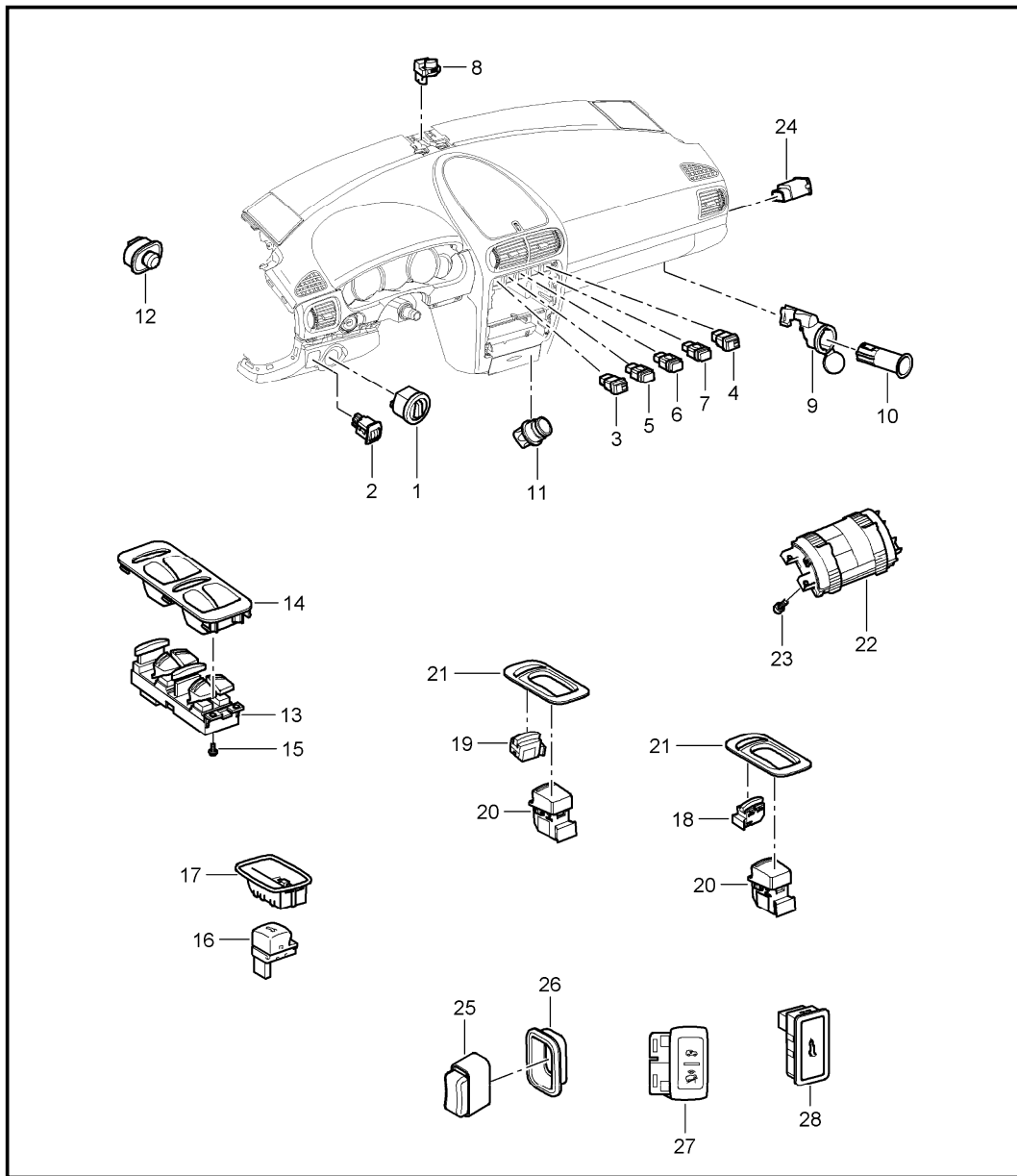


Pos	Part Number	Description	Remark	Qty	Model
		interior lights luggage compartment lamp door guard light footwell light light door mirror			
1	955 632 051 00	interior light		1	
2	955 632 201 00	light		1	
3	955 632 202 01	interior light		11	
4	955 613 601 00	contact switch glove compartment light and centre console		2	
5	955 632 240 00	bracket for light seat		2	
6	955 632 203 01	door guard light		4	
7	955 632 218 00	indicator light red door alarm system		2	
8	955 632 242 00	sleeve		2	
		01C satin black			
(9)	955 632 205 00	reading light rear	/L	1	
		6N3 black mat			
9	955 632 206 00	reading light rear	/R	1	
		6N3 black mat			
10	955 632 207 00	luggage compartment lamp		1	
11	955 632 211 00	light door front use also: 2 X N.906.487.02	/L	1	I9MB
(11)	955 632 212 00	light door front use also: 2 X N.906.487.02	/R	1	I9MB

Model	Year	MG	SG	Illustration	Restrictions	UPD	15:09	21.01.2010	PORSCHE	PET	PORSCHE
9PA1	2010	9	03	903-04		247					

Pos	Part Number	Description	Remark	Qty	Model	Pos	Part Number	Description	Remark	Qty	Model
(11)	955 632 213 00	light door rear use also: 2 X N.906.487.02	/L	1	I9MB						
(11)	955 632 214 00	light door rear use also: 2 X N.906.487.02	/R	1	I9MB						
12	955 632 216 01	door guard light rear lid		2							
13	955 632 223 00	light door mirror	/L	1	I9TF						
(13)	955 632 224 00	light door mirror	/R	1	I9TF						
14	955 632 217 00	light air vent b-pillar		2							
15	900 631 106 90	linolite lamp 10W		1							
16	955 632 204 00	light yellow finger plate door		4							
(16)	955 632 204 00	light yellow		2	I9JB						

Model	Year	MG	SG	Illustration	Restrictions	UPD	15:09	21.01.2010	PORSCHE	PET	PORSCHE
9PA1	2010	9	03	903-05		247					



Pos	Part Number	Description	Remark	Qty	Model
1	955 613 235 02	switch		1	I8K0/8K1/8K4
	6N3	black mat			
(1)	955 613 235 03	light switch		1	I8K3/8K5 I8K8/8K9
	6N3	black mat			
2	955 613 230 10	potentiometer		1	I8Q1
	6N3	black mat			
(2)	955 613 231 00	potentiometer		1	I8Q3
	6N3	black mat			
-	955 613 232 00	spring clip for POS. 2		2	
3	955 613 151 00	switch seat heater		1	I4A3
	6N3	black mat		2	I4A4
4	955 613 152 00	switch seat heater		1	I4A3
	6N3	black mat		2	I4A4
5	955 613 153 00	switch - PSM -		1	
	6N3	black mat			
6	955 613 254 00	hazard warning light sw.		1	
	6N3	black mat			
7	955 653 252 01	indicator light		1	I4UE/4UQ
(7)	955 613 425 01	cover		1	I4UB/4UD
8	955 653 251 00	sensor		1	I9AD/9AH
9	955 652 104 00	tensioning sleeve with illumination and lid		2	

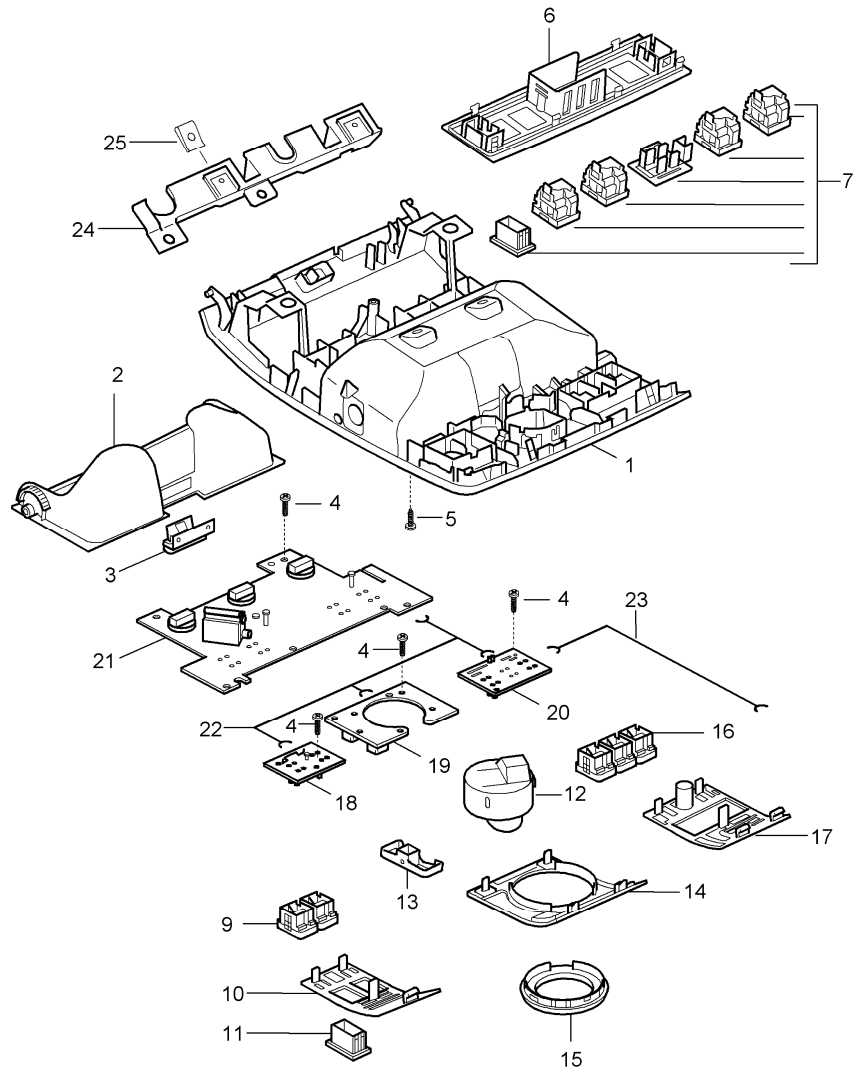
Model	Year	MG	SG	Illustration	Restrictions	UPD	15:09	21.01.2010	PORSCHE	PET	PORSCHE
9PA1	2010	9	03	903-05		247					

Pos	Part Number	Description	Remark	Qty	Model	Pos	Part Number	Description	Remark	Qty	Model
(9)	955 652 105 00	tensioning sleeve centre console with illumination		2			6N3	black mat			
(9)	955 652 106 00	tensioning sleeve luggage compartment with lid repair see workshop manual Kap. 905755		2		19	955 613 160 00	switch central locking system	/R	2	
10	955 652 107 00	plug socket		X		20	955 613 162 02	switch power windows	-08	3	
11	955 652 201 00	cigarette lighter		2			6N3	black mat			
	01C	satin black				20	955 613 162 03	switch power windows	09-	3	
12	955 613 154 00	switch door mirror		1			6N3	black mat			
	6N3	black mat				21	955 613 253 00	trim for switch	-08	3	
13	955 613 156 01	control switch driver's side		1			A03	black			
	6N3	black mat					5Z1	sand beige			
14	955 613 251 01	trim for switch driver's side		1			7BA	steel grey			
	A03	black				21	955 613 253 01	trim for switch	09-	3	
	5Z1	sand beige					A03	black			
	7BA	steel grey					5Z1	sand beige			
15	N 903 474 01	screw 4 X 12		4			7BA	steel grey			
						22	955 613 257 00	switch adjustment suspension		1	I0AW/1BK
16	955 613 159 10	switch rear lid release		1	I4E7	(22)	955 613 257 20	switch adjustment suspension		1	I0AB/1BA/1BW
	6N3	black mat				(22)	955 613 257 50	switch adjustment suspension		1	I0AB/1BK
17	955 613 252 10	trim for switch		1	I4E7	(22)	955 613 257 70	switch adjustment suspension		1	I1BH
	A03	black									
	L58	chestnut brown				23	N 104 561 01	pan-head screw M4 X 10		4	
	5Z1	sand beige									
	7BA	steel grey				24	955 613 165 02	switch airbag		1	
18	955 613 161 00	switch central locking system	/L	1			9B9	satin black			

Model	Year	MG	SG	Illustration	Restrictions	UPD	15:09	21.01.2010	PORSCHE	PET	PORSCHE
9PA1	2010	9	03	903-05		247					

Pos	Part Number	Description	Remark	Qty	Model	Pos	Part Number	Description	Remark	Qty	Model
25	955 613 164 00	switch trailer coupling electrically adjustable		1	I1D9						
	6N3	black mat									
26	955 613 166 00	trim for switch		1	I1D9						
	01C	satin black									
28	955 613 258 00	switch rear lid		1	I4E7						
	A03	black									

Model	Year	MG	SG	Illustration	Restrictions	UPD	15:09	21.01.2010	PORSCHE	PET	PORSCHE
9PA1	2010	9	03	903-06		247					

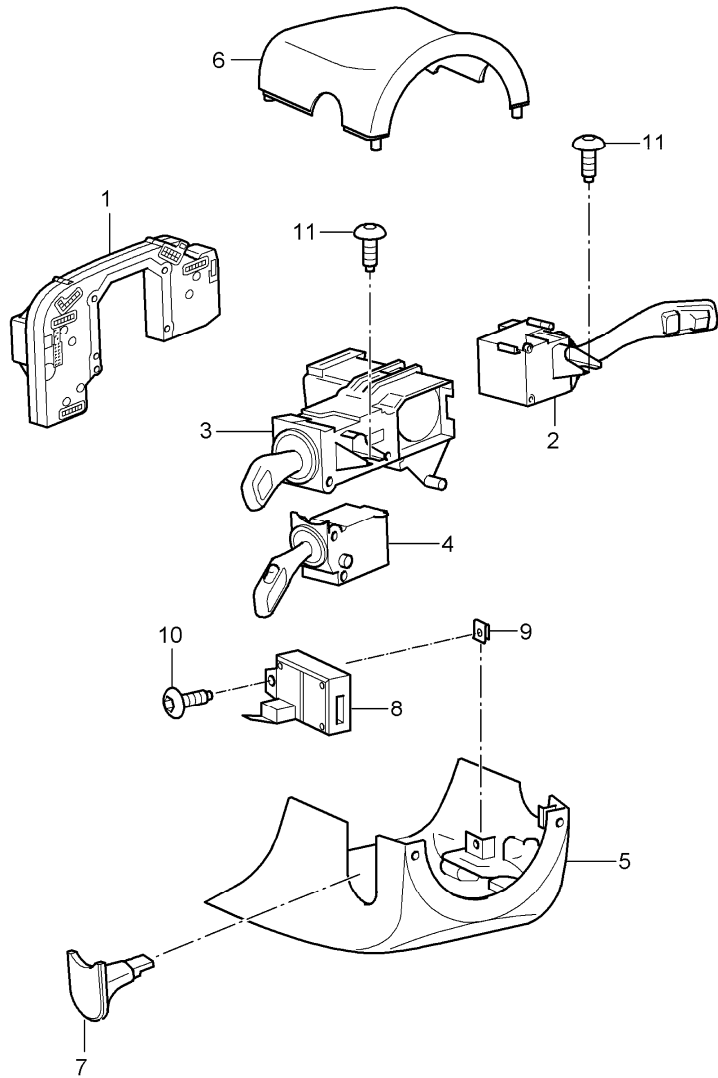


Pos	Part Number	Description	Remark	Qty	Model
1	955 555 557 01	bracket roof		1	
		retaining frame			
		bracket roof			
	A03	black			
	5Z1	sand beige			
	7BA	steel grey			
2	955 552 317 01	shelf		1	
	A03	black			
3	955 552 318 01	push-button shelf		1	
	6N3	black mat			
4	N 909 151 01	lens-head screw 2,2 X 8		X	
5	N 909 868 02	tapping screw 4,2 X 13		4	
6	955 613 325 00	trim for switch		1	
	A03	black			
7	955 613 300 01	cap with symbol set		1	
	6N3	black mat			
9	955 613 317 00	cap with symbol		1	I7X2/7X8/9ZF I9ZH/9ZP/9ZT I9W1
	6N3	black mat			
(9)	955 613 317 10	cap with symbol		1	I8WU
	6N3	black mat			
10	955 613 327 01	trim for switch		1	I7X2/7X8/9ZF I9ZH/9ZP/9ZT I9W1
	A03	black			
(10)	955 613 328 00	trim for switch		1	
	A03	black			

Model	Year	MG	SG	Illustration	Restrictions	UPD	15:09	21.01.2010	PORSCHE	PET	PORSCHE
9PA1	2010	9	03	903-06		247					

Pos	Part Number	Description	Remark	Qty	Model	Pos	Part Number	Description	Remark	Qty	Model
11	955 613 329 00	cover		1			A03	black			
	A03	black				18	955 613 251 00	printed circuit board		1	
12	955 613 310 00	switch sunroof	-08	1	I3FE	19	955 613 252 00	printed circuit board		1	I3FE
	6N3	black mat				(19)	955 613 253 00	printed circuit board		1	I3FU
(12)	955 613 310 10	switch sunroof	09-	1	I3FE	20	955 613 254 00	printed circuit board		1	IVC1/VC2/9MB
	6N3	black mat				21	955 613 250 01	printed circuit board		1	
(12)	955 613 309 01	switch	-08	1	I3FU	22	955 612 501 00	wiring harness		1	
	6N3	black mat				23	955 612 502 00	wiring harness		1	IVC1/VC2/9MB
(12)	955 613 309 10	switch	09-	1	I3FU	24	955 555 558 00	mounting piece bracket roof		1	
	6N3	black mat				25	N 101 734 01	speed nut 4,2 X 9,6		2	
13	955 613 311 00	cap with symbol sunroof		1	I3FU			sensor interior monitoring see group 9/01/04			
	6N3	black mat						control unit see group 9/01/04			IVC1/VC2
14	955 613 330 00	trim for switch		1	I3FE			interior light see group 9/03/04			
	A03	black						microphone see group 9/11/10 9/11/11	-08 09-		
(14)	955 613 331 00	trim for switch		1	I3FU						
	A03	black									
(14)	955 613 333 00	trim for switch		1	I3FA						
	A03	black									
15	955 613 332 01	headlight unit		1	I3FE						
	A03	black									
(15)	955 613 338 00	headlight unit		1	I3FU						
	A03	black									
16	955 613 312 01	cap with symbol		1	IVC1/VC2/9MB						
	A03	black									
17	955 613 334 00	trim for switch		1	IVC1/VC2/9MB						
	A03	black									
(17)	955 613 335 00	trim for switch		1							

Model	Year	MG	SG	Illustration	Restrictions	UPD	15:09	21.01.2010	PORSCHE	PET	PORSCHE
9PA1	2010	9	03	903-10		247					

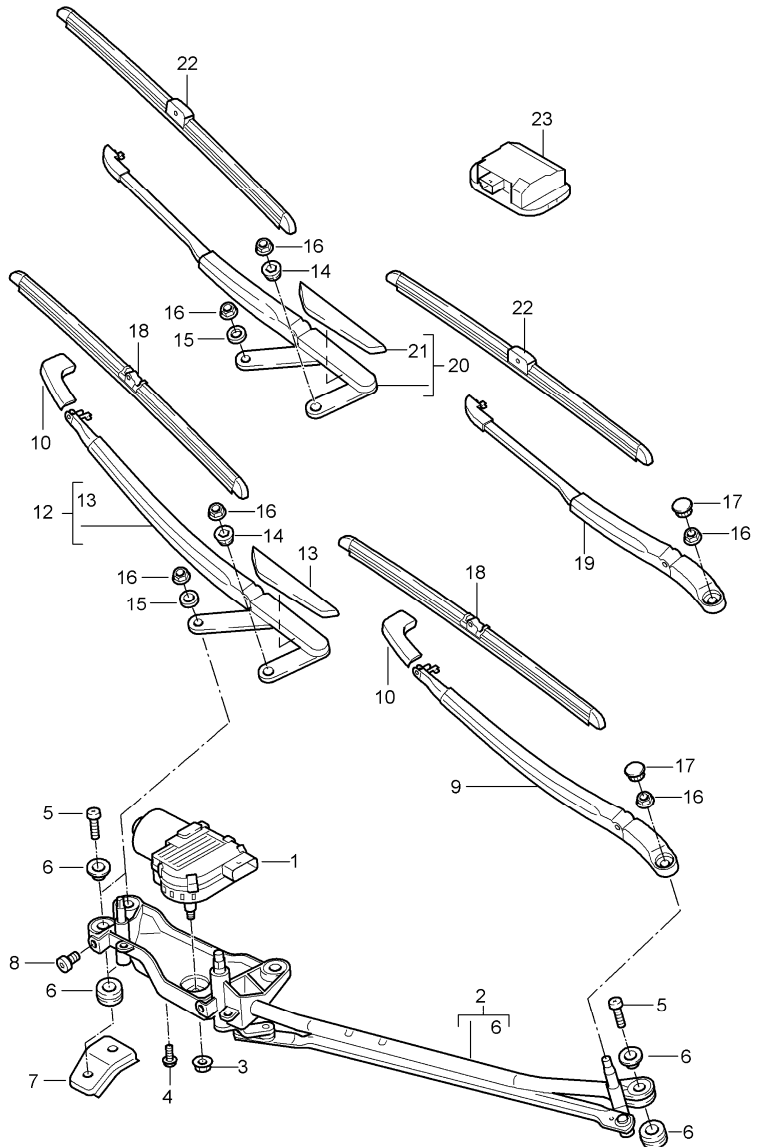


Pos	Part Number	Description	Remark	Qty	Model
1	955 613 291 01	steering column switch electronic unit		1	
(1)	955 613 292 01	electronic unit		1	I2PH/2PR
2	955 613 244 01	wiper switch B41 satin black		1	
3	955 613 245 00	direction indicator switch B41 satin black		1	
(3)	955 613 219 00	direction indicator switch B41 satin black	-09	1	IQH1
(3)	955 613 219 01	direction indicator switch B41 satin black	10-	1	IQH1
4	955 613 261 00	switch cruise control B41 satin black		1	I8T1
-	N 909 068 01	torx screw M 2,5 X 2,6 X 43,5-D		X	
5	955 552 275 00	switch housing lower A03 black 5V7 stone grey 5Y9 havanna 5Z1 sand beige		1	I2C4
(5)	955 552 276 01	switch housing lower A03 black 5V7 stone grey 5Y9 havanna 5Z1 sand beige		1	I2C5
6	955 552 277 00	switch housing upper A03 black		1	

Model	Year	MG	SG	Illustration	Restrictions	UPD	15:09	21.01.2010	PORSCHE	PET	PORSCHE
9PA1	2010	9	03	903-10		247					

Pos	Part Number	Description	Remark	Qty	Model	Pos	Part Number	Description	Remark	Qty	Model
	5V7	stone grey									
	5Y9	havanna									
	5Z1	sand beige									
7	955 552 278 00	cover		1							
	A03	black									
	5V7	stone grey									
	5Y9	havanna									
	5Z1	sand beige									
8	955 613 222 00	memory switch steering wheel		1	I2C4						
9	N 906 988 01	speed nut 4,2 X 16 X 12		1							
10	N 906 986 01	tapping screw 4,2 X 16		1	I2C4						
11	N 910 239 01	oval-head screw 3,5 X 12		2							

Model	Year	MG	SG	Illustration	Restrictions	UPD	15:09	21.01.2010	PORSCHE	PET	PORSCHE
9PA1	2010	9	04	904-00		247					



Pos	Part Number	Description	Remark	Qty	Model
1	955 624 105 03	windscreen wiper system rain sensor			
		wiper motor	/LL	1	
(1)	955 624 105 08	wiper motor	/RL	1	
2	955 628 137 11	crank drive	/LL	1	
(2)	955 628 138 11	crank drive	/RL	1	
3	N 902 291 04	hexagon nut M 8		1	
4	N 909 434 02	oval-head screw M 6 X 16		3	
5	N 105 355 02	pan-head screw M 6 X 30		4	
6	955 628 711 00	repair kit comprising:		1	
-	-	bush 13,6 MM		2	
-	-	bush 6,4 X 13,6 MM		1	
-	-	bush 6,4 MM		1	
-	-	grommet		4	
7	955 628 717 00	bracket	/LL	1	
(7)	955 628 718 00	bracket	/RL	1	
8	955 628 035 00	screw M 6 X 10		2	
9	955 628 028 13	wiper arm driver's side	/LL	1	
		F >>9P8LA 10081			
		F >>9P8LA 40054			
		F >>9P8LA 90089			
(9)	955 628 027 13	wiper arm driver's side	/RL	1	
		F >>9P8LA 10081			
		F >>9P8LA 40054			
		F >>9P8LA 90089			
10	955 628 306 01	cover	/LL	2	
		F >>9P8LA 10081			
		F >>9P8LA 40054			
		F >>9P8LA 90089			

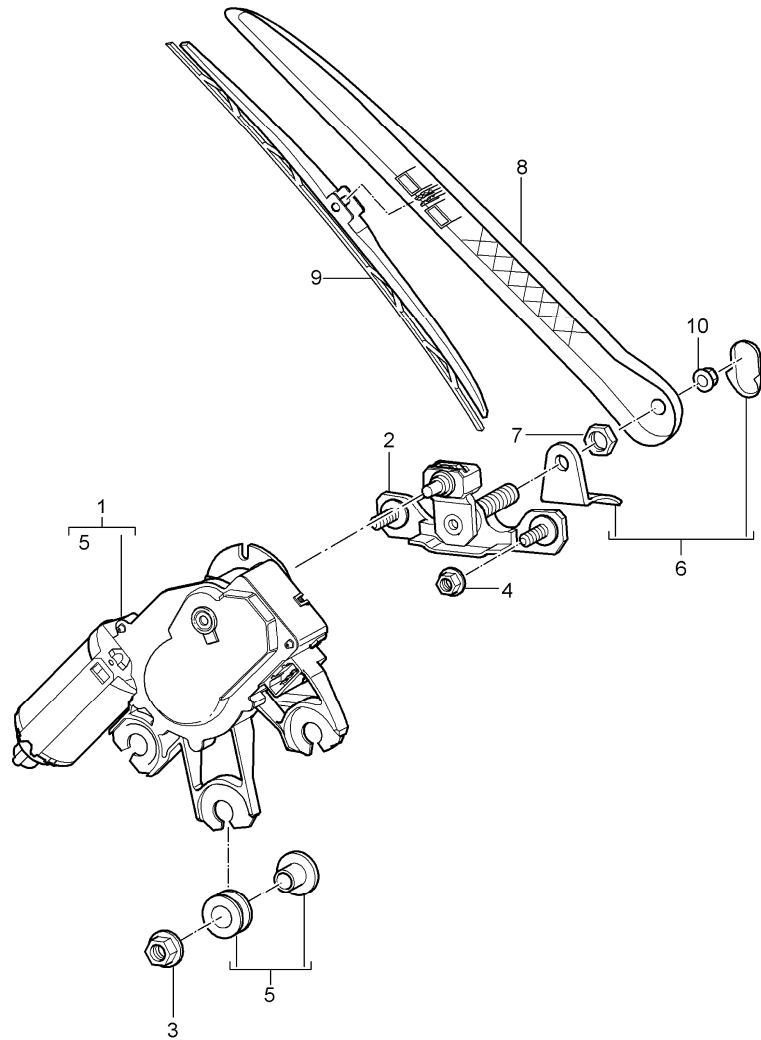
Model	Year	MG	SG	Illustration	Restrictions	UPD	15:09	21.01.2010	PORSCHE	PET	PORSCHE
9PA1	2010	9	04	904-00		247					

Pos	Part Number	Description	Remark	Qty	Model	Pos	Part Number	Description	Remark	Qty	Model
(10)	955 628 307 01	cover F >>9P8LA 10081 F >>9P8LA 40054 F >>9P8LA 90089	/RL	2		18	955 628 939 03	wiper blade set driver's side passenger's side without cover when required order also: POS. 10	/LL	1	
12	955 628 029 13	wiper arm passenger's side F >>9P8LA 10081 F >>9P8LA 40054 F >>9P8LA 90089	/LL	1				F >>9P8LA 10081 F >>9P8LA 40054 F >>9P8LA 90089			
(12)	955 628 026 13	wiper arm passenger's side F >>9P8LA 10081 F >>9P8LA 40054 F >>9P8LA 90089	/RL	1		(18) A	955 628 941 02	wiper blade set driver's side passenger's side with cover POS. 10	/RL	1	
13	955 628 308 02	cover F >>9P8LA 10081 F >>9P8LA 40054 F >>9P8LA 90089	/LL	1				F >>9P8LA 10081 F >>9P8LA 40054 F >>9P8LA 90089			
(13)	955 628 309 02	cover F >>9P8LA 10081 F >>9P8LA 40054 F >>9P8LA 90089	/RL	1		(18)	955 628 941 03	wiper blade set driver's side passenger's side without cover when required order also: POS. 10	/RL	1	
14	955 628 313 00	ring		1				F >>9P8LA 10081 F >>9P8LA 40054 F >>9P8LA 90089			
15	955 628 312 00	washer		1							
16	N 102 613 05	hexagon nut M 10		3							
17	955 628 305 01	cap driver's side		1		19	955 628 028 20	wiper arm driver's side	/LL	1	
(17)	955 628 305 02	cap passenger's side		2				F 9P8LA 10082>> F 9P8LA 40055>> F 9P8LA 70001>> F 9P8LA 90090>>			
18 A	955 628 939 02	wiper blade set driver's side passenger's side with cover POS. 10 F >>9P8LA 10081 F >>9P8LA 40054 F >>9P8LA 90089	/LL	1		(19)	955 628 027 20	wiper arm driver's side	/RL	1	
						20	955 628 029 20	wiper arm passenger's side	/LL	1	
								F 9P8LA 10082>> F 9P8LA 40055>> F 9P8LA 70001>> F 9P8LA 90090>>			

Model	Year	MG	SG	Illustration	Restrictions	UPD	15:09	21.01.2010	PORSCHE	PET	PORSCHE
9PA1	2010	9	04	904-00		247					

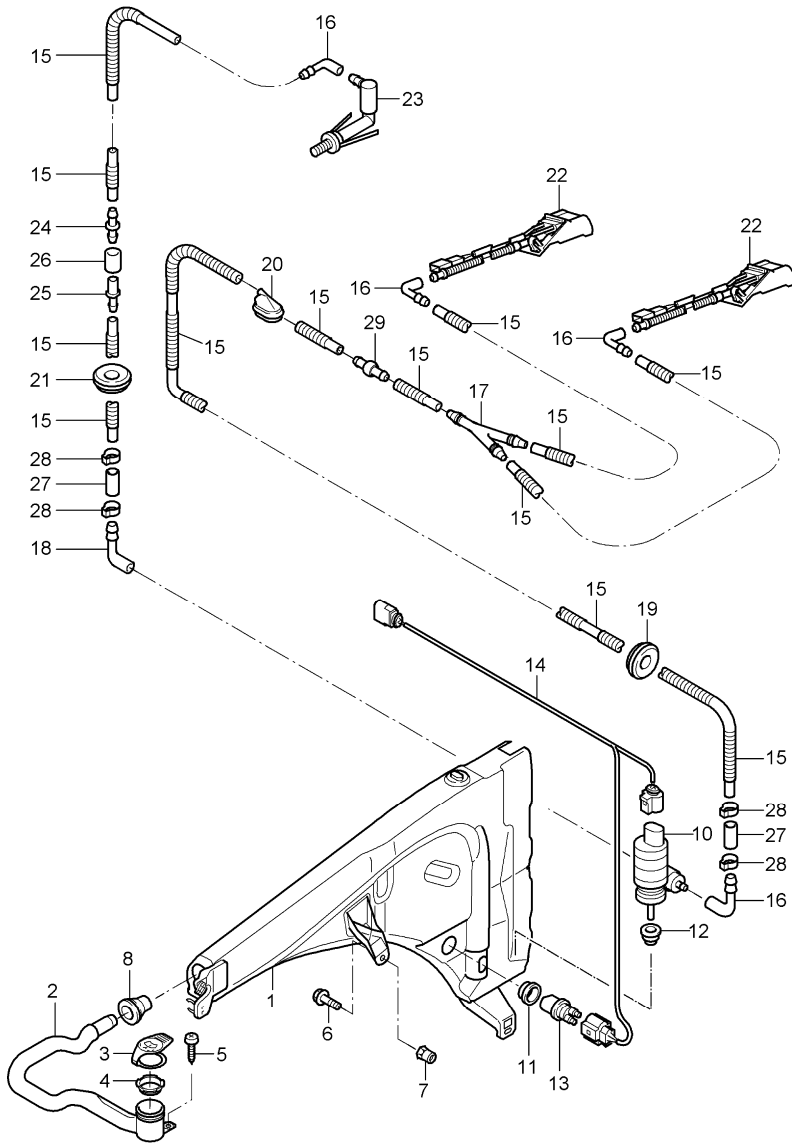
Pos	Part Number	Description	Remark	Qty	Model	Pos	Part Number	Description	Remark	Qty	Model
(20)	955 628 026 20	wiper arm passenger's side F 9P8LA 10082>> F 9P8LA 40055>> F 9P8LA 70001>> F 9P8LA 90090>>	/RL	1							
21	955 628 309 10	cover F 9P8LA 10082>> F 9P8LA 40055>> F 9P8LA 70001>> F 9P8LA 90090>>	/LL	1							
(21)	955 628 308 10	cover F 9P8LA 10082>> F 9P8LA 40055>> F 9P8LA 70001>> F 9P8LA 90090>>	/RL	1							
22	955 628 939 10	wiper blade set driver's side passenger's side F 9P8LA 10082>> F 9P8LA 40055>> F 9P8LA 70001>> F 9P8LA 90090>>	/LL	1							
22	955 628 941 10	wiper blade set driver's side passenger's side F 9P8LA 10082>> F 9P8LA 40055>> F 9P8LA 70001>> F 9P8LA 90090>>	/RL	1							
23	955 618 518 02	rain sensor		1							

Model	Year	MG	SG	Illustration	Restrictions	UPD	15:10	21.01.2010	PORSCHE	PET	PORSCHE
9PA1	2010	9	04	904-05		247					



Pos	Part Number	Description	Remark	Qty	Model
		rear window wiper			
1	955 628 080 04	wiper motor		1	
2	955 628 090 04	crank drive	-08	1	
2	955 628 090 05	crank drive	09-	1	
3	N 907 143 03	hexagon nut M 6		3	
4	N 902 158 04	hexagon nut M 6		2	
5	955 628 721 00	repair kit comprising:		1	
-	-	grommet		3	
-	-	bush		3	
6 U	955 628 320 00	tip switch complete		1	IQL3/QL5
6 U	955 628 320 01	tip switch complete		1	IQL3/QL5
6	955 628 320 02	tip switch complete		1	IQL3/QL5
6 U	955 628 321 00	tip switch complete		1	IQL6
6 U	955 628 321 01	tip switch complete		1	IQL6
6	955 628 321 02	tip switch complete		1	IQL6
7	N 021 284 5	hexagon nut M 18 X 1,5		1	
8 A	955 628 040 01	wiper arm when required order also: Pos. 6	-08	1	
8	955 628 040 02	wiper arm when required order also: Pos. 6		1	
9	955 628 050 00	wiper blade		1	
10	N 011 008 40	hexagon nut M 8		1	

Model	Year	MG	SG	Illustration	Restrictions	UPD	15:10	21.01.2010	PORSCHE	PET	PORSCHE
9PA1	2010	9	04	904-10		247					

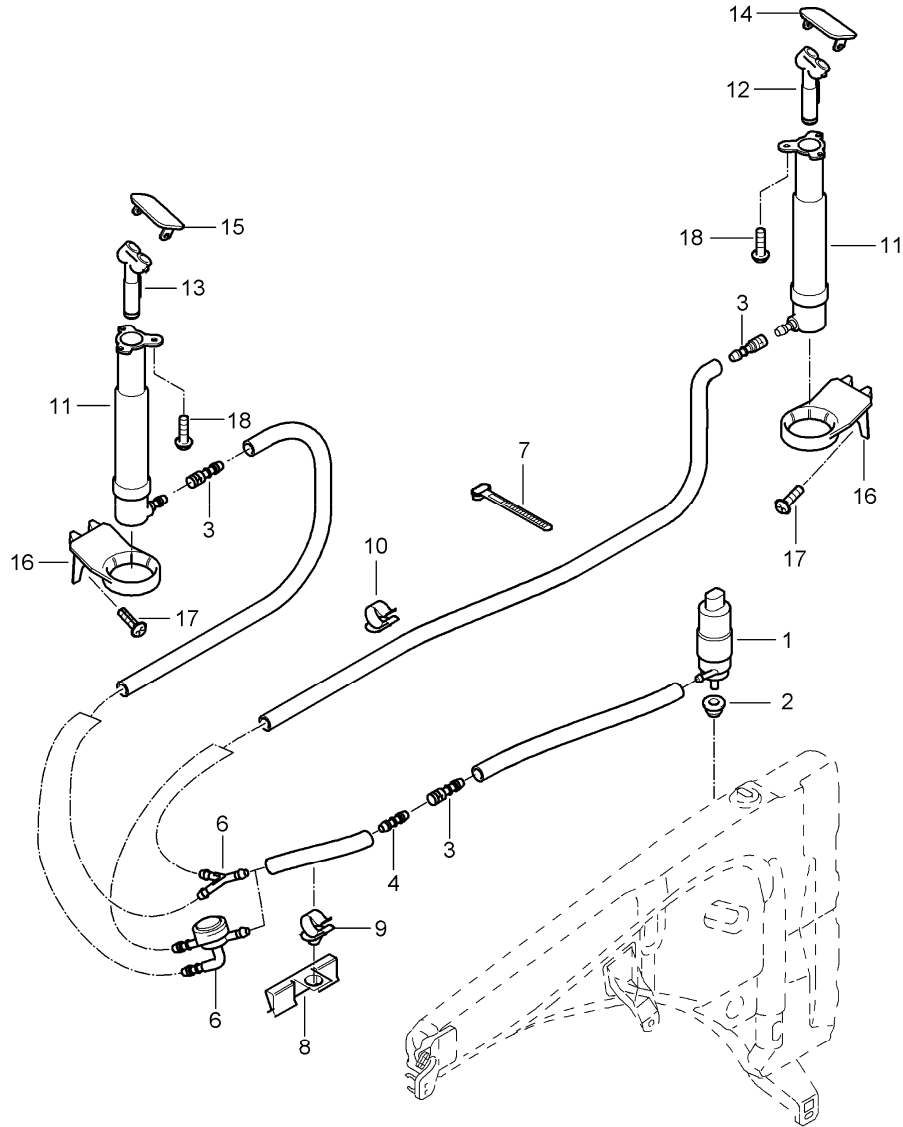


Pos	Part Number	Description	Remark	Qty	Model
		windscreen washer system			
1	955 528 703 00	water reservoir		1	I8X1
(1)	955 528 704 00	water reservoir		1	I8X0
2	955 528 605 02	filler neck		1	
3	955 528 607 01	lid		1	
4	955 528 606 02	strainer		1	
5	N 906 986 03	tapping screw 4,2 X 16		1	
6	N 908 204 01	hexagon-head bolt M 6 X 16		2	
7	N 902 631 04	blind rivet nut M 6 / 0,7		2	
8	955 528 711 01	gasket filler neck		1	
10	955 628 172 01	pump		1	
11	955 528 721 00	gasket		1	
12	955 628 712 00	gasket		1	
13	955 628 105 00	tank gauge switch		1	
14	955 612 700 00	wiring harness		1	
15	955 628 130 00	hose 6,0 X 1,0 10000 MM		X	
16	955 628 200 01	angled pipe		4	
17	955 628 210 00	distributing piece		1	
18	955 628 230 01	angled pipe		1	
19	955 628 250 00	grommet		1	
20	955 628 251 00	grommet		1	
21	955 628 252 00	grommet		1	
22	955 628 077 01	spray nozzle 2-jet injector		2	
(22)	955 628 077 02	spray nozzle 3-jet injector		2	

Model	Year	MG	SG	Illustration	Restrictions	UPD	15:10	21.01.2010	PORSCHE	PET	PORSCHE
9PA1	2010	9	04	904-10		247					

Pos	Part Number	Description	Remark	Qty	Model	Pos	Part Number	Description	Remark	Qty	Model
23	955 628 078 01	spray nozzle rear end		1							
		repair kit for hose									
24	955 628 222 00	connecting piece		1							
25	955 628 223 00	connecting piece		1							
26	955 628 224 00	shrink-fit hose		1							
27	955 628 225 00	hose		1							
28	N 020 902 2	tie-wrap see technical manual Gr. 9254		2							
		when required order also:									
29	955 628 270 00	check valve		1							
-	999 901 017 42	window cleaner 250 ML summer		X							
-	999 901 033 40	window cleaner 1000 ML winter		X							

Model	Year	MG	SG	Illustration	Restrictions	UPD	15:10	21.01.2010	PORSCHE	PET	PORSCHE
9PA1	2010	9	04	904-20		247					



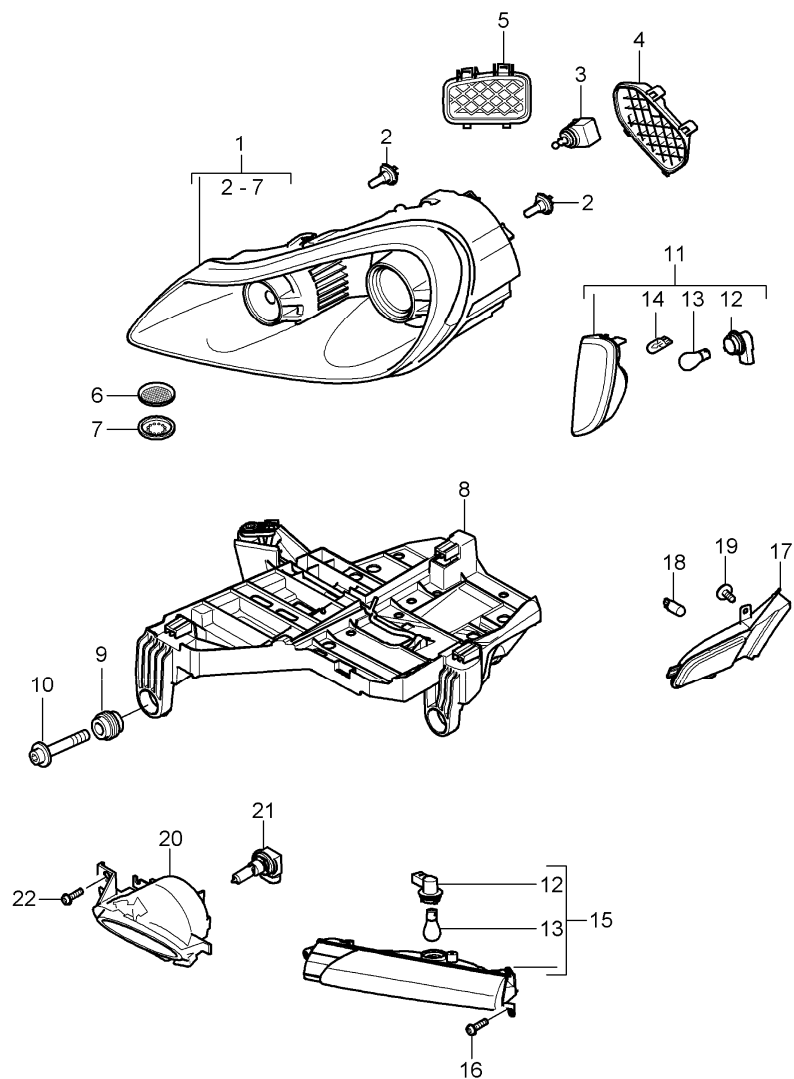
Pos	Part Number	Description	Remark	Qty	Model
		headlight washer system			
1	955 624 502 00	pump		1	
2	431 955 465 A	gasket		1	
-	955 628 181 00	hose 10 X 3 MM 5000 MM		1	
3	955 628 204 00	connecting piece		3	
4	955 628 205 00	connecting piece		1	
6	955 628 160 00	distributing piece		1	
6	955 628 160 10	distributing piece with valve		1	
7	N 900 051 01	tie-wrap 4,6 X 172		5	ID5Z
8	955 628 025 00	clamp		1	
9	955 628 260 00	hose holder		1	
10	955 628 260 01	hose holder		3	ID5V/D5X
11	955 628 180 10	jet carrier		2	
12	955 628 161 10	nozzle	/L	1	
13	955 628 162 10	nozzle	/R	1	
14	955 628 301 11	trim cover G2X prime coated	/L	1	ID5V/D5X
15	955 628 302 11	trim cover G2X prime coated	/R	1	ID5V/D5X
(14)	955 628 303 11	trim cover G2X prime coated	/L	1	ID5Z/E0W/E1T
(15)	955 628 304 11	trim cover G2X prime coated	/R	1	ID5Z/E0W/E1T
16	955 628 189 00	support		2	
17	N 908 082 01	oval-head screw 6,0 X 18,5		4	

Model	Year	MG	SG	Illustration	Restrictions	UPD	15:10	21.01.2010	PORSCHE	PET	PORSCHE
9PA1	2010	9	04	904-20		247					

Pos	Part Number	Description	Remark	Qty	Model	Pos	Part Number	Description	Remark	Qty	Model
18	N 905 624 01	oval-head screw 3,5 X 10,0		4							

Model	Year	MG	SG	Illustration	Restrictions	UPD	15:10	21.01.2010	PORSCHE	PET	PORSCHE
9PA1	2010	9	05	905-00		247					

Pos	Part Number	Description	Remark	Qty	Model
		headlamp direction indicator light fog headlamp			
1	955 631 173 00	headlamp	/L	1	I8BB/8BR
(1)	955 631 174 00	headlamp	/R	1	I8BB/8BR
(1)	955 631 173 10	headlamp	/L	1	I8BF
(1)	955 631 174 10	headlamp	/R	1	I8BF
2	999 631 133 91	halogen bulb H 7		4	
(2)	999 631 144 91	halogen bulb H 11		2	
3	955 624 219 00	adjusting motor headlight levelling system		2	
4	955 631 237 00	protective cap	/L	1	
(4)	955 631 238 00	protective cap	/R	1	
5	955 631 241 00	protective cap appendix high beam	/L	1	
(5)	955 631 242 00	protective cap appendix high beam	/R	1	
6	955 631 254 00	filter element		2	
7	955 631 255 00	ventilation component		2	
8	955 631 043 00	mounting	/L	1	
(8)	955 631 044 00	mounting	/R	1	
9	955 631 062 03	tensioner		8	
10	955 631 052 01	fastening screw		8	
11	955 631 181 00	direction indicator light	/L	1	ID5V/D5X
11	955 631 181 01	direction indicator light	/L	1	ID50
(11)	955 631 182 00	direction indicator light	/R	1	ID5V/D5X
(11)	955 631 182 01	direction indicator light	/R	1	ID50
12	955 631 183 00	bulb socket		2	
13	900 631 021 90	bulb direction indicator light		2	

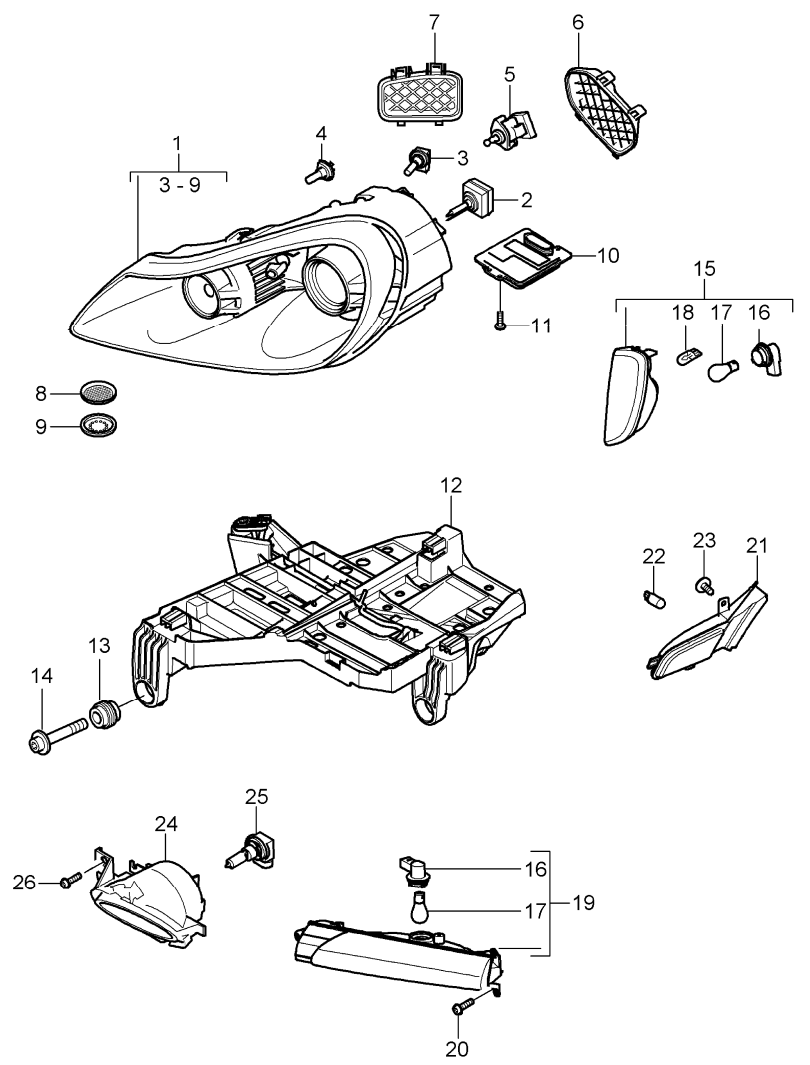


Model	Year	MG	SG	Illustration	Restrictions	UPD	15:10	21.01.2010	PORSCHE	PET	PORSCHE
9PA1	2010	9	05	905-00		247					

Pos	Part Number	Description	Remark	Qty	Model	Pos	Part Number	Description	Remark	Qty	Model
14	N 017 753 8	bulb W5W Blue Vision position light		2							
15	955 631 185 00	direction indicator light	/L	1	IE0W						
(15)	955 631 186 00	direction indicator light	/R	1	IE0W						
16	N 908 082 01	oval-head screw 6 x 18		6							
17	955 631 035 00	direction indicator light	/L	1							
(17)	955 631 035 20	direction indicator light	/L	1	I6GE/6GF I6GJ/6GK						
(17)	955 631 036 00	direction indicator light	/R	1							
(17)	955 631 036 20	direction indicator light	/R	1	I6GE/6GF I6GJ/6GK						
18	999 631 138 90	bulb 5 W yellow		2							
19	N 908 082 01	oval-head screw 6 X 18,5		12							
20	955 631 165 00	fog headlamp	/L	1							
(20)	955 631 166 00	fog headlamp	/R	1							
21	A 999 631 144 90	halogen bulb H 11		2							
21	999 631 144 91	halogen bulb H 11		2							
22	N 908 794 02	oval-head screw 5 x 16		6							

Model	Year	MG	SG	Illustration	Restrictions	UPD	15:10	21.01.2010	PORSCHE	PET	PORSCHE
9PA1	2010	9	05	905-01		247					

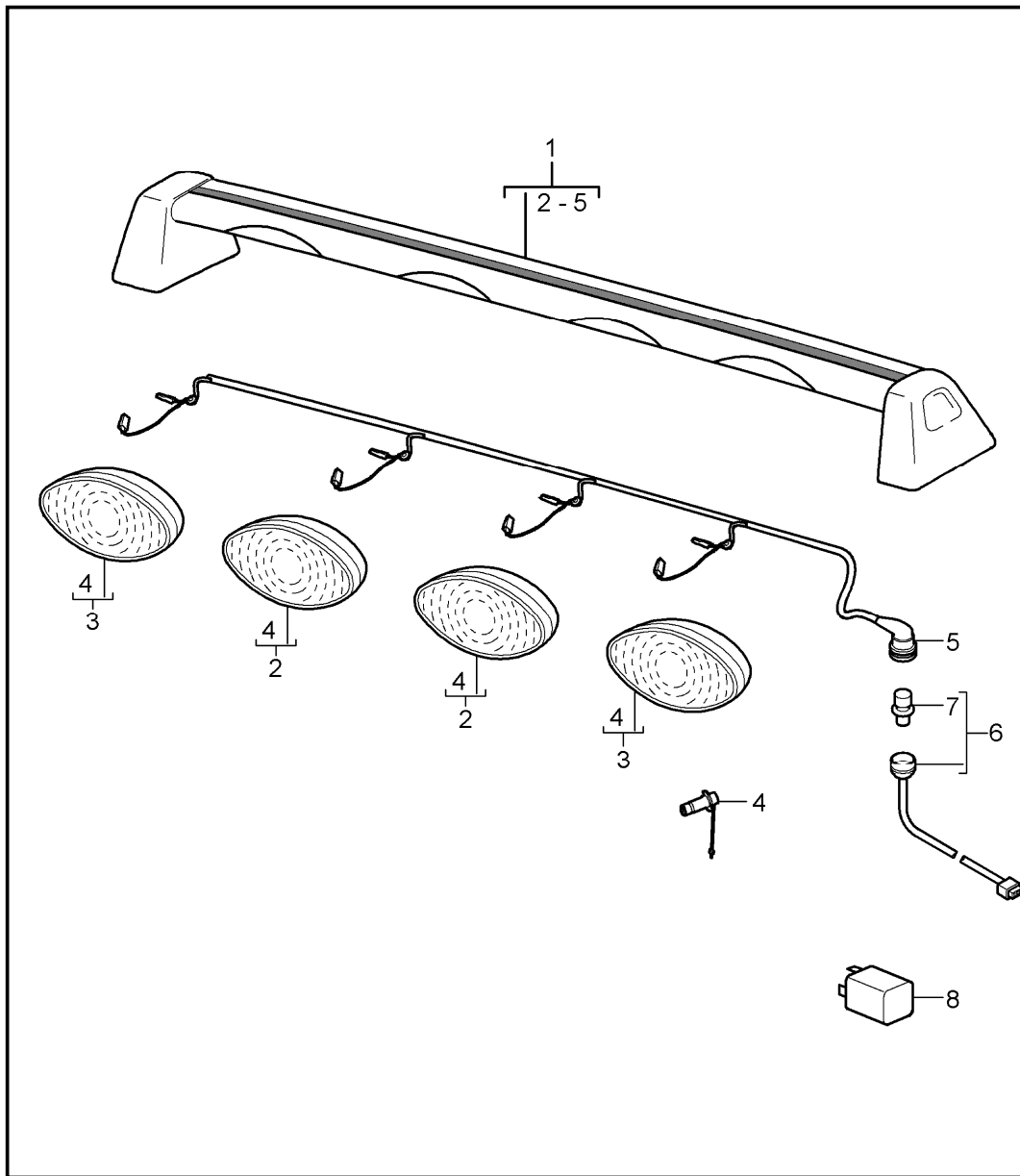
Pos	Part Number	Description	Remark	Qty	Model
		headlamp			I8BC/8BZ/8EE I8EF/8EG/8JD
		direction indicator light			
		fog headlamp			
1	955 631 175 00	headlamp	/L	1	I8BC
1	955 631 175 30	headlamp	/L	1	I8EF
(1)	955 631 176 00	headlamp	/R	1	I8BC
(1)	955 631 176 30	headlamp	/R	1	I8EF
(1)	955 631 175 10	headlamp	/L	1	I8BZ
(1)	955 631 175 40	headlamp	/L	1	I8EE
(1)	955 631 176 10	headlamp	/R	1	I8BZ
(1)	955 631 176 40	headlamp	/R	1	I8EE
2	N 105 661 01	bulb DiS		2	
-	955 631 199 00	retaining ring bulb DiS		2	
3	999 631 144 91	halogen bulb H 11		2	
4	999 631 133 91	halogen bulb appendix high beam H 7		4	
5	955 624 220 00	adjusting motor headlight levelling system		2	
6	955 631 237 00	protective cap	/L	1	
(6)	955 631 238 00	protective cap	/R	1	
7	955 631 241 00	protective cap appendix high beam	/L	1	
(7)	955 631 242 00	protective cap appendix high beam	/R	1	
8	955 631 254 00	filter element		2	
9	955 631 255 00	ventilation component		2	
10	A 955 631 194 00	control unit		2	



Model	Year	MG	SG	Illustration	Restrictions	UPD	15:10	21.01.2010	PORSCHE	PET	PORSCHE
9PA1	2010	9	05	905-01		247					

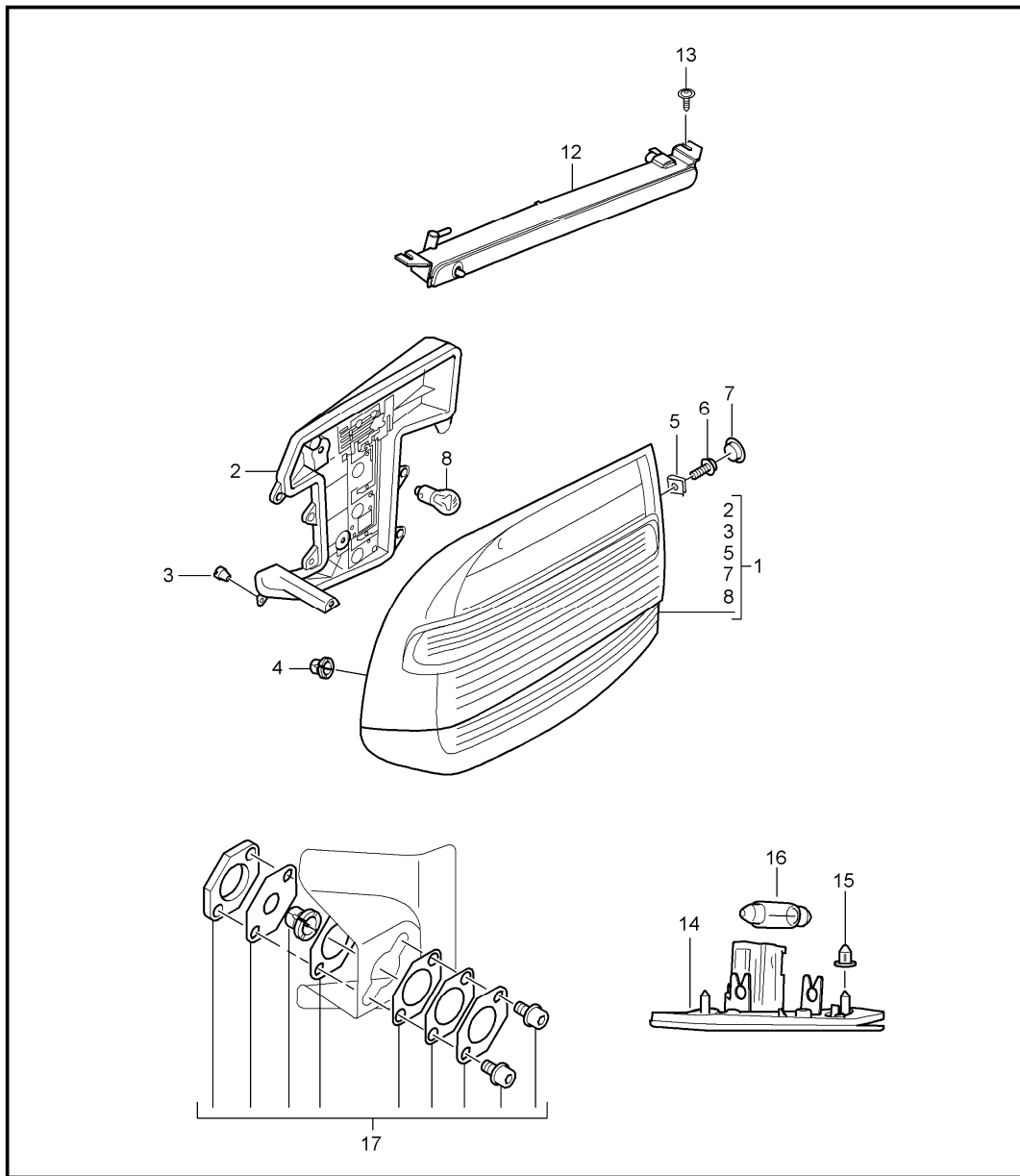
Pos	Part Number	Description	Remark	Qty	Model	Pos	Part Number	Description	Remark	Qty	Model
10	A 955 631 194 01	control unit		2		23	N 908 082 01	oval-head screw 6 X 18,5		12	
10	955 631 194 02	control unit		2		24	955 631 165 00	fog headlamp	/L	1	
11	N 104 159 03	oval-head screw 4 x 12		X		(24)	955 631 166 00	fog headlamp	/R	1	
12	955 631 043 00	mounting	/L	1		25	A 999 631 144 90	halogen bulb H 11		2	
(12)	955 631 044 00	mounting	/R	1		25	999 631 144 91	halogen bulb H 11		2	
13	955 631 062 03	tensioner		8		26	N 908 794 02	oval-head screw 5 x 16		6	
14	955 631 052 01	fastening screw		8							
15	955 631 181 00	direction indicator light	/L	1	ID5V/D5X						
15	955 631 181 01	direction indicator light	/L	1	ID50						
(15)	955 631 182 00	direction indicator light	/R	1	ID5V/D5X						
(15)	955 631 182 01	direction indicator light	/R	1	ID50						
16	955 631 183 00	bulb socket		2							
17	900 631 021 90	bulb direction indicator light		2							
18	N 017 753 8	bulb W5W Blue Vision position light		2							
19	955 631 185 00	direction indicator light	/L	1	ID5Z						
19	955 631 185 00	direction indicator light	/L	1	IE0W						
(19)	955 631 186 00	direction indicator light	/R	1	ID5Z						
(19)	955 631 186 00	direction indicator light	/R	1	IE0W						
20	N 908 082 01	oval-head screw 6 x 18		6							
21	955 631 035 00	direction indicator light	/L	1							
(21)	955 631 035 20	direction indicator light	/L	1	I6GE/6GF I6GJ/6GK						
(21)	955 631 036 00	direction indicator light	/R	1							
(21)	955 631 036 20	direction indicator light	/R	1	I6GE/6GF I6GJ/6GK						
22	999 631 138 90	bulb 5 W yellow		2							

Model	Year	MG	SG	Illustration	Restrictions	UPD	15:11	21.01.2010	PORSCHE	PET	PORSCHE
9PA1	2010	9	05	905-02		247					



Pos	Part Number	Description	Remark	Qty	Model
		additional headlamp roof			I8WU
1	955 801 153 00	bracket complete		1	
2	955 631 751 00	high-beam headlight 1 set		2	
3	955 631 752 00	fog headlamp 1 set		2	
4	900 631 126 90	halogen bulb H 3		4	
5	955 612 079 00	wiring harness bracket		1	
6	955 612 075 00	wiring harness roof		1	
7	955 612 076 00	cover plug socket		1	
8	955 615 413 00	relay		1	
		see group 9/03/06 Pos. (9)			

Model	Year	MG	SG	Illustration	Restrictions	UPD	15:14	25.01.2010	PORSCHE	PET	PORSCHE
9PA1	2010	9	05	905-05		247					

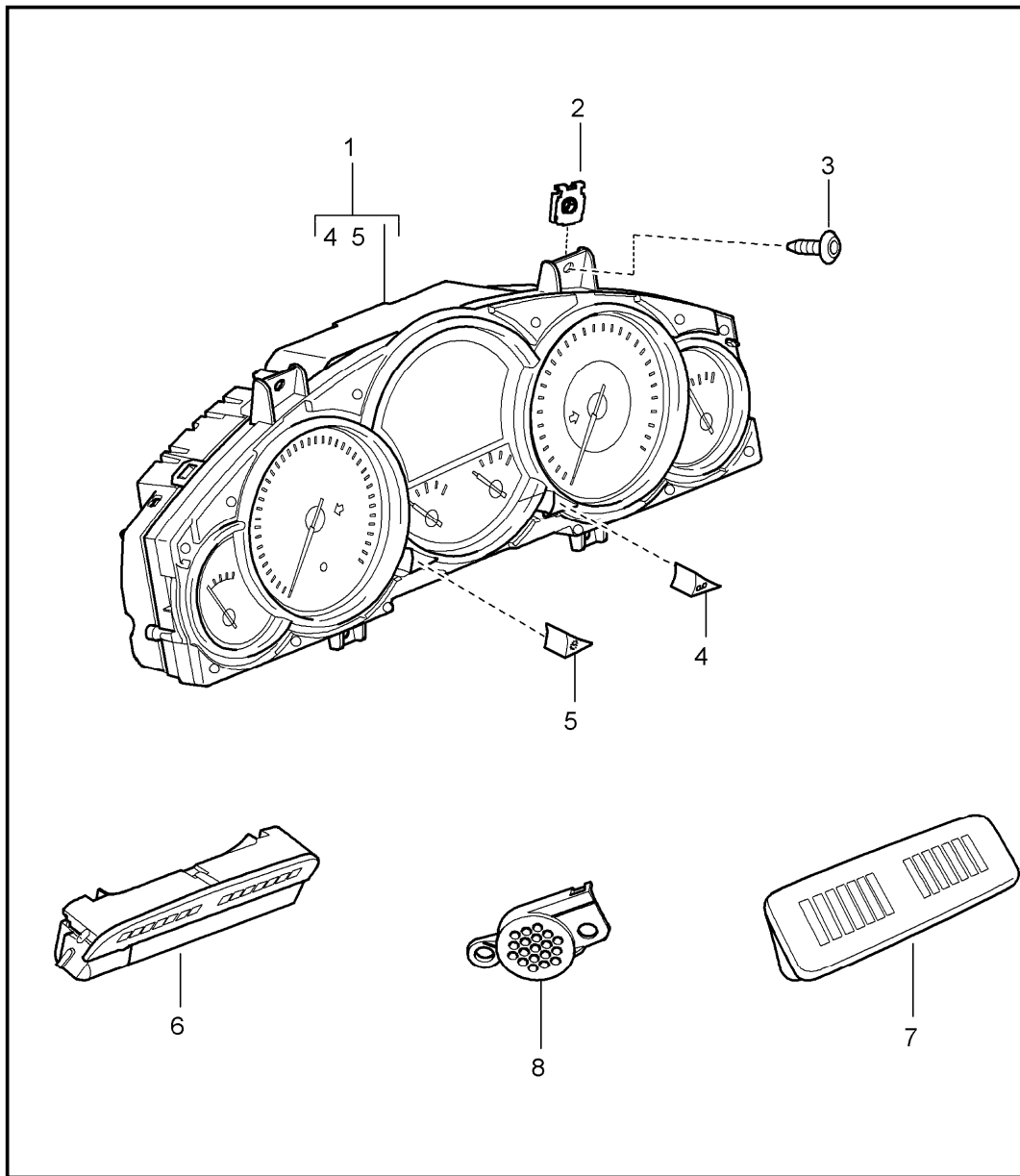


Pos	Part Number	Description	Remark	Qty	Model
		rear light license plate light additional brake light repair kit rear light			
1	955 631 487 00	tail light housing	/L	1	
(1)	955 631 488 00	tail light housing	/R	1	
2	955 631 439 00	bulb holder	/L	1	
(2)	955 631 440 00	bulb holder	/R	1	
3	N 903 474 06	combination screw 4 x 12		X	
4	955 631 471 02	clips nut		2	
5	N 901 686 04	speed nut M 6 X 23,4 X 16		4	
6	N 101 148 06	combination screw M 6 X 15		4	
7	955 631 475 00	cap		4	
8	900 631 127 90	bulb 21 W		X	
12	955 631 050 01	additional brake light		1	
13	N 908 401 03	oval-head screw 4 X 14		2	
14 A	955 631 620 02	license plate light		2	
14	955 631 620 03	license plate light		2	
(14)	997 631 620 00	license plate light		2	I1G3
15	N 908 378 02	expander nut 3,0 X 11,1		4	
16	900 631 105 90	bulb 5 W		2	
17	955 631 215 00	repair kit rear light		1	
-	-	repair kit comprising:			
-	-	threaded plate		1	
-	-	nut lock		1	

Model	Year	MG	SG	Illustration	Restrictions	UPD	15:14	25.01.2010	PORSCHE	PET	PORSCHE
9PA1	2010	9	05	905-05		247					

Pos	Part Number	Description	Remark	Qty	Model	Pos	Part Number	Description	Remark	Qty	Model
-	955 631 471 02	clips nut		1							
-	-	spacer plate 0,5 MM		2							
-	-	spacer plate 1,0 MM		2							
-	-	combination screw M 5 X 12		2							

Model	Year	MG	SG	Illustration	Restrictions	UPD	15:40	21.01.2010	PORSCHE	PET	PORSCHE
9PA1	2010	9	06	906-00		247					

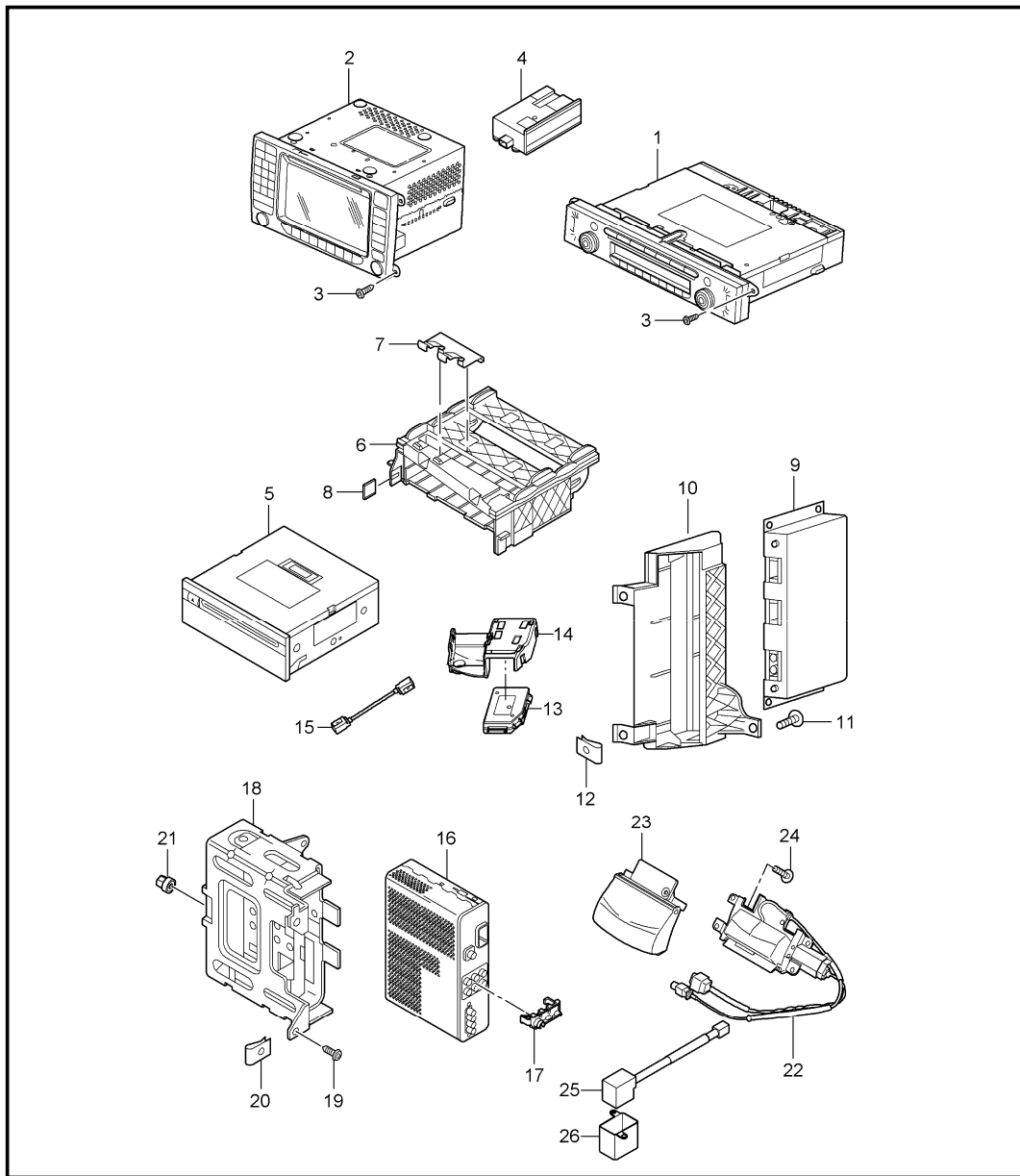


Pos	Part Number	Description	Remark	Qty	Model
		instruments display unit ParkAssist magnetic-field sensor compass			
1	> 955 641 134 00	instrument cluster	-08	1	ID5X
1	955 641 134 10	instrument cluster	09-	1	ID5X
1	955 641 144 10	instrument cluster		1	ID50
(1)	> 955 641 135 00	instrument cluster	-08	1	ID5X/U5B
(1)	955 641 135 10	instrument cluster	09-	1	ID5X/U5B
(1)	955 641 145 10	instrument cluster		1	ID50/U5B
(1)	> 955 641 234 00	instrument cluster	-08	1	ID5V
(1)	955 641 234 10	instrument cluster	09-	1	ID5V
(1)	955 641 234 20	instrument cluster	09-	1	ID5V/6FI
(1)	955 641 234 30	instrument cluster	09-	1	ID5V/6FM/6FP
(1)	955 641 234 40	instrument cluster	10-	1	ID5V/E1T
(1)	> 955 641 235 00	instrument cluster	-08	1	ID5V/U5B
(1)	955 641 235 10	instrument cluster	09-	1	ID5V/U5B
(1)	955 641 235 20	instrument cluster	09-	1	ID5V/U5B/6FI
(1)	955 641 235 30	instrument cluster	09-	1	ID5V/U5B/6FM I6FP
(1)	955 641 235 40	instrument cluster	10-	1	ID5V/E1T/U5B
(1)	> 955 641 334 00	instrument cluster	-08	1	ID5Z
(1)	955 641 334 10	instrument cluster	09-	1	ID5Z
(1)	955 641 334 20	instrument cluster	09-	1	ID5Z/E8A
(1)	> 955 641 335 00	instrument cluster	-08	1	ID5Z/U5B
(1)	955 641 335 10	instrument cluster	09-	1	ID5Z/U5B
(1)	955 641 335 20	instrument cluster	09-	1	IE8A/U5B
2	N 906 987 01	speed nut 4,2x 16 x 12		4	
3	N 906 986 01	tapping screw 4,2 X 16		4	

Model	Year	MG	SG	Illustration	Restrictions	UPD	15:40	21.01.2010	PORSCHE	PET	PORSCHE
9PA1	2010	9	06	906-00		247					

Pos	Part Number	Description	Remark	Qty	Model	Pos	Part Number	Description	Remark	Qty	Model
4	955 641 070 00	knob actuator trip meter		1							
5	955 641 070 10	knob actuator clock		1							
6	955 641 222 00	display unit ParkAssist front		1	I7X2/7X8						
7	955 641 224 00	display unit ParkAssist rear		1	I7X2/7X8						
	A03	black									
	5Y2	palmgreen									
	5Z1	sand beige									
	7BA	steel grey									
8	955 641 230 00	buzzer ParkAssist magnetic-field sensor		1	I7X2/7X8						

Model	Year	MG	SG	Illustration	Restrictions	UPD	15:40	21.01.2010	PORSCHE	PET	PORSCHE
9PA1	2010	9	11	911-00		247					



Pos	Part Number	Description	Remark	Qty	Model
1	-	radio navigation system receiving part tv magnetic-field sensor compass reversing camera camera door mirror	-08 -08 -08 -08 -08 -08 -08		
1	-	radio see catalogue tequipment			
2	> 955 642 210 10	control part		1	
3	N 105 842 01	tapping screw 4,2 X 25		X	
4	955 642 130 01	module voice activation		1	IQH1
-	955 642 131 01	cd-rom voice activation		1	IQH1
5	> 997 642 157 01	dvd device navigation system		1	I8DQ/8DV I7Q2/7T1
-	955 642 951 00	rotary knob left control part		1	
-	955 642 952 00	rotary knob right control part		1	
-	955 642 941 00	cover Drawer SIM card for control part		1	
-	997 642 255 05	dvd navigation system F >>9P8LA 10081 F >>9P8LA 40054 F >>9P8LA 90089		1	I7QT
-	997 642 259 04	dvd navigation system F >>9P8LA 10081 F >>9P8LA 40054 F >>9P8LA 90089		1	I7QV

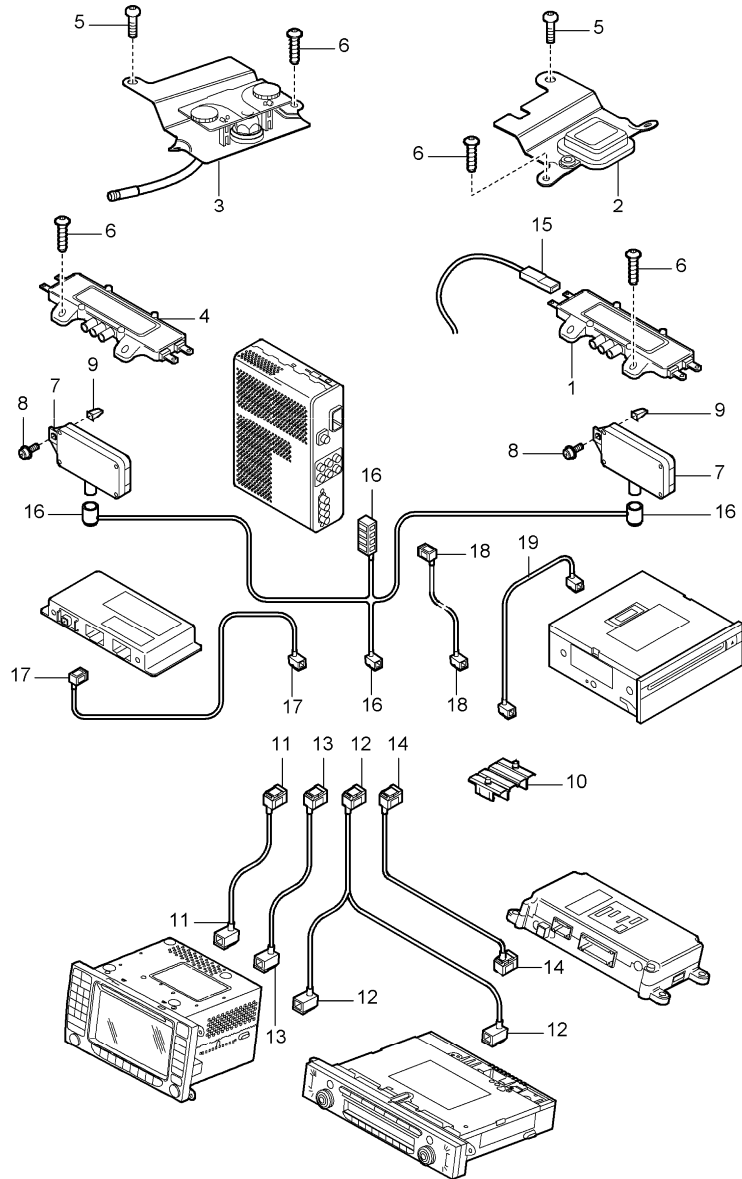
Model	Year	MG	SG	Illustration	Restrictions	UPD	15:40	21.01.2010	PORSCHE	PET	PORSCHE
9PA1	2010	9	11	911-00		247					

Pos	Part Number	Description	Remark	Qty	Model	Pos	Part Number	Description	Remark	Qty	Model
-	997 642 261 04	dvd navigation system F >>9P8LA 10081 F >>9P8LA 40054 F >>9P8LA 90089		1	I7QZ	-	997 642 267 05	dvd navigation system F 9P8LA 10082>> F 9P8LA 40055>> F 9P8LA 90090>>		1	I7RV
-	997 642 263 04	dvd navigation system F >>9P8LA 10081 F >>9P8LA 40054 F >>9P8LA 90089		1	I7RA	-	997 642 148 02	cd-rom logbook		1	
-	997 642 265 05	dvd navigation system F >>9P8LA 10081 F >>9P8LA 40054 F >>9P8LA 90089		1	I7RB/7RC/7RD	6	955 642 226 01	support		1	I8DQ/8DV I7Q2/7T1
-	997 642 267 04	dvd navigation system F >>9P8LA 10081 F >>9P8LA 40054 F >>9P8LA 90089		1	I7RV	7	955 642 228 00	retaining bracket		1	I8DQ/8DV I7Q2/7T1
-	997 642 255 06	dvd navigation system F 9P8LA 10082>> F 9P8LA 40055>> F 9P8LA 90090>>		1	I7QT	8	N 907 468 01	u-clamp		2	
-	997 642 259 05	dvd navigation system F 9P8LA 10082>> F 9P8LA 40055>> F 9P8LA 90090>>		1	I7QV	13	955 642 023 00	magnetic-field sensor compass		1	IQR1/8DU
-	997 642 261 05	dvd navigation system F 9P8LA 10082>> F 9P8LA 40055>> F 9P8LA 90090>>		1	I7QZ	14	955 642 024 00	support		1	
-	997 642 263 05	dvd navigation system F 9P8LA 10082>> F 9P8LA 40055>> F 9P8LA 90090>>		1	I7RA	15	955 612 124 00	connecting line magnetic-field sensor		1	
-	997 642 265 06	dvd navigation system F 9P8LA 10082>> F 9P8LA 40055>> F 9P8LA 90090>>		1	I7RB/7RC/7RD	16	955 642 250 00	receiving part tv		1	IQV1
						17	955 645 295 00	coding plug		1	
						18	955 642 255 00	support		1	IQV1/8L6
						19	N 100 292 06	oval-head screw M 6 X 15		4	IQV1
						20	N 910 234 01	speed nut M 6 X 24,4 X 13		4	IQV1
						21	N 100 151 01	plastic nut T 5		1	IQV1
						22	955 645 290 00	reversing camera module		1	I7X8/7X9
						23	955 645 292 01	trim cover G2X prime coated		1	I7X8/7X9
						24	955 645 294 00	combination screw M 4 X 12		4	
						25	955 645 291 00	camera door mirror		1	I5RP/5SU

Model	Year	MG	SG	Illustration	Restrictions	UPD	15:40	21.01.2010	PORSCHE	PET	PORSCHE
9PA1	2010	9	11	911-00		247					

Pos	Part Number	Description	Remark	Qty	Model	Pos	Part Number	Description	Remark	Qty	Model
26	955 645 297 00	retaining frame camera	/R	1	I5RP						
	01C	satin black									
(26)	955 645 298 00	retaining frame camera	/L	1	I5SU						
	01C	satin black									
-	000 043 400 13	hexagon socket head bolt 3 X 25 for retaining frame camera		2	I5RP/5SU						

Model	Year	MG	SG	Illustration	Restrictions	UPD	15:41	21.01.2010	PORSCHE	PET	PORSCHE
9PA1	2010	9	11	911-01		247					

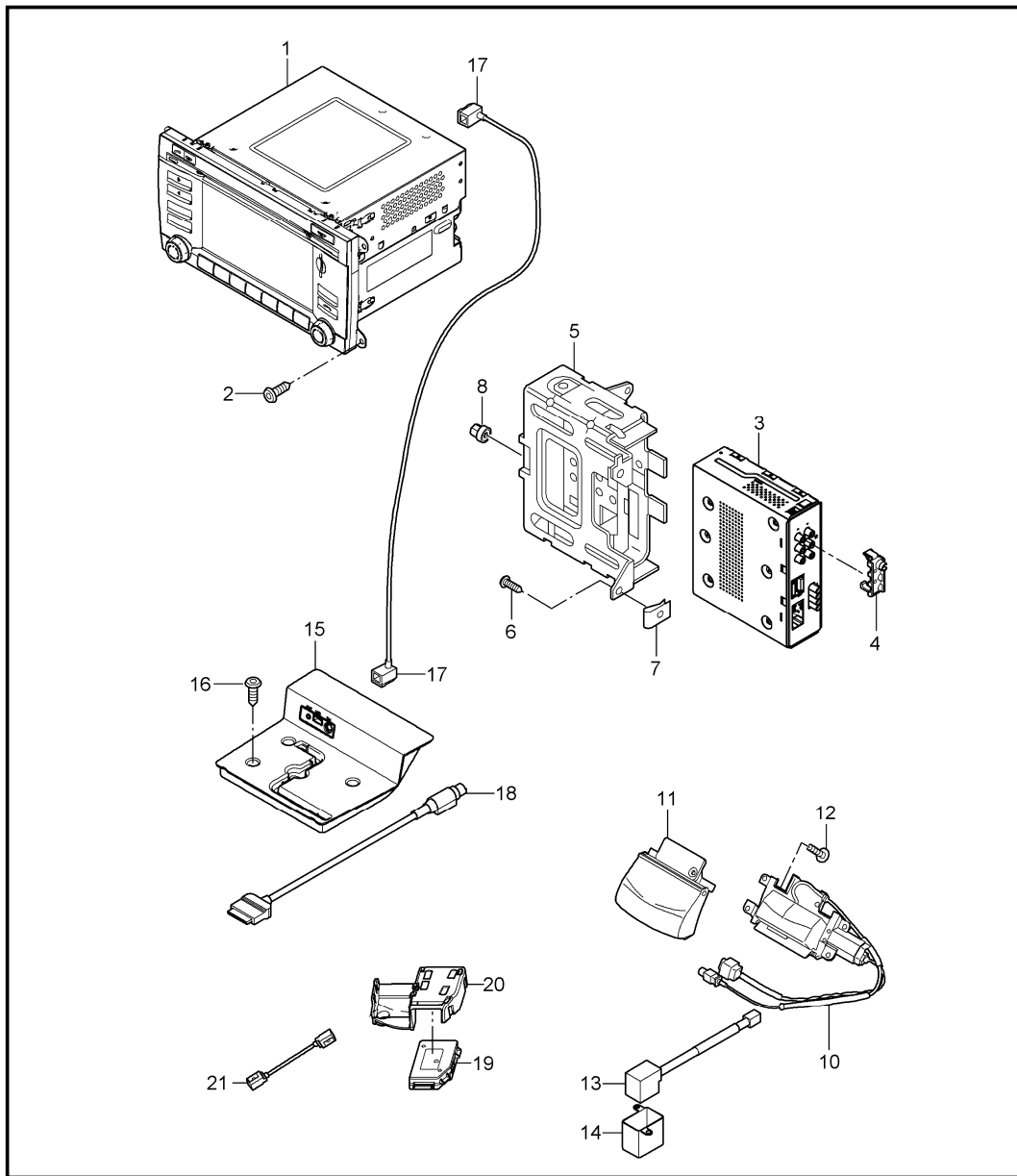


Pos	Part Number	Description	Remark	Qty	Model
1	955 647 301 00	antenna booster antenna	-08 -08	1	I8ZM
(1)	955 647 302 00	antenna booster rear spoiler right		1	I8L6
2	955 647 107 00	antenna GPS		1	IQV1/7Q2/7T1
3	955 647 106 00	antenna telephone		1	
4	955 647 104 00	antenna booster rear spoiler left		1	IQV0/QV4
(4)	955 647 114 00	antenna booster rear spoiler left		1	IQV1
5	N 909 446 03	oval-head screw M 5 X 12		2	
6	N 908 401 03	oval-head screw 4 X 14		X	
7	955 647 261 00	antenna booster tv	/L	1	IQV1/8L6
(7)	955 647 262 00	antenna booster tv	/R	1	IQV1/8L6
8	N 104 472 01	lens-head screw ST 4,8 X 13		2	IQV1/8L6
9	955 647 269 00	expander nut		2	IQV1/8L6
10	955 647 432 10	support		2	
11	955 647 208 00	connecting line connection point to module navigation system connector blue		1	I7Q2/7T1

Model	Year	MG	SG	Illustration	Restrictions	UPD	15:41	21.01.2010	PORSCHE	PET	PORSCHE
9PA1	2010	9	11	911-01		247					

Pos	Part Number	Description	Remark	Qty	Model	Pos	Part Number	Description	Remark	Qty	Model
12	955 647 203 01	connecting line connection point to radio connector black		1		16	955 647 213 01	connecting line receiving part tv to connection point to booster tv		1	
13	955 647 204 01	connecting line connection point to control part connector yellow		1	I7VE/7VL/8L6	18	955 647 217 01	connecting line connection point to receiving part tv connector brown		1	
(13)	955 647 215 01	connecting line connection point to control part connector brown		1		(18)	955 647 218 01	connecting line connection point to receiving part tv connector creamy white		1	
(13)	955 647 220 01	connecting line connection point to control part connector creamy white for reversing camera		1		19	955 647 219 01	connecting line connection point to dvd device navigation system		1	
14	955 647 209 11	connecting line connection point to control unit telephone 997.646.208.13 connector violet		1							
(14)	955 647 212 01	connecting line connection point to control unit telephone connector violet		1	I9ZF						
15	955 647 108 00	antenna radio rear spoiler right		1							

Model	Year	MG	SG	Illustration	Restrictions	UPD	15:46	21.01.2010	PORSCHE	PET	PORSCHE
9PA1	2010	9	11	911-02		247					



Pos	Part Number	Description	Remark	Qty	Model
		radio		09-	
		navigation system		09-	
		receiving part		09-	
		tv			
		reversing camera		09-	
		camera		09-	
		door mirror			
		Multimedia interface		09-	
		control part			
		only in exchange			
1	955 642 970 X	control part we take back: 955.642.970.00		1	I7T1
1	955 642 972 X	control part we take back: 955.642.972.00		1	I7D7/7T1
1	955 642 974 X	control part we take back: 955.642.974.00		1	I7T7
1	955 642 975 X	control part we take back: 955.642.975.00		1	I7D7/7T7
-	-	control unit telephone see group 9/11/11			
-	997 642 929 00	rotary knob for control part	/L	1	
-	997 642 930 00	rotary knob for control part	/R	1	
(1) >	955 645 138 00	radio CDR 30		1	I8DR/8RV/9VL
(1)	955 645 138 X	radio CDR 30 we take back: 955.645.138.00		1	I8DR/8RV/9VL
(1) >	955 645 146 00	radio CDR 30		1	I7D7/8DR/8RV I9VL

Model	Year	MG	SG	Illustration	Restrictions	UPD	15:46	21.01.2010	PORSCHE	PET	PORSCHE
9PA1	2010	9	11	911-02		247					

Pos	Part Number	Description	Remark	Qty	Model	Pos	Part Number	Description	Remark	Qty	Model
(1)	955 645 146 X	radio CDR 30 we take back: 955.645.146.00		1	I7D7/8DR/8RV I9VL	-	997 642 271 51	dvd navigation system for software 7L5.919.193.G		1	I7QT
(1) >	955 645 142 00	radio CDR 30		1	I8DR/8RV/9VL I9W5			see technical information GR. 9 NR. 52/09 KD - NR. 9110			
(1)	955 645 142 X	radio CDR 30 we take back: 955.645.142.00		1	I8DR/8RV/9VL I9W5	-	997 642 275 50	dvd navigation system for software 7L5.919.193.B		1	I7QV
(1) >	955 645 144 00	radio CDR 30		1	I7D7/8DR/8RV I9VL/9W5			see technical information GR. 9 NR. 52/09 KD - NR. 9110			
(1)	955 645 144 X	radio CDR 30 we take back: 955.645.144.00		1	I7D7/8DR/8RV I9VL/9W5	-	997 642 275 51	dvd navigation system for software 7L5.919.193.J		1	I7QV
-	955 642 226 01	support dvd device navigation system		1	I7T7			see technical information GR. 9 NR. 52/09 KD - NR. 9110			
-	955 642 226 15	support adapter dvd device navigation system		1	I7T7	-	997 642 277 50	dvd navigation system for software 7L5.919.193.C		1	I7QZ
-	955 642 226 20	reinforcement for support dvd device navigation system		1	I7T7			see technical information GR. 9 NR. 52/09 KD - NR. 9110			
-	N 105 696 01	torx screw M 5 X 30		2	I7T7	-	997 642 277 51	dvd navigation system for software 7L5.919.193.K		1	I7QZ
2	N 105 842 01	tapping screw 4,2 X 25		1				see technical information GR. 9 NR. 52/09 KD - NR. 9110			
-	997 642 271 50	dvd navigation system for software 7L5.919.193		1	I7QT	-	997 642 279 50	dvd navigation system for software 7L5.919.193.D		1	I7RA
		see technical information GR. 9 NR. 52/09 KD - NR. 9110									

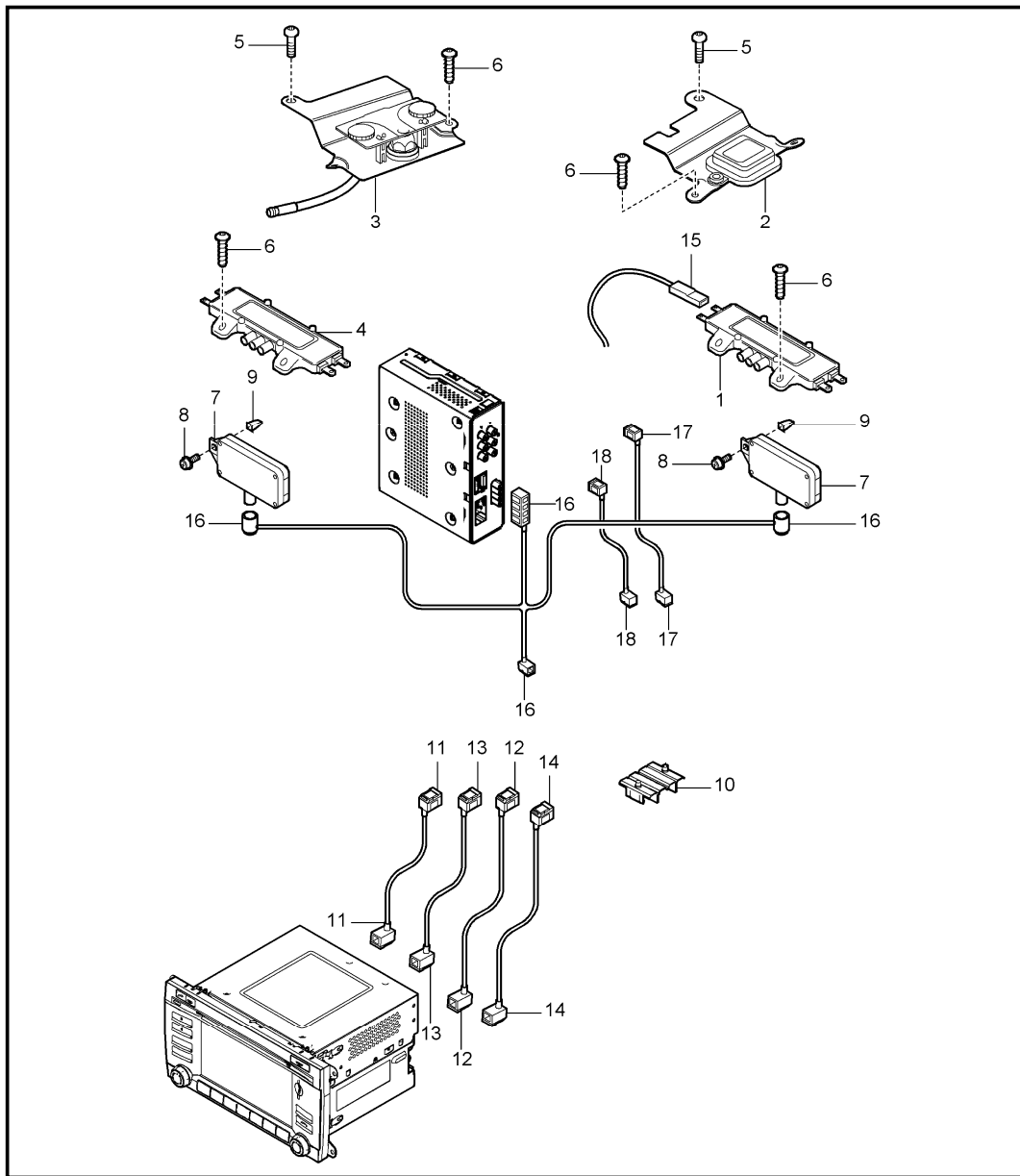
Model	Year	MG	SG	Illustration	Restrictions	UPD	15:46	21.01.2010	PORSCHE	PET	PORSCHE
9PA1	2010	9	11	911-02		247					

Pos	Part Number	Description	Remark	Qty	Model	Pos	Part Number	Description	Remark	Qty	Model
-	997 642 279 51	dvd navigation system for software 7L5.919.193.L see technical information GR. 9 NR. 52/09 KD - NR. 9110		1	I7RA	3	997 642 320 01	receiving part tv		1	IQV1
-	997 642 281 50	dvd navigation system for software 7L5.919.193.E see technical information GR. 9 NR. 52/09 KD - NR. 9110		1	I7RB/7RC/7RD	4	955 642 295 10	coding plug		1	IQV1/7X8/7X9
-	997 642 281 51	dvd navigation system for software 7L5.919.193.M see technical information GR. 9 NR. 52/09 KD - NR. 9110		1	I7RB/7RC/7RD	5	955 642 255 10	support		1	IQV1/8L6
-	997 642 283 50	dvd navigation system for software 7L5.919.193.F see technical information GR. 9 NR. 52/09 KD - NR. 9110		1	I7RV	6	N 100 292 06	oval-head screw M 6 X 15		4	IQV1
-	997 642 283 51	dvd navigation system for software 7L5.919.193.N see technical information GR. 9 NR. 52/09 KD - NR. 9110		1	I7RV	7	N 910 234 01	speed nut M 6 X 24,4 X 13		4	IQV1
-	997 642 148 02	cd-rom logbook		1		8	N 100 151 01	plastic nut T 5		1	IQV1
						10	955 645 290 00	reversing camera module		1	I7X8/7X9
						11	955 645 292 01	trim cover G2X prime coated		1	I7X8/7X9
						12	955 645 294 00	combination screw M 4 X 12		4	
						13	955 645 291 00	camera door mirror		1	I5RP/5SU
						14	955 645 297 00	retaining frame camera	/R	1	I5RP
							01C	satin black			
						(14)	955 645 298 00	retaining frame camera	/L	1	I5SU
							01C	satin black			
						-	000 043 400 13	hexagon socket head bolt 3 X 25 for retaining frame camera		2	I5RP/5SU
						15	955 642 351 10	adapter Multimedia interface		1	I7Q0/7Q2/7T1 IUF1
						(15)	955 642 351 20	adapter Multimedia interface		1	IUF1/8DR
						16	N 908 401 03	oval-head screw 4,0 X 14,0		3	IUF1

Model	Year	MG	SG	Illustration	Restrictions	UPD	15:46	21.01.2010	PORSCHE	PET	PORSCHE
9PA1	2010	9	11	911-02		247					

Pos	Part Number	Description	Remark	Qty	Model	Pos	Part Number	Description	Remark	Qty	Model
17	955 612 642 30	connecting line Multimedia interface control part		1	IUF1						
18	997 612 471 01	connecting cable iPOD		1	IUF1						
19	955 642 023 10	magnetic-field sensor compass		1	IQR1/8DR/8YZ						
20	955 642 024 00	support		1							
21	955 612 124 00	connecting line magnetic-field sensor		1							

Model	Year	MG	SG	Illustration	Restrictions	UPD	15:46	21.01.2010	PORSCHE	PET	PORSCHE
9PA1	2010	9	11	911-03		247					

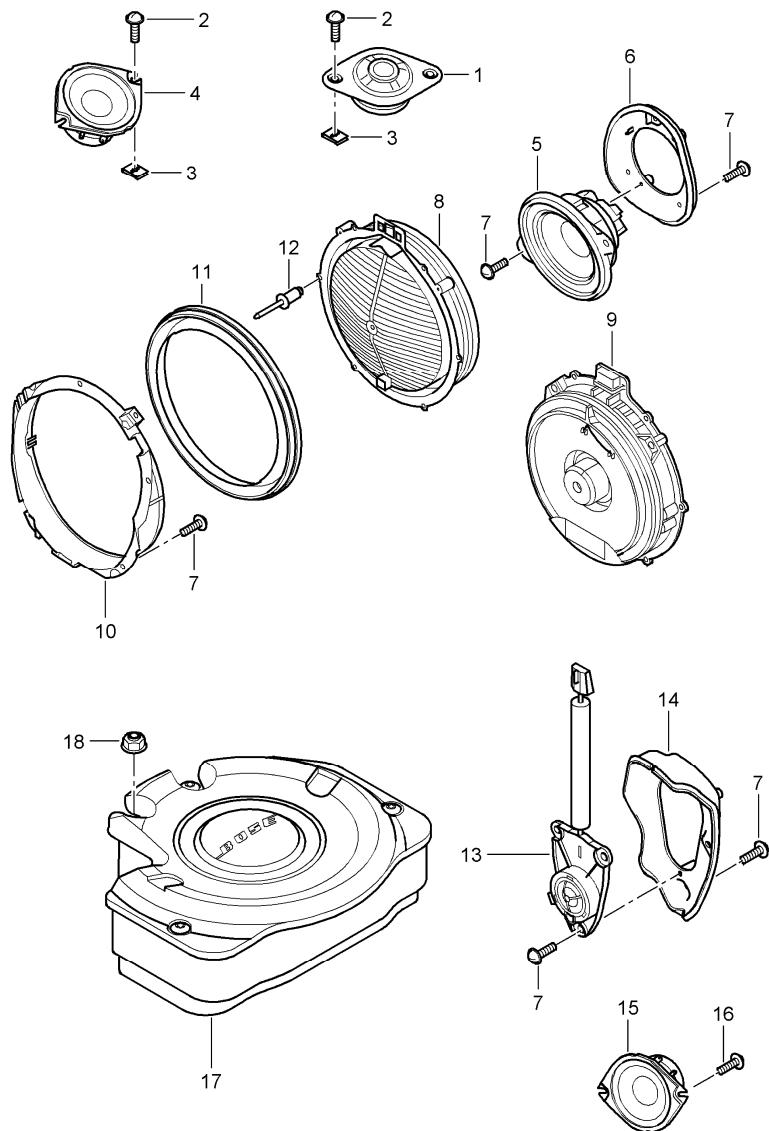


Pos	Part Number	Description	Remark	Qty	Model
1	955 647 311 00	antenna booster antenna	09- 09-	1	IQV0/7Q4/8DR I8ZM
(1)	955 647 312 00	antenna booster rear spoiler right		1	I8DQ/8DV/8L6
2	955 647 107 01	antenna GPS		1	IQV0/QV1/7Q4 I7T1
3	955 647 106 01	antenna telephone		1	I9W1/9W5/9ZP
4	955 647 124 00	antenna booster rear spoiler left		1	IQV0/QV4/8DQ I8DV/8L6
(4)	955 647 134 00	antenna booster rear spoiler left		1	IQV1/8DQ/8DV I8L6
(4)	955 647 136 00	antenna booster rear spoiler left		1	IQV0/7Q4
5	N 909 446 03	oval-head screw M 5 X 12		2	
6	N 908 401 03	oval-head screw 4 X 14		X	
(7)	955 647 271 00	antenna booster tv	/L	1	IQV0/QV1/7Q4 I8L6 I8L6
(7)	955 647 272 00	antenna booster tv	/R	1	IQV0/QV1/7Q4 I8L6
8	N 104 472 01	lens-head screw ST 4,8 X 13		2	
9	955 647 269 00	expander nut		2	
10	955 647 432 10	support		2	

Model	Year	MG	SG	Illustration	Restrictions	UPD	15:46	21.01.2010	PORSCHE	PET	PORSCHE
9PA1	2010	9	11	911-03		247					

Pos	Part Number	Description	Remark	Qty	Model	Pos	Part Number	Description	Remark	Qty	Model
11	955 647 208 10	connecting line connection point to control part navigation system connector blue		1	I7T1	(14)	955 647 212 21	connecting line connection point to control part connector brown		1	IQV1
(11)	955 612 073 25	connecting line connection point to computer navigation system connector blue		1	I7T7	(14)	997 612 047 25	connecting line - VICS BEACON - antenna control part		1	I7Q4
12	955 647 203 01	connecting line connection point to control part radio connector black		1		(14)	955 612 072 25	connecting line computer navigation system - IR - sensor		1	I7T7
13	955 647 209 20	connecting line connection point to control part telephone connector violet		1	I9W1/9ZP	15	955 647 108 00	antenna radio rear spoiler right		1	
(13)	955 647 219 25	connecting line connection point to centre console connector violet		1	I9W5	16	955 647 213 10	connecting line receiving part tv to connection point to booster tv		1	IQV1
14	955 647 218 20	connecting line connection point to control part connector creamy white reversing camera		1	I7X8/7X9	17	955 647 215 20	connecting line connection point to receiving part tv connector brown		1	IQV1
(14)	U 955 647 212 20	connecting line connection point to control part connector brown		1	IQV1	18	955 647 218 01	connecting line connection point to receiving part tv connector creamy white		1	IQV1/7X8/7X9

Model	Year	MG	SG	Illustration	Restrictions	UPD	15:46	21.01.2010	PORSCHE	PET	PORSCHE
9PA1	2010	9	11	911-05		247					

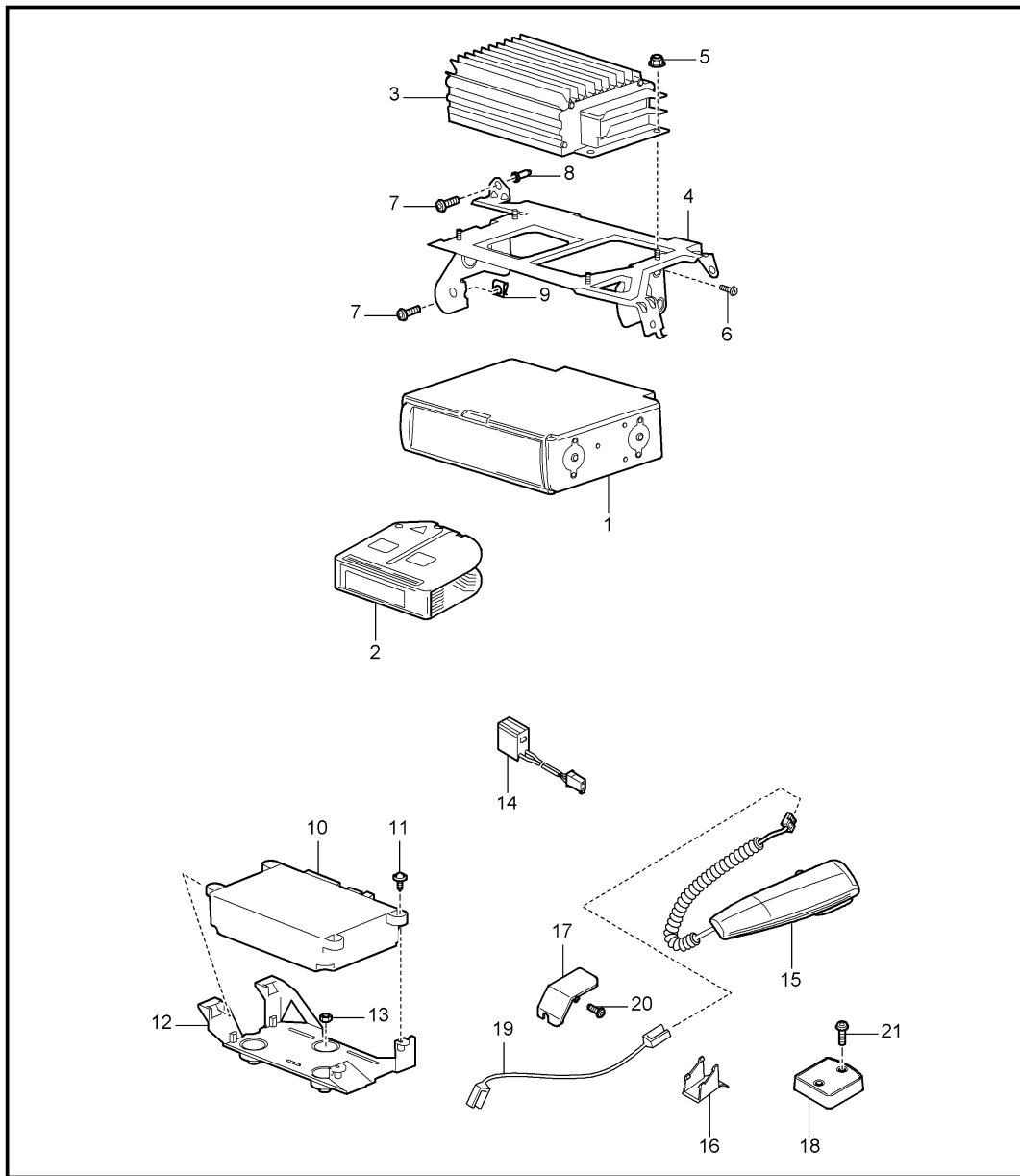


Pos	Part Number	Description	Remark	Qty	Model
1	955 645 040 00	loudspeaker tweeter dashboard	/V	2	I9VL
(1)	955 645 041 00	tweeter dashboard	/V	2	I8RV
2	N 906 986 01	tapping screw 4,2 X 16		X	
3	N 906 988 01	speed nut 4,2 X 16		X	
4	955 645 030 00	loudspeaker dashboard centre		1	I9VL
4	955 645 034 00	loudspeaker dashboard centre	09-	1	I8RV
5	955 645 031 00	mid-range loudspeaker door front		2	I9VL
(5)	955 645 032 00	mid-range loudspeaker door front		2	I8RV
(6)	955 645 131 00	adapter	/L	1	
6	955 645 132 00	adapter	/R	1	
7	N 903 474 06	screw 4,0 X 12		X	
8	955 645 020 01	woofer with housing door front		2	I9VL
(8)	955 645 021 00	woofer with housing door front and rear		4	I8RV
(8)	955 645 022 01	woofer with housing door rear		2	I9VL
9	955 645 023 00	woofer door front		2	I9VL

Model	Year	MG	SG	Illustration	Restrictions	UPD	15:46	21.01.2010	PORSCHE	PET	PORSCHE
9PA1	2010	9	11	911-05		247					

Pos	Part Number	Description	Remark	Qty	Model	Pos	Part Number	Description	Remark	Qty	Model
(9)	955 645 024 00	woofer door rear		2	I9VL						
10	955 645 221 00	mounting sealing ring door front	/L	1							
(10)	955 645 222 00	mounting sealing ring door front	/R	1							
(10)	955 645 223 00	mounting sealing ring door rear	/L	1							
(10)	955 645 224 00	mounting sealing ring door rear	/R	1							
11	955 645 120 00	sealing ring woofer		4							
12	N 907 657 01	blind rivet 4,8 X 15		X							
13	955 645 042 00	tweeter door rear		2	I9VL						
(13)	955 645 043 00	loudspeaker MID-RANGE speaker high-pitched door rear		2	I8RV						
(14)	955 645 133 00	adapter	/L	1							
14	955 645 134 00	adapter	/R	1							
15	955 645 030 00	loudspeaker d-pillar		2	I9VL						
16	N 106 021 01	oval-head screw 4 X 10		4	I9VL						
(17)	955 645 010 00	subwoofer spare-wheel well		1	I9VL						
18	N 102 058 02	hexagon nut M 6		4	I9VL						

Model	Year	MG	SG	Illustration	Restrictions	UPD	15:46	21.01.2010	PORSCHE	PET	PORSCHE
9PA1	2010	9	11	911-10		247					

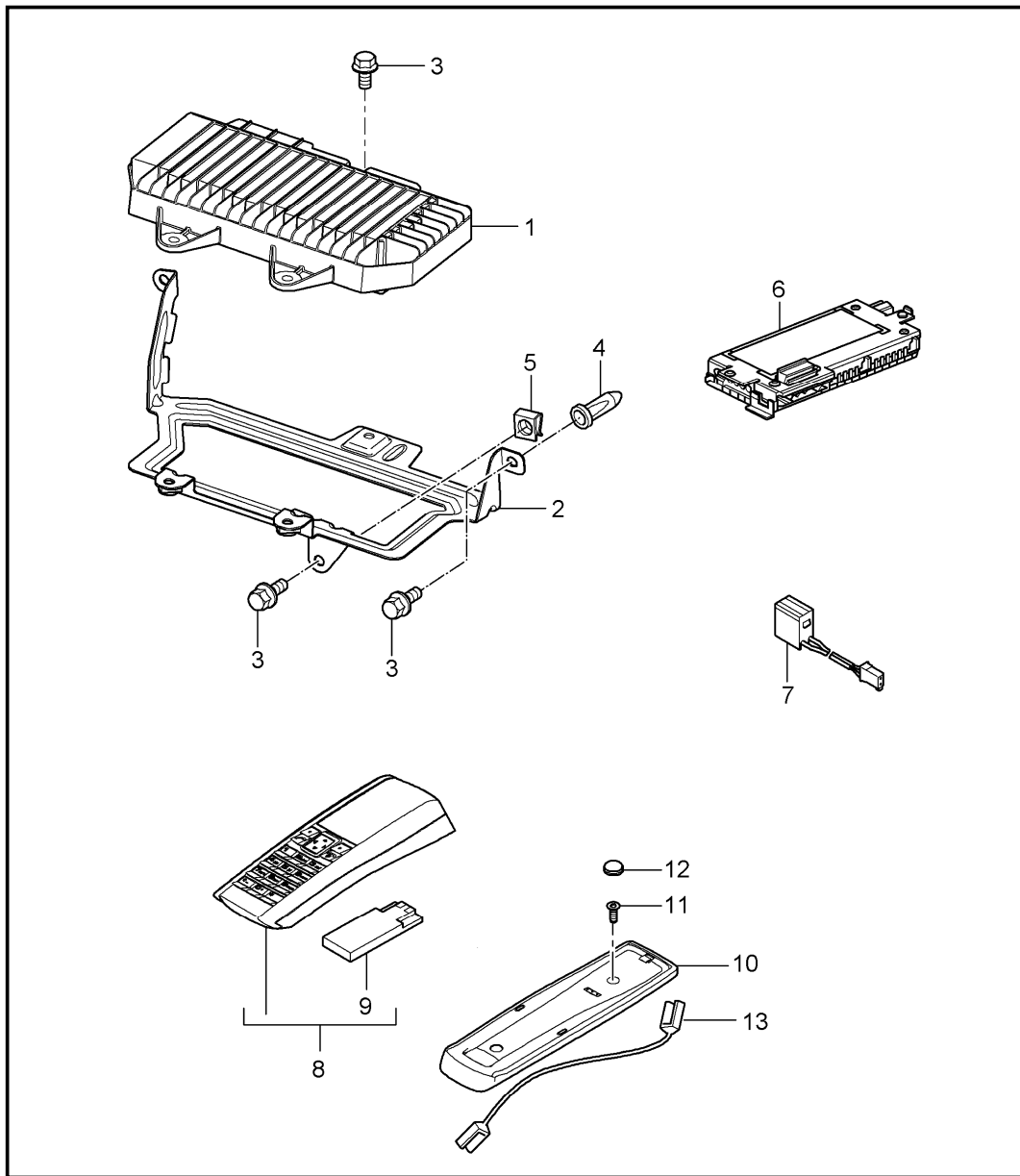


Pos	Part Number	Description	Remark	Qty	Model
		booster cd changer telephone	-08 -08 -08		
1	> 997 645 140 03	cd changer CDC 4 adjustment installation attention		1	I7A2
2	996 645 113 00	magazine for cd changer		1	
3	955 645 301 07	booster		1	I9VL
4	955 645 220 00	support cd changer booster		1	I7A2/9VL
5	N 101 181 05	hexagon nut M 5		4	I9VL
6	N 906 448 05	screw M 5 X 9		6	I7A2
7	N 100 292 06	oval-head screw M 6 X 15		4	
8	N 909 278 01	blind rivet nut M 6		2	
9	N 910 234 01	speed nut M 6 X 24,4		1	
10	> 997 646 209 01	control unit telephone		1	
11	N 104 648 02	oval-head screw 4,0 X 12		2	I9ZP
12	955 642 208 02	support		1	I9W1/9ZP
13	N 100 151 01	plastic nut T 5		3	
14	955 642 310 00	microphone		1	
15	955 642 212 02	receiver telephone		1	I9ZH/9ZP
16	955 642 213 00	cable guide		1	I9ZH/9ZP
17	955 642 214 00	cap		1	I9ZH/9ZP

Model	Year	MG	SG	Illustration	Restrictions	UPD	15:46	21.01.2010	PORSCHE	PET	PORSCHE
9PA1	2010	9	11	911-10		247					

Pos	Part Number	Description	Remark	Qty	Model	Pos	Part Number	Description	Remark	Qty	Model
18	955 642 215 00	connection piece receiver telephone		1	I9ZH/9ZP						
19	955 612 642 01	cable		1	I9ZP						
20	N 909 067 01	oval-head screw 2,5 X 18		2	I9ZH/9ZP						
21	N 105 357 02	oval-head screw 3 X 25		2	I9ZH/9ZP						

Model	Year	MG	SG	Illustration	Restrictions	UPD	15:47	21.01.2010	PORSCHE	PET	PORSCHE
9PA1	2010	9	11	911-11		247					



Pos	Part Number	Description	Remark	Qty	Model
		booster telephone	09-09-		
1	955 645 302 01	booster		1	I9VL
1	7PP 035 223 J	booster	10-	1	I7Q4/9VL
(1)	955 645 312 00	booster		1	I8DQ/8DV/8RV
2	955 645 225 00	support booster		1	I8DQ/8DV/8RV I9VL
3	N 101 563 07	hexagon-head bolt M 6 X 12		6	I8DQ/8DV/8RV I9VL
4	N 909 278 01	blind rivet nut M 6		2	I8DQ/8DV/8RV I9VL
5	N 910 234 01	speed nut M 6 X 24,4		1	I8DQ/8DV/8RV I9VL
6	997 646 218 01	control unit telephone		1	I9W1/9ZP
7	955 642 312 00	microphone		1	IQH0/7Q4/8RV I9W0
-	955 612 075 75	connecting line microphone control part		1	I7Q4
7	955 642 313 00	microphone		1	IQH0/QH1/7T7 I8RV/9VL/9W0 I9W1/9W5/9ZP
8	997 646 212 02	receiver telephone		1	I7Q0/7Q2/7T1 I9ZP
	A05	black mat			
9	997 646 216 00	battery		1	
10	997 646 214 00	mounting receiver		1	
	A05	black mat			
11	N 911 598 01	countersunk-head screw 3,0 X 15,0		2	
12	997 646 311 00	stopper		2	
13	955 612 642 10	cable		1	I9ZP
(13)	955 612 642 20	cable		1	I9W5

9PA1_MXI KAT31. TXT

KAT.	M-X-I -NR	BENENNUNG-Deutsch BENENNUNG-Engl i sch
		+-----+ ! I-Nummern-Uebersi cht ! +-----+ +-----+ ! Summary of optional extras "I"! +-----+
31	I BOA	Bauteilesatz ohne länderspezi fi sche Zuordnung Component set wi thout country assignment
31	I BOD	Bauteilesatz USA Component set for USA
31	I BOE	Bauteilesatz Kanada Component set for Canada
31	I BOL	Bauteilesatz Japan Component set for Japan
31	I BOM	Bauteilesatz AGCC-Staaten Component set for AGCC countri es
31	I BON	Bauteilesatz grossbri tanni en Component set for Great Bri tain
31	I BOR	Bauteilesatz Australi en Component set for Australia
31	I BOW	Bauteilesatz Kali forni en Component set for Cali forni a
31	I B1C	Bauteilesatz Mexi co Component set for Mexi co
31	I B1D	Bauteilesatz Brasili en Component set for Brazil
31	I B1P	Bauteilesatz Chi na Component set for Chi na
31	I B1Q	Bauteilesatz Argenti ni en Component set for Argenti na
31	I B2G	Bauteilesatz Thai land Component set for Thai land
31	I CD3	Turbo Rad-2 18" (8 X 18 ET 57) 18-inch Turbo wheel -2 (8 X 18 R0 57)
31	I CJ1	Cayenne Rad 7,5x17 ET 53 Cayene wheel 7.5x17, wheel offset 53
31	I CJ2	Cayenne S Rad 8x18 ET 57 Cayenne S wheel 8x18, wheel offset 57
31	I CJ3	Cayenne Design Rad 19" (9X19) 19-inch (9 X 19) Cayenne Design wheel
31	I CJ6	Cayenne Turbo Rad 18" (8x18) 18-inch (8 x 18) Cayenne Turbo wheel
31	I CP5	Cayenne Sport Techno Rad 9"/10" x 20" Titanmetallic Cayenne Sport Techno wheel 9"/10" x 20" Titani um metallic
31	I CP7	Cayenne Design Rad 19" Felgenstern in Wagenfarbe lackiert (9x19) Cayenne Design wheel painted in body colour 19-inch (9 x 19)
31	I CS5	Cayenne Sport Design Rad 20" (9X20) 20-inch (9X20) Cayenne Sport Design wheel
31	I CS6	Cayenne Sport Techno Rad 9x20 ET 60 Cayenne Sport Techno wheel 9x20, wheel offset 60
31	I CT1	Cayenne Sport Techno Rad 9x20 ET 60 Felgenstern in Wagenfarbe Cayenne Sport Techno wheel 9x20, wheel offset 60, wheel spokes painted in exterior colour
31	I CW3	Cayenne Designe Rad 19" in Titanmetallic Cayenne Design wheel 19 " in titani um metallic
31	I CY2	Cayenne Sport Rad 21" (10 x 21 ET 50) 21-inch Cayenne Sport wheel (10 x 21 R0 50)
31	I CY3	Cayenne Sport Techno Rad 9"/10" x 20"

9PA1_MXIKAT31.TXT

31 ICY4 Cayenne Sport Techno wheel 9-inch/10-inch x 20-inch
Cayenne Sport Techno Rad 9"/10" x 20" in Wagenfarbe
Cayenne Sport Techno wheel 9"/10" x 20" in vehicle colour

31 IC2R Cayenne S Rad-2 18" (8 x 18 ET 57)
18-inch Cayenne S wheel -2 (8 x 18 R0 57)

31 IC4I Cayenne Sportplus Rad 21" Felgenstern in orange
21-inch Cayenne Sportplus wheel, Orange wheel spokes

31 IC4P Cayenne Sportplus Rad 21" Felgenstern in schwarz
21-inch Cayenne Sportplus wheel, Black wheel spokes

31 IC9N Cayenne Sportplus Rad 21" (10 x 21)
21-inch Cayenne Sportplus wheel (10 x 21)

31 IC9S Cayenne Sportplus Rad 21" Felgenstern in Wagenfarbe
21-inch Cayenne Sportplus wheel, wheel centre in exterior colour

31 ID5V 8-Zylinder-Ottomotor 4,8 L/280 KW V8 FSI
8-cylinder petrol engine 4.8 l/280 KW V8 FSI

31 ID5X 6-Zylinder-Ottomotor 3,6 L/206 KW FSI
6-cylinder petrol engine 3.6 l/206 KW V8 FSI

31 ID5Z 8-Zylinder-Ottomotor 4,8 L/368 KW V8 Bi turbo
8-cylinder petrol engine 4.8 l/368 KW V8 bi turbo

31 ID50 6-Zylinder-Dieselmotor 3,0 L/176 KW TDI
6-cylinder diesel engine, 3.0 l/176 kW TDI

31 IE0A Keine Aktionsausführung, Grundaustattung
No campaign version, basic equipment

31 IE0W Sondermodell Cayenne GTS
Cayenne GTS special model

31 IE1T Sondermodell CAYENNE Porsche Design Edition 3
Sondermodell CAYENNE Porsche Design Edition 3

31 IE2D Sondermodell Transsyberia
Special model Transsyberia

31 IE8A Turbo S
Turbo S

31 IE81 Leistungsgesteigerter Motor, 368 kW
Engine with increased power, 368 kW

31 IFZ4 Sicherheitsgurte in orange
Seat belts in Orange

31 IGY1 Zuziehhilfe fuer Heckklappe, elektrisch
Power closing mechanism for tailgate

31 IGOL 6-Gang Schaltgetriebe fuer Allrad
6-speed manual transmission for all-wheel drive vehicle

31 IGOR Tiptronic S
Tiptronic s

31 IHA8 Reifen 295/35 R21 107 Y
Tyres 295/35 R21 107 Y

31 IHD9 Reifen 275/40 R20 106 Y
Tyres 275/40 R20 106 Y

31 IHP2 Ganzjahresreifen 275/45 R19 108 V
All-season tyres 275/45 R19 108 V

31 IHV7 Ganzjahresreifen 235/65 R17 108 V
All-season tyres 235/65 R17 108 V

31 IH8Z Reifen 235/65 R17 108 V
Tyres 235/65 R17 108 V

31 IH9K Reifen 255/55 R18 109 Y
Tyres 255/55 R18 109 Y

31 IH9L Reifen 275/45 R19 108 Y
Tyres 275/45 R19 108 Y

31 IH9M Ganzjahresreifen 255/55 R18 109 V
ALL-SEASON TYRE ON 18-INCH ALUMINIUM WHEEL

31 IJOL Batterie 340 A (70 AH)
340 A (70 Ah) battery

31 IJOZ Batterie 520 A (110 AH)
520 A (110 Ah) battery

31 IJU1 Batterie 450 A (95 AH)
450 A (95 Ah) battery

31 IJ2C Batterie 480 A (85 AH) und 520 A (110AH)
480 A (85 Ah) and 520 A (110 Ah) batteries

31 IK4H Geschlossener Aufbau
Closed body

31 ILOL Linkslenker-Ausführung

9PA1_MXIKAT31.TXT

31	ILOR	Left-hand drive version Rechtslenker-Ausführung
31	IN1M	Right-hand drive version Sitzbezüge Bicolor in Teilleder, Glattleder
31	IN1P	Two-colour seat covers in partial leather, smooth-finish Sitzbezüge in Teilleder (Naturleder glatt)
31	IN1X	Seat covers in partial leather (natural leather, smooth-finish) Sitzbezüge in Teilleder, gepreßt
31	IN2S	Part-leather seat covers, grained Sitzbezüge in Teilleder ALCANTARA
31	IN2Z	Seat covers in partial leather ALCANTARA Zweifarbige Sitzbezüge in Teilleder geprägt für Sondermodell Cayenne S
31	IN5U	Two-tone seat covers in partial leather, embossed for Cayenne S special model Sitzbezüge in Teilleder, Glattleder
31	IN5Y	Part-leather seat covers, smooth leather Sitzbezüge in Teilleder (Naturleder, Raffleder)
31	IN7D	Seat covers in partial leather (natural leather, soft ruffled leather) Raffledersitzanlage, Glattleder
31	IN7F	Soft ruffled leather seats in smooth leather Raffledersitzanlage, Leder gepreßt
31	IQAO	Soft ruffled leather seats in embossed leather ohne Kindersitz
31	IQHO	Without child seat ohne Sprachsteuerung
31	IQH1	without voice control Sprachsteuerung
31	IQJ2	Voice control system Aluminium-Paket
31	IQJ4	Aluminium package Aluminium-Paket Ausführung 2
31	IQJ5	Aluminium package, version 2 Aluminium-Paket, Titan-Metallic
31	IQL3	Aluminium package, Titanium-Metallic Wärmeschutzglas, grün im Fond
31	IQL5	Tinted glass, green at rear Privacy-Verglasung stark getönt hinten
31	IQL6	Dark tinted rear privacy glass Daemmglas im Fond, metallbedampft
31	IQR1	Heat-insulating glass at rear, metallized mit Kompass
31	IQV0	With compass ohne TV- und Digitaler Radiempfang
31	IQV1	Without TV and digital radio reception Mit TV Empfang
31	IQV4	With TV reception Satelliten-Radiempfang XM
31	IQV8	XM satellite radio receiver Satelliten-Radiempfang SIRIUS
31	IQ1D	SIRIUS satellite radio receiver Sportsitzanlage mit erweiterter Memory-Funktion, Glattleder
31	IQ1J	Sports seats with expanded memory function in smooth leather Sportsitze GTS vorne und hinten
31	IQ2J	GTS sports seats front and rear Komfortsitze vorn
31	IUF0	Comfort seats, front Ohne elektrische Schnittstelle
31	IUF1	Without electrical interface Multimedia buchse für externe Quelle
31	IU5A	Multimedia socket for external source Instrumenteneinsatz, Anzeige km/h, RdW
31	IU5B	Instrument insert, km/h indication, RoW Instrumenteneinsatz, Anzeige mph, GB
31	IU5C	Instrument insert, mph indication, GB Instrumenteneinsatz, Anzeige mph, USA

9PA1_MXIKAT31.TXT

31	IU5D	Instrumenteneinsatz, Anzeige km/h, Kanada Instrument insert, km/h indication, Canada
31	IU5E	Instrumenteneinsatz, Anzeige km/h, Japan Instrument insert, km/h indication, Japan
31	IU5F	Instrumenteneinsatz, Anzeige km/h, AGCC Instrument insert, km/h indication, AGCC
31	IU5G	Instrumenteneinsatz, Anzeige km/h, Australien Instrument insert, km/h indication, Australia
31	IVC1	Garagentoröffner, 433 MHz Garage door opener, 433 MHz
31	IVC2	Garagentoröffner, 315 MHz Garage door opener, 315 MHz
31	IVR0	ohne Rammschutzmaßnahmen Without anti-ram protection measures
31	IVR1	Rammschutzmassnahmen seitlich, Trittbrett Side protection, running board
31	IVR3	Rammschutzmassnahmen vorne und seitlich Front-end and side protection
31	IVR4	Rammschutzmassnahmen vorne Front-end protection
31	IOAB	Stabilisator vorn und hinten Anti-roll bar, front and rear
31	IOAG	Stabilisator vorn, entkoppelbar Anti-roll bar, front, disengageable
31	IOAW	Stabilisator vorn und hinten mit aktiver Aufbaukontrolle -PDCC- Front and rear anti-roll bars with active Body control -PDCC-
31	IOBB	Stabilisator hinten Anti-roll bar, rear
31	IOBJ	Stabilisator hinten, entkoppelbar Anti-roll bar, rear, disengageable
31	IOF9	Kraftstoffsystem Diesel, gekühlt Diesel fuel system, cooled
31	IOGD	Abgaskonzept EU 2, (CN) Emissions compliance EU 2, (CN)
31	IOGG	Abgaskonzept EU 4 Emissions compliance EU 4
31	IOGM	Abgaskonzept LEV Emissions compliance LEV
31	IOGU	Abgaskonzept EU 2 Emissions compliance EU 2
31	IOGZ	Abgaskonzept EU 3 Diesel mit E-OBDD EU 3 diesel emissions concept with E-OBDD
31	IOJA	Gewichtsklasse 1 Vorderachse - 1170-1210 kg Weight class 1, front axle - 1170-1210 kg
31	IOJB	Gewichtsklasse 2 Vorderachse - 1211-1226 kg Weight class 2, front axle - 1211-1226 kg
31	IOJC	Gewichtsklasse 3 Vorderachse - 1227-1251 kg Weight class 3, front axle - 1227-1251 kg
31	IOJD	Gewichtsklasse 4 Vorderachse - 1252-1276 kg Weight class 4, front axle - 1252-1276 kg
31	IOJE	Gewichtsklasse 5 Vorderachse - 1277-1292 kg Weight class 5, front axle - 1277-1292 kg
31	IOJF	Gewichtsklasse 6 Vorderachse - 1293-1328 kg Weight class 6, front axle - 1293-1328 kg
31	IOJG	Gewichtsklasse 7 Vorderachse - 1329-1428 kg Weight class 7, front axle - 1329-1428 kg
31	IONA	Entfall Modellbezeichnung Deletion of model designation
31	IONB	Schriftzugsatz in Grundausführung Logo set in basic version
31	IOP0	Abgasendrohr Standard Standard tail pipe
31	IOP3	Sportendrohr aus poliertem Edelstahl, 4-Rohr Optik Sports tail pipe of polished stainless steel, 4-pipe look
31	IOP8	Sportabgasanlage

9PA1_MXI KAT31. TXT

		Sports exhaust system
31	I0YA	Gewichtsklasse 1 Hinterachse - 1039-1074 kg
		Weight class 1, rear axle - 1039-1074 kg
31	I0YB	Gewichtsklasse 2 Hinterachse - 1075-1128 kg
		Weight class 2, rear axle - 1075-1128 kg
31	I0YC	Gewichtsklasse 3 Hinterachse - 1129-1159 kg
		Weight class 3, rear axle - 1129-1159 kg
31	I0YD	Gewichtsklasse 4 Hinterachse - 1160-1215 kg
		Weight class 4, rear axle - 1160-1215 kg
31	I0YE	Gewichtsklasse 5 Hinterachse - 1216-1244 kg
		Weight class 5, rear axle - 1216-1244 kg
31	I0YF	Gewichtsklasse 6 Hinterachse - 1245-1299 kg
		Weight class 6, rear axle - 1245-1299 kg
31	I0YG	Gewichtsklasse 7 Hinterachse - 1300-1331 kg
		Weight class 7, rear axle - 1300-1331 kg
31	I0Y1	Standard-Klimazone
		Standard climatic zone
31	I0Y2	Tropische-Klimazone
		Tropical climatic zone
31	I0Y3	Kalte-Klimazone
		Cold climatic zone
31	I1BA	Federung/Daempfer, Standard
		Suspension/dampers, standard
31	I1BH	Federung/Daempfer, Standard-2 PASM
		Suspension/dampers, standard 2 PASM
31	I1BK	Luftfederung mit Niveauregulierung und Hoehenverstellung (PASM)
		Air suspension with level control and height adjustment (PASM)
31	I1BS	4 Corner Luftfederung
		4-corner air suspension
31	I1BW	Federung/Dämpfung Komfort (Stahl federung)
		Comfort suspension/damping (steel springs)
31	I1D0	ohne Anhängavorrichtung
		Without towball
31	I1D2	Anhaenger-Zugvorrichtung abnehmbar
		Detachable trailer coupling
31	I1D6	Anhaenger-Zugvorrichtung ohne Kugel kopf
		Trailer coupling without tow ball
31	I1D7	Vorruestung fuer abnehmbare Anhaenger-Zugvorrichtung
		Preparation for detachable trailer coupling
31	I1D8	Vorruestung fuer abnehmbare Anhaenger-Zugvorrichtung "USA"
		Preparation for detachable trailer coupling "USA"
31	I1D9	Anhaenger-Zugvorrichtung elektrisch ausklappbar
		Electric folding trailer coupling
31	I1G1	18" Faltnotrad
		18-inch collapsible spare wheel
31	I1G3	Reserverad in Fahrbereifung, Leichtmetallfelge
		High-pressure alloy spare wheel with tyre
31	I1G4	19" Faltnotrad
		19-inch collapsible spare wheel
31	I1G6	Reserverad, platzsparend - 17 Zoll,
		Radialbauweise, Kompressor, im Fahrzeug
		Spare wheel, space saving - 17-inch,
		radial tyre, compressor, in vehicle
31	I1G8	Tire Fit, Pannen-Set
		Tire Fit, tyre repair set
31	I1KP	Scheibenbremsen hinten - Scheibendurchmesser 18"plus,
		Bremssattel rot lackiert
		Rear disc brakes - disc diameter 18"plus,
		Brake calliper painted red
31	I1KU	Scheibenbremsen hinten - Scheibendurchmesser 18 Zoll,
		Bremssattel rot lackiert
		Rear disc brakes - disc diameter 18 inches,
		brake calliper painted red
31	I1KW	Scheibenbremsen hinten - Scheibendurchmesser 17 Zoll,
		Bremssattel schwarz lackiert
		Rear disc brakes - disc diameter 17 inches,
		brake calliper painted black
31	I1KY	Scheibenbremsen hinten - Scheibendurchmesser 17 Zoll,

9PA1_MXIKAT31.TXT

- Bremssattel silber lackiert
Rear disc brakes - disc diameter 17 inches,
brake calliper painted silver
- 31 I1KZ Scheibenbremsen hinten - Scheibendurchmesser 17 Zoll,
Bremssattel rot lackiert
Rear disc brakes - disc diameter 17 inches,
brake calliper painted red
- 31 I1LH Scheibenbremse vorn - Scheibendurchmesser 19 Zoll,
Bremssattel rot lackiert
Rear disc brake - disc diameter 19 inches,
brake calliper painted red
- 31 I1LK Scheibenbremse vorn - Scheibendurchmesser 17 Zoll,
Bremssattel schwarz lackiert
Front disc brake - disc diameter 17 inches,
brake calliper painted black
- 31 I1LL Scheibenbremse vorn - Scheibendurchmesser 18 Zoll,
Bremssattel silber lackiert
Front disc brake - disc diameter 18 inches,
brake calliper painted silver
- 31 I1LM Scheibenbremse vorn - Scheibendurchmesser 18 Zoll,
Bremssattel rot lackiert
Front disc brake - disc diameter 18 inches,
brake calliper painted red
- 31 I1LP Scheibenbremsen vorn - Scheibendurchmesser 18"plus,
Bremssattel rot lackiert
Front disc brakes - disc diameter 18"plus,
Brake calliper painted red
- 31 I1LX Scheibenbremse vorn - Scheibendurchmesser 20 Zoll,
Bremssattel gelb lackiert (PCCB)
Front disc brake - disc diameter 20 inch,
brake calliper painted yellow (PCCB)
- 31 I1L0 Normalluftfilter
Normal air cleaner
- 31 I1L2 Ausstattung staubreiche Laender
Equipment for countries with dust-laden air
- 31 I1MD Lederlenkrad fuer Airbagsystem -
3 Speichen beheizbar, BICOLOR
Leather steering wheel for airbag system -
3 spokes, heatable, TWO-COLOUR
- 31 I1MV Lederlenkrad fuer Airbagsystem - 3 Speichen, aufgepolstert
*
- 31 I1MW Lederlenkrad fuer Airbagsystem -
3 Speichen beheizbar, aufgepolstert
Leather steering wheel for airbag system -
3 spokes, padded
- 31 I1NE Radnabenabdeckung STANDARD
Wheel centres STANDARD
- 31 I1NP Radnabenabdeckung, farbiges Wappen (konkav)
Wheel centres with full-colour Porsche Crest (concave)
- 31 I1N1 Servolenkung
Power steering
- 31 I1N3 Servolenkung geschwindigkeitsabhangig (Servotronic)
Speed-dependent power-assisted steering (servotronic)
- 31 I1XJ 3-Speichen-Multifunktionslenkrad Holz,
Nussbaum Wurzel dunkel mit Radio-Bedienelement
3-spoke multi-function steering wheel
in dark Burr maple wood with radio control element
- 31 I1XK 3-Speichen-Multifunktionslenkrad Holz,
Olive hell, mit Radio-Bedienelement
3-spoke multi-function steering wheel
in light olive wood, with radio control element
- 31 I1Y1 Differentialsperre hinten, Laengssperre
Differential lock, rear, centre differential lock
- 31 I2C4 Lenksaeule, axial & vertikal einstellbar mit Memory
Steering column, reach + height adjustable with memory
- 31 I2C5 Lenksaeule, axial & vertikal einstellbar mechanisch
Steering column, reach + height adjustable, mechanical
- 31 I2D0 ohne Aerokit

9PA1_MXI KAT31. TXT

		Without Aerokit
31	I 2D1	Aerokit, mit Schwellerblende
		Aerokit, with sill cover
31	I 2D2	Aerokit, ohne Schwellerblende
		Aerokit, without sill cover
31	I 2D3	Schwellerblende
		Sill cover
31	I 2D4	Aerokit Serienspoiler Cayenne GTS
		Cayenne GTS aerokit standard spoiler
31	I 2EH	Scheibenbremsen hinten - Scheibendurchmesser 19 Zoll, Bremssattel gelb lackiert (PCCB)
		Rear disc brakes - disc diameter 19 inch, Brake calliper painted yellow (PCCB)
31	I 2FV	3-Speichen-Multifunktionslenkrad Holz, Olive hell, matt, mit Radio Bedienelement
		3-spoke multi-function steering wheel in light Olive wood, matt, with radio control element
31	I 2G1	Einsatz fuer bleifreie Betankung
		Insert for fuelling with unleaded petrol
31	I 2G3	Ohne Einsatz für bleifreie Betankung
		Without fuel tank adapter for unleaded petrol
31	I 2G4	Einsatz fuer bleifreie Betankung (Carb Diagnose)
		Insert for fuelling with unleaded petrol (CARB DIAGNOSIS)
31	I 2G6	Ohne Einsatz Betankung; Aethanolkraftstoff
		Without fuel tank adapter; ethanol fuel
31	I 2JB	Stossfaenger Standard
		Standard bumper
31	I 2JC	Stossfaenger Komfort, Edelstahlaufsatz Bugunterteil
		Comfort bumper, stainless-steel attachment, front apron bottom section
31	I 2JL	Stoßfänger Komfort (Edelstahlblende hinten)
		Comfort bumper (stainless steel trim at rear)
31	I 2JX	Stoßfänger Komfort (Edelstahlblende vorne + hinten)
		Comfort bumper (stainless steel trim at front + rear)
31	I 2PH	Lederlenkrad fuer Airbagsystem - 3 Speichen, beheizbar
		Leather steering wheel for airbag system - 3 spokes, heated
31	I 2PM	Lederlenkrad fuer Airbagsystem - 3 Speichenlenkrad
		Leather steering wheel for airbag system - 3-spoke steering wheel
31	I 2PR	Alcantaralenkrad, 3 Speichen, beheizt, gepolstert
		Alcantara steering wheel, 3-spoke, heated, padded
31	I 2PW	Alcantaralenkrad, 3 Speichen, gepolstert
		Alcantara steering wheel, 3-spoke, padded
31	I 2V5	Frischluf tansaugung mit Aktivkohlefilter
		Fresh-air intake with active carbon filter
31	I 2X2	Tiptronic-Bedienung am Lenkrad
		Tiptronic controls on steering wheel
31	I 3B1	Kindersitzverankerung Anforderung USA/Kanada
		Child seat anchors, USA/Canada requirement
31	I 3B4	Kindersitzverankerung fuer Kindersitzsystem ISO Fix, RDW
		Child seat anchors for ISOFIX child seat system, RoW
31	I 3CA	ohne Trennwand
		Without bulkhead
31	I 3CX	Netztrennwand
		Luggage net
31	I 3D1	Mittelkonsole STANDARD (PVC)
		Centre console STANDARD (PVC)
31	I 3D3	Mittelkonsole MEDIUM, Leder gepraegt
		Centre console MEDIUM, grained leather
31	I 3D4	Mittelkonsole Naturleder
		Centre console in natural leather
31	I 3D5	Mittelkonsole Alcantara
		Centre console Alcantara
31	I 3D8	Mittelkonsole Leder, glatt
		Centre console Leather, smooth
31	I 3FA	ohne Dacheinsatz

9PA1_MXI KAT31.TXT

		Without roof insert
31	I 3FE	Elektrisches Schiebe-/Hubdach aus Glas
		Electric glass slide/tilt sunroof
31	I 3FU	Grossdachsystem Porsche
		Porsche large roof system
31	I 3GE	Angehobener Ladeboden
		Raised loadspace floor
31	I 3GN	variables Ladebodenkonzept
		Variable luggage-compartment floor concept
31	I 3J4	Kopfstützen für Vordersitze
		Head restraints for front seats
31	I 3J7	Kopfstützen für Vordersitze, höhen- und neigungseinstellbar, mit geprägtem Wappen
		Head restraints for front seats height and angle adjustable
31	I 3LD	Tuer & Seitenverkleidung - Standard - PAG
		Door trim and side wall - standard - PAG
31	I 3LE	Tuer & Seitenverkleidung - MEDIUM - PAG
		Door trim and side wall - MEDIUM - PAG
31	I 3LH	Tuer & Seitenverkleidung - Vollleder
		Saeulen/Himmel in Alcantara - PAG
		Door trim and side wall - all leather - pillars/rooflining in Alcantara - PAG
31	I 3LM	Tuer & Seitenverkleidung Naturlleder
		Door panel/side trim panel in natural leather
31	I 3LS	Tuer & Seitenverkleidung - Alcantara
		Door & side trim panel - Alcantara
31	I 3LT	Tuer & Seitenverkleidung Leder Bicolor
		Door, side trim panel in two-colour natural leather
31	I 3L3	Hoeheneinstellung manuell fuer beide Vordersitze 8 Wege
		Manual height adjustment for both 8-way adjustable front seats
31	I 3L4	Fahrermemory-Paket
		Driver memory package
31	I 3L5	Sitzeinstellung elektrisch fuer beide Vordersitze 12 Wege
		Electrical adjustment for both 12-way adjustable front seats
31	I 3ME	Tuftingvelours-Bodenbelag mit Trittschutz
		Tufted velour carpeting with protective pad
31	I 3MT	Perlvelour-Bodenbelag mit Trittschutz
		Pearl velour carpeting with protective pad
31	I 3NW	Rücksitzbank, Lehne geteilt umlegbar
		Rear seats, split backrest can be folded down
31	I 3PN	Sitzeinstellung elektrisch fuer beide Vordersitze 12 Wege & Memory
		12-way electrical adjustment for both front seats + memory
31	I 3QT	3Punkt Automatikgurte vorn mit Gurtstraffer & Hoeheneinstellung
		3-point automatic seat belts at front with seat-belt pre-tensioners + height adjustment
31	I 3S1	Dachreling, blank
		Unpainted roof rails
31	I 3S2	Dachreling, schwarz ohne Dachleiste
		Black roof rails without drip mouldings
31	I 3S4	Vorbereitung Dachlasttraeger schwarz
		Preparation for roof rack, black
31	I 3S5	Dachreling, schwarz mit Dachleiste
		Black roof rails with drip mouldings
31	I 3S7	Dachreling
		Roof rails
31	I 3S8	Dachtransportsystem
		Roof Transport System
31	I 3W4	Akustikpaket Standard
		Standard audio package
31	I 3W7	Akustikpaket Extra
		Extra audio package
31	I 3X0	ohne Durchladeeinrichtung
		Without through-loading facility
31	I 3X1	Durchladeeinrichtung mit Ski sack

9PA1_MXIKAT31.TXT

- 31 I3Y0 Load-through facility with ski bag
ohne Sonnenschutzrollo
without sun blind
- 31 I3Y3 Sonnenschutzrollo manuell, Fondseitenfenster
Manual sun blind, rear side window
- 31 I3Y4 Sonnenschutzrollo für Seitenscheiben hinten
Roller blind for rear side windows
- 31 I4AV Tür & Seitenverkleidung - Insert Glattleder
Door trim and side wall - smooth-leather insert
- 31 I4A0 ohne Sitzheizung
Without seat heating
- 31 I4A3 Sitzheizung vorne
Heated seats, front
- 31 I4A4 Sitzheizung vorne und hinten
Heated seats, front/rear
- 31 I4E0 Heckklappen-Entriegelung von aussen
Tailgate release from outside
- 31 I4E2 Heckklappen-Entriegelung innen, elektrisch
Interior tailgate release, electrical
- 31 I4E7 Servoschließung Heckklappe
Power closing for rear lid
- 31 I4F2 PORSCHE ENTRY & DRIVE
PORSCHE ENTRY + DRIVE
- 31 I4F6 PORSCHE ENTRY & DRIVE (USA/CAN)
PORSCHE ENTRY + DRIVE (USA/CAN)
- 31 I4GF Frontscheibe in Waermeschutzglas (getoent)
Windscreen of tinted glass
- 31 I4GY Frontscheibe in Daemmglas (hitze schutz)
Windscreen of heat-insulating glass
- 31 I4K0 Zentralverriegelung mit Funkfernbedienung und Innenbetaetigung
Central-locking system with key remote and interior operation
- 31 I4K3 Zentralverriegelung mit Funkfernbedienung,
Innenbetaetigung und Safesicherung
Central-locking system with key remote,
interior operation and "Safe" mode
- 31 I4LA ohne Bedienelement am Lenkrad
no controls on steering wheel
- 31 I4LB 3-Speichen-Multifunktionslenkrad,
mit Radio-Bedienelement
3-spoke multi-function steering wheel in leather
with radio control element
- 31 I4LC 3-Speichen-Multifunktionslenkrad,
mit Radio- und Telefon-Bedienelement
3-spoke multi-function steering wheel in leather
with radio and telephone control element
- 31 I4L2 Sicherheitsinnenspiegel manuell abblendbar
Safety interior mirror, manual dimming function
- 31 I4L6 Sicherheitsinnenspiegel automatisch abblendbar
Safety interior mirror, automatic dimming function
- 31 I4N1 Gepolsterte Armaturentafel
Padded dashboard
- 31 I4N3 Armaturentafel mit EchtlederBICOLOR, mit Ziernaht
Switch panel in two-tone leather w. decor. stitching
- 31 I4N8 Armaturentafel mit Echtleder
Dashboard in genuine leather
- 31 I4QF 3Punkt Automatikgurte vorn mit
elektrischer Höheneinstellung und Memory
3-point automatic belts at front with
electrical height adjustment and memory
- 31 I4UB Airbag mit Kneebär
Airbag with kneebar
- 31 I4UD Airbag, Beifahrerseite nicht deaktivierbar
Airbag, can not be deactivated on passenger's side
- 31 I4UE Airbag fuer Fahrer und Beifahrer,
Beifahrerseite deaktivierbar
Airbags for driver and front-seat passenger,
front-seat passenger side can be deactivated
- 31 I4UQ Advancedairbag

9PA1_MXI KAT31. TXT

- 31 I5D1 Advanced airbag
Traegerfrequenz 433,92 MHz
Carrier frequency 433.92 MHz
- 31 I5D2 Traegerfrequenz 315 MHz
Carrier frequency 315 MHz
- 31 I5D3 Traegerfrequenz 315 MHz mit
reduzierter Sendeleistung fuer Japan
Carrier frequency 315 MHz with
reduced transmission power for Japan
- 31 I5D9 Traegerfrequenz 433,92 MHz mit geänderter Sendedauer
Carrier frequency 433.92 MHz with changed transmission duration
- 31 I5MA Dekoreinlagen - Lack, Kunststoff lackiert
Decorative inlays - paint, painted plastic
- 31 I5MG Holzpaket Nussbaum Wurzel, dunkel hochglanz
Burr maple wood package, dark high gloss
- 31 I5MH Dekor-Einlagen Carbon
Carbon decorative inlays
- 31 I5RK Aussenspiegel rechts, plan
Door mirror, right, flat
- 31 I5RP Aussenspiegel rechts, konvex mit Kamera
Right exterior mirror, convex with camera
- 31 I5RQ Aussenspiegel rechts, konvex
Door mirror, right, convex
- 31 I5RR Aussenspiegel rechts, konvex (US)
Door mirror, right, convex (US)
- 31 I5RT Aussenspiegel rechts, konvex (AGCC)
Door mirror, right, convex (AGCC)
- 31 I5RV Aussenspiegel rechts, asphaerisch
Door mirror, right, aspherical
- 31 I5SG Aussenspiegel links, plan
Door mirror, left, flat
- 31 I5SJ Aussenspiegel links, konvex
Door mirror, left, convex
- 31 I5SL Aussenspiegel links, asphaerisch
Door mirror, left, aspherical
- 31 I5SU Aussenspiegel links, konvex mit Kamera
Left exterior mirror, convex with camera
- 31 I5TE Aluminiumpaket Sport
Aluminium "sport" package
- 31 I5TF Holzpaket Olive, hell hochglanz
"Olive" wood package, light high gloss
- 31 I5TK Dekor-Einlagen, Holz, Olivemaser hell
Decorative inlays, grained olive wood
- 31 I5W0 Dachreling, Titan-Metall
Roof rail, Titanium-Metallic
- 31 I5W2 Vorbereitung Dachlasttraeger blank, silber
Preparation for roof rack, bright, silver
- 31 I5W3 Dachgepäckträger schwarz, Führungsschienen blank
Roof rack black, guide rails bright
ohne Feuerlöscher
Without fire extingisher
- 31 I6A4 Vorbereitung Feuerlöscher
Preparation for fire extingisher
- 31 I6A5 Feuerlöscher
Fire extingisher
- 31 I6A7 mit Feuerlöscher
With fire extingisher
- 31 I6EA ohne zusätzliche Karosserieabdeckungen,
Steinschlagschutz seitlich
Without additional body covers,
side stone guards
- 31 I6EB Zusätzliche Karosserieabdeckungen,
Steinschlagschutz und Teilblende
Additional body covers,
stone guards and partial cover
- 31 I6EP Zusätzliche Karosserieabdeckungen
Steinschlagschutz, Ausführung 1
Additional body covers,

31	I 6EQ	stone guards, type 1 Zusätzliche Karosserieabdeckungen Steinschlagschutz, Ausführung 2 Additional body covers, stone guards, type 2
31	I 6ES	Zusätzliche Karosserieabdeckungen Steinschlagschutz, Ausführung 3 Additional body covers, stone guards, type 3
31	I 6ET	Zusätzliche Karosserieabdeckungen Steinschlagschutz, Ausführung 4 Additional body covers, stone guards, type 4
31	I 6E2	Mittelarmlehne vorn Naturlleder Front centre armrest in natural leather
31	I 6E3	Mittelarmlehne vorn - PVC Schaumfolie Centre armrest, front - PVC foam film
31	I 6E4	Mittelarmlehne vorne, Naturlleder GTS GTS front centre armrest in natural leather
31	I 6E6	Mittelarmlehne vorn - Leder glatt Centre armrest, front - smooth leather
31	I 6E7	Mittelarmlehne vorn - Leder gepreßt Centre armrest, front - grained leather
31	I 6FA	ohne Kontrastfarbe without contrasting colour
31	I 6FB	Aussenspiegelgehäuse in Wagenfarbe Door-mirror housing painted in exterior colour
31	I 6FI	Kontrastfarbe orange Contrasting colour: Orange
31	I 6FM	Kontrastfarbe kristall Silbermetallik Contrasting colour: Crystal Silver Metallic
31	I 6FP	Kontrastfarbe meteorgrau metallik Contrasting colour: Meteor Grey Metallic
31	I 6GA	ohne Anbausatz Without component set
31	I 6GE	Anbausatz - verbreiterte Radlaufauführung extra breit fuer Australien Component set - wheel arch extensions, extra wide for Australia
31	I 6GF	Anbausatz - verbreiterte Radlaufabdeckung Component set - wider wheel arch covers
31	I 6GG	Anbausatz verbreiterte Radlaufabdeckung (USA/CAN) Component set for wider wheel arch trim (USA/CAN)
31	I 6GH	Anbausatz verbreiterte Radlaufabdeckung in Wagenfarbe (USA) Component set for wider wheel arch trim in exterior colour (USA)
31	I 6GJ	Anbausatz verbreiterte Radlaufabdeckung in Wagenfarbe (RDW) Component set for wider wheel arch trim in exterior colour (ROW)
31	I 6GK	Anbausatz verbreiterte Radlaufabdeckung in Wagenfarbe (AUS) Component set for wider wheel arch trim in exterior colour (AUS)
31	I 6NA	Himmel ungeteilt, Alcantara, USA One-piece rooflining in Alcantara, USA
31	I 6NF	Himmel ungeteilt, Alcantara, Kanada One-piece rooflining in Alcantara, Canada
31	I 6NJ	Himmel Standard, Stoff Standard rooflining, fabric
31	I 6NL	Himmel Standard, Stoff, Kanada Standard rooflining in fabric, Canada
31	I 6NN	Himmel Alcantara Alcantara rooflining
31	I 6NQ	Himmel Standard, Stoff, USA Standard rooflining in fabric, USA
31	I 6N1	Schmutzfaenger hinten Mudguards, rear
31	I 6P1	Kennzeichentraeger hinten (ECE) Number-plate holder, rear (ECE)
31	I 6P2	Kennzeichentraeger hinten (USA) Number-plate holder, rear (USA)
31	I 6Q2	Schalthebelknopf und Griff in Leder,

9PA1_MXI KAT31. TXT

		Waehl hebel Leder/Alu Gear selector knob + grip in leather, gear lever in leather/aluminium
31	I 6Q8	Waehl hebel, Holz, dunkel Gear lever, wood, dark
31	I 6W1	Kennzeichentraeger vorne gross (ECE) Number-plate holder, front, large (ECE)
31	I 6W2	Kennzeichentraeger vorne klein (RDW) Number-plate holder, front, small (RoW)
31	I 6W3	Kennzeichentraeger vorne (NAR) Number-plate holder, front (NAR)
31	I 6XP	Aussenspiegel, elektrisch anklappbar, elektrisch einstellbar, separat beheizbar Door mirrors, electrically retractable, electrically adjustable, separately heated
31	I 6XQ	Aussenspiegel mit Memoryfunktion, elektrisch anklapp-/ einstellbar, separat beheizbar Door mirrors with memory function, electrically retractable/adjustable, separately heated
31	I 6XT	Aussenspiegel, automatisch abblendbar, elektrisch anklapp/einstell u. separat beheizbar & Memory Door mirrors, automatically dimmable, electrically retractable/adjustable, separately heated + memory
31	I 6XW	Aussenspiegel, automatisch abblendbar, elektrisch anklapp-/ einstellbar, separat beheizbar Door mirrors, automatically dimmable, electrically retractable/adjustable, separately heated
31	I 7AC	Alarmanlage, Innenraumüberwachung, Alarmhorn Alarm system, interior surveillance, alarm horn
31	I 7AH	Alarmanlage, Innenraumüberwachung deaktivierbar, Backup Horn Alarm system, interior surveillance can be deactivated, Backup horn
31	I 7AK	Diebstahlalarmanlage, Innenraumüberwachung, Abschluppschutz Alarm system, interior surveillance system, anti-towing protection
31	I 7AL	Diebstahlalarmanlage, Innenraumüberwachung, Backup Horn, Abschleppschutz Alarm system, interior surveillance system, backup horn, anti-towing protection
31	I 7AT	Alarmanlage, Innenraumüberwachung, mit VTS (Vehicle Tracking System) Alarm system, interior surveillance, with VTS (Vehicle Tracking System)
31	I 7AU	Alarmanlage, Backup Horn, mit VTS (Vehicle Tracking System) Alarm system, backup horn, with VTS (Vehicle Tracking System)
31	I 7A1	Vorrüstung für CD-Wechsler Preparation for CD autochanger
31	I 7A2	CD-Wechsler 6-fach CD autochanger (6-disc)
31	I 7B2	12 Volt Steckdose, 5 Stück (USA) Five 12-volt plug sockets (USA)
31	I 7B3	12 Volt Steckdose, 4 Stück (RDW) Four 12-volt plug sockets (ROW)
31	I 7B6	12 Volt Steckdosen - 6 Stueck Six 12-V sockets
31	I 7B7	12 Volt Steckdosen - 5 Stueck Five 12-V sockets
31	I 7B8	12 Volt Steckdosen - 7 Stueck Seven 12-V sockets
31	I 7D7	CD-/DVD-Wechsler integriert Integrated CD/DVD autochanger
31	I 7F7	Waehl hebel, Holz, hell, hochglanz Gear lever, wood, light, high gloss
31	I 7GA	Abgaskonzept, LEV 2 LEV 2 emissions concept
31	I 7GG	Abgaskonzept EU 4 mit Partikelfilter

9PA1_MXIKAT31.TXT

- EU 4 emissions concept with particle filter
- 31 I7G1 Vorrüstung FVS (Fahrzeug Verfolgungs-System), ohne Drivercard
- 31 I7G2 VTS (Vehicle Tracking System) preparation, without driver card
- 31 I7G5 Vorrüstung FVS (Fahrzeug Verfolgungs-System) mit Drivercard
- VTS (Vehicle Tracking System) preparation, with driver card
- 31 I7G5 Vorrüstung FVS (Fahrzeug Verfolgungs-System), mit Drivercard,
- Anbindung an Alarmanlage, Wiederstartverhinderung
- VTS (Vehicle Tracking System) preparation, with driver card,
- connection to alarm system, restart inhibitor
- 31 I7K3 Reifendruckkontrolle (RDK) 433 mhz
- Tire Pressure Monitoring, 433 MHz
- 31 I7K4 Reifendruckkontrolle 315 MHz
- 315-MHz Tire Pressure Monitoring
- 31 I7K5 Reifendruckkontrolle 315 MHz mit reduzierter Sendeleistung
- 315-MHz Tire Pressure Monitoring with reduced transmission power
- 31 I7M0 Einstiegsleisten Kunststoff ab Mj -04
- Door entry guards of plastic from MY 04
- 31 I7M1 Einstiegsleisten Edelstahl ab Mj -04
- Door entry guards of stainless steel from MY 04
- 31 I7QT Navigation "Paket Europa"
- Navigation "Europe package"
- 31 I7QV Navigation Südafrika
- Navigation south africa
- 31 I7QX Navigation Nordamerika
- Navigation North America
- 31 I7QZ Navigation mittlerer Osten
- Navigation middle east
- 31 I7Q0 Ohne Navigationsgerät
- Without navigation unit
- 31 I7Q2 PCM - Navigationsmodul
- PCM navigation module
- 31 I7Q4 Vorbereitung Navigationsystem
- Navigation system preparation
- 31 I7Q7 PCM inkl. Navigation & Kompassanzeige im Kombiinstrument
- PCM including navigation + compass display in instrument cluster
- 31 I7RA Navigation Australien
- Navigation, Australia
- 31 I7RB Navigation Hongkong
- Navigation, Hong Kong
- 31 I7RC Navigation Singapur
- Navigation, Singapore
- 31 I7RD Navigation Taiwan
- Navigation Taiwan
- 31 I7RV Navigation Russland
- Navigation Russia
- 31 I7T0 Kompassanzeige im Kombiinstrument
- Compass display in instrument cluster
- 31 I7T1 Navigation Offroad, mit Kursrechner
- Laengen- & Breitengradangabe
- Offroad navigation, with course calculator
- showing latitude and longitude
- 31 I7T3 Navigation Offroad, mit Kursrechner
- Laengen- & Breitengradang. & KOMPASS
- Offroad navigation, with course calculator
- showing latitude and longitude + COMPASS
- 31 I7T7 Vorbereitung Navigation China
- Navigation system preparation, China
- 31 I7VE Standheizung mit integrierter Zeitschaltuhr
- Auxiliary heater with integrated timer
- 31 I7VL Standheizung mit integrierter Zeitschaltuhr und Fernbedienung
- Auxiliary heater with integrated timer and remote control
- 31 I7X0 ohne Einparkhilfe
- Without ParkAssist
- 31 I7X1 Ultraschalleinparkhilfe und Rückfahrkamera
- Ultrasound ParkAssist and reversing camera
- 31 I7X2 Parkassistent vorne und hinten
- ParkAssist, front/rear
- 31 I7X3 Rückfahrkamera

9PA1_MXI KAT31. TXT

- 31 I7X8 Reversing camera
Ultraschalleinparkhilfe und Rückfahrkamera
- 31 I7X9 Ultrasound parking aid and reversing camera
Rückfahrkamera
- 31 I8BB Reversing camera
Halogen Hauptscheinwerfer, Rechtsverkehr
- 31 I8BC Halogen main headlights, right-hand traffic
Hauptscheinwerfer mit Gasentladungslampe & Blinklicht,
XENON Rechtsverkehr
Main headlights with gas-discharge lamps + direction indicators,
XENON, right-hand traffic
- 31 I8BF Halogen Hauptscheinwerfer, Linksverkehr
Halogen main headlights, left-hand traffic
- 31 I8BR Halogen Hauptscheinwerfer, US-Ausführung
mit Blink- & Positionsluchten, Rechtsverkehr
Halogen main headlights, U. S. version
with direction indicator and running lights, right-hand traffic
- 31 I8BZ Hauptscheinwerfer mit Gasentladungslampe & Blinklicht,
XENON Linksverkehr
Main headlights with gas-discharge lamps + direction indicators,
XENON, left-hand traffic
- 31 I8DQ Radio PCM- Grundmodul USA, Doppel DIN Farbblindschirm
Basic radio/PCM terminal, USA, double-DIN colour display
- 31 I8DR Radio Porsche CDR 30 WW
Porsche CDR 30 radio WW
- 31 I8DU Radio Porsche CDR 23 WW
Porsche CDR 23 radio WW
- 31 I8DV Radio PCM- Grundmodul RDW, Doppel DIN Farbblindschirm
Basic radio/PCM terminal, RoW, double-DIN colour display
- 31 I8EE Xenon ECE links Verkehr (schwarz)
Xenon, ECE, left-hand traffic (Black)
- 31 I8EF Xenon ECE rechts Verkehr (schwarz)
Xenon, ECE, right-hand traffic (Black)
- 31 I8EG Xenon USA rechts Verkehr (schwarz)
Xenon, USA, right-hand traffic (Black)
- 31 I8FE Vorbereitung fuer zweite Batterie
Preparation for second battery
- 31 I8F2 Seitliche Blinkleuchten
Side direction indicator lights
- 31 I8F5 Seitliche Markierungs- und Blinkleuchten
Side marker lights and direction indicators
- 31 I8GH Drehstromgenerator 190 A
190-A generator
- 31 I8GR Drehstromgenerator 150 A
150-A generator
- 31 I8GV Drehstromgenerator 180 A
180 A generator
- 31 I8JD Hauptscheinwerfer mit Gasentladungslampe USA,
XENON Rechtsverkehr
Main headlights with gas-discharge lamps U. S. version,
XENON RHD
- 31 I8K0 ohne spezielle Fahrlichtschaltung
Without special low beam mode
- 31 I8K1 Tagesfahrlichtschaltung Skandinavien
Daytime driving light setting, Scandinavia
- 31 I8K3 Tagfahrlicht, Assistentfahrlicht RDW
mit COMING-/LEAVING HOME
Daytime driving lights, auxiliary driving lights, RoW,
with COMING/LEAVING HOME function
- 31 I8K4 Tagesfahrlichtschaltung Kanada
Daytime driving light setting, Canada
- 31 I8K5 Assistentfahrlicht USA (NAR)
Auxiliary driving lights, USA (NAR)
- 31 I8K8 Assistentfahrlicht (RDW)
Auxiliary driving lights (RoW)
- 31 I8K9 Tagfahrlicht, Assistentfahrlicht Kanada (NAR)
mit COMING-/LEAVING HOME
Daytime driving lights, auxiliary driving lights, Canada (NAR),

9PA1_MXIKAT31.TXT

with COMING/LEAVING HOME function
 31 I8L6 Diversity-Antenne
 Diversity antenna
 31 I8N3 Scheibenwischer - Intervallschaltung mit Regensensor
 Wipers - variable interval setting with rain sensor
 31 I8Q1 Leuchtweitenregulierung, manuell
 Headlight levelling, manual
 31 I8Q3 Leuchtweitenregulierung, aut. Dynamisch
 Headlight levelling - dynamic
 31 I8RV 10 Lautsprecher, passiv
 10 loudspeakers, passive
 31 I8TF Nebelschlussleuchte links und rechts
 Rear fog light, left and right
 31 I8T1 Tempomat
 Cruise control
 31 I8T3 Autom. Distanzregelung & Geschwindigkeitsregelanlage
 ACC ab Mj -04
 Automatic distance control + cruise control
 ACC from MY 04
 31 I8WB Nebelscheinwerfer
 Front fog lights
 31 I8WU Dachscheinwerfer
 Roof-mounted lights
 31 I8X0 ohne Scheinwerferreinigungsanlage
 Without headlight washer system
 31 I8X1 Scheinwerferreinigungsanlage
 Headlight cleaning system
 31 I8YZ Ohne Radio, jedoch mit Vorbereitung für 10 Lautsprecher
 Without radio but with preparation for 10 loudspeakers
 31 I8ZM Antenne im Heckspoiler
 Antenna in rear spoiler
 31 I9AB Klimaanlage mit mechanischer Regelung
 Air conditioning system with mechanical control
 31 I9AD Climatronic, FCKW - frei
 Climatronic, free of CFCs
 31 I9AH 4-Zonen-Klimaanlage
 4-zone air conditioning system
 31 I9G1 Drehstromgenerator 220A
 220 A generator
 31 I9JA Nichtraucherpaket
 Non-smoker package
 31 I9JB Raucherausführung, Ascher vorn und hinten
 Smoker version, ashtrays at front and rear
 31 I9L1 Motorraumbelichtung
 Engine bay lighting
 31 I9MA Innenbeleuchtung in Grundausstattung
 Interior lighting in basic equipment package
 31 I9MB Komfort Innenbeleuchtung, dimmbar,
 mit Tuertafelbeleuchtung
 Comfort interior lighting, dimmable,
 with light strips on door panels
 31 I9MO ohne Zusatz-/Standheizung
 Without auxiliary/parking heater
 31 I9M5 Zuheizung für Diesel
 Preheater for diesel
 31 I9Q1 Multifunktionsanzeige, Bordcomputer
 Multi-purpose display, on-board computer
 31 I9TF Ein- & Ausstiegskomfortbeleuchtung
 Courtesy entry and exit lights
 31 I9TH Warnleuchten an Türen vorne und hinten
 Safety lights on front and rear doors
 31 I9T1 Scheibenwaschdüsen beheizbar, vorn
 Heated washer nozzles, front
 31 I9VL Bose Surround Sound-System
 Bose Surround Sound System
 31 I9WC Ohne Multimedia im Fahrzeugfond
 Without multimedia in the vehicle rear
 31 I9WM Vorrüstung "Rear Seat Entertainment"

9PA1_MXIKAT31.TXT

- 31 I9W0 Preparation for "Rear Seat Entertainment"
ohne Vorbereitung, Einbau Auto-Telefon
- 31 I9W1 Without preparation for installation of car phone
Telefonmodul ohne Passivhoerer
- 31 I9W5 Telephone module without passive handset
Telefonvorbereitung Handy BLUETOOTH
- 31 I9ZF BLUETOOTH mobile phone preparation
Telefonvorbereitung Handy VDA,
mit Freisprechanlage
Telephone preparation for VDA mobile phone
with hands-free facility
- 31 I9ZH Einbau Autotelefon mit Notrufsystem -
PCM Telematik
Installation of car phone with emergency-call system -
PCM telematics
- 31 I9ZP Telefonmodul mit Passivhörer
Telephone module with passive handset
- 31 I9ZT Telefonvorbereitung USA, JAPAN Verstärker
Telephone preparation USA, JAPAN BOOSTER

Model	Year	MG	SG	Illustration	VIN No.	Update		
9PA1	09					231	7:13	10.09.2008

EQUIPMENT BY COUNTRY REGULATIONS

=====

- (A) AUSTRIA
- (AG) ARABIAN GULF STATES
- (AUS) AUSTRALIA
- (B) BELGIUM
- (BR) BRAZIL
- (CDN) CANADA
- (CH) SWITZERLAND
- (CN) PEOPLE'S REPUBLIC OF CHINA
- (D) FEDERAL REPUBLIC OF GERMANY
- (DK) DENMARK
- (E) SPAIN
- (F) FRANCE
- (GB) GREAT BRITAIN
- (GR) GREECE
- (HK) HONGKONG

Model	Year	MG	SG	Illustration	VIN No.	Update		
9PA1	09					231	7:13	10.09.2008

(I)	ITALY
(J)	JAPAN
(L)	LUXEMBURG
(N)	NORWAY
(NL)	NETHERLANDS
(NZ)	NEW ZEALAND
(P)	PORTUGAL
(ROK)	KOREA
(RC)	TAIWAN
(THA)	THAILAND
(S)	SWEDEN
(SA)	SAUDI ARABIA
(SF)	FINLAND
(USA)	UNITED STATES OF AMERICA
(ZA)	SOUTH AFRICA

Model 9PA1	Year 09	MG	SG	Illustration	VIN No.	Update 231	7:13	10.09.2008
---------------	------------	----	----	--------------	---------	---------------	------	------------

IN COLUMN - A -

IDENTIFICATION LETTER FOR PERIOD OF INSTALLATION
 THAT IS REPEATED SEVERAL TIMES IN THE CATALOG GROUP.

EXPLANATION PLEASE FIND IN TEXT COLUMN OF THE CATALOG GROUP

IN COLUMN - QU - = NO. OF PIECES

- 1 NUMBER PER APPLICATION
- X NUMBER AS NEEDED
- * AVAILABLE ONLY IN RUNNING LENGTHS 1 = 1 METRE

IN COLUMN - MODEL/SYMBOL -

- M650 OPTIONAL EQUIPMENT - SEE M-NO. LIST
- 98 LIMITATION OF MODEL YEAR FOR INSTANCE: VALID UP TO
 END OF MODEL YEAR 1997
- /LL LHD
- /RL RHD
- +
- /V FRONT I

Model 9PA1	Year 09	MG	SG	Illustration	VIN No.	Update 231	7:13	10.09.2008
---------------	------------	----	----	--------------	---------	---------------	------	------------

I
 /H REAR I
 I----> APPLIES TO
 /L LEFT I DIRECTION OF TRAVEL
 I
 /R RIGHT I
 -----+
 WW THE PART CAN BE USED INSTEAD OF THE
 PRECEDING ONE.

Model 9PA1	Year 09	MG	SG	Illustration	VIN No.	Update 231	7:12	10.09.2008
---------------	------------	----	----	--------------	---------	---------------	------	------------

LEGENDS AND NOTICES

=====

IN COLUMN -S- STATUS

- N NEW ADDITION

- P PART ALREADY IN PROGRAMME, BUT NEW
AT THIS APPLICATION

- W DELETED AT THIS APPLICATION, BUT CONTINUED TO BE CARRIED

- K THIS PART MUST BE RE-ORDERED IF IT IS UNAVAILABLE WHEN THE
ORDER IS FIRST PLACED. ORDER BACKLOGS ARE NOT PROCESSED.

- A STOCK TO BE USED UP

- U DELETED WITHOUT REPLACEMENT

- * PART ALSO OR ONLY AVAILABLE
IN REPAIR KIT

- > ALSO AVAILABLE IN EXCHANGE

IN COLUMN - ILL. -

- 1 IDENTIFICATION NO. IN ILLUSTRATION

- (1) PART ONLY SIMILAR AS ILLUSTRATED

Model	Year	MG	SG	Illustration	VIN No.	Update		
9PA1	09					231	7:12	10.09.2008

- PART IS NOT ILLUSTRATED

FIG.-NUMBERS FOR WHICH THERE IS SHOWN NO TEXT ARE
NOT VALID FOR THIS EDITION OF CATALOGUE

IN COLUMN -PART NUMBER/CODE-

000 000 000 00 PART NUMBER EQUALS ORDERING NO., IF A CODE IS
SHOWN, IT WILL HAVE TO BE PART OF ORDERING
NUMBER

01C COLOUR CODE

IN COLUMN -TEXT

INSTALLATION WITH ENGINE OR CHASSIS
NUMBER-RANGE

EXAMPLE:

M 66W 00389>> FROM ENGINE NO.

F >>99WS6 00889 UP TO CHASSIS NO.

Model 9PA1	Year 09	MG	SG	Illustration	VIN No.	Update 231	7:12	10.09.2008
---------------	------------	----	----	--------------	---------	---------------	------	------------

VEHICLE TYPE	TYPE	MY	TRANSMISSION NO.	TECHNICAL DATA
CAYENNE	G48.22	08 8	G4822 0 002001>999999	6-GANG
CAYENNE	A48.22	08 8	A4822 0 002001>999999	6-GANG
CAYENNE S	G48.02	08 8	G4802 0 002001>999999	6-GANG
CAYENNE S	A48.02	08 8	A4802 0 002001>999999	6-GANG
CAYENNE TURBO	A48.52	08 8	A4852 0 002001>999999	6-GANG
CAYENNE	G48.22	09 9	G4822 0 002001>999999	6-GANG
CAYENNE	A48.22	09 9	A4822 0 002001>999999	6-GANG
CAYENNE S	G48.02	09 9	G4802 0 002001>999999	6-GANG
CAYENNE S	A48.02	09 9	A4802 0 002001>999999	6-GANG
CAYENNE TURBO	A48.52	09 9	A4852 0 002001>999999	6-GANG

Model 9PA1	Year 09	MG	SG	Illustration	VIN No.	Update 231	7:12	10.09.2008
---------------	------------	----	----	--------------	---------	---------------	------	------------

EXPLANATION OF THE TRANSMISSION-NUMBERS USED IN THE CATALOGUE

=====

DIGIT:	1	2	3	4	5	6	7	8	9	10	11	
EXAMPLE:	G	9	7	0	1	1	0	0	5	4	3	
	=	=====					=	=====				
	!		!			!			!		!	
	!		!			!			!		!	
TRANSMISSION TYPE-----+			!			!			!		!	
			!			!			!		!	
TRANSMISSION VERSION-----+						!			!		!	
						!			!		!	
INDEX OF VARIANTS-----+									!		!	
									!		!	
SERIAL NUMBER-----+											!	

Model	Year	MG	SG	Illustration	VIN No.	Update		
9PA1	09					231	7:12	10.09.2008

ENGINE

VEHICLE TYPE	TYPE	MY	ENGINE NO.	TECHNICAL DATA
CAYENNE	M55.01	08 8	638 01001>99999	6ZYL/3,6L /213 KW
CAYENNE S	M48.01	08 8	848 00501>99999	8ZYL/4,8L /283 KW
CAYENNE TURBO	M48.51	08 8	838 00501>99999	8ZYL/4,8L /368 KW
CAYENNE GTS	M48.01	08 8	858 00501>99999	8ZYL/4,8L /298 KW
CAYENNE TURBO +E81	M48.51	08 8	868 00501>99999	8ZYL/4,8L /397 KW
CAYENNE	M55.01	09 9	639 01001>99999	6ZYL/3,6L /213 KW
CAYENNE S	M48.01	09 9	_9 00501>99999	8ZYL/4,8L /283 KW
CAYENNE GTS	M48.01	09 9	G_9 00501>99999	8ZYL/4,8L /298 KW
CAYENNE TURBO	M48.51	09 9	_9 00501>99999	8ZYL/4,8L /368 KW
CAYENNE TURBO +E81	M48.51	09 9	S_9 00501>99999	8ZYL/4,8L /397 KW
CAYENNE TURBO +E8A	M48.51	09 9	T_9 00501>99999	8ZYL/4,8L /411 KW

Model	Year	MG	SG	Illustration	VIN No.	Update		
9PA1	09					231	7:12	10.09.2008

EXPLANATION OF THE MOTOR-NUMBERS USED IN THE CATALOGUE

=====

DIGIT: 1 2 3 4 5 6 7 8

EXAMPLE: 6 9 5 0 0 1 3 6

= = = =====

! ! ! !

ENGINE TYPE (6 = 6-CYL.-ENGINE)-----+ ! ! !

! ! !

ENGINE VERSION-----+ ! !

! !

MODEL YEAR-----+ !

!

SERIAL NUMBER-----+ !

Model	Year	MG	SG	Illustration	VIN No.	Update		
9PA1	09					231	7:12	10.09.2008

VEHICLE TYPE	MY	VIN	ENGINE TYPE	
CAYENNE (C99) (TR)	07 7	9P7LA 00061>10000	M55.01	213 KW
CAYENNE S (C99) (TR)	07 7	9P7LA 30061>40000	M48.01	283 KW
CAYENNE TURBO (C99) (TR)	07 7	9P7LA 80061>90000	M48.51	368 KW
CAYENNE	08 8	9P8LA 00061>30000	M55.01	213 KW
CAYENNE S	08 8	9P8LA 30061>70000	M48.01	283 KW
CAYENNE TURBO	08 8	9P8LA 80061>99999	M48.51	368 KW
CAYENNE GTS	08 8	9P8LA 70061>80000	M48.01	298 KW
CAYENNE	09 9	9P9LA 00061>20000	M55.01	213 KW
CAYENNE S	09 9	9P9LA 40061>60000	M48.01	283 KW
CAYENNE GTS	09 9	9P9LA 60061>80000	M48.01	298 KW
CAYENNE TURBO	09 9	9P9LA 80061>90000	M48.51	368 KW

Model 9PA1	Year 09	MG	SG	Illustration	VIN No.	Update 231	7:12	10.09.2008
---------------	------------	----	----	--------------	---------	---------------	------	------------

EXPLANATION OF THE ABRIDGED VERSION OF THE VEHICLE IDENT. NUMBERS (VIN)

=====

USED IN THE CATALOGUE

=====

DIGIT: 1 2 3 4 5 6 7 8 9 10 11 12 13 14 15 16 17

EXAMPLE: W P 0 Z Z Z 9 9 Z 5 S 7 0 0 1 2 5

 === = = = =====

 ! ! ! ! !

VEHICLE TYPE 1ST+2ND DIGIT-----+ ! ! ! !

 ! ! ! !

MODEL YEAR-----+ ! ! !

 ! ! !

MANUFACTURING LOCATION-----+ ! !

 ! !

VEHICLE TYPE 3RD DIGIT-----+ !

 !

SERIAL NUMBER-----+ !

PORSCHE

V-Pages

PORSCHE

Model	Year	MG	SG	Illustration	VIN No.	Update		
9PA1	09					231	7:12	10.09.2008

PET CONTAINS THE ORDERING DETAILS FOR ALL MODELS SHOWN IN THE MODEL OVERVIEW.

THE UPDATE SERVICE IS PERFORMED AUTOMATICALLY VIA INTERNET UPDATE.

THE VERSION IS SHOWN IN THE HEADER AS "UPDATE 123/12"

SEATS AND RELATED ITEMS FOR MODELS INTRODUCED BEFORE 1997 ARE SHOWN IN THE STZ CATALOGUE.

SEATS AND RELATED ITEMS FOR MODELS INTRODUCED AFTER 1997 ARE SHOWN IN THE CORRESPONDING VEHICLE CATALOGUES.

ALL ILLUSTRATIONS ARE NON-BINDING.

SUBJECT TO CHANGE.