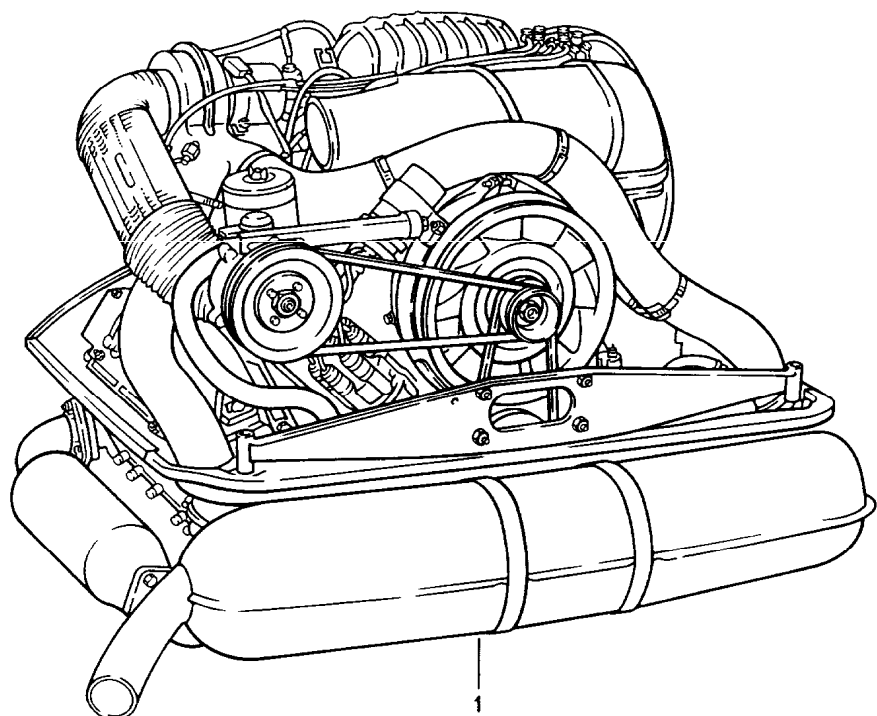


Model	Year	MG	SG	Illustration	Restrictions	UPD	10:08	26.01.2010	PORSCHE	PET	PORSCHE
ATK	2008	1	01	101-00		248					



Pos	Part Number	Description	Remark	Qty	Model
		overhauled engine	69-		911 2000 CCM - - 3200 CCM
		ready for installation without compressor			
		overhauled engine			2000 CCM
(1)	901 100 130 X	overhauled engine 80 KW 110 DIN-PS carburettor	69	1	901.13 SPM WEBER
		we take back: 901.100.130.00			
		overhauled engine			2400 CCM
(1)	911 100 152 X	overhauled engine 121 KW 165 DIN-PS mechanical injection	72	1	911.52
		we take back: 911.100.152.00			
(1) E	911 100 153 AX	overhauled engine 140 KW 190 DIN-PS mechanical injection	73	1	911.53
		we take back: 911.100.153.01			
		overhauled engine			2700 CCM
(1)	911 100 183 X	overhauled engine 154 KW 210 DIN-PS mechanical injection	73	1	911.83
		we take back: 911.100.183.00			
(1)	911 100 183 AX	overhauled engine 154 KW 210 DIN-PS mechanical injection	74-	1	911.83
		we take back: 911.100.183.01			
1	911 100 192 X	overhauled engine 110 KW 150 DIN-PS k-jetronic	74	1	911.92
		we take back: 911.100.192.00			

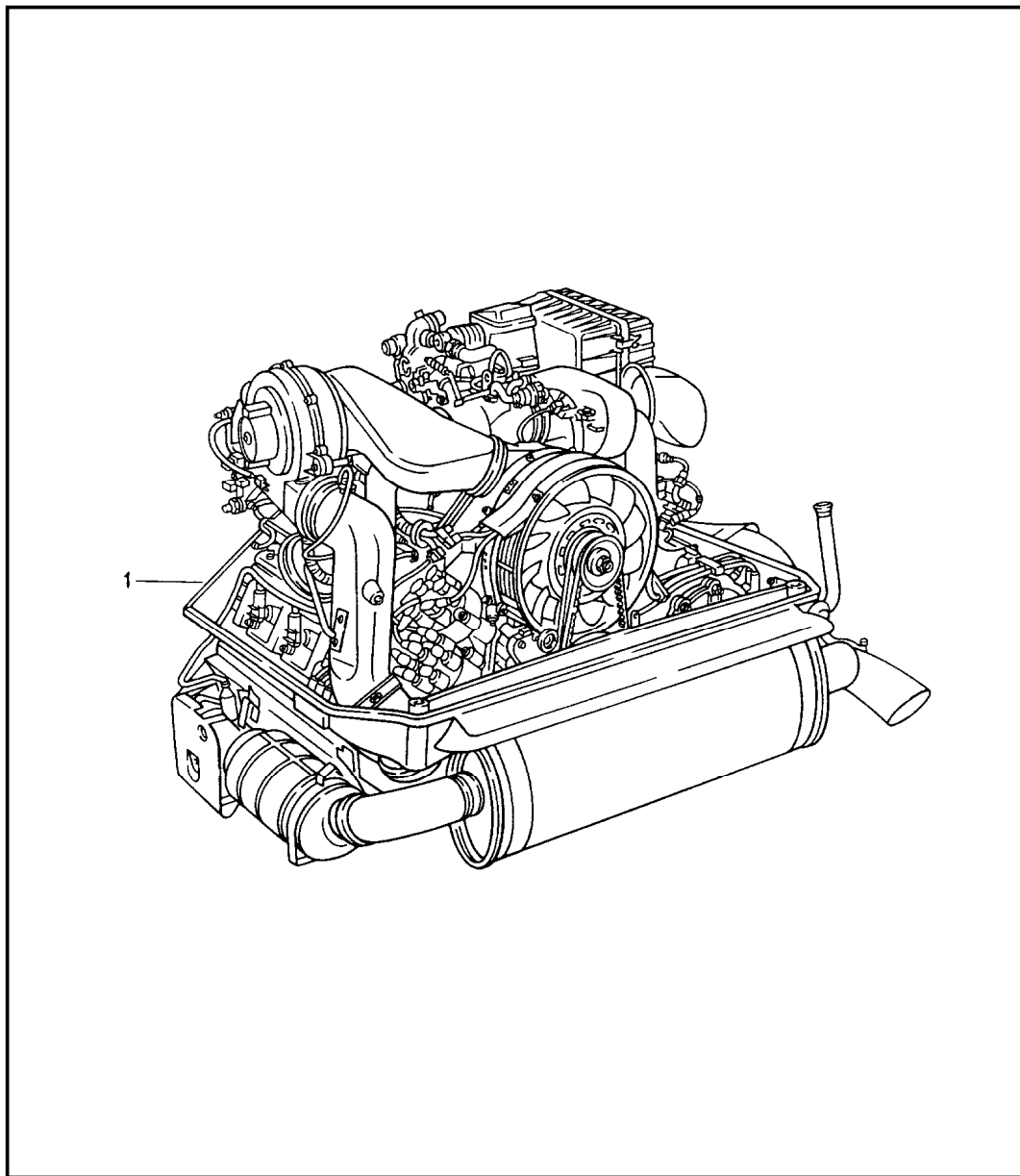
Model	Year	MG	SG	Illustration	Restrictions	UPD	10:08	26.01.2010	PORSCHE	PET	PORSCHE
ATK	2008	1	01	101-00		248					

Pos	Part Number	Description	Remark	Qty	Model	Pos	Part Number	Description	Remark	Qty	Model
1	911 100 193 X	overhauled engine 129 KW 175 DIN-PS k-jetronic  we take back: 911.100.193.00	74	1	911.93	1	930 100 209 X	overhauled engine 138 KW 188 DIN-PS k-jetronic  we take back: 930.100.209.00	80	1	930.09
1	911 100 141 X	overhauled engine 110 KW 150 DIN-PS k-jetronic  we take back: 911.100.141.00	75	1	911.41	1	930 100 210 X	overhauled engine 150 KW 204 DIN-PS k-jetronic  we take back: 930.100.210.00	81-	1	930.10 COUPE/TARGA
1	911 100 142 X	overhauled engine 129 KW 175 DIN-PS k-jetronic  we take back: 911.100.142.00	75	1	911.42	1	930 100 210 AX	overhauled engine 150 KW 204 DIN-PS k-jetronic  we take back: 930.100.210.01	83	1	930.10 CABRIO
1	911 100 181 X	overhauled engine 121 KW 165 DIN-PS k-jetronic  we take back: 911.100.181.00	76	1	911.81	1	930 100 220 X	overhauled engine 170 KW 231 DIN-PS l-jetronic  we take back: 930.100.220.00	84-	1	3200 CCM 930.20 COUPE/TARGA
1	911 100 181 AX	overhauled engine 121 KW 165 DIN-PS k-jetronic  we take back: 911.100.181.00  overhauled engine	77	1	911.81	1	930 100 221 X	overhauled engine 152 KW 207 DIN-PS l-jetronic  we take back: 930.100.221.00	84-	1	930.21 COUPE/TARGA
1	930 100 202 X	overhauled engine 147 KW 200 DIN-PS k-jetronic  we take back: 930.100.202.00	76	1	930.02	1	930 100 220 AX	overhauled engine 170 KW 231 DIN-PS l-jetronic  we take back: 930.100.220.01	84-	1	930.20 CABRIO
1	930 100 202 AX	overhauled engine 147 KW 200 DIN-PS k-jetronic  we take back: 930.100.202.00	77	1	930.02	1	930 100 220 BX	overhauled engine 170 KW 231 DIN-PS l-jetronic  we take back: 930.100.220.00	87-	1	930.20 COUPE/TARGA
1	930 100 203 X	overhauled engine 132 KW 180 DIN-PS k-jetronic  we take back: 930.100.203.00	78-	1	930.03	1	930 100 220 CX	overhauled engine 170 KW 231 DIN-PS l-jetronic  we take back: 930.100.220.01	87-	1	930.20 CABRIO

Model	Year	MG	SG	Illustration	Restrictions	UPD	10:08	26.01.2010	PORSCHE	PET	PORSCHE
ATK	2008	1	01	101-00		248					

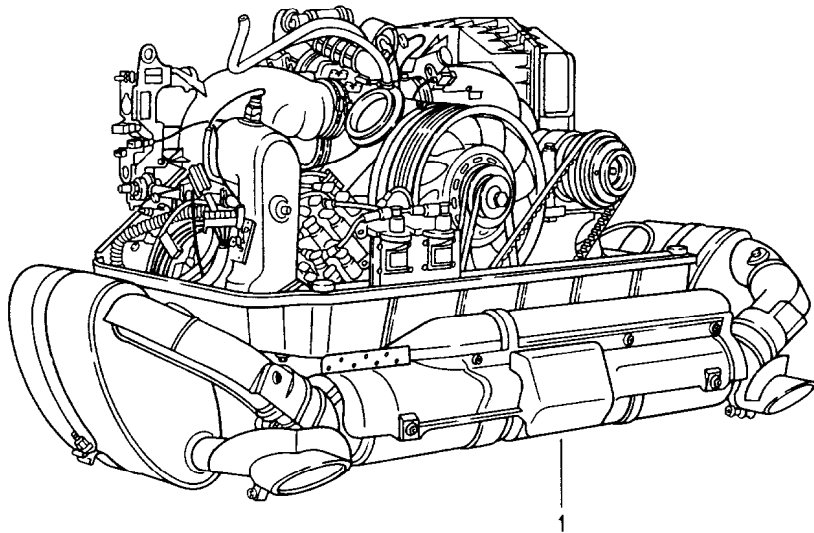
Pos	Part Number	Description	Remark	Qty	Model	Pos	Part Number	Description	Remark	Qty	Model
1	930 100 225 X	overhauled engine 160 KW 217 DIN-PS l-jetronic  we take back: 930.100.225.00		87-	1 930.25 COUPE/TARGA						
1	930 100 225 AX	overhauled engine 160 KW 217 DIN-PS l-jetronic  we take back: 930.100.225.01		87-	1 930.25 CABRIO						
1	930 100 225 DX	overhauled engine 160 KW 217 DIN-PS l-jetronic  we take back: 930.100.225.04	(CH)	87-	1 930.25 COUPE/TARGA						
1	930 100 225 EX	overhauled engine 160 KW 217 DIN-PS l-jetronic  we take back: 930.100.225.05	(CH)	87-	1 930.25 CABRIO						

Model	Year	MG	SG	Illustration	Restrictions	UPD	10:08	26.01.2010	PORSCHE	PET	PORSCHE
ATK	2008	1	01	101-01		248					



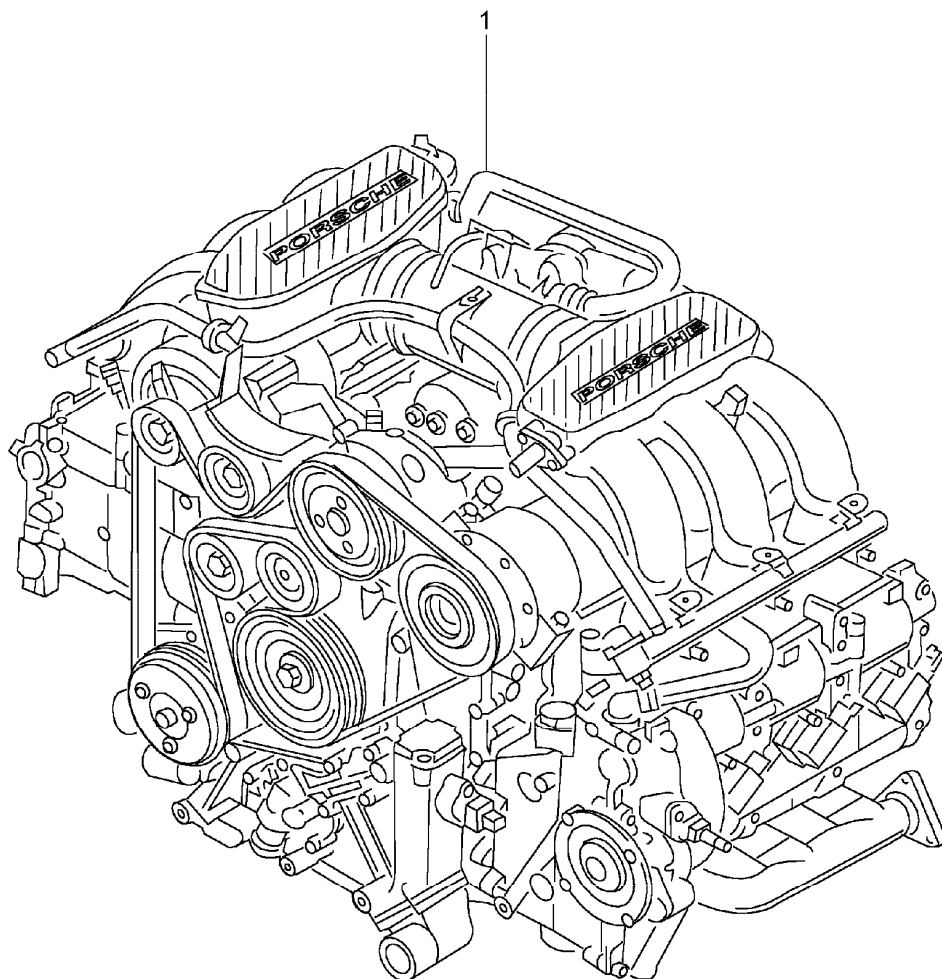
Pos	Part Number	Description	Remark	Qty	Model
		overhauled engine	89-		CARRERA 2/4 M64.01 M64.02 M64.03
		ready for installation without compressor			
1	964 100 264 AX	overhauled engine 184 KW 250 DIN-PS	89	1	M64.01
		we take back: 964.100.264.01			
1	964 100 264 DX	overhauled engine 184 KW 250 DIN-PS	90	1	M64.01
		we take back: 964.100.264.31			
1	964 100 264 BX	overhauled engine 184 KW 250 DIN-PS	90- -94	1	M64.02
		we take back: 964.100.264.02			
1	964 100 264 EX	overhauled engine 184KW 250 DIN-PS	91- -94	1	M64.01
		we take back: 964.100.264.41			
1	964 100 264 CX	overhauled engine 191 KW 260 DIN-PS	92- -93	1	M64.03 CARRERA RS
		we take back: 964.100.264.03			
1	964 100 264 FX	overhauled engine 191 KW 260 DIN-PS	92- -93	1	M64.03 M002
		we take back: 964.100.264.43			

Model	Year	MG	SG	Illustration	Restrictions	UPD	10:08	26.01.2010	PORSCHE	PET	PORSCHE
ATK	2008	1	01	101-02		248					



Pos	Part Number	Description	Remark	Qty	Model
		overhauled engine	94-		CARRERA M64.05 M64.06
		ready for installation without compressor			
1	993 100 264 EX	overhauled engine 200 KW 272 DIN-PS manual transmission	94- -95	1	M64.05
		we take back: 993.100.264.05			
1	993 100 264 FX	overhauled engine 200 KW 272 DIN-PS tiptronic	94- -95	1	M64.06
		we take back: 993.100.264.06			

Model	Year	MG	SG	Illustration	Restrictions	UPD	10:09	26.01.2010	PORSCHE	PET	PORSCHE
ATK	2008	1	01	101-03		248					



Pos	Part Number	Description	Remark	Qty	Model
		replacement engine			BOXSTER CAYMAN -24 M96.20 M 96.25-26 M97.21 M97.20 M97.22
		not ready for installation without compressor flywheel clutch			
		we take back: 996.840.001.00			
		we take back: 986.100.920.00			
		we take back: 996.840.001.02			
		we take back: 986.100.920.01			
1	986 100 921 X	replacement engine 185 KW / 252 PS		00	1 M96.21 M481
		we take back: 986.100.921.00			
1	986 100 921 AX	replacement engine 185 KW / 252 PS		00	1 M96.21 M249
		we take back: 986.100.921.01			
1	986 100 922 X	replacement engine 162 KW / 220 PS		00	1 M96.22 M481
		we take back: 986.100.922.00			
1	986 100 922 AX	replacement engine 162 KW / 220 PS		00	1 M96.22 M249
		we take back: 986.100.922.01			
1	986 100 921 DX	replacement engine 185 KW / 252 PS		01	1 M96.21 M481
		we take back: 986.100.921.04			

Model	Year	MG	SG	Illustration	Restrictions	UPD	10:09	26.01.2010	PORSCHE	PET	PORSCHE
ATK	2008	1	01	101-03		248					

Pos	Part Number	Description	Remark	Qty	Model	Pos	Part Number	Description	Remark	Qty	Model
1	986 100 921 EX	replacement engine 185 KW / 252 PS  we take back: 986.100.921.05	01	1	M96.21 M249			we take back: 986.100.923.00			
1	986 100 922 DX	replacement engine 162 KW / 220 PS  we take back: 986.100.922.04	01	1	M96.22 M481	1 A	986 100 923 AX	replacement engine 168 KW / 228 PS  we take back: 986.100.923.01	03	1	M96.23 M249
1	986 100 922 EX	replacement engine 162 KW / 220 PS  we take back: 986.100.922.05	01	1	M96.22 M249	1	986 100 924 DX	replacement engine 191 KW / 260 PS  we take back: 986.100.924.00/04	04	1	M96.24 M481
1	986 100 921 HX	replacement engine 185 KW / 252 PS  we take back: 986.100.921.08	02	1	M96.21 M481	1	986 100 924 EX	replacement engine 191 KW / 260 PS  we take back: 986.100.924.01/05	04	1	M96.24 M249
1	986 100 921 JX	replacement engine 185 KW / 252 PS  we take back: 986.100.921.09	02	1	M96.21 M249	1	986 100 923 DX	replacement engine 168 KW / 228 PS  we take back: 986.100.923.00/04	04	1	M96.23 M481
1	986 100 922 HX	replacement engine 162 KW / 220 PS  we take back: 986.100.922.08	02	1	M96.22 M481	1	986 100 923 EX	replacement engine 168 KW / 228 PS  we take back: 986.100.923.01/05	04	1	M96.23 M249
1	986 100 922 JX	replacement engine 162 KW / 220 PS  we take back: 986.100.922.09	02	1	M96.22 M249	1	986 100 924 HX	replacement engine 195 KW / 266 PS  we take back: 986.100.924.08	04	1	M96.24 M481 M091
1	986 100 924 X	replacement engine 191 KW / 260 PS  we take back: 986.100.924.00	03	1	M96.24 M481	1	986 100 924 JX	replacement engine 195 KW / 266 PS  we take back: 986.100.924.09	04	1	M96.24 M249 M091
1 A	986 100 924 AX	replacement engine 191 KW / 260 PS  we take back: 986.100.924.01	03	1	M96.24 M249			technical information group 1 NR. 1/04 to M 96.25/M 96.26 attention			
1	986 100 923 X	replacement engine 168 KW / 228 PS	03	1	M96.23 M481	1	987 100 925 X	replacement engine 176 KW / 240 PS  we take back: 987.100.925.00	05	1	M96.25 I481

Model	Year	MG	SG	Illustration	Restrictions	UPD	10:09	26.01.2010	PORSCHE	PET	PORSCHE
ATK	2008	1	01	101-03		248					

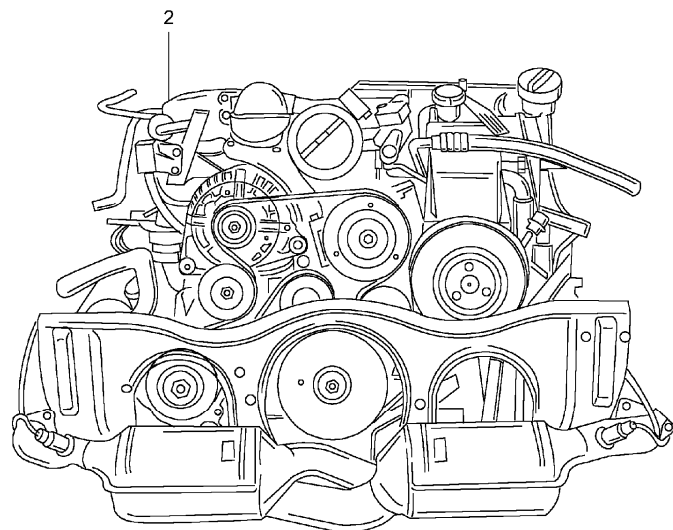
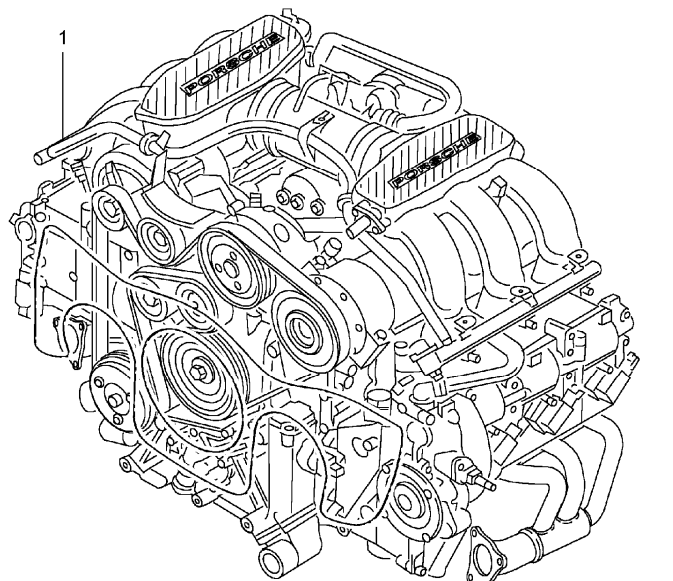
Pos	Part Number	Description	Remark	Qty	Model	Pos	Part Number	Description	Remark	Qty	Model
1	987 100 925 BX	replacement engine 176 KW / 240 PS  we take back: 987.100.925.02	05	1	M96.25 I480	1	987 100 921 X	replacement engine 216 KW / 295 PS  we take back: 987.100.921.00	06-	1	M97.21 I480 I661
1	987 100 925 AX	replacement engine 176 KW / 240 PS  we take back: 987.100.925.01	05	1	M96.25 I249	1	987 100 921 AX	replacement engine 216 KW / 295 PS  we take back: 987.100.921.01	06-	1	M97.21 I249 I661
1	987 100 926 X	replacement engine 206 KW / 280 PS  we take back: 987.100.926.00	05	1	M96.26 I480	1	987 100 920 X	replacement engine  we take back: 987.100.920.00	07-	1	M97.20 I481 I661
1	987 100 926 AX	replacement engine 206 KW / 280 PS  we take back: 987.100.926.01	05	1	M96.26 I249	1	987 100 920 AX	replacement engine  we take back: 987.100.920.01	07-	1	M97.20 I249 I661
1	987 100 925 CX	replacement engine 176 KW / 240 PS  we take back: 987.100.925.03	06	1	M96.25 I481	1	987 100 920 EX	replacement engine  we take back: 987.100.920.05	07-	1	M97.20 I480 I661
1	987 100 925 EX	replacement engine 176 KW / 240 PS  we take back: 987.100.925.05	06	1	M96.25 I480	1	987 100 921 DX	replacement engine  we take back: 987.100.921.04	07-	1	M97.21 I480 I661
1	987 100 925 DX	replacement engine 176 KW / 240 PS  we take back: 987.100.925.01/04	06	1	M96.25 I249	1	987 100 921 EX	replacement engine  we take back: 987.100.921.05	07-	1	M97.21 I249 I661
1	987 100 926 BX	replacement engine 206 KW / 280 PS  we take back: 987.100.926.02	06	1	M96.26 I480	1	987 100 920 FX	replacement engine  we take back: 987.100.920.00 987.100.920.06	08-	1	M97.20 I481 I661
1	987 100 926 CX	replacement engine 206 KW / 280 PS  we take back: 987.100.926.03	06	1	M96.26 I249	1	987 100 920 HX	replacement engine  we take back: 987.100.920.01 987.100.920.08	08-	1	M97.20 I249 I661
						1	987 100 920 KX	replacement engine  we take back: 987.100.920.05 987.100.920.10	08-	1	M97.20 I480 I661



Model	Year	MG	SG	Illustration	Restrictions	UPD	10:09	26.01.2010	PORSCHE	PET	PORSCHE
ATK	2008	1	01	101-03		248					

Pos	Part Number	Description	Remark	Qty	Model	Pos	Part Number	Description	Remark	Qty	Model
1	987 100 921 HX	replacement engine we take back: 987.100.921.04 987.100.921.08	08-	1	M97.21 I480 I661						
1	987 100 921 KX	replacement engine we take back: 987.100.921.05 987.100.921.10	08-	1	M97.21 I249 I661						
1	987 100 922 X	replacement engine we take back: 987.100.922.00	08	1	M97.22 I480 I661						
1	987 100 922 BX	replacement engine we take back: 987.100.922.02	08	1	M97.22 I249 I661						

Model	Year	MG	SG	Illustration	Restrictions	UPD	10:15	26.01.2010	PORSCHE	PET	PORSCHE
ATK	2008	1	01	101-04		248					



Pos	Part Number	Description	Remark	Qty	Model
		replacement engine	98-		CARRERA -05
			05-		M96.01 CARRERA S
			00-		M97.01 GT3 M96.76/79
		ready for installation without compressor with cruise control			
1	A 996 840 001 AX	replacement engine 220 KW / 300 PS	-99	1	M96.01 M338 M480
		we take back: 996.840.001.01			
1	A 996 840 001 FX	replacement engine 220 KW / 300 PS	-99	1	M96.01 M338 M249
		we take back: 996.840.001.06			
1	996 100 996 X	replacement engine 220 KW / 300 PS	-99	1	M96.01 M338 M249/480
		we take back: 996.100.996.00			
1	A 996 840 001 SX	replacement engine 220 KW / 300 PS	99	1	M96.01 M339 M480
		we take back: 996.840.001.09			
1	A 996 840 001 JX	replacement engine 220 KW / 300 PS	99	1	M96.01 M339 M249
		we take back: 996.840.001.10			
1	996 100 996 AX	replacement engine 220 KW / 300 PS	99	1	M96.02/04 M339 M249/480 M620
			00		M96.02/04 I339/M338 M249/480 M620
		we take back: 996.100.996.01			

Model	Year	MG	SG	Illustration	Restrictions	UPD	10:15	26.01.2010	PORSCHE	PET	PORSCHE
ATK	2008	1	01	101-04		248					

Pos	Part Number	Description	Remark	Qty	Model	Pos	Part Number	Description	Remark	Qty	Model
1	A 996 840 051 AX	replacement engine 235 KW / 320 PS  we take back: 996.840.051.01		-99	1 M96.01 M338 M480 X 51			not ready for installation without compressor flywheel clutch			
1	A 996 100 951 AX	replacement engine 235 KW / 320 PS  we take back: 996.840.051.01 996.100.951.01		-99	1 M96.01 M338 M480 X 51	1	996 100 996 DX	replacement engine 235 KW / 320 PS  we take back: 996.100.996.04	02	1	M96.03 I661/M660 M480
1	996 100 951 CX	replacement engine 235 KW / 320 PS  we take back: 996.840.051.01 996.100.951.01		-99	1 M96.01 M338 M480 X 51	1	996 100 996 EX	replacement engine 235 KW / 320 PS  we take back: 996.100.996.05	02	1	M96.03 I661/M660 M249
1	A 996 840 051 BX	replacement engine 235 KW / 320 PS  we take back: 996.840.051.02	00- -01	1	M96.02 M480 M620 X 51	1	996 100 996 GX	replacement engine 235 KW / 320 PS  we take back: 996.100.996.04/07	02	1	M96.03 I661/M660 M480
1	A 996 100 951 BX	replacement engine 235 KW / 320 PS  we take back: 996.840.051.02 996.100.951.02	00- -01	1	M96.02 M480 M620 X 51	1	996 100 996 HX	replacement engine 235 KW / 320 PS  we take back: 996.100.996.05/08	02	1	M96.03 I661/M660 M249
1	996 100 951 DX	replacement engine 235 KW / 320 PS  we take back: 996.840.051.02 996.100.951.02	00- -01	1	M96.02 M480 M620 X 51	1	996 100 996 JX	replacement engine 235 KW / 320 PS  we take back: 996.100.996.04/07/09	03	1	M96.03 I661/M660 M480
1	996 100 996 LX	replacement engine 220 KW / 300 PS  we take back: 996.100.996.11	01	1	M96.04 M480 M620	1	996 100 996 KX	replacement engine 235 KW / 320 PS  we take back: 996.100.996.05/08/10	03	1	M96.03 I661/M660 M249
1	996 100 996 MX	replacement engine 220 KW / 300 PS  we take back: 996.100.996.12	01	1	M96.04 M249 M480 M620	1	996 100 996 SX	replacement engine 235 KW / 320 PS  we take back: 996.100.996.05/08/10/17	03	1	M96.03 I661/M660 M249

Model	Year	MG	SG	Illustration	Restrictions	UPD	10:15	26.01.2010	PORSCHE	PET	PORSCHE
ATK	2008	1	01	101-04		248					

Pos	Part Number	Description	Remark	Qty	Model	Pos	Part Number	Description	Remark	Qty	Model
1	996 100 996 QX	replacement engine 254 KW / 346 PS  we take back: 996.100.996.14		03	1 M96.03 M480 I661/M660 X 51	1	996 100 995 DX	replacement engine 235 KW / 320 PS  we take back: 996.100.996.25/28	05	1	M96.03 M480
1 A	996 100 996 VX	replacement engine 235 KW / 320 PS  we take back: 996.100.996.04/07/09 996.100.996.16/18		04	1 M96.03 I661/M660 M480	1	996 100 995 BX	replacement engine 235 KW / 320 PS  we take back: 996.100.996.05/08/10/17 996.100.996.19/26/29	05	1	M96.03 M249
1 A	996 100 996 YX	replacement engine 254 KW / 346 PS  we take back: 996.100.996.14/20		04	1 M96.03 M480 I661/M660 X 51	1	996 100 995 CX	replacement engine 254 KW / 346 PS  we take back: 996.100.996.27/30	05	1	M96.03 M480 X 51
1 A	996 100 996 WX	replacement engine 235 KW / 320 PS  we take back: 996.100.996.05/08/10/17 996.100.996.19  technical information group 1 NR. 04/04 to M 96.03/M 96.03 X51 M 96.05 attention		04	1 M96.03 I661/M660 M249	1 A	996 100 996 7X	replacement engine 239 KW / 325 PS  we take back: 996.100.996.21	05-	1	M96.05 I480
1	996 100 995 X	replacement engine 235 KW / 320 PS  we take back: 996.100.996.04/07/09/16/ 18/25		05	1 M96.03 M480	1	996 100 996 8X	replacement engine 239 KW / 325 PS we take back: 996.100.996.22	05	1	M96.05 I249
1	996 100 996 9X	replacement engine 235 KW / 320 PS  we take back: 996.100.996.05/08/10/17 996.100.996.19/26		05	1 M96.03 M249	1	996 100 995 EX	replacement engine 239 KW / 325 PS  we take back: 996.100.996.21/31	05-	1	M96.05 I480
1	996 100 995 AX	replacement engine 254 KW / 346 PS  we take back: 996.100.996.14/20/27		05	1 M96.03 M480 X 51	1	996 100 997 BX	replacement engine 239 KW / 325 PS  we take back: 996.100.996.21/31 996.100.997.02	06	1	M96.05 I480
1						1	996 100 995 FX	replacement engine 239 KW / 325 PS we take back: 996.100.996.22/32	05	1	M96.05 I249
1						1	996 100 997 CX	replacement engine 239 KW / 325 PS  we take back: 996.100.996.22/32 996.100.997.03	06	1	M96.05 I249

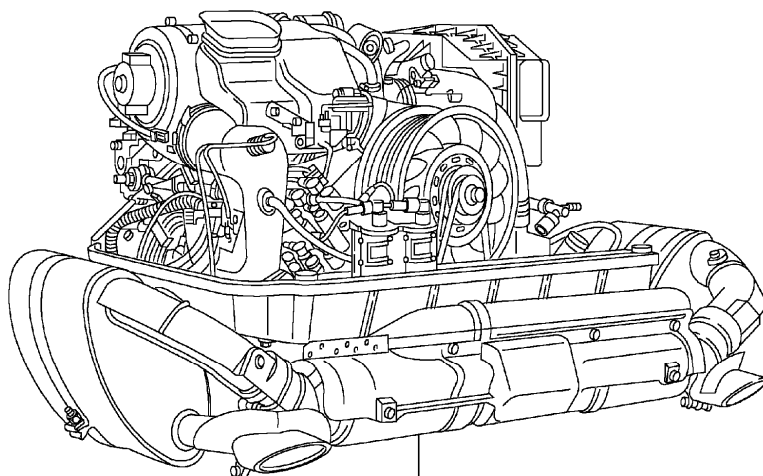
Model	Year	MG	SG	Illustration	Restrictions	UPD	10:15	26.01.2010	PORSCHE	PET	PORSCHE
ATK	2008	1	01	101-04		248					

Pos	Part Number	Description	Remark	Qty	Model	Pos	Part Number	Description	Remark	Qty	Model
1	996 100 997 DX	replacement engine we take back: 996.100.997.04	07-	1	M96.05 I480	1	997 100 997 2X	replacement engine 280 KW / 381 PS we take back: 997.100.997.41	06	1	M97.01 IX51 I249
1	996 100 997 EX	replacement engine we take back: 996.100.997.05	07-	1	M96.05 I249	1	997 100 997 DX	replacement engine we take back: 997.100.997.04	07-	1	M97.01 I480
1	996 100 997 FX	replacement engine we take back: 996.100.997.06	08-	1	M96.05 I480	1	997 100 997 EX	replacement engine we take back: 997.100.997.05	07-	1	M97.01 I249 I660 I661
1	996 100 997 GX	replacement engine we take back: 996.100.997.07  ready for installation with compressor	08-	1	M96.05 I249	1	997 100 997 3X	replacement engine we take back: 997.100.997.42	07-	1	M97.01 I480 IX51
1	997 100 997 X	replacement engine 261 KW / 355 PS we take back: 997.100.997.00	05-	1	M97.01 I480	1	997 100 997 4X	replacement engine we take back: 997.100.997.43	07-	1	M97.01 I249 IX51
1	997 100 997 BX	replacement engine 261 KW / 355 PS we take back: 997.100.997.00/02	06	1	M97.01 I480	1	997 100 997 FX	replacement engine we take back: 997.100.997.04 997.100.997.06	08-	1	M97.01 I480 I660 I661
1	997 100 997 AX	replacement engine 261 KW / 355 PS we take back: 997.100.997.01	05-	1	M97.01 I249	1	997 100 997 GX	replacement engine we take back: 997.100.997.05 997.100.997.07	08-	1	M97.01 I249 I660 I661
1	997 100 997 CX	replacement engine 261 KW / 355 PS we take back: 997.100.997.01/03	06	1	M97.01 I249	1	997 100 997 5X	replacement engine we take back: 997.100.997.42 997.100.997.44	08-	1	M97.01 I480 I660 I661 IX51
1	997 100 997 1X	replacement engine 280 KW / 381 PS we take back: 997.100.997.40	06	1	M97.01 IX51 I480	1	997 100 997 6X	replacement engine we take back: 997.100.997.43 997.100.997.45  ready for installation without compressor	08-	1	M97.01 I249 I660 I661 IX51

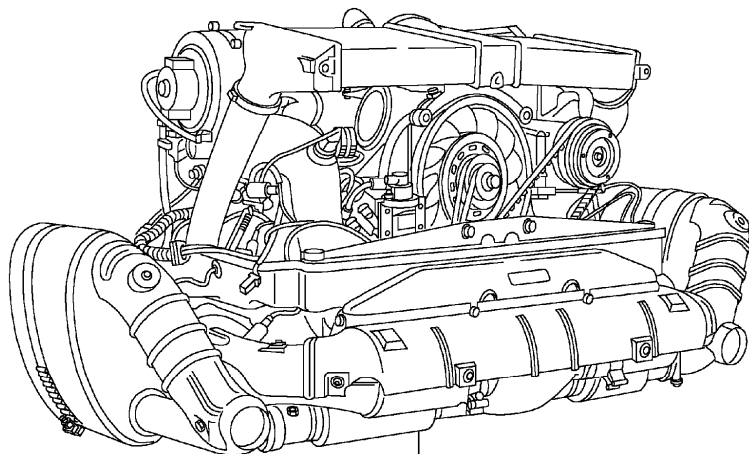
Model	Year	MG	SG	Illustration	Restrictions	UPD	10:15	26.01.2010	PORSCHE	PET	PORSCHE
ATK	2008	1	01	101-04		248					

Pos	Part Number	Description	Remark	Qty	Model	Pos	Part Number	Description	Remark	Qty	Model
2	996 100 976 X	replacement engine 265 KW / 360 PS  we take back: 996.100.976.00		1	M96.76 GT3 M480	2	997 100 976 3X	replacement engine  we take back: 997.100.976.90/91/92	08-	1	M97.76 GT3 RS I004
2	996 100 979 X	replacement engine 280 KW / 381 PS  we take back: 996.100.979.00		1	M96.79 GT3 M480						
2	996 100 979 AX	replacement engine 280 KW / 381 PS  we take back: 996.100.979.90		1	M96.79 GT3 RS M480 M004						
2	996 100 979 BX	replacement engine 280 KW / 381 PS  we take back: 996.100.979.01		1	M96.79 GT3 M480						
2	997 100 976 AX	replacement engine  we take back: 997.100.976.01	(RC)	1	M97.76 I114						
2	997 100 976 X	replacement engine  we take back: 997.100.976.00		1	M97.76 GT3						
2	997 100 976 1X	replacement engine  we take back: 997.100.976.90		1	M97.76 I004 GT3 RS						
2	A 997 100 976 BX	replacement engine  we take back: 997.100.976.00/02		1	M97.76 GT3						
2	997 100 976 CX	replacement engine  we take back: 997.100.976.00/02/03		1	M97.76 GT3						
2	A 997 100 976 2X	replacement engine  we take back: 997.100.976.90/91		1	M97.76 GT3 RS I004						

Model	Year	MG	SG	Illustration	Restrictions	UPD	10:15	26.01.2010	PORSCHE	PET	PORSCHE
ATK	2008	1	01	101-05		248					



1



2

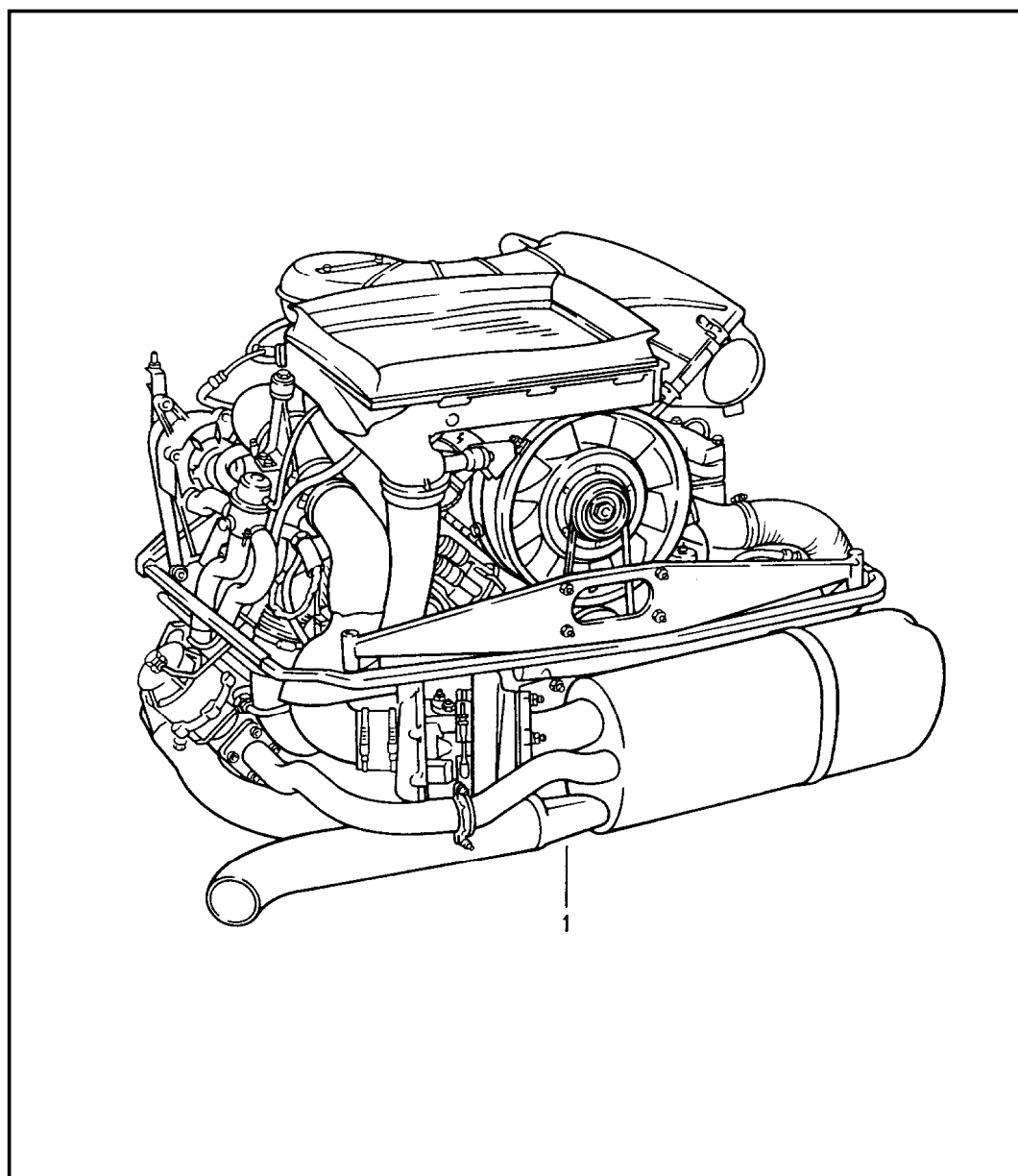
Pos	Part Number	Description	Remark	Qty	Model
		short engine	89- 93- 96-		CARRERA 964 TURBO 993 TURBO
(1)	964 100 964 X	short engine 184 KW 250 DIN-PS without flywheel  we take back: 964.100.964.00	89- -94	1	M64.01/02 CARRERA
(1) >	964 100 964 CX	short engine 191 KW 260 DIN-PS without flywheel  we take back: 964.100.964.03	92	1	M64.03 CARRERA RS
(2)	964 100 964 EX	short engine 265 KW 360 DIN-PS without flywheel  we take back: 964.100.964.50	93- -95	1	M64.50 TURBO
(1)	993 100 964 EX	short engine 200 KW 272 DIN-PS without flywheel  we take back: 993.100.964.05	94- -95	1	M64.05/06 CARRERA
(1)	993 100 964 TX	short engine 221 KW 300 DIN-PS  without flywheel  we take back: 964.100.964.20	95 96-	1	M64.20 CARRERA RS M64.21 IX51
(2)	993 100 964 FX	short engine 300 KW 408 DIN-PS without flywheel  we take back: 993.100.964.60	96- -98	1	M64.60 TURBO

Model	Year	MG	SG	Illustration	Restrictions	UPD	10:15	26.01.2010	PORSCHE	PET	PORSCHE
ATK	2008	1	01	101-05		248					

Pos	Part Number	Description	Remark	Qty	Model	Pos	Part Number	Description	Remark	Qty	Model
(1)	993 100 964 WX	short engine 210 KW 285 DIN-PS without flywheel  we take back: 993.100.964.21	96- -98	1	M64.21/22 CARRERA						



Model	Year	MG	SG	Illustration	Restrictions	UPD	10:16	26.01.2010	PORSCHE	PET	PORSCHE
ATK	2008	1	01	101-10		248					

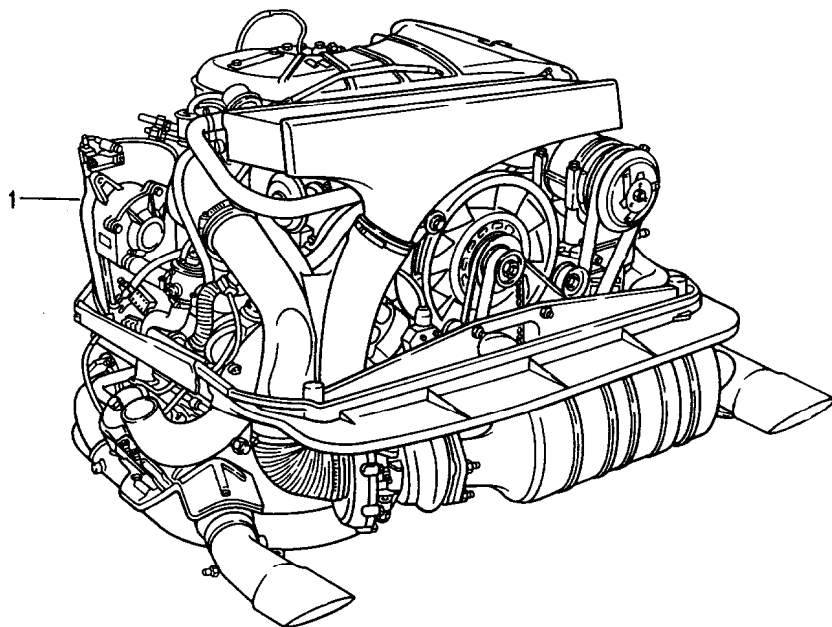


Pos	Part Number	Description	Remark	Qty	Model
		overhauled engine	75-		911 TURBO 3000 CCM 3300 CCM
		ready for installation without compressor			
		overhauled engine			3000 CCM
1	930 100 150 X	overhauled engine 191 KW 260 DIN-PS k-jetronic turbocharger	75	1	930.50
		we take back: 930.100.150.00			
1	930 100 152 X	overhauled engine 191 KW 260 DIN-PS k-jetronic turbocharger air injection	76	1	930.52
		we take back: 930.100.152.00			
1	930 100 152 AX	overhauled engine 191 KW 260 DIN-PS k-jetronic turbocharger air injection	77	1	930.52
		we take back: 930.100.152.00			
		overhauled engine			3300 CCM
1	930 100 260 X	overhauled engine 220 KW 300 DIN-PS k-jetronic turbocharger air injection charge air cooler	78- -82	1	930.60
		we take back: 930.100.260.00			
1 A	930 100 266 CX	overhauled engine 220 KW 300 DIN-PS k-jetronic turbocharger air injection charge air cooler	83- -86	1	930.66
		we take back: 930.100.266.00/02/04			

Model	Year	MG	SG	Illustration	Restrictions	UPD	10:16	26.01.2010	PORSCHE	PET	PORSCHE
ATK	2008	1	01	101-10		248					

Pos	Part Number	Description	Remark	Qty	Model	Pos	Part Number	Description	Remark	Qty	Model
1	930 100 266 CX	overhauled engine 220 KW 300 DIN-PS k-jetronic turbocharger air injection charge air cooler  we take back: 930.100.266.04	83- -88	1	930.66 COUPE/TARGA						
1	930 100 266 AX	overhauled engine 220 KW 300 DIN-PS k-jetronic turbocharger air injection charge air cooler  we take back: 930.100.266.01/03	87- -88	1	930.66 CABRIO						

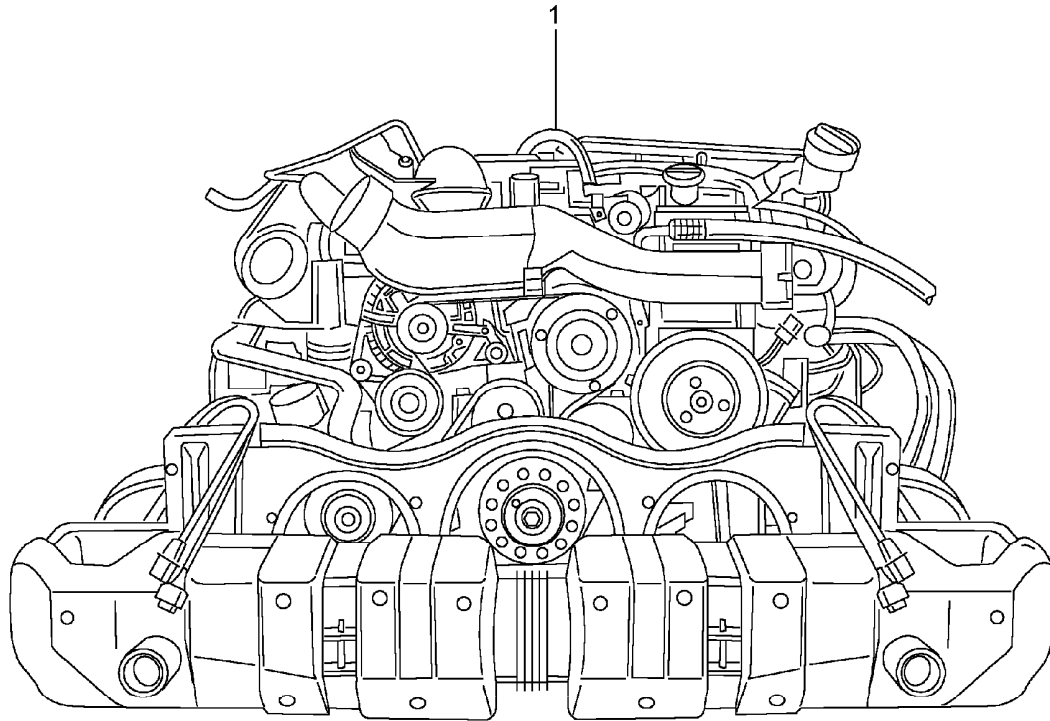
Model	Year	MG	SG	Illustration	Restrictions	UPD	10:16	26.01.2010	PORSCHE	PET	PORSCHE
ATK	2008	1	01	101-12		248					



Pos	Part Number	Description	Remark	Qty	Model
		overhauled engine	91-		911 TURBO 3300 CCM 3600 CCM
		ready for installation without compressor			
		overhauled engine			3300 CCM
1	930 100 269 X	overhauled engine 235 KW 320 DIN-PS k-jetronic turbocharger air injection charge air cooler	91- -92	1	M30.69
		we take back: 930.100.269.00			
		overhauled engine			3600 CCM
1	A 964 100 264 X	overhauled engine 265 KW 360 DIN-PS k-jetronic turbocharger air injection charge air cooler	93- -94	1	M64.50
		we take back: 964.100.264.50			

Model	Year	MG	SG	Illustration	Restrictions	UPD	10:16	26.01.2010	PORSCHE	PET	PORSCHE
ATK	2008	1	01	101-13		248					

Pos	Part Number	Description	Remark	Qty	Model
		replacement engine	01-		996 TURBO
			01-		M96.70
					996 GT2
					M96.70S
			02-		M101
					996 TURBO
					M96.70E
					X 50
			07-		997 TURBO
					M97.70
		replacement engine ready for installation with compressor			
		see technical information group 1 NR.3/01			
1	996 100 970 X	replacement engine	01	1	M96.70 M480 M152
		we take back: 996.100.970.00			
1	996 100 970 AX	replacement engine	01	1	M96.70 M249 M152
		we take back: 996.100.970.01			
1	996 100 970 BX	replacement engine	02	1	M96.70 M480 M152
		we take back: 996.100.970.00/02			
1	996 100 970 CX	replacement engine	02	1	M96.70 M249 M152
		we take back: 996.100.970.01/03			
1	996 100 970 NX	replacement engine	03	1	M96.70 M480 M152
		we take back: 996.100.970.13			
1	996 100 970 PX	replacement engine	03	1	M96.70 M249 M152
		we take back: 996.100.970.01/03/14			



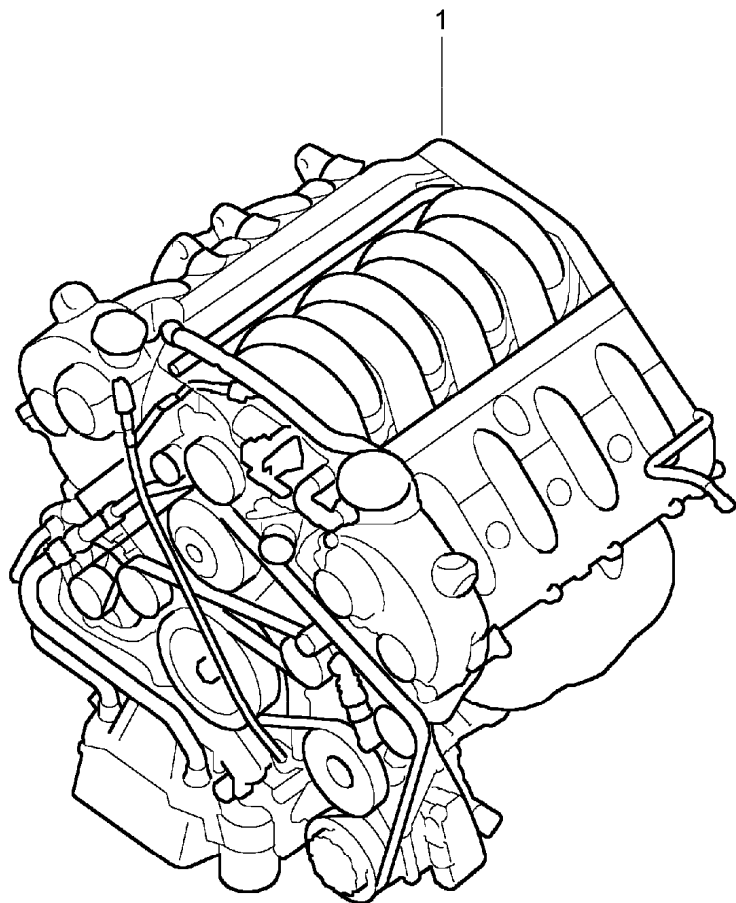
Model	Year	MG	SG	Illustration	Restrictions	UPD	10:16	26.01.2010	PORSCHE	PET	PORSCHE
ATK	2008	1	01	101-13		248					

Pos	Part Number	Description	Remark	Qty	Model	Pos	Part Number	Description	Remark	Qty	Model
1	996 100 970 1X	replacement engine we take back: 996.100.970.00/02/13/21	04	1	M96.70 M480 M152	1	996 100 971 FX	replacement engine we take back: 996.100.970.06/07/17/27/35	05	1	M96.70 M480 M101 M152
1	996 100 970 2X	replacement engine we take back: 996.100.970.01/03/14/22	04	1	M96.70 M249 M152	1	996 100 970 JX	replacement engine we take back: 996.100.970.09	02	1	M96.70E X 50 M480 M152
1	996 100 971 X	replacement engine we take back: 996.100.970.29	05	1	M96.70 M480 M152	1	996 100 970 KX	replacement engine we take back: 996.100.970.10	02	1	M96.70E X 50 M249 M152
1	996 100 971 AX	replacement engine we take back: 996.100.970.30	05	1	M96.70 M249 M152	1 A	996 100 970 WX	replacement engine we take back: 996.100.970.09/11/19	03	1	M96.70E X 50 M480 M152
1	996 100 970 FX	replacement engine we take back: 996.100.970.06	01	1	M96.70S M480 M101 M152	1 A	996 100 970 ZX	replacement engine we take back: 996.100.970.12/10/26	03	1	M96.70E X 50 M249 M152
1	996 100 970 GX	replacement engine we take back: 996.100.970.06/07	02	1	M96.70S M480 M101 M152	1	996 100 970 5X	replacement engine we take back: 996.100.970.09/11/19/25	04	1	M96.70E X 50 M480 M152
1	996 100 970 TX	replacement engine we take back: 996.100.970.06/07/17	03	1	M96.70S M480 M101 M152	1	996 100 970 6X	replacement engine we take back: 996.100.970.12/10/20/26	04	1	M96.70E X 50 M249 M152
1	996 100 970 7X	replacement engine we take back: 996.100.970.06/07/17/27	04	1	M96.70S M480 M101 M152	1	996 100 971 DX	replacement engine we take back: 996.100.970.33	05	1	M96.70E X 50 M480 M152

Model	Year	MG	SG	Illustration	Restrictions	UPD	10:16	26.01.2010	PORSCHE	PET	PORSCHE
ATK	2008	1	01	101-13		248					

Pos	Part Number	Description	Remark	Qty	Model	Pos	Part Number	Description	Remark	Qty	Model
1	996 100 971 EX	replacement engine we take back: 996.100.970.34		05	1 M96.70E X 50 M249 M152	1	997 100 970 MX	replacement engine we take back: 997.100.970.05 997.100.970.09 997.100.970.12	09-	1	I249 TOP
1	997 100 970 X	replacement engine we take back: 997.100.970.04		07-	1 M97.70 I480	1	997 100 970 NX	replacement engine we take back: 997.100.970.10 997.100.970.13	09-	1	I480 I101 GT2 GT2
1	997 100 970 AX	replacement engine we take back: 997.100.970.05		07-	1 M97.70 I249						
1	997 100 970 BX	replacement engine we take back: 997.100.970.06	(RC)	07-	1 M97.70 I114 I480						
1	997 100 970 CX	replacement engine we take back: 997.100.970.07	(RC)	07-	1 M97.70 I114 I249						
1	997 100 970 DX	replacement engine we take back: 997.100.970.04 997.100.970.08		08-	1 M97.70 I480 TOP						
1	997 100 970 EX	replacement engine we take back: 997.100.970.05 997.100.970.09		08-	1 M97.70 I249 TOP						
1	997 100 970 FX	replacement engine we take back: 997.100.970.10		08-	1 M97.70 I480 I101 GT2						
1	997 100 970 LX	replacement engine we take back: 997.100.970.04 997.100.970.06 997.100.970.08 997.100.970.11		09-	1 I480 TOP						

Model	Year	MG	SG	Illustration	Restrictions	UPD	10:16	26.01.2010	PORSCHE	PET	PORSCHE
ATK	2008	1	01	101-14		248					



Pos	Part Number	Description	Remark	Qty	Model
		replacement engine	03-		CAYENNE M48.00
			03-		CAYENNE M48.50
			04-		CAYENNE M 02.2Y
		replacement engine without drive plate tiptronic			
		replacement engine without flywheel manual transmission			
1 A	948 100 948 X	replacement engine 251 KW / 340 PS  we take back: 948.100.948.00	03	1	M48.00 IGOL IGOR
1 A	948 100 948 AX	replacement engine 251 KW / 340 PS  we take back: 948.100.948.00/01	04	1	M48.00 IGOL IGOR
1	948 100 948 BX	replacement engine 251 KW / 340 PS  we take back: 948.100.948.00/01/02	05	1	M48.00 IGOL IGOR
1	948 100 948 CX	replacement engine 251 KW / 340 PS  we take back: 948.100.948.00/01/02/03	-06	1	M48.00 IGOL IGOR
1	948 100 948 EX	replacement engine 251 KW / 340 PS  we take back: 948.100.948.00/01/02/03/05	06	1	M48.00 IGOL IGOR
(1) A	948 100 950 X	replacement engine 331 KW / 450 PS  we take back: 948.100.950.00	03	1	M48.50 IGOR
(1) A	948 100 950 AX	replacement engine 331 KW / 450 PS	04	1	M48.50 IGOR

Model	Year	MG	SG	Illustration	Restrictions	UPD	10:16	26.01.2010	PORSCHE	PET	PORSCHE
ATK	2008	1	01	101-14		248					

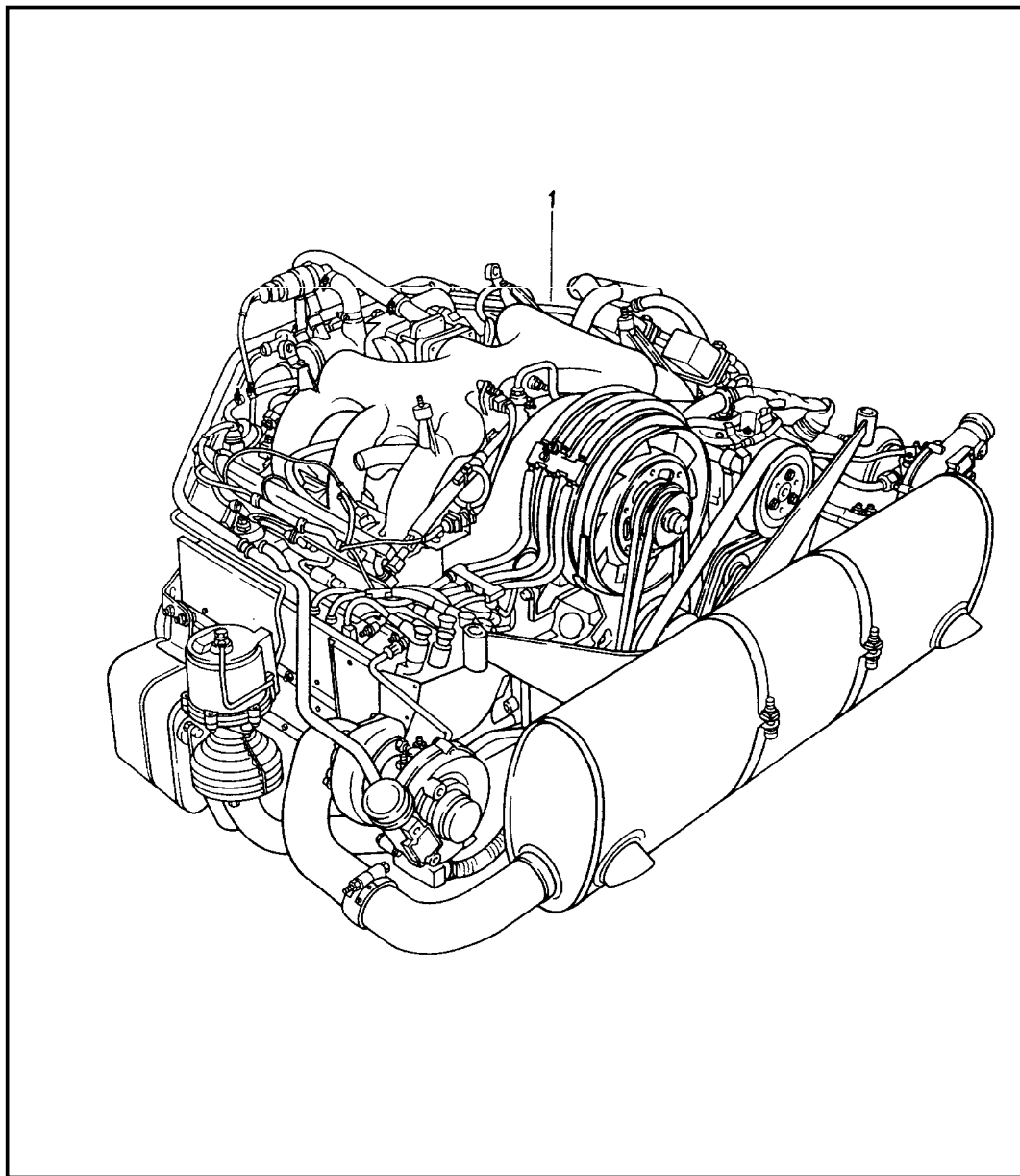
Pos	Part Number	Description	Remark	Qty	Model	Pos	Part Number	Description	Remark	Qty	Model	
(1)	948 100 950 BX	we take back: 948.100.950.00/01 replacement engine 331 KW / 450 PS		05	M48.50 IGOR	-	955 100 011 AX	we take back: 955.100.011.05 replacement engine 183 KW / 250 PS together with tiptronic not ready for installation	04-	1	M 02.2Y IGOR I8GR	
(1)	948 100 950 CX	we take back: 948.100.950.00/01/02 replacement engine 331 KW / 450 PS 367 KW / 500 PS		05	M48.50 IE81	-	955 100 012 AX	we take back: 955.100.011.01 replacement engine 183 kw / 250 ps together with tiptronic not ready for installation	04-	1	M 02.2Y IGOR I8GH	
(1)	948 100 950 DX	we take back: 948.100.950.00/01/02/40 replacement engine 331 KW / 450 PS 368 KW / 500 PS		-06	M48.50 IE81							
(1)	948 100 950 FX	we take back: 948.100.950.00/01/02/40/41 replacement engine 331 KW / 450 PS 368 KW / 500 PS for cars with country equipment China see technical information service group 2 document 2870 (9/08)	(CN)	06	M48.50 IE81			for vehicles up to model year 2005 with generator Delphi use also: plug socket 955.603.193.00				
- U	955 100 011 X	we take back: 948.100.950.00/01/02/40/41 948.100.950.43 replacement engine 183 KW / 250 PS together with tiptronic not ready for installation		1	M 02.2Y IGOR	-	955 100 011 FX	we take back: 955.100.012.01 replacement engine 183 KW / 250 PS together with tiptronic not ready for installation	(CN)	04-	1	M 02.2Y IOGD I8GR
- U	955 100 011 EX	we take back: 955.100.011.00 replacement engine 183 KW / 250 PS together with tiptronic not ready for installation	(CN)	1	M 02.2Y IGOR IOGD	-	955 100 012 FX	we take back: 955.100.011.05/06 replacement engine 183 KW / 250 PS together with tiptronic not ready for installation	(CN)	04-	1	M 02.2Y IOGD I8GR



Model	Year	MG	SG	Illustration	Restrictions	UPD	10:16	26.01.2010	PORSCHE	PET	PORSCHE
ATK	2008	1	01	101-14		248					

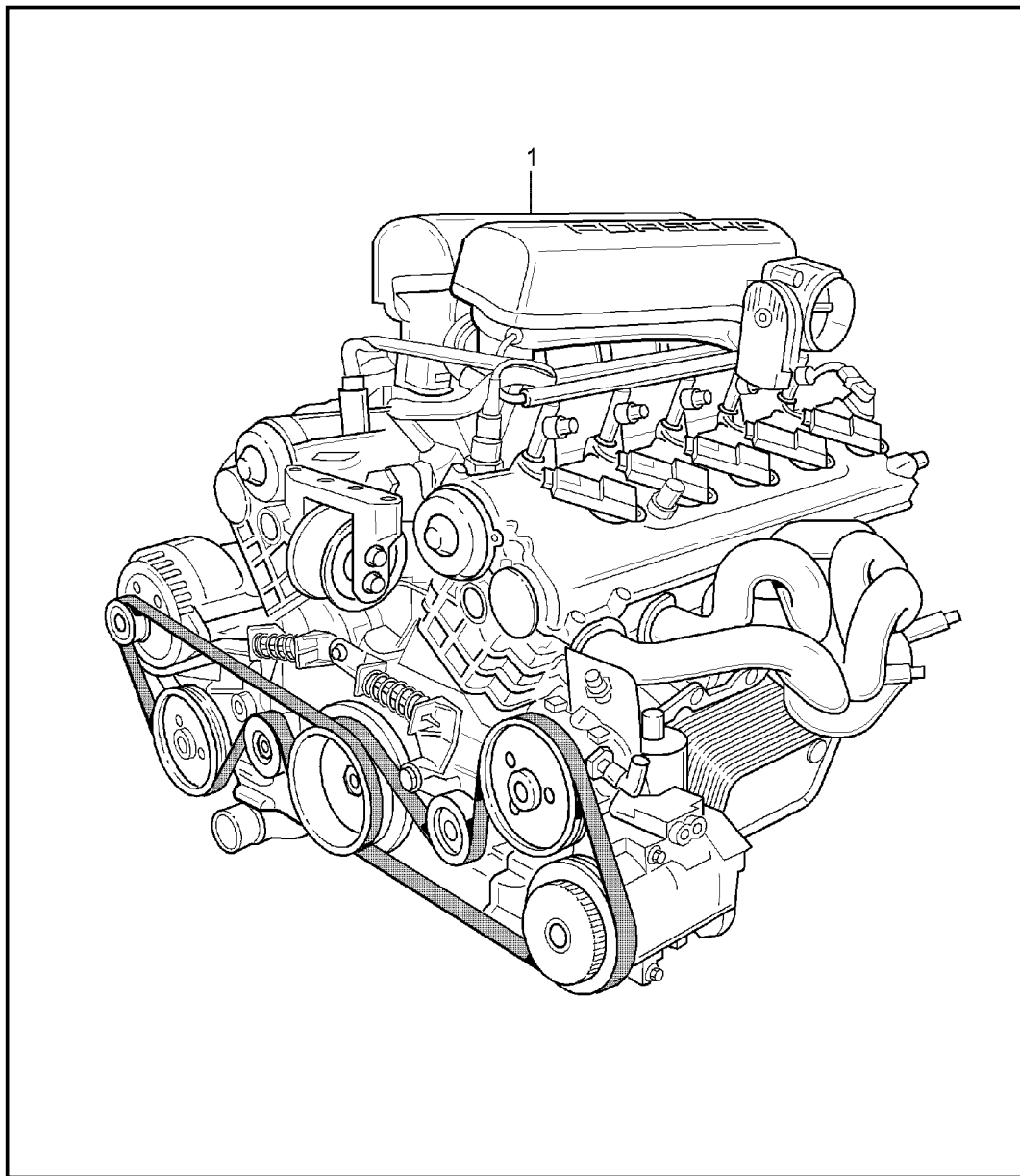
Pos	Part Number	Description	Remark	Qty	Model	Pos	Part Number	Description	Remark	Qty	Model	
-	955 100 011 BX	for vehicles up to model year 2005 with generator Delphi use also: plug socket 955.603.193.00  we take back: 955.100.012.06 replacement engine 183 KW / 250 PS together with manual transmission not ready for installation  we take back: 955.100.011.20	-05	1	M 02.2Y IG0L	-	955 100 011 6X	for vehicles up to model year 2005 with generator Delphi use also: plug socket 955.603.193.00  we take back: 955.100.012.21 replacement engine 183 KW / 250 PS together with manual transmission not ready for installation  we take back: 955.100.011.26	(CN)	-06	1	M 02.2Y IG0L IOGD I8GR
- U	955 100 011 5X	replacement engine 183 kw / 250 ps together with manual transmission not ready for installation  we take back: 955.100.011.25	(CN)	1	M 02.2Y IG0L IOGD	-	955 100 012 6X	replacement engine 183 KW / 250 PS together with manual transmission not ready for installation  for vehicles up to model year 2005 with generator Delphi use also: plug socket 955.603.193.00  we take back: 955.100.012.26	(CN)	-06	1	M 02.2Y IG0L IOGD I8GH
-	955 100 011 1X	replacement engine 183 KW / 250 PS together with manual transmission not ready for installation  we take back: 955.100.011.21	-06	1	M 02.2Y IG0L I8GR							
-	955 100 012 1X	replacement engine 183 KW / 250 PS together with manual transmission not ready for installation	-06	1	M 02.2Y IG0L I8GH							

Model	Year	MG	SG	Illustration	Restrictions	UPD	10:16	26.01.2010	PORSCHE	PET	PORSCHE
ATK	2008	1	01	101-15		248					



Pos	Part Number	Description	Remark	Qty	Model
		overhauled engine	87-		959 959.50
		ready for installation without compressor			
1	959 100 050 X	overhauled engine 330 KW 450 DIN-PS l-jetronic turbocharger with power-steering pump and compressor console  we take back: 959.100.050.00		1	959.50

Model	Year	MG	SG	Illustration	Restrictions	UPD	10:17	26.01.2010	PORSCHE	PET	PORSCHE
ATK	2008	1	01	101-20		248					



Pos	Part Number	Description	Remark	Qty	Model
		replacement engine		04	CARERRA GT M80.01
		not ready for installation			
1	980 100 970 X	replacement engine with flywheel without clutch without compressor air conditioner and without poly-rib belt		1	M80.01
		we take back: 980.100.970.00			
		vehicle without air conditioner use also: 980.147.153.00 980.106.421.00 980.101.411.00 980.102.252.02 980.102.253.00		1 1 1 1 1	I574
		vehicle with air conditioner use also: 980.102.252.02 980.102.251.02		1 1	I574
		use also: set			
-	000 043 300 59	stopper for Return delivery see technical manual		1	

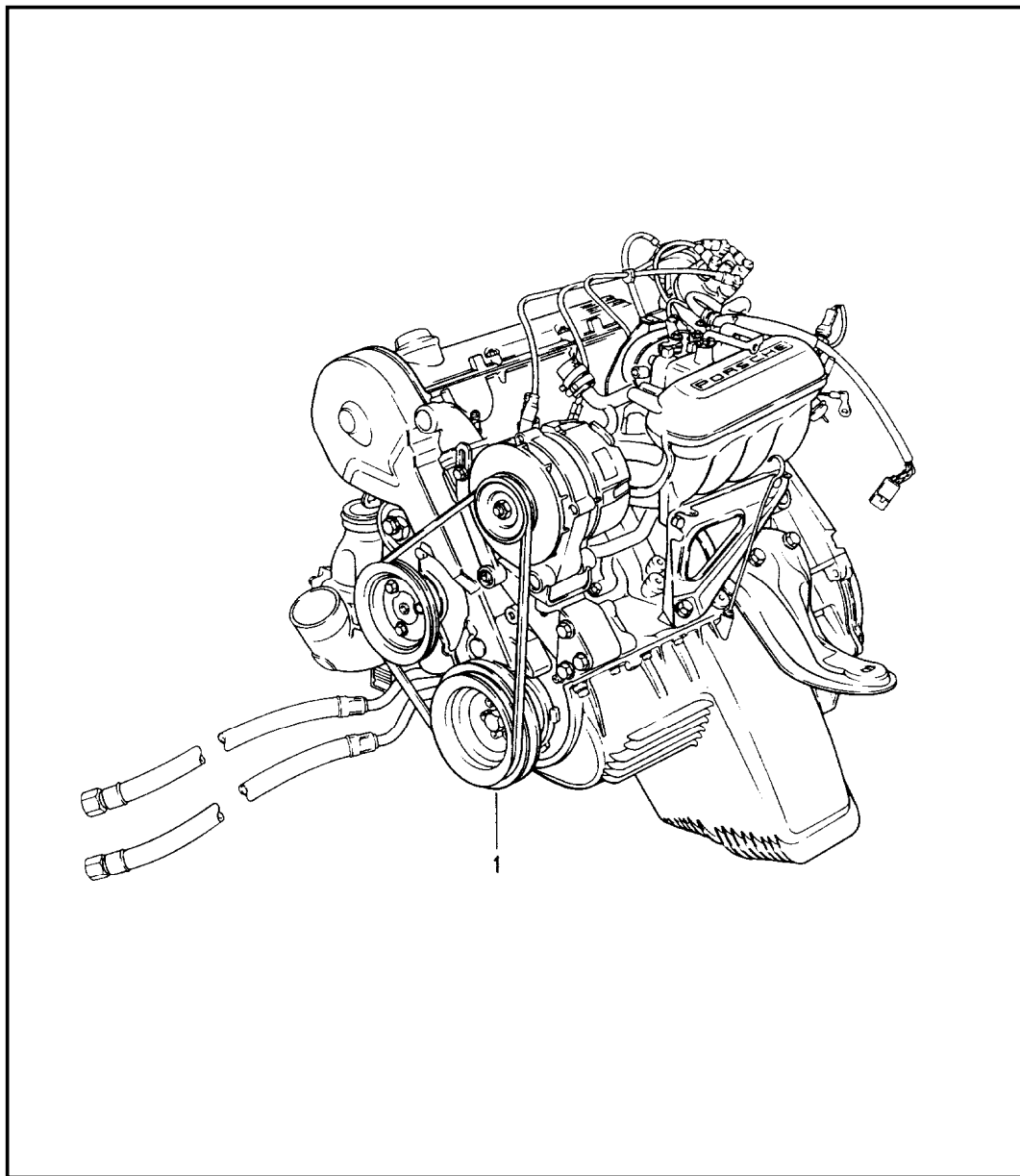
Model	Year	MG	SG	Illustration	Restrictions	UPD	10:17	26.01.2010
ATK	2008	1	01	101-40		248		

Pos	Part Number	Description	Remark	Qty	Model
		overhauled engine	71-		914/4 1700 CCM
		ready for installation without exhaust system			
1	022 100 058 DX	overhauled engine	71-	1	W M022
		59 KW 80 DIN-PS D-JETRONIC use also: F >>47229 21580 022.129.607.H		1	
		we take back: 022.100.027.D			
		M W0 002 545 >> W0 129 581 022.100.027.T M W0 129 582 >> W0 163 425 022.100.058.D M W0 170 001 >> W0 217 364			

Model	Year	MG	SG	Illustration	Restrictions	UPD	10:17	26.01.2010
ATK	2008	1	01	101-41		248		

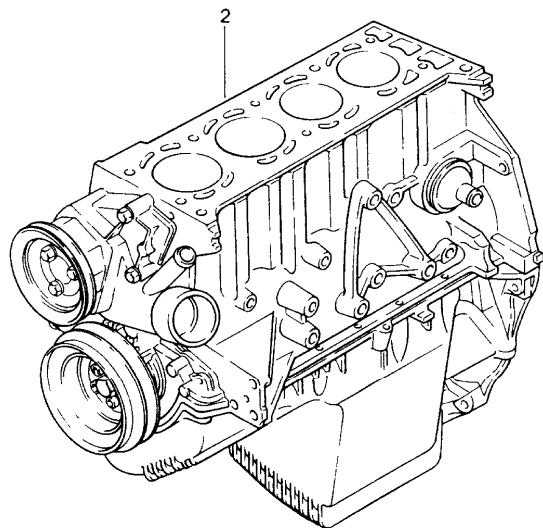
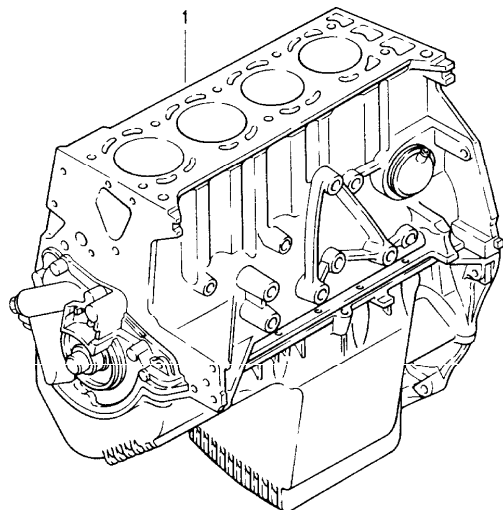
Pos	Part Number	Description	Remark	Qty	Model
1	021 100 032 PX	short engine  short engine 63 KW 85 DIN-PS carburettor with cylinder head oil cooler flywheel  we take back: 021.100.027.P	70-	1	914/4 1700 CCM - - 2000 CCM  021.AN 1800 CCM
1	PCG 100 031 X	short engine 74 KW 100 DIN-PS D-JETRONIC with cylinder head oil cooler flywheel  we take back: 039.100.031	73-	1	039.GB 2000 CCM

Model	Year	MG	SG	Illustration	Restrictions	UPD	10:17	26.01.2010	PORSCHE	PET	PORSCHE
ATK	2008	1	01	101-42		248					



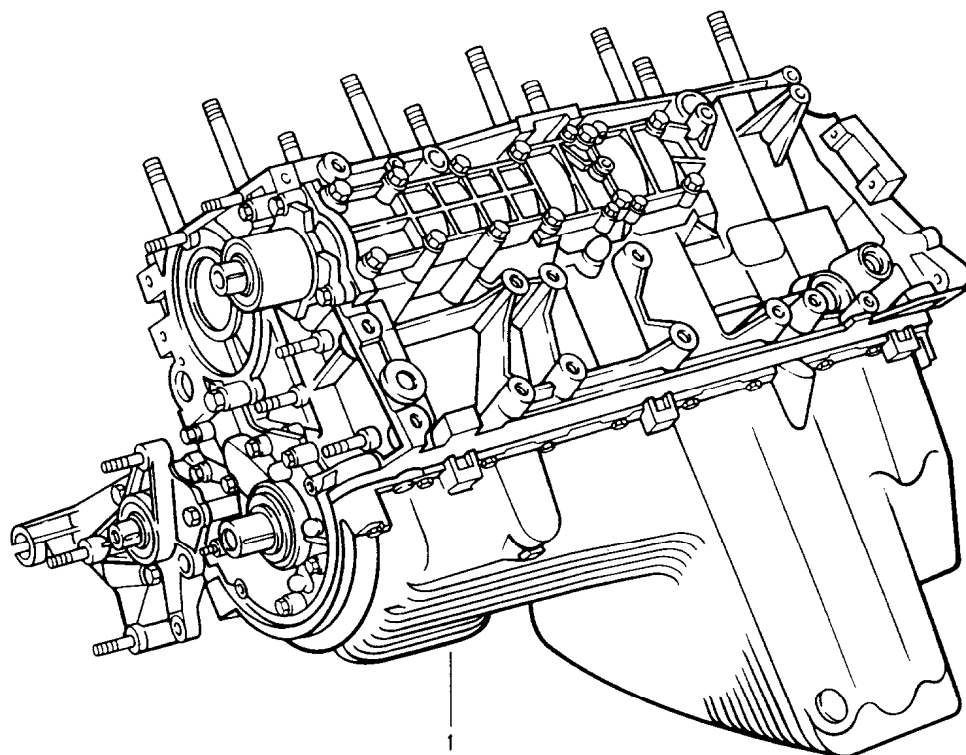
Pos	Part Number	Description	Remark	Qty	Model
		overhauled engine	79-		924 TURBO/GT M31.01 M31.03 M31.50
		ready for installation without air conditioner			
1	931 100 201 X	overhauled engine 125 KW 170 DIN-PS k-jetronic turbocharger without pressure pipe 1 + 2  we take back: 931.100.201.00	/LL 79-	1	M31.01
1	931 100 203 X	overhauled engine 130 KW 177 DIN-PS k-jetronic turbocharger without pressure pipe 1 + 2  we take back: 931.100.203.00	/LL 81- (I) 83- -84	1	M31.03
1	931 100 250 X	overhauled engine 154 KW 210 DIN-PS k-jetronic turbocharger without charge air cooler  we take back: 931.100.250.00	/LL 81	1	M31.50

Model	Year	MG	SG	Illustration	Restrictions	UPD	10:17	26.01.2010	PORSCHE	PET	PORSCHE
ATK	2008	1	01	101-43		248					



Pos	Part Number	Description	Remark	Qty	Model
		short engine	76- 79-		924 924 TURBO
		with crankshaft piston oil pump water pump			
1	047 100 103 FX	short engine 92 KW 125 DIN-PS k-jetronic use also: 052.103.129.A 047.103.635 047.115.611.A 047.115.641 047.115.645  use also: 931.107.063.00  we take back: 047.100.103 047.100.103.F	76- -81	1 1 1 1 1  1	XJ/XK
2	047 100 031 X	short engine  125 KW 170 DIN-PS k-jetronic turbocharger  we take back: 047.100.031 047.100.031.A	79-	1	M31.01/02  M31.01
2	047 100 031 BX	short engine 130 KW 177 DIN-PS k-jetronic turbocharger  we take back: 047.100.031.B	(I) 81- -84 83- -84	1	M31.03

Model	Year	MG	SG	Illustration	Restrictions	UPD	10:18	26.01.2010	PORSCHE	PET	PORSCHE
ATK	2008	1	01	101-45		248					



Pos	Part Number	Description	Remark	Qty	Model
		short engine	82- 87- 86- 92-		944 / 924S 944 S 944 TURBO 968
		see tpi GR.1 NR.19/19A NOV.1986			
1	944 100 902 X	short engine 120 KW 163 DIN-PS l-jetronic  we take back: 944.100.902.00 944.100.911.00/01/02 944.100.913.00/01/02 944.100.925./926.00	82- -87	1	M44.01/03 M44.05/06 944 M 44..A
1	944 100 902 AX	short engine 110 KW 150 DIN-PS l-jetronic  we take back: 944.100.902.01 944.100.927./928.00	82- -87	1	M44.02/04 M44.07/08 M 44..B 924 S/944 M298/299
1	944 100 902 CX	short engine 140 KW 190 DIN-PS l-jetronic  we take back: 944.100.902.03	87- -88	1	M44.40 M 44..D 944 S
1	944 100 902 DX	short engine 118 KW 160 DIN-PS lh-jetronic  we take back: 944.100.902.04	88	1	M44.09/10 M 44..E 924 S/944
1	944 100 902 EX	short engine 121 KW 165 DIN-PS lh-jetronic  we take back: 944.100.902.05	89	1	M44.11/12 M 44..F 944
1	944 100 902 FX	short engine 155 KW 211 DIN-PS l-jetronic  we take back: 944.100.902.06	89- -91	1	M44.41 M 44..G 944 S 2



Model	Year	MG	SG	Illustration	Restrictions	UPD	10:18	26.01.2010	PORSCHE	PET	PORSCHE
ATK	2008	1	01	101-45		248					

Pos	Part Number	Description	Remark	Qty	Model	Pos	Part Number	Description	Remark	Qty	Model
1	944 100 902 BX	short engine 184 KW 250 DIN-PS l-jetronic  we take back: 944.100.921.00 944.100.902.02	86- -91	1	M44.50/51 M44.52 M 44..C 944 TURBO						
1	944 100 902 GX	short engine 176 KW 240 DIN-PS l-jetronic  we take back: 944.100.902.07	92- -95	1	M44.43/44 M 44..H 968						

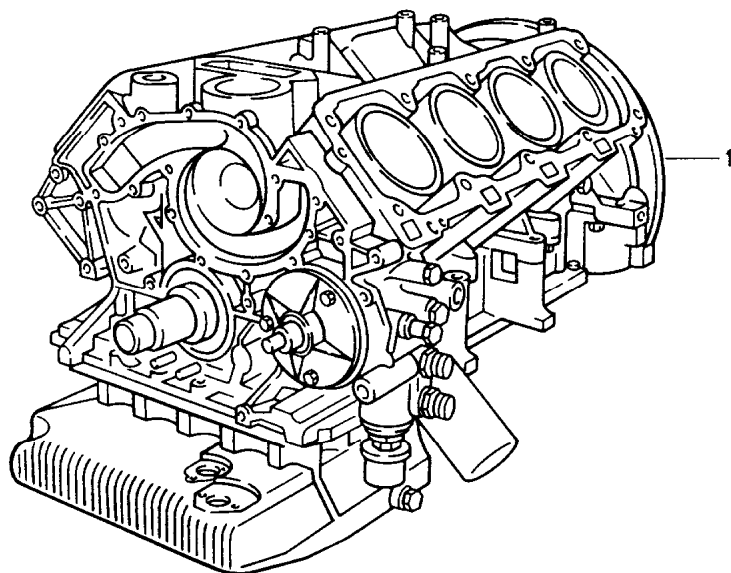
Model	Year	MG	SG	Illustration	Restrictions	UPD	10:18	26.01.2010
ATK	2008	1	01	101-70		248		

Pos	Part Number	Description	Remark	Qty	Model
1	955 100 034 X	short engine short engine together with manual transmission not ready for installation	04-	1	CAYENNE M02.2Y IG0L
(1)	955 100 034 X	we take back: 955.100.034.00 short engine together with manual transmission not ready for installation spark plug replace	(CN)	1	IG0L/0GD
		use also: spark plug 955.170.219.00		6	
(1)	A 955 100 034 AX	we take back: 955.100.034.00 short engine together with tiptronic not ready for installation		1	IG0R
		we take back: 955.100.034.01			
(1)	955 100 036 X	short engine together with tiptronic not ready for installation		1	IG0R
		use also: vibration damper 955.102.243.01 hexagon-head bolt N .010.087.6		1	
		we take back: 955.100.036.00		1	
(1)	A 955 100 034 AX	short engine together with tiptronic not ready for installation spark plug replace	(CN)	1	IG0R/0GD
		use also: spark plug 955.170.219.00			

Model	Year	MG	SG	Illustration	Restrictions	UPD	10:18	26.01.2010
ATK	2008	1	01	101-70		248		

Pos	Part Number	Description	Remark	Qty	Model
(1)	955 100 036 X	we take back: 955.100.034.01	(CN)	1	IGOR/OGD
		short engine together with tiptronic not ready for installation spark plug replace use also: spark plug 955.170.219.00		6	
		vibration damper 955.102.243.01 hexagon-head bolt N .010.087.6		1	
		we take back: 955.100.036.00		1	

Model	Year	MG	SG	Illustration	Restrictions	UPD	10:18	26.01.2010	PORSCHE	PET	PORSCHE
ATK	2008	1	01	101-80		248					

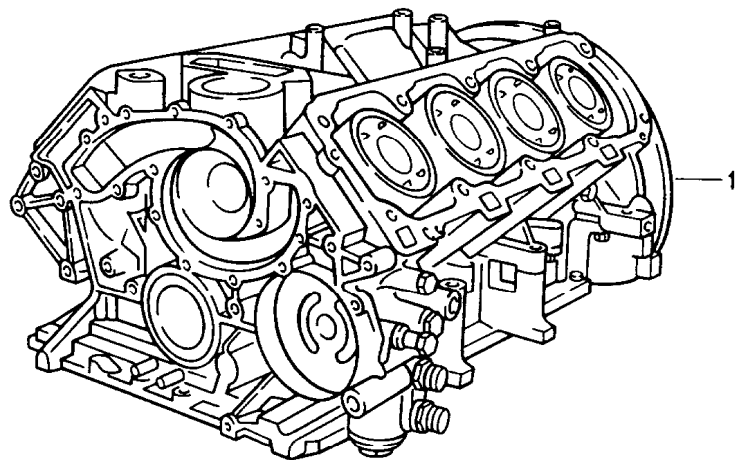


Pos	Part Number	Description	Remark	Qty	Model
		short engine	78- 92-		928 928 GTS
		see technical information GR.1 NR.1/85 GR.1 NR.2/86			
1	928 100 911 X	short engine 177 KW 240 DIN-PS k-jetronic use also: 928.101.231.01 928.101.233.01  we take back: 928.100.911.00	78-  -79	1  18 2	-04 M28.01 M28.01/02
1	928 100 911 AX	short engine 177 KW k-jetronic use also: 928.101.231.01 928.101.233.01  we take back: 928.100.911.01	80- -82	1  18 2	M28.09/10
1	928 100 911 BX	short engine 221 KW k-jetronic use also: 928.101.231.01 928.101.233.01  we take back: 928.100.911.02	80- -82	1  18 2	M28.11/12
1	928 100 911 DX	short engine 221 KW k-jetronic use also: 928.101.231.01 928.101.233.01  we take back: 928.100.911.04	83	1  18 2	M28.11/12
1	928 100 911 FX	short engine 228 KW lh-jetronic use also: 928.101.231.01 928.101.233.01  we take back: 928.100.911.06	84	1  18 2	M28.21/22

Model	Year	MG	SG	Illustration	Restrictions	UPD	10:18	26.01.2010	PORSCHE	PET	PORSCHE
ATK	2008	1	01	101-80		248					

Pos	Part Number	Description	Remark	Qty	Model	Pos	Part Number	Description	Remark	Qty	Model
1	928 100 911 GX	short engine 228 KW lh-jetronic use also: 928.101.231.01 928.101.233.01  we take back: 928.100.911.07	85- -86	1	M28.21/22						
				18							
				2							
1	928 100 911 HX TPP	short engine  235 KW 235 KW lh-jetronic use also: 928.101.231.01 928.101.233.01 M >> 81K 00120 M >> 81K 05328  928.101.231.02 928.101.233.02 M 81K 00121 >> M 81K 05239 >>  we take back: 928.100.911.12/14/15	87-  -91 -89 87-	1	M28.41 M28.42/47						
1	928 100 911 QX	short engine  we take back: 928.100.911.12/14/15/17		1	M28.41 M28.42 M28.47						
1 A	928 100 911 JX	short engine 257 KW  we take back: 928 100 911 13	92	1	M28.49/50						
1	928 100 911 PX	short engine 257 KW  we take back: 928.100.911.13/16	92- -95	1	M28.49/50						

Model	Year	MG	SG	Illustration	Restrictions	UPD	10:18	26.01.2010	PORSCHE	PET	PORSCHE
ATK	2008	1	01	101-85		248					



Pos	Part Number	Description	Remark	Qty	Model
		crankcase	78-92-		928 928 GTS
1	928 101 905 AX	crankcase with pistons 177 KW 240 DIN-PS  we take back: 928.101.905.00/01	78-79	1	M28.01/02
1	928 101 906 AX	crankcase with pistons 177 KW 240 DIN-PS  we take back: 928.101.906.00/01	80-82	1	M28.09/10
1	928 101 907 AX	crankcase with pistons 221 KW 300 DIN-PS  we take back: 928.101.907.00/01	80-82	1	M28.11/12
1	928 101 907 BX	crankcase with pistons 221 KW 300 DIN-PS  we take back: 928.101.907.02	83	1	M28.11/12
1	928 101 907 CX	crankcase with pistons 228 KW 310 DIN-PS  we take back: 928.101.907.03	84	1	M28.21/22
1	928 101 907 DX	crankcase with pistons 228 KW 310 DIN-PS  we take back: 928.101.907.04	85-86	1	M28.21/22
1	928 101 908 CX	crankcase with pistons 200 KW 272 DIN-PS  we take back: 928.101.908.03	85	1	M28.43/44
1	928 101 907 EX	crankcase	87-	1	M28.41

Model	Year	MG	SG	Illustration	Restrictions	UPD	10:18	26.01.2010	PORSCHE	PET	PORSCHE
ATK	2008	1	01	101-85		248					

Pos	Part Number	Description	Remark	Qty	Model	Pos	Part Number	Description	Remark	Qty	Model
	TPP	with pistons	-89 87- -89		M28.42/47						
		235 KW 320 DIN-PS 243 KW 330 DIN-PS									
		we take back: 928.101.907.06/07/09/10									
1	928 101 907 LX	crankcase with pistons 243 KW 330 DIN-PS	90- -91	1	M28.42/47						
		we take back: 928.101.907.06/07/09/10/12									
1	928 101 907 FX	crankcase with pistons 257 KW 350 DIN-PS	92- -94	1	M28.49/50						
		we take back: 928.101.907.08									
1	928 101 907 KX	crankcase 257 KW 350 DIN-PS		1	M28.49/50						
		we take back: 928.101.907.08/11									

Model	Year	MG	SG	Illustration	Restrictions	UPD	10:18	26.01.2010	PORSCHE	PET	PORSCHE
ATK	2008	1	02	102-00		248					

Pos	Part Number	Description	Remark	Qty	Model
		crankshaft with bearing air cooling	70- 72-		914 911/TURBO
1	021 198 351 AX	crankshaft without balancing weights connecting-rod bearing 54-55 MM we take back: 021.105.101	(J) 74- -76	1	W/EA/EB M022 021.AN
1	039 198 351 AX	crankshaft without balancing weights connecting-rod bearing 49-50 MM we take back: 039.105.101.A	73-	1	039.GB
2	916 102 917 X	crankshaft with balancing weights with main bearing 911.101.901.00/50/55/65 we take back: 916.102.016.00	72- 72- -77	1	911.51-96 911.41-88
2	916 102 917 AX	crankshaft with balancing weights with main bearing 911.101.902.00/50/55/65 for crankcase 911.101.915.00 930.101.913/914.00 we take back: 916.102.016.00	72- 72- -77 76- -77 76- -77	1	911.51-96 911.41-88 930.02/12 930.50-54



Model	Year	MG	SG	Illustration	Restrictions	UPD	10:18	26.01.2010	PORSCHE	PET	PORSCHE
ATK	2008	1	02	102-00		248					

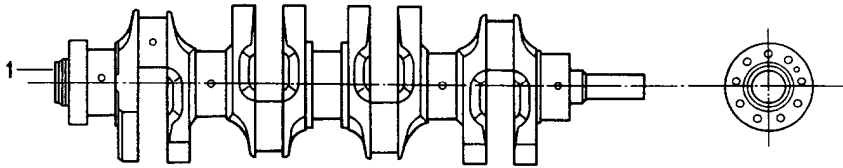
Pos	Part Number	Description	Remark	Qty	Model	Pos	Part Number	Description	Remark	Qty	Model
3	930 102 902 X	crankshaft with balancing weights connecting-rod bearing 53 MM bush mount flywheel M >> 619 0293 M >> 629 2280 M >> 631 4605 M >> 129 1575  we take back: 930.102.015.01	78- 78- -79	1	930.03-06 930.13-15	(4)	930 102 901 DX	crankshaft with balancing weights connecting-rod bearing 55 MM bush mount crankshaft M 679 0896 >> 67D 0001 M 689 1232 >> M 689 0505 >>  we take back: 930.102.014.04/10	80- 88- -89	1	930.60/65/66 930.68
(3)	930 102 901 X	crankshaft with balancing weights connecting-rod bearing 55 MM bush mount flywheel M >> 679 0895 M >> 689 1231 M >> 689 0504  we take back: 930.102.014.00	78-	1	930.60-63/65	(4)	930 102 901 BX	crankshaft with balancing weights connecting-rod bearing 55 MM bush mount crankshaft M >> 63F 02174 M >> 64F 01688 M >> 63F 10288  we take back: 930.102.014.08/09	84-	1	930.20/21/26
4	930 102 902 AX	crankshaft with balancing weights connecting-rod bearing 53 MM bush mount crankshaft M 619 0294 >> M 692 0281 >> M 631 4606 >> M 659 1576 >>  we take back: 930.102.015.05	80- 80- -83	1	930.07-10 930.16-19	(4)	930 102 901 CX	crankshaft with balancing weights connecting-rod bearing 55 MM bush mount crankshaft M 63F 02175 >> M 64F 01689 >> M 64F 10289 >>  we take back: 930.102.014.09	85- 87- -89	1	930.20/21 930.25/26

Model	Year	MG	SG	Illustration	Restrictions	UPD	10:19	26.01.2010	PORSCHE	PET	PORSCHE
ATK	2008	1	02	102-01		248					

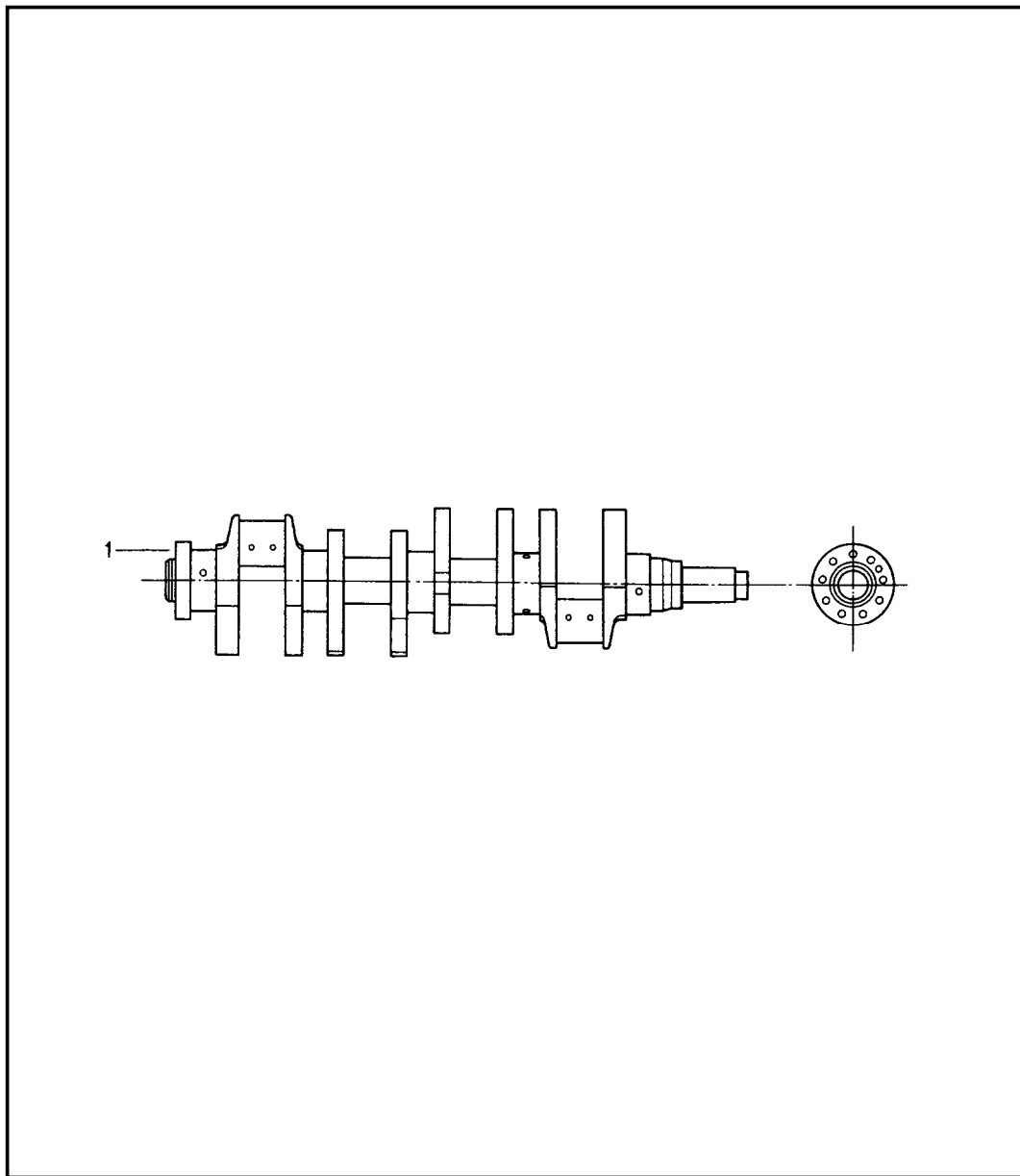
Pos	Part Number	Description	Remark	Qty	Model
		crankshaft with bearing	89- 94- 91-		CARRERA 2/4 CARRERA 911 TURBO
1	930 102 901 CX	crankshaft connecting-rod bearing 55 MM  we take back: 930.102.014.09	91- -92	1	M30.69
2	964 102 901 X	crankshaft connecting-rod bearing 55 MM  we take back: 964.102.021.04	89- -94 92- 93-	1	M64.01/02  M64.03 M64.50
3 A	993 102 921 AX	crankshaft connecting-rod bearing 55 MM  we take back: 993.102.021.01	94	1	M64.05/06
4	993 102 921 BX	crankshaft connecting-rod bearing 55 MM  we take back: 993.102.021.02	95- -98	1	-08 M64.05/08 -24 M64.20/24 M64.60

Model	Year	MG	SG	Illustration	Restrictions	UPD	10:19	26.01.2010	PORSCHE	PET	PORSCHE
ATK	2008	1	02	102-05		248					

Pos	Part Number	Description	Remark	Qty	Model
		crankshaft	82- 92-		944 968
		with bearing			
1	944 102 901 AX	crankshaft	82- 87- 86-	1	-12 M44.01 M44.40 -52 M44.50
		we take back: 944.102.015.13			
1	944 102 901 BX	crankshaft	89-	1	M44.41
		we take back: 944.102.015.11			
1	944 102 901 CX	crankshaft	92-	1	M44.43/44
		we take back: 944.102.015.15			



Model	Year	MG	SG	Illustration	Restrictions	UPD	10:19	26.01.2010	PORSCHE	PET	PORSCHE
ATK	2008	1	02	102-10		248					

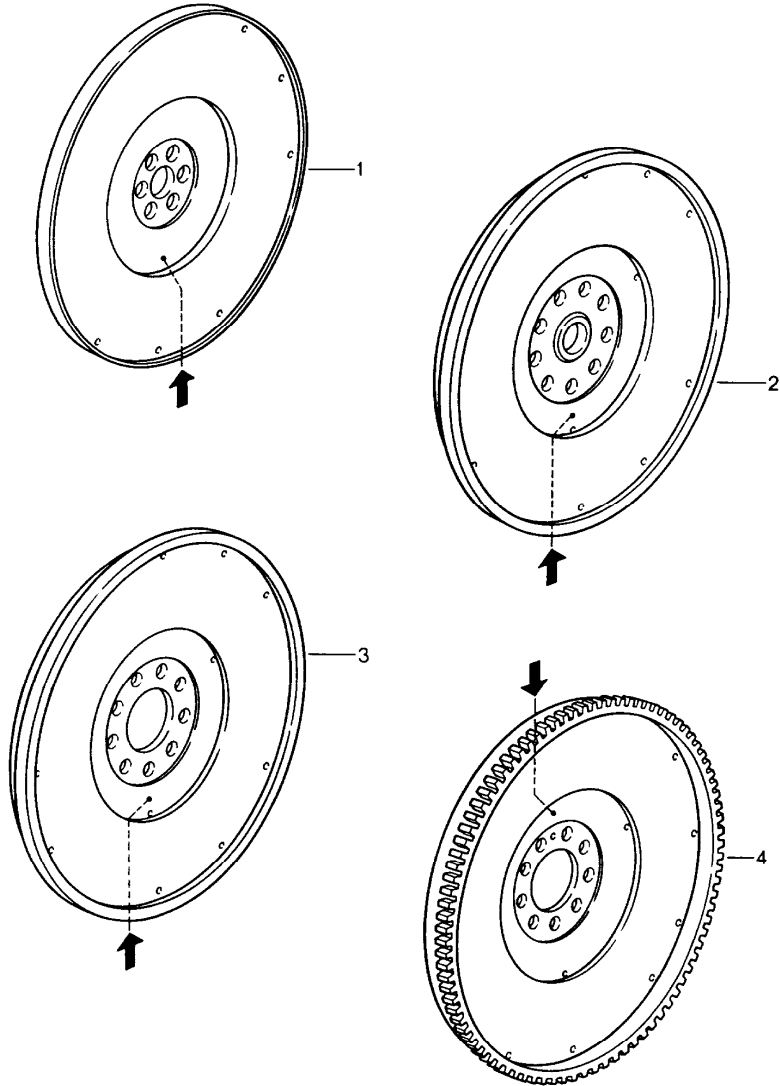


Pos	Part Number	Description	Remark	Qty	Model
		crankshaft	78- 92-		928 928 GTS
		with bearing water cooling			
1	928 102 901 X	crankshaft	78- -79	1	M28.01/02
		with balancing weights	78- -79	6	M28.03/04
		bearing divided		1	
		crank pin without lubrication recess			
		we take back: 928.102.011.14/16			
1	928 102 901 AX	crankshaft	80- -83	1	-12 M28.09
		with balancing weights		6	
		bearing divided		1	
		crank pin with lubrication recess			
		we take back: 928.102.011.21/28			
1	928 102 901 BX	crankshaft	80- -83	1	-12 M28.09
		with balancing weights		6	
		bearing closed		1	
		crank pin with lubrication recess			
		M >> 82D 0709			
		M >> 82D 5938			
		we take back: 928.102.011.21/28			

Model	Year	MG	SG	Illustration	Restrictions	UPD	10:19	26.01.2010	PORSCHE	PET	PORSCHE
ATK	2008	1	02	102-10		248					

Pos	Part Number	Description	Remark	Qty	Model	Pos	Part Number	Description	Remark	Qty	Model
1	928 102 901 CX	crankshaft with balancing weights bearing closed crank pin with lubrication recess M 82D 0710 >> M 82D 5939 >> M 82E 00001 >> M 82E 05001 >>  we take back: 928.102.011.26/28	83 84- -86	1 6 1	M28.11/12 M28.21/22						
1	928 102 901 DX	crankshaft with balancing weights bearing closed  we take back: 928.102.011.27	86 87- -89 87- -91	1 6 1	M28.45/46 M28.41 M28.42/47						
1	928 102 901 EX	crankshaft we take back: 928.102.028.03	92-	1	M28.49/50						

Model	Year	MG	SG	Illustration	Restrictions	UPD	10:19	26.01.2010	PORSCHE	PET	PORSCHE
ATK	2008	1	02	102-20		248					

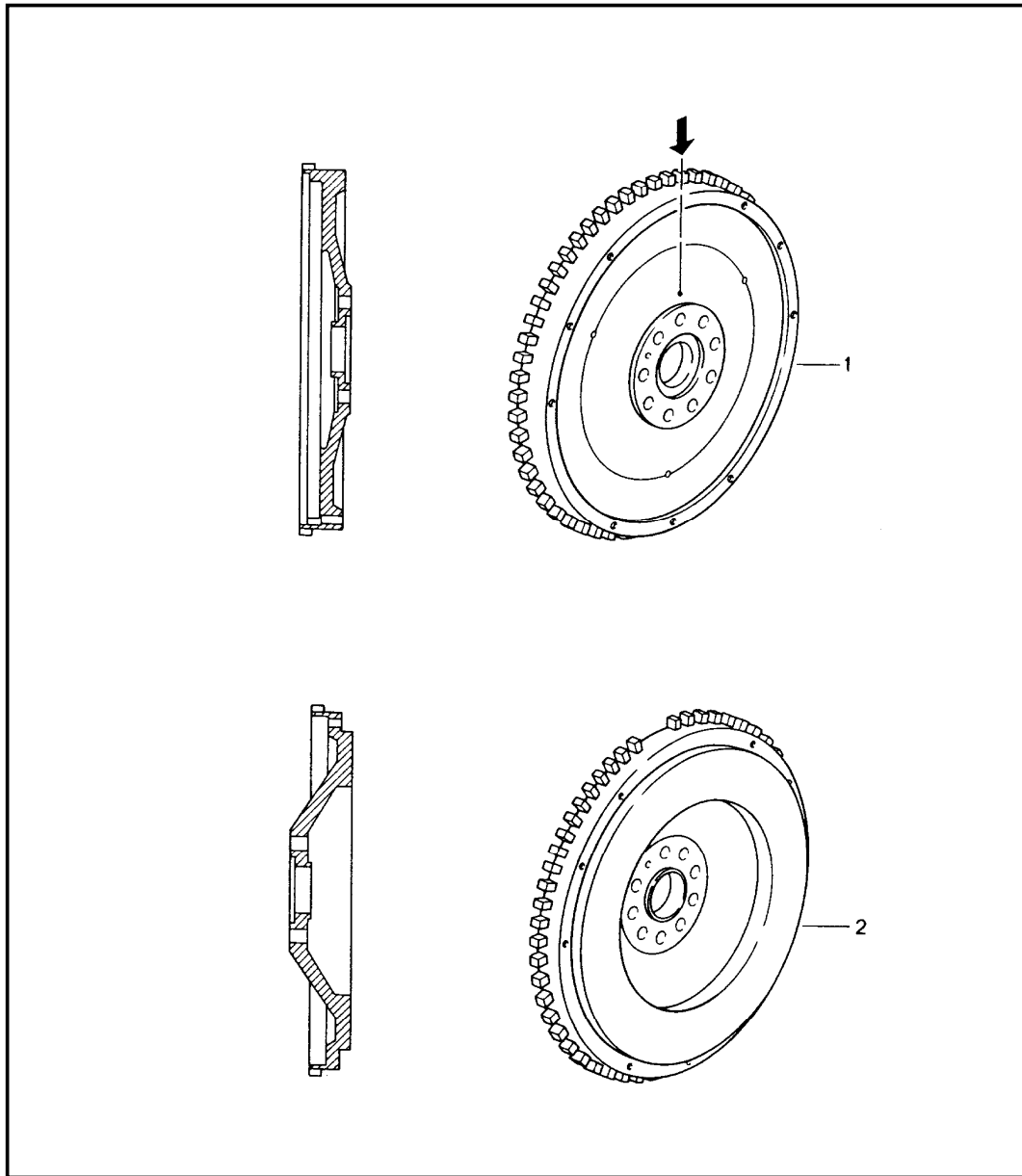


Pos	Part Number	Description	Remark	Qty	Model
1	911 102 201 AX	flywheel flywheel without ring gear 201.1R embedded	70- 70- -77	1	911
		we take back: 911.102.201.01/11			
2	930 102 204 X	flywheel without ring gear 204.0R embedded bush with flywheel M >> 619 0293 M >> 629 2280 M >> 639 4605 M >> 659 1575	78- -79 78- -79	1	930.03-06 930.13-15
		we take back: 930.102.204.00			
3	930 102 215 X	flywheel without ring gear bush with crankshaft 215.0R embedded M 619 0294 >> M 629 2281 >> M 639 4606 >> M 659 1576 >>	80- -83 80- -83	1	930.07-10 930.16/17/19
		we take back: 930.102.215.00			
4	930 102 033 AX	flywheel with ring gear bush with crankshaft 233.0R embedded we take back: 930.102.033.01	84- -86	1	930.20/21/26

Model	Year	MG	SG	Illustration	Restrictions	UPD	10:19	26.01.2010	PORSCHE	PET	PORSCHE
ATK	2008	1	02	102-20		248					

Pos	Part Number	Description	Remark	Qty	Model	Pos	Part Number	Description	Remark	Qty	Model
4	930 102 033 BX	flywheel with ring gear bush with crankshaft 233.3R embedded  we take back: 930.102.033.03	87- -89	1	930.20/25/26						

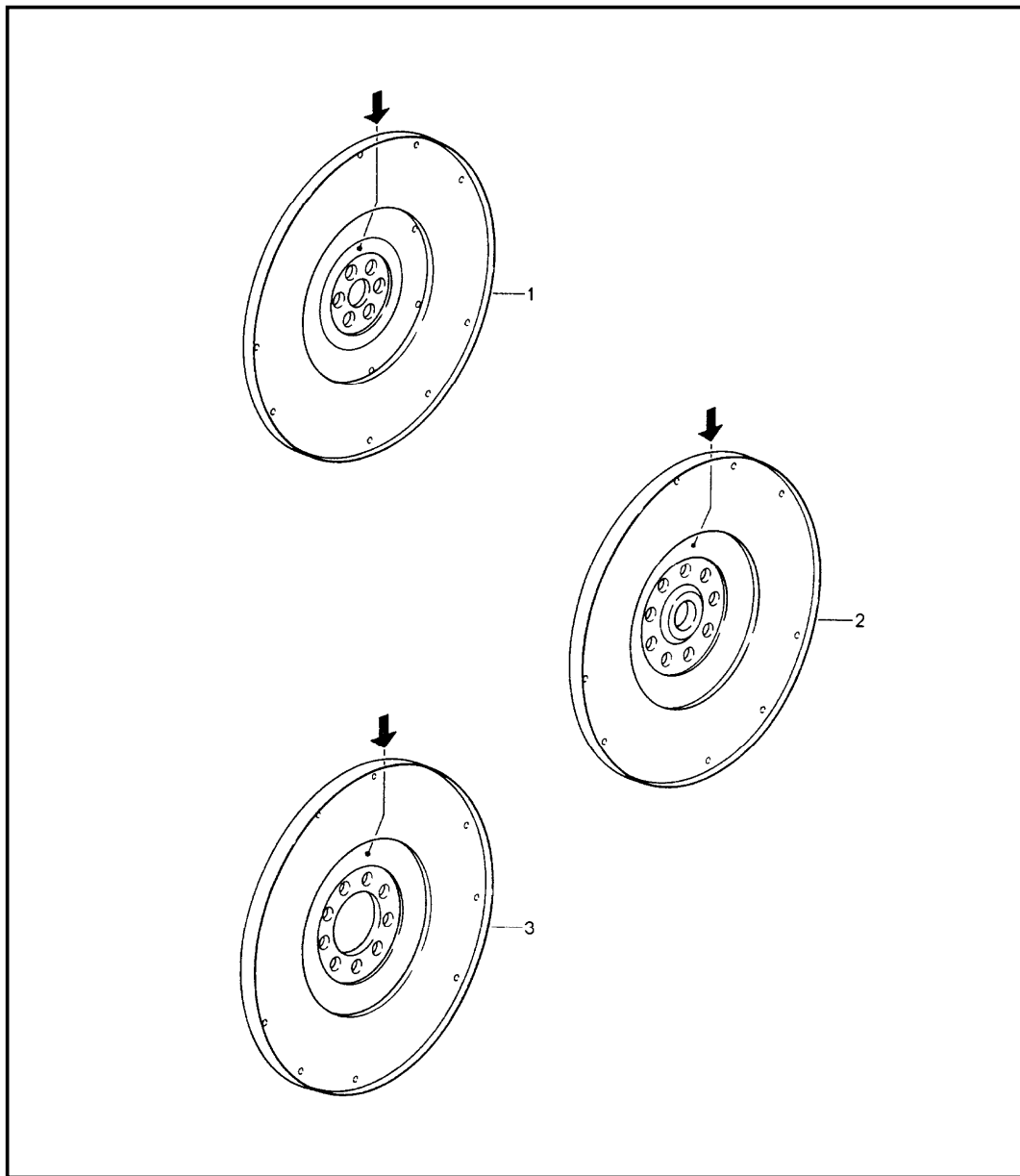
Model	Year	MG	SG	Illustration	Restrictions	UPD	10:19	26.01.2010	PORSCHE	PET	PORSCHE
ATK	2008	1	02	102-21		248					



Pos	Part Number	Description	Remark	Qty	Model
		flywheel	89-		CARRERA 2/4
1	964 102 239 X	flywheel with ring gear 239.0R embedded  we take back: 964.102.239.00	89	1	M64.01
2	964 102 239 AX	flywheel with ring gear  we take back: 964.102.239.31	92- -94	1	M64.03 CARRERA RS

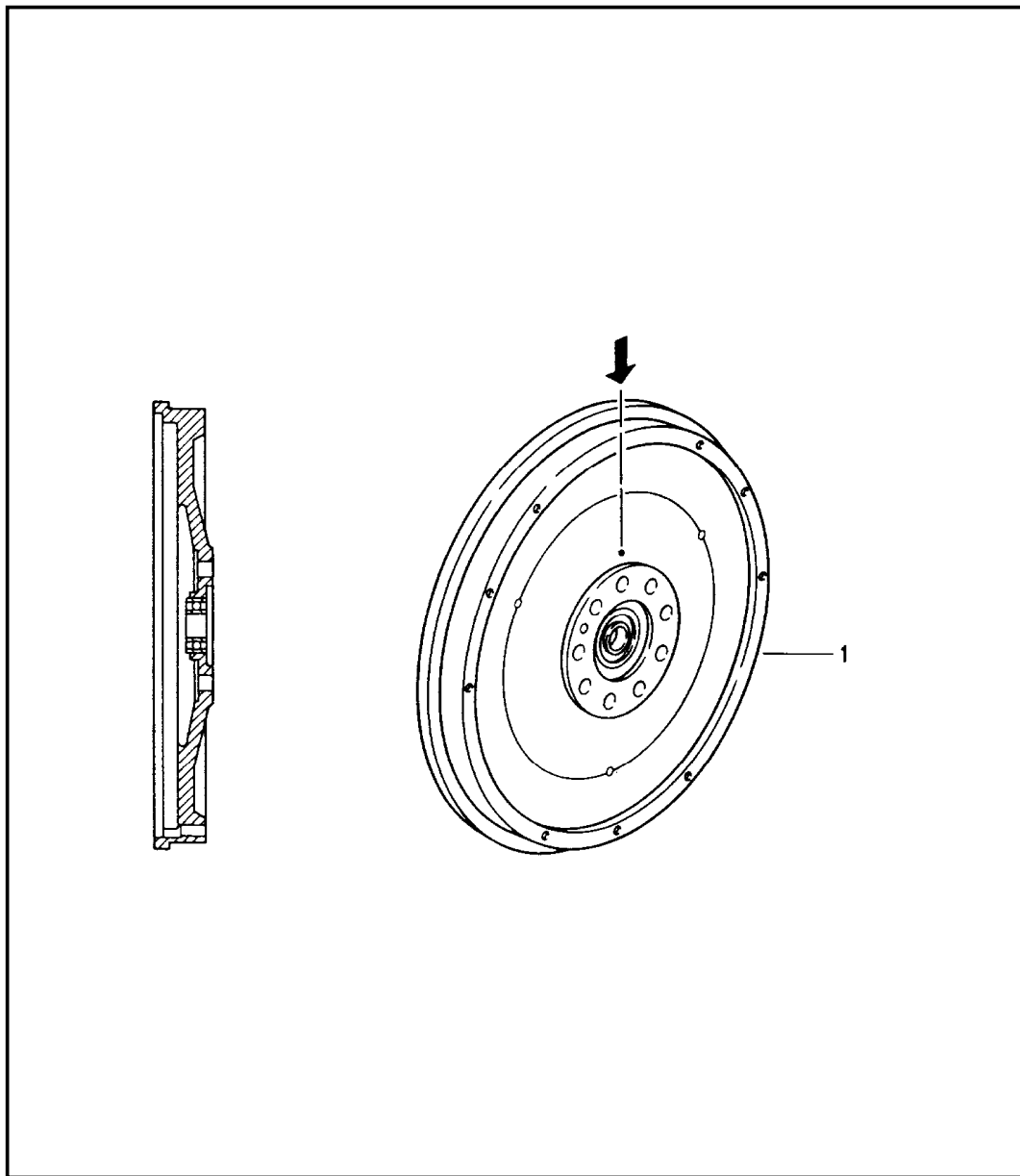


Model	Year	MG	SG	Illustration	Restrictions	UPD	10:19	26.01.2010	PORSCHE	PET	PORSCHE
ATK	2008	1	02	102-25		248					



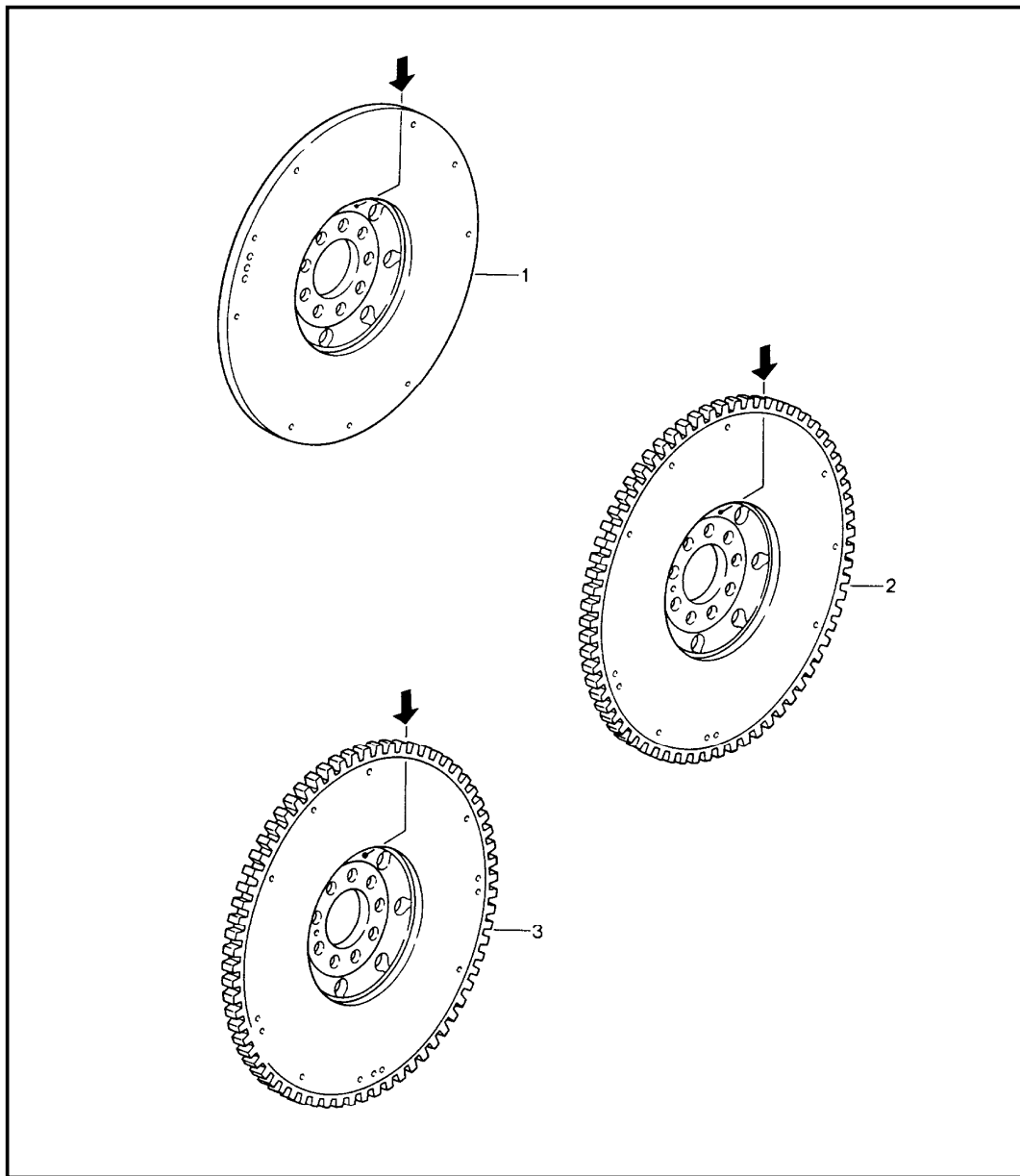
Pos	Part Number	Description	Remark	Qty	Model
1	930 102 201 AX	flywheel without ring gear 201.0R embedded  we take back: 930.102.201.00/01	76- 76- -77	1	911 TURBO 930.50-54
2	930 102 202 AX	flywheel without ring gear bush with flywheel 202.1R embedded M >> 679 0895 M >> 689 1231 M >> 689 0504  we take back: 930.102.202.01	78- -79	1	930.60-65
3	930 102 213 X	flywheel without ring gear bush with crankshaft 213.0R embedded M 679 0896 >> M 689 1232 >> M 689 0505 >>  we take back: 930.102.213.00	80- -82 83- -88	1	930.60/65 930.66/68

Model	Year	MG	SG	Illustration	Restrictions	UPD	10:20	26.01.2010	PORSCHE	PET	PORSCHE
ATK	2008	1	02	102-26		248					



Pos	Part Number	Description	Remark	Qty	Model
		flywheel	89		911 TURBO
1	930 102 027 X	flywheel without ring gear 239.0R embedded  we take back: 930.102.027.00/239.02	89	1	930.66/68

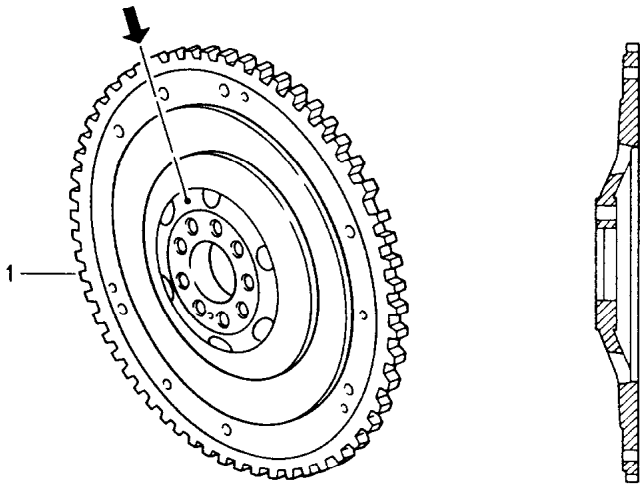
Model	Year	MG	SG	Illustration	Restrictions	UPD	10:20	26.01.2010	PORSCHE	PET	PORSCHE
ATK	2008	1	02	102-80		248					



Pos	Part Number	Description	Remark	Qty	Model
1	928 102 202 AX	flywheel without ring gear with centring collar  we take back: 928.102.202.04	78- 78- -79	1	928 M28.01/03
2	928 102 202 CX	flywheel without ring gear without centring collar  we take back: 928.102.202.08/10	80-83 81-82	1	M28.09/11 M28.15/17
3	928 102 078 X	flywheel with ring gear without centring collar 202.4R embedded  we take back: 928.102.078.00/01	84- -86 85- -86	1	M28.21 M28.43/45

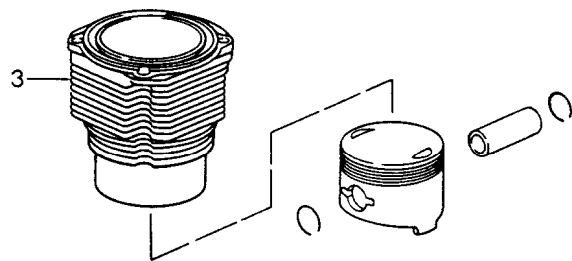
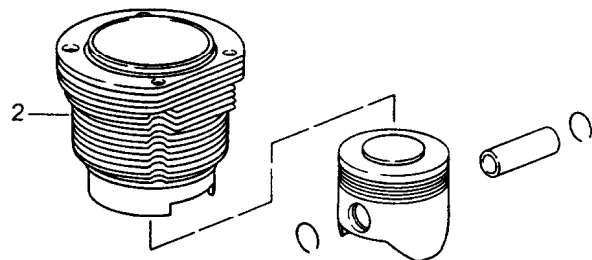
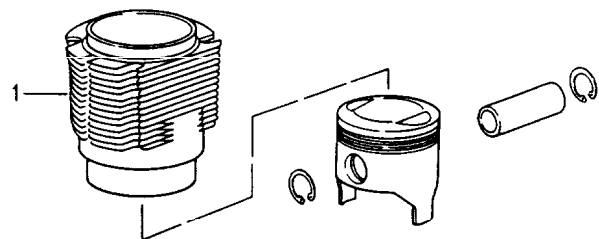
Model	Year	MG	SG	Illustration	Restrictions	UPD	10:34	26.01.2010	PORSCHE	PET	PORSCHE
ATK	2008	1	02	102-81		248					

Pos	Part Number	Description	Remark	Qty	Model
		flywheel	87-		928
1	928 102 208 AX	flywheel with ring gear 208.3R embedded  we take back: 928.102.208.03	87- -89 89- -91 92- -95	1	M28.41 M28.47 M28.49

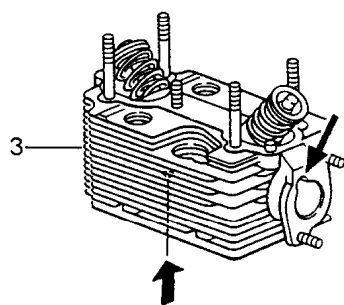
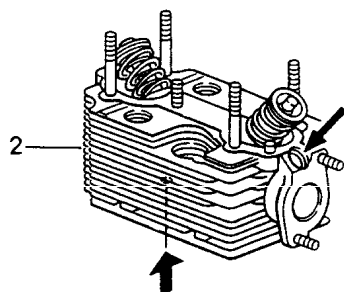
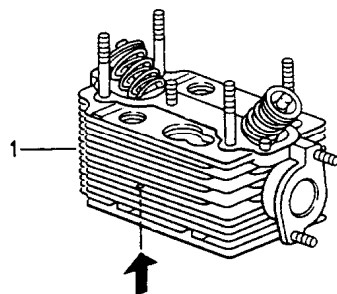


Model	Year	MG	SG	Illustration	Restrictions	UPD	10:57	26.01.2010	PORSCHE	PET	PORSCHE
ATK	2008	1	03	103-00		248					

Pos	Part Number	Description	Remark	Qty	Model
					356/912 914/4 911:2400 CCM
1	616 103 904 AX	cylinder with piston set cylinder 82,5 MM BIRAL cylinder  we take back: 616.103.904.03-06		4	616.16/36 616.39/40 1600 CCM
2	022 198 077 X	cylinder with piston set cylinder 90 MM 021.101.301.A embedded  we take back: 021.101.301.A-309.A		4	W M022 1700 CCM
3	911 103 942 X	cylinder with piston set cylinder 84 MM BIRAL cylinder  we take back: 911.103.942.01/02/05/06		6	911.51/57 911.61/67 911: 2400CCM
3	911 103 943 X	cylinder with piston cylinder 84 MM BIRAL cylinder  we take back: 911.103.943.01		6	911.52/62



Model	Year	MG	SG	Illustration	Restrictions	UPD	10:57	26.01.2010	PORSCHE	PET	PORSCHE
ATK	2008	1	03	103-01		248					



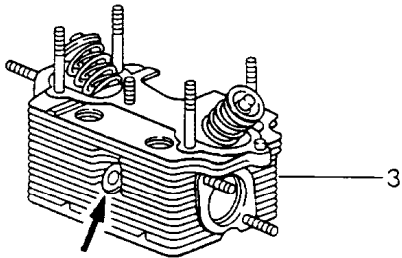
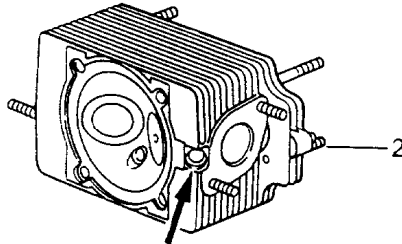
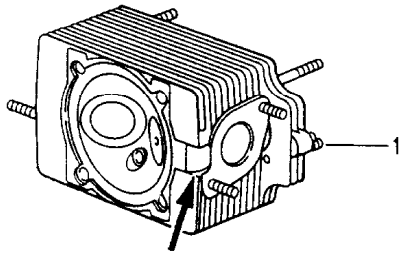
Pos	Part Number	Description	Remark	Qty	Model
		cylinder head	65-		911 0 CCM - I220 - 2700 CCM
1	901 104 003 EX	cylinder head with valves ready for installation carburettor  we take back: 901.104.003.05/06  see technical information GR.1 NR.18/77	65- -71	6	901.01/05-07 2000 CCM
1	911 104 006 AX	cylinder head with  valves ready for installation carburettor  we take back: 911.104.006.01	70- -71  72- -73	6	911.03/06-08 0 CCM I220 911.57/67 2400 CCM
2	911 104 007 X	cylinder head with  valves ready for installation mechanical injection  we take back: 911.104.007.00	70- -71  72- -73	6	911.01/04 0 CCM I220 911.52/62 2400 CCM
2	911 104 008 X	cylinder head with  valves ready for installation mechanical injection  intake valve 36 MM exhaust valve 35 MM  we take back: 911.104.008.00	70- -71  72- -73 74- -76	6	911.02 0 CCM I220 911.53/63 2400 CCM /88 911.83 2700 CCM

Model	Year	MG	SG	Illustration	Restrictions	UPD	10:57	26.01.2010	PORSCHE	PET	PORSCHE
ATK	2008	1	03	103-01		248					

Pos	Part Number	Description	Remark	Qty	Model	Pos	Part Number	Description	Remark	Qty	Model
3	911 104 013 X	cylinder head with valves ready for installation k-jetronic intake valve exhaust valve 32 MM  we take back: 911.104.013.00	74 75	6	911.92/97 911.41/46 2700 CCM						
3	911 104 014 X	cylinder head with valves ready for installation k-jetronic intake valve exhaust valve 34 MM  we take back: 911.104.014.00	74 75 76- -77	6	911.93/98 911.42/47 911.81/86 2700 CCM						

Model	Year	MG	SG	Illustration	Restrictions	UPD	10:57	26.01.2010	PORSCHE	PET	PORSCHE
ATK	2008	1	03	103-02		248					

Pos	Part Number	Description	Remark	Qty	Model
		cylinder head see technical information GR.1 NR.18/77		77-	911 3000 CCM - - 3200 CCM
		cylinder head with valves ready for installation k-jetronic intake valve 39 MM exhaust valve 35 MM without bore for air injection  we take back: 930.104.019.02		77	930.02/12
		cylinder head with valves ready for installation k-jetronic intake valve 39 MM exhaust valve 35 MM with bore for air injection  we take back: 930.104.019.05/08/029.08	(J)	78- 78- -79 80- -83 (J) 81- -83	930.03/04/13 930.05/15 930.09/10 930.17
		cylinder head with valves ready for installation lh-jetronic intake valve 42 MM exhaust valve 41 MM with bore for temperature sensor  we take back: 930.104.011.02/033.02/06		84- 85- -89	930.20/21 930.25

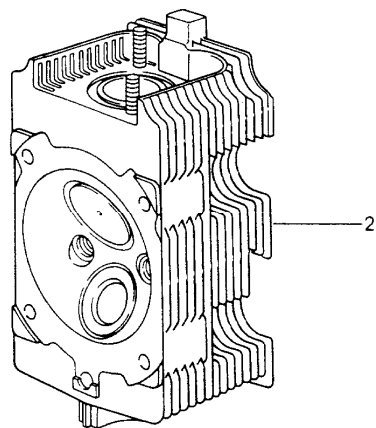
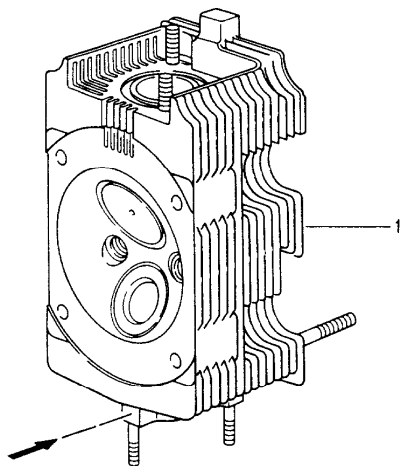




Model	Year	MG	SG	Illustration	Restrictions	UPD	10:57	26.01.2010	PORSCHE	PET	PORSCHE
ATK	2008	1	03	103-02		248					

Pos	Part Number	Description	Remark	Qty	Model	Pos	Part Number	Description	Remark	Qty	Model
(3)	930 104 011 CX	cylinder head with valves ready for installation lh-jetronic intake valve 42 MM exhaust valve 41 MM with bore for temperature sensor and air injection  we take back: 930.104.011.04/033.04/07	85-	6	930.26						

Model	Year	MG	SG	Illustration	Restrictions	UPD	10:57	26.01.2010	PORSCHE	PET	PORSCHE
ATK	2008	1	03	103-03		248					

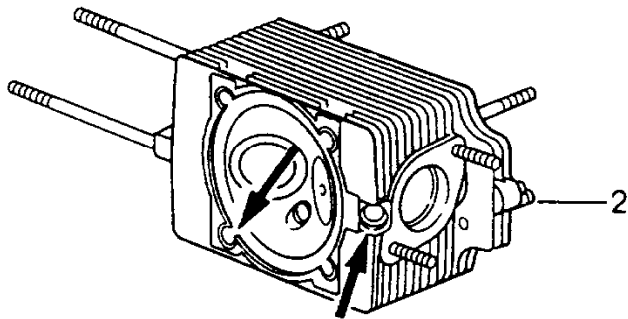
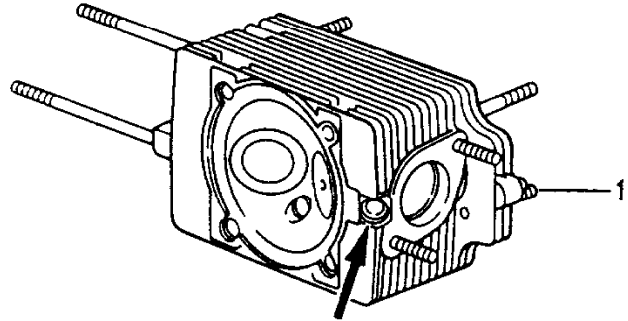


Pos	Part Number	Description	Remark	Qty	Model
		cylinder head	91-94-		CARRERA 2/4 CARRERA
		see tpi GR.1 NR.28			
		see technical information group 1 NR.2/00			
1	964 104 011 RX	cylinder head with valves ready for installation without identification	91-94	6	M64.01/02/03
		we take back: 964.104.295.2R/7R 964.104.033.06/08			
1	964 104 011 PX	cylinder head with valves ready for installation identification -0,10	91-94	6	M64.01/02/03
		we take back: 964.104.295.2R/7R 964.104.033.06/08			
1	964 104 011 QX	cylinder head with valves ready for installation identification -0,20	91-94	6	M64.01/02/03
		we take back: 964.104.295.2R/7R 964.104.033.06/08			
2	993 104 011 X	cylinder head with valves ready for installation without identification intake valve 49,0 MM valve seat ring 50,1 MM	94-95	6	M64.05/06
		we take back: 993.104.295.1R/2R/5R 993.104.033.01			

Model	Year	MG	SG	Illustration	Restrictions	UPD	10:57	26.01.2010	PORSCHE	PET	PORSCHE
ATK	2008	1	03	103-03		248					

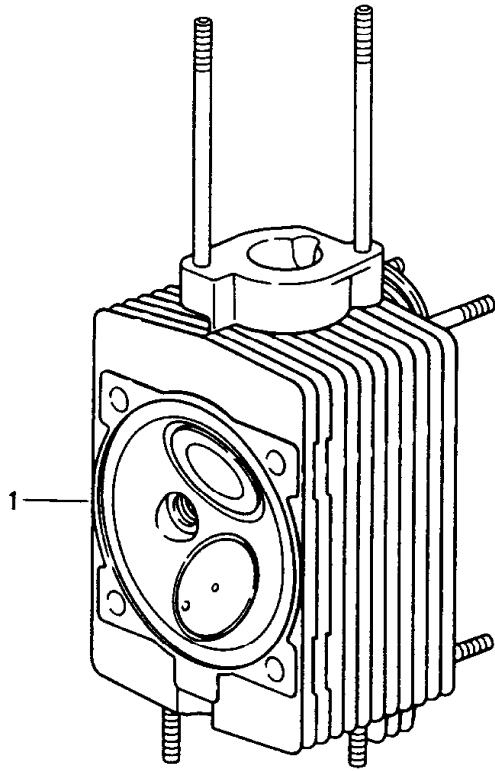
Pos	Part Number	Description	Remark	Qty	Model	Pos	Part Number	Description	Remark	Qty	Model
2	993 104 011 AX	cylinder head with valves ready for installation identification -0,10 intake valve 49,0 MM valve seat ring 50,1 MM  we take back: 993.104.295.1R/2R/5R 993.104.033.01	94- -95	1	M64.05/06						
2	993 104 015 FX	cylinder head with valves ready for installation without identification intake valve 50,0 MM valve seat ring 50,5 MM  we take back: 993.104.295.6R 993.104.035.06	96- -98	6	M64.21/22						

Model	Year	MG	SG	Illustration	Restrictions	UPD	10:58	26.01.2010	PORSCHE	PET	PORSCHE
ATK	2008	1	03	103-10		248					



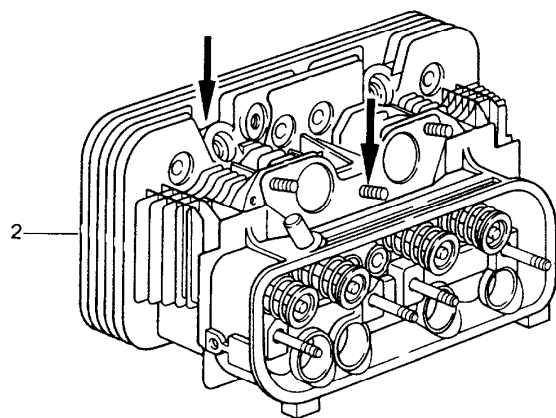
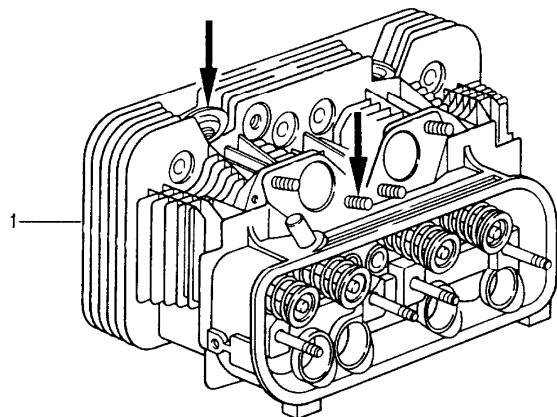
Pos	Part Number	Description	Remark	Qty	Model
1	930 104 023 FX	cylinder head with valves ready for installation intake valve 32 MM exhaust valve 38 MM with bore for air injection  we take back: 930.104.023.06	76- 76- -77	6	911 TURBO 930.51/52 3000 CCM
2	930 104 023 GX	cylinder head with valves intake valve 32 MM exhaust valve 38 MM with bore for air injection  we take back: 930.104.023.09	78- -82 83- -89	6	930.60-63 930.66/68 3300 CCM

Model	Year	MG	SG	Illustration	Restrictions	UPD	10:58	26.01.2010	PORSCHE	PET	PORSCHE
ATK	2008	1	03	103-11		248					



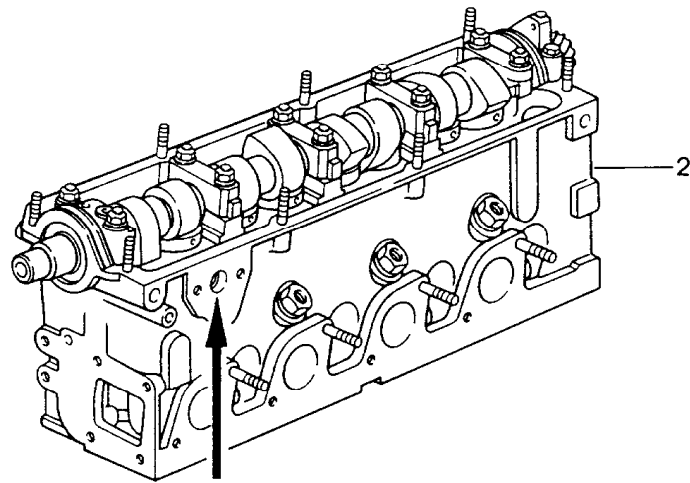
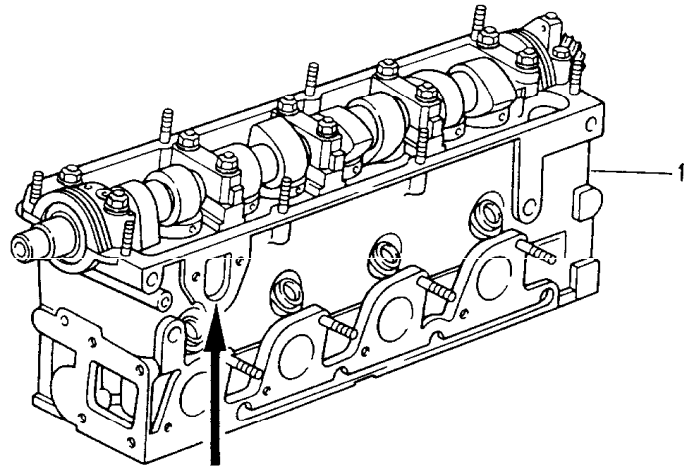
Pos	Part Number	Description	Remark	Qty	Model
		cylinder head	91-		911 TURBO
1	930 104 023 NX	cylinder head with valves intake valve 49 MM exhaust valve 41,5 MM without identification  we take back: 930.104.023.13/043.13	91- -92	6	M30.69 3300 CCM
1	964 104 011 TX	cylinder head with valves ready for installation without identification  we take back: 964.104.011.21/033.20	93- -94	6	M64.50 3600 CCM
(1)	993 104 011 CX	cylinder head with valves ready for installation without identification  we take back: 993.104.033.52	96- -98	6	M64.60 3600 CCM

Model	Year	MG	SG	Illustration	Restrictions	UPD	10:58	26.01.2010	PORSCHE	PET	PORSCHE
ATK	2008	1	03	103-40		248					



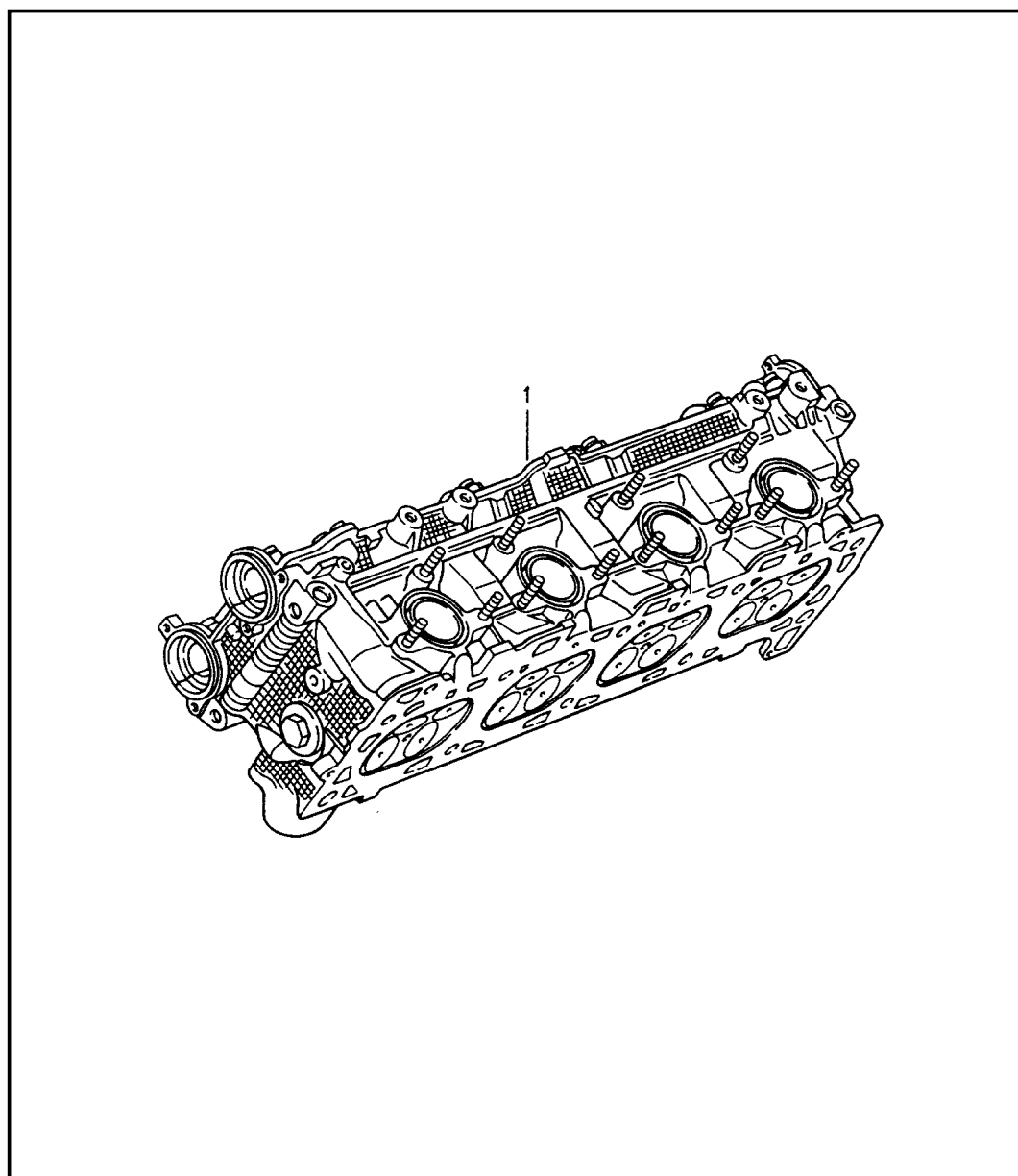
Pos	Part Number	Description	Remark	Qty	Model
		cylinder head	70-		914/4
(1)	022 101 061 CX	cylinder head with valves D-JETRONIC M W0 002 545 >> W0 129 581 cam follower protective tube 31,7 MM 022.101.372 embedded  we take back: 022.101.061.C/062.C	70-	2	W M022 1700 CCM
1	022 101 061 DX	cylinder head with valves  D-JETRONIC M W0 129 582 >> W0 217 365 cam follower protective tube 31,7 MM 022.101.372 embedded  we take back: 022.101.061.D/062.D	72-  72-  -73	2	W M022  EA/EB M022 1700 CCM
2	039 101 061 HX	cylinder head with valves D-JETRONIC intake valve 42 MM exhaust valve 36 MM cam follower protective tube 31,7 MM  we take back: 039.101.061.H/062.H	73-  73- -74	2	039.GB  039.GA 2000 CCM

Model	Year	MG	SG	Illustration	Restrictions	UPD	10:58	26.01.2010	PORSCHE	PET	PORSCHE
ATK	2008	1	03	103-41		248					



Pos	Part Number	Description	Remark	Qty	Model
		cylinder head	76- 79-		924 924 TURBO
1	047 103 265 X	cylinder head with valves and camshaft ready for installation 046.103.373/A 047.103.373/A/C embedded use also: 059.127.311.A 047.103.113.A	76- -85 80- -82	1	XJ/XK VC 924
		we take back: 047.103.353/C		1 1	
2	931 104 903 CX	cylinder head with valves and camshaft ready for installation use also: 059.127.311.A 047.103.113.A	79- -84 80- -82	1	M31.01/03 M31.02/04 924 TURBO
		we take back: 931.104.901.00/01/03	79- -81	1 1	

Model	Year	MG	SG	Illustration	Restrictions	UPD	10:58	26.01.2010	PORSCHE	PET	PORSCHE
ATK	2008	1	03	103-42		248					



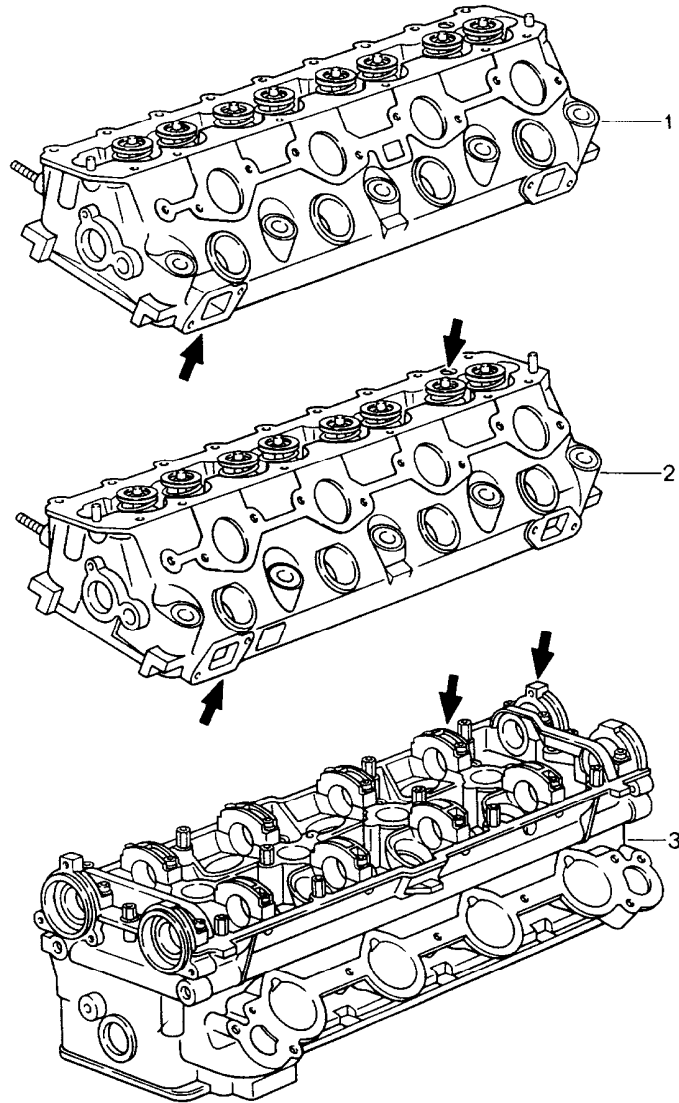
Pos	Part Number	Description	Remark	Qty	Model
		cylinder head	82- 92-		944 968
(1)	944 104 003 FX	cylinder head with valves ready for installation intake valve 45 MM exhaust valve 40 MM 303.6R embedded  we take back: 944.104.033.05	82- -85 83- -85	1	M44.01/03  M44.02/04
(1)	944 104 003 GX	cylinder head with valves ready for installation intake valve 45 MM exhaust valve 40 MM 303.7R/8R embedded  we take back: 944.104.033.06/08	85-  -88	1	-10 M44.05
(1)	944 104 001 CX	cylinder head with valves ready for installation intake valve 37 MM exhaust valve 33 MM 413.3R/4R embedded  we take back: 944.104.013.03	87- -88	1	M44.40
(1)	944 104 011 BX	cylinder head with valves ready for installation 310.2R embedded  we take back: 944.104.040.02	89	1	M44.11/12 944



Model	Year	MG	SG	Illustration	Restrictions	UPD	10:58	26.01.2010	PORSCHE	PET	PORSCHE
ATK	2008	1	03	103-42		248					

Pos	Part Number	Description	Remark	Qty	Model	Pos	Part Number	Description	Remark	Qty	Model
(1)	951 104 008 BX	cylinder head with valves ready for installation 303.1R/2R/4R embedded  we take back: 951.104.038.01/02/04	89- -91	1	M44.51/52 944 TURBO						
1	944 104 001 EX	cylinder head with valves and bearing saddles ready for installation 413.7R/8R/9R 412.0R embedded  we take back: 944.104.013.05	89- -91	1	M44.41 944 S 2						
1	944 104 014 X	cylinder head with valves and bearing saddles ready for installation 414.1R embedded  we take back: 944.104.054.00	92- -95	1	M44.43/44 968						

Model	Year	MG	SG	Illustration	Restrictions	UPD	10:59	26.01.2010	PORSCHE	PET	PORSCHE
ATK	2008	1	03	103-80		248					

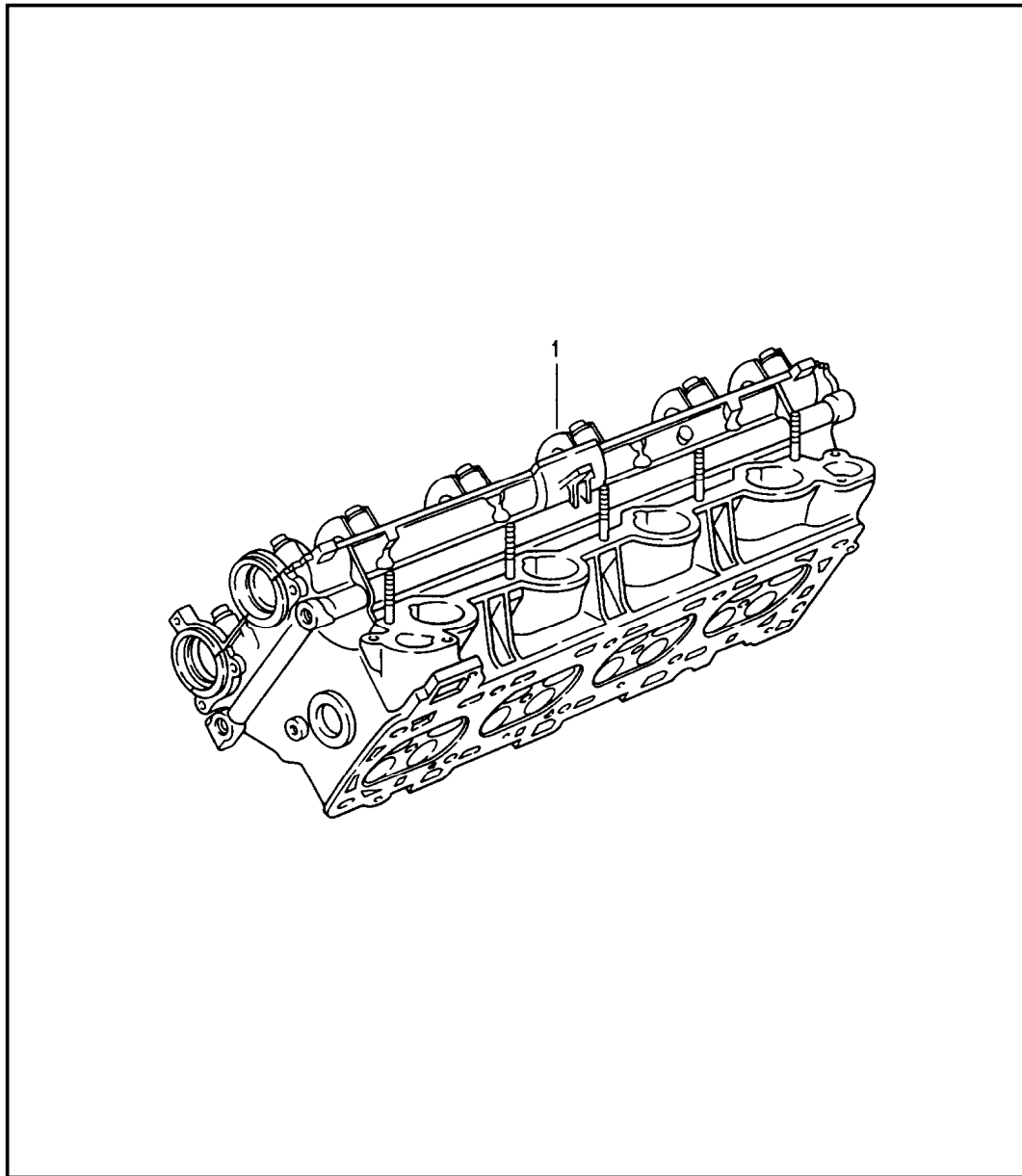


Pos	Part Number	Description	Remark	Qty	Model
		cylinder head see technical information GR.1 NR.1/85	78-		928
1	928 104 004 DX	cylinder head with valves ready for installation without check valve intake valve 43 MM exhaust valve 38 MM  we take back: 928.104.046.04	78- -79	2	-04 M28.01
1 A	928 104 008 AX	cylinder head with valves ready for installation without check valve intake valve 45 MM exhaust valve 40 MM M >> 821 0515 M >> 821 5502  we take back: 928.104.055.02	80- -83	2	M28.11/12
2	928 104 009 X	cylinder head with valves ready for installation with KUGELRUECKSCHLAGVENTIL intake valve 43 MM exhaust valve 38 MM  we take back: 928.104.053.01	80- -82	2	M28.09/10

Model	Year	MG	SG	Illustration	Restrictions	UPD	10:59	26.01.2010	PORSCHE	PET	PORSCHE
ATK	2008	1	03	103-80		248					

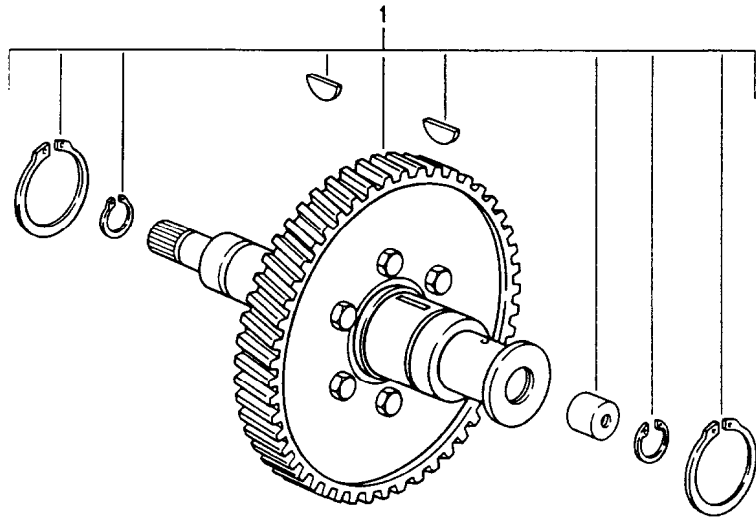
Pos	Part Number	Description	Remark	Qty	Model	Pos	Part Number	Description	Remark	Qty	Model
(2)	928 104 008 CX	cylinder head with valves ready for installation with KUGELRUECKSCHLAGVENTIL intake valve 45 MM exhaust valve 40 MM M 821 0516 >> 82D 0849 M 821 5503 >> 82D 6090  we take back: 928.104.055.03	80- -83	2	M28.11/12						
2	928 104 008 DX	cylinder head with valves ready for installation with KUGELRUECKSCHLAGVENTIL intake valve 45 MM exhaust valve 40 MM identification M 82D 0850 >> M 82D 6090 >>  we take back: 928.104.055.05	80- -83 84- -86	2	M28.11/12  M28.21/22  VB						
3	928 104 059 X	cylinder head with valves ready for installation intake valve 35 MM exhaust valve 32 MM 928.104.411.3R embedded  we take back: 928.104.050.01	85- -86 86	2	M28.43/44  M28.45/46						

Model	Year	MG	SG	Illustration	Restrictions	UPD	10:59	26.01.2010	PORSCHE	PET	PORSCHE
ATK	2008	1	03	103-81		248					



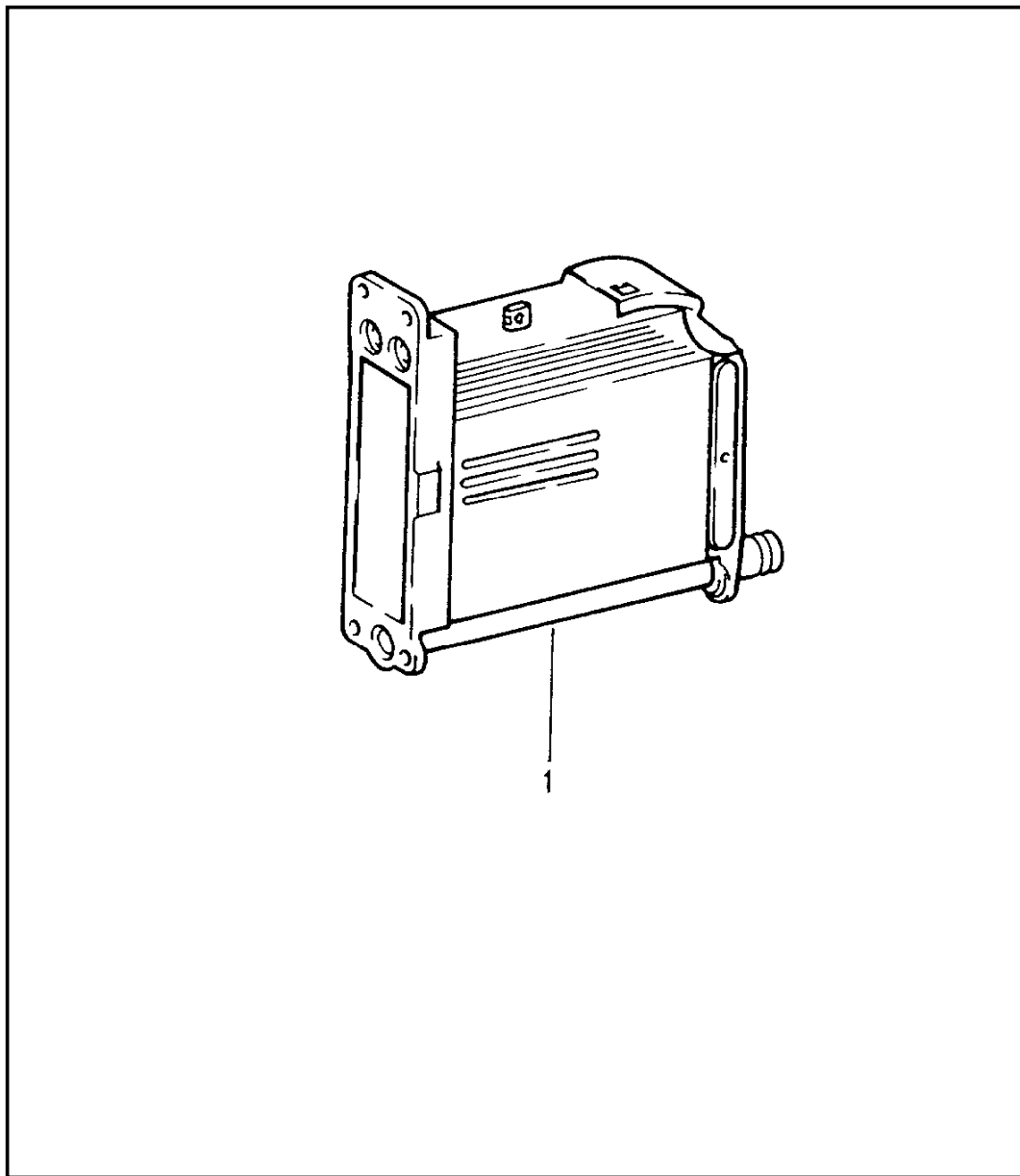
Pos	Part Number	Description	Remark	Qty	Model
		cylinder head	87- 92-		928 S4/GT 928 GTS
		see q-information GR.1 NR.4/88			
1	928 104 067 CX	cylinder head with valves and bearing saddles ready for installation 928.104.413.2R/3R/4R embedded	87- -91 89- -91	1	M28.41/42 M28.47
		we take back: 928.104.014.02/03/04/05			
1	928 104 067 DX	cylinder head with valves and bearing saddles ready for installation 928.104.413.5R embedded	92- -95	1	M28.49/50
		we take back: 928.104.014.06			

Model	Year	MG	SG	Illustration	Restrictions	UPD	10:59	26.01.2010	PORSCHE	PET	PORSCHE
ATK	2008	1	04	104-00		248					



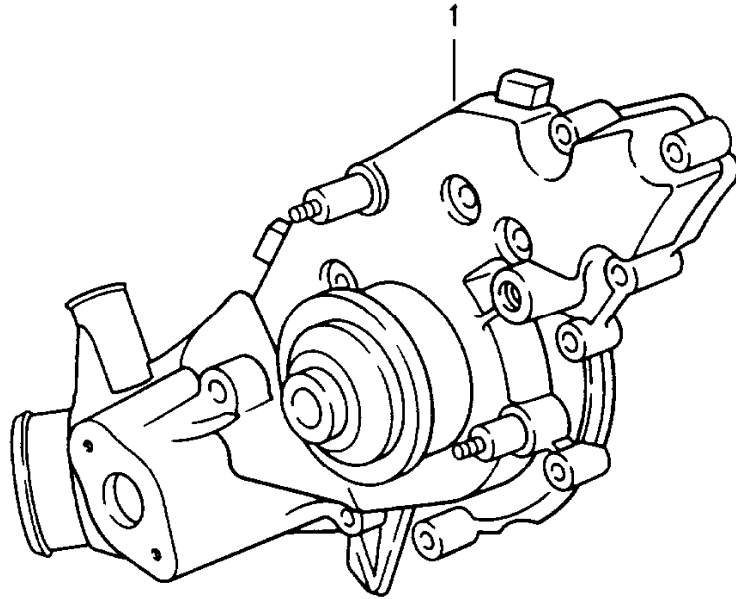
Pos	Part Number	Description	Remark	Qty	Model
		intermediate shaft	72-		911/TURBO
1	930 105 901 X	intermediate shaft without sprocket size 0 when required order also: 901.105.125.04		1	2400 CCM - 3000 CCM -
		we take back: 911.105.013.03 930.105.013.01		2	
1	930 105 901 AX	intermediate shaft without sprocket size 1 when required order also: 901.105.125.02		1	2400 CCM - 3000 CCM -
		we take back: 911.105.013.13 930.105.013.11		2	

Model	Year	MG	SG	Illustration	Restrictions	UPD	10:59	26.01.2010	PORSCHE	PET	PORSCHE
ATK	2008	1	04	104-05		248					



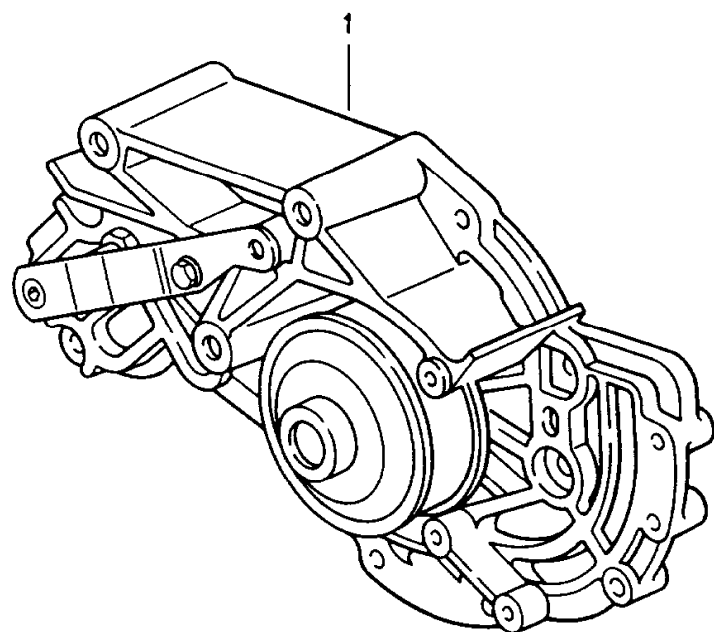
Pos	Part Number	Description	Remark	Qty	Model
1	A 911 107 041 X	oil cooler intake connection without threaded insert  we take back: 911.107.041.00	72-	1	911/TURBO

Model	Year	MG	SG	Illustration	Restrictions	UPD	10:59	26.01.2010	PORSCHE	PET	PORSCHE
ATK	2008	1	05	105-40		248					



Pos	Part Number	Description	Remark	Qty	Model
		water pump	76- 86- 82- 92-		924 924 S 944 968
(1)	060 121 010 X	water pump with gasket without pulley 048.121.013 embedded  we take back: 048.121.011 060.121.011	76- -85	1	924
1	944 106 921 X	water pump with installation parts 944.106.124.2R embedded  we take back: 944.106.021.24	2,7LTR. 3,0LTR.	1	M44.11/12 M44.41
1	951 106 921 X	water pump with installation parts 944.106.124.3R embedded  we take back: 951.106.021.10	2,5LTR.	1	-10 M44.01 M44.40 -52 M44.50
(1)	944 106 921 AX	water pump with installation parts 944.106.124.4R embedded  we take back: 944.106.003.00	92- -95	1	M44.43/44

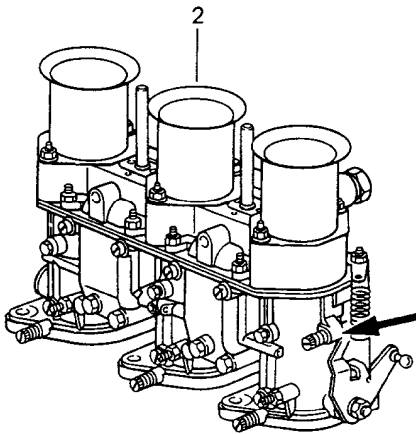
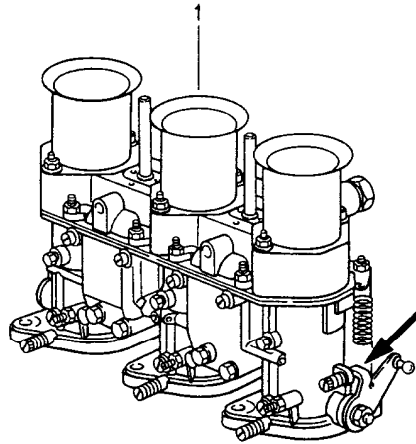
Model	Year	MG	SG	Illustration	Restrictions	UPD	11:00	26.01.2010	PORSCHE	PET	PORSCHE
ATK	2008	1	05	105-80		248					



Pos	Part Number	Description	Remark	Qty	Model
		water pump see technical information GRUPPE 1 NR.4/90			928
1	928 106 915 X	water pump with installation parts 928.106.140.0R  we take back: 928.106.015.20		1	M28.41/42 M28.47 M28.49/50
1	928 106 915 AX	water pump with installation parts 928.106.122.8R/9R  we take back: 928.106.015.22		1	M28.43/44 M28.45/46

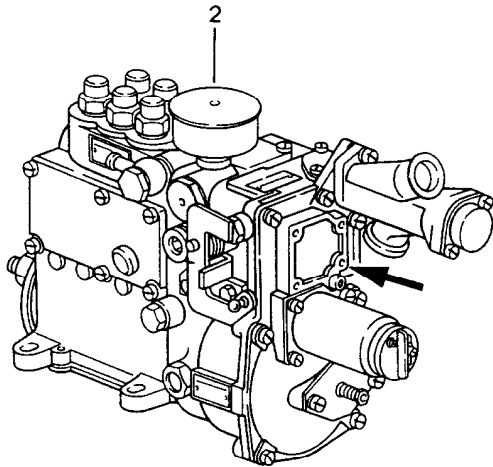
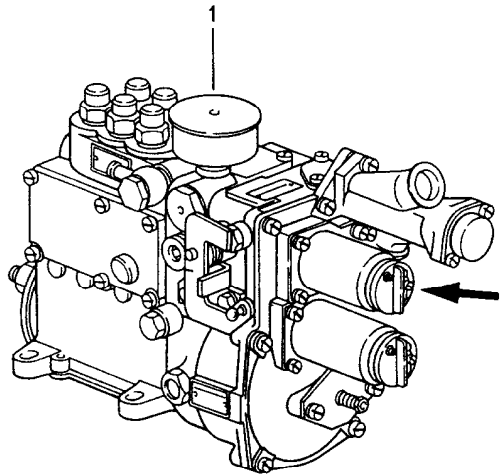


Model	Year	MG	SG	Illustration	Restrictions	UPD	11:00	26.01.2010	PORSCHE	PET	PORSCHE
ATK	2008	1	06	106-00		248					



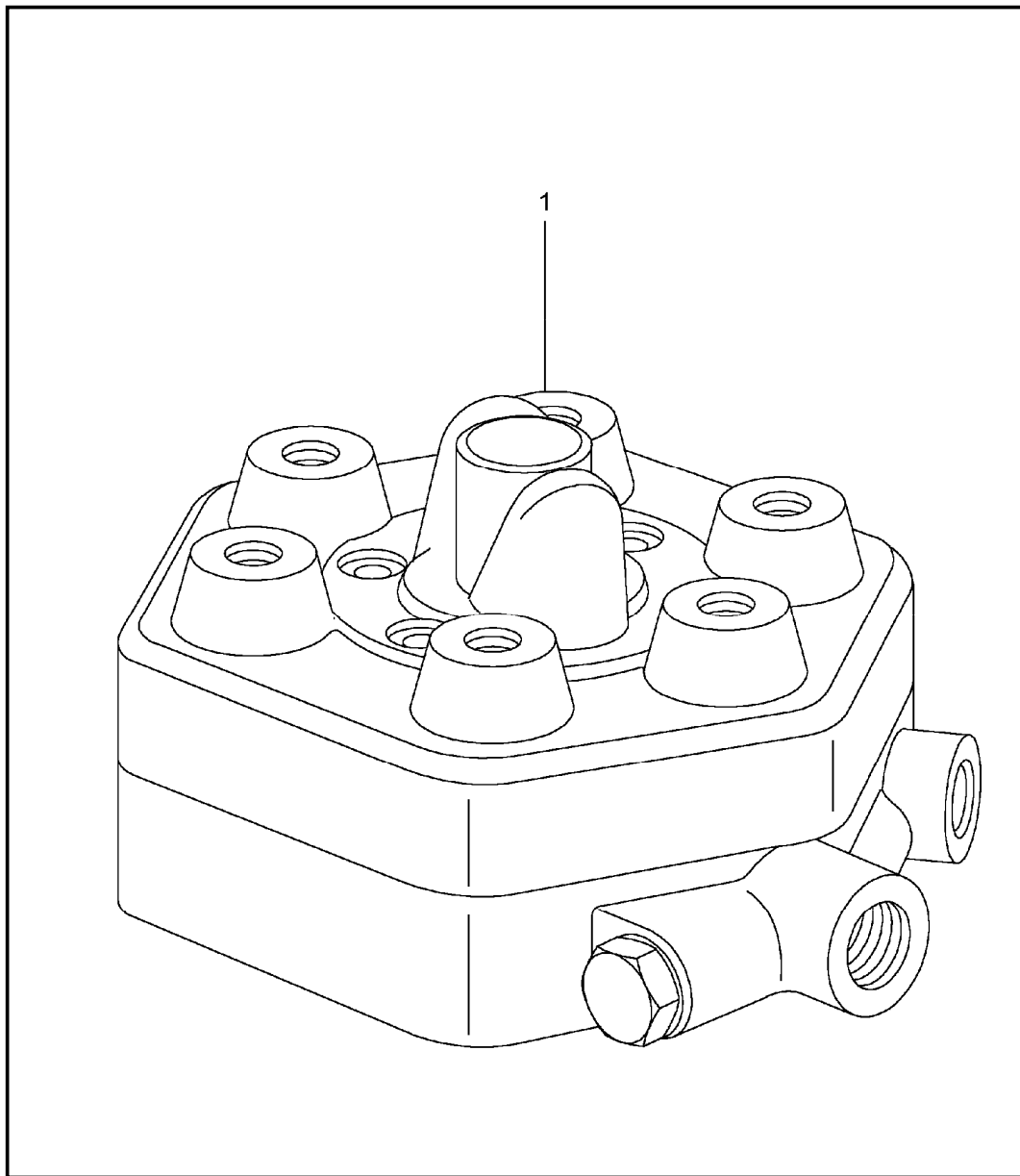
Pos	Part Number	Description	Remark	Qty	Model
		carburettor WEBER	67- -71		911
1	901 108 107 X	carburettor WEBER 40 IDA 3C1 with intake trumpet  we take back: 901.108.107.00	/L	1	901.05-07
(1)	901 108 108 X	carburettor WEBER 40 IDA 3C with intake trumpet  we take back: 901.108.108.00	/R	1	901.05-07
1	901 108 117 X	carburettor WEBER 40 IDT 3C1 with intake trumpet  we take back: 901.108.117.00	/L	68	1 901.03/13
(1)	901 108 118 X	carburettor WEBER 40 IDT 3C with intake trumpet  we take back: 901.108.118.00	/R	68	1 901.03/13
2	901 108 117 AX	carburettor WEBER 40 IDT P3C1 with intake trumpet  we take back: 901.108.117.01	/L	69	1 901.03/13 901.16/19
(2)	901 108 118 AX	carburettor WEBER 40 IDT P3C with intake trumpet  we take back: 901.108.118.01	/R	69	1 901.03/13 901.16/19

Model	Year	MG	SG	Illustration	Restrictions	UPD	11:00	26.01.2010	PORSCHE	PET	PORSCHE
ATK	2008	1	06	106-05		248					



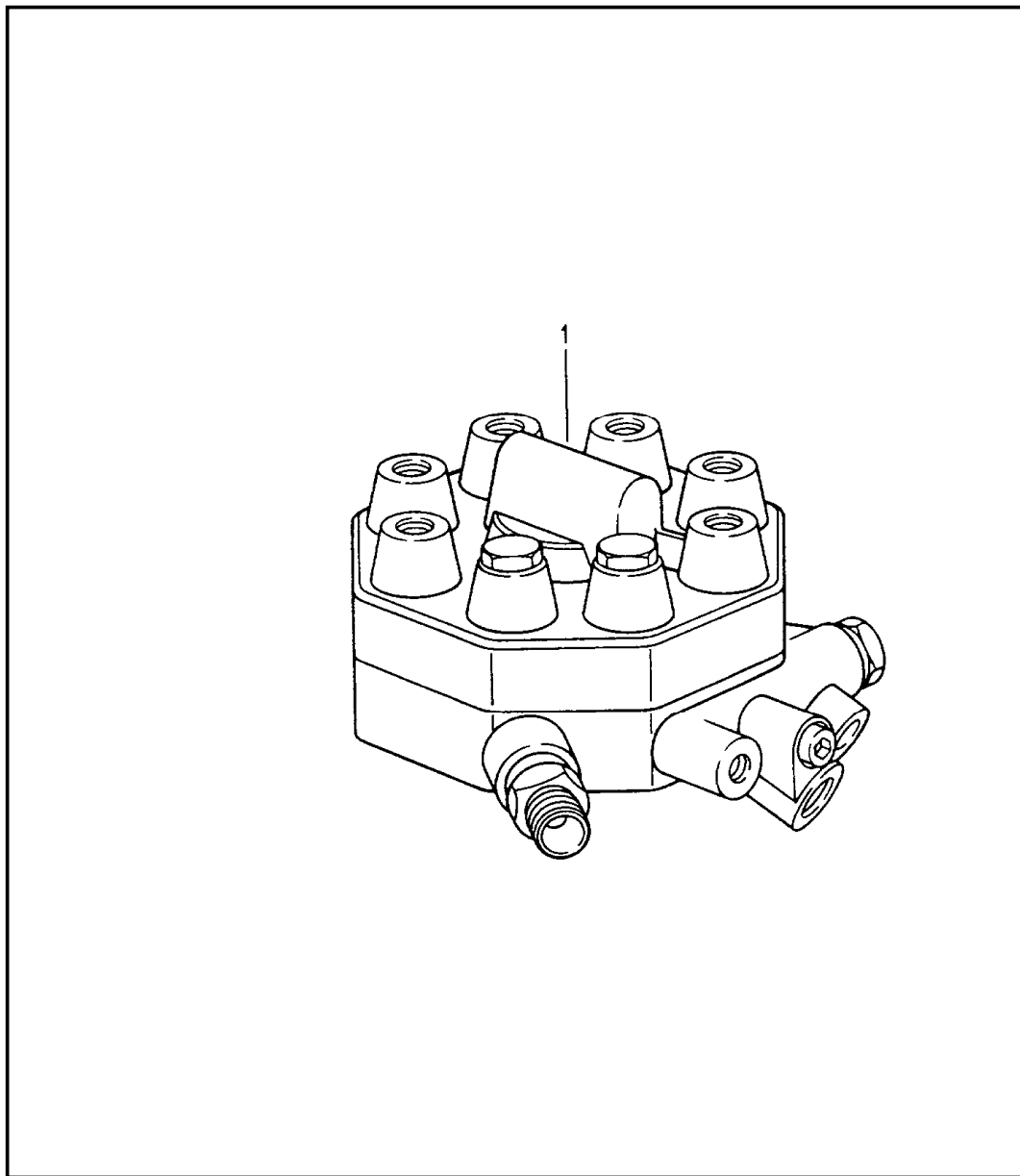
Pos	Part Number	Description	Remark	Qty	Model
		injection pump	69-		911
1	901 110 226 AX	injection pump BOSCH 0408 126 006	69	1	901.09/11
		we take back: 901.110.226.01			
2	911 110 221 X	injection pump BOSCH 0408 126 010	70- -71	1	911.01/04
		we take back: 911.110.221.00			
2	911 110 222 X	injection pump BOSCH 0408 126 009	70- -71	1	911.02
		we take back: 911.110.222.00			
2	911 110 251 X	injection pump BOSCH 0408 126 015	72- -73	1	911.51/61
		we take back: 911.110.251.00			
2	911 110 252 X	injection pump BOSCH 0408 126 014	72- -73	1	911.52/62
		we take back: 911.110.252.00			
2	911 110 253 X	injection pump BOSCH 0408 126 013/021	72- -73	1	911.53/63
		we take back: 911.110.253.00			
2	911 110 254 X	injection pump BOSCH 0408 126 019	74- -76	1	/88 911.83
		we take back: 911.110.254.00			

Model	Year	MG	SG	Illustration	Restrictions	UPD	11:40	26.01.2010	PORSCHE	PET	PORSCHE
ATK	2008	1	06	106-10		248					



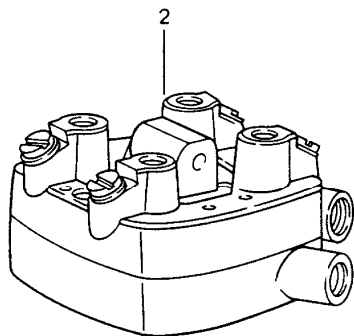
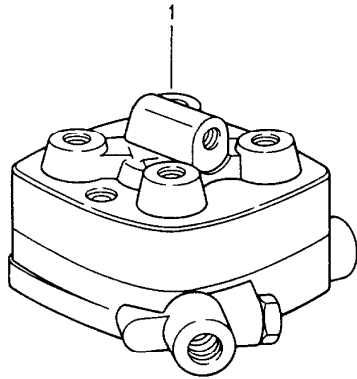
Pos	Part Number	Description	Remark	Qty	Model
		fuel distributor	76-		911
1	930 110 802 X	fuel distributor BOSCH 0438 100 010	76- -77	1	930.02/12
		we take back: 930.110.802.00			

Model	Year	MG	SG	Illustration	Restrictions	UPD	11:40	26.01.2010	PORSCHE	PET	PORSCHE
ATK	2008	1	06	106-15		248					



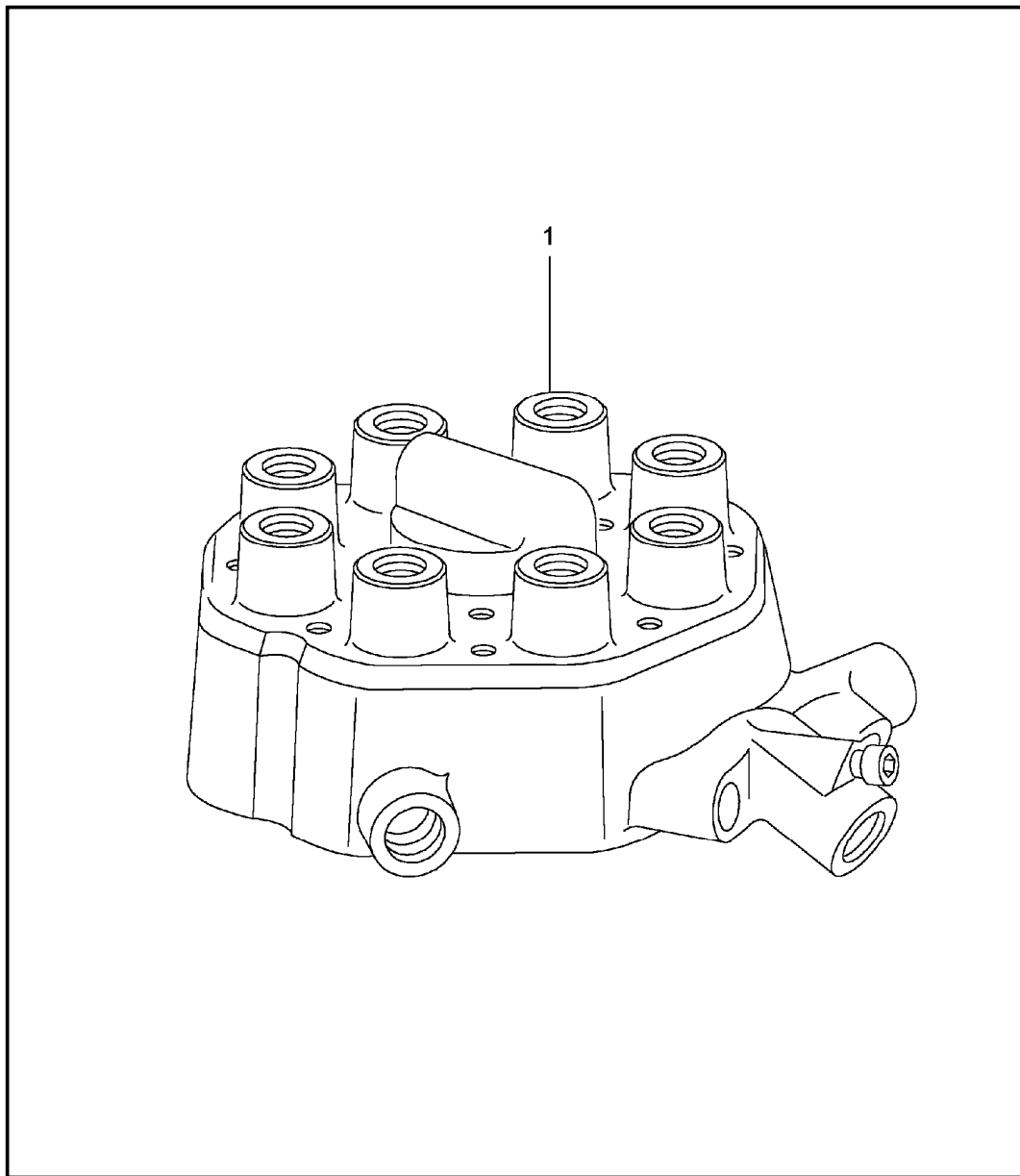
Pos	Part Number	Description	Remark	Qty	Model
		fuel distributor	76-		911 TURBO
1	930 110 804 X	fuel distributor BOSCH 0438 100 016	76- -77	1	930.51-54
		we take back: 930.110.804.00			
1	930 110 909 X	fuel distributor BOSCH 0438 100 037	78- -89	1	930.60-66
		we take back: 930.110.909.00			
1 A	930 110 923 X	fuel distributor BOSCH 0438 100 145	91- -92 93- -94	1	M30.69 M64.50
		we take back: 930.110.923.00			

Model	Year	MG	SG	Illustration	Restrictions	UPD	11:40	26.01.2010	PORSCHE	PET	PORSCHE
ATK	2008	1	06	106-40		248					



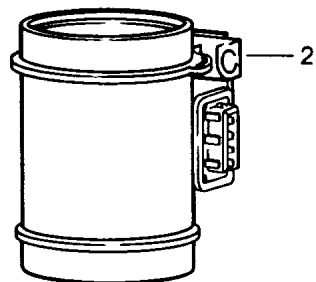
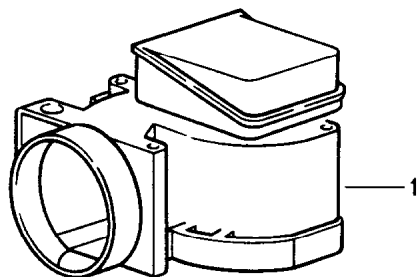
Pos	Part Number	Description	Remark	Qty	Model
		fuel distributor	76-80		924 924 TURBO
1	063 133 481 X	fuel distributor BOSCH 0438 100 005/039  we take back: 063.133.481	76-85	1	XJ/XK
2	931 110 907 X	fuel distributor BOSCH 0438 100 047  we take back: 931.110.907.00	80	1	M31.01

Model	Year	MG	SG	Illustration	Restrictions	UPD	11:41	26.01.2010	PORSCHE	PET	PORSCHE
ATK	2008	1	06	106-80		248					



Pos	Part Number	Description	Remark	Qty	Model
		fuel distributor see technical information GR.2 NR.9 09.02.81	78-		928/928S
1	928 110 906 X	fuel distributor BOSCH 0438 100 027  we take back: 928.110.906.00	78- -79 80- -83	1	-04 M28.01 -12 M28.09

Model	Year	MG	SG	Illustration	Restrictions	UPD	11:41	26.01.2010	PORSCHE	PET	PORSCHE
ATK	2008	1	07	107-00		248					



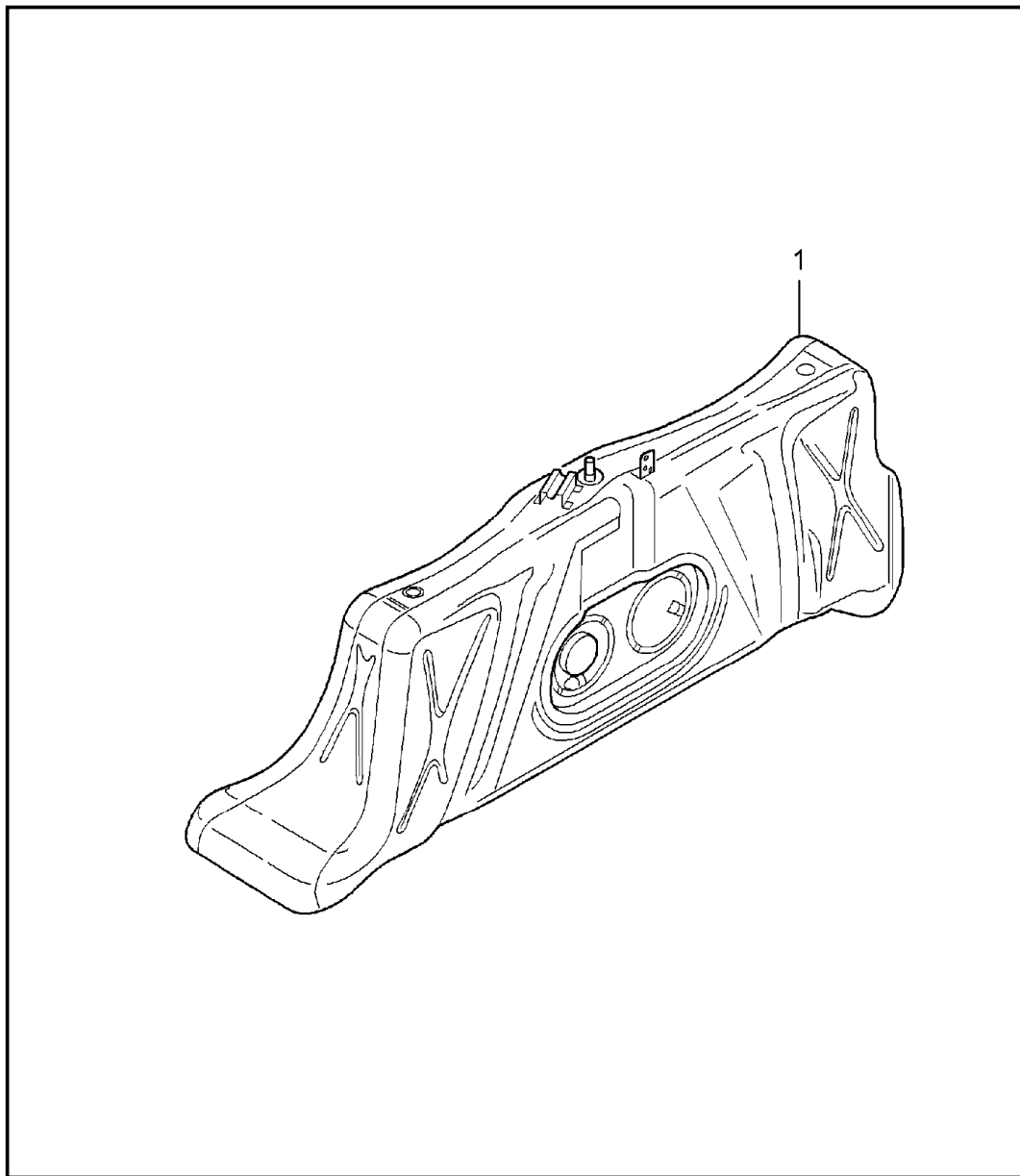
Pos	Part Number	Description	Remark	Qty	Model
		mass air flow meter	84- 84- 82- 92-		911 928 944/TURBO 968
1	A 930 606 123 X	mass air flow meter use also: 4 X 900.081.060.02  we take back: 930.606.123.00 BOSCH 0280.203.023	84- -89 85- 89- 90-	1	930.20/21  930.25/26 M64.01 M64.02/03
1	964 606 050 X	mass air flow meter use also: 4 X 900.081.060.02  we take back: 964.606.050.00	84- -89 85- 89- 90-	1	930.20./21  930.25/26 M64.01 M64.02/03
1	944 606 121 X	mass air flow meter  we take back: 944.606.121.00 BOSCH 0280.202.028	82-	1	-04 M44.01
1	944 606 121 AX	mass air flow meter  we take back: 944.606.121.01 BOSCH 0280.202.064	85-	1	-12 M44.05
1	951 606 121 AX	mass air flow meter  we take back: 951.606.121.01 BOSCH 0280.203.026	86-	1	-52 M44.50
1	944 606 124 X	mass air flow meter we take back: 944.606.124.00 BOSCH 0280.203.029	87-	1	M44.40/41
2	951 606 125 BX	mass air flow meter we take back: 951.606.125.01/02 BOSCH 0280.213.017	92-	1	M44.43/44
2	928 606 141 X	mass air flow meter  we take back: 928.606.141.00 BOSCH 0280.214.001	84- 85- 92-	1	M28.21/22 -47 M28.41 M28.49/50

Model	Year	MG	SG	Illustration	Restrictions	UPD	11:41	26.01.2010	PORSCHE	PET	PORSCHE
ATK	2008	1	07	107-00		248					

Pos	Part Number	Description	Remark	Qty	Model	Pos	Part Number	Description	Remark	Qty	Model
(2)	A 993 606 123 X	mass air flow meter we take back: 993.606.123.00 BOSCH 0280.217.803	94- 95-	1	M 64.04-08 M 64.11-14						

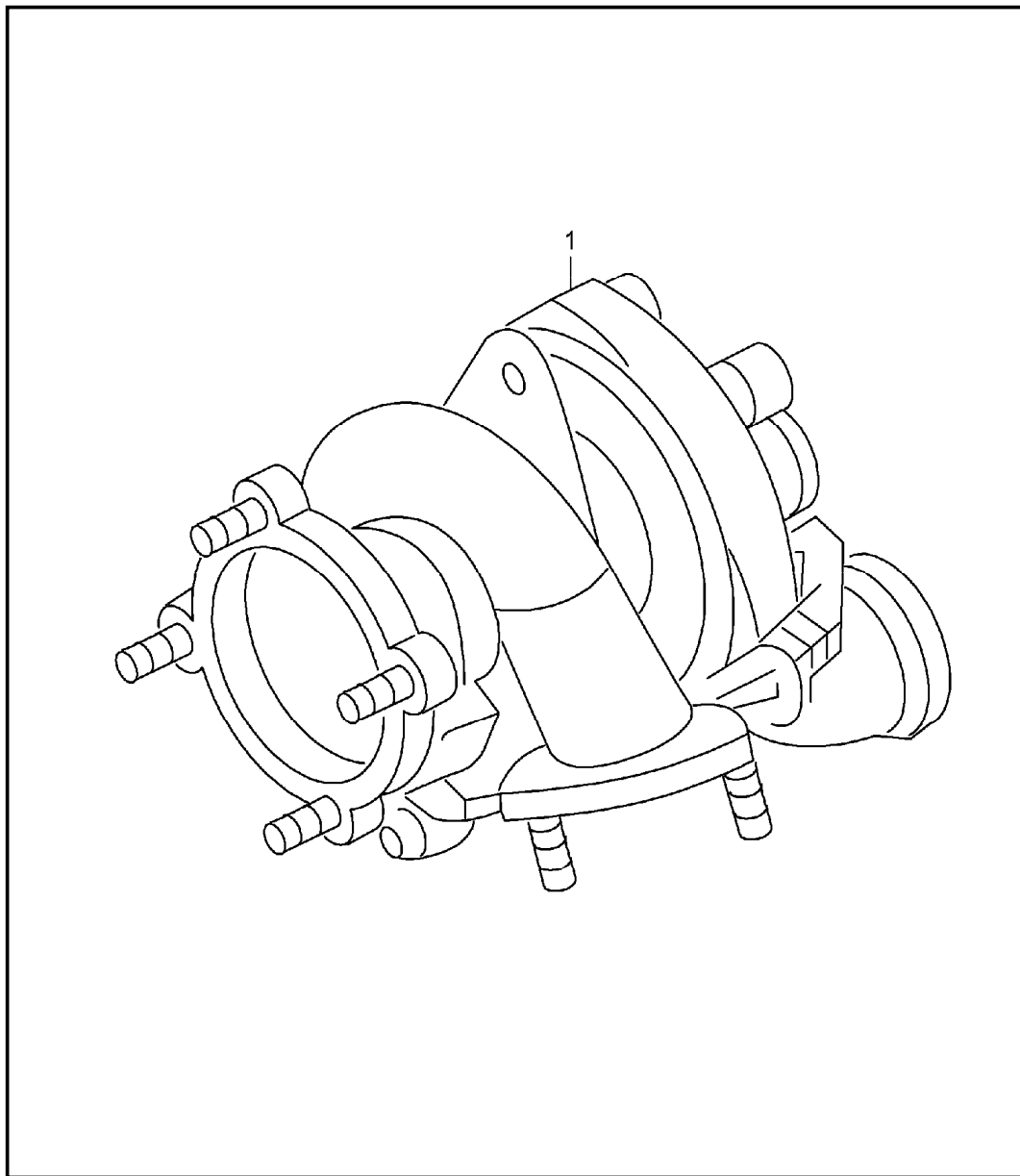


Model	Year	MG	SG	Illustration	Restrictions	UPD	11:41	26.01.2010	PORSCHE	PET	PORSCHE
ATK	2008	2	01	201-00		248					



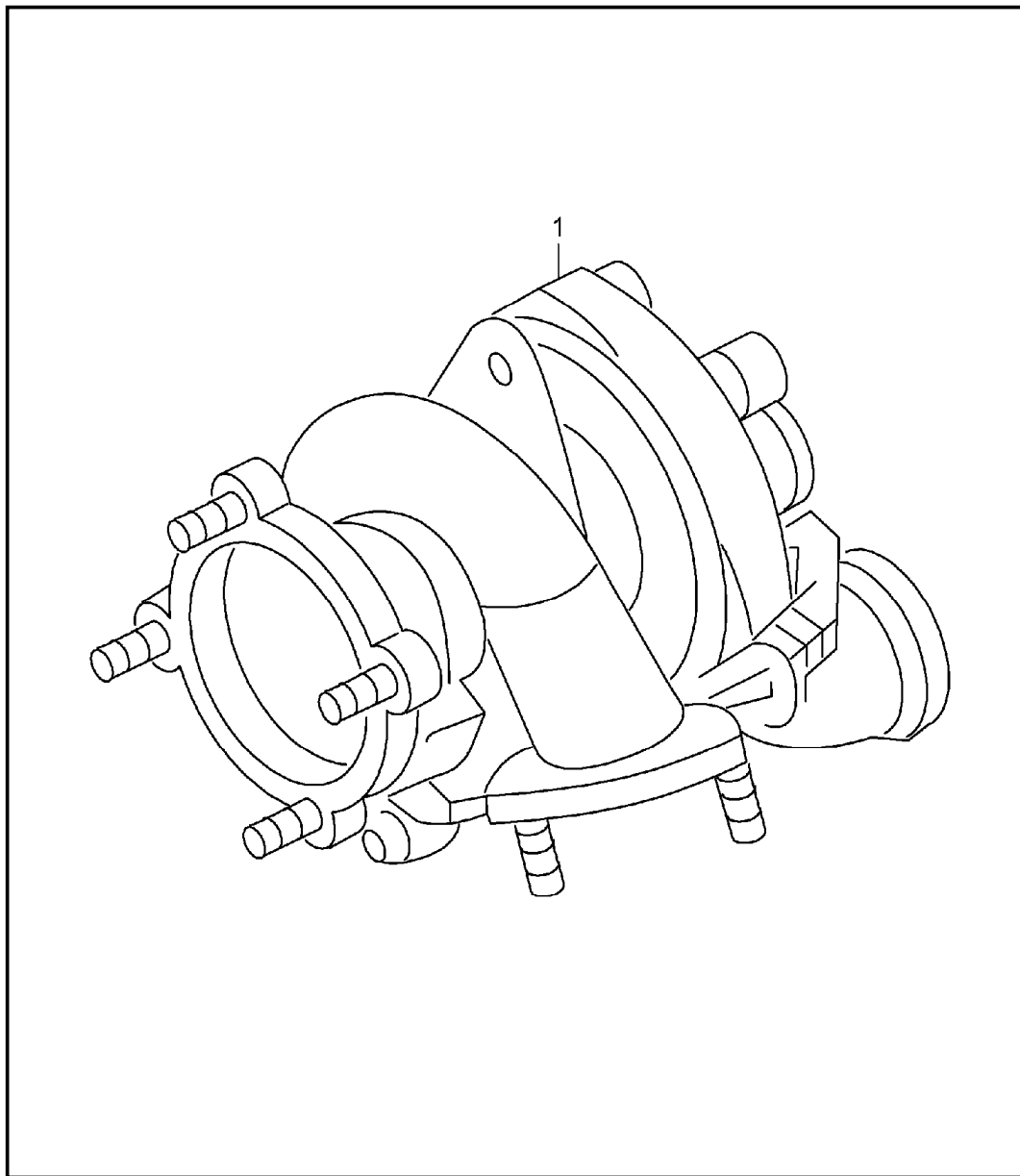
Pos	Part Number	Description	Remark	Qty	Model
		fuel tank complete	04		CARRERA GT
1	980 201 013 CX	fuel tank we take back: 980.201.013.03		1	

Model	Year	MG	SG	Illustration	Restrictions	UPD	11:41	26.01.2010	PORSCHE	PET	PORSCHE
ATK	2008	2	02	202-00		248					



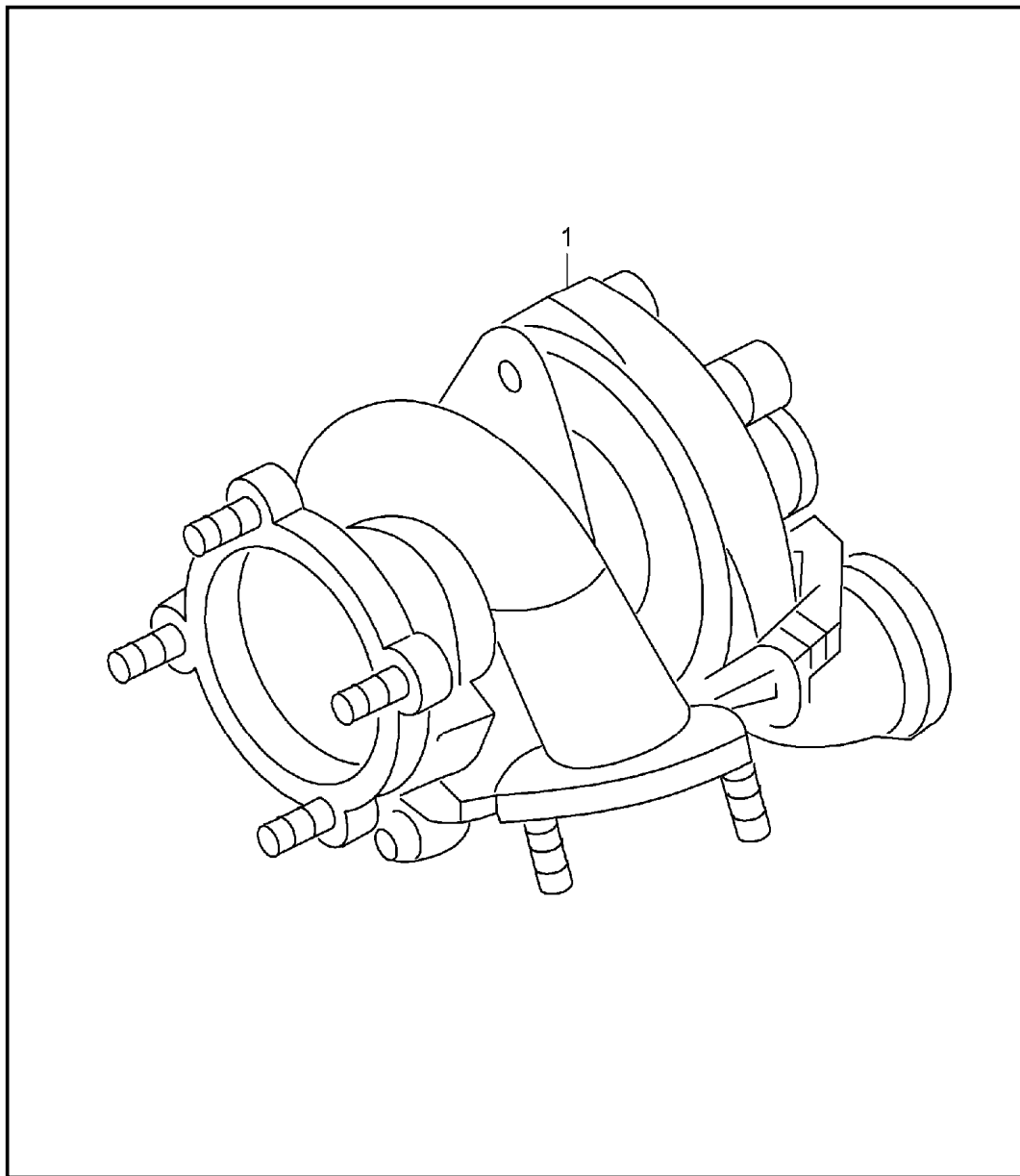
Pos	Part Number	Description	Remark	Qty	Model
		turbocharger	75-		911 TURBO
1	930 123 002 X	turbocharger KKK 2802  we take back: 930.123.002.00	75- -77	1	930.50-54
1	930 123 003 AX	turbocharger KKK 3100  we take back: 930.123.003.01	78- -89	1	930.60-68
1 A	930 123 003 BX	turbocharger KKK 5327 015 07 29  we take back: 930.123.003.02	91- -92 93- -94	1	M30.69  M64.50

Model	Year	MG	SG	Illustration	Restrictions	UPD	11:41	26.01.2010	PORSCHE	PET	PORSCHE
ATK	2008	2	02	202-40		248					



Pos	Part Number	Description	Remark	Qty	Model
		turbocharger	80-		924 TURBO
1	931 123 002 FX	turbocharger KKK 7007	80	1	M31.01
		we take back: 931.123.002.02/05/06/09			
1	931 123 004 BX	turbocharger KKK 6022	81- -84	1	M31.03/04
		we take back: 931.123.004.02/07			

Model	Year	MG	SG	Illustration	Restrictions	UPD	11:42	26.01.2010	PORSCHE	PET	PORSCHE
ATK	2008	2	02	202-45		248					

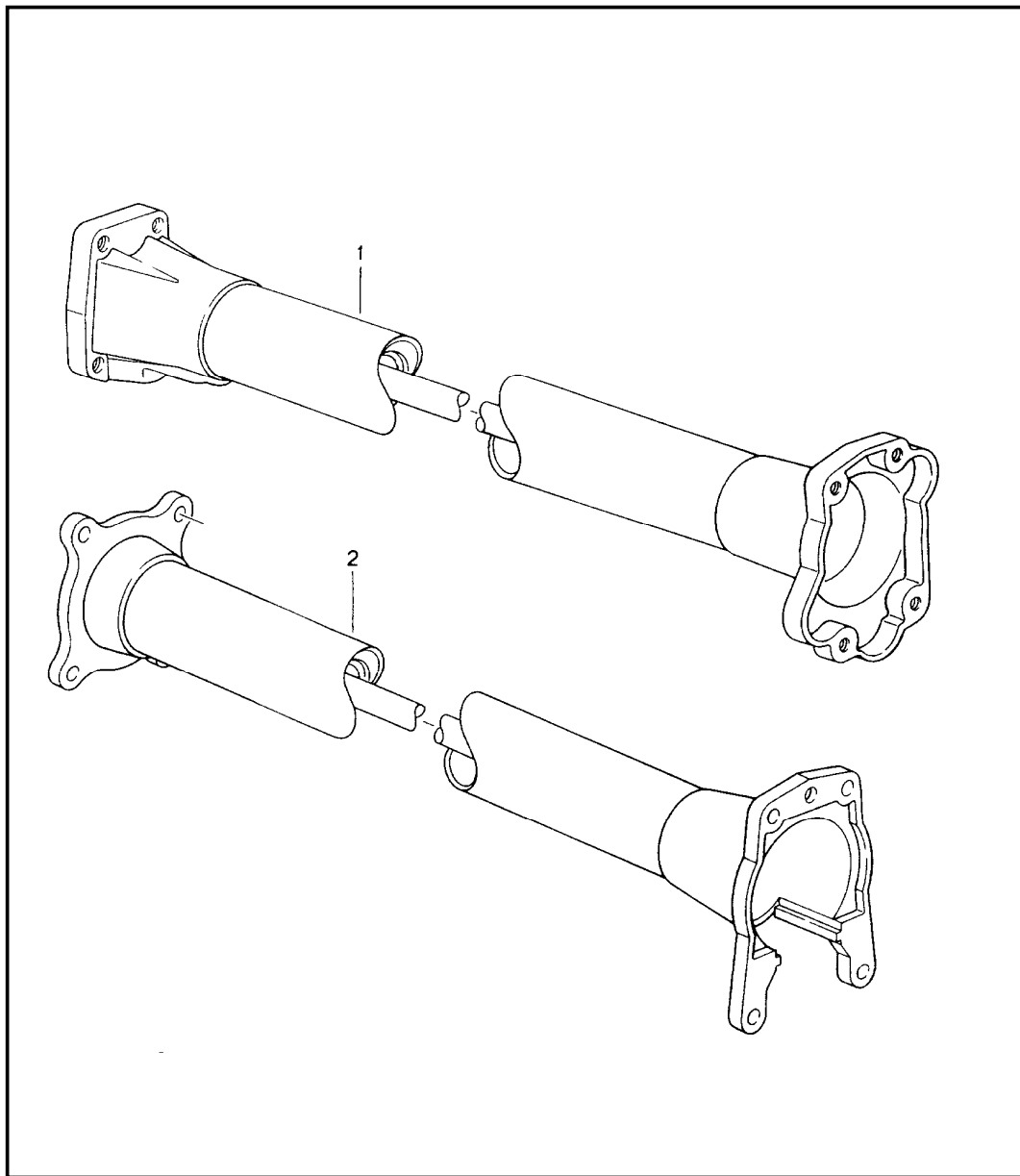


Pos	Part Number	Description	Remark	Qty	Model
		turbocharger	86-		944 TURBO
1	951 123 131 AX	turbocharger KKK 6720	86- -88	1	M44.51
		we take back: 951.123.131.01			
1	951 123 131 BX	turbocharger KKK 6720		1	M44.51
		we take back: 996.123.131.01/02			
1 A	951 123 131 CX	turbocharger KKK 7041	89- -91	1	M44.52
		we take back: 951.123.131.03			

Model	Year	MG	SG	Illustration	Restrictions	UPD	11:42	26.01.2010
ATK	2008	2	02	202-50		248		

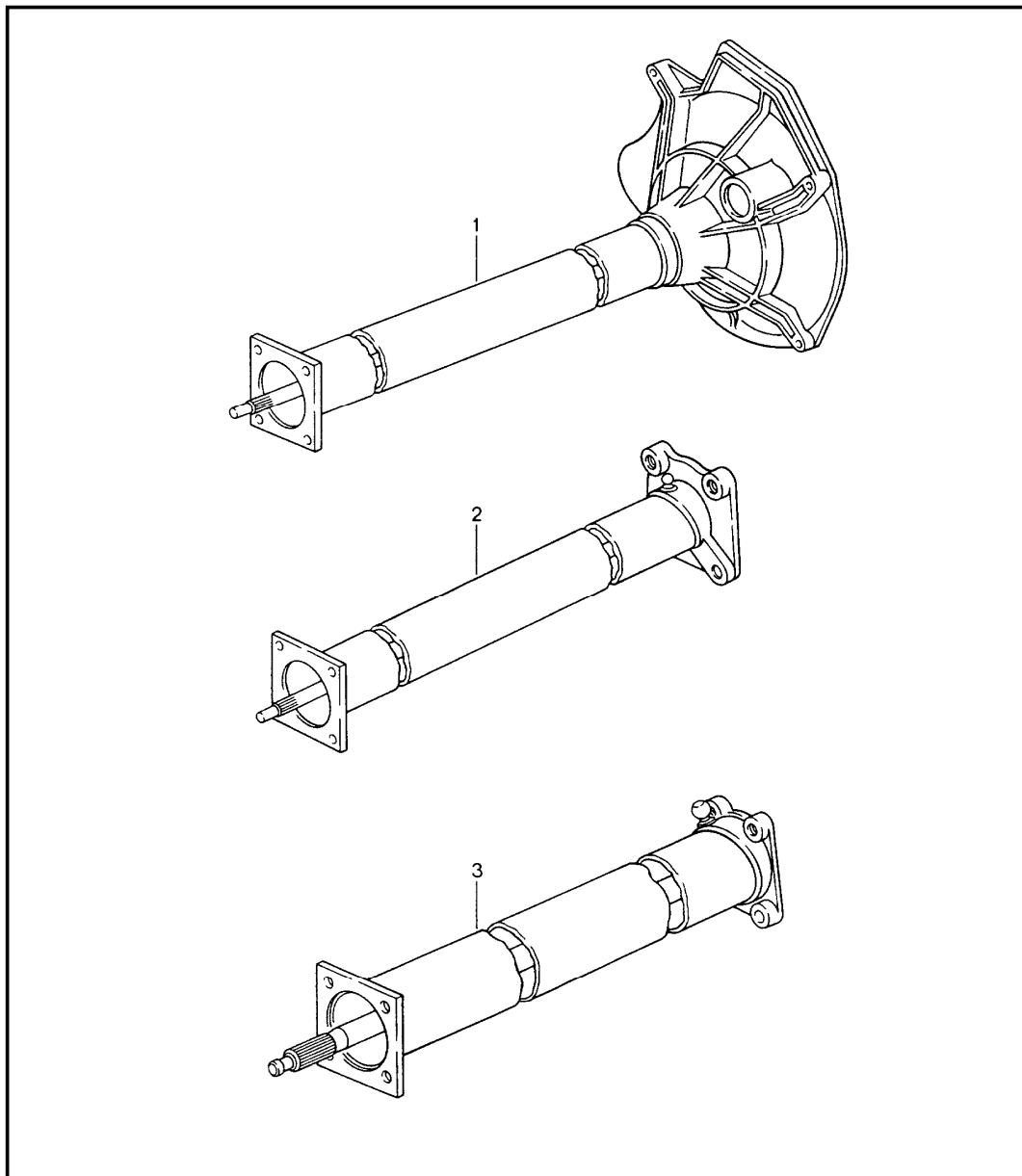
Pos	Part Number	Description	Remark	Qty	Model
-	997 123 013 X	turbocharger cyl. 1 - 3  we take back: 997.123.013.75	08- 08- 08-	1	911 TURBO 911 GT2
-	997 123 014 X	turbocharger cyl. 4 - 6  we take back: 997.123.014.75	08-	1	
-	997 123 077 X	turbocharger cyl. 1 - 3  we take back: 997.123.077.72	08-	1	I101
-	997 123 078 X	turbocharger cyl. 4 - 6  we take back: 997.123.078.72	08-	1	I101

Model	Year	MG	SG	Illustration	Restrictions	UPD	11:42	26.01.2010	PORSCHE	PET	PORSCHE
ATK	2008	3	01	301-00		248					



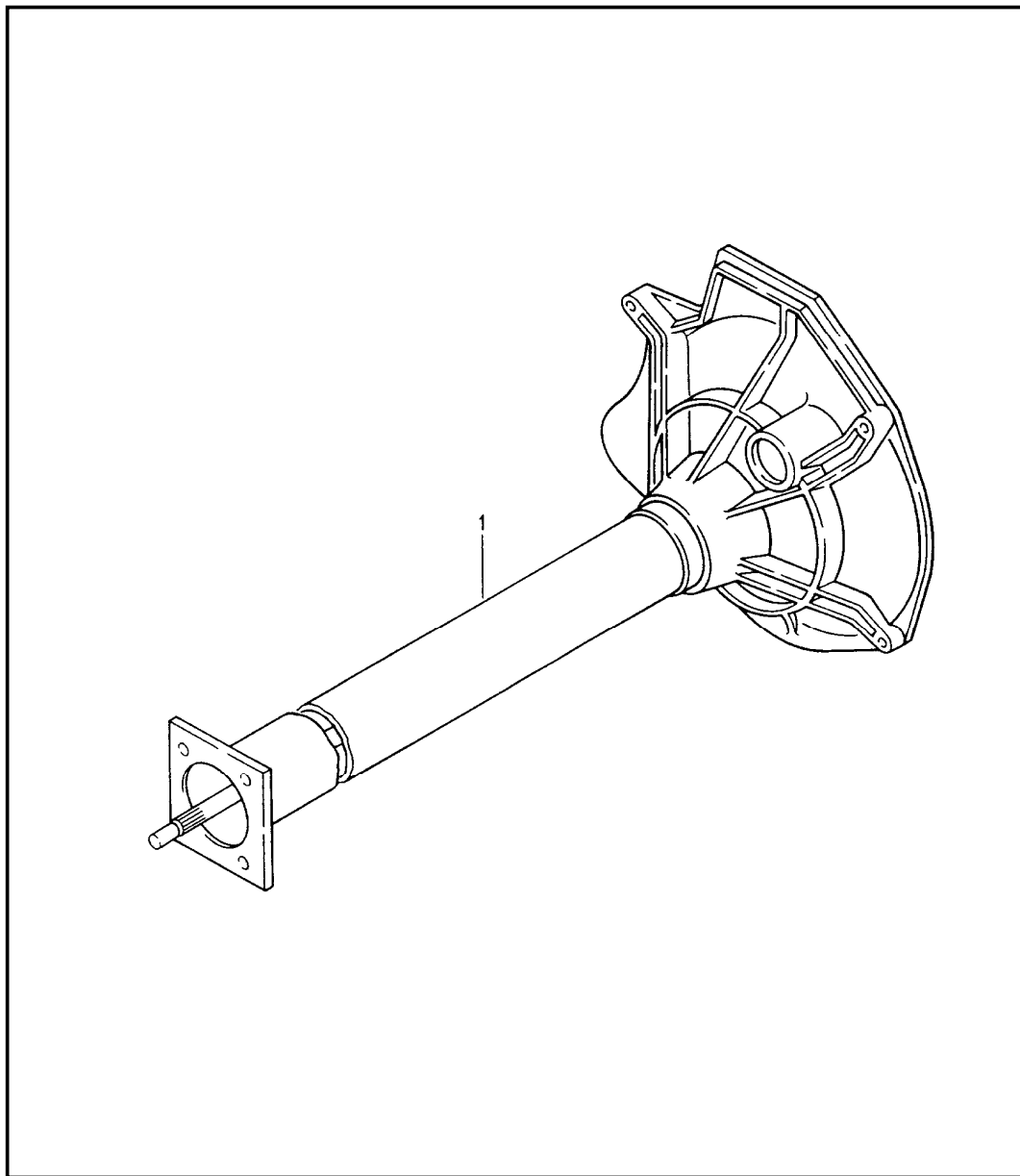
Pos	Part Number	Description	Remark	Qty	Model
1	964 421 012 X	central tube ready for installation 1401MM  we take back: 964.421.012.21	89- 89- -94	1	CARRERA 4
2	964 421 012 AX	central tube ready for installation  we take back: 964.421.012.24	95- -98	1	

Model	Year	MG	SG	Illustration	Restrictions	UPD	11:42	26.01.2010	PORSCHE	PET	PORSCHE
ATK	2008	3	01	301-40		248					



Pos	Part Number	Description	Remark	Qty	Model
		central tube manual transmission	76- -85 79-		924 924 TURBO/GT
1	477 521 230 BX	central tube ready for installation  we take back: 477.521.230/230.B	76- -85	1	924 VQ/MD/UV/MF XT/YR
2	477 521 230 AX	central tube ready for installation only together with porsche 5th gear transmission  we take back: 477.521.230.A	78- -79	1	924 VA/VB
3	931 421 012 AX	central tube ready for installation  we take back: 931.421.012.01	79- -84	1	TURBO/GT -03 G31.01

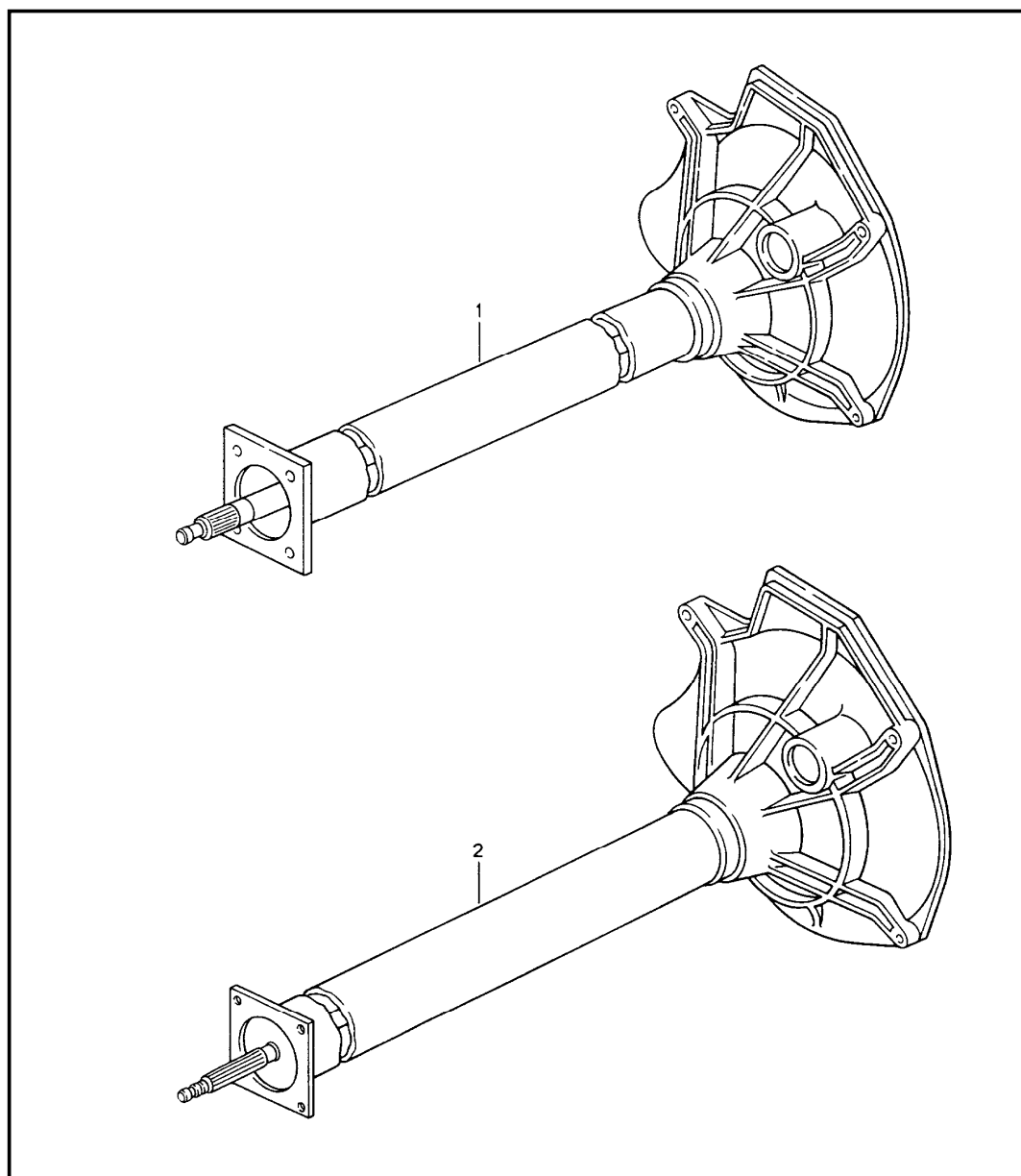
Model	Year	MG	SG	Illustration	Restrictions	UPD	11:42	26.01.2010	PORSCHE	PET	PORSCHE
ATK	2008	3	01	301-41		248					



Pos	Part Number	Description	Remark	Qty	Model
		central tube automatic transmission	77- -85		924
1	477 521 130 CX	central tube ready for installation automatic  we take back: 477.521.130.B/130.C	77- -85	1	RK/RL/RCC

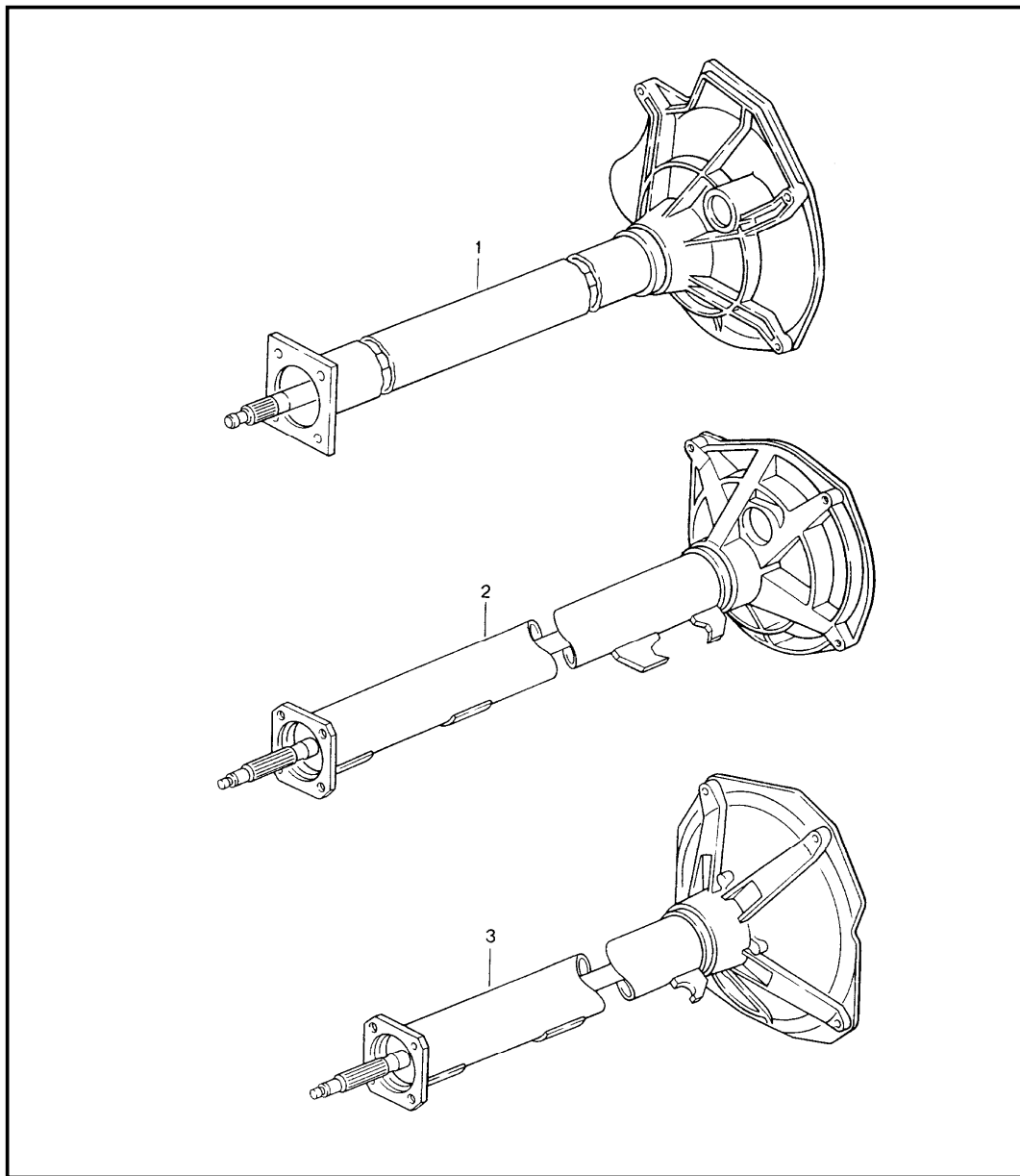


Model	Year	MG	SG	Illustration	Restrictions	UPD	11:43	26.01.2010	PORSCHE	PET	PORSCHE
ATK	2008	3	01	301-42		248					



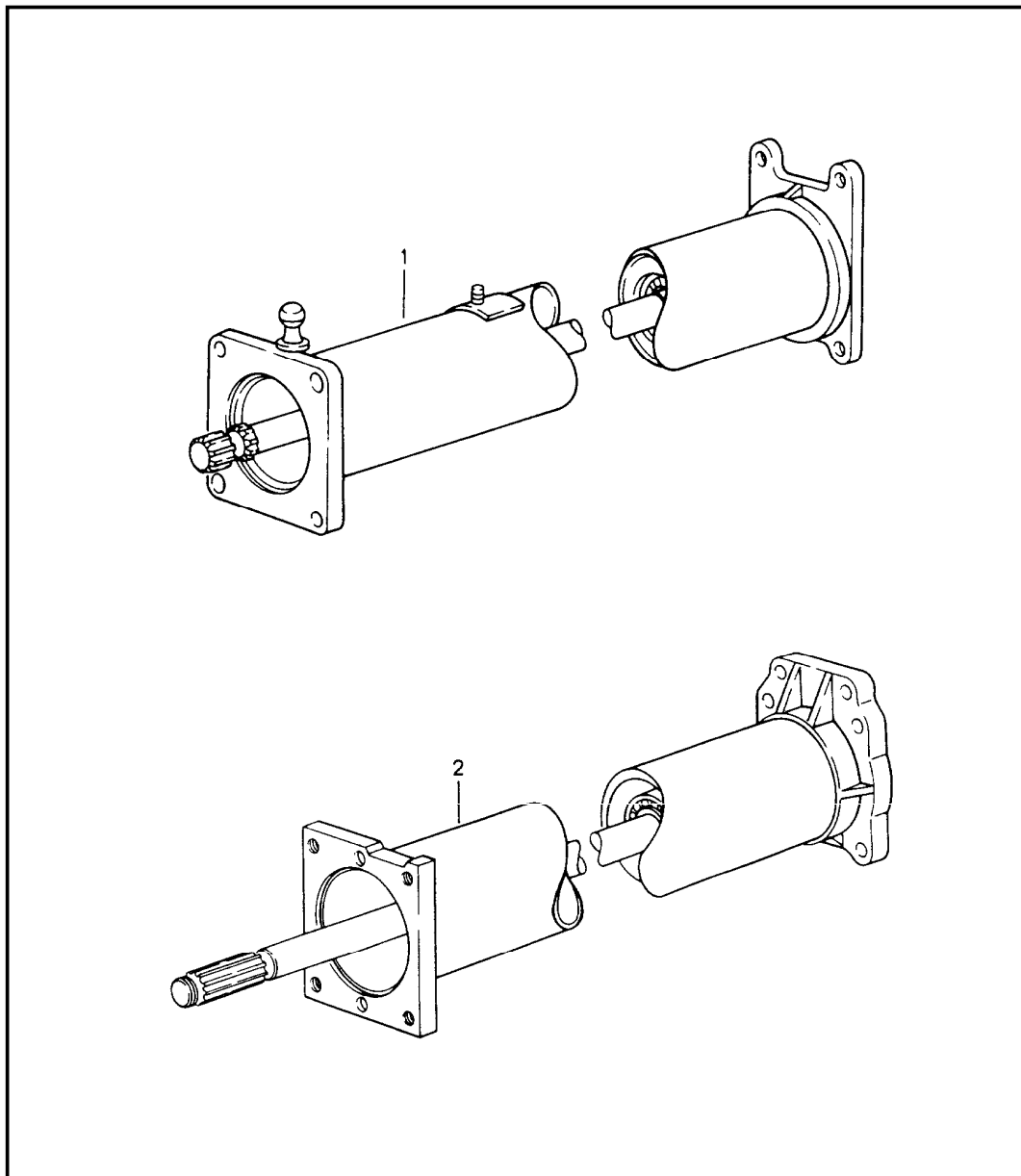
Pos	Part Number	Description	Remark	Qty	Model
		central tube for manual transmission and automatic transmission	82- -89 86- -91		924 S/944 944 TURBO
1	944 421 012 X	central tube ready for installation for manual transmission without hook	82- -85 86- -88	1	944 QK/QM/QL 7Q/8Q/4M 924 S
		we take back: 944.421.012.00			
(1)	944 421 012 BX	central tube ready for installation for manual transmission with hook	85- -89 86- -91	1	944 944 TURBO 5Y/5Z/5S 7V/5P/5R
		we take back: 944.421.012.02			
2	944 421 107 AX	central tube ready for installation for automatic transmission without hook	82- -85 86- -88	1	944 AUT. RH/RCA/RCE 924 S AUT.
		we take back: 944.421.107.00/01			
(2)	944 421 107 CX	central tube ready for installation for automatic transmission with hook	85- -89	1	944 AUT. RCE/RCF
		we take back: 944.421.107.03			

Model	Year	MG	SG	Illustration	Restrictions	UPD	11:43	26.01.2010	PORSCHE	PET	PORSCHE
ATK	2008	3	01	301-45		248					



Pos	Part Number	Description	Remark	Qty	Model
		central tube for manual transmission and automatic transmission	89- -91 92- -95		944 S 2 968
1	A 944 421 012 DX	central tube	89-	1	944 S 2
1	944 421 012 EX	central tube ready for installation for manual transmission  we take back: 944.421.012.05/15	89- -91	1	944 S 2
2	944 421 012 CX	central tube ready for installation for manual transmission  we take back: 944.421.012.19/21	92- -95	1	968
3	944 421 107 EX	central tube ready for installation for tiptronic  we take back: 944.421.107.05	92- -95	1	968

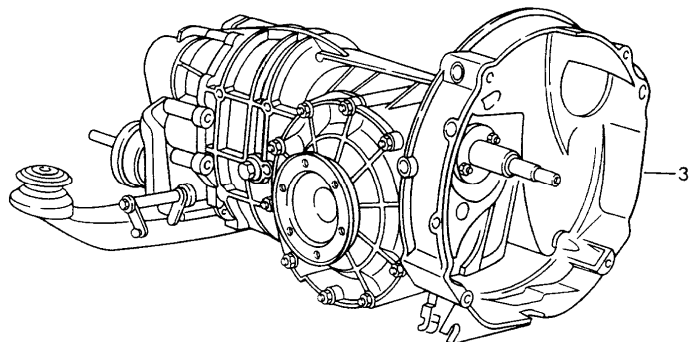
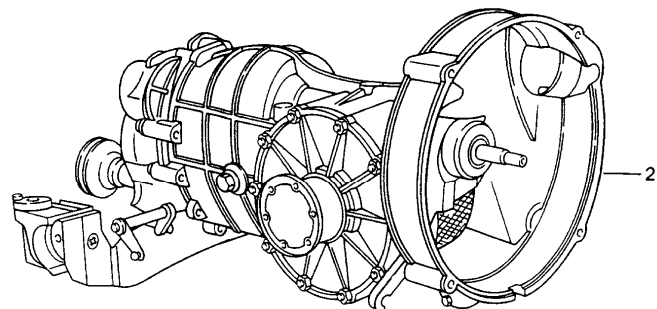
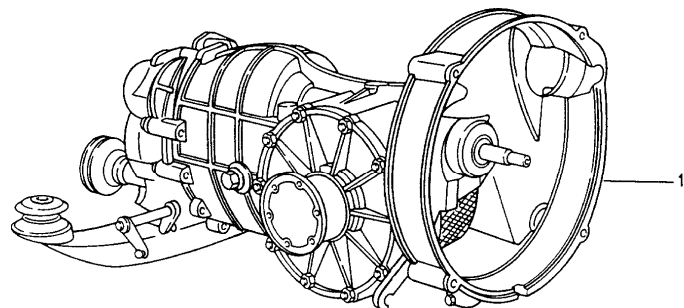
Model	Year	MG	SG	Illustration	Restrictions	UPD	9:24	03.02.2010	PORSCHE	PET	PORSCHE
ATK	2008	3	01	301-80		248					



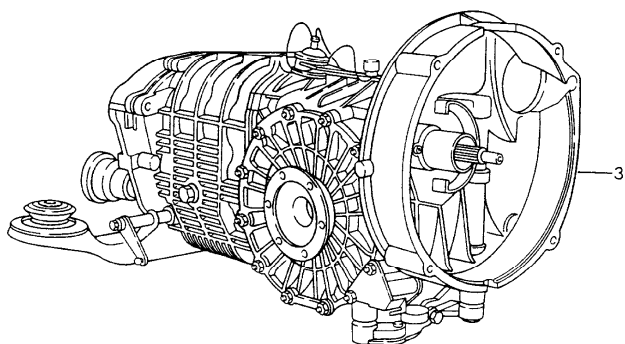
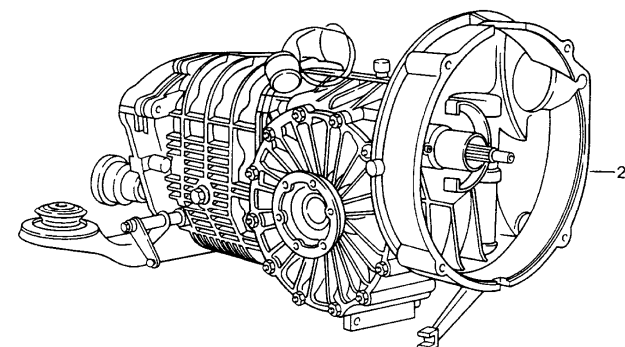
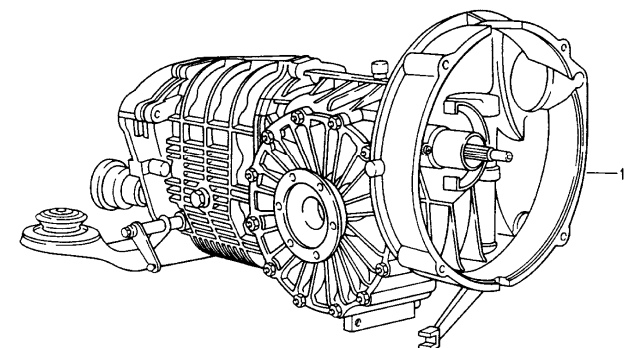
Pos	Part Number	Description	Remark	Qty	Model
		central tube	78-		928
		technical information group 3 NR.9 attention			
1	928 421 012 CX	central tube ready for installation for manual transmission 1446 MM	78- -80	1	G28.03
		we take back: 928.421.012.12-14			
1	928 421 012 DX	central tube ready for installation for manual transmission 1416 MM	81- -84 83- -86 87-	1	G28.05/07 G28.08/10 -57 G28.12
		we take back: 928.421.012.20/26			
2 A	922 421 012 X	central tube ready for installation for automatic transmission 1128 MM	78- -82	1	A22.01/02
		we take back: 922.421.012.00			
2	922 421 012 CX	central tube ready for installation for automatic transmission 1128 MM	78- -83 80- -83	1	A22.01/02 A22.04
		we take back: 922.421.012.00/03			
2	960 421 012 BX	central tube ready for installation for automatic transmission 1181 MM	83- -87 88- -91 92-	1	-12 A28.01 A28.14/16 A28.18
		we take back: 960.421.012.002/04/05/07			

Model	Year	MG	SG	Illustration	Restrictions	UPD	12:21	26.01.2010	PORSCHE	PET	PORSCHE
ATK	2008	3	02	302-00		248					

Pos	Part Number	Description	Remark	Qty	Model
		manual transmission	65-		911/912 902.1-05 911.01
1	901 300 902 X	manual transmission 5th gear ready for installation  we take back: 901.300.902.00	65	1	902.1
2	902 300 010 AX	manual transmission 4th speed ready for installation  we take back: 902.300.010.01	68	1	902.01
2	902 300 010 DX	manual transmission 4th speed ready for installation  we take back: 902.300.010.04	69	1	902.04
2	902 300 012 EX	manual transmission 5th gear ready for installation  we take back: 902.300.012.05	69	1	902.05
3	911 300 012 AX	manual transmission 5th gear ready for installation  we take back: 911.300.012.01	70- -71	1	911.01



Model	Year	MG	SG	Illustration	Restrictions	UPD	13:02	26.01.2010	PORSCHE	PET	PORSCHE
ATK	2008	3	02	302-01		248					



Pos	Part Number	Description	Remark	Qty	Model
		manual transmission	72-		911 915.02-73
1	915 300 010 MX	manual transmission 4th speed ready for installation  we take back: 915.300.010.12	72-	1	915.12
1	915 300 010 BX	manual transmission 5th gear ready for installation  we take back: 915.300.010.02	72-	1	915.02
1	915 300 010 RX	manual transmission 4th speed ready for installation  we take back: 915.300.010.16	74	1	915.16
1	915 300 010 FX	manual transmission 5th gear ready for installation  we take back: 915.300.010.06	74	1	915.06
1	915 300 010 GX	manual transmission 4th speed ready for installation  we take back: 915.300.010.48	75	1	915.48
1	915 300 010 AX	manual transmission 5th gear ready for installation  we take back: 915.300.010.40	75	1	915.40
2	915 300 010 DX	manual transmission 5th gear ready for installation electric speedometer  we take back: 915.300.010.44	76	1	915.44
2	915 300 010 KX	manual transmission 5th gear ready for installation electric speedometer	77	1	915.60

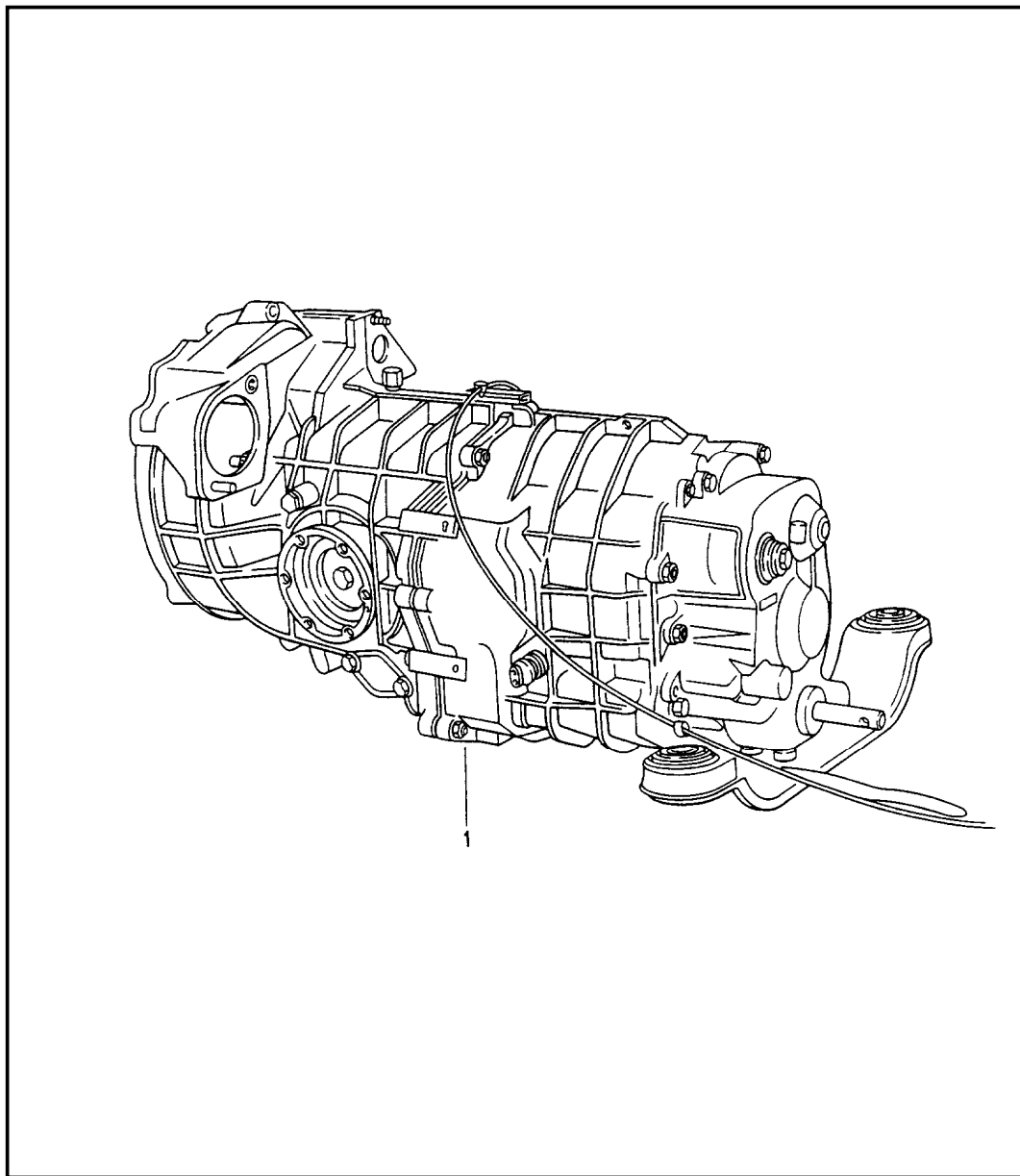
Model	Year	MG	SG	Illustration	Restrictions	UPD	13:02	26.01.2010	PORSCHE	PET	PORSCHE
ATK	2008	3	02	302-01		248					

Pos	Part Number	Description	Remark	Qty	Model	Pos	Part Number	Description	Remark	Qty	Model
3	915 300 010 SX	we take back: 915.300.010.60 manual transmission 4th speed ready for installation electric speedometer clutch spring  we take back: 915.300.010.66	77-	1	915.66	(3)	915 300 020 QX	manual transmission  5th gear limited-slip differential ready for installation electric speedometer clutch spring radiator coil oil pump lateral	84	1	/12 915.67
3	915 300 010 LX	manual transmission 5th gear ready for installation electric speedometer clutch spring  we take back: 915.300.010.61	77-	1	915.61	(3)	915 300 001 X	manual transmission 5th gear ready for installation electric speedometer clutch spring radiator coil oil pump lateral	85-	1	915.72
3	915 300 010 NX	manual transmission 5th gear ready for installation electric speedometer clutch spring  we take back: 915.300.010.62	80-	1	915.62	(3)	915 300 001 CX	manual transmission  5th gear limited-slip differential ready for installation electric speedometer clutch spring radiator coil oil pump lateral	85-	1	/12 915.72
3	915 300 913 BX	manual transmission  5th gear ready for installation limited-slip differential electric speedometer clutch spring  we take back: 915.300.913.62	80-	1	/12 915.62	(3)	915 300 001 AX	manual transmission 5th gear ready for installation electric speedometer clutch spring radiator coil  we take back: 915.300.010.73	(J) 85-	1	915.73 M298
(3)	915 300 010 QX	manual transmission 5th gear ready for installation electric speedometer clutch spring radiator coil  we take back: 915.300.010.67	84	1	915.67	(3)	915 300 001 BX	manual transmission  5th gear limited-slip differential ready for installation electric speedometer clutch spring	(J) 85-	1	/12 915.73 M298

Model	Year	MG	SG	Illustration	Restrictions	UPD	13:02	26.01.2010	PORSCHE	PET	PORSCHE
ATK	2008	3	02	302-01		248					

Pos	Part Number	Description	Remark	Qty	Model	Pos	Part Number	Description	Remark	Qty	Model
		we take back: 915.300.020.73									

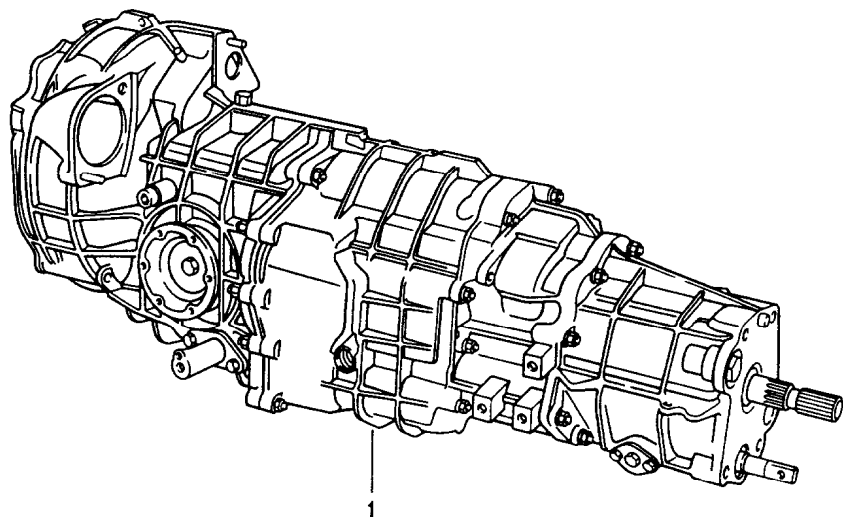
Model	Year	MG	SG	Illustration	Restrictions	UPD	13:02	26.01.2010	PORSCHE	PET	PORSCHE
ATK	2008	3	02	302-02		248					



Pos	Part Number	Description	Remark	Qty	Model
		manual transmission	87- 87-		959 911 G50.00 .12 G50.00 G50.02 .12 G50.02
-	959 300 030 X	replacement transmission  we take back: 959.300.030.01	87-	1	959
1	950 300 010 X	manual transmission 5th gear ready for installation electric speedometer  we take back: 950.300.010.00/05	87-	1	G50.00
1	950 300 020 X	manual transmission 5th gear limited-slip differential ready for installation electric speedometer  we take back: 950.300.020.00/05	87-	1	G 50/00.12
1	950 300 010 BX	manual transmission 5th gear ready for installation electric speedometer  we take back: 950.300.010.02	(CH) 87-	1	G50.02
1	950 300 020 BX	manual transmission 5th gear limited-slip differential ready for installation electric speedometer  we take back: 950.300.020.02	(CH) 87-	1	G 50/02.12



Model	Year	MG	SG	Illustration	Restrictions	UPD	13:02	26.01.2010	PORSCHE	PET	PORSCHE
ATK	2008	3	02	302-03		248					

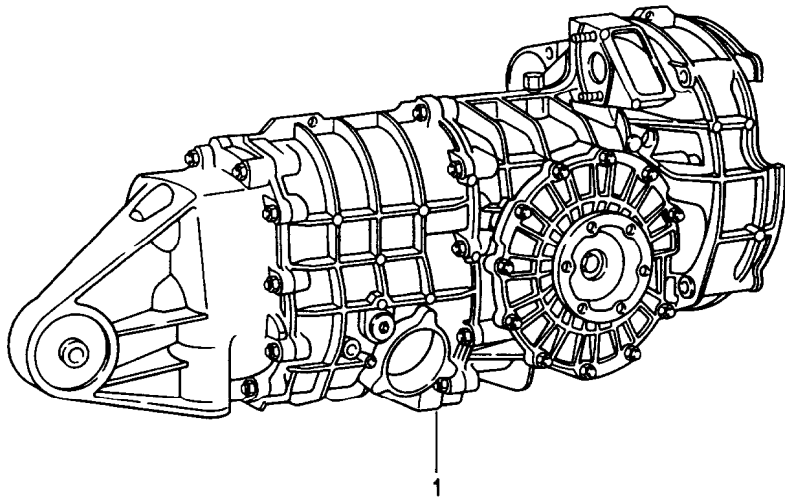


Pos	Part Number	Description	Remark	Qty	Model
		manual transmission		89-	CARRERA 4 G64.00 G64.01 G64.20 G64.21
1	964 300 030 X	manual transmission ready for installation limited-slip differential  we take back: 964.300.030.00		89	1 G64.00
1	964 300 030 AX	manual transmission ready for installation limited-slip differential  we take back: 964.300.030.01	(CH)	89	1 G64.01
1	964 300 030 BX	manual transmission ready for installation limited-slip differential  we take back: 964.300.030.02		90	1 G64.00
1	964 300 030 CX	manual transmission ready for installation limited-slip differential  we take back: 964.300.030.03	(CH)	90	1 G64.01
1	964 300 030 DX	manual transmission ready for installation limited-slip differential use also: 1X 950.116.080.07 1X 950.116.813.06  we take back: 964.300.030.04/07		91-	1 G64.00
1	964 300 030 EX	manual transmission ready for installation limited-slip differential use also: 1X 950.116.080.07 1X 950.116.813.06  we take back: 964.300.030.05/08	(CH)	91-	1 G64.01
1	964 300 030 FX	manual transmission ready for installation limited-slip differential		93-	1 G64.00 M491

Model	Year	MG	SG	Illustration	Restrictions	UPD	13:02	26.01.2010	PORSCHE	PET	PORSCHE
ATK	2008	3	02	302-03		248					

Pos	Part Number	Description	Remark	Qty	Model	Pos	Part Number	Description	Remark	Qty	Model
1	964 300 030 GX	we take back: 964.300.030.10 manual transmission ready for installation limited-slip differential	(CH)	93-	1 G64.01 M491						
(1)	964 300 020 HX	we take back: 964.300.030.11 manual transmission 6th gear ready for installation limited-slip differential		95-	1 G64.20						
(1)	964 300 020 JX	we take back: 964.300.020.20 manual transmission 6th gear ready for installation limited-slip differential  we take back: 964.300.020.21		95-	1 G64.21						

Model	Year	MG	SG	Illustration	Restrictions	UPD	13:03	26.01.2010	PORSCHE	PET	PORSCHE
ATK	2008	3	02	302-04		248					

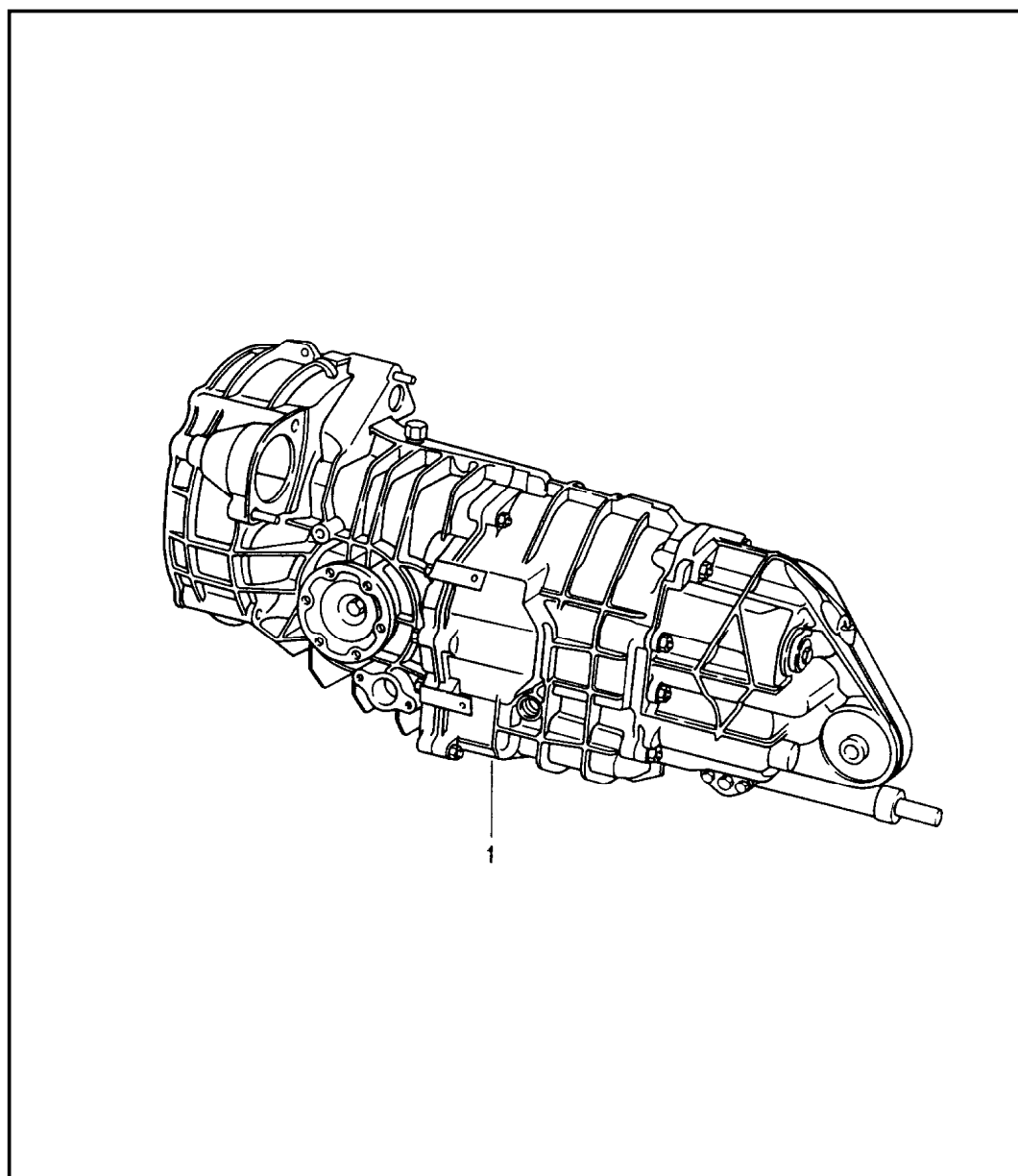


Pos	Part Number	Description	Remark	Qty	Model
		manual transmission		90-	CARRERA 2 G50.03 G50.04 G50.10
1	950 300 010 CX	manual transmission ready for installation		90	1 G50.03
		we take back: 950.300.010.03			
1	950 300 020 CX	manual transmission ready for installation limited-slip differential		90	1 G50.03
		we take back: 950.300.020.03			
1	950 300 010 HX	manual transmission ready for installation use also: 1X 950.116.080.07 1X 950.116.813.06		91-	1 G50.03
		we take back: 950.300.010.08/13			
1	950 300 020 HX	manual transmission ready for installation limited-slip differential use also: 1X 950.116.080.07 1X 950.116.813.06		91-	1 G50.03
		we take back: 950.300.020.08/13			
1	950 300 010 DX	manual transmission ready for installation	(CH)	90	1 G50.04
		we take back: 950.300.010.04			
1	950 300 020 DX	manual transmission ready for installation limited-slip differential	(CH)	90	1 G50.04
		we take back: 950.300.020.04			
1	950 300 010 JX	manual transmission ready for installation use also: 1X 950.116.080.07 1X 950.116.813.06	(CH)	91-	1 G50.04

Model	Year	MG	SG	Illustration	Restrictions	UPD	13:03	26.01.2010	PORSCHE	PET	PORSCHE
ATK	2008	3	02	302-04		248					

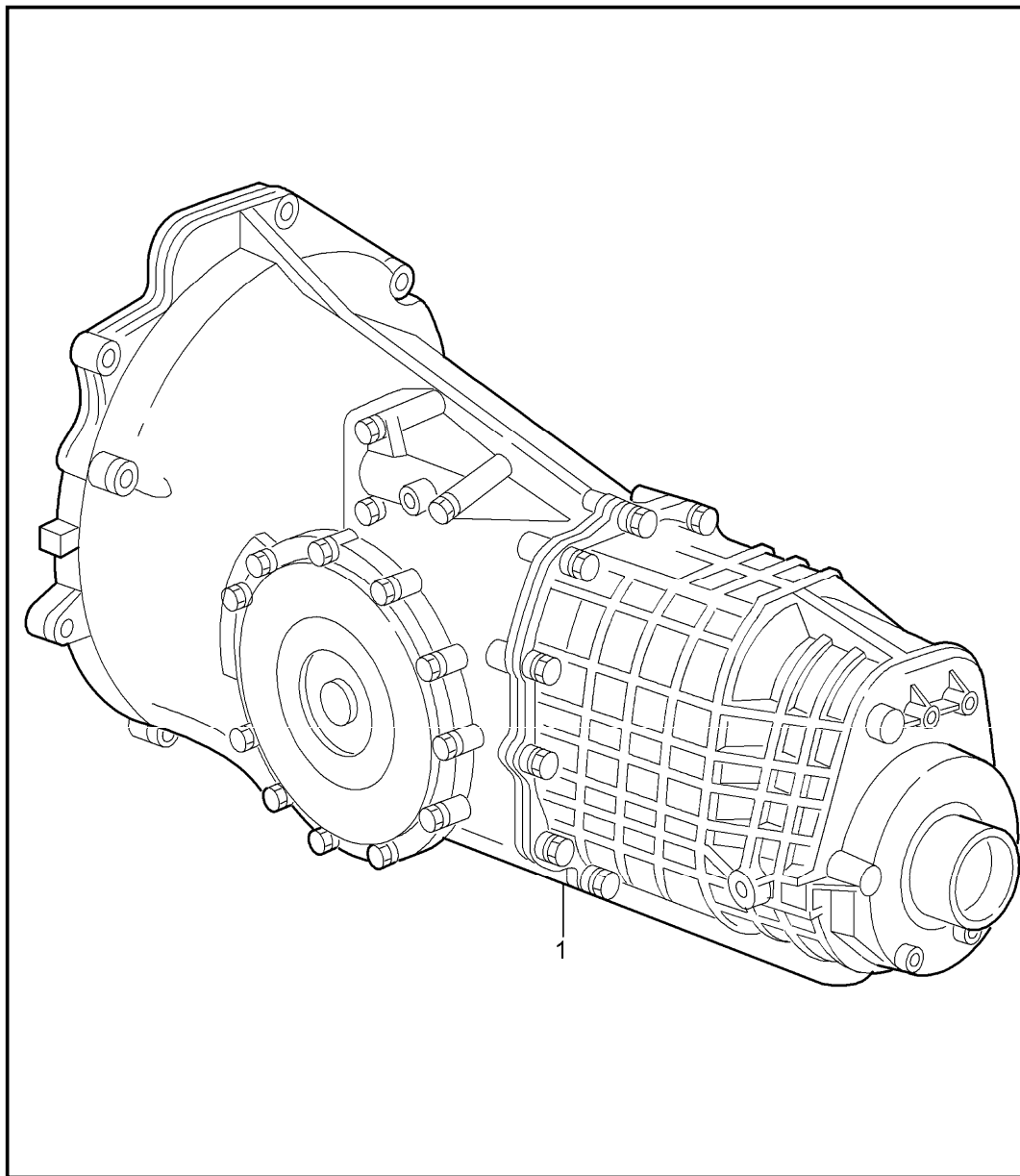
Pos	Part Number	Description	Remark	Qty	Model	Pos	Part Number	Description	Remark	Qty	Model
1	950 300 020 JX	<p>we take back: 950.300.010.09/14</p> <p>manual transmission ready for installation limited-slip differential use also: 1X 950.116.080.07 1X 950.116.813.06</p> <p>we take back: 950.300.020.09/14</p>	(CH)	91-	1	G50.04					
1	950 300 020 KX	<p>manual transmission ready for installation limited-slip differential</p> <p>we take back: 950.300.020.10</p>		92-	1	G50.10 CARRERA RS					

Model	Year	MG	SG	Illustration	Restrictions	UPD	13:03	26.01.2010	PORSCHE	PET	PORSCHE
ATK	2008	3	02	302-05		248					



Pos	Part Number	Description	Remark	Qty	Model
		manual transmission	94-95-		911 CARRERA CARRERA RS  G50.20/21 G50.31/32 G50.33
		6th gear			
1	950 300 010 LX	manual transmission ready for installation  we take back: 950.300.010.20	(A) (CH) 94-98	1	G50.20
1	950 300 020 LX	manual transmission ready for installation limited-slip differential  we take back: 950.300.020.20	(A) (CH) 94-	1	G50.20
1	950 300 010 MX	manual transmission ready for installation  we take back: 950.300.010.21	94-96	1	G50.21
1	950 300 020 MX	manual transmission ready for installation limited-slip differential  we take back: 950.300.020.21	-96	1	G50.21
1	950 300 020 NX	manual transmission ready for installation limited-slip differential  we take back: 950.300.020.31	95	1	G50.31 CARRERA RS
1	950 300 020 PX	manual transmission ready for installation limited-slip differential  we take back: 950.300.020.33	(CH) 95	1	G50.33 CARRERA RS
1	950 300 020 QX	manual transmission ready for installation limited-slip differential  we take back: 950.300.020.32	95-	1	G50.32 CARRERA RS

Model	Year	MG	SG	Illustration	Restrictions	UPD	13:03	26.01.2010	PORSCHE	PET	PORSCHE
ATK	2008	3	02	302-06		248					

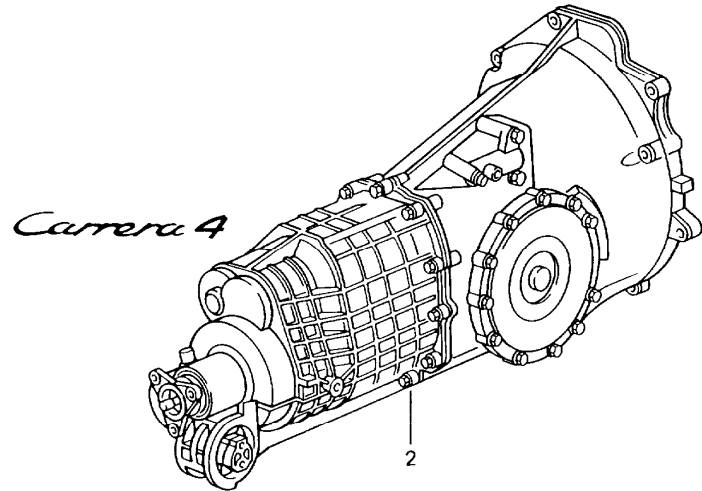
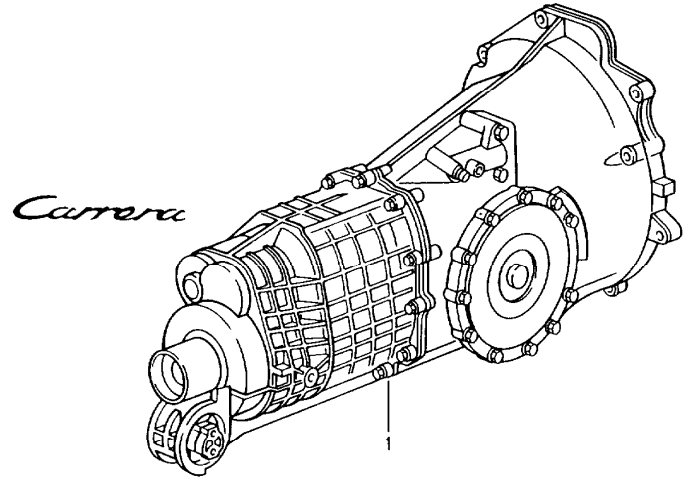


Pos	Part Number	Description	Remark	Qty	Model
		manual transmission	97-00-06-		BOXSTER BOXSTER S CAYMAN S
		not ready for installation			
1	A 986 300 010 X	manual transmission we take back: 986.300.010.00 (VW 012.300.050.N) "CWA"	-98	1	G86.00 M481
1	986 300 010 BX	manual transmission we take back: 986.300.010.01/02 (VW 012.300.054.G) "DVY"	99	1	G86.00 M481
1	986 300 010 FX	manual transmission threaded joint drive shaft M8 we take back: 986.300.010.05 (VW 012.300.058) "EFD"	00-	1	G86.01 M481
1	986 300 010 GX	manual transmission threaded joint drive shaft M10 we take back: 986.300.010.07 (VW 012.300.060.N) "GDW"	02-	1	G86.01 M481
1	986 300 010 HX	manual transmission threaded joint drive shaft M10 we take back: 986.300.010.06 (VW 012.300.061.Q) "GFW"	03-	1	G86.01 M481
1	986 300 010 AX	manual transmission we take back: 986.300.010.21 (GETRAG 256.0.0006.03)	00-02	1	G86.20 M480
1	986 300 010 LX	manual transmission we take back: 986.300.010.22 (GETRAG 256.0.0006.03)	03-	1	G86.20 M480

Model	Year	MG	SG	Illustration	Restrictions	UPD	13:03	26.01.2010	PORSCHE	PET	PORSCHE
ATK	2008	3	02	302-06		248					

Pos	Part Number	Description	Remark	Qty	Model	Pos	Part Number	Description	Remark	Qty	Model
1	987 300 010 X	manual transmission we take back: 987.300.010.00 (VW 012.300.062.G)	05-	1	G87.01 I481						
1	987 300 010 AX	manual transmission we take back: 987.300.010.22 (GETRAG 466.0.0004.11)	05-	1	G87.20 I480						
(1)	987 300 010 1X	manual transmission we take back: 987.300.010.23	06-	1	G87.21 I480						

Model	Year	MG	SG	Illustration	Restrictions	UPD	13:03	26.01.2010	PORSCHE	PET	PORSCHE
ATK	2008	3	02	302-07		248					



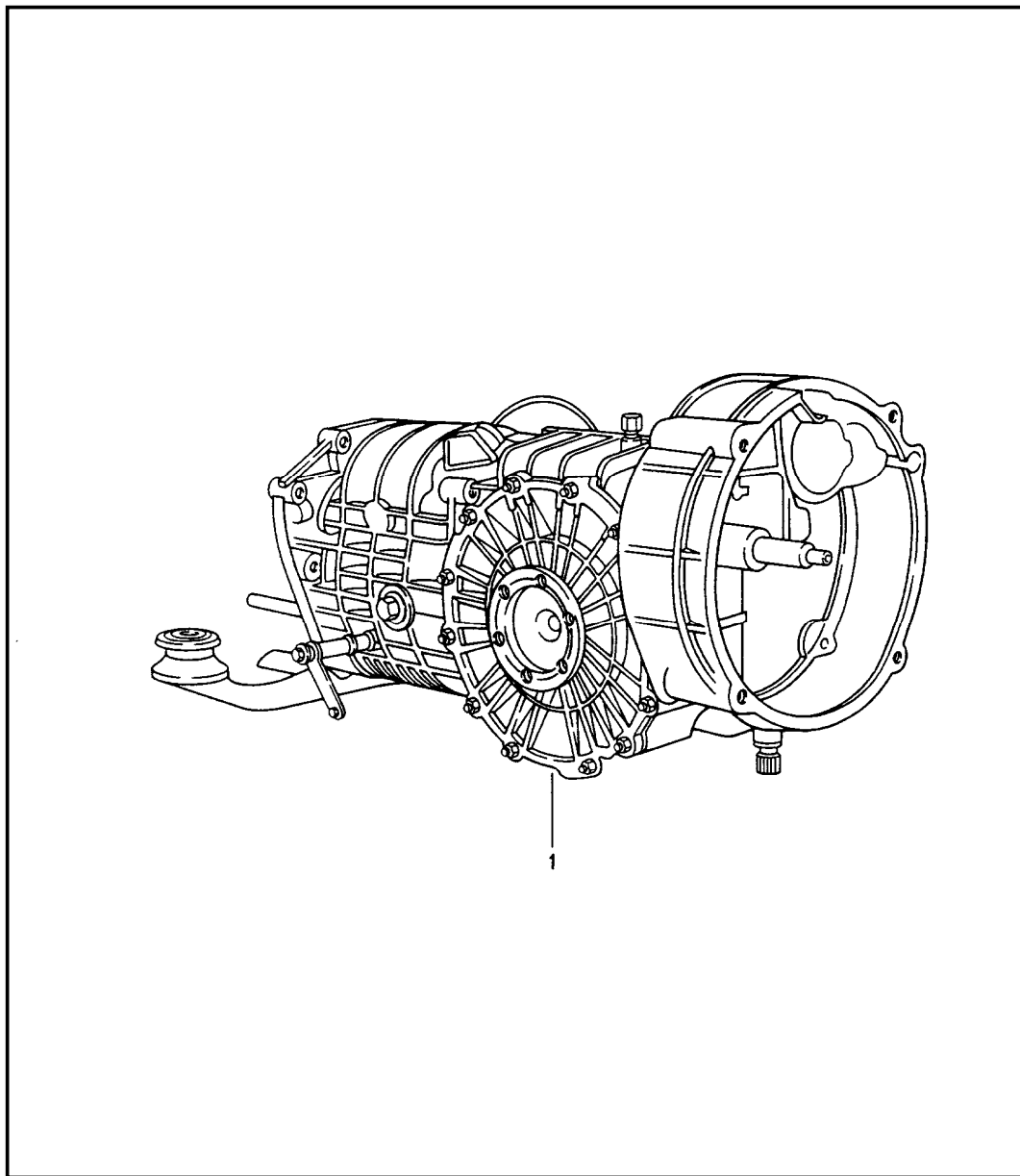
Pos	Part Number	Description	Remark	Qty	Model
		manual transmission	98-00-		CARRERA GT3 M480
1	A 996 300 010 AX	transmission ready for installation NR.292.0.0006.00 F >>99WS6 05722 F >>99WS6 05672 F >>99WS6 21599 F >>99WS6 21561  we take back: 996.300.010.01	98	1	G96.00 M219 M338
1	A 996 300 020 X	transmission ready for installation limited-slip differential NR.292.0.0006.10 F >>99WS6 05722 F >>99WS6 05672 F >>99WS6 21599 F >>99WS6 21561  we take back: 996.300.020.00	98	1	G96.00 M220 M338
1	A 996 300 010 BX	transmission ready for installation NR.292.0.0006.01 F 99WS6 05723>> F 99WS6 05673>> F 99WS6 21600>> F 99WS6 21562>>  we take back: 996.300.010.01/02	-98	1	G96.00 M219 M338
1	A 996 300 020 AX	transmission ready for installation limited-slip differential NR.292.0.0006.11 F 99WS6 05723>> F 99WS6 05673>> F 99WS6 21600>> F 99WS6 21562>>  we take back: 996.300.020.01	-98	1	G96.00 M220 M338
1	996 300 010 CX	manual transmission ready for installation NR.292.0.0006.02  we take back: 996.300.010.01/02/03	99-01	1	G96.00 M219 M338



Model	Year	MG	SG	Illustration	Restrictions	UPD	13:03	26.01.2010	PORSCHE	PET	PORSCHE
ATK	2008	3	02	302-07		248					

Pos	Part Number	Description	Remark	Qty	Model	Pos	Part Number	Description	Remark	Qty	Model
(1)	996 300 010 DX	manual transmission ready for installation NR.450.0.0093.00  we take back: 996.300.010.06	02-	1	G96.01 M219 M338			we take back: 996.300.020.07			
1	996 300 020 BX	manual transmission ready for installation NR.292.0.006.12 use also: 996.424.041.11  we take back: 996.300.020.00/01/02	99	1	G96.00 M220 M338	(1)	996 300 020 FX	manual transmission ready for installation with limited-slip differential  we take back: 996.300.020.96	04-	1	G96.96
2	996 300 010 MX	manual transmission ready for installation NR.292.0.004.02  we take back: 996.300.010.33	99- -01	1	G96.30 M219 M339	(1)	996 300 020 1X	manual transmission with limited-slip differential  we take back: 996.300.020.37		1	G96.31 I339 IX75
(2)	996 300 010 EX	manual transmission ready for installation NR.450.0.0093.40  we take back: 996.300.010.36	02-	1	G96.31 M219 M339	(1)	997 300 010 X	manual transmission  we take back: 997.300.010.01	05-	1	G97.01 I219 I480
(1)	996 300 010 DX	manual transmission ready for installation NR.450.0.0093.00  we take back: 996.300.010.06	02-	1	G96.01 M219 M338	(1)	997 300 020 X	manual transmission with limited-slip differential  we take back: 997.300.020.01	05-	1	G97.01 I220 I480
(1)	996 300 020 JX	transmission ready for installation with limited-slip differential  we take back: 996.300.020.90	00-	1	G96.90 M220	(2)	997 300 010 AX	manual transmission  we take back: 997.300.010.31	06-	1	G97.31 I219
(1)	996 300 020 MX	transmission ready for installation with limited-slip differential  we take back: 996.300.020.94		1	G96.90 M220 M003	(1)	997 300 020 AX	manual transmission with limited-slip differential  we take back: 997.300.020.31	06-	1	G97.31 I220
(1)	996 300 020 GX	transmission ready for installation with limited-slip differential	04	1	G96.01 M220	(1)	997 300 020 OX	manual transmission with limited-slip differential  we take back: 997.300.020.90		1	G97.90

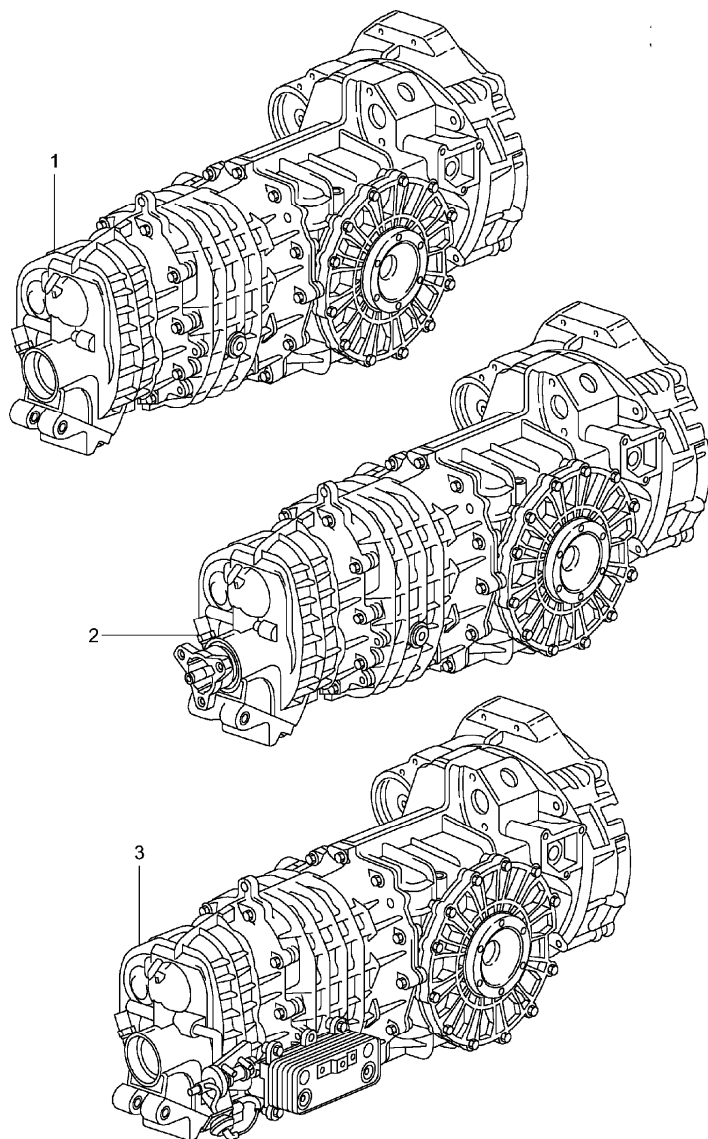
Model	Year	MG	SG	Illustration	Restrictions	UPD	13:03	26.01.2010	PORSCHE	PET	PORSCHE
ATK	2008	3	02	302-20		248					



Pos	Part Number	Description	Remark	Qty	Model
		manual transmission	78-		911 TURBO 930.34 930.12 930.34 930.36 930.12 930.36
1	930 300 010 DX	manual transmission 4th speed ready for installation electric speedometer clutch spring  we take back: 930.300.010.34	78- -84	1	930.34
1	930 300 911 DX	manual transmission  4th speed limited-slip differential ready for installation electric speedometer clutch spring  we take back: 930.300.911.34	78- -84	1	930.12 930.34
1	930 300 010 EX	manual transmission 4th speed ready for installation electric speedometer clutch spring  we take back: 930.300.010.36	85- -88	1	930.36
1	930 300 020 FX	manual transmission  4th speed limited-slip differential ready for installation electric speedometer clutch spring  we take back: 930.300.020.36	85- -88	1	930.12 930.36

Model	Year	MG	SG	Illustration	Restrictions	UPD	13:04	26.01.2010	PORSCHE	PET	PORSCHE
ATK	2008	3	02	302-25		248					

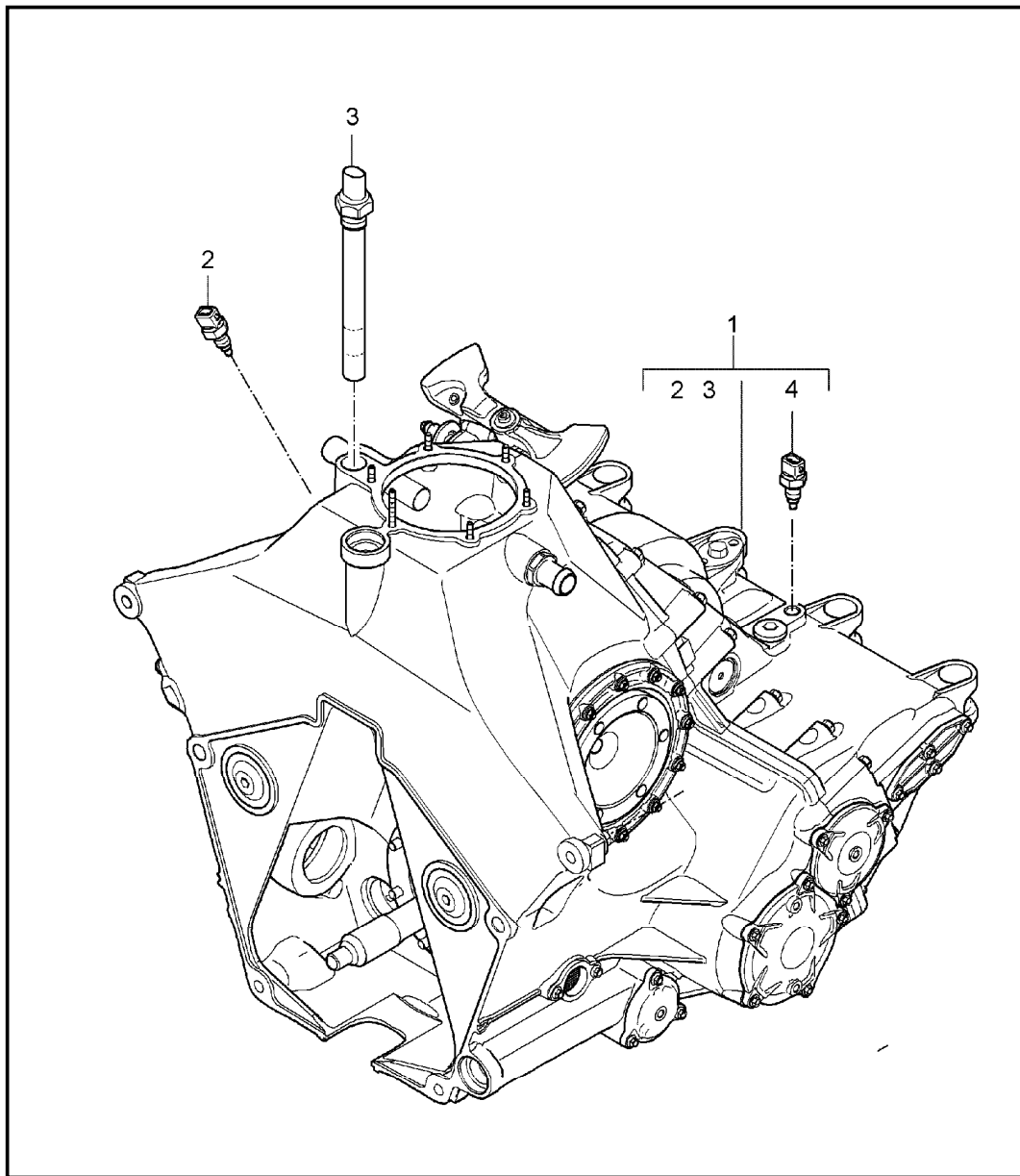
Pos	Part Number	Description	Remark	Qty	Model
		manual transmission	89-01-		911 TURBO 911 GT2
			89-01-01-02-		TURBO TURBO GT2 TURBO IX50 TURBO IX75
1	950 300 010 TX	manual transmission 5th gear ready for installation  we take back: 950.300.010.50	89-	1	G50.50
1	950 300 020 TX	manual transmission  5th gear ready for installation limited-slip differential  we take back: 950.300.020.50	88-	1	.12 G50.50
1	950 300 020 SX	manual transmission 5th gear ready for installation limited-slip differential  we take back: 950.300.020.52/53	91- -94	1	G50.52 M220
(1)	964 300 020 AX	manual transmission 6th gear ready for installation limited-slip differential  we take back: 964.300.020.51	96- -98	1	G64.51 M220
2	996 300 010 X	manual transmission 6th gear ready for installation  we take back: 996.300.010.50	01-	1	G96.50
2	996 300 010 FX	manual transmission 6th gear ready for installation  we take back: 996.300.010.55	02-	1	G96.50 IX50



Model	Year	MG	SG	Illustration	Restrictions	UPD	13:04	26.01.2010	PORSCHE	PET	PORSCHE
ATK	2008	3	02	302-25		248					

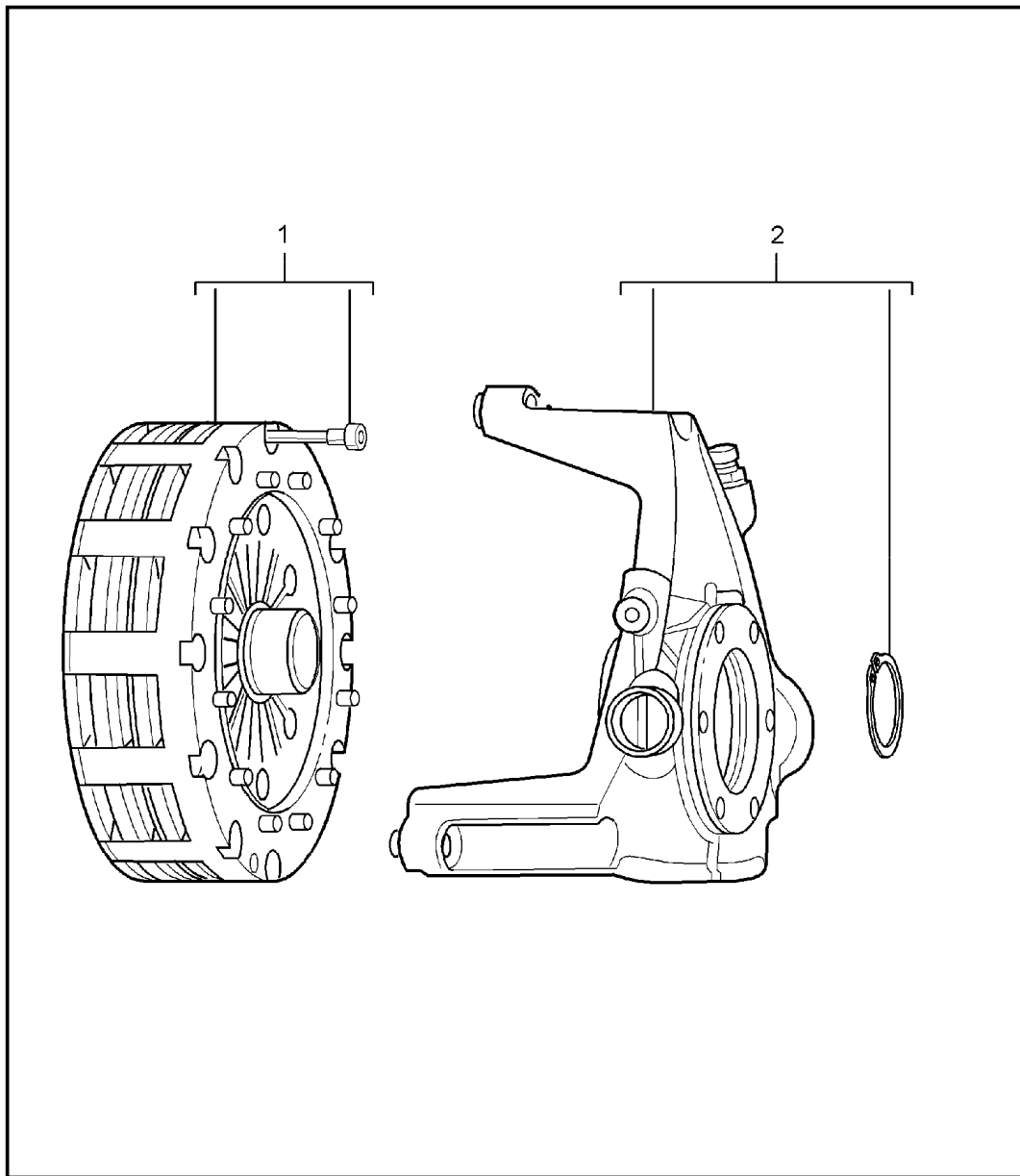
Pos	Part Number	Description	Remark	Qty	Model	Pos	Part Number	Description	Remark	Qty	Model
2	996 300 020 LX	manual transmission 6th gear ready for installation  we take back: 996.300.020.55	04-	1	G96.50 IX75						
3	996 300 020 CX	manual transmission 6th gear ready for installation  we take back: 996.300.020.88	01-	1	G96.88						
-	997 300 010 1X	manual transmission without limited-slip differential  we take back: 997.300.010.50	07-	1	G97.50 I219						
-	997 300 020 1X	manual transmission with limited-slip differential  we take back: 997.300.020.50	07-	1	G97.50 I220						

Model	Year	MG	SG	Illustration	Restrictions	UPD	13:04	26.01.2010	PORSCHE	PET	PORSCHE
ATK	2008	3	02	302-27		248					



Pos	Part Number	Description	Remark	Qty	Model
		manual transmission		04	CARRERA GT G80.01
1	A 980 300 020 X	manual transmission 6th gear complete		1	G80.01
		we take back: 980.300.020.02			
1	980 300 020 AX	manual transmission 6th gear complete		1	G80.01
		we take back: 980.300.020.02/04			

Model	Year	MG	SG	Illustration	Restrictions	UPD	13:04	26.01.2010	PORSCHE	PET	PORSCHE
ATK	2008	3	02	302-28		248					



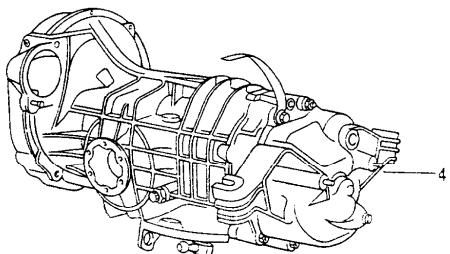
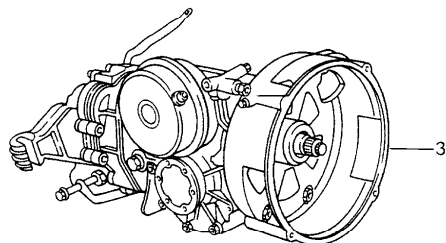
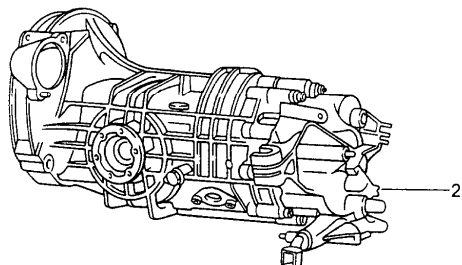
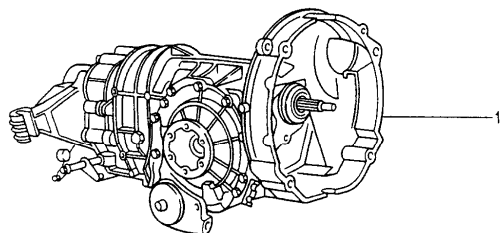
Pos	Part Number	Description	Remark	Qty	Model
		clutch and release module		04	CARRERA GT M80.01
1	980 116 001 FX	1 PCCC (clutch) ready for installation complete		1	M80.01
2	980 116 002 BX	release module ready for installation complete we take back: 980.116.001.36		1	M80.01
2	980 116 002 CX	release module ready for installation complete we take back: 980.116.002.02		1	M80.01
		we take back: 980.116.002.02/03			

Model	Year	MG	SG	Illustration	Restrictions	UPD	13:04	26.01.2010
ATK	2008	3	02	302-30		248		

Pos	Part Number	Description	Remark	Qty	Model
		manual transmission	03-		CAYENNE G48.00
-	955 300 010 X	manual transmission ready for installation without limited-slip differential	03-	1	CAYENNE G48.00
		we take back: 955.300.010.20			
-	955 300 010 AX	manual transmission ready for installation without limited-slip differential	03-	1	CAYENNE G48.00
		we take back: 955.300.010.21			

Model	Year	MG	SG	Illustration	Restrictions	UPD	13:04	26.01.2010	PORSCHE	PET	PORSCHE
ATK	2008	3	02	302-40		248					

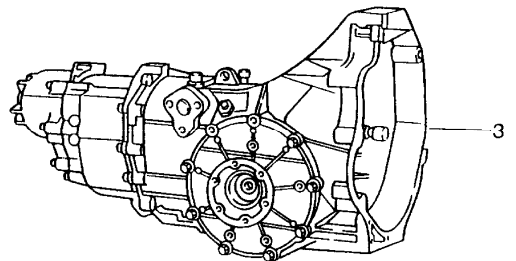
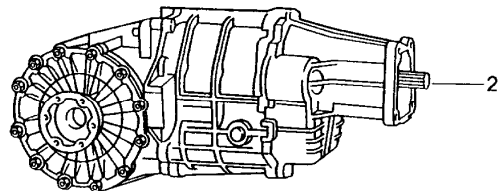
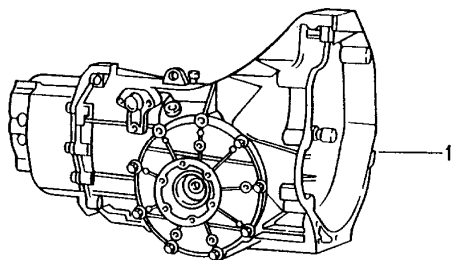
Pos	Part Number	Description	Remark	Qty	Model
		manual transmission	70-		914 914/4 914.11/12 914/6 914.01/05
1	914 300 012 CX	manual transmission 5th gear ready for installation  we take back: 914.300.012.03	70- -72	1	914/6 914.01
2	914 300 012 X	manual transmission 5th gear ready for installation  we take back: 914.300.012.13	70- -72	1	914/4 914.11 HA
3	914 300 010 EX	manual transmission 4th speed sportomatic without converter  we take back: 914.300.010.05	70- -71	1	914/6 914.05
4	914 300 012 AX	manual transmission 5th gear ready for installation  we take back: 914.300.012.15	73- -76	1	914/4 914.12 HA



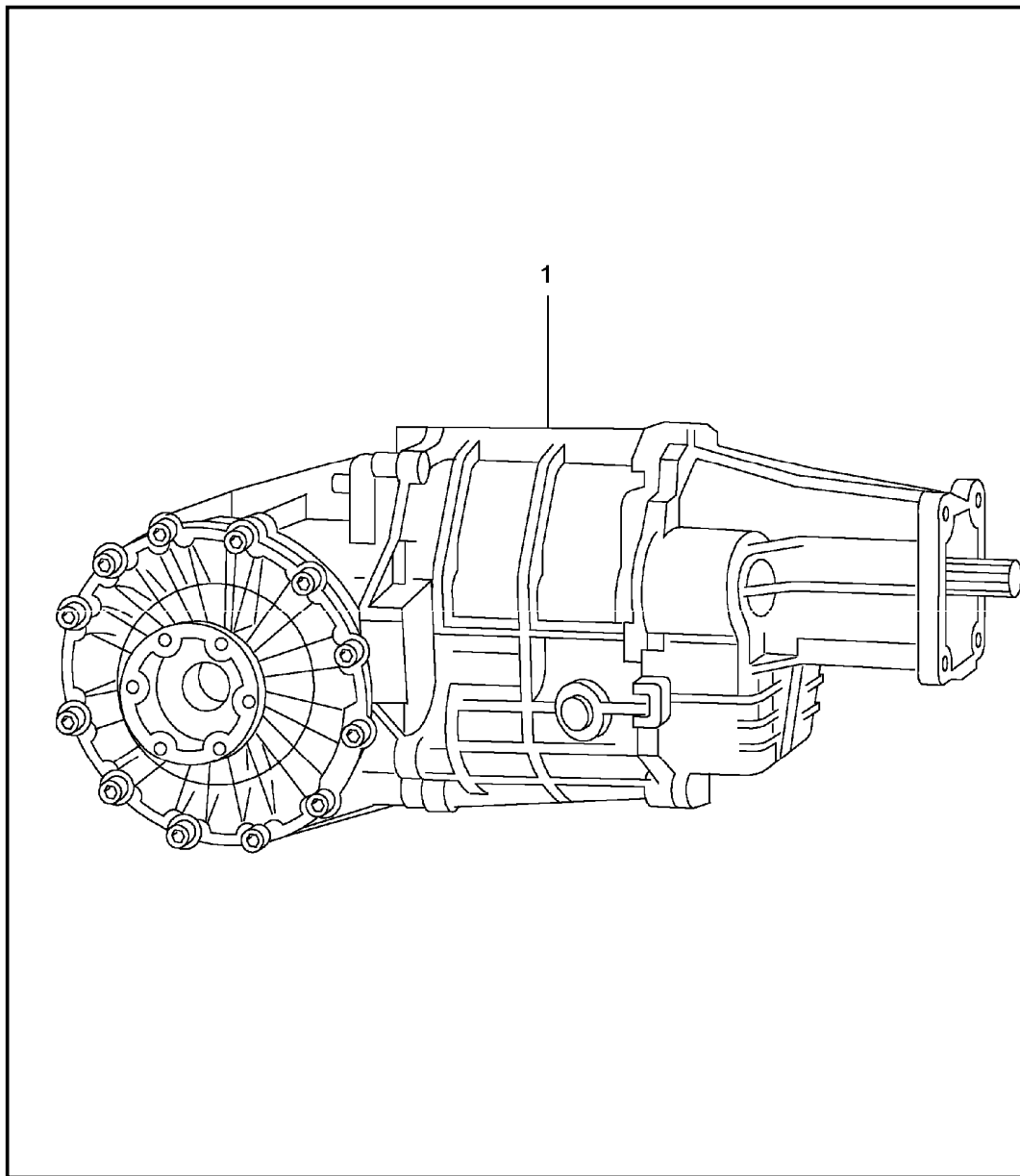


Model	Year	MG	SG	Illustration	Restrictions	UPD	13:05	26.01.2010	PORSCHE	PET	PORSCHE
ATK	2008	3	02	302-42		248					

Pos	Part Number	Description	Remark	Qty	Model
		manual transmission TYP 016/088	76-		924 YR/VA/VB/MD
1	088 300 041 LX	manual transmission 4th speed ready for installation  we take back: 088.300.041.L/043.J	76-	1	YR
2	477 300 010 X	manual transmission 5th gear ready for installation  we take back: 477.300.010	78-	1	VA
3	016 300 043 KX	manual transmission 5th gear ready for installation  we take back: 016.300.043.K	81-	1	MD

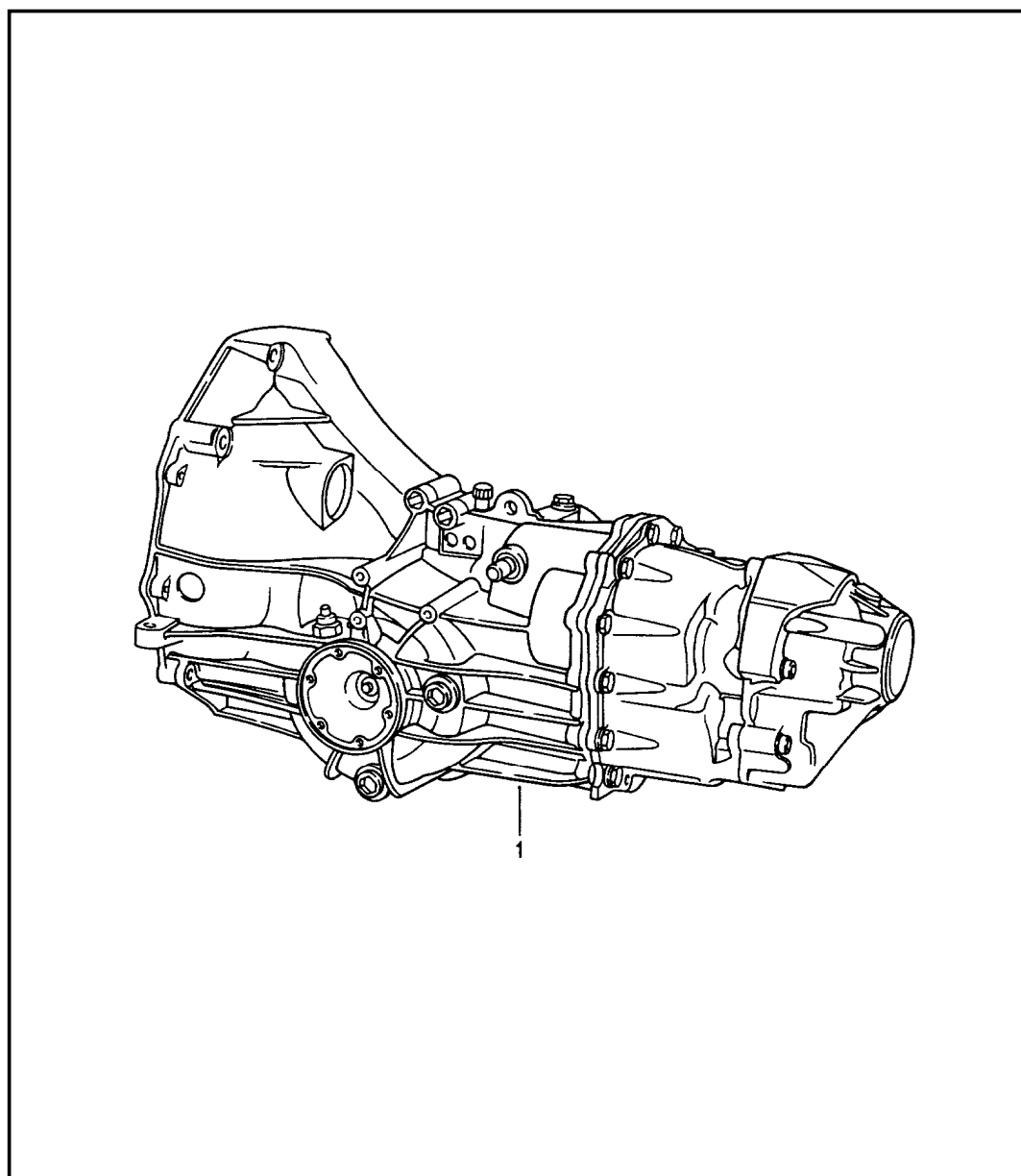


Model	Year	MG	SG	Illustration	Restrictions	UPD	13:05	26.01.2010	PORSCHE	PET	PORSCHE
ATK	2008	3	02	302-43		248					



Pos	Part Number	Description	Remark	Qty	Model
		manual transmission	79-		924 TURBO G31.01 G31.01/12
		TYP G 31			
1	931 300 010 X	manual transmission 5th gear ready for installation we take back: 931.300.010.00	(I) 83-	1	G31.01
1	931 300 010 BX	manual transmission 5th gear limited-slip differential ready for installation  we take back: 931.300.010.02	(I) 79- -84 83- -84	1	G31.01/12

Model	Year	MG	SG	Illustration	Restrictions	UPD	13:05	26.01.2010	PORSCHE	PET	PORSCHE
ATK	2008	3	02	302-44		248					

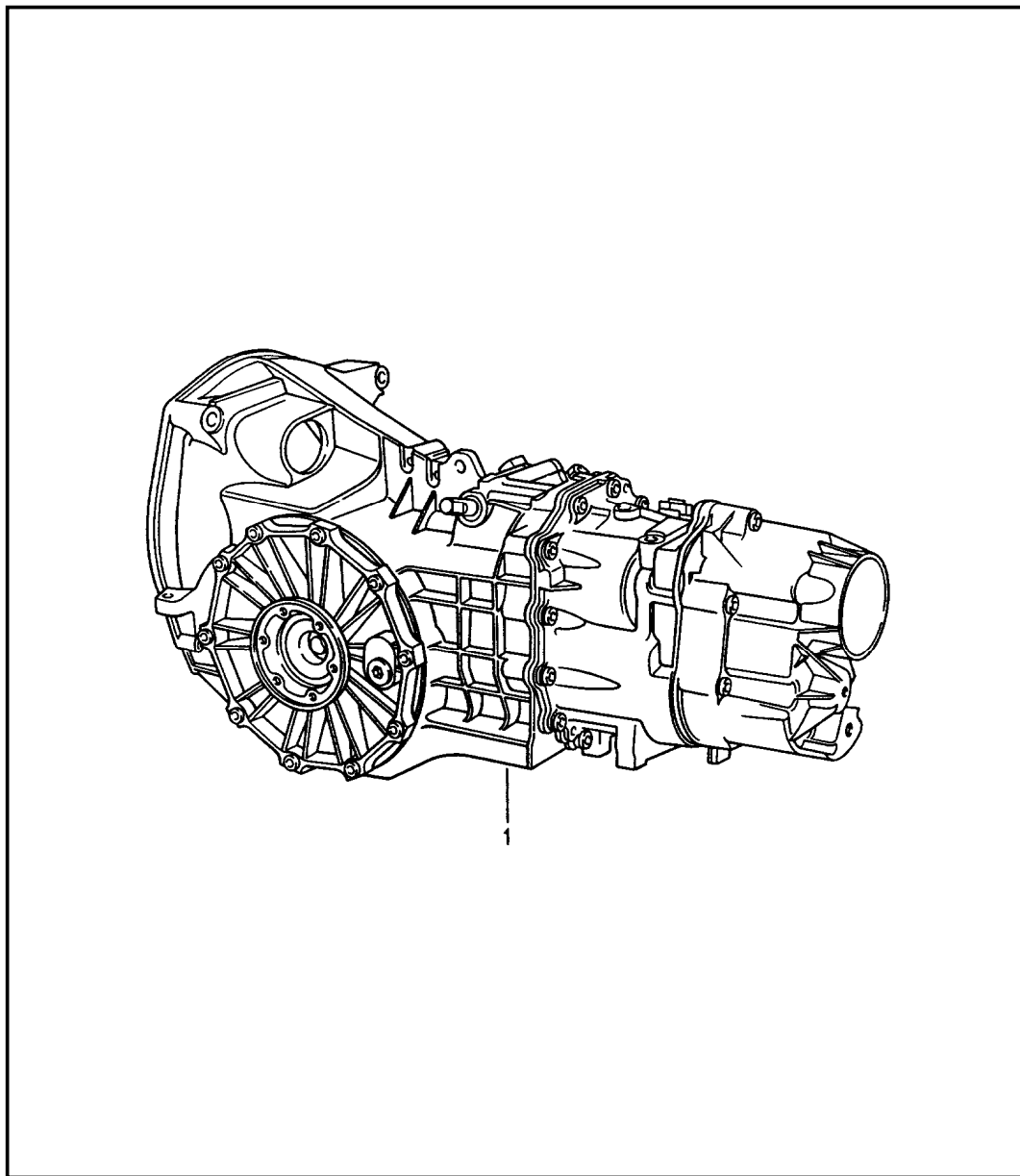


Pos	Part Number	Description	Remark	Qty	Model
		manual transmission	82- 86-		944/TURBO/S 924 S
1	016 300 045 CX	manual transmission 5th gear ready for installation  we take back: 016.300.045.C	82- 85- 86- 88-	1	QK 944 924 S
1	016 300 045 QX	manual transmission 5th gear ready for installation  we take back: 016.300.045.Q	86- 88-	1	7Q 924 S
1	016 300 046 LX	manual transmission 5th gear ready for installation electric speedometer  we take back: 016.300.046.L	85- 88-	1	5Y 944
1	016 300 046 MX	manual transmission 5th gear limited-slip differential ready for installation  we take back: 016.300.046.M	85- 88-	1	5Z 944
1	016 300 047 X	manual transmission 5th gear ready for installation electric speedometer prepared for oil cooler  we take back: 016.300.047	86- 88-	1	5P 944 TURBO
1 A	016 300 047 AX	manual transmission 5th gear limited-slip differential ready for installation electric speedometer prepared for oil cooler  we take back: 016.300.047.A	86- 88-	1	5R 944 TURBO

Model	Year	MG	SG	Illustration	Restrictions	UPD	13:05	26.01.2010	PORSCHE	PET	PORSCHE
ATK	2008	3	02	302-44		248					

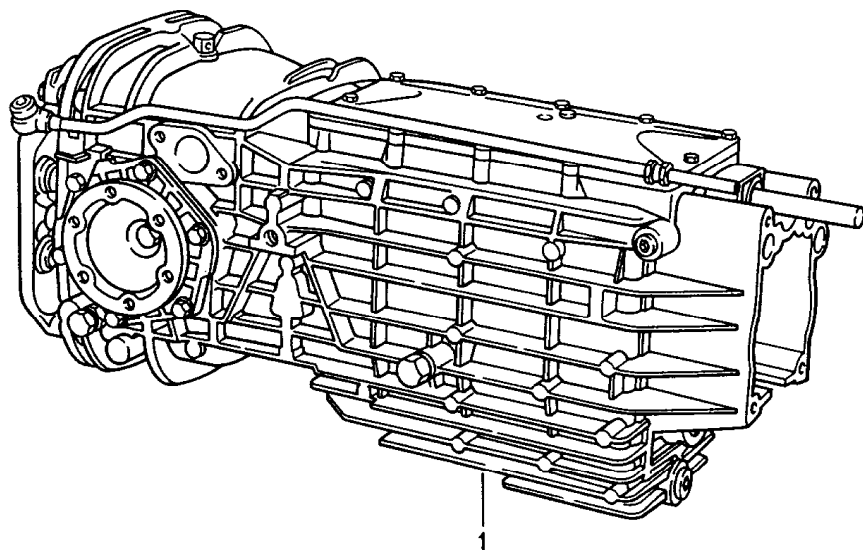
Pos	Part Number	Description	Remark	Qty	Model	Pos	Part Number	Description	Remark	Qty	Model
1	016 300 047 BX	manual transmission 5th gear ready for installation electric speedometer without oil cooling  we take back: 016.300.047.B	87- -88	1	UY 944 TURBO	1	016 300 049 TX	manual transmission ready for installation 5th gear limited-slip differential  we take back: 016.300.049.T	89	1	ASH
1	016 300 047 CX	manual transmission 5th gear limited-slip differential ready for installation electric speedometer without oil cooling  we take back: 016.300.047.C	87- -88	1	9U 944 TURBO	1	016 300 049 PX	manual transmission ready for installation 5th gear  we take back: 016.300.049.P	89- -91	1	AOS
1	016 300 048 GX	manual transmission 5th gear limited-slip differential ready for installation electric speedometer  we take back: 016.300.048.G	87- -88	1	AGR 944 S	1	016 300 049 QX	manual transmission ready for installation 5th gear limited-slip differential  we take back: 016.300.049.Q	89- -91	1	AOT
1	016 300 048 FX	manual transmission 5th gear ready for installation electric speedometer  we take back: 016.300.048.F	87- -88	1	AGP 944 S	1	016 300 049 RX	manual transmission ready for installation 5th gear limited-slip differential prepared for oil cooler  we take back: 016.300.049.R	89- -91	1	AOR
1	016 300 049 RX	manual transmission 5th gear limited-slip differential ready for installation electric speedometer prepared for oil cooler  we take back: 016.300.049.R	88- -91	1	5R/AOR 944 TURBO S						
1	016 300 049 SX	manual transmission ready for installation 5th gear  we take back: 016.300.049.S	89	1	ASG						

Model	Year	MG	SG	Illustration	Restrictions	UPD	13:06	26.01.2010	PORSCHE	PET	PORSCHE
ATK	2008	3	02	302-45		248					



Pos	Part Number	Description	Remark	Qty	Model
		manual transmission	92-		968 G44.00
1	01E 300 042 JX	manual transmission ready for installation 6th gear  we take back: 01E.300.042.J	92- -95	1	G44.00
1 A	01E 300 042 KX	transmission	92-	1	G44.00
1	01E 300 042 SX	manual transmission ready for installation 6th gear limited-slip differential  we take back: 01E.300.042.K/042.S	92- -95	1	G44.00

Model	Year	MG	SG	Illustration	Restrictions	UPD	13:06	26.01.2010	PORSCHE	PET	PORSCHE
ATK	2008	3	02	302-80		248					

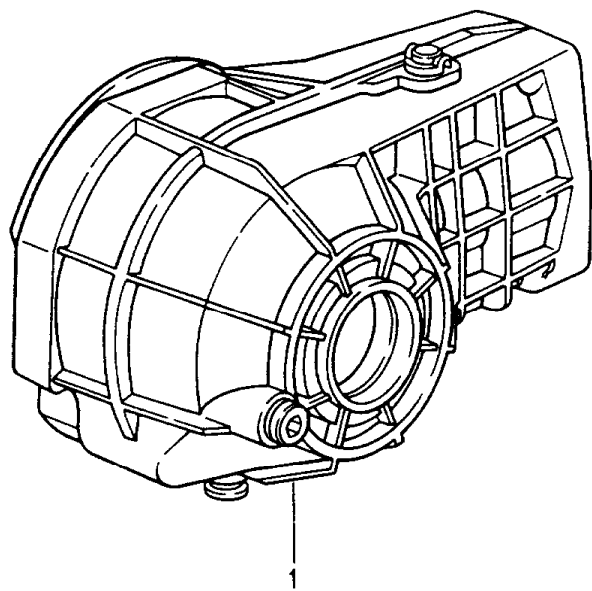


Pos	Part Number	Description	Remark	Qty	Model
		manual transmission	78-		928 -57 G28.03
1	928 300 005 CX	manual transmission 5th gear ready for installation	78-	1	G28.03
		we take back: 928.300.005.03			
1	928 300 905 CX	manual transmission 5th gear limited-slip differential ready for installation	78-	1	G28.03/12
		we take back: 928.300.905.03			
1	928 300 005 EX	manual transmission 5th gear ready for installation	80-	1	G28.05
		we take back: 928.300.005.05			
1	928 300 905 EX	manual transmission 5th gear limited-slip differential ready for installation	80-	1	G28.05/12
		we take back: 928.300.905.05			
1	928 300 005 GX	manual transmission 5th gear ready for installation	83-	1	G28.07
		we take back: 928.300.005.07			
1	928 300 905 GX	manual transmission 5th gear limited-slip differential ready for installation	83-	1	G28.07/12
		we take back: 928.300.905.07			
1	928 300 005 KX	manual transmission 5th gear ready for installation	85-	1	G28.10
		we take back: 928.300.005.10			

Model	Year	MG	SG	Illustration	Restrictions	UPD	13:06	26.01.2010	PORSCHE	PET	PORSCHE
ATK	2008	3	02	302-80		248					

Pos	Part Number	Description	Remark	Qty	Model	Pos	Part Number	Description	Remark	Qty	Model
1	928 300 015 KX	manual transmission 5th gear limited-slip differential ready for installation  we take back: 928.300.015.10		85-	1 G28.10/12	1	928 300 030 SX	manual transmission ready for installation 5th gear porsche limited-slip differential  we take back: 928.300.030.56	91	1	G28.55 M221
1	928 300 005 LX	manual transmission 5th gear ready for installation  we take back: 928.300.005.11	(J)	85-	1 G28.11 M298	1	928 300 030 RX	manual transmission ready for installation 5th gear porsche limited-slip differential  we take back: 928.300.030.57	92-	1	G28.57 M221
1	928 300 015 LX	manual transmission 5th gear limited-slip differential ready for installation  we take back: 928.300.015.11	(J)	85-	1 G28.11/12						
1	928 300 005 MX	manual transmission ready for installation 5th gear  we take back: 928.300.005.12		87-	1 G28.12						
1	928 300 015 MX	manual transmission ready for installation 5th gear limited-slip differential  we take back: 928.300.015.12		87-	1 G28.12						
1	928 300 015 TX	manual transmission ready for installation 5th gear limited-slip differential  we take back: 928.300.015.55		89	1 G28.55 M637/639						
1	928 300 030 TX	manual transmission ready for installation 5th gear porsche limited-slip differential  we take back: 928.300.030.55		90	1 G28.55 M221						

Model	Year	MG	SG	Illustration	Restrictions	UPD	13:06	26.01.2010	PORSCHE	PET	PORSCHE
ATK	2008	3	05	305-00		248					



Pos	Part Number	Description	Remark	Qty	Model
		front-axle final drive	89-		CARRERA 4 Z64.00 Z64.20
			87-		959
1	964 349 010 X	front-axle final drive ready for installation ZWN-NR.2940104900  we take back: 964.349.010.00	89- -94	1	Z64.00
1	A 964 349 010 AX	front-axle final drive ready for installation ZWN-NR.2940104922  we take back: 964.349.010.22	95	1	Z64.20
1	A 964 349 010 BX	front-axle final drive ready for installation see technical information group 4 NR.3/95 ZWN-NR.2940104923  we take back: 964.349.010.23	95- -98	1	Z64.20
-	959 349 001 AX	front-axle final drive we take back: 959.349.001.51	87-	1	959



PORSCHE

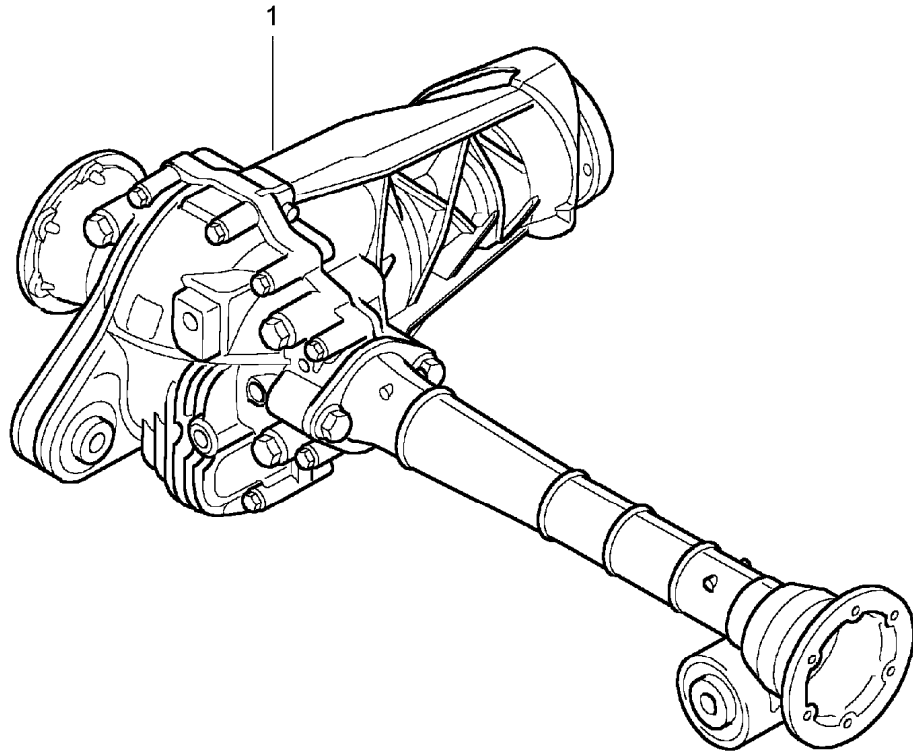
PET

PORSCHE

Model	Year	MG	SG	Illustration	Restrictions	UPD	13:06	26.01.2010
ATK	2008	3	05	305-05		248		

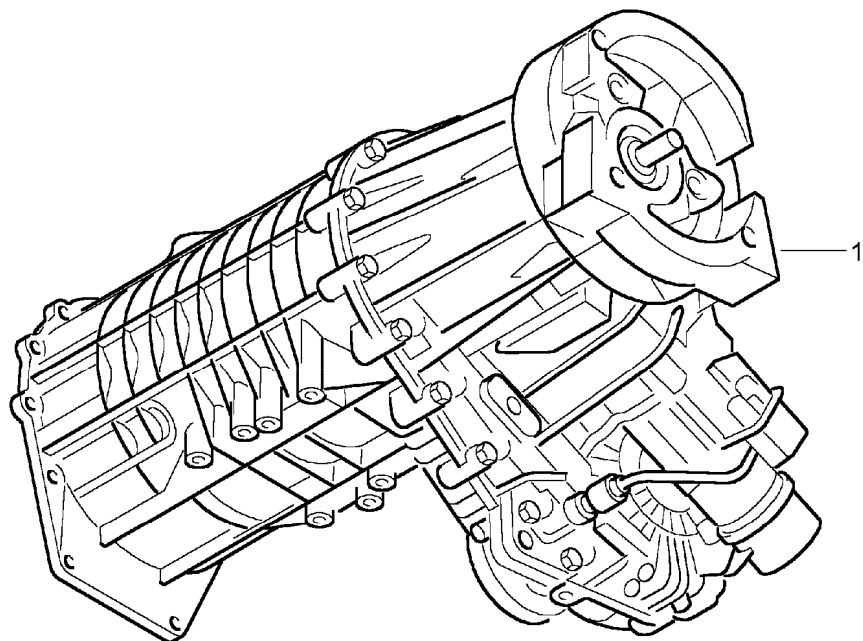
Pos	Part Number	Description	Remark	Qty	Model
		front-axle final drive	99-01-		CARRERA 4 911 TURBO Z96.00
1	996 349 010 BX	front-axle final drive ready for installation	99-04	1	Z96.00
		we take back: 996.349.010.02			
(1)	996 349 010 CX	front-axle final drive ready for installation	05-	1	Z96.00
		we take back: 996.349.010.02/03			

Model	Year	MG	SG	Illustration	Restrictions	UPD	13:06	26.01.2010	PORSCHE	PET	PORSCHE
ATK	2008	3	05	305-10		248					



Pos	Part Number	Description	Remark	Qty	Model
		front-axle final drive	03- 03- 03- 04-		CAYENNE V48.00 V48.50 V48.20
1	955 349 010 X	front-axle final drive ready for installation I = 4,1  we take back: 955.349.010.00	03- 04-	1	V48.00 IGOR V48.20 IGOL
1	955 349 010 EX	front-axle final drive ready for installation I = 3,7  we take back: 955.349.010.50	03- 03-	1	V48.50 IGOR V48.00 IGOL
1	955 349 010 JX	front-axle final drive ready for installation I = 4,5  we take back: 955.349.010.20	04-	1	V48.20 IGOR

Model	Year	MG	SG	Illustration	Restrictions	UPD	13:07	26.01.2010	PORSCHE	PET	PORSCHE
ATK	2008	3	05	305-15		248					

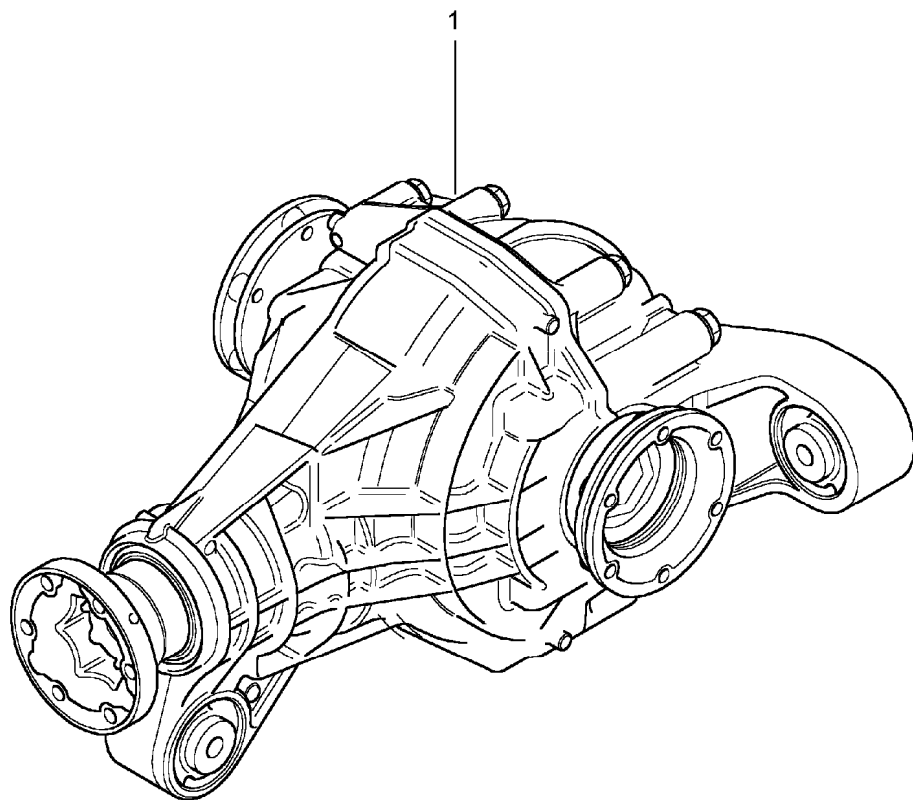


Pos	Part Number	Description	Remark	Qty	Model
		transfer box	03-06		CAYENNE
1	A 955 341 040 X	transfer box ready for installation  we take back: 955.341.040.00		1	ID9K
1	A 955 341 040 AX	transfer box ready for installation  we take back: 955.341.040.00/01		1	ID9K
1	955 341 040 BX	transfer box ready for installation  we take back: 955.341.040.00/01/02		1	ID9K
1	A 955 341 040 EX	transfer box ready for installation  we take back: 955.341.040.50		1	ID9L
1	A 955 341 040 FX	transfer box ready for installation  we take back: 955.341.040.50/51		1	ID9L
1	955 341 040 GX	transfer box ready for installation  we take back: 955.341.040.50/51/52		1	ID9L
1	A 955 341 040 1X	transfer box ready for installation  we take back: 955.341.040.10		1	ID9J/GOR
1	955 341 040 3X	transfer box ready for installation  we take back: 955.341.040.10/11		1	ID9J/GOR
1	A 955 341 040 2X	transfer box ready for installation  we take back: 955.341.040.20		1	ID9J/GOL

Model	Year	MG	SG	Illustration	Restrictions	UPD	13:07	26.01.2010	PORSCHE	PET	PORSCHE
ATK	2008	3	05	305-15		248					

Pos	Part Number	Description	Remark	Qty	Model	Pos	Part Number	Description	Remark	Qty	Model
1	955 341 040 4X	transfer box ready for installation  we take back: 955.341.040.20/21		1	ID9J/G0L						

Model	Year	MG	SG	Illustration	Restrictions	UPD	13:07	26.01.2010	PORSCHE	PET	PORSCHE
ATK	2008	3	05	305-20		248					

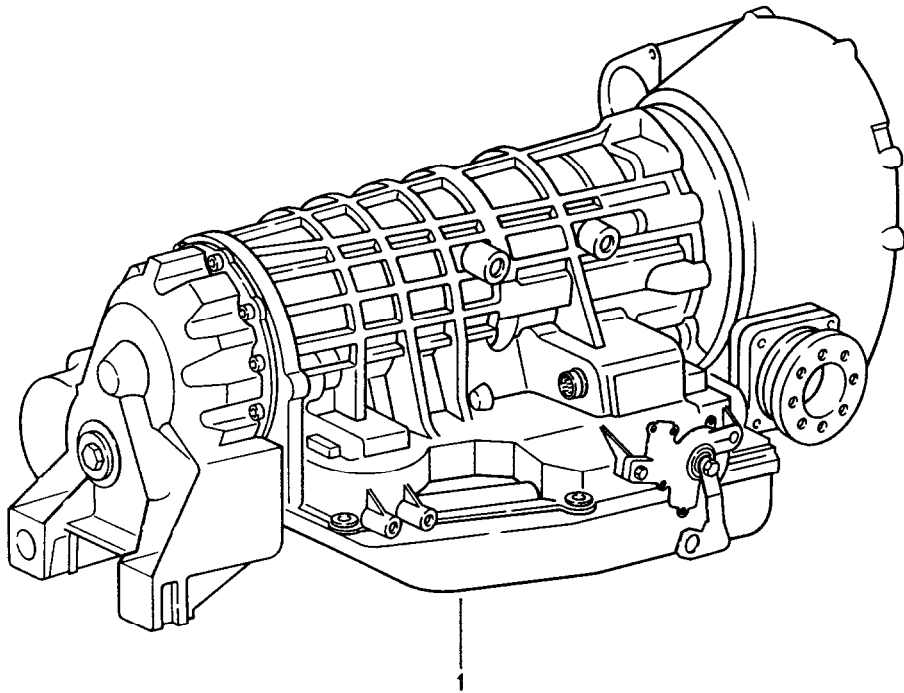


Pos	Part Number	Description	Remark	Qty	Model
		rear axle differential	03-		CAYENNE S H48.00 CAYENNE TURBO
			03-		H48.50 CAYENNE H48.20
1	A 955 332 010 X	rear axle differential ready for installation I = 4,1  we take back: 955.332.010.00	03-	1	H48.00 IGOR
1	955 332 010 AX	rear axle differential ready for installation I = 4,1  we take back: 955.332.010.00/01	03-	1	H48.00 IGOR
(1)	A 955 332 010 EX	rear axle differential ready for installation I = 3,7  we take back: 955.332.010.50	03-	1	H48.50 IGOR
(1)	955 332 010 FX	rear axle differential ready for installation I = 3,7  we take back: 955.332.010.50/51	03-	1	H48.50 IGOR
(1)	A 955 332 020 EX	rear axle differential ready for installation I = 3,7 with limited-slip differential electric  we take back: 955.332.020.50	03-	1	H48.00 IGOL I1Y1 H48.50 IGOR I1Y1
(1)	955 332 020 1X	rear axle differential ready for installation I = 3,7 with limited-slip differential electric  we take back: 955.332.020.50/51	03-	1	H48.00 IGOL I1Y1 H48.50 IGOR I1Y1

Model	Year	MG	SG	Illustration	Restrictions	UPD	13:07	26.01.2010	PORSCHE	PET	PORSCHE
ATK	2008	3	05	305-20		248					

Pos	Part Number	Description	Remark	Qty	Model	Pos	Part Number	Description	Remark	Qty	Model
(1)	A 955 332 020 X	rear axle differential ready for installation I = 4,1 with limited-slip differential electric  we take back: 955.332.020.00	04-	1	H48.00 IGOR I1Y1						
(1)	955 332 020 AX	rear axle differential ready for installation I = 4,1 with limited-slip differential electric  we take back: 955.332.020.00/01	04-	1	H48.00 IGOR I1Y1						
(1)	955 332 010 2X	rear axle differential ready for installation I = 4,56  we take back: 955.332.010.20	04-	1	H48.20 IGOR						
(1)	955 332 010 3X	rear axle differential ready for installation I = 4,1  we take back: 955.332.010.30	04-	1	H48.20 IGOL						
(1)	955 332 020 6X	rear axle differential ready for installation with limited-slip differential electric  we take back: 955.332.020.20/21	04-	1	H48.20 IGOL I1Y1						
(1)	955 332 020 7X	rear axle differential ready for installation with limited-slip differential electric  we take back: 955.332.020.30	04-	1	H48.20 IGOR I1Y1						

Model	Year	MG	SG	Illustration	Restrictions	UPD	13:07	26.01.2010	PORSCHE	PET	PORSCHE
ATK	2008	3	07	307-00		248					



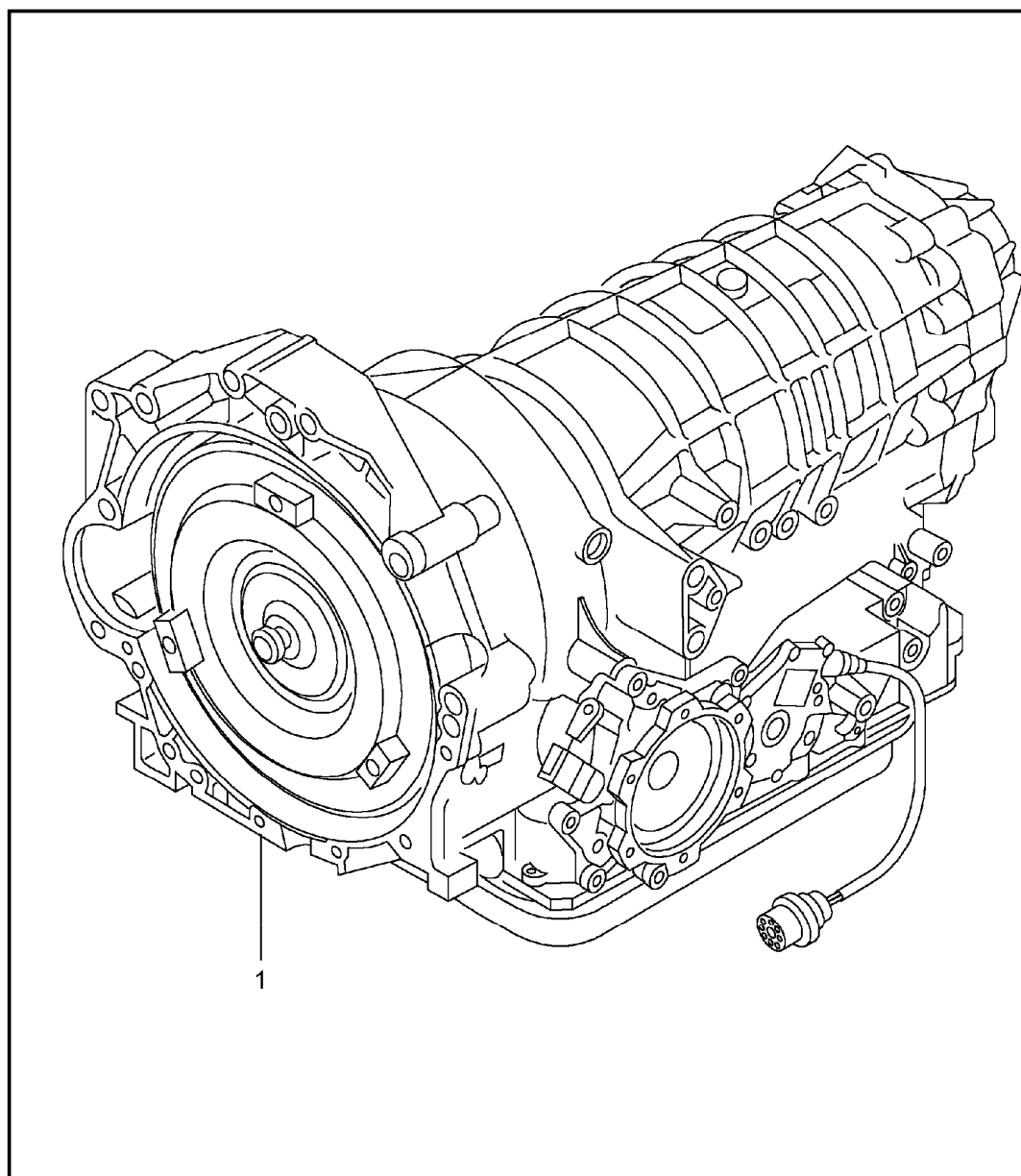
Pos	Part Number	Description	Remark	Qty	Model
		replacement transmission tiptronic	90- -98		911 CARRERA A50.01 A50.02/03 A50.04
1	943 300 010 AX	we take back: only together with retaining bar replacement transmission ready for installation 4th speed with converter ZF 1043 050 006	90- -91	1	A50.01
1	943 300 010 BX	we take back: 943.300.010.01 replacement transmission ready for installation 4th speed with converter ZF 1043 050 007	92- -94	1	A50.02
1	943 300 010 CX	we take back: 943.300.010.02 replacement transmission ready for installation 4th speed with converter ZF 1043 050 008	92- -94	1	A50.03
1	943 300 010 DX	we take back: 943.300.010.03 replacement transmission ready for installation 4th speed with converter ZF 1043 050 009	94- -96	1	A50.04
1	943 300 010 FX	we take back: 943.300.010.04 replacement transmission ready for installation 4th speed with converter ZF 1043 050 013	97- -98	1	A50.04

Model	Year	MG	SG	Illustration	Restrictions	UPD	13:07	26.01.2010	PORSCHE	PET	PORSCHE
ATK	2008	3	07	307-00		248					

Pos	Part Number	Description	Remark	Qty	Model	Pos	Part Number	Description	Remark	Qty	Model
		we take back: 943.300.010.06									



Model	Year	MG	SG	Illustration	Restrictions	UPD	13:07	26.01.2010	PORSCHE	PET	PORSCHE
ATK	2008	3	07	307-01		248					

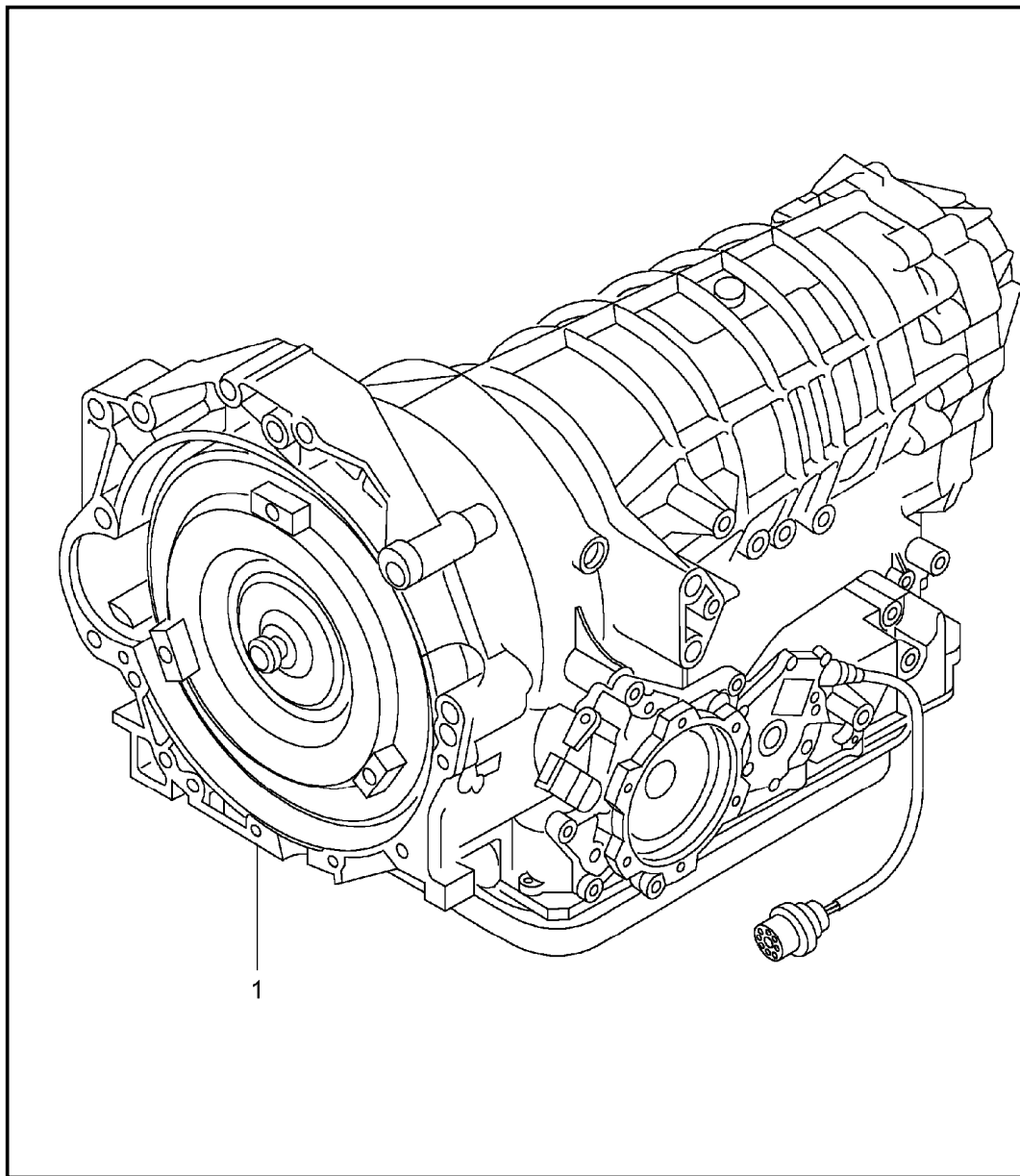


Pos	Part Number	Description	Remark	Qty	Model
		replacement transmission tiptronic	97-		BOXSTER CAYMAN A86.00 A86.05 A86.20 A87.01 A87.02 A87.20 A87.21
1	A 986 300 911 AX	see technical information group 3 NR. 2 / 2A /98 transmission ready for installation	97	1	A86.00 M249
		we take back: 986.300.911.01			
1	A 986 300 011 AX	transmission not ready for installation	97	1	A86.00 M249
		we take back: 986.300.011.01/911.01 (ZF 1060 030 009)			
1	986 300 011 BX	transmission not ready for installation	98	1	A86.00 M249
		we take back: 986.300.011.01/02/911.01 (ZF 1060 030 031)			
1	986 300 011 CX	transmission not ready for installation	99	1	A86.00 M249
		we take back: 986.300.011.03 (ZF 1060 030 053)			
1	986 300 011 EX	transmission not ready for installation	00-	1	A86.05 M249
		we take back: 986.300.011.05 (ZF 1060 030 050)			
1	986 300 011 TX	transmission not ready for installation	00-	1	A86.20 M249

Model	Year	MG	SG	Illustration	Restrictions	UPD	13:07	26.01.2010	PORSCHE	PET	PORSCHE
ATK	2008	3	07	307-01		248					

Pos	Part Number	Description	Remark	Qty	Model	Pos	Part Number	Description	Remark	Qty	Model
1	A 987 300 011 X	we take back: 986.300.011.20 (ZF 1060 030 030) transmission not ready for installation		05	1 A87.01 I249						
1	987 300 011 BX	we take back: 987.300.011.00 (ZF 1060 030 109) transmission not ready for installation		06	1 A87.01 I249						
1	987 300 011 AX	we take back: 987.300.011.02 (ZF 1060 030 109) transmission not ready for installation		-06	1 A87.20 I249						
1	987 300 011 CX	we take back: 987.300.011.20 (ZF 1060 030 110) transmission ready for installation		07-	1 A87.02						
1	987 300 011 DX	we take back: 987.300.011.01 transmission ready for installation		07-	1 A87.21						
		we take back: 987.300.011.21									

Model	Year	MG	SG	Illustration	Restrictions	UPD	13:07	26.01.2010	PORSCHE	PET	PORSCHE
ATK	2008	3	07	307-02		248					

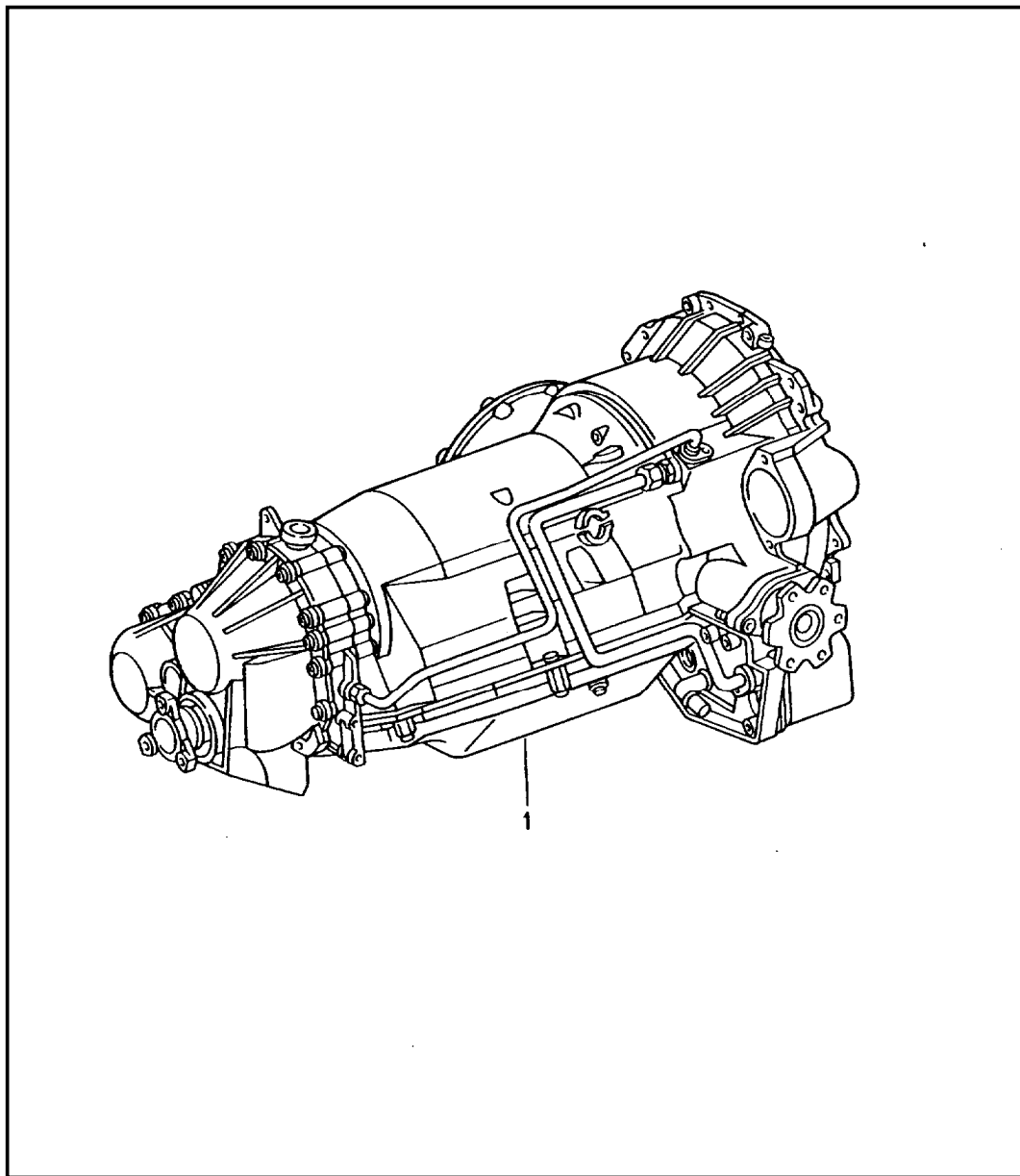


Pos	Part Number	Description	Remark	Qty	Model
		replacement transmission tiptronic	98-		CARRERA 2 A96.00
			99-		A96.10 CARRERA 4 A96.30 A96.35
1	A 996 300 911 X	replacement transmission ready for installation 5th gear with converter  ZF 1060 085 005  we take back: 996.300.911.00	98	1	A96.00
1	996 300 011 X	replacement transmission not ready for installation with converter  ZF 1060 050 002  we take back: 996.300.011.00	98	1	A96.00
1	996 300 011 AX	replacement transmission not ready for installation with converter  ZF-NR.1060 050 003  we take back: 996.300.011.02	99- -00	1	A96.00
(1)	A 996 300 011 CX	transmission not ready for installation with converter  ZF-NR:1060 060 002  we take back: 996.300.011.30	99	1	A96.30 C 4
(1)	996 300 011 DX	replacement transmission not ready for installation with converter  ZF-NR:1060 650 002	01	1	A96.00

Model	Year	MG	SG	Illustration	Restrictions	UPD	13:07	26.01.2010	PORSCHE	PET	PORSCHE
ATK	2008	3	07	307-02		248					

Pos	Part Number	Description	Remark	Qty	Model	Pos	Part Number	Description	Remark	Qty	Model
		F >>99XS6 00762 F >>99XS6 40394 use also: control unit 996.618.114.02  we take back: 996.300.011.03									
(1)	996 300 011 MX	replacement transmission not ready for installation with converter  ZF-NR:1060 660 001	00-	1	A96.30 C 4						
(1)	722 270 050 OX	replacement transmission not ready for installation with converter and oil cooler  we take back: 996.300.011.33/30	02-	1	A96.10 C 2						
(1)	722 270 060 OX	replacement transmission not ready for installation with converter and oil cooler  we take back: 722.270.050.0	02-	1	A96.35 C 4						

Model	Year	MG	SG	Illustration	Restrictions	UPD	13:08	26.01.2010	PORSCHE	PET	PORSCHE
ATK	2008	3	07	307-03		248					

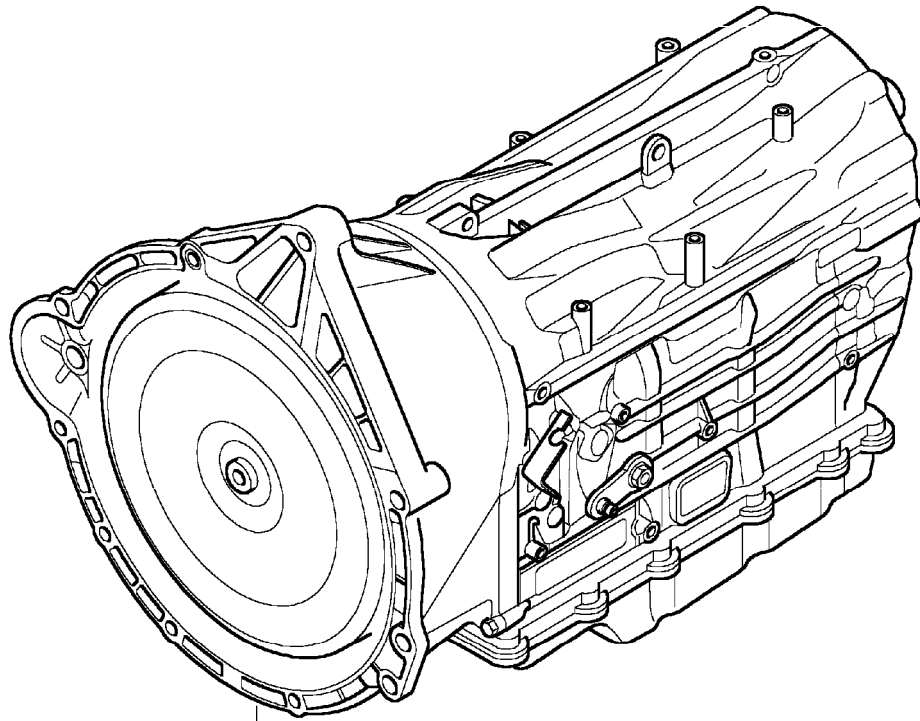


Pos	Part Number	Description	Remark	Qty	Model
		replacement transmission tiptronic	01-		911 TURBO A96.50 A96.50 X 50
1	722 270 070 0X	replacement transmission not ready for installation 5th gear with converter  we take back: 722.270.070.0		1	

Model	Year	MG	SG	Illustration	Restrictions	UPD	13:08	26.01.2010
ATK	2008	3	07	307-05		248		

Pos	Part Number	Description	Remark	Qty	Model
		replacement transmission tiptronic	05- 06-		CARRERA A97.01 A97.31
1	722 270 230 0X	replacement transmission not ready for installation 5-speed with converter  we take back: 722.270.230.0	05-	1	A97.01 I338
(1)	722 270 230 1X	replacement transmission not ready for installation 5-speed with converter  we take back: 722.270.240.0	06-	1	A97.31 I339

Model	Year	MG	SG	Illustration	Restrictions	UPD	13:08	26.01.2010	PORSCHE	PET	PORSCHE
ATK	2008	3	07	307-10		248					



1

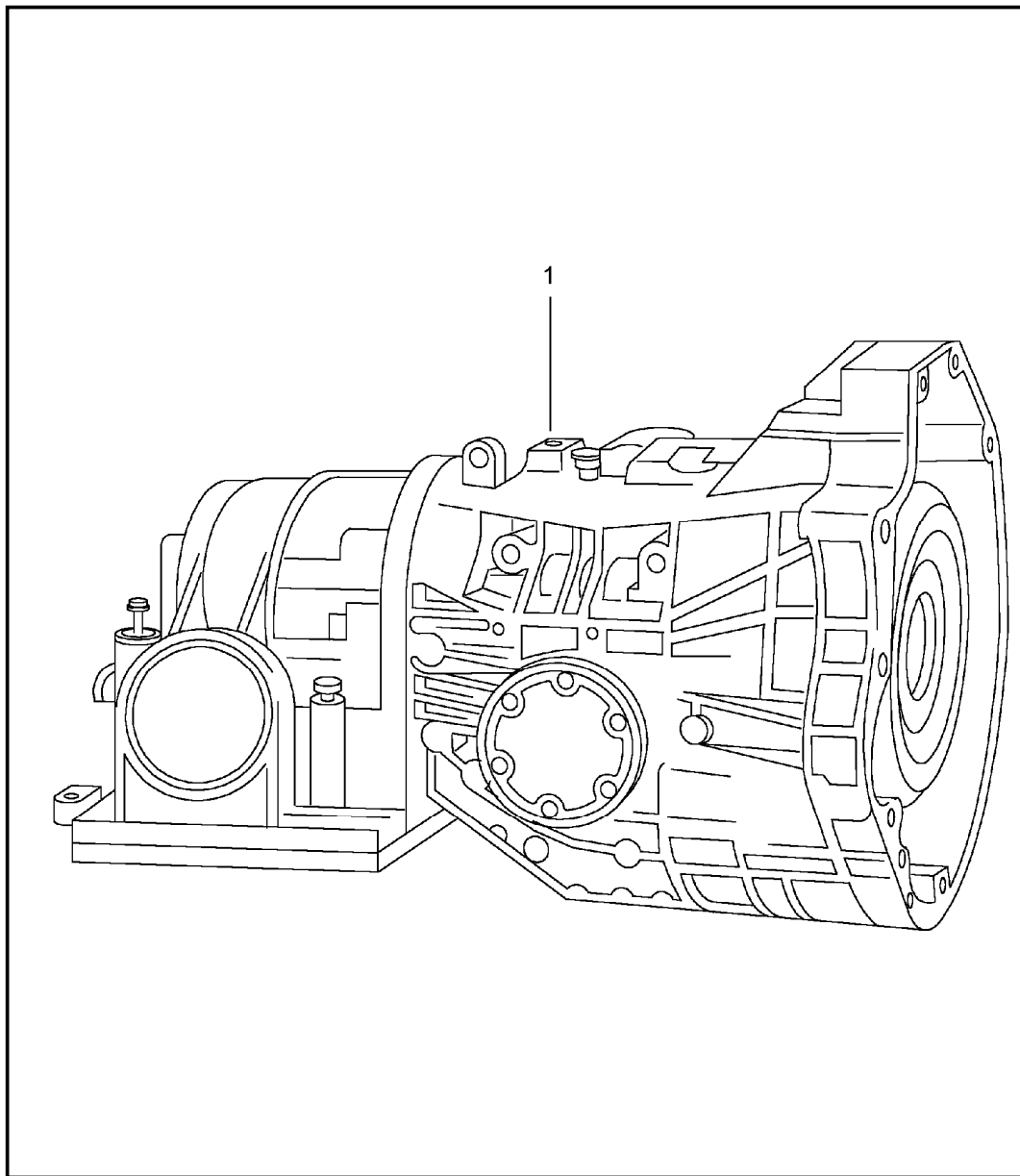
Pos	Part Number	Description	Remark	Qty	Model
		replacement transmission tiptronic	03-		CAYENNE A48.00 A48.50 A48.20
		technical information group 3 NR. 3/04 attention			
1	A 955 300 011 AX	replacement transmission ready for installation	03-	1	A48.00
		we take back: 955.300.011.21			
1	A 955 300 011 CX	replacement transmission ready for installation F >>9P4LA 48466	03-	1	A48.00
		we take back: 955.300.011.21/23			
1	A 955 300 011 BX	replacement transmission ready for installation	03-	1	A48.50
		we take back: 955.300.011.22			
1	A 955 300 011 DX	replacement transmission ready for installation F >>9P4LA 83830	03-	1	A48.50
		we take back: 955.300.011.22/24			
1	955 300 011 1X	replacement transmission ready for installation F 9P4LA 01744>>	04-	1	A48.20
		until F >>9P4LA 01743			
		use also: control unit 955.618.020.10			
		we take back: 955.300.011.01			
1	955 300 011 2X	replacement transmission ready for installation F 9P6LA 03710>>		1	A48.20

Model	Year	MG	SG	Illustration	Restrictions	UPD	13:08	26.01.2010	PORSCHE	PET	PORSCHE
ATK	2008	3	07	307-10		248					

Pos	Part Number	Description	Remark	Qty	Model	Pos	Part Number	Description	Remark	Qty	Model
1	955 300 011 EX	until F >>9P6LA 03709 F >>9P6LA 23594 use also: control unit 955.618.020.20  we take back: 955.300.011.01/02  replacement transmission ready for installation F 9P4LA 48467>>	04-	1	A48.00	1	955 300 011 JX	until F >>9P4LA 83830 use also: control unit 955.618.021.10  we take back: 955.300.011.22/24/26/50  replacement transmission ready for installation F 9P6LA 81707>>		1	A48.50
1	955 300 011 HX	until F >>9P4LA 48466 use also: control unit 955.618.022.10  we take back: 955.300.011.25  replacement transmission ready for installation F 9P6LA 43716>>		1	A48.00			until F >>9P6LA 43715 use also: control unit 955.618.022.20  we take back: 955.300.011.25/27			
1	A 955 300 011 FX	replacement transmission ready for installation F 9P4LA 83831>>	04-	1	A48.50			until F >>9P4LA 83830 use also: control unit 955.618.021.10  we take back: 955.300.011.22/24/26			
1	955 300 011 GX	replacement transmission ready for installation F 9P4LA 83831>>	04-	1	A48.50						

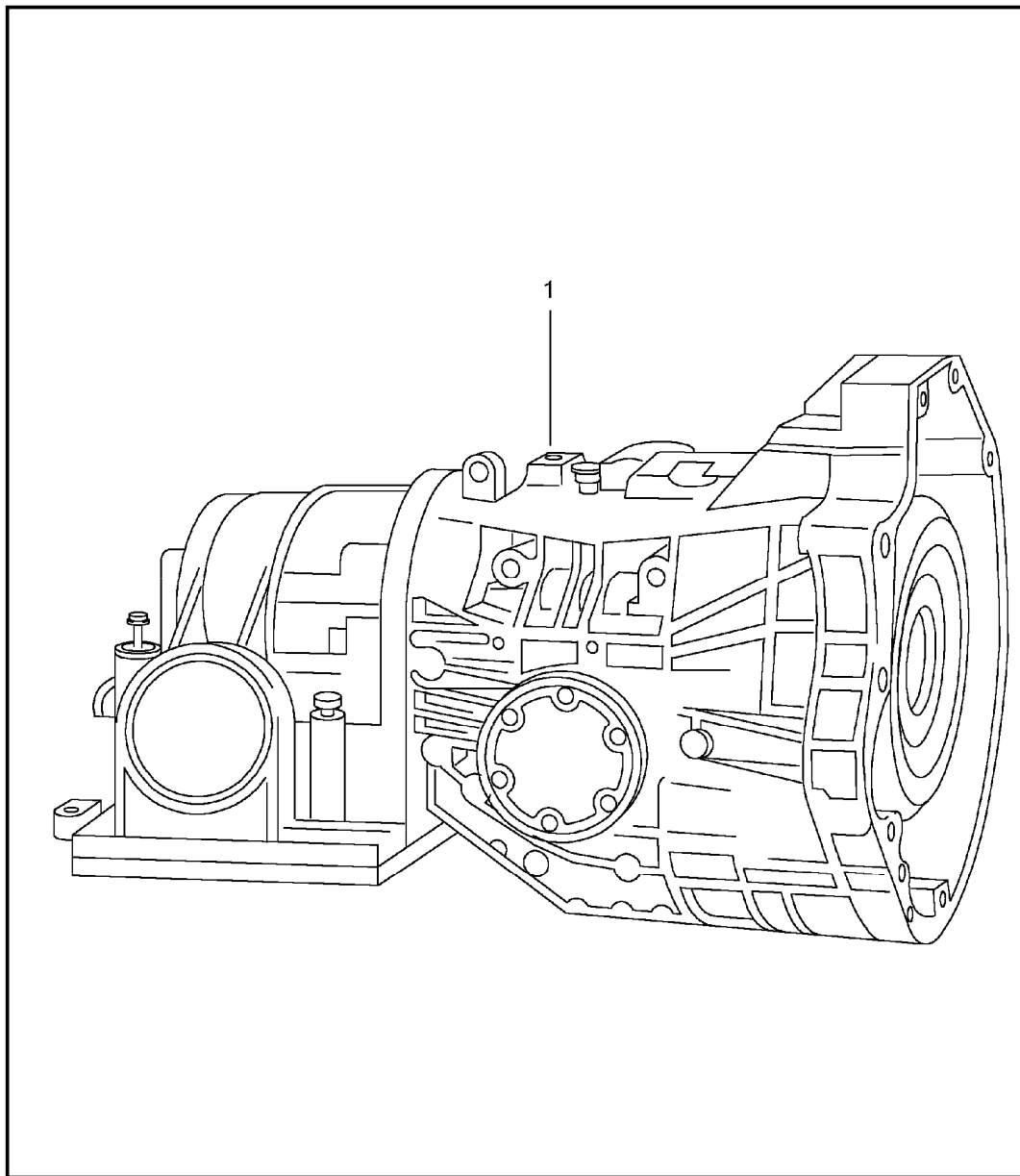


Model	Year	MG	SG	Illustration	Restrictions	UPD	13:08	26.01.2010	PORSCHE	PET	PORSCHE
ATK	2008	3	07	307-40		248					



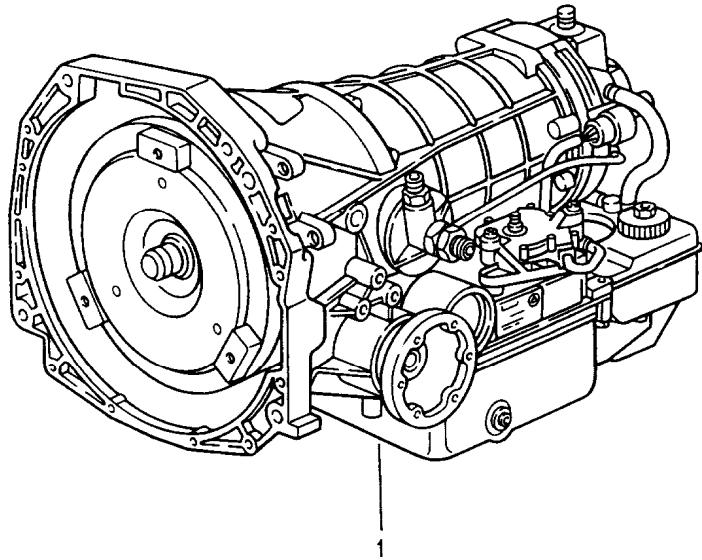
Pos	Part Number	Description	Remark	Qty	Model
		automatic transmission TYP 087	77-		924
1	087 300 035 MX	automatic transmission 3rd gear with converter ready for installation use also: 911.423.147.00 477.609.715 477.713.265.C N 011.005.4 N 011.665.5 N 015.526.2	(GB) -82 77- -80	1	RK
		we take back: 087.300.035.M		1 1 1 1 1 1	

Model	Year	MG	SG	Illustration	Restrictions	UPD	13:08	26.01.2010	PORSCHE	PET	PORSCHE
ATK	2008	3	07	307-42		248					



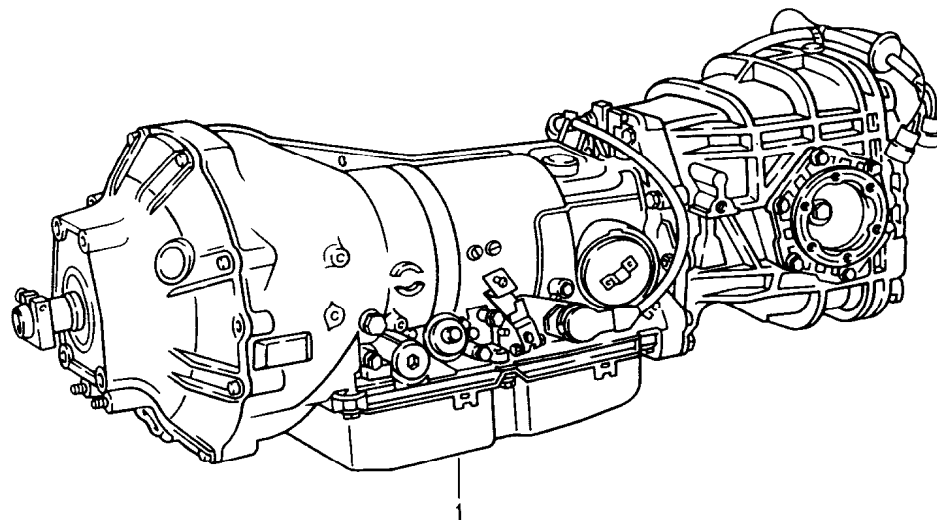
Pos	Part Number	Description	Remark	Qty	Model
		automatic transmission TYP 087	82-		924S/944
1	087 300 038 X	automatic transmission 3rd gear with converter ready for installation with return-side cooling G >>RCA 20 12 3	82- -84	1	RCA 944
		we take back: 087.300.035.S 087.300.038			RH RCA
1	087 300 038 CX	automatic transmission 3rd gear with converter ready for installation with flow-side cooling G RCD 21 12 3>>RCD 28 12 4 G RCD 15 07 5>>	84- -85	1	RCD 944
		we take back: 087.300.038.C	86- -88		924 S
1	087 300 038 DX	automatic transmission 3rd gear with converter ready for installation with flow-side cooling electric speedometer GRCE19124>>	85- -89	1	RCE 944
		we take back: 087.300.038.D			

Model	Year	MG	SG	Illustration	Restrictions	UPD	13:09	26.01.2010	PORSCHE	PET	PORSCHE
ATK	2008	3	07	307-45		248					



Pos	Part Number	Description	Remark	Qty	Model
		replacement transmission tiptronic	92- -95		968 A44.00
1	A 944 300 010 X	replacement transmission ready for installation 4th speed with converter  ZF 1050.012.001  we take back: 944.300.010.00	92	1	A44.00
1	944 300 010 AX	transmission ready for installation 4th speed with converter  ZF 1050.012.004  we take back: 944.300.010.01	92- -95	1	A44.00

Model	Year	MG	SG	Illustration	Restrictions	UPD	13:09	26.01.2010	PORSCHE	PET	PORSCHE
ATK	2008	3	07	307-80		248					



Pos	Part Number	Description	Remark	Qty	Model
		automatic transmission		78-	928 -18 A22.01
		complete TYP A 22/A 28			
(1)	922 300 003 AX	automatic transmission 3rd gear with converter ready for installation	(J)	78- -82 80- -82	1 A22.01
		we take back: 922.300.003.01			
(1)	922 300 903 AX	automatic transmission 3rd gear limited-slip differential with converter ready for installation	(J)	78- 80- -82	1 A22.01/12
		we take back: 922.300.903.01			
(1)	922 300 003 DX	automatic transmission 3rd gear with converter ready for installation		80-	1 A22.04
		we take back: 922.300.003.04			
(1)	922 300 903 DX	automatic transmission 3rd gear limited-slip differential with converter ready for installation		80-	1 A22.04/12
		we take back: 922.300.903.04			
1	960 300 004 AX	automatic transmission 4th speed with converter ready for installation	(J)	83-	1 A28.01
		we take back: 960.300.004.01			
1	960 300 014 AX	automatic transmission 4th speed limited-slip differential with converter ready for installation	(J)	83-	1 A28.01/12
		we take back: 960.300.014.01			

Model	Year	MG	SG	Illustration	Restrictions	UPD	13:09	26.01.2010	PORSCHE	PET	PORSCHE
ATK	2008	3	07	307-80		248					

Pos	Part Number	Description	Remark	Qty	Model	Pos	Part Number	Description	Remark	Qty	Model
1	960 300 004 BX	automatic transmission 4th speed with converter ready for installation  we take back: 960.300.004.02		84	1 A28.02	1	960 300 004 FX	automatic transmission 4th speed with converter ready for installation  we take back: 960.300.014.05		85	1 A28.06
1	960 300 014 BX	automatic transmission 4th speed limited-slip differential with converter ready for installation  we take back: 960.300.014.02		84	1 A28.02/12	1	960 300 014 FX	automatic transmission 4th speed limited-slip differential with converter ready for installation  we take back: 960.300.014.06		85	1 A28.06/12
1	960 300 004 CX	automatic transmission 4th speed with converter ready for installation  we take back: 960.300.004.03		84	1 A28.03	1	960 300 004 GX	automatic transmission 4th speed with converter ready for installation  we take back: 960.300.014.06	(J)	86	1 A28.07
1	960 300 014 CX	automatic transmission 4th speed limited-slip differential with converter ready for installation  we take back: 960.300.014.03		84	1 A28.03/12	1	960 300 014 GX	automatic transmission 4th speed limited-slip differential with converter ready for installation  we take back: 960.300.014.07	(J)	86	1 A28.07/12
1	960 300 004 DX	automatic transmission 4th speed with converter ready for installation  we take back: 960.300.004.04		85	1 A28.04	1	960 300 004 HX	automatic transmission 4th speed with converter ready for installation  we take back: 960.300.014.07		86	1 A28.08
1	960 300 004 EX	automatic transmission 4th speed with converter ready for installation  we take back: 960.300.004.05		85	1 A28.05	1	960 300 014 HX	automatic transmission 4th speed limited-slip differential with converter ready for installation  we take back: 960.300.014.08		86	1 A28.08/12
1	960 300 014 EX	automatic transmission 4th speed limited-slip differential with converter ready for installation		85	1 A28.05/12						

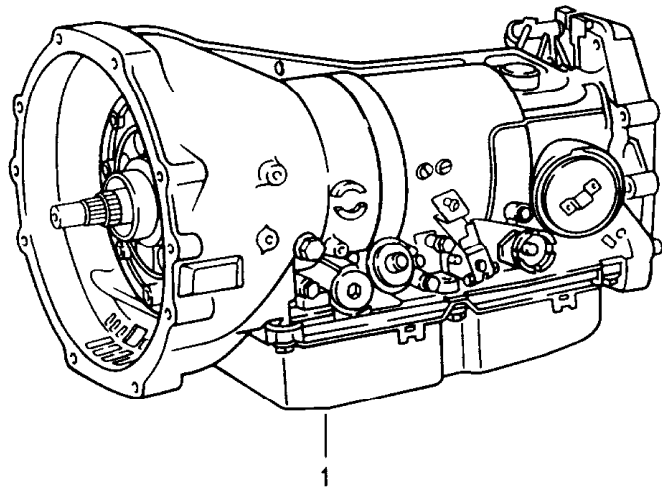
Model	Year	MG	SG	Illustration	Restrictions	UPD	13:09	26.01.2010	PORSCHE	PET	PORSCHE
ATK	2008	3	07	307-80		248					

Pos	Part Number	Description	Remark	Qty	Model	Pos	Part Number	Description	Remark	Qty	Model
1	960 300 004 JX	automatic transmission 4th speed with converter ready for installation  we take back: 960.300.004.09		86	1 A28.09			we take back: 960.300.004.14			
						1	960 300 014 PX	automatic transmission 4th speed limited-slip differential with converter ready for installation	87-	1	A28.12/14
1	960 300 014 JX	automatic transmission 4th speed limited-slip differential with converter ready for installation  we take back: 960.300.014.09		86	1 A28.09/12			we take back: 960.300.014.14			
						1	960 300 004 QX	automatic transmission ready for installation 4th speed with converter	89	1	A28.16
1	960 300 004 LX	automatic transmission 4th speed with converter ready for installation  we take back: 960.300.004.11		86	1 A28.11			we take back: 960.300.004.16			
						1	960 300 014 QX	automatic transmission ready for installation 4th speed limited-slip differential with converter	89	1	A28.16
1	960 300 014 LX	automatic transmission 4th speed limited-slip differential with converter ready for installation  we take back: 960.300.014.11		86	1 A28.11/12			we take back: 960.300.014.16			
						1	960 300 030 QX	automatic transmission ready for installation 4th speed porsche limited-slip differential with converter	90	1	A28.16 M221
1	960 300 004 MX	automatic transmission 4th speed with converter ready for installation  we take back: 960.300.004.12	(J)	87-88	1 A28.12			we take back: 960.300.030.16			
						1	960 300 030 SX	automatic transmission ready for installation 4th speed porsche limited-slip differential with converter	91	1	A28.16 M221
1	960 300 014 MX	automatic transmission 4th speed limited-slip differential with converter ready for installation  we take back: 960.300.014.12	(J)	87-	1 A28.12/12			we take back: 960.300.030.17			
						1	960 300 030 TX	automatic transmission ready for installation 4th speed porsche limited-slip differential with converter	92-	1	A28.18 M221
1	960 300 004 PX	automatic transmission 4th speed with converter ready for installation		87-	1 A28.14						

Model	Year	MG	SG	Illustration	Restrictions	UPD	13:09	26.01.2010	PORSCHE	PET	PORSCHE
ATK	2008	3	07	307-80		248					

Pos	Part Number	Description	Remark	Qty	Model	Pos	Part Number	Description	Remark	Qty	Model
		we take back: 960.300.030.18									

Model	Year	MG	SG	Illustration	Restrictions	UPD	13:09	26.01.2010	PORSCHE	PET	PORSCHE
ATK	2008	3	07	307-85		248					



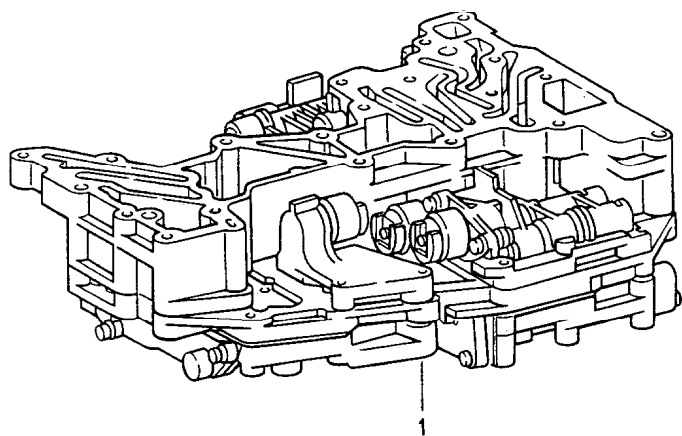
Pos	Part Number	Description	Remark	Qty	Model
		short transmission automatic  TYP A 22/A 28	78- -95		928
(1)	722 270 030 1X	short transmission 3rd gear without converter and differential  we take back: 722.270.030.1	(J) 78- -82 80- -82	1	A22.01
(1)	722 270 060 1X	short transmission 3rd gear without converter and differential  we take back: 722.270.060.1	80-	1	A22.04
1	722 270 120 1X	short transmission 4th speed without converter and differential  we take back: 722.270.120.1	(J) 83-	1	A28.01
1	722 270 140 1X	short transmission 4th speed without converter and differential  we take back: 722.270.140.1	84	1	A28.02/03
1	722 270 170 1X	short transmission 4th speed without converter and differential  we take back: 722.270.170.1	85	1	A28.04
1	722 270 180 1X	short transmission 4th speed without converter and differential  we take back: 722.270.180.1	85	1	A28.05/06
1	722 270 250 1X	short transmission 4th speed without converter and differential	(J) 86	1	A28.07/11



Model	Year	MG	SG	Illustration	Restrictions	UPD	13:09	26.01.2010	PORSCHE	PET	PORSCHE
ATK	2008	3	07	307-85		248					

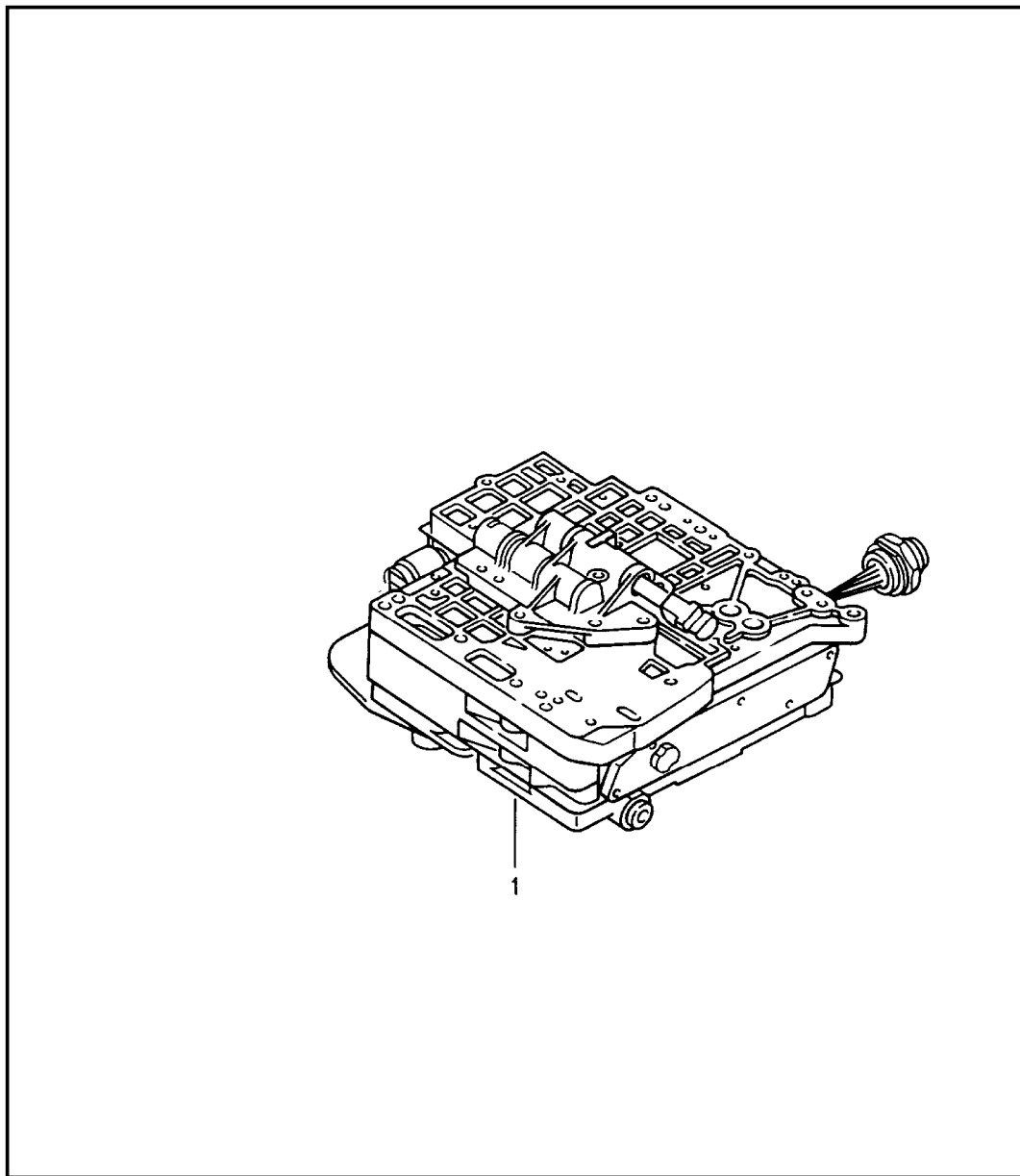
Pos	Part Number	Description	Remark	Qty	Model	Pos	Part Number	Description	Remark	Qty	Model
1	722 270 260 1X	we take back: 722.270.250.1 short transmission 4th speed without converter and differential	86	1	A28.08/09						
1	722 270 210 1X	we take back: 722.270.260.1 short transmission 4th speed without converter and differential	87-	1	A28.12/14						
1	722 270 320 1X	we take back: 722.270.210.1 short transmission 4th speed without converter and differential	89-	1	A28.16						
1	722 270 340 1X	we take back: 722.270.320.1 short transmission 4th speed without converter and differential	92-	1	A28.18						
		we take back: 722.270.340.1									

Model	Year	MG	SG	Illustration	Restrictions	UPD	13:09	26.01.2010	PORSCHE	PET	PORSCHE
ATK	2008	3	10	310-00		248					



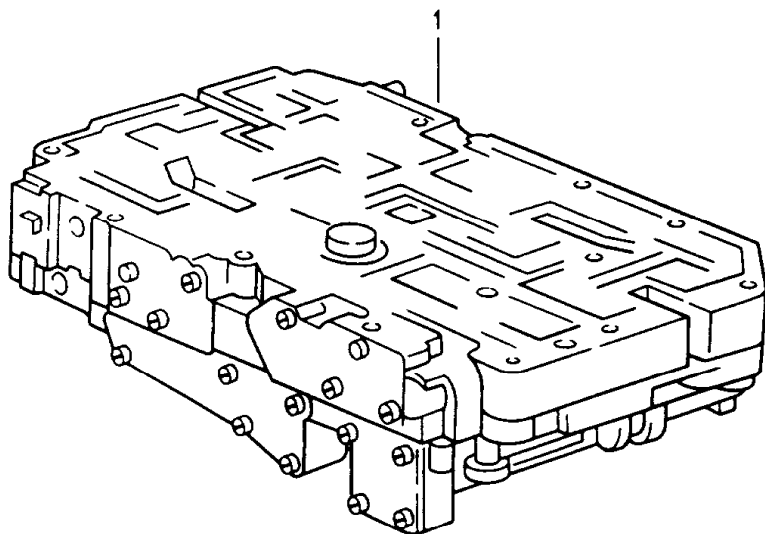
Pos	Part Number	Description	Remark	Qty	Model
		switch unit	90-		CARRERA 2 -05 A50.01
1	943 325 001 X	switch unit ready for installation ZF 1043 128 035  we take back: 943.325.001.00	90- -91	1	A50.01
1	943 325 001 AX	switch unit ready for installation ZF 1043 128 054  we take back: 943.325.001.01	92- -94	1	A50.02/03
1	943 325 001 BX	switch unit ready for installation ZF 1043 128 066/079 see technical information group 3 NR. 1/95  we take back: 943.325.001.02/03	94- -98	1	A50.04/05

Model	Year	MG	SG	Illustration	Restrictions	UPD	13:09	26.01.2010	PORSCHE	PET	PORSCHE
ATK	2008	3	10	310-40		248					



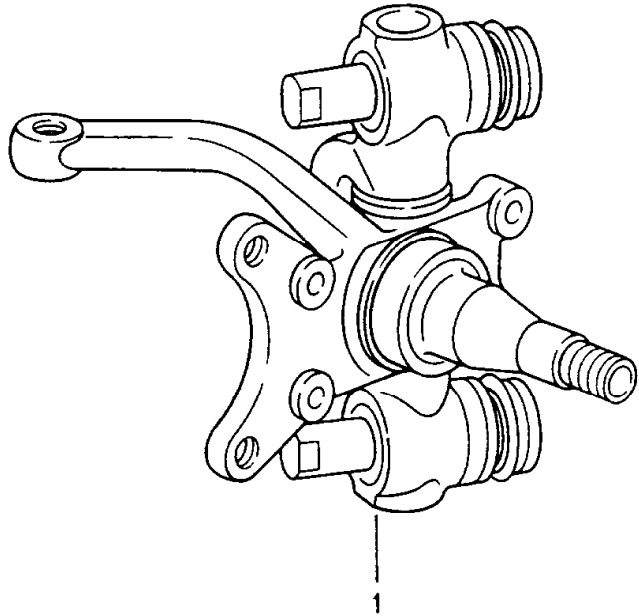
Pos	Part Number	Description	Remark	Qty	Model
		switch unit	92-		968 A44.00
1	944 325 001 X	switch unit ready for installation ZF 1050 127 016  we take back: 944.325.001.00	92- -95	1	A44.00

Model	Year	MG	SG	Illustration	Restrictions	UPD	13:10	26.01.2010	PORSCHE	PET	PORSCHE
ATK	2008	3	10	310-80		248					



Pos	Part Number	Description	Remark	Qty	Model
		shift-valve body	78-		928 -04 A22.01 -18 A28.02
		TYP A 22/A 28			
(1)	722 270 110 7X	shift-valve body ready for installation	81- -83	1	A22.04
		we take back: 722.270.110.7			
1	722 270 200 7X	shift-valve body ready for installation A >> 547 628	84-	1	A28.01/04
		we take back: 722.270.200.7			
1	722 270 300 7X	shift-valve body ready for installation A 547 629 >> use also: 1 X 126.277.961.4 1 X 126.277.108.0 1 X 126.270.105.0 1 X 126.270.267.9	84-	1	-09 A28.02 A28.11
		we take back: 722.270.190.7/250.7/300.7			
1	722 270 340 7X	shift-valve body ready for installation	87- -88	1	A28.12/14
		we take back: 722.270.340.7			
1	722 270 380 7X	shift-valve body ready for installation A >> 3 547 142	89-	1	A28.16/18
		we take back: 722.270.380.7			
1	722 270 430 7X	shift-valve body ready for installation A 3 547 143 >> A 3 540 623 >> 3 540 632	-95	1	A28.18
		we take back: 722.270.430.7			

Model	Year	MG	SG	Illustration	Restrictions	UPD	13:10	26.01.2010	PORSCHE	PET	PORSCHE
ATK	2008	4	01	401-40		248					



Pos	Part Number	Description	Remark	Qty	Model
		steering knuckle	/V 63-		356 C
1	A 695 341 997 X	steering knuckle with supporting bow ready for installation  we take back: 695.341.997.00	/V/L	1	
1	695 341 998 X	steering knuckle with supporting bow  we take back: 695.341.998.00	/V/R	1	

PORSCHE

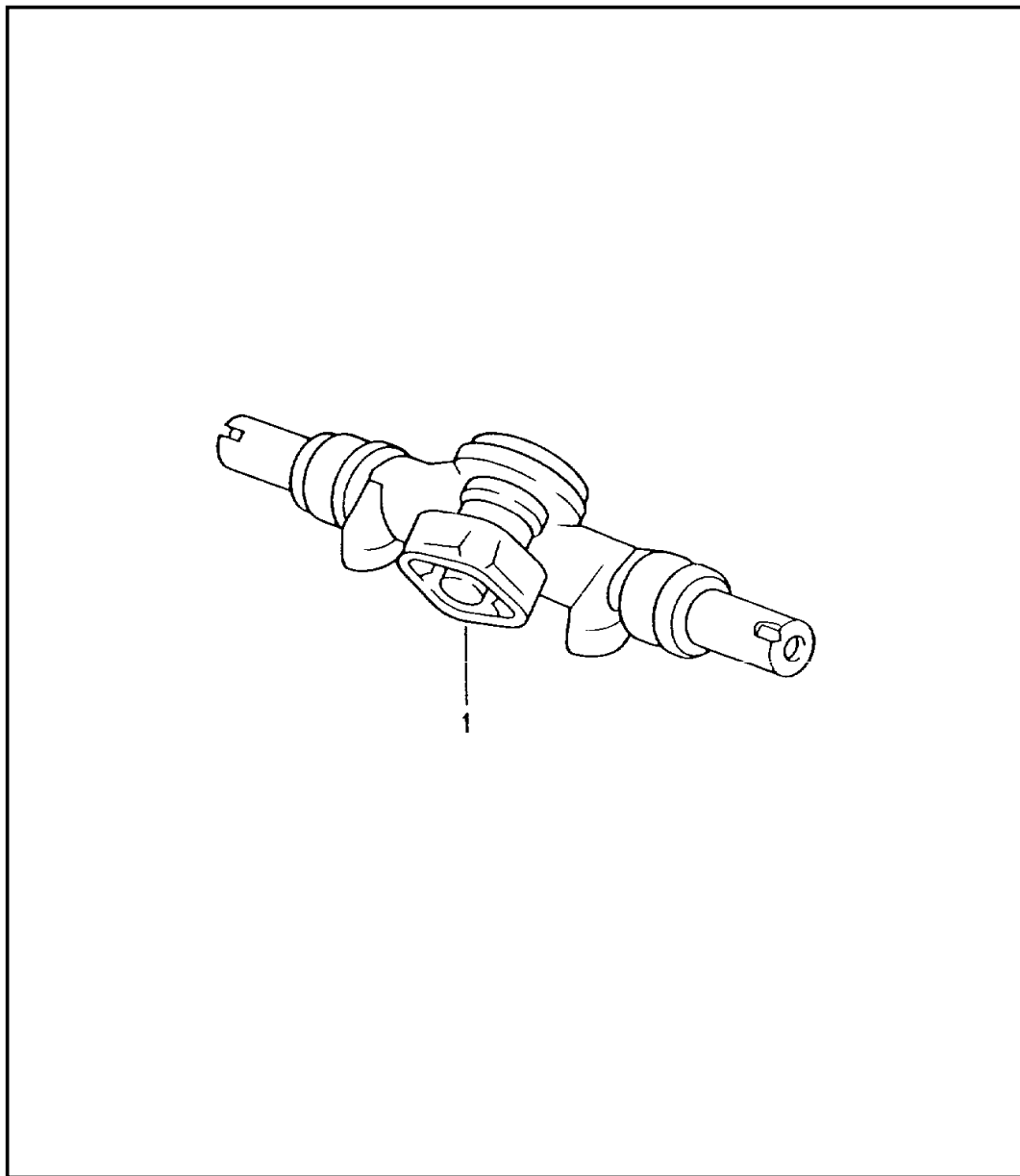
PET

PORSCHE

Model	Year	MG	SG	Illustration	Restrictions	UPD	13:10	26.01.2010
ATK	2008	4	02	402-05		248		

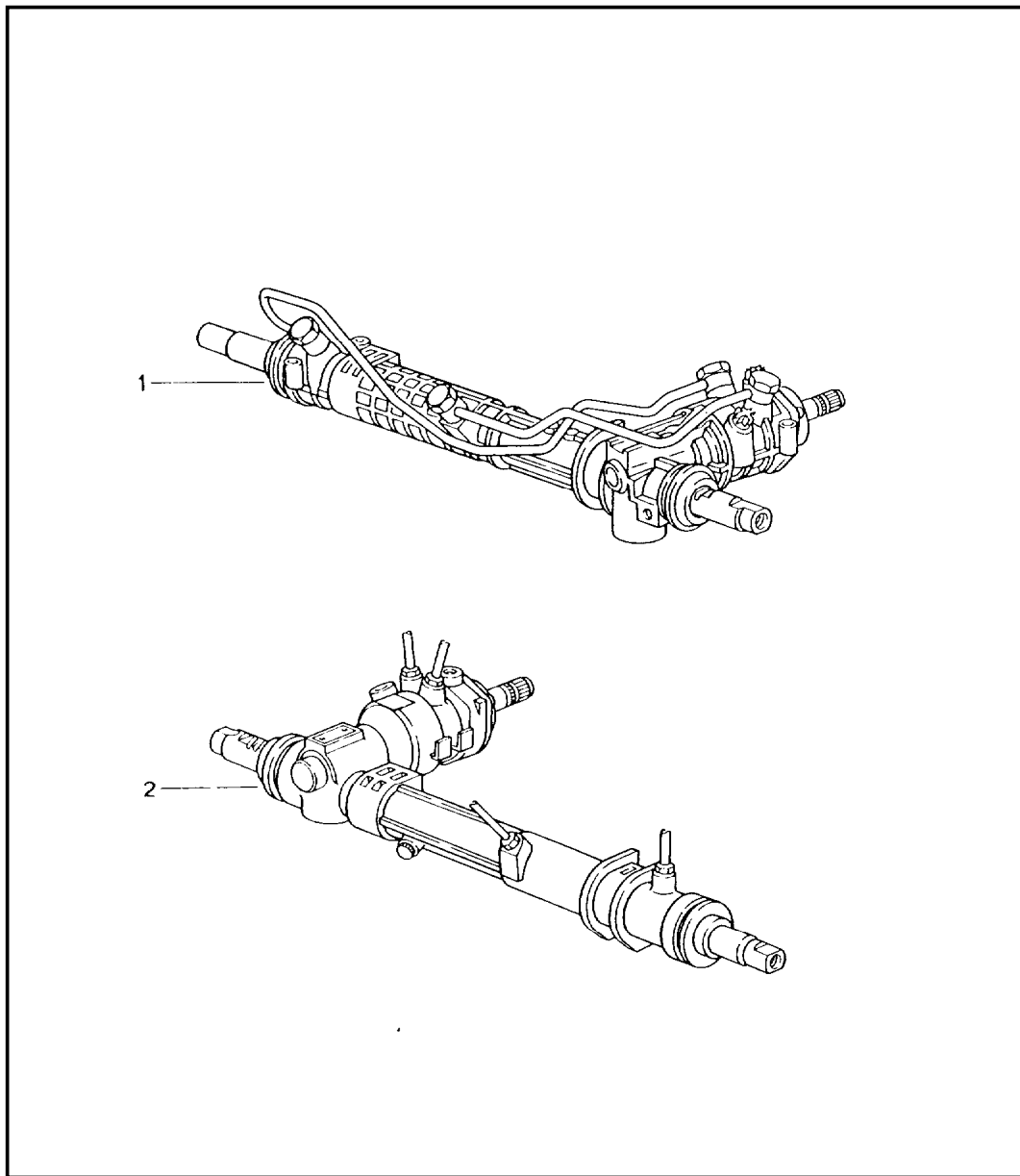
Pos	Part Number	Description	Remark	Qty	Model
		vibration damper front axle	87- -88		959
-	959 343 501 CX	vibration damper  we take back: 959.343.501.03		2	SPORT
-	959 343 511 CX	vibration damper  we take back: 959.343.511.03		2	
-	959 343 501 LX	vibration damper  we take back: 959.343.501.11		2	OPTION USA

Model	Year	MG	SG	Illustration	Restrictions	UPD	13:10	26.01.2010	PORSCHE	PET	PORSCHE
ATK	2008	4	03	403-00		248					



Pos	Part Number	Description	Remark	Qty	Model
		steering gear without power steering	70- -89		911
1	A 914 347 010 EX	steering gear ZF 7840 955 112  we take back: 914.347.010.05	70- -89	1	
1	914 347 010 FX	steering gear ZF 7840 955 112  we take back: 914.347.010.06	70- -89	1	
(1)	930 347 010 X	steering gear ZF 7820 955 114  we take back: 930.347.010.00	75- -89	1	

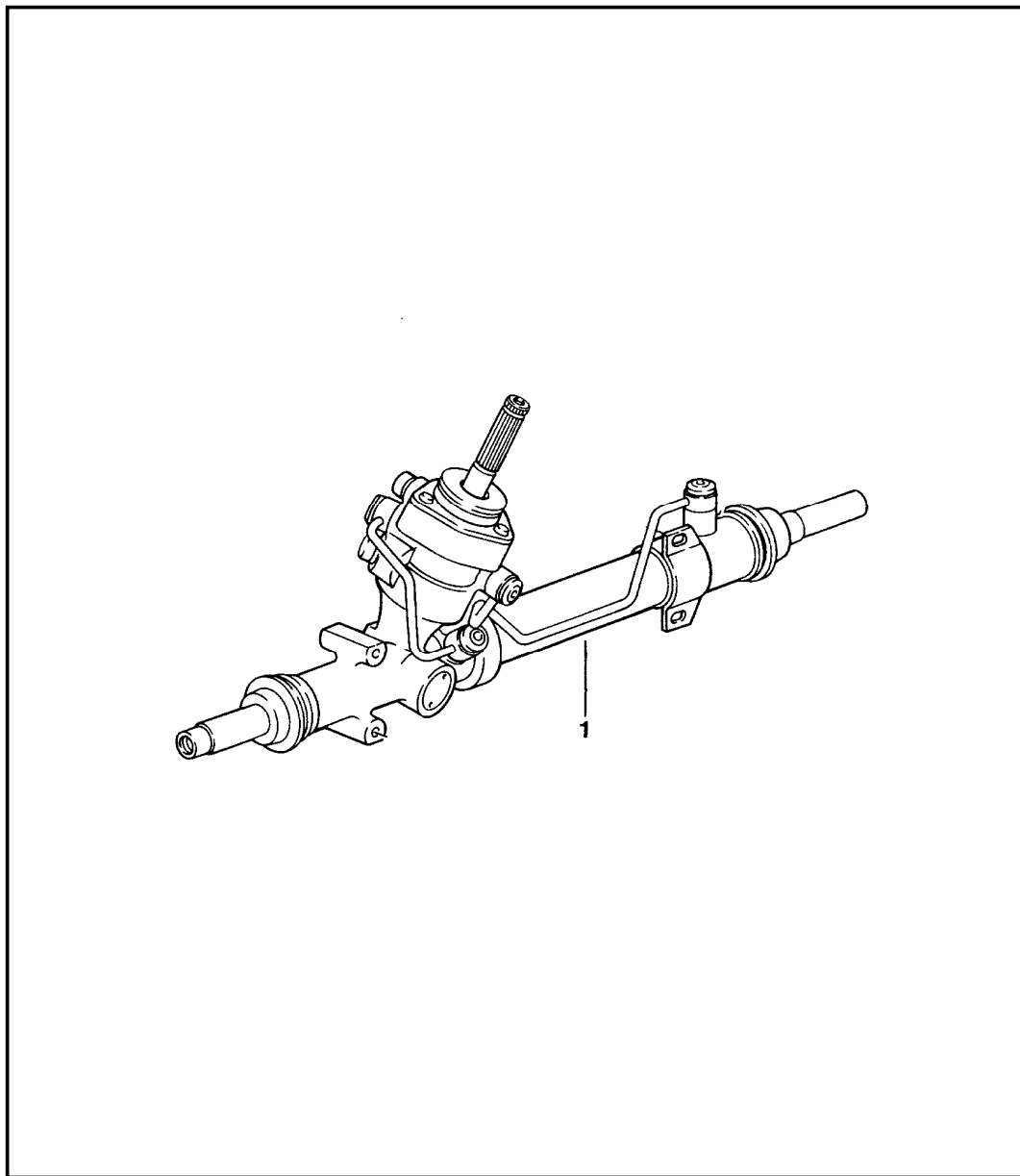
Model	Year	MG	SG	Illustration	Restrictions	UPD	13:10	26.01.2010	PORSCHE	PET	PORSCHE
ATK	2008	4	03	403-04		248					



Pos	Part Number	Description	Remark	Qty	Model
		steering gear	89-92		CARRERA 2/4 CARRERA RS
1	964 347 009 BX	steering gear ZF 7840 955 119 we take back: 964.347.009.02	/LL 89-91	1	
1	964 347 009 DX	steering gear ZF 7832 955 160 we take back: 964.347.009.04	/LL 92-94	1	
(1)	964 347 011 X	steering gear ZF 7810 955 122 we take back: 964.347.011.02	/LL 92	1	CARRERA RS
2	964 347 012 DX	steering gear ZF 7849 955 120 we take back: 964.347.012.04	/RL 89-91	1	
2	964 347 012 EX	steering gear ZF 7840 955 124 use also:	/RL 92-94	1	
-	964 347 223 08	clamp		2	
-	964 347 137 07	rubber insert		2	
-	999 218 053 08	pan-head screw M 8 X 60 micro-self-locking		4	
-	900 031 001 02	washer 8,4 we take back: 964.347.012.05		4	

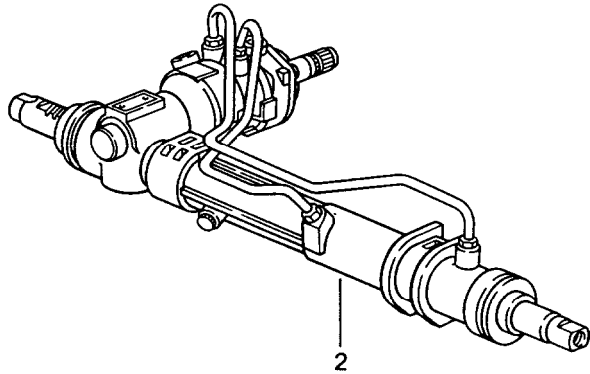
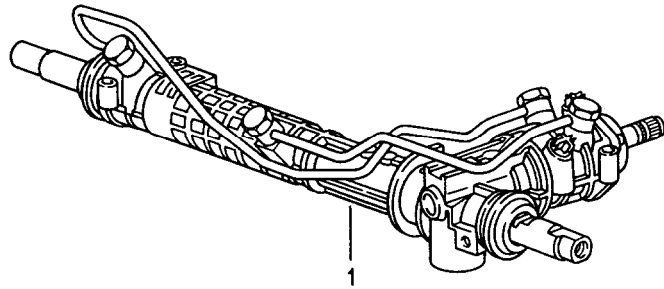


Model	Year	MG	SG	Illustration	Restrictions	UPD	13:11	26.01.2010	PORSCHE	PET	PORSCHE
ATK	2008	4	03	403-05		248					



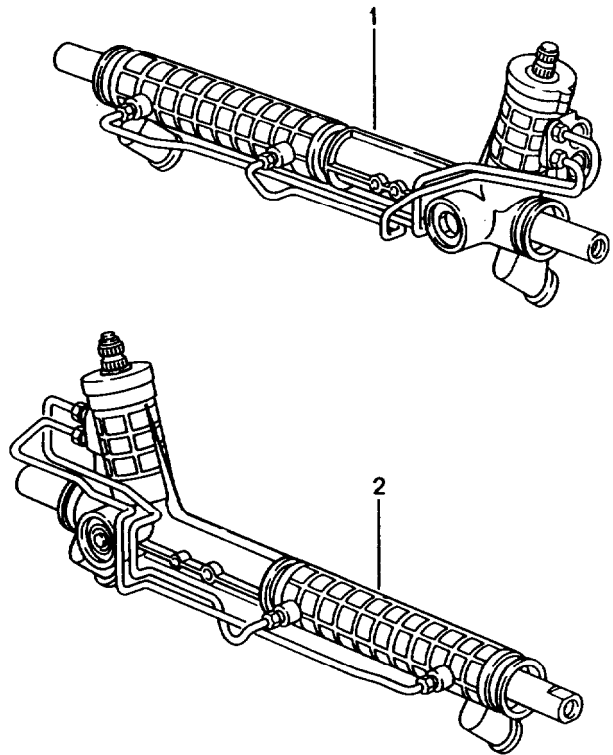
Pos	Part Number	Description	Remark	Qty	Model
1	959 347 010 KX	steering gear ZF 7840 955 116 we take back: 959.347.010.20	87-	1	959

Model	Year	MG	SG	Illustration	Restrictions	UPD	13:11	26.01.2010	PORSCHE	PET	PORSCHE
ATK	2008	4	03	403-10		248					



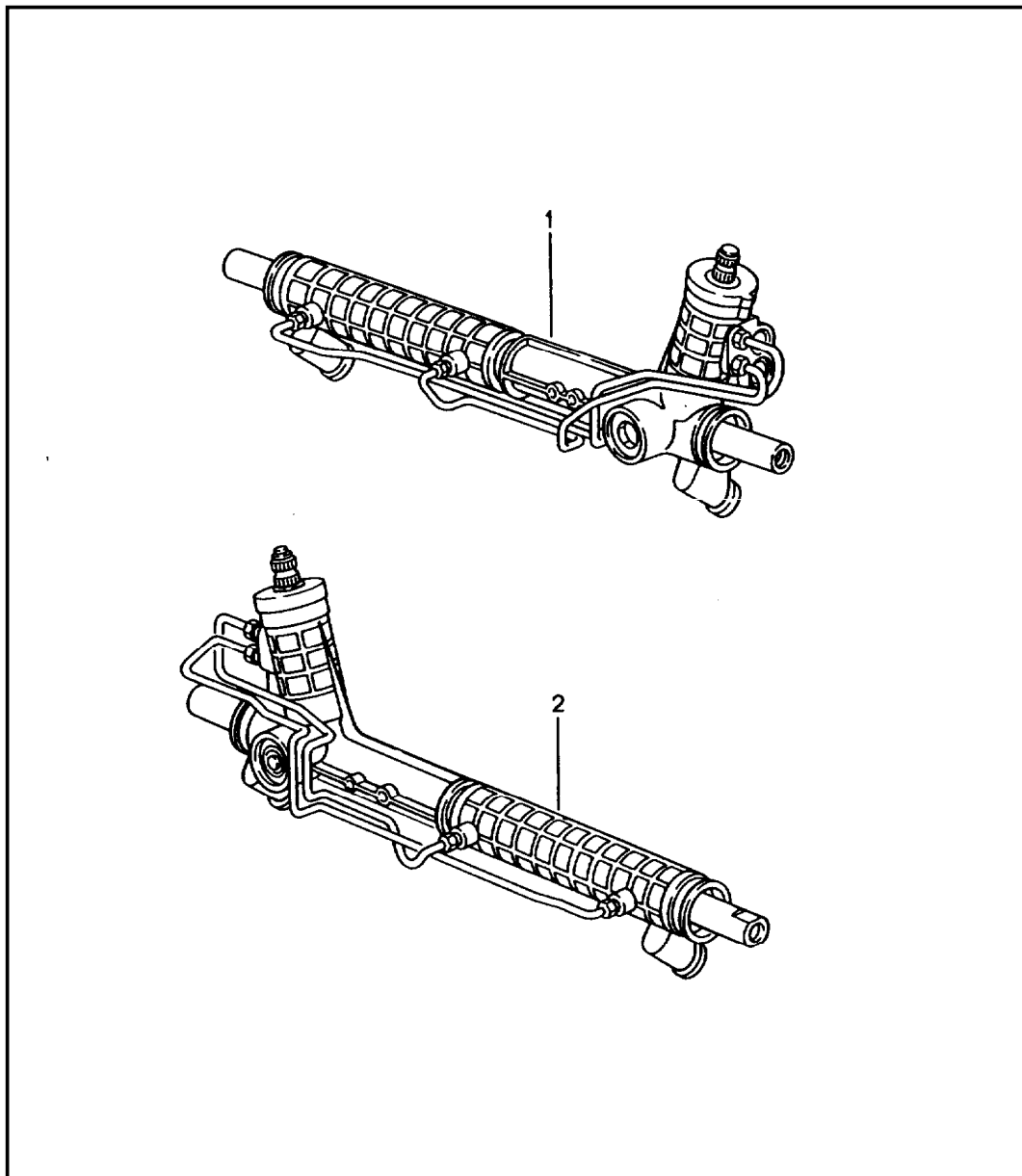
Pos	Part Number	Description	Remark	Qty	Model
		steering gear	94-95		CARRERA CARRERA RS
1	993 347 011 X	steering gear ZF 7832 501 203 we take back: 993.347.011.00	/LL 94-98	1	
1	964 347 009 DX	steering gear ZF 7832 988 231 we take back: 964.347.009.04	/LL 95	1	CARRERA RS
2 A	993 347 012 X	power steering ZF 7840 955 126 we take back: 993.347.012.00	/RL 94	1	
2	993 347 012 DX	steering gear ZF 7840 955 126 we take back: 993.347.012.00/01/02/03/04 until 05 / 96 use also:	/RL 95-	1	
-	993 347 458 04	pressure line		1	
2	964 347 012 EX	steering gear ZF 7840 955 124 we take back: 964.347.012.05	/RL 95	1	CARRERA RS

Model	Year	MG	SG	Illustration	Restrictions	UPD	13:11	26.01.2010	PORSCHE	PET	PORSCHE
ATK	2008	4	03	403-11		248					



Pos	Part Number	Description	Remark	Qty	Model
		steering gear	97-		BOXSTER
1	A 996 347 011 DX	steering gear we take back: 996.347.011.04	/LL 97-	1	
1	A 996 347 011 EX	steering gear we take back: 996.347.011.05	/LL 98	1	
1	A 996 347 011 FX	steering gear we take back: 996.347.011.06	/LL 98-	1	
1	996 347 011 GX	steering gear we take back: 996.347.011.06/07	/LL 97-	1	
2	A 996 347 012 DX	steering gear we take back: 996.347.012.04	/RL 97-	1	
2	A 996 347 012 EX	steering gear we take back: 996.347.012.05	/RL 98-	1	
2	A 996 347 012 FX	steering gear we take back: 996.347.012.06	/RL 98-	1	
2	A 996 347 012 GX	steering gear we take back: 996.347.012.07	/RL 00-	1	
2	996 347 012 HX	steering gear we take back: 996.347.012.07/08	/RL 97-	1	

Model	Year	MG	SG	Illustration	Restrictions	UPD	13:11	26.01.2010	PORSCHE	PET	PORSCHE
ATK	2008	4	03	403-12		248					



Pos	Part Number	Description	Remark	Qty	Model
		steering gear	98-01-02-		996 CARRERA 996 TURBO 996 GT2
1	A 996 347 011 DX	steering gear we take back: 996.347.011.04	/LL 98	1	
1	A 996 347 011 EX	steering gear we take back: 996.347.011.04/05	/LL 98-	1	
1	A 996 347 011 FX	steering gear we take back: 996.347.011.04/05/06	/LL 98-	1	
1	996 347 011 GX	steering gear we take back: 996.347.011.04/05/06/07	/LL 00-	1	
2	A 996 347 012 DX	steering gear we take back: 996.347.012.04	/RL 98	1	
2	A 996 347 012 EX	steering gear we take back: 996.347.012.04/05	/RL 98-	1	
2	A 996 347 012 FX	steering gear we take back: 996.347.012.04/05/06	/RL 98-	1	
2	A 996 347 012 GX	steering gear we take back: 996.347.012.04/05/06/07	/RL 00-	1	
2	996 347 012 HX	steering gear we take back: 996.347.012.04/05/06/07/08	/RL 98-	1	

PORSCHE

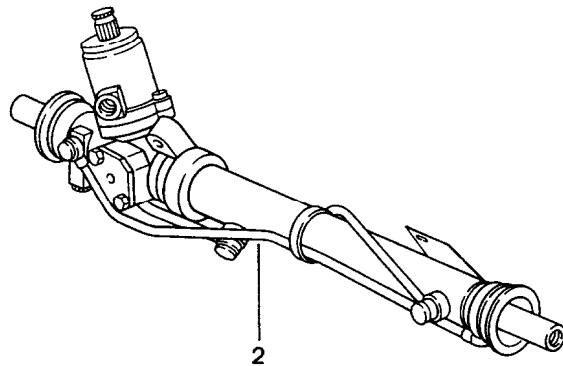
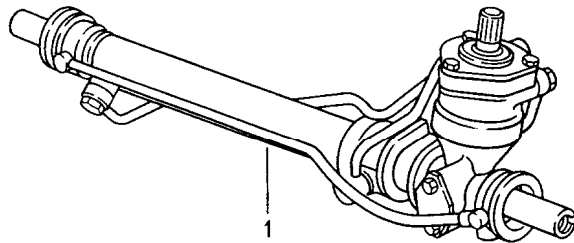
PET

PORSCHE

Model	Year	MG	SG	Illustration	Restrictions	UPD	13:11	26.01.2010
ATK	2008	4	03	403-13		248		

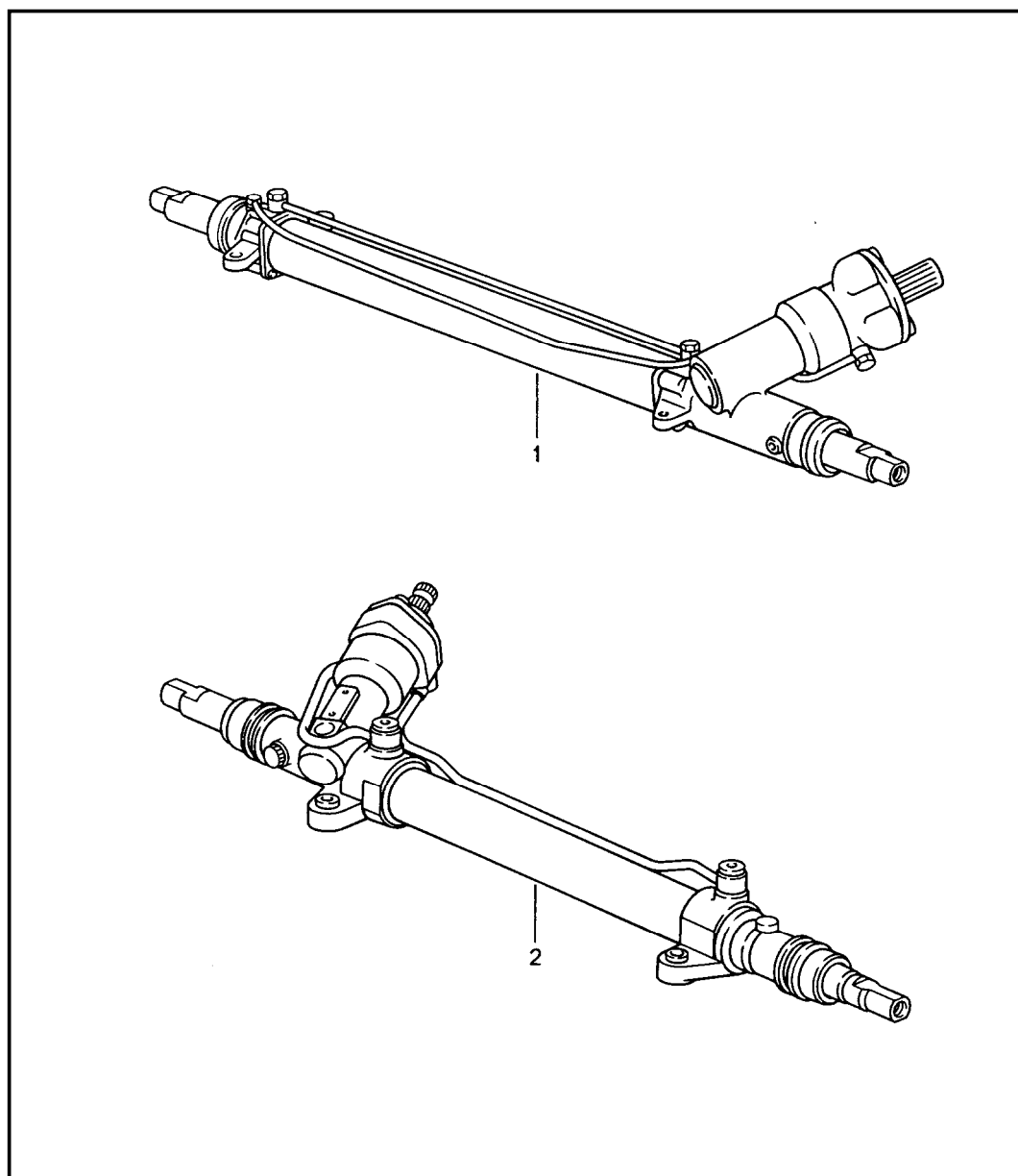
Pos	Part Number	Description	Remark	Qty	Model
		steering gear	05- 07- 07- 05-		997 CARRERA 997 TOP 997 GT3 987
-	997 347 011 FX	steering gear power steering	/LL	1	I098
		we take back: 997.347.011.03/04/05/06			
1	997 347 012 EX	steering gear power steering	/RL	1	I099
		we take back: 997.347.012.02/03/04/05			

Model	Year	MG	SG	Illustration	Restrictions	UPD	13:11	26.01.2010	PORSCHE	PET	PORSCHE
ATK	2008	4	03	403-40		248					



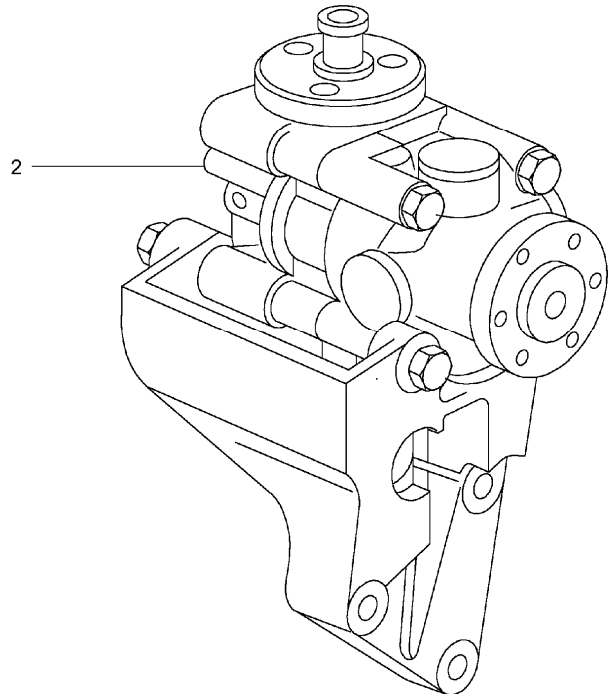
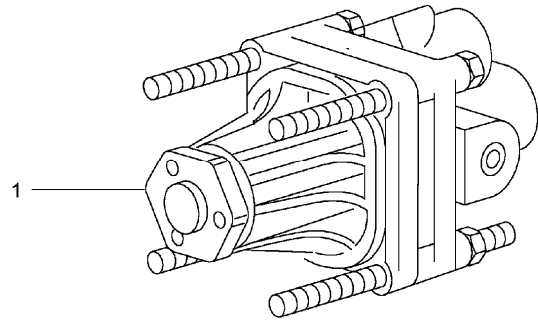
Pos	Part Number	Description	Remark	Qty	Model
		steering gear			924/944/968
1	944 347 011 AX	steering gear ZF 7840 955 200/201 we take back: 944.347.011.21/22	/LL -88	1	
1	944 347 011 BX	steering gear ZF 7840 955 202 we take back: 944.347.011.21/22/24	/LL 89-	1	
2	945 347 011 BX	steering gear ZF 7830 955 104 ZF 7830 955 113 ZF 7830 974 107 we take back: 945.347.011.20/22	/RL 82-	1	

Model	Year	MG	SG	Illustration	Restrictions	UPD	13:12	26.01.2010	PORSCHE	PET	PORSCHE
ATK	2008	4	03	403-80		248					



Pos	Part Number	Description	Remark	Qty	Model
		steering gear see technical information GR.4 NR.20			928
(1) A	928 347 010 BX	steering gear ZF 7840 955 104/105/110 F >>92BS8 00259 F >>92BS8 40439  we take back: 928.347.010.22	/LL	1	
1	928 347 010 CX	steering gear ZF 7840 955 112/114 F 92BS8 00260>> F 92BS8 40440>>  we take back: 928.347.010.24	/LL -90	1	
1	928 347 010 DX	steering gear ZF 7840 955 121 ZF 7840 955 123  we take back: 928.347.010.26/27	/LL 91-	1	
2	927 347 010 BX	steering gear ZF 7840 955 106/113 F >>92BS8 00259 F >>92BS8 40439  use also: 928.347.329.03  we take back: 927.347.010.20/22	/RL -90	1	
2	927 347 010 CX	steering gear ZF 7840 955 122  we take back: 927.347.010.26	/RL 91-	1	

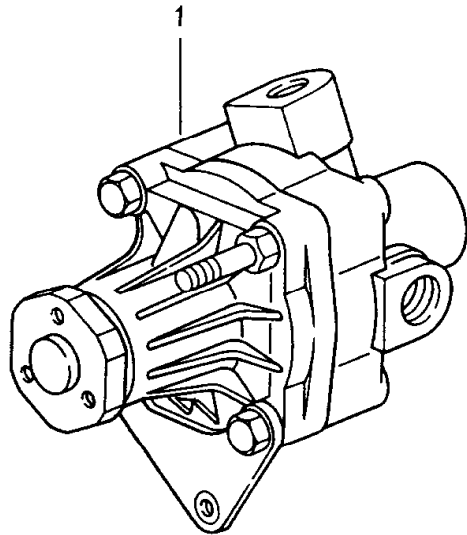
Model	Year	MG	SG	Illustration	Restrictions	UPD	13:12	26.01.2010	PORSCHE	PET	PORSCHE
ATK	2008	4	04	404-00		248					



Pos	Part Number	Description	Remark	Qty	Model
		power-steering pump	87-		959
		tandem pump	89- 98		CARRERA 2/4 TURBO
1	964 347 432 AX	power-steering pump ZF 7681 955 179	87- 89-	1	CARRERA 2/4
		we take back: 964.347.432.01			
1	964 347 432 BX	power-steering pump ZF 7681 955 245	92-	1	CARRERA 2/4
		we take back: 964.347.432.02			
(1)	993 314 050 JX	power-steering pump ZF 8692 955 123	98	1	TURBO
		we take back: 993.314.050.10			
2	959 347 089 X	tandem pump VICKERS VTP64 SK-302-85	87-	1	959 KOMFORT
		we take back: 959.347.089.00			
-	959 347 090 X	vane type pump we take back: 959.347.090.00	87-	1	959 SPORT



Model	Year	MG	SG	Illustration	Restrictions	UPD	13:12	26.01.2010	PORSCHE	PET	PORSCHE
ATK	2008	4	04	404-40		248					

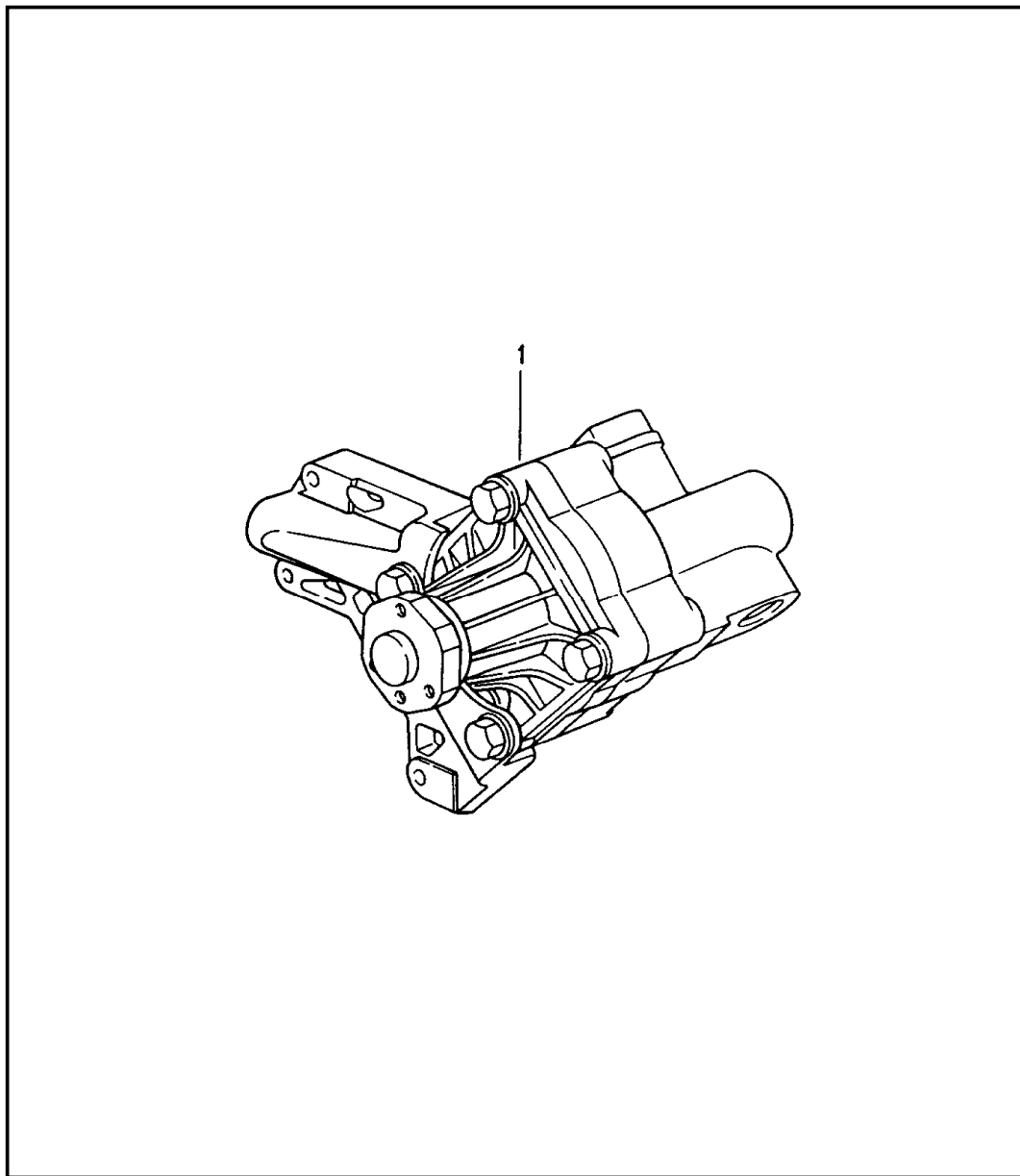


Pos	Part Number	Description	Remark	Qty	Model
		power-steering pump			944/S/TURBO 924 S 968
1	A 944 347 432 X	vane type pump ZF 7681 955 109/115 we take back: 944.347.432.00	-83	1	944
(1)	944 347 432 DX	power-steering pump ZF 7681 955 139 with bore for idle-speed adjuster we take back: 944.347.432.04	87-	1	944 S
1	944 347 432 CX	power-steering pump ZF 7681 955 119/196/251 we take back: 944.347.432.03/08	84- 86- -88 92- -95	1	944/TURBO 924 S 968

Model	Year	MG	SG	Illustration	Restrictions	UPD	13:12	26.01.2010
ATK	2008	4	04	404-50		248		

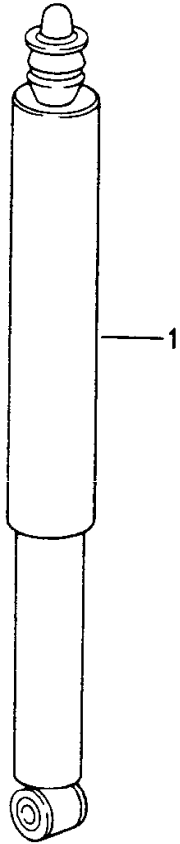
Pos	Part Number	Description	Remark	Qty	Model
		power-steering pump			BOXSTER CAYMAN S CARRERA
			94-		
			99-		GT3
			01-		911 TURBO
			01-		GT2 CARRERA GT
1	993 314 050 X	power-steering pump we take back: 993.314.050.27	94-	1	CARRERA
(1)	996 314 050 X	power-steering pump we take back: 996.314.050.02	98-	1	BOXSTER CAYMAN S CARRERA
(1)	996 314 050 AX	power-steering pump we take back: 996.314.050.51	99- 01-	1	GT3 911 TURBO M249 GT2
(1)	996 314 040 X	power-steering pump we take back: 996.314.040.01	01-	1	911 TURBO M480
(1)	980 314 050 X	power-steering pump we take back: 980.314.050.03	04-	1	CARRERA GT M80.01

Model	Year	MG	SG	Illustration	Restrictions	UPD	13:12	26.01.2010	PORSCHE	PET	PORSCHE
ATK	2008	4	04	404-80		248					



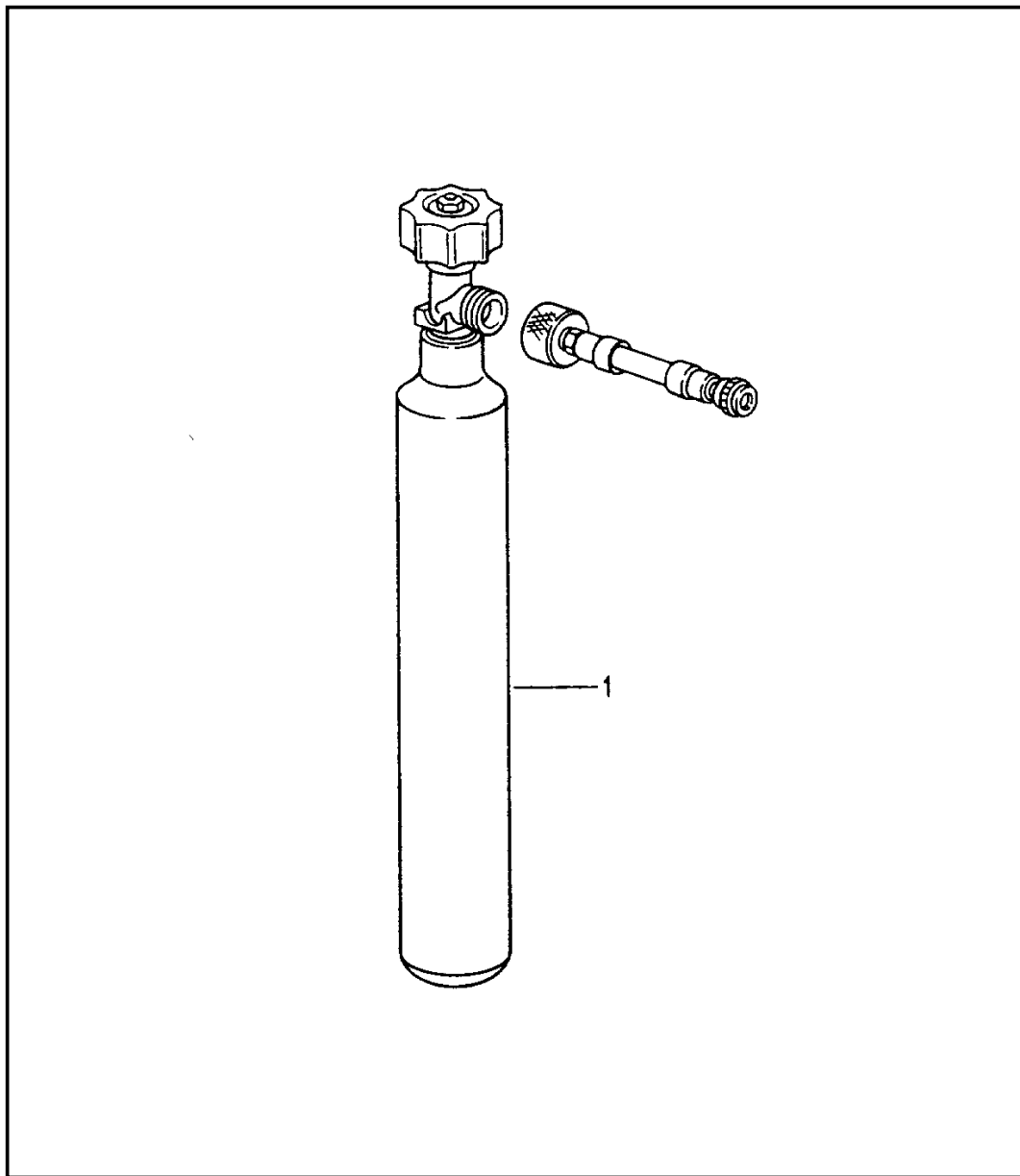
Pos	Part Number	Description	Remark	Qty	Model
		power-steering pump	78-		928
1	928 347 431 EX	power-steering pump ZF 7671 955 146 we take back: 928.347.431.05	-84	1	
1	928 347 089 X	vane type pump with bearing bracket ZF 7681 955 118 we take back: 928.347.089.00	85- -90	1	
1	928 347 089 AX	power-steering pump with bearing bracket VICKERS 516 268 we take back: 928.347.089.01	91- -95	1	

Model	Year	MG	SG	Illustration	Restrictions	UPD	13:13	26.01.2010	PORSCHE	PET	PORSCHE
ATK	2008	5	01	501-00		248					



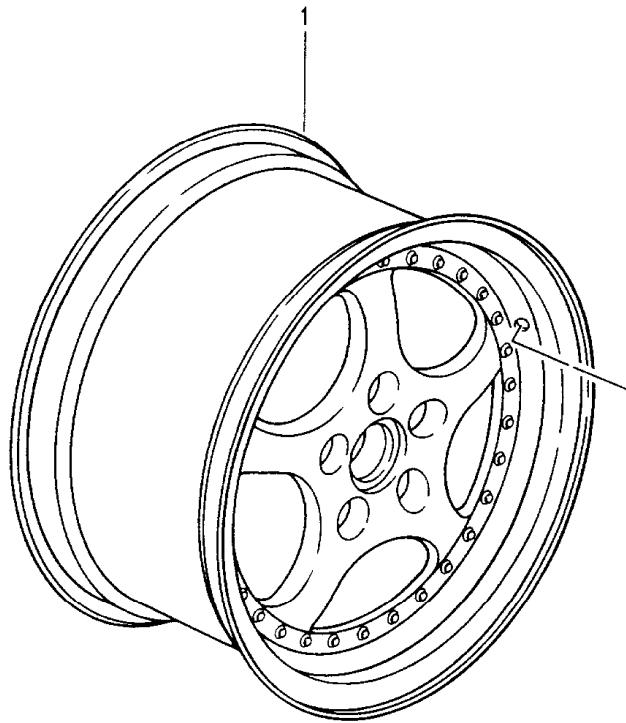
Pos	Part Number	Description	Remark	Qty	Model
		vibration damper rear axle	67-68		911/912
1	901 333 051 AX	vibration damper BOGE we take back: 901.333.051.01	68	2	911/911 T
1	902 333 051 AX	vibration damper BOGE we take back: 902.333.051.00/01	67-68	2	912
1	901 333 051 NX	vibration damper KONI we take back: 901.333.051.12/13	67-68	2	911/912

Model	Year	MG	SG	Illustration	Restrictions	UPD	13:13	26.01.2010	PORSCHE	PET	PORSCHE
ATK	2008	6	01	601-00		248					



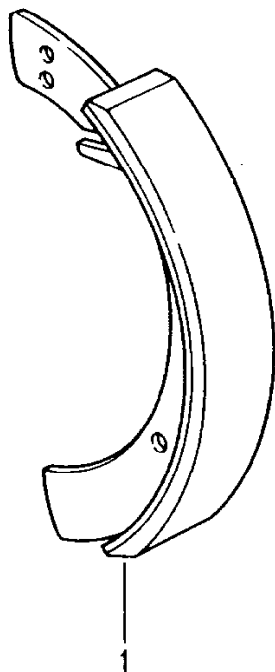
Pos	Part Number	Description	Remark	Qty	Model
		compressed air bottle	74-		911
1	911 361 511 AX	compressed air bottle for emergency wheel with hose piece valve and nut  we take back: 911.361.511.00/01	74- -77	1	

Model	Year	MG	SG	Illustration	Restrictions	UPD	13:13	26.01.2010	PORSCHE	PET	PORSCHE
ATK	2008	6	01	601-05		248					



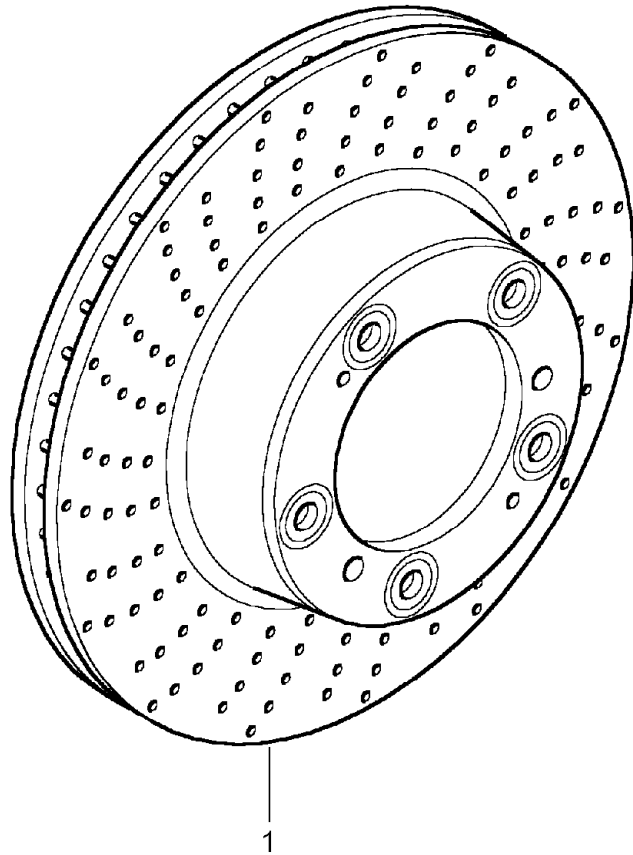
Pos	Part Number	Description	Remark	Qty	Model
		alloy wheels	93-95-		911 TURBO CARRERA RS
1	965 362 136 X	alloy wheel silver metallic rim flange polished 8 J X 18 ET 52  we take back: 965.362.136.00	/V	93-94	2 TURBO
1	965 362 136 AX	alloy wheel polished 8 J X 18 ET 52  we take back: 965.362.136.01	/V	93-94	2 TURBO
1	965 362 140 X	alloy wheel silver metallic rim flange polished 10 J X 18 ET 61  we take back: 965.362.140.00	/H	93-94	2 TURBO
1	965 362 140 AX	alloy wheel polished 10 J X 18 ET 61  we take back: 965.362.140.01	/H	93-94	2 TURBO
(1) A	993 362 136 X	alloy wheel silver metallic 8 J X 18 ET 52  we take back: 993.362.136.81	/V	95-96	2 CARRERA RS
(1)	993 362 140 X	alloy wheel silver metallic 10 J X 18 ET 65  we take back: 993.362.140.81	/H	95-96	2 CARRERA RS

Model	Year	MG	SG	Illustration	Restrictions	UPD	13:13	26.01.2010	PORSCHE	PET	PORSCHE
ATK	2008	6	02	602-40		248					



Pos	Part Number	Description	Remark	Qty	Model
1	> 695 351 033 AX	brake shoe brake pad 7,0 MM  we take back: 695.351.033.01	/V/H	1	356 A/B
1	695 351 033 BX	brake shoe brake pad 7,5 MM  we take back: 695.351.033.01	/V/H	1	

Model	Year	MG	SG	Illustration	Restrictions	UPD	13:13	26.01.2010	PORSCHE	PET	PORSCHE
ATK	2008	6	02	602-45		248					



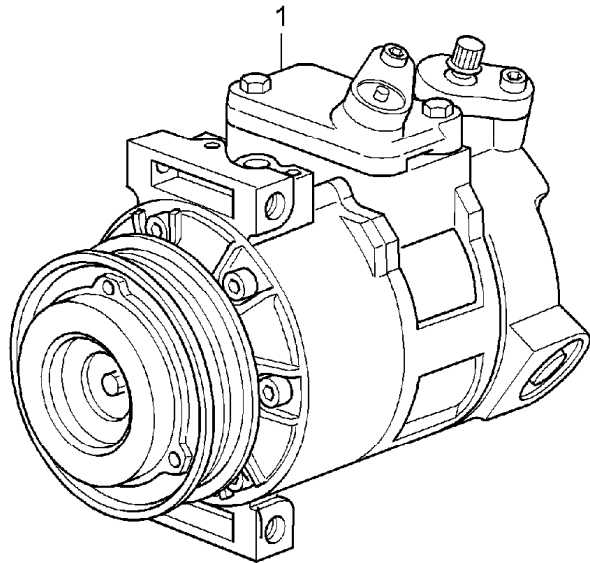
Pos	Part Number	Description	Remark	Qty	Model
		brake disc pccb	01- 01- 03- 03- 05- 05- 05-		911 TURBO 911 GT2 911 GT3 911 C4-S 911 C2 911 C2-S BOXSTER S I450
		installation instructions attention			
1	A 996 351 031 BX	brake disc  we take back: 996.351.031.02	/V/L /V/L	01- 03-	1 911 TURBO 911 C4-S
1	A 996 351 032 BX	brake disc  we take back: 996.351.032.02	/V/R /V/R	01- 03-	1 911 TURBO 911 C4-S
1	996 351 031 CX	brake disc  we take back: 996.351.031.02/03	/V/L /V/L /V/L /V/L /V/L	01- 03- 05- 05- 05-	1 911 TURBO 911 C4-S 911 C2 911 C2-S BOXSTER S
1	996 351 032 CX	brake disc  we take back: 996.351.032.02/03	/V/R /V/R /V/R /V/R /V/R	01- 03- 05- 05- 05-	1 911 TURBO 911 C4-S 911 C2 911 C2-S BOXSTER S
1	996 351 031 DX	brake disc  we take back: 996.351.031.02/03/04	/V/L /V/L /V/L /V/L /V/L	01- 03- 05- 05- 05-	1 911 TURBO 911 C4-S 911 C2 911 C2-S BOXSTER S
1	996 351 032 DX	brake disc  we take back: 996.351.032.02/03/04	/V/R /V/R /V/R /V/R /V/R	01- 03- 05- 05- 05-	1 911 TURBO 911 C4-S 911 C2 911 C2-S BOXSTER S



Model	Year	MG	SG	Illustration	Restrictions	UPD	13:13	26.01.2010	PORSCHE	PET	PORSCHE
ATK	2008	6	02	602-45		248					

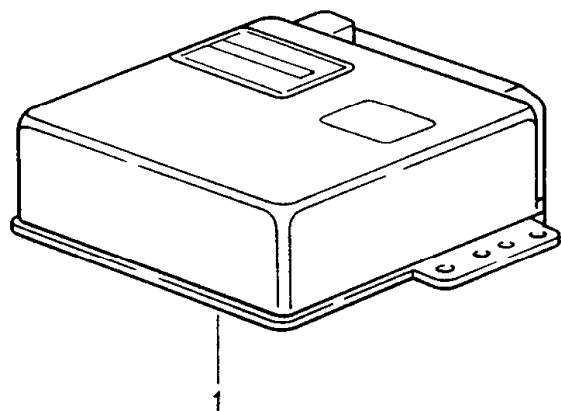
Pos	Part Number	Description	Remark	Qty	Model	Pos	Part Number	Description	Remark	Qty	Model
1	996 352 031 BX	brake disc we take back: 996.352.031.02	/H/L 01- /H/L 01- /H/L 03- /H/L 03-	1	911 TURBO 911 GT2 911 GT3 911 C4-S	1	996 351 032 X	brake disc we take back: 996.351.032.92	/V/R 01- /V/R 03-	1	911 GT2 911 GT3
1	996 352 032 BX	brake disc we take back: 996.352.032.02	/H/R 01- /H/R 01- /H/R 03- /H/R 03-	1	911 TURBO 911 GT2 911 GT3 911 C4-S	1	996 351 031 AX	brake disc we take back: 996.351.031.92/93	/V/L 01- /V/L 03-	1	911 GT2 911 GT3
1	996 352 031 CX	brake disc we take back: 996.352.031.02/03	/H/L 01- /H/L 01- /H/L 03- /H/L 03- /H/L 05- /H/L 05-	1	911 TURBO 911 GT2 911 GT3 911 C4-S 911 C2 911 C2-S	1	996 351 032 AX	brake disc we take back: 996.351.032.92/93	/V/R 01- /V/R 03-	1	911 GT2 911 GT3
1	996 352 031 2X	brake disc we take back: 996.351.031.92/93/94	/V/L 01- /V/L 03-	1	911 GT2 911 GT3 911 C4-S 911 C2 911 C2-S	1	996 351 031 2X	brake disc we take back: 996.351.031.92/93/94	/V/L 01- /V/L 03-	1	911 GT2 911 GT3
1	996 352 032 CX	brake disc we take back: 996.352.032.02/03	/H/R 01- /H/R 01- /H/R 03- /H/R 03- /H/R 05- /H/R 05-	1	911 TURBO 911 GT2 911 GT3 911 C4-S 911 C2 911 C2-S	1	996 351 032 2X	brake disc we take back: 996.351.032.92/93/94	/V/R 01- /V/R 03-	1	911 GT2 911 GT3
1	996 352 032 CX	brake disc we take back: 996.352.032.02/03	/H/R 01- /H/R 01- /H/R 03- /H/R 03- /H/R 05- /H/R 05-	1	911 TURBO 911 GT2 911 GT3 911 C4-S 911 C2 911 C2-S	1	987 352 031 X	brake disc we take back: 987.352.031.00	/H/L 05-	1	BOXSTER S
1	996 352 031 DX	brake disc we take back: 996.352.031.02/03/04	/H/L 01- /H/L 01- /H/L 03- /H/L 03- /H/L 05- /H/L 05-	1	911 TURBO 911 GT2 911 GT3 911 C4-S 911 C2 911 C2-S	1	987 352 032 X	brake disc we take back: 987.352.032.00	/H/R 05-	1	BOXSTER S
1	996 352 032 DX	brake disc we take back: 996.352.032.02/03/04	/H/R 01- /H/R 01- /H/R 03- /H/R 03- /H/R 05- /H/R 05-	1	911 TURBO 911 GT2 911 GT3 911 C4-S 911 C2 911 C2-S						
1	996 351 031 X	brake disc we take back: 996.351.031.92	/V/L 01- /V/L 03-	1	911 GT2 911 GT3						

Model	Year	MG	SG	Illustration	Restrictions	UPD	13:14	26.01.2010	PORSCHE	PET	PORSCHE
ATK	2008	8	13	813-15		248					



Pos	Part Number	Description	Remark	Qty	Model
		compressor air conditioner	97- 98- 01- 05- 05- 07- 03-		986 996 996 TURBO 987 997 997 TURBO CAYENNE
1	996 126 011 BX	compressor DENSO 7S BU 16  we take back: 996.126.011.52		1	986 / 996 987 / 997
(1)	955 126 011 X	compressor  we take back: 955.126.011.00	-04	1	ID9J
(1)	955 126 011 AX	compressor  we take back: 955.126.011.00/01	05-	1	ID9J

Model	Year	MG	SG	Illustration	Restrictions	UPD	13:14	26.01.2010	PORSCHE	PET	PORSCHE
ATK	2008	9	01	901-00		248					

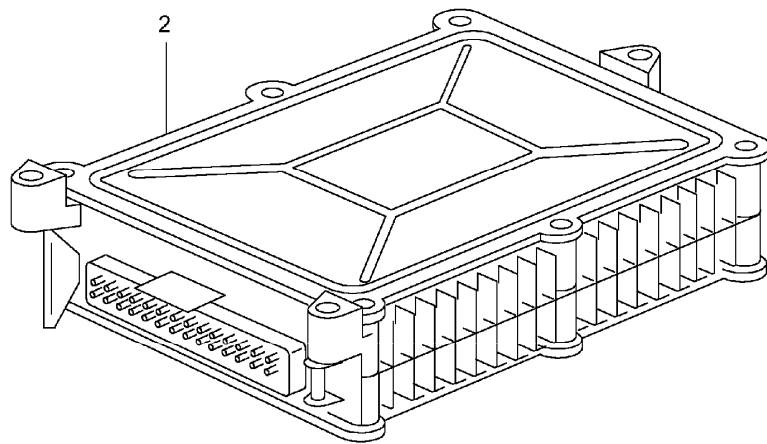
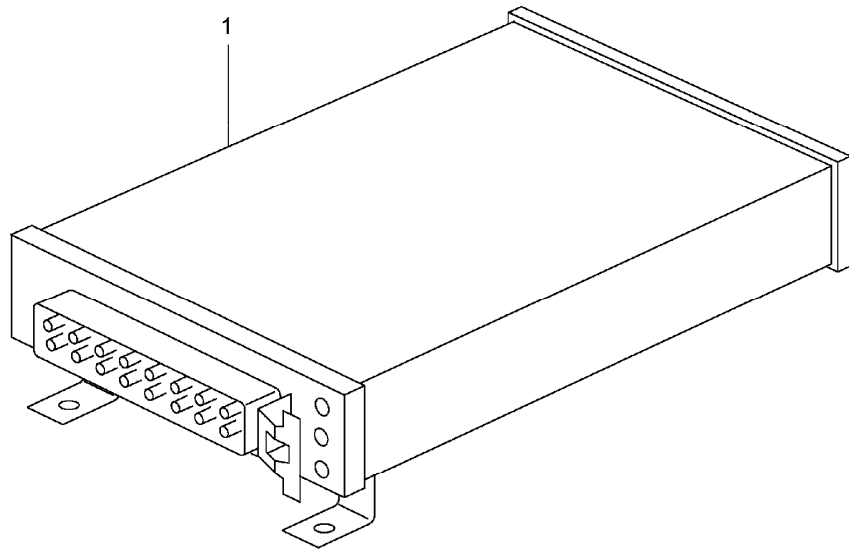


Pos	Part Number	Description	Remark	Qty	Model
		control units	84- 89- 90-		911 CARRERA 2/4 TURBO
1	911 618 111 HX	control unit DME BOSCH 0986 261 056  we take back: 911.618.111.00/04/08	84-	1	930.20
1	911 618 111 KX	control unit DME BOSCH 0261 200 052  we take back: 911.618.111.02/06/10	(CH) (S) 84-	1	930.20/26
1 A	911 618 111 JX	control unit DME BOSCH 0261 200 051  we take back: 911.618.111.03/07/09	(B) (F) (GB) (E) (I) (L) (GR) 84-	1	930.20  (P) (SA) (HK)
1	911 618 111 EX	control unit DME BOSCH 0261 200 050  we take back: 911.618.111.01/05	(A) (D) (AUS) (CH) 86	1	930.21 M298
1	911 618 111 LX	control unit dme-911 BOSCH 0986 261 066  we take back: 911.618.111.18	87-	1	930.20/26
1	911 618 111 PX	control unit dme-911 BOSCH 0986 261 068  we take back: 911.618.111.14/20	87-	1	930.25
1	964 618 124 CX	control unit DME BOSCH 0986 261 100  we take back: 964.618.124.03	91-	1	M64.01/02
1	911 618 124 DX	control unit dme-911 BOSCH 0986 261 098	89-	1	M64.01/02

Model	Year	MG	SG	Illustration	Restrictions	UPD	13:14	26.01.2010	PORSCHE	PET	PORSCHE
ATK	2008	9	01	901-00		248					

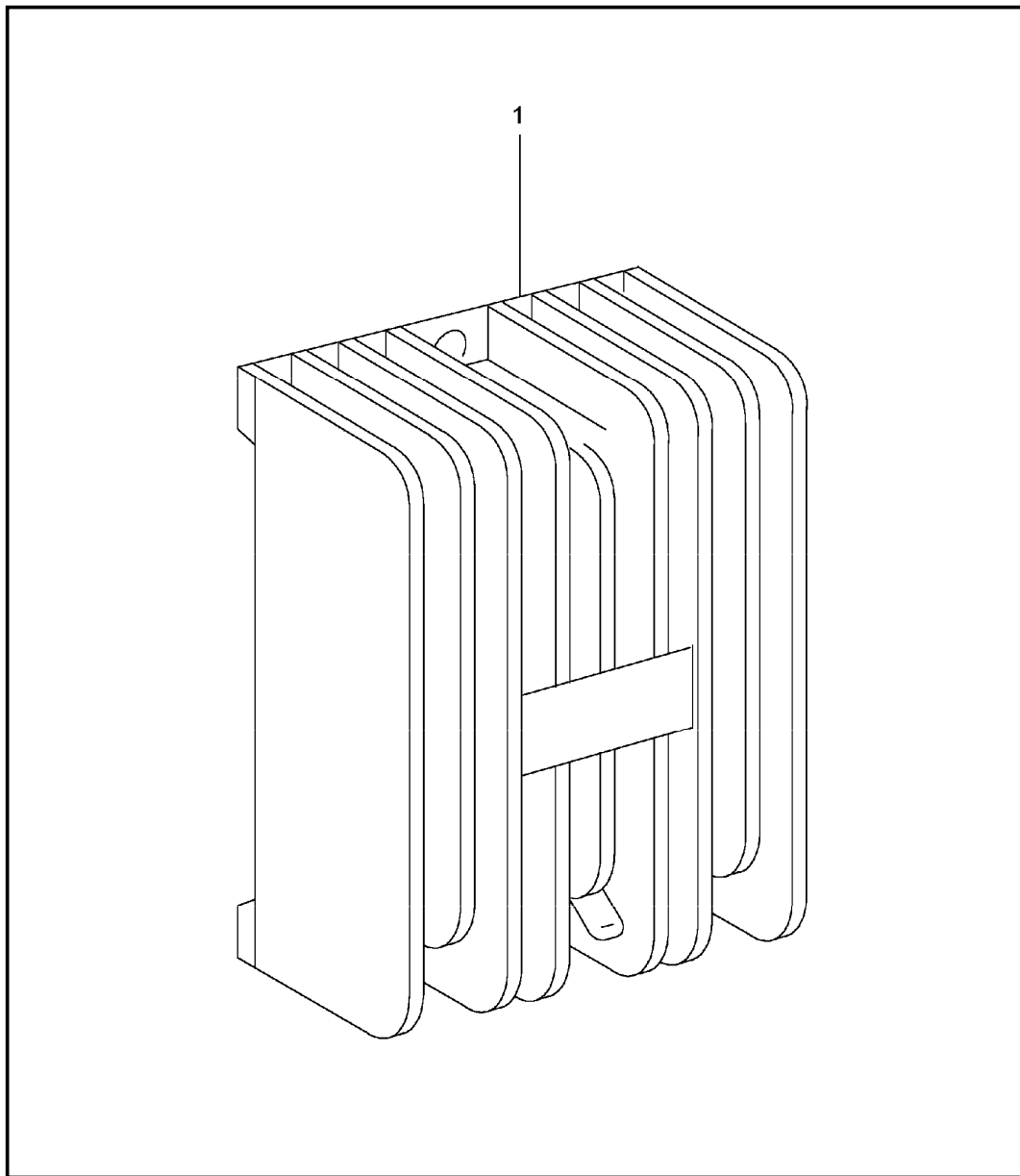
Pos	Part Number	Description	Remark	Qty	Model	Pos	Part Number	Description	Remark	Qty	Model
1	965 602 706 AX	we take back: 911.618.124.04 control unit DME BOSCH 0986 261 624	-92	1	M64.50						
1	965 602 706 BX	we take back: 965.602.706.01 control unit DME BOSCH 0986 261 637  we take back: 965.602.706.02	93-	1	M64.50						

Model	Year	MG	SG	Illustration	Restrictions	UPD	13:14	26.01.2010	PORSCHE	PET	PORSCHE
ATK	2008	9	01	901-05		248					



Pos	Part Number	Description	Remark	Qty	Model
		control units	87-		959
1	959 618 130 X	control unit function-drive  VDO 461.207/001/001 we take back: 959.618.130.00/01	87- -88	1	
2	959 618 119 X	control unit anti-lock brake system  WABCO:884/900/1530 we take back: 959.618.119.00	87- -88	1	
-	959 618 301 X	control unit level adjustment  we take back: 959.618.301.00	87- -88	1	
-	959 618 151 X	control unit tyre pressure monitoring  we take back: 959.618.151.00	87- -88	1	
-	959 618 120 X	control unit boost pressure  we take back: 959.618.120.00	87- -88	1	
-	959 618 111 X	control unit - dme -  we take back: 959.618.111.00	87- -88	1	

Model	Year	MG	SG	Illustration	Restrictions	UPD	13:14	26.01.2010	PORSCHE	PET	PORSCHE
ATK	2008	9	01	901-10		248					



Pos	Part Number	Description	Remark	Qty	Model
		control unit	69- 78-		911 914/6 911/TURBO
1	901 602 702 X	control unit BOSCH 0227 200 001/002  we take back: 901.602.702.00	69-	1	911 914/6
1	930 602 702 X	control unit BOSCH 0227 300 004  we take back: 930.602.702.00	78-	1	911/TURBO

Model	Year	MG	SG	Illustration	Restrictions	UPD	13:14	26.01.2010
ATK	2008	9	01	901-15		248		

Pos	Part Number	Description	Remark	Qty	Model
		control units tiptronic transmission	03- 03- 03-		CAYENNE CAYENNE S CAYENNE TURBO
1	955 618 020 AX	control unit  F >>9P4LA 01743  we take back: 955.618.020.01/02/03		1	A48.20 IGOR
1	955 618 020 BX	control unit  F 9P4LA 01744>> F >>9P6LA 03709  we take back: 955.618.020.10/11/12		1	A48.20 IGOR
1	955 618 020 CX	control unit F 9P6LA 03710>>  we take back: 955.618.020.10/11/12/21		1	ID9J IGOR
1	955 618 022 AX	control unit  F >>9P4LA 48466  we take back: 955.618.022.00/01/02/03		1	A48.00 IGOR
1	955 618 022 BX	control unit  F 9P4LA 48467>> F >>9P6LA 43715  we take back: 955.618.022.10/11/12		1	A48.00 IGOR
1	955 618 022 CX	control unit F 9P6LA 43716>>  we take back: 955.618.022.10/11/12/21		1	ID9K IGOR
1	955 618 021 AX	control unit  F >>9P4LA 83830  we take back: 955.618.021.00/01/02/03		1	A48.50 IGOR

PORSCHE

# PET

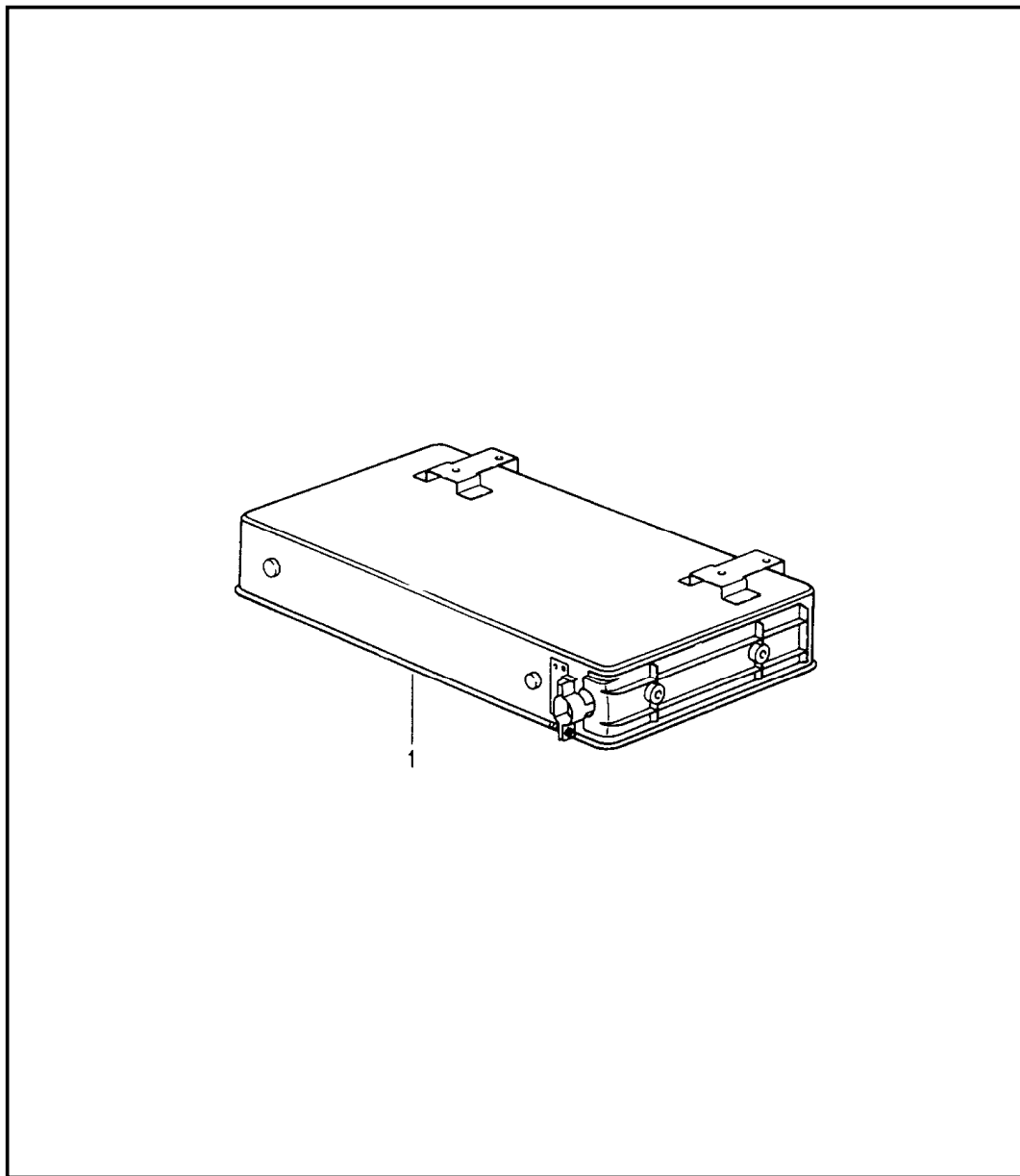
PORSCHE

Model	Year	MG	SG	Illustration	Restrictions	UPD	13:14	26.01.2010
ATK	2008	9	01	901-15		248		

Pos	Part Number	Description	Remark	Qty	Model
1	955 618 021 BX	control unit F 9P4LA 83831>> we take back: 955.618.021.10/11/12		1	A48.50 IGOR

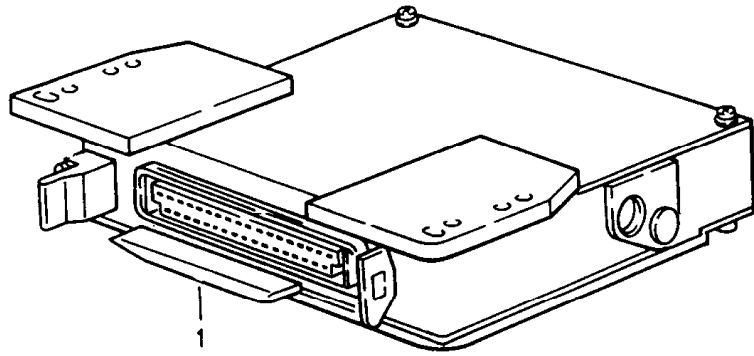


Model	Year	MG	SG	Illustration	Restrictions	UPD	13:15	26.01.2010	PORSCHE	PET	PORSCHE
ATK	2008	9	01	901-40		248					



Pos	Part Number	Description	Remark	Qty	Model
1	022 906 021 AX	control units control unit  BOSCH 0280 000 013 M >> W0 129 581  we take back: 022.906.021.A		1	914/4 W M022

Model	Year	MG	SG	Illustration	Restrictions	UPD	13:15	26.01.2010	PORSCHE	PET	PORSCHE
ATK	2008	9	01	901-45		248					

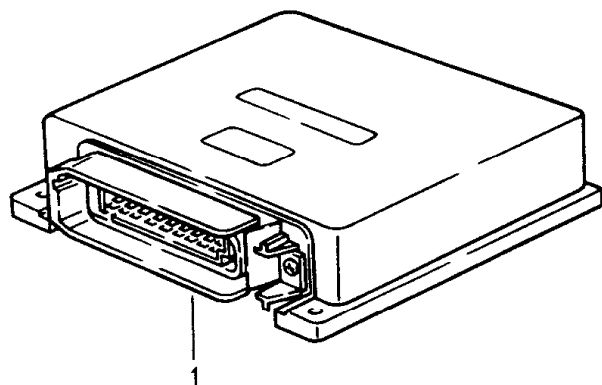


Pos	Part Number	Description	Remark	Qty	Model
		control units	82- 92-		944 968
1	944 618 111 X	control unit DME BOSCH 0261 200 006  we take back: 944.618.111.00	(CH)  82 82	1	M44.01/03
1	944 618 111 BX	control unit DME BOSCH 0261 200 016  we take back: 944.618.111.02	(CH)  -85 (AUS) (S) 82- -85	1	M44.01/03  (HK) (NZ)
1	944 618 111 CX	control unit DME BOSCH 0261 200 006  we take back: 944.618.111.03	(B) (F) (GB) (E) (I) (L)  82-	1	M44.01/03  (P)
1	944 618 121 CX	control unit DME BOSCH 0986 261 064  we take back: 944.618.121.01/03 BOSCH 0261 200 057/076	85-	1	M44.05/06
1	944 618 121 DX	control unit DME BOSCH 0986 261 065  we take back: 944.618.121.02/04 BOSCH 0261 200 058/077	(J)  86-	1	M44.07/08
1	951 618 121 BX	control unit DME BOSCH 0261 200 075  we take back: 951.618.121.00-02/08	86-	1	M44.50/51
(1)	951 618 113 BX	control unit KLR  BOSCH 0261 201 014  we take back: 951.618.113.00-02	86- -88	1	M44.50/51

Model	Year	MG	SG	Illustration	Restrictions	UPD	13:15	26.01.2010	PORSCHE	PET	PORSCHE
ATK	2008	9	01	901-45		248					

Pos	Part Number	Description	Remark	Qty	Model	Pos	Part Number	Description	Remark	Qty	Model
1	944 618 124 X	control unit DME BOSCH 0261 200 080  we take back: 944.618.124.00/01	87-	1	M44.40						
1	944 618 124 BX	control unit DME BOSCH 0261 200 195  we take back: 944.618.124.02	90	1	M44.41						
1	A 944 618 124 EX	control unit DME BOSCH 0261 200 458  we take back: 944.618.124.05	91	1	M44.41						
1	944 618 123 BX	control unit DME BOSCH 0986 261 126  we take back: 944.618.123.02	92-	1	M44.43/44						

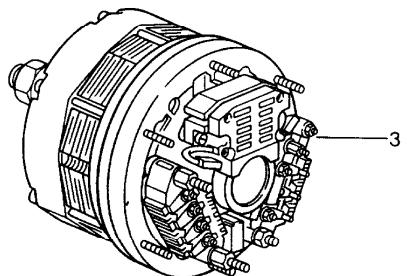
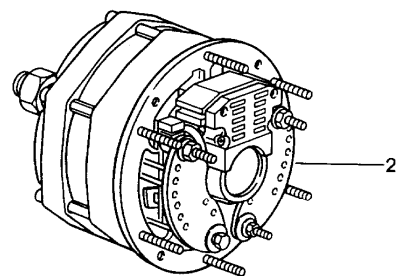
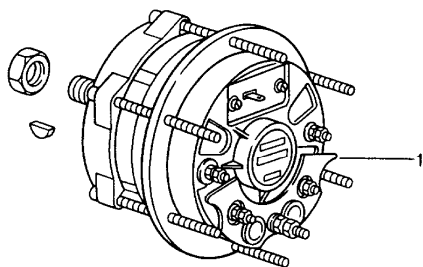
Model	Year	MG	SG	Illustration	Restrictions	UPD	13:15	26.01.2010	PORSCHE	PET	PORSCHE
ATK	2008	9	01	901-80		248					



Pos	Part Number	Description	Remark	Qty	Model
		control units	84-		928S/S4/GTS
(1)	928 618 124 CX	control unit EFZ BOSCH 0986 261 600  we take back: 928.618.124.03	84- -86	1	M28.21/22
(1)	928 618 124 DX	control unit EZF BOSCH 0227 400 014  we take back: 928.618.124.02/04	84	1	M28.21/22 M154
1	928 618 123 LX	control unit lh-jetronic BOSCH 0280 002 504  we take back: 928.618.123.10/11	87- -88	1	M28.41/42
1	928 618 123 NX	control unit lh-jetronic BOSCH 0280 002 507  we take back: 928.618.123.11/13	89- -90	1	M28.41/42
1	928 618 123 MX	control unit lh-jetronic BOSCH 0280 002 560  we take back: 928.618.123.14	89- -90	1	M28.41/42 M637/639
1	928 618 123 PX	control unit lh-jetronic BOSCH 0280 002 508  we take back: 928.618.123.25	91	1	M28.42 M249
1	928 618 123 RX	control unit lh-jetronic BOSCH 0280 002 509  we take back: 928.618.123.26	91	1	M28.41 M481
1	928 618 123 GX	control unit lh-jetronic BOSCH 0280 002 514  we take back: 928.618.123.30	92-	1	M28.49/50

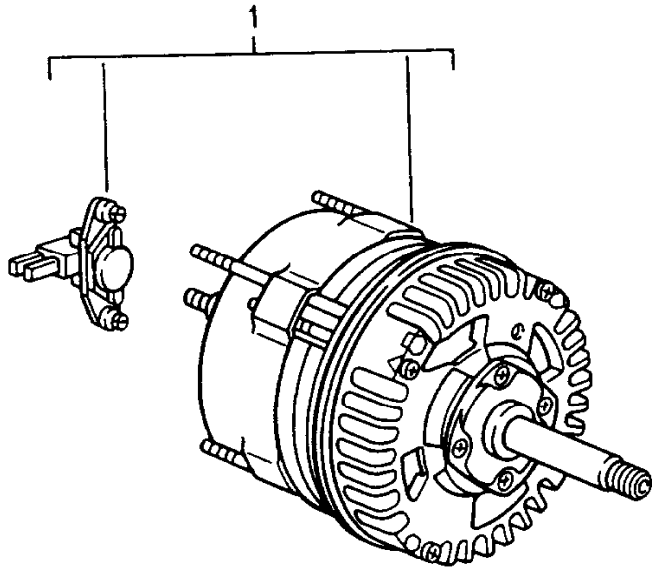
Model	Year	MG	SG	Illustration	Restrictions	UPD	13:15	26.01.2010	PORSCHE	PET	PORSCHE
ATK	2008	9	02	902-00		248					

Pos	Part Number	Description	Remark	Qty	Model
		generator	70- 70- 87-		914/6 911/TURBO 959
1	911 603 118 X	generator 14 V 55 A BOSCH 0120 400 725  we take back: 911.603.118.00	70- -73	1	911 914/6
1	911 603 120 X	generator 14 V 55 A MOTOROLA 071 223 702  we take back: 911.603.120.00	70- -74	1	911
1	911 603 120 BX	generator 14 V 70 A SEV-MARCHAL 712 330 02 see technical information group 2 NR.28  we take back: 911.603.120.02	75- -81	1	911/TURBO
2	911 603 120 DX	generator 14 V 75 A PARIS-RHONE J1 A14 N11  we take back: 911.603.120.04	82- -83	1	911/TURBO
3	911 603 120 EX	generator 14 V 90 A PARIS-RHONE A14 N67  we take back: 911.603.120.05	84- -89	1	911/TURBO
-	959 603 121 AX	generator we take back: 959.603.121.01	87-	1	959

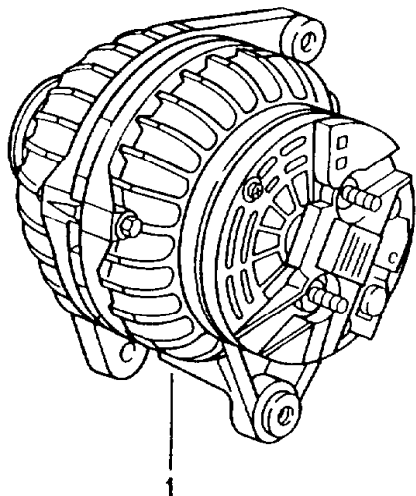


Model	Year	MG	SG	Illustration	Restrictions	UPD	13:15	26.01.2010	PORSCHE	PET	PORSCHE
ATK	2008	9	02	902-05		248					

Pos	Part Number	Description	Remark	Qty	Model
		generator	89- 91- 94- 95 96-		CARRERA 2/4 911 TURBO CARRERA CARRERA RS 911 TURBO
1	964 603 156 AX	generator	93- 93- 94 95- 95 96-	1	CARRERA 2/4 911 TURBO CARRERA CARRERA CARRERA RS 911 TURBO
		we take back: 964.603.156.01 BOSCH 0 120 468 125			



Model	Year	MG	SG	Illustration	Restrictions	UPD	13:16	26.01.2010	PORSCHE	PET	PORSCHE
ATK	2008	9	02	902-06		248					



Pos	Part Number	Description	Remark	Qty	Model
		generator	97- 98- 98- 01- 01- 04		BOXSTER CARRERA 996 GT3 996 TOP 996 GT2 CARRERA GT
1	A 996 603 012 X	generator we take back: 996.603.012.00 BOSCH 120 516 010	97 98	1	BOXSTER CARRERA
1	A 996 603 012 AX	generator we take back: 996.603.012.00/01 BOSCH 0 124 515 015	-99 -99	1	BOXSTER CARRERA
1	A 996 603 012 CX	generator with pulley without free wheel lock  M >> 654 06009 M >> 674 06125 M >> 664 12967 M >> 684 02282  we take back: 996.603.012.00/01/03 BOSCH 0 124 515 042	00- 00- -02	1	BOXSTER CARRERA M249 996 GT3 M480  BOXSTER BOXSTER CARRERA CARRERA IX51
1	A 997 603 012 X	generator with pulley without free wheel lock  M 654 06010 >> M 674 06126 >> M 664 12968 >> M 684 02283 >>  we take back: 997.603.012.00 996.603.012.00/01/03 BOSCH 0 124 0AB 1TB	05- 05- 01- 03- 04	1	BOXSTER CARRERA 996 TOP M249 996 GT3 CARRERA GT M480  BOXSTER BOXSTER CARRERA CARRERA IX51
1	997 603 012 BX	generator		1	

Model	Year	MG	SG	Illustration	Restrictions	UPD	13:16	26.01.2010	PORSCHE	PET	PORSCHE
ATK	2008	9	02	902-06		248					

Pos	Part Number	Description	Remark	Qty	Model	Pos	Part Number	Description	Remark	Qty	Model
1	A 996 603 012 BX	generator with pulley  free wheel lock  M >> 654 06009 M >> 674 06125 M >> 664 12967 M >> 684 02282  we take back: 996.603.012.02	00- 00-	1	BOXSTER CARRERA /M 480 M481	1	997 603 022 CX	we take back: 997.603.022.02  generator with pulley free wheel lock  we take back: 997.603.022.01/03	07-	1	I480/481 987 987 CAYMAN 997 997 TURBO
1	996 603 012 2X	generator with pulley free wheel lock  M >> 654 06009 M >> 674 06125 M >> 664 12967 M >> 684 02282  we take back: 996.603.012.00/01/02/03	00- 00-  -02	1	BOXSTER CARRERA M249 M480 M481 996 GT3 M480						
1	A 997 603 012 AX	generator  with pulley free wheel lock  M 654 06010 >> M 674 06126 >> M 664 12968 >> M 684 02283 >>  we take back: 997.603.012.01 996.603.012.02 BOSCH 0 124 0AB 1UB	05-  05- 01- 01-	1	BOXSTER  CARRERA 996 TOP 996 GT2 I480/481						
1	997 603 012 CX	generator		1							
1	997 603 022 BX	generator with pulley without free wheel lock	07-	1	I249 987 987 CAYMAN 997 997 TURBO						



PORSCHE

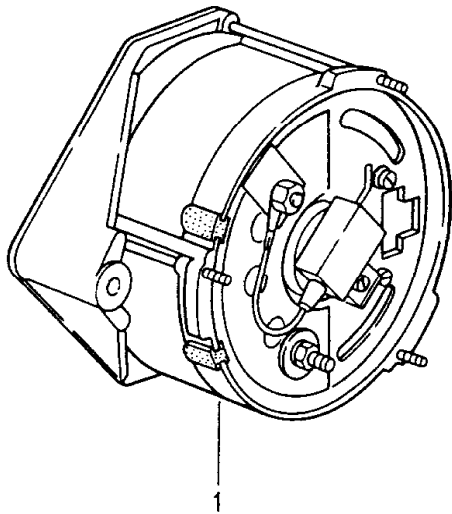
PET

PORSCHE

Model	Year	MG	SG	Illustration	Restrictions	UPD	13:16	26.01.2010
ATK	2008	9	02	902-10		248		

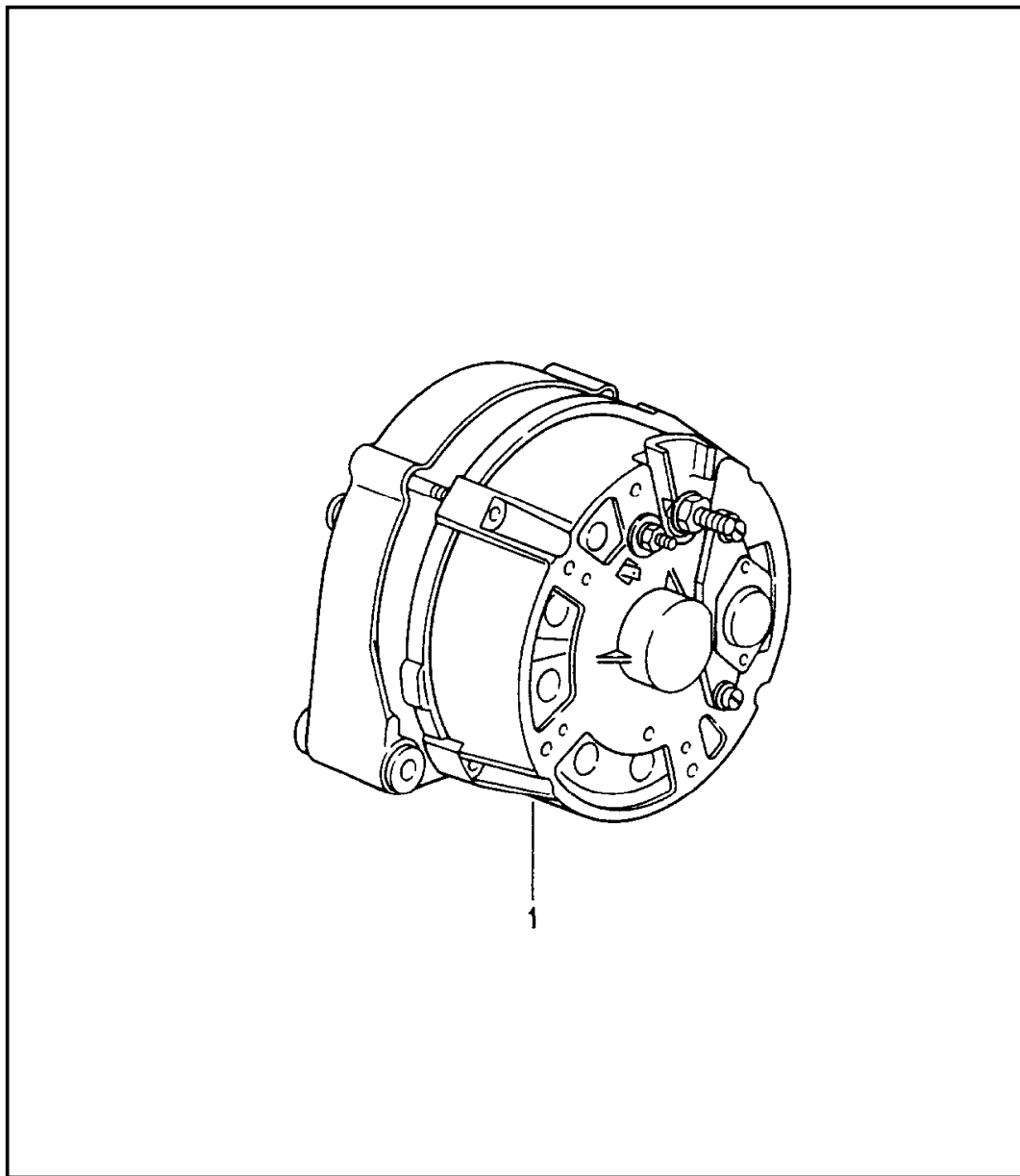
Pos	Part Number	Description	Remark	Qty	Model
-	948 603 015 EX	generator generator see technical manual group 2 Nr. 2722  we take back: 948.603.015.04/05	-07	1	CAYENNE ID9L ID9K
-	955 603 016 AX	generator see technical manual group 2 Nr. 2722  we take back: 955.603.016.01	-07	1	ID9J I8GH
-	955 603 016 1X	generator see technical manual group 2 Nr. 2722  we take back: 955.603.016.10	-07	1	ID9J I8GH
-	955 603 017 X	generator  we take back: 955.603.017.00	-07	1	ID9J I8GR

Model	Year	MG	SG	Illustration	Restrictions	UPD	13:16	26.01.2010	PORSCHE	PET	PORSCHE
ATK	2008	9	02	902-40		248					



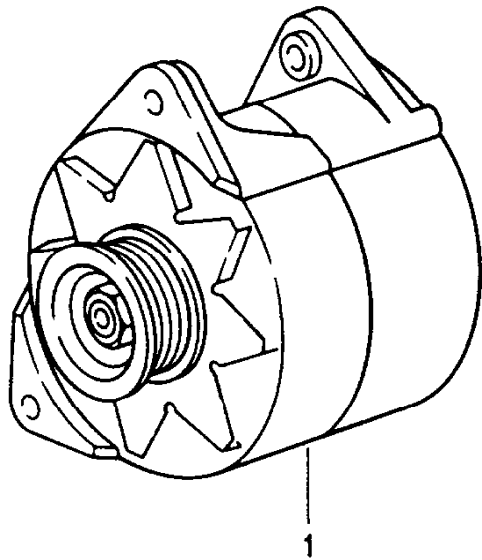
Pos	Part Number	Description	Remark	Qty	Model
1	022 903 023 X	generator generator 14 V 50 A BOSCH 0120 400 726/727 without pulley and fan M >> W0 250 000 M >>EA0 098 793 M >>EB0 010 020 M >>ECO 037 551 M >>AN0 008 797 M >>GA0 016 000 M >>GB0 009 821  we take back: 022.903.023		1	914/4 W/EA/EB M022 EC M022 021.AN 039.GA/GB
1	022 903 023 AX	generator 14 V 50 A BOSCH 0120 400 895/896 without pulley and fan M AN0 008 798>> M ECO 037 552>> M GB0 009 822>> M GC0 000 001>>  we take back: 022.903.023.A		1	EC M022 021.AN 039.GB/GC

Model	Year	MG	SG	Illustration	Restrictions	UPD	13:16	26.01.2010	PORSCHE	PET	PORSCHE
ATK	2008	9	02	902-42		248					



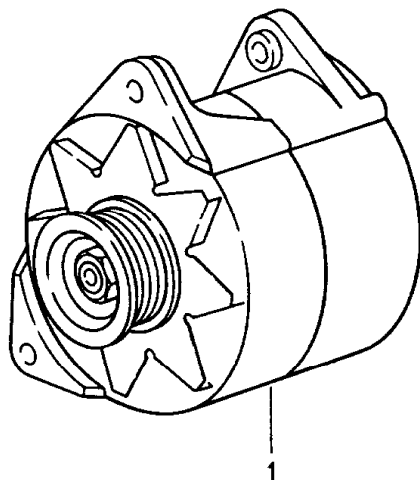
Pos	Part Number	Description	Remark	Qty	Model
1	063 903 017 X	generator 14 V 75 A BOSCH 0120 469 502/528 without pulley and fan  we take back: 035.903.015.A 063.903.017 068.903.017.D	76-	1	924 924 TURBO 924 GT

Model	Year	MG	SG	Illustration	Restrictions	UPD	13:17	26.01.2010	PORSCHE	PET	PORSCHE
ATK	2008	9	02	902-45		248					



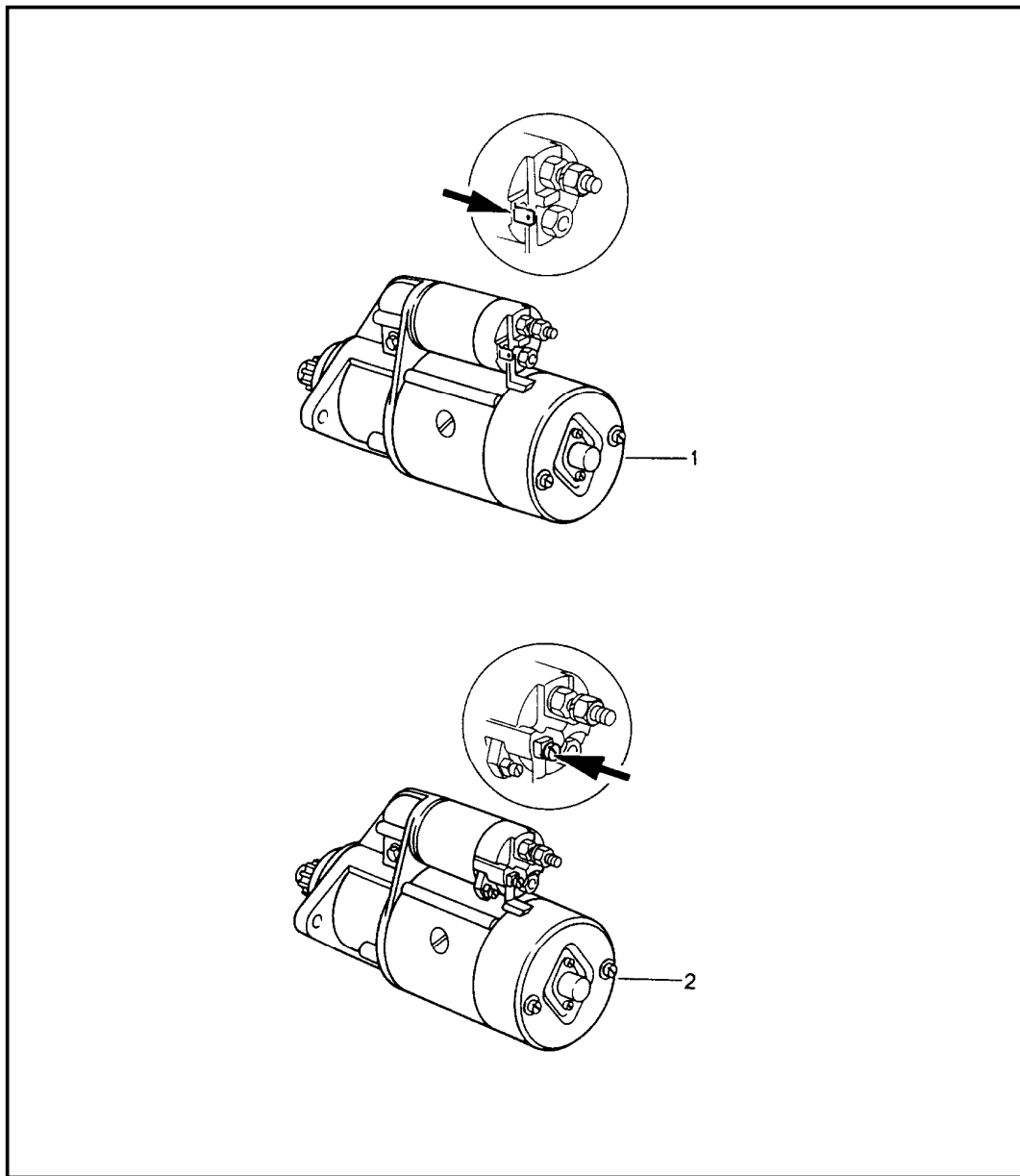
Pos	Part Number	Description	Remark	Qty	Model
		generator	82-		944/924S/968
		pulley attention			
1	944 603 108 AX	generator 14 V 90 A  BOSCH 0120 469 559  we take back: 944.603.108.01	82- -84	1	944
1	944 603 109 X	generator 14 V 90 A  BOSCH 0120 469 754  we take back: 944.603.109.00	86- -88	1	924 S
1 A	944 603 019 X	generator	85-	1	944
1	928 603 011 EX	generator pulley attention  BOSCH 0 120 468 003/005  we take back: 944.603.019.00/01	85-	1	944
1	944 603 109 X	generator BOSCH 0 120 469 754  we take back: 944.603.109.00	92-	1	968 CS
1	928 603 011 DX	generator BOSCH 0 120 468 006  we take back: 928.603.011.04	92-	1	968

Model	Year	MG	SG	Illustration	Restrictions	UPD	13:17	26.01.2010	PORSCHE	PET	PORSCHE
ATK	2008	9	02	902-80		248					



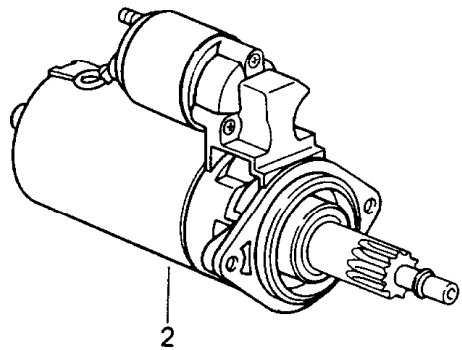
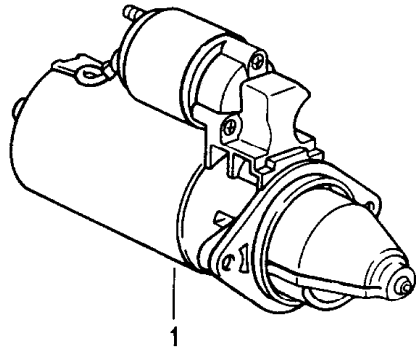
Pos	Part Number	Description	Remark	Qty	Model
		generator	78-		928
(1)	928 603 113 CX	generator 14 V 85 A  SEV-MARCHALL 712 360 02  we take back: 928.603.113.03	78- -81	1	
(1)	928 603 114 X	generator 14 V 90 A  PARIS-RHONE K1 A14 N38  we take back: 928.603.114.00/01	82- -83	1	
(1)	928 603 114 AX	generator 14 V 90 A  PARIS-RHONE A14 N71  we take back: 928.603.114.01	84	1	
1 A	928 603 011 X	generator 14 V 115 A  BOSCH 0 120 468 002  we take back: 928.603.011.00/01/02	85- -91	1	
1	928 603 011 EX	generator BOSCH 0 120 468 005  we take back: 928.603.011.00/01/02/05	85-	1	

Model	Year	MG	SG	Illustration	Restrictions	UPD	13:17	26.01.2010	PORSCHE	PET	PORSCHE
ATK	2008	9	03	903-00		248					



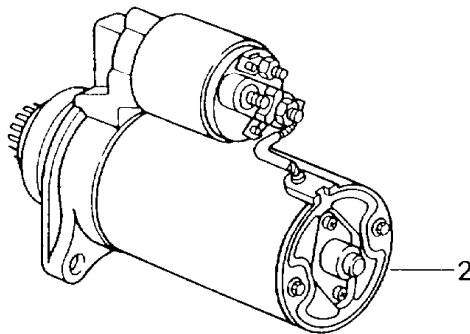
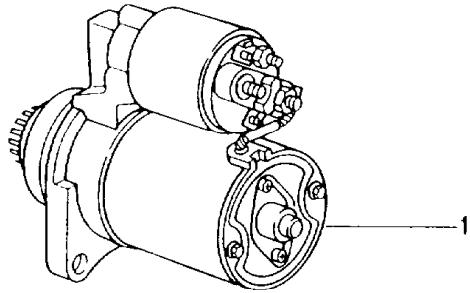
Pos	Part Number	Description	Remark	Qty	Model
		starter	-89		914/6 911/TURBO
1	901 604 102 CX	starter 12 V 0,6 KW BOSCH 0001 212 005 we take back: 901.604.102.03		1	911 SPM 912 914/6
1	916 604 101 X	starter 12 V 1,5 KW BOSCH 0001 312 100 we take back: 916.604.101.00	-83	1	911/TURBO
2	911 604 101 AX	starter 12 V 1,5 KW BOSCH 0001 312 110 we take back: 911.604.101.01	84- -89	1	911/TURBO

Model	Year	MG	SG	Illustration	Restrictions	UPD	13:17	26.01.2010	PORSCHE	PET	PORSCHE
ATK	2008	9	03	903-05		248					



Pos	Part Number	Description	Remark	Qty	Model
		starter	89-91-		CARRERA 2/4 911 TURBO
1	911 604 102 AX	starter BOSCH A 001 117 255 BOSCH 0 001 110 047  we take back: 911.604.102.01	89-90-94-94-	1	CARRERA 2/4 M64.01 M64.02 M64.06/08
2	964 604 104 X	starter BOSCH A 001 117 272 BOSCH 0 001 110 059  we take back: 964.604.104.00	90-92-93-95-96-98-	1	M64.01 /04 M64.03 CARRERA RS TURBO
(2)	996 604 107 X	starter  BOSCH 0 001 115 011  we take back: 964.604.104.00 996.604.107.00	90-	1	CARRERA /04 M64.01/03 M64.05/07 M64.20/60 M64.21/23
2	965 604 104 X	starter BOSCH 0 001 110 081 we take back: 965.604.104.00	91-93-	1	M30.69 M64.50

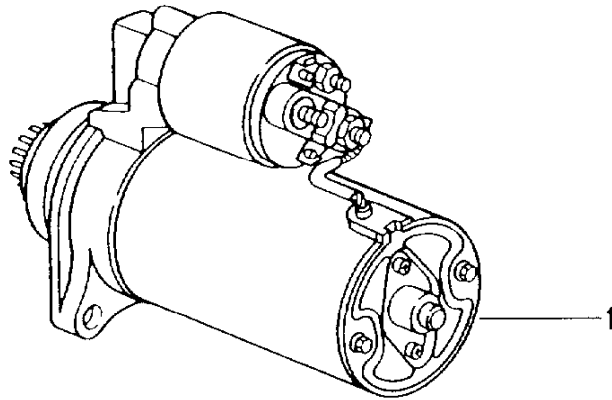
Model	Year	MG	SG	Illustration	Restrictions	UPD	13:17	26.01.2010	PORSCHE	PET	PORSCHE
ATK	2008	9	03	903-06		248					



Pos	Part Number	Description	Remark	Qty	Model
		starter	97-		BOXSTER
1	986 604 104 X	starter 1,2 KW BOSCH 0001 121 003  we take back: 986.604.104.00	97	1	M481
2	A 996 604 104 X	starter 1,8 KW BOSCH 0001 124 015  we take back: 986.604.104.00 996.604.104.00	97-	1	M249
2	996 604 103 X	starter 1,7 KW BOSCH 0001 123 001  we take back: 996.604.104.00 996.604.103.00	97-	1	



Model	Year	MG	SG	Illustration	Restrictions	UPD	13:18	26.01.2010	PORSCHE	PET	PORSCHE
ATK	2008	9	03	903-07		248					



Pos	Part Number	Description	Remark	Qty	Model
		starter	98-01-03-		CARRERA 996 TOP 996 GT3
1	996 604 103 X	starter 1,7 KW BOSCH 0 001 123 001	98-	1	CARRERA
		we take back: 996.604.103.00 996.604.104.00 986.604.104.00			
(1)	996 604 107 X	starter 1,7 KW BOSCH 0 001 115 011	01-03-	1	996 TOP 996 GT3
		we take back: 996.604.107.00			

PORSCHE

# PET

PORSCHE

Model	Year	MG	SG	Illustration	Restrictions	UPD	13:18	26.01.2010
ATK	2008	9	03	903-08		248		

Pos	Part Number	Description	Remark	Qty	Model
-	948 604 106 X	starter starter we take back: 948.604.106.00	03-	1	CAYENNE IT31
-	955 604 107 X	starter we take back: 955.604.107.00		1	IT90/T91

PORSCHE

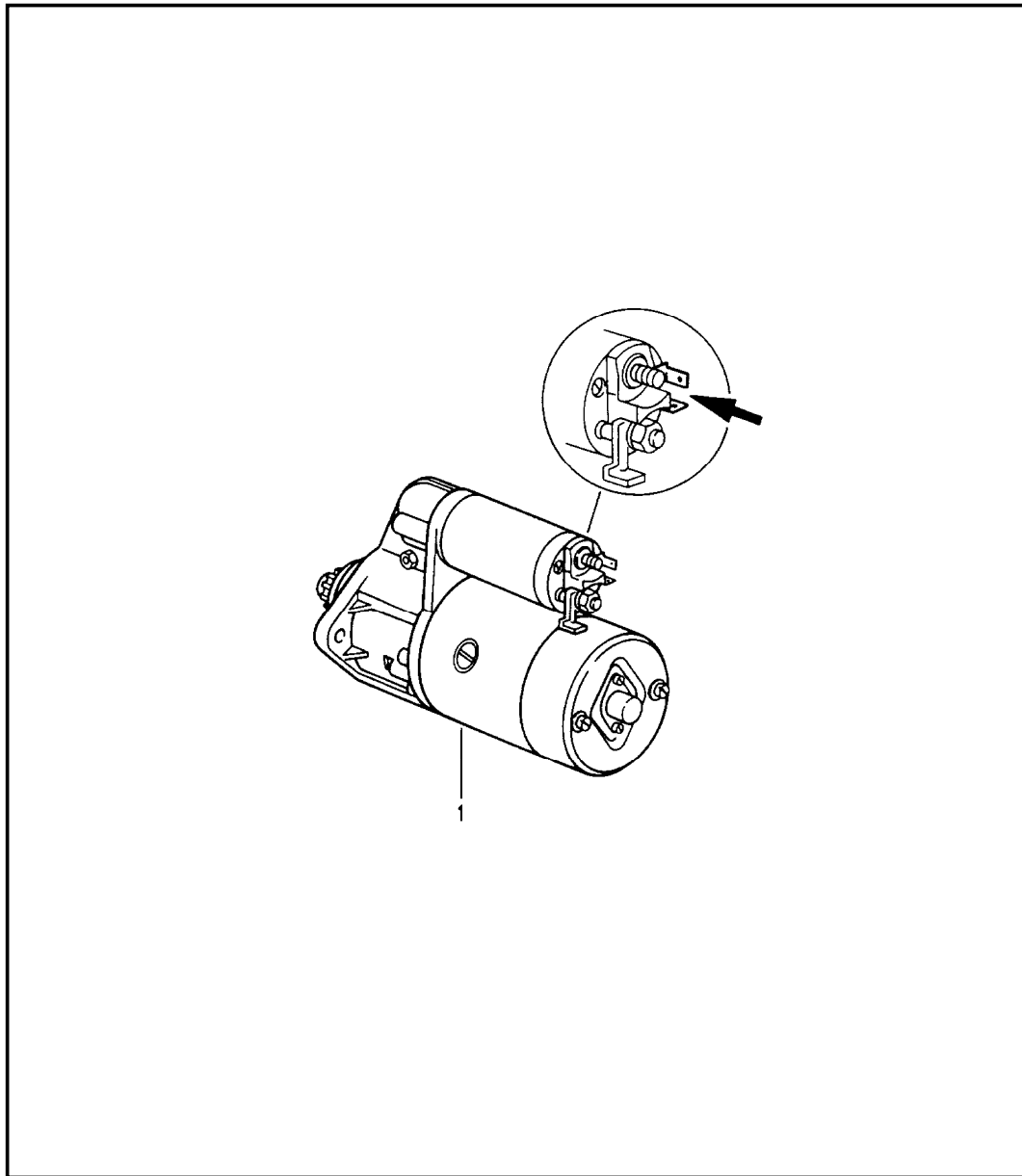
PET

PORSCHE

Model	Year	MG	SG	Illustration	Restrictions	UPD	13:18	26.01.2010
ATK	2008	9	03	903-10		248		

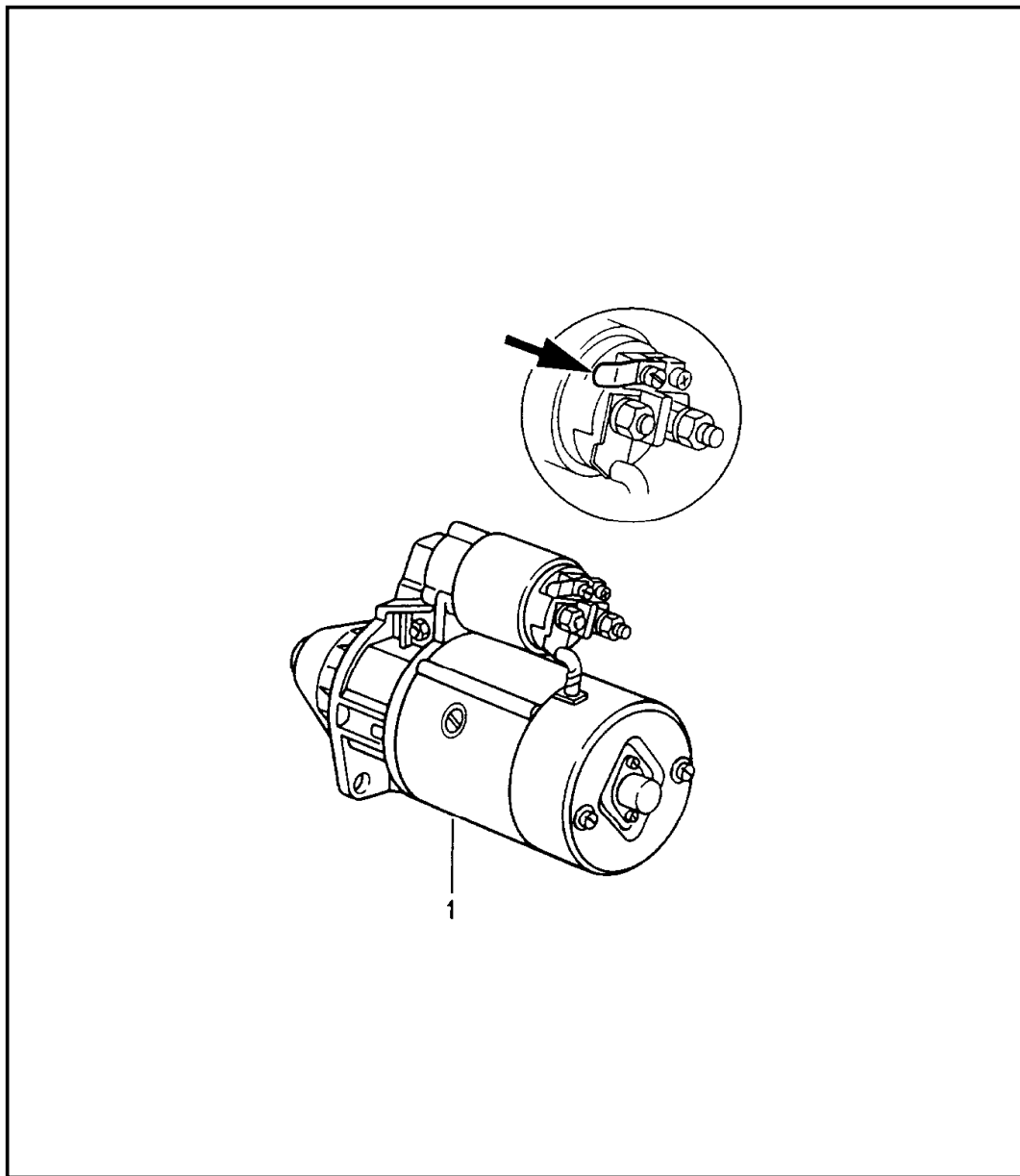
Pos	Part Number	Description	Remark	Qty	Model
-	997 613 261 X 01C	steering column switch switch cruise control satin black we take back: 997.613.261.00.01C		1	I454 987  997 997 GT3 997 TURBO
-	955 613 261 X B41	switch cruise control satin black we take back: 955.613.261.00.B41		1	I8T1 CAYENNE

Model	Year	MG	SG	Illustration	Restrictions	UPD	13:18	26.01.2010	PORSCHE	PET	PORSCHE
ATK	2008	9	03	903-40		248					



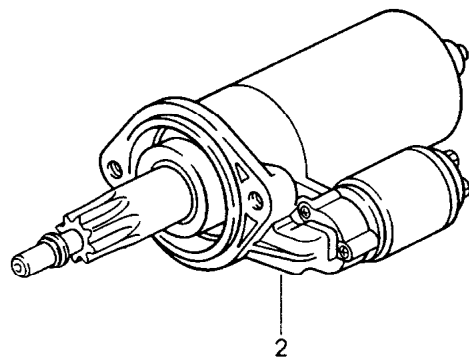
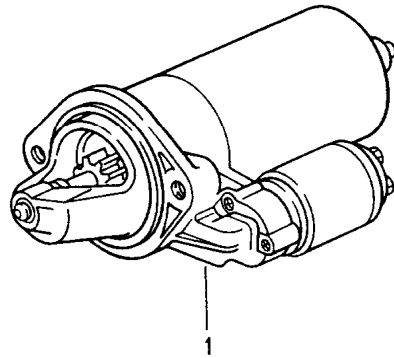
Pos	Part Number	Description	Remark	Qty	Model
1	003 911 023 BX	starter 12 V 0,6 KW BOSCH 0001 212 005/006 we take back: 003.911.023.A/B		1	914/4 W/EA/EB M022 EC M022 021.AN
1 A	039 911 023 X	starter 12 V 0,6 KW BOSCH 0001 212 012/013 we take back: 039.911.023		1	039.GA/GB/GC

Model	Year	MG	SG	Illustration	Restrictions	UPD	13:32	26.01.2010	PORSCHE	PET	PORSCHE
ATK	2008	9	03	903-42		248					



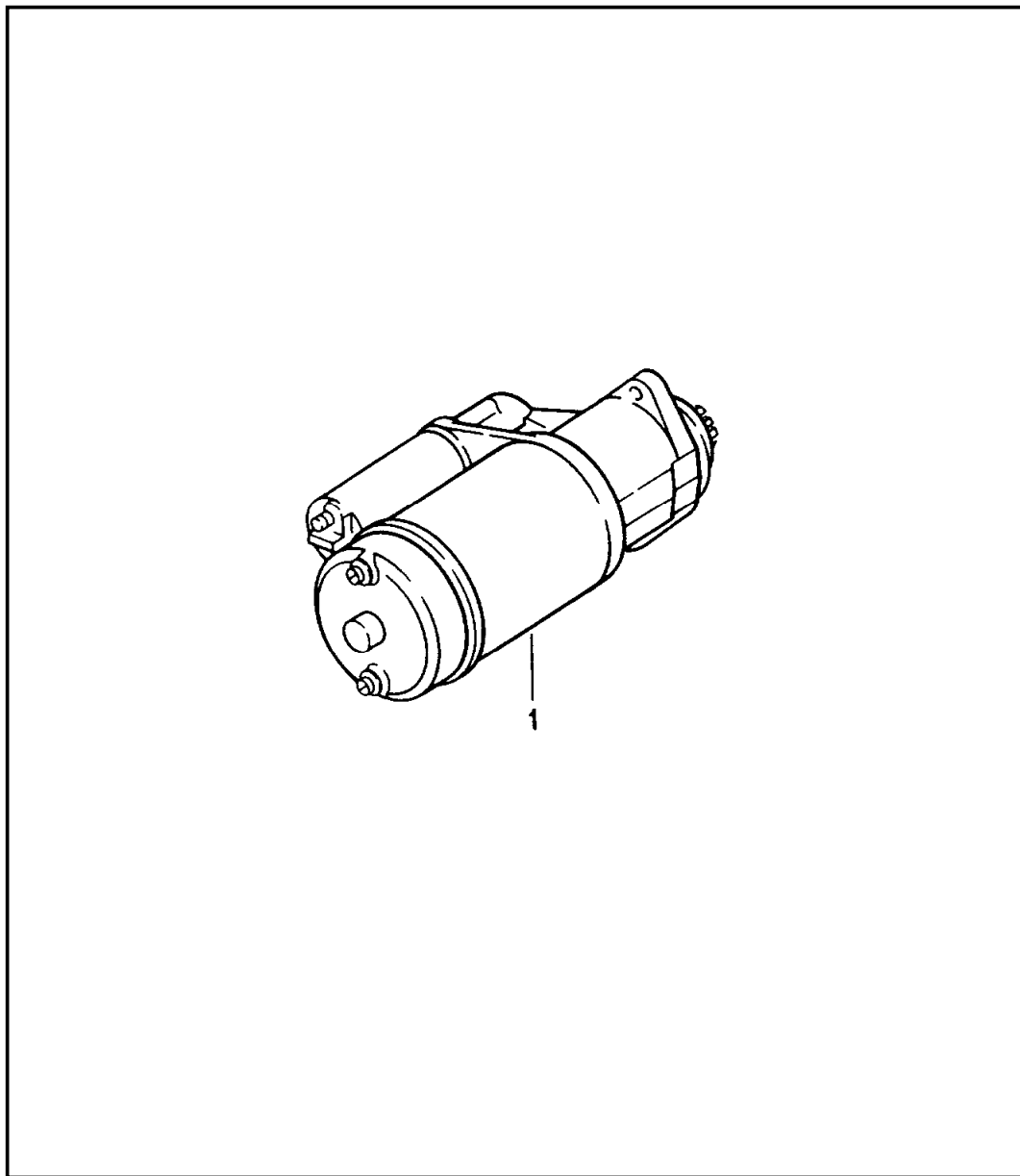
Pos	Part Number	Description	Remark	Qty	Model
		starter	-85		924/TURBO 924 GT
(1)	059 911 023 FX	starter 12 V 0,6 KW BOSCH 0001 208 200/216/217 we take back: 059.911.023.F 060.911.023	-85	1	924
(1)	046 911 023 X	starter 12 V 1,1 KW BOSCH 0001 311 118/122 we take back: 046.911.023	79- -85	1	924 AUT.
1	047 911 023 AX	starter 12 V 1,1 KW BOSCH 0001 311 134/135 we take back: 047.911.023.A	82- -84	1	924 TURBO 924 GT

Model	Year	MG	SG	Illustration	Restrictions	UPD	13:32	26.01.2010	PORSCHE	PET	PORSCHE
ATK	2008	9	03	903-45		248					



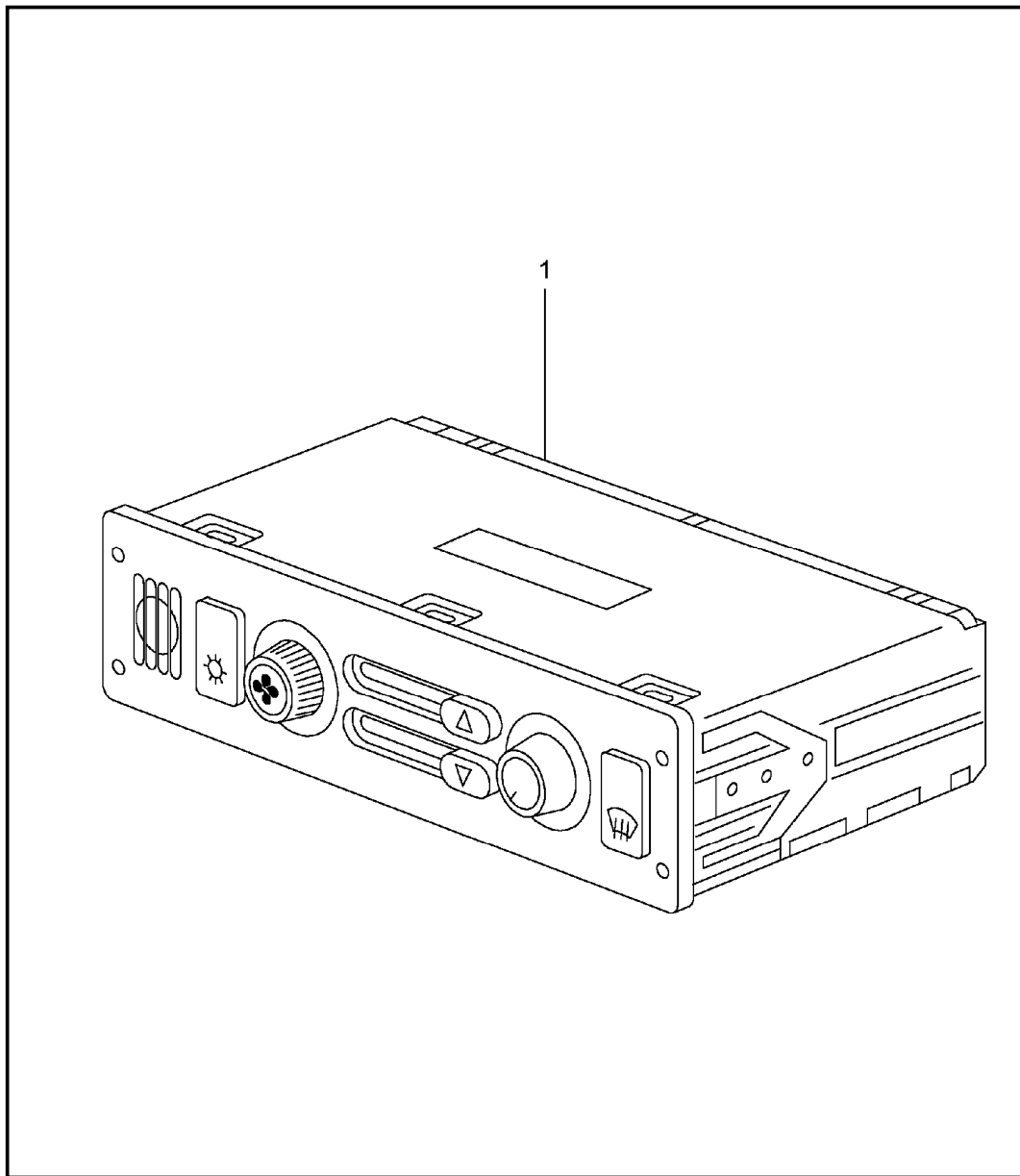
Pos	Part Number	Description	Remark	Qty	Model
		starter	82-86-		944/TURBO 924 S/968
(1)	047 911 023 AX	starter 12 V 1,1 KW BOSCH 0001 311 134/135 we take back: 931.604.101.00 BOSCH 0001 208 221/222	82-84	1	944
1	951 604 101 X	starter 1,4 KW BOSCH 0 001 108 021/022 we take back: 951.604.101.00	85-91	1	944/TURBO 924 S
2	944 604 104 X	starter for manual transmission BOSCH 0 001 110 073 we take back: 944.604.104.00	92-95	1	968
(2)	944 604 103 X	starter for tiptronic we take back: 944.604.103.00	92-95	1	968

Model	Year	MG	SG	Illustration	Restrictions	UPD	13:32	26.01.2010	PORSCHE	PET	PORSCHE
ATK	2008	9	03	903-80		248					



Pos	Part Number	Description	Remark	Qty	Model
1	928 604 103 AX	starter 12 V 1,5 KW BOSCH 0001 312 102 we take back: 928.604.103.01/04	78- 78- -86	1	928
1	928 604 103 DX	starter BOSCH 0 001 312 111 we take back: 928.604.103.04	87-	1	

Model	Year	MG	SG	Illustration	Restrictions	UPD	13:32	26.01.2010	PORSCHE	PET	PORSCHE
ATK	2008	9	04	904-00		248					



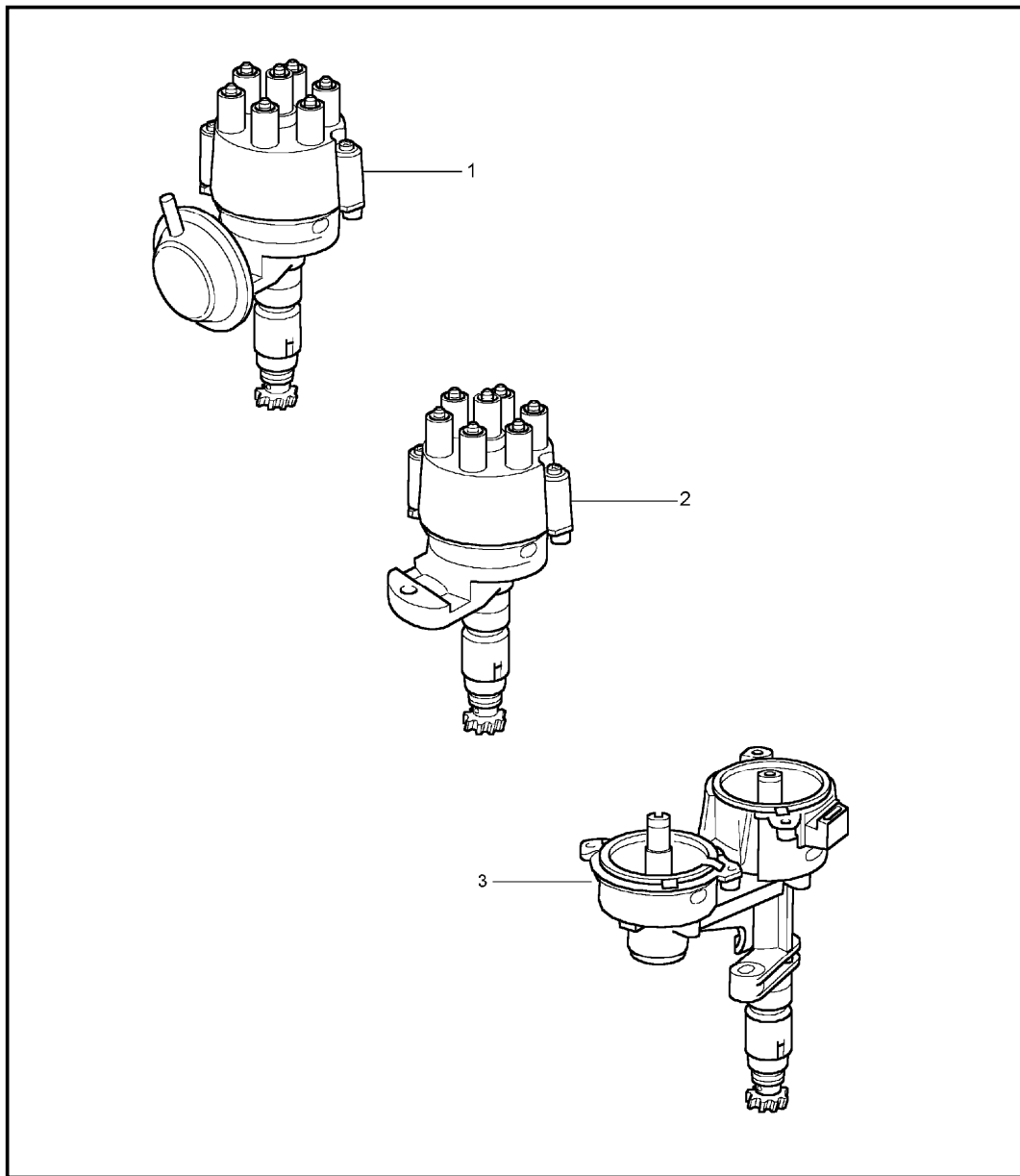
Pos	Part Number	Description	Remark	Qty	Model
		control switch see technical information GR.8 NR.2/91 for vehicles up to MOD.90 see workshop manual S.87-27	89-		
(1)	993 659 045 X	control switch heater  HELLA A 005 716-05  we take back: 993.659.045.00	/LL 89- -94	1	
(1)	993 659 046 X	control switch heater  HELLA A 005 716-15  we take back: 993.659.046.00	/RL 89- -94	1	
1	993 659 047 X	control switch air conditioner  HELLA A 005 716-04  we take back: 993.659.047.00	/LL 89- -94	1	
(1)	993 659 048 X	control switch air conditioner  HELLA A 005 716-14  we take back: 993.659.048.00	/RL 89- -94	1	
(1)	993 659 045 AX	control switch heater  HELLA 5 HB 005 716-07  we take back: 993.659.045.01	/LL 95- -98	1	
(1)	993 659 046 AX	control switch heater  HELLA 5 HB 005 716-17  we take back: 993.659.046.01	/RL 95- -98	1	



Model	Year	MG	SG	Illustration	Restrictions	UPD	13:32	26.01.2010	PORSCHE	PET	PORSCHE
ATK	2008	9	04	904-00		248					

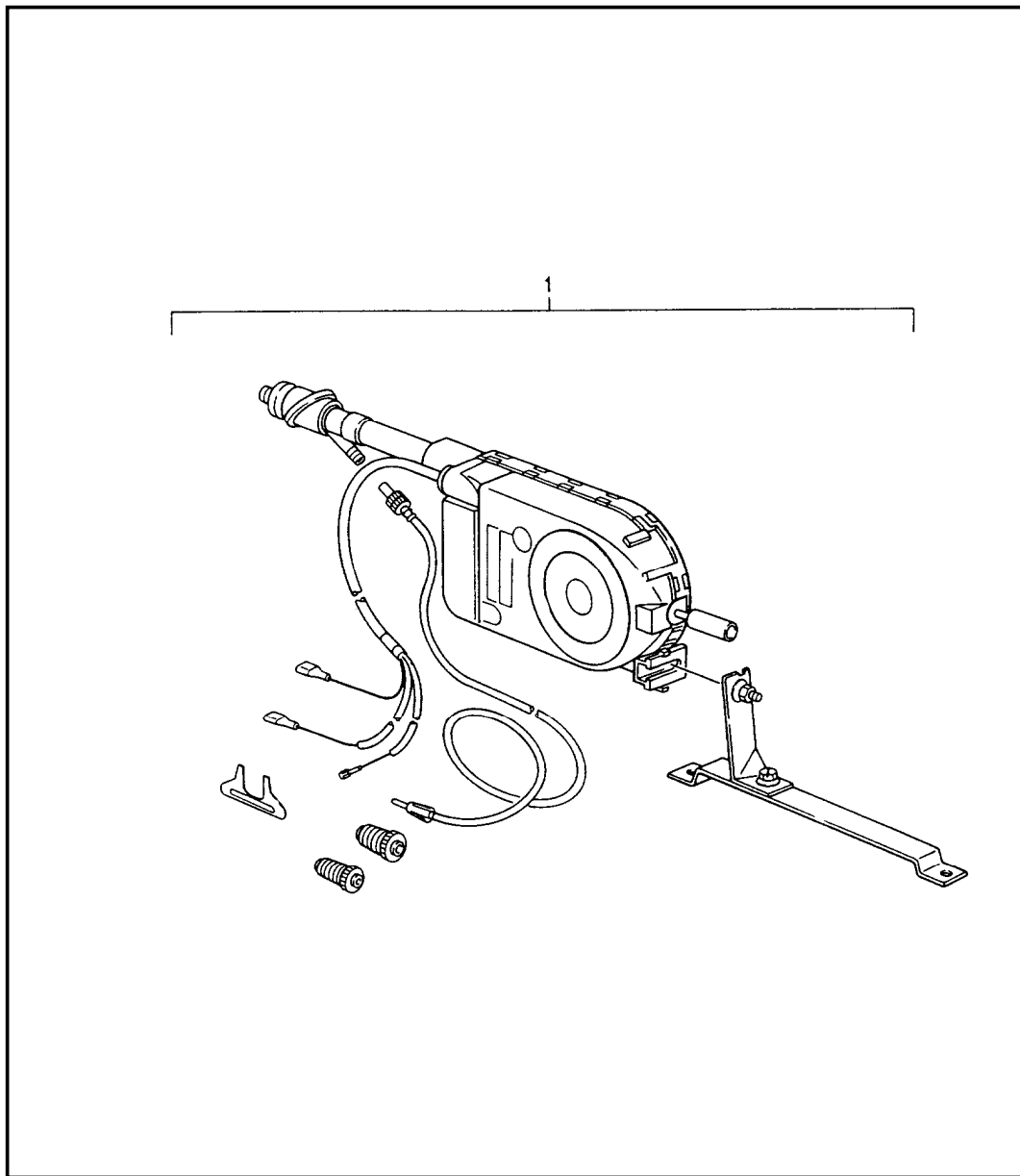
Pos	Part Number	Description	Remark	Qty	Model	Pos	Part Number	Description	Remark	Qty	Model
1	993 659 047 AX	control switch air conditioner  HELLA 5 HB 005 716-06  we take back: 993.659.047.01	/LL 95- -98	1							
(1)	993 659 048 AX	control switch air conditioner  HELLA 5 HB 005 716-16  we take back: 993.659.048.01	/RL 95- -98	1							

Model	Year	MG	SG	Illustration	Restrictions	UPD	13:33	26.01.2010	PORSCHE	PET	PORSCHE
ATK	2008	9	05	905-00		248					



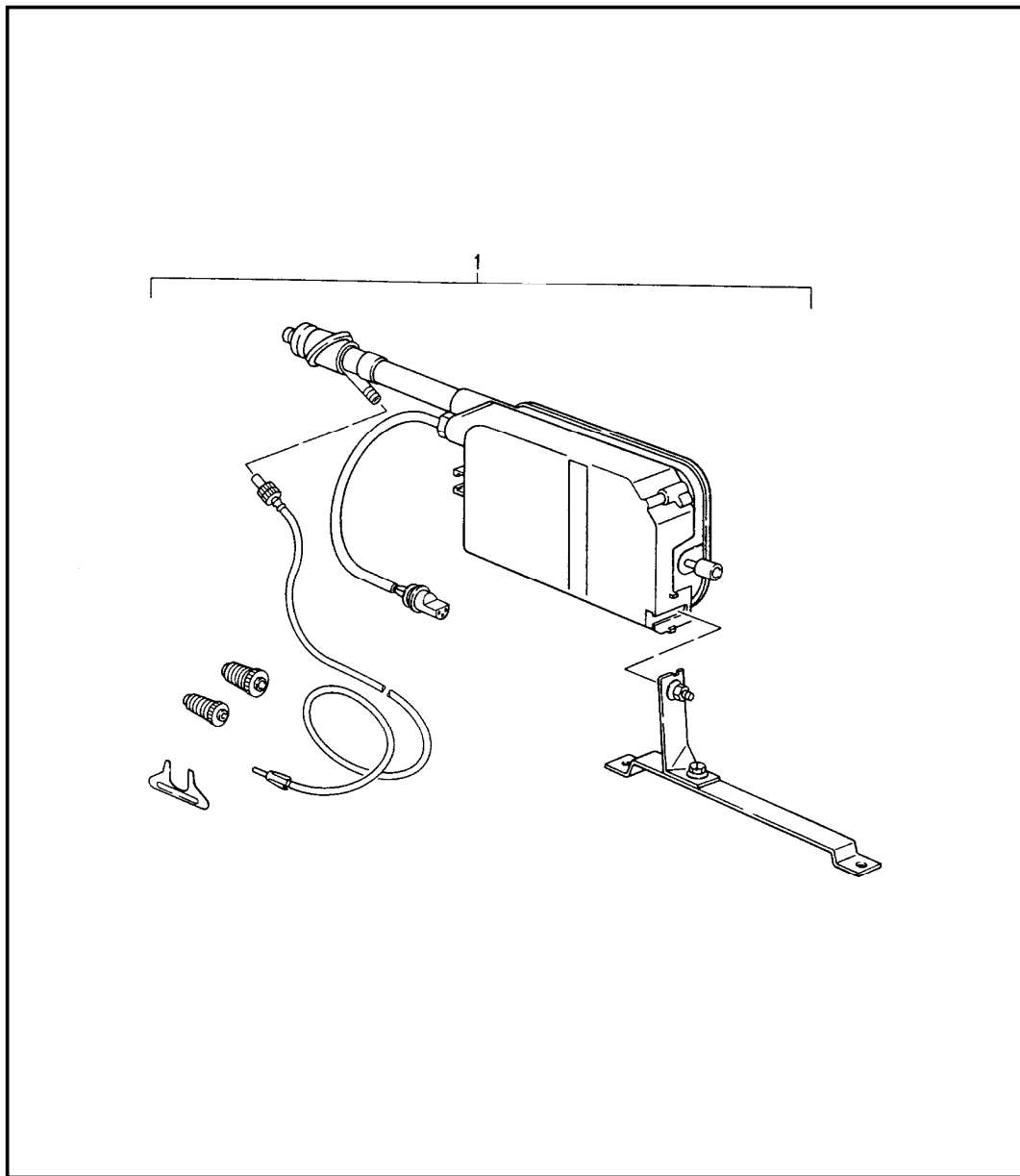
Pos	Part Number	Description	Remark	Qty	Model
		distributor	78-89-		TURBO CARRERA 2/4
1	930 602 103 X	distributor BOSCH 0.986.237.404 we take back: 930.602.103.00	78-89-	1	TURBO M30.66
1	930 602 023 X	distributor BOSCH 0.986.237.617 we take back: 930.602.023.00	91-92-	1	TURBO M30.69
1	965 602 024 X	distributor BOSCH 0.986.237.620 we take back: 965.602.024.00	93-94-	1	TURBO M64.50
1	993 602 016 X	distributor BOSCH 0.986.237.613 we take back: 993.602.016.00	94-98-	1	TURBO M64.60
2	930 602 023 X	distributor BOSCH 0.986.237.617 M 63E 00701 >> we take back: 930.602.023.00	84-89-	1	CARRERA M30.20/21 M30.25/26
3	930 602 015 AX	distributor BOSCH 0.986.237.901 we take back: 930.602.015.01	89-98-	1	CARRERA M64.01/02/03 M64.04-08 -24 M64.20

Model	Year	MG	SG	Illustration	Restrictions	UPD	13:33	26.01.2010	PORSCHE	PET	PORSCHE
ATK	2008	9	05	905-40		248					



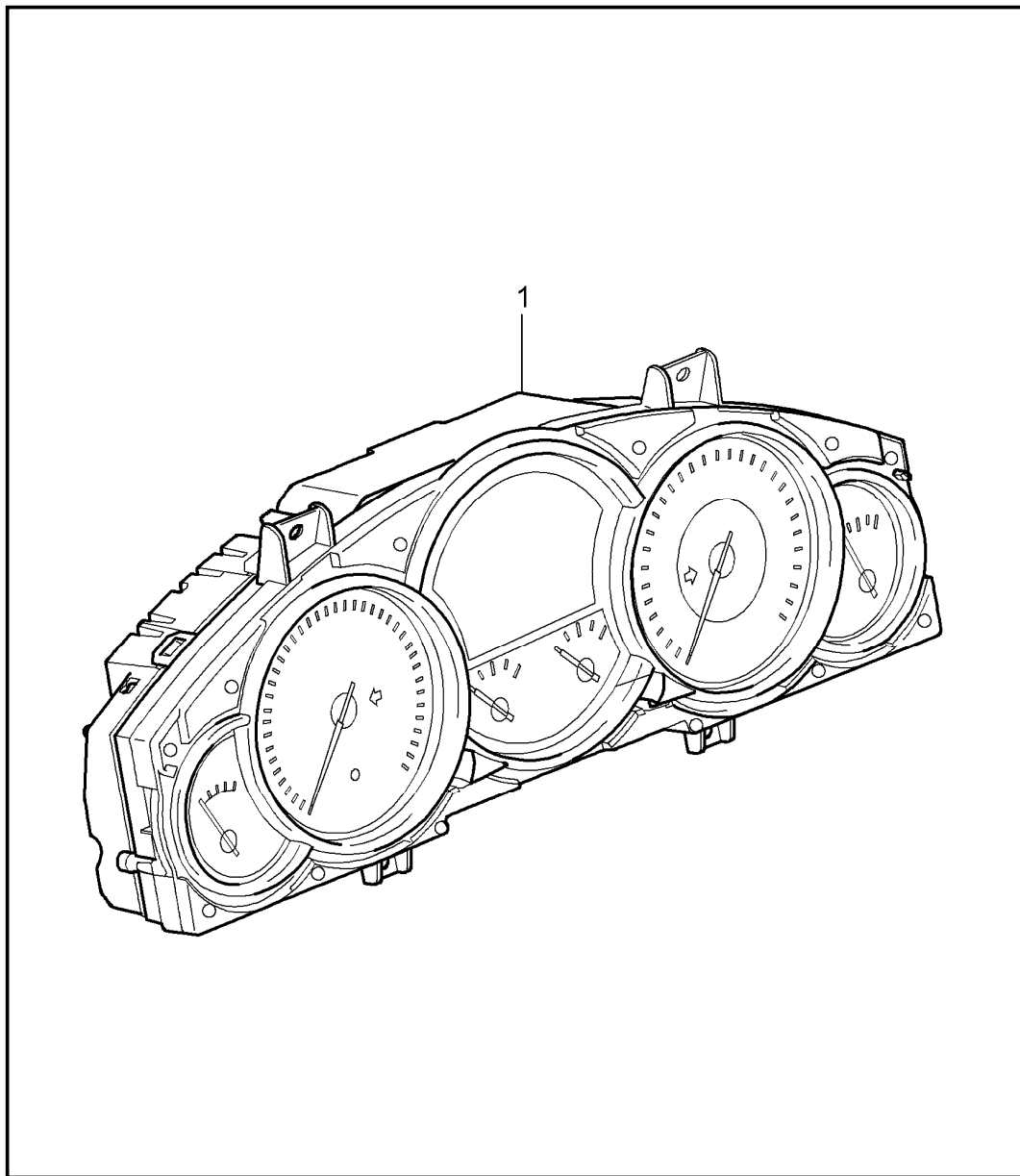
Pos	Part Number	Description	Remark	Qty	Model
		automatic antenna	-85 -88		924/TURBO 944/924 S
1	A 477 035 507 X	automatic antenna HIRSCHMANN 854  we take back: 477.035.507/510	-85	1	924/TURBO 944
(1)	A 944 645 911 X	automatic antenna HIRSCHMANN 854 housing black  we take back: 944.645.911.00	86- -88 -85	1	924 S  924/944

Model	Year	MG	SG	Illustration	Restrictions	UPD	13:33	26.01.2010	PORSCHE	PET	PORSCHE
ATK	2008	9	05	905-80		248					



Pos	Part Number	Description	Remark	Qty	Model
		automatic antenna	78-		928
1	A 928 645 035 X	automatic antenna HIRSCHMANN 863 cable plug white  we take back: 928.645.035.00	-79	1	
1	928 645 035 AX	automatic antenna HIRSCHMANN 863 cable plug black  we take back: 928.645.035.01	80- -84	1	

Model	Year	MG	SG	Illustration	Restrictions	UPD	13:33	26.01.2010	PORSCHE	PET	PORSCHE
ATK	2008	9	06	906-00		248					

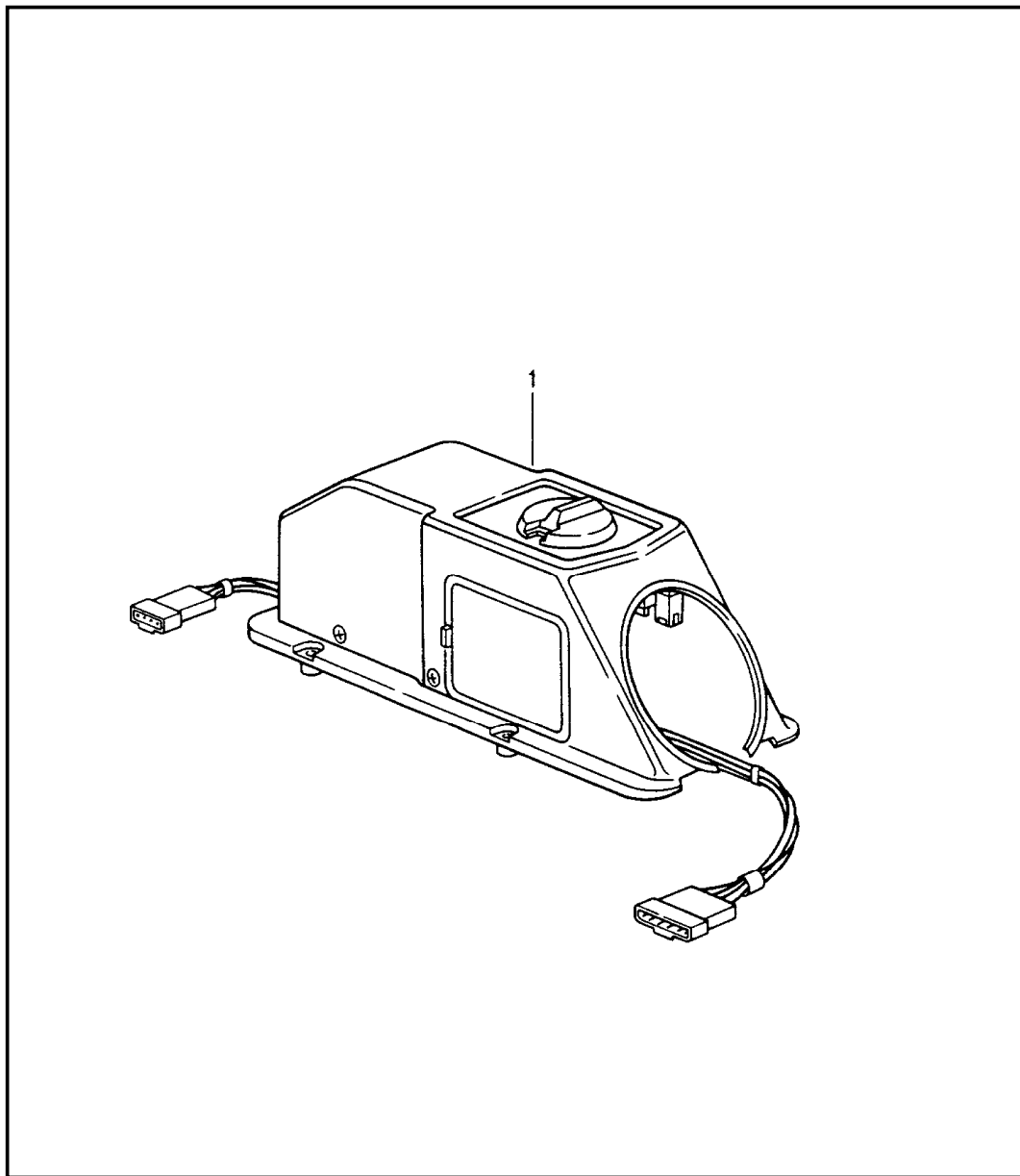


Pos	Part Number	Description	Remark	Qty	Model
		instrument cluster			CAYENNE
1	955 641 104 X	instrument cluster we take back: 955.641.104.00	-04	1	ID9J
1	955 641 105 X	instrument cluster we take back: 955.641.105.00	-04	1	ID9J/U5B
1	955 641 204 AX	instrument cluster we take back: 955.641.204.01	-04	1	ID9K
1	955 641 205 AX	instrument cluster we take back: 955.641.205.01	-04	1	ID9K/U5B
1	955 641 304 AX	instrument cluster we take back: 955.641.304.01	-04	1	ID9L
1	955 641 305 AX	instrument cluster we take back: 955.641.305.01	-04	1	ID9L/U5B
1	955 641 114 X	instrument cluster we take back: 955.641.114.00	05-	1	ID9J
1	955 641 115 X	instrument cluster we take back: 955.641.115.00	05-	1	ID9J/U5B
1	955 641 214 X	instrument cluster we take back: 955.641.214.00	05-	1	ID9K
1	955 641 215 X	instrument cluster we take back: 955.641.215.00	05-	1	ID9K/U5B
1	955 641 314 X	instrument cluster we take back: 955.641.314.00	05-	1	ID9L

Model	Year	MG	SG	Illustration	Restrictions	UPD	13:33	26.01.2010	PORSCHE	PET	PORSCHE
ATK	2008	9	06	906-00		248					

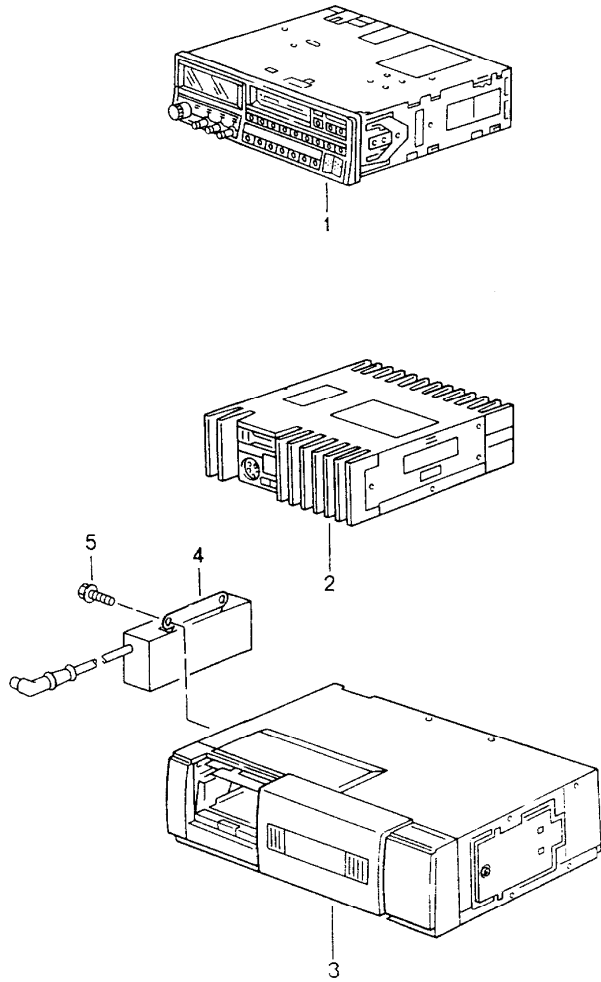
Pos	Part Number	Description	Remark	Qty	Model	Pos	Part Number	Description	Remark	Qty	Model
1	955 641 315 X	instrument cluster we take back: 955.641.315.00	05-	1	ID9L/U5B						

Model	Year	MG	SG	Illustration	Restrictions	UPD	13:33	26.01.2010	PORSCHE	PET	PORSCHE
ATK	2008	9	08	908-00		248					



Pos	Part Number	Description	Remark	Qty	Model
		control mechanism heating	84		911
1	E 911 659 049 BX	control mechanism automatic BEHR 9 1575 40 002 we take back: 911.659.049.02	84	1	COUPE/TARGA

Model	Year	MG	SG	Illustration	Restrictions	UPD	13:34	26.01.2010	PORSCHE	PET	PORSCHE
ATK	2008	9	11	911-00		248					



Pos	Part Number	Description	Remark	Qty	Model
		car radio booster cd changer	85-		
1	A 911 645 158 X	radio BOSTON SQM 23 w/o motorist radio information  BLAUPUNKT 7 643 848 070  we take back: 911.645.158.00	85- -89	1	
1	A 911 645 168 X	radio LUDWIGSBURG SQM 26  BLAUPUNKT 7 645 857 070  we take back: 911.645.168.00	87- -89	1	
1	A 911 645 071 AX	radio BERLIN IQR 88  BLAUPUNKT 7 647 997 070  we take back: 911.645.071.01	88- -90	1	
1	A 911 645 159 AX	radio BREMEN SQR 46  BLAUPUNKT 7 646 898 070  we take back: 911.645.159.01	87- -90	1	
1	A 911 645 139 BX	radio TORONTO SQR 46  BLAUPUNKT 7 646 888 070  we take back: 911.645.139.02	87- -90	1	
1	A 964 645 101 X	radio SYMPHONY  BLAUPUNKT 7 649 898 70  we take back: 964.645.101.00	91	1	
1	964 645 103 X	radio SYMPHONY RDS  BLAUPUNKT 7 649 894 070	92- -93	1	



Model	Year	MG	SG	Illustration	Restrictions	UPD	13:34	26.01.2010	PORSCHE	PET	PORSCHE
ATK	2008	9	11	911-00		248					

Pos	Part Number	Description	Remark	Qty	Model	Pos	Part Number	Description	Remark	Qty	Model
1	A 964 645 107 X	we take back: 964.645.103.00 radio LONDON RDM 42 BLAUPUNKT 7 641 795 010	93- -94	1		1	993 645 109 X	we take back: 993.645.110.00 radio DUESSELDORF RCR 84 BLAUPUNKT 7643 773 010	95	1	
1	A 993 645 101 X	we take back: 964.645.107.00 radio BREMEN RCM 43 BLAUPUNKT 7 642 898 310	94- -95	1	M334	(1)	993 645 118 X	we take back: 993.645.109.00 radio CR 31 BECKER 1224 840-814	96	1	M330
1	993 645 103 X	we take back: 993.645.101.00 radio BREMEN RCM 43 BLAUPUNKT 7 642 898 310	94- -95	1	M334	(1)	993 645 118 AX	we take back: 993.645.118.00 radio CR 31 BECKER 1249 940-814	97- -98	1	M330
1	993 645 107 X	we take back: 993.645.103.00 radio LONDON RDM 42 use also:	93- -94 93	1		(1)	993 645 116 X	we take back: 993.645.118.01 radio CR 21 BECKER 1224 808-815	96	1	M326
-	993 645 901 00	connector housing BLAUPUNKT 7 641 795 010		1				we take back: 993.645.116.00			
1	993 645 108 X	we take back: 993.645.107.00 radio PARIS RCR 42 BLAUPUNKT 7 641 774 010	94	1		(1)	993 645 116 AX	radio CR 21 BECKER 1249 908-815	97- -98	1	M326
1	993 645 106 X	we take back: 993.645.108.00 radio CR 10 BECKER 1211.528-814	95	1		(1) A	993 645 115 X	we take back: 993.645.116.01 radio CR 11 BECKER 1224 794-815	96	1	M320
1	993 645 110 X	we take back: 993.645.106.00 radio MUENCHEN RD 104	95	1		(1)	993 645 115 AX	we take back: 993.645.115.00 radio CR 11 BECKER 1249 894-815	97- -98	1	M320

Model	Year	MG	SG	Illustration	Restrictions	UPD	13:34	26.01.2010	PORSCHE	PET	PORSCHE
ATK	2008	9	11	911-00		248					

Pos	Part Number	Description	Remark	Qty	Model	Pos	Part Number	Description	Remark	Qty	Model
(1) A	993 645 119 X	we take back: 993.645.115.01 radio CDR 21 BECKER 1224 824-815		96	M686	(1)	996 645 128 BX	radio CDR 23	03-	1	M 697
(1)	993 645 119 AX	we take back: 993.645.119.00 radio CDR 21 BECKER 1249 924-815		97- -98	M686	(1) A	996 645 128 CX	radio CDR 23 we take back: 996.645.128.02/03/04	03-	1	M 697
(1)	996 645 121 X	we take back: 993.645.119.00 993.645.119.01 radio CR 22 BECKER 1278.371		99- -02	M321	(1)	996 645 128 DX	radio CDR 23 we take back: 996.645.128.02/03/04/05/06	05-	1	M 697
(1)	996 645 122 X	we take back: 996.645.121.00 radio CDR 22 BECKER 1278.398		99- -02	M695	(1) A	996 645 129 X	radio CDR 23 we take back: 996.645.129.02	03-	1	M 697 M490 M 697 M680
(1)	996 645 122 AX	we take back: 996.645.122.00 radio CDR 22 BECKER 1378.392		03-	M695	(1) A	996 645 129 AX	radio CDR 23 we take back: 996.645.129.02/03	03-	1	M 697 M490 M 697 M680
(1) A	996 645 128 X	we take back: 996.645.122.10 radio CDR 23 we take back: 996.645.128.02		03-	M 697	(1) A	996 645 129 BX	radio CDR 23 we take back: 996.645.129.02/03/04	03-	1	M 697 M490 M 697 M680
(1)	996 645 128 AX	radio CDR 23 we take back: 996.645.128.02/03		03-	M 697	(1) A	996 645 129 CX	radio CDR 23 we take back: 996.645.129.02/03/04/05	03-	1	M 697 M490 M 697 M680
						(1) A	997 645 128 DX	radio CDR 24 FMH we take back: 997.645.128.03/04.FMH	05-	1	I694

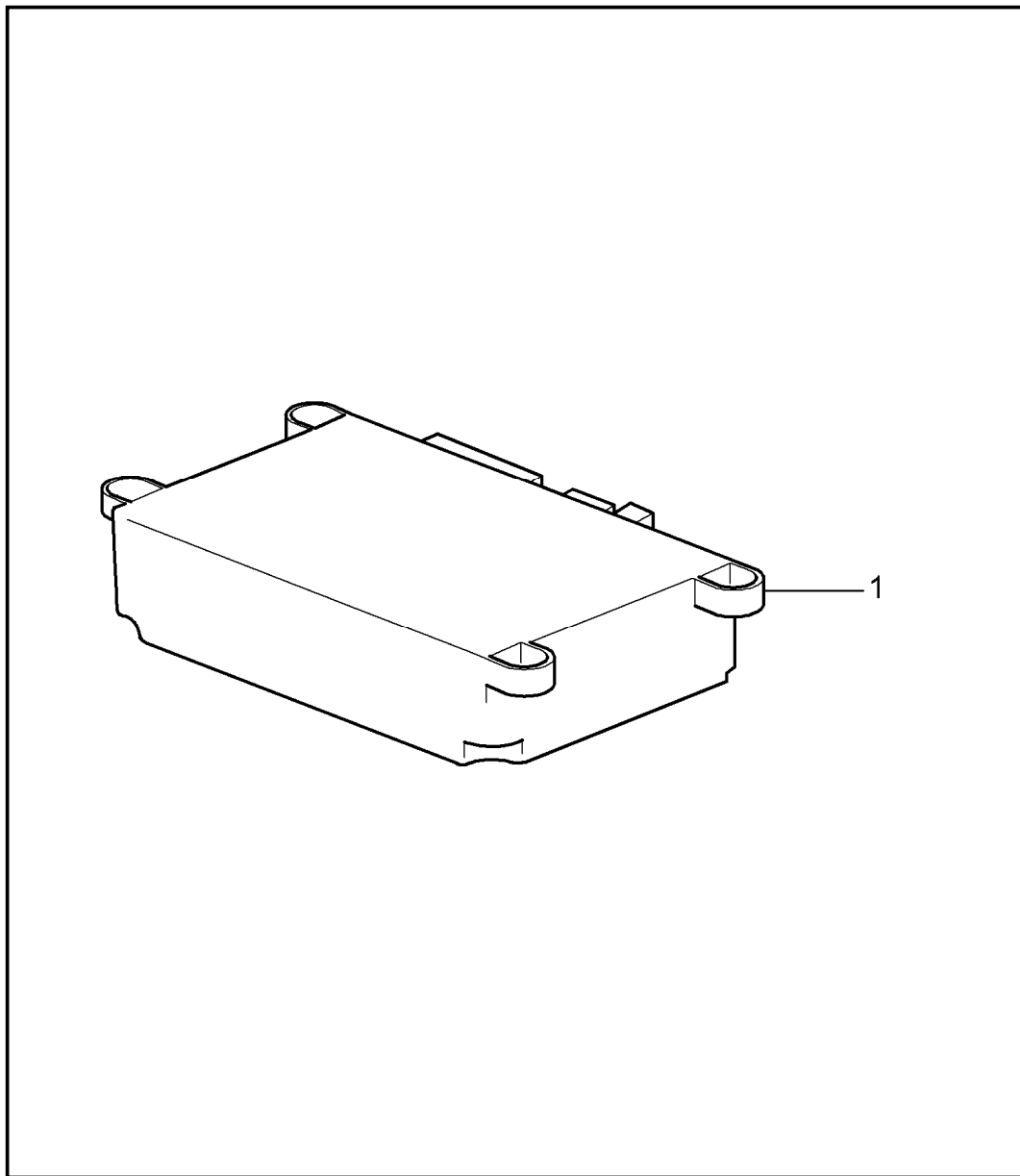
Model	Year	MG	SG	Illustration	Restrictions	UPD	13:34	26.01.2010	PORSCHE	PET	PORSCHE
ATK	2008	9	11	911-00		248					

Pos	Part Number	Description	Remark	Qty	Model	Pos	Part Number	Description	Remark	Qty	Model
(1)	A 997 645 128 EX	radio		1	I694			we take back: 996.645.123.00			
	FMH	CDR 24				(1)	996 645 124 X	radio	99-	1	M699
		we take back: 997.645.128.03/04/05.FMH						MDR 32			
								BECKER 1286.986			
(1)	A 997 645 128 FX	radio		1	I694			we take back: 996.645.124.00			
	FMH	CDR 24				2	944 645 417 AX	booster	87-	1	
		we take back: 997.645.128.03/04/05/ 06.FMH						BLAUPUNKT 7 607 390 570	-91		
(1)	997 645 128 GX	radio		1	I694			we take back: 944.645.417.01			
	FMH	CDR 24				2	944 645 417 BX	booster	87-	1	
		we take back: 997.645.128.03/04/05/ 06/07.FMH						BLAUPUNKT 7 607 577 510			
								we take back: 944.645.417.02			
(1)	A 955 645 128 CX	radio	03-	1		2	944 645 301 X	booster	92-	1	
		CDR 23						ALPINE AMP-02U			
		we take back: 955.645.128.03						we take back: 944.645.301.00			
(1)	A 955 645 128 DX	radio	03-	1		2	928 645 435 X	booster	-95	1	
		CDR 23						BLAUPUNKT 7 607 533 070			
		we take back: 955.645.128.03/04						BLAUPUNKT 7 607 533 071			
(1)	A 955 645 128 EX	radio	03-	1				we take back: 928.645.435.00/01			
		CDR 23				2	928 645 405 BX	booster	-94	1	
		we take back: 955.645.128.03/04/05						BLAUPUNKT 7 607 367 0010			
(1)	A 955 645 128 FX	radio	03-	1				we take back: 928.645.405.02			
		CDR 23				3	928 645 018 X	cd player	89-	1	
		we take back: 955.645.128.03/04/05/06						CD-10	-92		
								with			
(1)	955 645 128 GX	radio		1				installation set			
		CDR 23						ALPINE MF 9 PR 720			
		we take back: 955.645.128.03/04/05/06/07						we take back: 928.645.018.00			
(1)	996 645 123 X	radio	99-	1	M698	3	964 645 111 X	cd changer	-94	1	
		CDR 32						ALPINE CDP-1			
		BECKER 1278.401									

Model	Year	MG	SG	Illustration	Restrictions	UPD	13:34	26.01.2010	PORSCHE	PET	PORSCHE
ATK	2008	9	11	911-00		248					

Pos	Part Number	Description	Remark	Qty	Model	Pos	Part Number	Description	Remark	Qty	Model
3	993 645 111 X	we take back: 964.645.111.00 cd changer ALPINE CDC-2		95 1							
(3)	993 645 130 X	we take back: 993.645.111.00 cd changer CDC 3 BECKER 1227 734-818		96- 1							
(3)	996 645 140 AX	we take back: 993.645.130.00 cd changer CDC 4		03- 1							
(3)	996 645 140 BX	we take back: 996.645.140.01 cd changer CDC 4		03- 1	I692						
(3)	997 645 140 BX	we take back: 996.645.140.01/02 cd changer CDC 4	/LL /RL	05- 05- 1	I692 I338						
(3)	997 645 140 CX	we take back: 997.645.140.02 cd changer CDC 4		06- 1	I692						
4	964 645 112 X	we take back: 997.645.140.02/04 adapter SYMPHONY RDS BLAUPUNKT 8 607 210 012		-95 1	M334						
5	900 075 440 07	we take back: 964.645.112.00 combination screw M 4 X 8Z1		-95 X							

Model	Year	MG	SG	Illustration	Restrictions	UPD	13:34	26.01.2010	PORSCHE	PET	PORSCHE
ATK	2008	9	11	911-10		248					

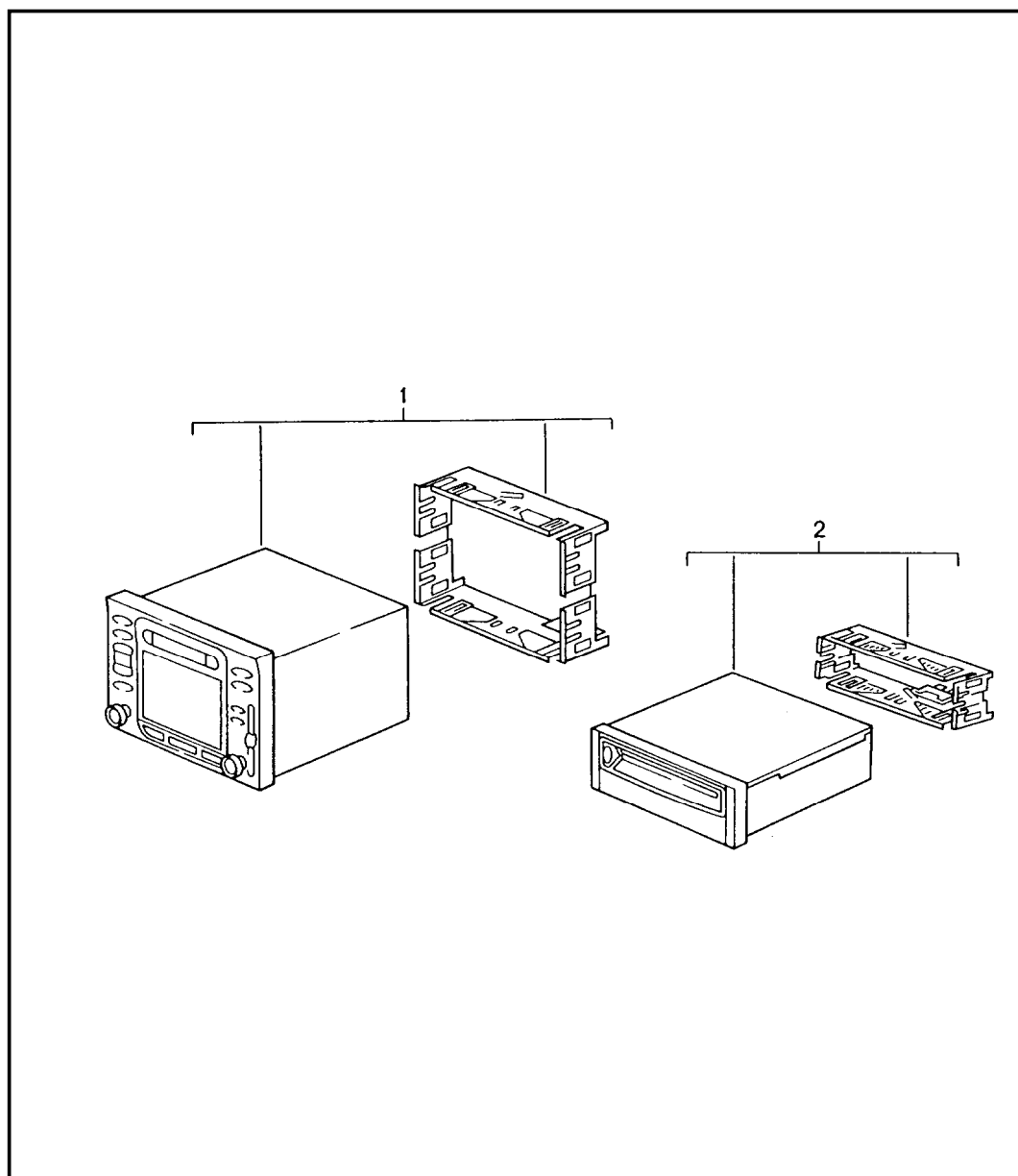


Pos	Part Number	Description	Remark	Qty	Model
1	A 997 646 208 DX	telephone control unit control unit telephone F 995S6 00355>> F 995S6 30091>> F 995S6 40516>>  F 995S6 80190>> F 995S6 70168>>  F 985U7 20254>>985U7 22919 F >>985U7 02718 F 985S7 00062>>985S7 20584  F 995S7 01789>>995S7 50848 F 995S7 32292>>995S7 37431 F >>995S7 61191  see technical information group 9 NR. 14/05 NR. 18/05  we take back: 997.646.208.04		1	I666
1	997 646 208 MX	control unit telephone F 985U7 22920>>986U7 23352 F 985U7 02719>>986U7 04749 F 985S7 20585>>  F 995S7 50849>>996S7 51980 F 995S7 37432>>996S7 38110 F 995S7 61192>>996S7 17268 F 995S7 17614>>996S7 75014 F >>996S7 03170 F >>996S7 38109 F >>996S7 75016  F >>986U7 77190  F >>997S7 80789 F >>997S7 83403  see technical information group 9 NR. 14/05 NR. 17/05 NR. 18/05  we take back: 997.646.208.04/13		1	I666

Model	Year	MG	SG	Illustration	Restrictions	UPD	13:34	26.01.2010	PORSCHE	PET	PORSCHE
ATK	2008	9	11	911-10		248					

Pos	Part Number	Description	Remark	Qty	Model	Pos	Part Number	Description	Remark	Qty	Model	
(1)	997 646 209 X	control unit telephone  F 986U7 23353>> F 986U7 04750>>  F 996S7 51981>> F 996S7 38111>> F 996S7 17269>> F 996S7 75015>> F 996S7 03171>> F 996S7 38110>> F 996S7 75017>>  F 986U7 77191>>  F 997S7 80790>> F 997S7 83403>>  we take back: 997.646.209.00		1	I666							

Model	Year	MG	SG	Illustration	Restrictions	UPD	13:34	26.01.2010	PORSCHE	PET	PORSCHE
ATK	2008	9	11	911-15		248					



Pos	Part Number	Description	Remark	Qty	Model
		navigation system	98- 98- 01- 03-		BOXSTER CARRERA 911 TURBO CAYENNE
1	A 996 642 104 AX	control part	98	1	
	EFR	gloss black SIEMENS-NR. 65 61 29.40.01			
		we take back: 996.642.104.00/01			
1	A 996 642 104 BX	control part	-99	1	
	EFR	gloss black SIEMENS-NR. 65 61 29.40.01			
		we take back: 996.642.104.01/02 EFR			
1	996 642 904 CX	control part	-99	1	
	EFR	gloss black SIEMENS-NR. 5WK78000A			
		we take back: 996.642.904.03 EFR			
1	996 642 904 DX	control part	00-	1	
	EFR	gloss black SIEMENS-NR. 5WK780003E			
		we take back: 996.642.904.04 EFR			
1	996 642 944 X	control part	02	1	
	EWD	black mat SIEMENS-NR. 5WM 780 015-E			
		we take back: 996.642.944.00 EWD			
1	996 642 204 BX	control part	03	1	
	A05	black mat BECKER-NR. 1413 988 6631			

Model	Year	MG	SG	Illustration	Restrictions	UPD	13:34	26.01.2010	PORSCHE	PET	PORSCHE
ATK	2008	9	11	911-15		248					

Pos	Part Number	Description	Remark	Qty	Model	Pos	Part Number	Description	Remark	Qty	Model
1	996 642 204 CX	we take back: 996.642.204.02 A05 control part	03	1			A05	black mat BECKER-NR. 1413 996 6632			
	A05	black mat BECKER-NR. 1413 996 6632				1	996 642 214 DX	we take back: 996.642.214.03 A05 control part	03	1	
1	996 642 204 DX	we take back: 996.642.204.02/03 A05 control part	03	1			A05	black mat			
	A05	black mat				1	996 642 214 EX	we take back: 996.642.214.02/03/04 A05 control part	04	1	
1	996 642 204 EX	we take back: 996.642.204.02/03/04 A05 control part	04	1			A05	black mat			
	A05	black mat				1	A 996 642 214 FX	we take back: 996.642.214.02/03 A05 996.642.214.04/05 A05 996.642.214.04/05 A05 control part	05	1	
1	A 996 642 204 FX	we take back: 996.642.204.02/03 A05 996.642.204.04/05 A05 control part	05	1			A05	black mat			
	A05	black mat				1	996 642 214 GX	we take back: 996.642.214.02/03 A05 996.642.214.04/05 A05 996.642.214.06.A05 control part	05	1	
1	996 642 204 GX	we take back: 996.642.204.02/03/04 A05 996.642.204.05/06 A05 control part	05	1			A05	black mat			
	A05	black mat				(1)	A 997 642 101 X	we take back: 996.642.214.02/03 A05 996.642.214.04/05 A05 996.642.214.06.A05 control part	05	1	997
1	996 642 214 BX	we take back: 996.642.204.02/03 A05 996.642.204.04/05 A05 996.642.204.06/07 A05 control part	03	1			FMH	volcano grey/black mat			I665 PCM 2.1
	A05	black mat BECKER-NR. 1413 996 6632				(1)	A 997 642 101 AX	we take back: 997.642.101.05.FMH control part	05	1	987 / 997
1	996 642 214 CX	we take back: 996.642.214.02/03 A05 control part	03	1			FMH	volcano grey/black mat			I665 PCM 2.1
								F >>985S7 00061 F >>985U7 00847 F >>985U7 20253 see technical information group 9 Nr. 1/04			



Model	Year	MG	SG	Illustration	Restrictions	UPD	13:34	26.01.2010	PORSCHE	PET	PORSCHE
ATK	2008	9	11	911-15		248					

Pos	Part Number	Description	Remark	Qty	Model	Pos	Part Number	Description	Remark	Qty	Model
(1)	A 997 642 103 X	F >>995S7 01791 F >>995S7 32290 see technical information group 9 Nr. 7/04  we take back: 997.642.101.05/06.FMH control part		05	1 997		FMH	volcano grey/black mat  F 985S7 00062>>985S7 20584 F 985U7 00274>>985U7 02718 F 985U7 20300>>985U7 22919  F 995S7 01789>>995S7 50848 F 995S7 32294>>995S7 37431 F 995S7 16131>>995S7 17613 F 995S7 41124>>995S7 61191			I665/680 PCM 2.1
	FMH	volcano grey/black mat  we take back: 997.642.103.05.FMH			I665 I680 PCM 2.1	(1)	997 642 141 BX	control part	05-	1	987 / 997
(1)	A 997 642 103 AX	control part		05	1 987 / 997		FMH	volcano grey/black mat			I665 PCM 2.1
	FMH	volcano grey/black mat  F >>985S7 00061 F >>985U7 00273 F >>985S7 20299 see technical information group 9 Nr. 1/04			I665/680	(1)	997 642 141 CX	control part	05-	1	987 / 997
		F >>995S7 01788 F >>995S7 32293 see technical information group 9 Nr. 7/04  we take back: 997.642.103.05/06.FMH			PCM 2.1		FMH	volcano grey/black mat  F 985S7 20585>> F 985U7 02719>> F 985U7 22920>>  F 995S7 50849>> F 995S7 37432>> F 995S7 17614>> F 995S7 61192>>			I665 PCM 2.1
(1)	997 642 101 BX	control part		05-	1 987 / 997		FMH	volcano grey/black mat  we take back: 997.642.141.02/03.FMH			I665 PCM 2.1
	FMH	volcano grey/black mat  F 985S7 00062>>985S7 20584 F 985U7 00848>>985U7 02718 F 985U7 20254>>985U7 22919  F 995S7 01792>>995S7 50848 F 995S7 32291>>995S7 37431 F 995S7 16151>>995S7 17613 F 995S7 41125>>995S7 61191			I665 PCM 2.1	(1)	997 642 143 BX	control part	05-	1	987 / 997
		we take back: 997.642.101.05/06/11.FMH 997.642.131.05/06.FMH					FMH	volcano grey/black mat  F 985S7 20585>> F 985U7 02719>> F 985U7 22920>>			I665/680 PCM 2.1
(1)	997 642 103 BX	control part		05-	1 987 / 997		FMH	volcano grey/black mat			I665/680 PCM 2.1

Model	Year	MG	SG	Illustration	Restrictions	UPD	13:34	26.01.2010	PORSCHE	PET	PORSCHE
ATK	2008	9	11	911-15		248					

Pos	Part Number	Description	Remark	Qty	Model	Pos	Part Number	Description	Remark	Qty	Model	
(1)	997 642 141 DX FMH	F 995S7 50849>> F 995S7 37432>> F 995S7 17614>> F 995S7 61192>>  we take back: 997.642.143.02/03.FMH  control part  volcano grey/black mat F 986U7 04750>> F 986U7 23353>>  F 986U7 77191>>  F 996S7 51981>> F 996S7 38111>> F 996S7 17269>> F 996S7 75015>> F 996S7 03171>> F 996S7 57897>> F 996S7 43974>>  F 996S7 03172>> F 996S7 38110>> F 996S7 51982>> F 996S7 75017>>  F 997S7 80790>> F 997S7 83404>>  we take back: 997.642.141.10.FMH  control part  volcano grey/black mat F 986U7 04750>> F 986U7 23353>>  F 986U7 77191>>  F 996S7 51981>> F 996S7 38111>> F 996S7 17269>> F 996S7 75015>> F 996S7 03171>> F 996S7 57897>> F 996S7 43974>>  F 997S7 03172>> F 997S7 38110>> F 996S7 51982>> F 996S7 75017>>		1	987 / 997 I665	(2)	997 642 135 DX	F 997S7 80790>> F 997S7 83404>>  we take back: 997.643.143.10.FMH  dvd device navigation system  F >>985S7 20584 F >>985U7 02718 F >>985U7 22919  F >>995S7 50848 F >>995S7 37431 F >>995S7 17613 F >>995S7 61191  we take back: 997.642.135.03/04	05-	1	987 / 997 CAYENNE I670	
(1)	997 642 143 DX FMH	F 996S7 03172>> F 996S7 38110>> F 996S7 51982>> F 996S7 75017>>  F 997S7 80790>> F 997S7 83404>>  we take back: 997.642.141.10.FMH  control part  volcano grey/black mat F 986U7 04750>> F 986U7 23353>>  F 986U7 77191>>  F 996S7 51981>> F 996S7 38111>> F 996S7 17269>> F 996S7 75015>> F 996S7 03171>> F 996S7 57897>> F 996S7 43974>>  F 997S7 03172>> F 997S7 38110>> F 996S7 51982>> F 996S7 75017>>		1	987 / 997 I665/680	(2)	997 642 137 BX	F 985S7 20585>> F 985U7 02719>> F 985U7 22920>>  F 995S7 50849>> F 995S7 37432>> F 995S7 17614>> F 995S7 61192>>  we take back: 997.642.137.02	/LL	05-	1	987 / 997 CAYENNE I670
						(2)	997 642 159 X	dvd device navigation system  we take back: 997.642.159.00	/RL  /RL	1 1	997 I099/670/672 I664/670/672 I099/670 I664/670	
						(2)	997 642 157 X	dvd device navigation system  F 986U7 04750>> F 986U7 23353>>  F 986U7 77191>>	/LL /LL	1	987/997/9PA I670/672 I098/670/672 I098/670 I8DQ/8DV I7Q2/7T1	

Model	Year	MG	SG	Illustration	Restrictions	UPD	13:34	26.01.2010	PORSCHE	PET	PORSCHE
ATK	2008	9	11	911-15		248					

Pos	Part Number	Description	Remark	Qty	Model	Pos	Part Number	Description	Remark	Qty	Model	
		F 996S7 51981>> F 996S7 38111>> F 996S7 17269>> F 996S7 75015>> F 996S7 03171>> F 996S7 57897>> F 996S7 43974>>  F 996S7 03172>> F 996S7 38110>> F 996S7 51982>> F 996S7 75017>>  F 997S7 80790>> F 997S7 83404>>  we take back: 997.642.157.00						we take back: 955.642.210.00				
(1)	A 955 642 203 X	control part	03-	1		(1)	955 642 210 AX	control part F 9P6LA 08080>> F 9P6LA 49271>> F 9P6LA 83930>>		1		
		we take back: 955.642.203.00						we take back: 955.642.210.01/10				
(1)	A 955 642 203 AX	control part	03-	1		2	996 642 122 X	computer	-99	1		
		we take back: 955.642.203.00/01					EFR	gloss black SIEMENS-NR. 65 61 04.40.01				
(1)	A 955 642 203 BX	control part	03-	1		2	996 642 122 AX	computer	00-	1		
		we take back: 955.642.203.00/01/02					EFR	gloss black F >>991S6 82634 F >>991S6 86837 SIEMENS-NR. 5WK 760 10				
(1)	955 642 203 CX	control part	-04	1		2	996 642 122 CX	computer	01	1		
		we take back: 955.642.203.00/01/02/05					EFR	gloss black F 991S6 82635>> F 991S6 86838>> SIEMENS-NR. 5WK 760 22				
(1)	955 642 203 DX	control part see technical information group 9 NR. 6/03 we take back: 955.642.203.00/01/02/05/06	-04	1	I8DV	2	996 642 122 LX	computer	02	1		
							EWD	black mat				
(1)	955 642 203 EX	control part	05-	1	I8DV			we take back: 996.642.122.12 EWD				
		we take back: 955.642.203.10/11				-	996 642 205 X	module navigation system	-04	1	M670	
(1)	955 642 210 X	control part	06-	1				we take back: 996.642.205.02				
		F >>9P6LA 08079 F >>9P6LA 49270 F >>9P6LA 83929										

## MXI KAT97

KAT.	M-X-I -NR	BENENNUNG-Deutsch DESCRIPTION-English
97	M002	Touring-Ausstattung für Carrera RS, z. B. elektrische Fensterheber, Zentralverriegelung, Unterbodenschutz Touring-equipment for Carrera RS, e. g. electric window opener central locking system, underbody protection
97	M198	Starter, 1,7Kw Starter 1,7 kw
97	M219	Ausgleichsgetriebe Differential
97	M220	Sperrdifferential 40 % Locking differential 40 %
97	M221	Sperrdifferential "Porsche" Porsche-locking differential
97	M249	Tiptronic-Getriebe Tiptronic transmission
97	M334	Cassetten-Radio Bremen RCM 42 Radio/cassette player Bremen RCM 42
97	M481	5-Gang Schaltgetriebe 5th-speed manual transmission
97	M491	Turbo-Look Turbo-look
97	M637	Club-Sport "CS" Club-sport "CS"
97	M639	GT-Ausführung Version "GT"
97	M692	CD-Wechsler "Porsche" CD-changer "Porsche"
97	ID9J	6 Zylinder-Ottomotor 3,2l/177KW (24V) 6-cylinder petrol engine, 3.2 l/177 kW (24 valves)
97	ID9K	8 Zylinder Ottom. 4,5 l/250 KW (V 8) 8-cylinder petrol engine, 4.5 l/250 kW (V 8)
97	ID9L	8 Zylinder Ottom. 4,5 l/330 KW (V 8) Biturbo 8-cylinder petrol engine, 4.5 l/330 kW (V 8) biturbo
97	IE81	Leistungsgesteigerter Motor 368 Kw Engine with increased efficiency 368 kw
97	IGOL	6-Gang Schaltgetriebe fuer Allrad 6-speed manual transmission for all-wheel drive vehicle
97	IGOR	Tiptronic S Tiptronic s
97	IU5B	Instrumenteneinsatz, Anzeige mph, GB Instrument insert, mph indication, GB
97	IU5C	Instrumenteneinsatz, Anzeige mph, USA Instrument insert, mph indication, USA
97	IU5D	Instrumenteneinsatz, Anzeige km/h, Kanada Instrument insert, km/h indication, Canada
97	IX50	Leistungssteigerung 331/340 kW Powerkit 331/340 kw
97	IX51	Leistungssteigerung 250 kW Powerkit 250 kw
97	IX75	Sperrdifferential (exclusiv) Differential lock (exclusive)
97	IOAW	Stabilisator Stabiliser
97	IOGD	Abgaskonzept EU 2, (CN) Emissions compliance EU 2, (CN)
97	I098	Linkslenker-Ausführung Left-hand drive version
97	I099	Rechtslenker-Ausführung Right-hand drive version
97	I1N3	Servolenkung geschwindigkeitsabhängig (Servotronic) Speed-dependent power-assisted steering (servotronic)
97	I1Y1	Differential Sperre hinten, Laengssperre Differential lock, rear, centre differential lock

## MXI KAT97

97	I 114	Taiwan - Ausführung Version for Taiwan
97	I 219	Ausgleichsgetriebe Differential
97	I 220	Sperrdifferential 40 % Locking differential 40 %
97	I 249	Tiptronic-Getriebe Tiptronic transmission
97	I 338	Heck-Antrieb Rear-wheel drive
97	I 339	Allrad-Antrieb 4-wheel drive
97	I 450	Keramik-Bremse (PCCB) Ceramic brake (PCCB)
97	I 480	6-Gang Schaltgetriebe 6-speed manual transmission
97	I 481	5-Gang Schaltgetriebe 5th-speed manual transmission
97	I 574	Ohne Klimaanlage Without air conditioner
97	I 660	OBD 2 OBD 2
97	I 661	Verschärftes Abgaskonzept Stricter emission-control concept
97	I 664	ORVR ORVR
97	I 665	PCM2 Grundmodul inklusive Radio PCM2 basic module including radio
97	I 666	PCM2 Telefon (GSM) PCM2 telephone (GSM)
97	I 670	PCM2 Navigation PCM2 navigation
97	I 672	PCM-2 Navigation Offroad PCM-2 Offroad navigation
97	I 680	Soundpaket BOSE BOSE sound package
97	I 692	CD-Wechsler "Porsche" CD-changer "Porsche"
97	I 694	CD-Radio "PORSCHE CDR 24" CD-radio "PORSCHE CDR 24"
97	I 697	CD-Radio "Porsche CDR 23" CD-Radio "Porsche CDR-23"
97	I 702	PCM - Navigationsmodul PCM navigation module
97	I 7T1	Navigation Offroad, mit Kursrechner Laengen- & Breitengradangabe Offroad navigation, with course calculator showing latitude and longitude
97	I 8DQ	Radio PCM- Grundmodul USA, Doppel DIN Farbblindschirm Basic radio/PCM terminal USA, double-DIN colour display
97	I 8DV	Radio PCM- Grundmodul RDW, Doppel DIN Farbblindschirm Basic radio/PCM terminal RoW, double-DIN colour display
97	I 8GH	Drehstromgenerator 190 A 190-A generator
97	I 8GR	Drehstromgenerator 150 A 150-A generator

Model	Year	MG	SG	Illustration	VIN No.	Update	13:01	02.09.2008
ATK	08					230		

## EQUIPMENT BY COUNTRY REGULATIONS

=====

- (A) AUSTRIA
- (AG) ARABIAN GULF STATES
- (AUS) AUSTRALIA
- (B) BELGIUM
- (CDN) CANADA
- (CH) SWITZERLAND
- (D) FEDERAL REPUBLIC OF GERMANY
- (DK) DENMARK
- (E) SPAIN
- (F) FRANCE
- (GB) GREAT BRITAIN
- (GR) GREECE
- (HK) HONGKONG
- (I) ITALY
- (J) JAPAN

Model	Year	MG	SG	Illustration	VIN No.	Update	13:01	02.09.2008
ATK	08					230		

(L) LUXEMBURG

(N) NORWAY

(NL) NETHERLANDS

(NZ) NEW ZEALAND

(P) PORTUGAL

(RC) TAIWAN

(S) SWEDEN

(SA) SAUDI ARABIA

(SF) FINLAND

(USA) UNITED STATES OF AMERICA

(ZA) SOUTH AFRICA

Model ATK	Year 08	MG	SG	Illustration	VIN No.	Update 230	13:01	02.09.2008
--------------	------------	----	----	--------------	---------	---------------	-------	------------

IN COLUMN - A -

-----

IDENTIFICATION LETTER FOR PERIOD OF INSTALLATION  
THAT IS REPEATED SEVERAL TIMES IN THE CATALOG GROUP.

EXPLANATION PLEASE FIND IN TEXT COLUMN OF THE CATALOG GROUP

IN COLUMN - QU - = NO. OF PIECES

-----

1 NUMBER PER APPLICATION

IN COLUMN - MODEL/SYMBOL -

-----

-90 LIMITATION OF MODEL YEAR FOR INSTANCE: VALID UP TO  
END OF MODEL YEAR 1990

/LL LHD

/RL RHD

-----+

/V FRONT I

I

/H REAR I

I----> APPLIES TO

/L LEFT I DIRECTION OF TRAVEL

I



Model	Year	MG	SG	Illustration	VIN No.	Update	13:01	02.09.2008
ATK	08					230		

/R	RIGHT	I						
	-----+							
C2	CARRERA	2						
C4	CARRERA	4						
AUT.	AUTOMATIC							

Model ATK	Year 08	MG	SG	Illustration	VIN No.	Update 230	13:01	02.09.2008
--------------	------------	----	----	--------------	---------	---------------	-------	------------

LEGENDS AND NOTICES

=====

IN COLUMN -S- STATUS

-----

- N NEW ADDITION  
TO BE CARRIED
- A STOCK TO BE USED UP
- U DELETED WITHOUT REPLACEMENT

IN COLUMN - ILL. -

-----

- 1 IDENTIFICATION NO. IN ILLUSTRATION
- (1) PART ONLY SIMILAR AS ILLUSTRATED
- PART IS NOT ILLUSTRATED

FIG.-NUMBERS FOR WHICH THERE IS SHOWN NO TEXT ARE  
NOT VALID FOR THIS EDITION OF CATALOGUE

IN COLUMN -PART NUMBER/CODE-

-----

000 000 000 00 PART NUMBER EQUALS ORDERING NO.,

Model	Year	MG	SG	Illustration	VIN No.	Update	13:01	02.09.2008
ATK	08					230		

IN COLUMN -TEXT

-----

INSTALLATION WITH ENGINE OR CHASSIS

NUMBER-RANGE

EXAMPLE :

M 62L 00389>>

FROM ENGINE NO.

F >>96LS4 00889

UP TO CHASSIS NO.

Model	Year	MG	SG	Illustration	VIN No.	Update	13:01	02.09.2008
ATK	08					230		

VEHICLE TYPE	TRANSM.			TRANSMISSION NO.	TECHNICAL DATA
	TYPE	MY			
924 S	016 J	86	QK . . . .	5-SPEED	
924 S M220	016 J	86	7Q . . . .	5-SPEED	
924 S M249	087 M	86	RCD . . . .	3-SPEED	
924 S	016 J	87	QK . . . .	5-SPEED	
924 S M220	016 J	87	7Q . . . .	5-SPEED	
924 S M249	087 M	87	RCD . . . .	3-SPEED	
924 S M249 (USA) (CDN) (J)	087 N	87	RCB . . . .	3-SPEED	
924 S	016 J	88	QK . . . .	5-SPEED	
924 S M220	016 J	88	7Q . . . .	5-SPEED	
924 S M249	087 M	88	RCD . . . .	3-SPEED	
924 S M249 (USA) (CDN) (J)	087 N	88	RCB . . . .	3-SPEED	

Model ATK	Year 08	MG	SG	Illustration	VIN No.	Update 230	13:01	02.09.2008
--------------	------------	----	----	--------------	---------	---------------	-------	------------

		TRANSM.			
VEHICLE TYPE	TYPE	MY	TRANSMISSION NO.	TECHNICAL DATA	
914	914. 300.11	70 0	HA0 000 001>>	5-SPEED	
914	914. 300.11	70 0	HB0 000 001>>	5-SPEED	(LIM. SLIP DIFFERENTIAL)
914-6	914. 300.01	70 0	750 0001 >>	5-SPEED	
914-6	914. 300.05	70 0	780 0001 >>	4-SPEED	(SPORTOMATIC)
914	914. 300.11	70 0	HA0 014 826>>	5-SPEED	
914	914. 300.11	70 0	HB0 000 004>>	5-SPEED	(LIM. SLIP DIFFERENTIAL)
914-6	914. 300.01	71 1	751 0001 >>	5-SPEED	
914-6	914. 300.05	71 1	761 0001 >>	4-SPEED	(SPORTOMATIC)
914	914. 300.11	72 2	HA0 030 094>>	5-SPEED	
914-6	914. 300.01	72 2	752 0001 >>	5-SPEED	
914-1,7/2,0	914. 300.12	73 3	HA0 051 316>>	5-SPEED	
914-1,8/1,8V/2,0	914. 300.12	74 4	HA 13 08 3 >>	5-SPEED	
914-1,8/1,8V/2,0	914. 300.12	75 5	HA 05 08 4 >>	5-SPEED	
914-1,8/1,8V/2,0	914. 300.12	76 6	HA 05 08 5 >>	5-SPEED	





Model ATK	Year 08	MG	SG	Illustration	VIN No.	Update 230	13:00	02.09.2008
--------------	------------	----	----	--------------	---------	---------------	-------	------------

ENGINE

VEHICLE TYPE	TYPE	MY	ENGINE-NUMBER	TECHNICAL DATA
944	M44.01	82 C 41C	0001>5000	4ZYL/2,5L/120KW
944 M249	M44.03	82 C 41C	5001>8000	4ZYL/2,5L/120KW
944	M44.01	83 D 41D	0001>E999	4ZYL/2,5L/120KW
944 M249	M44.03	83 D 41D	5001>9999	4ZYL/2,5L/120KW
944 (USA) (CDN) (J)	M44.02	83 D 43D	0001>J999	4ZYL/2,5L/110KW
944 M249 (USA) (CDN) (J)	M44.04	83 D 43D	5001>9999	4ZYL/2,5L/110KW
944	M44.01	84 E 41E	00001>20000	4ZYL/2,5L/120KW
944 M249	M44.03	84 E 41E	20001>30000	4ZYL/2,5L/120KW
944 (USA) (CDN) (J)	M44.02	84 E 43E	00001>20000	4ZYL/2,5L/110KW
944 M249 (USA) (CDN) (J)	M44.04	84 E 43E	20001>30000	4ZYL/2,5L/110KW
944	M44.01	85 F 41F	40001>50000	4ZYL/2,5L/120KW
944 M249	M44.03	85 F 41F	50001>60000	4ZYL/2,5L/120KW
944 (USA) (CDN) (J)	M44.02	85 F 43F	40001>50000	4ZYL/2,5L/110KW
944 M249 (USA) (CDN) (J)	M44.04	85 F 43F	50001>60000	4ZYL/2,5L/110KW
944	M44.05	85 F 41F	00001>20000	4ZYL/2,5L/120KW
944 M249	M44.06	85 F 41F	20001>30000	4ZYL/2,5L/120KW
944	M44.07	85 F 43F	00001>20000	4ZYL/2,5L/110KW
944 M249	M44.08	85 F 43F	20001>30000	4ZYL/2,5L/110KW
944	M44.05	86 G 41G	00001>20000	4ZYL/2,5L/120KW
944 M298	M44.06	86 G 41G	20001>30000	4ZYL/2,5L/120KW
944 M298	M44.07	86 G 43G	00001>60000	4ZYL/2,5L/110KW



Model	Year	MG	SG	Illustration	VIN No.	Update		
ATK	08					230	13:00	02.09.2008

944 M299				M44.08	86 G 43G	60001>90000	4ZYL/2,5L/110KW	
944 TURBO				M44.50	86 G 44G	00001>00400	4ZYL/2,5L/162KW	
944 TURBO				M44.51	86 G 45G	00001>20000	4ZYL/2,5L/162KW	
944				M44.05	87 H 41H	00001>20000	4ZYL/2,5L/120KW	
944 M249				M44.06	87 H 41H	20001>30000	4ZYL/2,5L/120KW	
944 M298				M44.07	87 H 43H	00001>60000	4ZYL/2,5L/110KW	
944 M299				M44.08	87 H 43H	60001>90000	4ZYL/2,5L/110KW	
944 S				M44.40	87 H 42H	00001>50000	4ZYL/2,5L/140KW	
944 TURBO				M44.51	87 H 45H	00001>10000	4ZYL/2,5L/162KW	
944				M44.09	87 J 46J	00001>60000	4ZYL/2,5L/118KW	
944 M249				M44.10	87 J 46J	60001>70000	4ZYL/2,5L/118KW	
944 S				M44.40	87 J 42J	00001>50000	4ZYL/2,5L/140KW	
944 TURBO				M44.51	87 J 45J	00001>10000	4ZYL/2,5L/162KW	
944 TURBO S				M44.52	87 J 47J	00061>10000	4ZYL/2,5L/184KW	

Model	Year	MG	SG	Illustration	VIN No.	Update	13:00	02.09.2008
ATK	08					230		

EXPLANATION OF THE MOTOR-NUMBERS USED IN THE CATALOGUE TYPE 914

=====

DIGIT: 1 2 3 4 5 6 7 8 9

EXAMPLE: E A 0 0 0 0 3 9 1

=== =====

! !

IDENTIFICATION LETTERS-----+ !

!

SERIAL NUMBER-----+

EXPLANATION OF THE MOTOR-NUMBERS USED IN THE CATALOGUE 914/6

=====

DIGIT: 1 2 3 4 5 6 7

EXAMPLE: 6 4 0 0 3 9 1

= = = =====

!!! !

ENGINE TYPE (6 = 6-CYL.-ENGINE)-----+ !! !

!! !

ENGINE VERSION-----+ ! !

! !

MODEL YEAR-----+ !

!

SERIAL NUMBER-----+

Model ATK	Year 08	MG	SG	Illustration	VIN No.	Update 230	13:00	02.09.2008
--------------	------------	----	----	--------------	---------	---------------	-------	------------

VEHICLE TYPE	MY	VEHICLE IDENT.NR.	ENGINE TYPE
968 COUPE	92 N	96NS8 00061>05000	M44.43/44 176 KW
968 CABRIO	92 N	96NS8 30061>35000	M44.43/44 176 KW
968 COUPE (USA) (CDN)	92 N	96NS8 20061>25000	M44.43/44 176 KW
968 CABRIO (USA) (CDN)	92 N	96NS8 40061>45000	M44.43/44 176 KW
968 COUPE	93 P	96PS8 00061>05000	M44.43/44 176 KW
968 COUPE CS	P	96PS8 15061>19000	M44.43 176 KW
968 CABRIO	93 P	96PS8 30061>34000	M44.43/44 176 KW
968 COUPE (USA) (CDN)	93 P	96PS8 20061>24000	M44.43/44 176 KW
968 CABRIO (USA) (CDN)	93 P	96PS8 40061>45000	M44.43/44 176 KW
968 COUPE	94 R	96RS8 00061>05000	M44.43/44 176 KW
968 COUPE CS	94 R	96RS8 15061>19000	M44.43 176 KW
968 CABRIO	94 R	96RS8 30061>34000	M44.43/44 176 KW
968 COUPE (USA) (CDN)	94 R	96RS8 20061>25000	M44.43/44 176 KW
968 CABRIO (USA) (CDN)	94 R	96RS8 40061>44000	M44.43/44 176 KW
968 COUPE	95 S	96SS8 00061>05000	M44.43/44 176 KW
968 COUPE CS	95 S	96SS8 15061>15800	M44.43 176 KW
968 CABRIO	95 S	96SS8 30061>34000	M44.43/44 176 KW
968 COUPE (USA) (CDN)	95 S	96SS8 20061>25000	M44.43/44 176 KW
968 CABRIO (USA) (CDN)	95 S	96SS8 40061>44000	M44.43/44 176 KW

Model ATK	Year 08	MG	SG	Illustration	VIN No.	Update 230	13:00	02.09.2008
--------------	------------	----	----	--------------	---------	---------------	-------	------------

VEHICLE TYPE	MY	VEHICLE IDENT.NR.	ENGINE TYPE
944	82 C	94CN4 00051>5000	M44.01/03 120 KW
944	83 D	94DN4 00051>9999	M44.01/03 120 KW
944 (USA) (CDN)	83 D	94DN4 50051>9999	M44.02/04 110 KW
944 (J)	83 D	94DN4 00051>9999	M44.02/04 110 KW
944	84 E	94EN4 00051>20000	M44.01/03 120 KW
944 (USA) (CDN)	84 E	94EN5 00051>20000	M44.02/04 110 KW
944 (J)	84 E	94EN4 00051>20000	M44.02/04 110 KW
944	85 F	94FN4 20051>50000	M44.01/03 120 KW
944 (USA) (CDN)	85 F	94FN4 70051>50000	M44.02/04 110 KW
944 (J)	85 F	94FN4 20051>50000	M44.02/04 110 KW
944	85 F	94FN4 00001>30000	M44.05/06 120 KW
944 (USA) (CDN)	85 F	94FN4 50001>80000	M44.07/08 110 KW
944 (J)	85 F	94FN4 00001>30000	M44.07/08 110 KW
944	86 G	94GN4 00001>30000	M44.05/06 120 KW
944 M298 (J)	86 G	94GN4 00001>30000	M44.07 110 KW
944 M299	86 G	94GN4 00001>30000	M44.08 110 KW
944 (USA) (CDN)	86 G	94GN4 50001>80000	M44.07/08 110 KW
944 TURBO	86 G	95GN1 40001>50000	M44.50 162 KW
944 TURBO	86 G	95GN1 00001>40000	M44.51 162 KW
944 TURBO (USA) (CDN)	86 G	95GN1 50001>70000	M44.51 162 KW
944	87 H	94HN4 20001>50000	M44.05/06 120 KW
944 M298	87 H	94HN4 20001>50000	M44.07 110 KW
944 M299	87 H	94HN4 20001>50000	M44.08 110 KW
944 S	87 H	94HN4 00001>08000	M44.40 140 KW

Model	Year	MG	SG	Illustration	VIN No.	Update	13:00	02.09.2008
ATK	08					230		

944 S M637				87 H 94HN4	08001>20000	M44.40	140	KW
944 S (USA) (CDN)				87 H 94HN4	50001>60000	M44.40	135	KW
944 S (USA) (CDN) M637				87 H 94HN4	60001>65000	M44.40	135	KW
944 S (USA) (CDN) M562				87 H 94HN4	65001>80000	M44.40	135	KW
944 TURBO				87 H 95HN1	00001>04000	M44.51	162	KW
944 TURBO M637				87 H 95HN1	04001>50000	M44.51	162	KW
944 TURBO (USA)				87 H 95HN1	50001>60000	M44.51	162	KW
944 TURBO (CDN)				87 H 95HN1	60001>65000	M44.51	162	KW
944 TURBO (CDN) M637				87 H 95HN1	65001>70000	M44.51	162	KW
944				88 J 94JN4	20001>70000	M44.09/10	118	KW
944 (USA) (CDN)				88 J 94JN4	70001>80000	M44.09/10	118	KW
944 (USA) (CDN) M562/563				88 J 94JN4	80001>90000	M44.10	118	KW
944 S				88 J 94JN4	00001>08000	M44.40	140	KW
944 S M637				88 J 94JN4	08001>50000	M44.40	140	KW
944 S (USA) (CDN) M637				88 J 94JN4	50001>65000	M44.40	140	KW
944 S (USA) (CDN) M562/563				88 J 94JN4	65001>80000	M44.40	140	KW
944 TURBO				88 J 95JN1	00001>04000	M44.51	162	KW
944 TURBO M637				88 J 95JN1	04001>10000	M44.51	162	KW
944 TURBO (USA)				88 J 95JN1	50001>60000	M44.51	162	KW
944 TURBO (CDN)				88 J 95JN1	60001>65000	M44.51	162	KW
944 TURBO (CDN) M637				88 J 95JN1	65001>80000	M44.51	162	KW
944 TURBO S				88 J 95JN1	04001>50000	M44.52	184	KW
944 TURBO S (USA)				88 J 95JN1	50001>60000	M44.52	184	KW

Model ATK	Year 08	MG	SG	Illustration	VIN No.	Update 230	13:00	02.09.2008
--------------	------------	----	----	--------------	---------	---------------	-------	------------

EXPLANATION OF THE ABRIDGED VERSION OF THE VEHICLE IDENT. NUMBERS (VIN)

=====

USED IN THE CATALOGUE TYPE 914

=====

DIGIT:                                   1 2 3 4 5 6 7 8 9 10

EXAMPLE:                               4 7 0 2 9 0 0 0 0 1

==== = == =====

! ! ! !

VEHICLE TYPE-----+ ! ! !

! ! !

MODEL YEAR-----+ ! !

! !

INDEX OF VARIANTS-----+ !

!

SERIAL NUMBER-----+

EXPLANATION OF THE ABRIDGED VERSION OF THE VEHICLE IDENT. NUMBERS (VIN)

=====

USED IN THE CATALOGUE TYPE 914/6

=====

DIGIT:                                   1 2 3 4 5 6 7 8 9 10

EXAMPLE:                               9 1 4 0 4 3 0 0 0 1

===== = = =====

! ! ! !

VEHICLE TYPE-----+ ! ! !

! ! !

Model	Year	MG	SG	Illustration	VIN No.	Update		
ATK	08					230	13:00	02.09.2008

MODEL YEAR-----+ ! !

! !

BODY AND ENGINE VERSION-----+ !

!

SERIAL NUMBER-----+

Model	Year	MG	SG	Illustration	VIN No.	Update		
ATK	08					230	12:56	02.09.2008

THIS PARTS CATALOGUE CONTAINS ORDERING INFORMATION ON THE  
REPLACEMENT PROGRAMM FOR ALL VEHICLE TYPES AS OF MODEL 1963.

IT IS AVAILABLE IN THE FOLLOWING LANGUAGES:

- DEUTSCH ORDER-NO. WET 615 610
- \* - ENGLISCH ORDER-NO. WET 615 620
- FRANZOESISCH ORDER-NO. WET 615 630
- ITALIENISCH ORDER-NO. WET 615 640
- SPANISCH ORDER-NO. WET 615 650

UPDATING IS BEING PERFORMED BY CHANGING OF FICHE.

THE EDITION CAN BE RECOGNIZED BY THE CURRENT NO. AND CALENDAR  
YEAR IN THE BOTTOM LINE OF SUBJECT FICHE.

THE PREVIOUS FICHE SHOULD NO LONGER BE USED.

ALL ILLUSTRATIONS ARE SUBJECT TO CHANGE WITHOUT OBLIGATION.